

This publication contains Parts Information for all **Domestic Built 1988 Passenger cars as well as Front Wheel Drive Trucks.**

The use of this Parts Catalog and the arrangement of information herein is explained in the General Information Section as indexed below.

INDEX TO INFORMATION FRAMES

	FICHE/ROW and FRAME
● ABBREVIATIONS	1-A16-20
● ALPHABETICAL INDEX	1-A6
● BODY CODE PLATE INTERPRETATION	1-A11
● BUILD DATE MONTH AND YEAR	1-A9
● CAR LINE INFORMATION	1-A12
● COLOR CODE OR COMBINED PART NUMBERS	1-A7
● DATE CODE CORRELATION TABLES	1-A12
● ENGINE IDENTIFICATION NUMBERS	1-A8
● GROUP SYSTEM	1-A4
● HOW TO LOCATE PARTS	1-A3
● ILLUSTRATION INDEX	1-A6
● INTERIOR TRIM	1-A7
● METRIC CONVERSION TABLE	1-A15
● NUMERICAL INDEX	1-A6
● MICRO FICHE LAYOUT	1-A3
● MODEL CHART AND STANDARD POWER TRAINS	1-A14
● PARTS CATALOG BULLETINS	1-A6
● PARTS PACKAGES	1-A6
● PRICE CLASS (SERIES) INFORMATION	1-A10
● RIGHT AND LEFT PART NUMBERS	1-A5
● SALES CODES	1-A13
● SPECIFYING INFORMATION	1-A5
● STANDARD PARTS	1-A6
● SYMBOLS USED IN THIS CATALOG	1-A5
● TRANSMISSION IDENTIFICATION	1-A7
● VEHICLE IDENTIFICATION PLATE	1-A9, A10

HOW TO USE THIS FICHE AND LOCATE PARTS

MICROFICHE LAYOUT

Each Fiche is 4" × 6" and contains 288 Frames. There are 12 Rows containing 24 Frames in each Row. Each Row is identified by a letter in sequence running vertically from top to bottom. Each Alphabetical Row has 24 Frames running numerically from Left to Right from 1 to 24 inclusive. Therefore, each of the 288 Frames has an Alpha/Numeric identification. Example: A4, C20, Etc.

The Color coded "Header Strip" of each Fiche identifies the Set (i.e. 1988 - Pass. Car), the Fiche Number (i.e. Fiche 1 of 5), the date of issue and the Groups contained within the Fiche.

TO LOCATE PARTS

The Fiche is divided into Part Groups in which illustrations for parts of a similar function and/or location are published. The Group Contents Listing on the next Frame shows the type of parts contained in each Group. An Index to locate each Group is provided between each Text and Illustration Frame throughout the Fiche Catalog.

Several methods may be used to locate a specific part.

Option 1: From the Group Contents Listing, select the Group which would contain the part to be found. Refer to the adjoining Index to determine where the Group is located and locate the Group. Frame 2, following the Group Header, will contain an Index of Illustrations. Select the Illustration most likely to contain the part. Refer to the Illustration and review the Illustration and associated Text Information.

Option 2: If the "noun" name of the part you seek is known, an Alphabetical Index of Nouns and Illustration Titles, found on the last Fiche of the Set, is provided to assist in finding the part. Several keys may be found in this Index.

AMPLIFIER , Vacuum	Group 25 - Group Reference
AIR CLEANER , 318 Engine 2BBL	3-H10 - Fiche, Row and Frame Reference
ARM , Hood Hinge	5-G8:6 - Fiche, Row and Frame, and Item Reference

Fiche _____
 Row and Frame _____
 Item _____

Option 3: If the part number is known refer to the Numerical Index on the last Fiche of the set, which will in turn refer you to the Fiche location of the item. Multiple references mean the part is listed more than once.

PART GROUP - TITLES & CONTENT

GROUP	CONTENTS
INF	Information Section
AL	Alphabetical Index
IL	Illustration Index (All Groups)
1	Catalog Notices
2	Front Suspension & Drive Front Suspension Components ... Steering Knuckles Front Drive Shafts, Axles, Locking Hubs ... Front Differential
3	Rear Axle Rear Axle and Component Parts ... Rear Axle Mountings
4	Parking Brake Controls
5	Service Brake Brake Controls and Mechanism ... Brake Warning Switch Park Brake Components within the Wheel ... Wheel Hardware, Bearings and Seals
6	Clutch Clutch Unit and Components ... Clutch Pedal, Controls
7	Cooling Front Grille, Grille Support, Radiator Supports, Headlamp Supports ... Radiators, Fans and Fan Motors, Hoses, Thermostats ... Transmission Cooling ... Water Pump ... Drive Belts and Pulleys ... Turbo Charger Cooling
8	Electrical Switches, Relays, Solenoids, Sensors, ... Battery Trays ... Engine Electrical ... Starters, Alternators, Distributors ... Front, Rear, Interior Lamp ... Body Wiring ... Horn
8A	Instrument Panel and Console Instrument Panel and Console Electrical Parts, Clusters, Switches, Wiring ... All Hard and Soft Trim Parts ... Radio, Speakers and Antenna
9 (A, B ...)	Engine (By Engine Type) Engine Components ... Engine Oil System ... Flywheels, Torque Converters ... Engine Mounting
11	Exhaust Exhaust System Components ... Heat Shields
13	Frame, Bumper & Fascia Frame Components, Crossmembers ... Bumper and Fascia Components ... Snow Plow Parts
14	Fuel Accelerator Pedal, Linkage, Throttle Control ... Air Cleaner ... Carburetors, Throttle Body and Injection Components ... Fuel Lines, Fuel Tank ... Fuel Pump ... Turbo Charger Components ... Speed Control

GROUP	CONTENTS
16	Prop. Shaft and Universal Joint
17	Rear Suspension Rear Suspension Components
18	Service Bulletin Parts
19	Steering Steering Wheels, Column ... Power Steering Pump ... Steering Gear ... Steering Linkage, Tie Rods
21M	Manual Transmission and Transfer Cases Manual Transmission, Transaxle and Components ... Gearshift Controls ... Transfer Case, Controls, Mountings ... Speedometer Pinion and Cable
21A	Automatic Transmission Automatic Transmission, Transaxle and Components ... Gearshift Controls ... Speedometer Pinion and Cable
22	Wheels Wheel Rims ... Wheel Covers, Hubcaps ... Jack and Spare Tire Storage
23	Exterior Ornamentation Exterior Ornamentation, Tape Stripes, Decals ... Exterior Moldings ... Vinyl Roof and Trim, Ground Effects Pkgs.
23A	Body-Sheet Metal Except Doors Body Metal ... Stationary Glass ... Sun Roof ... Convertible Top ... Hood and Deck Release
23C	Body-Doors and Related Parts Door Metal ... Door Hardware ... Door Glass ... and Regulator ... Door Mirrors ... Weatherstrips
23D	Body-Miscellaneous Lock Cylinders and Keys ... Windshield Washer/Wiper System
IT (A, B ...)	Interior Trim (By Body Code) All Interior Trim Except Dash and Console ... Seats and Seat Belts ... Seat Adjusters, Manual and Power ... Carpet ... Interior Panels and Moldings ... Security/Tonneau Covers
24	Heater and Air Heater, Air Conditioning System and Controls
25	Emission Systems Air Pump ... EGR System ... Vapor Canister
NU	Numerical Index

RIGHT AND LEFT PART NUMBERS

Right and Left part numbers are frequently combined on one line, e.g. 3514 444-5. Such numbers are interpreted as 3514 444 Right side application and 3514 445 Left Side. Right and Left Sides are always determined by their relationship to the driver when normally seated and looking forward.

SYMBOLS USED IN THIS PARTS CATALOG

The following symbols are commonly used with Part Number and quantity information in this Catalog:

- Preceding a part number indicates parts which have been added and not previously published.

AR - Indicates the quantity required may vary or is to be determined by the user.

SPECIFYING INFORMATION

The following information is included in this Parts Catalog:

- Part Name
- Part Number
- Model Application
- Quantity used per vehicle
- Description and dimensions necessary for proper identification of parts where necessary
- Model or Engine Column:
Engine by Displacement or Vehicle Model
Code Body Style Code or Price Class.
- Effective points of model year running changes are indicated by vehicle serial number, engine number or body number where applicable. When serial number effective points are not available, production effective dates are used. (Refer to the Federal Certification Label for the build date).
- Parts designated as CANADA or EXPORT are not available through US parts outlets.

In the event replacement parts not listed herein are required due to a special service situation, Chrysler Dealers should contact their facing depot for specifier assistance. Problems encountered with peculiar part specifications can be resolved in the same manner.

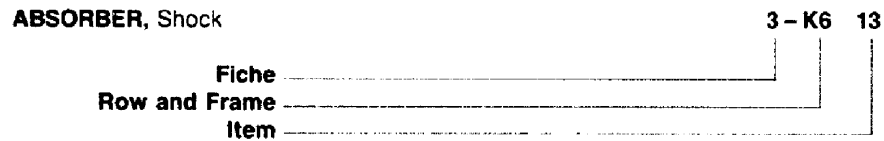
ILLUSTRATION INDEX

This index is a compilation of catalog parts description data with reference to illustrations, and Frame location.

The first page of each group contains a listing of all illustrations within that group. Also refer to illustrations alphabetically listed in information section.

ALPHABETICAL INDEX

This index is a compilation of catalog parts description data with a reference to the location of the item by fiche, Row and Frame, and item number as shown in the following example:



To locate a part by name, refer to the Alphabetical Index. The Alphabetical Index can be found on the last Fiche of the Set.

NUMERICAL INDEX

A listing of Part Numbers contained in the catalog. The numbers are in numerical sequence with reference to the Fiche, Row and Frame, and item number where the part is located.

PARTS PACKAGES

Service Parts Packages, containing all parts needed for specific service operation, are listed in their respective groups with related parts. The listing will show adaptability and model application.

STANDARD PARTS

Important attaching standard parts such as bolts, nuts, etc. are generally listed in the text of the respective major parts groups.

CATALOG AND PARTS BULLETINS

CATALOG AND PARTS BULLETINS are issued when important changes are made in production or when corrections are to be made in the Parts Catalog between regular revisions.

COLOR CODED OR COMBINED PART NUMBERS

Appearing throughout this catalog are part numbers containing both letters and numbers. For example: D500 KB7. These are good serviceable part numbers. The combination of letters and numbers merely indicates the parts are keyed to the interior color of the vehicles on which they are used.

In addition, Right and Left part numbers are frequently combined on one line; e.g. D500-1 KB7. Such numbers are interpreted as D500 KB7, Right side application, and D501 KB7 Left side. Right and Left Sides are always determined by their relationship to the driver when normally seated and looking forward.

INTERIOR TRIM

Refer to the Group IT, Interior Trim Information section, for information relative to Interior Soft and Hard Trim, Rolled Stock, etc.

TRANSMISSION IDENTIFICATION

MANUAL TRANSMISSION

(Example **PP23044360001**)

PLANT CODE	COMPONENT CODE	DATE CODE	SERIAL NUMBER
2 letters	3 digits	4 digits	4 digits
PP - New Process Gear Division	230 - 230 trans. 250 - 250 trans. 833 - 833 trans.	Based on the calendar on Fiche 1-A13	A sequential number beginning with 0001 for each day's production

Location: Below centerline on Front Portion of Right Side

AUTOMATIC TRANSMISSION

(Example **PK3681063W44360001**)

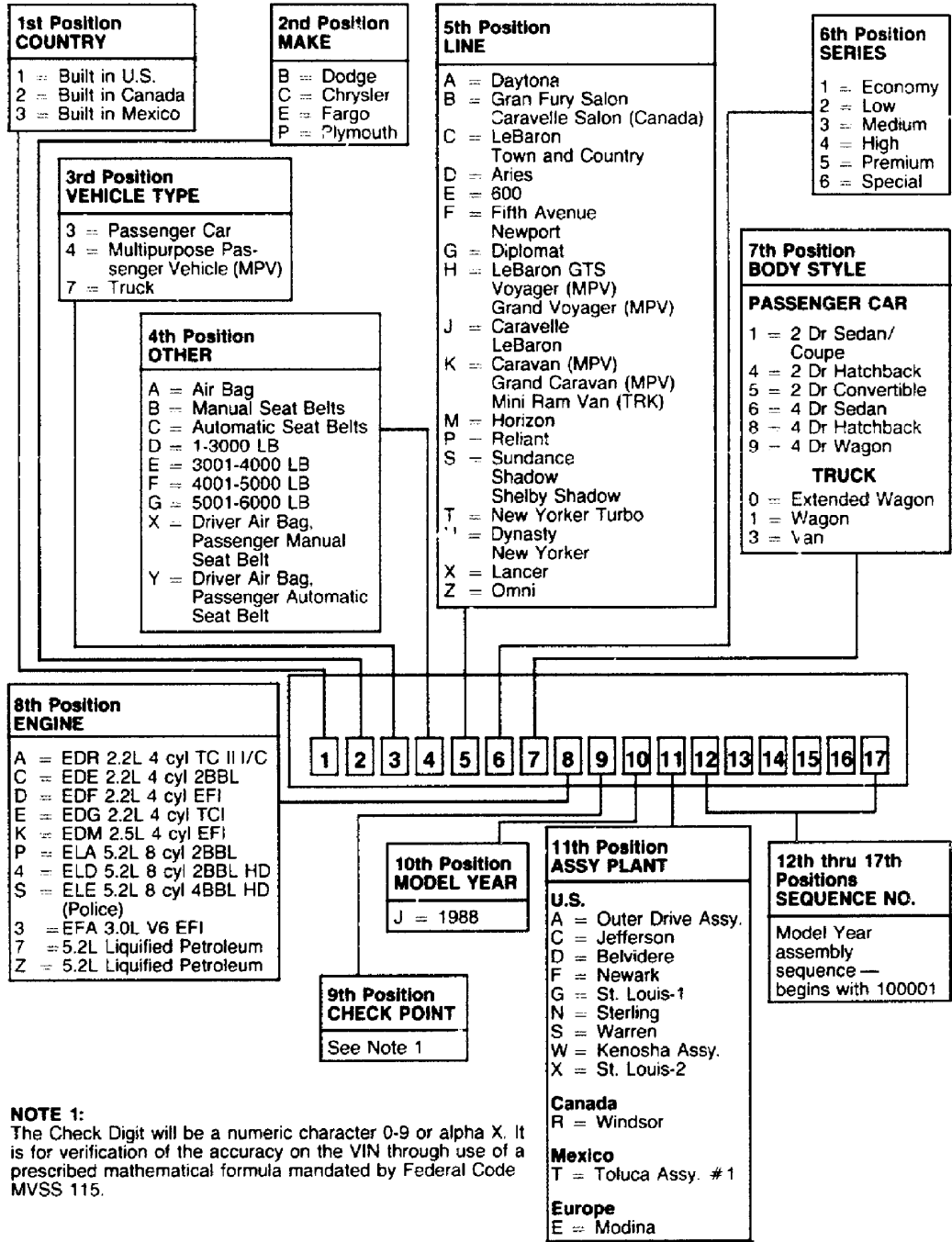
PLANT CODE	PART NO.	CHANGE CODE	DATE CODE	SERIAL NUMBER
2 letters	7 digits	1 digit	4 digits	4 digits
PK - Kokomo	3681063	W (Factory use only- of no significance to the field)	Based on the calendar on Fiche 1-A13	A sequential number beginning with 0001 for each day's production.

Location: On Oil Pan Side Rail-Left Side.

NOTE: A derivative of the Vehicle Identification Number is also stamped on all production installed Engines and Transmissions, e.g.:

J	A	1000001
Model Year	Assembly Plant	Vehicle Sequence Number

VEHICLE IDENTIFICATION NUMBER (VIN) DEFINED

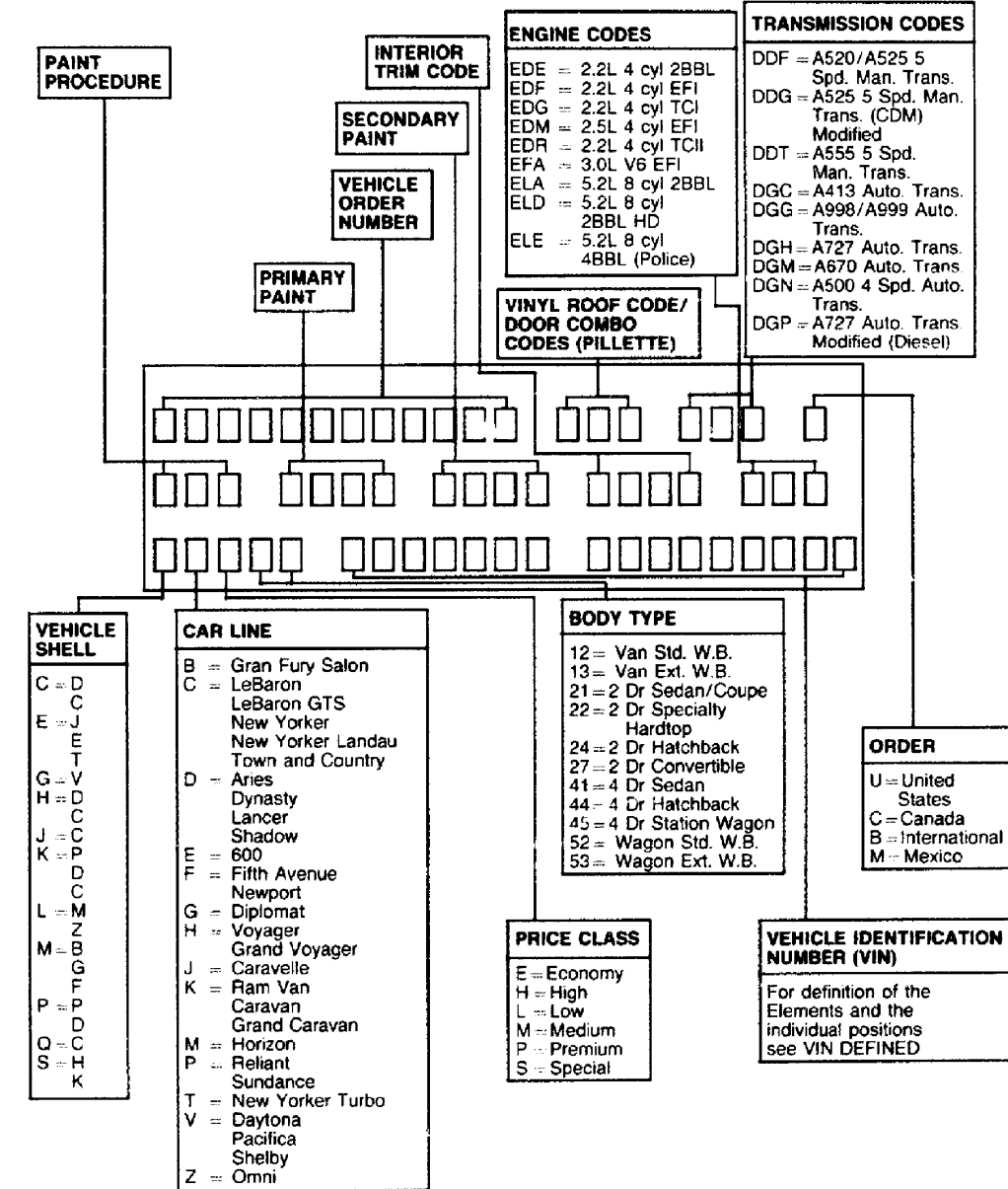


NOTE 1:
The Check Digit will be a numeric character 0-9 or alpha X. It is for verification of the accuracy on the VIN through use of a prescribed mathematical formula mandated by Federal Code MVSS 115.

BODY CODE PLATE

The Body Code Plate is located on the Left Front Side Shield or Wheel Housing or on the Upper Radiator Support. On FWD Trucks the Plate is located on the Right Front Cowl Panel. The Plate contains 7 rows of data. The bottom 3 rows are reserved for specific information as depicted below. Starting at the fourth row, (following the reserved portion), other Sales Codes used to build a specific vehicle are listed in the ascending order by Alpha sequence.

CODE PLATE INTERPRETATION



DATE CODE CORRELATION TABLE

1988 DAY NUMBER

DATE	JAN.	FEB.	MAR.	APR.	MAY	JUNE	JULY	AUG.	SEPT.	OCT.	NOV.	DEC.
1	9653	9684	9713	9744	9774	9805	9835	9866	9897	9927	9958	9988
2	9654	9685	9714	9745	9775	9806	9836	9867	9898	9928	9959	9989
3	9655	9686	9715	9746	9776	9807	9837	9868	9899	9929	9960	9990
4	9656	9687	9716	9747	9777	9808	9838	9869	9900	9930	9961	9991
5	9657	9688	9717	9748	9778	9809	9839	9870	9901	9931	9962	9992
6	9658	9689	9718	9749	9779	9810	9840	9871	9902	9932	9963	9993
7	9659	9690	9719	9750	9780	9811	9841	9872	9903	9933	9964	9994
8	9660	9691	9720	9751	9781	9812	9842	9873	9904	9934	9965	9995
9	9661	9692	9721	9752	9782	9813	9843	9874	9905	9935	9966	9996
10	9662	9693	9722	9753	9783	9814	9844	9875	9906	9936	9967	9997
11	9663	9694	9723	9754	9784	9815	9845	9876	9907	9937	9968	9998
12	9664	9695	9724	9755	9785	9816	9846	9877	9908	9938	9969	9999
13	9665	9696	9725	9756	9786	9817	9847	9878	9909	9939	9970	10000
14	9666	9697	9726	9757	9787	9818	9848	9879	9910	9940	9971	10001
15	9667	9698	9727	9758	9788	9819	9849	9880	9911	9941	9972	10002
16	9668	9699	9728	9759	9789	9820	9850	9881	9912	9942	9973	10003
17	9669	9700	9729	9760	9790	9821	9851	9882	9913	9943	9974	10004
18	9670	9701	9730	9761	9791	9822	9852	9883	9914	9944	9975	10005
19	9671	9702	9731	9762	9792	9823	9853	9884	9915	9945	9976	10006
20	9672	9703	9732	9763	9793	9824	9854	9885	9916	9946	9977	10007
21	9673	9704	9733	9764	9794	9825	9855	9886	9917	9947	9978	10008
22	9674	9705	9734	9765	9795	9826	9856	9887	9918	9948	9979	10009
23	9675	9706	9735	9766	9796	9827	9857	9888	9919	9949	9980	10010
24	9676	9707	9736	9767	9797	9828	9858	9889	9920	9950	9981	10011
25	9677	9708	9737	9768	9798	9829	9859	9890	9921	9951	9982	10012
26	9678	9709	9738	9769	9799	9830	9860	9891	9922	9952	9983	10013
27	9679	9710	9739	9770	9800	9831	9861	9892	9923	9953	9984	10014
28	9680	9711	9740	9771	9801	9832	9862	9893	9924	9954	9985	10015
29	9681	9712	9741	9772	9802	9833	9863	9894	9925	9955	9986	10016
30	9682		9742	9773	9803	9834	9864	9895	9926	9956	9987	10017
31	9683		9743		9804		9865	9896		9957		10018

1987 DAY NUMBER

DATE	JAN.	FEB.	MAR.	APR.	MAY	JUNE	JULY	AUG.	SEPT.	OCT.	NOV.	DEC.
1	9288	9319	9347	9378	9408	9439	9469	9500	9531	9561	9592	9622
2	9289	9320	9348	9379	9409	9440	9470	9501	9532	9562	9593	9623
3	9290	9321	9349	9380	9410	9441	9471	9502	9533	9563	9594	9624
4	9291	9322	9350	9381	9411	9442	9472	9503	9534	9564	9595	9625
5	9292	9323	9351	9382	9412	9443	9473	9504	9535	9565	9596	9626
6	9293	9324	9352	9383	9413	9444	9474	9505	9536	9566	9597	9627
7	9294	9325	9353	9384	9414	9445	9475	9506	9537	9567	9598	9628
8	9295	9326	9354	9385	9415	9446	9476	9507	9538	9568	9599	9629
9	9296	9327	9355	9386	9416	9447	9477	9508	9539	9569	9600	9630
10	9297	9328	9356	9387	9417	9448	9478	9509	9540	9570	9601	9631
11	9298	9329	9357	9388	9418	9449	9479	9510	9541	9571	9602	9632
12	9299	9330	9358	9389	9419	9450	9480	9511	9542	9572	9603	9633
13	9300	9331	9359	9390	9420	9451	9481	9512	9543	9573	9604	9634
14	9301	9332	9360	9391	9421	9452	9482	9513	9544	9574	9605	9635
15	9302	9333	9361	9392	9422	9453	9483	9514	9545	9575	9606	9636
16	9303	9334	9362	9393	9423	9454	9484	9515	9546	9576	9607	9637
17	9304	9335	9363	9394	9424	9455	9485	9516	9547	9577	9608	9638
18	9305	9336	9364	9395	9425	9456	9486	9517	9548	9578	9609	9639
19	9306	9337	9365	9396	9426	9457	9487	9518	9549	9579	9610	9640
20	9307	9338	9366	9397	9427	9458	9488	9519	9550	9580	9611	9641
21	9308	9339	9367	9398	9428	9459	9489	9520	9551	9581	9612	9642
22	9309	9340	9368	9399	9429	9460	9490	9521	9552	9582	9613	9643
23	9310	9341	9369	9400	9430	9461	9491	9522	9553	9583	9614	9644
24	9311	9342	9370	9401	9431	9462	9492	9523	9554	9584	9615	9645
25	9312	9343	9371	9402	9432	9463	9493	9524	9555	9585	9616	9646
26	9313	9344	9372	9403	9433	9464	9494	9525	9556	9586	9617	9647
27	9314	9345	9373	9404	9434	9465	9495	9526	9557	9587	9618	9648
28	9315	9346	9374	9405	9435	9466	9496	9527	9558	9588	9619	9649
29	9316		9375	9406	9436	9467	9497	9528	9559	9589	9620	9650
30	9317		9376	9407	9437	9468	9498	9529	9560	9590	9621	9651
31	9318		9377		9438		9499	9530		9591		9652

SALES CODES

Due to the increase complexity of qualifications required to describe the application of some replacement parts; particularly those related to Emission Control System, Sales Codes are used on a selected basis in some areas of this publication.

Normally, Sales Codes will be employed as secondary qualifiers and are for the express purpose of providing positive identification of parts applicable to vehicle components or systems so complex in nature that normal methods of written qualification are either inadequate or confusing.

The Sales code will always appear after the written description of the part; will be enclosed in parenthesis; will be prefixed S/C; and will follow a hyphen appended to the S/C, e.g.: (S/C-NAE).

To determine whether or not the vehicle for which the part is being specified was built with a particular Sales Code it will be necessary to refer to the Body Code Plate depicted on page INF-10. Sales Codes are also listed on vehicle invoices and on the Maroney label which is affixed to the side glass on new units.

DEFINITION OF SALES CODES

EDD — 2.2L 16 Valve Engine (DeTomaso Design)

EDE — 2.2L 2BBL Engine

EDF — 2.2L EFI Engine

EDG — 2.2L EFI TCI Engine

EDR — 2.2L EFI TCI Engine

NAA — **ELECTRONIC SPARK ADVANCE** — w/Catalyst—Except California System. Used in conjunction with a Catalytic Exhaust System — Unleaded Fuel is required

NAB — **ELECTRONIC SPARK ADVANCE** — w/o Catalyst. Used in conjunction with a conventional Non-Catalytic Exhaust System. Unleaded Fuel is not required. Canada and Export.

NAC — **W/O ELECTRONIC SPARK ADVANCE** — Used in conjunction with a Catalytic Exhaust System — unleaded fuel required

NAD — **W/O ELECTRONIC SPARK ADVANCE** — Used in conjunction with a Conventional Exhaust —unleaded fuel is not required (Canada & Export)

NAE — **EMISSION CONTROLS TESTING AND LABEL** — Commonly referred to as California Emission Controls due to it being mandatory for designated engines on trucks sold in the state of California.

NAF — **HIGH ALTITUDE EMISSION CONTROLS** — Required for some truck lines and engine combinations sold in some geographical markets predominantly above 4000 feet elevation

NAG — **USED IN CONJUNCTION WITH A CONVENTIONAL EXHAUST SYSTEM** — Unleaded Fuel is not required. Canada & Export.

NAU — **ALL U.S. TYPE EMISSION SYSTEMS**

NEB — **PERFORMANCE EXHAUST SYSTEM (LOW BACK PRESSURE)**

NED — **EXHAUST SYSTEM** — Performance Type - With Bright Tip (Used Only on Shelby Charger)

W3A, W3B — Wheel Cover Class I - 13"

W4A, W4C, W4D — Wheel Cover Class I - 14"

W4F, W4G — Wheel Cover Class II - 14"

W4H — Wheel Cover Class II - Sport - 14"

W4J, W4K — Wheel Cover Class II - 14"

W4L — Wheel Cover Class II - Sport 14"

W4P, W4R — Wheel Cover Class III - 14"

W4T, W4V, W4Y — Wheel Cover Class II - 14"

W5B — Wheel Cover Class I - 15"

W5E, W5H — Wheel Cover Class II - 15"

W5P — Wheel Cover Class III - 15"

MODEL CHART AND STANDARD POWER TRAINS

Body Code	Model Name	Model Code	Series	Body Style	Base Engine Displacement	Transaxle/Trans.	
						5 Spd. Man.	3 Spd. Auto
PLYMOUTH							
L	Horizon	M	E	44	2.2L EFI	S	
P	Sundance	P	H	24 44	2.2L EFI	S	
K	Reliant LE	P	H	21 41 45	2.2L EFI	S(d)	
E	Caravelle	J	M	41	2.2L EFI		S
	Caravelle SE	J	H	41	2.5L EFI		S
M	Gran Fury	B	L	41	5.2L 2BBL		S
S	Voyager	H	L	52	2.5L EFI	S	
	Voyager SE	H	H	52	2.5L EFI	S	
	Grand Voyager SE	H	H	53	2.5L EFI	S	
	Voyager LE	H	P	52	2.5L EFI	S	
	Grand Voyager LE	H	P	53	3.0L MPI		S
DODGE							
L	Omni	Z	E	44	2.2L EFI	S	
P	Shadow	D	H	24 44	2.2L EFI	S	
K	Aries LE	D	H	41 45	2.2L EFI	S(d)	
G	Daytona	V	H	24	2.5L EFI	S	
	Daytona Pacifica	V	P	24	2.2L TCI	S	
	Daytona Shelby Z	V	S, X	24	2.2L TCII	S	
E	600	E	M	41	2.2L EFI		S
	600 SE	E	H	41	2.2L EFI		S
H	Lancer	D	H	44	2.2L EFI	S	
	Lancer ES	D	S	44	2.5L EFI	S	
M	Diplomat Salon	G	L	41	5.2L 2BBL		S
	Diplomat SE	G	P	41	5.2L 2BBL		S
C	Dynasty	D	H	41	3.0L MPI		S
	Dynasty LE	D	P	41	3.0L MPI		S
S	Caravan	K	L	52	2.5L EFI	S	
	Caravan SE	K	H	52	2.5L EFI	S	
	Grand Caravan SE	K	H	53	2.5L EFI	S	
	Caravan LE	K	P	52	2.5L EFI	S	
	Grand Caravan LE	K	P	53	3.0L MPI		S
CHRYSLER							
Chrysler TC by Maserati					27	2.2L 16V TCII	S
K	LeBaron Sedan	C	P	41	2.2L EFI		S
	Town & Country	C	P	45	2.5L EFI		S
E	New Yorker Turbo	T	P	41	2.2L TCI		S
C	New Yorker	C	H	41	3.0L MPI		S
	New Yorker Landau	C	S	41	3.0L MPI		S
H	LeBaron GTS	C	H	44	2.2L EFI	S	
	LeBaron GTS	C	P	44	2.5L EFI	S	
J	LeBaron Coupe & Convertible	C	H, P	21, 27	2.5L EFI	S	
M	Fifth Avenue	F	S	41	5.2L 2BBL		S

(d) = 2.2L EFI Engine only
 21 2-Door Coupe 27 2-Door Convertible 44 4-Door Hatchback 52 Std. Wheelbase Wagon
 24 2-Door Hatchback 41 4-Door Sedan 45 2 Seat Wagon 53 Ext. Wheelbase Wagon

METRIC CONVERSION TABLE

LINEAR MEASUREMENT

1 foot (ft.)	12 inches (in.)	1 centimeter (cm)	10 millimeters (mm)
1 yard (yd.)	3 ft. = 36 in.	1 meter (m)	100 cm = 1000 mm
1 mile (statute)	5,280 ft.	1 kilometer (km)	1000 meters

To convert	Into	Multiply by	To convert	Into	Multiply by
inches	centimeters	2.5400	centimeters	inches	0.3937
inches	millimeters	25.4000	millimeters	inches	0.0394
feet	meters	0.3048	meters	feet	3.2808
feet	millimeters	304.8000	millimeters	feet	0.0033
yards	meters	0.9144	meters	yards	1.0936
miles	kilometers	1.6093	kilometers	miles	0.6214

AREA MEASUREMENT

1 square foot (sq.ft.)	144 square inches (sq.in.)	1 sq. centimeter (cm ²)	100 sq. millimeters (mm ²)
1 square yard (sq.yd.)	9 square feet	1 sq. meter (m ²)	10,000 cm ²
1 acre	4,840 sq. ft.	1 are (a)	100 m ²
1 square mile	640 acres	1 sq. kilometer (km ²)	1,000,000 m ²

To convert	Into	Multiply by	To convert	Into	Multiply by
square inches	sq. centimeters	6.4516	sq. centimeters	sq. inches	0.1550
square feet	sq. meters	0.0929	sq. meters	sq. feet	10.7639
square yards	sq. meters	0.8361	sq. meters	sq. yards	1.1960
acres	sq. meters	4.0470	sq. meters	acres	0.0002
square miles	sq. kilometers	2.5900	sq. kilometers	sq. miles	0.3861

CUBIC MEASUREMENT (VOLUME)

1 cubic foot (cu. ft.)	1.728 cubic inches (cu. in.)	1 cu. centimeter (cm ³)	1000 cu. millimeters (mm ³)
1 cubic yard (cu. yd.)	27 cubic feet	1 cubic meter (m ³)	1,000,000 cm ³

To convert	Into	Multiply by	To convert	Into	Multiply by
cubic inches	cu. centimeters	16.3872	cu. centimeters	cubic inches	0.0610
cubic feet	cubic meters	0.0283	cubic meters	cubic feet	35.3145
cubic yards	cubic meters	0.7646	cubic meters	cubic yards	1.3079

LIQUID MEASUREMENT (CAPACITY)

1 pint (pt.)	28.875 cubic inches	1 centimeter (cl.)	10 milliliters (ml.)
1 quart (qt.)	2 pints = 57.75 cu. in.	1 liter (l)	100 cl. = 1000 ml.
1 gallon (gal.)	4 qts = 231 cu. in.	1 kiloliter (kl)	1000 liters

To convert	Into	Multiply by	To convert	Into	Multiply by
cubic inches	liters	0.0164	liters	cubic inches	61.0250
pints	liters	2.1132	liters	pints	0.4732
quarts	liters	0.9463	liters	quarts	1.0566
gallons	liters	3.7853	liters	gallons	0.2642
cubic feet	liters	28.3162	liters	cubic feet	0.0353

WEIGHT MEASUREMENT

1 ounce (oz.)	16 drams	1 centigram (cg.)	10 milligrams (mg.)
1 pound (lb.)	16 ounces	1 gram (g.)	100 cg. = 1000 mg.
1 short ton	2000 pounds	1 kilogram (kg.)	1000 grams
1 long ton	2240 pounds	1 metric ton (t.)	1000 kg.

To convert	Into	Multiply by	To convert	Into	Multiply by
drams	grams	1.7718	grams	drams	0.5644
ounces	grams	28.3495	grams	ounces	0.0353
pounds	kilograms	0.4536	kilograms	pounds	2.2046
tons (short)	tons (metric)	0.9072	tons (metric)	tons (short)	1.1023

POWER MEASUREMENT

1 horsepower (hp)	746 watts	7457 kilowatts (kw)	1 horsepower (ps)	736 watts	7355 kw
-------------------	-----------	---------------------	-------------------	-----------	---------

To convert	Into	Multiply by	To convert	Into	Multiply by
horsepower (U.S.)	horsepower (met.)	1.0139	horsepower (met.)	horsepower (U.S.)	0.9863
horsepower (U.S.)	kilowatts	0.7457	horsepower (met.)	horsepower (met.)	0.7355
kilowatts	horsepower (U.S.)	1.3405	kilowatts	kilowatts	1.2596

ABBREVIATIONS

Abbreviations as used throughout this catalog are interpreted as follows:

ABS	ABSORBER	BTM	BOTTOM
ACC	ACCESSORY	BTN	BUTTON
ACCEL	ACCELERATOR	B/UP	BACK UP
A/CLNR	AIR CLEANER	BUSH	BUSHING
A/COND	AIR CONDITIONING	CAD	CADIUM
ACTG	ACTIONATING	CAN	CANADA-CANADIAN
ACTR	ACTIONATOR	CAP	CAPACITY
ADAPT	ADAPTER-ADAPTATION	C.A.S.	CLEANER AIR SYSTEM
ADJ	ADJUSTING-ADJUSTOR- ADJUSTABLE-ADJUSTMENT	CARB	CARBURETOR
A/INL	AIR INLET	CATA	CATALYTIC
ALTR	ALTERNATOR	C/BAR	CROSS BAR
ALUM	ALUMINUM	CBL	CABLE
AMP	AMPERE	C/BRD	CIRCUIT BOARD
AMPL	AMPLIFIER	C.BRKR	CIRCUIT BREAKER
AMTR	AMMETER	CCW	COUNTERCLOCKWISE
ANCH	ANCHOR	C/E	COMMUTATOR END
&	AND	CHAM	CHAMFRED
A/OUT	AIR OUTLET	CHMBR	CHAMBER
APPROX	APPROXIMATE, APPROXIMATELY	CHR	CHROMIUM
AR	AS REQUIRED	C.I.	CUBIC INCH
A/RATLR	ANTI RATTLER	C/IRON	CAST IRON
A REST	ARM REST	C/CASE	CRANKCASE
ARM	ARMATURE	CK/CHFT	CRANKSHAFT
A/SQK	ANTISQUEAK	CL	CLEANER
ASSY	ASSEMBLY	CL/NUT	CLINCH NUT
A/SUSP	AIR SUSPENSION	C/LP	COURTESY LAMP
A.T.C.	AUTOMATIC TEMPERATURE CONTROL	CLSR	CLOSURE
ATT	ATTACHING	C/LTR	CIGAR OR CIGARETTE LIGHTER
A/TRANS	AUTOMATIC TRANSMISSION	C/MBR	CROSSMEMBER
AUTO	AUTOMATIC	COE	CAB OVER ENGINE
AUX	AUXILIARY	COL	COLUMN
BAL	BALANCE	COMB	COMBINATION
BATT	BATTERY	COMBN	COMBUSTION
BBL	BARREL	COMP	COMPLETE, COMPONENT
B/BRK	BOOSTER BRAKE	COMPN	COMPRESSION
B/CRK	BELL CRANK	COMPR	COMPRESSOR
B.E.	BLACK ENAMEL	COMPT	COMPARTMENT
B/JNT	BALL JOINT	COMTR	COMMUTATOR
BLK	BLOCK	COND	CONDENSER
BLT	BUILT	CONDT	CONDUIT
BLWR	BLOWER	CONDTG	CONDITIONING
BMPR	BUMPER	CONN	CONNECTING-CONNECTION- CONNECTOR
BOLT & RET	BOLT & RETAINER	CONT	CONTINUED-CONTROL
BOLT & WA.	BOLT & WASHER	CONT'D	CONTINUED
BR	BRASS	CONV	CONVERTER
BRD	BOARD	COP	COPPER
BRG	BEARING	CO/SHFT	COUNTERSHAFT
BRK	BRAKE	CO/WT	COUNTERWEIGHT
BRKT	BRACKET	CP	CANDLEPOWER
BRKR	BREAKER	C/PILLAR	CENTER PILLAR
BRT	BRIGHT	CPLG	COUPLING
BRZ	BRONZE	C/SHFT	CROSS SHAFT
BSTR	BOOSTER	CSTG	CASTING
B/STUD	BALL STUD	CTR	CENTER
		CU	CUBIC
		CUSH	CUSHION

ABBREVIATIONS (Cont'd.)

CUST	CUSTOM	EXP	EXPORT
CV	CONVERTIBLE	EXPN	EXPANSION
C/VAL	CONTROL VALVE	EXT	EXTENSION
CVR	COVER	EXTL	EXTERNAL
C/WT	COUNTERWEIGHT	EXTR	EXTRUDED
CYL	CYLINDER	F	FAHRENHEIT
DBL	DOUBLE	FACT	FACTORY
D/CVR	DUST COVER	F/AIR	FRESH AIR
D/E	DRIVE END	FAST	FASTENING-FASTENER
DECAL	DECALCOMANIA	F/AXLE	FRONT AXLE
DEFL	DEFLECTOR	F/BRD	FLOOR BOARD
DEFGR	DEFOGGER	F/CPLG	FLUID COUPLING
DEFR	DEFROSTER	F/DR	FRONT DOOR
DEG (°)	DEGREE	F/FILT	FUEL FILTER
D/EXH	DUAL EXHAUST	F/GA	FUEL GAGE
DIA	DIAMETER	F/IDLE	FAST IDLE
DIAG	DIAGONAL	FIL HD	FILLISTER HEAD
DIAPH	DIAPHRAGM	FIN	FINISH
DIFF	DIFFERENTIAL	F/INJ	FUEL INJECTION
DIM	DIMENSION	FLD	FIELD
DIR	DIRECT-DIRECTIONAL	FLEX	FLEXIBLE
DIR CL	DIRECT CLUTCH	FLG	FLANGE
DIST	DISTRIBUTOR-DISTRIBUTING	FL HD	FLAT HEAD
DIV	DIVISION-DIVISIONAL	FLR	FLOOR
D/LINK	DRAG LINK	F/MLDG	FINISH MOULDING
D/LP	DOME LAMP	FNDR	FENDER
DMPR	DAMPER	F/PAN	FLOOR PAN
DOM	DOMESTIC	F/PUMP	FUEL PUMP
D/PINION	DRIVE PINION	FREQ	FREQUENCY
DR	DOOR	FRT	FRONT
D/R SHAFT	DOUBLE ROCKER SHAFT	FT	FOOT-FEET
DRVN	DRIVE	F/TANK	FUEL TANK
DRVN	DRIVEN	FTG	FITTING
D/SEAL	DUST SEAL	F/TOP	FOLDING TOP
D/SHLD	DUST SHIELD	GA	GAUGE-GAGE
D/SW	DIMMER SWITCH	GALV	GALVANIZED
EBL	ELECTRIC HEATED BACK LIGHT	GARN	GARNISH
ECC	ECCENTRIC	G/BOX	GLOVE BOX
ECS	EVAPORATE EMISSION CONTROL SYSTEM	GEN	GENERATOR
E.F.I. (M)	ELECTRONIC FUEL INJECTION (METERING)	GLA	GLASS
E.G.R.	EXHAUST GAS RECIRCULATION	G/MLDG	GARNISH-MOULDING
ELECT	ELECTRIC	GND	GROUND
ELIM	ELIMINATOR	GOV	GOVERNOR
EMR	ENGINE MAINTENANCE REMINDER	GR	GEAR
ENG	ENGINE	G/REG	GENERATOR-REGULATOR
EQ	EQUIPMENT	GRL	GRILLE
ESC	ESCUTCHEON	GRMT	GROMMET
ETC	ET CETERA	G/SHIFT	GEARSHIFT
EVAP	EVAPORATION-EVAPORATOR	GSKT	GASKET
EX	EXTRA	GVW	GROSS VEHICLE WEIGHT
EXC	EXCLUDE	H/BRK	HAND BRAKE
EXH	EXHAUST	H/C	HIGH COMPRESSION
		HD	HEAD
		H/D	HEAVY DUTY
		HDL	HANDLE
		H/LIN	HEAD LINING
		HDS	HEADLESS

ABBREVIATIONS (Cont'd.)

HDR	HEADER	LOC	LOCATING
HEMI	HEMISPHERICAL	LP	LAMP
HEX	HEXAGON	LPG	LIQUID PROPANE GAS
HGE	HINGE	L.S.H.	LOW SECTION HEIGHT
H/GUIDE	HYDRAGUIDE	LT	LEFT
H/LP	HEADLAMP	LUB	LUBRICANT-LUBRICATING
H/PERF	HIGH PERFORMANCE	LUGG	LUGGAGE
H/REST	HEAD REST	LVR	LEVER
HSG	HOUSING	LWR	LOWER
H/SNK	HEAT SINK	M & I	MARINE & INDUSTRIAL
H/SHLD	HEAT SHIELD	M/ADJ	MANUAL ADJUSTING
NHT	HEATER	MAN	MANUAL
HVY	HEAVY	MANF	MANIFOLD
HYD	HYDRAULIC	MAR	MARINE
I/ARM	IDLER ARM	MAX	MAXIMUM
I.D.	INSIDE DIAMETER	MAX PERF	MAXIMUM PERFORMANCE
IDENT	IDENTIFICATION	M/BRK	MANUAL BRAKE
IGN	IGNITION	MBR	MEMBER
IN	INCH	M/CYL	MASTER CYLINDER
INCL	INCLUSIVE-INCLUDES	MECH	MECHANISM
IND	INDUSTRIAL	MED	MEDIUM
INDIC	INDICATOR	MEDAL	MEDALLION
INL	INLET	MIL	MILITARY
INR	INNER	MIN	MINIMUM
INS	INSULATING-INSULATION-INSULATOR	MDLG	MOULDING
INST	INSTRUMENT-INSTRUCTION	MOD	MODEL
INT	INTAKE	M/MTRG	MAIN METERING
INTER	INTERMITTENTLY-INTERMEDIATE	M.P.H.	MILES PER HOUR
INTL	INTERNAL	MT	MOUNT
INTLK	INTERLOCK	MTG	MOUNTING
I/PNL	INSTRUMENT PANEL	MTR	MOTOR
I/PULLEY	IDLER PULLEY	M/TRANS	MANUAL TRANSMISSION
I/S	INSIDE	MTRG	METERING
J/BLK	JUNCTION BLOCK	NEG	NEGATIVE
JNT	JOINT	NEUT	NEUTRAL
K/DN	KICKDOWN	NI	NICKEL
KDX	KNOCK DOWN EXPORT	NO. OR #	NUMBER
KILO	KILOMETER	NOM	NOMINAL
KNU	KNUCKLE	NO	NITROGEN OXIDE EMISSION CONTROL
K/UP	KICKUP	N/PLT	NAME PLATE
LBS	POUNDS	NUT & WA	NUT AND WASHER
L/C	LOW COMPRESSION	O/CTR	OVER CENTER
LCF	LOW CAB FORWARD	O.D.	OUTSIDE DIAMETER
L/COMPT	LUGGAGE COMPARTMENT	O/DRV	OVER DRIVE
LEA	LEATHER	O/GA	OIL GAUGE
LED	LIGHT EMITTING DIODE	OPER	OPERATING
LGH	LENGTH	OPNG	OPENING
LHD	LEFT HAND DRIVE	OPP	OPPOSITE
L.H. THD	LEFT HAND THREAD	OPT	OPTIONAL
LIC	LICENSE	O/PUMP	OIL PUMP
LIN	LINING-LINER	ORN	ORNAMENT
LK	LOCK	O/RUNN	OVERRUNNING
LKG	LOCKING	O/S	OUTSIDE
LK/NUT	LOCK NUT	O/SIZE	OVERSIZE
LK/WA	LOCK WASHER	OTR	OUTER
		OUTL	OUTLET

ABBREVIATIONS (Cont'd.)

OV	OVAL	RED	REDUCTION
O/W	OPTIONAL WITH	REFL	REFLECTOR
O/WRAP	OVERWRAP	REG	REGULATOR
OZ	OUNCE	REINF	REINFORCEMENT
P	PITCH	REL	RELEASE
PACK	PACKING	REM	REMOTE
PARK	PARKING	REQ	REQUIRED
PART	PARTIAL PARTITION	RES	RESISTOR
PASS	PASSENGER	RET	RETAINER
P/BRK	POWER BRAKE	RETG	RETAINING
P/BTN	PUSH BUTTON	REV	REVERSE
PC/BRD	PRINTED CIRCUIT BOARD	REVERB	REVERBERATOR
PED	PEDAL	R/FLR	REAR FLOOR
PERF	PERFORMANCE	RHD	RIGHT HAND DRIVE
PIST	PISTON	RHEO	RHEOSTAT
PIV	PIVOT	R.H. THD	RIGHT HAND THREAD
PKG	PACKAGE	R/L	RIGHT AND LEFT
PL	PLAIN	RPM	REVOLUTIONS PER MINUTE
P/LAMP	PARKING LAMP	R/QTR	REAR QUARTER
PLR	PILLAR	RR	REAR
PLT	PLATE-PLATED	RSVR	RESERVOIR
PLUNG	PLUNGER	RT	RIGHT
PL/WA	PLAIN WASHER	R/WDO	REAR WINDOW
P/MTR	POTENTIOMETER	S/ABS	SHOCK ABSORBER
PNL	PANEL	S/C	SALES CODE
PNTD	PAINTED	S/COMPT	SIDE COMPARTMENT
POS	POSITIVE	S/DEFL	STONE DEFLECTOR
POLY	POLYESTER	SECT	SECTION
P/PNL	POCKET PANEL	SER	SERIAL-SERVICE
PRESS	PRESSURE	S/EXH	SINGLE EXHAUST
PRI	PRIMARY	S-FIN	SEMI-FINISHED
PROD	PRODUCTION	S/GR	STEERING GEAR
P/ROD	PUSH ROD	SHFT	SHIFT
PROP	PROPELLER	SHLD	SHIELD
PRPG	PROPORTIONING	SIG	SIGNAL
PSF	POUNDS PER SQUARE FOOT	S/KNU	STEERING KNUCKLE
PSI	POUNDS PER SQUARE INCH	SLD	SLIDE
P/STRG	POWER STEERING	SLDG	SLIDING
PT	POINT	S/LP	STOP LAMP
PTO	POWER TAKE OFF	SLTD	SLOTTED
PWR	POWER	SLV	SLEEVE
Q/PNL	QUARTER PANEL	S/MBR	SIDE MARKER
QTR	QUARTER	SOC	SOCKET
Q/WDO	QUARTER WINDOW	SOL	SOLENOID
R	RADIUS	SPD	SPEED
R/A	REAR AXLE	SPEEDO	SPEEDOMETER
R/AXLE	REAR AXLE	SPKR	SPEAKER
RAD	RADIATOR	SPL	SPECIAL
R/CONT	REMOTE CONTROL	SPL EQUIP	SPECIAL EQUIPMENT
RC/SHIFT	ROCKER SHAFT	SPRG	SPRING
RD	ROUND	S/PNL	SIDE PANEL
R/DR	REAR DOOR	SP/SHLD	SPLASH SHIELD
REC	RECEIVER	SQ	SQUARE
RECIR	RECIRCULATING	S/R SHAFT	SINGLE ROCKER SHAFT
RECT	RECTANGULAR	S/RAIL	SIDE RAIL
RECTR	RECTIFIER	S/RING	SNAP RING

ABBREVIATIONS (Cont'd.)

S/SHLD	SIDE SHIELD	TRANS	TRANSMISSION
S/SILL	SIDE SILL	TRANSF	TRANSFER
S/SPD	SINGLE SPEED	TRIMD	TRIMMED
STA	STATION-STATIONARY	T/SIG	TURN SIGNAL
STAB	STABILIZER	TRUN.	TRUNNION
STD	STANDARD	TST	TAIL STOP & TURNING
STGHT	STRAIGHT	T:STRIP	TACKING STRIP
STL	STEEL	TUB	TUBULAR
STRG	STEERING	U/BODY	UNDERBODY
STRKR	STRIKER	U/DRV	UNDERDRIVE
STRNR	STRAINER	U/JNT	UNIVERSAL JOINT
STRTR	STARTER	UNIV	UNIVERSAL
SUCT	SUCTION	UPR	UPPER
SUPT	SUPPORT	U/S	UNDERSIZE
SUSP	SUSPENSION	U/SEAT	UNDERSEAT
SW	SWITCH	U/W	USED WITH
SYNCH	SYNCHRONIZER	V	VENTUR (QTY OF CARB BBL)
T	TEETH	VAC	VACUUM
TAP	TAPPING	VAL	VALVE
TBI	THROTTLE BODY INJECTION	V/DMPR	VIBRATION DAMPER
T/BKL	TURN BUCKLE	VENT	VENTILATOR-VENTILATING
T/BLK	TERMINAL BLOCK	VERT	VERTICAL
T/COMP	TRIMMED COMPLETE	VOL CONT	VOLUME CONTROL
T/CONT	THROTTLE CONTROL	V/REG	VOLTAGE REGULATOR
T/CONV	TORQUE CONVERTER	V/SPD	VARIABLE SPEED
TEMP	TEMPERATURE	V/WING	VENT WING
TERM	TERMINAL	W	WATT
T/GA	TEMPERATURE GAUGE	WA	WASHER
T-GATE	TAILGATE	WAG	WAGON
THD	THREAD	WB	WHEELBASE
THK	THICK	W/BRG	WHEEL BEARING
THERMO	THERMOSTAT	W/CORD	WEATHERCORD
3RD	THIRD	WDO	WINDOW
THR	THRUST	WHL	WHEEL
THROT	THROTTLE	W/HSE	WHEELHOUSE
T.I.C.	THERMOSTATIC IGNITION	W/LIFT	WINDOW LIFT
	CONTROL	W/O	WITHOUT
T/LP	TAIL LAMP	W/PUMP	WATER PUMP
TORQ	TORQUE	W/REG	WINDOW REGULATOR
TORS	TORSION	W/SHLD	WINDSHIELD
TPI	THREADS PER INCH	W/STRIP	WEATHERSTRIP
T/PIPE	TAIL PIPE	WT	WEIGHT
T/PLT	TAPPING PLATE	W/WASHER	WINDSHIELD WASHER
T/PNL	TRIM PANEL	W/WPR	WINDSHIELD WIPER
TPR	TAPER	x/MBR	X MEMBER

NOTES

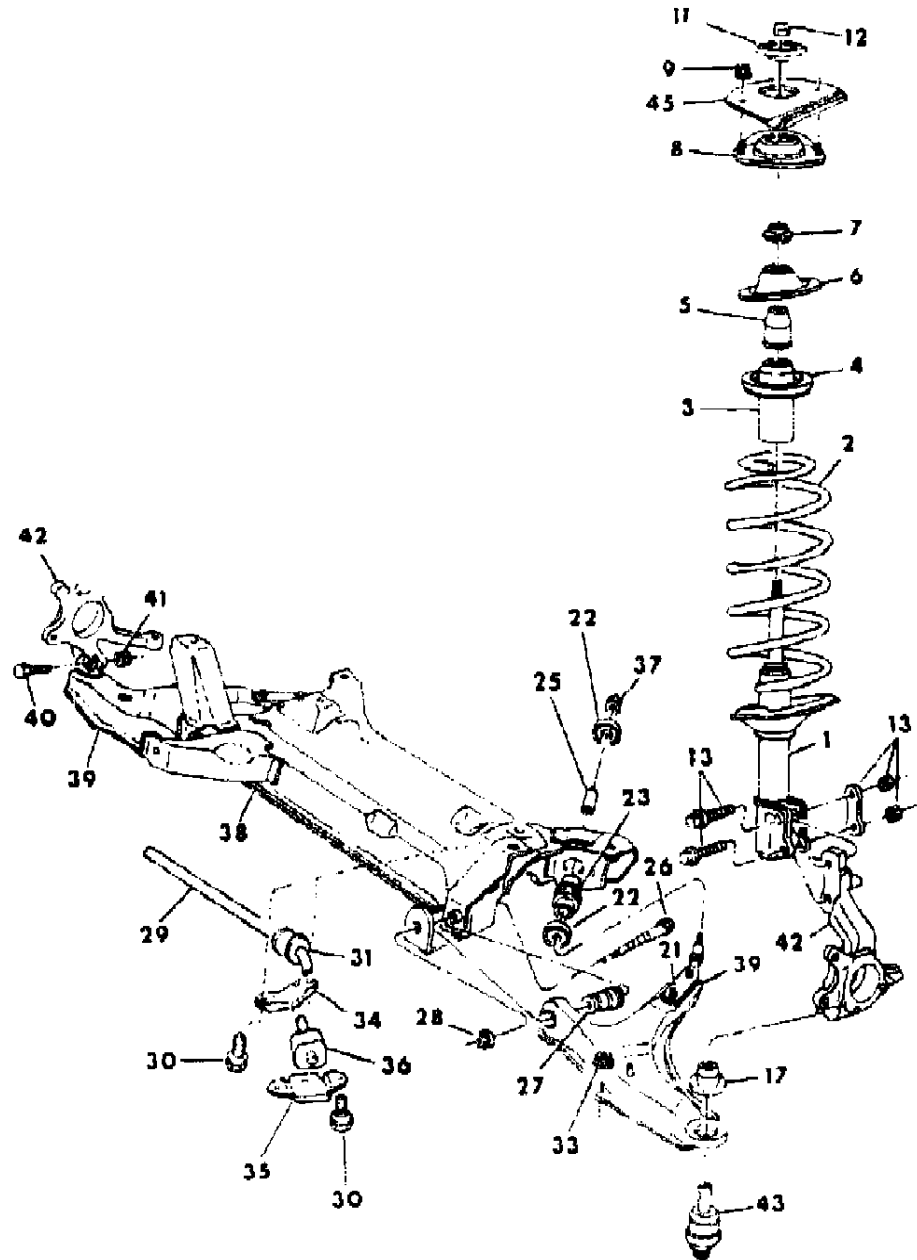
GROUP 2 - FRONT SUSPENSION & DRIVE

ILLUSTRATION TITLE	GROUP-FIG. NO.
FRONT SUSPENSION	
SUSPENSION, FRONT L BODY	Fig. 2-100
SUSPENSION, FRONT P,J,K,G,E,H,C BODY	Fig. 2-200
SUSPENSION, FRONT S-BODY	Fig. 2-300
SUSPENSION, FRONT M BODY	Fig. 2-400
SWAY BAR	
SWAY BAR, FRONT M BODY	Fig. 2-500
CONTROL ARM	
ARM-UPPER CONTROL M BODY	Fig. 2-600
ARM-LOWER CONTROL M BODY	Fig. 2-700
SHAFT IDENTIFICATION	
SHAFT, MAJOR COMPONENT LISTING	Fig. 2-850
FRONT DRIVE SHAFTS	
SHAFT, FRONT DRIVE (G.K.N. & A.C.I.) L,P,J,K,G,E,H,C,S BODY	Fig. 2-900
SHAFT, FRONT DRIVE (SAGINAW) P,K,G,E,H BODY	Fig. 2-1000

ILLUSTRATION NOT AVAILABLE AT TIME OF PUBLICATION

SUSPENSION, FRONT L BODY
Figure 2-100

8102 100



ITEM	PART NUMBER	QTY	BODY	MODEL	DESCRIPTION
NOTE: 1 PART NO. 4014441 SPACER REQUIRED WHEN REPLACING SPRING AS NOTED					
1	4052 647	2			SHOCK ABSORBER
2	4014 452	1			SPRING, 2.2 EFI w/o Air, Std., Rt. (See Note 1)
	4014 451	1			w/o Air, Std., Lt.
	4014 454	1			w/Air, Std., Rt. (See Note 1)
	4014 456	1			w/Air, Std., Lt.
3	5204 610	2			SHEILD, Dust Std. & H.D. Susp.
4	4014 441	AR			SPACER, Sprng. Shock Uprr. (Used Only on Replacement Springs in Note 1)
5	5204 608	2			BUMPER, Jounce w/Std. & H.D. Susp.
6	4052 931	2			RETAINER, Frt. Susp. Strut Damper Upper
7	5204 595	2			BEARING, Ball
8	4318 717	2			MOUNT, Front Shock Upper
9	6100 051	4			NUT, w/Washer
11	4052 680	2			RETAINER, Shock Rebound Stop
12	6501 094	2			NUT, Shock Rod
13	4267 335	2			ATTACHING PACKAGE, Frt. Shock Consists Of: 1-6500450 Cam-Bolt, Shock Mtg. Upper 1-6500451 Bolt, Shock Mtg. Lower 1-4014327 Washer, Shock Damper 2-6500536 Nut, Shock Knuckle Bolt
17	4052 509	2			SEAL, Ball Joint
21					RIVET, (Not Serviced)
22	5204 534	4			RETAINER, Arm Strut Bushing
23	4322 285	2			BUSHING, Arm Strut Frt.
25	5204 535	2			SLEEVE, Strut Bushing
26	4014 239	2			BOLT, Pivot Shaft
27	4052 646	2			BUSHING, Cont.Arm Pivot Shaft
28	6500 231	2			NUT, Pivot Bolt
29	4443 449	1			SHAFT, Frt. Susp. Sway Elim. w/All Susp.
30	6100 579	8			BOLT, Clamp
31	4322 015	2			CUSHION, Shaft - Std. Susp.
33	6500 363	4			NUT, Bolt
34	4052 522	2			CLAMP, Shaft Bushing, Lower
35	4014 418	2			RETAINER, Shaft Arm

MODEL CODES

C BODY = (D41 - DYNASTY)(C41 - NEW YORKER)
 E BODY = (J - CARAVELLE)(E - 600)(T - NEW YORKER TURBO)
 G BODY = (V24 - DAYTONA, PACIFICA & SHELBY)
 H BODY = (D44 - LANCER)(C44 - LEBARON GTS)
 J BODY = (C - LEBARON)
 K BODY = (P - RELIANT)(D - ARIES)(C - LEBARON/ TOWN & COUNTRY)

L BODY = (M - HORIZON)(Z-OMNI)
 M BODY = (B - GRAN FURY)(G - DIPLOMAT)(F - FIFTH AVENUE/NEWPORT)
 P BODY = (P - SUNDANCE)(D - SHADOW)
 Q BODY = (C27 - MASERATI)
 S BODY = (H - VOYAGER)(K - RAM VAN/ CARAVAN)

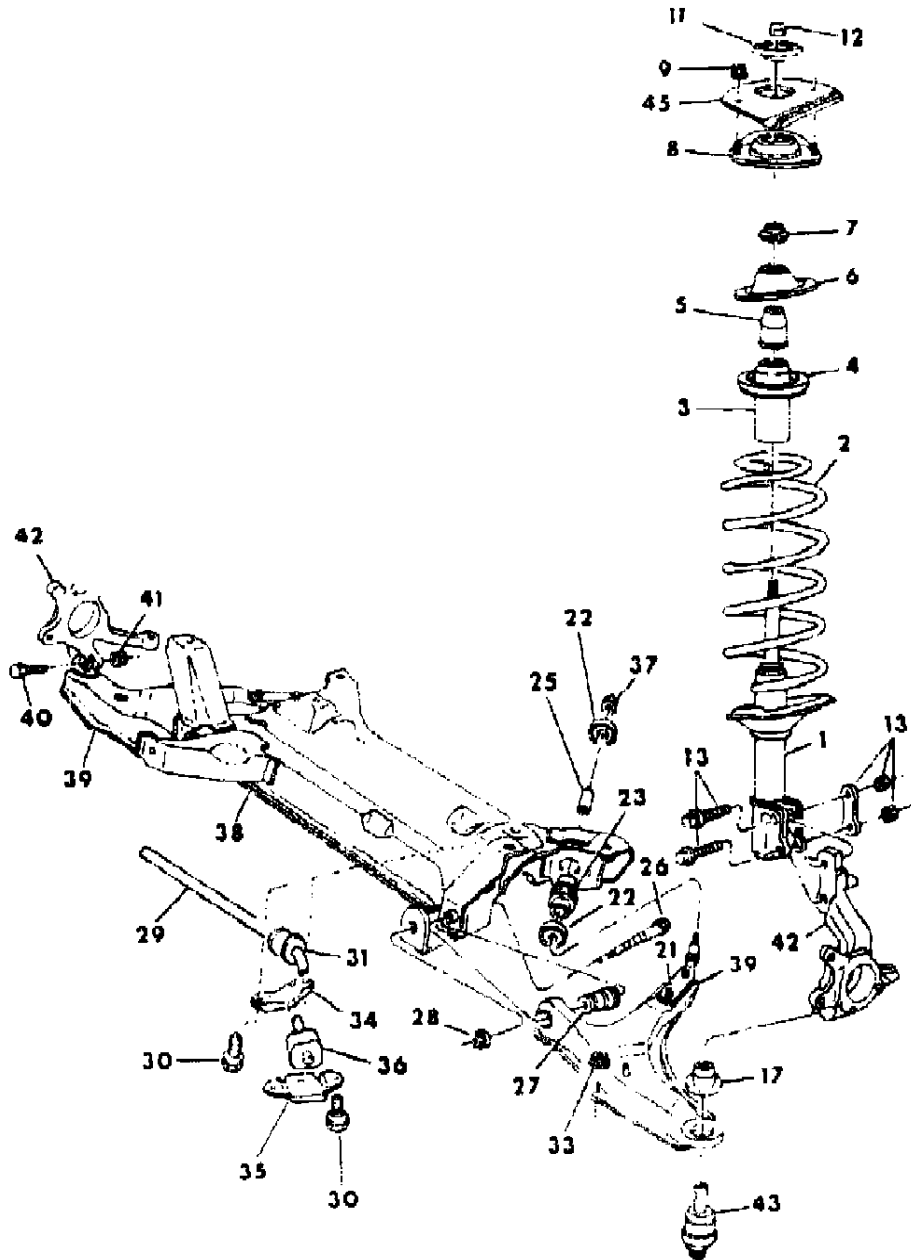
BODY STYLES

12-52 = FWD VAN & WAGON STD. W.B. 27 = 2-DOOR CONVERTIBLE
 13-53 = FWD VAN & WGN EXT W.B. 41 = 4-DOOR SEDAN
 21 = 2-DOOR SEDAN 44 = 4-DOOR HATCHBACK
 24 = 2-DOOR HATCHBACK 45 = 4-DOOR STATION WAGON

AR = Use as Required - = Non Illustrated Part P.A.R. = Paint as Required

SUSPENSION, FRONT L BODY
Figure 2-100

8102 100



ITEM	PART NUMBER	QTY	BODY	MODEL	DESCRIPTION
36	4322 151	1			BUSHING, Sway Elim. To Control Arm (Small Dia.)(Large Dia. Use 4014419)
37	6100 502	2			NUT, Strut
38					CROSSMEMBER, (Ref.Only)
39	4322 154-5	1			ARM, Lower Control
40	6501 248	2			BOLT, Knuckle To Ball Joint
41	6501 738	2			NUT, Knuckle To Ball Joint Bolt
42	4052 844-5	1			KNUCKLE, Strg.
43	4364 782	2			BALL JOINT
45					PLATE, Shock Tower (See Fender Section)

MODEL CODES

C BODY = (D41 - DYNASTY)(C41 - NEW YORKER)
 E BODY = (J - CARAVELLE)(E - 600)(T - NEW YORKER TURBO)
 G BODY = (V24 - DAYTONA, PACIFICA & SHELBY)
 H BODY = (D44 - LANCER)(C44 - LEBARON GTS)
 J BODY = (C - LEBARON)
 K BODY = (P - RELIANT)(D - ARIES)(C - LEBARON/ TOWN & COUNTRY)

L BODY = (M - HORIZON)(Z-OMNI)
 M BODY = (B - GRAN FURY)(G - DIPLOMAT)(F - FIFTH AVENUE/NEWPORT)
 P BODY = (P - SUNDANCE)(D - SHADOW)
 Q BODY = (C27 - MASERATI)
 S BODY = (H - VOYAGER)(K - RAM VAN/ CARAVAN)

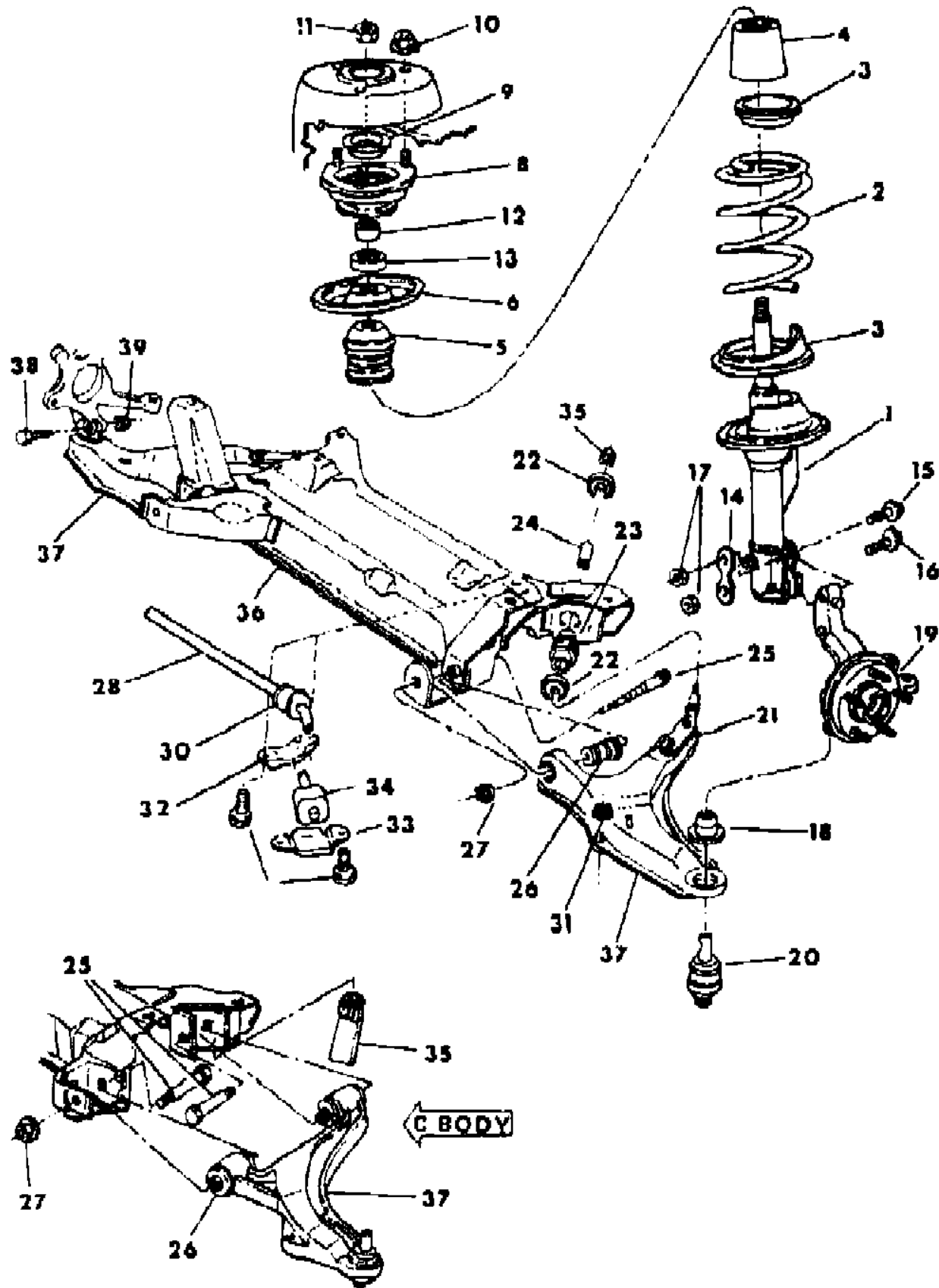
BODY STYLES

12-52 = FWD VAN & WAGON STD. W.B. 27 = 2-DOOR CONVERTIBLE
 13-53 = FWD VAN & WGN EXT W.B. 41 = 4-DOOR SEDAN
 21 = 2-DOOR SEDAN 44 = 4-DOOR HATCHBACK
 24 = 2-DOOR HATCHBACK 45 = 4-DOOR STATION WAGON

AR = Use as Required - = Non Illustrated Part P.A.R. = Paint as Required

SUSPENSION, FRONT P,J,K,G,E,H,C BODY
Figure 2-200

8102 200



ITEM	PART NUMBER	QTY	BODY	MODEL	DESCRIPTION	
NOTE: 1 ISOLATOR Pt.NO. 4014441 REQUIRED WHEN REPLACING SPRING AS NOTED.						
1	4322 740	2	K,E		STRUT, Damper Assy., Std. Frt. Susp.	
	4404 385	2	PKEH		w/Std.& H.D. Susp. (Gas Press.)	
2	4449 019	2	J,G		w/Std. Susp.	
	4322 972	2	C		w/Std. Susp.	
	4449 018	2	C		w/Firm Feel Susp.	
	4449 022	2	J,G		w/Firm Feel Susp.	
	4449 023	2	GH		w/Special Sport Susp. (Gas Press.)	
	4370 373	2	P		w/Shelby CSX-T (Vendor #29077)	
				P		SPRING, w/2.2L, 2.5L EFI
		4322 686	1			w/o Air Std. Rt.
		4322 688	1			w/o Air Std. Lt.
		4322 776	1			w/o Air H.D. Rt.
	4322 776	1			w/o Air H.D. Lt. (See Note 1)	
	4322 688	1			w/Air Std. Rt.	
	4322 690	1			w/Air Std. Lt.	
	4322 776	1			w/Air H.D. Rt. (See Note 1)	
	4322 778	1			w/Air H.D. Lt.	
			P		SPRING, w/2.2L Turbo I, Turbo II	
	4322 684	1			w/o Air, w/14" Tires Rt.	
	4322 686	1			w/o Air, w/14" Tires Lt.	
	4322 686	1			w/o Air, w/15" Tires Rt.	
	4322 688	1			w/o Air, w/15" Tires Lt.	
	4322 686	1			w/Air, w/14" Tires Rt.	
	4322 688	1			w/Air, w/14" Tires Lt.	
	4322 688	1			w/Air, w/15" Tires Rt. (See Note 1)	
	4322 690	1			w/Air, w/15" Tires Lt.	
	4322 776	2			w/Shelby CSX	
			K		SPRING, w/2.2L EFI	
	4322 686	1		P,D	w/o Air, Std. Rt.	
	4322 688	1		P,D	w/o Air, Std. Lt.	
	4322 774	1		P,D	w/o Air, H.D. Rt. (See Note 1)	
	4322 776	1		P,D	w/o Air, H.D. Lt.	
	4322 776	1		P,D	w/o Air, Extra H.D. Rt.	
	4322 776	1		P,D	w/o Air, Extra H.D. Lt. (See Note 1)	

MODEL CODES

C BODY = (D41 - DYNASTY)(C41 - NEW YORKER)
 E BODY = (J - CARAVELLE)(E - 600)(T - NEW YORKER TURBO)
 G BODY = (V24 - DAYTONA, PACIFICA & SHELBY)
 H BODY = (D44 - LANCER)(C44 - LEBARON GTS)
 J BODY = (C - LEBARON)
 K BODY = (P - RELIANT)(D - ARIES)(C - LEBARON/ TOWN & COUNTRY)

L BODY = (M - HORIZON)(Z-OMNI)
 M BODY = (B - GRAN FURY)(G - DIPLOMAT)(F - FIFTH AVENUE/NEWPORT)
 P BODY = (P - SUNDANCE)(D - SHADOW)
 Q BODY = (C27 - MASERATI)
 S BODY = (H - VOYAGER)(K - RAM VAN/ CARAVAN)

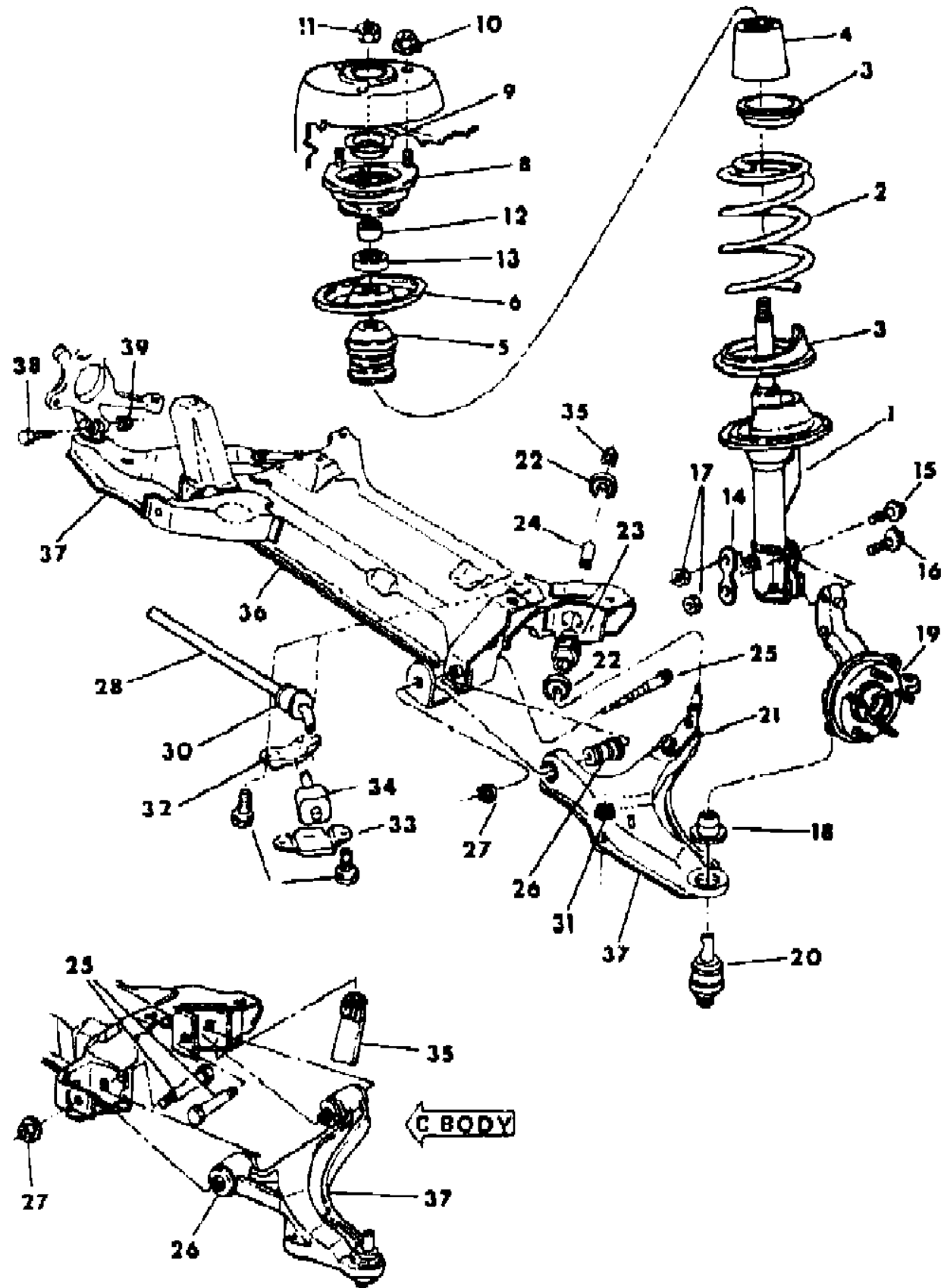
BODY STYLES

12-52 = FWD VAN & WAGON STD. W.B. 27 = 2-DOOR CONVERTIBLE
 13-53 = FWD VAN & WGN EXT W.B. 41 = 4-DOOR SEDAN
 21 = 2-DOOR SEDAN 44 = 4-DOOR HATCHBACK
 24 = 2-DOOR HATCHBACK 45 = 4-DOOR STATION WAGON

AR = Use as Required - = Non Illustrated Part P.A.R. = Paint as Required

SUSPENSION, FRONT P,J,K,G,E,H,C BODY
Figure 2-200

8102 200



ITEM	PART NUMBER	QTY	BODY	MODEL	DESCRIPTION
	4322 688	1		P,D	w/Air, Std. Rt.
	4322 688	1		P,D	w/Air, Std. Lt. (See Note 1)
	4322 776	1		P,D	w/Air, H.D. Rt.
	4322 776	1		P,D	w/Air, H.D. Lt. (See Note 1)
	4322 776	1		P,D	w/Air, Extra H.D. Rt. (See Note 1)
	4322 778	1		P,D	w/Air, Extra H.D. Lt.
			K		SPRING, w/2.5L EFI
	4322 686	1		P,D	w/o Air, Std. Rt.
	4322 690	1		P,D	w/o Air, Std. Lt.
	4322 776	1		P,D	w/o Air, H.D. Rt.
	4322 778	1		P,D	w/o Air, H.D. Lt.
	4322 776	1		P,D	w/o Air, Extra H.D. Rt. (See Note 1)
	4322 778	1		P,D	w/o Air, Extra H.D. Lt. (See Note 1)
	4322 688	1		P,D	w/Air, Std. Rt.
	4322 690	1		P,D	w/Air, Std. Lt.
	4322 776	1		P,D	w/Air, H.D. Rt. (See Note 1)
	4322 776	1		P,D	w/Air, H.D. Lt. (See Note 1)
	4322 778	1		P,D	w/Air, Extra H.D. Rt.
	4322 780	1		P,D	w/Air, Extra H.D. Lt.
			K		SPRING, w/2.2L EFI
	4322 688	1		C	w/o Air, Std. Rt.
	4322 690	1		C	w/o Air, Std. Lt.
	4322 776	1		C	w/o Air, H.D. Rt.
	4322 778	1		C	w/o Air, H.D. Lt.
	4322 686	1		C	w/o Air, Extra H.D. Rt.
	4322 688	1		C	w/o Air, Extra H.D. Lt. (See Note 1)
	4322 688	1		C	w/Air, Std. Rt.
	4322 692	1		C	w/Air, Std. Lt.
	4322 776	1		C	w/Air, H.D. Rt. (See Note 1)
	4322 778	1		C	w/Air, H.D. Lt. (See Note 1)
	4322 688	1		C	w/Air, Extra H.D. Rt.
	4322 690	1		C	w/Air, Extra H.D. Lt.
			K		SPRING, w/ 2.2L Turbo
	4322 688	1		C	w/o Air, Std. Rt.
	4322 690	1		C	w/o Air, Std. Lt.
	4322 776	1		C	w/o Air, H.D. Rt. (See Note 1)
	4322 778	1		C	w/o Air, H.D. Lt. (See Note 1)

MODEL CODES

C BODY = (D41 - DYNASTY)(C41 - NEW YORKER)
 E BODY = (J - CARAVELLE)(E - 600)(T - NEW YORKER TURBO)
 G BODY = (V24 - DAYTONA, PACIFICA & SHELBY)
 H BODY = (D44 - LANCER)(C44 - LEBARON GTS)
 J BODY = (C - LEBARON)
 K BODY = (P - RELIANT)(D - ARIES)(C - LEBARON/ TOWN & COUNTRY)

L BODY = (M - HORIZON)(Z-OMNI)
 M BODY = (B - GRAN FURY)(G - DIPLOMAT)(F - FIFTH AVENUE/NEWPORT)
 P BODY = (P - SUNDANCE)(D - SHADOW)
 Q BODY = (C27 - MASERATI)
 S BODY = (H - VOYAGER)(K - RAM VAN/ CARAVAN)

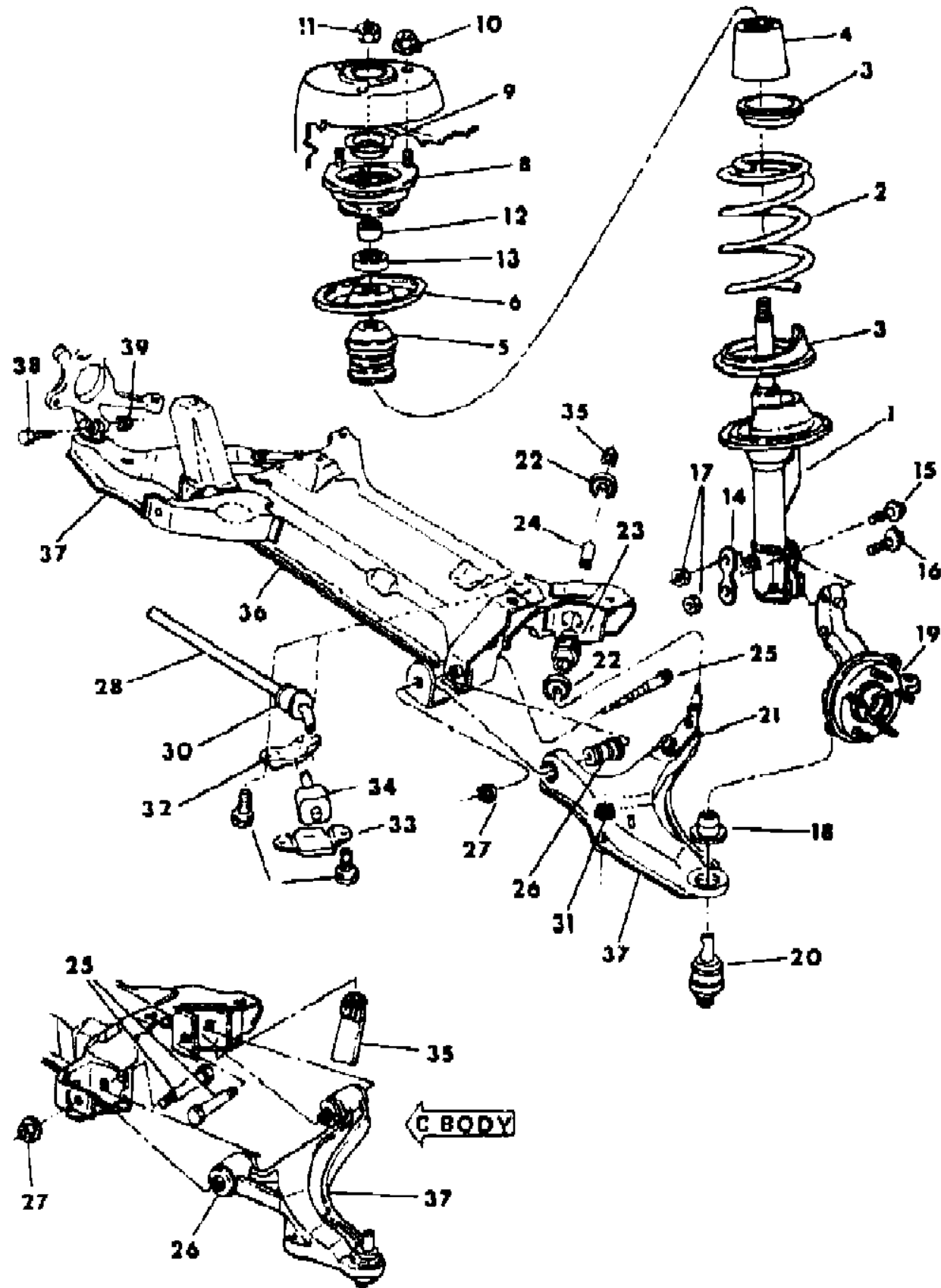
BODY STYLES

12-52 = FWD VAN & WAGON STD. W.B. 27 = 2-DOOR CONVERTIBLE
 13-53 = FWD VAN & WGN EXT W.B. 41 = 4-DOOR SEDAN
 21 = 2-DOOR SEDAN 44 = 4-DOOR HATCHBACK
 24 = 2-DOOR HATCHBACK 45 = 4-DOOR STATION WAGON

AR = Use as Required - = Non Illustrated Part P.A.R. = Paint as Required

SUSPENSION, FRONT P,J,K,G,E,H,C BODY
Figure 2-200

8102 200



ITEM	PART NUMBER	QTY	BODY	MODEL	DESCRIPTION
	4322 688	1	C		w/o Air, Firm Feel Rt.
	4322 690	1	C		w/o Air, Firm Feel Lt.
	4322 690	1	C		w/Air, Std. Rt.
	4322 692	1	C		w/Air, Std. Lt.
	4322 778	1	C		w/Air, H.D. Rt.
	4322 780	1	C		w/Air, H.D. Lt.
	4322 688	1	C		w/Air, Firm Feel Rt.
	4322 690	1	C		w/Air, Firm Feel Lt.
			K		SPRING, w/2.5L EFI
	4322 688	1	C		w/o Air, Std. Rt.
	4322 692	1	C		w/o Air, Std. Lt.
	4322 776	1	C		w/o Air, H.D. Rt. (See Note 1)
	4322 778	1	C		w/o Air, H.D. Lt. (See Note 1)
	4322 688	1	C		w/o Air, Firm Feel Rt.
	4322 690	1	C		w/o Air, Firm Feel Lt.
	4322 690	1	C		w/Air, Std. Rt.
	4322 692	1	C		w/Air, Std. Lt.
	4322 778	1	C		w/Air, H.D. Rt.
	4322 780	1	C		w/Air, H.D. Lt.
	4322 688	1	C		w/Air, Firm Feel Rt.
	4322 692	1	C		w/Air, Firm Feel Lt.
			G		SPRING, w/2.2L Turbo, Turbo II
	4322 684	1			w/o Air, Std. Rt.
	4322 686	1			w/o Air, Std. Lt.
	4322 776	1			w/o Air w/Special Sport Rt. (Turbo II)
	4322 778	1			w/o Air w/Special Sport Lt. (Turbo II)
	4322 686	1			w/Air, Std. Rt.
	4322 688	1			w/Air, Std. Lt.
	4322 776	1			w/Air w/Special Sport (Turbo II) Rt. (See Note 1)
	4322 778	1			w/Air w/Special Sport (Turbo II) Lt. (See Note 1)
			G		SPRING, w/2.5L EFI
	4322 684	1			w/o Air Std. Rt.
	4322 686	1			w/o Air Std. Lt. (See Note 1)
	4322 686	1			w/Air Std. Rt.
	4322 688	1			w/Air Std. Lt.
			H		SPRING, w/2.2L EFI
	4322 686	1			w/o Air Std. RT. w/185 Tires (See Note 1)

MODEL CODES

C BODY = (D41 - DYNASTY)(C41 - NEW YORKER)
 E BODY = (J - CARAVELLE)(E - 600)(T - NEW YORKER TURBO)
 G BODY = (V24 - DAYTONA, PACIFICA & SHELBY)
 H BODY = (D44 - LANCER)(C44 - LEBARON GTS)
 J BODY = (C - LEBARON)
 K BODY = (P - RELIANT)(D - ARIES)(C - LEBARON/ TOWN & COUNTRY)

L BODY = (M - HORIZON)(Z-OMNI)
 M BODY = (B - GRAN FURY)(G - DIPLOMAT)(F - FIFTH AVENUE/NEWPORT)
 P BODY = (P - SUNDANCE)(D - SHADOW)
 Q BODY = (C27 - MASERATI)
 S BODY = (H - VOYAGER)(K - RAM VAN/ CARAVAN)

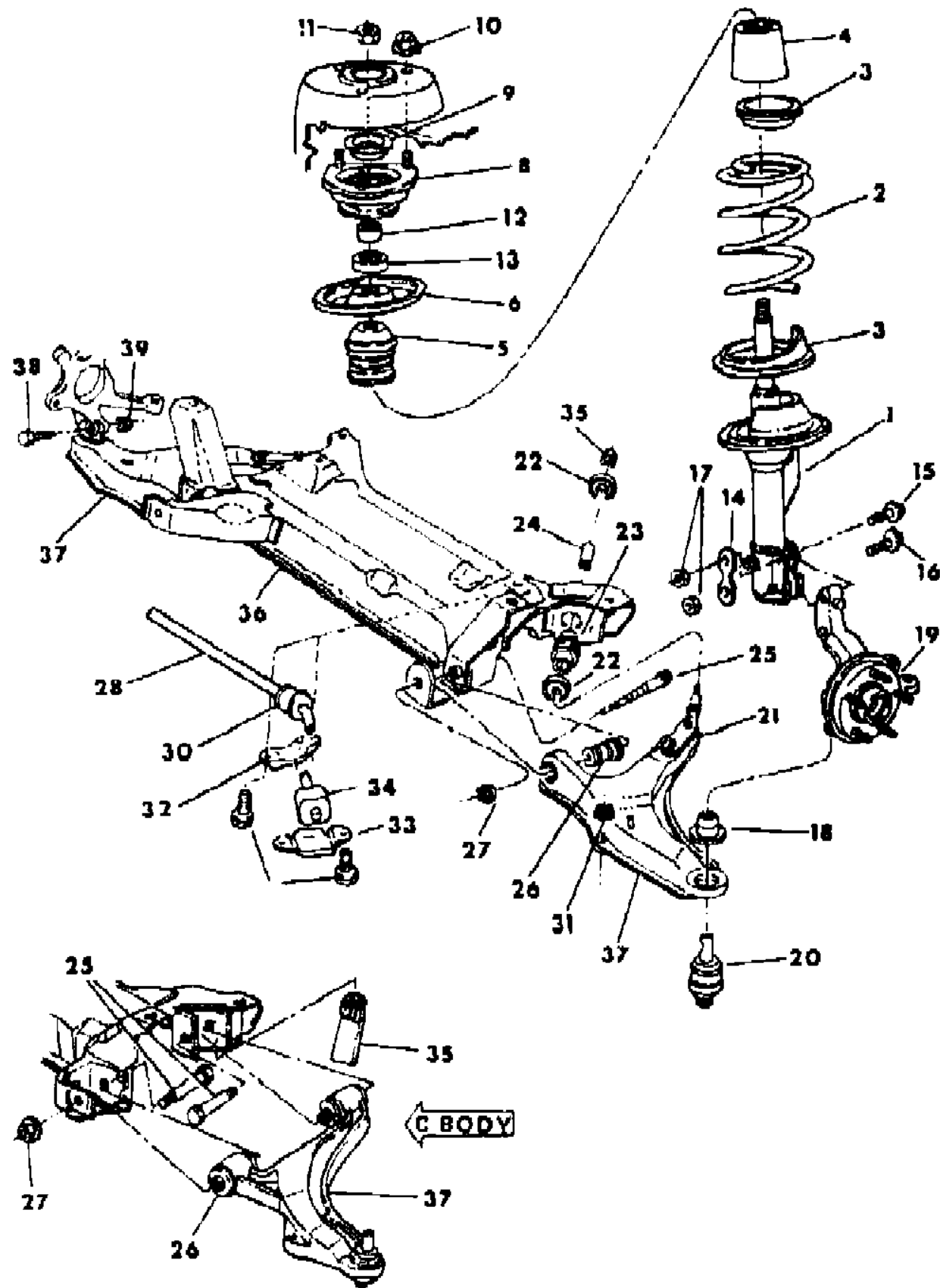
BODY STYLES

12-52 = FWD VAN & WAGON STD. W.B. 27 = 2-DOOR CONVERTIBLE
 13-53 = FWD VAN & WGN EXT W.B. 41 = 4-DOOR SEDAN
 21 = 2-DOOR SEDAN 44 = 4-DOOR HATCHBACK
 24 = 2-DOOR HATCHBACK 45 = 4-DOOR STATION WAGON

AR = Use as Required - = Non Illustrated Part P.A.R. = Paint as Required

SUSPENSION, FRONT P,J,K,G,E,H,C BODY
Figure 2-200

8102 200



ITEM	PART NUMBER	QTY	BODY	MODEL	DESCRIPTION
	4322 686	1			w/o Air Std. Rt. w/195,205 Tires
	4322 688	1			w/o Air Std. Lt. w/185 Tires
	4322 688	1			w/o Air Std. Lt. w/195,205 Tires
	4322 776	1			w/o Air, w/Firm Feel Rt. w/185 Tires (See Note 1)
	4322 776	1			w/o Air, w/Firm Feel Rt. w/195,205 Tires
	4322 778	1			w/o Air, w/Firm Feel Lt. w/185 Tires
	4322 776	1			w/o Air, w/Firm Feel Lt. w/195,205 Tires (See Note 1)
	4322 688	1			w/Air Std. Rt. w/185 Tires
	4322 686	1			w/Air Std. Rt. w/195,205 Tires
	4322 690	1			w/Air Std. Lt. w/185 Tires
	4322 688	1			w/Air Std. Lt. w/195,205 Tires
	4322 778	1			w/Air, w/Firm Feel Rt. w/185 Tires
	4322 776	1			w/Air, w/Firm Feel Rt. w/195,205 Tires (See Note 1)
	4322 778	1			w/Air, w/Firm Feel Lt. w/185 Tires (See Note 1)
	4322 778	1	H		SPRING, w/2.2L Turbo I, Turbo II
	4322 686	1			w/o Air Std. Rt. w/185 Tires
	4322 686	1			w/o Air Std. Rt. w/195,205 Tires
	4322 688	1			w/o Air Std. Lt. w/185 Tires
	4322 688	1			w/o Air Std. Lt. w/195,205 Tires
	4322 776	1			w/o Air, w/Firm Feel Rt. w/185 Tires (See Note 1)
	4322 776	1			w/o Air, w/Firm Feel Rt. w/195,205 Tires
	4322 778	1			w/o Air, w/Firm Feel Lt. w/185,195,205 Tires
	4322 688	1			w/Air Std. Rt. w/185 Tires
	4322 688	1			w/Air Std. Rt. w/195,205 Tires
	4322 778	1			w/Air, w/Firm Feel Rt. w/185 Tires
	4322 776	1			w/Air, w/Firm Feel Rt. w/195,205 Tires (See Note 1) Also w/Pacifica
	4322 778	1			w/Air, w/Firm Feel Lt. w/185 Tires (See Note 1)
	4322 778	1	H		SPRING, w/2.5L EFI
	4322 686	1			w/o Air Std. Rt. w/185 Tires
	4322 686	1			w/o Air Std. Rt. w/195,205 Tires
	4322 688	1			w/o Air Std. Lt. w/185 Tires (See Note 1)
	4322 688	1			w/o Air Std. Lt. w/195,205 Tires
	4322 776	1			w/o Air, w/Firm Feel Rt. w/185 Tires (See Note 1)
	4322 776	1			w/o Air, w/Firm Feel Rt. w/195,205 Tires

MODEL CODES

C BODY = (D41 - DYNASTY)(C41 - NEW YORKER)
 E BODY = (J - CARAVELLE)(E - 600)(T - NEW YORKER TURBO)
 G BODY = (V24 - DAYTONA, PACIFICA & SHELBY)
 H BODY = (D44 - LANCER)(C44 - LEBARON GTS)
 J BODY = (C - LEBARON)
 K BODY = (P - RELIANT)(D - ARIES)(C - LEBARON/ TOWN & COUNTRY)

L BODY = (M - HORIZON)(Z-OMNI)
 M BODY = (B - GRAN FURY)(G - DIPLOMAT)(F - FIFTH AVENUE/NEWPORT)
 P BODY = (P - SUNDANCE)(D - SHADOW)
 Q BODY = (C27 - MASERATI)
 S BODY = (H - VOYAGER)(K - RAM VAN/ CARAVAN)

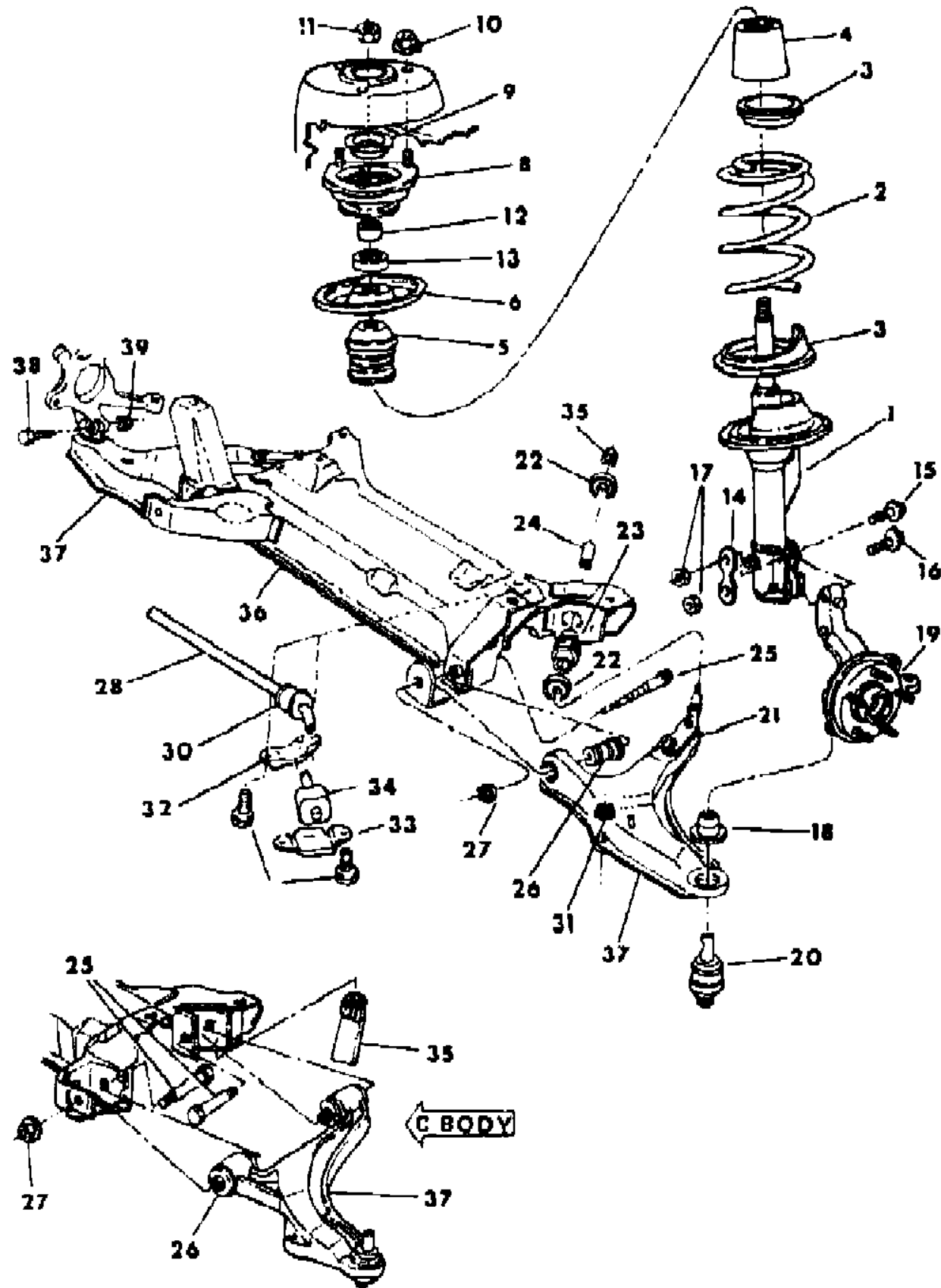
BODY STYLES

12-52 = FWD VAN & WAGON STD. W.B. 27 = 2-DOOR CONVERTIBLE
 13-53 = FWD VAN & WGN EXT W.B. 41 = 4-DOOR SEDAN
 21 = 2-DOOR SEDAN 44 = 4-DOOR HATCHBACK
 24 = 2-DOOR HATCHBACK 45 = 4-DOOR STATION WAGON

AR = Use as Required - = Non Illustrated Part P.A.R. = Paint as Required

SUSPENSION, FRONT P,J,K,G,E,H,C BODY
Figure 2-200

8102 200



ITEM	PART NUMBER	QTY	BODY	MODEL	DESCRIPTION
	4322 778	1			w/o Air, w/Firm Feel Lt. w/185 Tires
	4322 776	1			w/o Air, w/Firm Feel Lt. w/195,205 Tires (See Note 1)
	4322 688	1			w/Air Std. Rt. w/185 Tires (See Note 1)
	4322 688	1			w/Air Std. Rt. w/195,205 Tires
	4322 692	1			w/Air Std. Lt. w/185 Tires
	4322 690	1			w/Air Std. Lt. w/195,205 Tires (See Note 1)
	4322 778	1			w/Air, w/Firm Feel Rt. w/185 Tires
	4322 776	1			w/Air, w/Firm Feel Rt. w/195,205 Tires (See Note 1)
	4322 780	1			w/Air, w/Firm Feel Lt. w/185 Tires
	4322 778	1			w/Air, w/Firm Feel Lt. w/195,205 Tires (See Note 1)
	4322 686	1	J		SPRING, w/2.5L EFI
	4322 688	1			w/o Air Std. Rt.
	4322 688	1			w/o Air Std. Lt. (See Note 1)
	4322 688	1			w/Air Std. Rt.
	4322 690	1			w/Air Std. Lt.
			J		SPRING, w/2.2L Turbo I
	4322 686	1			w/o Air Std. Rt.
	4322 688	1			w/o Air Std. Lt.
	4322 688	1			w/Air Std. Rt.
	4322 690	1			w/Air Std. Lt.
			E		SPRING, w/2.2L EFI
	4322 688	1		J,E	w/o Air Std. Rt.
	4322 690	1		J,E	w/o Air Std. Lt.
	4322 776	1		J,E	w/o Air H.D. Rt.
	4322 778	1		J,E	w/o Air H.D. Lt.
	4322 686	1		J,E	w/o Air, Firm Feel, Rt.
	4322 690	1		J,E	w/o Air, Firm Feel, Lt.
	4322 688	1		J,E	w/Air Std. Rt.
	4322 694	1		J,E	w/Air Std. Lt.
	4322 776	1		J,E	w/Air H.D. Rt.
	4322 778	1		J,E	w/Air H.D. Lt.
	4322 688	1		J,E	w/Air, Firm Feel, Rt.
	4322 690	1		J,E	w/Air, Firm Feel, Lt.
			E		SPRING, w/2.2L Turbo I
	4322 688	1		J,E	w/o Air Std. Rt.
	4322 690	1		J,E	w/o Air Std. Lt.
	4322 776	1		J,E	w/o Air H.D. Rt.

MODEL CODES

C BODY = (D41 - DYNASTY)(C41 - NEW YORKER)
 E BODY = (J - CARAVELLE)(E - 600)(T - NEW YORKER TURBO)
 G BODY = (V24 - DAYTONA, PACIFICA & SHELBY)
 H BODY = (D44 - LANCER)(C44 - LEBARON GTS)
 J BODY = (C - LEBARON)
 K BODY = (P - RELIANT)(D - ARIES)(C - LEBARON/ TOWN & COUNTRY)

L BODY = (M - HORIZON)(Z-OMNI)
 M BODY = (B - GRAN FURY)(G - DIPLOMAT)(F - FIFTH AVENUE/NEWPORT)
 P BODY = (P - SUNDANCE)(D - SHADOW)
 Q BODY = (C27 - MASERATI)
 S BODY = (H - VOYAGER)(K - RAM VAN/ CARAVAN)

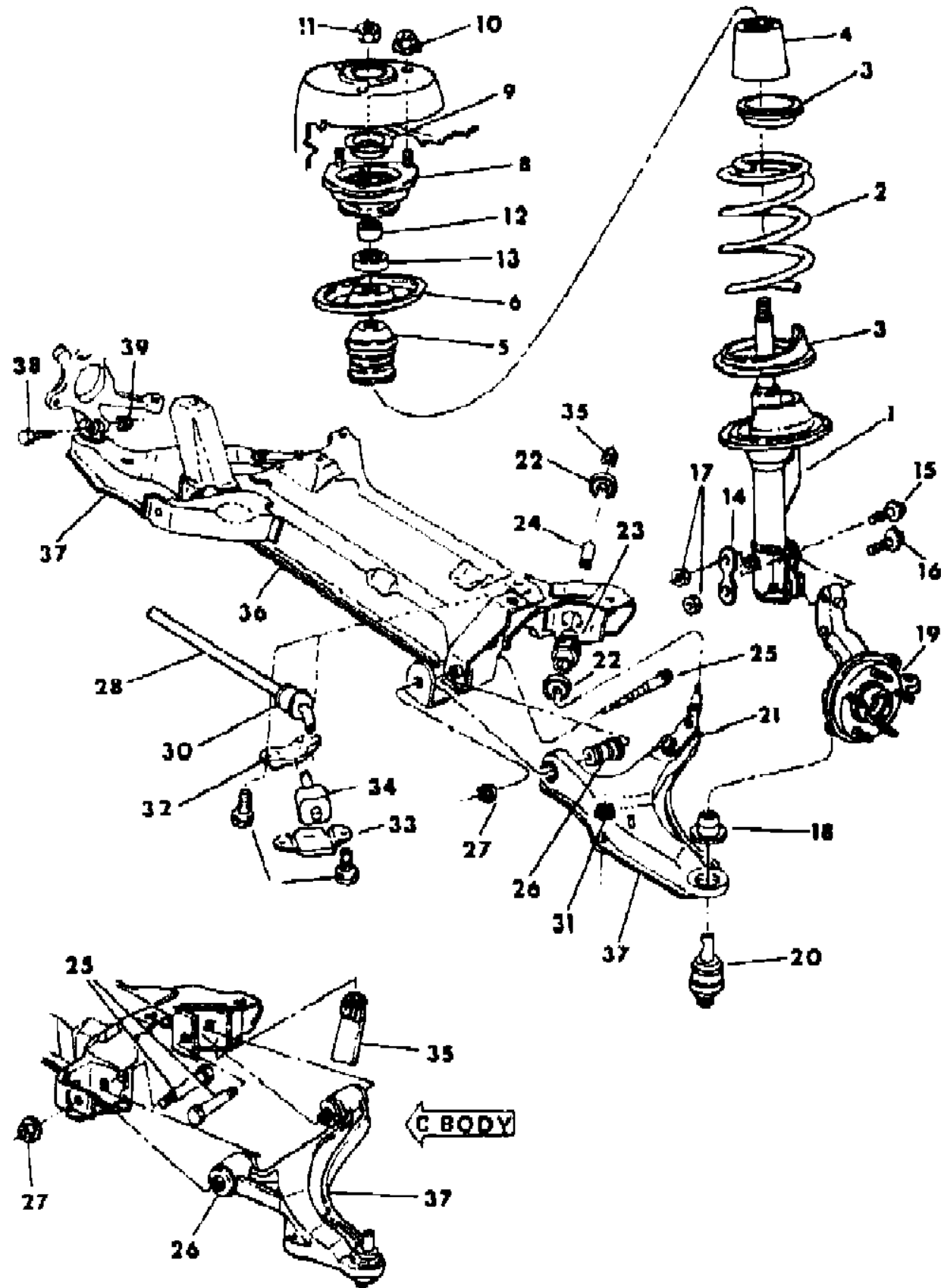
BODY STYLES

12-52 = FWD VAN & WAGON STD. W.B. 27 = 2-DOOR CONVERTIBLE
 13-53 = FWD VAN & WGN EXT W.B. 41 = 4-DOOR SEDAN
 21 = 2-DOOR SEDAN 44 = 4-DOOR HATCHBACK
 24 = 2-DOOR HATCHBACK 45 = 4-DOOR STATION WAGON

AR = Use as Required - = Non Illustrated Part P.A.R. = Paint as Required

SUSPENSION, FRONT P,J,K,G,E,H,C BODY
Figure 2-200

8102 200



ITEM	PART NUMBER	QTY	BODY	MODEL	DESCRIPTION
	4322 778	1		J,E	w/o Air H.D. Lt.
	4322 688	1		J,E	w/o Air, Firm Feel, Rt.
	4322 690	1		J,E	w/o Air, Firm Feel, Lt.
	4322 690	1		J,E	w/Air Std. Rt.
	4322 692	1		J,E	w/Air Std. Lt.
	4322 778	1		J,E	w/Air H.D. Rt.
	4322 780	1		J,E	w/Air H.D. Lt.
	4322 688	1		J,E	w/Air, Firm Feel, Rt.
	4322 690	1		J,E	w/Air, Firm Feel, Lt.
	4322 688	1		T	w/o Air, Std. & Firm Feel, Rt.
	4322 690	1		T	w/o Air, Std. & Firm Feel, Lt.
	4322 778	1		T	w/o Air H.D. Rt.
	4322 780	1		T	w/o Air H.D. Lt.
	4322 690	1		T	w/Air, Std. & Firm Feel, Rt.
	4322 692	1		T	w/Air, Std. & Firm Feel, Lt.
	4322 778	1		T	w/Air H.D. Rt.
	4322 780	1		T	w/Air H.D. Lt.
			E		SPRING, w/2.5L EFI
	4322 688	1		J,E	w/o Air Std. Rt.
	4322 690	1		J,E	w/o Air Std. Lt.
	4322 776	1		J,E	w/o Air H.D. Rt.
	4322 778	1		J,E	w/o Air H.D. Lt.
	4322 688	1		J,E	w/o Air, Firm Feel, Rt.
	4322 690	1		J,E	w/o Air, Firm Feel, Lt.
	4322 690	1		J,E	w/Air Std. Rt.
	4322 692	1		J,E	w/Air Std. Lt.
	4322 778	1		J,E	w/Air H.D. Rt.
	4322 780	1		J,E	w/Air H.D. Lt.
	4322 688	1		J,E	w/Air, Firm Feel, Rt.
	4322 690	1		J,E	w/Air, Firm Feel, Lt.
			C		SPRING, w/2.5L EFI
	4404 310	1			w/Std. Rt.
	4404 312	1			w/Std. Lt.
			C		SPRING, w/3.0L EFI
	4404 312	1			w/Std. Rt.
	4404 314	1			w/Std. Lt. (See Note 1)
	4404 314	1			w/Anti-Lock System Rt.

MODEL CODES

C BODY = (D41 - DYNASTY)(C41 - NEW YORKER)
 E BODY = (J - CARAVELLE)(E - 600)(T - NEW YORKER TURBO)
 G BODY = (V24 - DAYTONA, PACIFICA & SHELBY)
 H BODY = (D44 - LANCER)(C44 - LEBARON GTS)
 J BODY = (C - LEBARON)
 K BODY = (P - RELIANT)(D - ARIES)(C - LEBARON/ TOWN & COUNTRY)

L BODY = (M - HORIZON)(Z-OMNI)
 M BODY = (B - GRAN FURY)(G - DIPLOMAT)(F - FIFTH AVENUE/NEWPORT)
 P BODY = (P - SUNDANCE)(D - SHADOW)
 Q BODY = (C27 - MASERATI)
 S BODY = (H - VOYAGER)(K - RAM VAN/ CARAVAN)

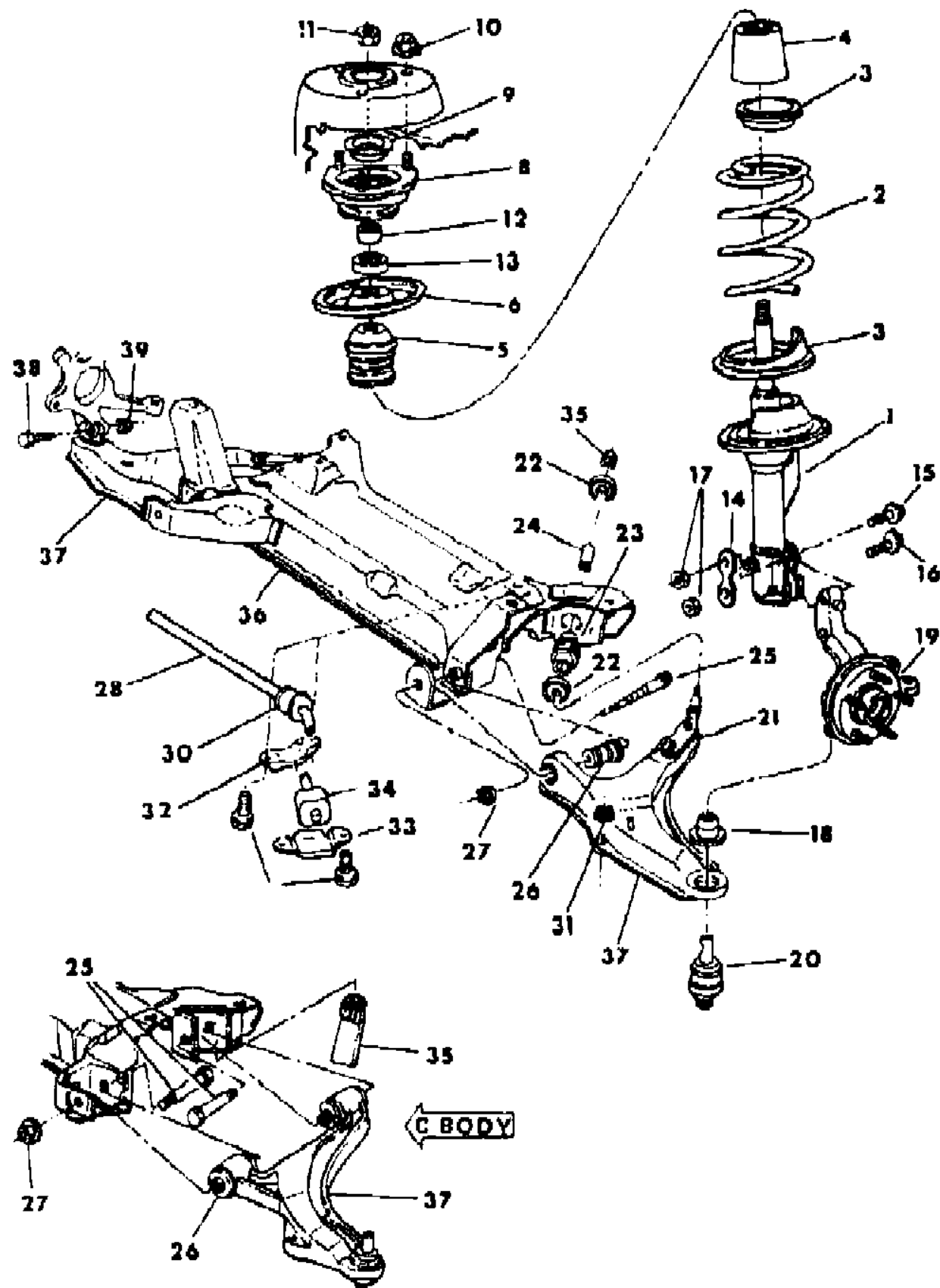
BODY STYLES

12-52 = FWD VAN & WAGON STD. W.B. 27 = 2-DOOR CONVERTIBLE
 13-53 = FWD VAN & WGN EXT W.B. 41 = 4-DOOR SEDAN
 21 = 2-DOOR SEDAN 44 = 4-DOOR HATCHBACK
 24 = 2-DOOR HATCHBACK 45 = 4-DOOR STATION WAGON

AR = Use as Required - = Non Illustrated Part P.A.R. = Paint as Required

SUSPENSION, FRONT P,J,K,G,E,H,C BODY
Figure 2-200

8102 200



ITEM	PART NUMBER	QTY	BODY	MODEL	DESCRIPTION
	4404 316	1			w/Anti-Lock System Lt.
3	4014 441	AR			SPACER, Strut Dmpr. Seat Iso., Lwr.
	4404 366	2	C		Spring Seat Lwr.
4	4443 416	2			SHIELD, Dust, Frt. Susp. Strut Dmpr.(Serv. Pkg.)
	4443 417	2	JGC		
5	4443 416	2			BUMPER, Frt. Susp. Strut Dmpr.(Serv. Pkg.)
	4443 417	2	JGC		
6	4322 628	2			SEAT, Frt. Susp. Strut Dmpr., Upper
	4449 134	2	C		
7	4322 633	2			WASHER, Strut Damper
8	4404 976	2			BEARING, w/Mount Frt. Susp. Strut Dmpr.
	4404 977	2			Mount w/o Bearing
9	4052 822	2			RETAINER, Frt. Susp. Dmpr. Rebound Stop
10	6100 051	6			NUT, w/Washer, Frt. Susp. Strut Dmpr. Fender Shield Ret.
11	6501 094	2			NUT, Frt. Susp. Strut Dmpr. Rod
12	4322 633	2	C		WASHER, Frt. Susp. Strut Dmpr.
13	4322 620	2			BEARING, Frt. Susp. Strut Dmpr.
14	4014 444	2			WASHER, Frt. Susp. Strut Dmpr.
15	6500 615	2			BOLT, Frt. Susp. Knuckle to Strut Dmpr. Mtg., Upr.
	6501 644	2	C		
16	6500 614	2			BOLT, Cam Dmpr. To Frt. Susp. Knuckle, Lwr.
	6501 644	2	C		
17	6500 593	4			NUT, Strut Dmpr. Bolt
18	4052 509	2			SEAL, Frt. Susp. Cont. Arm B/Joint
19	4052 838-9	1			KNUCKLE, Frt. Susp Strg.
	4404 268-9	1	C		w/o Anti-Lock System
	4322 922-3	1	C		w/Anti-Lock System
20	4364 782	2			BALL JOINT, Frt. Susp. Strg. Knuckle
	4443 405	2	C		
21					RIVET, (Not Serviced)
22	5204 534	4			RETAINER, Frt. Susp. Cont. Arm Strut Bushing
23	4322 285	2			BUSHING, Frt. Susp. Cont. Arm Stud
24	5204 535	2			SLEEVE, Frt. Susp. Cont. Arm Strut Bushing
25	4014 239	2			BOLT, Frt. Susp. Pivot Shaft Frt.
	6501 484	4	C		
26	4052 646	2			BUSHING, Cont. Arm Pivot w/Std. Susp.
	4322 834	2	C		Front

MODEL CODES

C BODY = (D41 - DYNASTY)(C41 - NEW YORKER)
 E BODY = (J - CARAVELLE)(E - 600)(T - NEW YORKER TURBO)
 G BODY = (V24 - DAYTONA, PACIFICA & SHELBY)
 H BODY = (D44 - LANCER)(C44 - LEBARON GTS)
 J BODY = (C - LEBARON)
 K BODY = (P - RELIANT)(D - ARIES)(C - LEBARON/ TOWN & COUNTRY)

L BODY = (M - HORIZON)(Z-OMNI)
 M BODY = (B - GRAN FURY)(G - DIPLOMAT)(F - FIFTH AVENUE/NEWPORT)
 P BODY = (P - SUNDANCE)(D - SHADOW)
 Q BODY = (C27 - MASERATI)
 S BODY = (H - VOYAGER)(K - RAM VAN/ CARAVAN)

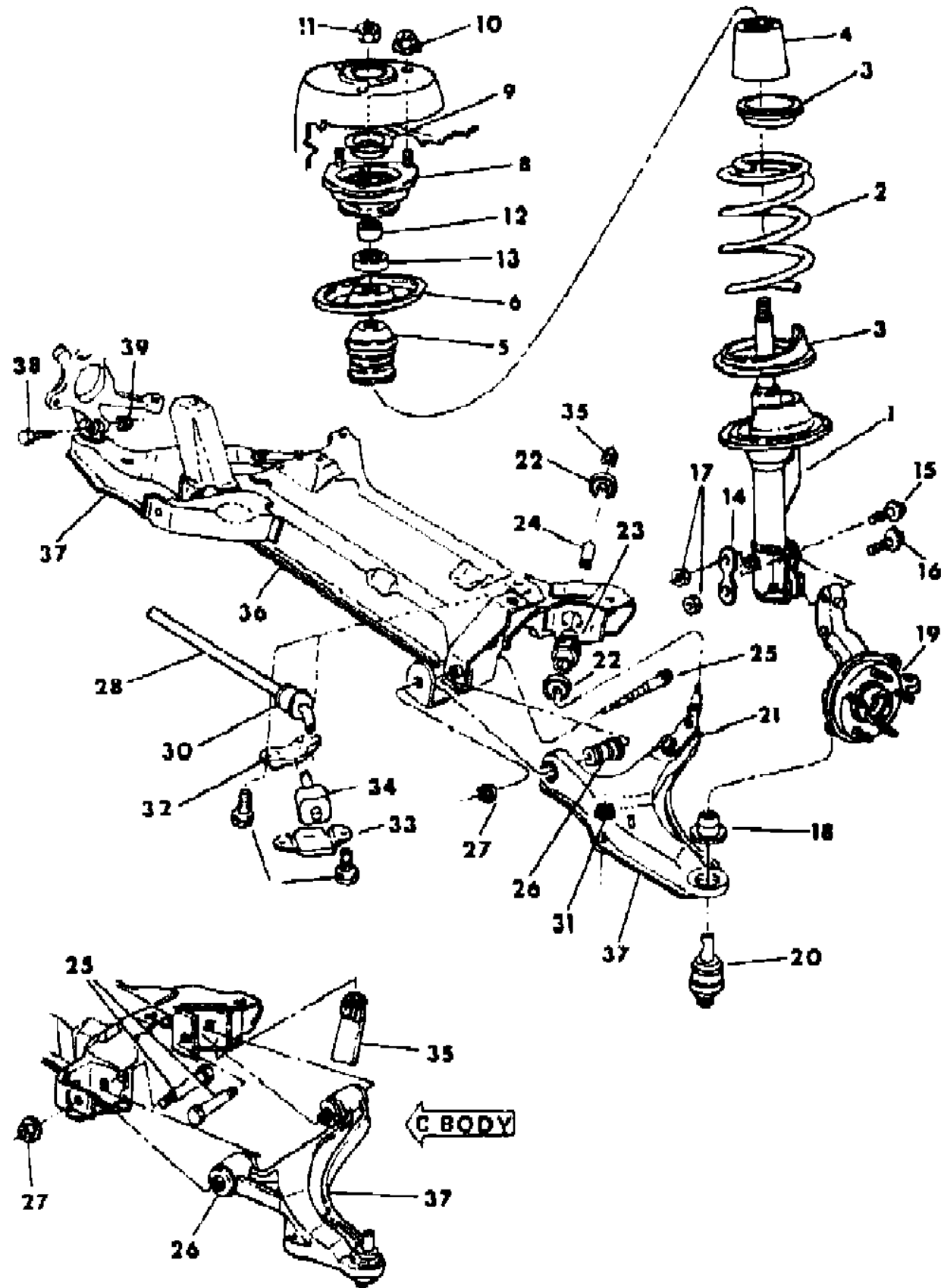
BODY STYLES

12-52 = FWD VAN & WAGON STD. W.B. 27 = 2-DOOR CONVERTIBLE
 13-53 = FWD VAN & WGN EXT W.B. 41 = 4-DOOR SEDAN
 21 = 2-DOOR SEDAN 44 = 4-DOOR HATCHBACK
 24 = 2-DOOR HATCHBACK 45 = 4-DOOR STATION WAGON

AR = Use as Required - = Non Illustrated Part P.A.R. = Paint as Required

SUSPENSION, FRONT P,J,K,G,E,H,C BODY
Figure 2-200

8102 200



ITEM	PART NUMBER	QTY	BODY	MODEL	DESCRIPTION
					Rear
27	4322 835	2	C		
	6500 231	2			NUT, Pivot Bolt (Except E Body w/Firm Feel Susp.)
	6500 231	4	C		
28	4322 014	1			SHAFT, Frt. Susp. Sway, All Susp.(Except Special Sport)
	4449 125	1	JG		w/Std. Susp.
	4322 930	1	C		
	4322 745	1	JG		w/Special Sport Susp.
29	6100 579	AR			BOLT, Clamp
	6100 437	AR	C		
30	4322 017	2			CUSHION, Frt. Susp. Sway Elim. Std.
	4052 613	2			w/Firm Feel & Extra H.D. Susp. (SBB)
	4052 613	2	JG		w/Std. & Firm Feel Susp. (SBA)
	4443 428	2	JG		w/Special Sport Susp. (SDE)
	4322 677	2	C		
	6100 128	2			WASHER, Coned Frt. Susp. Sway Elim. Shaft
31	6500 363	4			NUT, Bolt
	6100 509	4	C		
32	4052 522	2			CLAMP, Shaft Bshg., Lwr. (Except Special Sport Susp.)
	4322 769	2	JG		w/Special Sport Susp.
	4404 290	2	C		
33	4014 418	2			RETAINER, Shaft Arm
	4404 386	2	C		
34	4443 427	2	E		BUSHING, Sway Frt. Susp. Cont. w/Std. & H.D. Susp.
	4443 427	2	C		
	4443 426	2			w/All Susp.
	4322 751	2	JG		w/Special Sport Susp.
35	6100 502	2			NUT, Cont. Arm Pivot
	4052 561	2	C		Nut Plate
36					CROSSMEMBER, (Ref. Only)
37	4322 154-5	1			ARM, Frt. Cont., Std. or H.D.
	4322 158-9	1	JG		w/Firm Feel, Extra H.D. & Special Sport Susp.
	4404 396-7	1	C		
38	6501 248	2			BOLT, Knuckle To Cont. Arm
39	6501 738	2			NUT

MODEL CODES

C BODY = (D41 - DYNASTY)(C41 - NEW YORKER)
 E BODY = (J - CARAVELLE)(E - 600)(T - NEW YORKER TURBO)
 G BODY = (V24 - DAYTONA, PACIFICA & SHELBY)
 H BODY = (D44 - LANCER)(C44 - LEBARON GTS)
 J BODY = (C - LEBARON)
 K BODY = (P - RELIANT)(D - ARIES)(C - LEBARON/ TOWN & COUNTRY)

L BODY = (M - HORIZON)(Z-OMNI)
 M BODY = (B - GRAN FURY)(G - DIPLOMAT)(F - FIFTH AVENUE/NEWPORT)
 P BODY = (P - SUNDANCE)(D - SHADOW)
 Q BODY = (C27 - MASERATI)
 S BODY = (H - VOYAGER)(K - RAM VAN/ CARAVAN)

BODY STYLES

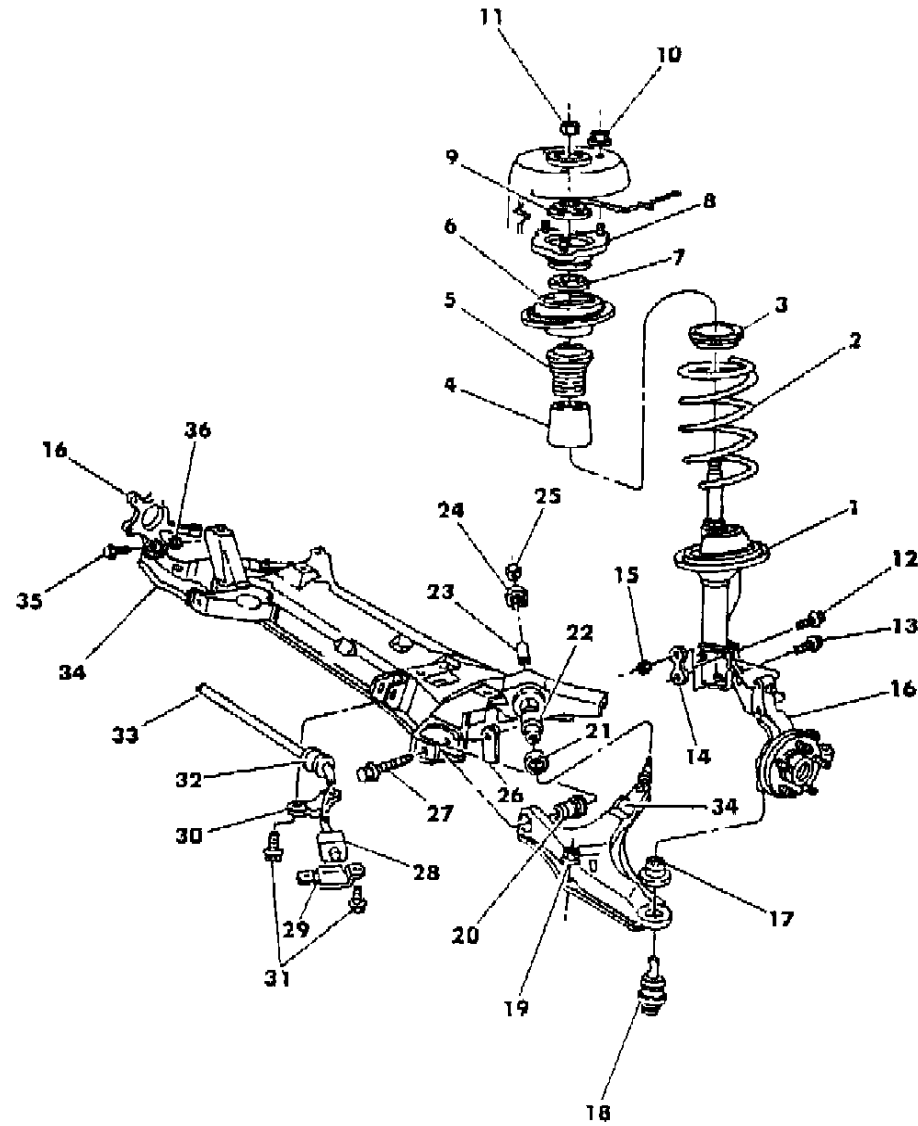
12-52 = FWD VAN & WAGON STD. W.B. 27 = 2-DOOR CONVERTIBLE
 13-53 = FWD VAN & WGN EXT W.B. 41 = 4-DOOR SEDAN
 21 = 2-DOOR SEDAN 44 = 4-DOOR HATCHBACK
 24 = 2-DOOR HATCHBACK 45 = 4-DOOR STATION WAGON

AR = Use as Required - = Non Illustrated Part P.A.R. = Paint as Required

SUSPENSION, FRONT S-BODY

Figure 2-300

8102 300



ITEM	PART NUMBER	QTY	BODY	MODEL	DESCRIPTION
NOTE: 1 ISOLATOR Pt.NO. 4014441 REQUIRED WHEN REPLACING SPRING AS NOTED.					
1	4449 074	2			STRUT, Damper or Shock Assy. (Std.)(Gas Filled)
	4449 075	2			(H.D.)(Gas Filled)
2			S		SPRING, w/2.5L EFI
	4322 784	1		HK12,13	w/o Air H.D. Rt.
	4322 786	1		HK12,13	w/o Air H.D. Lt.
	4322 786	1		HK12,13	w/Air H.D. Rt.
	4322 786	1		HK12,13	w/Air H.D. Lt.
	4322 850	1		HK52,53	w/o Air Std. Rt.
	4322 850	1		HK52,53	w/o Air Std. Lt. (See Note 1)
	4322 786	1		HK52,53	w/o Air H.D. Rt.
	4322 786	1		HK52,53	w/o Air H.D. Lt.
	4322 852	1		HK52,53	w/Air Std. Rt.
	4322 852	1		HK52,53	w/Air Std. Lt.
	4322 786	1		HK52,53	w/Air H.D. Rt.
	4322 786	1		HK52,53	w/Air H.D. Lt. (See Note 1)
			S		SPRING, w/3.0L EFI
	4322 850	1		HK12	w/o Air Std. Rt.
	4322 852	1		HK12	w/o Air Std. Lt.
	4322 786	1		HK12,13,52	w/o Air H.D. Rt.
	4322 786	1		HK12,13,52	w/o Air H.D. Lt. (See Note 1)
	4322 852	1		HK12	w/Air Std. Rt.
	4322 852	1		HK12	w/Air Std. Lt. (See Note 1)
	4322 786	1		HK12,13,52	w/Air H.D. Rt.
	4322 788	1		HK12,13,52	w/Air H.D. Lt.
	4322 850	1		HK52	w/o Air Std. Rt.
	4322 852	1		HK52	w/o Air Std. Lt.
	4322 852	1		HK52	w/Air Std. Rt.
	4322 852	1		HK52	w/Air Std. Lt. (See Note 1)
	4322 852	1		HK53	w/o Air Std. Rt.
	4322 852	1		HK53	w/o Air Std. Lt. (See Note 1)
	4322 786	1		HK53	w/o Air H.D. Rt.
	4322 788	1		HK53	w/o Air H.D. Lt.
	4322 852	1		HK53	w/Air Std. Rt.
	4322 854	1		HK53	w/Air Std. Lt.
	4322 788	1		HK53	w/Air H.D. Rt.
	4322 788	1		HK53	w/Air H.D. Lt. (See Note 1)

MODEL CODES

C BODY = (D41 - DYNASTY)(C41 - NEW YORKER)
 E BODY = (J - CARAVELLE)(E - 600)(T - NEW YORKER TURBO)
 G BODY = (V24 - DAYTONA, PACIFICA & SHELBY)
 H BODY = (D44 - LANCER)(C44 - LEBARON GTS)
 J BODY = (C - LEBARON)
 K BODY = (P - RELIANT)(D - ARIES)(C - LEBARON/ TOWN & COUNTRY)

L BODY = (M - HORIZON)(Z-OMNI)
 M BODY = (B - GRAN FURY)(G - DIPLOMAT)(F - FIFTH AVENUE/NEWPORT)
 P BODY = (P - SUNDANCE)(D - SHADOW)
 Q BODY = (C27 - MASERATI)
 S BODY = (H - VOYAGER)(K - RAM VAN/ CARAVAN)

BODY STYLES

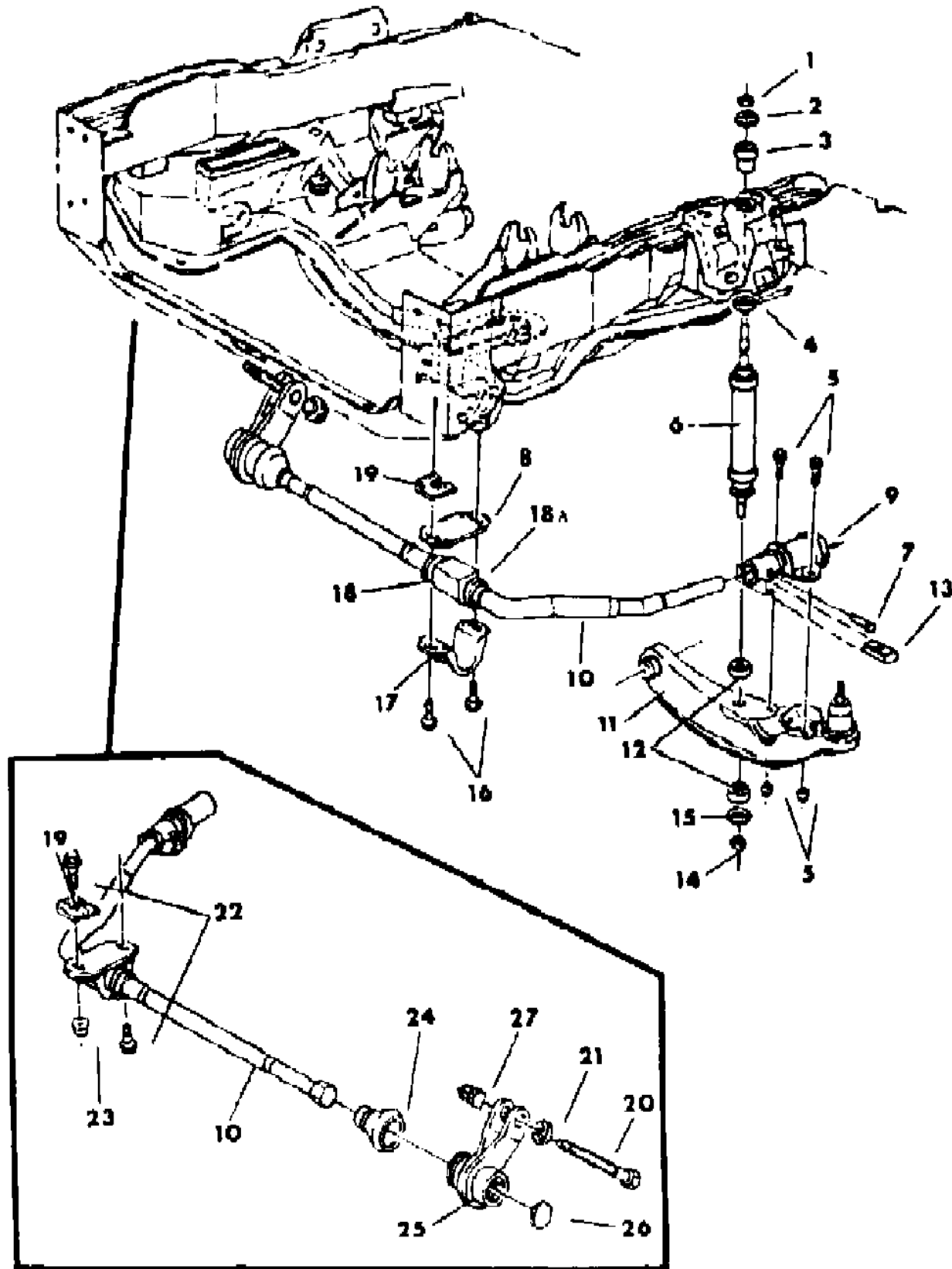
12-52 = FWD VAN & WAGON STD. W.B. 27 = 2-DOOR CONVERTIBLE
 13-53 = FWD VAN & WGN EXT W.B. 41 = 4-DOOR SEDAN
 21 = 2-DOOR SEDAN 44 = 4-DOOR HATCHBACK
 24 = 2-DOOR HATCHBACK 45 = 4-DOOR STATION WAGON

AR = Use as Required - = Non Illustrated Part P.A.R. = Paint as Required

SUSPENSION, FRONT M BODY

Figure 2-400

8102 400



ITEM	PART NUMBER	QTY	BODY	MODEL	DESCRIPTION
	4106 153				BUSHING PACKAGE, Spring to Lower Cont. Arm Consists of: 1----- Bushing 1 - 181146 Bolt 1- 152346 Nut
					2 -----Nut 2 -----Bolt 1-4014073 Plate 1-9425686 Bolt
	4186 805				BUSHING PACKAGE, Spring to Lower Cont. Arm, Police And Taxi Only Consists of: 1----- Bushing 1-4014073 Plate 1-0181146 Bolt 1-0152346 Nut 2 ----- Nut 2 ----- Bolt 1- 9425686 Bolt
	4186 828	1			PIVOT, PKG., Cushion Spring Consists of: 1 ----- Plate 1 ----- Cushion 1 ----- Retainer 2 ----- Clamp 1-4014073 Plate 2-6031753 Bolt,w/Washer 2-9425686 Bolt 1-6030854 Nut
1	0114 942	2			NUT, Front Shock Upper Mtg.
2	3722 001	4			RETAINER, Front Shock Upper Mtg. Bushing
3	3722 006	2			BUSHING, Front Shock Upper Mtg.
4	3722 001	4			RETAINER, Front Shock Upper Mtg. Bushing
5	4026 849	4			SCREW and NUT PACKAGE, Spring to Lower Cont. Arm Consists of: 1-----Screw w/Washer 1-----Nut

MODEL CODES

C BODY = (D41 - DYNASTY)(C41 - NEW YORKER)
E BODY = (J - CARAVELLE)(E - 600)(T - NEW YORKER TURBO)
G BODY = (V24 - DAYTONA, PACIFICA & SHELBY)
H BODY = (D44 - LANCER)(C44 - LEBARON GTS)
J BODY = (C - LEBARON)
K BODY = (P - RELIANT)(D - ARIES)(C - LEBARON/ TOWN & COUNTRY)

L BODY = (M - HORIZON)(Z-OMNI)
M BODY = (B - GRAN FURY)(G - DIPLOMAT)(F - FIFTH AVENUE/NEWPORT)
P BODY = (P - SUNDANCE)(D - SHADOW)
Q BODY = (C27 - MASERATI)
S BODY = (H - VOYAGER)(K - RAM VAN/ CARAVAN)

BODY STYLES

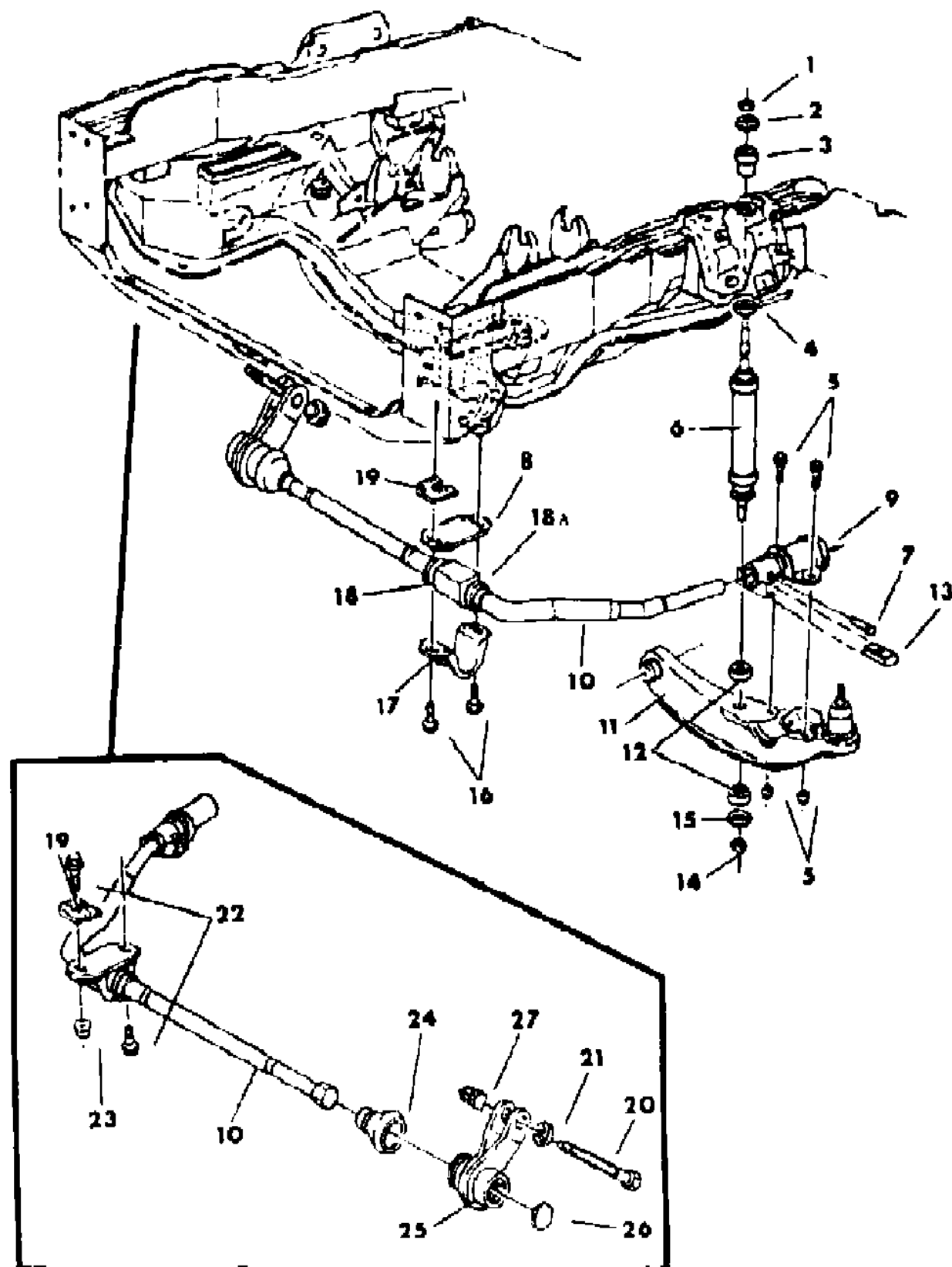
12-52 = FWD VAN & WAGON STD. W.B. 27 = 2-DOOR CONVERTIBLE
13-53 = FWD VAN & WGN EXT W.B. 41 = 4-DOOR SEDAN
21 = 2-DOOR SEDAN 44 = 4-DOOR HATCHBACK
24 = 2-DOOR HATCHBACK 45 = 4-DOOR STATION WAGON

AR = Use as Required - = Non Illustrated Part P.A.R. = Paint as Required

SUSPENSION, FRONT M BODY

Figure 2-400

8102 400



ITEM	PART NUMBER	QTY	BODY	MODEL	DESCRIPTION
6	4419 105	2			SHOCK, Frt., Std.
	4419 106	2			Heavy Duty
	4057 093	2			Extra Heavy Duty
7		2			RIVET, (Serviced in Item 10)
8		2			PLATE, (Serviced in Item 10)
9		2			BUSHING, (Serviced in Item 10)(Also in Bush.Pkg.4106153)
10	4014 142-3	1			BAR, Frt.
	4014 288-9	1			Police Only
11	4014 004-5	1			ARM, w/Shaft and Ball Joint, Lower Cont.
12	3643 891	4			BUSHING, Front Shock Lower Mtg.
13	4014 023	2			NUT, Shaft Cushion Link
14	#0271 507	2			NUT, Front Shock Lower Mtg.
15		2			RETAINER, (Serviced in Item 6)
16	6031 993	4			BOLT, w/Washer, Pivot Cushion Ret.
17		2			RETAINER, (Serviced in Item 10)
18	3815 738	4			CLAMP, Pivot Cushion Seal
18A	4186 828	1			PIVOT PACKAGE, Cushion Spring
19	4014 073	2			PLATE, Spring Pivot Cushion Friction (Also In Bush. Pkg., 4106153)
20	3815 680	2			BOLT, Spring Anchor Adj.
21	4014 100	2			BEARING, Spring Anchor Adj. Bolt
22	6031 993	4			BOLT, w/Washer, Pivot Cushion Ret.
23	6030 854	4			NUT, Pivot Cushion Ret. Bolt
24	2269 250	2			SEAL, Anchor Inner
25	4094 070	2			ANCHOR, Torsion Bar
26		2			PLUG, (Serviced in Item 25)
27	4094 071	2			SWIVEL, Anchor Adj. Bolt

MODEL CODES

C BODY = (D41 - DYNASTY)(C41 - NEW YORKER)
 E BODY = (J - CARAVELLE)(E - 600)(T - NEW YORKER TURBO)
 G BODY = (V24 - DAYTONA, PACIFICA & SHELBY)
 H BODY = (D44 - LANCER)(C44 - LEBARON GTS)
 J BODY = (C - LEBARON)
 K BODY = (P - RELIANT)(D - ARIES)(C - LEBARON/ TOWN & COUNTRY)

L BODY = (M - HORIZON)(Z-OMNI)
 M BODY = (B - GRAN FURY)(G - DIPLOMAT)(F - FIFTH AVENUE/NEWPORT)
 P BODY = (P - SUNDANCE)(D - SHADOW)
 Q BODY = (C27 - MASERATI)
 S BODY = (H - VOYAGER)(K - RAM VAN/ CARAVAN)

BODY STYLES

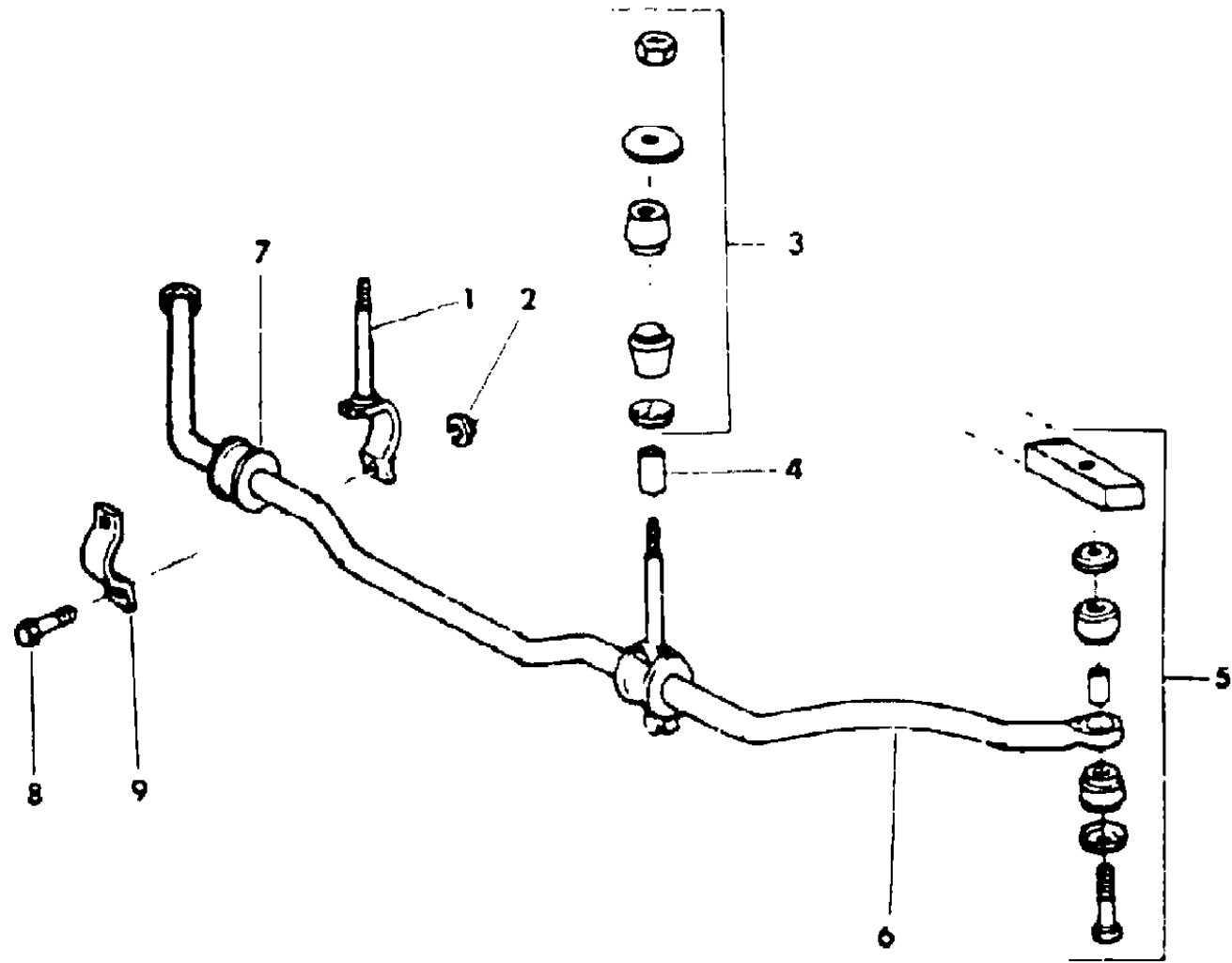
12-52 = FWD VAN & WAGON STD. W.B. 27 = 2-DOOR CONVERTIBLE
 13-53 = FWD VAN & WGN EXT W.B. 41 = 4-DOOR SEDAN
 21 = 2-DOOR SEDAN 44 = 4-DOOR HATCHBACK
 24 = 2-DOOR HATCHBACK 45 = 4-DOOR STATION WAGON

AR = Use as Required - = Non Illustrated Part P.A.R. = Paint as Required

SWAY BAR, FRONT M BODY
Figure 2-500

8102 500

ITEM	PART NUMBER	QTY	BODY	MODEL	DESCRIPTION
1	4449 161	2			LINK, Shaft Bush.
2	6025 405	2			NUT, Strap Bolt
3	4106 161	2			ATTACHING PACKAGE, Sway Bar Consist of: 1- 181116 Bolt 1- 118615 Nut 2- ----- Retainer 2- ----- Insulator 1- 118614 Nut
4	3815 668	2			SLEEVE, Shaft Insulator Link (up to 2-1-88)
	4449 211	2			(After 2-1-88)
5	4267 328	2			ATTACHING PACKAGE, Front Sway Bar Shaft End Consist of: 2- ----- Cushion 2- ----- Retainer 2- 4014023 Nut 1- ----- Sleeve 1- 9425686 Bolt Strap
6	4014 033	1			SHAFT, Sway Bar, Std. or H.D.
	4014 126	1			Extra Duty or Firm Feel
7	4014 035	2			BUSHING, Std. or H.D.
	4014 341	2			Extra Duty or Firm Feel
8	9425 686	2			BOLT, Strap
9	4014 080	2			STRAP, Bush. Retainer



MODEL CODES

C BODY = (D41 - DYNASTY)(C41 - NEW YORKER)	L BODY = (M - HORIZON)(Z-OMNI)
E BODY = (J - CARAVELLE)(E - 600)(T - NEW YORKER TURBO)	M BODY = (B - GRAN FURY)(G - DIPLOMAT)(F - FIFTH AVENUE/NEWPORT)
G BODY = (V24 - DAYTONA, PACIFICA & SHELBY)	P BODY = (P - SUNDANCE)(D - SHADOW)
H BODY = (D44 - LANCER)(C44 - LEBARON GTS)	Q BODY = (C27 - MASERATI)
J BODY = (C - LEBARON)	S BODY = (H - VOYAGER)(K - RAM VAN/ CARAVAN)
K BODY = (P - RELIANT)(D - ARIES)(C - LEBARON/ TOWN & COUNTRY)	

BODY STYLES

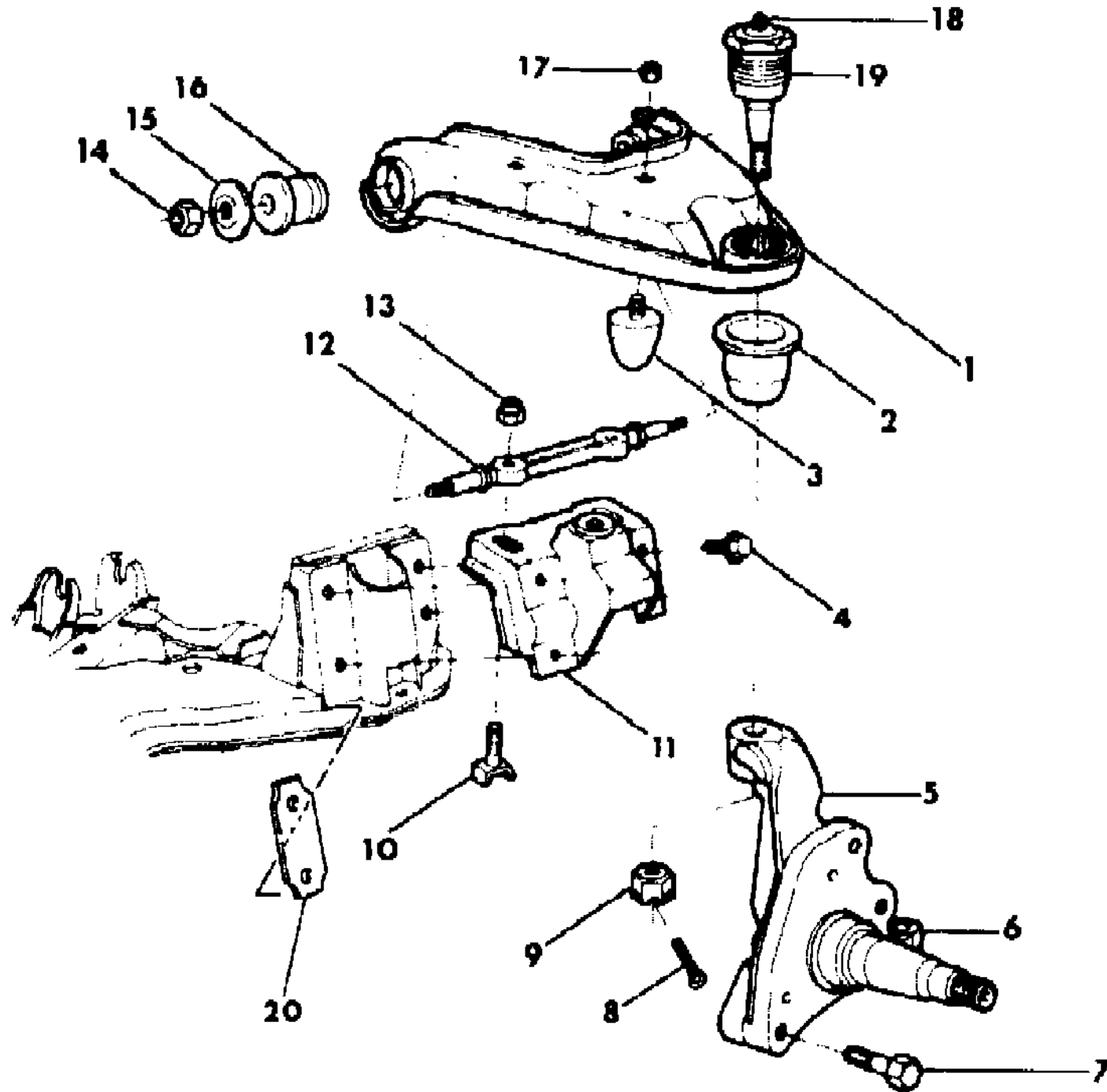
12-52 = FWD VAN & WAGON STD. W.B.	27 = 2-DOOR CONVERTIBLE
13-53 = FWD VAN & WGN EXT W.B.	41 = 4-DOOR SEDAN
21 = 2-DOOR SEDAN	44 = 4-DOOR HATCHBACK
24 = 2-DOOR HATCHBACK	45 = 4-DOOR STATION WAGON

AR = Use as Required - = Non Illustrated Part P.A.R. = Paint as Required

ARM-UPPER CONTROL M BODY

Figure 2-600

8102 600



ITEM	PART NUMBER	QTY	BODY	MODEL	DESCRIPTION
1	4014 368-9	1			ARM, Frt. Wheel Upper Cont.
2	2269 127	2			SEAL, Ball Joint Upper
3	4014 050	2			BUMPER, Arm
4	6031 240	8			SCREW, w/Washer
5	3402 640-1	1			KNUCKLE, Strg. Linkage
6	3815 712-3	1			ARM, Strg. Linkage Knuckle
7	6029 441	4			BOLT, Knuckle
8		2			PIN, (Not Serv.)
9	0273 911	2			NUT, Ball Joint
10	3815 473	4			BOLT, Pivot Bar Support
11	3815 706-7	1			SUPPORT, Pivot
12		2			BAR, (Served in Upper Control Arm)
13	6031 282	4			NUT, Pivot Bar Support Mtg.
14	6031 282	4			NUT, Pivot
15	3815 704	4			RETAINER, Arm Bushing
16	4106 195	4			BUSHING, Arm
17	0118 615	2			NUT, Bumper
18	6030 099	2			FITTING, Ball Joint
19	2298 534	2			BALL JOINT PACKAGE, Upper
					Consists of:
					1 -----Ball Joint
					1 - 2269127 Seal
					1 - 0273911 NUT
					1 -----C/Pin
					1 - 1672960 Washer
20	4014 352	AR			SPACER, Control Arm Pivot Support Front
	4014 353	AR			Rear

MODEL CODES

C BODY = (D41 - DYNASTY)(C41 - NEW YORKER)
 E BODY = (J - CARAVELLE)(E - 600)(T - NEW YORKER TURBO)
 G BODY = (V24 - DAYTONA, PACIFICA & SHELBY)
 H BODY = (D44 - LANCER)(C44 - LEBARON GTS)
 J BODY = (C - LEBARON)
 K BODY = (P - RELIANT)(D - ARIES)(C - LEBARON/ TOWN & COUNTRY)

L BODY = (M - HORIZON)(Z-OMNI)
 M BODY = (B - GRAN FURY)(G - DIPLOMAT)(F - FIFTH AVENUE/NEWPORT)
 P BODY = (P - SUNDANCE)(D - SHADOW)
 Q BODY = (C27 - MASERATI)
 S BODY = (H - VOYAGER)(K - RAM VAN/ CARAVAN)

BODY STYLES

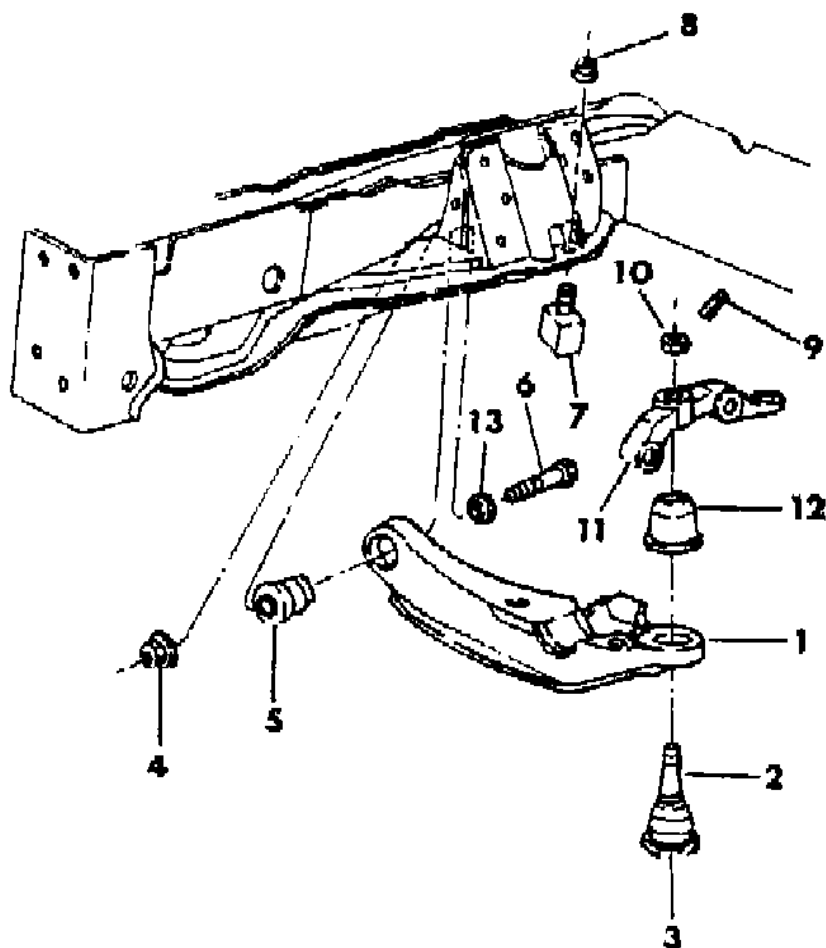
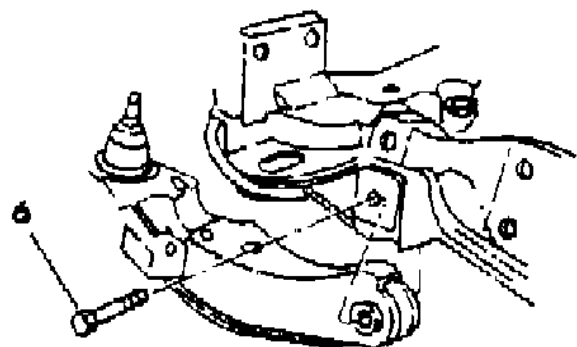
12-52 = FWD VAN & WAGON STD. W.B. 27 = 2-DOOR CONVERTIBLE
 13-53 = FWD VAN & WGN EXT W.B. 41 = 4-DOOR SEDAN
 21 = 2-DOOR SEDAN 44 = 4-DOOR HATCHBACK
 24 = 2-DOOR HATCHBACK 45 = 4-DOOR STATION WAGON

AR = Use as Required - = Non Illustrated Part P.A.R. = Paint as Required

ARM-LOWER CONTROL M BODY

Figure 2-700

8102 700



ITEM	PART NUMBER	QTY	BODY	MODEL	DESCRIPTION
1	4014 004-5	1			ARM, Lower Control
2	3837 087	2			BALL JOINT PACKAGE, Lower Consists of: 1 -----Ball Joint 1-3402540 Seal 1 - 273912 Nut 1 -----C/Pin
3	6030 099	2			FITTING, Ball Joint, Lower
4	6030 854	2			NUT, Pivot Bolt
5	3815 688	2			BUSHING, Arm Pivot
6	6030 853	2			BOLT, Pivot
7	3722 614	2			BUMPER, Arm
8	6025 011	2			NUT, Bumper
9		2			PIN, (Not Serv.)
10	0273 912	2			NUT, Ball Joint Stud
11	3815 712-3	2			ARM, Steering Knuckle
12	3402 540	2			SEAL, Ball Joint Lower
13	6028 762	2			WASHER, Coned, Bolt Pivot

MODEL CODES

C BODY = (D41 - DYNASTY)(C41 - NEW YORKER)
 E BODY = (J - CARAVELLE)(E - 600)(T - NEW YORKER TURBO)
 G BODY = (V24 - DAYTONA, PACIFICA & SHELBY)
 H BODY = (D44 - LANCER)(C44 - LEBARON GTS)
 J BODY = (C - LEBARON)
 K BODY = (P - RELIANT)(D - ARIES)(C - LEBARON/ TOWN & COUNTRY)

L BODY = (M - HORIZON)(Z-OMNI)
 M BODY = (B - GRAN FURY)(G - DIPLOMAT)(F - FIFTH AVENUE/NEWPORT)
 P BODY = (P - SUNDANCE)(D - SHADOW)
 Q BODY = (C27 - MASERATI)
 S BODY = (H - VOYAGER)(K - RAM VAN/ CARAVAN)

BODY STYLES

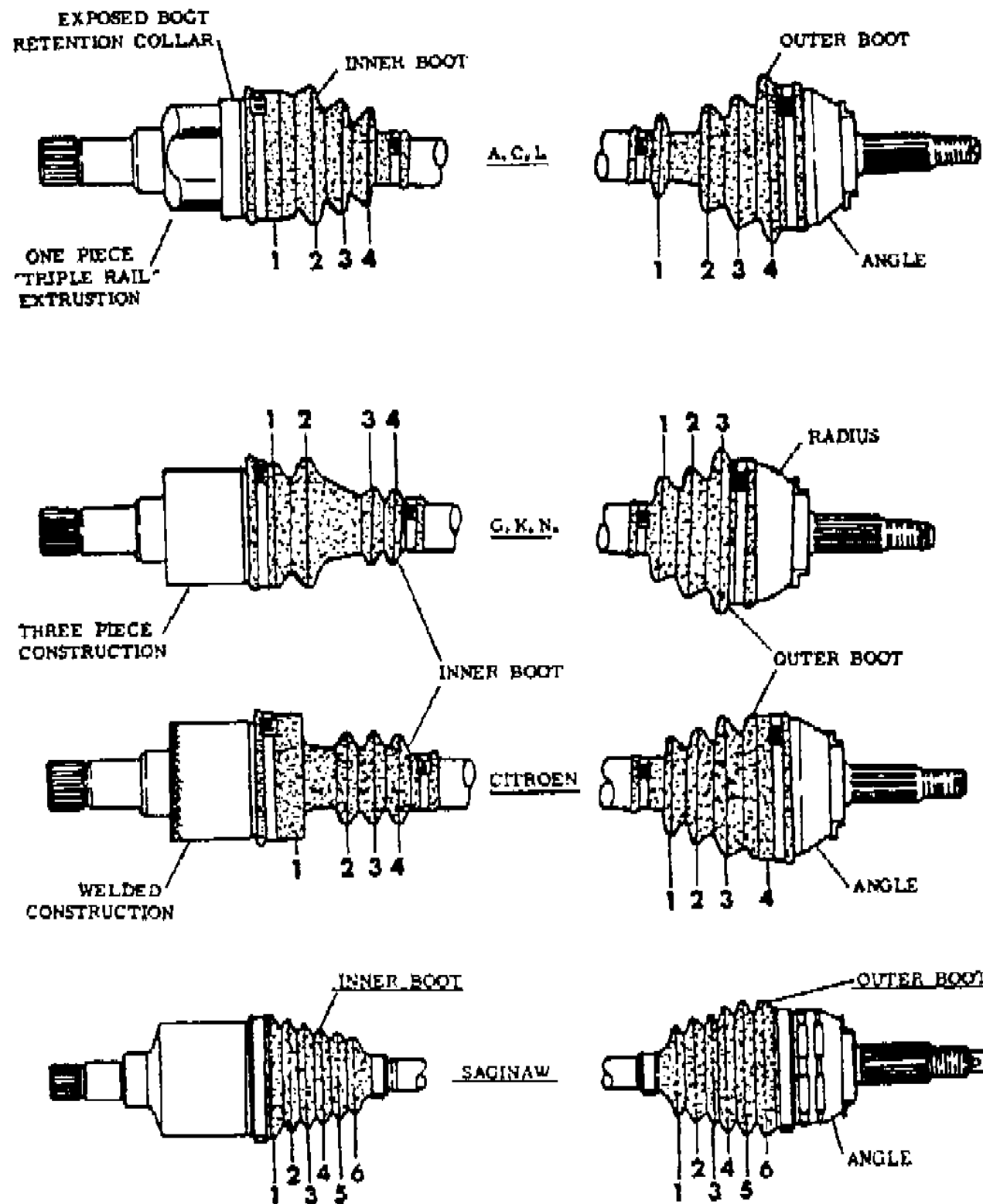
12-52 = FWD VAN & WAGON STD. W.B. 27 = 2-DOOR CONVERTIBLE
 13-53 = FWD VAN & WGN EXT W.B. 41 = 4-DOOR SEDAN
 21 = 2-DOOR SEDAN 44 = 4-DOOR HATCHBACK
 24 = 2-DOOR HATCHBACK 45 = 4-DOOR STATION WAGON

AR = Use as Required - = Non Illustrated Part P.A.R. = Paint as Required

SHAFT, MAJOR COMPONENT LISTING

Figure 2-850

8102 850



ITEM	PART NUMBER	QTY	BODY	MODEL	DESCRIPTION
NOTE: PARTS LISTED ARE THE MOST COMPLETE AND CURRENT THAT PRODUCTION HAS TO OFFER. IF USING HARD COPY CHECK MICRO-FICHE FOR THE LATEST CHANGES.					
NOTE: SHAFT ASSEMBLIES ARE NOT SERVICED EXCEPT AS INDICATED BY AN (*).					
	0ASS YNO READ NOTE		VENDOR RT/LT	SHAFT W/CLIP	JOINT JOINT BOOT BOOT TRIPOD INNER OUTER INNER OUTER PKG.
	4137 862		ACI-RT.	5212826	4137856 5212830 5212810 5212809 5212812
	4137 863		ACI-LT.	4137867	4137857 5212830 5212811 5212809 5212812
	4346 872		GKN-RT.	4384728	4384730 4384702 4384707 4384706 4384709
	4346 873		GKN-LT.	4346887	4384705 4384702 4384704 4384706 4384709
	4346 876		GKN-RT.	4384736	4384738 4384702 4384707 4384706 4384709
	4346 879		GKN-RT.	4346883	4384705 4384702 4384704 4384706 4384709
	4346 885		GKN-LT.	4346883	4384705 4384702 4384704 4384706 4384709
	4367 862		SAG-RT.	4367018	4367028 4367038 4367010 4367009 4367026
	4367 863		SAG-LT.	4367031	4367027 4367038 4367029 4367009 4367036
	4367 876		SAG-RT.	4367018	4367028 4367038 4367010 4367009 4367026
	4367 879		SAG-RT.	4367031	4367027 4367038 4367010 4367009 4367026
	4367 885		SAG-LT.	4367031	4367027 4367038 4367029 4367009 4367036
	4384 740		GKN-RT.	4384728	4384738 4384702 4384707 4384706 4384709
	4384 741		GKN-LT.	4346887	4384705 4384702 4384704 4384706 4384709
	4384 862		GKN-RT.	5212872	4384826 5212869 4205852 5212858 5212859
	4384 863		GKN-LT.	4384867	4384827 5212869 4384825 5212858 5212859
	4384 926		GKN-RT.	5212862	5212896 5212856 4205852 5212858 5212859
	4384 927		GKN-LT.	5212933	5212897 5212856 4057033 5212858 5212859
	4384 928		GKN-RT.	5212862	4384826 5212856 4205852 5212858 5212859
	4384 929		GKN-LT.	4384933	4384827 5212856 4384825 5212858 5212859
	4384 945		GKN-RT.	4346887	4384705 4384702 4384704 4384706 4384709
	4384 946		GKN-RT.	4384736	4384738 4384724 4384707 4384706 4384709
	4384 947		GKN-LT.	4384721	4384705 4384702 4384704 4384706 4384709
	4384 948		GKN-RT.	4384736	4384738 4384702 4384707 4384706 4384709
	4384 949		GKN-LT.	4384721	4384705 4384702 4384704 4384706 4384709
	4384 952		GKN-RT.	4384728	4384730 4384702 4384707 4384706 4384709
	4384 953		GKN-LT.	4384737	4384705 4384702 4384704 4384706 4384709
			GKN-LT.	4384735	4384705 4384702 4384704 4384706 4384709
	4384 987		GKN-LT.	4384737	4384705 4384702 4384704 4384706 4384709
	4505 725		GKN-RT.	4505921	4505905 4384734 4505907 4384706 4384709
	4505 727		GKN-LT.	4505921	4505905 4384734 4505904 4384706 4384709

MODEL CODES

C BODY = (D41 - DYNASTY)(C41 - NEW YORKER)
 E BODY = (J - CARAVELLE)(E - 600)(T - NEW YORKER TURBO)
 G BODY = (V24 - DAYTONA, PACIFICA & SHELBY)
 H BODY = (D44 - LANCER)(C44 - LEBARON GTS)
 J BODY = (C - LEBARON)
 K BODY = (P - RELIANT)(D - ARIES)(C - LEBARON/ TOWN & COUNTRY)

L BODY = (M - HORIZON)(Z-OMNI)
 M BODY = (B - GRAN FURY)(G - DIPLOMAT)(F - FIFTH AVENUE/NEWPORT)
 P BODY = (P - SUNDANCE)(D - SHADOW)
 Q BODY = (C27 - MASERATI)
 S BODY = (H - VOYAGER)(K - RAM VAN/ CARAVAN)

BODY STYLES

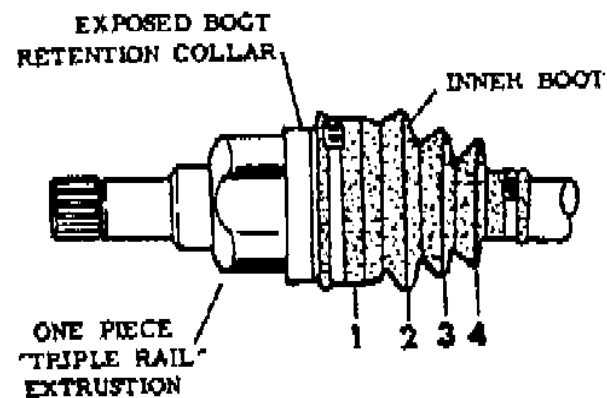
12-52 = FWD VAN & WAGON STD. W.B. 27 = 2-DOOR CONVERTIBLE
 13-53 = FWD VAN & WGN EXT W.B. 41 = 4-DOOR SEDAN
 21 = 2-DOOR SEDAN 44 = 4-DOOR HATCHBACK
 24 = 2-DOOR HATCHBACK 45 = 4-DOOR STATION WAGON

AR = Use as Required - = Non Illustrated Part P.A.R. = Paint as Required

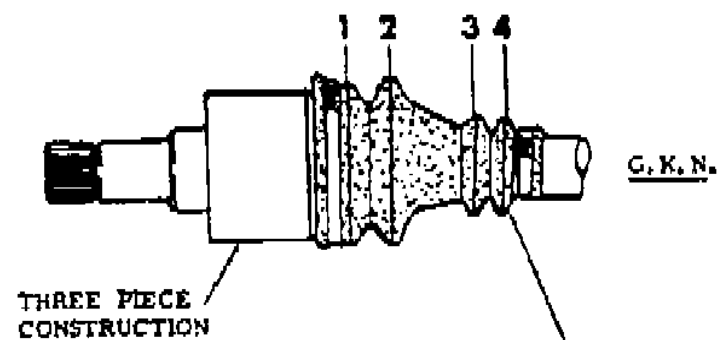
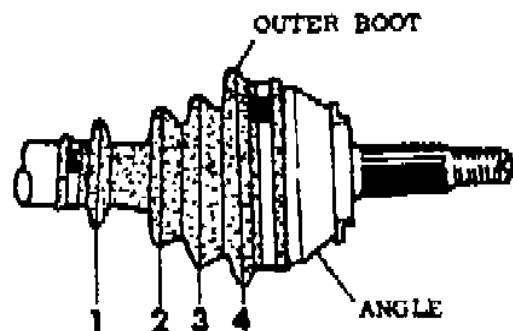
SHAFT, MAJOR COMPONENT LISTING

Figure 2-850

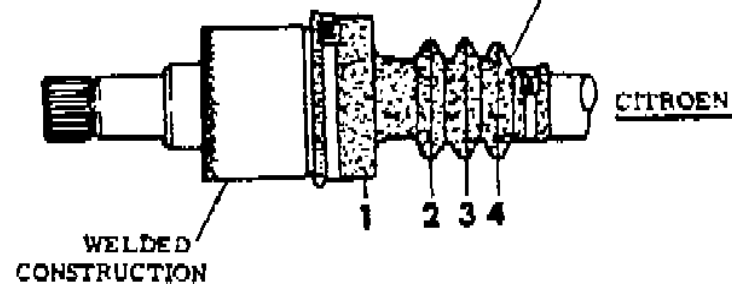
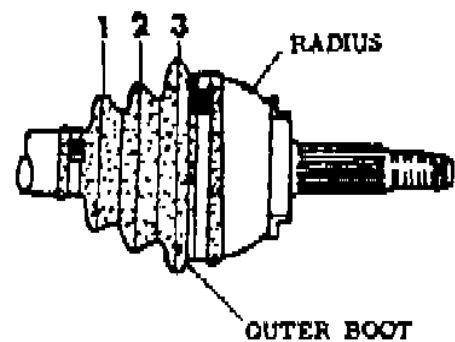
8102 850



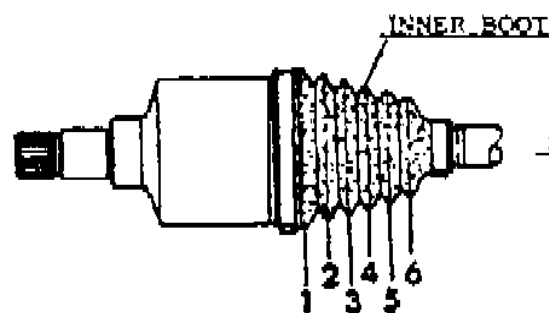
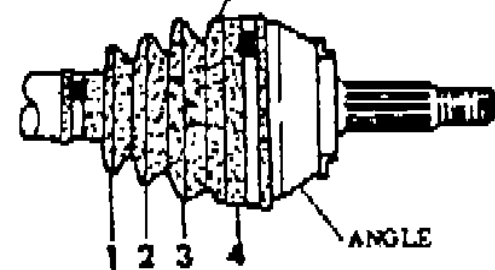
A.C.L.



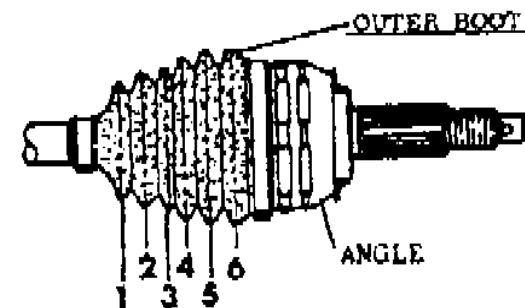
G.K.N.



CITROEN



SAGINAW



ITEM	PART NUMBER	QTY	BODY	MODEL	DESCRIPTION
	4505 876		GKN-RT.	4505936	4505938 4384702 4505907 4384706 4384709
	4505 885		GKN-LT.	4505983	4505905 4384702 4505904 4384706 4384709
	4505 945		GKN-RT.	4505983	4505905 4384702 4505907 4384706 4384709
	4505 946		GKN-RT.	4505936	4505938 4384724 4505907 4384706 4384709
	4505 948		GKN-RT.	4505936	4505938 4384702 4505907 4384706 4384709
	4505 949		GKN-LT.	4505983	4505905 4384702 4505904 4384706 4384709
	4505 957		GKN-LT.	4505983	4505905 4384724 4505904 4384706 4384709
	4505 959		GKN-LT.	4505983	4505905 4384702 4505904 4384706 4384709

MODEL CODES

C BODY = (D41 - DYNASTY)(C41 - NEW YORKER)
 E BODY = (J - CARAVELLE)(E - 600)(T - NEW YORKER TURBO)
 G BODY = (V24 - DAYTONA, PACIFICA & SHELBY)
 H BODY = (D44 - LANCER)(C44 - LEBARON GTS)
 J BODY = (C - LEBARON)
 K BODY = (P - RELIANT)(D - ARIES)(C - LEBARON/ TOWN & COUNTRY)

L BODY = (M - HORIZON)(Z-OMNI)
 M BODY = (B - GRAN FURY)(G - DIPLOMAT)(F - FIFTH AVENUE/NEWPORT)
 P BODY = (P - SUNDANCE)(D - SHADOW)
 Q BODY = (C27 - MASERATI)
 S BODY = (H - VOYAGER)(K - RAM VAN/ CARAVAN)

BODY STYLES

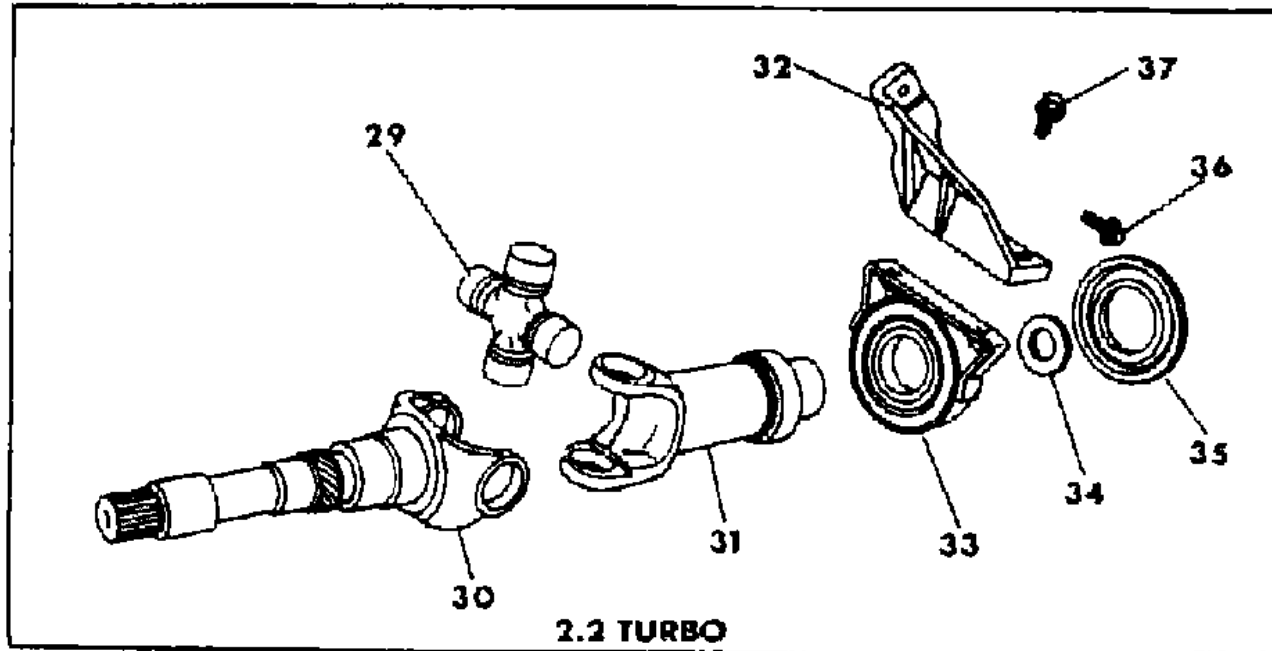
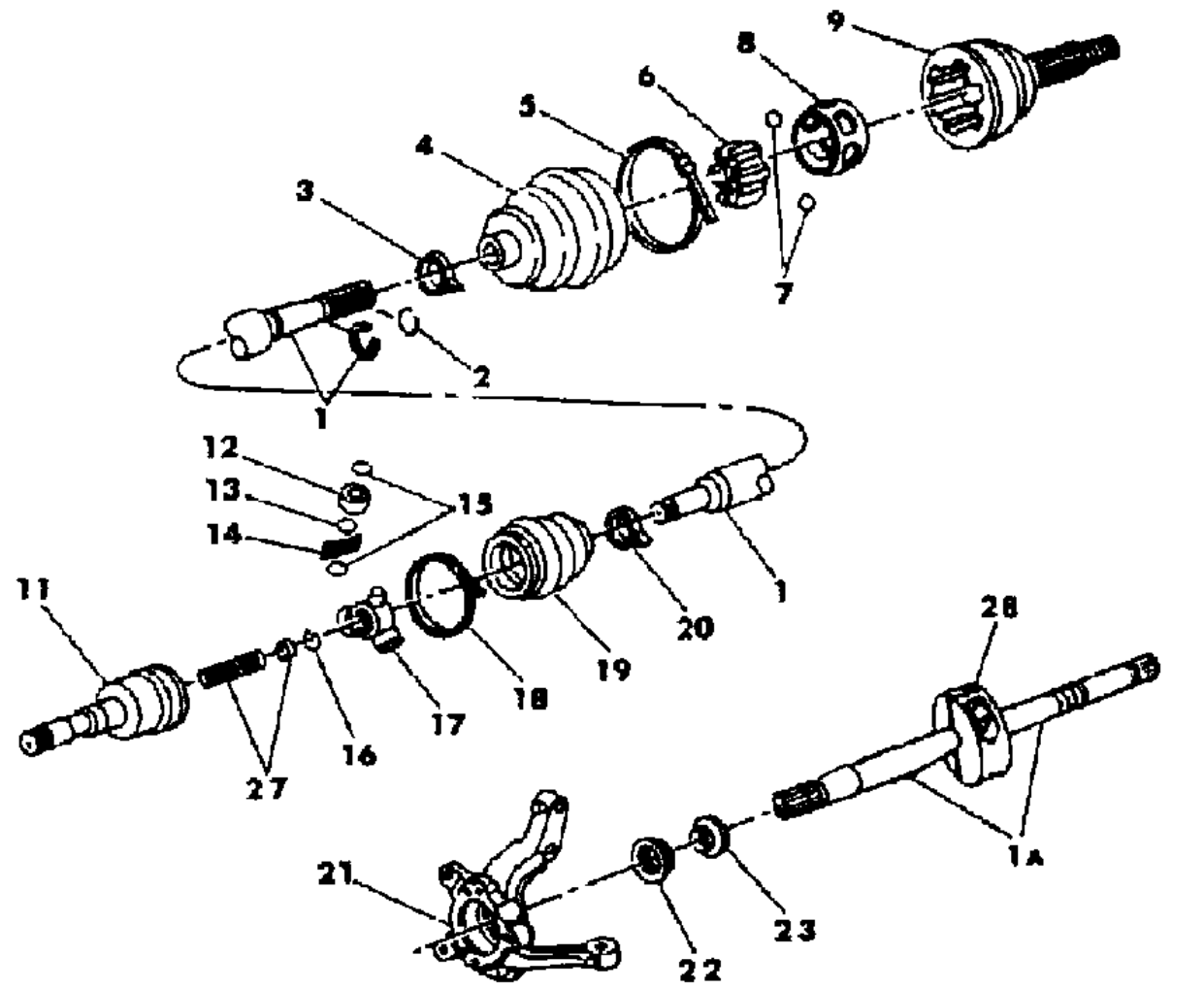
12-52 = FWD VAN & WAGON STD. W.B. 27 = 2-DOOR CONVERTIBLE
 13-53 = FWD VAN & WGN EXT W.B. 41 = 4-DOOR SEDAN
 21 = 2-DOOR SEDAN 44 = 4-DOOR HATCHBACK
 24 = 2-DOOR HATCHBACK 45 = 4-DOOR STATION WAGON

AR = Use as Required - = Non Illustrated Part P.A.R. = Paint as Required

SHAFT, FRONT DRIVE (G.K.N. & A.C.I.) L,P,J,K,G,E,H,C,S BODY

Figure 2-900

8102 900



ITEM	PART NUMBER	QTY	BODY	MODEL	DESCRIPTION
NOTE: For Identification of Shaft make (G.K.N., A.C.I. or Saginaw) See Fig. 2-800					
1	5212 826	1	PKEH		SHAFT, Drive, Right - w/2.2 EFI (A.C.I.)
	4384 736	1	PJKGEH		Right, w/2.5L EFI (G.K.N)
	4384 736	1	E		Right, w/2.2 Turbo (GKN)
	4346 883	1	PJKGH		Right, w/2.2 Turbo (GKN)
	4384 728	1	S	12,52	Right, w/2.5 EFI (GKN)
	4384 728	1	S	13,53	Right, w/2.5,3.0 EFI (GKN)
	5212 862	1	L		Right, w/2.2 EFI (GKN)
	4384 721	1	G		Right, w/2.2 Turbo II (GKN)
	4384 736	1	C		Right, w/3.0 EFI (GKN)
	4346 883	1	PJKGEH		Left, w/2.2 Turbo, 2.5 EFI (GKN)
	4346 887	1	S	12,52	Left, w/2.5 EFI (GKN)
4384 735	1	S	13,53	Left, w/2.5,3.0 EFI (GKN)	
2	4384 933	1	L		Left, w/2.2 EFI (GKN)
	4384 721	1	G		Left, w/2.2 Turbo II (GKN)
	4384 721	1	C		Left, w/3.0 EFI (GKN)
3-5	5212 566	AR			RING, Frt. Whl. Dr. Shaft, w/2.2 Turbo & 2.5 EFI (GKN)
	5212 857	AR			w/2.2 EFI (GKN or ACI)
	5212 809	2			BOOT PACKAGE, Outer Joint, w/2.2 EFI (ACI)
6-9	5212 858	2			w/2.2 EFI (GKN)
	4384 706	2			w/2.2 Turbo, 2.2 Turbo II, 2.5,3.0 EFI (GKN)
	5212 869	2			CLAMP, Inner
	5212 830	2			BOOT
10	4384 702	2			CLAMP, Outer
	5212 856	2	L		JOINT COMPLETE, Outer w/2.2 EFI (GKN)
	4384 724	2	C		w/2.2 Turbo, Turbo II, 2.5,3.0 EFI (GKN)
					w/2.2 EFI (GKN)
11					w/3.0 EFI (GKN)
	4137 856-7	1			CROSS
	4384 826-7	1			BALL
	4384 738	1			CAGE
12	4384 705	1			HOUSING
					HOUSING, w/SHAFT, Joint Inner, w/2.2 EFI (ACI)
					w/2.2 EFI (GKN)
					Right, w/2.5 EFI (GKN)

MODEL CODES
 C BODY = (D41 - DYNASTY)(C41 - NEW YORKER)
 E BODY = (J - CARAVELLE)(E - 600)(T - NEW YORKER TURBO)
 G BODY = (V24 - DAYTONA, PACIFICA & SHELBY)
 H BODY = (D44 - LANCER)(C44 - LEBARON GTS)
 J BODY = (C - LEBARON)
 K BODY = (P - RELIANT)(D - ARIES)(C - LEBARON/ TOWN & COUNTRY)

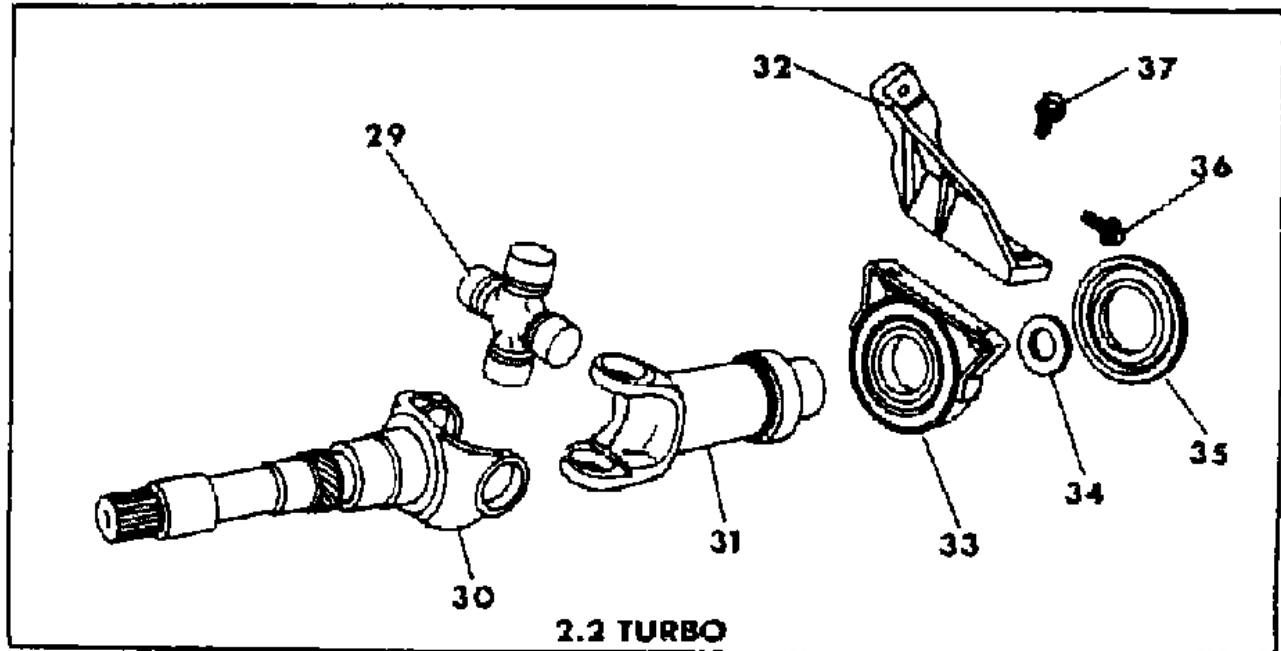
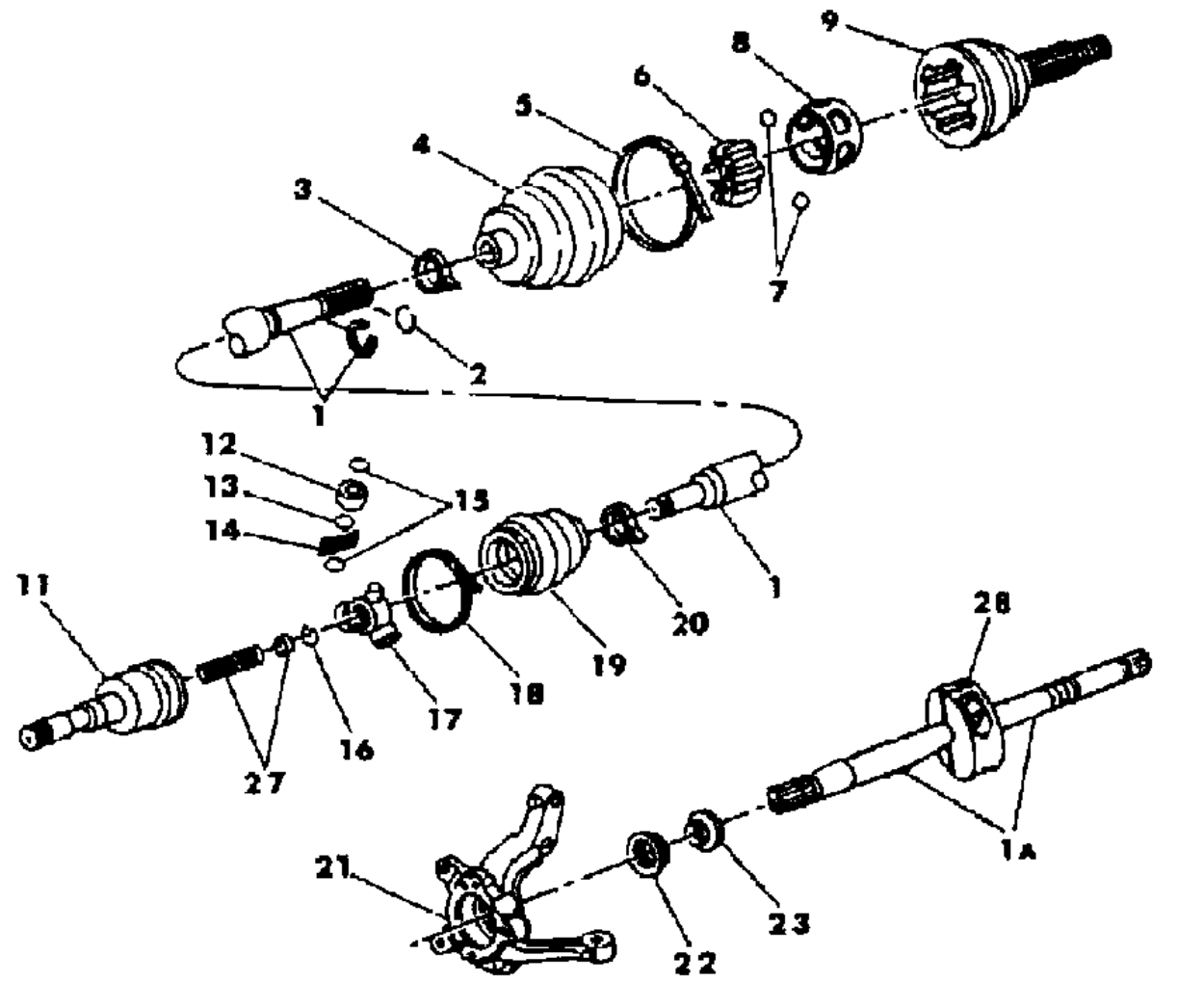
L BODY = (M - HORIZON)(Z-OMNI)
 M BODY = (B - GRAN FURY)(G - DIPLOMAT)(F - FIFTH AVENUE/NEWPORT)
 P BODY = (P - SUNDANCE)(D - SHADOW)
 Q BODY = (C27 - MASERATI)
 S BODY = (H - VOYAGER)(K - RAM VAN/ CARAVAN)

BODY STYLES
 12-52 = FWD VAN & WAGON STD. W.B. 27 = 2-DOOR CONVERTIBLE
 13-53 = FWD VAN & WGN EXT W.B. 41 = 4-DOOR SEDAN
 21 = 2-DOOR SEDAN 44 = 4-DOOR HATCHBACK
 24 = 2-DOOR HATCHBACK 45 = 4-DOOR STATION WAGON

AR = Use as Required - = Non Illustrated Part P.A.R. = Paint as Required

SHAFT, FRONT DRIVE (G.K.N. & A.C.I.) L,P,J,K,G,E,H,C,S BODY
Figure 2-900

8102 900



ITEM	PART NUMBER	QTY	BODY	MODEL	DESCRIPTION
	4384 738	1	E		Right, w/2.2 Turbo (GKN)
	4384 738	1	S		Right, w/2.5 EFI (GKN) RT.
	4384 705	2			w/2.2 Turbo (GKN)
	4384 705	1	E		Left, w/2.2 Turbo (GKN)
	4505 938	1	C		Right, w/3.0 EFI (GKN)
	4384 730	1	S		Right, w/3.0 EFI (GKN)
	4384 705	1	CS		Left, w/3.0 EFI (GKN)
12-17	5212 812	AR			TRIPOD PACKAGE, Inner Shaft, w/2.2 EFI (ACI)
	5212 859	AR			w/2.2 EFI (GKN)
	4384 709	AR			w/2.2 Turbo, Turbo II, 2.5,3.0 EFI (GKN)
12					RACE
13					RETAINER
14					NEEDLE
15					O-RING
16					CIRCLIP
17					CROSS
18-20	5212 810	1			BOOT PACKAGE, Inner Right w/2.2 EFI (ACI)
	5212 811	1			Left, w/2.2 EFI (ACI)
	4384 707	1			Right, w/2.5 EFI, 2.2 Turbo, Turbo II (GKN)
	4384 704	1	S		Right, w/2.5 EFI (GKN)
	4384 704	1			Left, w/2.5 EFI, 2.2 Turbo, Turbo II (GKN)
	4205 852	1			Right, w/2.2 EFI (GKN)
	4384 825	1			Left, w/2.2 EFI (GKN)
	4384 823	2			Right & Left w/2.2 Turbo (GKN)
	4384 707	1	CS		Right, w/3.0 EFI (GKN)
	4384 704	1	CS		Left, w/3.0 EFI (GKN)
18					CLAMP, Inner
19					BOOT
20					CLAMP, Outer
21	4052 844-5	1	L		KNUCKLE, Strg.
	4052 838-9	1	PJKGEH		
	4404 268-9	1	C		w/o Anti-Lock System
	4322 922-3	1	C		w/Anti-Lock System
	4052 840-1	1	S		
22	5212 535	2			SEAL, Joint Outer (Also Serv.In Joint Comp.)
23	5212 536	2			SLEEVE, Joint Outer (Also Serv.In Joint Comp.)
27	5212 675	AR			SPRING, w/Cup, Hsg. Shaft Inner (G.K.N.)

MODEL CODES

C BODY = (D41 - DYNASTY)(C41 - NEW YORKER)
 E BODY = (J - CARAVELLE)(E - 600)(T - NEW YORKER TURBO)
 G BODY = (V24 - DAYTONA, PACIFICA & SHELBY)
 H BODY = (D44 - LANCER)(C44 - LEBARON GTS)
 J BODY = (C - LEBARON)
 K BODY = (P - RELIANT)(D - ARIES)(C - LEBARON/ TOWN & COUNTRY)

L BODY = (M - HORIZON)(Z-OMNI)
 M BODY = (B - GRAN FURY)(G - DIPLOMAT)(F - FIFTH AVENUE/NEWPORT)
 P BODY = (P - SUNDANCE)(D - SHADOW)
 Q BODY = (C27 - MASERATI)
 S BODY = (H - VOYAGER)(K - RAM VAN/ CARAVAN)

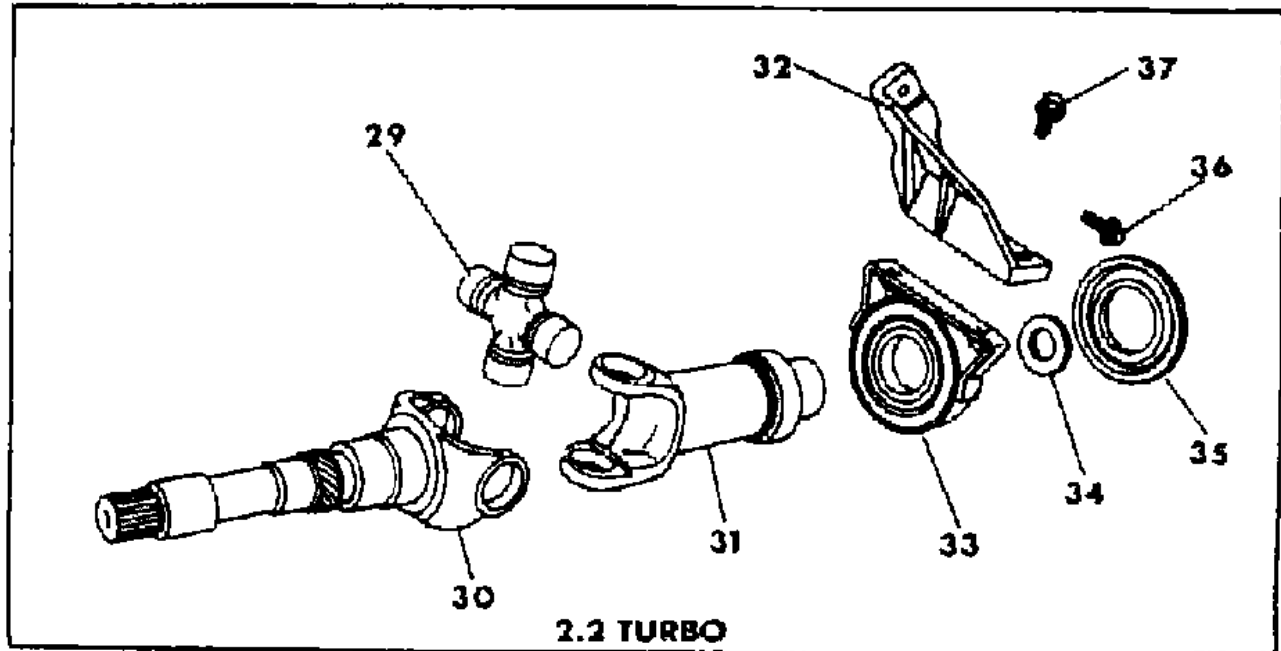
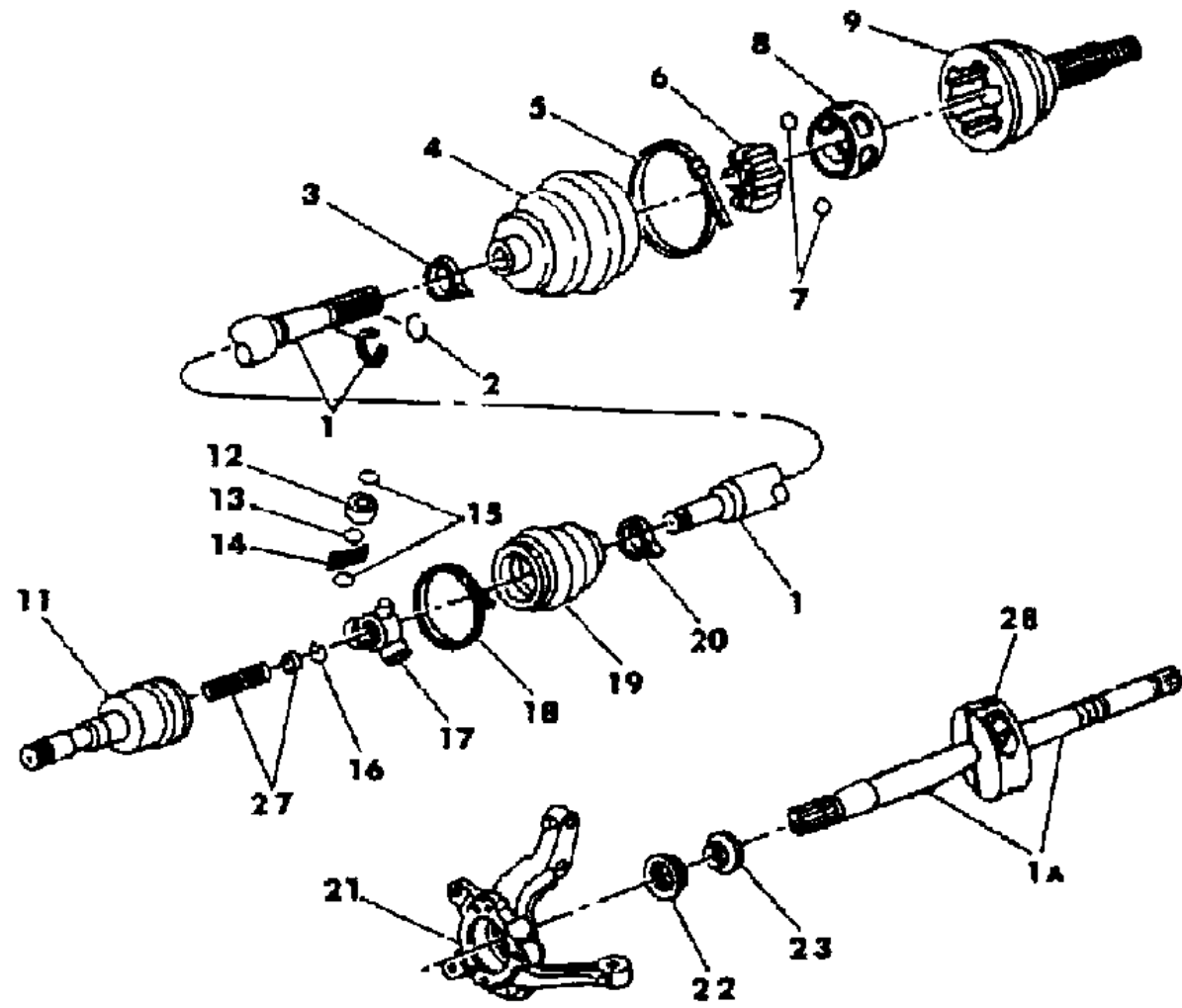
BODY STYLES

12-52 = FWD VAN & WAGON STD. W.B. 27 = 2-DOOR CONVERTIBLE
 13-53 = FWD VAN & WGN EXT W.B. 41 = 4-DOOR SEDAN
 21 = 2-DOOR SEDAN 44 = 4-DOOR HATCHBACK
 24 = 2-DOOR HATCHBACK 45 = 4-DOOR STATION WAGON

AR = Use as Required - = Non Illustrated Part P.A.R. = Paint as Required

SHAFT, FRONT DRIVE (G.K.N. & A.C.I.) L,P,J,K,G,E,H,C,S BODY
Figure 2-900

8102 900



ITEM	PART NUMBER	QTY	BODY	MODEL	DESCRIPTION
	4384 714	AR	S		w/2.5,3.0 EFI (GKN)
	4384 714	AR	C		
	5212 823	AR			(ACI)
28	5212 767	1			WEIGHT, Damper, Lt.(ACI)
	5212 839	1			(GKN)
	4504 045	1	S		(GKN) w/3.0
29	4384 514	1			JOINT PACKAGE, w/Turbo
30	5212 991	1			YOKE, Inter Shaft U/Joint Stub, w/Turbo
31	5212 992	1			SHAFT, Inner, w/Turbo
32	4504 007	1			BRACKET, Inner Shaft Brg., w/Turbo
33	5212 932	1			BEARING, w/Bracket, Inner, w/Turbo
34	5212 964	1			SEAL, Inner Joint Shaft, w/Turbo
35	5212 962	1			SLINGER, Inter Shaft - Inner, w/Turbo
	5212 975	1			Outer, w/Turbo
36	6500 158	2			SCREW, w/Washer Brkt., w/Turbo
37	6101 299	2			SCREW, w/Washer Brkt. to Brg., w/Turbo

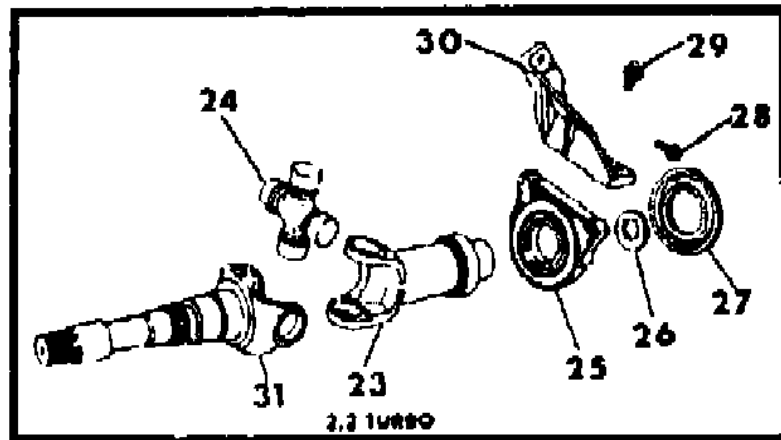
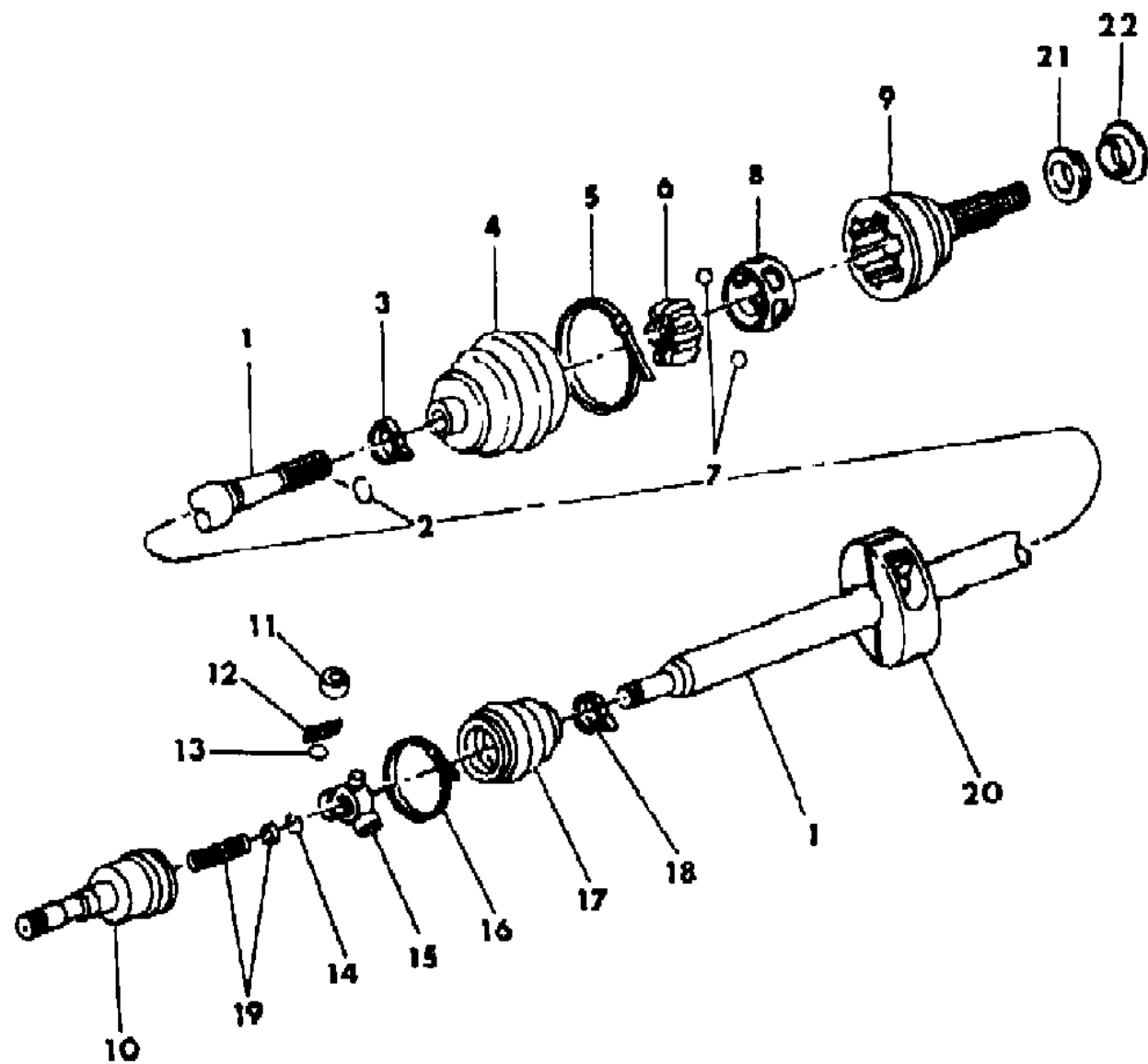
MODEL CODES
 C BODY = (D41 - DYNASTY)(C41 - NEW YORKER)
 E BODY = (J - CARAVELLE)(E - 600)(T - NEW YORKER TURBO)
 G BODY = (V24 - DAYTONA, PACIFICA & SHELBY)
 H BODY = (D44 - LANCER)(C44 - LEBARON GTS)
 J BODY = (C - LEBARON)
 K BODY = (P - RELIANT)(D - ARIES)(C - LEBARON/ TOWN & COUNTRY)
 L BODY = (M - HORIZON)(Z-OMNI)
 M BODY = (B - GRAN FURY)(G - DIPLOMAT)(F - FIFTH AVENUE/NEWPORT)
 P BODY = (P - SUNDANCE)(D - SHADOW)
 Q BODY = (C27 - MASERATI)
 S BODY = (H - VOYAGER)(K - RAM VAN/ CARAVAN)

BODY STYLES
 12-52 = FWD VAN & WAGON STD. W.B. 27 = 2-DOOR CONVERTIBLE
 13-53 = FWD VAN & WGN EXT W.B. 41 = 4-DOOR SEDAN
 21 = 2-DOOR SEDAN 44 = 4-DOOR HATCHBACK
 24 = 2-DOOR HATCHBACK 45 = 4-DOOR STATION WAGON

AR = Use as Required - = Non Illustrated Part P.A.R. = Paint as Required

SHAFT, FRONT DRIVE (SAGINAW) P,K,G,E,H BODY
Figure 2-1000

8102 1000



ITEM	PART NUMBER	QTY	BODY	MODEL	DESCRIPTION
1	4367 018	1			SHAFT, Frt. Whl. Dr.- Right
	4367 018	1	E		Right, w/2.2 Turbo
	4367 031	1			Left
	4367 031	2			w/2.2 Turbo
2	4367 017	AR			RING, Frt. Whl Drive Shaft Outer
3-5	4367 009	AR			BOOT PACKAGE, Outer CV
	4367 024	AR			GREASE PACKAGE, Outer CV Joint
3	4367 008	AR			CLAMP, Shaft Outer CV Boot
4					BOOT
5	4367 007	AR			CLAMP, Shaft Outer CV Boot
6-9	4367 038	2			JOINT, CV Outer
6					CROSS
7					BALL
8					CAGE
9					HOUSING
10	4367 028	1			HOUSING, Tripod Inner CV - Right
	4367 027	1			Right, w/2.2L Turbo
	4367 027	1			Left
11-15	4367 026	1			TRIPOD PACKAGE, Comp. Inner - Right
	4367 036	1			Left
	4367 041	2			RING, Tripod
11					RACE, (Serv. Pkg.)
12					NEEDLE, (Serv. Pkg.)
13					O-RING, (Serv. Pkg.)
14					CIRCLIP, (Serv. Pkg.)
15					CROSS, (Serv. Pkg.)
16-18	4367 010	2			BOOT PACKAGE, Inner Joint Right
	4367 029	1			Left
	4367 025	1			GREASE PACKAGE, Inner CV
16	4367 005	1			CLAMP, Boot to Tripod Hsg.- Right
	4367 006	1			Left
17					BOOT
18	4367 004	1			CLAMP, Boot To Axle Bar - Right
	4367 008	1			Left
19	4367 012	AR			CUP, w/Spring Inner
20	4367 016	1			WEIGHT, Damper - Left
21	5212 535	2			SEAL, Outer Joint

MODEL CODES

C BODY = (D41 - DYNASTY)(C41 - NEW YORKER)
 E BODY = (J - CARAVELLE)(E - 600)(T - NEW YORKER TURBO)
 G BODY = (V24 - DAYTONA, PACIFICA & SHELBY)
 H BODY = (D44 - LANCER)(C44 - LEBARON GTS)
 J BODY = (C - LEBARON)
 K BODY = (P - RELIANT)(D - ARIES)(C - LEBARON/ TOWN & COUNTRY)

L BODY = (M - HORIZON)(Z-OMNI)
 M BODY = (B - GRAN FURY)(G - DIPLOMAT)(F - FIFTH AVENUE/NEWPORT)
 P BODY = (P - SUNDANCE)(D - SHADOW)
 Q BODY = (C27 - MASERATI)
 S BODY = (H - VOYAGER)(K - RAM VAN/ CARAVAN)

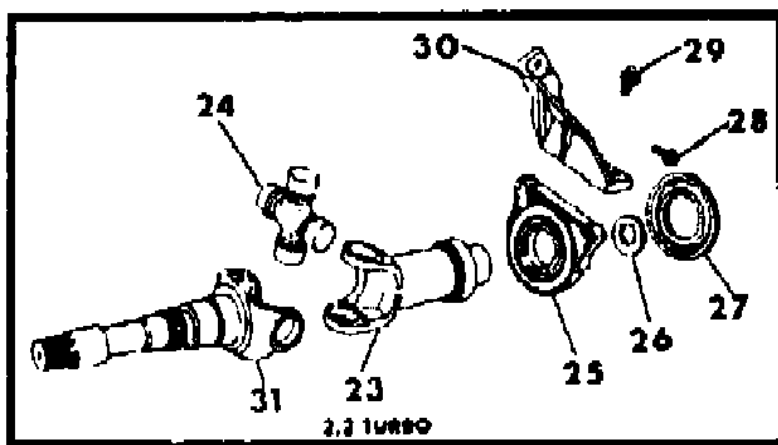
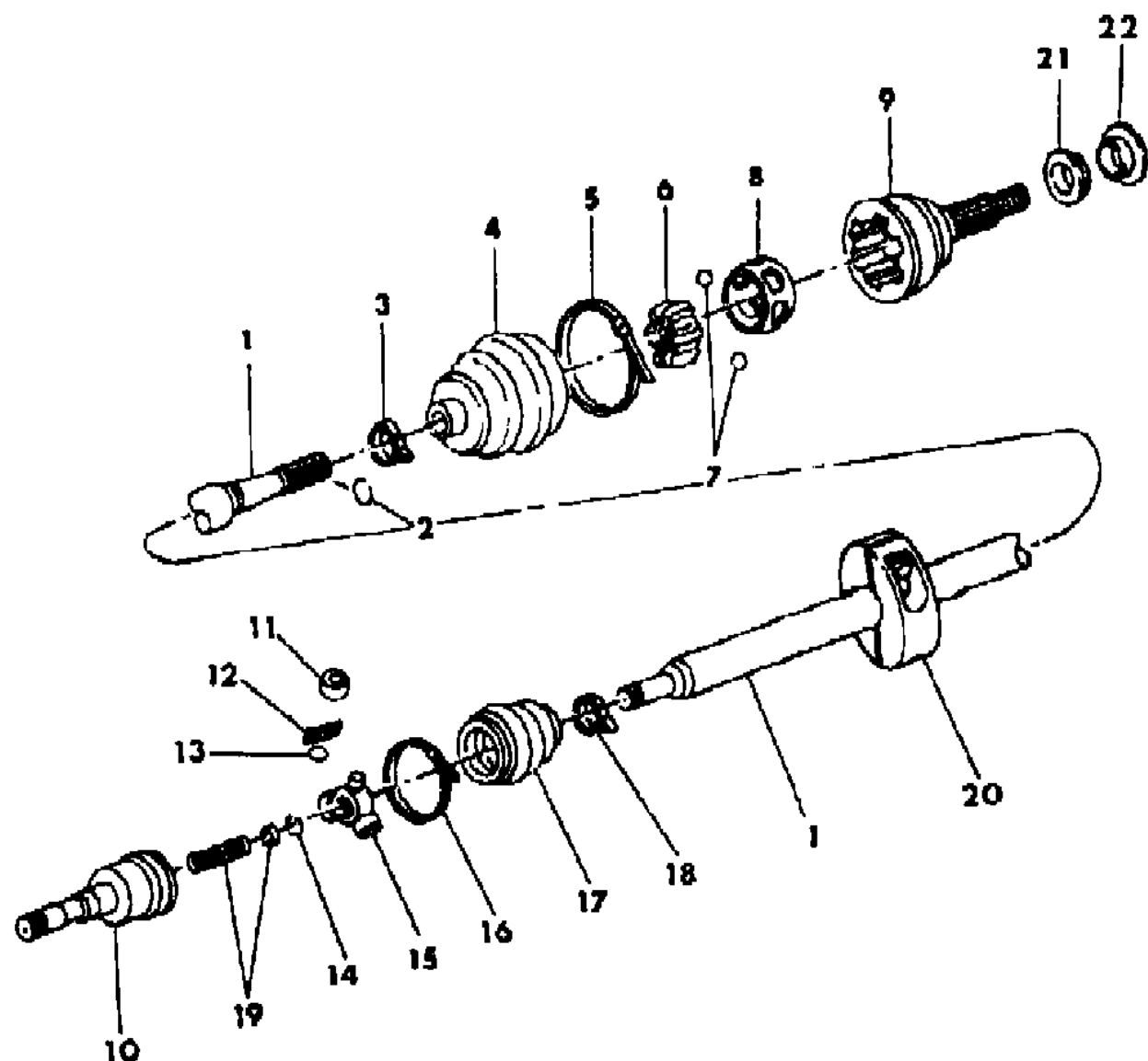
BODY STYLES

12-52 = FWD VAN & WAGON STD. W.B. 27 = 2-DOOR CONVERTIBLE
 13-53 = FWD VAN & WGN EXT W.B. 41 = 4-DOOR SEDAN
 21 = 2-DOOR SEDAN 44 = 4-DOOR HATCHBACK
 24 = 2-DOOR HATCHBACK 45 = 4-DOOR STATION WAGON

AR = Use as Required - = Non Illustrated Part P.A.R. = Paint as Required

SHAFT, FRONT DRIVE (SAGINAW) P,K,G,E,H BODY
Figure 2-1000

8102 1000



ITEM	PART NUMBER	QTY	BODY	MODEL	DESCRIPTION
22	5212 536	2			SLEEVE, Joint Outer
23	5212 992	1			SHAFT, Inner
24	4384 514	1			U-JOINT PACKAGE
25	5212 932	1			BEARING, w/Bracket
26	5212 964	1			SEAL
27	5212 962	1			SLINGER, Inner
	5212 975	1			Outer
28	6500 158	2			SCREW, w/Washer
29	6101 299	2			SCREW, w/Washer
30	4504 007	1			BRACKET, Inner Shaft
31	5212 991	1			YOKE, Inner Shaft

MODEL CODES

C BODY = (D41 - DYNASTY)(C41 - NEW YORKER)
 E BODY = (J - CARAVELLE)(E - 600)(T - NEW YORKER TURBO)
 G BODY = (V24 - DAYTONA, PACIFICA & SHELBY)
 H BODY = (D44 - LANCER)(C44 - LEBARON GTS)
 J BODY = (C - LEBARON)
 K BODY = (P - RELIANT)(D - ARIES)(C - LEBARON/ TOWN & COUNTRY)
 L BODY = (M - HORIZON)(Z-OMNI)
 M BODY = (B - GRAN FURY)(G - DIPLOMAT)(F - FIFTH AVENUE/NEWPORT)
 P BODY = (P - SUNDANCE)(D - SHADOW)
 Q BODY = (C27 - MASERATI)
 S BODY = (H - VOYAGER)(K - RAM VAN/ CARAVAN)

BODY STYLES

12-52 = FWD VAN & WAGON STD. W.B. 27 = 2-DOOR CONVERTIBLE
 13-53 = FWD VAN & WGN EXT W.B. 41 = 4-DOOR SEDAN
 21 = 2-DOOR SEDAN 44 = 4-DOOR HATCHBACK
 24 = 2-DOOR HATCHBACK 45 = 4-DOOR STATION WAGON

AR = Use as Required - = Non Illustrated Part P.A.R. = Paint as Required

GROUP 3 - REAR AXLE

ILLUSTRATION TITLE

GROUP-FIG. NO.

REAR AXLE

AXLE, REAR W/DIFFERENTIAL AND CARRIER 7-1/4" O.D. GEAR M BODY Fig. 3-100

AXLE, REAR W/DIFFERENTIAL AND CARRIER 8-1/4" O.D. GEAR 1-5/8" DIA. STEM M BODY Fig. 3-200

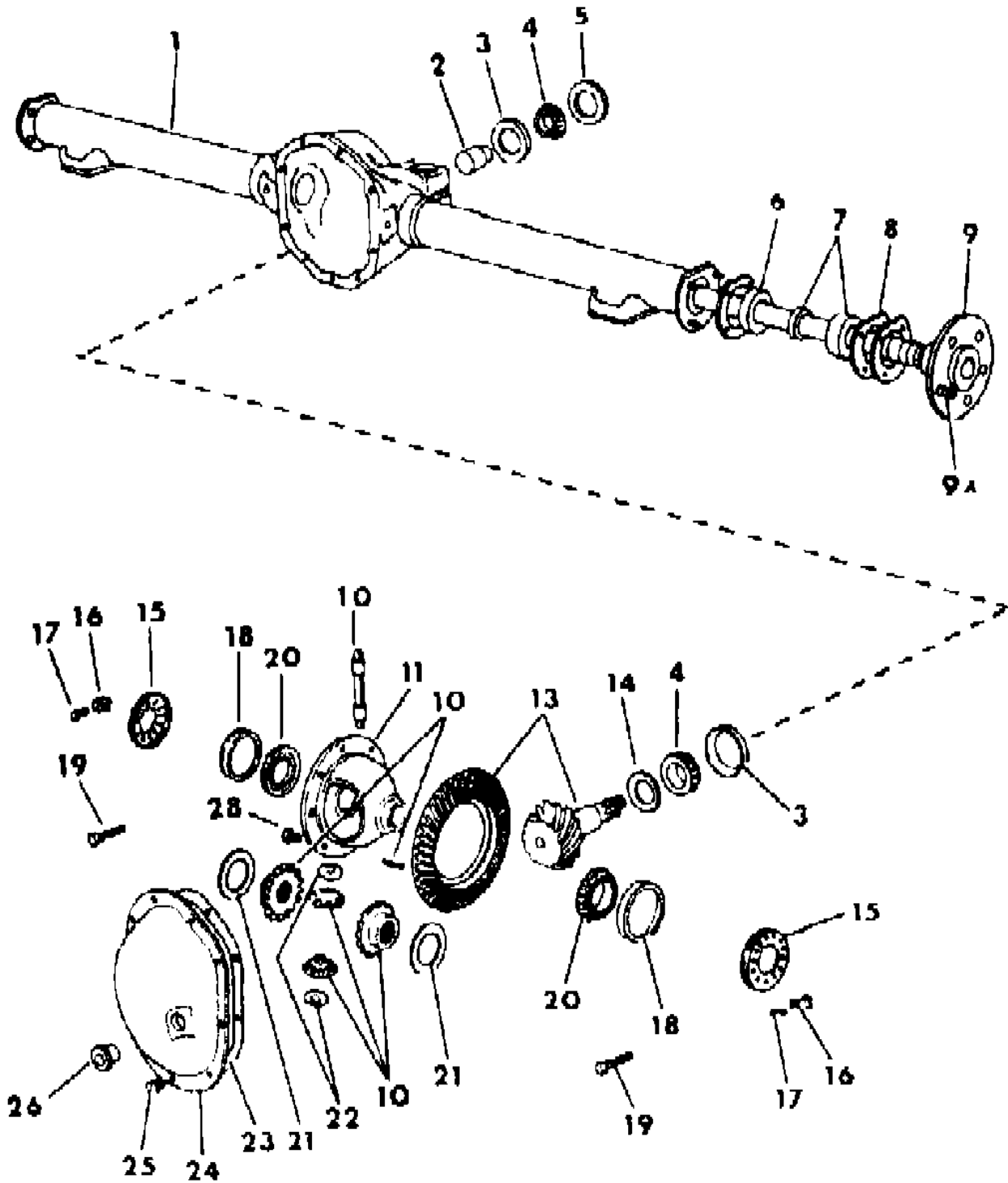
ILLUSTRATION NOT AVAILABLE AT TIME OF PUBLICATION



AXLE, REAR W/DIFFERENTIAL AND CARRIER 7-1/4" O.D. GEAR M BODY

Figure 3-100

8103 100



ITEM	PART NUMBER	QTY	BODY	MODEL	DESCRIPTION
NOTE: Differential and Carriers have a metal tag bolted on them giving the ratio of the Rear Axle.					
NOTE: The 7-1/4" Dia. Gear Axle is only offered without Sure-Grip.					
NOTE: The 7-1/4" Dia. Gear Axle is only offered with 10" Brakes.					
	4205 888	1			GEAR PACKAGE, Side 2.26/2.76 Ratio
Consists of:					
					2 - ---- --- Gear, Diff. Side
					2 - ---- --- Pinion, Diff. Shaft
					1 - ---- --- Shaft, Diff. Pinion
					1 - 0152 229 Pin, Diff. Pinion Shaft Lock
					1 - 4137026 Screw, Diff. Pinion Shaft Lock
					2 - ---- --- Washer, Gear Thrust
					1 - 4131292 Washer Pkg., Diff. Gear
	4186 969	1			GEAR and PINION PACKAGE, 2.26 Ratio (Stamp No. 4137027 Gear 4137033 Pinion)
	3621 939	1			2.76 Ratio
Consists of:					
					1 - ---- -- GEAR SET
					1 - 3507575 SPACER
					1 - 2070318 CONE, Axle Drive Pinion Rr. Brg.
					1 - 2070319 CUP, Axle Drive Pinion Rr. Brg.
					1 - 2070316 CONE, Axle Drive Pinion Frt. Brg.
					1 - 2070317 CUP, Axle Drive Pinion Frt. Brg.
					1 - 2881041 Seal, Axle Drive Pinion Frt.
					1 - 4131255 SCREW PACKAGE, Axle Drive Gear
DIFFERENTIAL, w/Carrier and Housing, w/o Axle Shafts, 59.50 Track					
	4137 614	1			2.26 Ratio
	4137 615	1			2.76 Ratio
1	4137 623	1			HOUSING, Axle w/Tubes, 2.26/2.76 Ratio
2	3507 575	1			SPACER, Collapsible Type, 31/64" Lgh.
3	2070 317	1			CUP, Axle Drive Pinion Brg., Front
	2070 319	1			Rear
4	2070 316	1			CONE and ROLLER, Drive Pinion Front
	2931 817	1			SHIM, Axle Frt. Drive Pinion
	2070 318	1			Rear

MODEL CODES

C BODY = (D41 - DYNASTY)(C41 - NEW YORKER)
 E BODY = (J - CARAVELLE)(E - 600)(T - NEW YORKER TURBO)
 G BODY = (V24 - DAYTONA, PACIFICA & SHELBY)
 H BODY = (D44 - LANCER)(C44 - LEBARON GTS)
 J BODY = (C - LEBARON)
 K BODY = (P - RELIANT)(D - ARIES)(C - LEBARON/ TOWN & COUNTRY)

L BODY = (M - HORIZON)(Z-OMNI)
 M BODY = (B - GRAN FURY)(G - DIPLOMAT)(F - FIFTH AVENUE/NEWPORT)
 P BODY = (P - SUNDANCE)(D - SHADOW)
 Q BODY = (C27 - MASERATI)
 S BODY = (H - VOYAGER)(K - RAM VAN/ CARAVAN)

BODY STYLES

12-52 = FWD VAN & WAGON STD. W.B. 27 = 2-DOOR CONVERTIBLE
 13-53 = FWD VAN & WGN EXT W.B. 41 = 4-DOOR SEDAN
 21 = 2-DOOR SEDAN 44 = 4-DOOR HATCHBACK
 24 = 2-DOOR HATCHBACK 45 = 4-DOOR STATION WAGON

AR = Use as Required - = Non Illustrated Part P.A.R. = Paint as Required

AXLE, REAR W/DIFFERENTIAL AND CARRIER 7-1/4" O.D. GEAR M BODY

Figure 3-100

8103 100

ITEM	PART NUMBER	QTY	BODY	MODEL	DESCRIPTION
5	2881 041	1			SEAL, Drive Pinion Frt. Oil (3-5/32" O.D.)
6	4137 426	2			SEAL, Drive Shaft Oil, Inner
7	3744 495	2			BEARING ASSEMBLY, Axle Drive Shaft, 2-17/32 O.D.
8	3723 300	2			RETAINER, Drive Shaft Bearing
9	4137 621	2			SHAFT, Rear Axle Drive (25 T)
9A	3432 698	10			BOLT, Drive
10	4205 888	1			GEAR PACKAGE, Differential Side, 2.26/2.76 Ratio
11	#4137 013 4137 051	1			CASE, Differential (Casting No. 4137014) 2.26 To 1 Ratio (Casting No. 4137052) 2.76 To 1 Ratio
13	4186 969 3621 939	1 1			GEAR and PINION PACKAGE, Axle, 2.26 Ratio 2.76 Ratio
NOTE: Diff. Gear and Pinions are SERVICED by M ATCHED SET. The SET Number must be ordered for replacement of either the Gear or Pinion.					
14					SHIM and INSIDE TABS, Axle Drive Pinion Rear Bearing
	3723 020	AR			.020" Thk.
	3723 021	AR			.021" Thk.
	3723 022	AR			.022" Thk.
	3723 023	AR			.023" Thk.
	3723 024	AR			.024" Thk.
	3723 025	AR			.025" Thk.
	3723 026	AR			.026" Thk.
	3723 027	AR			.027" Thk.
	3723 028	AR			.028" Thk.
	3723 029	AR			.029" Thk.
	3723 030	AR			.030" Thk.
	3723 031	AR			.031" Thk.
	3723 032	AR			.032" Thk.
	3723 033	AR			.033" Thk.
	3723 034	AR			.034" Thk.
	3723 035	AR			.035" Thk.
	3723 036	AR			.036" Thk.
	3723 037	AR			.037" Thk.
	3723 038	AR			.038" Thk.
15	3507 876	2			ADJUSTER
16	#3723 858	2			LOCK, Adjuster
17	6031 109 6023 092	2 2			SCREW, Lock (1/4"-20 X 1/2") 5/16"-18 x 5/8"

MODEL CODES

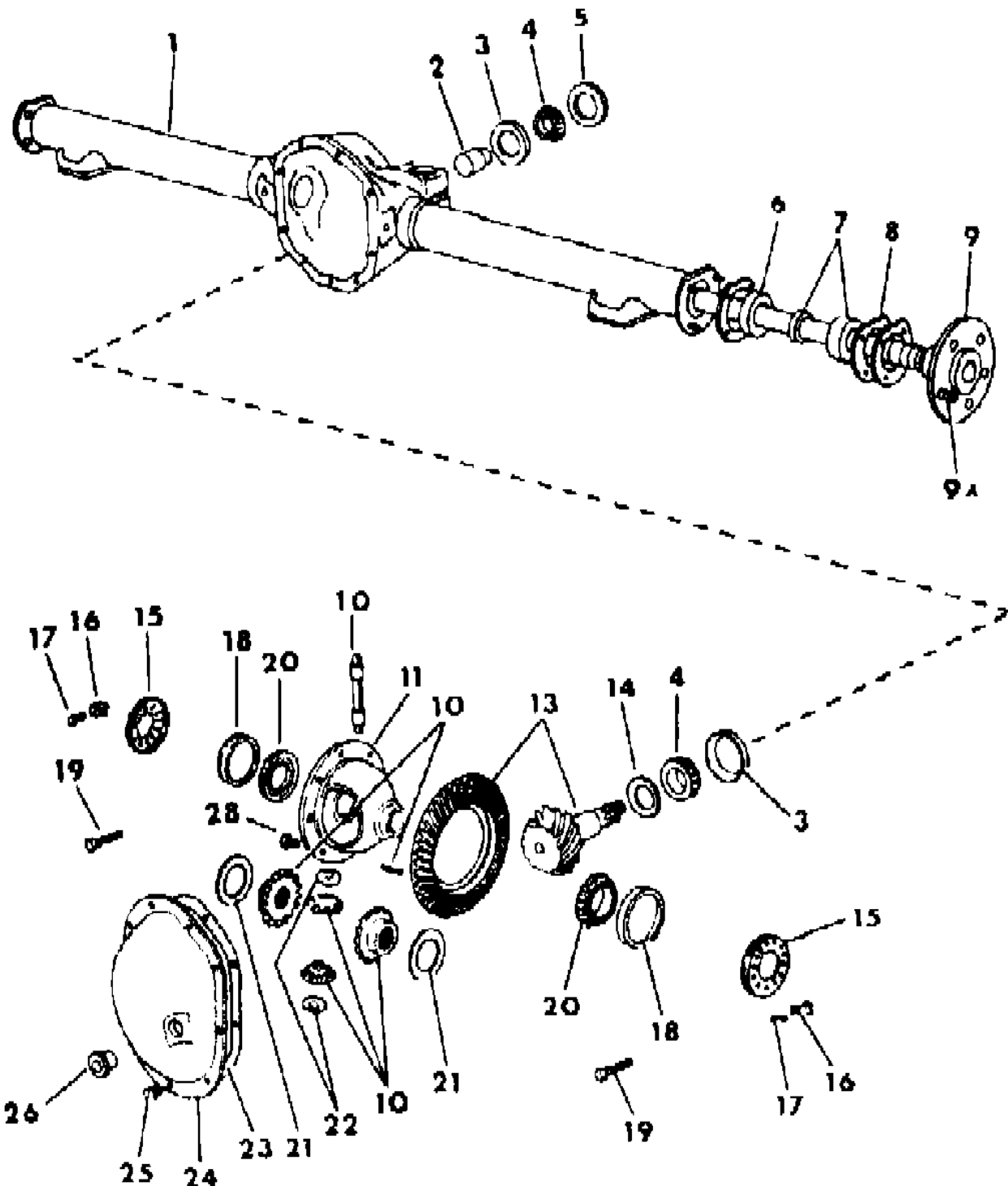
C BODY = (D41 - DYNASTY)(C41 - NEW YORKER)
 E BODY = (J - CARAVELLE)(E - 600)(T - NEW YORKER TURBO)
 G BODY = (V24 - DAYTONA, PACIFICA & SHELBY)
 H BODY = (D44 - LANCER)(C44 - LEBARON GTS)
 J BODY = (C - LEBARON)
 K BODY = (P - RELIANT)(D - ARIES)(C - LEBARON/ TOWN & COUNTRY)

L BODY = (M - HORIZON)(Z-OMNI)
 M BODY = (B - GRAN FURY)(G - DIPLOMAT)(F - FIFTH AVENUE/NEWPORT)
 P BODY = (P - SUNDANCE)(D - SHADOW)
 Q BODY = (C27 - MASERATI)
 S BODY = (H - VOYAGER)(K - RAM VAN/ CARAVAN)

BODY STYLES

12-52 = FWD VAN & WAGON STD. W.B. 27 = 2-DOOR CONVERTIBLE
 13-53 = FWD VAN & WGN EXT W.B. 41 = 4-DOOR SEDAN
 21 = 2-DOOR SEDAN 44 = 4-DOOR HATCHBACK
 24 = 2-DOOR HATCHBACK 45 = 4-DOOR STATION WAGON

AR = Use as Required - = Non Illustrated Part P.A.R. = Paint as Required

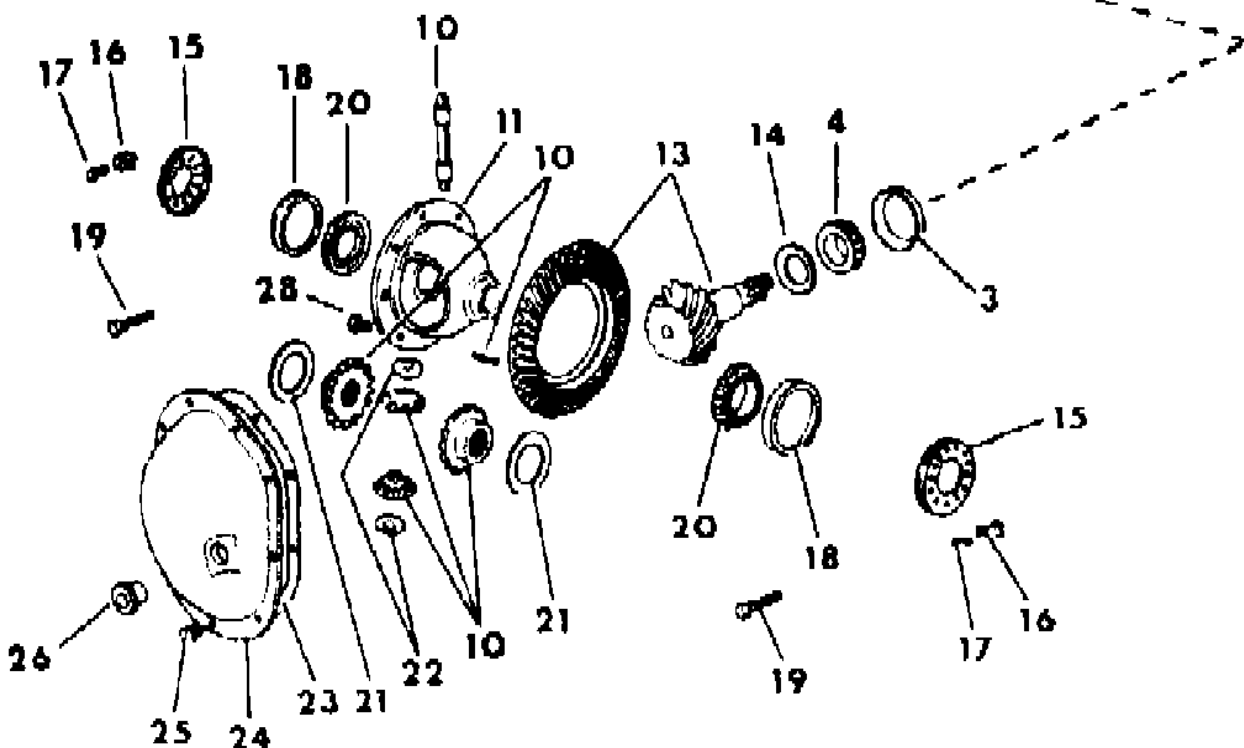
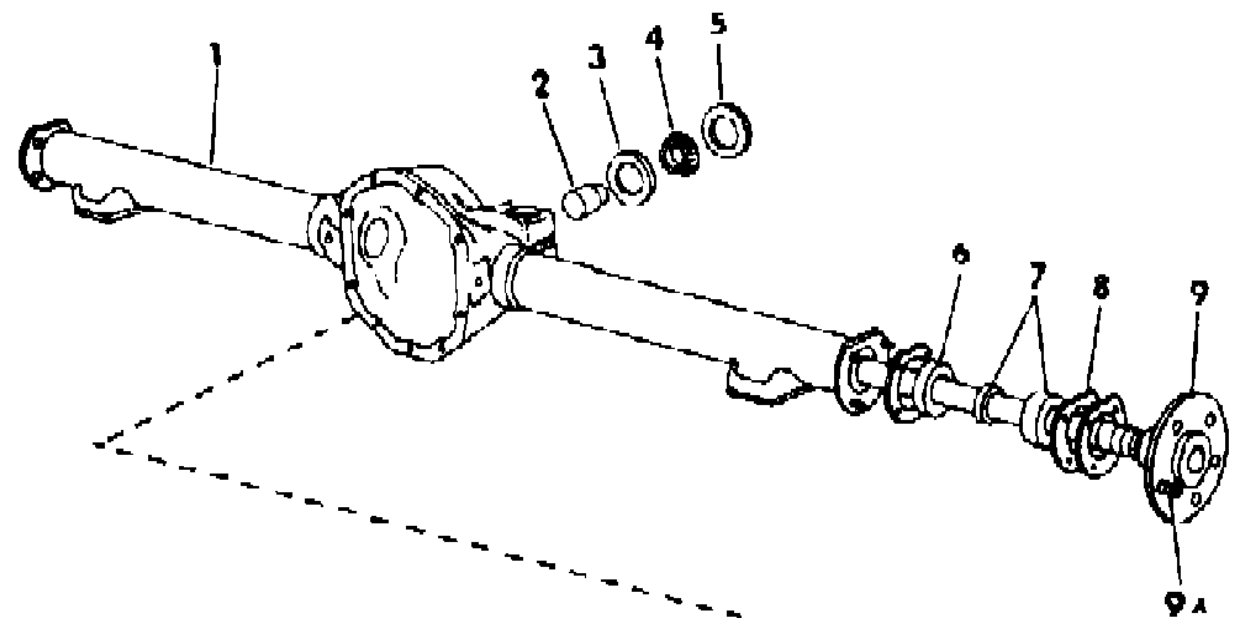


AXLE, REAR W/DIFFERENTIAL AND CARRIER 7-1/4" O.D. GEAR M BODY

Figure 3-100

8103 100

ITEM	PART NUMBER	QTY	BODY	MODEL	DESCRIPTION
18	1937 770	2			CUP, Differential Bearing (2-57/64" O.D.)
19	3507 572	4			SCREW, Cap
20	1937 771	2			CONE and ROLLER, Differential Bearing
21	4131 292	AR			WASHER PACKAGE, Differential Thrust Gear Consists Of: 2 - Washer .031/.033 2 - Washer .036/.038 2 - Washer .041/.043 2 - Washer .046/.048
22					WASHER, Differential Pinion (Serviced in Gear Pkg.)
23					GASKET, Axle Carrier Cover (Use Adhesive Silicone)
24	4186 968	1			COVER, w/Rubber Plug, Axle Carrier, 2.26/2.76 Ratio
25	6033 043	10			SCREW, Cover
26	3723 687	1			PLUG, Axle Carrier Cover Filler (Rubber)
28	4131 255	1			SCREW PACKAGE, Drv. Gear, 3/8-24, w/Shoulder (Contains 10 Screws)
	4137 026	1			SCREW, Diff. Pinion Shaft Lock, 2.26/2.76 Ratio (Not Illustrated)
	2852 883	2			LOCK, Rr. Axle Drive Shaft (Not Illustrated)



MODEL CODES

C BODY = (D41 - DYNASTY)(C41 - NEW YORKER)
 E BODY = (J - CARAVELLE)(E - 600)(T - NEW YORKER TURBO)
 G BODY = (V24 - DAYTONA, PACIFICA & SHELBY)
 H BODY = (D44 - LANCER)(C44 - LEBARON GTS)
 J BODY = (C - LEBARON)
 K BODY = (P - RELIANT)(D - ARIES)(C - LEBARON/ TOWN & COUNTRY)

L BODY = (M - HORIZON)(Z-OMNI)
 M BODY = (B - GRAN FURY)(G - DIPLOMAT)(F - FIFTH AVENUE/NEWPORT)
 P BODY = (P - SUNDANCE)(D - SHADOW)
 Q BODY = (C27 - MASERATI)
 S BODY = (H - VOYAGER)(K - RAM VAN/ CARAVAN)

BODY STYLES

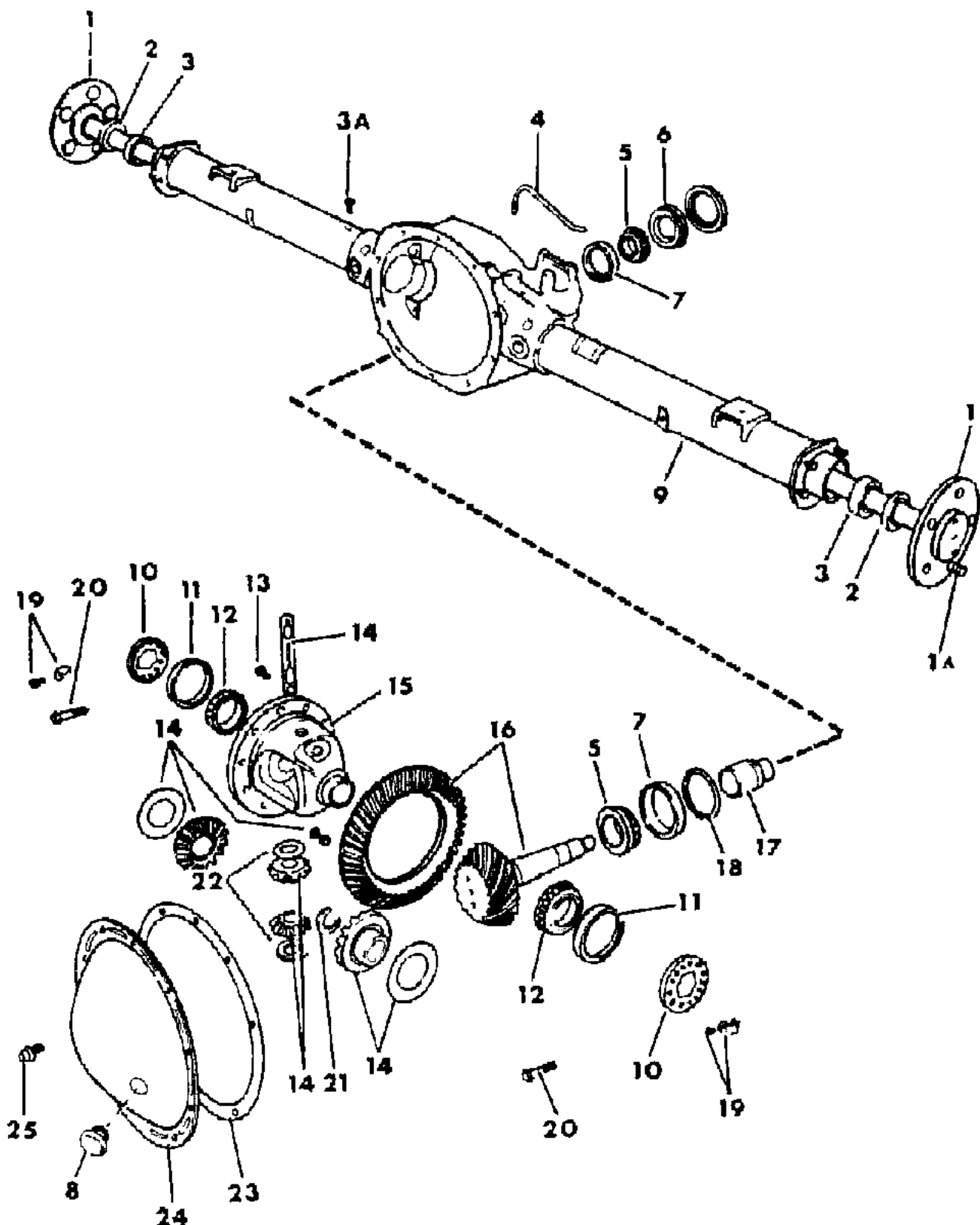
12-52 = FWD VAN & WAGON STD. W.B. 27 = 2-DOOR CONVERTIBLE
 13-53 = FWD VAN & WGN EXT W.B. 41 = 4-DOOR SEDAN
 21 = 2-DOOR SEDAN 44 = 4-DOOR HATCHBACK
 24 = 2-DOOR HATCHBACK 45 = 4-DOOR STATION WAGON

AR = Use as Required - = Non Illustrated Part P.A.R. = Paint as Required

AXLE, REAR W/DIFFERENTIAL AND CARRIER 8-1/4" O.D. GEAR 1-5/8" DIA. STEM M BODY

Figure 3-200

8103 200



ITEM	PART NUMBER	QTY	BODY	MODEL	DESCRIPTION
NOTE: The 8-1/4" Dia. Gear Axle has a 1-5/8" Dia. Pinion Shaft and Carrier Part Number 3723598 or 3723599 embossed on it. It has a separate cover. ATCHED SET. The SET Number must be ordered for replacement of either the Gear or Pinion.					
NOTE: Differential and Carriers have a metal tag bolted on them giving the ratio of the Rear Axle. ATCHED SET. The SET Number must be ordered for replacement of either the Gear or Pinion.					
	4186 957	1			GEAR and PINION PACKAGE, Axle Drive, 2.24/2.26 Ratio
	3837 581	1			2.93/2.94 Ratio Consists of: 1 - ---- -- GEAR SET 1 - 2800484 CONE, Rear
					1 - 2800485 CUP, Rear 1 - 3507575 SPACER, Brg. Adjuster. 1 - 2070316 CONE, Front 1 - 2070317 CUP, Front
					1 - 2881041 SEAL, Dr. Pinion Frt. Bearing 1 - 4131255 SCREW PKG., Drive Gear
	4176 754	1			GEAR PACKAGE, Axle Side Consists of: 2 - ---- -- GEAR, Side 1 - 4131293 WASHER PKG., Diff. Gear Thrust 2 - ---- -- PINION, Diff. 2 - 2852912 WASHER, Pinion Thrust
					1 - 2852913 SHAFT 1 - 3507724 SCREW, Lock
	3723 947	1			DIFFERENTIAL, w/Carrier and Housing, 2.24 To 1 Ratio, w/o Sure-Grip, w/o Axle Shafts, 59.50 Track
	3723 948	1			2.24 To 1 Ratio, w/Sure Grip, w/o Axle Shafts 59.50 Track
	3723 987	1			2.94 to 1 Ratio, w/o Sure Grip, 59.50 Track
	3723 986	1			2.94 to 1 Ratio, w/Sure Grip, 59.50 Track
	3723 690	1			DIFFERENTIAL, Partial, w/Sure-Grip, 2.94 To 1 Ratio
	3723 472	1			2.24 To 1 Ratio, w/Sure Grip
NOTE: The Cone and Spring Type Sure-Grip Diff., and Internal Parts are serviced as an Assembly only. ATCHED SET. The SET Number must be ordered for replacement of either the Gear or Pinion.					
1	#3723 982	2			SHAFT, Axle Drive (27 T)
1A	3432 698	10			BOLT, Drive Shaft Wheel Drive
2	4137 426	2			OIL SEAL, Drive Shaft
3	3744 495	2			BEARING ASSEMBLY, Axle Drive Shaft, 2-17/32" O.D.
3A		1			SCREW, Brake Tube Tee Vent

MODEL CODES

C BODY = (D41 - DYNASTY)(C41 - NEW YORKER)
 E BODY = (J - CARAVELLE)(E - 600)(T - NEW YORKER TURBO)
 G BODY = (V24 - DAYTONA, PACIFICA & SHELBY)
 H BODY = (D44 - LANCER)(C44 - LEBARON GTS)
 J BODY = (C - LEBARON)
 K BODY = (P - RELIANT)(D - ARIES)(C - LEBARON/ TOWN & COUNTRY)

L BODY = (M - HORIZON)(Z-OMNI)
 M BODY = (B - GRAN FURY)(G - DIPLOMAT)(F - FIFTH AVENUE/NEWPORT)
 P BODY = (P - SUNDANCE)(D - SHADOW)
 Q BODY = (C27 - MASERATI)
 S BODY = (H - VOYAGER)(K - RAM VAN/ CARAVAN)

BODY STYLES

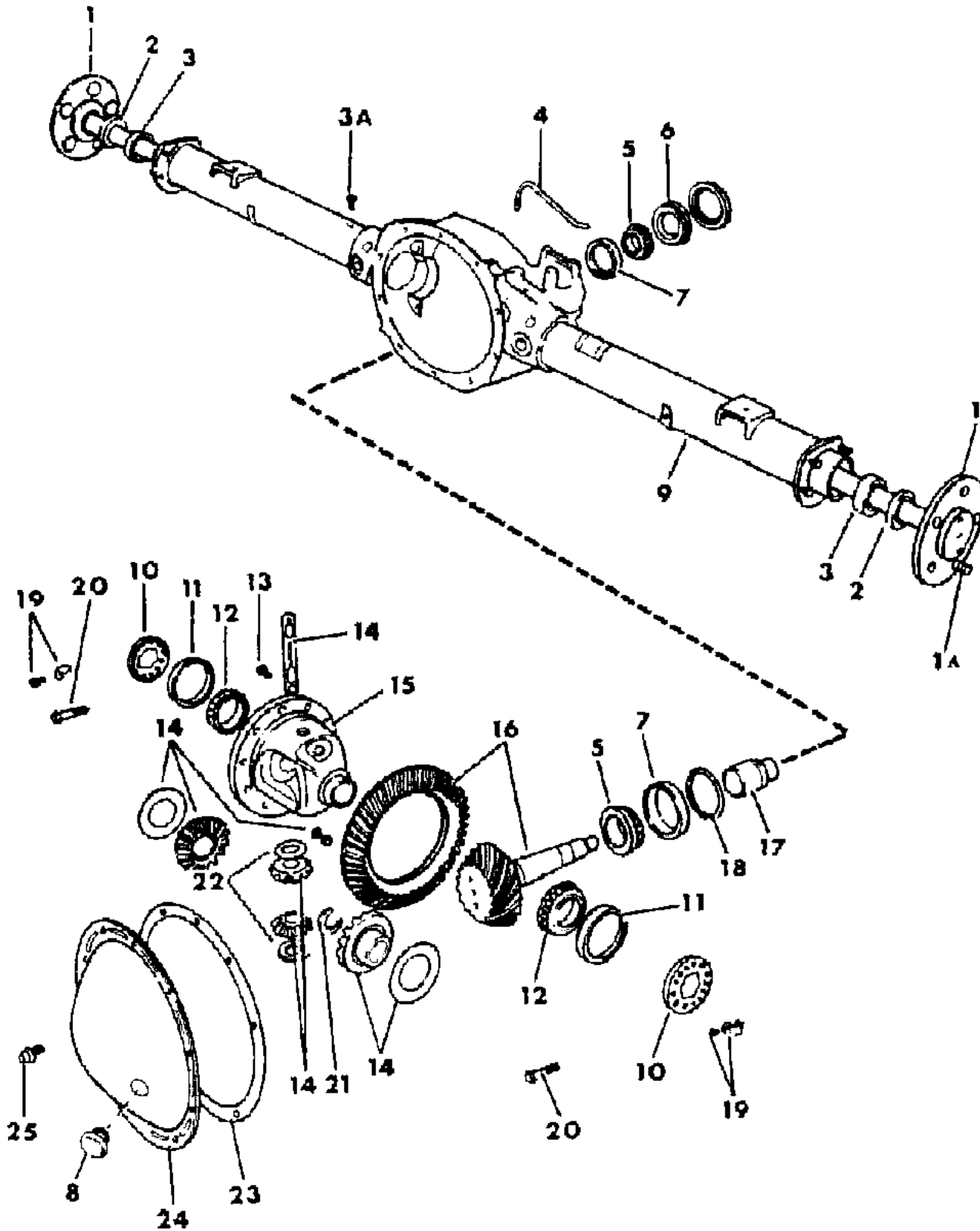
12-52 = FWD VAN & WAGON STD. W.B. 27 = 2-DOOR CONVERTIBLE
 13-53 = FWD VAN & WGN EXT W.B. 41 = 4-DOOR SEDAN
 21 = 2-DOOR SEDAN 44 = 4-DOOR HATCHBACK
 24 = 2-DOOR HATCHBACK 45 = 4-DOOR STATION WAGON

AR = Use as Required - = Non Illustrated Part P.A.R. = Paint as Required

AXLE, REAR W/DIFFERENTIAL AND CARRIER 8-1/4" O.D. GEAR 1-5/8" DIA. STEM M BODY

Figure 3-200

8103 200



ITEM	PART NUMBER	QTY	BODY	MODEL	DESCRIPTION
4	#3723 966	1			VENT, Rear Axle Tube
5	2070 316	1			CONE and ROLLER, Drive Pinion, Front
	2931 817	1			SHIM, Axle Bearing Adjuster, Front
	2800 484	1			Rear
6	4338 655	1			OIL SEAL, Drive Pinion, 3-5/32" O.D.
7	2070 317	1			CUP, Brg. Axle Drive Pinion, Front
	2800 485	1			Rear
8	3723 687	1			PLUG, Axle Carrier Filler, Rubber
9	#3723 967	1			HOUSING, Axle Drive Pinion
10	3507 876	2			ADJUSTER, Diff. Bearing
11	3723 569	2			CUP, Differential Bearing
12	1790 541	2			CONE and ROLLER, Differential Bearing
13	4131 255	1			SCREW PACKAGE, Drive Gear (Contains 10 Screws)
14	4176 754	1			GEAR PACKAGE, Differential Side
	3507 724	1			SCREW, Differential Pinion Shaft Lock
15	2881 423	1			CASE, Differential, 2.94 To 1 Ratio, w/o Sure-Grip
	3432 435	1			2.24/2.26/To 1 Ratio, w/o Sure-Grip
	4131 293	1			WASHER PACKAGE, Gear Thrust
16					GEAR and PINION PACKAGE, Axle Drive
	3837 581	1			2.93/2.94 to 1 Ratio, Inc. 2852933 Gear and 3507914 Pinion
	4186 957	1			2.24/2.26 to 1 Ratio
NOTE: Differential Gear and Pinion are serviced by MATCHED SET numbers only. The SET NUMBER must be ordered for replacement of either Gear or Pinion. Gear and Pinion numbers stamped on the item may be used to confirm the correct					
17	3507 575	1			SPACER
18					SHIM, Drive Pinion Bearing, Rear
	3723 520	AR			.020
	3723 522	AR			.022
	3723 524	AR			.024
	3723 526	AR			.026
	3723 527	AR			.027
	3723 528	AR			.028
	3723 529	AR			.029
	3723 530	AR			.030
	3723 531	AR			.031
	3723 532	AR			.032
	3723 534	AR			.034
	3723 536	AR			.036

MODEL CODES

C BODY = (D41 - DYNASTY)(C41 - NEW YORKER)
 E BODY = (J - CARAVELLE)(E - 600)(T - NEW YORKER TURBO)
 G BODY = (V24 - DAYTONA, PACIFICA & SHELBY)
 H BODY = (D44 - LANCER)(C44 - LEBARON GTS)
 J BODY = (C - LEBARON)
 K BODY = (P - RELIANT)(D - ARIES)(C - LEBARON/ TOWN & COUNTRY)

L BODY = (M - HORIZON)(Z-OMNI)
 M BODY = (B - GRAN FURY)(G - DIPLOMAT)(F - FIFTH AVENUE/NEWPORT)
 P BODY = (P - SUNDANCE)(D - SHADOW)
 Q BODY = (C27 - MASERATI)
 S BODY = (H - VOYAGER)(K - RAM VAN/ CARAVAN)

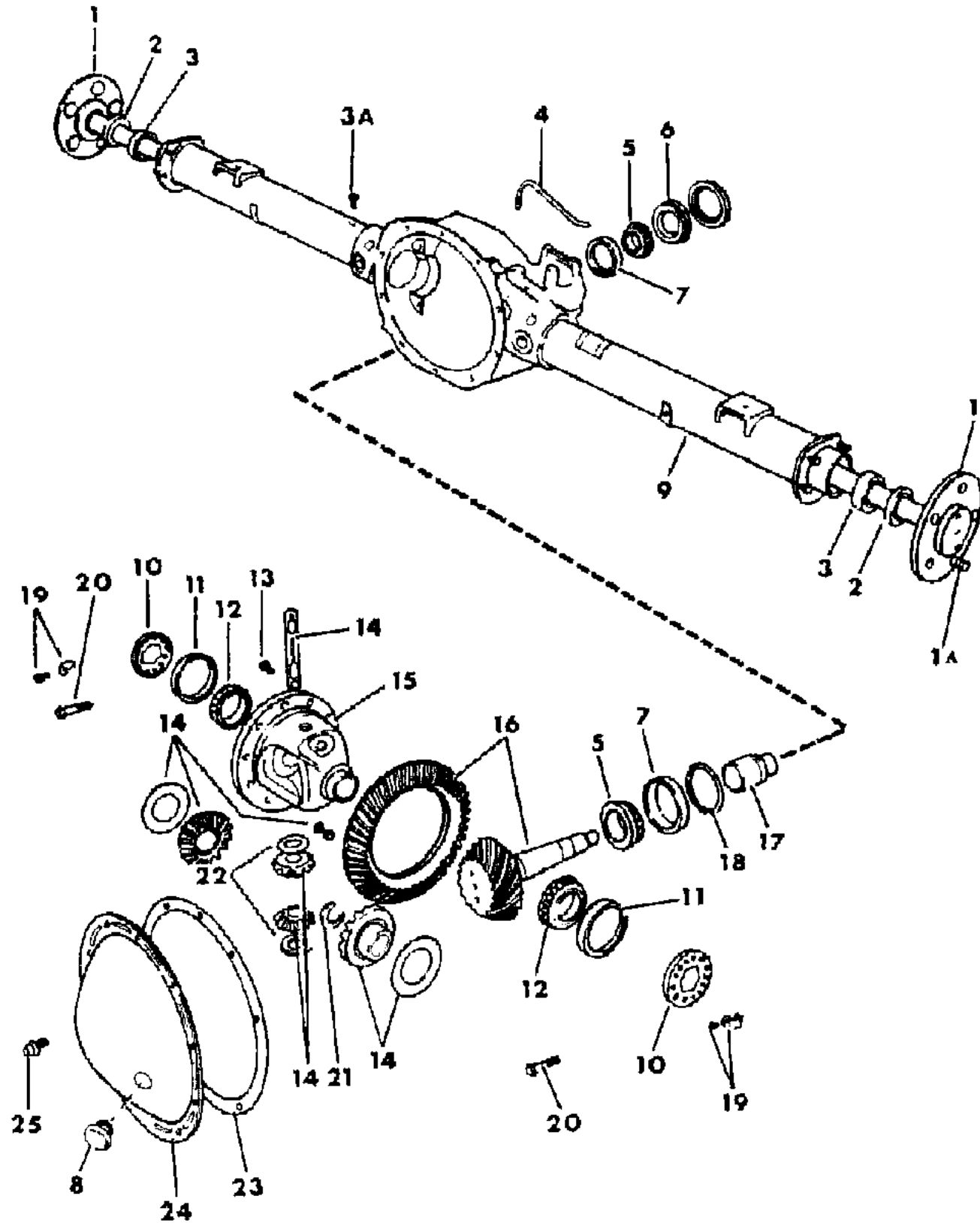
BODY STYLES

12-52 = FWD VAN & WAGON STD. W.B. 27 = 2-DOOR CONVERTIBLE
 13-53 = FWD VAN & WGN EXT W.B. 41 = 4-DOOR SEDAN
 21 = 2-DOOR SEDAN 44 = 4-DOOR HATCHBACK
 24 = 2-DOOR HATCHBACK 45 = 4-DOOR STATION WAGON

AR = Use as Required - = Non Illustrated Part P.A.R. = Paint as Required

AXLE, REAR W/DIFFERENTIAL AND CARRIER 8-1/4" O.D. GEAR 1-5/8" DIA. STEM M BODY
Figure 3-200

8103 200



ITEM	PART NUMBER	QTY	BODY	MODEL	DESCRIPTION
	3723 538	AR			.038
19	#3723 859	2			LOCK, Adjuster
	6031 109	2			SCREW, Lock (1/4"-20 X 1/2")
	6023 092	2			5/16"-18 x 5/8"
20	3432 695	4			SCREW, Cap
21	2852 883	2			LOCK, Drive Shaft
22	2852 912	2			WASHER, Drive Pinion Thrust
23					GASKET, Axle Carrier Cover Use (Silicone Adhesive)
24	4049 689	1			COVER, w/Rubber Plug, Axle Carrier
25	6033 043	10			SCREW, Cover

MODEL CODES

C BODY = (D41 - DYNASTY)(C41 - NEW YORKER)
 E BODY = (J - CARAVELLE)(E - 600)(T - NEW YORKER TURBO)
 G BODY = (V24 - DAYTONA, PACIFICA & SHELBY)
 H BODY = (D44 - LANCER)(C44 - LEBARON GTS)
 J BODY = (C - LEBARON)
 K BODY = (P - RELIANT)(D - ARIES)(C - LEBARON/ TOWN & COUNTRY)

L BODY = (M - HORIZON)(Z-OMNI)
 M BODY = (B - GRAN FURY)(G - DIPLOMAT)(F - FIFTH AVENUE/NEWPORT)
 P BODY = (P - SUNDANCE)(D - SHADOW)
 Q BODY = (C27 - MASERATI)
 S BODY = (H - VOYAGER)(K - RAM VAN/ CARAVAN)

BODY STYLES

12-52 = FWD VAN & WAGON STD. W.B. 27 = 2-DOOR CONVERTIBLE
 13-53 = FWD VAN & WGN EXT W.B. 41 = 4-DOOR SEDAN
 21 = 2-DOOR SEDAN 44 = 4-DOOR HATCHBACK
 24 = 2-DOOR HATCHBACK 45 = 4-DOOR STATION WAGON

AR = Use as Required - = Non Illustrated Part P.A.R. = Paint as Required

GROUP 4 - BRAKES, PARKING

ILLUSTRATION TITLE **GROUP-FIG. NO.**

LEVER AND CABLE, L BODY
LEVER AND CABLES, PARKING BRAKE L BODY Fig. 4-100

LEVER, PARKING BRAKE
LEVER, PARKING BRAKE P BODY Fig. 4-200
LEVER, PARKING BRAKE J BODY Fig. 4-300
LEVER, PARKING BRAKE K BODY Fig. 4-500
LEVER, PARKING BRAKE G BODY Fig. 4-600
LEVER, PARKING BRAKE E BODY Fig. 4-700
LEVER, PARKING BRAKE H BODY Fig. 4-800
LEVER, PARKING BRAKE C BODY Fig. 4-900
LEVER, PARKING BRAKE (S BODY) Fig. 4-1000
LEVER, PARKING BRAKE (M BODY) Fig. 4-1100

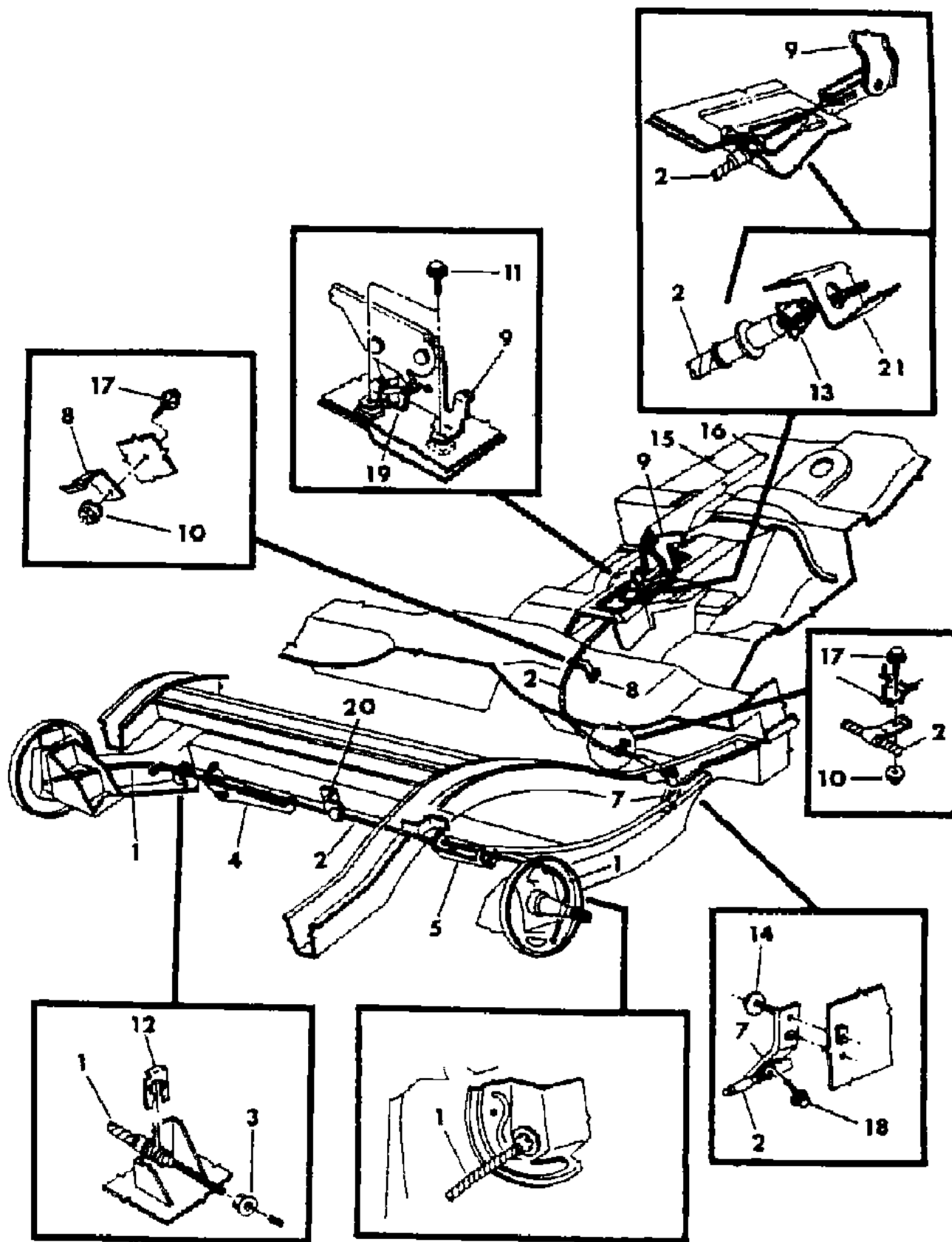
CABLE, PARKING BRAKE
CABLE, PARKING BRAKE P,J,K,G,E,H Fig. 4-1200
CABLE, PARKING BRAKE C BODY Fig. 4-1300
CABLES, PARKING BRAKE (S BODY) Fig. 4-1400
CABLES, PARKING BRAKE (M BODY) Fig. 4-1500

ILLUSTRATION NOT AVAILABLE AT TIME OF PUBLICATION

LEVER AND CABLES, PARKING BRAKE L BODY

Figure 4-100

8104 100



ITEM	PART NUMBER	QTY	BODY	MODEL	DESCRIPTION
1	4294 411	2			CABLE, Rear
2	5204 111	1			CABLE, Frt.
3	6030 607	1			NUT, Cable Adjusting Conn.
4	3575 604	1			CONNECTOR, Cable Adj.
5	3575 605	1			CONNECTOR, Cable
7	4294 155	1			BRACKET, Cable Rear Side Rail Mtg.
8	5204 122	1			CLIP, Cable Tunnel
9	5211 931	1			LEVER, Parking Brake
10	0219 462	2			NUT, Frt. Cable Screw
11	6500 187	2			SCREW and WASHER, Parking Brake Mtg.
12	2201 467	2			CLIP, Rear Cable to Support Brkt.
13	3467 924	1			RETAINER, Cable Frt.
14	6500 187	2			SCREW and WASHER, Parking Brake Mtg.
15	5211 929	1			GRIP, Handle
16	4186 991	1			BUTTON PACKAGE
17	0181 063	2			SCREW, Cable Clip
18	6100 583	1			SCREW, Cable Rail Brkt.
19	5209 922	1			SWITCH, Parking Brake Lever
20	5204 125	1			BRACKET, Cable to Rear Support C/Member, Use Up to 4-25-88
	4383 705	1			BRACKET, Cable to Rear Support C/Member, Use After 4-25-88
21	4294 155	1			BRACKET, Cable Rear Side Rail Mtg. (See Item 7)

MODEL CODES

C BODY = (D41 - DYNASTY)(C41 - NEW YORKER)
 E BODY = (J - CARAVELLE)(E - 600)(T - NEW YORKER TURBO)
 G BODY = (V24 - DAYTONA, PACIFICA & SHELBY)
 H BODY = (D44 - LANCER)(C44 - LEBARON GTS)
 J BODY = (C - LEBARON)
 K BODY = (P - RELIANT)(D - ARIES)(C - LEBARON/ TOWN & COUNTRY)

L BODY = (M - HORIZON)(Z-OMNI)
 M BODY = (B - GRAN FURY)(G - DIPLOMAT)(F - FIFTH AVENUE/NEWPORT)
 P BODY = (P - SUNDANCE)(D - SHADOW)
 Q BODY = (C27 - MASERATI)
 S BODY = (H - VOYAGER)(K - RAM VAN/ CARAVAN)

BODY STYLES

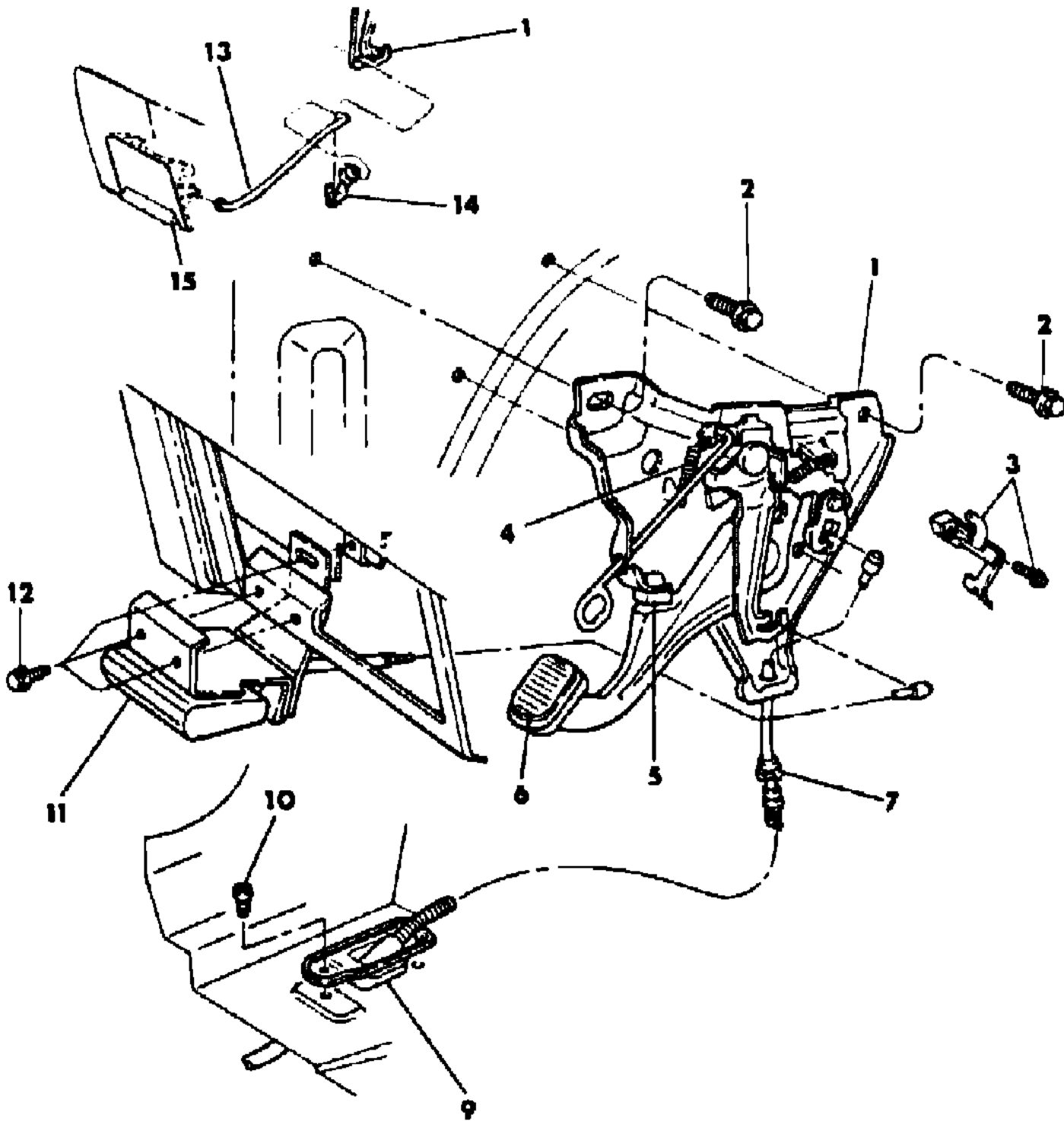
12-52 = FWD VAN & WAGON STD. W.B. 27 = 2-DOOR CONVERTIBLE
 13-53 = FWD VAN & WGN EXT W.B. 41 = 4-DOOR SEDAN
 21 = 2-DOOR SEDAN 44 = 4-DOOR HATCHBACK
 24 = 2-DOOR HATCHBACK 45 = 4-DOOR STATION WAGON

AR = Use as Required - = Non Illustrated Part P.A.R. = Paint as Required

LEVER, PARKING BRAKE P BODY

Figure 4-200

8104 200 B



ITEM	PART NUMBER	QTY	BODY	MODEL	DESCRIPTION
1	4294 821	1			LEVER, Parking Brake
2	6100 584	3			SCREW and WASHER
3	4221 463	1			SWITCH, Parking Brake
4	9423 951	1			SCREW, Parking Brake Sw. Mtg.
	4205 997	1			SPRING PACKAGE, Lever Release
	4294 528	1			SPRING, Parking Brake Rel. Lever
	4294 529	1			SPRING, Parking Brake Sector Pawl
5	4294 527	1			BUMPER, Parking Brake Lever
6	4019 175	1			PAD, Lever
7	3467 939	1			RETAINER, Frt. Cable
9					GROMMET, (Ref. Only)
10	9414 721	3			SCREW
11	4294 637	1			HANDLE, Release
12		AR			SCREW, (Not Serv.)
13	4294 673	1			ROD, Parking Brake Release connector
14	3454 220	1			CLIP, Parking Brake Release Rod
15	P805 GS8	1			HANDLE, Inst. Pnl. Brake Rel., Charcoal
	P805 GC5	1			Blue
	P805 GR8	1			Red
	P805 GL7	1			Taupe

MODEL CODES

C BODY = (D41 - DYNASTY)(C41 - NEW YORKER)
 E BODY = (J - CARAVELLE)(E - 600)(T - NEW YORKER TURBO)
 G BODY = (V24 - DAYTONA, PACIFICA & SHELBY)
 H BODY = (D44 - LANCER)(C44 - LEBARON GTS)
 J BODY = (C - LEBARON)
 K BODY = (P - RELIANT)(D - ARIES)(C - LEBARON/ TOWN & COUNTRY)

L BODY = (M - HORIZON)(Z-OMNI)
 M BODY = (B - GRAN FURY)(G - DIPLOMAT)(F - FIFTH AVENUE/NEWPORT)
 P BODY = (P - SUNDANCE)(D - SHADOW)
 Q BODY = (C27 - MASERATI)
 S BODY = (H - VOYAGER)(K - RAM VAN/ CARAVAN)

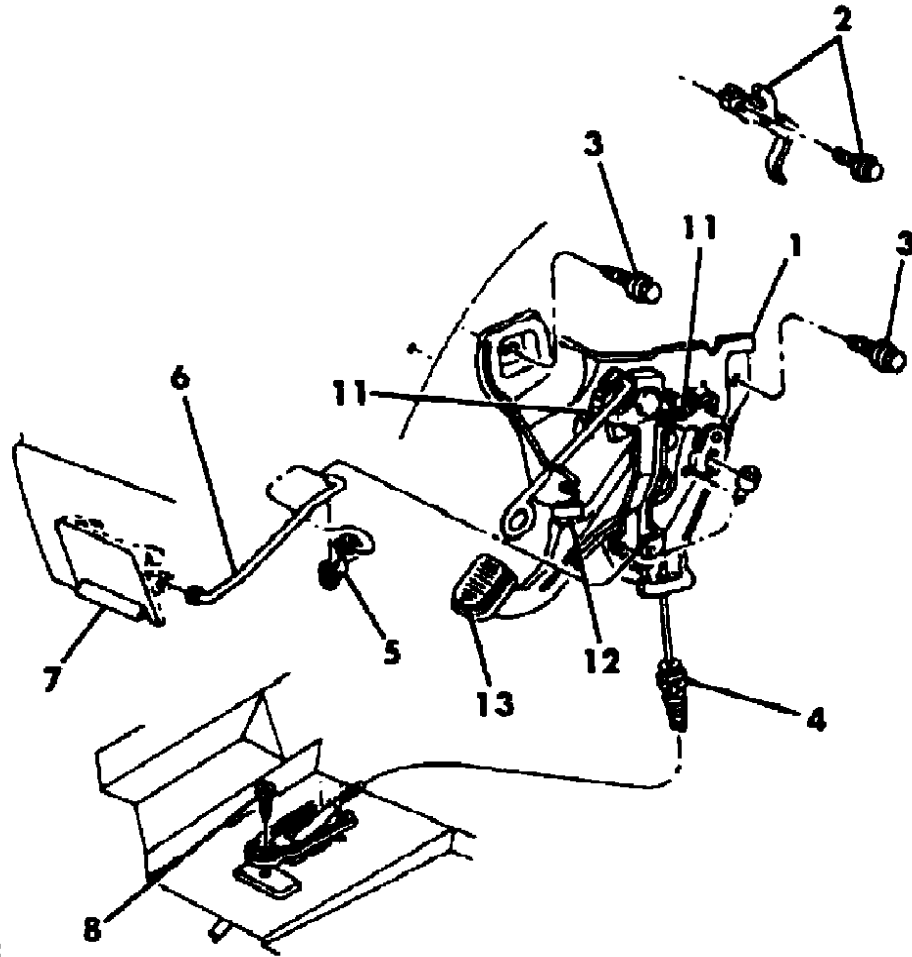
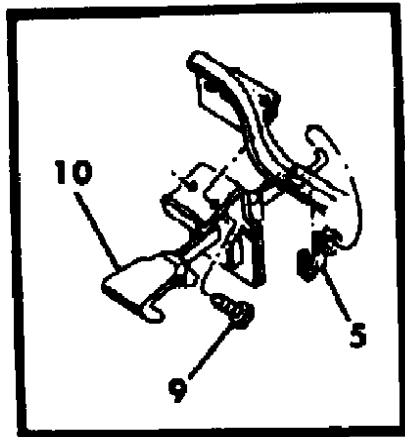
BODY STYLES

12-52 = FWD VAN & WAGON STD. W.B. 27 = 2-DOOR CONVERTIBLE
 13-53 = FWD VAN & WGN EXT W.B. 41 = 4-DOOR SEDAN
 21 = 2-DOOR SEDAN 44 = 4-DOOR HATCHBACK
 24 = 2-DOOR HATCHBACK 45 = 4-DOOR STATION WAGON

AR = Use as Required - = Non Illustrated Part P.A.R. = Paint as Required

LEVER, PARKING BRAKE J BODY
Figure 4-300

8104 300



ITEM	PART NUMBER	QTY	BODY	MODEL	DESCRIPTION
1	4294 661	1			LEVER, Parking Brake
2	4221 463	1			SWITCH, Parking Brake
	9423 951	1			SCREW, Parking Brake Sw. Mtg.
3	6100 584	3			SCREW and WASHER
4	3467 939	2			RETAINER, Parking Brake Cable Frt.
5	3454 220	1			CLIP, Lever Release Rod
6	4294 790	1			ROD, Release
7	P407 CX9	1			HANDLE, Brake Release, Black
	4019 174	2			PIN, Pivot Release Handle
	6031 147	1			CLIP, Release Handle Pivot Pin
8	9414 721	3			SCREW
9		2			SCREW, (Not Serv.)
10	4294 791	1			RELEASE, Parking Brake
11	4294 528	1			SPRING, Parking Brake Release Lever
	4205 997	1			SPRING PACKAGE, Parking Brake Lever Release
12	4294 843	1			BUMPER, Parking Brake Lever
13	4019 175	1			PAD, Lever

MODEL CODES

C BODY = (D41 - DYNASTY)(C41 - NEW YORKER)
 E BODY = (J - CARAVELLE)(E - 600)(T - NEW YORKER TURBO)
 G BODY = (V24 - DAYTONA, PACIFICA & SHELBY)
 H BODY = (D44 - LANCER)(C44 - LEBARON GTS)
 J BODY = (C - LEBARON)
 K BODY = (P - RELIANT)(D - ARIES)(C - LEBARON/ TOWN & COUNTRY)

L BODY = (M - HORIZON)(Z-OMNI)
 M BODY = (B - GRAN FURY)(G - DIPLOMAT)(F - FIFTH AVENUE/NEWPORT)
 P BODY = (P - SUNDANCE)(D - SHADOW)
 Q BODY = (C27 - MASERATI)
 S BODY = (H - VOYAGER)(K - RAM VAN/ CARAVAN)

BODY STYLES

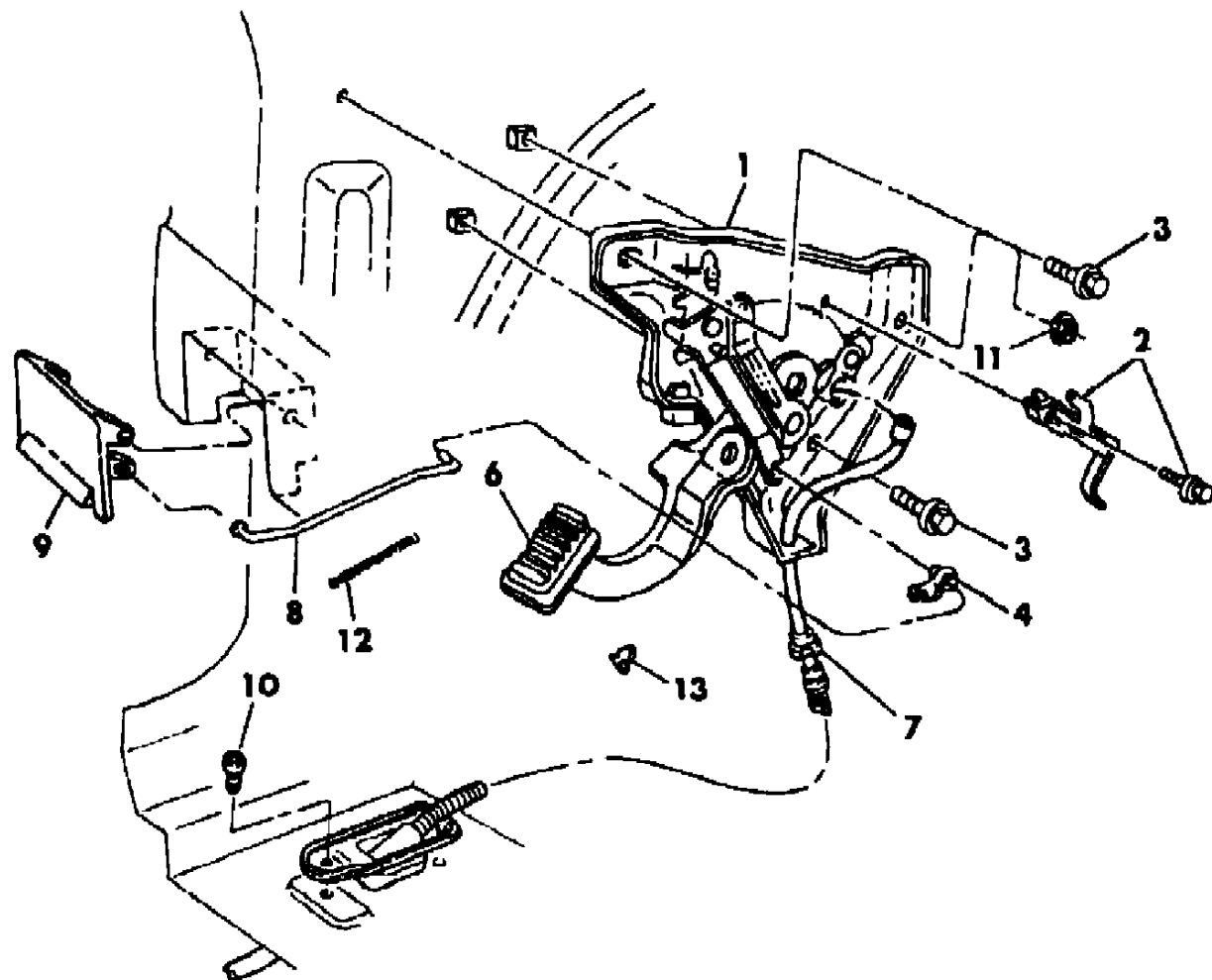
12-52 = FWD VAN & WAGON STD. W.B. 27 = 2-DOOR CONVERTIBLE
 13-53 = FWD VAN & WGN EXT W.B. 41 = 4-DOOR SEDAN
 21 = 2-DOOR SEDAN 44 = 4-DOOR HATCHBACK
 24 = 2-DOOR HATCHBACK 45 = 4-DOOR STATION WAGON

AR = Use as Required - = Non Illustrated Part P.A.R. = Paint as Required

LEVER, PARKING BRAKE K BODY

Figure 4-500

8104 500



ITEM	PART NUMBER	QTY	BODY	MODEL	DESCRIPTION
1	3880 426	1			LEVER, Parking Brake
2	4221 463	1			SWITCH, Parking Brake
	9423 951	1			SCREW, Parking Brake Sw. Mtg.
3	6501 422	1			SCREW and WASHER
4	3454 220	1			CLIP, Lever Release Rod
6	4019 175	1			PAD, Lever
7	3467 939	2			RETAINER, Parking Brake Cable Frt.
8	4019 172	1			ROD, Release
9	F296 EK1	1			HANDLE, Brake Release, Almond
	4019 174	2			PIN, Pivot Release Handle
	6031 147	1			CLIP, Release Handle Pivot Pin
10	9414 721	3			SCREW
11	6101 445	2			NUT and WASHER
12	4205 997	1			SPRING PACKAGE, Parking Brake Lever Release
13	4019 355	1			BUMPER, Parking Brake Lever

MODEL CODES

C BODY = (D41 - DYNASTY)(C41 - NEW YORKER)
 E BODY = (J - CARAVELLE)(E - 600)(T - NEW YORKER TURBO)
 G BODY = (V24 - DAYTONA, PACIFICA & SHELBY)
 H BODY = (D44 - LANCER)(C44 - LEBARON GTS)
 J BODY = (C - LEBARON)
 K BODY = (P - RELIANT)(D - ARIES)(C - LEBARON/ TOWN & COUNTRY)
 L BODY = (M - HORIZON)(Z-OMNI)
 M BODY = (B - GRAN FURY)(G - DIPLOMAT)(F - FIFTH AVENUE/NEWPORT)
 P BODY = (P - SUNDANCE)(D - SHADOW)
 Q BODY = (C27 - MASERATI)
 S BODY = (H - VOYAGER)(K - RAM VAN/ CARAVAN)

BODY STYLES

12-52 = FWD VAN & WAGON STD. W.B. 27 = 2-DOOR CONVERTIBLE
 13-53 = FWD VAN & WGN EXT W.B. 41 = 4-DOOR SEDAN
 21 = 2-DOOR SEDAN 44 = 4-DOOR HATCHBACK
 24 = 2-DOOR HATCHBACK 45 = 4-DOOR STATION WAGON

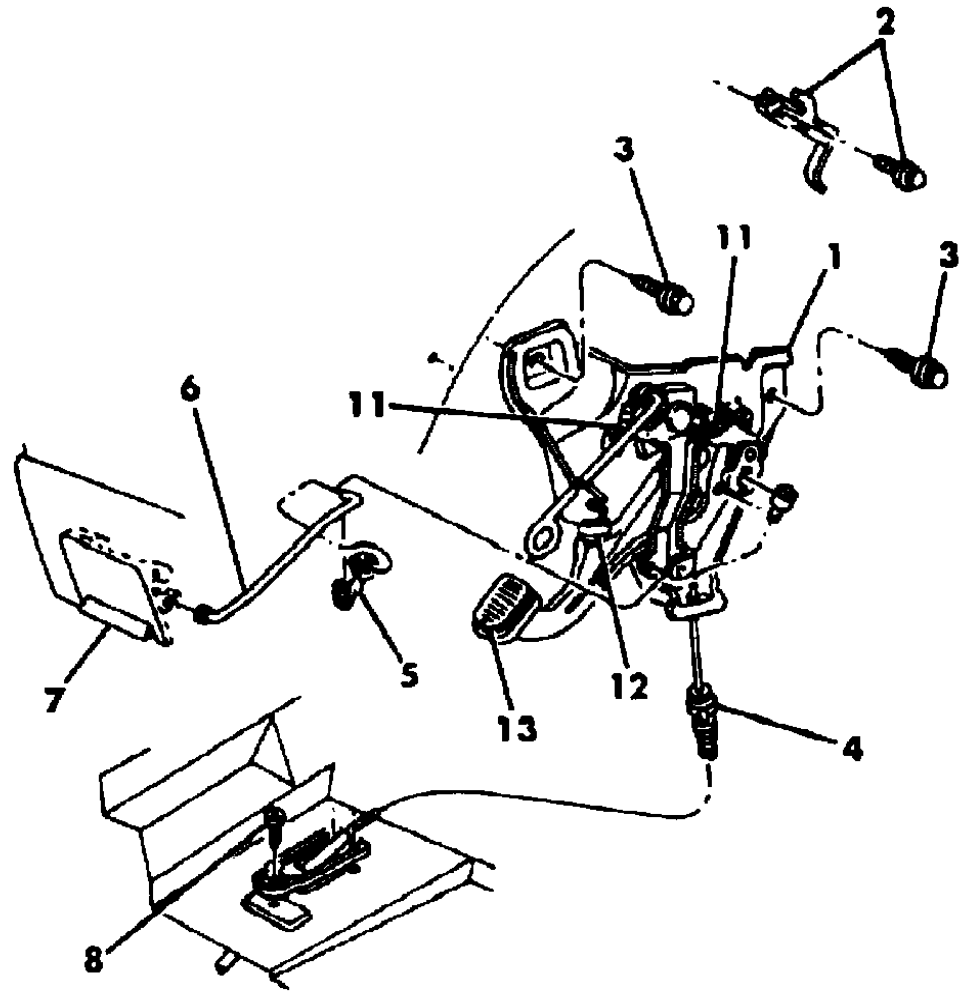
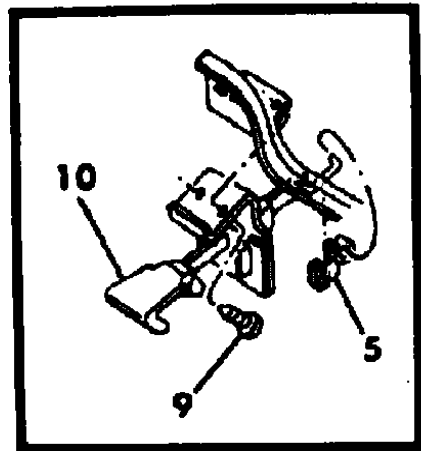
AR = Use as Required - = Non Illustrated Part P.A.R. = Paint as Required

LEVER, PARKING BRAKE G BODY

Figure 4-600

8104 600

ITEM	PART NUMBER	QTY	BODY	MODEL	DESCRIPTION
1	4294 661	1			LEVER, Parking Brake
2	4221 463	1			SWITCH, Parking Brake
	9423 951	1			SCREW, Parking Brake Sw. Mtg.
3	6100 584	3			SCREW and WASHER
4	3467 939	2			RETAINER, Parking Brake Cable Frt.
5	3454 220	1			CLIP, Lever Release Rod
6	4294 790	1			ROD, Release
7	P407 CX9	1			HANDLE, Brake Release, Black
	4019 174	2			PIN, Pivot Release Handle
	6031 147	1			CLIP, Release Handle Pivot Pin
8	9414 721	3			SCREW
9		2			SCREW, (Not Serv.)
10	4294 791	1			RELEASE, Parking Brake
11	4294 528	1			SPRING, Parking Brake Release Lever
	4205 997	1			SPRING PACKAGE, Parking Brake Lever Release
12	4294 843	1			BUMPER, Parking Brake Lever
13	4019 175	1			PAD, Lever



MODEL CODES

C BODY = (D41 - DYNASTY)(C41 - NEW YORKER)
 E BODY = (J - CARAVELLE)(E - 600)(T - NEW YORKER TURBO)
 G BODY = (V24 - DAYTONA, PACIFICA & SHELBY)
 H BODY = (D44 - LANCER)(C44 - LEBARON GTS)
 J BODY = (C - LEBARON)
 K BODY = (P - RELIANT)(D - ARIES)(C - LEBARON/ TOWN & COUNTRY)

L BODY = (M - HORIZON)(Z-OMNI)
 M BODY = (B - GRAN FURY)(G - DIPLOMAT)(F - FIFTH AVENUE/NEWPORT)
 P BODY = (P - SUNDANCE)(D - SHADOW)
 Q BODY = (C27 - MASERATI)
 S BODY = (H - VOYAGER)(K - RAM VAN/ CARAVAN)

BODY STYLES

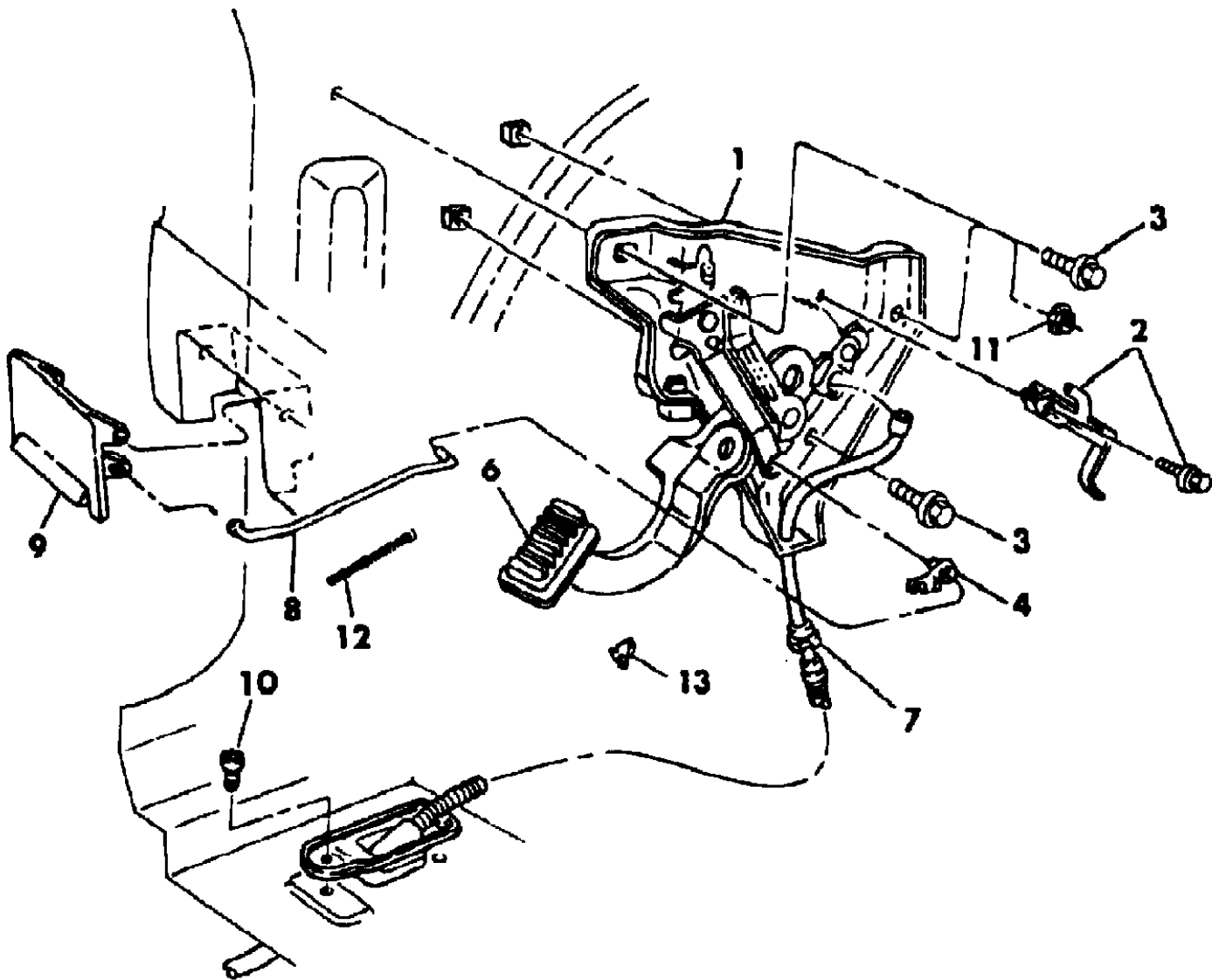
12-52 = FWD VAN & WAGON STD. W.B. 27 = 2-DOOR CONVERTIBLE
 13-53 = FWD VAN & WGN EXT W.B. 41 = 4-DOOR SEDAN
 21 = 2-DOOR SEDAN 44 = 4-DOOR HATCHBACK
 24 = 2-DOOR HATCHBACK 45 = 4-DOOR STATION WAGON

AR = Use as Required - = Non Illustrated Part P.A.R. = Paint as Required

LEVER, PARKING BRAKE E BODY

Figure 4-700

8104 700



ITEM	PART NUMBER	QTY	BODY	MODEL	DESCRIPTION
1	3880 426	1			LEVER, Parking Brake
2	4221 463	1			SWITCH, Parking Brake
	9423 951	1			SCREW, Parking Brake Sw. Mtg.
3	6501 422	1			SCREW and WASHER
4	3454 220	1			CLIP, Lever Release Rod
6	4019 175	1			PAD, Lever
7	3467 939	1			RETAINER, Parking Brake Cable Frt.
8	4019 172	1			ROD, Release
9	F296 EK1	1			HANDLE, Brake Release
	4019 174	2			PIN, Pivot Release Handle
	6031 147	1			CLIP, Release Handle Pivot Pin
10	9414 721	3			SCREW
11	6101 445	2			NUT and WASHER
12	4205 997	1			SPRING PACKAGE, Parking Brake Lever Release
13	4019 355	1			BUMPER, Parking Brake Lever

MODEL CODES
 C BODY = (D41 - DYNASTY)(C41 - NEW YORKER)
 E BODY = (J - CARAVELLE)(E - 600)(T - NEW YORKER TURBO)
 G BODY = (V24 - DAYTONA, PACIFICA & SHELBY)
 H BODY = (D44 - LANCER)(C44 - LEBARON GTS)
 J BODY = (C - LEBARON)
 K BODY = (P - RELIANT)(D - ARIES)(C - LEBARON/ TOWN & COUNTRY)
 L BODY = (M - HORIZON)(Z-OMNI)
 M BODY = (B - GRAN FURY)(G - DIPLOMAT)(F - FIFTH AVENUE/NEWPORT)
 P BODY = (P - SUNDANCE)(D - SHADOW)
 Q BODY = (C27 - MASERATI)
 S BODY = (H - VOYAGER)(K - RAM VAN/ CARAVAN)

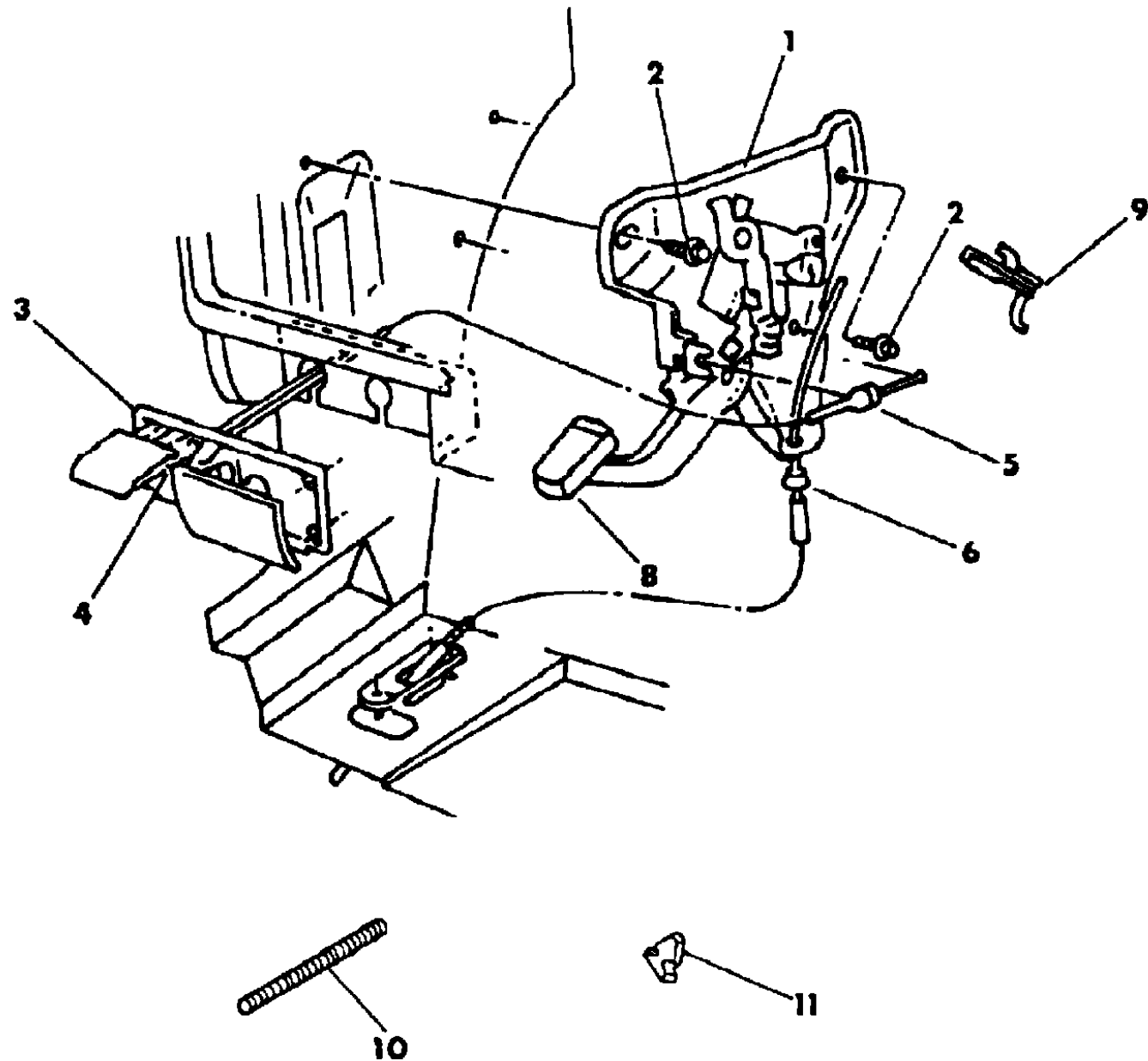
BODY STYLES
 12-52 = FWD VAN & WAGON STD. W.B. 27 = 2-DOOR CONVERTIBLE
 13-53 = FWD VAN & WGN EXT W.B. 41 = 4-DOOR SEDAN
 21 = 2-DOOR SEDAN 44 = 4-DOOR HATCHBACK
 24 = 2-DOOR HATCHBACK 45 = 4-DOOR STATION WAGON

AR = Use as Required - = Non Illustrated Part P.A.R. = Paint as Required

LEVER, PARKING BRAKE H BODY

Figure 4-800

8104 800



ITEM	PART NUMBER	QTY	BODY	MODEL	DESCRIPTION
1	4294 136	1			LEVER
2	6100 584	3			SCREW and WASHER
3	P400 GL7	1			HANDLE, Brake Release, Taupe
	P400 GR8	1			Bordeaux Red
	P400 DS8	1			Charcoal
	P400 FC5	1			Blue
4	4294 089	1			PIN, Parking Brake and Hood Latch Release Handle Pivot
5	4294 090	1			CABLE, Parking Brake Release
6	3467 939	1			RETAINER, Cable
8	4019 175	1			PAD, Parking Brake Lever
9	4221 463	1			SWITCH, Parking Brake
	9423 951	1			SCREW, Parking Brake Sw. Mtg.
10	4205 997	1			SPRING PACKAGE, Parking Brake Lever Rel. (G.W.)
11	4019 355	1			BUMPER, Parking Brake Lever

MODEL CODES

C BODY = (D41 - DYNASTY)(C41 - NEW YORKER)
 E BODY = (J - CARAVELLE)(E - 600)(T - NEW YORKER TURBO)
 G BODY = (V24 - DAYTONA, PACIFICA & SHELBY)
 H BODY = (D44 - LANCER)(C44 - LEBARON GTS)
 J BODY = (C - LEBARON)
 K BODY = (P - RELIANT)(D - ARIES)(C - LEBARON/ TOWN & COUNTRY)

L BODY = (M - HORIZON)(Z-OMNI)
 M BODY = (B - GRAN FURY)(G - DIPLOMAT)(F - FIFTH AVENUE/NEWPORT)
 P BODY = (P - SUNDANCE)(D - SHADOW)
 Q BODY = (C27 - MASERATI)
 S BODY = (H - VOYAGER)(K - RAM VAN/ CARAVAN)

BODY STYLES

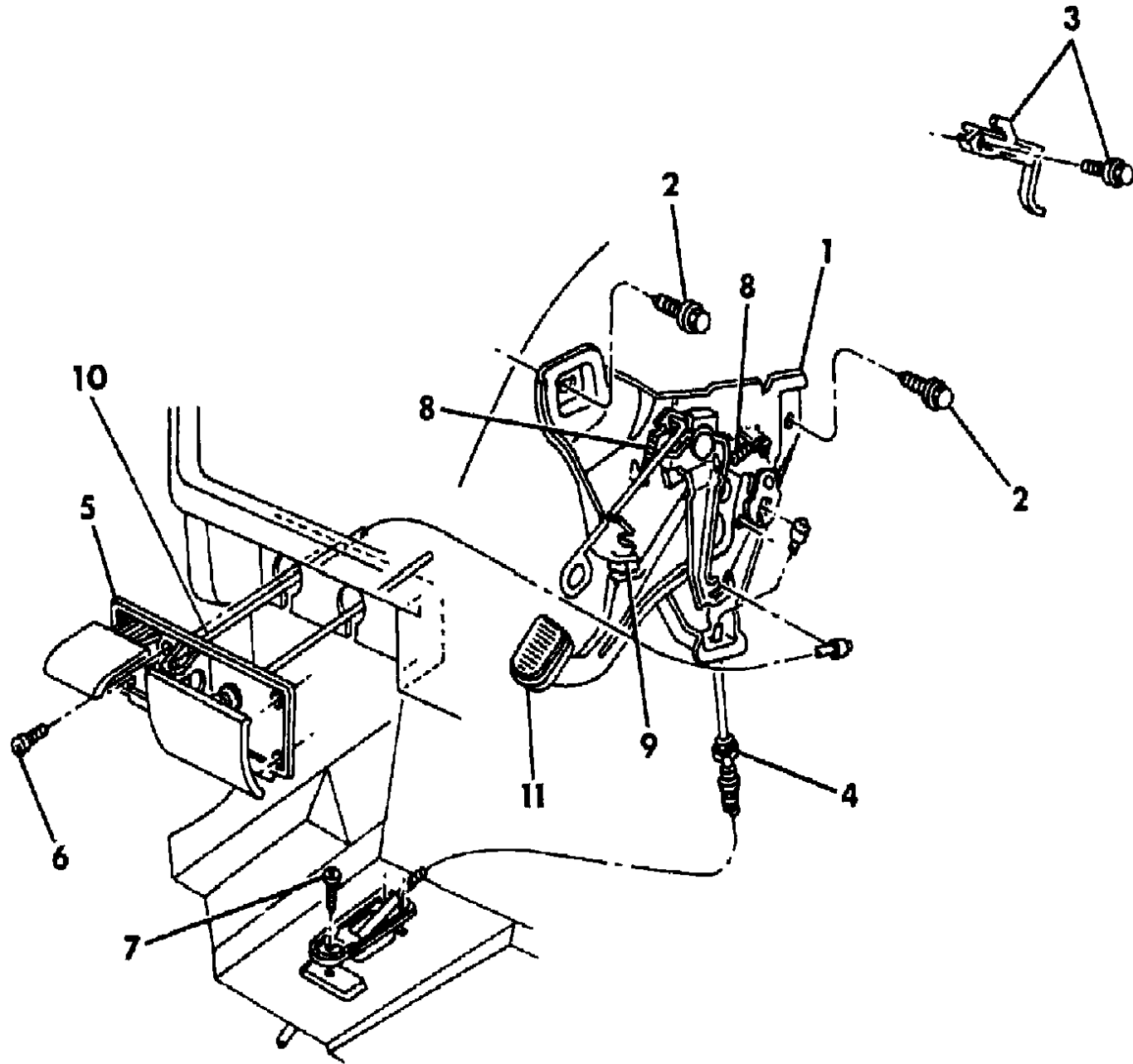
12-52 = FWD VAN & WAGON STD. W.B. 27 = 2-DOOR CONVERTIBLE
 13-53 = FWD VAN & WGN EXT W.B. 41 = 4-DOOR SEDAN
 21 = 2-DOOR SEDAN 44 = 4-DOOR HATCHBACK
 24 = 2-DOOR HATCHBACK 45 = 4-DOOR STATION WAGON

AR = Use as Required - = Non Illustrated Part P.A.R. = Paint as Required

LEVER, PARKING BRAKE C BODY

Figure 4-900

8104 900B



ITEM	PART NUMBER	QTY	BODY	MODEL	DESCRIPTION
1	4294 544	1			LEVER, Parking Brake
2	6100 584	3			SCREW and WASHER
3	4221 463	1			SWITCH, Parking Brake
4	9423 951	1			SCREW, Parking Brake Sw. Mtg.
	3467 939	2			RETAINER, Parking Brake Cable Frt.
5	P400 DS8	1			HANDLE, Parking Brake and Hood Latch Release, Charcoal
	P400 FC5	1			Blue
	P400 GL7	1			Taupe
	P400 GR8	1			Bordeaux Red
	4294 089	2			PIN, Parking Brake and Hood Latch Release Handle Pivot
6		4			SCREW, (Not Serv.)
7	9414 721	3			SCREW
8	4205 997	1			SPRING PACKAGE, Parking Brake Release Rod Ret.
	4294 528	1			SPRING, Parking Brake Release Lever
9	4294 527	1			BUMPER, Parking Brake Lever
10	4294 785	1			CABLE, Parking Brake Release
11	4019 175	1			PAD, Lever

MODEL CODES

C BODY = (D41 - DYNASTY)(C41 - NEW YORKER)
 E BODY = (J - CARAVELLE)(E - 600)(T - NEW YORKER TURBO)
 G BODY = (V24 - DAYTONA, PACIFICA & SHELBY)
 H BODY = (D44 - LANCER)(C44 - LEBARON GTS)
 J BODY = (C - LEBARON)
 K BODY = (P - RELIANT)(D - ARIES)(C - LEBARON/ TOWN & COUNTRY)

L BODY = (M - HORIZON)(Z-OMNI)
 M BODY = (B - GRAN FURY)(G - DIPLOMAT)(F - FIFTH AVENUE/NEWPORT)
 P BODY = (P - SUNDANCE)(D - SHADOW)
 Q BODY = (C27 - MASERATI)
 S BODY = (H - VOYAGER)(K - RAM VAN/ CARAVAN)

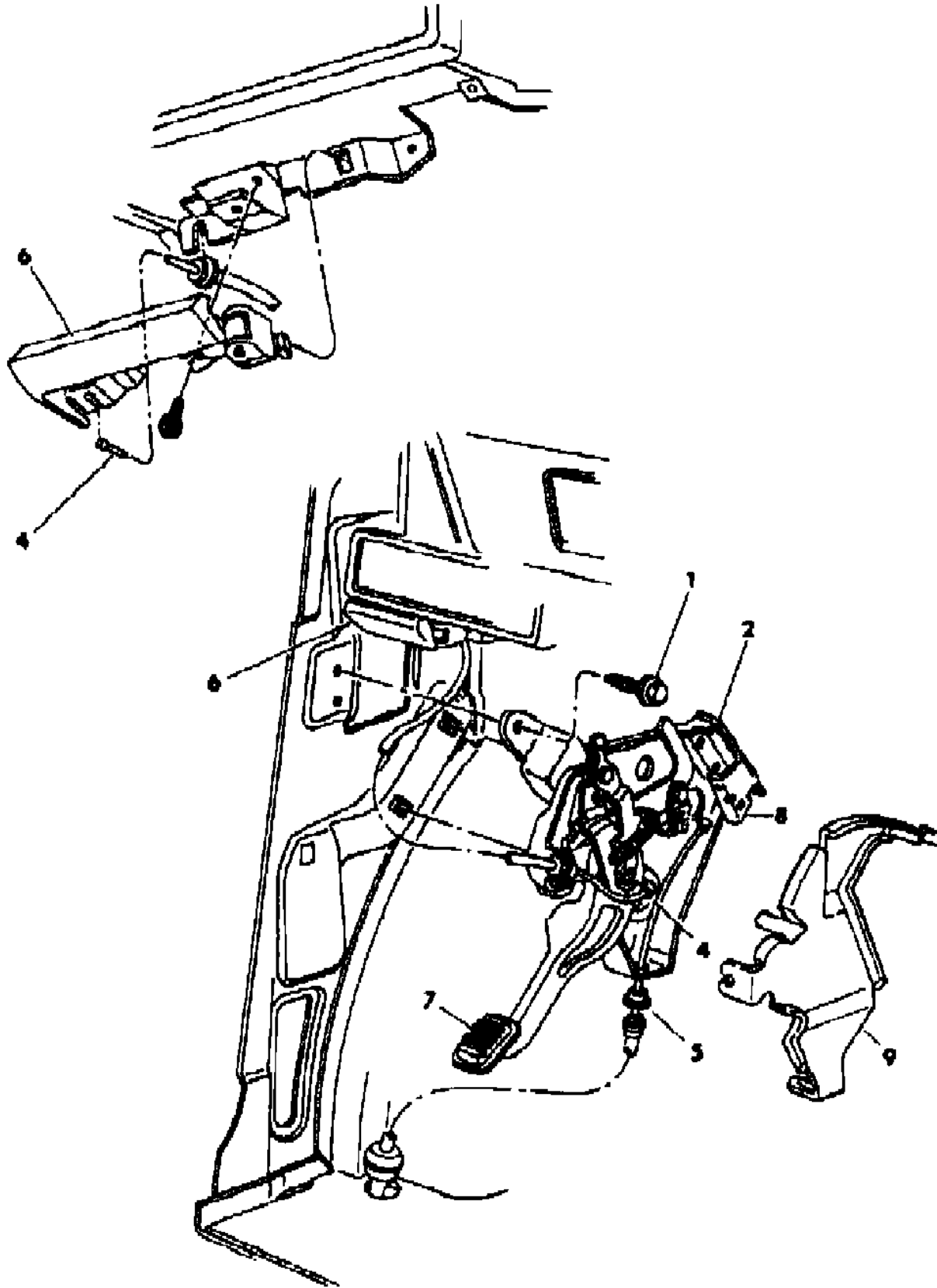
BODY STYLES

12-52 = FWD VAN & WAGON STD. W.B. 27 = 2-DOOR CONVERTIBLE
 13-53 = FWD VAN & WGN EXT W.B. 41 = 4-DOOR SEDAN
 21 = 2-DOOR SEDAN 44 = 4-DOOR HATCHBACK
 24 = 2-DOOR HATCHBACK 45 = 4-DOOR STATION WAGON

AR = Use as Required - = Non Illustrated Part P.A.R. = Paint as Required

LEVER, PARKING BRAKE (S BODY)
Figure 4-1000

8104 1000



ITEM	PART NUMBER	QTY	BODY	MODEL	DESCRIPTION
1	6100 584	3			SCREW, w/WASHER
2	4294 454	1			LEVER, Parking Brake
-	4294 038	1			BUMPER, Parking Brake Lever
4	4294 026	1			CABLE, Release
-	4294 039	1			SPRING, Parking Brake Lever Release Cable Return
5	3467 939	1			RETAINER, Cable
6	3880 434	1			HANDLE, Release
7	4019 175	1			PAD, Lever
8	4221 760	1			SWITCH, Parking Brake
	9423 951	1			SCREW, Parking Brake Sw. Mtg.
9	4304 604	1			COVER, Parking Brake

MODEL CODES

C BODY = (D41 - DYNASTY)(C41 - NEW YORKER)
 E BODY = (J - CARAVELLE)(E - 600)(T - NEW YORKER TURBO)
 G BODY = (V24 - DAYTONA, PACIFICA & SHELBY)
 H BODY = (D44 - LANCER)(C44 - LEBARON GTS)
 J BODY = (C - LEBARON)
 K BODY = (P - RELIANT)(D - ARIES)(C - LEBARON/ TOWN & COUNTRY)

L BODY = (M - HORIZON)(Z-OMNI)
 M BODY = (B - GRAN FURY)(G - DIPLOMAT)(F - FIFTH AVENUE/NEWPORT)
 P BODY = (P - SUNDANCE)(D - SHADOW)
 Q BODY = (C27 - MASERATI)
 S BODY = (H - VOYAGER)(K - RAM VAN/ CARAVAN)

BODY STYLES

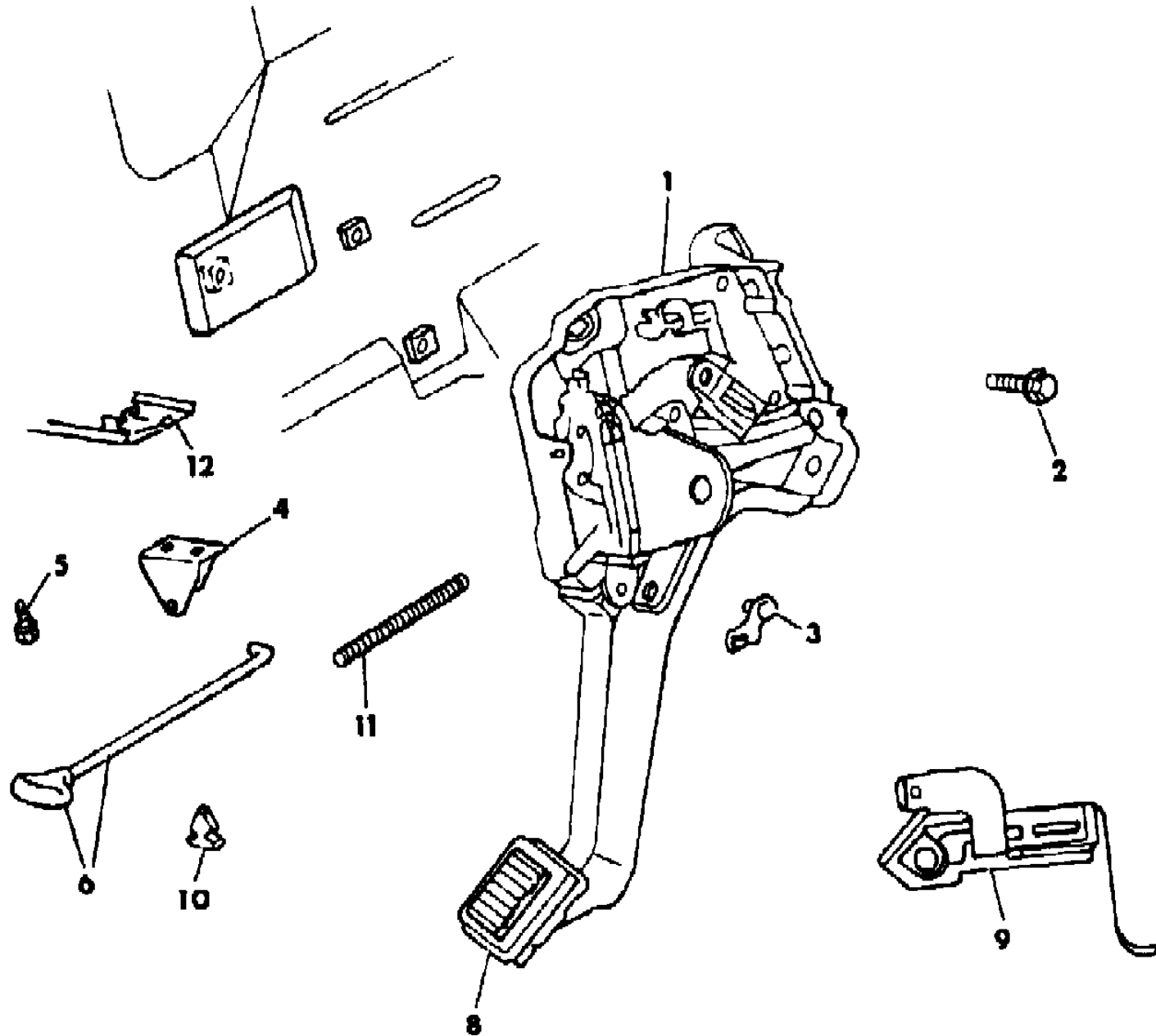
12-52 = FWD VAN & WAGON STD. W.B. 27 = 2-DOOR CONVERTIBLE
 13-53 = FWD VAN & WGN EXT W.B. 41 = 4-DOOR SEDAN
 21 = 2-DOOR SEDAN 44 = 4-DOOR HATCHBACK
 24 = 2-DOOR HATCHBACK 45 = 4-DOOR STATION WAGON

AR = Use as Required - = Non Illustrated Part P.A.R. = Paint as Required

LEVER, PARKING BRAKE (M BODY)

Figure 4-1100

8104 1100



ITEM	PART NUMBER	QTY	BODY	MODEL	DESCRIPTION
1	4019 369	1			LEVER
2	#0181 088	3			SCREW and WASHER
3	3454 220	1			CLIP
4	4019 545	1			BEZEL, Release Rod
5		2			SCREW, (Not Serv.)
6	4019 543	1			ROD, Lever Release
8	2467 514	1			PAD, Lever
9	3747 327	1			SWITCH, Parking Brake
	9423 951	1			SCREW, Parking Brake Sw. Mtg.
10	4019 355	1			BUMPER, Lever
11	4205 997	1			SPRING PACKAGE
12		1			REINFORCEMENT, (Ref. Only)

MODEL CODES

C BODY = (D41 - DYNASTY)(C41 - NEW YORKER)
 E BODY = (J - CARAVELLE)(E - 600)(T - NEW YORKER TURBO)
 G BODY = (V24 - DAYTONA, PACIFICA & SHELBY)
 H BODY = (D44 - LANCER)(C44 - LEBARON GTS)
 J BODY = (C - LEBARON)
 K BODY = (P - RELIANT)(D - ARIES)(C - LEBARON/ TOWN & COUNTRY)

L BODY = (M - HORIZON)(Z-OMNI)
 M BODY = (B - GRAN FURY)(G - DIPLOMAT)(F - FIFTH AVENUE/NEWPORT)
 P BODY = (P - SUNDANCE)(D - SHADOW)
 Q BODY = (C27 - MASERATI)
 S BODY = (H - VOYAGER)(K - RAM VAN/ CARAVAN)

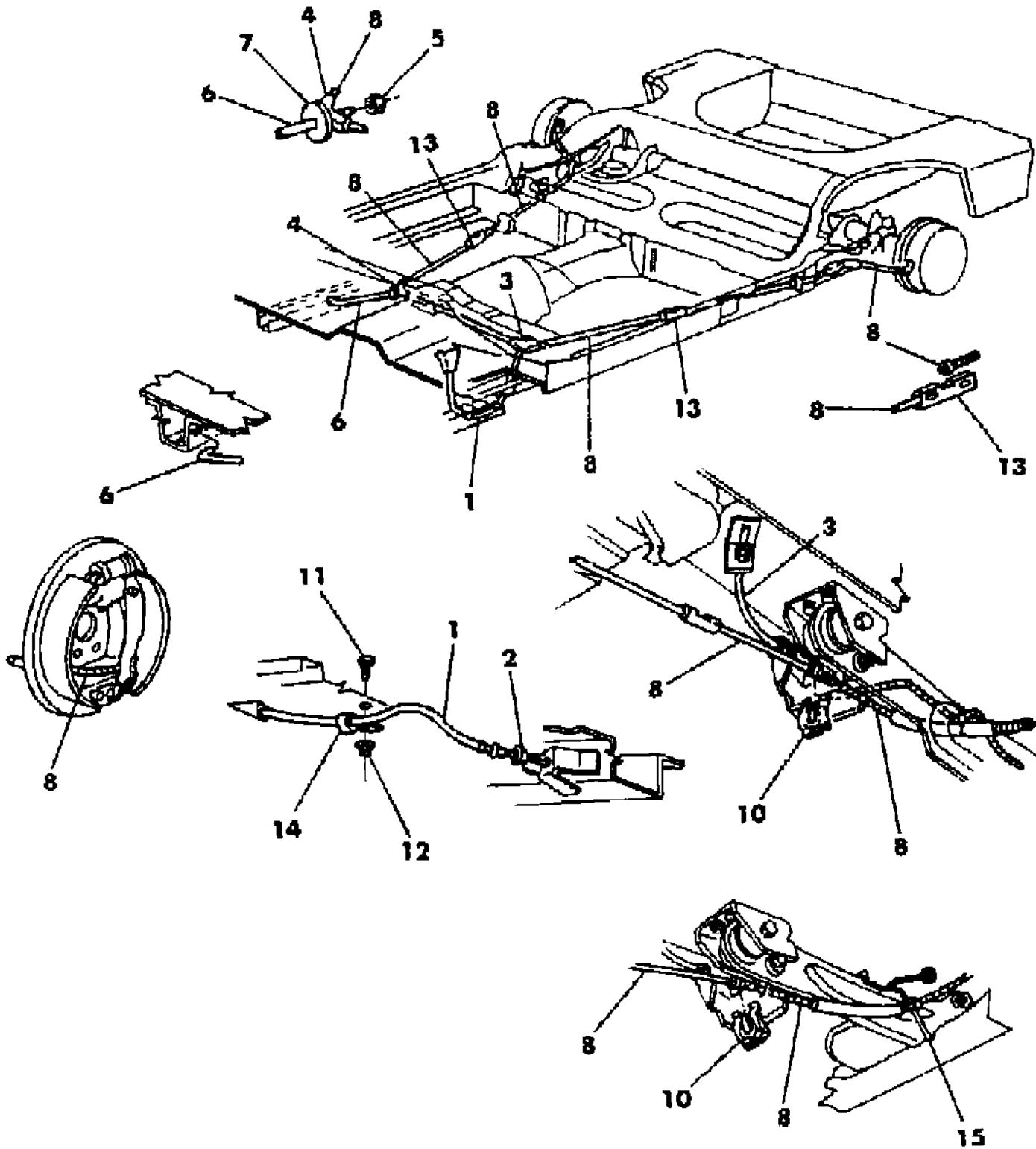
BODY STYLES

12-52 = FWD VAN & WAGON STD. W.B. 27 = 2-DOOR CONVERTIBLE
 13-53 = FWD VAN & WGN EXT W.B. 41 = 4-DOOR SEDAN
 21 = 2-DOOR SEDAN 44 = 4-DOOR HATCHBACK
 24 = 2-DOOR HATCHBACK 45 = 4-DOOR STATION WAGON

AR = Use as Required - = Non Illustrated Part P.A.R. = Paint as Required

CABLE, PARKING BRAKE P,J,K,G,E,H
Figure 4-1200

8104 1200



ITEM	PART NUMBER	QTY	BODY	MODEL	DESCRIPTION
1	3766 435	1			CABLE, Frt. (K,E Body)
	4294 472	1			(P Body)
	4294 764	1			(J Body)
	4294 764	1	V-H		(G Body)
	4294 764	1			(H Body)
2	3467 939	2			RETAINER, Parking Brake
3	3575 593	1			CONNECTOR, Frt. to Inter. Cable
4	3467 901	1			EQUALIZER, Parking Brake Inter. Cable
5	6030 607	1			NUT
6	3766 379	1			HOOK, Parking Brake Inter. Cable (P,K,E,H Body)
	3880 487	1			(J,G Body)
7	3880 022	1			CUSHION, Parking Brake Adj. Hook
8	4318 707	1			CABLE PACKAGE, Parking Brake Inter.(P Body)
	4318 709	1			(K Body) (Used for 220x40.0mm, Use 4318708 for 200mm x 32.5mm)
	4294 917	1			CABLE, Parking Brake Inter., Use Up to 6-1-88 (J Body)
	4423 190	1			Use After 6-1-88 (J Body)
	4383 956	1			Use Up to 6-1-88 (G Body)
	4423 183	1			Use After 6-1-88 (G Body)
	4294 789	1			(E Body)
	4383 960	1			(H Body)
	4383 958	2			CABLE, Parking Brake Rear, w/200mm x 32.5mm (P Body)
			P,D		(J Body)
			C-41		(K Body)
					(H Body)
	4383 959	2			CABLE, Parking Brake Rear, w/220mm x 40.0mm (K Body)
			P,D		(K Body)
			C-45		(K Body)
			V-H		(G Body)
		2			(E Body)
	4383 957	2		V-P,S,X	CABLE, Parking Brake Rear, w/Rear Disc Brakes (GB ody)
10	2201 467	2			CLIP, Cable to Susp. Bracket
11		AR			SCREW, (Not Serv.)
12	0219 462	2			NUT
13	3766 234	2			CONNECTOR, Inter. to Rear Cable
14		AR			CLIP, (Not Serv.)
15	4294 774-5	1		V-P,S,X	GUIDE, Parking Brake Cable to Rear Susp. Arm (G Body)

MODEL CODES

C BODY = (D41 - DYNASTY)(C41 - NEW YORKER)
 E BODY = (J - CARAVELLE)(E - 600)(T - NEW YORKER TURBO)
 G BODY = (V24 - DAYTONA, PACIFICA & SHELBY)
 H BODY = (D44 - LANCER)(C44 - LEBARON GTS)
 J BODY = (C - LEBARON)
 K BODY = (P - RELIANT)(D - ARIES)(C - LEBARON/ TOWN & COUNTRY)

L BODY = (M - HORIZON)(Z-OMNI)
 M BODY = (B - GRAN FURY)(G - DIPLOMAT)(F - FIFTH AVENUE/NEWPORT)
 P BODY = (P - SUNDANCE)(D - SHADOW)
 Q BODY = (C27 - MASERATI)
 S BODY = (H - VOYAGER)(K - RAM VAN/ CARAVAN)

BODY STYLES

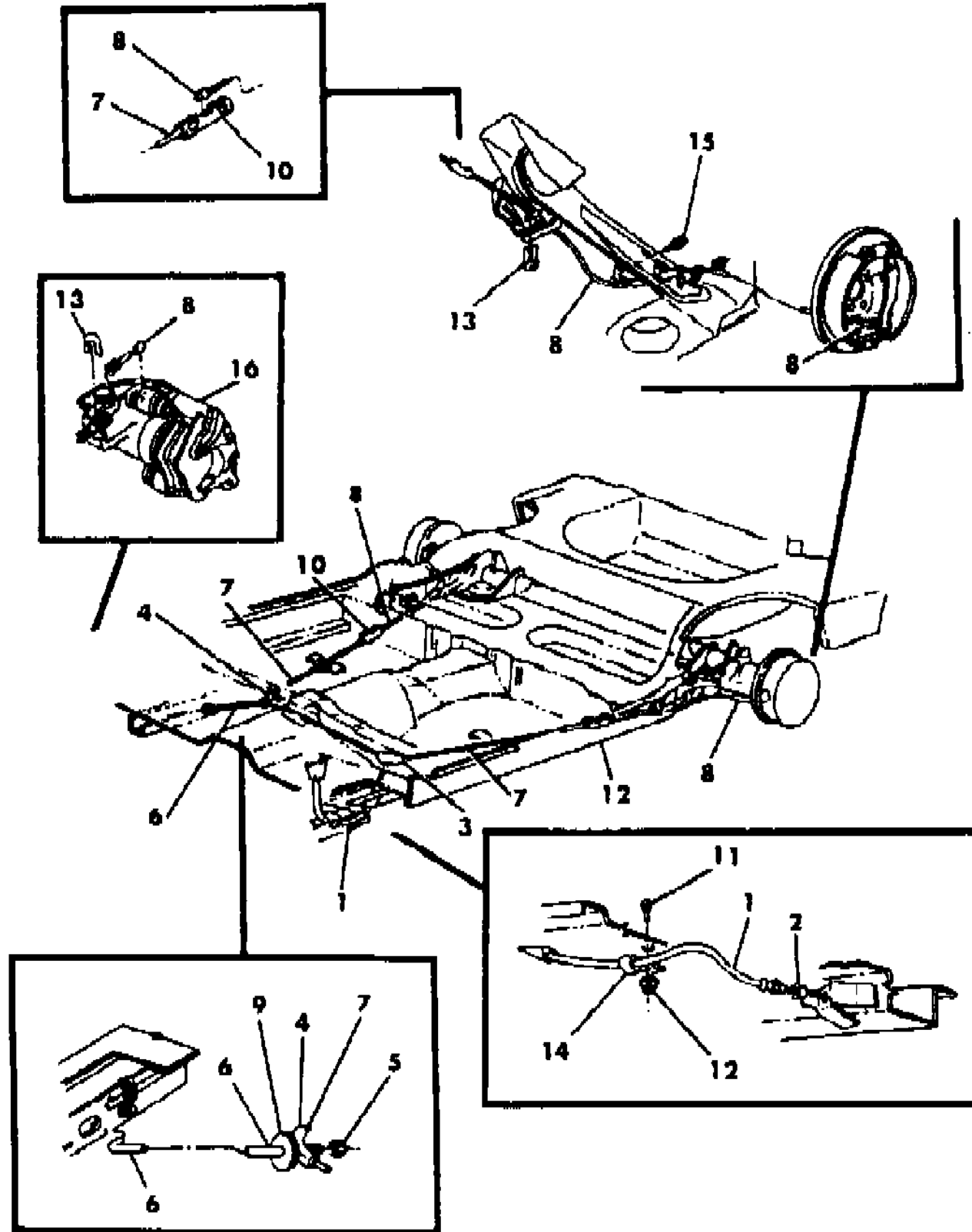
12-52 = FWD VAN & WAGON STD. W.B. 27 = 2-DOOR CONVERTIBLE
 13-53 = FWD VAN & WGN EXT W.B. 41 = 4-DOOR SEDAN
 21 = 2-DOOR SEDAN 44 = 4-DOOR HATCHBACK
 24 = 2-DOOR HATCHBACK 45 = 4-DOOR STATION WAGON

AR = Use as Required - = Non Illustrated Part P.A.R. = Paint as Required

CABLE, PARKING BRAKE C BODY

Figure 4-1300

8104 1300



ITEM	PART NUMBER	QTY	BODY	MODEL	DESCRIPTION
1	4294 764	1			CABLE, Parking Brake Frt.
2	3467 939	2			RETAINER, Parking Brake Cable
3	3575 593	1			CONNECTOR, Frt. to Inter. Cable
4	3467 901	1			EQUALIZER, Parking Brake Inter.
5	6030 607	1			NUT, Inter. Parking Brake Cable Adjust Hook
6	3880 487	1			HOOK, Inter. Parking Brake Cable Adjust
7	4383 703	1			CABLE, Parking Brake Inter.
8	4485 104	2			CABLE, Parking Brake Rear, w/Pwr. Disc Brakes Frt., Rear Drum,
	4485 102	2	D-P,C-H,C-S		CABLE, Parking Brake Rear, w/4 Wheel Disc Brakes, w/Anti Lock
9	3880 022	1			CUSHION, Parking Brake Adj. Hook
10	3766 234	2			CONNECTOR, Inter. to Rear Cable
11	0181 063	AR			SCREW
12	0219 462	AR			NUT
13	2201 467	4			CLIP
14		AR			CLIP, (Not Serv.)
15		AR			SCREW and WASHER, (Not Serv.)
16					HOUSING, Rear Wheel Disc Brake (See Illus. in Group 5)

MODEL CODES

C BODY = (D41 - DYNASTY)(C41 - NEW YORKER)
 E BODY = (J - CARAVELLE)(E - 600)(T - NEW YORKER TURBO)
 G BODY = (V24 - DAYTONA, PACIFICA & SHELBY)
 H BODY = (D44 - LANCER)(C44 - LEBARON GTS)
 J BODY = (C - LEBARON)
 K BODY = (P - RELIANT)(D - ARIES)(C - LEBARON/ TOWN & COUNTRY)

L BODY = (M - HORIZON)(Z-OMNI)
 M BODY = (B - GRAN FURY)(G - DIPLOMAT)(F - FIFTH AVENUE/NEWPORT)
 P BODY = (P - SUNDANCE)(D - SHADOW)
 Q BODY = (C27 - MASERATI)
 S BODY = (H - VOYAGER)(K - RAM VAN/ CARAVAN)

BODY STYLES

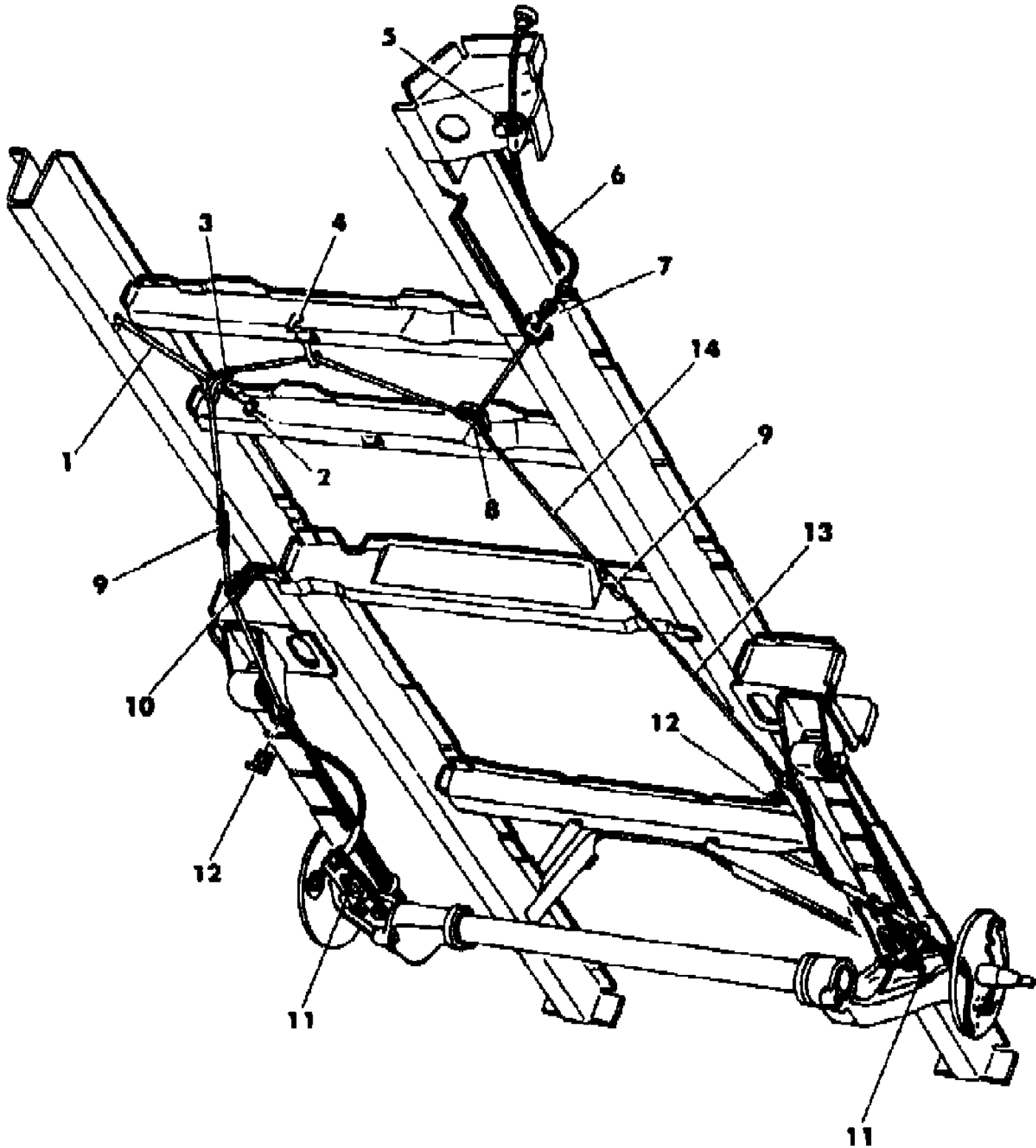
12-52 = FWD VAN & WAGON STD. W.B. 27 = 2-DOOR CONVERTIBLE
 13-53 = FWD VAN & WGN EXT W.B. 41 = 4-DOOR SEDAN
 21 = 2-DOOR SEDAN 44 = 4-DOOR HATCHBACK
 24 = 2-DOOR HATCHBACK 45 = 4-DOOR STATION WAGON

AR = Use as Required - = Non Illustrated Part P.A.R. = Paint as Required

CABLES, PARKING BRAKE (S BODY)

Figure 4-1400

8104 1400



ITEM	PART NUMBER	QTY	BODY	MODEL	DESCRIPTION
1	3880 487	1			HOOK, Adjusting
2	6030 607	1			NUT
3	3467 901	1			EQUALIZER
4	3880 482	1			HOOK, Inter. Cable
5	4294 196	1			BRACKET
6	4294 455	1			CABLE, Frt.
7	3467 939	1			RETAINER
8	3575 593	1			CONNECTOR
9	3766 234	2			CONNECTOR
10	4294 598	1			BRACKET
11	4294 144-5	1			BRACKET
12	2201 467	2			CLIP
13	4294 604	2			CABLE, Rear, 112" Wheel Base
	4294 784	2			CABLE, Rear, 119" Wheel Base
14	4294 375	1			CABLE, Inter.

MODEL CODES

C BODY = (D41 - DYNASTY)(C41 - NEW YORKER)
 E BODY = (J - CARAVELLE)(E - 600)(T - NEW YORKER TURBO)
 G BODY = (V24 - DAYTONA, PACIFICA & SHELBY)
 H BODY = (D44 - LANCER)(C44 - LEBARON GTS)
 J BODY = (C - LEBARON)
 K BODY = (P - RELIANT)(D - ARIES)(C - LEBARON/ TOWN & COUNTRY)
 L BODY = (M - HORIZON)(Z-OMNI)
 M BODY = (B - GRAN FURY)(G - DIPLOMAT)(F - FIFTH AVENUE/NEWPORT)
 P BODY = (P - SUNDANCE)(D - SHADOW)
 Q BODY = (C27 - MASERATI)
 S BODY = (H - VOYAGER)(K - RAM VAN/ CARAVAN)

BODY STYLES

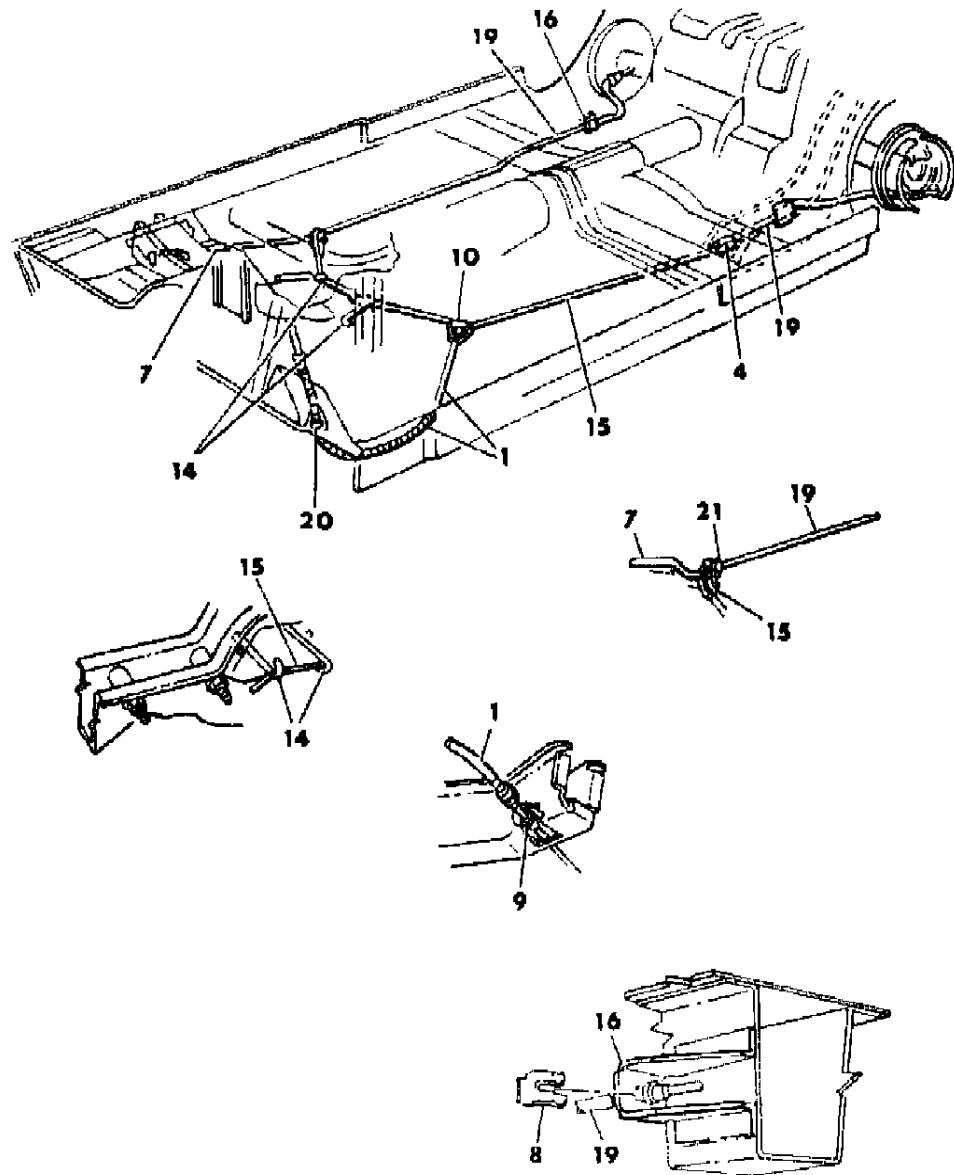
12-52 = FWD VAN & WAGON STD. W.B. 27 = 2-DOOR CONVERTIBLE
 13-53 = FWD VAN & WGN EXT W.B. 41 = 4-DOOR SEDAN
 21 = 2-DOOR SEDAN 44 = 4-DOOR HATCHBACK
 24 = 2-DOOR HATCHBACK 45 = 4-DOOR STATION WAGON

AR = Use as Required - = Non Illustrated Part P.A.R. = Paint as Required

CABLES, PARKING BRAKE (M BODY)

Figure 4-1500

8104 1500 B



ITEM	PART NUMBER	QTY	BODY	MODEL	DESCRIPTION
1	3766 292	1			CABLE, Frt.
4	3766 234	1			CONNECTOR, Inter. To Rear Cable LT.
7	3880 073	1			HOOK, Inter. Cable Adj.
8	2201 467	1			CLIP, Cable To Cable Supt.
9	3467 939	2			RETAINER, Frt. Cable
10	3575 593	1			CONNECTOR, Frt. To Inter. Cable
14	3766 289	1			HOOK, Inter. Cable Guide
15	3880 072	1			CABLE, Inter.
16	4314 662	2			BRACKET, Rear Side Rail Parking Brake Cable
19	3880 074	2			CABLE, Rear, Except Police and Taxi
	3880 075	2			CABLE, Rear, w/Police and Taxi
20	2259 118	1			SEAL
21	3467 901	1			EQUALIZER, Cable Inter.

MODEL CODES

C BODY = (D41 - DYNASTY)(C41 - NEW YORKER)
 E BODY = (J - CARAVELLE)(E - 600)(T - NEW YORKER TURBO)
 G BODY = (V24 - DAYTONA, PACIFICA & SHELBY)
 H BODY = (D44 - LANCER)(C44 - LEBARON GTS)
 J BODY = (C - LEBARON)
 K BODY = (P - RELIANT)(D - ARIES)(C - LEBARON/ TOWN & COUNTRY)
 L BODY = (M - HORIZON)(Z-OMNI)
 M BODY = (B - GRAN FURY)(G - DIPLOMAT)(F - FIFTH AVENUE/NEWPORT)
 P BODY = (P - SUNDANCE)(D - SHADOW)
 Q BODY = (C27 - MASERATI)
 S BODY = (H - VOYAGER)(K - RAM VAN/ CARAVAN)

BODY STYLES

12-52 = FWD VAN & WAGON STD. W.B. 27 = 2-DOOR CONVERTIBLE
 13-53 = FWD VAN & WGN EXT W.B. 41 = 4-DOOR SEDAN
 21 = 2-DOOR SEDAN 44 = 4-DOOR HATCHBACK
 24 = 2-DOOR HATCHBACK 45 = 4-DOOR STATION WAGON

AR = Use as Required - = Non Illustrated Part P.A.R. = Paint as Required

GROUP 5 - BRAKES, SERVICE

ILLUSTRATION TITLE **GROUP-FIG. NO.**

PEDAL

PEDAL, BRAKE L BODY Fig. 5-100
PEDAL, BRAKE P BODY Fig. 5-200
PEDAL, BRAKE J,K,G,E BODY Fig. 5-300
PEDAL, BRAKE H,C BODY Fig. 5-400
PEDAL, BRAKE S BODY Fig. 5-500
PEDAL, BRAKE M BODY Fig. 5-600

BOOSTER

BOOSTER, POWER BRAKE L BODY Fig. 5-700
BOOSTER, POWER BRAKE P BODY Fig. 5-800
BOOSTER, POWER BRAKE J,K,G,E,H BODY Fig. 5-900
BOOSTER, POWER BRAKE, W/O ANTI-LOCK BRAKES C BODY Fig. 5-1100
HYDRAULIC ASSEMBLY, W/ANTI-LOCK BRAKES C BODY Fig. 5-1125
BOOSTER, POWER BRAKE S BODY Fig. 5-1200
BOOSTER, POWER BRAKE M BODY Fig. 5-1300

MASTER CYLINDER

MASTER CYLINDER, BRAKE L,J,K,G,E,H,C,S BODY Fig. 5-1400
MASTER CYLINDER, BRAKE P BODY Fig. 5-1500
MASTER CYLINDER, BRAKE M BODY Fig. 5-1700

LINES AND HOSES, BRAKE

LINES AND HOSES, BRAKE L BODY Fig. 5-1800
LINES AND HOSES, BRAKE P,J,K,G,E,H BODY Fig. 5-1900
LINES AND HOSES, BRAKE FRONT WHEEL DISC BRAKE - WITH REAR DRUM C BODY Fig. 5-2100
LINES AND HOSES, BRAKE 4 WHEEL DISC BRAKE, W/ANTI-LOCK C BODY Fig. 5-2200
LINES AND HOSES, BRAKE S BODY Fig. 5-2300
LINES AND HOSES, BRAKE M BODY Fig. 5-2400

BRAKES, FRONT

BRAKES FRONT L BODY Fig. 5-2500
BRAKES FRONT P BODY Fig. 5-2600
BRAKES FRONT J BODY Fig. 5-2615
BRAKES FRONT K BODY Fig. 5-2645
BRAKES, FRONT G BODY Fig. 5-2660
BRAKES, FRONT E BODY Fig. 5-2675
BRAKES, FRONT H BODY Fig. 5-2690

ILLUSTRATION NOT AVAILABLE AT TIME OF PUBLICATION

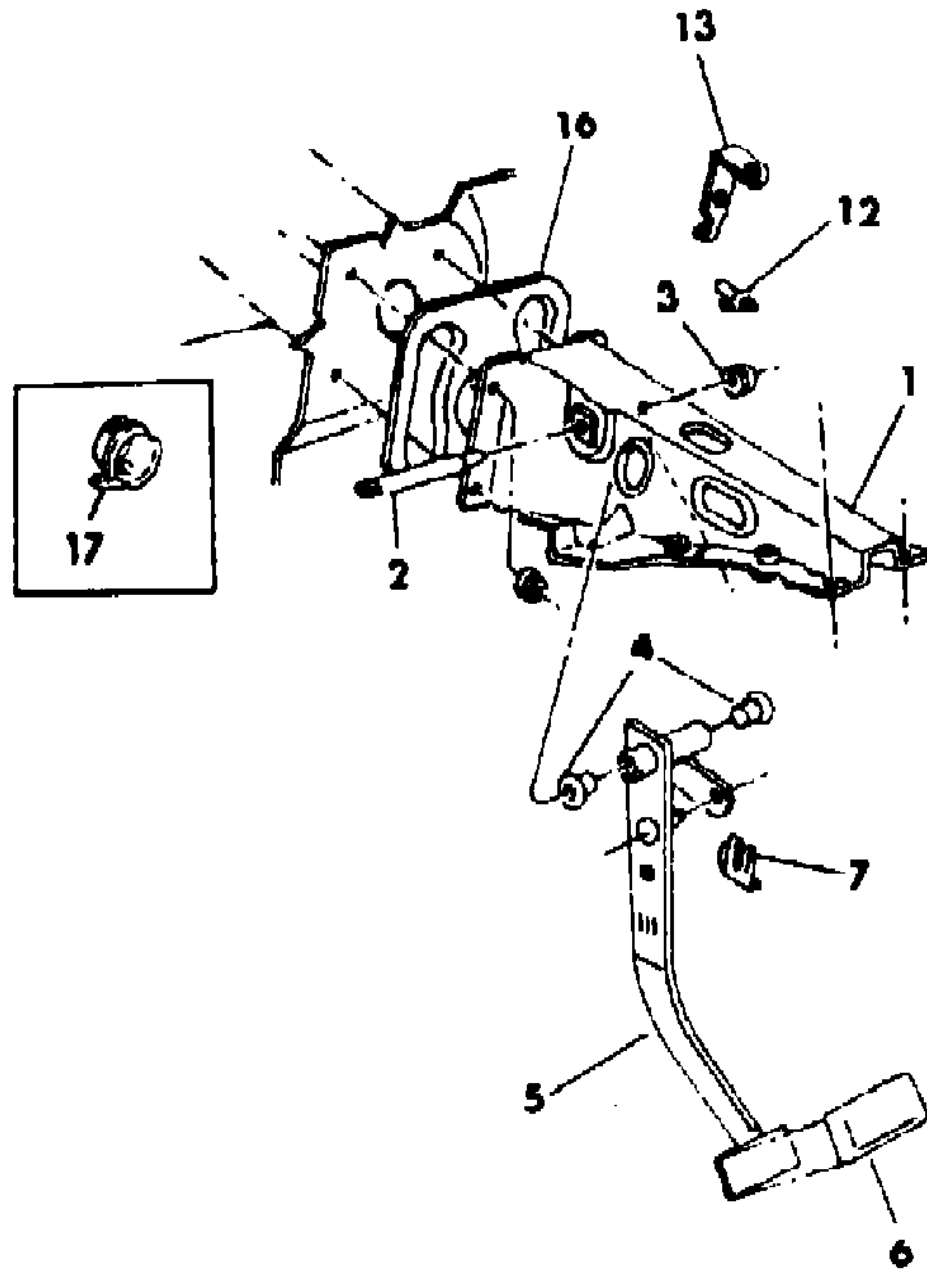
GROUP 5 - BRAKES, SERVICE

ILLUSTRATION TITLE	GROUP-FIG. NO.
BRAKES, FRONT (Continued)	
BRAKES, FRONT H BODY	Fig. 5-2690
BRAKES, FRONT C BODY	Fig. 5-2700
BRAKES FRONT, 14" AND 15" WHEELS S BODY	Fig. 5-2800
BRAKES FRONT M BODY	Fig. 5-2900
BRAKES, REAR	
BRAKES, REAR DRUM L,P,J,K,G,E,H BODY	Fig. 5-3000
BRAKES, REAR DISC SHELBY, P BODY	Fig. 5-3025
BRAKES, REAR DISC V-P,V-S,V-X, G BODY	Fig. 5-3100
BRAKES, REAR DRUM C BODY	Fig. 5-3200
BRAKES, REAR DISC C BODY	Fig. 5-3225
BRAKES, REAR S-BODY	Fig. 5-3300
BRAKES, REAR M BODY	Fig. 5-3400
ANTI-LOCK BRAKE SYSTEM- BOSCH	
ANTI-LOCK BRAKE SYSTEM- BOSCH C BODY	Fig. 5-3500

PEDAL, BRAKE L BODY
Figure 5-100

8105 100 A

ITEM	PART NUMBER	QTY	BODY	MODEL	DESCRIPTION
1	4294 060	1			BRACKET, Brake Pedal, w/Manual Trans.
	4294 059	1			w/Auto. Trans.
2	4019 708	1			SHAFT, Brake Pedal Pivot, w/Manual Trans.
	5206 209	1			w/Auto. Trans.
3	6500 197	1			NUT
4	2467 770	2			BUSHING, Brake Pedal
5	4294 063	1			PEDAL, w/Manual Trans.
	4294 064	1			w/Auto. Trans.
6	5206 237	1			PAD, Brake Pedal, w/Manual Trans.
	5206 231	1			w/Auto. Trans.
7	4294 036	1			CLIP
12	5209 922	1			SWITCH, Parking Brake
	4221 979	1			SWITCH, Stop Lamp
13	4221 580	1			BRACKET, Stop Lamp Sw.
16	4294 066	1			PLATE, Brake Pedal Brkt. Dash Liner Seal
17	6031 704	1			CLIP, Stop Lamp Sw. to Brkt.



MODEL CODES

C BODY = (D41 - DYNASTY)(C41 - NEW YORKER)	L BODY = (M - HORIZON)(Z-OMNI)
E BODY = (J - CARAVELLE)(E - 600)(T - NEW YORKER TURBO)	M BODY = (B - GRAN FURY)(G - DIPLOMAT)(F - FIFTH AVENUE/NEWPORT)
G BODY = (V24 - DAYTONA, PACIFICA & SHELBY)	P BODY = (P - SUNDANCE)(D - SHADOW)
H BODY = (D44 - LANCER)(C44 - LEBARON GTS)	Q BODY = (C27 - MASERATI)
J BODY = (C - LEBARON)	S BODY = (H - VOYAGER)(K - RAM VAN/ CARAVAN)
K BODY = (P - RELIANT)(D - ARIES)(C - LEBARON/ TOWN & COUNTRY)	

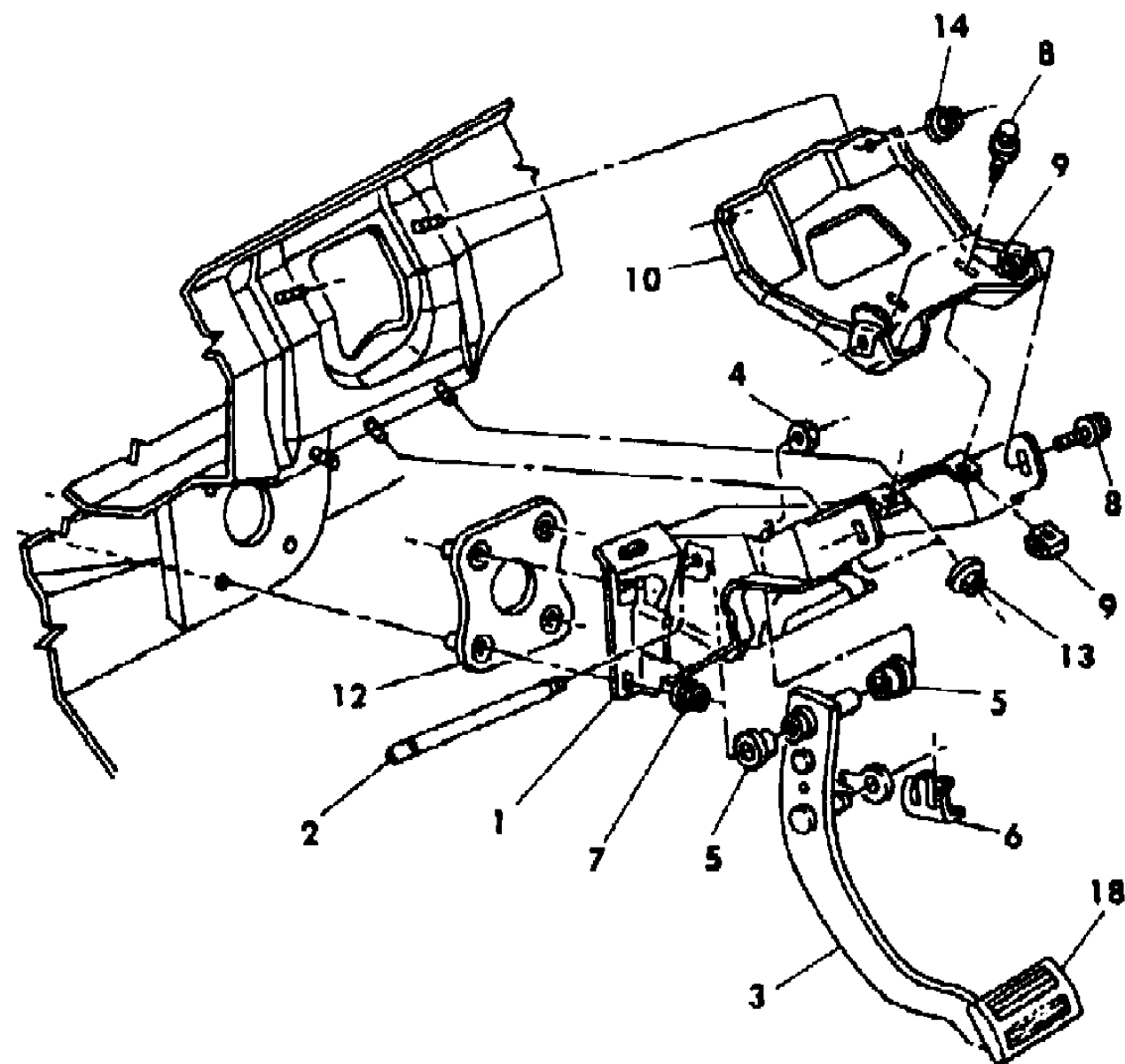
BODY STYLES

12-52 = FWD VAN & WAGON STD. W.B.	27 = 2-DOOR CONVERTIBLE
13-53 = FWD VAN & WGN EXT W.B.	41 = 4-DOOR SEDAN
21 = 2-DOOR SEDAN	44 = 4-DOOR HATCHBACK
24 = 2-DOOR HATCHBACK	45 = 4-DOOR STATION WAGON

AR = Use as Required - = Non Illustrated Part P.A.R. = Paint as Required

PEDAL, BRAKE P BODY
Figure 5-200

8105 200



ITEM	PART NUMBER	QTY	BODY	MODEL	DESCRIPTION
1	4294 427	1			BRACKET, Brake Pedal, w/Auto. Trans.
	4294 426	1			w/Manual Trans.
2	4019 685	1			SHAFT, Brake Pedal Pivot, w/Auto. Trans.
	4019 681	1			w/Manual Trans.
3	3880 397	1			PEDAL, Brake, w/Manual Trans.
	4294 450	1			w/Auto. Trans.
4	6500 197	1			NUT
5	2467 770	2			BUSHING, Brake Booster Lever Hub
6	4294 036	1			CLIP
7	6100 050	4			NUT and WASHER
8	6100 584	4			SCREW, w/WASHER
9	6500 501	4			U-NUT
10	4294 429	1			SUPPORT, Brake Pedal Brkt. to Plenum
12	4294 633	1			SPACER, Brake Pedal Brkt. to Dash Pad
13	6500 903	2			NUT and WASHER
14	6500 086	2			NUT and WASHER
18	#4019 660	1			PAD, Brake Pedal, w/Auto. Trans.
	4019 715	1			w/Manual Trans.

MODEL CODES

C BODY = (D41 - DYNASTY)(C41 - NEW YORKER)
 E BODY = (J - CARAVELLE)(E - 600)(T - NEW YORKER TURBO)
 G BODY = (V24 - DAYTONA, PACIFICA & SHELBY)
 H BODY = (D44 - LANCER)(C44 - LEBARON GTS)
 J BODY = (C - LEBARON)
 K BODY = (P - RELIANT)(D - ARIES)(C - LEBARON/ TOWN & COUNTRY)

L BODY = (M - HORIZON)(Z-OMNI)
 M BODY = (B - GRAN FURY)(G - DIPLOMAT)(F - FIFTH AVENUE/NEWPORT)
 P BODY = (P - SUNDANCE)(D - SHADOW)
 Q BODY = (C27 - MASERATI)
 S BODY = (H - VOYAGER)(K - RAM VAN/ CARAVAN)

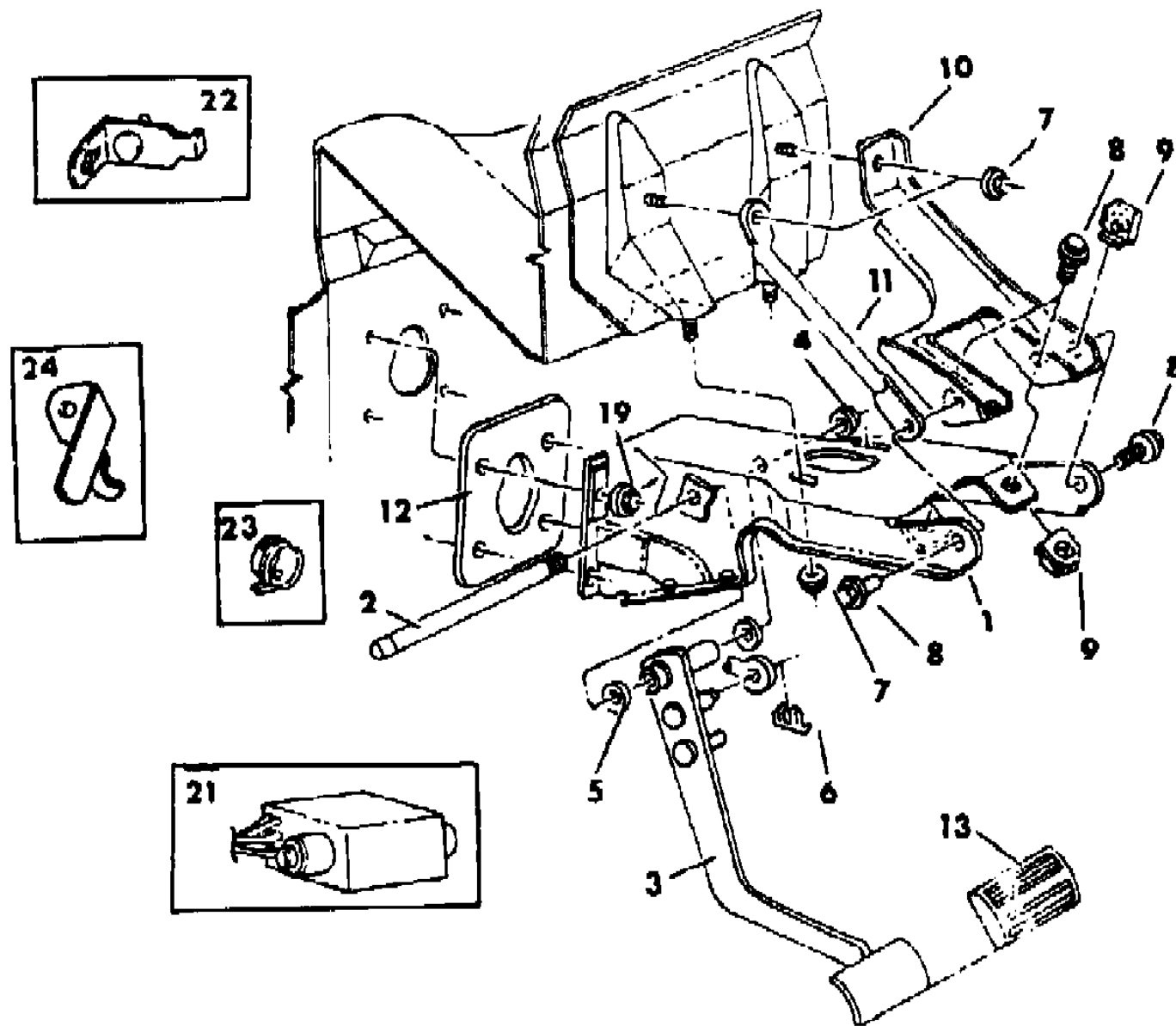
BODY STYLES

12-52 = FWD VAN & WAGON STD. W.B. 27 = 2-DOOR CONVERTIBLE
 13-53 = FWD VAN & WGN EXT W.B. 41 = 4-DOOR SEDAN
 21 = 2-DOOR SEDAN 44 = 4-DOOR HATCHBACK
 24 = 2-DOOR HATCHBACK 45 = 4-DOOR STATION WAGON

AR = Use as Required - = Non Illustrated Part P.A.R. = Paint as Required

PEDAL, BRAKE J,K,G,E BODY
Figure 5-300

8105 300



ITEM	PART NUMBER	QTY	BODY	MODEL	DESCRIPTION
1	3880 391	1			BRACKET, w/Auto. Trans.
	3880 392	1			w/Manual Trans.
2	4019 681	1			SHAFT, Brake Pedal Pivot, w/Man. Trans.
	4019 685	1			w/Auto. Trans.
3	3880 397	1			PEDAL, w/Man. Trans.
	4294 450	1			w/Auto. Trans.
4	6500 197	1			NUT
5	2467 770	2			BUSHING, Brake Pedal
6	4294 036	1			CLIP, Master Cyl. Rod Pin
7	6100 049	2			NUT and WASHER
8	6100 584	4			SCREW and WASHER
9	6500 501	4			U-NUT
10	4294 030	1			SUPPORT, Brake Pedal Brkt. to Plenum
11	4294 044	1			STRUT, Brake Pedal Brkt. to Inst. Pnl. Support
12	4294 633	1			SPACER, Brake Pedal Brkt. to Dash Pnl.
13	4019 715	1			PAD, Brake Pedal, w/Manual Trans.
	4019 660	1			w/Auto. Trans.
19	6100 050	4			NUT and WASHER
21	4373 145	1			SWITCH, Stop Lamp and Speed Control
22	3747 992	1			BRACKET, Switch Mtg.
23	6031 704	1			CLIP, Stop Lamp Sw. to Brkt.
24	3747 990	1			STRIKER, Stop Lp. Sw.

MODEL CODES

C BODY = (D41 - DYNASTY)(C41 - NEW YORKER)
 E BODY = (J - CARAVELLE)(E - 600)(T - NEW YORKER TURBO)
 G BODY = (V24 - DAYTONA, PACIFICA & SHELBY)
 H BODY = (D44 - LANCER)(C44 - LEBARON GTS)
 J BODY = (C - LEBARON)
 K BODY = (P - RELIANT)(D - ARIES)(C - LEBARON/ TOWN & COUNTRY)

L BODY = (M - HORIZON)(Z-OMNI)
 M BODY = (B - GRAN FURY)(G - DIPLOMAT)(F - FIFTH AVENUE/NEWPORT)
 P BODY = (P - SUNDANCE)(D - SHADOW)
 Q BODY = (C27 - MASERATI)
 S BODY = (H - VOYAGER)(K - RAM VAN/ CARAVAN)

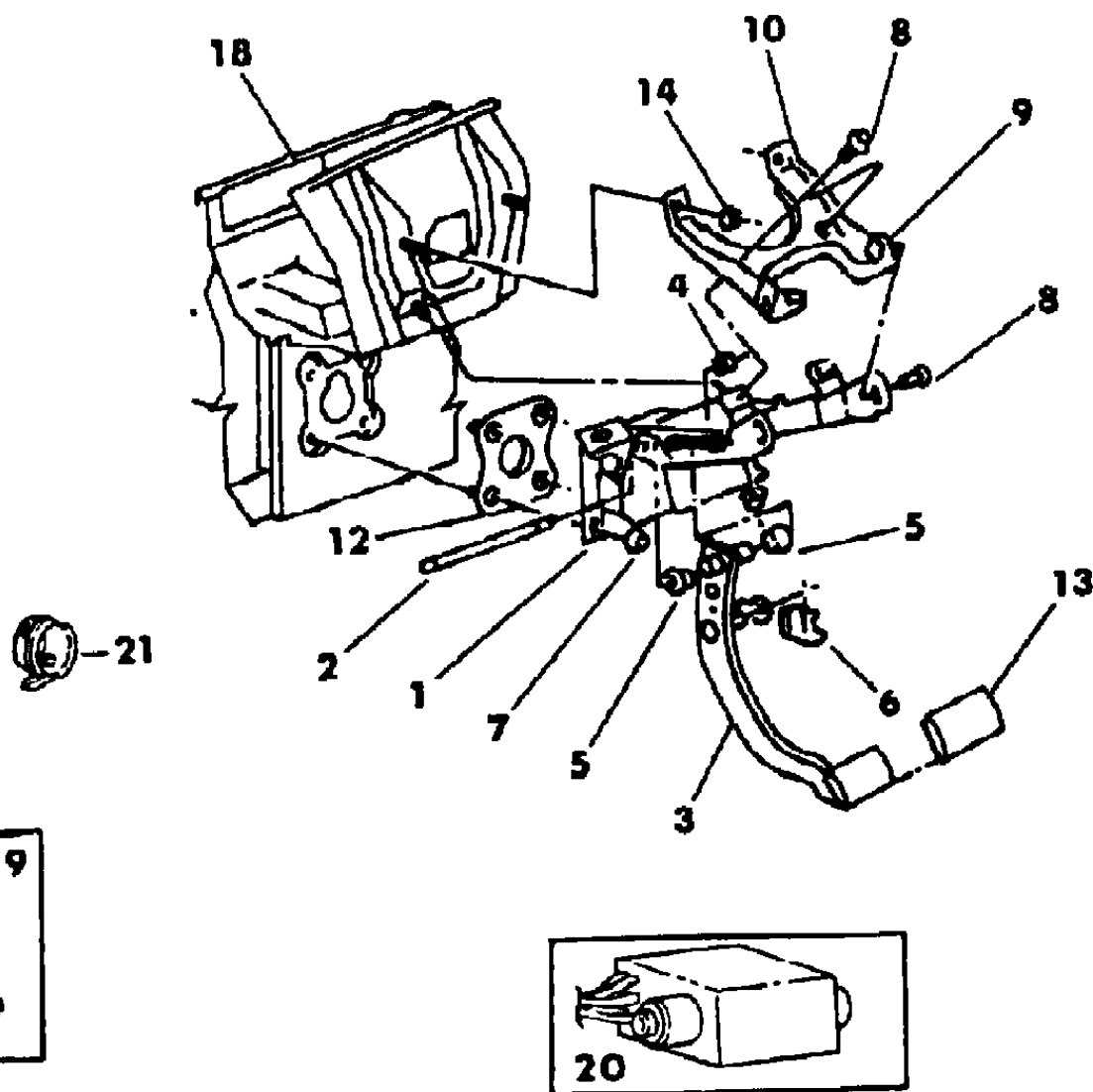
BODY STYLES

12-52 = FWD VAN & WAGON STD. W.B. 27 = 2-DOOR CONVERTIBLE
 13-53 = FWD VAN & WGN EXT W.B. 41 = 4-DOOR SEDAN
 21 = 2-DOOR SEDAN 44 = 4-DOOR HATCHBACK
 24 = 2-DOOR HATCHBACK 45 = 4-DOOR STATION WAGON

AR = Use as Required - = Non Illustrated Part P.A.R. = Paint as Required

PEDAL, BRAKE H,C BODY
Figure 5-400

8105 400



ITEM	PART NUMBER	QTY	BODY	MODEL	DESCRIPTION
1	4294 654	1	H		BRACKET, Brake Pedal, Comp., w/Manual Trans.
	4294 576	1			w/Auto. Trans.
2	4019 681	1	H		SHAFT, Brake Pedal Pivot, w/Manual Trans.
	4019 685	1			w/Auto. Trans.
3	3880 397	1	H		PEDAL, w/Manual Trans.
	4294 450	1			w/Auto. Trans.
4	4294 681	1	C		w/Auto. Trans., w/4 Wheel Disc Brake, w/Anti-Lock
	6500 197	1			NUT
5	2467 770	2			BUSHING, Brake Pedal
6	4294 036	1			CLIP, Brake Pedal Booster Push Rod Pin
7	6100 050	4			NUT and WASHER
8	6100 584	4			SCREW and WASHER
9	6500 501	4			U-NUT
10	4294 251	1			SUPPORT, Brake Pedal Brkt. to Plenum
12	4294 633	1			SPACER, Brake Pedal Brkt. to Dash Pnl.
	4294 580	1	C		w/4 Wheel Disc Brake, w/Anti Lock
13	4019 715	1	H		PAD, Brake Pedal, w/Manual Trans.
	4019 660	1	H		w/Auto. Trans.
	4294 779	1	C		w/Auto. Trans.
	4294 780	1	C		BEZEL, Brake Pedal Pad
14	6500 086	2			NUT and WASHER
18					PANEL, Dash
19	3747 990	1			STRIKER, Stop Lamp Sw.
20	4373 145	1			SWITCH, Stop Lamp and Speed Control
	4373 591	1	C		SWITCH, Stop Lamp and Speed Control, Use After 1-11-88
	4373 144	1	C		w/o Speed Control (D)
21	6031 704	1			CLIP, Stop Lamp Sw. to Brkt.

MODEL CODES

C BODY = (D41 - DYNASTY)(C41 - NEW YORKER)	L BODY = (M - HORIZON)(Z-OMNI)
E BODY = (J - CARAVELLE)(E - 600)(T - NEW YORKER TURBO)	M BODY = (B - GRAN FURY)(G - DIPLOMAT)(F - FIFTH AVENUE/NEWPORT)
G BODY = (V24 - DAYTONA, PACIFICA & SHELBY)	P BODY = (P - SUNDANCE)(D - SHADOW)
H BODY = (D44 - LANCER)(C44 - LEBARON GTS)	Q BODY = (C27 - MASERATI)
J BODY = (C - LEBARON)	S BODY = (H - VOYAGER)(K - RAM VAN/ CARAVAN)
K BODY = (P - RELIANT)(D - ARIES)(C - LEBARON/ TOWN & COUNTRY)	

BODY STYLES

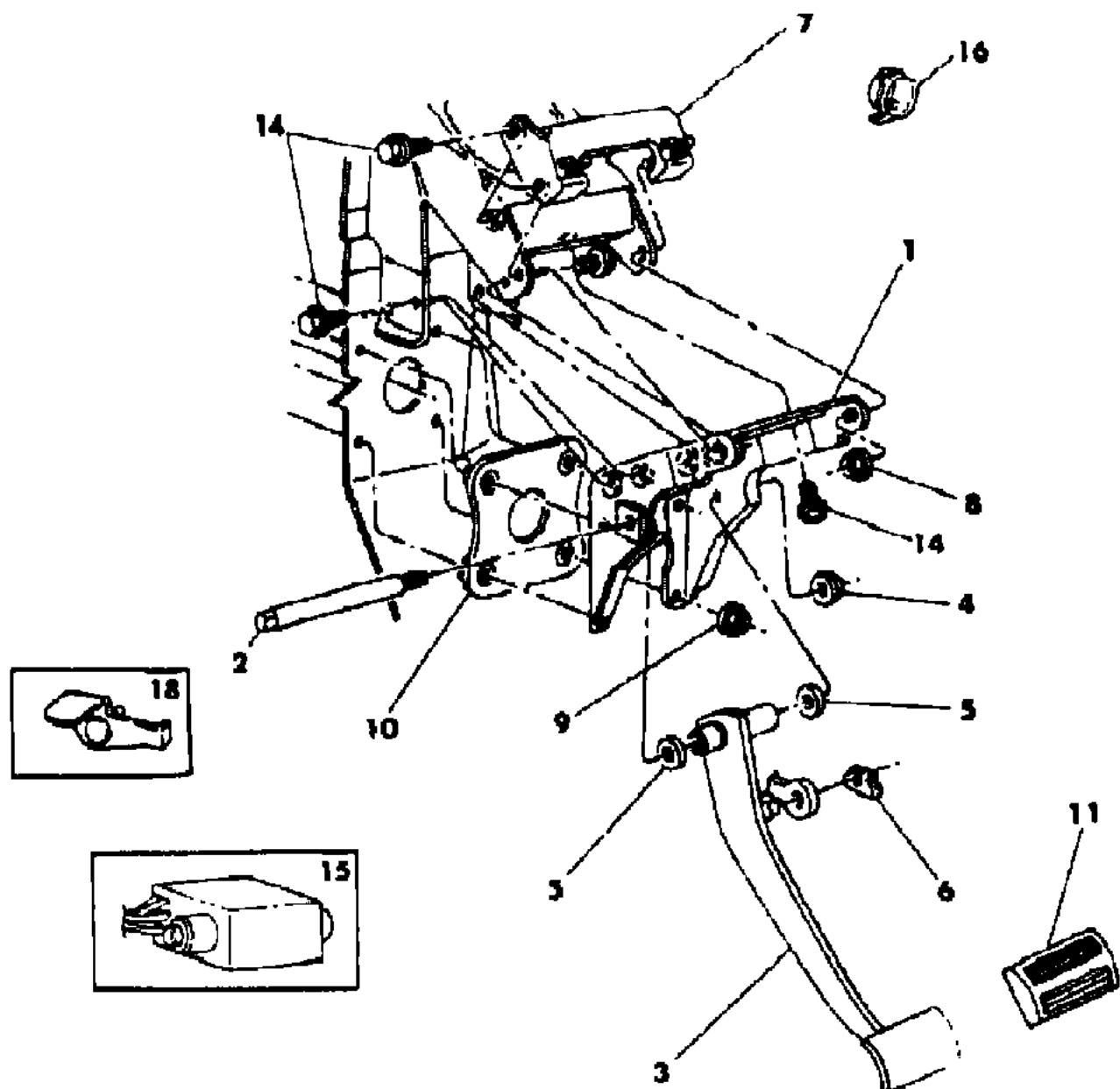
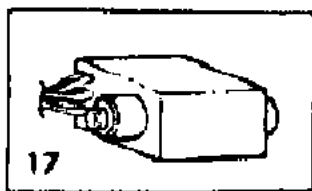
12-52 = FWD VAN & WAGON STD. W.B.	27 = 2-DOOR CONVERTIBLE
13-53 = FWD VAN & WGN EXT W.B.	41 = 4-DOOR SEDAN
21 = 2-DOOR SEDAN	44 = 4-DOOR HATCHBACK
24 = 2-DOOR HATCHBACK	45 = 4-DOOR STATION WAGON

AR = Use as Required - = Non Illustrated Part P.A.R. = Paint as Required

PEDAL, BRAKE S BODY
Figure 5-500

8105 500

ITEM	PART NUMBER	QTY	BODY	MODEL	DESCRIPTION
1	4294 698	1			BRACKET, Brake Pedal
2	3880 452	1			SHAFT, Pivot, w/Auto. Trans.
	3880 453	1			w/Manual Trans.
3	4294 005	1			PEDAL, Brake, w/Auto. Trans.
	4294 006	1			w/Manual Trans.
	4485 497	1			PEDAL ASSEMBLY, Brake Pedal and Pad, Auto. Trans. (European)
	4485 498	1			PEDAL ASSEMBLY, Brake Pedal and Pad, Manual Trans. (European)
	4485 516	1			PEDAL, Brake, Power (European)
4	6500 197	1			NUT
5	2467 770	2			BUSHING, Brake Pedal
6	4294 036	1			CLIP, Brake Pedal Booster Push Rod Pin
7	3880 463	1			BRACE, Brake Pedal Brkt. to Strg. Column Support
8	6100 051	2			NUT and WASHER
9	6100 050	4			NUT and WASHER
10	4294 008	1			SPACER, Brake Pedal Brkt. to Dash Pnl.
11	#4019 660	1			PAD, Brake Pedal, w/Auto. Trans.
	4019 715	1			w/Manual Trans.
14		AR			SCREW and WASHER, (Not Serv.)
15	4373 147	1			SWITCH, Stop Lamp and Speed Control
	4221 487	1			BRACKET, Stop Lamp Switch
16	6031 704	1			CLIP, Stop Lamp Sw. to Brkt.
17	4221 760	1			SWITCH, Parking Brake
18	4221 488	1			STRIKER, Stop Lamp Sw.



MODEL CODES

C BODY = (D41 - DYNASTY)(C41 - NEW YORKER)
 E BODY = (J - CARAVELLE)(E - 600)(T - NEW YORKER TURBO)
 G BODY = (V24 - DAYTONA, PACIFICA & SHELBY)
 H BODY = (D44 - LANCER)(C44 - LEBARON GTS)
 J BODY = (C - LEBARON)
 K BODY = (P - RELIANT)(D - ARIES)(C - LEBARON/ TOWN & COUNTRY)

L BODY = (M - HORIZON)(Z-OMNI)
 M BODY = (B - GRAN FURY)(G - DIPLOMAT)(F - FIFTH AVENUE/NEWPORT)
 P BODY = (P - SUNDANCE)(D - SHADOW)
 Q BODY = (C27 - MASERATI)
 S BODY = (H - VOYAGER)(K - RAM VAN/ CARAVAN)

BODY STYLES

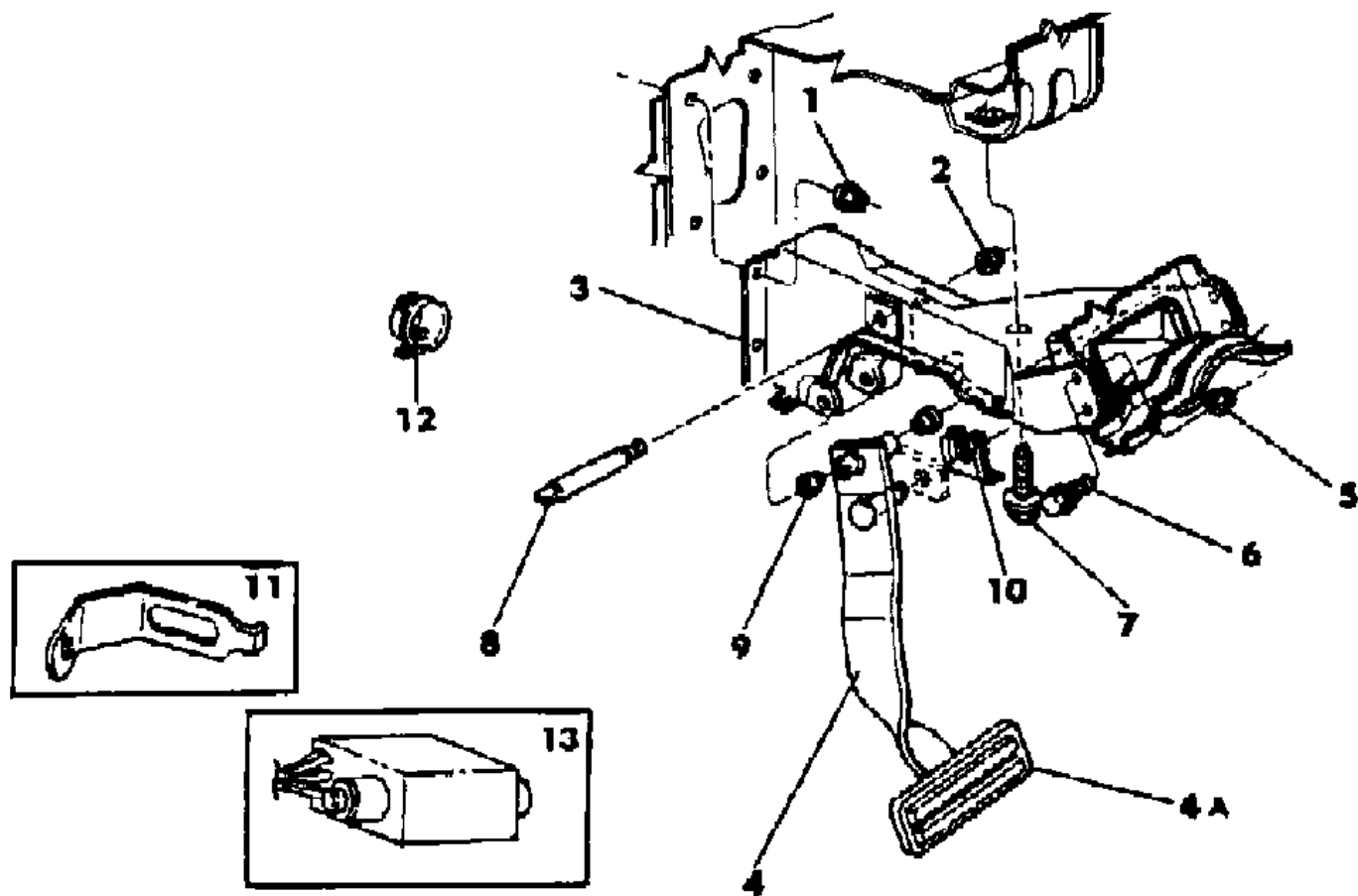
12-52 = FWD VAN & WAGON STD. W.B. 27 = 2-DOOR CONVERTIBLE
 13-53 = FWD VAN & WGN EXT W.B. 41 = 4-DOOR SEDAN
 21 = 2-DOOR SEDAN 44 = 4-DOOR HATCHBACK
 24 = 2-DOOR HATCHBACK 45 = 4-DOOR STATION WAGON

AR = Use as Required - = Non Illustrated Part P.A.R. = Paint as Required

PEDAL, BRAKE M BODY
Figure 5-600

8105 600 A

ITEM	PART NUMBER	QTY	BODY	MODEL	DESCRIPTION
1	0118 614	4			NUT and WASHER
2	6023 035	1			NUT
3	4019 745	1			BRACKET, Brake Pedal
4	#4019 657	1			PEDAL, Brake, w/Auto. Trans.
4A	#4019 660	1			PAD, Brake Pedal, w/Auto. Trans.
5	0118 614	4			NUT and WASHER
6	#0181 088	4			SCREW and WASHER
7	0181 086	AR			SCREW and WASHER
8	3748 703	1			SHAFT, Brake Pedal Pivot, w/Auto. Trans.
9	2467 770	2			BUSHING, Brake Booster Lever Hub
10	4294 036	1			CLIP
11	4221 632	1			BRACKET, Stop Lamp Sw.
12	6031 704	1			CLIP, Stop Lamp Sw. to Brkt.
13	4221 980	1			SWITCH, Stop Lamp and Speed Control
	4221 979	1			SWITCH, Stop Lamp



MODEL CODES

C BODY = (D41 - DYNASTY)(C41 - NEW YORKER)	L BODY = (M - HORIZON)(Z-OMNI)
E BODY = (J - CARAVELLE)(E - 600)(T - NEW YORKER TURBO)	M BODY = (B - GRAN FURY)(G - DIPLOMAT)(F - FIFTH AVENUE/NEWPORT)
G BODY = (V24 - DAYTONA, PACIFICA & SHELBY)	P BODY = (P - SUNDANCE)(D - SHADOW)
H BODY = (D44 - LANCER)(C44 - LEBARON GTS)	Q BODY = (C27 - MASERATI)
J BODY = (C - LEBARON)	S BODY = (H - VOYAGER)(K - RAM VAN/ CARAVAN)
K BODY = (P - RELIANT)(D - ARIES)(C - LEBARON/ TOWN & COUNTRY)	

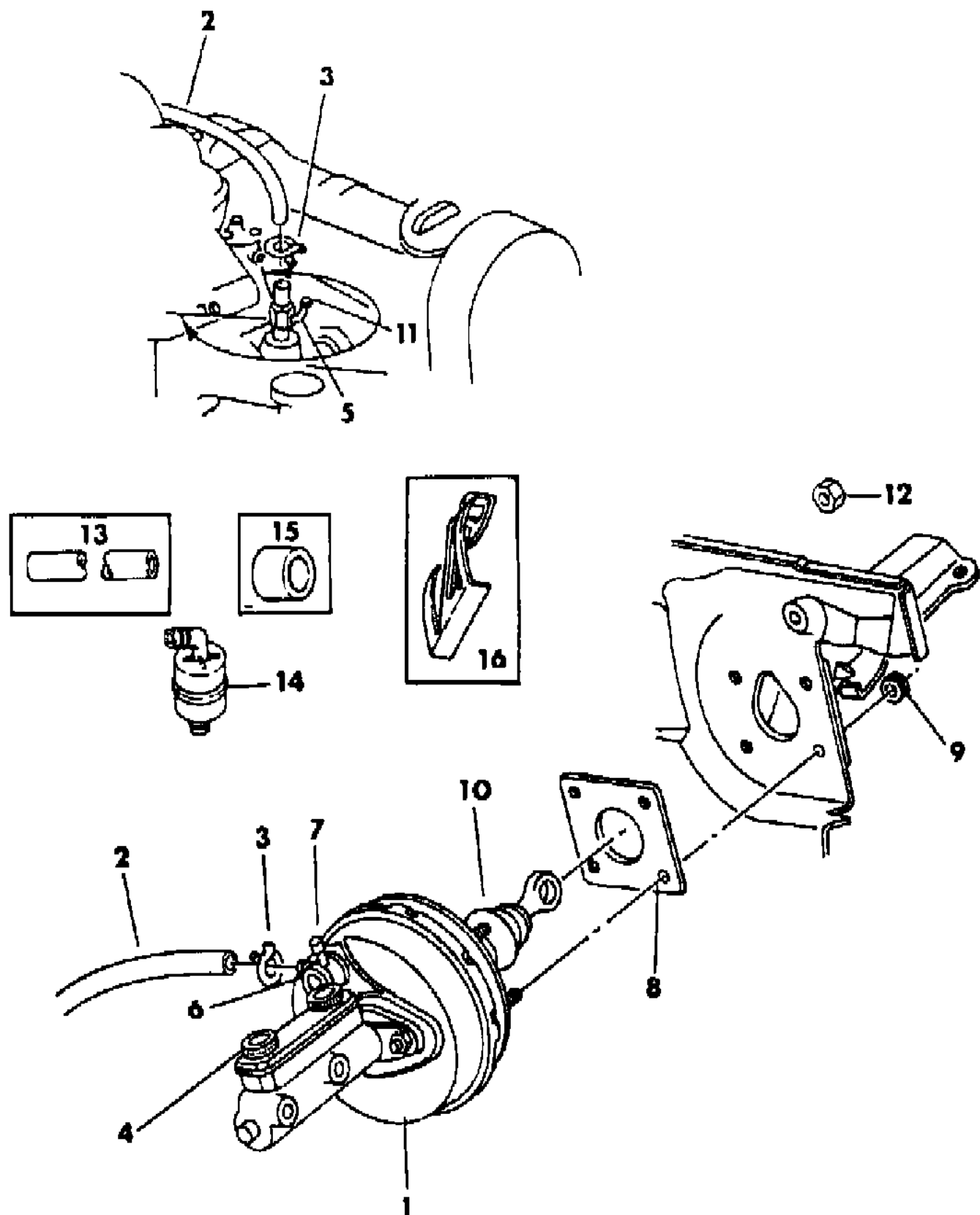
BODY STYLES

12-52 = FWD VAN & WAGON STD. W.B.	27 = 2-DOOR CONVERTIBLE
13-53 = FWD VAN & WGN EXT W.B.	41 = 4-DOOR SEDAN
21 = 2-DOOR SEDAN	44 = 4-DOOR HATCHBACK
24 = 2-DOOR HATCHBACK	45 = 4-DOOR STATION WAGON

AR = Use as Required - = Non Illustrated Part P.A.R. = Paint as Required

BOOSTER, POWER BRAKE L BODY
Figure 5-700

8105 700 A



ITEM	PART NUMBER	QTY	BODY	MODEL	DESCRIPTION
1	4342 707	1			BOOSTER, Brake, 200mm (Bendix)
2	3879 277	AR			HOSE, .34 I.D., 50 Ft. Roll
	4267 340	AR			.341 I.D. Hypalon
	4095 681	AR			.025 I.D., 50 Ft. Roll
	4026 511	AR			.145 I.D., 50 Ft. Roll
3	3880 431	1			20" Long
	2448 761	2			CLAMP
4	4294 232	1			CAP, (Teves)
	3580 172	1			CAP, Isolator, w/A.C.
5	4094 139	1			CONNECTOR, 2 Way
	4094 872	1			5 Way
	4026 117	1			7 Way
	4041 228	1			1 Way w/plug, P/Brk. Vac. Line
6	4271 382	1			VALVE and GROMMET PACKAGE, Brake Booster Check (Bendix)
	4294 230	1			VALVE, (Teves)
	4294 229	1			GROMMET, (Teves)
7	3880 044	1			CAP, Brake Booster Check Valve, Large (Bendix)
8	5204 061	1			GASKET
9	6100 050	AR			NUT
10	4294 158	1			BOOT, Brake Booster Push Rod (Bendix)
	4294 228	1			BOOT, Brake Booster Push Rod (Teves)
11	3580 171	1			CAP, Tube 3/16" I.D. (Bendix)
	4294 231	1			CAP, Tube 3/16" I.D. (Teves)
12	6500 230	2			NUT, Booster to Master Cyl.
13	4095 681	AR			HOSE, .025 I.D., 50 Ft. Roll
14	4397 925	1			FILTER, Vac. Hose
	4294 685	1			FILTER and MUFFLER ASSEMBLY, Brake Booster Vac. Hose
15	3880 050	1			MUFFLER, Booster Vac. Hose Filter
16	4294 036	1			CLIP, Push Rod Pin

MODEL CODES

C BODY = (D41 - DYNASTY)(C41 - NEW YORKER)	L BODY = (M - HORIZON)(Z-OMNI)
E BODY = (J - CARAVELLE)(E - 600)(T - NEW YORKER TURBO)	M BODY = (B - GRAN FURY)(G - DIPLOMAT)(F - FIFTH AVENUE/NEWPORT)
G BODY = (V24 - DAYTONA, PACIFICA & SHELBY)	P BODY = (P - SUNDANCE)(D - SHADOW)
H BODY = (D44 - LANCER)(C44 - LEBARON GTS)	Q BODY = (C27 - MASERATI)
J BODY = (C - LEBARON)	S BODY = (H - VOYAGER)(K - RAM VAN/ CARAVAN)
K BODY = (P - RELIANT)(D - ARIES)(C - LEBARON/ TOWN & COUNTRY)	

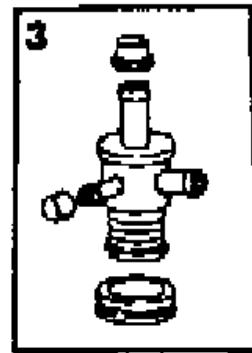
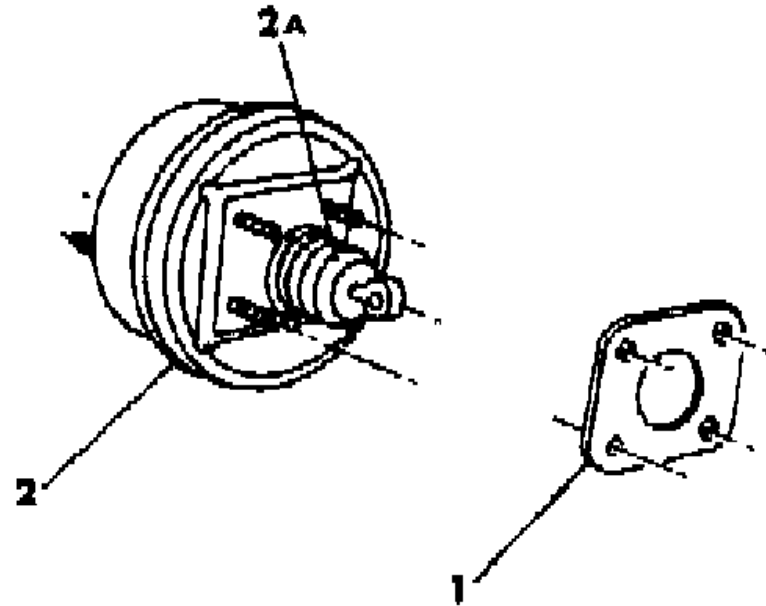
BODY STYLES

12-52 = FWD VAN & WAGON STD. W.B.	27 = 2-DOOR CONVERTIBLE
13-53 = FWD VAN & WGN EXT W.B.	41 = 4-DOOR SEDAN
21 = 2-DOOR SEDAN	44 = 4-DOOR HATCHBACK
24 = 2-DOOR HATCHBACK	45 = 4-DOOR STATION WAGON

AR = Use as Required - = Non Illustrated Part P.A.R. = Paint as Required

BOOSTER, POWER BRAKE P BODY
Figure 5-800

8105 800 A



ITEM	PART NUMBER	QTY	BODY	MODEL	DESCRIPTION
1	3699 447	1			GASKET, Brake Booster Mtg.
2	4294 189	1			BOOSTER, Brake, w/Manual Trans., 230mm (Bendix)
	4294 289	1			w/Manual Trans., 230mm (Teves)
	4342 709	1			w/Manual and Auto. Trans., 200mm (Teves) (Cast#42942219193A) (D)
2A	4294 567	1			w/205mm (Bendix)
	3880 006	1			BOOT, Brake Booster Push Rod (Bendix)
3	4294 228	1			BOOT, Brake Booster Push Rod (Teves)
	4271 382	1			VALVE and GROMMET PACKAGE, Brake Booster Check (Bendix)
4	4294 230	1			VALVE, Brake Booster Check (Teves)
	4294 702	1			w/205mm (Bendix)
	4294 229	1			GROMMET, Brake Booster Check Valve (Teves)
5	3880 044	1			CAP, Brake Booster Check Valve, Large (Bendix)
	4294 231	1			CAP, Brake Booster Check Valve, Large (Teves)
	4294 232	1			CAP, Brake Booster Check Valve, Small (Teves)
	3580 171	1			CAP, Tube 3/16" Check Valve
6	4294 569	1			HOSE, Brake Booster to Filter
	4294 974	1			HOSE, Brake Booster to Turbo Int. Manifold
6	4397 925	1			FILTER, Brake Booster Vac. Hose

MODEL CODES

C BODY = (D41 - DYNASTY)(C41 - NEW YORKER)
 E BODY = (J - CARAVELLE)(E - 600)(T - NEW YORKER TURBO)
 G BODY = (V24 - DAYTONA, PACIFICA & SHELBY)
 H BODY = (D44 - LANCER)(C44 - LEBARON GTS)
 J BODY = (C - LEBARON)
 K BODY = (P - RELIANT)(D - ARIES)(C - LEBARON/ TOWN & COUNTRY)

L BODY = (M - HORIZON)(Z-OMNI)
 M BODY = (B - GRAN FURY)(G - DIPLOMAT)(F - FIFTH AVENUE/NEWPORT)
 P BODY = (P - SUNDANCE)(D - SHADOW)
 Q BODY = (C27 - MASERATI)
 S BODY = (H - VOYAGER)(K - RAM VAN/ CARAVAN)

BODY STYLES

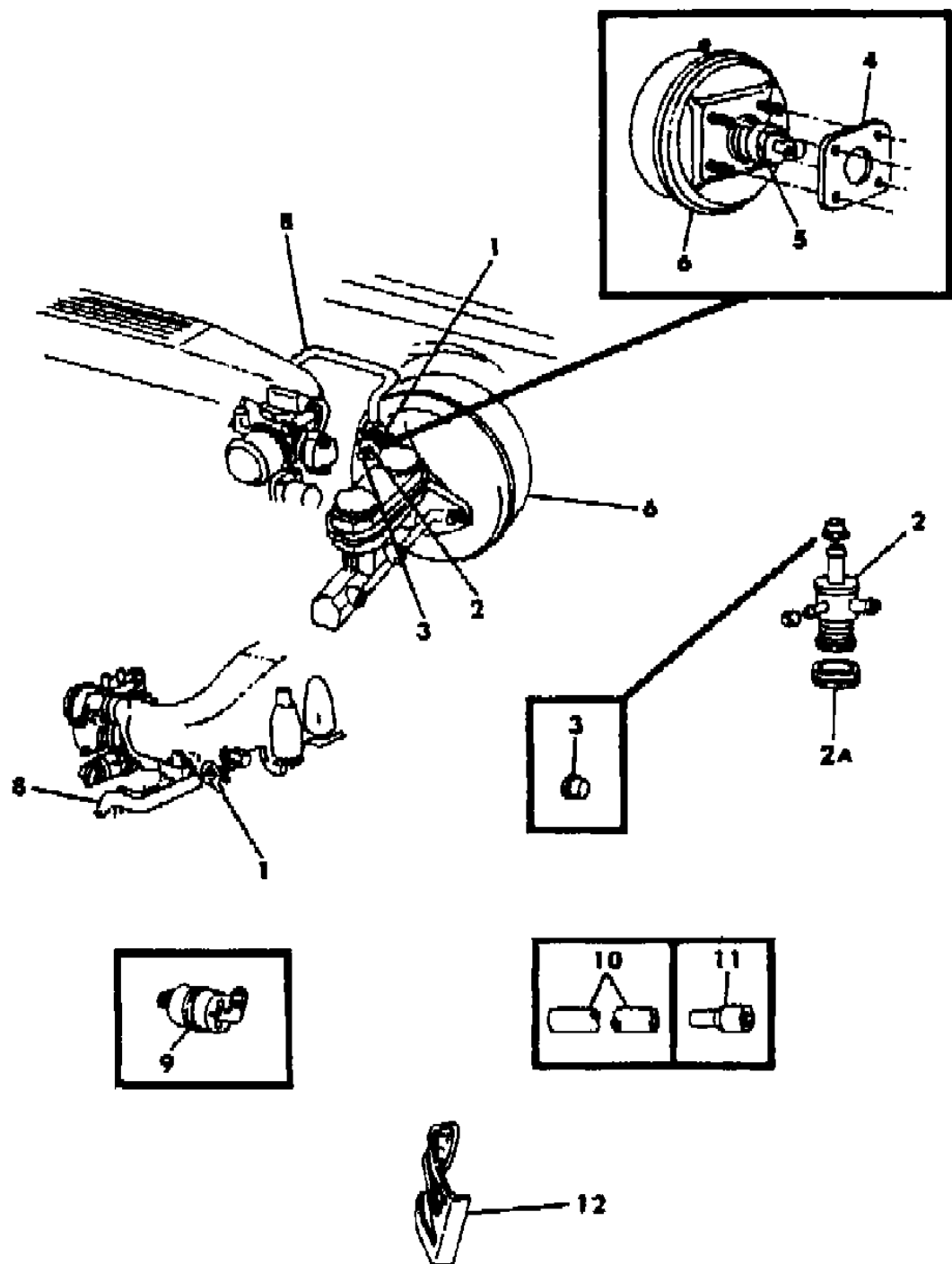
12-52 = FWD VAN & WAGON STD. W.B. 27 = 2-DOOR CONVERTIBLE
 13-53 = FWD VAN & WGN EXT W.B. 41 = 4-DOOR SEDAN
 21 = 2-DOOR SEDAN 44 = 4-DOOR HATCHBACK
 24 = 2-DOOR HATCHBACK 45 = 4-DOOR STATION WAGON

AR = Use as Required - = Non Illustrated Part P.A.R. = Paint as Required

BOOSTER, POWER BRAKE J,K,G,E,H BODY

Figure 5-900

8105 900 A



ITEM	PART NUMBER	QTY	BODY	MODEL	DESCRIPTION
1	2448 761	2			CLAMP
2	4271 382	1			VALVE and GROMMET PACKAGE, Brake Booster (Bendix)
	4294 230	1			VALVE, Brake Booster Check (Teves)
	4294 702	1	JGH		VALVE, Brake Booster Check, 205mm (Bendix)
2A	4294 229	1			GROMMET, Brake Booster Check Valve (Teves)
3	3880 044	1			CAP, Brake Valve, Large (Bendix)
	4294 231	2			CAP, Brake Valve, Large (Teves)
	4294 232	1			CAP, Brake Valve, Small (Teves)
	3580 171	1			CAP, Connector Alux. Tube 3/16" I.D.
4	3699 447	1			GASKET, Brake Booster Mtg.
5	3880 006	1			BOOT, Brake Booster Push Rod (Bendix)
	4294 228	1			BOOT, Brake Booster Push Rod (Teves)
6	4294 189	1	JKGH		BOOSTER, Brake w/Man. Trans., 230mm (Bendix)
	4342 709	1	KE		w/Manual and Auto. Trans., 200mm (Teves)
	4294 567	1	JGH		w/205mm (Bendix)
8	3879 277	AR			HOSE, .34 I.D., 50 Ft. Roll
	4294 569	1			HOSE, Booster to Filter, J,K,G,E Body
	4294 974	1			HOSE, Booster to Turbo Int. Manif.
	4267 340	1			HOSE, Rough Stock, 3/4" I.D., Hypalon Hose 50 Ft. Roll
9	4397 925	1			FILTER
10	4095 681	AR			HOSE, .025 I.D., 50 Ft. Roll
11	3847 935	1			CONNECTOR, A.C. Vac. Hose to Pwr. Brakes Booster
12	4294 036	1			CLIP, Push Rod Pin

MODEL CODES

C BODY = (D41 - DYNASTY)(C41 - NEW YORKER)
 E BODY = (J - CARAVELLE)(E - 600)(T - NEW YORKER TURBO)
 G BODY = (V24 - DAYTONA, PACIFICA & SHELBY)
 H BODY = (D44 - LANCER)(C44 - LEBARON GTS)
 J BODY = (C - LEBARON)
 K BODY = (P - RELIANT)(D - ARIES)(C - LEBARON/ TOWN & COUNTRY)

L BODY = (M - HORIZON)(Z-OMNI)
 M BODY = (B - GRAN FURY)(G - DIPLOMAT)(F - FIFTH AVENUE/NEWPORT)
 P BODY = (P - SUNDANCE)(D - SHADOW)
 Q BODY = (C27 - MASERATI)
 S BODY = (H - VOYAGER)(K - RAM VAN/ CARAVAN)

BODY STYLES

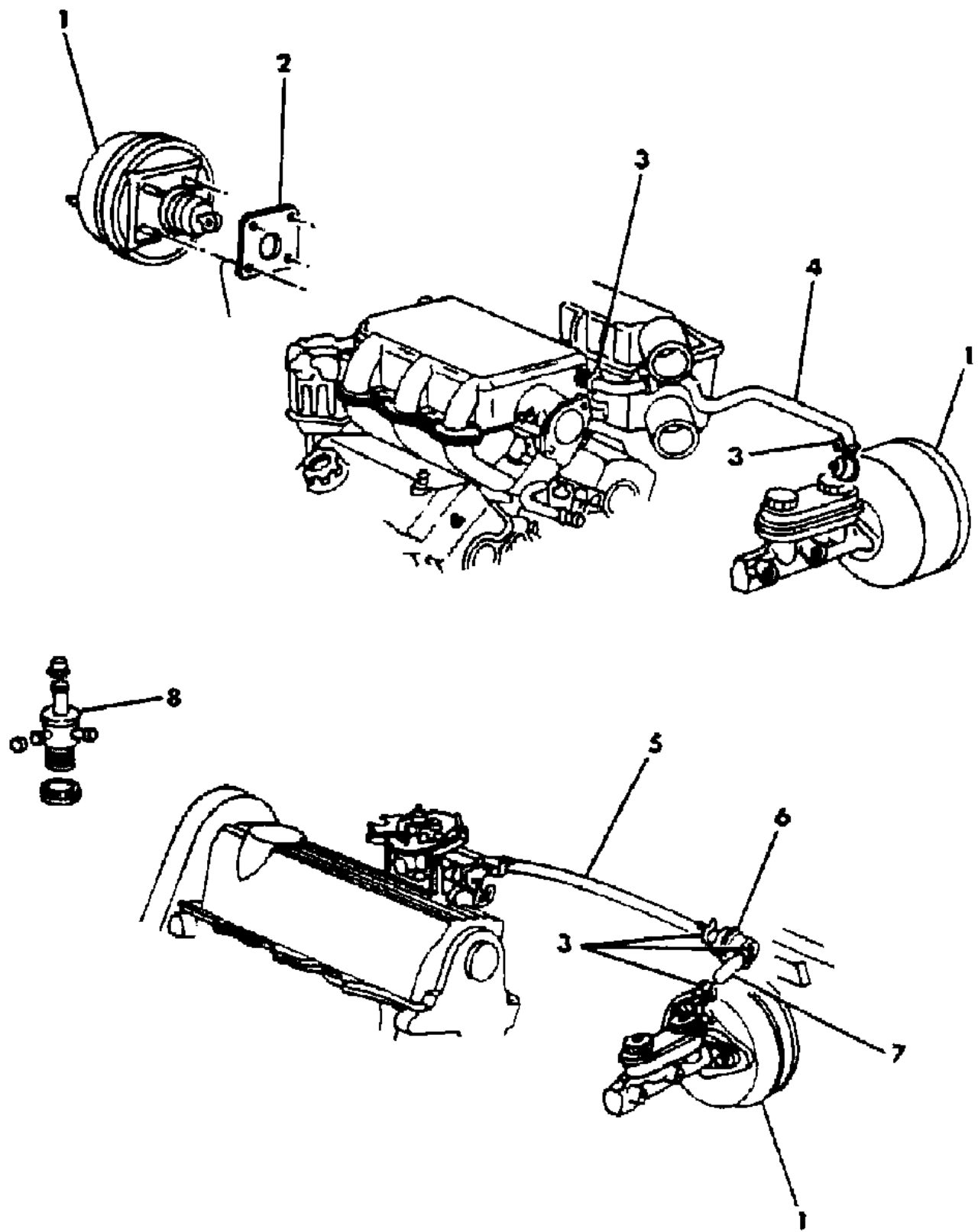
12-52 = FWD VAN & WAGON STD. W.B. 27 = 2-DOOR CONVERTIBLE
 13-53 = FWD VAN & WGN EXT W.B. 41 = 4-DOOR SEDAN
 21 = 2-DOOR SEDAN 44 = 4-DOOR HATCHBACK
 24 = 2-DOOR HATCHBACK 45 = 4-DOOR STATION WAGON

AR = Use as Required - = Non Illustrated Part P.A.R. = Paint as Required

BOOSTER, POWER BRAKE, W/O ANTI-LOCK BRAKES C BODY
Figure 5-1100

8105 1100 A

ITEM	PART NUMBER	QTY	BODY	MODEL	DESCRIPTION
1	4294 567	1			BOOSTER, Brake, 205mm (Bendix), Pwr. Disc Brake Frt., Rear Drum
2	3699 447	1			GASKET, Frt. Disc Brake
3	2448 761	AR			CLAMP
4	4294 799	1			HOSE, Brake Booster to Int. Manifold
5	4267 340	1			HOSE, Throttle Body to Filter
6	4397 925	1			FILTER, Brake Booster Vac. Hose
7	4294 569	1			HOSE, Brake Booster to Filter
8	4294 702	1			VALVE, Brake Booster Check, 205mm (Bendix)



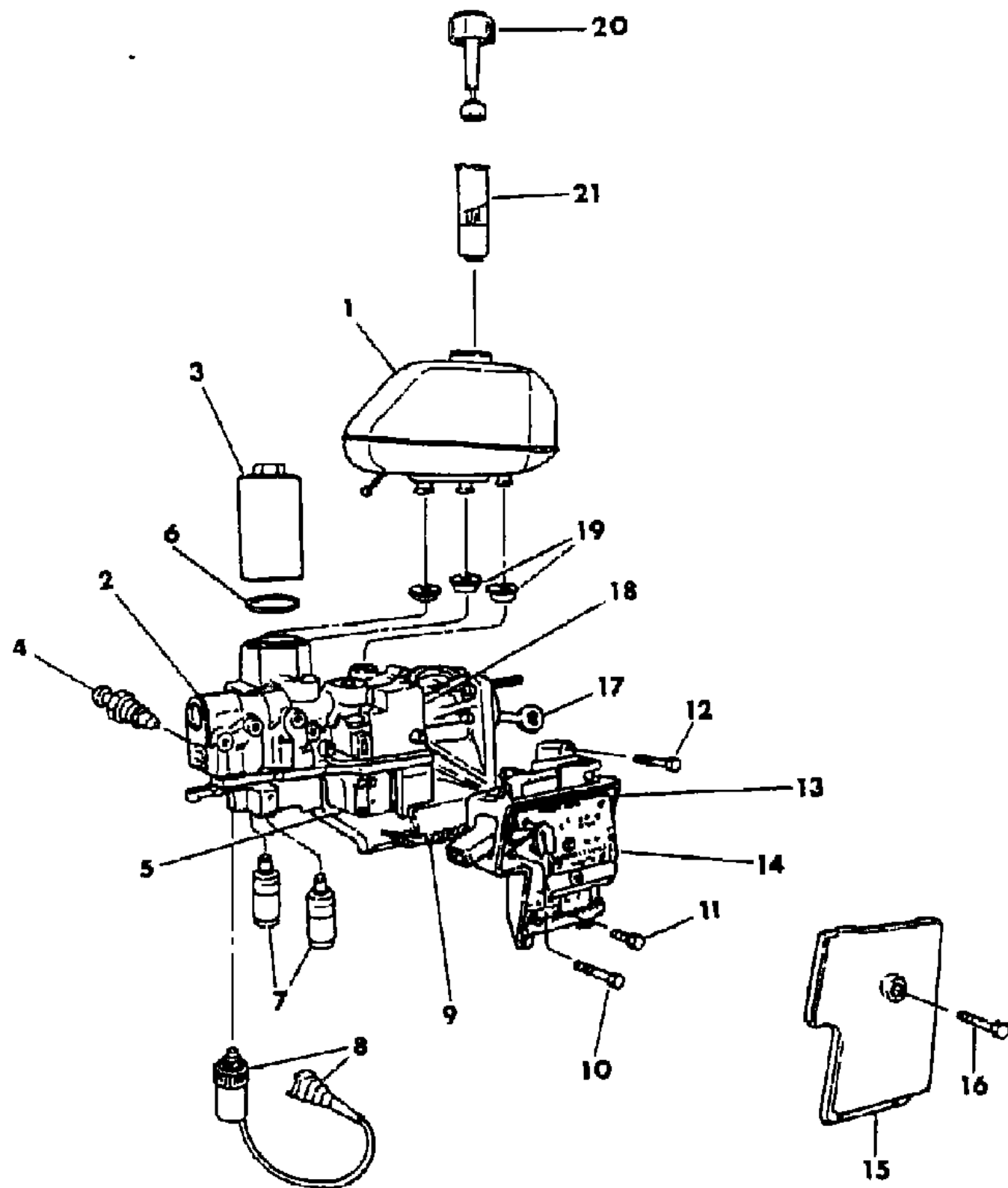
MODEL CODES
 C BODY = (D41 - DYNASTY)(C41 - NEW YORKER)
 E BODY = (J - CARAVELLE)(E - 600)(T - NEW YORKER TURBO)
 G BODY = (V24 - DAYTONA, PACIFICA & SHELBY)
 H BODY = (D44 - LANCER)(C44 - LEBARON GTS)
 J BODY = (C - LEBARON)
 K BODY = (P - RELIANT)(D - ARIES)(C - LEBARON/ TOWN & COUNTRY)
 L BODY = (M - HORIZON)(Z-OMNI)
 M BODY = (B - GRAN FURY)(G - DIPLOMAT)(F - FIFTH AVENUE/NEWPORT)
 P BODY = (P - SUNDANCE)(D - SHADOW)
 Q BODY = (C27 - MASERATI)
 S BODY = (H - VOYAGER)(K - RAM VAN/ CARAVAN)

BODY STYLES
 12-52 = FWD VAN & WAGON STD. W.B. 27 = 2-DOOR CONVERTIBLE
 13-53 = FWD VAN & WGN EXT W.B. 41 = 4-DOOR SEDAN
 21 = 2-DOOR SEDAN 44 = 4-DOOR HATCHBACK
 24 = 2-DOOR HATCHBACK 45 = 4-DOOR STATION WAGON

AR = Use as Required - = Non Illustrated Part P.A.R. = Paint as Required

HYDRAULIC ASSEMBLY, W/ANTI-LOCK BRAKES C BODY
Figure 5-1125

8105 1125 B



ITEM	PART NUMBER	QTY	BODY	MODEL	DESCRIPTION
1	4443 450	1			RESERVOIR, Brake Anti-Lock
2	4294 960	1			HYDRAULIC ASSEMBLY, Brake Anti-Lock
	4294 719	1			GASKET, Hydraulic Assy.
3	4509 005	1			ACCUMULATOR PACKAGE ***
4					SCREW, Bleeder (Serv. in Item 2)
5					VALVE, Block (Serv. in Item 2)
6	4294 738	1			O-RING, Accumulator
7	4383 611	2			VALVE, Brake In-Line Proportioning
8	4485 318	1			SWITCH, Brake Anti-Lock Pressure
9					CONNECTOR, Valve Block (Serv. in Item 2)
10	4294 737	1			SCREW
	4294 750	1			WASHER
11	4294 736	1			SCREW
	4294 750	1			WASHER
12	4294 735	1			SCREW
	4294 750	1			WASHER
13	4294 910	1			SENSOR BOX, Anti-Lock Electronic
14					MODULE, Pressure Monitoring (Serv. in Item 13)
15					COVER, Sensor Block (Serv. in Item 13)
16					SCREW, (Serv. in Item 13)
17					ROD, Push (Serv. in Item 2)
18					REED BLOCK, (Serv. in Item 2)
19					GROMMET, (Serv. in Item 1)
20	4294 914	1			SENSOR ASSEMBLY, Brake Anti-Lock Fluid Level
21	4485 415	1			FILTER

MODEL CODES

C BODY = (D41 - DYNASTY)(C41 - NEW YORKER)
 E BODY = (J - CARAVELLE)(E - 600)(T - NEW YORKER TURBO)
 G BODY = (V24 - DAYTONA, PACIFICA & SHELBY)
 H BODY = (D44 - LANCER)(C44 - LEBARON GTS)
 J BODY = (C - LEBARON)
 K BODY = (P - RELIANT)(D - ARIES)(C - LEBARON/ TOWN & COUNTRY)

L BODY = (M - HORIZON)(Z-OMNI)
 M BODY = (B - GRAN FURY)(G - DIPLOMAT)(F - FIFTH AVENUE/NEWPORT)
 P BODY = (P - SUNDANCE)(D - SHADOW)
 Q BODY = (C27 - MASERATI)
 S BODY = (H - VOYAGER)(K - RAM VAN/ CARAVAN)

BODY STYLES

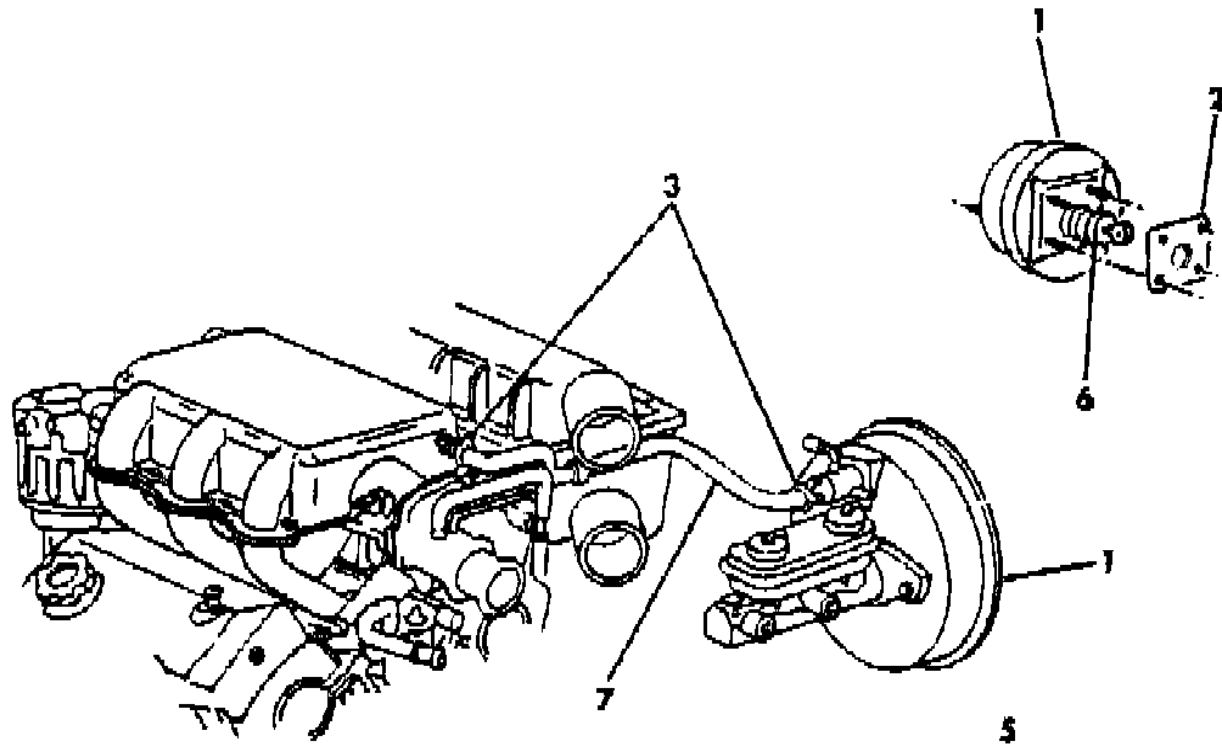
12-52 = FWD VAN & WAGON STD. W.B. 27 = 2-DOOR CONVERTIBLE
 13-53 = FWD VAN & WGN EXT W.B. 41 = 4-DOOR SEDAN
 21 = 2-DOOR SEDAN 44 = 4-DOOR HATCHBACK
 24 = 2-DOOR HATCHBACK 45 = 4-DOOR STATION WAGON

AR = Use as Required - = Non Illustrated Part P.A.R. = Paint as Required

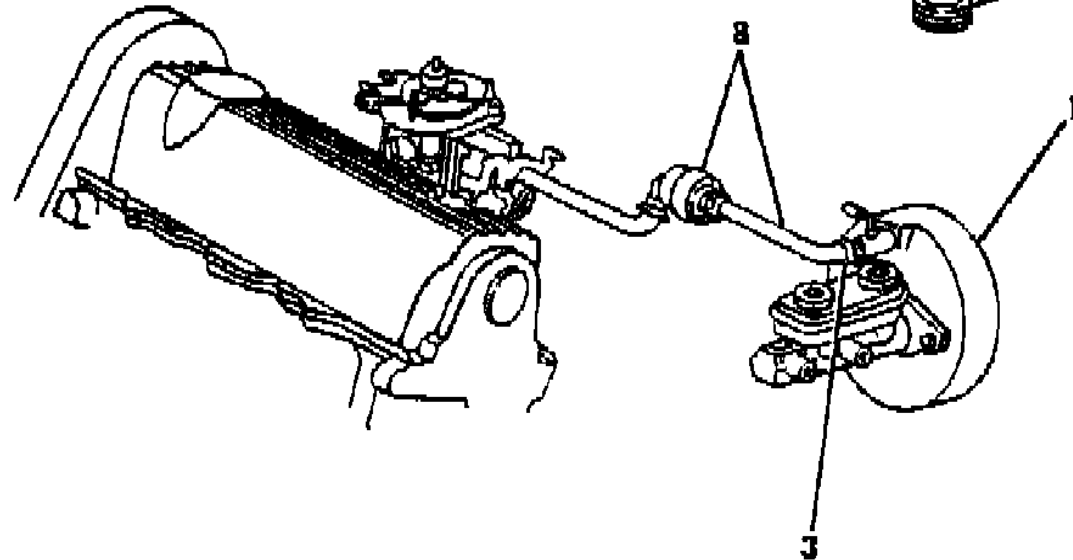
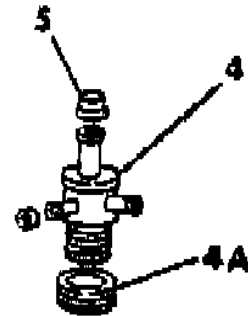
BOOSTER, POWER BRAKE S BODY
Figure 5-1200

8105 1200 A

ITEM	PART NUMBER	QTY	BODY	MODEL	DESCRIPTION
1	4419 944	1			BOOSTER, Brake
	4485 517	1			BOOSTER, Brake, Bendix 270mm (European)
2	3699 447	1			GASKET, Brake Booster Mtg.
3	2448 761	2			CLAMP
4	4294 230	1			VALVE, Brake Booster Check (Teves)
4A	4294 229	1			GROMMET, Brake Booster Check Valve (Teves)
5	3880 044	1			CAP, Brake Valve, Large (Bendix)
	4294 231	2			CAP, Brake Valve, Large (Teves)
	4294 232	1			CAP, Brake Valve, Small (Teves)
6	4294 228	1			BOOT, (Teves)
	4294 158	1			BOOT, 270mm (Bendix)
7	4294 798	1			HOSE, Brake Booster to Int. Manifold
	4267 401	AR			HOSE, .34" I.D., Hypalon, 50 Ft. Roll
8	4397 925	1			FILTER
	3880 050	1			MUFFLER, Booster Vac. Hose Filter
	4294 685	1			FILTER and MUFFLER ASSEMBLY, Brake Booster Vac. Hose



**3.0L
V-6 GAS, EFI**



**2.5L
4 CYL, GAS, EFI**

MODEL CODES

C BODY = (D41 - DYNASTY)(C41 - NEW YORKER)	L BODY = (M - HORIZON)(Z-OMNI)
E BODY = (J - CARAVELLE)(E - 600)(T - NEW YORKER TURBO)	M BODY = (B - GRAN FURY)(G - DIPLOMAT)(F - FIFTH AVENUE/NEWPORT)
G BODY = (V24 - DAYTONA, PACIFICA & SHELBY)	P BODY = (P - SUNDANCE)(D - SHADOW)
H BODY = (D44 - LANCER)(C44 - LEBARON GTS)	Q BODY = (C27 - MASERATI)
J BODY = (C - LEBARON)	S BODY = (H - VOYAGER)(K - RAM VAN/ CARAVAN)
K BODY = (P - RELIANT)(D - ARIES)(C - LEBARON/ TOWN & COUNTRY)	

BODY STYLES

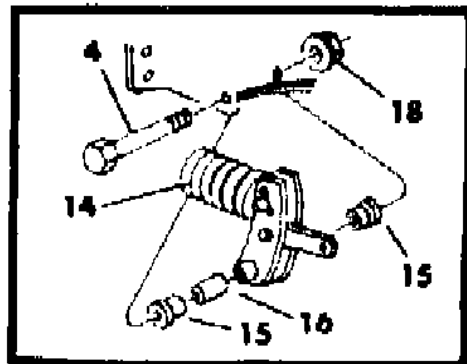
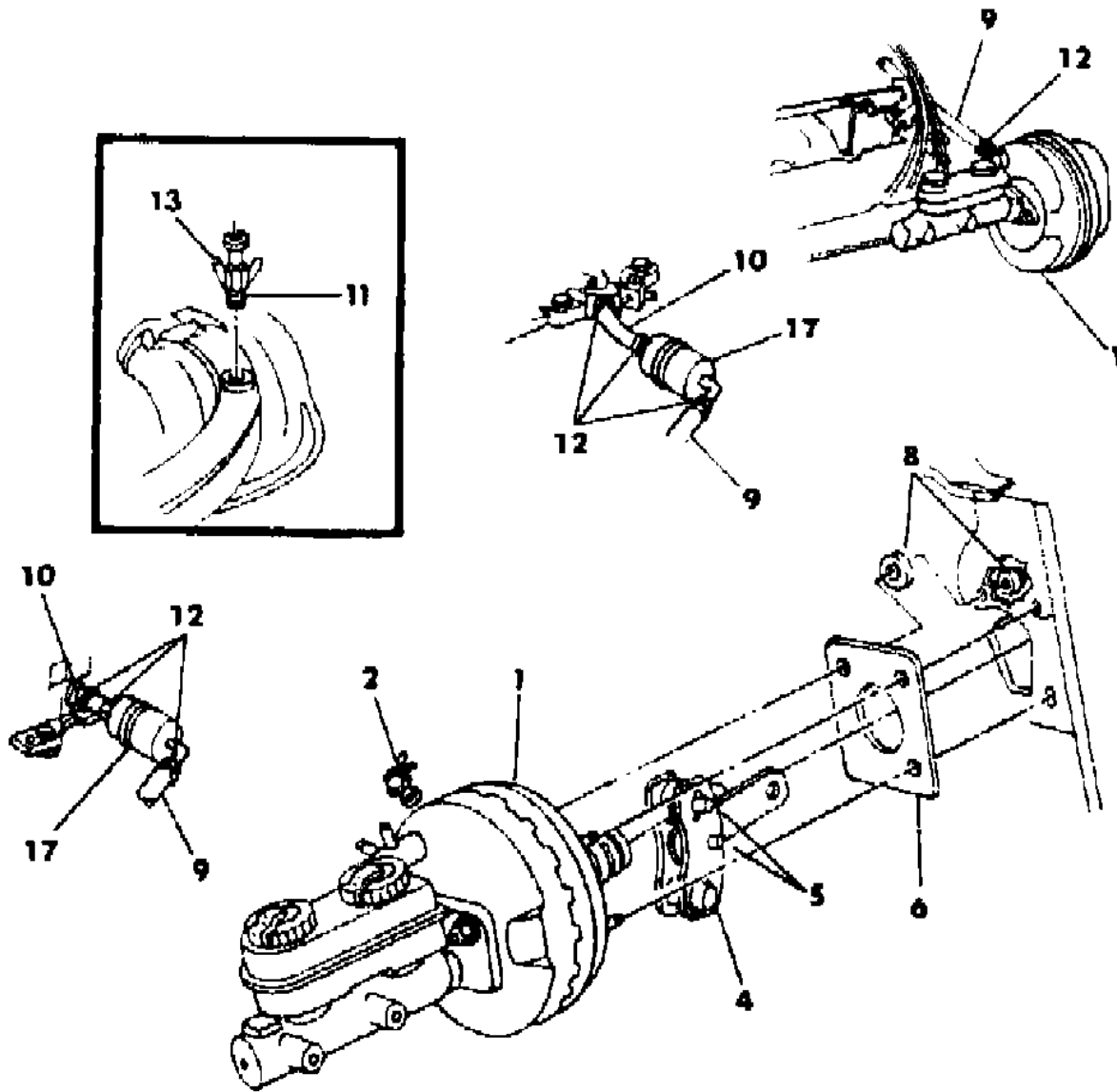
12-52 = FWD VAN & WAGON STD. W.B.	27 = 2-DOOR CONVERTIBLE
13-53 = FWD VAN & WGN EXT W.B.	41 = 4-DOOR SEDAN
21 = 2-DOOR SEDAN	44 = 4-DOOR HATCHBACK
24 = 2-DOOR HATCHBACK	45 = 4-DOOR STATION WAGON

AR = Use as Required - = Non Illustrated Part P.A.R. = Paint as Required

BOOSTER, POWER BRAKE M BODY
Figure 5-1300

8105 1300 A

ITEM	PART NUMBER	QTY	BODY	MODEL	DESCRIPTION
1	3880 348	1			BOOSTER, Brake
2	3420 973	1			VALVE and GROMMET PACKAGE, Vac. Check (Bendix)
4	6028 165	1			BOLT, Brake Booster Lever Hub
5					PIN, Serviced w/Booster
6	3699 447	1			GASKET, Brake Booster Mtg.
8	0118 614	AR			NUT
9	3879 277	1			HOSE, Brake Booster to Filter
10	4267 340	1			HOSE, Filter to Carb.
	4095 681	AR			.025 I.D., 50 Ft. Roll
11	#4210 580	1			CONNECTOR, 4 Way, w/Caps
	4026 117	1			7 Way, w/Caps
12	2448 761	AR			CLAMP, Hose Mounting
13	3580 171	1			CAP, Conn. Aux Tube, 3/16" I.D.
	3580 172	1			1/4" I.D.
14	3766 073	1			BOOT, Push Rod (Bendix)
15	2467 770	2			BUSHING, Brake Pedal
16	2534 227	1			SLEEVE, Brake Booster Lever Hub
17	4397 925	1			FILTER
18	6023 035	AR			NUT



MODEL CODES

C BODY = (D41 - DYNASTY)(C41 - NEW YORKER)
 E BODY = (J - CARAVELLE)(E - 600)(T - NEW YORKER TURBO)
 G BODY = (V24 - DAYTONA, PACIFICA & SHELBY)
 H BODY = (D44 - LANCER)(C44 - LEBARON GTS)
 J BODY = (C - LEBARON)
 K BODY = (P - RELIANT)(D - ARIES)(C - LEBARON/ TOWN & COUNTRY)

L BODY = (M - HORIZON)(Z-OMNI)
 M BODY = (B - GRAN FURY)(G - DIPLOMAT)(F - FIFTH AVENUE/NEWPORT)
 P BODY = (P - SUNDANCE)(D - SHADOW)
 Q BODY = (C27 - MASERATI)
 S BODY = (H - VOYAGER)(K - RAM VAN/ CARAVAN)

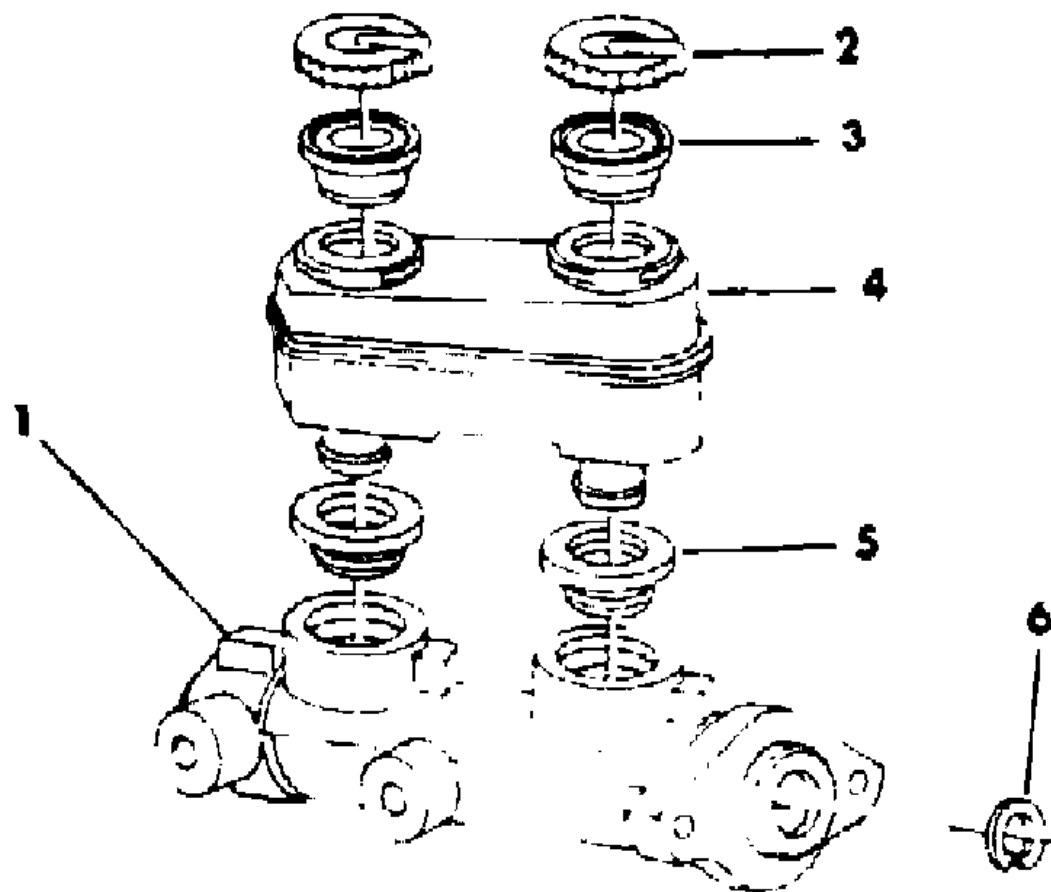
BODY STYLES

12-52 = FWD VAN & WAGON STD. W.B. 27 = 2-DOOR CONVERTIBLE
 13-53 = FWD VAN & WGN EXT W.B. 41 = 4-DOOR SEDAN
 21 = 2-DOOR SEDAN 44 = 4-DOOR HATCHBACK
 24 = 2-DOOR HATCHBACK 45 = 4-DOOR STATION WAGON

AR = Use as Required - = Non Illustrated Part P.A.R. = Paint as Required

MASTER CYLINDER, BRAKE L,J,K,G,E,H,C,S BODY
Figure 5-1400

8105 1400 B



WITH POWER DISC BRAKES

ITEM	PART NUMBER	QTY	BODY	MODEL	DESCRIPTION
1	4294 861	1			MASTER CYLINDER, w/4 Wheel Disc w/o Fluid Wdo
	4294 861	1	G		w/Frt Disc/RR Drum w/o Fluid Wdo
	4294 514	1	G	V-P,V-S,V-X	w/4 Wheel Pwr. Disc Brakes, w/o Fluid Wdo.
	4485 312	1	G	V-P,V-S,V-X	w/4 Wheel Pwr. Disc Brakes, w/Fluid Wdo.
	4294 152	1	CS		Use on Pwr. Disc Brake Frt., Rear Drum
	4294 862	1	JH		w/4 Wheel Disc w/Fluid Wdo
	4294 862	1	G		w/Frt Disc/RR Drum w/Fluid Wdo
	4294 269	1	JH		MASTER CYLINDER, (European)
	4294 153	1	S		MASTER CYLINDER, (European)
	4186 965	1	G	V-P,V-S,V-X	RETAINER, Master Cyl., Primary and Secondary Piston Cup, w/4 Wheel Pwr. Disc Brakes
2	5204 056	2			CAP, Master Cyl. Reservoir
3	5204 057	2			DIAPHRAGM, Master Cyl. Reservoir Cap
4	3766 498	1	LJKGEH		RESERVOIR, Master Cyl.
	4294 482	1	G	V-P,V-S,V-X	w/4 Wheel Pwr. Disc Brakes
	4294 045	1	CS		Frt. Wheel Disc Brake w/o Fluid Wdo.
	3880 368	1	CS		Frt. Wheel Disc Brake
	4025 262	1	JH		RESERVOIR, Master Cyl. (European)
	4485 302	1	G		RESERVOIR, Master Cyl. (European)
	4294 032	1	S		RESERVOIR, Master Cyl. (European)
	3880 450	1	JC		SENSOR, Brake Master Cyl. Reservoir Fluid, Use w/o Anti-Lock
5	#5204 149	2			GROMMET, Reservoir Mtg.
6	6101 181	1	LJKGEH		STOP, Snap Ring

MODEL CODES

C BODY = (D41 - DYNASTY)(C41 - NEW YORKER)
 E BODY = (J - CARAVELLE)(E - 600)(T - NEW YORKER TURBO)
 G BODY = (V24 - DAYTONA, PACIFICA & SHELBY)
 H BODY = (D44 - LANCER)(C44 - LEBARON GTS)
 J BODY = (C - LEBARON)
 K BODY = (P - RELIANT)(D - ARIES)(C - LEBARON/ TOWN & COUNTRY)

L BODY = (M - HORIZON)(Z-OMNI)
 M BODY = (B - GRAN FURY)(G - DIPLOMAT)(F - FIFTH AVENUE/NEWPORT)
 P BODY = (P - SUNDANCE)(D - SHADOW)
 Q BODY = (C27 - MASERATI)
 S BODY = (H - VOYAGER)(K - RAM VAN/ CARAVAN)

BODY STYLES

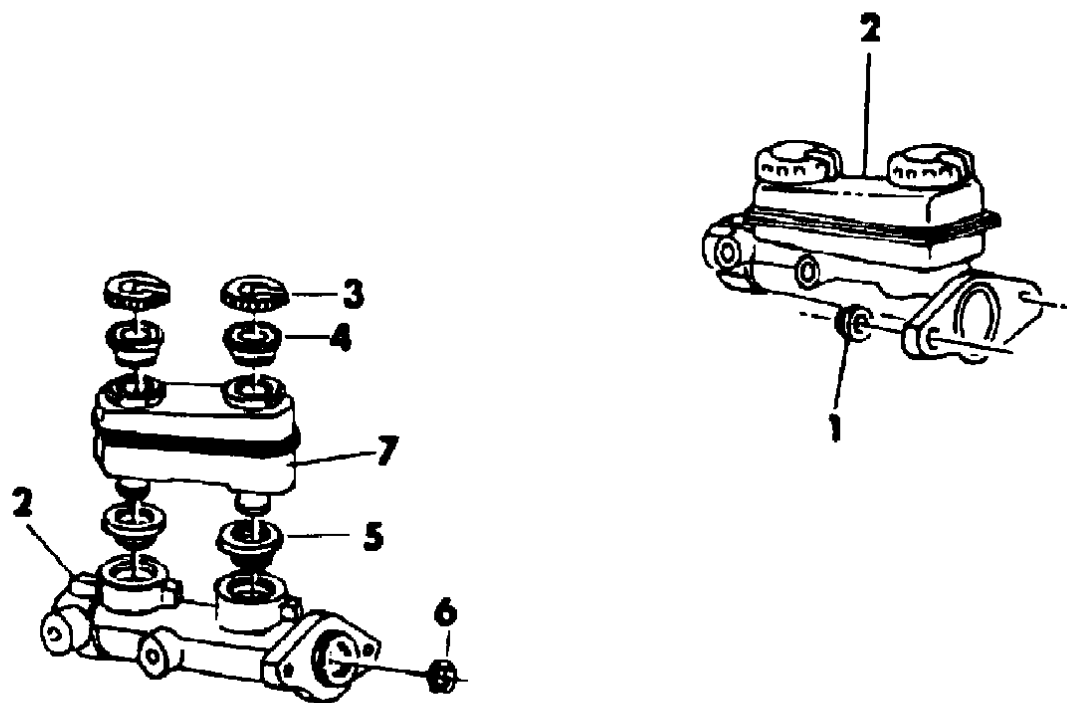
12-52 = FWD VAN & WAGON STD. W.B. 27 = 2-DOOR CONVERTIBLE
 13-53 = FWD VAN & WGN EXT W.B. 41 = 4-DOOR SEDAN
 21 = 2-DOOR SEDAN 44 = 4-DOOR HATCHBACK
 24 = 2-DOOR HATCHBACK 45 = 4-DOOR STATION WAGON

AR = Use as Required - = Non Illustrated Part P.A.R. = Paint as Required

MASTER CYLINDER, BRAKE P BODY
Figure 5-1500

ITEM	PART NUMBER	QTY	BODY	MODEL	DESCRIPTION
1	6500 230	2			NUT and WASHER
2	4294 861	1			MASTER CYLINDER, Brake, Complete
	4294 269	1			MASTER CYLINDER, Brake Complete (European)
3	5204 056	2			CAP, Brake Master Cyl. Reservoir
4	5204 057	2			DIAPHRAGM, Brake Master Cyl. Reservoir Cap
5	#5204 149	2			GROMMET, Brake Master Cyl. Reservoir Mtg.
6	6101 181	1			STOP, Snap Ring
7	3766 498	1			RESERVOIR, Master Cyl.
	4025 262	1			RESERVOIR, Master Cyl. (European)

8105 1500 A



MODEL CODES

C BODY = (D41 - DYNASTY)(C41 - NEW YORKER)	L BODY = (M - HORIZON)(Z-OMNI)
E BODY = (J - CARAVELLE)(E - 600)(T - NEW YORKER TURBO)	M BODY = (B - GRAN FURY)(G - DIPLOMAT)(F - FIFTH AVENUE/NEWPORT)
G BODY = (V24 - DAYTONA, PACIFICA & SHELBY)	P BODY = (P - SUNDANCE)(D - SHADOW)
H BODY = (D44 - LANCER)(C44 - LEBARON GTS)	Q BODY = (C27 - MASERATI)
J BODY = (C - LEBARON)	S BODY = (H - VOYAGER)(K - RAM VAN/ CARAVAN)
K BODY = (P - RELIANT)(D - ARIES)(C - LEBARON/ TOWN & COUNTRY)	

BODY STYLES

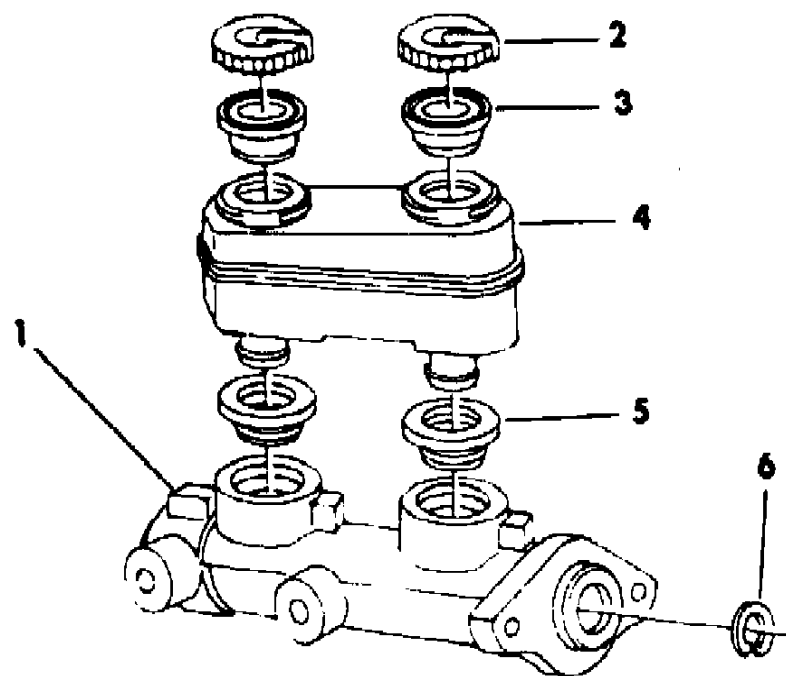
12-52 = FWD VAN & WAGON STD. W.B.	27 = 2-DOOR CONVERTIBLE
13-53 = FWD VAN & WGN EXT W.B.	41 = 4-DOOR SEDAN
21 = 2-DOOR SEDAN	44 = 4-DOOR HATCHBACK
24 = 2-DOOR HATCHBACK	45 = 4-DOOR STATION WAGON

AR = Use as Required - = Non Illustrated Part P.A.R. = Paint as Required

MASTER CYLINDER, BRAKE M BODY
Figure 5-1700

8105 1700

ITEM	PART NUMBER	QTY	BODY	MODEL	DESCRIPTION
1	3880 289	1			MASTER CYLINDER
2	5204 056	2			CAP
3	5204 057	2			DIAPHRAGM, Master Cyl. Reservoir Cap
4	3766 448	1			RESERVOIR, Brake Master Cyl.
5	#5204 149	2			GROMMET, Reservoir Mtg.
6	6029 170	1			STOP, Brake Master Cyl. Primary Piston



WITH POWER DISC BRAKES

MODEL CODES

C BODY = (D41 - DYNASTY)(C41 - NEW YORKER)	L BODY = (M - HORIZON)(Z-OMNI)
E BODY = (J - CARAVELLE)(E - 600)(T - NEW YORKER TURBO)	M BODY = (B - GRAN FURY)(G - DIPLOMAT)(F - FIFTH AVENUE/NEWPORT)
G BODY = (V24 - DAYTONA, PACIFICA & SHELBY)	P BODY = (P - SUNDANCE)(D - SHADOW)
H BODY = (D44 - LANCER)(C44 - LEBARON GTS)	Q BODY = (C27 - MASERATI)
J BODY = (C - LEBARON)	S BODY = (H - VOYAGER)(K - RAM VAN/ CARAVAN)
K BODY = (P - RELIANT)(D - ARIES)(C - LEBARON/ TOWN & COUNTRY)	

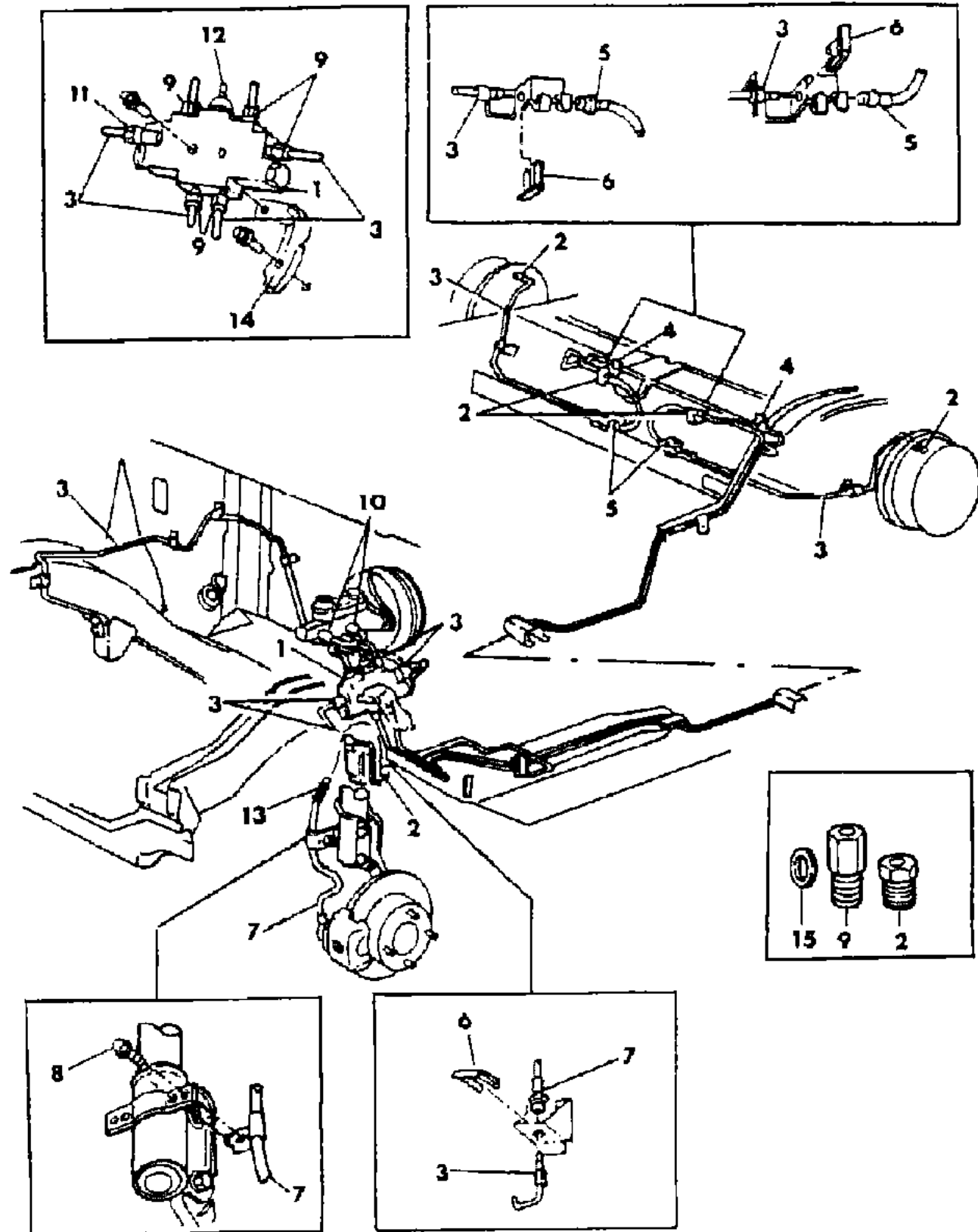
BODY STYLES

12-52 = FWD VAN & WAGON STD. W.B.	27 = 2-DOOR CONVERTIBLE
13-53 = FWD VAN & WGN EXT W.B.	41 = 4-DOOR SEDAN
21 = 2-DOOR SEDAN	44 = 4-DOOR HATCHBACK
24 = 2-DOOR HATCHBACK	45 = 4-DOOR STATION WAGON

AR = Use as Required - = Non Illustrated Part P.A.R. = Paint as Required

LINES AND HOSES, BRAKE L BODY
Figure 5-1800

8105 1800



ITEM	PART NUMBER	QTY	BODY	MODEL	DESCRIPTION
1	4313 266	1			VALVE ASSEMBLY, Brake Diff., w/Proportioning
2	6029 113	AR			NUT
3	1843 251	AR			TUBING, Brake, 3/16" O.D., 25 Ft. Roll
4	2123 341	2			CLIP, Rear Tubes to Frt. Cross Member
5	5204 264	2			HOSE, Rear Brake
6	2208 893	2			LOCK, Frt. and Rear Wheel Brake Hose
7	4313 772-3	1			HOSE, Front Brake
8	6100 557	2			SCREW and WASHER
9	6029 113	AR			NUT
10	6029 113	AR			NUT
11	#6031 714	AR			NUT
12		1			SWITCH, Brake System Indicator Lamp (Serv. in Valve Assy.)
13	3879 283	AR			COVER, Wire, 3/16" O.D. Tubing, 25 Ft. Roll
	4026 140	AR			3/8" O.D. Tubing
14	4313 632	1			BRACKET, Valve Mtg.
15	6030 084	AR			GASKET, Inlet Hose

MODEL CODES

C BODY = (D41 - DYNASTY)(C41 - NEW YORKER)
 E BODY = (J - CARAVELLE)(E - 600)(T - NEW YORKER TURBO)
 G BODY = (V24 - DAYTONA, PACIFICA & SHELBY)
 H BODY = (D44 - LANCER)(C44 - LEBARON GTS)
 J BODY = (C - LEBARON)
 K BODY = (P - RELIANT)(D - ARIES)(C - LEBARON/ TOWN & COUNTRY)

L BODY = (M - HORIZON)(Z-OMNI)
 M BODY = (B - GRAN FURY)(G - DIPLOMAT)(F - FIFTH AVENUE/NEWPORT)
 P BODY = (P - SUNDANCE)(D - SHADOW)
 Q BODY = (C27 - MASERATI)
 S BODY = (H - VOYAGER)(K - RAM VAN/ CARAVAN)

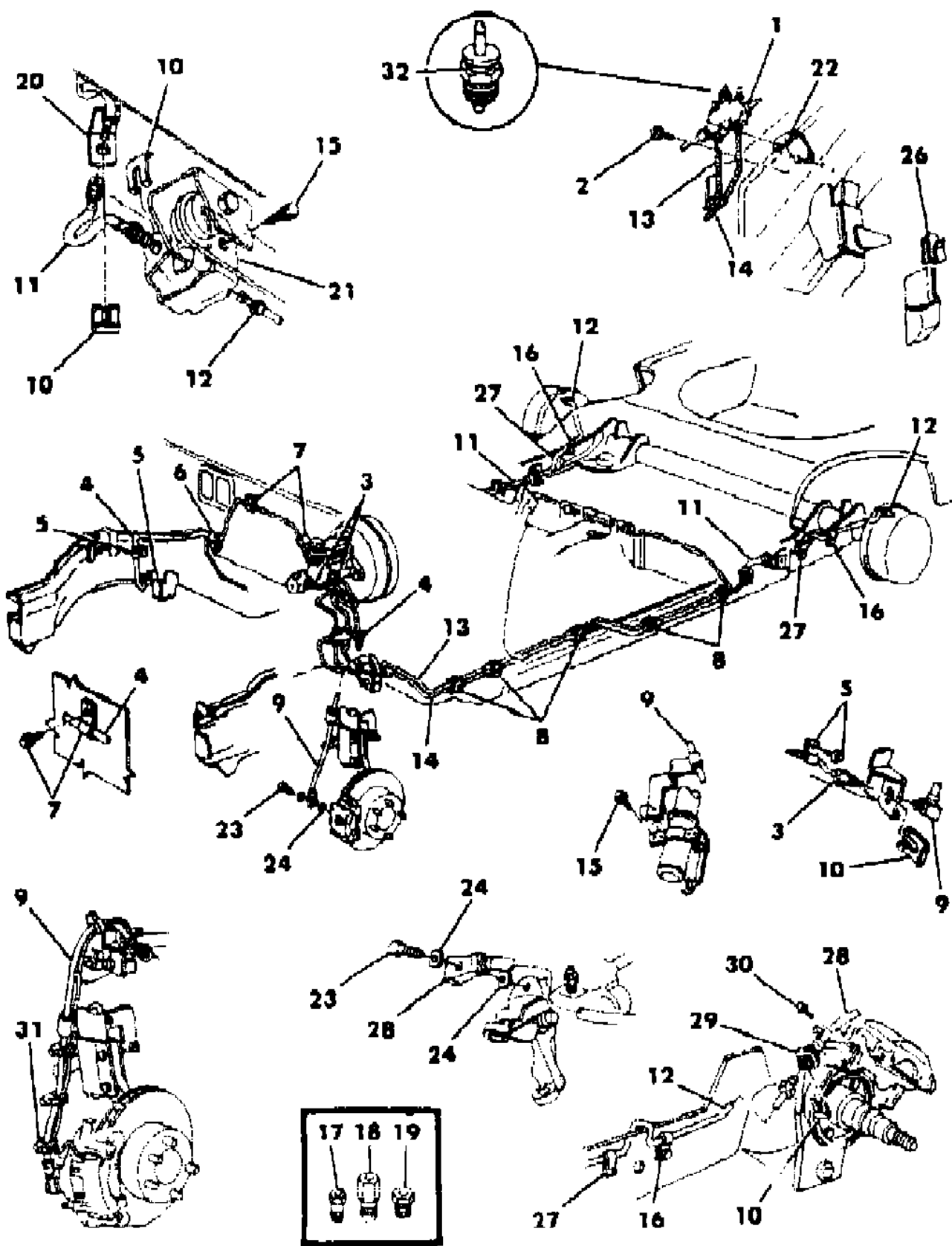
BODY STYLES

12-52 = FWD VAN & WAGON STD. W.B. 27 = 2-DOOR CONVERTIBLE
 13-53 = FWD VAN & WGN EXT W.B. 41 = 4-DOOR SEDAN
 21 = 2-DOOR SEDAN 44 = 4-DOOR HATCHBACK
 24 = 2-DOOR HATCHBACK 45 = 4-DOOR STATION WAGON

AR = Use as Required - = Non Illustrated Part P.A.R. = Paint as Required

LINES AND HOSES, BRAKE P,J,K,G,E,H BODY
Figure 5-1900

8105 1900



ITEM	PART NUMBER	QTY	BODY	MODEL	DESCRIPTION
1	4238 588	1	K	P,D,C-45	VALVE ASSEMBLY, Brake Diff., w/Proportioning
	4238 588	1	G	V-H	w/220mm x 40.0mm
	4313 054	1	K	P,D-21,41	
	4313 054	1	P	P-L,D-L	
	4313 031	1	E		
	4383 770	1	G	V-P,V-S,V-X	w/Proportioner, w/Rear Disc Brakes
	4383 771	1	H		
	4313 266	1	P	P-H,D-H	
	4313 266	1	J		
2		AR			SCREW, (Not Serv.)
3	1843 251	AR			TUBING, Brake 3/16" O.D., 25 Ft. Roll
	3879 283	AR			COVER, 3/16" Tubing, 25 Ft. Roll
4	1843 251	AR			TUBING, Brake 3/16" O.D., 25 Ft. Roll
5					CLIP, w/Screw (Not Serv.)
6					CLIP, w/Screw (Not Serv.)
7					CLIP, w/Screw (Not Serv.)
8	3766 495	6			CLIP
9	4313 630-1	1			HOSE, Frt. Whl. Brk. (w/Brkt.) (D)
10	2208 893	6			LOCK, Frt. and Rear Brake Hose
11	4313 153	2			HOSE, Rear Wheel Brake
12	1843 251	AR			TUBING, Brake 3/16" O.D., 25 Ft. Roll
13	1843 251	AR			TUBING, Brake 3/16" O.D., 25 Ft. Roll
14	1843 251	AR			TUBING, Brake 3/16" O.D., 25 Ft. Roll
15	6100 557	2			SCREW, w/Washer
16	4313 848	AR			CLIP
	6500 274	AR			NUT
17	6029 113	AR			NUT, 3/8-24" Thd.
18	6029 113	AR			NUT, 3/8-24" Thd., Long Hex.
19	#6031 714	AR			NUT, 7/16-24" Thd.
20	4314 268	1			BRACKET, Rear Floor Pan Rail Brake
21	4313 286-7	1			BRACKET, Rear Wheel Brake Hose
22	4238 626	1			BRACKET, Brake Valve Mtg.
23	6030 230	2			BOLT
24	6030 084	4			WASHER, Brake Hose
26		2			CLIP, (Not Serv.)
27	4313 848	2			CLIP
28	4383 434-5	1			HOSE, Rear Wheel Disc Brake

MODEL CODES

C BODY = (D41 - DYNASTY)(C41 - NEW YORKER)
 E BODY = (J - CARAVELLE)(E - 600)(T - NEW YORKER TURBO)
 G BODY = (V24 - DAYTONA, PACIFICA & SHELBY)
 H BODY = (D44 - LANCER)(C44 - LEBARON GTS)
 J BODY = (C - LEBARON)
 K BODY = (P - RELIANT)(D - ARIES)(C - LEBARON/ TOWN & COUNTRY)

L BODY = (M - HORIZON)(Z-OMNI)
 M BODY = (B - GRAN FURY)(G - DIPLOMAT)(F - FIFTH AVENUE/NEWPORT)
 P BODY = (P - SUNDANCE)(D - SHADOW)
 Q BODY = (C27 - MASERATI)
 S BODY = (H - VOYAGER)(K - RAM VAN/ CARAVAN)

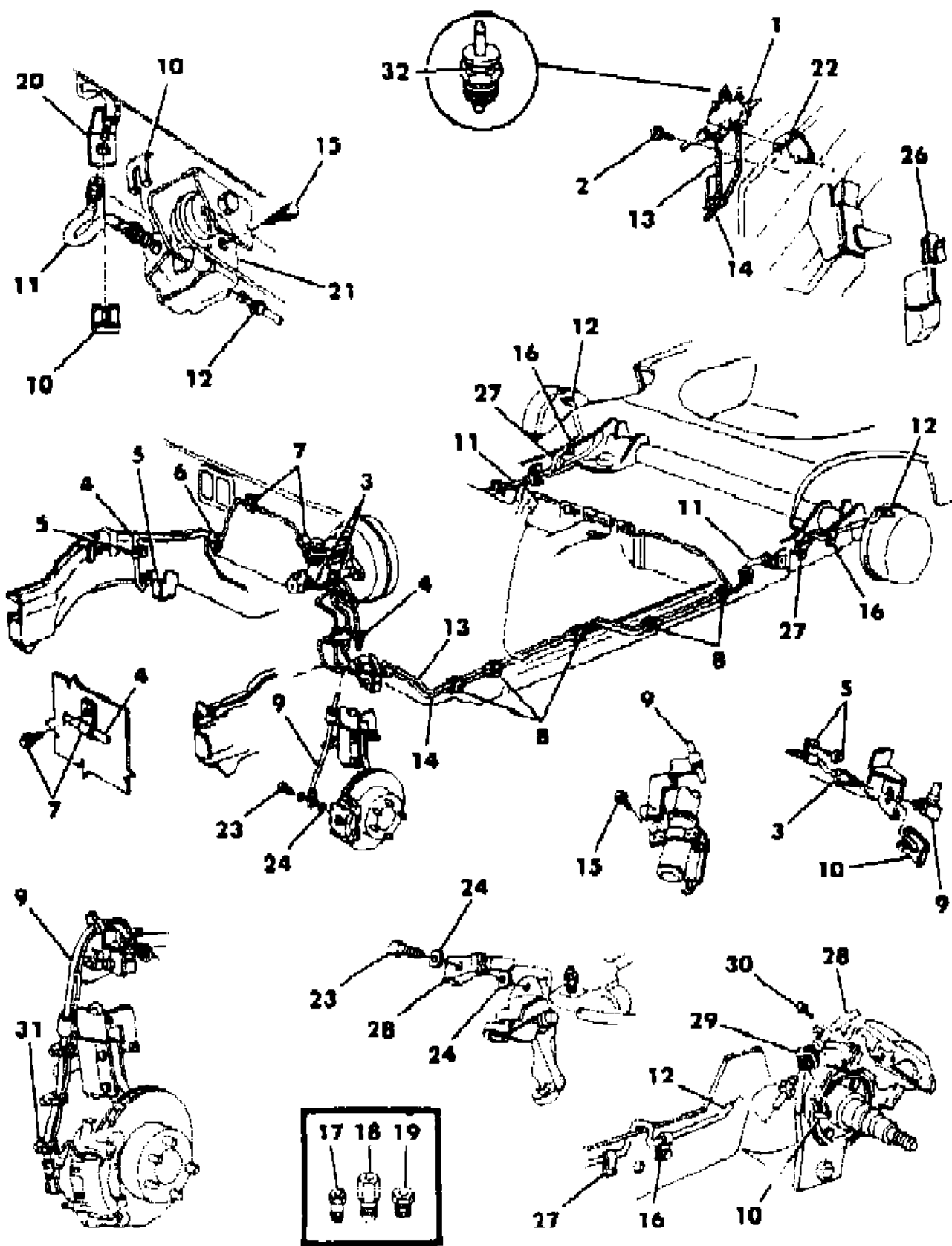
BODY STYLES

12-52 = FWD VAN & WAGON STD. W.B. 27 = 2-DOOR CONVERTIBLE
 13-53 = FWD VAN & WGN EXT W.B. 41 = 4-DOOR SEDAN
 21 = 2-DOOR SEDAN 44 = 4-DOOR HATCHBACK
 24 = 2-DOOR HATCHBACK 45 = 4-DOOR STATION WAGON

AR = Use as Required - = Non Illustrated Part P.A.R. = Paint as Required

LINES AND HOSES, BRAKE P,J,K,G,E,H BODY
Figure 5-1900

8105 1900



ITEM	PART NUMBER	QTY	BODY	MODEL	DESCRIPTION
29	4313 926-7	1			BRACKET, Rear Wheel Disc Brake Hose
30	6100 273	4			SCREW and WASHER
31	6015 756	10			CLIP, Strap On
32		1			SWITCH, Brake System Indicator Lamp (Serv. in Valve Assy.)

MODEL CODES

- C BODY = (D41 - DYNASTY)(C41 - NEW YORKER)
- E BODY = (J - CARAVELLE)(E - 600)(T - NEW YORKER TURBO)
- G BODY = (V24 - DAYTONA, PACIFICA & SHELBY)
- H BODY = (D44 - LANCER)(C44 - LEBARON GTS)
- J BODY = (C - LEBARON)
- K BODY = (P - RELIANT)(D - ARIES)(C - LEBARON/ TOWN & COUNTRY)
- L BODY = (M - HORIZON)(Z-OMNI)
- M BODY = (B - GRAN FURY)(G - DIPLOMAT)(F - FIFTH AVENUE/NEWPORT)
- P BODY = (P - SUNDANCE)(D - SHADOW)
- Q BODY = (C27 - MASERATI)
- S BODY = (H - VOYAGER)(K - RAM VAN/ CARAVAN)

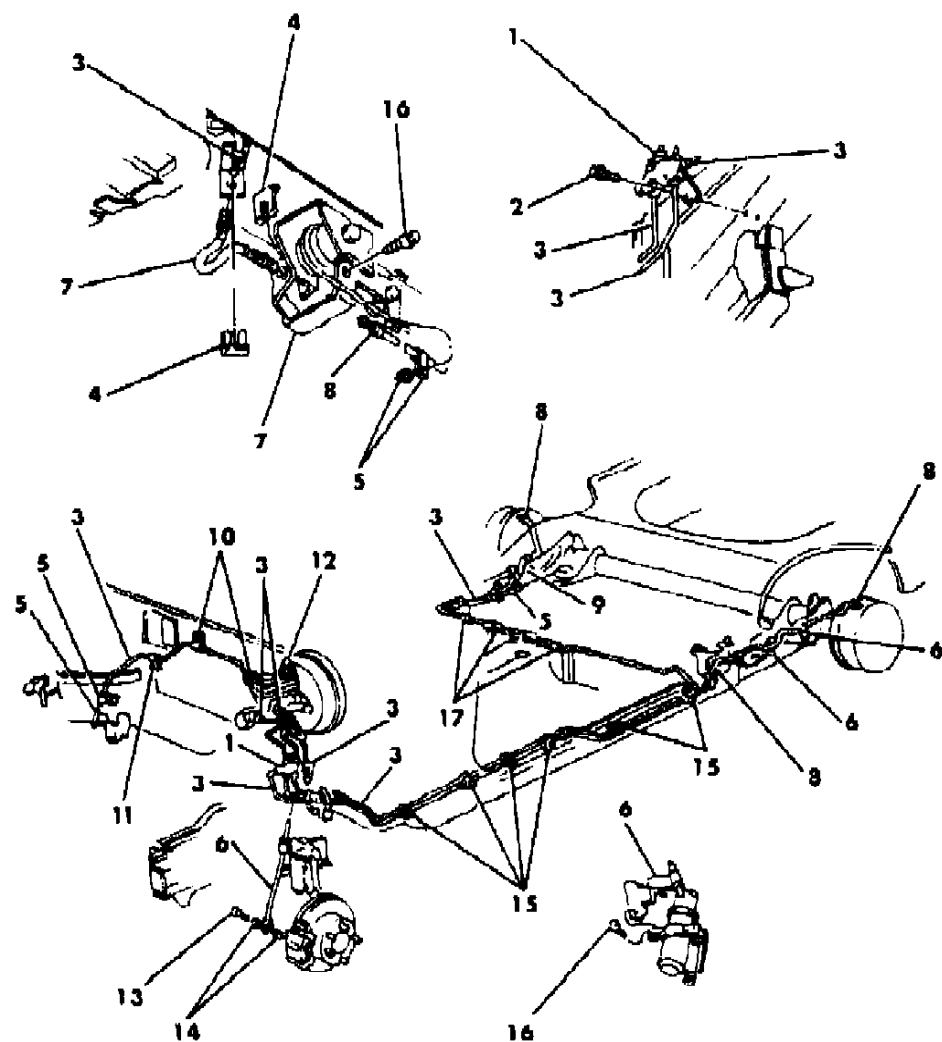
BODY STYLES

- 12-52 = FWD VAN & WAGON STD. W.B.
- 13-53 = FWD VAN & WGN EXT W.B.
- 21 = 2-DOOR SEDAN
- 24 = 2-DOOR HATCHBACK
- 27 = 2-DOOR CONVERTIBLE
- 41 = 4-DOOR SEDAN
- 44 = 4-DOOR HATCHBACK
- 45 = 4-DOOR STATION WAGON

AR = Use as Required - = Non Illustrated Part P.A.R. = Paint as Required

LINES AND HOSES, BRAKE FRONT WHEEL DISC BRAKE - WITH REAR DRUM C BODY
Figure 5-2100

8105 2100



ITEM	PART NUMBER	QTY	BODY	MODEL	DESCRIPTION
1	4238 588	1			VALVE ASSEMBLY, Brake Diff., w/Proportioning
	4238 626	1			BRACKET, Brake Valve Mtg.
2		AR			SCREW, (Not Serv.)
3	1843 251	AR			TUBING, Brake 25 Ft. Roll, 3/16" O.D
4	2208 893	2			LOCK, Frt. Wheel Brake
5	4313 848	2			CLIP, Rear Brake Tube Susp. Arm Frt.
	6029 113	2			NUT
6	4383 150-1	1			HOSE, Frt. Wheel Disc Brake
7	4383 450-1	1			BRACKET ASSEMBLY, Rear Wheel Brake Hose
	4383 448-9	1			BRACKET, Rear Wheel Brake Hose
8	4383 850	2			HOSE, Rear Wheel Brake
9	0181 063	2			SCREW
		2			CLIP, (Not Serv.)
10		AR			CLIP, (Not Serv.)
11		AR			CLIP, (Not Serv.)
12	3880 450	1			SENSOR, Brake Master Cyl. Reservoir Fluid Level
13	6030 230	AR			BOLT
14	6030 084	AR			GASKET
15	3766 495	AR			CLIP
16	6100 557	2			SCREW and WASHER
17		2			CLIP, (Not Serv.)

MODEL CODES

C BODY = (D41 - DYNASTY)(C41 - NEW YORKER)
 E BODY = (J - CARAVELLE)(E - 600)(T - NEW YORKER TURBO)
 G BODY = (V24 - DAYTONA, PACIFICA & SHELBY)
 H BODY = (D44 - LANCER)(C44 - LEBARON GTS)
 J BODY = (C - LEBARON)
 K BODY = (P - RELIANT)(D - ARIES)(C - LEBARON/ TOWN & COUNTRY)
 L BODY = (M - HORIZON)(Z-OMNI)
 M BODY = (B - GRAN FURY)(G - DIPLOMAT)(F - FIFTH AVENUE/NEWPORT)
 P BODY = (P - SUNDANCE)(D - SHADOW)
 Q BODY = (C27 - MASERATI)
 S BODY = (H - VOYAGER)(K - RAM VAN/ CARAVAN)

BODY STYLES

12-52 = FWD VAN & WAGON STD. W.B. 27 = 2-DOOR CONVERTIBLE
 13-53 = FWD VAN & WGN EXT W.B. 41 = 4-DOOR SEDAN
 21 = 2-DOOR SEDAN 44 = 4-DOOR HATCHBACK
 24 = 2-DOOR HATCHBACK 45 = 4-DOOR STATION WAGON

AR = Use as Required - = Non Illustrated Part P.A.R. = Paint as Required

LINES AND HOSES, BRAKE 4 WHEEL DISC BRAKE, W/ANTI-LOCK C BODY
Figure 5-2200

8105 2200

ITEM	PART NUMBER	QTY	BODY	MODEL	DESCRIPTION
1	1843 251	AR			TUBING, Brake 25 Ft. Roll, 3/16" O.D.
2		AR			CLIP, (Not Serv.)
3	4383 150-1	1			HOSE, Frt. Wheel Disc Brake
4	2208 893	2			LOCK, Frt. Wheel Brake
5	4383 614-5	1			CLIP, Rear Wheel Speed Sensor Wire
6	6100 557	2			SCREW and WASHER
7		2			CLIP, (Not Serv.)
8	6030 230	AR			BOLT
9	6030 084	AR			GASKET
10	4383 166-7	1			BRACKET, Rear Wheel Disc Brake Hose Adapter
11	4383 850	2			HOSE, Rear Wheel Brake
12		2			SCREW, (Not Serv.)
13	4383 450-1	1			BRACKET ASSEMBLY, Rear Wheel Brake Hose
	4383 448-9	1			BRACKET, Rear Wheel Brake Hose
14	6500 274	AR			NUT
15	6015 756	AR			CLIP
16	0181 063	2			SCREW
		2			CLIP, (Not Serv.)
17	6100 273	4			SCREW and WASHER
18	4383 156-7	1			HOSE, Rear Wheel Disc Brake
19	4294 914	1			SENSOR, Brake Anti-Lock Fluid Level (w/Cap) (D)
20	2463 937	1			CLIP
21	4383 611	2			VALVE ASSEMBLY, Brake, In-Line Proportioning
22	4294 777	2			RING, Brake Anti-Lock Pressure Hose Sealing
23	4294 776	1			SCREW and WASHER
24	4443 433	1			PUMP and MOTOR PACKAGE, Brake Anti-Lock (Bosch)
	4294 949	1			BRACKET, Pump and Motor, Brake Anti-Lock
25		2			SCREW, (Not Serv.)
26	4383 802-3	1			RETAINER, Frt. Wheel Speed Sensor
27	4383 782	2			RETAINER, Sensor Wire Grommet
28	0187 303	2			SCREW
29	#6031 299	1			RETAINER
30	4443 431	1			SHIELD and RETAINER PACKAGE, Anti-Lock Pump
	4443 432	1			HOSE and BRACKET PACKAGE, Anti-Lock Brake
31	6501 411	2			STUD
32	6100 050	2			NUT

MODEL CODES

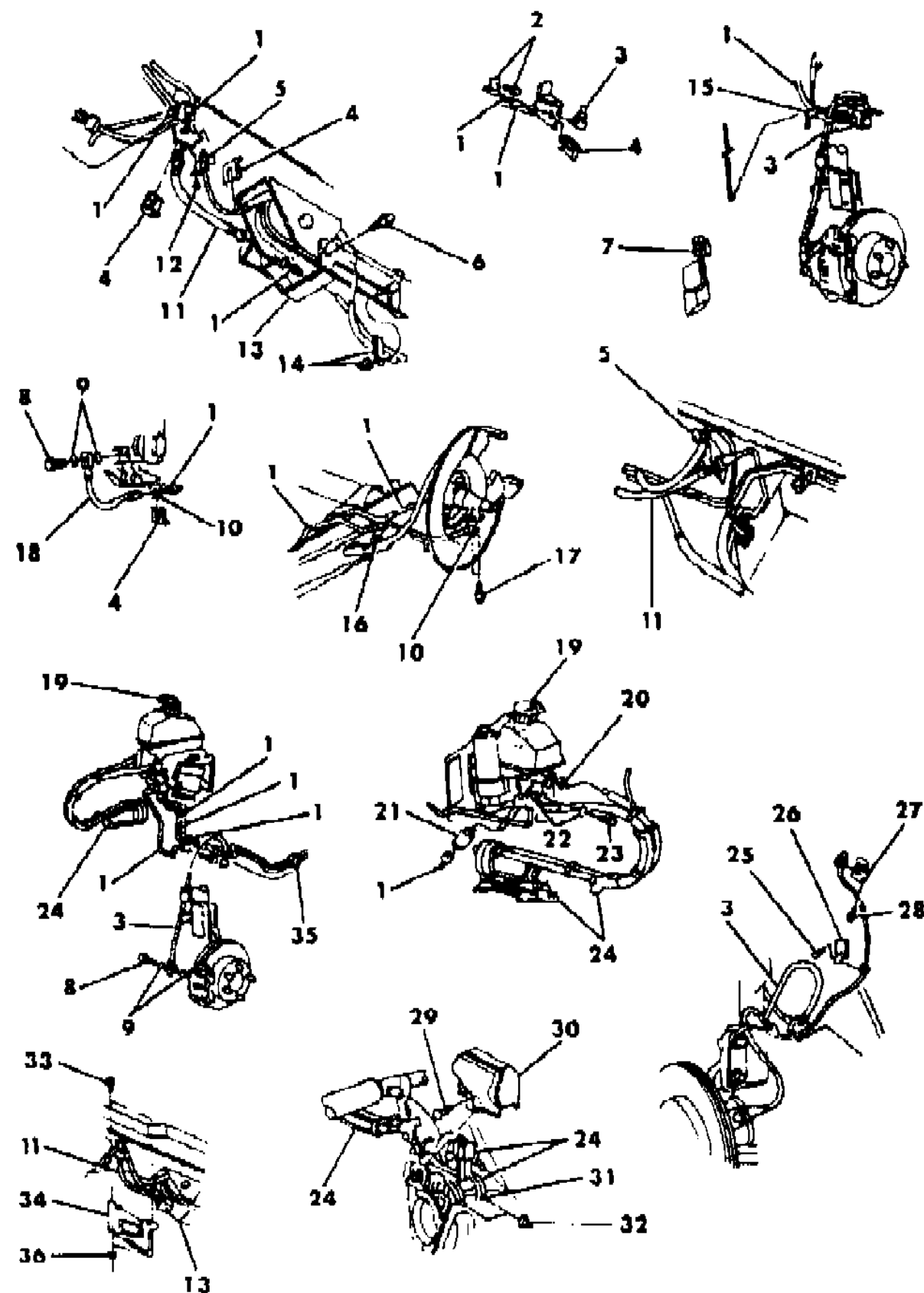
C BODY = (D41 - DYNASTY)(C41 - NEW YORKER)
 E BODY = (J - CARAVELLE)(E - 600)(T - NEW YORKER TURBO)
 G BODY = (V24 - DAYTONA, PACIFICA & SHELBY)
 H BODY = (D44 - LANCER)(C44 - LEBARON GTS)
 J BODY = (C - LEBARON)
 K BODY = (P - RELIANT)(D - ARIES)(C - LEBARON/ TOWN & COUNTRY)

L BODY = (M - HORIZON)(Z-OMNI)
 M BODY = (B - GRAN FURY)(G - DIPLOMAT)(F - FIFTH AVENUE/NEWPORT)
 P BODY = (P - SUNDANCE)(D - SHADOW)
 Q BODY = (C27 - MASERATI)
 S BODY = (H - VOYAGER)(K - RAM VAN/ CARAVAN)

BODY STYLES

12-52 = FWD VAN & WAGON STD. W.B. 27 = 2-DOOR CONVERTIBLE
 13-53 = FWD VAN & WGN EXT W.B. 41 = 4-DOOR SEDAN
 21 = 2-DOOR SEDAN 44 = 4-DOOR HATCHBACK
 24 = 2-DOOR HATCHBACK 45 = 4-DOOR STATION WAGON

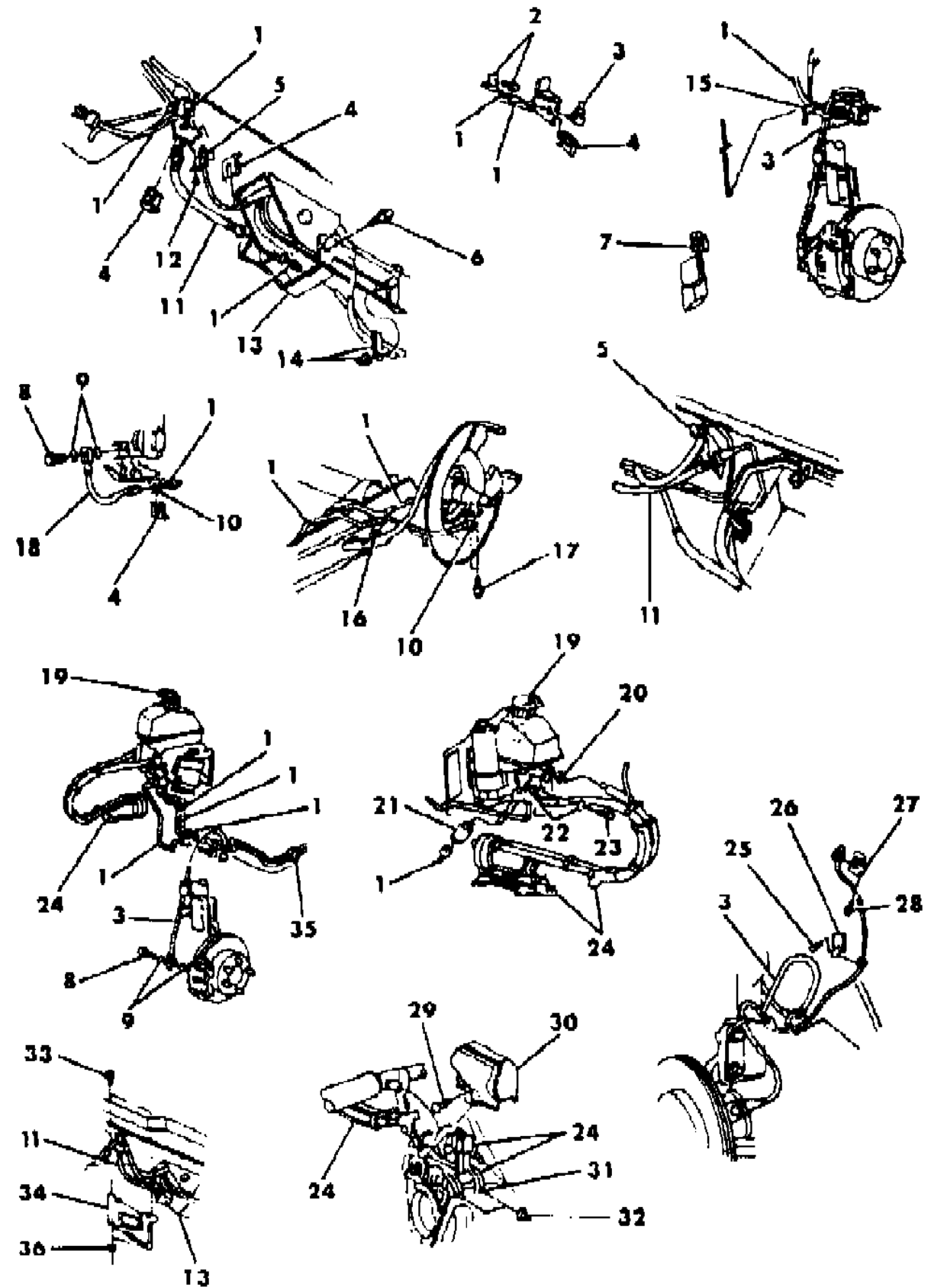
AR = Use as Required - = Non Illustrated Part P.A.R. = Paint as Required



LINES AND HOSES, BRAKE 4 WHEEL DISC BRAKE, W/ANTI-LOCK C BODY
Figure 5-2200

8105 2200

ITEM	PART NUMBER	QTY	BODY	MODEL	DESCRIPTION
33		2			SCREW and WASHER, (Not Serv.)
34	4383 691	1			SHIELD, Rear Wheel Brake Hose Heat
35	3766 495	AR			CLIP
36	0219 462	2			NUT
-	6501 570	AR			NUT, Brake Line to Hydraulic Assembly M10x1.00x16.50
-	6034 880	AR			NUT, Inverted Flared Tube .375-24x.850



MODEL CODES
 C BODY = (D41 - DYNASTY)(C41 - NEW YORKER)
 E BODY = (J - CARAVELLE)(E - 600)(T - NEW YORKER TURBO)
 G BODY = (V24 - DAYTONA, PACIFICA & SHELBY)
 H BODY = (D44 - LANCER)(C44 - LEBARON GTS)
 J BODY = (C - LEBARON)
 K BODY = (P - RELIANT)(D - ARIES)(C - LEBARON/ TOWN & COUNTRY)
 L BODY = (M - HORIZON)(Z-OMNI)
 M BODY = (B - GRAN FURY)(G - DIPLOMAT)(F - FIFTH AVENUE/NEWPORT)
 P BODY = (P - SUNDANCE)(D - SHADOW)
 Q BODY = (C27 - MASERATI)
 S BODY = (H - VOYAGER)(K - RAM VAN/ CARAVAN)

BODY STYLES
 12-52 = FWD VAN & WAGON STD. W.B. 27 = 2-DOOR CONVERTIBLE
 13-53 = FWD VAN & WGN EXT W.B. 41 = 4-DOOR SEDAN
 21 = 2-DOOR SEDAN 44 = 4-DOOR HATCHBACK
 24 = 2-DOOR HATCHBACK 45 = 4-DOOR STATION WAGON

AR = Use as Required - = Non Illustrated Part P.A.R. = Paint as Required

LINES AND HOSES, BRAKE S BODY
Figure 5-2300

8105 2300

ITEM	PART NUMBER	QTY	BODY	MODEL	DESCRIPTION
1	4313 031	1			SWITCH, Brake Diff. (w/Valve) (D)
2	2208 893	6			LOCK, Frt. and Rear Brake Hose
3	1843 251	AR			TUBING, 3/16" O.D., 25 Ft. Roll
	6029 113	AR			NUT, 3/8-24
	6031 714	AR			NUT, 7/16-24
4	4313 630-1	1			HOSE, Frt.
5	6030 230	2			BOLT, Brake Hose
6	6030 084	4			GASKET, Brake Hose
7	4313 713	2			HOSE, Rear Wheel Brake
8	4313 846	2			BRACKET, Rear Wheel Brake Hose C/Member
9	3766 495	6			CLIP
10	6500 879	4			SCREW
11	6101 283	2			U-NUT
12	6100 302	2			SCREW
13	4313 938	1			BRACKET, Height Sensing Brake Valve Mtg.
14	4383 673	1			VALVE ASSEMBLY, Height Sensing Brake
15	4313 947	1		12,52	ACTUATOR, w/Std. Susp., w/195R 75x14 Tires
	4383 697	1		13,53	Use on Extended W.B.
	4383 145	1		12,13,52,53	ACTUATOR, w/HD. Susp., w/195R 75, 205R 70x14 Tires
	4383 697	1		12,52	Use on Extended W.B.
	4313 947	1		12,52	ACTUATOR, w/Std. Susp. w/205R 70X14 Tires
	4313 969	1		52	ACTUATOR, w/Std. Susp. w/185R 75, 195R 75X14 Tires
	4383 586	1		53	Use on Extended W.B.
	4313 947	1		12,52	ACTUATOR, w/HD. Susp. w/195R 75X14 Tires
	4383 145	1		12,13,52,53	ACTUATOR, w/HD. Susp. w/205R 70X14 Tires
16	4383 245	1			BRACKET, Actuator
17	4383 648	1			SHIELD, Height Sensing Brake Valve
18	4313 025	2			CLIP, Rear Axle Brake Tube
19	3575 333	1			GROMMET, Brake Load Sens. Actuator Rod
20		1			SWITCH, Brake System Indicator Lamp (Serv. in Valve Assy.)

MODEL CODES

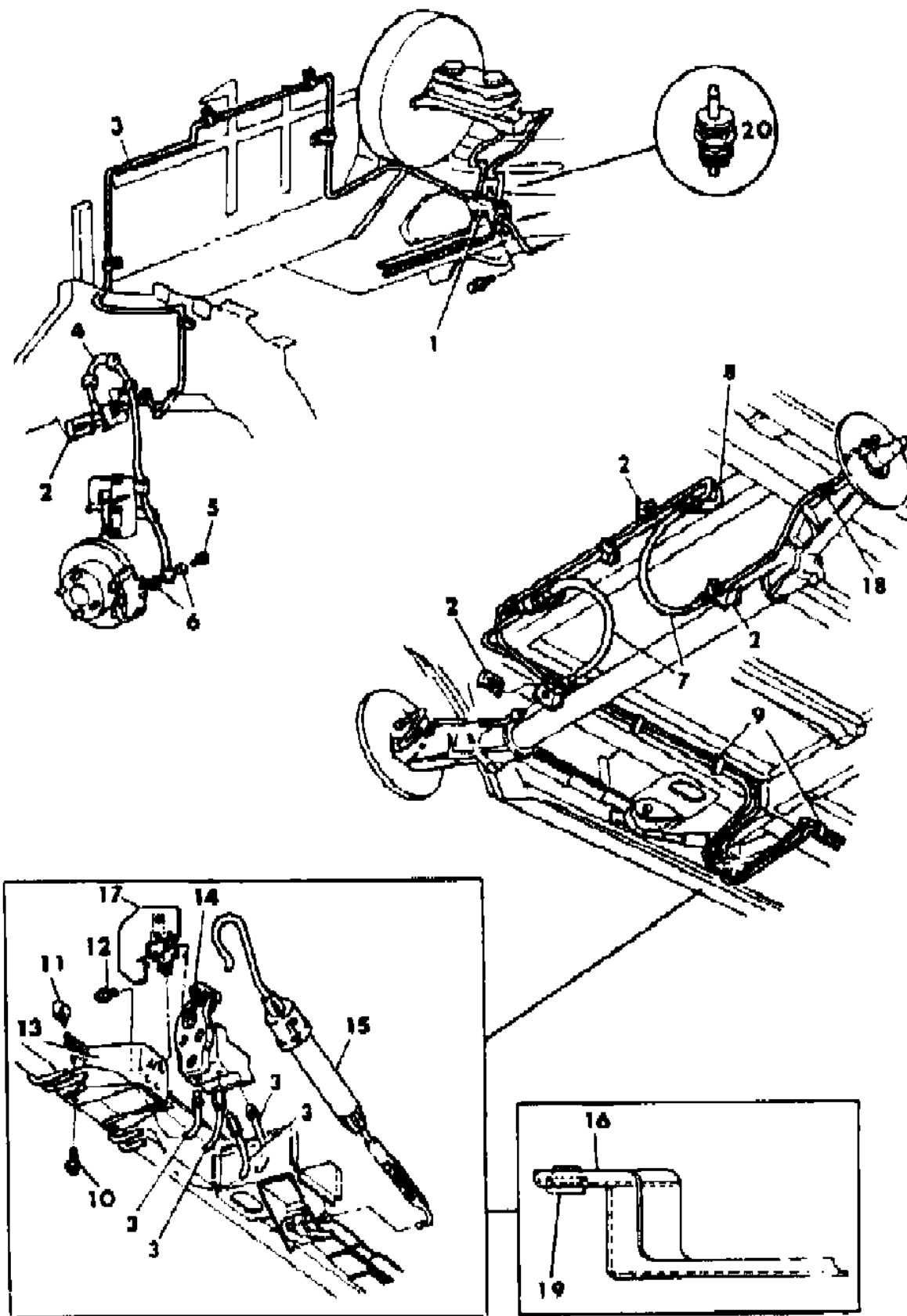
C BODY = (D41 - DYNASTY)(C41 - NEW YORKER)
 E BODY = (J - CARAVELLE)(E - 600)(T - NEW YORKER TURBO)
 G BODY = (V24 - DAYTONA, PACIFICA & SHELBY)
 H BODY = (D44 - LANCER)(C44 - LEBARON GTS)
 J BODY = (C - LEBARON)
 K BODY = (P - RELIANT)(D - ARIES)(C - LEBARON/ TOWN & COUNTRY)

L BODY = (M - HORIZON)(Z-OMNI)
 M BODY = (B - GRAN FURY)(G - DIPLOMAT)(F - FIFTH AVENUE/NEWPORT)
 P BODY = (P - SUNDANCE)(D - SHADOW)
 Q BODY = (C27 - MASERATI)
 S BODY = (H - VOYAGER)(K - RAM VAN/ CARAVAN)

BODY STYLES

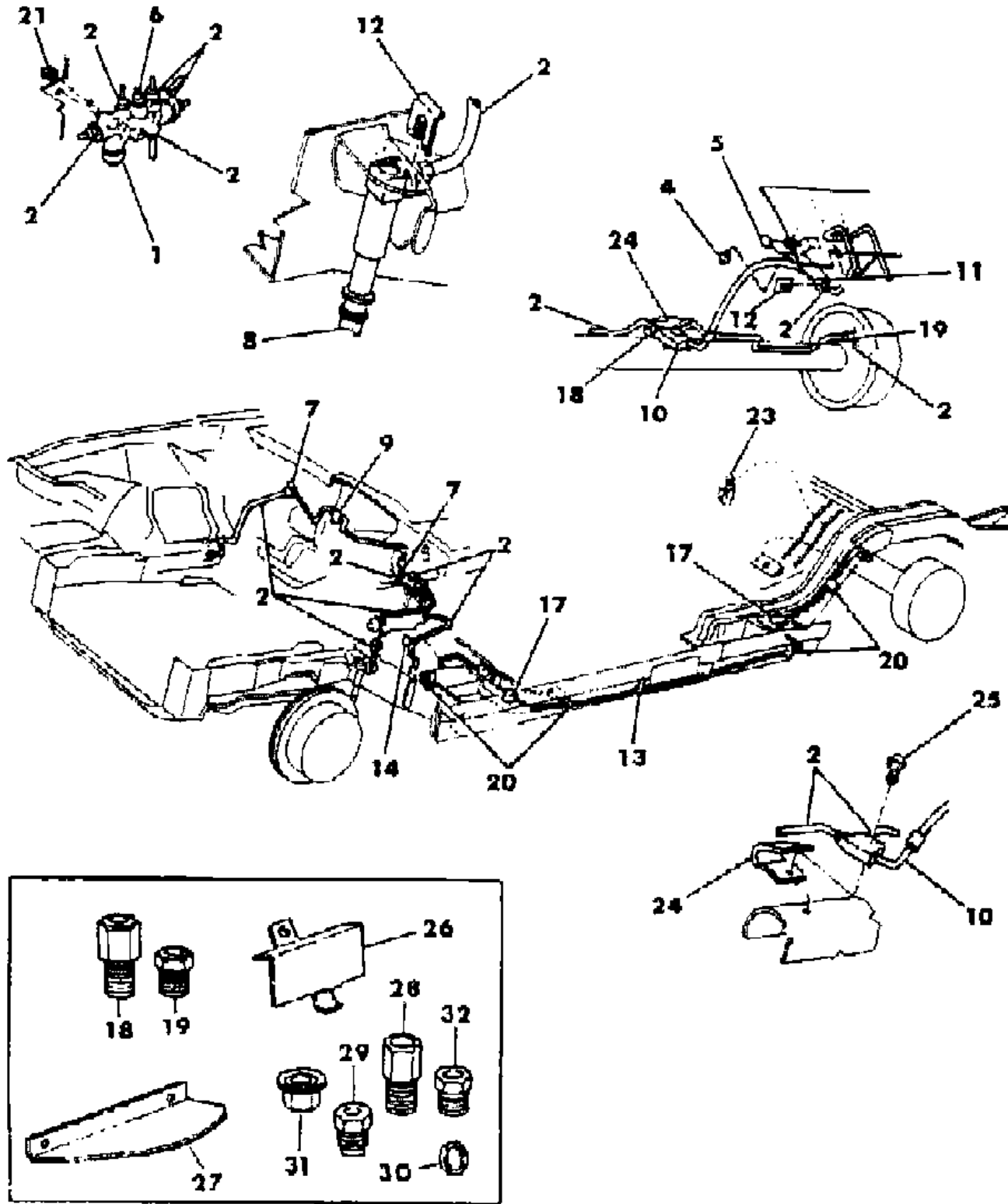
12-52 = FWD VAN & WAGON STD. W.B. 27 = 2-DOOR CONVERTIBLE
 13-53 = FWD VAN & WGN EXT W.B. 41 = 4-DOOR SEDAN
 21 = 2-DOOR SEDAN 44 = 4-DOOR HATCHBACK
 24 = 2-DOOR HATCHBACK 45 = 4-DOOR STATION WAGON

AR = Use as Required - = Non Illustrated Part P.A.R. = Paint as Required



LINES AND HOSES, BRAKE M BODY
Figure 5-2400

8105 2400



ITEM	PART NUMBER	QTY	BODY	MODEL	DESCRIPTION
1	#4176 794	1			VALVE ASSEMBLY, Brake Tube Pwr. Disc Brakes
2	1843 251	1			TUBING, Brake, 25 ft. Roll, 3/16" O.D.
	4418 153	1			1/4" O.D.
	4418 154	1			5/16" O.D.
	4418 159	1			3/8" O.D.
-	3879 283	1			COVER, 25 ft. Rolls, 3/16" O.D. Tubing
	3879 284	1			1/4" O.D. Tubing
	4026 140	1			3/8" O.D. Tubing
4	0181 086	AR			SCREW and WASHER
5					BRACKET and NUT ASSEMBLY
6		1			SWITCH, Brake System Indicator Lamp (Serv. in Valve Assy.)
7		2			CLIP, Weld on
8	4240 508-9	1			HOSE, Front Whl. Brake, Flexible, Replacement Pkg.
9		AR			CLIP and SCREW, (Not Serv.)
10	4126 502	1			HOSE and TEE, Rear Axle Brake
11	4126 503	1			BRACKET, Brake Tube Rear Hose
12	2208 893	4			LOCK
13	2207 933	1			CLIP
14		AR			CLIP and SCREW, (Not Serv.)
17	2123 341	1			CLIP
18	6029 113	AR			NUT, 3/8-24 Thd. Long Hex
19	#6031 714	AR			NUT, 7/16-24 Thd.
20		AR			CLIP and SCREW, (Not Serv.)
21	6030 607	1			LOCK NUT, Brake Tube Valve Bolt
23	3723 689	1			CLIP
24	3880 807	1			GUARD, Rear Axle Brake Tube Tee
25		AR			SCREW and WASHER, (Not Serv.)
26	#3766 357	1			SHIELD, Brake Valve to Rear Hose
27	4126 794	1			SHIELD, Front Brake Lt. Hose Heat
28	6029 113	AR			NUT, 3/8-24 Thd.
29	6026 888	2			NUT, Secondary Tube
	6026 887	2			NUT, Primary Tube
30	6030 084	1			GASKET, Inlet Hose
31	6025 004	1			NUT
32	6026 436	1			NUT, Primary, 3/16" O.D.

MODEL CODES

C BODY = (D41 - DYNASTY)(C41 - NEW YORKER)
 E BODY = (J - CARAVELLE)(E - 600)(T - NEW YORKER TURBO)
 G BODY = (V24 - DAYTONA, PACIFICA & SHELBY)
 H BODY = (D44 - LANCER)(C44 - LEBARON GTS)
 J BODY = (C - LEBARON)
 K BODY = (P - RELIANT)(D - ARIES)(C - LEBARON/ TOWN & COUNTRY)

L BODY = (M - HORIZON)(Z-OMNI)
 M BODY = (B - GRAN FURY)(G - DIPLOMAT)(F - FIFTH AVENUE/NEWPORT)
 P BODY = (P - SUNDANCE)(D - SHADOW)
 Q BODY = (C27 - MASERATI)
 S BODY = (H - VOYAGER)(K - RAM VAN/ CARAVAN)

BODY STYLES

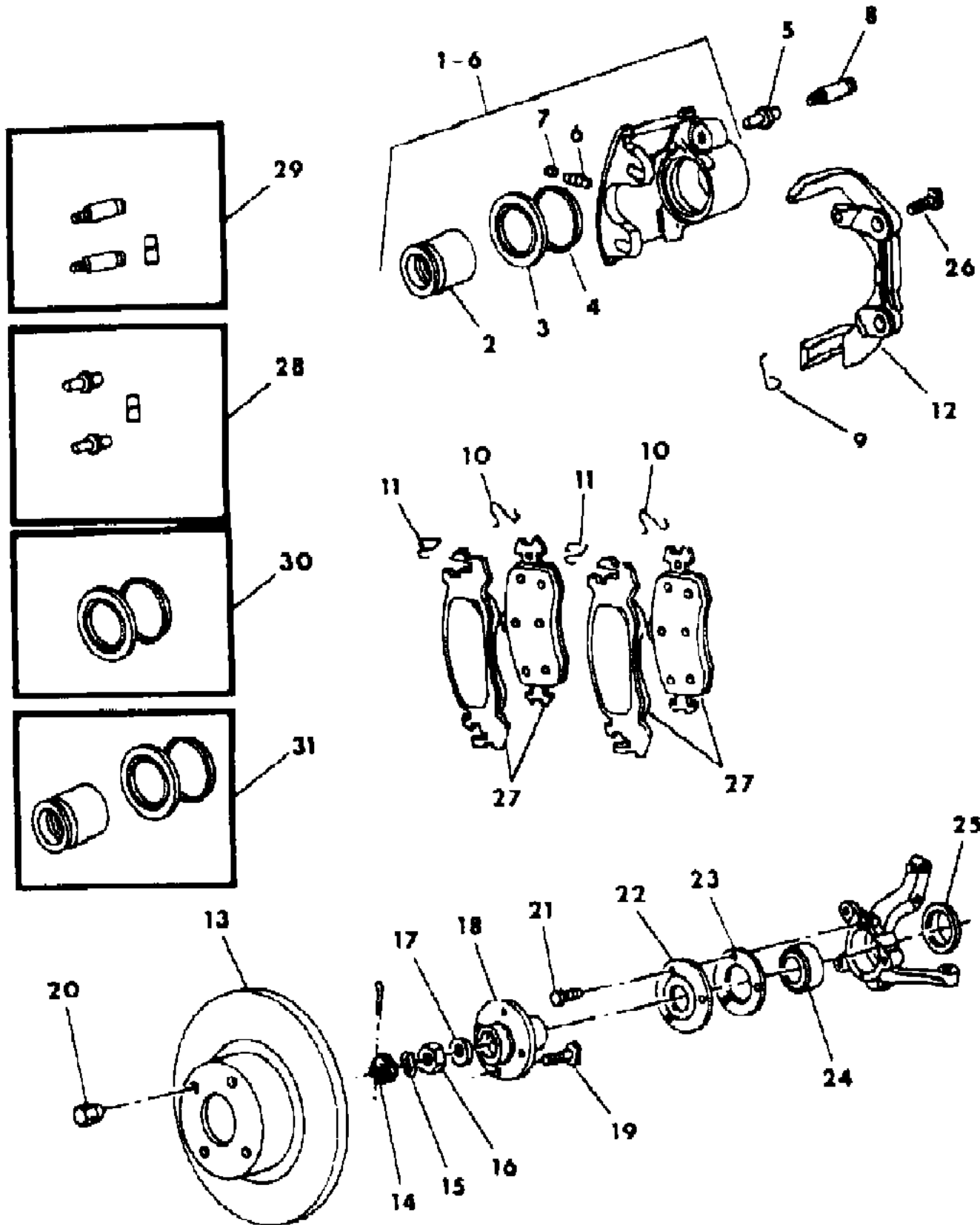
12-52 = FWD VAN & WAGON STD. W.B. 27 = 2-DOOR CONVERTIBLE
 13-53 = FWD VAN & WGN EXT W.B. 41 = 4-DOOR SEDAN
 21 = 2-DOOR SEDAN 44 = 4-DOOR HATCHBACK
 24 = 2-DOOR HATCHBACK 45 = 4-DOOR STATION WAGON

AR = Use as Required - = Non Illustrated Part P.A.R. = Paint as Required

BRAKES FRONT L BODY

Figure 5-2500

8105 2500



ITEM	PART NUMBER	QTY	BODY	MODEL	DESCRIPTION
1-6	4238 676-7	1			HOUSING, Caliper Partail
2		2			PISTON, (See Pkg. 4364778)
3		2			BOOT, (See Pkg. 4364779)
4		2			SEAL, (See Pkg. 4364779)
5		2			BUSHING, (See Pkg. 4267331)
6	3780 788	2			SCREW, Disc Brake Bleeder
7	5204 389	2			CAP, Bleeder Screw
8		2			PIN, Locating (See Pkg. 4293172)
9	4238 878-9	1			CLIP, Disc Brake Caliper Anti Rattle
10	4238 884-5	1			CLIP, Disc Brake Inner Shoe Anti Rattle
11	4313 234-5	1			CLIP, Disc Brake Outer Shoe Anti Rattle
12	4238 688-9	1			ADAPTER, Disc Brake
13	4313 591	2			DISC, Frt. Wheel Brake, Finish
14	4293 167	2			LOCK, Hub Nut
15	5212 684	2			WASHER, Drive Hub Wave
16	6500 298	2			NUT, Drive Hub
17	6500 299	2			WASHER
18	5212 521	2			HUB, Frt. Wheel Drive
19	6501 053	8			BOLT, Frt. Wheel Driving
20	6500 294	16			NUT, Wheel Mtg. Stamped Cap
21	6500 544	6			SCREW, Frt. Wheel Brg. Ret.
22	5212 548	2			RETAINER, Frt. Wheel Brg.
23	5212 550	2			GASKET, Frt. Wheel Brg. Retaining
24	4397 499	2			BEARING, Frt. Wheel
25	5212 535	2			SEAL, Frt. Wheel Outer C V Joint
26	6500 908	4			SCREW and WASHER, Disc Brake to Knuckle Mtg.
27	4238 786	1			SHOE and LINING PACKAGE, Frt. Wheel Disc Brake
28	4267 331	1			BUSHING PACKAGE
29	4293 172	1			PIN PACKAGE, Disc Brake Housing Loc.
30	4364 778	1			PISTON, BOOT and SEAL PACKAGE, Disc Brake
31	4364 779	1			BOOT and SEAL PACKAGE

MODEL CODES

C BODY = (D41 - DYNASTY)(C41 - NEW YORKER)
 E BODY = (J - CARAVELLE)(E - 600)(T - NEW YORKER TURBO)
 G BODY = (V24 - DAYTONA, PACIFICA & SHELBY)
 H BODY = (D44 - LANCER)(C44 - LEBARON GTS)
 J BODY = (C - LEBARON)
 K BODY = (P - RELIANT)(D - ARIES)(C - LEBARON/ TOWN & COUNTRY)

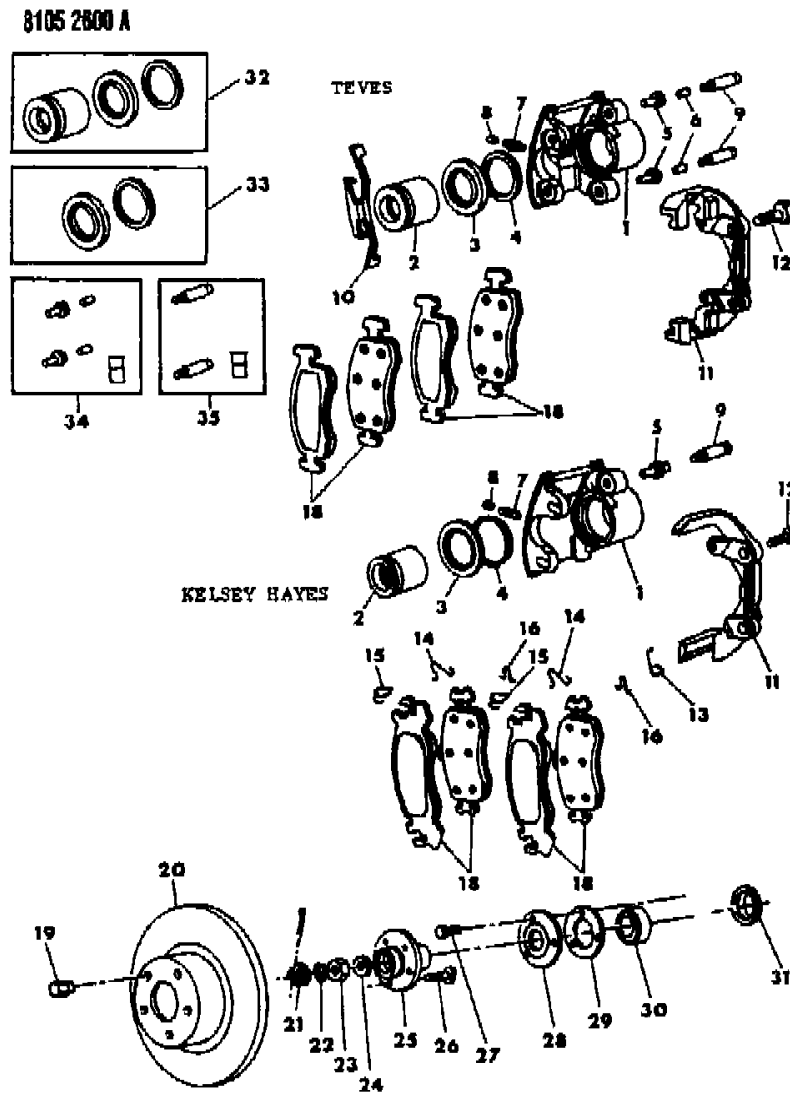
L BODY = (M - HORIZON)(Z-OMNI)
 M BODY = (B - GRAN FURY)(G - DIPLOMAT)(F - FIFTH AVENUE/NEWPORT)
 P BODY = (P - SUNDANCE)(D - SHADOW)
 Q BODY = (C27 - MASERATI)
 S BODY = (H - VOYAGER)(K - RAM VAN/ CARAVAN)

BODY STYLES

12-52 = FWD VAN & WAGON STD. W.B.	27 = 2-DOOR CONVERTIBLE
13-53 = FWD VAN & WGN EXT W.B.	41 = 4-DOOR SEDAN
21 = 2-DOOR SEDAN	44 = 4-DOOR HATCHBACK
24 = 2-DOOR HATCHBACK	45 = 4-DOOR STATION WAGON

AR = Use as Required - = Non Illustrated Part P.A.R. = Paint as Required

BRAKES FRONT P BODY
Figure 5-2600



ITEM	PART NUMBER	QTY	BODY	MODEL	DESCRIPTION
1	4238 684-5	1		P-L,D-L	HOUSING, Caliper, Partial, Teves
	4313 960-1	1		P-H,D-H	HOUSING, Caliper, Partial, Kelsey Hayes
2					PISTON, (See Item 32)
3					BOOT, (See Item 33)
4					SEAL, (See Item 33)
5					BUSHING, (See Item 34)
6					SLEEVE, (See Item 34)
7	4126 879	2		P-L,D-L	SCREW, Disc Brake Bleeder
	3780 788	2		P-H,D-H	
8	4126 733	2		P-L,D-L	CAP, Disc Brake Bleeder Screw
	5204 389	2		P-H,D-H	
9					PIN, Disc Brake Hsg. Locating (See Item 35)
10	4126 732	2		P-L,D-L	CLIP, Disc Brake Caliper
11	4238 683	2		P-L,D-L	ADAPTER, Disc Brake, Teves
	4313 962-3	1		P-H,D-H	ADAPTER, Disc Brake, Kelsey Hayes
12	6500 908	4			BOLT and WASHER, Caliper Mtg.
13	4238 892-3	1		P-H,D-H	CLIP, Disc Brake Caliper Anti-Rattle
14	4238 884-5	1		P-H,D-H	CLIP, Disc Brake Inner Shoe Anti-Rattle
15	4313 234-5	1		P-H,D-H	CLIP, Disc Brake Outer Shoe Anti-Rattle
16	4313 234-5	1		P-H,D-H	CLIP, Disc Brake Outer Shoe Anti-Rattle
18	4293 200	1		P-L,D-L	SHOE and LINING PACKAGE, Power Disc Brake
	4383 658	1		P-H,D-H	SHOE and LINING PACKAGE, Power Disc Brake
	4313 968	1		P-H,D-H	SHOE, LINING, CLIP and SENSOR PACKAGE, Power Disc Brake
19	6500 526	AR			NUT
	6500 294	AR			NUT, Chrome
20	4313 758	2		P-L,D-L	DISC, Frt. Wheel Brake
	4313 633	2		P-H,D-H	
21	4293 167	2			LOCK, Hub Nut
22	5212 684	2			WASHER, Hub Wave
23	6500 298	2			NUT, Hub
24	6500 299	2			WASHER
25	5212 770	2			HUB, 5 Stud
26	6501 053	AR			STUD
27	6500 544	AR			BOLT, Bearing Ret.
28	5212 980	2			RETAINER, Frt. Wheel Brg.
29	5212 559	2			GASKET, Frt. Wheel Brg. Ret.

MODEL CODES

C BODY = (D41 - DYNASTY)(C41 - NEW YORKER)
 E BODY = (J - CARAVELLE)(E - 600)(T - NEW YORKER TURBO)
 G BODY = (V24 - DAYTONA, PACIFICA & SHELBY)
 H BODY = (D44 - LANCER)(C44 - LEBARON GTS)
 J BODY = (C - LEBARON)
 K BODY = (P - RELIANT)(D - ARIES)(C - LEBARON/ TOWN & COUNTRY)

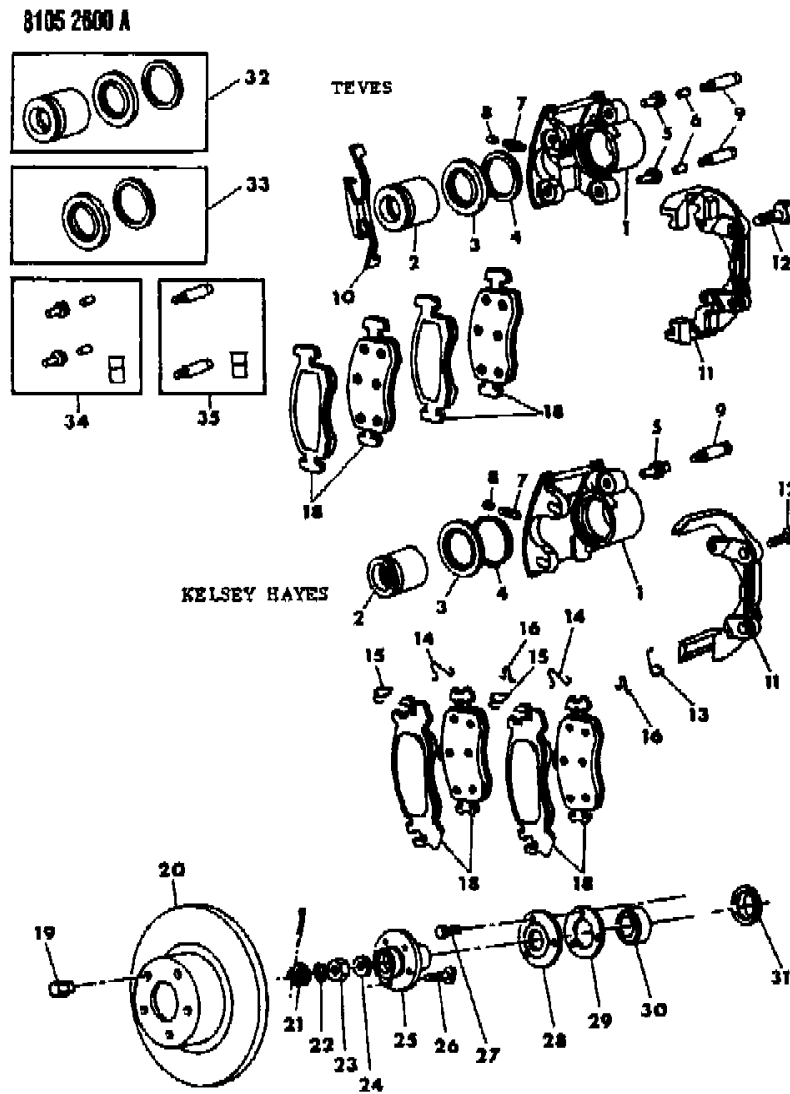
L BODY = (M - HORIZON)(Z-OMNI)
 M BODY = (B - GRAN FURY)(G - DIPLOMAT)(F - FIFTH AVENUE/NEWPORT)
 P BODY = (P - SUNDANCE)(D - SHADOW)
 Q BODY = (C27 - MASERATI)
 S BODY = (H - VOYAGER)(K - RAM VAN/ CARAVAN)

BODY STYLES

12-52 = FWD VAN & WAGON STD. W.B. 27 = 2-DOOR CONVERTIBLE
 13-53 = FWD VAN & WGN EXT W.B. 41 = 4-DOOR SEDAN
 21 = 2-DOOR SEDAN 44 = 4-DOOR HATCHBACK
 24 = 2-DOOR HATCHBACK 45 = 4-DOOR STATION WAGON

AR = Use as Required - = Non Illustrated Part P.A.R. = Paint as Required

BRAKES FRONT P BODY
Figure 5-2600



ITEM	PART NUMBER	QTY	BODY	MODEL	DESCRIPTION
30	4397 498	2			BEARING, Frt. Wheel
31	5212 535	2			SEAL
32	4205 984	2		P-L,D-L	PISTON, BOOT and SEAL PACKAGE
	4364 778	2		P-H,D-H	
33	4205 985	2		P-L,D-L	BOOT and SEAL PACKAGE
	4364 779	2		P-H,D-H	
34	4205 982	2		P-L,D-L	BUSHING and SLEEVE PACKAGE
	4267 331	2		P-H,D-H	
35	4267 329	2		P-L,D-L	PIN PACKAGE
	4267 330	2		P-H,D-H	

MODEL CODES

C BODY = (D41 - DYNASTY)(C41 - NEW YORKER)	L BODY = (M - HORIZON)(Z-OMNI)
E BODY = (J - CARAVELLE)(E - 600)(T - NEW YORKER TURBO)	M BODY = (B - GRAN FURY)(G - DIPLOMAT)(F - FIFTH AVENUE/NEWPORT)
G BODY = (V24 - DAYTONA, PACIFICA & SHELBY)	P BODY = (P - SUNDANCE)(D - SHADOW)
H BODY = (D44 - LANCER)(C44 - LEBARON GTS)	Q BODY = (C27 - MASERATI)
J BODY = (C - LEBARON)	S BODY = (H - VOYAGER)(K - RAM VAN/ CARAVAN)
K BODY = (P - RELIANT)(D - ARIES)(C - LEBARON/ TOWN & COUNTRY)	

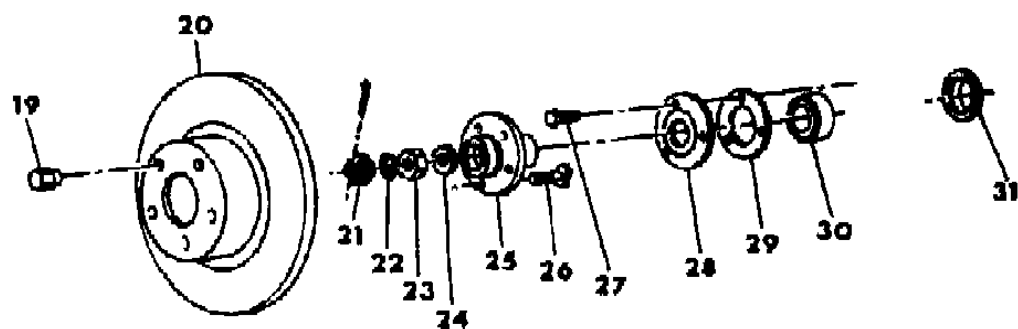
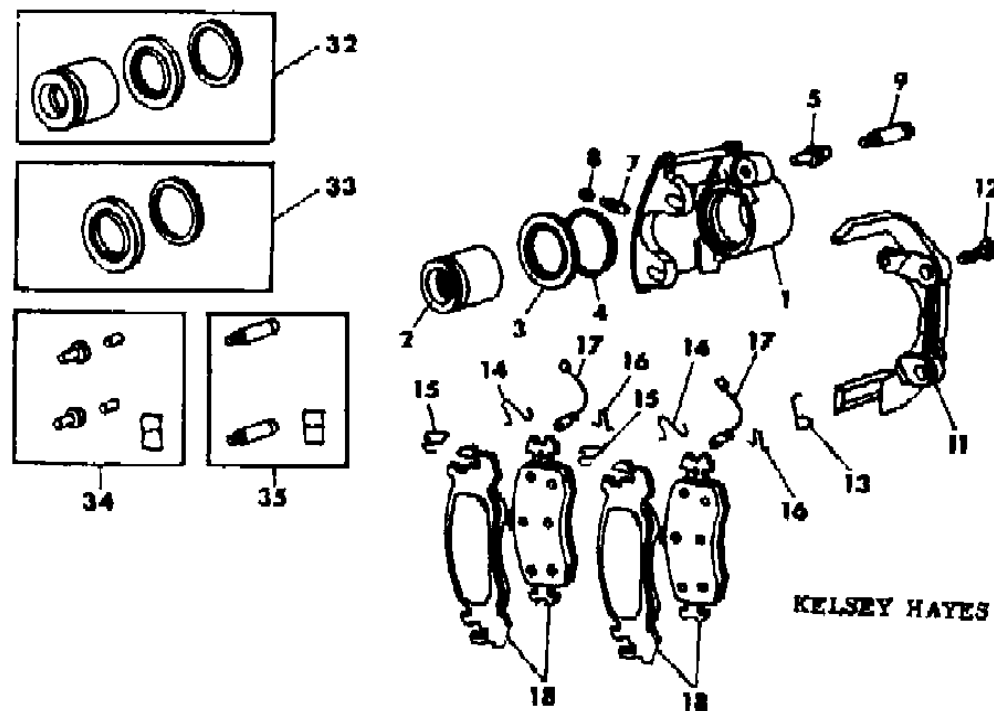
BODY STYLES

12-52 = FWD VAN & WAGON STD. W.B.	27 = 2-DOOR CONVERTIBLE
13-53 = FWD VAN & WGN EXT W.B.	41 = 4-DOOR SEDAN
21 = 2-DOOR SEDAN	44 = 4-DOOR HATCHBACK
24 = 2-DOOR HATCHBACK	45 = 4-DOOR STATION WAGON

AR = Use as Required - = Non Illustrated Part P.A.R. = Paint as Required

BRAKES FRONT J BODY
Figure 5-2615

8105 2615



ITEM	PART NUMBER	QTY	BODY	MODEL	DESCRIPTION
1	4313 960-1	1			HOUSING, Caliper, Partial, Kelsey Hayes
2		2			PISTON, (See Item 32)
3		2			BOOT, (See Item 33)
4		2			SEAL, (See Item 33)
5		4			BUSHING, (See Item 34)
7	3780 788	2			SCREW, Disc Brake Bleeder
8	5204 389	2			CAP, Disc Brake Bleeder Screw
9		4			PIN, Disc Brake Hsg. Locating (See Item 35)
11	4313 962-3	1			ADAPTER, Disc Brake, Kelsey Hayes
12	6500 908	4			BOLT and WASHER, Caliper Mtg.
13	4238 892-3	1			CLIP, Disc Brake Caliper Anti-Rattle
14	4238 884-5	1			CLIP, Disc Brake Inner Shoe Anti-Rattle
15	4313 234-5	1			CLIP, Disc Brake Outer Shoe Anti-Rattle
16	4313 234-5	1			CLIP, Disc Brake Outer Shoe Anti-Rattle
17	4313 040	1			SENSOR, Disc Brake Inner Shoe Lining and Clip, w/Elect. Message Center
18	4313 968	1			SHOE, LINING, CLIP and SENSOR PACKAGE, Power Disc Brake
	4383 658	1			SHOE and LINING PACKAGE, Power Disc Brakes w/o Elect. Message Center
	4383 485	1			w/Elect. Message Center
19	6500 526	AR			NUT
	6500 294	AR			NUT, Chrome
20	4313 633	2			DISC, Frt. Wheel Brake
21	4293 167	2			LOCK, Hub Nut
22	5212 684	2			WASHER, Hub Wave
23	6500 298	2			NUT, Hub
24	6500 299	2			WASHER
25	5212 770	2			HUB, 5 Stud
26	6501 053	AR			STUD
27	6500 544	AR			BOLT, Bearing Ret.
28	5212 980	2			RETAINER, Frt. Wheel Brg.
29	5212 559	2			GASKET, Frt. Wheel Brg. Ret.
30	4397 498	2			BEARING, Frt. Wheel
31	5212 535	2			SEAL
32	4364 778	2			PISTON, BOOT and SEAL PACKAGE
33	4364 779	2			BOOT and SEAL PACKAGE

MODEL CODES

C BODY = (D41 - DYNASTY)(C41 - NEW YORKER)
 E BODY = (J - CARAVELLE)(E - 600)(T - NEW YORKER TURBO)
 G BODY = (V24 - DAYTONA, PACIFICA & SHELBY)
 H BODY = (D44 - LANCER)(C44 - LEBARON GTS)
 J BODY = (C - LEBARON)
 K BODY = (P - RELIANT)(D - ARIES)(C - LEBARON/ TOWN & COUNTRY)

L BODY = (M - HORIZON)(Z-OMNI)
 M BODY = (B - GRAN FURY)(G - DIPLOMAT)(F - FIFTH AVENUE/NEWPORT)
 P BODY = (P - SUNDANCE)(D - SHADOW)
 Q BODY = (C27 - MASERATI)
 S BODY = (H - VOYAGER)(K - RAM VAN/ CARAVAN)

BODY STYLES

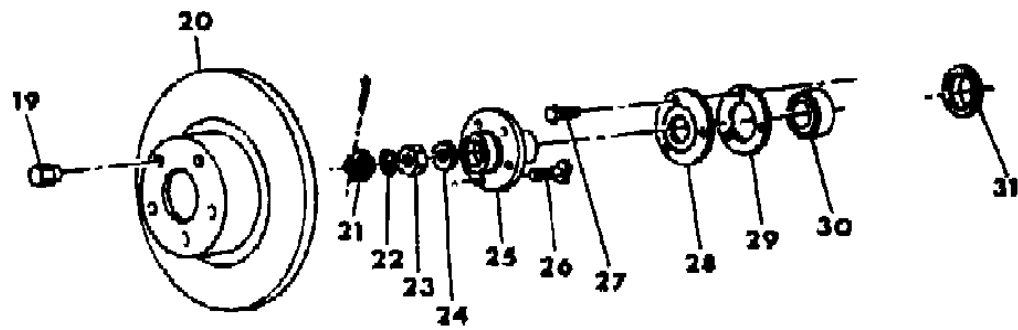
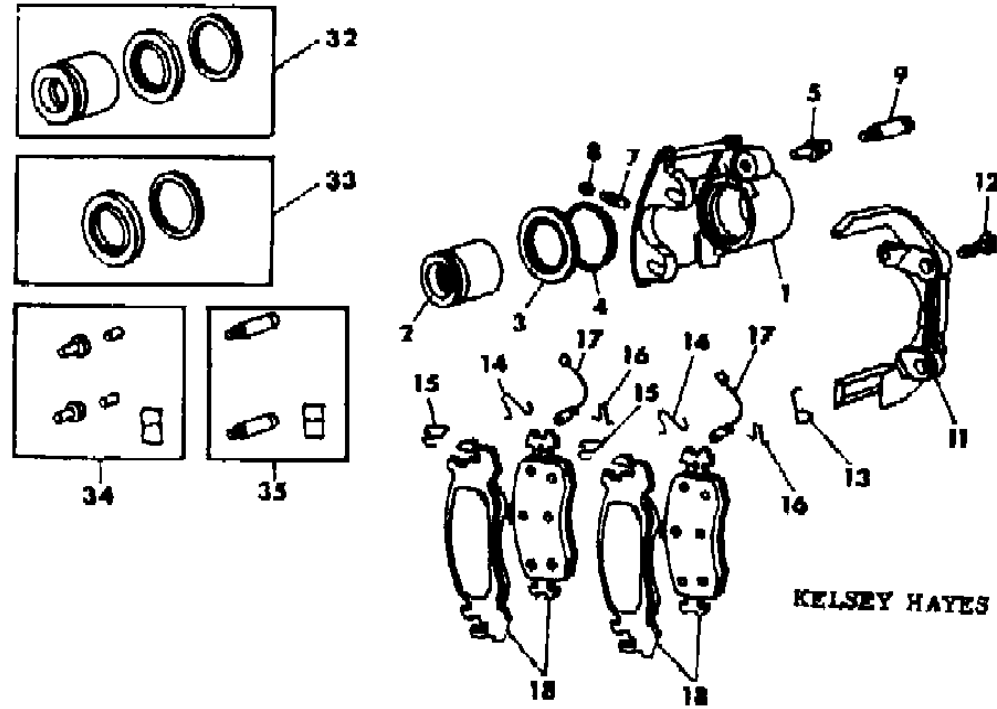
12-52 = FWD VAN & WAGON STD. W.B. 27 = 2-DOOR CONVERTIBLE
 13-53 = FWD VAN & WGN EXT W.B. 41 = 4-DOOR SEDAN
 21 = 2-DOOR SEDAN 44 = 4-DOOR HATCHBACK
 24 = 2-DOOR HATCHBACK 45 = 4-DOOR STATION WAGON

AR = Use as Required - = Non Illustrated Part P.A.R. = Paint as Required

BRAKES FRONT J BODY
Figure 5-2615

ITEM	PART NUMBER	QTY	BODY	MODEL	DESCRIPTION
34	4267 331	2			BUSHING PACKAGE
35	4267 330	2			PIN PACKAGE

8105 2615



MODEL CODES

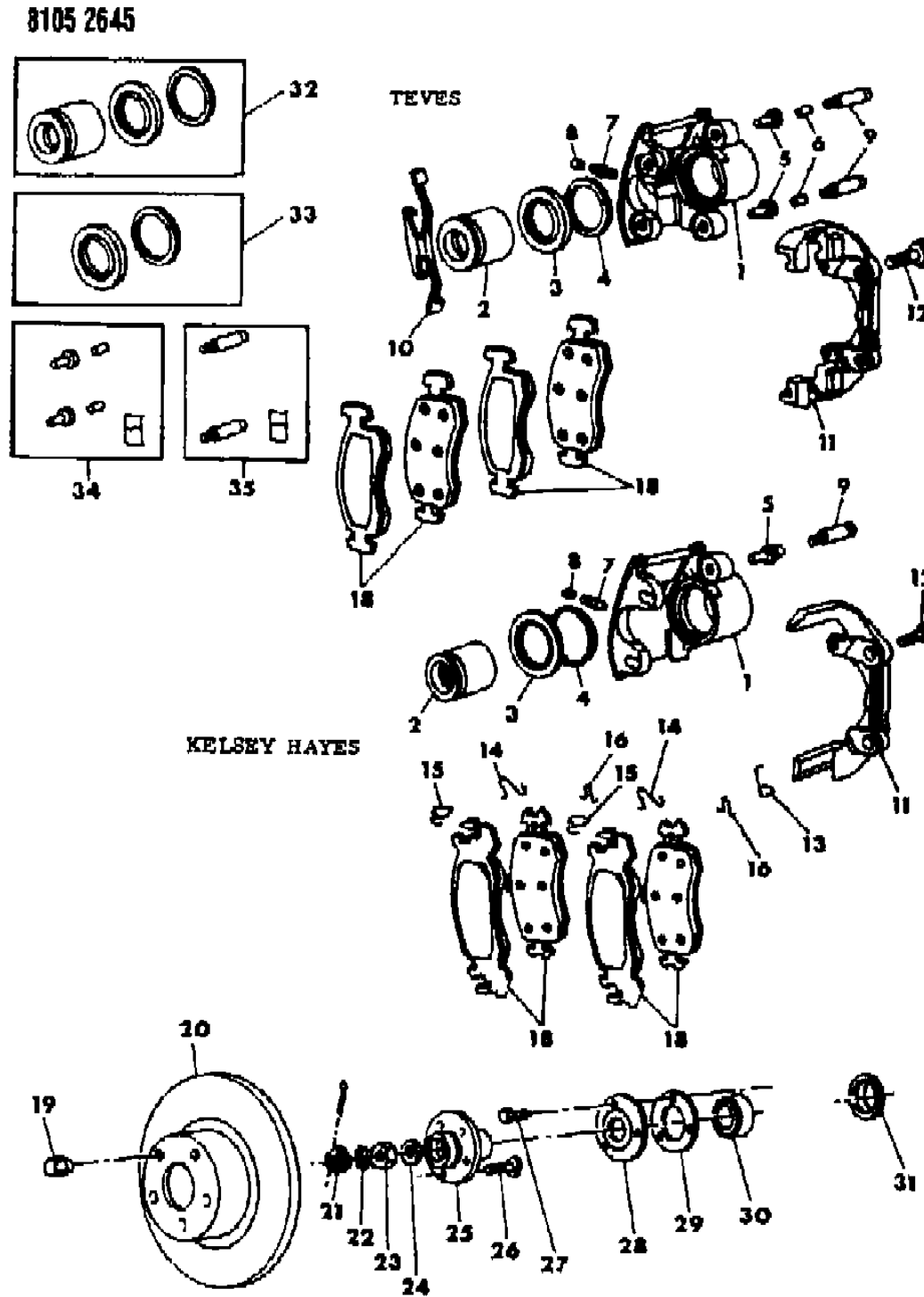
C BODY = (D41 - DYNASTY)(C41 - NEW YORKER)	L BODY = (M - HORIZON)(Z-OMNI)
E BODY = (J - CARAVELLE)(E - 600)(T - NEW YORKER TURBO)	M BODY = (B - GRAN FURY)(G - DIPLOMAT)(F - FIFTH AVENUE/NEWPORT)
G BODY = (V24 - DAYTONA, PACIFICA & SHELBY)	P BODY = (P - SUNDANCE)(D - SHADOW)
H BODY = (D44 - LANCER)(C44 - LEBARON GTS)	Q BODY = (C27 - MASERATI)
J BODY = (C - LEBARON)	S BODY = (H - VOYAGER)(K - RAM VAN/ CARAVAN)
K BODY = (P - RELIANT)(D - ARIES)(C - LEBARON/ TOWN & COUNTRY)	

BODY STYLES

12-52 = FWD VAN & WAGON STD. W.B.	27 = 2-DOOR CONVERTIBLE
13-53 = FWD VAN & WGN EXT W.B.	41 = 4-DOOR SEDAN
21 = 2-DOOR SEDAN	44 = 4-DOOR HATCHBACK
24 = 2-DOOR HATCHBACK	45 = 4-DOOR STATION WAGON

AR = Use as Required - = Non Illustrated Part P.A.R. = Paint as Required

BRAKES FRONT K BODY
Figure 5-2645



ITEM	PART NUMBER	QTY	BODY	MODEL	DESCRIPTION
1	4238 684-5	1		P,D	HOUSING, Caliper, Partial, Teves
	4313 960-1	1		P,D,C-41,45	HOUSING, Caliper, Partial, Kelsey Hayes
2					PISTON, (See Item 32)
3					BOOT, (See Item 33)
4					SEAL, (See Item 33)
5					BUSHING, (See Item 34)
6					SLEEVE, (See Item 34)
7	4126 879	2		P,D	SCREW, Disc Brake Bleeder
	3780 788	2		P,D,C-41,45	
8	4126 733	2		P,D	CAP, Disc Brake Bleeder Screw
	5204 389	2		P,D,C-41,45	
9					PIN, Disc Brake Hsg. Locating (See Item 35)
10	4126 732	2		P,D	CLIP, Disc Brake Caliper
11	4238 683	2		P,D	ADAPTER, Disc Brake, Teves
	4313 962-3	2		P,D,C-41,45	ADAPTER, Disc Brake, Kelsey Hayes
12	6500 908	4			BOLT and WASHER, Caliper Mtg.
13	4238 892-3	1		P,D,C-41,45	CLIP, Disc Brake Caliper Anti-Rattle
14	4238 884-5	1			CLIP, Disc Brake Inner Shoe Anti-Rattle
15	4313 234-5	1		P,D,C-41,45	CLIP, Disc Brake Outer Shoe Anti-Rattle
16	4313 234-5	1		P,D,C-41,45	CLIP, Disc Brake Outer Shoe Anti-Rattle
18	4293 200	1		P,D	SHOE and LINING PACKAGE, Power Disc Brakes (Teeve's)
	4238 698	1		P,D-45	SHOE and LINING PACKAGE, Power Disc Brake, Heavy Duty (Allied Sig.)
	4383 658	1		P,D,C-41,45	SHOE and LINING PACKAGE, Power Disc Brake (Kelsey Hayes)
	4313 968	1		P,D,C-41,45	SHOE, LINING, CLIP and SENSOR PACKAGE, Power Disc Brake (Kelsey Hayes)
19	6500 526	AR			NUT
	6500 294	AR			NUT, Chrome
20	4313 758	2		P,D	DISC, Frt. Wheel Brake
		2		P,D-41,45	Heavy Duty, Fleet
	4313 633	2		P,D-41,45	Heavy Duty
	4313 633	2		C-41,45	
21	4293 167	2			LOCK, Hub Nut
22	5212 684	2			WASHER, Hub Wave
23	6500 298	2			NUT, Hub
24	6500 299	2			WASHER

MODEL CODES

C BODY = (D41 - DYNASTY)(C41 - NEW YORKER)
 E BODY = (J - CARAVELLE)(E - 600)(T - NEW YORKER TURBO)
 G BODY = (V24 - DAYTONA, PACIFICA & SHELBY)
 H BODY = (D44 - LANCER)(C44 - LEBARON GTS)
 J BODY = (C - LEBARON)
 K BODY = (P - RELIANT)(D - ARIES)(C - LEBARON/ TOWN & COUNTRY)

L BODY = (M - HORIZON)(Z-OMNI)
 M BODY = (B - GRAN FURY)(G - DIPLOMAT)(F - FIFTH AVENUE/NEWPORT)
 P BODY = (P - SUNDANCE)(D - SHADOW)
 Q BODY = (C27 - MASERATI)
 S BODY = (H - VOYAGER)(K - RAM VAN/ CARAVAN)

BODY STYLES

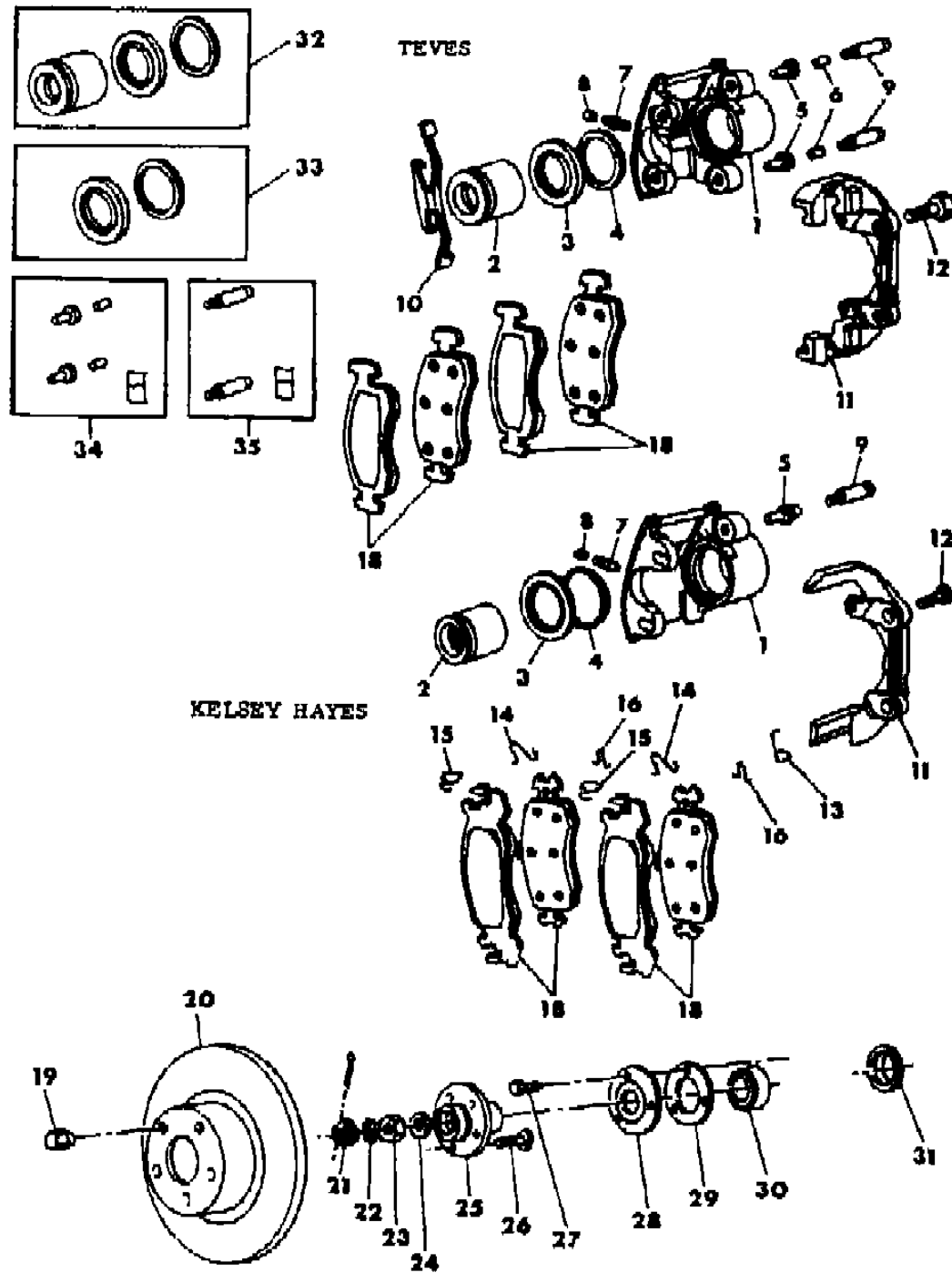
12-52 = FWD VAN & WAGON STD. W.B. 27 = 2-DOOR CONVERTIBLE
 13-53 = FWD VAN & WGN EXT W.B. 41 = 4-DOOR SEDAN
 21 = 2-DOOR SEDAN 44 = 4-DOOR HATCHBACK
 24 = 2-DOOR HATCHBACK 45 = 4-DOOR STATION WAGON

AR = Use as Required - = Non Illustrated Part P.A.R. = Paint as Required

BRAKES FRONT K BODY

Figure 5-2645

8105 2645



ITEM	PART NUMBER	QTY	BODY	MODEL	DESCRIPTION
25	5212 770	2			HUB, 5 Stud
26	6501 053	AR			STUD
27	6500 544	AR			BOLT, Bearing Ret.
28	5212 980	2			RETAINER, Frt. Wheel Brg.
29	5212 559	2			GASKET, Frt. Wheel Brg. Ret.
30	4397 498	2			BEARING, Frt. Wheel
31	5212 535	2			SEAL
32	4205 984	2		P,D	PISTON, BOOT and SEAL PACKAGE
	4364 778	2		P,D,C-41,45	
33	4205 985	2		P,D	BOOT and SEAL PACKAGE
	4364 779	2		P,D,C-41,45	
34	4205 982	2			BUSHING and SLEEVE PACKAGE
	4267 331	2			
35	4267 329	2		P,D-41	PIN PACKAGE, 2-3/8" Long (D)
	4267 330	2		P,D,C-41,45	

MODEL CODES

C BODY = (D41 - DYNASTY)(C41 - NEW YORKER)
 E BODY = (J - CARAVELLE)(E - 600)(T - NEW YORKER TURBO)
 G BODY = (V24 - DAYTONA, PACIFICA & SHELBY)
 H BODY = (D44 - LANCER)(C44 - LEBARON GTS)
 J BODY = (C - LEBARON)
 K BODY = (P - RELIANT)(D - ARIES)(C - LEBARON/ TOWN & COUNTRY)

L BODY = (M - HORIZON)(Z-OMNI)
 M BODY = (B - GRAN FURY)(G - DIPLOMAT)(F - FIFTH AVENUE/NEWPORT)
 P BODY = (P - SUNDANCE)(D - SHADOW)
 Q BODY = (C27 - MASERATI)
 S BODY = (H - VOYAGER)(K - RAM VAN/ CARAVAN)

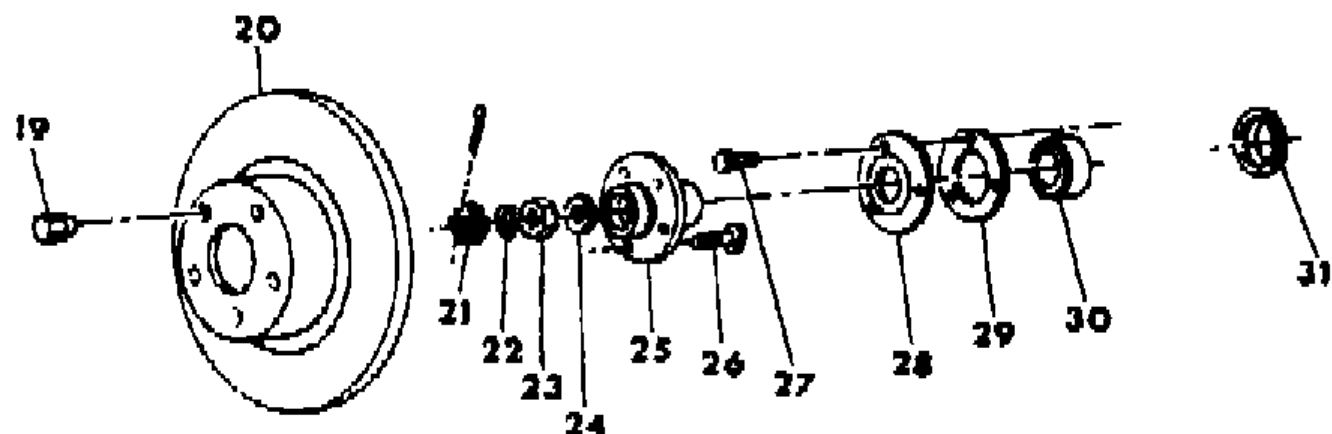
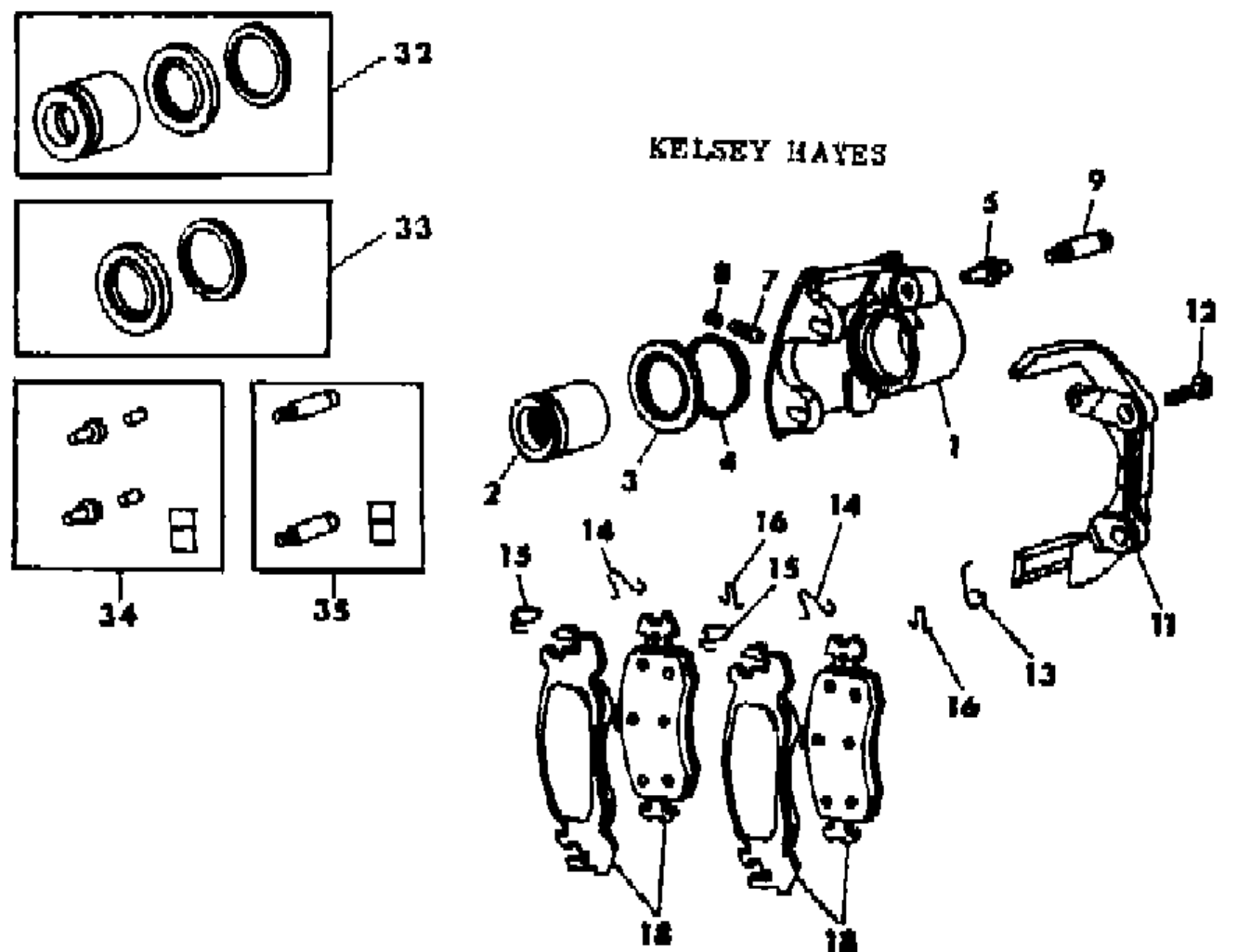
BODY STYLES

12-52 = FWD VAN & WAGON STD. W.B. 27 = 2-DOOR CONVERTIBLE
 13-53 = FWD VAN & WGN EXT W.B. 41 = 4-DOOR SEDAN
 21 = 2-DOOR SEDAN 44 = 4-DOOR HATCHBACK
 24 = 2-DOOR HATCHBACK 45 = 4-DOOR STATION WAGON

AR = Use as Required - = Non Illustrated Part P.A.R. = Paint as Required

BRAKES, FRONT G BODY
Figure 5-2660

8105 2660



ITEM	PART NUMBER	QTY	BODY	MODEL	DESCRIPTION
1	4313 960-1	1			HOUSING, Caliper, Partial, Kelsey Hayes
2					PISTON, (See Item 32)
3					BOOT, (See Item 33)
4					SEAL, (See Item 33)
5					BUSHING, (See Item 34)
7	3780 788	2			SCREW, Disc Brake Bleeder
8	5204 389	2			CAP, Disc Brake Bleeder Screw
9					PIN, Disc Brake Hsg. Locating (See Item 35)
11	4313 962-3	1			ADAPTER, Disc Brake, Kelsey Hayes
12	6500 908	4			BOLT and WASHER, Caliper Mtg.
13	4238 892-3	1			CLIP, Disc Brake Caliper Anti-Rattle
14	4238 884-5	1			CLIP, Disc Brake Inner Shoe Anti-Rattle
15	4313 234-5	1			CLIP, Disc Brake Outer Shoe Anti-Rattle
16	4313 234-5	1			CLIP, Disc Brake Outer Shoe Anti-Rattle
18	4383 658	1	V-H		SHOE and LINING PACKAGE, Power Disc Brake
	4383 479	1	V-P,V-S,V-X		SHOE, LINING and CLIP PACKAGE, Power Disc Brake
	4313 968	1			SHOE, LINING, CLIP and SENSOR PACKAGE, Power Disc Brake
19	6500 526	AR			NUT
	6500 294	AR			NUT, Chrome
20	4313 633	2			DISC, Frt. Wheel Brake
21	4293 167	2			LOCK, Hub Nut
22	5212 684	2			WASHER, Hub Wave
23	6500 298	2			NUT, Hub
24	6500 299	2			WASHER
25	5212 770	2			HUB, 5 Stud
26	6501 053	AR			STUD
27	6500 544	AR			BOLT, Bearing Ret.
28	5212 980	2			RETAINER, Frt. Wheel Brg.
29	5212 559	2			GASKET, Frt. Wheel Brg. Ret.
30	4397 498	2			BEARING, Frt. Wheel
31	5212 535	2			SEAL
32	4364 778	2			PISTON, BOOT and SEAL PACKAGE
33	4364 779	2			BOOT and SEAL PACKAGE
34	4267 331	2			BUSHING PACKAGE
35	4267 330	2			PIN PACKAGE

MODEL CODES

C BODY = (D41 - DYNASTY)(C41 - NEW YORKER)
 E BODY = (J - CARAVELLE)(E - 600)(T - NEW YORKER TURBO)
 G BODY = (V24 - DAYTONA, PACIFICA & SHELBY)
 H BODY = (D44 - LANCER)(C44 - LEBARON GTS)
 J BODY = (C - LEBARON)
 K BODY = (P - RELIANT)(D - ARIES)(C - LEBARON/ TOWN & COUNTRY)

L BODY = (M - HORIZON)(Z-OMNI)
 M BODY = (B - GRAN FURY)(G - DIPLOMAT)(F - FIFTH AVENUE/NEWPORT)
 P BODY = (P - SUNDANCE)(D - SHADOW)
 Q BODY = (C27 - MASERATI)
 S BODY = (H - VOYAGER)(K - RAM VAN/ CARAVAN)

BODY STYLES

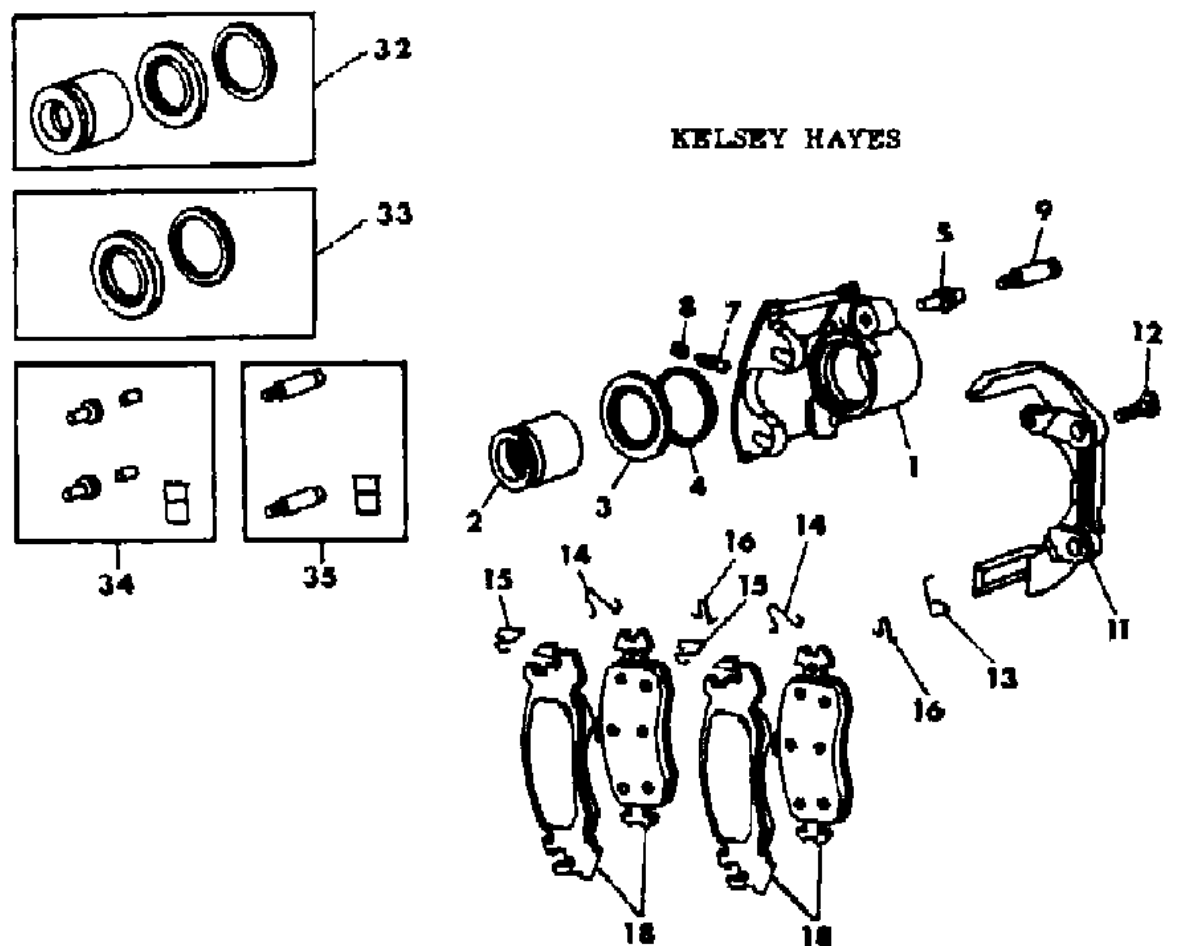
12-52 = FWD VAN & WAGON STD. W.B. 27 = 2-DOOR CONVERTIBLE
 13-53 = FWD VAN & WGN EXT W.B. 41 = 4-DOOR SEDAN
 21 = 2-DOOR SEDAN 44 = 4-DOOR HATCHBACK
 24 = 2-DOOR HATCHBACK 45 = 4-DOOR STATION WAGON

AR = Use as Required - = Non Illustrated Part P.A.R. = Paint as Required

BRAKES, FRONT E BODY
Figure 5-2675

ITEM	PART NUMBER	QTY	BODY	MODEL	DESCRIPTION
1	4313 960-1	1			HOUSING, Caliper, Partial, Kelsey Hayes
2					PISTON, (See Item 32)
3					BOOT, (See Item 33)
4					SEAL, (See Item 33)
5					BUSHING, (See Item 34)
7	3780 788	2			SCREW, Disc Brake Bleeder
8	5204 389	2			CAP, Disc Brake Bleeder Screw
9					PIN, Disc Brake Hsg. Locating (See Item 35)
11	4313 962-3	1			ADAPTER, Disc Brake, Kelsey Hayes
12	6500 908	4			BOLT and WASHER, Caliper Mtg.
13	4238 892-3	1			CLIP, Disc Brake Caliper Anti-Rattle
14	4238 884-5	1			CLIP, Disc Brake Inner Shoe Anti-Rattle
15	4313 234-5	1			CLIP, Disc Brake Outer Shoe Anti-Rattle
16	4313 234-5	1			CLIP, Disc Brake Outer Shoe Anti-Rattle
18	4313 968	1			SHOE, LINING, CLIP and SENSOR PACKAGE, Power Disc Brakes
	4383 658	1			SHOE and LINING PACKAGE, Power Disc Brakes
19	6500 526	AR			NUT
	6500 294	AR			NUT, Chrome
20	4313 633	2			DISC, Frt. Wheel Brake
21	4293 167	2			LOCK, Hub Nut
22	5212 684	2			WASHER, Hub Wave
23	6500 298	2			NUT, Hub
24	6500 299	2			WASHER
25	5212 770	2			HUB, 5 Stud
26	6501 053	AR			STUD
27	6500 544	AR			BOLT, Bearing Ret.
28	5212 980	2			RETAINER, Frt. Wheel Brg.
29	5212 559	2			GASKET, Frt. Wheel Brg. Ret.
30	4397 498	2			BEARING, Frt. Wheel
31	5212 535	2			SEAL
32	4364 778	2			PISTON, BOOT and SEAL PACKAGE
33	4364 779	2			BOOT and SEAL PACKAGE
34	4267 331	2			BUSHING PACKAGE
35	4267 330	2			PIN PACKAGE

8105 2675



MODEL CODES

C BODY = (D41 - DYNASTY)(C41 - NEW YORKER)
 E BODY = (J - CARAVELLE)(E - 600)(T - NEW YORKER TURBO)
 G BODY = (V24 - DAYTONA, PACIFICA & SHELBY)
 H BODY = (D44 - LANCER)(C44 - LEBARON GTS)
 J BODY = (C - LEBARON)
 K BODY = (P - RELIANT)(D - ARIES)(C - LEBARON/ TOWN & COUNTRY)

L BODY = (M - HORIZON)(Z-OMNI)
 M BODY = (B - GRAN FURY)(G - DIPLOMAT)(F - FIFTH AVENUE/NEWPORT)
 P BODY = (P - SUNDANCE)(D - SHADOW)
 Q BODY = (C27 - MASERATI)
 S BODY = (H - VOYAGER)(K - RAM VAN/ CARAVAN)

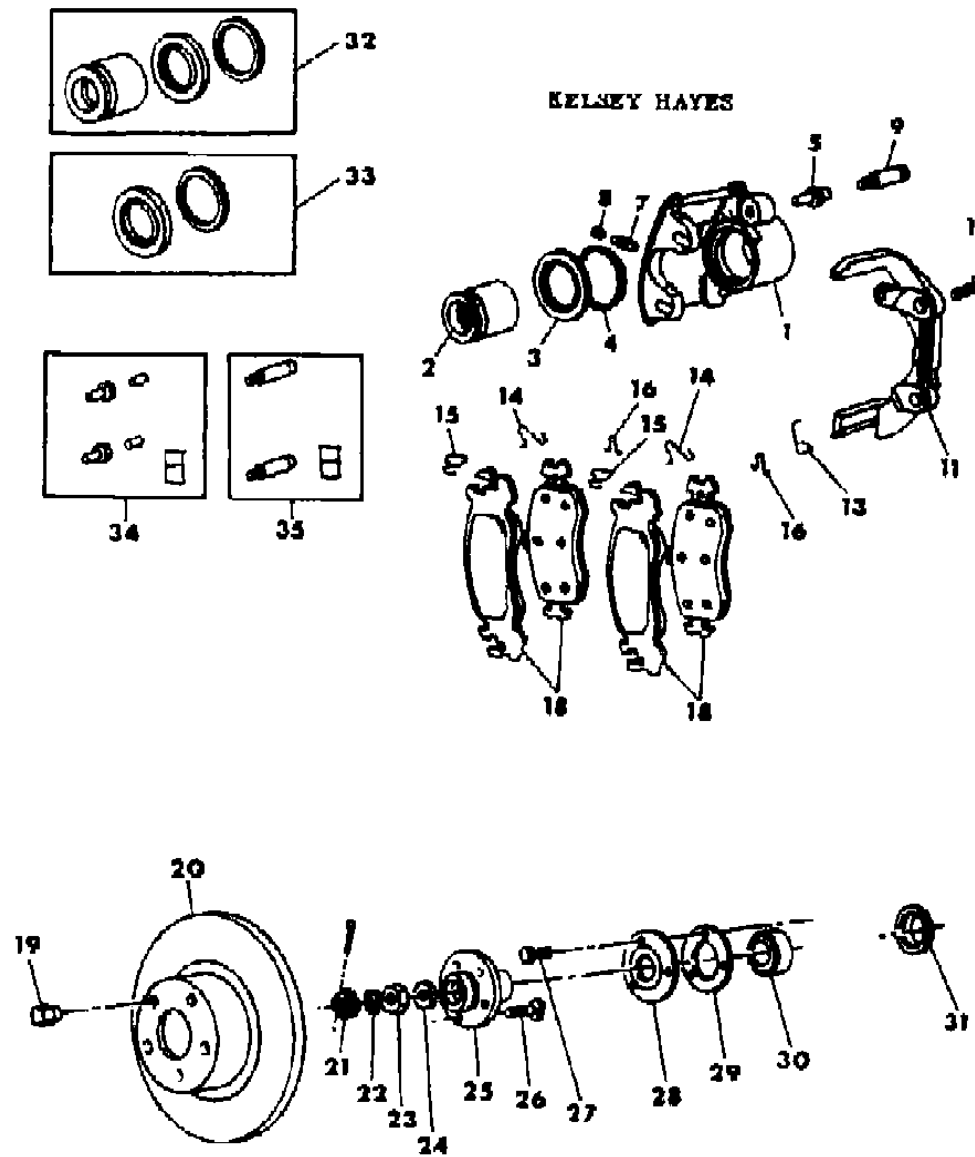
BODY STYLES

12-52 = FWD VAN & WAGON STD. W.B. 27 = 2-DOOR CONVERTIBLE
 13-53 = FWD VAN & WGN EXT W.B. 41 = 4-DOOR SEDAN
 21 = 2-DOOR SEDAN 44 = 4-DOOR HATCHBACK
 24 = 2-DOOR HATCHBACK 45 = 4-DOOR STATION WAGON

AR = Use as Required - = Non Illustrated Part P.A.R. = Paint as Required

BRAKES, FRONT H BODY
Figure 5-2690

8105 2690



ITEM	PART NUMBER	QTY	BODY	MODEL	DESCRIPTION
1	4313 960-1	1			HOUSING, Caliper, Partial, Kelsey Hayes
2					PISTON, (See Item 32)
3					BOOT, (See Item 33)
4					SEAL, (See Item 33)
5					BUSHING, (See Item 34)
7	3780 788	2			SCREW, Disc Brake Bleeder
8	5204 389	2			CAP, Disc Brake Bleeder Screw
9					PIN, Disc Brake Hsg. Locating (See Item 35)
11	4313 962-3	1			ADAPTER, Disc Brake, Kelsey Hayes
12	6500 908	4			BOLT and WASHER, Caliper Mtg.
13	4238 892-3	1			CLIP, Disc Brake Caliper Anti-Rattle
14	4238 884-5	1			CLIP, Disc Brake Inner Shoe Anti-Rattle
15	4313 234-5	1			CLIP, Disc Brake Outer Anti-Rattle
16	4313 234-5	1			CLIP, Disc Brake Outer Shoe Anti-Rattle
18	4383 658	1			SHOE and LINING PACKAGE, Power Disc Brake
	4313 968	1			SHOE, LINING, CLIP and SENSOR PACKAGE, Power Disc Brake
19	6500 526	AR			NUT
	6500 294	AR			NUT, Chrome
20	4313 633	2			DISC, Frt. Wheel Brake
21	4293 167	2			LOCK, Hub Nut
22	5212 684	2			WASHER, Hub Wave
23	6500 298	2			NUT, Hub
24	6500 299	2			WASHER
25	5212 770	2			HUB, 5 Stud
26	6501 053	AR			STUD
27	6500 544	AR			BOLT, Bearing Ret.
28	5212 980	2			RETAINER, Frt. Wheel Brg.
29	5212 559	2			GASKET, Frt. Wheel Brg. Ret.
30	4397 498	2			BEARING, Frt. Wheel
31	5212 535	2			SEAL
32	4364 778	2			PISTON, BOOT and SEAL PACKAGE
33	4364 779	2			BOOT and SEAL PACKAGE
34	4267 331	2			BUSHING PACKAGE
35	4267 330	2			PIN PACKAGE

MODEL CODES

C BODY = (D41 - DYNASTY)(C41 - NEW YORKER)	L BODY = (M - HORIZON)(Z-OMNI)
E BODY = (J - CARAVELLE)(E - 600)(T - NEW YORKER TURBO)	M BODY = (B - GRAN FURY)(G - DIPLOMAT)(F - FIFTH AVENUE/NEWPORT)
G BODY = (V24 - DAYTONA, PACIFICA & SHELBY)	P BODY = (P - SUNDANCE)(D - SHADOW)
H BODY = (D44 - LANCER)(C44 - LEBARON GTS)	Q BODY = (C27 - MASERATI)
J BODY = (C - LEBARON)	S BODY = (H - VOYAGER)(K - RAM VAN/ CARAVAN)
K BODY = (P - RELIANT)(D - ARIES)(C - LEBARON/ TOWN & COUNTRY)	

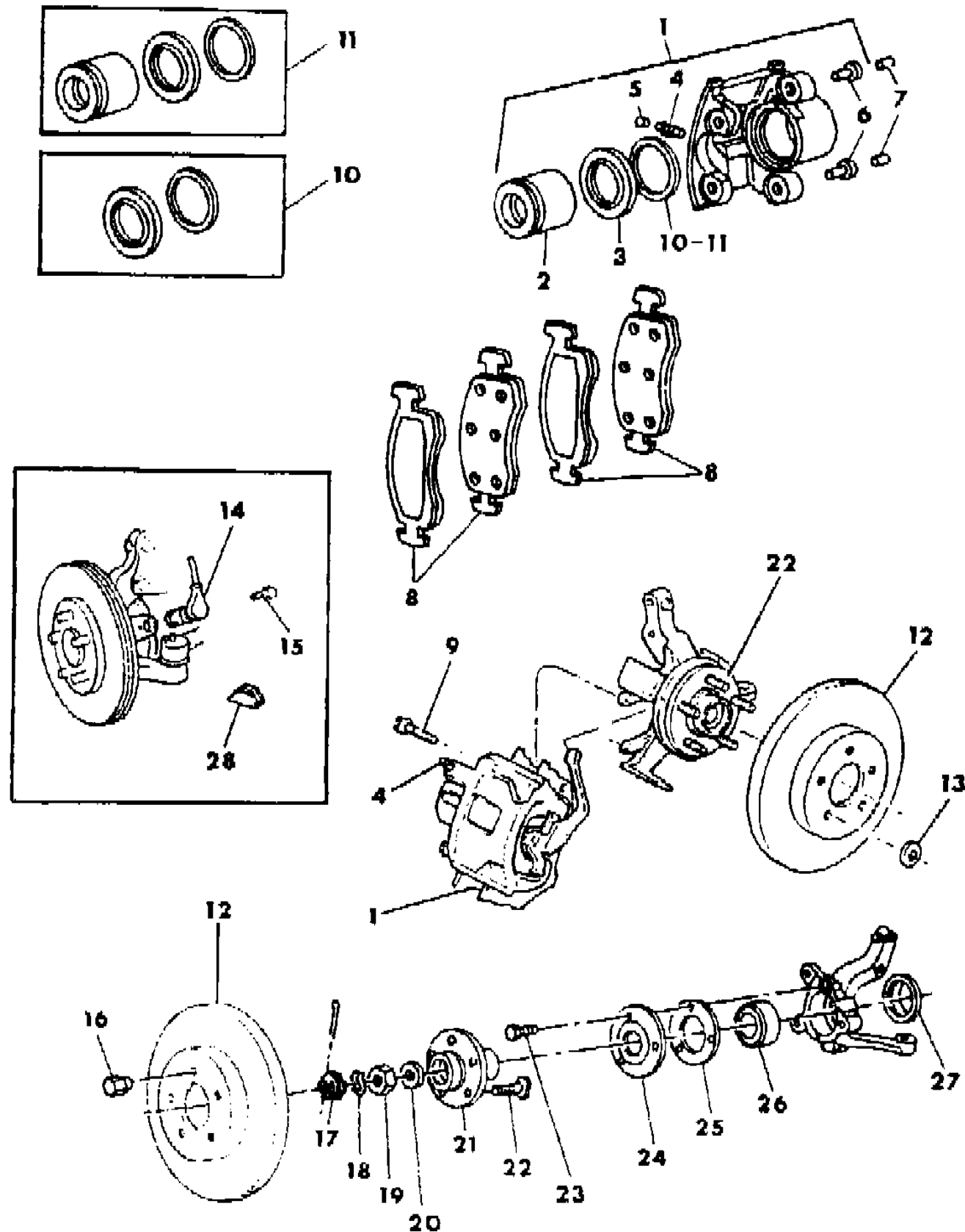
BODY STYLES

12-52 = FWD VAN & WAGON STD. W.B.	27 = 2-DOOR CONVERTIBLE
13-53 = FWD VAN & WGN EXT W.B.	41 = 4-DOOR SEDAN
21 = 2-DOOR SEDAN	44 = 4-DOOR HATCHBACK
24 = 2-DOOR HATCHBACK	45 = 4-DOOR STATION WAGON

AR = Use as Required - = Non Illustrated Part P.A.R. = Paint as Required

BRAKES, FRONT C BODY
Figure 5-2700

8105 2700 8



ITEM	PART NUMBER	QTY	BODY	MODEL	DESCRIPTION
1	4383 468	1			HOUSING, Frt. Wheel Disc Brake (KH 109956-05) Rt.
	4383 469	1			(KH 109957-05) Lt.
		2			ADAPTER, (Service in Knuckle)
2	4383 470	2			PISTON, Frt. Wheel Disc Brake
3	4313 246	2			BOOT, Frt. Wheel Disc Brake
4	3780 788	2			SCREW, Bleeder
5	5204 389	2			CAP, Bleeder Screw
6	4383 471	4			BUSHING, Frt. Wheel Disc Brake
7	4383 472	4			SLEEVE, Frt. Wheel Disc Brake Caliper Locating
8	4383 580	1			SHOE and LINING PACKAGE, Frt. Wheel Disc Brake, w/o Overhead Console
	4383 862	1			w/Overhead Console
9	6501 521	4			BOLT
10	4364 781	1			BOOT and SEAL PACKAGE, Frt. Wheel Disc Brake
11	4443 496	1			PISTON, BOOT and SEAL PACKAGE, Frt. Wheel Disc Brake
12	4313 633	2			DISC, Frt. Wheel Brake
13		2			RETAINER, (Not Serv.)
14	4383 738-9	1			SENSOR, Frt. Wheel Speed
	4294 777	2			O-RING GASKET (D)
	4294 776	1			SCREW and FILTER ASSY. (D)
15	6501 252	AR			SCREW
16	6500 526	AR			NUT, Use w/14" Wheel Cover
	6500 294	AR			NUT, Chrome, Use w/14" Styled Road Wheel
17	4293 167	2			LOCK, Hub Nut
18	5212 684	2			WASHER, Hub Wave
19	6500 298	2			NUT, Hub
20	6500 299	2			WASHER
21	5212 770	2			HUB, Frt. Wheel Drive, 5 Stud
22	6501 053	AR			STUD
23	6500 544	AR			BOLT, Bearing Ret.
24	5212 980	2			RETAINER, Frt. Wheel Brg.
25	5212 559	2			GASKET, Frt. Wheel Brg. Ret.
26	4397 498	2			BEARING, Frt. Wheel
27	5212 535	2			SEAL
28	4383 292	2			CLIP, Frt. Wheel Speed Sensor Inter. Brkt.

MODEL CODES

C BODY = (D41 - DYNASTY)(C41 - NEW YORKER)
 E BODY = (J - CARAVELLE)(E - 600)(T - NEW YORKER TURBO)
 G BODY = (V24 - DAYTONA, PACIFICA & SHELBY)
 H BODY = (D44 - LANCER)(C44 - LEBARON GTS)
 J BODY = (C - LEBARON)
 K BODY = (P - RELIANT)(D - ARIES)(C - LEBARON/ TOWN & COUNTRY)

L BODY = (M - HORIZON)(Z-OMNI)
 M BODY = (B - GRAN FURY)(G - DIPLOMAT)(F - FIFTH AVENUE/NEWPORT)
 P BODY = (P - SUNDANCE)(D - SHADOW)
 Q BODY = (C27 - MASERATI)
 S BODY = (H - VOYAGER)(K - RAM VAN/ CARAVAN)

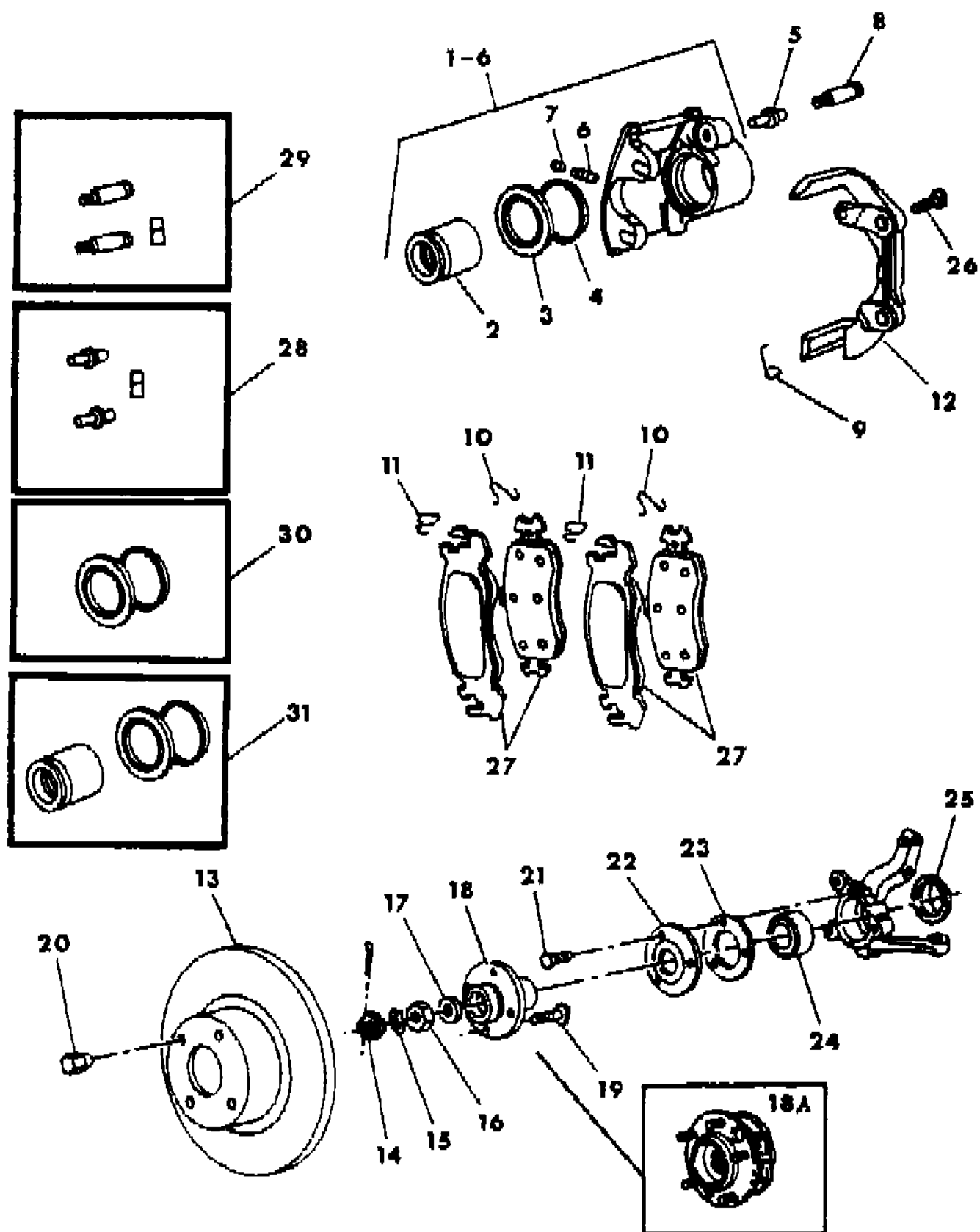
BODY STYLES

12-52 = FWD VAN & WAGON STD. W.B. 27 = 2-DOOR CONVERTIBLE
 13-53 = FWD VAN & WGN EXT W.B. 41 = 4-DOOR SEDAN
 21 = 2-DOOR SEDAN 44 = 4-DOOR HATCHBACK
 24 = 2-DOOR HATCHBACK 45 = 4-DOOR STATION WAGON

AR = Use as Required - = Non Illustrated Part P.A.R. = Paint as Required

BRAKES FRONT, 14" AND 15" WHEELS S BODY
Figure 5-2800

8105 2800 A



ITEM	PART NUMBER	QTY	BODY	MODEL	DESCRIPTION
1-6					HOUSING, Caliper Partial
	4313 244-5	1			Single Pin Mounting (Kelsey Hayes)
	4383 058-9	1			Dual Pin Mounting (Teves)
2					PISTON, Front Disc Brake Caliper
	4313 243	2			Kelsey Hayes
	4313 868	2			Teves
3					BOOT, Front Caliper Piston
	4313 246	2			Kelsey Hayes
	4313 870	2			Teves
4					SEAL, Front Caliper
	4313 247	2			Kelsey Hayes
	4313 869	2			Teves
5					BUSHING, Caliper Locating Pin (Serviced in Item #28)
6	3780 788	2			SCREW, Disc Brake Bleeder
7					CAP, Bleeder
	5204 389	2			Kelsey Hayes
	4126 733	2			Teves
8	4383 396	4			PIN, Locating (Teves Only) Kelsey Hayes Serviced in Item #29
9	4313 252-3	1			CLIP, Disc Brake Hsg. Anti Rattle, 14" Wheels
10	4238 884-5	2			CLIP, Disc Brake Inner Shoe Anti Rattle, 14" Wheels
11	4313 254-5	2			CLIP, Disc Brake Outer Shoe Anti Rattle, 14" Wheels
		AR			w/15" Wheels (Service with Shoe)
12	4313 256-7	1			ADAPTER, Disc Brake, 14" Wheels *NOTE:15" Wheel Adapter Part of Knuckle Assembly
13	4313 759	2			DISC, Std. W.B., 14" Wheels (Cast#40925-R) (D)
	4383 096	2			DISC, Ext. W.B., 15" Wheels
14	4293 167	2			LOCK, Hub Nut, 14" and 15" Wheels
15	5212 684	2			WASHER, Hub Wave, 14" and 15" Wheels
16	6500 298	2			NUT, Hub, 14" and 15" Wheels
17	6500 299	2			WASHER, 14" and 15" Wheels
18	5212 770	2			HUB, Frt. Wheel Drive, Std. W.B., 14" Wheels
	5212 770	2		H,K,H,P	Ext. W.B., w/7 Pass. Seating Pkg.
18A	4419 628	2			HUB and BEARING PACKAGE, Frt. Wheel Drive, Ext. W.B., 15" Wheels
	4419 628	2		H,K,H,P	Ext. W.B., w/8 Pass. Seating Pkg.
19	6501 053	8			BOLT, 14" and 15" Wheels
20	6500 526	AR			NUT, Std., 14" and 15" Wheels

MODEL CODES

C BODY = (D41 - DYNASTY)(C41 - NEW YORKER)
 E BODY = (J - CARAVELLE)(E - 600)(T - NEW YORKER TURBO)
 G BODY = (V24 - DAYTONA, PACIFICA & SHELBY)
 H BODY = (D44 - LANCER)(C44 - LEBARON GTS)
 J BODY = (C - LEBARON)
 K BODY = (P - RELIANT)(D - ARIES)(C - LEBARON/ TOWN & COUNTRY)

L BODY = (M - HORIZON)(Z-OMNI)
 M BODY = (B - GRAN FURY)(G - DIPLOMAT)(F - FIFTH AVENUE/NEWPORT)
 P BODY = (P - SUNDANCE)(D - SHADOW)
 Q BODY = (C27 - MASERATI)
 S BODY = (H - VOYAGER)(K - RAM VAN/ CARAVAN)

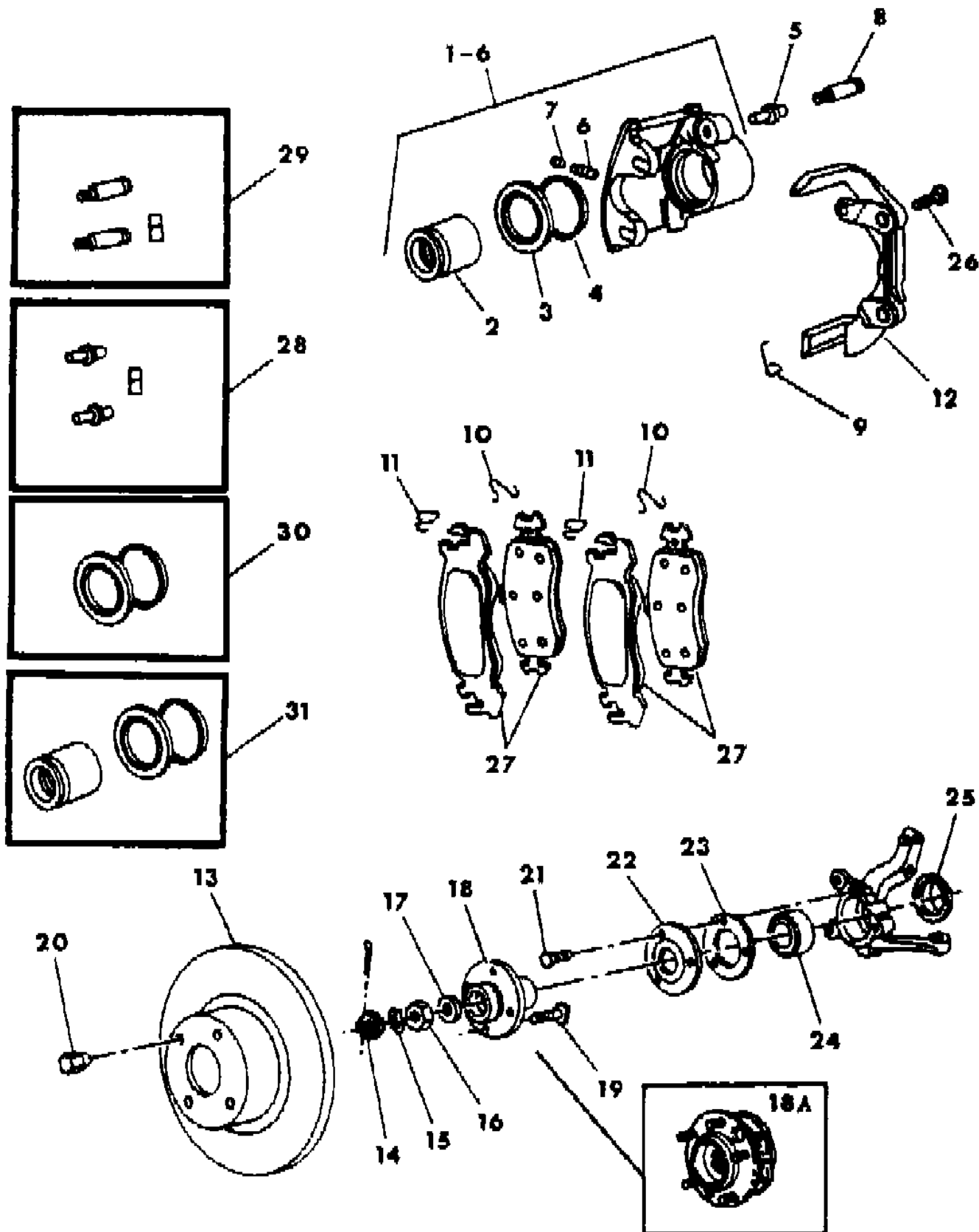
BODY STYLES

12-52 = FWD VAN & WAGON STD. W.B. 27 = 2-DOOR CONVERTIBLE
 13-53 = FWD VAN & WGN EXT W.B. 41 = 4-DOOR SEDAN
 21 = 2-DOOR SEDAN 44 = 4-DOOR HATCHBACK
 24 = 2-DOOR HATCHBACK 45 = 4-DOOR STATION WAGON

AR = Use as Required - = Non Illustrated Part P.A.R. = Paint as Required

BRAKES FRONT, 14" AND 15" WHEELS S BODY
Figure 5-2800

8105 2800 A



ITEM	PART NUMBER	QTY	BODY	MODEL	DESCRIPTION
	6500 294	AR			NUT, Chrome, 14" and 15" Wheels
21	6500 544	6			SCREW, Frt. Wheel Brg. Retainer, 14" Wheels
	6501 596	8			SCREW and WASHER, Hub and Brg. to Strg. Knuckle, 14" Wheels
	6501 996	8			w/15" Wheels
22	5212 980	2			RETAINER, Bearing, 14" Wheels
23	5212 559	2			GASKET, Bearing Ret., 14" Wheels
24	4397 498	2			BEARING, Frt. Wheel, 14" Wheels
25	5212 535	2			SEAL, Frt. Wheel Outer C V Joint, 14" and 15" Wheels
26	6500 908	4			SCREW and WASHER, Disc Brake to Knuckle Mtg., 14" , 15" Wheels
27	4313 268	1			SHOE, LINING and CLIP PACKAGE, Disc Brake (Kelsey Hayes) 14" Wheels
	4383 397	1			SHOE, LINING and CLIP PACKAGE, Disc Brake (Teves) 15" Wheels
28	4267 331	1			BUSHING PACKAGE, Disc Brake (Kelsey Hayes) 14" Wheels
	4205 982	1			BUSHING PACKAGE, Disc Brake (Teves) 15" Wheels
29	4267 330	1			PIN PACKAGE, Disc Brake (Kelsey Hayes Only)
30	4364 781	2			BOOT and SEAL PACKAGE, (Kelsey Hayes Only)
31	4364 780	2			PISTON, BOOT and SEAL PACKAGE, Disc Brake Kelsey Hayes
	4713 640	2			Teves

MODEL CODES

C BODY = (D41 - DYNASTY)(C41 - NEW YORKER)
 E BODY = (J - CARAVELLE)(E - 600)(T - NEW YORKER TURBO)
 G BODY = (V24 - DAYTONA, PACIFICA & SHELBY)
 H BODY = (D44 - LANCER)(C44 - LEBARON GTS)
 J BODY = (C - LEBARON)
 K BODY = (P - RELIANT)(D - ARIES)(C - LEBARON/ TOWN & COUNTRY)

L BODY = (M - HORIZON)(Z-OMNI)
 M BODY = (B - GRAN FURY)(G - DIPLOMAT)(F - FIFTH AVENUE/NEWPORT)
 P BODY = (P - SUNDANCE)(D - SHADOW)
 Q BODY = (C27 - MASERATI)
 S BODY = (H - VOYAGER)(K - RAM VAN/ CARAVAN)

BODY STYLES

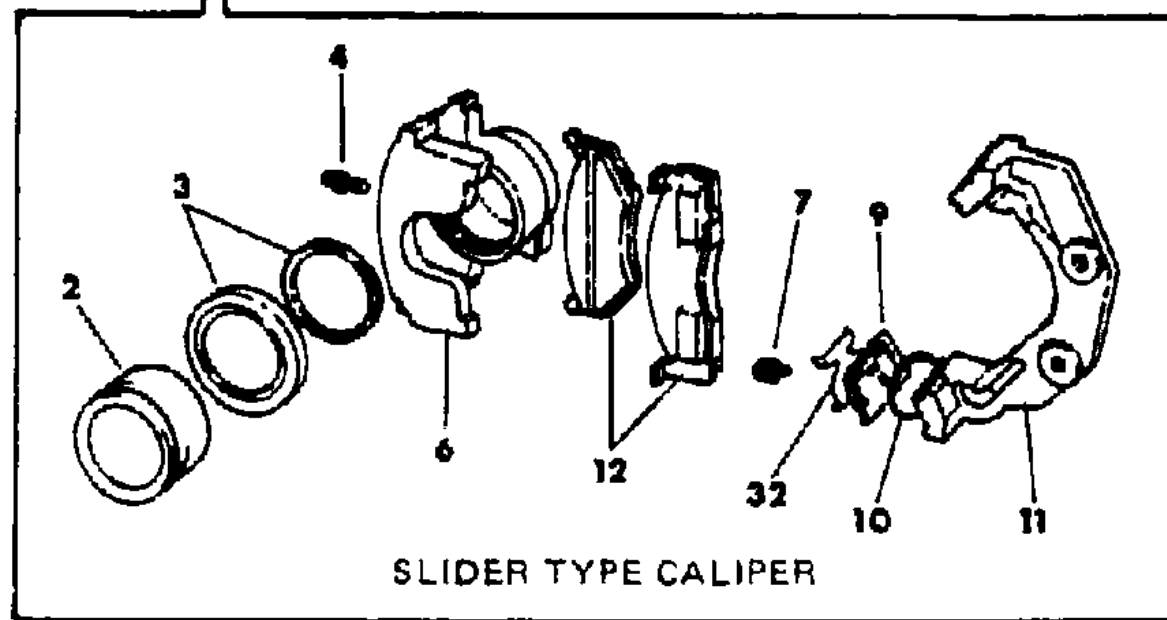
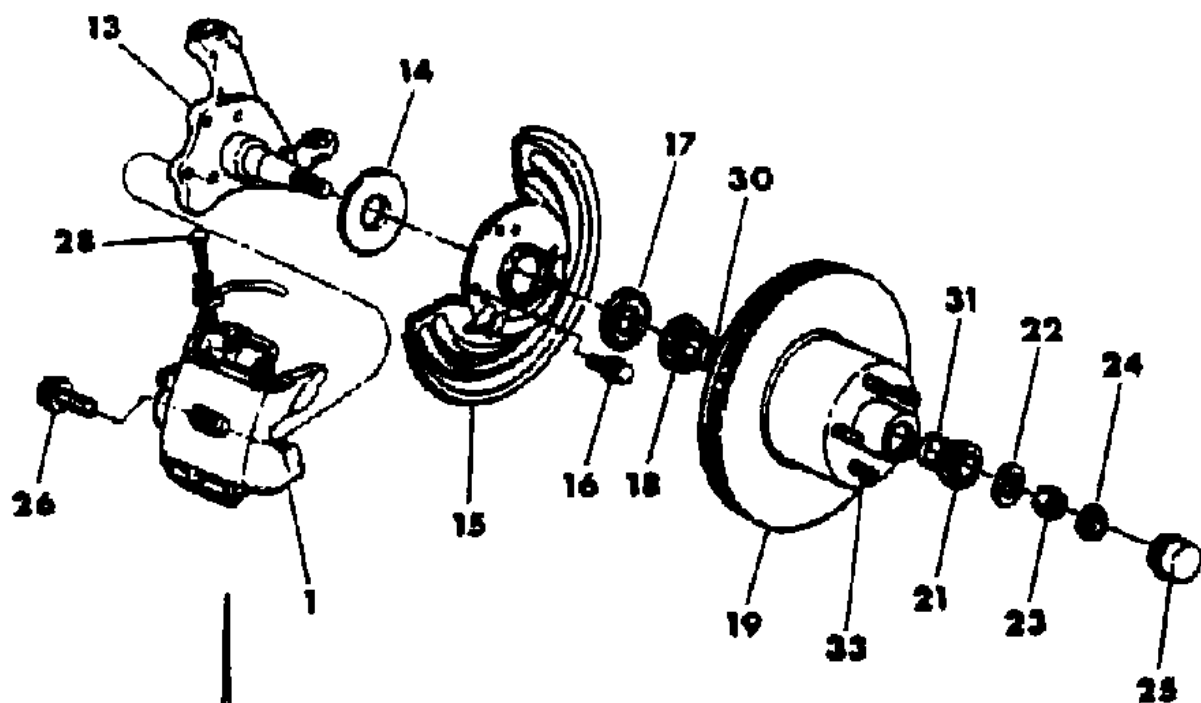
12-52 = FWD VAN & WAGON STD. W.B. 27 = 2-DOOR CONVERTIBLE
 13-53 = FWD VAN & WGN EXT W.B. 41 = 4-DOOR SEDAN
 21 = 2-DOOR SEDAN 44 = 4-DOOR HATCHBACK
 24 = 2-DOOR HATCHBACK 45 = 4-DOOR STATION WAGON

AR = Use as Required - = Non Illustrated Part P.A.R. = Paint as Required

BRAKES FRONT M BODY

Figure 5-2900

8105 2900 A



ITEM	PART NUMBER	QTY	BODY	MODEL	DESCRIPTION
	4176 778	1			SHOE and LINING PACKAGE, (Axle Set.)
	4049 699	1			SHOE and LINING PACKAGE, Heavy Duty (Axle Set.) Consists of: 2 - ---- Shoe and Lining, Outer 2 - ---- Shoe and Lining, Inner
	3683 975	1			1- 4186997 Spring Pkg. BEARING PACKAGE, Inner Consist of: 1 - 3580892 Cone
	1671 465	1			1 - ---- Cup 1 - 3580723 Seal BEARING PACKAGE, Outer Consists of:
	4186 990	2			1- ---- Cone 1- ---- Cup BOOT and SEAL PACKAGE 1 - ---- Seal
	4186 989	1			1 - ---- Boot 1- ---- Silicon 1- ---- Gage PISTON, SEAL and BOOT PACKAGE Consists of: 1 - ---- Piston 1 - ---- Seal 1 - ---- Boot 1 - ---- Silicon 1 - ---- Gage
1-12		1			CALIPER, Slider Type (Service Components)
2	4186 989	2			PISTON, SEAL, BOOT PACKAGE
3	4186 990	2			BOOT and SEAL PACKAGE
4	3780 788	2			SCREW, Bleeder
6	4126 842-3	1			HOUSING, Partial
7	6029 930	4			SCREW
9	3580 824	4			PLATE, Disc Brake Ret.
10	3766 519	2			RUBBER BAND, Disc Brake Hsg. to Adapter
11	3880 581	2			ADAPTER, Caliper
12		2			SHOE and LINING, (See Above Packages)

MODEL CODES

C BODY = (D41 - DYNASTY)(C41 - NEW YORKER)
 E BODY = (J - CARAVELLE)(E - 600)(T - NEW YORKER TURBO)
 G BODY = (V24 - DAYTONA, PACIFICA & SHELBY)
 H BODY = (D44 - LANCER)(C44 - LEBARON GTS)
 J BODY = (C - LEBARON)
 K BODY = (P - RELIANT)(D - ARIES)(C - LEBARON/ TOWN & COUNTRY)

L BODY = (M - HORIZON)(Z-OMNI)
 M BODY = (B - GRAN FURY)(G - DIPLOMAT)(F - FIFTH AVENUE/NEWPORT)
 P BODY = (P - SUNDANCE)(D - SHADOW)
 Q BODY = (C27 - MASERATI)
 S BODY = (H - VOYAGER)(K - RAM VAN/ CARAVAN)

BODY STYLES

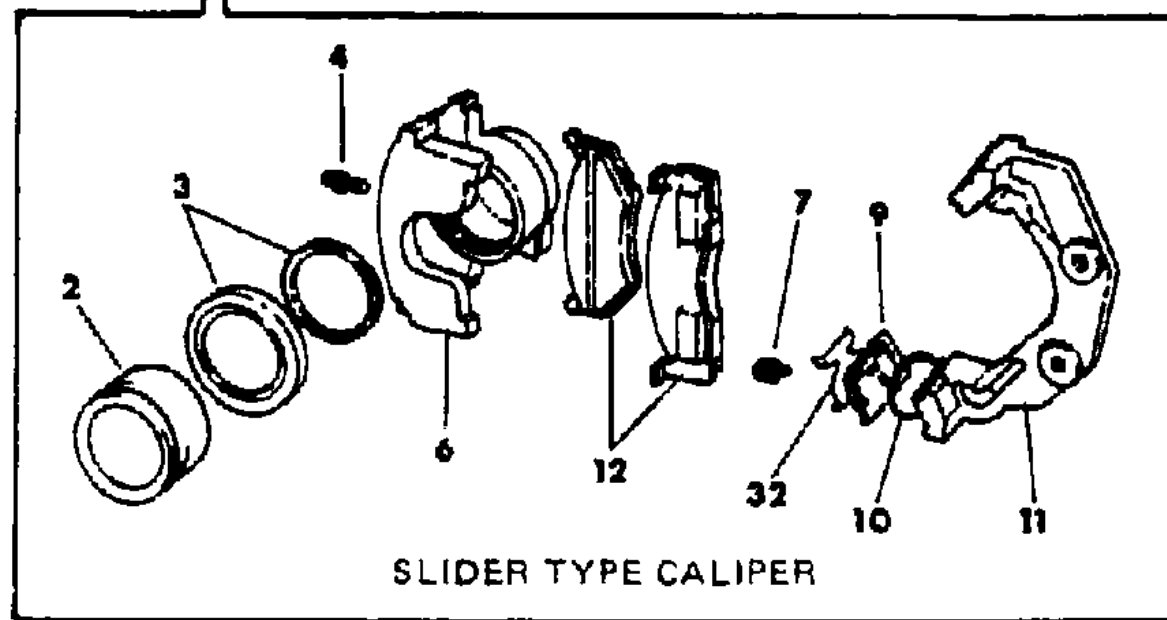
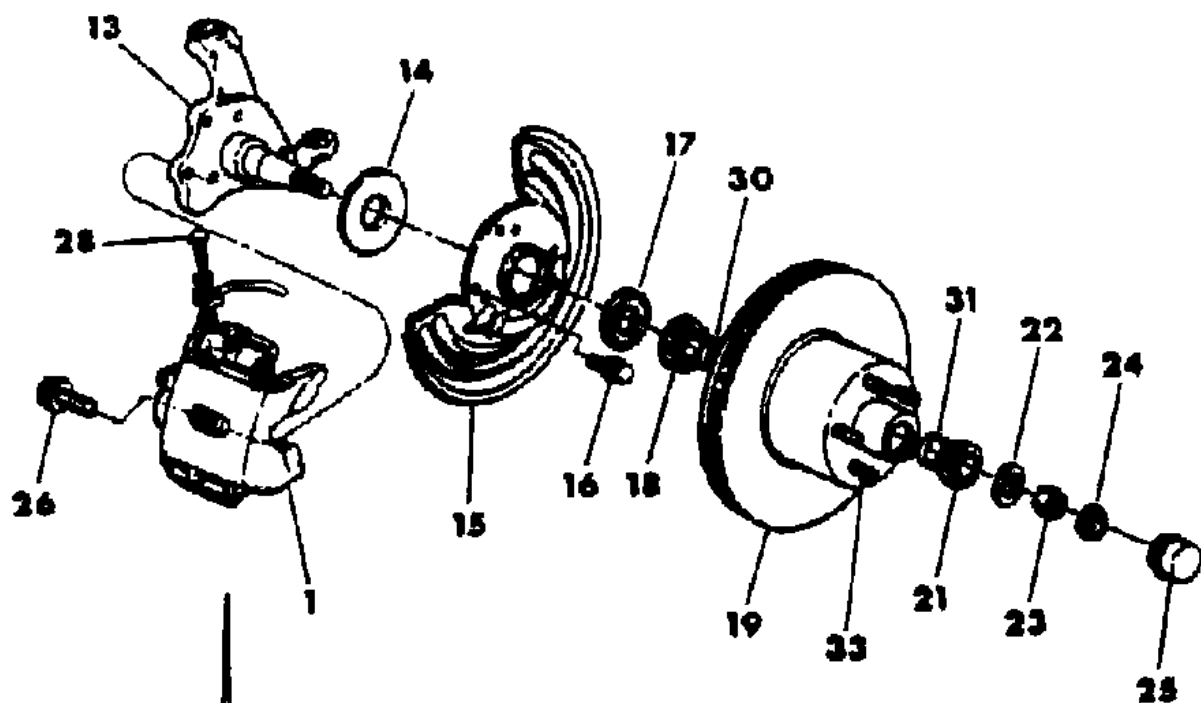
12-52 = FWD VAN & WAGON STD. W.B. 27 = 2-DOOR CONVERTIBLE
 13-53 = FWD VAN & WGN EXT W.B. 41 = 4-DOOR SEDAN
 21 = 2-DOOR SEDAN 44 = 4-DOOR HATCHBACK
 24 = 2-DOOR HATCHBACK 45 = 4-DOOR STATION WAGON

AR = Use as Required - = Non Illustrated Part P.A.R. = Paint as Required

BRAKES FRONT M BODY

Figure 5-2900

8105 2900 A



ITEM	PART NUMBER	QTY	BODY	MODEL	DESCRIPTION
13	3402 640-1	2			KNUCKLE, Frt. Suspension Strg.
14	2944 704	1			SEAL, Disc Brake Support Shield to Knuckle
15	3880 518-9	2			SHIELD, Splash
16	0181 084	2			SCREW
17	3580 723	2			SEAL, Hub and Disc Dust
18	3683 975	2			CONE and ROLLER PACKAGE, Inner Brg.
19	4131 251	2			HUB and DISC, Std.
	3880 685	2			H/Duty
21	1671 465	2			CONE and ROLLER PACKAGE, Outer
22	0600 194	2			WASHER, Wheel Brg. Thrust
23	6029 692	2			NUT, Bearing Adjusting
24	1673 324	2			NUT, Lock
25	3580 894	2			CAP
26	6030 952	4			SCREW and WASHER, Caliper Mtg.
28	6030 026	2			SCREW, Hose to Caliper
30	3683 975	2			CUP, Bearing Inner
31	1671 465	2			CUP, Bearing Outer
32	4186 997	4			SPRING PACKAGE, Disc Brake
33	3699 902	AR			STUD, Wheel

MODEL CODES

C BODY = (D41 - DYNASTY)(C41 - NEW YORKER)
 E BODY = (J - CARAVELLE)(E - 600)(T - NEW YORKER TURBO)
 G BODY = (V24 - DAYTONA, PACIFICA & SHELBY)
 H BODY = (D44 - LANCER)(C44 - LEBARON GTS)
 J BODY = (C - LEBARON)
 K BODY = (P - RELIANT)(D - ARIES)(C - LEBARON/ TOWN & COUNTRY)
 L BODY = (M - HORIZON)(Z-OMNI)
 M BODY = (B - GRAN FURY)(G - DIPLOMAT)(F - FIFTH AVENUE/NEWPORT)
 P BODY = (P - SUNDANCE)(D - SHADOW)
 Q BODY = (C27 - MASERATI)
 S BODY = (H - VOYAGER)(K - RAM VAN/ CARAVAN)

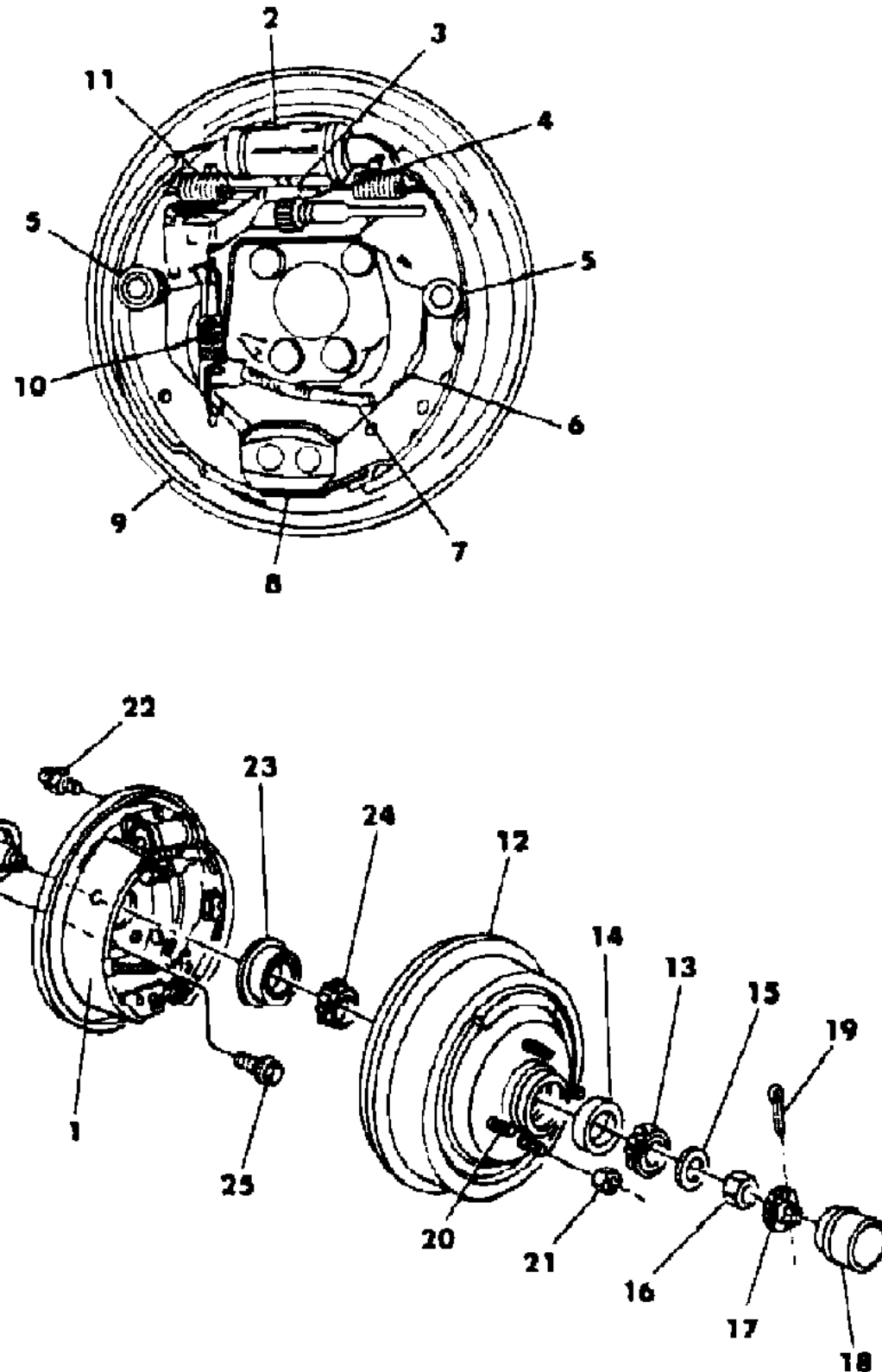
BODY STYLES

12-52 = FWD VAN & WAGON STD. W.B. 27 = 2-DOOR CONVERTIBLE
 13-53 = FWD VAN & WGN EXT W.B. 41 = 4-DOOR SEDAN
 21 = 2-DOOR SEDAN 44 = 4-DOOR HATCHBACK
 24 = 2-DOOR HATCHBACK 45 = 4-DOOR STATION WAGON

AR = Use as Required - = Non Illustrated Part P.A.R. = Paint as Required

BRAKES, REAR DRUM L,P,J,K,G,E,H BODY
Figure 5-3000

8105 3000



ITEM	PART NUMBER	QTY	BODY	MODEL	DESCRIPTION
1	4238 827	1	L P J K	P,D	SHOE and LINING PACKAGE, (Axle Set)
			K	C-41	Standard
	4238 826		H K K	P,D-45 C-45	Heavy Duty
2	4238 701	1	G E	V-H	CYLINDER, Rear Wheel Brake, Complete
	4238 706	1	LPJKH	V-H	
	6028 921	AR			SCREW, Cyl. Mtg.
3	4238 722-3	1	L P J K	P,D	LEVER, Auto. Adjuster
			K	C-41	Standard
	4238 764-5		H K	P,D-45	Heavy Duty
			K	C-45	
			G E	V-H	
4	4238 724-5	1	L P K K	P,D C-41	SCREW, Auto. Adjuster
			H		Standard
	4238 766-7	1	K K	P,D-45 C-45	Heavy Duty

MODEL CODES

C BODY = (D41 - DYNASTY)(C41 - NEW YORKER)
 E BODY = (J - CARAVELLE)(E - 600)(T - NEW YORKER TURBO)
 G BODY = (V24 - DAYTONA, PACIFICA & SHELBY)
 H BODY = (D44 - LANCER)(C44 - LEBARON GTS)
 J BODY = (C - LEBARON)
 K BODY = (P - RELIANT)(D - ARIES)(C - LEBARON/ TOWN & COUNTRY)

L BODY = (M - HORIZON)(Z-OMNI)
 M BODY = (B - GRAN FURY)(G - DIPLOMAT)(F - FIFTH AVENUE/NEWPORT)
 P BODY = (P - SUNDANCE)(D - SHADOW)
 Q BODY = (C27 - MASERATI)
 S BODY = (H - VOYAGER)(K - RAM VAN/ CARAVAN)

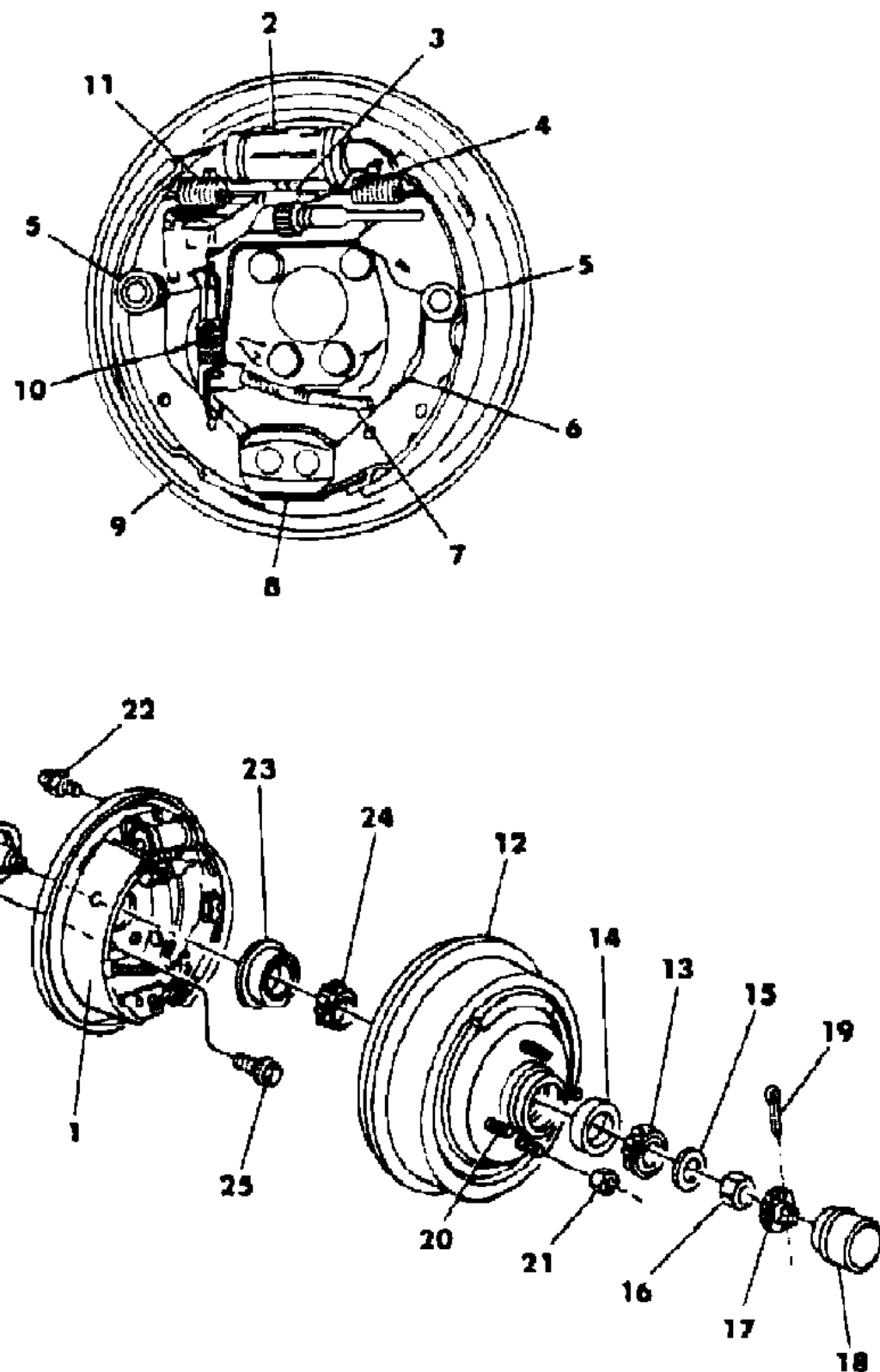
BODY STYLES

12-52 = FWD VAN & WAGON STD. W.B. 27 = 2-DOOR CONVERTIBLE
 13-53 = FWD VAN & WGN EXT W.B. 41 = 4-DOOR SEDAN
 21 = 2-DOOR SEDAN 44 = 4-DOOR HATCHBACK
 24 = 2-DOOR HATCHBACK 45 = 4-DOOR STATION WAGON

AR = Use as Required - = Non Illustrated Part P.A.R. = Paint as Required

BRAKES, REAR DRUM L,P,J,K,G,E,H BODY
Figure 5-3000

8105 3000



ITEM	PART NUMBER	QTY	BODY	MODEL	DESCRIPTION
			G	V-H	
			E		
	4238 726-7	1			NUT, Auto. Adjuster
	4238 721	2			PLUG, Auto. Adjuster
	4238 770	2			SOCKET, Auto. Adjuster Screw
			K	P,D-45	
			K	C-45	
			G	V-H	
			E		
	4238 728	2			TUBE, Auto. Adjuster Screw
			L		
			P		
			J		
			K	P,D	Standard
			K	C-41	
			H		
5	4238 732	4			SPRING, Shoe Hold Down
	4238 733	4			PIN, Shoe Hold Down Spring
			L		
			P		
			J		
			K	P,D	Standard
			K	C-41	
			H		
	4238 771	4			
			K	P,D-45	Heavy Duty
			K	C-45	
			G	V-H	
			E		
6	4238 872-3	1			LEVER and PIN, Parking Brake
			L		
			P		
			K	P,D	Standard
			K	C-41	
			H		
	4383 834-5	1	J		
	4238 762-3				

MODEL CODES

C BODY = (D41 - DYNASTY)(C41 - NEW YORKER)
 E BODY = (J - CARAVELLE)(E - 600)(T - NEW YORKER TURBO)
 G BODY = (V24 - DAYTONA, PACIFICA & SHELBY)
 H BODY = (D44 - LANCER)(C44 - LEBARON GTS)
 J BODY = (C - LEBARON)
 K BODY = (P - RELIANT)(D - ARIES)(C - LEBARON/ TOWN & COUNTRY)

L BODY = (M - HORIZON)(Z-OMNI)
 M BODY = (B - GRAN FURY)(G - DIPLOMAT)(F - FIFTH AVENUE/NEWPORT)
 P BODY = (P - SUNDANCE)(D - SHADOW)
 Q BODY = (C27 - MASERATI)
 S BODY = (H - VOYAGER)(K - RAM VAN/ CARAVAN)

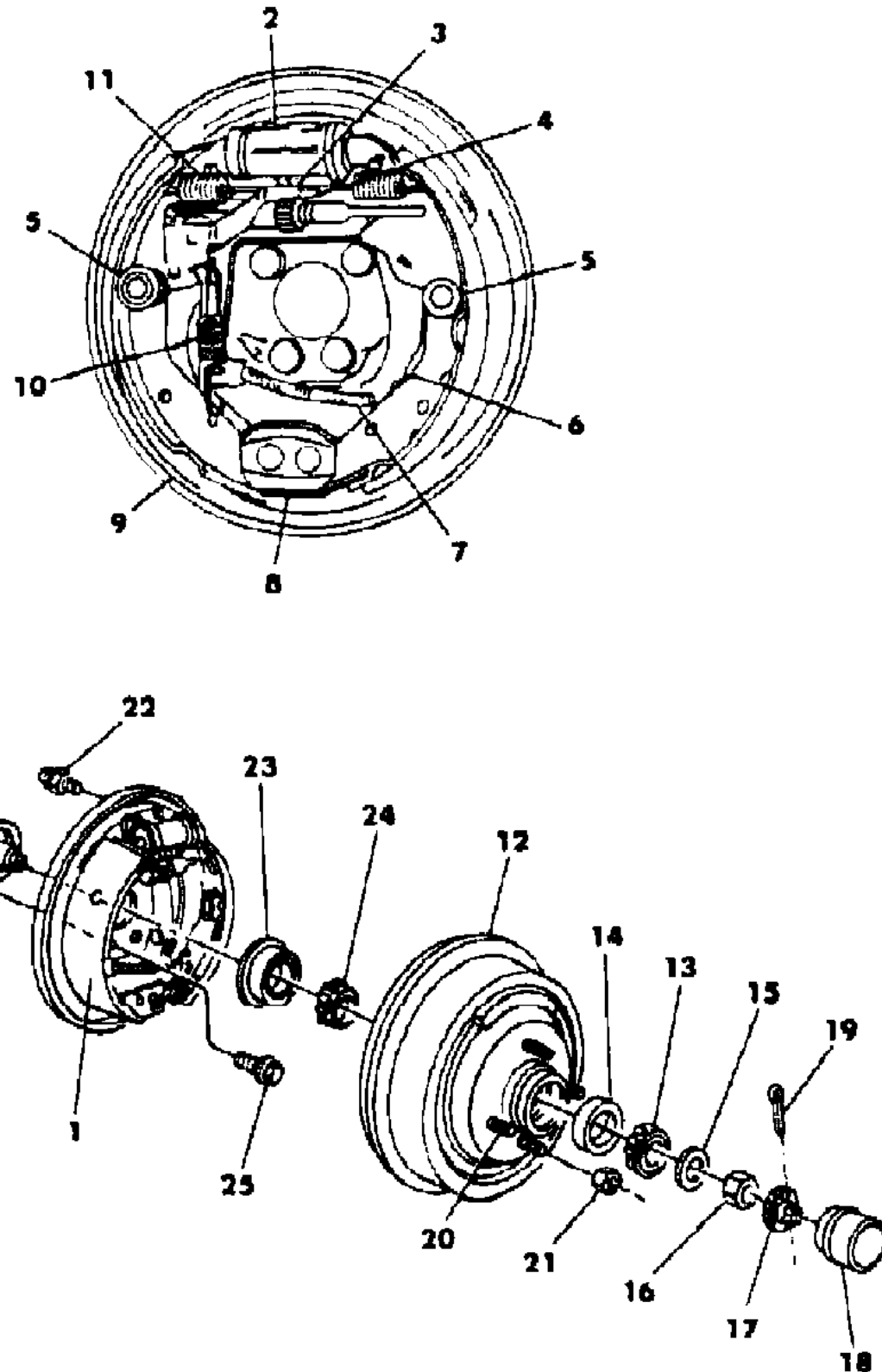
BODY STYLES

12-52 = FWD VAN & WAGON STD. W.B. 27 = 2-DOOR CONVERTIBLE
 13-53 = FWD VAN & WGN EXT W.B. 41 = 4-DOOR SEDAN
 21 = 2-DOOR SEDAN 44 = 4-DOOR HATCHBACK
 24 = 2-DOOR HATCHBACK 45 = 4-DOOR STATION WAGON

AR = Use as Required - = Non Illustrated Part P.A.R. = Paint as Required

BRAKES, REAR DRUM L,P,J,K,G,E,H BODY
Figure 5-3000

8105 3000



ITEM	PART NUMBER	QTY	BODY	MODEL	DESCRIPTION
			K	P,D-45	Heavy Duty
			K	C-45	
			G	V-H	
			E		
	4238 715	2			WASHER, Parking Brake Lever Pin Wave
	4238 716	2			CLIP, Parking Brake Lever Pin Ret.
7					CABLE, Parking Brake
	3699 549	2			PLUG, Cable Hole
8	4238 730	2			SPRING, Lower Shoe Return
9	4238 697	2			SUPPORT, Brake
			L		
			P		
			J		
			K	P,D	Standard
			K	C-41	
			H		
	4238 760	2			
			K	P,D-45	Heavy Duty
			K	C-45	
			G	V-H	
			E		
10	4238 851	2			SPRING, Auto Adjuster Lever
11	4238 731	2			SPRING, Shoe Return
12	4238 531	2	L		HUB and DRUM, 4 Stud, w/200mm x 32.5mm
	4313 634	2	PJKH		HUB and DRUM, 5 Stud, w/200mm x 32.5mm
	4313 635	2			w/220mm x 40.0mm
			K		
			E		
			G	V-H	
13	3683 974	2			BEARING PACKAGE, Outer
14	4293 196	2			CONE and ROLLER, Outer Brg.
15	0600 194	2			WASHER, Bearing Thrust
16	6029 692	2			NUT, Bearing Adjust
17	1673 324	2			LOCK, Bearing Nut
18	3580 894	2			CAP, Grease
19		AR			PIN, Cotter (Not Serv.)
20	5204 272	AR			STUD

MODEL CODES

C BODY = (D41 - DYNASTY)(C41 - NEW YORKER)
 E BODY = (J - CARAVELLE)(E - 600)(T - NEW YORKER TURBO)
 G BODY = (V24 - DAYTONA, PACIFICA & SHELBY)
 H BODY = (D44 - LANCER)(C44 - LEBARON GTS)
 J BODY = (C - LEBARON)
 K BODY = (P - RELIANT)(D - ARIES)(C - LEBARON/ TOWN & COUNTRY)

L BODY = (M - HORIZON)(Z-OMNI)
 M BODY = (B - GRAN FURY)(G - DIPLOMAT)(F - FIFTH AVENUE/NEWPORT)
 P BODY = (P - SUNDANCE)(D - SHADOW)
 Q BODY = (C27 - MASERATI)
 S BODY = (H - VOYAGER)(K - RAM VAN/ CARAVAN)

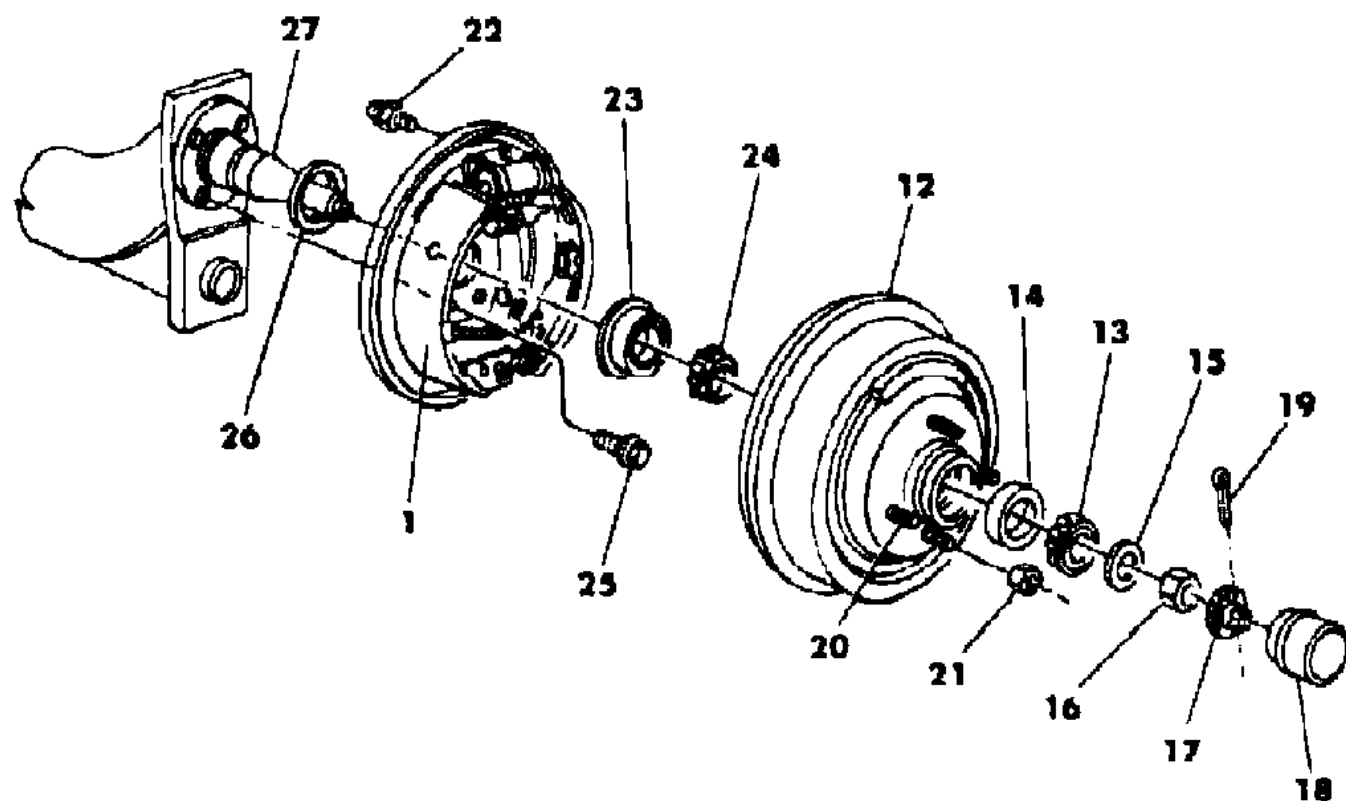
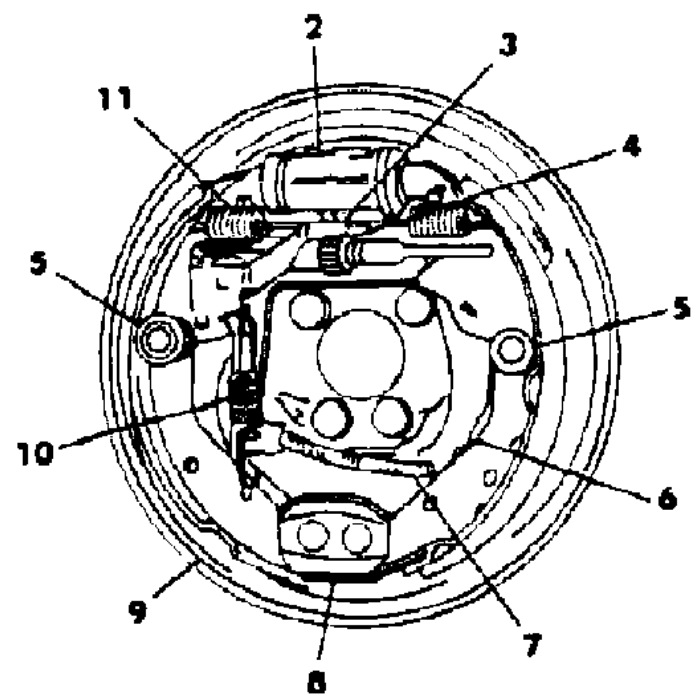
BODY STYLES

12-52 = FWD VAN & WAGON STD. W.B. 27 = 2-DOOR CONVERTIBLE
 13-53 = FWD VAN & WGN EXT W.B. 41 = 4-DOOR SEDAN
 21 = 2-DOOR SEDAN 44 = 4-DOOR HATCHBACK
 24 = 2-DOOR HATCHBACK 45 = 4-DOOR STATION WAGON

AR = Use as Required - = Non Illustrated Part P.A.R. = Paint as Required

BRAKES, REAR DRUM L,P,J,K,G,E,H BODY
Figure 5-3000

8105 3000



ITEM	PART NUMBER	QTY	BODY	MODEL	DESCRIPTION
21	6500 526	AR			NUT, Std.
	6500 294	AR			NUT, Chrome
22	3766 674	2			SCREW, Bleeder
	4238 717	2			CAP, Bleeder Screw
23	4238 570	2			SEAL, Dust
24	4238 567	2			CONE, CUP and BEARING PACKAGE, Inner
25	6500 844	AR			BOLT
26	4238 853	2			SEAL, Support
27					SPINDLE, Rear Wheel Mtg.

MODEL CODES

C BODY = (D41 - DYNASTY)(C41 - NEW YORKER)
 E BODY = (J - CARAVELLE)(E - 600)(T - NEW YORKER TURBO)
 G BODY = (V24 - DAYTONA, PACIFICA & SHELBY)
 H BODY = (D44 - LANCER)(C44 - LEBARON GTS)
 J BODY = (C - LEBARON)
 K BODY = (P - RELIANT)(D - ARIES)(C - LEBARON/ TOWN & COUNTRY)

L BODY = (M - HORIZON)(Z-OMNI)
 M BODY = (B - GRAN FURY)(G - DIPLOMAT)(F - FIFTH AVENUE/NEWPORT)
 P BODY = (P - SUNDANCE)(D - SHADOW)
 Q BODY = (C27 - MASERATI)
 S BODY = (H - VOYAGER)(K - RAM VAN/ CARAVAN)

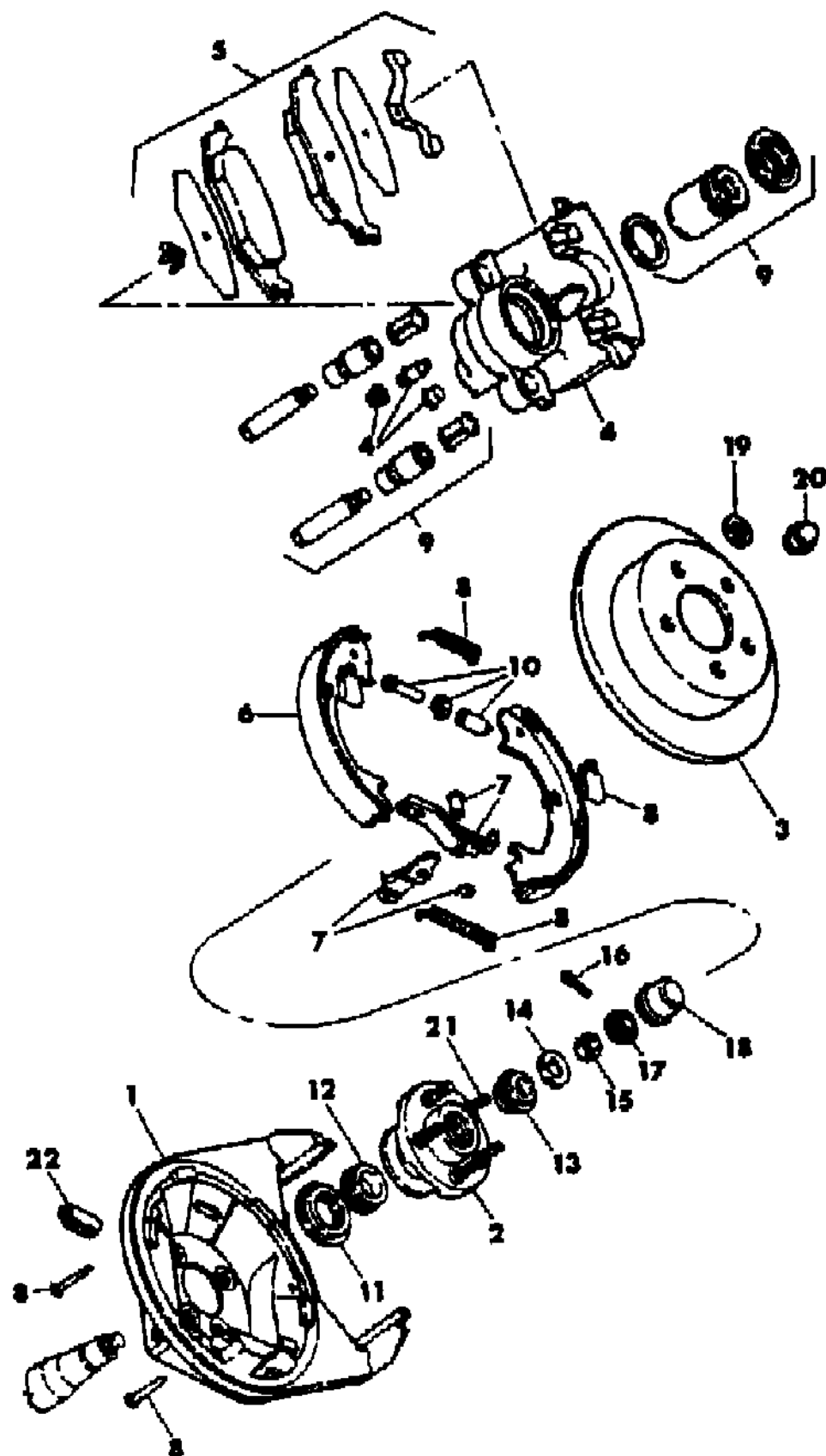
BODY STYLES

12-52 = FWD VAN & WAGON STD. W.B. 27 = 2-DOOR CONVERTIBLE
 13-53 = FWD VAN & WGN EXT W.B. 41 = 4-DOOR SEDAN
 21 = 2-DOOR SEDAN 44 = 4-DOOR HATCHBACK
 24 = 2-DOOR HATCHBACK 45 = 4-DOOR STATION WAGON

AR = Use as Required - = Non Illustrated Part P.A.R. = Paint as Required

BRAKES, REAR DISC SHELBY, P BODY
Figure 5-3025

8105 3025



ITEM	PART NUMBER	QTY	BODY	MODEL	DESCRIPTION
1	4467 426-7	1			ADAPTOR, Rear Disc Brake
2	4467 861	2			HUB, Rear Disc Brake
3	4467 450	2			ROTOR, Rear Disc Brake
4	4467 430-1	1			CALIPER HOUSING ASSEMBLY, Rear Disc Brake
5	4467 439	1			SHOE and LINING PACKAGE, Rear Disc Brake
					Consist of:
					1- ----- Shoe and Lining, Inner, Lt.
					1- ----- Shoe and Lining, Inner, Rt.
					1- ----- Shoe and Lining, Outer, Lt.
					1- ----- Shoe and Lining, Outer, Rt.
6	4467 429	1			SHOE and LINING PACKAGE, Rear Disc Parking Brake
					Consist of:
					4- ----- Shoe and Lining, Rear Disc
7	4467 862-3	1			PARKING LEVER PACKAGE
					Consist of:
					2- ----- Lever, Parking
					2- ----- Link, Parking
					2- ----- Pin, Shoulder
					2- ----- Ring, Retaining
8	4467 859	1			PIN and CLIP PACKAGE, Rear Disc Brake Parking
					Consist of:
					2- ----- Pin, Shoe Hold Down
					2- ----- Clip, Shoe Hold Down
					1- ----- Spring, Brake Shoe Return, Upr.
					1- ----- Spring, Brake Shoe Return, Lwr.
					(2 Pkgs. Reqd. per Car)
9	4467 860	1			PISTON, BOOT and SEAL PACKAGE, Rear Disc
					Consist of:
					1- ----- Boot, Piston
					1- ----- Seal, Piston
					1- ----- Piston
					2- ----- Pin, Caliper Locating
					2- ----- Bushing, Caliper Locating
					2- ----- Sleeve, Caliper Locating
					(2 Pkgs. Reqd. per Car)
10	4467 443	1			ADJUSTER SCREW and NUT PACKAGE, Rear Disc Parking
					Consist of:

MODEL CODES

C BODY = (D41 - DYNASTY)(C41 - NEW YORKER)	L BODY = (M - HORIZON)(Z-OMNI)
E BODY = (J - CARAVELLE)(E - 600)(T - NEW YORKER TURBO)	M BODY = (B - GRAN FURY)(G - DIPLOMAT)(F - FIFTH AVENUE/NEWPORT)
G BODY = (V24 - DAYTONA, PACIFICA & SHELBY)	P BODY = (P - SUNDANCE)(D - SHADOW)
H BODY = (D44 - LANCER)(C44 - LEBARON GTS)	Q BODY = (C27 - MASERATI)
J BODY = (C - LEBARON)	S BODY = (H - VOYAGER)(K - RAM VAN/ CARAVAN)
K BODY = (P - RELIANT)(D - ARIES)(C - LEBARON/ TOWN & COUNTRY)	

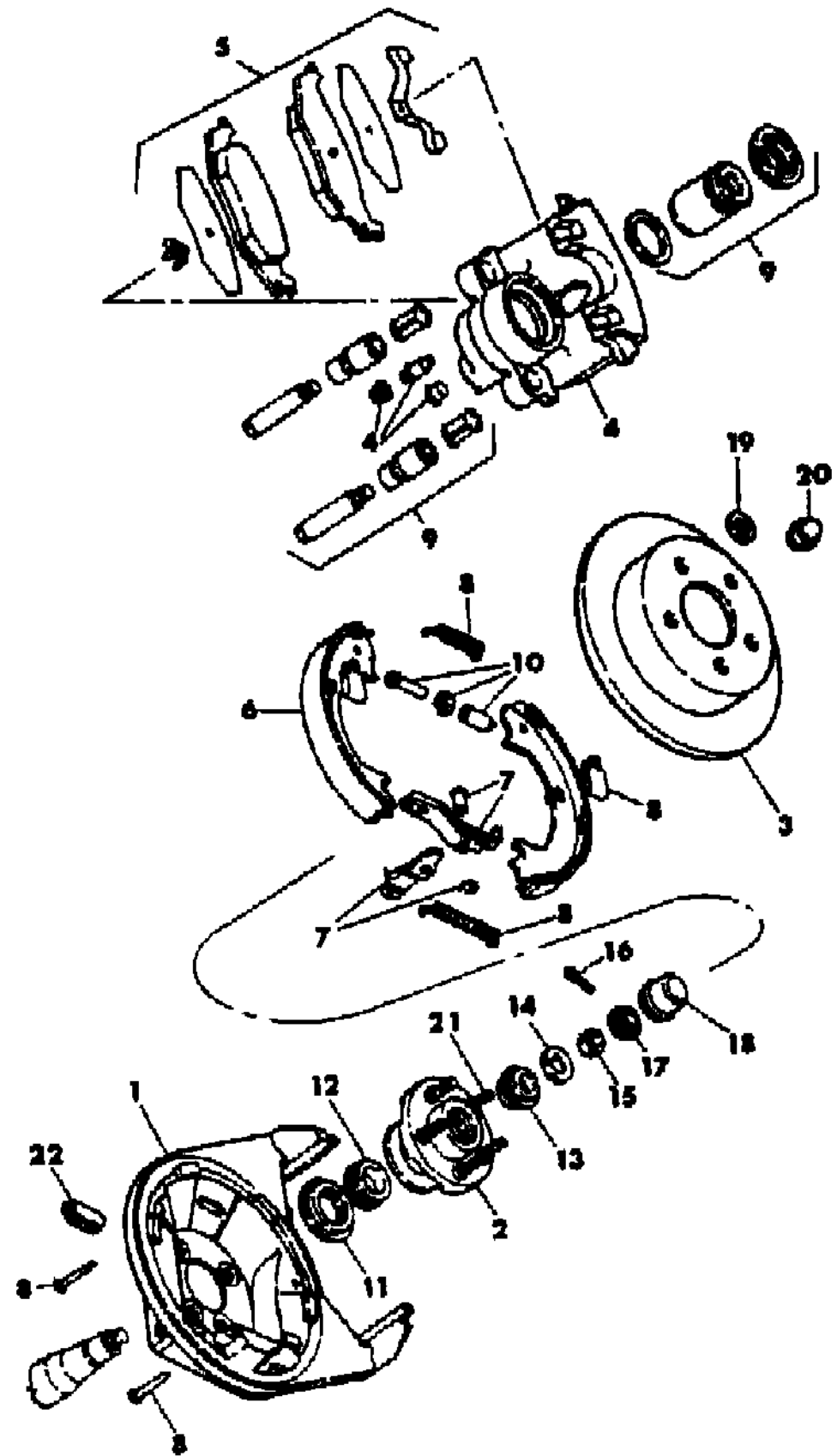
BODY STYLES

12-52 = FWD VAN & WAGON STD. W.B.	27 = 2-DOOR CONVERTIBLE
13-53 = FWD VAN & WGN EXT W.B.	41 = 4-DOOR SEDAN
21 = 2-DOOR SEDAN	44 = 4-DOOR HATCHBACK
24 = 2-DOOR HATCHBACK	45 = 4-DOOR STATION WAGON

AR = Use as Required - = Non Illustrated Part P.A.R. = Paint as Required

BRAKES, REAR DISC SHELBY, P BODY
Figure 5-3025

8105 3025



ITEM	PART NUMBER	QTY	BODY	MODEL	DESCRIPTION
					1- ----- Screw, Adjusting
					1- ----- Nut, Adjusting
					1- ----- Socket, Adjusting
11	4238 570	2			SEAL, Inner Brg. Cone
12	4238 567	2			CONE, CUP and BEARING PACKAGE, Inner
13	4293 196	2			CONE and ROLLER, Outer Brg.
14	0600 194	2			WASHER, Rear Wheel Brg. Thrust
15	6029 692	2			NUT, Brg. Adjust
16		AR			PIN, Cotter (Not Serv.)
17	1673 324	2			LOCK, Brg. Nut
18	3580 894	2			CAP, Grease
19		2			RETAINER, (Not Serv.)
20	4467 866	AR			NUT, Lug
21	6501 268	AR			STUD
22	4238 721	2			PLUG, Adjusting Slot
-	4467 874	2			BRACKET, Rear Brake Cable Guide (Not Shown)
	0181 063	2			BOLT, Bracket Cable Guide Mtg.
	0189 866	2			NUT, Bracket Cable Guide Mtg.

MODEL CODES

C BODY = (D41 - DYNASTY)(C41 - NEW YORKER)
 E BODY = (J - CARAVELLE)(E - 600)(T - NEW YORKER TURBO)
 G BODY = (V24 - DAYTONA, PACIFICA & SHELBY)
 H BODY = (D44 - LANCER)(C44 - LEBARON GTS)
 J BODY = (C - LEBARON)
 K BODY = (P - RELIANT)(D - ARIES)(C - LEBARON/ TOWN & COUNTRY)

L BODY = (M - HORIZON)(Z-OMNI)
 M BODY = (B - GRAN FURY)(G - DIPLOMAT)(F - FIFTH AVENUE/NEWPORT)
 P BODY = (P - SUNDANCE)(D - SHADOW)
 Q BODY = (C27 - MASERATI)
 S BODY = (H - VOYAGER)(K - RAM VAN/ CARAVAN)

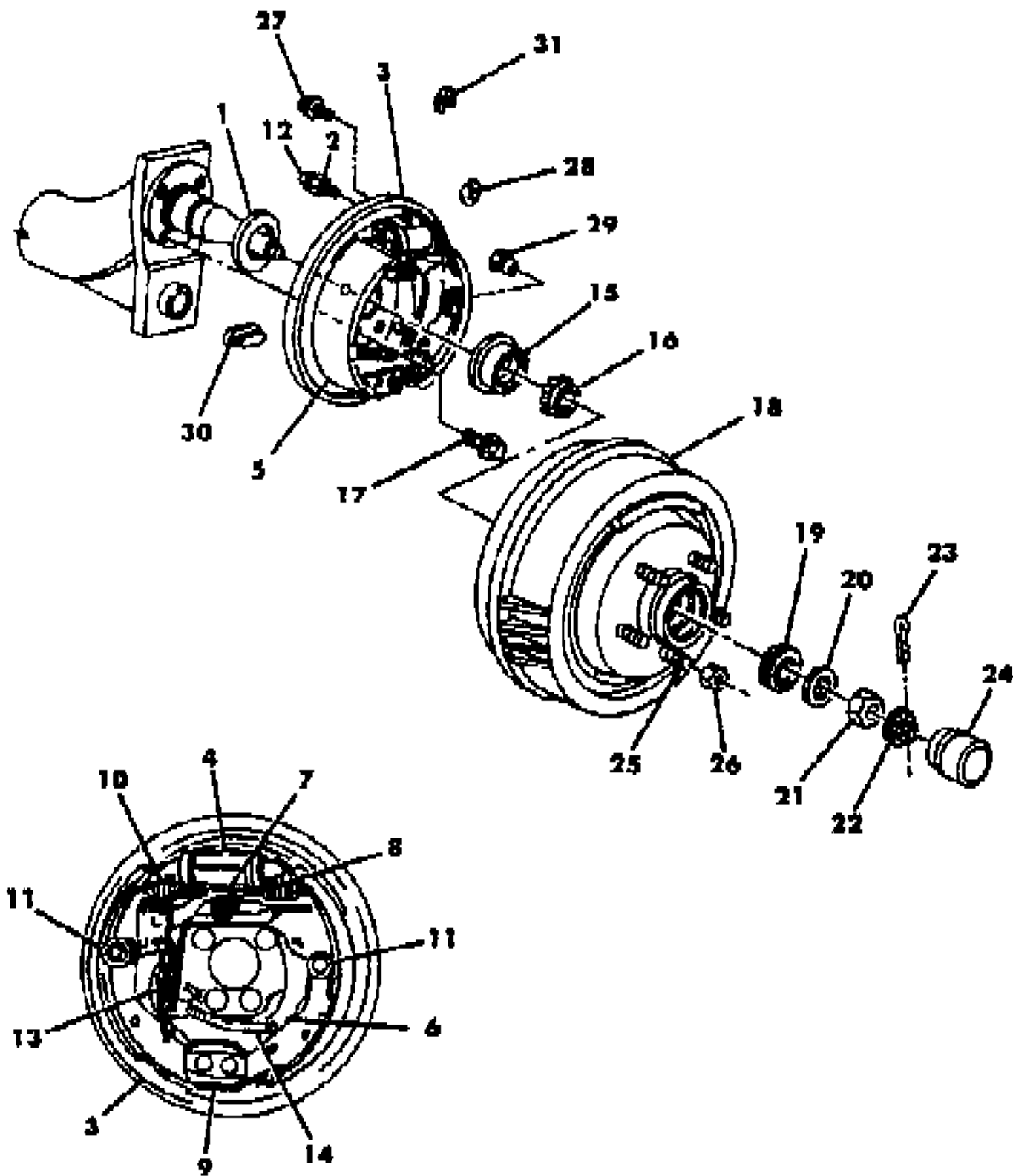
BODY STYLES

12-52 = FWD VAN & WAGON STD. W.B. 27 = 2-DOOR CONVERTIBLE
 13-53 = FWD VAN & WGN EXT W.B. 41 = 4-DOOR SEDAN
 21 = 2-DOOR SEDAN 44 = 4-DOOR HATCHBACK
 24 = 2-DOOR HATCHBACK 45 = 4-DOOR STATION WAGON

AR = Use as Required - = Non Illustrated Part P.A.R. = Paint as Required

BRAKES, REAR DRUM C BODY
Figure 5-3200

8105 3200 A



ITEM	PART NUMBER	QTY	BODY	MODEL	DESCRIPTION
1	4238 853	2			SEAL, Rear Wheel Brake to Spindle
2	3766 674	2			SCREW, Brake Cyl. Bleeder
3	4238 760	2			PLATE, Support
4	4238 701	2			CYLINDER, Rear Wheel Brake
5	4238 826	2			SHOE and LINING PACKAGE, Rear Wheel Brake
6	4238 762-3	1			LEVER and PIN, Parking Brake
7	4238 764-5	1			LEVER, Rear Wheel Brake Adj.
8	4238 766-7	1			SCREW, Rear Wheel Brake Adj.
	4238 726-7	1			NUT, Rear Wheel Brake Adj.
	4238 770	2			SOCKET, Rear Wheel Brake Adj. Screw
9	4238 730	2			SPRING, Rear Wheel Brake Lower Shoe Return
10	4238 731	2			SPRING, Rear Wheel Brake Shoe Return
11	4238 732	4			RETAINER, Rear Wheel Brake Shoe Hold Down
	4238 771	4			PIN, Rear Wheel Brake Shoe Hold Down Spring
12	4238 717	2			CAP, Rear Wheel Brake Cyl. Bleeder Screw
13	4238 851	2			SPRING, Rear Wheel Brake Adj. Lever
14					CABLE, Parking Brake
15	4238 570	2			SEAL, Dust
16	4238 567	2			BEARING, Rear Wheel Inner
17		AR			BOLT, Spindle
18	4383 498	2			HUB and DRUM, Rear Wheel Brake
19	4293 196	1			CONE PACKAGE, Rear Wheel Outer Brg.
20	0600 194	2			WASHER, Rear Wheel Brg. Thrust
21	6029 692	2			NUT
22	1673 324	2			LOCK
23		2			PIN, (Not Serv.)
24	3580 894	2			CAP, Grease
25	5204 272	AR			STUD
26	6500 526	AR			NUT, Std.
	6500 294	AR			NUT, Chrome
27	6028 921	4			SCREW, Rear Wheel Brake Cyl. Mtg.
28	4238 715	2			WASHER, Parking Brake Lever Wave
29	3699 549	2			PLUG, Parking Brake Cable Hole
30	4238 721	2			PLUG, Rear Wheel Brake Adj. Hole
31	4238 716	2			CLIP, Parking Brake Lever Ret.

MODEL CODES

C BODY = (D41 - DYNASTY)(C41 - NEW YORKER)
 E BODY = (J - CARAVELLE)(E - 600)(T - NEW YORKER TURBO)
 G BODY = (V24 - DAYTONA, PACIFICA & SHELBY)
 H BODY = (D44 - LANCER)(C44 - LEBARON GTS)
 J BODY = (C - LEBARON)
 K BODY = (P - RELIANT)(D - ARIES)(C - LEBARON/ TOWN & COUNTRY)

L BODY = (M - HORIZON)(Z-OMNI)
 M BODY = (B - GRAN FURY)(G - DIPLOMAT)(F - FIFTH AVENUE/NEWPORT)
 P BODY = (P - SUNDANCE)(D - SHADOW)
 Q BODY = (C27 - MASERATI)
 S BODY = (H - VOYAGER)(K - RAM VAN/ CARAVAN)

BODY STYLES

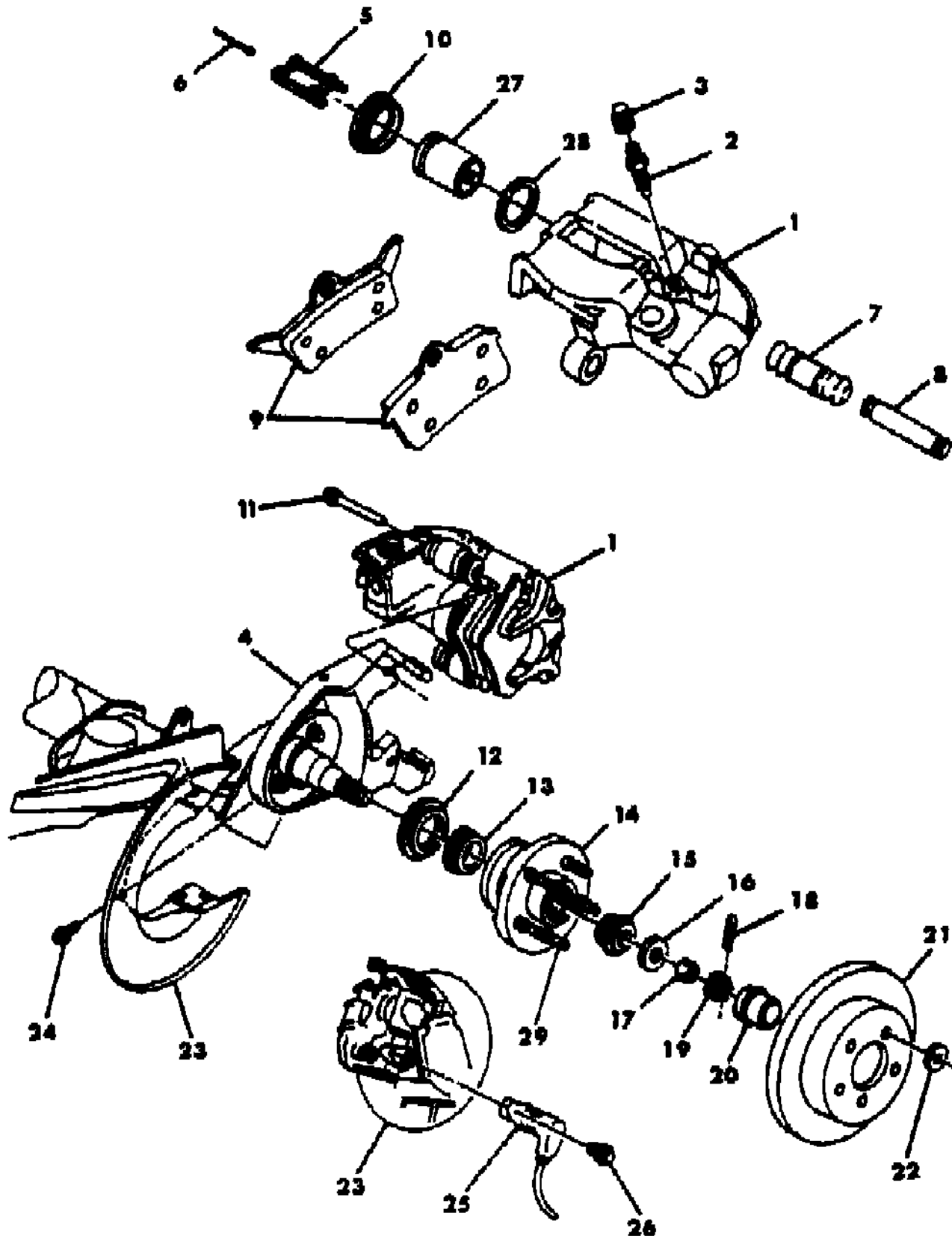
12-52 = FWD VAN & WAGON STD. W.B. 27 = 2-DOOR CONVERTIBLE
 13-53 = FWD VAN & WGN EXT W.B. 41 = 4-DOOR SEDAN
 21 = 2-DOOR SEDAN 44 = 4-DOOR HATCHBACK
 24 = 2-DOOR HATCHBACK 45 = 4-DOOR STATION WAGON

AR = Use as Required - = Non Illustrated Part P.A.R. = Paint as Required

BRAKES, REAR DISC C BODY

Figure 5-3225

8105 3225 A



ITEM	PART NUMBER	QTY	BODY	MODEL	DESCRIPTION
1	4383 452-3	1			HOUSING, Rear Wheel Disc Brake, Partial
	4796 203	2			BOOT PACKAGE, Caliper *** CONSIST OF: *** 01 SPRING, Park Brake Lever Return Rt 01 SPRING, Park Brake Lever Return Lt
	6030 084	4			02 BOOT, Caliper Dust WASHER, Brake Hose Fitting Seal (Use Only If 4796203 Is Installed)
2	4126 879	2			SCREW, Rear Wheel Disc Brake Bleeder
3	4126 733	2			CAP, Disc Brake Bleeder Screw
4	4383 304-5	1			ADAPTER, Rear Wheel Disc Brake
5	4383 456	2			CLIP, Rear Wheel Disc Brake Hsg. Anti-Rattle
6	4383 457	2			PIN, Rear Wheel Disc Brake Shoe Attach.
7	4383 458	4			BUSHING, Rear Wheel Disc Brake
8	4383 459	4			SLEEVE, Rear Wheel Disc Brake
9	4383 462	1			SHOE and LINING PACKAGE, Rear Wheel Disc (2 Inners, 2 Outers, 2 Clips, 2 Pins)
10		2			BOOT, Rear Wheel Disc Brake Piston (Serv. in 4713691 PKG)
11	6501 522	4			BOLT
12	4238 570	2			SEAL, Dust
13	4238 567	2			BEARING, Rear Wheel Disc, Inner
14	4383 757	2			HUB, Rear Wheel Disc Brake WHEEL, Tone (Service in RR Hub) (D) ***
15	4293 196	1			CONE PACKAGE, Rear Wheel Disc Brake, Outer
16	0600 194	2			WASHER
17	6029 692	2			NUT
18		2			PIN, (Not Serv.)
19	1673 324	2			LOCK
20	3580 894	2			CAP, Grease
21	4383 097	2			DISC, Rear Wheel Brake
22		2			RETAINER, (Not Serv.)
23	4383 616-7	1			SHIELD, Rear Wheel Disc Brake
24	6100 273	2			SCREW and WASHER
25	4383 800-1	1			SENSOR, Rear Wheel Disc Brake
	4383 669	2			CLIP, Rear Wheel Speed Sensor Wire
26	6501 252	2			SCREW
27		2			PISTON, Rear Brake Caliper (Serv. in 4713691 PKG)

MODEL CODES

C BODY = (D41 - DYNASTY)(C41 - NEW YORKER)
 E BODY = (J - CARAVELLE)(E - 600)(T - NEW YORKER TURBO)
 G BODY = (V24 - DAYTONA, PACIFICA & SHELBY)
 H BODY = (D44 - LANCER)(C44 - LEBARON GTS)
 J BODY = (C - LEBARON)
 K BODY = (P - RELIANT)(D - ARIES)(C - LEBARON/ TOWN & COUNTRY)

L BODY = (M - HORIZON)(Z-OMNI)
 M BODY = (B - GRAN FURY)(G - DIPLOMAT)(F - FIFTH AVENUE/NEWPORT)
 P BODY = (P - SUNDANCE)(D - SHADOW)
 Q BODY = (C27 - MASERATI)
 S BODY = (H - VOYAGER)(K - RAM VAN/ CARAVAN)

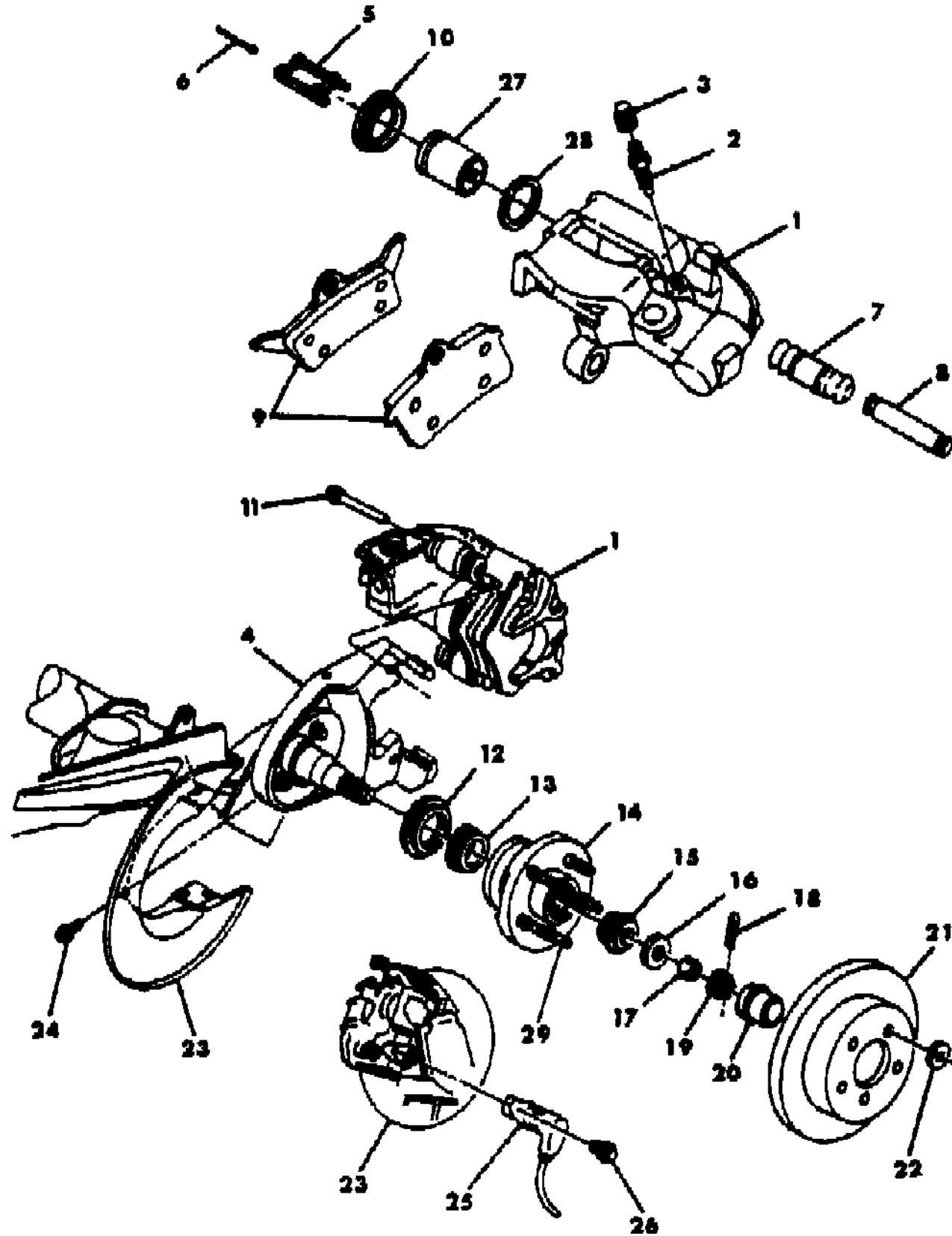
BODY STYLES

12-52 = FWD VAN & WAGON STD. W.B. 27 = 2-DOOR CONVERTIBLE
 13-53 = FWD VAN & WGN EXT W.B. 41 = 4-DOOR SEDAN
 21 = 2-DOOR SEDAN 44 = 4-DOOR HATCHBACK
 24 = 2-DOOR HATCHBACK 45 = 4-DOOR STATION WAGON

AR = Use as Required - = Non Illustrated Part P.A.R. = Paint as Required

BRAKES, REAR DISC C BODY
Figure 5-3225

8105 3225 A



ITEM	PART NUMBER	QTY	BODY	MODEL	DESCRIPTION
	4713 691	2			PISTON, BOOT & SEAL PACKAGE
28		2			SEAL, Rear Brake Caliper (Serv. in 4713691 PKG)
29	6501 512	10			BOLT, Rear Wheel Disc Brake

MODEL CODES

C BODY = (D41 - DYNASTY)(C41 - NEW YORKER)
 E BODY = (J - CARAVELLE)(E - 600)(T - NEW YORKER TURBO)
 G BODY = (V24 - DAYTONA, PACIFICA & SHELBY)
 H BODY = (D44 - LANCER)(C44 - LEBARON GTS)
 J BODY = (C - LEBARON)
 K BODY = (P - RELIANT)(D - ARIES)(C - LEBARON/ TOWN & COUNTRY)

L BODY = (M - HORIZON)(Z-OMNI)
 M BODY = (B - GRAN FURY)(G - DIPLOMAT)(F - FIFTH AVENUE/NEWPORT)
 P BODY = (P - SUNDANCE)(D - SHADOW)
 Q BODY = (C27 - MASERATI)
 S BODY = (H - VOYAGER)(K - RAM VAN/ CARAVAN)

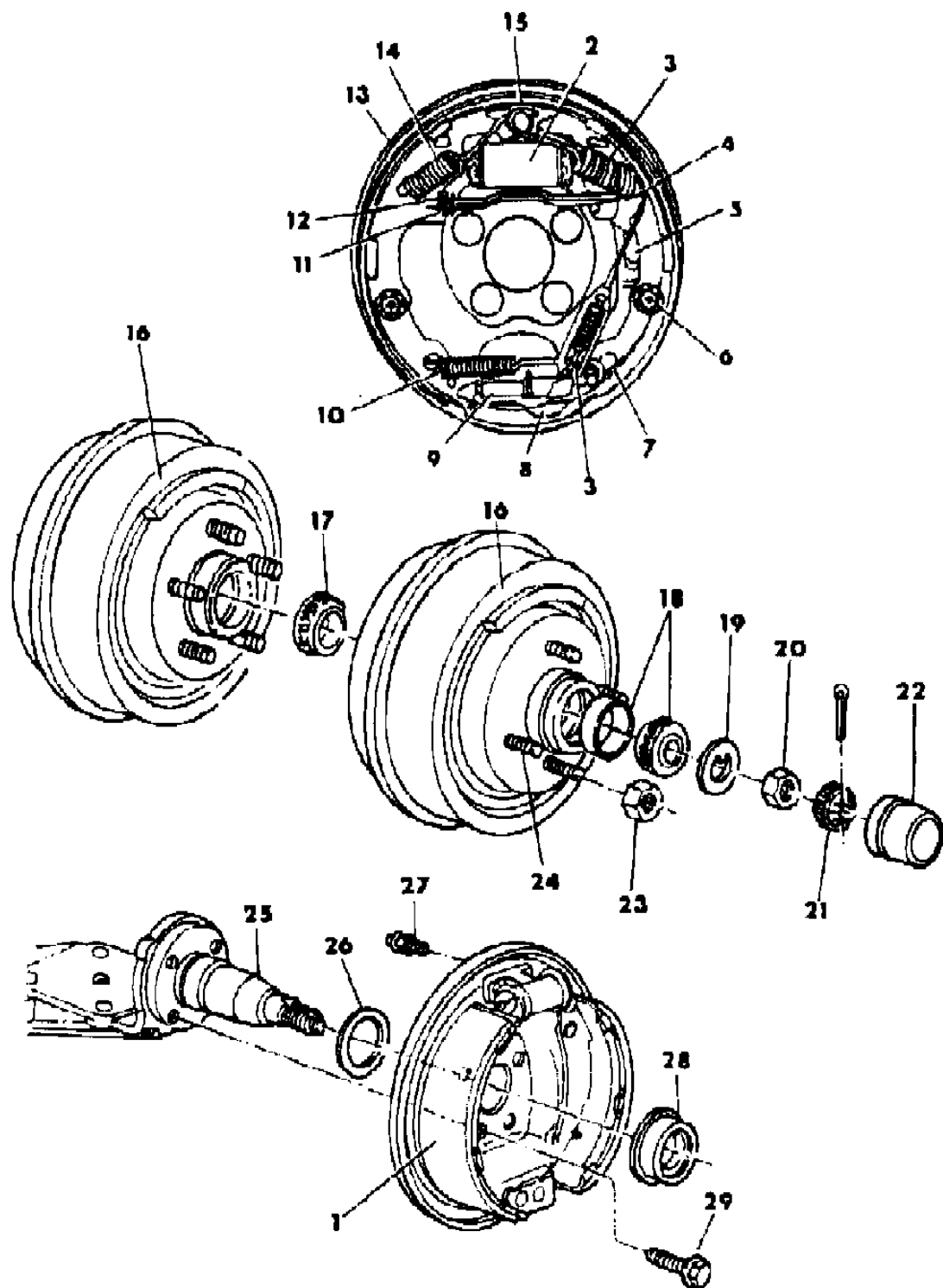
BODY STYLES

12-52 = FWD VAN & WAGON STD. W.B. 27 = 2-DOOR CONVERTIBLE
 13-53 = FWD VAN & WGN EXT W.B. 41 = 4-DOOR SEDAN
 21 = 2-DOOR SEDAN 44 = 4-DOOR HATCHBACK
 24 = 2-DOOR HATCHBACK 45 = 4-DOOR STATION WAGON

AR = Use as Required - = Non Illustrated Part P.A.R. = Paint as Required

BRAKES, REAR S-BODY
Figure 5-3300

8105 3300



ITEM	PART NUMBER	QTY	BODY	MODEL	DESCRIPTION
1	4313 080	1			SHOE and LINING PACKAGE, (Axle Set)
2	4313 056	2			CYLINDER, Wheel Brake, Complete
3	6028 921	4			SCREW, Wheel Cylinder Mtg.
	3461 662	2			CABLE, Auto. Adjuster Cable, Complete
4	3461 660	2			SPRING, Adjuster Cable
	4313 074	2			GUIDE, Auto. Adjuster Cable
5	4313 810-1	1			LEVER, Parking Brake
6	4313 062	4			SPRING, Brake Shoe Hold Down
	2260 548	4			PIN, Brake Shoe Hold Down Sprg.
7	2944 580-1	1			SPRING, Auto. Adjuster Lever
8	3461 665	2			LEVER, Auto. Adjuster
	4049 681	2			PIN, Auto. Adjuster Lever
9	2881 686-7	1			SCREW, Adjuster Pivot
	2944 692-3	1			NUT, Auto. Adjuster Pivot Screw
	2944 586	2			BUTTON, Adjuster
	6027 559	2			WASHER, Adjuster Button
10	4313 069	2			SPRING, Auto. Adjuster Shoe to Guide
11	4313 079	2			SPRING, Parking Brake Strut
12	4313 078	2			STRUT, Parking Brake
13	4313 055	2			SUPPORT, Rear Wheel Brake
-	4238 700	2			PLUG, Park Cable Hole
-	4238 721	2			PLUG, Adjuster Hole
14	2881 676	4			SPRING, Brake Shoe Return
15	4313 075	2			GUIDE, Brake Anchor Shoe
16	4313 761	2			HUB and DRUM, Rear Wheel Brake, 9x2.5", Std. w/14"Whls.
	4313 760	2			Heavy Duty, Std. and Ext. W.B. w/14"Whls.
	4383 117	2			w/6 Passenger, Ext. W.B. w/15"Whls.
	3683 975	2			BEARING PACKAGE, Inner
17	3683 975	2			BEARING PACKAGE, Inner
18	3683 974	2			BEARING PACKAGE, Rear Wheel Outer
	4293 196	2			CONE and ROLLER, Outer Bearing
19	0600 194	2			WASHER, Thrust
20	6029 692	2			NUT
21	1673 324	2			LOCK
22	3580 894	2			CAP
23	6500 526	AR			NUT, Std.
	6500 294	AR			NUT, Chrome
	5204 250	AR	K-E		CAP, Wheel Nut, 14x5.5 Argent Wheel, Non Styled

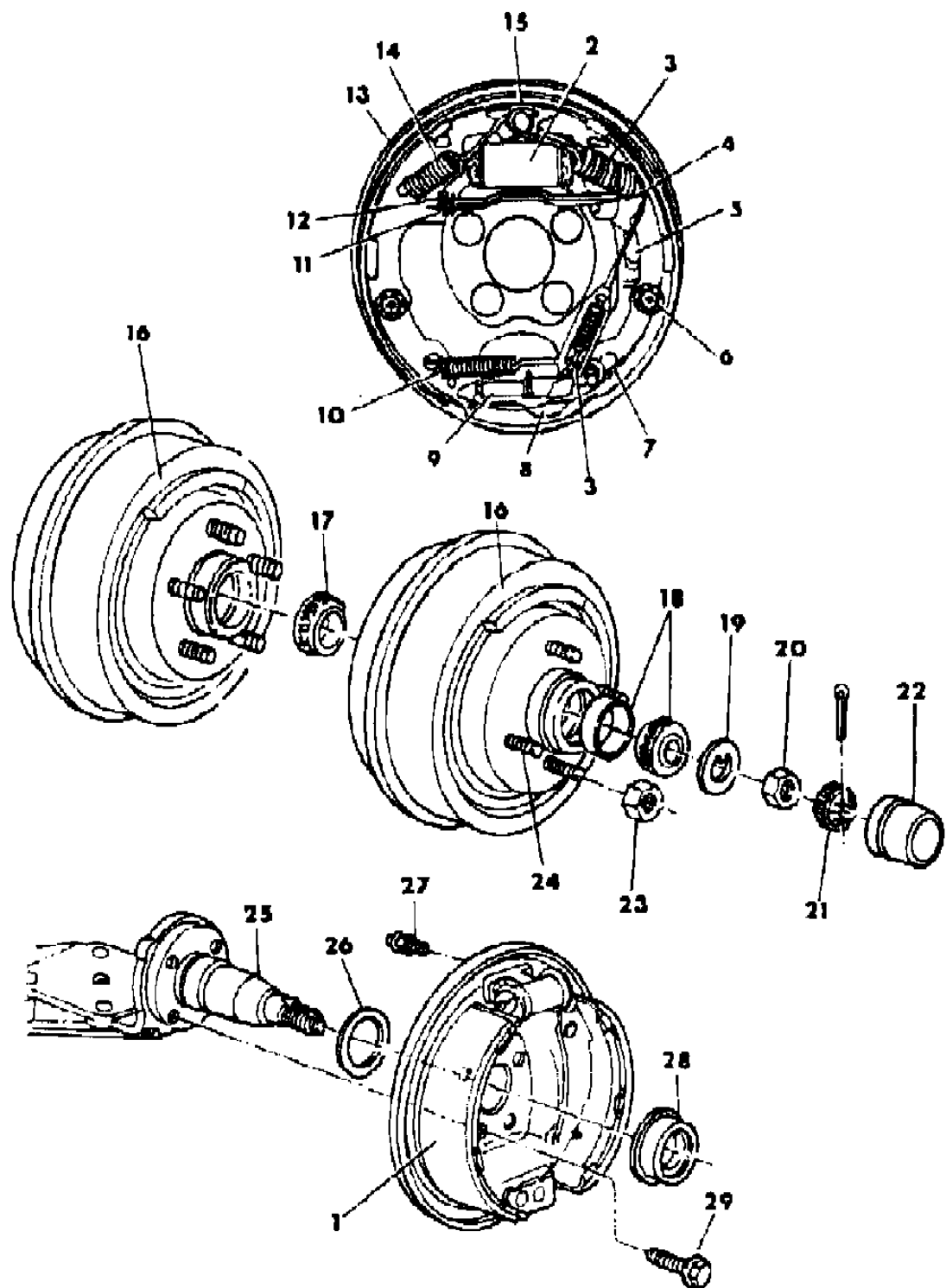
MODEL CODES
 C BODY = (D41 - DYNASTY)(C41 - NEW YORKER)
 E BODY = (J - CARAVELLE)(E - 600)(T - NEW YORKER TURBO)
 G BODY = (V24 - DAYTONA, PACIFICA & SHELBY)
 H BODY = (D44 - LANCER)(C44 - LEBARON GTS)
 J BODY = (C - LEBARON)
 K BODY = (P - RELIANT)(D - ARIES)(C - LEBARON/ TOWN & COUNTRY)
 L BODY = (M - HORIZON)(Z-OMNI)
 M BODY = (B - GRAN FURY)(G - DIPLOMAT)(F - FIFTH AVENUE/NEWPORT)
 P BODY = (P - SUNDANCE)(D - SHADOW)
 Q BODY = (C27 - MASERATI)
 S BODY = (H - VOYAGER)(K - RAM VAN/ CARAVAN)

BODY STYLES
 12-52 = FWD VAN & WAGON STD. W.B. 27 = 2-DOOR CONVERTIBLE
 13-53 = FWD VAN & WGN EXT W.B. 41 = 4-DOOR SEDAN
 21 = 2-DOOR SEDAN 44 = 4-DOOR HATCHBACK
 24 = 2-DOOR HATCHBACK 45 = 4-DOOR STATION WAGON

AR = Use as Required - = Non Illustrated Part P.A.R. = Paint as Required

BRAKES, REAR S-BODY
Figure 5-3300

8105 3300



ITEM	PART NUMBER	QTY	BODY	MODEL	DESCRIPTION
24	5204 272	AR			STUD
	6501 053	AR			BOLT, Frt. Wheel Driving (D)
25					SPINDLE
26	4313 231	2			SEAL, Brake Support to Spindle
27	3766 674	2			SCREW, Bleeder
	4238 717	2			CAP, Cyl. Bleeder Screw
28	4238 789	2			SEAL, Dust
29	6500 844	8			BOLT, Support To Spindle

MODEL CODES

C BODY = (D41 - DYNASTY)(C41 - NEW YORKER)	L BODY = (M - HORIZON)(Z-OMNI)
E BODY = (J - CARAVELLE)(E - 600)(T - NEW YORKER TURBO)	M BODY = (B - GRAN FURY)(G - DIPLOMAT)(F - FIFTH AVENUE/NEWPORT)
G BODY = (V24 - DAYTONA, PACIFICA & SHELBY)	P BODY = (P - SUNDANCE)(D - SHADOW)
H BODY = (D44 - LANCER)(C44 - LEBARON GTS)	Q BODY = (C27 - MASERATI)
J BODY = (C - LEBARON)	S BODY = (H - VOYAGER)(K - RAM VAN/ CARAVAN)
K BODY = (P - RELIANT)(D - ARIES)(C - LEBARON/ TOWN & COUNTRY)	

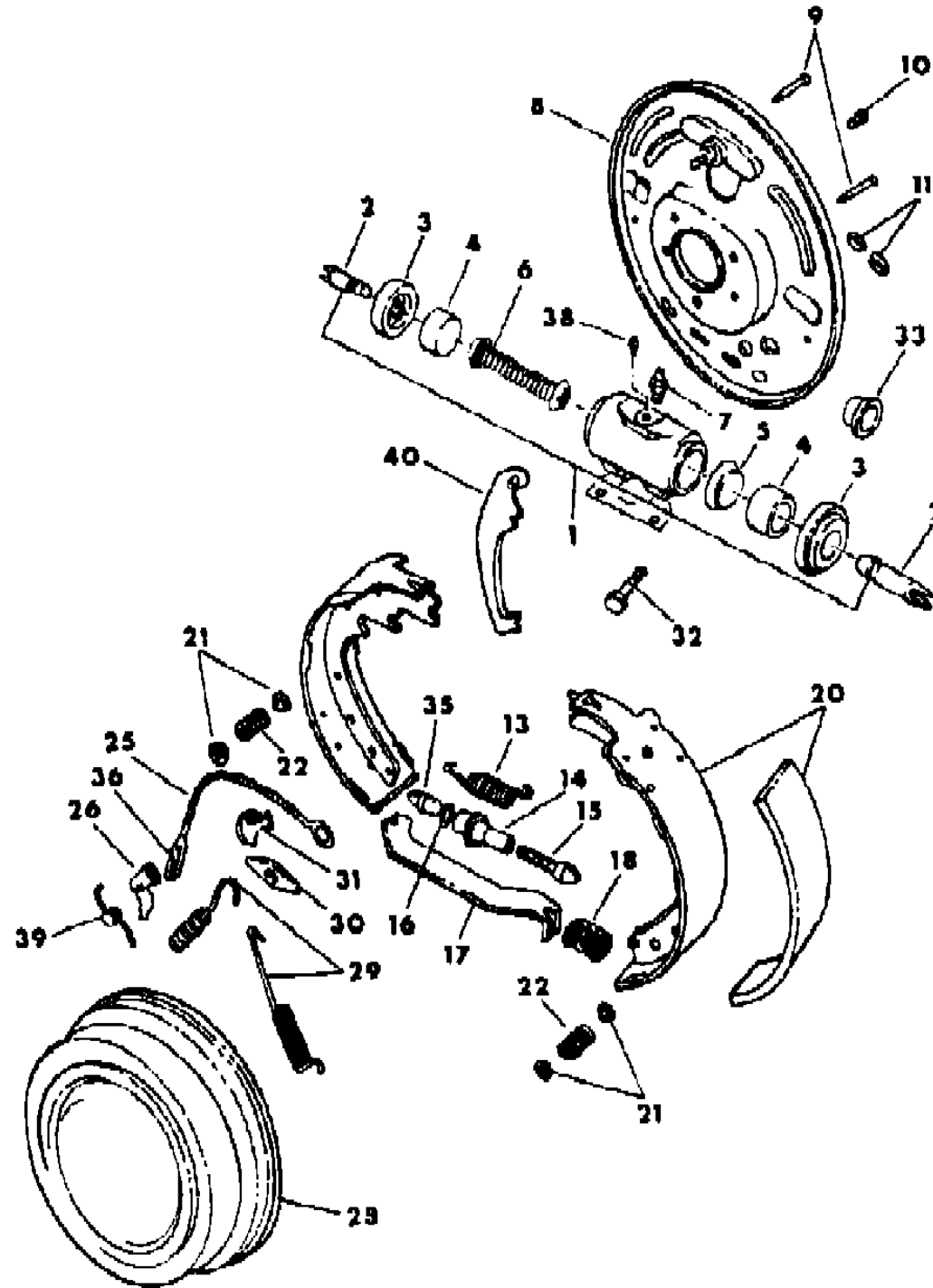
BODY STYLES

12-52 = FWD VAN & WAGON STD. W.B.	27 = 2-DOOR CONVERTIBLE
13-53 = FWD VAN & WGN EXT W.B.	41 = 4-DOOR SEDAN
21 = 2-DOOR SEDAN	44 = 4-DOOR HATCHBACK
24 = 2-DOOR HATCHBACK	45 = 4-DOOR STATION WAGON

AR = Use as Required - = Non Illustrated Part P.A.R. = Paint as Required

BRAKES, REAR M BODY
Figure 5-3400

8105 3400



ITEM	PART NUMBER	QTY	BODY	MODEL	DESCRIPTION
	4364 786	2			SHOE and LINING PACKAGE, w/10" Brakes Consists of: 2 - ---- --- Shoe and Lining, Primary 2 - ---- --- Shoe and Lining, Secondary 2 - 2260835 Spring
	4026 648	1			1 - 4049681 Pin, Washer and Lock Pkg. SHOE and LINING PACKAGE, w/11" Brakes Consists of: 2 - ---- --- Shoe and Lining, Primary 2 - ---- --- Shoe and Lining, Secondary
	4049 681	2			1 - 4049681 Pin, Washer and Lock Pkg. PIN, WASHER and LOCK PACKAGE, Rear Wheel Parking Brake Auto. Adjuster Consists of: 2 - ---- --- Pin, Rr. Whl. Brk. A/Adj. Lvr. 2- 2072643 Washer, Pkg./Brk. Lvr. Pin 2- 2072644 Lock Pkg./Brk. Lvr. Pin
1	3780 525	2			CYLINDER, WHEEL, 10" and 11" Brakes, Less Push Rod
	3780 524	1			CYLINDER PACKAGE, 10" and 11" Brakes, Repair
2	2260 787	4			ROD, Brake Cyl. Piston
3	2881 618	4			BOOT, 10" and 11" Brakes (Also Serv. in Pkg. 3780524)
4	2660 325	4			PISTON, 10" and 11" Brakes
5		4			CUP, (Serv. in Cyl. Pkg. 3780524)
6					EXPANDER, Cyl. Piston Cup (Serv. in Pkg. 3780524)
7	3766 674	2			SCREW, Bleeder
8	3699 601	2			SUPPORT, Rear Wheel, w/10" Brakes
	3699 603	2			w/11" Brakes
9	2260 548	4			PIN, Brake Shoe Hold Down Sprg.
	4049 681	AR			PIN, Rear Wheel Brake, Auto. Adjuster Lever
10	6028 921	AR			SCREW, Whl. Brake Cyl. Mtg.
11	2072 614	2			COVER, Brake Adjuster Hole
13	3766 574	2			SPRING, Auto. Adjuster Shoe, w/10" Brakes
	2880 555	2			w/11" Brakes
14	2944 692-3	AR			NUT, Auto. Adjuster Pivot Screw
15	2881 686-7	AR			SCREW, Auto. Adjuster Pivot
16	6027 559	AR			WASHER, Auto. Adjuster Button
17	4126 576-7	1			STRUT, Parking Brake Lever, w/11" Brakes

MODEL CODES

C BODY = (D41 - DYNASTY)(C41 - NEW YORKER)
E BODY = (J - CARAVELLE)(E - 600)(T - NEW YORKER TURBO)
G BODY = (V24 - DAYTONA, PACIFICA & SHELBY)
H BODY = (D44 - LANCER)(C44 - LEBARON GTS)
J BODY = (C - LEBARON)
K BODY = (P - RELIANT)(D - ARIES)(C - LEBARON/ TOWN & COUNTRY)

L BODY = (M - HORIZON)(Z-OMNI)
M BODY = (B - GRAN FURY)(G - DIPLOMAT)(F - FIFTH AVENUE/NEWPORT)
P BODY = (P - SUNDANCE)(D - SHADOW)
Q BODY = (C27 - MASERATI)
S BODY = (H - VOYAGER)(K - RAM VAN/ CARAVAN)

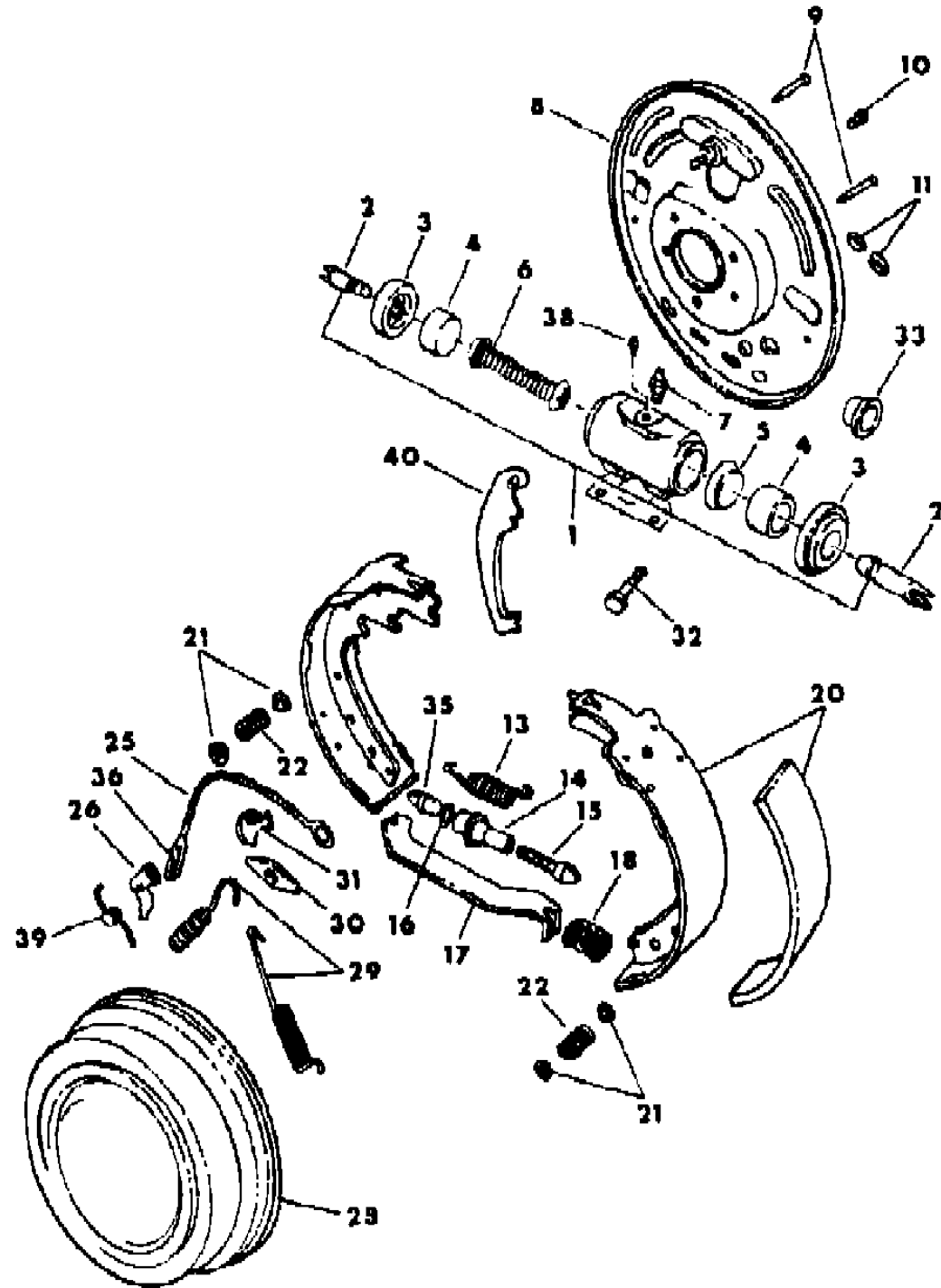
BODY STYLES

12-52 = FWD VAN & WAGON STD. W.B. 27 = 2-DOOR CONVERTIBLE
13-53 = FWD VAN & WGN EXT W.B. 41 = 4-DOOR SEDAN
21 = 2-DOOR SEDAN 44 = 4-DOOR HATCHBACK
24 = 2-DOOR HATCHBACK 45 = 4-DOOR STATION WAGON

AR = Use as Required - = Non Illustrated Part P.A.R. = Paint as Required

BRAKES, REAR M BODY
Figure 5-3400

8105 3400



ITEM	PART NUMBER	QTY	BODY	MODEL	DESCRIPTION
18	2533 822	1			SPRING, Pk. Brk. Lvr. Strut, w/11" Brakes
20		2			SHOE and LINING, (Serv. in Shoe and Lining Pkg.)
21	4126 525	4			RETAINER, Brake Shoe Hold Down Spring
22	4126 525	4			SPRING, Brake Shoe Hold Down
25	3461 663	2			CABLE, Auto. Adjuster, Complete, w/10" Brakes
	3461 664	2			w/11" Brakes
26	3461 665	2			LEVER, Auto. Adjuster
28	3880 783	2			DRUM, Rear Wheel, w/10" Brakes
	3580 565	2			w/11" Brakes
	3432 698	10			BOLT
29	2260 835	4			SPRING, Brake Shoe Return, w/10" Brakes
	2260 789	4			w/11" Brakes
30	2267 045	2			PLATE, Brake Shoe Guide, w/10" Brakes
	2260 788	2			w/11" Brakes
31	2260 793	2			GUIDE, Auto. Adjuster Cable
32	3723 668	AR			BOLT, Rr. Whl. Mtg., 1" Long
33	3699 549	AR			PLUG, Park Brake Cable Hole
35	2944 586	2			BUTTON, Auto. Adjuster
36	3461 660	2			SPRING, Auto. Adjuster Cable
38	6028 921	4			SCREW, Brake Cyl. Mtg.
39	2944 580-1	1			SPRING, Rear Wheel Brake Auto. Adjuster Lever
40	3880 628-9	1			LEVER, Parking Brake, w/10" Brakes
	3880 630-1	1			w/11" Brakes

MODEL CODES

C BODY = (D41 - DYNASTY)(C41 - NEW YORKER)
 E BODY = (J - CARAVELLE)(E - 600)(T - NEW YORKER TURBO)
 G BODY = (V24 - DAYTONA, PACIFICA & SHELBY)
 H BODY = (D44 - LANCER)(C44 - LEBARON GTS)
 J BODY = (C - LEBARON)
 K BODY = (P - RELIANT)(D - ARIES)(C - LEBARON/ TOWN & COUNTRY)

L BODY = (M - HORIZON)(Z-OMNI)
 M BODY = (B - GRAN FURY)(G - DIPLOMAT)(F - FIFTH AVENUE/NEWPORT)
 P BODY = (P - SUNDANCE)(D - SHADOW)
 Q BODY = (C27 - MASERATI)
 S BODY = (H - VOYAGER)(K - RAM VAN/ CARAVAN)

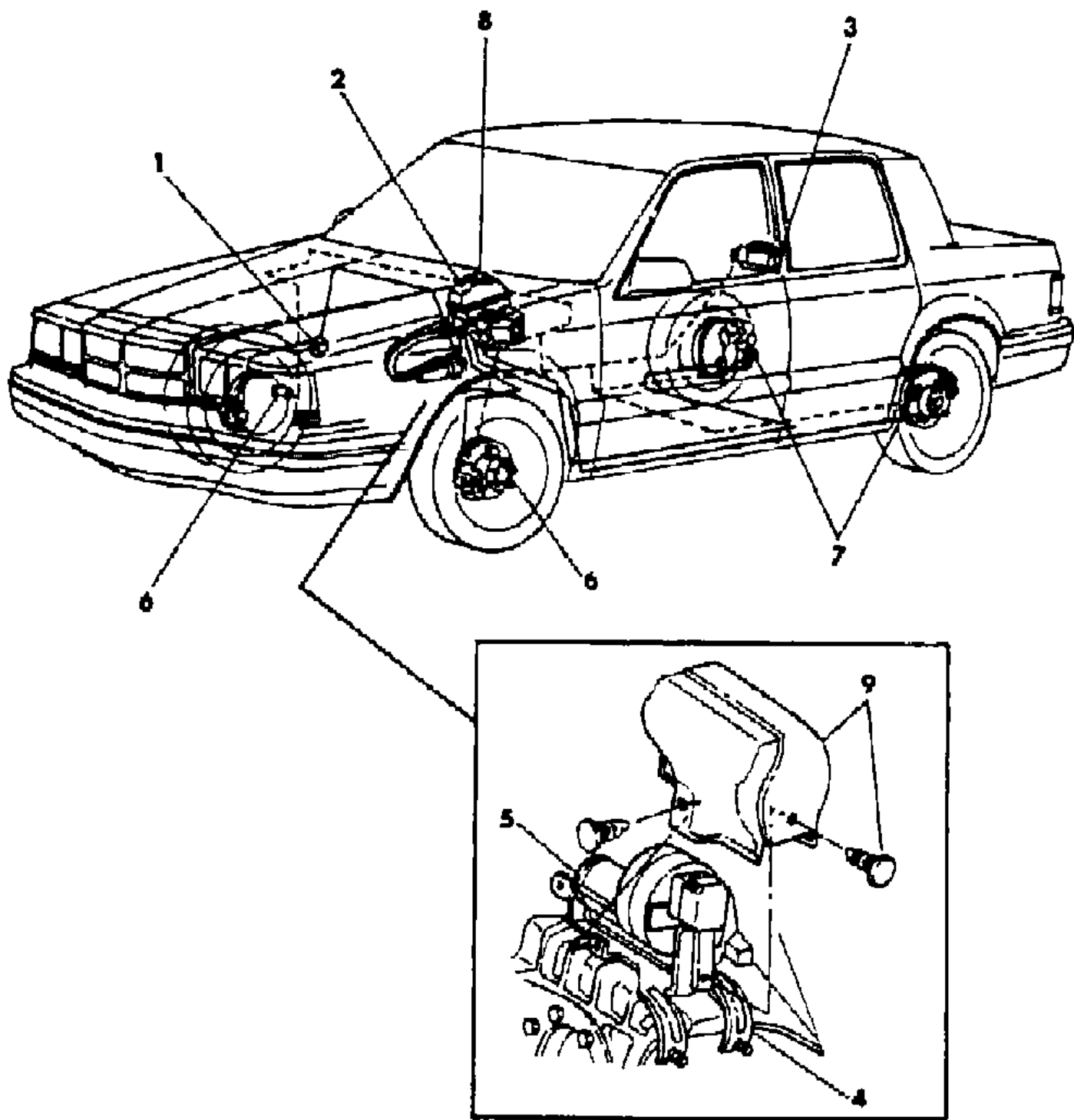
BODY STYLES

12-52 = FWD VAN & WAGON STD. W.B. 27 = 2-DOOR CONVERTIBLE
 13-53 = FWD VAN & WGN EXT W.B. 41 = 4-DOOR SEDAN
 21 = 2-DOOR SEDAN 44 = 4-DOOR HATCHBACK
 24 = 2-DOOR HATCHBACK 45 = 4-DOOR STATION WAGON

AR = Use as Required - = Non Illustrated Part P.A.R. = Paint as Required

ANTI-LOCK BRAKE SYSTEM- BOSCH C BODY
Figure 5-3500

8105 3500



ITEM	PART NUMBER	QTY	BODY	MODEL	DESCRIPTION
1		1			RELAY and BRACKET, (See Group 8)
2	4294 960	1			HYDRAULIC ASSEMBLY, Brake Anti-Lock, 4 Wheel Pwr. Disc Brake (Also See Illus. 1125)
3	4374 034 4374 466	1 1			MODULE ASSEMBLY, Anti-Lock Brake Control SHIELD, Anti-Lock Brake Module
4	4294 949	1			BRACKET, Pump and Motor Brake Anti-Lock (Also See Illus. 2200)
5	4443 433	1			PUMP and MOTOR PACKAGE, Brake Anti-Lock (Also See Illus. 2200)
6	4383 738-9	1			SENSOR, Frt. Wheel Speed (Also See Illus. 2700)
7	4383 800-1	1			SENSOR, Rear Wheel (Also See Illus. 3225)
8	4294 914	1			SENSOR, Brake Anti-Lock Fluid Level (Also See Illus. 2200)
9	4443 431	1			SHIELD and RETAINER PACKAGE, Anti-Lock Pump (Also See Illus. 2200)
	4294 777	2			RING, Brake Anti-Lock Pressure Hole Sealing (D)
	4294 776	1			SCREW and FILTER ASSEMBLY, Brake Anti-Lock Pressure Hose to Pump or HYD Assy. (D) ***
	4797 787	1			BUSHING, Pump Mount Lower
	4797 788	1			BUSHING, Pump Mount Upper
	4797 789	1			COLLAR, Pump Mount

MODEL CODES

C BODY = (D41 - DYNASTY)(C41 - NEW YORKER)	L BODY = (M - HORIZON)(Z-OMNI)
E BODY = (J - CARAVELLE)(E - 600)(T - NEW YORKER TURBO)	M BODY = (B - GRAN FURY)(G - DIPLOMAT)(F - FIFTH AVENUE/NEWPORT)
G BODY = (V24 - DAYTONA, PACIFICA & SHELBY)	P BODY = (P - SUNDANCE)(D - SHADOW)
H BODY = (D44 - LANCER)(C44 - LEBARON GTS)	Q BODY = (C27 - MASERATI)
J BODY = (C - LEBARON)	S BODY = (H - VOYAGER)(K - RAM VAN/ CARAVAN)
K BODY = (P - RELIANT)(D - ARIES)(C - LEBARON/ TOWN & COUNTRY)	

BODY STYLES

12-52 = FWD VAN & WAGON STD. W.B.	27 = 2-DOOR CONVERTIBLE
13-53 = FWD VAN & WGN EXT W.B.	41 = 4-DOOR SEDAN
21 = 2-DOOR SEDAN	44 = 4-DOOR HATCHBACK
24 = 2-DOOR HATCHBACK	45 = 4-DOOR STATION WAGON

AR = Use as Required - = Non Illustrated Part P.A.R. = Paint as Required

GROUP 6 - CLUTCH

ILLUSTRATION TITLE

GROUP-FIG. NO.

CLUTCH

CLUTCH, ALL ENGINES A520,A525,A555, 5 SPEED TRANSAXLE L,P,J,K,G,H,S BODY Fig. 6-100

CLUTCH PEDAL AND LINKAGE, ALL ENGINES A520,A525,A555, 5 SPEED TRANSAXLE L,P,J,K,G,H,S
BODY Fig. 6-200

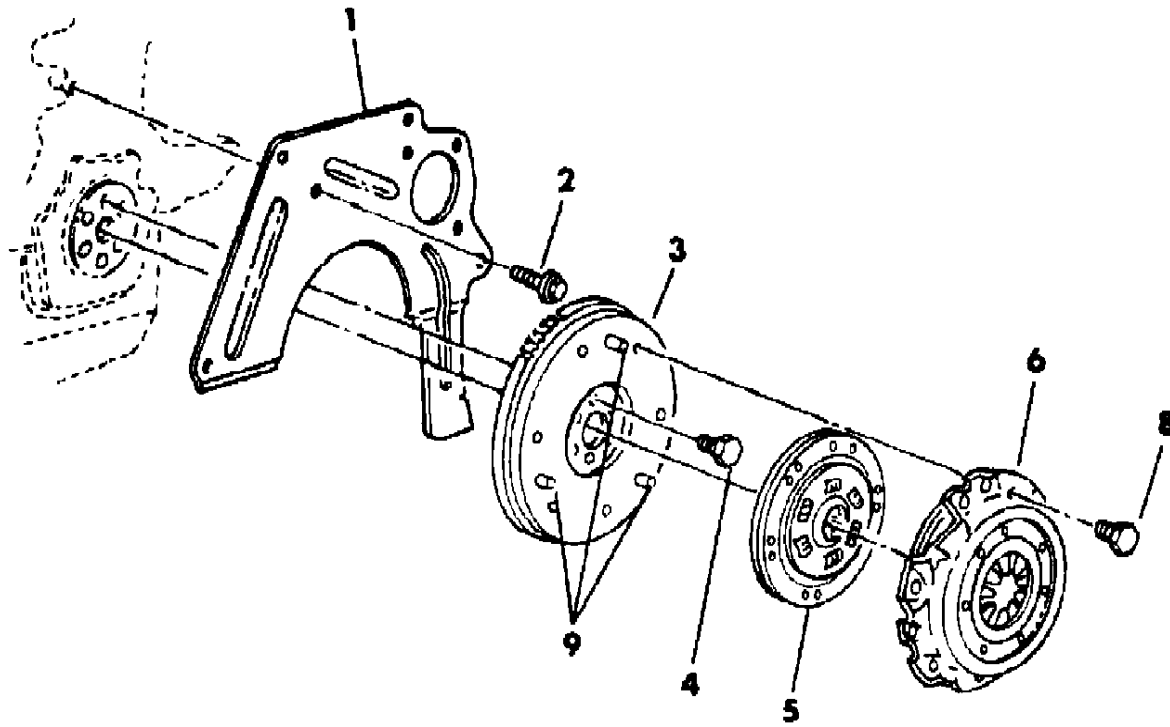
ILLUSTRATION NOT AVAILABLE AT TIME OF PUBLICATION



CLUTCH, ALL ENGINES A520,A525,A555, 5 SPEED TRANSAXLE L,P,J,K,G,H,S BODY
Figure 6-100

8106 100

ITEM	PART NUMBER	QTY	BODY	MODEL	DESCRIPTION
1					COVER, Trans. Case Upper (Refer to Gr. 21)
2					SCREW, w/Washer, (Refer to Gr. 21)
3					FLYWHEEL, (Refer to Gr. 9)
4					BOLT, Flywheel Mtg. (Refer to Gr. 9)
5					DISC, Clutch
	4377 728	1	L,P,K,H		w/2.2 EFI Liter Eng., LUK
	4431 156	1	PJKGHS		w/2.5 Liter Eng., FICHTEL & SACHS
	4431 156	1			w/2.2 TURBO Eng., FICHTEL & SACHS
	4446 313	1	G,H		w/2.2 TURBO TWO, w/Intercooler, FICHTEL & SACHS
6					COVER and PLATE ASSEMBLY, Clutch And Disc Package
	4377 726	1	L,P,K,H		w/2.2 EFI Eng., LUK Clutch
	4443 188	1	PJKGHS		w/2.5 Liter Eng., FICHTEL & SACHS Clutch
	4443 189	1			w/2.2 TURBO Eng., FICHTEL & SACHS Clutch
	4446 311	1	G,H		w/2.2 TURBO TWO, w/Intercooler, FICHTEL & SACHS Clutch
8	6500 151	6			BOLT, w/Washer, Cover to Flywheel, M8x1.25x20
9					DOWEL, Flywheel To Cover (Refer To Gr. 9)



MODEL CODES

C BODY = (D41 - DYNASTY)(C41 - NEW YORKER)
 E BODY = (J - CARAVELLE)(E - 600)(T - NEW YORKER TURBO)
 G BODY = (V24 - DAYTONA, PACIFICA & SHELBY)
 H BODY = (D44 - LANCER)(C44 - LEBARON GTS)
 J BODY = (C - LEBARON)
 K BODY = (P - RELIANT)(D - ARIES)(C - LEBARON/ TOWN & COUNTRY)

L BODY = (M - HORIZON)(Z-OMNI)
 M BODY = (B - GRAN FURY)(G - DIPLOMAT)(F - FIFTH AVENUE/NEWPORT)
 P BODY = (P - SUNDANCE)(D - SHADOW)
 Q BODY = (C27 - MASERATI)
 S BODY = (H - VOYAGER)(K - RAM VAN/ CARAVAN)

BODY STYLES

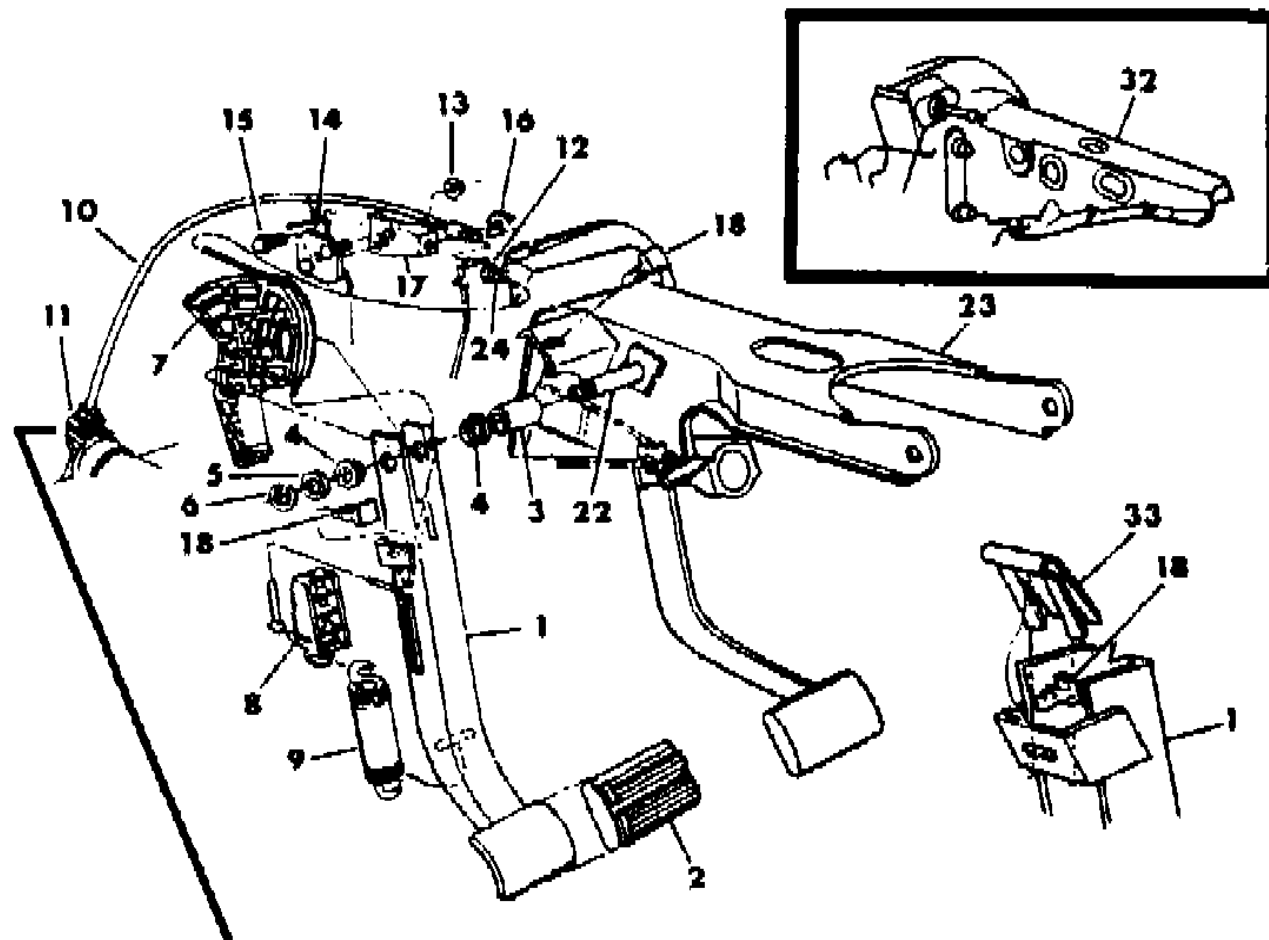
12-52 = FWD VAN & WAGON STD. W.B.	27 = 2-DOOR CONVERTIBLE
13-53 = FWD VAN & WGN EXT W.B.	41 = 4-DOOR SEDAN
21 = 2-DOOR SEDAN	44 = 4-DOOR HATCHBACK
24 = 2-DOOR HATCHBACK	45 = 4-DOOR STATION WAGON

AR = Use as Required - = Non Illustrated Part P.A.R. = Paint as Required

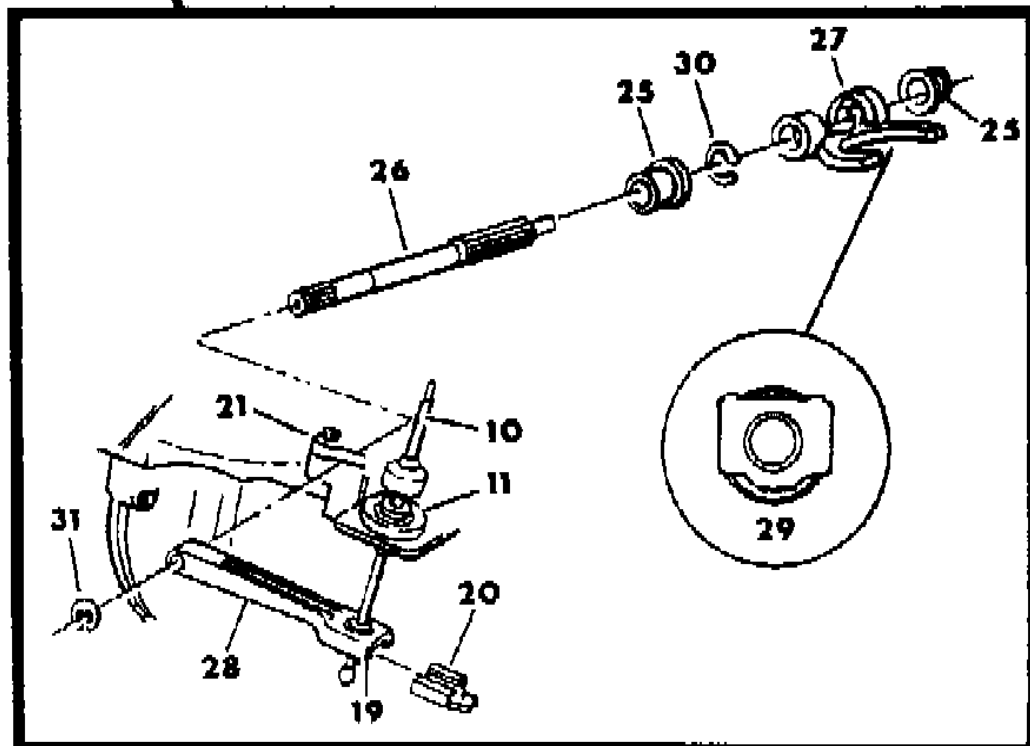
CLUTCH PEDAL AND LINKAGE, ALL ENGINES A520,A525,A555, 5 SPEED TRANSAXLE L,P,J,K,G,H,S BODY

Figure 6-200

8106 200



ITEM	PART NUMBER	QTY	BODY	MODEL	DESCRIPTION
1	4295 585	1	L		PEDAL, Clutch
2	4188 668	1	PJKGHS		PAD, Pedal
	5206 237	1	L		
3	4019 715	1	PJKGHS		SPACER, Pedal Shaft
	4019 706	1	L		
4	4019 716	1	PJKGH		
	4188 659	1	S		
5	4019 707	2			BUSHING, Pedal Shaft
	2073 632	1			WASHER, Pedal Shaft
6	6030 373	1			RING, Pedal Shaft, Lock
	4188 669	1	LPJKGH		ADJUSTER, Cl. Cable Pivot
7	4188 660	1	S		
	4019 695	1			ADJUSTER, Clutch Cable Position
8	4188 666	1			SPRING, Clutch Cable Adj.
	4019 749	1			DAMPER, Clutch Pedal Adj. Spring (Not Illus.)
9	4377 771	1	L		CABLE, Clutch Pedal, Up To 4-1-88
	4505 539	1	L		After 4-1-88
10	4505 341	1	PJKGH		
	4377 770	1	S		
11	4377 825	1			ISOLATOR, Clutch Cable
	3593 446	1			GROMMET, Cl. Cable Dash Panel
12	6100 050	2			NUT, Cable Mtg. Plate, M8x1.25
	4188 101	1			PLATE, Cable Mtg.
13	6100 098	2			SCREW, Cable Plate Mtg., M8x1.25x20
	3759 944	1			RETAINER, Plate
14	4295 369	1			CLIP, Cable
	4188 664	1	L		BRACKET, Cable Mtg.
15	4295 577	1	K		
	4412 950	1	PJGH		
16	4431 157	1	S		
	2266 820	1			BUMPER, Pedal Stop Brkt., Except L Body
17	4019 709	1	L		
	4188 673	1	S		BRACKET, Clutch Pedal Stop
18	5206 244	1			GROMMET, Cable Retainer
19	5206 245	1			RETAINER, Cable Lock
20					TRANSAXLE, (Rererence)
21					SHAFT, (Refer to Gr. 5)
22					



MODEL CODES

C BODY = (D41 - DYNASTY)(C41 - NEW YORKER)
 E BODY = (J - CARAVELLE)(E - 600)(T - NEW YORKER TURBO)
 G BODY = (V24 - DAYTONA, PACIFICA & SHELBY)
 H BODY = (D44 - LANCER)(C44 - LEBARON GTS)
 J BODY = (C - LEBARON)
 K BODY = (P - RELIANT)(D - ARIES)(C - LEBARON/ TOWN & COUNTRY)

L BODY = (M - HORIZON)(Z-OMNI)
 M BODY = (B - GRAN FURY)(G - DIPLOMAT)(F - FIFTH AVENUE/NEWPORT)
 P BODY = (P - SUNDANCE)(D - SHADOW)
 Q BODY = (C27 - MASERATI)
 S BODY = (H - VOYAGER)(K - RAM VAN/ CARAVAN)

BODY STYLES

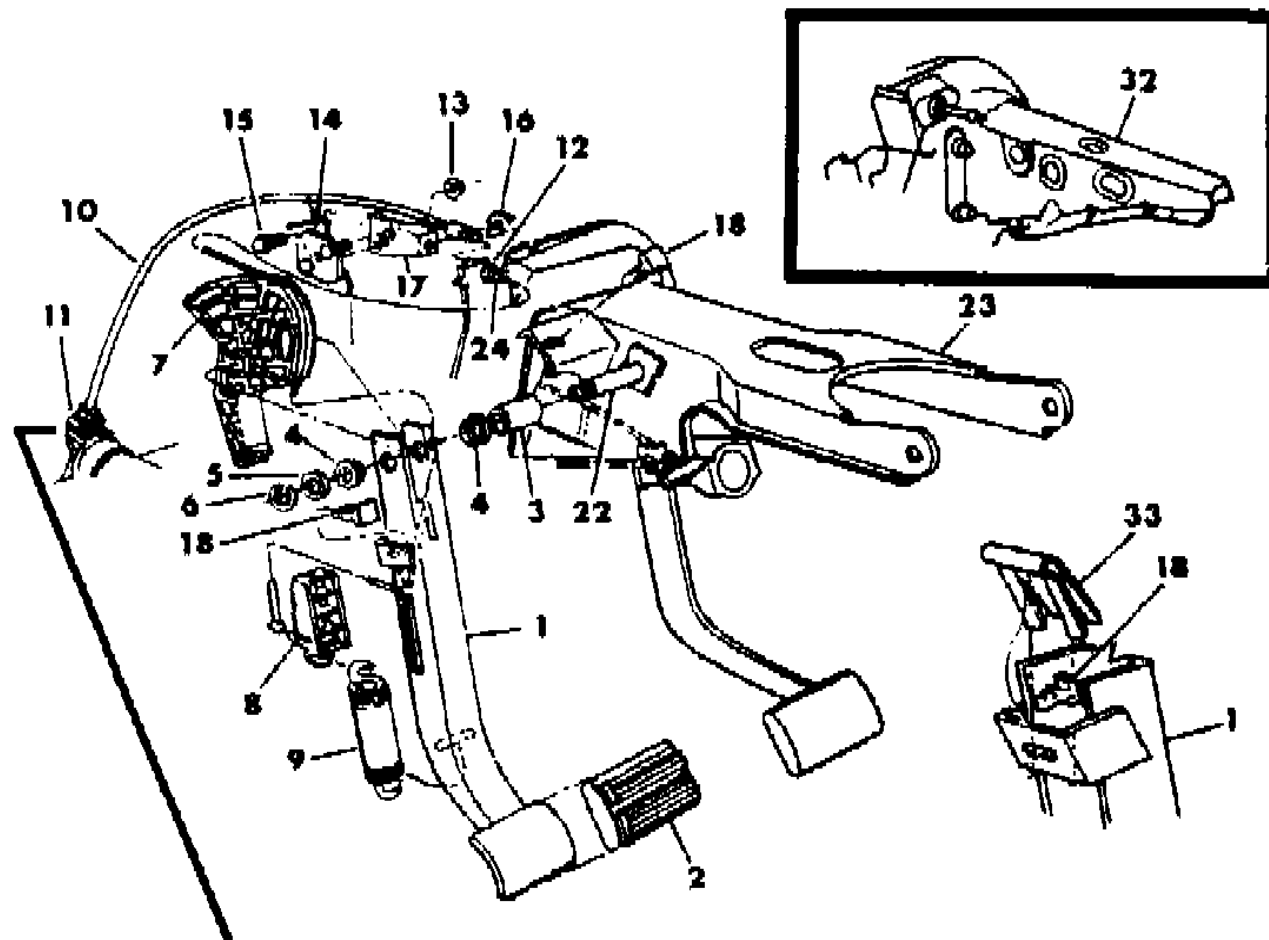
12-52 = FWD VAN & WAGON STD. W.B. 27 = 2-DOOR CONVERTIBLE
 13-53 = FWD VAN & WGN EXT W.B. 41 = 4-DOOR SEDAN
 21 = 2-DOOR SEDAN 44 = 4-DOOR HATCHBACK
 24 = 2-DOOR HATCHBACK 45 = 4-DOOR STATION WAGON

AR = Use as Required - = Non Illustrated Part P.A.R. = Paint as Required

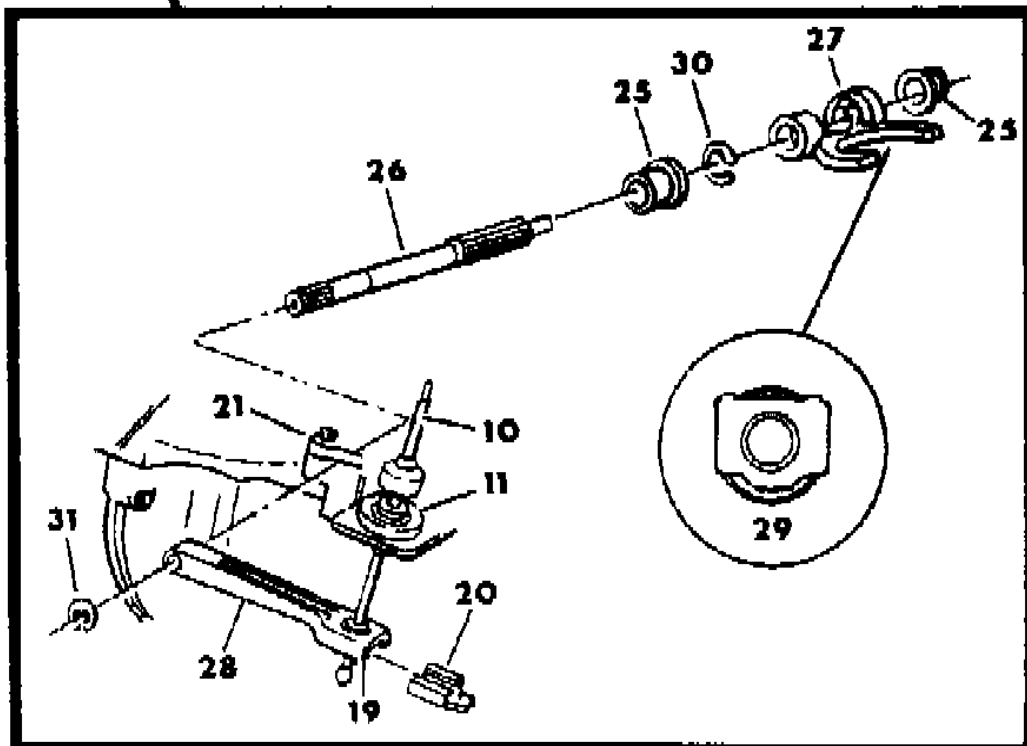
CLUTCH PEDAL AND LINKAGE, ALL ENGINES A520,A525,A555, 5 SPEED TRANSAXLE L,P,J,K,G,H,S BODY

Figure 6-200

8106 200



ITEM	PART NUMBER	QTY	BODY	MODEL	DESCRIPTION
23			PJKGHS		BRACKET, (Refer to Gr. 5)
24	6031 447	1			NUT, Cable Mtg.
25	4295 759	1			BUSHING, Clutch Rel. Shaft, Inner
	4295 438	1			Outer
26	4295 426	1			SHAFT, Clutch Release
27	4295 428	1			FORK, Clutch Release
28	4295 477	1			LEVER, Clutch Rel. Shaft
29	4202 378	1			BEARING, w/Sleeve, Clutch Release
30	6500 510	1			E-RING, Shaft Outer Bushing
31	6500 951	1			E-RING, Lever To Shaft
32			L		BRACKET, (Refer to Gr. 5)
33	4188 653	1			CLIP, Clutch Cable Adj. Spring



MODEL CODES

C BODY = (D41 - DYNASTY)(C41 - NEW YORKER)
 E BODY = (J - CARAVELLE)(E - 600)(T - NEW YORKER TURBO)
 G BODY = (V24 - DAYTONA, PACIFICA & SHELBY)
 H BODY = (D44 - LANCER)(C44 - LEBARON GTS)
 J BODY = (C - LEBARON)
 K BODY = (P - RELIANT)(D - ARIES)(C - LEBARON/ TOWN & COUNTRY)

L BODY = (M - HORIZON)(Z-OMNI)
 M BODY = (B - GRAN FURY)(G - DIPLOMAT)(F - FIFTH AVENUE/NEWPORT)
 P BODY = (P - SUNDANCE)(D - SHADOW)
 Q BODY = (C27 - MASERATI)
 S BODY = (H - VOYAGER)(K - RAM VAN/ CARAVAN)

BODY STYLES

12-52 = FWD VAN & WAGON STD. W.B. 27 = 2-DOOR CONVERTIBLE
 13-53 = FWD VAN & WGN EXT W.B. 41 = 4-DOOR SEDAN
 21 = 2-DOOR SEDAN 44 = 4-DOOR HATCHBACK
 24 = 2-DOOR HATCHBACK 45 = 4-DOOR STATION WAGON

AR = Use as Required - = Non Illustrated Part P.A.R. = Paint as Required

GROUP 7 - COOLING

ILLUSTRATION TITLE

GROUP-FIG. NO.

GRILLES

GRILLE AND RELATED PARTS L BODY	Fig. 7-100
GRILLE AND RELATED PARTS P BODY	Fig. 7-200
GRILLE AND RELATED PARTS J BODY (C)	Fig. 7-300
GRILLE AND RELATED PARTS K BODY (P,D)	Fig. 7-400
GRILLE AND RELATED PARTS K BODY (C)	Fig. 7-500
GRILLE AND RELATED PARTS G BODY (V)	Fig. 7-600
GRILLE AND RELATED PARTS E BODY (J,E)	Fig. 7-700
GRILLE AND RELATED PARTS E BODY (T)	Fig. 7-800
GRILLE AND RELATED PARTS H BODY	Fig. 7-900
GRILLE AND RELATED PARTS C BODY (D)	Fig. 7-1000
GRILLE AND RELATED PARTS C BODY (C)	Fig. 7-1100
GRILLE AND RELATED PARTS S BODY	Fig. 7-1200
GRILLE AND RELATED PARTS M BODY (F AND G-P)	Fig. 7-1300
GRILLE AND RELATED PARTS M BODY (B AND G-L)	Fig. 7-1400

ILLUSTRATION NOT AVAILABLE AT TIME OF PUBLICATION

RADIATORS

RADIATOR AND RELATED PARTS 2.2L ENGINE W/O AIR CONDITIONING L BODY	Fig. 7-1500
RADIATOR AND RELATED PARTS 2.2L ENGINE W/AIR CONDITIONING L BODY	Fig. 7-1600
RADIATOR AND RELATED PARTS 2.2L AND 2.5L ENGINE P BODY	Fig. 7-1700
RADIATOR AND RELATED PARTS 2.2L AND 2.5L ENGINE J,K,G,E,H BODY	Fig. 7-1800
RADIATOR AND INTERCOOLER AND RELATED PARTS 2.2L ENGINE TURBO 2 G BODY AND P BODY SHELBY	Fig. 7-1900
RADIATOR AND RELATED PARTS 2.5L ENGINE C BODY	Fig. 7-1925
RADIATOR AND RELATED PARTS 3.0L ENGINE C BODY	Fig. 7-2000
RADIATOR AND RELATED PARTS 2.5L ENGINE S BODY	Fig. 7-2100
RADIATOR AND RELATED PARTS 3.0L ENGINE S BODY	Fig. 7-2200
RADIATOR AND RELATED PARTS M BODY	Fig. 7-2300

COOLANT RESERVE TANKS

COOLANT RESERVE TANKS	Fig. 7-2400
-----------------------------	-------------

OIL COOLERS

OIL COOLER 4 CYLINDER ENGINE	Fig. 7-2500
OIL COOLER 6 CYLINDER ENGINE	Fig. 7-2600
OIL COOLER 8 CYLINDER ENGINE	Fig. 7-2700
OIL COOLER - AUXILIARY 8 CYLINDER ENGINE	Fig. 7-2800

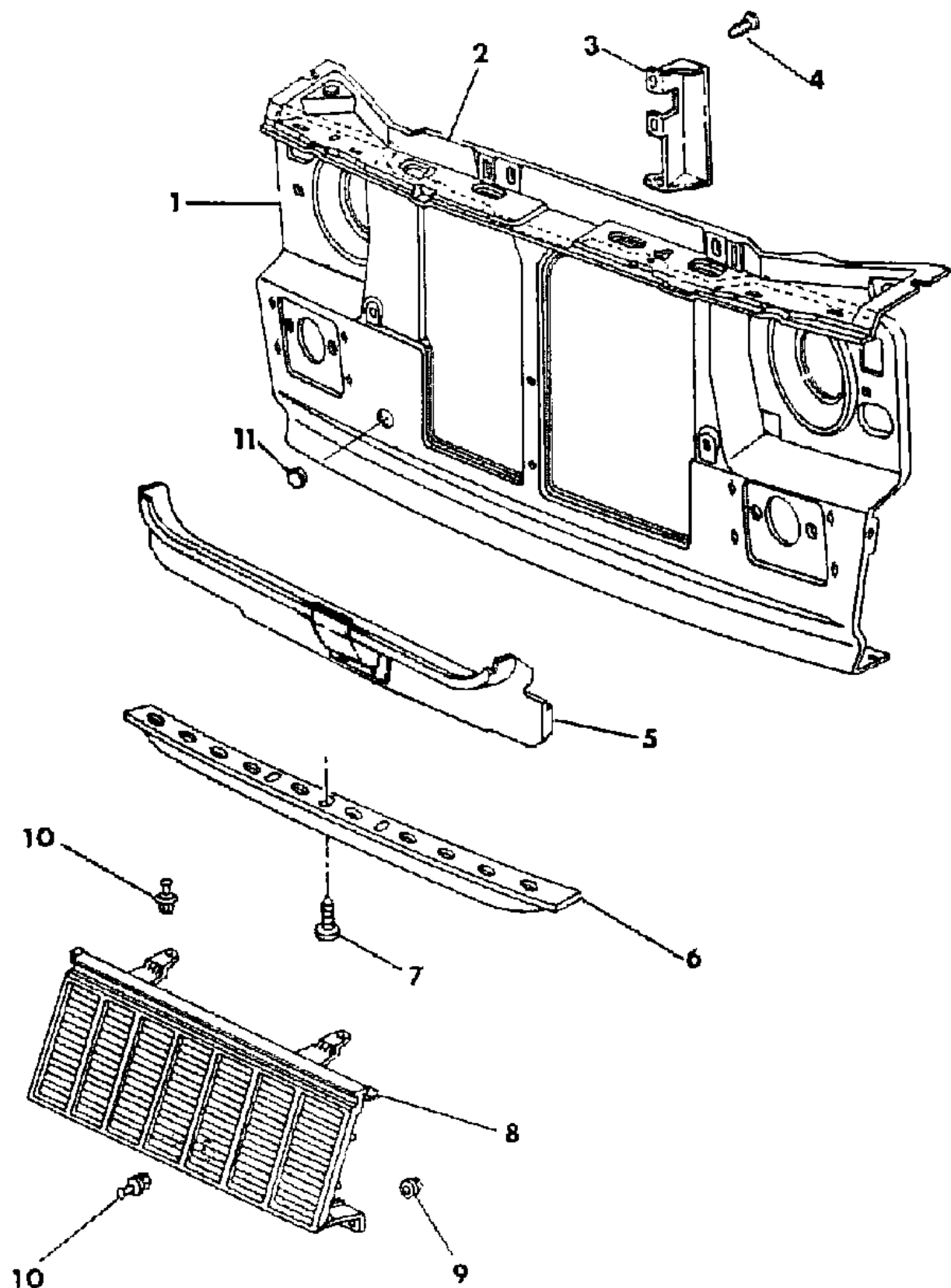
GROUP 7 - COOLING

ILLUSTRATION TITLE	GROUP-FIG. NO.
OIL COOLERS (Continued)	
OIL COOLER - AUXILIARY 8 CYLINDER ENGINE	Fig. 7-2800
DRIVE BELTS	
DRIVE BELTS 4 CYLINDER AND 6 CYLINDER ENGINES	Fig. 7-2900
DRIVE BELTS 8 CYLINDER ENGINE	Fig. 7-3000
DRIVE PULLEYS	
DRIVE PULLEYS 4 CYLINDER ENGINE	Fig. 7-3100
DRIVE PULLEYS 6 CYLINDER ENGINE	Fig. 7-3200
DRIVE PULLEYS 8 CYLINDER ENGINE	Fig. 7-3300
WATER PUMPS	
WATER PUMP AND RELATED PARTS 4 CYLINDER ENGINE	Fig. 7-3400
WATER PUMP AND RELATED PARTS 6 CYLINDER ENGINE	Fig. 7-3500
WATER PUMP AND RELATED PARTS 318 ENGINE	Fig. 7-3600
TURBO WATER COOLED SYSTEM	
TURBO WATER COOLED SYSTEM	Fig. 7-3700

GRILLE AND RELATED PARTS L BODY

Figure 7-100

8107 100 A



ITEM	PART NUMBER	QTY	BODY	MODEL	DESCRIPTION
1	4341 995	1			PANEL, Radiator Closure
2	4341 673	1			CROSSMEMBER, Radiator Closure Panel
3	4490 096	1			SHIELD, Closure Panel Radiator Air - Right
4	6030 538	3			RETAINER
5		1			CROSSMEMBER, Front Side Rail Front (refer to grp. 13)
6	#4140 438	1			DAM, Air
7	6030 441	AR			RETAINER
8	4270 605	1		M	GRILLE, Radiator
	4270 610	1		Z	
9	6031 234	8			NUT
10	6031 383	3			PIN, Drive
11	6030 883	1			PLUG, Closure Headlamp Mounting Panel

MODEL CODES

C BODY = (D41 - DYNASTY)(C41 - NEW YORKER)
 E BODY = (J - CARAVELLE)(E - 600)(T - NEW YORKER TURBO)
 G BODY = (V24 - DAYTONA, PACIFICA & SHELBY)
 H BODY = (D44 - LANCER)(C44 - LEBARON GTS)
 J BODY = (C - LEBARON)
 K BODY = (P - RELIANT)(D - ARIES)(C - LEBARON/ TOWN & COUNTRY)

L BODY = (M - HORIZON)(Z-OMNI)
 M BODY = (B - GRAN FURY)(G - DIPLOMAT)(F - FIFTH AVENUE/NEWPORT)
 P BODY = (P - SUNDANCE)(D - SHADOW)
 Q BODY = (C27 - MASERATI)
 S BODY = (H - VOYAGER)(K - RAM VAN/ CARAVAN)

BODY STYLES

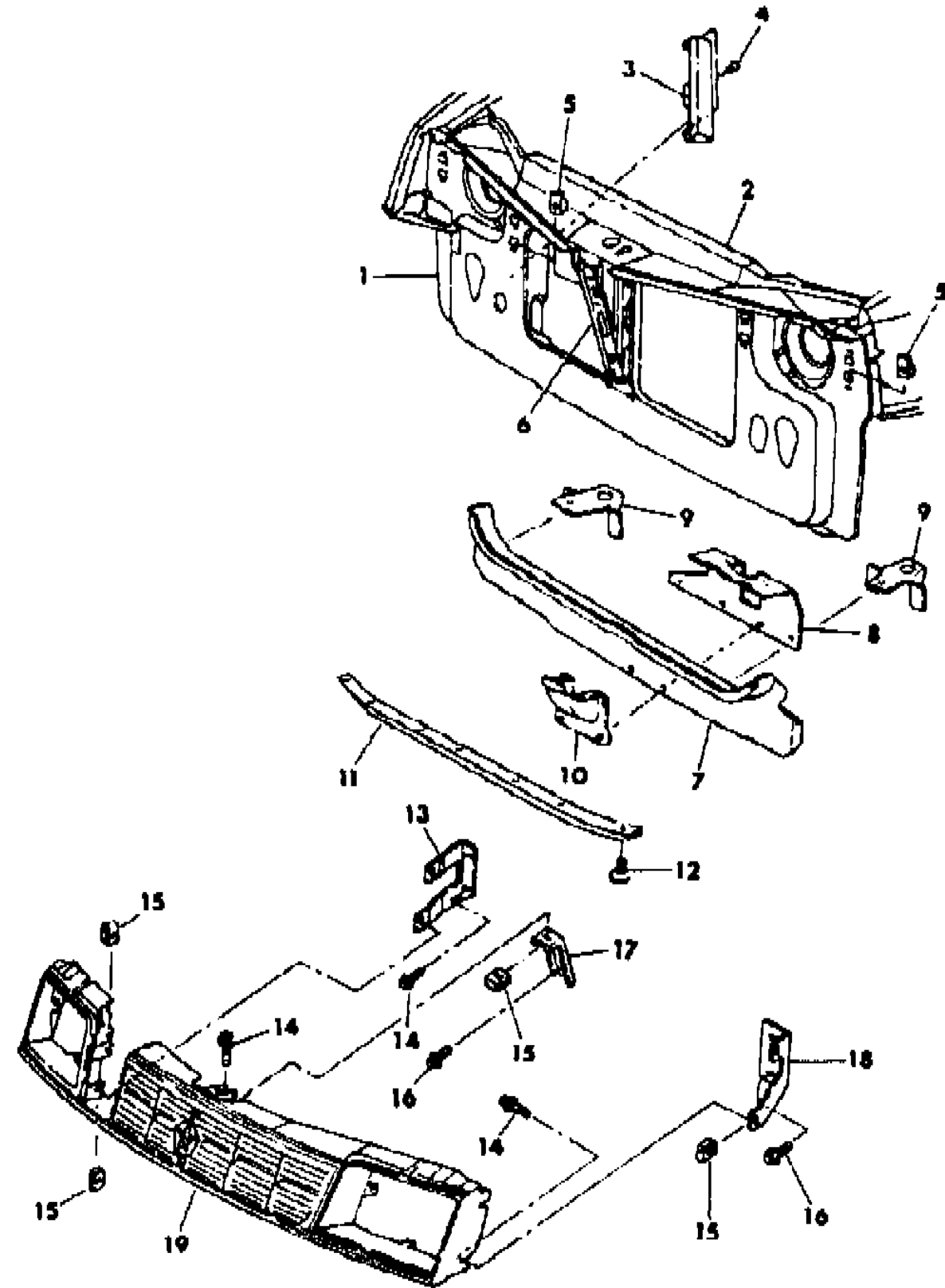
12-52 = FWD VAN & WAGON STD. W.B. 27 = 2-DOOR CONVERTIBLE
 13-53 = FWD VAN & WGN EXT W.B. 41 = 4-DOOR SEDAN
 21 = 2-DOOR SEDAN 44 = 4-DOOR HATCHBACK
 24 = 2-DOOR HATCHBACK 45 = 4-DOOR STATION WAGON

AR = Use as Required - = Non Illustrated Part P.A.R. = Paint as Required

GRILLE AND RELATED PARTS P BODY

Figure 7-200

8107 200



ITEM	PART NUMBER	QTY	BODY	MODEL	DESCRIPTION
1	4440 579	1			PANEL, Radiator Closure
2	4296 515	1			CROSSMEMBER, Radiator Closure Panel
3	4341 750	1			SHIELD, Closure Panel Radiator Air - Right
4		3			RETAINER (not serviced)
5	6100 041	6			U-NUT
6	4386 858	1			SUPPORT, Radiator Closure Panel to Upper Crossmember
7		1			CROSSMEMBER, Front Side Rail Front (refer to grp. 13)
8	4386 351	1			REINFORCEMENT, Radiator Closure Panel Lower Crossmember 2.2L Eng. w/(S/C - EDG) - Man. Trans.
9	4341 730-1	1			BRACKET, Front Crossmember Radiator Support
10	4386 682	1			REINFORCEMENT, Crossmember Engine Mounting Front Bracket
11	4334 474	1			DAM, Air - Canada
12	6501 067	7			RETAINER
13	4334 220-1	1			BRACKET, Radiator Grille to Closure Panel - Intermediate
14	#6031 618	9			SCREW and WASHER
15	6028 062	13			U-NUT
16	6501 501	6			SCREW and WASHER
17	4334 246	1			BRACKET, Radiator Grille to Hood Lock Support - Center
18	4334 248-9	1			BRACKET, Radiator Grille to Closure Panel - Outer
19					GRILLE, Radiator w/Surround Moulding
	4334 240	1		D-L,H	Bright w/o ES Pkg.
	X517 EX8	1		D-H	Black w/Monotone Paint Pkg. w/ES Pkg.
	X517 ER5	1		D-H	Red w/ES Pkg.
	X517 GW7	1		D-H	White w/ES Pkg.
	X517 GL2	1		D-H	Taupe w/ES Pkg.
	4334 202	1		P	Bright
	4467 464	1			Shelby

MODEL CODES

C BODY = (D41 - DYNASTY)(C41 - NEW YORKER)
 E BODY = (J - CARAVELLE)(E - 600)(T - NEW YORKER TURBO)
 G BODY = (V24 - DAYTONA, PACIFICA & SHELBY)
 H BODY = (D44 - LANCER)(C44 - LEBARON GTS)
 J BODY = (C - LEBARON)
 K BODY = (P - RELIANT)(D - ARIES)(C - LEBARON/ TOWN & COUNTRY)

L BODY = (M - HORIZON)(Z-OMNI)
 M BODY = (B - GRAN FURY)(G - DIPLOMAT)(F - FIFTH AVENUE/NEWPORT)
 P BODY = (P - SUNDANCE)(D - SHADOW)
 Q BODY = (C27 - MASERATI)
 S BODY = (H - VOYAGER)(K - RAM VAN/ CARAVAN)

BODY STYLES

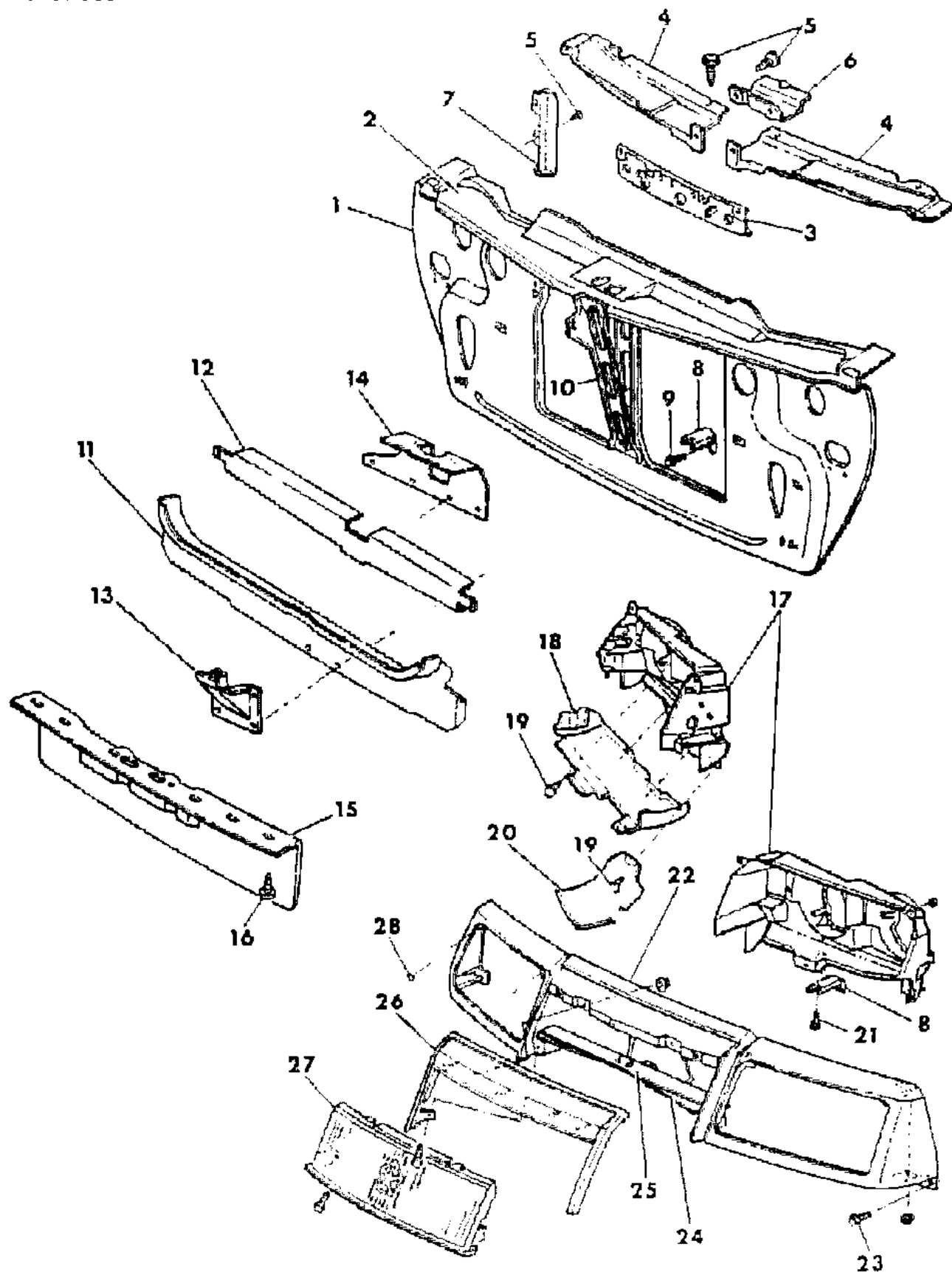
12-52 = FWD VAN & WAGON STD. W.B. 27 = 2-DOOR CONVERTIBLE
 13-53 = FWD VAN & WGN EXT W.B. 41 = 4-DOOR SEDAN
 21 = 2-DOOR SEDAN 44 = 4-DOOR HATCHBACK
 24 = 2-DOOR HATCHBACK 45 = 4-DOOR STATION WAGON

AR = Use as Required - = Non Illustrated Part P.A.R. = Paint as Required

GRILLE AND RELATED PARTS J BODY (C)

Figure 7-300

8107 300 A



ITEM	PART NUMBER	QTY	BODY	MODEL	DESCRIPTION
1					PANEL, Radiator Closure
	4440 576	1			up to 4-25-88
	4490 323	1			after 4-25-88
2	4440 427	1			CROSSMEMBER, Radiator Closure Panel
3		1			CROSSBAR, Headlamp and Grille Mounting Panel Upper (serv. in #22)
4	4334 402-3	1			SHIELD, Sight - Headlamp See Through
5	6030 441	AR			RETAINER
6	4334 326	1			COVER, Headlamp Motor Access
7	4270 124	1			SHIELD, Closure Panel Radiator Air - Right
8	4334 413	2			BRACKET, Headlamp and Grille Panel Outer
9	6501 013	2			SCREW and WASHER
10	4386 696	1			SUPPORT, Radiator Closure Panel
11		1			CROSSMEMBER, Front Side Rail Front (refer to grp. 13)
12	4386 345	1			REINFORCEMENT, Radiator Closure Panel Lower Crossmember Inner
13	4386 682	1			REINFORCEMENT, Crossmember Engine Mounting Front Bracket
14	4386 351	1			REINFORCEMENT, Radiator Closure Panel Lower Crossmember 2.2L Eng. w/(S/C - EDG) - Man. Trans.
15	4334 319	1			DAM, Air
16	6501 067	7			RETAINER
17	4334 364-5	2			HOUSING, Headlamp Mounting
18	4334 378-9	2			SHIELD, Sight - Headlamp Door Opening
19	6501 067	8			RETAINER
20		1			BAFFLE, Front Bumper Fascia Reinforcement to Headlamp Housing (refer to grp. 13)
21	6100 286	2			SCREW and WASHER
22	4334 356	1			PANEL, Radiator Grille and Headlamp Mounting
23	6100 567	2			SCREW and WASHER
24	4334 377	1			SPRING, Radiator Grille Return
25	4334 320	1			CROSSBAR, Headlamp Grille Mounting Panel
26	4334 363	1			HEADER, Radiator Grille
27	4334 361	1			GRILLE, Radiator
28	4334 332	4			UP-STOP SET, Headlamp Door

MODEL CODES

C BODY = (D41 - DYNASTY)(C41 - NEW YORKER)
 E BODY = (J - CARAVELLE)(E - 600)(T - NEW YORKER TURBO)
 G BODY = (V24 - DAYTONA, PACIFICA & SHELBY)
 H BODY = (D44 - LANCER)(C44 - LEBARON GTS)
 J BODY = (C - LEBARON)
 K BODY = (P - RELIANT)(D - ARIES)(C - LEBARON/ TOWN & COUNTRY)

L BODY = (M - HORIZON)(Z-OMNI)
 M BODY = (B - GRAN FURY)(G - DIPLOMAT)(F - FIFTH AVENUE/NEWPORT)
 P BODY = (P - SUNDANCE)(D - SHADOW)
 Q BODY = (C27 - MASERATI)
 S BODY = (H - VOYAGER)(K - RAM VAN/ CARAVAN)

BODY STYLES

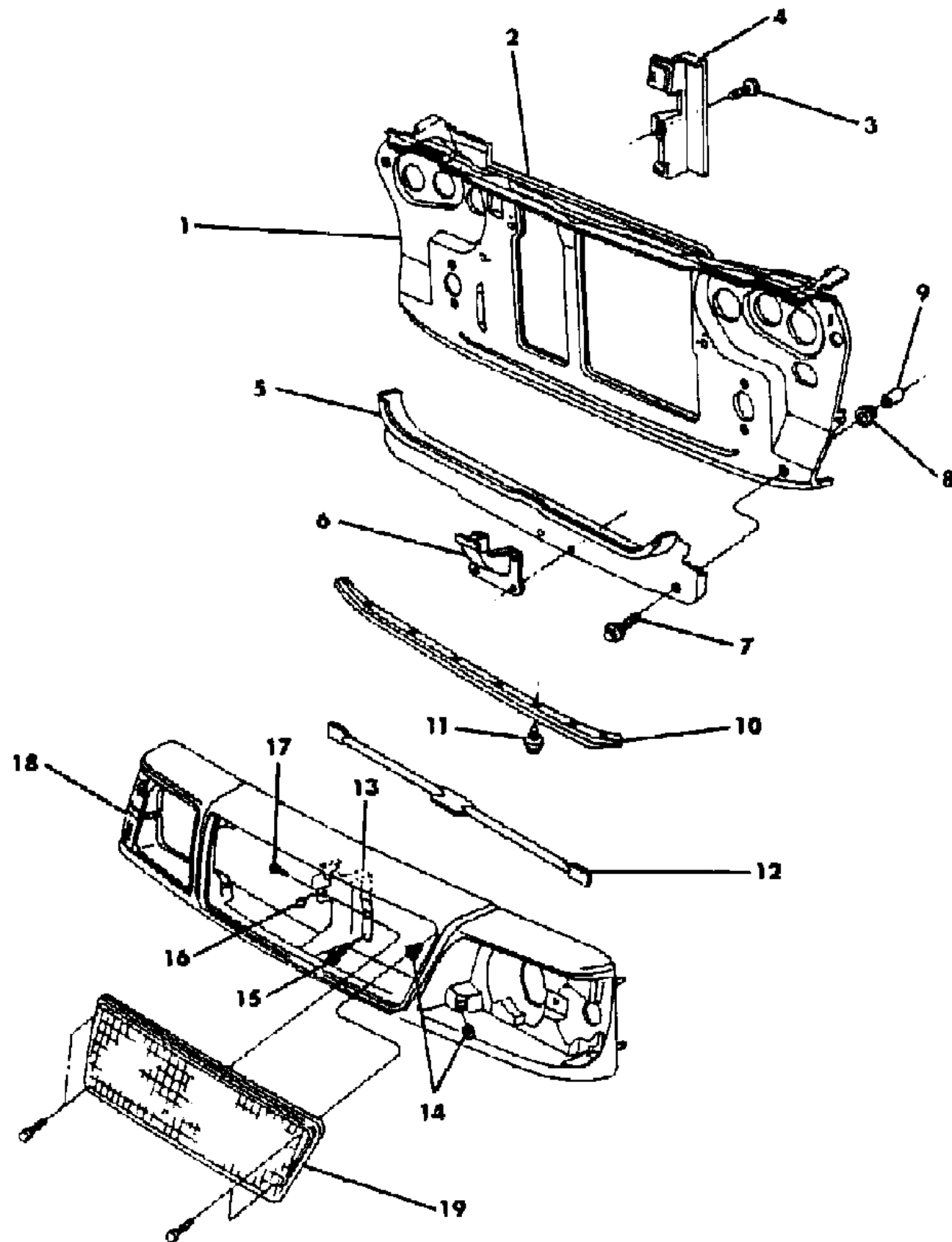
12-52 = FWD VAN & WAGON STD. W.B. 27 = 2-DOOR CONVERTIBLE
 13-53 = FWD VAN & WGN EXT W.B. 41 = 4-DOOR SEDAN
 21 = 2-DOOR SEDAN 44 = 4-DOOR HATCHBACK
 24 = 2-DOOR HATCHBACK 45 = 4-DOOR STATION WAGON

AR = Use as Required - = Non Illustrated Part P.A.R. = Paint as Required

GRILLE AND RELATED PARTS K BODY (P,D)

Figure 7-400

8107 400



ITEM	PART NUMBER	QTY	BODY	MODEL	DESCRIPTION
1	4490 391	1			PANEL, Radiator Closure
2	4341 163	1			CROSSMEMBER, Radiator Closure Panel
3		2			RETAINER (not serviced)
4	4103 168	1			SHIELD, Closure Panel Radiator Air - Right 2.2L Eng.
5		1			CROSSMEMBER, Front Side Rail Front (refer to grp. 13)
6	4386 682	1			REINFORCEMENT, Crossmember Engine Mounting Front Bracket
7		2		41,45	SCREW (not serviced) - w/Heavy Service Pkg.
8	0219 462	2		41,45	NUT and WASHER - w/Heavy Service Pkg.
9	4073 281	2		41,45	CAP - w/Heavy Service Pkg.
10	4334 474	1			DAM, Air
11	6030 441	7			RETAINER
12	4334 033	1			TIE STRAP, Grille and Headlamp Panel
13	4334 970	1			BRACE, Headlamp and Grille Mounting Panel - Center
14		4			NUT, Snap In (not serviced)
15	6029 198	2			SCREW and WASHER
16	6100 041	3			U-NUT
17	6100 568	3			SCREW
18	4334 030	1			PANEL, Radiator Grille Headlamp Mounting
19					GRILLE, Radiator
	4334 015	1		D	Dodge
	4334 013	1		P	Plymouth

MODEL CODES

C BODY = (D41 - DYNASTY)(C41 - NEW YORKER)
 E BODY = (J - CARAVELLE)(E - 600)(T - NEW YORKER TURBO)
 G BODY = (V24 - DAYTONA, PACIFICA & SHELBY)
 H BODY = (D44 - LANCER)(C44 - LEBARON GTS)
 J BODY = (C - LEBARON)
 K BODY = (P - RELIANT)(D - ARIES)(C - LEBARON/ TOWN & COUNTRY)

L BODY = (M - HORIZON)(Z-OMNI)
 M BODY = (B - GRAN FURY)(G - DIPLOMAT)(F - FIFTH AVENUE/NEWPORT)
 P BODY = (P - SUNDANCE)(D - SHADOW)
 Q BODY = (C27 - MASERATI)
 S BODY = (H - VOYAGER)(K - RAM VAN/ CARAVAN)

BODY STYLES

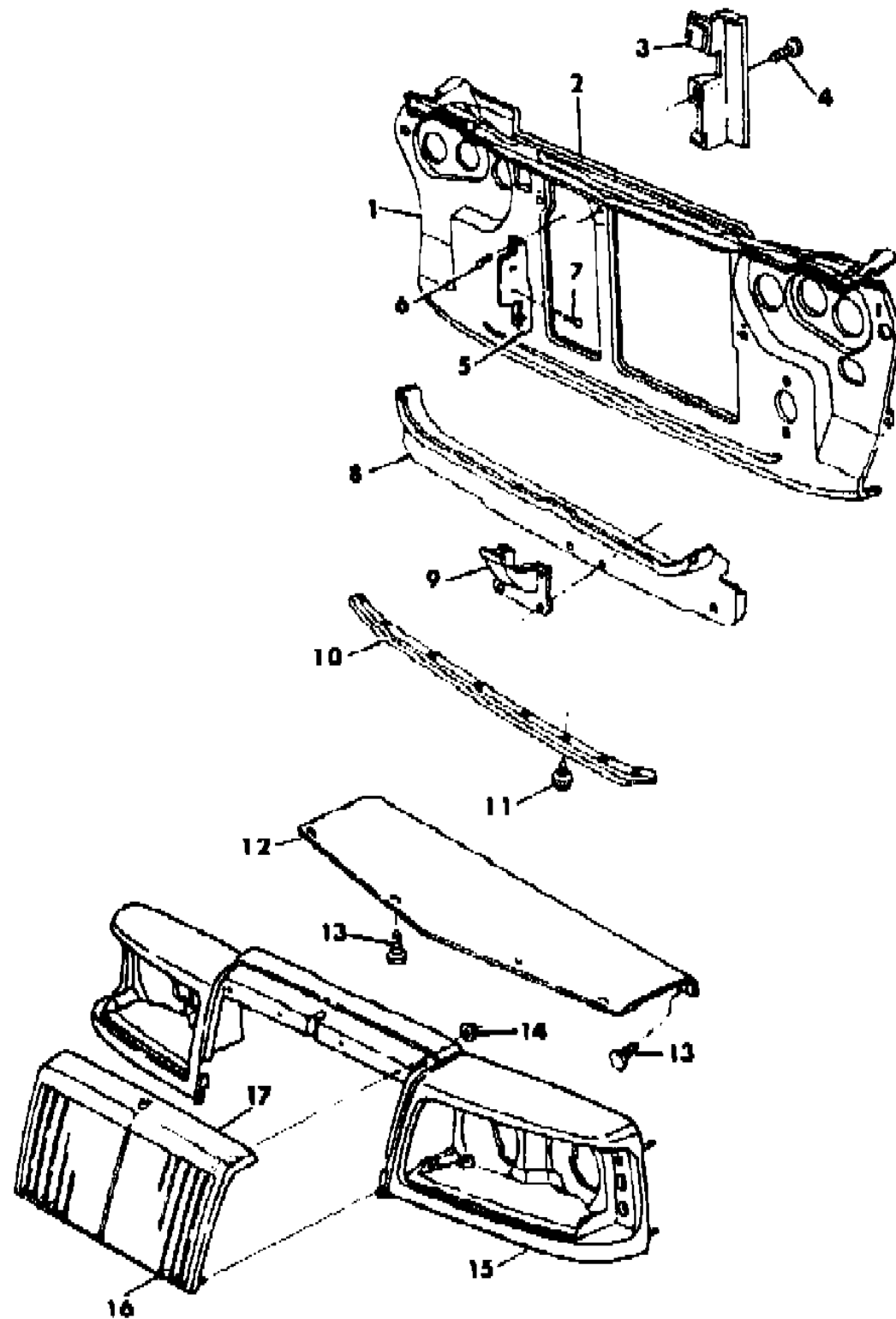
12-52 = FWD VAN & WAGON STD. W.B. 27 = 2-DOOR CONVERTIBLE
 13-53 = FWD VAN & WGN EXT W.B. 41 = 4-DOOR SEDAN
 21 = 2-DOOR SEDAN 44 = 4-DOOR HATCHBACK
 24 = 2-DOOR HATCHBACK 45 = 4-DOOR STATION WAGON

AR = Use as Required - = Non Illustrated Part P.A.R. = Paint as Required

GRILLE AND RELATED PARTS K BODY (C)

Figure 7-500

8107 500



ITEM	PART NUMBER	QTY	BODY	MODEL	DESCRIPTION
1	4490 391	1			PANEL, Radiator Closure
2	4341 163	1			CROSSMEMBER, Radiator Closure Panel
3	4103 168	1			SHIELD, Closure Panel Radiator Air - Right
4		2			RETAINER (not serviced)
5	4103 774	1			BRACKET, Radiator Closure Panel to Support Radiator Grille
6	6029 198	2			SCREW and WASHER
7	6100 566	3			SCREW and WASHER
8		1			CROSSMEMBER, Front Side Rail Front (refer to grp. 13)
9	4386 682	1			REINFORCEMENT, Crossmember Engine Mounting Front Bracket
10	4334 474	1			DAM, Air
11	6030 441	7			RETAINER
12	4334 804	1			SHIELD, Grille to Ground Concealment
13	#6031 299	5			RETAINER
14		6			NUT (not serviced)
15	4334 603	1			PANEL, Radiator Grille Headlamp Mounting
16	4334 604	1			GRILLE, Radiator
17	4334 613	1			MOULDING, Grille Opening Panel

MODEL CODES

C BODY = (D41 - DYNASTY)(C41 - NEW YORKER)
 E BODY = (J - CARAVELLE)(E - 600)(T - NEW YORKER TURBO)
 G BODY = (V24 - DAYTONA, PACIFICA & SHELBY)
 H BODY = (D44 - LANCER)(C44 - LEBARON GTS)
 J BODY = (C - LEBARON)
 K BODY = (P - RELIANT)(D - ARIES)(C - LEBARON/ TOWN & COUNTRY)

L BODY = (M - HORIZON)(Z-OMNI)
 M BODY = (B - GRAN FURY)(G - DIPLOMAT)(F - FIFTH AVENUE/NEWPORT)
 P BODY = (P - SUNDANCE)(D - SHADOW)
 Q BODY = (C27 - MASERATI)
 S BODY = (H - VOYAGER)(K - RAM VAN/ CARAVAN)

BODY STYLES

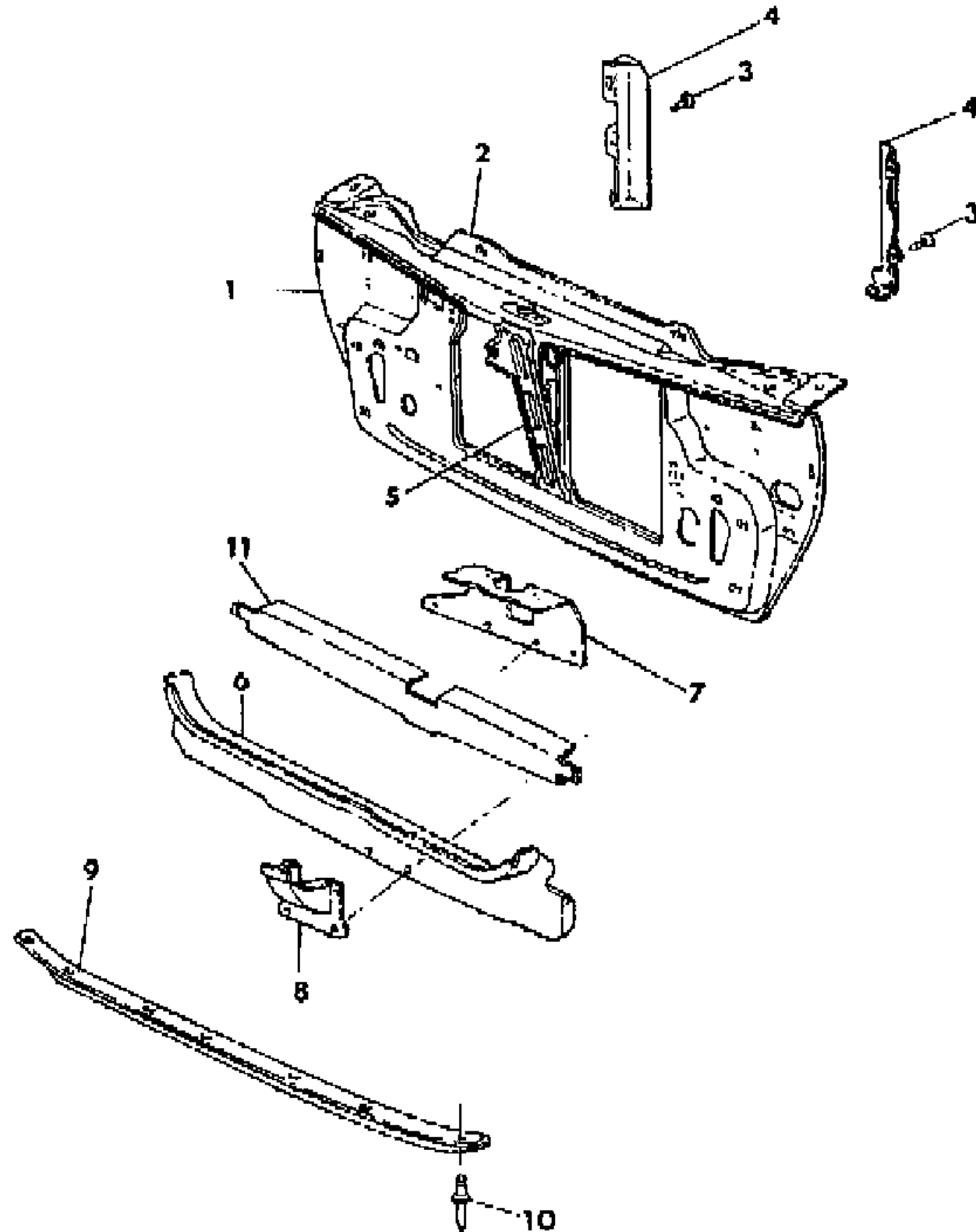
12-52 = FWD VAN & WAGON STD. W.B. 27 = 2-DOOR CONVERTIBLE
 13-53 = FWD VAN & WGN EXT W.B. 41 = 4-DOOR SEDAN
 21 = 2-DOOR SEDAN 44 = 4-DOOR HATCHBACK
 24 = 2-DOOR HATCHBACK 45 = 4-DOOR STATION WAGON

AR = Use as Required - = Non Illustrated Part P.A.R. = Paint as Required

GRILLE AND RELATED PARTS G BODY (V)

Figure 7-600

8107 600 A



ITEM	PART NUMBER	QTY	BODY	MODEL	DESCRIPTION
------	-------------	-----	------	-------	-------------

NOTE: FOR GRILLE AND RELATED ITEMS NOT LISTED, REFER TO GROUP 13. Gear and Pinion numbers stamped on the item may be used to confirm the correct MATCHED SET they are contained in.

1	4440 576	1			PANEL, Radiator Closure up to 4-25-88
	4490 323	1			after 4-25-88
2	4440 427	1			CROSSMEMBER, Radiator Closure Panel
3		AR			RETAINER (not serviced)
4	4270 124	1			SHIELD, Closure Panel Radiator Air Right
	4386 483	1			2.2L Eng. Turbo 2 - Left
5	4386 696	1			SUPPORT, Radiator Closure Panel to Crossmember
6		1			CROSSMEMBER, Front Side Rail Front (refer to grp. 13)
7	4386 351	1			REINFORCEMENT, Radiator Closure Panel Lower Crossmember 2.2L Eng. Turbo - Man. Trans.
8	4386 682	1			REINFORCEMENT, Crossmember Engine Mounting Front Bracket
9	4334 474	1		H	DAM, Air - 2.2L Eng.
10		7			RIVET (not serviced)
11	4386 345	1			REINFORCEMENT, Radiator Closure Panel Lower Crossmember Inner

MODEL CODES

C BODY = (D41 - DYNASTY)(C41 - NEW YORKER)
 E BODY = (J - CARAVELLE)(E - 600)(T - NEW YORKER TURBO)
 G BODY = (V24 - DAYTONA, PACIFICA & SHELBY)
 H BODY = (D44 - LANCER)(C44 - LEBARON GTS)
 J BODY = (C - LEBARON)
 K BODY = (P - RELIANT)(D - ARIES)(C - LEBARON/ TOWN & COUNTRY)

L BODY = (M - HORIZON)(Z-OMNI)
 M BODY = (B - GRAN FURY)(G - DIPLOMAT)(F - FIFTH AVENUE/NEWPORT)
 P BODY = (P - SUNDANCE)(D - SHADOW)
 Q BODY = (C27 - MASERATI)
 S BODY = (H - VOYAGER)(K - RAM VAN/ CARAVAN)

BODY STYLES

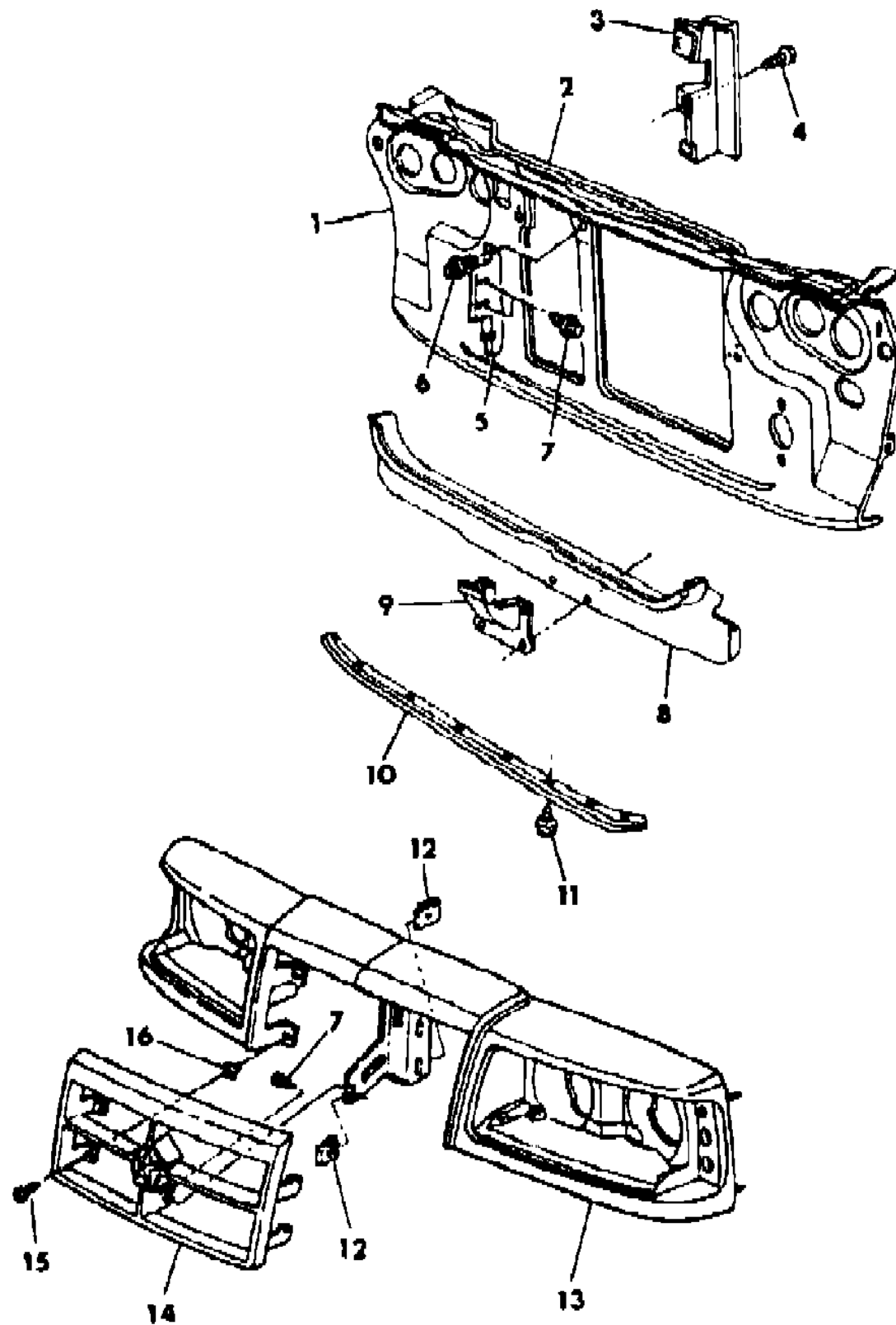
12-52 = FWD VAN & WAGON STD. W.B. 27 = 2-DOOR CONVERTIBLE
 13-53 = FWD VAN & WGN EXT W.B. 41 = 4-DOOR SEDAN
 21 = 2-DOOR SEDAN 44 = 4-DOOR HATCHBACK
 24 = 2-DOOR HATCHBACK 45 = 4-DOOR STATION WAGON

AR = Use as Required - = Non Illustrated Part P.A.R. = Paint as Required

GRILLE AND RELATED PARTS E BODY (J,E)

Figure 7-700

8107 700



ITEM	PART NUMBER	QTY	BODY	MODEL	DESCRIPTION
1	4490 391	1			PANEL, Radiator Closure
2	4341 163	1			CROSSMEMBER, Radiator Closure Panel
3	4103 168	1			SHIELD, Closure Panel Radiator Air - Right
4		2			RETAINER (not serviced)
5	4103 774	1			BRACKET, Radiator Closure Panel to Support Radiator Grille
6	6029 198	2			SCREW and WASHER
7	6100 566	3			SCREW and WASHER
8		1			CROSSMEMBER, Front Side Rail Front (refer to grp. 13)
9	4386 682	1			REINFORCEMENT, Crossmember Engine Mounting Front
					Bracket
10	4334 474	1			DAM, Air
11	6030 441	7			RETAINER
12	6100 041	3			U-NUT
13	4334 612	1			PANEL, Radiator Grille Headlamp Mounting
14	4334 605	1		J	GRILLE, Radiator
	4334 606	1		E	
15		7			SCREW (not serviced)
16		4			NUT, Snap In (not serviced)

MODEL CODES

C BODY = (D41 - DYNASTY)(C41 - NEW YORKER)
 E BODY = (J - CARAVELLE)(E - 600)(T - NEW YORKER TURBO)
 G BODY = (V24 - DAYTONA, PACIFICA & SHELBY)
 H BODY = (D44 - LANCER)(C44 - LEBARON GTS)
 J BODY = (C - LEBARON)
 K BODY = (P - RELIANT)(D - ARIES)(C - LEBARON/ TOWN & COUNTRY)
 L BODY = (M - HORIZON)(Z-OMNI)
 M BODY = (B - GRAN FURY)(G - DIPLOMAT)(F - FIFTH AVENUE/NEWPORT)
 P BODY = (P - SUNDANCE)(D - SHADOW)
 Q BODY = (C27 - MASERATI)
 S BODY = (H - VOYAGER)(K - RAM VAN/ CARAVAN)

BODY STYLES

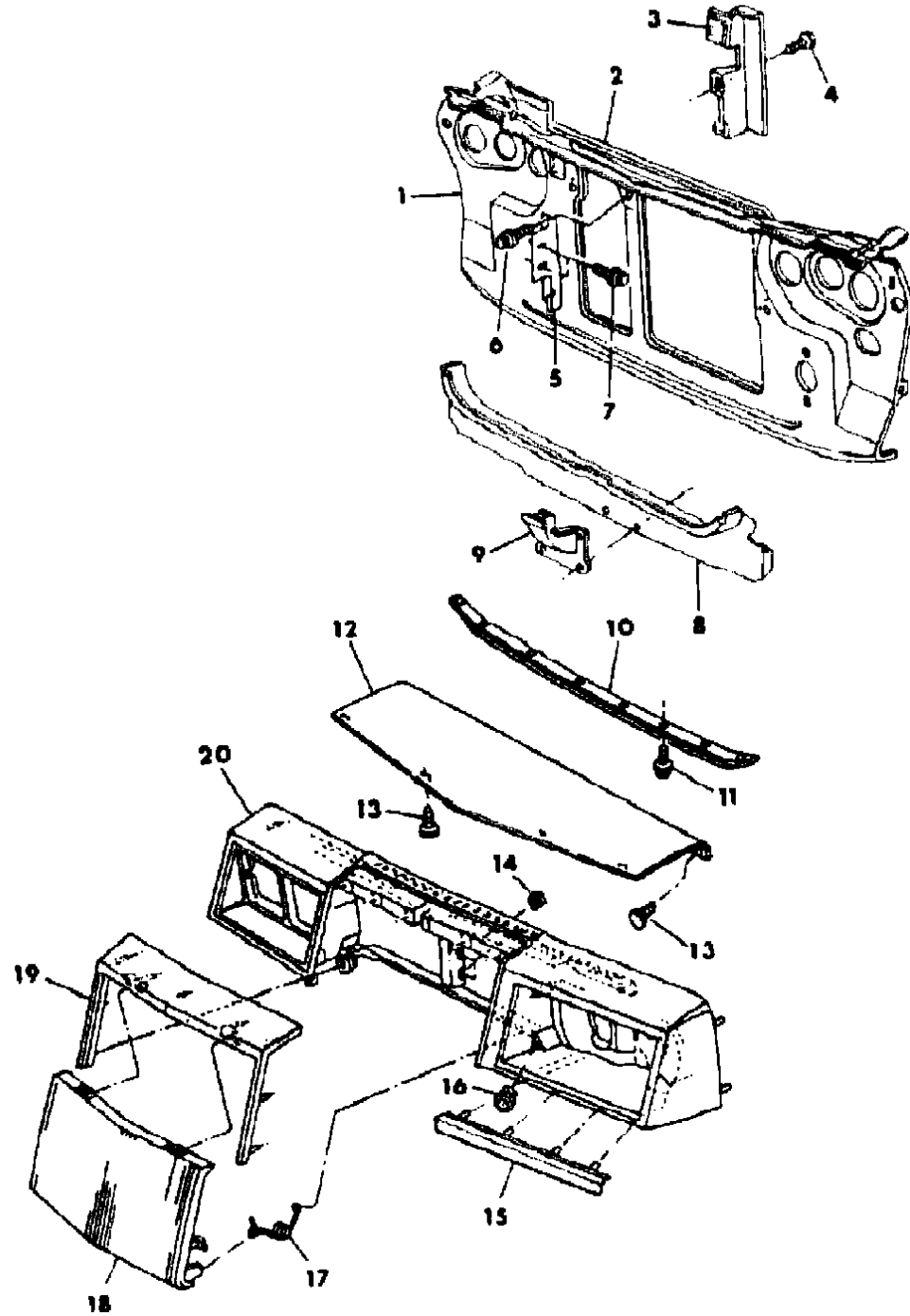
12-52 = FWD VAN & WAGON STD. W.B. 27 = 2-DOOR CONVERTIBLE
 13-53 = FWD VAN & WGN EXT W.B. 41 = 4-DOOR SEDAN
 21 = 2-DOOR SEDAN 44 = 4-DOOR HATCHBACK
 24 = 2-DOOR HATCHBACK 45 = 4-DOOR STATION WAGON

AR = Use as Required - = Non Illustrated Part P.A.R. = Paint as Required

GRILLE AND RELATED PARTS E BODY (T)

Figure 7-800

8107 800



ITEM	PART NUMBER	QTY	BODY	MODEL	DESCRIPTION
1	4490 391	1			PANEL, Radiator Closure
2	4341 163	1			CROSSMEMBER, Radiator Closure Panel
3	4103 168	1			SHIELD, Closure Panel Radiator Air - Right 2.2L Eng.
4		3			RETAINER (not serviced)
5	4103 774	1			BRACKET, Radiator Closure Panel to Support Radiator Grille Panel
6	6029 198	2			SCREW and WASHER
7	6100 566	2			SCREW and WASHER
8		1			CROSSMEMBER, Front Side Rail Front (refer to grp. 13)
9	4386 682	1			REINFORCEMENT, Crossmember Engine Mounting Front Bracket
10	4334 474	1			DAM, Air
11	6030 441	7			RETAINER
12	4103 316	1			SHIELD, Grille to Ground Concealment
13	#6031 299	5			RETAINER
14	6100 041	2			U-NUT
15	4103 368-9	1			MOULDING, Grille Extension
16	6500 725	8			NUT, Snap In
17	4270 539	2			SPRING, Radiator Grille Return
18	4103 362	1			GRILLE, Radiator
19	4103 366	1			MOULDING, Radiator Grille Headlamp Mounting Panel Center
20	4334 469	1			PANEL, Radiator Grille Headlamp Mounting

MODEL CODES

C BODY = (D41 - DYNASTY)(C41 - NEW YORKER)
 E BODY = (J - CARAVELLE)(E - 600)(T - NEW YORKER TURBO)
 G BODY = (V24 - DAYTONA, PACIFICA & SHELBY)
 H BODY = (D44 - LANCER)(C44 - LEBARON GTS)
 J BODY = (C - LEBARON)
 K BODY = (P - RELIANT)(D - ARIES)(C - LEBARON/ TOWN & COUNTRY)

L BODY = (M - HORIZON)(Z-OMNI)
 M BODY = (B - GRAN FURY)(G - DIPLOMAT)(F - FIFTH AVENUE/NEWPORT)
 P BODY = (P - SUNDANCE)(D - SHADOW)
 Q BODY = (C27 - MASERATI)
 S BODY = (H - VOYAGER)(K - RAM VAN/ CARAVAN)

BODY STYLES

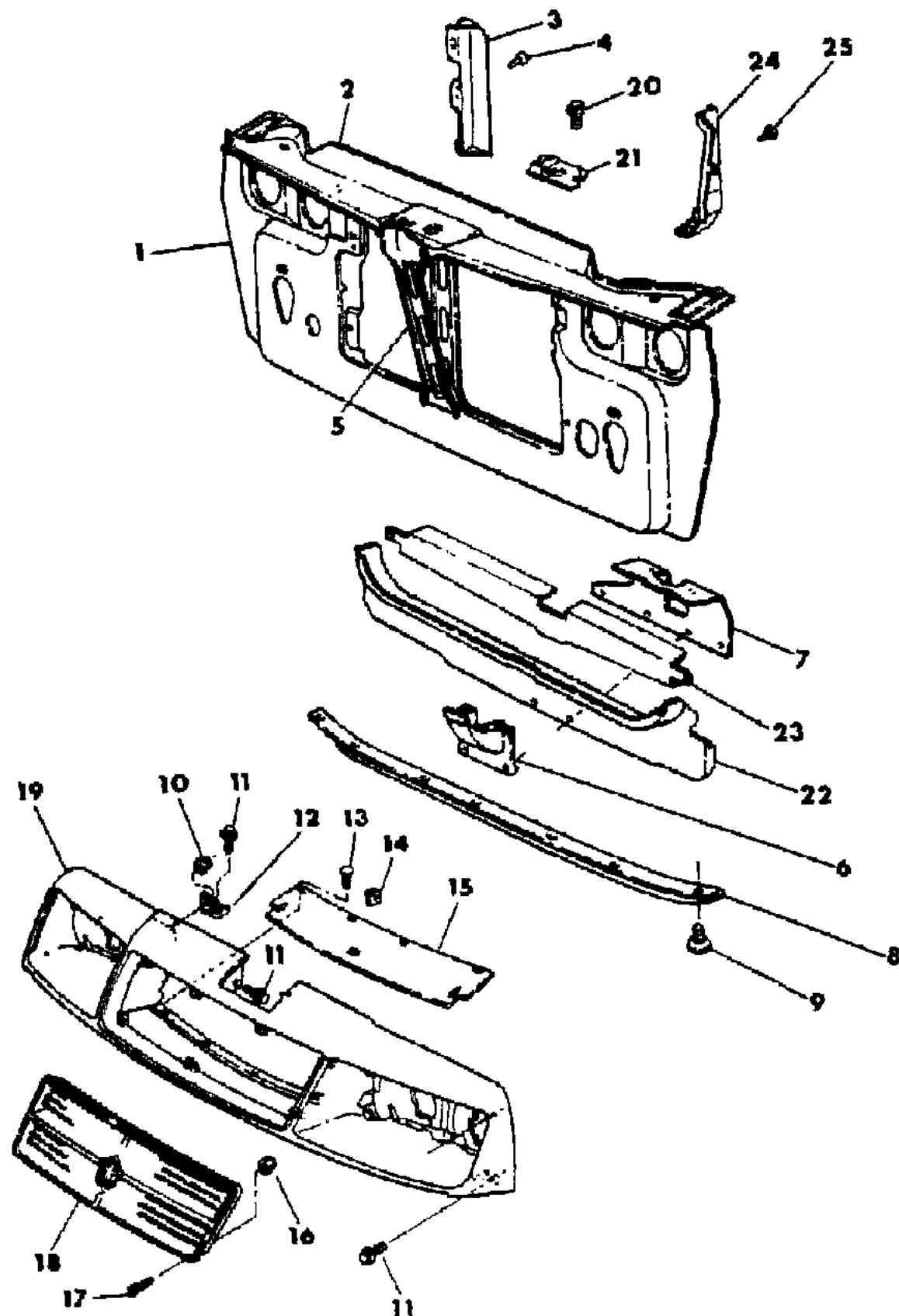
12-52 = FWD VAN & WAGON STD. W.B. 27 = 2-DOOR CONVERTIBLE
 13-53 = FWD VAN & WGN EXT W.B. 41 = 4-DOOR SEDAN
 21 = 2-DOOR SEDAN 44 = 4-DOOR HATCHBACK
 24 = 2-DOOR HATCHBACK 45 = 4-DOOR STATION WAGON

AR = Use as Required - = Non Illustrated Part P.A.R. = Paint as Required

GRILLE AND RELATED PARTS H BODY

Figure 7-900

8107 900 A



ITEM	PART NUMBER	QTY	BODY	MODEL	DESCRIPTION
1		1			PANEL, Radiator Closure
	4440 577	1			up to 9-1-88
	4490 079	1			after 9-1-88
2	4440 041	1			CROSSMEMBER, Radiator Closure Panel
3	4296 814	1			SHIELD, Radiator Closure Panel Air - Right
4	6030 538	3			SCREW
5	4440 240	1			SUPPORT, Radiator Closure Panel to Upper Crossmember
6	4386 682	1			REINFORCEMENT, Crossmember Engine Mounting Front Bracket
7	4386 351	1			REINFORCEMENT, Radiator Closure Panel Lower Crossmember 2.2L Eng. w/(S/C - EDG) - Man. Trans.
8	4334 474	1			DAM, Air - Canada
9	6501 067	7			RETAINER
10	6500 284	2			NUT
11	6100 566	7			SCREW and WASHER
12	4270 720	2			BRACKET, Headlamp Panel
13	6003 351	4		C	RETAINER
14	6100 041	1			U-NUT
15	4334 645	1		C	SHIELD, Panel Grille Opening Sight
16	6031 138	7			SPACER NUT
17		7			SCREW (not serviced)
18	4270 999	1		C	GRILLE, Radiator
	4270 989	1		D	
	X097 GR5	1		D	Graphic Red (Pacifica)
	X097 GW7	1		D	Bright White (Pacifica)
19	4270 627	1			PANEL, Radiator Grille Headlamp Mounting
20		2			SCREW (not serviced)
21	4386 897	1			REINFORCEMENT, Crossmember Radiator Closure Panel and Hood Latch
22		1			CROSSMEMBER, Front Side Rail Front (refer to grp. 13)
23	4386 345	1			REINFORCEMENT, Radiator Closure Panel Loser Crossmember - Inner
24	4490 157			D-S	SHIELD, Radiator Closure Panel Air - Lt. 2.2L Eng. Turbo 2
25		AR			RETAINER (not serviced)

MODEL CODES

C BODY = (D41 - DYNASTY)(C41 - NEW YORKER)
 E BODY = (J - CARAVELLE)(E - 600)(T - NEW YORKER TURBO)
 G BODY = (V24 - DAYTONA, PACIFICA & SHELBY)
 H BODY = (D44 - LANCER)(C44 - LEBARON GTS)
 J BODY = (C - LEBARON)
 K BODY = (P - RELIANT)(D - ARIES)(C - LEBARON/ TOWN & COUNTRY)

L BODY = (M - HORIZON)(Z-OMNI)
 M BODY = (B - GRAN FURY)(G - DIPLOMAT)(F - FIFTH AVENUE/NEWPORT)
 P BODY = (P - SUNDANCE)(D - SHADOW)
 Q BODY = (C27 - MASERATI)
 S BODY = (H - VOYAGER)(K - RAM VAN/ CARAVAN)

BODY STYLES

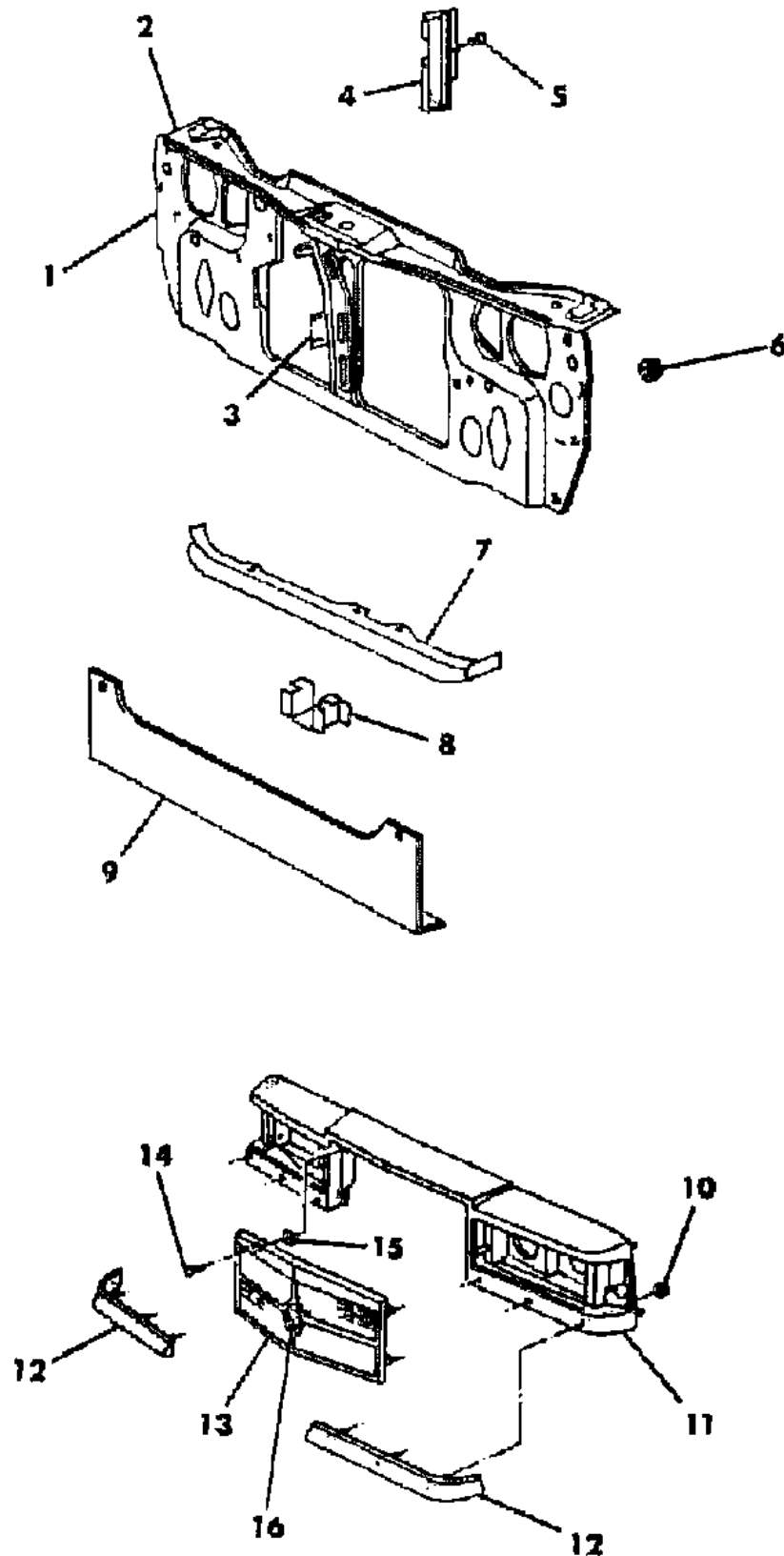
12-52 = FWD VAN & WAGON STD. W.B. 27 = 2-DOOR CONVERTIBLE
 13-53 = FWD VAN & WGN EXT W.B. 41 = 4-DOOR SEDAN
 21 = 2-DOOR SEDAN 44 = 4-DOOR HATCHBACK
 24 = 2-DOOR HATCHBACK 45 = 4-DOOR STATION WAGON

AR = Use as Required - = Non Illustrated Part P.A.R. = Paint as Required

GRILLE AND RELATED PARTS C BODY (D)

Figure 7-1000

8107 1000 A



ITEM	PART NUMBER	QTY	BODY	MODEL	DESCRIPTION
1	4490 260	1			PANEL, Radiator Closure
2	4386 370	1			CROSSMEMBER, Radiator Closure Panel - Upper
3	4386 369	1			SUPPORT, Radiator Closure Panel
4	4440 014	1			SHIELD, Closure Panel Radiator Air - Right
5	6030 538	3			RETAINER
6	6101 444	4			NUT and WASHER
7	4386 365	1			PLATE, Front Side Rail Front Crossmember Closure
8	4386 867	1			GUSSET and NUT, Front Crossmember Engine Mounting Bracket
9	4386 364	1			CROSSMEMBER, Front Side Rail Front
10		6			NUT (not serviced)
11	4388 746	1			PANEL, Grille Opening
12	4388 816-7	1			MOULDING, Grille Ext. Out
13	4388 752	1			GRILLE, Radiator
14		4			SCREW (not serviced)
15		4			NUT (not serviced)
16		1			PENTASTAR, Radiator Grille (refer to grp. 23)

MODEL CODES

C BODY = (D41 - DYNASTY)(C41 - NEW YORKER)
 E BODY = (J - CARAVELLE)(E - 600)(T - NEW YORKER TURBO)
 G BODY = (V24 - DAYTONA, PACIFICA & SHELBY)
 H BODY = (D44 - LANCER)(C44 - LEBARON GTS)
 J BODY = (C - LEBARON)
 K BODY = (P - RELIANT)(D - ARIES)(C - LEBARON/ TOWN & COUNTRY)

L BODY = (M - HORIZON)(Z-OMNI)
 M BODY = (B - GRAN FURY)(G - DIPLOMAT)(F - FIFTH AVENUE/NEWPORT)
 P BODY = (P - SUNDANCE)(D - SHADOW)
 Q BODY = (C27 - MASERATI)
 S BODY = (H - VOYAGER)(K - RAM VAN/ CARAVAN)

BODY STYLES

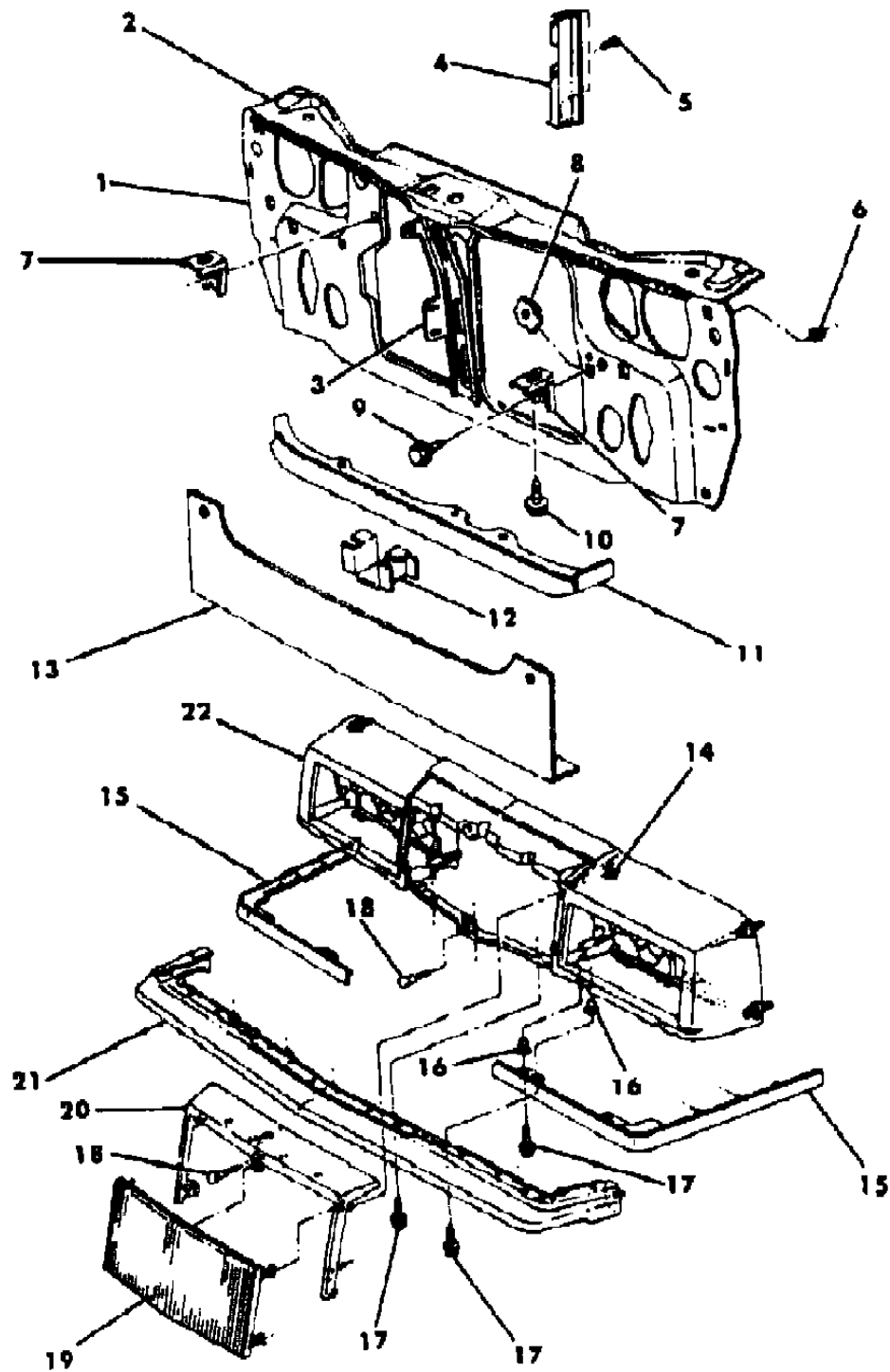
12-52 = FWD VAN & WAGON STD. W.B. 27 = 2-DOOR CONVERTIBLE
 13-53 = FWD VAN & WGN EXT W.B. 41 = 4-DOOR SEDAN
 21 = 2-DOOR SEDAN 44 = 4-DOOR HATCHBACK
 24 = 2-DOOR HATCHBACK 45 = 4-DOOR STATION WAGON

AR = Use as Required - = Non Illustrated Part P.A.R. = Paint as Required

GRILLE AND RELATED PARTS C BODY (C)

Figure 7-1100

8107 1100



ITEM	PART NUMBER	QTY	BODY	MODEL	DESCRIPTION
1	4490 260	1			PANEL, Radiator Closure
2	4386 370	1			CROSSMEMBER, Radiator Closure Panel - Upper
3	4386 369	1			SUPPORT, Radiator Closure Panel
4	4440 014	1			SHIELD, Closure Panel Radiator Air - Right
5	6030 538	3			RETAINER
6	6500 284	6			NUT and WASHER
7	4334 838	2			BRACKET, Front Headlamp Housing to Closure Panel
8	6100 040	2			U-NUT
9		2			SCREW and WASHER (not serviced)
10		2			SCREW and WASHER (not serviced)
11	4386 365	1			PLATE, Front Side Rail Front Crossmember Closure
12	4386 867	1			GUSSET and NUT, Front Crossmember Engine Mounting Bracket
13	4386 364	1			CROSSMEMBER, Front Side Rail Front
14		8			NUT (not serviced)
15	4491 088-9	1			MOULDING, Grille Opening Panel to Fender
16	6500 725	14			NUT
17		9			SCREW (not serviced)
18	3574 200	2			BUTTON, Headlamp Door Down Stop
19	4334 861	1			GRILLE, Radiator
20	6033 205	4			CLIP, Radiator Grille (not shown)
21	4334 868	1			HEADER, Radiator Grille
22	4334 866	1			FILLER, Front Bumper
	4334 854	1			PANEL, Grille Opening

MODEL CODES

C BODY = (D41 - DYNASTY)(C41 - NEW YORKER)
 E BODY = (J - CARAVELLE)(E - 600)(T - NEW YORKER TURBO)
 G BODY = (V24 - DAYTONA, PACIFICA & SHELBY)
 H BODY = (D44 - LANCER)(C44 - LEBARON GTS)
 J BODY = (C - LEBARON)
 K BODY = (P - RELIANT)(D - ARIES)(C - LEBARON/ TOWN & COUNTRY)

L BODY = (M - HORIZON)(Z-OMNI)
 M BODY = (B - GRAN FURY)(G - DIPLOMAT)(F - FIFTH AVENUE/NEWPORT)
 P BODY = (P - SUNDANCE)(D - SHADOW)
 Q BODY = (C27 - MASERATI)
 S BODY = (H - VOYAGER)(K - RAM VAN/ CARAVAN)

BODY STYLES

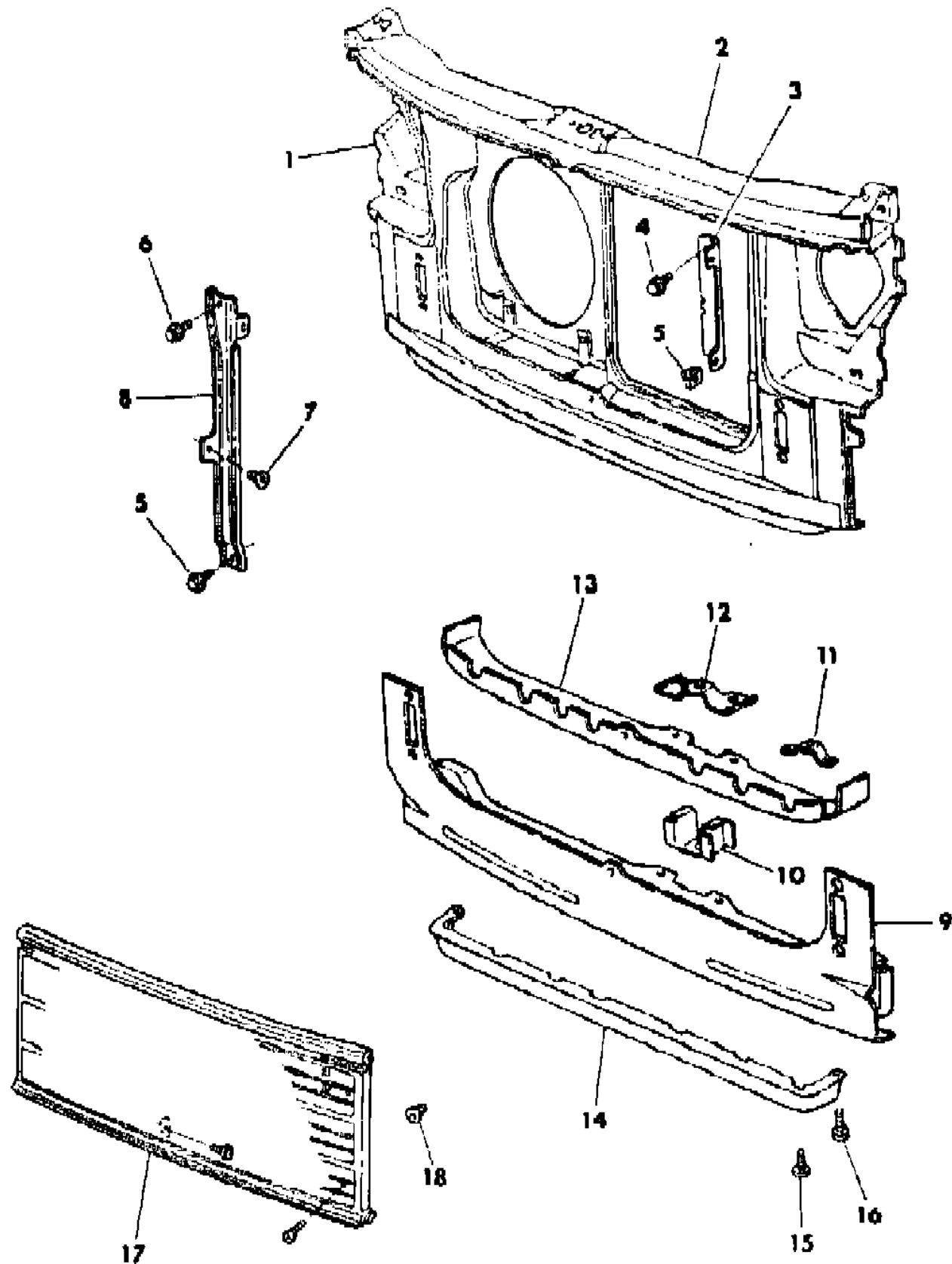
12-52 = FWD VAN & WAGON STD. W.B. 27 = 2-DOOR CONVERTIBLE
 13-53 = FWD VAN & WGN EXT W.B. 41 = 4-DOOR SEDAN
 21 = 2-DOOR SEDAN 44 = 4-DOOR HATCHBACK
 24 = 2-DOOR HATCHBACK 45 = 4-DOOR STATION WAGON

AR = Use as Required - = Non Illustrated Part P.A.R. = Paint as Required

GRILLE AND RELATED PARTS S BODY

Figure 7-1200

8107 1200 A



ITEM	PART NUMBER	QTY	BODY	MODEL	DESCRIPTION
1	4386 428	1			PANEL, Radiator Closure
2	4440 267	1			CROSSMEMBER, Radiator Closure Panel - Upper
3	4388 212	2			BRACKET, Radiator Grille Adapter to Closure Panel
4	6100 567	12			SCREW and WASHER
5	6100 041	8			U-NUT
6	6100 567	1			SCREW
7	6031 234	2			NUT
8	4440 367	1			BRACE, Radiator Closure Panel - Center
9	4440 718	1			CROSSMEMBER, Radiator Closure Panel - Lower
10	4386 586	1			GUSSET and NUT, Front Crossmember Engine Mounting Bracket
11	4386 435	1			BRACKET, Front Crossmember Radiator Support Engine Mounting - Left
12	4386 810	1			BRACKET and STUD, Front Crossmember Radiator Support Engine Mounting - Right
13	4386 432	1			PLATE, Front Side Rail Crossmember Closure
14	4388 242	1			DAM, Air
15	6031 976	7			RETAINER
16	6032 796	4			SCREW
17					GRILLE, Radiator
	4388 203	1		K	Bright
	4388 202	1		K	Painted
	4388 201	1		H	Bright
	4451 330	1			Bright - European
18	6031 234	10			NUT

MODEL CODES

C BODY = (D41 - DYNASTY)(C41 - NEW YORKER)
 E BODY = (J - CARAVELLE)(E - 600)(T - NEW YORKER TURBO)
 G BODY = (V24 - DAYTONA, PACIFICA & SHELBY)
 H BODY = (D44 - LANCER)(C44 - LEBARON GTS)
 J BODY = (C - LEBARON)
 K BODY = (P - RELIANT)(D - ARIES)(C - LEBARON/ TOWN & COUNTRY)

L BODY = (M - HORIZON)(Z-OMNI)
 M BODY = (B - GRAN FURY)(G - DIPLOMAT)(F - FIFTH AVENUE/NEWPORT)
 P BODY = (P - SUNDANCE)(D - SHADOW)
 Q BODY = (C27 - MASERATI)
 S BODY = (H - VOYAGER)(K - RAM VAN/ CARAVAN)

BODY STYLES

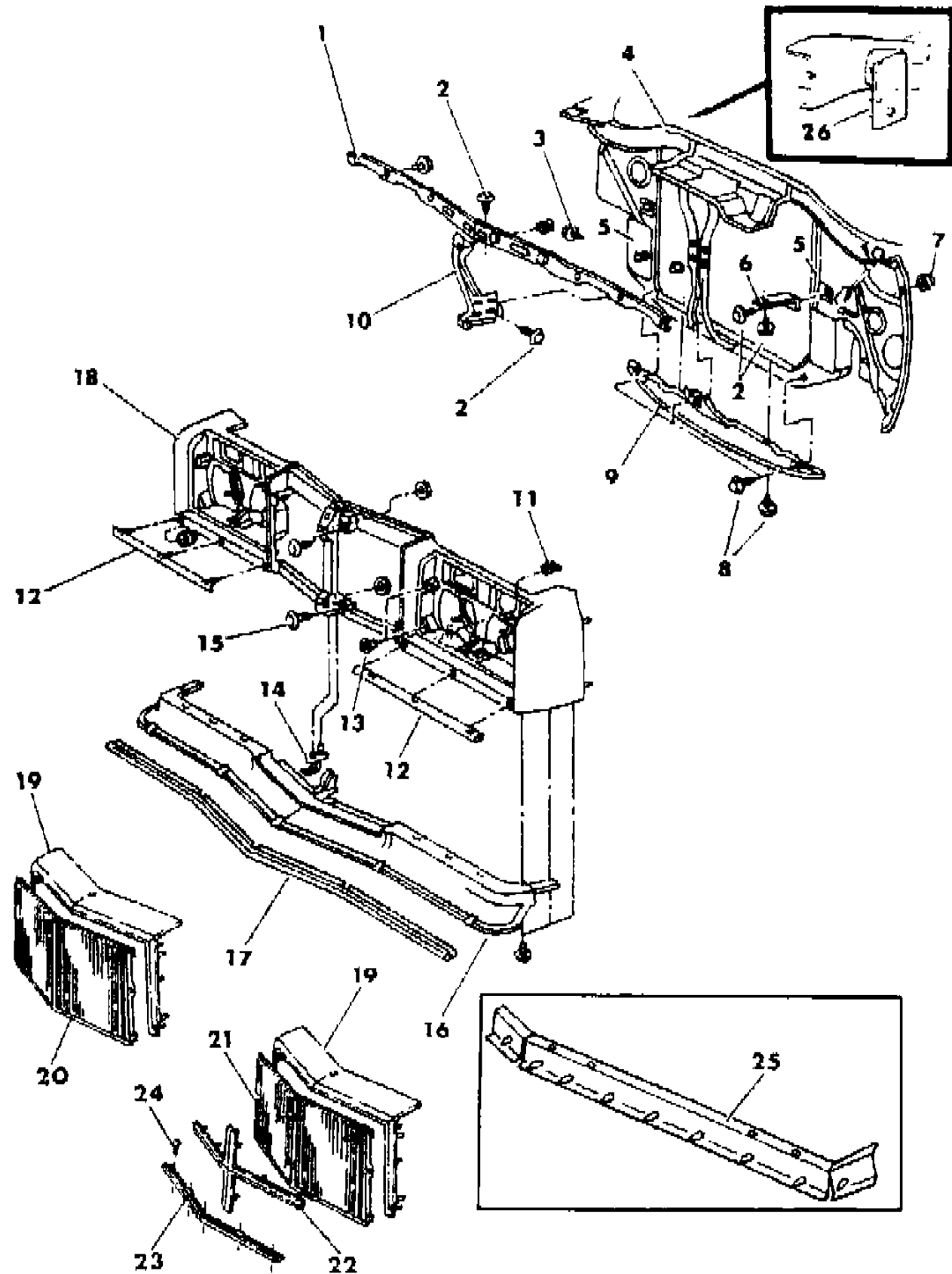
12-52 = FWD VAN & WAGON STD. W.B. 27 = 2-DOOR CONVERTIBLE
 13-53 = FWD VAN & WGN EXT W.B. 41 = 4-DOOR SEDAN
 21 = 2-DOOR SEDAN 44 = 4-DOOR HATCHBACK
 24 = 2-DOOR HATCHBACK 45 = 4-DOOR STATION WAGON

AR = Use as Required - = Non Illustrated Part P.A.R. = Paint as Required

GRILLE AND RELATED PARTS M BODY (F AND G-P)

Figure 7-1300

8107 1300 A



ITEM	PART NUMBER	QTY	BODY	MODEL	DESCRIPTION
1		1			CROSSBAR, Closure Panel - Upper (serv. in #18)
2	0181 063	AR			SCREW
3	6024 073	2			SCREW and WASHER
4	#4103 464	1			CROSSMEMBER, Radiator Yoke
5					PANEL, Radiator Yoke
	3868 682-3	1			up to 5-16-88
	4490 226-7	1			after 5-16-88
6	3868 650	1			BRACE, Headlamp Mounting Panel Lower
7	6033 561	6			NUT
8	6031 951	5			SCREW
9	#4074 894	1			PANEL, Air Dam Valance
10	#4074 800	1			BRACE, Closure Panel Center
11	6030 013	2			U-NUT
12	4103 624-5	1			MOULDING, Radiator Grille Extension
13		8			NUT (not serviced)
14	4074 502	1			SPACER, Filler Bumper Front
15	6029 887	2			SCREW
16	4271 411	1			FILLER, Closure Panel Front (Paint as Required)
17	4074 501	1			MOULDING, Front Bumper Filler Edge
18	4388 424	1			PANEL, Radiator Grille Headlamp Mounting
19	4103 621	1			FRAME, Radiator Grille
20	4270 673	1	F		GRILLE, Radiator
21	4334 167	1	G-P		GRILLE, Radiator
22	4339 141	1	G-P		MOULDING, Radiator Grille - Center
23	4334 164	1	G-P		MOULDING, Radiator Grille - Lower
24	6023 370	5	G-P		SCREW, Radiator Grille Lower Moulding
25	3868 952	1			SPOILER, Front Air - w/Police Pkg.
26	4534 109	2			REINFORCEMENT, Radiator Yoke Panel to Crossmember

MODEL CODES

C BODY = (D41 - DYNASTY)(C41 - NEW YORKER)
 E BODY = (J - CARAVELLE)(E - 600)(T - NEW YORKER TURBO)
 G BODY = (V24 - DAYTONA, PACIFICA & SHELBY)
 H BODY = (D44 - LANCER)(C44 - LEBARON GTS)
 J BODY = (C - LEBARON)
 K BODY = (P - RELIANT)(D - ARIES)(C - LEBARON/ TOWN & COUNTRY)

L BODY = (M - HORIZON)(Z-OMNI)
 M BODY = (B - GRAN FURY)(G - DIPLOMAT)(F - FIFTH AVENUE/NEWPORT)
 P BODY = (P - SUNDANCE)(D - SHADOW)
 Q BODY = (C27 - MASERATI)
 S BODY = (H - VOYAGER)(K - RAM VAN/ CARAVAN)

BODY STYLES

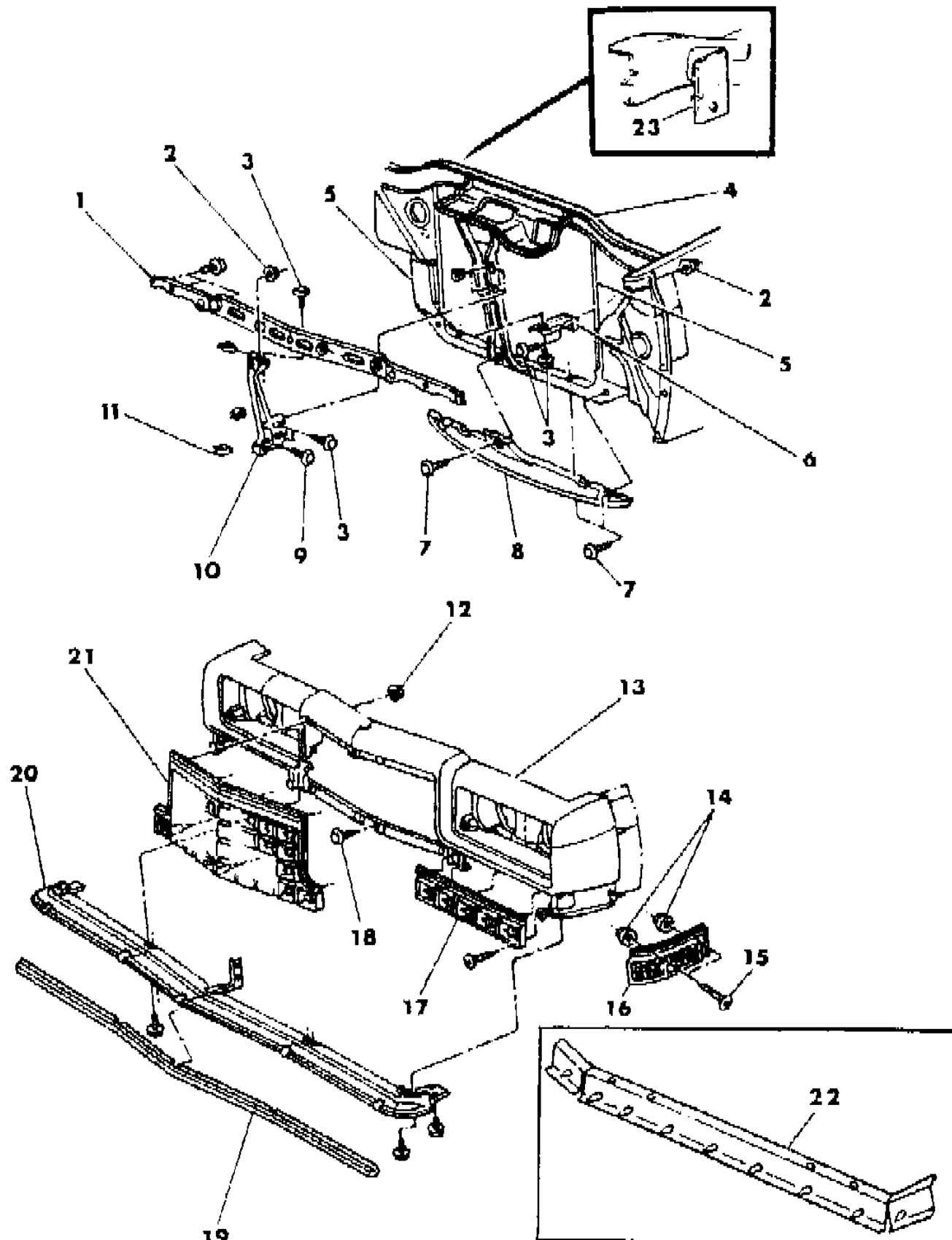
12-52 = FWD VAN & WAGON STD. W.B. 27 = 2-DOOR CONVERTIBLE
 13-53 = FWD VAN & WGN EXT W.B. 41 = 4-DOOR SEDAN
 21 = 2-DOOR SEDAN 44 = 4-DOOR HATCHBACK
 24 = 2-DOOR HATCHBACK 45 = 4-DOOR STATION WAGON

AR = Use as Required - = Non Illustrated Part P.A.R. = Paint as Required

GRILLE AND RELATED PARTS M BODY (B AND G-L)

Figure 7-1400

8107 1400 A



ITEM	PART NUMBER	QTY	BODY	MODEL	DESCRIPTION
1		1			CROSSBAR, Closure Panel - Upper (serv. in #13)
2	6033 561	7			NUT
3	0181 063	7			SCREW and WASHER
4	#4103 464	1			CROSSMEMBER, Radiator Yoke
5					PANEL, Radiator Yoke
	3868 682-3	1			up to 5-16-88
	4490 226-7	1			after 5-16-88
6	3868 650	2			BRACE, Headlamp Mounting Panel Lower
7	6031 951	5			SCREW and WASHER
8	#4074 894	1			PANEL, Air Dam Valance
9	6024 073	2			SCREW and WASHER
10	#4074 800	1			BRACE, Closure Panel Center
11	6030 013	2			U-NUT
12	6025 002	7			NUT
13	#4074 781	1			PANEL, Radiator Grille Headlamp Mounting
14	6032 303	4			NUT
15		14			SCREW (not serviced)
16	4074 754-5	1		B	GRILLE, Outer
	4103 410-1	1		G-L	
17	4074 786-7	1		B	GRILLE, Radiator Intermediate
	4103 408-9	1		G-L	
18	6029 887	1			SCREW
19	4074 501	1			MOULDING, Front Bumper Filler Edge
20	X522 FW9	1			FILLER, Closure Panel - Tan (Paint as Required)
21	#4074 768	1		B	GRILLE, Radiator
	4103 414	1		G-L	
22	3868 952	1			SPOILER, Front Air - w/Police Pkg.
23	4534 109	2			REINFORCEMENT, Radiator Yoke Panel to Crossmember

MODEL CODES

C BODY = (D41 - DYNASTY)(C41 - NEW YORKER)
 E BODY = (J - CARAVELLE)(E - 600)(T - NEW YORKER TURBO)
 G BODY = (V24 - DAYTONA, PACIFICA & SHELBY)
 H BODY = (D44 - LANCER)(C44 - LEBARON GTS)
 J BODY = (C - LEBARON)
 K BODY = (P - RELIANT)(D - ARIES)(C - LEBARON/ TOWN & COUNTRY)

L BODY = (M - HORIZON)(Z-OMNI)
 M BODY = (B - GRAN FURY)(G - DIPLOMAT)(F - FIFTH AVENUE/NEWPORT)
 P BODY = (P - SUNDANCE)(D - SHADOW)
 Q BODY = (C27 - MASERATI)
 S BODY = (H - VOYAGER)(K - RAM VAN/ CARAVAN)

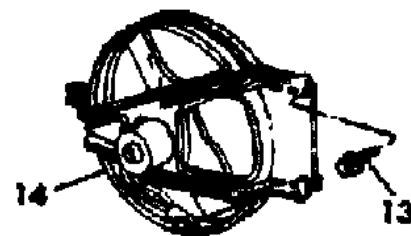
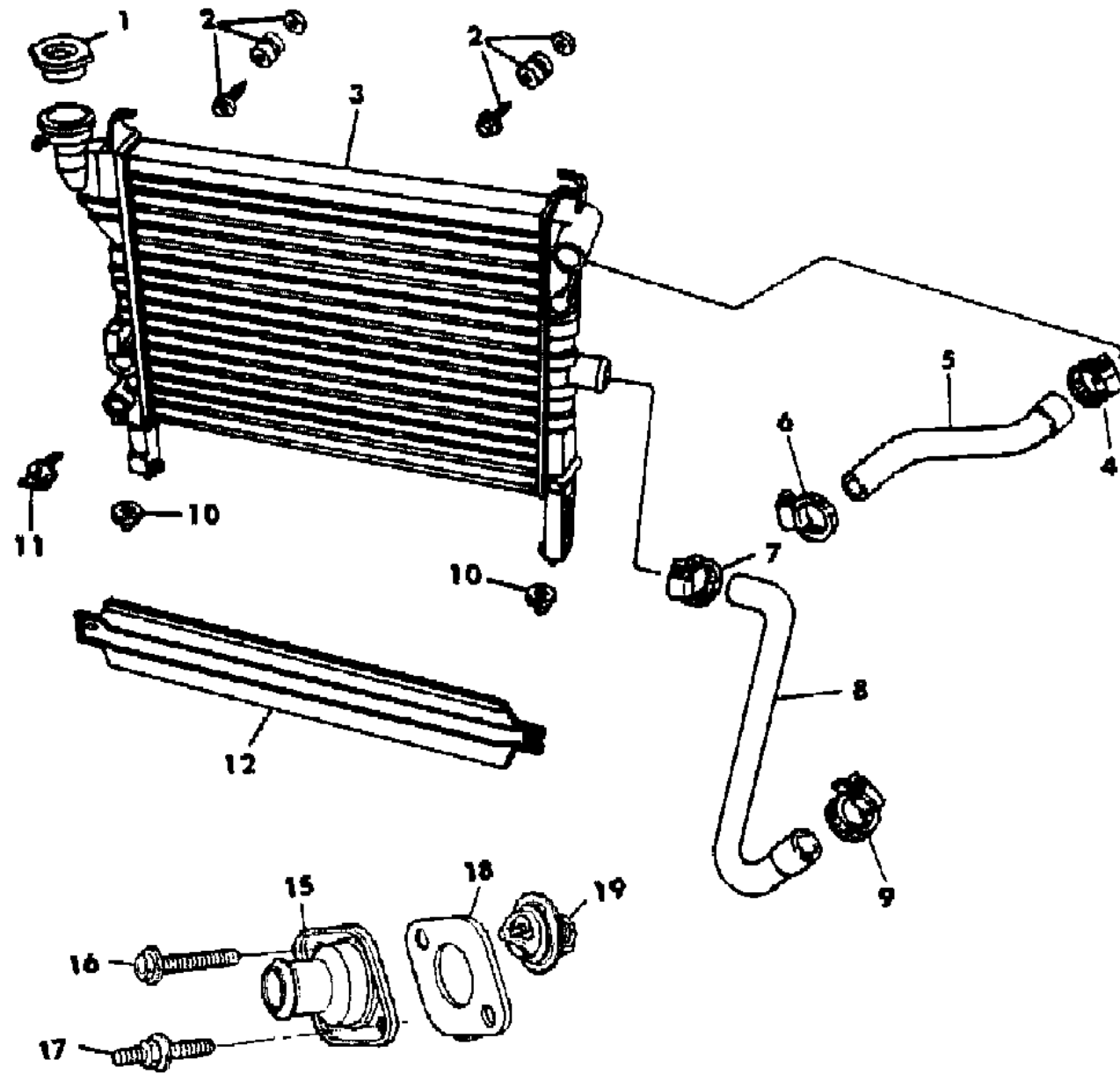
BODY STYLES

12-52 = FWD VAN & WAGON STD. W.B. 27 = 2-DOOR CONVERTIBLE
 13-53 = FWD VAN & WGN EXT W.B. 41 = 4-DOOR SEDAN
 21 = 2-DOOR SEDAN 44 = 4-DOOR HATCHBACK
 24 = 2-DOOR HATCHBACK 45 = 4-DOOR STATION WAGON

AR = Use as Required - = Non Illustrated Part P.A.R. = Paint as Required

RADIATOR AND RELATED PARTS 2.2L ENGINE W/O AIR CONDITIONING L BODY
Figure 7-1500

8107 1500 B



ITEM	PART NUMBER	QTY	BODY	MODEL	DESCRIPTION
1	3781 830	1			CAP, Radiator
2	4266 418	2			ISOLATOR, Radiator Mounting - Upper
3	4266 537	1			RADIATOR (Includes #'s 1,2,10,11,12) Man. Trans.
	4401 536	1			Auto. Trans.
4	3683 824	1			CLAMP, Inlet Hose (Rad. End)
5	4266 346	1			HOSE, Inlet (H0061284)
6	6032 229	1			CLAMP, Inlet Hose (Eng. End)
7	2448 763	1			CLAMP, Outlet Hose (Rad. End)
8	4266 739	1			HOSE, Outlet (H0061283)
9	6032 277	1			CLAMP, Outlet Hose (Eng. End)
10	4266 419	2			ISOLATOR, Radiator Mounting - Lower
11	4266 728	1			DRAINCOCK
12	4266 173	1			SHIELD, Radiator Lower Air - Man. Trans.
13	6501 013	2			SCREW
14					FAN-MOTOR-BRACKET ASSEMBLY stamped 4266655 consists of:
	4266 462	1			FAN
	4318 109	1			MOTOR
	4318 110	1			BRACKET
	6500 377	1			RETAINER
15	#5214 514	1			CONNECTOR, Cylinder Water Outlet
16	6100 295	1			SCREW and WASHER, Cylinder Water Outlet Connector
17	6500 559	1			STUD and WASHER, Cylinder Water Outlet Connector
18	#4179 895	1			GASKET, Cylinder Water Outlet Connector
19	4105 768	1			THERMOSTAT

MODEL CODES

C BODY = (D41 - DYNASTY)(C41 - NEW YORKER)
E BODY = (J - CARAVELLE)(E - 600)(T - NEW YORKER TURBO)
G BODY = (V24 - DAYTONA, PACIFICA & SHELBY)
H BODY = (D44 - LANCER)(C44 - LEBARON GTS)
J BODY = (C - LEBARON)
K BODY = (P - RELIANT)(D - ARIES)(C - LEBARON/ TOWN & COUNTRY)

L BODY = (M - HORIZON)(Z-OMNI)
M BODY = (B - GRAN FURY)(G - DIPLOMAT)(F - FIFTH AVENUE/NEWPORT)
P BODY = (P - SUNDANCE)(D - SHADOW)
Q BODY = (C27 - MASERATI)
S BODY = (H - VOYAGER)(K - RAM VAN/ CARAVAN)

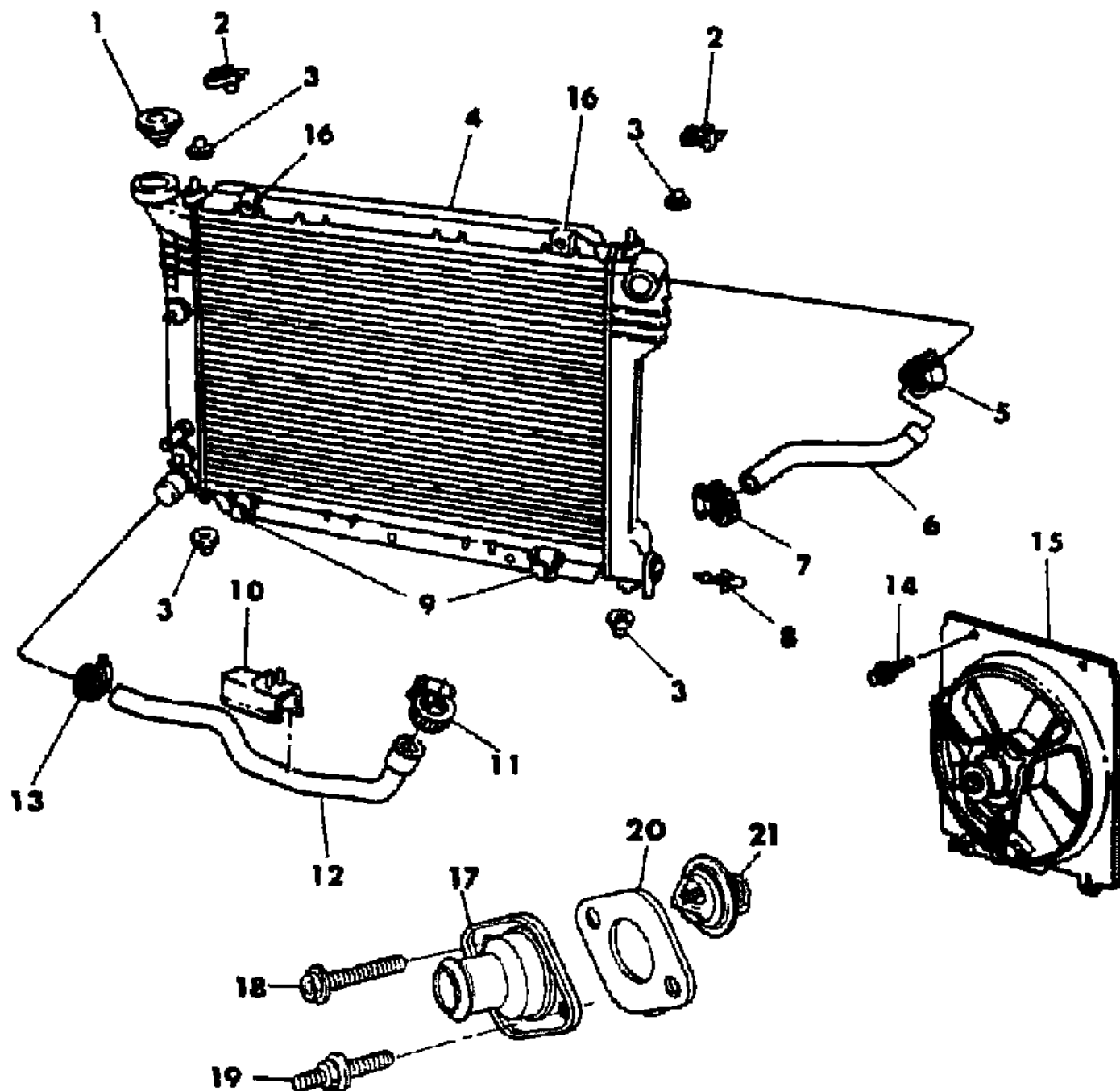
BODY STYLES

12-52 = FWD VAN & WAGON STD. W.B. 27 = 2-DOOR CONVERTIBLE
13-53 = FWD VAN & WGN EXT W.B. 41 = 4-DOOR SEDAN
21 = 2-DOOR SEDAN 44 = 4-DOOR HATCHBACK
24 = 2-DOOR HATCHBACK 45 = 4-DOOR STATION WAGON

AR = Use as Required - = Non Illustrated Part P.A.R. = Paint as Required

RADIATOR AND RELATED PARTS 2.2L ENGINE W/AIR CONDITIONING L BODY
Figure 7-1600

8107 1600 B



ITEM	PART NUMBER	QTY	BODY	MODEL	DESCRIPTION
1	3781 830	1			CAP, Radiator
2	4140 566	1			BRACKET, Radiator Upper Mounting Right
	4140 567	1			Left
3	4140 427	4			ISOLATOR, Radiator Mounting
4	4266 577	1			RADIATOR (Includes #'s 1,3,8,9,16)
5	3683 824	1			CLAMP, Inlet Hose (Rad. End)
6	4266 346	1			HOSE, Inlet (H0061284)
7	6032 229	1			CLAMP, Inlet Hose (Eng. End)
8	1686 198	1			DRAINCOCK
9	4266 212	2			CLIP, Spring - Bottom Shroud Mounting
10	4140 849	1			CLIP, Outlet Hose
11	6032 277	1			CLAMP, Outlet Hose (Eng. End)
12	4266 262	1			HOSE, Outlet (H0061154)
13	2448 763	1			CLAMP, Outlet Hose (Rad. End)
14	6501 013	2			SCREW
15					FAN-MOTOR-SHROUD ASSEMBLY stamped 4401148 consists of:
	4266 282	1			FAN
	4419 167	1			MOTOR
	4339 437	1			SHROUD
	6500 377	1			RETAINER
	3747 999	1			SENSOR
16	6100 041	2			U-NUT, Top Shroud Mounting
17	#5214 514	1			CONNECTOR, Cylinder Water Outlet
18	6100 295	1			SCREW and WASHER, Cylinder Water Outlet Connector
19	6500 559	1			STUD and WASHER, Cylinder Water Outlet Connector
20	#4179 895	1			GASKET, Cylinder Water Outlet Connector
21	4105 768	1			THERMOSTAT

MODEL CODES

C BODY = (D41 - DYNASTY)(C41 - NEW YORKER)	L BODY = (M - HORIZON)(Z-OMNI)
E BODY = (J - CARAVELLE)(E - 600)(T - NEW YORKER TURBO)	M BODY = (B - GRAN FURY)(G - DIPLOMAT)(F - FIFTH AVENUE/NEWPORT)
G BODY = (V24 - DAYTONA, PACIFICA & SHELBY)	P BODY = (P - SUNDANCE)(D - SHADOW)
H BODY = (D44 - LANCER)(C44 - LEBARON GTS)	Q BODY = (C27 - MASERATI)
J BODY = (C - LEBARON)	S BODY = (H - VOYAGER)(K - RAM VAN/ CARAVAN)
K BODY = (P - RELIANT)(D - ARIES)(C - LEBARON/ TOWN & COUNTRY)	

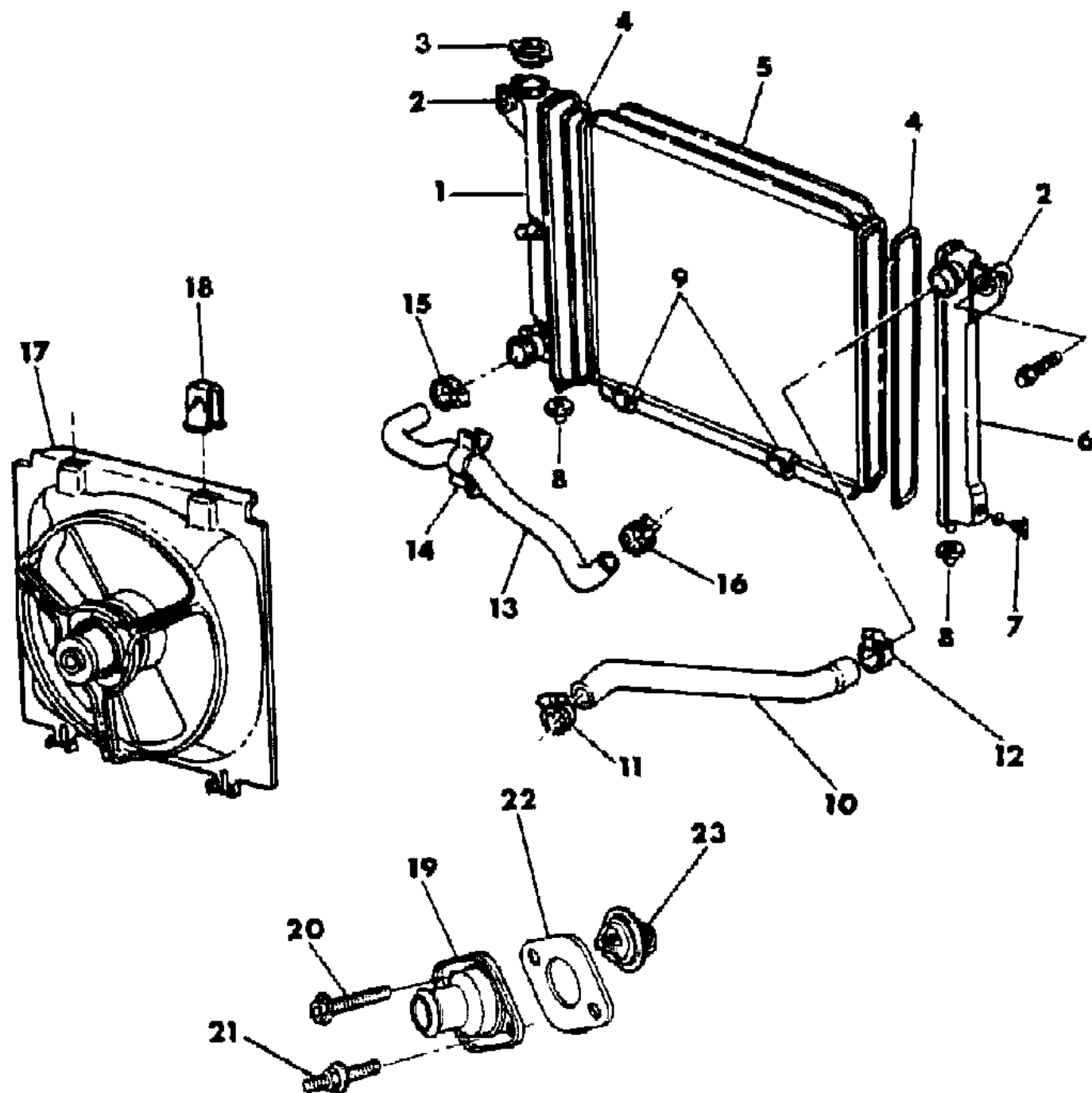
BODY STYLES

12-52 = FWD VAN & WAGON STD. W.B.	27 = 2-DOOR CONVERTIBLE
13-53 = FWD VAN & WGN EXT W.B.	41 = 4-DOOR SEDAN
21 = 2-DOOR SEDAN	44 = 4-DOOR HATCHBACK
24 = 2-DOOR HATCHBACK	45 = 4-DOOR STATION WAGON

AR = Use as Required - = Non Illustrated Part P.A.R. = Paint as Required

RADIATOR AND RELATED PARTS 2.2L AND 2.5L ENGINE P BODY
Figure 7-1700

8107 1700B



ITEM	PART NUMBER	QTY	BODY	MODEL	DESCRIPTION
1					TANK, Outlet
	4266 647	1			2.2L Eng. w/(S/C - EDF) & 2.5L Eng. w/o Air Cond. - Man. Trans.
	4266 648	1			2.2L Eng. w/(S/C - EDF) & 2.5L Eng. w/o Air Cond. - Auto. Trans.
	4401 014	1			2.2L Eng. w/(S/C - EDF) & 2.5L Eng. w/ Air Cond. - Man. Trans.
	4401 019	1			2.2L Eng. w/(S/C - EDF) & 2.5L Eng. w/Air Cond. - Auto. Trans.
	4401 014	1			2.2L Eng. Turbo 1 - Man. Trans.
	4401 019	1			2.2L Eng. Turbo 1 - Auto. Trans.
2	4266 142	2			ISOLATOR, Radiator Mounting - Upper
3	3781 830	1			CAP, Radiator
4					GASKET, Tank to Header
	4266 640	2			2.2L Eng. w/(S/C - EDF) & 2.5L Eng. w/o Air Cond.
	4401 016	2			2.2L Eng. w/(S/C - EDF) & 2.5L Eng. w/Air Cond.
	4401 016	2			2.2L Eng. Turbo 1
5					RADIATOR (Includes #'s 1,2,3,4,6,7,8,9)
	4266 637	1			2.2L Eng. w/(S/C - EDF) & 2.5L Eng. w/o Air Cond. - stamped 4266434, 4266435, 4266634, 4266635
	4401 037	1			2.2L Eng. w/(S/C - EDF) & 2.5L Eng. w/Air Cond. - stamped 4401036, 4401037
	4401 037	1			2.2L Eng. w/(S/C - EDG) - stamped 4401036, 4401037
6					TANK, Inlet
	4266 649	1			w/o Air Cond.
	4401 015	1			w/Air Cond.
7	4266 728	1			DRAINCOCK
8	4266 396	2			ISOLATOR, Radiator Mounting - Lower
9	4140 538	2			CLIP, Spring
10	4266 696	1			HOSE, Inlet (H0061285)
11	6032 229	1			CLAMP, Inlet Hose (Eng. End)
12	3683 824	1			CLAMP, Inlet Hose (Rad. End)
13	4401 189	1			HOSE, Outlet (H0061143)
14	4401 184	1			CLIP, Outlet Hose
15	2448 763	1			CLAMP, Outlet Hose (Rad. End)
16	6032 277	1			CLAMP, Outlet Hose (Eng. End)
17					FAN-MOTOR-SHROUD ASSEMBLY stamped 4266492 used on:

MODEL CODES

C BODY = (D41 - DYNASTY)(C41 - NEW YORKER)	L BODY = (M - HORIZON)(Z-OMNI)
E BODY = (J - CARAVELLE)(E - 600)(T - NEW YORKER TURBO)	M BODY = (B - GRAN FURY)(G - DIPLOMAT)(F - FIFTH AVENUE/NEWPORT)
G BODY = (V24 - DAYTONA, PACIFICA & SHELBY)	P BODY = (P - SUNDANCE)(D - SHADOW)
H BODY = (D44 - LANCER)(C44 - LEBARON GTS)	Q BODY = (C27 - MASERATI)
J BODY = (C - LEBARON)	S BODY = (H - VOYAGER)(K - RAM VAN/ CARAVAN)
K BODY = (P - RELIANT)(D - ARIES)(C - LEBARON/ TOWN & COUNTRY)	

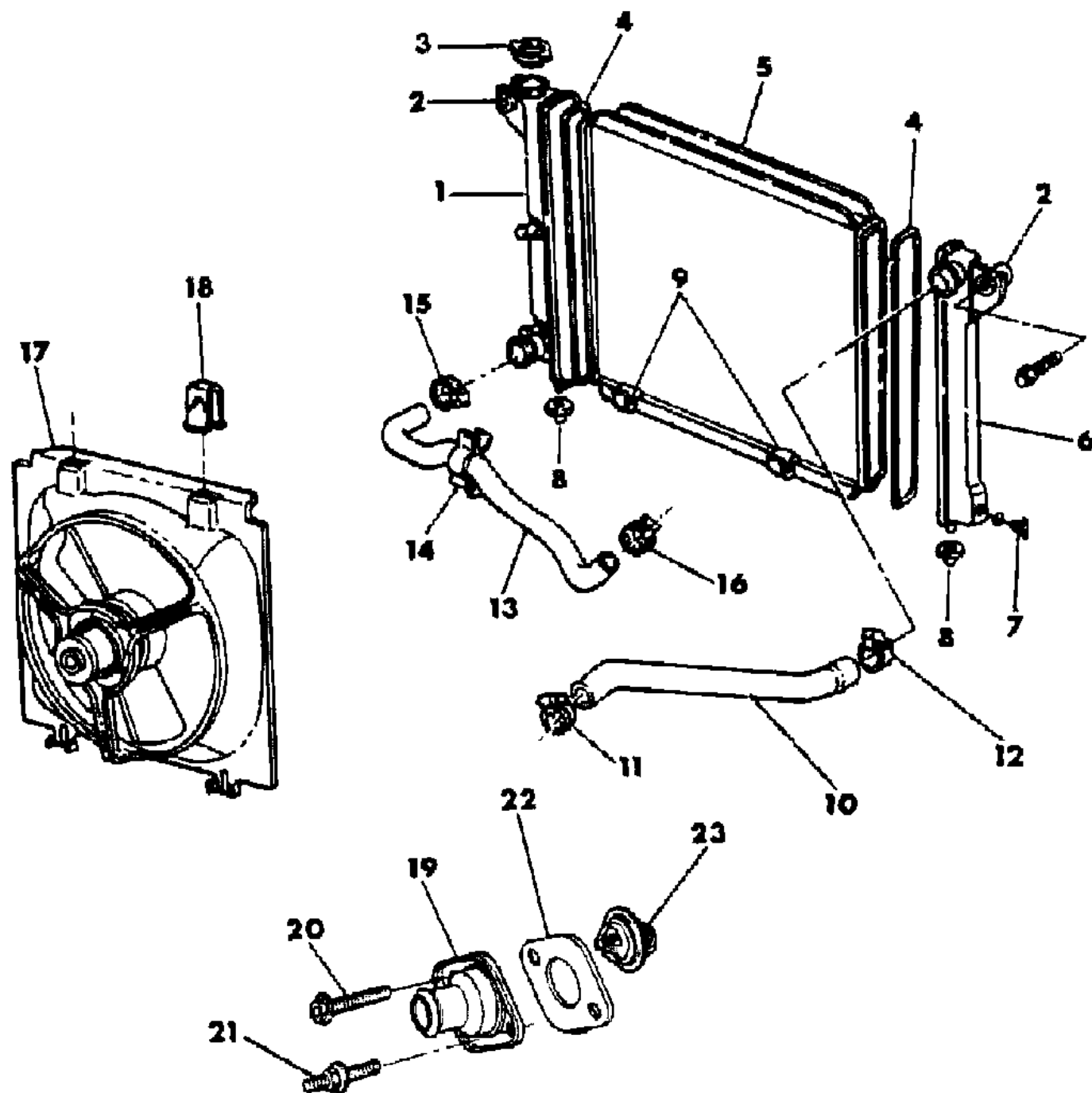
BODY STYLES

12-52 = FWD VAN & WAGON STD. W.B.	27 = 2-DOOR CONVERTIBLE
13-53 = FWD VAN & WGN EXT W.B.	41 = 4-DOOR SEDAN
21 = 2-DOOR SEDAN	44 = 4-DOOR HATCHBACK
24 = 2-DOOR HATCHBACK	45 = 4-DOOR STATION WAGON

AR = Use as Required - = Non Illustrated Part P.A.R. = Paint as Required

RADIATOR AND RELATED PARTS 2.2L AND 2.5L ENGINE P BODY
Figure 7-1700

8107 1700B



ITEM	PART NUMBER	QTY	BODY	MODEL	DESCRIPTION
					2.2L Eng. w/(S/C - EDF) & 2.5L Eng. w/o Air Cond.
					consists of:
	4266 282	1			FAN
	4339 461	1			MOTOR
	4339 462	1			SHROUD
	6500 377	1			RETAINER
					stamped 4266657 used on:
					2.2L Eng. w/(S/C - EDF) & 2.5L Eng. w/Air Cond.
					consists of:
	4266 282	1			FAN
	4339 500	1			MOTOR
	4339 462	1			SHROUD
	6500 377	1			RETAINER
					stamped 4266494 used on:
					2.2L Eng. w/(S/C - EDG)
					consists of:
	4401 139	1			FAN
	4266 689	1			MOTOR
	4266 690	1			SHROUD
	6500 377	1			RETAINER
18	6501 336	2			CLIP, Fan Module Attach
19	#5214 514	1			CONNECTOR, Cylinder Water Outlet
20	6100 295	1			SCREW and WASHER, Cylinder Water Outlet Connector
21	6500 559	1			STUD and WASHER, Cylinder Water Outlet Connector
22	#4179 895	1			GASKET, Cylinder Water Outlet Connector
23	4105 768	1			THERMOSTAT

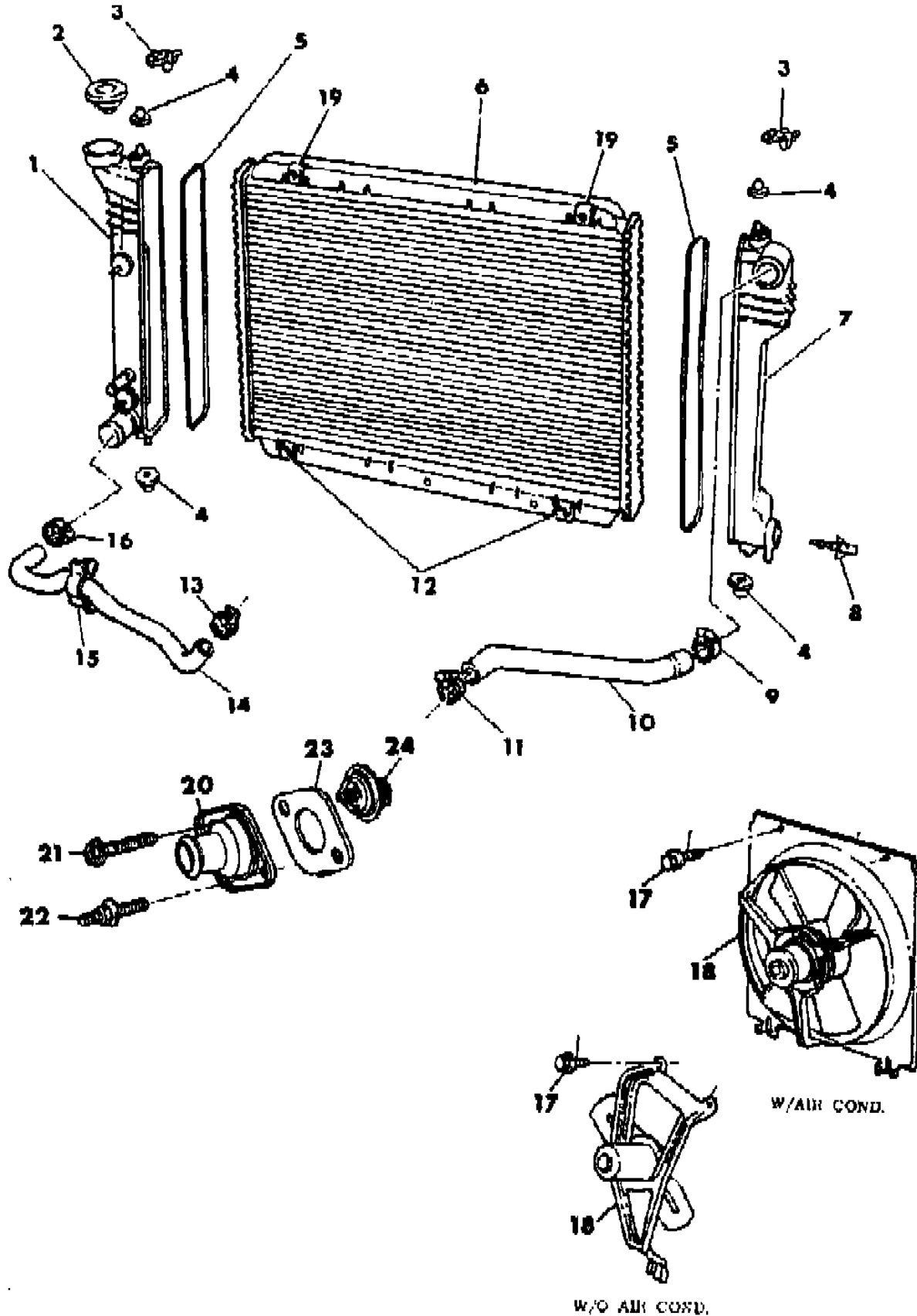
MODEL CODES
 C BODY = (D41 - DYNASTY)(C41 - NEW YORKER)
 E BODY = (J - CARAVELLE)(E - 600)(T - NEW YORKER TURBO)
 G BODY = (V24 - DAYTONA, PACIFICA & SHELBY)
 H BODY = (D44 - LANCER)(C44 - LEBARON GTS)
 J BODY = (C - LEBARON)
 K BODY = (P - RELIANT)(D - ARIES)(C - LEBARON/ TOWN & COUNTRY)
 L BODY = (M - HORIZON)(Z-OMNI)
 M BODY = (B - GRAN FURY)(G - DIPLOMAT)(F - FIFTH AVENUE/NEWPORT)
 P BODY = (P - SUNDANCE)(D - SHADOW)
 Q BODY = (C27 - MASERATI)
 S BODY = (H - VOYAGER)(K - RAM VAN/ CARAVAN)

BODY STYLES
 12-52 = FWD VAN & WAGON STD. W.B. 27 = 2-DOOR CONVERTIBLE
 13-53 = FWD VAN & WGN EXT W.B. 41 = 4-DOOR SEDAN
 21 = 2-DOOR SEDAN 44 = 4-DOOR HATCHBACK
 24 = 2-DOOR HATCHBACK 45 = 4-DOOR STATION WAGON

AR = Use as Required - = Non Illustrated Part P.A.R. = Paint as Required

RADIATOR AND RELATED PARTS 2.2L AND 2.5L ENGINE J,K,G,E,H BODY
Figure 7-1800

8107 1800 B



ITEM	PART NUMBER	QTY	BODY	MODEL	DESCRIPTION
1					TANK, Radiator Outlet
	4266 814	1			Man. Trans.
	4266 815	1			Auto. Trans.
2	3781 830	1			CAP, Radiator
3	4401 024	2		exc. C,D-44	BRACKET, Radiator Upper Mounting
	4401 097	2		C,D-44	
4	4266 396	4			ISOLATOR, Radiator Mounting
5	4266 726	2			GASKET, Tank to Header
6					RADIATOR (Includes #'s 1,2,4,5,7,8,12,19)
	4266 803	1			stamped 4266803, Manual Trans.
	4266 806	1			stamped 4266801, 4266802, 4266804, 4266806, 4401089, Auto. Trans.
7	4266 717	1			TANK, Radiator Inlet
8	4266 728	1			DRAINCOCK
9	3683 824	1			CLAMP, Inlet Hose (Rad. End)
10	4266 696	1			HOSE, Inlet (H0061285)
11	6032 229	1			CLAMP, Inlet Hose (Eng. End)
12	4140 538	2			CLIP, Spring - Bottom Shroud Mounting
13	6032 277	2			CLAMP, Outlet Hose (Eng. End)
14	4266 697	1			HOSE, Outlet (H0061143)
15	4401 184	1			CLIP, Radiator Outlet Hose
16	2448 763	2			CLAMP
17	6501 013	2			SCREW
18					FAN-MOTOR-BRACKET ASSEMBLY
					stamped 4266007 (optional w/4401107) used on:
			K,E,H		2.2L Eng. w/(S/C - EDF) w/o Air Cond.
			JKGEH		2.5L Eng. w/o Air Cond.
					consists of:
	4266 069	1			FAN
	4240 493	1			MOTOR
	4240 497	1			BRACKET
	6500 377	1			RETAINER
					stamped 4401107 (optional w/4266007) used on:
			K,E,H		2.2L Eng. w/(S/C - EDF) w/o Air Cond.
			JKGEH		2.5L Eng. w/o Air Cond.
					consists of:
	4401 109	1			FAN

MODEL CODES

C BODY = (D41 - DYNASTY)(C41 - NEW YORKER)
 E BODY = (J - CARAVELLE)(E - 600)(T - NEW YORKER TURBO)
 G BODY = (V24 - DAYTONA, PACIFICA & SHELBY)
 H BODY = (D44 - LANCER)(C44 - LEBARON GTS)
 J BODY = (C - LEBARON)
 K BODY = (P - RELIANT)(D - ARIES)(C - LEBARON/ TOWN & COUNTRY)

L BODY = (M - HORIZON)(Z-OMNI)
 M BODY = (B - GRAN FURY)(G - DIPLOMAT)(F - FIFTH AVENUE/NEWPORT)
 P BODY = (P - SUNDANCE)(D - SHADOW)
 Q BODY = (C27 - MASERATI)
 S BODY = (H - VOYAGER)(K - RAM VAN/ CARAVAN)

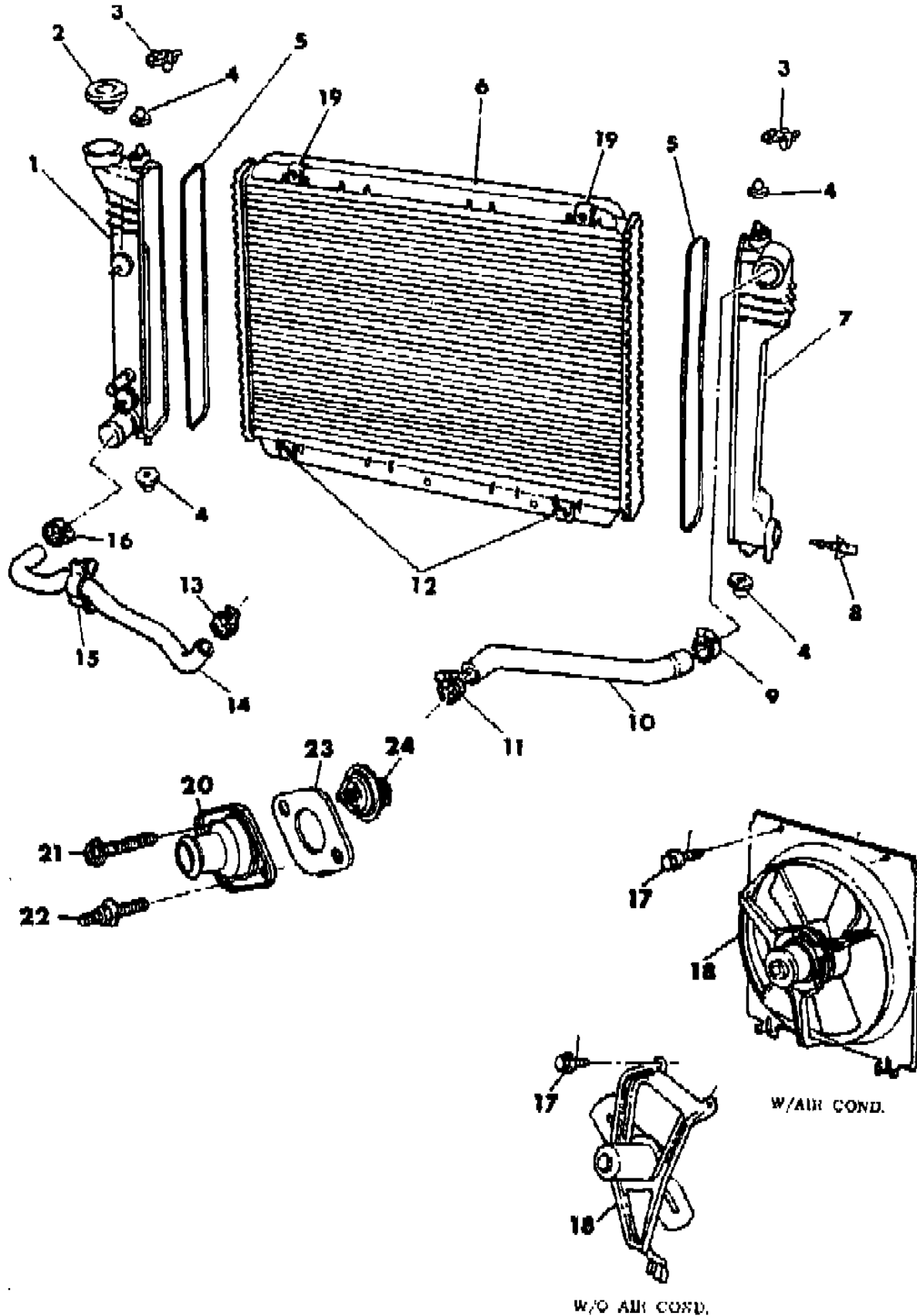
BODY STYLES

12-52 = FWD VAN & WAGON STD. W.B. 27 = 2-DOOR CONVERTIBLE
 13-53 = FWD VAN & WGN EXT W.B. 41 = 4-DOOR SEDAN
 21 = 2-DOOR SEDAN 44 = 4-DOOR HATCHBACK
 24 = 2-DOOR HATCHBACK 45 = 4-DOOR STATION WAGON

AR = Use as Required - = Non Illustrated Part P.A.R. = Paint as Required

RADIATOR AND RELATED PARTS 2.2L AND 2.5L ENGINE J,K,G,E,H BODY
Figure 7-1800

8107 1800 B



ITEM	PART NUMBER	QTY	BODY	MODEL	DESCRIPTION
	4240 493	1			MOTOR and BRACKET
			K,E,H		FAN-MOTOR-SHROUD ASSEMBLY stamped 4266291 or 4401718 used on: 2.2L Eng. w/(S/C - EDG) w/Air Cond. consists of:
	4266 293	1			FAN
	4240 495	1			MOTOR
	4339 437	1			SHROUD
	6500 377	1			RETAINER
			J		stamped 4266375 used on: 2.2L Eng. w/(S/C - EDG) w/o Air Cond.
			J		2.5L Eng. w/Air Cond. consists of:
	4266 282	1			FAN (2 Blade)
	4419 167	1			MOTOR
	4339 437	1			SHROUD
	6500 377	1			RETAINER
			K,E,H K,G,E,H K,G,E,H		stamped 4266374 used on: 2.2L Eng. w/(S/C - EDF) w/Air Cond. 2.2L Eng. w/(S/C - EDG) w/o Air Cond. 2.5L Eng. w/Air Cond. consists of:
	4266 282	1			FAN
	4419 167	1			MOTOR
	4339 437	1			SHROUD
	6500 377	1			RETAINER
			J,G		stamped 4266938 or 4401719 used on: 2.2L Eng. w/(S/C - EDG) w/Air Cond.
	4266 939	1			FAN (5 Blade)
	4364 866	1			MOTOR
	4364 865	1			SHROUD
	6500 377	1			RETAINER
19	6100 041	2			U-NUT, Top Shroud Mounting
20	#5214 514	1			CONNECTOR, Cylinder Water Outlet
21	6100 295	1			SCREW and WASHER, Cylinder Water Outlet Connector
22	6500 559	1			STUD and WASHER, Cylinder Water Outlet Connector
23	#4179 895	1			GASKET, Cylinder Water Outlet Connector

MODEL CODES

C BODY = (D41 - DYNASTY)(C41 - NEW YORKER)
 E BODY = (J - CARAVELLE)(E - 600)(T - NEW YORKER TURBO)
 G BODY = (V24 - DAYTONA, PACIFICA & SHELBY)
 H BODY = (D44 - LANCER)(C44 - LEBARON GTS)
 J BODY = (C - LEBARON)
 K BODY = (P - RELIANT)(D - ARIES)(C - LEBARON/ TOWN & COUNTRY)

L BODY = (M - HORIZON)(Z-OMNI)
 M BODY = (B - GRAN FURY)(G - DIPLOMAT)(F - FIFTH AVENUE/NEWPORT)
 P BODY = (P - SUNDANCE)(D - SHADOW)
 Q BODY = (C27 - MASERATI)
 S BODY = (H - VOYAGER)(K - RAM VAN/ CARAVAN)

BODY STYLES

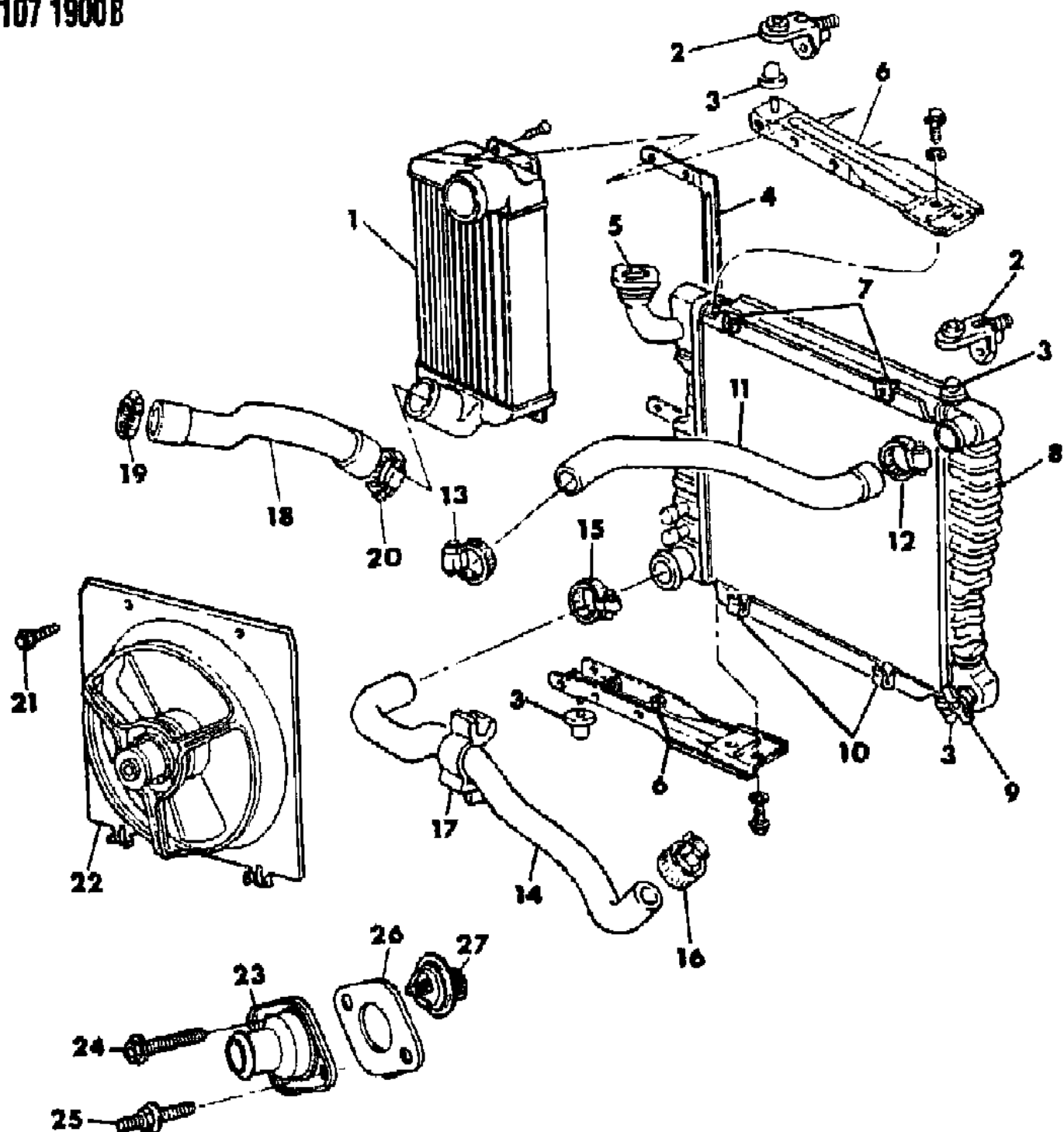
12-52 = FWD VAN & WAGON STD. W.B. 27 = 2-DOOR CONVERTIBLE
 13-53 = FWD VAN & WGN EXT W.B. 41 = 4-DOOR SEDAN
 21 = 2-DOOR SEDAN 44 = 4-DOOR HATCHBACK
 24 = 2-DOOR HATCHBACK 45 = 4-DOOR STATION WAGON

AR = Use as Required - = Non Illustrated Part P.A.R. = Paint as Required

RADIATOR AND INTERCOOLER AND RELATED PARTS 2.2L ENGINE TURBO 2 G BODY AND P BODY SHELBY

Figure 7-1900

8107 1900B



ITEM	PART NUMBER	QTY	BODY	MODEL	DESCRIPTION
1	4266 978	1	G		INTERCOOLER
	4467 483	1	P		w/Radiator
2	4401 024	2			BRACKET, Radiator Upper Mounting
3	4266 328	4			ISOLATOR, Radiator Mounting
4	4397 749	1			BAFFLE, Radiator
5	3781 830	1			CAP, Radiator
6		2			BRACKET, Intercooler Attach (serv. in item #8)
7	6100 041	2			U-NUT, Top Shroud Mounting
8	4266 977	1	G		RADIATOR (Includes #'s 3,4,5,6,7,9,10)
9	1686 198	1			DRAINCOCK
10	4140 538	2			CLIP, Spring Bottom Shroud Mounting
11	4266 696	1			HOSE, Inlet (H0061285)
12	3683 824	1			CLAMP, Inlet Hose (Rad. End)
13	6032 229	1			CLAMP, Inlet Hose (Eng. End)
14	4266 951	1			HOSE, Outlet
15	2448 763	1			CLAMP, Outlet Hose (Rad. End)
16	6032 277	1			CLAMP, Outlet Hose (Eng. End)
17	4401 184	1			CLIP, Outlet Hose
18	4306 105	1			HOSE, Turbo to Intercooler
19	6033 135	1			CLAMP
20	6033 134	1	G		CLAMP
21	6501 013	2			SCREW
22					FAN-MOTOR-SHROUD ASSEMBLY stamped 4266938 consists of:
	4266 939	1			FAN
	4364 866	1			MOTOR
	4364 865	1			SHROUD
	6500 377	1			RETAINER
					stamped 4401719 consists of:
	4266 939	1			FAN
	4364 866	1			MOTOR
	4364 865	1			SHROUD
	6500 377	1			RETAINER
23	#5214 514	1			CONNECTOR, Cylinder Water Outlet
24	6100 295	1			SCREW and WASHER, Cylinder Water Outlet Connector
25	6500 559	1			STUD and WASHER, Cylinder Water Outlet Connector
26	#4179 895	1			GASKET, Cylinder Water Outlet Connector

MODEL CODES

C BODY = (D41 - DYNASTY)(C41 - NEW YORKER)
 E BODY = (J - CARAVELLE)(E - 600)(T - NEW YORKER TURBO)
 G BODY = (V24 - DAYTONA, PACIFICA & SHELBY)
 H BODY = (D44 - LANCER)(C44 - LEBARON GTS)
 J BODY = (C - LEBARON)
 K BODY = (P - RELIANT)(D - ARIES)(C - LEBARON/ TOWN & COUNTRY)

L BODY = (M - HORIZON)(Z-OMNI)
 M BODY = (B - GRAN FURY)(G - DIPLOMAT)(F - FIFTH AVENUE/NEWPORT)
 P BODY = (P - SUNDANCE)(D - SHADOW)
 Q BODY = (C27 - MASERATI)
 S BODY = (H - VOYAGER)(K - RAM VAN/ CARAVAN)

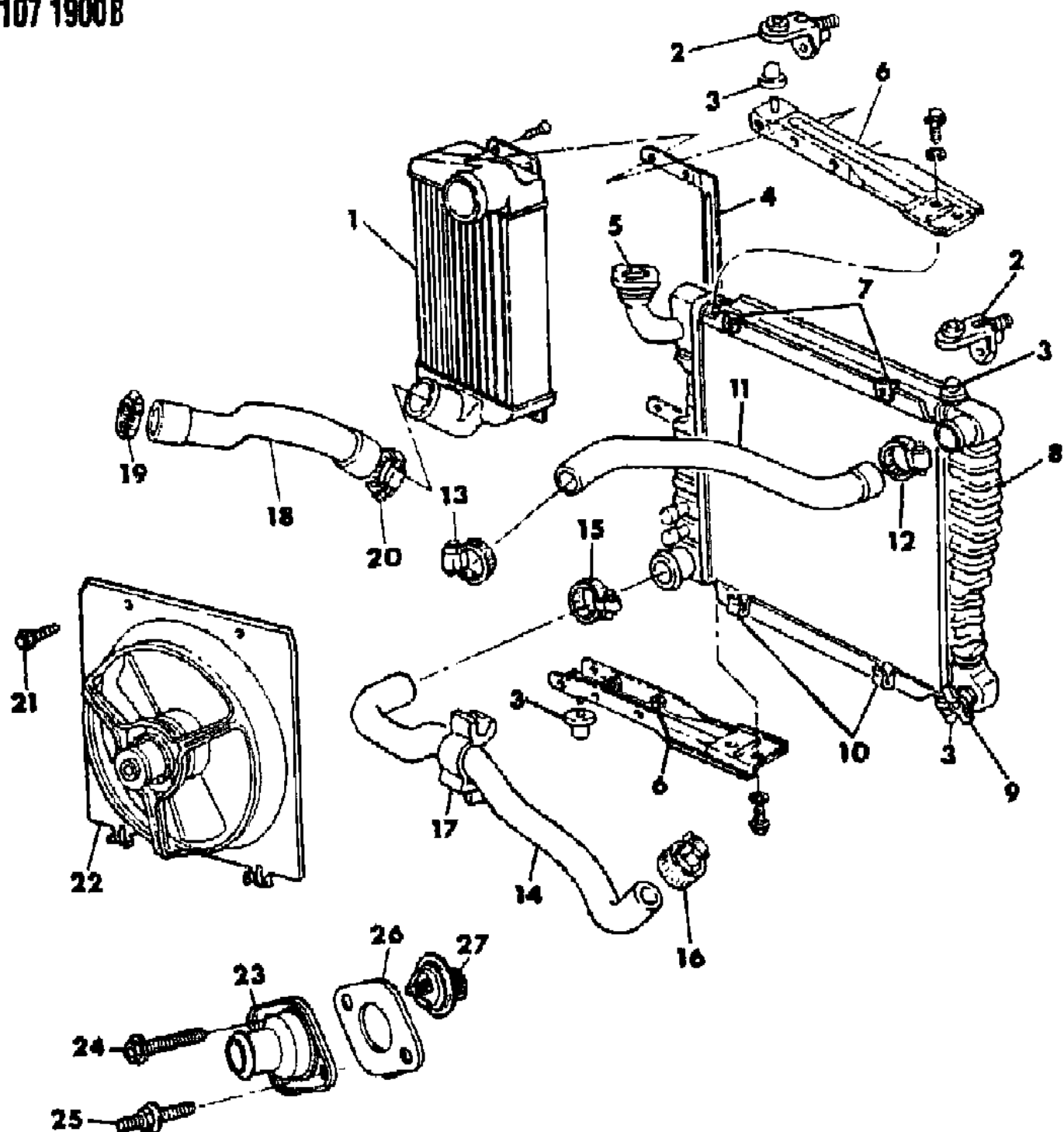
BODY STYLES

12-52 = FWD VAN & WAGON STD. W.B. 27 = 2-DOOR CONVERTIBLE
 13-53 = FWD VAN & WGN EXT W.B. 41 = 4-DOOR SEDAN
 21 = 2-DOOR SEDAN 44 = 4-DOOR HATCHBACK
 24 = 2-DOOR HATCHBACK 45 = 4-DOOR STATION WAGON

AR = Use as Required - = Non Illustrated Part P.A.R. = Paint as Required

RADIATOR AND INTERCOOLER AND RELATED PARTS 2.2L ENGINE TURBO 2 G BODY AND P BODY SHELBY
Figure 7-1900

8107 1900B



ITEM	PART NUMBER	QTY	BODY	MODEL	DESCRIPTION
27	4105 768	1			THERMOSTAT

MODEL CODES

- | | |
|--|--|
| C BODY = (D41 - DYNASTY)(C41 - NEW YORKER) | L BODY = (M - HORIZON)(Z-OMNI) |
| E BODY = (J - CARAVELLE)(E - 600)(T - NEW YORKER TURBO) | M BODY = (B - GRAN FURY)(G - DIPLOMAT)(F - FIFTH AVENUE/NEWPORT) |
| G BODY = (V24 - DAYTONA, PACIFICA & SHELBY) | P BODY = (P - SUNDANCE)(D - SHADOW) |
| H BODY = (D44 - LANCER)(C44 - LEBARON GTS) | Q BODY = (C27 - MASERATI) |
| J BODY = (C - LEBARON) | S BODY = (H - VOYAGER)(K - RAM VAN/ CARAVAN) |
| K BODY = (P - RELIANT)(D - ARIES)(C - LEBARON/ TOWN & COUNTRY) | |

BODY STYLES

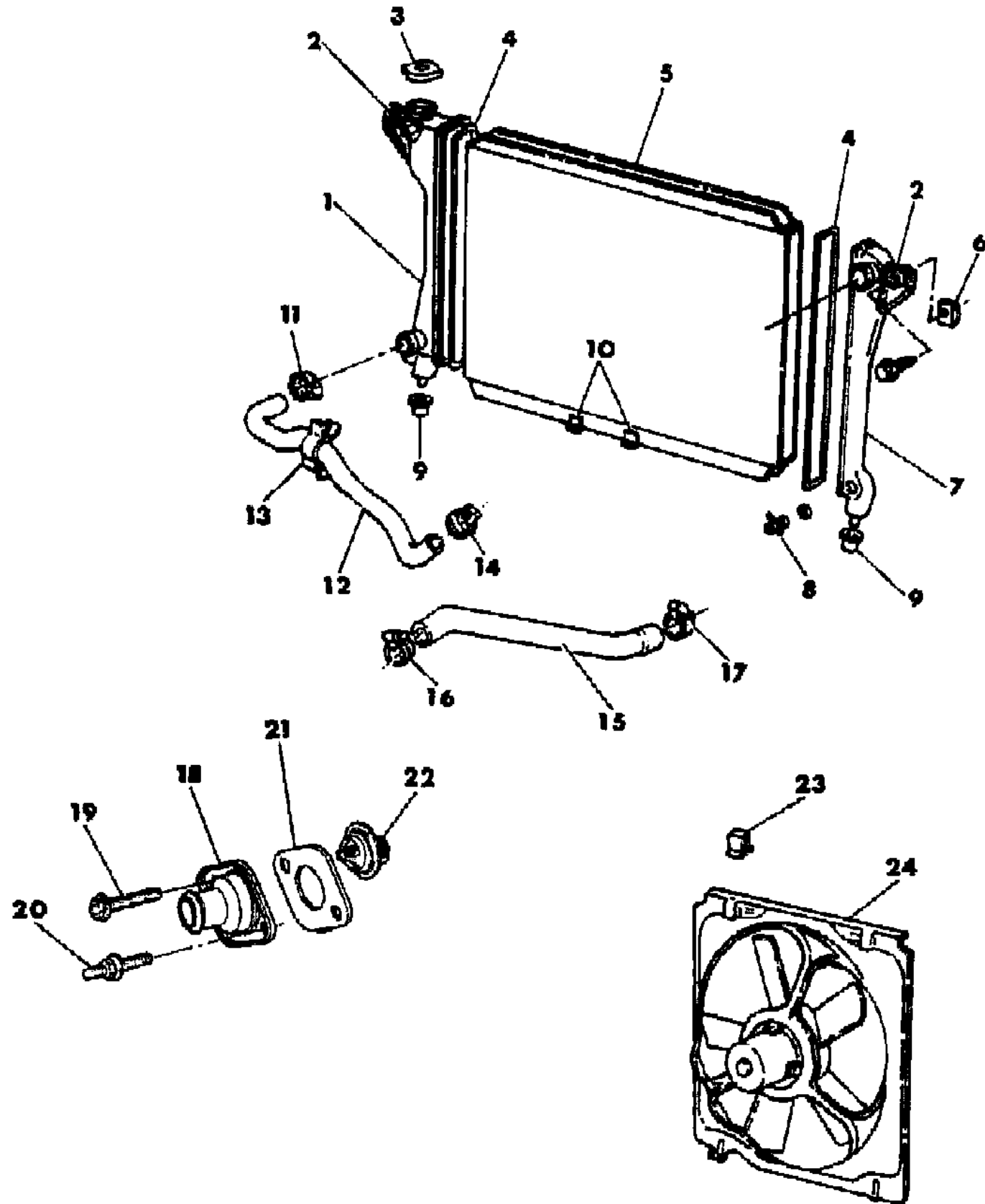
- | | |
|-----------------------------------|---------------------------|
| 12-52 = FWD VAN & WAGON STD. W.B. | 27 = 2-DOOR CONVERTIBLE |
| 13-53 = FWD VAN & WGN EXT W.B. | 41 = 4-DOOR SEDAN |
| 21 = 2-DOOR SEDAN | 44 = 4-DOOR HATCHBACK |
| 24 = 2-DOOR HATCHBACK | 45 = 4-DOOR STATION WAGON |

AR = Use as Required - = Non Illustrated Part P.A.R. = Paint as Required

RADIATOR AND RELATED PARTS 2.5L ENGINE C BODY

Figure 7-1925

8107 1925B



ITEM	PART NUMBER	QTY	BODY	MODEL	DESCRIPTION
1	4266 901	1			TANK, Outlet
2	4266 142	2			ISOLATOR, Radiator Mounting Upper
3	3781 830	1			CAP, Radiator
4	4266 903	1			GASKET, Tank to Header
5					RADIATOR (Includes #'s 1,2,3,4,7,8,9,10)
	4266 913	1			up to 4-11-88
	4266 916	1			after 4-11-88
6	6100 041	1			U-NUT, Upper Shroud Mounting
7	4266 902	1			TANK, Inlet
8	4266 904	1			DRAINCOCK
9	4266 396	2			ISOLATOR, Radiator Mounting Lower
10	4140 538	2			CLIP, Spring Bottom Shroud Mounting
11	2448 763	1			CLAMP
12	4401 154	1			HOSE, Outlet (H0069007)
13	4401 184	1			CLIP, Outlet Hose
14	6032 277	1			CLAMP
15	4401 153	1			HOSE, Inlet (H0061435)
16	6032 229	1			CLAMP
17	3683 824	1			CLAMP
18	#5214 514	1			CONNECTOR, Cylinder Water Outlet
19	6101 452	1			SCREW and WASHER, Cylinder Water Outlet Connector
20	6500 559	1			STUD, Cylinder Water Outlet By-Pass
21	#4179 895	1			GASKET, Cylinder Water Outlet Connector
22	4105 768	1			THERMOSTAT
23	6501 336	2			CLIP, Fan Module Attaching
24					FAN-MOTOR-SHROUD ASSEMBLY
					stamped 4266944 consists of:
	4401 319	1			FAN
	4443 056	1			MOTOR
	4339 462	1			SHROUD
	6500 377	1			RETAINER

MODEL CODES

C BODY = (D41 - DYNASTY)(C41 - NEW YORKER)
 E BODY = (J - CARAVELLE)(E - 600)(T - NEW YORKER TURBO)
 G BODY = (V24 - DAYTONA, PACIFICA & SHELBY)
 H BODY = (D44 - LANCER)(C44 - LEBARON GTS)
 J BODY = (C - LEBARON)
 K BODY = (P - RELIANT)(D - ARIES)(C - LEBARON/ TOWN & COUNTRY)
 L BODY = (M - HORIZON)(Z-OMNI)
 M BODY = (B - GRAN FURY)(G - DIPLOMAT)(F - FIFTH AVENUE/NEWPORT)
 P BODY = (P - SUNDANCE)(D - SHADOW)
 Q BODY = (C27 - MASERATI)
 S BODY = (H - VOYAGER)(K - RAM VAN/ CARAVAN)

BODY STYLES

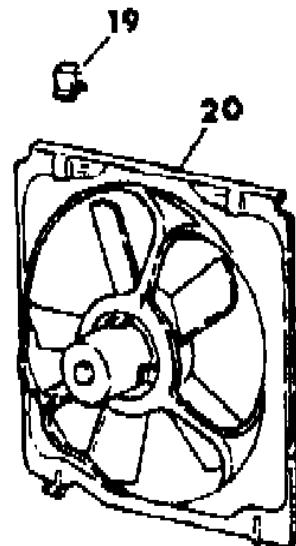
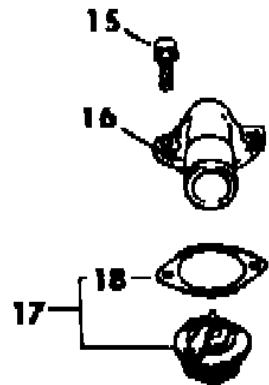
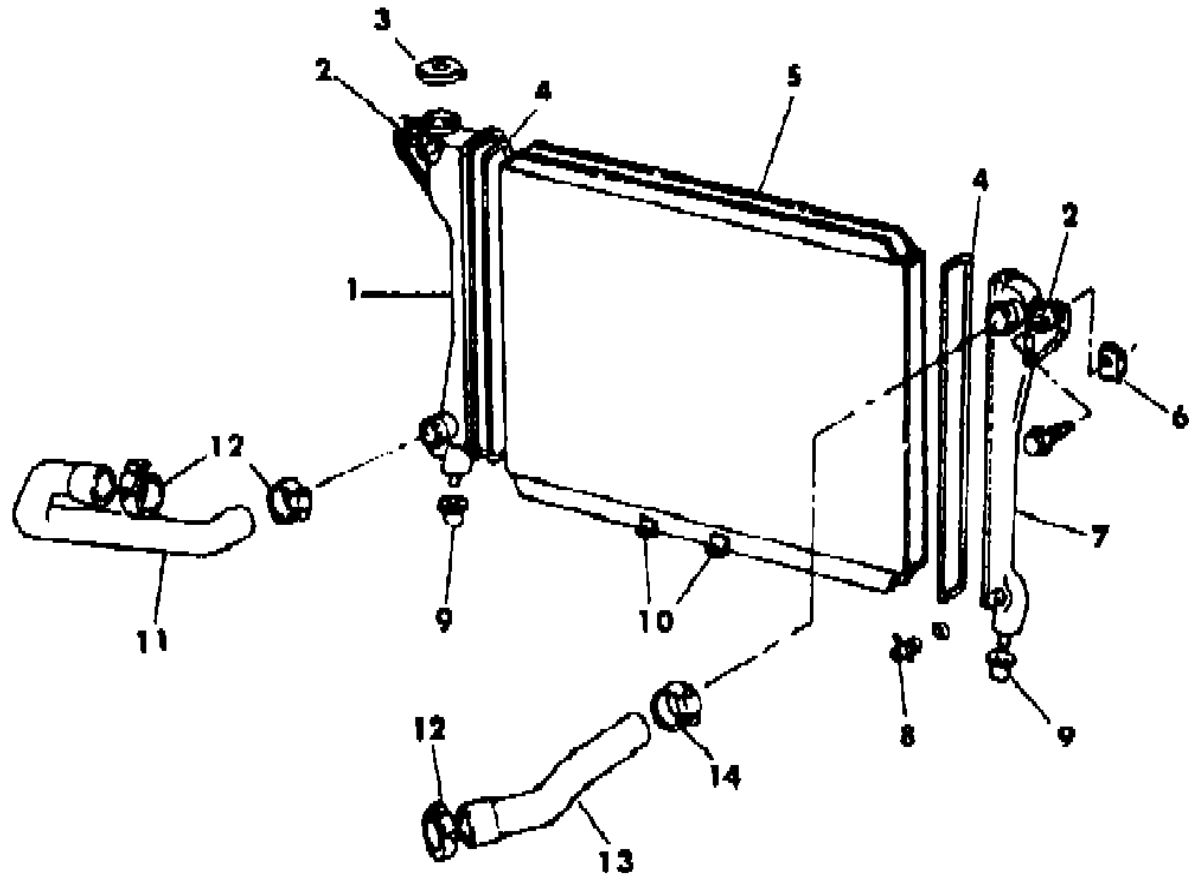
12-52 = FWD VAN & WAGON STD. W.B. 27 = 2-DOOR CONVERTIBLE
 13-53 = FWD VAN & WGN EXT W.B. 41 = 4-DOOR SEDAN
 21 = 2-DOOR SEDAN 44 = 4-DOOR HATCHBACK
 24 = 2-DOOR HATCHBACK 45 = 4-DOOR STATION WAGON

AR = Use as Required - = Non Illustrated Part P.A.R. = Paint as Required

RADIATOR AND RELATED PARTS 3.0L ENGINE C BODY

Figure 7-2000

8107 2000



ITEM	PART NUMBER	QTY	BODY	MODEL	DESCRIPTION
1	4266 901	1			TANK, Outlet
2	4266 142	2			ISOLATOR, Radiator Mounting - Upper
3	3781 830	1			CAP, Radiator
4	4266 903	2			GASKET, Tank to Header
5					RADIATOR (Includes #'s 1,2,3,4,7,8,9,10)
	4266 913	1			up to 4-11-88
	4266 916	1			after 4-11-88
6	6100 041	2			U-NUT, Upper Shroud Mounting
7	4266 902	1			TANK, Inlet
8	4266 904	1			DRAINCOCK
9	4266 396	2			ISOLATOR, Radiator Mounting - Lower
10	4140 538	2			CLIP, Spring - Bottom Shroud Mounting
11	4266 988	1			HOSE, Outlet (H0061437)
12	2448 763	3			CLAMP
13	4266 986	1			HOSE, Inlet (H0061436)
14	3683 824	1			CLAMP
15	MF24 1555	2			BOLT (8x25)
16	MD09 7041	1			FITTING, Water Outlet Hose
17	MD99 7310	1			THERMOSTAT PACKAGE
18	MD11 8040	1			GASKET, Water Outlet Fitting
19	6501 336	2			CLIP, Fan Module Attach
20					FAN-MOTOR-SHROUD ASSEMBLY
					stamped 4266944 consists of:
	4401 319	1			FAN
	4443 056	1			MOTOR
	4339 462	1			SHROUD
	6500 377	1			RETAINER

MODEL CODES

C BODY = (D41 - DYNASTY)(C41 - NEW YORKER)
 E BODY = (J - CARAVELLE)(E - 600)(T - NEW YORKER TURBO)
 G BODY = (V24 - DAYTONA, PACIFICA & SHELBY)
 H BODY = (D44 - LANCER)(C44 - LEBARON GTS)
 J BODY = (C - LEBARON)
 K BODY = (P - RELIANT)(D - ARIES)(C - LEBARON/ TOWN & COUNTRY)
 L BODY = (M - HORIZON)(Z-OMNI)
 M BODY = (B - GRAN FURY)(G - DIPLOMAT)(F - FIFTH AVENUE/NEWPORT)
 P BODY = (P - SUNDANCE)(D - SHADOW)
 Q BODY = (C27 - MASERATI)
 S BODY = (H - VOYAGER)(K - RAM VAN/ CARAVAN)

BODY STYLES

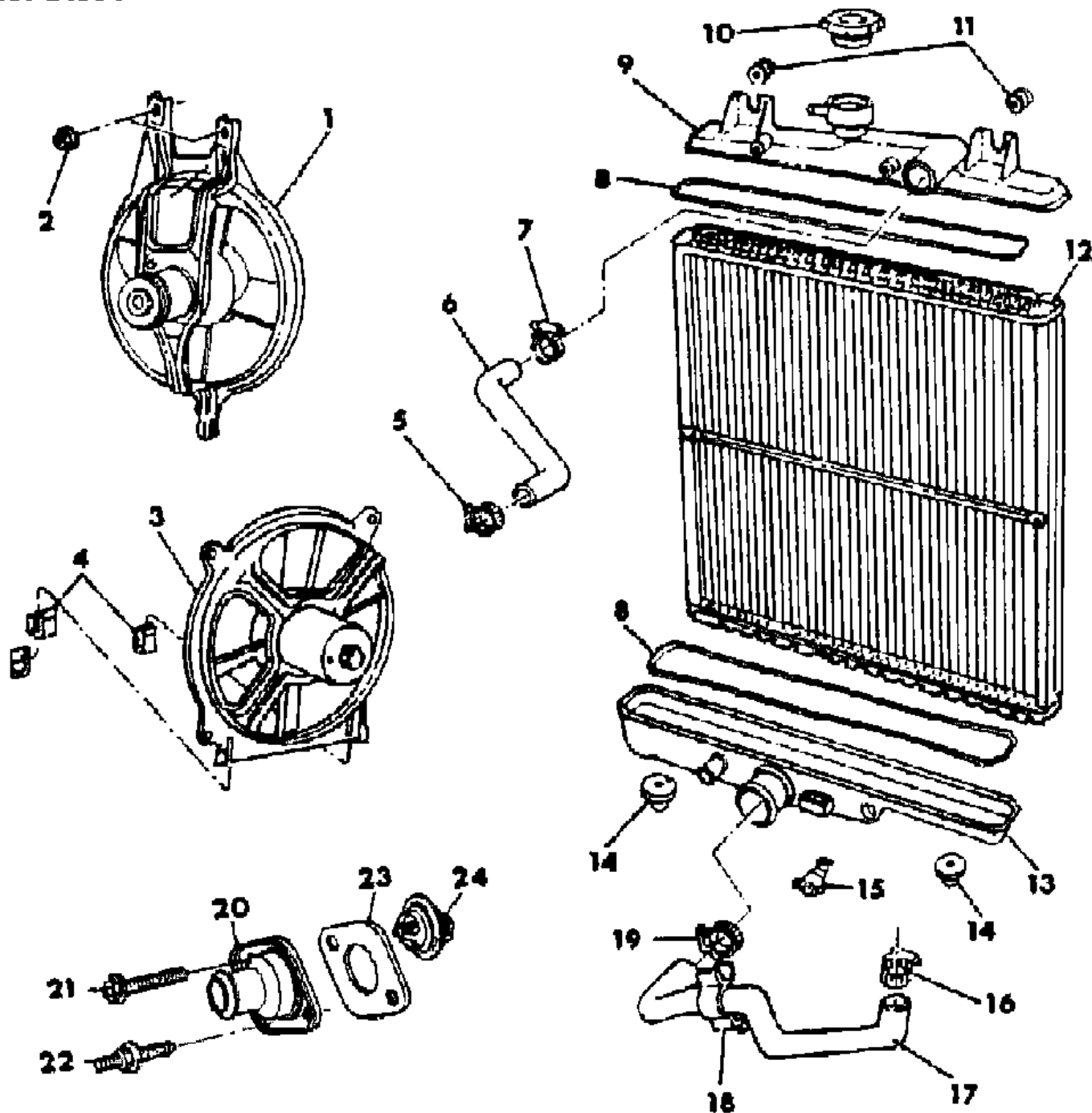
12-52 = FWD VAN & WAGON STD. W.B. 27 = 2-DOOR CONVERTIBLE
 13-53 = FWD VAN & WGN EXT W.B. 41 = 4-DOOR SEDAN
 21 = 2-DOOR SEDAN 44 = 4-DOOR HATCHBACK
 24 = 2-DOOR HATCHBACK 45 = 4-DOOR STATION WAGON

AR = Use as Required - = Non Illustrated Part P.A.R. = Paint as Required

RADIATOR AND RELATED PARTS 2.5L ENGINE S BODY

Figure 7-2100

8107 2100 8



ITEM	PART NUMBER	QTY	BODY	MODEL	DESCRIPTION
1					FAN-MOTOR-SHROUD ASSEMBLY, Radiator stamped 4401111 consists of:
	4266 462	1			FAN
	4419 336	1			MOTOR
	4318 119	1			SHROUD
	6500 377	1			RETAINER
2	6500 284	2			NUT
3					FAN-MOTOR-SHROUD ASSEMBLY, Condenser stamped 4401140 consists of:
	4266 473	1			FAN
	4266 474	1			MOTOR
	4401 142	1			SHROUD
					stamped 4401552 consists of:
	4401 556	1			FAN
	4401 554	1			MOTOR
	4401 555	1			SHROUD
	6500 377	1			RETAINER
4	4266 212	2			CLIP, Fan Module Attach
5	6032 229	1			CLAMP, Inlet Hose (Eng. End)
6	4401 169	1			HOSE, Inlet (H0061285)
7	3683 824	1			CLAMP, Inlet Hose (Rad. End)
8	4401 078	2			GASKET, Tank to Header
9	4401 077	1			TANK, Radiator Inlet - Top
10	3781 830	1			CAP, Radiator
11	4266 142	2			ISOLATOR, Radiator Mounting - Upper
12	4401 185	1			RADIATOR (Includes #'s 8,9,10,11,13,14,15)
13	4401 076	1			TANK, Radiator Outlet - Bottom
14	4266 396	2			ISOLATOR, Radiator Mounting - Lower
15	4266 728	1			DRAINCOCK
16	6032 277	1			CLAMP, Outlet Hose (Eng. End)
17	4266 816	1			HOSE, Outlet (H0061341)
18	4401 184	1			CLIP, Outlet Hose
19	2448 763	1			CLAMP, Outlet Hose (Rad. End)
20	#5214 514	1			CONNECTOR, Cylinder Water Outlet
21	6100 295	1			SCREW and WASHER, Cylinder Water Outlet Connector
22	6500 559	1			STUD and WASHER, Cylinder Water Outlet Connector
23	#4179 895	1			GASKET, Cylinder Water Outlet Connector

MODEL CODES

C BODY = (D41 - DYNASTY)(C41 - NEW YORKER)
 E BODY = (J - CARAVELLE)(E - 600)(T - NEW YORKER TURBO)
 G BODY = (V24 - DAYTONA, PACIFICA & SHELBY)
 H BODY = (D44 - LANCER)(C44 - LEBARON GTS)
 J BODY = (C - LEBARON)
 K BODY = (P - RELIANT)(D - ARIES)(C - LEBARON/ TOWN & COUNTRY)

L BODY = (M - HORIZON)(Z-OMNI)
 M BODY = (B - GRAN FURY)(G - DIPLOMAT)(F - FIFTH AVENUE/NEWPORT)
 P BODY = (P - SUNDANCE)(D - SHADOW)
 Q BODY = (C27 - MASERATI)
 S BODY = (H - VOYAGER)(K - RAM VAN/ CARAVAN)

BODY STYLES

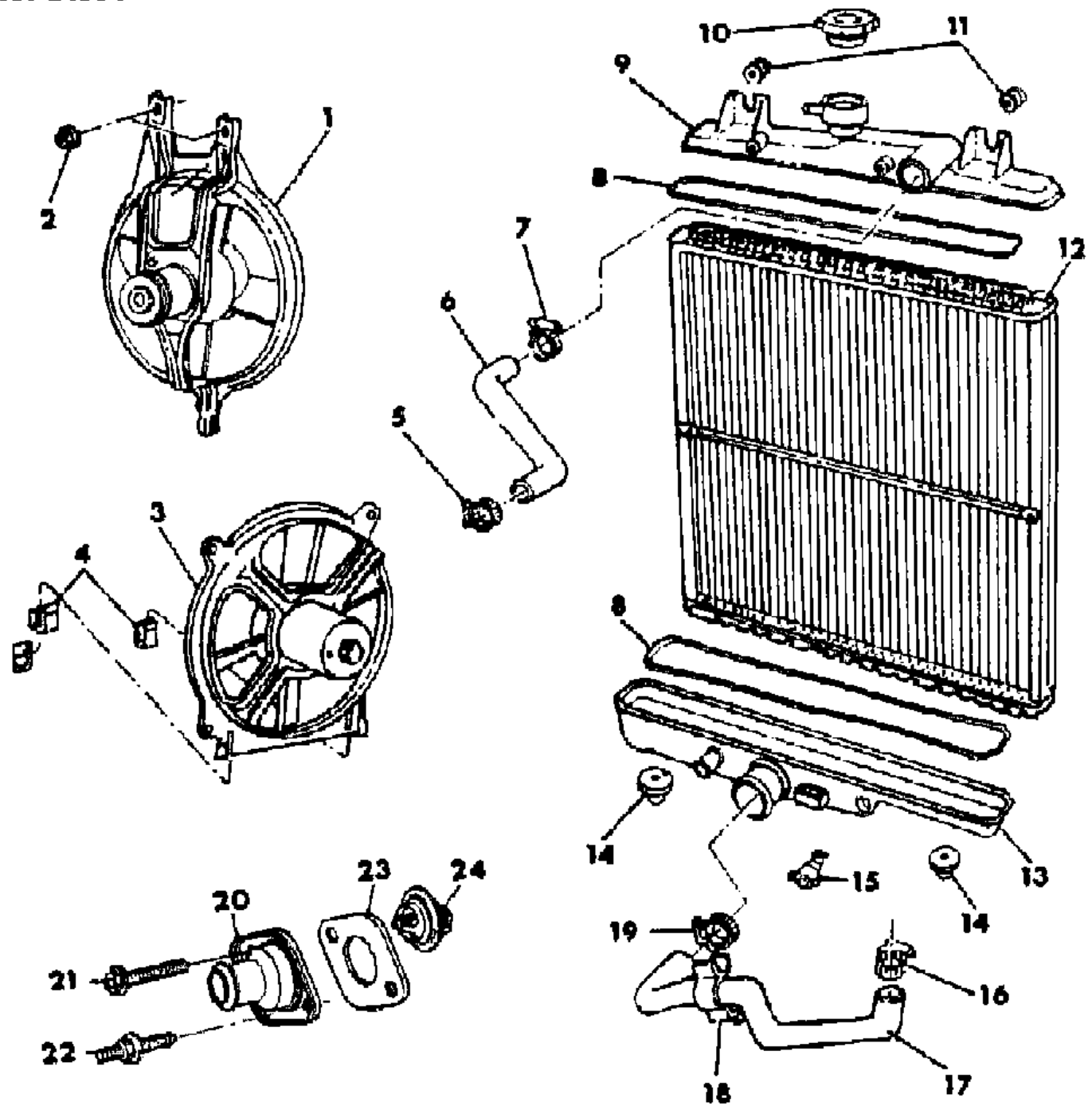
12-52 = FWD VAN & WAGON STD. W.B. 27 = 2-DOOR CONVERTIBLE
 13-53 = FWD VAN & WGN EXT W.B. 41 = 4-DOOR SEDAN
 21 = 2-DOOR SEDAN 44 = 4-DOOR HATCHBACK
 24 = 2-DOOR HATCHBACK 45 = 4-DOOR STATION WAGON

AR = Use as Required - = Non Illustrated Part P.A.R. = Paint as Required

RADIATOR AND RELATED PARTS 2.5L ENGINE S BODY

Figure 7-2100

8107 2100 8



ITEM	PART NUMBER	QTY	BODY	MODEL	DESCRIPTION
24	4105 768	1			THERMOSTAT

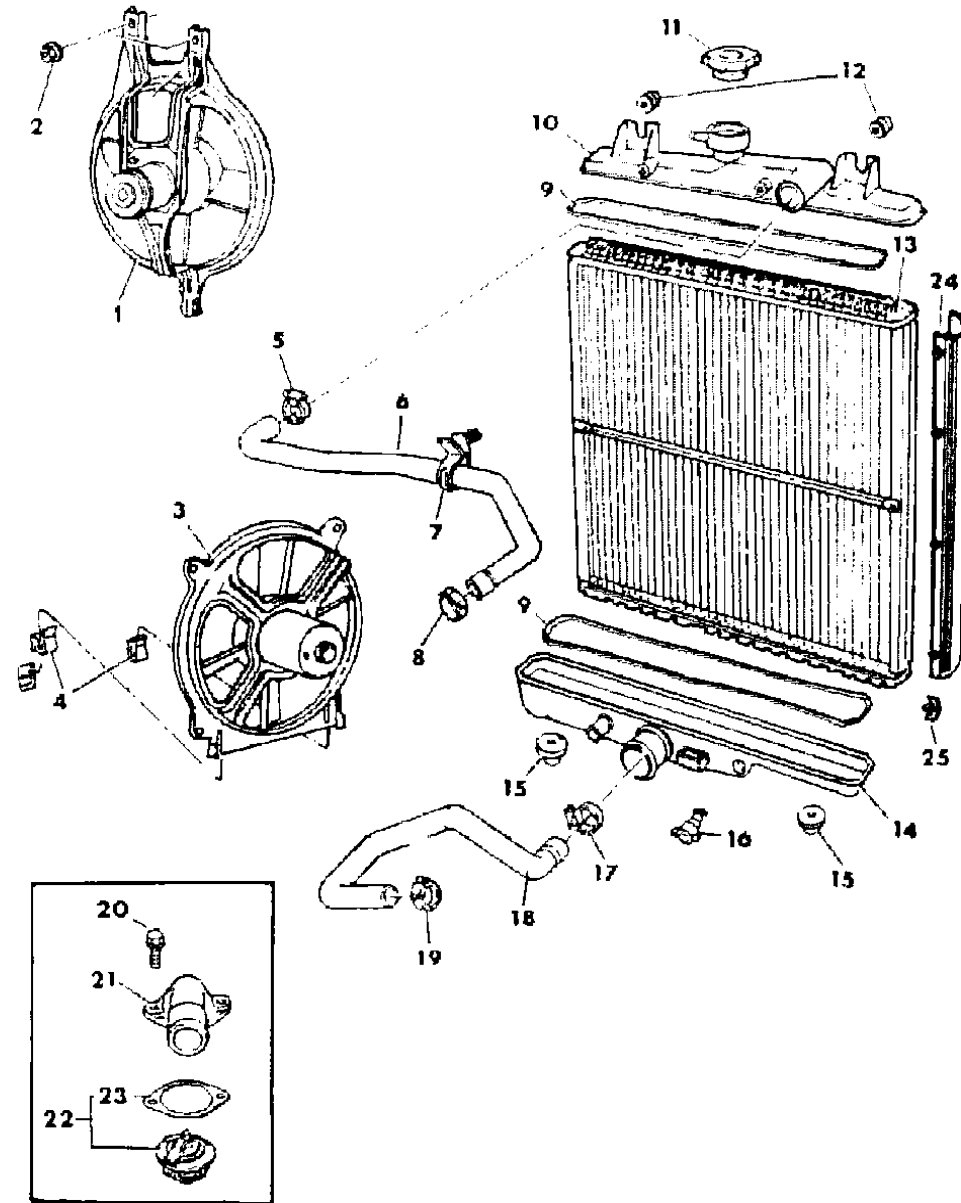
MODEL CODES
 C BODY = (D41 - DYNASTY)(C41 - NEW YORKER)
 E BODY = (J - CARAVELLE)(E - 600)(T - NEW YORKER TURBO)
 G BODY = (V24 - DAYTONA, PACIFICA & SHELBY)
 H BODY = (D44 - LANCER)(C44 - LEBARON GTS)
 J BODY = (C - LEBARON)
 K BODY = (P - RELIANT)(D - ARIES)(C - LEBARON/ TOWN & COUNTRY)
 L BODY = (M - HORIZON)(Z-OMNI)
 M BODY = (B - GRAN FURY)(G - DIPLOMAT)(F - FIFTH AVENUE/NEWPORT)
 P BODY = (P - SUNDANCE)(D - SHADOW)
 Q BODY = (C27 - MASERATI)
 S BODY = (H - VOYAGER)(K - RAM VAN/ CARAVAN)

BODY STYLES
 12-52 = FWD VAN & WAGON STD. W.B. 27 = 2-DOOR CONVERTIBLE
 13-53 = FWD VAN & WGN EXT W.B. 41 = 4-DOOR SEDAN
 21 = 2-DOOR SEDAN 44 = 4-DOOR HATCHBACK
 24 = 2-DOOR HATCHBACK 45 = 4-DOOR STATION WAGON

AR = Use as Required - = Non Illustrated Part P.A.R. = Paint as Required

RADIATOR AND RELATED PARTS 3.0L ENGINE S BODY
Figure 7-2200

8107 2200 B



ITEM	PART NUMBER	QTY	BODY	MODEL	DESCRIPTION
1					FAN-MOTOR-SHROUD ASSEMBLY, Radiator stamped 4266983 - w/o Heavy Duty Trailer Tow Pkg. (optional w/4401083) consists of:
	4266 462	1			FAN
	4419 349	1			MOTOR (Stamped 4401314)
	4419 348	1			SHROUD
	6500 377	1			RETAINER stamped 4401083 - w/o Heavy Duty Trailer Tow Pkg. (optional w/4266983) consists of:
	4401 147	1			FAN (Stamped 4569632)
	4401 103	1			MOTOR
	4401 104	1			SHROUD
	6500 377	1			RETAINER
	4401 147	1			stamped 4401115 - w/Heavy Duty Trailer Tow Pkg. consists of: FAN (Stamped 4569632)
	4266 689	1			MOTOR
	4401 104	1			SHROUD
	6500 377	1			RETAINER
2	6500 284	2			NUT
3					FAN-MOTOR-SHROUD ASSEMBLY, Condenser stamped 4266984 up to 3-30-88 consists of:
	4266 473	1			FAN
	4401 113	1			MOTOR
	4401 143	1			SHROUD
					stamped 4401552 after 3-30-88 consists of:
	4401 556	1			FAN
	4401 554	1			MOTOR
	4401 555	1			SHROUD
	6500 377	1			RETAINER
4	4266 212	2			CLIP, Fan Module Attach
5	3683 824	1			CLAMP, Inlet Hose (Rad. End)
6	4266 985	1			HOSE, Inlet (H0069006)
7	6015 731	1			CLIP, Radiator Hose
8	2448 763	1			CLAMP, Inlet Hose (Eng. End)
9					GASKET, Tank to Header w/o Heavy Duty Trailer Tow Pkg. 4401 078 2 4266 604 2 w/Heavy Duty Trailer Tow Pkg.

MODEL CODES

C BODY = (D41 - DYNASTY)(C41 - NEW YORKER)
 E BODY = (J - CARAVELLE)(E - 600)(T - NEW YORKER TURBO)
 G BODY = (V24 - DAYTONA, PACIFICA & SHELBY)
 H BODY = (D44 - LANCER)(C44 - LEBARON GTS)
 J BODY = (C - LEBARON)
 K BODY = (P - RELIANT)(D - ARIES)(C - LEBARON/ TOWN & COUNTRY)

L BODY = (M - HORIZON)(Z-OMNI)
 M BODY = (B - GRAN FURY)(G - DIPLOMAT)(F - FIFTH AVENUE/NEWPORT)
 P BODY = (P - SUNDANCE)(D - SHADOW)
 Q BODY = (C27 - MASERATI)
 S BODY = (H - VOYAGER)(K - RAM VAN/ CARAVAN)

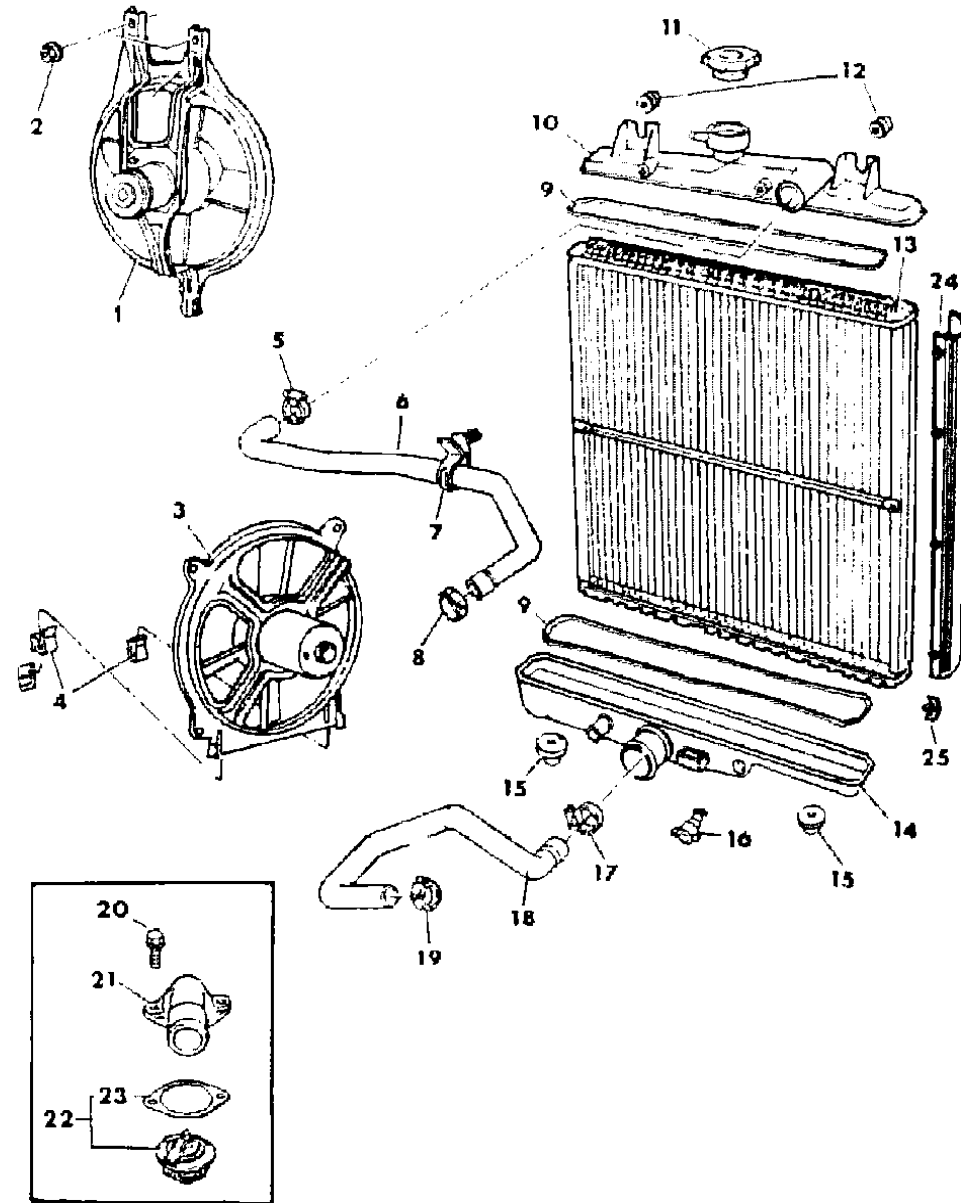
BODY STYLES

12-52 = FWD VAN & WAGON STD. W.B. 27 = 2-DOOR CONVERTIBLE
 13-53 = FWD VAN & WGN EXT W.B. 41 = 4-DOOR SEDAN
 21 = 2-DOOR SEDAN 44 = 4-DOOR HATCHBACK
 24 = 2-DOOR HATCHBACK 45 = 4-DOOR STATION WAGON

AR = Use as Required - = Non Illustrated Part P.A.R. = Paint as Required

RADIATOR AND RELATED PARTS 3.0L ENGINE S BODY
Figure 7-2200

8107 2200 B



ITEM	PART NUMBER	QTY	BODY	MODEL	DESCRIPTION
10					TANK, Radiator Inlet - Top
	4401 077	1			w/o Heavy Duty Trailer Tow Pkg.
	4266 857	1			w/Heavy Duty Trailer Tow Pkg.
11	3781 830	1			CAP, Radiator
12	4266 142	2			ISOLATOR, Radiator Mounting - Upper
13					RADIATOR (Includes #'s 9,10,11,12,14,15,16)
	4401 185	1			w/o Heavy Duty Trailer Tow Pkg.
	4401 532	1			w/Heavy Duty Trailer Tow Pkg.
14					TANK, Radiator Outlet - Bottom
	4401 076	1			w/o Heavy Duty Trailer Tow Pkg.
	4266 836	1			w/Heavy Duty Trailer Tow Pkg.
15	4266 396	2			ISOLATOR, Radiator Mounting - Lower
16					DRAINCOCK
	4266 728	1			w/o Heavy Duty Trailer Tow Pkg.
	4266 155	1			w/Heavy Duty Trailer Tow Pkg.
17	2448 763	1			CLAMP, Outlet Hose (Rad. End)
18	4266 987	1			HOSE, Outlet (H0061378)
19	2448 763	1			CLAMP, Outlet Hose (Eng. End)
20	MF24 1555	2			BOLT (8x25)
21	MD09 7041	1			FITTING, Water Outlet Hose
22	MD99 7310	1			THERMOSTAT PACKAGE
23	MD11 8040	1			GASKET, Water Outlet Fitting
24	4401 442	2			SEAL, Radiator Air - w/o Heavy Duty Trailer Tow Pkg.
25	6003 568	4			FASTENER, Radiator Air Seal - w/o Heavy Duty Trailer Tow Pkg.

MODEL CODES

C BODY = (D41 - DYNASTY)(C41 - NEW YORKER)
 E BODY = (J - CARAVELLE)(E - 600)(T - NEW YORKER TURBO)
 G BODY = (V24 - DAYTONA, PACIFICA & SHELBY)
 H BODY = (D44 - LANCER)(C44 - LEBARON GTS)
 J BODY = (C - LEBARON)
 K BODY = (P - RELIANT)(D - ARIES)(C - LEBARON/ TOWN & COUNTRY)

L BODY = (M - HORIZON)(Z-OMNI)
 M BODY = (B - GRAN FURY)(G - DIPLOMAT)(F - FIFTH AVENUE/NEWPORT)
 P BODY = (P - SUNDANCE)(D - SHADOW)
 Q BODY = (C27 - MASERATI)
 S BODY = (H - VOYAGER)(K - RAM VAN/ CARAVAN)

BODY STYLES

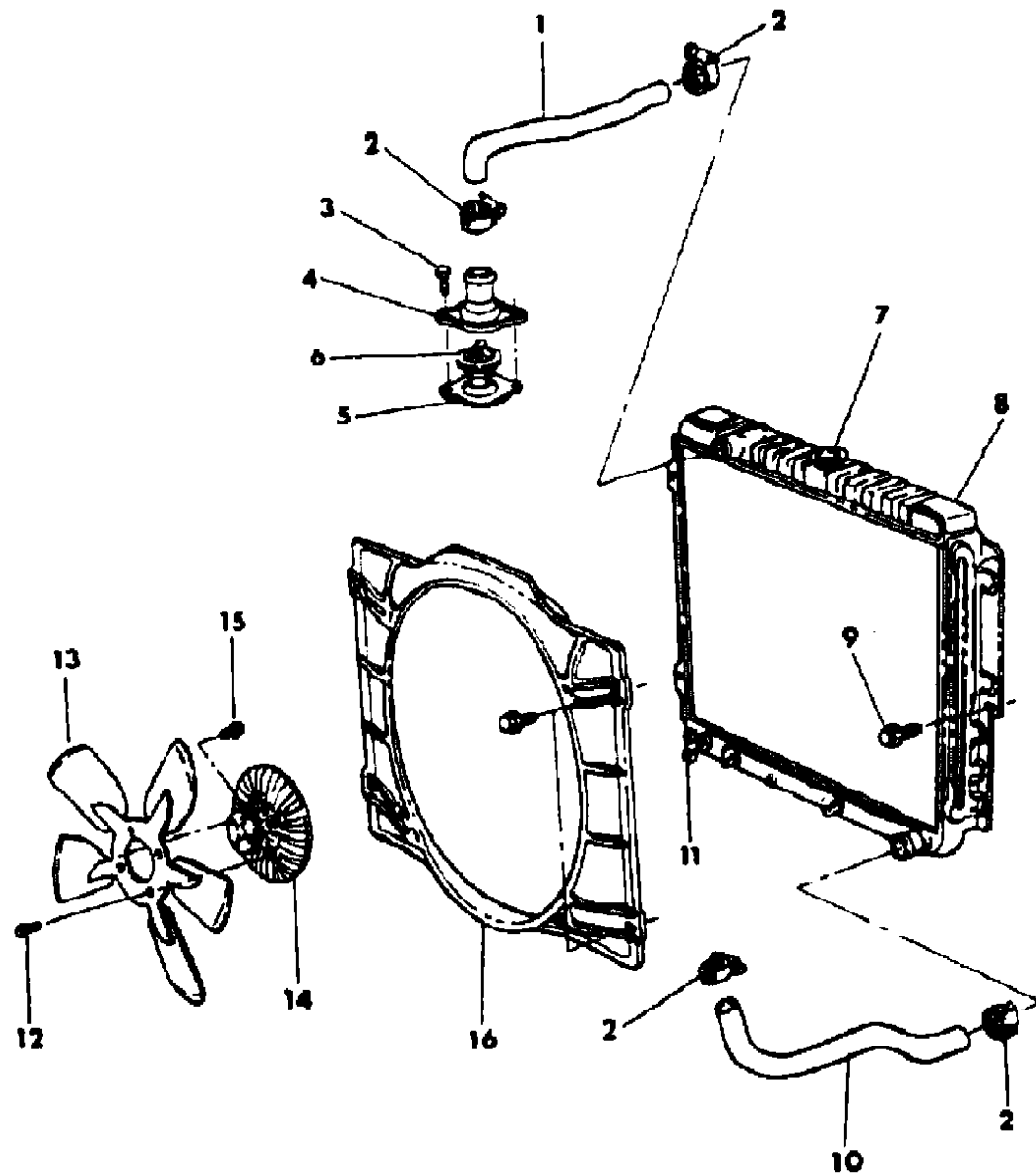
12-52 = FWD VAN & WAGON STD. W.B. 27 = 2-DOOR CONVERTIBLE
 13-53 = FWD VAN & WGN EXT W.B. 41 = 4-DOOR SEDAN
 21 = 2-DOOR SEDAN 44 = 4-DOOR HATCHBACK
 24 = 2-DOOR HATCHBACK 45 = 4-DOOR STATION WAGON

AR = Use as Required - = Non Illustrated Part P.A.R. = Paint as Required

RADIATOR AND RELATED PARTS M BODY

Figure 7-2300

8107 2300



ITEM	PART NUMBER	QTY	BODY	MODEL	DESCRIPTION
1	4140 710	1			HOSE, Inlet (H0061156)
	4140 712	1			Silicone
2	4041 608	4			CLAMP - Stainless Steel
3	6031 413	2			BOLT
4	4100 490	1			CONNECTOR, Cylinder Water Outlet
5	4173 461	1			GASKET, Cylinder Water Outlet Connector
6	4387 494	1			THERMOSTAT
7	3781 830	1			CAP, Radiator
8	4401 001	1			CORE, Radiator
9	0181 063	4			SCREW and WASHER
10	3870 120	1			HOSE, Outlet (H0060929)
	4140 708	1			Silicone
11	1686 198	1			DRAINCOCK
12	0181 086	6			SCREW and WASHER
13	4266 059	1			FAN
14					DRIVE, Fan
	4095 703	1			w/o Police or Fleet Pkg.
	3769 617	1			w/Air Cond. w/Max. Cooling w/Police or Fleet Pkg.
15	#0181 088	4			SCREW and WASHER
16	3869 812	1			SHROUD, Fan

MODEL CODES

C BODY = (D41 - DYNASTY)(C41 - NEW YORKER)
 E BODY = (J - CARAVELLE)(E - 600)(T - NEW YORKER TURBO)
 G BODY = (V24 - DAYTONA, PACIFICA & SHELBY)
 H BODY = (D44 - LANCER)(C44 - LEBARON GTS)
 J BODY = (C - LEBARON)
 K BODY = (P - RELIANT)(D - ARIES)(C - LEBARON/ TOWN & COUNTRY)
 L BODY = (M - HORIZON)(Z-OMNI)
 M BODY = (B - GRAN FURY)(G - DIPLOMAT)(F - FIFTH AVENUE/NEWPORT)
 P BODY = (P - SUNDANCE)(D - SHADOW)
 Q BODY = (C27 - MASERATI)
 S BODY = (H - VOYAGER)(K - RAM VAN/ CARAVAN)

BODY STYLES

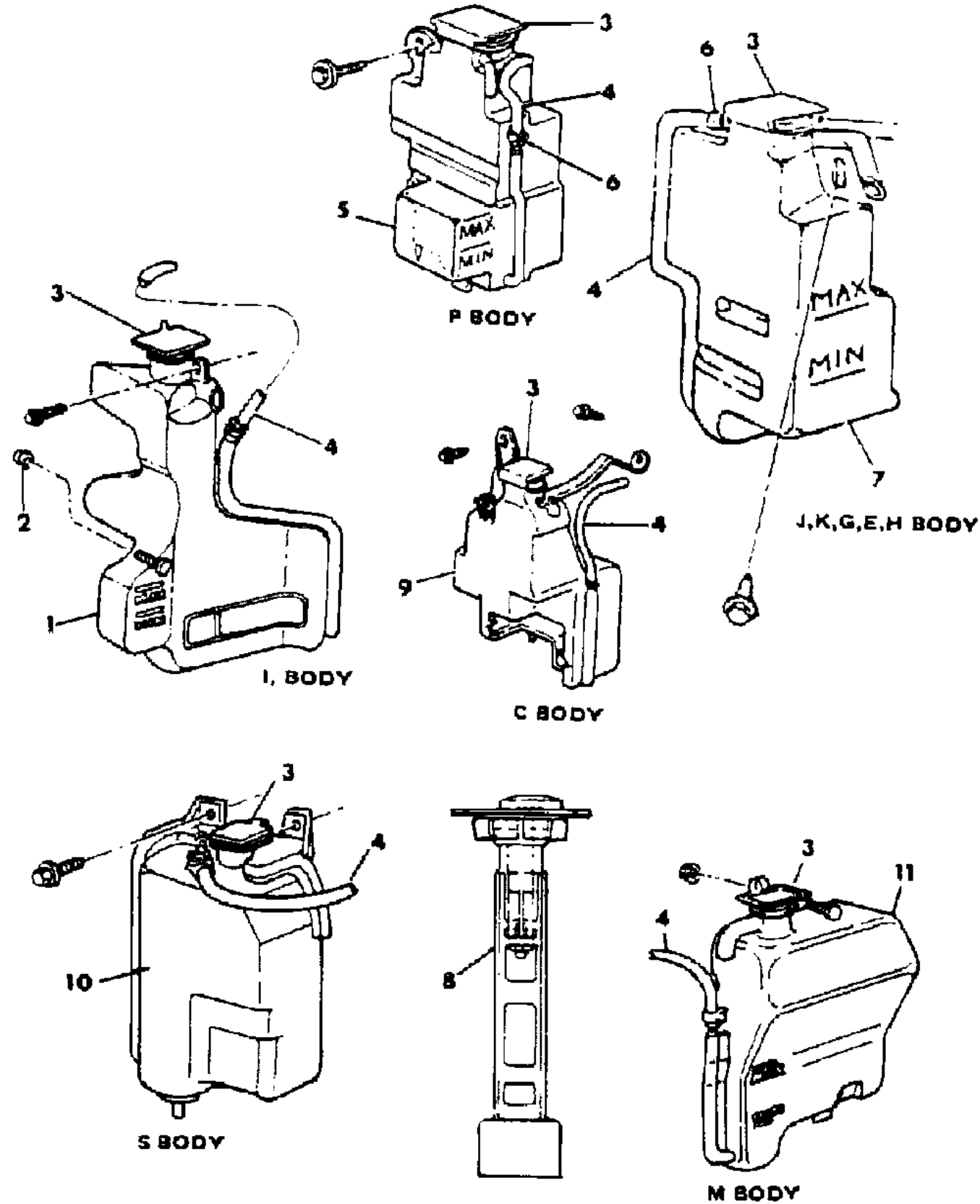
12-52 = FWD VAN & WAGON STD. W.B. 27 = 2-DOOR CONVERTIBLE
 13-53 = FWD VAN & WGN EXT W.B. 41 = 4-DOOR SEDAN
 21 = 2-DOOR SEDAN 44 = 4-DOOR HATCHBACK
 24 = 2-DOOR HATCHBACK 45 = 4-DOOR STATION WAGON

AR = Use as Required - = Non Illustrated Part P.A.R. = Paint as Required

COOLANT RESERVE TANKS

Figure 7-2400

8107 2400 8



ITEM	PART NUMBER	QTY	BODY	MODEL	DESCRIPTION
1	4140 461	1		M,Z	TANK, Coolant Reserve
2	6100 046	1		M,Z	NUT
3	4266 968	1			CAP, Coolant Reserve Tank
4	4266 423	1	J,K,G		TUBE, Radiator to Coolant Reserve Tank (serv. in 50 ft. roll)
	4266 423	1	E,H,C,S		
	4026 148	1		M,Z,B,F,G	
	4266 693	1	P		
5	4401 050	1	P		TANK, Coolant Reserve
6	2448 761	1			CLAMP
7	4401 324	1	K,E,H		TANK, Coolant Reserve
	4401 324	1	G		up to 4-25-88
	4401 521	1	G		after 4-25-88
	4401 324	1	J		w/o Level Sensor up to 4-25-88
	4401 521	1	J		after 4-25-88
	4401 325	1	J		w/Level Sensor up to 4-25-88
	4401 522	1	J		after 4-25-88
8	4339 418	1	J,C		SENSOR, Coolant Fluid Level
9					TANK, Coolant Reserve
	4401 311	1	C		w/o Overhead Console
	4401 331	1	C		w/Overhead Console
10	4401 305	1		H,K	TANK, Coolant Reserve
11					TANK, Coolant Reserve
	4140 741	1		B,F,G	up to 5-16-88
	4401 538	1		B,F,G	after 5-16-88

MODEL CODES

C BODY = (D41 - DYNASTY)(C41 - NEW YORKER)
 E BODY = (J - CARAVELLE)(E - 600)(T - NEW YORKER TURBO)
 G BODY = (V24 - DAYTONA, PACIFICA & SHELBY)
 H BODY = (D44 - LANCER)(C44 - LEBARON GTS)
 J BODY = (C - LEBARON)
 K BODY = (P - RELIANT)(D - ARIES)(C - LEBARON/ TOWN & COUNTRY)

L BODY = (M - HORIZON)(Z-OMNI)
 M BODY = (B - GRAN FURY)(G - DIPLOMAT)(F - FIFTH AVENUE/NEWPORT)
 P BODY = (P - SUNDANCE)(D - SHADOW)
 Q BODY = (C27 - MASERATI)
 S BODY = (H - VOYAGER)(K - RAM VAN/ CARAVAN)

BODY STYLES

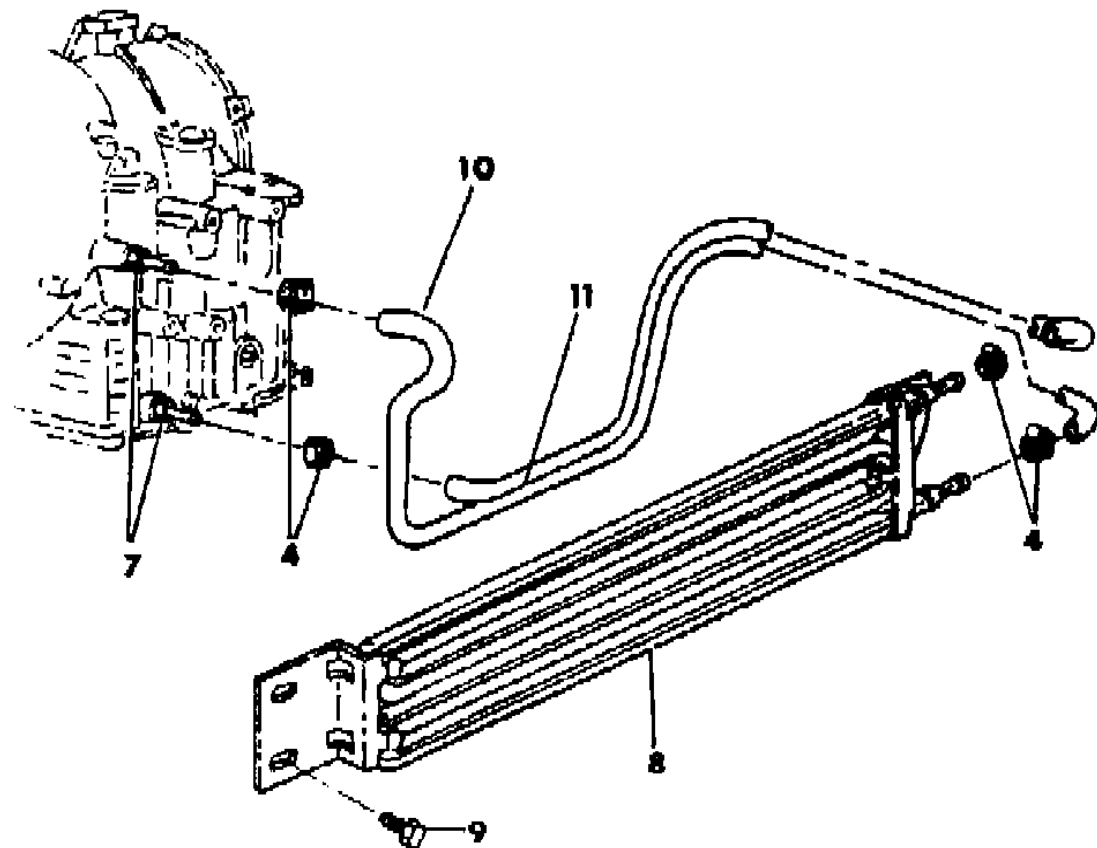
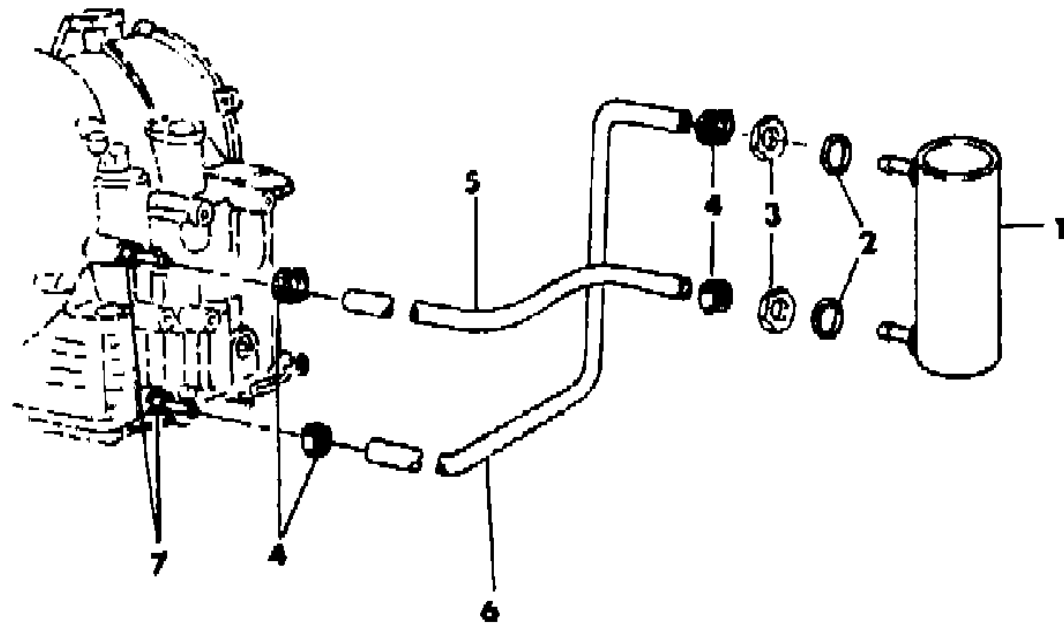
12-52 = FWD VAN & WAGON STD. W.B. 27 = 2-DOOR CONVERTIBLE
 13-53 = FWD VAN & WGN EXT W.B. 41 = 4-DOOR SEDAN
 21 = 2-DOOR SEDAN 44 = 4-DOOR HATCHBACK
 24 = 2-DOOR HATCHBACK 45 = 4-DOOR STATION WAGON

AR = Use as Required - = Non Illustrated Part P.A.R. = Paint as Required

OIL COOLER 4 CYLINDER ENGINE

Figure 7-2500

8107 2500



ITEM	PART NUMBER	QTY	BODY	MODEL	DESCRIPTION
1	4140 568	1	L		COOLER, Oil (Water Cooled)
	4266 729	1	JKGEH		
	4266 628	1	P		2.2L Eng. w/(S/C - EDF) & 2.5L Eng. w/o Air Cond.
	4401 046	1	P		2.2L Eng. w/(S/C - EDF) & 2.5L Eng. w/Air Cond.
	4401 046	1	P		2.2L Eng. w/(S/C - EDG)
2	4266 730	2	exc. P		O-RING
	4266 730	2	P		2.2L Eng. w/(S/C - EDF) & 2.5L Eng. w/o Air Cond.
	4401 047	1	P		2.2L Eng. w/(S/C - EDF) & 2.5L w/Air Cond.
	4401 047	1	P		2.2L Eng. w/(S/C - EDG)
3	6030 435	2			NUT
4	6032 839	4			CLAMP
5	4266 490	1		M,Z	HOSE, Oil Cooler Return w/o Air Cond.
	4266 179	1		M,Z	w/Air Cond.
	4266 682	1		exc. M,Z-H,K	
6	4266 178	1		M,Z	HOSE, Oil Cooler Pressure
	4266 193	1		exc. M,Z-H,K	
7	4446 725	2			CONNECTOR, Oil Cooler Hose
8	4401 398	1		M,Z	COOLER, Oil (Air Cooled)
	4401 395	1	C		
	4401 391	1		H,K	
9	6032 196	AR			SCREW
10	4266 490	1		M,Z	HOSE, Oil Cooler Return
	4401 348	1		H,K	
	4401 270	1	C		HOSE, Oil Cooler Return and Pressure
11	4266 490	1		M,Z	HOSE, Oil Cooler Pressure
	4401 348	1		H,K	

MODEL CODES

C BODY = (D41 - DYNASTY)(C41 - NEW YORKER)
 E BODY = (J - CARAVELLE)(E - 600)(T - NEW YORKER TURBO)
 G BODY = (V24 - DAYTONA, PACIFICA & SHELBY)
 H BODY = (D44 - LANCER)(C44 - LEBARON GTS)
 J BODY = (C - LEBARON)
 K BODY = (P - RELIANT)(D - ARIES)(C - LEBARON/ TOWN & COUNTRY)

L BODY = (M - HORIZON)(Z-OMNI)
 M BODY = (B - GRAN FURY)(G - DIPLOMAT)(F - FIFTH AVENUE/NEWPORT)
 P BODY = (P - SUNDANCE)(D - SHADOW)
 Q BODY = (C27 - MASERATI)
 S BODY = (H - VOYAGER)(K - RAM VAN/ CARAVAN)

BODY STYLES

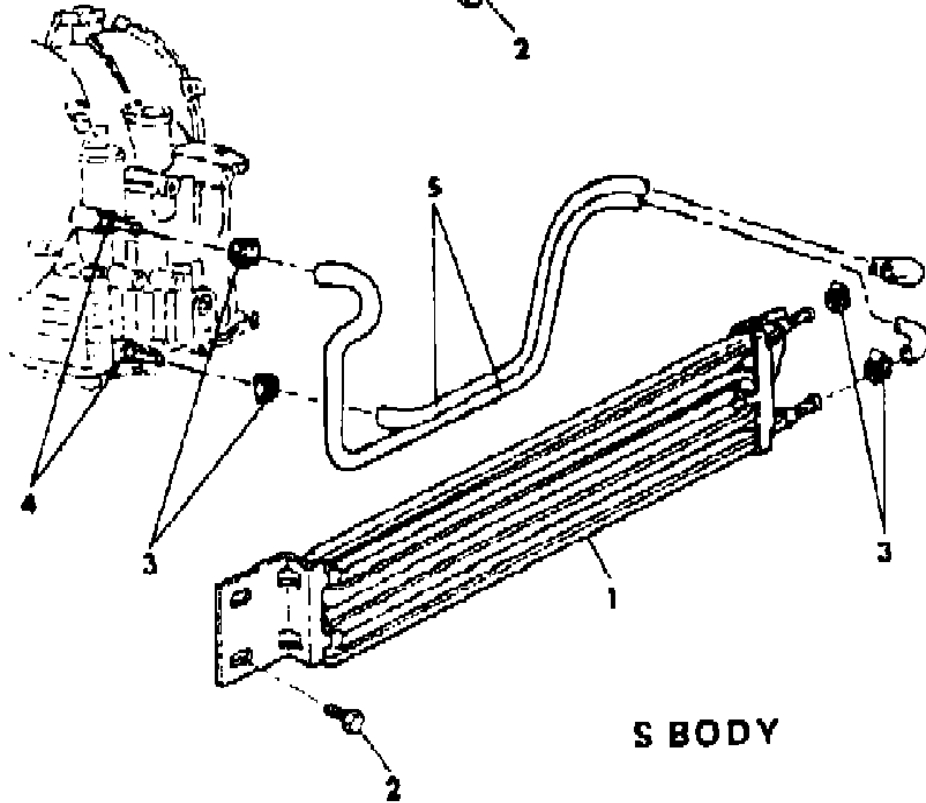
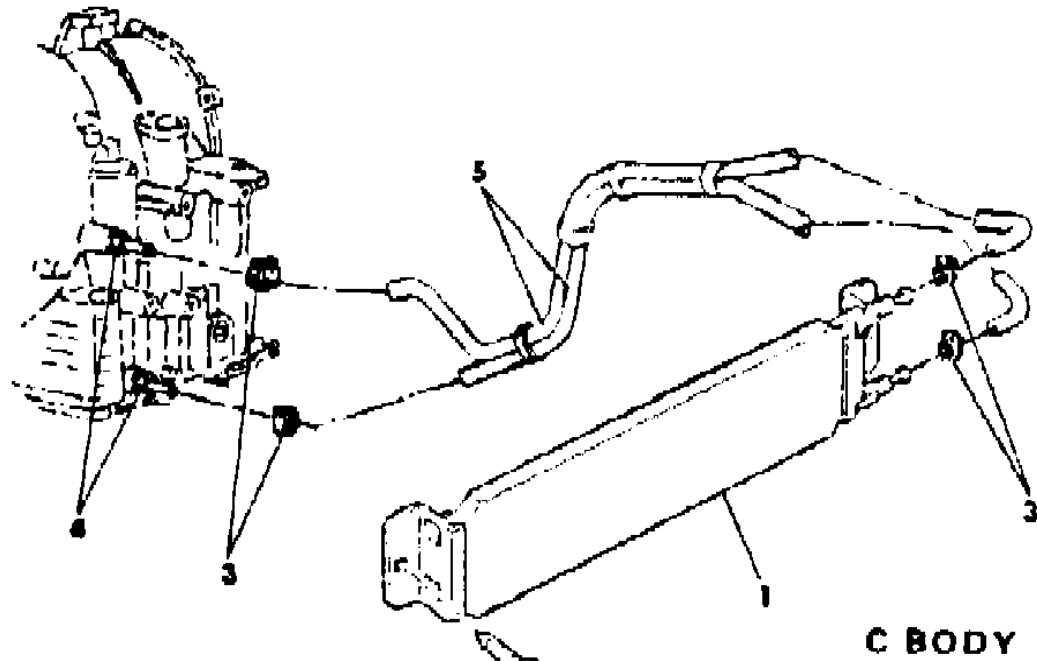
12-52 = FWD VAN & WAGON STD. W.B. 27 = 2-DOOR CONVERTIBLE
 13-53 = FWD VAN & WGN EXT W.B. 41 = 4-DOOR SEDAN
 21 = 2-DOOR SEDAN 44 = 4-DOOR HATCHBACK
 24 = 2-DOOR HATCHBACK 45 = 4-DOOR STATION WAGON

AR = Use as Required - = Non Illustrated Part P.A.R. = Paint as Required

OIL COOLER 6 CYLINDER ENGINE

Figure 7-2600

B107 2600



ITEM	PART NUMBER	QTY	BODY	MODEL	DESCRIPTION
1	4401 395	1	C		COOLER, Oil (Air Cooled)
	4401 472	1	S		w/o Heavy Duty Trailer Tow Pkg.
	4401 295	1	S		w/Heavy Duty Trailer Tow Pkg.
2	6032 196	2			SCREW
3	6032 839	4			CLAMP
4	4446 725	2			CONNECTOR, Oil Cooler Hose
5	4401 270	1	C		HOSE, Oil Cooler Return and Pressure
	4401 703	1	S		w/o Heavy Duty Trailer Tow Pkg.
	4401 392	1	S		w/Heavy Duty Trailer Tow Pkg.

MODEL CODES

C BODY = (D41 - DYNASTY)(C41 - NEW YORKER)
 E BODY = (J - CARAVELLE)(E - 600)(T - NEW YORKER TURBO)
 G BODY = (V24 - DAYTONA, PACIFICA & SHELBY)
 H BODY = (D44 - LANCER)(C44 - LEBARON GTS)
 J BODY = (C - LEBARON)
 K BODY = (P - RELIANT)(D - ARIES)(C - LEBARON/ TOWN & COUNTRY)

L BODY = (M - HORIZON)(Z-OMNI)
 M BODY = (B - GRAN FURY)(G - DIPLOMAT)(F - FIFTH AVENUE/NEWPORT)
 P BODY = (P - SUNDANCE)(D - SHADOW)
 Q BODY = (C27 - MASERATI)
 S BODY = (H - VOYAGER)(K - RAM VAN/ CARAVAN)

BODY STYLES

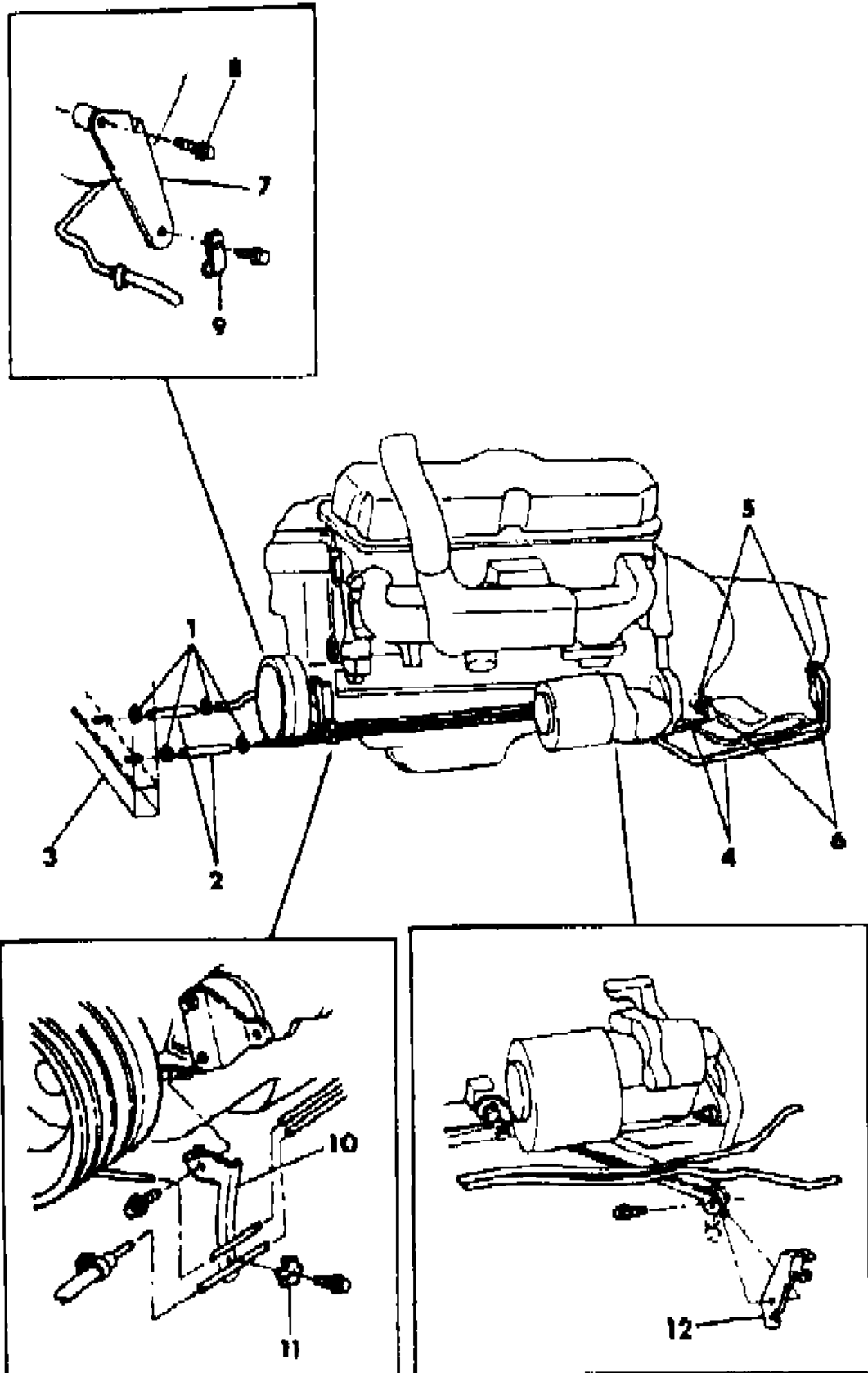
12-52 = FWD VAN & WAGON STD. W.B. 27 = 2-DOOR CONVERTIBLE
 13-53 = FWD VAN & WGN EXT W.B. 41 = 4-DOOR SEDAN
 21 = 2-DOOR SEDAN 44 = 4-DOOR HATCHBACK
 24 = 2-DOOR HATCHBACK 45 = 4-DOOR STATION WAGON

AR = Use as Required - = Non Illustrated Part P.A.R. = Paint as Required

OIL COOLER 8 CYLINDER ENGINE

Figure 7-2700

8107 2700



ITEM	PART NUMBER	QTY	BODY	MODEL	DESCRIPTION
1	6032 839	AR			CLAMP
2	4026 139	AR			HOSE, Rubber 5/16" I.D. (serv. in 50 ft. roll)
3	#4140 383	1			COOLER, Oil
4	4418 154	AR			TUBE, Steel 5/16" (serv. in 25 ft. roll)
5	0118 749	2			ADAPTER, Oil Cooler Tube
6	1941 667	2			NUT, Oil Cooler Adapter
7	#4140 414	1			BRACKET, Oil Cooler Tube to Chain Cover
8	#0181 126	1			BOLT
9		1			CLIP (not serviced)
10					BRACKET, Oil Cooler Tube to Engine
	4140 415	1			w/o Police Pkg.
	4140 422	1			w/Police Pkg.
11	3743 134	1			CLIP, Oil Cooler Tube to Bracket
12					BRACKET, Oil Cooler Tube to Trans. Housing
	4140 340	1			w/727 Trans.
	4140 422	1			w/998-999 Trans. w/o Aux. Oil Cooler

MODEL CODES

C BODY = (D41 - DYNASTY)(C41 - NEW YORKER)
 E BODY = (J - CARAVELLE)(E - 600)(T - NEW YORKER TURBO)
 G BODY = (V24 - DAYTONA, PACIFICA & SHELBY)
 H BODY = (D44 - LANCER)(C44 - LEBARON GTS)
 J BODY = (C - LEBARON)
 K BODY = (P - RELIANT)(D - ARIES)(C - LEBARON/ TOWN & COUNTRY)
 L BODY = (M - HORIZON)(Z-OMNI)
 M BODY = (B - GRAN FURY)(G - DIPLOMAT)(F - FIFTH AVENUE/NEWPORT)
 P BODY = (P - SUNDANCE)(D - SHADOW)
 Q BODY = (C27 - MASERATI)
 S BODY = (H - VOYAGER)(K - RAM VAN/ CARAVAN)

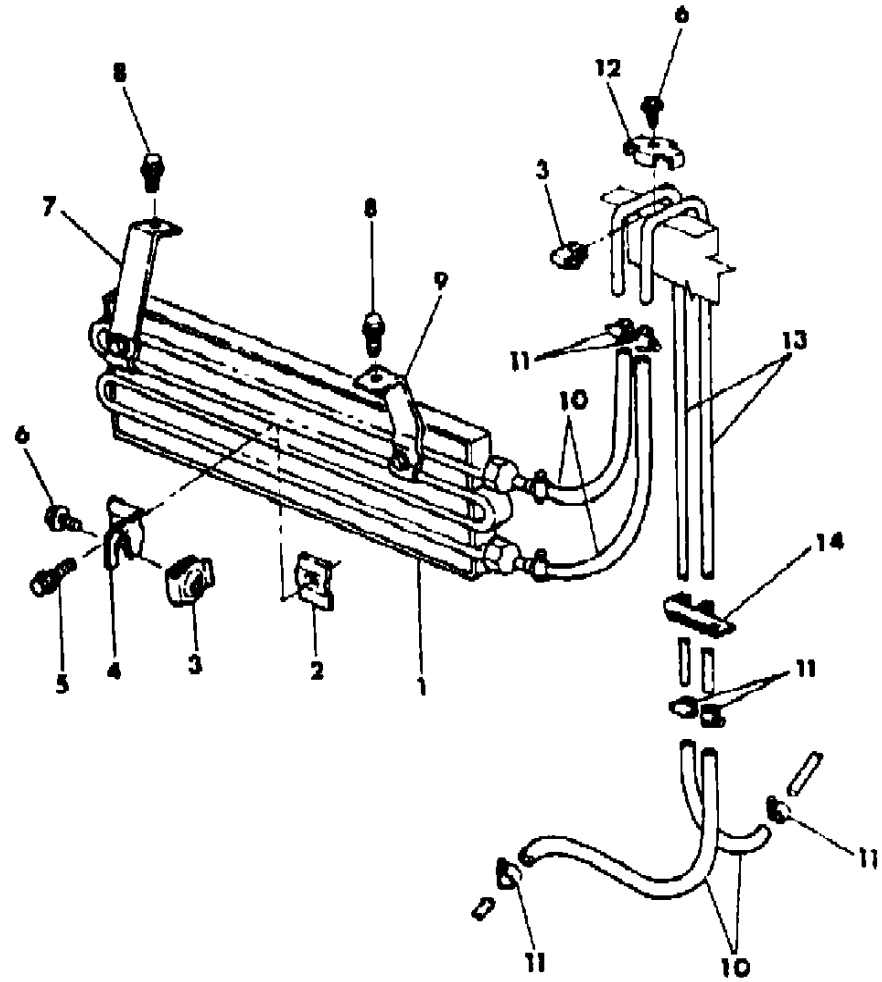
BODY STYLES

12-52 = FWD VAN & WAGON STD. W.B. 27 = 2-DOOR CONVERTIBLE
 13-53 = FWD VAN & WGN EXT W.B. 41 = 4-DOOR SEDAN
 21 = 2-DOOR SEDAN 44 = 4-DOOR HATCHBACK
 24 = 2-DOOR HATCHBACK 45 = 4-DOOR STATION WAGON

AR = Use as Required - = Non Illustrated Part P.A.R. = Paint as Required

OIL COOLER - AUXILIARY 8 CYLINDER ENGINE
Figure 7-2800

8107 2800



ITEM	PART NUMBER	QTY	BODY	MODEL	DESCRIPTION
1	4266 038	1			COOLER, Auxiliary Oil
2	4266 037	3			BRACKET, Auxiliary Oil Cooler Mounting - Rear
3	0153 292	2			U-NUT
4	4266 036	1			BRACKET, Auxiliary Oil Cooler Mounting - Lower
5		3			SCREW (not serviced)
6		2			SCREW and WASHER (not serviced)
7	4266 034	1			BRACKET, Auxiliary Oil Cooler Mounting - Right
8	0181 065	2			SCREW and WASHER
9	4266 035	1			BRACKET, Auxiliary Oil Cooler Mounting - Left
10	4026 139	AR			HOSE, Rubber 5/16" I.D. (serv. in 50 ft. roll)
11	6032 839	AR			CLAMP
12	3743 134	1			CLIP
13	4418 154	AR			TUBING, Steel 5/16" (serv. in 25 ft. roll)
14	#4140 350	1			BRACKET, Auxiliary Oil Cooler Tube to Frame

MODEL CODES

C BODY = (D41 - DYNASTY)(C41 - NEW YORKER)	L BODY = (M - HORIZON)(Z-OMNI)
E BODY = (J - CARAVELLE)(E - 600)(T - NEW YORKER TURBO)	M BODY = (B - GRAN FURY)(G - DIPLOMAT)(F - FIFTH AVENUE/NEWPORT)
G BODY = (V24 - DAYTONA, PACIFICA & SHELBY)	P BODY = (P - SUNDANCE)(D - SHADOW)
H BODY = (D44 - LANCER)(C44 - LEBARON GTS)	Q BODY = (C27 - MASERATI)
J BODY = (C - LEBARON)	S BODY = (H - VOYAGER)(K - RAM VAN/ CARAVAN)
K BODY = (P - RELIANT)(D - ARIES)(C - LEBARON/ TOWN & COUNTRY)	

BODY STYLES

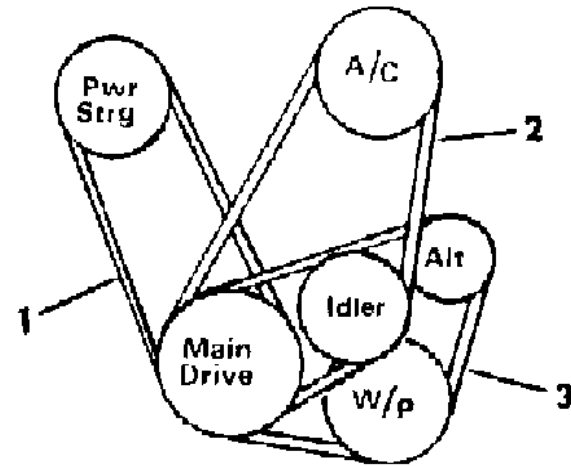
12-52 = FWD VAN & WAGON STD. W.B.	27 = 2-DOOR CONVERTIBLE
13-53 = FWD VAN & WGN EXT W.B.	41 = 4-DOOR SEDAN
21 = 2-DOOR SEDAN	44 = 4-DOOR HATCHBACK
24 = 2-DOOR HATCHBACK	45 = 4-DOOR STATION WAGON

AR = Use as Required - = Non Illustrated Part P.A.R. = Paint as Required

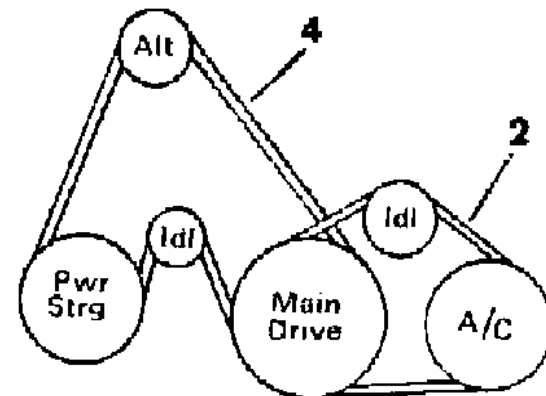
DRIVE BELTS 4 CYLINDER AND 6 CYLINDER ENGINES

Figure 7-2900

8107 2900 A



4 CYLINDER ENGINE



6 CYLINDER ENGINE

ITEM	PART NUMBER	QTY	BODY	MODEL	DESCRIPTION
1					BELT, Power Steering Drive
	4343 490	1	LKECS		43.00" O.S. Lgh. (B0013431)
	4315 444	1	PJGH		40.875" O.S. Lgh. (B0013411)
2					BELT, Air Condition Drive
	4343 523	1		exc. H,K	47.80" O.S. Lgh. (B0015475)
	4343 524	1		H,K	48.80" O.S. Lgh. (B0015491)(When replacing Compressor use Belt - B0015374)
	4387 378				3.0L Eng. 38.25" O.S. Lgh. (B0015386)
3	4298 115	1			BELT, Alternator and Water Pump Drive 41.00" O.S. Lgh. (B4040410)
4					BELT, Alternator and Power Steering Pump Drive
	4448 639	1			w/40/90 Amp. Alt. approx. 71.65" O.S. Lgh. (B4050715)
	4483 082	1		H,K	w/50/120 Amp. Alt. approx. 71.85" O.S. Lgh. (B4050718)

MODEL CODES

C BODY = (D41 - DYNASTY)(C41 - NEW YORKER)
 E BODY = (J - CARAVELLE)(E - 600)(T - NEW YORKER TURBO)
 G BODY = (V24 - DAYTONA, PACIFICA & SHELBY)
 H BODY = (D44 - LANCER)(C44 - LEBARON GTS)
 J BODY = (C - LEBARON)
 K BODY = (P - RELIANT)(D - ARIES)(C - LEBARON/ TOWN & COUNTRY)

L BODY = (M - HORIZON)(Z-OMNI)
 M BODY = (B - GRAN FURY)(G - DIPLOMAT)(F - FIFTH AVENUE/NEWPORT)
 P BODY = (P - SUNDANCE)(D - SHADOW)
 Q BODY = (C27 - MASERATI)
 S BODY = (H - VOYAGER)(K - RAM VAN/ CARAVAN)

BODY STYLES

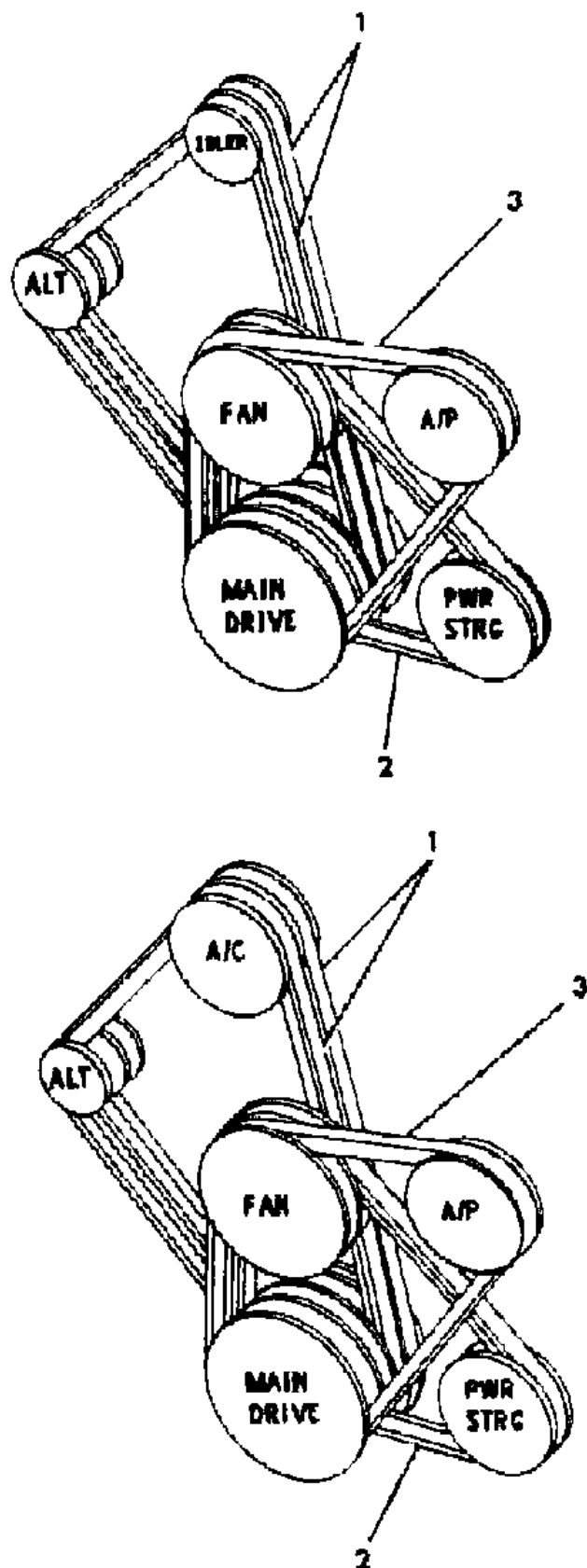
12-52 = FWD VAN & WAGON STD. W.B. 27 = 2-DOOR CONVERTIBLE
 13-53 = FWD VAN & WGN EXT W.B. 41 = 4-DOOR SEDAN
 21 = 2-DOOR SEDAN 44 = 4-DOOR HATCHBACK
 24 = 2-DOOR HATCHBACK 45 = 4-DOOR STATION WAGON

AR = Use as Required - = Non Illustrated Part P.A.R. = Paint as Required

DRIVE BELTS 8 CYLINDER ENGINE

Figure 7-3000

8107 3000



ITEM	PART NUMBER	QTY	BODY	MODEL	DESCRIPTION
------	-------------	-----	------	-------	-------------

1	4483 025	1			BELT, Alternator Drive 60.6" O.S. Lgh. - Dual (B0013605)
2	4027 321	1			BELT, Power Steering Drive 44.75" O.S. Lgh. (B0013444)
3	4315 401	1			BELT, Air Pump Drive 48.125" O.S. Lgh.

MODEL CODES

C BODY = (D41 - DYNASTY)(C41 - NEW YORKER)	L BODY = (M - HORIZON)(Z-OMNI)
E BODY = (J - CARAVELLE)(E - 600)(T - NEW YORKER TURBO)	M BODY = (B - GRAN FURY)(G - DIPLOMAT)(F - FIFTH AVENUE/NEWPORT)
G BODY = (V24 - DAYTONA, PACIFICA & SHELBY)	P BODY = (P - SUNDANCE)(D - SHADOW)
H BODY = (D44 - LANCER)(C44 - LEBARON GTS)	Q BODY = (C27 - MASERATI)
J BODY = (C - LEBARON)	S BODY = (H - VOYAGER)(K - RAM VAN/ CARAVAN)
K BODY = (P - RELIANT)(D - ARIES)(C - LEBARON/ TOWN & COUNTRY)	

BODY STYLES

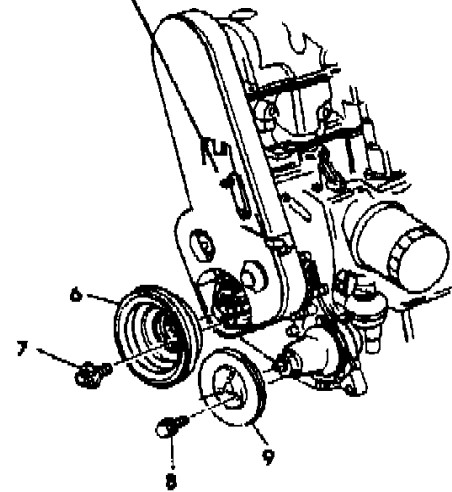
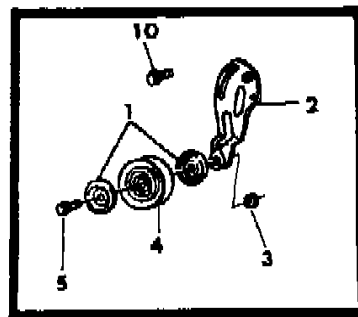
12-52 = FWD VAN & WAGON STD. W.B.	27 = 2-DOOR CONVERTIBLE
13-53 = FWD VAN & WGN EXT W.B.	41 = 4-DOOR SEDAN
21 = 2-DOOR SEDAN	44 = 4-DOOR HATCHBACK
24 = 2-DOOR HATCHBACK	45 = 4-DOOR STATION WAGON

AR = Use as Required - = Non Illustrated Part P.A.R. = Paint as Required

DRIVE PULLEYS 4 CYLINDER ENGINE

Figure 7-3100

8107 3100 A



ITEM	PART NUMBER	QTY	BODY	MODEL	DESCRIPTION
1	5214 065	2			SHIELD, Idler Pulley
2	4273 208	1			BRACKET, Idler Pulley
3	0271 502	1			NUT
4	3830 196	1			PULLEY, Idler
5	6025 677	1			SCREW
6					PULLEY, Drive
	4448 955	1			w/o Air Cond.
	4448 952	1	exc. S		w/Air Cond. (1 3/16" Hole)
	4448 956	1		H,K	w/Air Cond.
7	6500 350	4			BOLT
8	6501 755	3			SCREW and WASHER
9	4273 181	1			PULLEY, Water Pump
10	6501 756	AR			BOLT

MODEL CODES

C BODY = (D41 - DYNASTY)(C41 - NEW YORKER)
 E BODY = (J - CARAVELLE)(E - 600)(T - NEW YORKER TURBO)
 G BODY = (V24 - DAYTONA, PACIFICA & SHELBY)
 H BODY = (D44 - LANCER)(C44 - LEBARON GTS)
 J BODY = (C - LEBARON)
 K BODY = (P - RELIANT)(D - ARIES)(C - LEBARON/ TOWN & COUNTRY)
 L BODY = (M - HORIZON)(Z-OMNI)
 M BODY = (B - GRAN FURY)(G - DIPLOMAT)(F - FIFTH AVENUE/NEWPORT)
 P BODY = (P - SUNDANCE)(D - SHADOW)
 Q BODY = (C27 - MASERATI)
 S BODY = (H - VOYAGER)(K - RAM VAN/ CARAVAN)

BODY STYLES

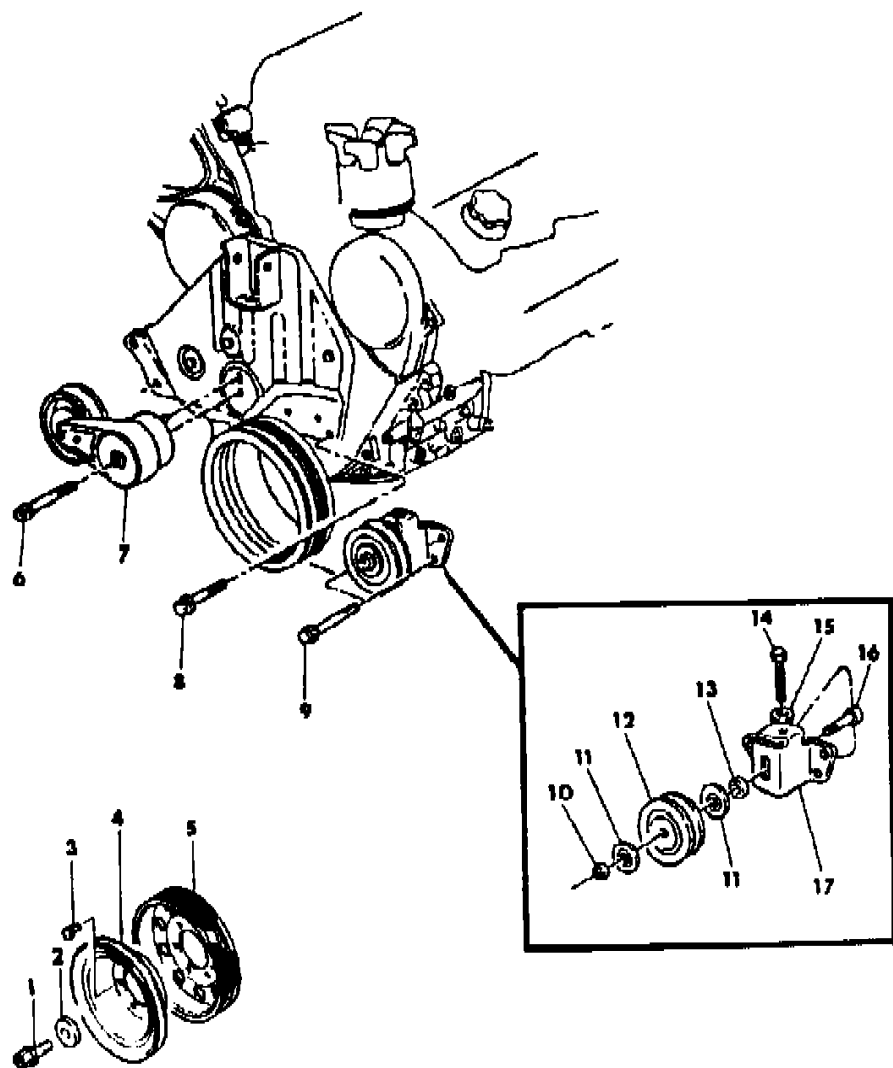
12-52 = FWD VAN & WAGON STD. W.B. 27 = 2-DOOR CONVERTIBLE
 13-53 = FWD VAN & WGN EXT W.B. 41 = 4-DOOR SEDAN
 21 = 2-DOOR SEDAN 44 = 4-DOOR HATCHBACK
 24 = 2-DOOR HATCHBACK 45 = 4-DOOR STATION WAGON

AR = Use as Required - = Non Illustrated Part P.A.R. = Paint as Required

DRIVE PULLEYS 6 CYLINDER ENGINE

Figure 7-3200

8107 3200



ITEM	PART NUMBER	QTY	BODY	MODEL	DESCRIPTION
1					BOLT, Crankshaft (14x40)
	MD09 5201	1			up to June 1987
	MD13 1259	1			after July 1987
2	MD09 6930	1			WASHER, Crankshaft Damper Pulley
3	MS24 0212	6			BOLT and WASHER (8x20)
4	MD09 8296	1			PULLEY, Crankshaft - Power Steering and Air Cond. Drive
5	MD12 2401	1			PULLEY, Crankshaft - Alternator Drive
6	6101 431	1			BOLT
7					TENSIONER, Alternator and Power Steering Pump Belt
	4343 896	1			up to 4-21-88
	4483 469	1			after 4-21-88
8	6101 332	1			SCREW and WASHER w/o Air Cond.
9	6501 633	3			SCREW and WASHER
10		1			NUT and WASHER (not serviced)
11	5214 065	2			SHIELD, Idler Pulley
12	3830 196	1			PULLEY, Idler
13		1			SPACER (not serviced)
14	6501 595	1			BOLT, Idler Adjust
15	6100 878	1			WASHER
16	6033 146	1			BOLT
17	4343 898	1			BRACKET, Idler Pulley

MODEL CODES

C BODY = (D41 - DYNASTY)(C41 - NEW YORKER)
 E BODY = (J - CARAVELLE)(E - 600)(T - NEW YORKER TURBO)
 G BODY = (V24 - DAYTONA, PACIFICA & SHELBY)
 H BODY = (D44 - LANCER)(C44 - LEBARON GTS)
 J BODY = (C - LEBARON)
 K BODY = (P - RELIANT)(D - ARIES)(C - LEBARON/ TOWN & COUNTRY)
 L BODY = (M - HORIZON)(Z-OMNI)
 M BODY = (B - GRAN FURY)(G - DIPLOMAT)(F - FIFTH AVENUE/NEWPORT)
 P BODY = (P - SUNDANCE)(D - SHADOW)
 Q BODY = (C27 - MASERATI)
 S BODY = (H - VOYAGER)(K - RAM VAN/ CARAVAN)

BODY STYLES

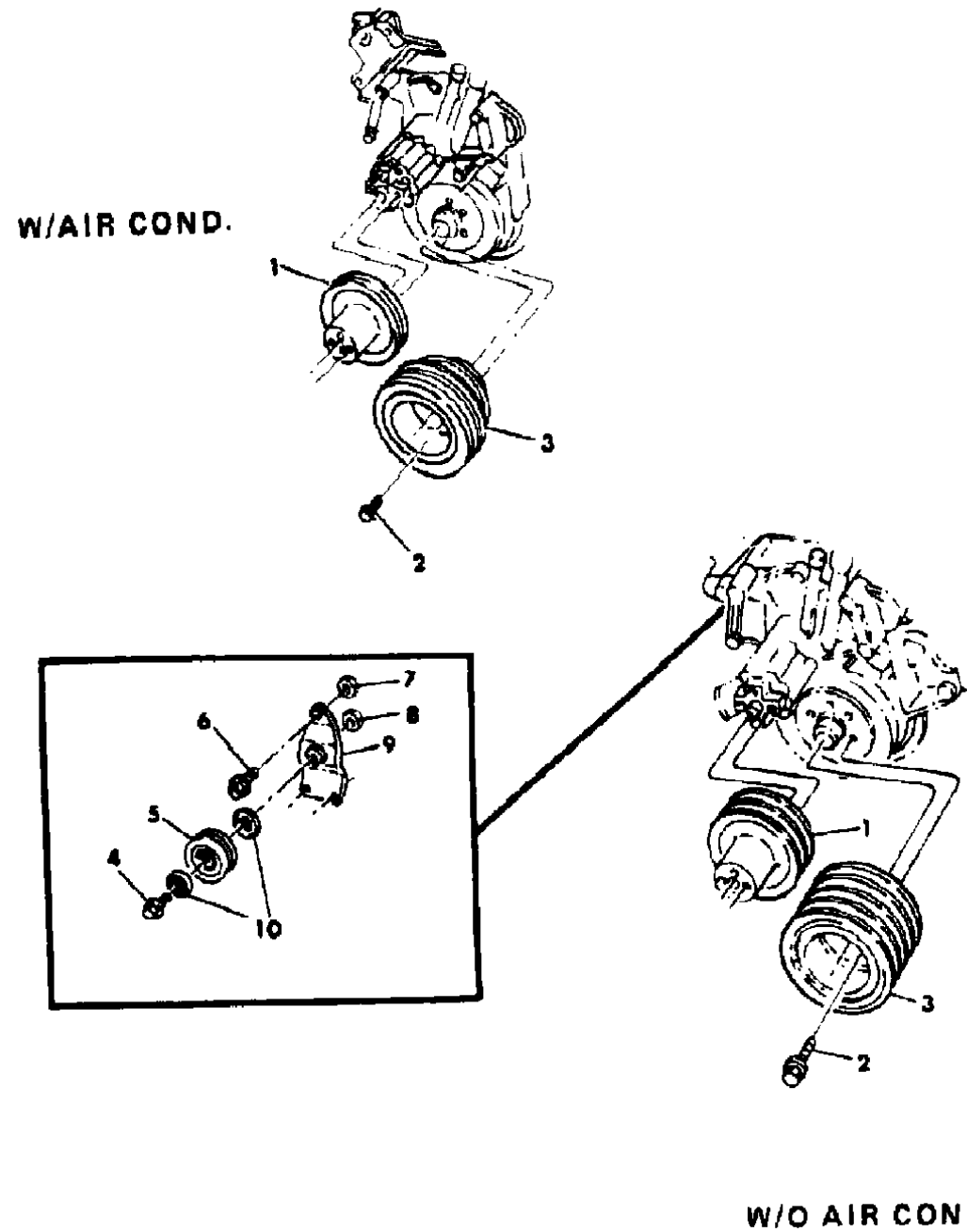
12-52 = FWD VAN & WAGON STD. W.B. 27 = 2-DOOR CONVERTIBLE
 13-53 = FWD VAN & WGN EXT W.B. 41 = 4-DOOR SEDAN
 21 = 2-DOOR SEDAN 44 = 4-DOOR HATCHBACK
 24 = 2-DOOR HATCHBACK 45 = 4-DOOR STATION WAGON

AR = Use as Required - = Non Illustrated Part P.A.R. = Paint as Required

DRIVE PULLEYS 8 CYLINDER ENGINE

Figure 7-3300

8107 3300



ITEM	PART NUMBER	QTY	BODY	MODEL	DESCRIPTION
1					PULLEY, Fan
	3870 211	1			w/o Air Cond.
	3698 805	1			w/Air Cond.
2	0181 086	6			SCREW and WASHER
3	3870 074	1			PULLEY, Drive
4		1			SCREW and WASHER (not serviced)
5	3879 131	1			PULLEY, Alternator Idler w/o Air Cond.
6	#0181 112	2			SCREW and WASHER
7	0152 344	3			NUT
8	0271 502	1			NUT
9	4448 687	1			BRACKET, Alternator Idler Pulley w/o Air Cond.
10	5214 065	2			SHIELD, Idler Pulley w/o Air Cond.

MODEL CODES

C BODY = (D41 - DYNASTY)(C41 - NEW YORKER)
 E BODY = (J - CARAVELLE)(E - 600)(T - NEW YORKER TURBO)
 G BODY = (V24 - DAYTONA, PACIFICA & SHELBY)
 H BODY = (D44 - LANCER)(C44 - LEBARON GTS)
 J BODY = (C - LEBARON)
 K BODY = (P - RELIANT)(D - ARIES)(C - LEBARON/ TOWN & COUNTRY)
 L BODY = (M - HORIZON)(Z-OMNI)
 M BODY = (B - GRAN FURY)(G - DIPLOMAT)(F - FIFTH AVENUE/NEWPORT)
 P BODY = (P - SUNDANCE)(D - SHADOW)
 Q BODY = (C27 - MASERATI)
 S BODY = (H - VOYAGER)(K - RAM VAN/ CARAVAN)

BODY STYLES

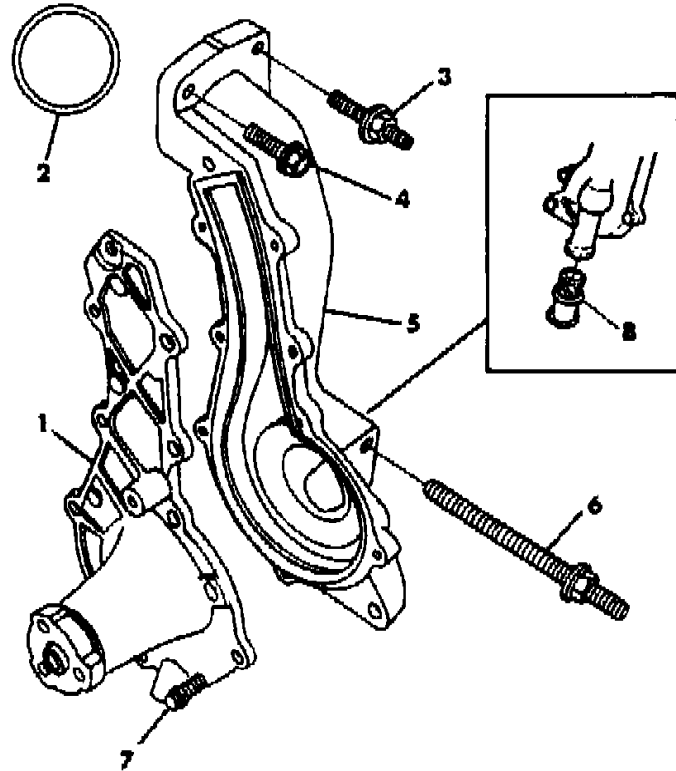
12-52 = FWD VAN & WAGON STD. W.B. 27 = 2-DOOR CONVERTIBLE
 13-53 = FWD VAN & WGN EXT W.B. 41 = 4-DOOR SEDAN
 21 = 2-DOOR SEDAN 44 = 4-DOOR HATCHBACK
 24 = 2-DOOR HATCHBACK 45 = 4-DOOR STATION WAGON

AR = Use as Required - = Non Illustrated Part P.A.R. = Paint as Required

WATER PUMP AND RELATED PARTS 4 CYLINDER ENGINE

Figure 7-3400

8107 3400 A



ITEM	PART NUMBER	QTY	BODY	MODEL	DESCRIPTION
1	4293 898	1			PUMP, Water
2	5203 542	1			GASKET, Water Pump Housing
3	6500 163	1			STUD, Water Pump Housing Attach
4	6501 612	3			SCREW, Water Pump Housing Attach
5	4387 327	1		M,Z	HOUSING, Water Pump
	4343 847	1		exc. M,Z	
6	6500 811	1			STUD, Water Pump Housing Attach
7	6101 278	9			SCREW and WASHER, Water Pump Body Attach
8	4266 221	1		M,Z	INSERT, Water Pump Nipple 2.2L Eng. (see note)

NOTE: Insert must be installed when replacing water pump to meet Safety Standards. Refer to Service Manual for instructions. Gear and Pinion numbers stamped on the item may be used to confirm the correct MATCHED SET they are contained in.

MODEL CODES
 C BODY = (D41 - DYNASTY)(C41 - NEW YORKER)
 E BODY = (J - CARAVELLE)(E - 600)(T - NEW YORKER TURBO)
 G BODY = (V24 - DAYTONA, PACIFICA & SHELBY)
 H BODY = (D44 - LANCER)(C44 - LEBARON GTS)
 J BODY = (C - LEBARON)
 K BODY = (P - RELIANT)(D - ARIES)(C - LEBARON/ TOWN & COUNTRY)
 L BODY = (M - HORIZON)(Z-OMNI)
 M BODY = (B - GRAN FURY)(G - DIPLOMAT)(F - FIFTH AVENUE/NEWPORT)
 P BODY = (P - SUNDANCE)(D - SHADOW)
 Q BODY = (C27 - MASERATI)
 S BODY = (H - VOYAGER)(K - RAM VAN/ CARAVAN)

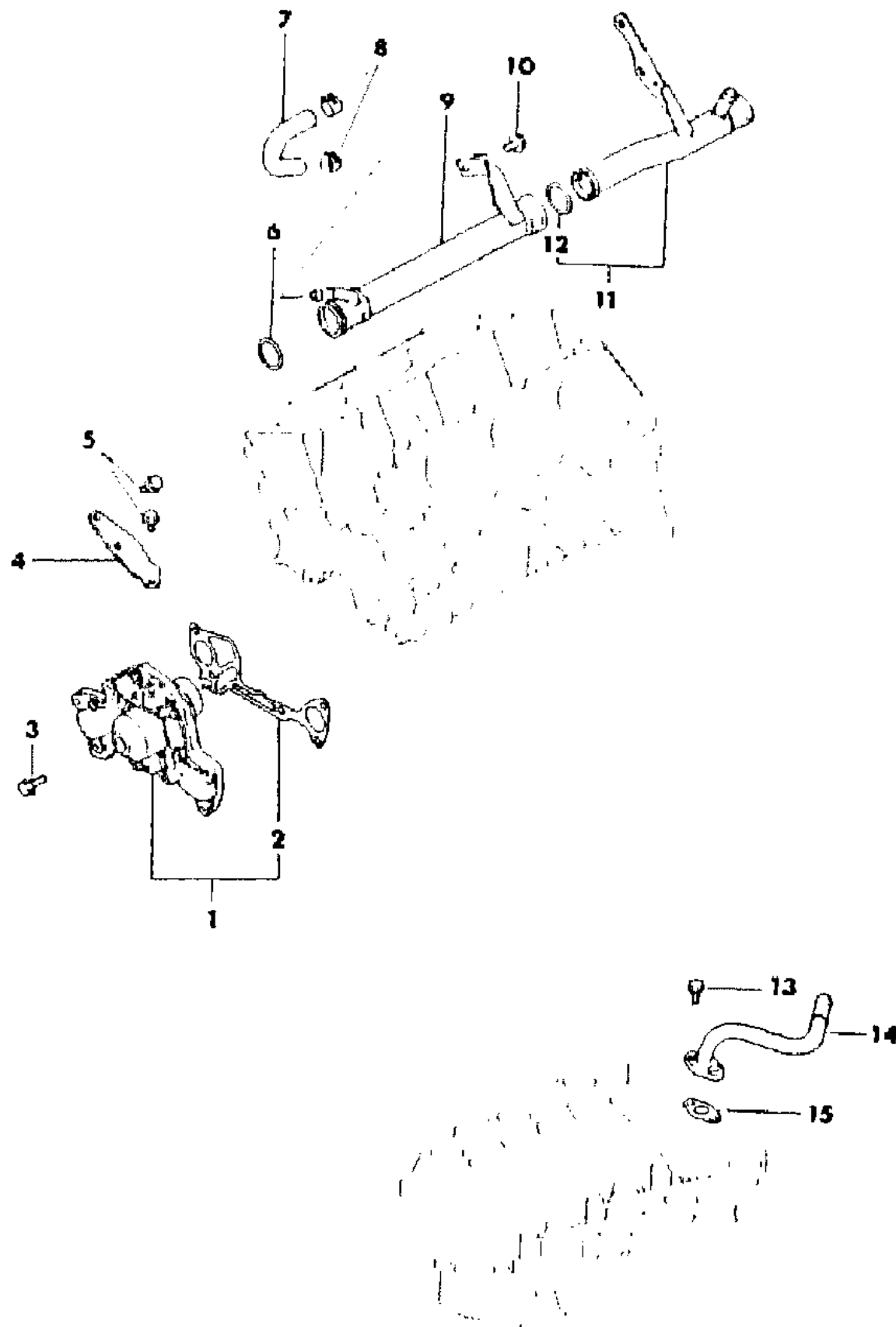
BODY STYLES
 12-52 = FWD VAN & WAGON STD. W.B. 27 = 2-DOOR CONVERTIBLE
 13-53 = FWD VAN & WGN EXT W.B. 41 = 4-DOOR SEDAN
 21 = 2-DOOR SEDAN 44 = 4-DOOR HATCHBACK
 24 = 2-DOOR HATCHBACK 45 = 4-DOOR STATION WAGON

AR = Use as Required - = Non Illustrated Part P.A.R. = Paint as Required

WATER PUMP AND RELATED PARTS 6 CYLINDER ENGINE

Figure 7-3500

8107 3500 A



ITEM	PART NUMBER	QTY	BODY	MODEL	DESCRIPTION
1	MD99 7244	1			WATER PUMP and GASKET PKG.
2	MD10 1925	1			GASKET, Water Pump
3	MS10 0941	5			BOLT, Flange (8x25)
4	MD10 3357	1			BRACKET
5	MF14 0222	3			BOLT, Flange (8x14)
6	MD03 0764	1			O-RING, Water Pipe
7	MD09 6985	1			HOSE, Water By-Pass
8	MS66 0179	2			CLAMP, Hose (17.8)
9	MD09 8306	1			PIPE, Water Inlet (A)
10	MF14 0021	2			BOLT, Flange (8x12)
11	MD11 1660	1			PIPE ASSEMBLY, Water
12	MD03 0764	1			O-RING, Water Pipe
13	MF24 0353	2			BOLT and WASHER (8x20)
14	MD10 7718	1			PIPE ASSEMBLY, Heater
15	MD10 3625	1			GASKET, Heater Pipe

MODEL CODES

C BODY = (D41 - DYNASTY)(C41 - NEW YORKER)
 E BODY = (J - CARAVELLE)(E - 600)(T - NEW YORKER TURBO)
 G BODY = (V24 - DAYTONA, PACIFICA & SHELBY)
 H BODY = (D44 - LANCER)(C44 - LEBARON GTS)
 J BODY = (C - LEBARON)
 K BODY = (P - RELIANT)(D - ARIES)(C - LEBARON/ TOWN & COUNTRY)
 L BODY = (M - HORIZON)(Z-OMNI)
 M BODY = (B - GRAN FURY)(G - DIPLOMAT)(F - FIFTH AVENUE/NEWPORT)
 P BODY = (P - SUNDANCE)(D - SHADOW)
 Q BODY = (C27 - MASERATI)
 S BODY = (H - VOYAGER)(K - RAM VAN/ CARAVAN)

BODY STYLES

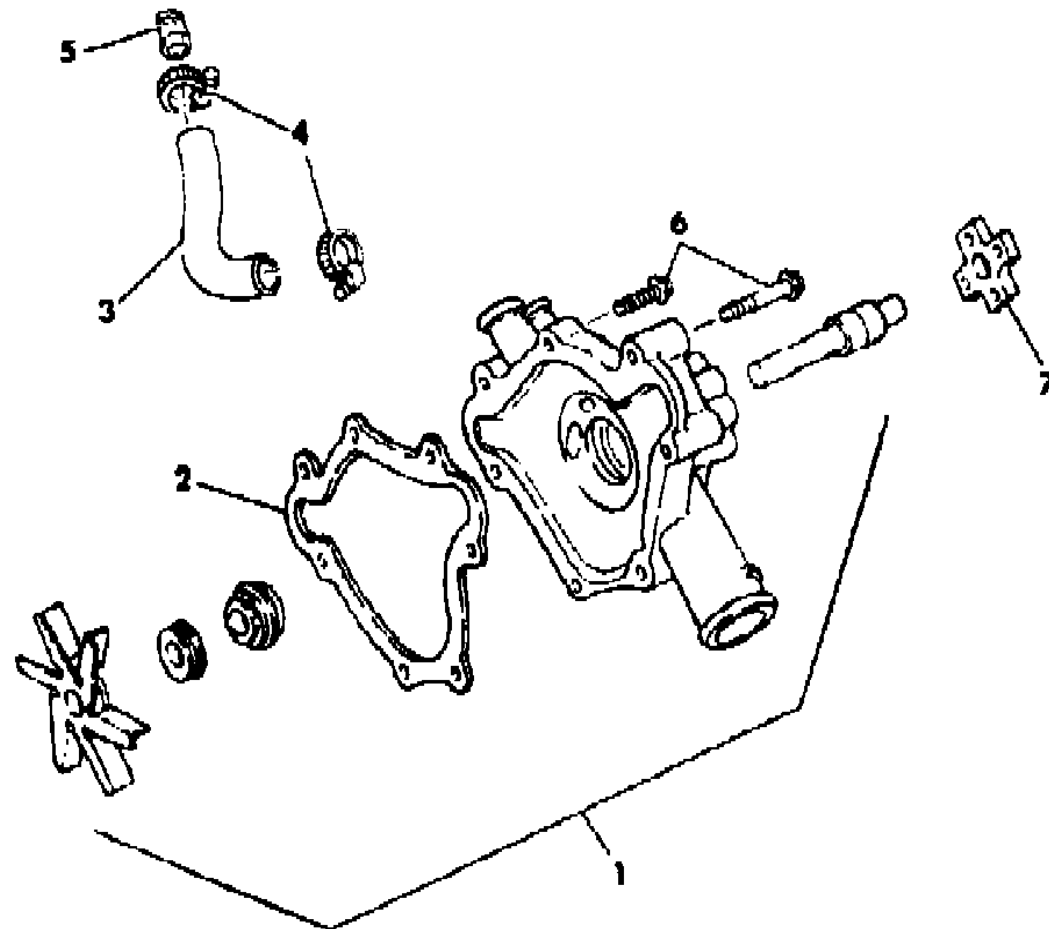
12-52 = FWD VAN & WAGON STD. W.B. 27 = 2-DOOR CONVERTIBLE
 13-53 = FWD VAN & WGN EXT W.B. 41 = 4-DOOR SEDAN
 21 = 2-DOOR SEDAN 44 = 4-DOOR HATCHBACK
 24 = 2-DOOR HATCHBACK 45 = 4-DOOR STATION WAGON

AR = Use as Required - = Non Illustrated Part P.A.R. = Paint as Required

WATER PUMP AND RELATED PARTS 318 ENGINE

Figure 7-3600

8107 3600



ITEM	PART NUMBER	QTY	BODY	MODEL	DESCRIPTION
1	3837 641	1			PUMP, Water
2	2129 013	1			GASKET, Water Pump Body
3	4095 227	1			HOSE, Water Pump By-Pass (H0063735)
	4012 595	1			Silicone
4	2402 903	1			NIPPLE, Water Pump By-Pass
5	3683 824	2			CLAMP, By-Pass Hose
	4041 606	2			Stainless Steel
6					SCREW, Water Pump
	6027 880	1			3/8 - 16 x 2.00
	6031 761	2			3/8 - 16 x 6 1/4
	9420 892	2			3/8 - 16 x 2 3/4
	6028 166	2			3/8 - 16 x 5 1/4
7	3671 525	1			HUB, Fan Pulley
	3751 812	1			4 Bbl. Police

MODEL CODES

C BODY = (D41 - DYNASTY)(C41 - NEW YORKER)
 E BODY = (J - CARAVELLE)(E - 600)(T - NEW YORKER TURBO)
 G BODY = (V24 - DAYTONA, PACIFICA & SHELBY)
 H BODY = (D44 - LANCER)(C44 - LEBARON GTS)
 J BODY = (C - LEBARON)
 K BODY = (P - RELIANT)(D - ARIES)(C - LEBARON/ TOWN & COUNTRY)

L BODY = (M - HORIZON)(Z-OMNI)
 M BODY = (B - GRAN FURY)(G - DIPLOMAT)(F - FIFTH AVENUE/NEWPORT)
 P BODY = (P - SUNDANCE)(D - SHADOW)
 Q BODY = (C27 - MASERATI)
 S BODY = (H - VOYAGER)(K - RAM VAN/ CARAVAN)

BODY STYLES

12-52 = FWD VAN & WAGON STD. W.B. 27 = 2-DOOR CONVERTIBLE
 13-53 = FWD VAN & WGN EXT W.B. 41 = 4-DOOR SEDAN
 21 = 2-DOOR SEDAN 44 = 4-DOOR HATCHBACK
 24 = 2-DOOR HATCHBACK 45 = 4-DOOR STATION WAGON

AR = Use as Required - = Non Illustrated Part P.A.R. = Paint as Required

TURBO WATER COOLED SYSTEM

Figure 7-3700

8107 3700

ITEM	PART NUMBER	QTY	BODY	MODEL	DESCRIPTION
1					CONNECTOR, Cylinder Block to Turbo Water Inlet Tube
	6033 346	1			Turbo 1
	6032 606	1			Turbo 2
2					TUBE, Turbo Water Inlet and Hose
	4387 239	1			Turbo 1
	4323 122	1			Turbo 2
3					BRACKET, Water Inlet Tube Support
	4483 096	1			Turbo 1
	4323 116	1			Turbo 2
4	#6500 399	1			SCREW and WASHER
5					ELBOW, Turbo Water Inlet
	4483 072	1			Turbo 1
	6032 566	1			Turbo 2
6					ELBOW, Turbo Charger to Return Hose Tube
	4387 240	1			Turbo 1
	6032 565	1			Turbo 2
7					TUBE, Turbo Water Return and Hose
	4387 234	1			Turbo 1
	4323 977	1			Turbo 2
8	6032 568	1			CONNECTOR, Turbo Water Return Tube

with Lean Burn, California Emission Control or High Altitude Emission Control. Gear and Pinion numbers stamped on the item may be used to confirm the correct MATCHED SET they are contained in.

to it Being Mandatory For Designated Engines on cars Sold in the State of Calif. Gear and Pinion numbers stamped on the item may be used to confirm the correct MATCHED SET they are contained in.

Combinations. Used in Conjunction with a Catalytic System. Gear and Pinion numbers stamped on the item may be used to confirm the correct MATCHED SET they are contained in.

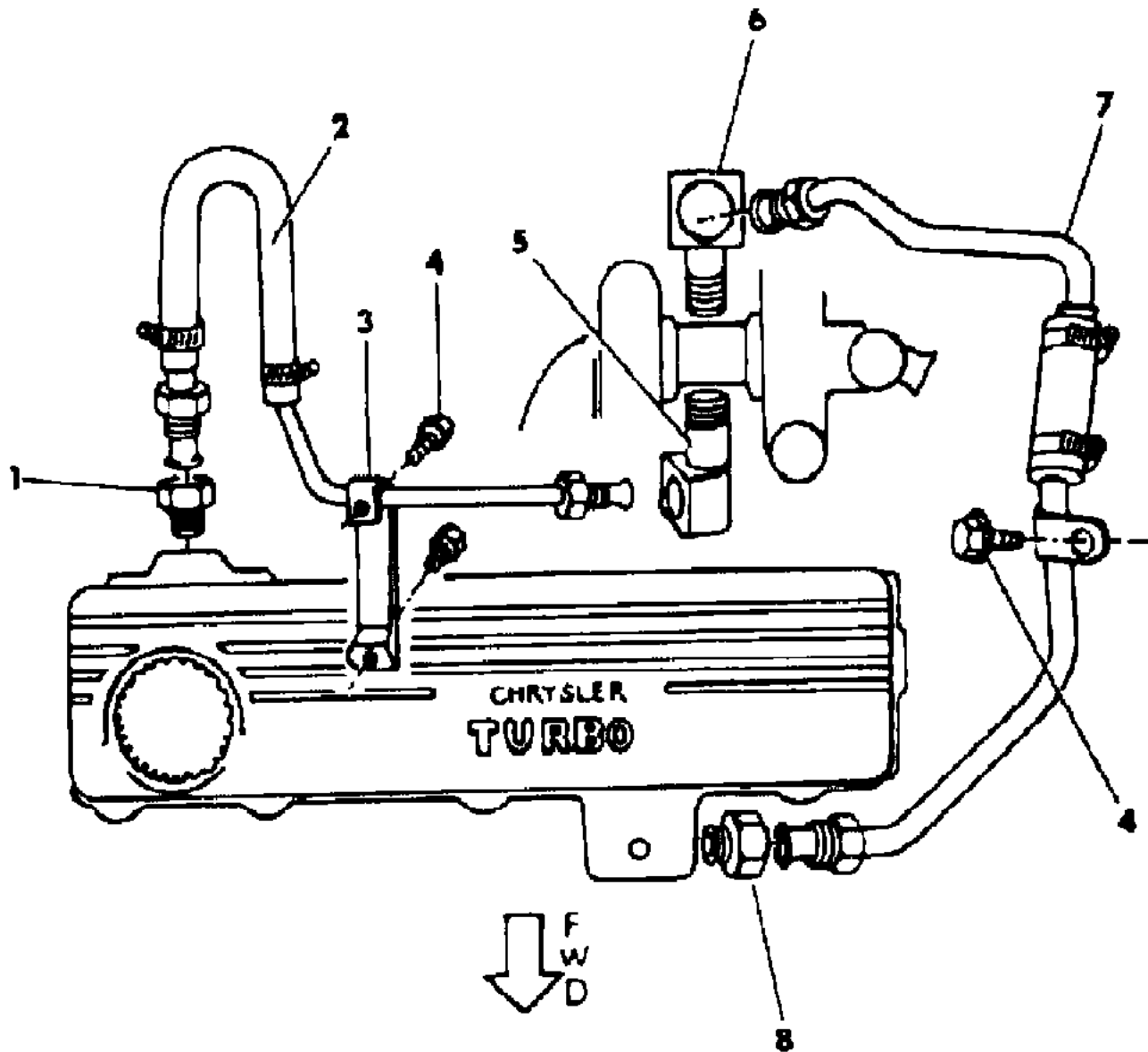
MODEL CODES

C BODY = (D41 - DYNASTY)(C41 - NEW YORKER)	L BODY = (M - HORIZON)(Z-OMNI)
E BODY = (J - CARAVELLE)(E - 600)(T - NEW YORKER TURBO)	M BODY = (B - GRAN FURY)(G - DIPLOMAT)(F - FIFTH AVENUE/NEWPORT)
G BODY = (V24 - DAYTONA, PACIFICA & SHELBY)	P BODY = (P - SUNDANCE)(D - SHADOW)
H BODY = (D44 - LANCER)(C44 - LEBARON GTS)	Q BODY = (C27 - MASERATI)
J BODY = (C - LEBARON)	S BODY = (H - VOYAGER)(K - RAM VAN/ CARAVAN)
K BODY = (P - RELIANT)(D - ARIES)(C - LEBARON/ TOWN & COUNTRY)	

BODY STYLES

12-52 = FWD VAN & WAGON STD. W.B.	27 = 2-DOOR CONVERTIBLE
13-53 = FWD VAN & WGN EXT W.B.	41 = 4-DOOR SEDAN
21 = 2-DOOR SEDAN	44 = 4-DOOR HATCHBACK
24 = 2-DOOR HATCHBACK	45 = 4-DOOR STATION WAGON

AR = Use as Required - = Non Illustrated Part P.A.R. = Paint as Required



GROUP 8 - ELECTRICAL

ILLUSTRATION TITLE	GROUP-FIG. NO.
RELAYS--SWITCHES--MODULES--SOLENOIDS--SENSORS	
RELAYS	Fig. 8-100
SWITCHES	Fig. 8-110
MODULES	Fig. 8-120
SOLENOIDS	Fig. 8-130
SENSORS	Fig. 8-140
BATTERY TRAYS	
BATTERY TRAY L-P-J-K-G-E-C-H-S BODY	Fig. 8-200
BATTERY TRAY M BODY	Fig. 8-300
DISTRIBUTORS	
DISTRIBUTOR 2.2 ENGINE	Fig. 8-400
DISTRIBUTOR 2.5 ENGINE	Fig. 8-500
DISTRIBUTOR MITSUBISHI--V-6	Fig. 8-700
DISTRIBUTOR 318 ENGINE	Fig. 8-800
STARTERS	
STARTER INSTALLATIONS	Fig. 8-900
STARTER 2.2 ENG. & 2.5 ENG.	Fig. 8-1000
STARTER COMPONENTS 2.2-2.5 ENGINE 5226842--5226844	Fig. 8-1100
STARTER 3.0 ENGINE BOSCH	Fig. 8-1300
STARTER 3.0 ENGINE NIPPONDENSO	Fig. 8-1350
STARTER 3.9--318 ENGINE NIPPONDENSO	Fig. 8-1400
ALTERNATORS	
ALTERNATOR AND PULLEY	Fig. 8-1500
ALTERNATOR 40/90 AMP. CHRYSLER	Fig. 8-1600
ALTERNATOR 40/90 AMP. NIPPONDENSO	Fig. 8-1800
ALTERNATOR 40/90 AMP. BOSCH	Fig. 8-1875
ALTERNATOR 50/120 AMP. CHRYSLER	Fig. 8-1900
ALTERNATOR MOUNTING	Fig. 8-2200
ALTERNATOR MOUNTING 16-VALVE ENGINE	Fig. 8-2300
LAMPS	
LAMPS--FRONT L BODY--44	Fig. 8-2400
LAMPS & WIRING--REAR L BODY--44	Fig. 8-2500
LAMPS--FRONT P BODY	Fig. 8-2600

ILLUSTRATION NOT AVAILABLE AT TIME OF PUBLICATION

GROUP 8 - ELECTRICAL

GROUP 8 - ELECTRICAL

ILLUSTRATION TITLE	GROUP-FIG. NO.
LAMPS (Continued)	
LAMPS--FRONT P BODY	Fig. 8-2600
LAMPS & WIRING--REAR P BODY	Fig. 8-2700
LAMPS--FRONT J BODY	Fig. 8-2800
LAMPS & WIRING--REAR J BODY	Fig. 8-2900
LAMPS--FRONT K BODY P-D	Fig. 8-3200
LAMPS & WIRING--REAR K BODY P-D	Fig. 8-3300
LAMPS--FRONT K E BODY C-J-E-T	Fig. 8-3400
LAMPS & WIRING--REAR K E BODY C-J-E-T	Fig. 8-3500
LAMPS--FRONT G BODY	Fig. 8-3600
LAMPS & WIRING--REAR G BODY	Fig. 8-3700
LAMPS--FRONT H BODY	Fig. 8-3800
LAMPS & WIRING--REAR H BODY	Fig. 8-3900
LAMPS--FRONT C BODY	Fig. 8-4000
LAMPS--FRONT ROTATING C BODY	Fig. 8-4050
LAMPS & WIRING--REAR C BODY	Fig. 8-4100
LAMPS--FRONT S BODY	Fig. 8-4200
LAMPS & WIRING--REAR S BODY	Fig. 8-4300
LAMPS--FRONT M BODY--B-F-G	Fig. 8-4400
LAMPS & WIRING--REAR M BODY--F	Fig. 8-4500
LAMPS & WIRING--REAR M BODY--B-G	Fig. 8-4600
LAMPS--CARGO-DOME-COURTESY L BODY	Fig. 8-4700
LAMPS--CARGO-DOME-COURTESY P BODY	Fig. 8-4800
LAMPS--CARGO-DOME-COURTESY J BODY	Fig. 8-4900
LAMPS--CARGO-DOME-COURTESY K-E BODY	Fig. 8-5100
LAMPS--CARGO-DOME-COURTESY G BODY	Fig. 8-5200
LAMPS--CARGO-DOME-COURTESY H BODY	Fig. 8-5300
LAMPS--CARGO-DOME-COURTESY C BODY	Fig. 8-5400
LAMPS--CARGO-DOME-COURTESY S BODY	Fig. 8-5500
LAMPS--CARGO-DOME-COURTESY M BODY	Fig. 8-5600
ILLUMINATED DOOR LOCK LIGHT	
ILLUMINATED DOOR LOCK LIGHT	Fig. 8-5700
SOCKETS & CABLES	
SOCKETS AND CABLES	Fig. 8-5800

ILLUSTRATION TITLE	GROUP-FIG. NO.
BULB CROSS REFERENCE	
BULB CROSS REFERENCE	Fig. 8-5900
WIRING--ENGINE-FRONT END & RELATED PARTS	
WIRING--ENGINE-FRONT END & RELATED PARTS L BODY	Fig. 8-6000
WIRING--ENGINE-FRONT END & RELATED PARTS P BODY	Fig. 8-6100
WIRING--ENGINE-FRONT END & RELATED PARTS J BODY	Fig. 8-6200
WIRING--ENGINE-FRONT END & RELATED PARTS K-E BODY	Fig. 8-6400
WIRING--ENGINE-FRONT END & RELATED PARTS G BODY	Fig. 8-6500
WIRING--ENGINE-FRONT END & RELATED PARTS H BODY	Fig. 8-6600
WIRING--ENGINE-FRONT END & RELATED PARTS C BODY	Fig. 8-6700
WIRING--ENGINE-FRONT END & RELATED PARTS S BODY	Fig. 8-6800
WIRING--ENGINE-FRONT END & RELATED PARTS M BODY	Fig. 8-6900
WIRING--ENGINE & FRONT END INSULATORS--MOLDS--CONNECTORS	Fig. 8-6950
HORNS	
HORN ALL MODELS	Fig. 8-7000
SWITCHES-TURN SIGNAL AND HAZARD WARNING	
SWITCHES-TURN SIGNAL AND HAZARD WARNING	Fig. 8-7200
WIRING--BODY & ACCESSORIES	
WIRING--BODY & ACCESSORIES L BODY	Fig. 8-7300
WIRING--BODY & ACCESSORIES P BODY	Fig. 8-7400
WIRING--BODY & ACCESSORIES J BODY	Fig. 8-7500
WIRING--BODY & ACCESSORIES K BODY	Fig. 8-7700
WIRING--BODY & ACCESSORIES G BODY	Fig. 8-7800
WIRING--BODY & ACCESSORIES E BODY	Fig. 8-7900
WIRING--BODY & ACCESSORIES H BODY	Fig. 8-8000
WIRING--BODY & ACCESSORIES C BODY	Fig. 8-8100
WIRING--BODY & ACCESSORIES S BODY	Fig. 8-8200
WIRING--BODY & ACCESSORIES M BODY	Fig. 8-8300
WIRING & SWITCHES--FRONT DOOR P BODY	Fig. 8-8400
WIRING & SWITCHES--REAR DOOR P BODY	Fig. 8-8500
WIRING & SWITCHES--LIFTGATE P BODY	Fig. 8-8600
WIRING & SWITCHES--FRONT DOOR J BODY	Fig. 8-8700
WIRING & SWITCHES--LIFTGATE J BODY	Fig. 8-8800
WIRING & SWITCHES--FRONT DOOR K-E BODY	Fig. 8-9100

GROUP 8 - ELECTRICAL

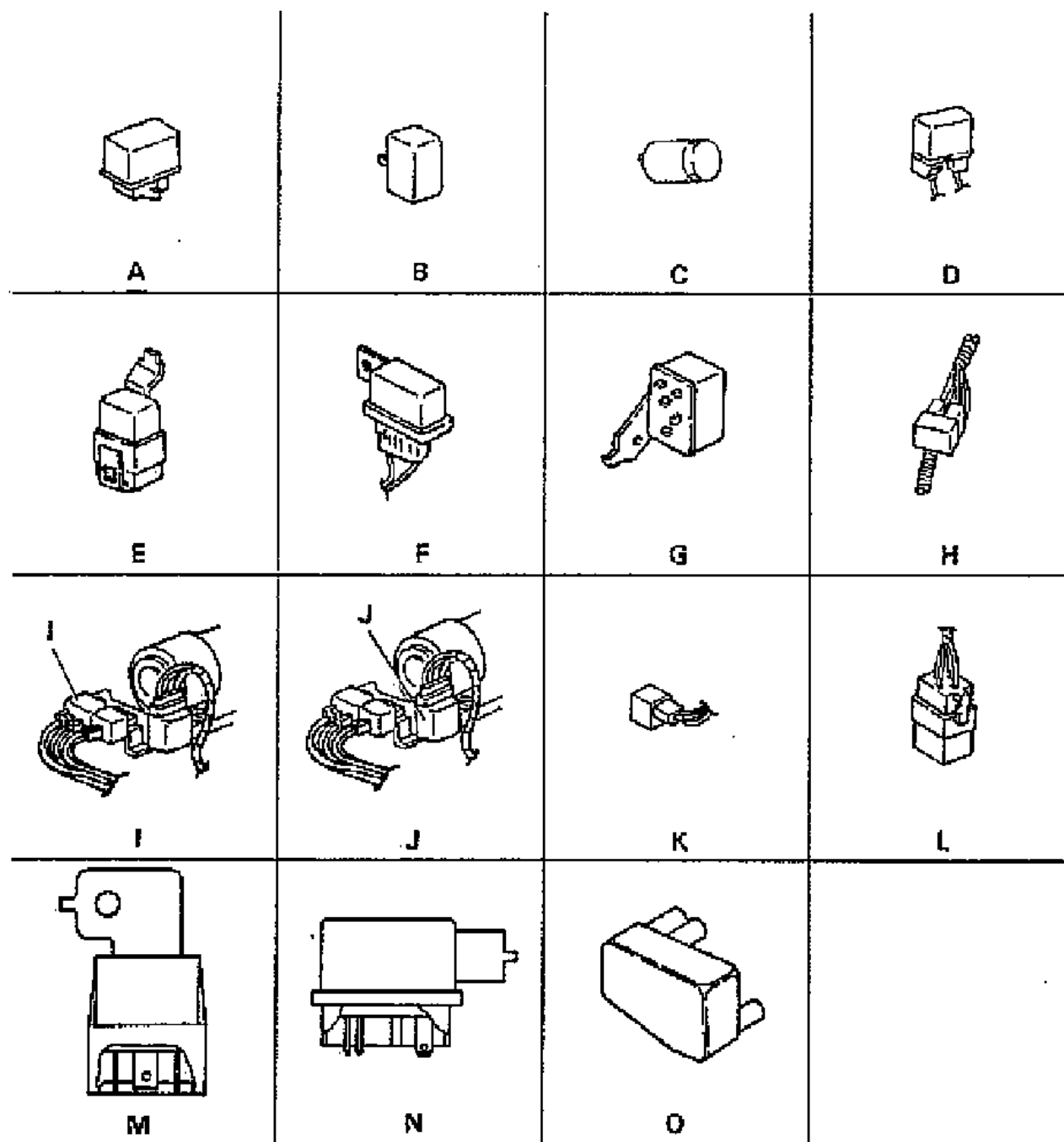
GROUP 8 - ELECTRICAL

ILLUSTRATION TITLE	GROUP-FIG. NO.
WIRING--BODY & ACCESSORIES (Continued)	
WIRING & SWITCHES--FRONT DOOR K-E BODY	Fig. 8-9100
WIRING & SWITCHES--REAR DOOR K-E BODY	Fig. 8-9200
WIRING--LIFTGATE & TRUNK K-E BODY	Fig. 8-9300
WIRING & SWITCHES--DOOR G BODY	Fig. 8-9400
WIRING--LIFTGATE G BODY	Fig. 8-9500
WIRING & SWITCHES--FRONT DOOR H BODY	Fig. 8-9600
WIRING & SWITCHES--REAR DOOR H BODY	Fig. 8-9700
WIRING--LIFTGATE H BODY	Fig. 8-9800
WIRING & SWITCHES--FRONT DOOR C BODY	Fig. 8-9900
WIRING & SWITCHES--REAR DOOR C BODY	Fig. 8-10000
WIRING & SWITCHES--FRONT DOOR S BODY	Fig. 8-10200
WIRING & SWITCHES--SLIDING DOOR S BODY	Fig. 8-10300
WIRING--LIFTGATE S BODY	Fig. 8-10400
WIRING & SWITCHES--FRONT DOOR M BODY	Fig. 8-10500
WIRING & SWITCHES--REAR DOOR M BODY	Fig. 8-10600
TERMINAL CHARTS	
TERMINAL CHART	Fig. 8-10700
TERMINAL CHART	Fig. 8-10800
INSULATOR CHARTS	
INSULATORS 1 WAY	Fig. 8-10900
INSULATORS 2 WAY	Fig. 8-11000
INSULATORS 3 WAY	Fig. 8-11100
INSULATORS 4 WAY	Fig. 8-11200
INSULATORS 5 WAY	Fig. 8-11300
INSULATORS 6 WAY	Fig. 8-11400
INSULATORS 7 WAY	Fig. 8-11500
INSULATORS 8 & 9 WAY	Fig. 8-11600
INSULATORS 10 & 11 WAY	Fig. 8-11700
INSULATORS 13-16-21 WAY	Fig. 8-11800
INSULATORS 25 WAY	Fig. 8-11900
INSULATORS WINDOW LIFTS	Fig. 8-12000
RETAINERS--CONNECTORS--PLUGS	
BULKHEAD CONNECTORS & COMPONENTS 40 & 50 WAY	Fig. 8-12100
FUSE BLOCKS & RELAY MODULES	Fig. 8-12200

ILLUSTRATION TITLE	GROUP-FIG. NO.
RETAINERS--CONNECTORS--PLUGS (Continued)	
FUSE BLOCKS & RELAY MODULES	Fig. 8-12200
WIRING HARNESS REPAIR CRIMP PKG.-FUSIBLE LINK PKG.-HEAT SHRINK TUBE	Fig. 8-12300
WIRING CLIPS	Fig. 8-12400

RELAYS
Figure 8-100

8108 100 A



ITEM	PART NUMBER	QTY	BODY	MODEL	DESCRIPTION
RELAYS					

L-BODY					
A	5227 300				Starter
B	4221 658				Horn
C	2889 565				Time Delay & Head Lamp
D	4339 496				A/C Clutch Cutout
E	4439 050				Fuel Pump
F	4419 185				Radiator Fan

P-BODY					
A	5227 300				Starter
B	4221 658				Horn
C	2889 565				Time Delay & Head Lamp
D	4364 863				A/C Clutch Cutout
F	4419 185				Radiator Fan
M	4439 034				Fuel Pump, (Shutdown)
O	4051 832				Low Fuel

J-BODY					
A	5227 300				Starter
B	4221 658				Horn
C	2889 565				Time Delay & Headlamp
D	4419 200				A/C Clutch Cutout (Condenser Fan)
	4439 007				A/C Clutch Cutout W.O.T.
F	4419 169				Radiator Fan
G	4318 800				Illum. Door Lock
H	4221 570				Amplifier & Antenna
I	4221 691				Top Control
J	4373 117				Heated Rear Window
M	4439 034				Fuel Pump, (Shutdown) (Stamped 5227970)
O	4375 253				Low Fuel

K-E BODY					
A	5227 300				Starter
B	4221 658				Horn
C	2889 565				Time Delay & Head Lamp

MODEL CODES

C BODY = (D41 - DYNASTY)(C41 - NEW YORKER)
 E BODY = (J - CARAVELLE)(E - 600)(T - NEW YORKER TURBO)
 G BODY = (V24 - DAYTONA, PACIFICA & SHELBY)
 H BODY = (D44 - LANCER)(C44 - LEBARON GTS)
 J BODY = (C - LEBARON)
 K BODY = (P - RELIANT)(D - ARIES)(C - LEBARON/ TOWN & COUNTRY)

L BODY = (M - HORIZON)(Z-OMNI)
 M BODY = (B - GRAN FURY)(G - DIPLOMAT)(F - FIFTH AVENUE/NEWPORT)
 P BODY = (P - SUNDANCE)(D - SHADOW)
 Q BODY = (C27 - MASERATI)
 S BODY = (H - VOYAGER)(K - RAM VAN/ CARAVAN)

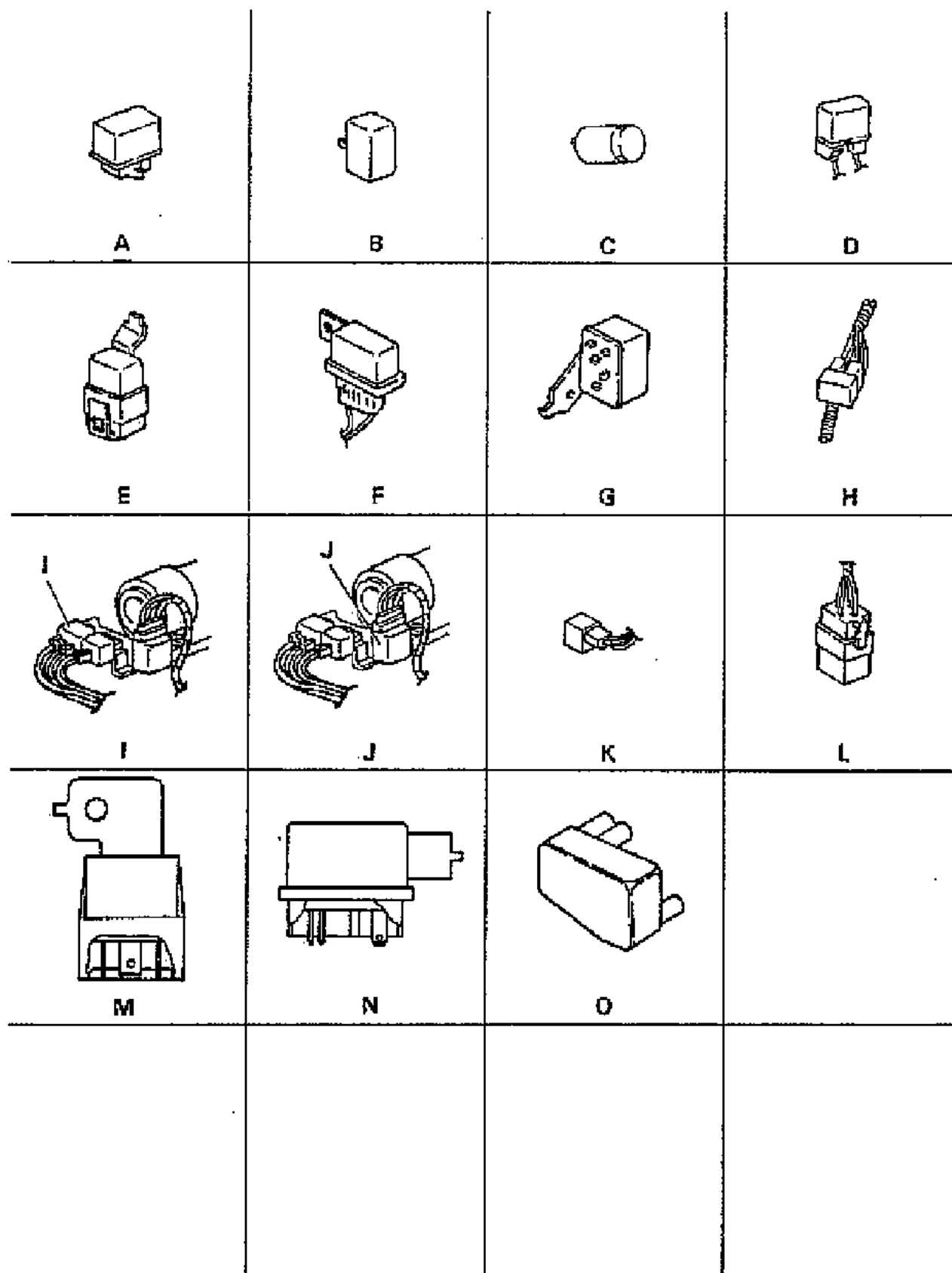
BODY STYLES

12-52 = FWD VAN & WAGON STD. W.B. 27 = 2-DOOR CONVERTIBLE
 13-53 = FWD VAN & WGN EXT W.B. 41 = 4-DOOR SEDAN
 21 = 2-DOOR SEDAN 44 = 4-DOOR HATCHBACK
 24 = 2-DOOR HATCHBACK 45 = 4-DOOR STATION WAGON

AR = Use as Required - = Non Illustrated Part P.A.R. = Paint as Required

RELAYS
Figure 8-100

8108 100 A



ITEM	PART NUMBER	QTY	BODY	MODEL	DESCRIPTION
D	4419 200				A/C Clutch Cutout
F	4419 185				Radiator Fan
G	4318 800				Illum. Door Lock
H	4221 570				Amplifier & Antena
K	3747 299		K		Liftgate Release
M	4439 034				Fuel Pump, (Shutdown)
O	4051 832				Low Fuel
	4228 673				Load Leveler, w/Bracket
	4221 684				Driving Light

G-BODY					
A	5227 300				Starter
B	4221 658				Horn
C	2889 565				Time Delay & Head Lamp
D	4419 200				A/C Clutch Cutout
F	4419 185				Radiator Fan
G	4318 800				Illum. Door Lock
H	4221 570				Amplifier & Antenna
M	4439 034				Fuel Pump, (Shutdown)
O	4375 253				Low Fuel

H-BODY					
A	5227 300				Starter
B	4221 658				Horn
C	4221 695				Time Delay & Head Lamp
D	4419 200				A/C Clutch Cutout
F	4419 169				Radiator Fan
G	4342 216				Illum. Door Lock
L	4373 109				Speaker
M	4439 034				Fuel Pump, (Shutdown)
O	4375 253				Low Fuel

C-BODY					
A	5227 300				Starter
B	4221 658				Horn
C	2889 565				Time Delay & Headlamp
D	4439 008				A/C Clutch Cutout W.O.T.

MODEL CODES

C BODY = (D41 - DYNASTY)(C41 - NEW YORKER)
 E BODY = (J - CARAVELLE)(E - 600)(T - NEW YORKER TURBO)
 G BODY = (V24 - DAYTONA, PACIFICA & SHELBY)
 H BODY = (D44 - LANCER)(C44 - LEBARON GTS)
 J BODY = (C - LEBARON)
 K BODY = (P - RELIANT)(D - ARIES)(C - LEBARON/ TOWN & COUNTRY)
 L BODY = (M - HORIZON)(Z-OMNI)
 M BODY = (B - GRAN FURY)(G - DIPLOMAT)(F - FIFTH AVENUE/NEWPORT)
 P BODY = (P - SUNDANCE)(D - SHADOW)
 Q BODY = (C27 - MASERATI)
 S BODY = (H - VOYAGER)(K - RAM VAN/ CARAVAN)

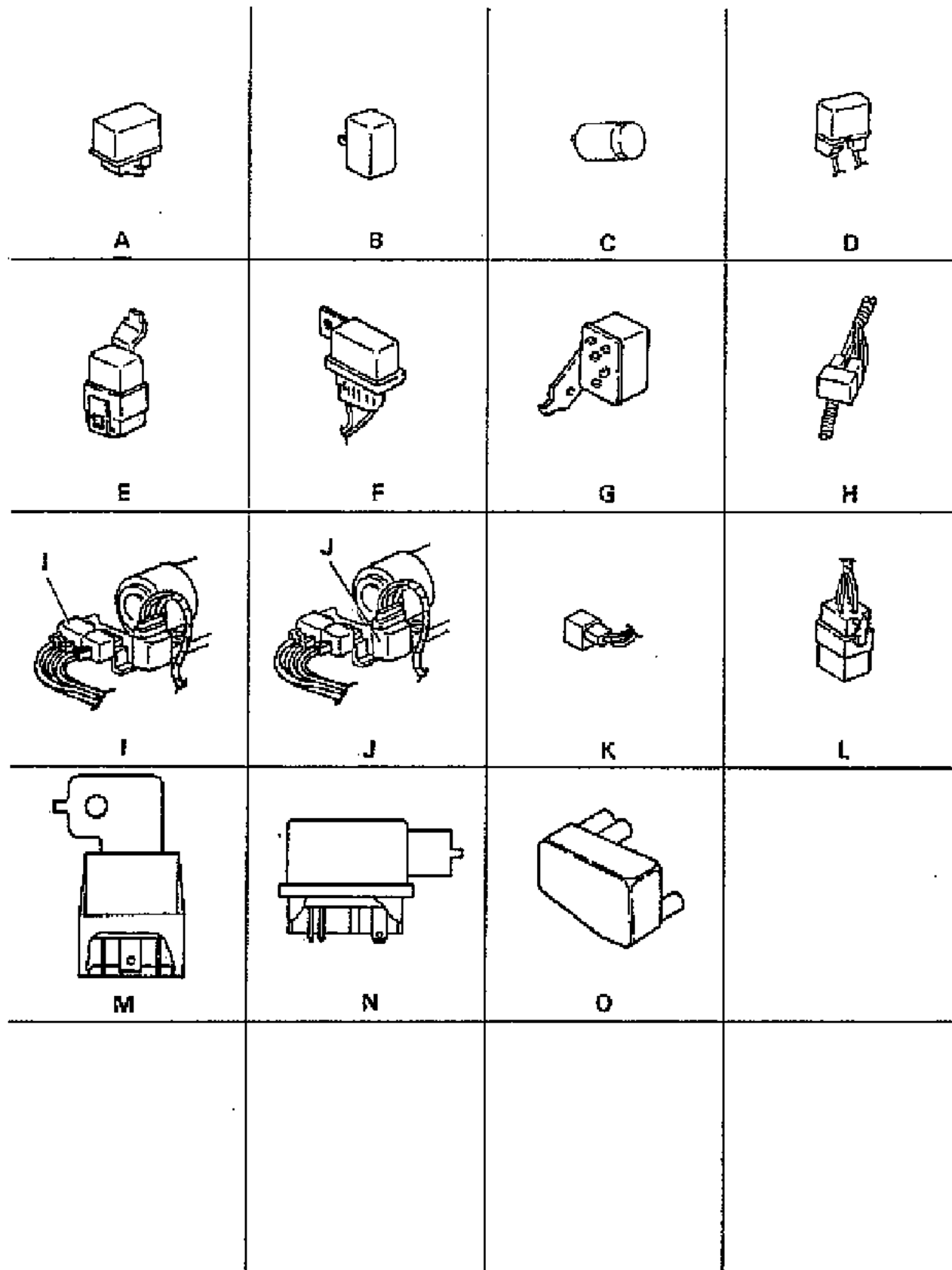
BODY STYLES

12-52 = FWD VAN & WAGON STD. W.B. 27 = 2-DOOR CONVERTIBLE
 13-53 = FWD VAN & WGN EXT W.B. 41 = 4-DOOR SEDAN
 21 = 2-DOOR SEDAN 44 = 4-DOOR HATCHBACK
 24 = 2-DOOR HATCHBACK 45 = 4-DOOR STATION WAGON

AR = Use as Required - = Non Illustrated Part P.A.R. = Paint as Required

RELAYS
Figure 8-100

8108 100 A



ITEM	PART NUMBER	QTY	BODY	MODEL	DESCRIPTION
F	4419 185				Radiator Fan
H	4221 570				Amplifier & Antenna, Use Bracket 4419196
M	5227 057				Fuel Pump, (Shutdown Relay)
	4228 673				Load Leveler, w/Bracket
	4373 066				Anti-Lock Brake (Prot) (Use Bracket 4373393) (Over Protection)
	4373 065				Anti-Lock Brake, (Power) (Use Bracket 4373393)
	4440 621	1			Sunroof Control
	4440 286	2			Sunroof Power
			*****		*****
					S-BODY
A	5227 300				Starter
B	4221 658				Horn
C	2889 565				Time Delay & Headlamp
D	4419 200				A/C Clutch Cutout
F	4419 185				Radiator Fan
K	3747 299				Liftgate Release
L	4373 109				Speaker
M	5227 057				Fuel Pump (Shutdown Relay)
N	5233 162				Wide Open Throttle, 3.0 Eng.
O	4051 832				Low Fuel
	4221 576				Ign. Feed
			*****		*****
					M-BODY
A	#4111 971				Starter
B	4221 658				Horn
C	2889 565				Time Delay & Headlamp
F	4419 169				Radiator Fan
G	#4186 387				Illum. Door Lock
H	4221 570				Amplifier & Antenna

MODEL CODES

C BODY = (D41 - DYNASTY)(C41 - NEW YORKER)
 E BODY = (J - CARAVELLE)(E - 600)(T - NEW YORKER TURBO)
 G BODY = (V24 - DAYTONA, PACIFICA & SHELBY)
 H BODY = (D44 - LANCER)(C44 - LEBARON GTS)
 J BODY = (C - LEBARON)
 K BODY = (P - RELIANT)(D - ARIES)(C - LEBARON/ TOWN & COUNTRY)
 L BODY = (M - HORIZON)(Z-OMNI)
 M BODY = (B - GRAN FURY)(G - DIPLOMAT)(F - FIFTH AVENUE/NEWPORT)
 P BODY = (P - SUNDANCE)(D - SHADOW)
 Q BODY = (C27 - MASERATI)
 S BODY = (H - VOYAGER)(K - RAM VAN/ CARAVAN)

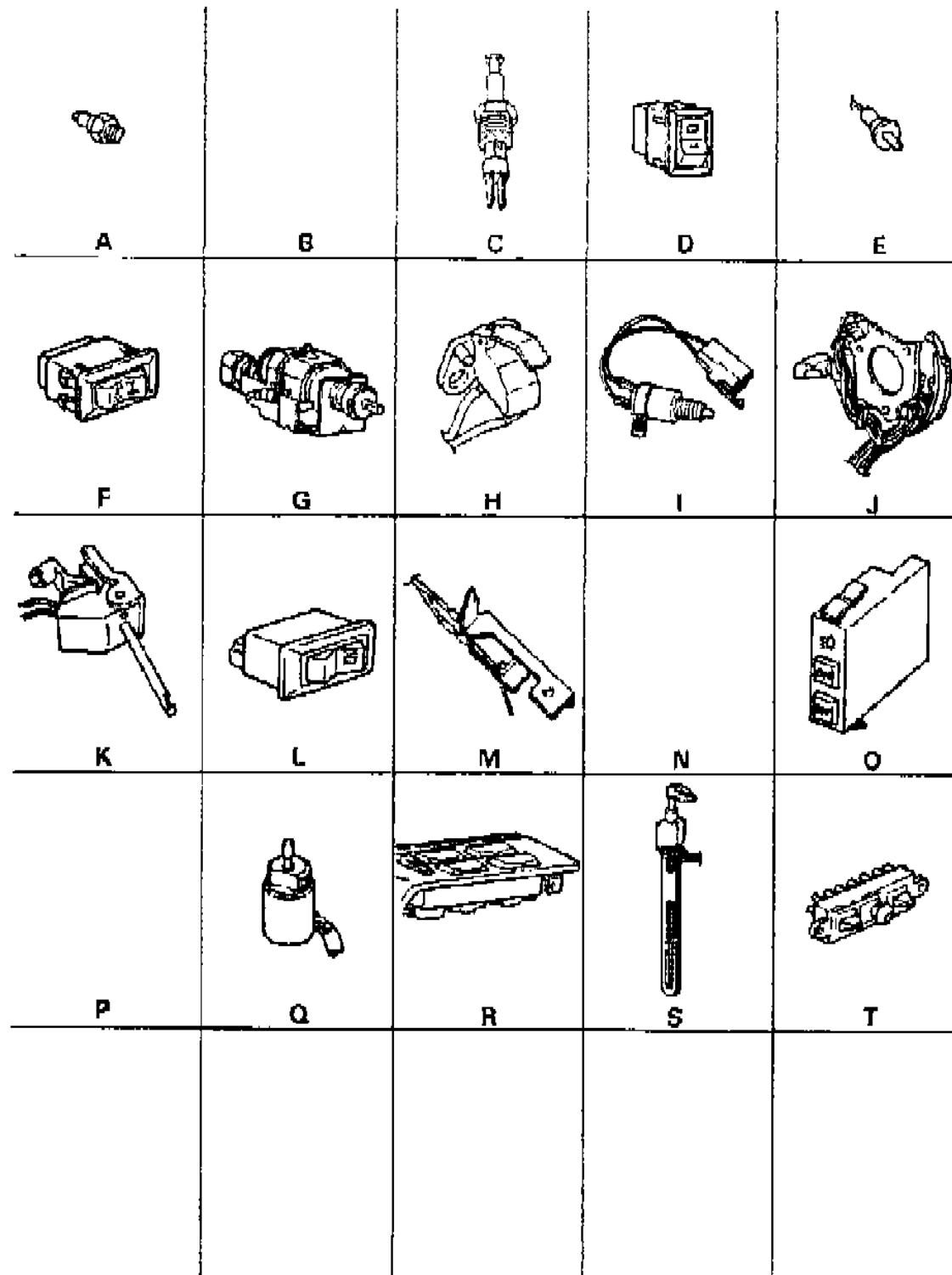
BODY STYLES

12-52 = FWD VAN & WAGON STD. W.B. 27 = 2-DOOR CONVERTIBLE
 13-53 = FWD VAN & WGN EXT W.B. 41 = 4-DOOR SEDAN
 21 = 2-DOOR SEDAN 44 = 4-DOOR HATCHBACK
 24 = 2-DOOR HATCHBACK 45 = 4-DOOR STATION WAGON

AR = Use as Required - = Non Illustrated Part P.A.R. = Paint as Required

SWITCHES
Figure 8-110

8108 110



ITEM	PART NUMBER	QTY	BODY	MODEL	DESCRIPTION
SWITCHES					
L-BODY					

A	4221 949				Back-Up Lamp, 2.2 Eng. (Manual)
B	4221 023				Cargo Lamp
C	4373 185				Door Pillar
D	#5209 985				E.B.L. (Heated Rear Window)
E	3747 079				Glove Box Lamp
F	5209 950				Hatch Release
G	4221 398				Headlamp
H	4221 309				Ignition Key Buzzer
I	4221 979				Stop Lamp, w/o Speed Control
J	4221 339				Turn Signal & Hazard Warning, w/o Cornering Lp.
K	4373 121				Windshield Wiper, w/o Tilt
L	5209 875				Wiper & Washer (Rear)

P-BODY					
A	4221 949				Back-Up Lamp, 2.2 Eng. Manual
C	4373 296				Door Pillar, Frt.
D	4221 731				E.B.L. (Heated Rear Window)
E	4221 170				Glove Box Lamp
G	4373 134				Headlamp
H	3488 432				Ignition Key Buzzer
I	4373 145				Stop Lamp, w/Speed Control
	4373 144				w/o Speed Control
J	4373 342				Turn Signal & Hazard Warning, w/o Tilt
	4221 956				w/Tilt
K	4373 122				Windshield Wiper, w/o Tilt, Up To 5-9-88
	4373 542				(Aft. 5-9-88)
	4439 026				w/Intermittent, w/Tilt, Up To 5-9-88
	4373 541				Aft. 5-9-88
M	4221 697				Clutch Speed Control
N	4221 574				Door Ajar, Front & Rear, Ind. Lp.
	4373 037				Door Ajar, Rear
O	4373 205				Fog Lamp
	4221 826				Fog Lamp, Rear, EUROPE
P	4373 218				Liftgate Open-Cargo & Dome Lp.

MODEL CODES

C BODY = (D41 - DYNASTY)(C41 - NEW YORKER)
 E BODY = (J - CARAVELLE)(E - 600)(T - NEW YORKER TURBO)
 G BODY = (V24 - DAYTONA, PACIFICA & SHELBY)
 H BODY = (D44 - LANCER)(C44 - LEBARON GTS)
 J BODY = (C - LEBARON)
 K BODY = (P - RELIANT)(D - ARIES)(C - LEBARON/ TOWN & COUNTRY)

L BODY = (M - HORIZON)(Z-OMNI)
 M BODY = (B - GRAN FURY)(G - DIPLOMAT)(F - FIFTH AVENUE/NEWPORT)
 P BODY = (P - SUNDANCE)(D - SHADOW)
 Q BODY = (C27 - MASERATI)
 S BODY = (H - VOYAGER)(K - RAM VAN/ CARAVAN)

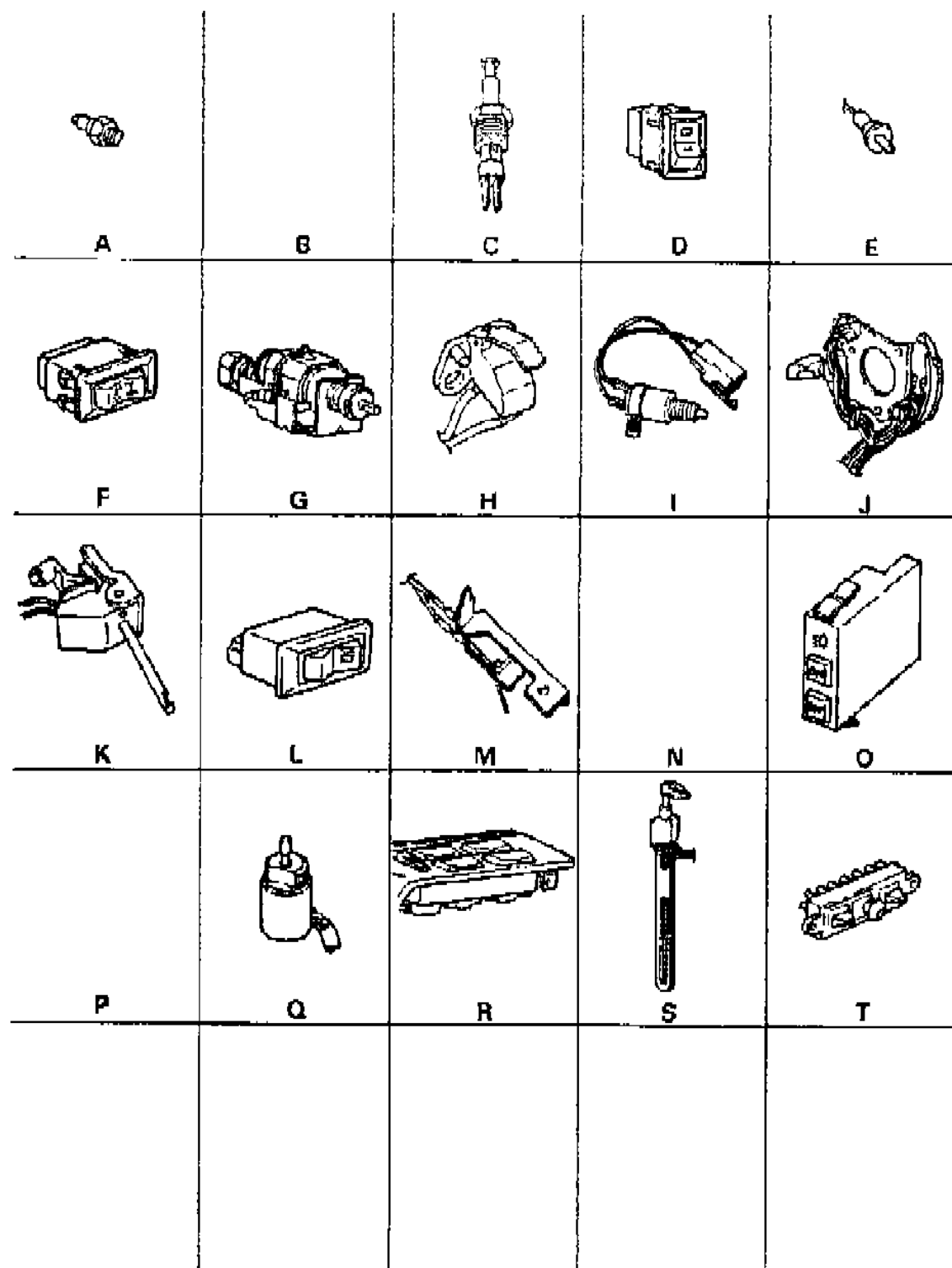
BODY STYLES

12-52 = FWD VAN & WAGON STD. W.B. 27 = 2-DOOR CONVERTIBLE
 13-53 = FWD VAN & WGN EXT W.B. 41 = 4-DOOR SEDAN
 21 = 2-DOOR SEDAN 44 = 4-DOOR HATCHBACK
 24 = 2-DOOR HATCHBACK 45 = 4-DOOR STATION WAGON

AR = Use as Required - = Non Illustrated Part P.A.R. = Paint as Required

SWITCHES
Figure 8-110

8108 110



ITEM	PART NUMBER	QTY	BODY	MODEL	DESCRIPTION
Q	4373 011				Dual Remote Mirrors, Use Knob 4221622
R	4373 081				Window Lift, Console, 5-Gang
	4373 077				Window Lift, 2-Gang
	4373 075				Window Lift, Rear Door
	4373 222				Window Lift, Door Lock
			*****		*****
					J-BODY
A	4221 949				Back-Up Lamp, 2.2 Eng. (Manual)
C	4373 037				Door Pillar, Front
D	4373 237			27	E.B.L., (Heated Rear Window) (Cut-Out)
	4373 071			27	E.B.L., (Heated Rear Window) (Console)
	4373 399			21	
E	4221 170				Glove Box Lamp
G	4221 407				Headlamp
H	4221 497				Ignition Key Buzzer, w/o Tilt
	3488 432				Ignition Key Buzzer
I	4373 145				Stop Lamp, w/Speed Control
	4373 144				w/o Speed Control
J	4373 387				Turn Signal & Hazard Warning, w/o Tilt
	4373 342				w/o Tilt, w/Airbag (Passive)
	4373 388				w/Tilt, w/Cornering Lamp
	4373 386				w/Tilt, Up to 4-25-88
	4373 295				w/Tilt, Aft. 4-25-88
	4373 344				w/Tilt, w/Airbag (Passive)
K	4373 390				Windshield Wiper, w/Intermittent, w/Tilt
	4373 389				w/Intermittent, w/o Tilt
N	4221 574				Door Ajar, Front & Rear, Ind. Lamp
	4221 826				Fog Lamp, Rear, EUROPE
P	4373 054				Trunk Ajar & Cargo Lamp
	4373 255			27	Deck Lid Release, Power
Q	4373 011				Dual Remote Mirrors, Use Knob 4373120
R	4373 077			21	Window Lift, 2-Gang
	4373 009			27	Window Lift, 4-Gang
S	4373 148				Illum. Entry
T	4373 006				Seat Adjuster, w/Plate
	4373 071				Folding Top
	4221 346				Trans. Oil Pressure (Use Adapter 6032269)

MODEL CODES

C BODY = (D41 - DYNASTY)(C41 - NEW YORKER)
 E BODY = (J - CARAVELLE)(E - 600)(T - NEW YORKER TURBO)
 G BODY = (V24 - DAYTONA, PACIFICA & SHELBY)
 H BODY = (D44 - LANCER)(C44 - LEBARON GTS)
 J BODY = (C - LEBARON)
 K BODY = (P - RELIANT)(D - ARIES)(C - LEBARON/ TOWN & COUNTRY)

L BODY = (M - HORIZON)(Z-OMNI)
 M BODY = (B - GRAN FURY)(G - DIPLOMAT)(F - FIFTH AVENUE/NEWPORT)
 P BODY = (P - SUNDANCE)(D - SHADOW)
 Q BODY = (C27 - MASERATI)
 S BODY = (H - VOYAGER)(K - RAM VAN/ CARAVAN)

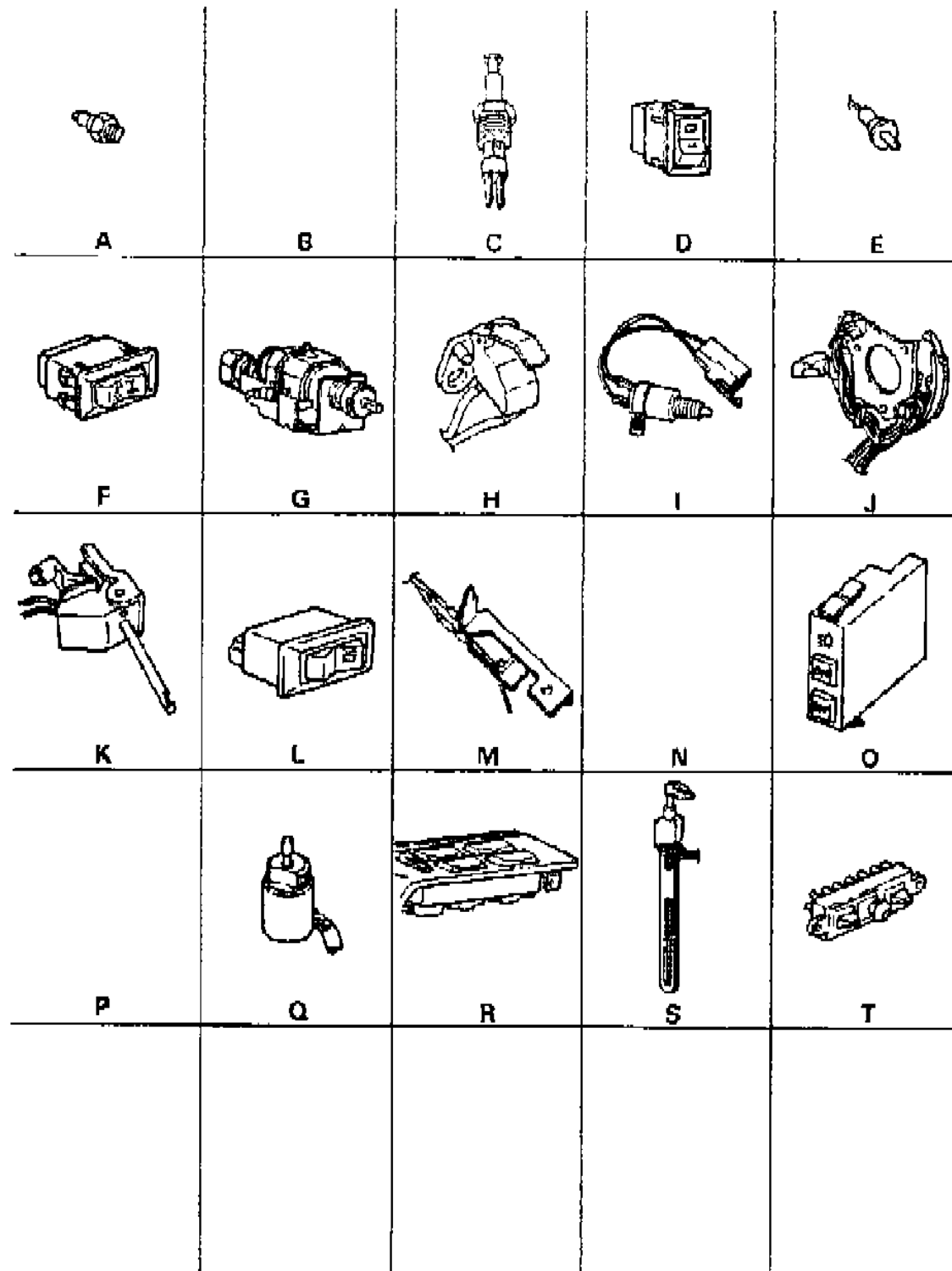
BODY STYLES

12-52 = FWD VAN & WAGON STD. W.B. 27 = 2-DOOR CONVERTIBLE
 13-53 = FWD VAN & WGN EXT W.B. 41 = 4-DOOR SEDAN
 21 = 2-DOOR SEDAN 44 = 4-DOOR HATCHBACK
 24 = 2-DOOR HATCHBACK 45 = 4-DOOR STATION WAGON

AR = Use as Required - = Non Illustrated Part P.A.R. = Paint as Required

SWITCHES
Figure 8-110

8108 110



ITEM	PART NUMBER	QTY	BODY	MODEL	DESCRIPTION
	4373 237			27	E.B.L. Cut-Out, w/Bracket ***** *****
A	4221 949				K-E-BODY Back-Up Lamp, 2.2 Eng. (Manual)
B				45	Liftgate Cargo, (Serv. in Latch Assy.)
C	4373 037				Door Pillar, Front
	4373 187				Door Pillar, Rear
D	4221 078				E.B.L., (Heated Rear Window)
E	4221 170				Glove Box Lamp
F	3747 154				Deck Lid Release
G	4373 134			P-D	Headlamp
	4373 135			C	Headlamp
H					Ignition Key, See Illus. 7200
	4221 303				Ignition Key Buzzer, w/o Tilt
	3488 432				Ignition Key Buzzer
I	4373 145				Stop Lamp, w/Speed Control
	4373 144				w/o Speed Control
J	4373 198				Turn Signal & Hazard Warning, w/o Tilt
	4221 304		E		w/Tilt, w/o Cornering Lps.
	4221 305				w/Tilt, w Cornering Lp.
K	4373 126				Windshield Wiper, w/Intermittent, w/o Tilt
	4439 027				w/Intermittent, w/Tilt
L	4221 080				Wiper & Washer, Rear w/Elec. Inst. Cluster
	4221 389				Wiper & Washer, Rear
M	4221 697				Clutch Speed Control
N	4221 574				Door Ajar, Frt. & Rear Ind. Lamp
P	5209 922			45	Liftgate Ajar
	5209 922				Trunk Ajar
Q	4221 874				Dual Remote Mirrors
	4221 395			41-45	Dual Remote Mirrors
R	4373 073				Window Lift, Trim Mtd., 1-Gang
	4373 072				Window Lift, Trim Mtd., 5-Gang
	4373 079		E		Window Lift, Arm Rest, 5-Gang
	4373 073				Door Lock, Use Retainer 4221893
T	3747 924				Seat Adjuster
	3747 935				Folding Top, Console Mtd.
	4221 767				Vacuum Audible Message, TBI

MODEL CODES

C BODY = (D41 - DYNASTY)(C41 - NEW YORKER)
 E BODY = (J - CARAVELLE)(E - 600)(T - NEW YORKER TURBO)
 G BODY = (V24 - DAYTONA, PACIFICA & SHELBY)
 H BODY = (D44 - LANCER)(C44 - LEBARON GTS)
 J BODY = (C - LEBARON)
 K BODY = (P - RELIANT)(D - ARIES)(C - LEBARON/ TOWN & COUNTRY)

L BODY = (M - HORIZON)(Z-OMNI)
 M BODY = (B - GRAN FURY)(G - DIPLOMAT)(F - FIFTH AVENUE/NEWPORT)
 P BODY = (P - SUNDANCE)(D - SHADOW)
 Q BODY = (C27 - MASERATI)
 S BODY = (H - VOYAGER)(K - RAM VAN/ CARAVAN)

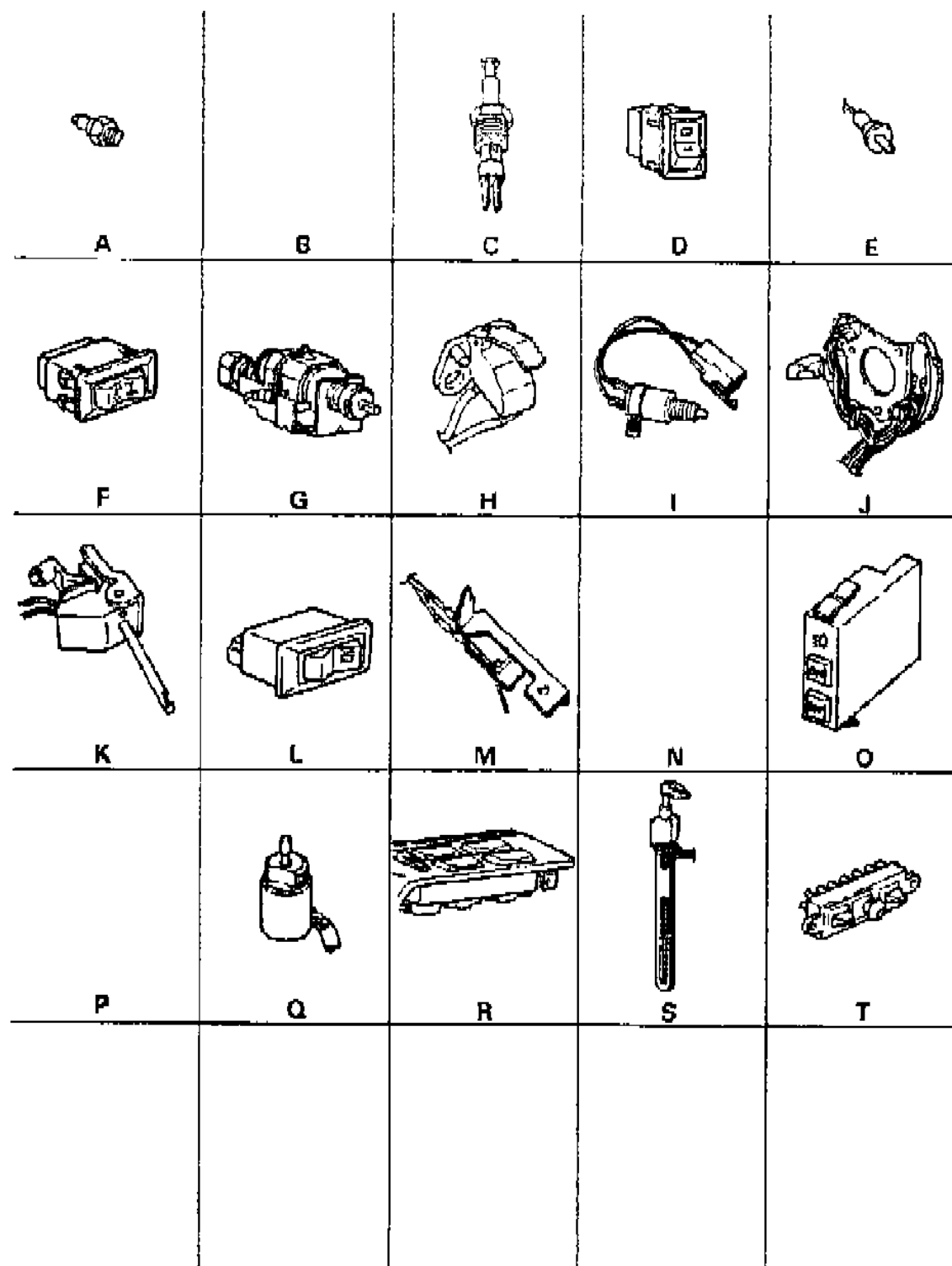
BODY STYLES

12-52 = FWD VAN & WAGON STD. W.B. 27 = 2-DOOR CONVERTIBLE
 13-53 = FWD VAN & WGN EXT W.B. 41 = 4-DOOR SEDAN
 21 = 2-DOOR SEDAN 44 = 4-DOOR HATCHBACK
 24 = 2-DOOR HATCHBACK 45 = 4-DOOR STATION WAGON

AR = Use as Required - = Non Illustrated Part P.A.R. = Paint as Required

SWITCHES
Figure 8-110

8108 110



ITEM	PART NUMBER	QTY	BODY	MODEL	DESCRIPTION

					G-BODY
A	4221 949				Back-Up Lamp, 2.2 Eng. (Manual)
C	4373 037				Door Pillar Front
D	4373 399				E.B.L. (Heated Rear Window)
E	4221 170				Glove Box Lamp
G	4221 407				Headlamp
H	4221 497				Ignition Key Buzzer, w/o Tilt
	3488 432				Ignition Key Buzzer, w/Tilt
	4221 954				Ignition Key Buzzer
I	4373 145				Stop Lamp, w/Speed Control
	4373 144				w/o Speed Control
J	4373 198				Turn Signal & Hazard Warning, w/o Tilt
	4373 387				w/o Tilt
	4373 342				w/o Tilt, w/Airbag (Passive)
	4373 344				w/Tilt, w/Airbag
	4373 388				w/Tilt
	4373 295				w/Tilt, w/Cornering Lamps (26005928)
K	4373 390				Windshield Wiper, w/Intermittent, w/Tilt, w/Shaft
	4373 389				w/Intermittent, w/o Tilt
L	4221 972				Wiper & Washer, (Rear)
M	4221 697				Clutch Speed Control
N	4221 574				Door Ajar, Frt. & Rear Ind. Lamp
P	4373 218				Liftgate Open-Cargo & Dome
Q	4373 011				Dual Remote Mirrors
R	4373 077				Window Lift, 2-Gang
S	4373 148				Illum. Entry
	4221 452				Amplifier, Rear
	4221 751				Lumbar & Thigh
	4221 346				Trans. Oil Pressure, Use Adapter 6032269
	4221 983				Seat Adjuster

					H-BODY
A	4221 949				Back-Up Lamp, 2.2 Eng. (Manual)
C	4373 037				Door Pillar, Front
D	4221 853				E.B.L., (Heated Rear Window)
E	4221 170				Glove Box

MODEL CODES
 C BODY = (D41 - DYNASTY)(C41 - NEW YORKER)
 E BODY = (J - CARAVELLE)(E - 600)(T - NEW YORKER TURBO)
 G BODY = (V24 - DAYTONA, PACIFICA & SHELBY)
 H BODY = (D44 - LANCER)(C44 - LEBARON GTS)
 J BODY = (C - LEBARON)
 K BODY = (P - RELIANT)(D - ARIES)(C - LEBARON/ TOWN & COUNTRY)

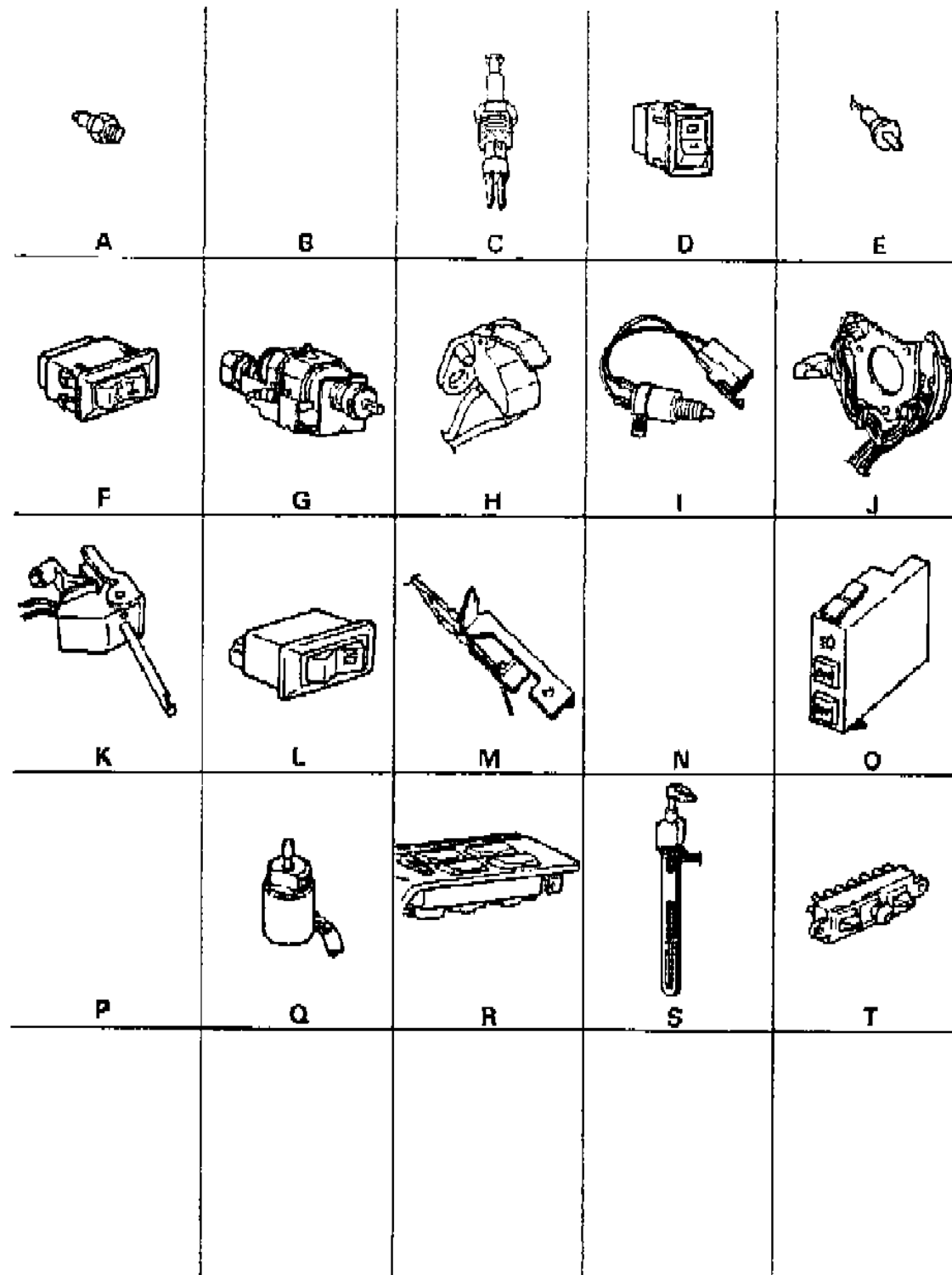
L BODY = (M - HORIZON)(Z-OMNI)
 M BODY = (B - GRAN FURY)(G - DIPLOMAT)(F - FIFTH AVENUE/NEWPORT)
 P BODY = (P - SUNDANCE)(D - SHADOW)
 Q BODY = (C27 - MASERATI)
 S BODY = (H - VOYAGER)(K - RAM VAN/ CARAVAN)

BODY STYLES
 12-52 = FWD VAN & WAGON STD. W.B. 27 = 2-DOOR CONVERTIBLE
 13-53 = FWD VAN & WGN EXT W.B. 41 = 4-DOOR SEDAN
 21 = 2-DOOR SEDAN 44 = 4-DOOR HATCHBACK
 24 = 2-DOOR HATCHBACK 45 = 4-DOOR STATION WAGON

AR = Use as Required - = Non Illustrated Part P.A.R. = Paint as Required

SWITCHES
Figure 8-110

8108 110



ITEM	PART NUMBER	QTY	BODY	MODEL	DESCRIPTION
G	4373 135				Headlamp
H	4221 303				Ignition Key Buzzer, w/o Tilt
	3488 432				Ignition Key Buzzer, w/Tilt
	4221 954				Ignition Key Buzzer
I	4373 144				Stop Lamp, w/o Speed Control
J	4221 304				Turn Signal & Hazard Warning, w/Tilt
	4373 198				w/o Tilt
K	4373 126				Windshield Wiper, w/Intermittent, w/o Tilt
	4439 027				w/Intermittent, w/Tilt
L	4221 510				Wiper & Washer (Rear)
M	4221 697				Clutch Speed Control
N	4221 574				Door Ajar, Frt. & Rear Ind. Lamp
O	4373 411				Fog Lamp
	4221 826				Fog Lamp, Rear, EUROPE
P	4373 218				Liftgate Open-Cargo & Dome
Q	4221 617				Dual Remote Mirrors, Use Knob 4221622
R	4373 072				Window Lift, Trim Mtd. 1-Gang
	4373 080				Window Lift, 5-Gang
	4373 074				Window Lift, 1-Gang w/Bezel
	4373 222				Window Lift & Door Lock
S	4221 729				Illum. Entry
T	3747 924				Seat Adjuster
	4221 767				Vacuum Audible Message, TBI
	4373 196				Console Compartment Lamp
	4373 383				Sunroof

C-BODY					
C	4373 037				Door Pillar Front
D	4373 403				E.B.L. (Heated Rear Window)
E	4221 170				Glove Box Lamp
F	4373 087				Deck Lid Release, Remote (Glovebox)
	4373 224				Deck Lid Release, Power (Latch)
G	4373 134				Headlamp
I	4373 591				Stop Lamp, w/Speed Control, w/Anti-Skid
J	4221 305				Turn Signal & Hazard Warning, w/Tilt
	4373 199				w/o Tilt
K	4373 215				Windshield Wiper, w/Intermittent, w/o Tilt

MODEL CODES

C BODY = (D41 - DYNASTY)(C41 - NEW YORKER)
 E BODY = (J - CARAVELLE)(E - 600)(T - NEW YORKER TURBO)
 G BODY = (V24 - DAYTONA, PACIFICA & SHELBY)
 H BODY = (D44 - LANCER)(C44 - LEBARON GTS)
 J BODY = (C - LEBARON)
 K BODY = (P - RELIANT)(D - ARIES)(C - LEBARON/ TOWN & COUNTRY)

L BODY = (M - HORIZON)(Z-OMNI)
 M BODY = (B - GRAN FURY)(G - DIPLOMAT)(F - FIFTH AVENUE/NEWPORT)
 P BODY = (P - SUNDANCE)(D - SHADOW)
 Q BODY = (C27 - MASERATI)
 S BODY = (H - VOYAGER)(K - RAM VAN/ CARAVAN)

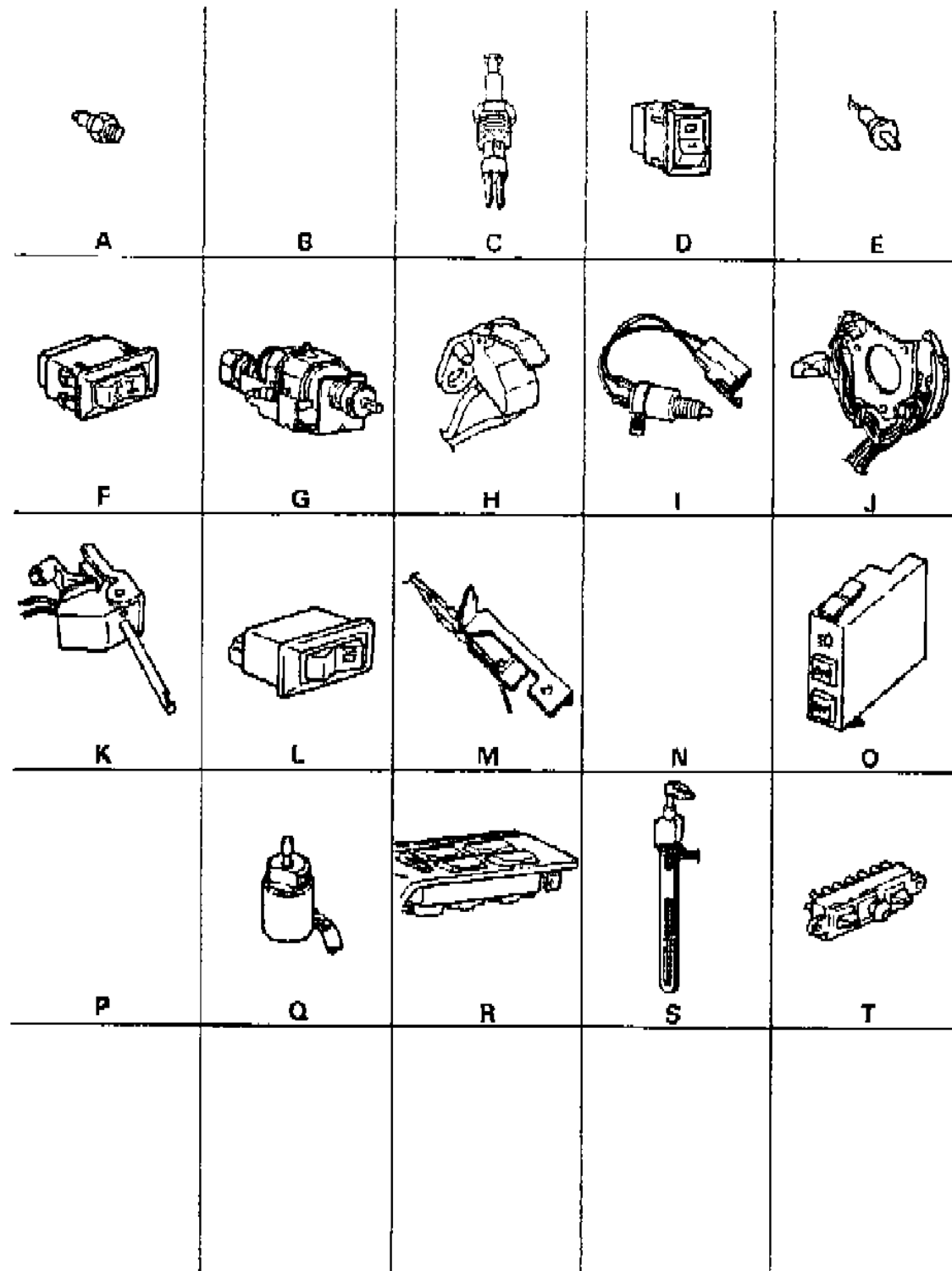
BODY STYLES

12-52 = FWD VAN & WAGON STD. W.B. 27 = 2-DOOR CONVERTIBLE
 13-53 = FWD VAN & WGN EXT W.B. 41 = 4-DOOR SEDAN
 21 = 2-DOOR SEDAN 44 = 4-DOOR HATCHBACK
 24 = 2-DOOR HATCHBACK 45 = 4-DOOR STATION WAGON

AR = Use as Required - = Non Illustrated Part P.A.R. = Paint as Required

SWITCHES
Figure 8-110

8108 110



ITEM	PART NUMBER	QTY	BODY	MODEL	DESCRIPTION
	4439 029				w/Intermittent, w/Tilt
N	4221 574				Door Ajar, Front & Rear Ind. Lamp
	4373 037				Door Ajar, Rear
P	5209 922				Trunk Ajar
Q	4373 232				Dual Remote Mirrors, Use Knob 4373456
R	4373 081				Window Lift, 5-Gang (Black)
	4373 219				Window Lift, Door, 5-Gang (Chrome)
	4373 221				1-Gang, Rt. (Chrome)
	4373 222				1-Gang, Rt. (Black)
	4373 221				Door Lock, (Chrome)
T	4419 191				Seat Adjuster, w/Bezel (Mounting Screw 6033273)
	4419 192		S		Seat Adjuster, w/Bezel (Landau) (Mounting Nut 6033273)
	4373 082				Folding Top, Sunroof
	4221 346				Trans. Oil Pressure (Use Adapter 6032269)
	4373 222				Door Lock, 1-Gang (Black)
	4373 221				Door Lock, 1-Gang (Chrome)
	4485 318				Control Pressure, (S-1)
	4373 231				Illum. Entry
			*****		*****
					S-BODY
A	4221 949				Back-Up Lamp, 2.2 Eng. (Manual)
C	4373 096				Door Pillar, Front & Sliding Door
D	4221 971				E.B.L., (Heated Rear Window)
E	3747 079				Glove Box Lamp
G	#4373 136				Headlamp (Up To 2-1-89)
	4373 578				(Aft. 2-1-89)
H	4221 497				Ignition Key Buzzer, w/o Tilt
	3488 432				Ignition Key Buzzer
I	4373 147				Stop Lamp, w/Speed Control
	4293 920				Stop Lamp, w/o Speed Control
J	4373 200				Turn Signal & Hazard Warning, w/o Tilt
	4221 485				w/Tilt
K	4373 124				Windshield Wiper, w/Intermittent, w/Shaft
	4439 028				w/Intermittent, w/Tilt
L	4221 972				Wiper & Washer, (Rear)
M	4379 039				Clutch Speed Control
N	4221 574				Door Ajar, Front & Rear Ind. Lamp

MODEL CODES

C BODY = (D41 - DYNASTY)(C41 - NEW YORKER)
 E BODY = (J - CARAVELLE)(E - 600)(T - NEW YORKER TURBO)
 G BODY = (V24 - DAYTONA, PACIFICA & SHELBY)
 H BODY = (D44 - LANCER)(C44 - LEBARON GTS)
 J BODY = (C - LEBARON)
 K BODY = (P - RELIANT)(D - ARIES)(C - LEBARON/ TOWN & COUNTRY)

L BODY = (M - HORIZON)(Z-OMNI)
 M BODY = (B - GRAN FURY)(G - DIPLOMAT)(F - FIFTH AVENUE/NEWPORT)
 P BODY = (P - SUNDANCE)(D - SHADOW)
 Q BODY = (C27 - MASERATI)
 S BODY = (H - VOYAGER)(K - RAM VAN/ CARAVAN)

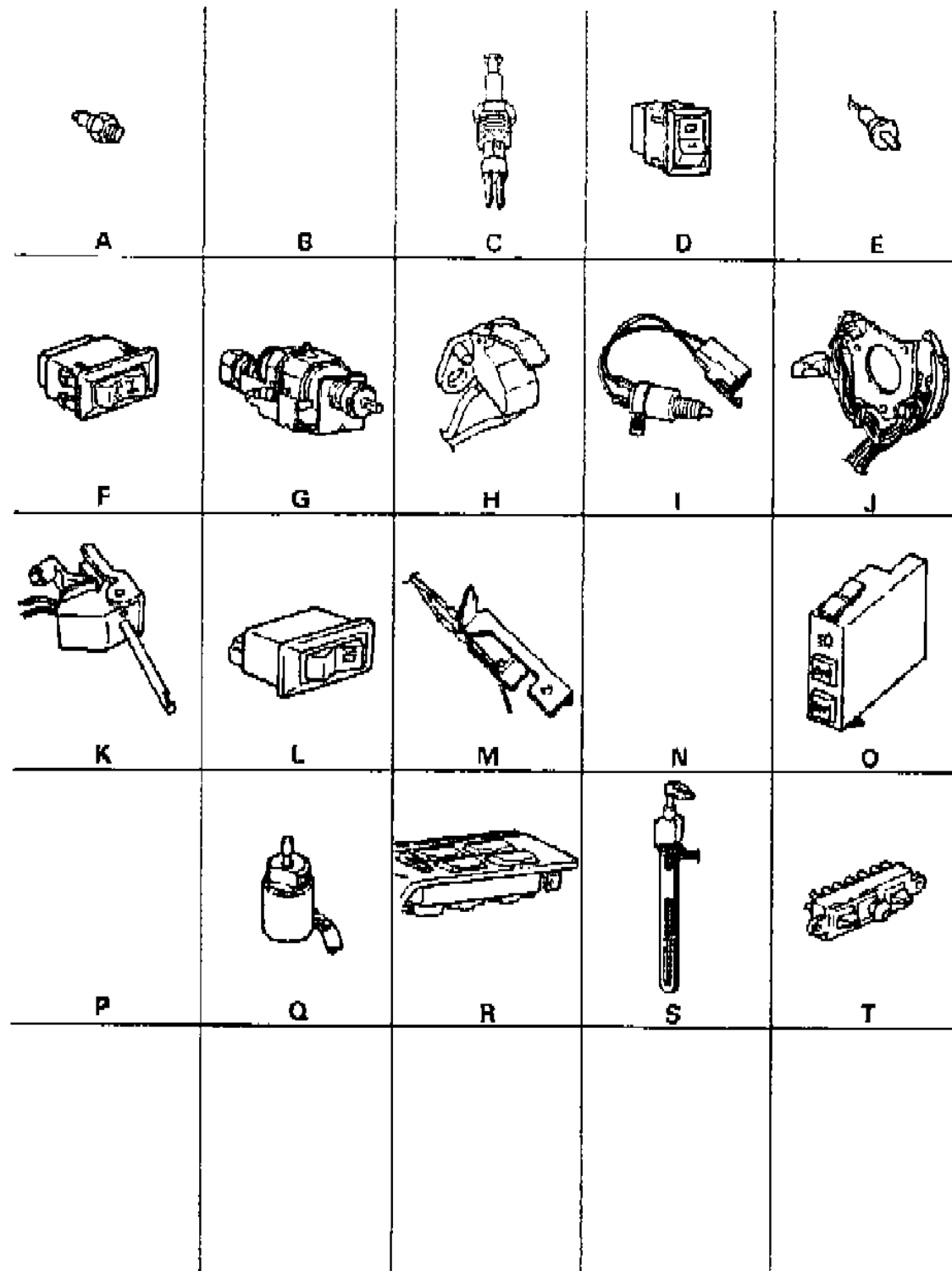
BODY STYLES

12-52 = FWD VAN & WAGON STD. W.B. 27 = 2-DOOR CONVERTIBLE
 13-53 = FWD VAN & WGN EXT W.B. 41 = 4-DOOR SEDAN
 21 = 2-DOOR SEDAN 44 = 4-DOOR HATCHBACK
 24 = 2-DOOR HATCHBACK 45 = 4-DOOR STATION WAGON

AR = Use as Required - = Non Illustrated Part P.A.R. = Paint as Required

SWITCHES
Figure 8-110

8108 110



ITEM	PART NUMBER	QTY	BODY	MODEL	DESCRIPTION
	4373 037				Door Ajar, Rear
	4221 548				Dome, Cargo, Courtesy, Flood Lamp
P	4221 818				Liftgate Open, Cargo & Dome
Q	4373 008				Dual Remote Mirror
R	4373 077				Window Lift, 2-Gang
	4373 071				Window Lift, 1-Gang
	4373 071				Door Lock
T	3747 924				Seat Adjuster
	4373 055				Storage Compartment, Underseat
	4397 425				Dome Lamp Override
	4373 119				Rear Heater
	4373 255				Rear Blower
			*****		*****
					M-BODY
C	4373 187				Door Pillar, Rear
D	4373 397				E.B.L., (Heated Rear Window)
E	3747 079				Glove Box Lamp
F	3747 154				Deck Lid Release
G	4221 248				Headlamp
H	4221 303				Ignition Key Buzzer, w/o Tilt
	4131 522				Ignition Key Buzzer, w/o Tilt
	3488 432				Ignition Key Buzzer, w/Tilt
I	4221 980				Stop Lamp, w/Speed Control
	4221 979				Stop Lamp, w/o Speed Control
J	4373 200				Turn Signal & Hazard Warning, w/o Tilt
	4221 485				w/Tilt
	4373 412				w/Tilt, w/Airbag (Active)
K	4373 124				Windshield Wiper, w/o Intermittent, w/Shaft
	4439 063				w/Intermittent, w/Tilt
N	#4221 025				Door Ajar, Front & Rear
Q	4373 404				Remote Mirrors, Use Knob 4373457, Mtg. Screw 3760795
R	4131 376				Window Lift, Armrest, 1-Gang
	4131 377				Window Lift, Armrest, 5-Gang
S	4221 834				Illum. Entry
T	3747 957				Seat Adjuster, 4-Way Rt.
	3747 740				6-Way Lt.
	3747 874				Amplifier, Rear

MODEL CODES

C BODY = (D41 - DYNASTY)(C41 - NEW YORKER)
 E BODY = (J - CARAVELLE)(E - 600)(T - NEW YORKER TURBO)
 G BODY = (V24 - DAYTONA, PACIFICA & SHELBY)
 H BODY = (D44 - LANCER)(C44 - LEBARON GTS)
 J BODY = (C - LEBARON)
 K BODY = (P - RELIANT)(D - ARIES)(C - LEBARON/ TOWN & COUNTRY)

L BODY = (M - HORIZON)(Z-OMNI)
 M BODY = (B - GRAN FURY)(G - DIPLOMAT)(F - FIFTH AVENUE/NEWPORT)
 P BODY = (P - SUNDANCE)(D - SHADOW)
 Q BODY = (C27 - MASERATI)
 S BODY = (H - VOYAGER)(K - RAM VAN/ CARAVAN)

BODY STYLES

12-52 = FWD VAN & WAGON STD. W.B. 27 = 2-DOOR CONVERTIBLE
 13-53 = FWD VAN & WGN EXT W.B. 41 = 4-DOOR SEDAN
 21 = 2-DOOR SEDAN 44 = 4-DOOR HATCHBACK
 24 = 2-DOOR HATCHBACK 45 = 4-DOOR STATION WAGON

AR = Use as Required - = Non Illustrated Part P.A.R. = Paint as Required

MODULES
Figure 8-120

8108 120

ITEM	PART NUMBER	QTY	BODY	MODEL	DESCRIPTION
MODULES					
L-BODY					
R	4304 519				Fuse Block, w/o Dots
	5211 741		*****		w/Dots *****
P-BODY					
A	4368 099				T/Sig., Hazard & Horn
R	4368 042		*****		Fuse Block *****
J-BODY					
B	4437 108				Time Delay, Concealed H/Lamp
	4437 107				w/o Time Delay, Concealed H/Lamp
	4503 193				Headlamp Outage
C	H504 GS8				Headphone, Charcoal
	H504 GR8				Red
	H504 GC5				Blue
	H504 GL7				Taupe
D	4437 010				Electronic Monitor
E	4374 972			21	Airbag Diagnostic (Use Brkt. 4503043)
	4503 042			27	
G					Message Center, See Group 8A
R	5211 741				Fuse Block, w/Dots
	4304 499				w/Lettering (Stamped 4274080)
T	4443 135		*****		Power & Vacuum, A.T.C. *****
K-E-BODY					
F	4374 379				Electronic Cluster
G	4374 382		*****		Mechanical Cluster & Message Center *****
G-BODY					
B	4437 108				Concealed H/Lamp, w/Time Delay
	4437 107				w/o Time Delay
D	4437 012				Electronic Monitor
H	4374 183				Navigator
E	4374 972				Airbag Diagnostic
R	4304 499		*****		Fuse Block *****

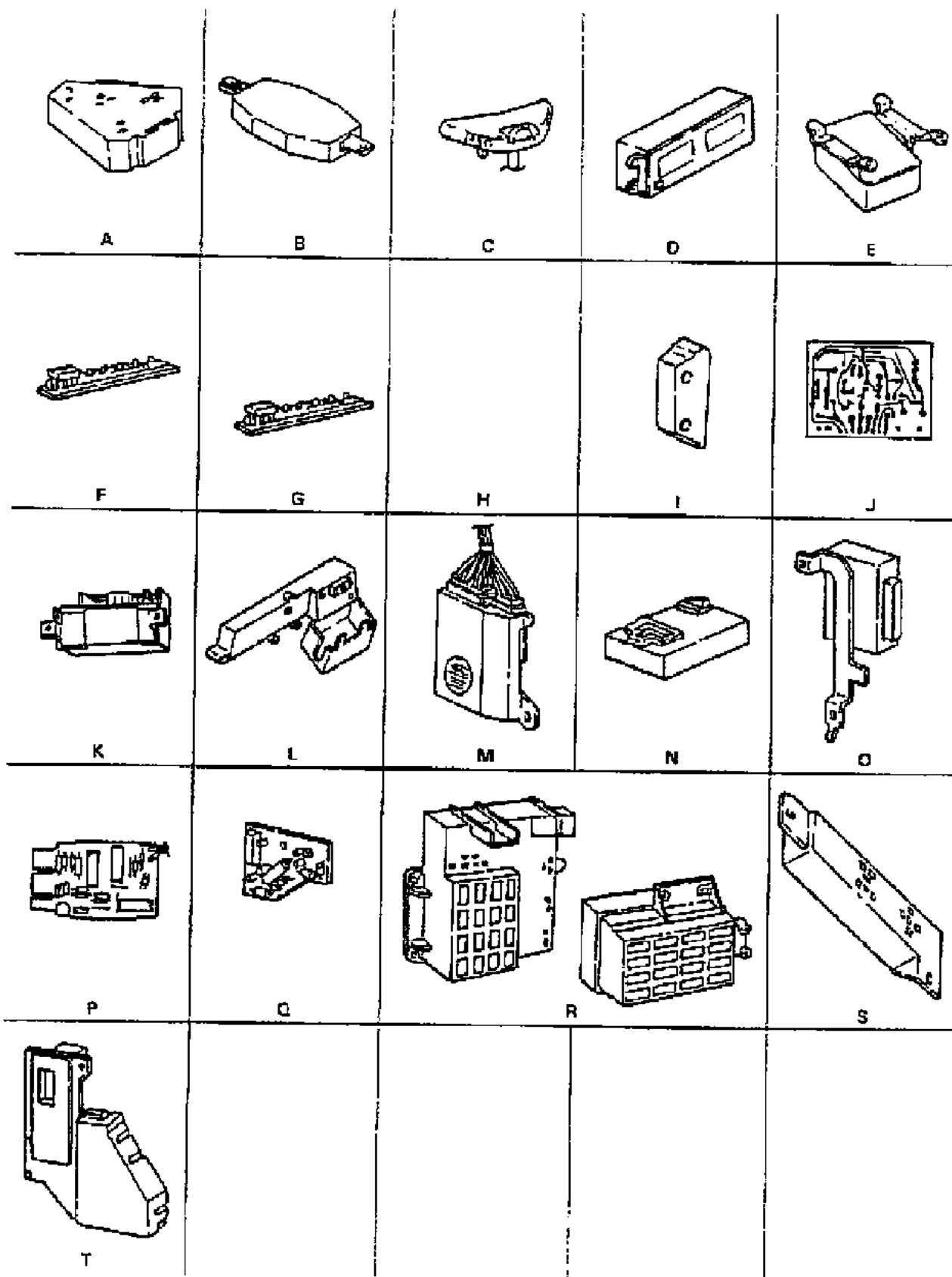
MODEL CODES

C BODY = (D41 - DYNASTY)(C41 - NEW YORKER)	L BODY = (M - HORIZON)(Z-OMNI)
E BODY = (J - CARAVELLE)(E - 600)(T - NEW YORKER TURBO)	M BODY = (B - GRAN FURY)(G - DIPLOMAT)(F - FIFTH AVENUE/NEWPORT)
G BODY = (V24 - DAYTONA, PACIFICA & SHELBY)	P BODY = (P - SUNDANCE)(D - SHADOW)
H BODY = (D44 - LANCER)(C44 - LEBARON GTS)	Q BODY = (C27 - MASERATI)
J BODY = (C - LEBARON)	S BODY = (H - VOYAGER)(K - RAM VAN/ CARAVAN)
K BODY = (P - RELIANT)(D - ARIES)(C - LEBARON/ TOWN & COUNTRY)	

BODY STYLES

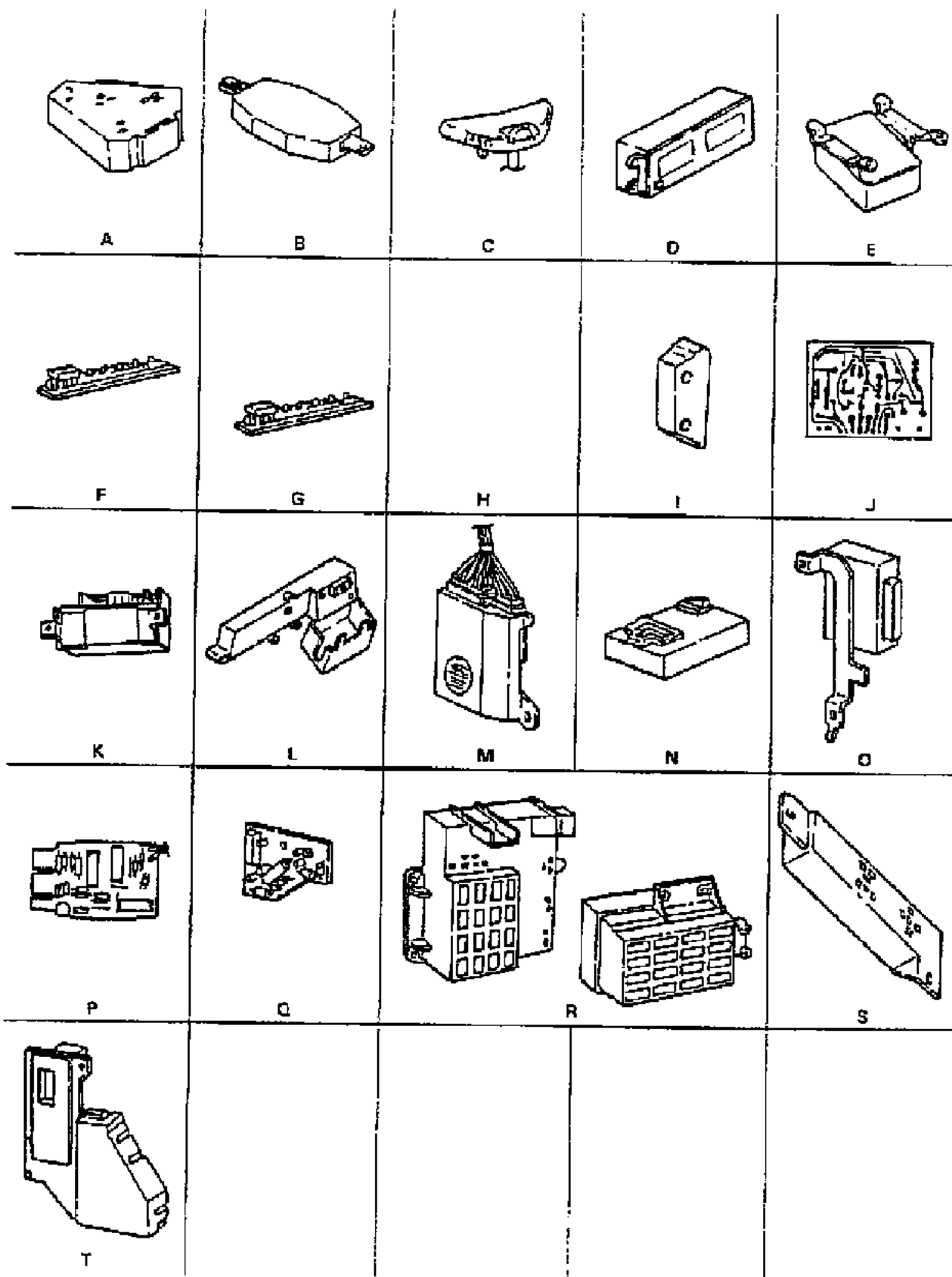
12-52 = FWD VAN & WAGON STD. W.B.	27 = 2-DOOR CONVERTIBLE
13-53 = FWD VAN & WGN EXT W.B.	41 = 4-DOOR SEDAN
21 = 2-DOOR SEDAN	44 = 4-DOOR HATCHBACK
24 = 2-DOOR HATCHBACK	45 = 4-DOOR STATION WAGON

AR = Use as Required - = Non Illustrated Part P.A.R. = Paint as Required



MODULES
Figure 8-120

8108 120



ITEM	PART NUMBER	QTY	BODY	MODEL	DESCRIPTION
H-BODY					
A	4368 099				T/Sig., Hazard & Horn
I	4312 664				Chimes
G					Message Center, See Group 8A
J	4051 861				Gauge Alert
R	4331 464				Fuse Block
			*****		*****
C-BODY					
B	4437 382				Concealed Headlamp
C	H485 GS8				Rear Headphone, Charcoal
	H485 GR8				Red
	H485 GC5				Blue
	H485 GL7				Taupe
K	4374 034				Anti-Brake
L	4374 367				Engine Node (E.V.I.C), Use Bracket 4374967
M					Body Controller, (Basic) Stamped 4437561 (Return Center) (Premium) Stamped 4437560 (Return Center)
N	4374 339				Lamp Outage
O	4374 570				Load Leveling
R	4400 912				Fuse Block
S	4419 196				Pwr. Antenna & Door Lock
T	4443 135				Power & Vacuum, A.T.C..
			*****		*****
S-BODY					
P	4437 014				Board, Circuit
Q	4375 318				Fuel Gauge Damper
R	4304 499				Fuse Block
			*****		*****
M-BODY					
E	4437 269				Air Bag Diagnostic
R	#4124 697				Fuse Block

MODEL CODES

C BODY = (D41 - DYNASTY)(C41 - NEW YORKER)	L BODY = (M - HORIZON)(Z-OMNI)
E BODY = (J - CARAVELLE)(E - 600)(T - NEW YORKER TURBO)	M BODY = (B - GRAN FURY)(G - DIPLOMAT)(F - FIFTH AVENUE/NEWPORT)
G BODY = (V24 - DAYTONA, PACIFICA & SHELBY)	P BODY = (P - SUNDANCE)(D - SHADOW)
H BODY = (D44 - LANCER)(C44 - LEBARON GTS)	Q BODY = (C27 - MASERATI)
J BODY = (C - LEBARON)	S BODY = (H - VOYAGER)(K - RAM VAN/ CARAVAN)
K BODY = (P - RELIANT)(D - ARIES)(C - LEBARON/ TOWN & COUNTRY)	

BODY STYLES

12-52 = FWD VAN & WAGON STD. W.B.	27 = 2-DOOR CONVERTIBLE
13-53 = FWD VAN & WGN EXT W.B.	41 = 4-DOOR SEDAN
21 = 2-DOOR SEDAN	44 = 4-DOOR HATCHBACK
24 = 2-DOOR HATCHBACK	45 = 4-DOOR STATION WAGON

AR = Use as Required - = Non Illustrated Part P.A.R. = Paint as Required

SOLENOIDS
Figure 8-130

ITEM	PART NUMBER	QTY	BODY	MODEL	DESCRIPTION
					SOLENOIDS
			*****		*****
	5226 524		S		Idle-Up, 2.2 Eng.
	4246 575				Fuel Filler Door
	4246 874		S		Liftgate Latch, w/Brkt.
	5226 352		L-P		Quad. Vac.
	4396 016		H-S		Pwr. Door Lock
	4377 005				Transmission Lock-Up

ILLUSTRATION NOT AVAILABLE AT TIME OF PUBLICATION

MODEL CODES

C BODY = (D41 - DYNASTY)(C41 - NEW YORKER)
E BODY = (J - CARAVELLE)(E - 600)(T - NEW YORKER TURBO)
G BODY = (V24 - DAYTONA, PACIFICA & SHELBY)
H BODY = (D44 - LANCER)(C44 - LEBARON GTS)
J BODY = (C - LEBARON)
K BODY = (P - RELIANT)(D - ARIES)(C - LEBARON/ TOWN & COUNTRY)
L BODY = (M - HORIZON)(Z-OMNI)
M BODY = (B - GRAN FURY)(G - DIPLOMAT)(F - FIFTH AVENUE/NEWPORT)
P BODY = (P - SUNDANCE)(D - SHADOW)
Q BODY = (C27 - MASERATI)
S BODY = (H - VOYAGER)(K - RAM VAN/ CARAVAN)

BODY STYLES

12-52 = FWD VAN & WAGON STD. W.B. 27 = 2-DOOR CONVERTIBLE
13-53 = FWD VAN & WGN EXT W.B. 41 = 4-DOOR SEDAN
21 = 2-DOOR SEDAN 44 = 4-DOOR HATCHBACK
24 = 2-DOOR HATCHBACK 45 = 4-DOOR STATION WAGON

AR = Use as Required - = Non Illustrated Part P.A.R. = Paint as Required

SENSORS
Figure 8-140

ILLUSTRATION NOT AVAILABLE AT TIME OF PUBLICATION

ITEM	PART NUMBER	QTY	BODY	MODEL	DESCRIPTION
					SENSORS
			*****		*****
	5226 356				L-BODY Coolant Dual Therm
			*****		*****
					J-BODY
	4312 035				Tail Lamp Outage
	4374 649				Headlamp Outage
	4437 313				Overhead Console
	4437 313				Ambient Temp., w/Wiring
	5227 805				Charge Temp., w/Gauge
	4339 418				Coolant Fluid Level
	4374 969				Air Bag, Frt. Impact
	5226 374				Coolant Temp.
	5213 629				Detonation
			*****		*****
					P-BODY
	5213 629				Detonation
			*****		*****
					K-E BODY
	5226 356				Coolant Dual Therm
	5226 374				Coolant Temp.
	5213 629				Detonation
	4374 844				Ambient Temp
			*****		*****
					G-BODY
	4312 035				Tail Lamp Outage
	4312 108				Headlamp Outage
	4437 313				Overhead Console
	4437 313				Ambient Temp, w/Wiring
	5227 805				Charge Temp, w/Gauge
	4374 969				Air Bag, Frt. Impact
	5226 374				Coolant Temp.
	5213 629				Detonation
			*****		*****
					H-BODY

MODEL CODES

C BODY = (D41 - DYNASTY)(C41 - NEW YORKER)	L BODY = (M - HORIZON)(Z-OMNI)
E BODY = (J - CARAVELLE)(E - 600)(T - NEW YORKER TURBO)	M BODY = (B - GRAN FURY)(G - DIPLOMAT)(F - FIFTH AVENUE/NEWPORT)
G BODY = (V24 - DAYTONA, PACIFICA & SHELBY)	P BODY = (P - SUNDANCE)(D - SHADOW)
H BODY = (D44 - LANCER)(C44 - LEBARON GTS)	Q BODY = (C27 - MASERATI)
J BODY = (C - LEBARON)	S BODY = (H - VOYAGER)(K - RAM VAN/ CARAVAN)
K BODY = (P - RELIANT)(D - ARIES)(C - LEBARON/ TOWN & COUNTRY)	

BODY STYLES

12-52 = FWD VAN & WAGON STD. W.B.	27 = 2-DOOR CONVERTIBLE
13-53 = FWD VAN & WGN EXT W.B.	41 = 4-DOOR SEDAN
21 = 2-DOOR SEDAN	44 = 4-DOOR HATCHBACK
24 = 2-DOOR HATCHBACK	45 = 4-DOOR STATION WAGON

AR = Use as Required - = Non Illustrated Part P.A.R. = Paint as Required

SENSORS
Figure 8-140

ITEM	PART NUMBER	QTY	BODY	MODEL	DESCRIPTION
	4374 844				Ambient Temp., (Thermister) Outside Temp., Bracket is Part Of Sensor
	5227 805				Charge Temp., w/Gauge
	5213 629				Detonation
	5226 374				Coolant Temp
	5227 805		*****		Charge Temp. *****
	4339 418				C-BODY Coolant Fluid Level
	4383 738-9				Frnt. Wheel, w/Anti-Brake
	4383 800-1				Rear Wheel, w/Anti-Brake
	3880 450				Brk. M/Cyl. Rsvr. Fluid Level
	4294 914				Brk. Anti-Lock Fluid Level
	5226 374				Coolant Temp.
	5227 805				Charge Temp.
	5227 049		*****		Eng. Oil Level *****
	5226 374				S-BODY Coolant Temp.
	5227 805				Charge Temp.
	4374 844				Ambient Temp.
	4312 831		*****		Interlock *****
	5213 629				M-BODY Detonation
	4374 970				Air Bag, Frnt. Impact
	4374 844				Ambient Temp.
	4091 471				Eng. Temp.

ILLUSTRATION NOT AVAILABLE AT TIME OF PUBLICATION

MODEL CODES

C BODY = (D41 - DYNASTY)(C41 - NEW YORKER)	L BODY = (M - HORIZON)(Z-OMNI)
E BODY = (J - CARAVELLE)(E - 600)(T - NEW YORKER TURBO)	M BODY = (B - GRAN FURY)(G - DIPLOMAT)(F - FIFTH AVENUE/NEWPORT)
G BODY = (V24 - DAYTONA, PACIFICA & SHELBY)	P BODY = (P - SUNDANCE)(D - SHADOW)
H BODY = (D44 - LANCER)(C44 - LEBARON GTS)	Q BODY = (C27 - MASERATI)
J BODY = (C - LEBARON)	S BODY = (H - VOYAGER)(K - RAM VAN/ CARAVAN)
K BODY = (P - RELIANT)(D - ARIES)(C - LEBARON/ TOWN & COUNTRY)	

BODY STYLES

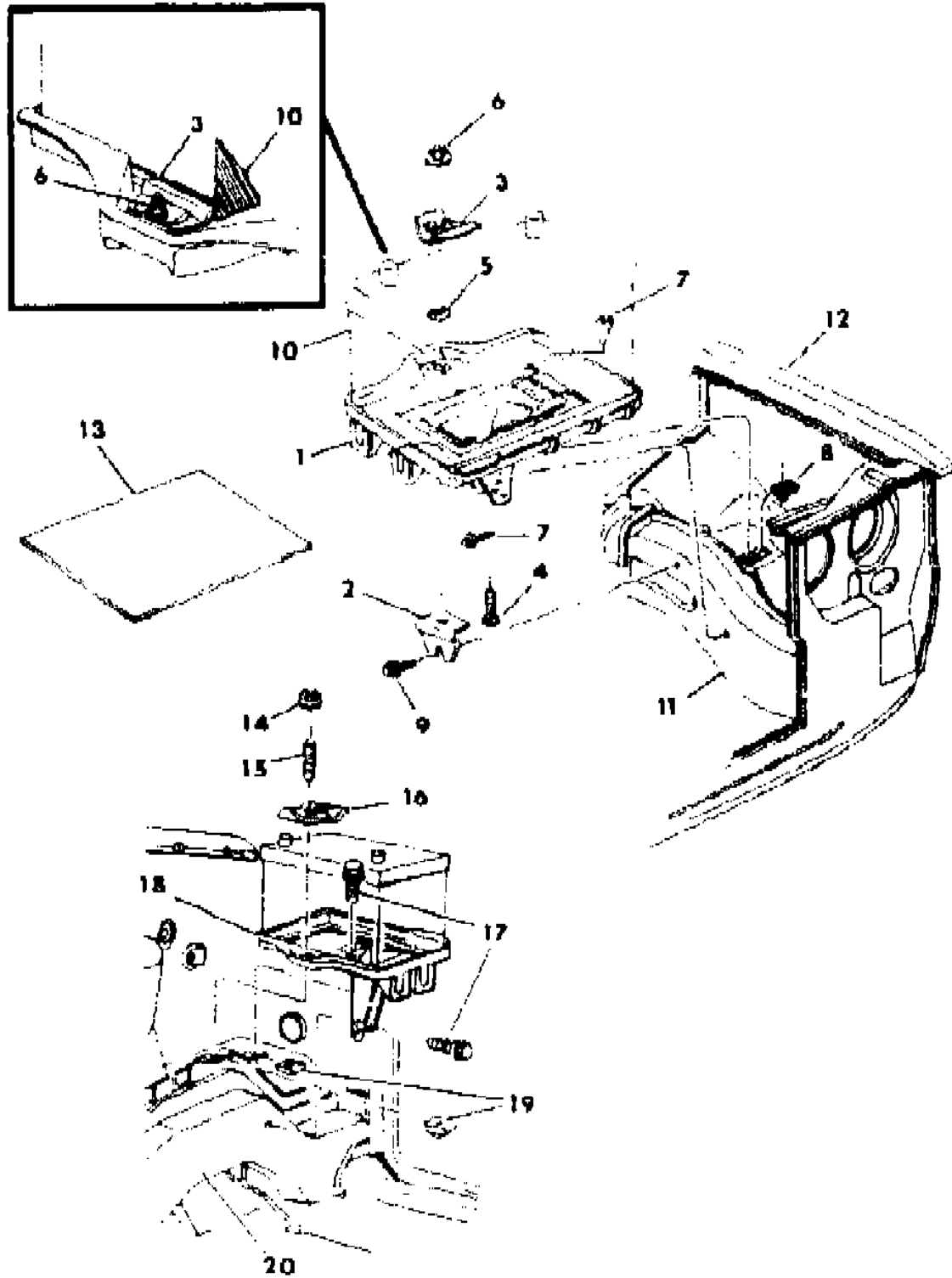
12-52 = FWD VAN & WAGON STD. W.B.	27 = 2-DOOR CONVERTIBLE
13-53 = FWD VAN & WGN EXT W.B.	41 = 4-DOOR SEDAN
21 = 2-DOOR SEDAN	44 = 4-DOOR HATCHBACK
24 = 2-DOOR HATCHBACK	45 = 4-DOOR STATION WAGON

AR = Use as Required - = Non Illustrated Part P.A.R. = Paint as Required

BATTERY TRAY L-P-J-K-G-E-C-H-S BODY

Figure 8-200

8108 200



ITEM	PART NUMBER	QTY	BODY	MODEL	DESCRIPTION
1	5202 590	1	L		TRAY, Battery
	4296 452	1	K-E-G-H		
	4296 452	1	J		
	4341 382	1	P-H		
	4386 823		C		
2	4103 775	1	K-E-H-G		BRACKET, Hold Down
	4103 775		P-J-C		
3	5202 576	1	K-E-H-G		BRACKET, Hold Down
	5202 576	1	P-J-C-S		
4	6101 013	1	K-E-H		BOLT, Retainer
	6101 013		P-J-G		
5			K-E-H		PUSH-NUT, (Not Serv.)
6	6100 050	1	K-E-H-C		NUT and WASHER
	6100 050		P-J-G		
7	6500 354	2	K-E-H-C		BOLT, Tray Attaching
8	6029 355	1	L		U-NUT
	6101 283	1	K-E-H-C		
9	6100 583	1	K-E-H		SCREW, w/Washer
10					BATTERY, (See Mopar Battery Catalog)
11					SIDE RAIL
12					FENDER
13	4296 145	1		ALL	SHIELD, w/Speed Control
14	6100 050	1	L-S		NUT and WASHER
15		1	S		STUD, (Not Serv.)
16	5202 576	1	L-S		RETAINER
17	6500 300	2			SCREW
18	4270 215	1	S		TRAY, Battery
19	6101 283	1	S		U-NUT
20			S		SIDE RAIL

MODEL CODES

C BODY = (D41 - DYNASTY)(C41 - NEW YORKER)
 E BODY = (J - CARAVELLE)(E - 600)(T - NEW YORKER TURBO)
 G BODY = (V24 - DAYTONA, PACIFICA & SHELBY)
 H BODY = (D44 - LANCER)(C44 - LEBARON GTS)
 J BODY = (C - LEBARON)
 K BODY = (P - RELIANT)(D - ARIES)(C - LEBARON/ TOWN & COUNTRY)

L BODY = (M - HORIZON)(Z-OMNI)
 M BODY = (B - GRAN FURY)(G - DIPLOMAT)(F - FIFTH AVENUE/NEWPORT)
 P BODY = (P - SUNDANCE)(D - SHADOW)
 Q BODY = (C27 - MASERATI)
 S BODY = (H - VOYAGER)(K - RAM VAN/ CARAVAN)

BODY STYLES

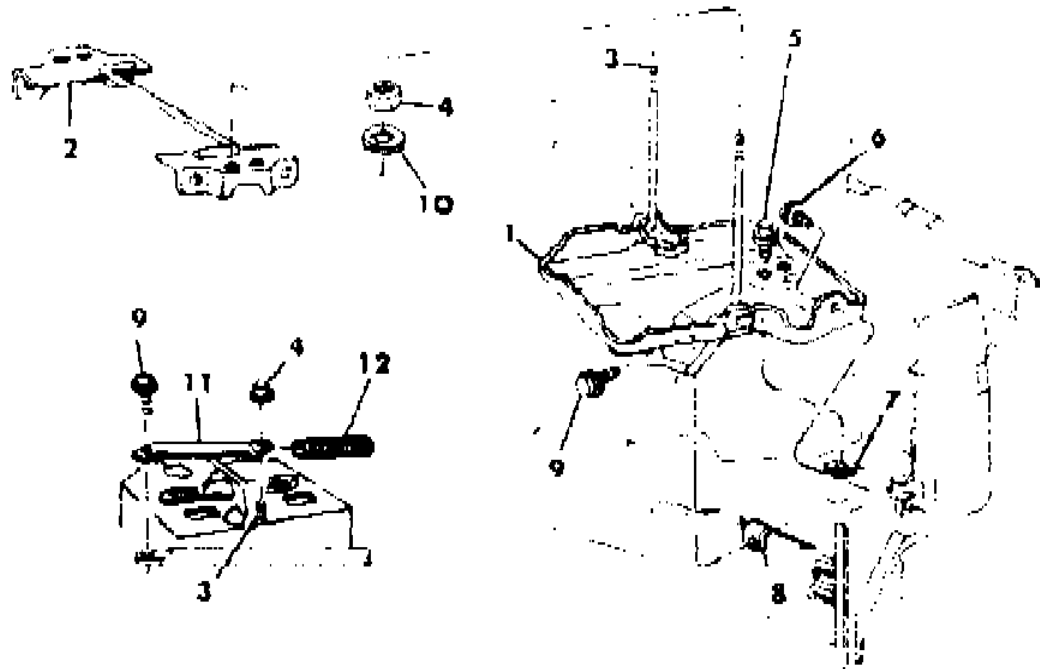
12-52 = FWD VAN & WAGON STD. W.B. 27 = 2-DOOR CONVERTIBLE
 13-53 = FWD VAN & WGN EXT W.B. 41 = 4-DOOR SEDAN
 21 = 2-DOOR SEDAN 44 = 4-DOOR HATCHBACK
 24 = 2-DOOR HATCHBACK 45 = 4-DOOR STATION WAGON

AR = Use as Required - = Non Illustrated Part P.A.R. = Paint as Required

BATTERY TRAY M BODY
Figure 8-300

8108 300

ITEM	PART NUMBER	QTY	BODY	MODEL	DESCRIPTION
1	4005 179	1			TRAY, Battery
2	3491 736	1			STRAP, Battery Hold Down
3	6032 836	2			BOLT, Hold Down Strap
4	0152 360	2			NUT, w/Washer
5	6026 823	1			SCREW, w/Washer
6	0181 063	AR			SCREW, w/Washer
7	0153 294	AR			NUT
8	6029 324	1			U-NUT
9		2			SCREW, w/Washer, (Not Serv.)
10		1			WASHER, (Not Serv.)
11	4005 182	1			STRUT, Battery Hold Down to Fender
12	#4005 185	1			SLEEVE, Battery Hold Down to Fender Strut H.D.
	4490 228		M		THERMOGUARD, Battery Hold Down



MODEL CODES

C BODY = (D41 - DYNASTY)(C41 - NEW YORKER)	L BODY = (M - HORIZON)(Z-OMNI)
E BODY = (J - CARAVELLE)(E - 600)(T - NEW YORKER TURBO)	M BODY = (B - GRAN FURY)(G - DIPLOMAT)(F - FIFTH AVENUE/NEWPORT)
G BODY = (V24 - DAYTONA, PACIFICA & SHELBY)	P BODY = (P - SUNDANCE)(D - SHADOW)
H BODY = (D44 - LANCER)(C44 - LEBARON GTS)	Q BODY = (C27 - MASERATI)
J BODY = (C - LEBARON)	S BODY = (H - VOYAGER)(K - RAM VAN/ CARAVAN)
K BODY = (P - RELIANT)(D - ARIES)(C - LEBARON/ TOWN & COUNTRY)	

BODY STYLES

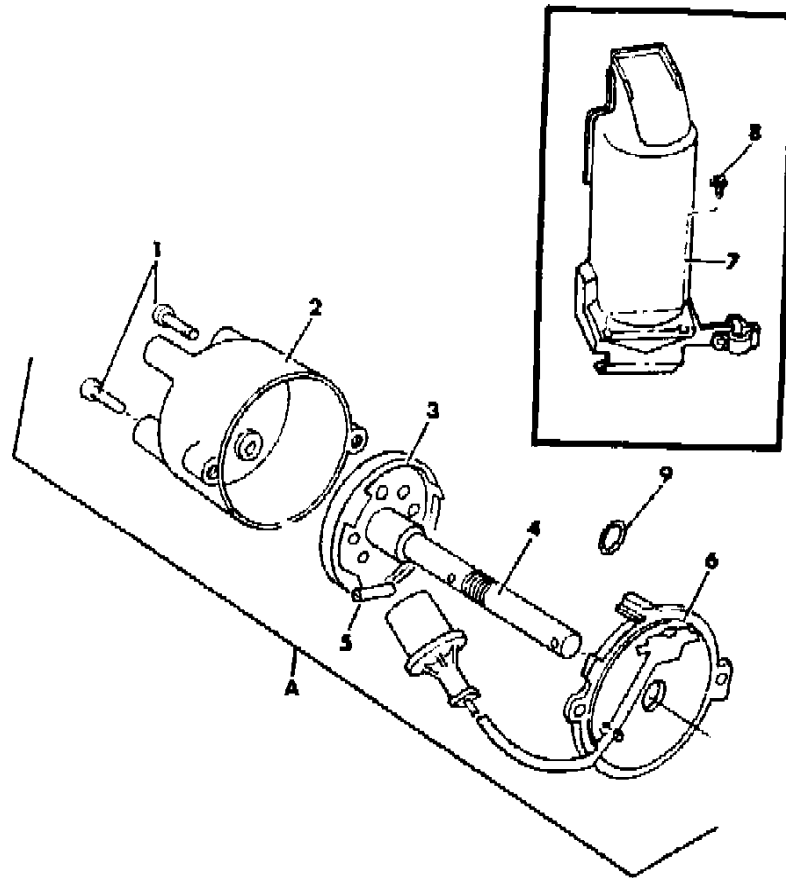
12-52 = FWD VAN & WAGON STD. W.B.	27 = 2-DOOR CONVERTIBLE
13-53 = FWD VAN & WGN EXT W.B.	41 = 4-DOOR SEDAN
21 = 2-DOOR SEDAN	44 = 4-DOOR HATCHBACK
24 = 2-DOOR HATCHBACK	45 = 4-DOOR STATION WAGON

AR = Use as Required - = Non Illustrated Part P.A.R. = Paint as Required

DISTRIBUTOR 2.2 ENGINE

Figure 8-400

8108 400 A



ITEM	PART NUMBER	QTY	BODY	MODEL	DESCRIPTION
A	5227 274				DISTRIBUTOR, Turbo (Dual Switch), (Partial)
	5227 273				T.B.I. (Single Switch), (Partial)
	5226 575				(Complete) (Single Switch)
1	6500 077				SCREW, Cap
2	5226 546				CAP, Dist.
3	5226 535				ROTOR, Dist.
4					SHAFT, (Serv. in Item A)
5					PIN, (Serv. in Item A)
6	5226 616				SWITCH, w/Plate
	5227 272				w/Turbo
	5227 271				w/5226575
7	5226 526				SHIELD, Dist. Splash
8	6500 703				SCREW, Dist. Splash
9	6031 594				O-RING

MODEL CODES

C BODY = (D41 - DYNASTY)(C41 - NEW YORKER)
 E BODY = (J - CARAVELLE)(E - 600)(T - NEW YORKER TURBO)
 G BODY = (V24 - DAYTONA, PACIFICA & SHELBY)
 H BODY = (D44 - LANCER)(C44 - LEBARON GTS)
 J BODY = (C - LEBARON)
 K BODY = (P - RELIANT)(D - ARIES)(C - LEBARON/ TOWN & COUNTRY)

L BODY = (M - HORIZON)(Z-OMNI)
 M BODY = (B - GRAN FURY)(G - DIPLOMAT)(F - FIFTH AVENUE/NEWPORT)
 P BODY = (P - SUNDANCE)(D - SHADOW)
 Q BODY = (C27 - MASERATI)
 S BODY = (H - VOYAGER)(K - RAM VAN/ CARAVAN)

BODY STYLES

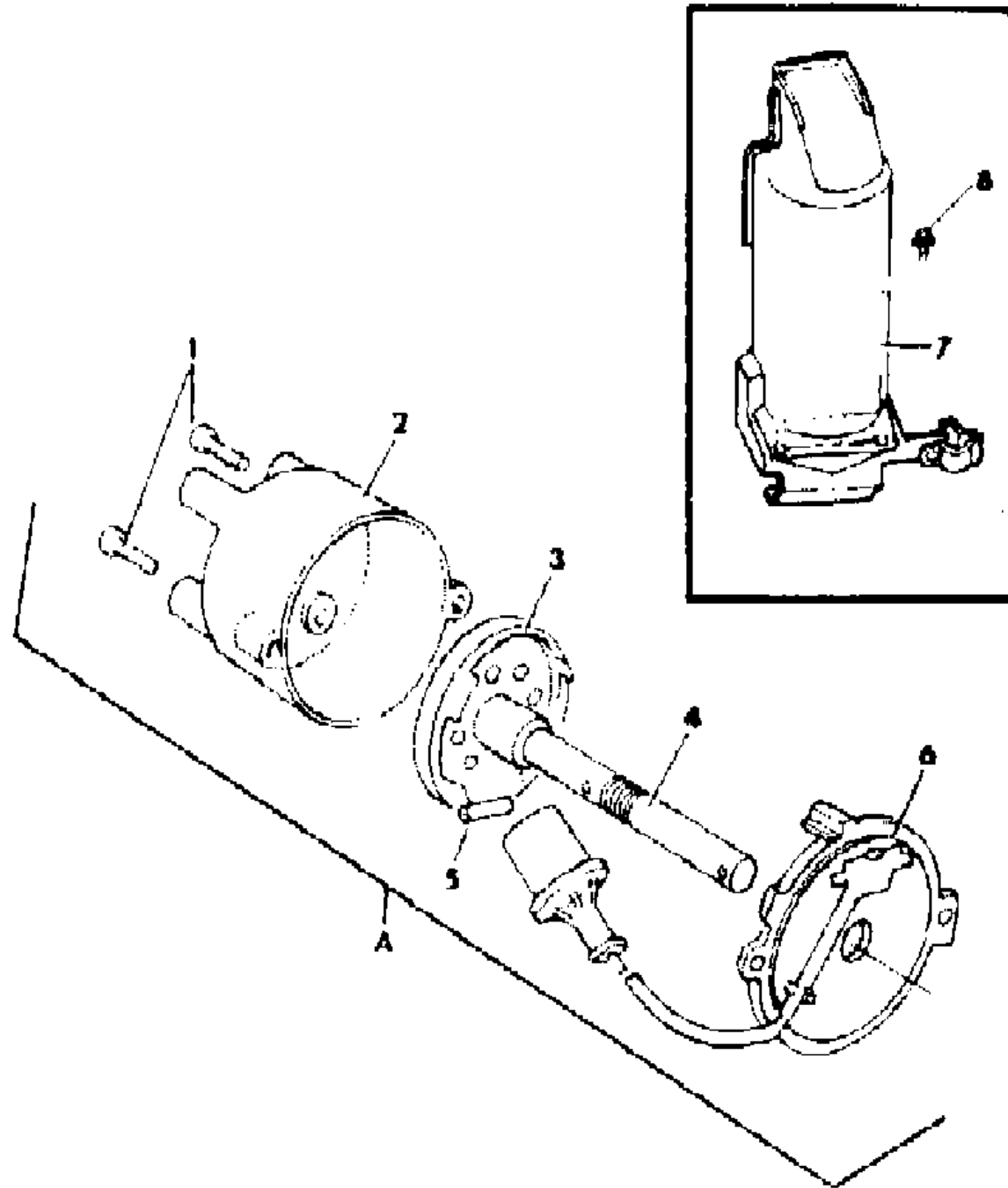
12-52 = FWD VAN & WAGON STD. W.B. 27 = 2-DOOR CONVERTIBLE
 13-53 = FWD VAN & WGN EXT W.B. 41 = 4-DOOR SEDAN
 21 = 2-DOOR SEDAN 44 = 4-DOOR HATCHBACK
 24 = 2-DOOR HATCHBACK 45 = 4-DOOR STATION WAGON

AR = Use as Required - = Non Illustrated Part P.A.R. = Paint as Required

DISTRIBUTOR 2.5 ENGINE

Figure 8-500

8108 500



ITEM	PART NUMBER	QTY	BODY	MODEL	DESCRIPTION
A	5227 273				DISTRIBUTOR, (Partial)
1	6500 077				SCREW, Dist. Cap
2	5226 546				CAP, Dist.
3	5226 535				ROTOR, Dist.
4					SHAFT, Dist., (Serv. in Item A)
5					PIN, (Serv. in Item A)
6	5226 616				SWITCH, w/Plate
7	5226 526				SHIELD, Dist. Splash
8	6500 703				SCREW, Dist. Splash Shield
-	6031 594				O-RING, Dist. Hsg.

MODEL CODES

C BODY = (D41 - DYNASTY)(C41 - NEW YORKER)
 E BODY = (J - CARAVELLE)(E - 600)(T - NEW YORKER TURBO)
 G BODY = (V24 - DAYTONA, PACIFICA & SHELBY)
 H BODY = (D44 - LANCER)(C44 - LEBARON GTS)
 J BODY = (C - LEBARON)
 K BODY = (P - RELIANT)(D - ARIES)(C - LEBARON/ TOWN & COUNTRY)

L BODY = (M - HORIZON)(Z-OMNI)
 M BODY = (B - GRAN FURY)(G - DIPLOMAT)(F - FIFTH AVENUE/NEWPORT)
 P BODY = (P - SUNDANCE)(D - SHADOW)
 Q BODY = (C27 - MASERATI)
 S BODY = (H - VOYAGER)(K - RAM VAN/ CARAVAN)

BODY STYLES

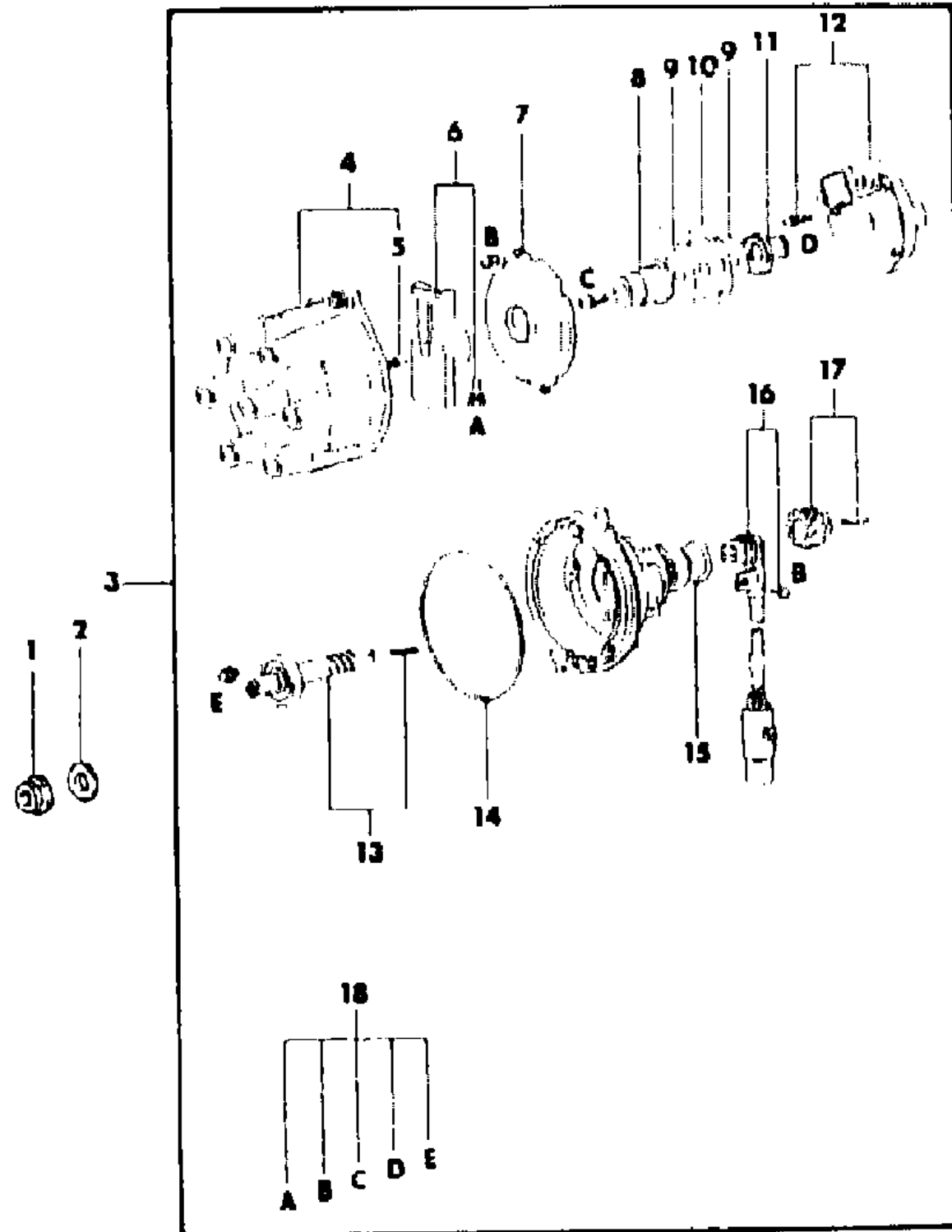
12-52 = FWD VAN & WAGON STD. W.B. 27 = 2-DOOR CONVERTIBLE
 13-53 = FWD VAN & WGN EXT W.B. 41 = 4-DOOR SEDAN
 21 = 2-DOOR SEDAN 44 = 4-DOOR HATCHBACK
 24 = 2-DOOR HATCHBACK 45 = 4-DOOR STATION WAGON

AR = Use as Required - = Non Illustrated Part P.A.R. = Paint as Required

DISTRIBUTOR MITSUBISHI--V-6

Figure 8-700

8108 700



ITEM	PART NUMBER	QTY	BODY	MODEL	DESCRIPTION
1	MF43 4114				NUT, Flange
2	MD10 2178				WASHER, Special
3	MD11 6211				DISTRIBUTOR
4	MD61 1526				CAP
5	MD60 2757				CONTACT
6	MD61 1459				ROTOR
7	MD61 1461				COVER
8	MD61 1550				BLANK, (C)
9	MD61 1547				SPACER
10	MD61 1549				DISC
11	MD61 1714				BUSHING
12	MD61 1715				UNIT SET
13	MD61 1548				SHAFT
14	MD61 1460				O-RING
15	MD61 1463				O-RING
16	MD61 1538				LEAD WIRE SET
17	MD61 1469				COUPLING SET
18	MD61 1553				SCREW SET

MODEL CODES

C BODY = (D41 - DYNASTY)(C41 - NEW YORKER)
 E BODY = (J - CARAVELLE)(E - 600)(T - NEW YORKER TURBO)
 G BODY = (V24 - DAYTONA, PACIFICA & SHELBY)
 H BODY = (D44 - LANCER)(C44 - LEBARON GTS)
 J BODY = (C - LEBARON)
 K BODY = (P - RELIANT)(D - ARIES)(C - LEBARON/ TOWN & COUNTRY)

L BODY = (M - HORIZON)(Z-OMNI)
 M BODY = (B - GRAN FURY)(G - DIPLOMAT)(F - FIFTH AVENUE/NEWPORT)
 P BODY = (P - SUNDANCE)(D - SHADOW)
 Q BODY = (C27 - MASERATI)
 S BODY = (H - VOYAGER)(K - RAM VAN/ CARAVAN)

BODY STYLES

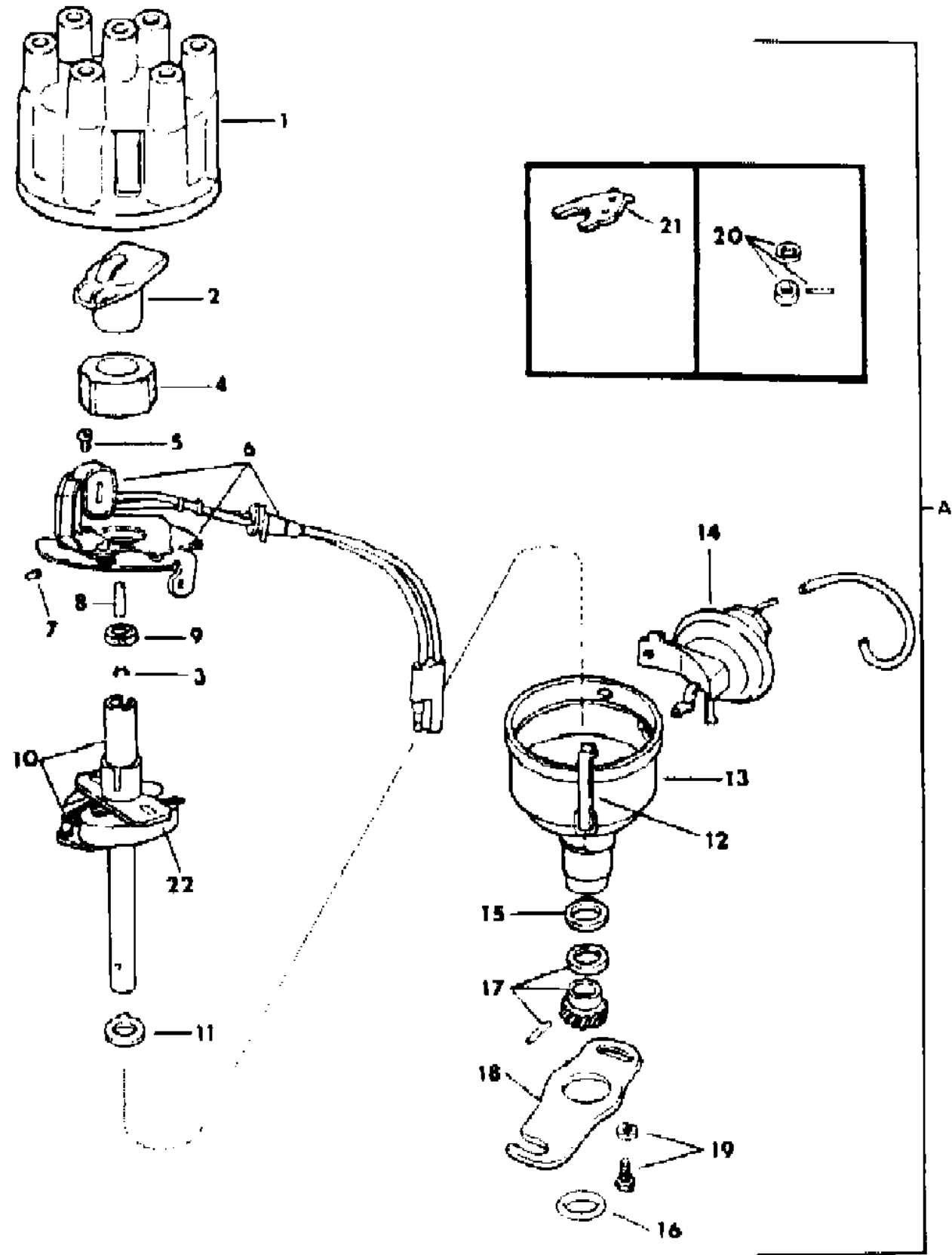
12-52 = FWD VAN & WAGON STD. W.B. 27 = 2-DOOR CONVERTIBLE
 13-53 = FWD VAN & WGN EXT W.B. 41 = 4-DOOR SEDAN
 21 = 2-DOOR SEDAN 44 = 4-DOOR HATCHBACK
 24 = 2-DOOR HATCHBACK 45 = 4-DOOR STATION WAGON

AR = Use as Required - = Non Illustrated Part P.A.R. = Paint as Required

DISTRIBUTOR 318 ENGINE

Figure 8-800

8108 800



ITEM	PART NUMBER	QTY	BODY	MODEL	DESCRIPTION
A	4145 754				DISTRIBUTOR, w/Dual Pick-Up, Prod.# 4145753
	4091 142				Single Pick-Up, Prod.# 4091142-4091140
1	4111 640				CAP
2	3874 401				ROTOR
3					SNAP RING, w/Wick
4	3656 017				RELUCTOR
5	6026 763				SCREW
6	4145 239				PICK-UP and PLATE, Dual w/4145754
	4091 147				Single,w/4091142
7	9417 599				PIN, 3/8
8					PIN, 9/16, (Not Serv.)
9	2642 988				SPACER, w/4091142
10					SHAFT, (Serv. in Item A)
11	2875 028				SEAL, Dist. Housing
12	1838 508				SPRING
13					HOUSING and BEARING, (Serv. in Item A)
14	3755 474				CONTROL, w/4091142
15					GASKET, Dist. Mtg. Oil Ring
16	2875 923				O-RING, Dist. Hsg.
17					GEAR and PIN PACKAGE
18					ARM, (Serv. in Assy.)
19	#0181 088				SCREW, w/Washer, w/4091142
20					COLLAR, PIN and WASHER PACKAGE (Serviced w/Dist.)
21	4343 950				CLAMP, Dist.
22					WEIGHT, Governor, (Not Serv.)

MODEL CODES

C BODY = (D41 - DYNASTY)(C41 - NEW YORKER)
 E BODY = (J - CARAVELLE)(E - 600)(T - NEW YORKER TURBO)
 G BODY = (V24 - DAYTONA, PACIFICA & SHELBY)
 H BODY = (D44 - LANCER)(C44 - LEBARON GTS)
 J BODY = (C - LEBARON)
 K BODY = (P - RELIANT)(D - ARIES)(C - LEBARON/ TOWN & COUNTRY)

L BODY = (M - HORIZON)(Z-OMNI)
 M BODY = (B - GRAN FURY)(G - DIPLOMAT)(F - FIFTH AVENUE/NEWPORT)
 P BODY = (P - SUNDANCE)(D - SHADOW)
 Q BODY = (C27 - MASERATI)
 S BODY = (H - VOYAGER)(K - RAM VAN/ CARAVAN)

BODY STYLES

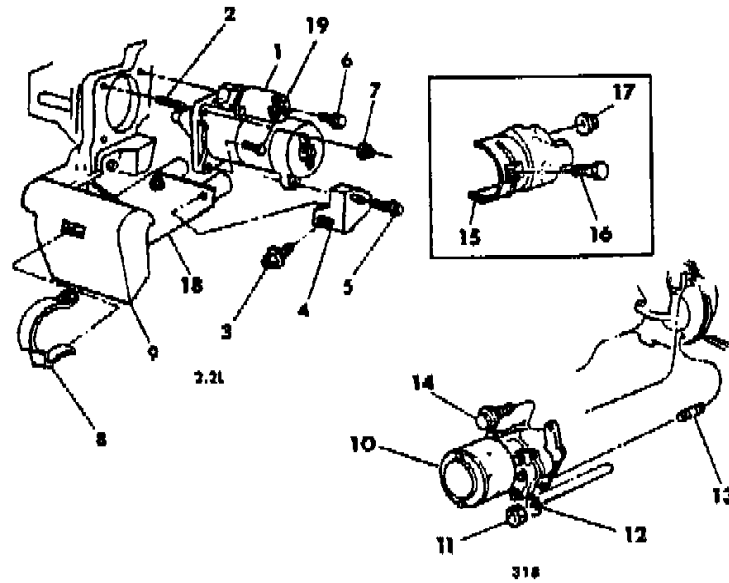
12-52 = FWD VAN & WAGON STD. W.B. 27 = 2-DOOR CONVERTIBLE
 13-53 = FWD VAN & WGN EXT W.B. 41 = 4-DOOR SEDAN
 21 = 2-DOOR SEDAN 44 = 4-DOOR HATCHBACK
 24 = 2-DOOR HATCHBACK 45 = 4-DOOR STATION WAGON

AR = Use as Required - = Non Illustrated Part P.A.R. = Paint as Required

STARTER INSTALLATIONS

Figure 8-900

8108 900 A



ITEM	PART NUMBER	QTY	BODY	MODEL	DESCRIPTION
1		1			STARTER
	4419 308	1			Stamped-5226844,5227282,4419311,4419312
	4419 311		G-J	2.5L	Stamped-4419312
2	6500 522	1		2.2L	STUD
3	6501 163	1		2.2L	SCREW, w/Washer
4	5213 757	1		2.2L	BRACKET, Starter Mounting
5	6500 276	1		2.2L	SCREW, w/Washer
6	6101 318	1		2.2L	NUT, w/Washer
7	6500 278	2		2.2L	SCREW, w/Washer
8	4140 768	1		2.2L	CLIP, Starter Heat Shield
9	4266 846	1		2.2L	SHIELD, Starter Heat
	6501 044	3		3.0L	SCREW and WASHER, Starter Mtg. Hex (M10x1.5 Lg.)
	6501 215	1		3.0L	STUD, Starter Double Ended (M10-1.5x60 Lg.)
	6501 250	2		3.0L	SCREW and WASHER, Mtg. (M10-1.5x.50MM Lg.)
10	4379 144	1		318	STARTER
11	0272 235	1		318	NUT
12		1		318	WASHER, (Not Serv.)
13	2095 875	1		318	STUD
14	6023 899	1		318	SCREW, w/Washer
15	4140 724	1		318	SHIELD, Starter Heat
16	6028 921	1		318	BOLT
17	9420 867	2		318	NUT, Stamped
18	4425 067				STRUT, Trans. to Cyl. Block
19	6500 275				BOLT

MODEL CODES

C BODY = (D41 - DYNASTY)(C41 - NEW YORKER)
 E BODY = (J - CARAVELLE)(E - 600)(T - NEW YORKER TURBO)
 G BODY = (V24 - DAYTONA, PACIFICA & SHELBY)
 H BODY = (D44 - LANCER)(C44 - LEBARON GTS)
 J BODY = (C - LEBARON)
 K BODY = (P - RELIANT)(D - ARIES)(C - LEBARON/ TOWN & COUNTRY)
 L BODY = (M - HORIZON)(Z-OMNI)
 M BODY = (B - GRAN FURY)(G - DIPLOMAT)(F - FIFTH AVENUE/NEWPORT)
 P BODY = (P - SUNDANCE)(D - SHADOW)
 Q BODY = (C27 - MASERATI)
 S BODY = (H - VOYAGER)(K - RAM VAN/ CARAVAN)

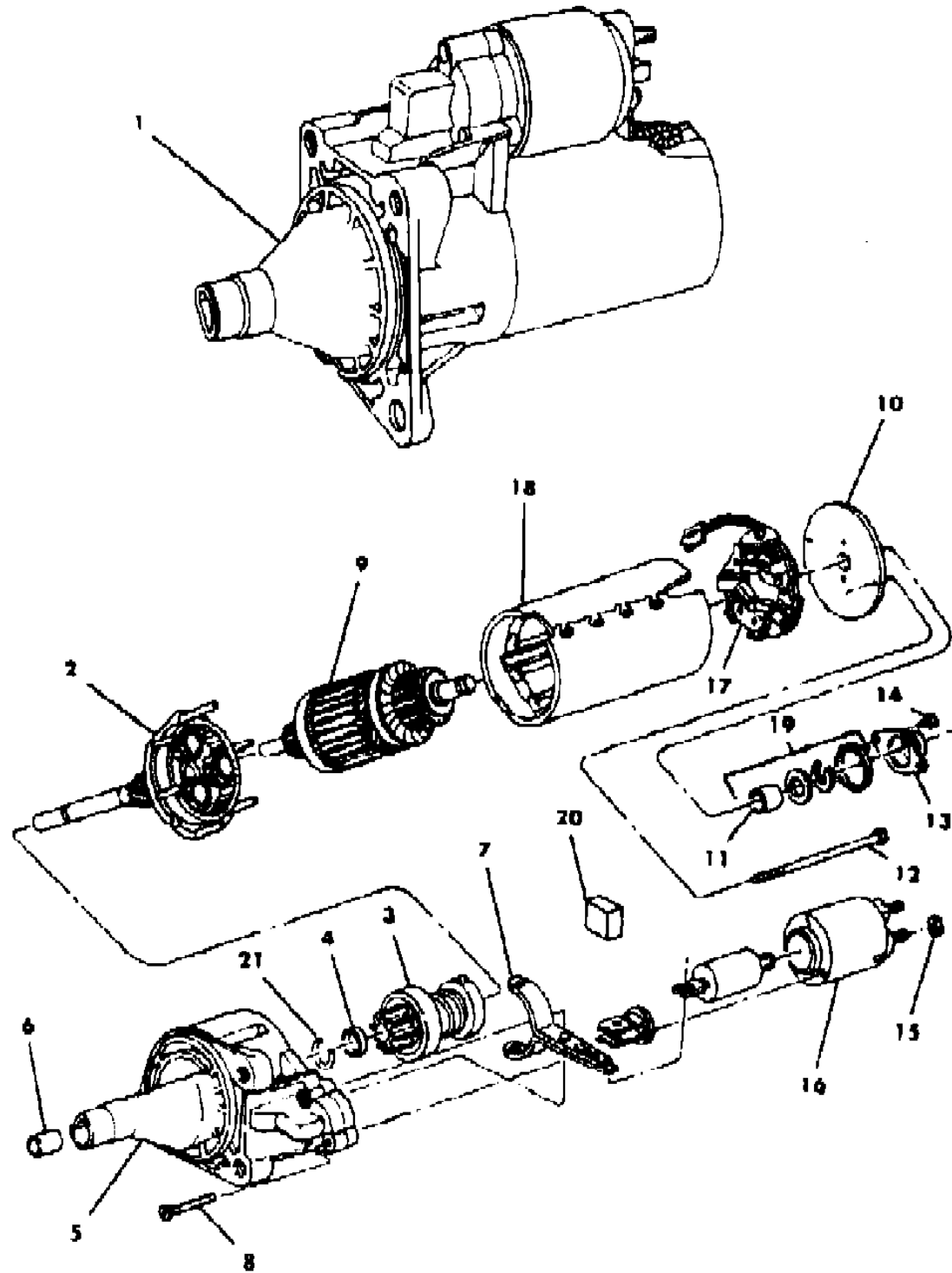
BODY STYLES

12-52 = FWD VAN & WAGON STD. W.B. 27 = 2-DOOR CONVERTIBLE
 13-53 = FWD VAN & WGN EXT W.B. 41 = 4-DOOR SEDAN
 21 = 2-DOOR SEDAN 44 = 4-DOOR HATCHBACK
 24 = 2-DOOR HATCHBACK 45 = 4-DOOR STATION WAGON

AR = Use as Required - = Non Illustrated Part P.A.R. = Paint as Required

STARTER 2.2 ENG. & 2.5 ENG.
Figure 8-1000

8108 1000



ITEM	PART NUMBER	QTY	BODY	MODEL	DESCRIPTION
1	4419 308	1			STARTER, (Package) Contains 5227282
	5233 656				(Stamped 5233656
2	5227 114	1			EPICYCLOIDAL GEAR TRAIN
3	5227 115	1			OVERRUNNING CLUTCH DRIVE
4	5227 116	2			SINTERED METAL BUSHING
5	5227 269	1			DRIVE END SHIELD
6	5213 388	1			SINTERED METAL BUSHING
7	5227 119	1			FORK LEVER
8	5227 120	3			SCREW, Flat Head
9	5227 125	1			ARMATURE
10	5227 126	1			COMMUTATOR END SHIELD
11	5227 127	1			SINTERED METAL BUSHING
12	5233 996	2			BOLT, Thru
13	5227 356	1			CLOSURE CAP
14	5227 130	2			SCREW, Oval Head
15	5227 357	1			NUT, Hexagon
16	5226 607	1			SOLENOID SWITCH
17	5227 131	1			BRUSH HOLDER
18	5227 132	1			STATOR FRAME
19	5227 134	1			PARTS SET
20		1			SEAL, (Not Serv.)
21		1			C-CLIP, (Not Serv.)

MODEL CODES

C BODY = (D41 - DYNASTY)(C41 - NEW YORKER)
 E BODY = (J - CARAVELLE)(E - 600)(T - NEW YORKER TURBO)
 G BODY = (V24 - DAYTONA, PACIFICA & SHELBY)
 H BODY = (D44 - LANCER)(C44 - LEBARON GTS)
 J BODY = (C - LEBARON)
 K BODY = (P - RELIANT)(D - ARIES)(C - LEBARON/ TOWN & COUNTRY)

L BODY = (M - HORIZON)(Z-OMNI)
 M BODY = (B - GRAN FURY)(G - DIPLOMAT)(F - FIFTH AVENUE/NEWPORT)
 P BODY = (P - SUNDANCE)(D - SHADOW)
 Q BODY = (C27 - MASERATI)
 S BODY = (H - VOYAGER)(K - RAM VAN/ CARAVAN)

BODY STYLES

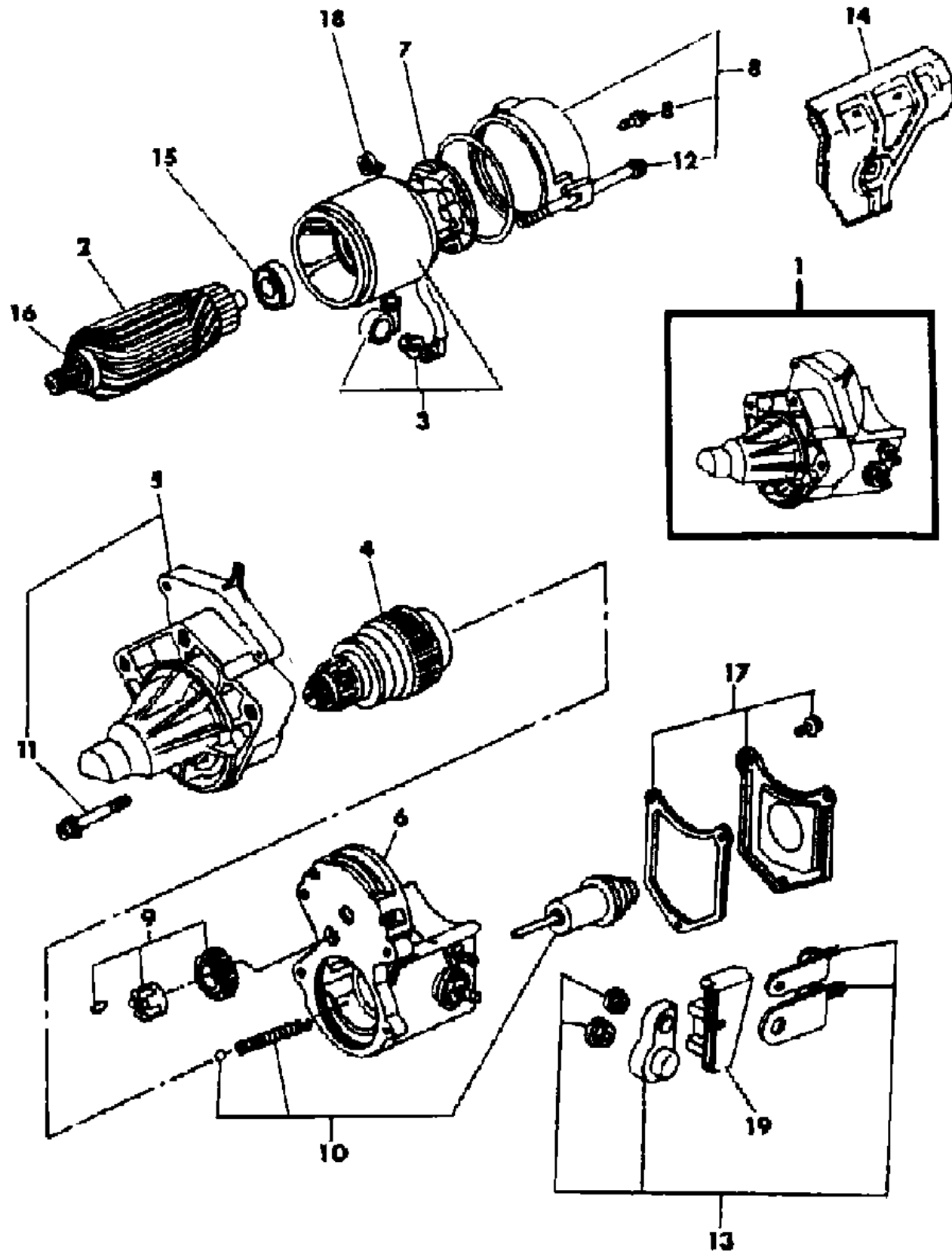
12-52 = FWD VAN & WAGON STD. W.B. 27 = 2-DOOR CONVERTIBLE
 13-53 = FWD VAN & WGN EXT W.B. 41 = 4-DOOR SEDAN
 21 = 2-DOOR SEDAN 44 = 4-DOOR HATCHBACK
 24 = 2-DOOR HATCHBACK 45 = 4-DOOR STATION WAGON

AR = Use as Required - = Non Illustrated Part P.A.R. = Paint as Required

STARTER COMPONENTS 2.2-2.5 ENGINE 5226842--5226844

Figure 8-1100

8108 1100 A



ITEM	PART NUMBER	QTY	BODY	MODEL	DESCRIPTION
1	4419 308				STARTER, (Stamped 5226842-5226844)
2	5233 941				ARMATURE, w/5226842
	5233 943				w/5226844
3	4467 170				YOKE PACKAGE, w/5226842
	4467 171				w/5226844
4	5233 854				CLUTCH ASSEMBLY
5	4467 168				HOUSING PACKAGE
6	5233 886				SWITCH ASSEMBLY
7	5233 891				BRUSH HOLDER, w/5226842
	5233 944				w/5226844
8	4467 173				END FRAME PACKAGE
9	4467 166				GEAR PACKAGE, Internal
10	4467 167				PLUNGER PACKAGE
11	5233 921				SCREW AND WASHER
12	5233 922				THRU-BOLT
13	4467 165				TERMINAL PACKAGE
14	4467 169				HEAT SHIELD PACKAGE
15	5233 934				BALL BEARING, w/5226842
	5233 945				w/5226844
16	5233 935				BALL BEARING
17	4467 172				SOLENOID COVER PACKAGE
18	5233 927				SPRING, Brush
19	5233 930				TERMINAL, Insulator

MODEL CODES

C BODY = (D41 - DYNASTY)(C41 - NEW YORKER)
 E BODY = (J - CARAVELLE)(E - 600)(T - NEW YORKER TURBO)
 G BODY = (V24 - DAYTONA, PACIFICA & SHELBY)
 H BODY = (D44 - LANCER)(C44 - LEBARON GTS)
 J BODY = (C - LEBARON)
 K BODY = (P - RELIANT)(D - ARIES)(C - LEBARON/ TOWN & COUNTRY)

L BODY = (M - HORIZON)(Z-OMNI)
 M BODY = (B - GRAN FURY)(G - DIPLOMAT)(F - FIFTH AVENUE/NEWPORT)
 P BODY = (P - SUNDANCE)(D - SHADOW)
 Q BODY = (C27 - MASERATI)
 S BODY = (H - VOYAGER)(K - RAM VAN/ CARAVAN)

BODY STYLES

12-52 = FWD VAN & WAGON STD. W.B. 27 = 2-DOOR CONVERTIBLE
 13-53 = FWD VAN & WGN EXT W.B. 41 = 4-DOOR SEDAN
 21 = 2-DOOR SEDAN 44 = 4-DOOR HATCHBACK
 24 = 2-DOOR HATCHBACK 45 = 4-DOOR STATION WAGON

AR = Use as Required - = Non Illustrated Part P.A.R. = Paint as Required

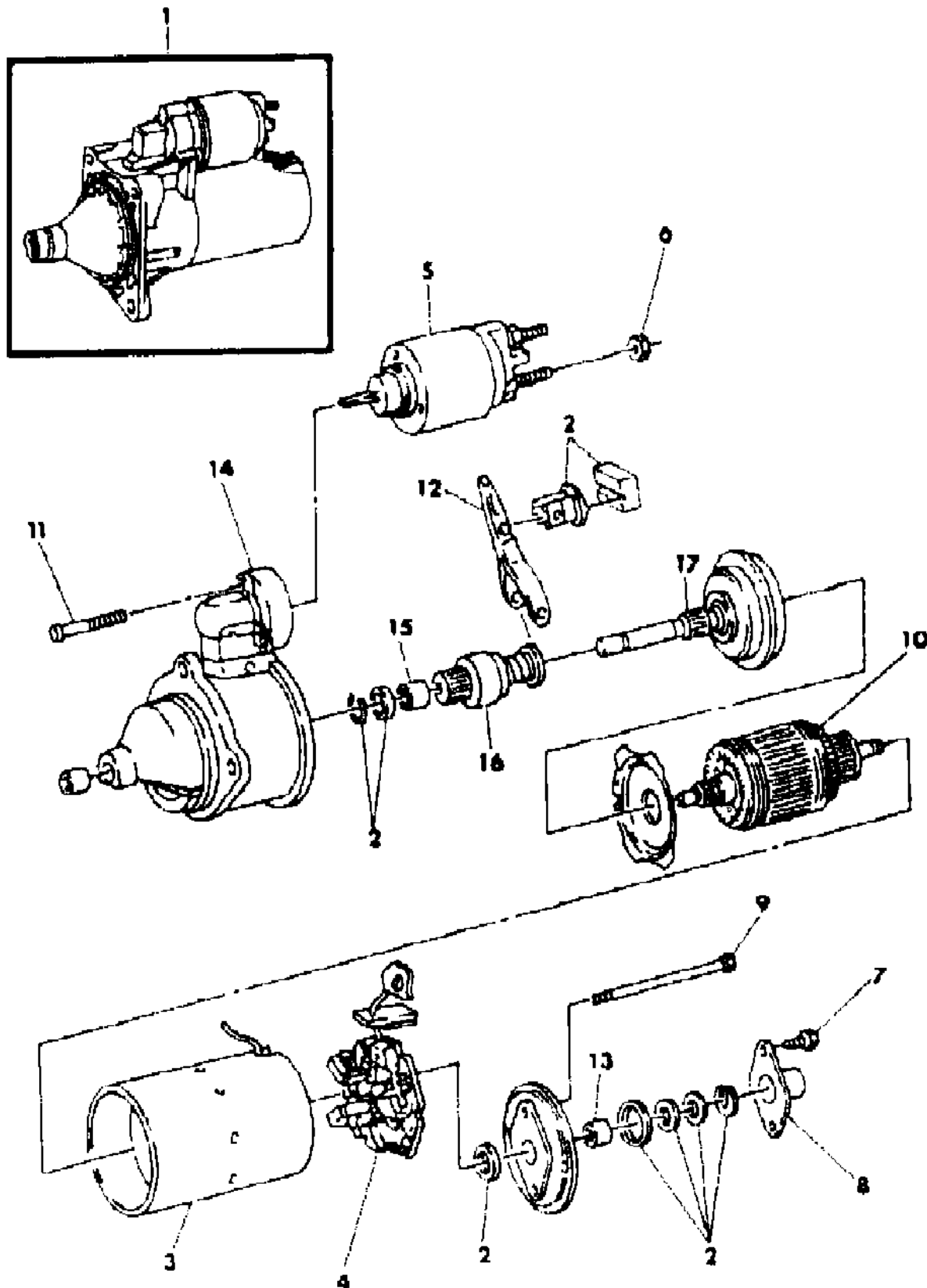
STARTER 3.0 ENGINE BOSCH
Figure 8-1300

8108 1300

ITEM	PART NUMBER	QTY	BODY	MODEL	DESCRIPTION
------	-------------	-----	------	-------	-------------

NOTE: THE FOLLOWING COMPONENTS ARE FOR
STARTER 5226948

1	5227 248	1			STARTER, Stamped 5226948 (BOSCH)
2	5227 134	1			PARTS SET
3	5233 668	1			FRAME, Stator
4	5233 667	1			BRUSH HOLDER
5	5233 666	1			SWITCH, Solenoid
6	5227 357	1			NUT, Hex
7	5227 130				SCREW, Oval Head
8	5227 356				CAP, Closure
9	5233 665				SCREW, Hex
10	5233 664				ARMATURE
11	5227 120				SCREW, Flat Head
12	5227 119				LEVER, Fork
13	5233 661				BUSHING, Sintered-Metal
14	5233 657				SHIELD, Drive End
15	5233 655				BUSHING, Sintered-Metal
16	5233 654				CLUTCH, Over-Running
17	5233 653	1			GEAR TRAIN, Epicycloidal



MODEL CODES

C BODY = (D41 - DYNASTY)(C41 - NEW YORKER)
 E BODY = (J - CARAVELLE)(E - 600)(T - NEW YORKER TURBO)
 G BODY = (V24 - DAYTONA, PACIFICA & SHELBY)
 H BODY = (D44 - LANCER)(C44 - LEBARON GTS)
 J BODY = (C - LEBARON)
 K BODY = (P - RELIANT)(D - ARIES)(C - LEBARON/ TOWN & COUNTRY)
 L BODY = (M - HORIZON)(Z-OMNI)
 M BODY = (B - GRAN FURY)(G - DIPLOMAT)(F - FIFTH AVENUE/NEWPORT)
 P BODY = (P - SUNDANCE)(D - SHADOW)
 Q BODY = (C27 - MASERATI)
 S BODY = (H - VOYAGER)(K - RAM VAN/ CARAVAN)

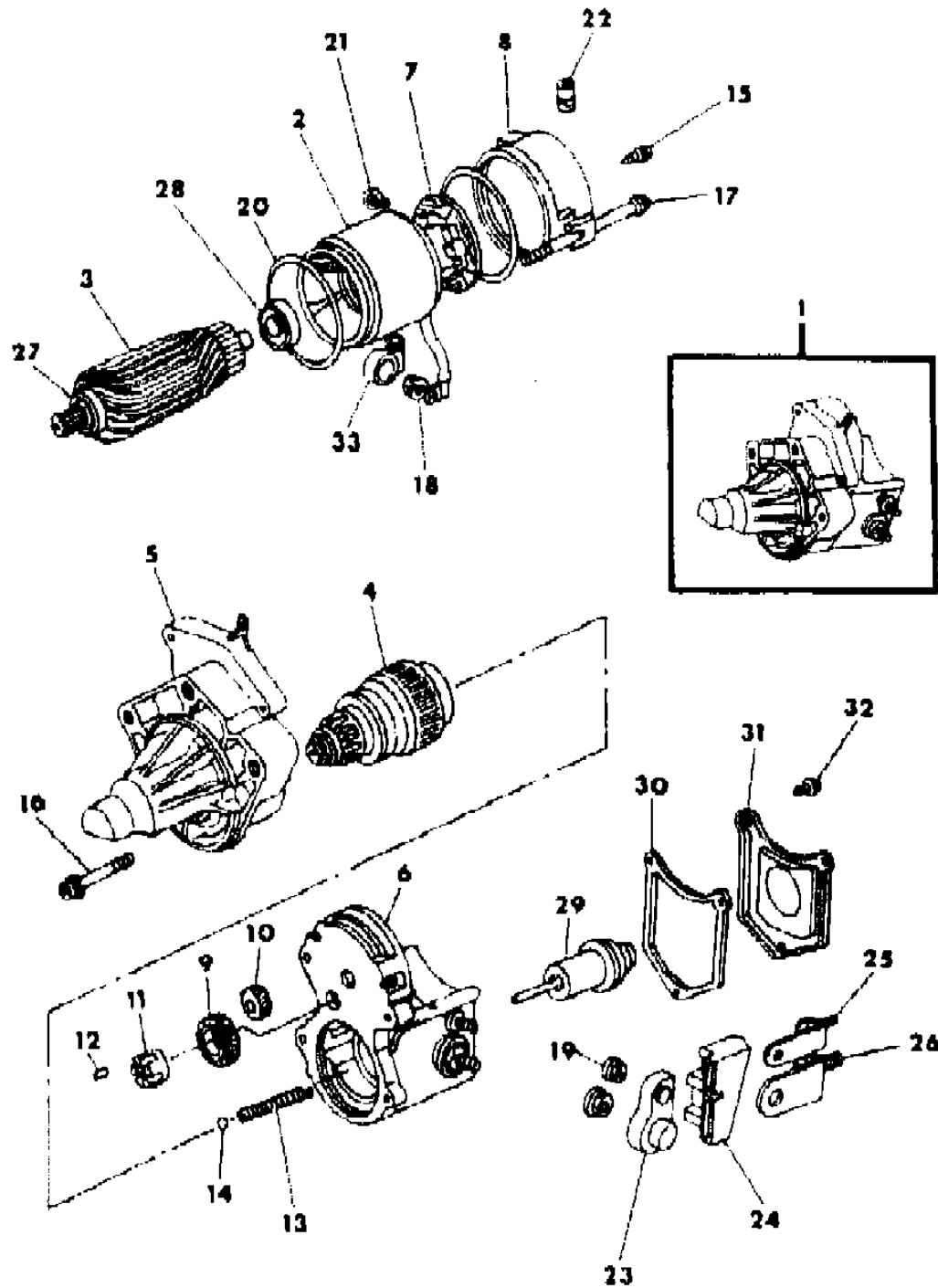
BODY STYLES

12-52 = FWD VAN & WAGON STD. W.B. 27 = 2-DOOR CONVERTIBLE
 13-53 = FWD VAN & WGN EXT W.B. 41 = 4-DOOR SEDAN
 21 = 2-DOOR SEDAN 44 = 4-DOOR HATCHBACK
 24 = 2-DOOR HATCHBACK 45 = 4-DOOR STATION WAGON

AR = Use as Required - = Non Illustrated Part P.A.R. = Paint as Required

STARTER 3.0 ENGINE NIPPONDENSO
Figure 8-1350

8108 1350



ITEM	PART NUMBER	QTY	BODY	MODEL	DESCRIPTION
NOTE: THE FOLLOWING COMPONENTS ARE FOR					
STARTER 5227248					
1	5227 248				STARTER, (Stamped 5226948)
2					YOKE, (Serv. in Pkg. 4467184)
3	5233 947				ARMATURE ASSEMBLY
4	5233 854				CLUTCH ASSEMBLY
5					HOUSING, (Serv. in Pkg. 4467179)
6	5233 951				SWITCH ASSEMBLY
7	5233 952				BRUSH HOLDER ASSEMBLY
8					FRAME, End, (Serv. in Pkg. 4467183)
9					PINION, Internal, (Serv. in Pkg. 4467166)
10	4467 166				PINION, Internal
11					RETAINER, (Serv. in Pkg. 4467167)
12					ROLLER, Clutch, (Serv. in Pkg. 4467167)
13					SPRING, Compression, (Serv. in Pkg. 4467167)
14					BALL, Steel, (Serv. in Pkg. 4467167)
15	5233 955				SCREW, w/O-Ring
16	5233 921				SCREW, w/Washer
17	5233 956				BOLT, w/Washer
18					NUT, (Serv. in Pkg. 4467167)
19					NUT, (Serv. in Pkg. 4467167)
20	5233 957				O-RING
21	5233 927				SPRING, Brush
22	5233 958				TUBE, Drain
23					TERMINAL COVER, (Serv. in Pkg. 4467176)
24					TERMINAL INSULATOR, (Serv. in Pkg. 4467176)
25					TERMINAL, (Serv. in Pkg. 4467167)
26					TERMINAL, (Serv. in Pkg. 4467176)
27	5233 963				BEARING, Ball
28	5233 964				BEARING, Ball
29					PLUNGER, (Serv. in Pkg. 4467167)
30					GASKET, (Serv. in Pkg. 4467172)
31					COVER, Solenoid, (Serv. in Pkg. 4467172)
32					BOLT, w/Washer, (Serv. in Pkg. 4467172)
33	5233 965				BOOT, Rubber

MODEL CODES

C BODY = (D41 - DYNASTY)(C41 - NEW YORKER)
E BODY = (J - CARAVELLE)(E - 600)(T - NEW YORKER TURBO)
G BODY = (V24 - DAYTONA, PACIFICA & SHELBY)
H BODY = (D44 - LANCER)(C44 - LEBARON GTS)
J BODY = (C - LEBARON)
K BODY = (P - RELIANT)(D - ARIES)(C - LEBARON/ TOWN & COUNTRY)

L BODY = (M - HORIZON)(Z-OMNI)
M BODY = (B - GRAN FURY)(G - DIPLOMAT)(F - FIFTH AVENUE/NEWPORT)
P BODY = (P - SUNDANCE)(D - SHADOW)
Q BODY = (C27 - MASERATI)
S BODY = (H - VOYAGER)(K - RAM VAN/ CARAVAN)

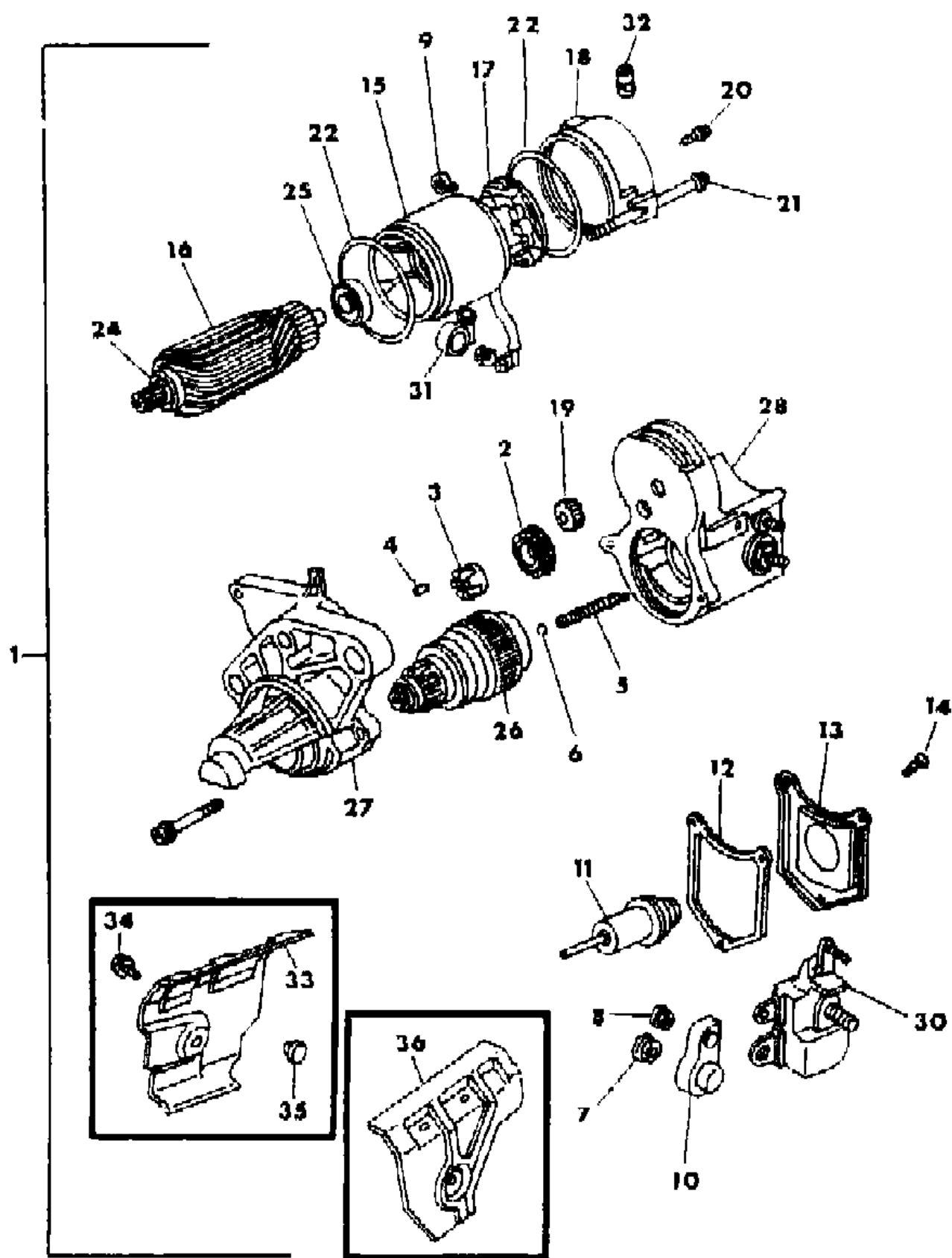
BODY STYLES

12-52 = FWD VAN & WAGON STD. W.B. 27 = 2-DOOR CONVERTIBLE
13-53 = FWD VAN & WGN EXT W.B. 41 = 4-DOOR SEDAN
21 = 2-DOOR SEDAN 44 = 4-DOOR HATCHBACK
24 = 2-DOOR HATCHBACK 45 = 4-DOOR STATION WAGON

AR = Use as Required - = Non Illustrated Part P.A.R. = Paint as Required

STARTER 3.9--318 ENGINE NIPPONDENSO
Figure 8-1400

8108 1400



ITEM	PART NUMBER	QTY	BODY	MODEL	DESCRIPTION
1	4379 144				STARTER, 1-Heat Shield 4379143
	4379 144				w/o Heat Shields 4379160
	4379 144				2-Heat Shields
2					PINION, Internal, (Serv. in Pkg. 4467166)
3					RETAINER, (Serv. in Pkg. 4467166)
4					CLUTCH, Roller, (Serv. in Pkg. 4467166)
5					SPRING, Compression, (Serv. in Pkg. 4467167)
6					BALL, Steel, (Serv. in Pkg. 4467167)
7					NUT, (Serv. in Pkg. 4467167)
8	5233 924				NUT
9	5233 927				SPRING, Brush Spiral
10	5233 929				COVER, Terminal
11					PLUNGER, (Serv. in Pkg. 4467167)
12					GASKET, (Serv. in Pkg. 4467172)
13					COVER, Solenoid, (Serv. in Pkg. 4467172)
14					BOLT, w/Washer, (Serv. in Pkg. 4467172)
15					YOKE, (Serv. in Pkg. 4467184)
16	5233 947				ARMATURE ASSEMBLY
17	5233 952				BRUSH HOLDER ASSEMBLY
18					END-FRAME, (Serv. in Pkg. 4467183)
19					PINION, Internal, (Serv. in Pkg. 4467166)
20	5233 955				SCREW, w/O-Ring
21	5233 956				BOLT, w/Washer
22	5233 957				O-RING
23	5233 958				TUBE, Drain
24	5233 963				BEARING, Ball
25	5233 964				BEARING, Ball
26	5233 966				CLUTCH ASSEMBLY
27					HOUSING, (Serv. in Pkg. 4467180)
28	5233 968				SWITCH ASSEMBLY
29	5233 969				BOLT
30					TERMINAL, (Serv. in Pkg. 4467177)
31	5233 971				BOOT, Rubber
32	5233 975				TUBE, Drain
33					SHIELD, Heat Lower, (Serv. in Pkg. 4467181)
34	5233 977				BOLT, Heat Shield
35	5233 926				PAD, Heat Shield

MODEL CODES

C BODY = (D41 - DYNASTY)(C41 - NEW YORKER)
 E BODY = (J - CARAVELLE)(E - 600)(T - NEW YORKER TURBO)
 G BODY = (V24 - DAYTONA, PACIFICA & SHELBY)
 H BODY = (D44 - LANCER)(C44 - LEBARON GTS)
 J BODY = (C - LEBARON)
 K BODY = (P - RELIANT)(D - ARIES)(C - LEBARON/ TOWN & COUNTRY)

L BODY = (M - HORIZON)(Z-OMNI)
 M BODY = (B - GRAN FURY)(G - DIPLOMAT)(F - FIFTH AVENUE/NEWPORT)
 P BODY = (P - SUNDANCE)(D - SHADOW)
 Q BODY = (C27 - MASERATI)
 S BODY = (H - VOYAGER)(K - RAM VAN/ CARAVAN)

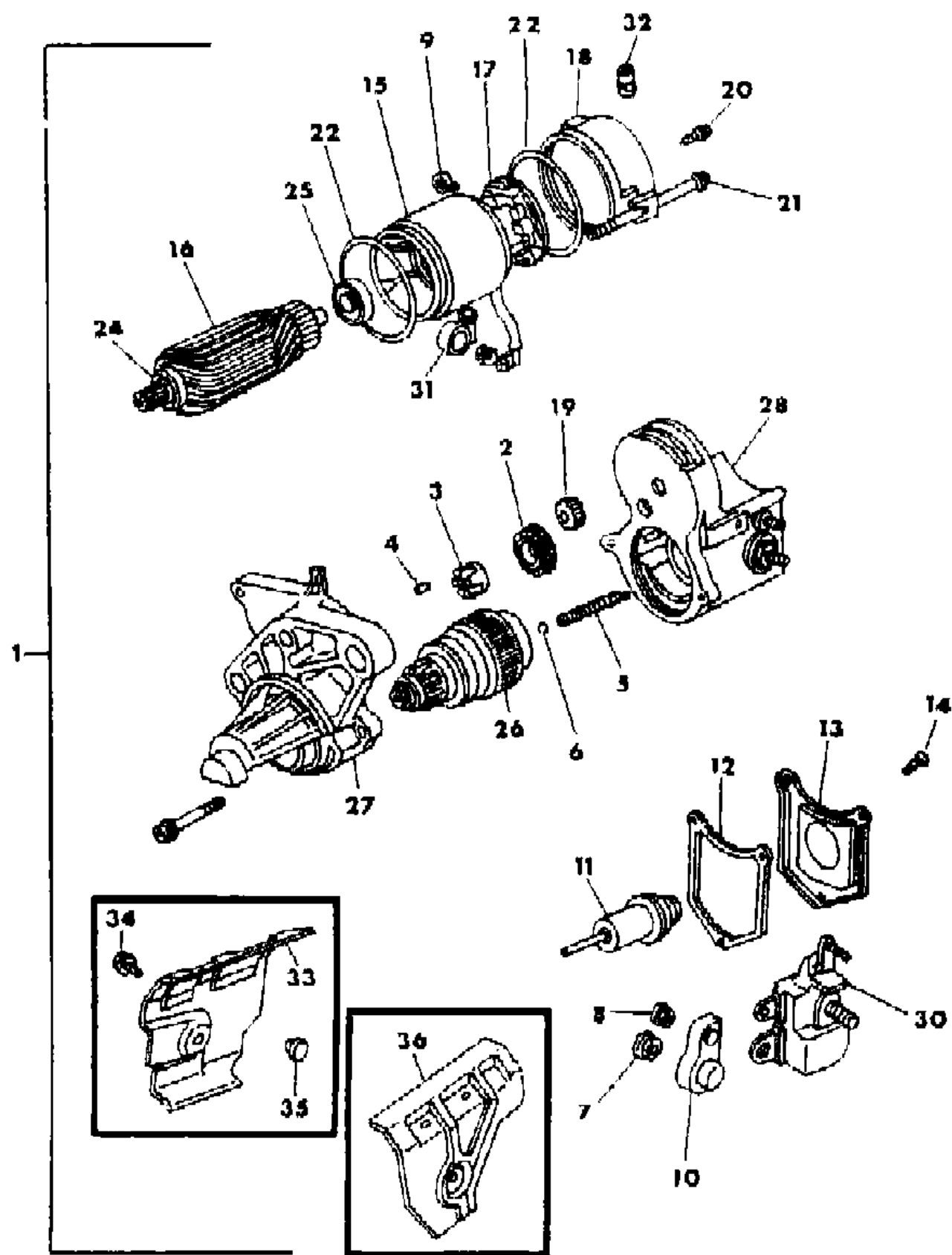
BODY STYLES

12-52 = FWD VAN & WAGON STD. W.B. 27 = 2-DOOR CONVERTIBLE
 13-53 = FWD VAN & WGN EXT W.B. 41 = 4-DOOR SEDAN
 21 = 2-DOOR SEDAN 44 = 4-DOOR HATCHBACK
 24 = 2-DOOR HATCHBACK 45 = 4-DOOR STATION WAGON

AR = Use as Required - = Non Illustrated Part P.A.R. = Paint as Required

STARTER 3.9--318 ENGINE NIPPONDENSO
Figure 8-1400

8108 1400



ITEM	PART NUMBER	QTY	BODY	MODEL	DESCRIPTION
------	-------------	-----	------	-------	-------------

36					SHIELD, Heat Upper, (Serv. in Pkg. 4467182)
----	--	--	--	--	---

MODEL CODES

C BODY = (D41 - DYNASTY)(C41 - NEW YORKER)
 E BODY = (J - CARAVELLE)(E - 600)(T - NEW YORKER TURBO)
 G BODY = (V24 - DAYTONA, PACIFICA & SHELBY)
 H BODY = (D44 - LANCER)(C44 - LEBARON GTS)
 J BODY = (C - LEBARON)
 K BODY = (P - RELIANT)(D - ARIES)(C - LEBARON/ TOWN & COUNTRY)

L BODY = (M - HORIZON)(Z-OMNI)
 M BODY = (B - GRAN FURY)(G - DIPLOMAT)(F - FIFTH AVENUE/NEWPORT)
 P BODY = (P - SUNDANCE)(D - SHADOW)
 Q BODY = (C27 - MASERATI)
 S BODY = (H - VOYAGER)(K - RAM VAN/ CARAVAN)

BODY STYLES

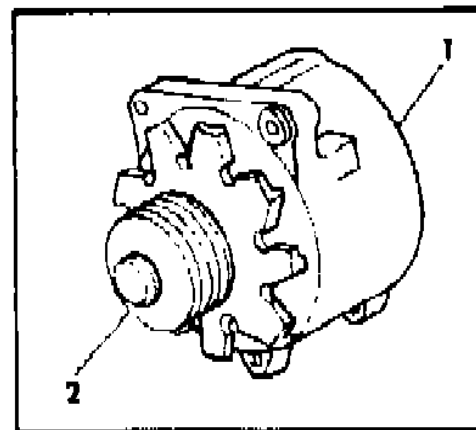
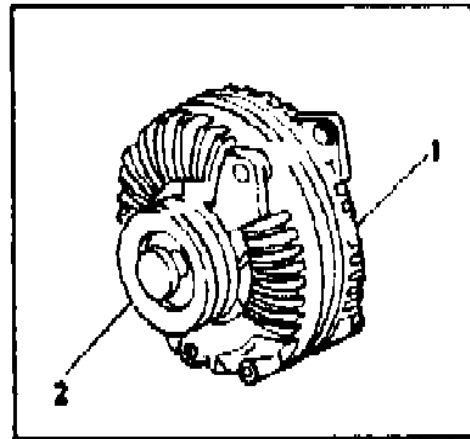
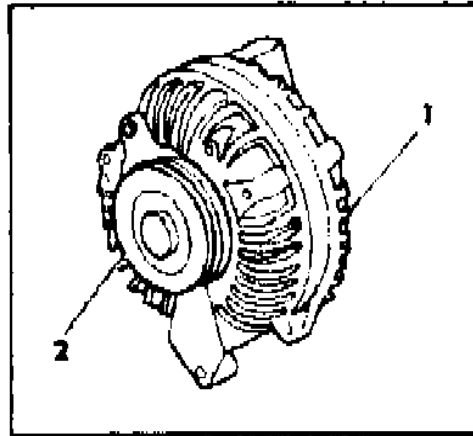
12-52 = FWD VAN & WAGON STD. W.B.	27 = 2-DOOR CONVERTIBLE
13-53 = FWD VAN & WGN EXT W.B.	41 = 4-DOOR SEDAN
21 = 2-DOOR SEDAN	44 = 4-DOOR HATCHBACK
24 = 2-DOOR HATCHBACK	45 = 4-DOOR STATION WAGON

AR = Use as Required - = Non Illustrated Part P.A.R. = Paint as Required

ALTERNATOR AND PULLEY

Figure 8-1500

8108 1500



ITEM	PART NUMBER	QTY	BODY	MODEL	DESCRIPTION
1					ALTERNATOR
					Alternator Package 4419187, Contains 5233574 or 5227474, Bosch Alt.
	4419 187				STAMPED--5227469--35/75
	5233 472				STAMPED--5233472--40/90--w/Pulley 5227174
	4419 187				STAMPED--5227474--40/90--w/Pulley 4433032
	4419 187				STAMPED--5233574--40/90--w/Pulley 5234457
	5233 474				STAMPED--5233474--40/90--w/Pulley 5234457
	5233 549				STAMPED--5233549--40/90--w/Pulley 5234481
	5233 949				STAMPED--5227349--40/90--w/Pulley 5233360
	5233 949				STAMPED--5233449--40/90--w/Pulley 5233843
	5233 508				STAMPED--5233508--50/120--w/Pulley 4433032
	5233 160				STAMPED--5233160--50/120--w/Pulley 5227468
2					PULLEY
	4433 032				w/5233508, 4-Groove
	4433 032				w/5233474, 4-Groove

MODEL CODES

C BODY = (D41 - DYNASTY)(C41 - NEW YORKER)
 E BODY = (J - CARAVELLE)(E - 600)(T - NEW YORKER TURBO)
 G BODY = (V24 - DAYTONA, PACIFICA & SHELBY)
 H BODY = (D44 - LANCER)(C44 - LEBARON GTS)
 J BODY = (C - LEBARON)
 K BODY = (P - RELIANT)(D - ARIES)(C - LEBARON/ TOWN & COUNTRY)

L BODY = (M - HORIZON)(Z-OMNI)
 M BODY = (B - GRAN FURY)(G - DIPLOMAT)(F - FIFTH AVENUE/NEWPORT)
 P BODY = (P - SUNDANCE)(D - SHADOW)
 Q BODY = (C27 - MASERATI)
 S BODY = (H - VOYAGER)(K - RAM VAN/ CARAVAN)

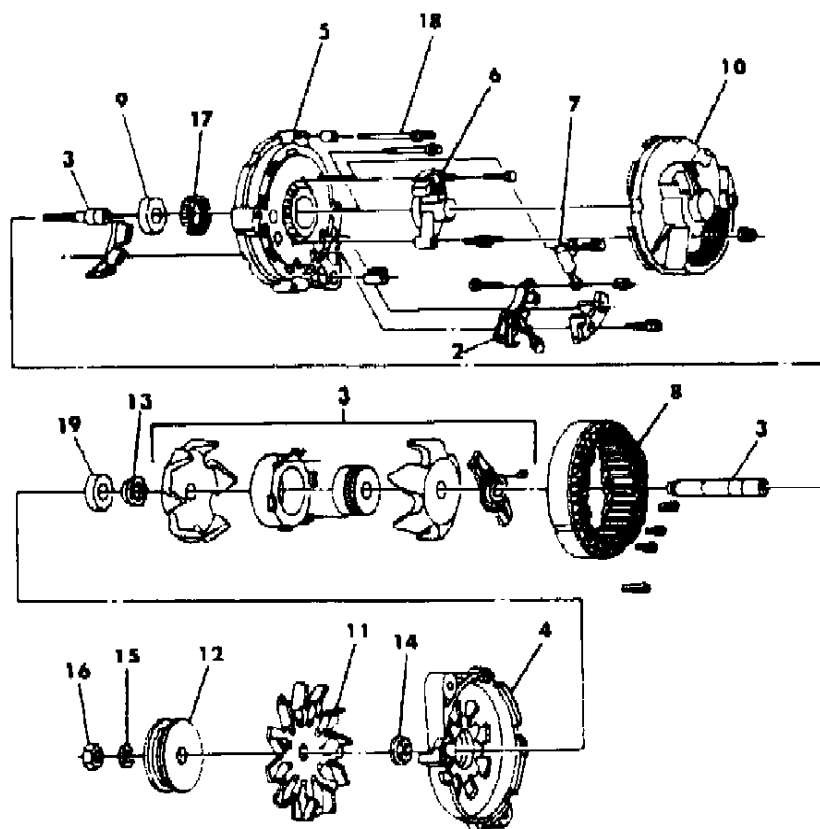
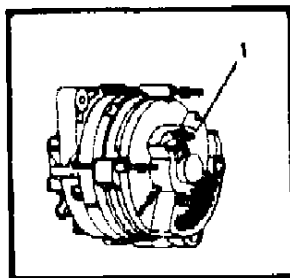
BODY STYLES

12-52 = FWD VAN & WAGON STD. W.B. 27 = 2-DOOR CONVERTIBLE
 13-53 = FWD VAN & WGN EXT W.B. 41 = 4-DOOR SEDAN
 21 = 2-DOOR SEDAN 44 = 4-DOOR HATCHBACK
 24 = 2-DOOR HATCHBACK 45 = 4-DOOR STATION WAGON

AR = Use as Required - = Non Illustrated Part P.A.R. = Paint as Required

ALTERNATOR 40/90 AMP. CHRYSLER
Figure 8-1600

8108 1600



ITEM	PART NUMBER	QTY	BODY	MODEL	DESCRIPTION
1	4419 186				ALTERNATOR, w/5233474
	5233 474				STAMPED--5233474
	5233 472				STAMPED--5233472
					NOTE: THE FOLLOWING COMPONENTS ARE FOR ALTERNATORS 5233472 & 5233474
2	4467 162				RECTIFIER PACKAGE
3	4364 853				ROTOR PACKAGE
4	4433 173				SHIELD, Drive End w/Bearing, w/5233472
	4433 094				w/5233474
5	4433 089				SHIELD, Rec. End w/5233472
	4433 088				w/5233474
6	4433 160				BRUSH HOLDER ASSEMBLY
7	5226 137				CAPACITOR ASSEMBLY
8	4433 098				STATOR ASSEMBLY
9	4364 852				BEARING PACKAGE, Rec. End Shield
10	5227 111				COVER, Rec. End Shield
11	5226 458				FAN
12	5227 174				PULLEY, w/5233472
	4433 032				w/5233474
13	5227 200				SPACER, Rotor
14	5227 606				SPACER, Pulley
15	6501 007				WASHER, Pulley Lock
16	6501 006				NUT, Pulley Lock
17	4433 831				RETAINER, Tolerance Ring
18	4467 153				THRU-BOLTS
19					BEARING, (Serv. In Drive End Shield)

MODEL CODES

C BODY = (D41 - DYNASTY)(C41 - NEW YORKER)
 E BODY = (J - CARAVELLE)(E - 600)(T - NEW YORKER TURBO)
 G BODY = (V24 - DAYTONA, PACIFICA & SHELBY)
 H BODY = (D44 - LANCER)(C44 - LEBARON GTS)
 J BODY = (C - LEBARON)
 K BODY = (P - RELIANT)(D - ARIES)(C - LEBARON/ TOWN & COUNTRY)
 L BODY = (M - HORIZON)(Z-OMNI)
 M BODY = (B - GRAN FURY)(G - DIPLOMAT)(F - FIFTH AVENUE/NEWPORT)
 P BODY = (P - SUNDANCE)(D - SHADOW)
 Q BODY = (C27 - MASERATI)
 S BODY = (H - VOYAGER)(K - RAM VAN/ CARAVAN)

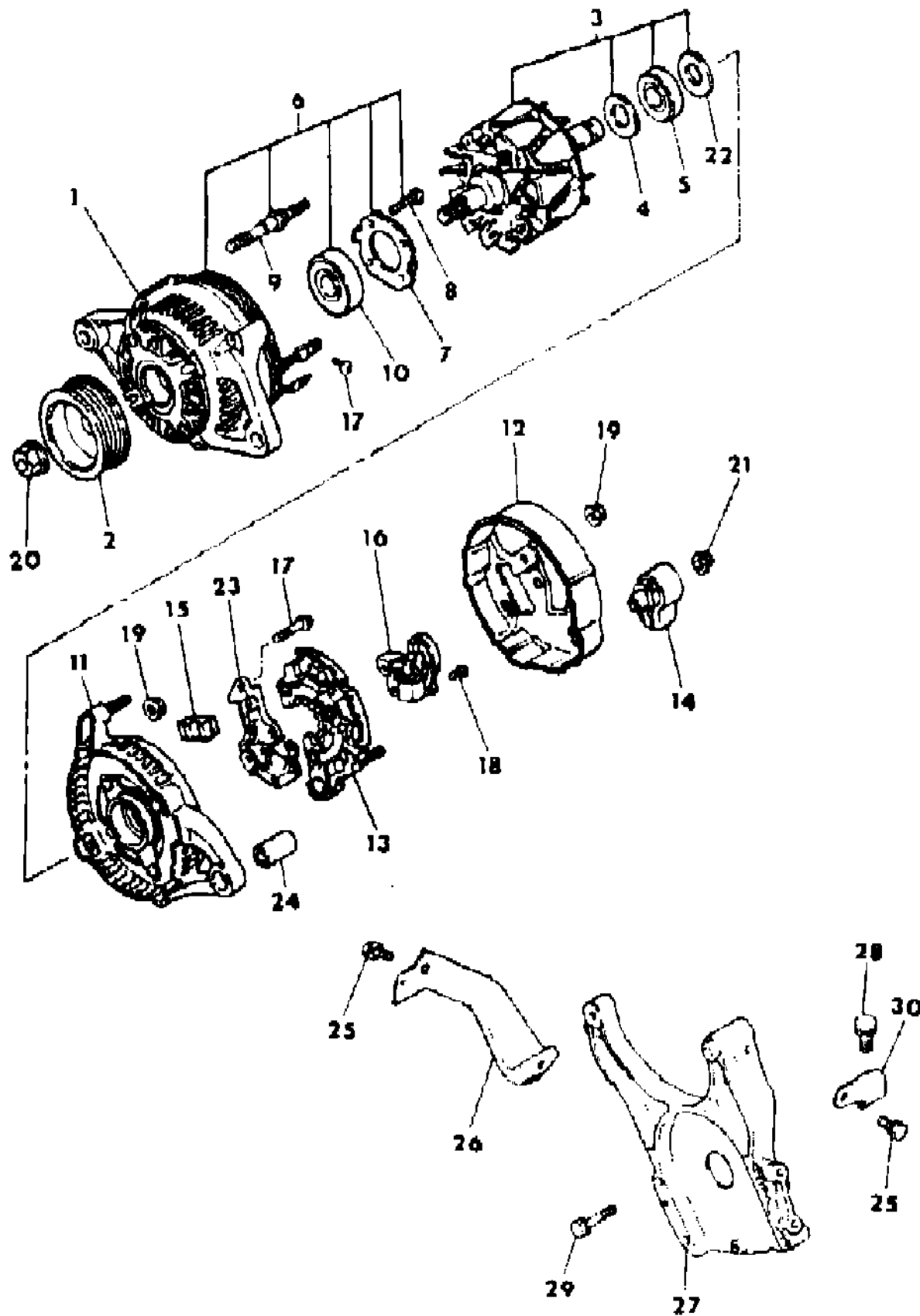
BODY STYLES

12-52 = FWD VAN & WAGON STD. W.B. 27 = 2-DOOR CONVERTIBLE
 13-53 = FWD VAN & WGN EXT W.B. 41 = 4-DOOR SEDAN
 21 = 2-DOOR SEDAN 44 = 4-DOOR HATCHBACK
 24 = 2-DOOR HATCHBACK 45 = 4-DOOR STATION WAGON

AR = Use as Required - = Non Illustrated Part P.A.R. = Paint as Required

ALTERNATOR 40/90 AMP. NIPPONDENSO
Figure 8-1800

8108 1800



ITEM	PART NUMBER	QTY	BODY	MODEL	DESCRIPTION
1	5227 349				ALTERNATOR, STAMPED--5233949 STAMPED--5227349 NOTE: THE FOLLOWING COMPONENTS ARE FOR ALTERNATORS 5227349 & 5233949
2	5233 360				PULLEY, w/5227349
	5233 843				w/5233949
3	5233 400				ROTOR, w/5227349
	5233 786				w/5233949
4	5233 446				COVER
5	5233 447				BEARING, Rec. End
6	5233 448				SHIELD, Drive End w/Stator, w/5227349
	5233 799				w/5233949
7	5233 450				RETAINER, Bearing w/5227349
8	5233 461				SCREW, Bearing Retainer
9	5233 462				THRU BOLT
10	5233 463				BEARING, Drive End Shield w/5227349
	5233 809				w/5233949
11	5233 464				SHIELD, Rec. End w/5227349
	5233 828				w/5233949
12	5233 465				COVER, Rear End w/5227349
	5233 829				w/5233949
13	5233 468				RECTIFIER, w/5227349
	5233 831				w/5233949
14	5233 469				INSULATOR, (B+)
15	5233 470				INSULATOR, Stator Lead w/5227349
	5233 832				w/5233949
16	5233 605				BRUSH HOLDER, w/5227349
	5233 833				w/5233949
17	5233 473				SCREW, Field Term.
18	5233 476				SCREW, Stator Lead w/5227349
	5233 834				w/5233949
19	5233 478				NUT, Thru-Bolt & Cover
20	5233 479				NUT, Pulley
21	5233 480				NUT, Battery Stud
22	5233 481				COVER, Bearing
23	5233 482				CONDENSOR, (Field Term.)
24	5233 483				BUSHING

MODEL CODES

C BODY = (D41 - DYNASTY)(C41 - NEW YORKER)
E BODY = (J - CARAVELLE)(E - 600)(T - NEW YORKER TURBO)
G BODY = (V24 - DAYTONA, PACIFICA & SHELBY)
H BODY = (D44 - LANCER)(C44 - LEBARON GTS)
J BODY = (C - LEBARON)
K BODY = (P - RELIANT)(D - ARIES)(C - LEBARON/ TOWN & COUNTRY)

L BODY = (M - HORIZON)(Z-OMNI)
M BODY = (B - GRAN FURY)(G - DIPLOMAT)(F - FIFTH AVENUE/NEWPORT)
P BODY = (P - SUNDANCE)(D - SHADOW)
Q BODY = (C27 - MASERATI)
S BODY = (H - VOYAGER)(K - RAM VAN/ CARAVAN)

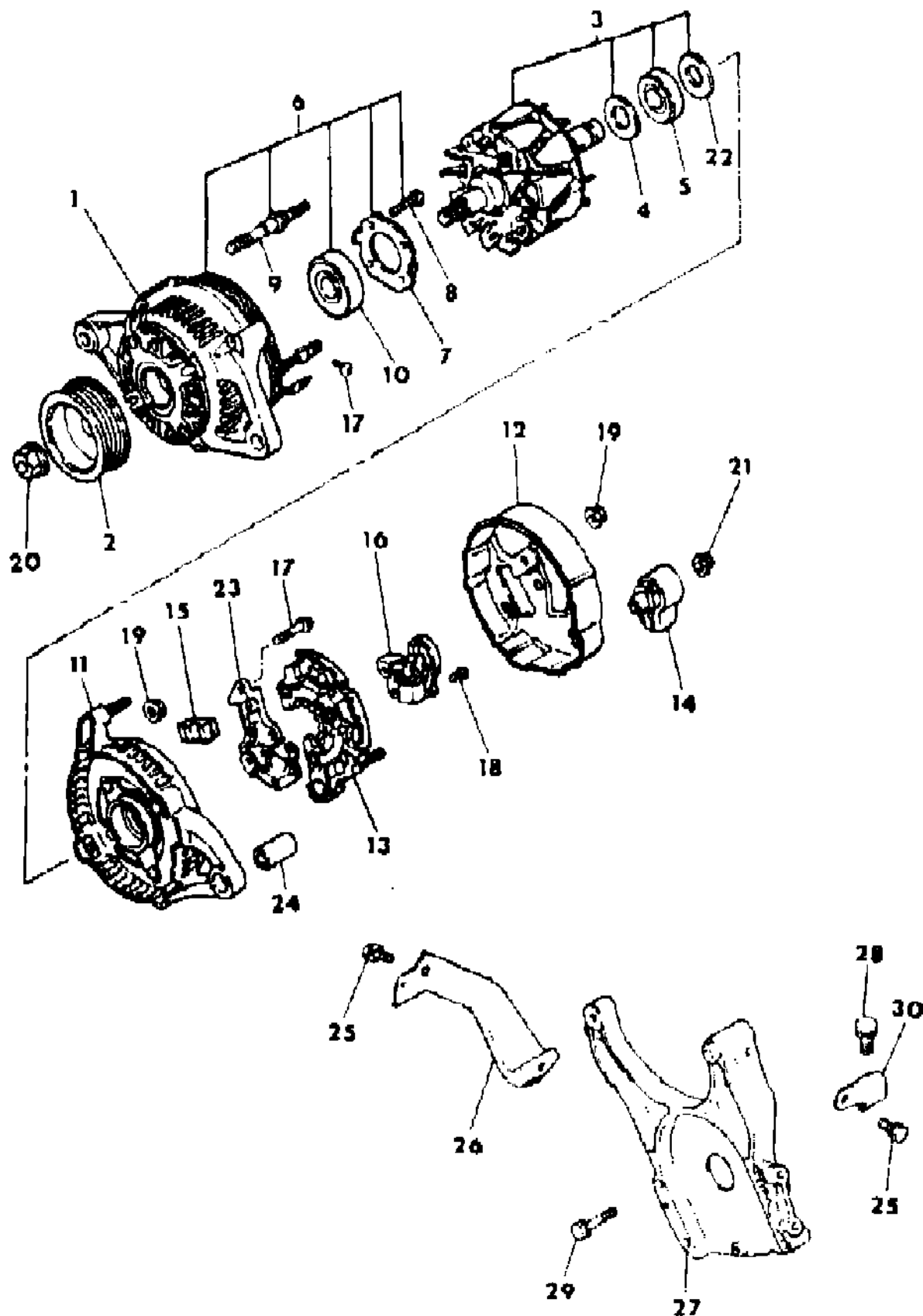
BODY STYLES

12-52 = FWD VAN & WAGON STD. W.B. 27 = 2-DOOR CONVERTIBLE
13-53 = FWD VAN & WGN EXT W.B. 41 = 4-DOOR SEDAN
21 = 2-DOOR SEDAN 44 = 4-DOOR HATCHBACK
24 = 2-DOOR HATCHBACK 45 = 4-DOOR STATION WAGON

AR = Use as Required - = Non Illustrated Part P.A.R. = Paint as Required

ALTERNATOR 40/90 AMP. NIPPONDENSO
Figure 8-1800

8108 1800



ITEM	PART NUMBER	QTY	BODY	MODEL	DESCRIPTION
25					BOLT, 8x18-8T, (Not Serv.)
	5233 838				SEAL, Brush Holder Upper w/5233949
	5233 837				SEAL, Brush Holder Lower w/5233949
	5233 800				PLATE, Bearing Retainer
	5233 801				SCREW AND WASHER, Frt. Bearing Mtg.
26	MD10 8427				STAY, (A)
27	MD10 3976				BRACKET, (Also Used w/Bosch Alt. 3.0 Eng.)
28	MD11 5942				BOLT, w/Washer
29	MD11 0864				BOLT, w/Washer, 8x43-8T
30	MD11 5941				STAY, (B) (1987)
	MD12 5730				(1988)

MODEL CODES

C BODY = (D41 - DYNASTY)(C41 - NEW YORKER)
 E BODY = (J - CARAVELLE)(E - 600)(T - NEW YORKER TURBO)
 G BODY = (V24 - DAYTONA, PACIFICA & SHELBY)
 H BODY = (D44 - LANCER)(C44 - LEBARON GTS)
 J BODY = (C - LEBARON)
 K BODY = (P - RELIANT)(D - ARIES)(C - LEBARON/ TOWN & COUNTRY)
 L BODY = (M - HORIZON)(Z-OMNI)
 M BODY = (B - GRAN FURY)(G - DIPLOMAT)(F - FIFTH AVENUE/NEWPORT)
 P BODY = (P - SUNDANCE)(D - SHADOW)
 Q BODY = (C27 - MASERATI)
 S BODY = (H - VOYAGER)(K - RAM VAN/ CARAVAN)

BODY STYLES

12-52 = FWD VAN & WAGON STD. W.B. 27 = 2-DOOR CONVERTIBLE
 13-53 = FWD VAN & WGN EXT W.B. 41 = 4-DOOR SEDAN
 21 = 2-DOOR SEDAN 44 = 4-DOOR HATCHBACK
 24 = 2-DOOR HATCHBACK 45 = 4-DOOR STATION WAGON

AR = Use as Required - = Non Illustrated Part P.A.R. = Paint as Required

ALTERNATOR 40/90 AMP. BOSCH
Figure 8-1875

ILLUSTRATION NOT AVAILABLE AT TIME OF PUBLICATION

ITEM	PART NUMBER	QTY	BODY	MODEL	DESCRIPTION
1	5233 549				ALTERNATOR
	5233 574				ALTERNATOR NOTE: THE FOLLOWING COMPONENTS ARE FOR ALTERNATORS 5233549 & 5233574
	5226 840	1			SHIELD, Drive End, w/5233574
	5234 469	1			w/5233549
	5226 307	1			BEARING, Drive End w/5233574
	5234 461	1			w/5233549
	5234 443	1			PLATE, Bearing Cover
	5234 444	4			SCREW, Bearing Cover Plate
	5234 445	1			ROTOR, w/5233574
	5234 470	1			w/5233549
	5226 310	1			COLLECTOR RING, w/5233574
	5234 473	1			w/5233549
	5234 446	1			SHIELD, Rear End w/5233574
	5234 475	1			w/5233549
	5234 447	1			RECTIFIER, w/5233574
	5234 476	1			w/5233549
	5226 848	1			BRUSH HOLDER, w/5233574
	5234 465	1			w/5233549
	5226 572	2			COMPRESSION SPRING
	5226 572	1			BRUSH SET, Carbon
	5234 450	1			STATOR, w/5233574
	5234 477	1			w/5233549
	5234 451	4			SCREW, Oval Head (Thru-Bolts) w/5233574
	5234 478	4			w/5233549
	5234 453	1			BUSHING, Expansion
	5213 997	1			CAPACITOR
	5234 455	1			SCREW, Fillister Head
	5213 999	1			WASHER, Spring
	5226 322	1			FAN, w/5233574
	5234 466	1			w/5233549
	5234 457	1			PULLEY, w/5233574
	5234 481	1			w/5233549
	5234 458	1			PULLEY, Jam Nut
	5234 480	1			w/5233549
	5226 857	1			PARTS SET, (B+ Terminal) w/5233574

MODEL CODES

C BODY = (D41 - DYNASTY)(C41 - NEW YORKER)	L BODY = (M - HORIZON)(Z-OMNI)
E BODY = (J - CARAVELLE)(E - 600)(T - NEW YORKER TURBO)	M BODY = (B - GRAN FURY)(G - DIPLOMAT)(F - FIFTH AVENUE/NEWPORT)
G BODY = (V24 - DAYTONA, PACIFICA & SHELBY)	P BODY = (P - SUNDANCE)(D - SHADOW)
H BODY = (D44 - LANCER)(C44 - LEBARON GTS)	Q BODY = (C27 - MASERATI)
J BODY = (C - LEBARON)	S BODY = (H - VOYAGER)(K - RAM VAN/ CARAVAN)
K BODY = (P - RELIANT)(D - ARIES)(C - LEBARON/ TOWN & COUNTRY)	

BODY STYLES

12-52 = FWD VAN & WAGON STD. W.B.	27 = 2-DOOR CONVERTIBLE
13-53 = FWD VAN & WGN EXT W.B.	41 = 4-DOOR SEDAN
21 = 2-DOOR SEDAN	44 = 4-DOOR HATCHBACK
24 = 2-DOOR HATCHBACK	45 = 4-DOOR STATION WAGON

AR = Use as Required - = Non Illustrated Part P.A.R. = Paint as Required

ALTERNATOR 40/90 AMP. BOSCH
Figure 8-1875

ITEM	PART NUMBER	QTY	BODY	MODEL	DESCRIPTION
	5234 468	1			w/5233549
	5234 460	1			RING, Spacer w/5233574
	5234 474	1			w/5233549
	5234 462				BEARING, Rear End, (5234549
	5234 464				WASHER, w/Screw (Rectifier) (5234549)
	5234 467				STUD, (5234549)
	5234 479				WASHER, w/Screw (5234549)
	5234 482				SHIELD, Drive End

ILLUSTRATION NOT AVAILABLE AT TIME OF PUBLICATION

MODEL CODES

C BODY = (D41 - DYNASTY)(C41 - NEW YORKER)	L BODY = (M - HORIZON)(Z-OMNI)
E BODY = (J - CARAVELLE)(E - 600)(T - NEW YORKER TURBO)	M BODY = (B - GRAN FURY)(G - DIPLOMAT)(F - FIFTH AVENUE/NEWPORT)
G BODY = (V24 - DAYTONA, PACIFICA & SHELBY)	P BODY = (P - SUNDANCE)(D - SHADOW)
H BODY = (D44 - LANCER)(C44 - LEBARON GTS)	Q BODY = (C27 - MASERATI)
J BODY = (C - LEBARON)	S BODY = (H - VOYAGER)(K - RAM VAN/ CARAVAN)
K BODY = (P - RELIANT)(D - ARIES)(C - LEBARON/ TOWN & COUNTRY)	

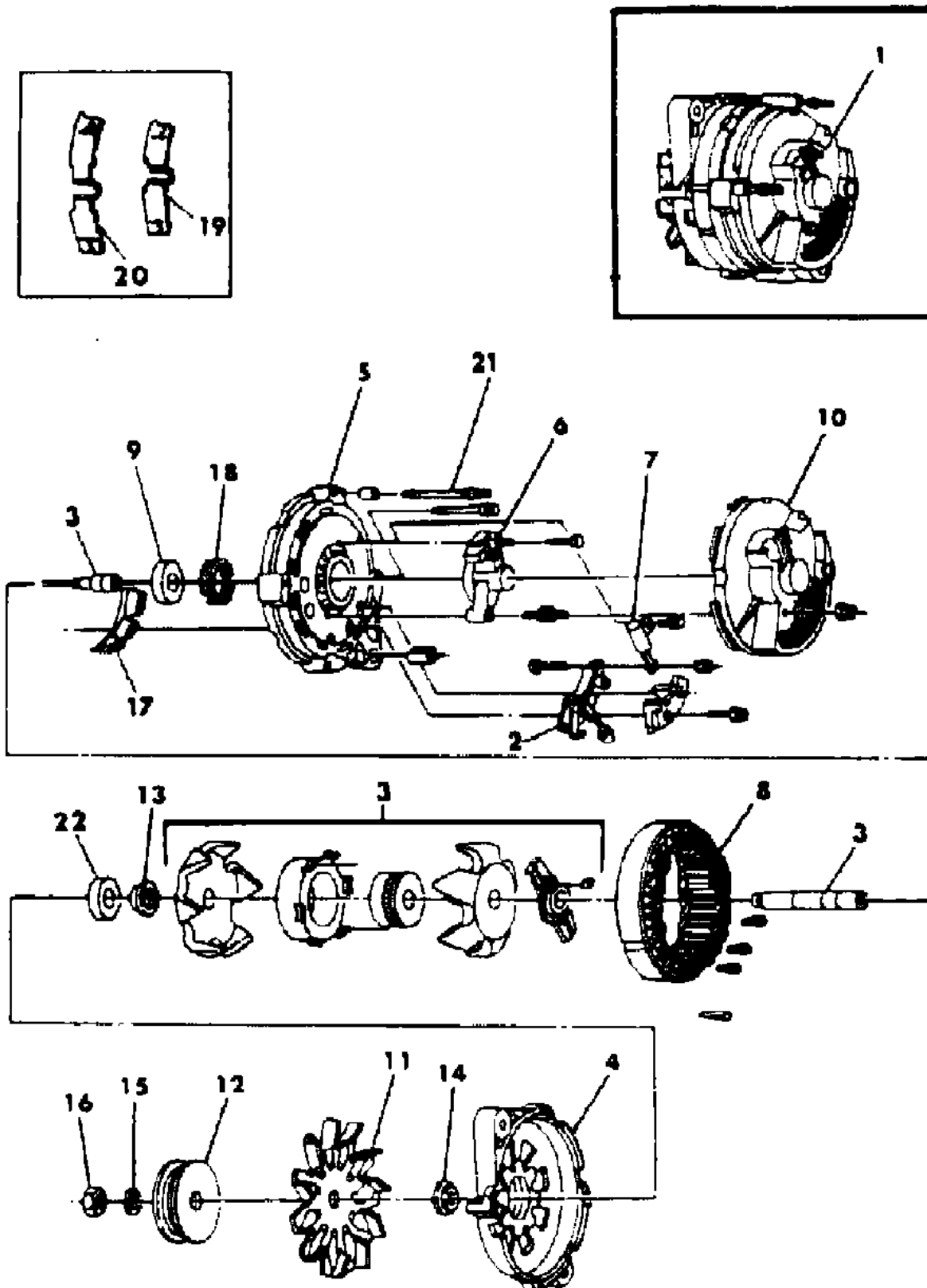
BODY STYLES

12-52 = FWD VAN & WAGON STD. W.B.	27 = 2-DOOR CONVERTIBLE
13-53 = FWD VAN & WGN EXT W.B.	41 = 4-DOOR SEDAN
21 = 2-DOOR SEDAN	44 = 4-DOOR HATCHBACK
24 = 2-DOOR HATCHBACK	45 = 4-DOOR STATION WAGON

AR = Use as Required - = Non Illustrated Part P.A.R. = Paint as Required

ALTERNATOR 50/120 AMP. CHRYSLER
Figure 8-1900

8108 1900



ITEM	PART NUMBER	QTY	BODY	MODEL	DESCRIPTION
1	5233 508 5233 160 5233 199				ALTERNATOR
NOTE: THE FOLLOWING COMPONENTS ARE FOR ALTERNATORS 5233508, 5233160 & 5233199					
2	4467 162 4467 163				RECTIFIER, Pkg. (Drive End Shield) w/5233199
3	4467 151				ROTOR PACKAGE
4	4433 094 4433 173				SHIELD, Drive End w/Brg., w/5233508-5233160 w/5233199
5	4433 158				SHIELD, Rec. End.
6	4433 160				BRUSH HOLDER ASSEMBLY
7	5226 137				CAPACITOR
8	4433 099				STATOR ASSEMBLY
9	4364 852				BEARING PACKAGE, Rec. End Shield
10	4433 115				COVER, Rec. End Shield
11	5226 458				FAN
12	5227 468 4433 032 5227 174				PULLEY, w/5233160 w/5233508 w/5233199
13	5227 200				SPACER, Rotor
14	5227 606				SPACER, Pulley
15	6501 007				WASHER, Pulley Lock
16	6501 006				NUT, Pulley Lock
17					INSULATOR, Stator Lead, (Serv. in Assy.)
18	4433 831				RETAINER, Tolerance Lock
19	4433 102				STRAP, Alt. Rec. (Short)
20	4433 101				STRAP, (Long)
21	4467 153				THRU-BOLT
22					PARTS SET

MODEL CODES

C BODY = (D41 - DYNASTY)(C41 - NEW YORKER)
E BODY = (J - CARAVELLE)(E - 600)(T - NEW YORKER TURBO)
G BODY = (V24 - DAYTONA, PACIFICA & SHELBY)
H BODY = (D44 - LANCER)(C44 - LEBARON GTS)
J BODY = (C - LEBARON)
K BODY = (P - RELIANT)(D - ARIES)(C - LEBARON/ TOWN & COUNTRY)

L BODY = (M - HORIZON)(Z-OMNI)
M BODY = (B - GRAN FURY)(G - DIPLOMAT)(F - FIFTH AVENUE/NEWPORT)
P BODY = (P - SUNDANCE)(D - SHADOW)
Q BODY = (C27 - MASERATI)
S BODY = (H - VOYAGER)(K - RAM VAN/ CARAVAN)

BODY STYLES

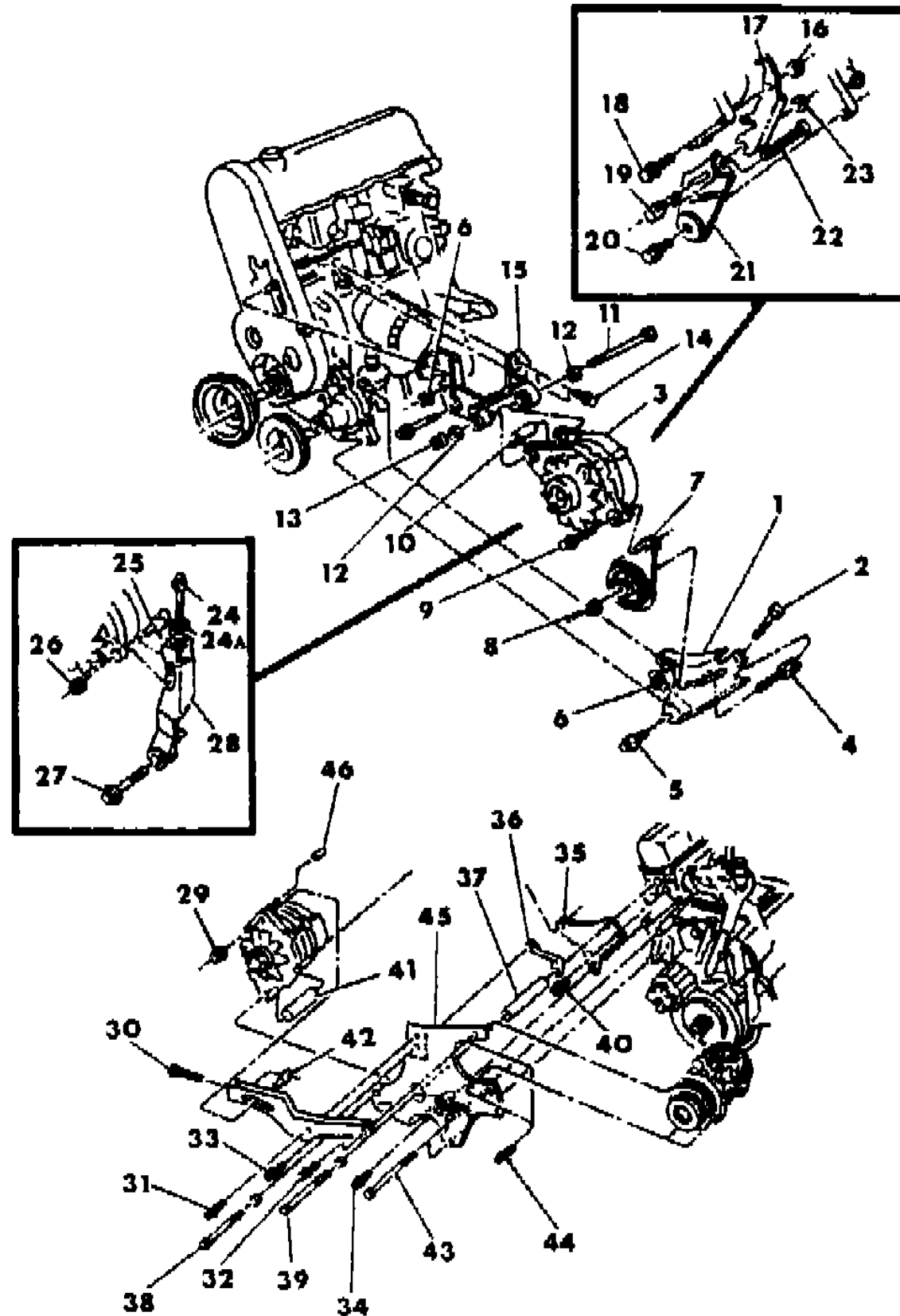
12-52 = FWD VAN & WAGON STD. W.B. 27 = 2-DOOR CONVERTIBLE
13-53 = FWD VAN & WGN EXT W.B. 41 = 4-DOOR SEDAN
21 = 2-DOOR SEDAN 44 = 4-DOOR HATCHBACK
24 = 2-DOOR HATCHBACK 45 = 4-DOOR STATION WAGON

AR = Use as Required - = Non Illustrated Part P.A.R. = Paint as Required

ALTERNATOR MOUNTING

Figure 8-2200

8108 2200 A



ITEM	PART NUMBER	QTY	BODY	MODEL	DESCRIPTION
1	4483 297				BRACKET, Alt. Lower
2	6501 595				BOLT, Adj.
3					ALTERNATOR
4	6501 659				SCREW, Adj.
5	6501 756				SCREW, w/Washer
6					NUT, (Not Serv.)
7	4448 455				BRACKET, Upper
8					NUT, w/Washer, (Not Serv.)
9	6100 309				SCREW, w/Washer
10	4273 289				SPACER
11	9437 943				BOLT
12	6501 752				WASHER
13	0152 344				NUT, Lock
14	6501 261				SCREW, w/Washer
15	4364 892				BRACKET, Mtg.
16					NUT, w/Washer, (Not Serv.)
17	4343 952				BRACKET, Upper
18	6100 300				SCREW, w/Washer
19	6501 395				BOLT, Adj.
20	6500 775				SCREW, w/Washer
21	4343 954				BRACKET, Lower
22	6501 595				BOLT
23					NUT, w/Washer, (Not Serv.)
24	6501 595				BOLT
24A	6101 461				WASHER
25	6501 659				BOLT
26					NUT, w/Washer, (Not Serv.)
27	6500 775				SCREW, w/Washer
28	4323 295				BRACKET
29	6100 050				NUT, w/Washer
30	6501 761				BOLT
31	6022 258				BOLT
32					BOLT, (Not Serv.)
33	#0181 112				SCREW, w/Washer
34	6025 063				SCREW, w/Washer
35	4387 214				BRACKET, Alt. Mtg.
36	4100 604				SUPPORT

MODEL CODES

C BODY = (D41 - DYNASTY)(C41 - NEW YORKER)
 E BODY = (J - CARAVELLE)(E - 600)(T - NEW YORKER TURBO)
 G BODY = (V24 - DAYTONA, PACIFICA & SHELBY)
 H BODY = (D44 - LANCER)(C44 - LEBARON GTS)
 J BODY = (C - LEBARON)
 K BODY = (P - RELIANT)(D - ARIES)(C - LEBARON/ TOWN & COUNTRY)

L BODY = (M - HORIZON)(Z-OMNI)
 M BODY = (B - GRAN FURY)(G - DIPLOMAT)(F - FIFTH AVENUE/NEWPORT)
 P BODY = (P - SUNDANCE)(D - SHADOW)
 Q BODY = (C27 - MASERATI)
 S BODY = (H - VOYAGER)(K - RAM VAN/ CARAVAN)

BODY STYLES

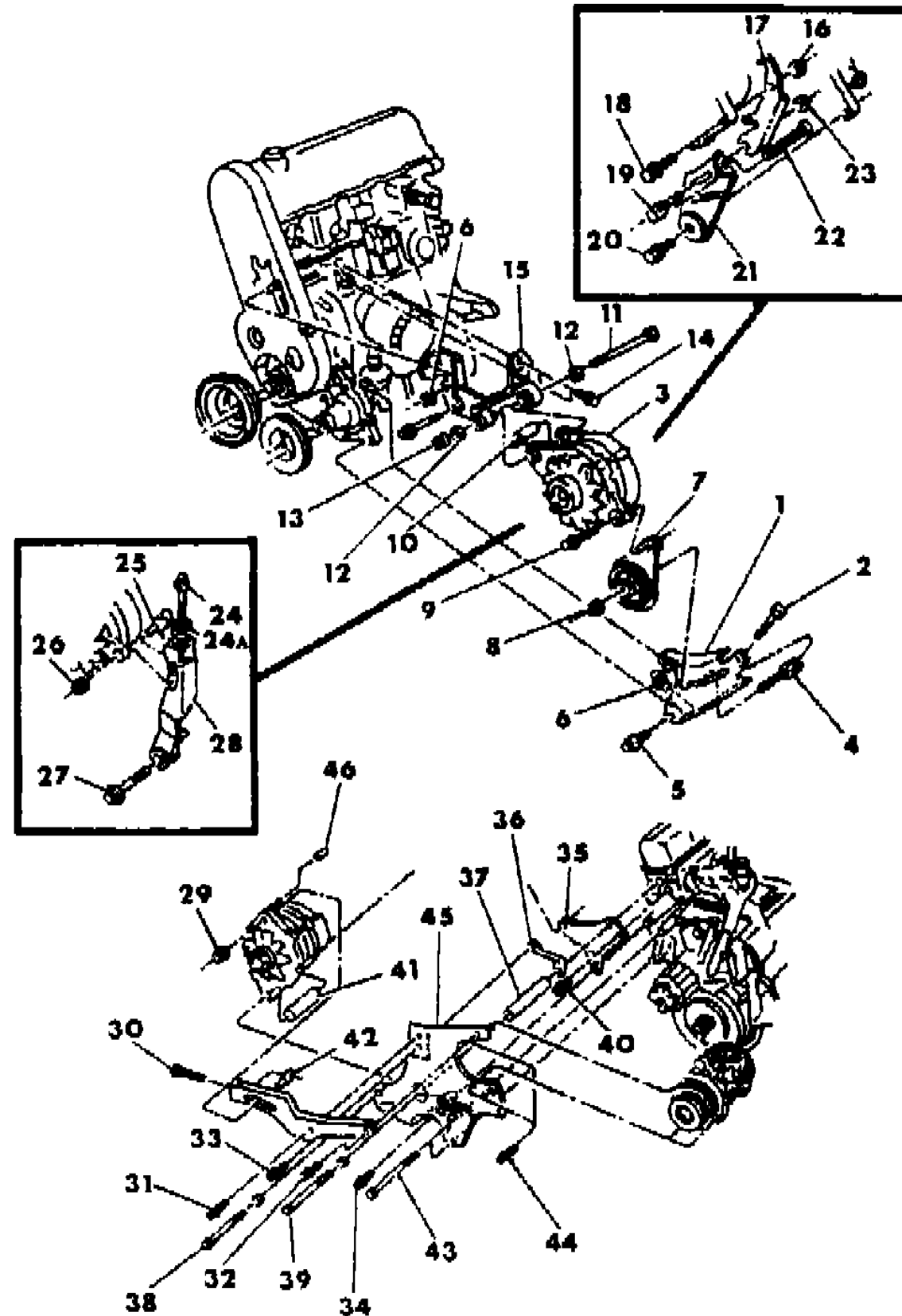
12-52 = FWD VAN & WAGON STD. W.B. 27 = 2-DOOR CONVERTIBLE
 13-53 = FWD VAN & WGN EXT W.B. 41 = 4-DOOR SEDAN
 21 = 2-DOOR SEDAN 44 = 4-DOOR HATCHBACK
 24 = 2-DOOR HATCHBACK 45 = 4-DOOR STATION WAGON

AR = Use as Required - = Non Illustrated Part P.A.R. = Paint as Required

ALTERNATOR MOUNTING

Figure 8-2200

8108 2200 A



ITEM	PART NUMBER	QTY	BODY	MODEL	DESCRIPTION
37	6031 433				SPACER
38					BOLT, (Not Serv.)
39					BOLT, (Not Serv.)
40	#0181 112				SCREW, w/Washer
41	4273 289				SPACER
42	6501 659				BOLT
43	6028 166				SCREW
44	#6500 365				SCREW, w/Washer
45	4315 408				BRACKET
46	3580 171				CAP

MODEL CODES

C BODY = (D41 - DYNASTY)(C41 - NEW YORKER)
 E BODY = (J - CARAVELLE)(E - 600)(T - NEW YORKER TURBO)
 G BODY = (V24 - DAYTONA, PACIFICA & SHELBY)
 H BODY = (D44 - LANCER)(C44 - LEBARON GTS)
 J BODY = (C - LEBARON)
 K BODY = (P - RELIANT)(D - ARIES)(C - LEBARON/ TOWN & COUNTRY)
 L BODY = (M - HORIZON)(Z-OMNI)
 M BODY = (B - GRAN FURY)(G - DIPLOMAT)(F - FIFTH AVENUE/NEWPORT)
 P BODY = (P - SUNDANCE)(D - SHADOW)
 Q BODY = (C27 - MASERATI)
 S BODY = (H - VOYAGER)(K - RAM VAN/ CARAVAN)

BODY STYLES

12-52 = FWD VAN & WAGON STD. W.B. 27 = 2-DOOR CONVERTIBLE
 13-53 = FWD VAN & WGN EXT W.B. 41 = 4-DOOR SEDAN
 21 = 2-DOOR SEDAN 44 = 4-DOOR HATCHBACK
 24 = 2-DOOR HATCHBACK 45 = 4-DOOR STATION WAGON

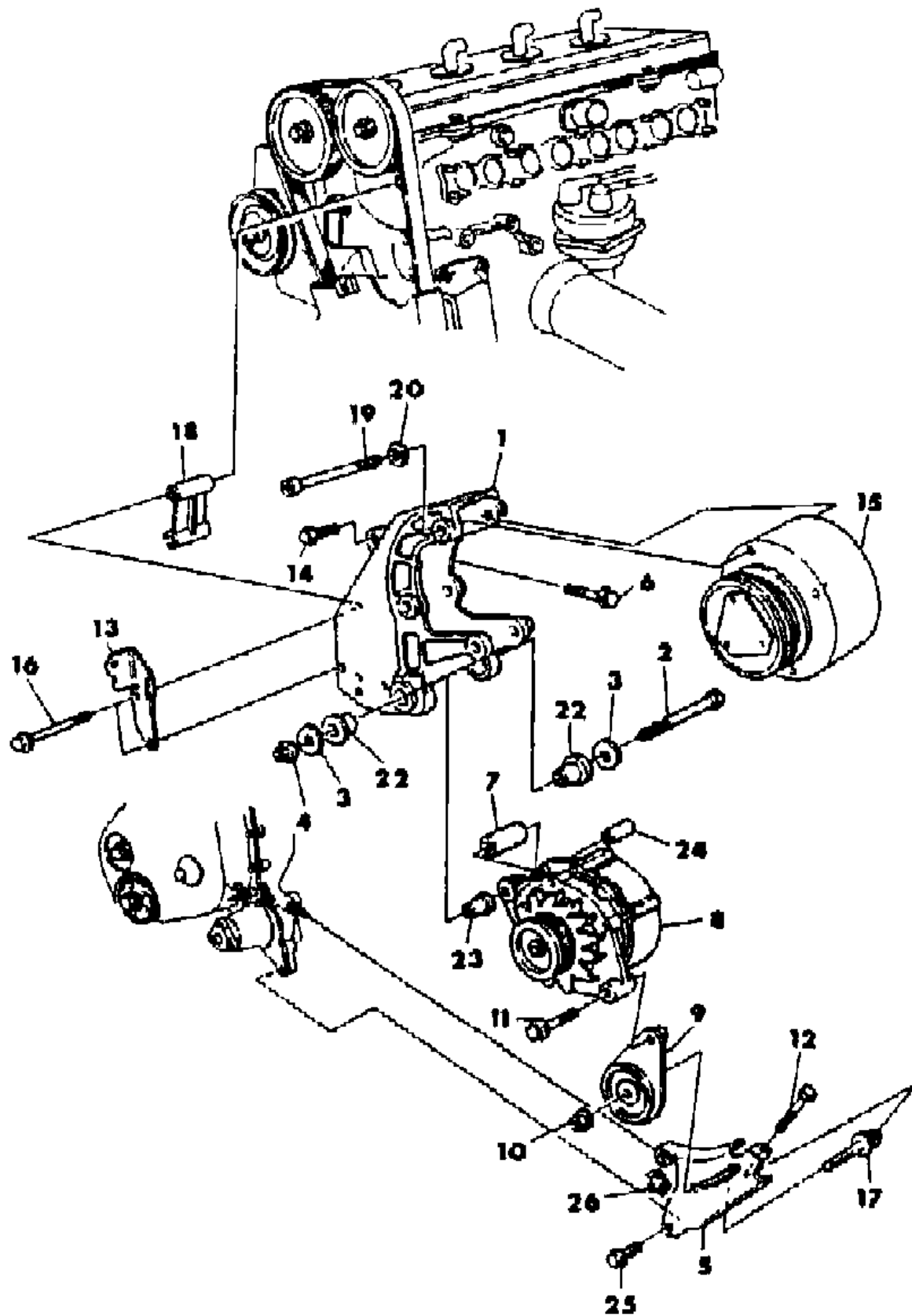
AR = Use as Required - = Non Illustrated Part P.A.R. = Paint as Required

ALTERNATOR MOUNTING 16-VALVE ENGINE

Figure 8-2300

8108 2300

ITEM	PART NUMBER	QTY	BODY	MODEL	DESCRIPTION
1	4425 176				ADAPTOR, Alt. & A/C Comp.
2	9437 943				BOLT, Alt. Pivot
3	6501 752				WASHER, Flat
4					NUT, Lock (Not Serv.)
5	4483 297				BRACKET, Alt. Adj. Lwr.
6	6501 261				SCREW, w/Washer
7	4273 289				SPACER, Alt. Mtg.
8	4419 187				ALTERNATOR & PULLEY, STAMPED--5233574
9	4448 455				BRACKET, Alt. Adj. Upr.
10					NUT, w/Washer (Not Serv.)
11	6100 309				SCREW, w/Washer
12	6501 595				BOLT
13	4323 642				BRACKET, Eng. Support Rt.
14	6501 200				SCREW, w/Washer
15					COMPRESSOR, (See Group 24)
16					BOLT
17	6501 659				SCREW, Adj.
18	4241 157				SPACER
19	4425 184				SCREW
20	6100 129				WASHER, Flat
21					STRUT, Eng. Mtg. Rt.
22	4268 074				ISOLATOR, Rubber
23	4268 067				SLEEVE, Isolator
24	4268 068				SLEEVE, Isolator
25	6501 756				SCREW, w/Washer
26	6100 053				NUT, w/Cone Washer



MODEL CODES

C BODY = (D41 - DYNASTY)(C41 - NEW YORKER)
 E BODY = (J - CARAVELLE)(E - 600)(T - NEW YORKER TURBO)
 G BODY = (V24 - DAYTONA, PACIFICA & SHELBY)
 H BODY = (D44 - LANCER)(C44 - LEBARON GTS)
 J BODY = (C - LEBARON)
 K BODY = (P - RELIANT)(D - ARIES)(C - LEBARON/ TOWN & COUNTRY)

L BODY = (M - HORIZON)(Z-OMNI)
 M BODY = (B - GRAN FURY)(G - DIPLOMAT)(F - FIFTH AVENUE/NEWPORT)
 P BODY = (P - SUNDANCE)(D - SHADOW)
 Q BODY = (C27 - MASERATI)
 S BODY = (H - VOYAGER)(K - RAM VAN/ CARAVAN)

BODY STYLES

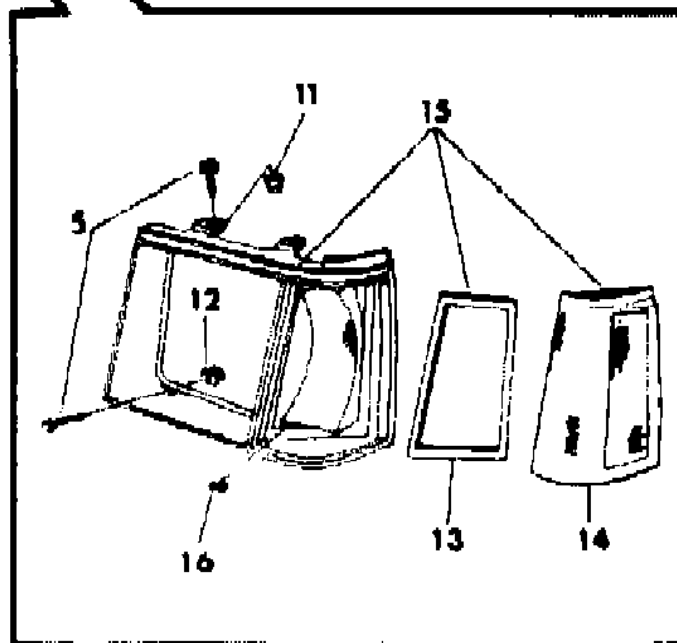
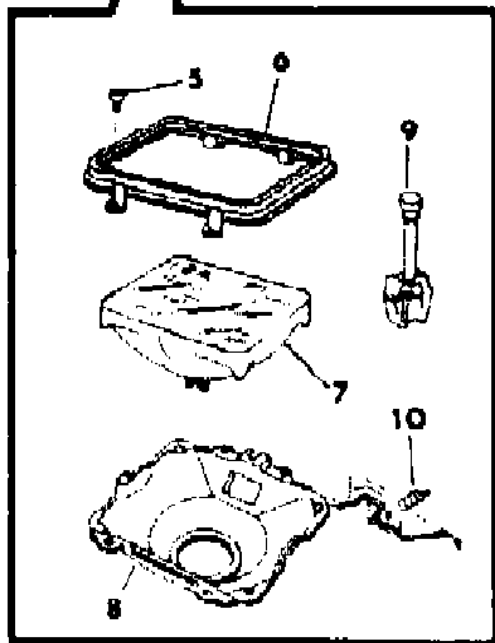
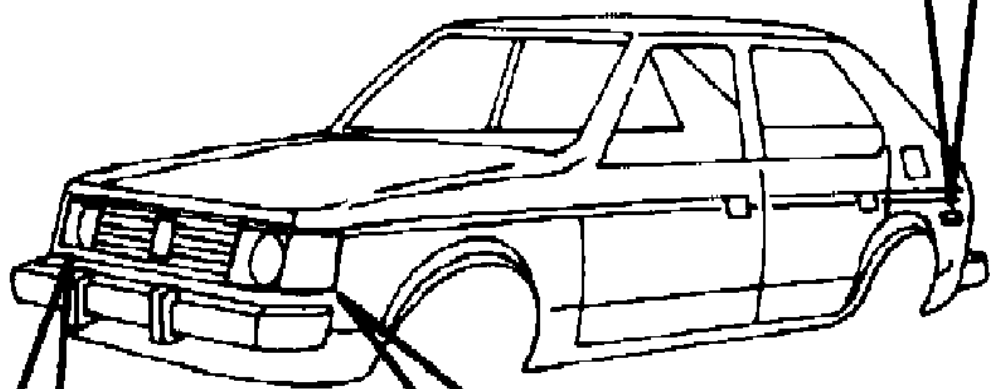
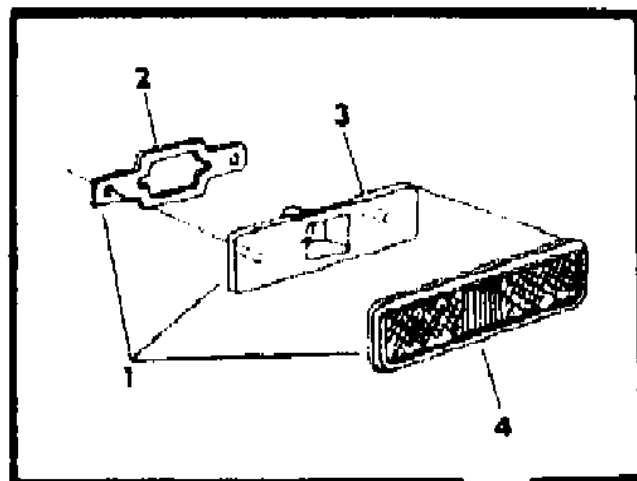
12-52 = FWD VAN & WAGON STD. W.B. 27 = 2-DOOR CONVERTIBLE
 13-53 = FWD VAN & WGN EXT W.B. 41 = 4-DOOR SEDAN
 21 = 2-DOOR SEDAN 44 = 4-DOOR HATCHBACK
 24 = 2-DOOR HATCHBACK 45 = 4-DOOR STATION WAGON

AR = Use as Required - = Non Illustrated Part P.A.R. = Paint as Required

LAMPS--FRONT L BODY--44

Figure 8-2400

8108 2400



ITEM	PART NUMBER	QTY	BODY	MODEL	DESCRIPTION
1	5207 780	2			LAMP ASSEMBLY, Qtr. Panel Side Marker
2					GASKET, (Serv. in Lamp Assy.)
3					HOUSING, (Serv. in Lamp Assy.)
4					LENS, (Serv. in Lamp Assy.)
5					SCREW, (Not Serv.)
6	5201 204	2			RETAINER, Sealed Beam Unit
7	0153 199	2			SEALED BEAM UNIT, Rt. Way Shift
	0153 590	2			Halogen
8	4103 468-9	2			SEAT, Sealed Beam Unit
9	4334 140	4			SCREW, w/Nut
10	5201 386	2			SPRING, Sealed Beam Unit Mtg. Seat Adj.
11	6031 234	4			NUT, Spacer
12	6031 138	4			NUT, Spacer
13	3798 253	2			SEAL
14	5207 624-5	1			LENS, (Also Serv. in Bezel Assy.)
15	4103 216-7	1			BEZEL, H/Lp., Park, T/Sig. and S/Marker Assy.
	4334 452-3	1			"GLH"
16					VENT STRIP, (Serv. in Bezel Assy.)

NOTE: BULBS AND SOCKETS ARE LISTED ON ILLUS. 5800-5900

MODEL CODES

C BODY = (D41 - DYNASTY)(C41 - NEW YORKER)
 E BODY = (J - CARAVELLE)(E - 600)(T - NEW YORKER TURBO)
 G BODY = (V24 - DAYTONA, PACIFICA & SHELBY)
 H BODY = (D44 - LANCER)(C44 - LEBARON GTS)
 J BODY = (C - LEBARON)
 K BODY = (P - RELIANT)(D - ARIES)(C - LEBARON/ TOWN & COUNTRY)

L BODY = (M - HORIZON)(Z-OMNI)
 M BODY = (B - GRAN FURY)(G - DIPLOMAT)(F - FIFTH AVENUE/NEWPORT)
 P BODY = (P - SUNDANCE)(D - SHADOW)
 Q BODY = (C27 - MASERATI)
 S BODY = (H - VOYAGER)(K - RAM VAN/ CARAVAN)

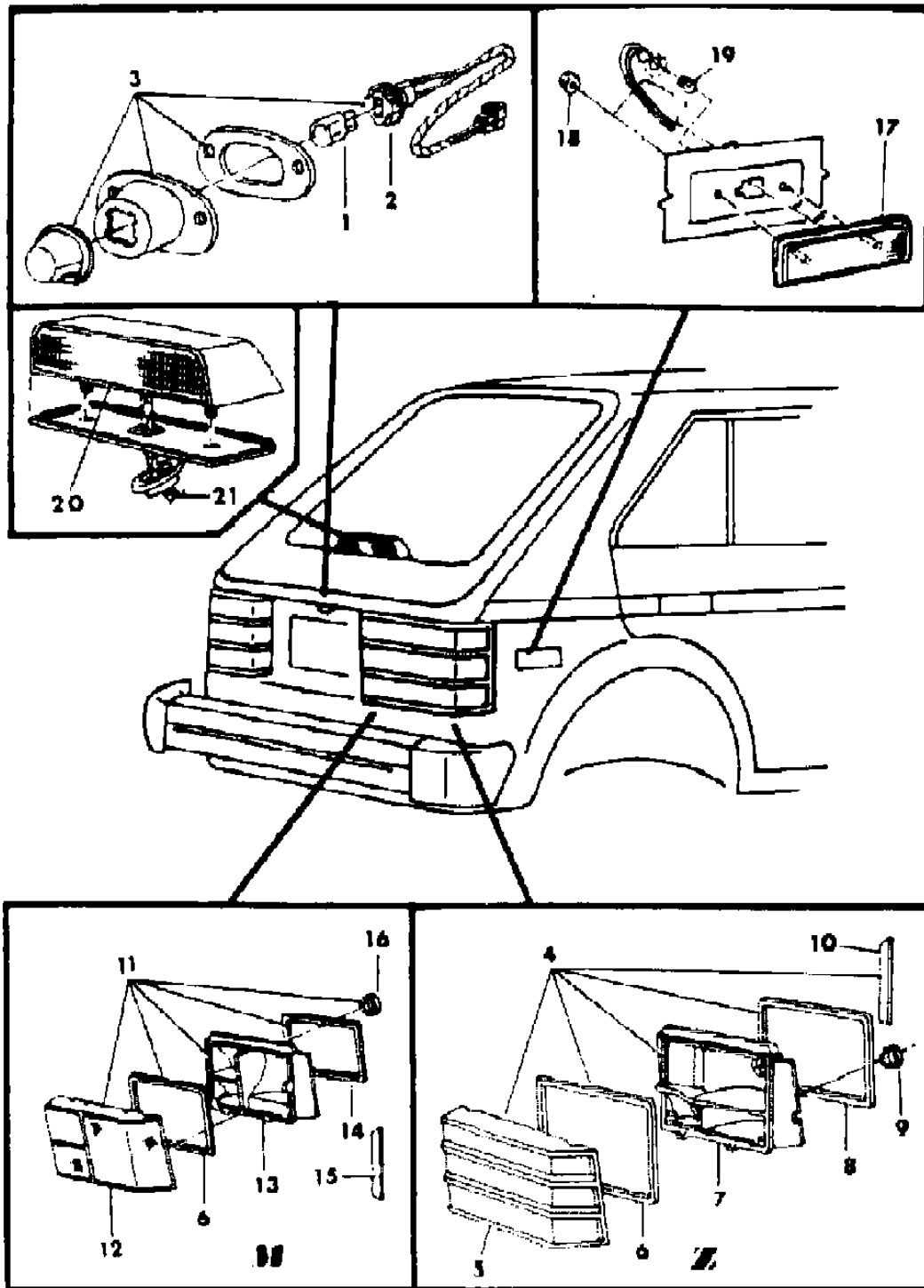
BODY STYLES

12-52 = FWD VAN & WAGON STD. W.B. 27 = 2-DOOR CONVERTIBLE
 13-53 = FWD VAN & WGN EXT W.B. 41 = 4-DOOR SEDAN
 21 = 2-DOOR SEDAN 44 = 4-DOOR HATCHBACK
 24 = 2-DOOR HATCHBACK 45 = 4-DOOR STATION WAGON

AR = Use as Required - = Non Illustrated Part P.A.R. = Paint as Required

LAMPS & WIRING--REAR L BODY--44
Figure 8-2500

8108 2500



ITEM	PART NUMBER	QTY	BODY	MODEL	DESCRIPTION
1	9425 542	1			BULB, #168
2					SOCKET and CABLE, (Not Serv.)
3	5207 516	1			LAMP, License
4	5207 656-7	1		Z	LAMP ASSEMBLY
5	5207 662-3	1		Z	LENS
6	3798 253	2		M,Z	SEAL
7		2		Z	HOUSING ASSEMBLY, (Serv. in #4)
8	3798 253	1		Z	SEAL, (Also Serv. in Housing Assy.)
9				Z	GROUND RING, (Serv. in Housing Assy.)
10	5207 620	1		Z	WELT
11	5207 648-9	1		M	LAMP ASSEMBLY
12	5207 654-5	1		M	LENS
13		1		M	HOUSING ASSEMBLY, (Serv. in #11)
14	3798 253	1		M	SEAL
15	5207 666-7	2		M	WELT
16				M	GROUND RING, (Serv. in Housing Assy.)
17	5207 780	1			LAMP, Qtr. Pnl. Side Marker
18	6029 471	4			NUT
19	9425 542	2			BULB
20	X294 EX8	1			LAMP, Lift Gate High Mounted Stop Lamp (Black)
21	4368 537	1			WIRING, w/Socket, Hi-Mtd. Stop Lamp

NOTE: BULBS AND SOCKETS ARE LISTED ON ILLUS. 5800-5900

MODEL CODES

C BODY = (D41 - DYNASTY)(C41 - NEW YORKER)
 E BODY = (J - CARAVELLE)(E - 600)(T - NEW YORKER TURBO)
 G BODY = (V24 - DAYTONA, PACIFICA & SHELBY)
 H BODY = (D44 - LANCER)(C44 - LEBARON GTS)
 J BODY = (C - LEBARON)
 K BODY = (P - RELIANT)(D - ARIES)(C - LEBARON/ TOWN & COUNTRY)

L BODY = (M - HORIZON)(Z-OMNI)
 M BODY = (B - GRAN FURY)(G - DIPLOMAT)(F - FIFTH AVENUE/NEWPORT)
 P BODY = (P - SUNDANCE)(D - SHADOW)
 Q BODY = (C27 - MASERATI)
 S BODY = (H - VOYAGER)(K - RAM VAN/ CARAVAN)

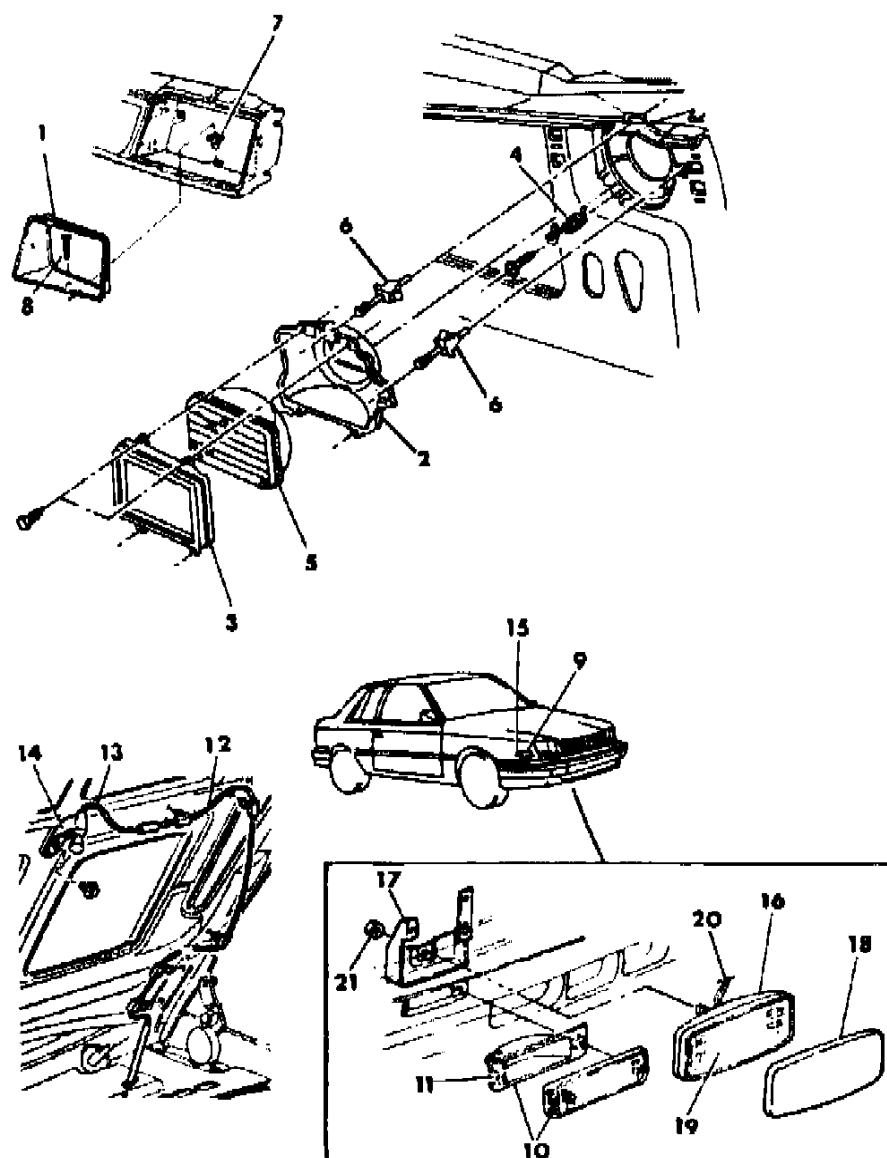
BODY STYLES

12-52 = FWD VAN & WAGON STD. W.B. 27 = 2-DOOR CONVERTIBLE
 13-53 = FWD VAN & WGN EXT W.B. 41 = 4-DOOR SEDAN
 21 = 2-DOOR SEDAN 44 = 4-DOOR HATCHBACK
 24 = 2-DOOR HATCHBACK 45 = 4-DOOR STATION WAGON

AR = Use as Required - = Non Illustrated Part P.A.R. = Paint as Required

LAMPS--FRONT P BODY
Figure 8-2600

8108 2600 A



ITEM	PART NUMBER	QTY	BODY	MODEL	DESCRIPTION
1	4334 228-9	1			BEZEL, Headlamp (Black)
	4451 326-7	1			H/LAMP ASSY., EUROPE
2	4334 226-7	AR			SEAT, Rect. H/Lamp Bulb
3	4270 937	AR			RETAINER, Rect. H/Lamp (Black)
	4016 088				(Argent)
4	3868 789	AR			SPRING, Headlamp (Black)
5	4388 166	AR			BULB, H/Lamp
6	4334 722	AR			NUT and SCREW, Head Lamp Bulb Mtg.
7	6500 725				NUT, H/Lamp Bezel to Rad. (Plastic)
8					SCREW, (Not Serv.)
9	4328 698				LAMP, Fender S/Marker & Reflex
10	4328 690-1				LAMP, Frt. Bumper Park & T/Sig.
	5207 782			D	LAMP, Turn Signal Fender, EUROPE
	4399 808-9			D	LAMP ASSY., Turn Signal, Frt. Bumper, EUROPE
11	6032 746				NUT, Frt. Bumper Park & T/Sig. Mtg.
12	4221 150	1			LAMP, Underhood
13	4368 180	1			CABLE, Underhood Light
14		1			BULB, Underhood Light
15	9425 542	1			BULB, Side Marker
16	4399 296	AR			LAMP, Front Bumper Fog, (Use Bulb #5207799) w/Seat
17	4388 530-1	AR			BRACKET, Fog Lamp Frt. Bumper
18	4399 552	AR			COVER, Fog Lamp
19	4399 302	AR			LENS and HOUSING, Fog Lamp
20	4414 258	AR			WIRING, Fog Lamp Pigtail
21	6100 050	AR			NUT

NOTE: BULBS AND SOCKETS ARE LISTED ON ILLUS. 5800-5900

MODEL CODES

C BODY = (D41 - DYNASTY)(C41 - NEW YORKER)
 E BODY = (J - CARAVELLE)(E - 600)(T - NEW YORKER TURBO)
 G BODY = (V24 - DAYTONA, PACIFICA & SHELBY)
 H BODY = (D44 - LANCER)(C44 - LEBARON GTS)
 J BODY = (C - LEBARON)
 K BODY = (P - RELIANT)(D - ARIES)(C - LEBARON/ TOWN & COUNTRY)

L BODY = (M - HORIZON)(Z-OMNI)
 M BODY = (B - GRAN FURY)(G - DIPLOMAT)(F - FIFTH AVENUE/NEWPORT)
 P BODY = (P - SUNDANCE)(D - SHADOW)
 Q BODY = (C27 - MASERATI)
 S BODY = (H - VOYAGER)(K - RAM VAN/ CARAVAN)

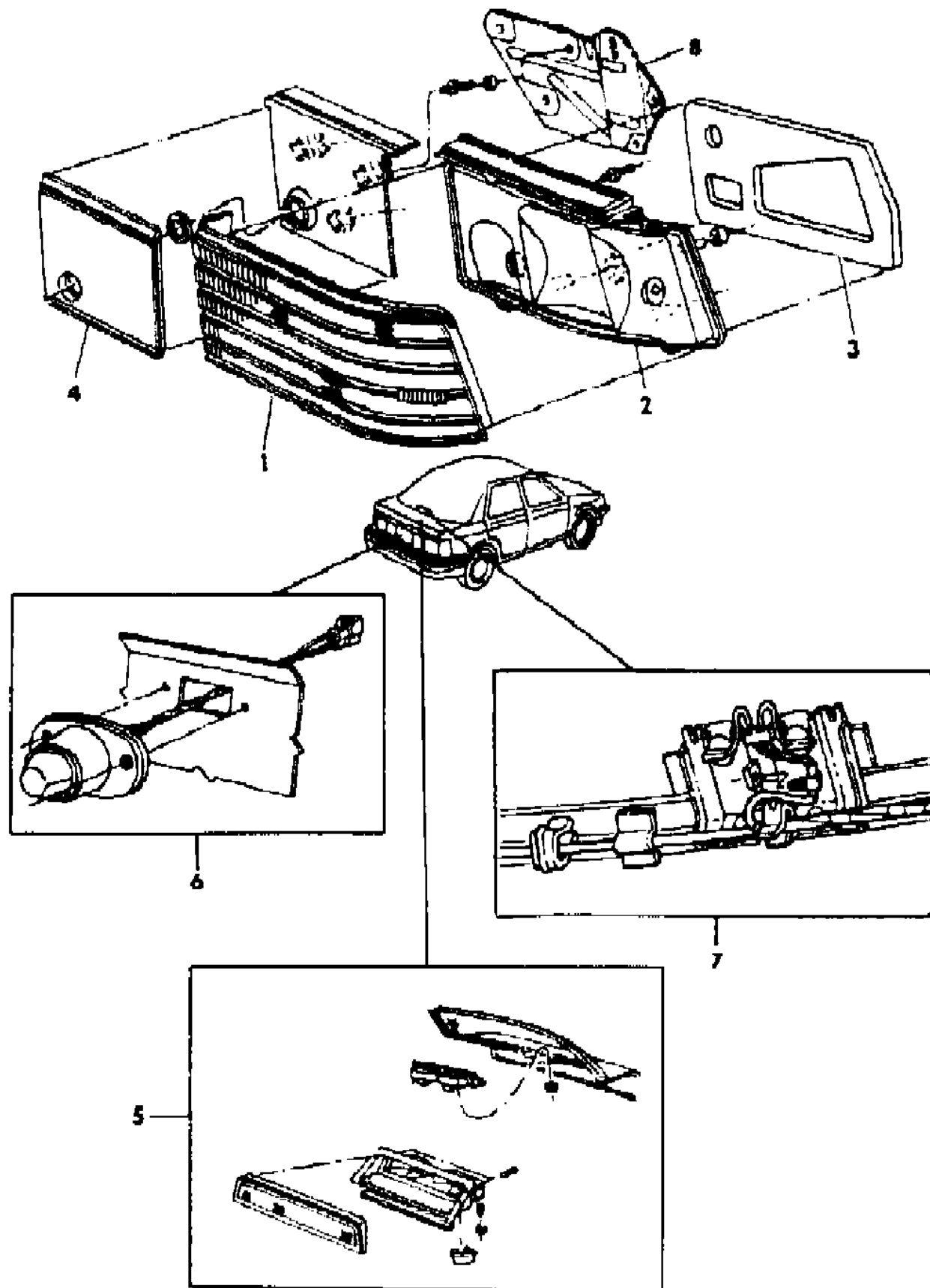
BODY STYLES

12-52 = FWD VAN & WAGON STD. W.B. 27 = 2-DOOR CONVERTIBLE
 13-53 = FWD VAN & WGN EXT W.B. 41 = 4-DOOR SEDAN
 21 = 2-DOOR SEDAN 44 = 4-DOOR HATCHBACK
 24 = 2-DOOR HATCHBACK 45 = 4-DOOR STATION WAGON

AR = Use as Required - = Non Illustrated Part P.A.R. = Paint as Required

LAMPS & WIRING--REAR P BODY
Figure 8-2700

8108 2700



ITEM	PART NUMBER	QTY	BODY	MODEL	DESCRIPTION
1	4399 404-5	1			LENS, Tail, Stop, Turn Sig
	4321 516-7	1		D	
	4399 686-7	1			LAMP ASSY., Lwr. Deck. Pnl. Tail, Stop, B/Up, Fog & Reflex, EUROPE
2	4364 474-5	1			HOUSING, Tail, Stop, Turn Signal Lamp
3	4321 520-1	1			GASKET, Tail, Stop, Turn Signal Lamp
4	4399 376-7	1		P	APPLIQUE ASSEMBLY, Tail Lamp Ext.
	4321 554-5	1		D	
5	4399 628	1			LAMP, Center High Mtd. Stop
6	5207 516	AR			HOUSING, w/Gasket, Liftgate License Lamp
	4399 685	1		D-24	LAMP ASSY., L/Gate Lwr. Pnl. License, EUROPE
	4399 679	1	P	24	BRACKET ASSY., License Lp., EUROPE
	4399 770	1			PLUG, License Lamp Mtg., EUROPE
7	4400 822	1			SOCKET and CABLE, Hi-Mtd. Stop Lp.
8	4399 334-5	1			BRACKET, Lamp to Applique

NOTE: BULBS AND SOCKETS ARE LISTED ON ILLUS. 5800-5900

MODEL CODES

C BODY = (D41 - DYNASTY)(C41 - NEW YORKER)
 E BODY = (J - CARAVELLE)(E - 600)(T - NEW YORKER TURBO)
 G BODY = (V24 - DAYTONA, PACIFICA & SHELBY)
 H BODY = (D44 - LANCER)(C44 - LEBARON GTS)
 J BODY = (C - LEBARON)
 K BODY = (P - RELIANT)(D - ARIES)(C - LEBARON/ TOWN & COUNTRY)

L BODY = (M - HORIZON)(Z-OMNI)
 M BODY = (B - GRAN FURY)(G - DIPLOMAT)(F - FIFTH AVENUE/NEWPORT)
 P BODY = (P - SUNDANCE)(D - SHADOW)
 Q BODY = (C27 - MASERATI)
 S BODY = (H - VOYAGER)(K - RAM VAN/ CARAVAN)

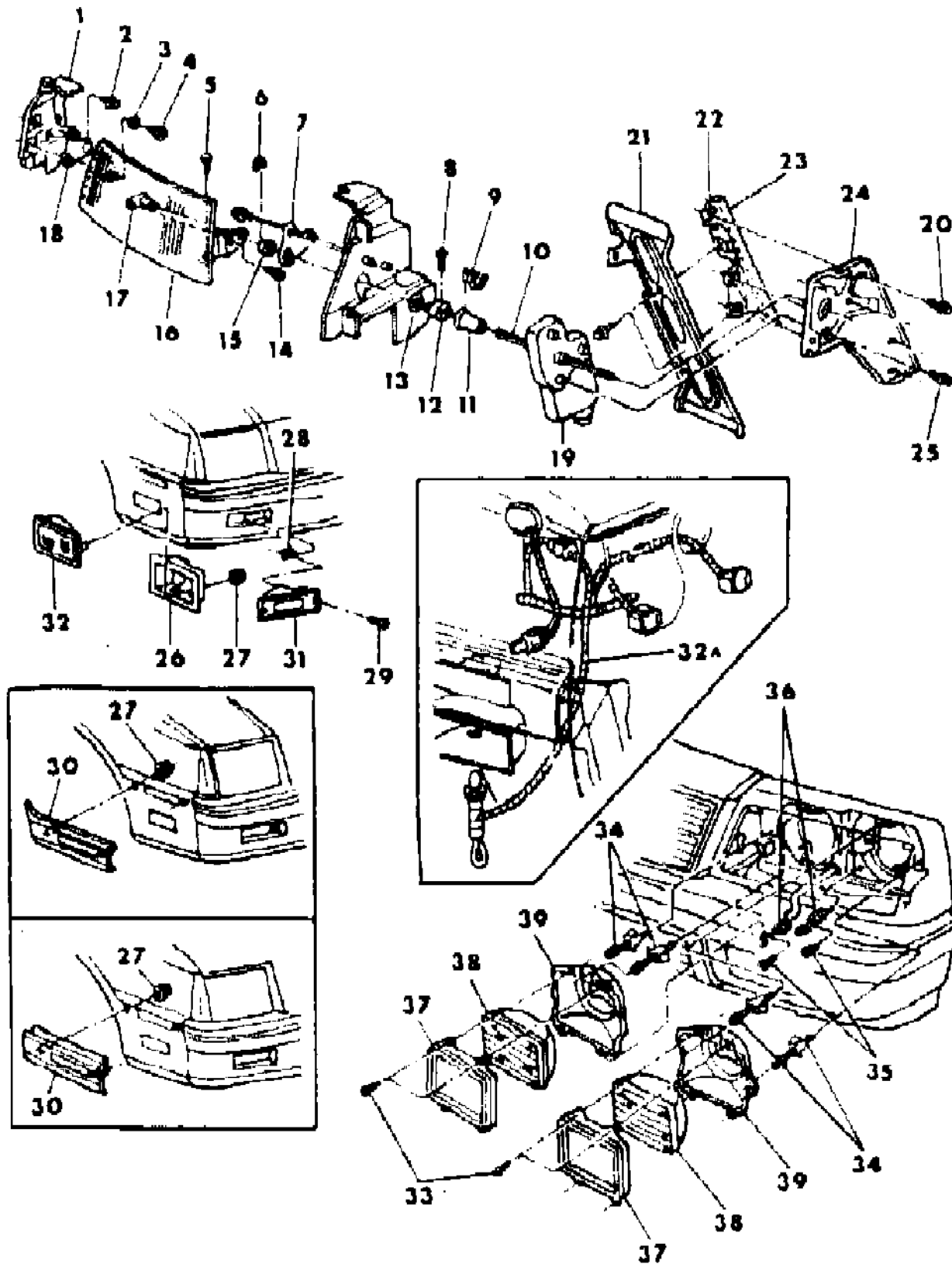
BODY STYLES

12-52 = FWD VAN & WAGON STD. W.B. 27 = 2-DOOR CONVERTIBLE
 13-53 = FWD VAN & WGN EXT W.B. 41 = 4-DOOR SEDAN
 21 = 2-DOOR SEDAN 44 = 4-DOOR HATCHBACK
 24 = 2-DOOR HATCHBACK 45 = 4-DOOR STATION WAGON

AR = Use as Required - = Non Illustrated Part P.A.R. = Paint as Required

LAMPS--FRONT J BODY
Figure 8-2800

8108 2800



ITEM	PART NUMBER	QTY	BODY	MODEL	DESCRIPTION
1	4334 364-5	1			HOUSING, H/Lp. Mtg.
2					SCREW, H/Lp. Mtg., (Not Serv.)
3	6033 076	2			BUSHING
4	6031 894	2			SCREW
5	4074 968	2			BUMPER, Door Downstop
6	4103 262	2			RETAINER, H/Lp. Adj. Collar
7	4334 406	AR			BRACKET
8	6031 935	2			SCREW
9	4334 334	2			CLIP
10	4334 418	1			BAR
11	4334 419	2			SLEEVE
12	4103 266	2			COLLAR, (Set Screw 6033543)
13	4103 261	2			SLEEVE
14					SCREW, Crank Assy., (Not Serv.)
15	6033 212				BUSHING
16	4334 382-3	1			DOOR ASSEMBLY
	4388 479	2			PAD, Downstop, H/Lamp Door
-	6033 521	2			BUSHING, H/Lamp Door Inner Pivot
-	4388 170	1			BRACKET, H/Lamp Door Inner Pivot Adj.
17	4334 410	2			CRANK ASSEMBLY
18	4334 404	2			BRACKET ASSEMBLY
19	4334 952				MOTOR ASSEMBLY
20	6100 567	2			SCREW
21					SUPPORT, Rad. Closure
22	6100 041	1			U-NUT
23	4334 372	1			EXTENSION, Rot. H/Lp. Door
24	4334 370	1			BRACKET, H/Lp. Door (Mtr. Mtg.)
	4334 378-9	1			SHIELD, Sight H/Lamp Door Opng.
25	6100 266	3			SCREW
26	4321 714-5	1			BRACKET
27	6029 471	4			NUT
28	6032 746	4			NUT
29					SCREW, (Not Serv.)
30	4321 796-7	1		P21,27	LAMP ASSEMBLY, Reflex & Side Marker (P.A.R.)
	4321 812-3	1		H21	
	X074-5 GW7				(SPRING SPECIAL)
31	4321 684-5	1			LAMP ASSEMBLY, Park & Turn Sig.

MODEL CODES

C BODY = (D41 - DYNASTY)(C41 - NEW YORKER)
 E BODY = (J - CARAVELLE)(E - 600)(T - NEW YORKER TURBO)
 G BODY = (V24 - DAYTONA, PACIFICA & SHELBY)
 H BODY = (D44 - LANCER)(C44 - LEBARON GTS)
 J BODY = (C - LEBARON)
 K BODY = (P - RELIANT)(D - ARIES)(C - LEBARON/ TOWN & COUNTRY)

L BODY = (M - HORIZON)(Z-OMNI)
 M BODY = (B - GRAN FURY)(G - DIPLOMAT)(F - FIFTH AVENUE/NEWPORT)
 P BODY = (P - SUNDANCE)(D - SHADOW)
 Q BODY = (C27 - MASERATI)
 S BODY = (H - VOYAGER)(K - RAM VAN/ CARAVAN)

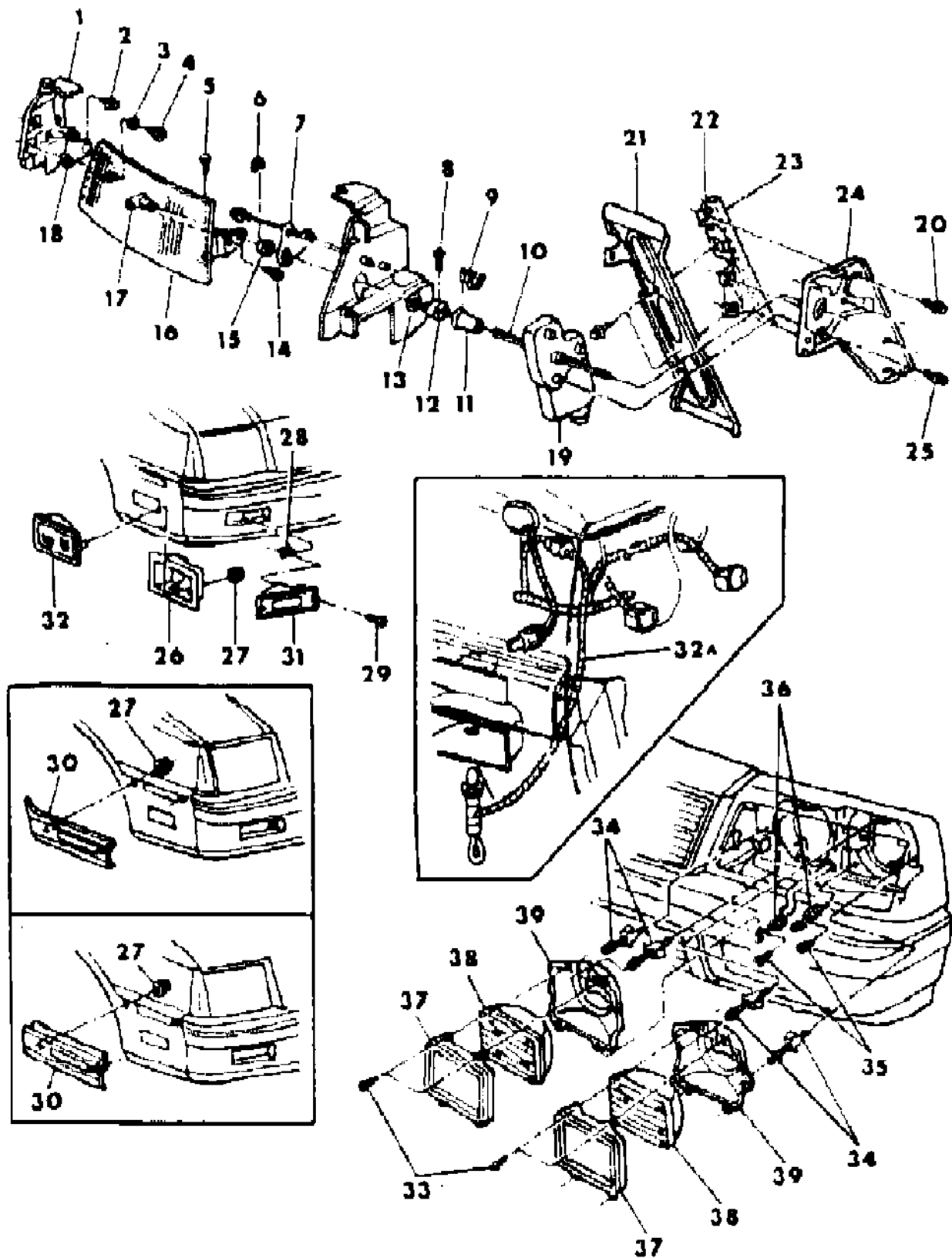
BODY STYLES

12-52 = FWD VAN & WAGON STD. W.B. 27 = 2-DOOR CONVERTIBLE
 13-53 = FWD VAN & WGN EXT W.B. 41 = 4-DOOR SEDAN
 21 = 2-DOOR SEDAN 44 = 4-DOOR HATCHBACK
 24 = 2-DOOR HATCHBACK 45 = 4-DOOR STATION WAGON

AR = Use as Required - = Non Illustrated Part P.A.R. = Paint as Required

LAMPS--FRONT J BODY
Figure 8-2800

8108 2800



ITEM	PART NUMBER	QTY	BODY	MODEL	DESCRIPTION
	4103 356-7	1			H/LAMP, Dual 5" Rect. Hi-Beam, EUROPE
	4103 358-9	1			H/LAMP, Dual 5" Rect. Hi-Low, EUROPE
	5207 782	2			LAMP ASSY., Frt. Fndr. Side Repeater, EUROPE
32	4321 708-9	1			LAMP ASSEMBLY, Cornering
32A	4400 216	2			WIRING, Socket and Cable, Cornering Lp.
33					SCREW, (Not Serv.)
34	4334 142	8			NUT and SCREW
35					SCREW, (Not Serv.)
36	3868 789	4			SPRING, Adjusting
37	4270 937	4			RETAINER, (Black)
	4016 088				(Argent)
38	4388 164	2			BULB, Hi-Lo
	4388 165	2			Hi.
39	3868 926-7				SEAT, Hi-Lo
	3868 928-9				Hi.
	4399 798	1			FOG LAMP PACKAGE
					NOTE: BULBS AND SOCKETS ARE LISTED ON ILLUS. 5800-5900

MODEL CODES

C BODY = (D41 - DYNASTY)(C41 - NEW YORKER)
 E BODY = (J - CARAVELLE)(E - 600)(T - NEW YORKER TURBO)
 G BODY = (V24 - DAYTONA, PACIFICA & SHELBY)
 H BODY = (D44 - LANCER)(C44 - LEBARON GTS)
 J BODY = (C - LEBARON)
 K BODY = (P - RELIANT)(D - ARIES)(C - LEBARON/ TOWN & COUNTRY)
 L BODY = (M - HORIZON)(Z-OMNI)
 M BODY = (B - GRAN FURY)(G - DIPLOMAT)(F - FIFTH AVENUE/NEWPORT)
 P BODY = (P - SUNDANCE)(D - SHADOW)
 Q BODY = (C27 - MASERATI)
 S BODY = (H - VOYAGER)(K - RAM VAN/ CARAVAN)

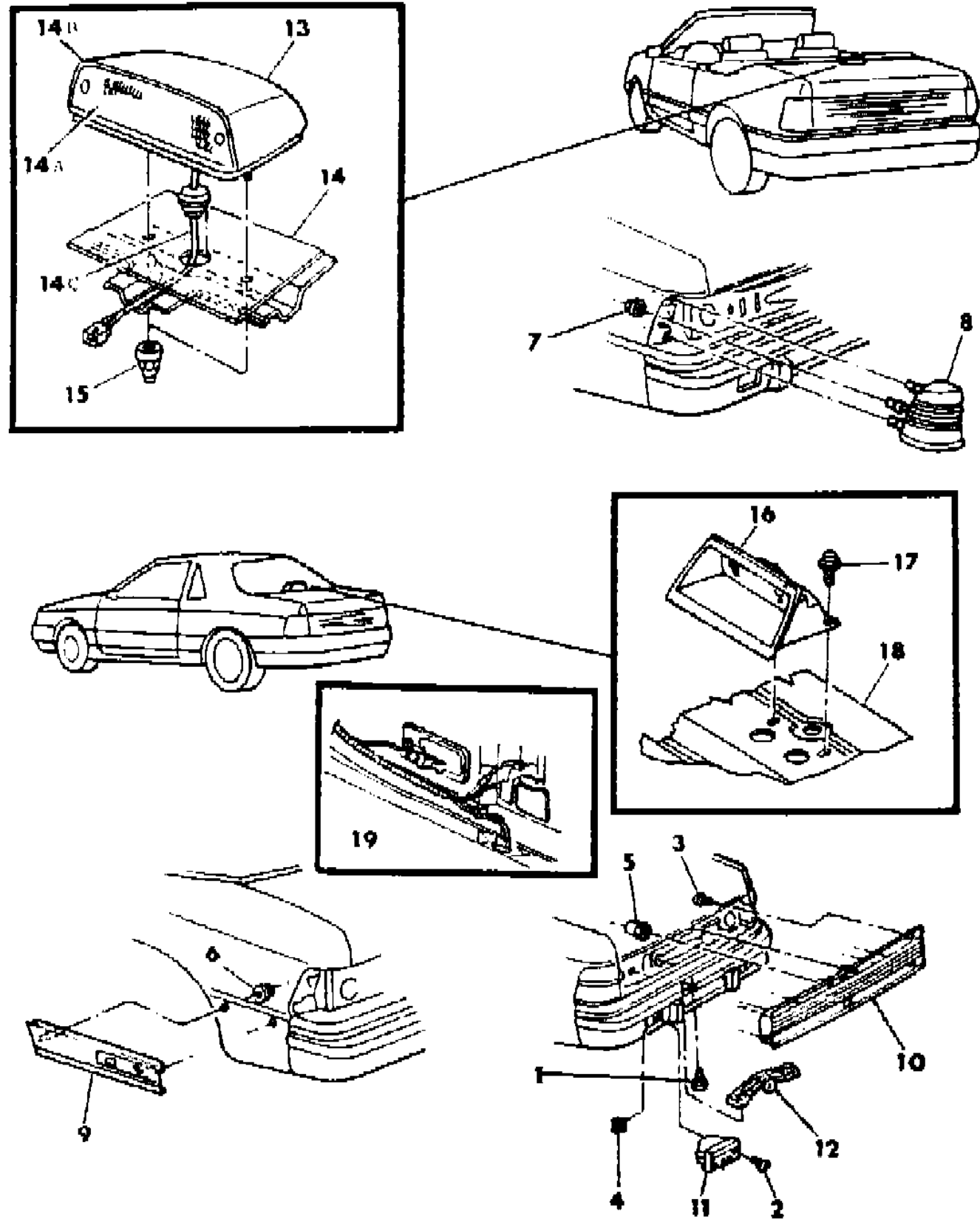
BODY STYLES

12-52 = FWD VAN & WAGON STD. W.B. 27 = 2-DOOR CONVERTIBLE
 13-53 = FWD VAN & WGN EXT W.B. 41 = 4-DOOR SEDAN
 21 = 2-DOOR SEDAN 44 = 4-DOOR HATCHBACK
 24 = 2-DOOR HATCHBACK 45 = 4-DOOR STATION WAGON

AR = Use as Required - = Non Illustrated Part P.A.R. = Paint as Required

LAMPS & WIRING--REAR J BODY
Figure 8-2900

8108 2900 A



ITEM	PART NUMBER	QTY	BODY	MODEL	DESCRIPTION
1					SCREW, (Not Serv.)
2					SCREW, (Not Serv.)
3					SCREW, (Not Serv.)
4					NUT
5	6033 024				NUT
6					NUT, (Not Serv.)
7					NUT, Apert. Pnl.
8	4399 308-9			C	LAMP ASSEMBLY, (Use Mldg. 4399604-5)
9	4321 804-5			CP21,27	LAMP ASSEMBLY, Rear Bumper Nerf Ext. & Side Mkr. (P.A.R.)
	4321 820-1			H21	(SPRING SPECIAL)
10	4321 786				LAMP ASSEMBLY, Deck Lid Mtd. Tail
-	4399 306-7			C	LENS, Deck Lid Mtd. Tail
	4399 570				LAMP ASSY., Deck Lid Appl. Tail & License, EUROPE
	4399 572-3				LAMP ASSY., Aprtr. Pnl. Tail, Stop, T/Sig., EUROPE
11	4321 560				LAMP ASSEMBLY, Rear Bumper B/Up
12	4321 762				LAMP ASSEMBLY, Fascia Mtd. Lic.
13				27	LAMP ASSEMBLY, Hi-Mtd. Stop (Serv. Components)
14					DECK LID
14A	4321 128			27	HOUSING, w/LENS, Hi-Mtd. Stop Lp.
14B	X788 FB1			27	COVER, Hi-Mtd. Stop Lp. w/Plate
14C	4400 699			27	SOCKET and CABLE, Hi-Mtd. Stop Lp.
15					NUT, (Not Serv.)
16	4399 001			21	LAMP ASSEMBLY, Hi-Mtd. Stop Lp.
17				21	SCREW, Hi-Mtd. Stop Lp., (Not Serv.)
18					SHELF PANEL
19	4374 642				LAMP, Trunk

NOTE: BULBS AND SOCKETS ARE LISTED ON ILLUS. 5800-5900

MODEL CODES

C BODY = (D41 - DYNASTY)(C41 - NEW YORKER)
 E BODY = (J - CARAVELLE)(E - 600)(T - NEW YORKER TURBO)
 G BODY = (V24 - DAYTONA, PACIFICA & SHELBY)
 H BODY = (D44 - LANCER)(C44 - LEBARON GTS)
 J BODY = (C - LEBARON)
 K BODY = (P - RELIANT)(D - ARIES)(C - LEBARON/ TOWN & COUNTRY)

L BODY = (M - HORIZON)(Z-OMNI)
 M BODY = (B - GRAN FURY)(G - DIPLOMAT)(F - FIFTH AVENUE/NEWPORT)
 P BODY = (P - SUNDANCE)(D - SHADOW)
 Q BODY = (C27 - MASERATI)
 S BODY = (H - VOYAGER)(K - RAM VAN/ CARAVAN)

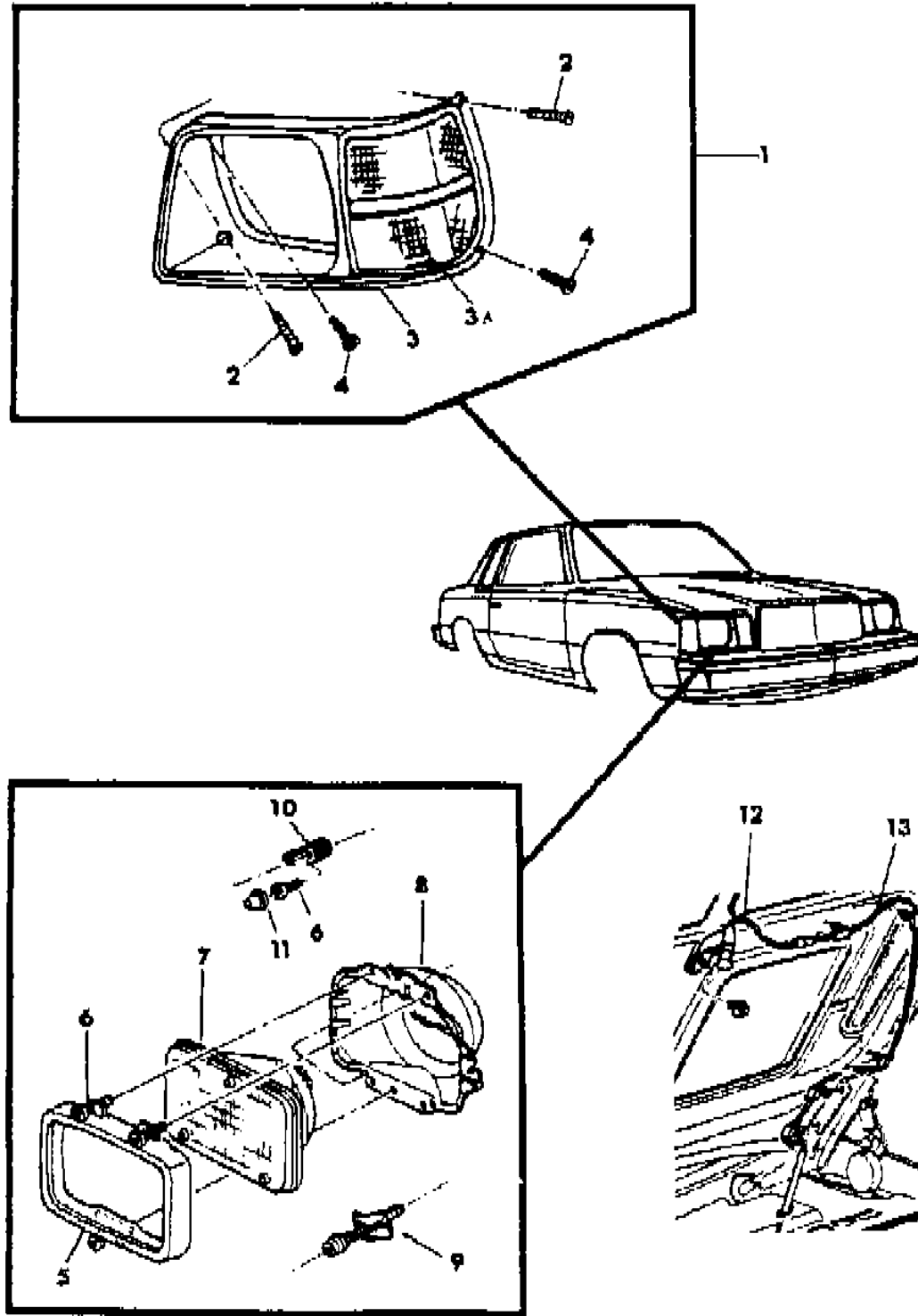
BODY STYLES

12-52 = FWD VAN & WAGON STD. W.B. 27 = 2-DOOR CONVERTIBLE
 13-53 = FWD VAN & WGN EXT W.B. 41 = 4-DOOR SEDAN
 21 = 2-DOOR SEDAN 44 = 4-DOOR HATCHBACK
 24 = 2-DOOR HATCHBACK 45 = 4-DOOR STATION WAGON

AR = Use as Required - = Non Illustrated Part P.A.R. = Paint as Required

LAMPS--FRONT K BODY P-D
Figure 8-3200

8108 3200 A



ITEM	PART NUMBER	QTY	BODY	MODEL	DESCRIPTION
1					LAMP, H/Lamp Bezel Park, T/Sig., Side Marker, (Serv. Components)
2		4			SCREW, (Not Serv.)
3					BEZEL, Head Lamp (Chrome)
	4388 004-5	1			(Black & Chrome) w/o Bezel
	4388 008-9	1			
3A	4321 740-1	1			LENS
4		AR			SCREW, (Not Serv.)
5	5201 204	2			RETAINER
6	0153 340	AR			SCREW
7		AR			SEALED BEAM UNIT
	0153 590	AR			Halogen (Rt. Way Shift) 7"
	0153 199	AR			(Rt. Way Shift) 7" (Exc. Halogen)
8	5201 334				SEAT, Rect. H/Lamp
9		2			NUT and SCREW, (Not Serv.)
10	5201 386	2			SPRING, Rect. H/Lamp
11	6030 765	6			CAP, Screw Protector
12	4221 150	6			LAMP, Underhood
13	4368 675	1			WIRING, Underhood Lamp

NOTE: BULBS AND SOCKETS ARE LISTED ON ILLUS. 5800-5900

MODEL CODES

C BODY = (D41 - DYNASTY)(C41 - NEW YORKER)
 E BODY = (J - CARAVELLE)(E - 600)(T - NEW YORKER TURBO)
 G BODY = (V24 - DAYTONA, PACIFICA & SHELBY)
 H BODY = (D44 - LANCER)(C44 - LEBARON GTS)
 J BODY = (C - LEBARON)
 K BODY = (P - RELIANT)(D - ARIES)(C - LEBARON/ TOWN & COUNTRY)

L BODY = (M - HORIZON)(Z-OMNI)
 M BODY = (B - GRAN FURY)(G - DIPLOMAT)(F - FIFTH AVENUE/NEWPORT)
 P BODY = (P - SUNDANCE)(D - SHADOW)
 Q BODY = (C27 - MASERATI)
 S BODY = (H - VOYAGER)(K - RAM VAN/ CARAVAN)

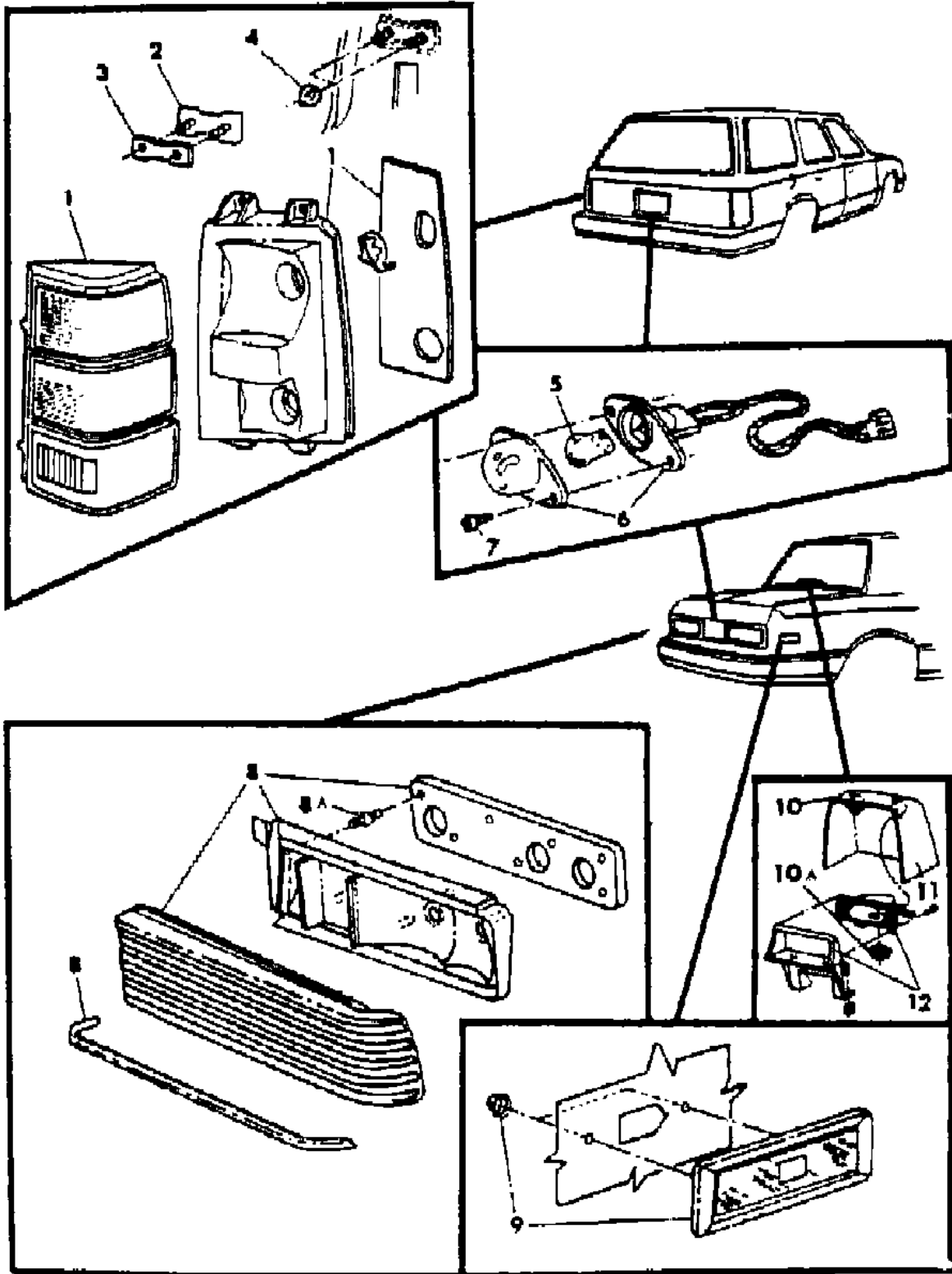
BODY STYLES

12-52 = FWD VAN & WAGON STD. W.B. 27 = 2-DOOR CONVERTIBLE
 13-53 = FWD VAN & WGN EXT W.B. 41 = 4-DOOR SEDAN
 21 = 2-DOOR SEDAN 44 = 4-DOOR HATCHBACK
 24 = 2-DOOR HATCHBACK 45 = 4-DOOR STATION WAGON

AR = Use as Required - = Non Illustrated Part P.A.R. = Paint as Required

LAMPS & WIRING--REAR K BODY P-D
Figure 8-3300

8108 3300 A



ITEM	PART NUMBER	QTY	BODY	MODEL	DESCRIPTION
1					LAMP, Qtr. Pnl. T/Stop & T/Sig. B/Up & Side Marker Assy.
	4174 080-1			P (45)	
	4174 096-7			D (45)	
2	4174 298			P,D (45)	BRACKET, Qtr. Pnl.
3	4174 299			P,D (45)	GASKET, Qtr. Pnl.
4	6026 958	8		P,D (45)	PUSH-NUT
5	9425 542	2			BULB, (License)
6	4174 560				LAMP, (License)
7					SCREW, (Not Serv.)
8	4321 062-3			P(21,41)	LAMP, T/Stop T/Sig. & B/Up
	4321 066-7			P(21,41)	Lens
	4321 068-9			D(21,41)	T/Stop, T/Sig. & B/Up
	4321 070-1			D(21,41)	Lens
8A	6031 107				STUD
9	4321 074				LAMP, Qtr. Pnl. S/Marker
-	4221 577				LAMP, Trunk
10	4364 485				LAMP, Shelf Mtd. Stop Lamp
10A	6031 869				GROMMET
11	H268 EK1				COVER, Shelf Panel Hi-Mtd. Stop Lamp
-	4321 993			45	LENS and HOUSING, Hi-Mtd. Stop Lamp
-	4321 651			45	BRACKET, Hi-Mtd. Stop Lamp
12	4364 486				ADAPTER, Shelf Mtd. Stop Lamp

NOTE: BULBS AND SOCKETS ARE LISTED ON ILLUS. 5800-5900

MODEL CODES

C BODY = (D41 - DYNASTY)(C41 - NEW YORKER)
 E BODY = (J - CARAVELLE)(E - 600)(T - NEW YORKER TURBO)
 G BODY = (V24 - DAYTONA, PACIFICA & SHELBY)
 H BODY = (D44 - LANCER)(C44 - LEBARON GTS)
 J BODY = (C - LEBARON)
 K BODY = (P - RELIANT)(D - ARIES)(C - LEBARON/ TOWN & COUNTRY)

L BODY = (M - HORIZON)(Z-OMNI)
 M BODY = (B - GRAN FURY)(G - DIPLOMAT)(F - FIFTH AVENUE/NEWPORT)
 P BODY = (P - SUNDANCE)(D - SHADOW)
 Q BODY = (C27 - MASERATI)
 S BODY = (H - VOYAGER)(K - RAM VAN/ CARAVAN)

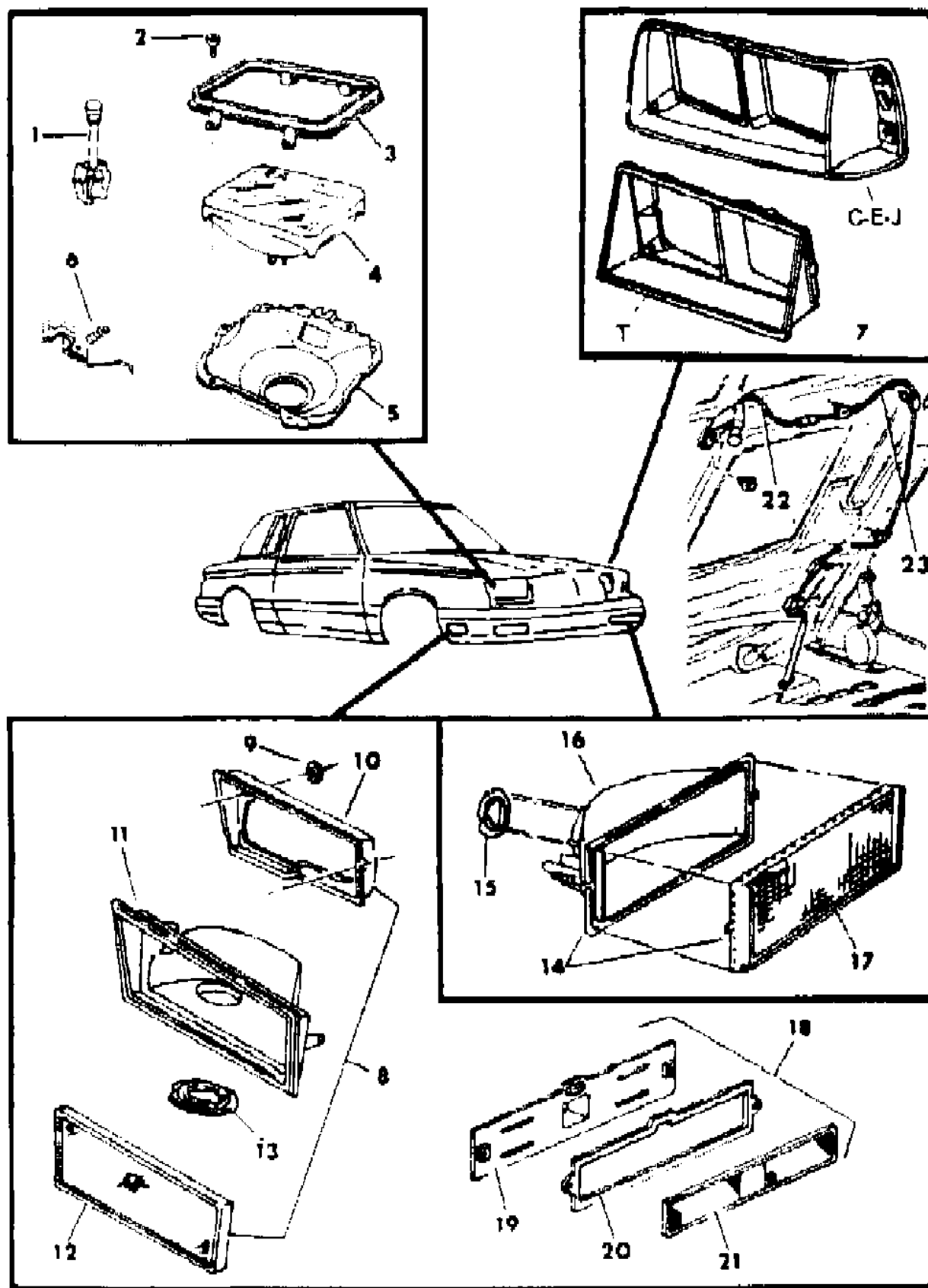
BODY STYLES

12-52 = FWD VAN & WAGON STD. W.B. 27 = 2-DOOR CONVERTIBLE
 13-53 = FWD VAN & WGN EXT W.B. 41 = 4-DOOR SEDAN
 21 = 2-DOOR SEDAN 44 = 4-DOOR HATCHBACK
 24 = 2-DOOR HATCHBACK 45 = 4-DOOR STATION WAGON

AR = Use as Required - = Non Illustrated Part P.A.R. = Paint as Required

LAMPS--FRONT K E BODY C-J-E-T
Figure 8-3400

8108 3400



ITEM	PART NUMBER	QTY	BODY	MODEL	DESCRIPTION
1	3868 985	1			SCREW, w/Nut, Sealed Beam Unit
2					SCREW, (Not Serv.)
3	4016 088 4270 937				RETAINER, Sealed Beam Unit (Argent) (Black)
4					SEALED BEAM UNIT
	4388 165 4388 164 0153 481 0153 440				High Beam (Halogen) Plastic High & Low Beam (Halogen) Plastic Halogen-Hi-Lo Halogen-Hi
5	3868 928-9 3868 926-7				SEAT, Sealed Beam High Beam High & Low Beam
6	3868 789				SPRING, Sealed Beam Unit Seat Adj.
7	4334 608-9 4270 550-1		C,E,J T		BEZEL, H/Lamp
-	4399 148-9		C,E,J		LENS & HOUSING
8	4174 206-7		J,E,T		LAMP, Cornering (w/o Bracket)
9	6029 471	4			NUT, Lamp Mounting
10	4321 592-3				BRACKET, Cornering Lamp
11					HOUSING, (Serv. in Item #8)
-	4174 546-7	1	C		BEZEL, Side Marker "Town & Country"
12					LENS, (Serv. in Item #8)
13					PLATE, (Serv. in Item #8)
14	4321 578-9 4174 200-1		C-E-J T		LAMP, Park & Turn Signal, (Amber) (Clear)
15					PLATE, (Serv. in Item #14)
16					HOUSING, (Serv. in Item #14)
17					LENS, (Serv. in Item #14)
18	4174 224		T		HEADLAMP, Side Marker
19					HOUSING, (Serv. in Item #18)
20					GASKET, (Serv. in Item #18)
21					LENS, (Serv. in Item #18)
22	4221 150				LAMP, Underhood
23	4368 675				WIRING, Underhood

NOTE: BULBS AND SOCKETS ARE LISTED ON ILLUS. 5800-5900

MODEL CODES

C BODY = (D41 - DYNASTY)(C41 - NEW YORKER)
E BODY = (J - CARAVELLE)(E - 600)(T - NEW YORKER TURBO)
G BODY = (V24 - DAYTONA, PACIFICA & SHELBY)
H BODY = (D44 - LANCER)(C44 - LEBARON GTS)
J BODY = (C - LEBARON)
K BODY = (P - RELIANT)(D - ARIES)(C - LEBARON/ TOWN & COUNTRY)

L BODY = (M - HORIZON)(Z-OMNI)
M BODY = (B - GRAN FURY)(G - DIPLOMAT)(F - FIFTH AVENUE/NEWPORT)
P BODY = (P - SUNDANCE)(D - SHADOW)
Q BODY = (C27 - MASERATI)
S BODY = (H - VOYAGER)(K - RAM VAN/ CARAVAN)

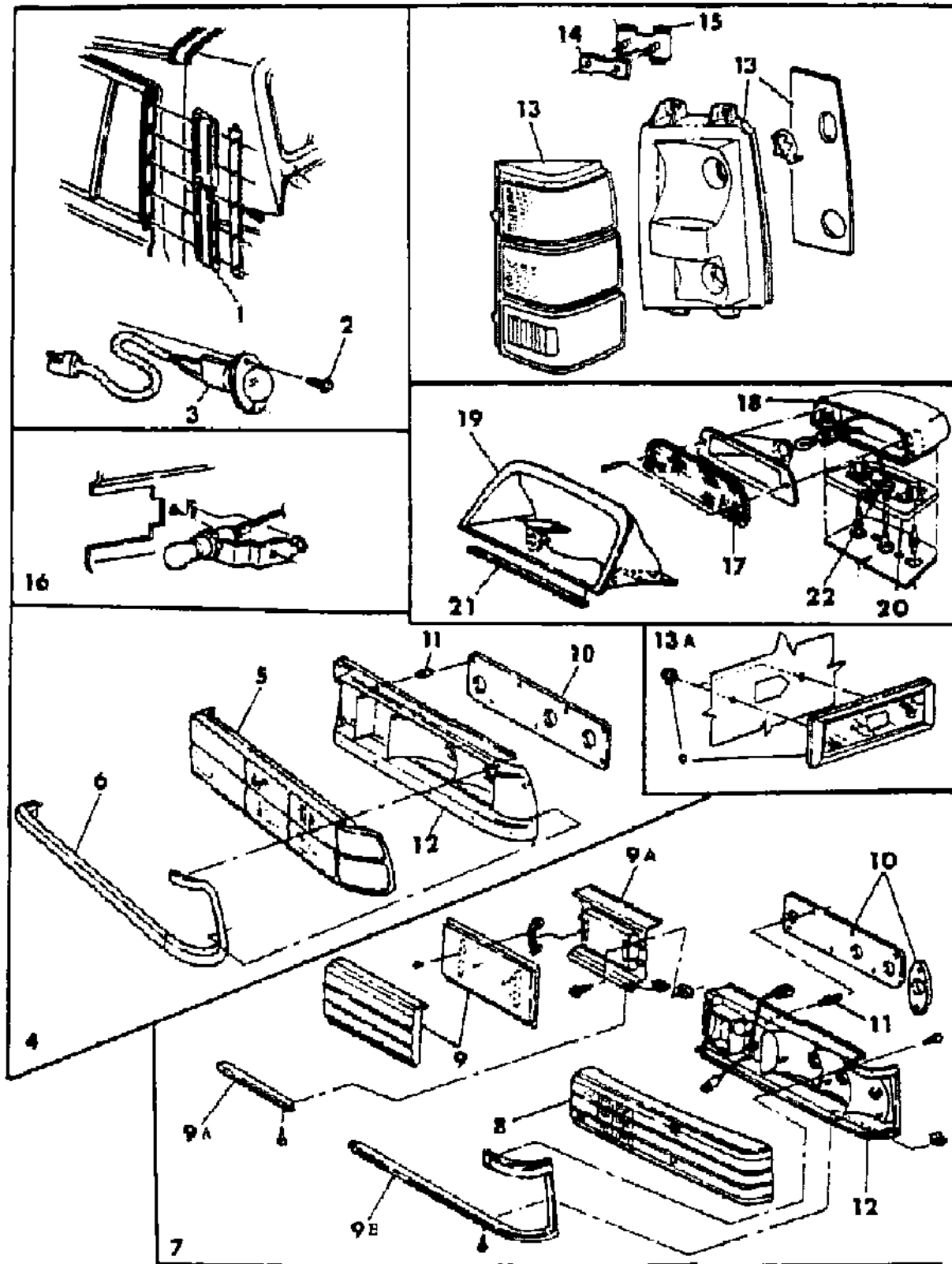
BODY STYLES

12-52 = FWD VAN & WAGON STD. W.B. 27 = 2-DOOR CONVERTIBLE
13-53 = FWD VAN & WGN EXT W.B. 41 = 4-DOOR SEDAN
21 = 2-DOOR SEDAN 44 = 4-DOOR HATCHBACK
24 = 2-DOOR HATCHBACK 45 = 4-DOOR STATION WAGON

AR = Use as Required - = Non Illustrated Part P.A.R. = Paint as Required

LAMPS & WIRING--REAR K E BODY C-J-E-T
Figure 8-3500

8108 3500 C



ITEM	PART NUMBER	QTY	BODY	MODEL	DESCRIPTION
1	4328 906-7			TP	LAMP, Opera Rear Wdo. Frame
2					SCREW, (Not Serv.)
3	4174 560			C,J,E	LAMP, (License)
4	4399 544			TP	
4	4321 522-3			C	LAMP, Tail, Stop & T/Sig.
5	4321 526-7			J	
5	4321 528-9			E	
5	4321 566-7			C	LENS
5	4321 596-7			J	
6	4321 604-5			E	
6	4321 854-5			C	MOULDING
6	4321 856-7			J	
6	4321 858-9			E	
7	4321 530-1			T	LAMP, Tail Stop & Turn Signal
8	4399 252-3			T	LENS
9	4321 532			T	APPLIQUE, Lower Panel
9A	4321 707				SUPPORT, w/Moulding
9B					MOULDING, (Serv. In Lamp Assy.)
10				C,T	GASKET, (Serv. in Lamp Assy.)
11				C,T	STUD, (Serv. in Lamp Assy.)
12				C,T	HOUSING, (Serv. in Lamp Assy.)
13	4174 080-1			C (45)	LAMP, Qtr. Pnl. t/S t/Sig. b/Up & s/Marker Assy.
	4174 096-7			D (45)	
13A	4321 074		C		LAMP, Qtr. Pnl. Side Marker
14	4174 299			C (45)	GASKET, Qtr. Pnl. T/S T/Sig. B/Up & S/Marker
15	4174 298			C (45)	BRACKET, Qtr. Pnl. T/S T/Sig. B/Up & S/Marker
16	4221 577			C,J,E,T	LAMP PACKAGE, Trunk
17	4364 485			C	LENS and HOUSING, Hi-Mtd. Stop Lamp
	4321 992			J,E,T	LENS & HOUSING, Hi-Mtd. Stop Lamp
-	4321 993			C45	LENS & HOUSING, Hi-Mtd. Stop Lamp, w/Cover
18	H269 EK1			C41	COVER, Shelf Panel Hi-Mtd. Stop Lamp
	H266 EK1			E-J	COVER, Shelf Panel Hi-Mtd. Stop Lamp
	H267 EK1			T	COVER, Shelf Panel Hi-Mtd. Stop Lamp, Almond
	H267 ES8			T	Charcoal
	H267 EC7			T	Blue
	H267 EE8			T	Cordovan
	H267 ET8			T	Brown

MODEL CODES

C BODY = (D41 - DYNASTY)(C41 - NEW YORKER)
E BODY = (J - CARAVELLE)(E - 600)(T - NEW YORKER TURBO)
G BODY = (V24 - DAYTONA, PACIFICA & SHELBY)
H BODY = (D44 - LANCER)(C44 - LEBARON GTS)
J BODY = (C - LEBARON)
K BODY = (P - RELIANT)(D - ARIES)(C - LEBARON/ TOWN & COUNTRY)

L BODY = (M - HORIZON)(Z-OMNI)
M BODY = (B - GRAN FURY)(G - DIPLOMAT)(F - FIFTH AVENUE/NEWPORT)
P BODY = (P - SUNDANCE)(D - SHADOW)
Q BODY = (C27 - MASERATI)
S BODY = (H - VOYAGER)(K - RAM VAN/ CARAVAN)

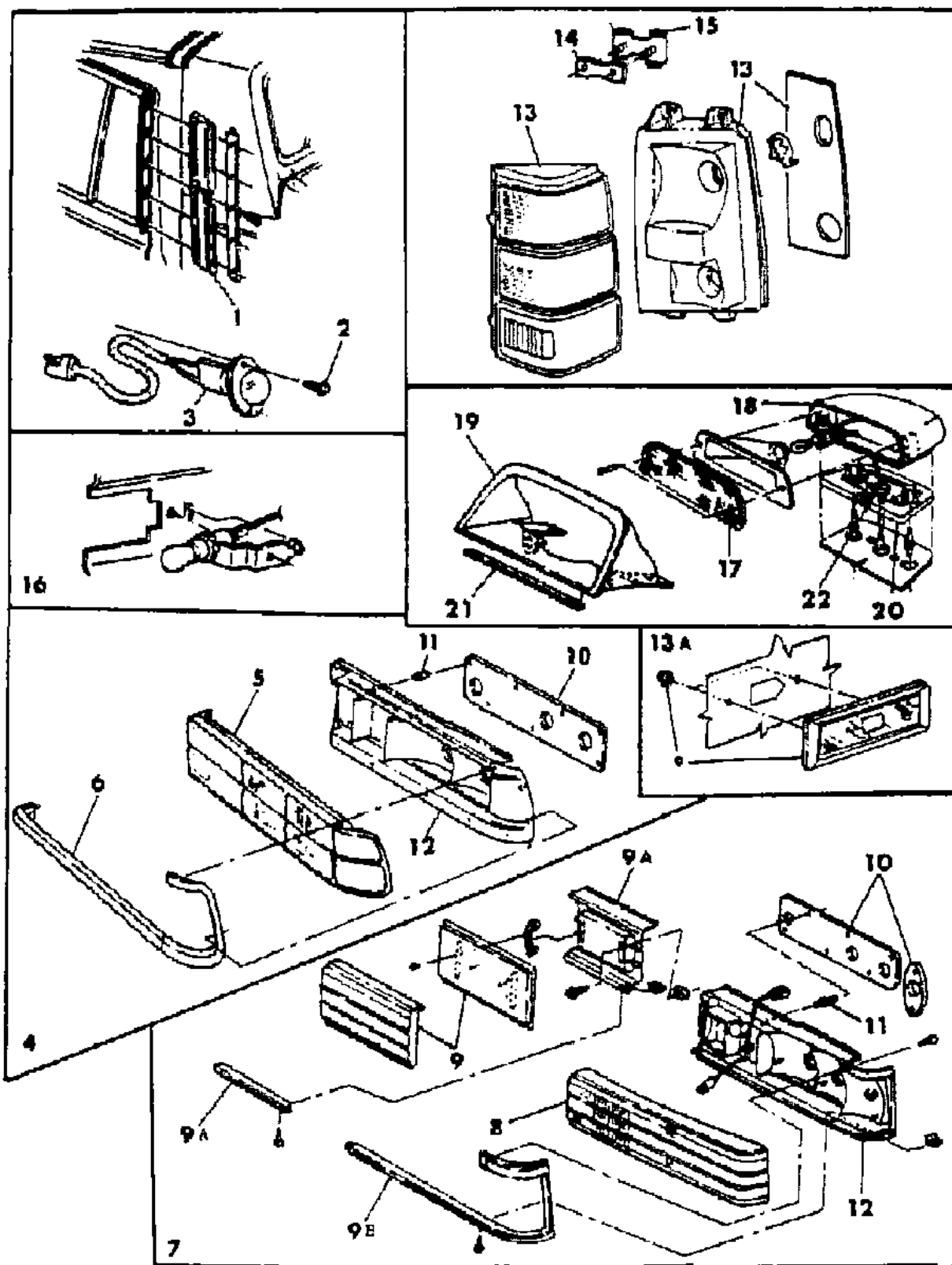
BODY STYLES

12-52 = FWD VAN & WAGON STD. W.B. 27 = 2-DOOR CONVERTIBLE
13-53 = FWD VAN & WGN EXT W.B. 41 = 4-DOOR SEDAN
21 = 2-DOOR SEDAN 44 = 4-DOOR HATCHBACK
24 = 2-DOOR HATCHBACK 45 = 4-DOOR STATION WAGON

AR = Use as Required - = Non Illustrated Part P.A.R. = Paint as Required

LAMPS & WIRING--REAR K E BODY C-J-E-T
Figure 8-3500

8108 3500 C



ITEM	PART NUMBER	QTY	BODY	MODEL	DESCRIPTION
19	4321 649		E,J		ADAPTER, Shelf Hi-Mtd. Stop Lamp
	4321 650		T		
	4321 745		C41		
20	6031 869		E,J		GROMMET
21	4321 903		E,J		ISOLATOR
22	6500 725				NUT, Hi-Mtd. Stop Lamp

NOTE: BULBS AND SOCKETS ARE LISTED ON ILLUS. 5800-5900

MODEL CODES

C BODY = (D41 - DYNASTY)(C41 - NEW YORKER)
 E BODY = (J - CARAVELLE)(E - 600)(T - NEW YORKER TURBO)
 G BODY = (V24 - DAYTONA, PACIFICA & SHELBY)
 H BODY = (D44 - LANCER)(C44 - LEBARON GTS)
 J BODY = (C - LEBARON)
 K BODY = (P - RELIANT)(D - ARIES)(C - LEBARON/ TOWN & COUNTRY)

L BODY = (M - HORIZON)(Z-OMNI)
 M BODY = (B - GRAN FURY)(G - DIPLOMAT)(F - FIFTH AVENUE/NEWPORT)
 P BODY = (P - SUNDANCE)(D - SHADOW)
 Q BODY = (C27 - MASERATI)
 S BODY = (H - VOYAGER)(K - RAM VAN/ CARAVAN)

BODY STYLES

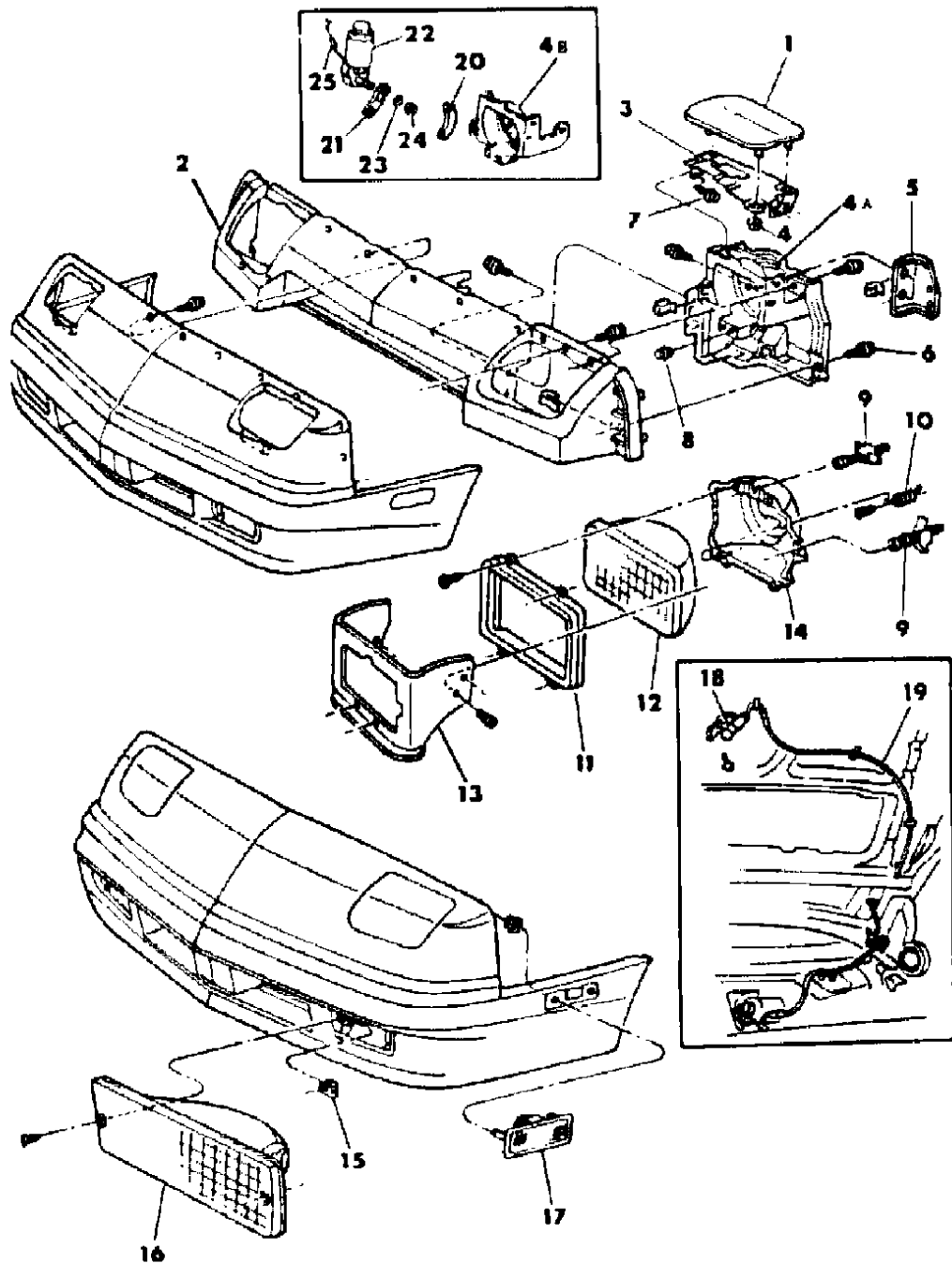
12-52 = FWD VAN & WAGON STD. W.B. 27 = 2-DOOR CONVERTIBLE
 13-53 = FWD VAN & WGN EXT W.B. 41 = 4-DOOR SEDAN
 21 = 2-DOOR SEDAN 44 = 4-DOOR HATCHBACK
 24 = 2-DOOR HATCHBACK 45 = 4-DOOR STATION WAGON

AR = Use as Required - = Non Illustrated Part P.A.R. = Paint as Required

LAMPS--FRONT G BODY

Figure 8-3600

8108 3600 A



ITEM	PART NUMBER	QTY	BODY	MODEL	DESCRIPTION
1	4388 420-1				DOOR, Rotating H/Lamp
2	4451 461				PANEL, Bumper Fascia
3	4388 258-9				PANEL, H/Lamp Door Ajar
	6033 114	4			SCREW, H/Lamp Adj. (Up-Stop & Down-Stop)
	6031 138				NUT, H/Lamp Adj. (Up-Stop--Down-Stop)
4	6025 001				NUT and WASHER
4A	4388 138-9				BRACKET, Rotating Headlamp
4B	4388 316-7				HOUSING, w/Bracket, Rotating Headlamp
5	4388 088-9				BRACKET, H/Lamp to Clsr. Panel
6	6100 567				SCREW and WASHER
7	9425 178				SCREW
8	6031 138				NUT
9	4334 139				NUT and SCREW
10	3868 789				SPRING, Adj.
11	4270 937				RETAINER, H/Lamp
12	4388 166				BULB
13	4388 094-5				BEZEL, H/Lamp
14	3868 926-7				SEAT, H/Lamp
15	6032 746				NUT
16	4321 950-1				LAMP, Park and Turn Signal
	4399 762-3				LAMP ASSY., Fascia Mtd. T/Sig., EUROPE
	4103 358-9				H/LAMP, Dual 5" Rect. Hi-Low, EUROPE
17	4174 837				LAMP, Side Marker
18	4221 150				LAMP, Underhood
19	4331 540				WIRING, Underhood
20	4388 340-1				LINK, Rotating H/Lamp
21					ARM, Rotating H/Lamp, (Serv. with Motor)
22	4388 314-5				MOTOR, Concealed H/Lamp
23	6100 140				WASHER, Lock, H/Lamp Mtr. to Arm Assy.
24	6033 119	2			BUSHING, H/Lamp Door Pivot
25	4400 800				DIODE, Concealed H/Lamp Mtr.

NOTE: BULBS AND SOCKETS ARE LISTED ON ILLUS. 5800-5900

MODEL CODES

C BODY = (D41 - DYNASTY)(C41 - NEW YORKER)
 E BODY = (J - CARAVELLE)(E - 600)(T - NEW YORKER TURBO)
 G BODY = (V24 - DAYTONA, PACIFICA & SHELBY)
 H BODY = (D44 - LANCER)(C44 - LEBARON GTS)
 J BODY = (C - LEBARON)
 K BODY = (P - RELIANT)(D - ARIES)(C - LEBARON/ TOWN & COUNTRY)

L BODY = (M - HORIZON)(Z-OMNI)
 M BODY = (B - GRAN FURY)(G - DIPLOMAT)(F - FIFTH AVENUE/NEWPORT)
 P BODY = (P - SUNDANCE)(D - SHADOW)
 Q BODY = (C27 - MASERATI)
 S BODY = (H - VOYAGER)(K - RAM VAN/ CARAVAN)

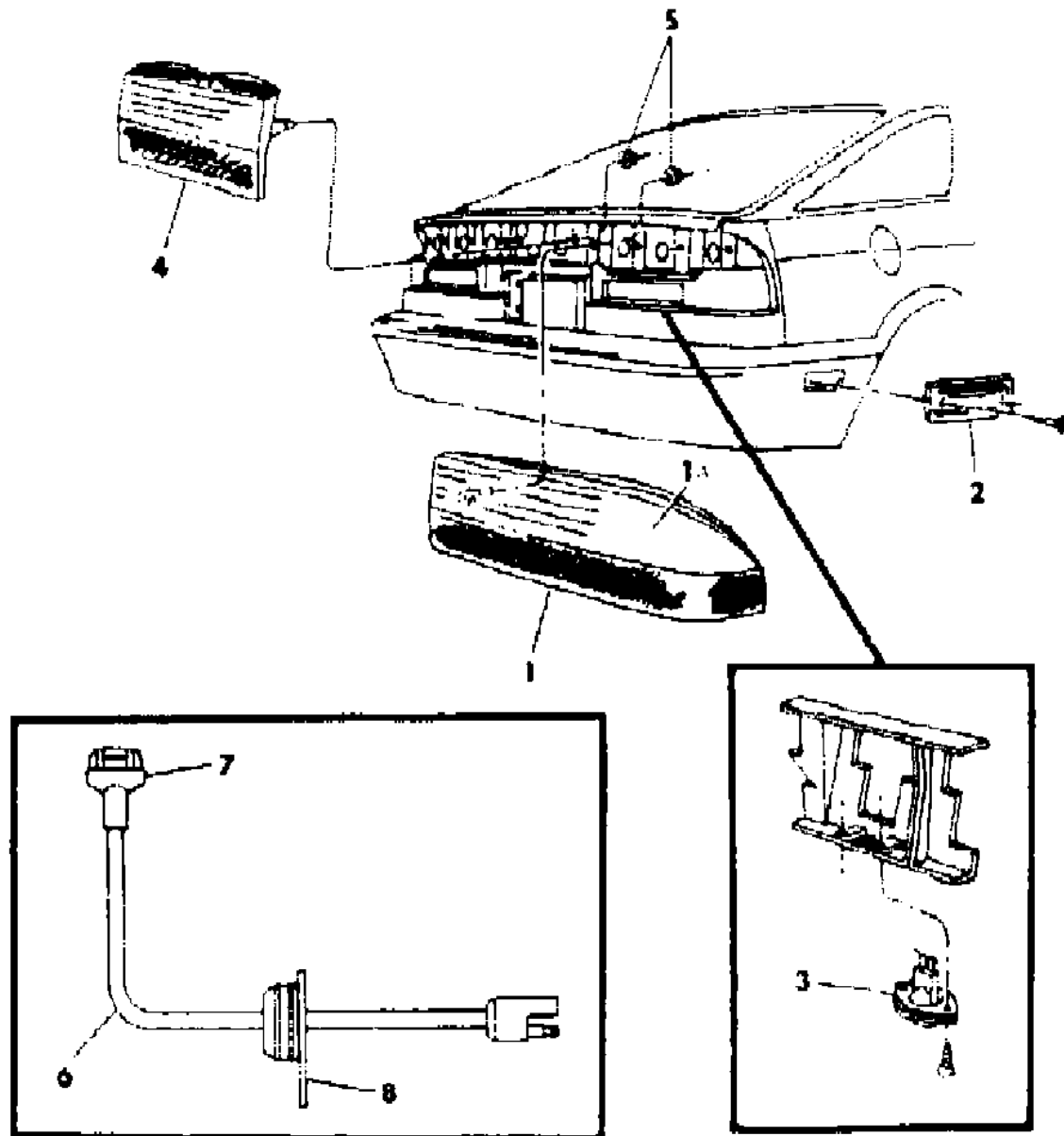
BODY STYLES

12-52 = FWD VAN & WAGON STD. W.B. 27 = 2-DOOR CONVERTIBLE
 13-53 = FWD VAN & WGN EXT W.B. 41 = 4-DOOR SEDAN
 21 = 2-DOOR SEDAN 44 = 4-DOOR HATCHBACK
 24 = 2-DOOR HATCHBACK 45 = 4-DOOR STATION WAGON

AR = Use as Required - = Non Illustrated Part P.A.R. = Paint as Required

LAMPS & WIRING--REAR G BODY
Figure 8-3700

8108 3700



ITEM	PART NUMBER	QTY	BODY	MODEL	DESCRIPTION
1	4321 136-7				LAMP, Tail, Stop, T/Signal, Back-Up
1A	4321 138-9				LENS
2	4174 820				REFLECTOR, Qtr. Panel Side
-	4399 791				REFLECTOR, Rear Stick-On, EUROPE
-	5262 310-1				ADAPTOR, Reflex, EUROPE
3	4399 540				LAMP, License
4	4321 141				LAMP, Applique Hi-Mtd. Stop Lamp
5	6033 024	12			NUT
6					WIRING, Hi-Mtd. Stop Lamp (Not Serv.)
7	4400 588	2			SOCKET, Hi-Mtd. Stop Lamp (Also Use Insul. 4414065)
8					SEAL, (Not Serv.)

NOTE: BULBS AND SOCKETS ARE LISTED ON ILLUS. 5800-5900

MODEL CODES

C BODY = (D41 - DYNASTY)(C41 - NEW YORKER)
 E BODY = (J - CARAVELLE)(E - 600)(T - NEW YORKER TURBO)
 G BODY = (V24 - DAYTONA, PACIFICA & SHELBY)
 H BODY = (D44 - LANCER)(C44 - LEBARON GTS)
 J BODY = (C - LEBARON)
 K BODY = (P - RELIANT)(D - ARIES)(C - LEBARON/ TOWN & COUNTRY)

L BODY = (M - HORIZON)(Z-OMNI)
 M BODY = (B - GRAN FURY)(G - DIPLOMAT)(F - FIFTH AVENUE/NEWPORT)
 P BODY = (P - SUNDANCE)(D - SHADOW)
 Q BODY = (C27 - MASERATI)
 S BODY = (H - VOYAGER)(K - RAM VAN/ CARAVAN)

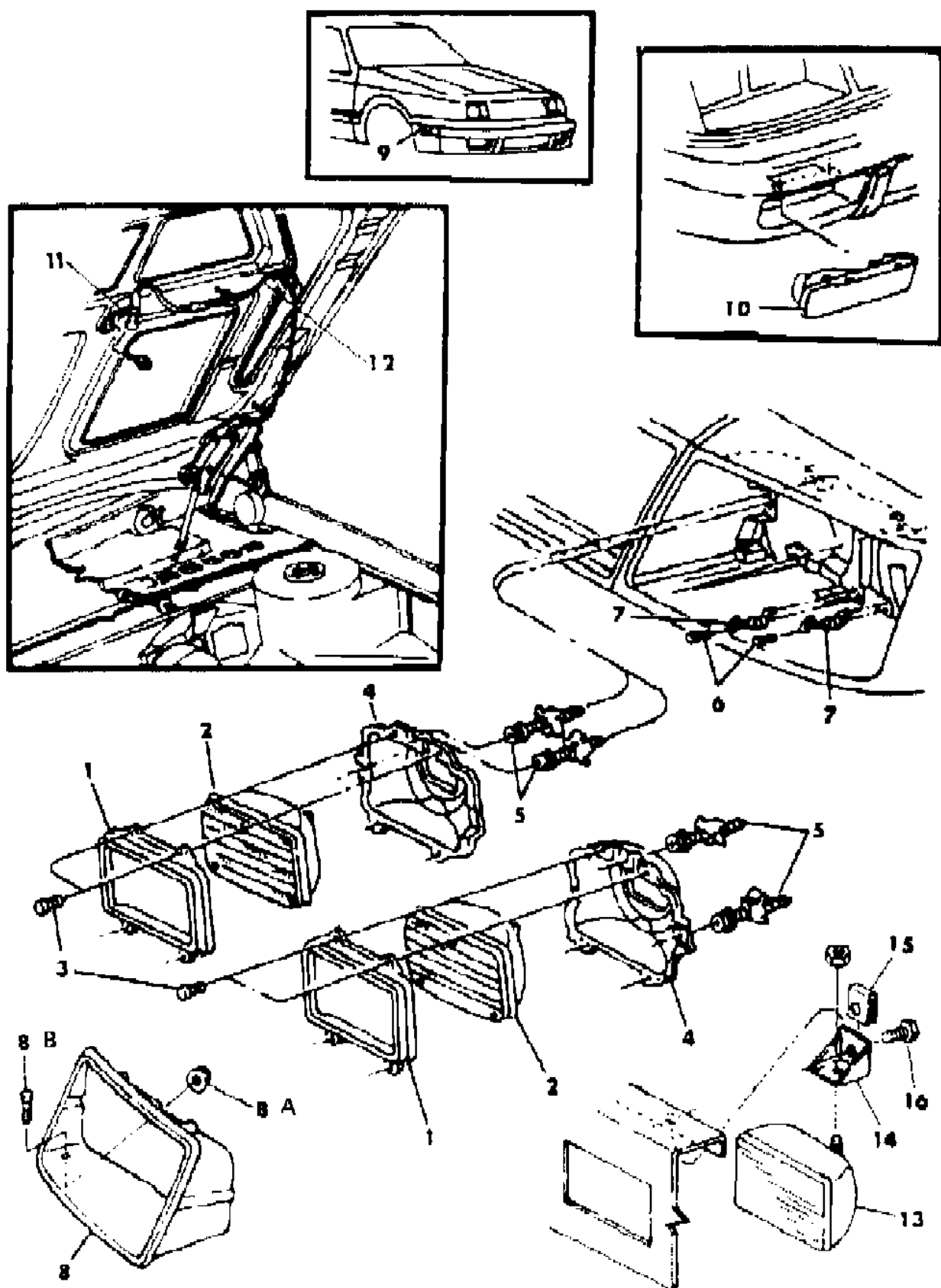
BODY STYLES

12-52 = FWD VAN & WAGON STD. W.B. 27 = 2-DOOR CONVERTIBLE
 13-53 = FWD VAN & WGN EXT W.B. 41 = 4-DOOR SEDAN
 21 = 2-DOOR SEDAN 44 = 4-DOOR HATCHBACK
 24 = 2-DOOR HATCHBACK 45 = 4-DOOR STATION WAGON

AR = Use as Required - = Non Illustrated Part P.A.R. = Paint as Required

LAMPS--FRONT H BODY
Figure 8-3800

8108 3800



ITEM	PART NUMBER	QTY	BODY	MODEL	DESCRIPTION
1	4270 937				RETAINER, Rect. H/Lamp Bulb (Black)
	4016 088				(Argent)
2	4388 165				BULB, Hi.-Beam
	4388 164				Hi.-Lo
3					SCREW, (Not Serv.)
4	3868 926-7				SEAT, Hi-Lo
	3868 928				Hi-Rt.
	3868 929				Hi-Lt.
5	4334 142	8			NUT and SCREW
6		4			SCREW, (Not Serv.)
7	3868 789	4			SPRING
8	4270 732-3			C	BEZEL, Headlamp (Argent)
	4270 734-5			D	(Black)
	X094-5 GR5				"SHELBY"
	4103 356-7				H/LAMP, Dual 5" Rect Hi-Beam, EUROPE
	4103 358				H/LAMP, Dual 5" Rect. Hi-Low, EUROPE
8A	6501 281				SPACER, H/Lamp Bezel
8B					SCREW, (Not Serv.)
9	X842-3 EX9				LAMP, Frt. Bumper Nerf. Ext. & Side Marker, w/Wheel Opng. Mldgs.
	X842-3 ES7				w/Wheel Opng. Mldgs.
	X872-3 EX9				w/o Wheel Opng. Mldgs.
	X872-3 FS7				w/o Wheel Opng. Mldgs.
10	4321 716-7				LAMP, Frt. Bumper Park & T/Signal
	5207 782				LAMP, Turn Signal, EUROPE
11	4221 150				LAMP, Underhood
12	4368 053				WIRING, Underhood Lamp
13	4399 296				FOG LAMP
14	4370 151				BRACKET, Fog Lamp
15					CLIP, Fog Lamp, (Not Serv.)
16					SCREW, Fog Lamp, (Not Serv.)

NOTE: BULBS AND SOCKETS ARE LISTED ON ILLUS. 5800-5900

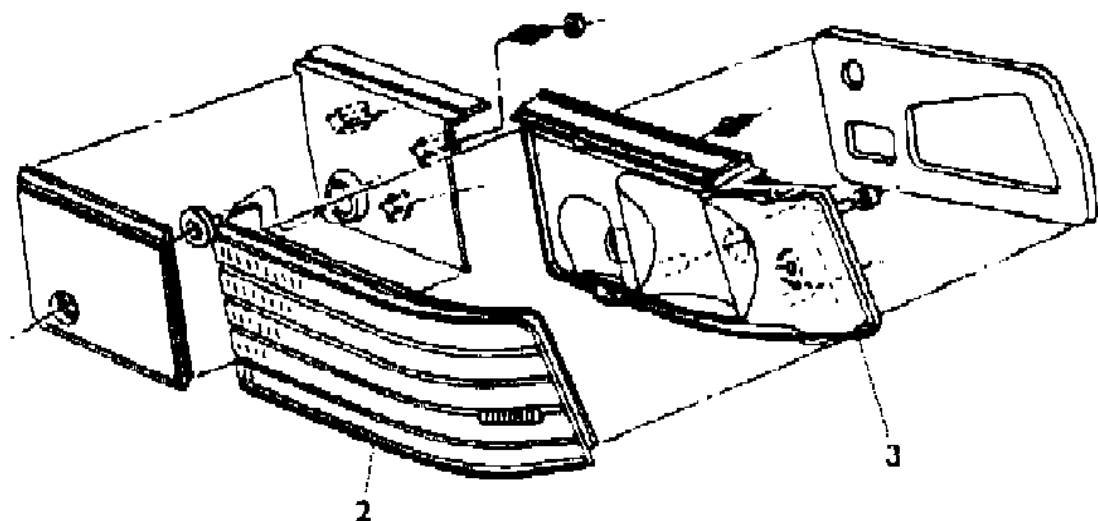
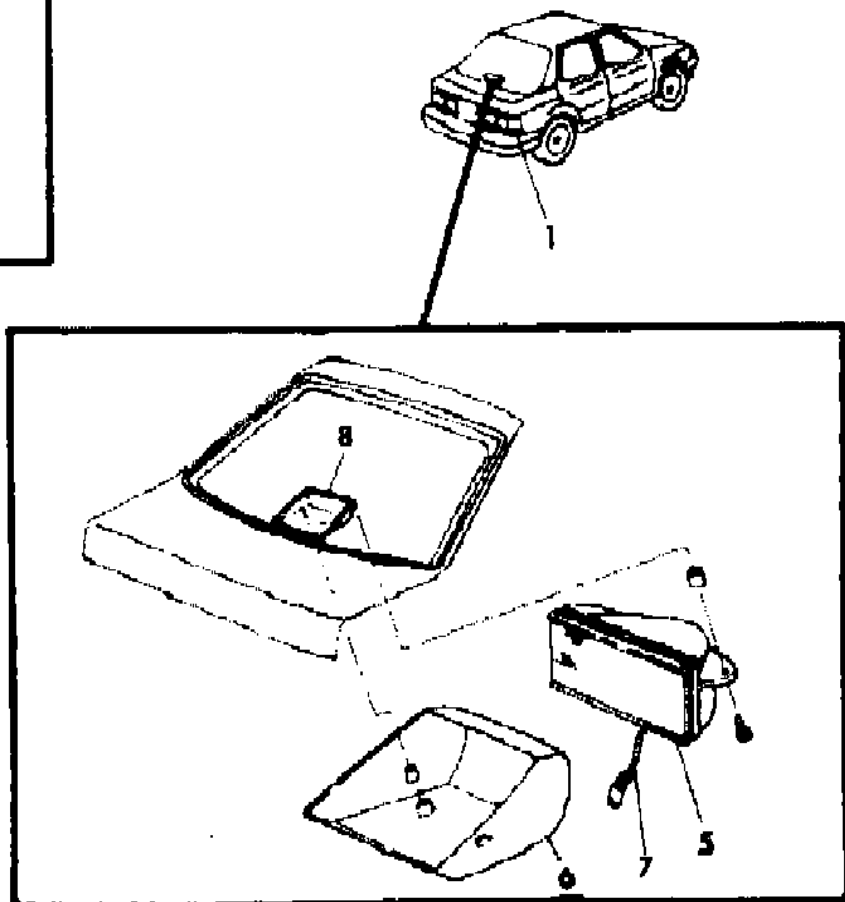
MODEL CODES
 C BODY = (D41 - DYNASTY)(C41 - NEW YORKER)
 E BODY = (J - CARAVELLE)(E - 600)(T - NEW YORKER TURBO)
 G BODY = (V24 - DAYTONA, PACIFICA & SHELBY)
 H BODY = (D44 - LANCER)(C44 - LEBARON GTS)
 J BODY = (C - LEBARON)
 K BODY = (P - RELIANT)(D - ARIES)(C - LEBARON/ TOWN & COUNTRY)
 L BODY = (M - HORIZON)(Z-OMNI)
 M BODY = (B - GRAN FURY)(G - DIPLOMAT)(F - FIFTH AVENUE/NEWPORT)
 P BODY = (P - SUNDANCE)(D - SHADOW)
 Q BODY = (C27 - MASERATI)
 S BODY = (H - VOYAGER)(K - RAM VAN/ CARAVAN)

BODY STYLES
 12-52 = FWD VAN & WAGON STD. W.B. 27 = 2-DOOR CONVERTIBLE
 13-53 = FWD VAN & WGN EXT W.B. 41 = 4-DOOR SEDAN
 21 = 2-DOOR SEDAN 44 = 4-DOOR HATCHBACK
 24 = 2-DOOR HATCHBACK 45 = 4-DOOR STATION WAGON

AR = Use as Required - = Non Illustrated Part P.A.R. = Paint as Required

LAMPS & WIRING--REAR H BODY
Figure 8-3900

8108 3900



ITEM	PART NUMBER	QTY	BODY	MODEL	DESCRIPTION
1					LAMP, (Serv. Components)
2	4321 028-9			D	LENS
	4321 020-1			C	LENS
3	4318 794-5				HOUSING
	4321 030-1				LAMP ASSY., Lwr.Dk. Opng. Pnl. Tail, Stop, T/Sig, & Back-Up, EUROPE
4	4321 792				LAMP, License
	4321 793				LAMP ASSY., Deck Lid License, EUROPE
	4337 429				PANEL, Liftgate Opng. Lwr. Lic. Plt. Mtg., EUROPE
	4206 995				PLATE, License Light Hole Cover, EUROPE
	4206 986				GASKET, L/Gate Lic. Light Hole Cover, EUROPE
5	4321 861				LENS HOUSING and PLATE, Hi-Mtd. Stop Lamp
6	H260 EX9				COVER, High Mtd. Stop Lamp
7	4450 814				WIRING, Socket & Cable, High Mtd. Stop Lp.
8					ADAPTOR, (Serv. w/Glass)
					NOTE: BULBS AND SOCKETS ARE LISTED ON ILLUS. 5800-5900

MODEL CODES

C BODY = (D41 - DYNASTY)(C41 - NEW YORKER)
 E BODY = (J - CARAVELLE)(E - 600)(T - NEW YORKER TURBO)
 G BODY = (V24 - DAYTONA, PACIFICA & SHELBY)
 H BODY = (D44 - LANCER)(C44 - LEBARON GTS)
 J BODY = (C - LEBARON)
 K BODY = (P - RELIANT)(D - ARIES)(C - LEBARON/ TOWN & COUNTRY)

L BODY = (M - HORIZON)(Z-OMNI)
 M BODY = (B - GRAN FURY)(G - DIPLOMAT)(F - FIFTH AVENUE/NEWPORT)
 P BODY = (P - SUNDANCE)(D - SHADOW)
 Q BODY = (C27 - MASERATI)
 S BODY = (H - VOYAGER)(K - RAM VAN/ CARAVAN)

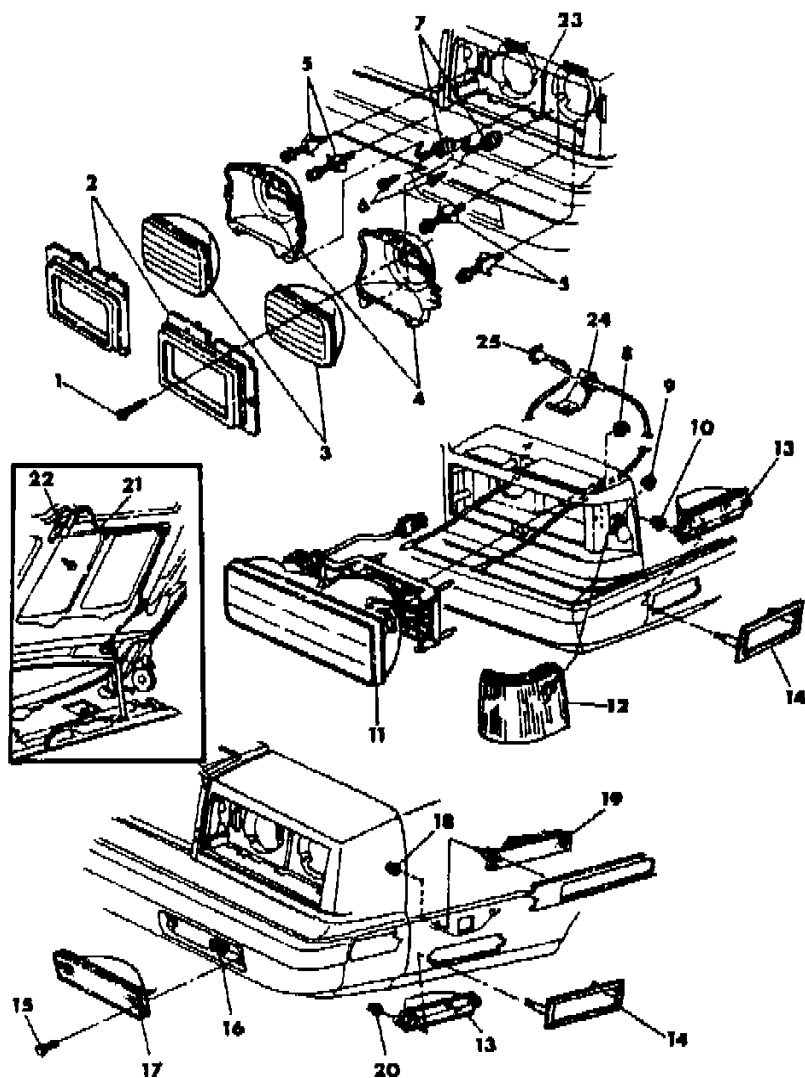
BODY STYLES

12-52 = FWD VAN & WAGON STD. W.B. 27 = 2-DOOR CONVERTIBLE
 13-53 = FWD VAN & WGN EXT W.B. 41 = 4-DOOR SEDAN
 21 = 2-DOOR SEDAN 44 = 4-DOOR HATCHBACK
 24 = 2-DOOR HATCHBACK 45 = 4-DOOR STATION WAGON

AR = Use as Required - = Non Illustrated Part P.A.R. = Paint as Required

LAMPS--FRONT C BODY
Figure 8-4000

8108 4000 B



ITEM	PART NUMBER	QTY	BODY	MODEL	DESCRIPTION
1					SCREW, (Not Serv.)
2	4334 904-5			C	BEZEL, H/Lamp
3	4388 164				BULB, Hi-Lo
	4388 165				High
	4388 238			D	AERO
4	3868 926-7				SEAT, Hi-Lo
	3868 928-9				High
5	4334 142				NUT and SCREW
6					SCREW, (Not Serv.)
7	5201 386				SPRING, Adj.
8	6500 284				NUT and WASHER
9	6023 205				NUT and WASHER
10					NUT and WASHER, (Not Serv.)
11				D	LAMP ASSEMBLY, (Serv. Component Parts.)
	4388 837			D	RETAINER, H/Lamp Bulb
	4388 834-5			D	HOUSING, H/Lamp
	4388 832-3			D	PLATE, H/Lamp Mtg. w/Adj.
	4388 728			D	SOCKET & CABLE, w/Retainer (Park & T/Signal Lamp)
	0154 227				BULB, Park & T/Sig.
	4388 238				BULB, "AERO"
12	4399 128-9				LAMP ASSEMBLY, Frt. S/Marker & Reflex
13	4399 048-9				LAMP ASSEMBLY, Fender Cornering
14	4399 056-7				BEZEL, Cornering Lamp
15					SCREW, (Not Serv.)
16	6033 232				U-NUT
17	4399 060-1			C	LAMP, Park & Turn Signal
18					NUT, (Not Serv.)
19	4399 070			C	LAMP, Side Marker
20					NUT, (Not Serv.)
21	4221 150				LAMP, Underhood
22	9428 606				BULB
23	4334 870-1				HOUSING, H/Lamp
24	4451 237				BRACKET, H/Lamp Cable Adj.
25	4451 236				CABLE, H/Lamp Adj.

NOTE: BULBS AND SOCKETS ARE LISTED ON ILLUS. 5800-5900

MODEL CODES

C BODY = (D41 - DYNASTY)(C41 - NEW YORKER)
 E BODY = (J - CARAVELLE)(E - 600)(T - NEW YORKER TURBO)
 G BODY = (V24 - DAYTONA, PACIFICA & SHELBY)
 H BODY = (D44 - LANCER)(C44 - LEBARON GTS)
 J BODY = (C - LEBARON)
 K BODY = (P - RELIANT)(D - ARIES)(C - LEBARON/ TOWN & COUNTRY)

L BODY = (M - HORIZON)(Z-OMNI)
 M BODY = (B - GRAN FURY)(G - DIPLOMAT)(F - FIFTH AVENUE/NEWPORT)
 P BODY = (P - SUNDANCE)(D - SHADOW)
 Q BODY = (C27 - MASERATI)
 S BODY = (H - VOYAGER)(K - RAM VAN/ CARAVAN)

BODY STYLES

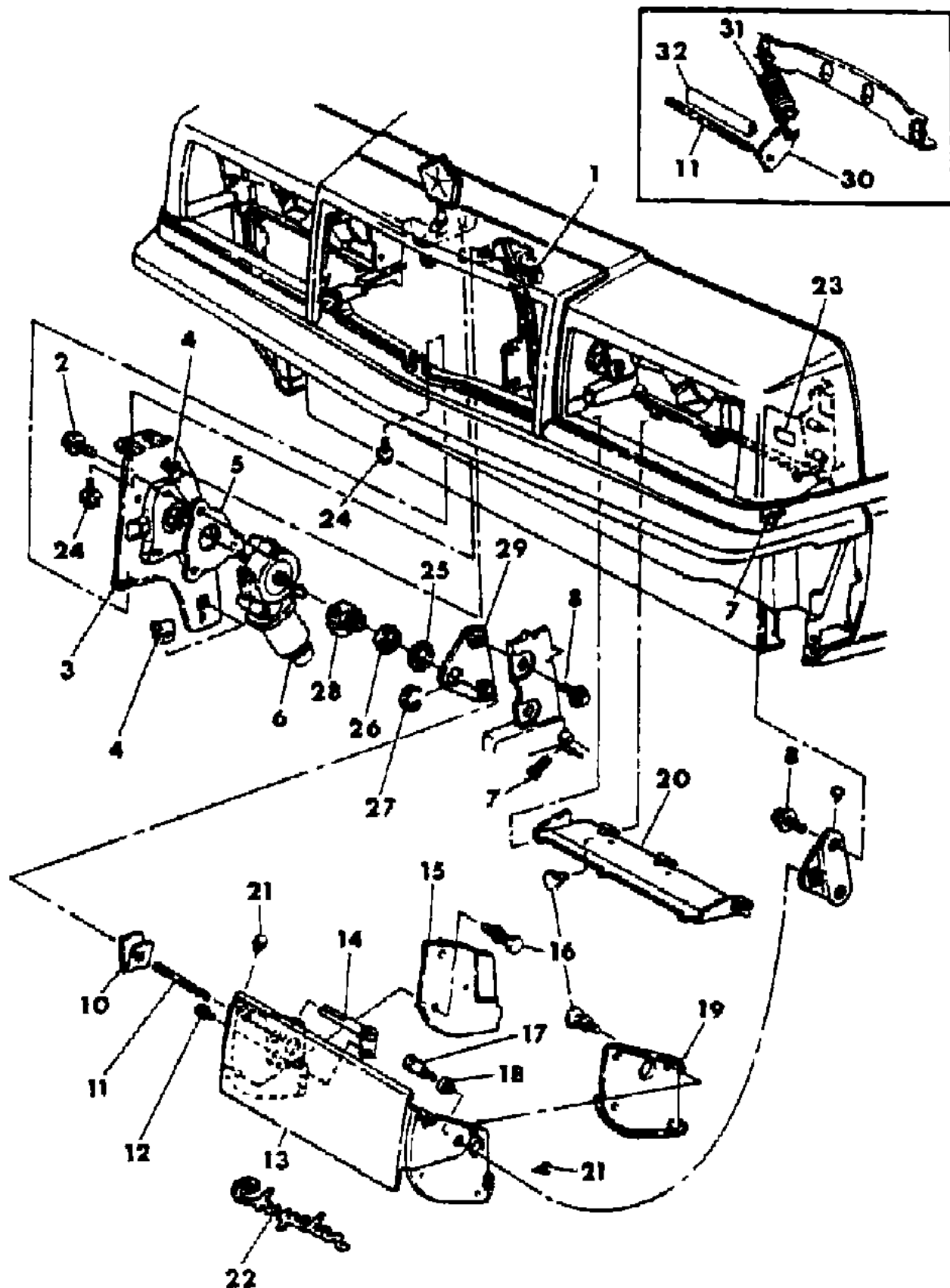
12-52 = FWD VAN & WAGON STD. W.B. 27 = 2-DOOR CONVERTIBLE
 13-53 = FWD VAN & WGN EXT W.B. 41 = 4-DOOR SEDAN
 21 = 2-DOOR SEDAN 44 = 4-DOOR HATCHBACK
 24 = 2-DOOR HATCHBACK 45 = 4-DOOR STATION WAGON

AR = Use as Required - = Non Illustrated Part P.A.R. = Paint as Required

LAMPS--FRONT ROTATING C BODY

Figure 8-4050

8108 4050B



ITEM	PART NUMBER	QTY	BODY	MODEL	DESCRIPTION
1	6100 567				SCREW and WASHER
2	6100 276				SCREW and WASHER
3	4334 903				BRACKET, Rot. H/Lamp Door Motor Mtg.
4	6100 041				U-NUT
5	4334 931				PLATE, Motor Mtg. Adaptor
6	4334 952				MOTOR
7					SCREW, (Not Serv.)
8	6024 067				SCREW
9	4334 896				BRACKET, Outer
10	6501 656				CLIP, Spring
11	4334 845				BAR, Torsion
12					SCREW, (Not Serv.)
13	4334 864-5				DOOR, H/Lamp
14	4388 848				CRANK ASSEMBLY
15					COVER, H/Lamp Door Inner Arm (Serv. In Door Assy.)
16	6501 577				PUSH-PIN
17	6031 894				SCREW, Pivot
18	6033 076				BUSHING
19					COVER, H/Lamp Door Outer Arm (Serv. In Door Assy.)
20	4334 888-9				SHIELD, Sight
21	3574 200				DOWNSTOP & UP-STOP, H/Lamp Door
22	4454 245				NAMEPLATE
23	4388 659				PIVOT
24					SCREW, (Not Serv.)
25	6033 521				BUSHING, H/Lamp Door Inner Pivot
26	4103 261				SLEEVE, H/Lamp Door Adjusting Collar
27	4103 262				RETAINER, H/Lamp Door Adjusting Collar
28	4103 266				COLLAR, H/Lamp Adjusting (Set Screw 6033543)
29	4334 898				BRACKET, H/Lamp Door Inner Pivot Adj.
	4388 724				LABEL, Rot. H/Lamp Door
	3683 823	2			CLAMP
30	4388 716				BRACKET
31	4388 717				SPRING, Torsion Bracket
32	4388 713				SLEEVE
	4074 968				BUTTON, H/Lamp Door Downstop
	3574 200				BUTTON, H/Lamp Door Up-Stop

MODEL CODES

C BODY = (D41 - DYNASTY)(C41 - NEW YORKER)
 E BODY = (J - CARAVELLE)(E - 600)(T - NEW YORKER TURBO)
 G BODY = (V24 - DAYTONA, PACIFICA & SHELBY)
 H BODY = (D44 - LANCER)(C44 - LEBARON GTS)
 J BODY = (C - LEBARON)
 K BODY = (P - RELIANT)(D - ARIES)(C - LEBARON/ TOWN & COUNTRY)

L BODY = (M - HORIZON)(Z-OMNI)
 M BODY = (B - GRAN FURY)(G - DIPLOMAT)(F - FIFTH AVENUE/NEWPORT)
 P BODY = (P - SUNDANCE)(D - SHADOW)
 Q BODY = (C27 - MASERATI)
 S BODY = (H - VOYAGER)(K - RAM VAN/ CARAVAN)

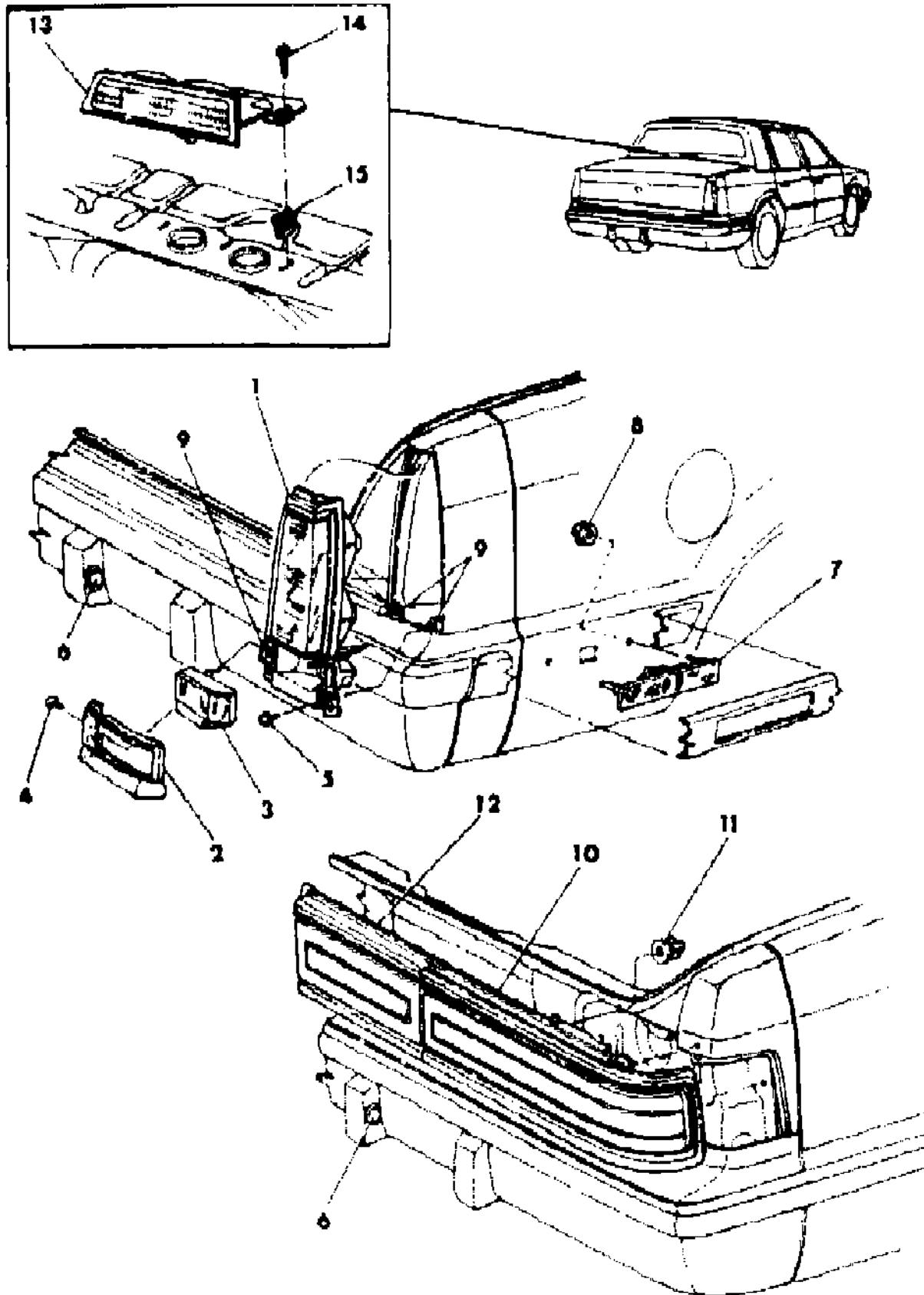
BODY STYLES

12-52 = FWD VAN & WAGON STD. W.B. 27 = 2-DOOR CONVERTIBLE
 13-53 = FWD VAN & WGN EXT W.B. 41 = 4-DOOR SEDAN
 21 = 2-DOOR SEDAN 44 = 4-DOOR HATCHBACK
 24 = 2-DOOR HATCHBACK 45 = 4-DOOR STATION WAGON

AR = Use as Required - = Non Illustrated Part P.A.R. = Paint as Required

LAMPS & WIRING--REAR C BODY
Figure 8-4100

8108 4100



ITEM	PART NUMBER	QTY	BODY	MODEL	DESCRIPTION
1	4399 032-3			C	LAMP ASSEMBLY, Qtr. Ext. Tail, Stop, T/Sig., Back-Up, w/Bulb & Harness
	4399 888-9				w/o Bulb & Harness
2	4399 040-1				BEZEL
3					LENS, (Serv. in Lamp Assy.)
4					SCREW, (Not Serv.)
5					SCREW, (Not Serv.)
6	4388 885				LAMP, License
7	4399 078				LAMP, Qtr. Panel S/Marker
8					NUT, (Not Serv.)
9					NUT, (Not Serv.)
10	4713 302-3			D	LAMP, Lwr. Deck Opening
-	4399 106-7			D	LENS, Tail Lamp
11					NUT, (Not Serv.)
12	4713 304				APPLIQUE ASSEMBLY, w/Black Stripe
	4399 114				w/o Black Stripe
	4399 768				Canada
13	4399 066				LAMP, High Mtd. Stop
14	6032 817				SCREW
15	6031 869				NUT
	4221 577				LAMP, Trunk

NOTE: BULBS AND SOCKETS ARE LISTED ON ILLUS. 5800-5900

MODEL CODES

C BODY = (D41 - DYNASTY)(C41 - NEW YORKER)
 E BODY = (J - CARAVELLE)(E - 600)(T - NEW YORKER TURBO)
 G BODY = (V24 - DAYTONA, PACIFICA & SHELBY)
 H BODY = (D44 - LANCER)(C44 - LEBARON GTS)
 J BODY = (C - LEBARON)
 K BODY = (P - RELIANT)(D - ARIES)(C - LEBARON/ TOWN & COUNTRY)

L BODY = (M - HORIZON)(Z-OMNI)
 M BODY = (B - GRAN FURY)(G - DIPLOMAT)(F - FIFTH AVENUE/NEWPORT)
 P BODY = (P - SUNDANCE)(D - SHADOW)
 Q BODY = (C27 - MASERATI)
 S BODY = (H - VOYAGER)(K - RAM VAN/ CARAVAN)

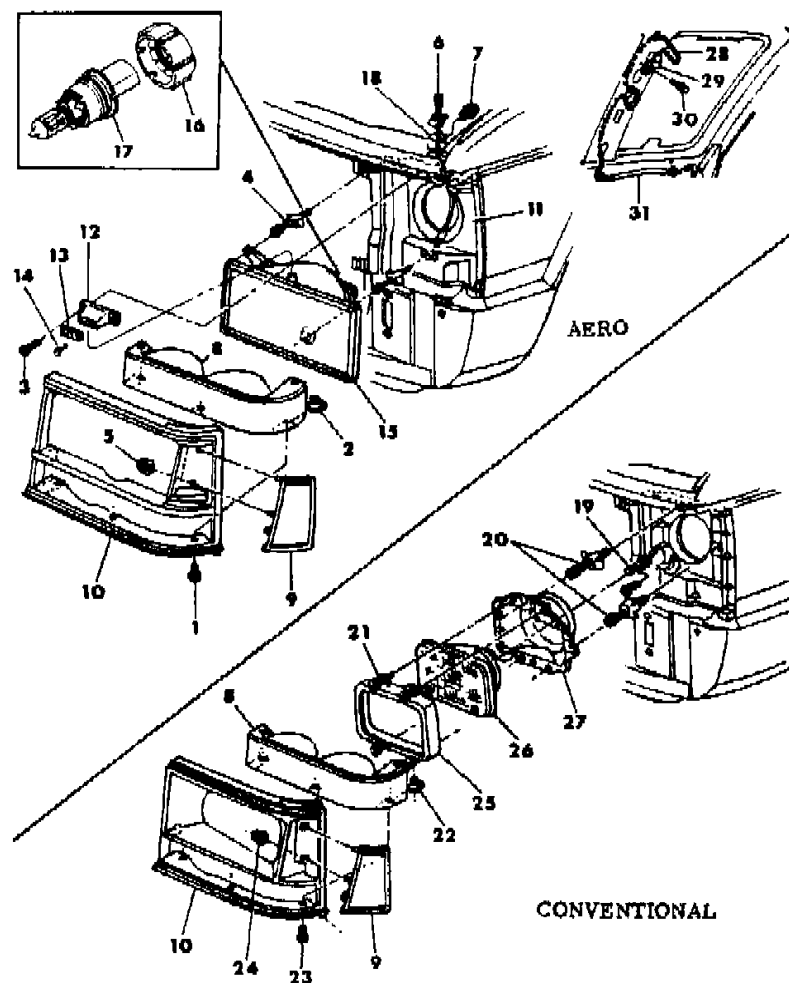
BODY STYLES

12-52 = FWD VAN & WAGON STD. W.B. 27 = 2-DOOR CONVERTIBLE
 13-53 = FWD VAN & WGN EXT W.B. 41 = 4-DOOR SEDAN
 21 = 2-DOOR SEDAN 44 = 4-DOOR HATCHBACK
 24 = 2-DOOR HATCHBACK 45 = 4-DOOR STATION WAGON

AR = Use as Required - = Non Illustrated Part P.A.R. = Paint as Required

LAMPS--FRONT S BODY
Figure 8-4200

8108 4200 B



ITEM	PART NUMBER	QTY	BODY	MODEL	DESCRIPTION
1					SCREW, (Not Serv.)
2	6500 953				U-NUT
3					SCREW, (Not Serv.)
4	4388 249	4			NUT and SCREW, H/Lamp Adj. (AERO)
5	6029 471	4			NUT
6	4388 231				CABLE, H/Lamp Adj.(AERO)
7					SCREW and WASHER, (Not Serv.)
8	4321 910-1				LAMP, H/Lamp Park & Turn Sig.
	5207 782			K	LAMP, Turn Signal, EUROPE
-	6031 138				NUT, Headlamp Bezel to Adaptor & Grille Mtg.
9	4321 914-5				LAMP, H/Lamp Bezel Side Marker
	4321 920-1				(AERO)
10	4388 216-7			K(S)	BEZEL, H/Lamp Bright
	4388 218-9			K(E)	Painted
	4388 214-5				(AERO)
	4399 682-3				LAMP ASSY., H/Lamp Bezel T/Sig., EUROPE
	4451 328-9				H/LAMP ASSY., 7", EUROPE
11	4388 220-1				ADAPTER, H/Lamp (AERO) (Mtg. Spacer Nut 6031138)
	4388 222-3				Exc. (AERO)
12	4388 228				PIVOT, H/Lamp Adj.(AERO)
13					RETAINER, H/Lamp Pivot, (Serv. in Item #12)
14					SCREW, (Not Serv.)
15	4388 234-5				HOUSING, H/Lamp Adj. (AERO)
16	4388 227				NUT, Retainer
17	4388 238				BULB, (AERO) GE#9004
	4400 396				SOCKET, w/Wire Headlamp (AERO)
18	4388 236	2			BRACKET, Cable Mtg.
19	3868 789				SPRING
20	4334 722	4			NUT and SCREW
21					SCREW, (Not Serv.)
22	6500 953				U-NUT
23					SCREW, (Not Serv.)
24	6029 471				NUT
25	5201 204				RETAINER
26	4388 167				BULB
27	4388 232-3				SEAT
28	4221 150				LAMP, Underhood

MODEL CODES

C BODY = (D41 - DYNASTY)(C41 - NEW YORKER)
 E BODY = (J - CARAVELLE)(E - 600)(T - NEW YORKER TURBO)
 G BODY = (V24 - DAYTONA, PACIFICA & SHELBY)
 H BODY = (D44 - LANCER)(C44 - LEBARON GTS)
 J BODY = (C - LEBARON)
 K BODY = (P - RELIANT)(D - ARIES)(C - LEBARON/ TOWN & COUNTRY)

L BODY = (M - HORIZON)(Z-OMNI)
 M BODY = (B - GRAN FURY)(G - DIPLOMAT)(F - FIFTH AVENUE/NEWPORT)
 P BODY = (P - SUNDANCE)(D - SHADOW)
 Q BODY = (C27 - MASERATI)
 S BODY = (H - VOYAGER)(K - RAM VAN/ CARAVAN)

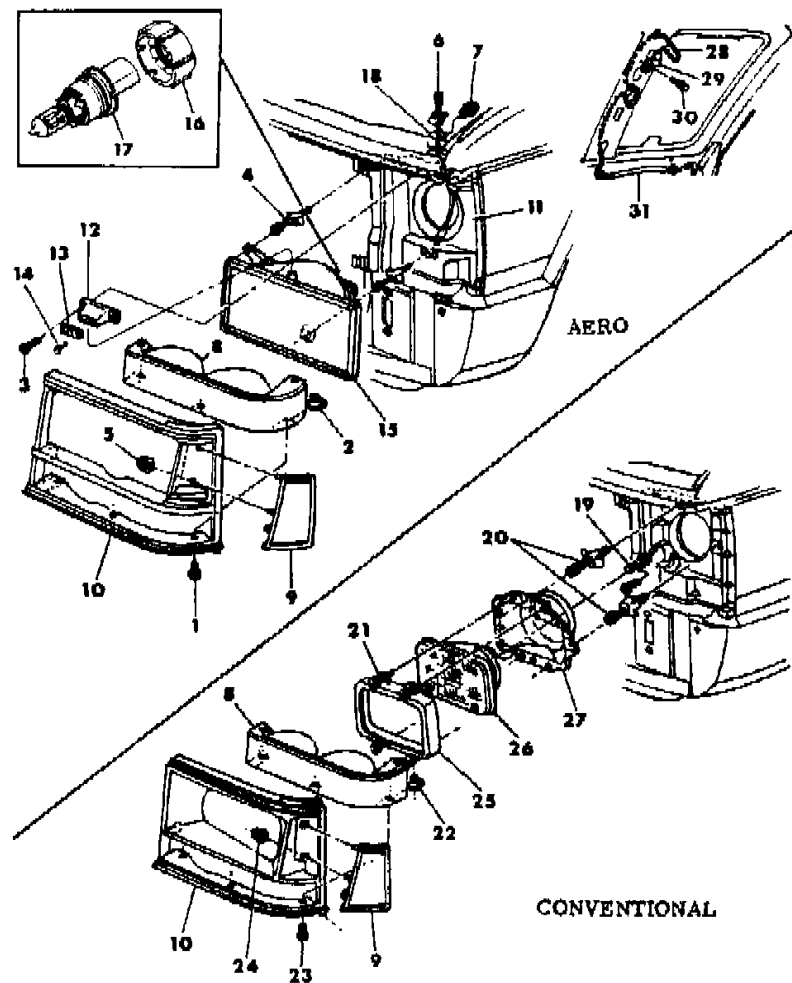
BODY STYLES

12-52 = FWD VAN & WAGON STD. W.B. 27 = 2-DOOR CONVERTIBLE
 13-53 = FWD VAN & WGN EXT W.B. 41 = 4-DOOR SEDAN
 21 = 2-DOOR SEDAN 44 = 4-DOOR HATCHBACK
 24 = 2-DOOR HATCHBACK 45 = 4-DOOR STATION WAGON

AR = Use as Required - = Non Illustrated Part P.A.R. = Paint as Required

LAMPS--FRONT S BODY
Figure 8-4200

8108 4200 B



ITEM	PART NUMBER	QTY	BODY	MODEL	DESCRIPTION
29	9428 606				BULB, Underhood Lamp #105
30					SCREW, (Not Serv.)
31	4331 548				WIRING, Underhood Lamp
NOTE: BULBS AND SOCKETS ARE LISTED ON ILLUS. 5800-5900					

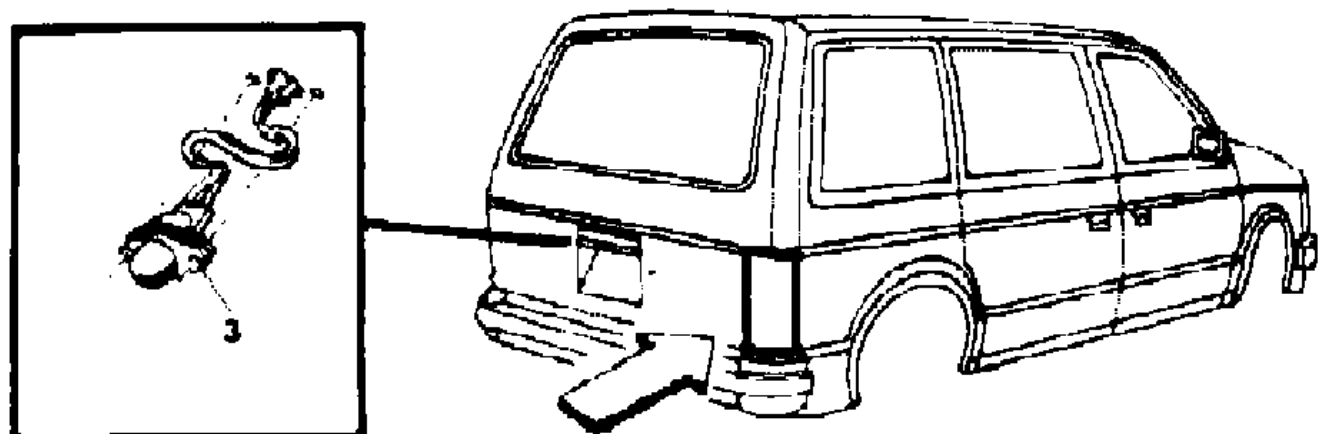
MODEL CODES
 C BODY = (D41 - DYNASTY)(C41 - NEW YORKER)
 E BODY = (J - CARAVELLE)(E - 600)(T - NEW YORKER TURBO)
 G BODY = (V24 - DAYTONA, PACIFICA & SHELBY)
 H BODY = (D44 - LANCER)(C44 - LEBARON GTS)
 J BODY = (C - LEBARON)
 K BODY = (P - RELIANT)(D - ARIES)(C - LEBARON/ TOWN & COUNTRY)
 L BODY = (M - HORIZON)(Z-OMNI)
 M BODY = (B - GRAN FURY)(G - DIPLOMAT)(F - FIFTH AVENUE/NEWPORT)
 P BODY = (P - SUNDANCE)(D - SHADOW)
 Q BODY = (C27 - MASERATI)
 S BODY = (H - VOYAGER)(K - RAM VAN/ CARAVAN)

BODY STYLES
 12-52 = FWD VAN & WAGON STD. W.B. 27 = 2-DOOR CONVERTIBLE
 13-53 = FWD VAN & WGN EXT W.B. 41 = 4-DOOR SEDAN
 21 = 2-DOOR SEDAN 44 = 4-DOOR HATCHBACK
 24 = 2-DOOR HATCHBACK 45 = 4-DOOR STATION WAGON

AR = Use as Required - = Non Illustrated Part P.A.R. = Paint as Required

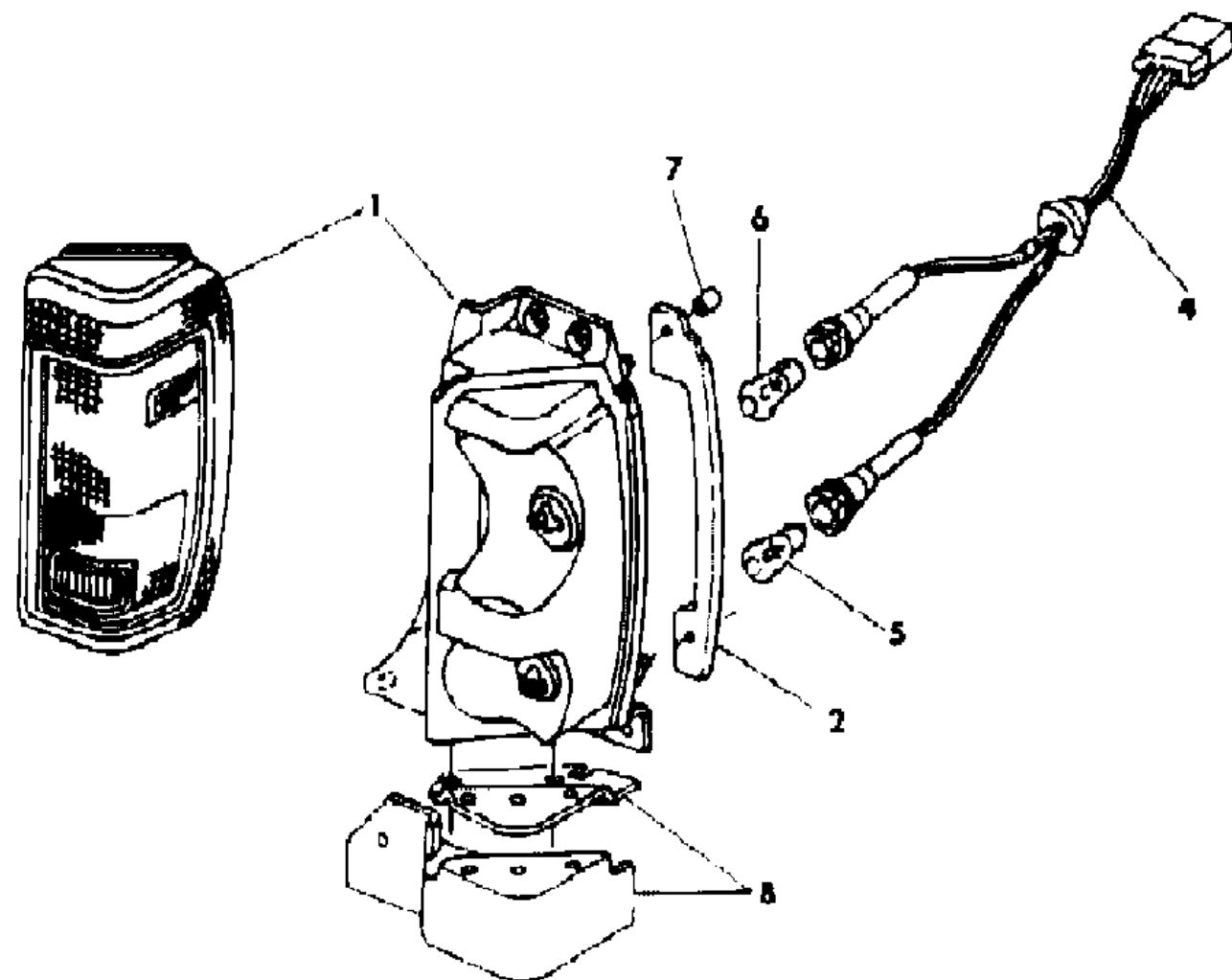
LAMPS & WIRING--REAR S BODY
Figure 8-4300

8108 4300



ITEM	PART NUMBER	QTY	BODY	MODEL	DESCRIPTION
1	4399 258-9			H	LAMP, Qtr. Pnl. Tail, Stop, Turn Sig., Back-Up & Side Marker (w/ S.E. Pkg.)
	4399 698-9			H	(w/o S.E. Pkg.)
	4399 698-9			K	
	4399 680-1			K	LAMP ASSY., Qtr. Pnl. Tail, Stop, T/Sig., B/Up, Fog Lamp & Reflex, EUROPE
	4399 353		H		RETAINER, (w/S.E. Pkg.)
2	4399 360-1		H		MOULDING, (w/S.E. Pkg.)
					GASKET, Tail Lamp (Not Serv.)
3	4174 869				LAMP, Lift Gate Handle Release
	4399 684				LAMP & FRAME, L/Gate Handle License, EUROPE
4	4414 508				SOCKET and CABLE, Rear Lamp
5	9417 866				BULB, Back-Up Lamp #1156
6	9438 848				BULB, Tail, Stop & Turn Sig.
7	6032 504				CAP, Qtr. Pnl. Lamp Mtg.
8					FILLER and PLATE, (Serv. in Assy.)

NOTE: BULBS AND SOCKETS ARE LISTED ON ILLUS. 5800-5900



MODEL CODES

C BODY = (D41 - DYNASTY)(C41 - NEW YORKER)	L BODY = (M - HORIZON)(Z-OMNI)
E BODY = (J - CARAVELLE)(E - 600)(T - NEW YORKER TURBO)	M BODY = (B - GRAN FURY)(G - DIPLOMAT)(F - FIFTH AVENUE/NEWPORT)
G BODY = (V24 - DAYTONA, PACIFICA & SHELBY)	P BODY = (P - SUNDANCE)(D - SHADOW)
H BODY = (D44 - LANCER)(C44 - LEBARON GTS)	Q BODY = (C27 - MASERATI)
J BODY = (C - LEBARON)	S BODY = (H - VOYAGER)(K - RAM VAN/ CARAVAN)
K BODY = (P - RELIANT)(D - ARIES)(C - LEBARON/ TOWN & COUNTRY)	

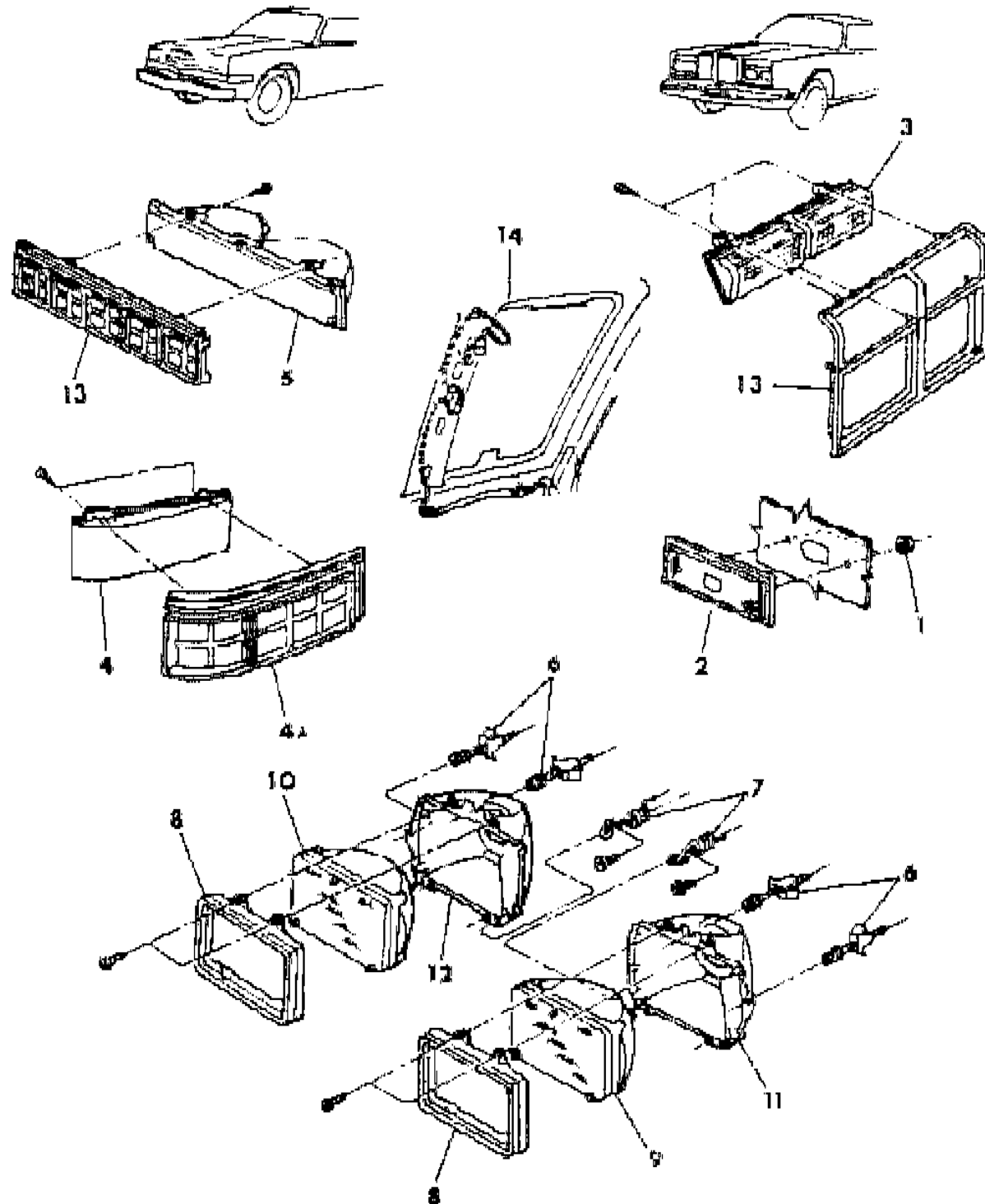
BODY STYLES

12-52 = FWD VAN & WAGON STD. W.B.	27 = 2-DOOR CONVERTIBLE
13-53 = FWD VAN & WGN EXT W.B.	41 = 4-DOOR SEDAN
21 = 2-DOOR SEDAN	44 = 4-DOOR HATCHBACK
24 = 2-DOOR HATCHBACK	45 = 4-DOOR STATION WAGON

AR = Use as Required - = Non Illustrated Part P.A.R. = Paint as Required

LAMPS--FRONT M BODY--B-F-G
Figure 8-4400

8108 4400 A



ITEM	PART NUMBER	QTY	BODY	MODEL	DESCRIPTION
1	6029 471			G-P,F-H,P	NUT, Fender S/Marker Lp.
2	4174 867	2		G-P, F-H, S	LAMP ASSEMBLY, Fndr. Side Marker
3	#4076 564 4321 095 4174 364-5			G-P,F-H F-S	LAMP ASSEMBLY, H/Lamp Bezel, Park & Turn Sig. Rt. Lt.
4	#4076 570-1			BG-L	LAMP ASSEMBLY, Grille S/Marker w/Lens
4A	#4103 410-1				LENS, (Also Shown in Grp. #7)
5	#4076 566-7			BG-L	LAMP ASSEMBLY, Rad. Grille Park & T/Sig.
6	4334 139				NUT and SCREW
7	3868 789				SPRING
8	4016 088 4270 937				RETAINER, H/Lamp Bulb (Argent) (Black)
9	4388 164				BULB, H/Lamp, Hi-Low Halogen
10	4388 165				BULB, Hi, Halogen
11	3868 926-7				SEAT, Hi-Low
12	3868 928-9				SEAT, High Beam
13	4103 638-9			F	BEZEL, (Fifth Ave.)
	4074 626	2		B-G	Bezel
	4074 624-5			G-P	Bezel
14	4221 008				LAMP, Underhood

NOTE: BULBS AND SOCKETS ARE LISTED ON ILLUS. 5800-5900

MODEL CODES

C BODY = (D41 - DYNASTY)(C41 - NEW YORKER)
E BODY = (J - CARAVELLE)(E - 600)(T - NEW YORKER TURBO)
G BODY = (V24 - DAYTONA, PACIFICA & SHELBY)
H BODY = (D44 - LANCER)(C44 - LEBARON GTS)
J BODY = (C - LEBARON)
K BODY = (P - RELIANT)(D - ARIES)(C - LEBARON/ TOWN & COUNTRY)

L BODY = (M - HORIZON)(Z-OMNI)
M BODY = (B - GRAN FURY)(G - DIPLOMAT)(F - FIFTH AVENUE/NEWPORT)
P BODY = (P - SUNDANCE)(D - SHADOW)
Q BODY = (C27 - MASERATI)
S BODY = (H - VOYAGER)(K - RAM VAN/ CARAVAN)

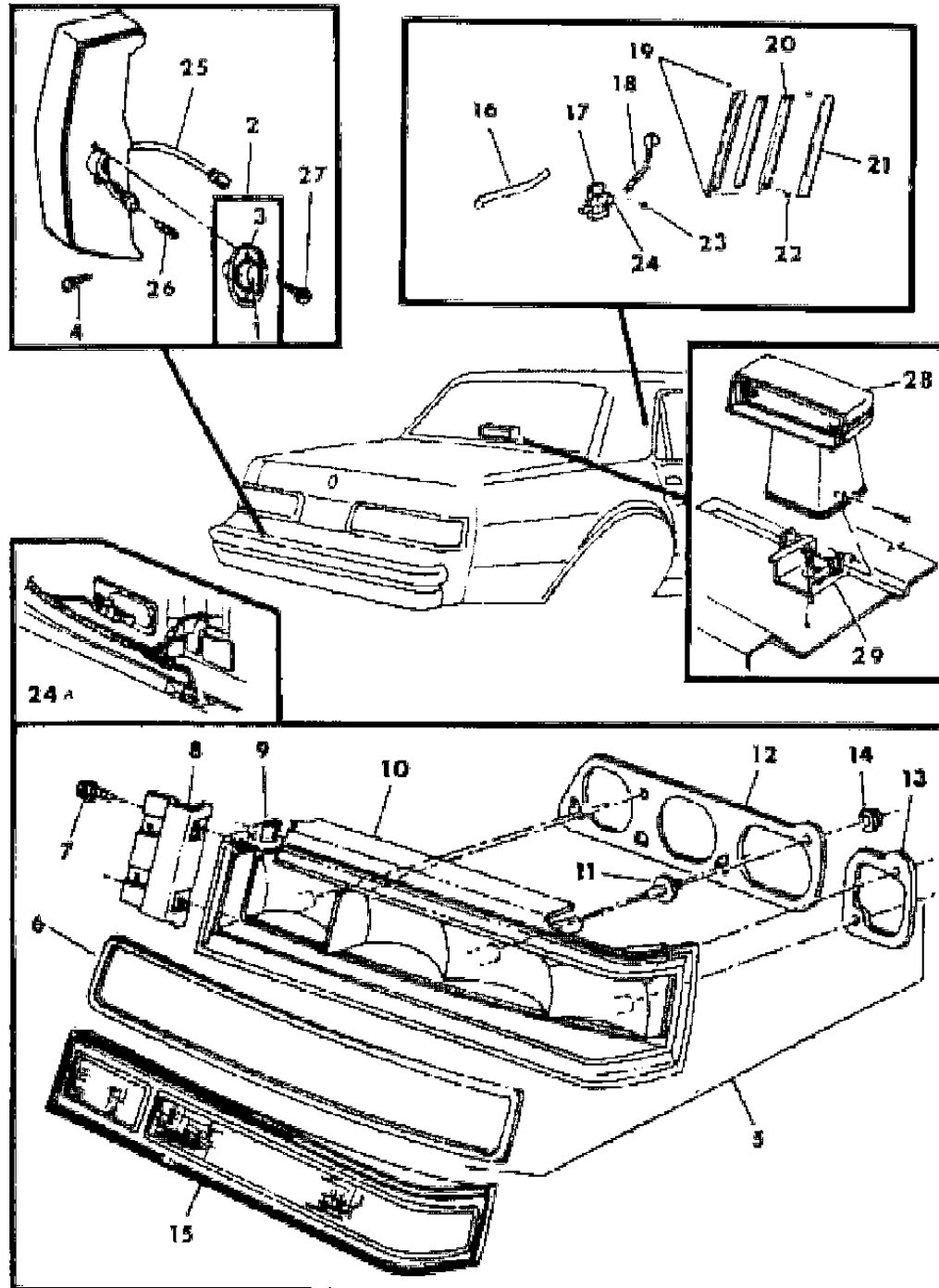
BODY STYLES

12-52 = FWD VAN & WAGON STD. W.B. 27 = 2-DOOR CONVERTIBLE
13-53 = FWD VAN & WGN EXT W.B. 41 = 4-DOOR SEDAN
21 = 2-DOOR SEDAN 44 = 4-DOOR HATCHBACK
24 = 2-DOOR HATCHBACK 45 = 4-DOOR STATION WAGON

AR = Use as Required - = Non Illustrated Part P.A.R. = Paint as Required

LAMPS & WIRING--REAR M BODY--F
Figure 8-4500

8108 4500 B



ITEM	PART NUMBER	QTY	BODY	MODEL	DESCRIPTION
1					LENS, (Serv. in Lamp Assy.)
2	#4076 808				LAMP, (License)
3					HOUSING, (Serv. in Lamp Assy.)
4					SCREW, (Not Serv.)
5	4174 356-7	1			LAMP, Lwr.Deck Oping Pnl.t/Stop & t/Sig. Assy.
6					SEAL, (Serv. in Lamp Assy.)
7					SCREW, (Not Serv.)
8	4229 652				SUPPORT
9					NUT, Speed
10					HOUSING, (Serv. in Lamp Assy.)
11					STUD, (Serv. in Lamp Assy.)
12					GASKET, (Serv. In Lamp Assy.)
13					GASKET, (Serv. In Lamp Assy.)
14	6023 205	12			NUT
15	4076 892-3				LENS, Tail, Stop, T/Sig.,Side Marker
16	4229 163	AR			WIRE, 12 Volts
17	4229 291	AR			RETAINER, Inverter Assy.
18		AR			WIRE, Lamp, 110 Volts (Serv. in #20)
19	4057 555	AR			NUT, 3/16
20	4229 160-1				LENS, Light Insert Assy.
21	4366 378-9				BEZEL, Rear Dr. Qtr. Wdo. Assy.
22	4094 619				RETAINER PACKAGE
23		AR			RIVET, 1/8 x .032
24	4229 162	AR			INVERTER, Rear Opera Lamp Assy.
24A	4267 275				LAMP, Trunk
25	4304 963				WIRING, License Lamps
26	9425 542				BULB, License Lamps #162
27	6032 525				SCREW
28	H201 EK1				LAMP, Hi-Mtd. Stop Lamp, w/Bulb & Socket
29	4399 303				BRACKET, Hi-Mtd. Stop Lamp
	4368 619				INSULATOR, Hi-Mtd. Stop Lamp
	4368 618				TERMINAL, Hi-Mtd. Stop Lamp
					NOTE: BULBS AND SOCKETS ARE LISTED ON ILLUS. 5800-5900

MODEL CODES

C BODY = (D41 - DYNASTY)(C41 - NEW YORKER)
 E BODY = (J - CARAVELLE)(E - 600)(T - NEW YORKER TURBO)
 G BODY = (V24 - DAYTONA, PACIFICA & SHELBY)
 H BODY = (D44 - LANCER)(C44 - LEBARON GTS)
 J BODY = (C - LEBARON)
 K BODY = (P - RELIANT)(D - ARIES)(C - LEBARON/ TOWN & COUNTRY)

L BODY = (M - HORIZON)(Z-OMNI)
 M BODY = (B - GRAN FURY)(G - DIPLOMAT)(F - FIFTH AVENUE/NEWPORT)
 P BODY = (P - SUNDANCE)(D - SHADOW)
 Q BODY = (C27 - MASERATI)
 S BODY = (H - VOYAGER)(K - RAM VAN/ CARAVAN)

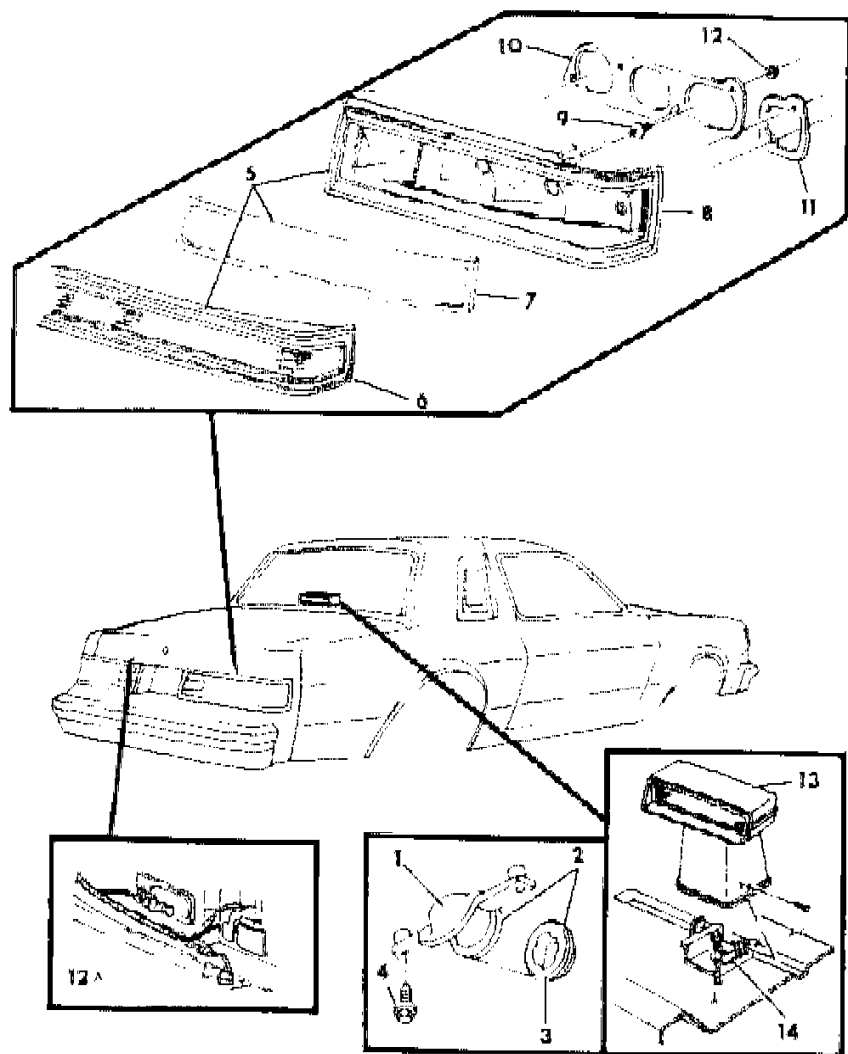
BODY STYLES

12-52 = FWD VAN & WAGON STD. W.B. 27 = 2-DOOR CONVERTIBLE
 13-53 = FWD VAN & WGN EXT W.B. 41 = 4-DOOR SEDAN
 21 = 2-DOOR SEDAN 44 = 4-DOOR HATCHBACK
 24 = 2-DOOR HATCHBACK 45 = 4-DOOR STATION WAGON

AR = Use as Required - = Non Illustrated Part P.A.R. = Paint as Required

LAMPS & WIRING--REAR M BODY--B-G
Figure 8-4600

8108 4600 A



ITEM	PART NUMBER	QTY	BODY	MODEL	DESCRIPTION
1					LENS, (Serv. in Lamp Assy.)
2	#4076 812	1			LAMP, (License)
3					HOUSING, (Serv. in Lamp Assy.)
4	0152 490				U-NUT
5	#4076 574-5	1		G	LAMP, t/S Side Marker & Back Up Assy.
	4225 074-5	1		B	
6	#4076 688-9	1			LENS
7	3798 253				SEAL
8	#4076 686-7			G	HOUSING
				B	HOUSING, (Serv. In Lamp Assy.)
9					STUD, (Serv. In Lamp Assy.)
10					GASKET, (Serv. In Lamp Assy.)
11					GASKET, (Serv. in Lamp Assy.)
12	6023 205	2			NUT
12A	4267 275				LAMP, Trunk
13	H202 EK1				LAMP, Hi-Mtd. Stop Lamp, w/Bulb & Socket
14	4399 304				BRACKET, Hi-Mtd. Stop Lamp

NOTE: BULBS AND SOCKETS ARE LISTED ON ILLUS. 5800-5900

MODEL CODES

C BODY = (D41 - DYNASTY)(C41 - NEW YORKER)
 E BODY = (J - CARAVELLE)(E - 600)(T - NEW YORKER TURBO)
 G BODY = (V24 - DAYTONA, PACIFICA & SHELBY)
 H BODY = (D44 - LANCER)(C44 - LEBARON GTS)
 J BODY = (C - LEBARON)
 K BODY = (P - RELIANT)(D - ARIES)(C - LEBARON/ TOWN & COUNTRY)
 L BODY = (M - HORIZON)(Z-OMNI)
 M BODY = (B - GRAN FURY)(G - DIPLOMAT)(F - FIFTH AVENUE/NEWPORT)
 P BODY = (P - SUNDANCE)(D - SHADOW)
 Q BODY = (C27 - MASERATI)
 S BODY = (H - VOYAGER)(K - RAM VAN/ CARAVAN)

BODY STYLES

12-52 = FWD VAN & WAGON STD. W.B. 27 = 2-DOOR CONVERTIBLE
 13-53 = FWD VAN & WGN EXT W.B. 41 = 4-DOOR SEDAN
 21 = 2-DOOR SEDAN 44 = 4-DOOR HATCHBACK
 24 = 2-DOOR HATCHBACK 45 = 4-DOOR STATION WAGON

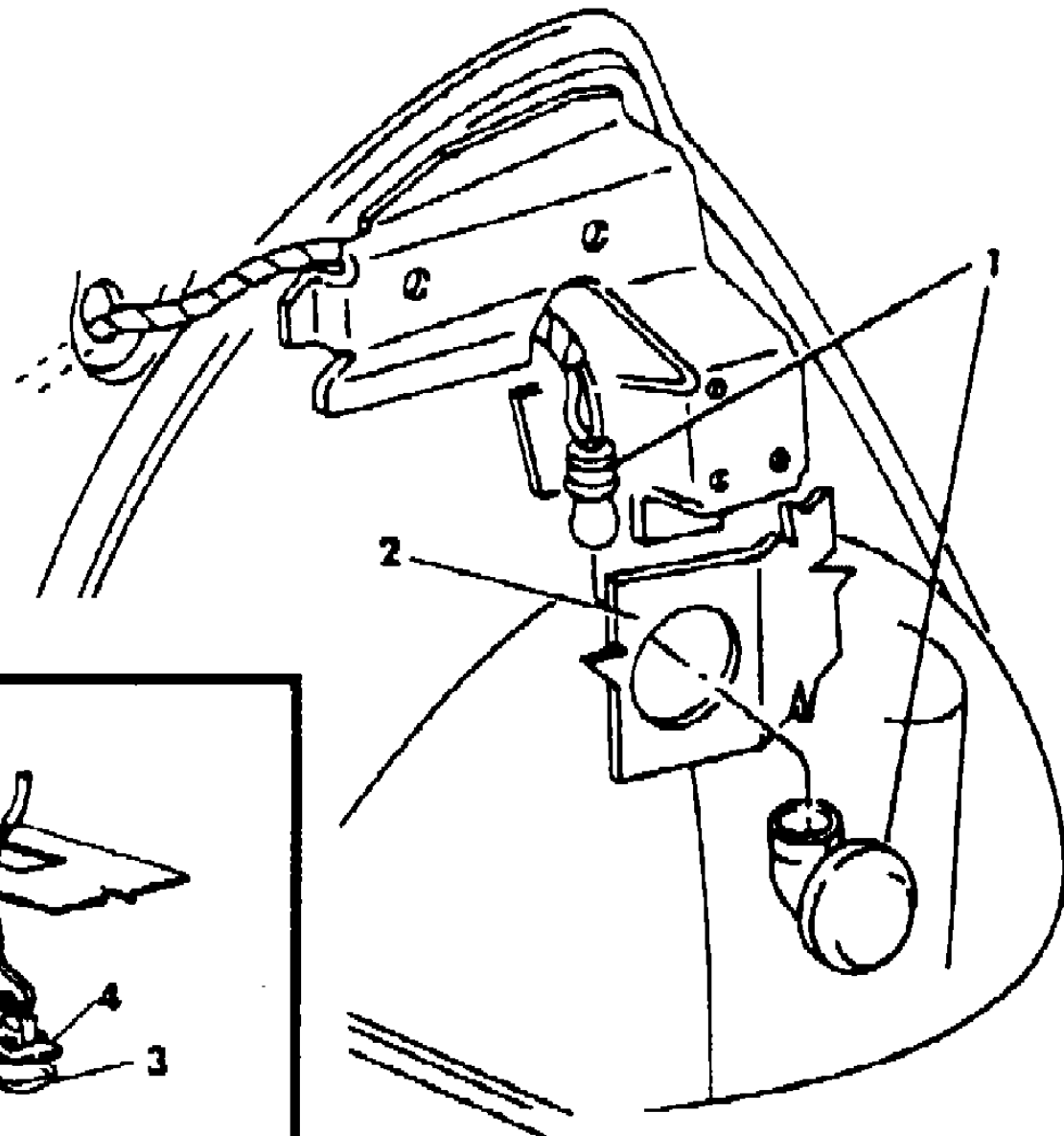
AR = Use as Required - = Non Illustrated Part P.A.R. = Paint as Required

LAMPS--CARGO-DOME-COURTESY L BODY

Figure 8-4700

8108 4700

ITEM	PART NUMBER	QTY	BODY	MODEL	DESCRIPTION
1	5209 554				LENS, Cargo Lamp
2					BRACKET, Hsg. (Part of Qtr. Trim Panel)
3	3488 995				LENS, Fwd. Dome Lp. w/Sun Roof
	5209 525				w/o Sun Roof
4	5209 523				HOUSING, Fwd. Dome Lp.



MODEL CODES

C BODY = (D41 - DYNASTY)(C41 - NEW YORKER)	L BODY = (M - HORIZON)(Z-OMNI)
E BODY = (J - CARAVELLE)(E - 600)(T - NEW YORKER TURBO)	M BODY = (B - GRAN FURY)(G - DIPLOMAT)(F - FIFTH AVENUE/NEWPORT)
G BODY = (V24 - DAYTONA, PACIFICA & SHELBY)	P BODY = (P - SUNDANCE)(D - SHADOW)
H BODY = (D44 - LANCER)(C44 - LEBARON GTS)	Q BODY = (C27 - MASERATI)
J BODY = (C - LEBARON)	S BODY = (H - VOYAGER)(K - RAM VAN/ CARAVAN)
K BODY = (P - RELIANT)(D - ARIES)(C - LEBARON/ TOWN & COUNTRY)	

BODY STYLES

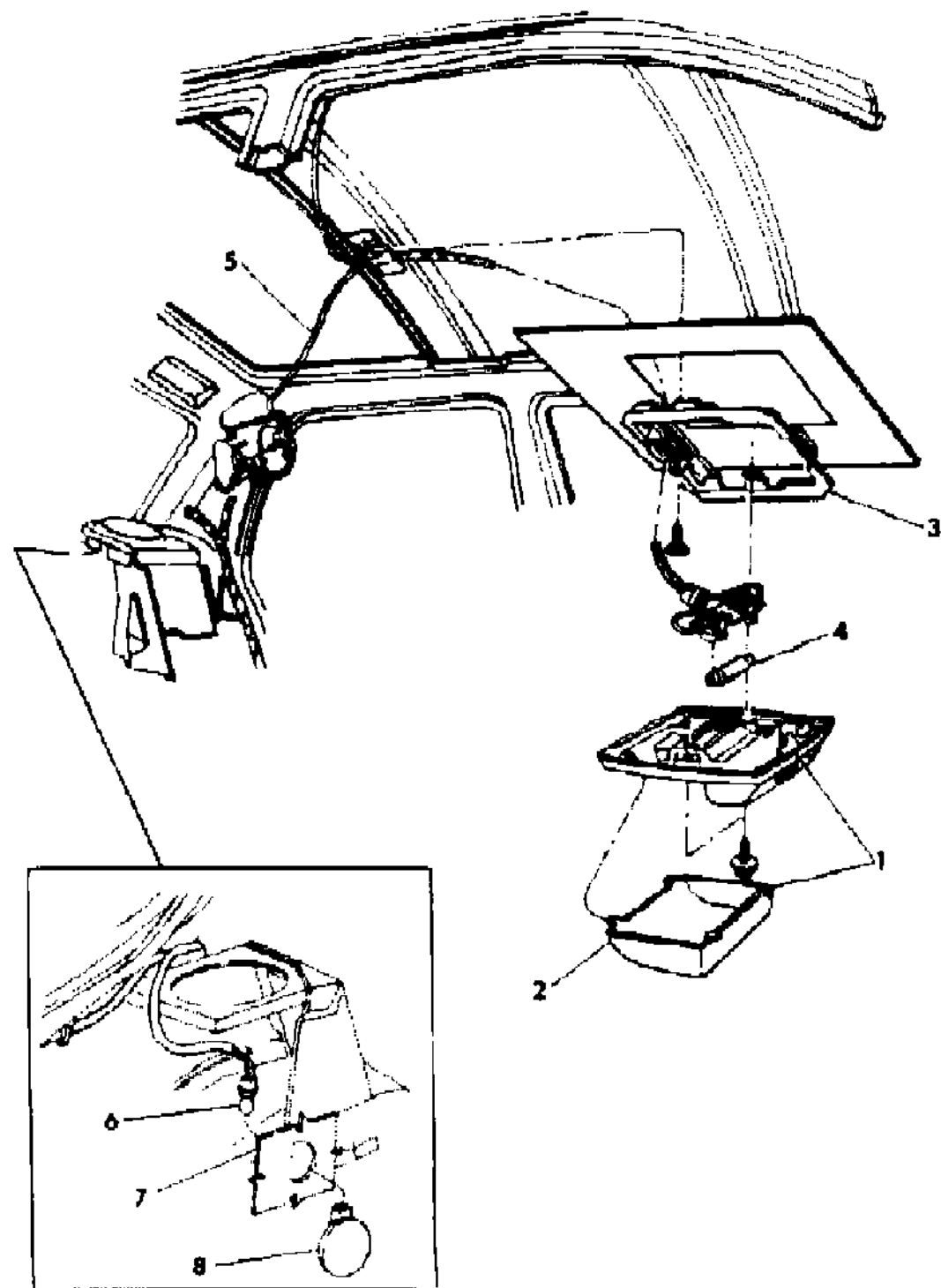
12-52 = FWD VAN & WAGON STD. W.B.	27 = 2-DOOR CONVERTIBLE
13-53 = FWD VAN & WGN EXT W.B.	41 = 4-DOOR SEDAN
21 = 2-DOOR SEDAN	44 = 4-DOOR HATCHBACK
24 = 2-DOOR HATCHBACK	45 = 4-DOOR STATION WAGON

AR = Use as Required - = Non Illustrated Part P.A.R. = Paint as Required

LAMPS--CARGO-DOME-COURTESY P BODY

Figure 8-4800

8108 4800



ITEM	PART NUMBER	QTY	BODY	MODEL	DESCRIPTION
1	3593 728				LAMP, Dome
2	3488 936				LENS, Dome Lamp
3	4047 293				BRACKET, Dome Lamp
4	9431 808				BULB, Dome Lamp
5	4414 617				WIRING, Dome & Map Lamp
6	9437 173				BULB, Cargo Lamp
7					PANEL, Trim
8	5209 554				LENS, Cargo Lamp

MODEL CODES

C BODY = (D41 - DYNASTY)(C41 - NEW YORKER)
 E BODY = (J - CARAVELLE)(E - 600)(T - NEW YORKER TURBO)
 G BODY = (V24 - DAYTONA, PACIFICA & SHELBY)
 H BODY = (D44 - LANCER)(C44 - LEBARON GTS)
 J BODY = (C - LEBARON)
 K BODY = (P - RELIANT)(D - ARIES)(C - LEBARON/ TOWN & COUNTRY)
 L BODY = (M - HORIZON)(Z-OMNI)
 M BODY = (B - GRAN FURY)(G - DIPLOMAT)(F - FIFTH AVENUE/NEWPORT)
 P BODY = (P - SUNDANCE)(D - SHADOW)
 Q BODY = (C27 - MASERATI)
 S BODY = (H - VOYAGER)(K - RAM VAN/ CARAVAN)

BODY STYLES

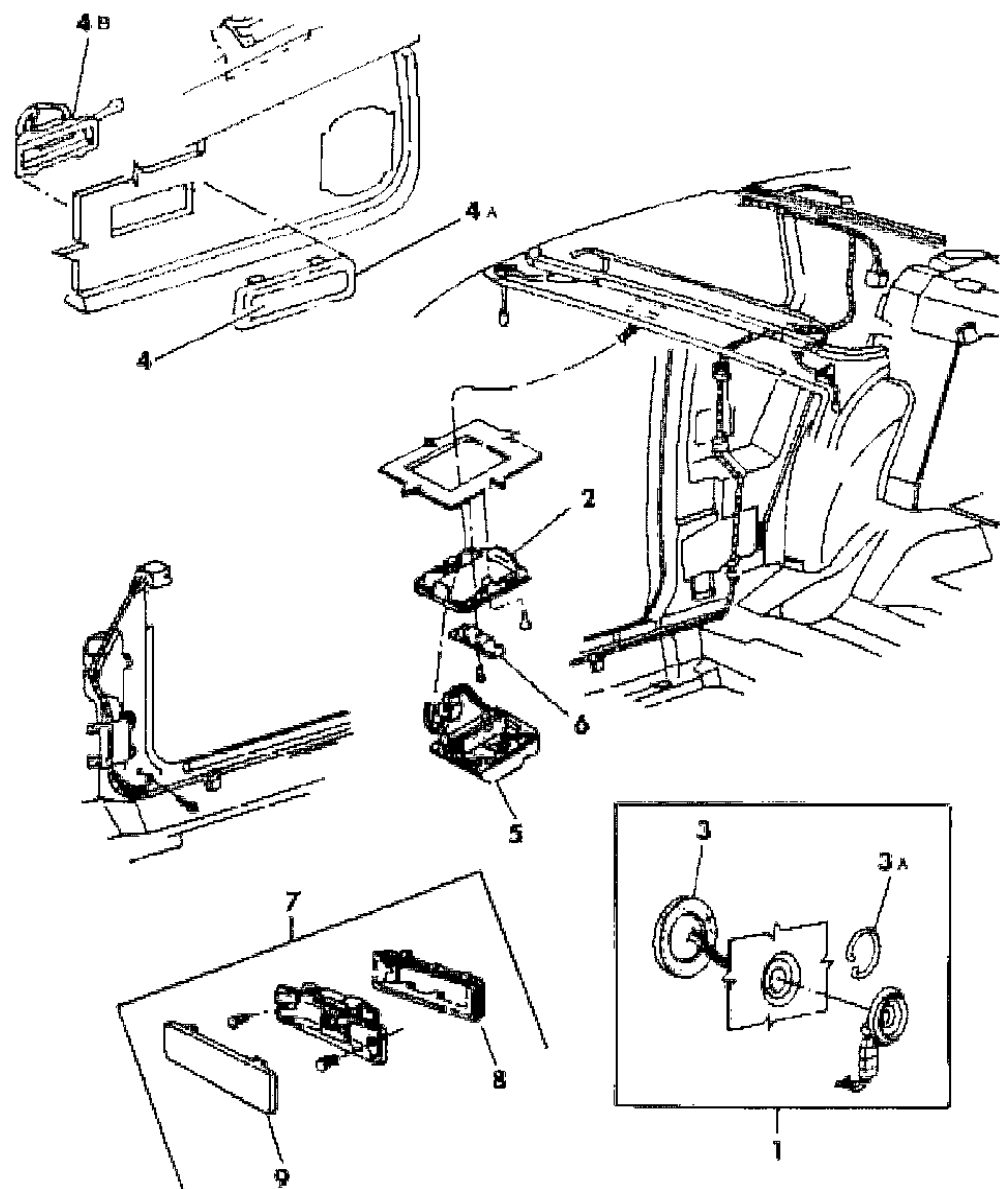
12-52 = FWD VAN & WAGON STD. W.B. 27 = 2-DOOR CONVERTIBLE
 13-53 = FWD VAN & WGN EXT W.B. 41 = 4-DOOR SEDAN
 21 = 2-DOOR SEDAN 44 = 4-DOOR HATCHBACK
 24 = 2-DOOR HATCHBACK 45 = 4-DOOR STATION WAGON

AR = Use as Required - = Non Illustrated Part P.A.R. = Paint as Required

LAMPS--CARGO-DOME-COURTESY J BODY

Figure 8-4900

8108 4900 A



ITEM	PART NUMBER	QTY	BODY	MODEL	DESCRIPTION
1	4374 020				LAMP ASSEMBLY, Qtr. Reading
2	4312 706				BRACKET, Frt. Header Reading
3	4437 079				SEAL, Qtr. Reading Lamp
3A	6033 162				CLIP, Rear Qtr. Reading Lamp
4	4312 892				LENS, Frt. Door Courtesy Lamp
4A	4374 089				BEZEL, Frt. Door Courtesy Lamp
4B	4374 079				HOUSING, Frt. Door Courtesy Lamp
5	H196 FS8				LAMP, Front Header Reading, Charcoal
	H196 GR8				Red
	H196 FC5				Blue
	H196 GL7				Taupe
6					ADAPTOR, (Not Serv.)
7	4374 642				LAMP, Cargo
8	3591 126				BRACKET, Cargo Lamp Mtg.
9	3488 995				LENS

MODEL CODES

C BODY = (D41 - DYNASTY)(C41 - NEW YORKER)
 E BODY = (J - CARAVELLE)(E - 600)(T - NEW YORKER TURBO)
 G BODY = (V24 - DAYTONA, PACIFICA & SHELBY)
 H BODY = (D44 - LANCER)(C44 - LEBARON GTS)
 J BODY = (C - LEBARON)
 K BODY = (P - RELIANT)(D - ARIES)(C - LEBARON/ TOWN & COUNTRY)
 L BODY = (M - HORIZON)(Z-OMNI)
 M BODY = (B - GRAN FURY)(G - DIPLOMAT)(F - FIFTH AVENUE/NEWPORT)
 P BODY = (P - SUNDANCE)(D - SHADOW)
 Q BODY = (C27 - MASERATI)
 S BODY = (H - VOYAGER)(K - RAM VAN/ CARAVAN)

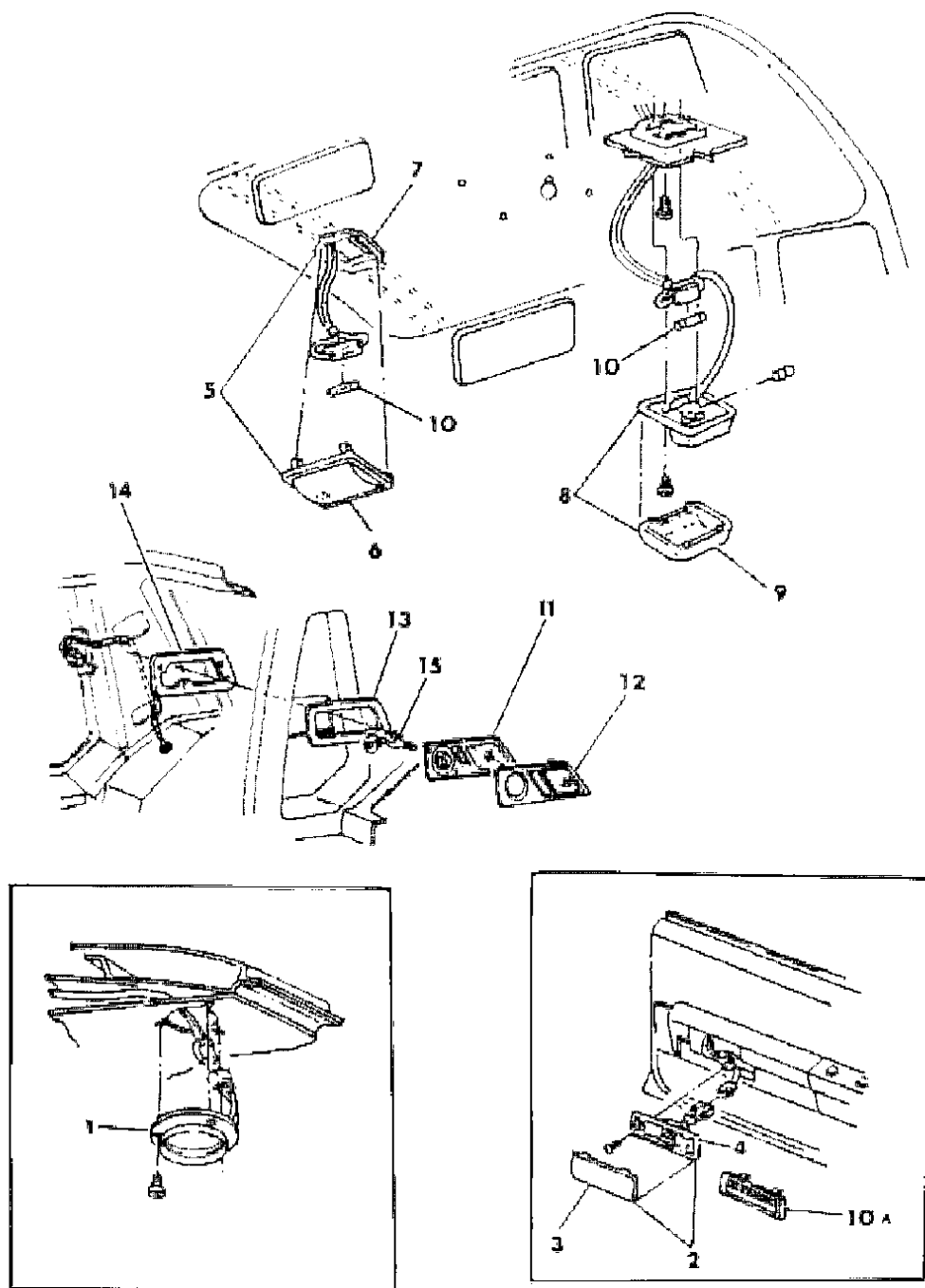
BODY STYLES

12-52 = FWD VAN & WAGON STD. W.B. 27 = 2-DOOR CONVERTIBLE
 13-53 = FWD VAN & WGN EXT W.B. 41 = 4-DOOR SEDAN
 21 = 2-DOOR SEDAN 44 = 4-DOOR HATCHBACK
 24 = 2-DOOR HATCHBACK 45 = 4-DOOR STATION WAGON

AR = Use as Required - = Non Illustrated Part P.A.R. = Paint as Required

LAMPS--CARGO-DOME-COURTESY K-E BODY
Figure 8-5100

8108 5100 A



ITEM	PART NUMBER	QTY	BODY	MODEL	DESCRIPTION
1	4220 490			P-D41	LAMP, Fwd. Dome w/Switch
2					LAMP, Frt. Door Courtesy, (Serv. Components)
3	4312 892				LENS, Frt. Door Courtesy & Rear Qtr. Courtesy
4	4374 079				HOUSING, Frt. Door Courtesy (Serv. in Lamp Assy.)
5	3593 728				LAMP, Dome
6	3488 936				LENS, Dome
7	4047 293				BRACKET, Dome Lamp
8	4220 249			PDC,JET	LAMP, Dome & Map
9	#3591 873			PDC,JET	LENS, Dome & Map
10	9437 173			PDC,JET	BULB, Dome & Map
10A	4374 089				BEZEL, Frt. & Rear Door Courtesy
11	4312 498-9			E-T	HOUSING,w/Switch, C-Pillar
12	4312 368-9			E-T	LENS, Rear Qtr. Reading & Courtesy Lp. w/Woodgrain
13	F448-9 EK1				BEZEL, Rear Qtr. Reading & Courtesy Lamp (Paint As Required)
14	4312 090-1			E-T	PLATE, Rear Qtr. Reading & Courtesy Lamp
15	4312 372-3			E-T	BOARD, Rear Qtr. Reading & Courtesy Lamp

MODEL CODES

C BODY = (D41 - DYNASTY)(C41 - NEW YORKER)
 E BODY = (J - CARAVELLE)(E - 600)(T - NEW YORKER TURBO)
 G BODY = (V24 - DAYTONA, PACIFICA & SHELBY)
 H BODY = (D44 - LANCER)(C44 - LEBARON GTS)
 J BODY = (C - LEBARON)
 K BODY = (P - RELIANT)(D - ARIES)(C - LEBARON/ TOWN & COUNTRY)

L BODY = (M - HORIZON)(Z-OMNI)
 M BODY = (B - GRAN FURY)(G - DIPLOMAT)(F - FIFTH AVENUE/NEWPORT)
 P BODY = (P - SUNDANCE)(D - SHADOW)
 Q BODY = (C27 - MASERATI)
 S BODY = (H - VOYAGER)(K - RAM VAN/ CARAVAN)

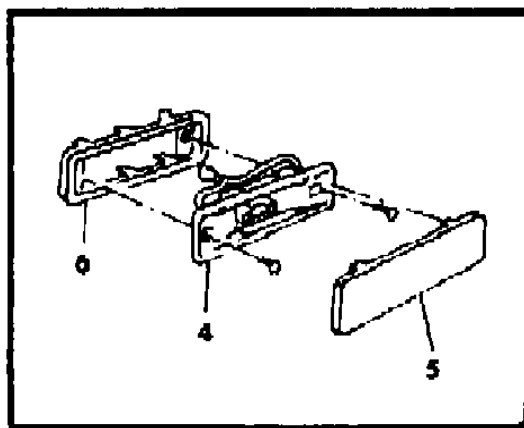
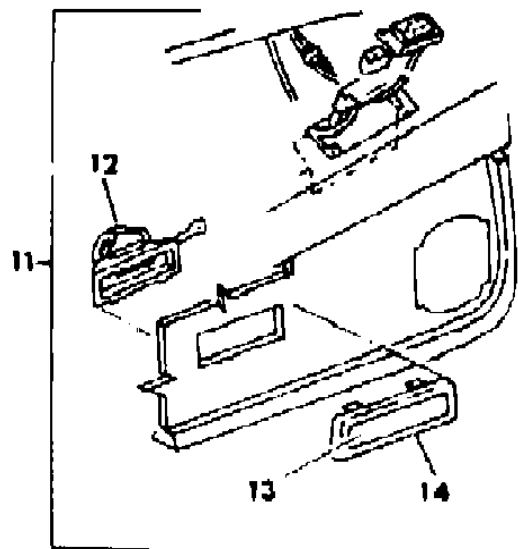
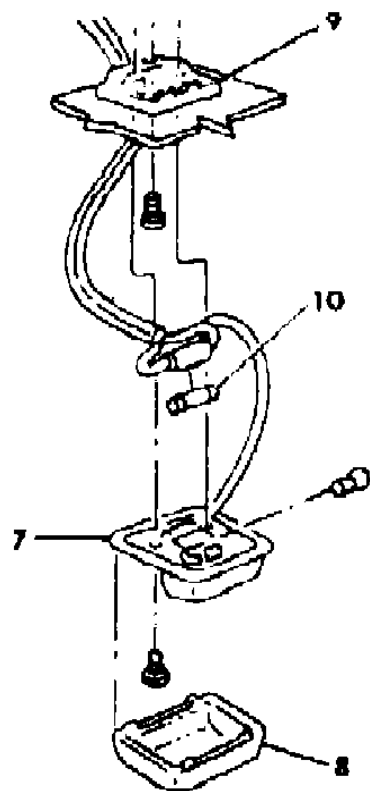
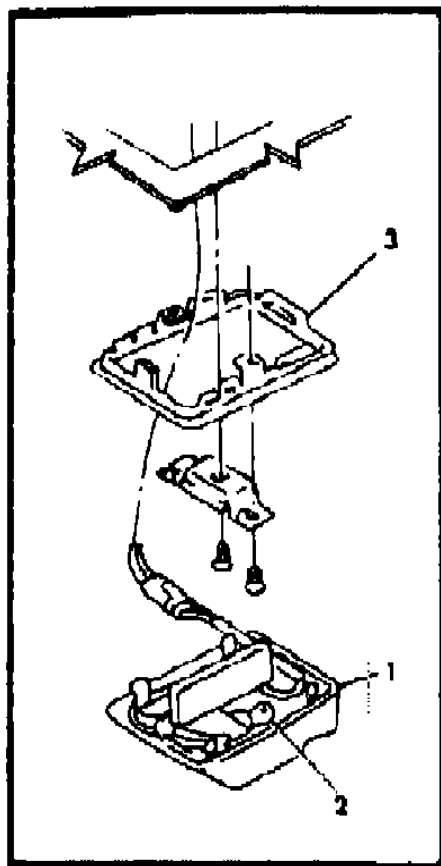
BODY STYLES

12-52 = FWD VAN & WAGON STD. W.B. 27 = 2-DOOR CONVERTIBLE
 13-53 = FWD VAN & WGN EXT W.B. 41 = 4-DOOR SEDAN
 21 = 2-DOOR SEDAN 44 = 4-DOOR HATCHBACK
 24 = 2-DOOR HATCHBACK 45 = 4-DOOR STATION WAGON

AR = Use as Required - = Non Illustrated Part P.A.R. = Paint as Required

LAMPS--CARGO-DOME-COURTESY G BODY
Figure 8-5200

8108 5200



ITEM	PART NUMBER	QTY	BODY	MODEL	DESCRIPTION
1	H196 FS8				LAMP, Frt. Header Reading, Charcoal
	H196 GR8				Red
	H196 FC5				Blue
	H196 GL7				Taupe
2	9436 750				BULB
3	4312 706				BRACKET, Frt. Header Reading
4	4374 642				LAMP, Cargo
5	3488 995				LENS, Cargo Lamp
6	3591 126				BRACKET, Cargo Lamp
7	4312 043				LAMP, Dome
8	3488 936				LENS, Dome Lamp
9	4047 293				BRACKET, Dome Lamp
10	9431 808				BULB, Dome Lamp
11					LAMP, Frt. Door Courtesy (Serv. Component Parts)
12	4374 079				HOUSING, Frt. Door Courtesy Lamp
13	4312 892				LENS, Frt. Door Courtesy Lamp
14	4374 095				BEZEL, Frt. Door Courtesy Lamp

MODEL CODES

C BODY = (D41 - DYNASTY)(C41 - NEW YORKER)
 E BODY = (J - CARAVELLE)(E - 600)(T - NEW YORKER TURBO)
 G BODY = (V24 - DAYTONA, PACIFICA & SHELBY)
 H BODY = (D44 - LANCER)(C44 - LEBARON GTS)
 J BODY = (C - LEBARON)
 K BODY = (P - RELIANT)(D - ARIES)(C - LEBARON/ TOWN & COUNTRY)

L BODY = (M - HORIZON)(Z-OMNI)
 M BODY = (B - GRAN FURY)(G - DIPLOMAT)(F - FIFTH AVENUE/NEWPORT)
 P BODY = (P - SUNDANCE)(D - SHADOW)
 Q BODY = (C27 - MASERATI)
 S BODY = (H - VOYAGER)(K - RAM VAN/ CARAVAN)

BODY STYLES

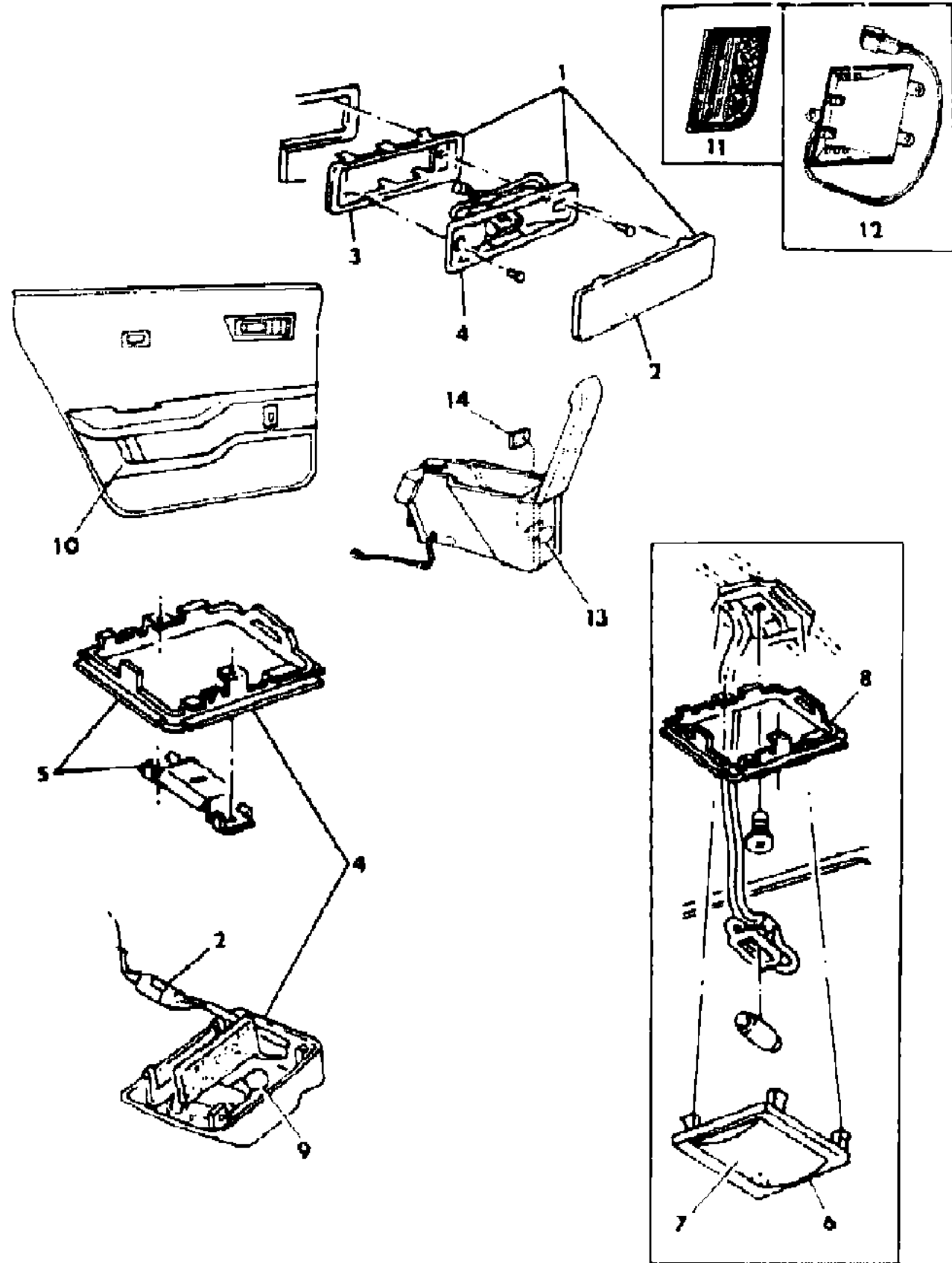
12-52 = FWD VAN & WAGON STD. W.B. 27 = 2-DOOR CONVERTIBLE
 13-53 = FWD VAN & WGN EXT W.B. 41 = 4-DOOR SEDAN
 21 = 2-DOOR SEDAN 44 = 4-DOOR HATCHBACK
 24 = 2-DOOR HATCHBACK 45 = 4-DOOR STATION WAGON

AR = Use as Required - = Non Illustrated Part P.A.R. = Paint as Required

LAMPS--CARGO-DOME-COURTESY H BODY

Figure 8-5300

8108 5300



ITEM	PART NUMBER	QTY	BODY	MODEL	DESCRIPTION
1	4374 214				LAMP, Cargo
2	4220 595				LENS, Cargo
3					HOUSING, Cargo Lamp (Serv. in Lamp Assy.)
4					LAMP, Front Header Reading
	H196 FS8				Charcoal
	H196 GR8				Red
	H196 FC5				Blue
	H196 GL7				Taupe
5	4312 706				BRACKET, Reading Lamp Mtg.
6	3593 728				LAMP, Dome
7	3488 936				LENS, Dome Lamp
8	4047 293				BRACKET, Dome Lamp Mtg.
9	9436 750				BULB, Frt. Header Reading
10	4374 450-1				REFLECTOR, Frt. & Rear Door Interior
11	4312 640-1				LENS, Front & Rear Door Courtesy Lamp
12	4312 636-7				HOUSING, Courtesy Lamp
13	4312 630				LENS, Console Courtesy Lamp Outer
14	2822 583				LENS, Console Inner

MODEL CODES

C BODY = (D41 - DYNASTY)(C41 - NEW YORKER)
 E BODY = (J - CARAVELLE)(E - 600)(T - NEW YORKER TURBO)
 G BODY = (V24 - DAYTONA, PACIFICA & SHELBY)
 H BODY = (D44 - LANCER)(C44 - LEBARON GTS)
 J BODY = (C - LEBARON)
 K BODY = (P - RELIANT)(D - ARIES)(C - LEBARON/ TOWN & COUNTRY)

L BODY = (M - HORIZON)(Z-OMNI)
 M BODY = (B - GRAN FURY)(G - DIPLOMAT)(F - FIFTH AVENUE/NEWPORT)
 P BODY = (P - SUNDANCE)(D - SHADOW)
 Q BODY = (C27 - MASERATI)
 S BODY = (H - VOYAGER)(K - RAM VAN/ CARAVAN)

BODY STYLES

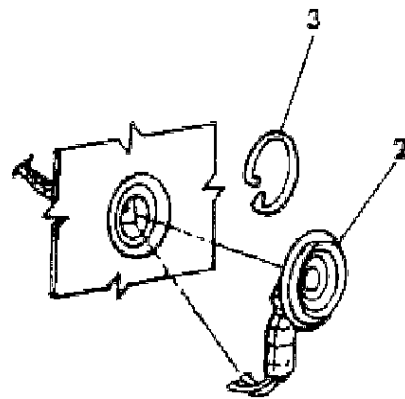
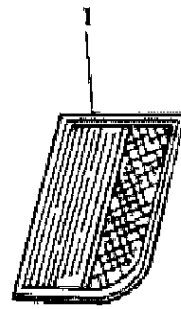
12-52 = FWD VAN & WAGON STD. W.B. 27 = 2-DOOR CONVERTIBLE
 13-53 = FWD VAN & WGN EXT W.B. 41 = 4-DOOR SEDAN
 21 = 2-DOOR SEDAN 44 = 4-DOOR HATCHBACK
 24 = 2-DOOR HATCHBACK 45 = 4-DOOR STATION WAGON

AR = Use as Required - = Non Illustrated Part P.A.R. = Paint as Required

LAMPS--CARGO-DOME-COURTESY C BODY

Figure 8-5400

8108 5400



ITEM	PART NUMBER	QTY	BODY	MODEL	DESCRIPTION
1	4374 624-5				LENS, Front and Rear Door Courtesy Lp.
2	4374 636				LAMP, Rear Qtr. Courtesy & Reading Lamp
3	6033 162				CLIP, Rear Qtr. Courtesy & Reading Lamp

MODEL CODES

C BODY = (D41 - DYNASTY)(C41 - NEW YORKER)
 E BODY = (J - CARAVELLE)(E - 600)(T - NEW YORKER TURBO)
 G BODY = (V24 - DAYTONA, PACIFICA & SHELBY)
 H BODY = (D44 - LANCER)(C44 - LEBARON GTS)
 J BODY = (C - LEBARON)
 K BODY = (P - RELIANT)(D - ARIES)(C - LEBARON/ TOWN & COUNTRY)

L BODY = (M - HORIZON)(Z-OMNI)
 M BODY = (B - GRAN FURY)(G - DIPLOMAT)(F - FIFTH AVENUE/NEWPORT)
 P BODY = (P - SUNDANCE)(D - SHADOW)
 Q BODY = (C27 - MASERATI)
 S BODY = (H - VOYAGER)(K - RAM VAN/ CARAVAN)

BODY STYLES

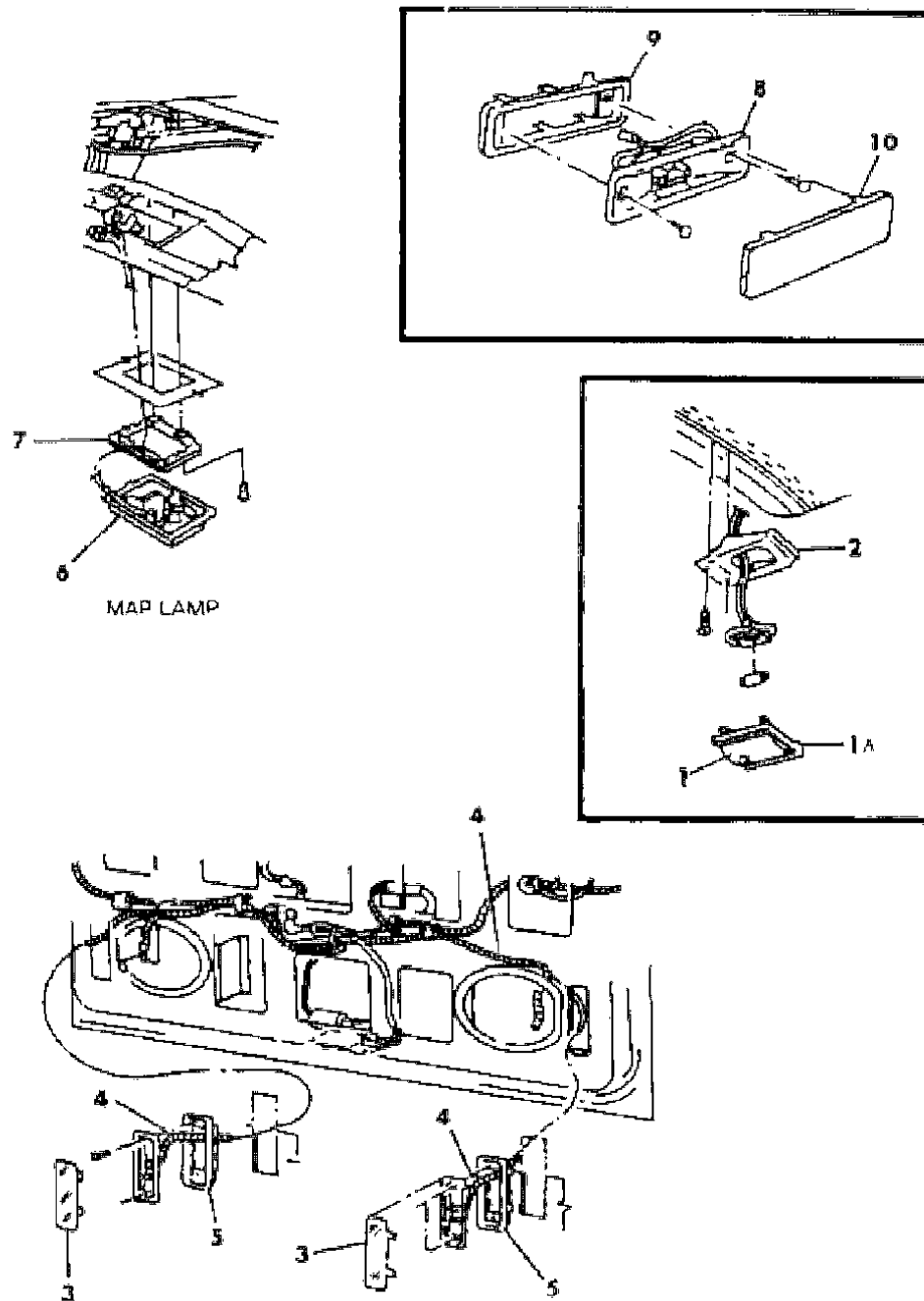
12-52 = FWD VAN & WAGON STD. W.B. 27 = 2-DOOR CONVERTIBLE
 13-53 = FWD VAN & WGN EXT W.B. 41 = 4-DOOR SEDAN
 21 = 2-DOOR SEDAN 44 = 4-DOOR HATCHBACK
 24 = 2-DOOR HATCHBACK 45 = 4-DOOR STATION WAGON

AR = Use as Required - = Non Illustrated Part P.A.R. = Paint as Required

LAMPS--CARGO-DOME-COURTESY S BODY

Figure 8-5500

8T08 5500 A



ITEM	PART NUMBER	QTY	BODY	MODEL	DESCRIPTION
1	3593 728				LAMP, Cargo or Dome
1A	3488 936				LENS, Dome Lamp
2	3593 282				BRACKET, Dome Lamp (Wagon)
	4312 151				(Van)
3	4220 595				LENS, Liftgate (Clear)
4	4304 585				WIRING, w/Socket & Bezel Liftgate Lamp
	4304 273				w/Socket Liftgate Lamp & Speakers
5	3591 126				BRACKET, Courtesy Lamp Liftgate
6	4312 814				LAMP, Frt. Header Reading
7	4312 968				BRACKET, Front Header Reading
8	4312 656				LAMP, Front Door Courtesy
9	3591 126				BRACKET, Courtesy Lamp
10	4220 595				LENS, Front Door Courtesy

MODEL CODES

C BODY = (D41 - DYNASTY)(C41 - NEW YORKER)
 E BODY = (J - CARAVELLE)(E - 600)(T - NEW YORKER TURBO)
 G BODY = (V24 - DAYTONA, PACIFICA & SHELBY)
 H BODY = (D44 - LANCER)(C44 - LEBARON GTS)
 J BODY = (C - LEBARON)
 K BODY = (P - RELIANT)(D - ARIES)(C - LEBARON/ TOWN & COUNTRY)

L BODY = (M - HORIZON)(Z-OMNI)
 M BODY = (B - GRAN FURY)(G - DIPLOMAT)(F - FIFTH AVENUE/NEWPORT)
 P BODY = (P - SUNDANCE)(D - SHADOW)
 Q BODY = (C27 - MASERATI)
 S BODY = (H - VOYAGER)(K - RAM VAN/ CARAVAN)

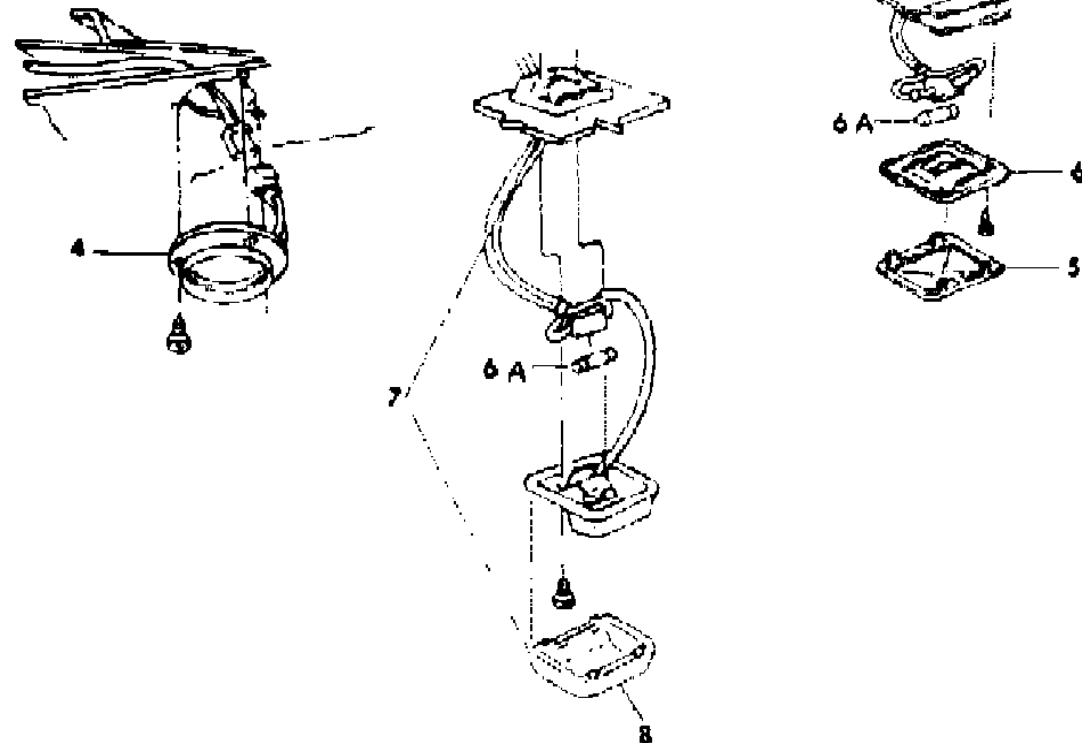
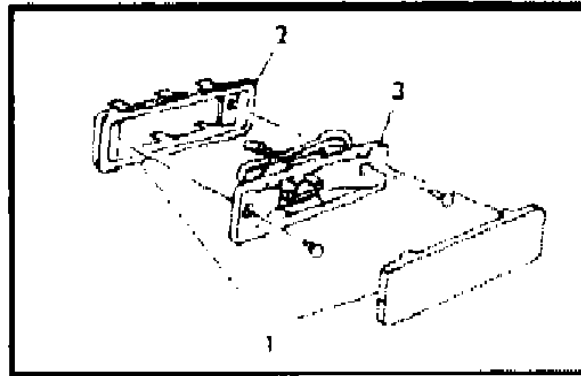
BODY STYLES

12-52 = FWD VAN & WAGON STD. W.B. 27 = 2-DOOR CONVERTIBLE
 13-53 = FWD VAN & WGN EXT W.B. 41 = 4-DOOR SEDAN
 21 = 2-DOOR SEDAN 44 = 4-DOOR HATCHBACK
 24 = 2-DOOR HATCHBACK 45 = 4-DOOR STATION WAGON

AR = Use as Required - = Non Illustrated Part P.A.R. = Paint as Required

LAMPS--CARGO-DOME-COURTESY M BODY
Figure 8-5600

8108 5600



ITEM	PART NUMBER	QTY	BODY	MODEL	DESCRIPTION
1	3591 803				LAMP, Courtesy, Front & Rear Door
	3591 130				Underpanel
2	3591 126				BRACKET, Courtesy Lamp
3	3488 995				LENS, Courtesy Lamp, Frt. & Rear
4	3593 616				LAMP, Dome w/Switch
5	3488 936				LENS, Dome Lamp w/Switch
6	3593 541				BEZEL, Dome Lamp w/Switch
6A	9431 808				BULB, Dome Lamp
7	4220 249				LAMP, Dome & Map
8	#3591 873				LENS, Dome & Map

MODEL CODES

C BODY = (D41 - DYNASTY)(C41 - NEW YORKER)
 E BODY = (J - CARAVELLE)(E - 600)(T - NEW YORKER TURBO)
 G BODY = (V24 - DAYTONA, PACIFICA & SHELBY)
 H BODY = (D44 - LANCER)(C44 - LEBARON GTS)
 J BODY = (C - LEBARON)
 K BODY = (P - RELIANT)(D - ARIES)(C - LEBARON/ TOWN & COUNTRY)

L BODY = (M - HORIZON)(Z-OMNI)
 M BODY = (B - GRAN FURY)(G - DIPLOMAT)(F - FIFTH AVENUE/NEWPORT)
 P BODY = (P - SUNDANCE)(D - SHADOW)
 Q BODY = (C27 - MASERATI)
 S BODY = (H - VOYAGER)(K - RAM VAN/ CARAVAN)

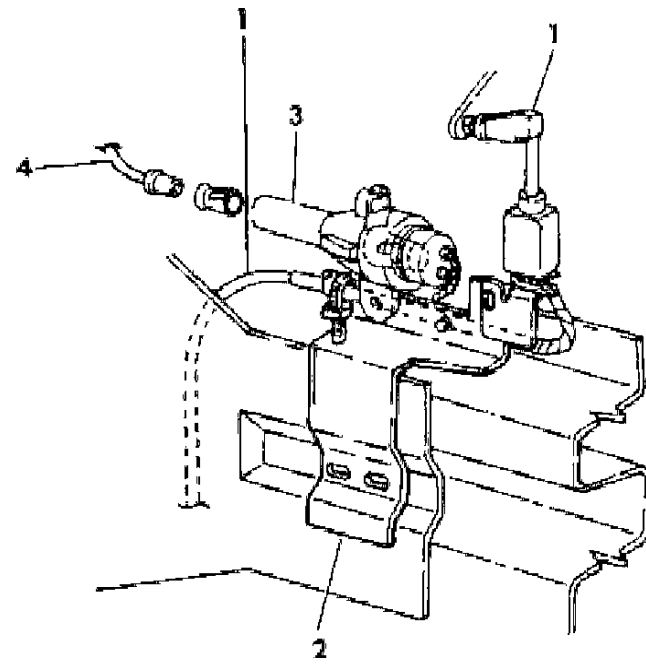
BODY STYLES

12-52 = FWD VAN & WAGON STD. W.B. 27 = 2-DOOR CONVERTIBLE
 13-53 = FWD VAN & WGN EXT W.B. 41 = 4-DOOR SEDAN
 21 = 2-DOOR SEDAN 44 = 4-DOOR HATCHBACK
 24 = 2-DOOR HATCHBACK 45 = 4-DOOR STATION WAGON

AR = Use as Required - = Non Illustrated Part P.A.R. = Paint as Required

ILLUMINATED DOOR LOCK LIGHT
Figure 8-5700

8108 5700 A



ITEM	PART NUMBER	QTY	BODY	MODEL	DESCRIPTION
1	#3747 819	1	M		SWITCH
	4373 148	1	J-G		SWITCH
	4221 729	1	H		SWITCH
	4221 724-5	1	K-E		
	4373 231		C		
2	4221 722-3	1	K-E		BRACKET
	3747 803	1	M		
3	4312 880-1		K-E-M		HOUSING
4	4374 067		G-J-Q		WIRING, w/L.E.D.
	4374 816		C		
	4312 252		K		
	4172 675		M		
	4467 310		K-E-G		CABLE, w/Sleeve (Fiber Optic)

MODEL CODES

C BODY = (D41 - DYNASTY)(C41 - NEW YORKER)	L BODY = (M - HORIZON)(Z-OMNI)
E BODY = (J - CARAVELLE)(E - 600)(T - NEW YORKER TURBO)	M BODY = (B - GRAN FURY)(G - DIPLOMAT)(F - FIFTH AVENUE/NEWPORT)
G BODY = (V24 - DAYTONA, PACIFICA & SHELBY)	P BODY = (P - SUNDANCE)(D - SHADOW)
H BODY = (D44 - LANCER)(C44 - LEBARON GTS)	Q BODY = (C27 - MASERATI)
J BODY = (C - LEBARON)	S BODY = (H - VOYAGER)(K - RAM VAN/ CARAVAN)
K BODY = (P - RELIANT)(D - ARIES)(C - LEBARON/ TOWN & COUNTRY)	

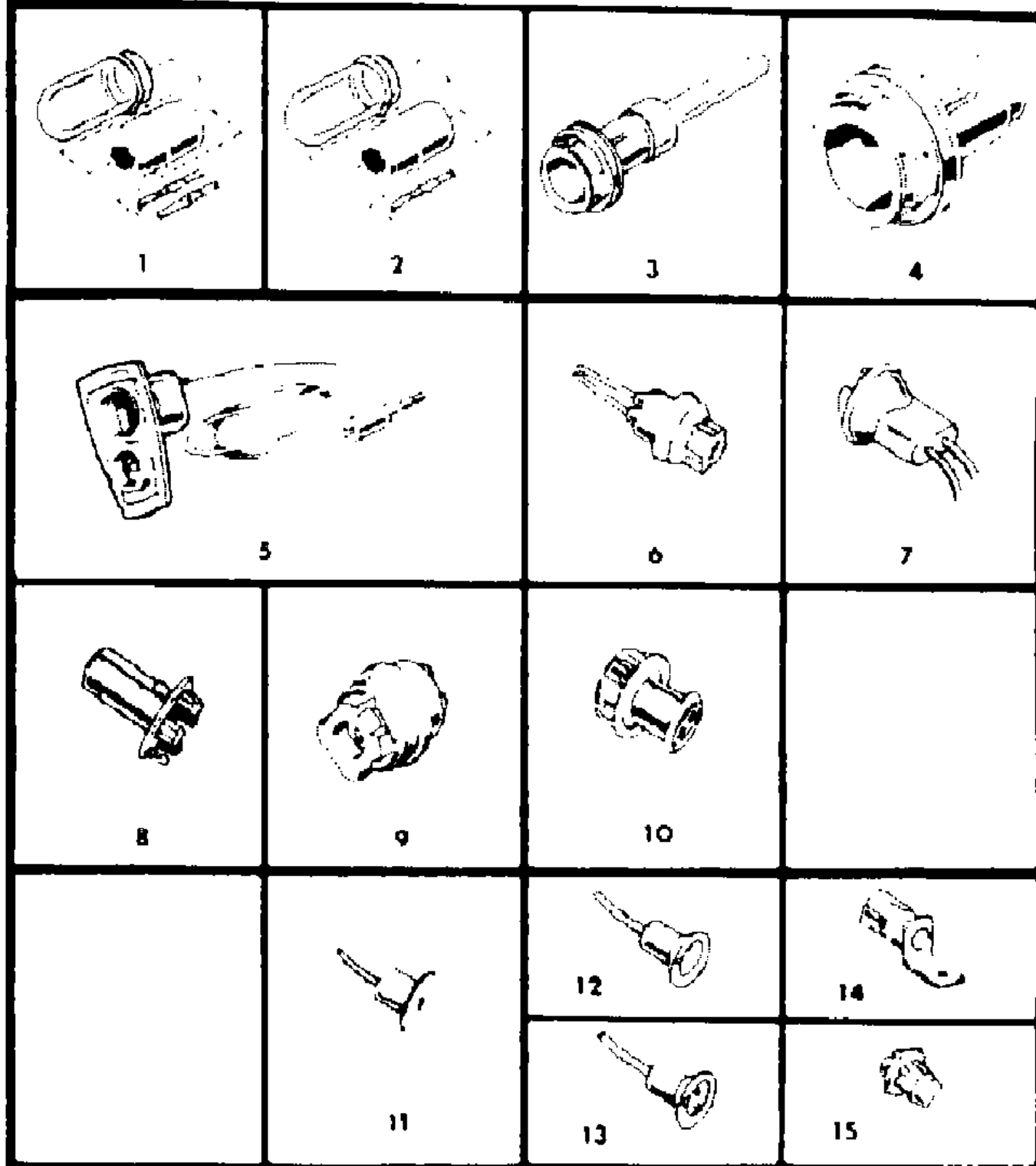
BODY STYLES

12-52 = FWD VAN & WAGON STD. W.B.	27 = 2-DOOR CONVERTIBLE
13-53 = FWD VAN & WGN EXT W.B.	41 = 4-DOOR SEDAN
21 = 2-DOOR SEDAN	44 = 4-DOOR HATCHBACK
24 = 2-DOOR HATCHBACK	45 = 4-DOOR STATION WAGON

AR = Use as Required - = Non Illustrated Part P.A.R. = Paint as Required

SOCKETS AND CABLES
Figure 8-5800

8108 5800



ITEM	PART NUMBER	QTY	BODY	MODEL	DESCRIPTION
1					SOCKET
	3746 516		L		Rr. Window Indic.
	3746 516		L-K-E-P		Cargo
	3746 516		K-G		Cargo
	3746 516		P-K-E-M		Console
	3746 516		G		Underpanel Courtesy Lamp
2				ALL	SOCKET
	3746 515				Radio Illumination
	3746 515		M		Rr. Window Indic.
	3746 515		M		Head Lamp Switch Illumination
	3746 515		M		Wiper Switch
	3746 515		M		Ash Rec.
3-10					SOCKET, (SEE ITEMS #13 & 15)
11	3764 865				SOCKET, Cornering Lamp Repair
12	4400 216		E-J-G		SOCKET, w/Cable Cornering Lamp
	4400 741		C		
13	4400 740		S-P-L-K		SOCKET, Park & Turn Signal (3-Wire Repair)
	4400 740		J-H-G-E		Park & Turn Signal, (3-Wire Repair)
	4400 741		E-G-H-J		Park & Turn Signal, (2-Wire Repair)
	4400 741		K-L-P-S		Park & Turn Signal (2-Wire Repair)
	4400 588		M		Park & Turn Signal
	4450 820		C		Park & Turn Signal
	4400 588		P-M-G-J		Side Marker Rear, (Repair)
	4400 588		E-K-H-L		Side Marker Rear, (Repair)
	4400 147		C		Side Marker
	4400 588		C-G-E-H		Side Marker Frt. (Repair)
	4400 588		P-K-S-M		Side Marker Frt. (Repair)
	4400 396		S		Healamp (Aero)
	4450 814		H-P-J		Hi-Mtd. Stop Lamp
	4400 147		C		Hi-Mtd. Stop Lamp
	4400 799		K-E		Hi-Mtd. Stop Lamp
	4400 588		G		Hi-Mtd. Stop Lamp
			M		Hi-Mtd. Stop Lamp, (Serv. In Lamp Assy.)
	4400 588		J-M		License Lamp
14					SOCKET
15	3744 750				SOCKET, Printed Circuit Board
	4312 947		C-G-H-J		Message Center & Elec. Navigator

MODEL CODES

C BODY = (D41 - DYNASTY)(C41 - NEW YORKER)
 E BODY = (J - CARAVELLE)(E - 600)(T - NEW YORKER TURBO)
 G BODY = (V24 - DAYTONA, PACIFICA & SHELBY)
 H BODY = (D44 - LANCER)(C44 - LEBARON GTS)
 J BODY = (C - LEBARON)
 K BODY = (P - RELIANT)(D - ARIES)(C - LEBARON/ TOWN & COUNTRY)

L BODY = (M - HORIZON)(Z-OMNI)
 M BODY = (B - GRAN FURY)(G - DIPLOMAT)(F - FIFTH AVENUE/NEWPORT)
 P BODY = (P - SUNDANCE)(D - SHADOW)
 Q BODY = (C27 - MASERATI)
 S BODY = (H - VOYAGER)(K - RAM VAN/ CARAVAN)

BODY STYLES

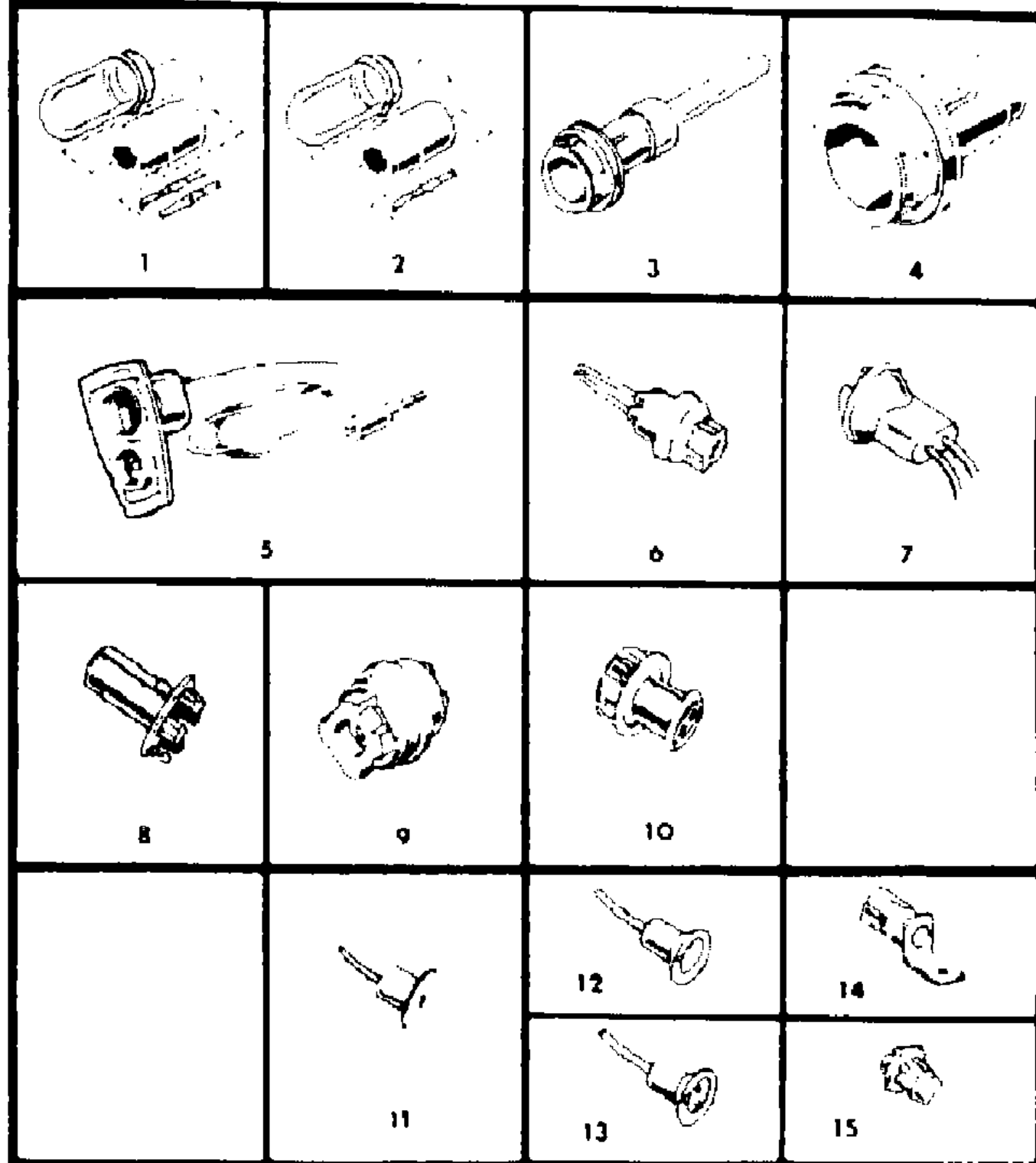
12-52 = FWD VAN & WAGON STD. W.B. 27 = 2-DOOR CONVERTIBLE
 13-53 = FWD VAN & WGN EXT W.B. 41 = 4-DOOR SEDAN
 21 = 2-DOOR SEDAN 44 = 4-DOOR HATCHBACK
 24 = 2-DOOR HATCHBACK 45 = 4-DOOR STATION WAGON

AR = Use as Required - = Non Illustrated Part P.A.R. = Paint as Required

SOCKETS AND CABLES

Figure 8-5800

8108 5800



ITEM	PART NUMBER	QTY	BODY	MODEL	DESCRIPTION
			P		Side Marker, Rear (Serv. in Body Wire)
	4274 800		L-E-K-P		Back-Up Lamp, w/Term. 4124071,4124083
	3764 864		C		Back-Up Lamp
	3764 865		J		Back-Up Lamp
	4400 740		G-E		Back-Up Lamp, (2-Wire)
	4400 740		K	45	Tail, Stop, Turn Sig. w/Term. 2256966
	4400 740		C-G-J		Tail, Stop, Turn Signal
	4124 081		K-E-P-H		Tail Stop and T/Sig., Also Order Terms. 4124083 & 4124071
	4124 081		M-S		Tail Stop and T/Sig., Also Order Terms. 4124083 & 4124071
	5211 711		K-E	45	Back Up, w/Term. 4124083,4124071
	4439 078		J-H-K-C		Headlamp, (Insulator, 3-Way)

MODEL CODES

C BODY = (D41 - DYNASTY)(C41 - NEW YORKER)
 E BODY = (J - CARAVELLE)(E - 600)(T - NEW YORKER TURBO)
 G BODY = (V24 - DAYTONA, PACIFICA & SHELBY)
 H BODY = (D44 - LANCER)(C44 - LEBARON GTS)
 J BODY = (C - LEBARON)
 K BODY = (P - RELIANT)(D - ARIES)(C - LEBARON/ TOWN & COUNTRY)

L BODY = (M - HORIZON)(Z-OMNI)
 M BODY = (B - GRAN FURY)(G - DIPLOMAT)(F - FIFTH AVENUE/NEWPORT)
 P BODY = (P - SUNDANCE)(D - SHADOW)
 Q BODY = (C27 - MASERATI)
 S BODY = (H - VOYAGER)(K - RAM VAN/ CARAVAN)

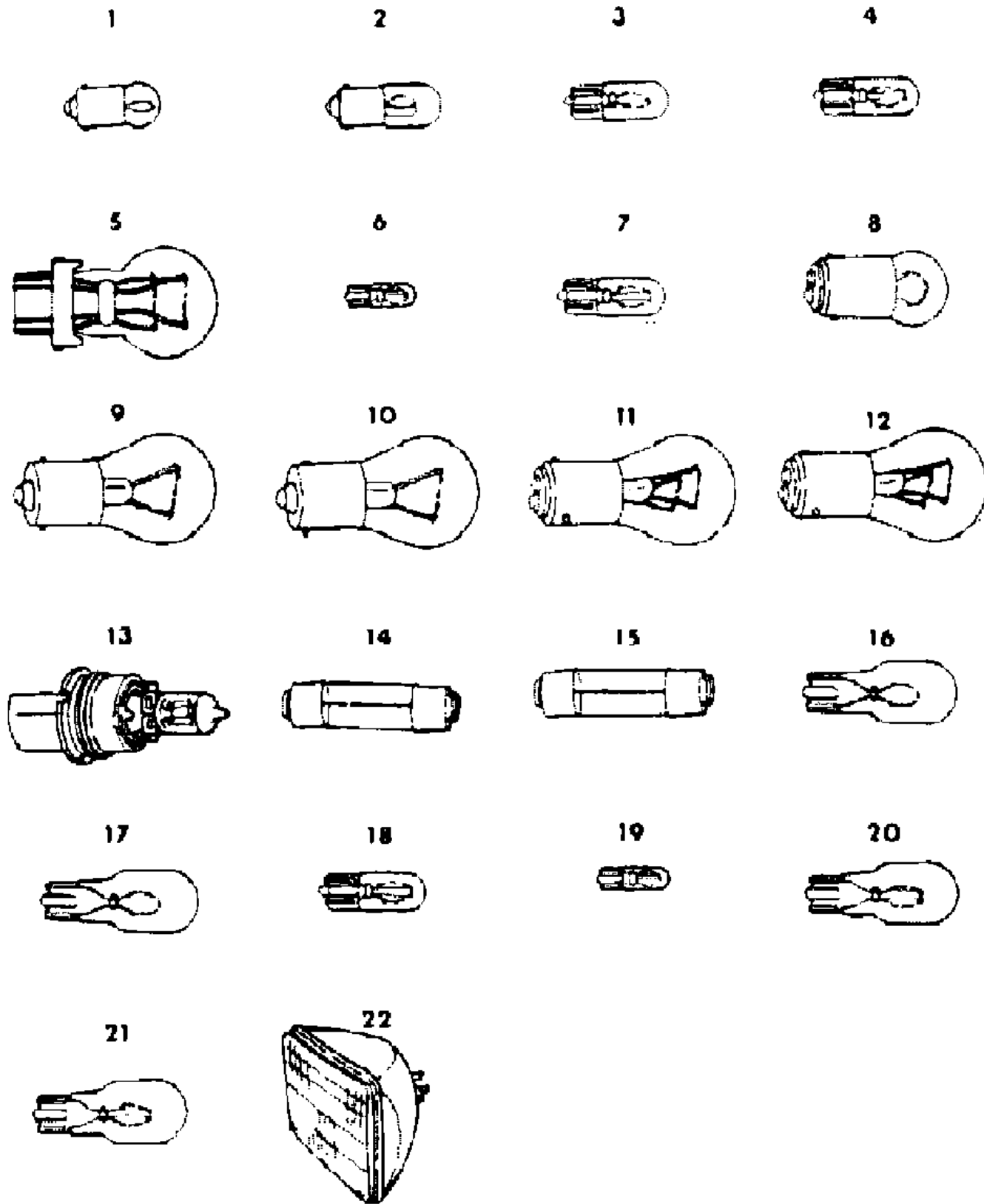
BODY STYLES

12-52 = FWD VAN & WAGON STD. W.B. 27 = 2-DOOR CONVERTIBLE
 13-53 = FWD VAN & WGN EXT W.B. 41 = 4-DOOR SEDAN
 21 = 2-DOOR SEDAN 44 = 4-DOOR HATCHBACK
 24 = 2-DOOR HATCHBACK 45 = 4-DOOR STATION WAGON

AR = Use as Required - = Non Illustrated Part P.A.R. = Paint as Required

BULB CROSS REFERENCE Figure 8-5900

8108 5900



ITEM	PART NUMBER	QTY	BODY	MODEL	DESCRIPTION
BULB					
1	0131 282		K-E-G-H		#53----Ign. & Starter Switch
	0131 282		P-J-S-M		#53----Ign. & Starter Switch Lamp & Radio
	0131 282		C-Q		#53----Ign. & Starter Switch
2	0152 244		L-K-E-G		#1891----Glove Box Lamp
	0152 244		H-M		#1891----Glove Box Lamp
	0152 244		C-J-P-Q		#1891----Glove Box Lamp
3	9415 969		K-E-G-M		#158-#161----Illuminated Entry
	9415 969		M		#158----Washer Fluid Ind.
	9415 969		M		#158----A.T.C., Hi-Lo
	9415 969		M		#158----Heater Control
	9415 969		K		#158----Acc. Switch Title Lamp
	9415 969		K-S-G-J		#158----Console Lamp
	9415 969		H		#158----Console Lamp
	9415 969		E-G-H		#158----Heater Control Lamp
	9415 969		P-K-J-C		#158----Heater Control Lamp
	9415 969		M		#158----Vanity Mirror
	9415 969		K-E		#158----Gear Shift Selector
	9415 969		G-J		#158----Message Center
	9425 542		P		#168----Visor & Map Lamp
4	9425 542		L-P-E-H		#168----License Lamp
	9425 542		K-J-S-M		#168----License Lamp
	9425 542		G-Q		#168----License Lamp
	9425 542		E-K-J		#168----Side Marker Lamp
	9425 542		G-H-C-Q		#168----Side Marker Lamp
	9425 542		L-P-M	BG	#168----Side Marker Lamp
	9425 542		L	Z	#168----Tail Lamp
	9425 542		E	T (G,P)	#168----Tail Lamp & Console
9425 542		J		#168----Rear Qtr. Reading & Courtesy Lp.	
5	0153 947		J-G-H-C		#2358----Tail, Stop, Turn Signal
	0154 227		S		#2358NA----Park & Turn Signal, Frt.
	0153 947		C		#2358----Cornering Lamp

MODEL CODES

C BODY = (D41 - DYNASTY)(C41 - NEW YORKER)
 E BODY = (J - CARAVELLE)(E - 600)(T - NEW YORKER TURBO)
 G BODY = (V24 - DAYTONA, PACIFICA & SHELBY)
 H BODY = (D44 - LANCER)(C44 - LEBARON GTS)
 J BODY = (C - LEBARON)
 K BODY = (P - RELIANT)(D - ARIES)(C - LEBARON/ TOWN & COUNTRY)

L BODY = (M - HORIZON)(Z-OMNI)
 M BODY = (B - GRAN FURY)(G - DIPLOMAT)(F - FIFTH AVENUE/NEWPORT)
 P BODY = (P - SUNDANCE)(D - SHADOW)
 Q BODY = (C27 - MASERATI)
 S BODY = (H - VOYAGER)(K - RAM VAN/ CARAVAN)

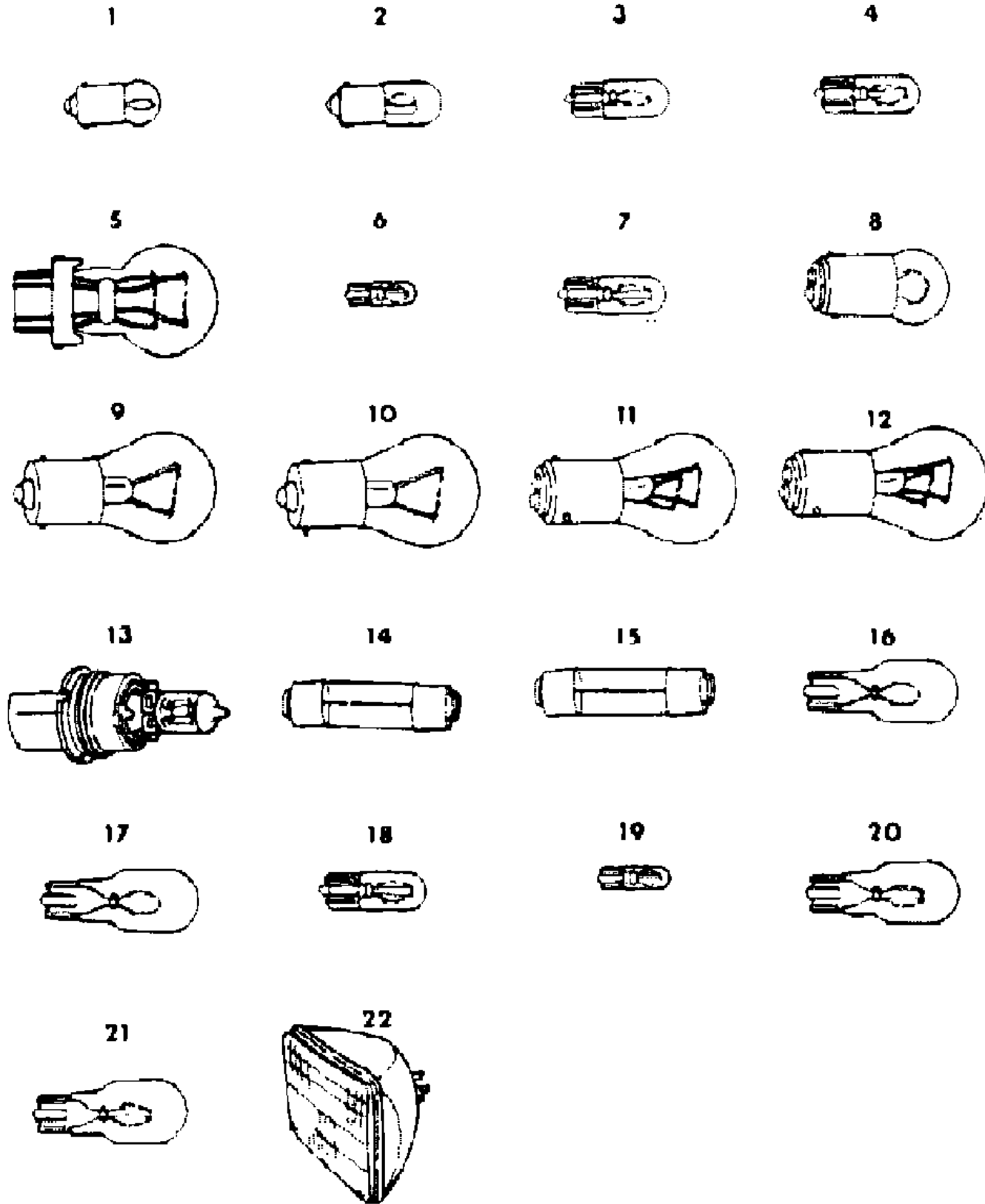
BODY STYLES

12-52 = FWD VAN & WAGON STD. W.B. 27 = 2-DOOR CONVERTIBLE
 13-53 = FWD VAN & WGN EXT W.B. 41 = 4-DOOR SEDAN
 21 = 2-DOOR SEDAN 44 = 4-DOOR HATCHBACK
 24 = 2-DOOR HATCHBACK 45 = 4-DOOR STATION WAGON

AR = Use as Required - = Non Illustrated Part P.A.R. = Paint as Required

BULB CROSS REFERENCE Figure 8-5900

8108 5900



ITEM	PART NUMBER	QTY	BODY	MODEL	DESCRIPTION
	0154 227		C	D	#2358---Back-Up Lamp
6			*****		*****
	9436 790		G-H		#73---Message Center Module
7			*****		*****
	9421 330		K-E-G-H		#194---Instrument Cluster
	9421 330		L-P-S-M		#194---Instrument Cluster
	9421 330		L-J-C-Q		#194---Instrument Cluster, Power Loss
	9421 330		E		#194---Qtr. Reading & Courtesy Lamp
	9421 330		K-E-S		#194---Warning Ind. Lamp Module
	9421 330		K		#194---Door Open, Gate Open
	9421 330		L		#194---Console Gear Selector Ind. Lamp
	9421 330		E	T	#194---Ash Reciever, Inst. Panel
	9421 330		P	H	#194---Console (PRNDL)
	9421 330		C		#194---License Lamp
8			*****		*****
	0142 453		M		#68-#90---Courtesy Lamp
9			*****		*****
	0142 456		K-M		#1141---Dome Lamp
	0142 456		C		#1141---Qtr. Ext. Back-Up Lamp
10			*****		*****
	9417 866		L-K-E-G		#1156---Back-Up Lamp
	9417 866		P-J-S-M		#1156---Back-Up Lamp
	9417 866		K-E		#1156---Courtesy Lamp
	9417 866		E-J		#1156---Frt. Fender Cornering
11			*****		*****
	9438 848		K-E-P-G		#2057---Tail, Stop, Turn Signal
	9438 848		S		#2057---Tail, Stop, Turn Signal
	9438 848		K-E-P-G		#2057---Park & Turn Signal
	9438 848		H-S-J		#2057---Park & Turn Signal
12			*****		*****
	9438 850		K-E-G-M		#2057NA---Park & Turn Signal
13			*****		*****
	4388 238		S-C	(D)	#9004---Headlamp, (AERO)
14			*****		*****
	9431 809		L-H-G		#212---Cargo Lamp
	9431 809		K-E-G-H		#212---Courtesy Lamp, Front Door
	9431 809		S-M-J-Q		#212---Courtesy Lamp, Front Door

MODEL CODES

C BODY = (D41 - DYNASTY)(C41 - NEW YORKER)
 E BODY = (J - CARAVELLE)(E - 600)(T - NEW YORKER TURBO)
 G BODY = (V24 - DAYTONA, PACIFICA & SHELBY)
 H BODY = (D44 - LANCER)(C44 - LEBARON GTS)
 J BODY = (C - LEBARON)
 K BODY = (P - RELIANT)(D - ARIES)(C - LEBARON/ TOWN & COUNTRY)

L BODY = (M - HORIZON)(Z-OMNI)
 M BODY = (B - GRAN FURY)(G - DIPLOMAT)(F - FIFTH AVENUE/NEWPORT)
 P BODY = (P - SUNDANCE)(D - SHADOW)
 Q BODY = (C27 - MASERATI)
 S BODY = (H - VOYAGER)(K - RAM VAN/ CARAVAN)

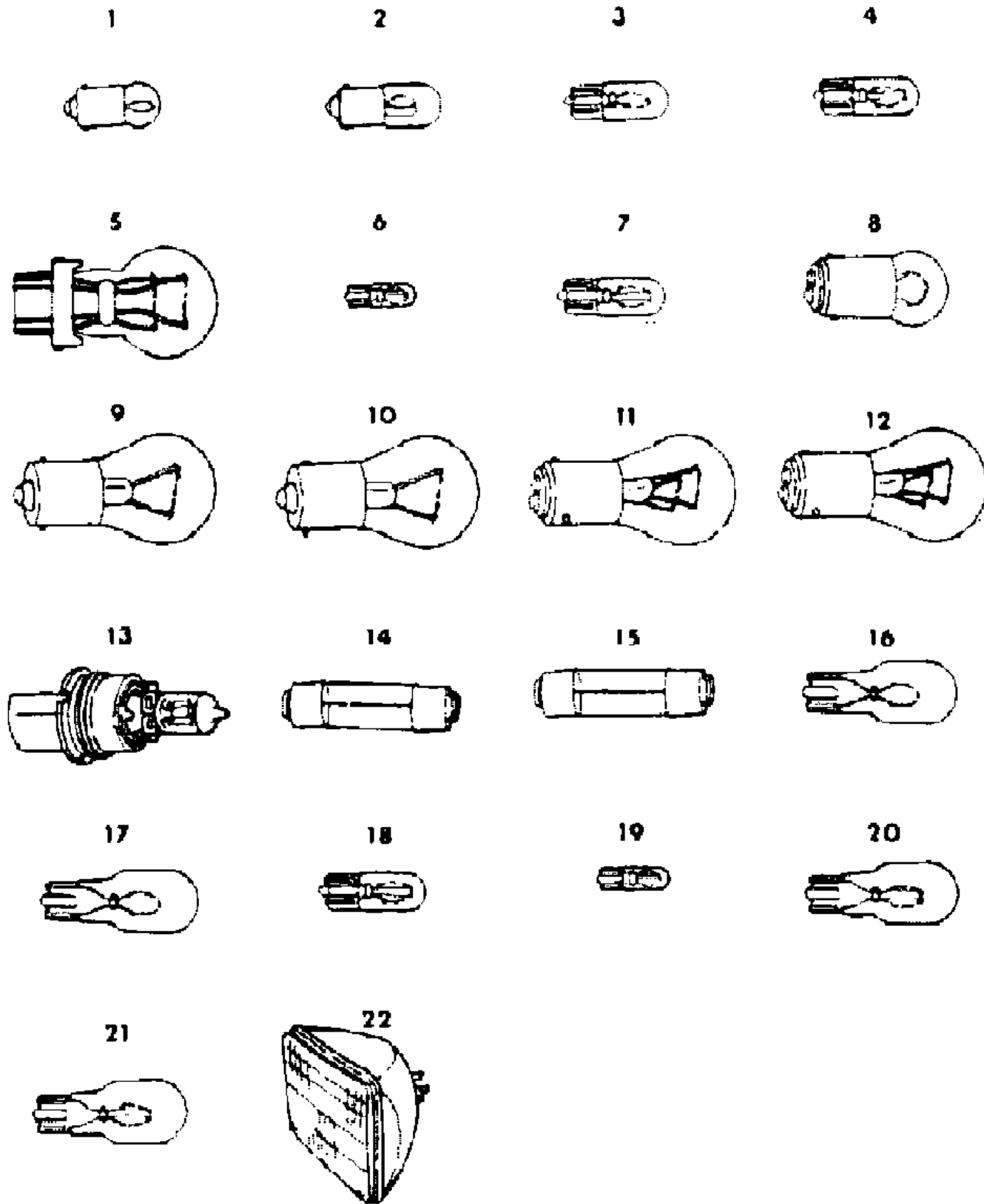
BODY STYLES

12-52 = FWD VAN & WAGON STD. W.B. 27 = 2-DOOR CONVERTIBLE
 13-53 = FWD VAN & WGN EXT W.B. 41 = 4-DOOR SEDAN
 21 = 2-DOOR SEDAN 44 = 4-DOOR HATCHBACK
 24 = 2-DOOR HATCHBACK 45 = 4-DOOR STATION WAGON

AR = Use as Required - = Non Illustrated Part P.A.R. = Paint as Required

BULB CROSS REFERENCE Figure 8-5900

8108 5900



ITEM	PART NUMBER	QTY	BODY	MODEL	DESCRIPTION
	9431 809		K-E-H-M		#212----Courtesy Lamp, Rear Door
	9431 809		S		#212----Liftgate Courtesy Lamp
	9431 809		H		#212----Rear Console Courtesy Lamp
	9431 809		Q		#212----Rear Storage Compartment
	9431 809		J-Q		#212----Trunk Lamp
	*****		*****		*****
	9437 484		S		#214-2----Inst. Pnl. Console Map Lp.
	9437 484		C		#214-2----Frt. & Rear Door Courtesy Lamp
15	*****		*****		*****
	9431 808		K-E-G-H		#211----Dome Lamp
	9431 808		L-P-S-M		#211----Dome Lamp & Overhead Console
	9431 808		K		#211----Cargo Lamp
16	*****		*****		*****
	9437 173		K-E-M		#912----Dome & Map Lamp
	9437 173		L-P		#912----Cargo Lamp
	9437 173		L-E-G		#912----Hi-Mtd. Stop Lamp
	9437 173		H-S		#912----Hi-Mtd. Stop Lamp
	9437 173		S-C		#912----Overhead Console
17	*****		*****		*****
	0153 938		P-J-H-C		#921----Hi-Mtd. Stop Lamp
18	*****		*****		*****
	9438 068		S		#194A----Side Marker
19	*****		*****		*****
	9436 789		E-G-H-J		#37----Elec. Navigator
	9436 789		P-J-H-G		#37----A/C Control
	9436 789		C-E-S		#37----A/C Control
20	*****		*****		*****
	9436 750		J-G-H		#906----Front Header Reading
	9436 750		C-E		#906----Rear Qtr. Reading & Courtesy
21	*****		*****		*****
	0153 700		J-C	(D)	#916----Deck Lid Lamp
22	*****		*****		*****
					SEALED BEAM LAMPS
	0153 440		L		#H-4651----Hi.
	0153 481		L		#H-4656----Hi-Lo
	0153 590		L		#H-6054----Halogen
	*****		*****		*****

MODEL CODES

C BODY = (D41 - DYNASTY)(C41 - NEW YORKER)
 E BODY = (J - CARAVELLE)(E - 600)(T - NEW YORKER TURBO)
 G BODY = (V24 - DAYTONA, PACIFICA & SHELBY)
 H BODY = (D44 - LANCER)(C44 - LEBARON GTS)
 J BODY = (C - LEBARON)
 K BODY = (P - RELIANT)(D - ARIES)(C - LEBARON/ TOWN & COUNTRY)

L BODY = (M - HORIZON)(Z-OMNI)
 M BODY = (B - GRAN FURY)(G - DIPLOMAT)(F - FIFTH AVENUE/NEWPORT)
 P BODY = (P - SUNDANCE)(D - SHADOW)
 Q BODY = (C27 - MASERATI)
 S BODY = (H - VOYAGER)(K - RAM VAN/ CARAVAN)

BODY STYLES

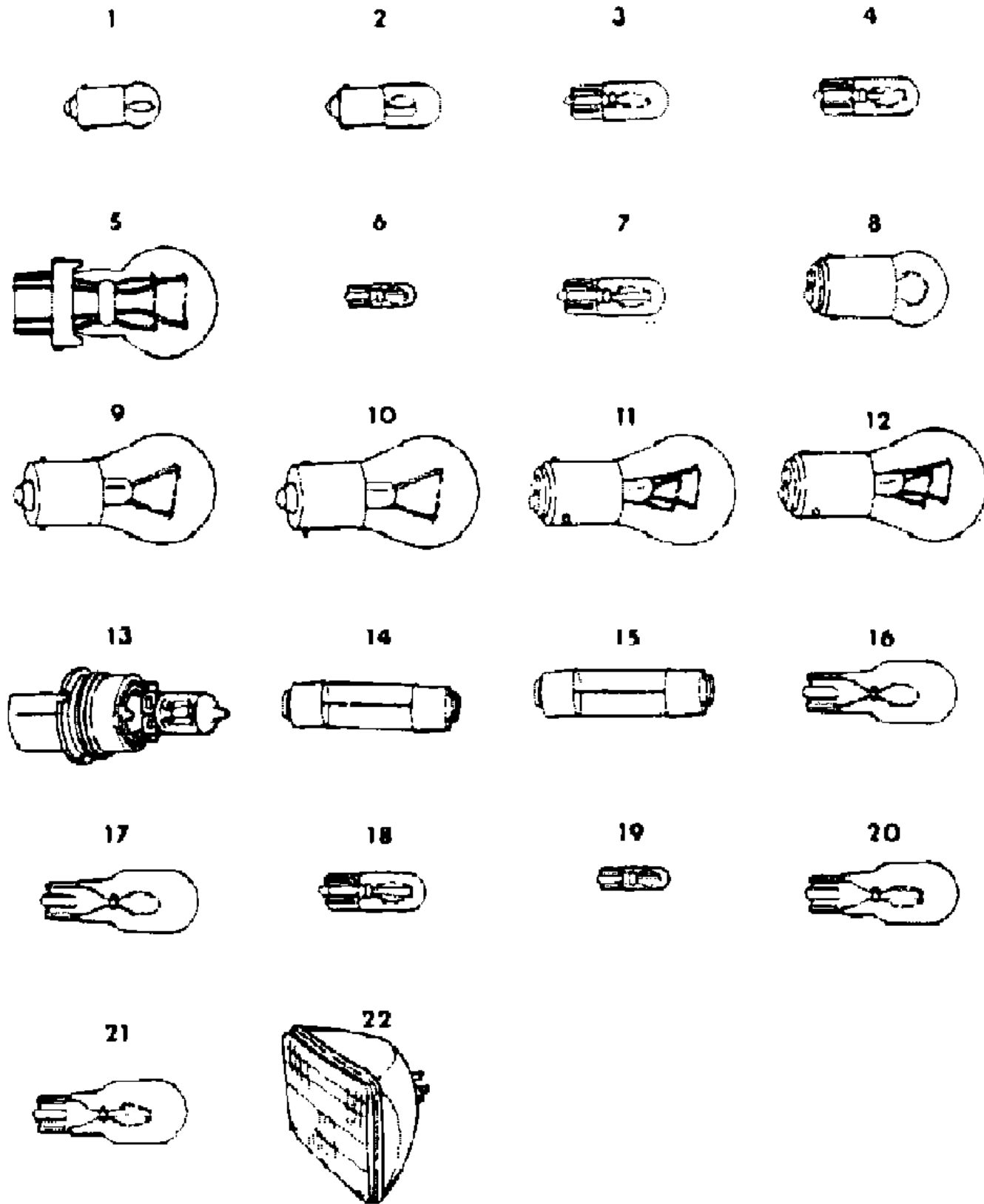
12-52 = FWD VAN & WAGON STD. W.B. 27 = 2-DOOR CONVERTIBLE
 13-53 = FWD VAN & WGN EXT W.B. 41 = 4-DOOR SEDAN
 21 = 2-DOOR SEDAN 44 = 4-DOOR HATCHBACK
 24 = 2-DOOR HATCHBACK 45 = 4-DOOR STATION WAGON

AR = Use as Required - = Non Illustrated Part P.A.R. = Paint as Required

BULB CROSS REFERENCE

Figure 8-5900

8108 5900



ITEM	PART NUMBER	QTY	BODY	MODEL	DESCRIPTION
	0153 942		P-G		#PH-4666----Hi.-Lo *****
	0153 784		J		#PH-4656----Hi.-Lo
	0153 775		J		#PH-4651----Hi. *****
	0153 590		K	PD	#H-6054----Halogen
	0153 775		K-H	CJET	#PH-4651----Hi. Plastic
	0153 784		K-H		#PH-4656----Hi.-Lo *****
	4388 167		S		#PH-6054----Hi.-Lo *****
	0153 481		M		#H-4656----Hi.-Lo Halogen
	0153 440		M		#H-4651----Hi.

MODEL CODES

C BODY = (D41 - DYNASTY)(C41 - NEW YORKER)
 E BODY = (J - CARAVELLE)(E - 600)(T - NEW YORKER TURBO)
 G BODY = (V24 - DAYTONA, PACIFICA & SHELBY)
 H BODY = (D44 - LANCER)(C44 - LEBARON GTS)
 J BODY = (C - LEBARON)
 K BODY = (P - RELIANT)(D - ARIES)(C - LEBARON/ TOWN & COUNTRY)

L BODY = (M - HORIZON)(Z-OMNI)
 M BODY = (B - GRAN FURY)(G - DIPLOMAT)(F - FIFTH AVENUE/NEWPORT)
 P BODY = (P - SUNDANCE)(D - SHADOW)
 Q BODY = (C27 - MASERATI)
 S BODY = (H - VOYAGER)(K - RAM VAN/ CARAVAN)

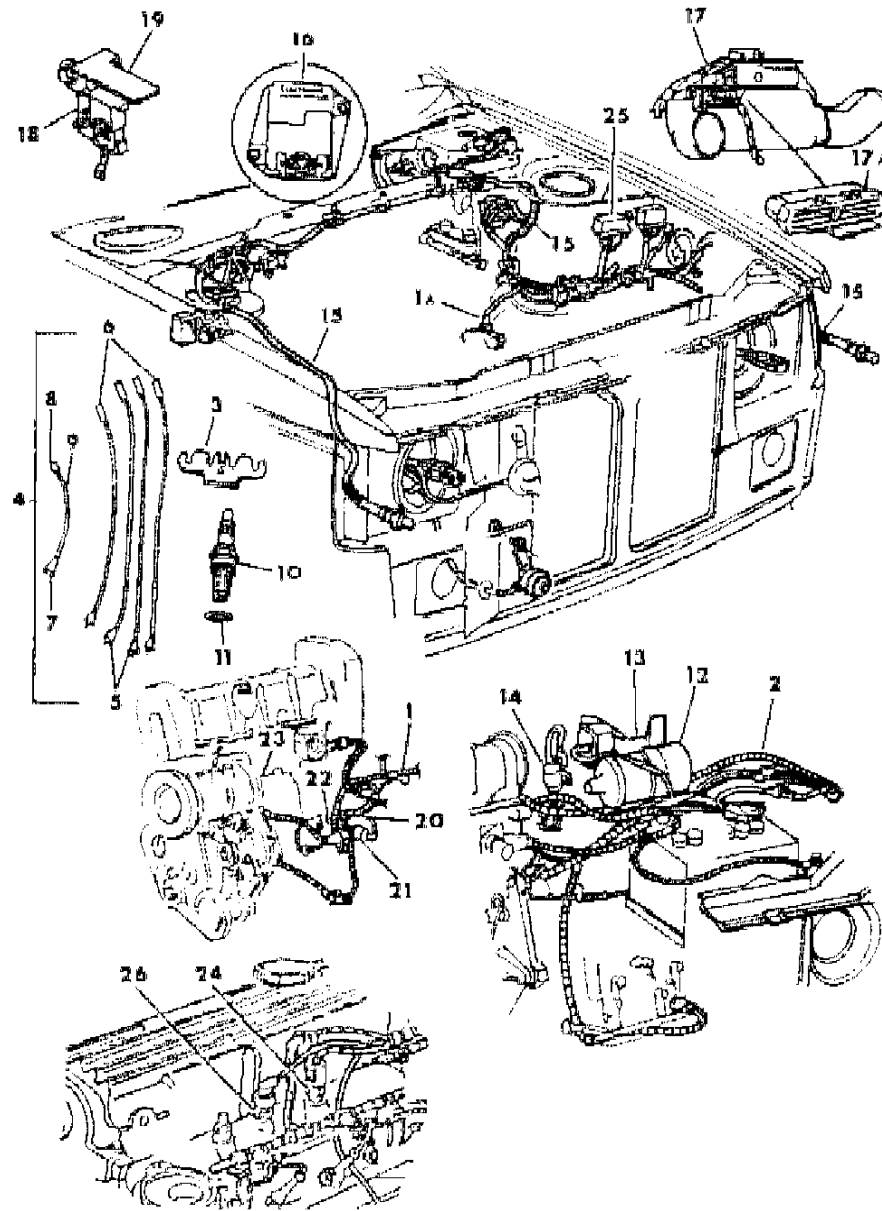
BODY STYLES

12-52 = FWD VAN & WAGON STD. W.B. 27 = 2-DOOR CONVERTIBLE
 13-53 = FWD VAN & WGN EXT W.B. 41 = 4-DOOR SEDAN
 21 = 2-DOOR SEDAN 44 = 4-DOOR HATCHBACK
 24 = 2-DOOR HATCHBACK 45 = 4-DOOR STATION WAGON

AR = Use as Required - = Non Illustrated Part P.A.R. = Paint as Required

WIRING--ENGINE-FRONT END & RELATED PARTS L BODY
Figure 8-6000

8106 6000 A



ITEM	PART NUMBER	QTY	BODY	MODEL	DESCRIPTION
1					WIRING, ENGINE
	4414 632				2.2 Eng.
	4414 323				Throttle Body
1A	4209 695				WIRING, Auto. Trans.
2					CABLE, Battery Ground
	4414 633				Positive,2.2 Eng. Auto.Trans.
	4414 634				Positive,2.2 Eng. Man.Trans.
	4304 678				Battery & Eng. Ground (Repair)
3	4179 190				SEPARATOR, Spark Plug Cable
4	4419 359				CABLE SET, Spark Plug
5	5226 786	2			CABLE, #2 & 3
6	5226 785	2			CABLE, #1 & 4
7	4145 413				NIPPLE, Dist. End.
8	5213 355				NIPPLE, Coil End
9	5213 529				CABLE, Ignition Coil
10	5213 693				PLUG, Spark RN12YC
11	2642 919				GASKET, Spark Plug
12	4176 009				COIL, Ignition
13	5226 868				BRACKET, Coil Mtg.
14	4222 916				CAPACITOR, Ign. Coil
15					WIRING, FRONT END, Headlamp to Dash. Panel M-Z
	4414 630				w/2.2Eng.
16	4379 100				REGULATOR, Voltage
17					SINGLE MODULE ENG. CONTROL
	5233 684				2.2 Eng. Man. Trans. Calif.
	5233 682				2.2 Eng. Man. Trans.
	5233 678				2.2 Eng. Auto. Trans. Calif.
	5233 676				2.2 Eng. Auto. Trans.
17A	4419 492				CONNECTOR, 60-Way, (Also Order 1-4419479 Wiring)
	4419 494				w/Turbo
18	5227 151				MAP SENSOR
19					BRACKET, Map Sensor
20	4221 673				SWITCH, Oil Pressure
21	4051 686				SENDING UNIT, Oil Pressure, w/Gauge
22	4289 888				FITTING, Oil Pressure, w/Gauge
23	4051 687				SENDING UNIT, Eng. Temp. 2.2 Eng. w/Gauge
	4221 819				SWITCH, w/o Gauge

MODEL CODES

C BODY = (D41 - DYNASTY)(C41 - NEW YORKER)
 E BODY = (J - CARAVELLE)(E - 600)(T - NEW YORKER TURBO)
 G BODY = (V24 - DAYTONA, PACIFICA & SHELBY)
 H BODY = (D44 - LANCER)(C44 - LEBARON GTS)
 J BODY = (C - LEBARON)
 K BODY = (P - RELIANT)(D - ARIES)(C - LEBARON/ TOWN & COUNTRY)

L BODY = (M - HORIZON)(Z-OMNI)
 M BODY = (B - GRAN FURY)(G - DIPLOMAT)(F - FIFTH AVENUE/NEWPORT)
 P BODY = (P - SUNDANCE)(D - SHADOW)
 Q BODY = (C27 - MASERATI)
 S BODY = (H - VOYAGER)(K - RAM VAN/ CARAVAN)

BODY STYLES

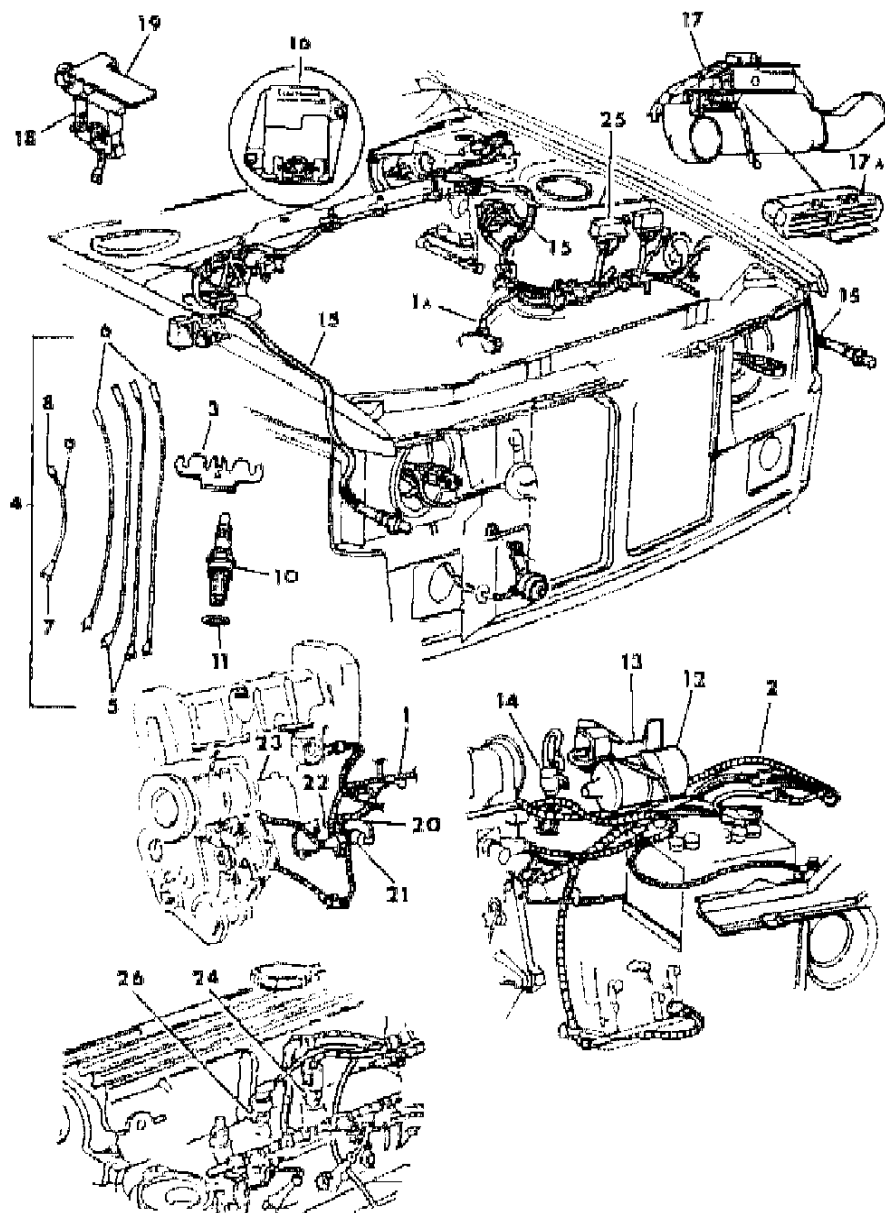
12-52 = FWD VAN & WAGON STD. W.B. 27 = 2-DOOR CONVERTIBLE
 13-53 = FWD VAN & WGN EXT W.B. 41 = 4-DOOR SEDAN
 21 = 2-DOOR SEDAN 44 = 4-DOOR HATCHBACK
 24 = 2-DOOR HATCHBACK 45 = 4-DOOR STATION WAGON

AR = Use as Required - = Non Illustrated Part P.A.R. = Paint as Required

WIRING--ENGINE-FRONT END & RELATED PARTS L BODY

Figure 8-6000

8106 6000 A



ITEM	PART NUMBER	QTY	BODY	MODEL	DESCRIPTION
24	5226 374				SENSOR, Coolant Temp. 2.2 Eng.
25	5227 300				RELAY, Starter
26	5213 629				SENSOR, Detonation
	4318 118				w/TURBO
					NOTE: FOR MAJOR ENGINE COMPARTMENT INSULATORS, MOLDS, CONNECTORS SEE ILLUS. 6950.
					NOTE: FOR WIRE PEPAIR CRIMP PKGS. & HEAT TUBES SEE ILLUS. 12300.

MODEL CODES

- C BODY = (D41 - DYNASTY)(C41 - NEW YORKER)
- E BODY = (J - CARAVELLE)(E - 600)(T - NEW YORKER TURBO)
- G BODY = (V24 - DAYTONA, PACIFICA & SHELBY)
- H BODY = (D44 - LANCER)(C44 - LEBARON GTS)
- J BODY = (C - LEBARON)
- K BODY = (P - RELIANT)(D - ARIES)(C - LEBARON/ TOWN & COUNTRY)
- L BODY = (M - HORIZON)(Z-OMNI)
- M BODY = (B - GRAN FURY)(G - DIPLOMAT)(F - FIFTH AVENUE/NEWPORT)
- P BODY = (P - SUNDANCE)(D - SHADOW)
- Q BODY = (C27 - MASERATI)
- S BODY = (H - VOYAGER)(K - RAM VAN/ CARAVAN)

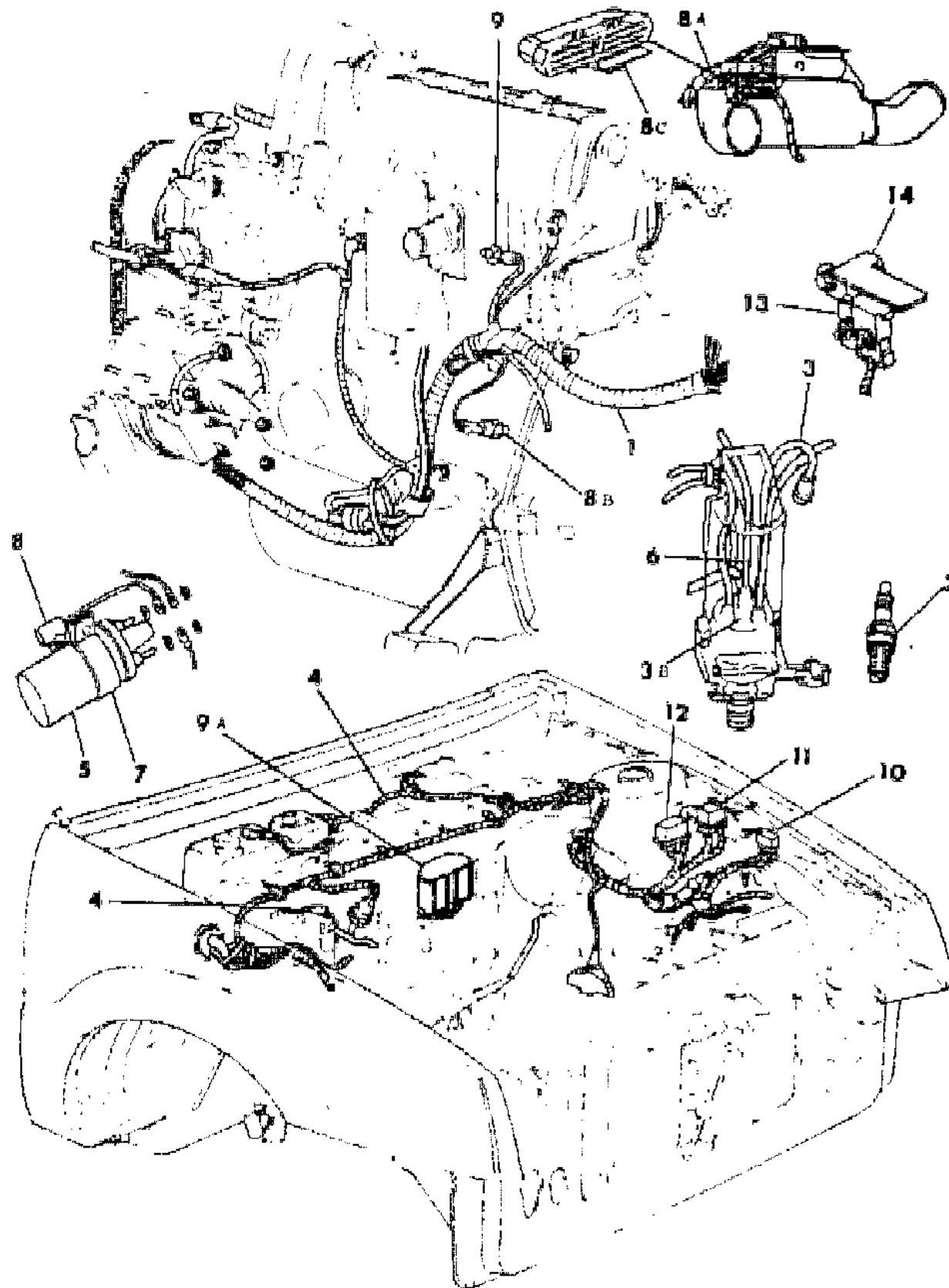
BODY STYLES

- 12-52 = FWD VAN & WAGON STD. W.B.
- 13-53 = FWD VAN & WGN EXT W.B.
- 21 = 2-DOOR SEDAN
- 24 = 2-DOOR HATCHBACK
- 27 = 2-DOOR CONVERTIBLE
- 41 = 4-DOOR SEDAN
- 44 = 4-DOOR HATCHBACK
- 45 = 4-DOOR STATION WAGON

AR = Use as Required - = Non Illustrated Part P.A.R. = Paint as Required

WIRING--ENGINE-FRONT END & RELATED PARTS P BODY
Figure 8-6100

8108 6100 A



ITEM	PART NUMBER	QTY	BODY	MODEL	DESCRIPTION
1	4414 821				WIRING, ENGINE
	4414 322				Wiring, Fuel Rail
	4414 323				Wiring, Throttle Body
	4414 319				Wiring, Battery Pos. Auto. Trans., Turbo
	4414 320				Man. Trans.
	4414 422				2.2-2.5 Eng., Non-Turbo
	4304 678				Wiring, Battery & Eng. Ground
	5213 693				SPARK PLUG, RN12YC
	-	4419 359			CABLE SET
	3	5226 785			
5226 786					#2-3
4145 413					NIPPLE, Spark Plug Cable, Dist. End
3B	5213 355				Coil End
	4414 723				WIRING, Headlamp & Dash, 2.5 Eng. w/Road Lamps
4	4414 822	1			2.2, 2.5 Eng. w/o Road Lamps
	4414 724	1			Turbo
	4414 874				Turbo, EUROPE
	4414 873				T.B.I., EUROPE
	4176 009				COIL
5	4176 009				COIL
6	5213 357				WIRE, Coil
7	5226 868				BRACKET, Coil
8	4222 775				CAPACITOR, Ign. Coil
8A	5233 680				SINGLE MODULE ENG. CONTROL
	5233 682				2.2 Eng. TBI, Man. Trans. w/Air Cond.
	5233 684				w/o Air Cond.
	5233 684				2.2 Eng. TBI, Man. Trans. Calif.
	5233 690				2.5 Eng. Man. Trans.
	5233 692				2.5 Eng. Man. Trans. Calif.
	5233 688				2.5 Eng., Auto. Trans. Calif.
	5233 686				2.5 Eng., Auto. Trans.
	5233 678				2.2 Eng. TBI Auto. Trans. Calif.
	5233 676				2.2 Eng. TBI, Auto. Trans.
	5233 988				Turbo, Man. Trans. Calif.
	5233 984				Turbo, Auto. Trans. Calif.
8B	5233 982				Turbo, Auto. Trans.
	5233 986				Turbo, Man. Trans.
	4289 892				SWITCH, Oil Pressure, 2.2, 2.5 Eng. (1/4" Thread)

MODEL CODES

C BODY = (D41 - DYNASTY)(C41 - NEW YORKER)
 E BODY = (J - CARAVELLE)(E - 600)(T - NEW YORKER TURBO)
 G BODY = (V24 - DAYTONA, PACIFICA & SHELBY)
 H BODY = (D44 - LANCER)(C44 - LEBARON GTS)
 J BODY = (C - LEBARON)
 K BODY = (P - RELIANT)(D - ARIES)(C - LEBARON/ TOWN & COUNTRY)

L BODY = (M - HORIZON)(Z-OMNI)
 M BODY = (B - GRAN FURY)(G - DIPLOMAT)(F - FIFTH AVENUE/NEWPORT)
 P BODY = (P - SUNDANCE)(D - SHADOW)
 Q BODY = (C27 - MASERATI)
 S BODY = (H - VOYAGER)(K - RAM VAN/ CARAVAN)

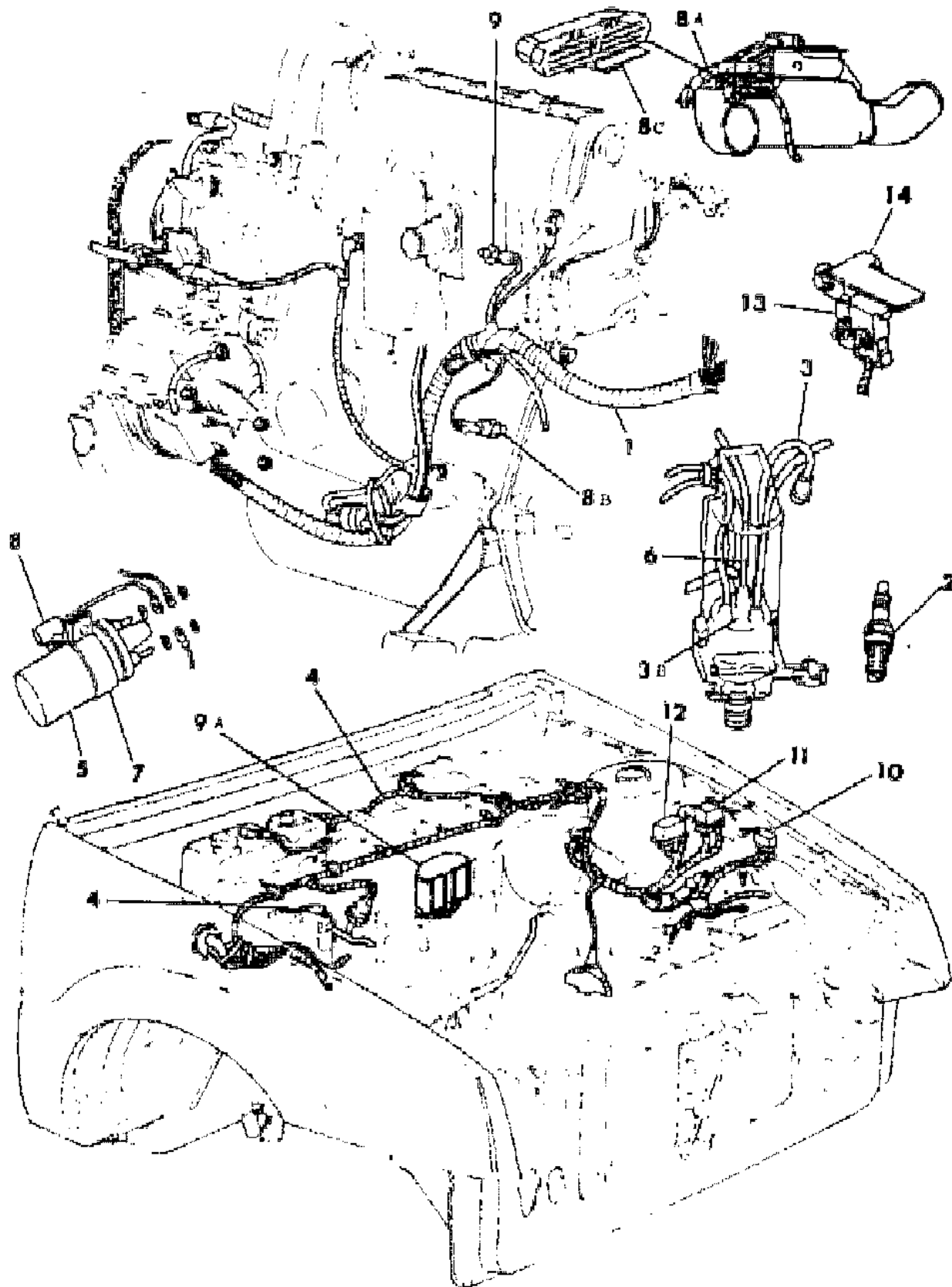
BODY STYLES

12-52 = FWD VAN & WAGON STD. W.B. 27 = 2-DOOR CONVERTIBLE
 13-53 = FWD VAN & WGN EXT W.B. 41 = 4-DOOR SEDAN
 21 = 2-DOOR SEDAN 44 = 4-DOOR HATCHBACK
 24 = 2-DOOR HATCHBACK 45 = 4-DOOR STATION WAGON

AR = Use as Required - = Non Illustrated Part P.A.R. = Paint as Required

WIRING--ENGINE-FRONT END & RELATED PARTS P BODY
Figure 8-6100

8108 6100 A



ITEM	PART NUMBER	QTY	BODY	MODEL	DESCRIPTION
	4221 673				(1/8" Thread)
8C	4419 492				CONNECTOR, 60-Way (w/o A-604) (Also Order 1-4419479 Wiring) (Cover 4400980)
	4419 494				w/Turbo
9	5226 374				SENSOR, Coolant
9A	5227 333				SOLENOID, Dual Vac. (TURBO)
	4051 687				SENDING UNIT, Temp.
10	4364 863				RELAY, A/C Clutch
11	4221 615				RELAY, Rad. Fan
12	5227 300				RELAY, Starter
-	5233 851				BRACKET, Relay Mounting
13	5227 152				MAP SENSOR, Turbo
	5227 151				2.2, 2.5 Eng.
14	5227 287				BRACKET, Map Sensor Turbo
	5233 442				2.2, 2.5 Eng.

NOTE: FOR MAJOR ENGINE COMPARTMENT INSULATORS, MOLDS, CONNECTORS SEE ILLUS. 6950.

NOTE: FOR WIRE REPAIR CRIMP PKGS. & HEAT TUBES SEE ILLUS. 12300.

MODEL CODES
 C BODY = (D41 - DYNASTY)(C41 - NEW YORKER)
 E BODY = (J - CARAVELLE)(E - 600)(T - NEW YORKER TURBO)
 G BODY = (V24 - DAYTONA, PACIFICA & SHELBY)
 H BODY = (D44 - LANCER)(C44 - LEBARON GTS)
 J BODY = (C - LEBARON)
 K BODY = (P - RELIANT)(D - ARIES)(C - LEBARON/ TOWN & COUNTRY)

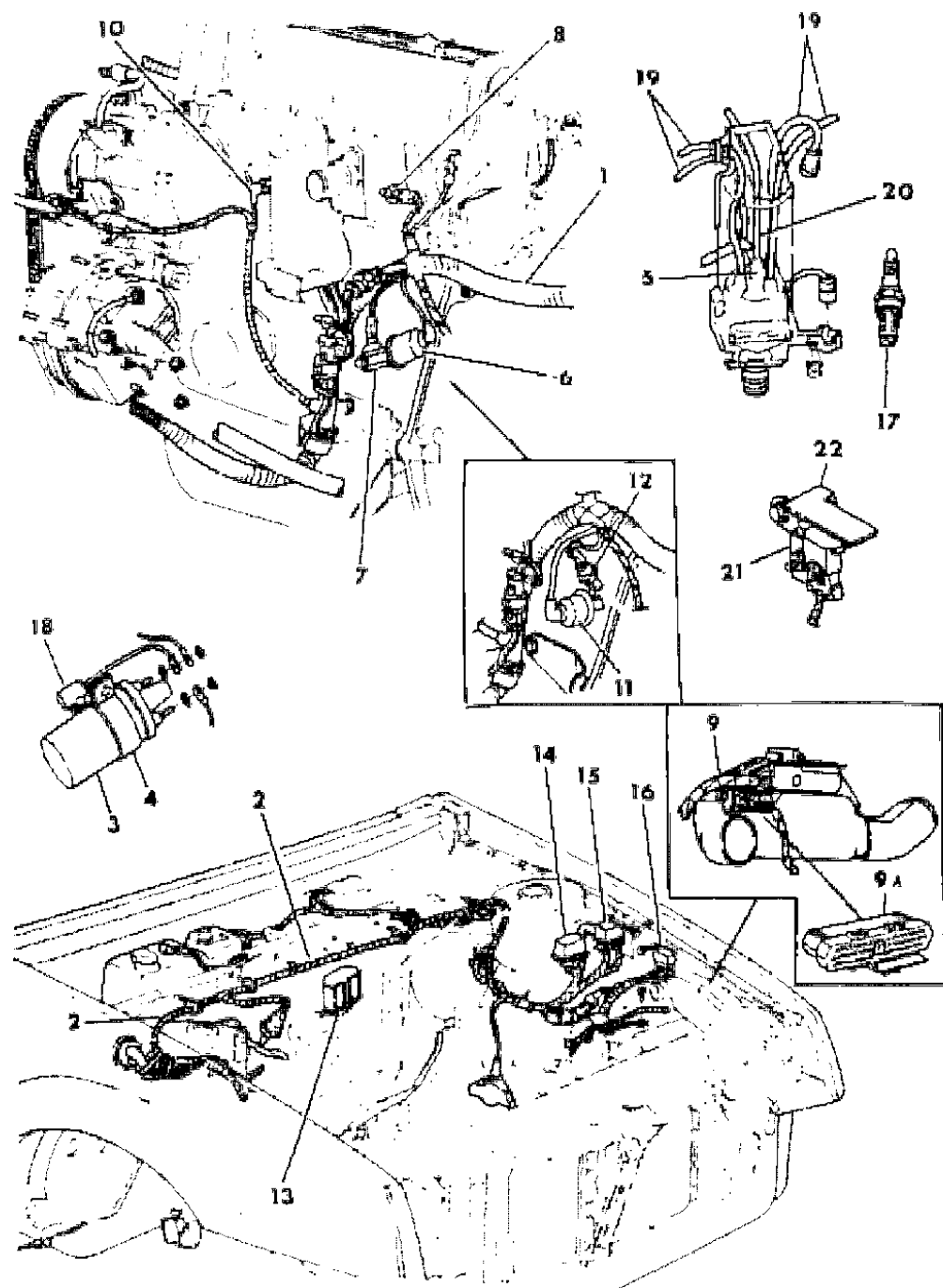
L BODY = (M - HORIZON)(Z-OMNI)
 M BODY = (B - GRAN FURY)(G - DIPLOMAT)(F - FIFTH AVENUE/NEWPORT)
 P BODY = (P - SUNDANCE)(D - SHADOW)
 Q BODY = (C27 - MASERATI)
 S BODY = (H - VOYAGER)(K - RAM VAN/ CARAVAN)

BODY STYLES
 12-52 = FWD VAN & WAGON STD. W.B. 27 = 2-DOOR CONVERTIBLE
 13-53 = FWD VAN & WGN EXT W.B. 41 = 4-DOOR SEDAN
 21 = 2-DOOR SEDAN 44 = 4-DOOR HATCHBACK
 24 = 2-DOOR HATCHBACK 45 = 4-DOOR STATION WAGON

AR = Use as Required - = Non Illustrated Part P.A.R. = Paint as Required

WIRING--ENGINE-FRONT END & RELATED PARTS J BODY
Figure 8-6200

8108 6200 A



ITEM	PART NUMBER	QTY	BODY	MODEL	DESCRIPTION
1	4414 821				WIRING, ENGINE
2					WIRING, H/Lamp & Dash
	4414 897				2.2, w/ Message Center Turbo, Up to 4-25-88
	4414 565				Aft. 4-25-88
	4414 894				2.2, w/o Message Center Turbo, Up to 4-25-88
	4414 563				Aft. 4-25-88
	4414 896				2.5, w/Message Center, Up to 4-25-88
	4414 564				Aft. 4-25-88
	4414 893				2.5, w/o Message Center, Up to 4-25-88
	4414 562				Aft. 4-25-88
	4414 322				Wiring, Fuel Rail
	4414 323				Wiring, Throttle Body
	4209 695				Wiring, Auto. Trans.
	4414 319				Wiring, Pos. Auto. Trans. Turbo
	4414 422				Auto. Trans.
	4414 320				Man. Trans.
3	4176 009				COIL, Ign.
4	5226 868				BRACKET, Coil
5	4145 413				NIPPLE, Coil Dist. End.
6	4221 673				SWITCH, Oil Pressure
7	4289 888				FITTING, Oil Pressure
8	5226 374				SENSOR, Coolant Temp
	4437 313				Eng. Temp.
9					SINGLE MODULE ENG. CONTROL
	5233 686				2.5 Eng. Auto. Trans.
	5233 688				2.5 Eng. Auto. Trans. Calif.
	5233 690				2.5 Eng. Man. Trans.
	5233 692				2.5 Eng. Man. Trans. Calif.
	5233 254				Turbo, Man. Trans. Calif.
	5233 984				Turbo, Auto. Trans. Calif.
	5233 982				Turbo, Auto. Trans.
	5233 986				Turbo, Man. Trans.
9A	4419 492				CONNECTOR, 60-Way (w/o A-604) (Also Order 1-4419479
					Wiring)
	4419 494				w/Turbo
10	4051 687				SENDING UNIT, Temp. Gauge
11	4051 686				SENDING UNIT, Oil Press.

MODEL CODES

C BODY = (D41 - DYNASTY)(C41 - NEW YORKER)
 E BODY = (J - CARAVELLE)(E - 600)(T - NEW YORKER TURBO)
 G BODY = (V24 - DAYTONA, PACIFICA & SHELBY)
 H BODY = (D44 - LANCER)(C44 - LEBARON GTS)
 J BODY = (C - LEBARON)
 K BODY = (P - RELIANT)(D - ARIES)(C - LEBARON/ TOWN & COUNTRY)

L BODY = (M - HORIZON)(Z-OMNI)
 M BODY = (B - GRAN FURY)(G - DIPLOMAT)(F - FIFTH AVENUE/NEWPORT)
 P BODY = (P - SUNDANCE)(D - SHADOW)
 Q BODY = (C27 - MASERATI)
 S BODY = (H - VOYAGER)(K - RAM VAN/ CARAVAN)

BODY STYLES

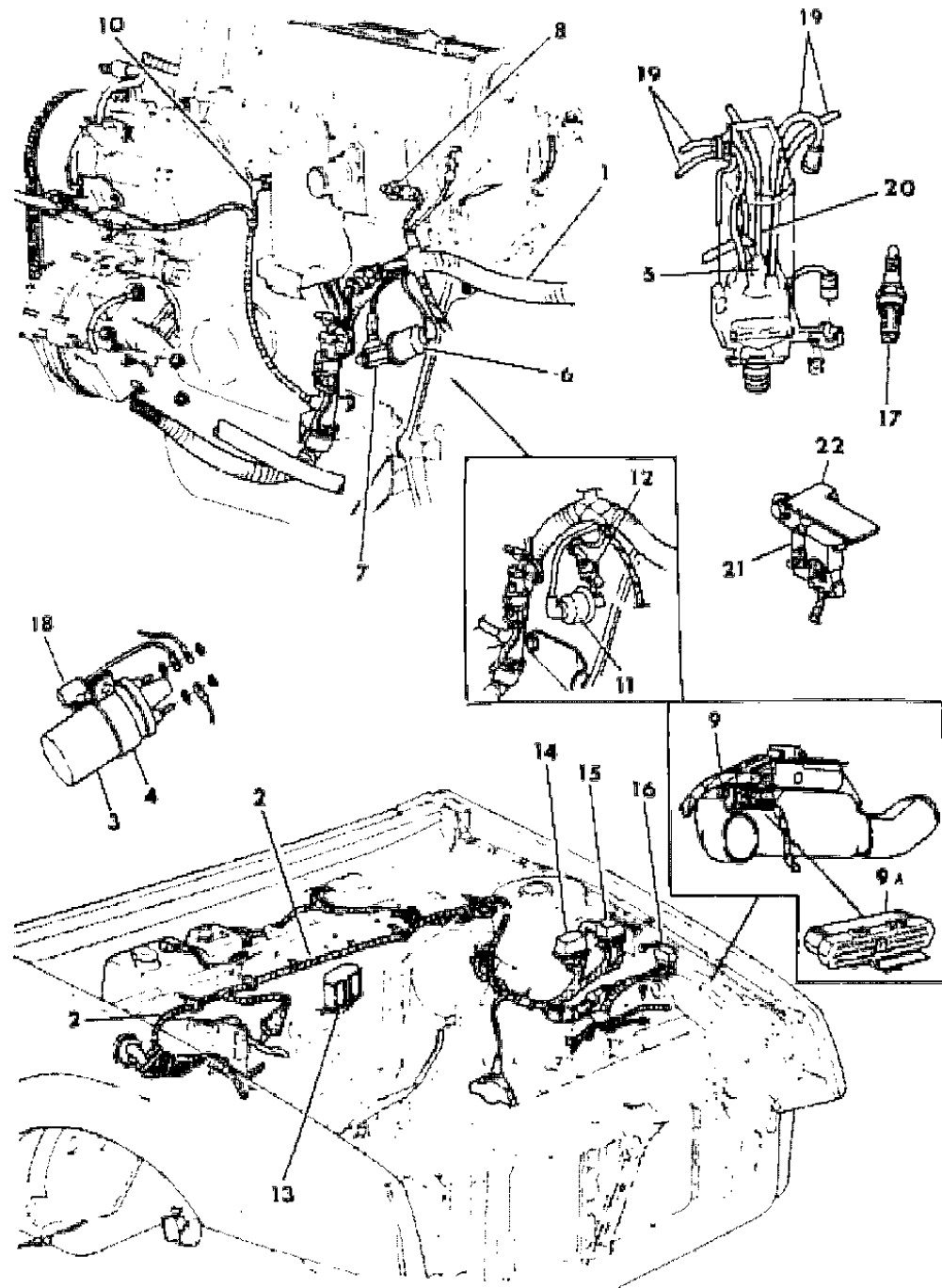
12-52 = FWD VAN & WAGON STD. W.B. 27 = 2-DOOR CONVERTIBLE
 13-53 = FWD VAN & WGN EXT W.B. 41 = 4-DOOR SEDAN
 21 = 2-DOOR SEDAN 44 = 4-DOOR HATCHBACK
 24 = 2-DOOR HATCHBACK 45 = 4-DOOR STATION WAGON

AR = Use as Required - = Non Illustrated Part P.A.R. = Paint as Required

WIRING--ENGINE-FRONT END & RELATED PARTS J BODY

Figure 8-6200

8108 6200 A



ITEM	PART NUMBER	QTY	BODY	MODEL	DESCRIPTION
12	4289 888				FITTING, Oil Press
13	5227 333				SOLENOID, Dual Vac. (TURBO)
14	5227 300				RELAY, Starter
15	4221 615				RELAY, Rad. Fan
16	4221 576				RELAY, A/C Clutch Cutout
17	5213 693				PLUG, Spark
18	4222 775				CAPACITOR
-	4419 359				CABLE SET
19	5226 786				CABLE, Spark Plug #2-3
	5226 785				#1-4
20	5213 357				WIRE, Coil
	4304 678				CABLE, Battery & Eng. Ground (Repair)
21	5227 152				MAP SENSOR, Turbo
	5227 151				2.2, 2.5 Eng.
22	5227 287				BRACKET, Map Sensor Turbo
	5233 442				2.2, 2.5 Eng.

NOTE: FOR MAJOR ENGINE COMPARTMENT INSULATORS, MOLDS, CONNECTORS SEE ILLUS. 6950.

NOTE: FOR WIRE REPAIR CRIMP PKGS. & HEAT TUBES SEE ILLUS. 12300.

MODEL CODES

C BODY = (D41 - DYNASTY)(C41 - NEW YORKER)
 E BODY = (J - CARAVELLE)(E - 600)(T - NEW YORKER TURBO)
 G BODY = (V24 - DAYTONA, PACIFICA & SHELBY)
 H BODY = (D44 - LANCER)(C44 - LEBARON GTS)
 J BODY = (C - LEBARON)
 K BODY = (P - RELIANT)(D - ARIES)(C - LEBARON/ TOWN & COUNTRY)

L BODY = (M - HORIZON)(Z-OMNI)
 M BODY = (B - GRAN FURY)(G - DIPLOMAT)(F - FIFTH AVENUE/NEWPORT)
 P BODY = (P - SUNDANCE)(D - SHADOW)
 Q BODY = (C27 - MASERATI)
 S BODY = (H - VOYAGER)(K - RAM VAN/ CARAVAN)

BODY STYLES

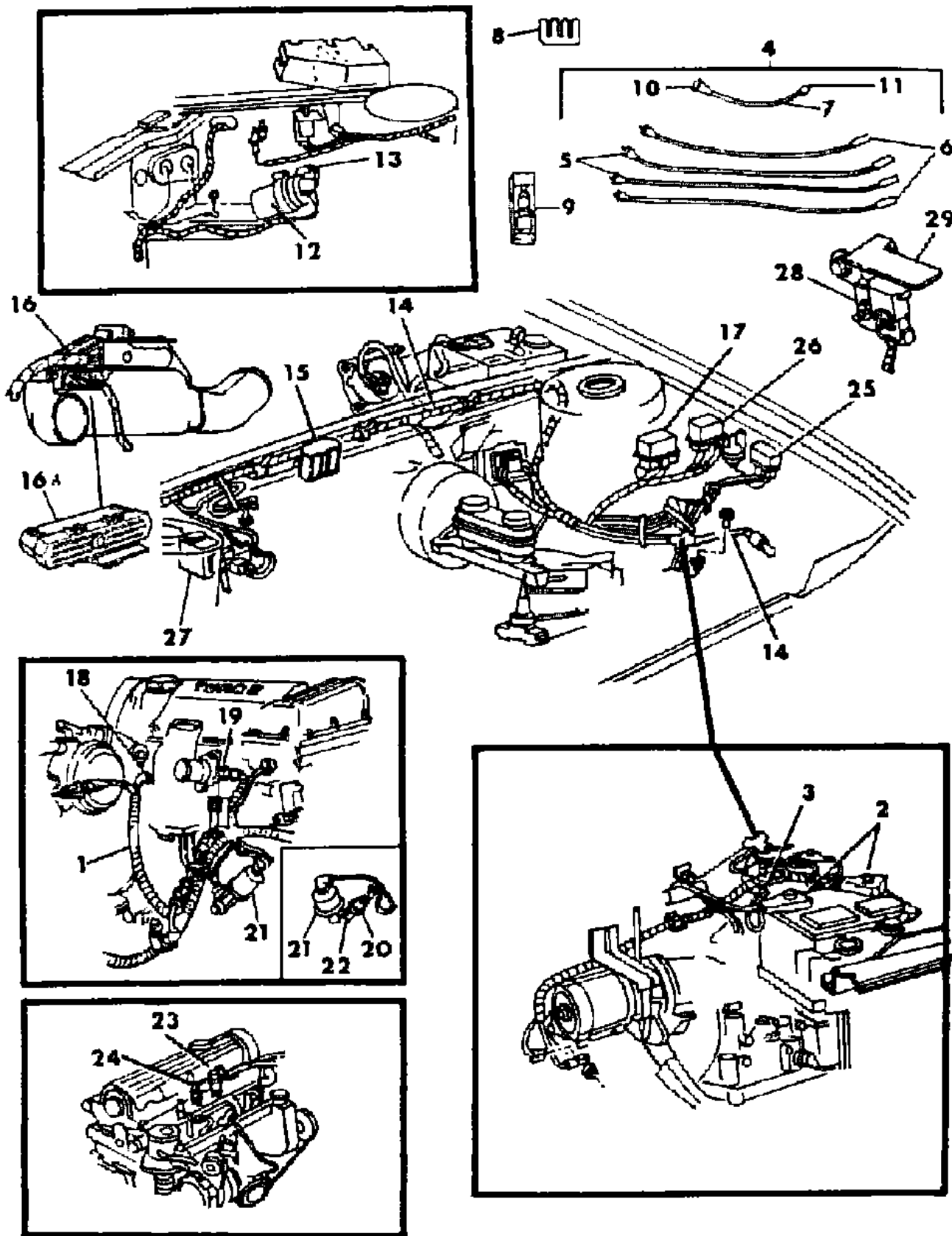
12-52 = FWD VAN & WAGON STD. W.B. 27 = 2-DOOR CONVERTIBLE
 13-53 = FWD VAN & WGN EXT W.B. 41 = 4-DOOR SEDAN
 21 = 2-DOOR SEDAN 44 = 4-DOOR HATCHBACK
 24 = 2-DOOR HATCHBACK 45 = 4-DOOR STATION WAGON

AR = Use as Required - = Non Illustrated Part P.A.R. = Paint as Required

WIRING--ENGINE-FRONT END & RELATED PARTS K-E BODY

Figure 8-6400

8108 6400 B



ITEM	PART NUMBER	QTY	BODY	MODEL	DESCRIPTION
1	4414 821				WIRING, ENGINE
	4414 323				Throttle Body
	4414 322				Fuel Rail Wire (Turbo)
	4209 695				Auto. Trans.
2					CABLE, Battery
	4414 319				Positive,w/Auto. Trans. 2.2 Eng.
	4414 320				Positive,w/Man. Trans. 2.2 Eng.
	4414 422	1			Positive, w/Auto. Trans. 2.5 Eng.
	4304 935				Battery Feed, POLICE
	4304 678				Battery & Eng. Ground (Repair)
3	6500 275				BOLT, Battery Ground
4	4419 359				CABLE SET, Spark Plug
5	5226 786	2			CABLE, #2-3
6	5226 785	2			CABLE, #1-4
7	5213 357	1			CABLE, Ignition Coil
8					SEPARATOR, Cable
9	5213 693	4			PLUG, Spark RN12YC
10	4145 413				NIPPLE, Dist. End
11	5213 355				NIPPLE, Coil End
12	4176 009				COIL and BRACKET
	5226 868				BRACKET, Coil
13	4222 775				CAPACITOR, Coil
14					WIRING, FRONT END, Headlamp to Dash Panel P-D-C-J-E-T
	4414 904		P-D		2.2 & 2.5 Eng.
	4414 272		C-J-E-T		TURBO
	4414 903		C-J-E-T		2.2. & 2.5 Eng.
	4274 600				Wiring, Relay (POLICE)
15	4379 100				REGULATOR, Voltage
16					SINGLE MODULE ENG. CONTROL
	5233 680		P-D	45	2.2 Eng. Man. Trans.
	5233 684		P-D	45	2.2 Eng. Man. Trans. Calif.
	5233 678				2.2 Eng. TBI, Auto. Trans. Calif.
	5233 676				2.2 Eng. TBI, Auto. Trans.
	5233 688				2.5 Eng. Auto. Trans. Calif.
	5233 686				2.5 Eng. Auto. Trans.
	5233 982				Turbo, Auto. Trans.
	5233 984				Turbo, Auto. Trans. Calif.

MODEL CODES

C BODY = (D41 - DYNASTY)(C41 - NEW YORKER)
 E BODY = (J - CARAVELLE)(E - 600)(T - NEW YORKER TURBO)
 G BODY = (V24 - DAYTONA, PACIFICA & SHELBY)
 H BODY = (D44 - LANCER)(C44 - LEBARON GTS)
 J BODY = (C - LEBARON)
 K BODY = (P - RELIANT)(D - ARIES)(C - LEBARON/ TOWN & COUNTRY)

L BODY = (M - HORIZON)(Z-OMNI)
 M BODY = (B - GRAN FURY)(G - DIPLOMAT)(F - FIFTH AVENUE/NEWPORT)
 P BODY = (P - SUNDANCE)(D - SHADOW)
 Q BODY = (C27 - MASERATI)
 S BODY = (H - VOYAGER)(K - RAM VAN/ CARAVAN)

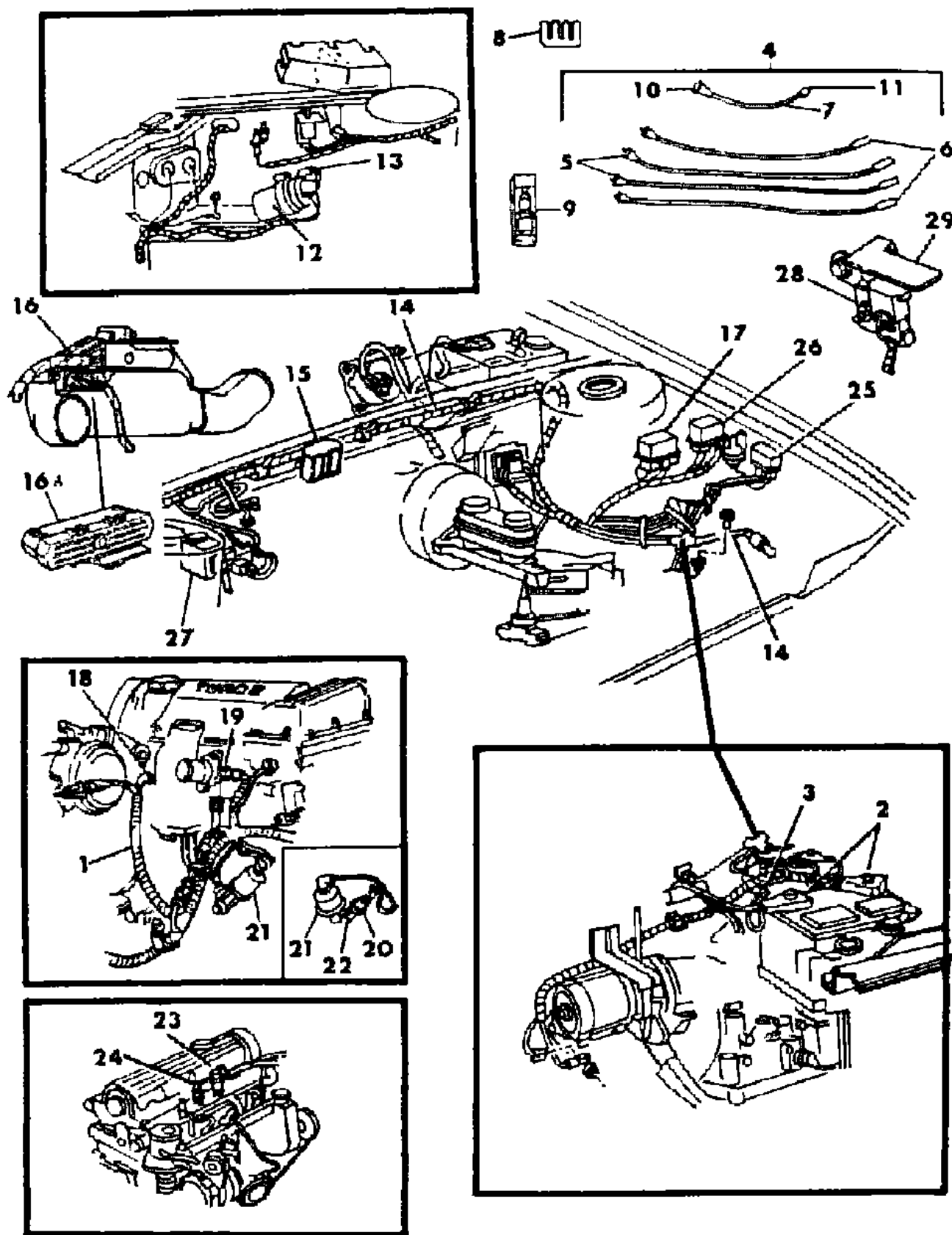
BODY STYLES

12-52 = FWD VAN & WAGON STD. W.B. 27 = 2-DOOR CONVERTIBLE
 13-53 = FWD VAN & WGN EXT W.B. 41 = 4-DOOR SEDAN
 21 = 2-DOOR SEDAN 44 = 4-DOOR HATCHBACK
 24 = 2-DOOR HATCHBACK 45 = 4-DOOR STATION WAGON

AR = Use as Required - = Non Illustrated Part P.A.R. = Paint as Required

WIRING--ENGINE-FRONT END & RELATED PARTS K-E BODY
Figure 8-6400

8108 6400 B



ITEM	PART NUMBER	QTY	BODY	MODEL	DESCRIPTION
16A	4419 492				CONNECTOR, 60-Way (w/o A-604) (Also Use 1-4419479 Wiring)
	4419 494				w/Turbo
17	5227 300				RELAY, Starter
18	4051 687				SENDING UNIT, Eng. Temp.
19	5226 374				SENSOR, Eng. Temp.
20	4289 892				SWITCH, Oil Press. T.B.I. & TURBO, 1 Terminal, w/o Elec. Cluster
	4221 673				w/ Elec. Cluster
	4051 686	1			used with Gauge and light dual unit ***
21	4051 686				SENDING UNIT, Oil Pressure w/Gauge
22	4289 888				FITTING, Oil Pressure, w/Gauge
23	5226 355				SENSOR, Charge Temp. w/Gauge
24	5213 629				SENSOR, Detonation
25	4339 495				RELAY, A/C Clutch Cutout
26	4221 615				RELAY, Rad. Fan.
27	5227 333				SOLENOID, Dual Vacuum (Turbo)
28	5227 152				MAP SENSOR, Turbo
	5227 151				2.2, 2.5 Eng.
29	5227 287				BRACKET, Map Sensor Turbo
	5233 442				2.2, 2.5 Eng.

NOTE: FOR MAJOR ENGINE COMPARTMENT INSULATORS, MOLDS, CONNECTORS SEE ILLUS. 6950.
NOTE: FOR WIRE REPAIR CRIMP PKGS. & HEAT TUBES SEE ILLUS. 12300.

MODEL CODES

C BODY = (D41 - DYNASTY)(C41 - NEW YORKER)
E BODY = (J - CARAVELLE)(E - 600)(T - NEW YORKER TURBO)
G BODY = (V24 - DAYTONA, PACIFICA & SHELBY)
H BODY = (D44 - LANCER)(C44 - LEBARON GTS)
J BODY = (C - LEBARON)
K BODY = (P - RELIANT)(D - ARIES)(C - LEBARON/ TOWN & COUNTRY)
L BODY = (M - HORIZON)(Z-OMNI)
M BODY = (B - GRAN FURY)(G - DIPLOMAT)(F - FIFTH AVENUE/NEWPORT)
P BODY = (P - SUNDANCE)(D - SHADOW)
Q BODY = (C27 - MASERATI)
S BODY = (H - VOYAGER)(K - RAM VAN/ CARAVAN)

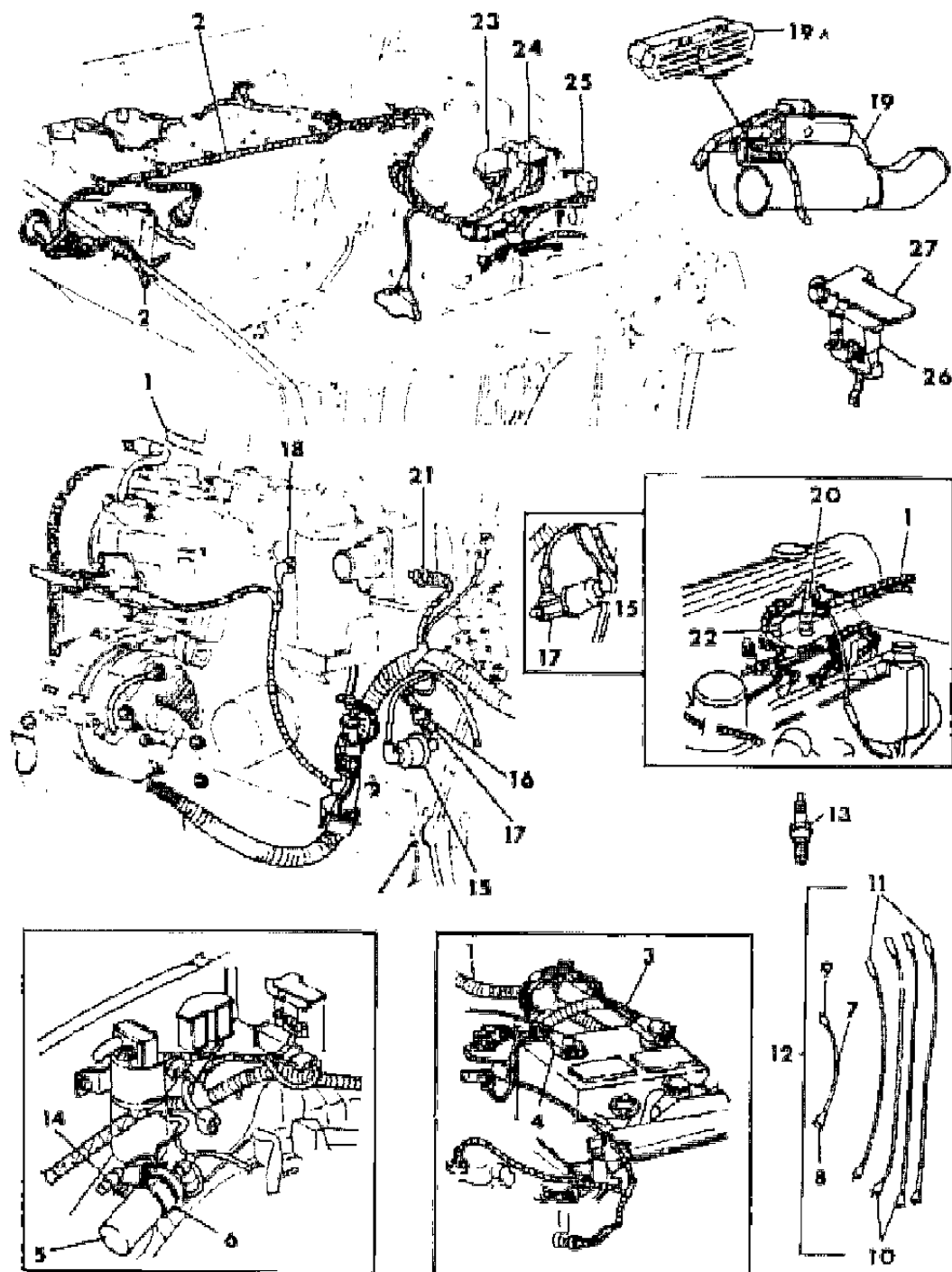
BODY STYLES

12-52 = FWD VAN & WAGON STD. W.B. 27 = 2-DOOR CONVERTIBLE
13-53 = FWD VAN & WGN EXT W.B. 41 = 4-DOOR SEDAN
21 = 2-DOOR SEDAN 44 = 4-DOOR HATCHBACK
24 = 2-DOOR HATCHBACK 45 = 4-DOOR STATION WAGON

AR = Use as Required - = Non Illustrated Part P.A.R. = Paint as Required

WIRING--ENGINE-FRONT END & RELATED PARTS G BODY
Figure 8-6500

8708 6500 B



ITEM	PART NUMBER	QTY	BODY	MODEL	DESCRIPTION
1	4414 821				WIRING, ENGINE
	4414 322				Fuel Rail
	4414 323				Throttle Body
	4274 888				Speed Control
	4467 401				Extension, A.I.S. Motor
	4467 402				Charge Temp. Sensor
2					WIRING, FRONT END, Headlamp to Dash Panel V24
	4414 891				2.5 Eng., Up to 4-25-88
	4414 560				Aft. 4-25-88
	4414 892				2.2 Eng. w/Turbo, Up to 4-25-88
	4414 561				Aft. 4-25-88
	4209 695				Auto. Trans.
3	4414 319				WIRING, Battery Positive, Auto.Trans., Turbo
	4414 320				Man.Trans.
	4414 422	1			Positive, w/Auto. Trans. 2.5 Eng.
4	4304 678				CABLE, Battery & Engine Ground (Repair)
5	4176 009				COIL, Ignition
6	5226 868				BRACKET, Ignition Coil
7	5213 357				CABLE, Ignition Coil
8	4145 413				NIPPLE, Cable, Dist.End
9					NIPPLE, Cable, Coil End
10	5226 786				CABLE, Spark Plug #2-3
11	5226 785				CABLE, Spark Plug #1-4
12	4419 359				CABLE SET
13	5213 693				SPARK PLUG, RN12Y
14	4222 775				CAPACITOR, Ign. Coil
15	4051 686				SENDING UNIT, Oil Pressure
16	4221 673				SWITCH, Oil Pressure
17	4289 888				FITTING, Oil Pressure
	4323 107				w/Turbo
18	4051 687				SENDING UNIT, Eng. Temp. Gauge
	4221 071				SWITCH, w/Light
	4437 313				SENSOR, Eng. Temp.
19					SINGLE MODULE ENG. CONTROL
	5233 906				2.2 Eng. Man. Trans.
	5233 908				2.2 Eng. Man. Trans. Calif.
	5233 690				2.5 Eng. Man. Trans.

MODEL CODES

C BODY = (D41 - DYNASTY)(C41 - NEW YORKER)
 E BODY = (J - CARAVELLE)(E - 600)(T - NEW YORKER TURBO)
 G BODY = (V24 - DAYTONA, PACIFICA & SHELBY)
 H BODY = (D44 - LANCER)(C44 - LEBARON GTS)
 J BODY = (C - LEBARON)
 K BODY = (P - RELIANT)(D - ARIES)(C - LEBARON/ TOWN & COUNTRY)

L BODY = (M - HORIZON)(Z-OMNI)
 M BODY = (B - GRAN FURY)(G - DIPLOMAT)(F - FIFTH AVENUE/NEWPORT)
 P BODY = (P - SUNDANCE)(D - SHADOW)
 Q BODY = (C27 - MASERATI)
 S BODY = (H - VOYAGER)(K - RAM VAN/ CARAVAN)

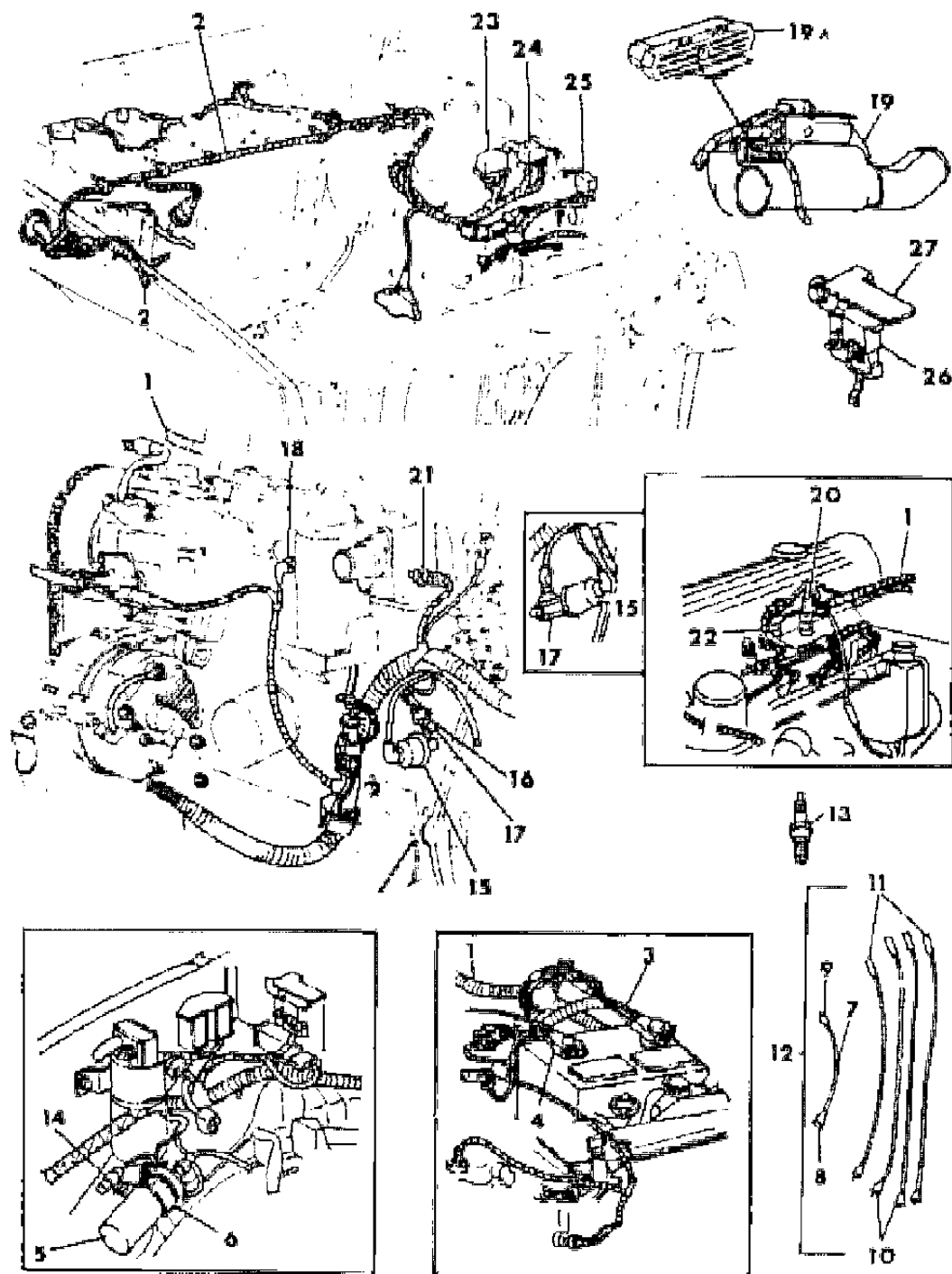
BODY STYLES

12-52 = FWD VAN & WAGON STD. W.B. 27 = 2-DOOR CONVERTIBLE
 13-53 = FWD VAN & WGN EXT W.B. 41 = 4-DOOR SEDAN
 21 = 2-DOOR SEDAN 44 = 4-DOOR HATCHBACK
 24 = 2-DOOR HATCHBACK 45 = 4-DOOR STATION WAGON

AR = Use as Required - = Non Illustrated Part P.A.R. = Paint as Required

WIRING--ENGINE-FRONT END & RELATED PARTS G BODY
Figure 8-6500

8708 6500 B



ITEM	PART NUMBER	QTY	BODY	MODEL	DESCRIPTION
	5233 692				2.5 Eng. Man. Trans. Calif.
	5233 686				2.5 Eng. Auto. Trans.
	5233 688				2.5 Eng. Auto. Trans. Calif.
	5233 986				Turbo, Man. Trans.
	5233 246				Turbo 11, Man. Trans.
	5233 982				Turbo, Auto. Trans.
	5233 254				Turbo, Man. Trans. Calif.
	5234 340				Turbo 11, Man. Trans. Calif.
	5233 984				Turbo, Auto. Trans. Calif.
19A	4419 492				CONNECTOR, 60-Way (w/o A-604) (Also Use 1-4419479 Wiring w/Turbo
	4419 494				
20	5226 355				SENSOR, Charge Temp. Turbo
21	5226 374				SENSOR, Coolant T.B.I. & Turbo
22	5213 629				SENSOR, Detonation
23	5227 300				RELAY, Starter
24	4419 185				RELAY, Rad. Fan.
25	4221 576				RELAY, A/C Clutch Cutout
26	5227 152				MAP SENSOR, Turbo
	5227 151				2.2, 2.5 Eng.
27	5227 287				BRACKET, Map Sensor Turbo
	5233 442				2.2, 2.5 Eng.

NOTE: FOR MAJOR ENGINE COMPARTMENT INSULATORS, MOLDS, CONNECTORS SEE ILLUS. 6950.
 NOTE: FOR WIRE REPAIR CRIMP PKGS. & HEAT TUBES SEE ILLUS. 12300.

MODEL CODES

C BODY = (D41 - DYNASTY)(C41 - NEW YORKER)
 E BODY = (J - CARAVELLE)(E - 600)(T - NEW YORKER TURBO)
 G BODY = (V24 - DAYTONA, PACIFICA & SHELBY)
 H BODY = (D44 - LANCER)(C44 - LEBARON GTS)
 J BODY = (C - LEBARON)
 K BODY = (P - RELIANT)(D - ARIES)(C - LEBARON/ TOWN & COUNTRY)

L BODY = (M - HORIZON)(Z-OMNI)
 M BODY = (B - GRAN FURY)(G - DIPLOMAT)(F - FIFTH AVENUE/NEWPORT)
 P BODY = (P - SUNDANCE)(D - SHADOW)
 Q BODY = (C27 - MASERATI)
 S BODY = (H - VOYAGER)(K - RAM VAN/ CARAVAN)

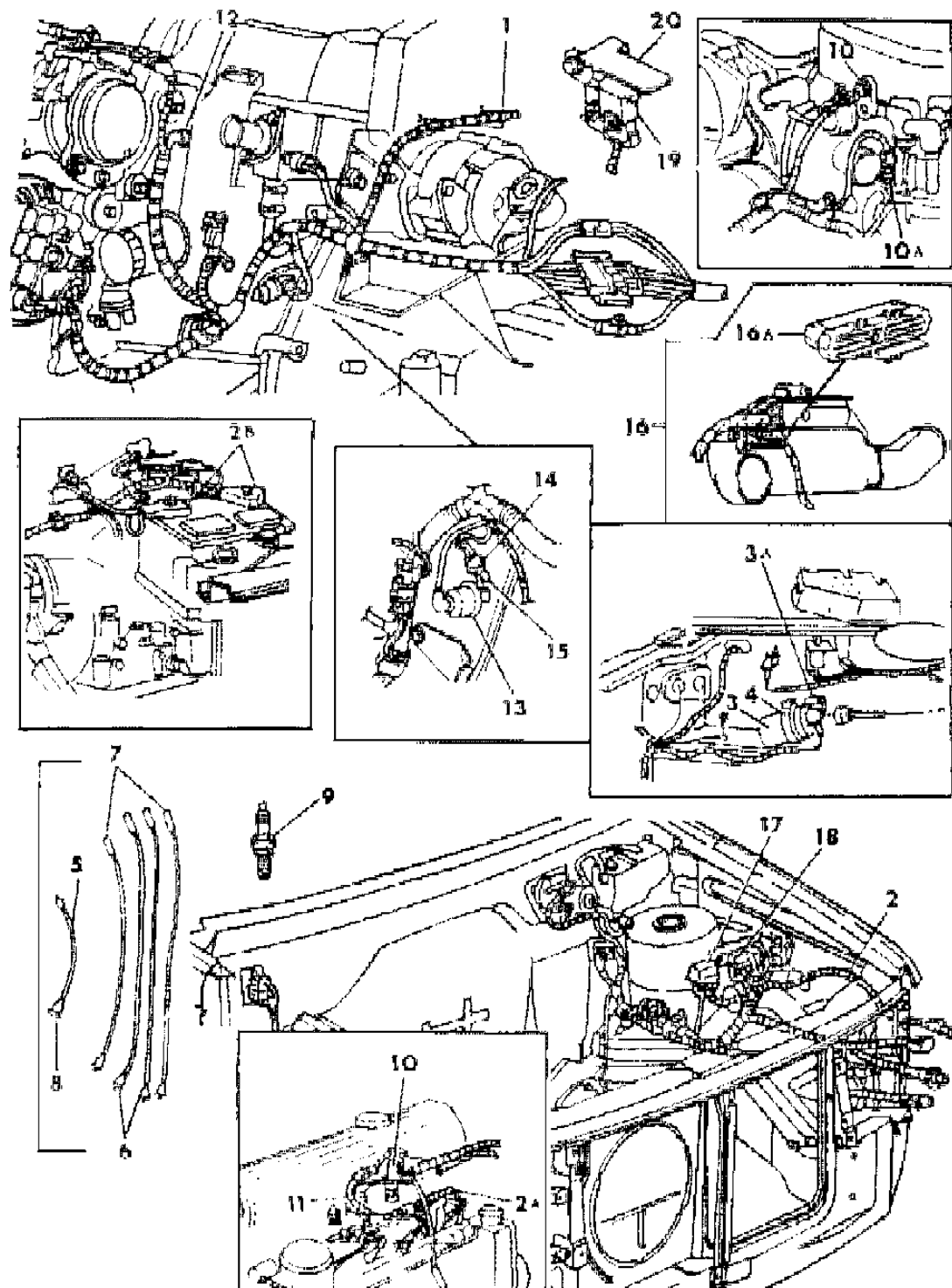
BODY STYLES

12-52 = FWD VAN & WAGON STD. W.B. 27 = 2-DOOR CONVERTIBLE
 13-53 = FWD VAN & WGN EXT W.B. 41 = 4-DOOR SEDAN
 21 = 2-DOOR SEDAN 44 = 4-DOOR HATCHBACK
 24 = 2-DOOR HATCHBACK 45 = 4-DOOR STATION WAGON

AR = Use as Required - = Non Illustrated Part P.A.R. = Paint as Required

WIRING--ENGINE-FRONT END & RELATED PARTS H BODY
Figure 8-6600

8108 6600 B



ITEM	PART NUMBER	QTY	BODY	MODEL	DESCRIPTION
1	4414 821				WIRING, ENGINE
2	4414 859				WIRING, FRONT END, Headlamp to Dash Panel DC 44
	4414 860				2.2 & 2.5 Eng.
	4414 732				TURBO
	4414 872				PACIFICA
	4414 871				Turbo, EUROPE
2A	4414 322				T.B.I., EUROPE
	4414 323				WIRING, Fuel Rail Jumper
	4467 402				Wiring, Throttle Body
	4209 695				Wiring, Charge Temp. Sensor
	4467 401				Wiring, Auto. Trans.
2B	4414 319				Wiring, A.I.S. Motor
	4414 320				WIRING, Battery, Auto. Trans. Turbo
	4414 773				Man. Trans.
	4304 678				Pos. Cable, T.B.I.
3	4176 009				Battery & Eng. Ground (Repair)
3A	4222 775				COIL, Ign.
4	5226 868				CAPACITOR
-	4419 359				BRACKET
5	5213 357				CABLE SET
6	5226 786				WIRE, Coil
7	5226 785				CABLE, Spark Plug #2-3
8	4145 413				CABLE, Spark Plug #1-4
9	5213 693				NIPPLE, Spark Plug Cable (Dist. End)
10	5226 374				PLUG, Spark RN12YC
10A	5226 374				SENSOR, Coolant T.B.I. & Turbo
11	4318 118				SENSOR, Eng. Temp
12	4051 687				SENSOR, Detonation w/Turbo
13	4051 686				SENDING UNIT, Eng. Temp. w/Gauge
14	4289 888				SENDING UNIT, Oil Pressure
15	4221 673				FITTING, Oil Pressure
16					SWITCH, Oil Pressure
	5233 680				SINGLE MODULE ENG. CONTROL
	5233 676				2.2 Eng. Man. Trans.
	5233 684				2.2 Eng. Auto. Trans.
	5233 678				2.2 Eng. Man. Trans. Calif.
					2.2 Eng. Auto. Trans. Calif.

MODEL CODES

C BODY = (D41 - DYNASTY)(C41 - NEW YORKER)
 E BODY = (J - CARAVELLE)(E - 600)(T - NEW YORKER TURBO)
 G BODY = (V24 - DAYTONA, PACIFICA & SHELBY)
 H BODY = (D44 - LANCER)(C44 - LEBARON GTS)
 J BODY = (C - LEBARON)
 K BODY = (P - RELIANT)(D - ARIES)(C - LEBARON/ TOWN & COUNTRY)

L BODY = (M - HORIZON)(Z-OMNI)
 M BODY = (B - GRAN FURY)(G - DIPLOMAT)(F - FIFTH AVENUE/NEWPORT)
 P BODY = (P - SUNDANCE)(D - SHADOW)
 Q BODY = (C27 - MASERATI)
 S BODY = (H - VOYAGER)(K - RAM VAN/ CARAVAN)

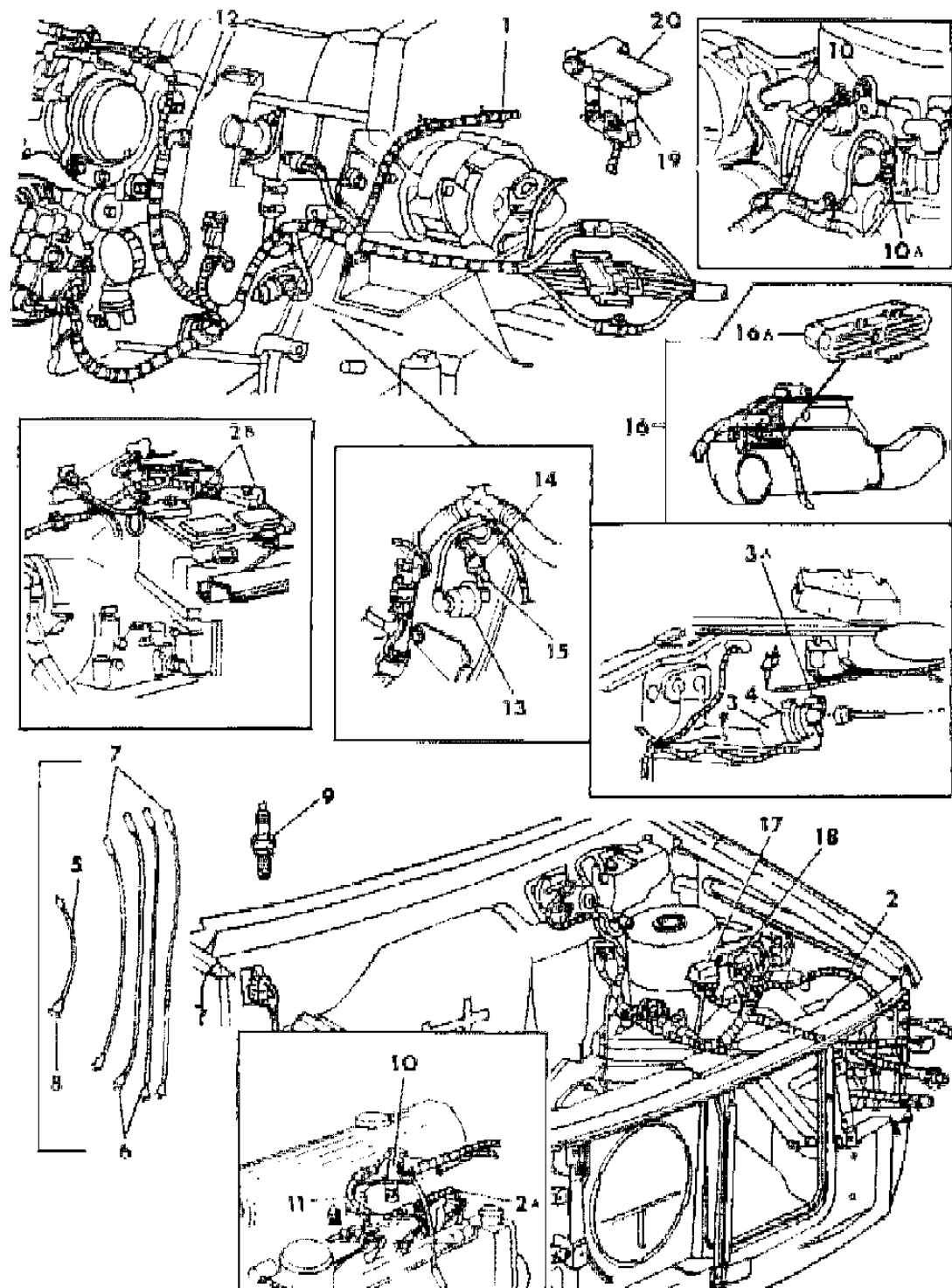
BODY STYLES

12-52 = FWD VAN & WAGON STD. W.B. 27 = 2-DOOR CONVERTIBLE
 13-53 = FWD VAN & WGN EXT W.B. 41 = 4-DOOR SEDAN
 21 = 2-DOOR SEDAN 44 = 4-DOOR HATCHBACK
 24 = 2-DOOR HATCHBACK 45 = 4-DOOR STATION WAGON

AR = Use as Required - = Non Illustrated Part P.A.R. = Paint as Required

WIRING--ENGINE-FRONT END & RELATED PARTS H BODY
Figure 8-6600

8108 6600 B



ITEM	PART NUMBER	QTY	BODY	MODEL	DESCRIPTION
	5233 690				2.5 Eng. Man. Trans.
	5233 686				2.5 Eng. Auto. Trans.
	5233 692				2.5 Eng. Man. Trans. Calif.
	5233 688				2.5 Eng. Auto. Trans. Calif.
	5233 986				Turbo, Man. Trans.
	5233 246				Turbo 11, Man. Trans.
	5233 982				Turbo, Auto. Trans.
	5233 984				Turbo, Auto. Trans., Calif.
	5234 340				Turbo 11, Man. Trans. Calif.
	5233 254				Turbo, Auto. Trans. Calif.
16A	4419 492				CONNECTOR, 60-Way (w/o A-604) (Also Order 1-4419479 Wiring)
	4419 494				w/Turbo
17	5227 300				RELAY, Starter
18	4221 576				RELAY, A/C Clutch Cutout
19	5227 152				MAP SENSOR, Turbo
	5227 151				2.2, 2.5 Eng.
20	5227 287				BRACKET, Map Sensor Turbo
	5233 442				2.2, 2.5 Eng.

NOTE: FOR MAJOR ENGINE COMPARTMENT INSULATORS, MOLDS, CONNECTORS SEE ILLUS. 6950.
 NOTE: FOR WIRE REPAIR CRIMP PKGS. & HEAT TUBES SEE ILLUS. 12300.

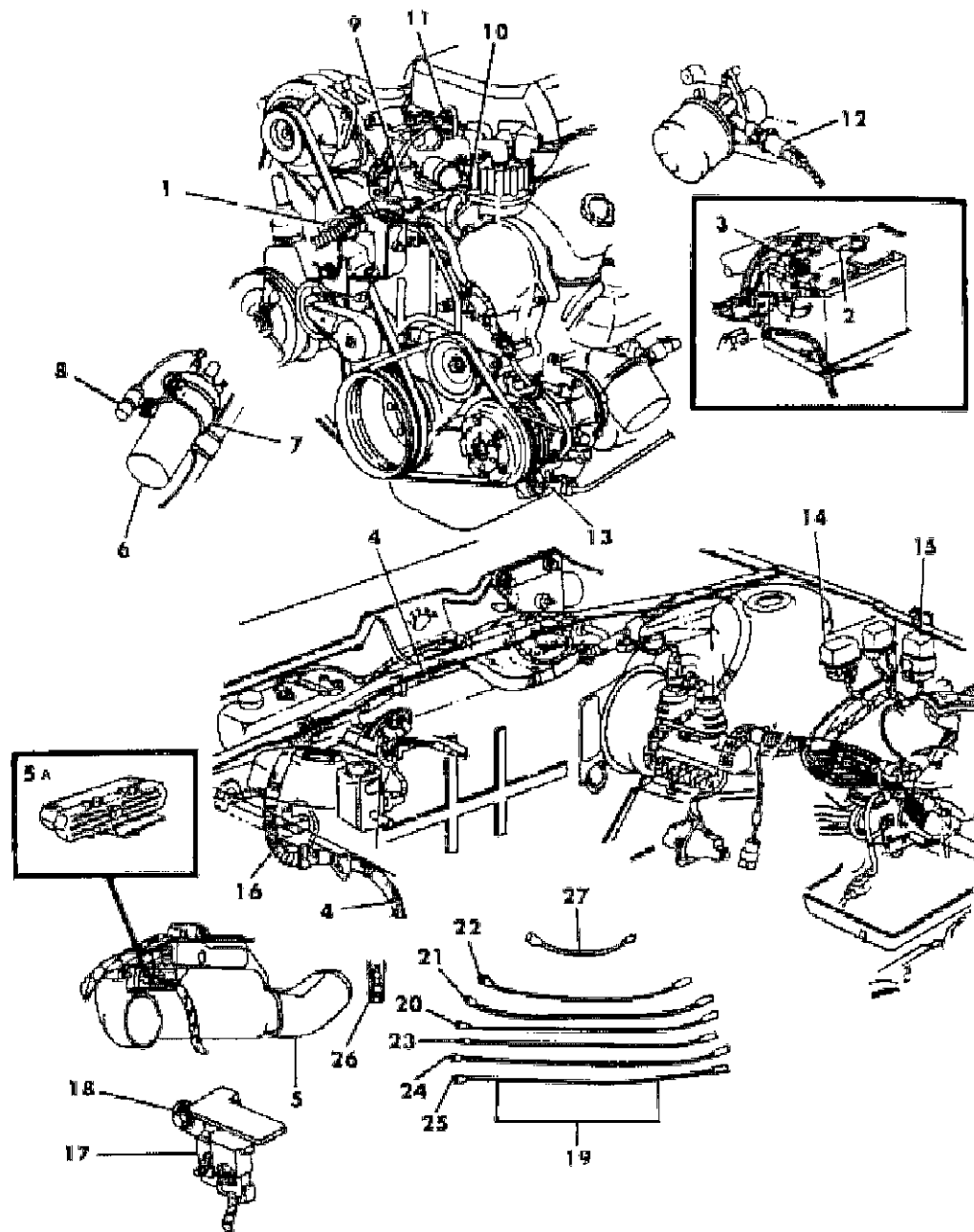
MODEL CODES
 C BODY = (D41 - DYNASTY)(C41 - NEW YORKER)
 E BODY = (J - CARAVELLE)(E - 600)(T - NEW YORKER TURBO)
 G BODY = (V24 - DAYTONA, PACIFICA & SHELBY)
 H BODY = (D44 - LANCER)(C44 - LEBARON GTS)
 J BODY = (C - LEBARON)
 K BODY = (P - RELIANT)(D - ARIES)(C - LEBARON/ TOWN & COUNTRY)
 L BODY = (M - HORIZON)(Z-OMNI)
 M BODY = (B - GRAN FURY)(G - DIPLOMAT)(F - FIFTH AVENUE/NEWPORT)
 P BODY = (P - SUNDANCE)(D - SHADOW)
 Q BODY = (C27 - MASERATI)
 S BODY = (H - VOYAGER)(K - RAM VAN/ CARAVAN)

BODY STYLES
 12-52 = FWD VAN & WAGON STD. W.B. 27 = 2-DOOR CONVERTIBLE
 13-53 = FWD VAN & WGN EXT W.B. 41 = 4-DOOR SEDAN
 21 = 2-DOOR SEDAN 44 = 4-DOOR HATCHBACK
 24 = 2-DOOR HATCHBACK 45 = 4-DOOR STATION WAGON

AR = Use as Required - = Non Illustrated Part P.A.R. = Paint as Required

WIRING--ENGINE-FRONT END & RELATED PARTS C BODY
Figure 8-6700

8108 6700 A



ITEM	PART NUMBER	QTY	BODY	MODEL	DESCRIPTION
1	4414 013				WIRING, Engine, 3.0 Eng.
	4414 188				2.5 Eng.
-	4414 323				WIRING, Throttle Body, 2.5 Eng.
2	4414 014				WIRING, Battery Pos., 3.0 Eng.
	4414 321				2.5 Eng.
3	4414 160				WIRING, Battery Neg., 3.0 Eng.
4					WIRING, Headlamp and Dash
	4414 011			D	2.5 Eng.
	4414 853			C	w/o Anti-Lock Brakes
	4414 857			D	w/o Anti-Lock Brakes
	4414 854			C	w/Anti-Lock Brakes
	4414 858			D	w/Anti-Lock Brakes
	4414 855			C	w/Overhead Console & Voice Alert
	4414 856			C	w/Overhead Console, Voice Alert & Anti-Lock Brakes
5					SINGLE MODULE ENG. CONTROL
	5233 716				3.0 Eng.
	5233 720				3.0 Eng. Calif.
	5233 260				2.5 Eng.
	5233 272				2.5 Calif.
5A	4419 492				CONNECTOR, 60-Way (w/o A-604) (Also Order 1-4419479 Wiring)
	4419 494				w/Turbo
6	MD10 1644				COIL, Ign.
7	5226 868				BRACKET, Coil
8	4222 775				CAPACITOR, Coil
9	4051 687				SENDING UNIT, Eng. Temp.
10	5226 374				SENSOR, Coolant Temp.
11	5227 805				SENSOR, Charge Intake
12	5227 050				SENDING UNIT, Oil Switch (Insul. 4439081)
13	5227 049				SENSOR, Oil Level
14	5227 300				RELAY, Starter
15	5227 057				RELAY, Fuel Pump
16					SENSOR, Anti-Lock Brake (See Group 5)
17	5227 151				MAP SENSOR
18	5233 442				BRACKET, Map Sensor
-	4419 359				CABLE SET, 4-Cyl.
19	MD99 7365				CABLE SET

MODEL CODES

C BODY = (D41 - DYNASTY)(C41 - NEW YORKER)
 E BODY = (J - CARAVELLE)(E - 600)(T - NEW YORKER TURBO)
 G BODY = (V24 - DAYTONA, PACIFICA & SHELBY)
 H BODY = (D44 - LANCER)(C44 - LEBARON GTS)
 J BODY = (C - LEBARON)
 K BODY = (P - RELIANT)(D - ARIES)(C - LEBARON/ TOWN & COUNTRY)

L BODY = (M - HORIZON)(Z-OMNI)
 M BODY = (B - GRAN FURY)(G - DIPLOMAT)(F - FIFTH AVENUE/NEWPORT)
 P BODY = (P - SUNDANCE)(D - SHADOW)
 Q BODY = (C27 - MASERATI)
 S BODY = (H - VOYAGER)(K - RAM VAN/ CARAVAN)

BODY STYLES

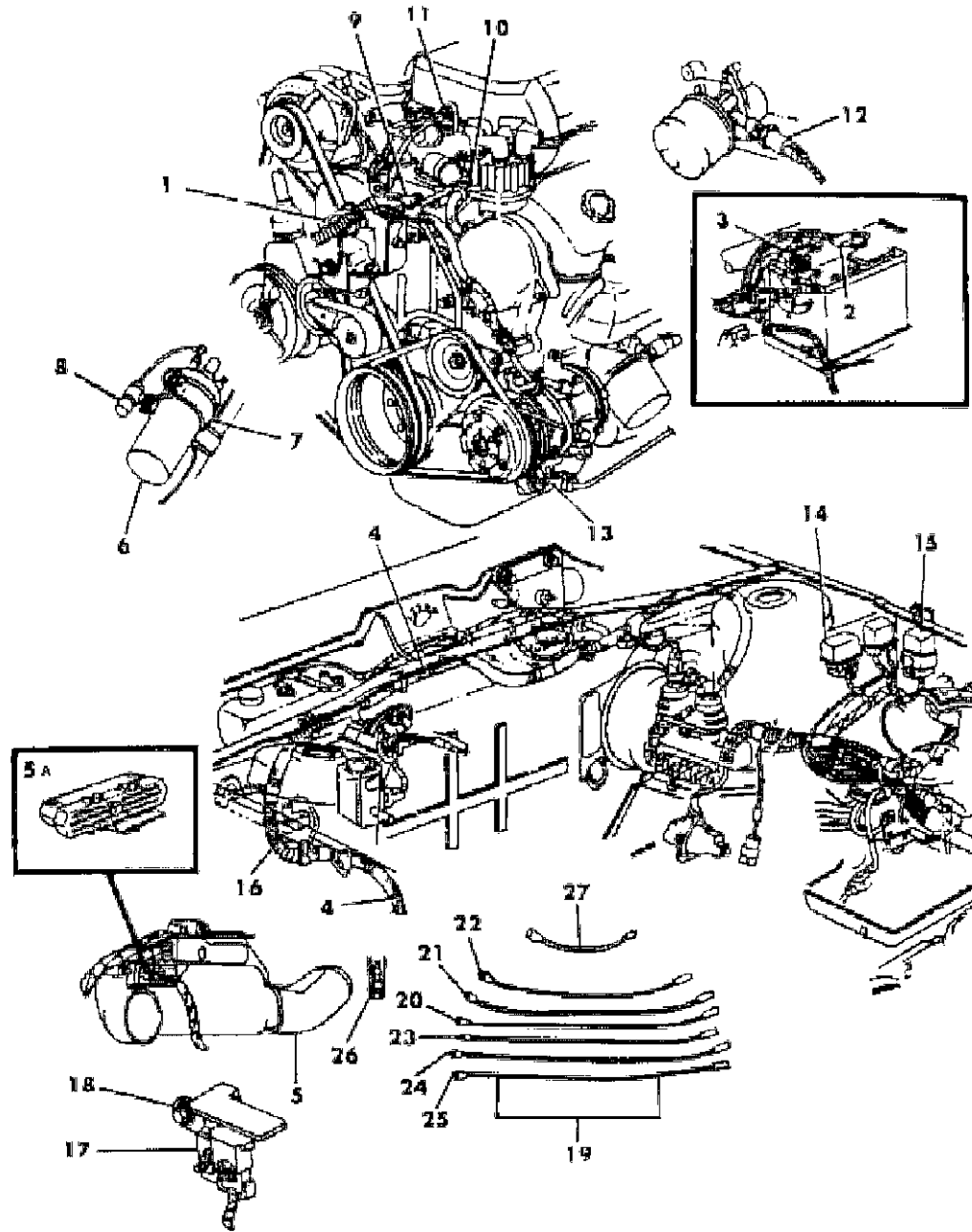
12-52 = FWD VAN & WAGON STD. W.B. 27 = 2-DOOR CONVERTIBLE
 13-53 = FWD VAN & WGN EXT W.B. 41 = 4-DOOR SEDAN
 21 = 2-DOOR SEDAN 44 = 4-DOOR HATCHBACK
 24 = 2-DOOR HATCHBACK 45 = 4-DOOR STATION WAGON

AR = Use as Required - = Non Illustrated Part P.A.R. = Paint as Required

WIRING--ENGINE-FRONT END & RELATED PARTS C BODY

Figure 8-6700

8108 6700 A



ITEM	PART NUMBER	QTY	BODY	MODEL	DESCRIPTION
20	MD10 7724				CABLE, #3
21	MD09 7055				CABLE, #2
22	MD10 7723				CABLE, #1
23	MD09 7059				CABLE, #4
24	MD10 7725				CABLE, #5
25	MD09 7070				CABLE, #6
26	5213 693				SPARK PLUG, RN 12YC
	4318 131				3.0 Eng., RN 11YC 4
27	MD10 1645				CABLE, Coil
NOTE: FOR MAJOR ENGINE COMPARTMENT INSULATORS, MOLDS, CONNECTORS SEE ILLUS. 6950.					
NOTE: FOR WIRE REPAIR CRIMP PKGS. & HEAT TUBES SEE ILLUS. 12300					

MODEL CODES

C BODY = (D41 - DYNASTY)(C41 - NEW YORKER)
 E BODY = (J - CARAVELLE)(E - 600)(T - NEW YORKER TURBO)
 G BODY = (V24 - DAYTONA, PACIFICA & SHELBY)
 H BODY = (D44 - LANCER)(C44 - LEBARON GTS)
 J BODY = (C - LEBARON)
 K BODY = (P - RELIANT)(D - ARIES)(C - LEBARON/ TOWN & COUNTRY)

L BODY = (M - HORIZON)(Z-OMNI)
 M BODY = (B - GRAN FURY)(G - DIPLOMAT)(F - FIFTH AVENUE/NEWPORT)
 P BODY = (P - SUNDANCE)(D - SHADOW)
 Q BODY = (C27 - MASERATI)
 S BODY = (H - VOYAGER)(K - RAM VAN/ CARAVAN)

BODY STYLES

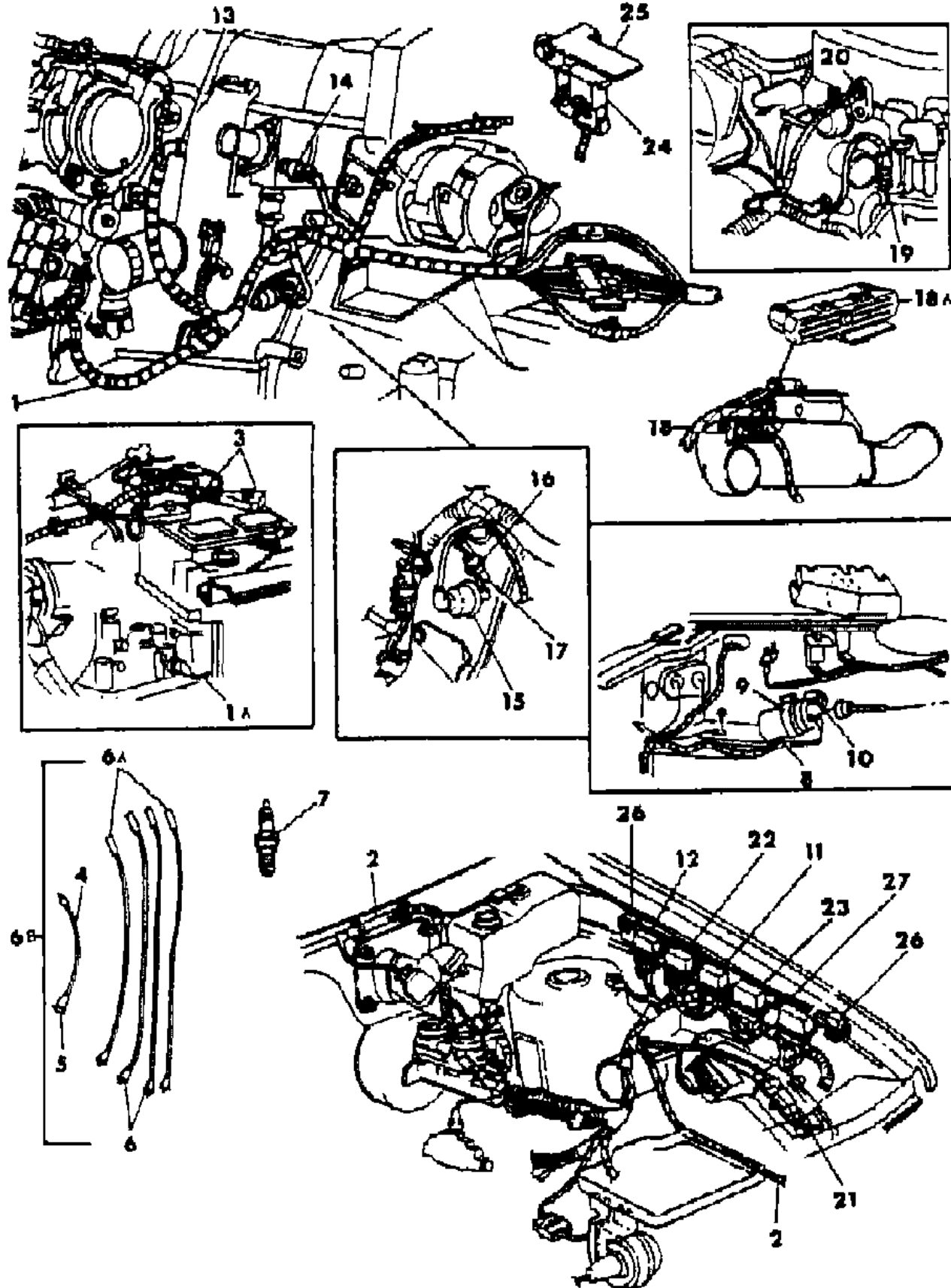
12-52 = FWD VAN & WAGON STD. W.B. 27 = 2-DOOR CONVERTIBLE
 13-53 = FWD VAN & WGN EXT W.B. 41 = 4-DOOR SEDAN
 21 = 2-DOOR SEDAN 44 = 4-DOOR HATCHBACK
 24 = 2-DOOR HATCHBACK 45 = 4-DOOR STATION WAGON

AR = Use as Required - = Non Illustrated Part P.A.R. = Paint as Required

WIRING--ENGINE-FRONT END & RELATED PARTS S BODY

Figure 8-6800

8108 6800 C



ITEM	PART NUMBER	QTY	BODY	MODEL	DESCRIPTION
1					WIRING, ENGINE
	4414 328				2.5 Eng.
	4414 730				2.5 Eng. w/Aux. Heater, Up to 11-2-87
	4414 636				Aft. 11-2-87
	4414 327				3.0 Eng.
	4414 524				3.0 Eng. Fleet
	4331 613				Wire, Radiator Fan Relay
1A	4209 695				WIRING, Auto. Trans.
	4414 323				Wiring, Throttle Body
2					WIRING, FRONT END, Headlamp to Dash Panel H-K
	4414 326				2.5 Eng.
	4414 325				3.0 Eng.
3					CABLE, Battery & Eng. Ground (Repair)
	4400 392				Battery Neg. 3.0 Eng.
	4414 330				Battery Pos. 2.5 Eng. Man. Trans.
	4414 331				Battery Pos. 2.5 Eng. Auto. Trans.
	4414 329				Battery Pos. 3.0 Eng.
4					CABLE, Ignition Coil
	5213 357				3.0 Eng.
5					NIPPLE, Ign. Coil Distributor End
6					CABLE, Spark Plug, #2-3
6A					CABLE, Spark Plug, #1-4
6B					CABLE SET
	MD99 7365				3.0 Eng.
	MD10 7724				#3, 3.0 Eng.
	MD09 7055				#2, 3.0 Eng.
	MD10 7723				#1, 3.0 Eng.
	MD09 7059				#4, 3.0 Eng.
	MD10 7725				#5, 3.0 Eng.
	MD09 7070				#6, 3.0 Eng.
7					SPARK PLUG, RN12YC
	5213 693				3.0 Eng.
8					COIL, Ignition
	4176 009				3.0 Eng.
9					BRACKET, Coil
	5226 868				
10					CAPACITOR, Ign. Coil
	4222 775				
11					RELAY, Starter
	5227 300				

MODEL CODES

C BODY = (D41 - DYNASTY)(C41 - NEW YORKER)
 E BODY = (J - CARAVELLE)(E - 600)(T - NEW YORKER TURBO)
 G BODY = (V24 - DAYTONA, PACIFICA & SHELBY)
 H BODY = (D44 - LANCER)(C44 - LEBARON GTS)
 J BODY = (C - LEBARON)
 K BODY = (P - RELIANT)(D - ARIES)(C - LEBARON/ TOWN & COUNTRY)

L BODY = (M - HORIZON)(Z-OMNI)
 M BODY = (B - GRAN FURY)(G - DIPLOMAT)(F - FIFTH AVENUE/NEWPORT)
 P BODY = (P - SUNDANCE)(D - SHADOW)
 Q BODY = (C27 - MASERATI)
 S BODY = (H - VOYAGER)(K - RAM VAN/ CARAVAN)

BODY STYLES

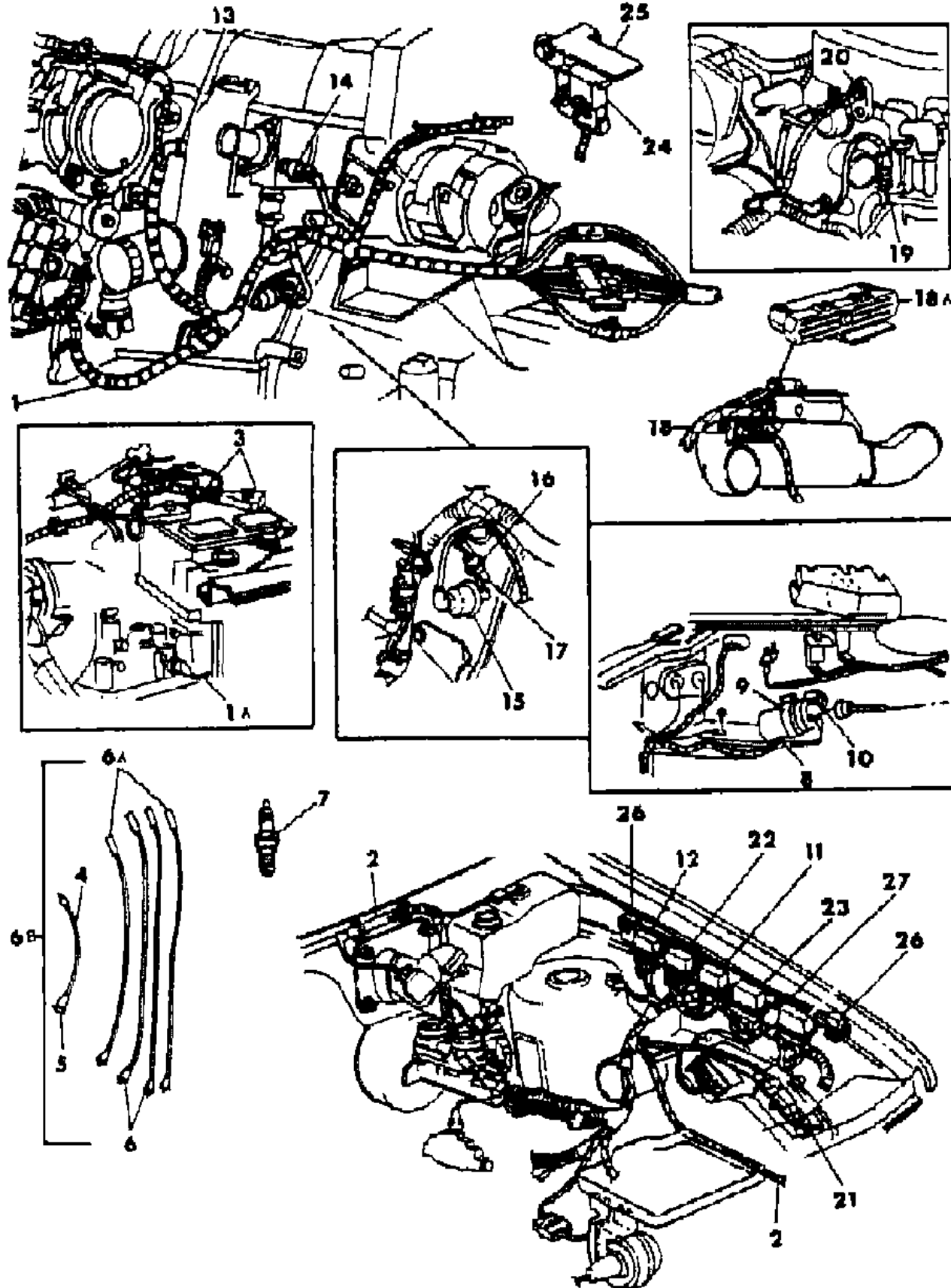
12-52 = FWD VAN & WAGON STD. W.B. 27 = 2-DOOR CONVERTIBLE
 13-53 = FWD VAN & WGN EXT W.B. 41 = 4-DOOR SEDAN
 21 = 2-DOOR SEDAN 44 = 4-DOOR HATCHBACK
 24 = 2-DOOR HATCHBACK 45 = 4-DOOR STATION WAGON

AR = Use as Required - = Non Illustrated Part P.A.R. = Paint as Required

WIRING--ENGINE-FRONT END & RELATED PARTS S BODY

Figure 8-6800

8108 6800 C



ITEM	PART NUMBER	QTY	BODY	MODEL	DESCRIPTION
12	4111 990				REGULATOR, Voltage
13	4051 687				SENDING UNIT, Eng. Temp. w/Gauge
14	4221 071				SWITCH, Eng. Temp. w/Light
15	5226 374				SENSOR, Eng. Temp.
16	4051 686				SENDING UNIT, Oil Pressure, w/Gauge
17	4289 888				FITTING, Oil Pressure, 2.5,3.0 Eng.
18	4221 673				SWITCH, Oil Pressure, 2.5 Eng. w/Gauge
18	4289 892				2.5 Eng. w/o Gauge
18	4169 629				3.0 Eng. w/Gauge
18	4379 037				3.0 Eng. w/o Gauge
18	5233 594				SINGLE MODULE ENG. CONTROL
18	5233 590				2.5 Man. Trans.
18	5233 586				2.5 Eng. Auto. Trans.
18	5233 592				3.0 Eng.
18	5233 588				2.5 Eng. Auto. Trans. Calif.
18	5233 588				3.0 Eng. Calif.
18	5233 596				2.5 Eng. Calif.
18A	4419 492				CONNECTOR, 60-Way, (w/o A604) (Also Use Wiring 4419479)
18A	4419 494				w/Turbo
19	5226 374				SENSOR, Coolant T.B.I. & Turbo
20	5226 356				SENSOR, Coolant Dual Therm
21					MODULE, See Item #18
22					RELAY, See Item #23
23	4419 185				RELAY, Condenser Fan Mtr.
24	5233 162				RELAY, A/C Clutch Cutout
24	5227 151				MAP SENSOR
25	5233 442				BRACKET, Map Sensor
26	5233 191				ISOLATOR
27	5233 192				BRACKET

NOTE: FOR MAJOR ENGINE COMPARTMENT INSULATORS, MOLDS, CONNECTORS SEE ILLUS. 6950.

NOTE: FOR WIRE REPAIR CRIMP PKGS. & HEAT TUBES SEE ILLUS. 12300.

MODEL CODES

C BODY = (D41 - DYNASTY)(C41 - NEW YORKER)
 E BODY = (J - CARAVELLE)(E - 600)(T - NEW YORKER TURBO)
 G BODY = (V24 - DAYTONA, PACIFICA & SHELBY)
 H BODY = (D44 - LANCER)(C44 - LEBARON GTS)
 J BODY = (C - LEBARON)
 K BODY = (P - RELIANT)(D - ARIES)(C - LEBARON/ TOWN & COUNTRY)

L BODY = (M - HORIZON)(Z-OMNI)
 M BODY = (B - GRAN FURY)(G - DIPLOMAT)(F - FIFTH AVENUE/NEWPORT)
 P BODY = (P - SUNDANCE)(D - SHADOW)
 Q BODY = (C27 - MASERATI)
 S BODY = (H - VOYAGER)(K - RAM VAN/ CARAVAN)

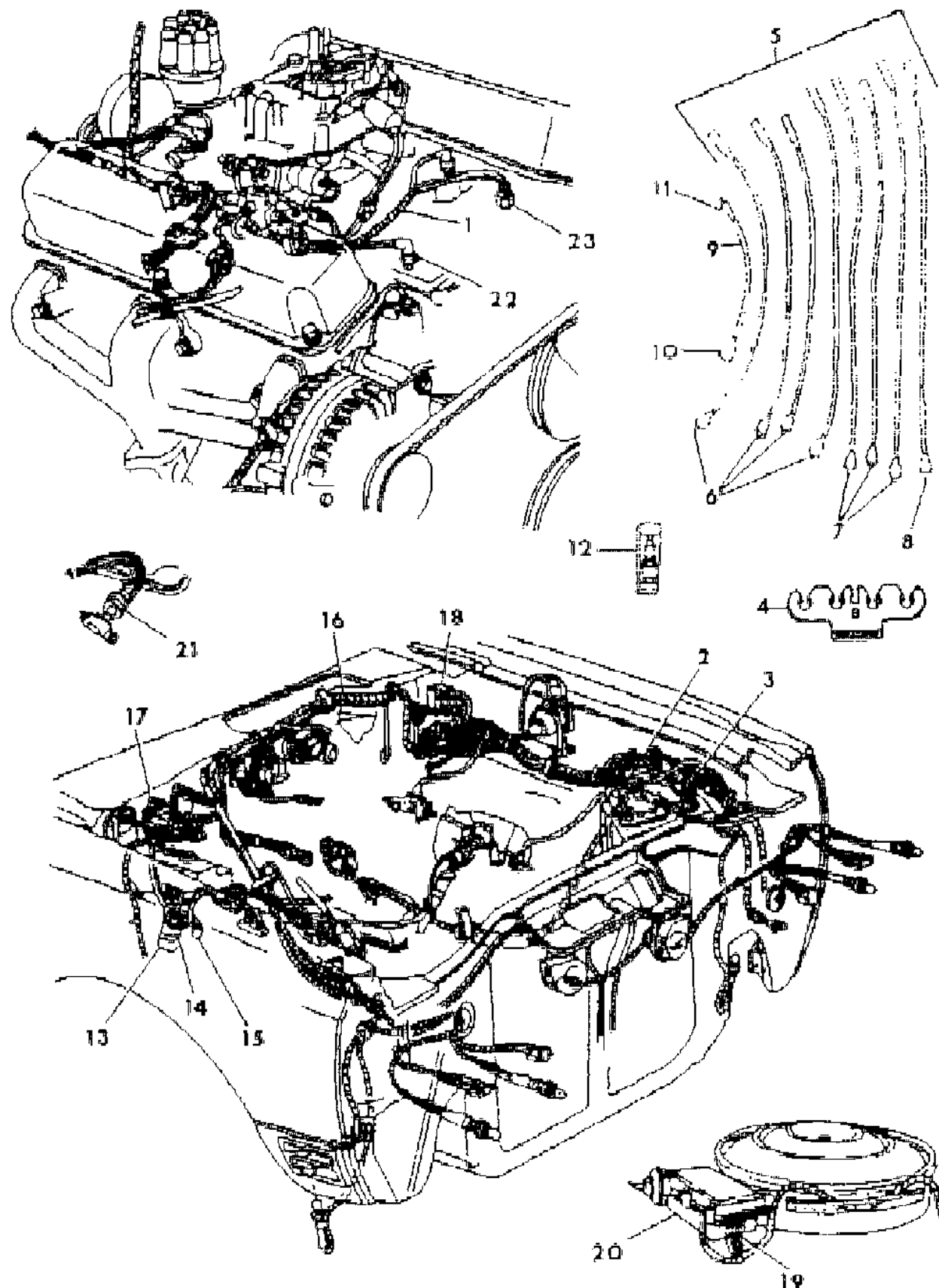
BODY STYLES

12-52 = FWD VAN & WAGON STD. W.B. 27 = 2-DOOR CONVERTIBLE
 13-53 = FWD VAN & WGN EXT W.B. 41 = 4-DOOR SEDAN
 21 = 2-DOOR SEDAN 44 = 4-DOOR HATCHBACK
 24 = 2-DOOR HATCHBACK 45 = 4-DOOR STATION WAGON

AR = Use as Required - = Non Illustrated Part P.A.R. = Paint as Required

WIRING--ENGINE-FRONT END & RELATED PARTS M BODY
Figure 8-6900

8108 6900



ITEM	PART NUMBER	QTY	BODY	MODEL	DESCRIPTION
1					WIRING, ENGINE
	4414 662				w/E.S.A. 2 BBL.
	4414 663				w/E.S.A. 4 BBL.
	4124 776				Batt. Acc.Feed POLICE
2					CABLE, Battery
	4274 210				Ground
3	4414 660				Positive
4	1841 499				SEPARATOR
5	4419 358				CABLE SET, Spark Plug
6	4145 925	4			CABLE, #1-2-3-4
7	4145 924	3			CABLE, #5-7-8
8	4145 923	1			CABLE, #6
9	5213 367				CABLE, Coil
	4111 930				4BBL.
10	4145 413				NIPPLE, Dist. End.
11	5213 355				NIPPLE, Coil End
12	5213 693				SPARK PLUG, RN12YC
13	4176 009				COIL, Ignition
14	5226 868				BRACKET, Coil
15	#4048 646				CAPACITOR, Ign. Coil
16					WIRING, FRONT END, Headlamp to Dash Panel B-F-G
	4414 667				w/50/120 Amp. Alt., Up to 5-16-88
	4414 666				Aft. 5-16-88
	4414 648				Auto.Trans.Switch Conn.(Repair)
	4209 695				
17	4379 225				REGULATOR, Voltage
18	#4111 971				RELAY, Starter
19	4274 035				MOLD, Elec. Spark Advance (Repair)
	4274 036				w/Bar
	4209 978				6-Way E.S.A. & E.F.I. Repair
20					CONTROL,ELEC.SPARK ADVANCE B-F-G
	4289 913				2 BBL. Calif.
	4379 226				Police, Auto. Trans.
	4289 921				Police, Under Dash
	4289 813				2 BBL., Exc.,Calif.
	4289 881				Canada
21	4186 352				SWITCH, Oil Press.w/Light

MODEL CODES

C BODY = (D41 - DYNASTY)(C41 - NEW YORKER)
 E BODY = (J - CARAVELLE)(E - 600)(T - NEW YORKER TURBO)
 G BODY = (V24 - DAYTONA, PACIFICA & SHELBY)
 H BODY = (D44 - LANCER)(C44 - LEBARON GTS)
 J BODY = (C - LEBARON)
 K BODY = (P - RELIANT)(D - ARIES)(C - LEBARON/ TOWN & COUNTRY)

L BODY = (M - HORIZON)(Z-OMNI)
 M BODY = (B - GRAN FURY)(G - DIPLOMAT)(F - FIFTH AVENUE/NEWPORT)
 P BODY = (P - SUNDANCE)(D - SHADOW)
 Q BODY = (C27 - MASERATI)
 S BODY = (H - VOYAGER)(K - RAM VAN/ CARAVAN)

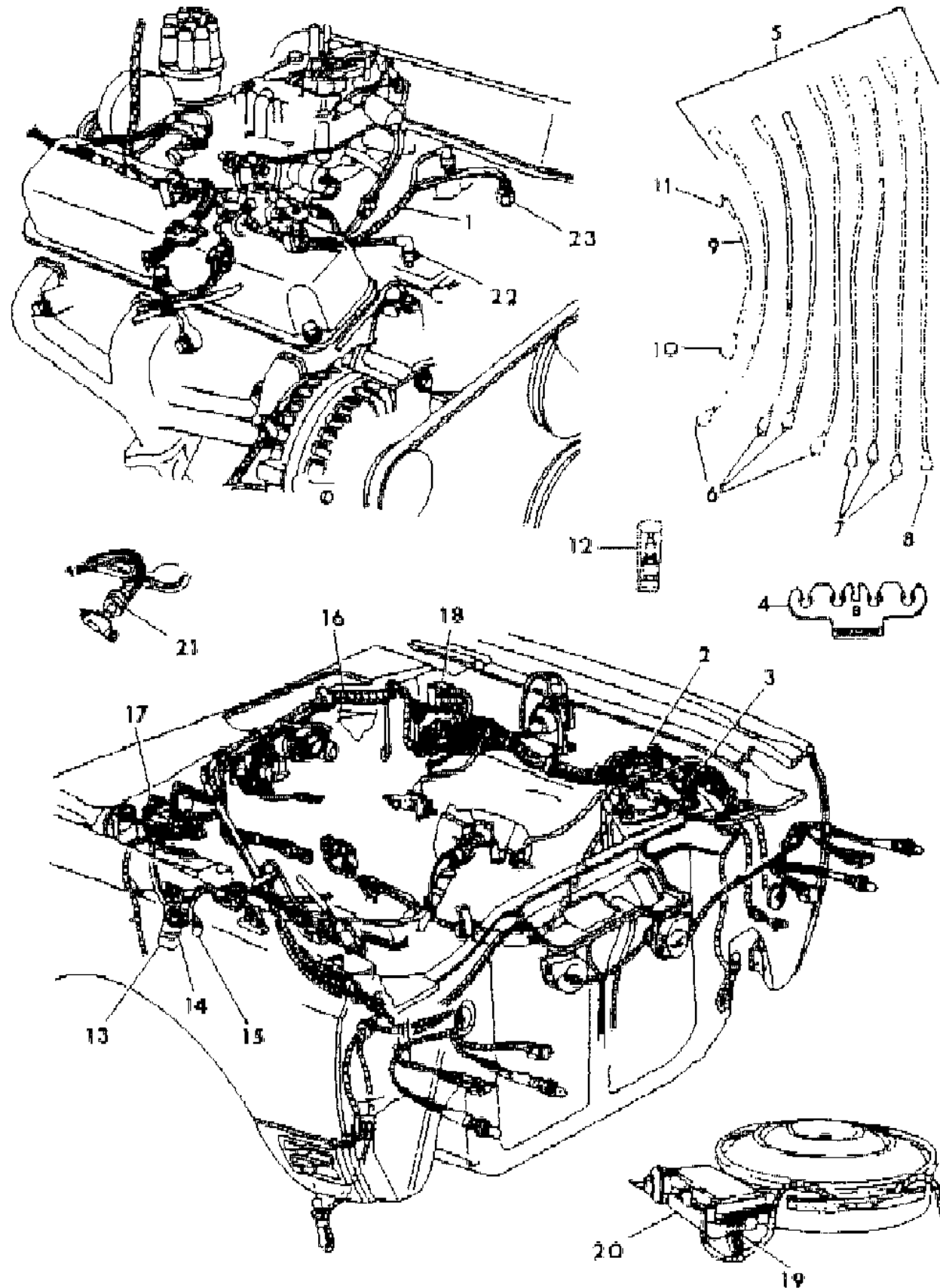
BODY STYLES

12-52 = FWD VAN & WAGON STD. W.B. 27 = 2-DOOR CONVERTIBLE
 13-53 = FWD VAN & WGN EXT W.B. 41 = 4-DOOR SEDAN
 21 = 2-DOOR SEDAN 44 = 4-DOOR HATCHBACK
 24 = 2-DOOR HATCHBACK 45 = 4-DOOR STATION WAGON

AR = Use as Required - = Non Illustrated Part P.A.R. = Paint as Required

WIRING--ENGINE-FRONT END & RELATED PARTS M BODY
Figure 8-6900

8108 6900



ITEM	PART NUMBER	QTY	BODY	MODEL	DESCRIPTION
-	4289 926				SENDING UNIT, w/Oil Gauge
22	4289 898				SENDING UNIT, Temp. Gauge
23	5213 629				SENSOR, Detonation
	5226 374				SENSOR, Charge Temp
	4331 650				WIRING, Oil Press. Switch
NOTE: FOR MAJOR ENGINE COMPARTMENT INSULATORS, MOLDS, CONNECTORS SEE ILLUS. 6950.					
NOTE: FOR WIRE REPAIR CRIMP PKGS. & HEAT TUBES SEE ILLUS. 12300.					

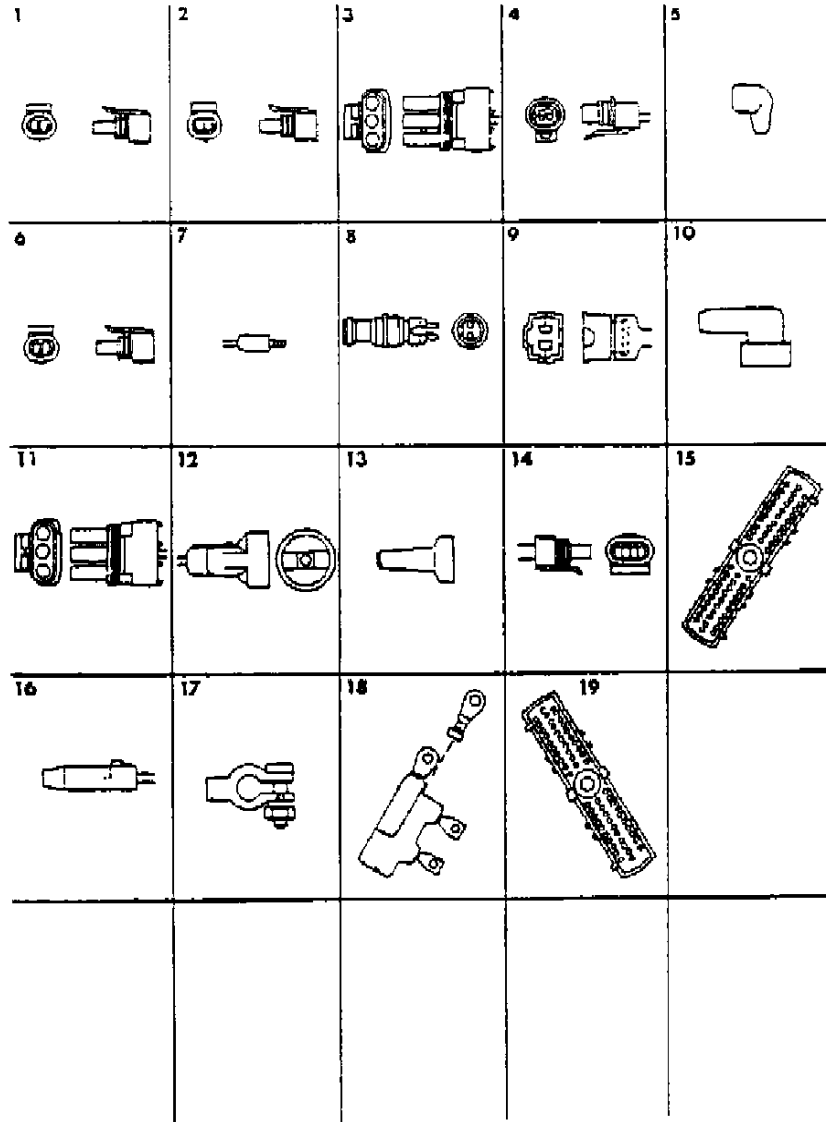
MODEL CODES
 C BODY = (D41 - DYNASTY)(C41 - NEW YORKER)
 E BODY = (J - CARAVELLE)(E - 600)(T - NEW YORKER TURBO)
 G BODY = (V24 - DAYTONA, PACIFICA & SHELBY)
 H BODY = (D44 - LANCER)(C44 - LEBARON GTS)
 J BODY = (C - LEBARON)
 K BODY = (P - RELIANT)(D - ARIES)(C - LEBARON/ TOWN & COUNTRY)
 L BODY = (M - HORIZON)(Z-OMNI)
 M BODY = (B - GRAN FURY)(G - DIPLOMAT)(F - FIFTH AVENUE/NEWPORT)
 P BODY = (P - SUNDANCE)(D - SHADOW)
 Q BODY = (C27 - MASERATI)
 S BODY = (H - VOYAGER)(K - RAM VAN/ CARAVAN)

BODY STYLES
 12-52 = FWD VAN & WAGON STD. W.B. 27 = 2-DOOR CONVERTIBLE
 13-53 = FWD VAN & WGN EXT W.B. 41 = 4-DOOR SEDAN
 21 = 2-DOOR SEDAN 44 = 4-DOOR HATCHBACK
 24 = 2-DOOR HATCHBACK 45 = 4-DOOR STATION WAGON

AR = Use as Required - = Non Illustrated Part P.A.R. = Paint as Required

WIRING--ENGINE & FRONT END INSULATORS--MOLDS--CONNECTORS
Figure 8-6950

8108 6950



ITEM	PART NUMBER	QTY	BODY	MODEL	DESCRIPTION
1	4414 901		E-G-H-J		INSULATOR PACKAGE, Coolant Sensor
	4414 901		K-L-P-S		
2	4414 902		E-G-H-J		INSULATOR PACKAGE, Charge Temp. Sensor
	4414 902		K-L-P-S		
3	4368 173		C-E-G-H		INSULATOR, Map Sensor (w/Term. 4274665) TURBO
	4368 173		K-P-J-S		
4	4400 241		C-E-G-H		INSULATOR, Ambient Temp. (Terminal 4400100)
	4400 241		J-K-M-P		(Terminal 4400100)
	4400 241		S		(Terminal 4400100)
	4400 241		S		Turbine Input Speed Sensor (Terminal 4400100)
5	2230 985		E-K-G-J		MOLD, Temp. Gauge Repair
	2230 985		M-P-S-L		
6	4414 901				INSULATOR PACKAGE, Air Temp. Sensor
7	4209 476		E-K-G-J		MOLD, Oxygen Sensor Repair
	4209 476		H-M-P		
8	4414 265		C		MOLD, Wheel Sensor
9	4274 923				MOLD, Injector, w/Term 4274922, Boot 4274972
10	#4124 807				MOLD, Detonation Sensor
11	4368 173		C-E-G-H		INSULATOR, Heated Oxygen Sensor
	4368 173		K-P		
12	3843 398		E-G-J-H		CONNECTOR, A/C Clutch Cutoff
	3843 398		M-P-S-L		
13	3513 655		E-K-G-J		MOLD, w/Wire, Brake Warning Lamp Switch
	3513 655		H-M-P-S		
	3513 655		L		
14	4368 357				MOLD, A.I.S. Motor
15					CONNECTOR, Not Serv. (Serv. Only in H/Lamp & Dash Wiring)
16	3843 937				CONNECTOR, Battery Cable (Female)
17					CONNECTOR, Serv. In Battery Cable Wiring
18					MOLD, Serv. In Engine Wire
19					CONNECTOR, S.M.E.C, 60-Way (Serv. in Wire Assy.)
	5211 587				MOLD, Distributor

MODEL CODES

C BODY = (D41 - DYNASTY)(C41 - NEW YORKER)
 E BODY = (J - CARAVELLE)(E - 600)(T - NEW YORKER TURBO)
 G BODY = (V24 - DAYTONA, PACIFICA & SHELBY)
 H BODY = (D44 - LANCER)(C44 - LEBARON GTS)
 J BODY = (C - LEBARON)
 K BODY = (P - RELIANT)(D - ARIES)(C - LEBARON/ TOWN & COUNTRY)

L BODY = (M - HORIZON)(Z-OMNI)
 M BODY = (B - GRAN FURY)(G - DIPLOMAT)(F - FIFTH AVENUE/NEWPORT)
 P BODY = (P - SUNDANCE)(D - SHADOW)
 Q BODY = (C27 - MASERATI)
 S BODY = (H - VOYAGER)(K - RAM VAN/ CARAVAN)

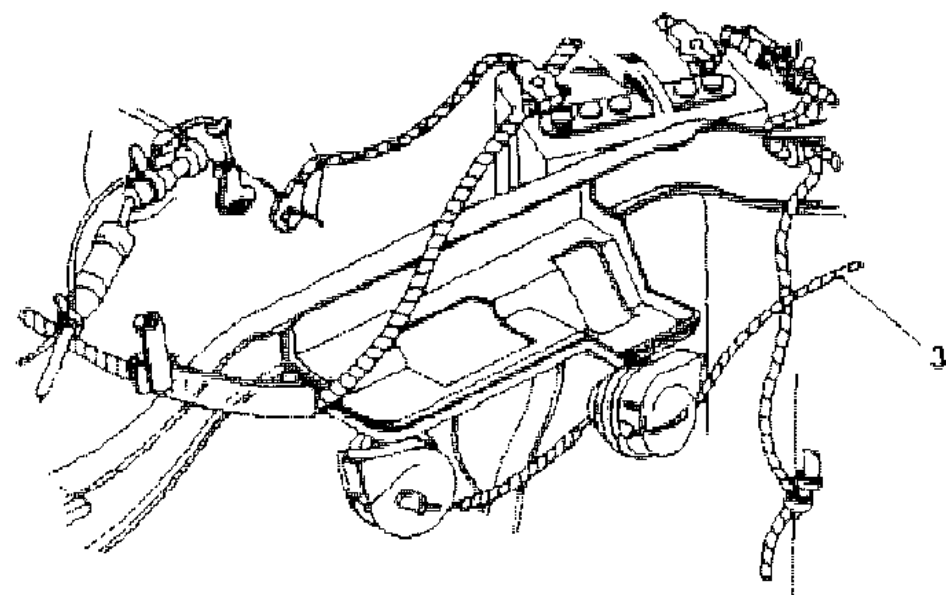
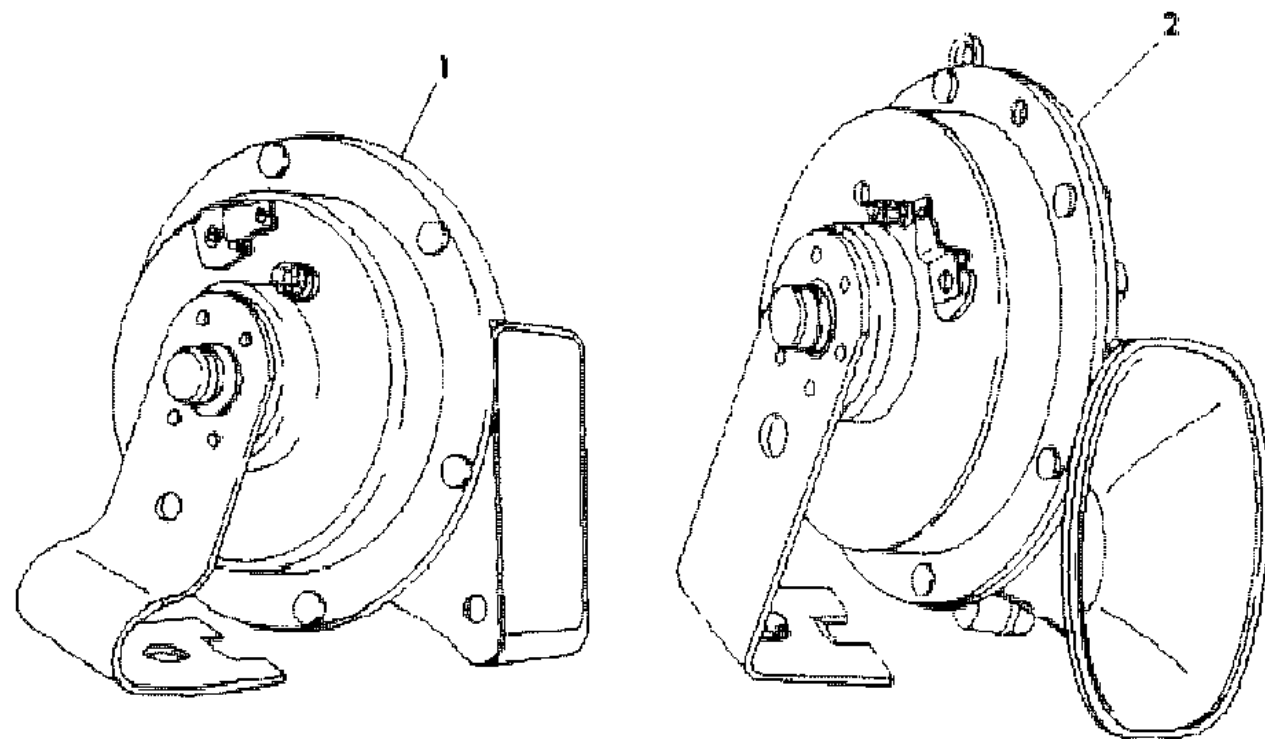
BODY STYLES

12-52 = FWD VAN & WAGON STD. W.B. 27 = 2-DOOR CONVERTIBLE
 13-53 = FWD VAN & WGN EXT W.B. 41 = 4-DOOR SEDAN
 21 = 2-DOOR SEDAN 44 = 4-DOOR HATCHBACK
 24 = 2-DOOR HATCHBACK 45 = 4-DOOR STATION WAGON

AR = Use as Required - = Non Illustrated Part P.A.R. = Paint as Required

HORN ALL MODELS
Figure 8-7000

8108 7000



ITEM	PART NUMBER	QTY	BODY	MODEL	DESCRIPTION
1	2808 869		L		HORN, High Note Pkg.
	4372 594		KEHSJGC		Hi-Note
	4372 594		G-J		HORN AND BRACKET, Hi-Note, EUROPE
2	2808 868		L		HORN, Low Note Pkg.
	4439 056		KEHSJGC		Lo-Note, (Up to 10-17-87)
	4372 586				(Aft. 10-17-87)
	-	4419 362		G-Q	COMPRESSOR, Air Horn
	-	4311 806		G-Q	SHIELD, Air Horn Splash
-	4311 142		L-K-E-S	PLATE, Horn Mounting or Backing	
-	4311 142		P-J-G-H	PLATE, Horn Mounting or Backing	
-	4220 849		S	PLATE, Horn Mounting or Backing	
-	4222 449		M	BRACKET, Horn	
-	4221 658			RELAY, Horn	
3	4304 739		S		WIRING, Horn Triad
	4372 065				AIR HORN PACKAGE

MODEL CODES

C BODY = (D41 - DYNASTY)(C41 - NEW YORKER)
 E BODY = (J - CARAVELLE)(E - 600)(T - NEW YORKER TURBO)
 G BODY = (V24 - DAYTONA, PACIFICA & SHELBY)
 H BODY = (D44 - LANCER)(C44 - LEBARON GTS)
 J BODY = (C - LEBARON)
 K BODY = (P - RELIANT)(D - ARIES)(C - LEBARON/ TOWN & COUNTRY)

L BODY = (M - HORIZON)(Z-OMNI)
 M BODY = (B - GRAN FURY)(G - DIPLOMAT)(F - FIFTH AVENUE/NEWPORT)
 P BODY = (P - SUNDANCE)(D - SHADOW)
 Q BODY = (C27 - MASERATI)
 S BODY = (H - VOYAGER)(K - RAM VAN/ CARAVAN)

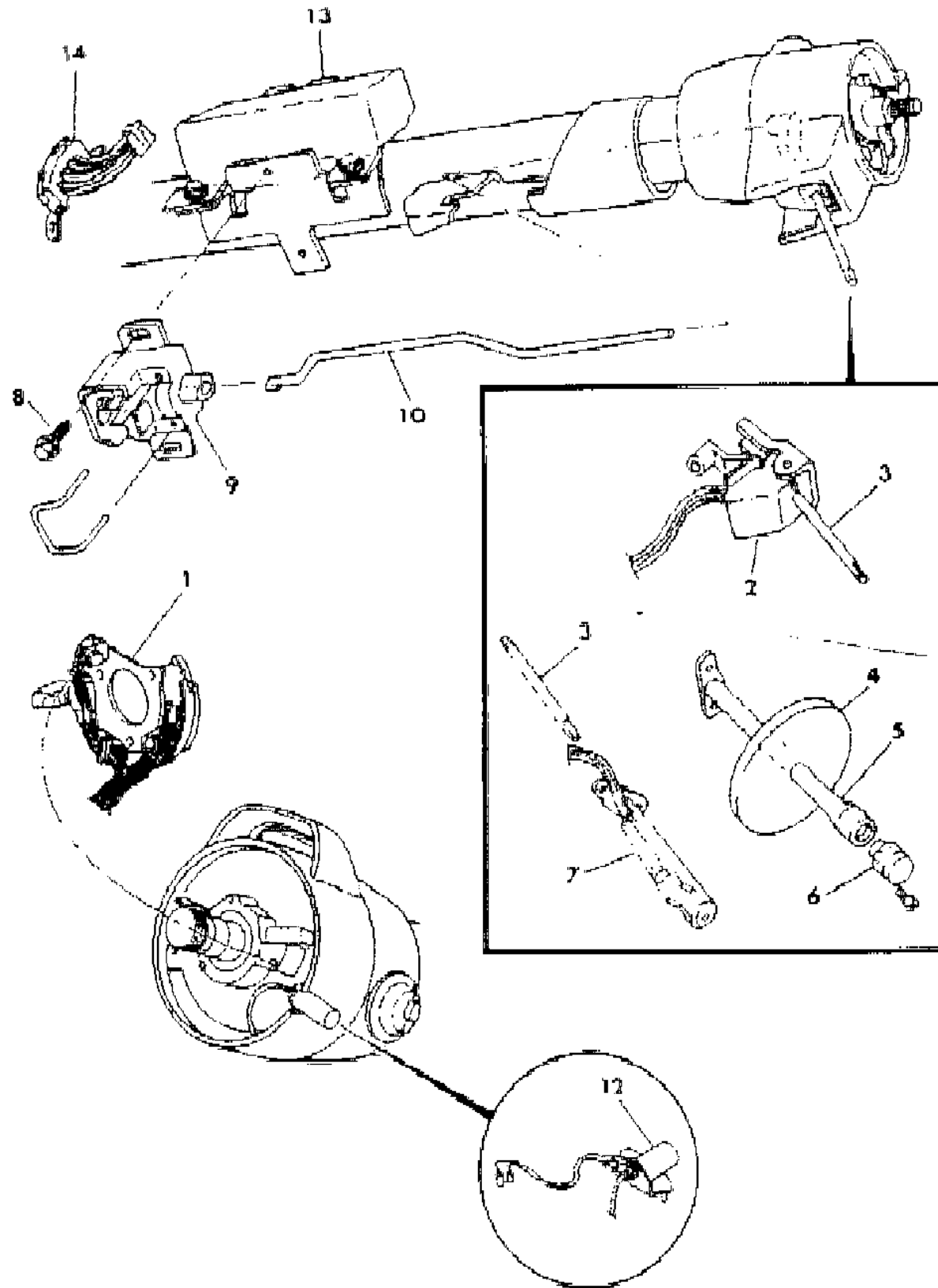
BODY STYLES

12-52 = FWD VAN & WAGON STD. W.B. 27 = 2-DOOR CONVERTIBLE
 13-53 = FWD VAN & WGN EXT W.B. 41 = 4-DOOR SEDAN
 21 = 2-DOOR SEDAN 44 = 4-DOOR HATCHBACK
 24 = 2-DOOR HATCHBACK 45 = 4-DOOR STATION WAGON

AR = Use as Required - = Non Illustrated Part P.A.R. = Paint as Required

SWITCHES-TURN SIGNAL AND HAZARD WARNING
Figure 8-7200

8108 7200



ITEM	PART NUMBER	QTY	BODY	MODEL	DESCRIPTION	
1	4221 339	1	L		SWITCH, Turn Signal & Hazard Warning	
	4373 198		K-E-H		w/o Tilt Strg.	
	4373 387		J		w/o Tilt	
	4373 388		G-J-Q		w/Tilt Sag. #26007586	
	4373 342		G		w/o Tilt, w/Airbag	
	4373 344		G		w/Tilt, w/Airbag	
	4373 200		S-M		w/o Tilt Strg.	
	4221 304		K-H		w/Tilt Strg. Sag.#7841454	
	4373 295		G-J		w/Tilt Strg. Sag.#26005928 w/Passive Restraint	
	4221 485		S-M		w/Tilt Strg. Sag.#7844423	
	4221 305		C		w/Tilt Strg.Sag.#7841455	
	4373 199		C		w/o Tilt	
	4221 305		E		w/Tilt Strg. w/Cornering Lamp	
	4221 304		E		w/Tilt Strg. w/o Cornering Lamp	
2	4373 201		P		w/o Tilt Strg.	
	4221 956		P		w/Tilt Strg. Sag. #7849024 (Up To 5-9-88)	
	4373 386		P		w/Tilt Strg. Sag. #26007585 (Aft. 5-9-88)	
	4373 385		G-J		w/o Tilt	
	-	4019 782	1			ARM, Sig. Switch w/Tilt Strg.
	3	4373 126		K-E-H		SWITCH, w/Shield Wiper & Washer (ALSO SEE ILLUS. 100)
		4373 215		C		w/Intermittent, w/o Tilt
		4439 029		C		w/Intermittent, w/Tilt
		4373 121		L		w/Intermittent Wiper w/o Tilt Strg. w/Shaft
		4439 028		M		w/Intermittent Wiper, w/Tilt
		4439 028		S		w/Intermittent Wiper, w/Tilt
		4373 390		G-J-Q		w/Intermittent Wiper, w/Tilt
		4439 027		K-E-H-Q		w/Intermittent Wiper, w/Tilt Strg.
		4373 389		G-J		w/Intermittent Wiper, w/o Tilt
4373 124			S		w/Intermittent Wiper,w/o Tilt Strg. w/Shaft	
4373 122			P		w/Intermittent Wiper w/o Tilt Strg.	
4221 783		P		w/Intermittent Wiper, w/Tilt Strg.		
4	3747 946	1		ALL	SHAFT, Turn Signal & w/Shield Wiper Switch	
	3747 566	1		ALL	w/o Tilt	
4	P199 VX9			ALL	w/Tilt	
					SHIELD, Turn Signal Switch Opening	

MODEL CODES

C BODY = (D41 - DYNASTY)(C41 - NEW YORKER)
 E BODY = (J - CARAVELLE)(E - 600)(T - NEW YORKER TURBO)
 G BODY = (V24 - DAYTONA, PACIFICA & SHELBY)
 H BODY = (D44 - LANCER)(C44 - LEBARON GTS)
 J BODY = (C - LEBARON)
 K BODY = (P - RELIANT)(D - ARIES)(C - LEBARON/ TOWN & COUNTRY)

L BODY = (M - HORIZON)(Z-OMNI)
 M BODY = (B - GRAN FURY)(G - DIPLOMAT)(F - FIFTH AVENUE/NEWPORT)
 P BODY = (P - SUNDANCE)(D - SHADOW)
 Q BODY = (C27 - MASERATI)
 S BODY = (H - VOYAGER)(K - RAM VAN/ CARAVAN)

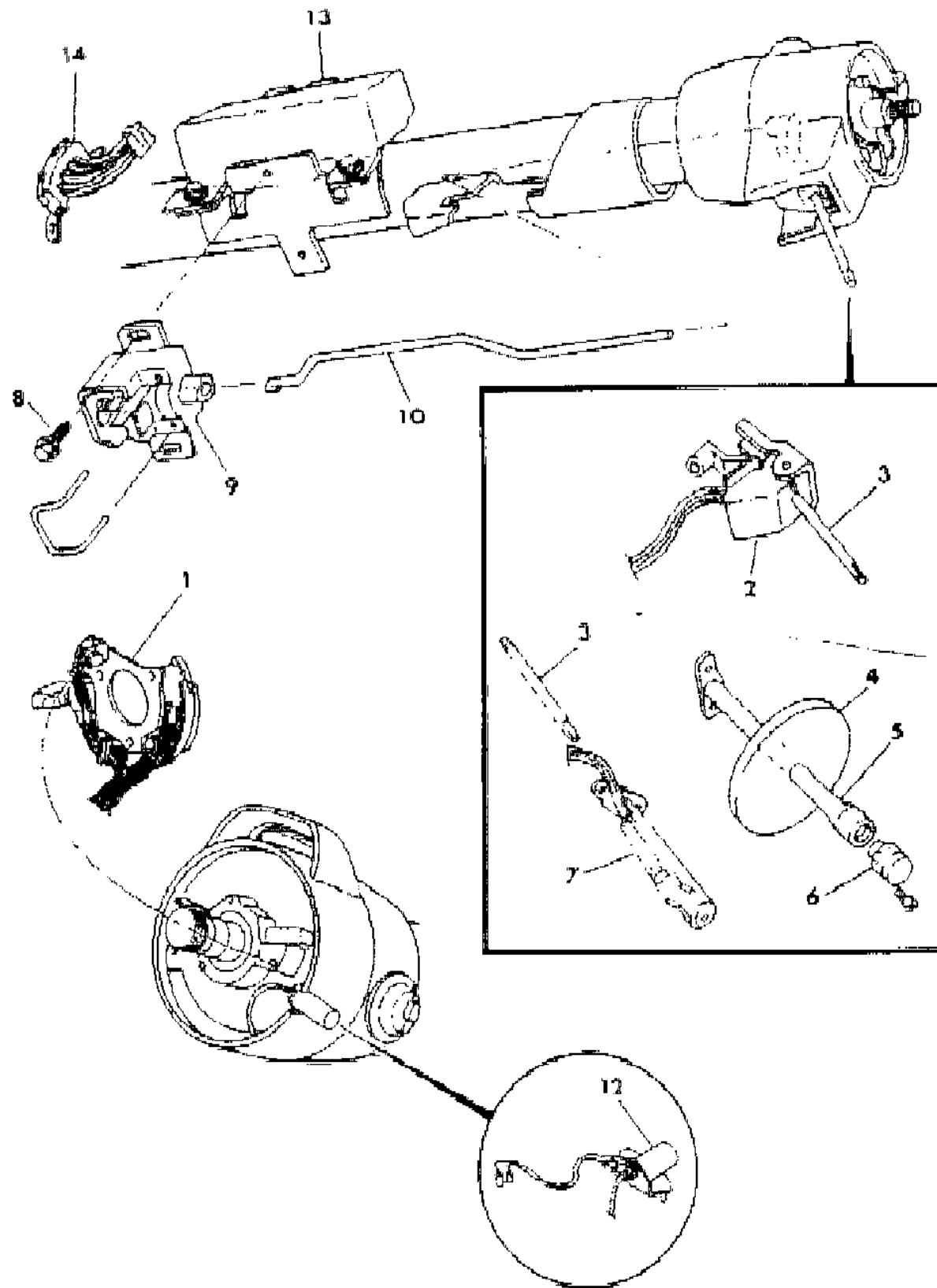
BODY STYLES

12-52 = FWD VAN & WAGON STD. W.B.	27 = 2-DOOR CONVERTIBLE
13-53 = FWD VAN & WGN EXT W.B.	41 = 4-DOOR SEDAN
21 = 2-DOOR SEDAN	44 = 4-DOOR HATCHBACK
24 = 2-DOOR HATCHBACK	45 = 4-DOOR STATION WAGON

AR = Use as Required - = Non Illustrated Part P.A.R. = Paint as Required

SWITCHES-TURN SIGNAL AND HAZARD WARNING
Figure 8-7200

8108 7200



ITEM	PART NUMBER	QTY	BODY	MODEL	DESCRIPTION
5	4221 460	1			LEVER, Turn Signal and w/Shield Wiper Switch, w/o Auto. Speed Control
	3747 645	1		ALL	CLIP, W/S Wiper & Wash. Switch Cover
-	4221 418	1		ALL	SILENCER, Switch Cover w/o Speed Control
6	4221 469	1	M		KNOB, w/s Wiper and Washer Switch (w/o Intermittent)
		1			(w/Intermittent)
	P159 BA7	1			Silver
	P159 BC7				Blue
	P159 BM6				Red
	P159 BT8				Tan
	P159 BX9				Black
	P159 DT5		C	27	Tan
	4221 458		P-G-J		
	4221 458		H-Q		
	4373 123		M		
	3747 914	1	K-E-S-H		KNOB and SHAFT, Wiper & Washer Switch (w/o Intermittent)
	4188 491	1	K-E-G		KNOB and SCREW, Hazard Warning, w/Tilt Strg.
	4188 491	1	S-Q-M		KNOB and SCREW, Hazard Warning, w/Tilt Strg.
	4188 491	1	C-H-J-P		KNOB and SCREW, Hazard Warning, w/Tilt (KIT)
7	4373 257	1	K-E-S-M		SWITCH and LEVER, Speed Control
	4373 259		G-Q-J-P		w/Tilt
	4373 259		C-H		w/Tilt
8					SCREW, (Not Serv.)
9	4057 985	1	L		SWITCH, Head Lamp Beam Selector
	4131 373	1	M		w/o Tilt Strg.
	4221 198	1		Exc.BFG	w/o Tilt Strg.
	4131 525	1	M		w/Tilt Strg.
	4221 200	1		Exc.BFG	w/Tilt Strg.
10	5209 904	1	L		ROD, H/Lamp Beam Selector Actuating
	3747 920	1		Exc.BFG	w/Tilt w/Console
	3747 887	1		Exc.BFG	w/Tilt w/o Console
	4221 062	1	K-E-H-S		w/o Tilt
	4221 062		C		w/o Tilt
	4373 262	1	G-J		w/o Tilt
	4221 778	1	P		w/o Tilt
	3747 816	1	M		w/o Tilt Strg.
	3747 921	1	M		w/Tilt Strg. w/A/Trans. w/Console

MODEL CODES

C BODY = (D41 - DYNASTY)(C41 - NEW YORKER)
 E BODY = (J - CARAVELLE)(E - 600)(T - NEW YORKER TURBO)
 G BODY = (V24 - DAYTONA, PACIFICA & SHELBY)
 H BODY = (D44 - LANCER)(C44 - LEBARON GTS)
 J BODY = (C - LEBARON)
 K BODY = (P - RELIANT)(D - ARIES)(C - LEBARON/ TOWN & COUNTRY)

L BODY = (M - HORIZON)(Z-OMNI)
 M BODY = (B - GRAN FURY)(G - DIPLOMAT)(F - FIFTH AVENUE/NEWPORT)
 P BODY = (P - SUNDANCE)(D - SHADOW)
 Q BODY = (C27 - MASERATI)
 S BODY = (H - VOYAGER)(K - RAM VAN/ CARAVAN)

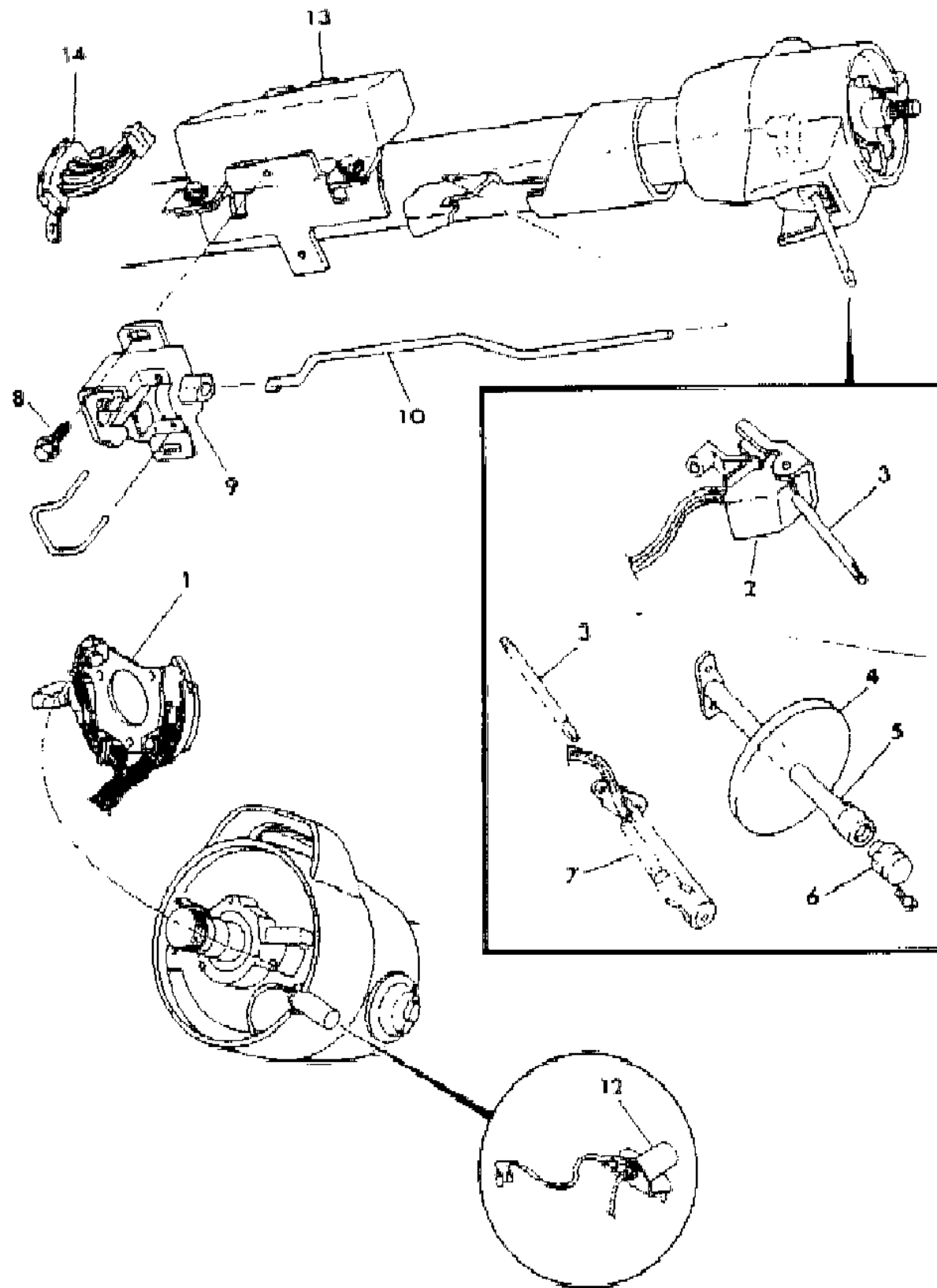
BODY STYLES

12-52 = FWD VAN & WAGON STD. W.B. 27 = 2-DOOR CONVERTIBLE
 13-53 = FWD VAN & WGN EXT W.B. 41 = 4-DOOR SEDAN
 21 = 2-DOOR SEDAN 44 = 4-DOOR HATCHBACK
 24 = 2-DOOR HATCHBACK 45 = 4-DOOR STATION WAGON

AR = Use as Required - = Non Illustrated Part P.A.R. = Paint as Required

SWITCHES-TURN SIGNAL AND HAZARD WARNING
Figure 8-7200

8108 7200



ITEM	PART NUMBER	QTY	BODY	MODEL	DESCRIPTION
-	3747 837	1	M		w/Tilt Strg. w/A/Trans. w/o Console
-	4019 787	1		All	ACTUATOR, Rod Dimmer Switch w/Tilt
12	4221 308	1	L		LAMP, Ignition & Starter Switch, w/Time Delay
	4221 769	1	K-E-G-H		w/o Tilt Strg.
	4221 770	1	S		w/o Tilt Strg.
	4373 437	1	K-E-S		w/Tilt Strg.
	4373 437	1	G-H-M		w/Tilt Strg.
	4373 437		P-J-C-Q		w/Tilt
	4221 769	1	M-C-E-K		w/o Tilt Strg.
	4221 952	1	K-P-H		w/o Tilt Strg.
13	5209 891	1	L		SWITCH, Ignition & Starter
	3747 529	1	M		w/Tilt Strg.
	4131 367	1	M		w/o Tilt Strg.
	3747 882	1	K-E-S		w/o Tilt Strg.
	3747 882	1	G-H-J-C		w/o Tilt Strg.
	4221 218	1	G-J-Q		w/ Tilt Strg.
	4221 201	1	K-E-H-S		w/ Tilt Strg.
	4221 201		C		w/ Tilt
	4221 779	1	P		w/o Tilt Strg.
	4221 780	1	P		w/Tilt Strg.
14		1	M		WIRING, w/Tilt Strg. (Jumper)
-	3747 595	1		ALL	PLUG, Ignition Switch Lamp Opening w/o Tilt Strg.

MODEL CODES

C BODY = (D41 - DYNASTY)(C41 - NEW YORKER)
 E BODY = (J - CARAVELLE)(E - 600)(T - NEW YORKER TURBO)
 G BODY = (V24 - DAYTONA, PACIFICA & SHELBY)
 H BODY = (D44 - LANCER)(C44 - LEBARON GTS)
 J BODY = (C - LEBARON)
 K BODY = (P - RELIANT)(D - ARIES)(C - LEBARON/ TOWN & COUNTRY)

L BODY = (M - HORIZON)(Z-OMNI)
 M BODY = (B - GRAN FURY)(G - DIPLOMAT)(F - FIFTH AVENUE/NEWPORT)
 P BODY = (P - SUNDANCE)(D - SHADOW)
 Q BODY = (C27 - MASERATI)
 S BODY = (H - VOYAGER)(K - RAM VAN/ CARAVAN)

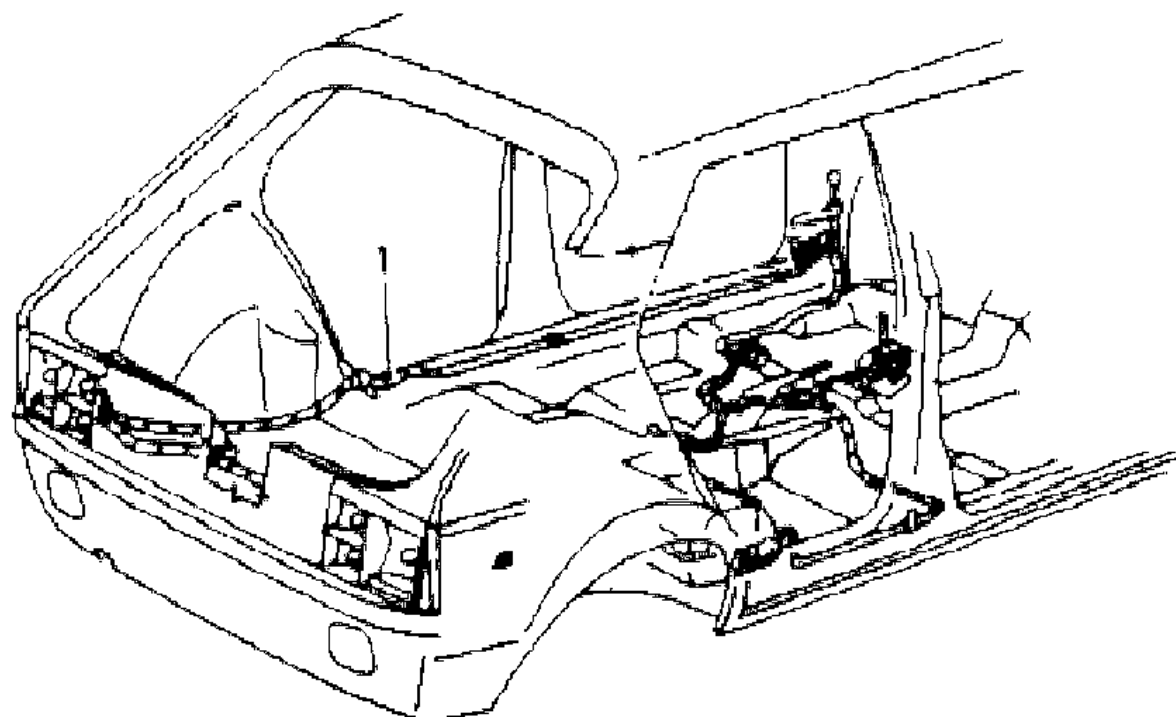
BODY STYLES

12-52 = FWD VAN & WAGON STD. W.B. 27 = 2-DOOR CONVERTIBLE
 13-53 = FWD VAN & WGN EXT W.B. 41 = 4-DOOR SEDAN
 21 = 2-DOOR SEDAN 44 = 4-DOOR HATCHBACK
 24 = 2-DOOR HATCHBACK 45 = 4-DOOR STATION WAGON

AR = Use as Required - = Non Illustrated Part P.A.R. = Paint as Required

WIRING--BODY & ACCESSORIES L BODY
Figure 8-7300

8108 7300



ITEM	PART NUMBER	QTY	BODY	MODEL	DESCRIPTION
1					WIRING, BODY
	4368 530	1		M	w/Rr. Wiper & Washer
	4368 529	1		Z	w/Rr. Wiper & Washer
	4368 707				Floor Pan, To F/Tank Sending Unit
					WIRING, ACCESSORIES
	4368 536				Heated Rear Window, Lift Gate & Hi-Mtd.Stop Lamp
	4304 455				Console w/o A/C
	4304 456				Console w/ A/C
	5211 717	2			Door Speaker Stereo,(Front Rt. & Lt.)
	4368 707				Floor Pan

MODEL CODES

C BODY = (D41 - DYNASTY)(C41 - NEW YORKER)	L BODY = (M - HORIZON)(Z-OMNI)
E BODY = (J - CARAVELLE)(E - 600)(T - NEW YORKER TURBO)	M BODY = (B - GRAN FURY)(G - DIPLOMAT)(F - FIFTH AVENUE/NEWPORT)
G BODY = (V24 - DAYTONA, PACIFICA & SHELBY)	P BODY = (P - SUNDANCE)(D - SHADOW)
H BODY = (D44 - LANCER)(C44 - LEBARON GTS)	Q BODY = (C27 - MASERATI)
J BODY = (C - LEBARON)	S BODY = (H - VOYAGER)(K - RAM VAN/ CARAVAN)
K BODY = (P - RELIANT)(D - ARIES)(C - LEBARON/ TOWN & COUNTRY)	

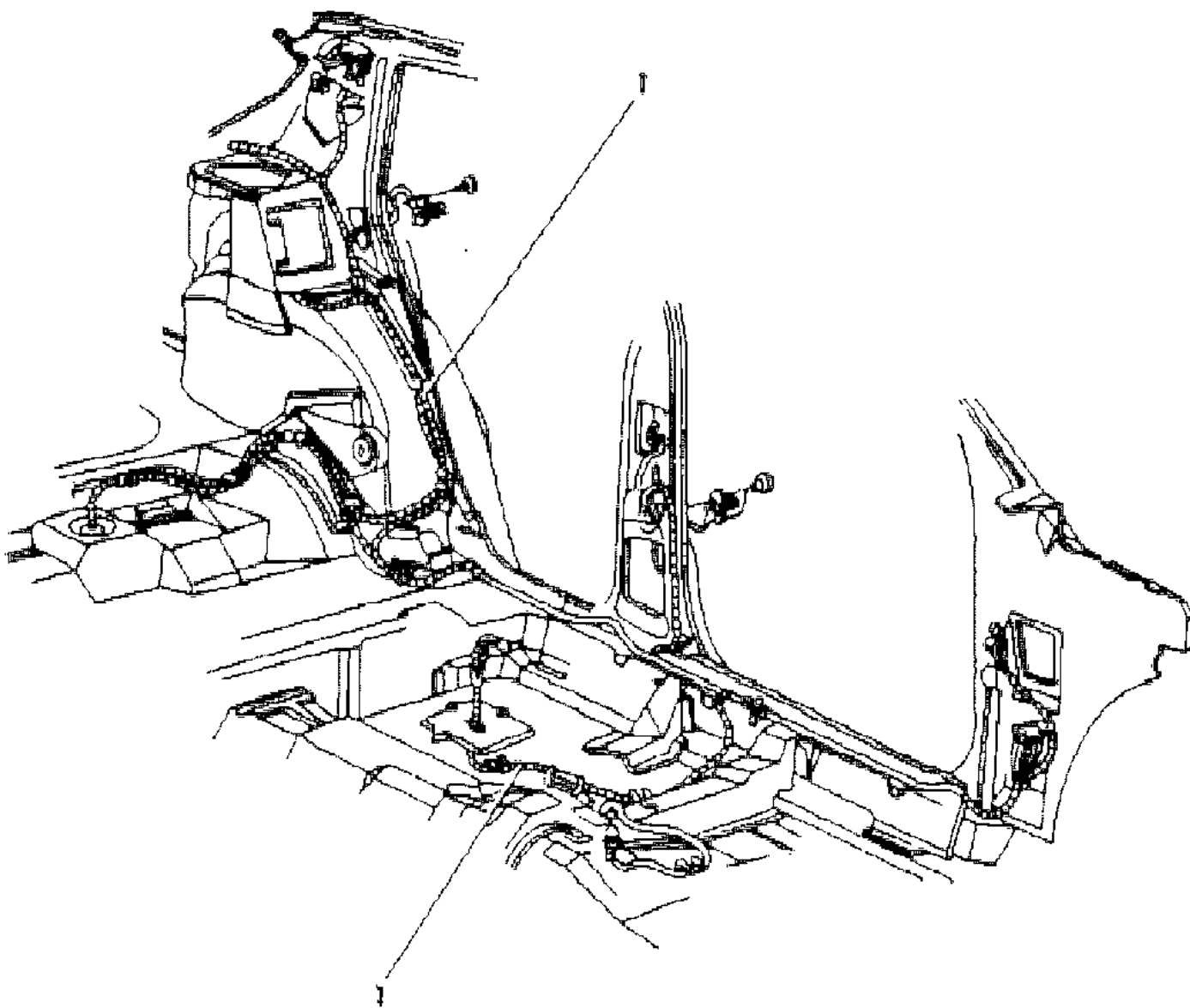
BODY STYLES

12-52 = FWD VAN & WAGON STD. W.B.	27 = 2-DOOR CONVERTIBLE
13-53 = FWD VAN & WGN EXT W.B.	41 = 4-DOOR SEDAN
21 = 2-DOOR SEDAN	44 = 4-DOOR HATCHBACK
24 = 2-DOOR HATCHBACK	45 = 4-DOOR STATION WAGON

AR = Use as Required - = Non Illustrated Part P.A.R. = Paint as Required

WIRING--BODY & ACCESSORIES P BODY
Figure 8-7400

8108 7400



ITEM	PART NUMBER	QTY	BODY	MODEL	DESCRIPTION
1					WIRING, Body
	4414 475				Frnt. Body Lt., Includes Rear Lamp Wiring
	4414 781				w/Passive Restraint
	4414 927				EUROPE
	4400 458				Rt. Sill Frnt. & Rear Door Ajar
	4414 768				Rt. Sill, Dr. Ajar, Jamb, Rear Speakers, w/Passive Restraint
	4414 483				Liftgate, Hi-Mtd. Stop Lamp
	4414 616				Rt. Sill Ajar & Rear Speakers
	4414 766				Sill Rt. Frnt. & Rear Door Jamb & Speakers, w/Passive Restraint
	4414 617				Dome & Visor Mtd. Map Lamp, Up to 5-9-88
	4414 778				Aft. 5-9-88
	4414 515		24		Frnt. Door Lock & Speaker
	4414 513		44		Frnt. Door Lock & Speaker
	4414 761		24		Frnt. Door Lock, Speakers, w/Passive Restraint
	4414 759		44		
	4414 517				Frnt. Door Wdo. Lift, Door Lock Pwr. Mirror & Speaker
	4414 765		24		Frnt. Door Wdo. Lift, Door Lock, Pwr. Mirror, Speakers, w/o Passive Restraint
	4414 991		24		w/Passive Restraint
	4414 763		44		w/o Passive Restraint
	4414 989		44		w/Passive Restraint
	4414 969				Frnt. Door Pwr. Mirrors, Speakers, w/Passive Restraint
	4414 523				Frnt. Door Lock, Wdo. Lift, Pwr. Mirror & Speakers
	4414 985		24		Frnt. Door Lock, Power Mirrors, Speakers, w/Passive Restraint
	4414 979		44		
	4368 114				Dome Lamp
	4368 708				CABLE, Heated Rr.Wdo. Feed Lt.

MODEL CODES

C BODY = (D41 - DYNASTY)(C41 - NEW YORKER)	L BODY = (M - HORIZON)(Z-OMNI)
E BODY = (J - CARAVELLE)(E - 600)(T - NEW YORKER TURBO)	M BODY = (B - GRAN FURY)(G - DIPLOMAT)(F - FIFTH AVENUE/NEWPORT)
G BODY = (V24 - DAYTONA, PACIFICA & SHELBY)	P BODY = (P - SUNDANCE)(D - SHADOW)
H BODY = (D44 - LANCER)(C44 - LEBARON GTS)	Q BODY = (C27 - MASERATI)
J BODY = (C - LEBARON)	S BODY = (H - VOYAGER)(K - RAM VAN/ CARAVAN)
K BODY = (P - RELIANT)(D - ARIES)(C - LEBARON/ TOWN & COUNTRY)	

BODY STYLES

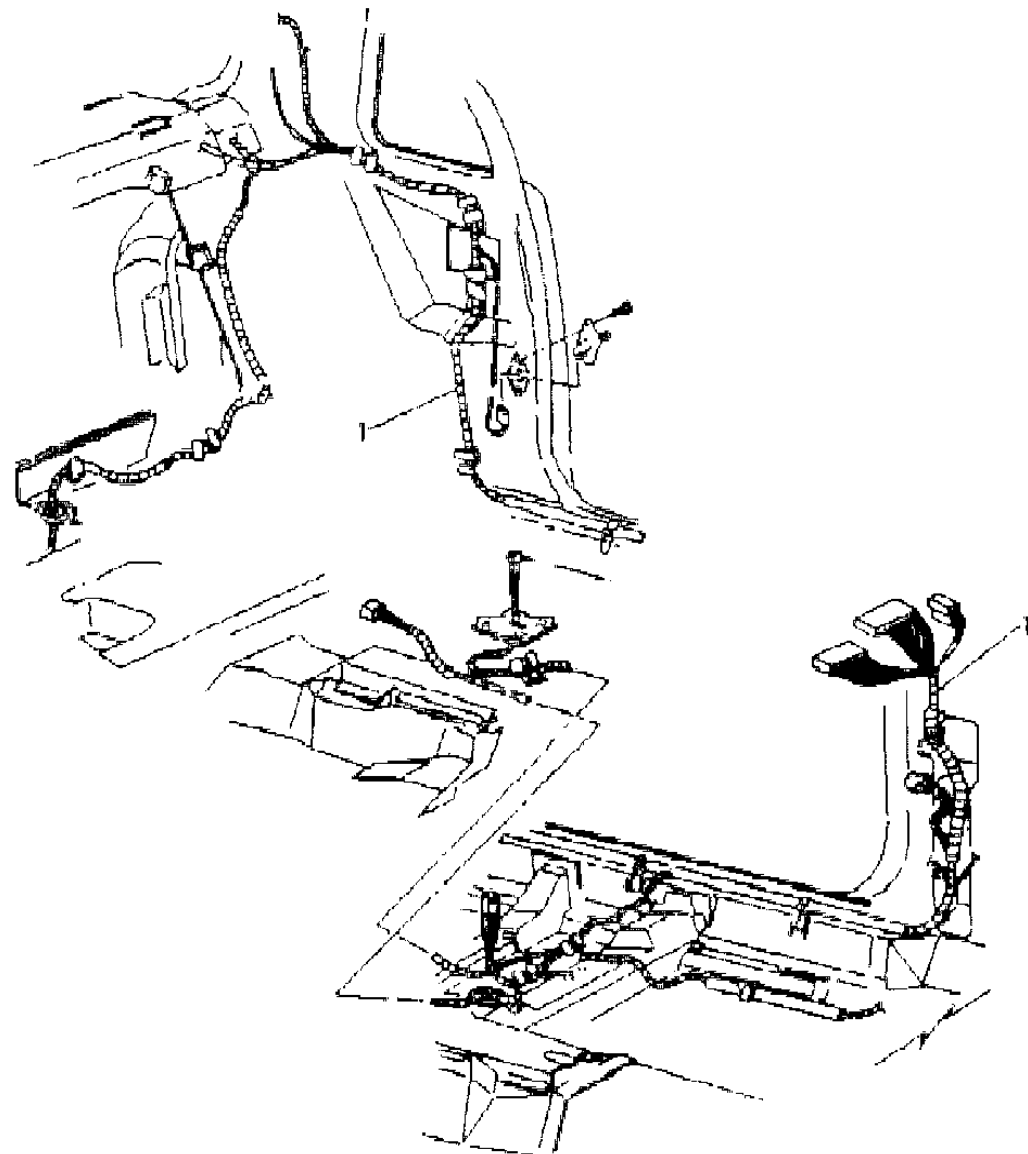
12-52 = FWD VAN & WAGON STD. W.B.	27 = 2-DOOR CONVERTIBLE
13-53 = FWD VAN & WGN EXT W.B.	41 = 4-DOOR SEDAN
21 = 2-DOOR SEDAN	44 = 4-DOOR HATCHBACK
24 = 2-DOOR HATCHBACK	45 = 4-DOOR STATION WAGON

AR = Use as Required - = Non Illustrated Part P.A.R. = Paint as Required

WIRING--BODY & ACCESSORIES J BODY

Figure 8-7500

8108-7500



ITEM	PART NUMBER	QTY	BODY	MODEL	DESCRIPTION
1	4414 394			27	WIRING, BODY Frt. Rt
	4414 401			21	Body, Lt. Frt.
	4439 053			27	
	4414 441				Rear Body Lamp Warning
	4414 442				Rear Body, w/o Message Center
	4414 440				Rear Fascia
	4414 416				Overhead Console Rt. Sill & Vanity Lp.
	4414 412				Rt. Sill (Name Brand Speaker)
	4414 410				w/o Name Brand Speakers
	4414 402				Console, (E.B.L.,Wdo's & Belts)
	4414 408				Rt. Flr. Pan, E.B.L. & Wdo.
	4414 703				Lt. Door Courtesy Lamp & Speaker
	4414 407			21-27	Lt. Door Illum.Entry,Wdo.Lift,Pwr.Mirror,Door Lock
	4414 414				Rt.
	4414 702			21	Rt. Door Courtesy Lamp & Speaker
	4414 704-5			21	Door Illum. Entry & Pwr. Seat
	4414 409			21	Reading Lamp, Dome
	4400 004				Aprtr. Panel Tail, Stop, Turn Sig. (Rear)
	4400 006				Fascia
	4414 995				Clutch Cycling Switch Jumper
	4400 998				Rear Lamps

MODEL CODES

C BODY = (D41 - DYNASTY)(C41 - NEW YORKER)
 E BODY = (J - CARAVELLE)(E - 600)(T - NEW YORKER TURBO)
 G BODY = (V24 - DAYTONA, PACIFICA & SHELBY)
 H BODY = (D44 - LANCER)(C44 - LEBARON GTS)
 J BODY = (C - LEBARON)
 K BODY = (P - RELIANT)(D - ARIES)(C - LEBARON/ TOWN & COUNTRY)
 L BODY = (M - HORIZON)(Z-OMNI)
 M BODY = (B - GRAN FURY)(G - DIPLOMAT)(F - FIFTH AVENUE/NEWPORT)
 P BODY = (P - SUNDANCE)(D - SHADOW)
 Q BODY = (C27 - MASERATI)
 S BODY = (H - VOYAGER)(K - RAM VAN/ CARAVAN)

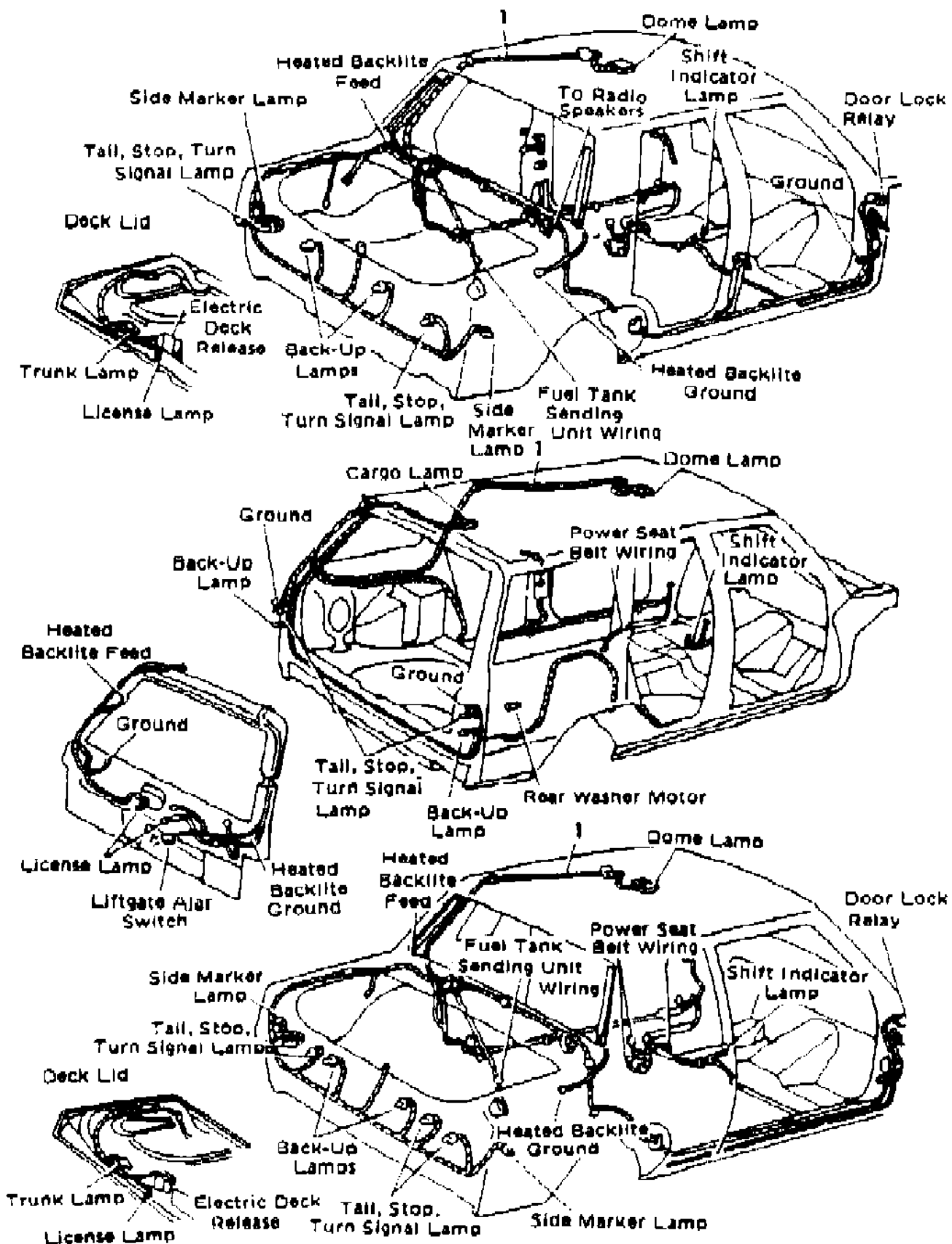
BODY STYLES

12-52 = FWD VAN & WAGON STD. W.B. 27 = 2-DOOR CONVERTIBLE
 13-53 = FWD VAN & WGN EXT W.B. 41 = 4-DOOR SEDAN
 21 = 2-DOOR SEDAN 44 = 4-DOOR HATCHBACK
 24 = 2-DOOR HATCHBACK 45 = 4-DOOR STATION WAGON

AR = Use as Required - = Non Illustrated Part P.A.R. = Paint as Required

WIRING--BODY & ACCESSORIES K BODY
Figure 8-7700

8108 7700



ITEM	PART NUMBER	QTY	BODY	MODEL	DESCRIPTION
1	4400 321			PD21	WIRING, Body
	4400 325				Lt. Body (Standard)
	4400 323			PD21	w/Door Locks
	4400 313	1		PD41	Lt. Body Wiring, Includes Rear Lamp Sockets
	4124 815				WIRING, ACCESSORY
	4274 749				Roof Light Jumper
	4304 159				Dome & Map Lamp
	4368 392			C	Visor Vanity, Map, Dome, Reading, Courtesy
	4209 695				Dome, Visor Vanity, Rt. & Lt.
	4400 526			C45	Auto. Trans. (Repair)
	4400 613			PD-45	Rear Lamp
	4400 327			PDC	Rear Speaker Lt. & Rt. Rear Lamp
	4400 328			PDC	L/Gate Heated Rear Wdo. Lt.
	4304 956			PDC	L/Gate Rear Wipe & Release Rt.
	4400 638-9			PD45	Bucket Seat Adjusting
	4400 640-1			PD21	Front Door Lock
	4400 361			C41,45	Front Door Lock, Rt.
	4368 052			C	Lt., Frt. Door Lock & Power Mirror & Wdo. Lift
	4368 368				Deck Lid Release
	4368 403			PDC	Rear Speaker, E.T.R.
	4304 162			C41-45	Left Floor Pan, Console Lamp
	4400 333			C	Bench Seat Adjusting
	4400 341			C	Lt. Body, Power Seat
	4400 343			C45	Lt. Body, Door Lock & Wdo. Lift
	4400 317			PD45	Lt. Body, Standard
	4400 330			PDC	Liftgate Inner
	4400 319			PD45	Lt. Body Door Locks
	4400 643			C	Lt. & Rt. Frt. Dr. Courtesy Lamps
	4400 495			C	Lt. Deck Lid Release

MODEL CODES

C BODY = (D41 - DYNASTY)(C41 - NEW YORKER)
 E BODY = (J - CARAVELLE)(E - 600)(T - NEW YORKER TURBO)
 G BODY = (V24 - DAYTONA, PACIFICA & SHELBY)
 H BODY = (D44 - LANCER)(C44 - LEBARON GTS)
 J BODY = (C - LEBARON)
 K BODY = (P - RELIANT)(D - ARIES)(C - LEBARON/ TOWN & COUNTRY)

L BODY = (M - HORIZON)(Z-OMNI)
 M BODY = (B - GRAN FURY)(G - DIPLOMAT)(F - FIFTH AVENUE/NEWPORT)
 P BODY = (P - SUNDANCE)(D - SHADOW)
 Q BODY = (C27 - MASERATI)
 S BODY = (H - VOYAGER)(K - RAM VAN/ CARAVAN)

BODY STYLES

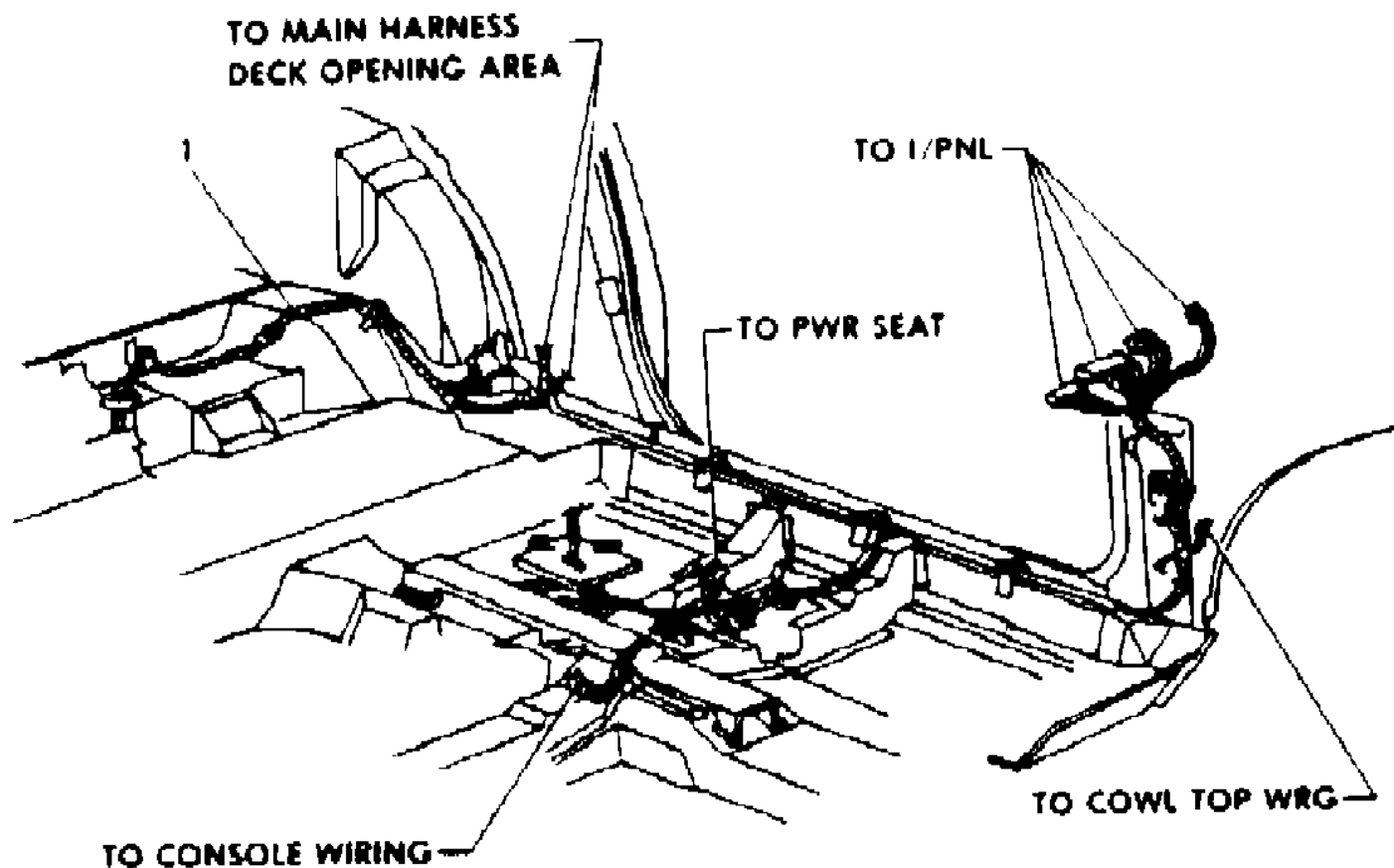
12-52 = FWD VAN & WAGON STD. W.B. 27 = 2-DOOR CONVERTIBLE
 13-53 = FWD VAN & WGN EXT W.B. 41 = 4-DOOR SEDAN
 21 = 2-DOOR SEDAN 44 = 4-DOOR HATCHBACK
 24 = 2-DOOR HATCHBACK 45 = 4-DOOR STATION WAGON

AR = Use as Required - = Non Illustrated Part P.A.R. = Paint as Required

WIRING--BODY & ACCESSORIES G BODY

Figure 8-7800

8108 7800



ITEM	PART NUMBER	QTY	BODY	MODEL	DESCRIPTION
1	4414 225				WIRING, BODY Lt. Frt. (Basic)
					WIRING, ACCESSORIES
	4414 237				L/Gate, License Lamp & Heated Rear Wdo.
	4400 802				Liftgate, Body Jumper
	4414 235				Rear Lamps
	4400 087				Dome Lamp
	4368 078				Power Seat Switch (Console)
	4414 251				Overhead Console, w/Dome Lamp
	4414 226				Console E.B.L., Window Lift, Rear Wipe
	4414 242				Dome, Map & Reading
	4414 581				Lt. Door w/Lift & Power Mirror & Illum. Entry
	4414 246				Rt. Door w/Lift & Power Mirror & Illum. Entry
	4414 244				Rt. Dr. Illum. Entry & Wdo. Lift
	4414 239				Lt. Liftgate E.B.L. & Wiper Feed
	4414 577				Lt. Door Courtesy Lamps & Speakers
	4414 578				Rt. Door Courtesy Lamps & Speaker
	4414 235				Rear Lamps
	4414 251				Dome & Overhead Console
	4400 120				Rt. Sill (Namebrand Speakers)
	4414 583				Door, Illum. Entry, Pwr. Mirror
	4414 226				Console, EBL, Rear Wipe & Wdo. Lift
	4414 230				Floor Pan Rt., EBL
	4450 249				Concealed H/Lamp Mtr. Jumper

MODEL CODES

C BODY = (D41 - DYNASTY)(C41 - NEW YORKER)
 E BODY = (J - CARAVELLE)(E - 600)(T - NEW YORKER TURBO)
 G BODY = (V24 - DAYTONA, PACIFICA & SHELBY)
 H BODY = (D44 - LANCER)(C44 - LEBARON GTS)
 J BODY = (C - LEBARON)
 K BODY = (P - RELIANT)(D - ARIES)(C - LEBARON/ TOWN & COUNTRY)

L BODY = (M - HORIZON)(Z-OMNI)
 M BODY = (B - GRAN FURY)(G - DIPLOMAT)(F - FIFTH AVENUE/NEWPORT)
 P BODY = (P - SUNDANCE)(D - SHADOW)
 Q BODY = (C27 - MASERATI)
 S BODY = (H - VOYAGER)(K - RAM VAN/ CARAVAN)

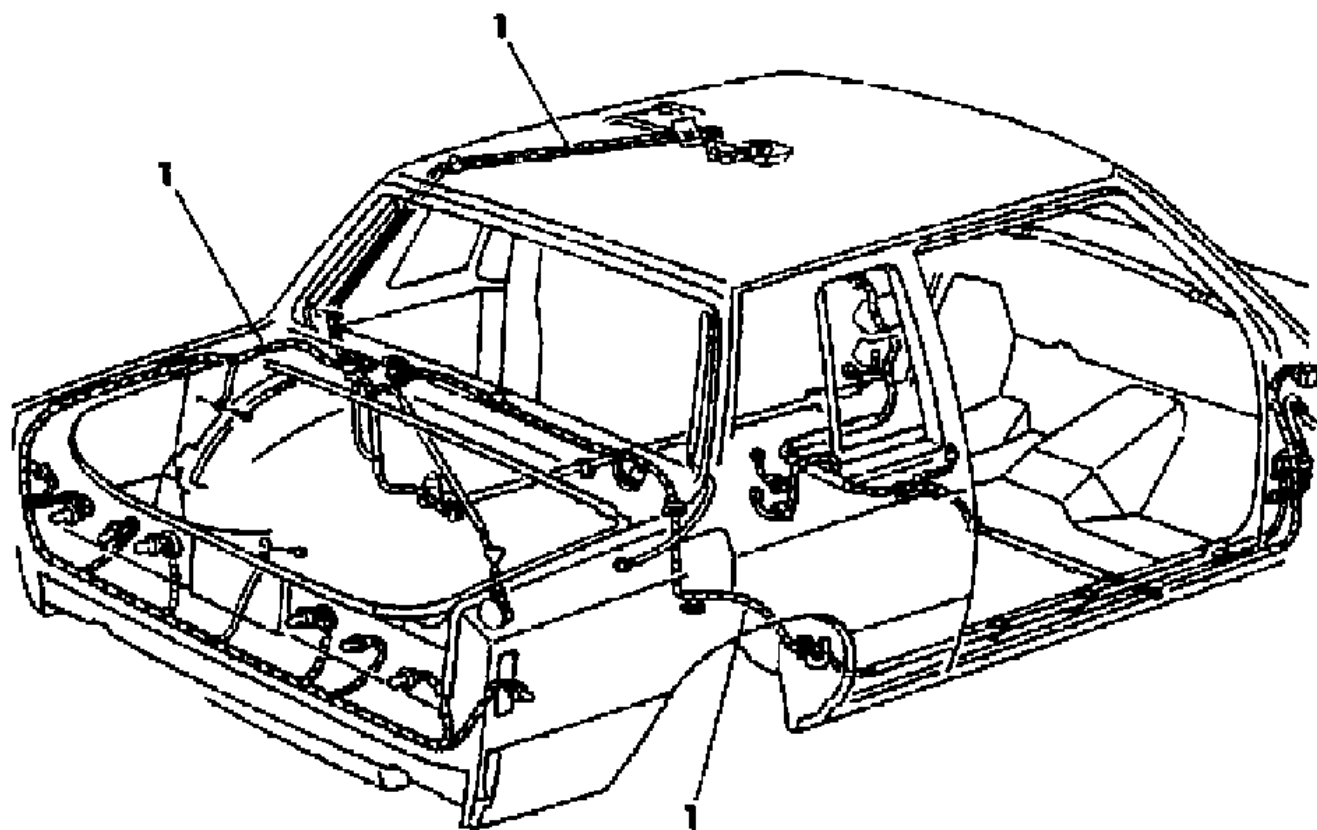
BODY STYLES

12-52 = FWD VAN & WAGON STD. W.B. 27 = 2-DOOR CONVERTIBLE
 13-53 = FWD VAN & WGN EXT W.B. 41 = 4-DOOR SEDAN
 21 = 2-DOOR SEDAN 44 = 4-DOOR HATCHBACK
 24 = 2-DOOR HATCHBACK 45 = 4-DOOR STATION WAGON

AR = Use as Required - = Non Illustrated Part P.A.R. = Paint as Required

WIRING--BODY & ACCESSORIES E BODY
Figure 8-7900

8108 7900



ITEM	PART NUMBER	QTY	BODY	MODEL	DESCRIPTION
1	4400 491			J-E	WIRING, BODY
	4400 493			TP41	Lt. Body. Std.
	4400 316			T	Rear Body, Fuel Tank, w/o Load Leveling
	4400 318			T	Rear Body, Fuel Tank, w/Auto.Load Leveling
	4209 695				Auto. Trans
	4304 956				Bucket Seat Adjust.
	4312 368-9				Rear Qtr. Reading & Courtesy Lamp
	4368 296			T	Power Seat 50/50 Body
	4400 643			E-J 41	Lt. & Rt. Frt. Door Courtesy Lamp
	4400 342			J-E	Rt. Front Door Lock & Power Mirror
	4400 357			E-J	Lt. Front Door Lock & Power Mirror
	4400 344			J-E-T	Rt. Front Door Lock & Power Mirror & Wdo.Lift
	4368 606			T	Dome, Overhead Console, Non-Elec.
	4368 607			T	Dome, Overhead Console, Elec.
	4400 351			J-E	Body Std., Lt.
	4400 353			TP	w/Power Seats
	4304 159			ET	w/Dome,Reading & Visor Courtesy Lamp
	4368 504				License Lamp Jumper
	4368 392			J-E	Dome, Visor Vanity, Rt. & Lt.
	4439 044				Overhead Console Pigtail, (Compass Only)
	4400 359			E-J	Lt. Door Lock & Wdo. Lift
	4400 355			E-J	Rt. & Lt. Frt. Door Speaker & Illum. Entry

MODEL CODES

C BODY = (D41 - DYNASTY)(C41 - NEW YORKER)	L BODY = (M - HORIZON)(Z-OMNI)
E BODY = (J - CARAVELLE)(E - 600)(T - NEW YORKER TURBO)	M BODY = (B - GRAN FURY)(G - DIPLOMAT)(F - FIFTH AVENUE/NEWPORT)
G BODY = (V24 - DAYTONA, PACIFICA & SHELBY)	P BODY = (P - SUNDANCE)(D - SHADOW)
H BODY = (D44 - LANCER)(C44 - LEBARON GTS)	Q BODY = (C27 - MASERATI)
J BODY = (C - LEBARON)	S BODY = (H - VOYAGER)(K - RAM VAN/ CARAVAN)
K BODY = (P - RELIANT)(D - ARIES)(C - LEBARON/ TOWN & COUNTRY)	

BODY STYLES

12-52 = FWD VAN & WAGON STD. W.B.	27 = 2-DOOR CONVERTIBLE
13-53 = FWD VAN & WGN EXT W.B.	41 = 4-DOOR SEDAN
21 = 2-DOOR SEDAN	44 = 4-DOOR HATCHBACK
24 = 2-DOOR HATCHBACK	45 = 4-DOOR STATION WAGON

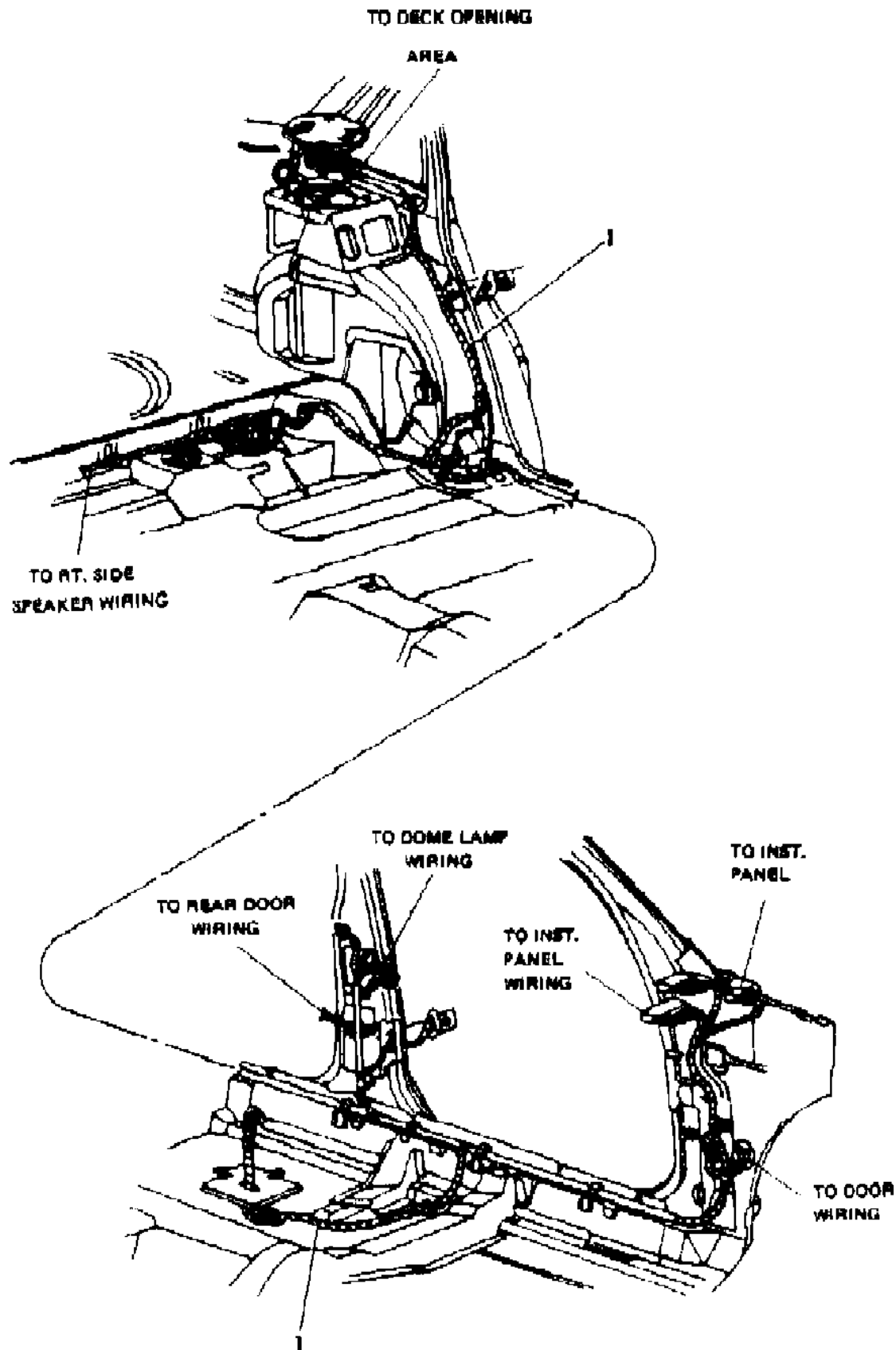
AR = Use as Required - = Non Illustrated Part P.A.R. = Paint as Required

WIRING--BODY & ACCESSORIES H BODY

Figure 8-8000

8108 8000

ITEM	PART NUMBER	QTY	BODY	MODEL	DESCRIPTION
1					WIRING, Body
	4414 591				Left, w/E.B.L. w/Rear Wash & Wipe, Up To 1-4-88
	4414 937				Aft. 1-4-88
	4414 939				EUROPE
					WIRING, Accessories
	4209 695				Auto. Trans.
	4400 821				Dome Lamp
	4414 590				Rt. Sill Rear Speakers, Up To 1-4-88
	4414 932				Aft. 1-4-88
	4414 592				Rt. Rear Speaker, (Up To 1-15-88)
	4414 934				Aft. 1-15-88
	4414 588				Rear Door Courtesy Lamps, Door Locks
	4414 615				L/Gate Lic. Lp. w/EBL Lt.
	4331 132				L/Gate Lic. Lp. Jumper, EUROPE
	4400 413				Frnt. Door Speakers
	4400 415				Frnt. Door Speakers & Courtesy Lamps
	4331 364				Lt. Pwr. Seat Switch
	4370 160				Fog Lamps
	4467 420				Power Amp. (SHELBY)
	4467 867				E.Q. Jumper
	4400 646				Rear Console Courtesy Lamp
	4414 877				Frnt. Door Courtesy Lps., Speakers & Door Locks, Up to 1-7-88
	4414 949				Aft. 1-7-88
	4443 902				Ambient Temp. Sensor
	4400 411				Overhead Console--Headliner



MODEL CODES

C BODY = (D41 - DYNASTY)(C41 - NEW YORKER)
 E BODY = (J - CARAVELLE)(E - 600)(T - NEW YORKER TURBO)
 G BODY = (V24 - DAYTONA, PACIFICA & SHELBY)
 H BODY = (D44 - LANCER)(C44 - LEBARON GTS)
 J BODY = (C - LEBARON)
 K BODY = (P - RELIANT)(D - ARIES)(C - LEBARON/ TOWN & COUNTRY)

L BODY = (M - HORIZON)(Z-OMNI)
 M BODY = (B - GRAN FURY)(G - DIPLOMAT)(F - FIFTH AVENUE/NEWPORT)
 P BODY = (P - SUNDANCE)(D - SHADOW)
 Q BODY = (C27 - MASERATI)
 S BODY = (H - VOYAGER)(K - RAM VAN/ CARAVAN)

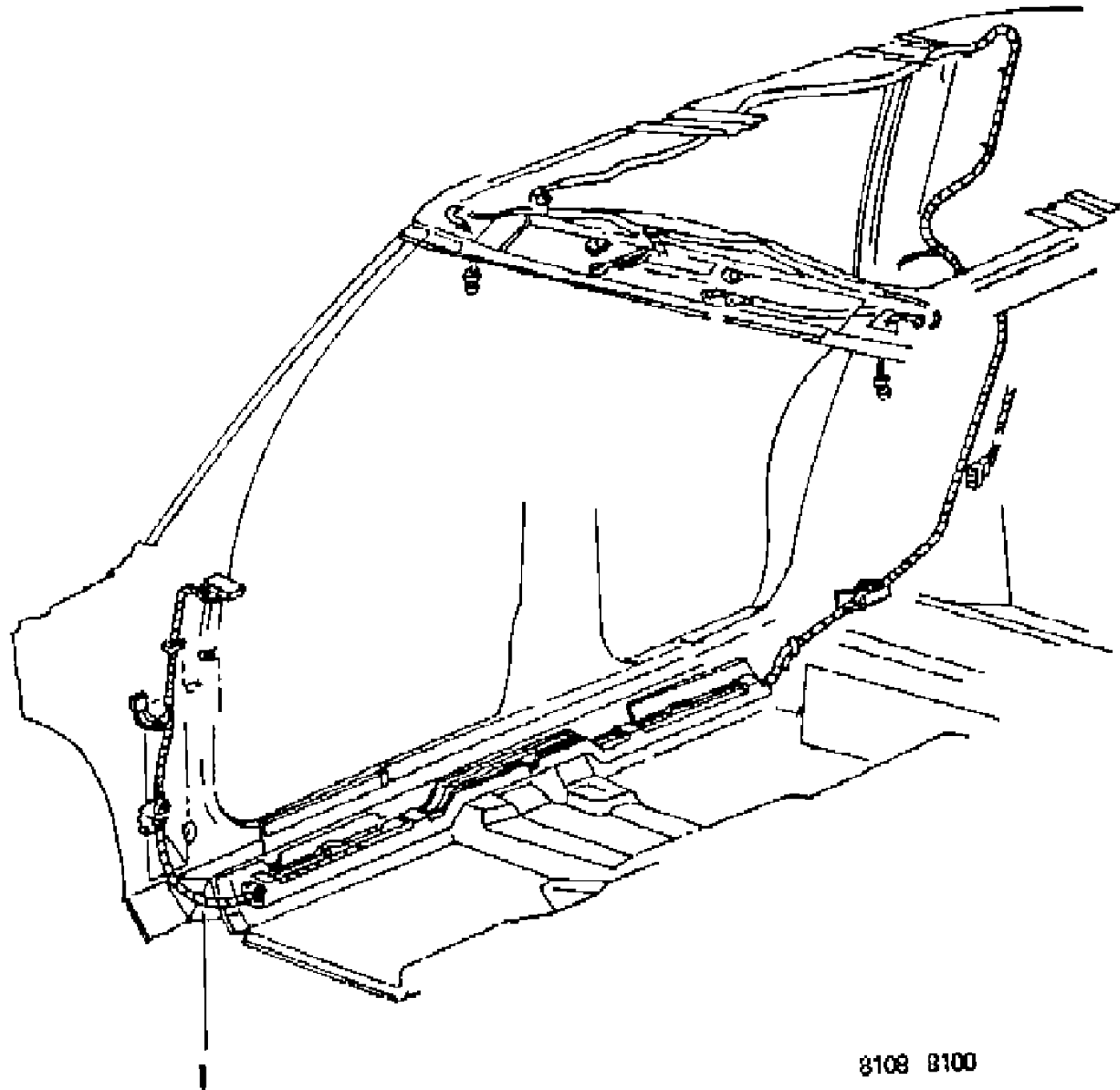
BODY STYLES

12-52 = FWD VAN & WAGON STD. W.B. 27 = 2-DOOR CONVERTIBLE
 13-53 = FWD VAN & WGN EXT W.B. 41 = 4-DOOR SEDAN
 21 = 2-DOOR SEDAN 44 = 4-DOOR HATCHBACK
 24 = 2-DOOR HATCHBACK 45 = 4-DOOR STATION WAGON

AR = Use as Required - = Non Illustrated Part P.A.R. = Paint as Required

WIRING--BODY & ACCESSORIES C BODY

Figure 8-8100



8108 8100

ITEM	PART NUMBER	QTY	BODY	MODEL	DESCRIPTION
1					WIRING, ACCESSORIES
	4414 769				Lt. Body, E.V.I.C. & Pull Down
	4414 132				Rt. Body (Base)
	4414 257				Load Leveler (Body)
	4414 298				Load Leveler, (U/Body)
	4414 846				Tail, Stop & Side Marker Lt.
	4414 115				Sunroof (Body)
	4414 126				Rear Door Courtesy Lamp
	4414 130				Rear Door Courtesy Lamp, Wdo. Lift & Door Lock
	4414 132				Reading Lamp Frt. Rt.
	4414 570				Qtr. Extension, Tail, Stop, T/Sig., Back-Up Lamp
	4414 136				E.V.I.C. & Courtesy Lps. Rt. Body
	4414 259				Deck Lid w/Pull Down
	4414 785				Frnt. Door (Base)
	4414 791				Frnt. Dr. Courtesy Lp., Wdo. Lift, Pwr. Mirror, Lt. Pwr. Seat
	4414 793				Frnt. Dr. Courtesy Lp., Wdo. Lift, Dr. Lock, Pwr. Mirror, Lt. Pwr. Seat
	4414 126				Rear Door Courtesy Lamp
	4414 130				Rear Door Courtesy Lp., Door Lock, Wdo. Lift
	4414 115				Sunroof (Body)
	4414 805				Lt. Door Lock (Base)

MODEL CODES

C BODY = (D41 - DYNASTY)(C41 - NEW YORKER)
 E BODY = (J - CARAVELLE)(E - 600)(T - NEW YORKER TURBO)
 G BODY = (V24 - DAYTONA, PACIFICA & SHELBY)
 H BODY = (D44 - LANCER)(C44 - LEBARON GTS)
 J BODY = (C - LEBARON)
 K BODY = (P - RELIANT)(D - ARIES)(C - LEBARON/ TOWN & COUNTRY)

L BODY = (M - HORIZON)(Z-OMNI)
 M BODY = (B - GRAN FURY)(G - DIPLOMAT)(F - FIFTH AVENUE/NEWPORT)
 P BODY = (P - SUNDANCE)(D - SHADOW)
 Q BODY = (C27 - MASERATI)
 S BODY = (H - VOYAGER)(K - RAM VAN/ CARAVAN)

BODY STYLES

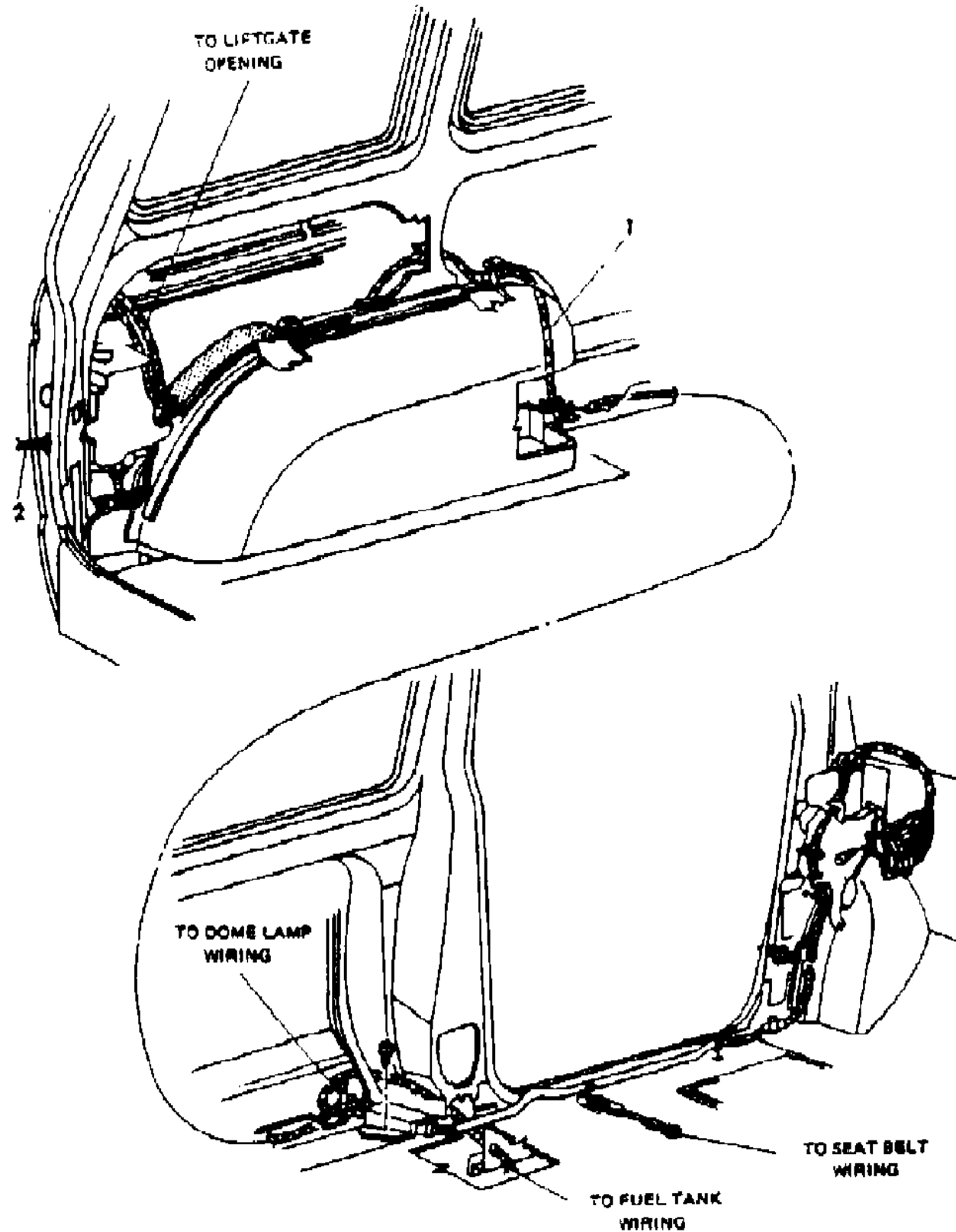
12-52 = FWD VAN & WAGON STD. W.B. 27 = 2-DOOR CONVERTIBLE
 13-53 = FWD VAN & WGN EXT W.B. 41 = 4-DOOR SEDAN
 21 = 2-DOOR SEDAN 44 = 4-DOOR HATCHBACK
 24 = 2-DOOR HATCHBACK 45 = 4-DOOR STATION WAGON

AR = Use as Required - = Non Illustrated Part P.A.R. = Paint as Required

WIRING--BODY & ACCESSORIES S BODY

Figure 8-8200

8108 8200



ITEM	PART NUMBER	QTY	BODY	MODEL	DESCRIPTION
1	4414 801				WIRING, BODY Lt. Std.
	4414 811				Main Body
	4414 813			13-53	Accessories, Lt.
	4414 803			12-52	Accessories, Lt.
	4304 585				WIRING,ACCESSORIES, Liftgate & Courtesy Lamp
2	4443 902				Ambient Temp. Sensor
	4414 350				Liftgate, Speakers, Courtesy Lamp
	4414 352				Liftgate, Speakers
	4400 612				Fuel Tank Sending Unit
	4414 617				Dome & Visor Map Lamp
	4400 811				Lt. Sill Pwr. Seat
	4400 813				Lt. Sill Pwr. Seat & Rear Heater
	4414 381				Speakers (Mono)
	4414 382				Speakers (Stereo)
	4414 777				Dome Lamp & Frt. Header Reading
	4414 338				Rear Speaker Body & Door Lock, Rt.
	4414 867				Lt. Sill Rear Heater, A/C & Power Seat
	4400 306				Rt. Sill Under Seat Storage
	4414 344				Liftgate, Wiper & Release, Rt
	4414 342			13-53	Liftgate Rear Wipe, Release, Speakers, Rt.
	4414 346			12-52	Liftgate, Speakers, Release & Wiper, Rt.
	4414 370				Rear Body, T.S.T,Liftgate Release, Wipe & Courtesy Lamps
	4209 695				Auto. Trans.
	4400 430				Rear Speaker Body & Door Lock Rt.
	4414 509				Rear Body, Tail Stop & T/Sig. & Liftgate
	4304 541				Dual Contact Door Lock
	4368 671				Dual Rear Cargo Doors
	4414 377				Liftgate, E.B.L. & Courtesy Lamp, Lt.
	4414 384				Heater
	4414 385				Heater & A/C
	4414 802				Trailer Tow
	4304 923				Pwr. Brake Jumper
	4400 302				Fuel Tank Sending Unit (Underbody)
	4400 312				Sending Unit & Elec. Fuel Pump
	4304 835				Roof Lamp (Taxi)
	4414 775				Dome & Visor Frt. & Rear Reading Lamps
	4400 485				Lt. Sill Power Seat

MODEL CODES

C BODY = (D41 - DYNASTY)(C41 - NEW YORKER)
 E BODY = (J - CARAVELLE)(E - 600)(T - NEW YORKER TURBO)
 G BODY = (V24 - DAYTONA, PACIFICA & SHELBY)
 H BODY = (D44 - LANCER)(C44 - LEBARON GTS)
 J BODY = (C - LEBARON)
 K BODY = (P - RELIANT)(D - ARIES)(C - LEBARON/ TOWN & COUNTRY)
 L BODY = (M - HORIZON)(Z-OMNI)
 M BODY = (B - GRAN FURY)(G - DIPLOMAT)(F - FIFTH AVENUE/NEWPORT)
 P BODY = (P - SUNDANCE)(D - SHADOW)
 Q BODY = (C27 - MASERATI)
 S BODY = (H - VOYAGER)(K - RAM VAN/ CARAVAN)

BODY STYLES

12-52 = FWD VAN & WAGON STD. W.B. 27 = 2-DOOR CONVERTIBLE
 13-53 = FWD VAN & WGN EXT W.B. 41 = 4-DOOR SEDAN
 21 = 2-DOOR SEDAN 44 = 4-DOOR HATCHBACK
 24 = 2-DOOR HATCHBACK 45 = 4-DOOR STATION WAGON

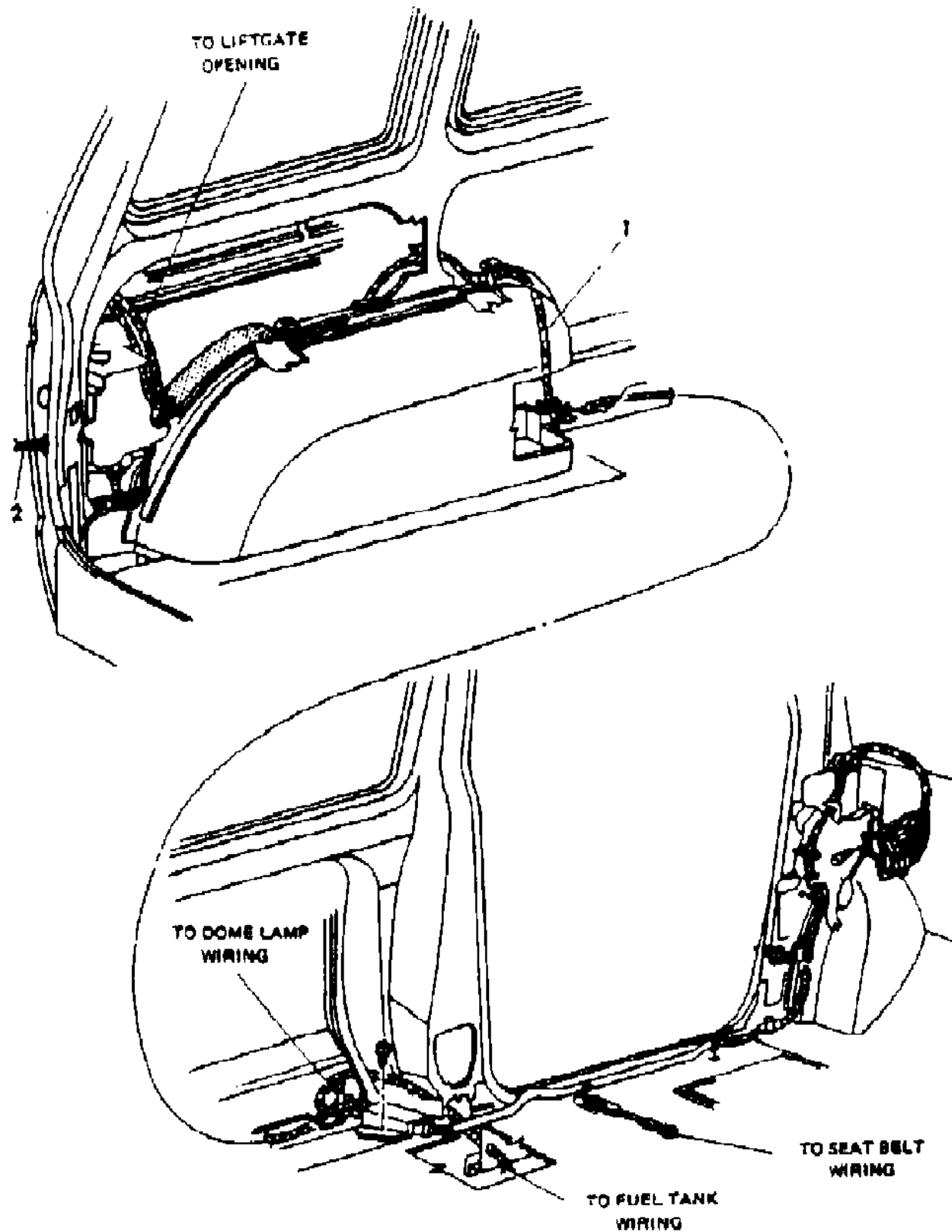
AR = Use as Required - = Non Illustrated Part P.A.R. = Paint as Required

WIRING--BODY & ACCESSORIES S BODY

Figure 8-8200

8108 8200

ITEM	PART NUMBER	QTY	BODY	MODEL	DESCRIPTION
	4414 363				Door Lock, Courtesy Lamp
	4414 776				Console Overhead, Dome & Visor
	4439 043				Console, Overhead
	4414 817				Pwr. Mirrors, Door Locks, Courtesy Lamps & Wdo. Lift, Lt.
	4414 815				Pwr. Mirrors, Courtesy Lamps & Door Lock
	4414 819				Pwr. Mirrors, Courtesy Lamp
	4400 102				Power Mirror Pigtail
	4400 306				Underseat Storage Lamp
	4400 813				Lt. Sill, Rear Heater & Power Seat
	4331 544				Elec. Seat Adj.



MODEL CODES

C BODY = (D41 - DYNASTY)(C41 - NEW YORKER)
 E BODY = (J - CARAVELLE)(E - 600)(T - NEW YORKER TURBO)
 G BODY = (V24 - DAYTONA, PACIFICA & SHELBY)
 H BODY = (D44 - LANCER)(C44 - LEBARON GTS)
 J BODY = (C - LEBARON)
 K BODY = (P - RELIANT)(D - ARIES)(C - LEBARON/ TOWN & COUNTRY)
 L BODY = (M - HORIZON)(Z-OMNI)
 M BODY = (B - GRAN FURY)(G - DIPLOMAT)(F - FIFTH AVENUE/NEWPORT)
 P BODY = (P - SUNDANCE)(D - SHADOW)
 Q BODY = (C27 - MASERATI)
 S BODY = (H - VOYAGER)(K - RAM VAN/ CARAVAN)

BODY STYLES

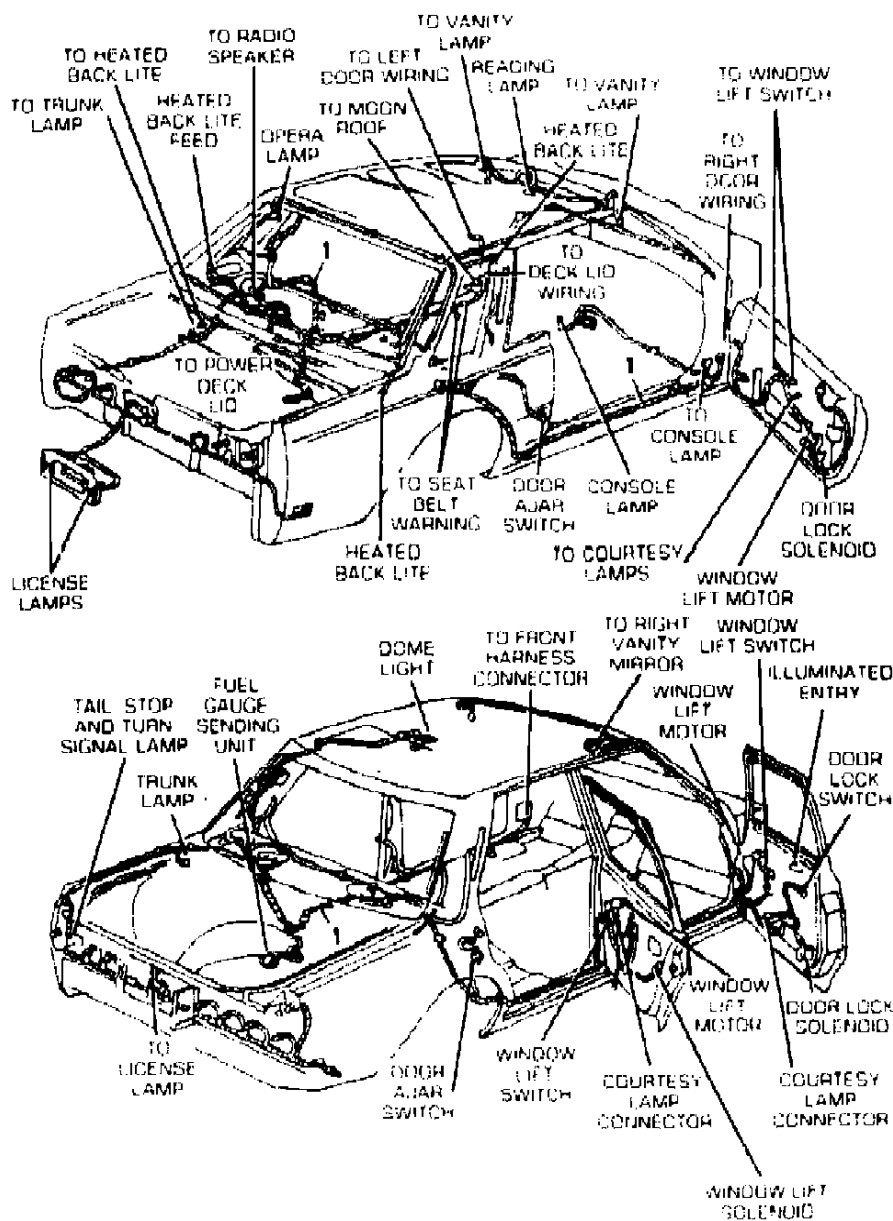
12-52 = FWD VAN & WAGON STD. W.B. 27 = 2-DOOR CONVERTIBLE
 13-53 = FWD VAN & WGN EXT W.B. 41 = 4-DOOR SEDAN
 21 = 2-DOOR SEDAN 44 = 4-DOOR HATCHBACK
 24 = 2-DOOR HATCHBACK 45 = 4-DOOR STATION WAGON

AR = Use as Required - = Non Illustrated Part P.A.R. = Paint as Required

WIRING--BODY & ACCESSORIES M BODY

Figure 8-8300

8108 8300



ITEM	PART NUMBER	QTY	BODY	MODEL	DESCRIPTION
1	4439 048				WIRING, BODY Lt.
	4414 707				w/Overhead Console
	4439 048				w/o Overhead Console
					WIRING, ACCESSORIES
	4304 689				Power Antenna
	4124 815				Roof Light Jumper
	4055 789				Fuel Tank Sending Unit
	4209 695				Auto. Trans. Repair
	4209 675		M	F	Wiring Rear Lamps
	4209 878		M	BG	Wiring Rear Lamps
	4124 747				A.T.C. Unit
	4414 700				Elec. Seat Adj.
	4414 884				Illum. Entry & Courtesy Lamp
	4274 210				Battery & Engine Ground
	4414 652-3				Front Door Lock & Arm Rest
	4414 656				Front Door Wdo. Lift & Arm Rest
	4414 654-5				Front Door Lock & Arm Rest & Window Lift
	4414 658	2			Rear Door, Arm Rest & Window Lift
	4304 963				License Lamps
		2		41	Rear Door Courtesy Lamp, Not Serv.
	4414 673	2		41	Rear Door Lock & Courtesy Lamp
	4414 674	2		41	Rear Door Lock & Window Lift
	4414 676	2		41	Rear Door Lock & Opera Lamp
	4331 300				Stereo Inst. Panel
	4414 707				Radio Choke Jumper

MODEL CODES

C BODY = (D41 - DYNASTY)(C41 - NEW YORKER)
 E BODY = (J - CARAVELLE)(E - 600)(T - NEW YORKER TURBO)
 G BODY = (V24 - DAYTONA, PACIFICA & SHELBY)
 H BODY = (D44 - LANCER)(C44 - LEBARON GTS)
 J BODY = (C - LEBARON)
 K BODY = (P - RELIANT)(D - ARIES)(C - LEBARON/ TOWN & COUNTRY)

L BODY = (M - HORIZON)(Z-OMNI)
 M BODY = (B - GRAN FURY)(G - DIPLOMAT)(F - FIFTH AVENUE/NEWPORT)
 P BODY = (P - SUNDANCE)(D - SHADOW)
 Q BODY = (C27 - MASERATI)
 S BODY = (H - VOYAGER)(K - RAM VAN/ CARAVAN)

BODY STYLES

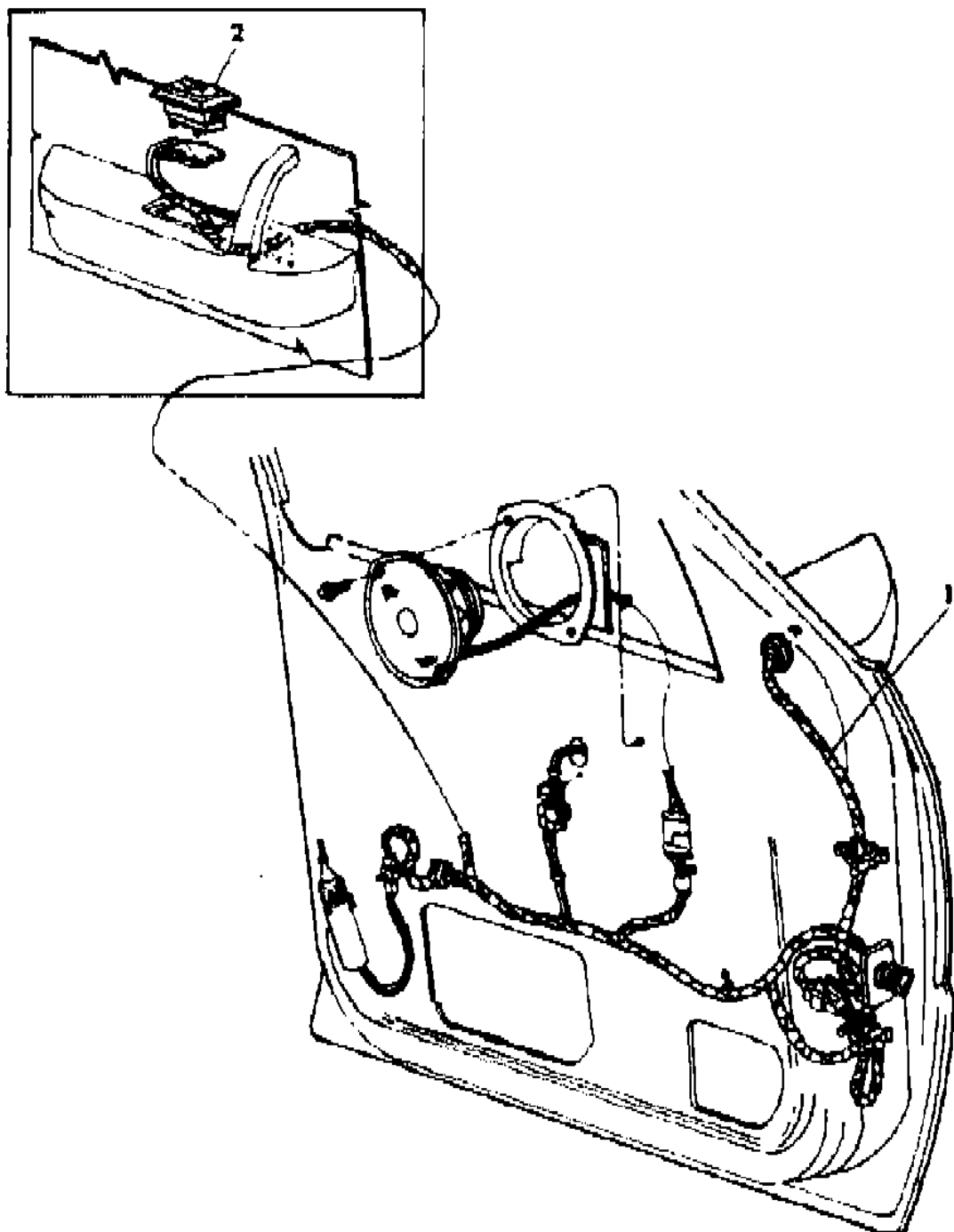
12-52 = FWD VAN & WAGON STD. W.B. 27 = 2-DOOR CONVERTIBLE
 13-53 = FWD VAN & WGN EXT W.B. 41 = 4-DOOR SEDAN
 21 = 2-DOOR SEDAN 44 = 4-DOOR HATCHBACK
 24 = 2-DOOR HATCHBACK 45 = 4-DOOR STATION WAGON

AR = Use as Required - = Non Illustrated Part P.A.R. = Paint as Required

WIRING & SWITCHES--FRONT DOOR P BODY
Figure 8-8400

8108 8400

ITEM	PART NUMBER	QTY	BODY	MODEL	DESCRIPTION
1	4414 628				WIRING, Door Speaker
	4414 513			44	Speaker & Frt. Door Lock
	4414 515			24	
	4414 517				Speaker, Frt. Door Wdo. Lift, Pwr. Mirror
	4414 523				Speaker, Wdo. Lift, Pwr. Mirror, Door Lock
2	4373 075				SWITCH, w/BEZEL, Door Lock and Wdo. Lift
-	4221 907				RETAINER, Door Lock & Wdo. Lift



MODEL CODES

C BODY = (D41 - DYNASTY)(C41 - NEW YORKER)	L BODY = (M - HORIZON)(Z-OMNI)
E BODY = (J - CARAVELLE)(E - 600)(T - NEW YORKER TURBO)	M BODY = (B - GRAN FURY)(G - DIPLOMAT)(F - FIFTH AVENUE/NEWPORT)
G BODY = (V24 - DAYTONA, PACIFICA & SHELBY)	P BODY = (P - SUNDANCE)(D - SHADOW)
H BODY = (D44 - LANCER)(C44 - LEBARON GTS)	Q BODY = (C27 - MASERATI)
J BODY = (C - LEBARON)	S BODY = (H - VOYAGER)(K - RAM VAN/ CARAVAN)
K BODY = (P - RELIANT)(D - ARIES)(C - LEBARON/ TOWN & COUNTRY)	

BODY STYLES

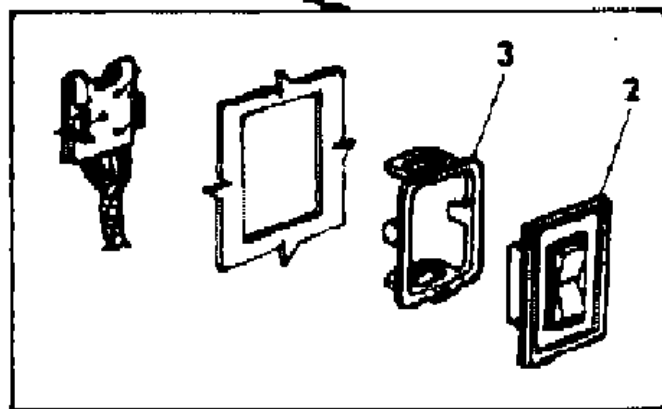
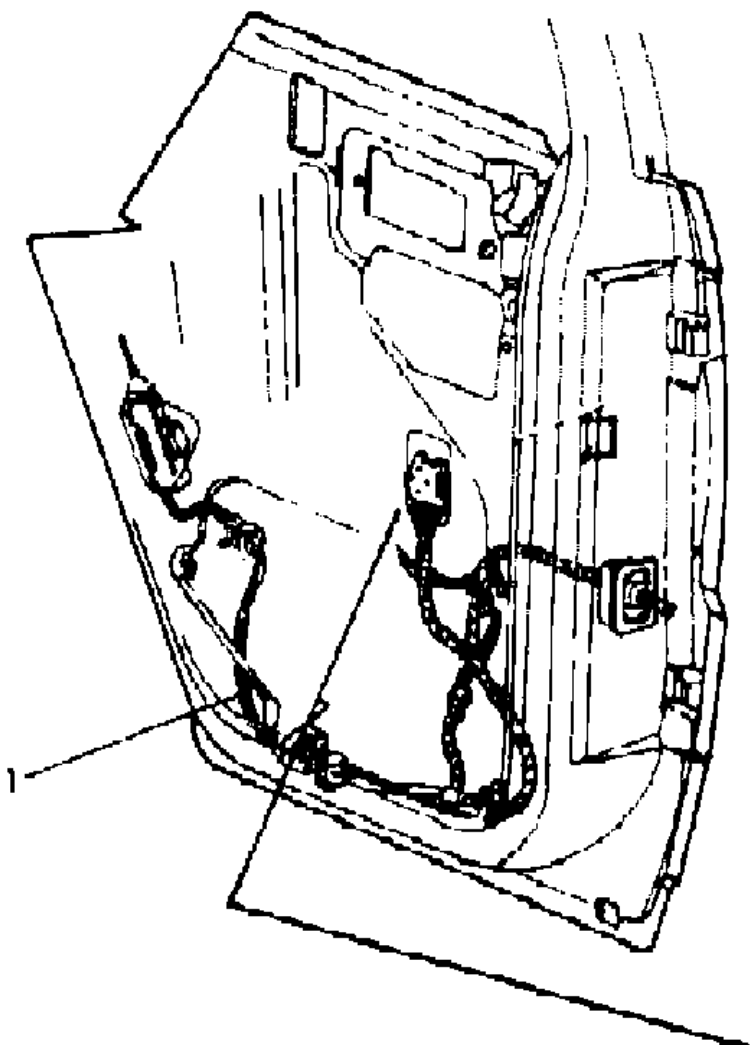
12-52 = FWD VAN & WAGON STD. W.B.	27 = 2-DOOR CONVERTIBLE
13-53 = FWD VAN & WGN EXT W.B.	41 = 4-DOOR SEDAN
21 = 2-DOOR SEDAN	44 = 4-DOOR HATCHBACK
24 = 2-DOOR HATCHBACK	45 = 4-DOOR STATION WAGON

AR = Use as Required - = Non Illustrated Part P.A.R. = Paint as Required

WIRING & SWITCHES--REAR DOOR P BODY
Figure 8-8500

8108 8500

ITEM	PART NUMBER	QTY	BODY	MODEL	DESCRIPTION
1					WIRING
	4414 738				Power Door Lock, Wdo. Lift
2	4373 075				SWITCH, w/BEZEL, w/Lift & Door Lock
3	4221 907				RETAINER, Switch



MODEL CODES

C BODY = (D41 - DYNASTY)(C41 - NEW YORKER)	L BODY = (M - HORIZON)(Z-OMNI)
E BODY = (J - CARAVELLE)(E - 600)(T - NEW YORKER TURBO)	M BODY = (B - GRAN FURY)(G - DIPLOMAT)(F - FIFTH AVENUE/NEWPORT)
G BODY = (V24 - DAYTONA, PACIFICA & SHELBY)	P BODY = (P - SUNDANCE)(D - SHADOW)
H BODY = (D44 - LANCER)(C44 - LEBARON GTS)	Q BODY = (C27 - MASERATI)
J BODY = (C - LEBARON)	S BODY = (H - VOYAGER)(K - RAM VAN/ CARAVAN)
K BODY = (P - RELIANT)(D - ARIES)(C - LEBARON/ TOWN & COUNTRY)	

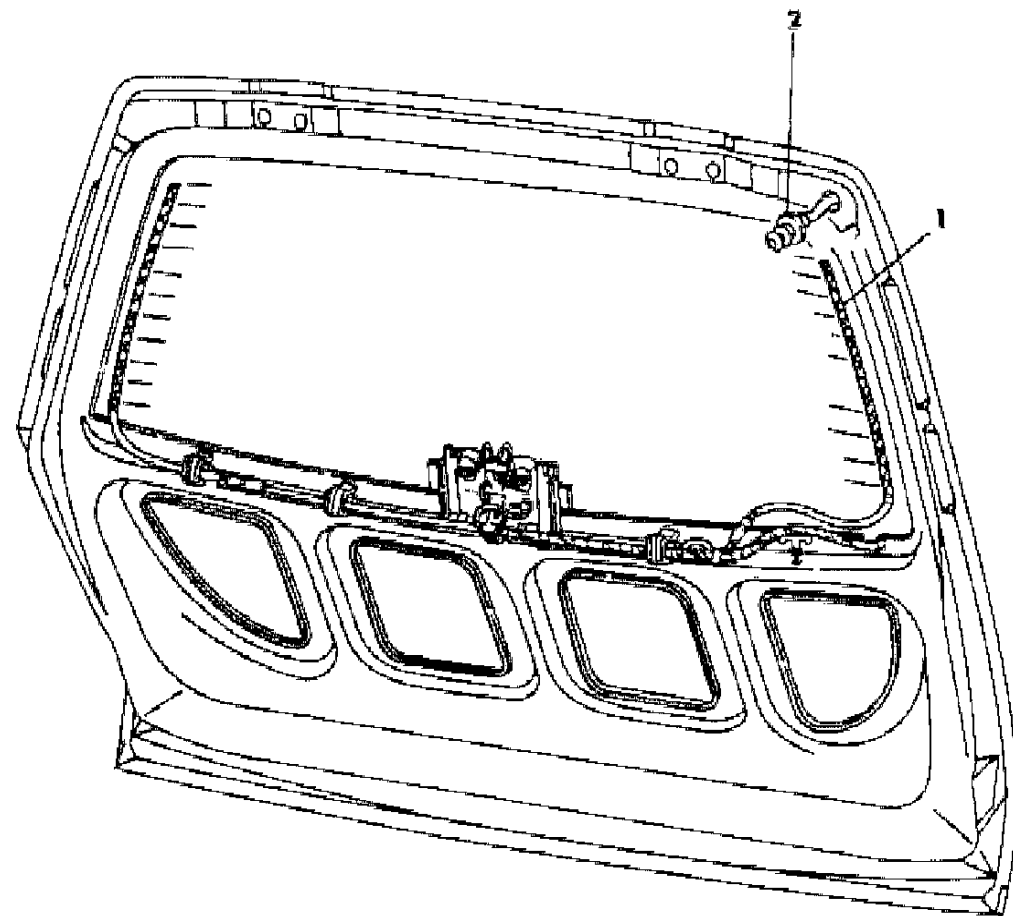
BODY STYLES

12-52 = FWD VAN & WAGON STD. W.B.	27 = 2-DOOR CONVERTIBLE
13-53 = FWD VAN & WGN EXT W.B.	41 = 4-DOOR SEDAN
21 = 2-DOOR SEDAN	44 = 4-DOOR HATCHBACK
24 = 2-DOOR HATCHBACK	45 = 4-DOOR STATION WAGON

AR = Use as Required - = Non Illustrated Part P.A.R. = Paint as Required

WIRING & SWITCHES--LIFTGATE P BODY
Figure 8-8600

8108 8600 A



ITEM	PART NUMBER	QTY	BODY	MODEL	DESCRIPTION
------	-------------	-----	------	-------	-------------

1					WIRING
	4414 483				Liftgate,w/EBL
2	4368 350				GROMMET, w/Tube, Liftgate

MODEL CODES

C BODY = (D41 - DYNASTY)(C41 - NEW YORKER)	L BODY = (M - HORIZON)(Z-OMNI)
E BODY = (J - CARAVELLE)(E - 600)(T - NEW YORKER TURBO)	M BODY = (B - GRAN FURY)(G - DIPLOMAT)(F - FIFTH AVENUE/NEWPORT)
G BODY = (V24 - DAYTONA, PACIFICA & SHELBY)	P BODY = (P - SUNDANCE)(D - SHADOW)
H BODY = (D44 - LANCER)(C44 - LEBARON GTS)	Q BODY = (C27 - MASERATI)
J BODY = (C - LEBARON)	S BODY = (H - VOYAGER)(K - RAM VAN/ CARAVAN)
K BODY = (P - RELIANT)(D - ARIES)(C - LEBARON/ TOWN & COUNTRY)	

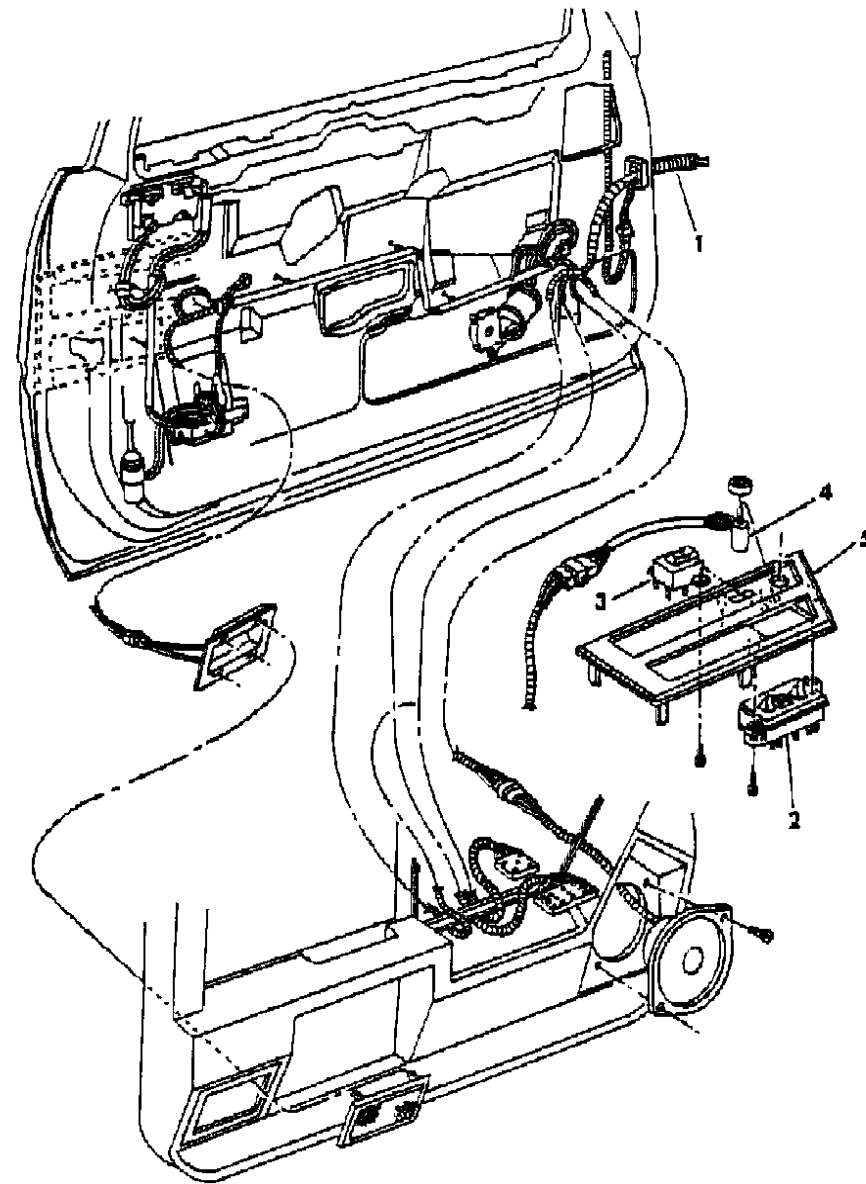
BODY STYLES

12-52 = FWD VAN & WAGON STD. W.B.	27 = 2-DOOR CONVERTIBLE
13-53 = FWD VAN & WGN EXT W.B.	41 = 4-DOOR SEDAN
21 = 2-DOOR SEDAN	44 = 4-DOOR HATCHBACK
24 = 2-DOOR HATCHBACK	45 = 4-DOOR STATION WAGON

AR = Use as Required - = Non Illustrated Part P.A.R. = Paint as Required

WIRING & SWITCHES--FRONT DOOR J BODY
Figure 8-8700

8108 8700 A



ITEM	PART NUMBER	QTY	BODY	MODEL	DESCRIPTION
1					WIRING
	4414 703				Lt. Door Courtesy Lp. & Speaker
	4414 702				Rt.
	4414 407				Lt. Dr. Lock, Illum. Entry, Wdo.Lift,Pwr.Mirror
	4414 705				Lt. Dr. Illum. Entry & Pwr. Seat
	4414 704				Rt.
2	4373 006				SWITCH, Pwr.Seat Adj.
3	4373 071				SWITCH, Door Lock
4	4373 127				SWITCH, Remote Mirror
	4373 009			27	Wdo.Lift, 4-Gang Black
	4373 077			21	Wdo. Lift, 2 Gang
5					BEZELS, (See Group 23C)

MODEL CODES

C BODY = (D41 - DYNASTY)(C41 - NEW YORKER)	L BODY = (M - HORIZON)(Z-OMNI)
E BODY = (J - CARAVELLE)(E - 600)(T - NEW YORKER TURBO)	M BODY = (B - GRAN FURY)(G - DIPLOMAT)(F - FIFTH AVENUE/NEWPORT)
G BODY = (V24 - DAYTONA, PACIFICA & SHELBY)	P BODY = (P - SUNDANCE)(D - SHADOW)
H BODY = (D44 - LANCER)(C44 - LEBARON GTS)	Q BODY = (C27 - MASERATI)
J BODY = (C - LEBARON)	S BODY = (H - VOYAGER)(K - RAM VAN/ CARAVAN)
K BODY = (P - RELIANT)(D - ARIES)(C - LEBARON/ TOWN & COUNTRY)	

BODY STYLES

12-52 = FWD VAN & WAGON STD. W.B.	27 = 2-DOOR CONVERTIBLE
13-53 = FWD VAN & WGN EXT W.B.	41 = 4-DOOR SEDAN
21 = 2-DOOR SEDAN	44 = 4-DOOR HATCHBACK
24 = 2-DOOR HATCHBACK	45 = 4-DOOR STATION WAGON

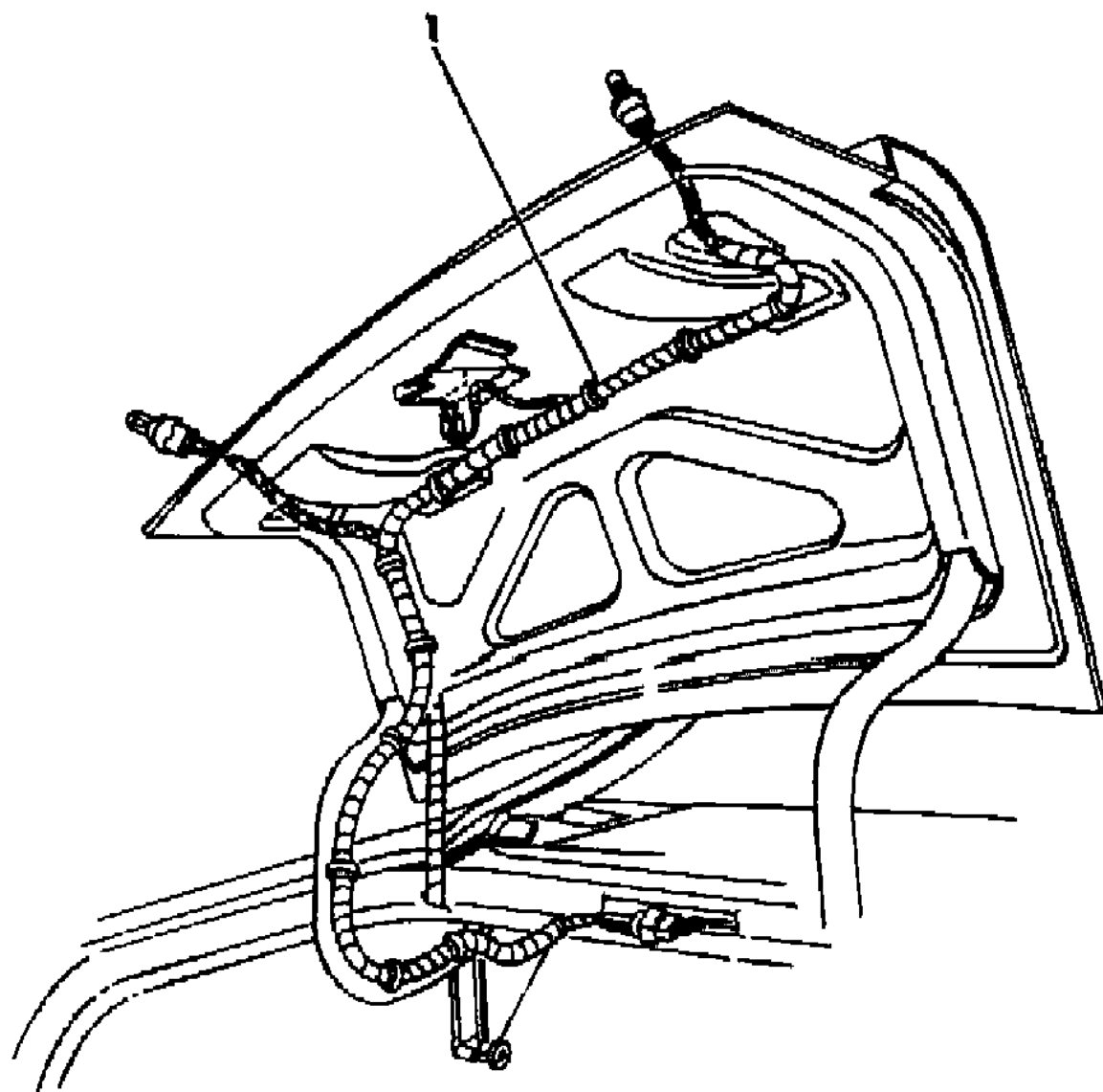
AR = Use as Required - = Non Illustrated Part P.A.R. = Paint as Required

WIRING & SWITCHES--LIFTGATE J BODY
Figure 8-8800

88108 8800

ITEM	PART NUMBER	QTY	BODY	MODEL	DESCRIPTION
------	-------------	-----	------	-------	-------------

1					WIRING
	4414 741		21		Deck Lid & Release Cable
	4414 743		27		



MODEL CODES

C BODY = (D41 - DYNASTY)(C41 - NEW YORKER)	L BODY = (M - HORIZON)(Z-OMNI)
E BODY = (J - CARAVELLE)(E - 600)(T - NEW YORKER TURBO)	M BODY = (B - GRAN FURY)(G - DIPLOMAT)(F - FIFTH AVENUE/NEWPORT)
G BODY = (V24 - DAYTONA, PACIFICA & SHELBY)	P BODY = (P - SUNDANCE)(D - SHADOW)
H BODY = (D44 - LANCER)(C44 - LEBARON GTS)	Q BODY = (C27 - MASERATI)
J BODY = (C - LEBARON)	S BODY = (H - VOYAGER)(K - RAM VAN/ CARAVAN)
K BODY = (P - RELIANT)(D - ARIES)(C - LEBARON/ TOWN & COUNTRY)	

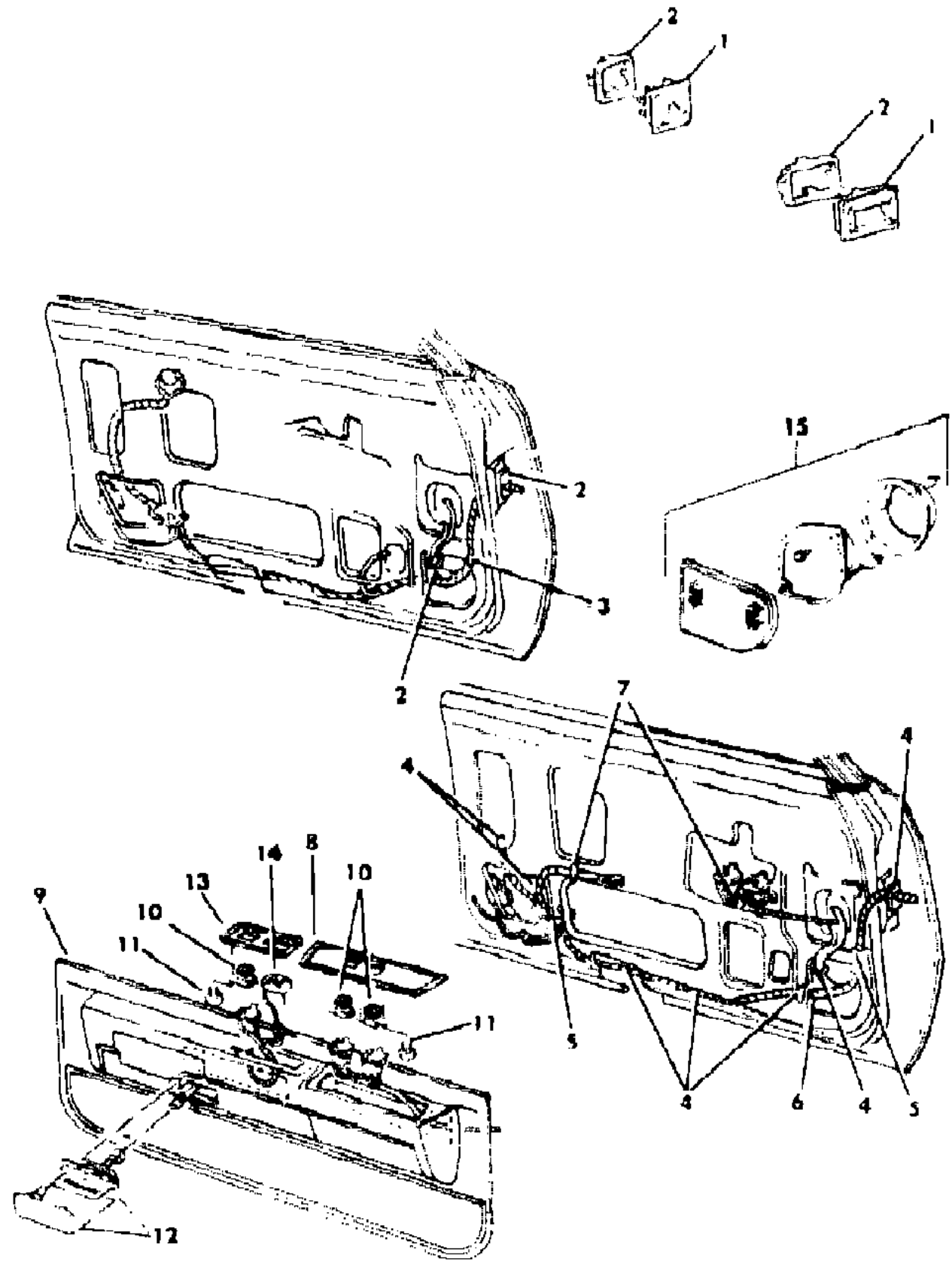
BODY STYLES

12-52 = FWD VAN & WAGON STD. W.B.	27 = 2-DOOR CONVERTIBLE
13-53 = FWD VAN & WGN EXT W.B.	41 = 4-DOOR SEDAN
21 = 2-DOOR SEDAN	44 = 4-DOOR HATCHBACK
24 = 2-DOOR HATCHBACK	45 = 4-DOOR STATION WAGON

AR = Use as Required - = Non Illustrated Part P.A.R. = Paint as Required

WIRING & SWITCHES--FRONT DOOR K-E BODY
Figure 8-9100

8108 9100



ITEM	PART NUMBER	QTY	BODY	MODEL	DESCRIPTION
1	4373 072			C	SWITCH, Door Lock, Single, Rt.
	4373 073			P,D	Single
	4221 515			41-45	5 Gang
2-4				P,D	WIRING, Front Door
	4400 638-9			P,D 41-45	Right Door Lock
	4400 640-1			P,D 21	Right Door Lock
	4400 355			41-45	Speaker & Illum. Entry
5					CLIP, Snap (Not Serv.)
6				C	WIRING, Door w/Courtesy Lamps
7				C	TAPE, (Not Serv.)
8				C	BEZEL, Power Window (See Group 23C)
9				C	PANEL, Door Trim, (See 23 Trim Section)
10	4373 077				SWITCH, Double
	4373 079			C	Five Gang
11				C	SCREW, (Not Serv.)
12					LAMP, Courtesy (See Illus.5100)
13					BEZEL, Door Armrest (See Group 23C)
14	4221 874				SWITCH, Dual Remote Elec. Mirrors
	4221 395			41,45	Dual Remote Elec. Mirrors
15					SPEAKER, Front Door (See Group 8A)

MODEL CODES

C BODY = (D41 - DYNASTY)(C41 - NEW YORKER)
 E BODY = (J - CARAVELLE)(E - 600)(T - NEW YORKER TURBO)
 G BODY = (V24 - DAYTONA, PACIFICA & SHELBY)
 H BODY = (D44 - LANCER)(C44 - LEBARON GTS)
 J BODY = (C - LEBARON)
 K BODY = (P - RELIANT)(D - ARIES)(C - LEBARON/ TOWN & COUNTRY)

L BODY = (M - HORIZON)(Z-OMNI)
 M BODY = (B - GRAN FURY)(G - DIPLOMAT)(F - FIFTH AVENUE/NEWPORT)
 P BODY = (P - SUNDANCE)(D - SHADOW)
 Q BODY = (C27 - MASERATI)
 S BODY = (H - VOYAGER)(K - RAM VAN/ CARAVAN)

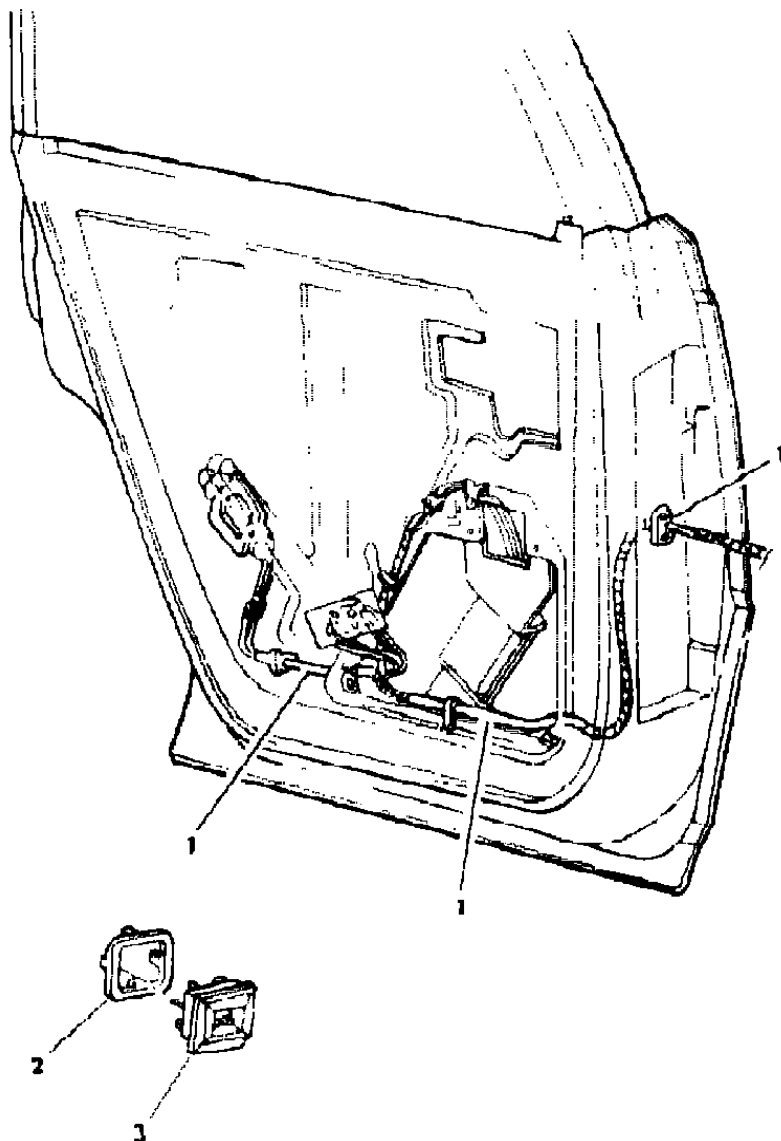
BODY STYLES

12-52 = FWD VAN & WAGON STD. W.B. 27 = 2-DOOR CONVERTIBLE
 13-53 = FWD VAN & WGN EXT W.B. 41 = 4-DOOR SEDAN
 21 = 2-DOOR SEDAN 44 = 4-DOOR HATCHBACK
 24 = 2-DOOR HATCHBACK 45 = 4-DOOR STATION WAGON

AR = Use as Required - = Non Illustrated Part P.A.R. = Paint as Required

WIRING & SWITCHES--REAR DOOR K-E BODY
Figure 8-9200

8108 9200



ITEM	PART NUMBER	QTY	BODY	MODEL	DESCRIPTION
1	4368 286			P,D	WIRING, Door Lock & Window Lift
	4331 454			C,J,E,T	Door Lock
	4400 602			C,J,E,T	Door Dock, Window Lift & Courtesy Lamp
2	4283 894-5			P,D	RETAINER, Window Lift Switch
3	4221 541			P,D	SWITCH, Window Lift
	4221 694			C,J,E,T	

MODEL CODES

C BODY = (D41 - DYNASTY)(C41 - NEW YORKER)	L BODY = (M - HORIZON)(Z-OMNI)
E BODY = (J - CARAVELLE)(E - 600)(T - NEW YORKER TURBO)	M BODY = (B - GRAN FURY)(G - DIPLOMAT)(F - FIFTH AVENUE/NEWPORT)
G BODY = (V24 - DAYTONA, PACIFICA & SHELBY)	P BODY = (P - SUNDANCE)(D - SHADOW)
H BODY = (D44 - LANCER)(C44 - LEBARON GTS)	Q BODY = (C27 - MASERATI)
J BODY = (C - LEBARON)	S BODY = (H - VOYAGER)(K - RAM VAN/ CARAVAN)
K BODY = (P - RELIANT)(D - ARIES)(C - LEBARON/ TOWN & COUNTRY)	

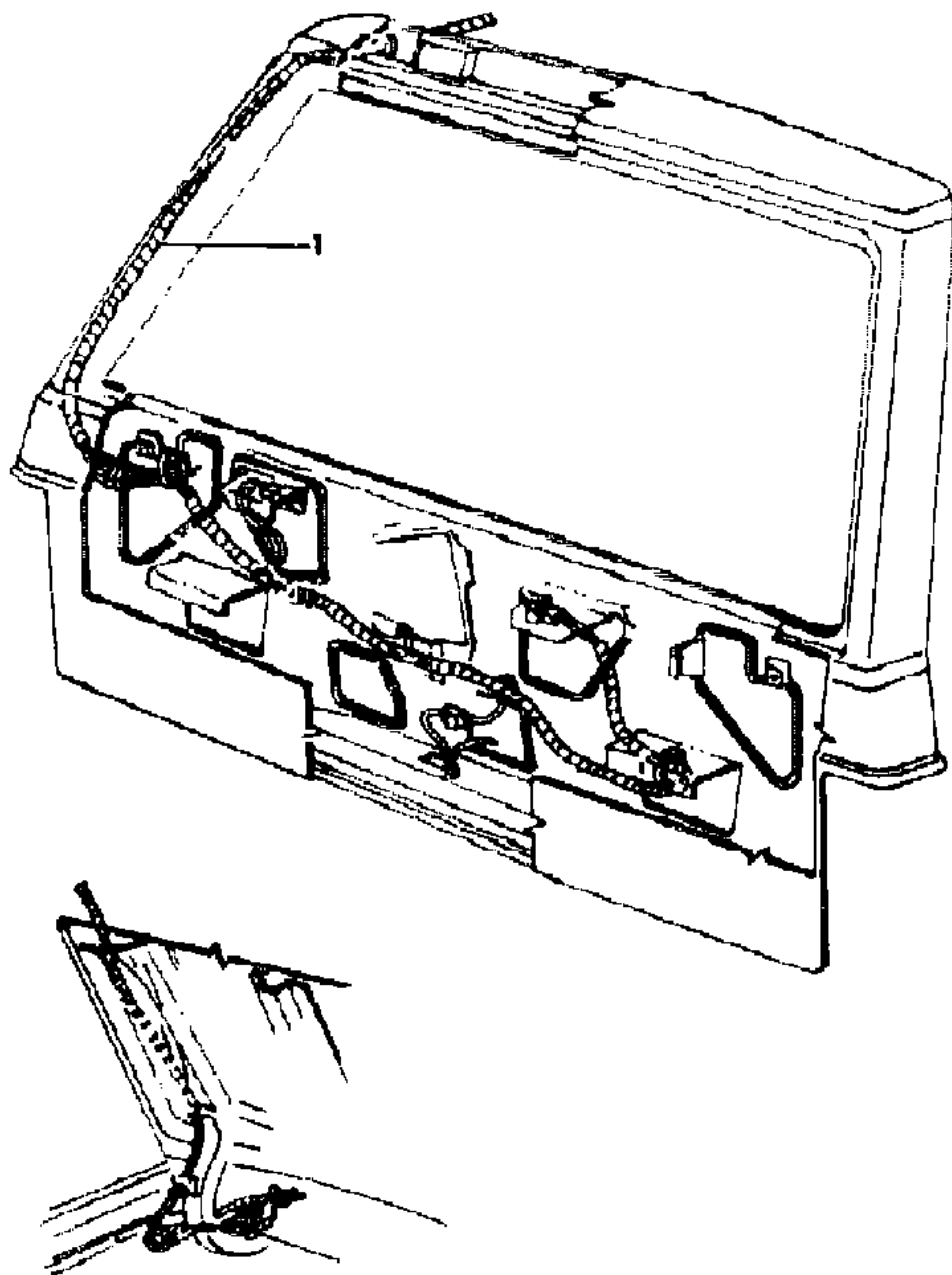
BODY STYLES

12-52 = FWD VAN & WAGON STD. W.B.	27 = 2-DOOR CONVERTIBLE
13-53 = FWD VAN & WGN EXT W.B.	41 = 4-DOOR SEDAN
21 = 2-DOOR SEDAN	44 = 4-DOOR HATCHBACK
24 = 2-DOOR HATCHBACK	45 = 4-DOOR STATION WAGON

AR = Use as Required - = Non Illustrated Part P.A.R. = Paint as Required

WIRING--LIFTGATE & TRUNK K-E BODY
Figure 8-9300

8108 9300



ITEM	PART NUMBER	QTY	BODY	MODEL	DESCRIPTION
1	4368 295			45	WIRING, Liftgate Heated Rear Window
	4400 330			45	Liftgate
	4331 457			21-45	License Lamp
	4368 379			J,E,T	Deck Lid Lamp Ajar
	4304 968			P,D,C	Deck Lid Release

MODEL CODES

C BODY = (D41 - DYNASTY)(C41 - NEW YORKER)	L BODY = (M - HORIZON)(Z-OMNI)
E BODY = (J - CARAVELLE)(E - 600)(T - NEW YORKER TURBO)	M BODY = (B - GRAN FURY)(G - DIPLOMAT)(F - FIFTH AVENUE/NEWPORT)
G BODY = (V24 - DAYTONA, PACIFICA & SHELBY)	P BODY = (P - SUNDANCE)(D - SHADOW)
H BODY = (D44 - LANCER)(C44 - LEBARON GTS)	Q BODY = (C27 - MASERATI)
J BODY = (C - LEBARON)	S BODY = (H - VOYAGER)(K - RAM VAN/ CARAVAN)
K BODY = (P - RELIANT)(D - ARIES)(C - LEBARON/ TOWN & COUNTRY)	

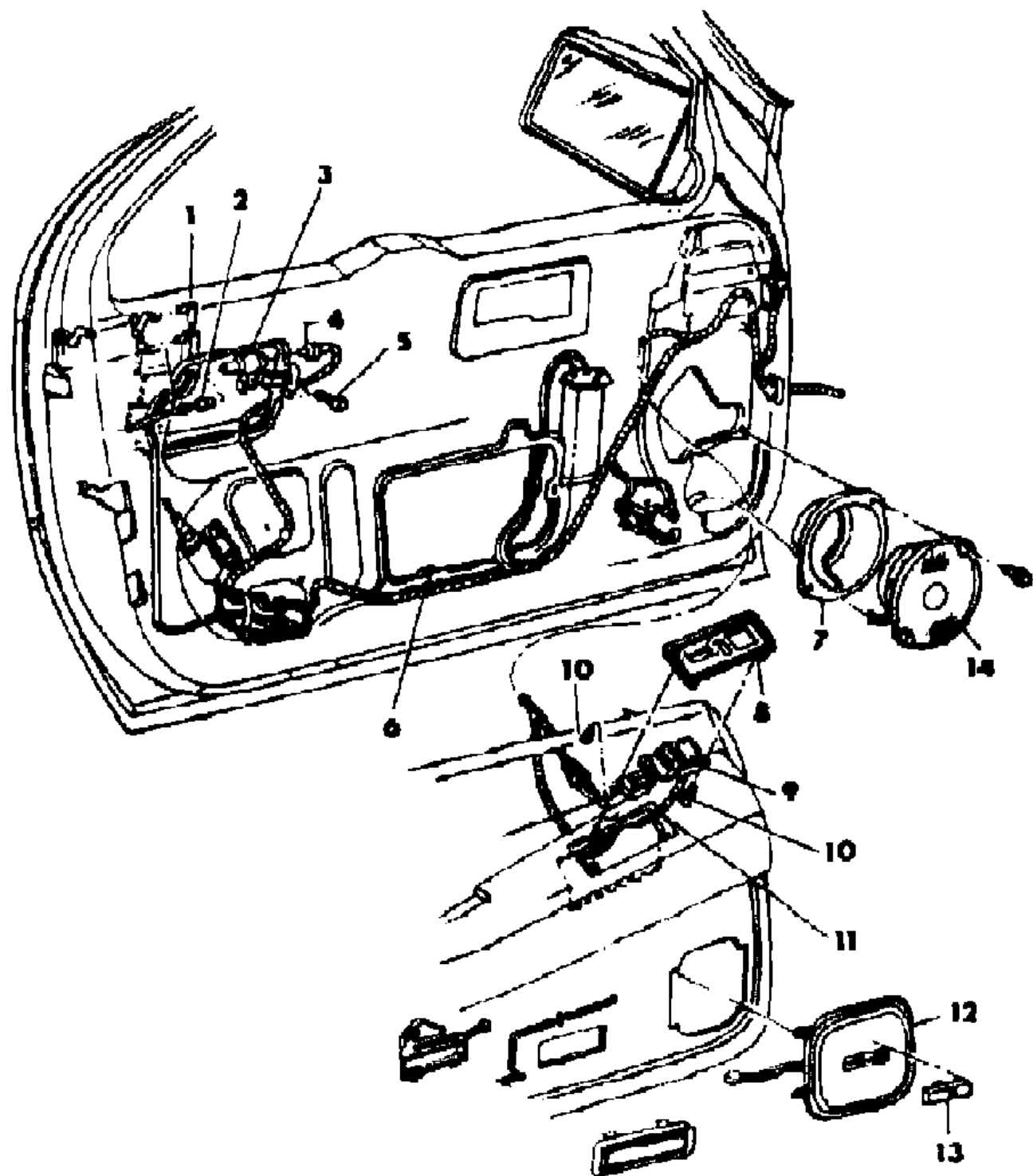
BODY STYLES

12-52 = FWD VAN & WAGON STD. W.B.	27 = 2-DOOR CONVERTIBLE
13-53 = FWD VAN & WGN EXT W.B.	41 = 4-DOOR SEDAN
21 = 2-DOOR SEDAN	44 = 4-DOOR HATCHBACK
24 = 2-DOOR HATCHBACK	45 = 4-DOOR STATION WAGON

AR = Use as Required - = Non Illustrated Part P.A.R. = Paint as Required

WIRING & SWITCHES--DOOR G BODY
Figure 8-9400

8108 9400



ITEM	PART NUMBER	QTY	BODY	MODEL	DESCRIPTION
1	4373 148				SWITCH, Illum. Entry
2					CLIP, Switch (Not Serv.)
3	3591 894				HOUSING, Illum. Entry
4	9421 330				BULB
5					SCREW, (Not Serv.)
6					WIRING, Door
	4414 244				Right, w/Illum. Entry & Window Lift
	4414 246				Rt. w/Illum. Entry, Door Locks, Window Lift, Pwr. Mirror
	4414 581				Left, w/Illum. Entry, Door Locks, Elec. Mirror & Window Lift
	4414 583				Left Door Illum. Entry & Window Lifts
7					ADAPTOR PLATE, Speaker, (See Group 23C)
8					BEZEL, Armrest Switch, (See Group 23C)
9	4373 011				SWITCH, w/Selector, Dual Mirrors
10					SCREW, (Not Serv.)
11	4373 071				SWITCH, Door Lock, Single
11	4373 077				SWITCH, Wdo. Lift, 2 Gang
12					GRILLE, Speaker, (See Group 23C)
13					ESCUTCHEON, Speaker Grille, See 23C)
14					SPEAKER, Door, (See Group 23C)

MODEL CODES

C BODY = (D41 - DYNASTY)(C41 - NEW YORKER)	L BODY = (M - HORIZON)(Z-OMNI)
E BODY = (J - CARAVELLE)(E - 600)(T - NEW YORKER TURBO)	M BODY = (B - GRAN FURY)(G - DIPLOMAT)(F - FIFTH AVENUE/NEWPORT)
G BODY = (V24 - DAYTONA, PACIFICA & SHELBY)	P BODY = (P - SUNDANCE)(D - SHADOW)
H BODY = (D44 - LANCER)(C44 - LEBARON GTS)	Q BODY = (C27 - MASERATI)
J BODY = (C - LEBARON)	S BODY = (H - VOYAGER)(K - RAM VAN/ CARAVAN)
K BODY = (P - RELIANT)(D - ARIES)(C - LEBARON/ TOWN & COUNTRY)	

BODY STYLES

12-52 = FWD VAN & WAGON STD. W.B.	27 = 2-DOOR CONVERTIBLE
13-53 = FWD VAN & WGN EXT W.B.	41 = 4-DOOR SEDAN
21 = 2-DOOR SEDAN	44 = 4-DOOR HATCHBACK
24 = 2-DOOR HATCHBACK	45 = 4-DOOR STATION WAGON

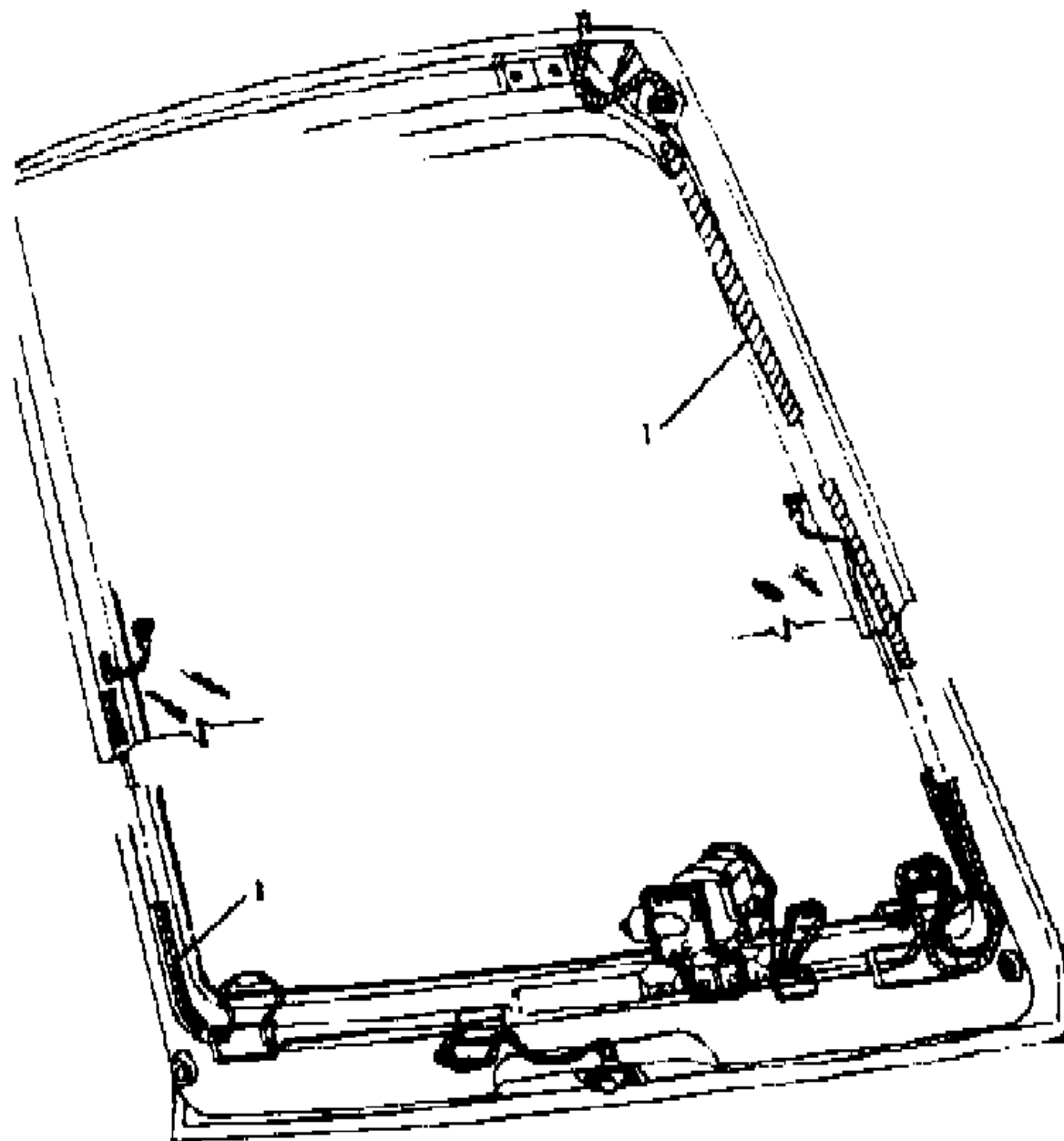
AR = Use as Required - = Non Illustrated Part P.A.R. = Paint as Required

WIRING--LIFTGATE G BODY
Figure 8-9500

8108 9500

ITEM	PART NUMBER	QTY	BODY	MODEL	DESCRIPTION
------	-------------	-----	------	-------	-------------

1	4368 224				WIRING, Liftgate
	4414 237				Liftgate Lic. Lamp, w/EBL
	4400 802				Liftgate Body Jumper



MODEL CODES

C BODY = (D41 - DYNASTY)(C41 - NEW YORKER)	L BODY = (M - HORIZON)(Z-OMNI)
E BODY = (J - CARAVELLE)(E - 600)(T - NEW YORKER TURBO)	M BODY = (B - GRAN FURY)(G - DIPLOMAT)(F - FIFTH AVENUE/NEWPORT)
G BODY = (V24 - DAYTONA, PACIFICA & SHELBY)	P BODY = (P - SUNDANCE)(D - SHADOW)
H BODY = (D44 - LANCER)(C44 - LEBARON GTS)	Q BODY = (C27 - MASERATI)
J BODY = (C - LEBARON)	S BODY = (H - VOYAGER)(K - RAM VAN/ CARAVAN)
K BODY = (P - RELIANT)(D - ARIES)(C - LEBARON/ TOWN & COUNTRY)	

BODY STYLES

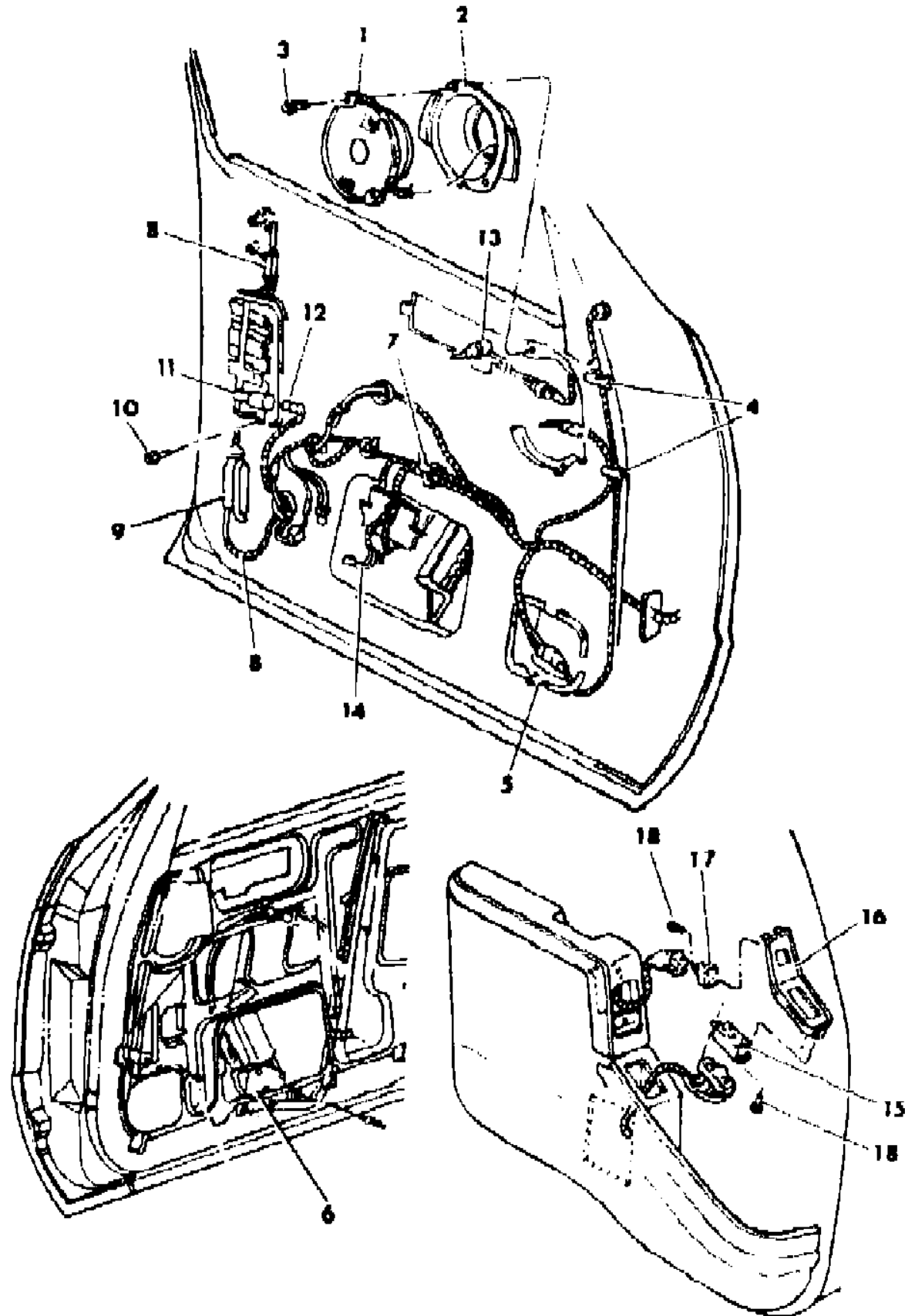
12-52 = FWD VAN & WAGON STD. W.B.	27 = 2-DOOR CONVERTIBLE
13-53 = FWD VAN & WGN EXT W.B.	41 = 4-DOOR SEDAN
21 = 2-DOOR SEDAN	44 = 4-DOOR HATCHBACK
24 = 2-DOOR HATCHBACK	45 = 4-DOOR STATION WAGON

AR = Use as Required - = Non Illustrated Part P.A.R. = Paint as Required

WIRING & SWITCHES--FRONT DOOR H BODY

Figure 8-9600

8108 9600



ITEM	PART NUMBER	QTY	BODY	MODEL	DESCRIPTION
1					SPEAKER, Door (See Group 23C)
2					ADAPTER, Speaker (See Group 23C)
3					SCREW, Speaker (Not Serv.)
4	6016 123				CLIP
5	4331 726				CUP, Wiring
6					MOTOR, Elec. Window (See Group 23C)
7	6015 756				TIE, Wiring
8	4221 729				SWITCH, w/Wiring, Illum. Entry
9	4310 739				SOLENOID, Power Door Lock
10					SCREW, (Not Serv.)
11	4312 880-1				HOUSING, Illum. Entry
12	9421 330				BULB, Illum. Entry
13	4221 617				SWITCH, Elec. Mirror
14					WIRING, Door
	4414 807	2			Speaker, Frt.
	4400 809	2			Speaker, Courtesy Lamp, Pwr. Seats (Up to 1-4-88)
	4414 945				Aft. 1-4-88
	4414 597	2			Door Lock, Window Lift, Power Mirror, Up to 1-4-88
	4414 951				Aft. 1-4-88
15	4373 072				SWITCH, Window Lift, Single
	4373 072				Door Lock, Single
	4373 080				Wdo. Lift Lt. 5 Gang
16					BEZEL, w/Finish Plate, (See Group 23C)
-	4221 907				RETAINER, Wdo. Lift & Door Lock Switch
17	4221 514				SWITCH, Single
18					SCREW, (Not Serv.)

MODEL CODES

C BODY = (D41 - DYNASTY)(C41 - NEW YORKER)
 E BODY = (J - CARAVELLE)(E - 600)(T - NEW YORKER TURBO)
 G BODY = (V24 - DAYTONA, PACIFICA & SHELBY)
 H BODY = (D44 - LANCER)(C44 - LEBARON GTS)
 J BODY = (C - LEBARON)
 K BODY = (P - RELIANT)(D - ARIES)(C - LEBARON/ TOWN & COUNTRY)
 L BODY = (M - HORIZON)(Z-OMNI)
 M BODY = (B - GRAN FURY)(G - DIPLOMAT)(F - FIFTH AVENUE/NEWPORT)
 P BODY = (P - SUNDANCE)(D - SHADOW)
 Q BODY = (C27 - MASERATI)
 S BODY = (H - VOYAGER)(K - RAM VAN/ CARAVAN)

BODY STYLES

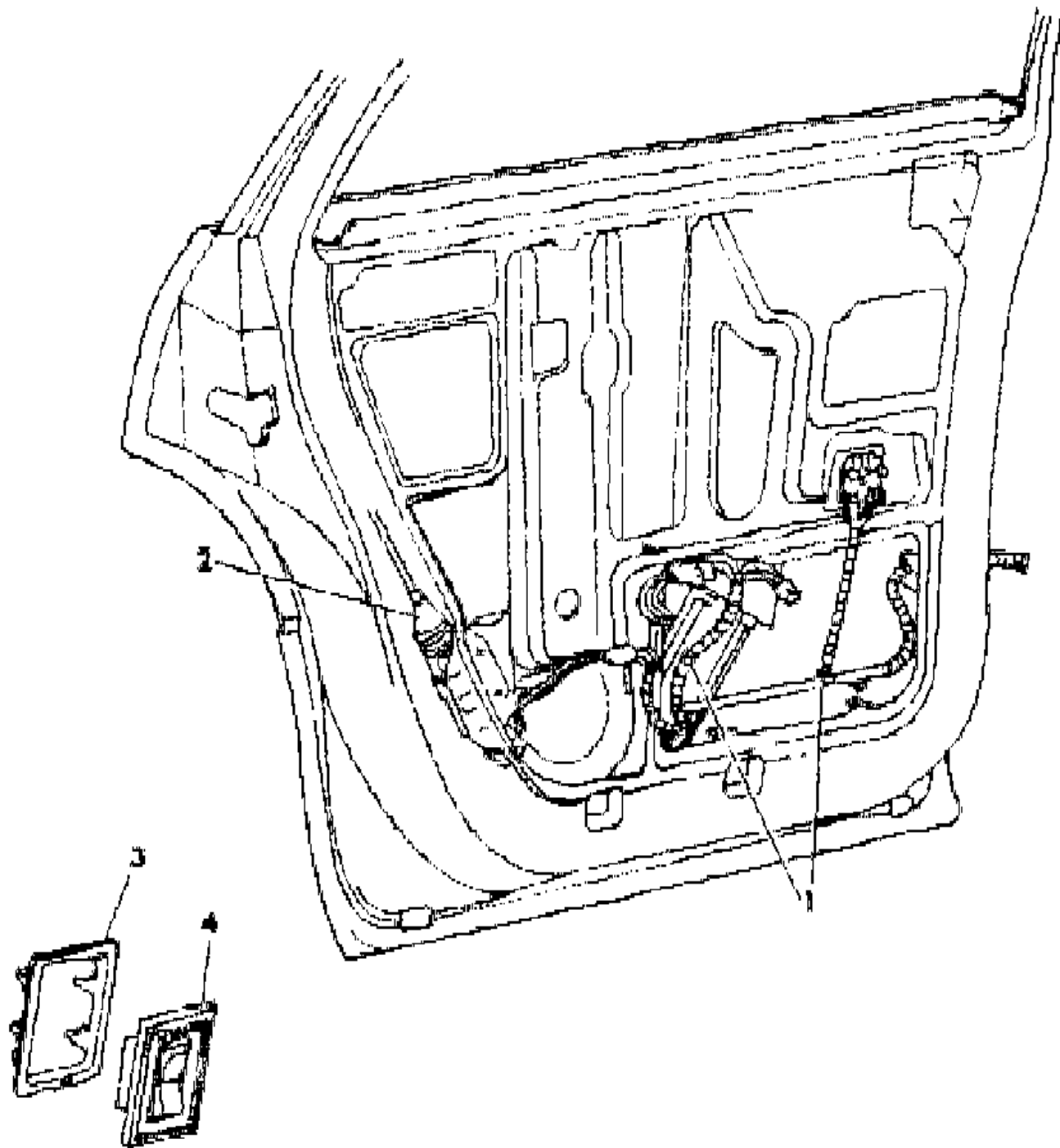
12-52 = FWD VAN & WAGON STD. W.B. 27 = 2-DOOR CONVERTIBLE
 13-53 = FWD VAN & WGN EXT W.B. 41 = 4-DOOR SEDAN
 21 = 2-DOOR SEDAN 44 = 4-DOOR HATCHBACK
 24 = 2-DOOR HATCHBACK 45 = 4-DOOR STATION WAGON

AR = Use as Required - = Non Illustrated Part P.A.R. = Paint as Required

WIRING & SWITCHES--REAR DOOR H BODY
Figure 8-9700

8108 9700

ITEM	PART NUMBER	QTY	BODY	MODEL	DESCRIPTION
1					WIRING, DOOR
	4368 568	2			Courtesy Lamp
	4414 589	2			Courtesy Lamp, Door Lock, Window Lift, Up to 1-13-88
	4414 947				Aft. 1-13-88
	4400 538				Rt. Rear Seat
	4467 416				Door Speaker, (SHELBY)
2	4310 739	2			SOLENOID, Power Door Lock
3	4221 907	2			RETAINER, Window Lift Switch
4	4373 074	2			SWITCH, w/Bezel, Window Lift



MODEL CODES
 C BODY = (D41 - DYNASTY)(C41 - NEW YORKER)
 E BODY = (J - CARAVELLE)(E - 600)(T - NEW YORKER TURBO)
 G BODY = (V24 - DAYTONA, PACIFICA & SHELBY)
 H BODY = (D44 - LANCER)(C44 - LEBARON GTS)
 J BODY = (C - LEBARON)
 K BODY = (P - RELIANT)(D - ARIES)(C - LEBARON/ TOWN & COUNTRY)
 L BODY = (M - HORIZON)(Z-OMNI)
 M BODY = (B - GRAN FURY)(G - DIPLOMAT)(F - FIFTH AVENUE/NEWPORT)
 P BODY = (P - SUNDANCE)(D - SHADOW)
 Q BODY = (C27 - MASERATI)
 S BODY = (H - VOYAGER)(K - RAM VAN/ CARAVAN)

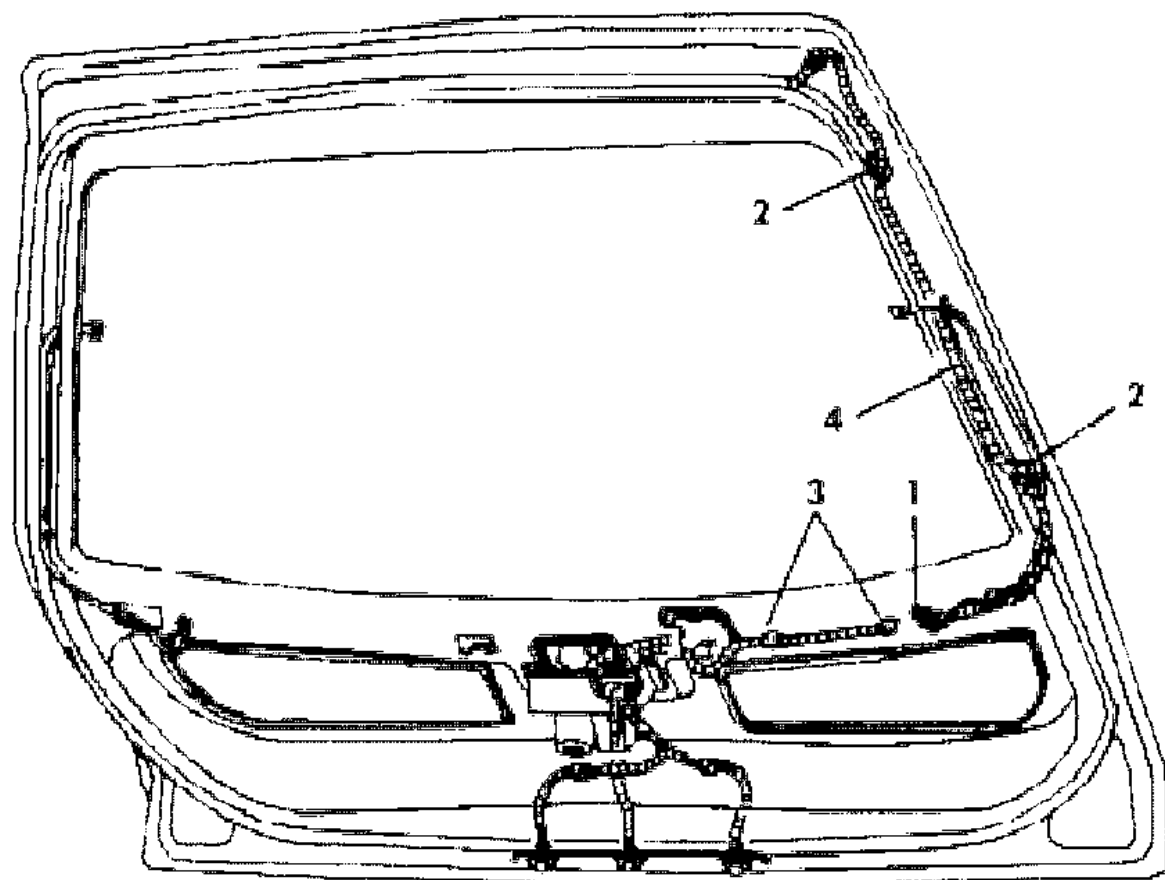
BODY STYLES
 12-52 = FWD VAN & WAGON STD. W.B. 27 = 2-DOOR CONVERTIBLE
 13-53 = FWD VAN & WGN EXT W.B. 41 = 4-DOOR SEDAN
 21 = 2-DOOR SEDAN 44 = 4-DOOR HATCHBACK
 24 = 2-DOOR HATCHBACK 45 = 4-DOOR STATION WAGON

AR = Use as Required - = Non Illustrated Part P.A.R. = Paint as Required

WIRING--LIFTGATE H BODY
Figure 8-9800

8108 9800

ITEM	PART NUMBER	QTY	BODY	MODEL	DESCRIPTION
1	6032 114				SCREW
2	4304 560				LINER, Hole
3	6030 441				CLIP, Push
4	4368 645				WIRING, Liftgate Lic. Lamp, w/o E.B.L & RR Washer
	4368 647				Liftgate, w/E.B.L.
	4368 649				Liftgate, w/E.B.L. & RR Washer
	4331 132				L/Gate License Lp. Jumper, EUROPE



MODEL CODES

C BODY = (D41 - DYNASTY)(C41 - NEW YORKER)	L BODY = (M - HORIZON)(Z-OMNI)
E BODY = (J - CARAVELLE)(E - 600)(T - NEW YORKER TURBO)	M BODY = (B - GRAN FURY)(G - DIPLOMAT)(F - FIFTH AVENUE/NEWPORT)
G BODY = (V24 - DAYTONA, PACIFICA & SHELBY)	P BODY = (P - SUNDANCE)(D - SHADOW)
H BODY = (D44 - LANCER)(C44 - LEBARON GTS)	Q BODY = (C27 - MASERATI)
J BODY = (C - LEBARON)	S BODY = (H - VOYAGER)(K - RAM VAN/ CARAVAN)
K BODY = (P - RELIANT)(D - ARIES)(C - LEBARON/ TOWN & COUNTRY)	

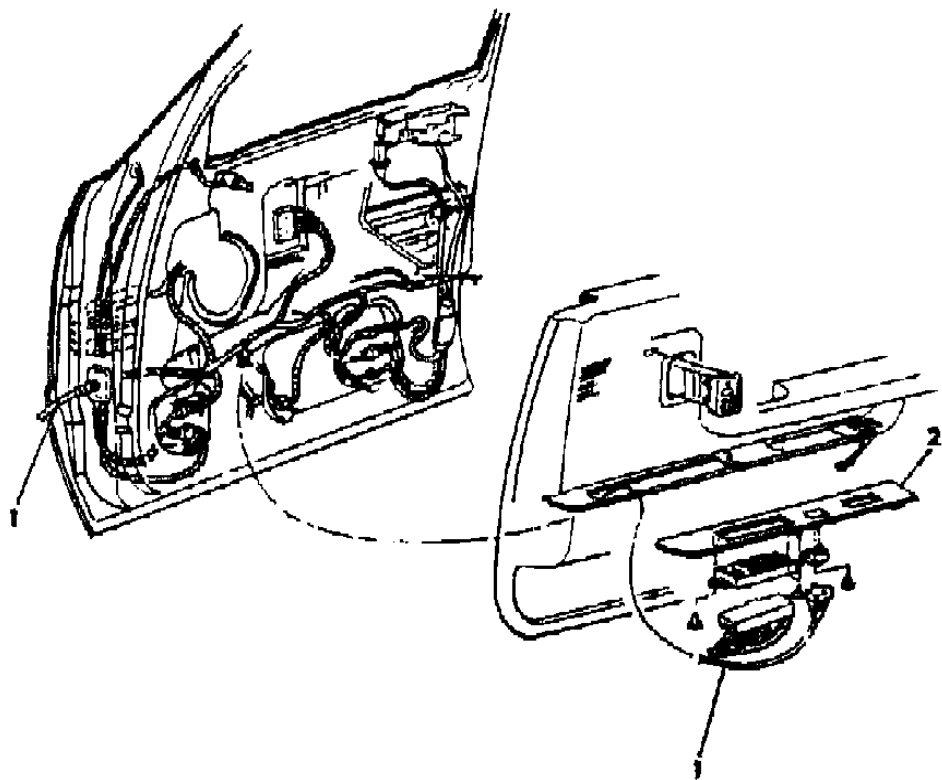
BODY STYLES

12-52 = FWD VAN & WAGON STD. W.B.	27 = 2-DOOR CONVERTIBLE
13-53 = FWD VAN & WGN EXT W.B.	41 = 4-DOOR SEDAN
21 = 2-DOOR SEDAN	44 = 4-DOOR HATCHBACK
24 = 2-DOOR HATCHBACK	45 = 4-DOOR STATION WAGON

AR = Use as Required - = Non Illustrated Part P.A.R. = Paint as Required

WIRING & SWITCHES--FRONT DOOR C BODY
Figure 8-9900

8108 9900 A



ITEM	PART NUMBER	QTY	BODY	MODEL	DESCRIPTION
1					WIRING
	4414 785				Front Door, Base
	4414 793				Frnt. Door Courtesy Lp., Dr. Lock, Wdo. Lift, Pwr. Mirror, Rt. & Lt., Pwr. Seats
	4414 795				Frnt. Door Courtesy Lp., Door Lock, Wdo. Lift, Pwr. Mirrors & Lt. Pwr. Seat
	4414 805				Lt. Frnt. Door Lock (Base)
2					BEZELS, (See Group 23C)
	4331 726				CUP, Wiring, 2-Hole
	4450 864				3-Hole

MODEL CODES

C BODY = (D41 - DYNASTY)(C41 - NEW YORKER)	L BODY = (M - HORIZON)(Z-OMNI)
E BODY = (J - CARAVELLE)(E - 600)(T - NEW YORKER TURBO)	M BODY = (B - GRAN FURY)(G - DIPLOMAT)(F - FIFTH AVENUE/NEWPORT)
G BODY = (V24 - DAYTONA, PACIFICA & SHELBY)	P BODY = (P - SUNDANCE)(D - SHADOW)
H BODY = (D44 - LANCER)(C44 - LEBARON GTS)	Q BODY = (C27 - MASERATI)
J BODY = (C - LEBARON)	S BODY = (H - VOYAGER)(K - RAM VAN/ CARAVAN)
K BODY = (P - RELIANT)(D - ARIES)(C - LEBARON/ TOWN & COUNTRY)	

BODY STYLES

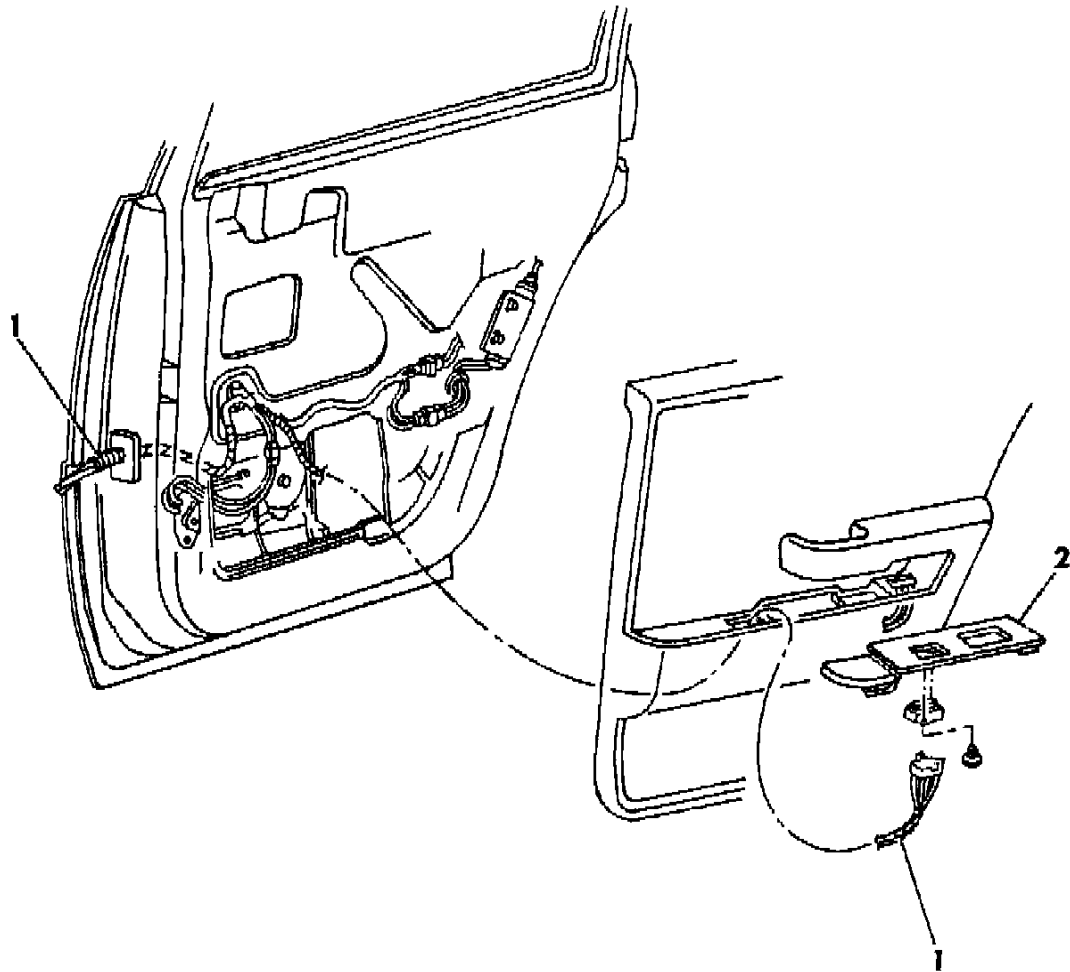
12-52 = FWD VAN & WAGON STD. W.B.	27 = 2-DOOR CONVERTIBLE
13-53 = FWD VAN & WGN EXT W.B.	41 = 4-DOOR SEDAN
21 = 2-DOOR SEDAN	44 = 4-DOOR HATCHBACK
24 = 2-DOOR HATCHBACK	45 = 4-DOOR STATION WAGON

AR = Use as Required - = Non Illustrated Part P.A.R. = Paint as Required

WIRING & SWITCHES--REAR DOOR C BODY

Figure 8-1000

8108 10000 A



ITEM	PART NUMBER	QTY	BODY	MODEL	DESCRIPTION
1					WIRING, ACCESSORIES
	4414 126				Door Courtesy Lamp
	4414 130				Door Courtesy Lamp, Wdo. Lift & Door Lock
2					BEZELS, (See Group 23C)

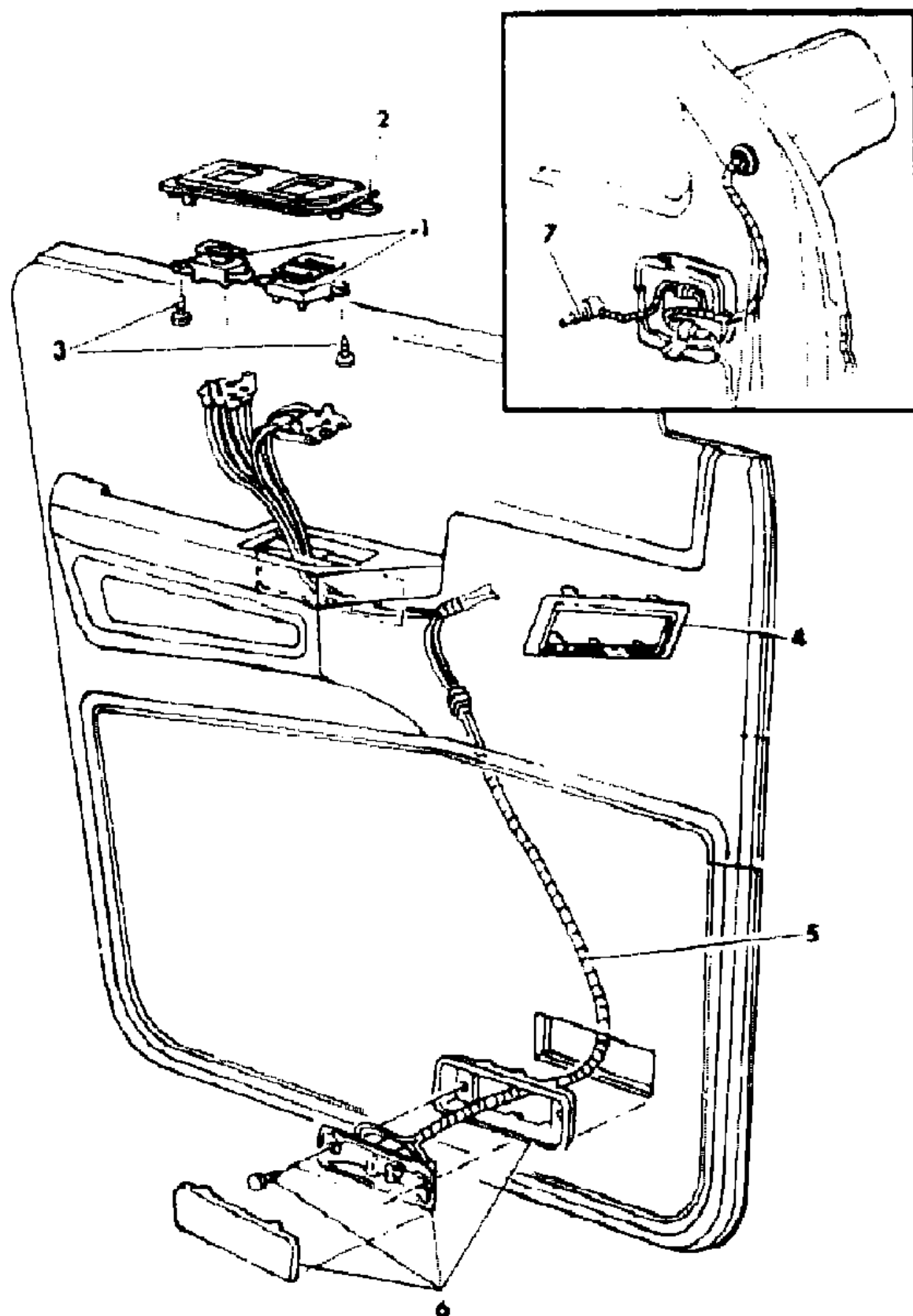
MODEL CODES
 C BODY = (D41 - DYNASTY)(C41 - NEW YORKER)
 E BODY = (J - CARAVELLE)(E - 600)(T - NEW YORKER TURBO)
 G BODY = (V24 - DAYTONA, PACIFICA & SHELBY)
 H BODY = (D44 - LANCER)(C44 - LEBARON GTS)
 J BODY = (C - LEBARON)
 K BODY = (P - RELIANT)(D - ARIES)(C - LEBARON/ TOWN & COUNTRY)
 L BODY = (M - HORIZON)(Z-OMNI)
 M BODY = (B - GRAN FURY)(G - DIPLOMAT)(F - FIFTH AVENUE/NEWPORT)
 P BODY = (P - SUNDANCE)(D - SHADOW)
 Q BODY = (C27 - MASERATI)
 S BODY = (H - VOYAGER)(K - RAM VAN/ CARAVAN)

BODY STYLES
 12-52 = FWD VAN & WAGON STD. W.B. 27 = 2-DOOR CONVERTIBLE
 13-53 = FWD VAN & WGN EXT W.B. 41 = 4-DOOR SEDAN
 21 = 2-DOOR SEDAN 44 = 4-DOOR HATCHBACK
 24 = 2-DOOR HATCHBACK 45 = 4-DOOR STATION WAGON

AR = Use as Required - = Non Illustrated Part P.A.R. = Paint as Required

WIRING & SWITCHES--FRONT DOOR S BODY
Figure 8-1020

8108 10200



ITEM	PART NUMBER	QTY	BODY	MODEL	DESCRIPTION
1					SWITCH, Window Lift & Door Lock
	4373 071				Single
	4373 077				Double
2					BEZEL, Window Lift & Door Lock (See Group 23C)
3					SCREW, (Not Serv.)
4					BEZEL, Remote Control Handle (See Group 23C)
5	4400 440				WIRING, Door Courtesy Lamp
	4400 669				Door Lock, Window Lift, Courtesy Lamp
	4414 363				Door Lock, Courtesy Lamp
	4414 817				Courtesy Lamp, Elec. Mirror, Door Lock, Pwr. Wdo's
	4400 102				Power Mirror, Rt.Frt. Door
6					COURTESY LAMP, (See Illus. 5500)
7	4373 008				SWITCH, Elec. Mirror (Mtg. Nut 4299281)

MODEL CODES

C BODY = (D41 - DYNASTY)(C41 - NEW YORKER)
 E BODY = (J - CARAVELLE)(E - 600)(T - NEW YORKER TURBO)
 G BODY = (V24 - DAYTONA, PACIFICA & SHELBY)
 H BODY = (D44 - LANCER)(C44 - LEBARON GTS)
 J BODY = (C - LEBARON)
 K BODY = (P - RELIANT)(D - ARIES)(C - LEBARON/ TOWN & COUNTRY)

L BODY = (M - HORIZON)(Z-OMNI)
 M BODY = (B - GRAN FURY)(G - DIPLOMAT)(F - FIFTH AVENUE/NEWPORT)
 P BODY = (P - SUNDANCE)(D - SHADOW)
 Q BODY = (C27 - MASERATI)
 S BODY = (H - VOYAGER)(K - RAM VAN/ CARAVAN)

BODY STYLES

12-52 = FWD VAN & WAGON STD. W.B.	27 = 2-DOOR CONVERTIBLE
13-53 = FWD VAN & WGN EXT W.B.	41 = 4-DOOR SEDAN
21 = 2-DOOR SEDAN	44 = 4-DOOR HATCHBACK
24 = 2-DOOR HATCHBACK	45 = 4-DOOR STATION WAGON

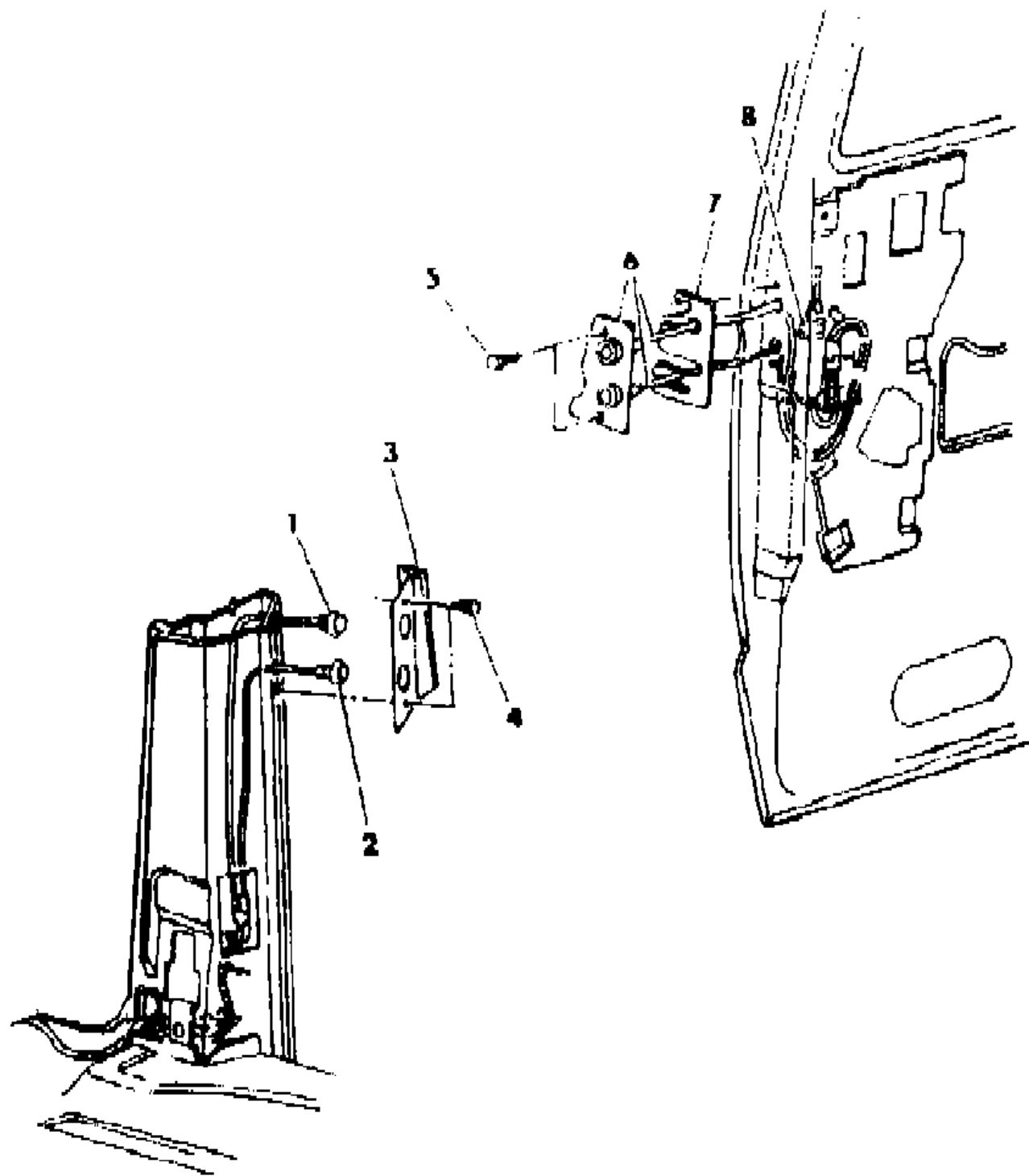
AR = Use as Required - = Non Illustrated Part P.A.R. = Paint as Required

WIRING & SWITCHES--SLIDING DOOR S BODY

Figure 8-1030

8108 10300

ITEM	PART NUMBER	QTY	BODY	MODEL	DESCRIPTION
1	4304 543	1			WIRING, Door Unlock
2	4304 542	1			WIRING, Door Lock
3	4304 584	1			COVER, Door Lock
4		2			SCREW, (Not Serv.)
5		2			SCREW, (Not Serv.)
6	4304 541	1			WIRING, (Door Lock)
7	4304 550				SHIM, Contact Base
8	4310 739	1			SOLENOID, Power Door Lock



MODEL CODES

C BODY = (D41 - DYNASTY)(C41 - NEW YORKER)
 E BODY = (J - CARAVELLE)(E - 600)(T - NEW YORKER TURBO)
 G BODY = (V24 - DAYTONA, PACIFICA & SHELBY)
 H BODY = (D44 - LANCER)(C44 - LEBARON GTS)
 J BODY = (C - LEBARON)
 K BODY = (P - RELIANT)(D - ARIES)(C - LEBARON/ TOWN & COUNTRY)
 L BODY = (M - HORIZON)(Z-OMNI)
 M BODY = (B - GRAN FURY)(G - DIPLOMAT)(F - FIFTH AVENUE/NEWPORT)
 P BODY = (P - SUNDANCE)(D - SHADOW)
 Q BODY = (C27 - MASERATI)
 S BODY = (H - VOYAGER)(K - RAM VAN/ CARAVAN)

BODY STYLES

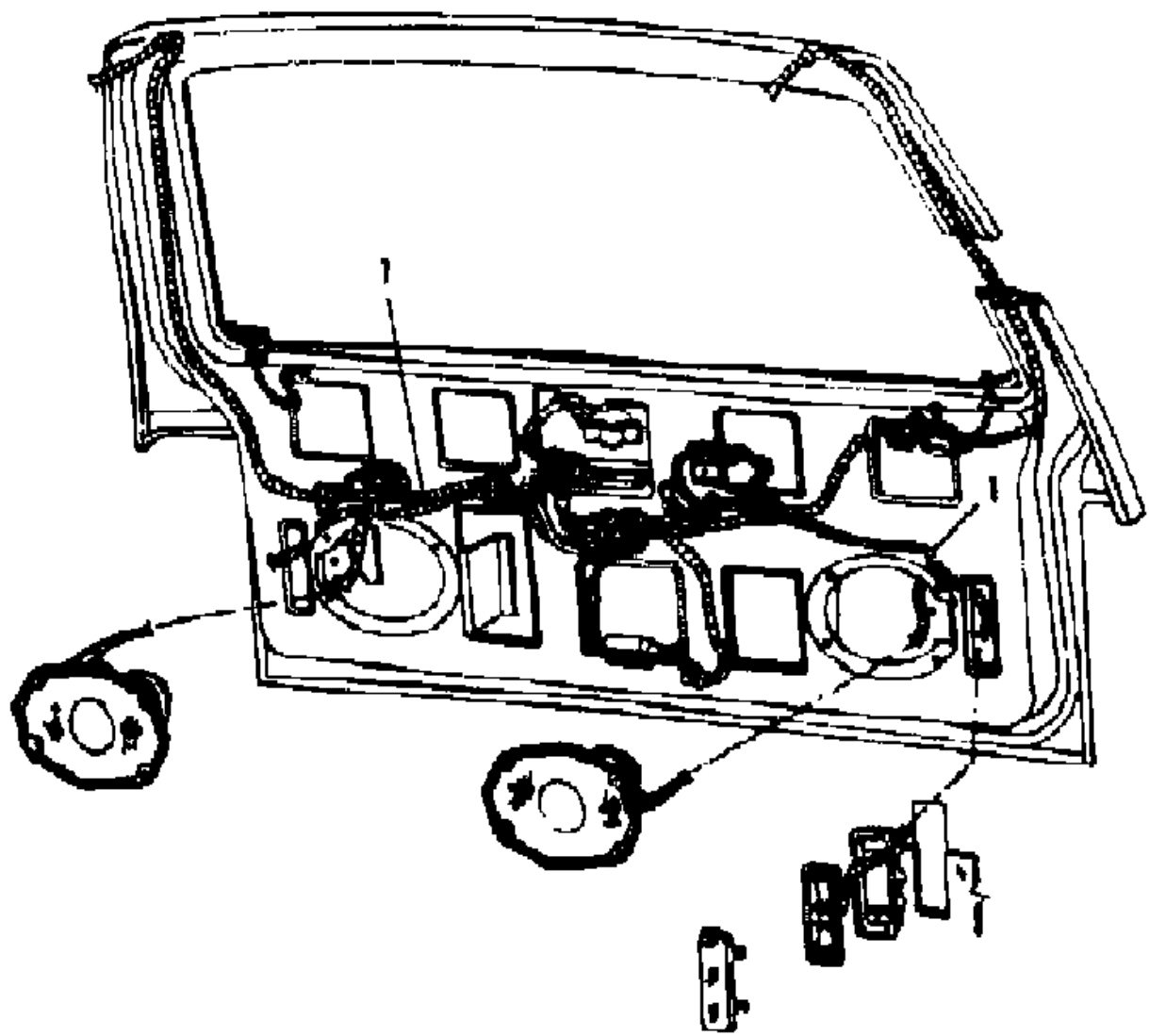
12-52 = FWD VAN & WAGON STD. W.B. 27 = 2-DOOR CONVERTIBLE
 13-53 = FWD VAN & WGN EXT W.B. 41 = 4-DOOR SEDAN
 21 = 2-DOOR SEDAN 44 = 4-DOOR HATCHBACK
 24 = 2-DOOR HATCHBACK 45 = 4-DOOR STATION WAGON

AR = Use as Required - = Non Illustrated Part P.A.R. = Paint as Required

WIRING--LIFTGATE S BODY
Figure 8-1040

8108 10400

ITEM	PART NUMBER	QTY	BODY	MODEL	DESCRIPTION
1					WIRING
	4414 377				Liftgate Release, Lt.
	4304 585				Liftgate Courtesy Lamp (Lt.)
	4414 344				Liftgate Release, Wiper & Speaker (Rt.)
	4414 352				Liftgate Speaker (Rt.)
	4414 350				Liftgate Courtesy Lamp & Speakers
	4304 290				Liftgate Heated Rear Window Pigtail Grd. (Rt.)
	4304 291				Liftgate Heated Rear Window Pigtail Feed
	4368 670				Rear Door License Lamp (Dual Rear Doors)



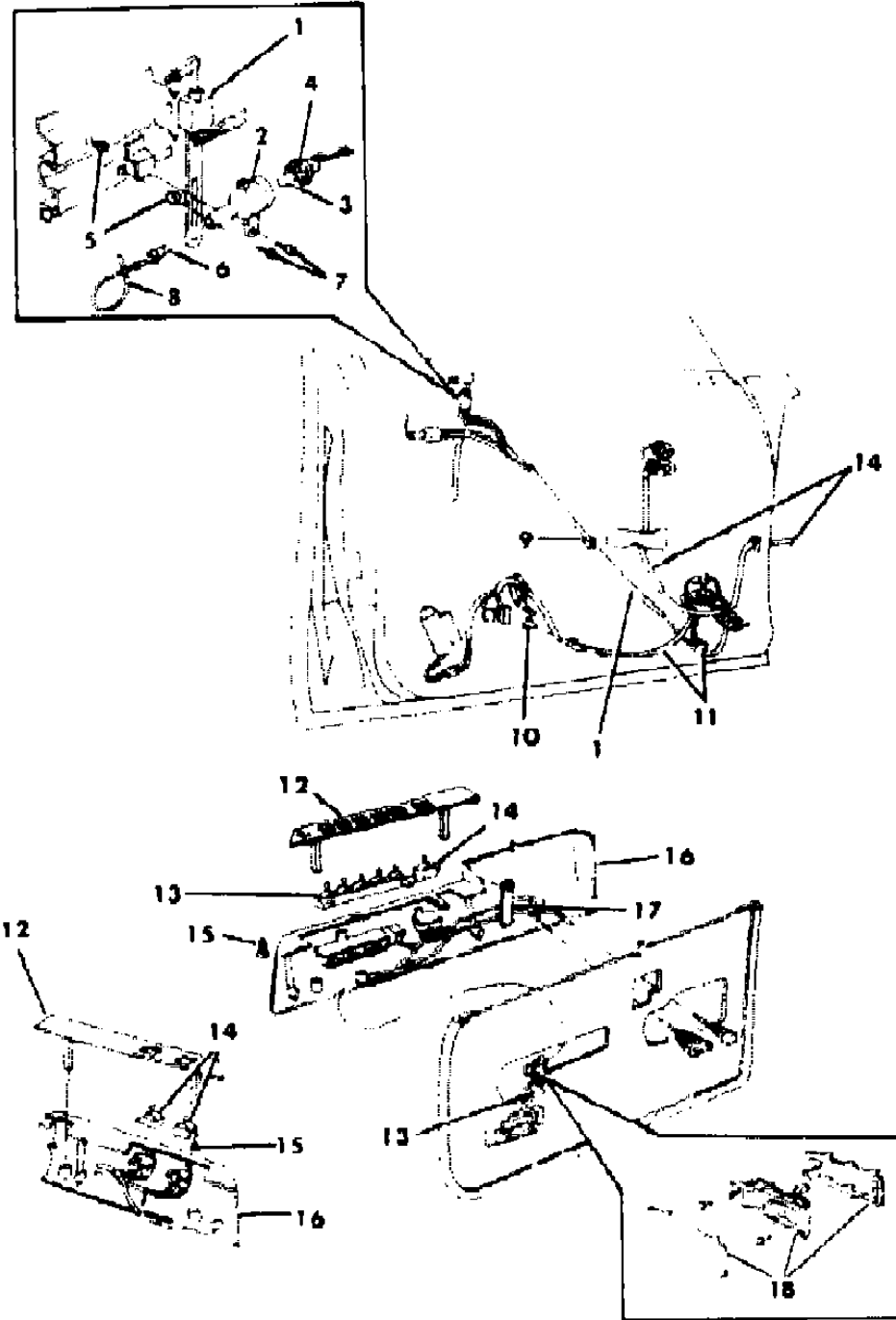
MODEL CODES
 C BODY = (D41 - DYNASTY)(C41 - NEW YORKER)
 E BODY = (J - CARAVELLE)(E - 600)(T - NEW YORKER TURBO)
 G BODY = (V24 - DAYTONA, PACIFICA & SHELBY)
 H BODY = (D44 - LANCER)(C44 - LEBARON GTS)
 J BODY = (C - LEBARON)
 K BODY = (P - RELIANT)(D - ARIES)(C - LEBARON/ TOWN & COUNTRY)
 L BODY = (M - HORIZON)(Z-OMNI)
 M BODY = (B - GRAN FURY)(G - DIPLOMAT)(F - FIFTH AVENUE/NEWPORT)
 P BODY = (P - SUNDANCE)(D - SHADOW)
 Q BODY = (C27 - MASERATI)
 S BODY = (H - VOYAGER)(K - RAM VAN/ CARAVAN)

BODY STYLES
 12-52 = FWD VAN & WAGON STD. W.B. 27 = 2-DOOR CONVERTIBLE
 13-53 = FWD VAN & WGN EXT W.B. 41 = 4-DOOR SEDAN
 21 = 2-DOOR SEDAN 44 = 4-DOOR HATCHBACK
 24 = 2-DOOR HATCHBACK 45 = 4-DOOR STATION WAGON

AR = Use as Required - = Non Illustrated Part P.A.R. = Paint as Required

WIRING & SWITCHES--FRONT DOOR M BODY
Figure 8-1050

8108 10500



ITEM	PART NUMBER	QTY	BODY	MODEL	DESCRIPTION
1	#3747 819	2			SWITCH, w/Wiring, Illum. Entry
2	3591 894	2			HOUSING, Lamp
3	9415 969	2			BULB
4	3513 686	2			SOCKET
5	6031 234	AR			NUT, Switch Mounting
6		AR			CLIP, (Not Serv.)
7		AR			SCREW, (Not Serv.)
8	#4172 675	AR			CABLE
9		AR			CLIP, (Not Serv.)
10		AR			RETAINER, (Not Serv.)
11					WIRING, Front Door
	4274 172				Illum. Entry & Courtesy Lamp
	4209 971				Pwr. Windows, Illum. Entry, w/ or w/o Pwr. Door Locks
	4274 342-3				Power Windows, Door Locks (Armrest)
	4274 344				Rt. Frt. Door Wdo. Lift (Armrest)
	4274 345				Rear Door Wdo. Lift (Armrest)
	4274 340-1				Door Locks
12					BEZEL, Finish Plate, Armrest (See Group 23C)
13	4131 377				SWITCH, Five Gang
14	4131 376				SWITCH, Single
15					SCREW, (Not Serv.)
16					ARMREST, (See Trim Section)
17					CLIP, (Not Serv.)
18					LAMP, Courtesy (See Illus. 5600)

MODEL CODES

C BODY = (D41 - DYNASTY)(C41 - NEW YORKER)
 E BODY = (J - CARAVELLE)(E - 600)(T - NEW YORKER TURBO)
 G BODY = (V24 - DAYTONA, PACIFICA & SHELBY)
 H BODY = (D44 - LANCER)(C44 - LEBARON GTS)
 J BODY = (C - LEBARON)
 K BODY = (P - RELIANT)(D - ARIES)(C - LEBARON/ TOWN & COUNTRY)

L BODY = (M - HORIZON)(Z-OMNI)
 M BODY = (B - GRAN FURY)(G - DIPLOMAT)(F - FIFTH AVENUE/NEWPORT)
 P BODY = (P - SUNDANCE)(D - SHADOW)
 Q BODY = (C27 - MASERATI)
 S BODY = (H - VOYAGER)(K - RAM VAN/ CARAVAN)

BODY STYLES

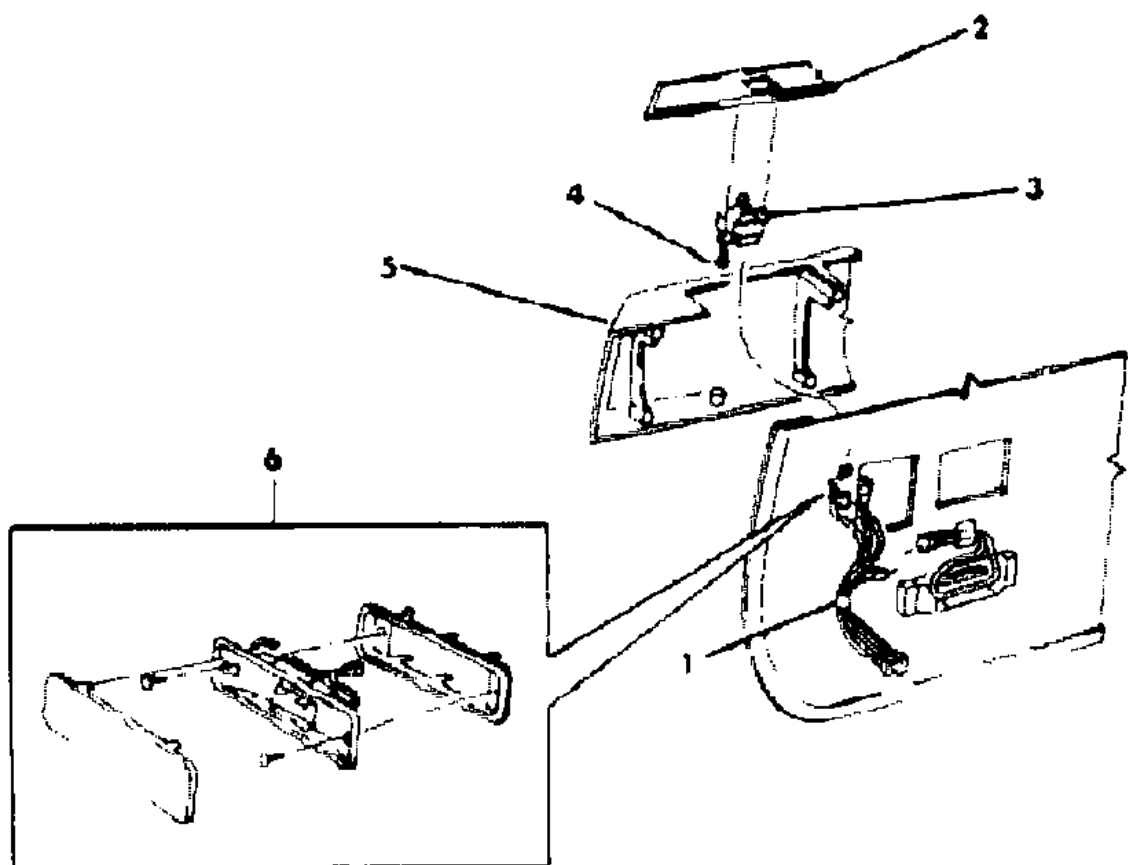
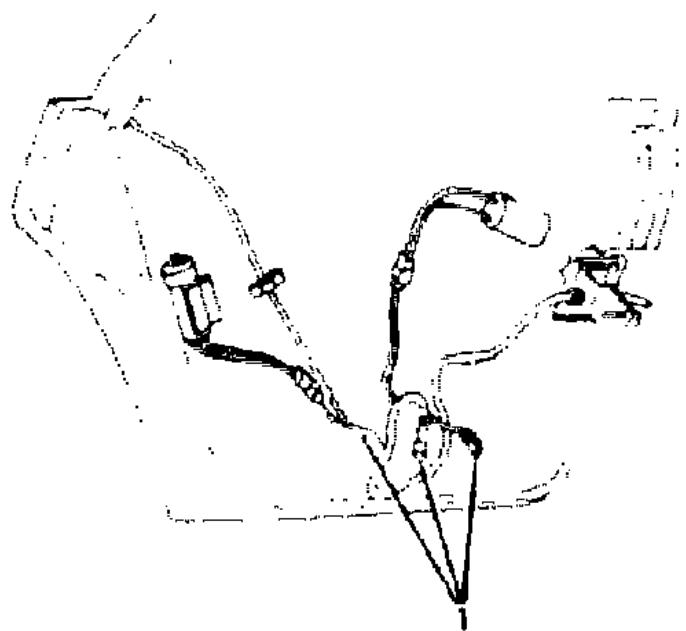
12-52 = FWD VAN & WAGON STD. W.B. 27 = 2-DOOR CONVERTIBLE
 13-53 = FWD VAN & WGN EXT W.B. 41 = 4-DOOR SEDAN
 21 = 2-DOOR SEDAN 44 = 4-DOOR HATCHBACK
 24 = 2-DOOR HATCHBACK 45 = 4-DOOR STATION WAGON

AR = Use as Required - = Non Illustrated Part P.A.R. = Paint as Required

WIRING & SWITCHES--REAR DOOR M BODY
Figure 8-1060

8108 10600

ITEM	PART NUMBER	QTY	BODY	MODEL	DESCRIPTION
1					WIRING, Door
	4414 676	2			Opera Lamp, Rear Door
	4414 673	2			Power Locks, Courtesy Lamp
	4414 674	2			Power Locks, Power Windows
2		1			BEZEL, Armrest (See Group 23C)
3	4131 376	2			SWITCH, Single
4		AR			SCREW, (Not Serv.)
5					ARMREST, (See 23IT)
6					LAMP, Courtesy (See 5600)



MODEL CODES

C BODY = (D41 - DYNASTY)(C41 - NEW YORKER)	L BODY = (M - HORIZON)(Z-OMNI)
E BODY = (J - CARAVELLE)(E - 600)(T - NEW YORKER TURBO)	M BODY = (B - GRAN FURY)(G - DIPLOMAT)(F - FIFTH AVENUE/NEWPORT)
G BODY = (V24 - DAYTONA, PACIFICA & SHELBY)	P BODY = (P - SUNDANCE)(D - SHADOW)
H BODY = (D44 - LANCER)(C44 - LEBARON GTS)	Q BODY = (C27 - MASERATI)
J BODY = (C - LEBARON)	S BODY = (H - VOYAGER)(K - RAM VAN/ CARAVAN)
K BODY = (P - RELIANT)(D - ARIES)(C - LEBARON/ TOWN & COUNTRY)	

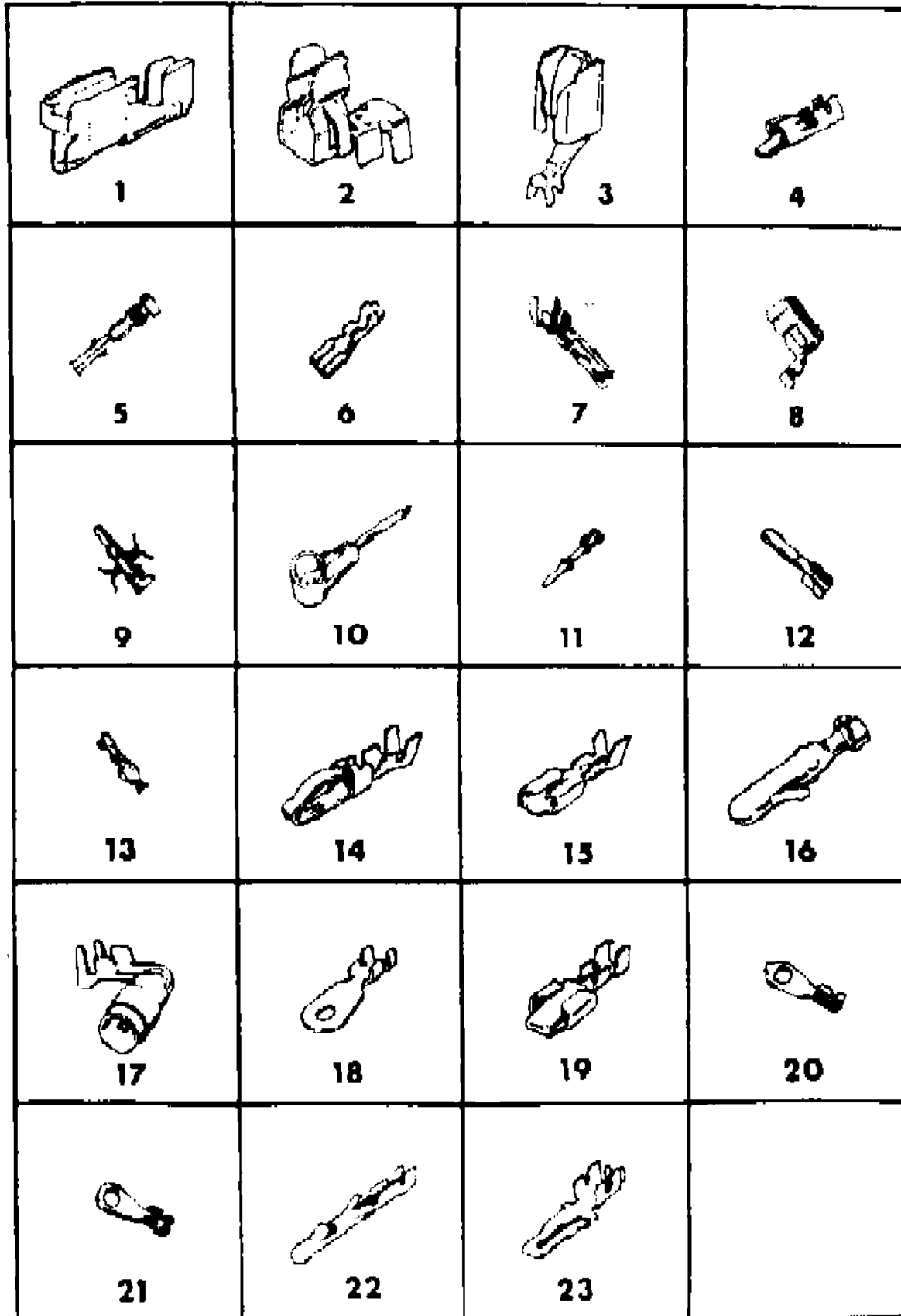
BODY STYLES

12-52 = FWD VAN & WAGON STD. W.B.	27 = 2-DOOR CONVERTIBLE
13-53 = FWD VAN & WGN EXT W.B.	41 = 4-DOOR SEDAN
21 = 2-DOOR SEDAN	44 = 4-DOOR HATCHBACK
24 = 2-DOOR HATCHBACK	45 = 4-DOOR STATION WAGON

AR = Use as Required - = Non Illustrated Part P.A.R. = Paint as Required

TERMINAL CHART
Figure 8-1070

8108 10700



ITEM	PART NUMBER	QTY	BODY	MODEL	DESCRIPTION
1	3513 613				TERMINAL
2	3591 596				TERMINAL
3	3764 607				TERMINAL
4	2496 532				TERMINAL
5	2983 410				TERMINAL
6	2580 061				TERMINAL
7	3513 544				TERMINAL
8	2926 722				TERMINAL
9	2983 411				TERMINAL
10	3588 946				TERMINAL
11	2983 409				TERMINAL
12	2983 412				TERMINAL
13	3513 586				TERMINAL
14	3764 556				TERMINAL
15	3764 570				TERMINAL
16	3513 543				TERMINAL
17	3843 577				TERMINAL
18					
19	3588 819				TERMINAL
20	3513 637				TERMINAL
21	3438 709				TERMINAL
22	3513 756				TERMINAL
23	3513 692				TERMINAL

MODEL CODES

C BODY = (D41 - DYNASTY)(C41 - NEW YORKER)
 E BODY = (J - CARAVELLE)(E - 600)(T - NEW YORKER TURBO)
 G BODY = (V24 - DAYTONA, PACIFICA & SHELBY)
 H BODY = (D44 - LANCER)(C44 - LEBARON GTS)
 J BODY = (C - LEBARON)
 K BODY = (P - RELIANT)(D - ARIES)(C - LEBARON/ TOWN & COUNTRY)
 L BODY = (M - HORIZON)(Z-OMNI)
 M BODY = (B - GRAN FURY)(G - DIPLOMAT)(F - FIFTH AVENUE/NEWPORT)
 P BODY = (P - SUNDANCE)(D - SHADOW)
 Q BODY = (C27 - MASERATI)
 S BODY = (H - VOYAGER)(K - RAM VAN/ CARAVAN)

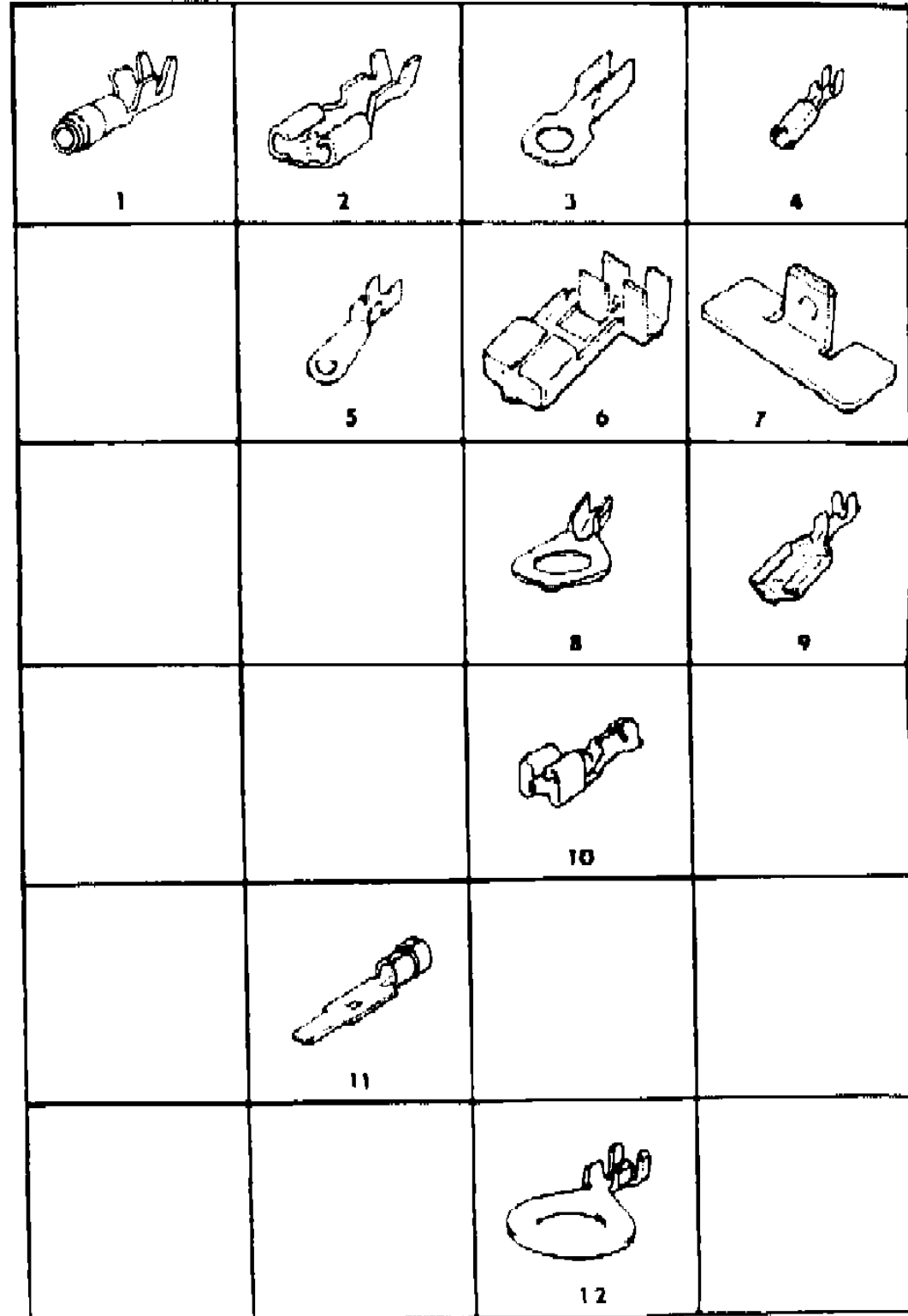
BODY STYLES

12-52 = FWD VAN & WAGON STD. W.B. 27 = 2-DOOR CONVERTIBLE
 13-53 = FWD VAN & WGN EXT W.B. 41 = 4-DOOR SEDAN
 21 = 2-DOOR SEDAN 44 = 4-DOOR HATCHBACK
 24 = 2-DOOR HATCHBACK 45 = 4-DOOR STATION WAGON

AR = Use as Required - = Non Illustrated Part P.A.R. = Paint as Required

TERMINAL CHART
Figure 8-1070

8108 10800



ITEM	PART NUMBER	QTY	BODY	MODEL	DESCRIPTION
1	3843 576				TERMINAL
2	3843 935				TERMINAL
3	2197 947				TERMINAL
4	2983 410				TERMINAL
5	2290 069				TERMINAL
6	4055 468				TERMINAL
7	4055 775				TERMINAL
8	5211 602				TERMINAL
9	1704 562				TERMINAL
10	3843 601				TERMINAL
11	3843 386				TERMINAL
12	5211 599				TERMINAL
	4368 557				DIODE, A/C Clutch Mold (Repair)
	4368 556				DIODE, A/C Battery Cable Mold (Repair)

MODEL CODES

C BODY = (D41 - DYNASTY)(C41 - NEW YORKER)
 E BODY = (J - CARAVELLE)(E - 600)(T - NEW YORKER TURBO)
 G BODY = (V24 - DAYTONA, PACIFICA & SHELBY)
 H BODY = (D44 - LANCER)(C44 - LEBARON GTS)
 J BODY = (C - LEBARON)
 K BODY = (P - RELIANT)(D - ARIES)(C - LEBARON/ TOWN & COUNTRY)

L BODY = (M - HORIZON)(Z-OMNI)
 M BODY = (B - GRAN FURY)(G - DIPLOMAT)(F - FIFTH AVENUE/NEWPORT)
 P BODY = (P - SUNDANCE)(D - SHADOW)
 Q BODY = (C27 - MASERATI)
 S BODY = (H - VOYAGER)(K - RAM VAN/ CARAVAN)

BODY STYLES

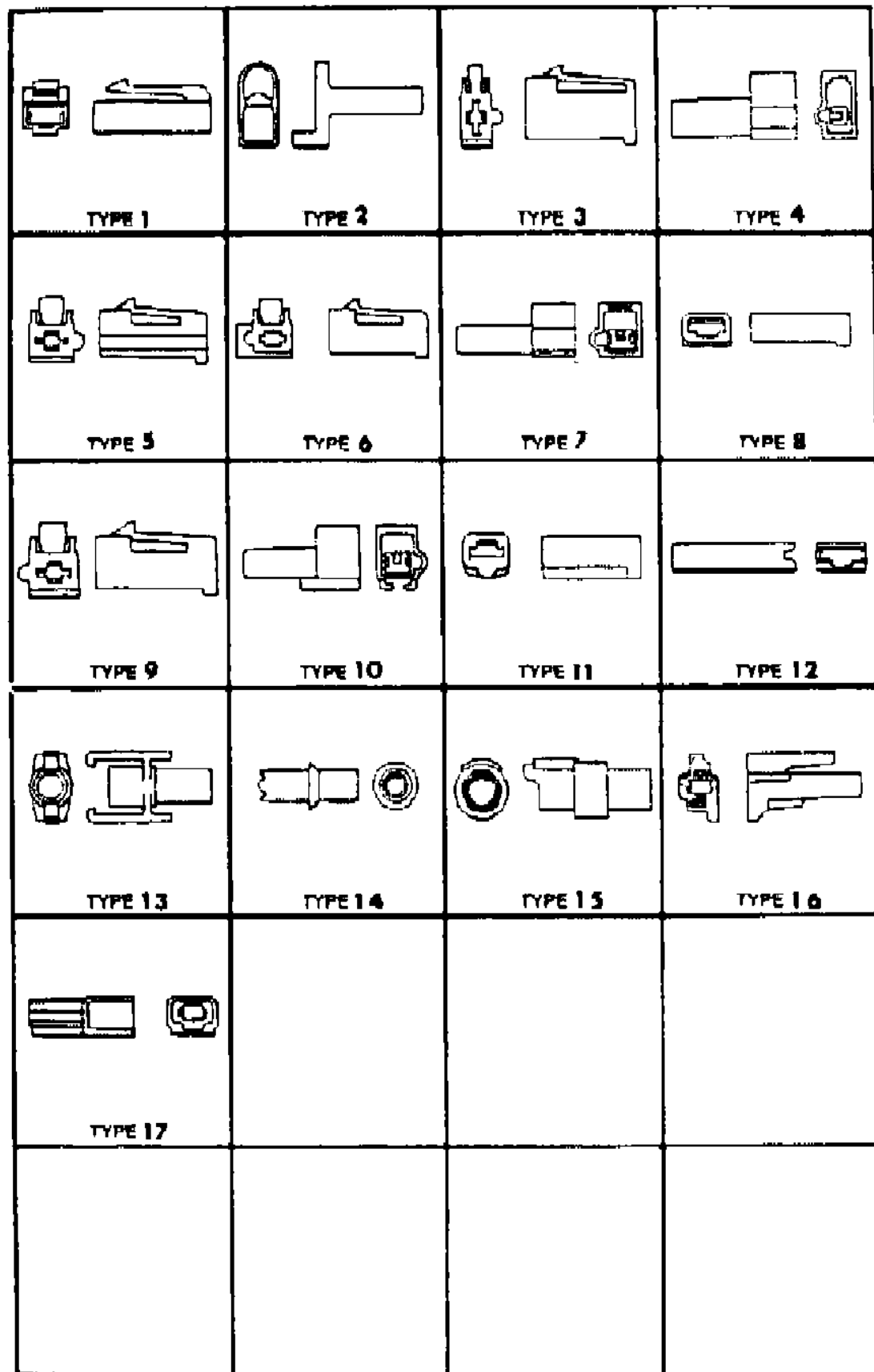
12-52 = FWD VAN & WAGON STD. W.B. 27 = 2-DOOR CONVERTIBLE
 13-53 = FWD VAN & WGN EXT W.B. 41 = 4-DOOR SEDAN
 21 = 2-DOOR SEDAN 44 = 4-DOOR HATCHBACK
 24 = 2-DOOR HATCHBACK 45 = 4-DOOR STATION WAGON

AR = Use as Required - = Non Illustrated Part P.A.R. = Paint as Required

INSULATORS 1 WAY

Figure 8-1090

8108 10900



ITEM	PART NUMBER	QTY	BODY	MODEL	DESCRIPTION
1					NATURAL--NOT SERV.
2	#4124 694				BLACK--W/TERMINAL 2298882
3	#4124 687				VIOLET--W/TERMINAL 3843601
4	#4124 686				VIOLET--W/TERMINAL 3843386
5	4124 236				GREEN--W/TERMINAL 3843601
6	#4124 757				BLACK--W/TERMINAL 2298882
7	4124 235				GREEN--W/TERMINAL 3843386
8	4055 395				BLACK--W/TERMINAL 4186045
9	3843 754				NATURAL--W/TERMINAL 3843601
10	4274 267				NATURAL--W/TERMINAL 3843386
11					NATURAL--NOT SERV.
12	4304 611				BLACK--W/TERMINAL 4304610
13	3588 780				BLACK--W/TERMINAL 3513543
14	3588 781				BLACK--W/TERMINAL 3513544
15	4304 640				BLACK--W/TERMINAL 4304637
16	4331 515				GRAY--W/TERMINAL 4331510
17					BLACK--NOT SERV.

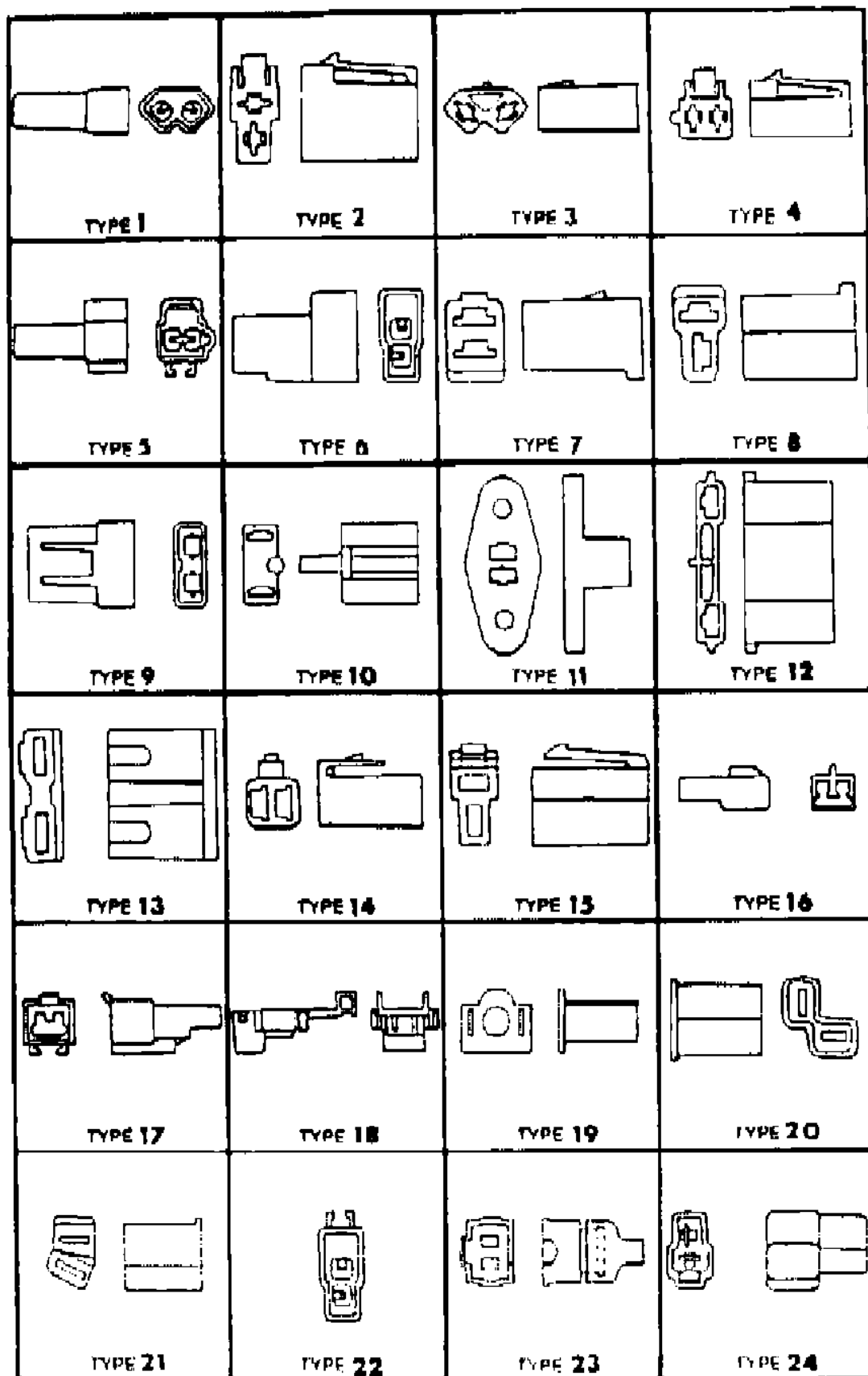
MODEL CODES
 C BODY = (D41 - DYNASTY)(C41 - NEW YORKER)
 E BODY = (J - CARAVELLE)(E - 600)(T - NEW YORKER TURBO)
 G BODY = (V24 - DAYTONA, PACIFICA & SHELBY)
 H BODY = (D44 - LANCER)(C44 - LEBARON GTS)
 J BODY = (C - LEBARON)
 K BODY = (P - RELIANT)(D - ARIES)(C - LEBARON/ TOWN & COUNTRY)
 L BODY = (M - HORIZON)(Z-OMNI)
 M BODY = (B - GRAN FURY)(G - DIPLOMAT)(F - FIFTH AVENUE/NEWPORT)
 P BODY = (P - SUNDANCE)(D - SHADOW)
 Q BODY = (C27 - MASERATI)
 S BODY = (H - VOYAGER)(K - RAM VAN/ CARAVAN)

BODY STYLES
 12-52 = FWD VAN & WAGON STD. W.B. 27 = 2-DOOR CONVERTIBLE
 13-53 = FWD VAN & WGN EXT W.B. 41 = 4-DOOR SEDAN
 21 = 2-DOOR SEDAN 44 = 4-DOOR HATCHBACK
 24 = 2-DOOR HATCHBACK 45 = 4-DOOR STATION WAGON

AR = Use as Required - = Non Illustrated Part P.A.R. = Paint as Required

INSULATORS 2 WAY
Figure 8-1100

8108 11000



ITEM	PART NUMBER	QTY	BODY	MODEL	DESCRIPTION
1	4055 020				NATURAL--W/TERMINAL 3843386
2	4055 019				NATURAL--W/TERMINAL 3843601
3	4055 021				NATURAL--W/TERMINAL 3843601
4	4209 957				BLACK--W/TERMINAL 3843601
4	4055 012				BLACK--W/TERMINAL 4055012
5	4274 936				BLACK--W/TERMINAL 3843386
6	4055 018				NATURAL--W/TERMINAL 3843386
7	3764 263				BLACK--W/TERMINAL
8	3764 944				BLACK--W/TERMINAL
9					GRAY--NOT SERV.
10	3588 525				WHITE--W/TERMINAL
11					BLACK--NOT SERV.
12	3588 399				BLACK--W/TERMINAL
13	2857 761				BLACK
14	4209 180				GRAY--W/TERMINAL 3588819
15					ASSORTED--NOT SERV.
16	4209 927				BLACK--W/TERM. 4209706
17	4274 937				BLACK--W/TERMINAL 4209707
18	4274 059				BLACK--W/TERMINAL 4274057 & 4274058
19					BLACK--NOT SERV.
20	3588 523				GRAY--W/TERMINAL
21					ORANGE--NOT SERV.
22					BLACK--NOT SERV.
23	4274 923				BLACK--W/TERMINAL 4274922
24	4304 527				ASSORTED--W/TERMINAL 4304528

MODEL CODES

C BODY = (D41 - DYNASTY)(C41 - NEW YORKER)	L BODY = (M - HORIZON)(Z-OMNI)
E BODY = (J - CARAVELLE)(E - 600)(T - NEW YORKER TURBO)	M BODY = (B - GRAN FURY)(G - DIPLOMAT)(F - FIFTH AVENUE/NEWPORT)
G BODY = (V24 - DAYTONA, PACIFICA & SHELBY)	P BODY = (P - SUNDANCE)(D - SHADOW)
H BODY = (D44 - LANCER)(C44 - LEBARON GTS)	Q BODY = (C27 - MASERATI)
J BODY = (C - LEBARON)	S BODY = (H - VOYAGER)(K - RAM VAN/ CARAVAN)
K BODY = (P - RELIANT)(D - ARIES)(C - LEBARON/ TOWN & COUNTRY)	

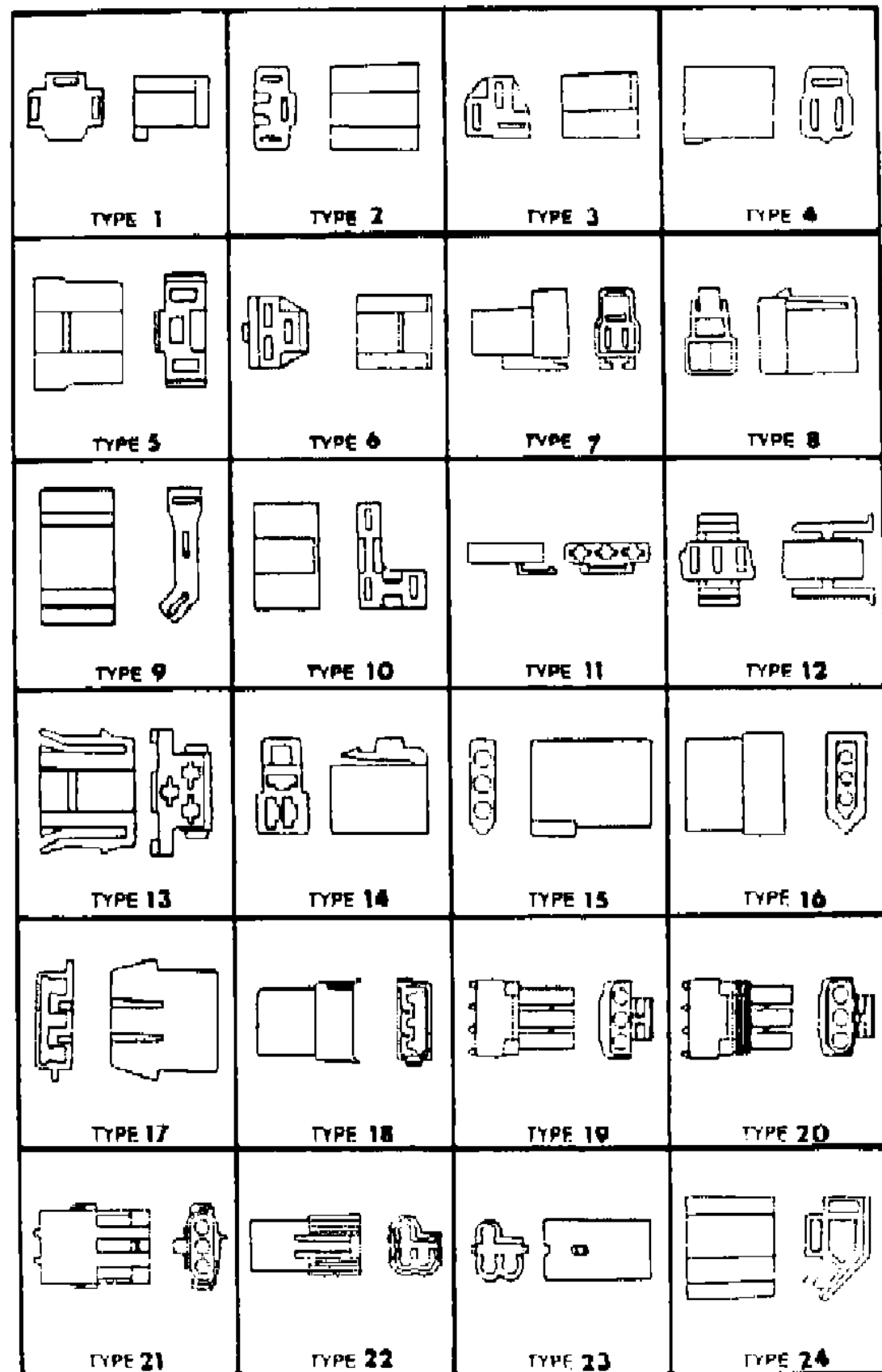
BODY STYLES

12-52 = FWD VAN & WAGON STD. W.B.	27 = 2-DOOR CONVERTIBLE
13-53 = FWD VAN & WGN EXT W.B.	41 = 4-DOOR SEDAN
21 = 2-DOOR SEDAN	44 = 4-DOOR HATCHBACK
24 = 2-DOOR HATCHBACK	45 = 4-DOOR STATION WAGON

AR = Use as Required - = Non Illustrated Part P.A.R. = Paint as Required

INSULATORS 3 WAY
Figure 8-1110

8108 11100



ITEM	PART NUMBER	QTY	BODY	MODEL	DESCRIPTION
1	4186 045				BLACK
2	2857 754				
3	2889 650				
4					YELLOW--W/TERMINAL 1769281
5					GRAY--NOT SERV.
	3843 282				NATURAL
6	3843 059				RED
	3843 494				NATURAL
7	4274 264				BLACK--W/TERMINAL 3843386
8	4055 008				BLACK--W/TERMINAL 3843601
9	4055 148				BLACK--W/TERMINAL 2096466
10	4055 589				BLACK--W/TERMINAL 2096466
11					NATURAL--NOT SERV.
12	#4124 621				GRAY--W/TERMINAL 4124083
13					NATURAL--NOT SERV.
14					NATURAL--NOT SERV.
15	4209 546				BLACK--W/TERMINAL 2983410
16	4209 548				BLACK--W/TERMINAL 2983409
17	4274 501				BLACK--W/TERMINAL 4209706
18	4274 506				BLACK--W/TERMINAL 4209707
19					BLUE--SERV. ASSY.
20					ORANGE--SERV. ASSY.
21	4368 173				BLACK--W/TERMINAL 4274665
22	4368 428				BLACK
23	4368 434				BLACK
24	4368 356				BLACK--W/TERMINAL 4186045

MODEL CODES

C BODY = (D41 - DYNASTY)(C41 - NEW YORKER)	L BODY = (M - HORIZON)(Z-OMNI)
E BODY = (J - CARAVELLE)(E - 600)(T - NEW YORKER TURBO)	M BODY = (B - GRAN FURY)(G - DIPLOMAT)(F - FIFTH AVENUE/NEWPORT)
G BODY = (V24 - DAYTONA, PACIFICA & SHELBY)	P BODY = (P - SUNDANCE)(D - SHADOW)
H BODY = (D44 - LANCER)(C44 - LEBARON GTS)	Q BODY = (C27 - MASERATI)
J BODY = (C - LEBARON)	S BODY = (H - VOYAGER)(K - RAM VAN/ CARAVAN)
K BODY = (P - RELIANT)(D - ARIES)(C - LEBARON/ TOWN & COUNTRY)	

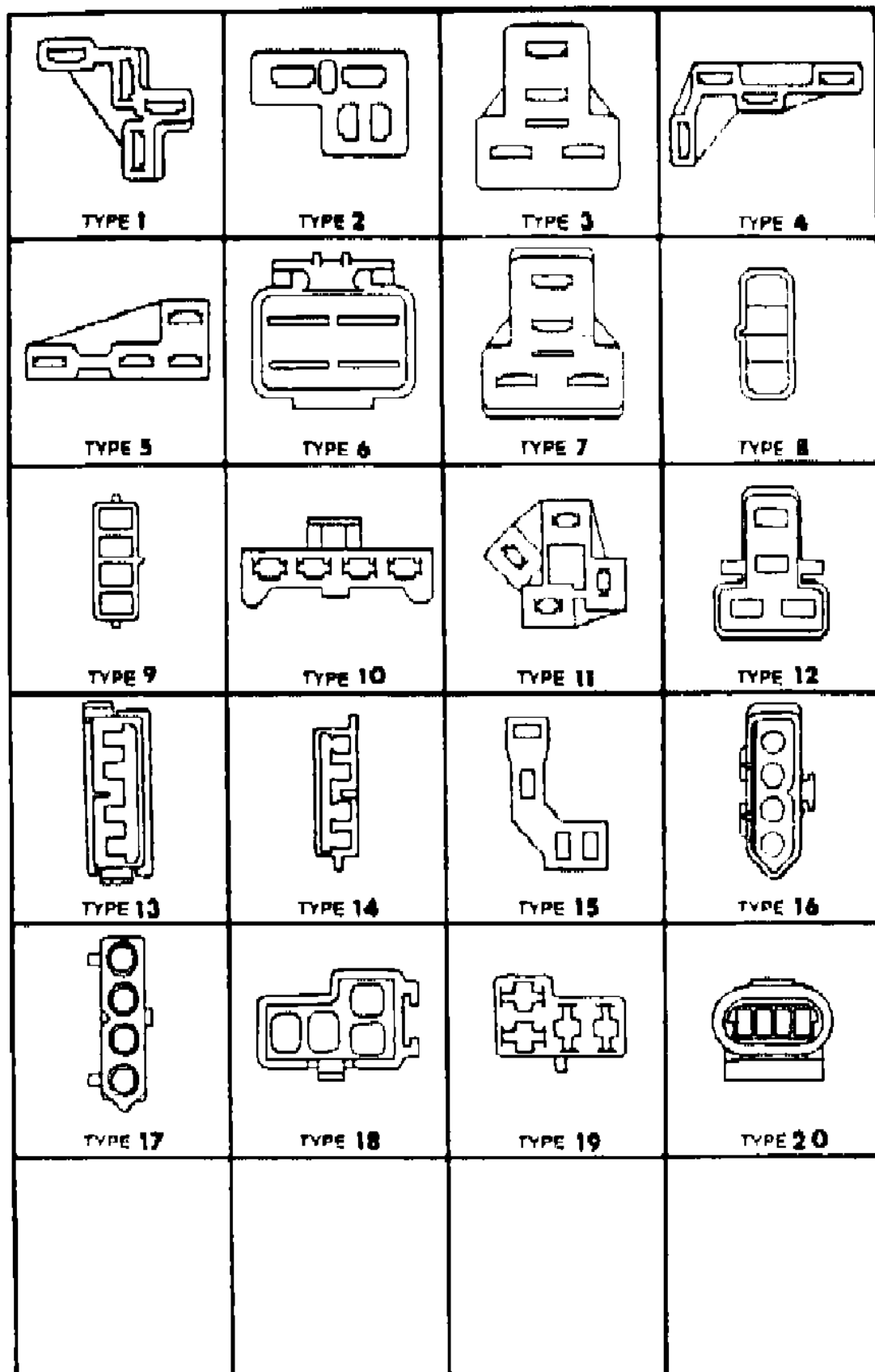
BODY STYLES

12-52 = FWD VAN & WAGON STD. W.B.	27 = 2-DOOR CONVERTIBLE
13-53 = FWD VAN & WGN EXT W.B.	41 = 4-DOOR SEDAN
21 = 2-DOOR SEDAN	44 = 4-DOOR HATCHBACK
24 = 2-DOOR HATCHBACK	45 = 4-DOOR STATION WAGON

AR = Use as Required - = Non Illustrated Part P.A.R. = Paint as Required

INSULATORS 4 WAY
Figure 8-1120

8108 11200



ITEM	PART NUMBER	QTY	BODY	MODEL	DESCRIPTION
1					NOT SERV.
2					INSULATOR
3					INSULATOR
4					NOT SERV.
5					INSULATOR
6					INSULATOR
7	3843 283				NATURAL
8	4055 024				NATURAL--W/TERMINAL 3843386
9	4055 025				NATURAL--W/TERMINAL 3843601
10	4055 249				GRAY--W/TERMINAL 3843601
11	4124 199				BLACK--W/TERMINAL 3843601
12	#4124 695				NATURAL--W/TERMINAL 3843601
13	4274 516				BLACK--W/TERMINAL 4209707
14	4274 511				BLACK--W/TERMINAL 4209706
15	4209 272				W/TERMINAL 3843601
16					INSULATOR
17					INSULATOR
18	4274 988				RED--W/TERMINAL
	4274 989				BLACK--W/TERMINAL 3843686
	4274 990				NATURAL--W/TERMINAL 3843686
19	4274 992				RED--W/TERMINAL 3843601
	4274 993				BLACK--W/TERMINAL 3843601
	4274 994				NATURAL--W/TERMINAL 3843601
20	4368 357				BLACK--W/TERMINAL 4368618

MODEL CODES
 C BODY = (D41 - DYNASTY)(C41 - NEW YORKER)
 E BODY = (J - CARAVELLE)(E - 600)(T - NEW YORKER TURBO)
 G BODY = (V24 - DAYTONA, PACIFICA & SHELBY)
 H BODY = (D44 - LANCER)(C44 - LEBARON GTS)
 J BODY = (C - LEBARON)
 K BODY = (P - RELIANT)(D - ARIES)(C - LEBARON/ TOWN & COUNTRY)
 L BODY = (M - HORIZON)(Z-OMNI)
 M BODY = (B - GRAN FURY)(G - DIPLOMAT)(F - FIFTH AVENUE/NEWPORT)
 P BODY = (P - SUNDANCE)(D - SHADOW)
 Q BODY = (C27 - MASERATI)
 S BODY = (H - VOYAGER)(K - RAM VAN/ CARAVAN)

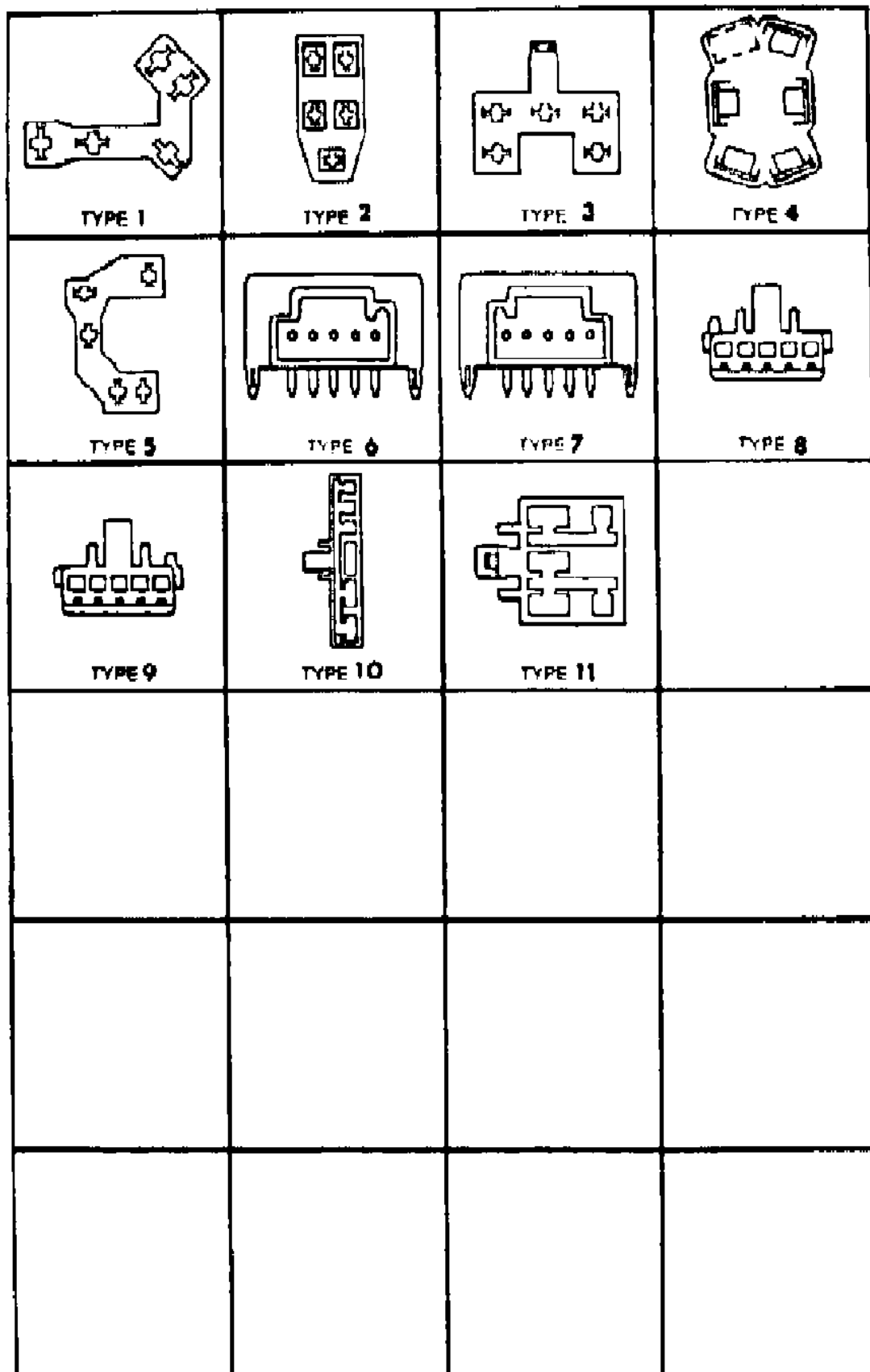
BODY STYLES
 12-52 = FWD VAN & WAGON STD. W.B. 27 = 2-DOOR CONVERTIBLE
 13-53 = FWD VAN & WGN EXT W.B. 41 = 4-DOOR SEDAN
 21 = 2-DOOR SEDAN 44 = 4-DOOR HATCHBACK
 24 = 2-DOOR HATCHBACK 45 = 4-DOOR STATION WAGON

AR = Use as Required - = Non Illustrated Part P.A.R. = Paint as Required

INSULATORS 5 WAY

Figure 8-1130

8108 11300



ITEM	PART NUMBER	QTY	BODY	MODEL	DESCRIPTION
1	4124 008				BLACK--W/TERMINAL 3843601
2	4124 262				BLACK--W/TERMINAL 3843601
3	4362 324				NATURAL--W/TERMINAL 3843601
4	5211 545				BLACK--W/TERMINAL 3843601
5	4162 879				BLACK--W/TERMINAL 3588819
6	4274 837				BLACK--
7					NATURAL--NOT SERV.
8	4331 006				BLACK--W/TERMINAL
9	4331 006				NATURAL--W/TERMINAL 4304729
10	4331 017				BLACK--W/TERMINAL 4209706 & 4331010
11	4368 444				BLACK--W/TERMINAL 4209706 & 4331010

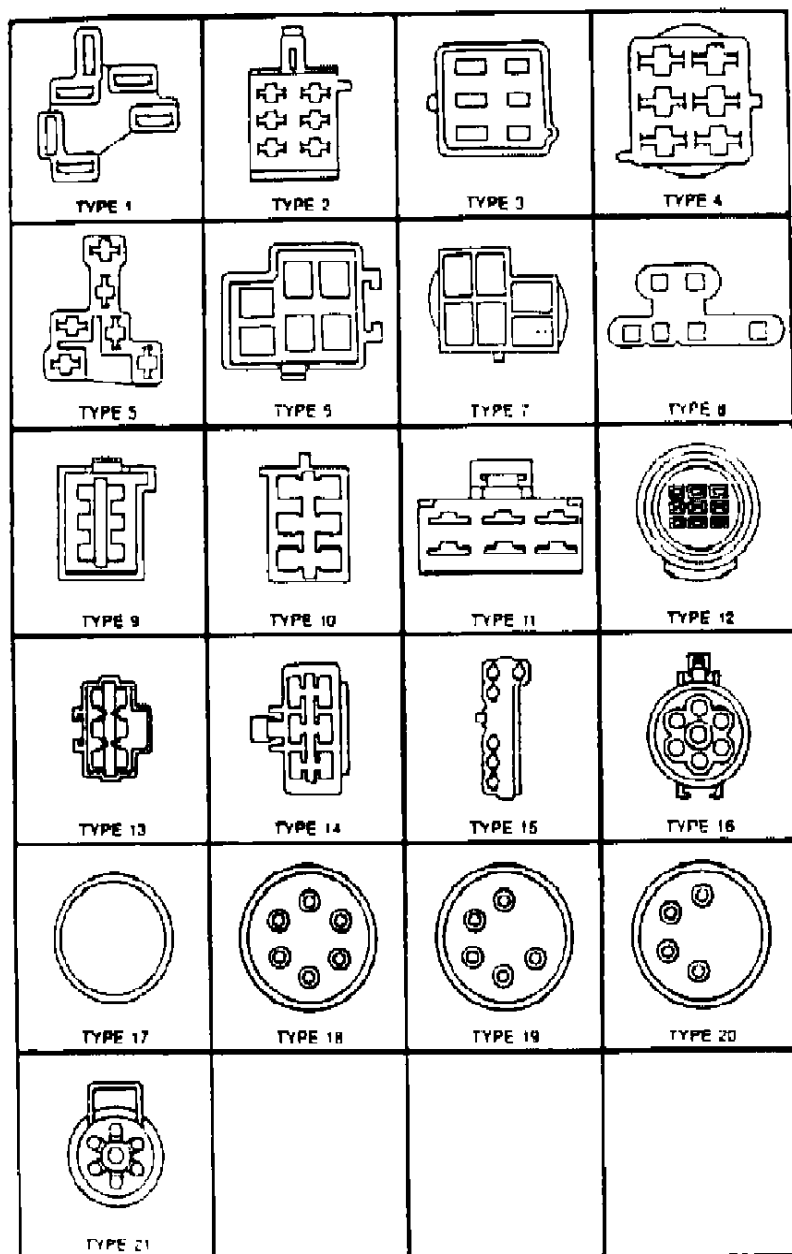
MODEL CODES
 C BODY = (D41 - DYNASTY)(C41 - NEW YORKER)
 E BODY = (J - CARAVELLE)(E - 600)(T - NEW YORKER TURBO)
 G BODY = (V24 - DAYTONA, PACIFICA & SHELBY)
 H BODY = (D44 - LANCER)(C44 - LEBARON GTS)
 J BODY = (C - LEBARON)
 K BODY = (P - RELIANT)(D - ARIES)(C - LEBARON/ TOWN & COUNTRY)
 L BODY = (M - HORIZON)(Z-OMNI)
 M BODY = (B - GRAN FURY)(G - DIPLOMAT)(F - FIFTH AVENUE/NEWPORT)
 P BODY = (P - SUNDANCE)(D - SHADOW)
 Q BODY = (C27 - MASERATI)
 S BODY = (H - VOYAGER)(K - RAM VAN/ CARAVAN)

BODY STYLES
 12-52 = FWD VAN & WAGON STD. W.B. 27 = 2-DOOR CONVERTIBLE
 13-53 = FWD VAN & WGN EXT W.B. 41 = 4-DOOR SEDAN
 21 = 2-DOOR SEDAN 44 = 4-DOOR HATCHBACK
 24 = 2-DOOR HATCHBACK 45 = 4-DOOR STATION WAGON

AR = Use as Required - = Non Illustrated Part P.A.R. = Paint as Required

INSULATORS 6 WAY
Figure 8-1140

8108 11400



ITEM	PART NUMBER	QTY	BODY	MODEL	DESCRIPTION
1	4055 014				BLACK--W/TERMINAL 1769281
2	5211 546				BLACK--W/TERMINAL 3843601
3	4055 014				NATURAL--W/TERMINAL 3843386
4	4055 015				NATURAL--W/TERMINAL 3843601
5	4055 384				NATURAL--W/TERMINAL 3843601
6	4274 905				BLACK--W/TERMINAL 3843386
7	4274 909				BLACK--W/TERMINAL 3843601
8	#4124 754				NATURAL--W/TERMINAL 3843380
9	4274 926				NATURAL--W/TERMINAL 4209707
	4331 930				BLUE--W/TERMINAL
10	4209 712				NATURAL--W/TERMINAL 4209706
	4331 931				BLUE--W/TERMINAL 4209706
11	4209 339				NATURAL--W/TERMINAL 4209340
12	4331 717				BLACK--W/TERMINAL 4304637
13	4368 334				NATURAL--W/TERMINAL 3843386
14	4368 342				NATURAL--W/TERMINAL 4331010
15	4331 497				BLACK--W/TERMINAL 4304599
	4331 498				GRAY--W/TERMINAL 4304599
16					BLACK--SERV.ASSY.
17					RED--SERV. ASSY.
18					GRAY--SERV. ASSY.
19					GRAY--SERV. ASSY.
20					GRAY--SERV. ASSY.
21					BLACK--SERV. ASSY.

MODEL CODES

C BODY = (D41 - DYNASTY)(C41 - NEW YORKER)	L BODY = (M - HORIZON)(Z-OMNI)
E BODY = (J - CARAVELLE)(E - 600)(T - NEW YORKER TURBO)	M BODY = (B - GRAN FURY)(G - DIPLOMAT)(F - FIFTH AVENUE/NEWPORT)
G BODY = (V24 - DAYTONA, PACIFICA & SHELBY)	P BODY = (P - SUNDANCE)(D - SHADOW)
H BODY = (D44 - LANCER)(C44 - LEBARON GTS)	Q BODY = (C27 - MASERATI)
J BODY = (C - LEBARON)	S BODY = (H - VOYAGER)(K - RAM VAN/ CARAVAN)
K BODY = (P - RELIANT)(D - ARIES)(C - LEBARON/ TOWN & COUNTRY)	

BODY STYLES

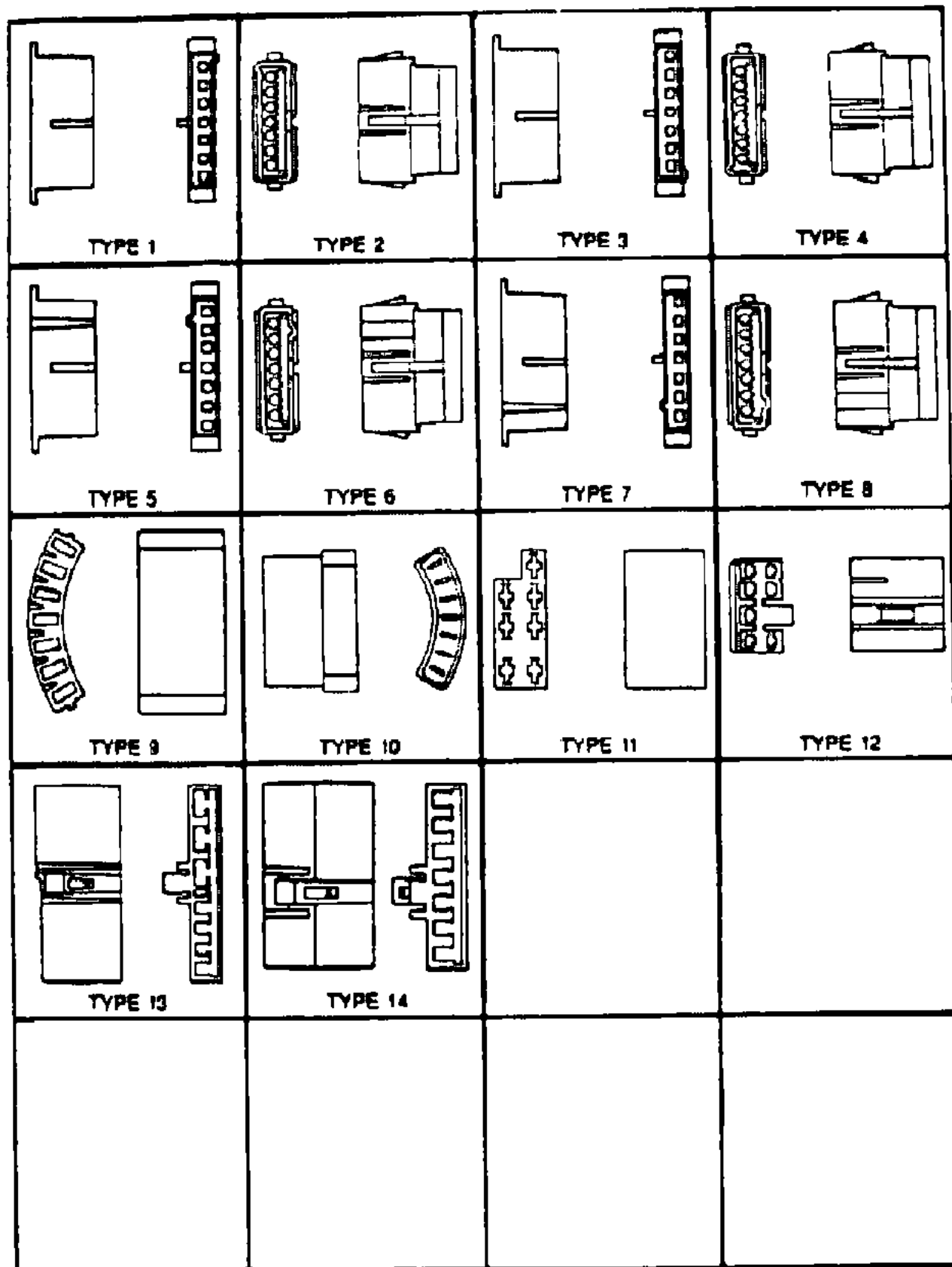
12-52 = FWD VAN & WAGON STD. W.B.	27 = 2-DOOR CONVERTIBLE
13-53 = FWD VAN & WGN EXT W.B.	41 = 4-DOOR SEDAN
21 = 2-DOOR SEDAN	44 = 4-DOOR HATCHBACK
24 = 2-DOOR HATCHBACK	45 = 4-DOOR STATION WAGON

AR = Use as Required - = Non Illustrated Part P.A.R. = Paint as Required

INSULATORS 7 WAY

Figure 8-1150

8108 11500



ITEM	PART NUMBER	QTY	BODY	MODEL	DESCRIPTION
1	4304 116				GRAY--W/TERMINAL 4304729
2	4304 107				GRAY--W/TERMINAL 4304100
3	4304 117				BLACK--W/TERMINAL 4304729
4	4304 108				BLACK--W/TERMINAL 4304100
5	4304 118				RED--W/TERMINAL 4304729
6	4304 109				RED--W/TERMINAL 4304100
7	4304 432				GREEN--W/TERMINAL 4304729
8	4304 431				GREEN--W/TERMINAL 4304100
9	4055 023				GRAY--W/TERMINAL 3843601
10	4055 022				GRAY--W/TERMINAL 3843386
11	4274 017				NATURAL--W/TERMINAL 3843601
12					BLACK--NOT SERV.
13	4331 021				BLACK--W/TERMINALS 4209706 & 4331010
14	4368 446				BLACK--W/TERMINALS 4209706 & 4331010

MODEL CODES

C BODY = (D41 - DYNASTY)(C41 - NEW YORKER)	L BODY = (M - HORIZON)(Z-OMNI)
E BODY = (J - CARAVELLE)(E - 600)(T - NEW YORKER TURBO)	M BODY = (B - GRAN FURY)(G - DIPLOMAT)(F - FIFTH AVENUE/NEWPORT)
G BODY = (V24 - DAYTONA, PACIFICA & SHELBY)	P BODY = (P - SUNDANCE)(D - SHADOW)
H BODY = (D44 - LANCER)(C44 - LEBARON GTS)	Q BODY = (C27 - MASERATI)
J BODY = (C - LEBARON)	S BODY = (H - VOYAGER)(K - RAM VAN/ CARAVAN)
K BODY = (P - RELIANT)(D - ARIES)(C - LEBARON/ TOWN & COUNTRY)	

BODY STYLES

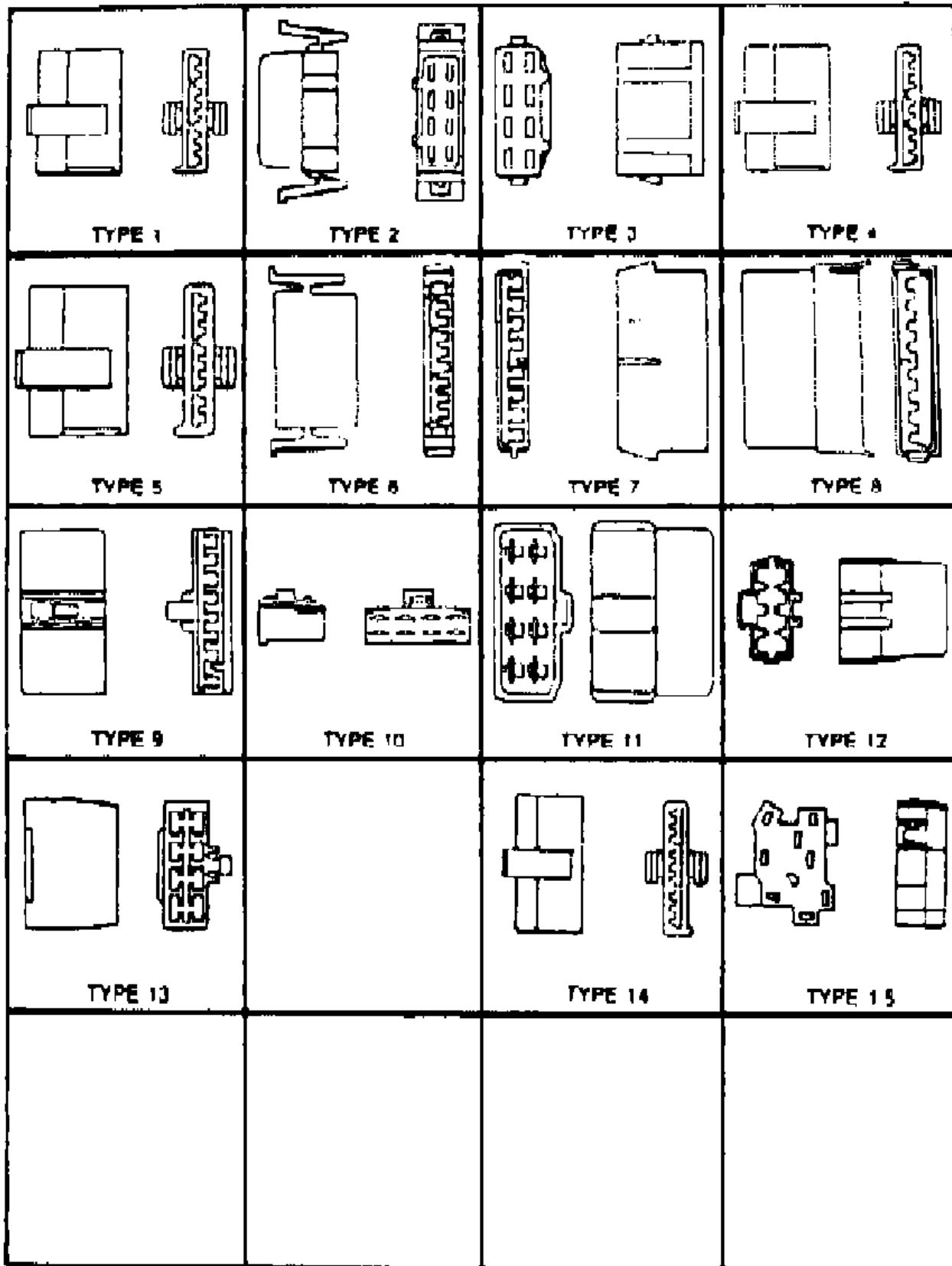
12-52 = FWD VAN & WAGON STD. W.B.	27 = 2-DOOR CONVERTIBLE
13-53 = FWD VAN & WGN EXT W.B.	41 = 4-DOOR SEDAN
21 = 2-DOOR SEDAN	44 = 4-DOOR HATCHBACK
24 = 2-DOOR HATCHBACK	45 = 4-DOOR STATION WAGON

AR = Use as Required - = Non Illustrated Part P.A.R. = Paint as Required

INSULATORS 8 & 9 WAY
Figure 8-1160

8108 11600

ITEM	PART NUMBER	QTY	BODY	MODEL	DESCRIPTION
1	3764 572				WHITE--W/TERMINAL 3764556
2	3843 413				BLACK--W/TERMINAL 3843386
3	4055 047				BLACK--W/TERMINAL 3843601
4	4055 582				BLACK--W/TERMINAL 3764556
5	#4124 821				RED--W/TERMINAL 3764556
6	4209 182				BLACK--W/TERMINAL 3764556
7	4274 521				BLACK--W/TERMINAL 4209706
8	4274 527				GRAY--W/TERMINAL 4209707
9	4331 015				BLACK--W/TERMINAL 4209706
10	4304 634				NATURAL--W/TERMINAL 4209340
11	4304 667				NATURAL--W/TERMINAL 4304528
12	4368 330				NATURAL--W/TERMINAL 3843386
13	4368 338				NATURAL--W/TERMINAL 4331010
14	3764 557				WHITE--W/TERMINAL 3764556
15	3843 141				BLACK--W/TERMINAL 1769281



MODEL CODES

C BODY = (D41 - DYNASTY)(C41 - NEW YORKER)	L BODY = (M - HORIZON)(Z-OMNI)
E BODY = (J - CARAVELLE)(E - 600)(T - NEW YORKER TURBO)	M BODY = (B - GRAN FURY)(G - DIPLOMAT)(F - FIFTH AVENUE/NEWPORT)
G BODY = (V24 - DAYTONA, PACIFICA & SHELBY)	P BODY = (P - SUNDANCE)(D - SHADOW)
H BODY = (D44 - LANCER)(C44 - LEBARON GTS)	Q BODY = (C27 - MASERATI)
J BODY = (C - LEBARON)	S BODY = (H - VOYAGER)(K - RAM VAN/ CARAVAN)
K BODY = (P - RELIANT)(D - ARIES)(C - LEBARON/ TOWN & COUNTRY)	

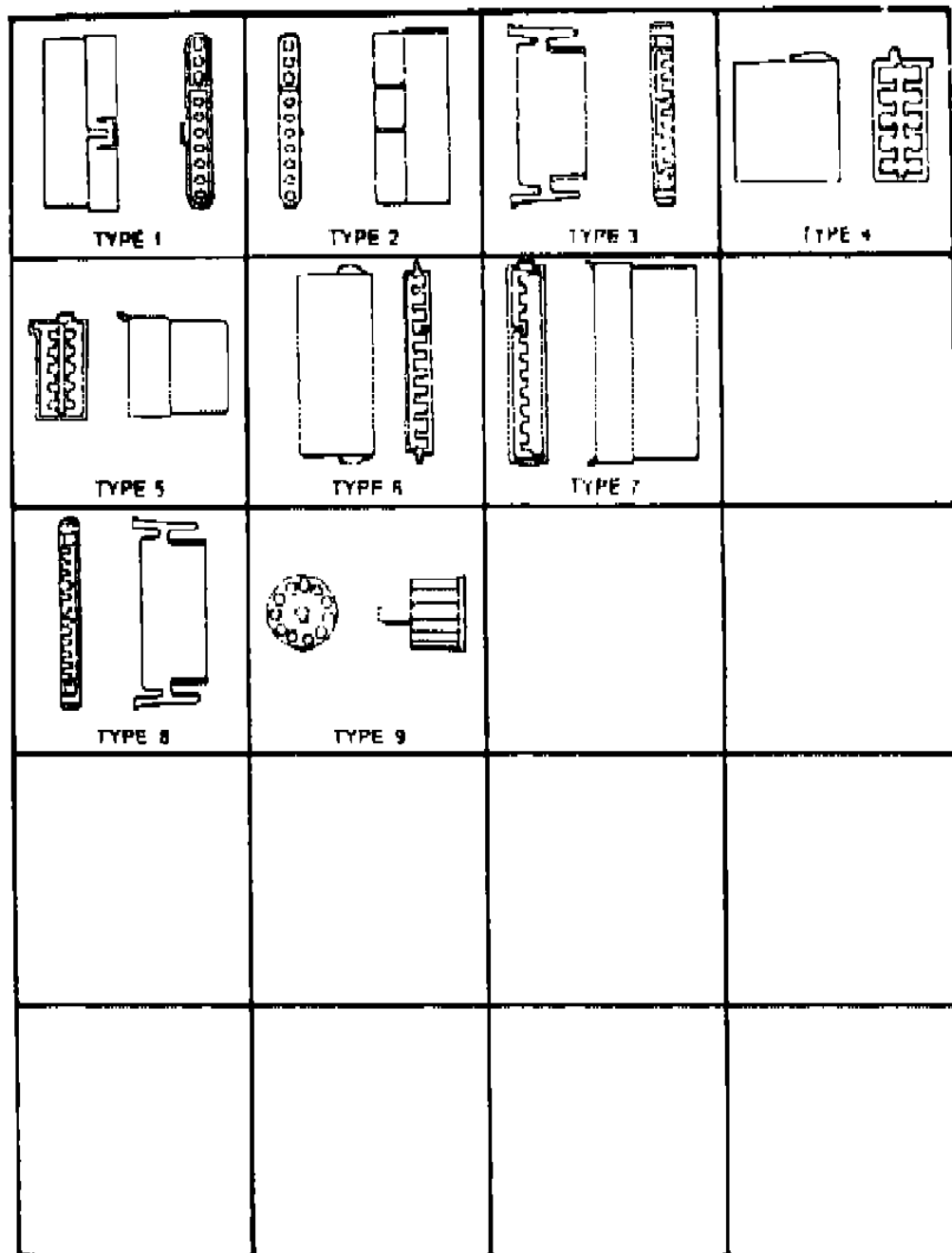
BODY STYLES

12-52 = FWD VAN & WAGON STD. W.B.	27 = 2-DOOR CONVERTIBLE
13-53 = FWD VAN & WGN EXT W.B.	41 = 4-DOOR SEDAN
21 = 2-DOOR SEDAN	44 = 4-DOOR HATCHBACK
24 = 2-DOOR HATCHBACK	45 = 4-DOOR STATION WAGON

AR = Use as Required - = Non Illustrated Part P.A.R. = Paint as Required

INSULATORS 10 & 11 WAY
Figure 8-1170

8108 11700



ITEM	PART NUMBER	QTY	BODY	MODEL	DESCRIPTION
1	4124 242				BLUE--W/TERMINAL 2983409
2	4124 243				BLUE--W/TERMINAL 2983410
3	4209 004				BLACK--W/TERMINAL 3764556
4	4209 939				GREEN--W/TERMINAL 4209706
5	4209 943				GREEN--W/TERMINAL 4209707
6	4209 948				NATURAL--W/TERMINAL 4209706
7	4209 952				NATURAL--W/TERMINAL 4209707
8	4209 701				BLACK--W/TERMINAL 3764556
9	4304 596				BLACK--TERMINAL, SERV. ASSY.
	4304 597				GRAY--TERMINAL, SERV. ASSY.
	4368 040				GREEN--TERMINAL, SERV. ASSY.

MODEL CODES

C BODY = (D41 - DYNASTY)(C41 - NEW YORKER)	L BODY = (M - HORIZON)(Z-OMNI)
E BODY = (J - CARAVELLE)(E - 600)(T - NEW YORKER TURBO)	M BODY = (B - GRAN FURY)(G - DIPLOMAT)(F - FIFTH AVENUE/NEWPORT)
G BODY = (V24 - DAYTONA, PACIFICA & SHELBY)	P BODY = (P - SUNDANCE)(D - SHADOW)
H BODY = (D44 - LANCER)(C44 - LEBARON GTS)	Q BODY = (C27 - MASERATI)
J BODY = (C - LEBARON)	S BODY = (H - VOYAGER)(K - RAM VAN/ CARAVAN)
K BODY = (P - RELIANT)(D - ARIES)(C - LEBARON/ TOWN & COUNTRY)	

BODY STYLES

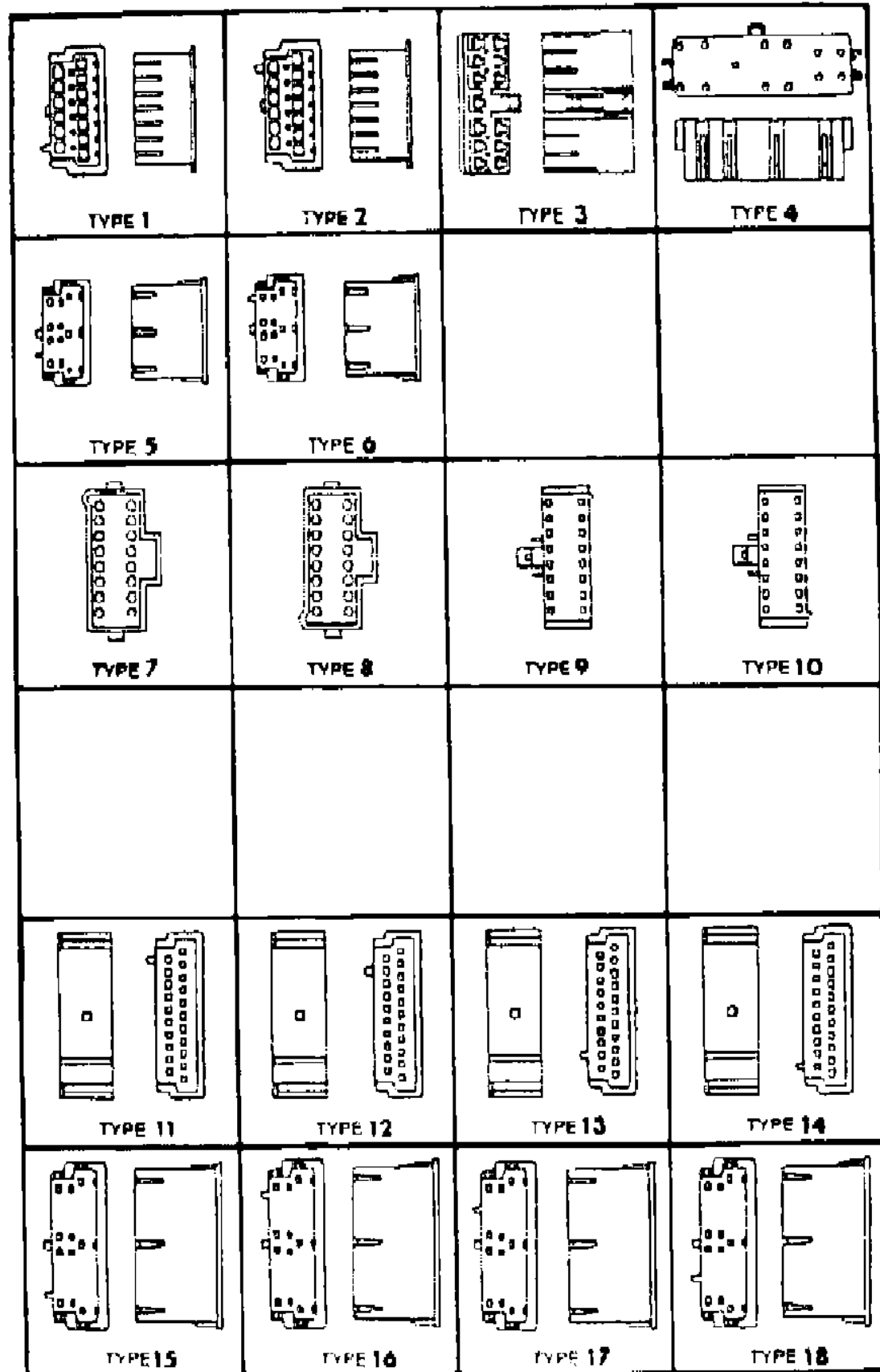
12-52 = FWD VAN & WAGON STD. W.B.	27 = 2-DOOR CONVERTIBLE
13-53 = FWD VAN & WGN EXT W.B.	41 = 4-DOOR SEDAN
21 = 2-DOOR SEDAN	44 = 4-DOOR HATCHBACK
24 = 2-DOOR HATCHBACK	45 = 4-DOOR STATION WAGON

AR = Use as Required - = Non Illustrated Part P.A.R. = Paint as Required

INSULATORS 13-16-21 WAY

Figure 8-1180

8108 11800



ITEM	PART NUMBER	QTY	BODY	MODEL	DESCRIPTION
1	4304 740				NATURAL--W/4304729
2					RED--SERV. ASSY.
3	4331 164				GRAY--TERMINAL, SERV. ASSY.
4	4304 627				BLACK
5	4368 480				NATURAL--TERMINAL, SERV. ASSY.
6					RED--SERV. ASSY.
7	4331 501				BLACK--W/TERMINAL 4304100
8					GRAY--W/TERMINAL 4304100 SERV. ASSY.
9					BLACK--W/TERMINAL 4304729
10	4331 502				GRAY--4304729
11	4304 744				BLUE--W/TERMINAL 4304729
12	4304 745				BLACK--W/TERMINAL 4304729
13	4304 746				NATURAL--W/TERMINAL 4304729
14	4304 747				RED--W/TERMINAL 4304729
15	4368 475				RED--W/TERMINAL 4304729
16	4368 475				BLUE--W/TERMINAL 4304729
17	4368 475				BLACK--W/TERMINAL 4304729
18	4368 475				NATURAL--W/TERMINAL 4304729

MODEL CODES

C BODY = (D41 - DYNASTY)(C41 - NEW YORKER)
 E BODY = (J - CARAVELLE)(E - 600)(T - NEW YORKER TURBO)
 G BODY = (V24 - DAYTONA, PACIFICA & SHELBY)
 H BODY = (D44 - LANCER)(C44 - LEBARON GTS)
 J BODY = (C - LEBARON)
 K BODY = (P - RELIANT)(D - ARIES)(C - LEBARON/ TOWN & COUNTRY)
 L BODY = (M - HORIZON)(Z-OMNI)
 M BODY = (B - GRAN FURY)(G - DIPLOMAT)(F - FIFTH AVENUE/NEWPORT)
 P BODY = (P - SUNDANCE)(D - SHADOW)
 Q BODY = (C27 - MASERATI)
 S BODY = (H - VOYAGER)(K - RAM VAN/ CARAVAN)

BODY STYLES

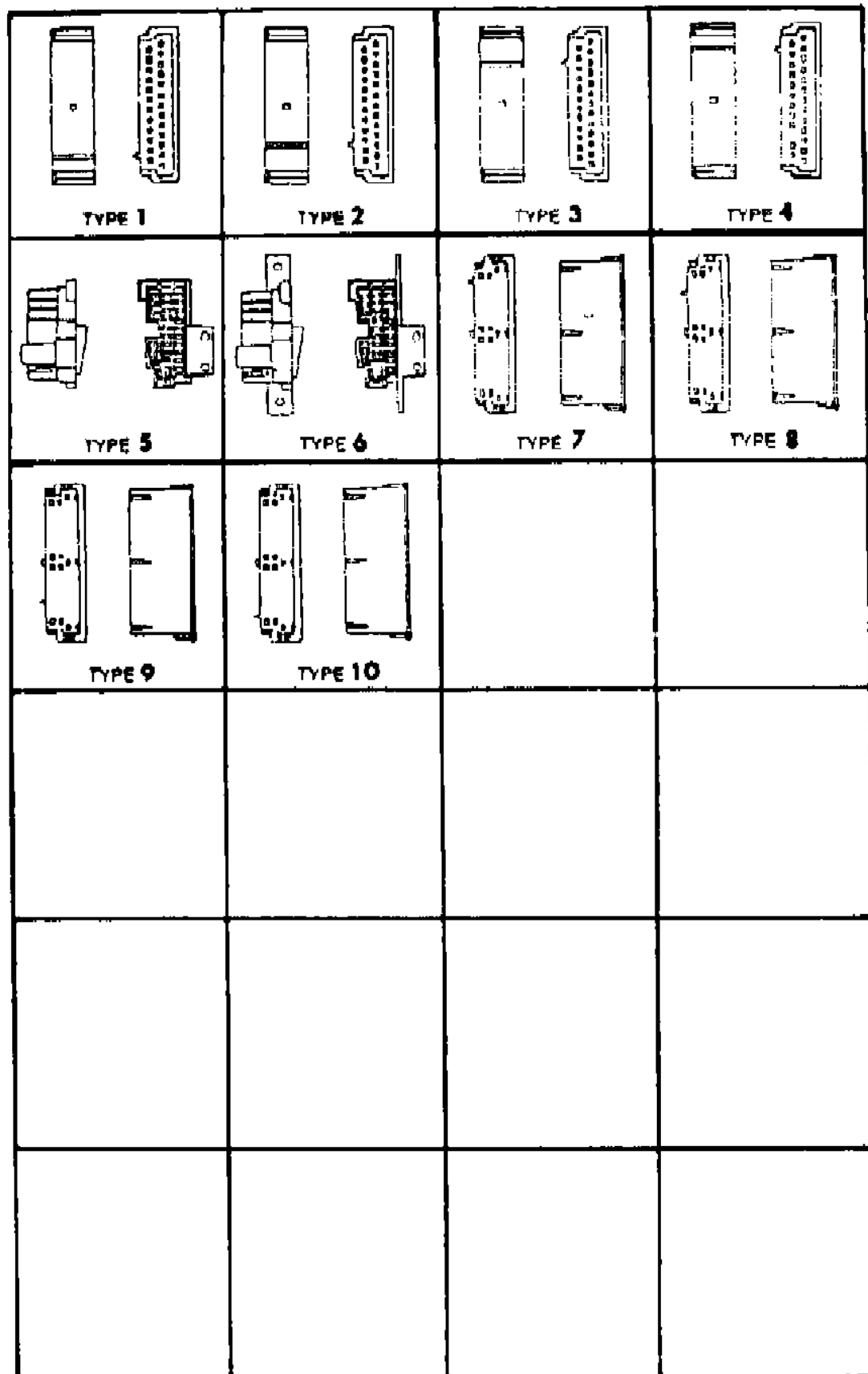
12-52 = FWD VAN & WAGON STD. W.B. 27 = 2-DOOR CONVERTIBLE
 13-53 = FWD VAN & WGN EXT W.B. 41 = 4-DOOR SEDAN
 21 = 2-DOOR SEDAN 44 = 4-DOOR HATCHBACK
 24 = 2-DOOR HATCHBACK 45 = 4-DOOR STATION WAGON

AR = Use as Required - = Non Illustrated Part P.A.R. = Paint as Required

INSULATORS 25 WAY

Figure 8-1190

8108 11900



ITEM	PART NUMBER	QTY	BODY	MODEL	DESCRIPTION
1	4331 040				RED--W/TERMINAL 4304729
2	4331 039				NATURAL--W/TERMINAL 4304729
3	4331 038				BLACK--W/4304729
4	4331 037				BLUE--W/TERMINAL 4304729
5	4304 532				GRAY--W/TERMINAL 3843386 & 4209707
6	4274 897				GRAY--W/TERMINAL 3843386 & 4209707
7	4368 463				BLUE--W/TERMINAL 4304729
8	4368 463				BLACK--W/TERMINAL 4304729
9	4368 463				NATURAL--W/TERMINAL 4304729
10	4368 463				RED--W/TERMINAL 4304729

MODEL CODES

C BODY = (D41 - DYNASTY)(C41 - NEW YORKER)
 E BODY = (J - CARAVELLE)(E - 600)(T - NEW YORKER TURBO)
 G BODY = (V24 - DAYTONA, PACIFICA & SHELBY)
 H BODY = (D44 - LANCER)(C44 - LEBARON GTS)
 J BODY = (C - LEBARON)
 K BODY = (P - RELIANT)(D - ARIES)(C - LEBARON/ TOWN & COUNTRY)
 L BODY = (M - HORIZON)(Z-OMNI)
 M BODY = (B - GRAN FURY)(G - DIPLOMAT)(F - FIFTH AVENUE/NEWPORT)
 P BODY = (P - SUNDANCE)(D - SHADOW)
 Q BODY = (C27 - MASERATI)
 S BODY = (H - VOYAGER)(K - RAM VAN/ CARAVAN)

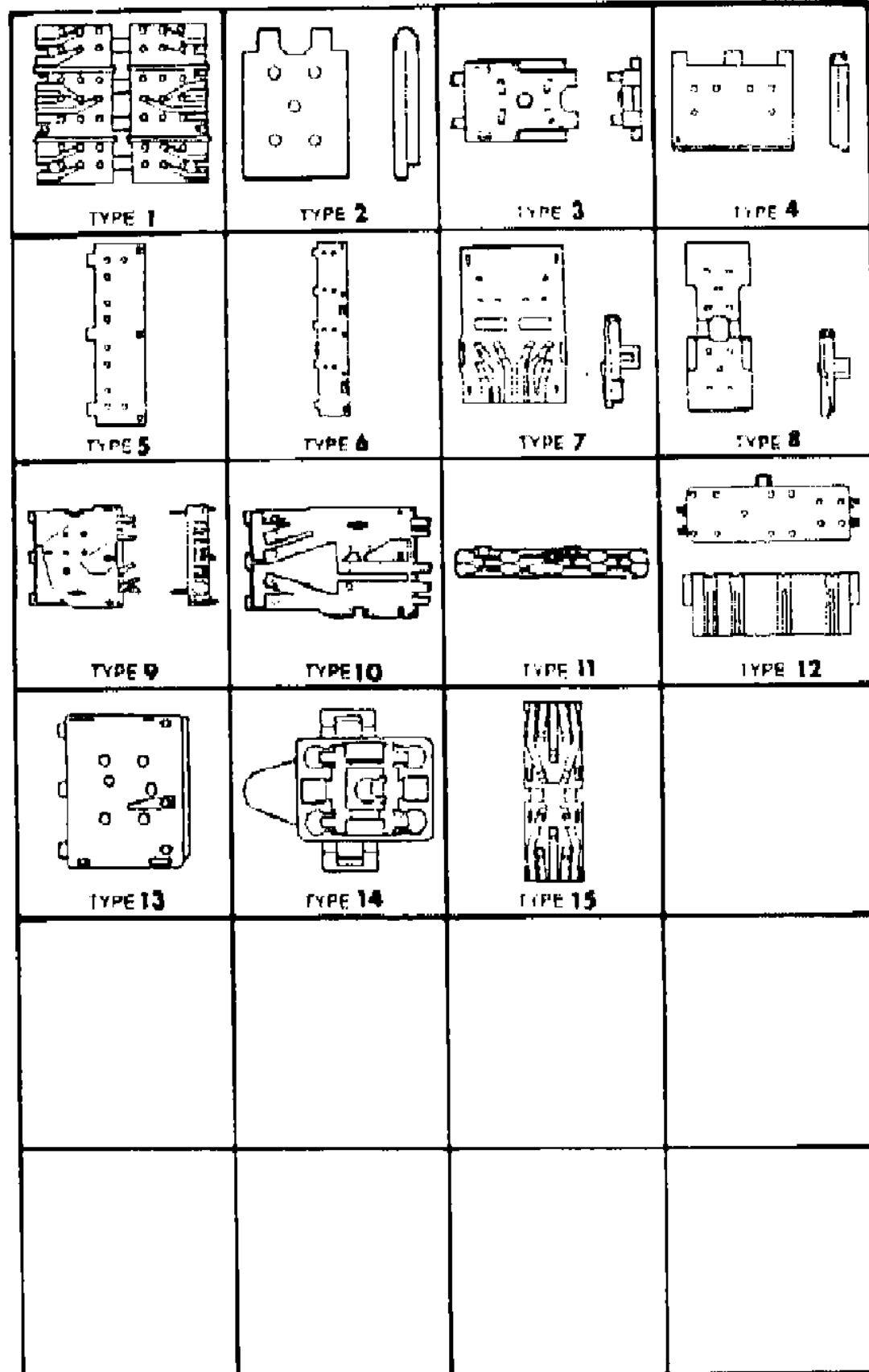
BODY STYLES

12-52 = FWD VAN & WAGON STD. W.B. 27 = 2-DOOR CONVERTIBLE
 13-53 = FWD VAN & WGN EXT W.B. 41 = 4-DOOR SEDAN
 21 = 2-DOOR SEDAN 44 = 4-DOOR HATCHBACK
 24 = 2-DOOR HATCHBACK 45 = 4-DOOR STATION WAGON

AR = Use as Required - = Non Illustrated Part P.A.R. = Paint as Required

INSULATORS WINDOW LIFTS
Figure 8-1200

8108 12000



ITEM	PART NUMBER	QTY	BODY	MODEL	DESCRIPTION
1	2926 374				BLACK--W/TERMINAL 3513613
2	3513 664				WHITE--W/TERMINAL 3513613
3	3513 665				WHITE--W/TERMINAL 3513613
4	4124 188				NATURAL--W/TERMINAL 3513613
5	4124 189				NATURAL--W/TERMINAL 3513613
6	4124 190				NATURAL--W/TERMINAL 3513613
7	4124 622				NATURAL--W/TERMINAL 3513613
8	#4124 623				NATURAL--W/TERMINAL 3513613
9	4209 002				NATURAL--W/TERMINAL 3513613
10	4209 003				NATURAL--W/TERMINAL 3513613
11	4209 298				BLACK--W/TERMINAL 4209258
12	4331 164				GRAY--
13	4368 023				NATURAL--W/TERMINAL 3513613
14	4368 300				GRAY--
15	4368 159				NATURAL--

MODEL CODES

C BODY = (D41 - DYNASTY)(C41 - NEW YORKER)	L BODY = (M - HORIZON)(Z-OMNI)
E BODY = (J - CARAVELLE)(E - 600)(T - NEW YORKER TURBO)	M BODY = (B - GRAN FURY)(G - DIPLOMAT)(F - FIFTH AVENUE/NEWPORT)
G BODY = (V24 - DAYTONA, PACIFICA & SHELBY)	P BODY = (P - SUNDANCE)(D - SHADOW)
H BODY = (D44 - LANCER)(C44 - LEBARON GTS)	Q BODY = (C27 - MASERATI)
J BODY = (C - LEBARON)	S BODY = (H - VOYAGER)(K - RAM VAN/ CARAVAN)
K BODY = (P - RELIANT)(D - ARIES)(C - LEBARON/ TOWN & COUNTRY)	

BODY STYLES

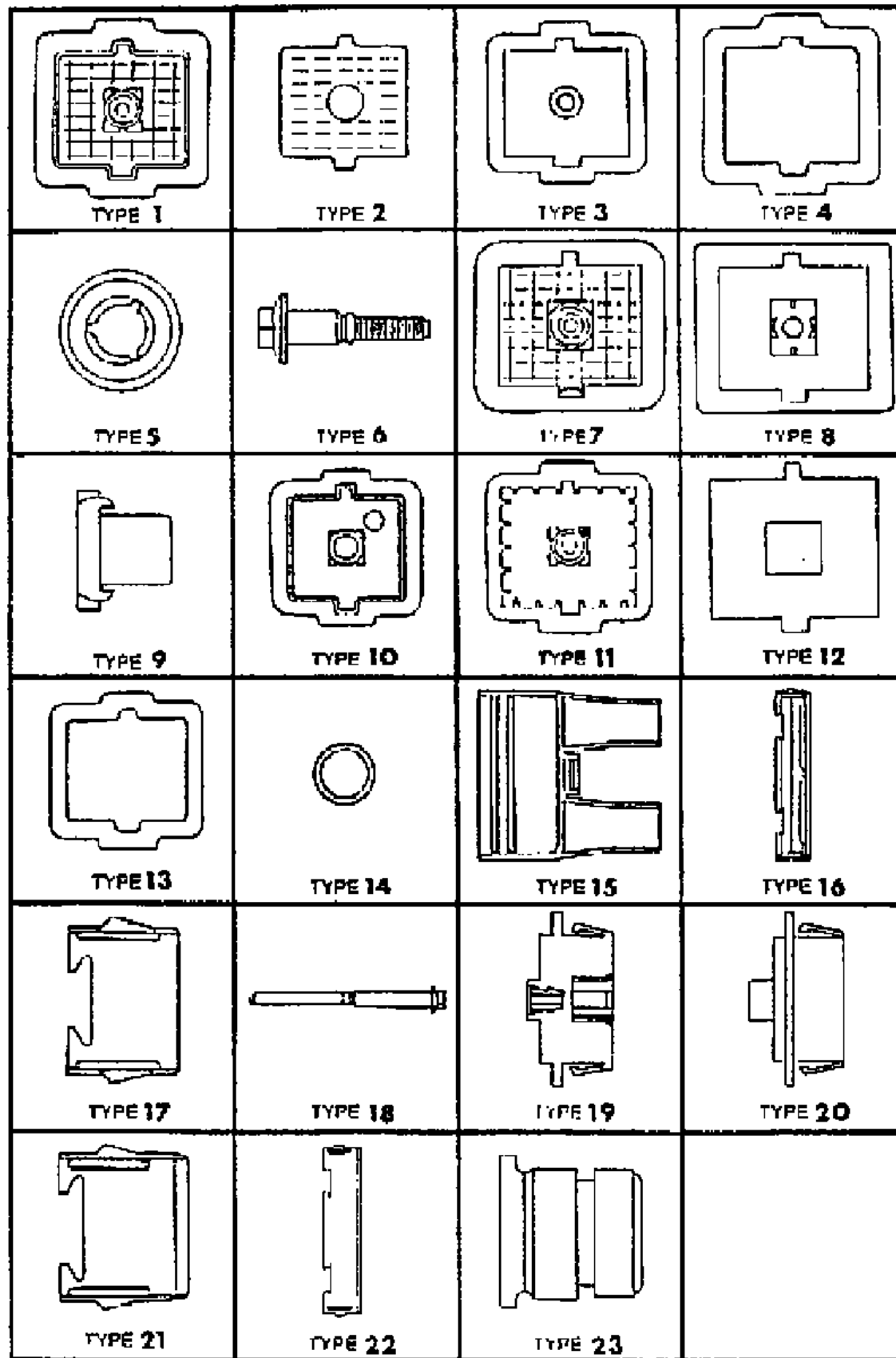
12-52 = FWD VAN & WAGON STD. W.B.	27 = 2-DOOR CONVERTIBLE
13-53 = FWD VAN & WGN EXT W.B.	41 = 4-DOOR SEDAN
21 = 2-DOOR SEDAN	44 = 4-DOOR HATCHBACK
24 = 2-DOOR HATCHBACK	45 = 4-DOOR STATION WAGON

AR = Use as Required - = Non Illustrated Part P.A.R. = Paint as Required

BULKHEAD CONNECTORS & COMPONENTS 40 & 50 WAY

Figure 8-1210

8108 12100



ITEM	PART NUMBER	QTY	BODY	MODEL	DESCRIPTION
1	4055 405				CONNECTOR, 40 WAY MALE, W/TERMINAL 3843386
2					SEAL, NOT SERV.
3					CONNECTOR, USE 4055405
4					SEAL, NOT SERV.
5	6031 057				NUT, SPRING
6					BOLT, NOT SERV.
7	4055 406				CONNECTOR, 40 WAY FEMALE, W/TERMINAL 3843601
8	4055 406				CONNECTOR, USE 4055406
9					TEENUT, NOT SERV.
10	4331 712				CONNECTOR, 50 WAY MALE, W/TERMINAL 3843386-4209707
11					CONNECTOR, USE 4331712
12	4331 711				GASKET
13					SEAL, NOT SERV.
14					O-RING, NOT SERV.
15	4331 714				SHIELD, NOT SERV.
16	4331 406				WEDGE, LOCKING TERM. MALE-LONG
17	4331 715				WEDGE, LOCKING TERM. MALE-SHORT
18					SCREW, Serv. Assy.
19	4331 713				CONNECTOR, 50 WAY FEMALE, W/TERMINAL 4331506-4209706
20					CONNECTOR, USE 4331713
21	4331 422				WEDGE, LOCKING TERM. FEMALE-SHORT
22	4331 423				WEDGE, LOCKING TERM. FEMALE-LONG
23					BUSHING, NOT SERV.

MODEL CODES

C BODY = (D41 - DYNASTY)(C41 - NEW YORKER)
 E BODY = (J - CARAVELLE)(E - 600)(T - NEW YORKER TURBO)
 G BODY = (V24 - DAYTONA, PACIFICA & SHELBY)
 H BODY = (D44 - LANCER)(C44 - LEBARON GTS)
 J BODY = (C - LEBARON)
 K BODY = (P - RELIANT)(D - ARIES)(C - LEBARON/ TOWN & COUNTRY)

L BODY = (M - HORIZON)(Z-OMNI)
 M BODY = (B - GRAN FURY)(G - DIPLOMAT)(F - FIFTH AVENUE/NEWPORT)
 P BODY = (P - SUNDANCE)(D - SHADOW)
 Q BODY = (C27 - MASERATI)
 S BODY = (H - VOYAGER)(K - RAM VAN/ CARAVAN)

BODY STYLES

12-52 = FWD VAN & WAGON STD. W.B. 27 = 2-DOOR CONVERTIBLE
 13-53 = FWD VAN & WGN EXT W.B. 41 = 4-DOOR SEDAN
 21 = 2-DOOR SEDAN 44 = 4-DOOR HATCHBACK
 24 = 2-DOOR HATCHBACK 45 = 4-DOOR STATION WAGON

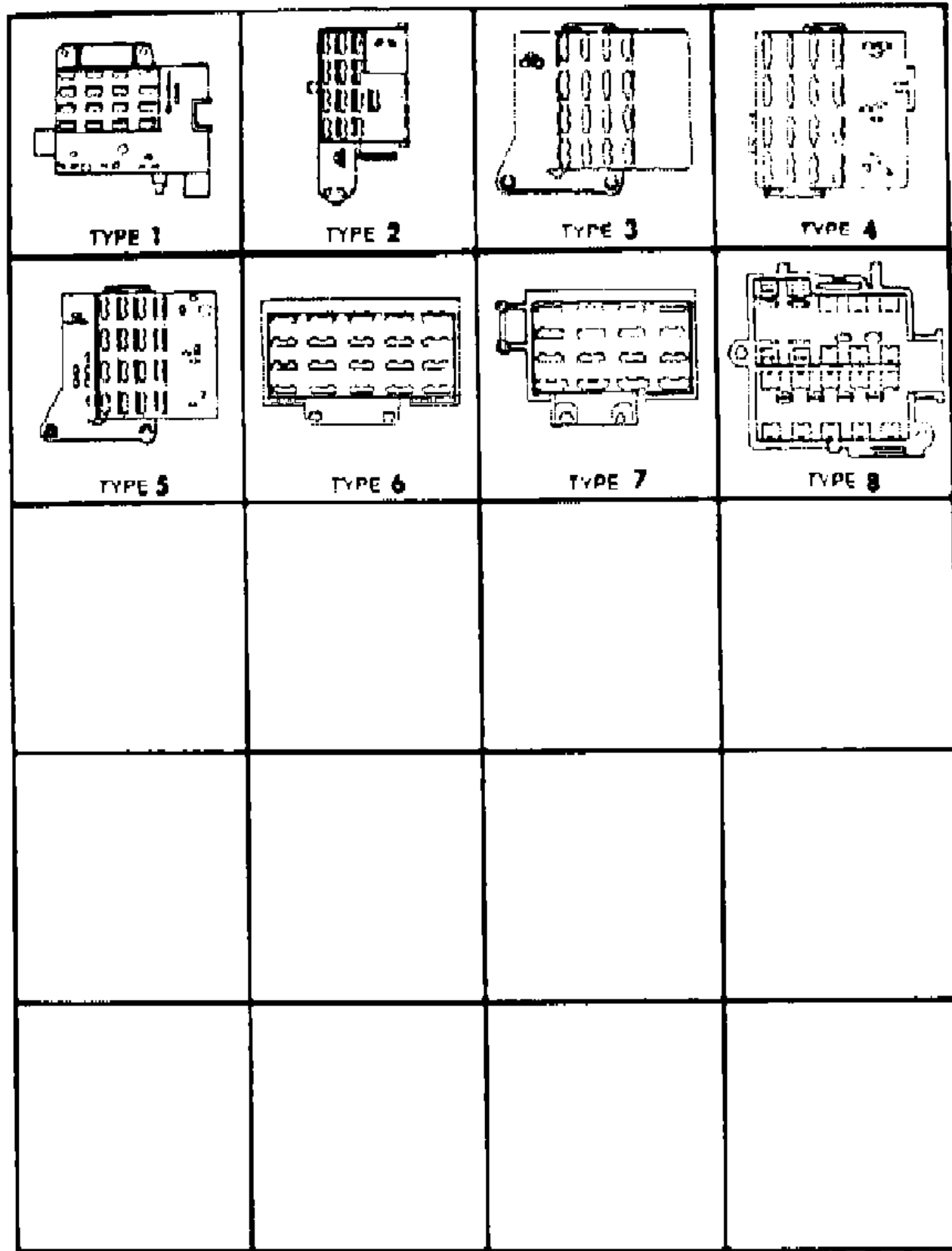
AR = Use as Required - = Non Illustrated Part P.A.R. = Paint as Required

FUSE BLOCKS & RELAY MODULES

Figure 8-1220

8108 12200

ITEM	PART NUMBER	QTY	BODY	MODEL	DESCRIPTION
1	4304 519		L		FUSE BLOCK, BASE
2					FUSE BLOCK, BASE, Serv. Assy.
3	4209 360		M		FUSE BLOCK, BASE
4	4304 499		K-E-G		FUSE BLOCK, BASE
5	4368 099		H		RELAY MODULE
6	4331 464		H		FUSE BLOCK, BASE
7	4368 042		P		FUSE BLOCK, BASE
8					FUSE BLOCK, BASE, SERV. IN WIRING



MODEL CODES

C BODY = (D41 - DYNASTY)(C41 - NEW YORKER)
 E BODY = (J - CARAVELLE)(E - 600)(T - NEW YORKER TURBO)
 G BODY = (V24 - DAYTONA, PACIFICA & SHELBY)
 H BODY = (D44 - LANCER)(C44 - LEBARON GTS)
 J BODY = (C - LEBARON)
 K BODY = (P - RELIANT)(D - ARIES)(C - LEBARON/ TOWN & COUNTRY)

L BODY = (M - HORIZON)(Z-OMNI)
 M BODY = (B - GRAN FURY)(G - DIPLOMAT)(F - FIFTH AVENUE/NEWPORT)
 P BODY = (P - SUNDANCE)(D - SHADOW)
 Q BODY = (C27 - MASERATI)
 S BODY = (H - VOYAGER)(K - RAM VAN/ CARAVAN)

BODY STYLES

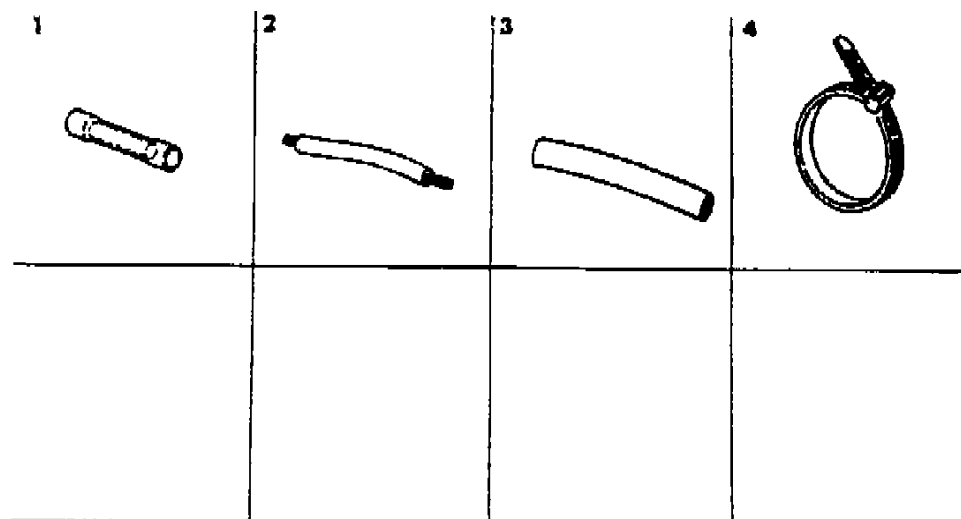
12-52 = FWD VAN & WAGON STD. W.B. 27 = 2-DOOR CONVERTIBLE
 13-53 = FWD VAN & WGN EXT W.B. 41 = 4-DOOR SEDAN
 21 = 2-DOOR SEDAN 44 = 4-DOOR HATCHBACK
 24 = 2-DOOR HATCHBACK 45 = 4-DOOR STATION WAGON

AR = Use as Required - = Non Illustrated Part P.A.R. = Paint as Required

WIRING HARNESS REPAIR CRIMP PKG.-FUSIBLE LINK PKG.-HEAT SHRINK TUBE
Figure 8-1230

ITEM	PART NUMBER	QTY	BODY	MODEL	DESCRIPTION
1	4439 004	1			CRIMP PACKAGE, 18-22 Gauge, (3 Pieces)
	4439 005	1			14-16 Gauge (3 Pieces)
	4439 006	1			10-12 Gauge (3 Pieces)
2	4364 877	1			FUSIBLE LINK PACKAGE, (D/Green-10 Gauge (4 12" Pieces)
	4364 876	1			(Black-12 Gauge) (4 12" Pieces)
	4364 875	1			(Red-14 Gauge) (4 12" Pieces)
	4364 874	1			(D/Blue-16 Gauge) (4 12" Pieces)
	4364 873	1			(Gray-18 Gauge) (4 12" Pieces)
	4364 878	1			(Orange-20 Gauge) (4 12" Pieces)
	4419 351	1			(White-22 Gauge) (4 12" Pieces)
3	4419 644	1			HEAT SHRINK TUBE, 1/4" x 2" Long
4	6015 756	1			TY-STRAPS, 6.75" Long (To Tie 1/16" to 2 1/8" of Wire)
	6016 155	1			14" Long (To Tie 3/16" to 4" of Wire)

8108 12300



MODEL CODES

C BODY = (D41 - DYNASTY)(C41 - NEW YORKER)	L BODY = (M - HORIZON)(Z-OMNI)
E BODY = (J - CARAVELLE)(E - 600)(T - NEW YORKER TURBO)	M BODY = (B - GRAN FURY)(G - DIPLOMAT)(F - FIFTH AVENUE/NEWPORT)
G BODY = (V24 - DAYTONA, PACIFICA & SHELBY)	P BODY = (P - SUNDANCE)(D - SHADOW)
H BODY = (D44 - LANCER)(C44 - LEBARON GTS)	Q BODY = (C27 - MASERATI)
J BODY = (C - LEBARON)	S BODY = (H - VOYAGER)(K - RAM VAN/ CARAVAN)
K BODY = (P - RELIANT)(D - ARIES)(C - LEBARON/ TOWN & COUNTRY)	

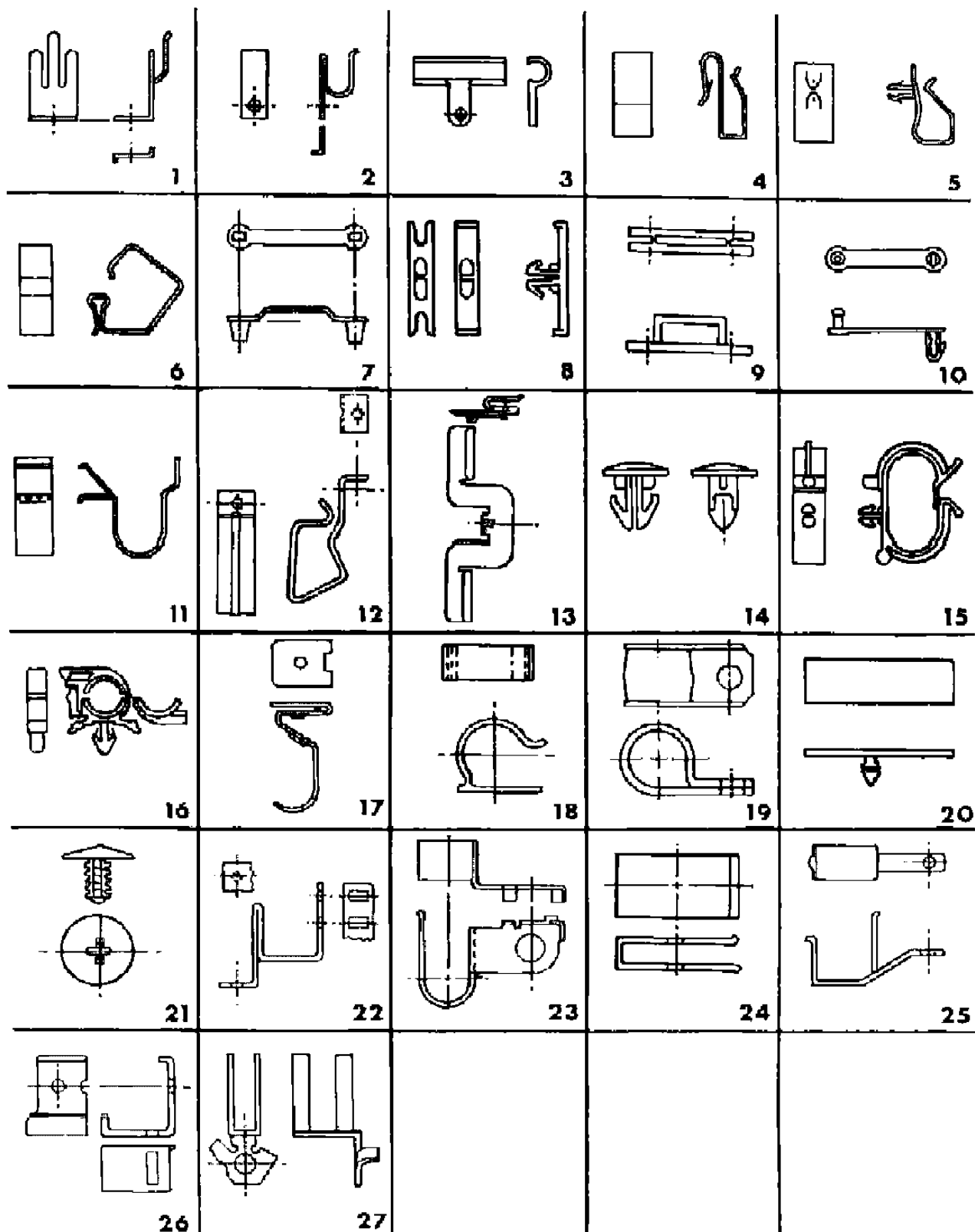
BODY STYLES

12-52 = FWD VAN & WAGON STD. W.B.	27 = 2-DOOR CONVERTIBLE
13-53 = FWD VAN & WGN EXT W.B.	41 = 4-DOOR SEDAN
21 = 2-DOOR SEDAN	44 = 4-DOOR HATCHBACK
24 = 2-DOOR HATCHBACK	45 = 4-DOOR STATION WAGON

AR = Use as Required - = Non Illustrated Part P.A.R. = Paint as Required

WIRING CLIPS
Figure 8-1240

8108 12400



ITEM	PART NUMBER	QTY	BODY	MODEL	DESCRIPTION
1	6016 054	AR			CLIP
2	6016 158	AR			CLIP
3	6015 839	AR			CLIP
4	6015 327	AR			CLIP, (.71h x .38w)
	6015 377	AR			(.52h x .38w)
5	6016 080	AR			CLIP
6	6015 412	AR			CLIP
7	6015 544	AR			CLIP
8	6015 288	AR			CLIP
9	6015 739	AR			CLIP
10	6015 776	AR			CLIP, (1.88l x .38w)
	6015 801	AR			(4.98l x .26w)
11	6015 818	AR			CLIP
12	6016 083	AR			CLIP
13	6016 118	AR			CLIP
14	6015 925	AR			CLIP
15	6016 046	AR			CLIP
16	6016 059	AR			CLIP
17	6016 149	AR			CLIP
18	6016 153	AR			CLIP
19	#6016 036	AR			CLIP
20	6016 122	AR			CLIP
21	6016 144	AR			CLIP
22	6016 127	AR			CLIP
23	6016 044	AR			CLIP
24	6016 160	AR			CLIP
25	6016 120	AR			CLIP
26	6016 121	AR			CLIP
27	6016 074	AR			CLIP

MODEL CODES

C BODY = (D41 - DYNASTY)(C41 - NEW YORKER)
 E BODY = (J - CARAVELLE)(E - 600)(T - NEW YORKER TURBO)
 G BODY = (V24 - DAYTONA, PACIFICA & SHELBY)
 H BODY = (D44 - LANCER)(C44 - LEBARON GTS)
 J BODY = (C - LEBARON)
 K BODY = (P - RELIANT)(D - ARIES)(C - LEBARON/ TOWN & COUNTRY)
 L BODY = (M - HORIZON)(Z-OMNI)
 M BODY = (B - GRAN FURY)(G - DIPLOMAT)(F - FIFTH AVENUE/NEWPORT)
 P BODY = (P - SUNDANCE)(D - SHADOW)
 Q BODY = (C27 - MASERATI)
 S BODY = (H - VOYAGER)(K - RAM VAN/ CARAVAN)

BODY STYLES

12-52 = FWD VAN & WAGON STD. W.B. 27 = 2-DOOR CONVERTIBLE
 13-53 = FWD VAN & WGN EXT W.B. 41 = 4-DOOR SEDAN
 21 = 2-DOOR SEDAN 44 = 4-DOOR HATCHBACK
 24 = 2-DOOR HATCHBACK 45 = 4-DOOR STATION WAGON

AR = Use as Required - = Non Illustrated Part P.A.R. = Paint as Required

GROUP 8A - ELECTRICAL - INSTRUMENT PANEL AND CONSOLES

ILLUSTRATION TITLE	GROUP-FIG. NO.
L BODY	
INSTRUMENT PANEL BEZELS AND PAD L BODY	Fig. 8A-100
INSTRUMENT PANEL WIRING L BODY	Fig. 8A-200
INSTRUMENT PANEL CLUSTER L BODY	Fig. 8A-210
INSTRUMENT PANEL SWITCHES, RADIO, GLOVEBOX, ANTENNA AND SPEAKER L BODY	Fig. 8A-300
CONSOLE L BODY	Fig. 8A-400
P BODY	
INSTRUMENT PANEL RADIO, BEZELS, GLOVEBOX, ANTENNA P BODY	Fig. 8A-500
INSTRUMENT PANEL W/PASSIVE RESTRAINT SYSTEM P BODY	Fig. 8A-505
INSTRUMENT PANEL CLUSTER P BODY	Fig. 8A-510
INSTRUMENT PANEL WIRING P BODY	Fig. 8A-600
INSTRUMENT PANEL CONTROLS AND SWITCHES P BODY	Fig. 8A-700
CONSOLE P BODY	Fig. 8A-800
CONSOLETTA W/O PASSIVE RESTRAINT SYSTEM P BODY	Fig. 8A-900
CONSOLETTA W/PASSIVE RESTRAINT SYSTEM P BODY	Fig. 8A-910
J BODY	
INSTRUMENT, PANEL BEZELS, GLOVEBOX AND CONTROLS J BODY	Fig. 8A-1000
INSTRUMENT PANEL SILENCERS J BODY	Fig. 8A-1100
INSTRUMENT PANEL W/PASSIVE RESTRAINT SYSTEM J BODY	Fig. 8A-1200
INSTRUMENT PANEL CLUSTER J BODY	Fig. 8A-1210
INSTRUMENT PANEL WIRING J BODY	Fig. 8A-1300
INSTRUMENT PANEL SPEAKERS AND SWITCHES J BODY	Fig. 8A-1400
INSTRUMENT PANEL CONSOLE, RADIO, DISC PLAYER AND ANTENNA J BODY	Fig. 8A-1500
CONSOLE, CENTER J BODY	Fig. 8A-1600
CONSOLE, OVERHEAD J BODY	Fig. 8A-1610
K,E BODY	
INSTRUMENT PANEL PAD, BEZELS, RADIO AND ANTENNA K,E BODY	Fig. 8A-1700
INSTRUMENT PANEL CLUSTER K,E	Fig. 8A-1710
INSTRUMENT PANEL WIRING K,E BODY	Fig. 8A-1800
INSTRUMENT PANEL GLOVEBOX, SPEAKERS AND CONTROLS K,E BODY	Fig. 8A-1900
CONSOLE AND ARM REST K BODY	Fig. 8A-2000
CONSOLE, OVERHEAD E BODY NEW YORKER	Fig. 8A-2200
G BODY	
INSTRUMENT PANEL BEZELS AND PAD G BODY	Fig. 8A-2300

ILLUSTRATION NOT AVAILABLE AT TIME OF PUBLICATION

GROUP 8A - ELECTRICAL - INSTRUMENT PANEL AND CONSOLES

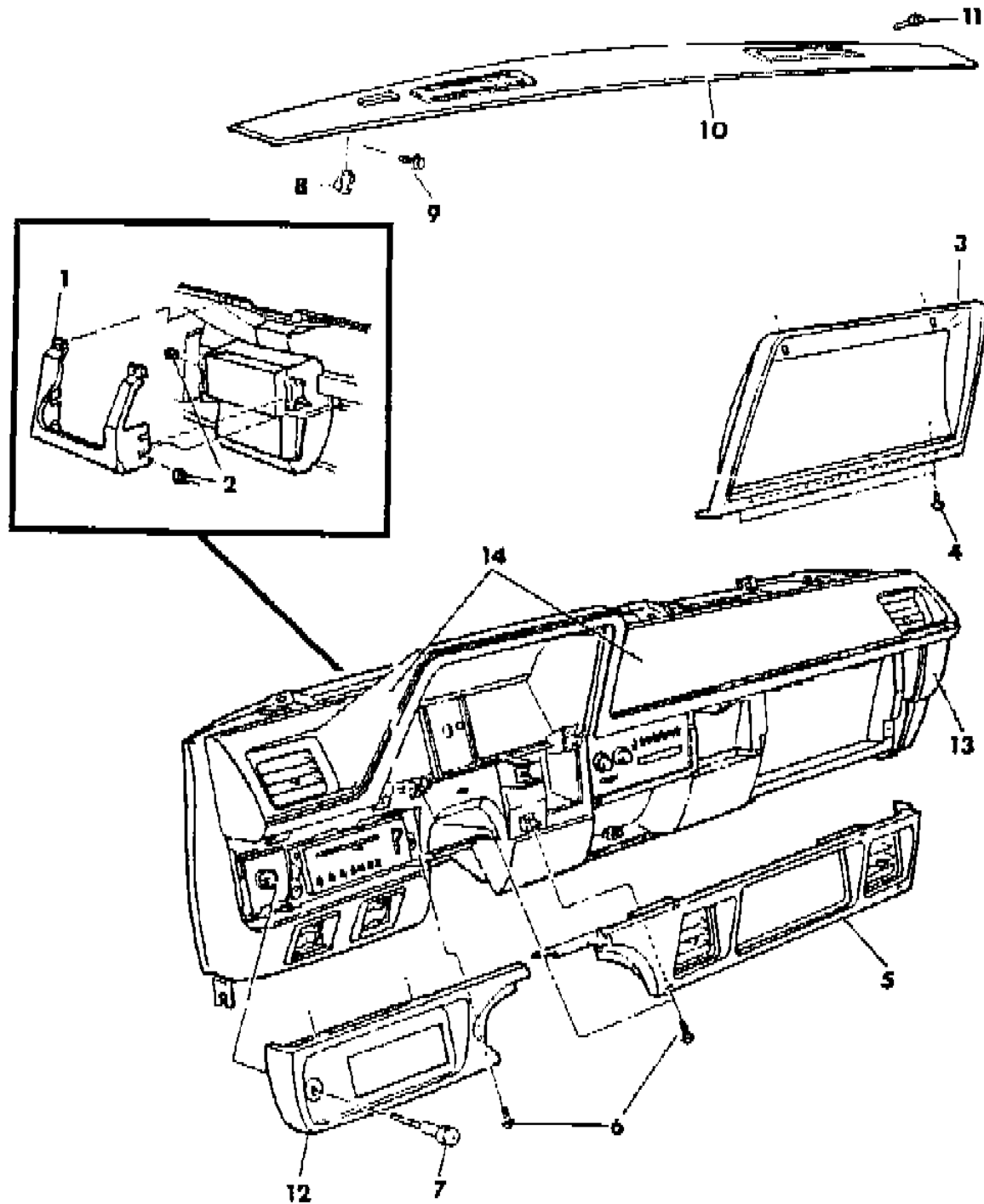
GROUP 8A - ELECTRICAL - INSTRUMENT PANEL AND CONSOLES

ILLUSTRATION TITLE	GROUP-FIG. NO.
G BODY (Continued)	
INSTRUMENT PANEL BEZELS AND PAD G BODY	Fig. 8A-2300
INSTRUMENT PANEL W/PASSIVE RESTRAINT SYSTEM G BODY	Fig. 8A-2400
INSTRUMENT PANEL CLUSTER G BODY	Fig. 8A-2410
INSTRUMENT PANEL WIRING G BODY	Fig. 8A-2500
INSTRUMENT PANEL SPEAKERS, GLOVEBOX AND SWITCHES G BODY	Fig. 8A-2600
INSTRUMENT PANEL CONSOLE, RADIO, DISC PLAYER AND ANTENNA G BODY	Fig. 8A-2700
CONSOLE, CENTER G BODY	Fig. 8A-2800
CONSOLE, OVERHEAD G BODY	Fig. 8A-2900
H BODY	
INSTRUMENT PANEL BEZELS, GLOVEBOX, RADIO AND ANTENNA H BODY	Fig. 8A-3000
INSTRUMENT PANEL WIRING H BODY	Fig. 8A-3100
INSTRUMENT PANEL SWITCHES AND SPEAKERS H BODY	Fig. 8A-3200
INSTRUMENT PANEL CLUSTER H BODY	Fig. 8A-3210
CONSOLE H BODY	Fig. 8A-3300
CONSOLE, OVERHEAD H BODY	Fig. 8A-3400
C BODY	
INSTRUMENT PANEL PAD, SWITCHES, SPEAKERS C BODY	Fig. 8A-3500
INSTRUMENT PANEL CLUSTER C BODY	Fig. 8A-3510
INSTRUMENT PANEL WIRING C BODY	Fig. 8A-3600
INSTRUMENT PANEL RADIO, ANTENNA AND CONTROLS C BODY	Fig. 8A-3700
INSTRUMENT PANEL COVERS AND SILENCERS C BODY	Fig. 8A-3800
CONSOLE, OVERHEAD C BODY	Fig. 8A-3900
S BODY	
INSTRUMENT PANEL S BODY	Fig. 8A-4000
INSTRUMENT PANEL, CLUSTER W/O TACHOMETER, W/SIGNALS S BODY	Fig. 8A-4100
INSTRUMENT PANEL, CLUSTER W/TACHOMETER AND GAUGES S BODY	Fig. 8A-4110
INSTRUMENT PANEL WIRING S BODY	Fig. 8A-4200
INSTRUMENT PANEL CONSOLE S BODY	Fig. 8A-4300
CONSOLE, OVERHEAD S BODY	Fig. 8A-4400
M BODY	
INSTRUMENT PANEL PAD, GLOVEBOX AND SPEAKERS M BODY	Fig. 8A-4500
INSTRUMENT PANEL WIRING M BODY	Fig. 8A-4600
INSTRUMENT PANEL BEZELS, RADIO AND ANTENNA M BODY	Fig. 8A-4700

ILLUSTRATION TITLE	GROUP-FIG. NO.
M BODY (Continued)	
INSTRUMENT PANEL BEZELS, RADIO AND ANTENNA M BODY	Fig. 8A-4700
INSTRUMENT PANEL W/PASSIVE RESTRAINT M BODY	Fig. 8A-4710
INSTRUMENT PANEL CLUSTER M BODY	Fig. 8A-4800
INSTRUMENT PANEL CARRIER AND SWITCHES M BODY	Fig. 8A-4900
CONSOLE, OVERHEAD M BODY	Fig. 8A-5000

INSTRUMENT PANEL BEZELS AND PAD L BODY
Figure 8A-100

8182 100 A



ITEM	PART NUMBER	QTY	BODY	MODEL	DESCRIPTION
1	4220 516	1			BRACE, Center Support
2	6023 205	4			NUT and WASHER
3	4312 804	1			BEZEL, Instrument Panel Cluster
4					SCREW (DNS)
5					BEZEL, Center Trim
					w/o Air
	P611 CC7	1			Blue
	P611 CM6	1			Red
	P611 CS8	1			Charcoal
					w/Air
	P610 CC7	1			Blue
	P610 CM6	1			Red
	P610 CS8	1			Charcoal
6					SCREW (DNS)
7	#5209 991	1			KNOB and SHAFT, H/Lamp Switch
8	3590 389	4			CLIP, Top Cover
9		AR			SCREW (DNS)
10					COVER, Instrument Panel Top
	5209 707	1			w/Speaker Holes
	4460 253	1			w/o Spesker Holes
11		AR			SCREW (DNS)
12					BEZEL, Trim, Left
	P612 CC7	1			Blue
	P612 CM6	1			Red
	P612 CS8	1			Charcoal
13	4342 220	1			BEZEL, Trim, Right
14	P511 FS8	1			PANEL and PAD

MODEL CODES

C BODY = (D41 - DYNASTY)(C41 - NEW YORKER)	L BODY = (M - HORIZON)(Z-OMNI)
E BODY = (J - CARAVELLE)(E - 600)(T - NEW YORKER TURBO)	M BODY = (B - GRAN FURY)(G - DIPLOMAT)(F - FIFTH AVENUE/NEWPORT)
G BODY = (V24 - DAYTONA, PACIFICA & SHELBY)	P BODY = (P - SUNDANCE)(D - SHADOW)
H BODY = (D44 - LANCER)(C44 - LEBARON GTS)	Q BODY = (C27 - MASERATI)
J BODY = (C - LEBARON)	S BODY = (H - VOYAGER)(K - RAM VAN/ CARAVAN)
K BODY = (P - RELIANT)(D - ARIES)(C - LEBARON/ TOWN & COUNTRY)	

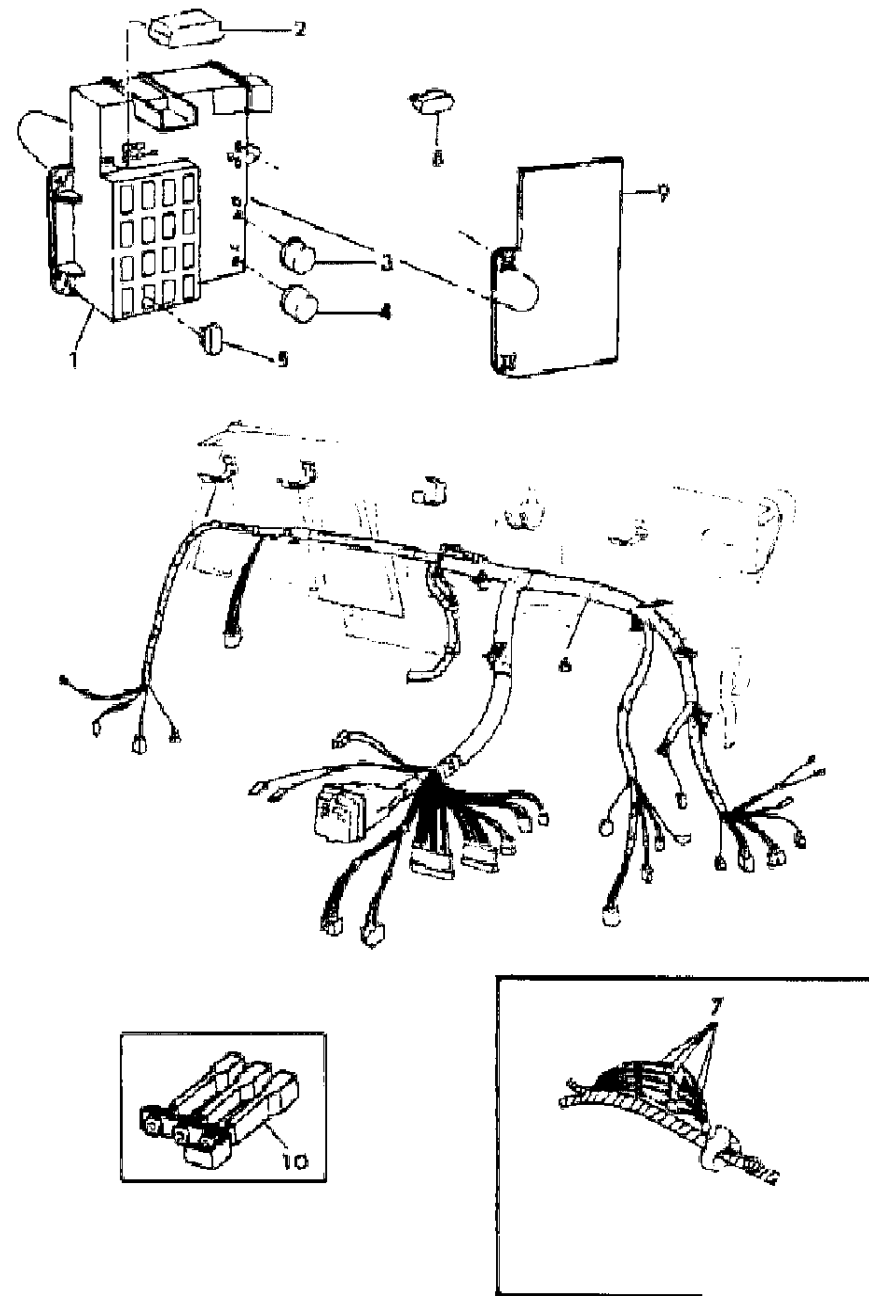
BODY STYLES

12-52 = FWD VAN & WAGON STD. W.B.	27 = 2-DOOR CONVERTIBLE
13-53 = FWD VAN & WGN EXT W.B.	41 = 4-DOOR SEDAN
21 = 2-DOOR SEDAN	44 = 4-DOOR HATCHBACK
24 = 2-DOOR HATCHBACK	45 = 4-DOOR STATION WAGON

AR = Use as Required - = Non Illustrated Part P.A.R. = Paint as Required

INSTRUMENT PANEL WIRING L BODY
Figure 8A-200

8182 200



ITEM	PART NUMBER	QTY	BODY	MODEL	DESCRIPTION
1					MODULE, Fuse Block
	4304 519	1			w/o Dots
	5211 741	1			w/Dots
2	4373 067	1			BUZZER, Key Warning, H/Lamp, Seat Belt Warning
3	2932 877	1			FLASHER, Hazard Warning
4					FLASHER, Turn Signal
	3837 161	1			Two Lamp
	3837 162	1			Three Lamp
5					BREAKER, Circuit
	4331 929	AR			6 Amp.
	4186 379	AR			30 Amp.
6					WIRING HARNESS, Instrument Panel
	4414 681	1			w/o Air
	4414 682	1			w/Air
7					CABLE, Fusible Link
	4026 095	1			No. 16 Dark Blue
	4026 094	1			No. 14 Red
	4026 093	1			No. 12 Black
	4026 096	1			No. 18 Gray
	4364 878	1			No. 20 Orange
	4419 351	1			No. 22 White
8					FUSE
	6101 132	AR			4 Amp.
	6101 131	AR			3 Amp.
	6101 133	AR			5 Amp.
	6101 137	AR			20 Amp.
	6101 135	AR			10 Amp.
	6101 138	AR			25 Amp.
	6101 139	AR			30 Amp.
9	4274 056	1			COVER, Fuse Block Back
10					TERMINAL, Buss Bar
	4124 752	1			3 Way
	4124 258	1			1 Way

MODEL CODES

C BODY = (D41 - DYNASTY)(C41 - NEW YORKER)
 E BODY = (J - CARAVELLE)(E - 600)(T - NEW YORKER TURBO)
 G BODY = (V24 - DAYTONA, PACIFICA & SHELBY)
 H BODY = (D44 - LANCER)(C44 - LEBARON GTS)
 J BODY = (C - LEBARON)
 K BODY = (P - RELIANT)(D - ARIES)(C - LEBARON/ TOWN & COUNTRY)

L BODY = (M - HORIZON)(Z-OMNI)
 M BODY = (B - GRAN FURY)(G - DIPLOMAT)(F - FIFTH AVENUE/NEWPORT)
 P BODY = (P - SUNDANCE)(D - SHADOW)
 Q BODY = (C27 - MASERATI)
 S BODY = (H - VOYAGER)(K - RAM VAN/ CARAVAN)

BODY STYLES

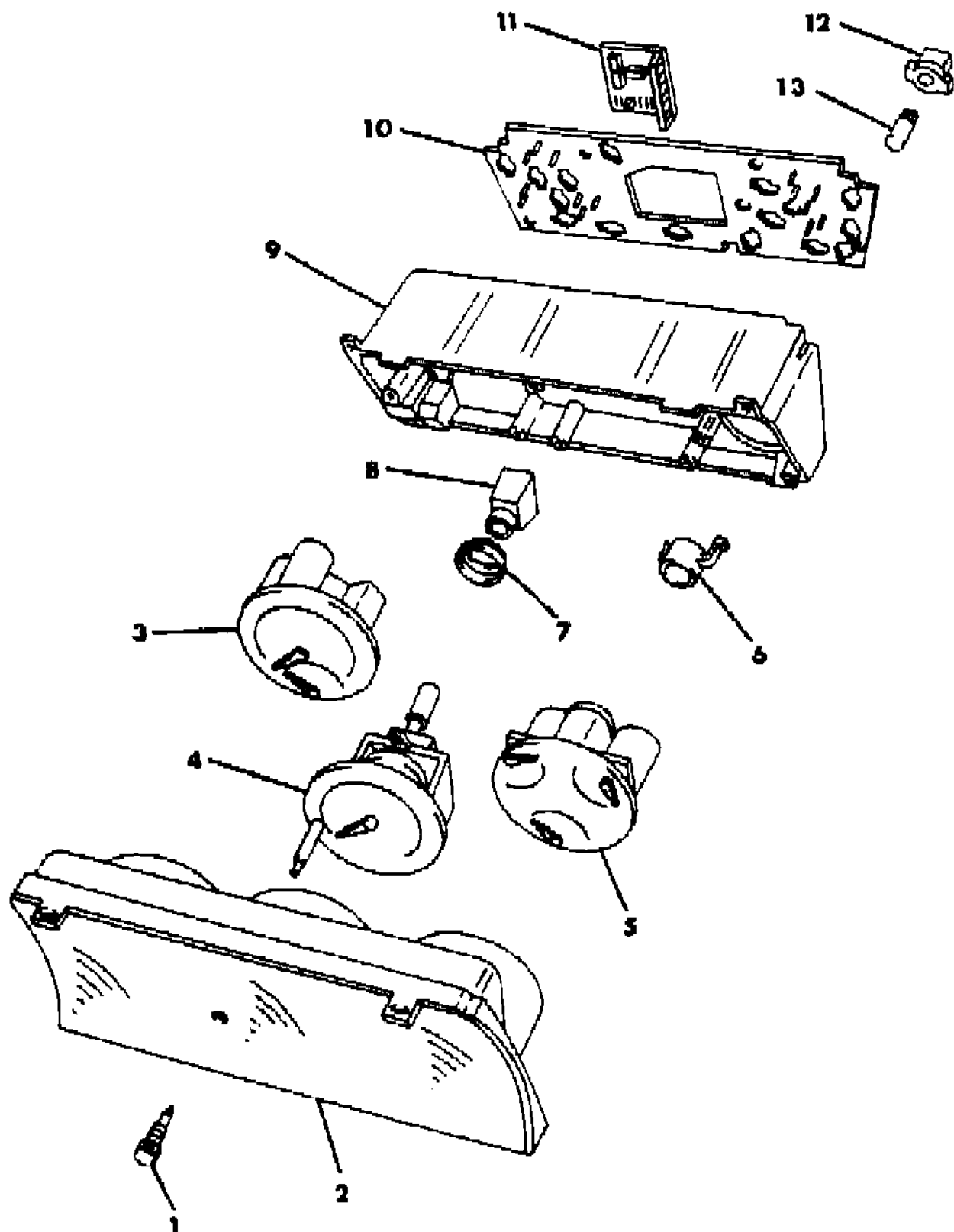
12-52 = FWD VAN & WAGON STD. W.B. 27 = 2-DOOR CONVERTIBLE
 13-53 = FWD VAN & WGN EXT W.B. 41 = 4-DOOR SEDAN
 21 = 2-DOOR SEDAN 44 = 4-DOOR HATCHBACK
 24 = 2-DOOR HATCHBACK 45 = 4-DOOR STATION WAGON

AR = Use as Required - = Non Illustrated Part P.A.R. = Paint as Required

INSTRUMENT PANEL CLUSTER L BODY
Figure 8A-210

8182210

ITEM	PART NUMBER	QTY	BODY	MODEL	DESCRIPTION
1	4051 796	1			KNOB and SHAFT, Odometer Reset
2	4051 839	1			MASK and LENS, Cluster
3	4051 833	1			GAUGE, Fuel/Tachometer
4	4051 737	1			SPEEDOMETER
5	4439 067	1			GAUGE, Oil/Temp./Ammeter
6	4085 191	7			DIFFUSER
7	4051 315	1			GROMMET, Speedometer
8	4051 837	1			CHIMNEY, Hi-Beam
9	4051 725	1			HOUSING, Cluster
10	4051 899	1			BOARD, Printed Circuit
11	4051 977	1			BOARD, Tachometer Circuit
12	4342 240	AR			SOCKET, Bulb
13	9421 330	AR			BULB



MODEL CODES

C BODY = (D41 - DYNASTY)(C41 - NEW YORKER)	L BODY = (M - HORIZON)(Z-OMNI)
E BODY = (J - CARAVELLE)(E - 600)(T - NEW YORKER TURBO)	M BODY = (B - GRAN FURY)(G - DIPLOMAT)(F - FIFTH AVENUE/NEWPORT)
G BODY = (V24 - DAYTONA, PACIFICA & SHELBY)	P BODY = (P - SUNDANCE)(D - SHADOW)
H BODY = (D44 - LANCER)(C44 - LEBARON GTS)	Q BODY = (C27 - MASERATI)
J BODY = (C - LEBARON)	S BODY = (H - VOYAGER)(K - RAM VAN/ CARAVAN)
K BODY = (P - RELIANT)(D - ARIES)(C - LEBARON/ TOWN & COUNTRY)	

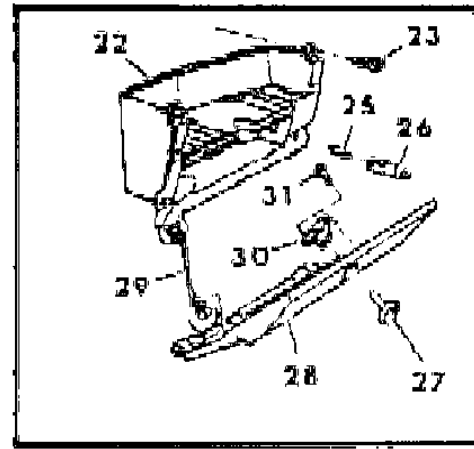
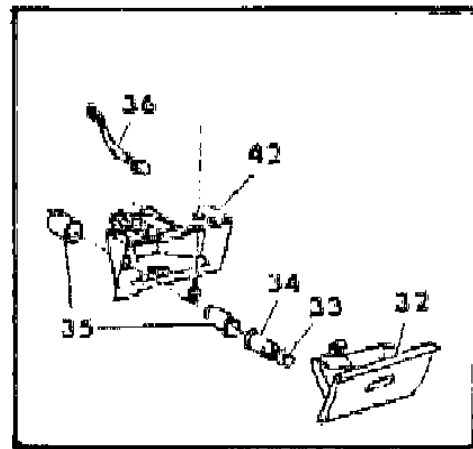
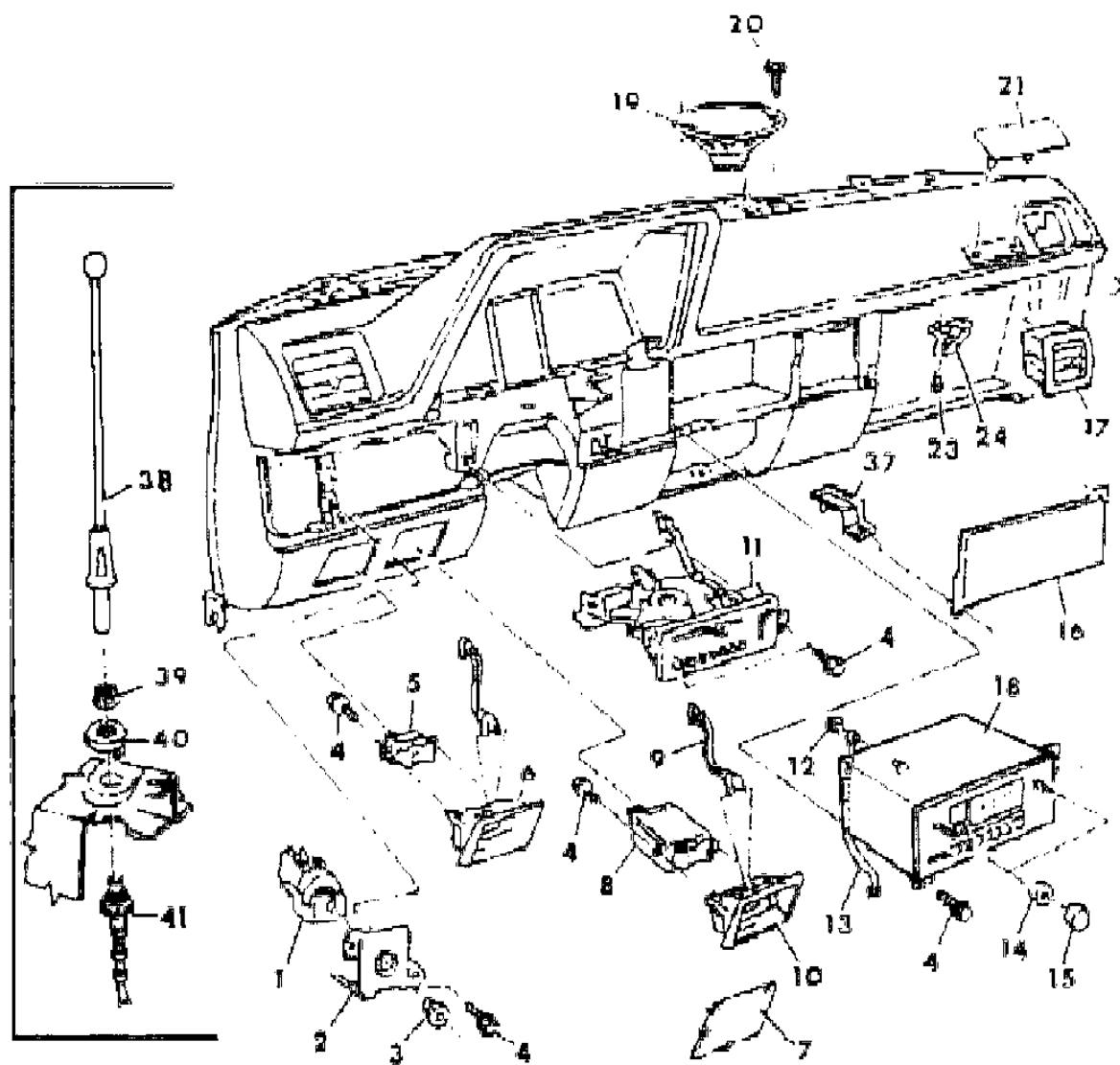
BODY STYLES

12-52 = FWD VAN & WAGON STD. W.B.	27 = 2-DOOR CONVERTIBLE
13-53 = FWD VAN & WGN EXT W.B.	41 = 4-DOOR SEDAN
21 = 2-DOOR SEDAN	44 = 4-DOOR HATCHBACK
24 = 2-DOOR HATCHBACK	45 = 4-DOOR STATION WAGON

AR = Use as Required - = Non Illustrated Part P.A.R. = Paint as Required

INSTRUMENT PANEL SWITCHES, RADIO, GLOVEBOX, ANTENNA AND SPEAKER L BODY
Figure 8A-300

8182 300



ITEM	PART NUMBER	QTY	BODY	MODEL	DESCRIPTION
1	4221 398	1			SWITCH, Headlamp and Dome Lamp
2	4221 229	1			PLATE, Headlamp Switch Mounting
3	4221 064	1			RETAINER, Headlamp Switch Mounting
4		AR			SCREW (DNS)
5	5209 875	1			SWITCH, Rear Wipe and Wash
6	5209 876	1			BEZEL, Rear Wipe/Wash Switch
7	#5209 980	1			COVER, Heated Backlite Switch
8	#5209 985	1			SWITCH, Heated Backlite
9	4221 103	1			LAMP, Acc. Switch Nomenclature, w/Rear Wipe/Wash
10	#5209 983	1			BEZEL, Heated Backlite Switch
11					CONTROL, Heater and A/C (Refer to Group 24)
12	6023 205	1			NUT, Radio Ground Strap
13	3501 362	1			STRAP, Radio Supp. Ground
14					KNOB, Radio
	4311 341	2			Secondary
	4311 339	1			Treble
15	4311 334	2			KNOB, Radio, Primary
	4311 337	1			Bass
16	4220 482	1			PLATE, Radio Opening, w/o Radio
17					VENTILATION OUTLET (Refer to Group 24)
18					RADIO, E.T.R, w/Clock
	4311 956	1			AM/FM/MX Standard
	4372 536	1			AM/FM/MX w/Cassette
	4222 560	1			DIFFUSER, Illuminated Bulb
19	4311 098	1			SPEAKER
20					SCREW (DNS)
21					NAME PLATE, Instrument Panel Trim Pad
	4311 164	1			"Horizon"
	4311 167	1			"Omni"
	6029 168	2			CLIP, Name Plate Attaching
	0445 153	2			NUT, Name Plate Attaching
22	4311 486	1			BOX, Instrument Panel Glove
23					SCREW (DNS)
24	5209 773	1			CATCH, Glove Box Door Lock
25		1			BULB, Glove Box Lamp (Refer to Group 8)
26	4221 170	1			LAMP and SWITCH, Glove Box
	2947 226	1			PLUG, Glove Box Lamp, w/o Lamp

MODEL CODES
 C BODY = (D41 - DYNASTY)(C41 - NEW YORKER)
 E BODY = (J - CARAVELLE)(E - 600)(T - NEW YORKER TURBO)
 G BODY = (V24 - DAYTONA, PACIFICA & SHELBY)
 H BODY = (D44 - LANCER)(C44 - LEBARON GTS)
 J BODY = (C - LEBARON)
 K BODY = (P - RELIANT)(D - ARIES)(C - LEBARON/ TOWN & COUNTRY)

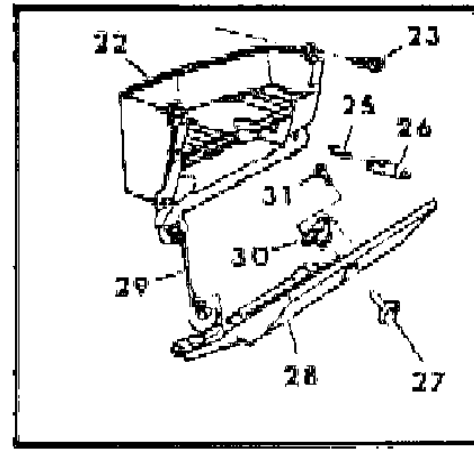
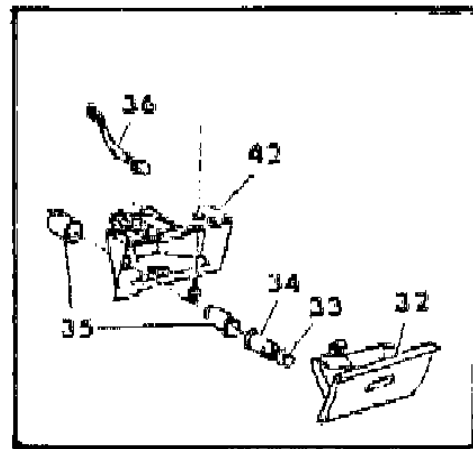
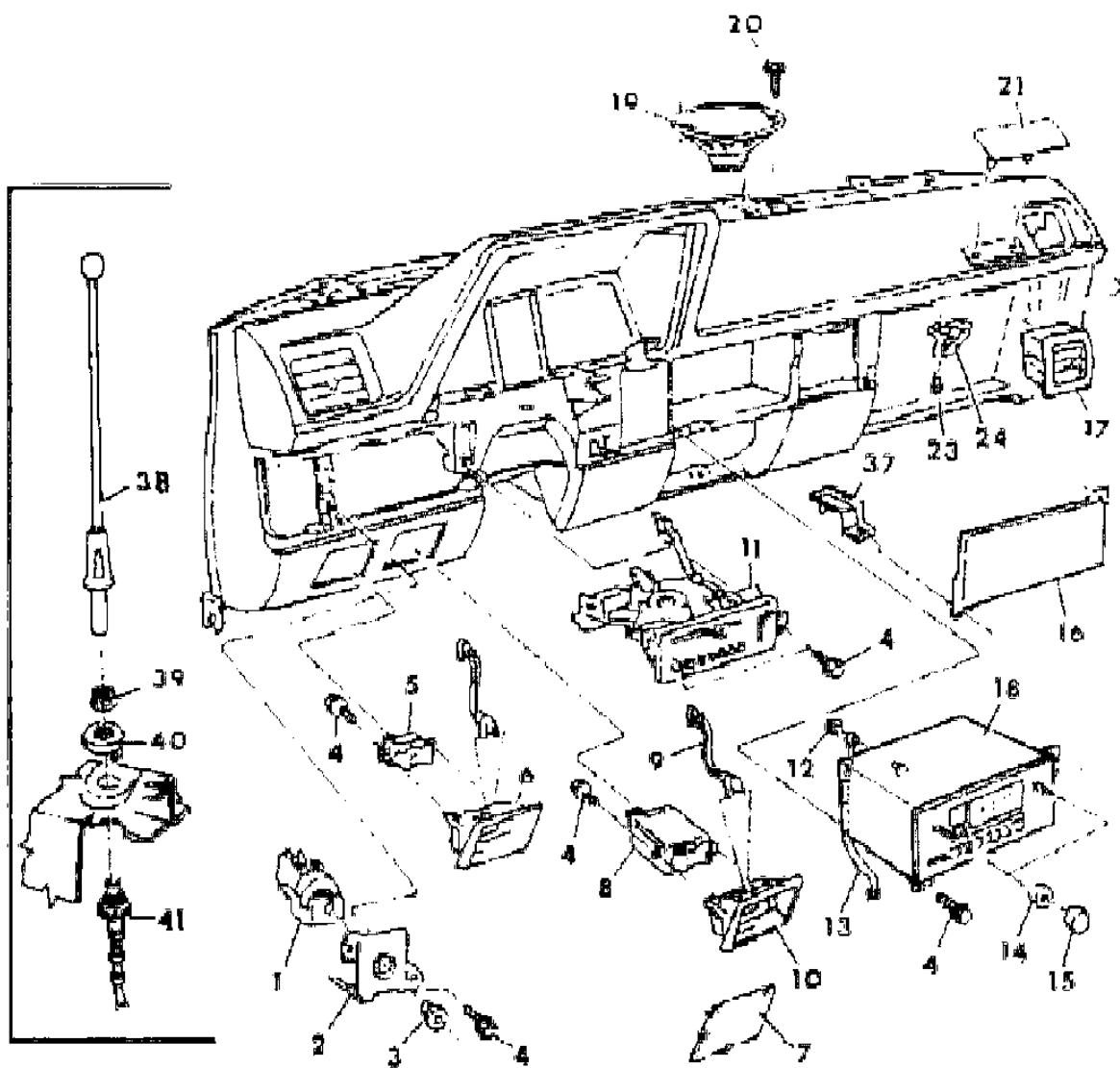
L BODY = (M - HORIZON)(Z-OMNI)
 M BODY = (B - GRAN FURY)(G - DIPLOMAT)(F - FIFTH AVENUE/NEWPORT)
 P BODY = (P - SUNDANCE)(D - SHADOW)
 Q BODY = (C27 - MASERATI)
 S BODY = (H - VOYAGER)(K - RAM VAN/ CARAVAN)

BODY STYLES
 12-52 = FWD VAN & WAGON STD. W.B. 27 = 2-DOOR CONVERTIBLE
 13-53 = FWD VAN & WGN EXT W.B. 41 = 4-DOOR SEDAN
 21 = 2-DOOR SEDAN 44 = 4-DOOR HATCHBACK
 24 = 2-DOOR HATCHBACK 45 = 4-DOOR STATION WAGON

AR = Use as Required - = Non Illustrated Part P.A.R. = Paint as Required

INSTRUMENT PANEL SWITCHES, RADIO, GLOVEBOX, ANTENNA AND SPEAKER L BODY
Figure 8A-300

8182 300



ITEM	PART NUMBER	QTY	BODY	MODEL	DESCRIPTION
	2822 583	1			LENS, Glove Box Lamp
27		1			CYLINDER, Glove Box, Refer to Group 23D
28	P638 CC7	1			BOX and DOOR, Glove
	3590 551	2			BUMPER, Glove Box
29	4047 424	1			CABLE, Glove Box Door Check
30	3508 886	1			LATCH, Glove Box Lock Cylinder
31		2			SCREW (DNS)
32	P651 CC7	1			FACE PLATE and RECEPTACLE, Ash Receiver
	2985 816	1			BUMPER, Instrument Panel Ash Rec. Stop
	4220 887	1			BUMPER, Instrument Panel Ash Rec. to Housing
33	3747 165	1			KNOB, C/Lighter
34	3004 190	1			ELEMENT, C/Lighter
35	2808 912	1			SHELL and CLAMP, C/Lighter
36	4221 236	1			LAMP, Ash Rec.
	3746 516	1			SOCKET, Ash Rec. Lamp
	2947 226	1			PLUG, Ash Rec. Lamp
37	5209 782	1			BRACE, Instrument Panel to A/C and Heater Bracket
38	4469 016	1			MAST, Antenna
39	4372 137	1			NUT, Cap
40	4372 143	1			ADAPTER and GASKET, Antenna
41					BODY and CABLE, Antenna
	4311 507	1			Up to 2-1-88
	4469 163	1			After 2-1-88
	4222 723	1			LOCK WASHER, Antenna Mounting
	4222 731	1			PLUG, Antenna Hole
42	5209 758	1			HOUSING, Ash Receiver

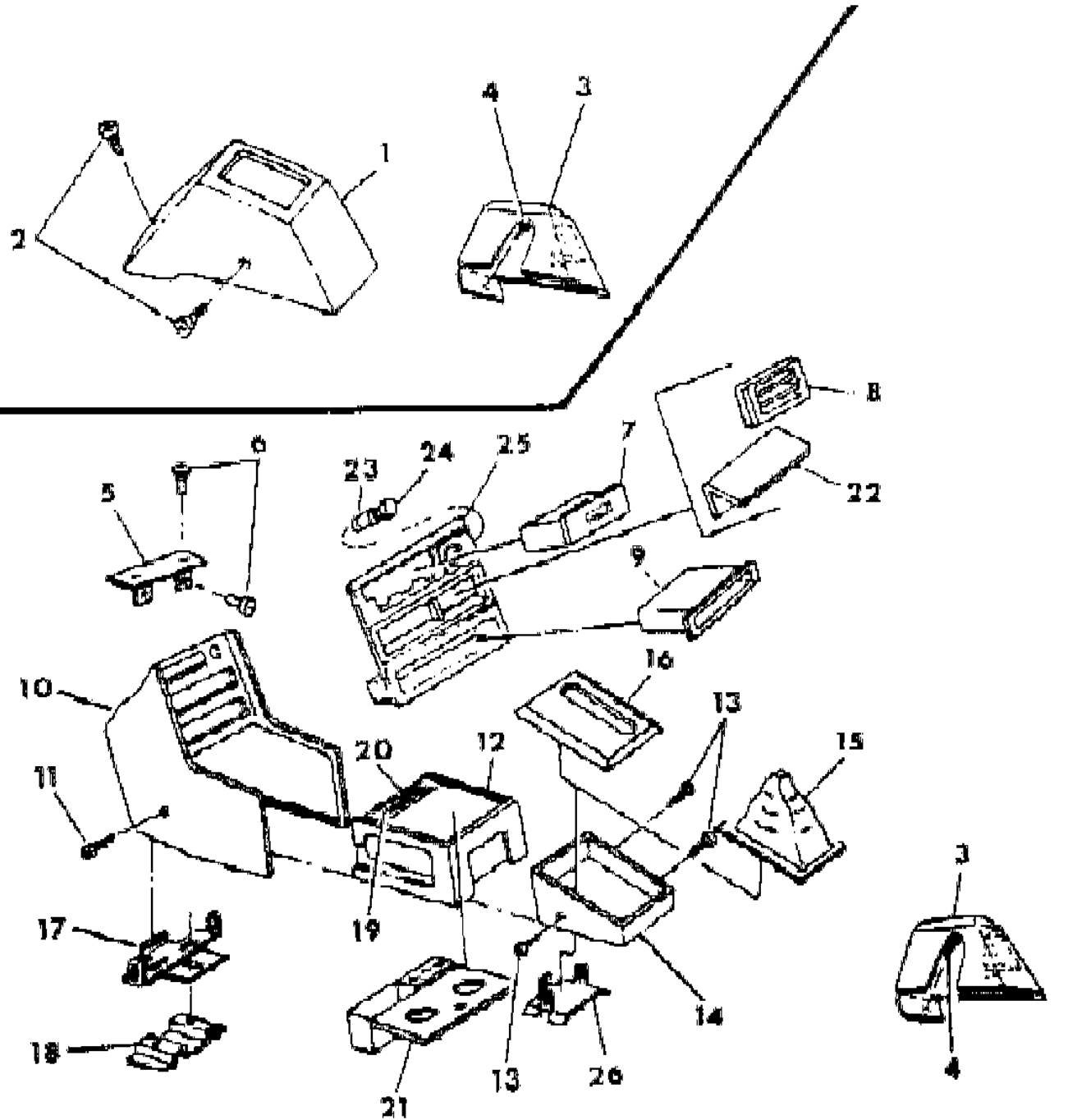
MODEL CODES
 C BODY = (D41 - DYNASTY)(C41 - NEW YORKER)
 E BODY = (J - CARAVELLE)(E - 600)(T - NEW YORKER TURBO)
 G BODY = (V24 - DAYTONA, PACIFICA & SHELBY)
 H BODY = (D44 - LANCER)(C44 - LEBARON GTS)
 J BODY = (C - LEBARON)
 K BODY = (P - RELIANT)(D - ARIES)(C - LEBARON/ TOWN & COUNTRY)
 L BODY = (M - HORIZON)(Z-OMNI)
 M BODY = (B - GRAN FURY)(G - DIPLOMAT)(F - FIFTH AVENUE/NEWPORT)
 P BODY = (P - SUNDANCE)(D - SHADOW)
 Q BODY = (C27 - MASERATI)
 S BODY = (H - VOYAGER)(K - RAM VAN/ CARAVAN)

BODY STYLES
 12-52 = FWD VAN & WAGON STD. W.B. 27 = 2-DOOR CONVERTIBLE
 13-53 = FWD VAN & WGN EXT W.B. 41 = 4-DOOR SEDAN
 21 = 2-DOOR SEDAN 44 = 4-DOOR HATCHBACK
 24 = 2-DOOR HATCHBACK 45 = 4-DOOR STATION WAGON

AR = Use as Required - = Non Illustrated Part P.A.R. = Paint as Required

CONSOLE L BODY
Figure 8A-400

8182 400



ITEM	PART NUMBER	QTY	BODY	MODEL	DESCRIPTION
1	F435 CS8	1			CONSOLE, Auto Gear Selector
	4186 901	1			SILENCER, Console
2	0167 541	2			SCREW
3	F278 SX9	1			COVER, Park Brake, w/o Console
4		AR			SCREW (DNS)
5	4248 437	1			BRACKET, Front Console Upper
6		AR			SCREW (DNS)
7	4282 250	1			ASH RECEIVER
	4221 465	1			LAMP, Ash Receiver
8	4282 508	2			HEATER OUTLET, w/o Air
9		1			CUBBY BOX, Serviced in Item #25
10					CONSOLE, Forward
					w/Air
	F456 BC7	1			Blue
	F456 BM6	1			Red
	F456 CS8	1			Charcoal
					w/o Air
	F455 BC7	1			Blue
	F455 BM6	1			Red
	F455 CS8	1			Charcoal
11		AR			SCREW (DNS)
12					STORAGE BIN
	F457 BC7	1			Blue
	F457 BM6	1			Red
	F457 CS8	1			Charcoal
13		AR			SCREW (DNS)
14	F443 CS8	1			HOUSING, Shift
15	4282 511	1			BEZEL, Shift Housing
16	F436 CS8	1			BEZEL, Shift Housing
17	4248 328	1			BRACKET, Front Console Lower
18	4314 177	1			BRACKET, Front Console Floor Pan
19	4282 528	1			LID, Storage Box
20		1			HANDLE, Serviced in Item #19
21	4248 647	1			CUP HOLDER, w/Coin Holder
22	4282 529	1			CONVENIENCE LIGHT, w/Air
	4521 125	2			RETAINER, Spring, Convenience Lamp
23	3004 190	1			ELEMENT, C/Lighter

MODEL CODES

C BODY = (D41 - DYNASTY)(C41 - NEW YORKER)
 E BODY = (J - CARAVELLE)(E - 600)(T - NEW YORKER TURBO)
 G BODY = (V24 - DAYTONA, PACIFICA & SHELBY)
 H BODY = (D44 - LANCER)(C44 - LEBARON GTS)
 J BODY = (C - LEBARON)
 K BODY = (P - RELIANT)(D - ARIES)(C - LEBARON/ TOWN & COUNTRY)

L BODY = (M - HORIZON)(Z-OMNI)
 M BODY = (B - GRAN FURY)(G - DIPLOMAT)(F - FIFTH AVENUE/NEWPORT)
 P BODY = (P - SUNDANCE)(D - SHADOW)
 Q BODY = (C27 - MASERATI)
 S BODY = (H - VOYAGER)(K - RAM VAN/ CARAVAN)

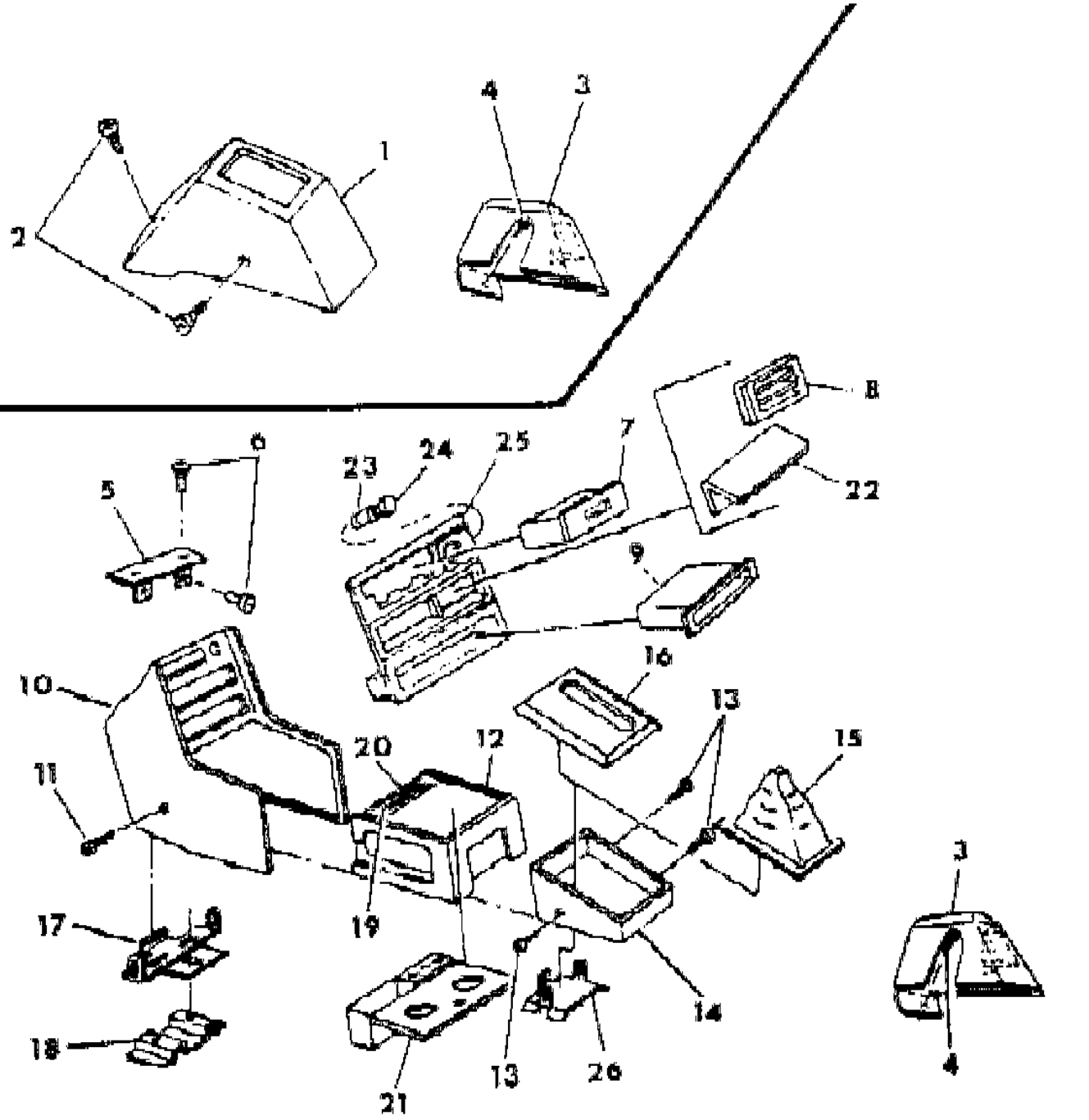
BODY STYLES

12-52 = FWD VAN & WAGON STD. W.B. 27 = 2-DOOR CONVERTIBLE
 13-53 = FWD VAN & WGN EXT W.B. 41 = 4-DOOR SEDAN
 21 = 2-DOOR SEDAN 44 = 4-DOOR HATCHBACK
 24 = 2-DOOR HATCHBACK 45 = 4-DOOR STATION WAGON

AR = Use as Required - = Non Illustrated Part P.A.R. = Paint as Required

CONSOLE L BODY
Figure 8A-400

8182 400



ITEM	PART NUMBER	QTY	BODY	MODEL	DESCRIPTION
	2808 912	1			SHELL and CLAMP, C/Lighter
24	3747 763	1			KNOB, C/Lighter
25					FACE PLATE
	4364 487	1			w/o Air
	4364 488	1			w/Air
26					BRACKET, Shift Housing
	4248 335	1			w/Auto Trans.
	4248 486	1			w/Manual Trans.

MODEL CODES

C BODY = (D41 - DYNASTY)(C41 - NEW YORKER)
 E BODY = (J - CARAVELLE)(E - 600)(T - NEW YORKER TURBO)
 G BODY = (V24 - DAYTONA, PACIFICA & SHELBY)
 H BODY = (D44 - LANCER)(C44 - LEBARON GTS)
 J BODY = (C - LEBARON)
 K BODY = (P - RELIANT)(D - ARIES)(C - LEBARON/ TOWN & COUNTRY)

L BODY = (M - HORIZON)(Z-OMNI)
 M BODY = (B - GRAN FURY)(G - DIPLOMAT)(F - FIFTH AVENUE/NEWPORT)
 P BODY = (P - SUNDANCE)(D - SHADOW)
 Q BODY = (C27 - MASERATI)
 S BODY = (H - VOYAGER)(K - RAM VAN/ CARAVAN)

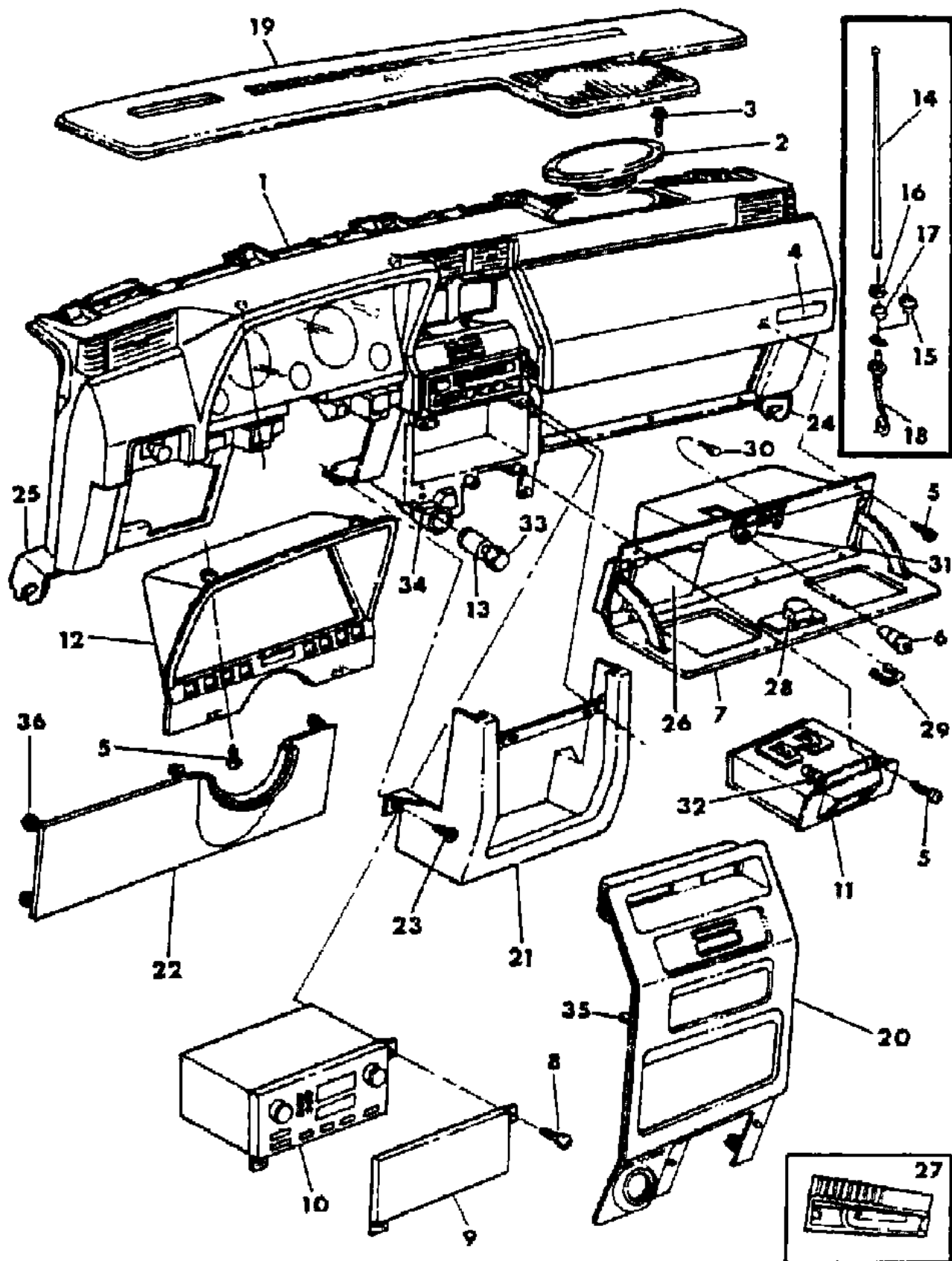
BODY STYLES

12-52 = FWD VAN & WAGON STD. W.B. 27 = 2-DOOR CONVERTIBLE
 13-53 = FWD VAN & WGN EXT W.B. 41 = 4-DOOR SEDAN
 21 = 2-DOOR SEDAN 44 = 4-DOOR HATCHBACK
 24 = 2-DOOR HATCHBACK 45 = 4-DOOR STATION WAGON

AR = Use as Required - = Non Illustrated Part P.A.R. = Paint as Required

INSTRUMENT PANEL RADIO, BEZELS, GLOVEBOX, ANTENNA P BODY
Figure 8A-500

8182 500



ITEM	PART NUMBER	QTY	BODY	MODEL	DESCRIPTION
1					PANEL, Instrument
	P435 EC5	1			Up to 2-1-88 Blue
	P435 GR8	1			Red
	P435 ES8	1			Charcoal
	P435 GL7	1			Taupe
	P421 FC5	1			From 2-1-88 to 5-9-88 Blue
	P421 GR8	1			Red
	P421 GL7	1			Taupe
	P421 FS8	1			Charcoal
	P808 GC5	1			After 5-9-88 Blue
	P808 GR8	1			Red
	P808 GS8	1			Charcoal
	P808 GL7	1			Taupe
					REINFORCEMENT, I/Panel
	4524 154	1			Middle
	4372 752	1			Lower, Right
	4524 409	1			Lower, Left
2	4311 098	1			SPEAKER, I/Panel
	4222 531	2			Rear Compartment
3		2			SCREW (DNS)
4					NAME PLATE, I/Panel
	4372 392	1			"Sundance"
	4372 140	1			"Shadow"
	4460 602	1			"Chrysler" (EUROPEAN)
5		AR			SCREW (DNS)
6	4221 170	1			LAMP and SWITCH, Glovebox
7	P662 GL7	1			BOX, Glove
	4372 911	2			BUMPER, Glovebox Door
8	6031 665	2			SCREW
9	4372 399	1			PLATE, Radio Opening, w/o Radio
10					RADIO
	4311 002	1			Am
	4311 956	1			Am/Fm/Mx
	4372 536	1			Am/Fm/Mx w/Cassette

MODEL CODES

C BODY = (D41 - DYNASTY)(C41 - NEW YORKER)
 E BODY = (J - CARAVELLE)(E - 600)(T - NEW YORKER TURBO)
 G BODY = (V24 - DAYTONA, PACIFICA & SHELBY)
 H BODY = (D44 - LANCER)(C44 - LEBARON GTS)
 J BODY = (C - LEBARON)
 K BODY = (P - RELIANT)(D - ARIES)(C - LEBARON/ TOWN & COUNTRY)
 L BODY = (M - HORIZON)(Z-OMNI)
 M BODY = (B - GRAN FURY)(G - DIPLOMAT)(F - FIFTH AVENUE/NEWPORT)
 P BODY = (P - SUNDANCE)(D - SHADOW)
 Q BODY = (C27 - MASERATI)
 S BODY = (H - VOYAGER)(K - RAM VAN/ CARAVAN)

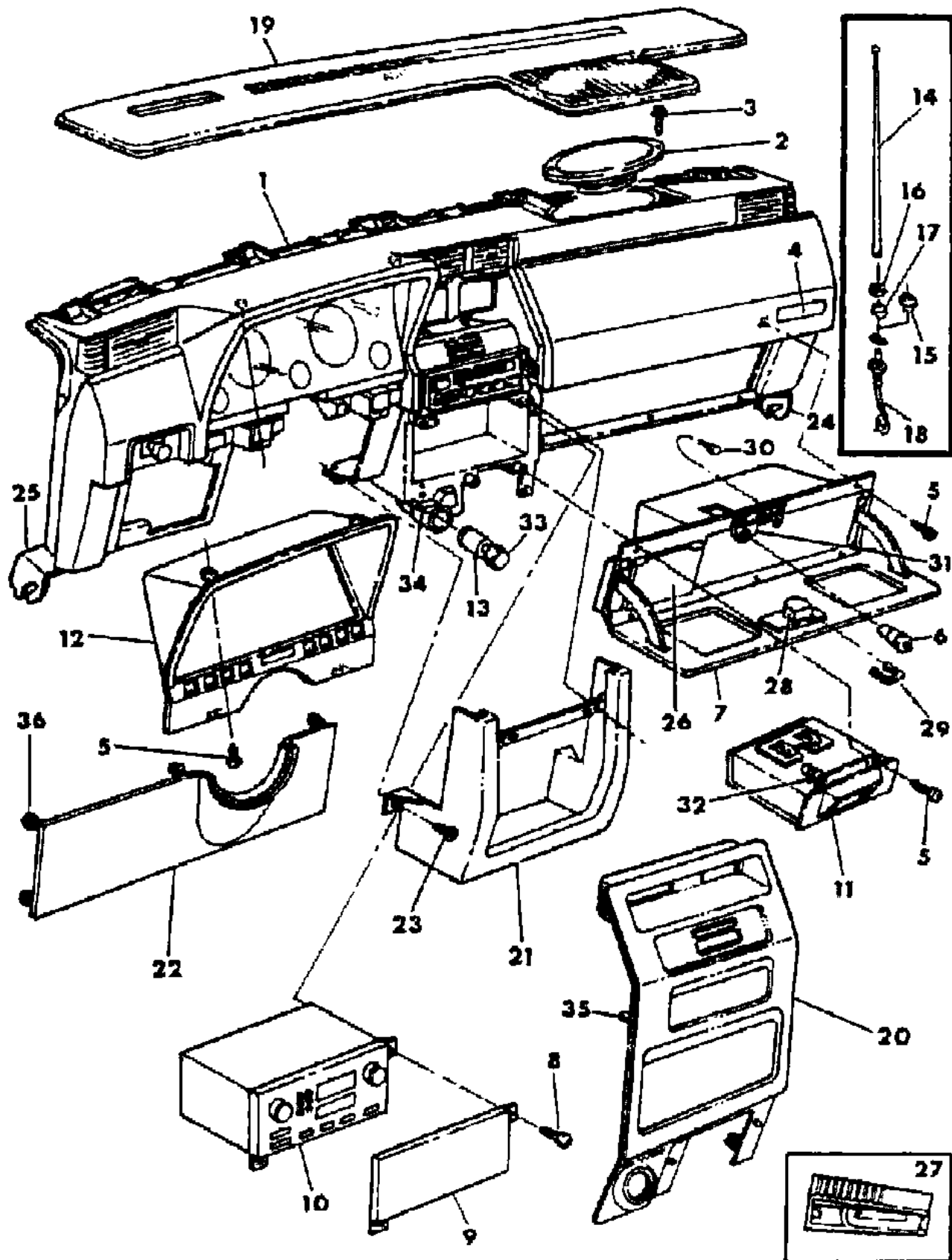
BODY STYLES

12-52 = FWD VAN & WAGON STD. W.B. 27 = 2-DOOR CONVERTIBLE
 13-53 = FWD VAN & WGN EXT W.B. 41 = 4-DOOR SEDAN
 21 = 2-DOOR SEDAN 44 = 4-DOOR HATCHBACK
 24 = 2-DOOR HATCHBACK 45 = 4-DOOR STATION WAGON

AR = Use as Required - = Non Illustrated Part P.A.R. = Paint as Required

INSTRUMENT PANEL RADIO, BEZELS, GLOVEBOX, ANTENNA P BODY
Figure 8A-500

8182 500



ITEM	PART NUMBER	QTY	BODY	MODEL	DESCRIPTION
					KNOB, Radio
	4311 334	2			Primary
	4311 341	AR			Secondary
	4311 339	1			Treble
	4311 337	1			Bass
11	4460 032	1			RECEIVER, Ash RECEPTACLE, Ash Receiver
	4311 737	1			Up to 8-27-87
	4460 221	1			After 8-27-87
12	4311 738	1			HOUSING, Ash Receiver
	4374 388	1			Up to 5-9-88
	4437 443	1			After 5-9-88
13	3747 633	1			SHELL and CLAMP, C/Lighter
14					MAST, Antenna
	4222 729	1			Bright
	4469 015	1			Black
15	4222 739	1			PLUG, Antenna Hole
16					CAP NUT, Antenna Mtg.
	4222 728	1			Bright
	4372 136	1			Black
17					ADAPTER and GASKET, Antenna
	4222 736	1			Bright
	4372 492	1			Black
	4222 735	1			LOCK WASHER, Antenna
18	4372 119	1			BODY and CABLE, Antenna
	4372 145	1			CABLE, Antenna to Radio
19					COVER, I/Panel Top
	P696 EK1	1			Up to 5-9-88
	P327 GL7	1			After 5-9-88
	6500 926	AR			CLIP, Top Panel
20					BEZEL, I/Panel Center Module
	4311 722	1			w/Cubby Box, w/o Switch Holes
	4311 725	1			w/Message Center, w/One Switch Hole
	4372 089	1			w/Cubby Box, w/One Switch Hole
	4372 095	1			w/Message Center, w/o Switch Holes
	4372 894	1			w/Message Center, w/Two Switch Holes

MODEL CODES

C BODY = (D41 - DYNASTY)(C41 - NEW YORKER)
 E BODY = (J - CARAVELLE)(E - 600)(T - NEW YORKER TURBO)
 G BODY = (V24 - DAYTONA, PACIFICA & SHELBY)
 H BODY = (D44 - LANCER)(C44 - LEBARON GTS)
 J BODY = (C - LEBARON)
 K BODY = (P - RELIANT)(D - ARIES)(C - LEBARON/ TOWN & COUNTRY)

L BODY = (M - HORIZON)(Z-OMNI)
 M BODY = (B - GRAN FURY)(G - DIPLOMAT)(F - FIFTH AVENUE/NEWPORT)
 P BODY = (P - SUNDANCE)(D - SHADOW)
 Q BODY = (C27 - MASERATI)
 S BODY = (H - VOYAGER)(K - RAM VAN/ CARAVAN)

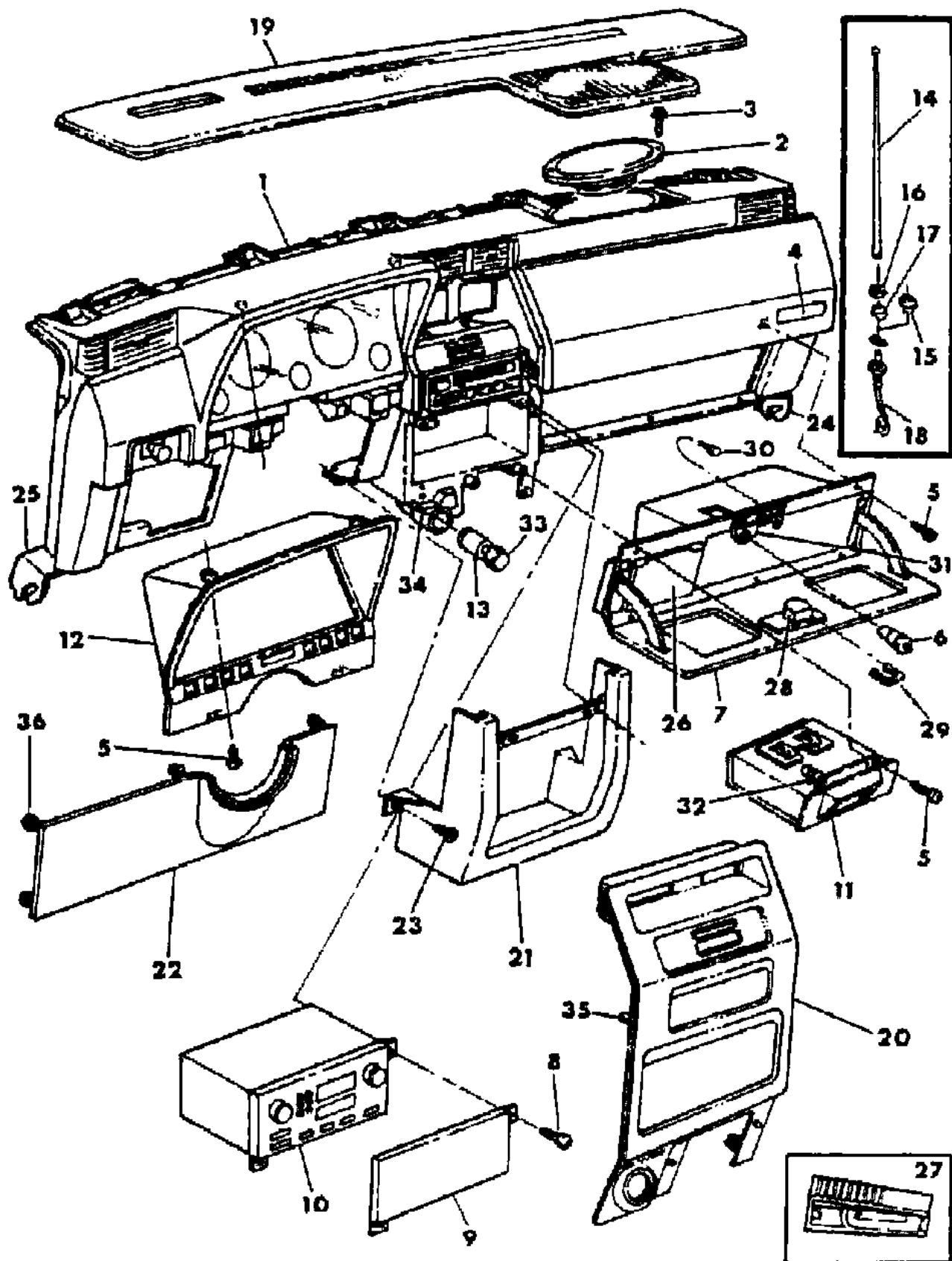
BODY STYLES

12-52 = FWD VAN & WAGON STD. W.B. 27 = 2-DOOR CONVERTIBLE
 13-53 = FWD VAN & WGN EXT W.B. 41 = 4-DOOR SEDAN
 21 = 2-DOOR SEDAN 44 = 4-DOOR HATCHBACK
 24 = 2-DOOR HATCHBACK 45 = 4-DOOR STATION WAGON

AR = Use as Required - = Non Illustrated Part P.A.R. = Paint as Required

INSTRUMENT PANEL RADIO, BEZELS, GLOVEBOX, ANTENNA P BODY
Figure 8A-500

8182 500



ITEM	PART NUMBER	QTY	BODY	MODEL	DESCRIPTION
21					COVER, Center Module
	P694 GL7	1			Up to 8-24-87
	P477 GL7	1			From 8-24-87 to 5-5-88
22	P539 GL7	1			COVER, I/Panel Steering Column Opening
23		4			SCREW (DNS)
24	4311 736	1			SUPPORT, I/Panel, Right
25	4524 409	1			REINFORCEMENT, I/Panel, Left
26	4311 739	1			DOOR, Glove Box Fuse Access
27	4331 020	1			FUSE PULLER
28	4460 070	1			CATCH, Glove Box Latch
29	4311 741	1			CLIP, Glove Box Catch Retaining
30	4311 742	1			BUMPER, Glove Box Door Check Strap
31	4372 871	1			LATCH, Glove Box Lock
32	4221 877	1			HOOD, Ash Receiver Lamp
33	4221 791	1			KNOB, C/Lighter
	3004 190	1			ELEMENT, C/Lighter Heat
34	4221 793	1			SHIELD, C/Lighter Mtg.
35	4220 455	6			CLIP, Center Module Bezel Att.
36	6501 475	5			CLIP, Cover Att.

MODEL CODES

C BODY = (D41 - DYNASTY)(C41 - NEW YORKER)	L BODY = (M - HORIZON)(Z-OMNI)
E BODY = (J - CARAVELLE)(E - 600)(T - NEW YORKER TURBO)	M BODY = (B - GRAN FURY)(G - DIPLOMAT)(F - FIFTH AVENUE/NEWPORT)
G BODY = (V24 - DAYTONA, PACIFICA & SHELBY)	P BODY = (P - SUNDANCE)(D - SHADOW)
H BODY = (D44 - LANCER)(C44 - LEBARON GTS)	Q BODY = (C27 - MASERATI)
J BODY = (C - LEBARON)	S BODY = (H - VOYAGER)(K - RAM VAN/ CARAVAN)
K BODY = (P - RELIANT)(D - ARIES)(C - LEBARON/ TOWN & COUNTRY)	

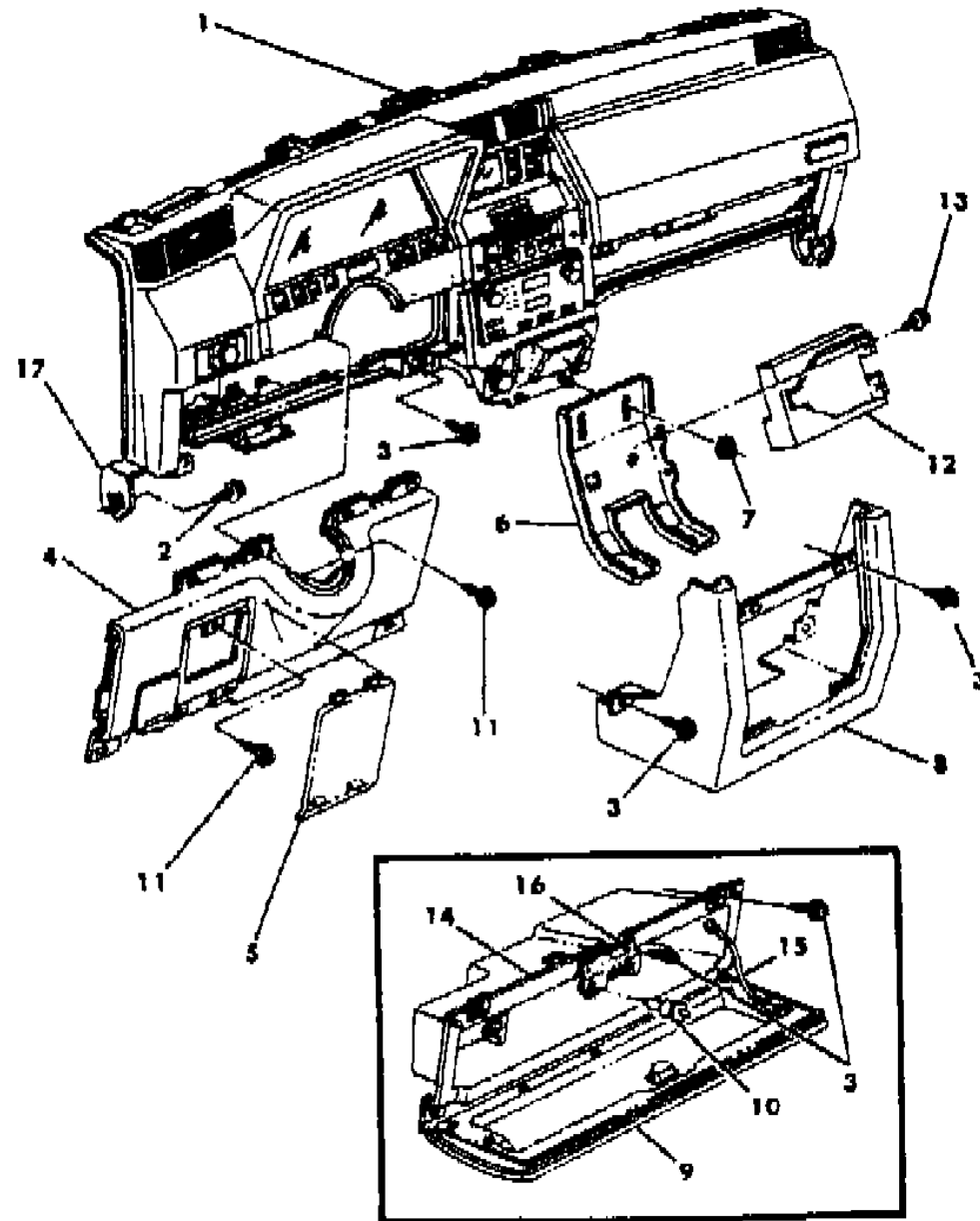
BODY STYLES

12-52 = FWD VAN & WAGON STD. W.B.	27 = 2-DOOR CONVERTIBLE
13-53 = FWD VAN & WGN EXT W.B.	41 = 4-DOOR SEDAN
21 = 2-DOOR SEDAN	44 = 4-DOOR HATCHBACK
24 = 2-DOOR HATCHBACK	45 = 4-DOOR STATION WAGON

AR = Use as Required - = Non Illustrated Part P.A.R. = Paint as Required

INSTRUMENT PANEL W/PASSIVE RESTRAINT SYSTEM P BODY
Figure 8A-505

8182 505



ITEM	PART NUMBER	QTY	BODY	MODEL	DESCRIPTION
1					PANEL, Instrument
	P808 GS8	1			Charcoal
	P808 GC5	1			Blue
	P808 GR8	1			Red
	P808 GL7	1			Taupe
2		2			SCREW (DNS)
3		14			SCREW (DNS)
4	P803 GL7	1			COVER, Steering Column Opening
5					DOOR, Fuse Access
	P806 GS8	1			Charcoal
	P806 GC5	1			Blue
	P806 GR8	1			Red
	P806 GL7	1			Taupe
6	4372 757	1			BRACE, Center Supt. to Console Bracket
7	6500 284	2			NUT
8	P809 GL7	1			COVER, Center Module Trim
9	P802 GL7	1			DOOR, Inner and Outer Glovebox
	4460 059	1			BIN, Glovebox
10	4221 170	1			LAMP and SWITCH, Glovebox
11		AR			SCREW (DNS)
12	4374 968	1			MODULE, Belt Control
13	6033 678	2			SCREW, Module
14	4372 718	1			HINGE, Glovebox Door
15	4372 717	1			STRAP, Glovebox Door Check
16	4372 871	1			CATCH, Door Latch
17	4372 940	1			REINFORCEMENT, Lower Left
	4372 732	1			Instrument Panel

MODEL CODES

C BODY = (D41 - DYNASTY)(C41 - NEW YORKER)	L BODY = (M - HORIZON)(Z-OMNI)
E BODY = (J - CARAVELLE)(E - 600)(T - NEW YORKER TURBO)	M BODY = (B - GRAN FURY)(G - DIPLOMAT)(F - FIFTH AVENUE/NEWPORT)
G BODY = (V24 - DAYTONA, PACIFICA & SHELBY)	P BODY = (P - SUNDANCE)(D - SHADOW)
H BODY = (D44 - LANCER)(C44 - LEBARON GTS)	Q BODY = (C27 - MASERATI)
J BODY = (C - LEBARON)	S BODY = (H - VOYAGER)(K - RAM VAN/ CARAVAN)
K BODY = (P - RELIANT)(D - ARIES)(C - LEBARON/ TOWN & COUNTRY)	

BODY STYLES

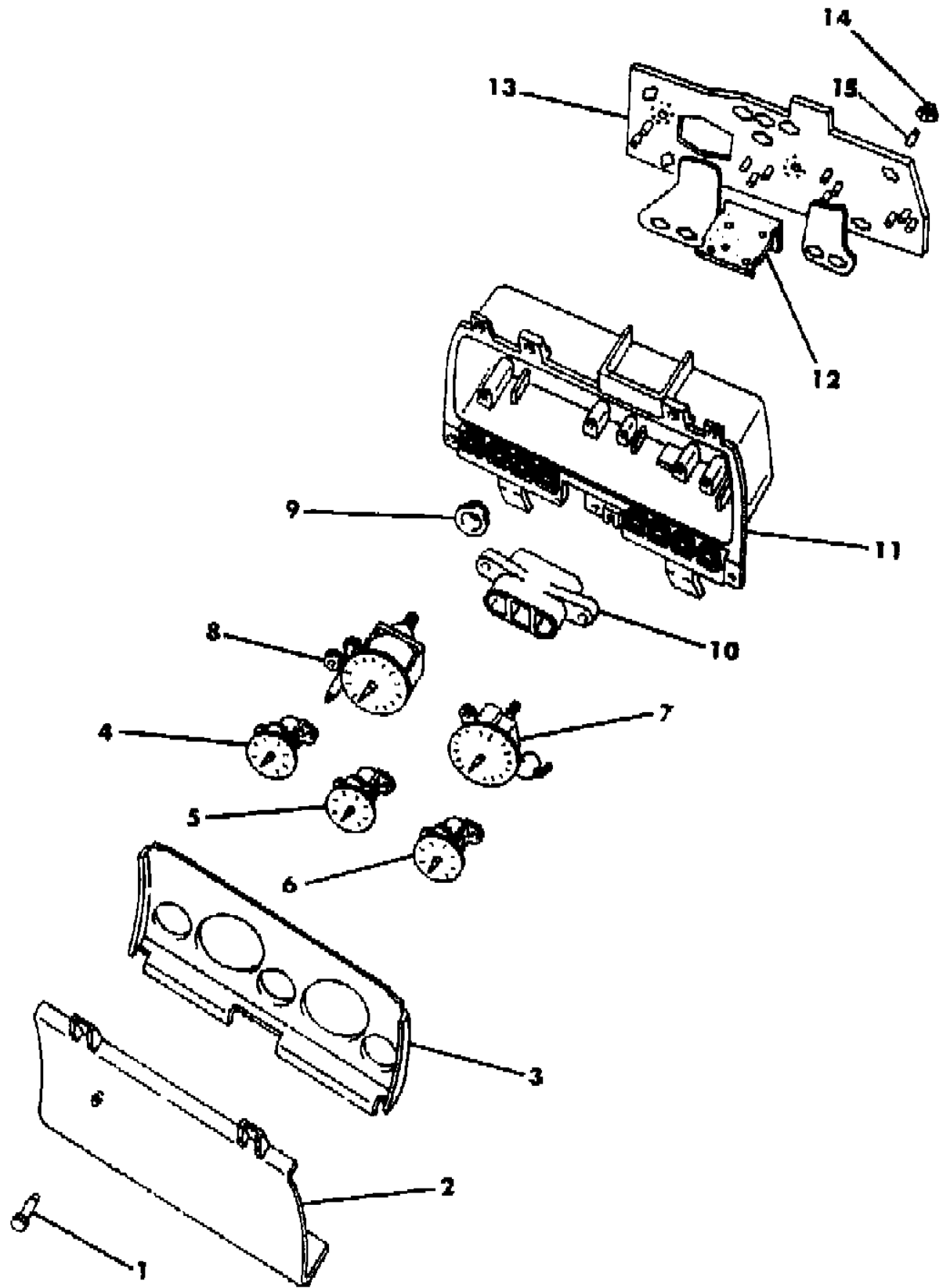
12-52 = FWD VAN & WAGON STD. W.B.	27 = 2-DOOR CONVERTIBLE
13-53 = FWD VAN & WGN EXT W.B.	41 = 4-DOOR SEDAN
21 = 2-DOOR SEDAN	44 = 4-DOOR HATCHBACK
24 = 2-DOOR HATCHBACK	45 = 4-DOOR STATION WAGON

AR = Use as Required - = Non Illustrated Part P.A.R. = Paint as Required

INSTRUMENT PANEL CLUSTER P BODY
Figure 8A-510

8182 510 A

ITEM	PART NUMBER	QTY	BODY	MODEL	DESCRIPTION
1	4051 796	1			KNOB, Odometer Reset
	6032 100	1			SCREW, Odometer Knob
2	4375 057	1			LENS, Cluster
3					MASK, Cluster
	4439 070	1			w/Odometer, w/o Tachometer
	4439 068	1			w/Odometer, w/Tachometer
4	4375 016	1			GAUGE, Volt
5					GAUGE, Fuel
	4375 018	1			w/o Tachometer
	4375 014	1			w/Tachometer
6	4375 015	1			GAUGE, Temperature
7	4375 019	1			TACHOMETER
8					SPEEDOMETER
	4375 034	1			85 Mile, w/Odometer
	4375 032	1			125 Mile, w/Tachometer
	4375 038	1			(EUROPEAN)
9	4051 412	1			GROMMET, Speedometer to Housing
10	4375 068	1			CHIMNEY, Warning Indicator Lamp
11	4375 059	1			HOUSING, Cluster
12	4051 977	1			CIRCUIT BOARD, Tachometer
13					BOARD, Circuit
	4375 029	1			w/o Tachometer, w/o Turbo Gauge
	4375 028	1			w/Tachometer
	4375 111	1			w/Turbo Gauge
14	4374 072	AR			SOCKET, Bulb
15	9421 330	AR			BULB
	4051 529	AR			DIFFUSER, Bulb



MODEL CODES

C BODY = (D41 - DYNASTY)(C41 - NEW YORKER)
 E BODY = (J - CARAVELLE)(E - 600)(T - NEW YORKER TURBO)
 G BODY = (V24 - DAYTONA, PACIFICA & SHELBY)
 H BODY = (D44 - LANCER)(C44 - LEBARON GTS)
 J BODY = (C - LEBARON)
 K BODY = (P - RELIANT)(D - ARIES)(C - LEBARON/ TOWN & COUNTRY)

L BODY = (M - HORIZON)(Z-OMNI)
 M BODY = (B - GRAN FURY)(G - DIPLOMAT)(F - FIFTH AVENUE/NEWPORT)
 P BODY = (P - SUNDANCE)(D - SHADOW)
 Q BODY = (C27 - MASERATI)
 S BODY = (H - VOYAGER)(K - RAM VAN/ CARAVAN)

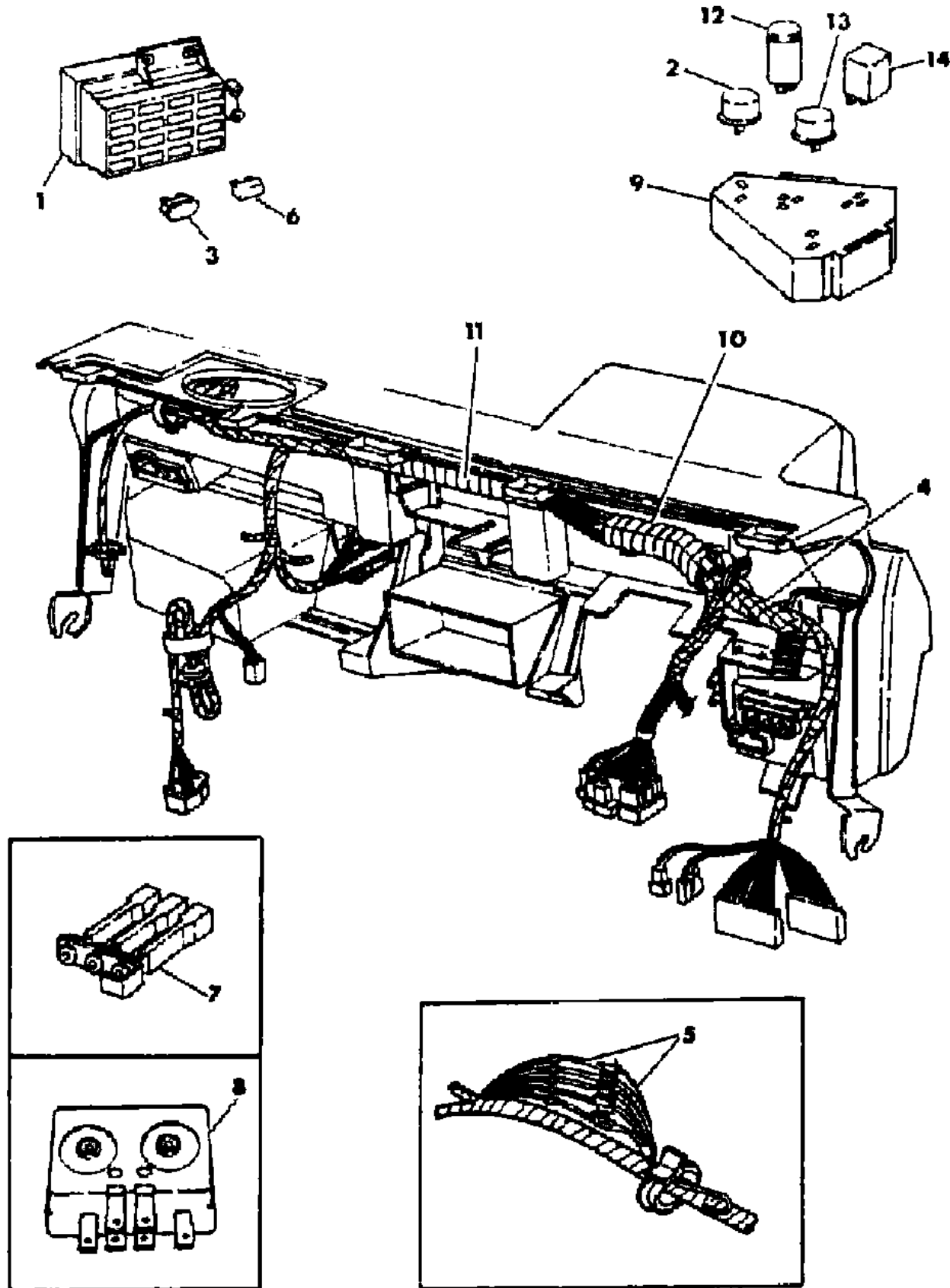
BODY STYLES

12-52 = FWD VAN & WAGON STD. W.B. 27 = 2-DOOR CONVERTIBLE
 13-53 = FWD VAN & WGN EXT W.B. 41 = 4-DOOR SEDAN
 21 = 2-DOOR SEDAN 44 = 4-DOOR HATCHBACK
 24 = 2-DOOR HATCHBACK 45 = 4-DOOR STATION WAGON

AR = Use as Required - = Non Illustrated Part P.A.R. = Paint as Required

INSTRUMENT PANEL WIRING P BODY
Figure 8A-600

8182 600



ITEM	PART NUMBER	QTY	BODY	MODEL	DESCRIPTION
1	4368 042	1			MODULE
	4368 049	1			BRACKET, Module Mtg.
2	2932 877	1			FLASHER, Hazzard Warning
3					BREAKER, Circuit
	4186 379	AR			30 Amp.
	4331 929	AR			6 Amp.
4					WIRING HARNESS, I/Panel
	4414 391	1			w/o Turbo
	4414 641	1			Up to 5-9-88
	4414 392	1			After 5-9-88
	4414 642	1			w/Turbo
5					CABLE, Fuseible Link
	4026 095	1			No. 16 Blue
	4026 094	1			No. 14 Red
	4026 093	1			No. 12 Black
	4026 096	1			No. 18 Gray
	4364 878	1			No. 20 Orange
	4419 351	1			No. 22 White
6					FUSES
	6101 131	AR			3 Amp.
	6101 132	AR			4 Amp.
	6101 133	AR			5 Amp.
	6101 136	AR			10 Amp.
	6101 137	AR			20 Amp.
	6101 138	AR			25 Amp.
	6101 139	AR			30 Amp.
7					TERMINAL, Buzz Bar
	4124 752	1			Three Way
	4124 258	1			One Way
8	4373 067	1			BUZZER, Warning
9	4368 099	1			MODULE, Turn Signal, Hazzard and Horn
10	4368 035	1			TROUGH, Left Wiring
11	4368 034	1			TROUGH, Center Wiring
12	2889 565	1			RELAY, Ignition Time Delay
13					FLASHER, Turn Signal

MODEL CODES

C BODY = (D41 - DYNASTY)(C41 - NEW YORKER)
 E BODY = (J - CARAVELLE)(E - 600)(T - NEW YORKER TURBO)
 G BODY = (V24 - DAYTONA, PACIFICA & SHELBY)
 H BODY = (D44 - LANCER)(C44 - LEBARON GTS)
 J BODY = (C - LEBARON)
 K BODY = (P - RELIANT)(D - ARIES)(C - LEBARON/ TOWN & COUNTRY)
 L BODY = (M - HORIZON)(Z-OMNI)
 M BODY = (B - GRAN FURY)(G - DIPLOMAT)(F - FIFTH AVENUE/NEWPORT)
 P BODY = (P - SUNDANCE)(D - SHADOW)
 Q BODY = (C27 - MASERATI)
 S BODY = (H - VOYAGER)(K - RAM VAN/ CARAVAN)

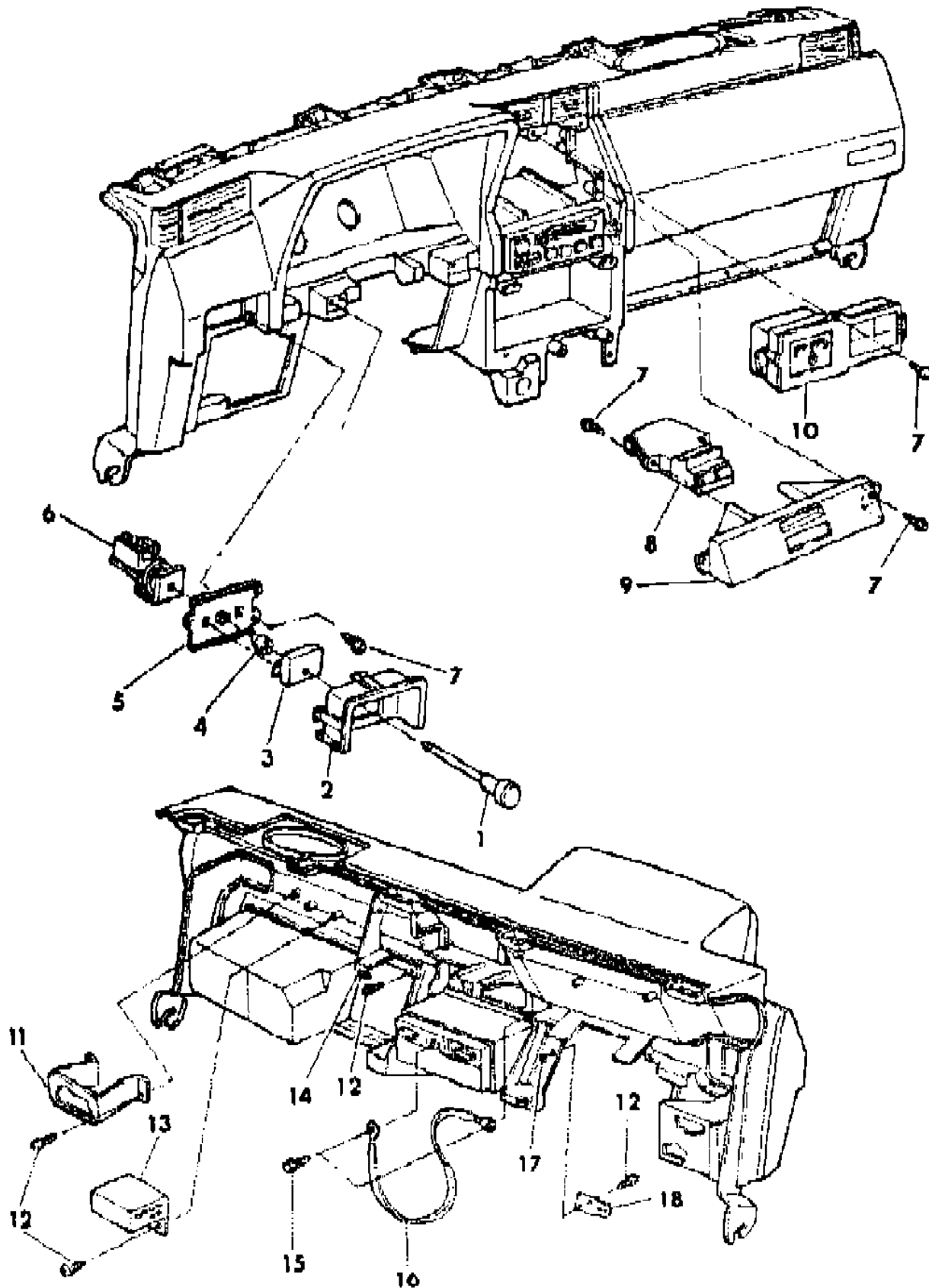
BODY STYLES

12-52 = FWD VAN & WAGON STD. W.B. 27 = 2-DOOR CONVERTIBLE
 13-53 = FWD VAN & WGN EXT W.B. 41 = 4-DOOR SEDAN
 21 = 2-DOOR SEDAN 44 = 4-DOOR HATCHBACK
 24 = 2-DOOR HATCHBACK 45 = 4-DOOR STATION WAGON

AR = Use as Required - = Non Illustrated Part P.A.R. = Paint as Required

INSTRUMENT PANEL CONTROLS AND SWITCHES P BODY
Figure 8A-700

8182 700 A



ITEM	PART NUMBER	QTY	BODY	MODEL	DESCRIPTION
1	4221 626	1			KNOB and SHAFT, H/Lamp Switch
2	4221 758	1			BEZEL, Headlamp Switch
3	4221 759	1			ESCUTCHEON, Headlamp Switch Mtg.
4	4221 063	1			RETAINER, Headlamp Switch
5	4221 757	1			PLATE, Headlamp Switch Mtg.
6	4373 134	1			SWITCH, Headlamp
7		AR			SCREW (DNS)
8	4221 731	1			CONTROL, Heated Backlite
9					BEZEL, Accessory Switch
	4221 735	1			w/Heated Backlite
	4373 206	1			w/Heated Backlite and Fog Lamps
10					MODULE, Turbo and Message Center, Order Components Listed Below
	4375 115	1			Housing, w/Turbo Gauge
	4375 315	1			Housing, w/o Turbo Gauge
	4375 317	1			Lens, Meessage Center
	4375 111	1			Circuit Board
	4051 832	1			Low Fuel Relay
	4374 072	AR			Socket
	9415 969	AR			Bulb
	4375 113	1			Mask and Lens
11	4368 033	1			BRACKET, 18 Way Insulator
12		AR			SCREW (DNS)
13	4312 664	1			CONTROL, Dual Chime
14	4368 049	1			BRACKET, Relay Module Mtg.
15		2			SCREW (DNS)
16	4372 040	1			STRAP, Radio Ground
17		1			CLIP (DNS)
18		1			BRACKET, Intermittent Wiper Control Mtg. (DNS)

MODEL CODES

C BODY = (D41 - DYNASTY)(C41 - NEW YORKER)
 E BODY = (J - CARAVELLE)(E - 600)(T - NEW YORKER TURBO)
 G BODY = (V24 - DAYTONA, PACIFICA & SHELBY)
 H BODY = (D44 - LANCER)(C44 - LEBARON GTS)
 J BODY = (C - LEBARON)
 K BODY = (P - RELIANT)(D - ARIES)(C - LEBARON/ TOWN & COUNTRY)

L BODY = (M - HORIZON)(Z-OMNI)
 M BODY = (B - GRAN FURY)(G - DIPLOMAT)(F - FIFTH AVENUE/NEWPORT)
 P BODY = (P - SUNDANCE)(D - SHADOW)
 Q BODY = (C27 - MASERATI)
 S BODY = (H - VOYAGER)(K - RAM VAN/ CARAVAN)

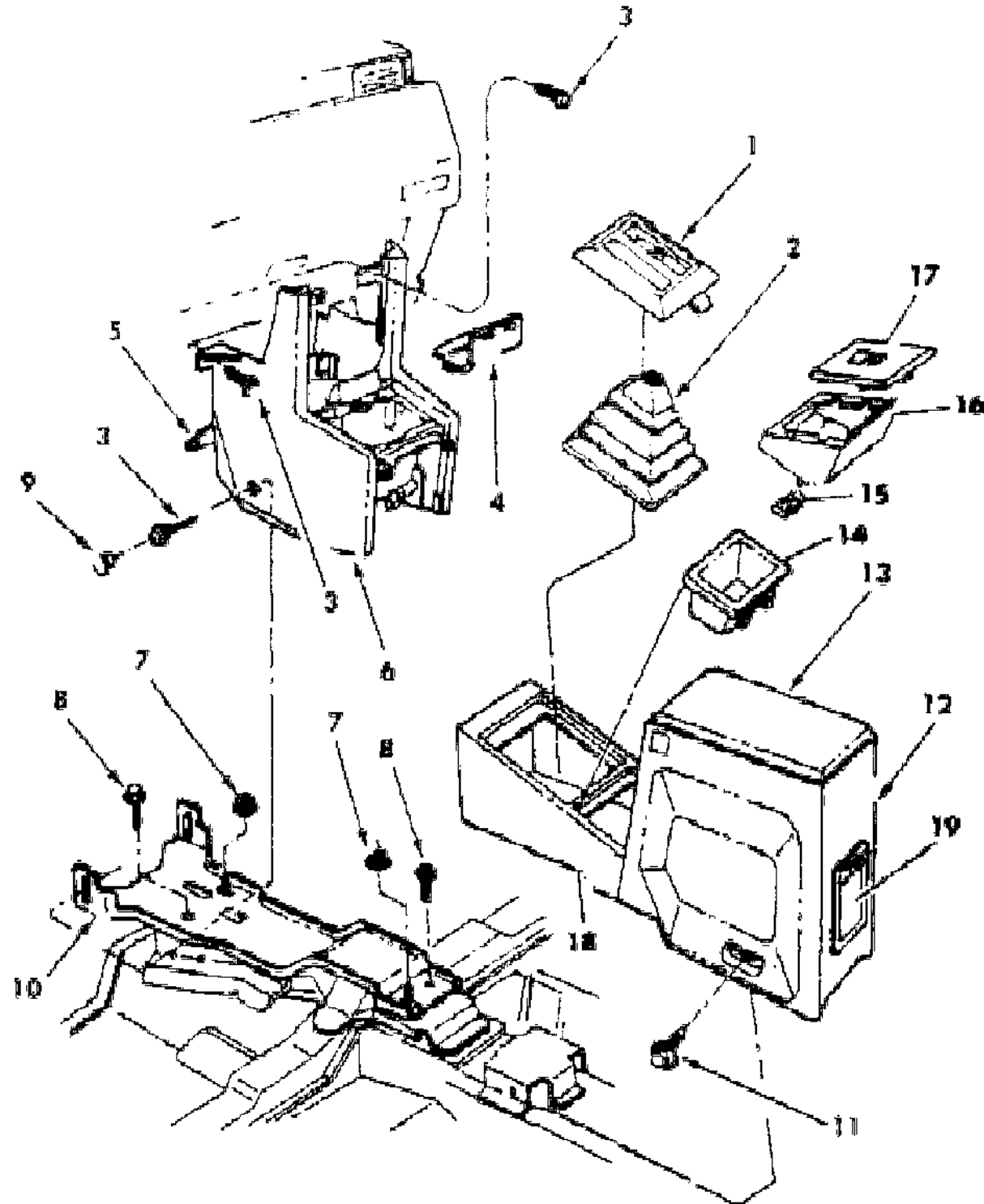
BODY STYLES

12-52 = FWD VAN & WAGON STD. W.B. 27 = 2-DOOR CONVERTIBLE
 13-53 = FWD VAN & WGN EXT W.B. 41 = 4-DOOR SEDAN
 21 = 2-DOOR SEDAN 44 = 4-DOOR HATCHBACK
 24 = 2-DOOR HATCHBACK 45 = 4-DOOR STATION WAGON

AR = Use as Required - = Non Illustrated Part P.A.R. = Paint as Required

CONSOLE P BODY
Figure 8A-800

8182 800



ITEM	PART NUMBER	QTY	BODY	MODEL	DESCRIPTION
1	4221 882	1			LAMP, Gear Selector Indicator
2	4348 461	1			BOOT, Gear Shift, w/Manual Trans.
3		AR			SCREW (DNS)
4	4381 053	1			PANEL, Stowage Box
5	4381 017	1			SHIELD, Close Out
6					CONSOLE, Front
	4473 418	1			CUP HOLDER
	4282 130	1			COIN HOLDER
					PANEL, Side
	F310-1 GL7	1			w/o Passive Restraint
	V442-3 GL7	1			w/Passive Restraint
	4453 441	1			BOX, Stowage
	4453 439	1			LID, Stowage Box
7	6100 050	AR			NUT
8		AR			SCREW (DNS)
9					PLUG, Trim
	F279 EC5	1			Blue
	F279 GL7	1			Taupe
	F279 GR8	1			Red
	F279 ES8	1			Charcoal
10	4473 333	1			BRACKET, Console Mtg.
11		2			SCREW (DNS)
12					BASE, Console
	F308 GL7	1			w/o Passive Restraint
	V389 GL7	1			w/Passive Restraint
	4453 989	1			SHIELD, Console to Floor
13					LID, Rear Console
	F553 EC5	1			Blue
	F553 GR8	1			Red
	F553 GL7	1			Taupe
	F553 ES8	1			Charcoal
	F245 CA3	1			PLUG, Console Lid
		1			LATCH, Serviced in 12
	4453 451	1			BUSHING, Lid
14	4309 008	1			BIN, Console
15	6033 242	1			RETAINER, Bezel
16	4221 957	1			BASE, Switch Bezel

MODEL CODES

C BODY = (D41 - DYNASTY)(C41 - NEW YORKER)
 E BODY = (J - CARAVELLE)(E - 600)(T - NEW YORKER TURBO)
 G BODY = (V24 - DAYTONA, PACIFICA & SHELBY)
 H BODY = (D44 - LANCER)(C44 - LEBARON GTS)
 J BODY = (C - LEBARON)
 K BODY = (P - RELIANT)(D - ARIES)(C - LEBARON/ TOWN & COUNTRY)

L BODY = (M - HORIZON)(Z-OMNI)
 M BODY = (B - GRAN FURY)(G - DIPLOMAT)(F - FIFTH AVENUE/NEWPORT)
 P BODY = (P - SUNDANCE)(D - SHADOW)
 Q BODY = (C27 - MASERATI)
 S BODY = (H - VOYAGER)(K - RAM VAN/ CARAVAN)

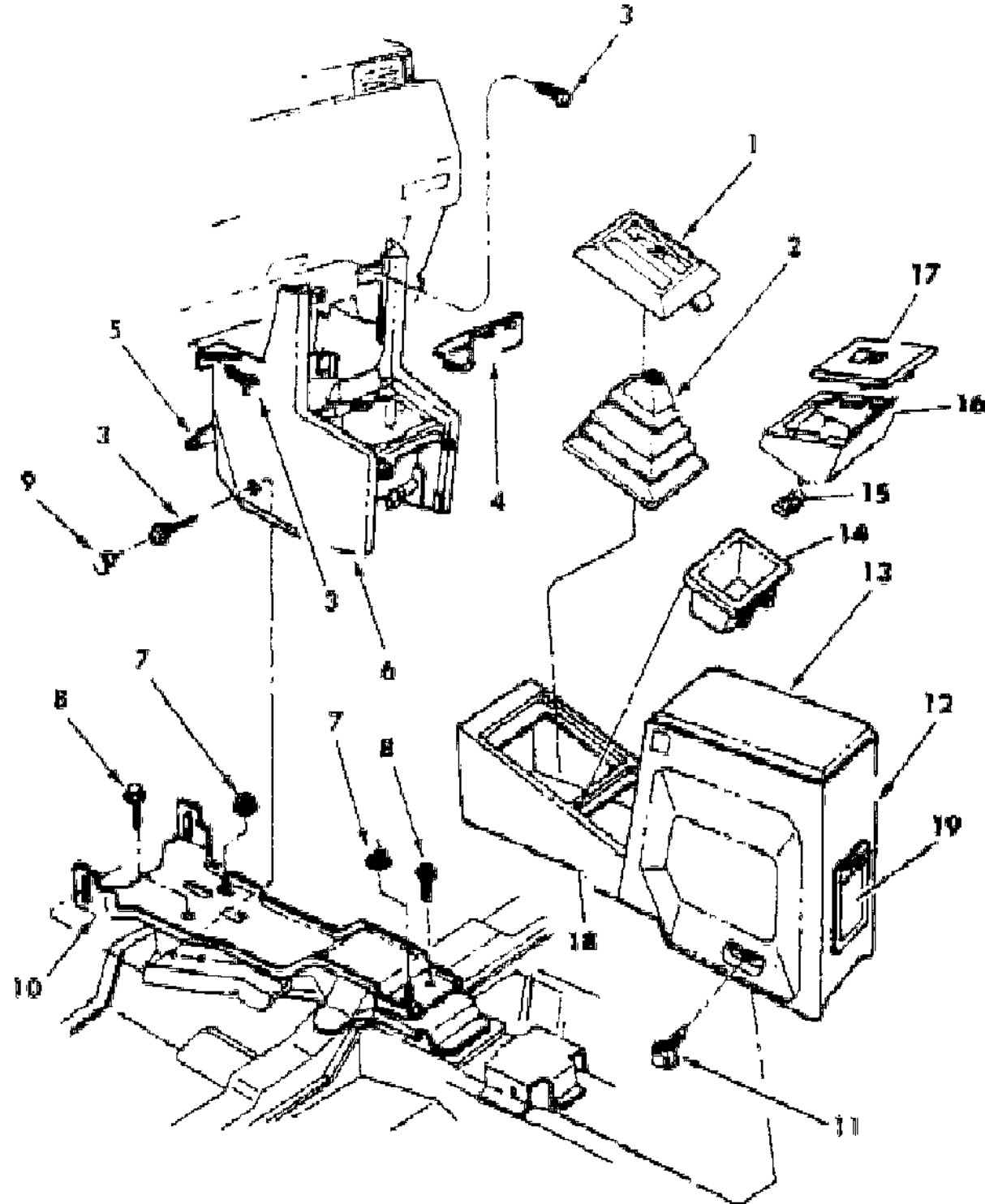
BODY STYLES

12-52 = FWD VAN & WAGON STD. W.B. 27 = 2-DOOR CONVERTIBLE
 13-53 = FWD VAN & WGN EXT W.B. 41 = 4-DOOR SEDAN
 21 = 2-DOOR SEDAN 44 = 4-DOOR HATCHBACK
 24 = 2-DOOR HATCHBACK 45 = 4-DOOR STATION WAGON

AR = Use as Required - = Non Illustrated Part P.A.R. = Paint as Required

CONSOLE P BODY
Figure 8A-800

8182 800



ITEM	PART NUMBER	QTY	BODY	MODEL	DESCRIPTION
17					BEZEL, Switch
	4221 798	1	24		w/Power Windows, w/o Electric Mirrors
	4221 796	1	24		w/Power Windows and Electric Mirrors
	4221 797	1	44		w/Power Windows, w/o Electric Mirrors
	4221 795	1	44		w/Power Windows and Electric Mirrors
	4221 799	1			w/Electric Mirrors
18	V691 JV8	1			CONSOLE, Front
19	4247 034	1			RECEPTACLE, Ash Receiver
	4247 113	1			SNUFFER, Ash Receiver

MODEL CODES

C BODY = (D41 - DYNASTY)(C41 - NEW YORKER)
 E BODY = (J - CARAVELLE)(E - 600)(T - NEW YORKER TURBO)
 G BODY = (V24 - DAYTONA, PACIFICA & SHELBY)
 H BODY = (D44 - LANCER)(C44 - LEBARON GTS)
 J BODY = (C - LEBARON)
 K BODY = (P - RELIANT)(D - ARIES)(C - LEBARON/ TOWN & COUNTRY)
 L BODY = (M - HORIZON)(Z-OMNI)
 M BODY = (B - GRAN FURY)(G - DIPLOMAT)(F - FIFTH AVENUE/NEWPORT)
 P BODY = (P - SUNDANCE)(D - SHADOW)
 Q BODY = (C27 - MASERATI)
 S BODY = (H - VOYAGER)(K - RAM VAN/ CARAVAN)

BODY STYLES

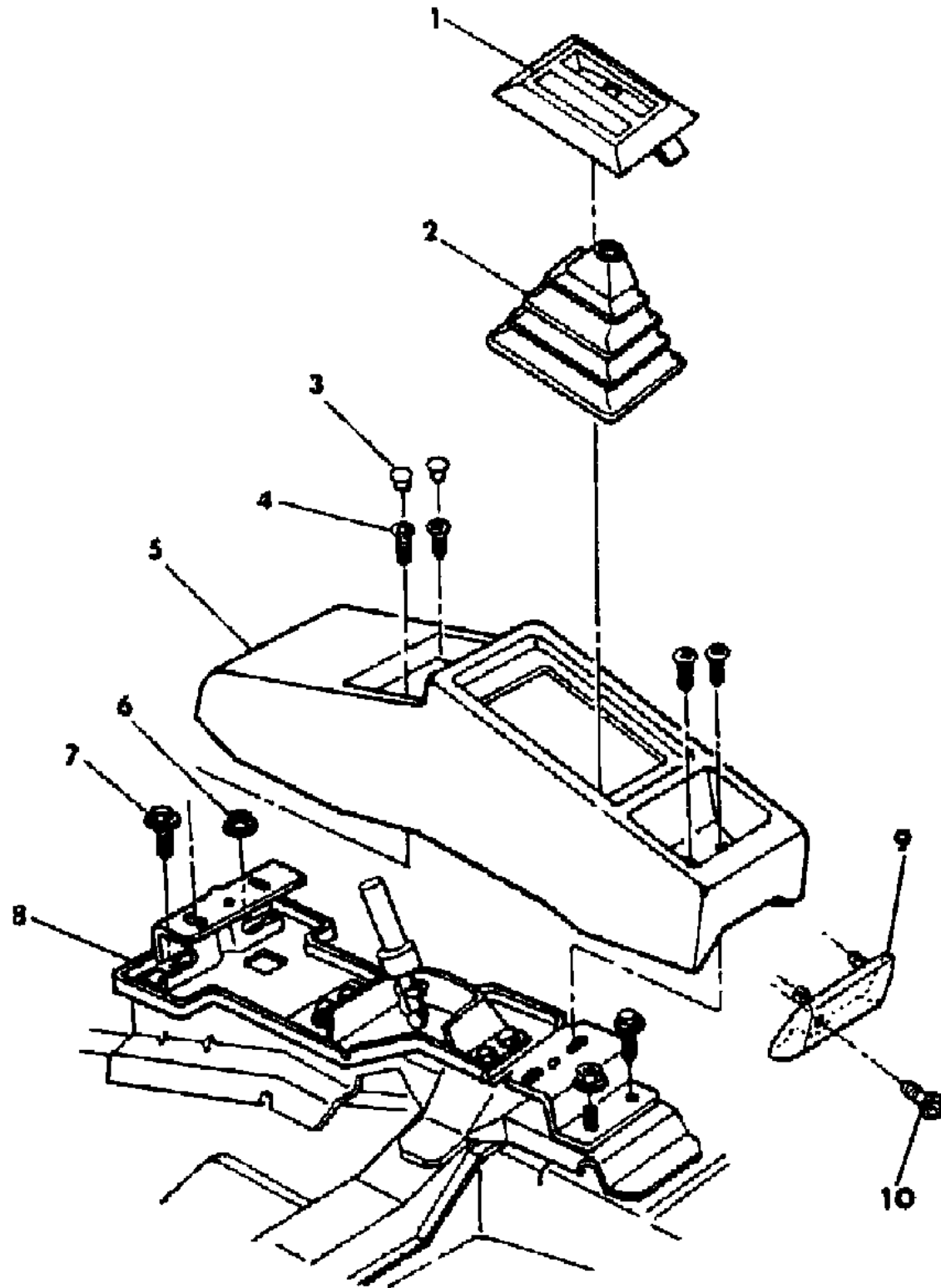
12-52 = FWD VAN & WAGON STD. W.B. 27 = 2-DOOR CONVERTIBLE
 13-53 = FWD VAN & WGN EXT W.B. 41 = 4-DOOR SEDAN
 21 = 2-DOOR SEDAN 44 = 4-DOOR HATCHBACK
 24 = 2-DOOR HATCHBACK 45 = 4-DOOR STATION WAGON

AR = Use as Required - = Non Illustrated Part P.A.R. = Paint as Required

CONSOLETTA W/O PASSIVE RESTRAINT SYSTEM P BODY

Figure 8A-900

8182 900 A



ITEM	PART NUMBER	QTY	BODY	MODEL	DESCRIPTION
1	4221 882	1			LAMP, Gear Shift Indicator
2	4348 461	1			BOOT, Gear Shift, w/Manual Trans.
3					PLUG, Trim
	F279 EC5	4			Blue
	F279 GR8	4			Red
	F279 GL7	4			Taupe
	F279 ES8	4			Charcoal
4		4			SCREW (DNS)
5	F322 GL7	1			BASE, Consolette
6	6100 050	2			NUT
7		2			SCREW (DNS)
8	4496 659	1			BRACKET, Consolette Mtg.
9					COVER, Rear Trim
	V504 GC5	1			Blue
	V504 GS8	1			Charcoal
	V504 GR8	1			Red
	V504 GL7	1			Taupe
10	6031 218	2			BOLT, Cover

MODEL CODES

C BODY = (D41 - DYNASTY)(C41 - NEW YORKER)
 E BODY = (J - CARAVELLE)(E - 600)(T - NEW YORKER TURBO)
 G BODY = (V24 - DAYTONA, PACIFICA & SHELBY)
 H BODY = (D44 - LANCER)(C44 - LEBARON GTS)
 J BODY = (C - LEBARON)
 K BODY = (P - RELIANT)(D - ARIES)(C - LEBARON/ TOWN & COUNTRY)
 L BODY = (M - HORIZON)(Z-OMNI)
 M BODY = (B - GRAN FURY)(G - DIPLOMAT)(F - FIFTH AVENUE/NEWPORT)
 P BODY = (P - SUNDANCE)(D - SHADOW)
 Q BODY = (C27 - MASERATI)
 S BODY = (H - VOYAGER)(K - RAM VAN/ CARAVAN)

BODY STYLES

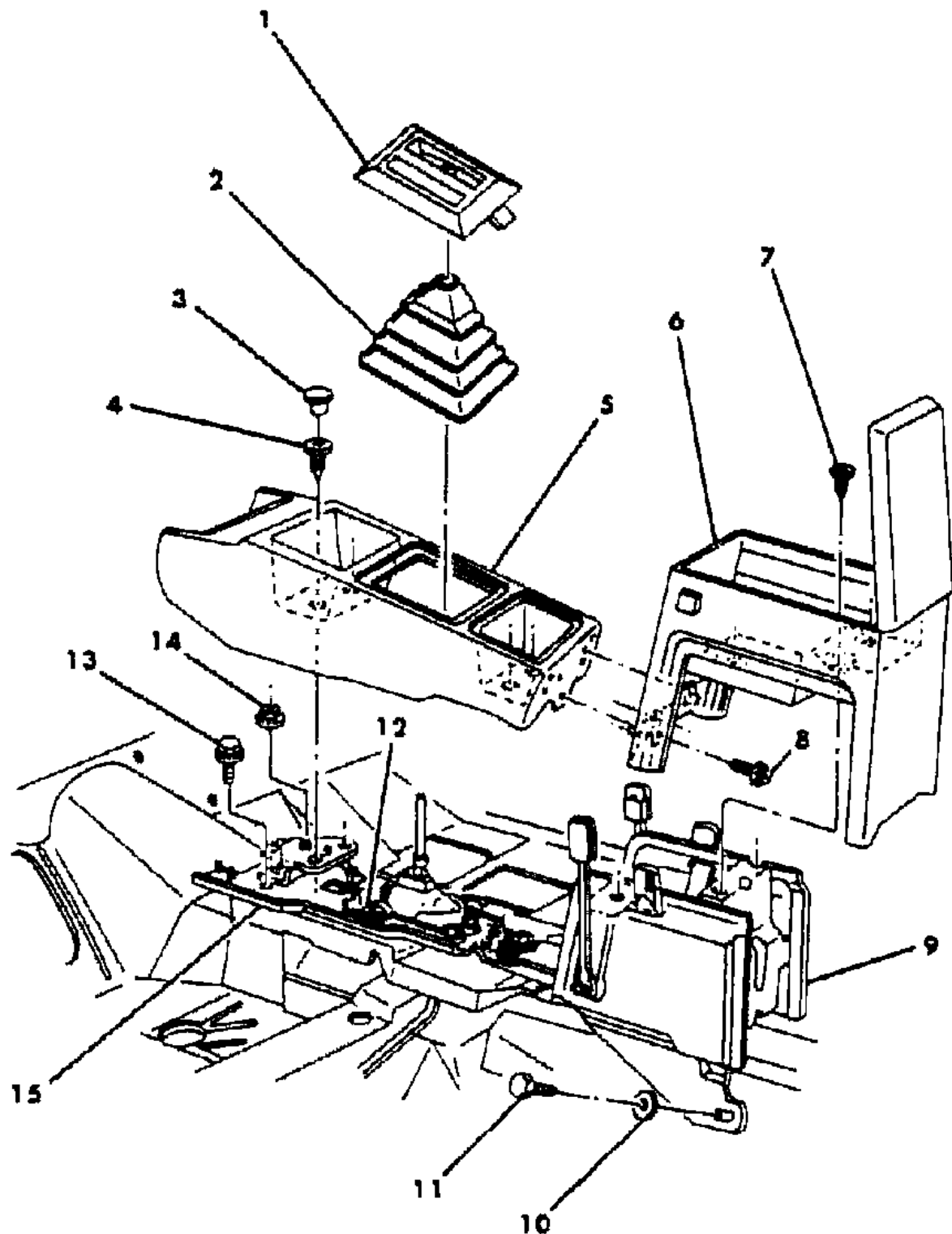
12-52 = FWD VAN & WAGON STD. W.B. 27 = 2-DOOR CONVERTIBLE
 13-53 = FWD VAN & WGN EXT W.B. 41 = 4-DOOR SEDAN
 21 = 2-DOOR SEDAN 44 = 4-DOOR HATCHBACK
 24 = 2-DOOR HATCHBACK 45 = 4-DOOR STATION WAGON

AR = Use as Required - = Non Illustrated Part P.A.R. = Paint as Required

CONSOLETTA W/PASSIVE RESTRAINT SYSTEM P BODY

Figure 8A-910

8182 910



ITEM	PART NUMBER	QTY	BODY	MODEL	DESCRIPTION
1	4221 882	1			LAMP, Gear Shift Indicator
2	4348 461	1			BOOT, Gear Shift, Manual Trans.
3					CAP, Screw
	V503 GC5	4			Blue
	V503 GS8	4			Charcoal
	V503 GR8	4			Red
	V503 GL7	4			Taupe
4		AR			SCREW (DNS)
5	V394 GL7	1			BASE, Consolette
6	V389 GL7	1			BASE, Rear Consolette Armrest
7		3			SCREW (DNS)
8		AR			SCREW (DNS)
9					PANEL, Side
	BC54-5 GC5	1			Blue
	BC54-5 GS8	1			Charcoal
	BC54-5 GR8	1			Red
	BC54-5 GL7	1			Taupe
	4550 672-3	1			BRACKET, Panel Mtg.
	4550 671	1			BRACKET, Center
10		AR			WASHER (DNS)
11	6031 218	2			BOLT
12	4371 939	1			PLATE, Att. Bracket
13		2			SCREW (DNS)
14	6501 859	2			NUT
15	4473 326	1			BRACKET, Consolette Mtg.

MODEL CODES

C BODY = (D41 - DYNASTY)(C41 - NEW YORKER)
 E BODY = (J - CARAVELLE)(E - 600)(T - NEW YORKER TURBO)
 G BODY = (V24 - DAYTONA, PACIFICA & SHELBY)
 H BODY = (D44 - LANCER)(C44 - LEBARON GTS)
 J BODY = (C - LEBARON)
 K BODY = (P - RELIANT)(D - ARIES)(C - LEBARON/ TOWN & COUNTRY)

L BODY = (M - HORIZON)(Z-OMNI)
 M BODY = (B - GRAN FURY)(G - DIPLOMAT)(F - FIFTH AVENUE/NEWPORT)
 P BODY = (P - SUNDANCE)(D - SHADOW)
 Q BODY = (C27 - MASERATI)
 S BODY = (H - VOYAGER)(K - RAM VAN/ CARAVAN)

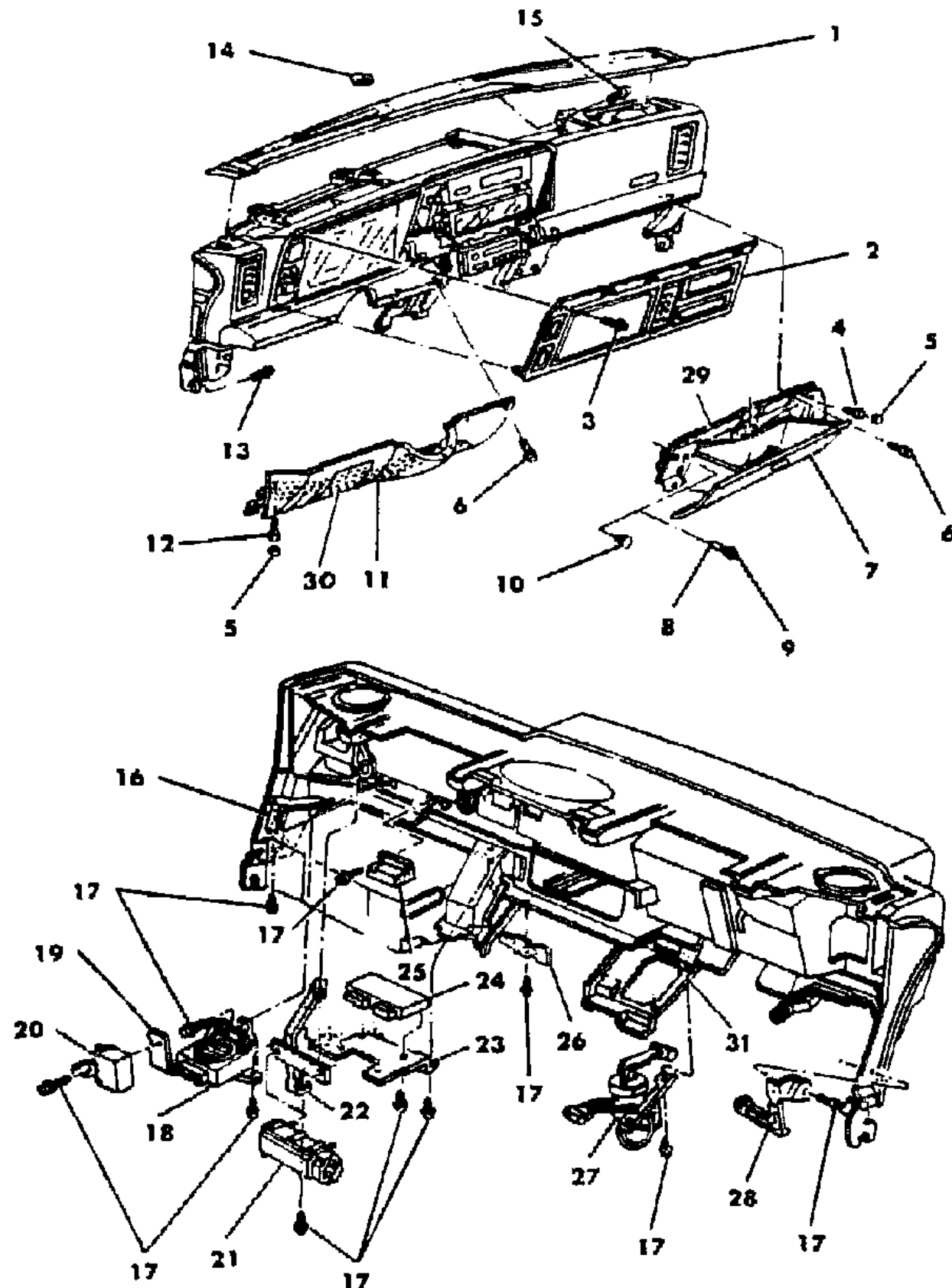
BODY STYLES

12-52 = FWD VAN & WAGON STD. W.B. 27 = 2-DOOR CONVERTIBLE
 13-53 = FWD VAN & WGN EXT W.B. 41 = 4-DOOR SEDAN
 21 = 2-DOOR SEDAN 44 = 4-DOOR HATCHBACK
 24 = 2-DOOR HATCHBACK 45 = 4-DOOR STATION WAGON

AR = Use as Required - = Non Illustrated Part P.A.R. = Paint as Required

INSTRUMENT, PANEL BEZELS, GLOVEBOX AND CONTROLS J BODY
Figure 8A-1000

8182 1000



ITEM	PART NUMBER	QTY	BODY	MODEL	DESCRIPTION
1	P586 GL7	1			COVER, Top
2	3590 389	2			CLIP, Cover
	4374 012	1			BEZEL, Cluster
	4374 176	1			Black, w/o Cubby Box
	4374 011	1			Black, w/Cubby Box
	4374 011	1			Woodgrain
3	6032 205	3			CLIP, Bezel Att.
					SCREW (DNS)
					SCREW (DNS)
4					SCREW (DNS)
5	F245 CA3	1			PLUG
6					SCREW (DNS)
7	P684 GL7				DOOR, Glovebox
	3508 886	1			LATCH, Glovebox Door
	4220 268	2			PIN, Glovebox Door Pivot
	4220 684	2			STOP, Glovebox Door
	4311 232	2			BUMPER, Door Stop
	3590 551	2			BUMPER, Catch
8					BULB, Glovebox, Refer to Group 8
9	4221 170	1			SWITCH and HOUSING, Glovebox
	2822 583	1			LENS, Glovebox Lamp
10	2947 226	1			PLUG, w/o Light
11	P472 GL7	1			COVER, Steering Column Opening
12					SCREW (DNS)
13					SCREW (DNS)
14					CLIP (DNS)
15					SCREW (DNS)
16	4331 561	1			BRACKET, Right
17					SCREW (DNS)
18	4374 615	1			SPEAKER, E.V.A.
19	4374 618	1			BRACKET, Speaker
20	4318 800	1			RELAY, Illuminated Entry
21	4374 649	1			SENSOR, H/Lamp Outage
22	4312 024	1			SUPPORT, E.V.A. Mtg.
23					BRACKET, E.V.A. Mtg.
	4374 794	1			w/Passive Restraint System
	4374 787	1			w/o Passive Restraint Ststem
24	4374 581	1			CONTROL, E.V.A.

MODEL CODES

C BODY = (D41 - DYNASTY)(C41 - NEW YORKER)	L BODY = (M - HORIZON)(Z-OMNI)
E BODY = (J - CARAVELLE)(E - 600)(T - NEW YORKER TURBO)	M BODY = (B - GRAN FURY)(G - DIPLOMAT)(F - FIFTH AVENUE/NEWPORT)
G BODY = (V24 - DAYTONA, PACIFICA & SHELBY)	P BODY = (P - SUNDANCE)(D - SHADOW)
H BODY = (D44 - LANCER)(C44 - LEBARON GTS)	Q BODY = (C27 - MASERATI)
J BODY = (C - LEBARON)	S BODY = (H - VOYAGER)(K - RAM VAN/ CARAVAN)
K BODY = (P - RELIANT)(D - ARIES)(C - LEBARON/ TOWN & COUNTRY)	

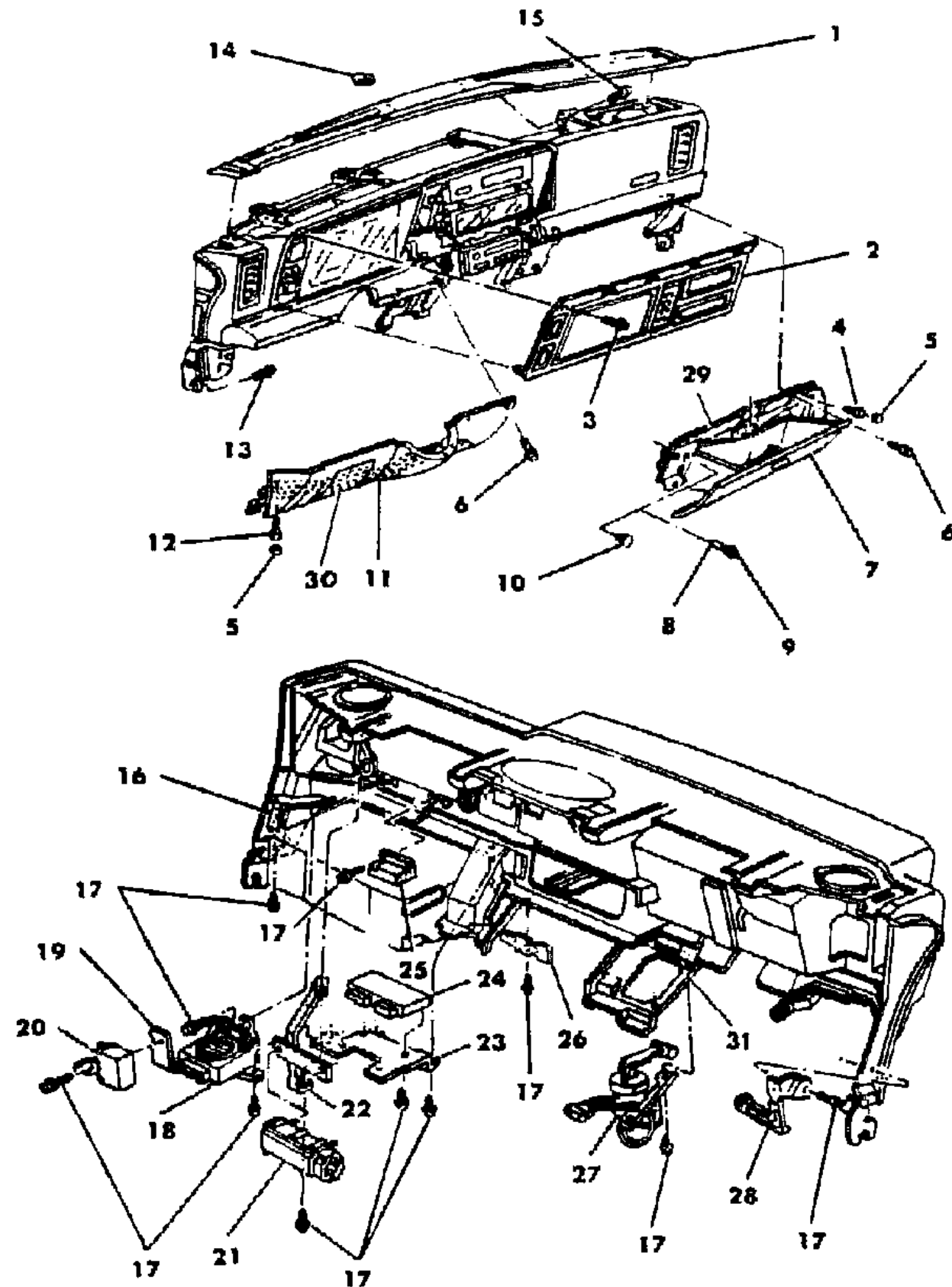
BODY STYLES

12-52 = FWD VAN & WAGON STD. W.B.	27 = 2-DOOR CONVERTIBLE
13-53 = FWD VAN & WGN EXT W.B.	41 = 4-DOOR SEDAN
21 = 2-DOOR SEDAN	44 = 4-DOOR HATCHBACK
24 = 2-DOOR HATCHBACK	45 = 4-DOOR STATION WAGON

AR = Use as Required - = Non Illustrated Part P.A.R. = Paint as Required

INSTRUMENT, PANEL BEZELS, GLOVEBOX AND CONTROLS J BODY
Figure 8A-1000

8182 1000



ITEM	PART NUMBER	QTY	BODY	MODEL	DESCRIPTION
25					CONTROL, Chimes
	4437 352	1			w/Passive Restraint System
	4312 664	1			w/o Passive Restraint System
26					BRACKET, Wiring (DNS)
27	3849 618	1			SENSOR, A.T.C.
28	4304 962	1			BRACKET, Twenty-Five Way Mtg.
29	P540 FK1	1			PANEL, Lower Right
30	4220 272	1			COVER, Fuse Excess
31	4311 920	1			BRACKET, I/Panel

MODEL CODES
 C BODY = (D41 - DYNASTY)(C41 - NEW YORKER)
 E BODY = (J - CARAVELLE)(E - 600)(T - NEW YORKER TURBO)
 G BODY = (V24 - DAYTONA, PACIFICA & SHELBY)
 H BODY = (D44 - LANCER)(C44 - LEBARON GTS)
 J BODY = (C - LEBARON)
 K BODY = (P - RELIANT)(D - ARIES)(C - LEBARON/ TOWN & COUNTRY)
 L BODY = (M - HORIZON)(Z-OMNI)
 M BODY = (B - GRAN FURY)(G - DIPLOMAT)(F - FIFTH AVENUE/NEWPORT)
 P BODY = (P - SUNDANCE)(D - SHADOW)
 Q BODY = (C27 - MASERATI)
 S BODY = (H - VOYAGER)(K - RAM VAN/ CARAVAN)

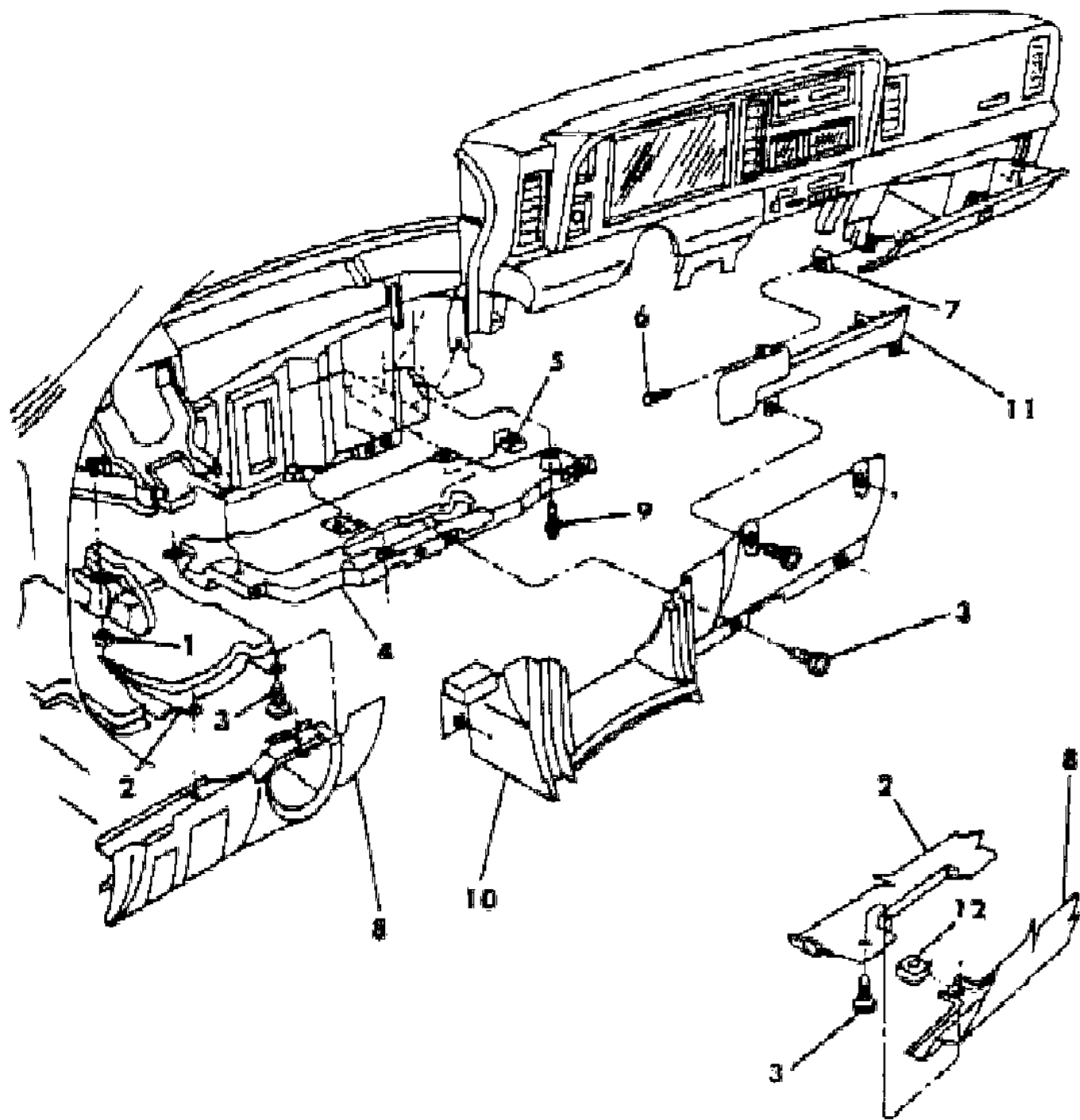
BODY STYLES
 12-52 = FWD VAN & WAGON STD. W.B. 27 = 2-DOOR CONVERTIBLE
 13-53 = FWD VAN & WGN EXT W.B. 41 = 4-DOOR SEDAN
 21 = 2-DOOR SEDAN 44 = 4-DOOR HATCHBACK
 24 = 2-DOOR HATCHBACK 45 = 4-DOOR STATION WAGON

AR = Use as Required - = Non Illustrated Part P.A.R. = Paint as Required

INSTRUMENT PANEL SILENCERS J BODY

Figure 8A-1100

8182 1100



ITEM	PART NUMBER	QTY	BODY	MODEL	DESCRIPTION
1	4220 344	1			FASTENER
2	4372 801	1			PANEL, Silencer, Left w/o Passive Restraint System
	4372 793	1			w/Passive Restraint System
3					SCREW (DNS)
4	4372 798	1			PANEL, Silencer, Lower Right w/o Passive Restraint System
	4372 792	1			w/Passive Restraint System
5	6501 498	3			NUT
6					SCREW (DNS)
7	6033 255	2			CLIP
8	P472 GL7	1			COVER, Steering Column Opening
9					SCREW (DNS)
10	4372 800	1			PANEL, Silencer, Upper Right
11	4372 910	1			SHIELD, Glovebox to Silencer (Stamped 4372909)
12	6032 719	2			U-NUT

MODEL CODES

C BODY = (D41 - DYNASTY)(C41 - NEW YORKER)
 E BODY = (J - CARAVELLE)(E - 600)(T - NEW YORKER TURBO)
 G BODY = (V24 - DAYTONA, PACIFICA & SHELBY)
 H BODY = (D44 - LANCER)(C44 - LEBARON GTS)
 J BODY = (C - LEBARON)
 K BODY = (P - RELIANT)(D - ARIES)(C - LEBARON/ TOWN & COUNTRY)
 L BODY = (M - HORIZON)(Z-OMNI)
 M BODY = (B - GRAN FURY)(G - DIPLOMAT)(F - FIFTH AVENUE/NEWPORT)
 P BODY = (P - SUNDANCE)(D - SHADOW)
 Q BODY = (C27 - MASERATI)
 S BODY = (H - VOYAGER)(K - RAM VAN/ CARAVAN)

BODY STYLES

12-52 = FWD VAN & WAGON STD. W.B. 27 = 2-DOOR CONVERTIBLE
 13-53 = FWD VAN & WGN EXT W.B. 41 = 4-DOOR SEDAN
 21 = 2-DOOR SEDAN 44 = 4-DOOR HATCHBACK
 24 = 2-DOOR HATCHBACK 45 = 4-DOOR STATION WAGON

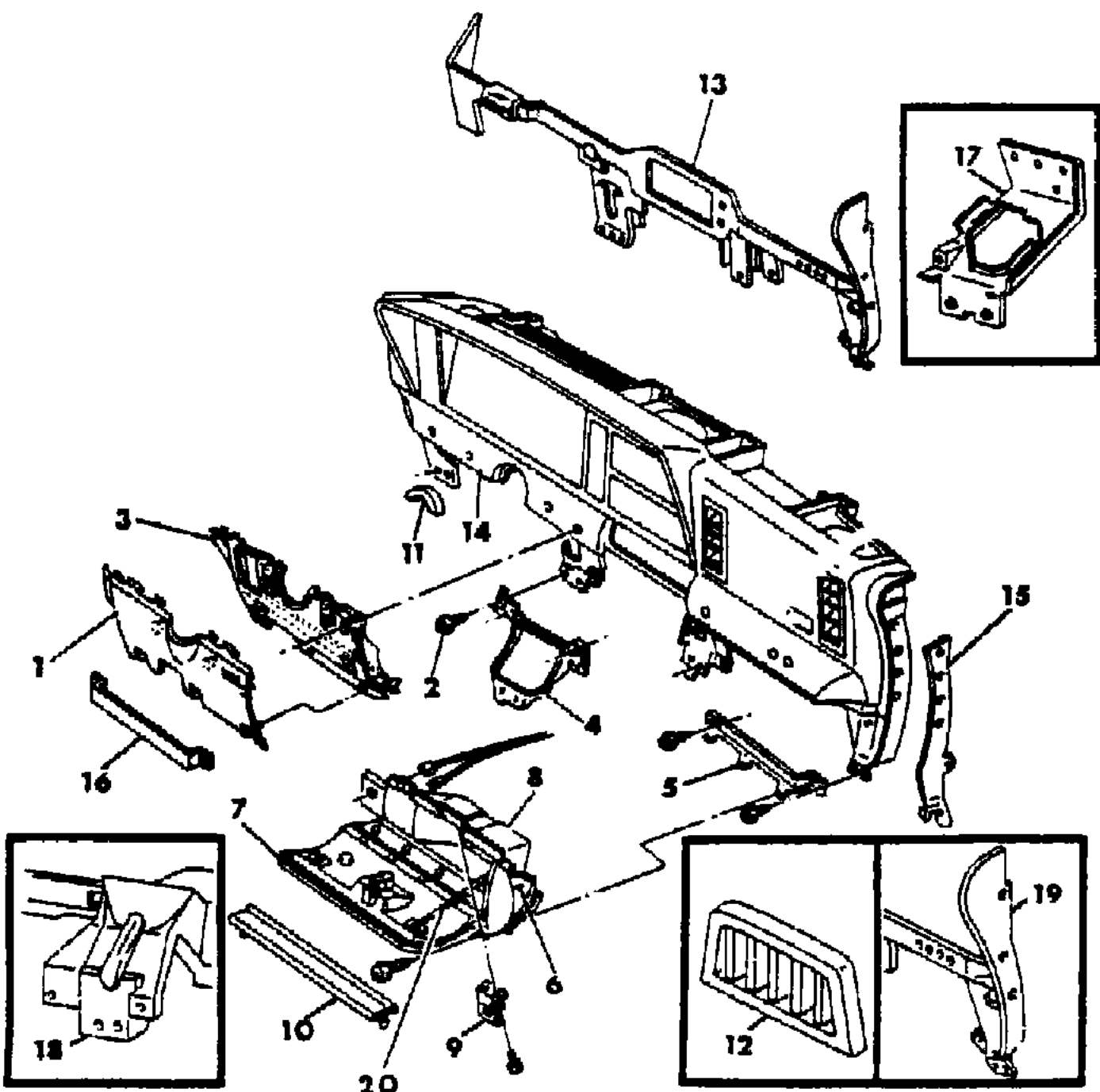
AR = Use as Required - = Non Illustrated Part P.A.R. = Paint as Required

INSTRUMENT PANEL W/PASSIVE RESTRAINT SYSTEM J BODY

Figure 8A-1200

8182 1200

ITEM	PART NUMBER	QTY	BODY	MODEL	DESCRIPTION
1	P558 FK1	1			COVER, Steering Column Opening
	P573 GL7	1			w/Air Bag System
2		AR			SCREW (DNS)
3	4372 850	1			COVER, Steering Column, Inner
					FASTENER, Cover
	6033 152	3			Inner
	6033 151	3			Outer
4					REINFORCEMENT, I/Panel Console
	4372 287	1			Up to 4-25-88
	4460 257	1			After 4-25-88
5	4372 308	1			REINFORCEMENT, Lower Right
6	F245 CA3	1			PLUG
7	P616 GL7	1			DOOR, Glove Box
8					PANEL and GLOVE BOX
	P570 FS8	1			Charcoal
	P570 GL7	1			Taupe
	P570 GR8	1			Red
	P570 FC5	1			Blue
9	4372 323	1			CATCH, Glove Box Door, Lower Right
10	4372 679	1			COVER, Hinge
	4372 361	1			HINGE, Glovebox Door
11	P460 FS8	1			SEAL, Steering Column Cover
12	4220 696-7	1			GRILLE, Side Glass Demister
13					REINFORCEMENT, I/Panel Middle
	4372 312	1			Up to 4-25-88
	4460 803	1			After 4-25-88
14					SUPPORT, I/Panel End
	4460 236	1			Left
	4372 130	1			Right
15					BRACKET, Rollup
	4372 292	1			Right
	4460 229	1			Left
16	4372 301	1			BRACKET, Steering Column Cover, Inner Left
17					BRACKET, Inner Right to Brace
	4372 465	1			Up to 4-25-88
	4460 802	1			After 4-25-88
18	4372 302	1			BRACE, Middle Reinforcement, Right



MODEL CODES
 C BODY = (D41 - DYNASTY)(C41 - NEW YORKER)
 E BODY = (J - CARAVELLE)(E - 600)(T - NEW YORKER TURBO)
 G BODY = (V24 - DAYTONA, PACIFICA & SHELBY)
 H BODY = (D44 - LANCER)(C44 - LEBARON GTS)
 J BODY = (C - LEBARON)
 K BODY = (P - RELIANT)(D - ARIES)(C - LEBARON/ TOWN & COUNTRY)

L BODY = (M - HORIZON)(Z-OMNI)
 M BODY = (B - GRAN FURY)(G - DIPLOMAT)(F - FIFTH AVENUE/NEWPORT)
 P BODY = (P - SUNDANCE)(D - SHADOW)
 Q BODY = (C27 - MASERATI)
 S BODY = (H - VOYAGER)(K - RAM VAN/ CARAVAN)

BODY STYLES
 12-52 = FWD VAN & WAGON STD. W.B. 27 = 2-DOOR CONVERTIBLE
 13-53 = FWD VAN & WGN EXT W.B. 41 = 4-DOOR SEDAN
 21 = 2-DOOR SEDAN 44 = 4-DOOR HATCHBACK
 24 = 2-DOOR HATCHBACK 45 = 4-DOOR STATION WAGON

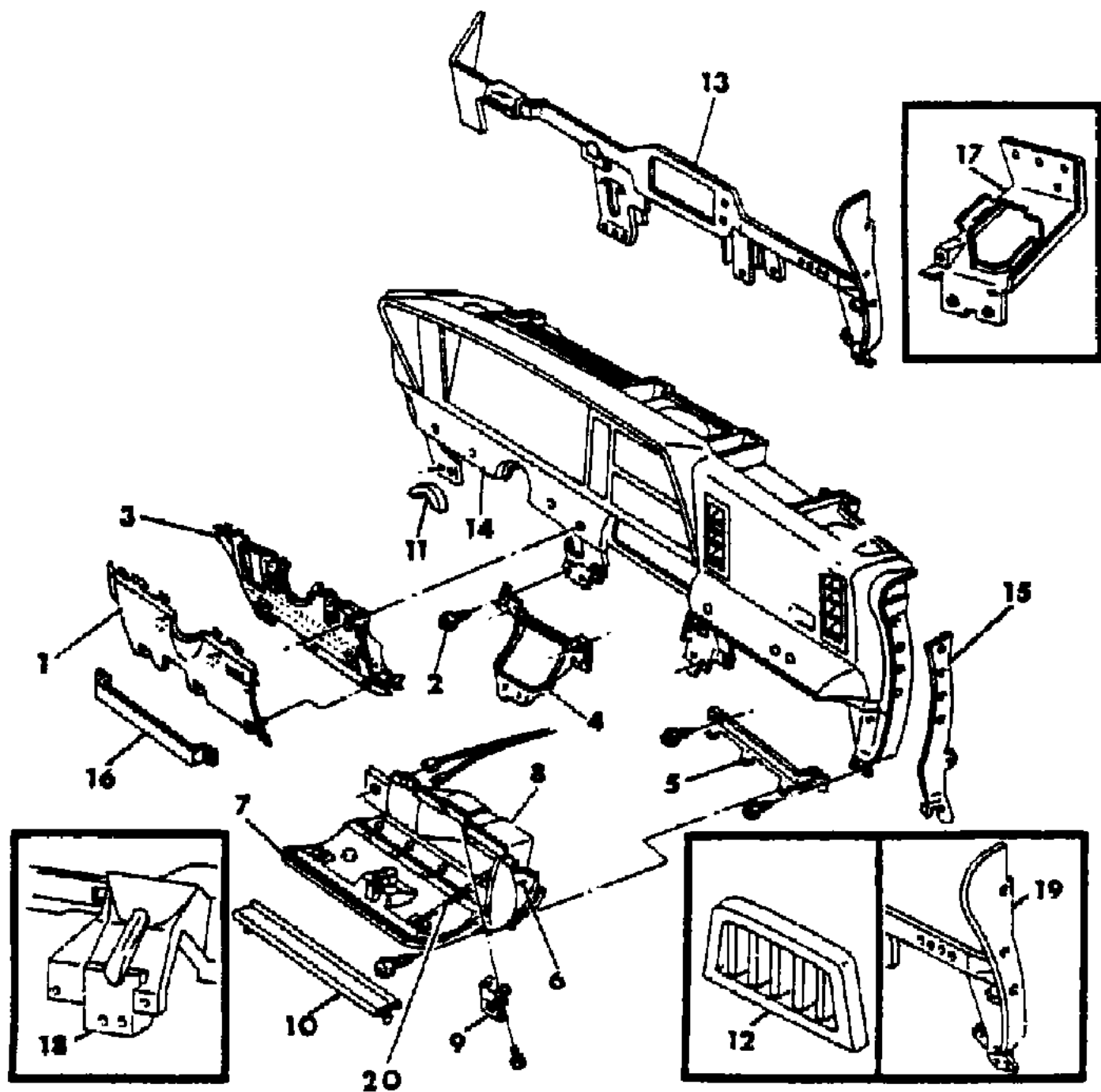
AR = Use as Required - = Non Illustrated Part P.A.R. = Paint as Required

INSTRUMENT PANEL W/PASSIVE RESTRAINT SYSTEM J BODY

Figure 8A-1200

8182 1200

ITEM	PART NUMBER	QTY	BODY	MODEL	DESCRIPTION
19					SUPPORT, End
	4372 296-7	1			Up to 4-25-88
	4372 296	1			Right, After 4-25-88
	4460 804	1			Left, After 4-25-88
20	4372 921	1			CABLE, Glovebox Door



MODEL CODES

C BODY = (D41 - DYNASTY)(C41 - NEW YORKER)	L BODY = (M - HORIZON)(Z-OMNI)
E BODY = (J - CARAVELLE)(E - 600)(T - NEW YORKER TURBO)	M BODY = (B - GRAN FURY)(G - DIPLOMAT)(F - FIFTH AVENUE/NEWPORT)
G BODY = (V24 - DAYTONA, PACIFICA & SHELBY)	P BODY = (P - SUNDANCE)(D - SHADOW)
H BODY = (D44 - LANCER)(C44 - LEBARON GTS)	Q BODY = (C27 - MASERATI)
J BODY = (C - LEBARON)	S BODY = (H - VOYAGER)(K - RAM VAN/ CARAVAN)
K BODY = (P - RELIANT)(D - ARIES)(C - LEBARON/ TOWN & COUNTRY)	

BODY STYLES

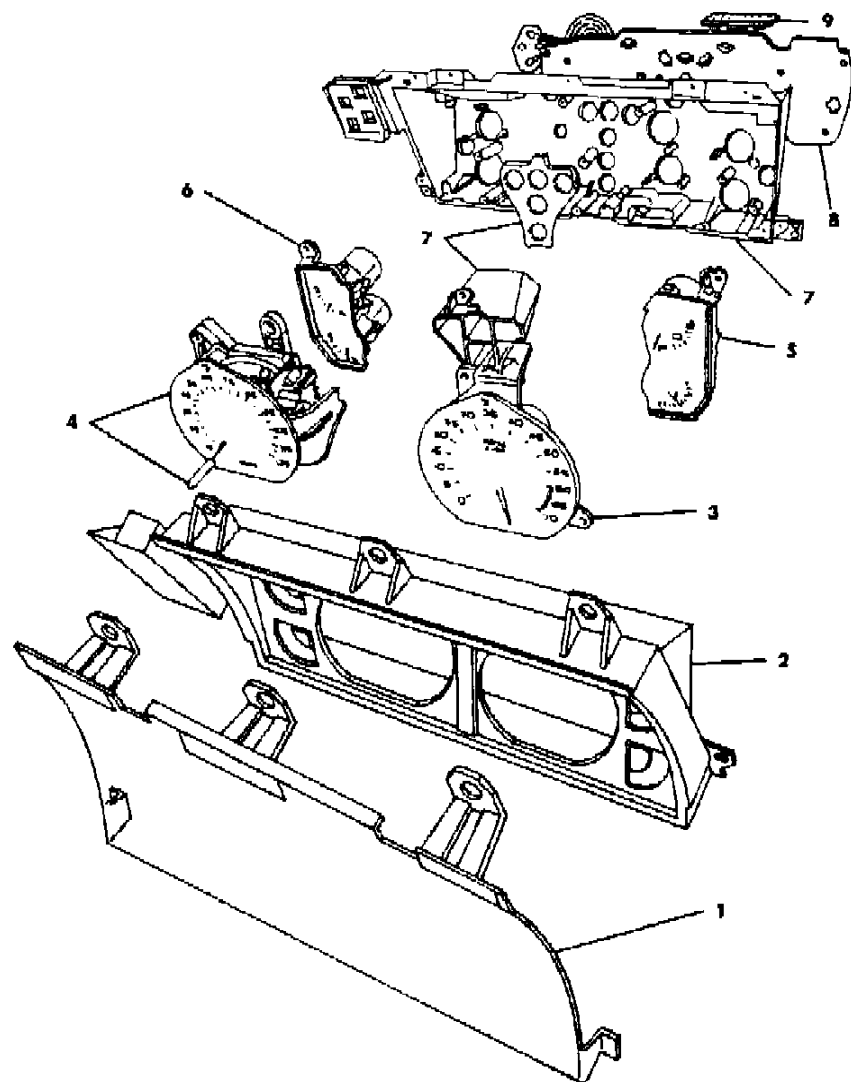
12-52 = FWD VAN & WAGON STD. W.B.	27 = 2-DOOR CONVERTIBLE
13-53 = FWD VAN & WGN EXT W.B.	41 = 4-DOOR SEDAN
21 = 2-DOOR SEDAN	44 = 4-DOOR HATCHBACK
24 = 2-DOOR HATCHBACK	45 = 4-DOOR STATION WAGON

AR = Use as Required - = Non Illustrated Part P.A.R. = Paint as Required

INSTRUMENT PANEL CLUSTER J BODY

Figure 8A-1210

8182 1210



ITEM	PART NUMBER	QTY	BODY	MODEL	DESCRIPTION
	4437 332	1			CLUSTER, Electronic
1	4375 134	1			LENS, Cluster
2	4375 290	1			MASK, Cluster
3	4375 288	1			TACHOMETER
4	4437 023	1			SPEEDOMETER
	4437 523	1			(EUROPEAN)
5	4375 286	1			GAUGE, Volt/Fuel
6	4375 284	1			GAUGE, Oil/Temperature
7	4375 154	1			HOUSING, Cluster
8	4375 145	1			BOARD, Circuit
	4373 030	1		27	Power Windows, Power Top and Heated Backlite
9	4051 977	1			BOARD, Tachometer Circuit

MODEL CODES

C BODY = (D41 - DYNASTY)(C41 - NEW YORKER)
 E BODY = (J - CARAVELLE)(E - 600)(T - NEW YORKER TURBO)
 G BODY = (V24 - DAYTONA, PACIFICA & SHELBY)
 H BODY = (D44 - LANCER)(C44 - LEBARON GTS)
 J BODY = (C - LEBARON)
 K BODY = (P - RELIANT)(D - ARIES)(C - LEBARON/ TOWN & COUNTRY)

L BODY = (M - HORIZON)(Z-OMNI)
 M BODY = (B - GRAN FURY)(G - DIPLOMAT)(F - FIFTH AVENUE/NEWPORT)
 P BODY = (P - SUNDANCE)(D - SHADOW)
 Q BODY = (C27 - MASERATI)
 S BODY = (H - VOYAGER)(K - RAM VAN/ CARAVAN)

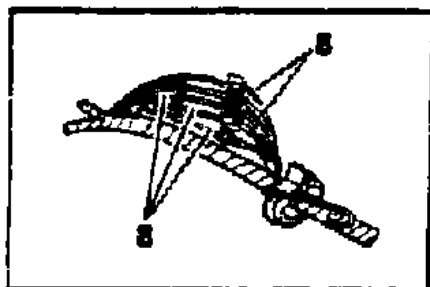
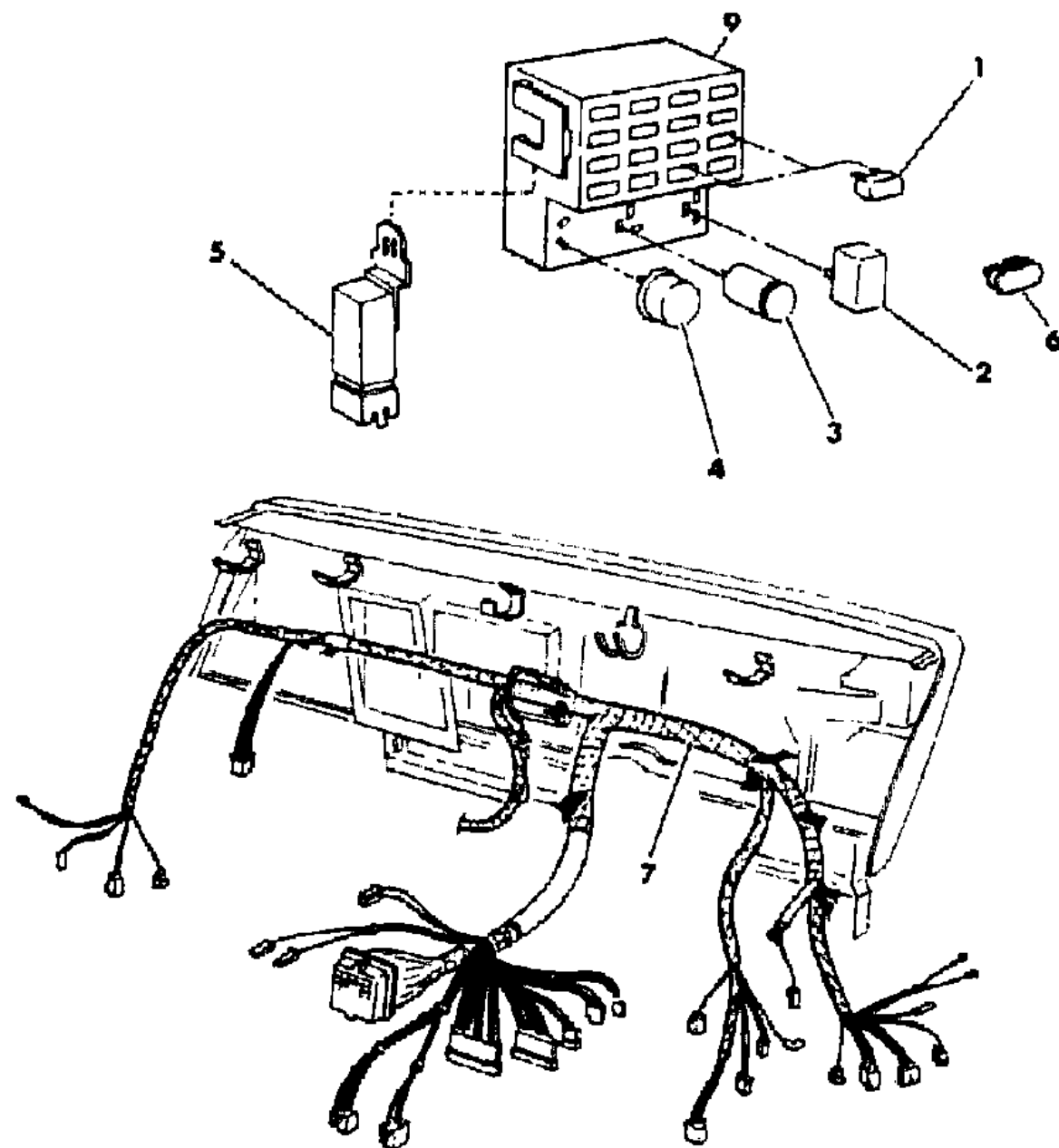
BODY STYLES

12-52 = FWD VAN & WAGON STD. W.B. 27 = 2-DOOR CONVERTIBLE
 13-53 = FWD VAN & WGN EXT W.B. 41 = 4-DOOR SEDAN
 21 = 2-DOOR SEDAN 44 = 4-DOOR HATCHBACK
 24 = 2-DOOR HATCHBACK 45 = 4-DOOR STATION WAGON

AR = Use as Required - = Non Illustrated Part P.A.R. = Paint as Required

INSTRUMENT PANEL WIRING J BODY
Figure 8A-1300

8182 1300



ITEM	PART NUMBER	QTY	BODY	MODEL	DESCRIPTION
1	#4186 379	AR			CIRCUIT BREAKER, 30 Amp.
2	4221 658	1			RELAY, Horn
3	2889 565	1			RELAY, Ignition Lamp Time Delay
4	2932 877	1			FLASHER, Hazard Warning FLASHER, Turn Signal
	3837 161	1			Two Lamp
	3837 162	1			Three Lamp
5	4374 649	1			SENSOR, H/Lamp Outage
6					FUSES
	6101 131	AR			3 Amp.
	6101 132	AR			4 AMP.
	6101 133	AR			5 Amp.
	6101 135	AR			10 Amp.
	6101 137	AR			20 Amp.
	6101 138	AR			25 Amp.
	6101 139	AR			30 Amp.
7					WIRING HARNESS, Instrument Panel
	4414 429	1			w/Mechanical Cluster, w/o Air
	4414 431	1			w/Mechanical Cluster, w/Air
	4414 434	1			w/Electronic Cluster and A.T.C.
	4414 435	1			w/Electronic Cluster, E.V.A., w/o A.T.C.
	4414 436	1			w/Electronic Cluster, E.V.A. and A.T.C.
	4414 967	1			w/o A.T.C. (EUROPEAN)
	4414 968	1			w/A.T.C. (EUROPEAN)
8					CABLE, Fuseible Link
	4026 095	1			No. 16 Blue
	4026 094	1			No. 14 Red
	4026 093	1			No. 12 Black
	4026 096	1			No. 18 Grey
	4364 878	1			No. 20 Orange
	4419 351	1			No. 22 White
9					MODULE, Fuse Block
	5211 741	1			w/Dots
	4304 499	1			w/Lettering
	4274 530	1			BRACKET, Module Mtg.

MODEL CODES

C BODY = (D41 - DYNASTY)(C41 - NEW YORKER)	L BODY = (M - HORIZON)(Z-OMNI)
E BODY = (J - CARAVELLE)(E - 600)(T - NEW YORKER TURBO)	M BODY = (B - GRAN FURY)(G - DIPLOMAT)(F - FIFTH AVENUE/NEWPORT)
G BODY = (V24 - DAYTONA, PACIFICA & SHELBY)	P BODY = (P - SUNDANCE)(D - SHADOW)
H BODY = (D44 - LANCER)(C44 - LEBARON GTS)	Q BODY = (C27 - MASERATI)
J BODY = (C - LEBARON)	S BODY = (H - VOYAGER)(K - RAM VAN/ CARAVAN)
K BODY = (P - RELIANT)(D - ARIES)(C - LEBARON/ TOWN & COUNTRY)	

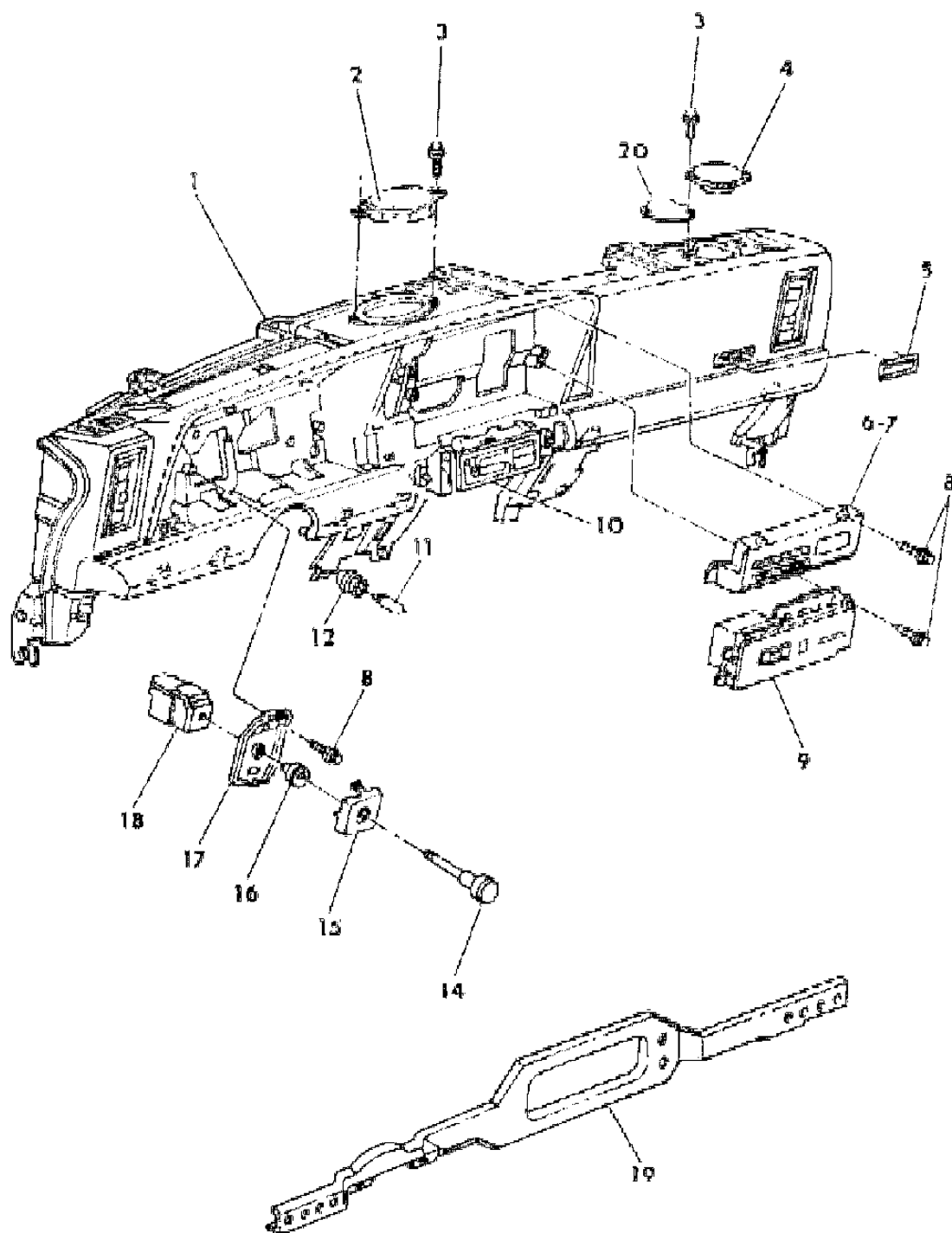
BODY STYLES

12-52 = FWD VAN & WAGON STD. W.B.	27 = 2-DOOR CONVERTIBLE
13-53 = FWD VAN & WGN EXT W.B.	41 = 4-DOOR SEDAN
21 = 2-DOOR SEDAN	44 = 4-DOOR HATCHBACK
24 = 2-DOOR HATCHBACK	45 = 4-DOOR STATION WAGON

AR = Use as Required - = Non Illustrated Part P.A.R. = Paint as Required

INSTRUMENT PANEL SPEAKERS AND SWITCHES J BODY
Figure 8A-1400

8182 1400 A



ITEM	PART NUMBER	QTY	BODY	MODEL	DESCRIPTION
1					PANEL, Instrument
	P557 FS8	1			Charcoal
	P557 FC5	1			Blue
	P557 GL7	1			Taupe
	P557 GR8	1			Red
2					MODULE, Concealed H/Lamp
	4437 108	1			w/Time Delay
	4437 107	1			w/o Time Delay
3					SCREW (DNS)
4					SPEAKER, Radio
	4372 151	2			I/Panel, Standard
	4469 097	2			I/Panel, Infinity
	4372 412	2	27		Rear Compartment, Infinity
	4430 066	2	27		Rear Compartment, Standard
	4222 535	2	21		Rear Compartment, Standard
	4372 159	2	21		Rear Compartment, Infinity
	4430 171	1			CHOKE, Speaker
5					NAMEPLATE, "Le Baron"
	4311 418	1			"Chrysler" (EUROPEAN)
6					NAVIGATOR, Electronic
7					TRAVELER ASSEMBLY
	4048 038	2			DIFFUSER, Traveler
8					SCREW (DNS)
9					MODULE, Message Center, Order Components Listed Below
	4375 118	1			Housing
	4375 310	1			Board
	4374 072	1			Socket
	9421 330	1			Bulb
	4051 832	1			Relay
	4437 010	1			MODULE, Electronic Monitor
10					CONTROL, Heater and A/C, Refer to Group 24
11					BULB, Fuel Pacer
12					SOCKET, Fuel Pacer Bulb
14					KNOB and SHAFT, H/Lamp
15					ESCUTCHEON, H/Lamp Switch Mtg.
16					RETAINER
17					PLATE, H/Lamp Switch Mtg.

MODEL CODES

C BODY = (D41 - DYNASTY)(C41 - NEW YORKER)	L BODY = (M - HORIZON)(Z-OMNI)
E BODY = (J - CARAVELLE)(E - 600)(T - NEW YORKER TURBO)	M BODY = (B - GRAN FURY)(G - DIPLOMAT)(F - FIFTH AVENUE/NEWPORT)
G BODY = (V24 - DAYTONA, PACIFICA & SHELBY)	P BODY = (P - SUNDANCE)(D - SHADOW)
H BODY = (D44 - LANCER)(C44 - LEBARON GTS)	Q BODY = (C27 - MASERATI)
J BODY = (C - LEBARON)	S BODY = (H - VOYAGER)(K - RAM VAN/ CARAVAN)
K BODY = (P - RELIANT)(D - ARIES)(C - LEBARON/ TOWN & COUNTRY)	

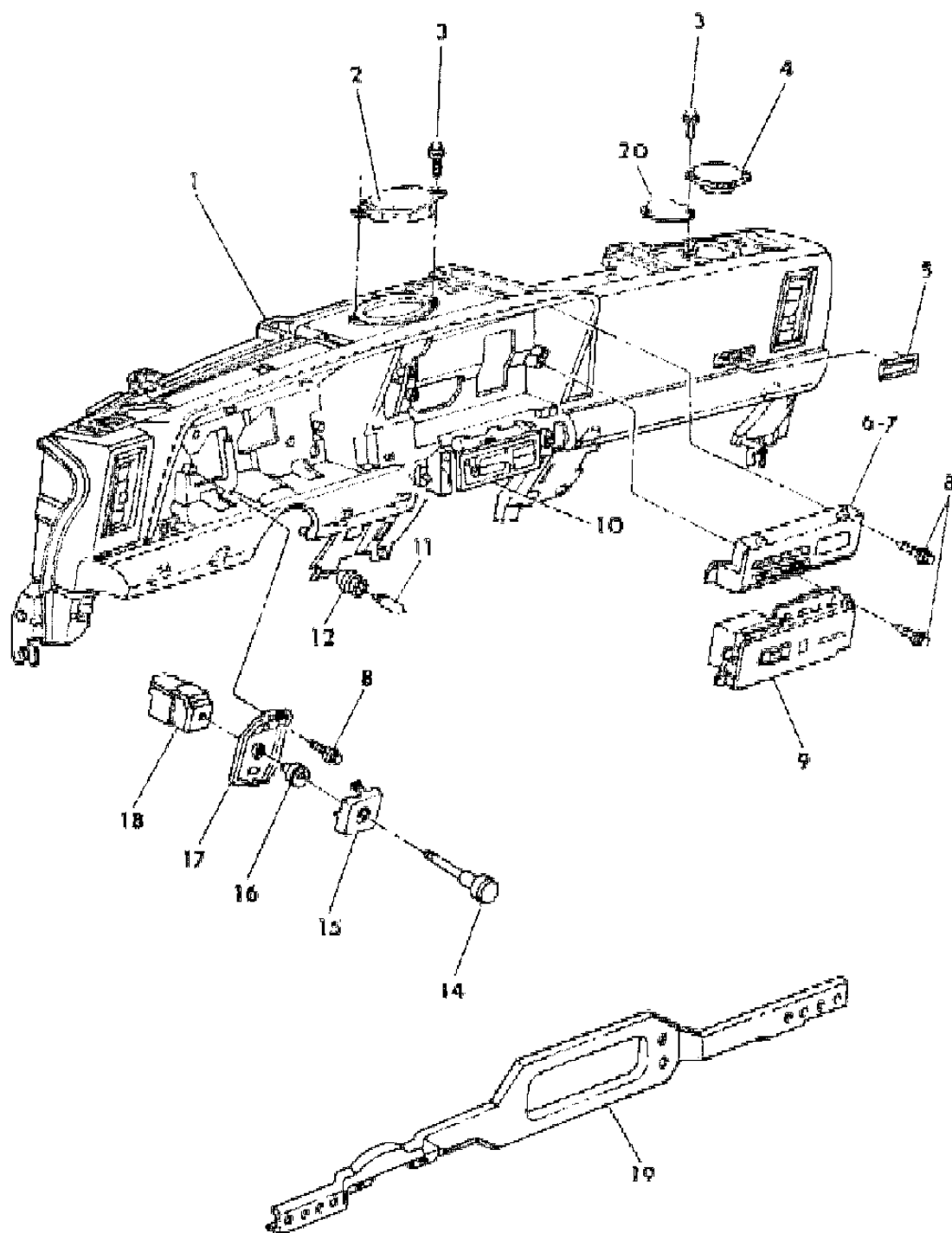
BODY STYLES

12-52 = FWD VAN & WAGON STD. W.B.	27 = 2-DOOR CONVERTIBLE
13-53 = FWD VAN & WGN EXT W.B.	41 = 4-DOOR SEDAN
21 = 2-DOOR SEDAN	44 = 4-DOOR HATCHBACK
24 = 2-DOOR HATCHBACK	45 = 4-DOOR STATION WAGON

AR = Use as Required - = Non Illustrated Part P.A.R. = Paint as Required

INSTRUMENT PANEL SPEAKERS AND SWITCHES J BODY
Figure 8A-1400

8182 1400 A



ITEM	PART NUMBER	QTY	BODY	MODEL	DESCRIPTION
18	4221 407	1			SWITCH, H/Lamp
19	4220 251	1			REINFORCEMENT, I/Panel Middle
20	4311 084	2			SHIELD, Speaker

MODEL CODES

C BODY = (D41 - DYNASTY)(C41 - NEW YORKER)	L BODY = (M - HORIZON)(Z-OMNI)
E BODY = (J - CARAVELLE)(E - 600)(T - NEW YORKER TURBO)	M BODY = (B - GRAN FURY)(G - DIPLOMAT)(F - FIFTH AVENUE/NEWPORT)
G BODY = (V24 - DAYTONA, PACIFICA & SHELBY)	P BODY = (P - SUNDANCE)(D - SHADOW)
H BODY = (D44 - LANCER)(C44 - LEBARON GTS)	Q BODY = (C27 - MASERATI)
J BODY = (C - LEBARON)	S BODY = (H - VOYAGER)(K - RAM VAN/ CARAVAN)
K BODY = (P - RELIANT)(D - ARIES)(C - LEBARON/ TOWN & COUNTRY)	

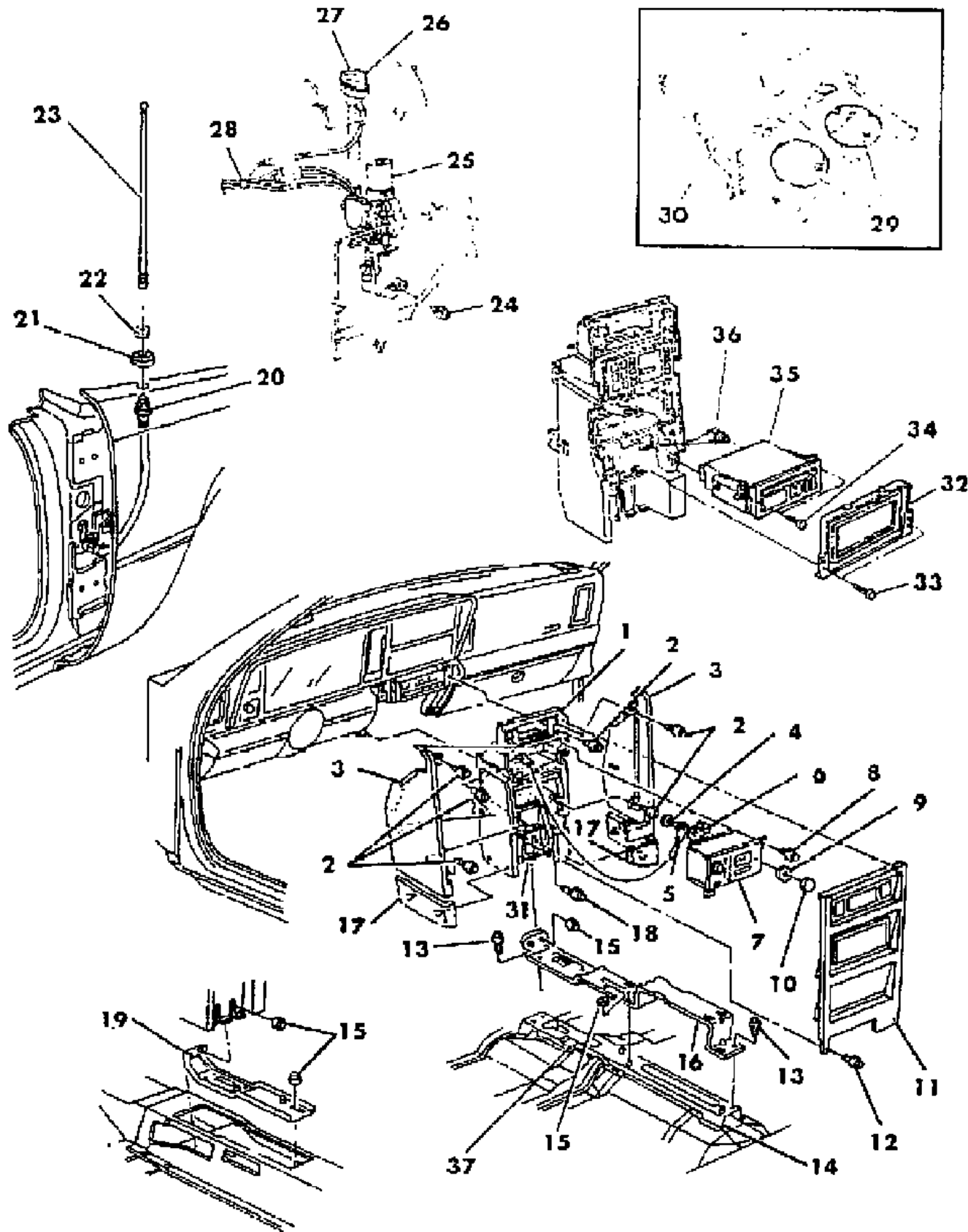
BODY STYLES

12-52 = FWD VAN & WAGON STD. W.B.	27 = 2-DOOR CONVERTIBLE
13-53 = FWD VAN & WGN EXT W.B.	41 = 4-DOOR SEDAN
21 = 2-DOOR SEDAN	44 = 4-DOOR HATCHBACK
24 = 2-DOOR HATCHBACK	45 = 4-DOOR STATION WAGON

AR = Use as Required - = Non Illustrated Part P.A.R. = Paint as Required

INSTRUMENT PANEL CONSOLE, RADIO, DISC PLAYER AND ANTENNA J BODY
Figure 8A-1500

8182 1500 B



ITEM	PART NUMBER	QTY	BODY	MODEL	DESCRIPTION
1					CARRIER, Console
	4372 856	1	21		w/Storage Box
	4460 258	1	21		w/Discplayer
	4372 193	1	27		w/Storage Box
	4372 857	1	27		w/Discplayer
	4460 832	1			REINFORCEMENT, Carrier to Floor, w/Passive Restraint
2					SCREW (DNS)
3					PANEL, Console Trim
	P571 GL7	1	21		Left, w/Passive Restraint
	P473 GL7	1	21		Left, w/o Passive Restraint
	P523 GL7	1	27		Left, Up to 4-25-88
	P549 GL7	1	27		Left, After 4-25-88
	P572 GL7	1	21		Right
	P522 GL7	1	27		Right, Up to 4-25-88
	P548 GL7	1	27		Right, After 4-25-88
	6031 967	2			CLIP, Console Panel to Carrier
4					SCREW (DNS)
5					STRAP, Ground (DNS)
6					TERMINAL (DNS)
7					RADIO, w/Clock
	4311 956	1			Am/Fm/Mx
	4372 536	1			Am/Fm/Mx, w/Cassette, w/o Infinity Sound
	4430 010	1			Infinity Sound, w/o Graphic Equalizer, Used w/Discplayer
	4372 444	1			Infinity Sound, Up to 11-18-87, w/Graphic Equalizer
	4469 084	1			Infinity Sound, After 11-18-87, w/Graphic Equalizer, Used w/Discplayer
8		1			SCREW, Radio Mtg.
9	4311 341	1			KNOB, Radio, Secondary
	4311 339	1			Treble
	4311 337	1			Bass
10	4311 334	2			KNOB, Radio, Primary
11					BEZEL, Console Trim
	4372 049	1	21		
	4372 203	1	27		
	4220 455	AR			CLIP, Bezel
	0152 490	2	21		U-NUT, Carrier to Att. Trim Bezel
12					SCREW (DNS)

MODEL CODES

C BODY = (D41 - DYNASTY)(C41 - NEW YORKER)
 E BODY = (J - CARAVELLE)(E - 600)(T - NEW YORKER TURBO)
 G BODY = (V24 - DAYTONA, PACIFICA & SHELBY)
 H BODY = (D44 - LANCER)(C44 - LEBARON GTS)
 J BODY = (C - LEBARON)
 K BODY = (P - RELIANT)(D - ARIES)(C - LEBARON/ TOWN & COUNTRY)

L BODY = (M - HORIZON)(Z-OMNI)
 M BODY = (B - GRAN FURY)(G - DIPLOMAT)(F - FIFTH AVENUE/NEWPORT)
 P BODY = (P - SUNDANCE)(D - SHADOW)
 Q BODY = (C27 - MASERATI)
 S BODY = (H - VOYAGER)(K - RAM VAN/ CARAVAN)

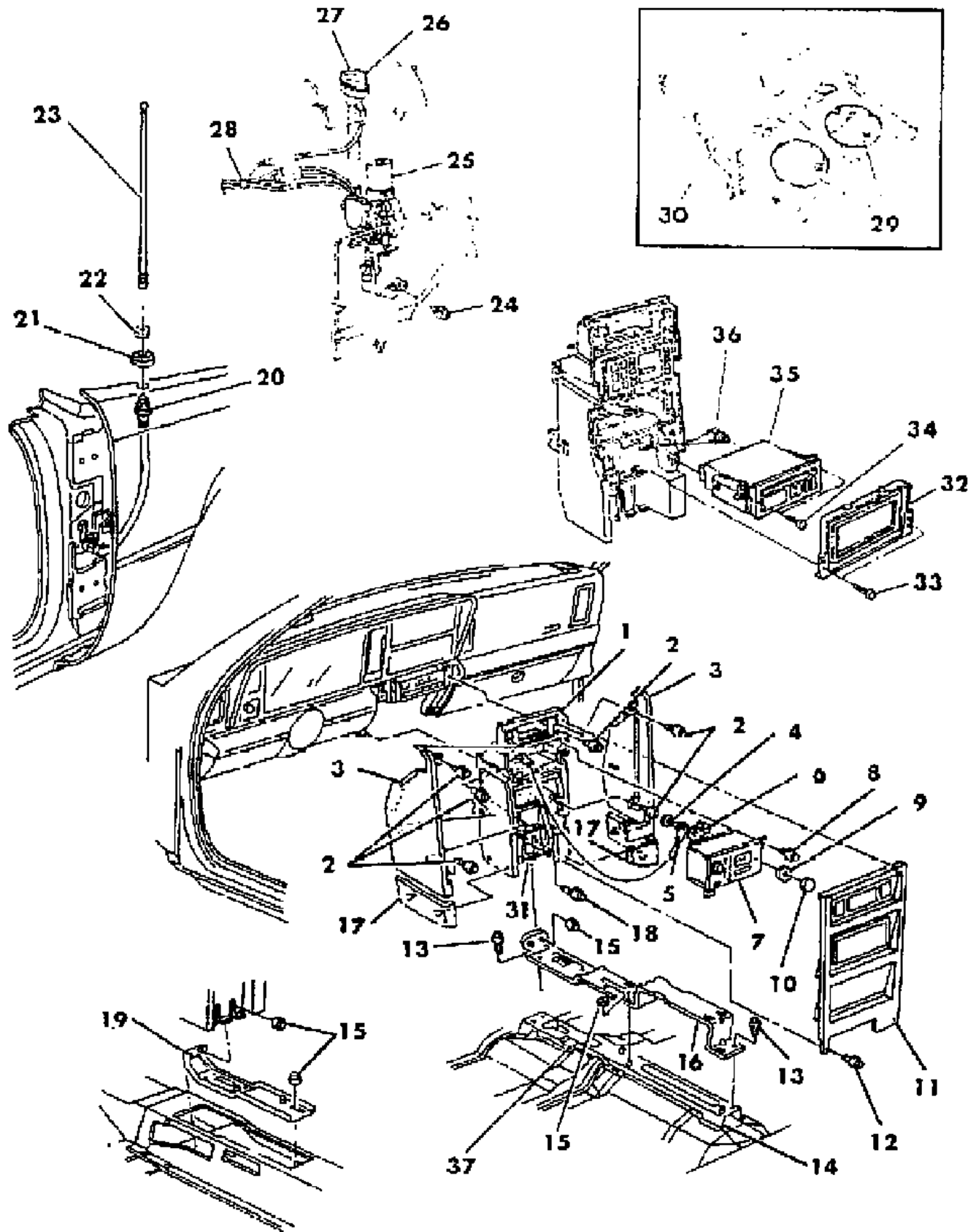
BODY STYLES

12-52 = FWD VAN & WAGON STD. W.B. 27 = 2-DOOR CONVERTIBLE
 13-53 = FWD VAN & WGN EXT W.B. 41 = 4-DOOR SEDAN
 21 = 2-DOOR SEDAN 44 = 4-DOOR HATCHBACK
 24 = 2-DOOR HATCHBACK 45 = 4-DOOR STATION WAGON

AR = Use as Required - = Non Illustrated Part P.A.R. = Paint as Required

INSTRUMENT PANEL CONSOLE, RADIO, DISC PLAYER AND ANTENNA J BODY
Figure 8A-1500

8182 1500 B



ITEM	PART NUMBER	QTY	BODY	MODEL	DESCRIPTION
13					SCREW (DNS)
14					BRACKET, Refer to 23A
15	6100 049	2			NUT
16	4410 093	1			BRACKET, Console to Floor, Upper Mtg.
17				21	CARPET, Carrier
	F321 CS8	1			Left Charcoal
	F321 GR8	1			Red
	F321 GL7	1			Taupe
	F321 FC5	1			Blue
	V314 FS8	1			Right Charcoal
	V314 GR8	1			Red
	V314 GL7	1			Taupe
	V314 FC5	1			Blue
18					SCREW (DNS)
19	4371 939	1			PLATE, Console to Floor Att. Bracket
20	4430 019	1			BODY and CABLE, Antenna
21	4372 492	1			ADAPTER and GASKET, Antenna
22	4372 136	1			CAP NUT, Antenna
23	4469 015	1			MAST, Antenna
					MAST PACKAGE, Power Antenna
	4430 204	1			Black
	4494 010	1			Bright
24					SCREW (DNS)
25	4469 165	1			ANTENNA ASSEMBLY, Power
26	4372 271	1			ADAPTER and GASKET, Power Antenna
	4372 492	1			Manual Antenna
27	4372 441	1			CAP NUT, Antenna
28	4372 113	1			CABLE ASSEMBLY, Antenna
29	4311 270	1			CRADLE, Cupholder
30					BOX, w/Cupholder
	4220 582	1			Up to 4-25-88
	4460 881	1			After 4-25-88
31					BRACKET, Carrier to G/S Mtg. Bracket
	4372 382	1		21	
	4372 194	1		27	

MODEL CODES

C BODY = (D41 - DYNASTY)(C41 - NEW YORKER)
 E BODY = (J - CARAVELLE)(E - 600)(T - NEW YORKER TURBO)
 G BODY = (V24 - DAYTONA, PACIFICA & SHELBY)
 H BODY = (D44 - LANCER)(C44 - LEBARON GTS)
 J BODY = (C - LEBARON)
 K BODY = (P - RELIANT)(D - ARIES)(C - LEBARON/ TOWN & COUNTRY)

L BODY = (M - HORIZON)(Z-OMNI)
 M BODY = (B - GRAN FURY)(G - DIPLOMAT)(F - FIFTH AVENUE/NEWPORT)
 P BODY = (P - SUNDANCE)(D - SHADOW)
 Q BODY = (C27 - MASERATI)
 S BODY = (H - VOYAGER)(K - RAM VAN/ CARAVAN)

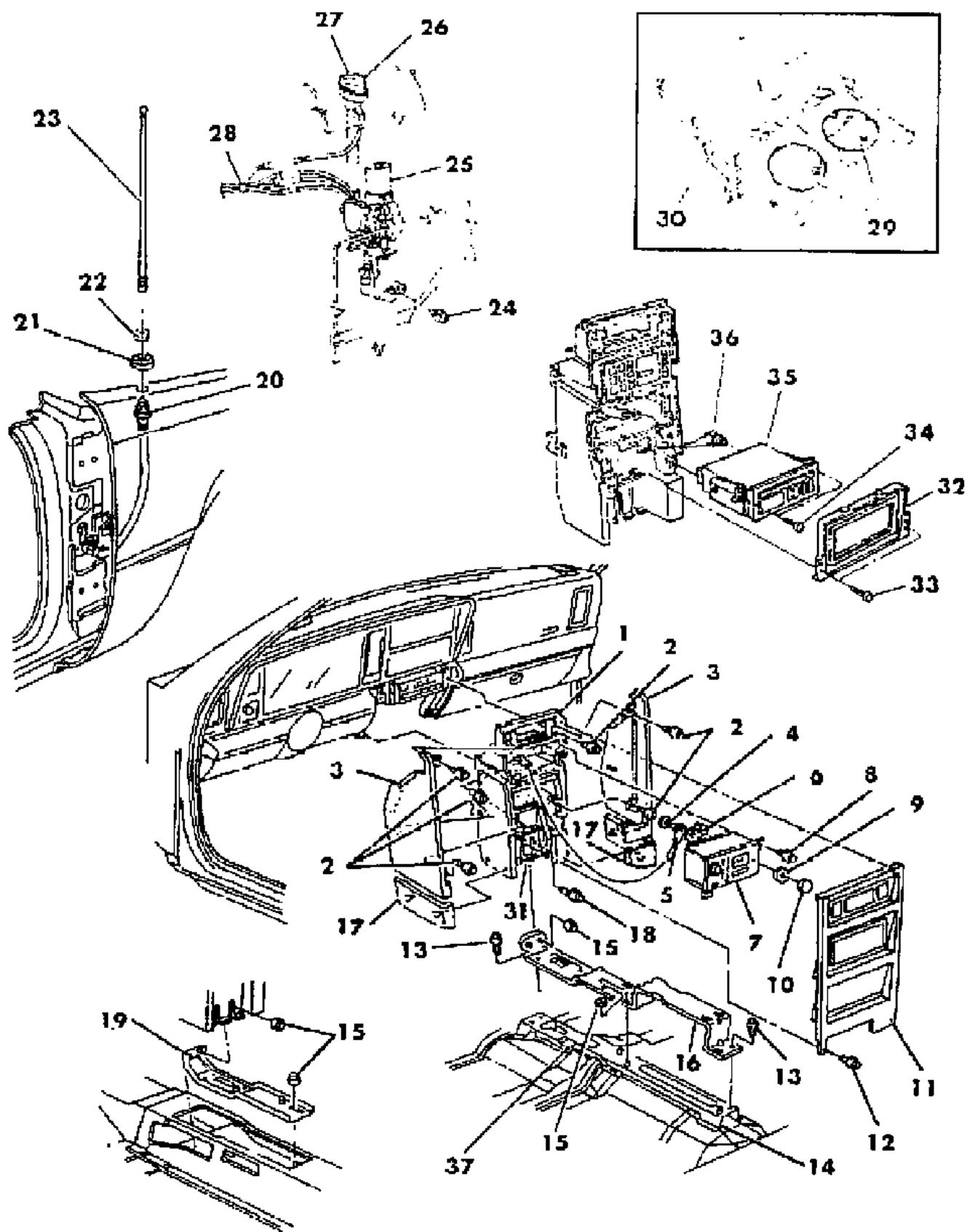
BODY STYLES

12-52 = FWD VAN & WAGON STD. W.B. 27 = 2-DOOR CONVERTIBLE
 13-53 = FWD VAN & WGN EXT W.B. 41 = 4-DOOR SEDAN
 21 = 2-DOOR SEDAN 44 = 4-DOOR HATCHBACK
 24 = 2-DOOR HATCHBACK 45 = 4-DOOR STATION WAGON

AR = Use as Required - = Non Illustrated Part P.A.R. = Paint as Required

INSTRUMENT PANEL CONSOLE, RADIO, DISC PLAYER AND ANTENNA J BODY
Figure 8A-1500

8182 1500 B



ITEM	PART NUMBER	QTY	BODY	MODEL	DESCRIPTION
32	4430 122	1			BEZEL, Disc Player to Housing
33		AR			SCREW (DNS)
34		AR			SCREW (DNS)
35	4430 120	1			DISCPLAYER, Compact
	4430 118	1			HOUSING, Discplayer
	4430 119	1			BRACKET, Disc Player Housing Mtg.
36	4469 028	1			CABLE, Disc Player
37	4410 414	1	27		BRACKET, Center Floor Console

MODEL CODES

C BODY = (D41 - DYNASTY)(C41 - NEW YORKER)
 E BODY = (J - CARAVELLE)(E - 600)(T - NEW YORKER TURBO)
 G BODY = (V24 - DAYTONA, PACIFICA & SHELBY)
 H BODY = (D44 - LANCER)(C44 - LEBARON GTS)
 J BODY = (C - LEBARON)
 K BODY = (P - RELIANT)(D - ARIES)(C - LEBARON/ TOWN & COUNTRY)
 L BODY = (M - HORIZON)(Z-OMNI)
 M BODY = (B - GRAN FURY)(G - DIPLOMAT)(F - FIFTH AVENUE/NEWPORT)
 P BODY = (P - SUNDANCE)(D - SHADOW)
 Q BODY = (C27 - MASERATI)
 S BODY = (H - VOYAGER)(K - RAM VAN/ CARAVAN)

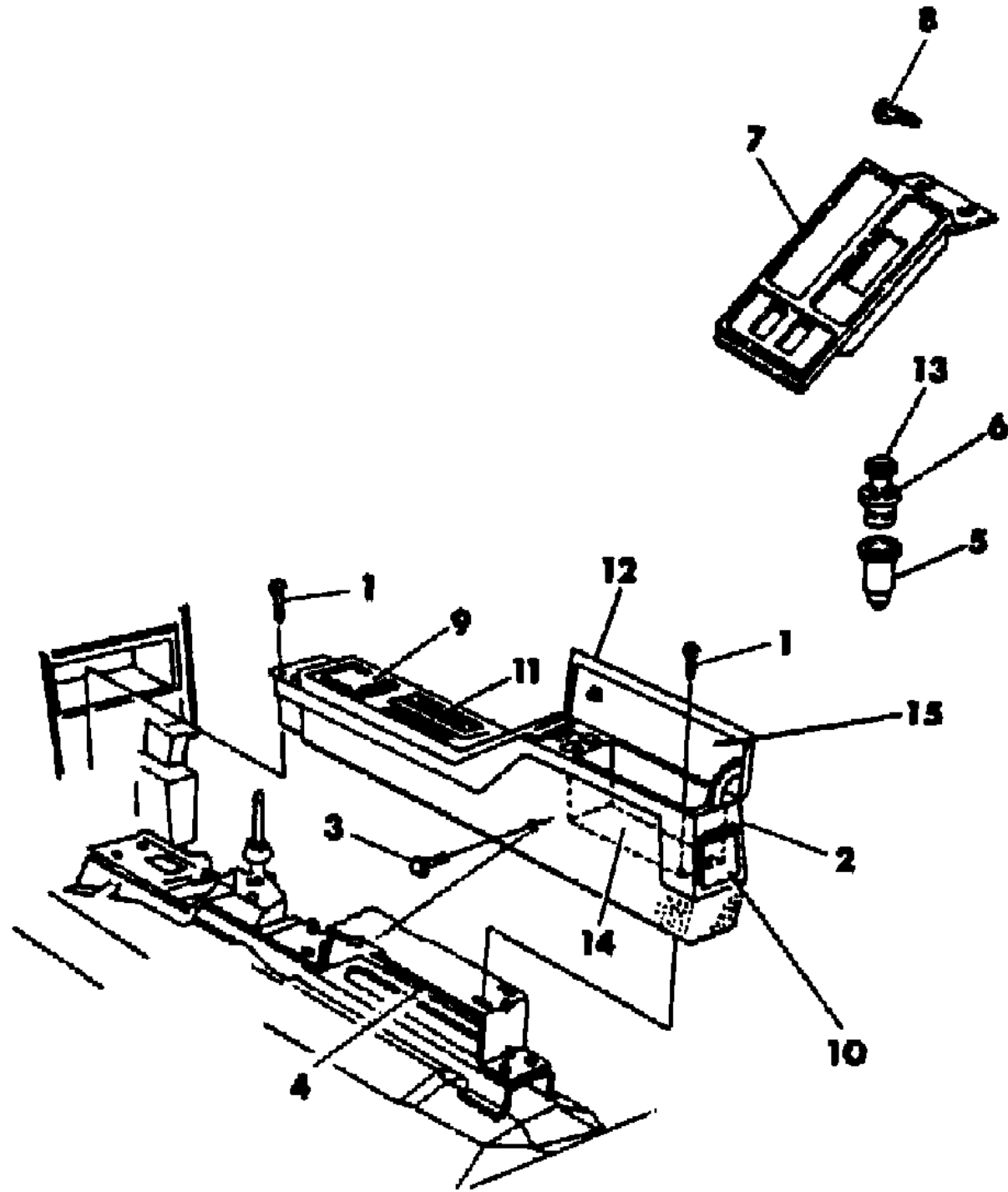
BODY STYLES

12-52 = FWD VAN & WAGON STD. W.B. 27 = 2-DOOR CONVERTIBLE
 13-53 = FWD VAN & WGN EXT W.B. 41 = 4-DOOR SEDAN
 21 = 2-DOOR SEDAN 44 = 4-DOOR HATCHBACK
 24 = 2-DOOR HATCHBACK 45 = 4-DOOR STATION WAGON

AR = Use as Required - = Non Illustrated Part P.A.R. = Paint as Required

CONSOLE, CENTER J BODY
Figure 8A-1600

8182 1600 B



ITEM	PART NUMBER	QTY	BODY	MODEL	DESCRIPTION
1					SCREW (DNS)
2					BASE, Console
	V150 GL7	1	21		Taupe
	V339 FC5	1	27		Blue
	V339 FS8	1	27		Charcoal
	V339 GR8	1	27		Red
	V339 GL7	1	27		Taupe
	F245 CA3	AR			PLUG, Console
	4374 174	1			HOUSING, Courtesy Lamp
	4374 171	1			LENS, Courtesy Lamp
					CARPET, Console Formed w/o Passive Restraint System
	V296 FC5	1			Blue
	V296 GR8	1			Red
	V296 GL7	1			Taupe
	V296 FS8	1			Charcoal w/Passive Restraint System
	F298 FC5	1	21		Blue
	F298 GR8	1	21		Red
	F298 GL7	1	21		Taupe
	F298 FS8	1	21		Charcoal
	V340-1 FS8	1	27		Charcoal
	V340-1 FC5	1	27		Blue
	V340-1 GR8	1	27		Red
	V340-1 GL7	1	27		Taupe
3					SCREW (DNS)
4					BRACKET, Console Mtg.
	4409 978	1	21		
	4410 414	1	27		
5	4373 033	1			SHELL and CLAMP, C/Lighter
6	4373 032	1			ELEMENT, C/Lighter Heat
7					BEZEL, Switch
	4373 014	1			w/Heated Backlite and Electric Windows
	4373 015	1			w/Heated Backlite
	4373 098	1			w/Heated Backlite, Electric Windows and Convertible Top
	4373 016	1			Blank
	4221 928	AR			PLATE, Switch Opening Cover

MODEL CODES

C BODY = (D41 - DYNASTY)(C41 - NEW YORKER)
 E BODY = (J - CARAVELLE)(E - 600)(T - NEW YORKER TURBO)
 G BODY = (V24 - DAYTONA, PACIFICA & SHELBY)
 H BODY = (D44 - LANCER)(C44 - LEBARON GTS)
 J BODY = (C - LEBARON)
 K BODY = (P - RELIANT)(D - ARIES)(C - LEBARON/ TOWN & COUNTRY)

L BODY = (M - HORIZON)(Z-OMNI)
 M BODY = (B - GRAN FURY)(G - DIPLOMAT)(F - FIFTH AVENUE/NEWPORT)
 P BODY = (P - SUNDANCE)(D - SHADOW)
 Q BODY = (C27 - MASERATI)
 S BODY = (H - VOYAGER)(K - RAM VAN/ CARAVAN)

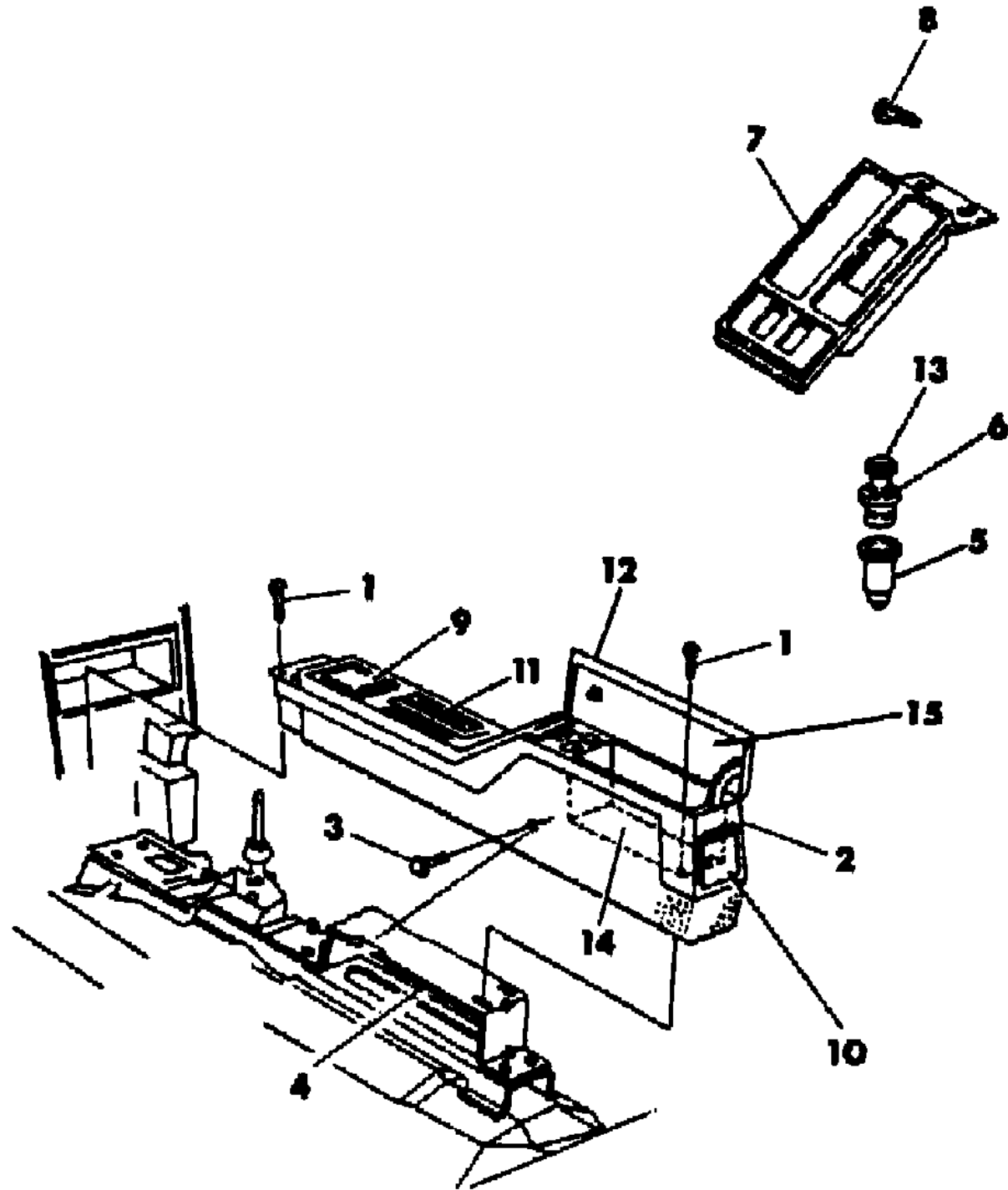
BODY STYLES

12-52 = FWD VAN & WAGON STD. W.B. 27 = 2-DOOR CONVERTIBLE
 13-53 = FWD VAN & WGN EXT W.B. 41 = 4-DOOR SEDAN
 21 = 2-DOOR SEDAN 44 = 4-DOOR HATCHBACK
 24 = 2-DOOR HATCHBACK 45 = 4-DOOR STATION WAGON

AR = Use as Required - = Non Illustrated Part P.A.R. = Paint as Required

CONSOLE, CENTER J BODY
Figure 8A-1600

8182 1600 B



ITEM	PART NUMBER	QTY	BODY	MODEL	DESCRIPTION
	6024 214	2			U-NUT, Bezel
8					SCREW (DNS)
9					RECEIVER, Ash
	4283 194	1	21		
	4410 140	1	27		
10		1	27		BEZEL, Ash Receiver, Serviced in Item 2
	4247 034	1			RECEIVER, Ash
	4247 113	1			SNUFFER, Ash Receiver
		1			LID, Ash Receiver, Serviced in Item 11
11					BEZEL, Console
	4410 701	1	21		w/Manual Trans.
	4410 047	1	21		w/Auto Trans.
			27		See Group 21, Shift Control
12					LID ASSEMBLY, Console
	F302 CS8	1	21		Charcoal
	F302 FC5	1	21		Blue
	F302 GR8	1	21		Red
	F302 GL7	1	21		Taupe
	V509 FS8	1	27		Charcoal
	V509 FC5	1	27		Blue
	V509 GR8	1	27		Red
	V509 GL7	1	27		Taupe
	4381 290	1	27		HINGE, Lid
	4247 211	1			CATCH, Console Lid
13	4221 761	1			KNOB, C/Lighter
14					CARPET, Access Panel
	V152-3 FC5	1			Blue
	V152-3 GR8	1			Red
	V152-3 GL7	1			Taupe
	V152-3 FS8	1			Charcoal
15	4247 254	1	21		COVER, Lid

MODEL CODES

C BODY = (D41 - DYNASTY)(C41 - NEW YORKER)
 E BODY = (J - CARAVELLE)(E - 600)(T - NEW YORKER TURBO)
 G BODY = (V24 - DAYTONA, PACIFICA & SHELBY)
 H BODY = (D44 - LANCER)(C44 - LEBARON GTS)
 J BODY = (C - LEBARON)
 K BODY = (P - RELIANT)(D - ARIES)(C - LEBARON/ TOWN & COUNTRY)

L BODY = (M - HORIZON)(Z-OMNI)
 M BODY = (B - GRAN FURY)(G - DIPLOMAT)(F - FIFTH AVENUE/NEWPORT)
 P BODY = (P - SUNDANCE)(D - SHADOW)
 Q BODY = (C27 - MASERATI)
 S BODY = (H - VOYAGER)(K - RAM VAN/ CARAVAN)

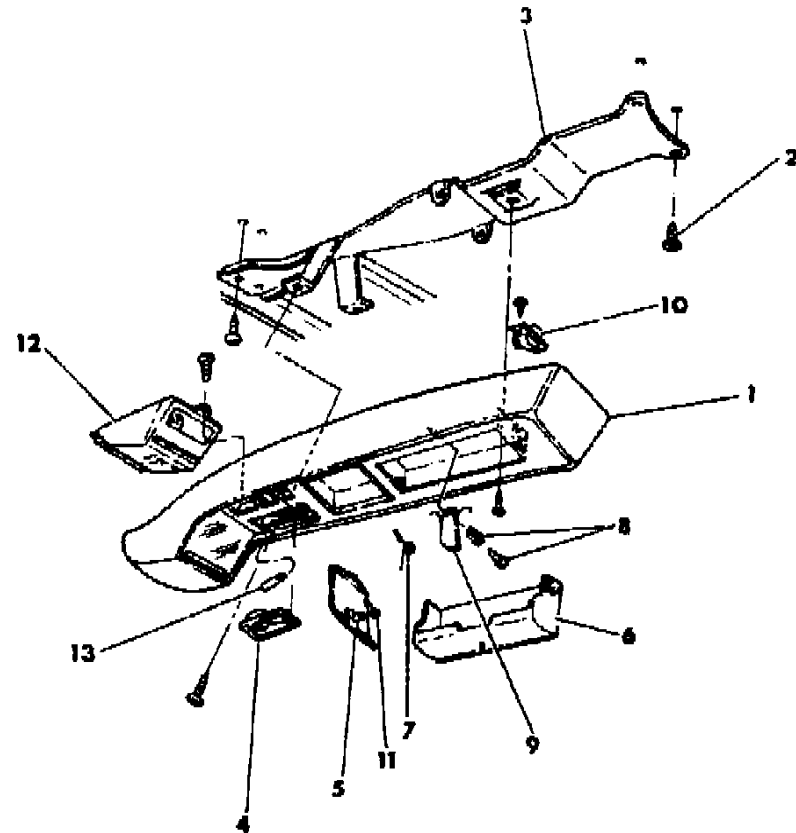
BODY STYLES

12-52 = FWD VAN & WAGON STD. W.B. 27 = 2-DOOR CONVERTIBLE
 13-53 = FWD VAN & WGN EXT W.B. 41 = 4-DOOR SEDAN
 21 = 2-DOOR SEDAN 44 = 4-DOOR HATCHBACK
 24 = 2-DOOR HATCHBACK 45 = 4-DOOR STATION WAGON

AR = Use as Required - = Non Illustrated Part P.A.R. = Paint as Required

CONSOLE, OVERHEAD J BODY
Figure 8A-1610

8182 1610



ITEM	PART NUMBER	QTY	BODY	MODEL	DESCRIPTION
1					HOUSING, Console
	V542 GS8	1			Charcoal
	V542 GC5	1			Blue
	V542 GR8	1			Red
	V542 GL7	1			Taupe
	4400 564	1			WIRING, Console
2	9414 722	AR			SCREW
3	4473 877	1			BRACKET, Console Mtg.
4	4309 862-3	1			LENS, Reading Lamp
	4410 180-1	1			BUTTON, Lamp
5	4309 856	1			DOOR, G.D.O.
6	4309 859	1			DOOR, Sunglass Bin
7	4410 172	1			SPRING, Sunglass Door
8	4410 178	1			RETAINER, Sunglass Door
9	4410 177	1			LATCH, Sunglass Door
10	4309 336	1			DAMPER, Sunglass Door
11	4410 182	2			PIN, G.D.O. Actuating
12	4374 061	1			COMPASS, w/Temperature Unit
13	9437 173	2			BULB

MODEL CODES

C BODY = (D41 - DYNASTY)(C41 - NEW YORKER)
 E BODY = (J - CARAVELLE)(E - 600)(T - NEW YORKER TURBO)
 G BODY = (V24 - DAYTONA, PACIFICA & SHELBY)
 H BODY = (D44 - LANCER)(C44 - LEBARON GTS)
 J BODY = (C - LEBARON)
 K BODY = (P - RELIANT)(D - ARIES)(C - LEBARON/ TOWN & COUNTRY)

L BODY = (M - HORIZON)(Z-OMNI)
 M BODY = (B - GRAN FURY)(G - DIPLOMAT)(F - FIFTH AVENUE/NEWPORT)
 P BODY = (P - SUNDANCE)(D - SHADOW)
 Q BODY = (C27 - MASERATI)
 S BODY = (H - VOYAGER)(K - RAM VAN/ CARAVAN)

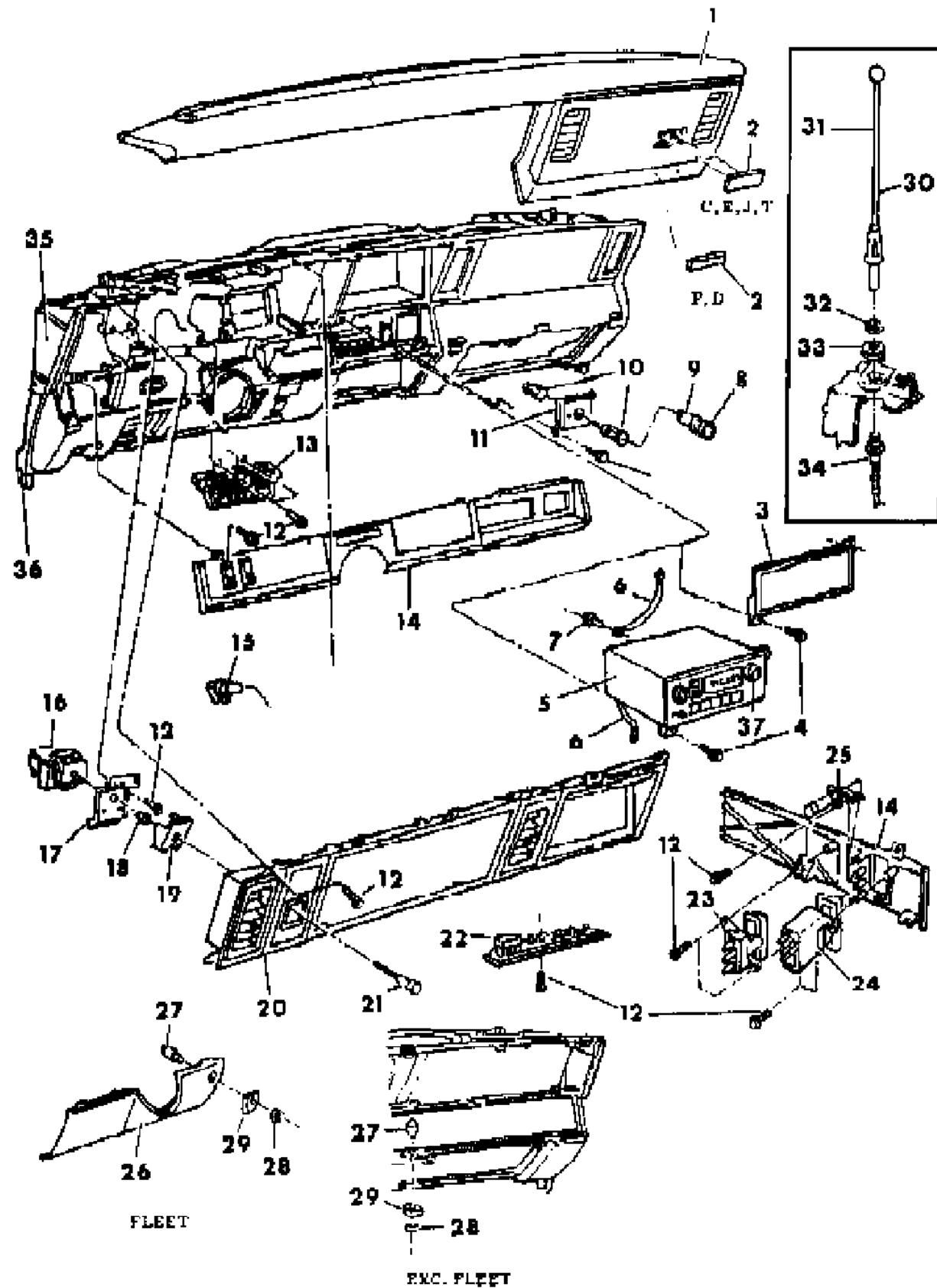
BODY STYLES

12-52 = FWD VAN & WAGON STD. W.B. 27 = 2-DOOR CONVERTIBLE
 13-53 = FWD VAN & WGN EXT W.B. 41 = 4-DOOR SEDAN
 21 = 2-DOOR SEDAN 44 = 4-DOOR HATCHBACK
 24 = 2-DOOR HATCHBACK 45 = 4-DOOR STATION WAGON

AR = Use as Required - = Non Illustrated Part P.A.R. = Paint as Required

INSTRUMENT PANEL PAD, BEZELS, RADIO AND ANTENNA K,E BODY
Figure 8A-1700

8182 1700 A



ITEM	PART NUMBER	QTY	BODY	MODEL	DESCRIPTION
1					PAD, Instrument Panel
	P532 DS8	1	P,D		Charcoal
	P532 FC5	1	P,D		Blue
	P532 EK1	1	P,D		Almond
	P532 EE8	1	P,D		Cordovan
	P391 FC5	1	C,J,E,T		Blue
	P391 EE8	1	C,J,E,T		Cordovan
	P391 EK1	1	C,J,E,T		Almond
	P391 DS8	1	C,J,E,T		Charcoal
	4364 473	1	P,D		MOULDING, I/Panel Pad
	6028 976	5	P,D		CLIP, Moulding Att.
2					NAME PLATE, Instrument Panel Pad
	4311 617	1			"Caravelle"
	4311 150	1			"Le Baron"
	4311 158	1			"600"
	4311 154	1			"Town & Country"
	4311 160	1			"New Yorker"
	4311 185	1			"Aries"
	4311 184	1			"Reliant"
	0445 153	2			NUT, Name Plate Att.
	6029 168	AR			CLIP, Name Plate Attaching
3	4220 482	1			PLATE, Radio Opening, w/o Radio
4	6031 665	1			SCREW, Radio Att.
5					RADIO
	4311 002	1			AM
	4372 444	1			Infinity Sound, Up to 11-18-87, w/Graphic Equalizer
	4469 084	1			Infinity Sound, After 11-18-87, w/Graphic Equalizer, Used w/ Discplayer
	4430 009	1			AM/FM/MX Standard (Bright Face)
	4311 956	1			AM/FM/MX Standard (Black Face)
	4372 536	1			AM/FM/MX Premium, w/Cassette
6					STRAP, Radio Ground (DNS)
7		1			SCREW (DNS)
8	3747 763	1			KNOB, C/Lighter
9	3004 190	1			ELEMENT, C/Lighter
10	3747 633	1			SHELL and CLAMP, C/Lighter
11	4221 391	1	C,J,E,T		BEZEL, C/Lighter

MODEL CODES

C BODY = (D41 - DYNASTY)(C41 - NEW YORKER)
 E BODY = (J - CARAVELLE)(E - 600)(T - NEW YORKER TURBO)
 G BODY = (V24 - DAYTONA, PACIFICA & SHELBY)
 H BODY = (D44 - LANCER)(C44 - LEBARON GTS)
 J BODY = (C - LEBARON)
 K BODY = (P - RELIANT)(D - ARIES)(C - LEBARON/ TOWN & COUNTRY)

L BODY = (M - HORIZON)(Z-OMNI)
 M BODY = (B - GRAN FURY)(G - DIPLOMAT)(F - FIFTH AVENUE/NEWPORT)
 P BODY = (P - SUNDANCE)(D - SHADOW)
 Q BODY = (C27 - MASERATI)
 S BODY = (H - VOYAGER)(K - RAM VAN/ CARAVAN)

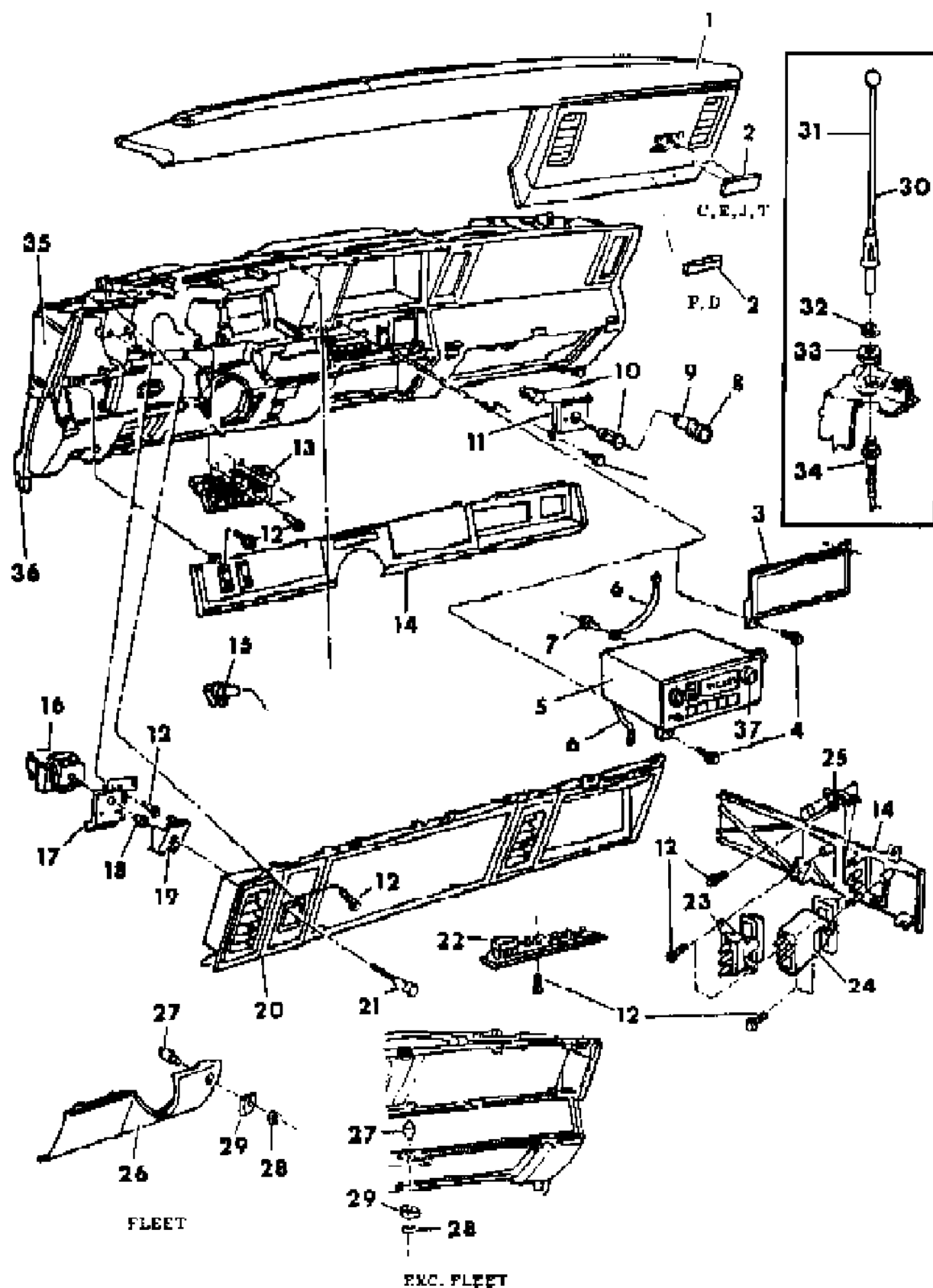
BODY STYLES

12-52 = FWD VAN & WAGON STD. W.B. 27 = 2-DOOR CONVERTIBLE
 13-53 = FWD VAN & WGN EXT W.B. 41 = 4-DOOR SEDAN
 21 = 2-DOOR SEDAN 44 = 4-DOOR HATCHBACK
 24 = 2-DOOR HATCHBACK 45 = 4-DOOR STATION WAGON

AR = Use as Required - = Non Illustrated Part P.A.R. = Paint as Required

INSTRUMENT PANEL PAD, BEZELS, RADIO AND ANTENNA K,E BODY
Figure 8A-1700

8182 1700 A



ITEM	PART NUMBER	QTY	BODY	MODEL	DESCRIPTION
	4221 692	1		P,D	
	P199 VX9	1			BEZEL, C/Lighter Mounting
12		2			SCREW (DNS)
13					INDICATOR, Gear Selector
	4220 096	1			w/Auto Trans.
	4220 097	1			w/Manual Trans.
	4047 594	1			COVER, Gear Selector ("Front Wheel Drive")
	4312 921	1			LAMP, Fuel Pacer Indicator
	6032 456	2			SCREW, Fuel Pacer Indicator Lamp
14					BEZEL, Lower Left
	4311 081	1		C,J,E,T	w/One Switch Opening
	4312 694	1		P,D	w/One Switch Opening,Woodgrain
	4311 083	1		C,J,E,T	w/Two Switch Opening
	4312 695	1		P,D	w/Two Switch Opening,Woodgrain
	4311 079	1		C,J,E,T	w/o Switch Opening
	4312 693	1		P,D	w/o Switch Opening,Woodgrain
15	4374 072	AR			SOCKET, Instrument Cluster
	4312 947	AR			Message Center
16					SWITCH, Headlamp
	4373 135	1		C,J,E,T	
	4373 134	1		P,D	
17	4221 227	1			PLATE, Headlamp Switch Mounting
18	4221 063	1			RETAINER, Headlamp Switch
19	3747 863	1			ESCUTCHEON, Headlamp Switch Mounting
20					BEZEL, Instrument Cluster
	4374 886	1		PL,PM,DL,DM	w/o Ind. Lamp Module
	4374 884	1		PH,PP,DH,DP	w/o Ind. Lamp Module
	4374 888	1		C,J,E,T	w/o Ind. Lamp Module
	4374 890	1		C,J,E,T	w/Ind. Lamp Module
	4374 894	1			w/Electronic Cluster
	6032 216	5			CLIP, Bezel Attaching
21	#3747 760	1		C,J,E,T	KNOB and SHAFT, H/Lamp Switch
	4221 636	1		P,D	
22					MODULE, Warning Indicator Lamp
	4374 379	1			Electronic Cluster
	4374 380	1			Mechanical Cluster and Message Center
	4374 382	1		P,D,C 45	

MODEL CODES

C BODY = (D41 - DYNASTY)(C41 - NEW YORKER)
 E BODY = (J - CARAVELLE)(E - 600)(T - NEW YORKER TURBO)
 G BODY = (V24 - DAYTONA, PACIFICA & SHELBY)
 H BODY = (D44 - LANCER)(C44 - LEBARON GTS)
 J BODY = (C - LEBARON)
 K BODY = (P - RELIANT)(D - ARIES)(C - LEBARON/ TOWN & COUNTRY)

L BODY = (M - HORIZON)(Z-OMNI)
 M BODY = (B - GRAN FURY)(G - DIPLOMAT)(F - FIFTH AVENUE/NEWPORT)
 P BODY = (P - SUNDANCE)(D - SHADOW)
 Q BODY = (C27 - MASERATI)
 S BODY = (H - VOYAGER)(K - RAM VAN/ CARAVAN)

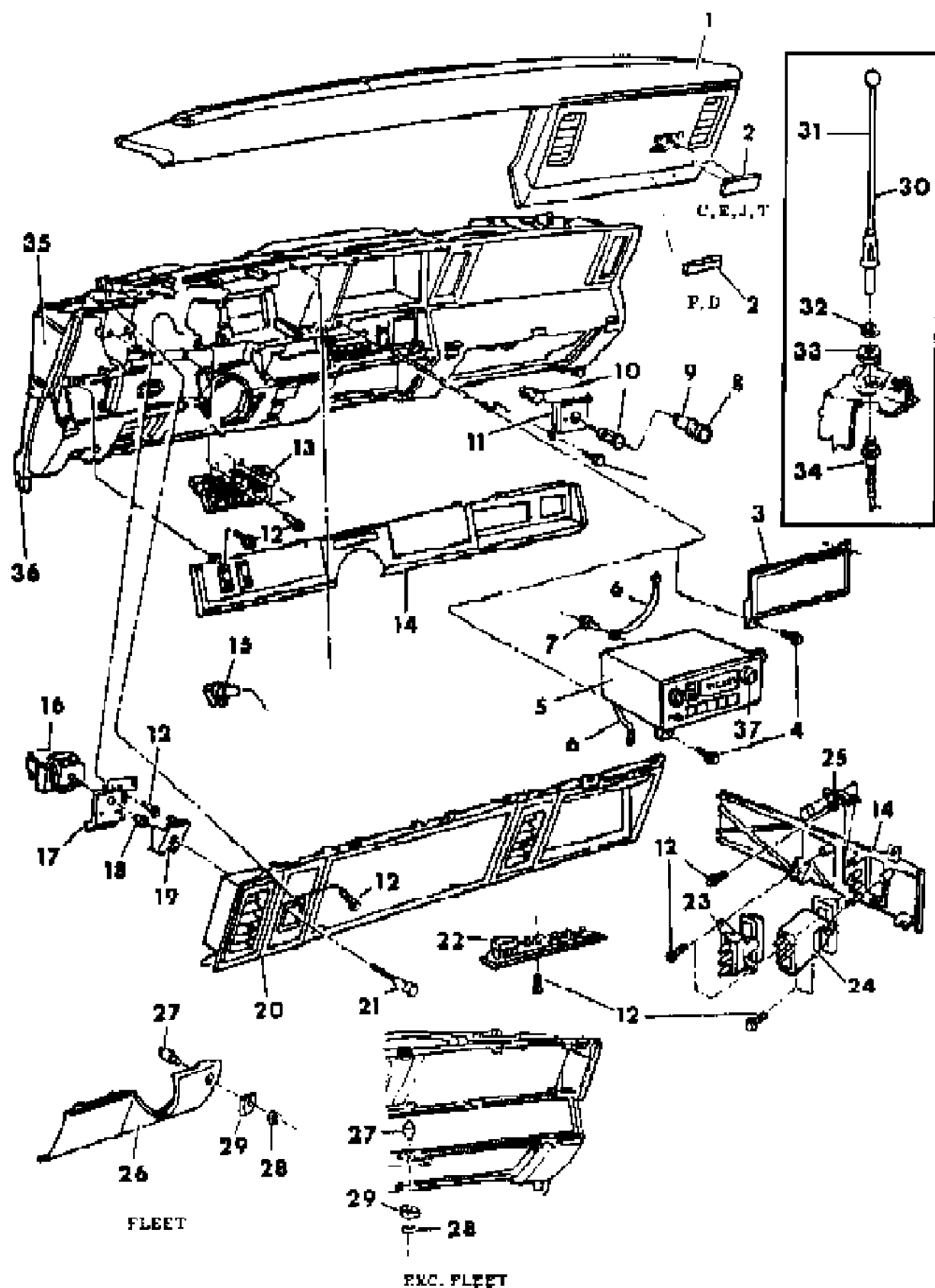
BODY STYLES

12-52 = FWD VAN & WAGON STD. W.B. 27 = 2-DOOR CONVERTIBLE
 13-53 = FWD VAN & WGN EXT W.B. 41 = 4-DOOR SEDAN
 21 = 2-DOOR SEDAN 44 = 4-DOOR HATCHBACK
 24 = 2-DOOR HATCHBACK 45 = 4-DOOR STATION WAGON

AR = Use as Required - = Non Illustrated Part P.A.R. = Paint as Required

INSTRUMENT PANEL PAD, BEZELS, RADIO AND ANTENNA K,E BODY
Figure 8A-1700

8182 1700 A



ITEM	PART NUMBER	QTY	BODY	MODEL	DESCRIPTION
23	4221 080	1		C 45	SWITCH, Rear Wipe/Wash
	4221 389	1		P,D 45	
24	4221 078	1		C,J,E,T	SWITCH, Heated Backlite
	4221 627	1		P,D	
25	4221 239	1			LAMP, Accessory Switch Nomenclature One Switch
	4221 240	1			Two Switch
26	P688 EK1	1			COVER, Steering Column Opening
	6500 442	AR			CLIP, Cover
27	3747 154	1			SWITCH, Remote Deck Lid and Liftgate
	3747 875	1			BEZEL, Remote Deck Lid and Liftgate Switch
28	6028 824	1			NUT, Switch
29	3747 875	1			BEZEL, Switch
30	4469 016	1			MAST, Antenna
31	4494 010	1		TP	MAST PACKAGE, Power Antenna
	4469 064	1		TP	ANTENNA ASSEMBLY, Power
32	4372 137	1			NUT, Cap
	4372 012	1		TP	w/Power Antenna
33	4372 143	1			ADAPTER and PAD, Antenna
	4372 013	1		TP	w/Power Antenna
34	4372 117	1			BODY and CABLE, Antenna
	4372 113	1		TP	w/Power Antenna
	4222 723	1			LOCK WASHER
	4222 731	1			PLUG, Antenna Hole
35	P425 FK1	1			PANEL, Instrument
36	4047 568-9	1			SUPPORT, Lower Reinforcement End
37					KNOB, Radio
	4311 334	2			Primary
	4311 337	1			Bass
					Secondary
	4311 329	1		C,J,E,T	
	4311 341	1		P,D	
	4311 339	1			Treble

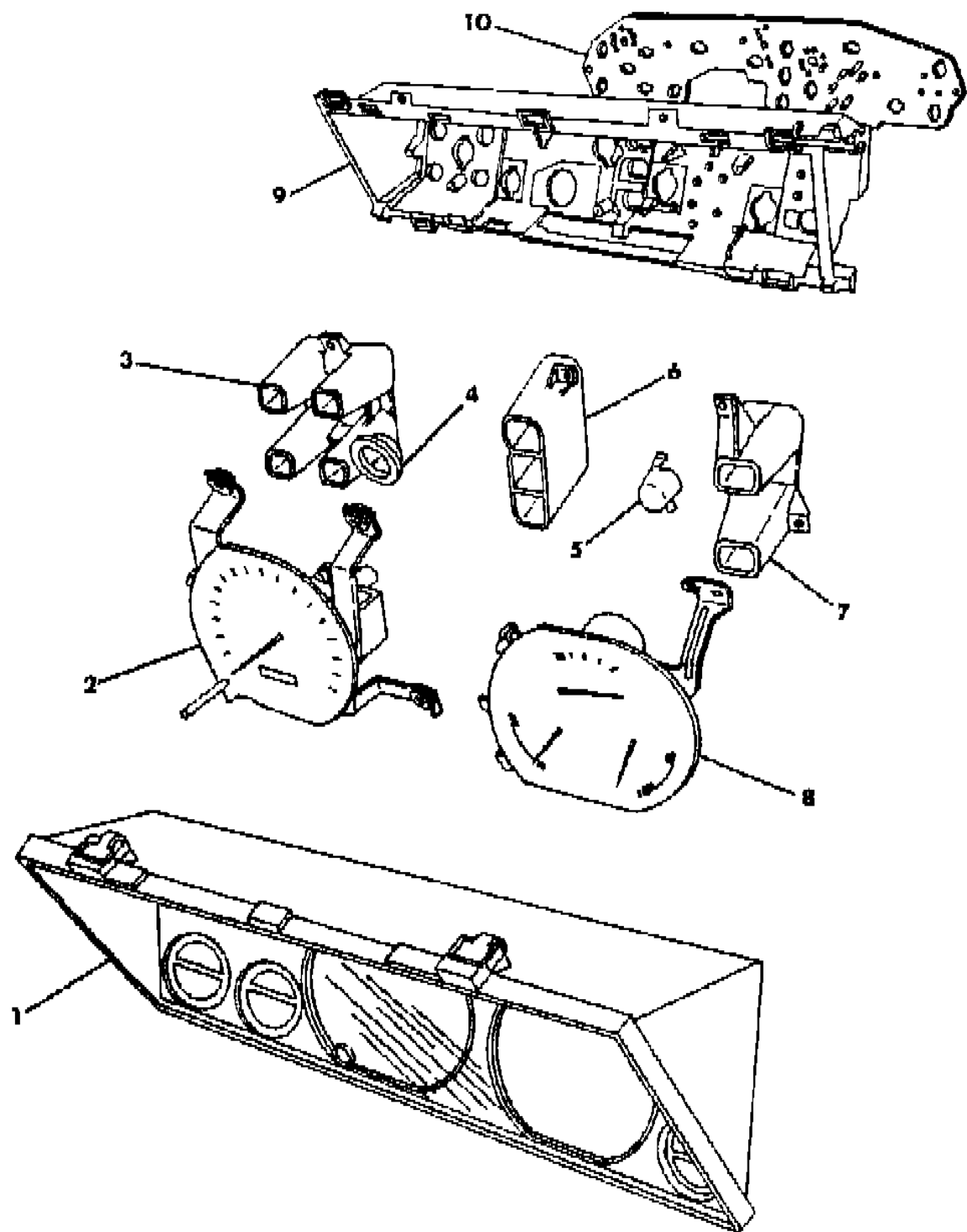
MODEL CODES
 C BODY = (D41 - DYNASTY)(C41 - NEW YORKER)
 E BODY = (J - CARAVELLE)(E - 600)(T - NEW YORKER TURBO)
 G BODY = (V24 - DAYTONA, PACIFICA & SHELBY)
 H BODY = (D44 - LANCER)(C44 - LEBARON GTS)
 J BODY = (C - LEBARON)
 K BODY = (P - RELIANT)(D - ARIES)(C - LEBARON/ TOWN & COUNTRY)
 L BODY = (M - HORIZON)(Z-OMNI)
 M BODY = (B - GRAN FURY)(G - DIPLOMAT)(F - FIFTH AVENUE/NEWPORT)
 P BODY = (P - SUNDANCE)(D - SHADOW)
 Q BODY = (C27 - MASERATI)
 S BODY = (H - VOYAGER)(K - RAM VAN/ CARAVAN)

BODY STYLES
 12-52 = FWD VAN & WAGON STD. W.B. 27 = 2-DOOR CONVERTIBLE
 13-53 = FWD VAN & WGN EXT W.B. 41 = 4-DOOR SEDAN
 21 = 2-DOOR SEDAN 44 = 4-DOOR HATCHBACK
 24 = 2-DOOR HATCHBACK 45 = 4-DOOR STATION WAGON

AR = Use as Required - = Non Illustrated Part P.A.R. = Paint as Required

INSTRUMENT PANEL CLUSTER K,E
Figure 8A-1710

8182 1710 A



ITEM	PART NUMBER	QTY	BODY	MODEL	DESCRIPTION
	4437 266	1			CLUSTER, Electronic
1					MASK and LENS
	4439 072	1		P,D	
	4439 074	1		C,J,E,T	
2	4051 786	1			SPEEDOMETER
	4051 796	1			KNOB and SHAFT, Odometer
3	4375 190	1			CHIMNEY, Warning Lamp
4	4051 412	1			GROMMET, Speedometer to Housing
5	4051 529	AR			DIFFUSER, Bulb
6	4051 774	1			CHIMNEY, Warning Lamp
7	4051 775	1			CHIMNEY, Warning Lamp
8	4375 010	1			GAUGE, Fuel/Volt/Temperature
9	4375 189	1			HOUSING, Cluster
10	4375 193	1			BOARD, Circuit

MODEL CODES

C BODY = (D41 - DYNASTY)(C41 - NEW YORKER)
 E BODY = (J - CARAVELLE)(E - 600)(T - NEW YORKER TURBO)
 G BODY = (V24 - DAYTONA, PACIFICA & SHELBY)
 H BODY = (D44 - LANCER)(C44 - LEBARON GTS)
 J BODY = (C - LEBARON)
 K BODY = (P - RELIANT)(D - ARIES)(C - LEBARON/ TOWN & COUNTRY)

L BODY = (M - HORIZON)(Z-OMNI)
 M BODY = (B - GRAN FURY)(G - DIPLOMAT)(F - FIFTH AVENUE/NEWPORT)
 P BODY = (P - SUNDANCE)(D - SHADOW)
 Q BODY = (C27 - MASERATI)
 S BODY = (H - VOYAGER)(K - RAM VAN/ CARAVAN)

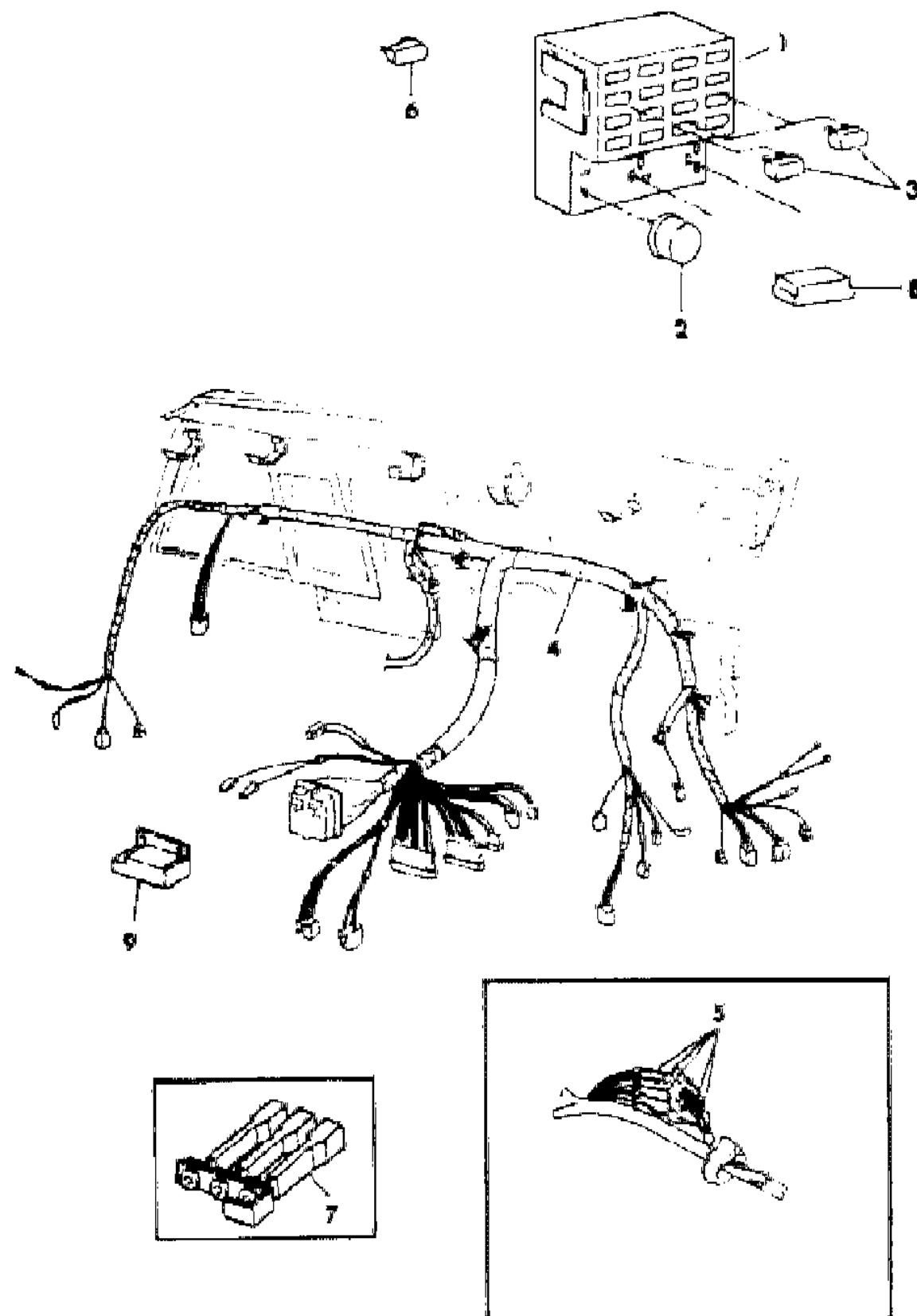
BODY STYLES

12-52 = FWD VAN & WAGON STD. W.B. 27 = 2-DOOR CONVERTIBLE
 13-53 = FWD VAN & WGN EXT W.B. 41 = 4-DOOR SEDAN
 21 = 2-DOOR SEDAN 44 = 4-DOOR HATCHBACK
 24 = 2-DOOR HATCHBACK 45 = 4-DOOR STATION WAGON

AR = Use as Required - = Non Illustrated Part P.A.R. = Paint as Required

INSTRUMENT PANEL WIRING K,E BODY
Figure 8A-1800

8182 1800



ITEM	PART NUMBER	QTY	BODY	MODEL	DESCRIPTION
1	5211 741	1			MODULE
	4304 499	1			w/Dots
	4304 612	1			w/Lettering
	2932 877	1			BRACKET, Module Mtg.
2	2932 877	1			FLASHER, Hazard Warning
					FLASHER, Turn Signal
	3837 161	1			Two Lamp
	3837 162	1			Three Lamp
3					BREAKER, Circuit
	4331 929	AR			6 Amp.
	4186 379	1			30 Amp.
4					WIRING HARNESS, Instrument Panel
	4400 224	1		P,D	Fleet
	4414 714	1		P,D	Exc. Fleet
	4414 637	1		J,E	w/Mechanical Cluster, w/Chimes
	4414 923	1		T	w/Electronic Cluster and A.T.C.
	4414 922	1		C	w/Electronic Cluster and Chimes
5					WIRING, Instrument Panel
	4368 014	1			Rear Wiper and Liftgate Release
					CABLE, Fuseible Link
	4026 095	1			No. 16 Blue
	4026 094	1			No. 14 Red
	4026 093	1			No. 12 Black
6	4026 096	1			No. 18 Gray
	4364 878	1			No. 20 Orange
					FUSES
	6101 132	AR			4 Amp.
	6101 131	AR			3 Amp.
	6101 133	AR			5 Amp.
	6101 137	AR			20 Amp.
	6101 136	AR			10 Amp.
6101 138	AR			25 Amp.	
6101 139	AR			30 Amp.	
7					TERMINAL, Buss Bar
	4124 752	1			3 Way
	4124 258	1			1 Way
8	4373 067	1			BUZZER, Key, H/Lamp and Seat Belt Warning

MODEL CODES

C BODY = (D41 - DYNASTY)(C41 - NEW YORKER)	L BODY = (M - HORIZON)(Z-OMNI)
E BODY = (J - CARAVELLE)(E - 600)(T - NEW YORKER TURBO)	M BODY = (B - GRAN FURY)(G - DIPLOMAT)(F - FIFTH AVENUE/NEWPORT)
G BODY = (V24 - DAYTONA, PACIFICA & SHELBY)	P BODY = (P - SUNDANCE)(D - SHADOW)
H BODY = (D44 - LANCER)(C44 - LEBARON GTS)	Q BODY = (C27 - MASERATI)
J BODY = (C - LEBARON)	S BODY = (H - VOYAGER)(K - RAM VAN/ CARAVAN)
K BODY = (P - RELIANT)(D - ARIES)(C - LEBARON/ TOWN & COUNTRY)	

BODY STYLES

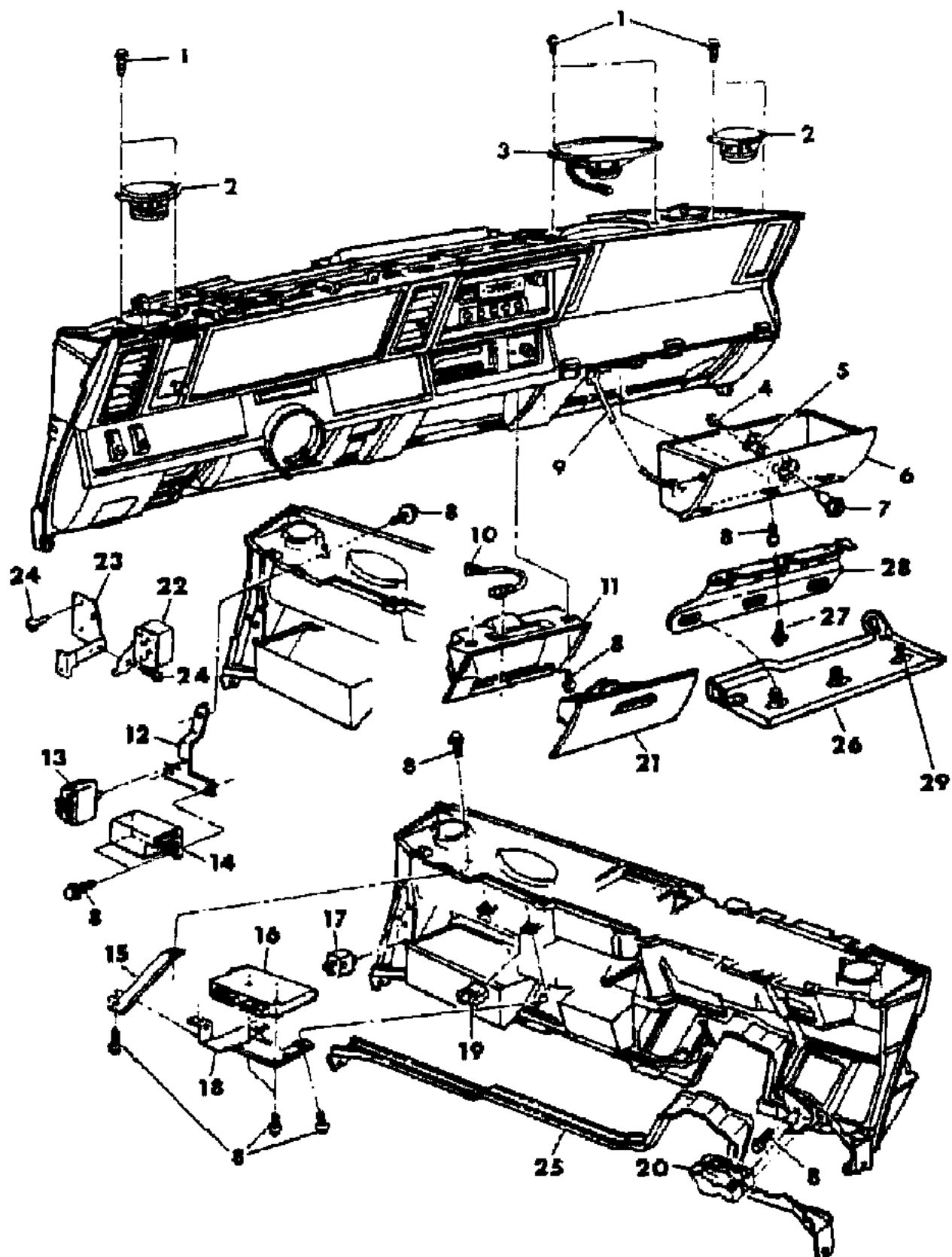
12-52 = FWD VAN & WAGON STD. W.B.	27 = 2-DOOR CONVERTIBLE
13-53 = FWD VAN & WGN EXT W.B.	41 = 4-DOOR SEDAN
21 = 2-DOOR SEDAN	44 = 4-DOOR HATCHBACK
24 = 2-DOOR HATCHBACK	45 = 4-DOOR STATION WAGON

AR = Use as Required - = Non Illustrated Part P.A.R. = Paint as Required

INSTRUMENT PANEL GLOVEBOX, SPEAKERS AND CONTROLS K,E BODY

Figure 8A-1900

8182 1900



ITEM	PART NUMBER	QTY	BODY	MODEL	DESCRIPTION
1		AR			SCREW (DNS)
2	4311 098	1			SPEAKER, Instrument Panel
	4222 528	2			w/Four Speaker System
	4311 490	AR			w/Six Speaker System
	4372 151	2			w/Infinity Sound System
	4430 171	1			CHOKE, Speaker
	4430 068	2			SPEAKER, Rear Compartment
	4372 157	2			Stereo
					w/Infinity Sound System
3	4311 098	1			SPEAKER, Instrument Panel Center
4		1			SCREW (DNS)
5	3508 886	1			LATCH, Glove Box Lock Cylinder
	4220 092	1			CATCH, Glove Box Lock
6					GLOVE BOX and DOOR
	P437 FC5	1			Blue
	P437 EE8	1			Cordovan
	P437 DS8	1			Charcoal
	P437 EK1	1			Almond
	4221 170	1			LAMP and SWITCH, Glovebox
7		1			CYLINDER, Refer to 23D
8		AR			SCREW (DNS)
9	4047 424	1			CABLE, Glove Box Door Check
10	3747 452	1			HOLDER, Ash Receiver Bulb
11	4372 860	1			HOUSING, Ash Receiver
	4311 608	1			SPRING, Ash Receiver Stop
	6028 213	1			U-NUT, Ash Rec. Housing, Right
12	4373 036	1			BRACKET, Chime and Buzzer Mounting
13	4373 067	1			BUZZER, Warning, w/o Electronic Switch
14	4312 995	1			CONTROL, Warning Signal Chimes
15	4312 023	1			SUPPORT, Voice Alert
16	4437 426	1			CONTROL, Electronic Voice Alert
17	4221 658	1			RELAY, Liftgate Release
18	4312 022	1			BRACKET, Electronic Voice Alert Mounting
19	6032 719	2			U-NUT, Voice Alert Mounting Bracket
20	4312 002	1			CONTROL, Windshield Wiper, w/Deluxe Wipers
21	4267 268	1			FACE PLATE and RECEPTACLE, Ash
	4220 887	2			BUMPER, Ash Receiver to Hsg. Att.

MODEL CODES

C BODY = (D41 - DYNASTY)(C41 - NEW YORKER)
 E BODY = (J - CARAVELLE)(E - 600)(T - NEW YORKER TURBO)
 G BODY = (V24 - DAYTONA, PACIFICA & SHELBY)
 H BODY = (D44 - LANCER)(C44 - LEBARON GTS)
 J BODY = (C - LEBARON)
 K BODY = (P - RELIANT)(D - ARIES)(C - LEBARON/ TOWN & COUNTRY)

L BODY = (M - HORIZON)(Z-OMNI)
 M BODY = (B - GRAN FURY)(G - DIPLOMAT)(F - FIFTH AVENUE/NEWPORT)
 P BODY = (P - SUNDANCE)(D - SHADOW)
 Q BODY = (C27 - MASERATI)
 S BODY = (H - VOYAGER)(K - RAM VAN/ CARAVAN)

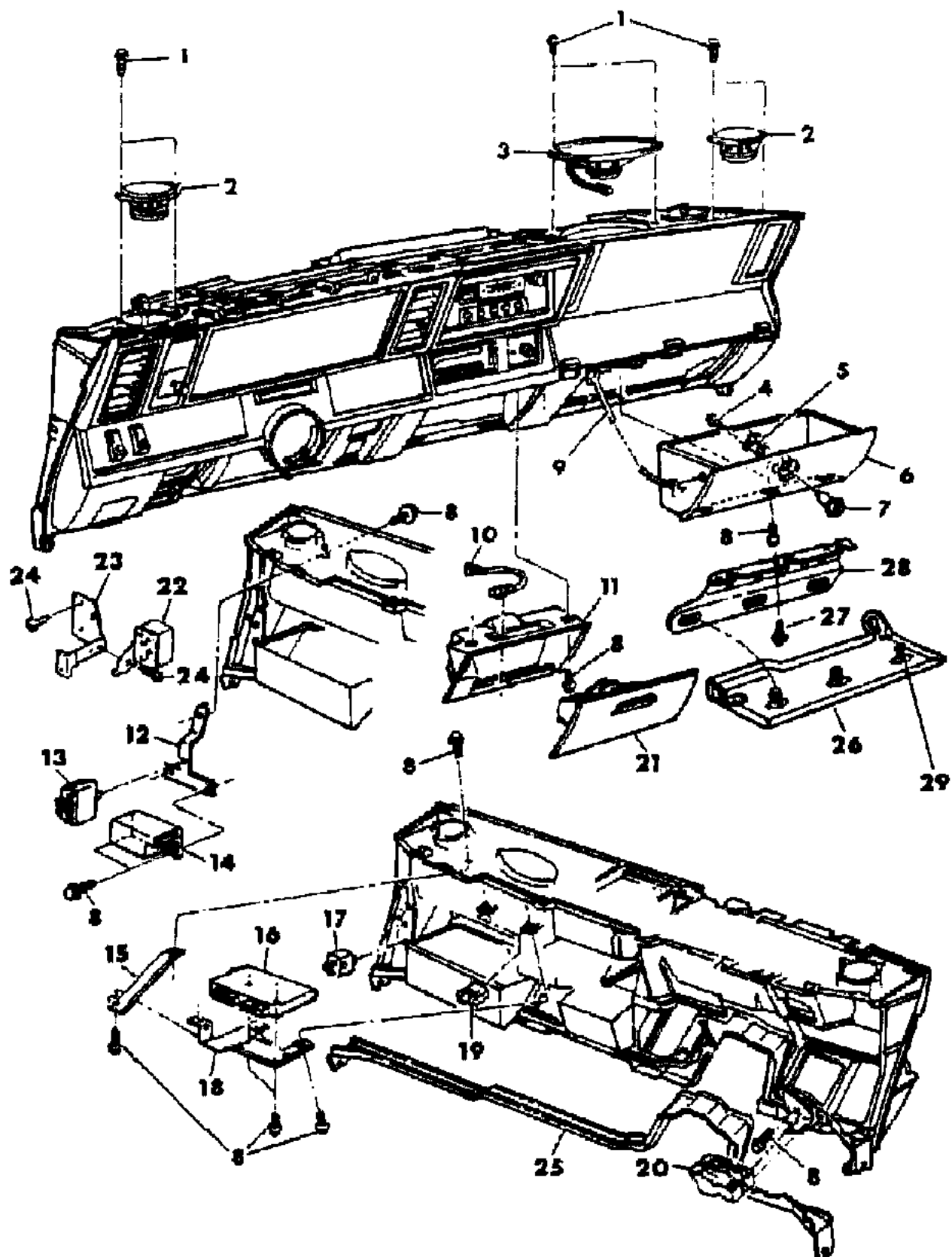
BODY STYLES

12-52 = FWD VAN & WAGON STD. W.B. 27 = 2-DOOR CONVERTIBLE
 13-53 = FWD VAN & WGN EXT W.B. 41 = 4-DOOR SEDAN
 21 = 2-DOOR SEDAN 44 = 4-DOOR HATCHBACK
 24 = 2-DOOR HATCHBACK 45 = 4-DOOR STATION WAGON

AR = Use as Required - = Non Illustrated Part P.A.R. = Paint as Required

INSTRUMENT PANEL GLOVEBOX, SPEAKERS AND CONTROLS K,E BODY
Figure 8A-1900

8182 1900



ITEM	PART NUMBER	QTY	BODY	MODEL	DESCRIPTION
22	4318 800	1			RELAY, Illuminated Entry
23	4331 559	1			BRACKET, Twenty Five Way
24		AR			SCREW (DNS)
25	4311 988	1			REINFORCEMENT, Instrument Panel Lower
26				TP	PANEL, Lower Trim, Right
	P674 EE8	1			Cordovan
	P674 ES8	1			Charcoal
	P674 FC5	1			Blue
	6501 277	1			PIN, Panel to Cowl Panel Att.
27		3			SCREW (DNS)
28	4372 025	1			BRACKET, Panel Mtg.
29	6501 272	AR			CLIP, Panel Mtg.

MODEL CODES

C BODY = (D41 - DYNASTY)(C41 - NEW YORKER)
 E BODY = (J - CARAVELLE)(E - 600)(T - NEW YORKER TURBO)
 G BODY = (V24 - DAYTONA, PACIFICA & SHELBY)
 H BODY = (D44 - LANCER)(C44 - LEBARON GTS)
 J BODY = (C - LEBARON)
 K BODY = (P - RELIANT)(D - ARIES)(C - LEBARON/ TOWN & COUNTRY)
 L BODY = (M - HORIZON)(Z-OMNI)
 M BODY = (B - GRAN FURY)(G - DIPLOMAT)(F - FIFTH AVENUE/NEWPORT)
 P BODY = (P - SUNDANCE)(D - SHADOW)
 Q BODY = (C27 - MASERATI)
 S BODY = (H - VOYAGER)(K - RAM VAN/ CARAVAN)

BODY STYLES

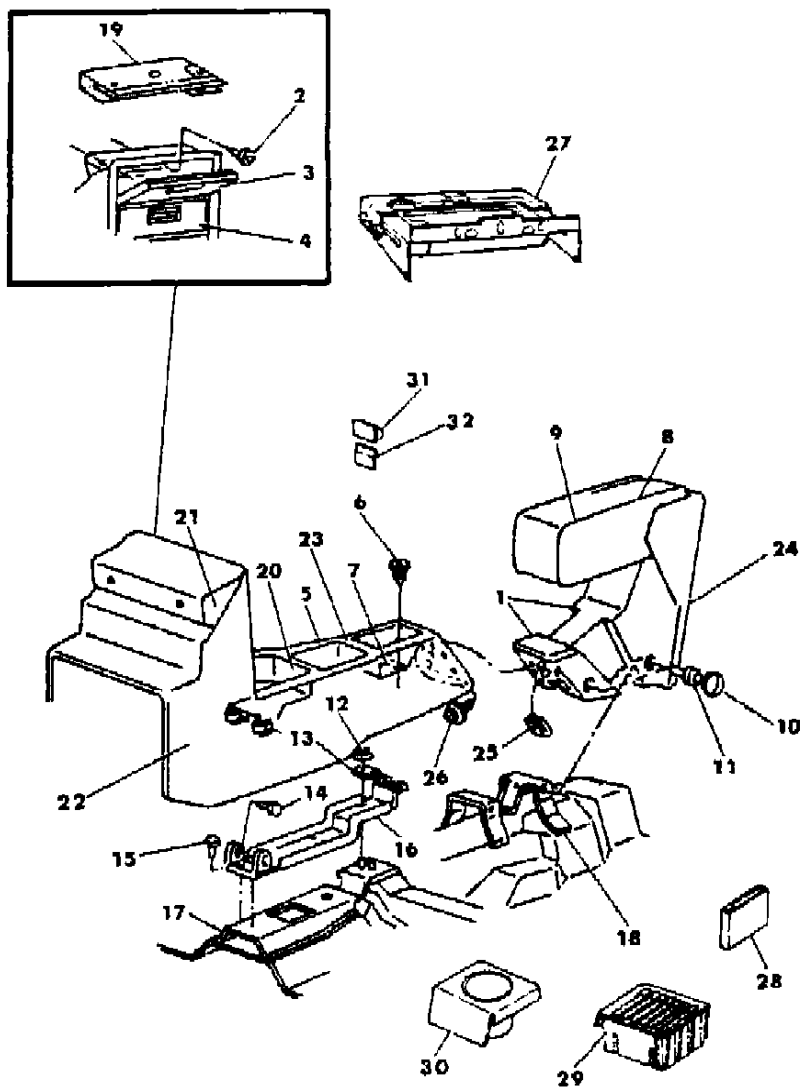
12-52 = FWD VAN & WAGON STD. W.B. 27 = 2-DOOR CONVERTIBLE
 13-53 = FWD VAN & WGN EXT W.B. 41 = 4-DOOR SEDAN
 21 = 2-DOOR SEDAN 44 = 4-DOOR HATCHBACK
 24 = 2-DOOR HATCHBACK 45 = 4-DOOR STATION WAGON

AR = Use as Required - = Non Illustrated Part P.A.R. = Paint as Required

CONSOLE AND ARM REST K BODY

Figure 8A-2000

8182 2000



ITEM	PART NUMBER	QTY	BODY	MODEL	DESCRIPTION
1	4364 482	1			HOUSING, Arm Rest
	4283 710	1			BRACKET, Folding Armrest
2		2			SCREW (DNS)
3	4283 343	1			DOOR, Cubby Box
4	4311 475	1			ASH RECEIVER
5	F440 EK1	1			BASE, Console
6		AR			SCREW (DNS)
7	4283 338	1			LINER
8-9					ARM REST and COVER
					Cloth
	F415 FC5	1			M5C
	F415 EE8	1			M5E8
	F415 EK1	1			M5K1
	F415 DS8	1			M5S
					Vinyl
	F244 EE8	1			V8E8
	F244 EK1	1			V8K1
9		1			COVER, Arm Rest
10	F515 EK1	4			PLUG, Arm Rest Mounting Hole
11	0181 063	4			SCREW and WASHER
12	6100 050	2			NUT
13		1			PLATE, Console Bracket to Floor Bracket (DNS)
14		2			SCREW (DNS)
15	6032 557	4			SCREW
16	4282 374	1			BRACKET, Console to Floor Mounting
17					BRACKET, Refer to 23A
18	4283 225	1			BRACKET, Arm Rest Mounting
19	4311 086	1			BRACKET, Instrument Panel Console Mtg.
20	F533 EK1	1			COVER, Console Access Opening
21		1			FILLER, Console to Instrument Panel, Serviced in Item 5
22		1			PANEL, Console Side Trim, Serviced in Item 5
23	4283 340	1			BEZEL, Manual Shift Opening
24	F497 EK1	1			COVER, Rear Arm Rest
25	0152 490	4			U-NUT
26					SCREW (DNS)
27	4309 494	1			SLIDE, Ash Receiver
28	4283 336	1			HOLDER, Cassette Storage

MODEL CODES

C BODY = (D41 - DYNASTY)(C41 - NEW YORKER)
 E BODY = (J - CARAVELLE)(E - 600)(T - NEW YORKER TURBO)
 G BODY = (V24 - DAYTONA, PACIFICA & SHELBY)
 H BODY = (D44 - LANCER)(C44 - LEBARON GTS)
 J BODY = (C - LEBARON)
 K BODY = (P - RELIANT)(D - ARIES)(C - LEBARON/ TOWN & COUNTRY)

L BODY = (M - HORIZON)(Z-OMNI)
 M BODY = (B - GRAN FURY)(G - DIPLOMAT)(F - FIFTH AVENUE/NEWPORT)
 P BODY = (P - SUNDANCE)(D - SHADOW)
 Q BODY = (C27 - MASERATI)
 S BODY = (H - VOYAGER)(K - RAM VAN/ CARAVAN)

BODY STYLES

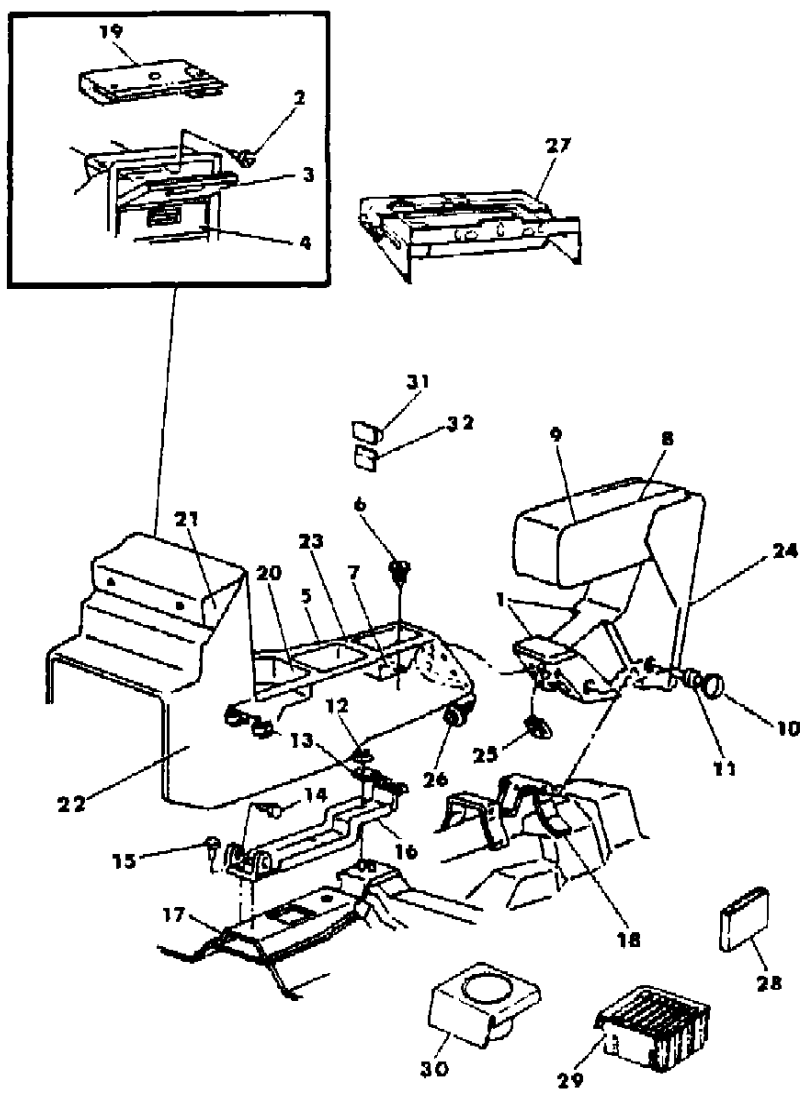
12-52 = FWD VAN & WAGON STD. W.B. 27 = 2-DOOR CONVERTIBLE
 13-53 = FWD VAN & WGN EXT W.B. 41 = 4-DOOR SEDAN
 21 = 2-DOOR SEDAN 44 = 4-DOOR HATCHBACK
 24 = 2-DOOR HATCHBACK 45 = 4-DOOR STATION WAGON

AR = Use as Required - = Non Illustrated Part P.A.R. = Paint as Required

CONSOLE AND ARM REST K BODY
Figure 8A-2000

8182 2000

ITEM	PART NUMBER	QTY	BODY	MODEL	DESCRIPTION
29	4410 202	1			BOX, Cassette Storage, w/Seven Cassettes
	4311 967	1			w/Five Cassettes
30	4282 367	1			HOLDER, Cup
31	4381 022	1			HOLDER, Coin
32	4283 339	1			RETAINER, Coin Holder



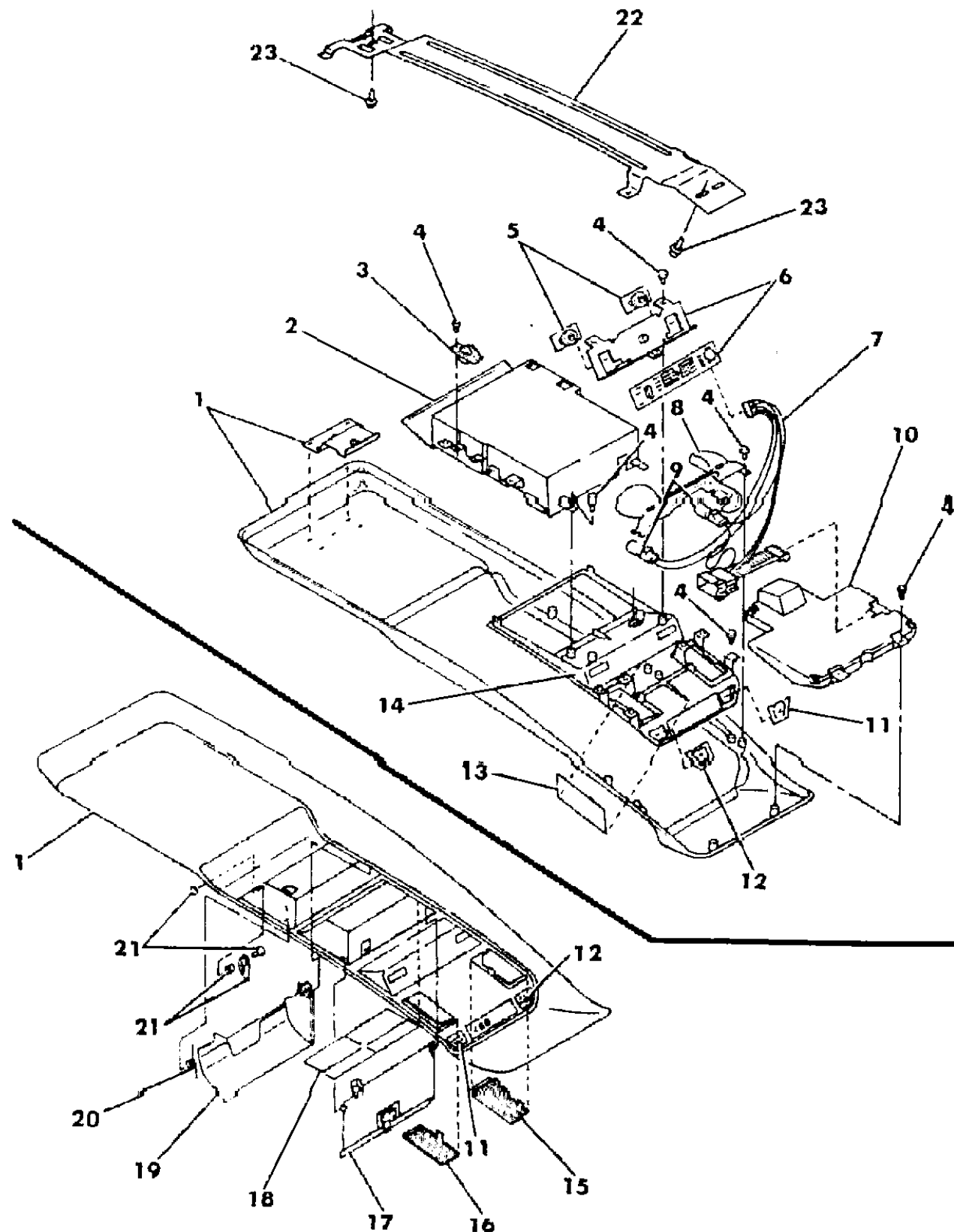
MODEL CODES
 C BODY = (D41 - DYNASTY)(C41 - NEW YORKER)
 E BODY = (J - CARAVELLE)(E - 600)(T - NEW YORKER TURBO)
 G BODY = (V24 - DAYTONA, PACIFICA & SHELBY)
 H BODY = (D44 - LANCER)(C44 - LEBARON GTS)
 J BODY = (C - LEBARON)
 K BODY = (P - RELIANT)(D - ARIES)(C - LEBARON/ TOWN & COUNTRY)
 L BODY = (M - HORIZON)(Z-OMNI)
 M BODY = (B - GRAN FURY)(G - DIPLOMAT)(F - FIFTH AVENUE/NEWPORT)
 P BODY = (P - SUNDANCE)(D - SHADOW)
 Q BODY = (C27 - MASERATI)
 S BODY = (H - VOYAGER)(K - RAM VAN/ CARAVAN)

BODY STYLES
 12-52 = FWD VAN & WAGON STD. W.B. 27 = 2-DOOR CONVERTIBLE
 13-53 = FWD VAN & WGN EXT W.B. 41 = 4-DOOR SEDAN
 21 = 2-DOOR SEDAN 44 = 4-DOOR HATCHBACK
 24 = 2-DOOR HATCHBACK 45 = 4-DOOR STATION WAGON

AR = Use as Required - = Non Illustrated Part P.A.R. = Paint as Required

CONSOLE, OVERHEAD E BODY NEW YORKER
Figure 8A-2200

8182 2200



ITEM	PART NUMBER	QTY	BODY	MODEL	DESCRIPTION
1					HOUSING, Console
	H529 FC5	1			Blue
	H529 EE8	1			Cordovan
	H529 EK1	1			Almond
	H529 DS8	1			Charcoal
2	4381 270	1			HOUSING, Sunglass and Garage Opener Storage
	4397 895	1			FOAM PAD PACKAGE, Sunglass Bin
3	4309 336	1			DEVICE, Viscous Dampening
4		AR			SCREW (DNS)
5	4309 335	2			BUTTON, Lamp
6	4381 894	1			SWITCH, Map Lamp w/Board
7					HARNESS, Wiring
	4439 046	1			w/Compass and Temperature Assy.
	4381 895	1			w/o Compass and Temperature Assy.
8	4309 333	1			BRACKET, Reflector
9	9437 173	2			BULB
10	4439 047	1			COMPASS, w/Temperature Unit
11	4309 332	1			BUTTON, Compass and Temperature
12	4309 331	1			BUTTON, U.S./Metric
13	4309 338	1			SHIELD, Light w/o Compass and Temperature Assy.
14					PANEL, Center
	4381 272	1			w/Compass and Temperature Assy.
	4381 271	1			w/o Compass and Temperature Assy.
15	4283 818	1			LENS, Right
16	4283 819	1			LENS, Left
17	4381 269	1			DOOR, Bin
18	4309 345	1			HOOK, Housing
19	4309 341	1			DOOR, Storage Bin
20	4309 340	1			SPRING, Door
21	4309 343	1			MECHANISM PACKAGE, Storage Bin
	4309 344	1			ADAPTER PACKAGE, Garage Door Opener
22	4283 688	1			BRACKET, Console Mtg.
23		AR			SCREW (DNS)

MODEL CODES

C BODY = (D41 - DYNASTY)(C41 - NEW YORKER)
 E BODY = (J - CARAVELLE)(E - 600)(T - NEW YORKER TURBO)
 G BODY = (V24 - DAYTONA, PACIFICA & SHELBY)
 H BODY = (D44 - LANCER)(C44 - LEBARON GTS)
 J BODY = (C - LEBARON)
 K BODY = (P - RELIANT)(D - ARIES)(C - LEBARON/ TOWN & COUNTRY)

L BODY = (M - HORIZON)(Z-OMNI)
 M BODY = (B - GRAN FURY)(G - DIPLOMAT)(F - FIFTH AVENUE/NEWPORT)
 P BODY = (P - SUNDANCE)(D - SHADOW)
 Q BODY = (C27 - MASERATI)
 S BODY = (H - VOYAGER)(K - RAM VAN/ CARAVAN)

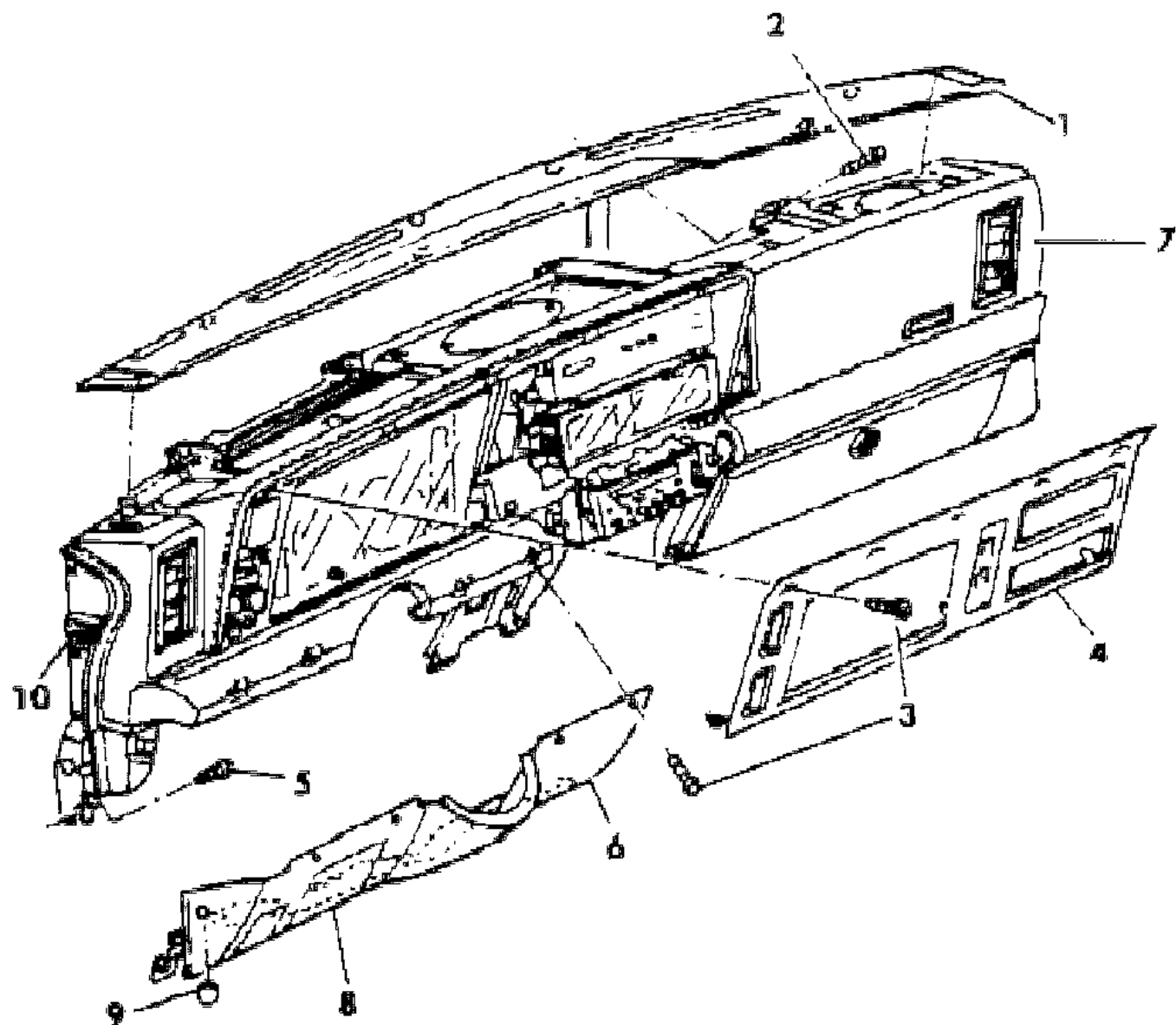
BODY STYLES

12-52 = FWD VAN & WAGON STD. W.B. 27 = 2-DOOR CONVERTIBLE
 13-53 = FWD VAN & WGN EXT W.B. 41 = 4-DOOR SEDAN
 21 = 2-DOOR SEDAN 44 = 4-DOOR HATCHBACK
 24 = 2-DOOR HATCHBACK 45 = 4-DOOR STATION WAGON

AR = Use as Required - = Non Illustrated Part P.A.R. = Paint as Required

INSTRUMENT PANEL BEZELS AND PAD G BODY
Figure 8A-2300

B182 2300



ITEM	PART NUMBER	QTY	BODY	MODEL	DESCRIPTION
1	P586 GL7	1			COVER, Instrument Panel Top
	4220 415	2			CLIP, Top Cover Front
	3590 389	5			Rear
2					SCREW (DNS)
3					SCREW (DNS)
4					BEZEL, Cluster
	4374 176	1			w/o Electronic Cluster, w/Message Center
	4374 012	1			w/Electronic Cluster and Message Center
	6032 205	3			CLIP, Bezel Att.
5					SCREW (DNS)
6	P472 GL7	1			COVER, Steering Column
7					PANEL and PAD, Instrument Panel
	P557 GR8	1			Red
	P557 FS8	1			Charcoal
	P557 GL7	1			Taupe
	P557 FC5	1			Blue
8	4220 272	1			COVER, Fuse Block
9	F245 CA3	1			PLUG, Trim
10	6032 020	6			STUD, Collar

MODEL CODES

C BODY = (D41 - DYNASTY)(C41 - NEW YORKER)	L BODY = (M - HORIZON)(Z-OMNI)
E BODY = (J - CARAVELLE)(E - 600)(T - NEW YORKER TURBO)	M BODY = (B - GRAN FURY)(G - DIPLOMAT)(F - FIFTH AVENUE/NEWPORT)
G BODY = (V24 - DAYTONA, PACIFICA & SHELBY)	P BODY = (P - SUNDANCE)(D - SHADOW)
H BODY = (D44 - LANCER)(C44 - LEBARON GTS)	Q BODY = (C27 - MASERATI)
J BODY = (C - LEBARON)	S BODY = (H - VOYAGER)(K - RAM VAN/ CARAVAN)
K BODY = (P - RELIANT)(D - ARIES)(C - LEBARON/ TOWN & COUNTRY)	

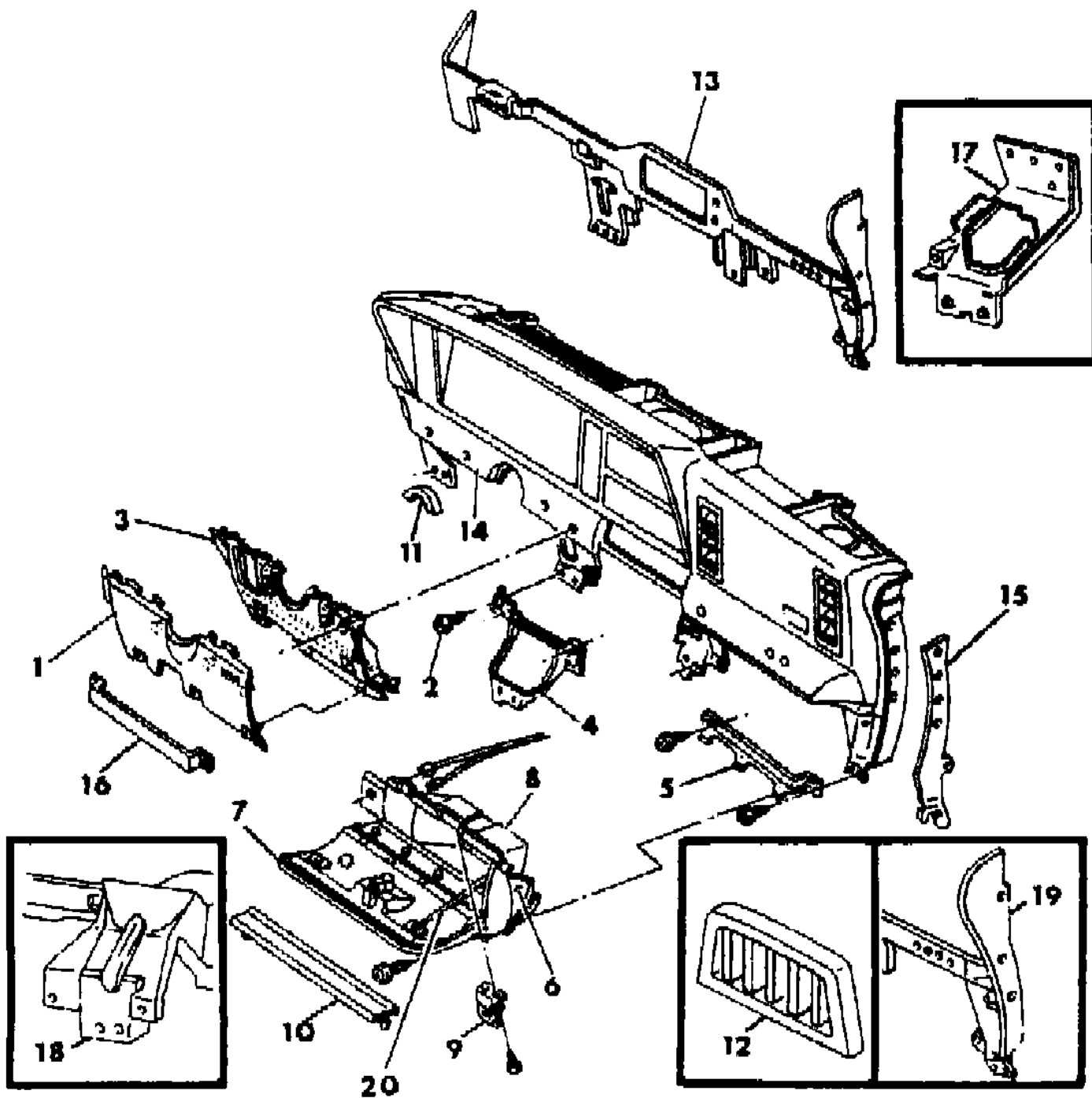
BODY STYLES

12-52 = FWD VAN & WAGON STD. W.B.	27 = 2-DOOR CONVERTIBLE
13-53 = FWD VAN & WGN EXT W.B.	41 = 4-DOOR SEDAN
21 = 2-DOOR SEDAN	44 = 4-DOOR HATCHBACK
24 = 2-DOOR HATCHBACK	45 = 4-DOOR STATION WAGON

AR = Use as Required - = Non Illustrated Part P.A.R. = Paint as Required

INSTRUMENT PANEL W/PASSIVE RESTRAINT SYSTEM G BODY
Figure 8A-2400

8182 2400



ITEM	PART NUMBER	QTY	BODY	MODEL	DESCRIPTION
1	P558 FK1	1			COVER, Steering Column Opening
	P573 GL7	1			w/Air Bag System
2		AR			SCREW (DNS)
3	4372 850				COVER, Steering Column Inner
					FASTENER, Cover
	6033 152	3			Inner
	6033 151	3			Outer
4					REINFORCEMENT, I/Panel Console
	4372 287	1			Up to 4-25-88
	4460 257	1			After 4-25-88
5	4372 308	1			REINFORCEMENT, Lower Right
6	F245 CA3	1			PLUG
7	P616 GL7	1			DOOR, Glove Box
8					PANEL and GLOVEBOX
	P562 FS8	1			Charcoal
	P562 GR8	1			Red
	P562 GL7	1			Taupe
	P562 FC5	1			Blue
9	4372 323	1			CATCH, Glove Box Door, Lower Right
10	4372 679	1			COVER, Hinge
	4372 361	1			HINGE, Glove Box Door
11	P460 FS8	1			SEAL, Steering Column Cover
12	4220 696-7	1			GRILLE, Side Glass Demister
13					REINFORCEMENT, I/Panel Middle
	4372 312	1			Up to 4-25-88
	4460 803	1			After 4-25-88
14					SUPPORT, I/Panel End
	4460 236	1			Left
	4372 130	1			Right
15					BRACKET, Rollup
	4372 292	1			Right
	4460 229	1			Left
16	4372 301	1			BRACKET, Steering Column Cover, Inner Left
17					BRACKET, Inner Right to Brace
	4372 465	1			Up to 4-25-88
	4460 802	1			After 4-25-88
18	4372 302	1			BRACE, Middle Reinforcement, Right

MODEL CODES

C BODY = (D41 - DYNASTY)(C41 - NEW YORKER)	L BODY = (M - HORIZON)(Z-OMNI)
E BODY = (J - CARAVELLE)(E - 600)(T - NEW YORKER TURBO)	M BODY = (B - GRAN FURY)(G - DIPLOMAT)(F - FIFTH AVENUE/NEWPORT)
G BODY = (V24 - DAYTONA, PACIFICA & SHELBY)	P BODY = (P - SUNDANCE)(D - SHADOW)
H BODY = (D44 - LANCER)(C44 - LEBARON GTS)	Q BODY = (C27 - MASERATI)
J BODY = (C - LEBARON)	S BODY = (H - VOYAGER)(K - RAM VAN/ CARAVAN)
K BODY = (P - RELIANT)(D - ARIES)(C - LEBARON/ TOWN & COUNTRY)	

BODY STYLES

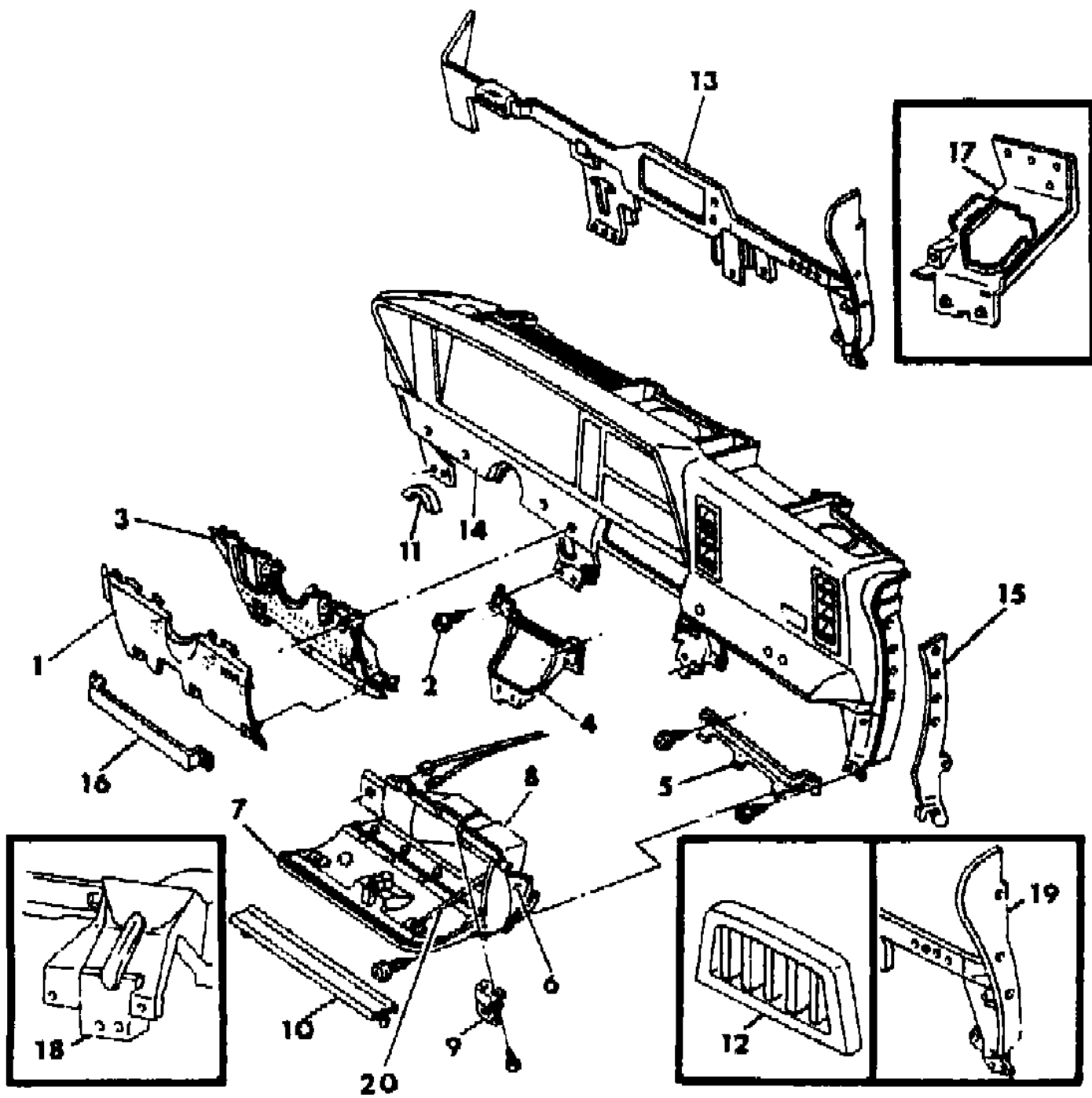
12-52 = FWD VAN & WAGON STD. W.B.	27 = 2-DOOR CONVERTIBLE
13-53 = FWD VAN & WGN EXT W.B.	41 = 4-DOOR SEDAN
21 = 2-DOOR SEDAN	44 = 4-DOOR HATCHBACK
24 = 2-DOOR HATCHBACK	45 = 4-DOOR STATION WAGON

AR = Use as Required - = Non Illustrated Part P.A.R. = Paint as Required

INSTRUMENT PANEL W/PASSIVE RESTRAINT SYSTEM G BODY
Figure 8A-2400

8182 2400

ITEM	PART NUMBER	QTY	BODY	MODEL	DESCRIPTION
19					SUPPORT, End
	4372 296-7	1			Up to 4-25-88
	4372 296	1			Right, After 4-25-88
	4460 804	1			Left, After 4-25-88
20	4372 921	1			CABLE, Glovebox Door



MODEL CODES

- | | |
|--|--|
| C BODY = (D41 - DYNASTY)(C41 - NEW YORKER) | L BODY = (M - HORIZON)(Z-OMNI) |
| E BODY = (J - CARAVELLE)(E - 600)(T - NEW YORKER TURBO) | M BODY = (B - GRAN FURY)(G - DIPLOMAT)(F - FIFTH AVENUE/NEWPORT) |
| G BODY = (V24 - DAYTONA, PACIFICA & SHELBY) | P BODY = (P - SUNDANCE)(D - SHADOW) |
| H BODY = (D44 - LANCER)(C44 - LEBARON GTS) | Q BODY = (C27 - MASERATI) |
| J BODY = (C - LEBARON) | S BODY = (H - VOYAGER)(K - RAM VAN/ CARAVAN) |
| K BODY = (P - RELIANT)(D - ARIES)(C - LEBARON/ TOWN & COUNTRY) | |

BODY STYLES

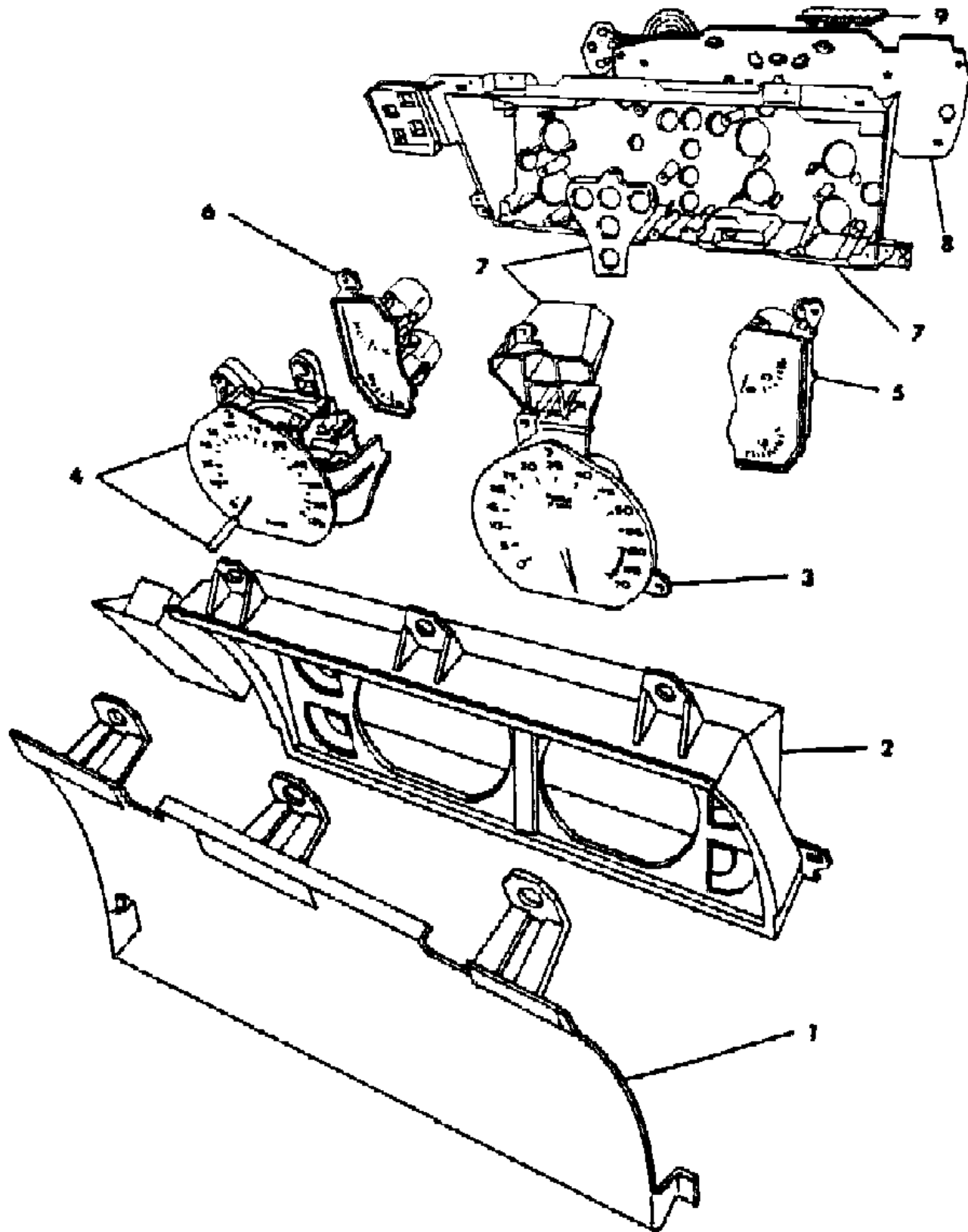
- | | |
|-----------------------------------|---------------------------|
| 12-52 = FWD VAN & WAGON STD. W.B. | 27 = 2-DOOR CONVERTIBLE |
| 13-53 = FWD VAN & WGN EXT W.B. | 41 = 4-DOOR SEDAN |
| 21 = 2-DOOR SEDAN | 44 = 4-DOOR HATCHBACK |
| 24 = 2-DOOR HATCHBACK | 45 = 4-DOOR STATION WAGON |

AR = Use as Required - = Non Illustrated Part P.A.R. = Paint as Required

INSTRUMENT PANEL CLUSTER G BODY

Figure 8A-2410

8182 2410



ITEM	PART NUMBER	QTY	BODY	MODEL	DESCRIPTION
	4437 332	1			CLUSTER, Electronic
1	4375 134	1			LENS, Cluster
2	4375 290	1			MASK, Cluster
3	4375 288	1			TACHOMETER
4	4437 023	1			SPEEDOMETER
	4437 523	1			(EUROPEAN)
5	4375 286	1			GAUGE, Volt/Fuel
6	4375 284	1			GAUGE, Oil/Temperature
7	4375 154	1			HOUSING, Cluster
8	4375 145	1			BOARD, Circuit
9	4051 977	1			BOARD, Tachometer Circuit

MODEL CODES

C BODY = (D41 - DYNASTY)(C41 - NEW YORKER)
 E BODY = (J - CARAVELLE)(E - 600)(T - NEW YORKER TURBO)
 G BODY = (V24 - DAYTONA, PACIFICA & SHELBY)
 H BODY = (D44 - LANCER)(C44 - LEBARON GTS)
 J BODY = (C - LEBARON)
 K BODY = (P - RELIANT)(D - ARIES)(C - LEBARON/ TOWN & COUNTRY)

L BODY = (M - HORIZON)(Z-OMNI)
 M BODY = (B - GRAN FURY)(G - DIPLOMAT)(F - FIFTH AVENUE/NEWPORT)
 P BODY = (P - SUNDANCE)(D - SHADOW)
 Q BODY = (C27 - MASERATI)
 S BODY = (H - VOYAGER)(K - RAM VAN/ CARAVAN)

BODY STYLES

12-52 = FWD VAN & WAGON STD. W.B. 27 = 2-DOOR CONVERTIBLE
 13-53 = FWD VAN & WGN EXT W.B. 41 = 4-DOOR SEDAN
 21 = 2-DOOR SEDAN 44 = 4-DOOR HATCHBACK
 24 = 2-DOOR HATCHBACK 45 = 4-DOOR STATION WAGON

AR = Use as Required - = Non Illustrated Part P.A.R. = Paint as Required

INSTRUMENT PANEL WIRING G BODY

Figure 8A-2500

8182 2500

ITEM	PART NUMBER	QTY	BODY	MODEL	DESCRIPTION
1	4304 499	1			MODULE, Fuse Block
	4274 530	1			BRACKET, Module Mtg. w/o Passive Restraint System
	4400 659	1			w/Passive Restraint System
2	2932 877	1			FLASHER, Hazard Warning
	3837 161	1			FLASHER, Turn Signal Two Lamp
	3837 162	1			Three Lamp
3					BREAKER, Circuit
	4186 377	AR			6 Amp.
	4186 379	AR			30 Amp.
4					WIRING HARNESS, Instrument Panel
	4414 429	1			Mechanical Cluster
	4414 433	1			Electronic Cluster (EUROPEAN)
	4414 967	1			
5					CABLE, Fusible Link
	4026 095	1			No. 16 Blue
	4026 094	1			No. 14 Red
	4026 093	1			No. 12 Black
	4026 096	1			No. 18 Gray
	4364 878	1			No. 20 Orange
6					FUSES
	6101 132	AR			4 Amp.
	6101 131	AR			3 Amp.
	6101 133	AR			5 Amp.
	6101 137	AR			20 Amp.
	6101 135	AR			10 Amp.
	6101 138	AR			25 Amp.
	6101 139	AR			30 Amp.
7					TERMINAL, Buss Bar
	4124 752	1			3 Way
	4124 258	1			1 Way
8	4373 067	1			BUZZER, Key, H/Lamp and Seat Belt Warning
9	4312 664	1			CONTROL, Chimes

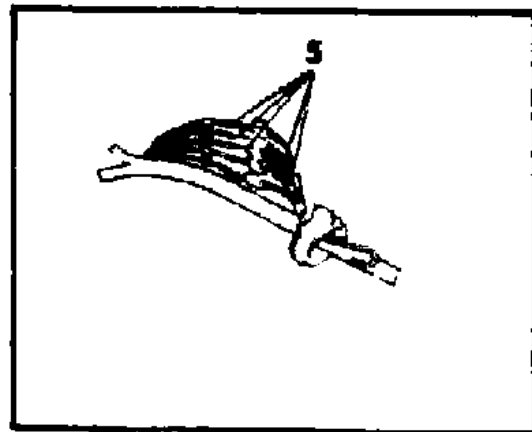
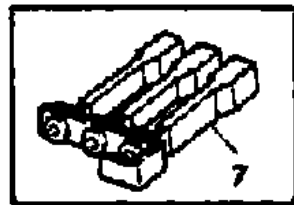
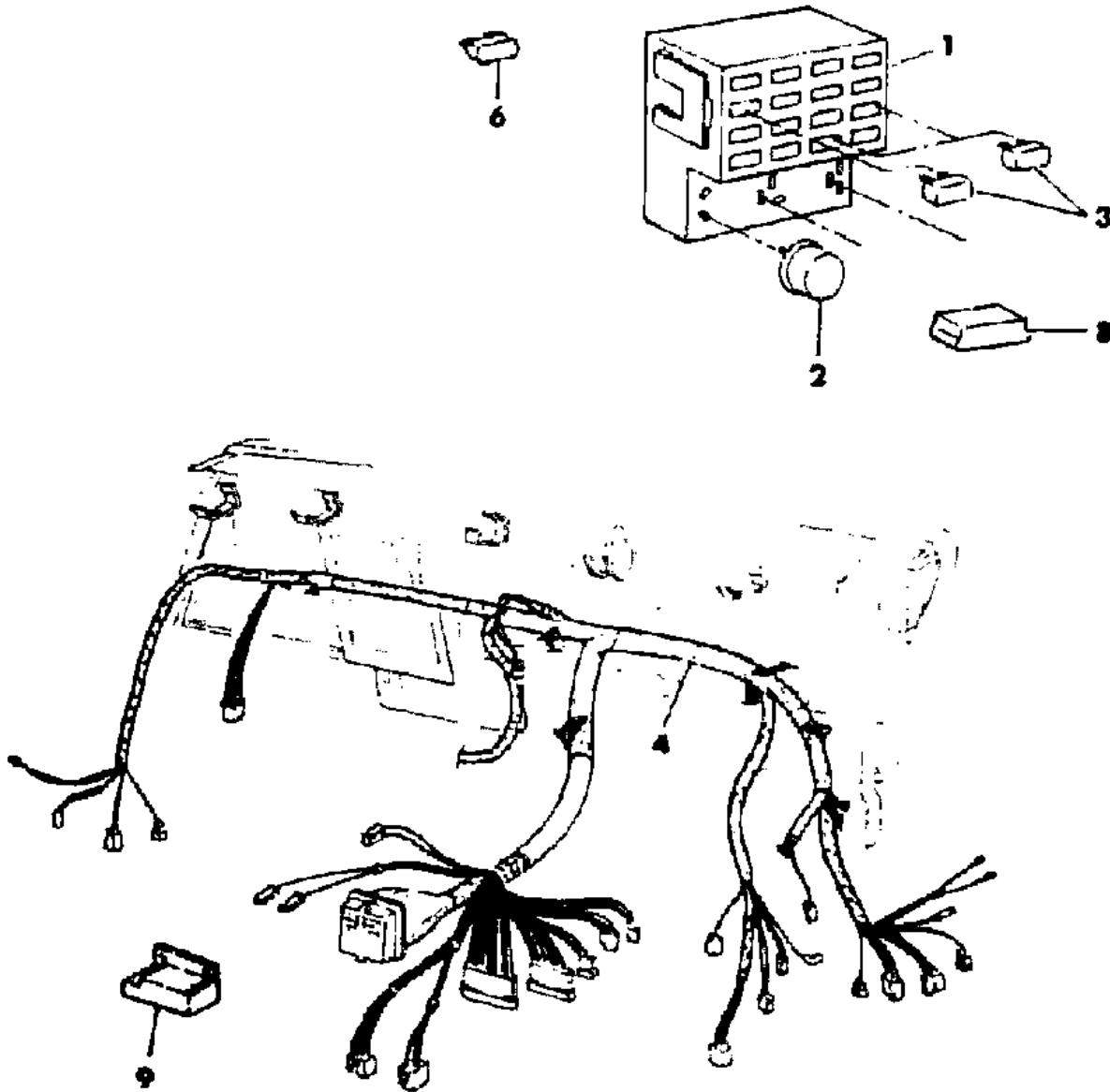
MODEL CODES

C BODY = (D41 - DYNASTY)(C41 - NEW YORKER)
 E BODY = (J - CARAVELLE)(E - 600)(T - NEW YORKER TURBO)
 G BODY = (V24 - DAYTONA, PACIFICA & SHELBY)
 H BODY = (D44 - LANCER)(C44 - LEBARON GTS)
 J BODY = (C - LEBARON)
 K BODY = (P - RELIANT)(D - ARIES)(C - LEBARON/ TOWN & COUNTRY)
 L BODY = (M - HORIZON)(Z-OMNI)
 M BODY = (B - GRAN FURY)(G - DIPLOMAT)(F - FIFTH AVENUE/NEWPORT)
 P BODY = (P - SUNDANCE)(D - SHADOW)
 Q BODY = (C27 - MASERATI)
 S BODY = (H - VOYAGER)(K - RAM VAN/ CARAVAN)

BODY STYLES

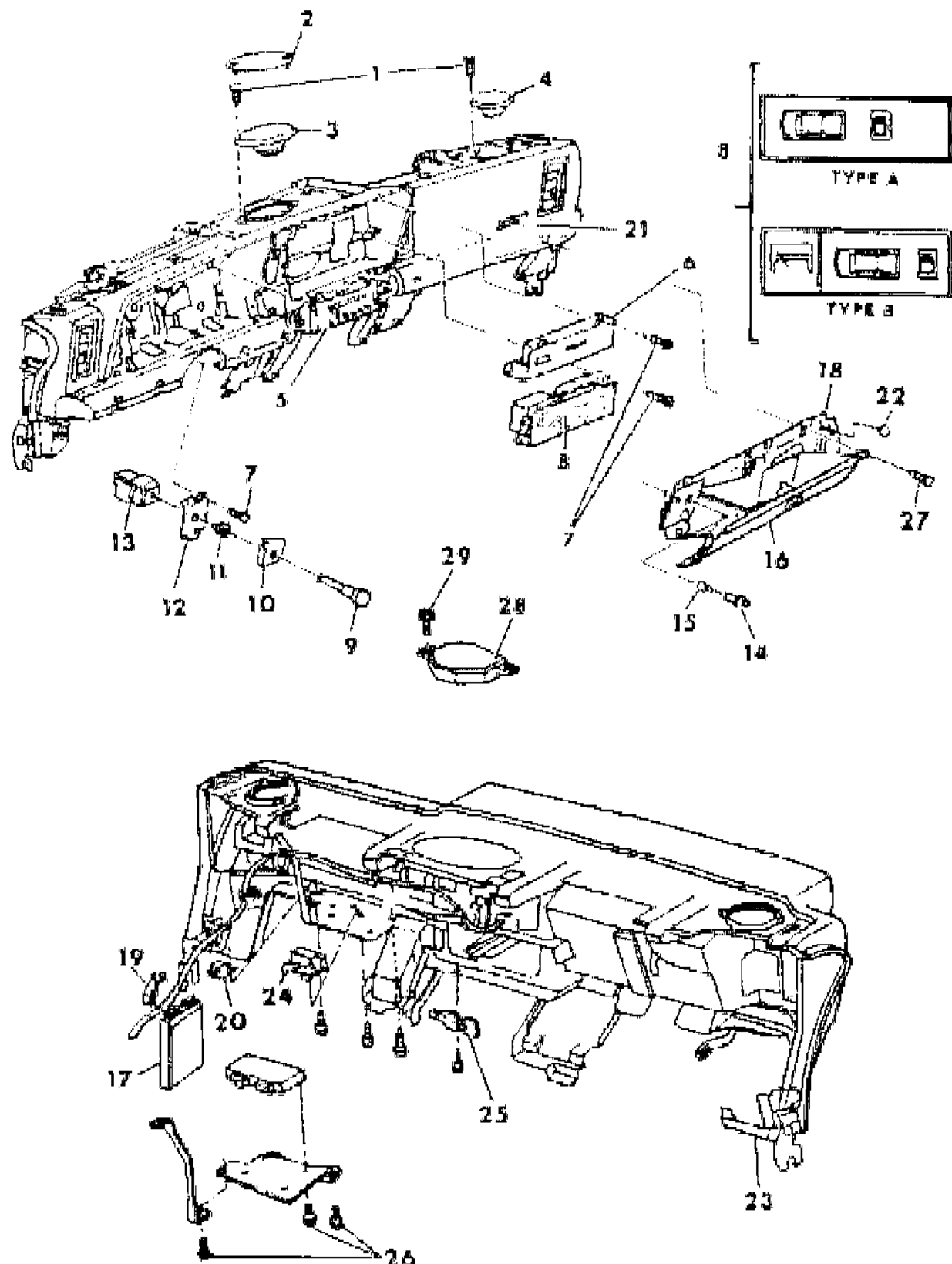
12-52 = FWD VAN & WAGON STD. W.B. 27 = 2-DOOR CONVERTIBLE
 13-53 = FWD VAN & WGN EXT W.B. 41 = 4-DOOR SEDAN
 21 = 2-DOOR SEDAN 44 = 4-DOOR HATCHBACK
 24 = 2-DOOR HATCHBACK 45 = 4-DOOR STATION WAGON

AR = Use as Required - = Non Illustrated Part P.A.R. = Paint as Required



INSTRUMENT PANEL SPEAKERS, GLOVEBOX AND SWITCHES G BODY
Figure 8A-2600

8182 2600 A



ITEM	PART NUMBER	QTY	BODY	MODEL	DESCRIPTION
1					SCREW (DNS)
2	4311 082	1			SHIELD, Speaker Opening, Center
	6025 249	AR			FASTENER, Shield
3	4311 098	1			SPEAKER, Mono
4	4311 490	2			SPEAKER, Stero Standard
	4469 097	2			Infinity Sound
	4222 531	2			Rear, Standard
	4469 001	2			Rear, Infinity Sound
	4430 171	1			CHOKE, Speaker
5					CONTROL, Heater and A/C, Refer to Group 24
6	4437 012	1			NAVIGATOR, Electronic
	4374 085	1			SUPPRESSION PACKAGE, Navigator Noise
7		AR			SCREW (DNS)
8					MESSAGE CENTER
					w/o Turbo Gauge, Type A
					Consists of:
					1 - 4375118 Housing, w/o Lens
					1 - 4375310 Board w/Seal
	9421 330	AR			Bulb
	4437 565	AR			Socket
					w/Turbo Gauge, Type B
					Consists of:
					1 - 4375311 Housing, w/Lens
					1 - 4375313 Wire w/Seal
	4312 947	AR			Socket
	9421 330	2			Bulb
	9436 790	7			Bulb
	4375 312	1			GAUGE, Turbo
9	4373 214	1			KNOB and SHAFT, H/Lamp Switch
10	4373 169	1			ESCUTCHEON, Headlamp Switch Mounting
11	4221 063	1			RETAINER
12	4373 170	1			PLATE, Headlamp Switch Mtg.
13	4221 407	1			SWITCH, Headlamp
14	4221 170	1			SWITCH, Glove Box Lamp
15	0152 244	1			BULB, Glove Box Lamp
	2947 226	1			PLUG, Glove Box Lamp
16	P684 EK1	1			BOX and DOOR, Glove

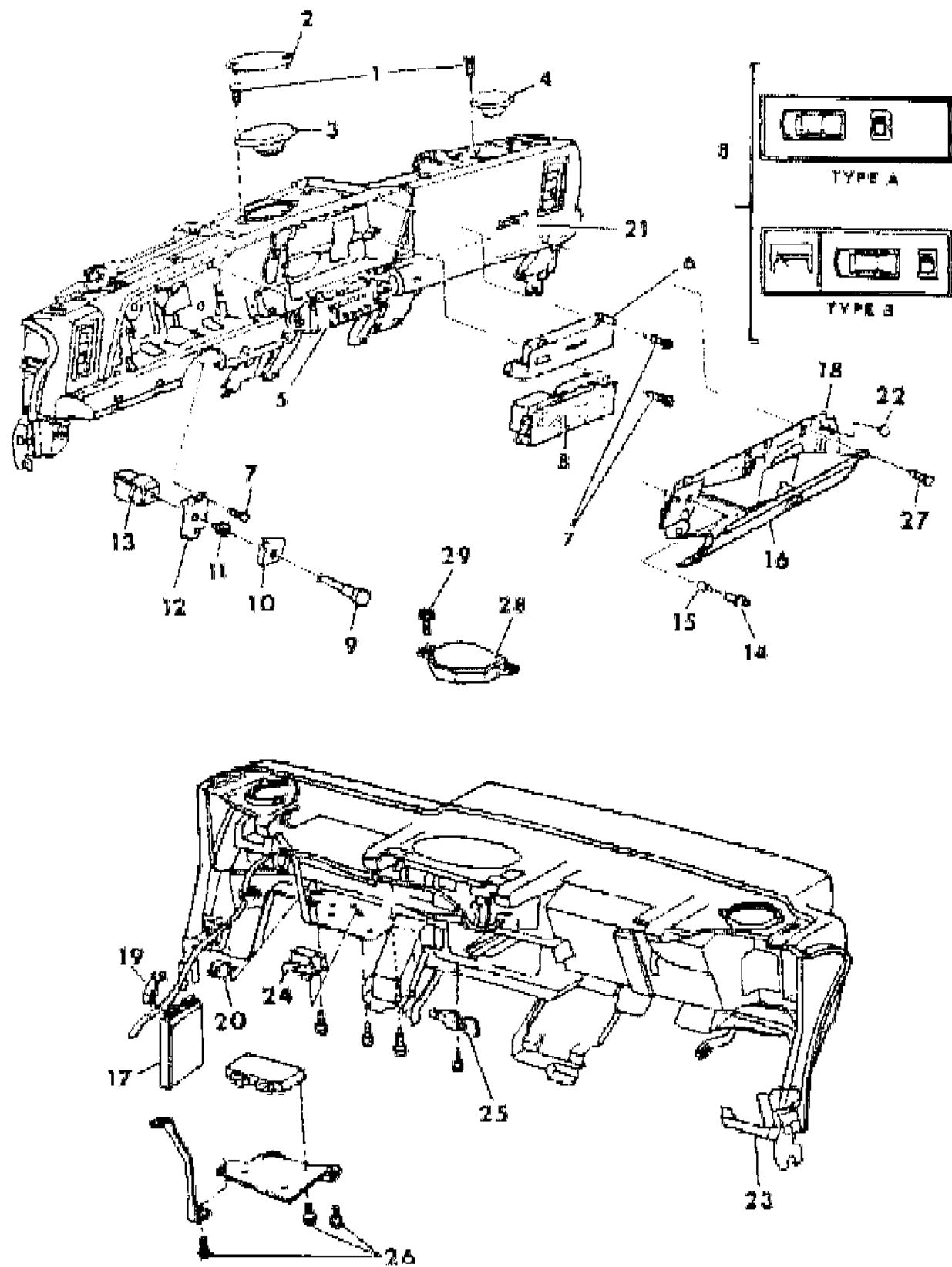
MODEL CODES
 C BODY = (D41 - DYNASTY)(C41 - NEW YORKER)
 E BODY = (J - CARAVELLE)(E - 600)(T - NEW YORKER TURBO)
 G BODY = (V24 - DAYTONA, PACIFICA & SHELBY)
 H BODY = (D44 - LANCER)(C44 - LEBARON GTS)
 J BODY = (C - LEBARON)
 K BODY = (P - RELIANT)(D - ARIES)(C - LEBARON/ TOWN & COUNTRY)
 L BODY = (M - HORIZON)(Z-OMNI)
 M BODY = (B - GRAN FURY)(G - DIPLOMAT)(F - FIFTH AVENUE/NEWPORT)
 P BODY = (P - SUNDANCE)(D - SHADOW)
 Q BODY = (C27 - MASERATI)
 S BODY = (H - VOYAGER)(K - RAM VAN/ CARAVAN)

BODY STYLES
 12-52 = FWD VAN & WAGON STD. W.B. 27 = 2-DOOR CONVERTIBLE
 13-53 = FWD VAN & WGN EXT W.B. 41 = 4-DOOR SEDAN
 21 = 2-DOOR SEDAN 44 = 4-DOOR HATCHBACK
 24 = 2-DOOR HATCHBACK 45 = 4-DOOR STATION WAGON

AR = Use as Required - = Non Illustrated Part P.A.R. = Paint as Required

INSTRUMENT PANEL SPEAKERS, GLOVEBOX AND SWITCHES G BODY
Figure 8A-2600

8182 2600 A



ITEM	PART NUMBER	QTY	BODY	MODEL	DESCRIPTION
	3508 886	1			LATCH, Glove Box Door
	4220 259	1			CATCH, Glove Box Door
	4220 268	2			PIN, Glove Box Door Pivot
	3590 551	4			BUMPER, Glove Box Catch
	4311 232	2			BUMPER, Glove Box Door Stop
	4220 684	2			STOP, Glove Box Door
17					MODULE, Throttle Body Injection Logic, Refer to Group 8
18	P294 GL7	1			PANEL, Instrument Panel Lower Right
19					SENSOR, Manifold Absolute Pressure, Refer to Group 8
20	#4186 387	1			RELAY, Illuminated Entry
21					NAME PLATE, Instrument Panel
	4311 345	1			"Daytona"
	4311 418	1			"Chrysler" (EUROPEAN)
	6029 168	2			CLIP, Name Plate Att.
	0445 153	2			NUT, Name Plate Att.
22	F245 CA3	1			PLUG, Trim
23	4220 501	1			SUPPORT, Instrument Panel End, Left
	4372 130	1			SUPPORT, Instrument Panel, Right
	4220 251	1			REINFORCEMENT, Instrument Panel Center
	4220 254	1			SUPPORT, Instrument Panel End, Right
	4331 561	1			BRACKET, Instrument Panel, Right
24	4312 664	1			CONTROL, Warning Chimes
25		1			BRACKET, Wiring Clip Mtg. (DNS)
26		AR			SCREW (DNS)
27		AR			SCREW (DNS)
28					MODULE, Concealed H/Lamp
	4437 108	1			w/Time Delay
	4437 107	1			w/o Time Delay
29		2			SCREW (DNS)

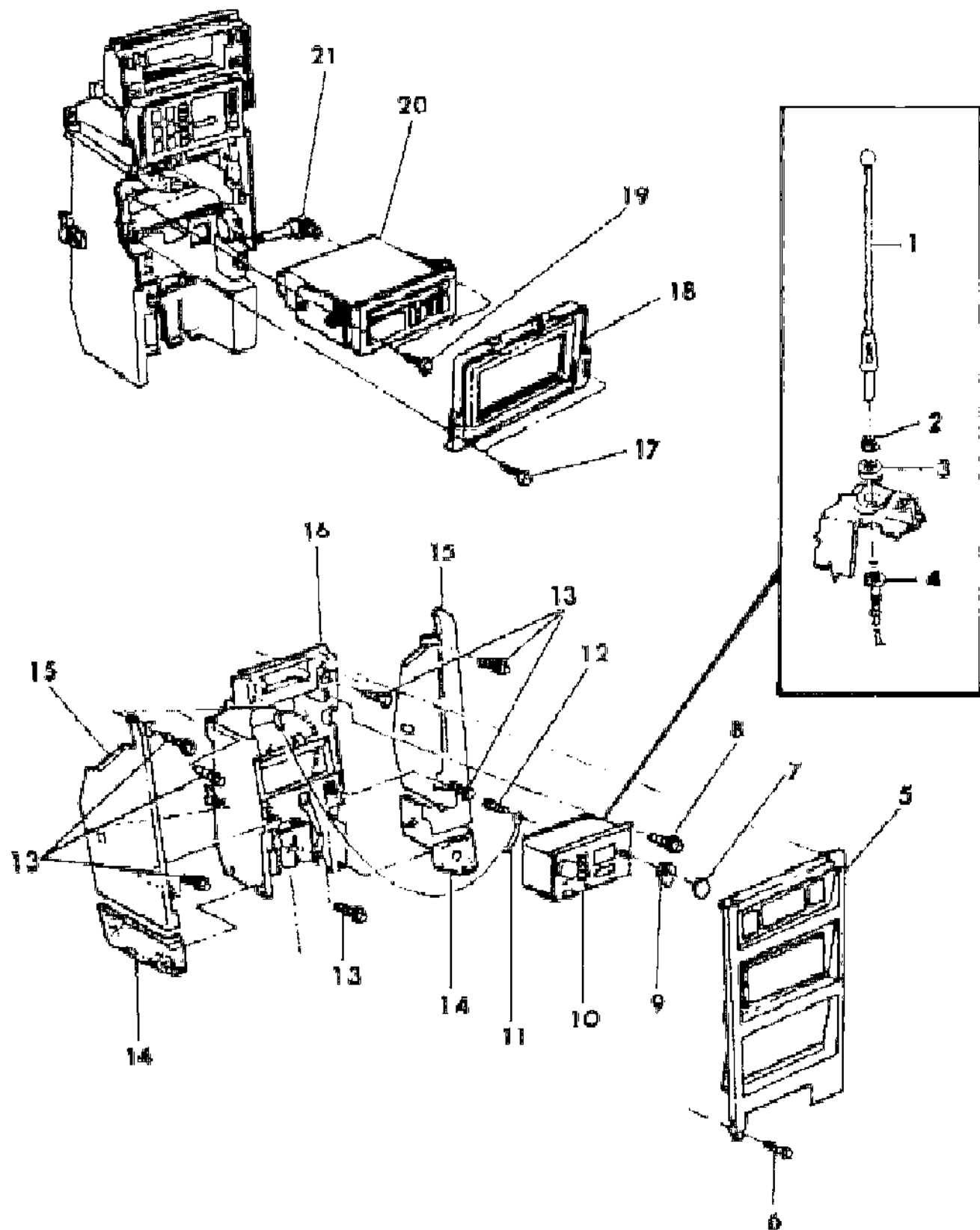
MODEL CODES
 C BODY = (D41 - DYNASTY)(C41 - NEW YORKER)
 E BODY = (J - CARAVELLE)(E - 600)(T - NEW YORKER TURBO)
 G BODY = (V24 - DAYTONA, PACIFICA & SHELBY)
 H BODY = (D44 - LANCER)(C44 - LEBARON GTS)
 J BODY = (C - LEBARON)
 K BODY = (P - RELIANT)(D - ARIES)(C - LEBARON/ TOWN & COUNTRY)
 L BODY = (M - HORIZON)(Z-OMNI)
 M BODY = (B - GRAN FURY)(G - DIPLOMAT)(F - FIFTH AVENUE/NEWPORT)
 P BODY = (P - SUNDANCE)(D - SHADOW)
 Q BODY = (C27 - MASERATI)
 S BODY = (H - VOYAGER)(K - RAM VAN/ CARAVAN)

BODY STYLES
 12-52 = FWD VAN & WAGON STD. W.B. 27 = 2-DOOR CONVERTIBLE
 13-53 = FWD VAN & WGN EXT W.B. 41 = 4-DOOR SEDAN
 21 = 2-DOOR SEDAN 44 = 4-DOOR HATCHBACK
 24 = 2-DOOR HATCHBACK 45 = 4-DOOR STATION WAGON

AR = Use as Required - = Non Illustrated Part P.A.R. = Paint as Required

INSTRUMENT PANEL CONSOLE, RADIO, DISC PLAYER AND ANTENNA G BODY
Figure 8A-2700

8182 2700



ITEM	PART NUMBER	QTY	BODY	MODEL	DESCRIPTION
1	4469 015	1			MAST, Antenna
2	4372 136	1			NUT, Cap
	4222 723	1			WASHER, Lock
3	4372 144	1			ADAPTER and PAD, Antenna
4	4372 117	1			BODY and CABLE, Antenna
5	4372 583	1			BEZEL, Console Trim
	4220 455	3			CLIP, Trim Bezel
6					SCREW (DNS)
7					KNOB, Radio
	4311 337	1			Bass
	4311 339	1			Treble
8	6031 665	2			SCREW, Radio Att.
9					KNOB, Radio
	4311 341	2			Secondary
	4311 334	2			Primary
10					RADIO, E.T.R. w/Clock
	4430 010	1			Infinity Sound, w/o Graphic Equalizer, Used w/Discplayer
	4372 444	1			Infinity Sound, Up to 11-18-87, w/Graphic Equalizer
	4469 084	1			Infinity Sound, After 11-18-87, w/Graphic Equalizer, Used w/Discplayer
	4311 956	1			Am/Fm/Mx Standard
	4372 536	1			Am/Fm/Mx w/Cassette
	4220 482	1			PLATE, Radio Opening, w/o Radio
11					STRAP, Radio Ground (DNS)
12					SCREW (DNS)
13					SCREW (DNS)
14					CARPET, Console Side
	V314 GR8	1			Red, Right
	F321 GR8	1			Red, Left
	V314 FS8	1			Charcoal, Right
	F321 CS8	1			Charcoal, Left
	V314 GL7	1			Taupe, Right
	F321 GL7	1			Taupe, Left
	V314 FC5	1			Blue, Right
	F321 FC5	1			Blue, Left
15					PANEL, Console Side
	P572 FK1	1			Right

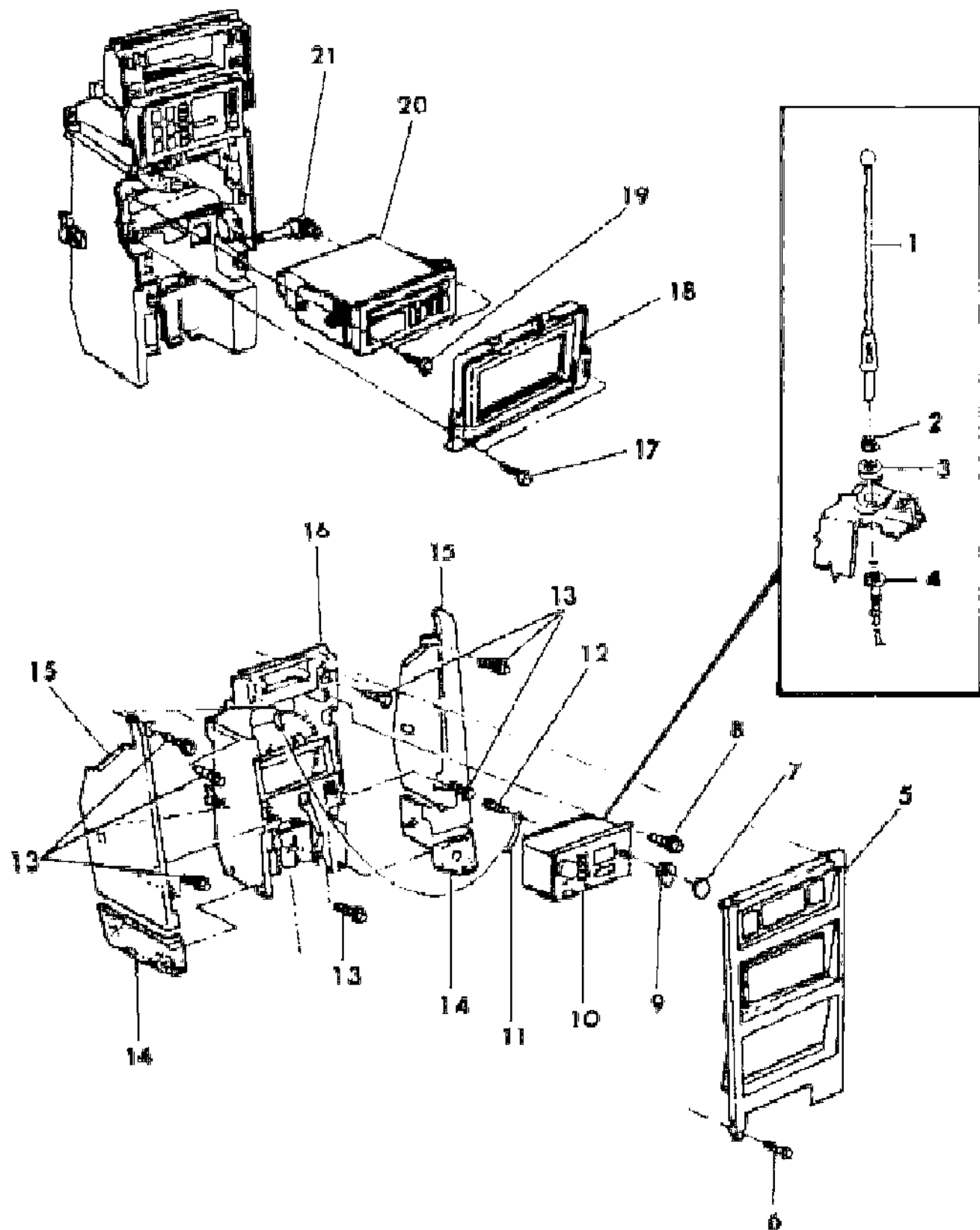
MODEL CODES
 C BODY = (D41 - DYNASTY)(C41 - NEW YORKER)
 E BODY = (J - CARAVELLE)(E - 600)(T - NEW YORKER TURBO)
 G BODY = (V24 - DAYTONA, PACIFICA & SHELBY)
 H BODY = (D44 - LANCER)(C44 - LEBARON GTS)
 J BODY = (C - LEBARON)
 K BODY = (P - RELIANT)(D - ARIES)(C - LEBARON/ TOWN & COUNTRY)
 L BODY = (M - HORIZON)(Z-OMNI)
 M BODY = (B - GRAN FURY)(G - DIPLOMAT)(F - FIFTH AVENUE/NEWPORT)
 P BODY = (P - SUNDANCE)(D - SHADOW)
 Q BODY = (C27 - MASERATI)
 S BODY = (H - VOYAGER)(K - RAM VAN/ CARAVAN)

BODY STYLES
 12-52 = FWD VAN & WAGON STD. W.B. 27 = 2-DOOR CONVERTIBLE
 13-53 = FWD VAN & WGN EXT W.B. 41 = 4-DOOR SEDAN
 21 = 2-DOOR SEDAN 44 = 4-DOOR HATCHBACK
 24 = 2-DOOR HATCHBACK 45 = 4-DOOR STATION WAGON

AR = Use as Required - = Non Illustrated Part P.A.R. = Paint as Required

INSTRUMENT PANEL CONSOLE, RADIO, DISC PLAYER AND ANTENNA G BODY
Figure 8A-2700

8182 2700



ITEM	PART NUMBER	QTY	BODY	MODEL	DESCRIPTION
	P571 FK1	1			Left
16	6031 967	2			CLIP, Panel to Carrier
					CARRIER, Console
	4372 856	1			w/Storage Box
	4460 258	1			w/Displayer
	4430 118	1			HOUSING, Discplayer
	4220 582	1			BOX, Storage, w/Cup Holder
	4311 270	1			CRADLE, Console Cup Holder
	4372 382	1			BRACKET, Carrier to Gear Shift Mounting Bracket
					BRACE, Instrument Panel to Reinf.
	4220 289	1			Right Side of Console
	4311 920	1			Left Side of Console
17		AR			SCREW (DNS)
18	4430 122	1			BEZEL, Disc Player to Housing
19		AR			SCREW (DNS)
20	4430 120	1			DISCPLAYER, Compact
	4430 119	1			BRACKET, Disc Player Housing Mtg.
21	4469 028	1			CABLE, Disc Player

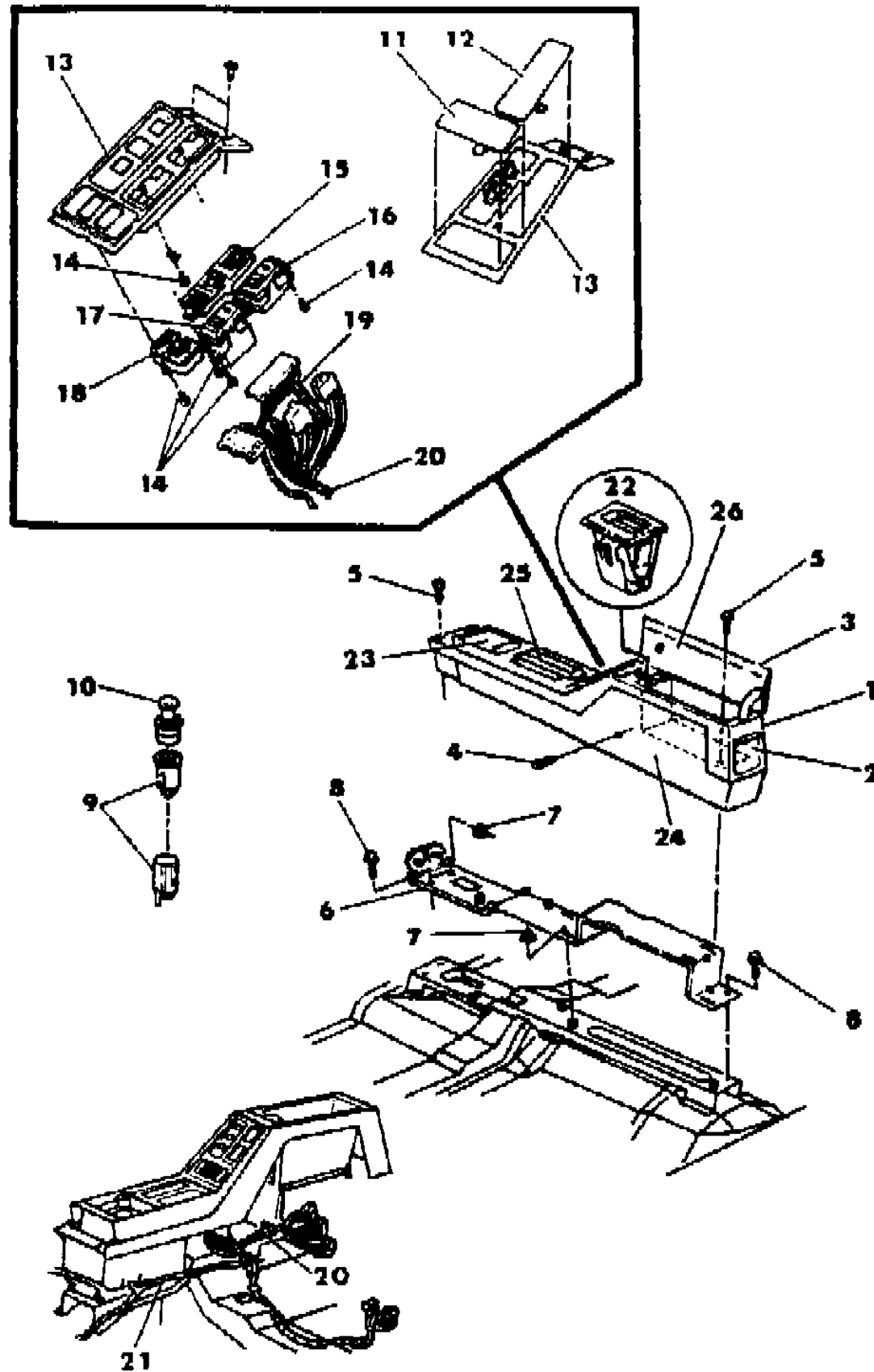
MODEL CODES
 C BODY = (D41 - DYNASTY)(C41 - NEW YORKER)
 E BODY = (J - CARAVELLE)(E - 600)(T - NEW YORKER TURBO)
 G BODY = (V24 - DAYTONA, PACIFICA & SHELBY)
 H BODY = (D44 - LANCER)(C44 - LEBARON GTS)
 J BODY = (C - LEBARON)
 K BODY = (P - RELIANT)(D - ARIES)(C - LEBARON/ TOWN & COUNTRY)
 L BODY = (M - HORIZON)(Z-OMNI)
 M BODY = (B - GRAN FURY)(G - DIPLOMAT)(F - FIFTH AVENUE/NEWPORT)
 P BODY = (P - SUNDANCE)(D - SHADOW)
 Q BODY = (C27 - MASERATI)
 S BODY = (H - VOYAGER)(K - RAM VAN/ CARAVAN)

BODY STYLES
 12-52 = FWD VAN & WAGON STD. W.B. 27 = 2-DOOR CONVERTIBLE
 13-53 = FWD VAN & WGN EXT W.B. 41 = 4-DOOR SEDAN
 21 = 2-DOOR SEDAN 44 = 4-DOOR HATCHBACK
 24 = 2-DOOR HATCHBACK 45 = 4-DOOR STATION WAGON

AR = Use as Required - = Non Illustrated Part P.A.R. = Paint as Required

CONSOLE, CENTER G BODY
Figure 8A-2800

8182 2800 A



ITEM	PART NUMBER	QTY	BODY	MODEL	DESCRIPTION
1	V150 GL7	1			BASE, Console
2	4247 034	1			ASH RECEIVER, Rear
	4247 113	1			SNUFFER, Ash Receiver
3					LID and LATCH, Console
	F302 GR8	1			Red
	F302 GL7	1			Taupe
	F302 CS8	1			Charcoal
	F302 FC5	1			Blue
4	6032 154	2			SCREW
5		AR			SCREW (DNS)
6	4410 093	1			BRACKET, Floor Console Mtg.
7	6100 049	AR			NUT
8		AR			SCREW (DNS)
9	4373 033	1			SHELL and CLAMP, C/Lighter
10	4373 032	1			ELEMENT, C/Lighter
	4221 761	1			KNOB, C/Lighter
11	4221 929	1			PLATE, Switch Opening Cover, w/Electric Windows
12	4221 928	1			PLATE, w/o Heated Backlite and Rear Wiper
13					BEZEL, Switch Mtg.
	4221 918	1			w/Heated Backlite
	4221 917	1			w/Electric Windows, Electric Seat Adj.,Heated Backlite or Rear
					Washer/Wiper
	4221 916	1			w/Electric Windows, Electric Seat Adj.,Heated Backlite And
					Rear Washer/Wiper
	6024 214	2			U-NUT, Switch Bezel to Console Att.
14	6032 456	AR			SCREW, Switch Att.
15	4221 983	1			SWITCH, Seat Adj.
16					CONTROL, Rear Wipe/Wash, Refer to Group 8
17					CONTROL, Heated Backlite, Refer to Group 8
18					SWITCH, Window Lift, Refer to Group 8
19		AR			BULB, Refer to Group 8
20		1			WIRING, Refer to Group 8
21					WIRING, Refer to Group 8
22	4247 211	1			CATCH, Console Lid
23		1			LID, Ash Receiver (Serviced in Bezel)
	4283 194	1			RECEPTACLE, Front Ash Receiver
	4247 393	1			SPRING, Front Ash Receiver Lid

MODEL CODES

C BODY = (D41 - DYNASTY)(C41 - NEW YORKER)
 E BODY = (J - CARAVELLE)(E - 600)(T - NEW YORKER TURBO)
 G BODY = (V24 - DAYTONA, PACIFICA & SHELBY)
 H BODY = (D44 - LANCER)(C44 - LEBARON GTS)
 J BODY = (C - LEBARON)
 K BODY = (P - RELIANT)(D - ARIES)(C - LEBARON/ TOWN & COUNTRY)

L BODY = (M - HORIZON)(Z-OMNI)
 M BODY = (B - GRAN FURY)(G - DIPLOMAT)(F - FIFTH AVENUE/NEWPORT)
 P BODY = (P - SUNDANCE)(D - SHADOW)
 Q BODY = (C27 - MASERATI)
 S BODY = (H - VOYAGER)(K - RAM VAN/ CARAVAN)

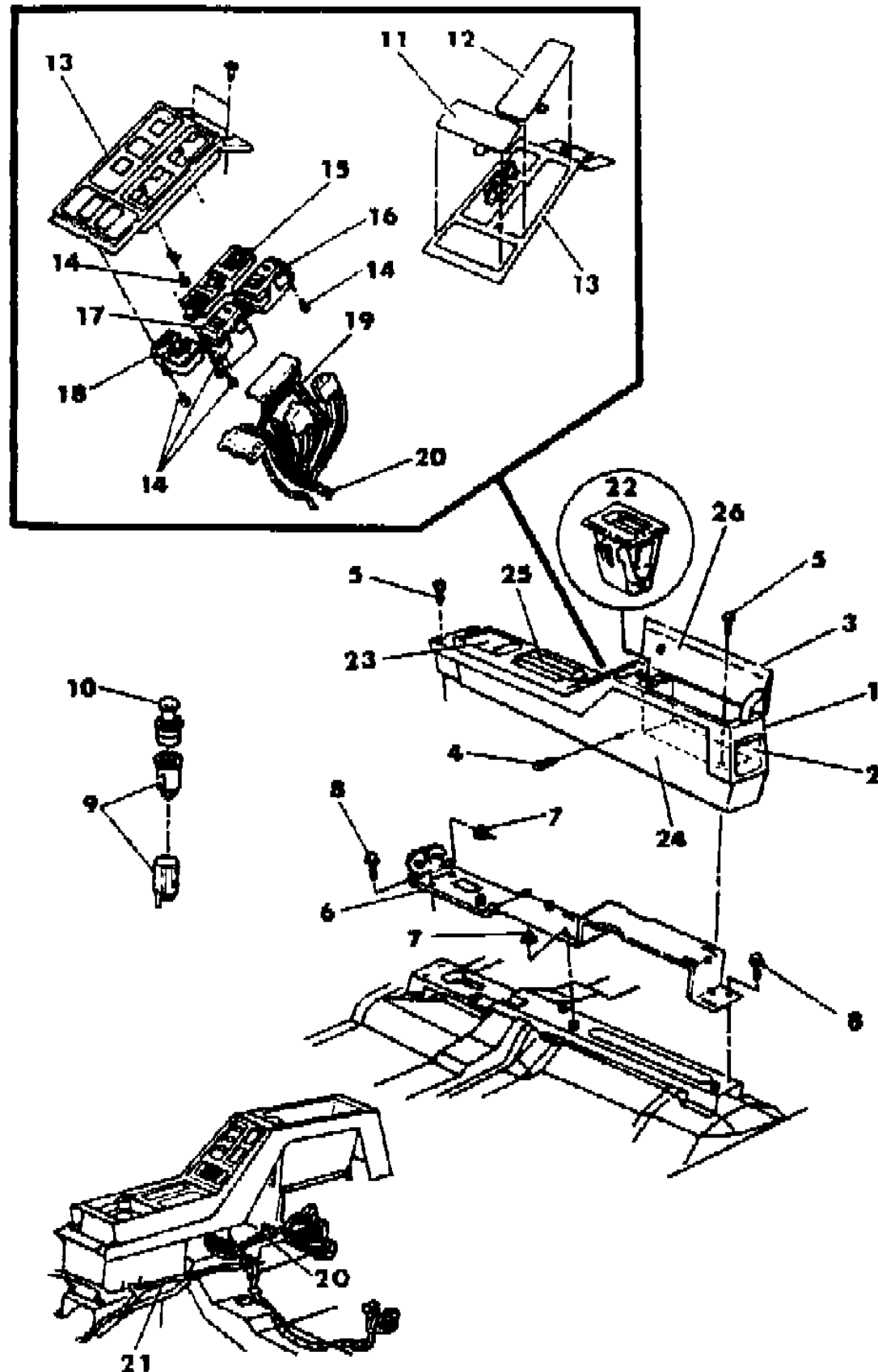
BODY STYLES

12-52 = FWD VAN & WAGON STD. W.B. 27 = 2-DOOR CONVERTIBLE
 13-53 = FWD VAN & WGN EXT W.B. 41 = 4-DOOR SEDAN
 21 = 2-DOOR SEDAN 44 = 4-DOOR HATCHBACK
 24 = 2-DOOR HATCHBACK 45 = 4-DOOR STATION WAGON

AR = Use as Required - = Non Illustrated Part P.A.R. = Paint as Required

CONSOLE, CENTER G BODY
Figure 8A-2800

8182 2800 A



ITEM	PART NUMBER	QTY	BODY	MODEL	DESCRIPTION
24					CARPET, Console Rear
					w/o Passive Restraint System
	V296 GR8	1			Red
	V296 GL7	1			Almond
	V296 FS8	1			Charcoal
	V296 FC5	1			Blue
					w/Passive Restraint System
	F298 GR8	1			Red
	F298 GL7	1			Taupe
	F298 FS8	1			Charcoal
	F298 FC5	1			Blue
					CARPET, Access Panel
	V152-3 GR8	1			Red
	V152-3 GL7	1			Taupe
	V152-3 FS8	1			Charcoal
	V152-3 FC5	1			Blue
25					BEZEL, Console Top
	4410 007	1			w/Auto Trans.
	4410 700	1			w/Manual Trans.
26	4247 254	1			COVER, Lid

MODEL CODES

C BODY = (D41 - DYNASTY)(C41 - NEW YORKER)
 E BODY = (J - CARAVELLE)(E - 600)(T - NEW YORKER TURBO)
 G BODY = (V24 - DAYTONA, PACIFICA & SHELBY)
 H BODY = (D44 - LANCER)(C44 - LEBARON GTS)
 J BODY = (C - LEBARON)
 K BODY = (P - RELIANT)(D - ARIES)(C - LEBARON/ TOWN & COUNTRY)

L BODY = (M - HORIZON)(Z-OMNI)
 M BODY = (B - GRAN FURY)(G - DIPLOMAT)(F - FIFTH AVENUE/NEWPORT)
 P BODY = (P - SUNDANCE)(D - SHADOW)
 Q BODY = (C27 - MASERATI)
 S BODY = (H - VOYAGER)(K - RAM VAN/ CARAVAN)

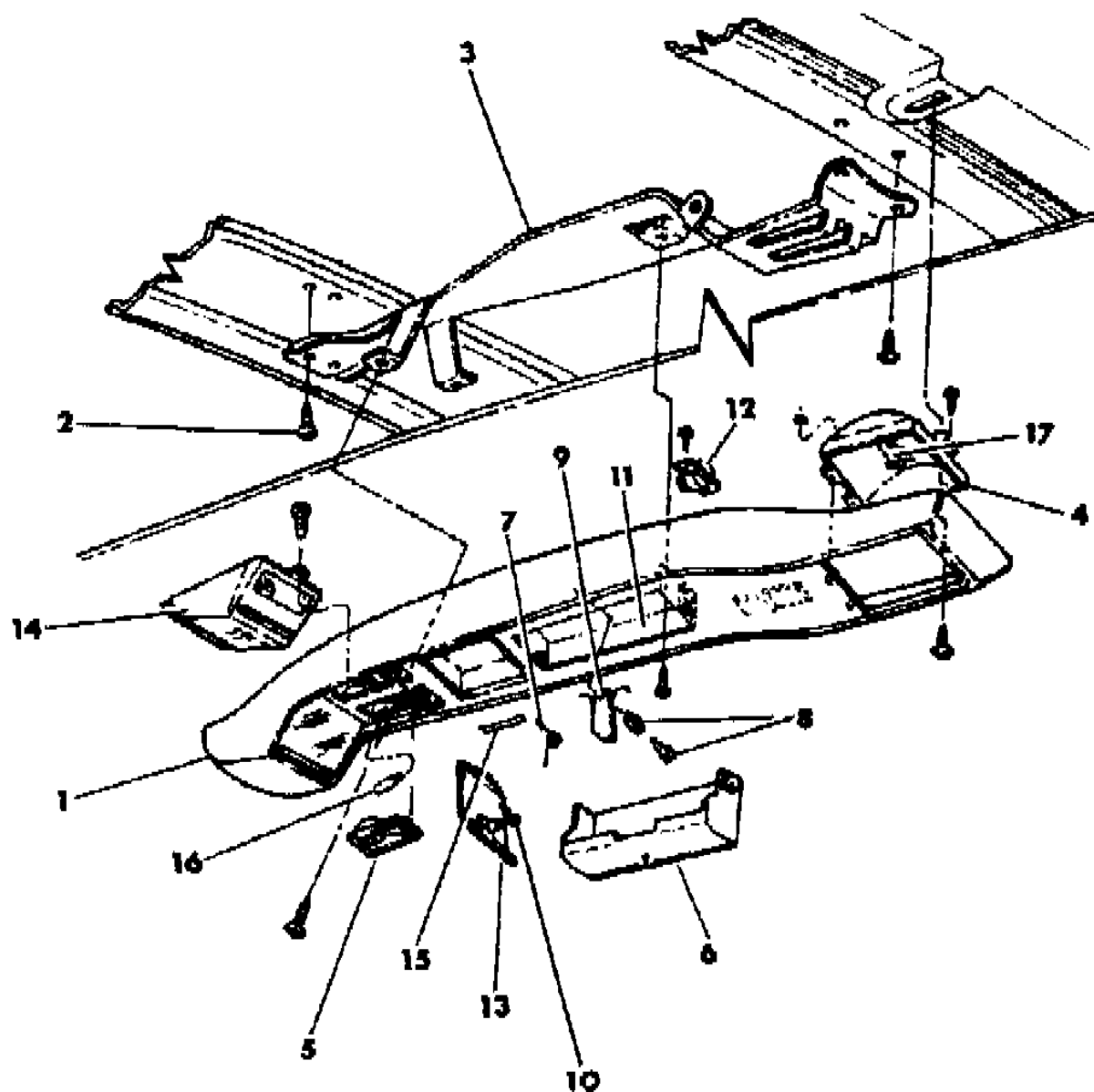
BODY STYLES

12-52 = FWD VAN & WAGON STD. W.B. 27 = 2-DOOR CONVERTIBLE
 13-53 = FWD VAN & WGN EXT W.B. 41 = 4-DOOR SEDAN
 21 = 2-DOOR SEDAN 44 = 4-DOOR HATCHBACK
 24 = 2-DOOR HATCHBACK 45 = 4-DOOR STATION WAGON

AR = Use as Required - = Non Illustrated Part P.A.R. = Paint as Required

CONSOLE, OVERHEAD G BODY
Figure 8A-2900

8182 2900 B



ITEM	PART NUMBER	QTY	BODY	MODEL	DESCRIPTION
1					HOUSING, Console
	V543 GC5	1			Blue
	V543 GS8	1			Charcoal
	V543 GR8	1			Red
	V543 GL7	1			Taupe
	4439 046	1			WIRING, Console
2	9414 722	AR			SCREW
3	4507 191	1			BRACKET, Console Mtg.
4	4410 184	1			REFLECTOR, Dome Lamp
5					LENS, Console
	4309 862-3	1			Reading Lamp
	4309 865	1			Dome Lamp
	4410 180-1	1			BUTTON, Lamp
6	4309 859	1			DOOR, Sunglass
7	4410 172	1			SPRING, Sunglass Door
8	4410 178	1			RETAINER, Sunglass Latch
9	4410 177	1			LATCH, Sunglass Door
10	4410 182	2			PIN, G.D.O. Activating
11	4397 895	1			PAD, Sunglass Bin
12	4309 336	1			DAMPER, Sunglass Door
13	4309 856	1			DOOR, G.D.O.
14	4374 061	1			COMPASS, w/Temperature Unit
15	4309 345	1			HOOK, G.D.O. Housing Velcro
16	9437 173	2			BULB
17	9431 808	1			BULB

MODEL CODES

C BODY = (D41 - DYNASTY)(C41 - NEW YORKER)
 E BODY = (J - CARAVELLE)(E - 600)(T - NEW YORKER TURBO)
 G BODY = (V24 - DAYTONA, PACIFICA & SHELBY)
 H BODY = (D44 - LANCER)(C44 - LEBARON GTS)
 J BODY = (C - LEBARON)
 K BODY = (P - RELIANT)(D - ARIES)(C - LEBARON/ TOWN & COUNTRY)

L BODY = (M - HORIZON)(Z-OMNI)
 M BODY = (B - GRAN FURY)(G - DIPLOMAT)(F - FIFTH AVENUE/NEWPORT)
 P BODY = (P - SUNDANCE)(D - SHADOW)
 Q BODY = (C27 - MASERATI)
 S BODY = (H - VOYAGER)(K - RAM VAN/ CARAVAN)

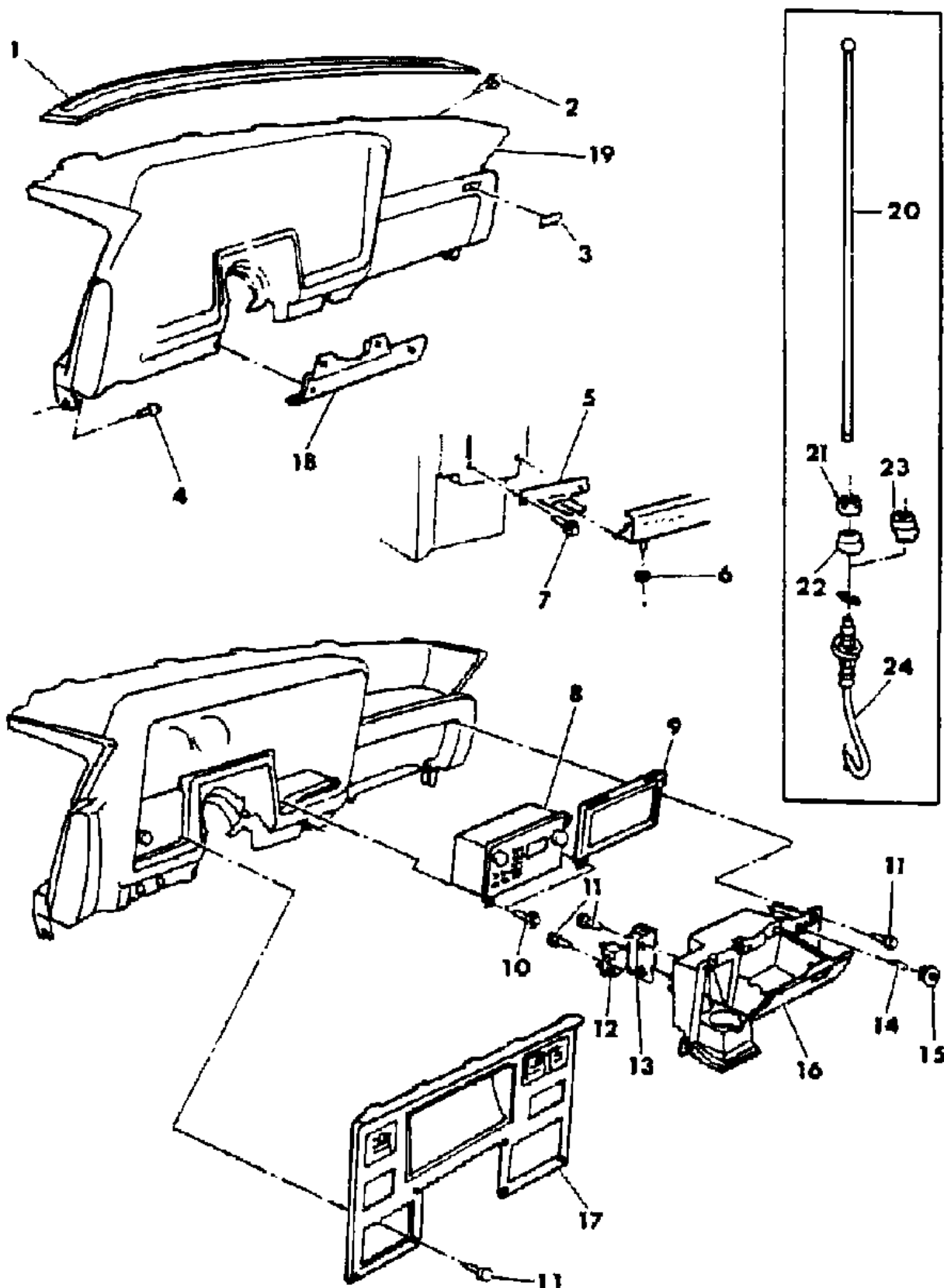
BODY STYLES

12-52 = FWD VAN & WAGON STD. W.B. 27 = 2-DOOR CONVERTIBLE
 13-53 = FWD VAN & WGN EXT W.B. 41 = 4-DOOR SEDAN
 21 = 2-DOOR SEDAN 44 = 4-DOOR HATCHBACK
 24 = 2-DOOR HATCHBACK 45 = 4-DOOR STATION WAGON

AR = Use as Required - = Non Illustrated Part P.A.R. = Paint as Required

INSTRUMENT PANEL BEZELS, GLOVEBOX, RADIO AND ANTENNA H BODY
Figure 8A-3000

8182 3000



ITEM	PART NUMBER	QTY	BODY	MODEL	DESCRIPTION
1	P378 GL7	1			COVER, Top
	6500 926	AR			CLIP, Top Cover
2		AR			SCREW (DNS)
3					NAME PLATE, Instrument Panel
	4311 504	1			"Lancer"
	4311 965	1			"Le Baron"
	4460 602	1			"Chrysler" (EUROPEAN)
4		AR			SCREW (DNS)
5	4311 308	1			BRACKET, Instrument Panel Lower Right
	4331 570	1			BRACKET, I/Panel Twenty Five Way Mtg.
	4331 313	1			BRACKET, Steering Column Twenty Five Way Mtg.
	4311 206	1			SUPPORT, I/Panel End Right
	4311 226	1			REINFORCEMENT, I/Panel Lower Right
	4311 205	1			REINFORCEMENT, I/Panel Left
6		AR			NUT (DNS)
7		AR			SCREW (DNS)
8					RADIO, E.T.R w/CLOCK
	4430 010	1			Infinity Sound, w/o Graphic Equalizer
	4372 444	1			Infinity Sound, Up to 11-18-87, w/Graphic Equalizer
	4469 084	1			Infinity Sound, After 11-18-87, w/Graphic Equalizer
	4311 956	1			Am/Fm/Mx
	4372 536	1			Am/Fm/Mx w/Cassette
		1			Shelby Lancer, Serviced by Pioneer Corp.
	4467 421	1			BRACKET, CD Player/EQ Mtg., Shelby Lanser
					KNOB, Radio
	4311 341	2			Secondary
	4311 334	2			Primary
	4311 339	1			Treble
	4311 337	1			Bass
9	4220 482	1			PLATE, Radio Opening w/o Radio
10	6031 665	2			SCREW, Radio Att.
11	6032 632	AR			SCREW
12	4221 695	1			RELAY, Headlamp Delay
13	4312 664	1			MODULE, Chimes
14		1			BULB, Glove Box, Refer to Group 8
15	4221 170	1			SWITCH, Glove Box
16	P390 GL7	1			BIN and DOOR, Glove Box

MODEL CODES

C BODY = (D41 - DYNASTY)(C41 - NEW YORKER)
 E BODY = (J - CARAVELLE)(E - 600)(T - NEW YORKER TURBO)
 G BODY = (V24 - DAYTONA, PACIFICA & SHELBY)
 H BODY = (D44 - LANCER)(C44 - LEBARON GTS)
 J BODY = (C - LEBARON)
 K BODY = (P - RELIANT)(D - ARIES)(C - LEBARON/ TOWN & COUNTRY)

L BODY = (M - HORIZON)(Z-OMNI)
 M BODY = (B - GRAN FURY)(G - DIPLOMAT)(F - FIFTH AVENUE/NEWPORT)
 P BODY = (P - SUNDANCE)(D - SHADOW)
 Q BODY = (C27 - MASERATI)
 S BODY = (H - VOYAGER)(K - RAM VAN/ CARAVAN)

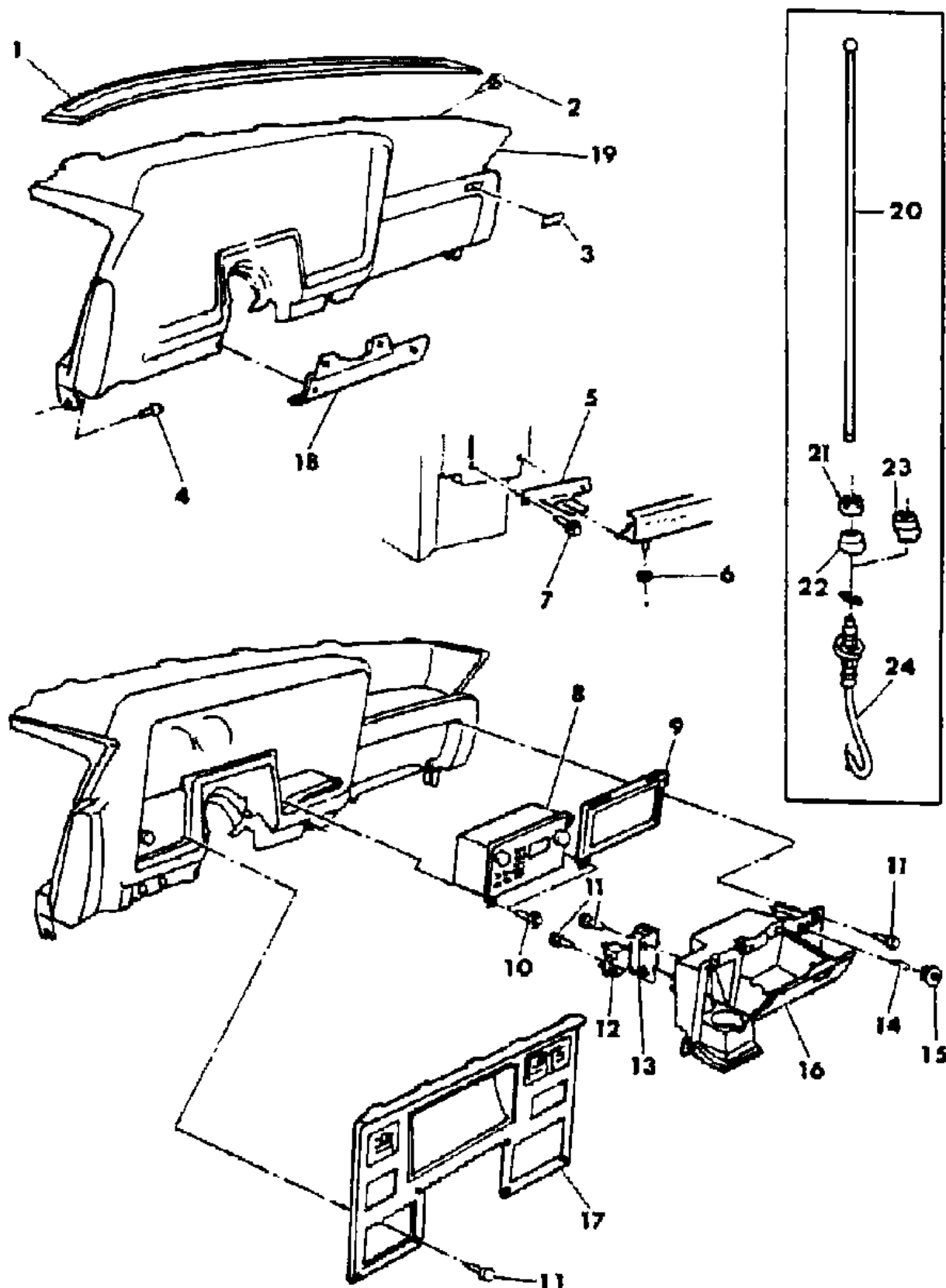
BODY STYLES

12-52 = FWD VAN & WAGON STD. W.B. 27 = 2-DOOR CONVERTIBLE
 13-53 = FWD VAN & WGN EXT W.B. 41 = 4-DOOR SEDAN
 21 = 2-DOOR SEDAN 44 = 4-DOOR HATCHBACK
 24 = 2-DOOR HATCHBACK 45 = 4-DOOR STATION WAGON

AR = Use as Required - = Non Illustrated Part P.A.R. = Paint as Required

INSTRUMENT PANEL BEZELS, GLOVEBOX, RADIO AND ANTENNA H BODY
Figure 8A-3000

8182 3000



ITEM	PART NUMBER	QTY	BODY	MODEL	DESCRIPTION
	4311 468	1			FRAME, Glove Box and Cup Holder Module
	4311 465	1			HOLDER, Primary Cup
	4311 464	1			HOLDER, Secondary Cup
	4467 054	1			GUIDE, Secondary Cup Holder
	4397 894	1			HOUSING, Cup Holder
	4397 900	4			COVER, Cup Holder Housing Screw
					PLATE, Cup Holder Face
	P389 GR8	1			Red
	P389 GL7	1			Taupe
	P389 FC5	1			Blue
	P389 DS8	1			Charcoal
	4460 090	1			DOOR, Fuse Access
					LATCH and HANDLE, Glove Box
	P387 GR8	1			Red
	P387 GL7	1			Taupe
	P387 DS8	1			Charcoal
	P387 FC5	1			Blue
17	4374 782	1			BEZEL, Cluster
	6032 778	11			U-NUT, Bezel Mtg.
18	P382 GL7	1			COVER, Steering Column Opening
	4311 202	1			SUPPORT, Steering Column Opening
19					PANEL and PAD, Instrument Panel
	P509 GR8	1			Red
	P509 GL7	1			Taupe
	P509 DS8	1			Charcoal
	P509 FC5	1			Blue
	4311 487	1			GUSSET, Trim Pad Support
20					MAST, Antenna
	4469 016	1			Bright
	4311 392	1			Black
21					CAP NUT, Antenna Mtg.
	4372 137	1			Bright
	4372 136	1			Black
22					ADAPTER and GASKET, Antenna
	4222 736	1			Bright
	4372 492	1			Black
	4222 735	1			WASHER, Lock

MODEL CODES

C BODY = (D41 - DYNASTY)(C41 - NEW YORKER)
 E BODY = (J - CARAVELLE)(E - 600)(T - NEW YORKER TURBO)
 G BODY = (V24 - DAYTONA, PACIFICA & SHELBY)
 H BODY = (D44 - LANCER)(C44 - LEBARON GTS)
 J BODY = (C - LEBARON)
 K BODY = (P - RELIANT)(D - ARIES)(C - LEBARON/ TOWN & COUNTRY)
 L BODY = (M - HORIZON)(Z-OMNI)
 M BODY = (B - GRAN FURY)(G - DIPLOMAT)(F - FIFTH AVENUE/NEWPORT)
 P BODY = (P - SUNDANCE)(D - SHADOW)
 Q BODY = (C27 - MASERATI)
 S BODY = (H - VOYAGER)(K - RAM VAN/ CARAVAN)

BODY STYLES

12-52 = FWD VAN & WAGON STD. W.B. 27 = 2-DOOR CONVERTIBLE
 13-53 = FWD VAN & WGN EXT W.B. 41 = 4-DOOR SEDAN
 21 = 2-DOOR SEDAN 44 = 4-DOOR HATCHBACK
 24 = 2-DOOR HATCHBACK 45 = 4-DOOR STATION WAGON

AR = Use as Required - = Non Illustrated Part P.A.R. = Paint as Required

INSTRUMENT PANEL WIRING H BODY

Figure 8A-3100

8182 3100

ITEM	PART NUMBER	QTY	BODY	MODEL	DESCRIPTION
1	4331 464	1			MODULE, Fuse Block
2	2932 877	1			FLASHER, Hazard Warning FLASHER, Turn Signal
	3837 161	1			Two Lamp
	3837 162	1			Three Lamp
3	4331 929	AR			BREAKER, Circuit 6 Amp.
	4186 379	1			30 Amp.
4					WIRING HARNESS, Instrument Panel
	4414 443	1			w/Mechanical Cluster
	4414 784	1			w/ Electronic Cluster
	4414 749	1			Lancer Pacifica
	4414 812	1			(European)
5		1			CABLE, Fusible Link
	4026 095	1			No. 16 Blue
	4026 094	1			No. 14 Red
	4026 093	1			No. 12 Black
	4026 096	1			No. 18 Grey
	4364 878	1			No. 20 Orange
6					FUSE
	6101 132	AR			4 Amp.
	6101 131	AR			3 Amp.
	6101 133	AR			5 Amp.
	6101 137	AR			20 Amp.
	6101 135	AR			10 Amp.
	6101 138	AR			25 Amp.
	6101 139	AR			30 Amp.
7					TERMINAL, Buss Bar
	4124 752	1			3 Way
	4124 258	1			1 Way
8	4373 067	1			BUZZER, Key, H/Lamp and Seat Belt Warning
9	4312 664	1			CONTROL, Chimes

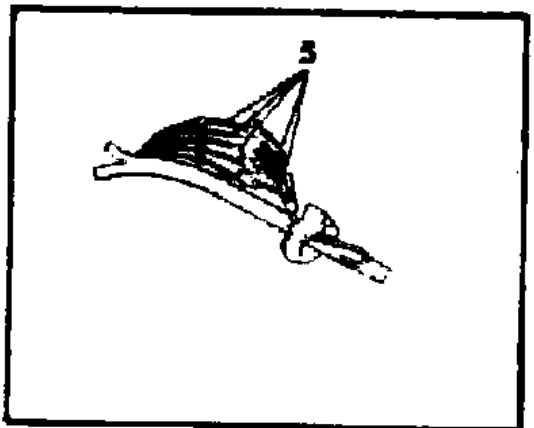
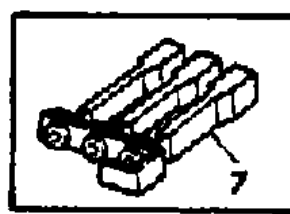
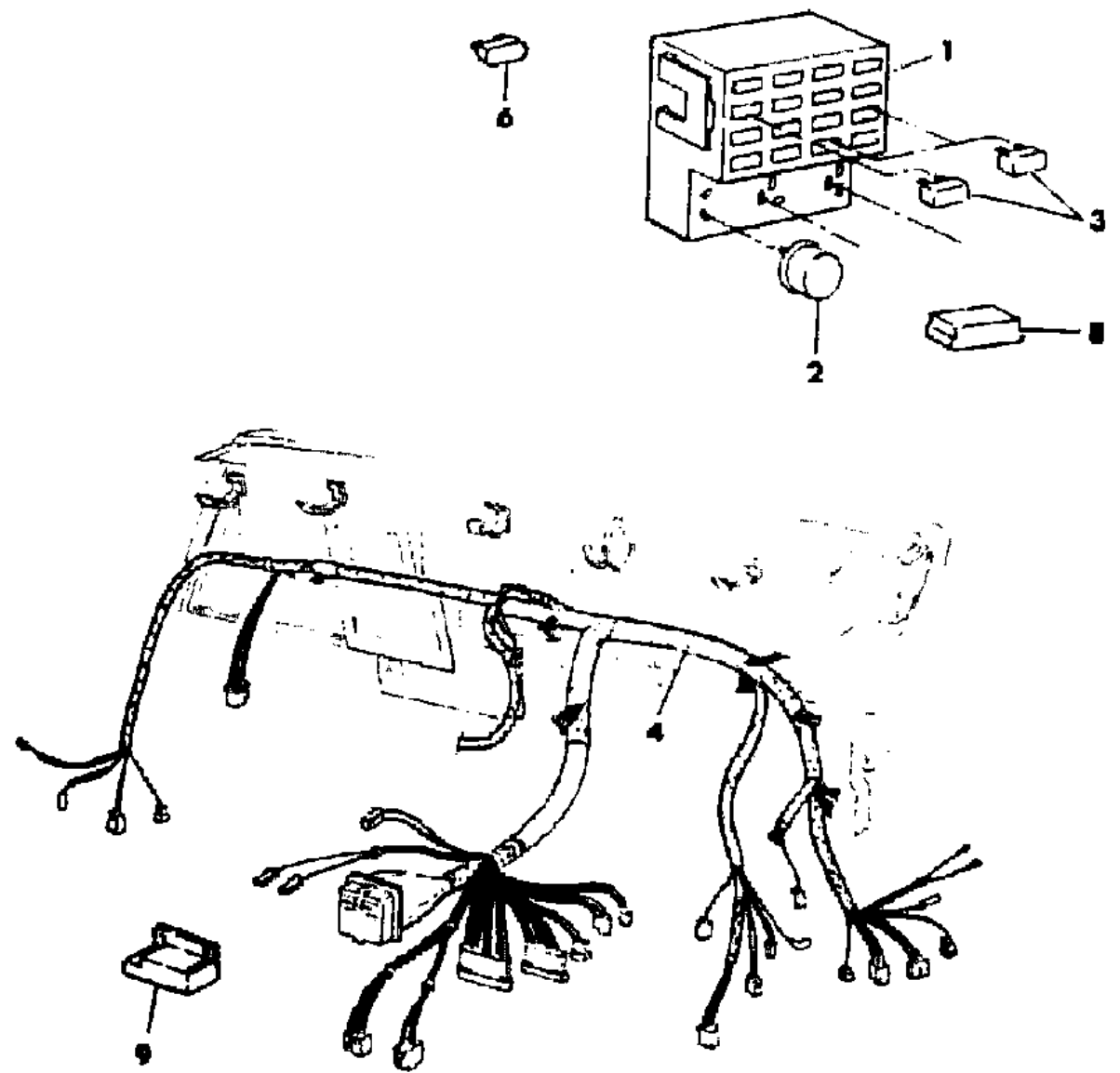
MODEL CODES

C BODY = (D41 - DYNASTY)(C41 - NEW YORKER)	L BODY = (M - HORIZON)(Z-OMNI)
E BODY = (J - CARAVELLE)(E - 600)(T - NEW YORKER TURBO)	M BODY = (B - GRAN FURY)(G - DIPLOMAT)(F - FIFTH AVENUE/NEWPORT)
G BODY = (V24 - DAYTONA, PACIFICA & SHELBY)	P BODY = (P - SUNDANCE)(D - SHADOW)
H BODY = (D44 - LANCER)(C44 - LEBARON GTS)	Q BODY = (C27 - MASERATI)
J BODY = (C - LEBARON)	S BODY = (H - VOYAGER)(K - RAM VAN/ CARAVAN)
K BODY = (P - RELIANT)(D - ARIES)(C - LEBARON/ TOWN & COUNTRY)	

BODY STYLES

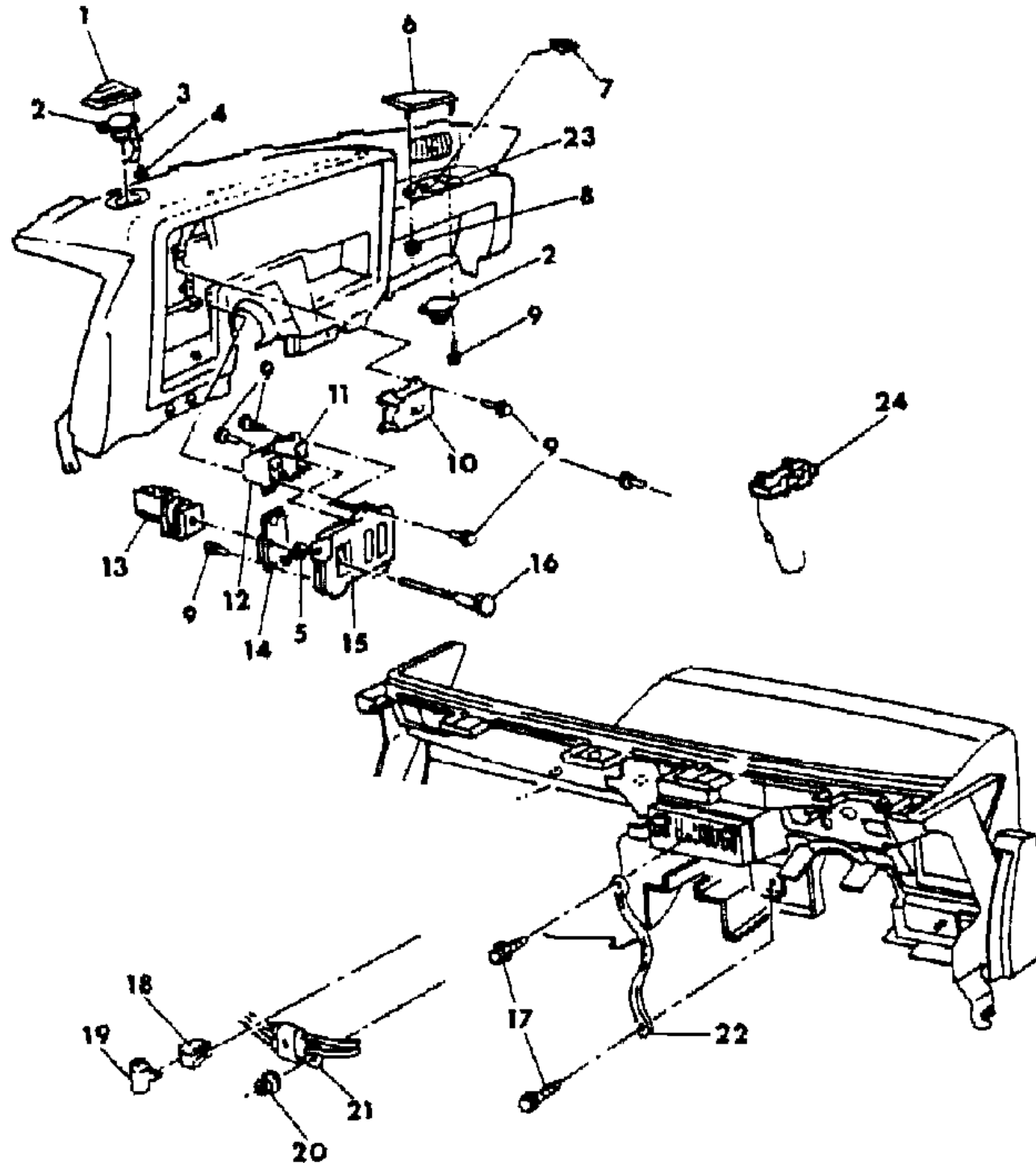
12-52 = FWD VAN & WAGON STD. W.B.	27 = 2-DOOR CONVERTIBLE
13-53 = FWD VAN & WGN EXT W.B.	41 = 4-DOOR SEDAN
21 = 2-DOOR SEDAN	44 = 4-DOOR HATCHBACK
24 = 2-DOOR HATCHBACK	45 = 4-DOOR STATION WAGON

AR = Use as Required - = Non Illustrated Part P.A.R. = Paint as Required



INSTRUMENT PANEL SWITCHES AND SPEAKERS H BODY
Figure 8A-3200

8182 3200 D



ITEM	PART NUMBER	QTY	BODY	MODEL	DESCRIPTION
1					GRILLE, Speaker Left
	P499 GR8	1			Red
	P499 GL7	1			Taupe
	P499 DS8	1			Charcoal
	P499 FC5	1			Blue
2	4372 152	2			SPEAKER, Instrument Panel
	4222 535	2			Rear Compartment
	4372 411	2			Rear Compartment, w/Infinity Sound System
	4430 171	1			CHOKE, Speaker
3	6032 637	AR			SPRING CLIP, Speaker and Grille Mtg.
4		2			SCREW (DNS)
5	4221 063	1			RETAINER
6	P498 GL7	1			GRILLE, Speaker, Right
7	6032 778	1			U-NUT
8	0120 622	2			STAMPED NUT
9		AR			SCREW (DNS)
10	4374 780	1			MODULE, Message Center
11	4221 853	1			CONTROL, Heated Backlite
12	4221 856	1			CONTROL, Rear Wipe/Wash
13	4221 407	1			SWITCH, Headlamp
	4373 252	1			ESCUTCHEON, Headlamp Switch
14	4221 511	1			PLATE, Headlamp Switch Mtg.
15					BEZEL, Headlamp Switch
	4221 840	1			w/o Switch Openings
	4221 841	1			w/One Switch Opening
	4221 842	1			w/Two Switch Openings
16	4373 114	1			KNOB and SHAFT, H/Lamp Switch
17		AR			SCREW (DNS)
18		AR			CLIP (DNS)
19	4312 672	1			HOUSING, Courtesy Lamp
20	6023 201	1			NUT
21					CAPACITOR, Refer to Group 8
22					STRAP, Radio Ground (DNS)
23	4221 063	AR			RETAINER, Speaker
24					INDICATOR, Gearshift
	4312 200	1			w/Mechanical Cluster
	4312 232	1			w/Electronic Cluster

MODEL CODES

C BODY = (D41 - DYNASTY)(C41 - NEW YORKER)	L BODY = (M - HORIZON)(Z-OMNI)
E BODY = (J - CARAVELLE)(E - 600)(T - NEW YORKER TURBO)	M BODY = (B - GRAN FURY)(G - DIPLOMAT)(F - FIFTH AVENUE/NEWPORT)
G BODY = (V24 - DAYTONA, PACIFICA & SHELBY)	P BODY = (P - SUNDANCE)(D - SHADOW)
H BODY = (D44 - LANCER)(C44 - LEBARON GTS)	Q BODY = (C27 - MASERATI)
J BODY = (C - LEBARON)	S BODY = (H - VOYAGER)(K - RAM VAN/ CARAVAN)
K BODY = (P - RELIANT)(D - ARIES)(C - LEBARON/ TOWN & COUNTRY)	

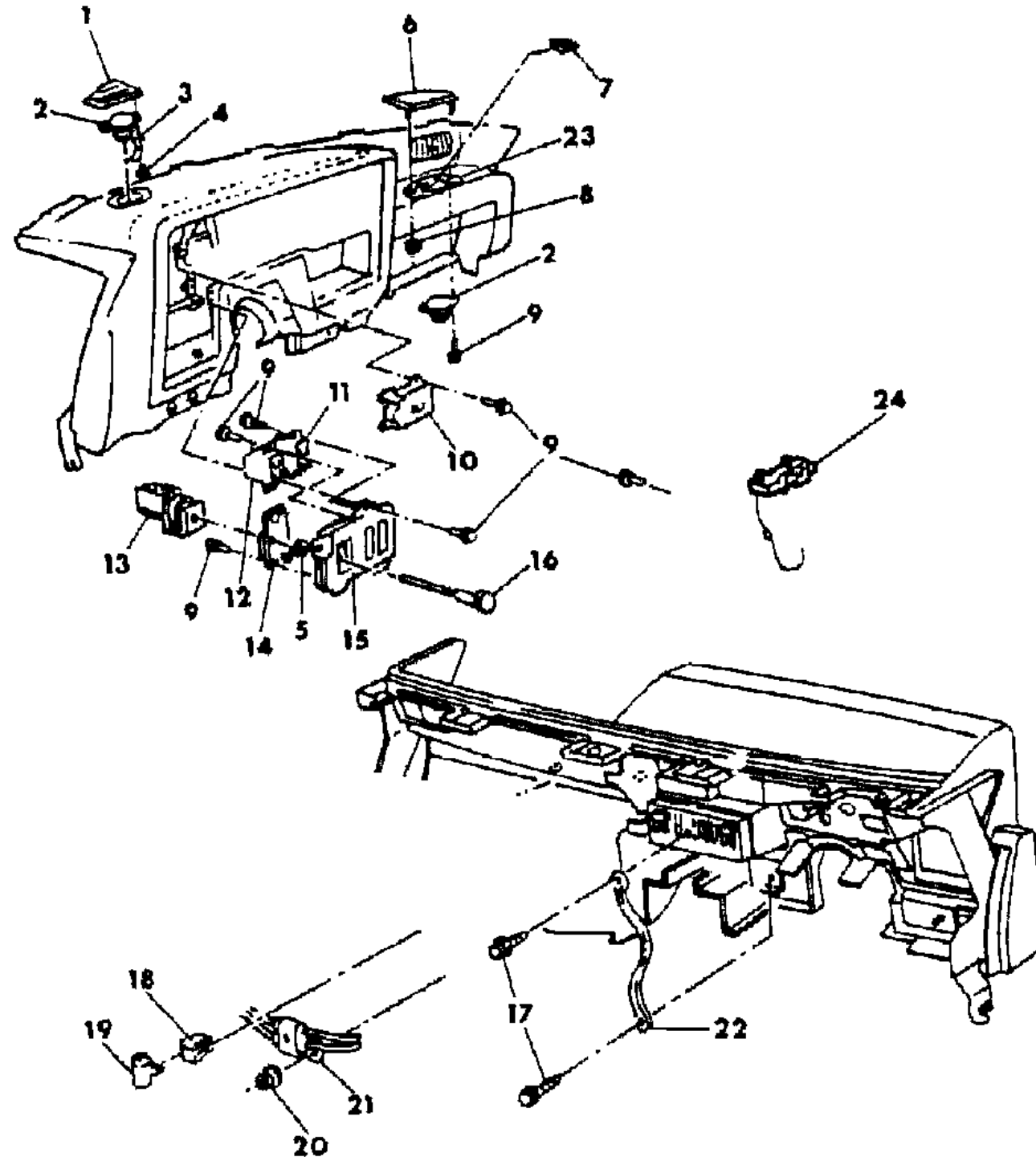
BODY STYLES

12-52 = FWD VAN & WAGON STD. W.B.	27 = 2-DOOR CONVERTIBLE
13-53 = FWD VAN & WGN EXT W.B.	41 = 4-DOOR SEDAN
21 = 2-DOOR SEDAN	44 = 4-DOOR HATCHBACK
24 = 2-DOOR HATCHBACK	45 = 4-DOOR STATION WAGON

AR = Use as Required - = Non Illustrated Part P.A.R. = Paint as Required

INSTRUMENT PANEL SWITCHES AND SPEAKERS H BODY
Figure 8A-3200

8182 3200 D



ITEM	PART NUMBER	QTY	BODY	MODEL	DESCRIPTION
------	-------------	-----	------	-------	-------------

					COVER, Indicator
	4312 201	1			w/Mechanical Cluster
	4312 246	1			w/Electronic Cluster

MODEL CODES
 C BODY = (D41 - DYNASTY)(C41 - NEW YORKER)
 E BODY = (J - CARAVELLE)(E - 600)(T - NEW YORKER TURBO)
 G BODY = (V24 - DAYTONA, PACIFICA & SHELBY)
 H BODY = (D44 - LANCER)(C44 - LEBARON GTS)
 J BODY = (C - LEBARON)
 K BODY = (P - RELIANT)(D - ARIES)(C - LEBARON/ TOWN & COUNTRY)
 L BODY = (M - HORIZON)(Z-OMNI)
 M BODY = (B - GRAN FURY)(G - DIPLOMAT)(F - FIFTH AVENUE/NEWPORT)
 P BODY = (P - SUNDANCE)(D - SHADOW)
 Q BODY = (C27 - MASERATI)
 S BODY = (H - VOYAGER)(K - RAM VAN/ CARAVAN)

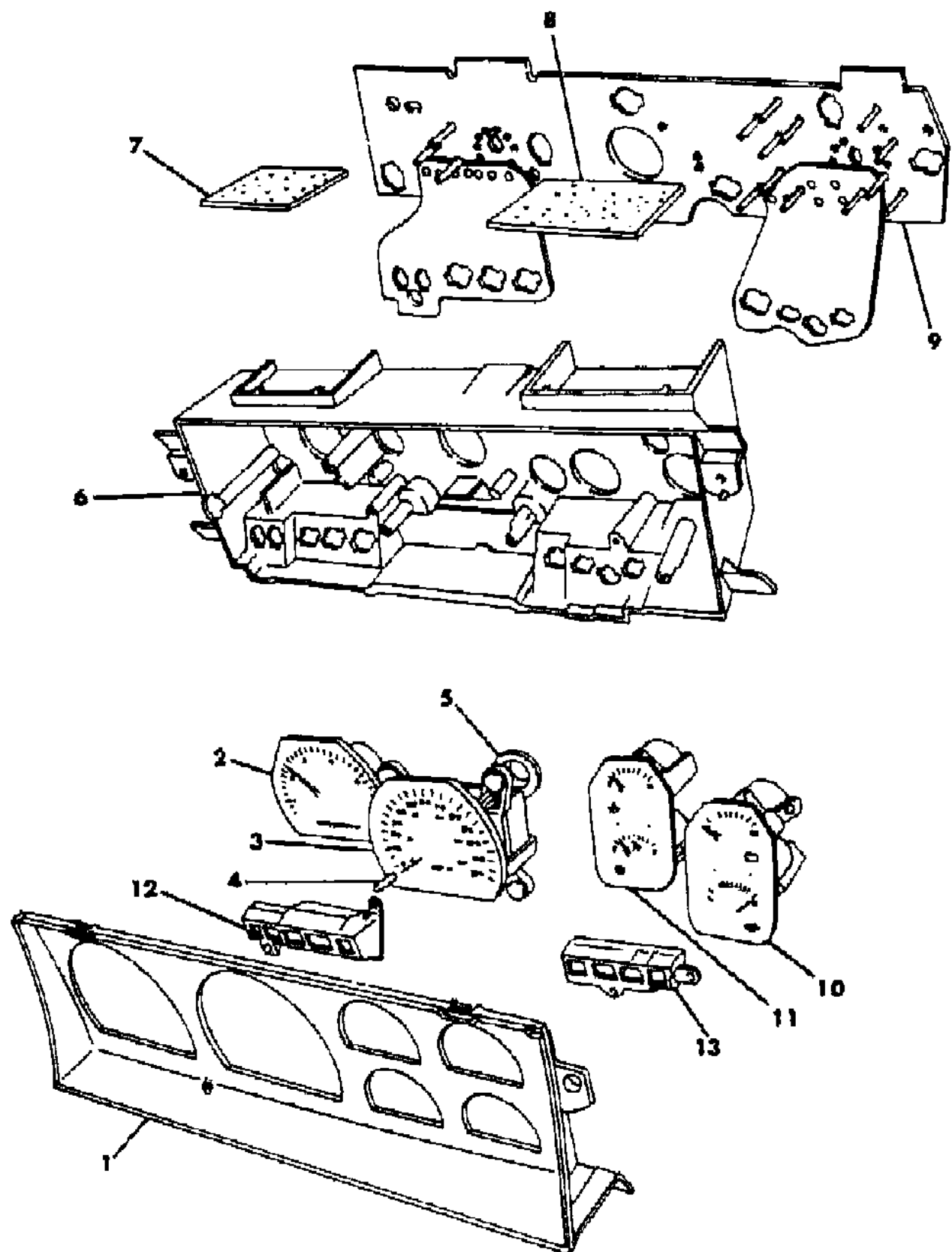
BODY STYLES
 12-52 = FWD VAN & WAGON STD. W.B. 27 = 2-DOOR CONVERTIBLE
 13-53 = FWD VAN & WGN EXT W.B. 41 = 4-DOOR SEDAN
 21 = 2-DOOR SEDAN 44 = 4-DOOR HATCHBACK
 24 = 2-DOOR HATCHBACK 45 = 4-DOOR STATION WAGON

AR = Use as Required - = Non Illustrated Part P.A.R. = Paint as Required

INSTRUMENT PANEL CLUSTER H BODY

Figure 8A-3210

8182 3210



ITEM	PART NUMBER	QTY	BODY	MODEL	DESCRIPTION
	4437 260	1			CLUSTER, Electronic
	4439 001	1			LENS PACKAGE, Electronic Cluster
1	4375 257	1			MASK and LENS
2	4375 260	1			TACHOMETER
3	4374 991	1			SPEEDOMETER
	4374 993	1			(EUROPEAN)
4	4375 367	1			KNOB, Odometer Reset
5		1			GROMMET, Speedometer
6	4375 251	1			HOUSING, Cluster
7	4051 861	1			CIRCUIT BOARD, Gauge Alert
8	4051 977	1			CIRCUIT BOARD, Tachometer
9	4375 259	1			CIRCUIT BOARD, Printed
10	4375 261	1			GAUGE, Volt/Oil
11	4375 254	1			GAUGE, Fuel/Temperature
12	4375 255	1			CHIMNEY, Left
13	4375 256	1			CHIMNEY, Right

MODEL CODES

C BODY = (D41 - DYNASTY)(C41 - NEW YORKER)
 E BODY = (J - CARAVELLE)(E - 600)(T - NEW YORKER TURBO)
 G BODY = (V24 - DAYTONA, PACIFICA & SHELBY)
 H BODY = (D44 - LANCER)(C44 - LEBARON GTS)
 J BODY = (C - LEBARON)
 K BODY = (P - RELIANT)(D - ARIES)(C - LEBARON/ TOWN & COUNTRY)

L BODY = (M - HORIZON)(Z-OMNI)
 M BODY = (B - GRAN FURY)(G - DIPLOMAT)(F - FIFTH AVENUE/NEWPORT)
 P BODY = (P - SUNDANCE)(D - SHADOW)
 Q BODY = (C27 - MASERATI)
 S BODY = (H - VOYAGER)(K - RAM VAN/ CARAVAN)

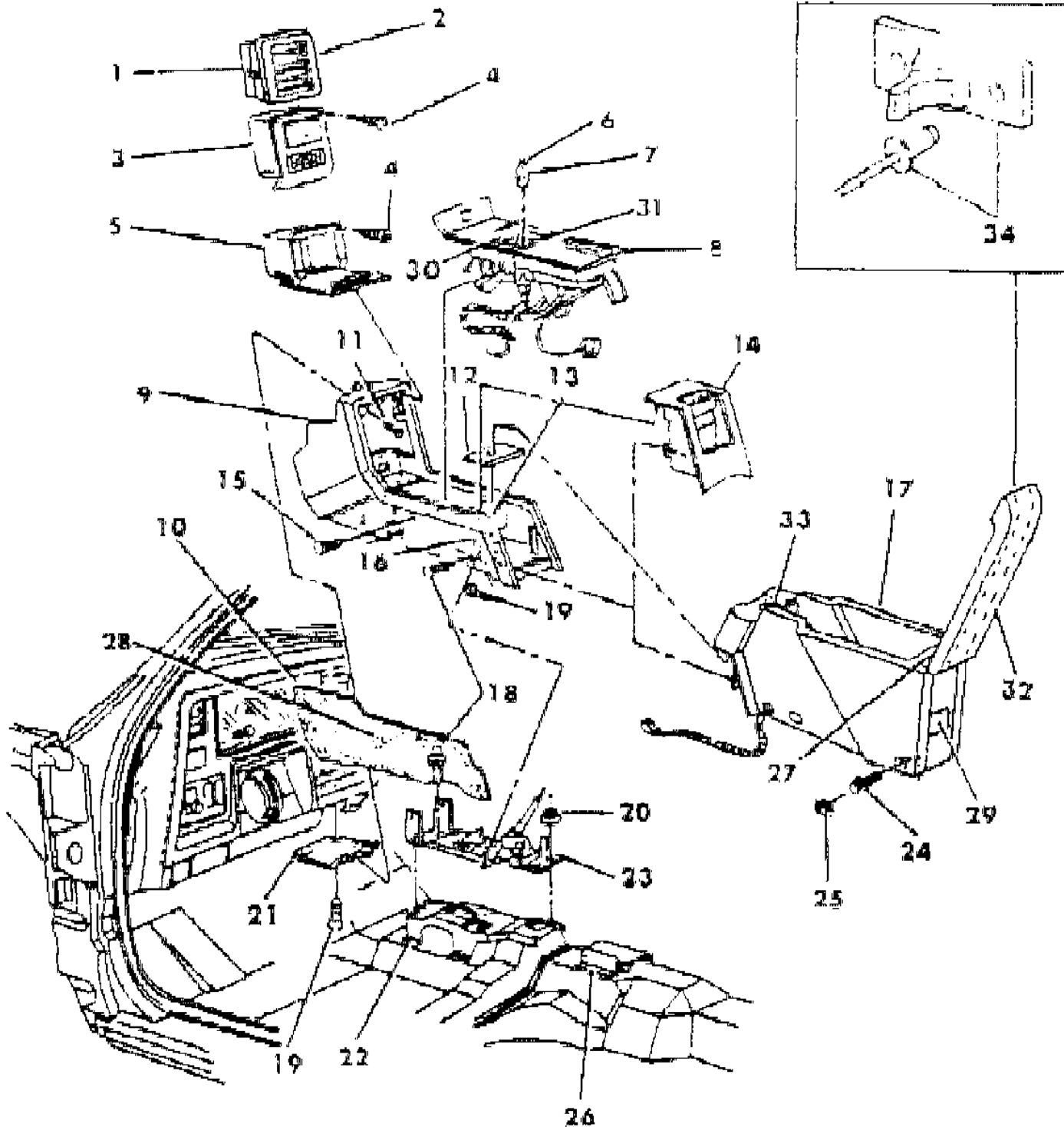
BODY STYLES

12-52 = FWD VAN & WAGON STD. W.B. 27 = 2-DOOR CONVERTIBLE
 13-53 = FWD VAN & WGN EXT W.B. 41 = 4-DOOR SEDAN
 21 = 2-DOOR SEDAN 44 = 4-DOOR HATCHBACK
 24 = 2-DOOR HATCHBACK 45 = 4-DOOR STATION WAGON

AR = Use as Required - = Non Illustrated Part P.A.R. = Paint as Required

CONSOLE H BODY
Figure 8A-3300

8182 3300



ITEM	PART NUMBER	QTY	BODY	MODEL	DESCRIPTION
1	4283 336	6			HOLDER, Cassette Storage Box
2	4283 335	1			BEZEL, Cassette Storage Box
3	4374 183	1			NAVIGATOR, Electronic
4		AR			SCREW (DNS)
5	4309 279	1			BIN, Front Storage
	0455 798	1			PIN, Bin Lid
	6022 297	1			NUT, Push
6	4221 761	1			KNOB, C/Lighter
7	3004 190	1			ELEMENT, C/Lighter
	3747 635	1			SHELL and CLAMP, C/Lighter
8					BEZEL, Forward Console
	4410 924	1			w/Auto Trans.
	4410 925	1			w/Manual Trans.
	6032 689	1			CLIP, Bezel Att.
	0152 490	AR			U-NUT
9	V233 GL7	1			BASE, Console
10					CARPET, Console
	V234-5 GR8	1			Red
	V234-5 GL7	1			Taupe
	V234-5 GS8	1			Charcoal
	V234-5 GC5	1			Blue
11	6032 456	AR			SCREW
12	4309 280	1			BEZEL, Rear Console Front Extension
13		AR			SCREW (DNS)
14	4410 921	1			BEZEL and COIN HOLDER, Console
	4282 130	1			Coin Holder
15		AR			SCREW (DNS)
16		AR			NUT (DNS)
17	V330 GL7	1			BASE, Rear
18		AR			SCREW (DNS)
19		AR			SCREW (DNS)
20	6100 049	AR			NUT
21	4381 021	1			BRACKET, Console to Instrument Panel
22					BRACKET, Console to Floor Pan, Refer to 23A
23	4409 545	1			BRACKET, Console to Floor Upper Mtg.
24		AR			SCREW (DNS)
25					PLUG, Console Base

MODEL CODES

C BODY = (D41 - DYNASTY)(C41 - NEW YORKER)
 E BODY = (J - CARAVELLE)(E - 600)(T - NEW YORKER TURBO)
 G BODY = (V24 - DAYTONA, PACIFICA & SHELBY)
 H BODY = (D44 - LANCER)(C44 - LEBARON GTS)
 J BODY = (C - LEBARON)
 K BODY = (P - RELIANT)(D - ARIES)(C - LEBARON/ TOWN & COUNTRY)

L BODY = (M - HORIZON)(Z-OMNI)
 M BODY = (B - GRAN FURY)(G - DIPLOMAT)(F - FIFTH AVENUE/NEWPORT)
 P BODY = (P - SUNDANCE)(D - SHADOW)
 Q BODY = (C27 - MASERATI)
 S BODY = (H - VOYAGER)(K - RAM VAN/ CARAVAN)

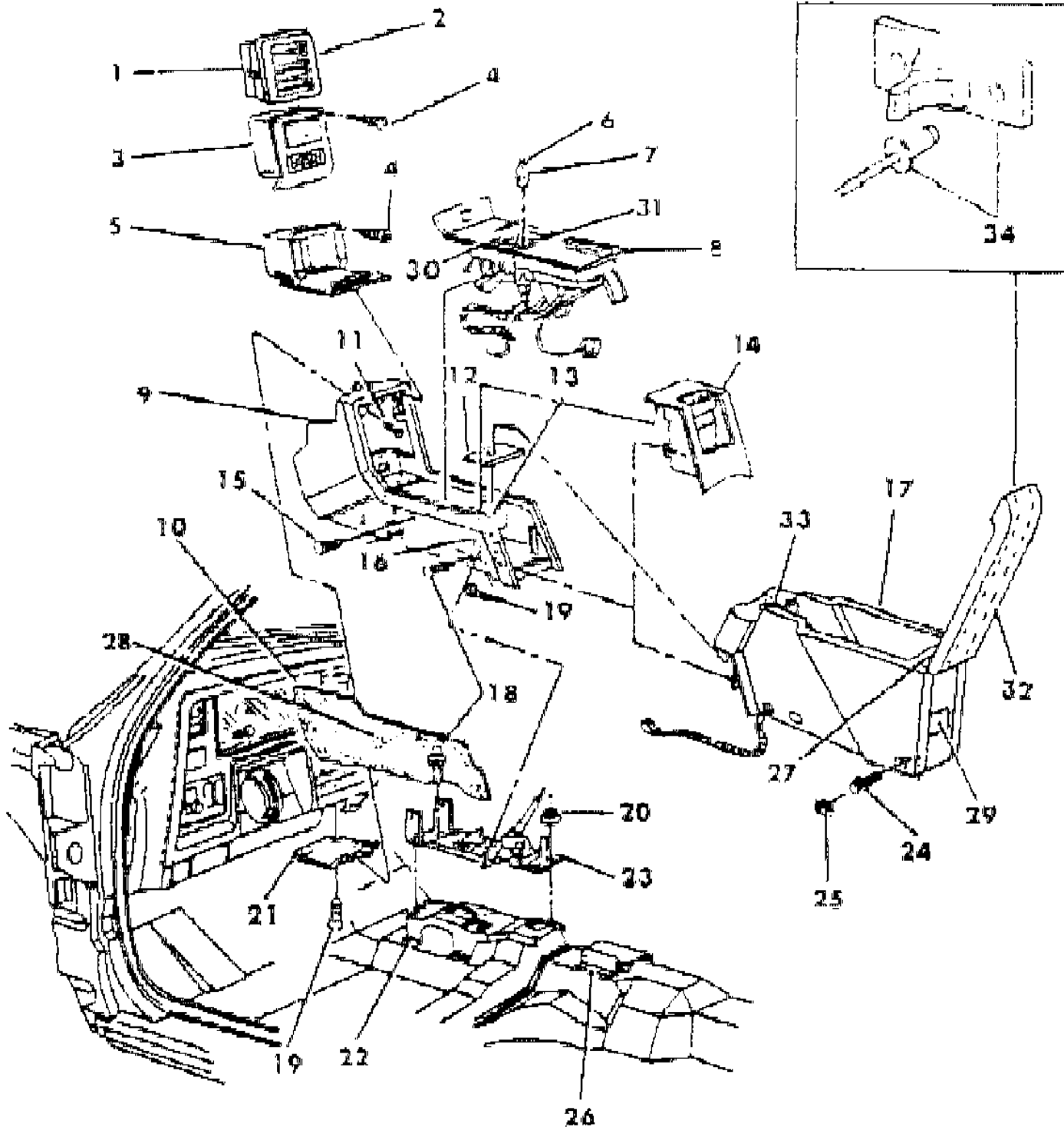
BODY STYLES

12-52 = FWD VAN & WAGON STD. W.B. 27 = 2-DOOR CONVERTIBLE
 13-53 = FWD VAN & WGN EXT W.B. 41 = 4-DOOR SEDAN
 21 = 2-DOOR SEDAN 44 = 4-DOOR HATCHBACK
 24 = 2-DOOR HATCHBACK 45 = 4-DOOR STATION WAGON

AR = Use as Required - = Non Illustrated Part P.A.R. = Paint as Required

CONSOLE H BODY
Figure 8A-3300

8182 3300



ITEM	PART NUMBER	QTY	BODY	MODEL	DESCRIPTION
	F524 GR8	4			Red
	F524 GL7	4			Taupe
	F524 DS8	4			Charcoal
	F524 FC5	4			Blue
26		1			BRACKET, Console to Floor Pan Att., Refer to 23A
27	4410 703	1			HINGE, Arm Rest
28	6032 155	2			CLIP, Carpet to Console
29	4312 630	1			LENS, Rear Console Bin, Outer
	2822 583	1			Inner
30	4247 393	2			SPRING, Ash Receiver Lid Bezel
31	4283 194	1			RECEIVER, Console Bezel
32					ARM REST, Console
	F351 GR8	1			Red
	F351 GL7	1			Taupe
	F351 DS8	1			Charcoal
	F351 FC5	1			Blue
33	4247 211	1			CATCH, Console Lid
34	4381 056	1			STRIKER, Console Lid

MODEL CODES

C BODY = (D41 - DYNASTY)(C41 - NEW YORKER)
 E BODY = (J - CARAVELLE)(E - 600)(T - NEW YORKER TURBO)
 G BODY = (V24 - DAYTONA, PACIFICA & SHELBY)
 H BODY = (D44 - LANCER)(C44 - LEBARON GTS)
 J BODY = (C - LEBARON)
 K BODY = (P - RELIANT)(D - ARIES)(C - LEBARON/ TOWN & COUNTRY)
 L BODY = (M - HORIZON)(Z-OMNI)
 M BODY = (B - GRAN FURY)(G - DIPLOMAT)(F - FIFTH AVENUE/NEWPORT)
 P BODY = (P - SUNDANCE)(D - SHADOW)
 Q BODY = (C27 - MASERATI)
 S BODY = (H - VOYAGER)(K - RAM VAN/ CARAVAN)

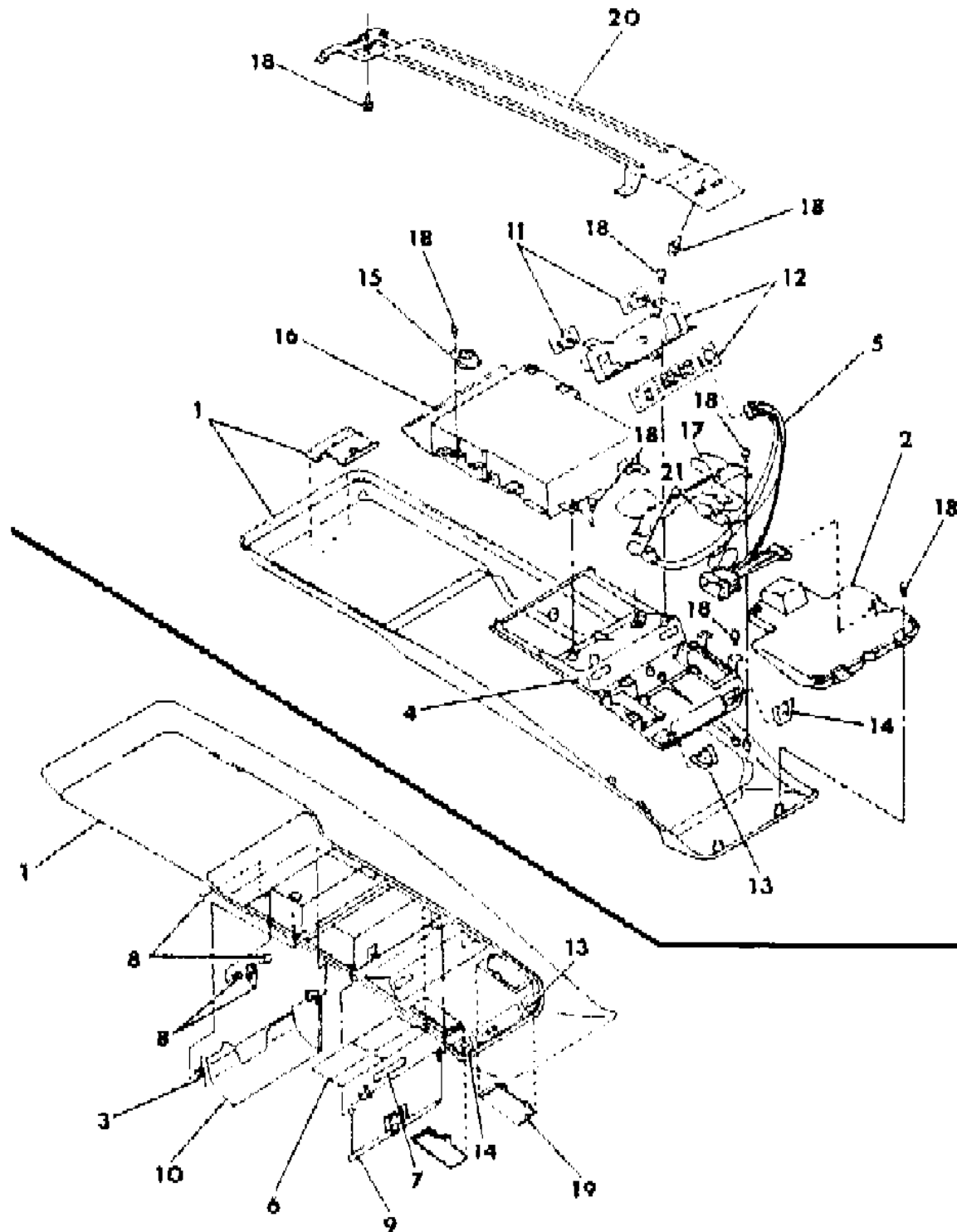
BODY STYLES

12-52 = FWD VAN & WAGON STD. W.B. 27 = 2-DOOR CONVERTIBLE
 13-53 = FWD VAN & WGN EXT W.B. 41 = 4-DOOR SEDAN
 21 = 2-DOOR SEDAN 44 = 4-DOOR HATCHBACK
 24 = 2-DOOR HATCHBACK 45 = 4-DOOR STATION WAGON

AR = Use as Required - = Non Illustrated Part P.A.R. = Paint as Required

CONSOLE, OVERHEAD H BODY
Figure 8A-3400

8182 3400 A



ITEM	PART NUMBER	QTY	BODY	MODEL	DESCRIPTION
1					HOUSING, Console
	V174 FC5	1			Blue
	V174 GR8	1			Red
	V174 GL7	1			Taupe
	V174 FS8	1			Charcoal
2	4439 047	1			COMPASS, w/Temperature Unit
3	4409 911	1			SPRING, Sunglass Bin Door
4	4397 893	1			PANEL, Center
5	4439 044	1			WIRING, Console
6	4309 345	1			HOOK, Velcro G.D.O. Housing
7	4309 344	1			ADAPTER PACKAGE, G.D.O.
8	4309 343	1			MECHANISM PACKAGE, Sunglass Bin
9	4381 269	1			DOOR, G.D.O. Bin
	4397 895	1			SPRING and PAD, G.D.O. Bin
10	4309 341	1			DOOR, Sunglass Bin
11	4309 335	2			BUTTON, Lamp
12	4381 894	1			SWITCH, Map Lamp and Circuit Board
13	4309 331	1			BUTTON, U.S./Metric
14	4309 332	1			BUTTON, Compass/Temperature
15	4309 336	1			DAMPER, Sunglass Bin Viscous
16	4381 270	1			HOUSING, G.D.O. and Sunglass Bin
17	4410 376-7	1			BRACKET, Reflector
18		AR			SCREW (DNS)
19	4410 056-7	1			LENS, Lamp
20	4410 058	1			BRACKET, Console Mtg.
21	9437 173	2			BULB

MODEL CODES

C BODY = (D41 - DYNASTY)(C41 - NEW YORKER)
 E BODY = (J - CARAVELLE)(E - 600)(T - NEW YORKER TURBO)
 G BODY = (V24 - DAYTONA, PACIFICA & SHELBY)
 H BODY = (D44 - LANCER)(C44 - LEBARON GTS)
 J BODY = (C - LEBARON)
 K BODY = (P - RELIANT)(D - ARIES)(C - LEBARON/ TOWN & COUNTRY)
 L BODY = (M - HORIZON)(Z-OMNI)
 M BODY = (B - GRAN FURY)(G - DIPLOMAT)(F - FIFTH AVENUE/NEWPORT)
 P BODY = (P - SUNDANCE)(D - SHADOW)
 Q BODY = (C27 - MASERATI)
 S BODY = (H - VOYAGER)(K - RAM VAN/ CARAVAN)

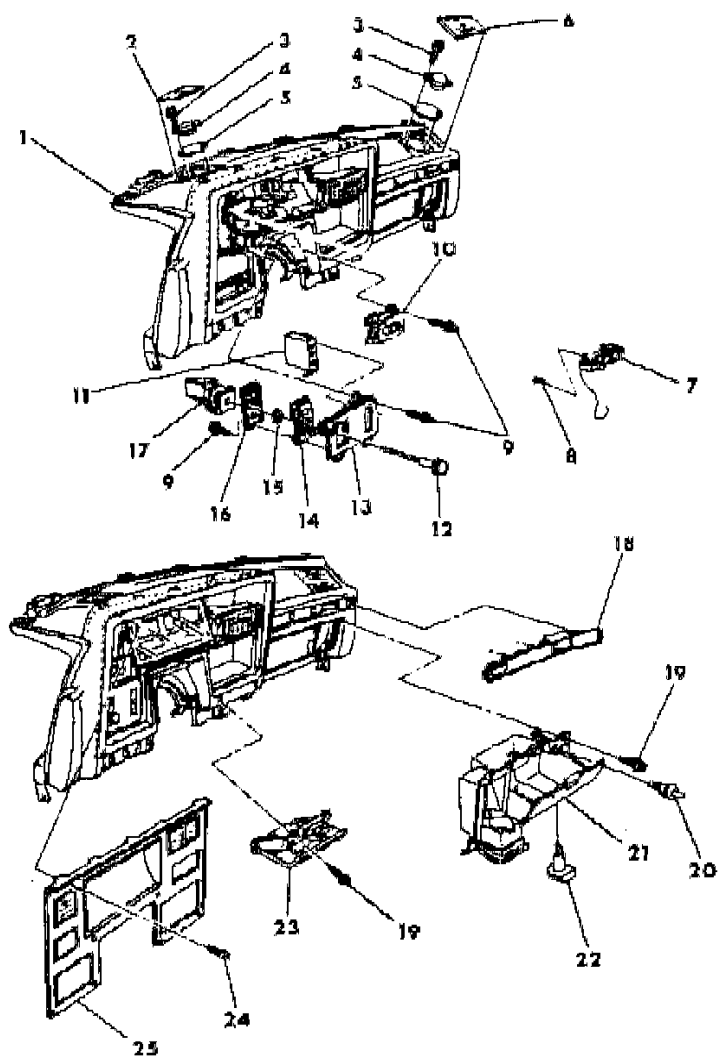
BODY STYLES

12-52 = FWD VAN & WAGON STD. W.B. 27 = 2-DOOR CONVERTIBLE
 13-53 = FWD VAN & WGN EXT W.B. 41 = 4-DOOR SEDAN
 21 = 2-DOOR SEDAN 44 = 4-DOOR HATCHBACK
 24 = 2-DOOR HATCHBACK 45 = 4-DOOR STATION WAGON

AR = Use as Required - = Non Illustrated Part P.A.R. = Paint as Required

INSTRUMENT PANEL PAD, SWITCHES, SPEAKERS C BODY
Figure 8A-3500

8182 3500 A



ITEM	PART NUMBER	QTY	BODY	MODEL	DESCRIPTION
1					PANEL and PAD
	P482 GS8	1			Charcoal
	P482 GC5	1			Blue
	P482 GR8	1			Red
	P482 GL7	1			Taupe
	4374 470	6			FASTENER, I/Panel Pad
	4372 336	1			REINFORCEMENT, Lower Right
	4372 167	1			REINFORCEMENT, Left
	4372 168	1			SUPPORT, Right End
	4331 313	1			BRACKET, Steering Column Mtg.
	4331 570	1			BRACKET, Right Mtg.
2	P593 GL7	1			GRILLE, Speaker
3		AR			SCREW (DNS)
4	4372 152	2			SPEAKER, I/Panel
	4430 173	2			Rear, w/Four Speakers
	4430 070	2			Rear, w/Six Speakers
	4430 171	1			CHOKE, Speaker
5	4372 623	2			COVER, Speaker Opening
6	P594 GL7	1			GRILLE, I/Panel Speaker
7					INDICATOR, Gear Shift
	4374 438	1			w/Mechanical Cluster
	4312 232	1			w/Electronic Cluster
8		2			SCREW (DNS)
9		15			SCREW (DNS)
10	4374 045	1			TRAVELER, Electronic
	4312 415	1			BRACKET, Traveler, Right
	4437 838	1			MODULE, Message Center, Order Components Below
	4437 793	1			Housing
					Board
11					CONTROL, Heated Backlite
	4373 398	1			Black
	4373 403	1			Silver
12	4221 512	1			KNOB and SHAFT, H/Lamp Switch
13	4221 841	1			BEZEL, H/Lamp and Heated Backlite Control
14	4373 252	1			ESCUTCHEON, H/Lamp Switch Mtg.
15	4221 063	1			RETAINER
16	4221 511	1			PLATE, H/Lamp Switch Mtg.

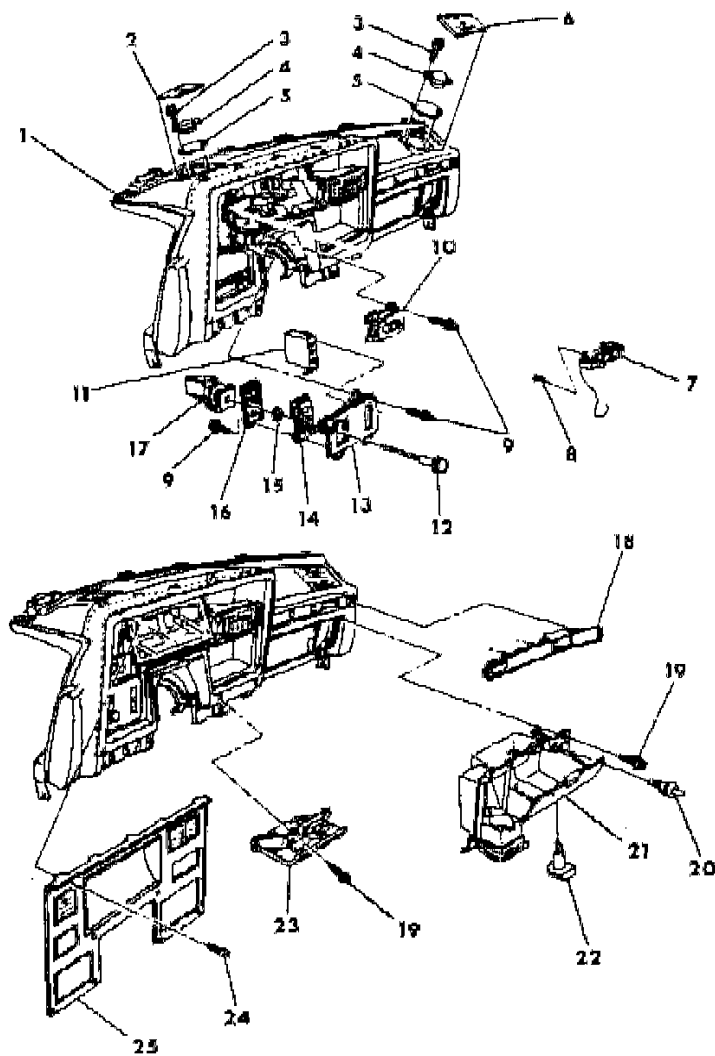
MODEL CODES
C BODY = (D41 - DYNASTY)(C41 - NEW YORKER)
E BODY = (J - CARAVELLE)(E - 600)(T - NEW YORKER TURBO)
G BODY = (V24 - DAYTONA, PACIFICA & SHELBY)
H BODY = (D44 - LANCER)(C44 - LEBARON GTS)
J BODY = (C - LEBARON)
K BODY = (P - RELIANT)(D - ARIES)(C - LEBARON/ TOWN & COUNTRY)
L BODY = (M - HORIZON)(Z-OMNI)
M BODY = (B - GRAN FURY)(G - DIPLOMAT)(F - FIFTH AVENUE/NEWPORT)
P BODY = (P - SUNDANCE)(D - SHADOW)
Q BODY = (C27 - MASERATI)
S BODY = (H - VOYAGER)(K - RAM VAN/ CARAVAN)

BODY STYLES
12-52 = FWD VAN & WAGON STD. W.B. 27 = 2-DOOR CONVERTIBLE
13-53 = FWD VAN & WGN EXT W.B. 41 = 4-DOOR SEDAN
21 = 2-DOOR SEDAN 44 = 4-DOOR HATCHBACK
24 = 2-DOOR HATCHBACK 45 = 4-DOOR STATION WAGON

AR = Use as Required - = Non Illustrated Part P.A.R. = Paint as Required

INSTRUMENT PANEL PAD, SWITCHES, SPEAKERS C BODY
Figure 8A-3500

8182 3500 A



ITEM	PART NUMBER	QTY	BODY	MODEL	DESCRIPTION
17	4221 407	1			SWITCH, H/Lamp
18	4372 788	1		D	BEZEL, I/Panel, Right
	4372 828	1		CH	
	4460 432	1		CS	
19		11			SCREW (DNS)
20	4221 170	1			LAMP and SWITCH, Glovebox
21					MODULE, Glovebox/Cup Holder
	4460 537	1			HANDLE, Glovebox Door
	4372 611	1			HANDLE, Cup Holder Door
					DOOR, Glovebox
	P583 GC5	1			Blue
	P583 GR8	1			Red
	P583 GL7	1			Taupe
	P583 GS8	1			Charcoal
					LATCH, Glovebox Door, Serviced in 4460539
	4372 617	2			PIN, Glovebox Stop
					DOOR, Cup Holder
	P584 GC5	1			Blue
	P584 GR8	1			Red
	P584 GL7	1			Taupe
	P584 GS8	1			Charcoal
	4372 619	2			DAMPER, Glovebox Stop
	4460 538	1			BIN, Glovebox
	4460 539	1			FRAME, Glovebox/Cup Holder
	4372 622	1			DOOR, Fuse Access
					CUP HOLDER
	4372 624	1			Primary
	4372 626	1			Secondary
	4467 054	1			GUIDE, Secondary Cup Holder
	4549 192	1			HOUSING, Cup Holder
	4331 020	1			FUSE PULLER
	4381 022	1			COINHOLDER
22	4373 087	1			SWITCH, Deck Lid Release
23	P588 GL7	1			ASH RECEIVER
	4311 462	1			RECEPTACLE, Ash Receiver
	3747 635	1			SHELL and CLAMP, C/Lighter

MODEL CODES

C BODY = (D41 - DYNASTY)(C41 - NEW YORKER)	L BODY = (M - HORIZON)(Z-OMNI)
E BODY = (J - CARAVELLE)(E - 600)(T - NEW YORKER TURBO)	M BODY = (B - GRAN FURY)(G - DIPLOMAT)(F - FIFTH AVENUE/NEWPORT)
G BODY = (V24 - DAYTONA, PACIFICA & SHELBY)	P BODY = (P - SUNDANCE)(D - SHADOW)
H BODY = (D44 - LANCER)(C44 - LEBARON GTS)	Q BODY = (C27 - MASERATI)
J BODY = (C - LEBARON)	S BODY = (H - VOYAGER)(K - RAM VAN/ CARAVAN)
K BODY = (P - RELIANT)(D - ARIES)(C - LEBARON/ TOWN & COUNTRY)	

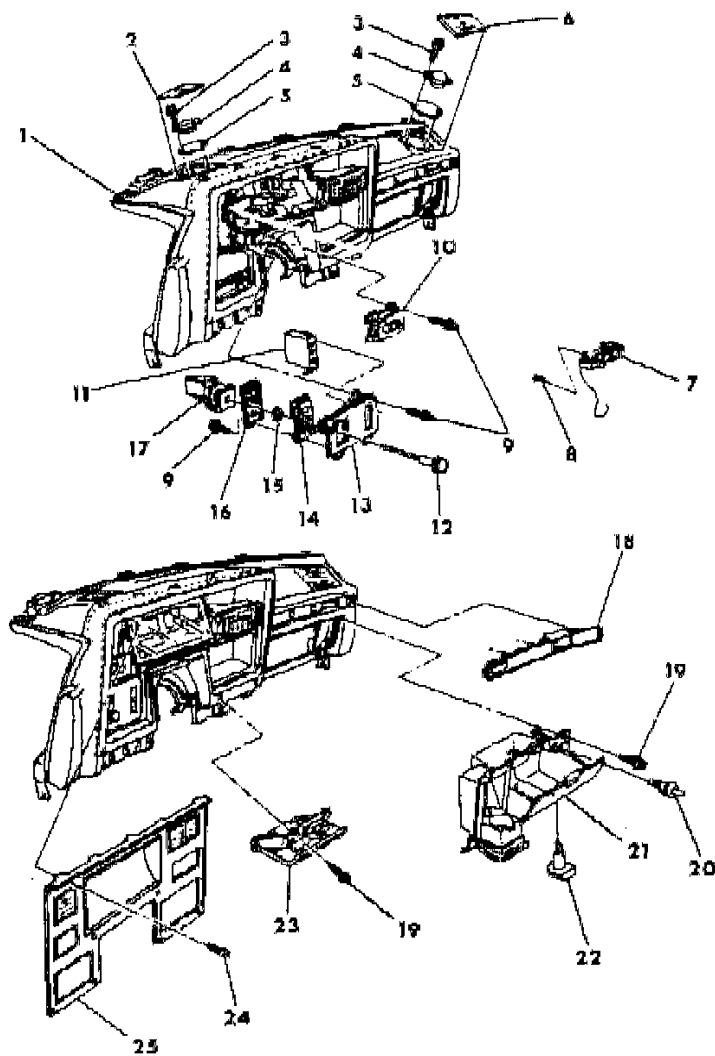
BODY STYLES

12-52 = FWD VAN & WAGON STD. W.B.	27 = 2-DOOR CONVERTIBLE
13-53 = FWD VAN & WGN EXT W.B.	41 = 4-DOOR SEDAN
21 = 2-DOOR SEDAN	44 = 4-DOOR HATCHBACK
24 = 2-DOOR HATCHBACK	45 = 4-DOOR STATION WAGON

AR = Use as Required - = Non Illustrated Part P.A.R. = Paint as Required

INSTRUMENT PANEL PAD, SWITCHES, SPEAKERS C BODY
Figure 8A-3500

8182 3500 A



ITEM	PART NUMBER	QTY	BODY	MODEL	DESCRIPTION
	3004 190	1			ELEMENT, C/Lighter
	4221 761	1			KNOB, C/Lighter
24	6033 312	5			SCREW
25					BEZEL, Cluster
	4374 055	1			Burlwood, w/Mini Trip
	4374 057	1			Burlwood, w/o Mini Trip
	4374 356	1			Woodgrain, w/Mini Trip
	4374 360	1			Woodgrain, w/o Mini Trip
	4439 055	6			FASTENER, Bezel (Velcro) Att.

MODEL CODES

C BODY = (D41 - DYNASTY)(C41 - NEW YORKER)	L BODY = (M - HORIZON)(Z-OMNI)
E BODY = (J - CARAVELLE)(E - 600)(T - NEW YORKER TURBO)	M BODY = (B - GRAN FURY)(G - DIPLOMAT)(F - FIFTH AVENUE/NEWPORT)
G BODY = (V24 - DAYTONA, PACIFICA & SHELBY)	P BODY = (P - SUNDANCE)(D - SHADOW)
H BODY = (D44 - LANCER)(C44 - LEBARON GTS)	Q BODY = (C27 - MASERATI)
J BODY = (C - LEBARON)	S BODY = (H - VOYAGER)(K - RAM VAN/ CARAVAN)
K BODY = (P - RELIANT)(D - ARIES)(C - LEBARON/ TOWN & COUNTRY)	

BODY STYLES

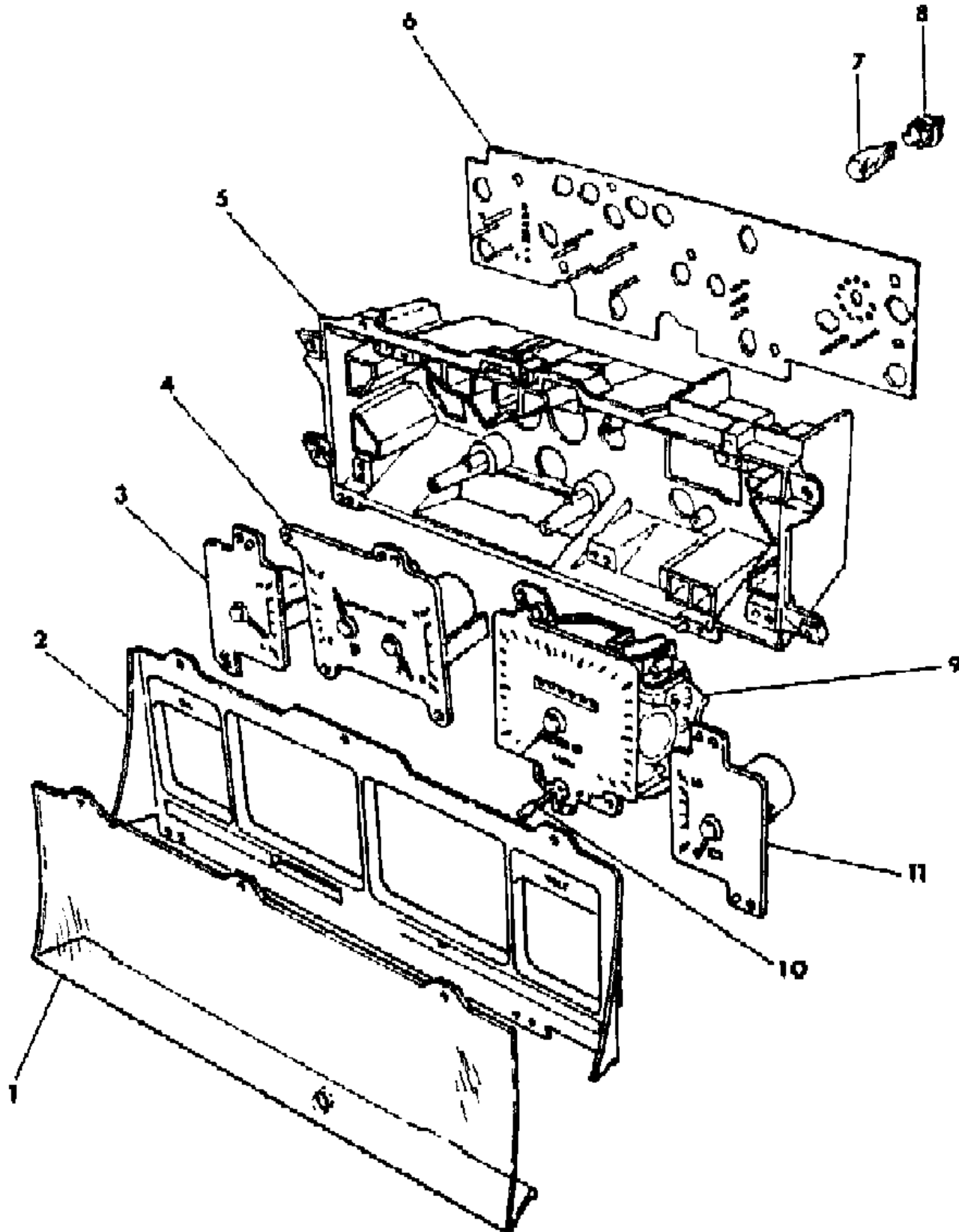
12-52 = FWD VAN & WAGON STD. W.B.	27 = 2-DOOR CONVERTIBLE
13-53 = FWD VAN & WGN EXT W.B.	41 = 4-DOOR SEDAN
21 = 2-DOOR SEDAN	44 = 4-DOOR HATCHBACK
24 = 2-DOOR HATCHBACK	45 = 4-DOOR STATION WAGON

AR = Use as Required - = Non Illustrated Part P.A.R. = Paint as Required

INSTRUMENT PANEL CLUSTER C BODY

Figure 8A-3510

8182 3510



ITEM	PART NUMBER	QTY	BODY	MODEL	DESCRIPTION
	4437 340	1			CLUSTER, Electronic
1	4443 990	1			LENS, Cluster
	4375 181	1			Electronic Cluster
	4375 207	1			Mechanical Cluster
2	4375 207	1			MASK, Cluster
3	4375 201	1			GAUGE, Oil
4	4375 205	1			GAUGE, Fuel/Temperature
5	4375 182	1			HOUSING, Cluster
6	4375 196	1			BOARD, Printed Circuit
7	9421 330	AR			BULB
8	4374 072	AR			SOCKET, Bulb
9	4374 325	1			SPEEDOMETER
10	4375 367	1			KNOB, Odometer Reset
11	4375 203	1			GAUGE, Volt

MODEL CODES

C BODY = (D41 - DYNASTY)(C41 - NEW YORKER)
 E BODY = (J - CARAVELLE)(E - 600)(T - NEW YORKER TURBO)
 G BODY = (V24 - DAYTONA, PACIFICA & SHELBY)
 H BODY = (D44 - LANCER)(C44 - LEBARON GTS)
 J BODY = (C - LEBARON)
 K BODY = (P - RELIANT)(D - ARIES)(C - LEBARON/ TOWN & COUNTRY)
 L BODY = (M - HORIZON)(Z-OMNI)
 M BODY = (B - GRAN FURY)(G - DIPLOMAT)(F - FIFTH AVENUE/NEWPORT)
 P BODY = (P - SUNDANCE)(D - SHADOW)
 Q BODY = (C27 - MASERATI)
 S BODY = (H - VOYAGER)(K - RAM VAN/ CARAVAN)

BODY STYLES

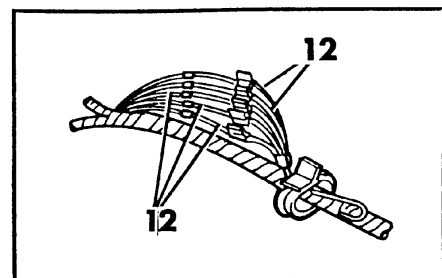
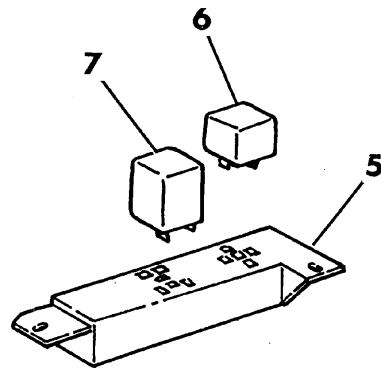
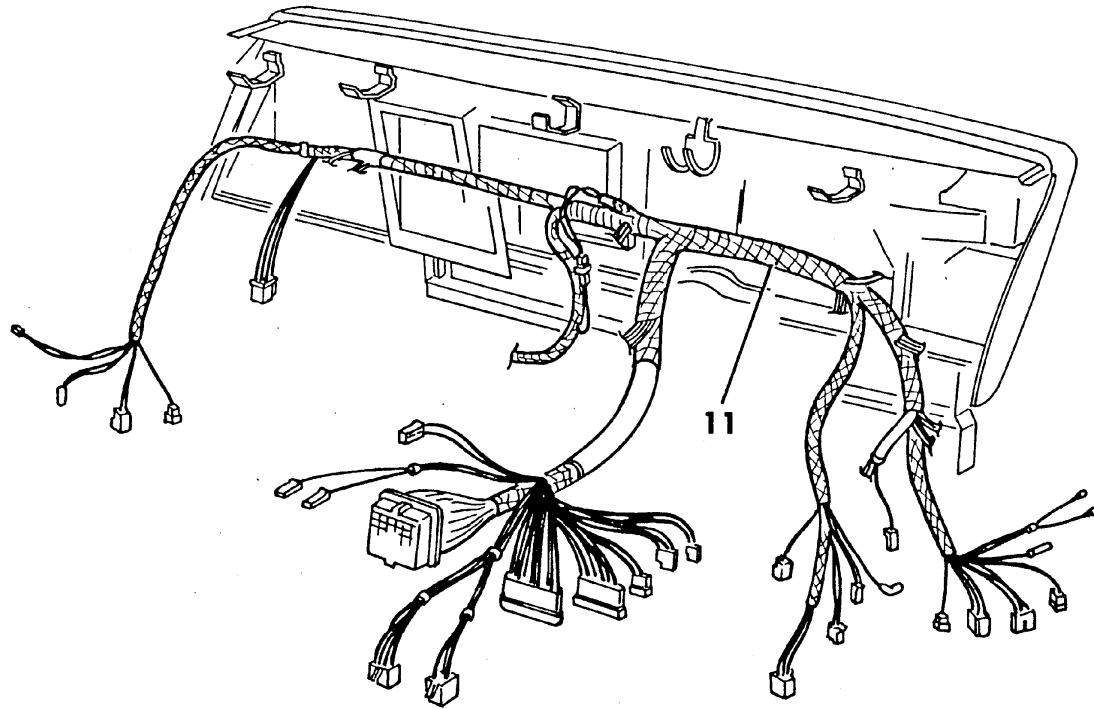
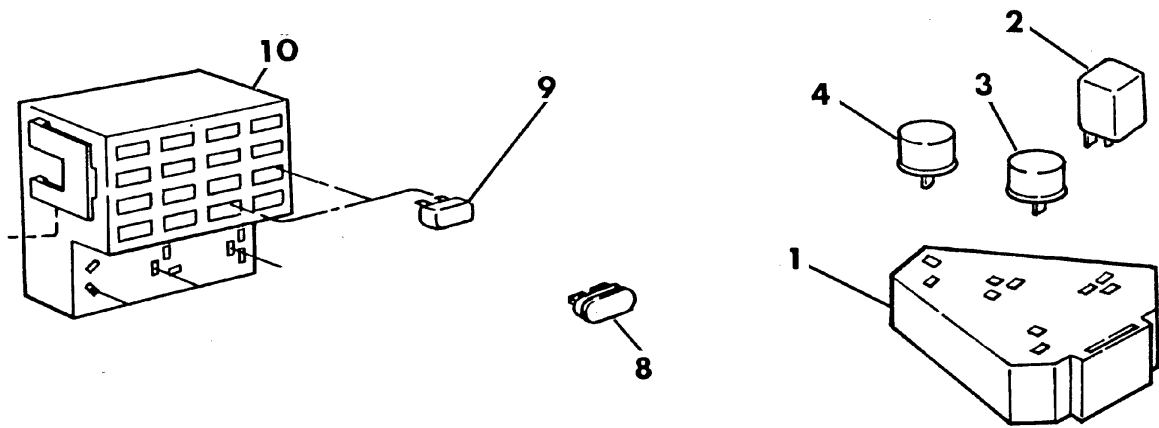
12-52 = FWD VAN & WAGON STD. W.B. 27 = 2-DOOR CONVERTIBLE
 13-53 = FWD VAN & WGN EXT W.B. 41 = 4-DOOR SEDAN
 21 = 2-DOOR SEDAN 44 = 4-DOOR HATCHBACK
 24 = 2-DOOR HATCHBACK 45 = 4-DOOR STATION WAGON

AR = Use as Required - = Non Illustrated Part P.A.R. = Paint as Required

INSTRUMENT PANEL WIRING C BODY

Figure 8A-3600

8182 3600 B



ITEM	PART NUMBER	QTY	BODY	MODEL	DESCRIPTION
1					MODULE, Flashers and Horn Relay, Order Components Below
	4368 099	1			Insulator
	4331 011	AR			Wedge
	4331 506	AR			Terminal
2	4221 658	1			RELAY, Horn
3					FLASHER, Turn Signal
	3837 161	1			Two Lamp
	3837 162	1			Three Lamp
4	2932 877	1			FLASHER, Hazard Warning
5	4419 196	1			MODULE, Power Antenna and Door Locks
6	4373 229	1			RELAY, Door Locks
7	4221 570	1			RELAY, Power Antenna and Door Locks
8					FUSES
	6101 131	AR			3 Amp.
	6101 132	AR			4 Amp.
	6101 133	AR			5 Amp.
	6101 135	AR			10 Amp.
	6101 137	AR			20 AMP.
	6101 138	AR			25 Amp.
	6101 139	AR			30 AMP.
9	4414 333	1			CIRCUIT BREAKER, 30 Amp.
10	4400 912	1			MODULE, Fuse Block
11					WIRING HARNESS
	4414 750	1	DH		w/Mechanical Cluster
	4414 751	1	DP		w/Mechanical Cluster
	4414 752	1	C		w/Mechanical Cluster and A.T.C.
	4414 753	1	C		w/Electronic Cluster and E.V.A.
	4414 754	1	C		w/Electronic Cluster and E.V.I.C.
	4414 755	1	C		w/o Air
12					CABLE, Fuseible Link
	4026 093	1			No. 12 Black
	4026 094	1			No. 14 Red
	4026 095	1			No. 16 Blue
	4026 096	1			No. 18 Grey
	4364 878	1			No. 20 Orange
	4419 351	1			No. 22 White

MODEL CODES

C BODY = (D41 - DYNASTY)(C41 - NEW YORKER)
 E BODY = (J - CARAVELLE)(E - 600)(T - NEW YORKER TURBO)
 G BODY = (V24 - DAYTONA, PACIFICA & SHELBY)
 H BODY = (D44 - LANCER)(C44 - LEBARON GTS)
 J BODY = (C - LEBARON)
 K BODY = (P - RELIANT)(D - ARIES)(C - LEBARON/ TOWN & COUNTRY)

L BODY = (M - HORIZON)(Z-OMNI)
 M BODY = (B - GRAN FURY)(G - DIPLOMAT)(F - FIFTH AVENUE/NEWPORT)
 P BODY = (P - SUNDANCE)(D - SHADOW)
 Q BODY = (C27 - MASERATI)
 S BODY = (H - VOYAGER)(K - RAM VAN/ CARAVAN)

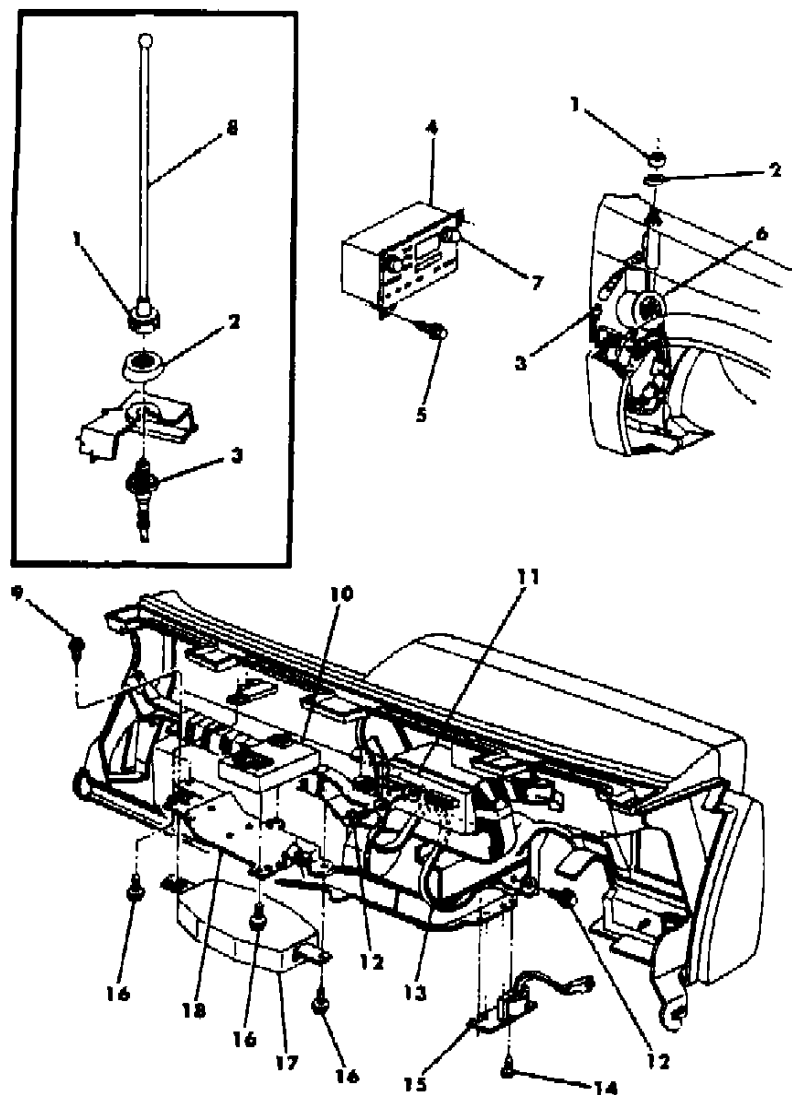
BODY STYLES

12-52 = FWD VAN & WAGON STD. W.B. 27 = 2-DOOR CONVERTIBLE
 13-53 = FWD VAN & WGN EXT W.B. 41 = 4-DOOR SEDAN
 21 = 2-DOOR SEDAN 44 = 4-DOOR HATCHBACK
 24 = 2-DOOR HATCHBACK 45 = 4-DOOR STATION WAGON

AR = Use as Required - = Non Illustrated Part P.A.R. = Paint as Required

INSTRUMENT PANEL RADIO, ANTENNA AND CONTROLS C BODY
Figure 8A-3700

8182 3700



ITEM	PART NUMBER	QTY	BODY	MODEL	DESCRIPTION
1	4372 137	1			CAP NUT, Mtg.
	4372 450	1			w/Power Antenna
2	4222 736	1			ADAPTOR and GASKET
	4372 271	1			w/Power Antenna
3	4430 019	1			CABLE and BODY
	4372 113	1			w/Power Antenna
4					RADIO, w/Clock
	4430 009	1			Am/Fm/Mx
	4469 079	1			Infinity Sound, Up to 12-22-87, w/Graphic Equalizer
	4469 083	1			Infinity Sound, After 12-22-87, w/Graphic Equalizer
	4372 561	1			w/Infinity Sound, w/o Graphic Equalizer
	4372 536	1			Am/Fm/Mx w/Cassette, Black
	4372 537	1			Am/Fm/Mx w/Cassette, Bright
5		2			SCREW (DNS)
6	4469 168	1			ANTENNA, Power
	4494 010	1			MAST PACKAGE, Power Antenna
7					KNOB, Radio
	4311 554	2			Primary
	4311 557	2			Secondary
8	4469 016	1			MAST, Antenna
9		3			SCREW (DNS)
10	4374 339	1			MODULE, Lamp Outage
11	4372 145	1			CABLE, Power Antenna
12		2			SCREW (DNS)
13	4372 040	1			STRAP, Radio Ground
14		1			SCREW (DNS)
15	4430 171	1			CHOKE, Speaker
16		4			SCREW (DNS)
17	4437 382	1			MODULE, Concealed H/Lamps
18	4374 352	1			BRACKET, Module Mtg.

MODEL CODES

C BODY = (D41 - DYNASTY)(C41 - NEW YORKER)
 E BODY = (J - CARAVELLE)(E - 600)(T - NEW YORKER TURBO)
 G BODY = (V24 - DAYTONA, PACIFICA & SHELBY)
 H BODY = (D44 - LANCER)(C44 - LEBARON GTS)
 J BODY = (C - LEBARON)
 K BODY = (P - RELIANT)(D - ARIES)(C - LEBARON/ TOWN & COUNTRY)
 L BODY = (M - HORIZON)(Z-OMNI)
 M BODY = (B - GRAN FURY)(G - DIPLOMAT)(F - FIFTH AVENUE/NEWPORT)
 P BODY = (P - SUNDANCE)(D - SHADOW)
 Q BODY = (C27 - MASERATI)
 S BODY = (H - VOYAGER)(K - RAM VAN/ CARAVAN)

BODY STYLES

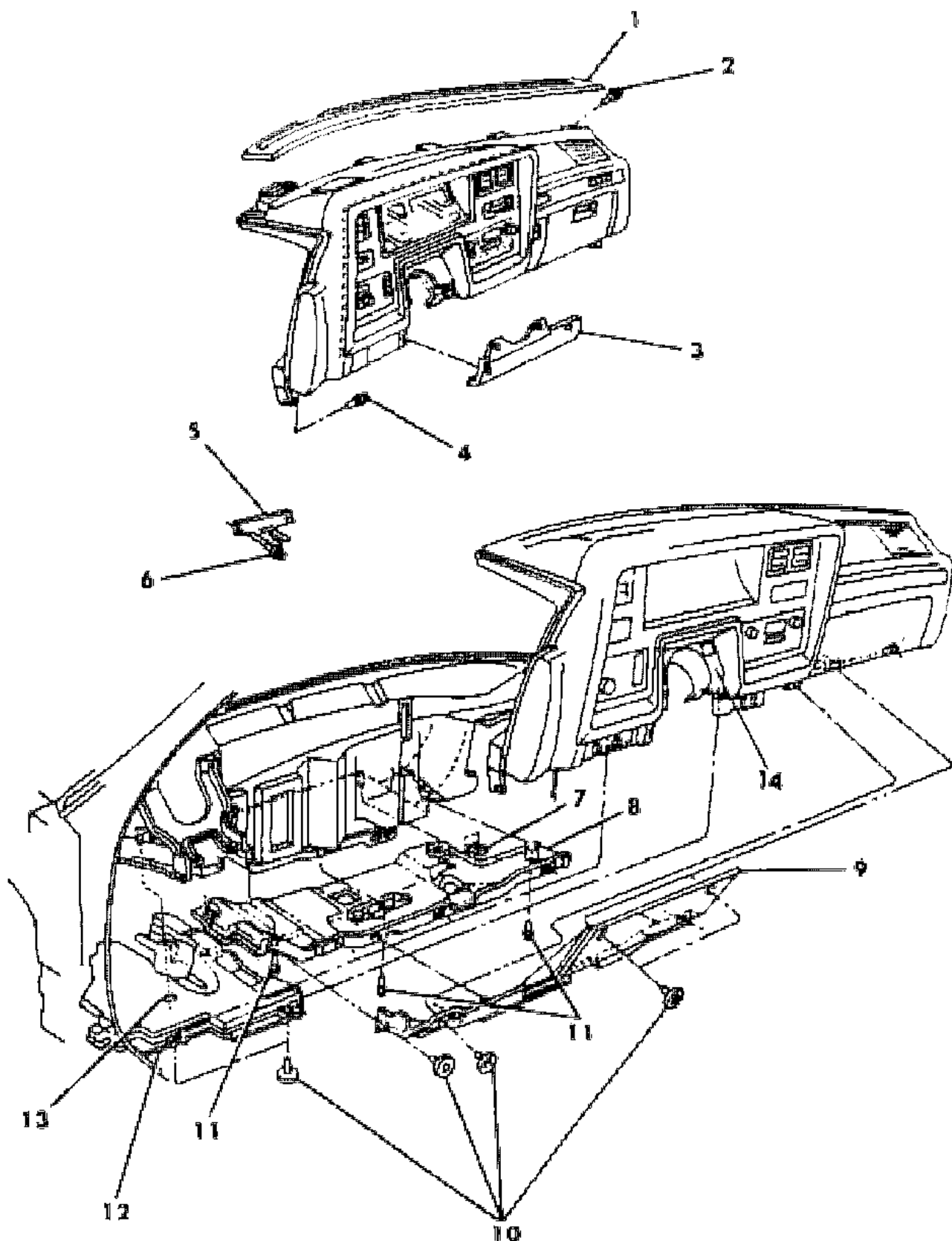
12-52 = FWD VAN & WAGON STD. W.B. 27 = 2-DOOR CONVERTIBLE
 13-53 = FWD VAN & WGN EXT W.B. 41 = 4-DOOR SEDAN
 21 = 2-DOOR SEDAN 44 = 4-DOOR HATCHBACK
 24 = 2-DOOR HATCHBACK 45 = 4-DOOR STATION WAGON

AR = Use as Required - = Non Illustrated Part P.A.R. = Paint as Required

INSTRUMENT PANEL COVERS AND SILENCERS C BODY

Figure 8A-3800

8182 3800 A



ITEM	PART NUMBER	QTY	BODY	MODEL	DESCRIPTION
1	P527 GL7	1			COVER, Top
	4372 150	1			SEAL, Top Cover
	6500 926	AR			CLIP, Top Panel Att.
	6016 149	AR			CLIP, Cowl Top Wiring
2		5			SCREW (DNS)
3	P382 GL7	1			COVER, Steering Column Opening
4		2			SCREW (DNS)
5	4311 308	1			BRACKET, Lower Right
6		2			SCREW (DNS)
7	6501 498	3			NUT
8	4372 178	1			SILENCER, Lower Right
9	4372 184	1			SILENCER, Upper Right
10		9			SCREW (DNS)
11		3			SCREW (DNS)
12	4372 177	1			SILENCER, Left
13	4220 344	1			FASTENER
14					GRILLE, ATC Sensor
	P493 GL7	1			Taupe
	P493 GR8	1			Red
	P493 GC5	1			Blue
	P493 GS8	1			Charcoal

MODEL CODES

C BODY = (D41 - DYNASTY)(C41 - NEW YORKER)
 E BODY = (J - CARAVELLE)(E - 600)(T - NEW YORKER TURBO)
 G BODY = (V24 - DAYTONA, PACIFICA & SHELBY)
 H BODY = (D44 - LANCER)(C44 - LEBARON GTS)
 J BODY = (C - LEBARON)
 K BODY = (P - RELIANT)(D - ARIES)(C - LEBARON/ TOWN & COUNTRY)
 L BODY = (M - HORIZON)(Z-OMNI)
 M BODY = (B - GRAN FURY)(G - DIPLOMAT)(F - FIFTH AVENUE/NEWPORT)
 P BODY = (P - SUNDANCE)(D - SHADOW)
 Q BODY = (C27 - MASERATI)
 S BODY = (H - VOYAGER)(K - RAM VAN/ CARAVAN)

BODY STYLES

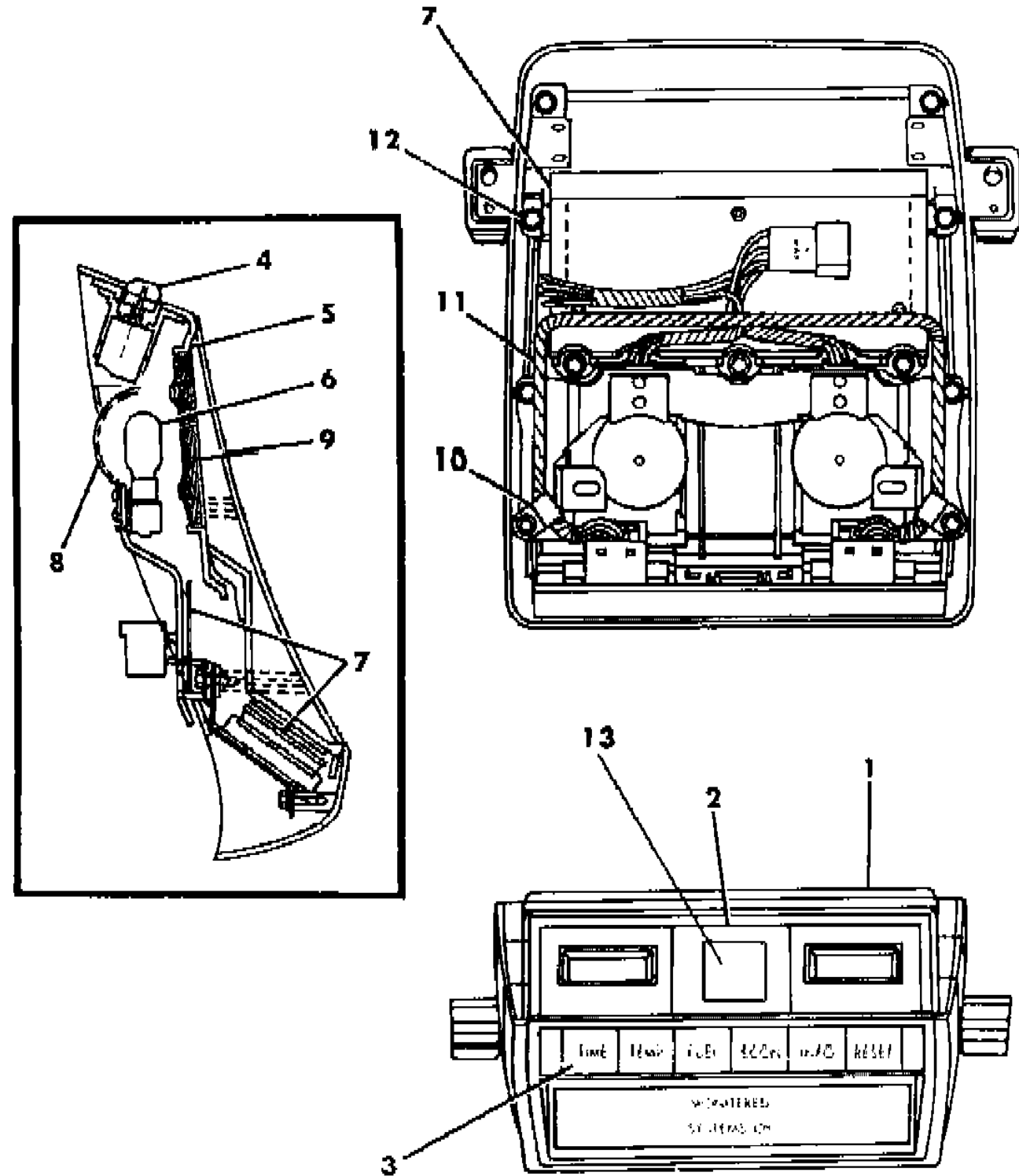
12-52 = FWD VAN & WAGON STD. W.B. 27 = 2-DOOR CONVERTIBLE
 13-53 = FWD VAN & WGN EXT W.B. 41 = 4-DOOR SEDAN
 21 = 2-DOOR SEDAN 44 = 4-DOOR HATCHBACK
 24 = 2-DOOR HATCHBACK 45 = 4-DOOR STATION WAGON

AR = Use as Required - = Non Illustrated Part P.A.R. = Paint as Required

CONSOLE, OVERHEAD C BODY
Figure 8A-3900

8182 3900 A

ITEM	PART NUMBER	QTY	BODY	MODEL	DESCRIPTION
1					HOUSING, Console
					Used w/o Electronics
	F191 GS8	1			Charcoal
	F191 GR8	1			Red
	F191 GC5	1			Blue
	F191 GL7	1			Taupe
					Used w/Electronics
	V665 GS8	1			Charcoal
	V665 GR8	1			Red
	V665 GC5	1			Blue
	V665 GL7	1			Taupe
2					BEZEL
	4374 305	1			w/o Sun Roof
	4374 313	1			w/Sun Roof
3	4374 146	1			BUTTON ASSEMBLY, Electronics
4	4374 312	2			BUTTON, Lamp Switch
5					BEZEL
	4419 380	1			w/o Electronics
	4374 302	1			w/Electronics
6	9437 173	2			BULB
7	4437 504	1			BOARD, Printed Circuit
8	4374 306	1			BRACKET
9	4439 045	2			LENS
10	#6016 036	2			CLIP, Wiring
11					WIRING
	4374 660	1			w/o Electronics
	4374 362	1			w/Electronics
12		AR			SCREW (DNS)
13	4373 082	1			SWITCH, Sun Roof



MODEL CODES

C BODY = (D41 - DYNASTY)(C41 - NEW YORKER)
 E BODY = (J - CARAVELLE)(E - 600)(T - NEW YORKER TURBO)
 G BODY = (V24 - DAYTONA, PACIFICA & SHELBY)
 H BODY = (D44 - LANCER)(C44 - LEBARON GTS)
 J BODY = (C - LEBARON)
 K BODY = (P - RELIANT)(D - ARIES)(C - LEBARON/ TOWN & COUNTRY)

L BODY = (M - HORIZON)(Z-OMNI)
 M BODY = (B - GRAN FURY)(G - DIPLOMAT)(F - FIFTH AVENUE/NEWPORT)
 P BODY = (P - SUNDANCE)(D - SHADOW)
 Q BODY = (C27 - MASERATI)
 S BODY = (H - VOYAGER)(K - RAM VAN/ CARAVAN)

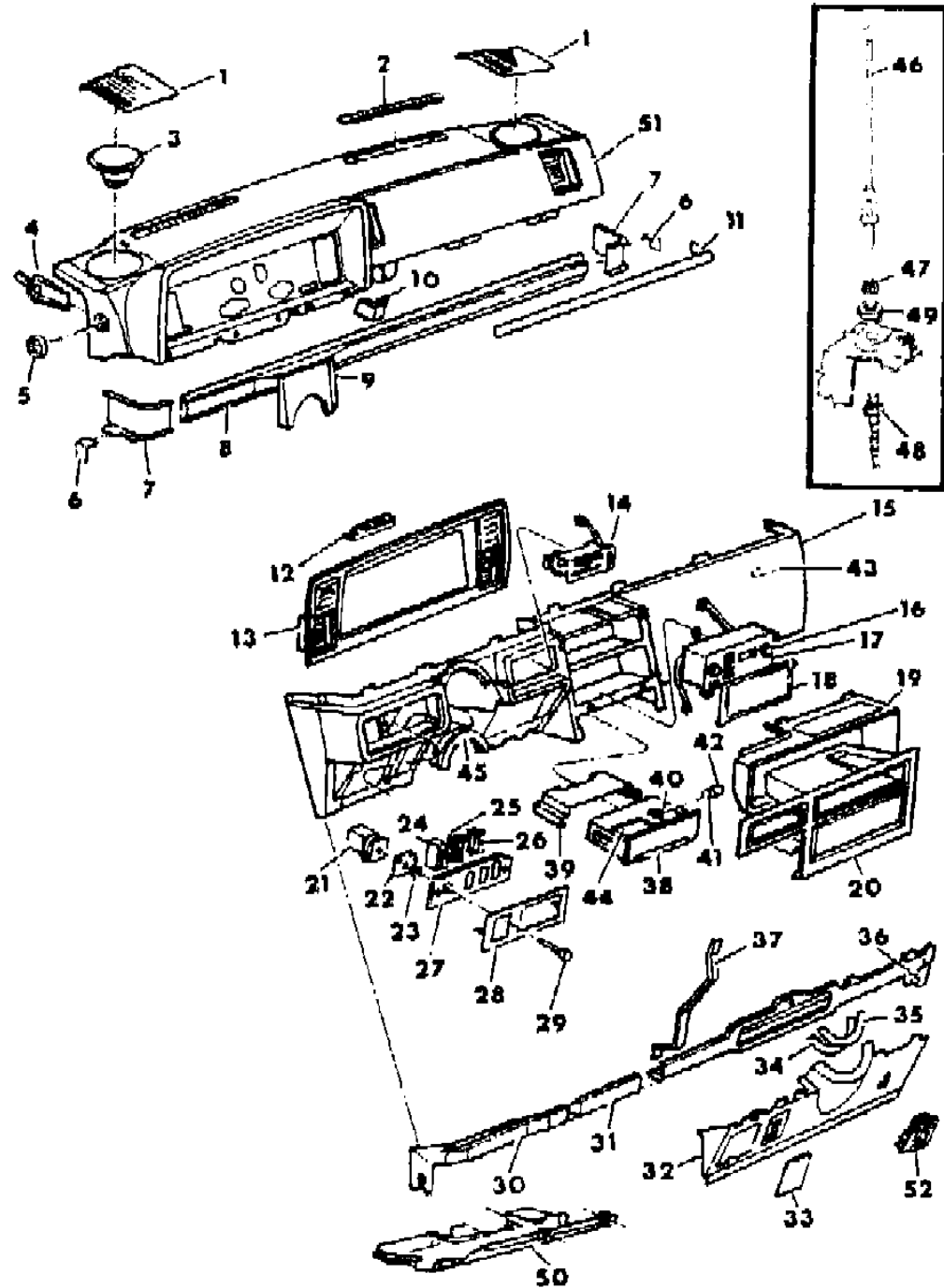
BODY STYLES

12-52 = FWD VAN & WAGON STD. W.B. 27 = 2-DOOR CONVERTIBLE
 13-53 = FWD VAN & WGN EXT W.B. 41 = 4-DOOR SEDAN
 21 = 2-DOOR SEDAN 44 = 4-DOOR HATCHBACK
 24 = 2-DOOR HATCHBACK 45 = 4-DOOR STATION WAGON

AR = Use as Required - = Non Illustrated Part P.A.R. = Paint as Required

INSTRUMENT PANEL S BODY
Figure 8A-4000

8182 4000



ITEM	PART NUMBER	QTY	BODY	MODEL	DESCRIPTION
1	P488-9 FC5	1			GRILLE, Instrument Panel Speaker
2	P476 EK1	2			GRILLE, Defroster
3					SPEAKER, Instrument Panel
	4222 923	1			I/Panel, Standard
	4469 081	2			I/Panel, w/Infinity Sound
	4222 535	2			Rear, Standard
	4372 161	2			Rear, w/Infinity Sound
	4430 205	1			CHOKE, Speaker
4					ADAPTER, Demister, Refer to Group 24
5	4220 772	2			GRILLE, Side Window Demister
6	4220 614-5	1			BRACKET, Support to Cowl Side
7					BRACKET, Support, Serviced in Item #8
8	4311 816	1			REINFORCEMENT, Center
9		1			BRACKET, Steering Column Support, Serviced in #8
10		1			BRACKET, Steering Column Support to Lower Bracket, Serviced in #8
11	4220 638	1			MOULDING, Trim
12	4220 572	1			INDICATOR and CABLE, Gear Selector, w/Auto Trans.
	6032 732	1			CLIP, Gear Selector Cable Retainer
	4220 760	1			COVER, Indicator w/Manual Trans.
13	4374 748	1			BEZEL, Instrument Cluster
14		1			CONTROL, Heater and A/C, Refer to Group 24
15	P462 FK1	1			PANEL, Instrument Panel Lower
16					KNOB, Radio
	4311 341	2			Secondary
	4311 339	1			Treble
	4311 334	2			Primary
	4311 337	1			Bass
17					RADIO, E.T.R w/CLOCK
	4311 002	1			AM
	4311 956	1			Am/Fm/Mx
	4372 536	1			Am/Fm/Mx w/Cassette
	4430 010	1			Infinity Sound, w/o Graphic Equalizer
	4372 444	1			Infinity Sound, Up to 11-18-87, w/Graphic Equalizer
	4469 084	1			Infinity Sound, After 11-18-87, w/Graphic Equalizer
	4372 040	1			STRAP, Radio (White) Ground
18	4220 482	1			PLATE, Radio Opening w/o Radio

MODEL CODES

C BODY = (D41 - DYNASTY)(C41 - NEW YORKER)
 E BODY = (J - CARAVELLE)(E - 600)(T - NEW YORKER TURBO)
 G BODY = (V24 - DAYTONA, PACIFICA & SHELBY)
 H BODY = (D44 - LANCER)(C44 - LEBARON GTS)
 J BODY = (C - LEBARON)
 K BODY = (P - RELIANT)(D - ARIES)(C - LEBARON/ TOWN & COUNTRY)

L BODY = (M - HORIZON)(Z-OMNI)
 M BODY = (B - GRAN FURY)(G - DIPLOMAT)(F - FIFTH AVENUE/NEWPORT)
 P BODY = (P - SUNDANCE)(D - SHADOW)
 Q BODY = (C27 - MASERATI)
 S BODY = (H - VOYAGER)(K - RAM VAN/ CARAVAN)

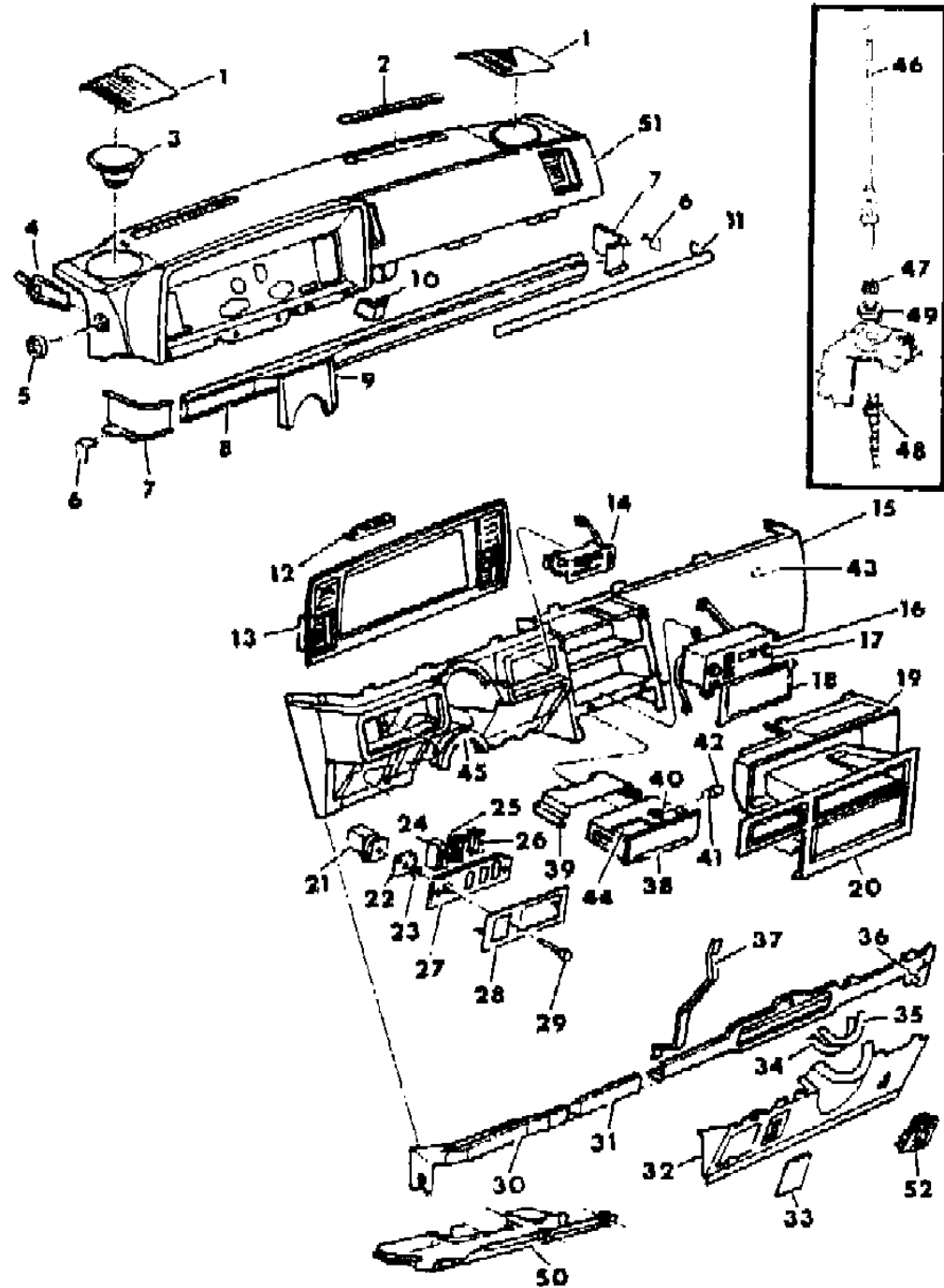
BODY STYLES

12-52 = FWD VAN & WAGON STD. W.B. 27 = 2-DOOR CONVERTIBLE
 13-53 = FWD VAN & WGN EXT W.B. 41 = 4-DOOR SEDAN
 21 = 2-DOOR SEDAN 44 = 4-DOOR HATCHBACK
 24 = 2-DOOR HATCHBACK 45 = 4-DOOR STATION WAGON

AR = Use as Required - = Non Illustrated Part P.A.R. = Paint as Required

INSTRUMENT PANEL S BODY
Figure 8A-4000

8182 4000



ITEM	PART NUMBER	QTY	BODY	MODEL	DESCRIPTION
19	P306 GK1	1			CONSOLE, Instrument Panel
	P623 GK1	1			CUP HOLDER, Console
20					BEZEL, Instrument Panel Console
	4311 914	1			w/o Rear Heater/A.C.
	4372 890	1			w/Rear Heater/A.C.
	4460 607	1			(EUROPEAN)
	4220 455	1			CLIP, Bezel
21	4373 136	1			SWITCH, Headlamp
22	4221 372	1			PLATE, Headlamp Switch Mtg.
23	4221 063	1			RETAINER, Headlamp Switch Mtg.
24	4373 399	1			CONTROL, Heated Backlite
25	4373 401	1			CONTROL, Rear Wipe/Wash
26	4373 402	1			CONTROL, Liftgate Release
27					BEZEL, Headlamp and Acc. Switch
	4221 961	1			w/One Opening
	4221 960	1			w/Two Openings
	4221 959	1			w/Three Openings
	4221 962	1			w/o Openings
28	4221 965	1			BEZEL
29	4373 213	1			KNOB and SHAFT, H/Lamp Switch
30	4220 623	1			REINFORCEMENT, Lower Left
31	4372 574	1			REINFORCEMENT, Lower Center
32	P480 EK1	1			COVER, Steering Column
33		1			PLATE, Fuse Block, Serviced in #32
34-35		2			TAPE (DNS)
36	4372 675	1			REINFORCEMENT, Lower Right
37	4220 611	1			BRACKET, Lower to Bracket Column Support Att.
	4220 866	1			BRACKET, Instrument Panel Lower Reinf. to A/C or Heater Att., Right
	4220 869	1			Left
38	4311 923	1			HOUSING, Ash Receiver
39	4311 456	1			HOUSING, Ash Receiver, Upper
40	2808 912	1			SHELL and CLAMP, C/Lighter
41	3004 190	1			ELEMENT, C/Lighter
42	3747 165	1			KNOB, C/Lighter
	4221 408	1			HOOD, Instrument Panel Ash Receiver Lamp
	9421 330	1			BULB, Ash Receiver Lamp

MODEL CODES

C BODY = (D41 - DYNASTY)(C41 - NEW YORKER)
 E BODY = (J - CARAVELLE)(E - 600)(T - NEW YORKER TURBO)
 G BODY = (V24 - DAYTONA, PACIFICA & SHELBY)
 H BODY = (D44 - LANCER)(C44 - LEBARON GTS)
 J BODY = (C - LEBARON)
 K BODY = (P - RELIANT)(D - ARIES)(C - LEBARON/ TOWN & COUNTRY)

L BODY = (M - HORIZON)(Z-OMNI)
 M BODY = (B - GRAN FURY)(G - DIPLOMAT)(F - FIFTH AVENUE/NEWPORT)
 P BODY = (P - SUNDANCE)(D - SHADOW)
 Q BODY = (C27 - MASERATI)
 S BODY = (H - VOYAGER)(K - RAM VAN/ CARAVAN)

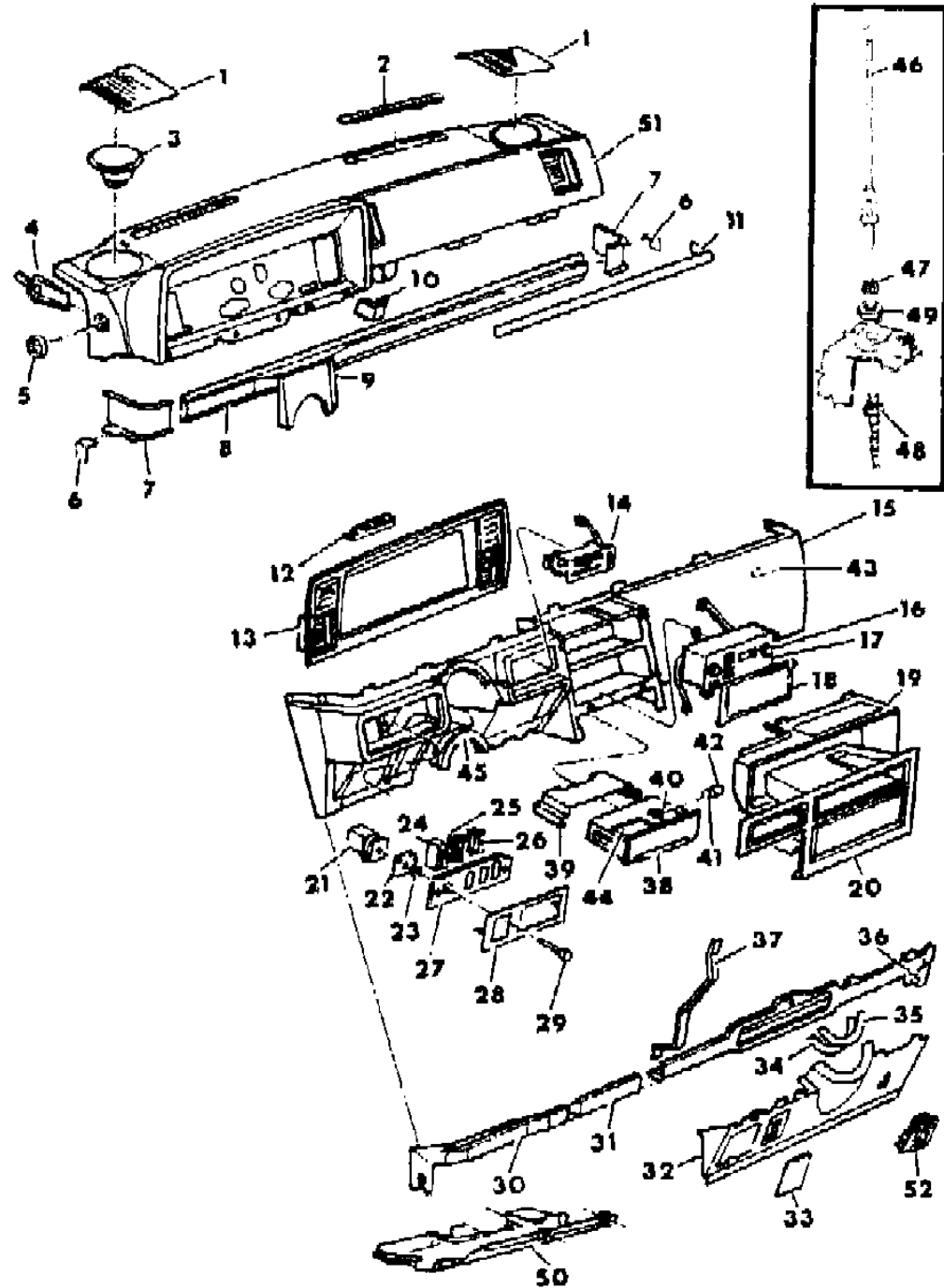
BODY STYLES

12-52 = FWD VAN & WAGON STD. W.B. 27 = 2-DOOR CONVERTIBLE
 13-53 = FWD VAN & WGN EXT W.B. 41 = 4-DOOR SEDAN
 21 = 2-DOOR SEDAN 44 = 4-DOOR HATCHBACK
 24 = 2-DOOR HATCHBACK 45 = 4-DOOR STATION WAGON

AR = Use as Required - = Non Illustrated Part P.A.R. = Paint as Required

INSTRUMENT PANEL S BODY
Figure 8A-4000

8182 4000



ITEM	PART NUMBER	QTY	BODY	MODEL	DESCRIPTION
	4048 038	2			DIFFUSER, Ash Receiver Lamp
43					NAME PLATE, Instrument Panel
	4311 355	1			"Ram Van"
	4311 353	1			"Voyager"
	4311 351	1			"Caravan"
	4311 418	1			"Chrysler" (EUROPEAN)
	6029 168	2			CLIP, Name Plate Att.
	0445 153	2			NUT, Name Plate Att.
44	4311 460	1			RECEPTACLE, Ash Receiver
45	4220 773	1			SHIELD, Steering Column Upper
46	4222 729	1			MAST, Antenna
47	4372 137	1			NUT, Cap
48	4372 119	1			BODY and CABLE, Antenna
49	4222 736	1			ADAPTER and GASKET, Antenna
	4222 735	1			LOCK WASHER
	4222 739	1			PLUG, Antenna Hole
50					SILENCER, Instrument Panel
	4372 638	1			w/Manual Trans.
	4372 640	1			w/Auto Trans.
51					PAD, Instrument Panel
	P467 FC5	1			Blue
	P467 GR8	1			Red
	P467 EK1	1			Almond
	P467 ES8	1			Charcoal
52	4373 119	1			SWITCH, Rear Heater
	4221 475	1			BEZEL, Rear Heater Switch

MODEL CODES

C BODY = (D41 - DYNASTY)(C41 - NEW YORKER)	L BODY = (M - HORIZON)(Z-OMNI)
E BODY = (J - CARAVELLE)(E - 600)(T - NEW YORKER TURBO)	M BODY = (B - GRAN FURY)(G - DIPLOMAT)(F - FIFTH AVENUE/NEWPORT)
G BODY = (V24 - DAYTONA, PACIFICA & SHELBY)	P BODY = (P - SUNDANCE)(D - SHADOW)
H BODY = (D44 - LANCER)(C44 - LEBARON GTS)	Q BODY = (C27 - MASERATI)
J BODY = (C - LEBARON)	S BODY = (H - VOYAGER)(K - RAM VAN/ CARAVAN)
K BODY = (P - RELIANT)(D - ARIES)(C - LEBARON/ TOWN & COUNTRY)	

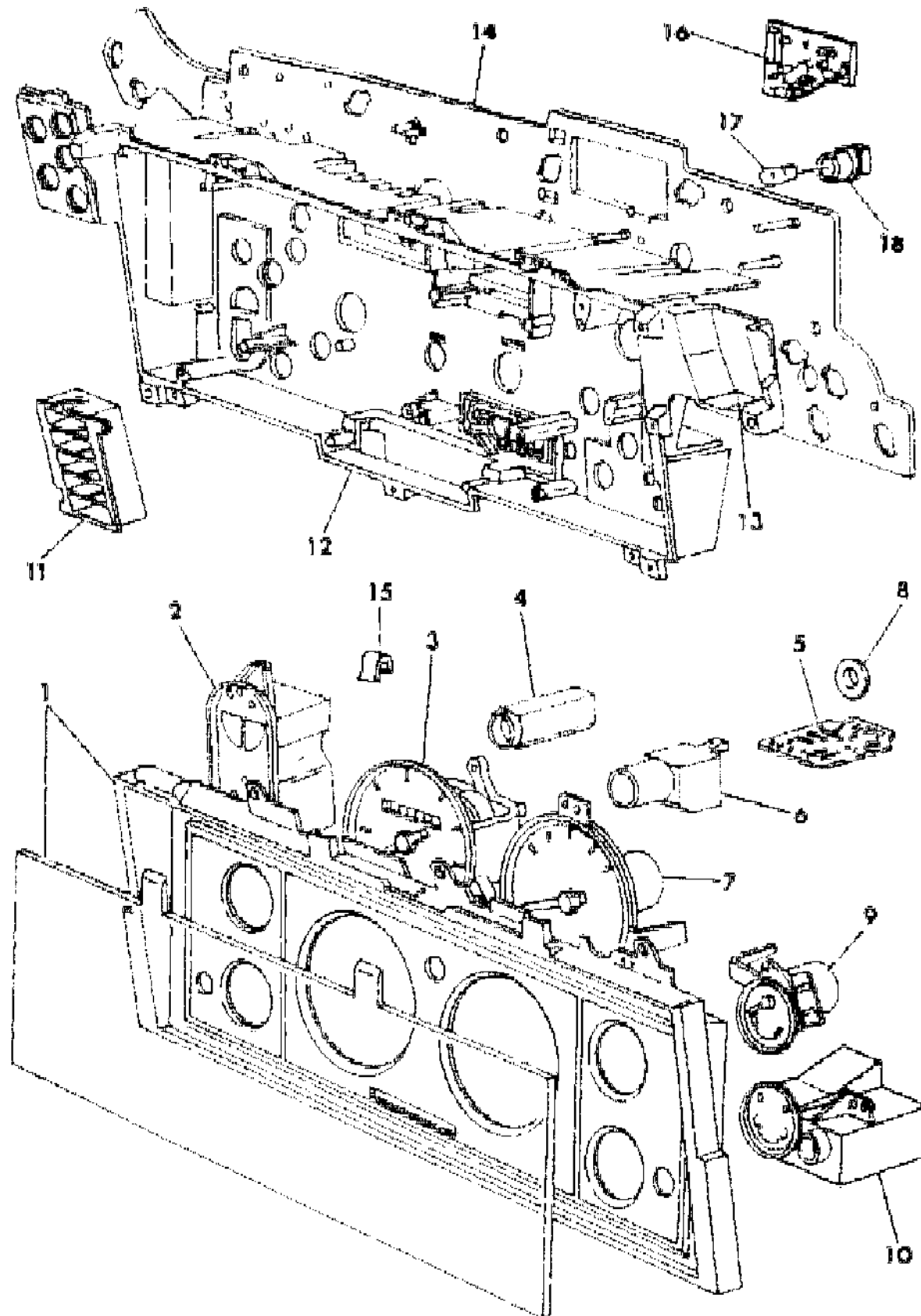
BODY STYLES

12-52 = FWD VAN & WAGON STD. W.B.	27 = 2-DOOR CONVERTIBLE
13-53 = FWD VAN & WGN EXT W.B.	41 = 4-DOOR SEDAN
21 = 2-DOOR SEDAN	44 = 4-DOOR HATCHBACK
24 = 2-DOOR HATCHBACK	45 = 4-DOOR STATION WAGON

AR = Use as Required - = Non Illustrated Part P.A.R. = Paint as Required

INSTRUMENT PANEL, CLUSTER W/O TACHOMETER, W/SIGNALS S BODY
Figure 8A-4100

8182 4100 A



ITEM	PART NUMBER	QTY	BODY	MODEL	DESCRIPTION
1	4051 689	1			MASK and LENS, Cluster
2	4051 716	1			CHIMNEY, Oil and Temp. Light
3	4375 265	1			SPEEDOMETER
	4375 274	1			(EUROPEAN)
4	4051 812	1			CHIMNEY, Turn Signal, Left
5					BOARD, E.M.R. Circuit
	5266 165	1			30,000 Miles
	5266 166	1			50,000 Miles
	5266 167	1			60,000 Miles
6	4375 179	1			CHIMNEY, Hi-Beam
7					GAUGE, Fuel
	4375 384	1			Up to 4-26-88
	4375 388	1			After 4-26-88
	4374 656	1			LAMP, Fuel Pacer Indicator
	6032 456	2			SCREW, Lamp
8	4051 412	1			GROMMET, Speedometer
9	4375 132	1			GAUGE, Voltmeter
10	4051 717	1			CHIMNEY, Seat Belt and Turh Signal, Right
11	4051 715	1			CHIMNEY, Gauge Alert
	4375 279	1			CHIMNEY, w/Circuit Board
	4051 861	1			GAUGE, Alert
	4051 761	1			BOARD, Gauge Alert
12	4375 322	1			HOUSING, Cluster
13	4374 393	1			INDICATOR, Low Fuel, Door Ajar and Washer
14					BOARD, Printed Circuit
	4375 249	1			Up to 4-26-88
	4375 392	1			After 4-26-88
15		1			CLIP (DNS)
	6032 100	AR			SCREW
16	4375 318	1			MODULE, Fuel Gauge Damper
17	9421 330	AR			BULB
18	4374 072	AR			SOCKET

MODEL CODES

C BODY = (D41 - DYNASTY)(C41 - NEW YORKER)
 E BODY = (J - CARAVELLE)(E - 600)(T - NEW YORKER TURBO)
 G BODY = (V24 - DAYTONA, PACIFICA & SHELBY)
 H BODY = (D44 - LANCER)(C44 - LEBARON GTS)
 J BODY = (C - LEBARON)
 K BODY = (P - RELIANT)(D - ARIES)(C - LEBARON/ TOWN & COUNTRY)

L BODY = (M - HORIZON)(Z-OMNI)
 M BODY = (B - GRAN FURY)(G - DIPLOMAT)(F - FIFTH AVENUE/NEWPORT)
 P BODY = (P - SUNDANCE)(D - SHADOW)
 Q BODY = (C27 - MASERATI)
 S BODY = (H - VOYAGER)(K - RAM VAN/ CARAVAN)

BODY STYLES

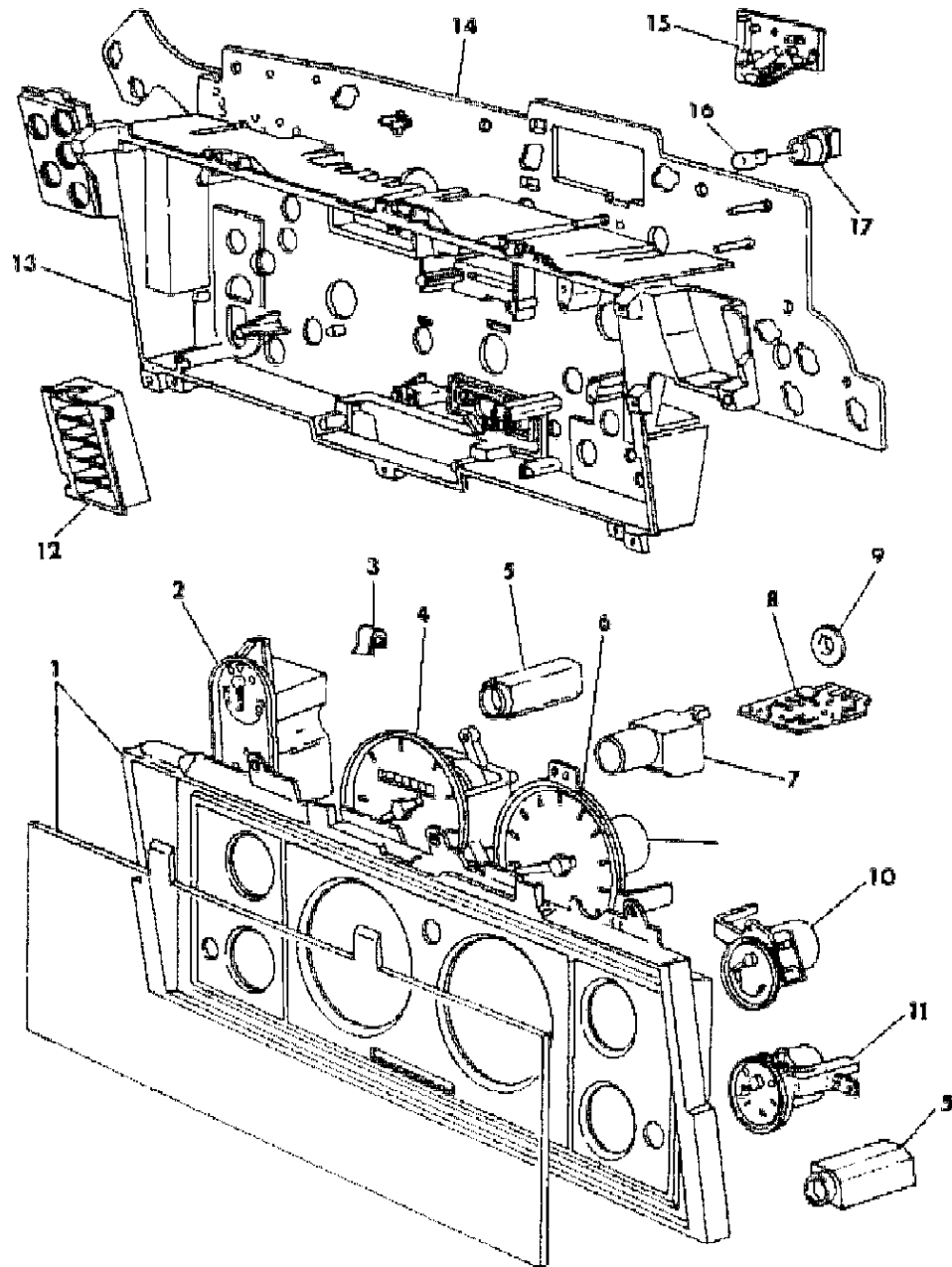
12-52 = FWD VAN & WAGON STD. W.B. 27 = 2-DOOR CONVERTIBLE
 13-53 = FWD VAN & WGN EXT W.B. 41 = 4-DOOR SEDAN
 21 = 2-DOOR SEDAN 44 = 4-DOOR HATCHBACK
 24 = 2-DOOR HATCHBACK 45 = 4-DOOR STATION WAGON

AR = Use as Required - = Non Illustrated Part P.A.R. = Paint as Required

INSTRUMENT PANEL, CLUSTER W/TACHOMETER AND GAUGES S BODY

Figure 8A-4110

8182 4110



ITEM	PART NUMBER	QTY	BODY	MODEL	DESCRIPTION
1	4375 104	1			MASK and LENS, Cluster
2	4051 711	1			GAUGE, Oil/Temperature
3		1			CLIP (DNS)
4	6032 100	AR			SCREW
	4375 271	1			SPEEDOMETER
	4375 274	1			(EUROPEAN)
5	4051 812	2			CHIMNEY, Turn Signal
6	4375 278	1			TACHOMETER
	4051 977	1			BOARD, Tachometer Circuit
7	4375 179	1			CHIMNEY, Hi-Beam
8					BOARD, E.M.R. Circuit
	5266 165	1			30,000 Miles
	5266 166	1			50,000 Miles
	5266 167	1			60,000 Miles
9	4051 412	1			GROMMET, Speedometer
10	4375 132	1			GAUGE, Voltmeter
11					GAUGE, Fuel
	4375 386	1			Up to 4-26-88
	4375 387	1			After 4-26-88
12	4051 715	1			CHIMNEY, Gauge Alert
	4051 861	1			GAUGE, Alert
13	4375 272	1			HOUSING, Cluster
14					BOARD, Printed Circuit
	4375 248	1			Up to 4-26-88
	4375 391	1			After 4-26-88
15	4375 318	1			MODULE, Fuel Gauge Damper
16	9421 330	AR			BULB
17	4374 072	AR			SOCKET, Bulb

MODEL CODES

C BODY = (D41 - DYNASTY)(C41 - NEW YORKER)
 E BODY = (J - CARAVELLE)(E - 600)(T - NEW YORKER TURBO)
 G BODY = (V24 - DAYTONA, PACIFICA & SHELBY)
 H BODY = (D44 - LANCER)(C44 - LEBARON GTS)
 J BODY = (C - LEBARON)
 K BODY = (P - RELIANT)(D - ARIES)(C - LEBARON/ TOWN & COUNTRY)

L BODY = (M - HORIZON)(Z-OMNI)
 M BODY = (B - GRAN FURY)(G - DIPLOMAT)(F - FIFTH AVENUE/NEWPORT)
 P BODY = (P - SUNDANCE)(D - SHADOW)
 Q BODY = (C27 - MASERATI)
 S BODY = (H - VOYAGER)(K - RAM VAN/ CARAVAN)

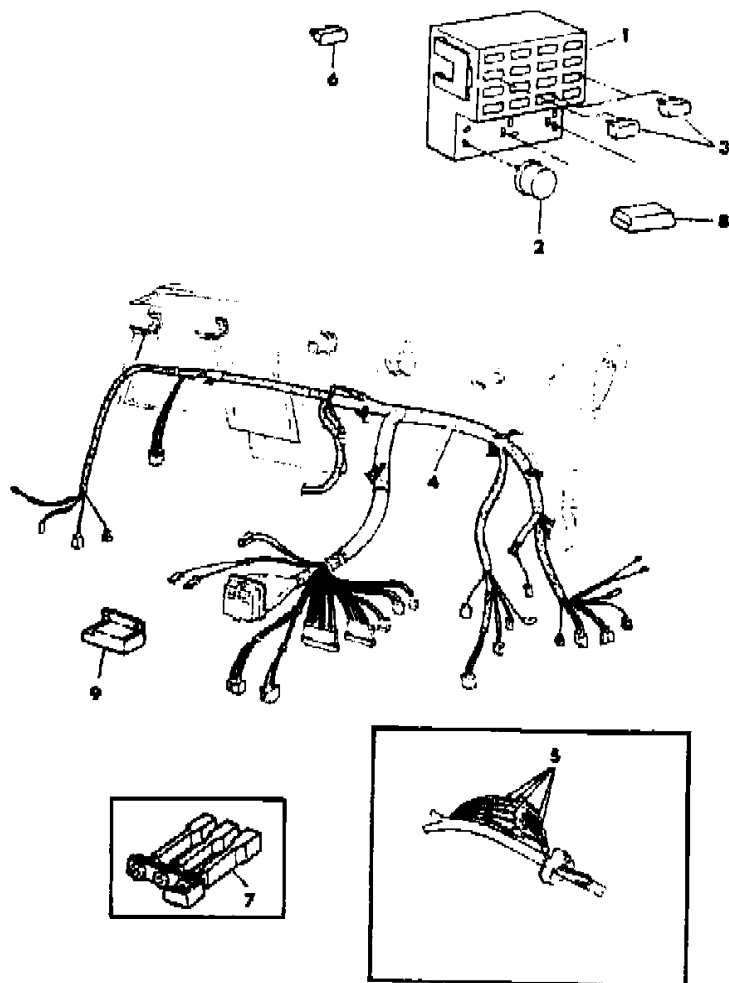
BODY STYLES

12-52 = FWD VAN & WAGON STD. W.B. 27 = 2-DOOR CONVERTIBLE
 13-53 = FWD VAN & WGN EXT W.B. 41 = 4-DOOR SEDAN
 21 = 2-DOOR SEDAN 44 = 4-DOOR HATCHBACK
 24 = 2-DOOR HATCHBACK 45 = 4-DOOR STATION WAGON

AR = Use as Required - = Non Illustrated Part P.A.R. = Paint as Required

INSTRUMENT PANEL WIRING S BODY
Figure 8A-4200

8182 4200



ITEM	PART NUMBER	QTY	BODY	MODEL	DESCRIPTION
1	4304 499	1			MODULE, Fuse Block
2	4304 001	1			BRACKET, Fuse Block Mtg.
	2932 877	1			FLASHER, Hazard Warning
	3837 161	1			FLASHER, Turn Signal
3					Two Lamp
	3837 162	1			Three Lamp
	4331 929	AR			BREAKER, Circuit
	4186 379	AR			6 Amp.
4	4414 886	1			30 Amp.
					WIRING HARNESS, Instrument Panel
	4414 387	1			WIRING, Instrument Panel
	4414 382	1			Cluster
	4414 383	1			Stereo Speaker, Standard
5	4414 381	1			Stereo Speakers, Premium
					Mono Speaker
	4026 095	1			CABLE, Fusible Link
	4026 094	1			No. 16 Blue
	4026 093	1			No. 14 Red
	4026 096	1			No. 12 Black
6	4364 878	1			No. 18 Grey
					No. 20 Orange
					FUSES
	6101 131	AR			3 Amp.
	6101 132	AR			4 Amp.
	6101 133	AR			5 Amp.
	6101 135	AR			10 Amp.
6101 137	AR			20 Amp.	
7	6101 138	AR			25 Amp.
	6101 139	AR			30 Amp.
					TERMINAL, Buss Bar
8	4124 752	1			3 Way
	4124 258	1			1 Way
9	4373 067	1			BUZZER, Key, H/Lamp and Seat Belt Warning
	4312 664	1			CONTROL, Chimes

MODEL CODES

C BODY = (D41 - DYNASTY)(C41 - NEW YORKER)
 E BODY = (J - CARAVELLE)(E - 600)(T - NEW YORKER TURBO)
 G BODY = (V24 - DAYTONA, PACIFICA & SHELBY)
 H BODY = (D44 - LANCER)(C44 - LEBARON GTS)
 J BODY = (C - LEBARON)
 K BODY = (P - RELIANT)(D - ARIES)(C - LEBARON/ TOWN & COUNTRY)
 L BODY = (M - HORIZON)(Z-OMNI)
 M BODY = (B - GRAN FURY)(G - DIPLOMAT)(F - FIFTH AVENUE/NEWPORT)
 P BODY = (P - SUNDANCE)(D - SHADOW)
 Q BODY = (C27 - MASERATI)
 S BODY = (H - VOYAGER)(K - RAM VAN/ CARAVAN)

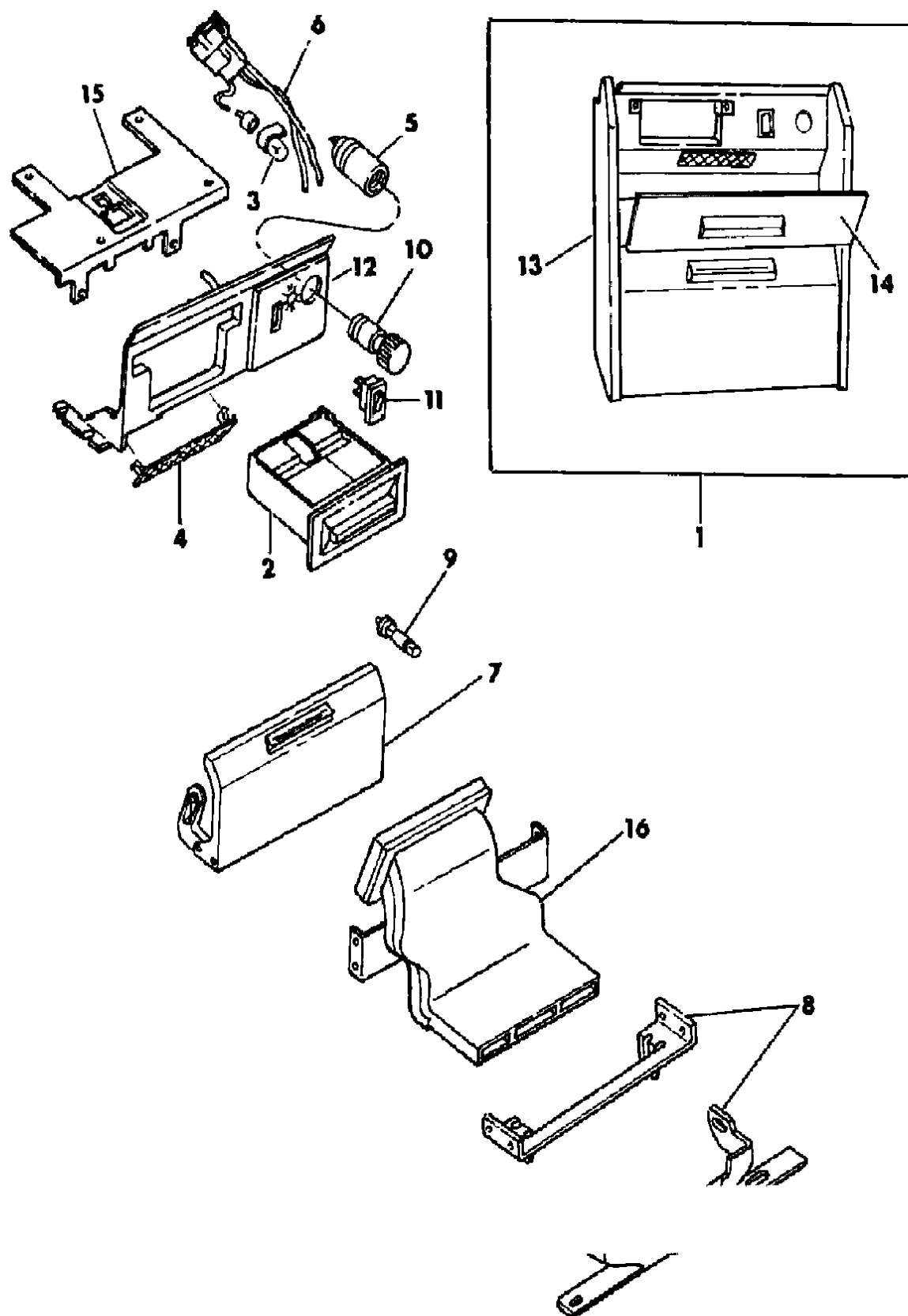
BODY STYLES

12-52 = FWD VAN & WAGON STD. W.B. 27 = 2-DOOR CONVERTIBLE
 13-53 = FWD VAN & WGN EXT W.B. 41 = 4-DOOR SEDAN
 21 = 2-DOOR SEDAN 44 = 4-DOOR HATCHBACK
 24 = 2-DOOR HATCHBACK 45 = 4-DOOR STATION WAGON

AR = Use as Required - = Non Illustrated Part P.A.R. = Paint as Required

INSTRUMENT PANEL CONSOLE S BODY
Figure 8A-4300

8182 4300C



ITEM	PART NUMBER	QTY	BODY	MODEL	DESCRIPTION
1					CONSOLE
	4311 874	1			Up to 2-18-88
	4460 675	1			After 2-18-88
	4372 457	1			VISCOUS DAMPER PACKAGE
2	4311 648	1			ASH RECEIVER
3	4311 979	1			HOOD, Ash Rec. Lamp
4	4311 864	1			LENS, Map Lamp
5	3747 633	1			LIGHTER and CLAMP, C/Lighter
6	4311 867	1			WIRING, Console
7	F537 DA3	1			DOOR, Lower
	4504 549	1			LATCH PACKAGE, Door
8	4311 872	1			BRACKET, Console Lower
9	4221 625	1			LAMP, Console
10	3747 165	1			KNOB, C/Lighter
	3004 190	1			ELEMENT, C/Lighter
11	4311 980	1			SWITCH, Map Lamp
					SWITCH, Cutout
12					PANEL
	4311 868	1			Up to 2-18-88
	4460 925	1			After 2-18-88
					BEZEL
	4372 890	1			w/Storage Box and Switch Hsg., Woodgrain
	4460 607	1			w/Storage Box and Rr. Fog Lamp Switch, Woodgrain
13					PANEL, Console Side
	P305 GK1	1			Left
	P574 DA3	1			Right
14					DOOR, Upper
	4311 870	1			Up to 3-1-88
	4460 655	1			After 3-1-88
15	4311 647	1			BRACKET, Upper Console Mtg.
16	4311 649	1			DUCT, w/Bracket
17	4741 302	1			LATCH, Door
18	4741 301	1			HANDLE, Door

MODEL CODES

C BODY = (D41 - DYNASTY)(C41 - NEW YORKER)	L BODY = (M - HORIZON)(Z-OMNI)
E BODY = (J - CARAVELLE)(E - 600)(T - NEW YORKER TURBO)	M BODY = (B - GRAN FURY)(G - DIPLOMAT)(F - FIFTH AVENUE/NEWPORT)
G BODY = (V24 - DAYTONA, PACIFICA & SHELBY)	P BODY = (P - SUNDANCE)(D - SHADOW)
H BODY = (D44 - LANCER)(C44 - LEBARON GTS)	Q BODY = (C27 - MASERATI)
J BODY = (C - LEBARON)	S BODY = (H - VOYAGER)(K - RAM VAN/ CARAVAN)
K BODY = (P - RELIANT)(D - ARIES)(C - LEBARON/ TOWN & COUNTRY)	

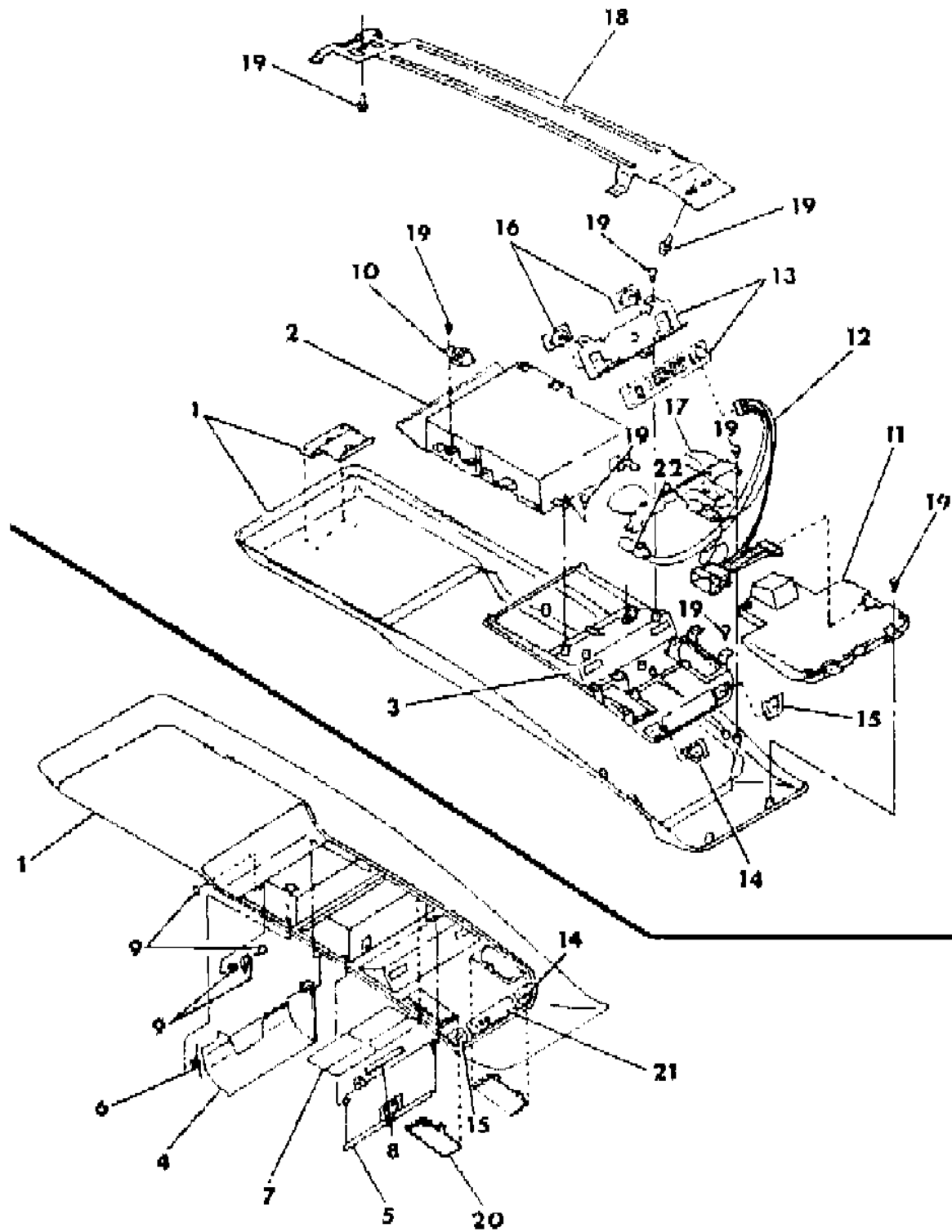
BODY STYLES

12-52 = FWD VAN & WAGON STD. W.B.	27 = 2-DOOR CONVERTIBLE
13-53 = FWD VAN & WGN EXT W.B.	41 = 4-DOOR SEDAN
21 = 2-DOOR SEDAN	44 = 4-DOOR HATCHBACK
24 = 2-DOOR HATCHBACK	45 = 4-DOOR STATION WAGON

AR = Use as Required - = Non Illustrated Part P.A.R. = Paint as Required

CONSOLE, OVERHEAD S BODY
Figure 8A-4400

8182 4400 A



ITEM	PART NUMBER	QTY	BODY	MODEL	DESCRIPTION
1					HOUSING, Console
	V497 FC5	1			Blue
	V497 GR8	1			Red
	V497 FK1	1			Almond
	V497 FA3	1			Silver
2	4381 270	1			HOUSING, G.D.O. and Sunglass Bin
3					PANEL, Console
	4381 272	1			Center
	4409 909	1			Rear
4	4309 341	1			DOOR, Sunglass Bin
	4397 895	1			PAD, Sunglass Bin
5	4381 269	1			DOOR, G.D.O. Bin
6	4409 911	1			SPRING, Sunglass Bin Door
7	4309 345	1			HOOK, Velcro G.D.O. Bin
8	4309 344	1			ADAPTOR PACKAGE, G.D.O.
9	4309 343	1			MECHANISM PACKAGE, Sunglass Bin
10	4309 336	1			DAMPER, Sunglass Bin Viscous
11	4439 047	1			COMPASS, w/Temperature Unit
12	4439 043	1			WIRING, Console
13					SWITCH, Map Lite w/Board
	4381 894	1			Front
	4437 362	1			Rear
	4409 910	1			RETAINER, Main Connector
14	4309 331	1			BUTTON, U.S./Metric
15	4309 332	1			BUTTON, Compass/Temperature
16	4309 335	2			BUTTON, Reading Lamp
17	4410 376-7	1			BRACKET, Reflector
18	4410 089	1			BRACKET, Console Mtg.
19		AR			SCREW (DNS)
20					LENS, Console
	4409 906-7	1			Reading Lamp
	4410 090-1	1			Front
21	4410 562	1			PLATE, Trim
22	9437 173	2			BULB

MODEL CODES

C BODY = (D41 - DYNASTY)(C41 - NEW YORKER)
 E BODY = (J - CARAVELLE)(E - 600)(T - NEW YORKER TURBO)
 G BODY = (V24 - DAYTONA, PACIFICA & SHELBY)
 H BODY = (D44 - LANCER)(C44 - LEBARON GTS)
 J BODY = (C - LEBARON)
 K BODY = (P - RELIANT)(D - ARIES)(C - LEBARON/ TOWN & COUNTRY)
 L BODY = (M - HORIZON)(Z-OMNI)
 M BODY = (B - GRAN FURY)(G - DIPLOMAT)(F - FIFTH AVENUE/NEWPORT)
 P BODY = (P - SUNDANCE)(D - SHADOW)
 Q BODY = (C27 - MASERATI)
 S BODY = (H - VOYAGER)(K - RAM VAN/ CARAVAN)

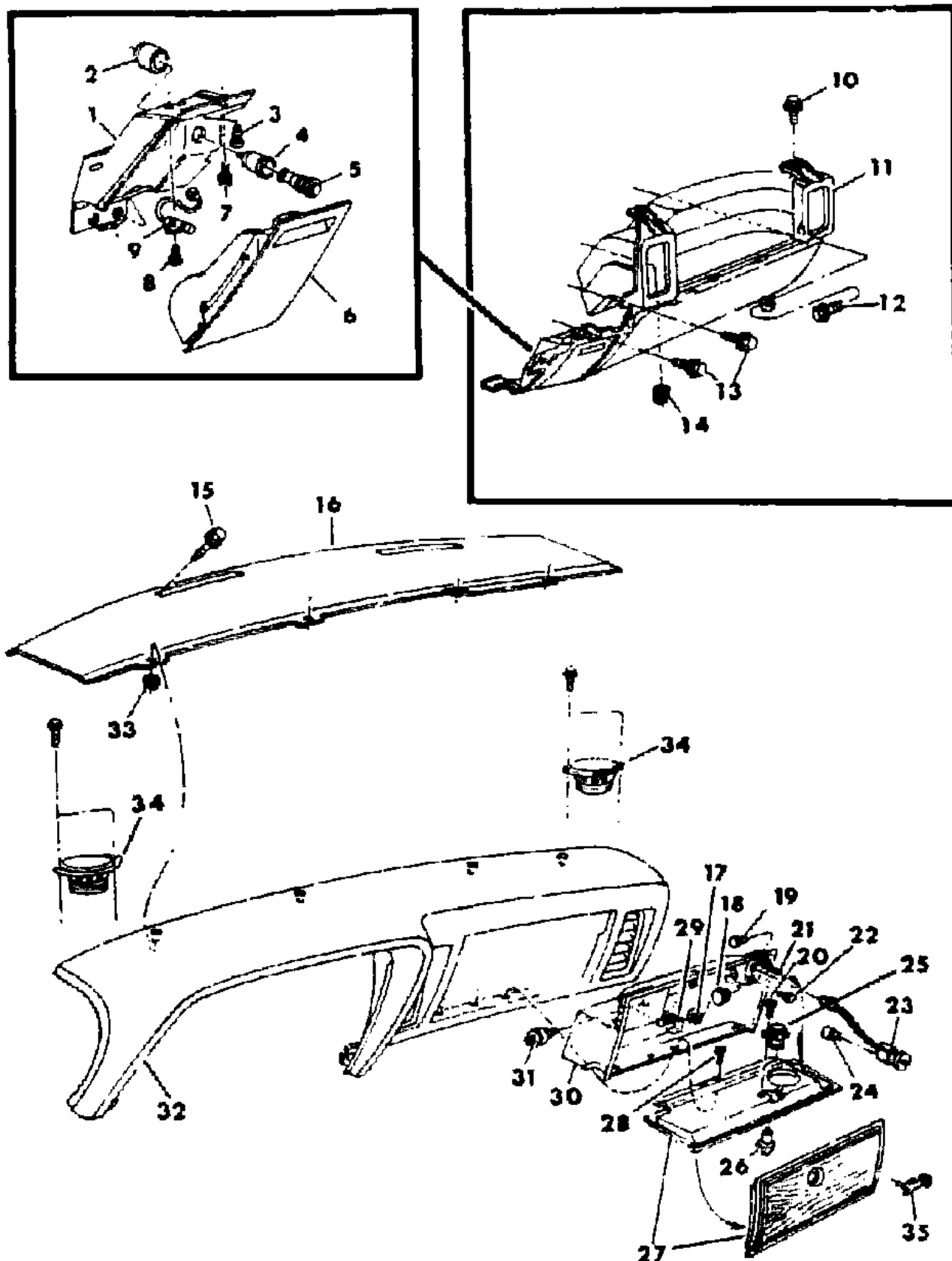
BODY STYLES

12-52 = FWD VAN & WAGON STD. W.B. 27 = 2-DOOR CONVERTIBLE
 13-53 = FWD VAN & WGN EXT W.B. 41 = 4-DOOR SEDAN
 21 = 2-DOOR SEDAN 44 = 4-DOOR HATCHBACK
 24 = 2-DOOR HATCHBACK 45 = 4-DOOR STATION WAGON

AR = Use as Required - = Non Illustrated Part P.A.R. = Paint as Required

INSTRUMENT PANEL PAD, GLOVEBOX AND SPEAKERS M BODY
Figure 8A-4500

8182 4500



ITEM	PART NUMBER	QTY	BODY	MODEL	DESCRIPTION
1	3590 763	1			HOUSING, Ash Rec.
2	2932 727	1			SHELL and CLAMP, C/Lighter
3	2661 690	1			BUMPER, Instrument Panel Ash Rec. Stop
4	2932 727	1			SHELL and CLAMP, C/Lighter
	3004 190	1			ELEMENT, C/Lighter
5	3747 165	1			KNOB, Cigar Lighter
6					RECEPTACLE and FACE PLATE, Ash Receiver
	P632 GL7	1			Up to 5-16-88
	P302 GL7	1			After 5-16-88
7					SCREW (DNS)
8					SCREW (DNS)
9					HOOD, Ash Receiver Bulb
	3747 089	1			Up to 5-16-88
	4373 530	1			After 5-16-88
10					SCREW (DNS)
11					PANEL, Instrument Lower
	P418 GL7	1			Up to 5-16-88
	P314 GL7	1			After 5-16-88
	P409 GL7	1			INSERT, ATC Sensor
12					SCREW (DNS)
13					SCREW (DNS)
14					NUT (DNS)
15					SCREW (DNS)
16					COVER, Instrument Panel Upper
	3590 736	1			w/Stereo Radio
	3590 734	1			w/o Radio
17					NUT, Deck Lid Release Mtg., Refer to 23A
18	2822 583	1			LENS, Glove Box
19	6030 538	1			RETAINER, Glove Box Door Check Strap
20					SCREW (DNS)
21	#3591 926	1			CABLE, Glove Box Door
22	2218 683	2			BUMPER, Inst. Pnl. to Glove Box Door
23	4221 170	1			LAMP and SWITCH, Glovebox
24		1			BULB, Glove Box, Refer to Group 8
25	3508 886	1			LATCH, Glove Box Lock Cyl.
		1			CATCH, Glove Box Lock Cylinder, Serviced in #30
26					CYLINDER, Glove Box Door. Refer to 23D

MODEL CODES

C BODY = (D41 - DYNASTY)(C41 - NEW YORKER)
 E BODY = (J - CARAVELLE)(E - 600)(T - NEW YORKER TURBO)
 G BODY = (V24 - DAYTONA, PACIFICA & SHELBY)
 H BODY = (D44 - LANCER)(C44 - LEBARON GTS)
 J BODY = (C - LEBARON)
 K BODY = (P - RELIANT)(D - ARIES)(C - LEBARON/ TOWN & COUNTRY)

L BODY = (M - HORIZON)(Z-OMNI)
 M BODY = (B - GRAN FURY)(G - DIPLOMAT)(F - FIFTH AVENUE/NEWPORT)
 P BODY = (P - SUNDANCE)(D - SHADOW)
 Q BODY = (C27 - MASERATI)
 S BODY = (H - VOYAGER)(K - RAM VAN/ CARAVAN)

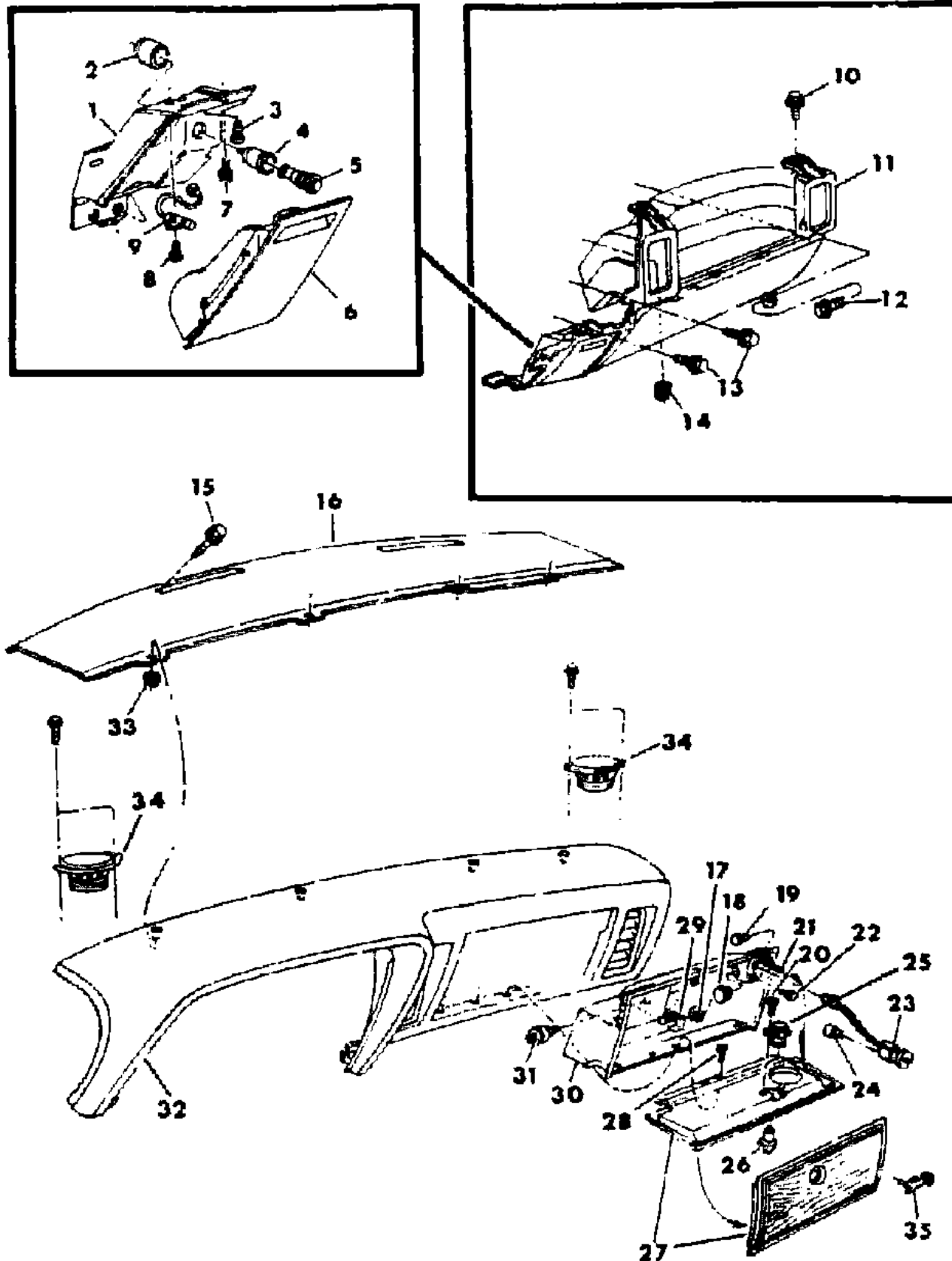
BODY STYLES

12-52 = FWD VAN & WAGON STD. W.B. 27 = 2-DOOR CONVERTIBLE
 13-53 = FWD VAN & WGN EXT W.B. 41 = 4-DOOR SEDAN
 21 = 2-DOOR SEDAN 44 = 4-DOOR HATCHBACK
 24 = 2-DOOR HATCHBACK 45 = 4-DOOR STATION WAGON

AR = Use as Required - = Non Illustrated Part P.A.R. = Paint as Required

INSTRUMENT PANEL PAD, GLOVEBOX AND SPEAKERS M BODY
Figure 8A-4500

8182 4500



ITEM	PART NUMBER	QTY	BODY	MODEL	DESCRIPTION
27					DOOR, Glove Box
	4460 292	1	B,G		
	4460 296	1	F		
28					SCREW (DNS)
29					BEZEL, Deck Lid Release, Refer to 23A
30	#3591 940	1			BOX, Glove
31					SWITCH, Deck Lid Release, Refer to 23A
32	P411 AA7	1			PAD, Instrument Panel
33	6030 301	AR			NUT
34	4222 532	2			SPEAKER, I/Panel
	4222 531	2			Rear
35	4311 455	1	F		PLATE, Glove Box Name "Chrysler"

MODEL CODES

C BODY = (D41 - DYNASTY)(C41 - NEW YORKER)	L BODY = (M - HORIZON)(Z-OMNI)
E BODY = (J - CARAVELLE)(E - 600)(T - NEW YORKER TURBO)	M BODY = (B - GRAN FURY)(G - DIPLOMAT)(F - FIFTH AVENUE/NEWPORT)
G BODY = (V24 - DAYTONA, PACIFICA & SHELBY)	P BODY = (P - SUNDANCE)(D - SHADOW)
H BODY = (D44 - LANCER)(C44 - LEBARON GTS)	Q BODY = (C27 - MASERATI)
J BODY = (C - LEBARON)	S BODY = (H - VOYAGER)(K - RAM VAN/ CARAVAN)
K BODY = (P - RELIANT)(D - ARIES)(C - LEBARON/ TOWN & COUNTRY)	

BODY STYLES

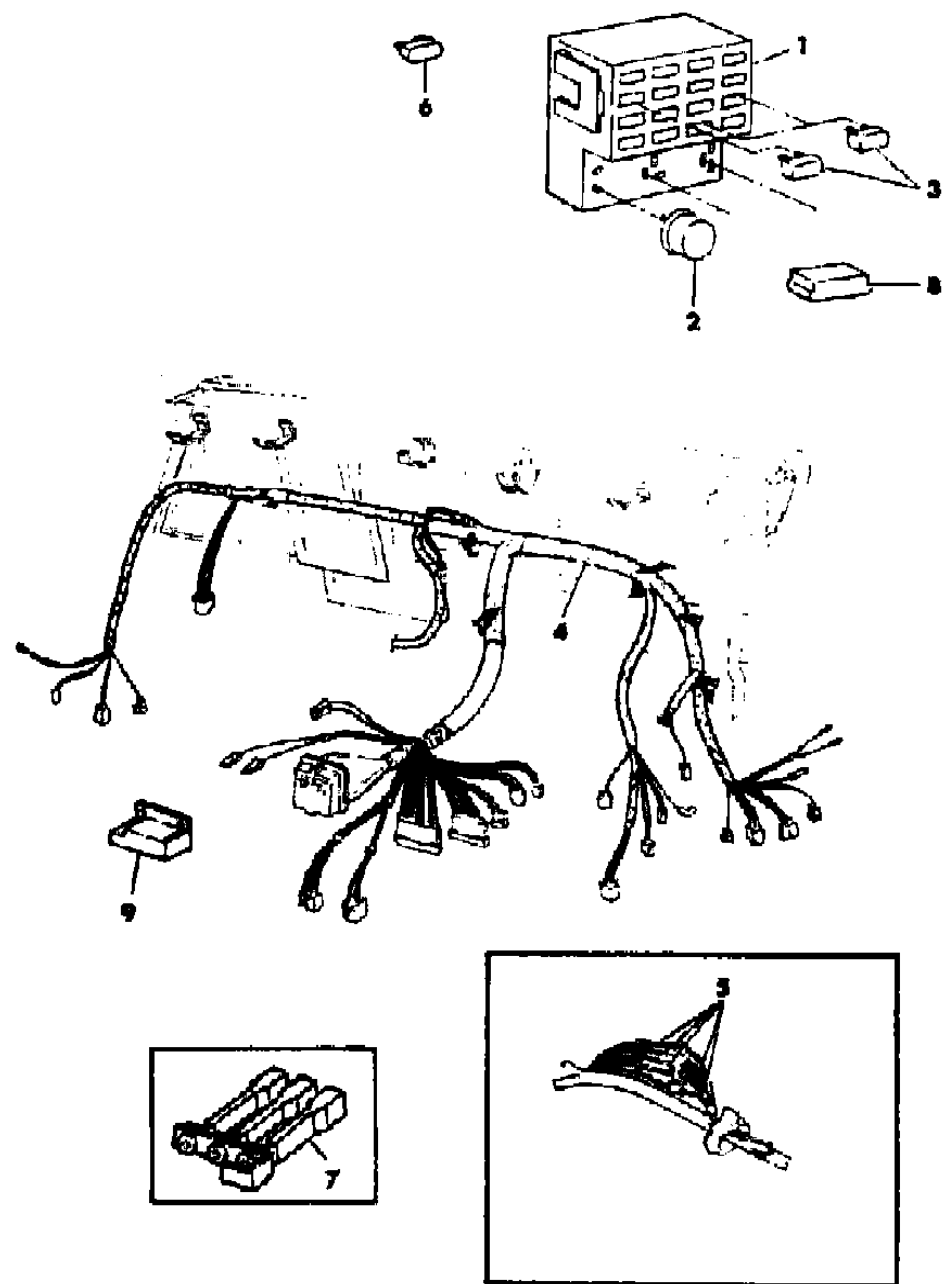
12-52 = FWD VAN & WAGON STD. W.B.	27 = 2-DOOR CONVERTIBLE
13-53 = FWD VAN & WGN EXT W.B.	41 = 4-DOOR SEDAN
21 = 2-DOOR SEDAN	44 = 4-DOOR HATCHBACK
24 = 2-DOOR HATCHBACK	45 = 4-DOOR STATION WAGON

AR = Use as Required - = Non Illustrated Part P.A.R. = Paint as Required

INSTRUMENT PANEL WIRING M BODY

Figure 8A-4600

8182 4600



ITEM	PART NUMBER	QTY	BODY	MODEL	DESCRIPTION
1	#4124 697	1			MODULE, Fuse Block
	4414 496	1			BRACKET, Fuse Block Mtg.
2	2932 877	1			FLASHER, Hazard Warning
	3837 161	1			FLASHER, Turn Signal
	3837 162	1			Two Lamp
	3837 162	1			Three Lamp
3	4331 929	AR			BREAKER, Circuit
	4186 379	AR			6 Amp.
	3747 809	2			30 Amp.
	3747 810	2			w/Police Relay Control System, 20Amp.
	3747 851	1			w/Police Relay Control System, 30Amp.
4					BRACKET, Circuit Breaker, w/Police Control System
					WIRING HARNESS, Instrument Panel
	4414 928	1			Up to 5-16-88
	4414 694	1			After 5-16-88
					WIRING, Instrument Panel
	4124 803	1			Relay Control, Police
	4414 690	1			Right Panel
5					CABLE, Fusible Link
	4026 095	1			No. 16 Blue
	4026 094	1			No. 14 Red
	4026 093	1			No. 12 Black
	4026 096	1			No. 18 Grey
	4364 878	1			No. 20 Orange
6					FUSES
	6101 132	AR			4 Amp.
	6101 131	AR			3 Amp.
	6101 133	AR			5 Amp.
	6101 137	AR			20 Amp.
	6101 135	AR			10 Amp.
	6101 138	AR			25 Amp.
	6101 139	AR			30 Amp.
7					TERMINAL, Buss Bar
	4124 752	1			3 Way
	4124 258	1			1 Way
8	4373 067	1			BUZZER, Key, H/Lamp and Seat Belt Warning
9	4312 664	1			CONTROL, Chimes

MODEL CODES

C BODY = (D41 - DYNASTY)(C41 - NEW YORKER)	L BODY = (M - HORIZON)(Z-OMNI)
E BODY = (J - CARAVELLE)(E - 600)(T - NEW YORKER TURBO)	M BODY = (B - GRAN FURY)(G - DIPLOMAT)(F - FIFTH AVENUE/NEWPORT)
G BODY = (V24 - DAYTONA, PACIFICA & SHELBY)	P BODY = (P - SUNDANCE)(D - SHADOW)
H BODY = (D44 - LANCER)(C44 - LEBARON GTS)	Q BODY = (C27 - MASERATI)
J BODY = (C - LEBARON)	S BODY = (H - VOYAGER)(K - RAM VAN/ CARAVAN)
K BODY = (P - RELIANT)(D - ARIES)(C - LEBARON/ TOWN & COUNTRY)	

BODY STYLES

12-52 = FWD VAN & WAGON STD. W.B.	27 = 2-DOOR CONVERTIBLE
13-53 = FWD VAN & WGN EXT W.B.	41 = 4-DOOR SEDAN
21 = 2-DOOR SEDAN	44 = 4-DOOR HATCHBACK
24 = 2-DOOR HATCHBACK	45 = 4-DOOR STATION WAGON

AR = Use as Required - = Non Illustrated Part P.A.R. = Paint as Required

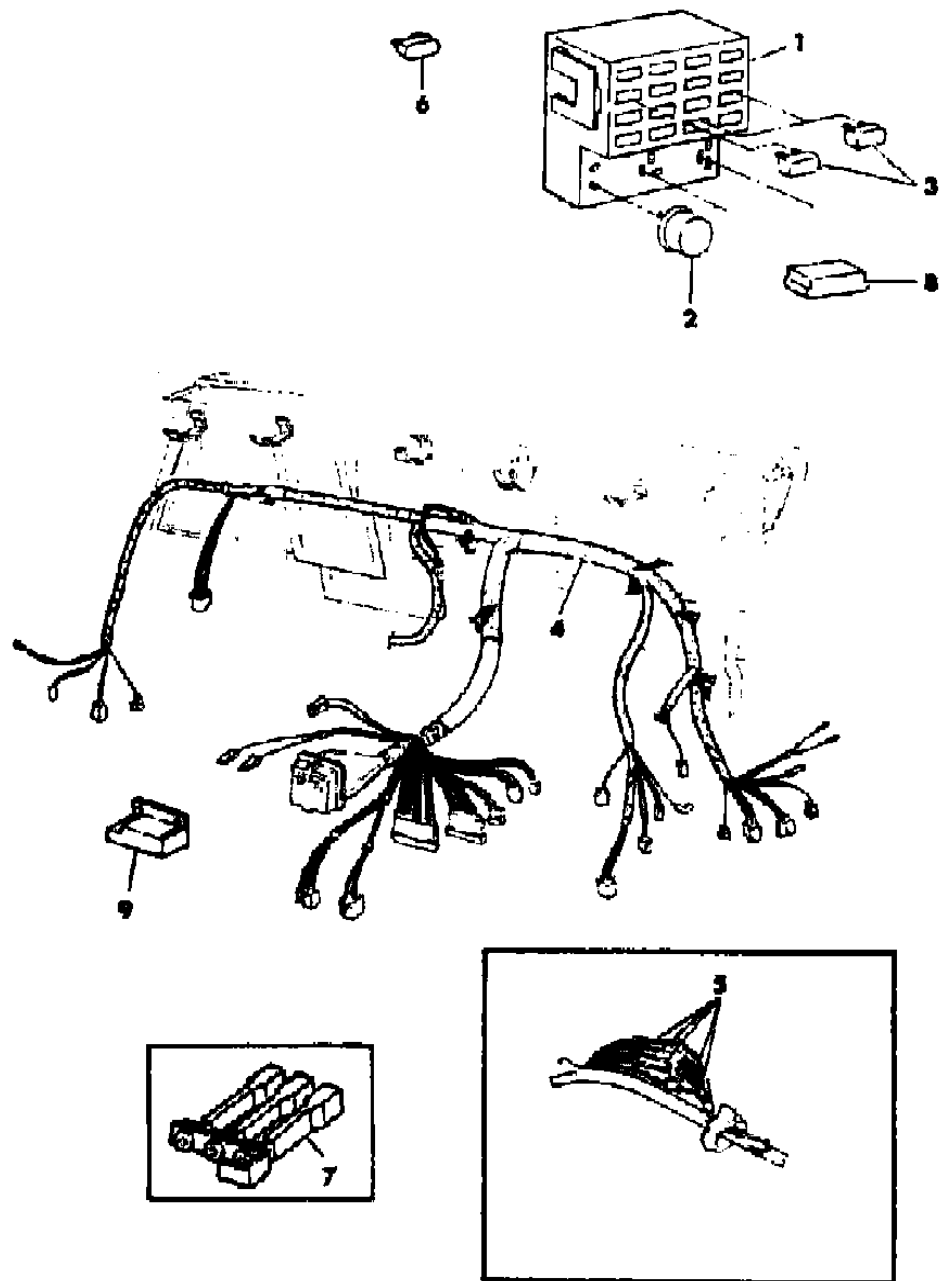
INSTRUMENT PANEL WIRING M BODY

Figure 8A-4600

ITEM	PART NUMBER	QTY	BODY	MODEL	DESCRIPTION
------	-------------	-----	------	-------	-------------

	4374 711	1			BRACKET, Chimes Control
--	----------	---	--	--	-------------------------

8182 4600



MODEL CODES

C BODY = (D41 - DYNASTY)(C41 - NEW YORKER)	L BODY = (M - HORIZON)(Z-OMNI)
E BODY = (J - CARAVELLE)(E - 600)(T - NEW YORKER TURBO)	M BODY = (B - GRAN FURY)(G - DIPLOMAT)(F - FIFTH AVENUE/NEWPORT)
G BODY = (V24 - DAYTONA, PACIFICA & SHELBY)	P BODY = (P - SUNDANCE)(D - SHADOW)
H BODY = (D44 - LANCER)(C44 - LEBARON GTS)	Q BODY = (C27 - MASERATI)
J BODY = (C - LEBARON)	S BODY = (H - VOYAGER)(K - RAM VAN/ CARAVAN)
K BODY = (P - RELIANT)(D - ARIES)(C - LEBARON/ TOWN & COUNTRY)	

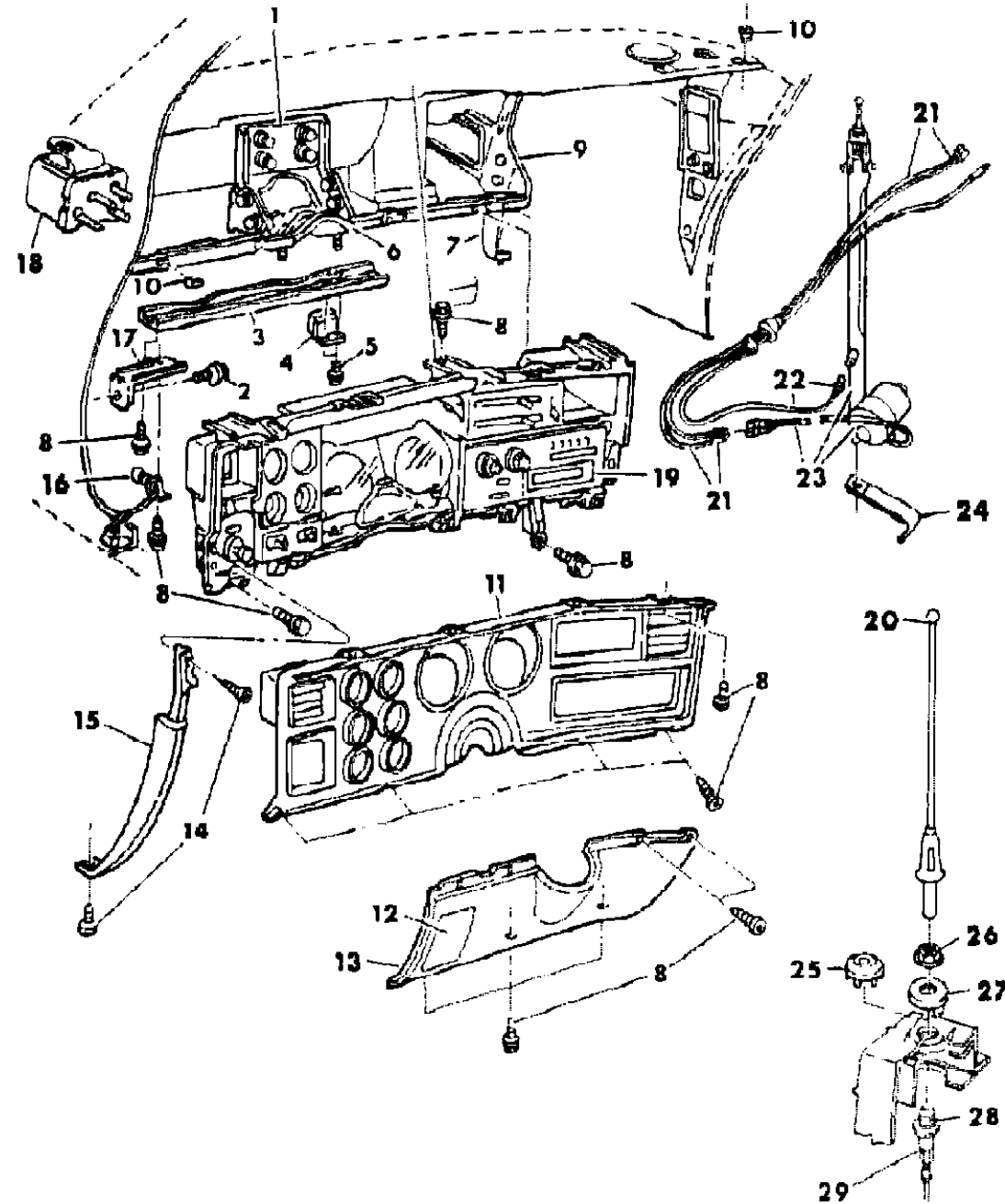
BODY STYLES

12-52 = FWD VAN & WAGON STD. W.B.	27 = 2-DOOR CONVERTIBLE
13-53 = FWD VAN & WGN EXT W.B.	41 = 4-DOOR SEDAN
21 = 2-DOOR SEDAN	44 = 4-DOOR HATCHBACK
24 = 2-DOOR HATCHBACK	45 = 4-DOOR STATION WAGON

AR = Use as Required - = Non Illustrated Part P.A.R. = Paint as Required

INSTRUMENT PANEL BEZELS, RADIO AND ANTENNA M BODY
Figure 8A-4700

8182 4700 A



ITEM	PART NUMBER	QTY	BODY	MODEL	DESCRIPTION
1	3590 876	1			BRACKET
2		AR			SCREW (DNS)
3					REINFORCEMENT, Instrument Panel Lower Left
	4047 295	1			Up to 5-16-88
	4460 438	1			After 5-16-88
	4460 614	1			PLATE, Floor Bracs Mtg., After 5-16-88
	4047 089	1			REINFORCEMENT, Instrument Panel Intermediate Left
4		1			CONTROL, Intermittent Wipe, Refer to 23D
5		2			SCREW (DNS)
6	4047 087	1			BRACKET, Steering Column Support
7					SUPPORT, I/Panel Center to Lower Reinforcement
	3591 878	1			Up to 5-16-88
	4460 824	1			After 5-16-88
8					SCREW (DNS)
9	3590 772	1			SUPPORT, Instrument Panel Center to Cowl Top
10	6030 301	AR			NUT
11					BEZEL, Cluster
	4437 174	1	F-S		Up to 5-16-88
	4437 486	1	F-S		After 5-16-88
	4437 176	1	B,G		Up to 5-16-88
	4437 488	1	B,G		After 5-16-88
	6029 168	AR			CLIP, Bezel Attaching
	4439 055	4			FASTENER, Bezel (Velcro) Att.
12					DOOR, Fuse Access
	4106 724	1			Up to 5-16-88
					After 5-16-88
	P312 GA7	1			Silver
	P312 GC5	1			Blue
	P312 GL7	1			Taupe
	P312 GM6	1			Red
13					COVER, Steering Column Opening
	P635 GL7	1			Up to 5-16-88
					After 5-16-88
	P313 GA7	1			Silver
	P313 GC5	1			Blue
	P313 GL7	1			Taupe
	P313 GM6	1			Red

MODEL CODES

C BODY = (D41 - DYNASTY)(C41 - NEW YORKER)	L BODY = (M - HORIZON)(Z-OMNI)
E BODY = (J - CARAVELLE)(E - 600)(T - NEW YORKER TURBO)	M BODY = (B - GRAN FURY)(G - DIPLOMAT)(F - FIFTH AVENUE/NEWPORT)
G BODY = (V24 - DAYTONA, PACIFICA & SHELBY)	P BODY = (P - SUNDANCE)(D - SHADOW)
H BODY = (D44 - LANCER)(C44 - LEBARON GTS)	Q BODY = (C27 - MASERATI)
J BODY = (C - LEBARON)	S BODY = (H - VOYAGER)(K - RAM VAN/ CARAVAN)
K BODY = (P - RELIANT)(D - ARIES)(C - LEBARON/ TOWN & COUNTRY)	

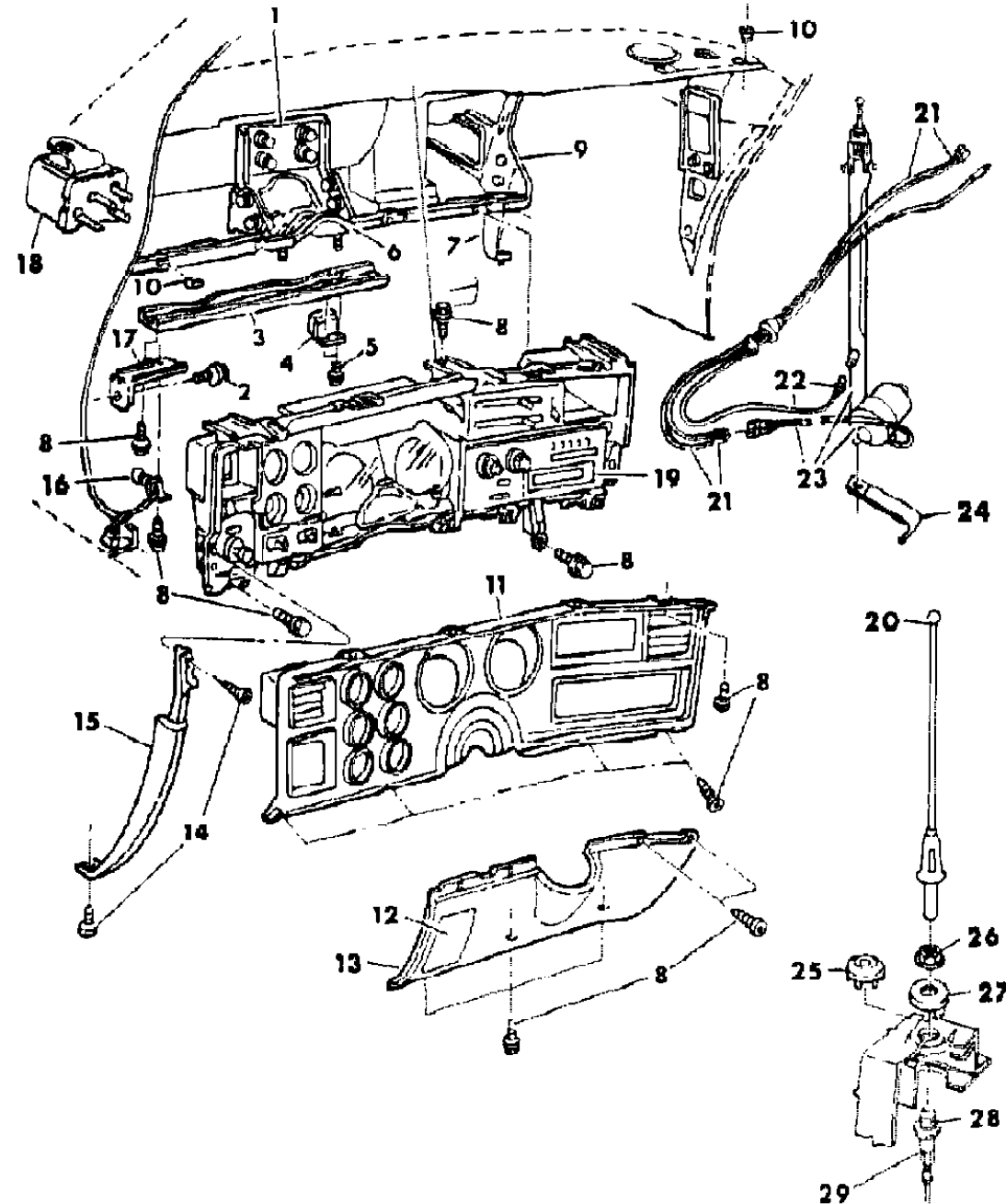
BODY STYLES

12-52 = FWD VAN & WAGON STD. W.B.	27 = 2-DOOR CONVERTIBLE
13-53 = FWD VAN & WGN EXT W.B.	41 = 4-DOOR SEDAN
21 = 2-DOOR SEDAN	44 = 4-DOOR HATCHBACK
24 = 2-DOOR HATCHBACK	45 = 4-DOOR STATION WAGON

AR = Use as Required - = Non Illustrated Part P.A.R. = Paint as Required

INSTRUMENT PANEL BEZELS, RADIO AND ANTENNA M BODY
Figure 8A-4700

8182 4700 A



ITEM	PART NUMBER	QTY	BODY	MODEL	DESCRIPTION
	0152 490	2			NUT, I/Panel Lower to Steering Column Cover
14					SCREW (DNS)
15	P513 GL7	1			CAP, I/Panel
16	3591 130	1			LAMP, I/Panel Courtesy
17	3591 081	1			BRACKET
18	3879 696	1			RELAY and BRACKET, Electric Window Lift
19					RADIO, w/Clock
	4430 009	1			Am/Fm/Mx
	4372 537	1			Am/Fm/Mx w/Cassette
	4293 916	1			STRAP, Noise Supp. Ground
					KNOB, Radio Primary
	4311 325	2			Bass
	4311 327	1			Treble
	4311 328	1			Secondary
	4311 329	1			
20	4469 014	1			MAST, Antenna
21		1			CABLE and LEAD, Make Locally, See Group 8 For Connectors
22	4372 106	1			CABLE PACKAGE, Power Antenna
	4311 976	1			CABLE, Power Antenna
	4304 689	1			WIRING, Power Antenna
23	4364 481	1			ANTENNA, Power
	4494 010	1			MAST PACKAGE, Power Antenna
24	4311 994	1			BRACKET, Power Antenna to Side Cowl
25	3501 331	1			PLUG, Antenna Hole
26	3501 287	1			NUT, Cap
	4311 974	1			w/Power Antenna
27	3501 293	1			ADAPTER and GASKET, Antenna
	4311 982	1			w/Power Antenna
28	3501 321	1			WASHER, Lock
29	3501 294	1			BODY and CABLE, Antenna

MODEL CODES

C BODY = (D41 - DYNASTY)(C41 - NEW YORKER)
 E BODY = (J - CARAVELLE)(E - 600)(T - NEW YORKER TURBO)
 G BODY = (V24 - DAYTONA, PACIFICA & SHELBY)
 H BODY = (D44 - LANCER)(C44 - LEBARON GTS)
 J BODY = (C - LEBARON)
 K BODY = (P - RELIANT)(D - ARIES)(C - LEBARON/ TOWN & COUNTRY)

L BODY = (M - HORIZON)(Z-OMNI)
 M BODY = (B - GRAN FURY)(G - DIPLOMAT)(F - FIFTH AVENUE/NEWPORT)
 P BODY = (P - SUNDANCE)(D - SHADOW)
 Q BODY = (C27 - MASERATI)
 S BODY = (H - VOYAGER)(K - RAM VAN/ CARAVAN)

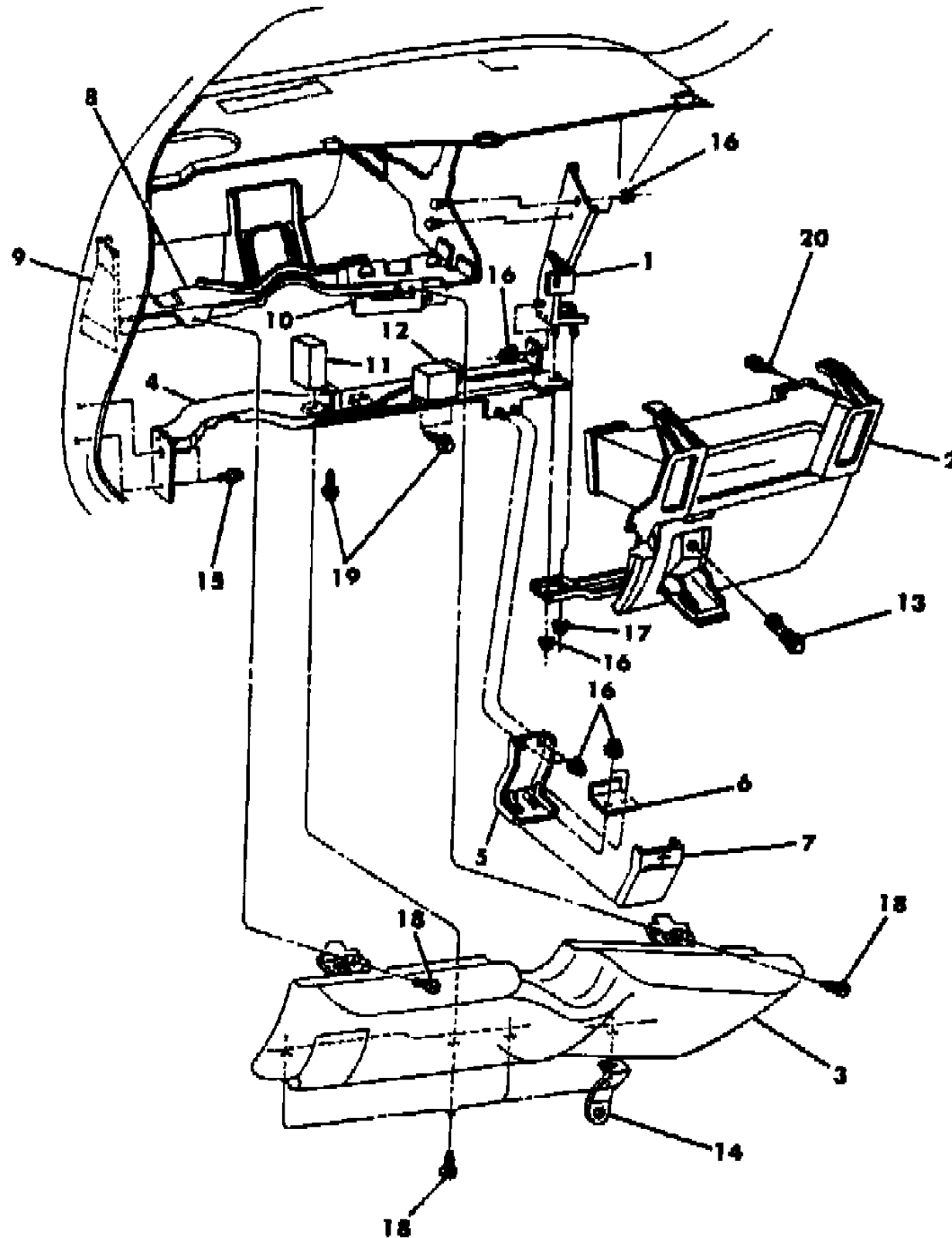
BODY STYLES

12-52 = FWD VAN & WAGON STD. W.B. 27 = 2-DOOR CONVERTIBLE
 13-53 = FWD VAN & WGN EXT W.B. 41 = 4-DOOR SEDAN
 21 = 2-DOOR SEDAN 44 = 4-DOOR HATCHBACK
 24 = 2-DOOR HATCHBACK 45 = 4-DOOR STATION WAGON

AR = Use as Required - = Non Illustrated Part P.A.R. = Paint as Required

INSTRUMENT PANEL W/PASSIVE RESTRAINT M BODY
Figure 8A-4710

8182 4710



ITEM	PART NUMBER	QTY	BODY	MODEL	DESCRIPTION
1	4460 824	1			SUPPORT, I/Panel Center to Lower Reinf.
2	P314 GL7				PANEL, Lower Right
3	P635 GL7	1			COVER, Steering Column w/Air Bag System
	P313 GC5	1			Blue
	P313 GM6	1			Red
	P313 GL7	1			Taupe
	P313 GA7	1			Silver
4	4460 438	1			REINFORCEMENT, Lower Left
5	4460 479	1			BRACE, Reinforcement to Floor
6	4460 614	1			PLATE, Floor Brace Mtg.
7	4460 435	1			COVER, Brace to Floor
8	4460 454	1			REINFORCEMENT, Middle Left
9	4040 697	1			BRACKET, Corner Gusset
10	4443 912	1			MODULE, Air Bag
11	4312 664	1			CONTROL, Chimes
	4374 711	1			BRACKET, Control Mtg.
12					CONTROL, I/Wipe, Refer to 23D
13	3747 165	1			KNOB, C/Lighter
	3004 190	1			ELEMENT, C/Lighter
	2808 912	1			SHELL, C/Lighter
14		1			BRACKET (DNS)
15		2			SCREW (DNS)
16	0118 614	8			NUT
17	6025 002	1			NUT
18		6			SCREW (DNS)
19		3			SCREW (DNS)
20		4			SCREW (DNS)

MODEL CODES

C BODY = (D41 - DYNASTY)(C41 - NEW YORKER)	L BODY = (M - HORIZON)(Z-OMNI)
E BODY = (J - CARAVELLE)(E - 600)(T - NEW YORKER TURBO)	M BODY = (B - GRAN FURY)(G - DIPLOMAT)(F - FIFTH AVENUE/NEWPORT)
G BODY = (V24 - DAYTONA, PACIFICA & SHELBY)	P BODY = (P - SUNDANCE)(D - SHADOW)
H BODY = (D44 - LANCER)(C44 - LEBARON GTS)	Q BODY = (C27 - MASERATI)
J BODY = (C - LEBARON)	S BODY = (H - VOYAGER)(K - RAM VAN/ CARAVAN)
K BODY = (P - RELIANT)(D - ARIES)(C - LEBARON/ TOWN & COUNTRY)	

BODY STYLES

12-52 = FWD VAN & WAGON STD. W.B.	27 = 2-DOOR CONVERTIBLE
13-53 = FWD VAN & WGN EXT W.B.	41 = 4-DOOR SEDAN
21 = 2-DOOR SEDAN	44 = 4-DOOR HATCHBACK
24 = 2-DOOR HATCHBACK	45 = 4-DOOR STATION WAGON

AR = Use as Required - = Non Illustrated Part P.A.R. = Paint as Required

INSTRUMENT PANEL CLUSTER M BODY

Figure 8A-4800

8182 4800 A

ITEM	PART NUMBER	QTY	BODY	MODEL	DESCRIPTION
1					LENS and MASK, Amp./Temp./Washer and Brake/Oil
	4051 339	1			Up to 5-16-88
	4375 369	1			After 5-16-88
2	4051 348	1			GAUGE, Temperature
3	4051 397	1			GAUGE, Ammeter
4	4374 072	AR			SOCKET, Bulb
	9421 330	AR			BULB
5	2258 413	1			LIMITER, Voltage
					BOARD, Printed Circuit
6	4051 079	1			HOUSING, Ammeter/Temperature
7	4051 180	1			BOARD, Circuit, Minor
8	4051 419	1			BOARD, Circuit, Major
9	4051 072	1			HOUSING, Speedometer/Fuel Gauge
10					SPEEDOMETER
	4051 524	1			85 Mile
	4051 525	1			125 Mile
	4051 315	1			GROMMET, Speedometer to Housing
11					GAUGE, Fuel
	4051 388	1			Unleaded Fuel
	4051 389	1			Leaded Fuel
12	4051 027	1			LENS and MASK, Speedometer/Fuel
13	4051 195	1			KNOB, Odometer Reset
14	3591 814	4			PIN, Lens Mtg.

MODEL CODES

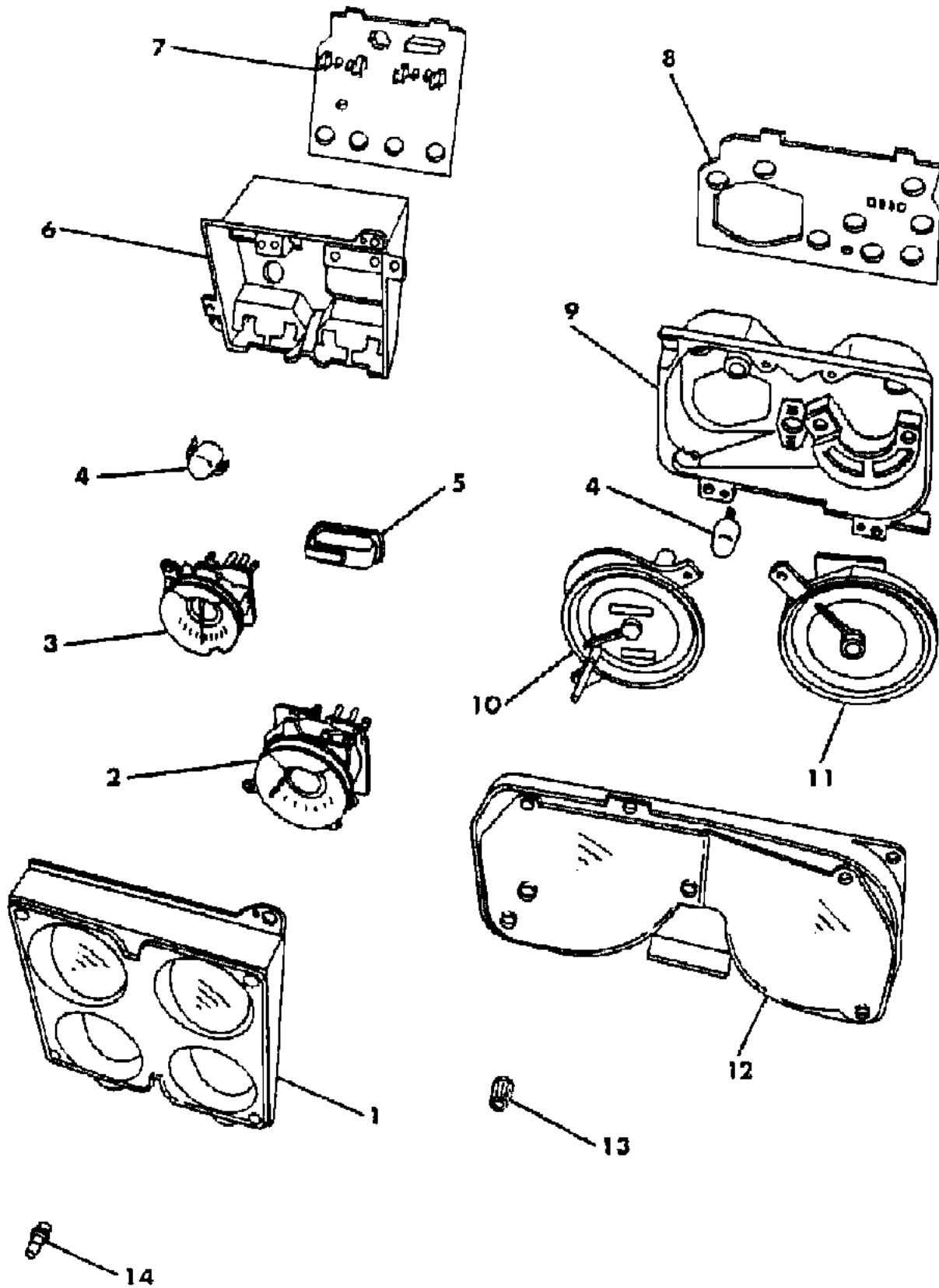
C BODY = (D41 - DYNASTY)(C41 - NEW YORKER)
 E BODY = (J - CARAVELLE)(E - 600)(T - NEW YORKER TURBO)
 G BODY = (V24 - DAYTONA, PACIFICA & SHELBY)
 H BODY = (D44 - LANCER)(C44 - LEBARON GTS)
 J BODY = (C - LEBARON)
 K BODY = (P - RELIANT)(D - ARIES)(C - LEBARON/ TOWN & COUNTRY)

L BODY = (M - HORIZON)(Z-OMNI)
 M BODY = (B - GRAN FURY)(G - DIPLOMAT)(F - FIFTH AVENUE/NEWPORT)
 P BODY = (P - SUNDANCE)(D - SHADOW)
 Q BODY = (C27 - MASERATI)
 S BODY = (H - VOYAGER)(K - RAM VAN/ CARAVAN)

BODY STYLES

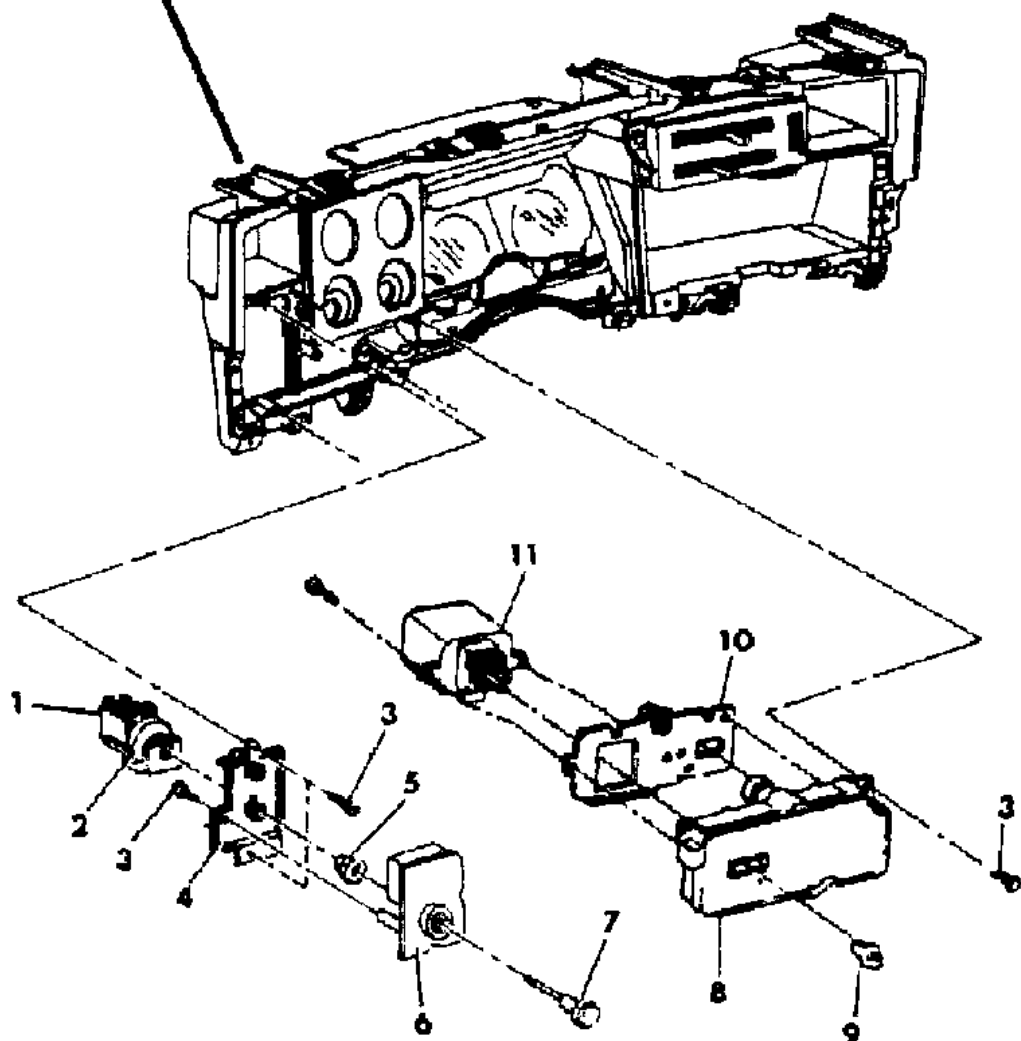
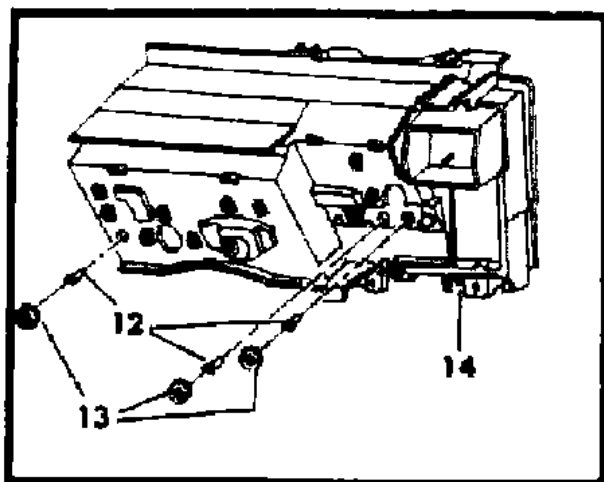
12-52 = FWD VAN & WAGON STD. W.B. 27 = 2-DOOR CONVERTIBLE
 13-53 = FWD VAN & WGN EXT W.B. 41 = 4-DOOR SEDAN
 21 = 2-DOOR SEDAN 44 = 4-DOOR HATCHBACK
 24 = 2-DOOR HATCHBACK 45 = 4-DOOR STATION WAGON

AR = Use as Required - = Non Illustrated Part P.A.R. = Paint as Required



INSTRUMENT PANEL CARRIER AND SWITCHES M BODY
Figure 8A-4900

8182 4900



ITEM	PART NUMBER	QTY	BODY	MODEL	DESCRIPTION
1	4221 248	1			SWITCH, Head Lamp, Instrument Lamp and Dome Lamp
2	3747 258	1			RHEOSTAT, Head Lamp Switch
3					SCREW (DNS)
4	3747 225	1			PLATE, Head Lamp Switch Mtg.
5	4221 063	1			RETAINER, Head Lamp Switch Mtg.
6	4221 607	1			BEZEL, H/Lamp Switch
7	#3747 760	1			KNOB and SHAFT, H/Lamp Switch
8	3747 974	1			BEZEL, Heated Backlite Switch Mtg.
9	3747 244	1			KNOB, Acc. Switch
10	3747 661	1			PLATE, Heated Backlite Switch
	3747 675	1			COVER, Acc. Switch Opening
11	3747 641	1			SWITCH, Heated Backlite
12	9421 330	AR			BULB
13	3744 750	AR			SOCKET
14					CARRIER, Cluster
	4051 841	1			Up to 5-16-88
	4375 381	1			After 5-16-88

MODEL CODES

C BODY = (D41 - DYNASTY)(C41 - NEW YORKER)	L BODY = (M - HORIZON)(Z-OMNI)
E BODY = (J - CARAVELLE)(E - 600)(T - NEW YORKER TURBO)	M BODY = (B - GRAN FURY)(G - DIPLOMAT)(F - FIFTH AVENUE/NEWPORT)
G BODY = (V24 - DAYTONA, PACIFICA & SHELBY)	P BODY = (P - SUNDANCE)(D - SHADOW)
H BODY = (D44 - LANCER)(C44 - LEBARON GTS)	Q BODY = (C27 - MASERATI)
J BODY = (C - LEBARON)	S BODY = (H - VOYAGER)(K - RAM VAN/ CARAVAN)
K BODY = (P - RELIANT)(D - ARIES)(C - LEBARON/ TOWN & COUNTRY)	

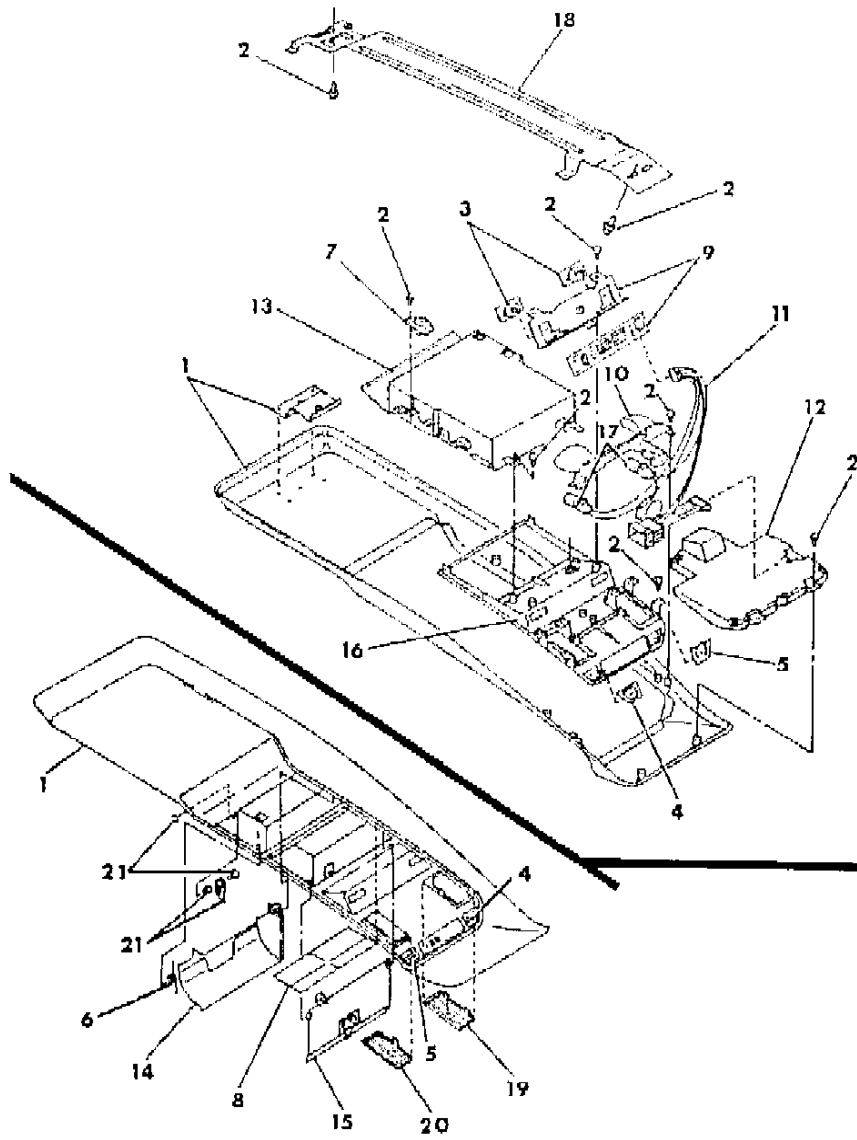
BODY STYLES

12-52 = FWD VAN & WAGON STD. W.B.	27 = 2-DOOR CONVERTIBLE
13-53 = FWD VAN & WGN EXT W.B.	41 = 4-DOOR SEDAN
21 = 2-DOOR SEDAN	44 = 4-DOOR HATCHBACK
24 = 2-DOOR HATCHBACK	45 = 4-DOOR STATION WAGON

AR = Use as Required - = Non Illustrated Part P.A.R. = Paint as Required

CONSOLE, OVERHEAD M BODY
Figure 8A-5000

8182 5000



ITEM	PART NUMBER	QTY	BODY	MODEL	DESCRIPTION
1					HOUSING, Console
	V678 GA3	1			Silver
	V678 GC5	1			Blue
	V678 GM6	1			Red
	V678 GL7	1			Taupe
2		AR			SCREW (DNS)
3	4309 335	2			BUTTON, Lamp
4	4309 331	1			BUTTON, U.S./Metric
5	4309 332	1			BUTTON, Compass/Temp.
6	4309 340	1			SPRING, Sunglass Bin
	4397 895	1			FOAM PAD, Sunglass Bin
7	4309 336	1			DAMPER, Sunglass Bin
8	4309 345	1			HOOK, G.D.O. Housing Velcro
9	4437 361	1			SWITCH, Map Lite w/Board
10	4410 376-7	1			BRACKET, Reflector
11	4439 046	1			WIRING, Console
12	4439 047	1			COMPASS, w/Temperature
13	4381 270	1			HOUSING, G.D.O. and Sunglass Bin
14	4309 341	1			DOOR, Sunglass Bin
15	4381 269	1			DOOR, G.D.O
16	4381 272	1			PANEL, Console
17	9437 173	2			BULB, Console
18	4473 296	1			BRACKET, Mtg.
19	4283 818	1			LENS, Right
20	4283 819	1			LENS, Left
21	4309 344	1			ADAPTER PACKAGE, G.D.O. Opener
	4309 343	1			MECHANISM PACKAGE, Storage Bin

MODEL CODES

C BODY = (D41 - DYNASTY)(C41 - NEW YORKER)
 E BODY = (J - CARAVELLE)(E - 600)(T - NEW YORKER TURBO)
 G BODY = (V24 - DAYTONA, PACIFICA & SHELBY)
 H BODY = (D44 - LANCER)(C44 - LEBARON GTS)
 J BODY = (C - LEBARON)
 K BODY = (P - RELIANT)(D - ARIES)(C - LEBARON/ TOWN & COUNTRY)
 L BODY = (M - HORIZON)(Z-OMNI)
 M BODY = (B - GRAN FURY)(G - DIPLOMAT)(F - FIFTH AVENUE/NEWPORT)
 P BODY = (P - SUNDANCE)(D - SHADOW)
 Q BODY = (C27 - MASERATI)
 S BODY = (H - VOYAGER)(K - RAM VAN/ CARAVAN)

BODY STYLES

12-52 = FWD VAN & WAGON STD. W.B. 27 = 2-DOOR CONVERTIBLE
 13-53 = FWD VAN & WGN EXT W.B. 41 = 4-DOOR SEDAN
 21 = 2-DOOR SEDAN 44 = 4-DOOR HATCHBACK
 24 = 2-DOOR HATCHBACK 45 = 4-DOOR STATION WAGON

AR = Use as Required - = Non Illustrated Part P.A.R. = Paint as Required

GROUP 9A - ENGINE, 4 CYLINDER

ILLUSTRATION TITLE

GROUP-FIG. NO.

2.2 L ENGINE

I.D. LOCATIONS 2.2 L ENGINE Fig. 9A-100
CYLINDER BLOCK 2.2 L ENGINE Fig. 9A-200
CYLINDER HEAD 2.2 L ENGINE Fig. 9A-300
CRANKSHAFT, PISTONS AND TORQUE CONVERTER 2.2 L ENGINE Fig. 9A-400
CAMSHAFT AND VALVES 2.2 L ENGINE Fig. 9A-500
TIMING BELT AND COVERS AND INTERMEDIATE SHAFT 2.2 L ENGINE Fig. 9A-600
ENGINE OILING 2.2 L ENGINE Fig. 9A-700
OIL LINES 2.2 L TURBO ENGINE Fig. 9A-800
MANIFOLD, INTAKE AND EXHAUST W/O INTERCOOLER 2.2 L ENGINE Fig. 9A-900
MANIFOLD, INTAKE AND EXHAUST W/TURBO-INTERCOOLER 2.2 L ENGINE Fig. 9A-1000
CRANKCASE VENTILATION W/O INTERCOOLER 2.2 L ENGINE Fig. 9A-1100
CRANKCASE VENTILATION W/TURBO-INTERCOOLER 2.2 L ENGINE Fig. 9A-1200
ENGINE MOUNTING 2.2 L ENGINE Fig. 9A-1300

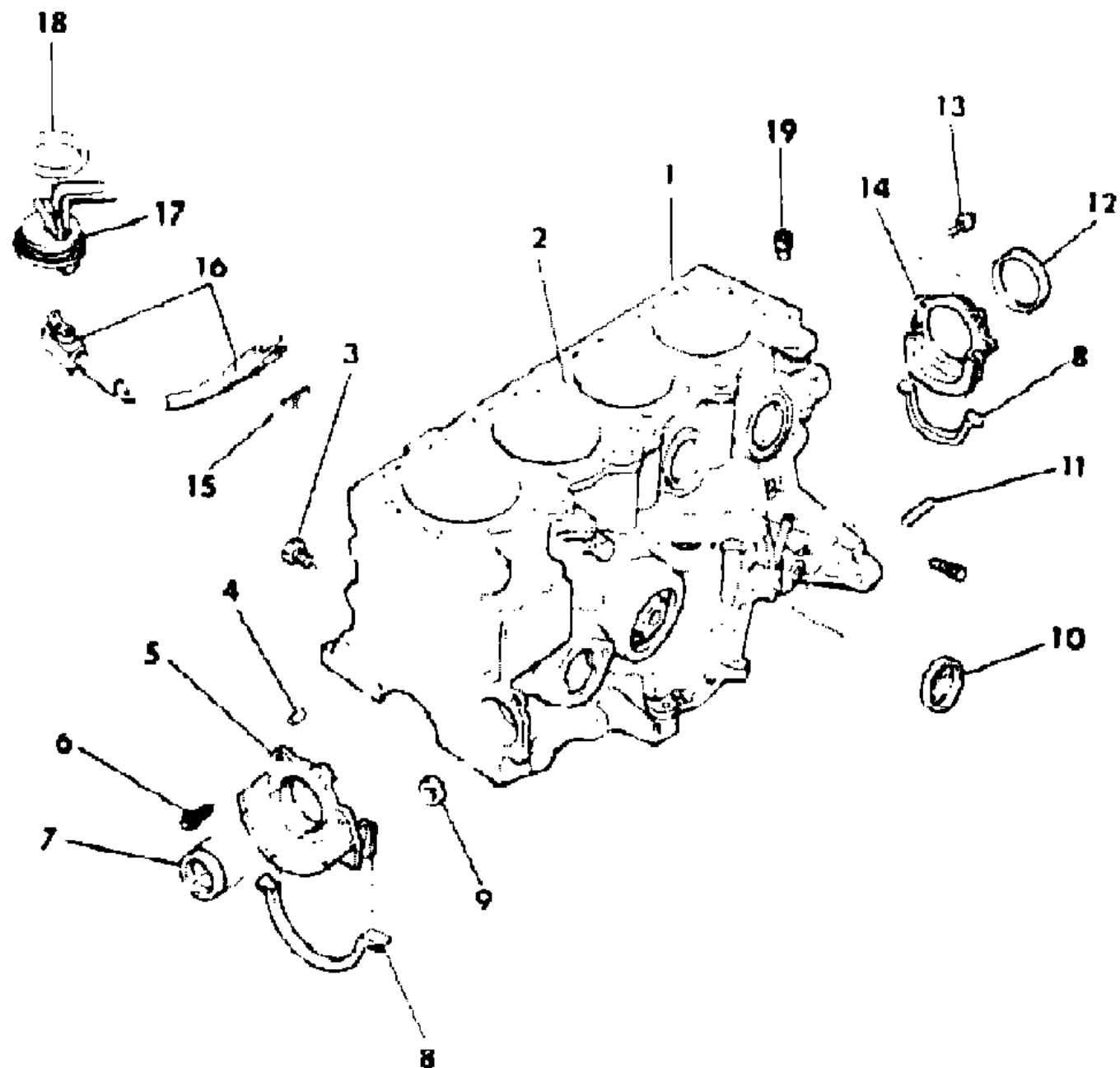
2.5 L ENGINE

CYLINDER BLOCK 2.5 L ENGINE Fig. 9A-1500
CYLINDER HEAD 2.5 L ENGINE Fig. 9A-1600
CRANKSHAFT & PISTONS 2.5 L ENGINE Fig. 9A-1700
CAMSHAFT & VALVES 2.5 L ENGINE Fig. 9A-1800
BALANCE SHAFTS 2.5 L ENGINE Fig. 9A-1900
TIMING BELT & COVERS & INTERMEDIATE SHAFT 2.5 L ENGINE Fig. 9A-2000
ENGINE OILING 2.5 L ENGINE Fig. 9A-2100
MANIFOLDS, INTAKE & EXHAUST 2.5 L ENGINE Fig. 9A-2200
CRANKCASE VENTILATION 2.5 L ENGINE Fig. 9A-2300
ENGINE MOUNTING 2.5 L ENGINE Fig. 9A-2400

ILLUSTRATION NOT AVAILABLE AT TIME OF PUBLICATION

CYLINDER BLOCK 2.2 L ENGINE
Figure 9A-200

8158 200



ITEM	PART NUMBER	QTY	BODY	MODEL	DESCRIPTION
NOTE 1: These Packages do not contain Gaskets for all required sealings. R.T.V. Sealer #4318025 and Gasket Eliminator #4318029 must be used in addition as described in the Chrysler repair Manual.					
-	4240 098	1			GASKET PACKAGE, Engine Lower (See Note 1) Consists of: 1-1407748 Seal, Oil Pump Cover to Oil Pump Suction pipe 1-5203542 Gasket, Water Pump Housing 1-5203778 Seal, Oil Pan to Retainer
NOTE: Short Assembly Consists of the Cylinder Block with Piston and Rings, Crankshaft and Bearing, Connecting Rods and Bearing, on as described in the Chrysler repair Manual.					
-	4387 651	1			ENGINE, Short w/EDF Injected Engine
	4387 652	1			w/EDG Turbo Engine, w/o Intercooler
	4343 875	1			w/EDR Turbo-Intercooler Engine
1		1			BLOCK, Cylinder (Serviced in Short Engine)
2		2			DOWEL, Cylinder Block to Cylinder Head (Not Serviced)
3		1			PLUG, Cylinder Block Water Jacket Drain 1/4" Pipe (Not Serviced)
4		4			DOWEL, Cylinder Block to Crankshaft Seal Retainer (Not Serviced)
5	5214 788	1			RETAINER, Crankshaft Oil Seal Front w/Oil Seal (See Note 1)
6	6101 278	2			SCREW and WASHER, Crankshaft Oil Seal Retainer, Front
7	4105 395	1			OIL SEAL, Crankshaft Front
8		1			SEAL, Oil Pan to Retainer (See Oil Pan Illust.)
9	5203 340	2			PLUG, Cylinder Block Oil Gallery Hole (5/8)
	4105 971	AR			(.065" O/S)
	4425 614	AR			PLUG, Camshaft Oil Gallery
10	5203 342	5			PLUG, Cylinder Block Water Hole 1-5/8"
	4556 023	AR			(.065" O/S)
11	5240 849	2			DOWEL, Cylinder Block to Clutch Housing Trans. Case
12	5203 590	1			OIL SEAL, Crankshaft Rear
13	6101 278	4			SCREW and WASHER, Crankshaft Oil Seal Retainer Rear
14	5214 784	1			RETAINER, Crankshaft Rear Oil Seal w/Oil Seal (See Note 1)
15	6015 412	2			CLIP, Engine Block Heater Cord
-	6015 756	AR			STRAP, Engine Block Heater
16	5206 359	1	Exc E		CORD, Engine Block Heater
	3614 282	1	E		
17	4443 903	1			HEATER PACKAGE, Engine Block
18	6027 513	1			O-RING, Engine Block Heater

MODEL CODES

C BODY = (D41 - DYNASTY)(C41 - NEW YORKER)
E BODY = (J - CARAVELLE)(E - 600)(T - NEW YORKER TURBO)
G BODY = (V24 - DAYTONA, PACIFICA & SHELBY)
H BODY = (D44 - LANCER)(C44 - LEBARON GTS)
J BODY = (C - LEBARON)
K BODY = (P - RELIANT)(D - ARIES)(C - LEBARON/ TOWN & COUNTRY)

L BODY = (M - HORIZON)(Z-OMNI)
M BODY = (B - GRAN FURY)(G - DIPLOMAT)(F - FIFTH AVENUE/NEWPORT)
P BODY = (P - SUNDANCE)(D - SHADOW)
Q BODY = (C27 - MASERATI)
S BODY = (H - VOYAGER)(K - RAM VAN/ CARAVAN)

BODY STYLES

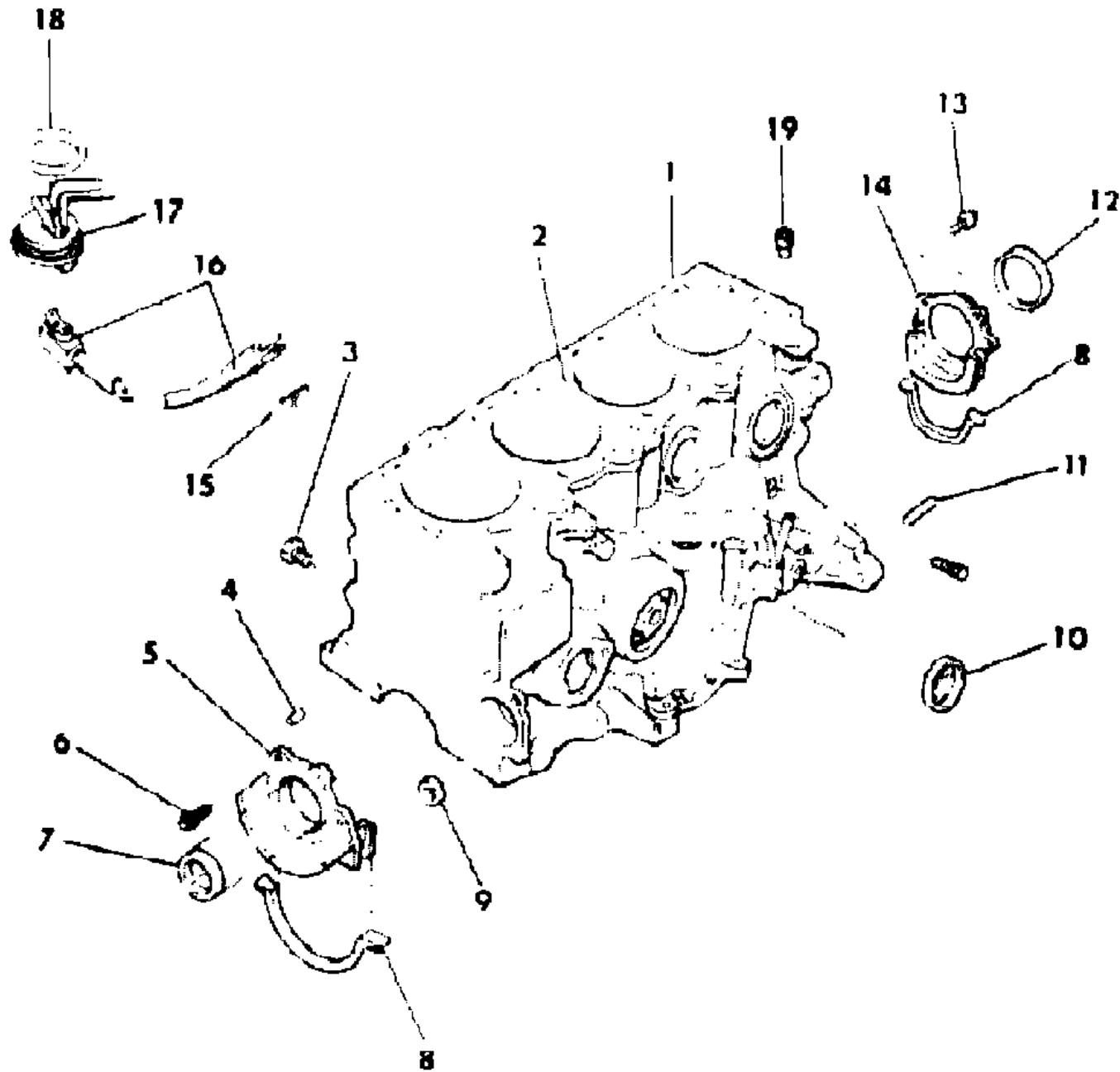
12-52 = FWD VAN & WAGON STD. W.B. 27 = 2-DOOR CONVERTIBLE
13-53 = FWD VAN & WGN EXT W.B. 41 = 4-DOOR SEDAN
21 = 2-DOOR SEDAN 44 = 4-DOOR HATCHBACK
24 = 2-DOOR HATCHBACK 45 = 4-DOOR STATION WAGON

AR = Use as Required - = Non Illustrated Part P.A.R. = Paint as Required

CYLINDER BLOCK 2.2 L ENGINE
Figure 9A-200

8158 200

ITEM	PART NUMBER	QTY	BODY	MODEL	DESCRIPTION
19	4323 808	1			RESTRICTOR, Cylinder Head Oil



MODEL CODES
 C BODY = (D41 - DYNASTY)(C41 - NEW YORKER)
 E BODY = (J - CARAVELLE)(E - 600)(T - NEW YORKER TURBO)
 G BODY = (V24 - DAYTONA, PACIFICA & SHELBY)
 H BODY = (D44 - LANCER)(C44 - LEBARON GTS)
 J BODY = (C - LEBARON)
 K BODY = (P - RELIANT)(D - ARIES)(C - LEBARON/ TOWN & COUNTRY)
 L BODY = (M - HORIZON)(Z-OMNI)
 M BODY = (B - GRAN FURY)(G - DIPLOMAT)(F - FIFTH AVENUE/NEWPORT)
 P BODY = (P - SUNDANCE)(D - SHADOW)
 Q BODY = (C27 - MASERATI)
 S BODY = (H - VOYAGER)(K - RAM VAN/ CARAVAN)

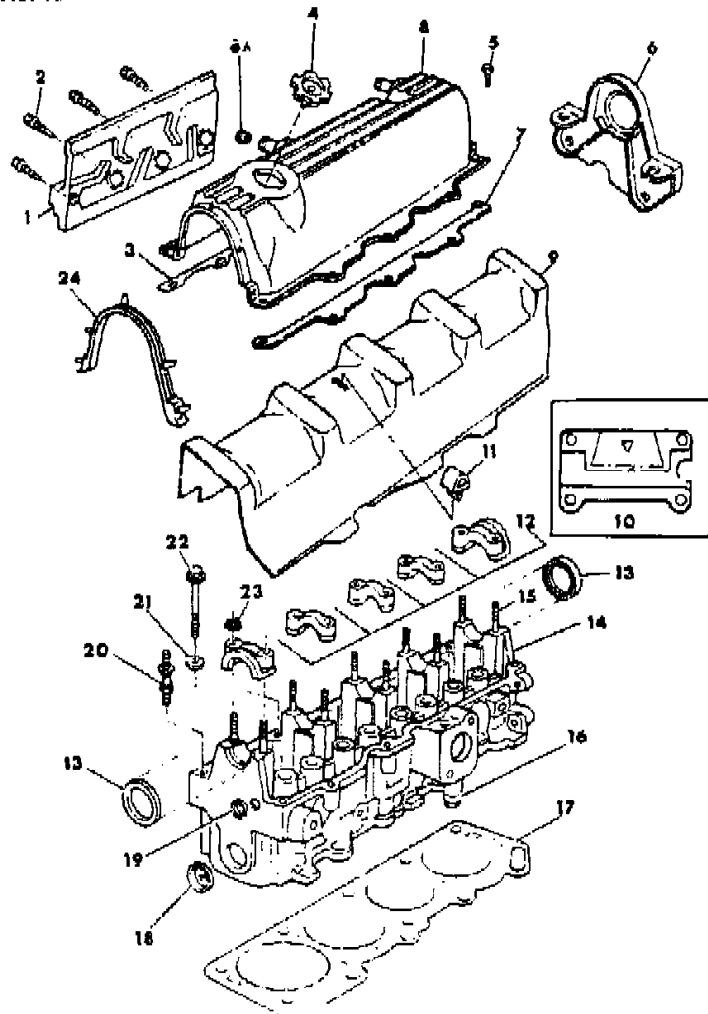
BODY STYLES
 12-52 = FWD VAN & WAGON STD. W.B. 27 = 2-DOOR CONVERTIBLE
 13-53 = FWD VAN & WGN EXT W.B. 41 = 4-DOOR SEDAN
 21 = 2-DOOR SEDAN 44 = 4-DOOR HATCHBACK
 24 = 2-DOOR HATCHBACK 45 = 4-DOOR STATION WAGON

AR = Use as Required - = Non Illustrated Part P.A.R. = Paint as Required

CYLINDER HEAD 2.2 L ENGINE

Figure 9A-300

0158 300 A



ITEM	PART NUMBER	QTY	BODY	MODEL	DESCRIPTION
NOTE 1: These Packages do not contain Gaskets for all required sealings. R.T.V. Sealer #4318025 and Gasket Eliminator #4318029 must be used in addition as described in the Chrysler repair Manual.					
NOTE 2: Cylinder Heads Stamped "O/S J" on Camshaft Bearing Journal or Camshaft Air Pump End Face are not Serviced, use "Standard Cylinder Head and "Standard" Camshaft Package for Service.					
	4504 399	1			GASKET PACKAGE, Engine Upper w/EDF Injected Engine(See Note 1) Consists of: 1- 4448301 Gasket, Cylinder Head 8- 4201332 Seal, Valve Stem Oil
	4397 771	1			1- 4315403 Gasket, Cylinder Head Cover
	4397 772	1			1- 4179895 Gasket, Cylinder Water Outlet Connection w/EDG Turbo w/o Intercooler (See Note 1)
1	4105 476	1			SEPARATOR, Cylinder Head Cover Oil (w/EDG-Turbo,w/EDR Turbo-Intercooler Engine)
2	4494 473	2			SCREW, Cylinder Head Cover Oil Separator (w/EDG Turbo & EDR Turbo-Intercooler Engine)
3	4315 403	1			GASKET, Cylinder Head Cover w/EDF Injected Engine (Includes Full Gasket)
		1			(RTV-Sealer 4318025) w/EDF Injected Engine
	4343 882	1			w/EDG Turbo w/o Intercooler & EDR Turbo-Intercooler Engine (Includes Full Gasket)
4	4343 715	1			CAP, Oil Filler w/o EDG Turbo, w/o EDR Turbo-Intercooler Engine
	4105 484	1			w/EDG Turbo, w/EDR Turbo-Intercooler Engine
5	6100 275	3			SCREW, w/Washer, Cylinder Head
6	4298 087	1			COVER, Camshaft Rear w/EDF Injected Engine
	4298 087	1			w/EDG Turbo, w/o Intercooler
7	4315 403	1			GASKET, Cylinder Head Cover w/EDF Injected Engine (Includes a Full Gasket)
		1			(RTV-Sealer) w/EDF Injected Engine
	4343 882	1			w/EDG Turbo w/o Intercooler & EDR Turbo-Intercooler Engine (Includes Full Gasket)
8	4315 877	1			COVER, Cylinder Head w/EDF Injected Engine (Exc. RTV-Sealer)
	4343 496	1			(RTV-Sealer) w/EDF Injected Engine
	4315 875	1			w/Oil Separator, w/EDG Turbo w/o Intercooler
	4315 878	1			w/Oil Separator, w/EDR Turbo-Intercooler
	4419 992	1	P		w/EDG Turbo w/o Intercooler (Shelby)

MODEL CODES

C BODY = (D41 - DYNASTY)(C41 - NEW YORKER)
 E BODY = (J - CARAVELLE)(E - 600)(T - NEW YORKER TURBO)
 G BODY = (V24 - DAYTONA, PACIFICA & SHELBY)
 H BODY = (D44 - LANCER)(C44 - LEBARON GTS)
 J BODY = (C - LEBARON)
 K BODY = (P - RELIANT)(D - ARIES)(C - LEBARON/ TOWN & COUNTRY)

L BODY = (M - HORIZON)(Z-OMNI)
 M BODY = (B - GRAN FURY)(G - DIPLOMAT)(F - FIFTH AVENUE/NEWPORT)
 P BODY = (P - SUNDANCE)(D - SHADOW)
 Q BODY = (C27 - MASERATI)
 S BODY = (H - VOYAGER)(K - RAM VAN/ CARAVAN)

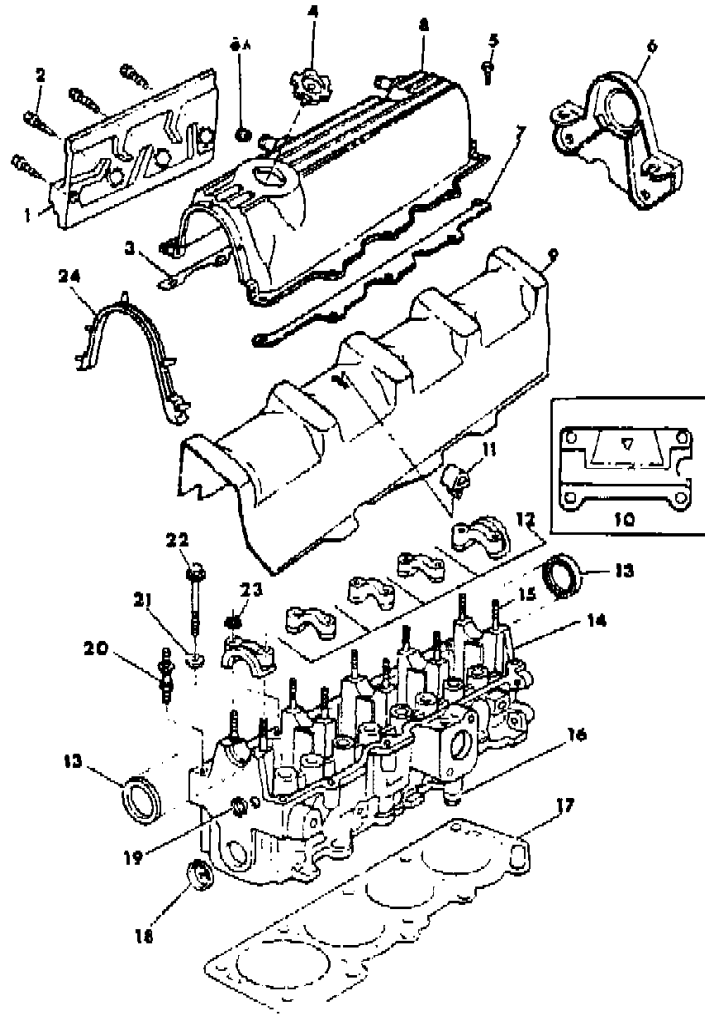
BODY STYLES

12-52 = FWD VAN & WAGON STD. W.B. 27 = 2-DOOR CONVERTIBLE
 13-53 = FWD VAN & WGN EXT W.B. 41 = 4-DOOR SEDAN
 21 = 2-DOOR SEDAN 44 = 4-DOOR HATCHBACK
 24 = 2-DOOR HATCHBACK 45 = 4-DOOR STATION WAGON

AR = Use as Required - = Non Illustrated Part P.A.R. = Paint as Required

CYLINDER HEAD 2.2 L ENGINE
Figure 9A-300

0158 300 A



ITEM	PART NUMBER	QTY	BODY	MODEL	DESCRIPTION
8a	4387 332	1			RESTRICTOR, Cylinder Head Cover PCV w/EDF Injected Engine
9	4343 495	1			CURTAIN, Cylinder Head w/EDF Injected Engine
10	4105 775	1			SHIELD, Camshaft Oil Splash w/o EDF Injected Engine
11	4387 331	2			RETAINER, Cylinder Head Curtain w/EDF Injected Engine
12					CAPS, Camshaft Bearing (Serviced in Cylinder Head (See Note 1))
13	4105 395	1			SEAL, Camshaft Front
	4343 903	1			PLUG, Camshaft Rear
14	4105 783	1			HEAD, Cylinder (Standard Camshaft Journals)(See Note 2) w/ EDF Injected Engine
	4343 627	1			w/EDG Turbo, w/o Intercooler
	4387 838	1			w/EDR Turbo-Intercooler Engine
	4343 627	1	P		w/EDG Turbo w/o Intercooler (Shelby)
15	6100 299	10			SCREW, Camshaft Bearing Cap
16	4105 295	1			NIPPLE, Thermostat Water By-Pass
17	4448 301	1			GASKET, Cylinder Head w/EDF Injected Engine
	4448 736	1			w/EDG Turbo w/o Intercooler
	4448 302	1			w/EDR Turbo-Intercooler
18	5203 341	2			PLUG, Cylinder Head Water Hole (1-1/4)
	4105 972	AR			.065 O/S
	6033 046	1			PLUG, Cylinder Head Water Hole (3/8-18) w/EDG Turbo, EDR Turbo-Intercooler
19	5203 340	2			PLUG, Cylinder Head Oil Gallery Hole (5/8)
	4105 971	AR			.065 O/S
20	6500 435	2			STUD, Cylinder Head Cover (M6) w/EDF Injected Engine
	6501 748	2			w/EDG Turbo, w/EDR Turbo-Intercooler Engine
	6501 725	5			SCREW and WASHER, w/EDF Injected Engine (M6x1.00x20)
	6100 276	5			w/EDF Injected Engine (For 4343496 Cover)
	6101 451	5			(M6x25) w/EDG Turbo, w/EDR Turbo-Intercooler Engine
		2			(M6x30) w/EDG Turbo Engine (Not Serviced)
21	6501 435	10			WASHER, Cylinder Head Screw
22	6501 433	10			SCREW, Cylinder Head (M11x122.5 MM)
-	6500 267	1			SCREW and WASHER, Cylinder Head Plug (M10x1.25-16 Lgh.)
23					NUT, Camshaft Bearing Cap Stud (Not Serviced)
24		2			SEAL, Cylinder Head Cover End w/EDF Injected Engine (For 4315877 Cover Serviced in Full Gasket)

MODEL CODES

C BODY = (D41 - DYNASTY)(C41 - NEW YORKER)
 E BODY = (J - CARAVELLE)(E - 600)(T - NEW YORKER TURBO)
 G BODY = (V24 - DAYTONA, PACIFICA & SHELBY)
 H BODY = (D44 - LANCER)(C44 - LEBARON GTS)
 J BODY = (C - LEBARON)
 K BODY = (P - RELIANT)(D - ARIES)(C - LEBARON/ TOWN & COUNTRY)

L BODY = (M - HORIZON)(Z-OMNI)
 M BODY = (B - GRAN FURY)(G - DIPLOMAT)(F - FIFTH AVENUE/NEWPORT)
 P BODY = (P - SUNDANCE)(D - SHADOW)
 Q BODY = (C27 - MASERATI)
 S BODY = (H - VOYAGER)(K - RAM VAN/ CARAVAN)

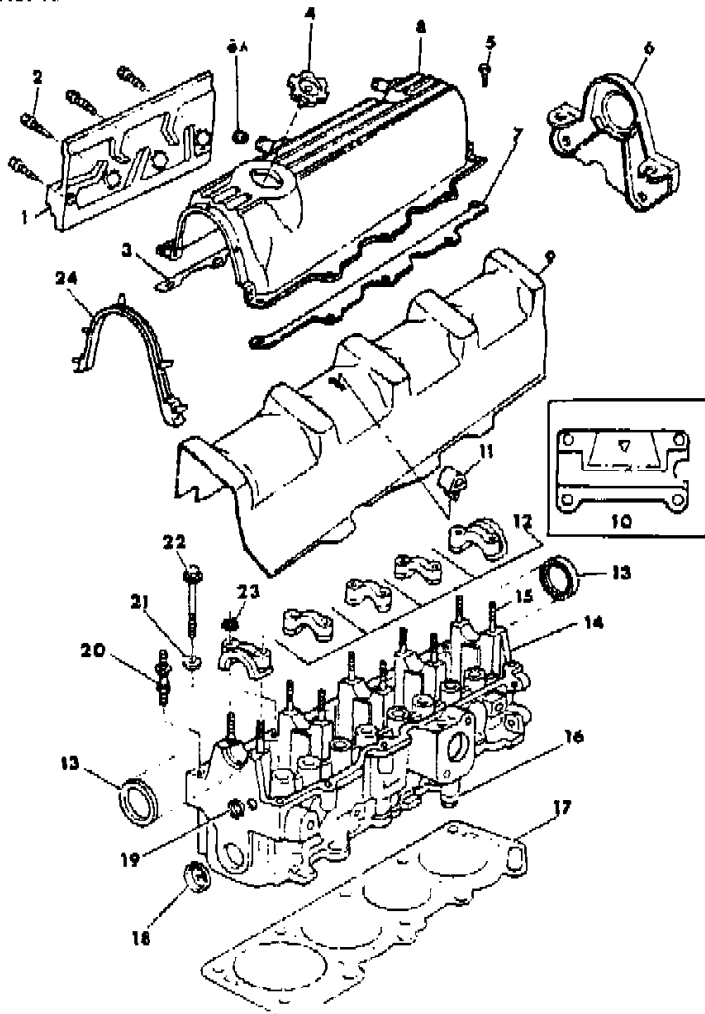
BODY STYLES

12-52 = FWD VAN & WAGON STD. W.B. 27 = 2-DOOR CONVERTIBLE
 13-53 = FWD VAN & WGN EXT W.B. 41 = 4-DOOR SEDAN
 21 = 2-DOOR SEDAN 44 = 4-DOOR HATCHBACK
 24 = 2-DOOR HATCHBACK 45 = 4-DOOR STATION WAGON

AR = Use as Required - = Non Illustrated Part P.A.R. = Paint as Required

CYLINDER HEAD 2.2 L ENGINE
Figure 9A-300

0158 300 A



ITEM	PART NUMBER	QTY	BODY	MODEL	DESCRIPTION
	5214 479	2			SEAL, Cylinder Head Cover End w/EDF Injected Engine (For 4343496 Cover)
		2			w/EDG Turbo, W/EDR Turbo-Intercooler Engine (For 4315875, 4315878 Cover Serviced in Full Gasket)
-	6501 068	2			STUD, Double End (M6x1.00) w/EDG Turbo w/o Intercooler (Not Shown)

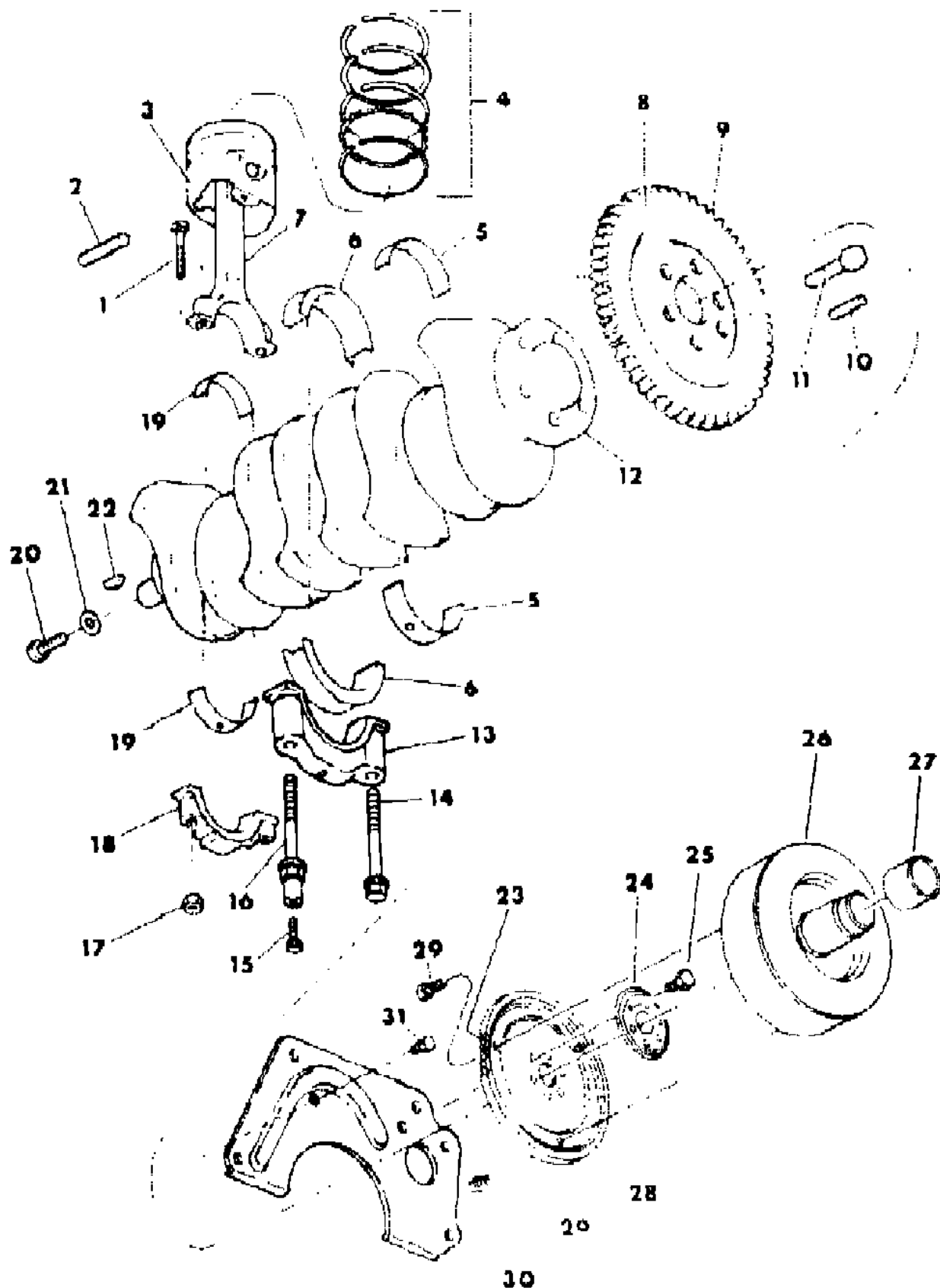
MODEL CODES
 C BODY = (D41 - DYNASTY)(C41 - NEW YORKER)
 E BODY = (J - CARAVELLE)(E - 600)(T - NEW YORKER TURBO)
 G BODY = (V24 - DAYTONA, PACIFICA & SHELBY)
 H BODY = (D44 - LANCER)(C44 - LEBARON GTS)
 J BODY = (C - LEBARON)
 K BODY = (P - RELIANT)(D - ARIES)(C - LEBARON/ TOWN & COUNTRY)
 L BODY = (M - HORIZON)(Z-OMNI)
 M BODY = (B - GRAN FURY)(G - DIPLOMAT)(F - FIFTH AVENUE/NEWPORT)
 P BODY = (P - SUNDANCE)(D - SHADOW)
 Q BODY = (C27 - MASERATI)
 S BODY = (H - VOYAGER)(K - RAM VAN/ CARAVAN)

BODY STYLES
 12-52 = FWD VAN & WAGON STD. W.B. 27 = 2-DOOR CONVERTIBLE
 13-53 = FWD VAN & WGN EXT W.B. 41 = 4-DOOR SEDAN
 21 = 2-DOOR SEDAN 44 = 4-DOOR HATCHBACK
 24 = 2-DOOR HATCHBACK 45 = 4-DOOR STATION WAGON

AR = Use as Required - = Non Illustrated Part P.A.R. = Paint as Required

CRANKSHAFT, PISTONS AND TORQUE CONVERTER 2.2 L ENGINE
Figure 9A-400

8158 400



ITEM	PART NUMBER	QTY	BODY	MODEL	DESCRIPTION
1	4343 547	8			BOLT, Connecting Rod Bearing Cap
2	5203 800	4			PIN, Piston w/EDF Injected Engine
	1947 351	4			w/EDG Turbo Engine
	4387 513	4	G,H		w/EDR Turbo-Intercooler
3	4397 632	4			PISTON, w/Pin, Standard w/EDF Injection Engine
	4397 633	4			0.50MM O/S w/EDF Injected Engine
	4397 634	4			Standard w/EDG Turbo Engine w/o Intercooler
	4397 635	4			0.50 MM O/S
	4387 512	4			Standard, w/EDR Turbo-Intercooler Engine
	4397 738	4			0.50MM O/S
	4387 516	4			RING, Snap w/EDR Turbo-Intercooler Engine
4	4411 975	4			RING PACKAGE, Piston, Standard (For Single Piston) w/o EDG Turbo, w/o EDR Turbo-Intercooler Engine
	4411 976	4			0.50 MM O/S
	4411 977	1			RING SET, Piston, Standard For Complete Engine w/EDG Turbo, W/EDR Turbo-Intercooler Engine
	4411 978	1			0.50 MM O/S
	4411 973	1			RING SET, Piston, Standard for Complete Engine w/o EDG Turbo, w/o EDR Turbo-Intercooler Engine
	4411 974	1			0.50 MM O/S
5	4293 824	4			BEARING PACKAGE, Crankshaft Main #1,2,4,5, Standard
	4293 825	4			0.025 MM U/S
	4293 826	4			0.050 MM U/S
	4293 827	4			0.250 MM U/S
	4293 828	4			0.275 MM U/S
	4293 829	4			0.300 MM U/S
6	4293 830	1			BEARING PACKAGE, Crankshaft Main #3, Standard
	4293 831	1			0.025 MM U/S
	4293 832	1			0.050 MM U/S
	4293 833	1			0.250 MM U/S
	4293 834	1			0.275 MM U/S
	4293 835	1			0.300 MM U/S
7	4387 736	4			ROD and CAP, Connecting (Except EDR Turbo-Intercooler)
	4323 957	4			w/EDR Turbo Intercooler
	4323 960	4			BUSHING, Connecting Rod w/EDR Turbo-Intercooler
8	4471 317	1			FLYWHEEL, w/Ring Gear, w/EDF Injected Engine
	4471 319	1			w/EDG Turbo, w/EDR Turbo-Intercooler Engine

MODEL CODES
 C BODY = (D41 - DYNASTY)(C41 - NEW YORKER)
 E BODY = (J - CARAVELLE)(E - 600)(T - NEW YORKER TURBO)
 G BODY = (V24 - DAYTONA, PACIFICA & SHELBY)
 H BODY = (D44 - LANCER)(C44 - LEBARON GTS)
 J BODY = (C - LEBARON)
 K BODY = (P - RELIANT)(D - ARIES)(C - LEBARON/ TOWN & COUNTRY)
 L BODY = (M - HORIZON)(Z-OMNI)
 M BODY = (B - GRAN FURY)(G - DIPLOMAT)(F - FIFTH AVENUE/NEWPORT)
 P BODY = (P - SUNDANCE)(D - SHADOW)
 Q BODY = (C27 - MASERATI)
 S BODY = (H - VOYAGER)(K - RAM VAN/ CARAVAN)

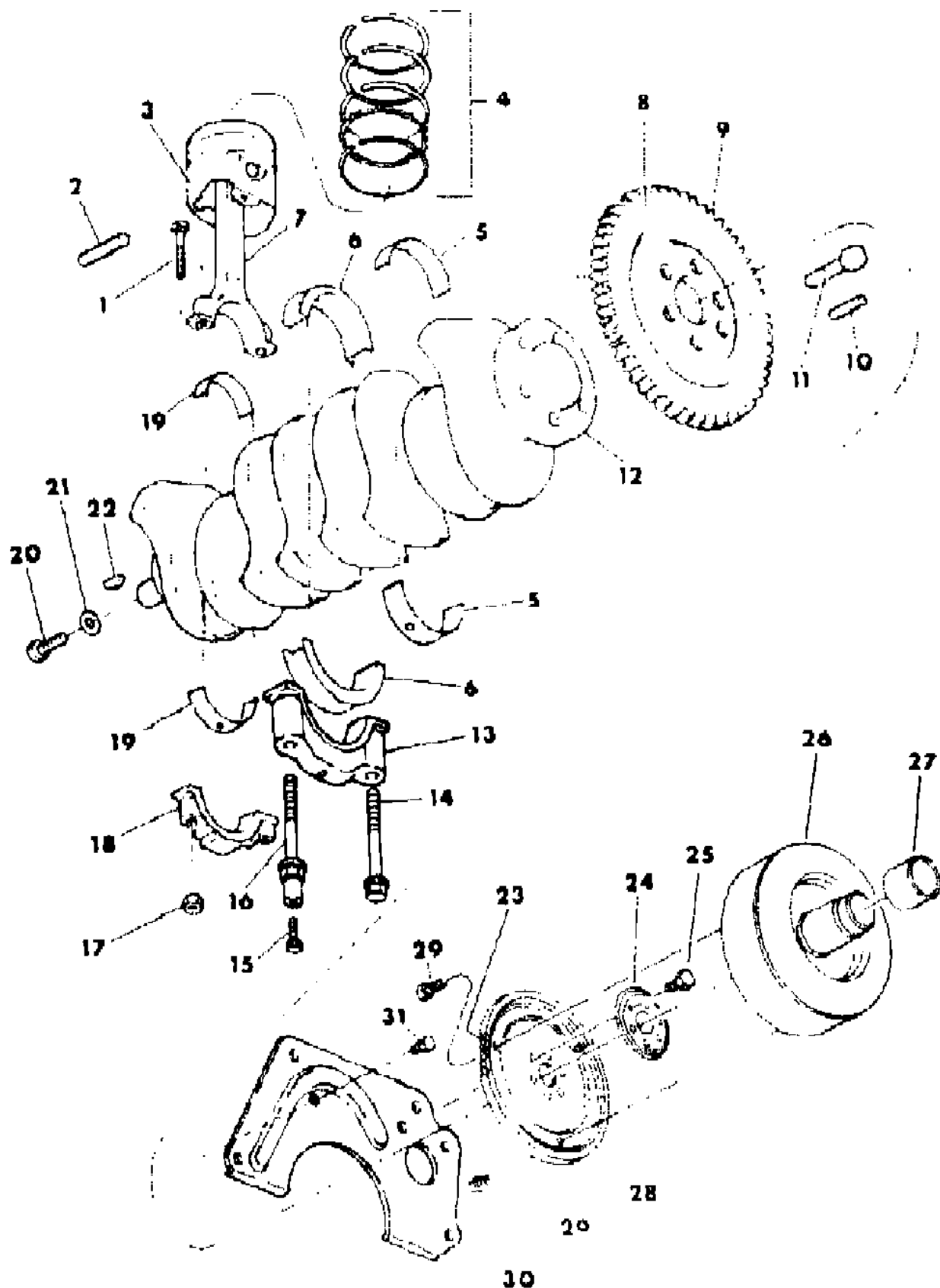
BODY STYLES
 12-52 = FWD VAN & WAGON STD. W.B. 27 = 2-DOOR CONVERTIBLE
 13-53 = FWD VAN & WGN EXT W.B. 41 = 4-DOOR SEDAN
 21 = 2-DOOR SEDAN 44 = 4-DOOR HATCHBACK
 24 = 2-DOOR HATCHBACK 45 = 4-DOOR STATION WAGON

AR = Use as Required - = Non Illustrated Part P.A.R. = Paint as Required

CRANKSHAFT, PISTONS AND TORQUE CONVERTER 2.2 L ENGINE

Figure 9A-400

8158 400



ITEM	PART NUMBER	QTY	BODY	MODEL	DESCRIPTION
9		1			GEAR, Flywheel (Serviced in Flywheel)
10	6031 923	3			DOWEL, Clutch Cover to Flywheel
11	6501 197	8			BOLT, Flywheel to Crankshaft
12	4343 407	1			CRANKSHAFT, (Except EDR Turbo-Intercooler
	4323 815	1			w/EDR Turbo-Intercooler
13	4343 497	1			CAP, Crankshaft Bearing No. 1
	4105 212	1			No. 2
	4105 213	1			No. 3
	4105 214	1			No. 4
	4105 215	1			No. 5
14	6500 755	10			SCREW, Crankshaft Bearing Cap
15	6500 461	1			SCREW, w/Washer
16	6500 756	1			SCREW, Crankshaft Bearing Cap
17	4227 678	8			NUT, Connecting Rod Bearing Cap Bolt
18					CAP, Connecting Rod (Serviced in Item 7)
19	4240 025	4			BEARING PACKAGE, Connecting Rod Standard (Except EDR Turbo-Intercooler
					Consists of:
					2---Bearing, Connecting Rod
	4240 026	4			0.025 U/S
	4240 027	4			0.050 U/S
	4240 028	4			0.250 U/S
	4240 029	4			0.275 U/S
	4240 030	4			0.300 U/S
	4397 722	4			Standard w/EDR Turbo-Intercooler
	4397 725	4			.025 U/S
	4397 726	4			.050 U/S
	4397 724	4			.250 U/S
	4397 727	4			.275 U/S
	4397 723	4			.300 U/S
20	6502 976	1			SCREW, Crankshaft Sprocket
21	6500 431	1			WASHER, Crankshaft Sprocket Screw
22	6500 150	1			KEY, Crankshaft Sprocket
23		1			GEAR, Torque Converter Ring (Serviced in Item 28)
24	4348 349	1			PLATE, Crankshaft Bolt Backing
25	6501 193	8			BOLT, Drive Plate to Crankshaft (M10x1.0-18)
	6501 197	8			(M10x1.5x23)

MODEL CODES

C BODY = (D41 - DYNASTY)(C41 - NEW YORKER)
 E BODY = (J - CARAVELLE)(E - 600)(T - NEW YORKER TURBO)
 G BODY = (V24 - DAYTONA, PACIFICA & SHELBY)
 H BODY = (D44 - LANCER)(C44 - LEBARON GTS)
 J BODY = (C - LEBARON)
 K BODY = (P - RELIANT)(D - ARIES)(C - LEBARON/ TOWN & COUNTRY)

L BODY = (M - HORIZON)(Z-OMNI)
 M BODY = (B - GRAN FURY)(G - DIPLOMAT)(F - FIFTH AVENUE/NEWPORT)
 P BODY = (P - SUNDANCE)(D - SHADOW)
 Q BODY = (C27 - MASERATI)
 S BODY = (H - VOYAGER)(K - RAM VAN/ CARAVAN)

BODY STYLES

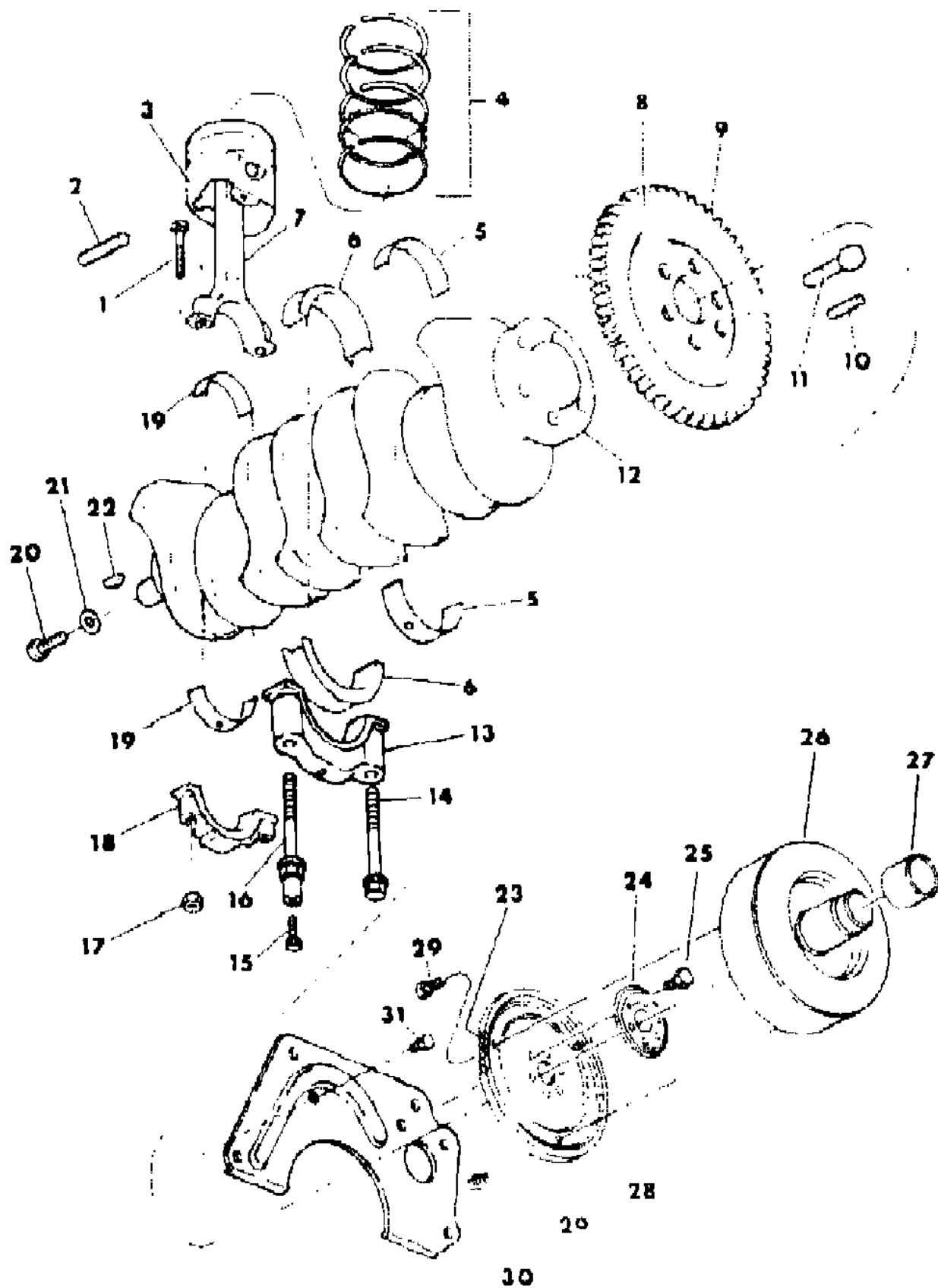
12-52 = FWD VAN & WAGON STD. W.B. 27 = 2-DOOR CONVERTIBLE
 13-53 = FWD VAN & WGN EXT W.B. 41 = 4-DOOR SEDAN
 21 = 2-DOOR SEDAN 44 = 4-DOOR HATCHBACK
 24 = 2-DOOR HATCHBACK 45 = 4-DOOR STATION WAGON

AR = Use as Required - = Non Illustrated Part P.A.R. = Paint as Required

CRANKSHAFT, PISTONS AND TORQUE CONVERTER 2.2 L ENGINE

Figure 9A-400

8158 400



ITEM	PART NUMBER	QTY	BODY	MODEL	DESCRIPTION
26	4419 626	1			CONVERTER, Torque w/EDF Injected Engine
	4364 369	1			w/EDG Turbo w/o Intercooler
27		1			SEAL, Torque Converter Impeller Hub (See Group 21)
28	4446 309	1			PLATE, Torque Converter Drive
29	6501 099	4			BOLT, Drive Plate to Torque Converter
30		1			COVER, Trans. Case Upper (See Group 21)
31		2			SCREW, Trans. Case Upper (See Group 21)

MODEL CODES

C BODY = (D41 - DYNASTY)(C41 - NEW YORKER)
 E BODY = (J - CARAVELLE)(E - 600)(T - NEW YORKER TURBO)
 G BODY = (V24 - DAYTONA, PACIFICA & SHELBY)
 H BODY = (D44 - LANCER)(C44 - LEBARON GTS)
 J BODY = (C - LEBARON)
 K BODY = (P - RELIANT)(D - ARIES)(C - LEBARON/ TOWN & COUNTRY)

L BODY = (M - HORIZON)(Z-OMNI)
 M BODY = (B - GRAN FURY)(G - DIPLOMAT)(F - FIFTH AVENUE/NEWPORT)
 P BODY = (P - SUNDANCE)(D - SHADOW)
 Q BODY = (C27 - MASERATI)
 S BODY = (H - VOYAGER)(K - RAM VAN/ CARAVAN)

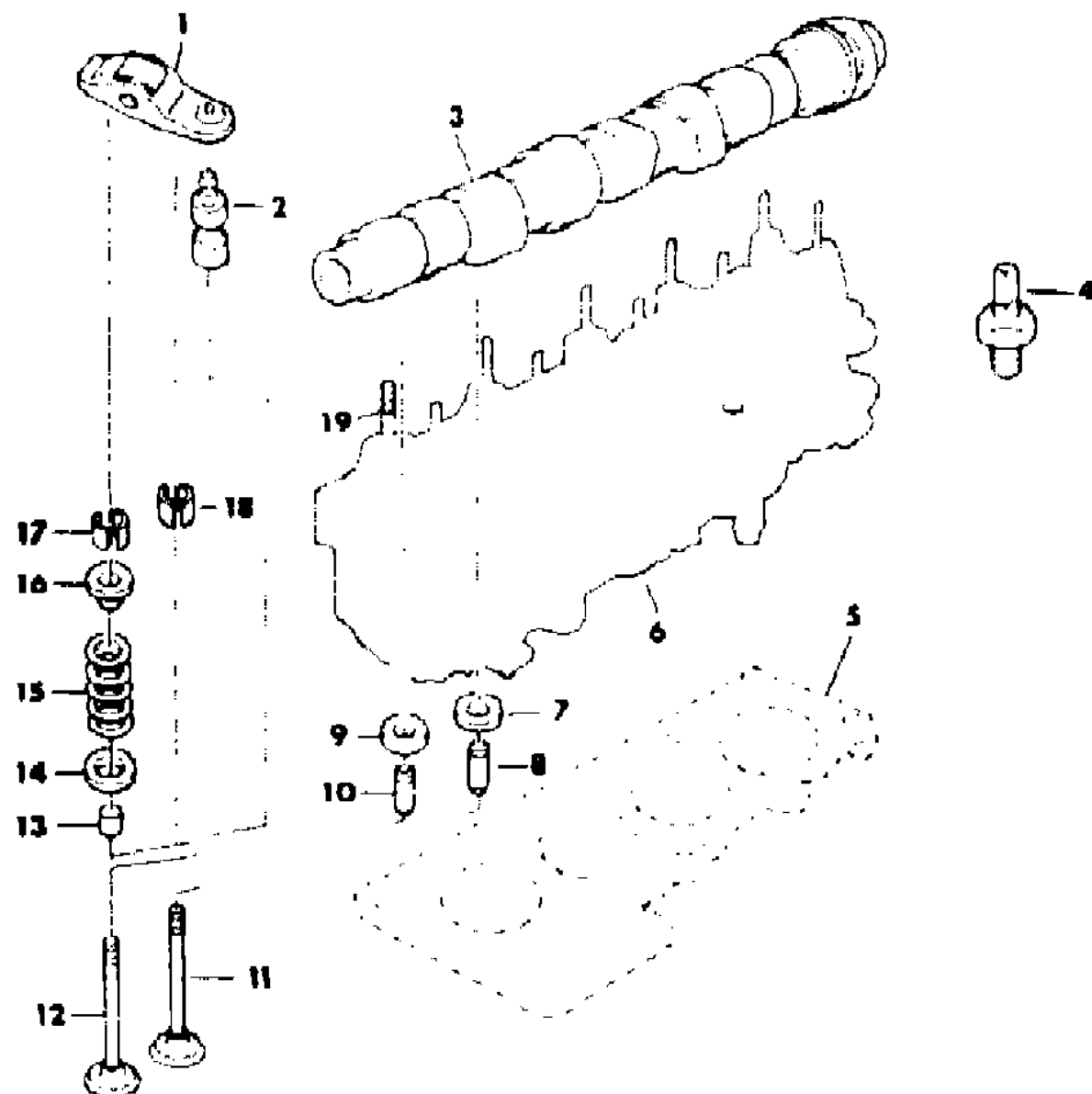
BODY STYLES

12-52 = FWD VAN & WAGON STD. W.B. 27 = 2-DOOR CONVERTIBLE
 13-53 = FWD VAN & WGN EXT W.B. 41 = 4-DOOR SEDAN
 21 = 2-DOOR SEDAN 44 = 4-DOOR HATCHBACK
 24 = 2-DOOR HATCHBACK 45 = 4-DOOR STATION WAGON

AR = Use as Required - = Non Illustrated Part P.A.R. = Paint as Required

CAMSHAFT AND VALVES 2.2 L ENGINE
Figure 9A-500

8158 500



ITEM	PART NUMBER	QTY	BODY	MODEL	DESCRIPTION
NOTE 1: Gasket Eliminator #4318029 must be used as described in the Chrysler Repair Manual. andard" Camshaft Package for Service.					
1	4397 767	8			ROCKER, Valve (Roller)
2	4240 007	8			ADJUSTER, Valve Lash
3	4387 850	1			CAMSHAFT, w/Standard Journals and EDF Injection Engine
	4387 850	1			w/Standard Journals and EDG Turbo, EDR Turbo-Intercooler Up to 3-1-88
	4387 721	1			w/Standard Journals and EDG Turbo, EDR Turbo-Intercooler After 3-1-88
	4448 479	1			w/.050 O/S Journals and EDF Injection Engine
4		1			NIPPLE, Thermostat Water By-Pass (See Group 7)
5		1			GASKET, Cylinder Head (See Cylinder Head Illust.)
6		1			HEAD, Cylinder (See Cylinder Head Illust.)
7	5203 472	4			SEAT, Intake Valve 43.375 MM O/D
8	4105 716	4			GUIDE, Intake Valve 12.740 MM O/D 40 MM Lgh.
9	5203 792	4			SEAT, Exhaust Valve 36.815 MM O/D
10	4105 715	4			GUIDE, Exhaust Valve 12.740 MM O/D 43 MM Lgh.
11	4298 137	4			VALVE, Intake Standard w/EDF Injected Engine
	4298 138	4			0.15 MM O/S
	4298 139	4			0.40 MM O/S
	4298 140	4			0.80 MM O/S
	4323 244	4			Standard w/EDG Turbo, w/EDR Turbo-Intercooler Engine
	4323 245	4			0.15 MM O/S
	4323 246	4			0.40 MM O/S
	4323 247	4			0.80 MM O/S
12	4298 142	4			VALVE, Exhaust Standard w/EDF Injected Engine
	4298 143	4			0.15 MM O/S
	4298 144	4			0.40 MM O/S
	4298 145	4			0.80 MM O/S
	4323 249	4			Standard w/EDG Turbo, w/EDR Turbo-Intercooler Engine
	4323 250	4			0.15 MM O/S
	4323 251	4			0.40 MM O/S
	4323 252	4			0.80 MM O/S
13	4201 332	8			SEAL, Valve Guide Standard
	4105 366	8			0.15 MM O/S (Green)
	4105 367	8			0.40 MM O/S (Yellow)
	4105 368	8			0.80 MM O/S (Red)

MODEL CODES

C BODY = (D41 - DYNASTY)(C41 - NEW YORKER)	L BODY = (M - HORIZON)(Z-OMNI)
E BODY = (J - CARAVELLE)(E - 600)(T - NEW YORKER TURBO)	M BODY = (B - GRAN FURY)(G - DIPLOMAT)(F - FIFTH AVENUE/NEWPORT)
G BODY = (V24 - DAYTONA, PACIFICA & SHELBY)	P BODY = (P - SUNDANCE)(D - SHADOW)
H BODY = (D44 - LANCER)(C44 - LEBARON GTS)	Q BODY = (C27 - MASERATI)
J BODY = (C - LEBARON)	S BODY = (H - VOYAGER)(K - RAM VAN/ CARAVAN)
K BODY = (P - RELIANT)(D - ARIES)(C - LEBARON/ TOWN & COUNTRY)	

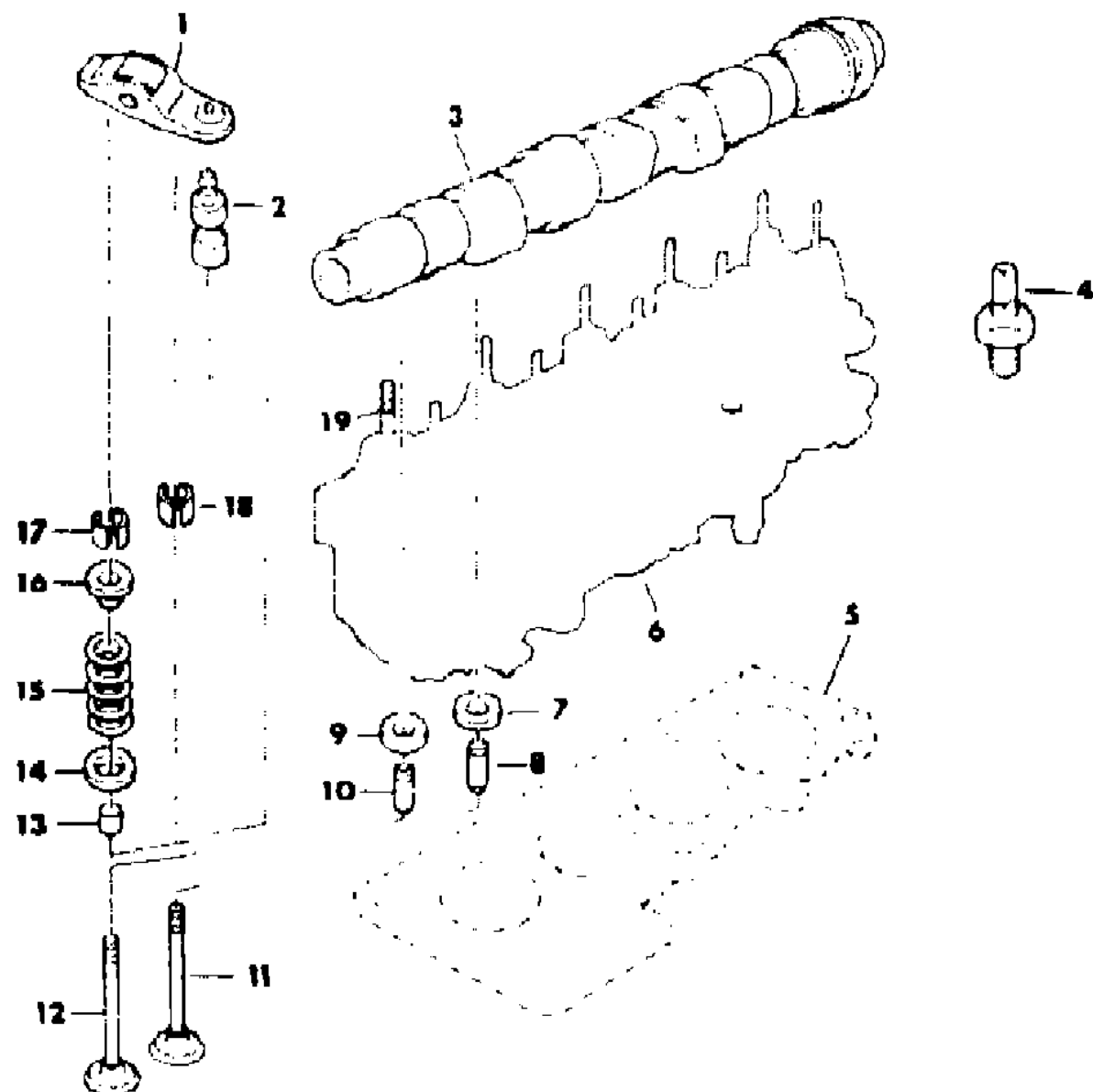
BODY STYLES

12-52 = FWD VAN & WAGON STD. W.B.	27 = 2-DOOR CONVERTIBLE
13-53 = FWD VAN & WGN EXT W.B.	41 = 4-DOOR SEDAN
21 = 2-DOOR SEDAN	44 = 4-DOOR HATCHBACK
24 = 2-DOOR HATCHBACK	45 = 4-DOOR STATION WAGON

AR = Use as Required - = Non Illustrated Part P.A.R. = Paint as Required

CAMSHAFT AND VALVES 2.2 L ENGINE
Figure 9A-500

8158 500



ITEM	PART NUMBER	QTY	BODY	MODEL	DESCRIPTION
14	5203 474	8			SEAT, Valve Spring
15	4448 305	8			SPRING, Valve
16	5203 578	8			RETAINER, Valve Spring Intake and Exhaust
17	5203 577	8			LOCK, Exhaust Valve Spring Retainer
18	4201 349	8			LOCK, Intake Valve Spring Retainer
19	6100 299	10			SCREW, Camshaft Bearing Cap

MODEL CODES

C BODY = (D41 - DYNASTY)(C41 - NEW YORKER)	L BODY = (M - HORIZON)(Z-OMNI)
E BODY = (J - CARAVELLE)(E - 600)(T - NEW YORKER TURBO)	M BODY = (B - GRAN FURY)(G - DIPLOMAT)(F - FIFTH AVENUE/NEWPORT)
G BODY = (V24 - DAYTONA, PACIFICA & SHELBY)	P BODY = (P - SUNDANCE)(D - SHADOW)
H BODY = (D44 - LANCER)(C44 - LEBARON GTS)	Q BODY = (C27 - MASERATI)
J BODY = (C - LEBARON)	S BODY = (H - VOYAGER)(K - RAM VAN/ CARAVAN)
K BODY = (P - RELIANT)(D - ARIES)(C - LEBARON/ TOWN & COUNTRY)	

BODY STYLES

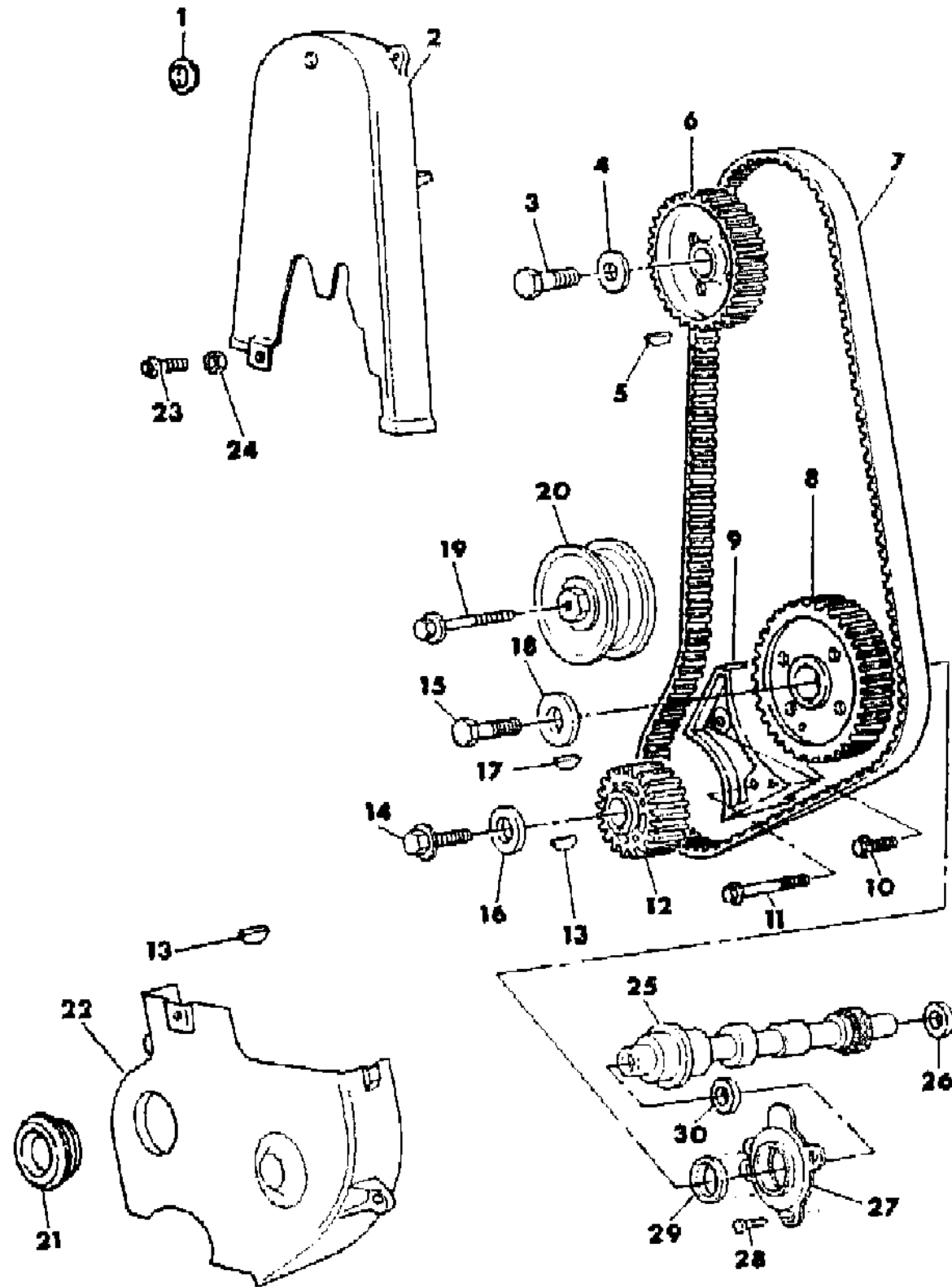
12-52 = FWD VAN & WAGON STD. W.B.	27 = 2-DOOR CONVERTIBLE
13-53 = FWD VAN & WGN EXT W.B.	41 = 4-DOOR SEDAN
21 = 2-DOOR SEDAN	44 = 4-DOOR HATCHBACK
24 = 2-DOOR HATCHBACK	45 = 4-DOOR STATION WAGON

AR = Use as Required - = Non Illustrated Part P.A.R. = Paint as Required

TIMING BELT AND COVERS AND INTERMEDIATE SHAFT 2.2 L ENGINE

Figure 9A-600

8158 600 B



ITEM	PART NUMBER	QTY	BODY	MODEL	DESCRIPTION
------	-------------	-----	------	-------	-------------

NOTE 1: Gasket Eliminator #4318029 must be used as described in the Chrysler Repair Manual. andard" Camshaft Package for Service.

1	2094 631	1			PLUG, Timing Belt Cover Upper
2	4105 714	1			COVER, Timing Belt Upper
3	6501 405	1			SCREW, Camshaft Sprocket
4	6500 346	1			WASHER, Camshaft Sprocket Screw
5	6500 150	1			KEY, Camshaft Sprocket
6	4201 974	1			SPROCKET, Camshaft
7	4343 946	1			BELT, Timing
8	4201 974	1			SPROCKET, Intermediate Shaft
9	5214 636	1			SHIELD, Timing Belt
10	6101 279	1			SCREW, w/Washer Timing Belt Shield Mounting (55 MM Lgh.)
11	6101 278	1			SCREW, w/Washer Timing Belt Shield Mounting (20 MM Lgh.)
12	4387 670	1			SPROCKET, Crankshaft
13	6500 150	1			KEY, Crankshaft Sprocket
14	6501 815	1			SCREW, Crankshaft Sprocket
15	6501 405	1			SCREW, Intermediate Shaft Sprocket
16	6500 431	1			WASHER, Crankshaft Sprocket Screw
17	6500 150	1			KEY, Intermediate Shaft Sprocket
18	6500 346	1			WASHER, Intermediate Shaft Sprocket Screw
19	6101 277	1			SCREW, w/Washer Tension Pulley Mounting
20	5203 469	1			PULLEY, Tension
21	4343 825	1			PLUG, Timing Belt Cover Lower (2.12" Dia.)
22	4343 639	1			COVER, Timing Belt Lower (Exc EDR Turbo-Intercooler)
	4343 807	1			w/EDR Turbo-Intercooler
23	6500 778	3			SCREW, Timing Belt Cover (M6x20 Lgh.)
24	6500 274	2			NUT, Timing Belt Cover
	6100 041	1			U-NUT, Timing Belt Cover
25	4343 428	1			SHAFT, Intermediate
26	4105 217	1			BEARING, Intermediate Shaft Rear
27	5203 325	1			RETAINER, Intermediate Shaft Oil Seal (See Note 1)
28	6101 278	3			SCREW, Intermediate Shaft Oil Seal Retainer Mounting
29	4105 395	1			SEAL, Intermediate Shaft
30	4448 700	1			BEARING, Intermediate Shaft Front

MODEL CODES

C BODY = (D41 - DYNASTY)(C41 - NEW YORKER)
 E BODY = (J - CARAVELLE)(E - 600)(T - NEW YORKER TURBO)
 G BODY = (V24 - DAYTONA, PACIFICA & SHELBY)
 H BODY = (D44 - LANCER)(C44 - LEBARON GTS)
 J BODY = (C - LEBARON)
 K BODY = (P - RELIANT)(D - ARIES)(C - LEBARON/ TOWN & COUNTRY)

L BODY = (M - HORIZON)(Z-OMNI)
 M BODY = (B - GRAN FURY)(G - DIPLOMAT)(F - FIFTH AVENUE/NEWPORT)
 P BODY = (P - SUNDANCE)(D - SHADOW)
 Q BODY = (C27 - MASERATI)
 S BODY = (H - VOYAGER)(K - RAM VAN/ CARAVAN)

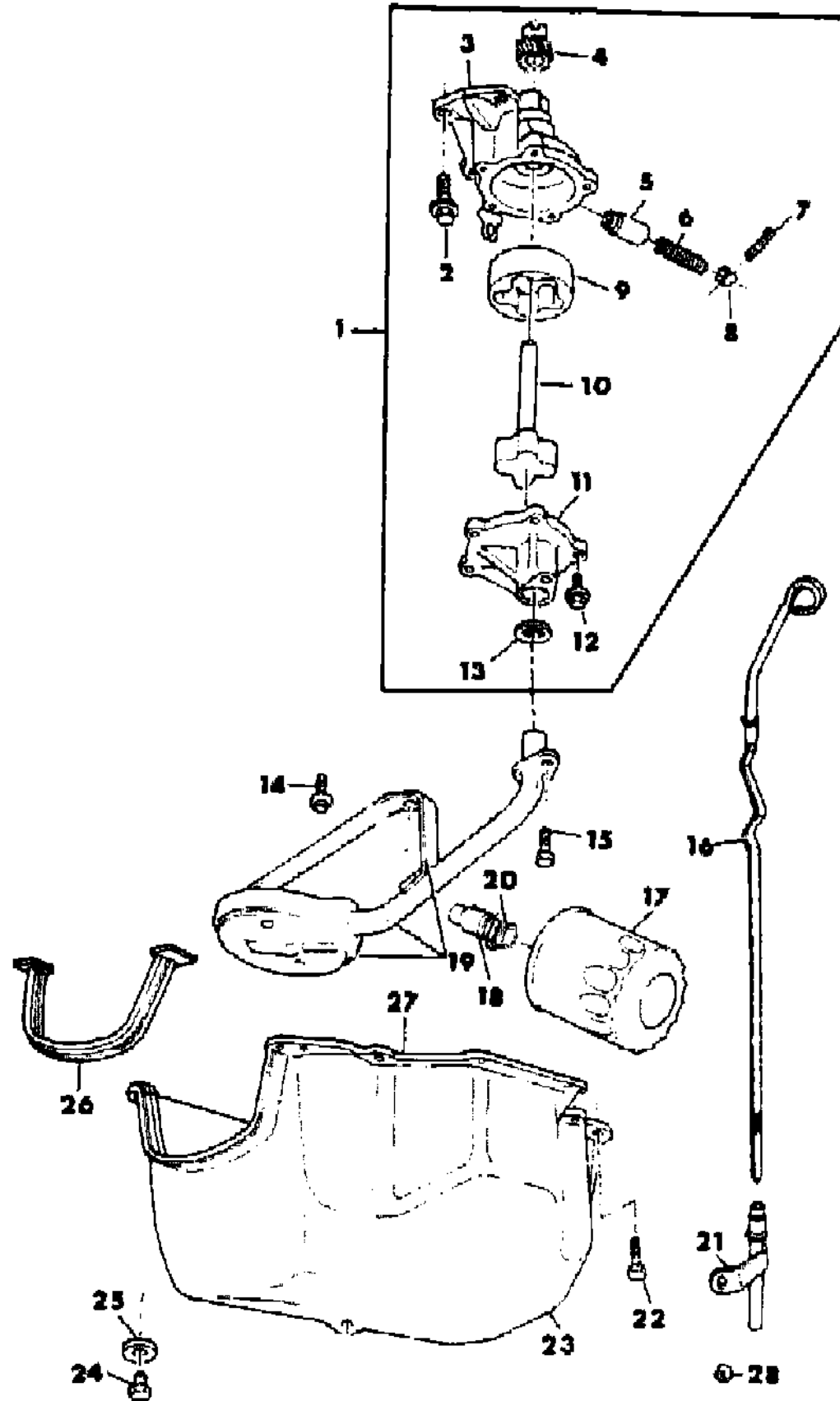
BODY STYLES

12-52 = FWD VAN & WAGON STD. W.B. 27 = 2-DOOR CONVERTIBLE
 13-53 = FWD VAN & WGN EXT W.B. 41 = 4-DOOR SEDAN
 21 = 2-DOOR SEDAN 44 = 4-DOOR HATCHBACK
 24 = 2-DOOR HATCHBACK 45 = 4-DOOR STATION WAGON

AR = Use as Required - = Non Illustrated Part P.A.R. = Paint as Required

ENGINE OILING 2.2 L ENGINE
Figure 9A-700

8158 700 B



ITEM	PART NUMBER	QTY	BODY	MODEL	DESCRIPTION
NOTE 1: For all required sealing R.T.V. Sealer #4318025 and Gasket eliminator 4318029 must be used as described in the Chrysler Repair Manual. andard" Camshaft Package for Service.					
1	4397 746	1			PUMP, Oil
2	6500 151	2			SCREW and WASHER, Oil Pump Mounting
3		1			BODY, Oil Pump (Serviced in Item #1)
4		1			GEAR, Oil Pump Dist. Drive (Serviced in Item #1)
5	2120 764	1			PLUNGER, Oil Pressure Relief Valve
6	2402 473	1			SPRING, Oil Pressure Relief Valve
7		1			PIN, Oil Pressure Relief Valve (Not Serviced)
8	2806 273	1			CAP, Oil Pressure Relief Valve
9		1			ROTOR, Oil Pump Outer (Serviced in Item #10)
10	4342 940	1			DRIVE SHAFT and ROTOR, Oil Pump
11	4323 030	1			COVER, Oil Pump
12	6100 277	4			SCREW and WASHER, Oil Pump Cover
13	6032 920	1			SEAL, Oil Pump Cover to Oil Pump Suction Pipe
14	6100 276	1			SCREW, w/Washer Suction Pipe And Strainer Bracket Attaching (M6x20)
15	6500 070	1			SCREW, Oil Pickup Tube Attaching (M8x25)
16	4387 572	1			INDICATOR, Oil Level
17	4105 409	1			FILTER, Oil
18	4343 801	1			VALVE, Anti-Drain Back Oil Filter Adapter
19	4387 360	1			TUBE, Oil Pickup w/Strainer (Deep Well)
20	1407 748	1			O-RING, Oil Filter Adapter
21	4387 575	1			TUBE, Oil Level Indicator and Clip
22	6501 452	11			SCREW, w/Washer Oil Pan Attaching
23	4387 338	1			PAN, Oil Partial (Deep Well)
24	4293 859	1			PLUG PACKAGE, Oil Pan Drain
25	3769 935	1			GASKET, Oil Pan Drain Plug (Also in Plug Pkg)
26	5203 778	2			SEAL, Oil Pan to Retainer
27		AR			SEALER, Oil Pan (Apply as Required)(See Note 1)
28	6100 050	1			NUT, Oil Level Indicator Tube Attaching

MODEL CODES

C BODY = (D41 - DYNASTY)(C41 - NEW YORKER)	L BODY = (M - HORIZON)(Z-OMNI)
E BODY = (J - CARAVELLE)(E - 600)(T - NEW YORKER TURBO)	M BODY = (B - GRAN FURY)(G - DIPLOMAT)(F - FIFTH AVENUE/NEWPORT)
G BODY = (V24 - DAYTONA, PACIFICA & SHELBY)	P BODY = (P - SUNDANCE)(D - SHADOW)
H BODY = (D44 - LANCER)(C44 - LEBARON GTS)	Q BODY = (C27 - MASERATI)
J BODY = (C - LEBARON)	S BODY = (H - VOYAGER)(K - RAM VAN/ CARAVAN)
K BODY = (P - RELIANT)(D - ARIES)(C - LEBARON/ TOWN & COUNTRY)	

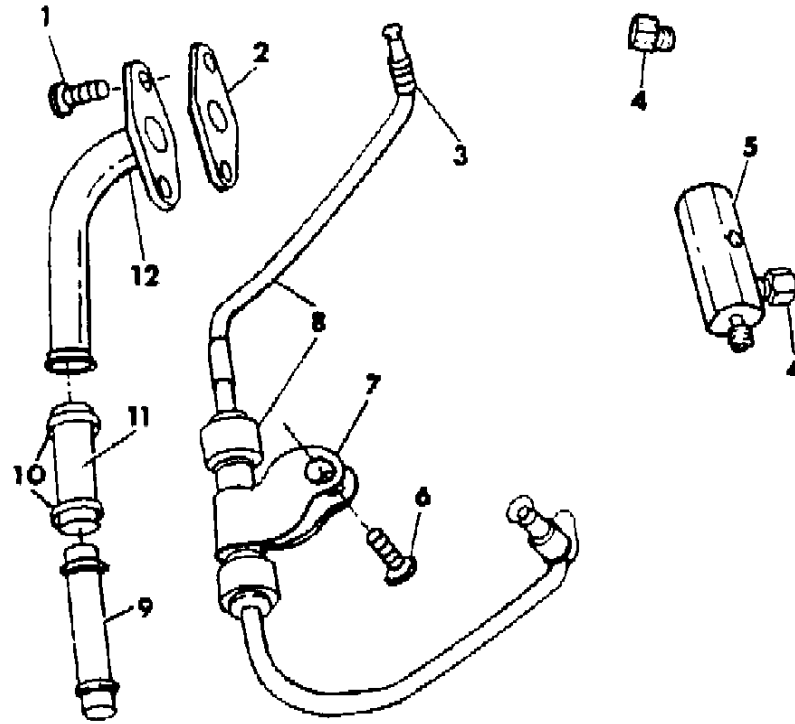
BODY STYLES

12-52 = FWD VAN & WAGON STD. W.B.	27 = 2-DOOR CONVERTIBLE
13-53 = FWD VAN & WGN EXT W.B.	41 = 4-DOOR SEDAN
21 = 2-DOOR SEDAN	44 = 4-DOOR HATCHBACK
24 = 2-DOOR HATCHBACK	45 = 4-DOOR STATION WAGON

AR = Use as Required - = Non Illustrated Part P.A.R. = Paint as Required

OIL LINES 2.2 L TURBO ENGINE
Figure 9A-800

8158 800 B



ITEM	PART NUMBER	QTY	BODY	MODEL	DESCRIPTION
1	6500 136	2			SCREW, w/Washer Turbo Oil Drain Back Tube (M6x14)
2	4227 980	1			GASKET, Turbo Oil Drain Back Tube w/EDR Turbo-Intercooler
	4343 770	1			(Exc EDR Turbo-Intercooler)
3	0137 398	2			NUT, Turbo Oil Feed Tube
4	6032 570	1			CONNECTOR, Turbo Oil Inlet
	6033 351	1			
5	4387 605	1			FITTING, Cylinder Block to Turbo Oil Feed Tube
6		1			SCREW, Turbo Oil Feed Tube Clamp (Not Serviced)
7	4323 125	1			CLAMP, Turbo Oil Feed Tube
8	4323 108	1			TUBE, Turbo Oil Feed
9	4105 456	1			TUBE, Turbo Oil Drain Back Cylinder Block
10		2			CLAMP, Turbo Oil Drain Back Hose (Serviced in Item 12)
11	4105 457	1			HOSE, Turbo Oil Drain Back
12	4323 111	1			TUBE, Turbo Oil Drain Back w/EDR Turbo-Intercooler
	4387 237	1			(Exc EDR Turbo-Intercooler)

MODEL CODES

C BODY = (D41 - DYNASTY)(C41 - NEW YORKER)
 E BODY = (J - CARAVELLE)(E - 600)(T - NEW YORKER TURBO)
 G BODY = (V24 - DAYTONA, PACIFICA & SHELBY)
 H BODY = (D44 - LANCER)(C44 - LEBARON GTS)
 J BODY = (C - LEBARON)
 K BODY = (P - RELIANT)(D - ARIES)(C - LEBARON/ TOWN & COUNTRY)

L BODY = (M - HORIZON)(Z-OMNI)
 M BODY = (B - GRAN FURY)(G - DIPLOMAT)(F - FIFTH AVENUE/NEWPORT)
 P BODY = (P - SUNDANCE)(D - SHADOW)
 Q BODY = (C27 - MASERATI)
 S BODY = (H - VOYAGER)(K - RAM VAN/ CARAVAN)

BODY STYLES

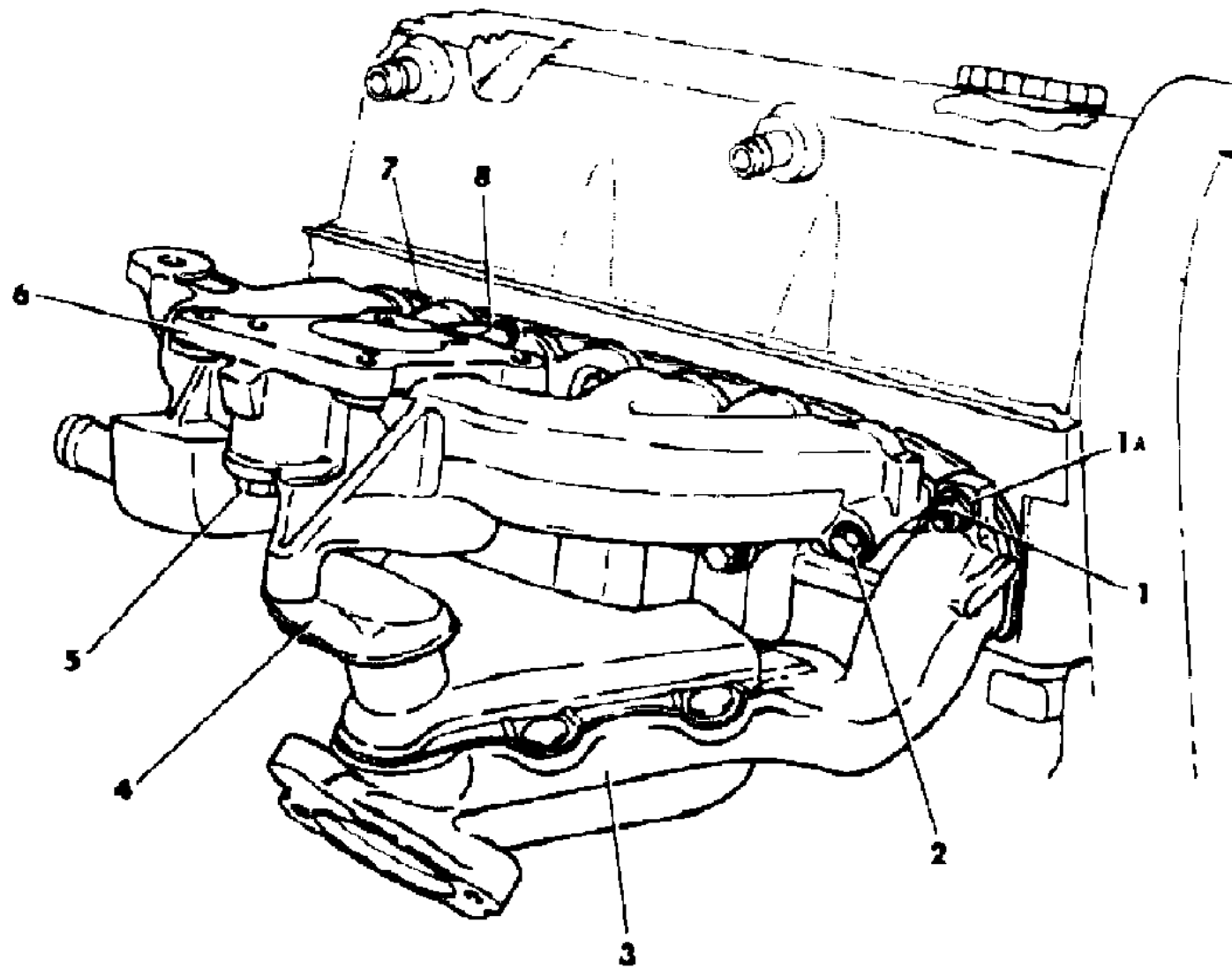
12-52 = FWD VAN & WAGON STD. W.B. 27 = 2-DOOR CONVERTIBLE
 13-53 = FWD VAN & WGN EXT W.B. 41 = 4-DOOR SEDAN
 21 = 2-DOOR SEDAN 44 = 4-DOOR HATCHBACK
 24 = 2-DOOR HATCHBACK 45 = 4-DOOR STATION WAGON

AR = Use as Required - = Non Illustrated Part P.A.R. = Paint as Required

MANIFOLD, INTAKE AND EXHAUST W/O INTERCOOLER 2.2 L ENGINE

Figure 9A-900

8158 900



ITEM	PART NUMBER	QTY	BODY	MODEL	DESCRIPTION
NOTE 1: These Packages do not contain Gaskets for all required sealings. R.T.V. Sealer #4318025 and Gasket Eliminator #4318029 must be used in addition as described in the Chrysler repair Manual.					
-	4240 096	1			GASKET PACKAGE, Manifold (See Note 1) Consists of: 1-4105745 Gasket, Intake and Exhaust Manifold 1-4201384 Gasket, Exhaust Manifold Crossover Flange
1	6500 679	8			STUD, Exhaust Manifold to Cylinder Head
1a	6500 363	8			NUT, Exhaust Manifold to Head Stud
2	6500 391	4			BOLT, Intake Manifold to Cylinder Head (M8x90) (Except EDG Turbo Engine)
	6500 390	4			BOLT, Intake Manifold to Cylinder Head (M8x65) (Except EDG Turbo Engine)
	6500 676	8			w/EDG Turbo Engine
3	4448 746	1			MANIFOLD, Exhaust (Except EDG Turbo Engine)
	4343 481	1			(w/EDG Turbo Engine)
4		1			(Refer to Group 14)
5		1			PLUG, Exhaust Manifold (3/4-14 Not Serviced)
	6500 362	1			PLUG, Exhaust Manifold (M18)
6	4387 220	1			MANIFOLD, Intake w/EDF Injected Engine
	4387 231	1			w/EDG Turbo Engine
-	4026 117	1			CONNECTOR, Vacuum Control
-	4343 924	1			PLUG, Intake Manifold Cup w/EDG Turbo Engine
7	4105 745	1			GASKET, Intake and Exhaust Manifold
8	4343 761	1			NIPPLE, Crankcase Vent Hole w/EDF Injected Engine
NOTE: HEATER HOSE NIPPLES COME WITH MANIFOLD-ONLY. on as described in the Chrysler repair Manual.					

MODEL CODES

C BODY = (D41 - DYNASTY)(C41 - NEW YORKER)
 E BODY = (J - CARAVELLE)(E - 600)(T - NEW YORKER TURBO)
 G BODY = (V24 - DAYTONA, PACIFICA & SHELBY)
 H BODY = (D44 - LANCER)(C44 - LEBARON GTS)
 J BODY = (C - LEBARON)
 K BODY = (P - RELIANT)(D - ARIES)(C - LEBARON/ TOWN & COUNTRY)

L BODY = (M - HORIZON)(Z-OMNI)
 M BODY = (B - GRAN FURY)(G - DIPLOMAT)(F - FIFTH AVENUE/NEWPORT)
 P BODY = (P - SUNDANCE)(D - SHADOW)
 Q BODY = (C27 - MASERATI)
 S BODY = (H - VOYAGER)(K - RAM VAN/ CARAVAN)

BODY STYLES

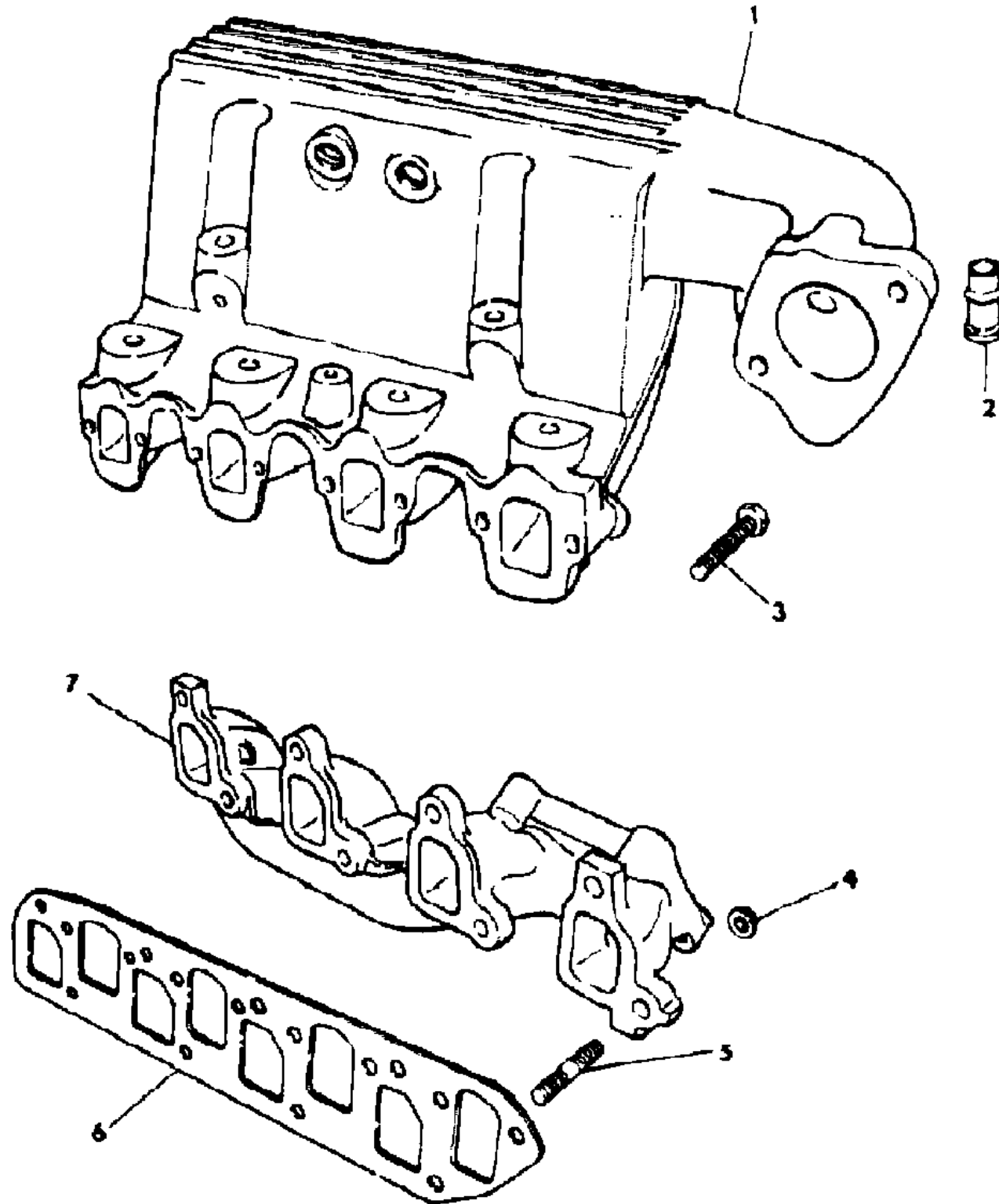
12-52 = FWD VAN & WAGON STD. W.B. 27 = 2-DOOR CONVERTIBLE
 13-53 = FWD VAN & WGN EXT W.B. 41 = 4-DOOR SEDAN
 21 = 2-DOOR SEDAN 44 = 4-DOOR HATCHBACK
 24 = 2-DOOR HATCHBACK 45 = 4-DOOR STATION WAGON

AR = Use as Required - = Non Illustrated Part P.A.R. = Paint as Required

MANIFOLD, INTAKE AND EXHAUST W/TURBO-INTERCOOLER 2.2 L ENGINE

Figure 9A-1000

8158 1000



ITEM	PART NUMBER	QTY	BODY	MODEL	DESCRIPTION
------	-------------	-----	------	-------	-------------

NOTE 1: These Packages do not contain Gaskets for all required sealing R.T.V. Sealer #4318025 and Gasket Eliminator #4318029 must be used in addition on as described in the Chrysler repair Manual.

as described in the Chrysler Repair Manual. on as described in the Chrysler repair Manual.

-	4240 096	1			GASKET PACKAGE, Manifold (See Note 1) Consists Of: 1-4105745 GASKET, Intake and EXhaust Manifold 1-4201384 Gasket, Exhaust Manifold Crossover Flange
1	4387 569	1			MANIFOLD, Intake
-	4343 924	1			PLUG, Intake Manifold Cup
-	4026 117	1			CONNECTOR, Vacuum Control (3/8")
2	4387 304	1			NIPPLE, Crankcase Vent
3	6501 529	8			BOLT, Intake Manifold to Cylinder Head (M8x57)
4	6500 363	8			NUT, Exhaust Manifold to Head Stud
5	6500 679	8			STUD, Exhaust Manifold to Cylinder Head
6	4105 745	1			GASKET, Intake and Exhaust Manifold
7	4343 481	1			MANIFOLD, Exhaust
-	#6500 362	1			PLUG, Exhaust Manifold (M18)

MODEL CODES

C BODY = (D41 - DYNASTY)(C41 - NEW YORKER)
 E BODY = (J - CARAVELLE)(E - 600)(T - NEW YORKER TURBO)
 G BODY = (V24 - DAYTONA, PACIFICA & SHELBY)
 H BODY = (D44 - LANCER)(C44 - LEBARON GTS)
 J BODY = (C - LEBARON)
 K BODY = (P - RELIANT)(D - ARIES)(C - LEBARON/ TOWN & COUNTRY)

L BODY = (M - HORIZON)(Z-OMNI)
 M BODY = (B - GRAN FURY)(G - DIPLOMAT)(F - FIFTH AVENUE/NEWPORT)
 P BODY = (P - SUNDANCE)(D - SHADOW)
 Q BODY = (C27 - MASERATI)
 S BODY = (H - VOYAGER)(K - RAM VAN/ CARAVAN)

BODY STYLES

12-52 = FWD VAN & WAGON STD. W.B. 27 = 2-DOOR CONVERTIBLE
 13-53 = FWD VAN & WGN EXT W.B. 41 = 4-DOOR SEDAN
 21 = 2-DOOR SEDAN 44 = 4-DOOR HATCHBACK
 24 = 2-DOOR HATCHBACK 45 = 4-DOOR STATION WAGON

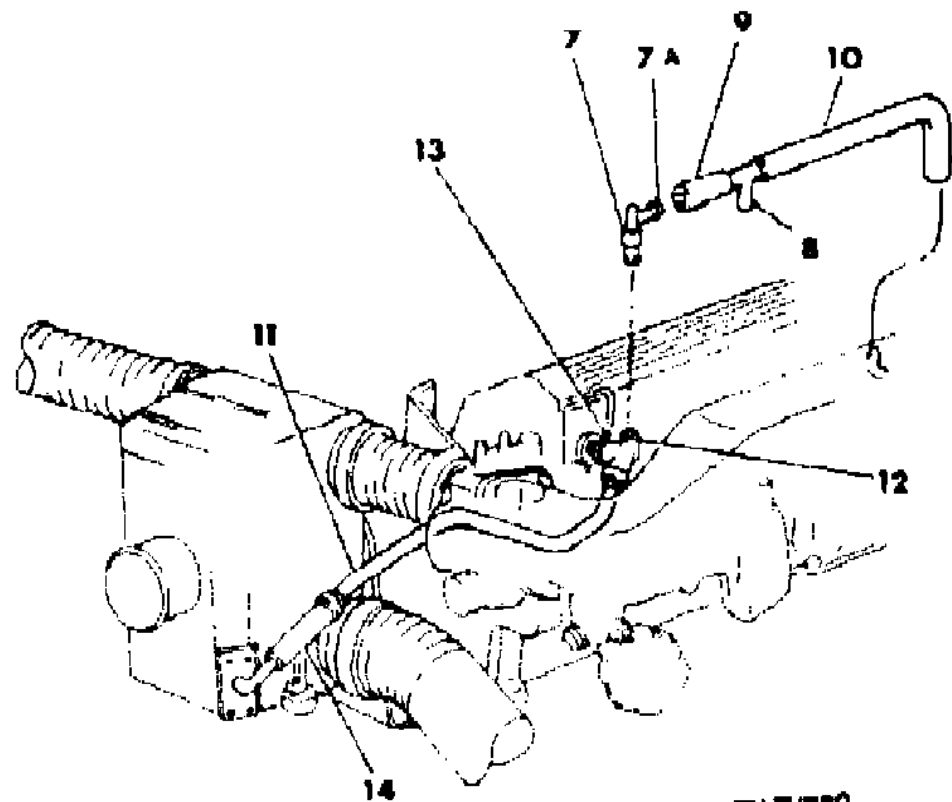
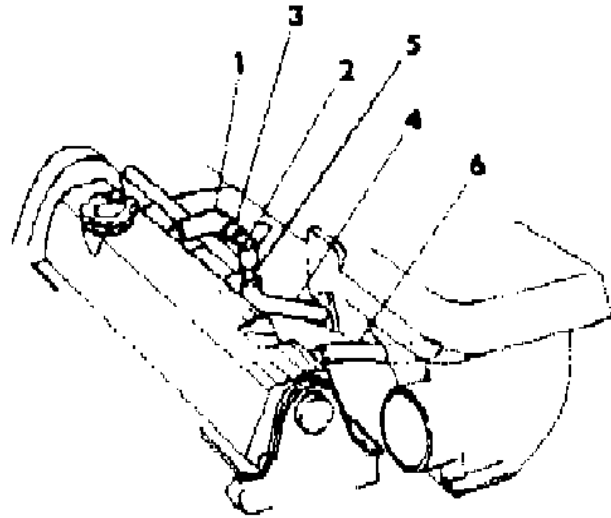
AR = Use as Required - = Non Illustrated Part P.A.R. = Paint as Required

CRANKCASE VENTILATION W/O INTERCOOLER 2.2 L ENGINE

Figure 9A-1100

8158 1100

WITH ELECT. FUEL INJECTIONS



WITH TURBO

ITEM	PART NUMBER	QTY	BODY	MODEL	DESCRIPTION
NOTE 1: Part No. 4095681 Consists of a 50 Foot Roll Hose (Used as Required) on as described in the Chrysler repair Manual.					
1	4315 704	1			HOSE, PCV Valve to Cylinder Head Cover w/EDF Injection Engine
2	4343 766	1			VALVE, Crankcase w/EDF Injection Engine
3	4343 761	1			NIPPLE, Crankcase Vent Hole w/EDF Injection Engine
4	4095 681	1			HOSE, Crankcase Vent Valve to Tee (See Note 1) w/EDF Injection Engine
5	4300 267	1			TEE, PCV Valve w/EDF Injection Engine
-	4315 703	1			HOSE, Tee to Intake Manifold w/EDF Injection Engine
6	4343 477	1	Exc L		HOSE, Crankcase Vent to Air Cleaner w/EDF Injection Engine
	4448 625	1	L		
7	3671 076	1			VALVE, Crankcase Vent w/EDG Turbo
7A	4387 304	1			NIPPLE, Crankcase Vent w/EDG Turbo Engine
	4343 947	1			NIPPLE, Crankcase Vent Valve to Intake w/EDG Turbo Engine
8	4343 852	1			TEE, PCV Valve w/EDG Turbo Engine
9	4095 681	1			HOSE, Crankcase Vent Valve to Tee (See Note 1) w/EDG Turbo Engine
10	4483 119	1			HOSE, Crankcase Vent Valve to Intake Manifold w/EDG Turbo Engine
11	4343 491	1			HOSE, Vent Valve to Air Cleaner (See Note 1) w/EDG Turbo Engine
12	4387 568	1			HOSE, Crankcase Vent Valve w/EDG Turbo Engine
13	2448 770	1			CLAMP, PCV Hose w/EDG Turbo Engine
	6500 739	AR			CLAMP, Hose Size 36 (2-1/4) w/EDG Turbo Engine
14	4343 868	1			TUBE, Crankcase Vent Valve w/EDG Turbo Engine

MODEL CODES

C BODY = (D41 - DYNASTY)(C41 - NEW YORKER)
 E BODY = (J - CARAVELLE)(E - 600)(T - NEW YORKER TURBO)
 G BODY = (V24 - DAYTONA, PACIFICA & SHELBY)
 H BODY = (D44 - LANCER)(C44 - LEBARON GTS)
 J BODY = (C - LEBARON)
 K BODY = (P - RELIANT)(D - ARIES)(C - LEBARON/ TOWN & COUNTRY)

L BODY = (M - HORIZON)(Z-OMNI)
 M BODY = (B - GRAN FURY)(G - DIPLOMAT)(F - FIFTH AVENUE/NEWPORT)
 P BODY = (P - SUNDANCE)(D - SHADOW)
 Q BODY = (C27 - MASERATI)
 S BODY = (H - VOYAGER)(K - RAM VAN/ CARAVAN)

BODY STYLES

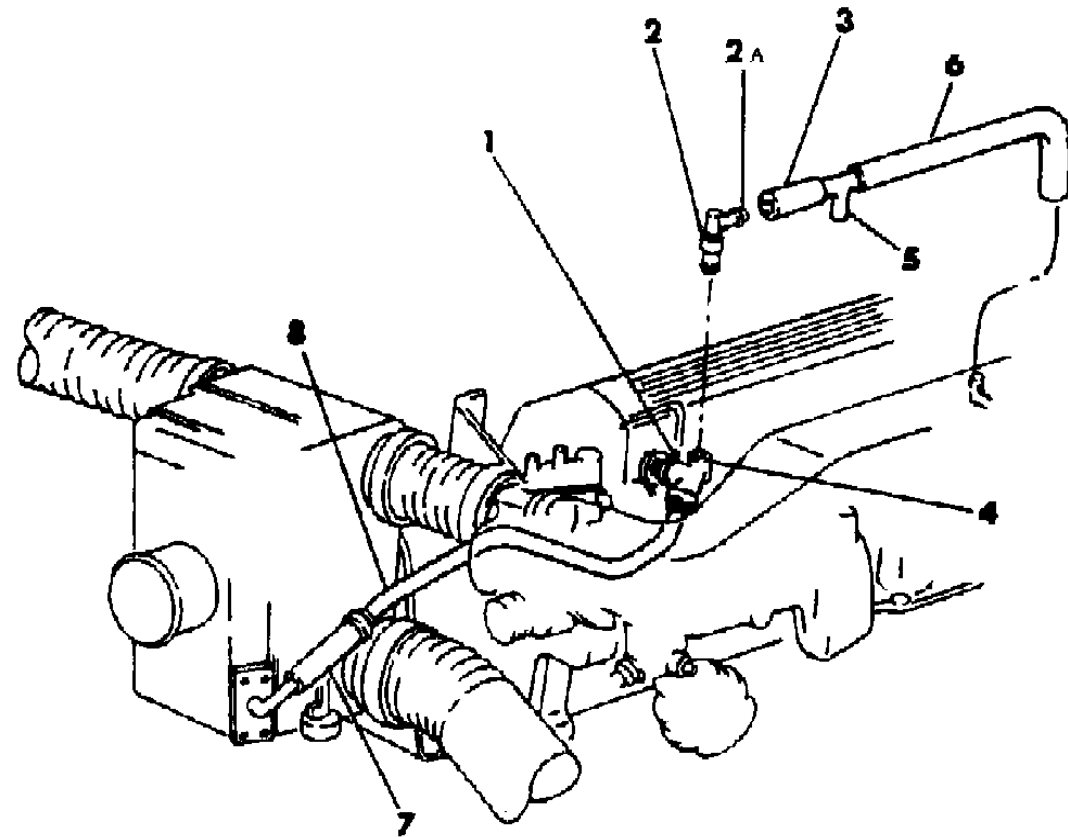
12-52 = FWD VAN & WAGON STD. W.B. 27 = 2-DOOR CONVERTIBLE
 13-53 = FWD VAN & WGN EXT W.B. 41 = 4-DOOR SEDAN
 21 = 2-DOOR SEDAN 44 = 4-DOOR HATCHBACK
 24 = 2-DOOR HATCHBACK 45 = 4-DOOR STATION WAGON

AR = Use as Required - = Non Illustrated Part P.A.R. = Paint as Required

CRANKCASE VENTILATION W/TURBO-INTERCOOLER 2.2 L ENGINE

Figure 9A-1200

8158 1200 B



ITEM	PART NUMBER	QTY	BODY	MODEL	DESCRIPTION
1	6033 135	AR			CLAMP, Hose Size 36 (2-1/4)
	6033 134	AR			Size 40 (3.00)
	2448 770	1			CLAMP, PCV Hose
2	3671 076	1			VALVE, Crankcase Vent
2A	4387 304	1			NIPPLE, Crankcase Vent
	4343 947	1			NIPPLE, Crankcase Vent Valve to Intake
3	4095 681	1			HOSE, Crankcase Vent Valve to Tee
4	4387 568	1			HOSE, Crankcase Vent Valve
5	4343 852	1			T-CONNECTOR, PCV Valve Hose
	3580 171	1			CAP, (3/16)
-	4306 923	1			VALVE, Vac. Hose
6	4483 119	1			HOSE, Crankcase Vent Valve to Intake Manifold
7	4343 868	1			TUBE, Crankcase Vent Valve
8	4343 491	1			HOSE, Crankcase Vent Valve to Air Cleaner (Serviced in Roll Stock)

MODEL CODES

C BODY = (D41 - DYNASTY)(C41 - NEW YORKER)
 E BODY = (J - CARAVELLE)(E - 600)(T - NEW YORKER TURBO)
 G BODY = (V24 - DAYTONA, PACIFICA & SHELBY)
 H BODY = (D44 - LANCER)(C44 - LEBARON GTS)
 J BODY = (C - LEBARON)
 K BODY = (P - RELIANT)(D - ARIES)(C - LEBARON/ TOWN & COUNTRY)
 L BODY = (M - HORIZON)(Z-OMNI)
 M BODY = (B - GRAN FURY)(G - DIPLOMAT)(F - FIFTH AVENUE/NEWPORT)
 P BODY = (P - SUNDANCE)(D - SHADOW)
 Q BODY = (C27 - MASERATI)
 S BODY = (H - VOYAGER)(K - RAM VAN/ CARAVAN)

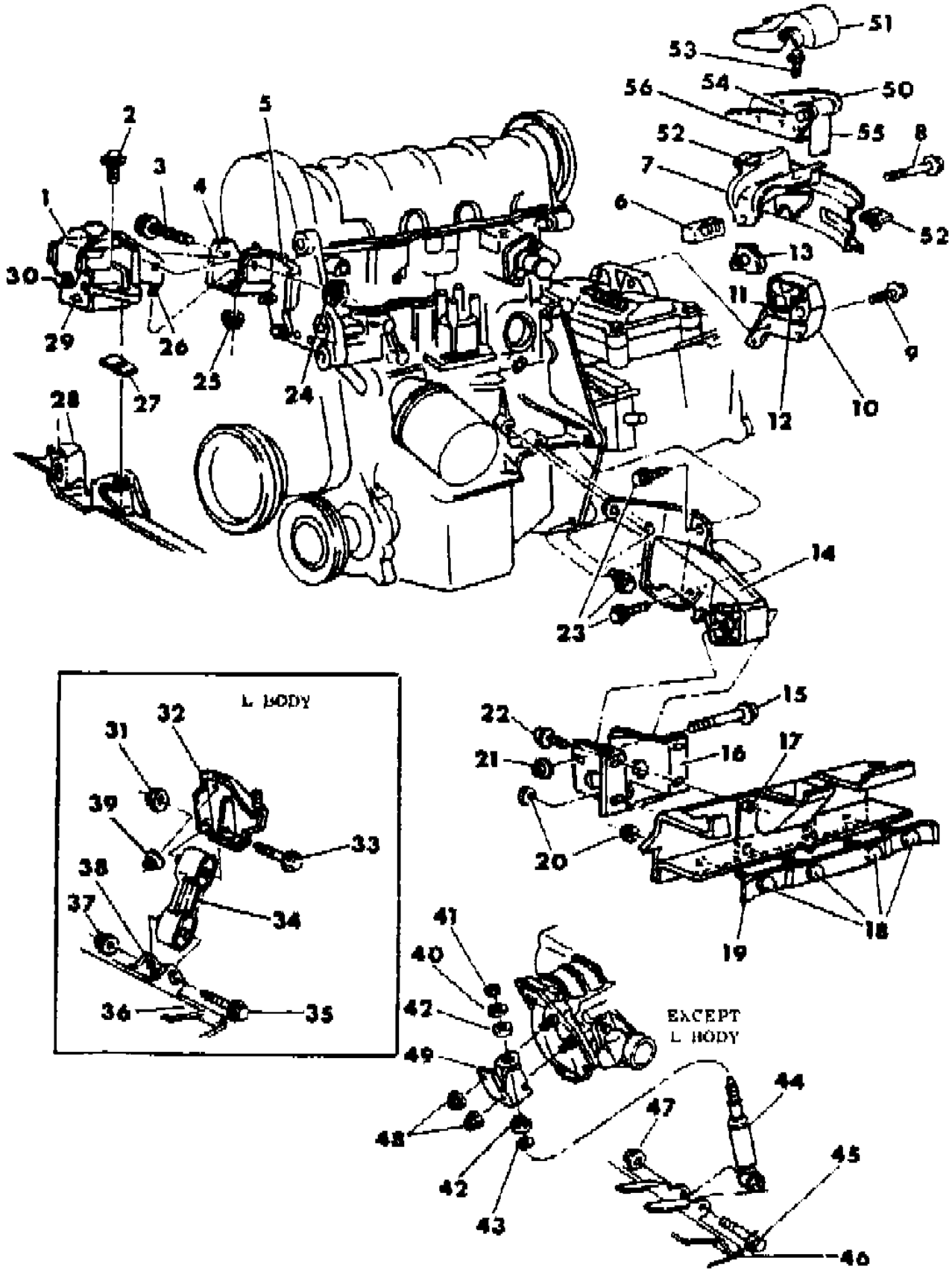
BODY STYLES

12-52 = FWD VAN & WAGON STD. W.B. 27 = 2-DOOR CONVERTIBLE
 13-53 = FWD VAN & WGN EXT W.B. 41 = 4-DOOR SEDAN
 21 = 2-DOOR SEDAN 44 = 4-DOOR HATCHBACK
 24 = 2-DOOR HATCHBACK 45 = 4-DOOR STATION WAGON

AR = Use as Required - = Non Illustrated Part P.A.R. = Paint as Required

ENGINE MOUNTING 2.2 L ENGINE
Figure 9A-1300

8158 1300 B



ITEM	PART NUMBER	QTY	BODY	MODEL	DESCRIPTION
1	4295 264	1	L		BRACKET, Engine Support Insulator Rt.
	4295 265	1	Exc L		
	4446 018	1	J	C27	INSULATOR ASSYMBLY ***
	4446 020	1	J	C27	BRACKET ASSEMBLY, Engine Support
	4446 081	1	J	C27	BRACKET, Engine Damper - Rt.
2	4295 274	1	J	C27	STUD
	6500 555	2	L		SCREW, w/Washer Bushing to Frame Bracket Rt.
		2	Exc L		(M8-1.25x45) (Not Serviced)
3	6501 736	1			BOLT, Engine Support Insulator Bracket to Engine Mounting Rt.
4	4343 753	1			BRACKET, Engine Mounting Rt.
5	4323 642	1			STRUT, Engine Mounting Rt. (w/EDG Turbo, w/EDR Turbo-Intercooler)
-	6500 157	2			SCREW, w/Washer (M10x150-25 Lgh.)
6	4431 107	1			WEIGHT, Engine Mount Damper
7		1			BRACKET, Frame Side Rail (See Group 13)
8	6500 840	1			SCREW, w/Washer, Engine Support Insulator, to Frame Side Rail Bracket
	6100 300	1	J	C27	SCREW, w/Washer, Engine Support Bushing
9	6500 495	3			SCREW, w/Washer, Engine Support Insulator Bracket, to Trans. Case Lt.
10	4295 256	1	L		SUPPORT, Engine Lt. w/Manual Trans.
	4295 254	1	L		w/Automatic Trans.
	4295 257	1	K,P		w/Manual Trans.
	4295 257	1	G,J-21		w/Manual Trans. Up to 10-1-87
	4471 303	1	G,J-21		w/Manual Trans. After 10-1-87
	4295 257	1	H		w/Manual Trans. (Exc. EDR Turbo-Intercooler)
	4471 303	1	H		w/Manual Trans., w/EDR Turbo-Intercooler
	4295 255	1	E,K,P		w/Automatic Trans.
	4295 255	1	G,J-21		w/Automatic Trans. Up to 10-1-87
	4471 085	1	G,J-21		w/Automatic Trans. After 10-1-87
	4295 255	1	H		w/Automatic Trans. (Exc. Shelby Pkg.)
	4471 085	1	H		w/Automatic Trans. w/Shelby Pkg.
	4446 017	1	J	C27	w/Manual Trans.- Lt.
	4446 019	1	J	C27	w/Auto. Trans.- Lt.
11		1			SPACER, Engine Support Bushing Lt. (Serviced in Item 10)
12	4471 048	1			BUSHING, Engine Support Insulator Lt.(serviced in support.)
13	6500 833	1			U-NUT, Insulator to Front Side Rail Lt.

MODEL CODES

C BODY = (D41 - DYNASTY)(C41 - NEW YORKER)
 E BODY = (J - CARAVELLE)(E - 600)(T - NEW YORKER TURBO)
 G BODY = (V24 - DAYTONA, PACIFICA & SHELBY)
 H BODY = (D44 - LANCER)(C44 - LEBARON GTS)
 J BODY = (C - LEBARON)
 K BODY = (P - RELIANT)(D - ARIES)(C - LEBARON/ TOWN & COUNTRY)

L BODY = (M - HORIZON)(Z-OMNI)
 M BODY = (B - GRAN FURY)(G - DIPLOMAT)(F - FIFTH AVENUE/NEWPORT)
 P BODY = (P - SUNDANCE)(D - SHADOW)
 Q BODY = (C27 - MASERATI)
 S BODY = (H - VOYAGER)(K - RAM VAN/ CARAVAN)

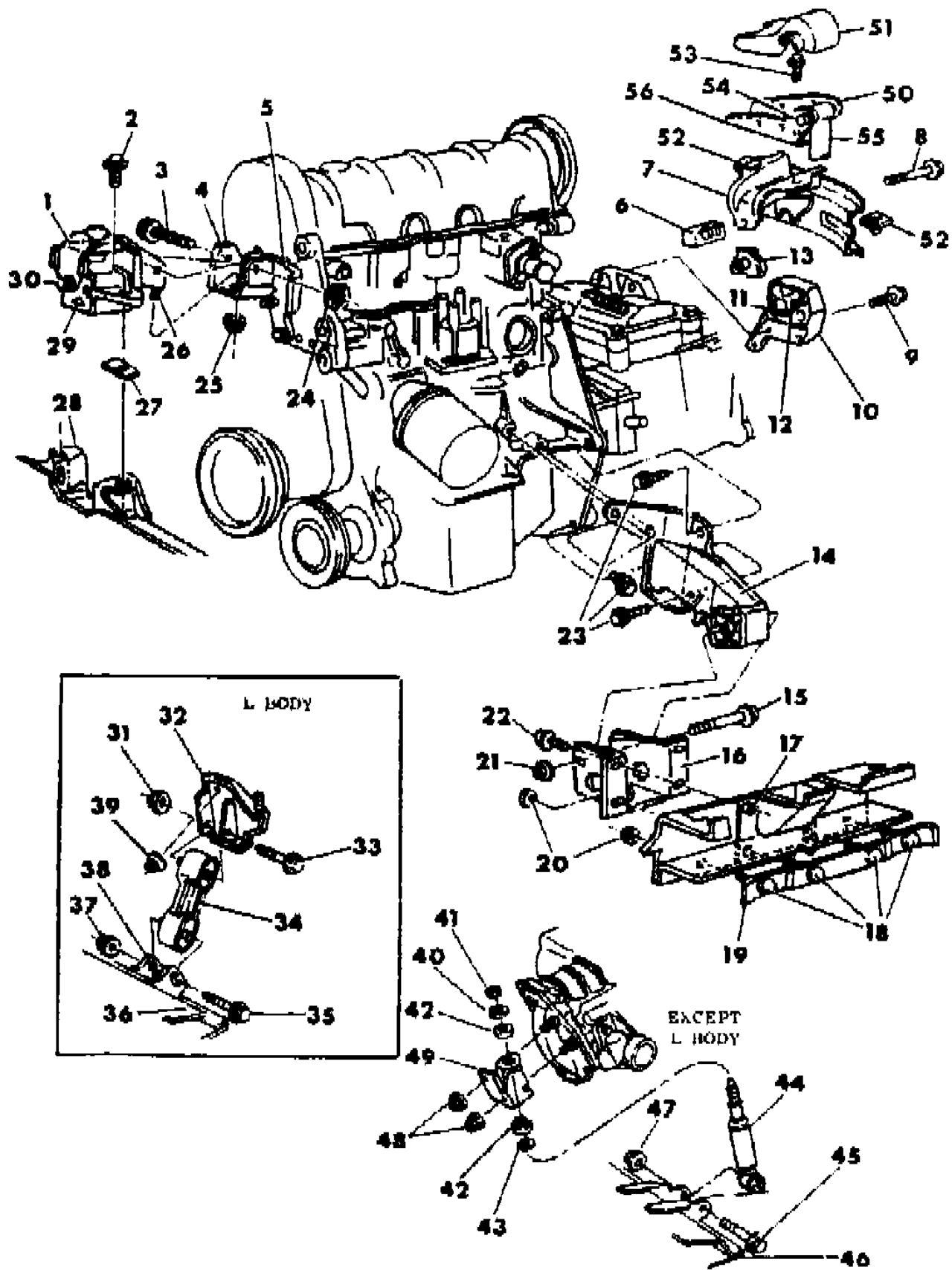
BODY STYLES

12-52 = FWD VAN & WAGON STD. W.B. 27 = 2-DOOR CONVERTIBLE
 13-53 = FWD VAN & WGN EXT W.B. 41 = 4-DOOR SEDAN
 21 = 2-DOOR SEDAN 44 = 4-DOOR HATCHBACK
 24 = 2-DOOR HATCHBACK 45 = 4-DOOR STATION WAGON

AR = Use as Required - = Non Illustrated Part P.A.R. = Paint as Required

ENGINE MOUNTING 2.2 L ENGINE
Figure 9A-1300

8158 1300 B



ITEM	PART NUMBER	QTY	BODY	MODEL	DESCRIPTION
14	4269 279	1	L		INSULATOR, Engine Support Front
	4348 327	1	Exc L		w/o EDG Turbo, w/o EDR Turbo Intercooler or Heavy Duty Brakes
	4419 642	1	Exc L		w/EDG Turbo, w/EDR Turbo Intercooler Engine also w/BGB Heavy Duty Brakes
15	6501 751	1			SCREW, w/Washer, Engine Support Insulator, to Frame Front
16	4270 120	1	L		BRACKET, Front Side Rail Front Crossmember, Engine Mounting Front
	4386 342	1	Exc L		
17	6500 259	2			NUT, Engine Support Insulator Bracket, to Engine Mounting Front Bracket Screw
18	6500 233	4			SCREW, Front Crossmember Flange Tie Plate
19	4296 258	1	L		TIEPLATE, Front Crossmember Flange
	4386 340	1	Exc L		
20	6100 518	4			NUT, Front Crossmember Flange Tie PLate
	6028 762	2	G,J		C/WASHER, Front Crossmember Flange Tie Plate
21	6101 448	AR			NUT, Engine Support Insulator to Frame Front
22	6500 535	2			SCREW, w/Washer, Engine Support Insulator Bracket, to Engine Mounting Front, Bracket Front
23	6501 740	1		Exc.G,J	SCREW, w/Washer, Engine Support Insulator Bracket, to Engine Lug- Front
-	6501 565	1		Exc.G,J	SCREW, w/Washer, Bracket to Trans. Front
	6501 161	1	L		
	6501 566	1	J,G		SCREW, Engine Support Insulator Bracket to Trans. Frt. or Engine Lug w/EDG Turbo, w/EDR Turbo-Intercooler
-	6501 566	1	H		w/EDG Turbo Engine
	6501 565	1	H		w/EDR Turbo Intercooler
-	6501 163	2			SCREW, w/Washer, Engine Support Insulator Bracket, to Engine Block Front
24	6501 738	2			NUT, Engine Support Insulator Bracket, Engine Mounting Bolt
25	6501 737	1			NUT, Engine Support Insulator Bracket, to Engine Mounting Stud Rt.
26	4295 274	1			STUD, Engine Support Insulator Bracket, to Engine Mounting Rt.
27	4329 446	2			SPACER, Engine Support Rt. (w/EDG Turbo, EDR Turbo-Intercooler
28					SIDE RAIL, (See Group 13)
29	4505 411	1			BUSHING, Engine Support Insulator Rt.

MODEL CODES

C BODY = (D41 - DYNASTY)(C41 - NEW YORKER)
 E BODY = (J - CARAVELLE)(E - 600)(T - NEW YORKER TURBO)
 G BODY = (V24 - DAYTONA, PACIFICA & SHELBY)
 H BODY = (D44 - LANCER)(C44 - LEBARON GTS)
 J BODY = (C - LEBARON)
 K BODY = (P - RELIANT)(D - ARIES)(C - LEBARON/ TOWN & COUNTRY)

L BODY = (M - HORIZON)(Z-OMNI)
 M BODY = (B - GRAN FURY)(G - DIPLOMAT)(F - FIFTH AVENUE/NEWPORT)
 P BODY = (P - SUNDANCE)(D - SHADOW)
 Q BODY = (C27 - MASERATI)
 S BODY = (H - VOYAGER)(K - RAM VAN/ CARAVAN)

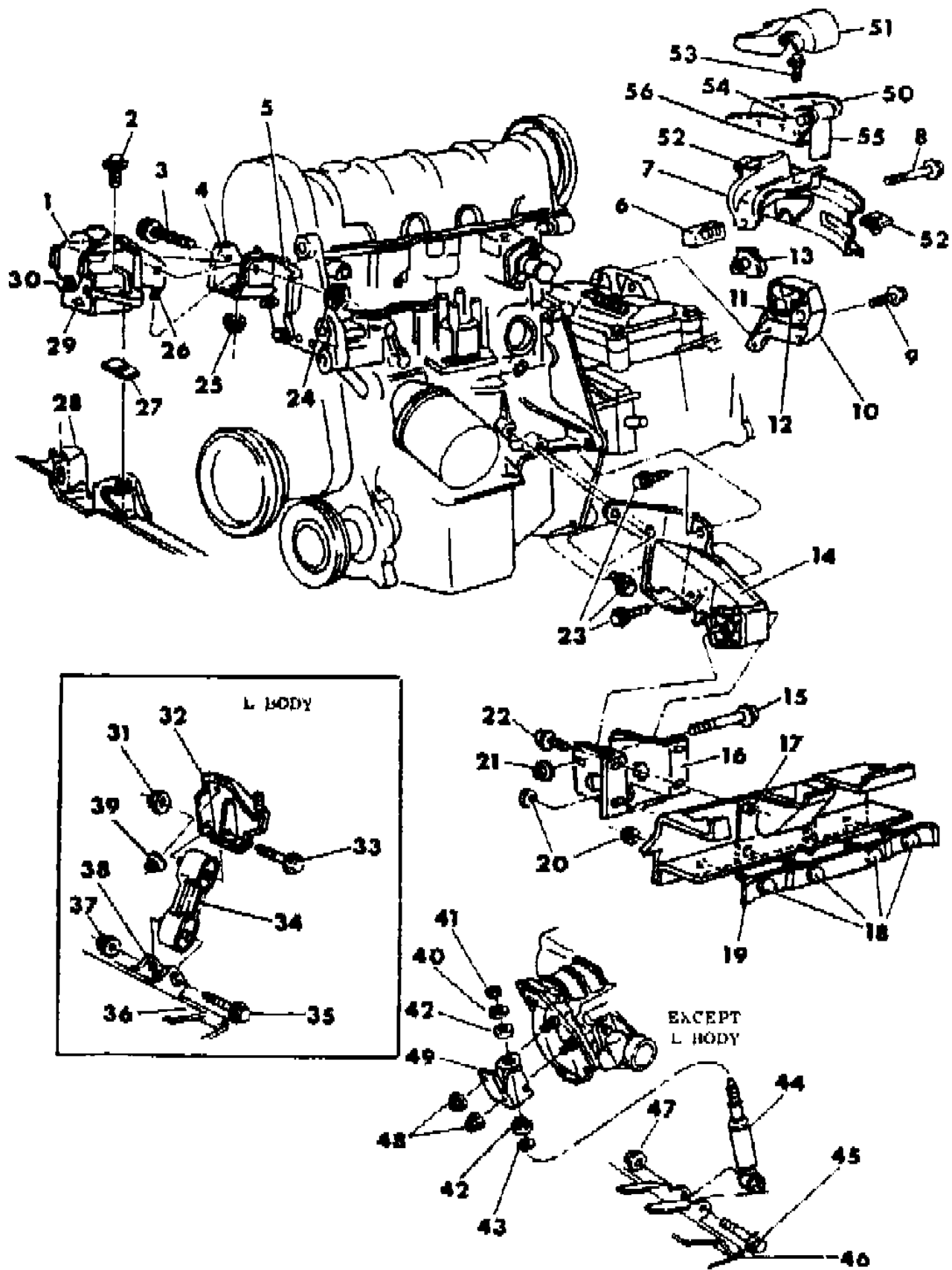
BODY STYLES

12-52 = FWD VAN & WAGON STD. W.B. 27 = 2-DOOR CONVERTIBLE
 13-53 = FWD VAN & WGN EXT W.B. 41 = 4-DOOR SEDAN
 21 = 2-DOOR SEDAN 44 = 4-DOOR HATCHBACK
 24 = 2-DOOR HATCHBACK 45 = 4-DOOR STATION WAGON

AR = Use as Required - = Non Illustrated Part P.A.R. = Paint as Required

ENGINE MOUNTING 2.2 L ENGINE
Figure 9A-1300

8158 1300 B



ITEM	PART NUMBER	QTY	BODY	MODEL	DESCRIPTION
30	6500 839	1			SCREW, w/Washer, Engine Support Bushing
31	6100 053	2	L		NUT, Bracket to Strut Screw
32		1	L		(See Group 21)
33	6101 277	2	L		SCREW, w/Washer to Engine Roll Strut, w/Manual Trans
	6101 342	1	L		w/Manual Trans.
34	4191 282	1	L		STRUT, Trans. to Crossmember Engine Roll, w/Manual Trans.
35	6101 342	2	L		SCREW, w/Washer, Bracket to Strut
36		1			CROSSMEMBER, Front Susp. (See Group 13)
37	6100 053	2	L		NUT and WASHER
38		1	L		BRACKET, Crossmember to Roll Strut (Serviced in Group 13)
39		1			(Serviced in Item 32)
40	6500 966	1			RETAINER, Damper Bushing Upper, w/Manual Trans.
41	#6100 525	1			NUT, Damper Upper w/Manual Trans.
42		1			BUSHING, (Serviced in Item 44)
43	6500 967	1			RETAINER, Damper Bushing Lower, w/Manual Trans
44	4364 769	1			DAMPER, w/Bushing Engine Roll, w/Manual Trans.
45	6101 342	1			SCREW, Support Crossmember to Engine Damper, w/Manual Trans.
46		1			CROSSMEMBER, (See Group 13)
47	6100 053	1			NUT, Support Crossmember Engine Damper, w/Manual Trans.
48	6500 363	2			NUT, Engine Roll Strut Bracket, w/Manual Trans.
49	4412 041	1			BRACKET, Engine Damper, w/Manual Trans. and w/EDG Turbo, EDR Turbo-Intercooler
50	4446 013	1	J	C27	BRACKET, Engine Damper- Lt.
	4446 082	1	J	C27	UPPER- Rt.
	4446 081	1	J	C27	LOWER- Rt.
	6101 467	2	J	C27	NUT, Lock-Engine Support Bushing
51	4446 217	1	J	C27	COVER, Engine Support Damper Bracket- Lt.
52	6101 283	2	J	C27	U-NUT, Engine Support to Side Rail Bracket- Lt.
53	6100 584	2	J	C27	SCREW, w/Washer, Engine Support to Side Rail Bracket- Lt.
54		1	J	C27	SCREW, w/Washer, Engine Support Bushing (Not Serviced)
55	4446 023	1	J	C27	DAMPER, Engine Lt. & Rt.
	6100 300	1	J	C27	SCREW and WASHER, (Lower)
	6101 467	1	J	C27	NUT, Lock Flanged Hex (Lower)
	6500 839	1	J	C27	SCREW and WASHER, (Upper)
56	4446 021	1	J	C27	BRACKET, Engine Support Insulator Lt. w/Automatic Trans.
	4446 022	1	J	C27	w/Manual Trans.

MODEL CODES
 C BODY = (D41 - DYNASTY)(C41 - NEW YORKER)
 E BODY = (J - CARAVELLE)(E - 600)(T - NEW YORKER TURBO)
 G BODY = (V24 - DAYTONA, PACIFICA & SHELBY)
 H BODY = (D44 - LANCER)(C44 - LEBARON GTS)
 J BODY = (C - LEBARON)
 K BODY = (P - RELIANT)(D - ARIES)(C - LEBARON/ TOWN & COUNTRY)

L BODY = (M - HORIZON)(Z-OMNI)
M BODY = (B - GRAN FURY)(G - DIPLOMAT)(F - FIFTH AVENUE/NEWPORT)
P BODY = (P - SUNDANCE)(D - SHADOW)
Q BODY = (C27 - MASERATI)
S BODY = (H - VOYAGER)(K - RAM VAN/ CARAVAN)

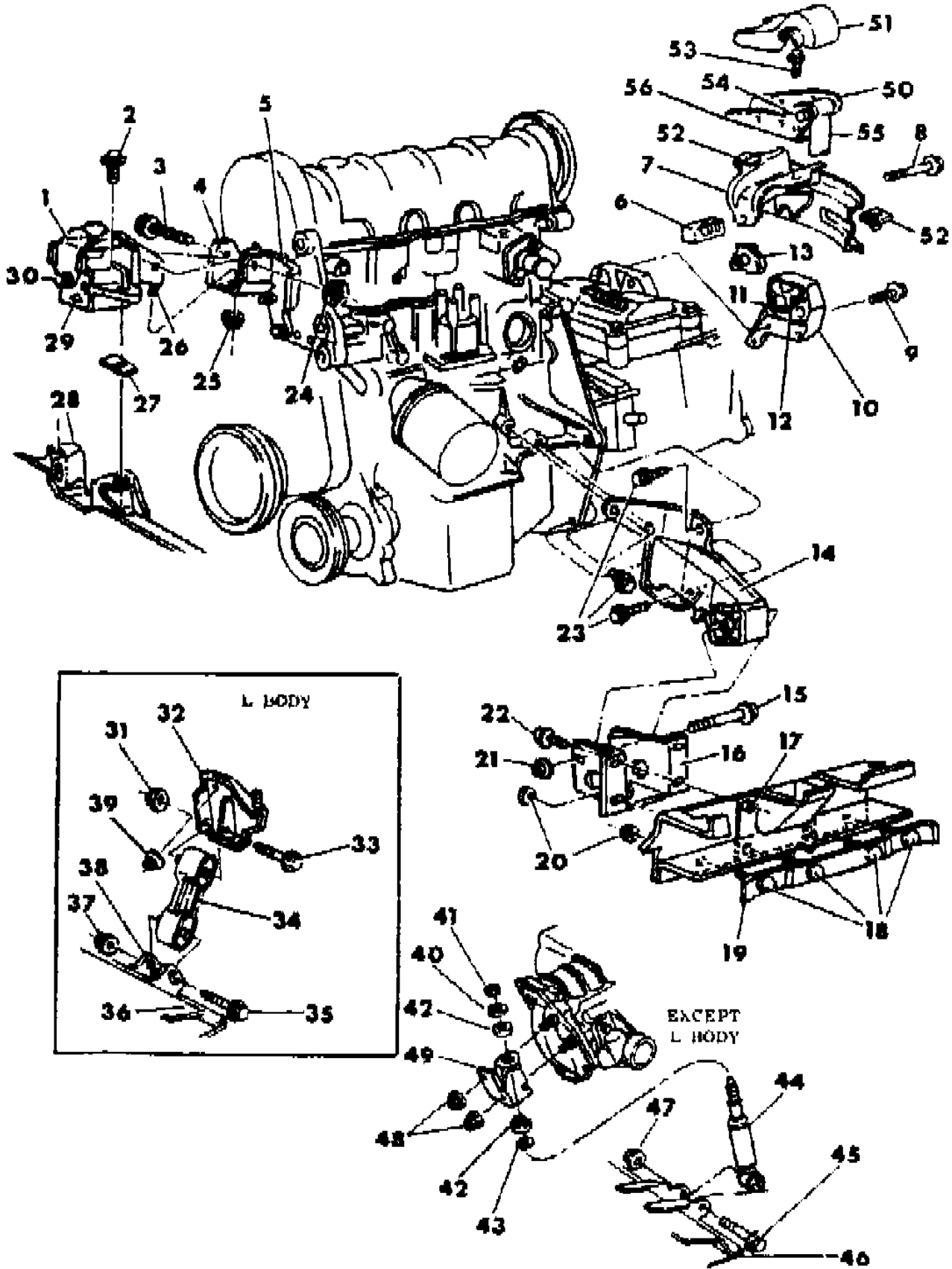
BODY STYLES
 12-52 = FWD VAN & WAGON STD. W.B. 27 = 2-DOOR CONVERTIBLE
 13-53 = FWD VAN & WGN EXT W.B. 41 = 4-DOOR SEDAN
 21 = 2-DOOR SEDAN 44 = 4-DOOR HATCHBACK
 24 = 2-DOOR HATCHBACK 45 = 4-DOOR STATION WAGON

AR = Use as Required - = Non Illustrated Part P.A.R. = Paint as Required

ENGINE MOUNTING 2.2 L ENGINE

Figure 9A-1300

8158 1300 B



ITEM	PART NUMBER	QTY	BODY	MODEL	DESCRIPTION
------	-------------	-----	------	-------	-------------

NOTE: The Following Items Are Not Shown On Illust. on as described in the Chrysler repair Manual.

-	6500 816	1			STUD, Block to Engine Mount Rt. (M10x1.50x50)
-	6501 072	1			SCREW, w/Washer, Engine Mount and Spacer to Block (M10x1.50-85 Lgh.)
-	6501 200	1			STUD, Engine Mounting and Spacer to Block (10-1.50x110 Lgh.)
-	4105 790	1			CLOSURE, Right Engine Mount Stone Guard

MODEL CODES

C BODY = (D41 - DYNASTY)(C41 - NEW YORKER)
 E BODY = (J - CARAVELLE)(E - 600)(T - NEW YORKER TURBO)
 G BODY = (V24 - DAYTONA, PACIFICA & SHELBY)
 H BODY = (D44 - LANCER)(C44 - LEBARON GTS)
 J BODY = (C - LEBARON)
 K BODY = (P - RELIANT)(D - ARIES)(C - LEBARON/ TOWN & COUNTRY)

L BODY = (M - HORIZON)(Z-OMNI)
 M BODY = (B - GRAN FURY)(G - DIPLOMAT)(F - FIFTH AVENUE/NEWPORT)
 P BODY = (P - SUNDANCE)(D - SHADOW)
 Q BODY = (C27 - MASERATI)
 S BODY = (H - VOYAGER)(K - RAM VAN/ CARAVAN)

BODY STYLES

12-52 = FWD VAN & WAGON STD. W.B. 27 = 2-DOOR CONVERTIBLE
 13-53 = FWD VAN & WGN EXT W.B. 41 = 4-DOOR SEDAN
 21 = 2-DOOR SEDAN 44 = 4-DOOR HATCHBACK
 24 = 2-DOOR HATCHBACK 45 = 4-DOOR STATION WAGON

AR = Use as Required - = Non Illustrated Part P.A.R. = Paint as Required

CYLINDER BLOCK 2.5 L ENGINE

Figure 9A-1500

8158 1500

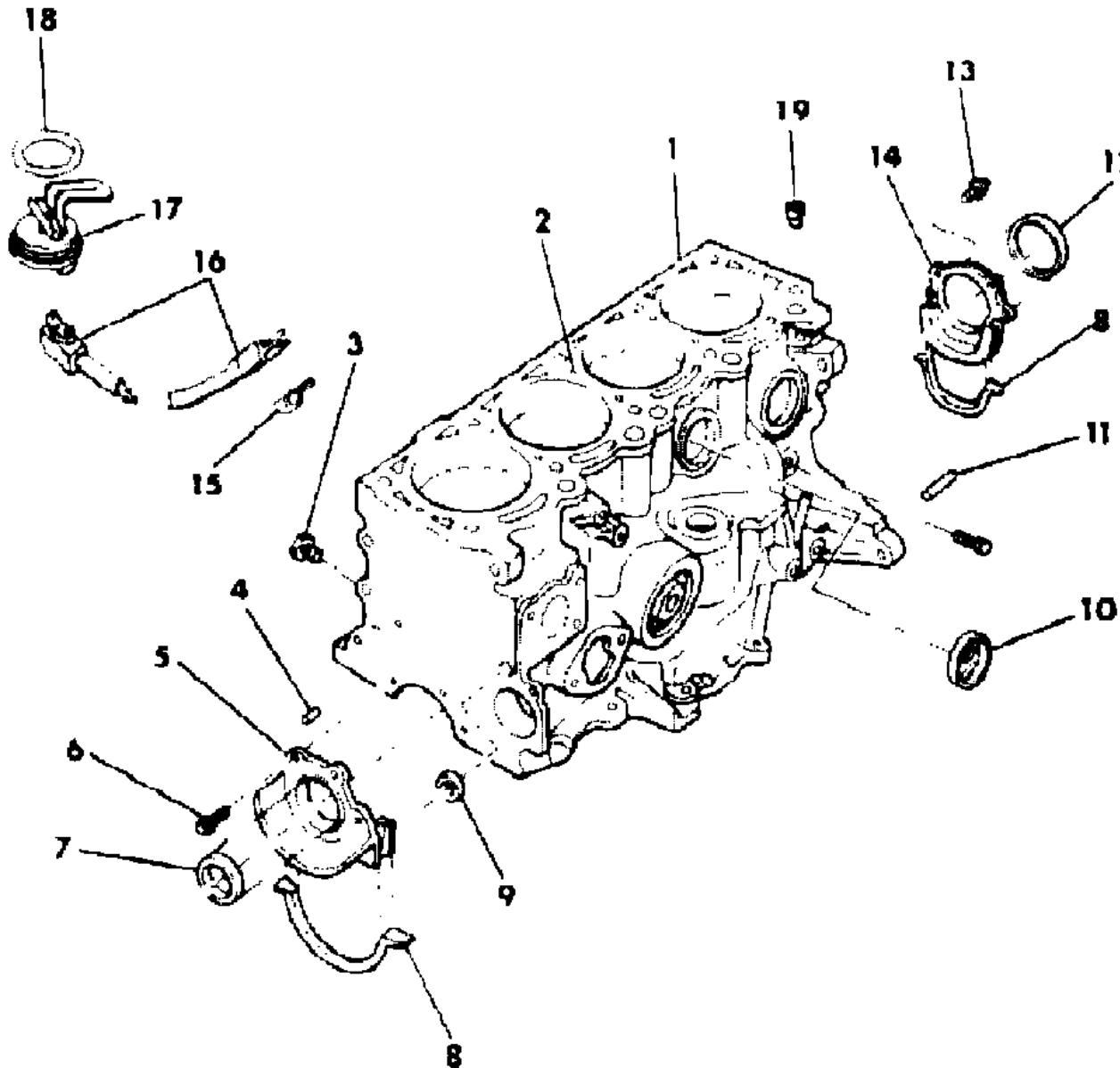
ITEM	PART NUMBER	QTY	BODY	MODEL	DESCRIPTION
------	-------------	-----	------	-------	-------------

NOTE 1: These Packages do not contain Gaskets for all required sealings. R.T.V. Sealer #4318025 and Gasket Eliminator #4318029 must be used in addition as described in the Chrysler repair Manual.

- 4494 458 1 GASKET PACKAGE, Engine Lower

NOTE: Short Engine Assembly consists of the Cylinder Block with Piston and Rings, Crankshaft and Bearings, Connecting Rods and Bearings. on as described in the Chrysler repair Manual.

1	4387 653	1			ENGINE, Short
2		2			DOWEL, Cylinder Block to Head (Not Serviced)
3		1			PLUG, Cylinder Block Water Jacket Drain (1/4" NPT)(Not Serviced)
4		4			DOWEL, Cylinder Block to Crankshaft Seal Retainer (Not Serviced)
5	4387 580	1			RETAINER, Crankshaft Front Oil Seal
6	6101 278	3			SCREW and WASHER, Crankshaft Rear Oil Seal Retainer
	6100 271	1			SCREW, w/Washer, Crankshaft Oil Seal Retainer Mount Front
7	4273 275	1			SEAL, Crankshaft Front Oil
8		2			SEAL, Oil Pan to Retainer (See Oil Pan Illust.)
9	5203 340	2			PLUG, Cylinder Block Oil Gallery (5/8")
	4105 971	AR			(0.65" O/S)
10	5203 342	5			PLUG, Cylinder Block Core Hole Cup (1.625")
	4556 023	AR			(0.65" O/S)
11	5240 849	2			DOWEL, Cylinder Block to Transaxle Case
12	5203 590	1			SEAL, Crankshaft Rear Oil
13	6101 278	4			SCREW and WASHER, Crankshaft Rear Oil Seal Retainer
14	5214 784	1			RETAINER, Crankshaft Rear Oil Seal
15	6015 412	2			CLIP, Engine Block Heater Cord
16	5206 359	1	Exc E,C		CORD, Engine Block Heater
	3614 282	1	E,C		
-	6015 756	AR			STRAP, Engine Block Heater
17	4443 903	1			HEATER PACKAGE, Engine Block
18	6027 513	1			O-RING, Engine Block Heater
19	4323 808	1			RESTRICTOR, Cylinder Head Oil



MODEL CODES

C BODY = (D41 - DYNASTY)(C41 - NEW YORKER)
 E BODY = (J - CARAVELLE)(E - 600)(T - NEW YORKER TURBO)
 G BODY = (V24 - DAYTONA, PACIFICA & SHELBY)
 H BODY = (D44 - LANCER)(C44 - LEBARON GTS)
 J BODY = (C - LEBARON)
 K BODY = (P - RELIANT)(D - ARIES)(C - LEBARON/ TOWN & COUNTRY)

L BODY = (M - HORIZON)(Z-OMNI)
 M BODY = (B - GRAN FURY)(G - DIPLOMAT)(F - FIFTH AVENUE/NEWPORT)
 P BODY = (P - SUNDANCE)(D - SHADOW)
 Q BODY = (C27 - MASERATI)
 S BODY = (H - VOYAGER)(K - RAM VAN/ CARAVAN)

BODY STYLES

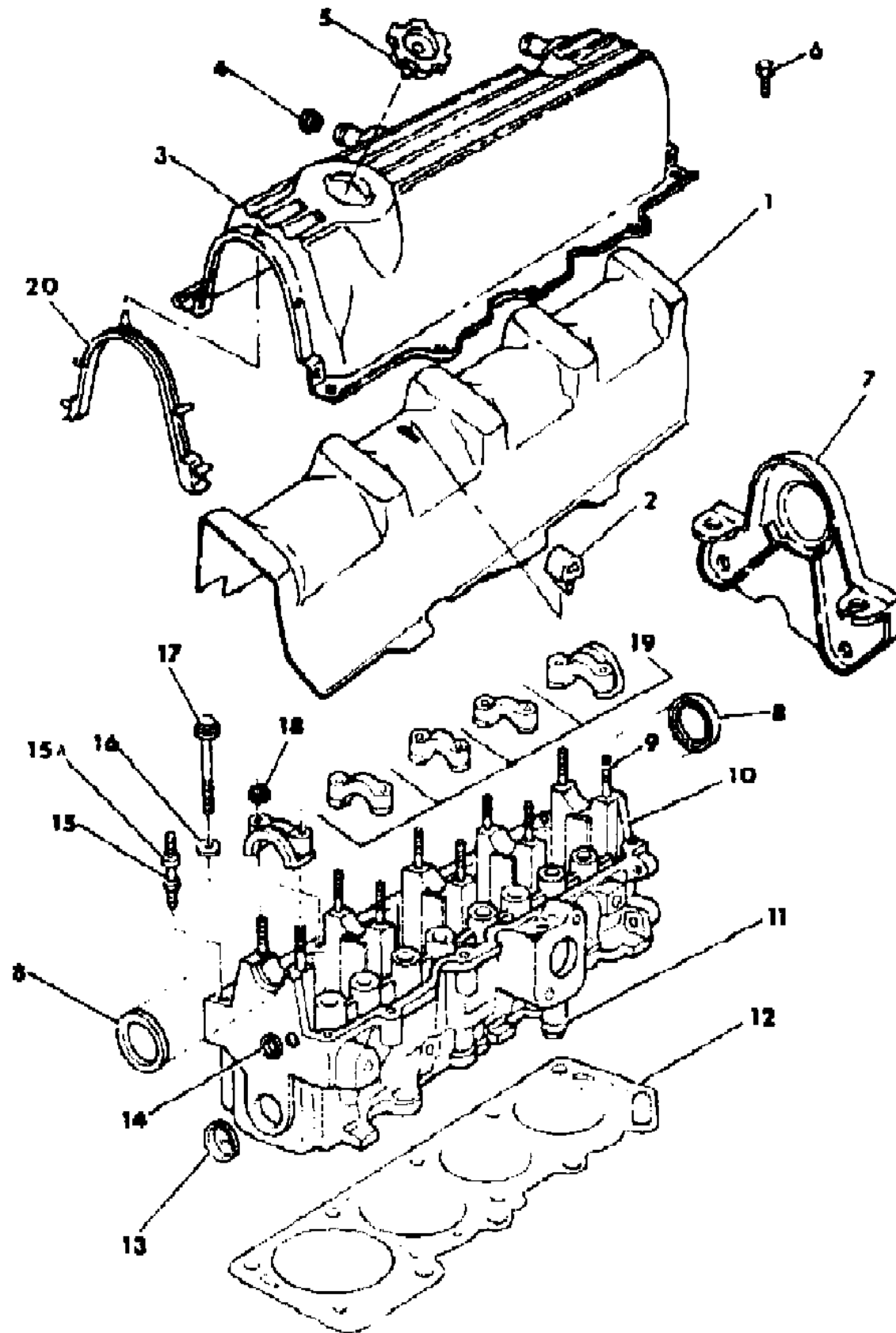
12-52 = FWD VAN & WAGON STD. W.B. 27 = 2-DOOR CONVERTIBLE
 13-53 = FWD VAN & WGN EXT W.B. 41 = 4-DOOR SEDAN
 21 = 2-DOOR SEDAN 44 = 4-DOOR HATCHBACK
 24 = 2-DOOR HATCHBACK 45 = 4-DOOR STATION WAGON

AR = Use as Required - = Non Illustrated Part P.A.R. = Paint as Required

CYLINDER HEAD 2.5 L ENGINE

Figure 9A-1600

8158 1600



ITEM	PART NUMBER	QTY	BODY	MODEL	DESCRIPTION
NOTE 1: These Packages do not contain Gaskets for all required sealings. R.T.V. Sealer #4318025 and Gasket Eliminator #4318029 must be used in addition as described in the Chrysler repair Manual.					
-	4504 399	1			GASKET PACKAGE, Engine Upper
1	4343 495	1			CURTAIN, Cylinder Head
2	4387 331	2			RETAINER, Cylinder Head Curtain
3	4315 877	1			COVER, Cylinder Head (Exc. RTV-Sealer)
	4343 496	1			(For RTV-Sealer)
	4315 403	1			GASKET, Cylinder Head Cover (Includes a Full Gasket)
		1			(RTV-Sealer 4318025)
4	4387 332	1			RESTRICTOR, Cylinder Head Cover PCV
5	4343 715	1			CAP, Oil Filler
6	6501 725	5			SCREW and WASHER, Cylinder Head Cover (M6x20)
7	4298 087	1			COVER, Camshaft Rear
8	4105 395	1			SEAL, Camshaft Front Oil
	4343 903	1			PLUG, Camshaft Rear
9	6100 299	10			SCREW, Camshaft Bearing Cap
10	4343 627	1			HEAD, Cylinder
-	6500 267	1			SCREW and WASHER, Cylinder Head Plug (M10x1.50-16Lg)
11	4105 295	1			NIPPLE, Thermostat Water By-Pass
12	4448 301	1			GASKET, Cylinder Head
13	5203 341	2			PLUG, Cylinder Head Core Hole Cup (1.25")
	4105 972	AR			(.065" O.S.)
14	5203 340	2			PLUG, Cylinder Head Oil Gallery Hole (5/8")
	4105 971	AR			(.065" O.S.)
15	6500 435	2			STUD, Cylinder Head Cover
	6100 276	5			SCREW and WASHER, Cylinder Head Cover (For 4343496 Cover)
15a	6500 274	2			NUT, Lock Cylinder Head Cover Stud (M6x1.00)
16	6501 435	10			WASHER, Cylinder Head Screw
17	6501 433	10			SCREW, Cylinder Head (M11x122.5)
18					NUT, Camshaft Bearing Cap Stud (Not Serviced)
19		5			CAPS, Camshaft Bearing (Serviced in Cylinder Head)
20		2			SEAL, Cylinder Head Cover End (Serviced in A Full Gasket)
	5214 479	2			(For 4343496 Cover)

MODEL CODES

C BODY = (D41 - DYNASTY)(C41 - NEW YORKER)
 E BODY = (J - CARAVELLE)(E - 600)(T - NEW YORKER TURBO)
 G BODY = (V24 - DAYTONA, PACIFICA & SHELBY)
 H BODY = (D44 - LANCER)(C44 - LEBARON GTS)
 J BODY = (C - LEBARON)
 K BODY = (P - RELIANT)(D - ARIES)(C - LEBARON/ TOWN & COUNTRY)

L BODY = (M - HORIZON)(Z-OMNI)
 M BODY = (B - GRAN FURY)(G - DIPLOMAT)(F - FIFTH AVENUE/NEWPORT)
 P BODY = (P - SUNDANCE)(D - SHADOW)
 Q BODY = (C27 - MASERATI)
 S BODY = (H - VOYAGER)(K - RAM VAN/ CARAVAN)

BODY STYLES

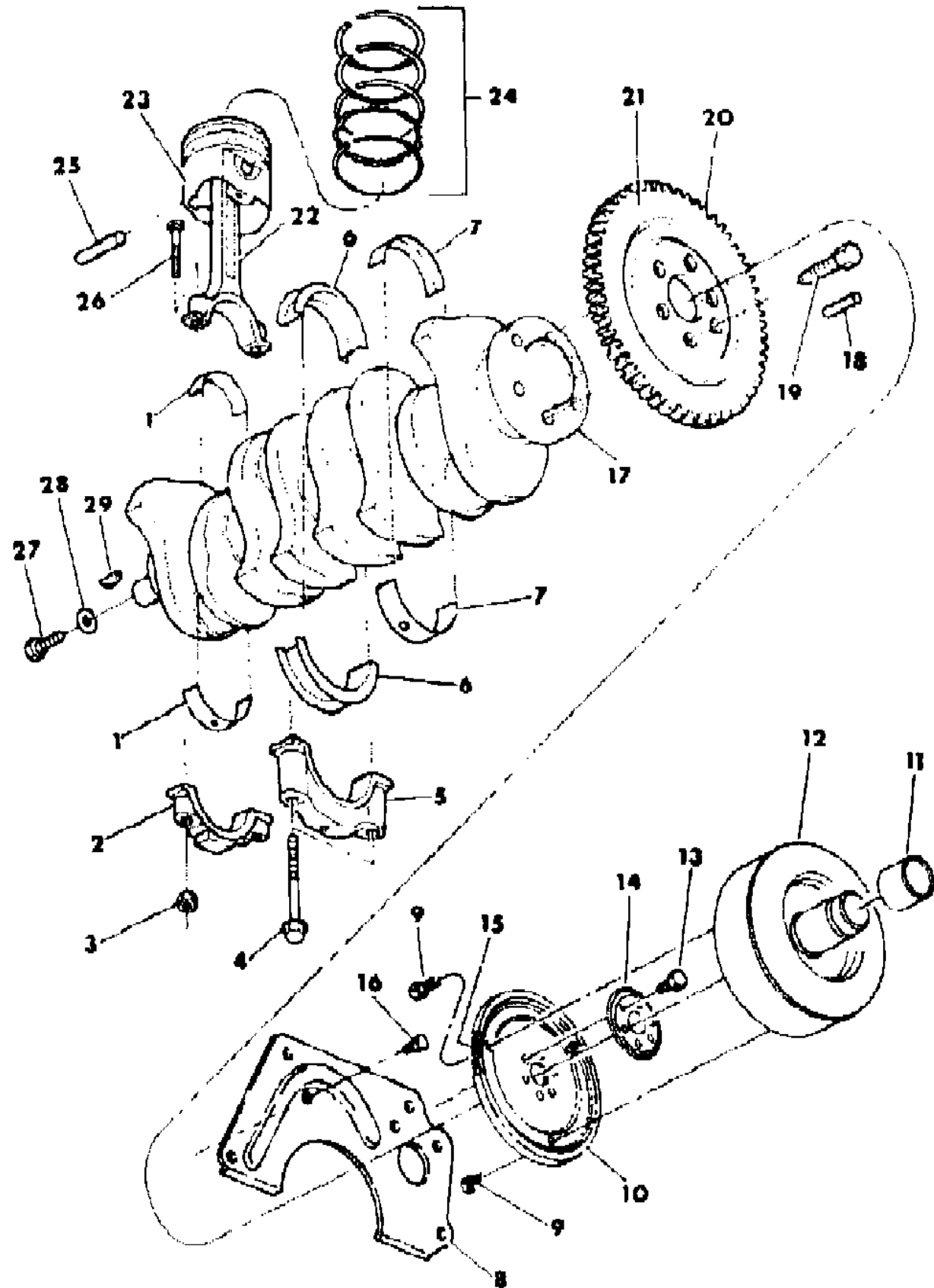
12-52 = FWD VAN & WAGON STD. W.B. 27 = 2-DOOR CONVERTIBLE
 13-53 = FWD VAN & WGN EXT W.B. 41 = 4-DOOR SEDAN
 21 = 2-DOOR SEDAN 44 = 4-DOOR HATCHBACK
 24 = 2-DOOR HATCHBACK 45 = 4-DOOR STATION WAGON

AR = Use as Required - = Non Illustrated Part P.A.R. = Paint as Required

CRANKSHAFT & PISTONS 2.5 L ENGINE

Figure 9A-1700

8158 1700



ITEM	PART NUMBER	QTY	BODY	MODEL	DESCRIPTION
1	4240 025	4			BEARING PACKAGE, Connecting Rod Standard
	4240 026	4			.025mm U/S
	4240 027	4			.050mm U/S
	4240 028	4			.250mm U/S
	4240 029	4			.275mm U/S
	4240 030	4			.300mm U/S
2		4			CAP, Connecting Rod Bearing (Serviced in Item # 22)
3	4227 678	8			NUT, Connecting Rod Bearing Cap Bolt
4	6500 755	10			SCREW, Crankshaft Bearing Cap
5	4343 497	1			CAP, Crankshaft Bearing # 1
	4105 212	1			# 2
	4105 213	1			# 3
	4105 214	1			# 4
	4105 215	1			# 5
6	4293 830	1			BEARING PACKAGE, Crankshaft # 3 Standard
	4293 831	1			.025mm U/S
	4293 832	1			.050mm U/S
	4293 833	1			.250mm U/S
	4293 834	1			.275mm U/S
	4293 835	1			.300mm U/S
7	4293 824	4			BEARING PACKAGE, Crankshaft # 1,2,4 or 5 Standard
	4293 825	4			.025mm U/S
	4293 826	4			.050mm U/S
	4293 827	4			.250mm U/S
	4293 828	4			.275mm U/S
	4293 829	4			.300mm U/S
8		1			COVER, Transaxle Case Upper (See Group 21 Illust.)
9	6501 099	4			BOLT, Drive Plate to Torque Converter
10	4446 309	1			PLATE, Torque Converter Drive
11		1			SEAL, Torque Converter Hub (See Group 21 Illust.)
12	4419 626	1	Exc S		CONVERTER, Torque
	4471 974	1	S		
13	6501 193	8			BOLT, Drive Plate to Crankshaft
14	4348 349	1			PLATE, Crankshaft Bolt Backing
15		1			GEAR, Starter Ring (Serviced in Item # 10)
16		1			SCREW and WASHER, Transaxle Case Cover (See Group 21 Illust.)

MODEL CODES

C BODY = (D41 - DYNASTY)(C41 - NEW YORKER)
 E BODY = (J - CARAVELLE)(E - 600)(T - NEW YORKER TURBO)
 G BODY = (V24 - DAYTONA, PACIFICA & SHELBY)
 H BODY = (D44 - LANCER)(C44 - LEBARON GTS)
 J BODY = (C - LEBARON)
 K BODY = (P - RELIANT)(D - ARIES)(C - LEBARON/ TOWN & COUNTRY)

L BODY = (M - HORIZON)(Z-OMNI)
 M BODY = (B - GRAN FURY)(G - DIPLOMAT)(F - FIFTH AVENUE/NEWPORT)
 P BODY = (P - SUNDANCE)(D - SHADOW)
 Q BODY = (C27 - MASERATI)
 S BODY = (H - VOYAGER)(K - RAM VAN/ CARAVAN)

BODY STYLES

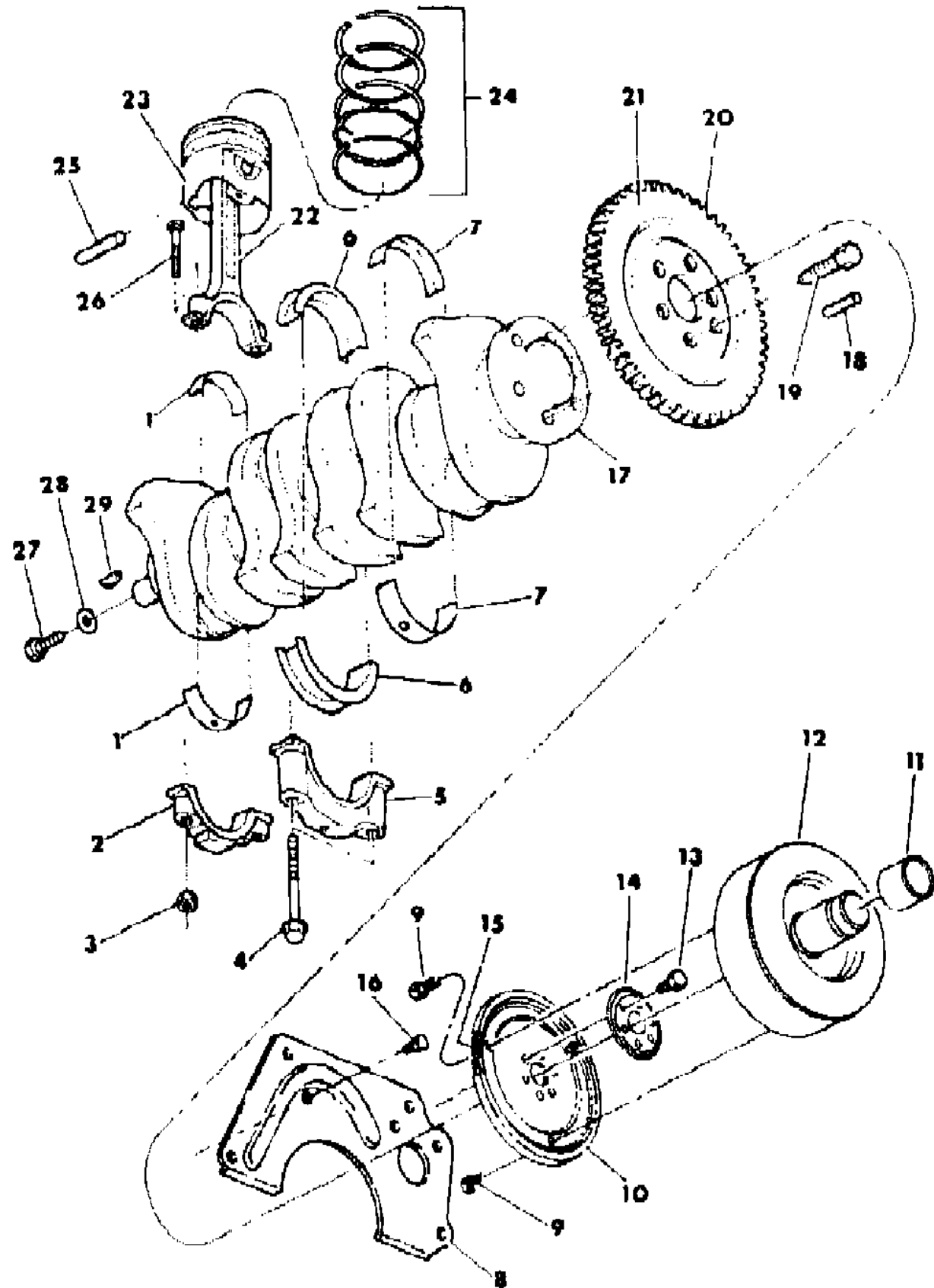
12-52 = FWD VAN & WAGON STD. W.B. 27 = 2-DOOR CONVERTIBLE
 13-53 = FWD VAN & WGN EXT W.B. 41 = 4-DOOR SEDAN
 21 = 2-DOOR SEDAN 44 = 4-DOOR HATCHBACK
 24 = 2-DOOR HATCHBACK 45 = 4-DOOR STATION WAGON

AR = Use as Required - = Non Illustrated Part P.A.R. = Paint as Required

CRANKSHAFT & PISTONS 2.5 L ENGINE

Figure 9A-1700

8158 1700



ITEM	PART NUMBER	QTY	BODY	MODEL	DESCRIPTION
17	4343 405	1			CRANKSHAFT
18	6031 923	3			DOWEL, Clutch Cover to Flywheel
19	6501 197	8			BOLT, Flywheel to Crankshaft
20		1			GEAR, Starter Ring (Serviced in Item # 21)
21	4471 319	1			FLYWHEEL
22	4387 733	4			ROD and CAP, Connecting (cstg#4323649-perDallas)
23	4397 636	4			PISTON and PIN, Standard
	4397 637	4			.050mm O/S
24	4411 975	4			RING, Piston (Pkg. for 1 Piston) Standard
	4411 976	4			.050mm O/S
	4411 973	1			RING SET, Piston Standard for Complete Engine
	4411 974	1			.050mm O/S
25	5203 800	4			PIN, Piston
26	4343 547	8			BOLT, Connecting Rod Bearing Cap
27	6502 976	1			SCREW, Crankshaft Sprocket y
28	6500 431	1			WASHER, Crankshaft Sprocket Screw
29	6500 150	1			KEY, Crankshaft Sprocket

MODEL CODES

C BODY = (D41 - DYNASTY)(C41 - NEW YORKER)
 E BODY = (J - CARAVELLE)(E - 600)(T - NEW YORKER TURBO)
 G BODY = (V24 - DAYTONA, PACIFICA & SHELBY)
 H BODY = (D44 - LANCER)(C44 - LEBARON GTS)
 J BODY = (C - LEBARON)
 K BODY = (P - RELIANT)(D - ARIES)(C - LEBARON/ TOWN & COUNTRY)

L BODY = (M - HORIZON)(Z-OMNI)
 M BODY = (B - GRAN FURY)(G - DIPLOMAT)(F - FIFTH AVENUE/NEWPORT)
 P BODY = (P - SUNDANCE)(D - SHADOW)
 Q BODY = (C27 - MASERATI)
 S BODY = (H - VOYAGER)(K - RAM VAN/ CARAVAN)

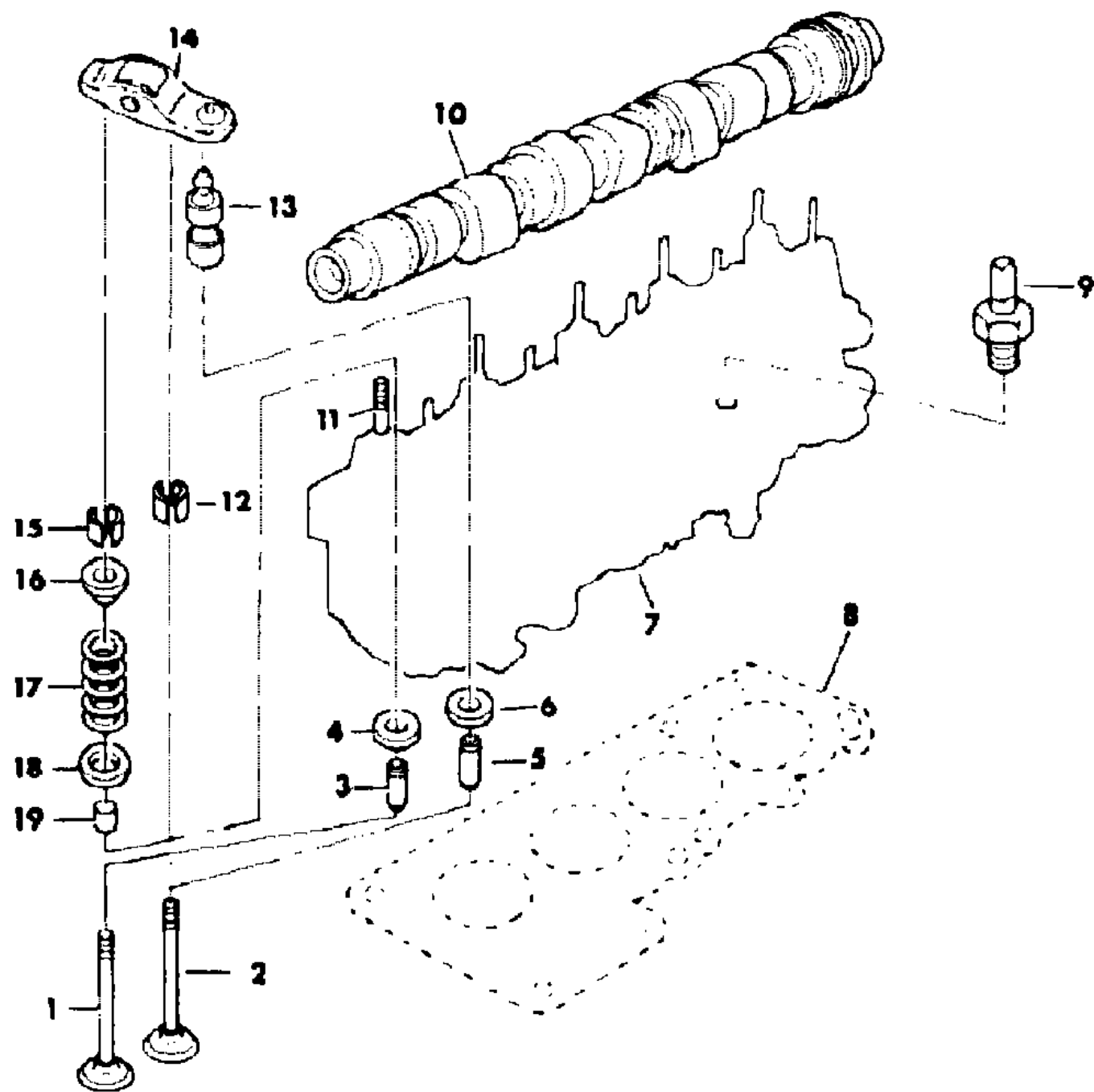
BODY STYLES

12-52 = FWD VAN & WAGON STD. W.B. 27 = 2-DOOR CONVERTIBLE
 13-53 = FWD VAN & WGN EXT W.B. 41 = 4-DOOR SEDAN
 21 = 2-DOOR SEDAN 44 = 4-DOOR HATCHBACK
 24 = 2-DOOR HATCHBACK 45 = 4-DOOR STATION WAGON

AR = Use as Required - = Non Illustrated Part P.A.R. = Paint as Required

CAMSHAFT & VALVES 2.5 L ENGINE
Figure 9A-1800

8158 1800



ITEM	PART NUMBER	QTY	BODY	MODEL	DESCRIPTION
1	4298 142	4			VALVE, Exhaust - Standard
	4298 143	4			0.15mm O/S
	4298 144	4			0.40mm O/S
	4298 145	4			0.80mm O/S
2	4298 137	4			VALVE, Intake - Standard
	4298 138	4			0.15mm O/S
	4298 139	4			0.40mm O/S
	4298 140	4			0.80mm O/S
3	4105 715	4			GUIDE, Exhaust Valve
4	5203 792	4			SEAT, Exhaust Valve
5	4105 716	4			GUIDE, Intake Valve
6	5203 472	4			SEAT, Intake Valve
7		1			HEAD, Cylinder (See Cylinder Head Illust.)
8		1			GASKET, Cylinder Head (See Cylinder Head Illust.)
9		1			NIPPLE, Thermostat Water By-Pass (See Group 7 Illust.)
10	4387 850	1			CAMSHAFT, Standard Journals
	4448 479	1			0.50mm O/S Journals
11	6100 299	10			SCREW, Camshaft Bearing Cap
12	4201 349	8			LOCK, Intake Valve Spring Retainer
13	4240 007	8			ADJUSTER, Valve Lash
14	4397 767	8			ROCKER, Valve (Roller)
15	5203 577	8			LOCK, Exhaust Valve Spring Retainer
16	5203 578	8			RETAINER, Valve Spring
17	4448 305	8			SPRING, Valve
18	5203 474	8			SEAT, Valve Spring
19	4201 332	8			SEAL, Valve Guide - Standard
	4105 366	8			0.15mm O/S (Green)
	4105 367	8			0.40mm O/S (Yellow)
	4105 368	8			0.80mm O/S (Red)

MODEL CODES

C BODY = (D41 - DYNASTY)(C41 - NEW YORKER)	L BODY = (M - HORIZON)(Z-OMNI)
E BODY = (J - CARAVELLE)(E - 600)(T - NEW YORKER TURBO)	M BODY = (B - GRAN FURY)(G - DIPLOMAT)(F - FIFTH AVENUE/NEWPORT)
G BODY = (V24 - DAYTONA, PACIFICA & SHELBY)	P BODY = (P - SUNDANCE)(D - SHADOW)
H BODY = (D44 - LANCER)(C44 - LEBARON GTS)	Q BODY = (C27 - MASERATI)
J BODY = (C - LEBARON)	S BODY = (H - VOYAGER)(K - RAM VAN/ CARAVAN)
K BODY = (P - RELIANT)(D - ARIES)(C - LEBARON/ TOWN & COUNTRY)	

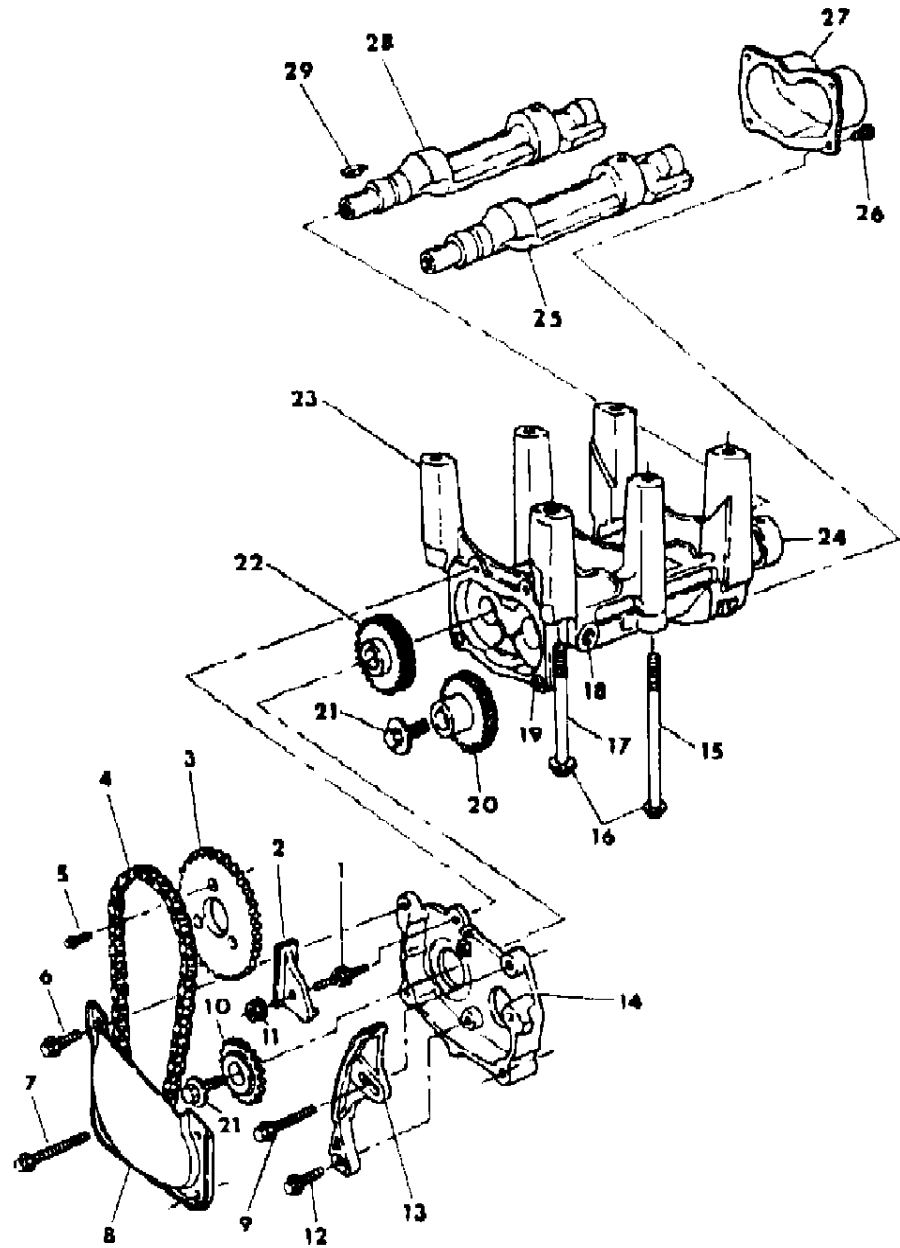
BODY STYLES

12-52 = FWD VAN & WAGON STD. W.B.	27 = 2-DOOR CONVERTIBLE
13-53 = FWD VAN & WGN EXT W.B.	41 = 4-DOOR SEDAN
21 = 2-DOOR SEDAN	44 = 4-DOOR HATCHBACK
24 = 2-DOOR HATCHBACK	45 = 4-DOOR STATION WAGON

AR = Use as Required - = Non Illustrated Part P.A.R. = Paint as Required

BALANCE SHAFTS 2.5 L ENGINE
Figure 9A-1900

8158 1900



ITEM	PART NUMBER	QTY	BODY	MODEL	DESCRIPTION
1	6501 226	1			STUD and WASHER, Cover and Chain Guide Attaching (M6x41)
2	4343 660	1			GUIDE, Chain
3	4273 270	1			SPROCKET, Crankshaft Chain
4	4273 260	1			CHAIN, Balance Shaft
5	6101 410	3			SCREW, Crankshaft Chain Sprocket (M6x16)
6	6501 755	2			SCREW and WASHER, Carrier Cover Attaching (M6x16)
7	6100 272	2			SCREW and WASHER, Trough and Cover Attaching (M6x50)
8	4323 041	1			TROUGH, Carrier Cover (Front)
9	6501 420	1			SCREW and WASHER, Tensioner and Cover Attaching (M6x35)
10	4273 271	1			SPROCKET, Balance Shaft Chain
11	6100 047	1			NUT and WASHER, Chain Guide Attaching
12	6101 278	1			SCREW and WASHER, Tensioner to Cover Attaching (M6x20)
13	4343 662	1			TENSIONER, Chain
14	4323 039	1			COVER, Carrier Gear (Front)
15	6101 400	4			BOLT, Carrier Attaching (M10x1.5-145)
16	6501 435	6			WASHER, Carrier Attaching Bolt
17	6100 949	2			BOLT, Carrier Attaching (M10x1.5-110)
18	5203 517	1			PLUG, Carrier Oil Hole (7/16")
19		2			DOWEL, Carrier to Gear Cover (Not Serviced)
20	4343 785	1			GEAR, Balance Shaft Driven
21	6501 404	2			SCREW and WASHER, Balance Shaft Gear Attaching (M8x1.25-25)
22	4343 783	1			GEAR, Balance Shaft Drive
23	4323 038	1			CARRIER and BEARING, Balance Shaft
24		2			BEARING, Balance Shaft Rear (Serviced in #4323038)
25	4323 028	1			SHAFT, Balance Driven
26	6501 755	4			SCREW and WASHER, Trough to Carrier Cover (M6x16)
27	4323 043	1			COVER, Balance Shaft (Rear)
28	4323 026	1			SHAFT, Balance Drive
29	6500 150	2			KEY, Balance Shaft Gear

MODEL CODES

C BODY = (D41 - DYNASTY)(C41 - NEW YORKER)
 E BODY = (J - CARAVELLE)(E - 600)(T - NEW YORKER TURBO)
 G BODY = (V24 - DAYTONA, PACIFICA & SHELBY)
 H BODY = (D44 - LANCER)(C44 - LEBARON GTS)
 J BODY = (C - LEBARON)
 K BODY = (P - RELIANT)(D - ARIES)(C - LEBARON/ TOWN & COUNTRY)

L BODY = (M - HORIZON)(Z-OMNI)
 M BODY = (B - GRAN FURY)(G - DIPLOMAT)(F - FIFTH AVENUE/NEWPORT)
 P BODY = (P - SUNDANCE)(D - SHADOW)
 Q BODY = (C27 - MASERATI)
 S BODY = (H - VOYAGER)(K - RAM VAN/ CARAVAN)

BODY STYLES

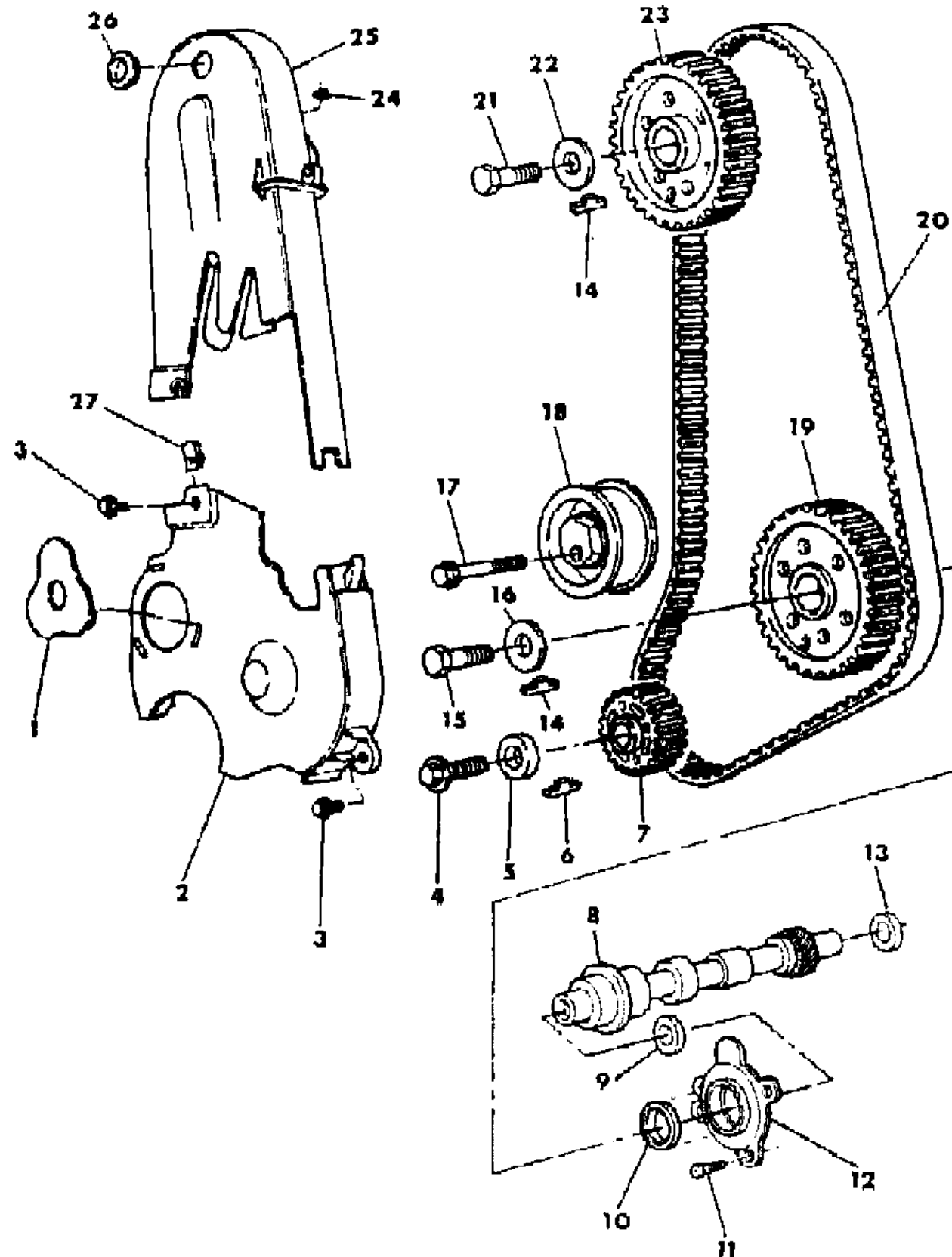
12-52 = FWD VAN & WAGON STD. W.B. 27 = 2-DOOR CONVERTIBLE
 13-53 = FWD VAN & WGN EXT W.B. 41 = 4-DOOR SEDAN
 21 = 2-DOOR SEDAN 44 = 4-DOOR HATCHBACK
 24 = 2-DOOR HATCHBACK 45 = 4-DOOR STATION WAGON

AR = Use as Required - = Non Illustrated Part P.A.R. = Paint as Required

TIMING BELT & COVERS & INTERMEDIATE SHAFT 2.5 L ENGINE

Figure 9A-2000

8158 2000



ITEM	PART NUMBER	QTY	BODY	MODEL	DESCRIPTION
1	4343 822	1			PLUG, Timing Belt Cover Lower
2	4343 821	1			COVER, Timing Belt Cover Lower
3	6500 778	3			SCREW, Timing Belt Cover (M6x20)
4	6501 815	1			SCREW, Crankshaft Sprocket
5	6500 431	1			WASHER, Crankshaft Sprocket
6	6500 150	1			KEY, Crankshaft Sprocket
7	4387 533	1			SPROCKET, Crankshaft
8	4343 428	1			SHAFT, Intermediate
9	4448 700	1			BEARING, Intermediate Shaft Front
10	4105 395	1			SEAL, Intermediate Shaft Oil
11	6101 278	3			SCREW, Intermediate Shaft Seal Retainer
12	5203 325	1			RETAINER, Intermediate Shaft Oil Seal
13	4105 217	1			BEARING, Intermediate Shaft Rear
14	6500 150	1			KEY, Intermediate Shaft Sprocket
	6500 150	1			KEY, Camshaft Sprocket
15	6501 405	1			BOLT, Intermediate Shaft Sprocket
16	6500 346	1			WASHER, Intermediate Shaft Sprocket Screw
17	6101 277	1			SCREW and WASHER, Tension Pulley Mounting
18	4273 241	1			PULLEY, Tension
19	4387 535	1			SPROCKET, Intermediate Shaft
20	4387 534	1			BELT, Timing
21	6501 405	1			BOLT, Camshaft Sprocket
22	6500 346	1			WASHER, Camshaft Sprocket Screw
23	4387 535	1			SPROCKET, Camshaft
24	6500 274	2			NUT, Timing Belt Cover
25	4343 820	1			COVER, Timing Belt Upper
26	2094 631	1			PLUG, Timing Belt Cover Upper
27	6100 041	1			U-NUT, Timing Belt Cover

MODEL CODES

C BODY = (D41 - DYNASTY)(C41 - NEW YORKER)
 E BODY = (J - CARAVELLE)(E - 600)(T - NEW YORKER TURBO)
 G BODY = (V24 - DAYTONA, PACIFICA & SHELBY)
 H BODY = (D44 - LANCER)(C44 - LEBARON GTS)
 J BODY = (C - LEBARON)
 K BODY = (P - RELIANT)(D - ARIES)(C - LEBARON/ TOWN & COUNTRY)

L BODY = (M - HORIZON)(Z-OMNI)
 M BODY = (B - GRAN FURY)(G - DIPLOMAT)(F - FIFTH AVENUE/NEWPORT)
 P BODY = (P - SUNDANCE)(D - SHADOW)
 Q BODY = (C27 - MASERATI)
 S BODY = (H - VOYAGER)(K - RAM VAN/ CARAVAN)

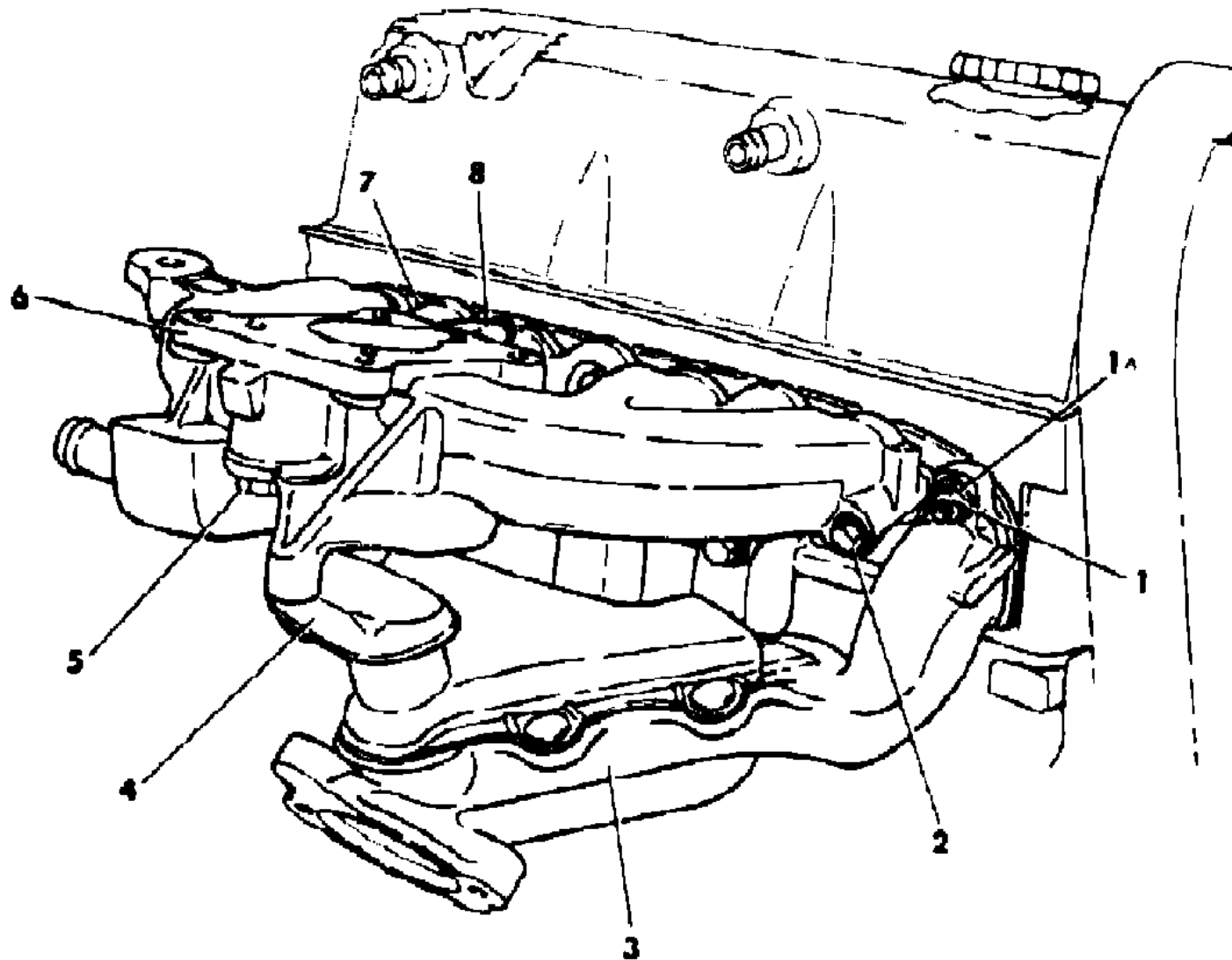
BODY STYLES

12-52 = FWD VAN & WAGON STD. W.B. 27 = 2-DOOR CONVERTIBLE
 13-53 = FWD VAN & WGN EXT W.B. 41 = 4-DOOR SEDAN
 21 = 2-DOOR SEDAN 44 = 4-DOOR HATCHBACK
 24 = 2-DOOR HATCHBACK 45 = 4-DOOR STATION WAGON

AR = Use as Required - = Non Illustrated Part P.A.R. = Paint as Required

MANIFOLDS, INTAKE & EXHAUST 2.5 L ENGINE
Figure 9A-2200

8158 2200



ITEM	PART NUMBER	QTY	BODY	MODEL	DESCRIPTION
------	-------------	-----	------	-------	-------------

NOTE 1: These Packages do not contain Gaskets for all required Sealing R.T.V. Sealer # 4318025 and Gasket Eliminator Sealer #4318029 must be used in addition as described in the Chrysler Repair Manual.

-	4240 096	1			GASKET PACKAGE, Manifold (See Note 1) Consists of: 1-4105745 GASKET, Intake and Exhaust Manifold 1-4201384 GASKET, Exhaust Manifold Crossover Flange
1	6500 679	8			STUD, Exhaust Manifold to Head
1a	6500 363	8			NUT, Exhaust Manifold to Head Stud
2	6500 391	4			BOLT, Intake Manifold to Head (M8x90)
	6500 390	4			BOLT, Intake Manifold to Head (M8x65)
3	4448 746	1			MANIFOLD, Exhaust
4		1			(Refer to Group 14)
5		1			PLUG, Exhaust Manifold (3/4-14 Not Serviced)
6	4387 220	1			MANIFOLD, Intake
7	4105 745	1			GASKET, Intake & Exhaust Manifold
8	4343 761	1			NIPPLE, Crankcase Vent Valve

NOTE: HEATER HOSE NIPPLES COME WITH MANIFOLD-ONLY. Addition as described in the Chrysler Repair Manual.

MODEL CODES

C BODY = (D41 - DYNASTY)(C41 - NEW YORKER)
 E BODY = (J - CARAVELLE)(E - 600)(T - NEW YORKER TURBO)
 G BODY = (V24 - DAYTONA, PACIFICA & SHELBY)
 H BODY = (D44 - LANCER)(C44 - LEBARON GTS)
 J BODY = (C - LEBARON)
 K BODY = (P - RELIANT)(D - ARIES)(C - LEBARON/ TOWN & COUNTRY)

L BODY = (M - HORIZON)(Z-OMNI)
 M BODY = (B - GRAN FURY)(G - DIPLOMAT)(F - FIFTH AVENUE/NEWPORT)
 P BODY = (P - SUNDANCE)(D - SHADOW)
 Q BODY = (C27 - MASERATI)
 S BODY = (H - VOYAGER)(K - RAM VAN/ CARAVAN)

BODY STYLES

12-52 = FWD VAN & WAGON STD. W.B.	27 = 2-DOOR CONVERTIBLE
13-53 = FWD VAN & WGN EXT W.B.	41 = 4-DOOR SEDAN
21 = 2-DOOR SEDAN	44 = 4-DOOR HATCHBACK
24 = 2-DOOR HATCHBACK	45 = 4-DOOR STATION WAGON

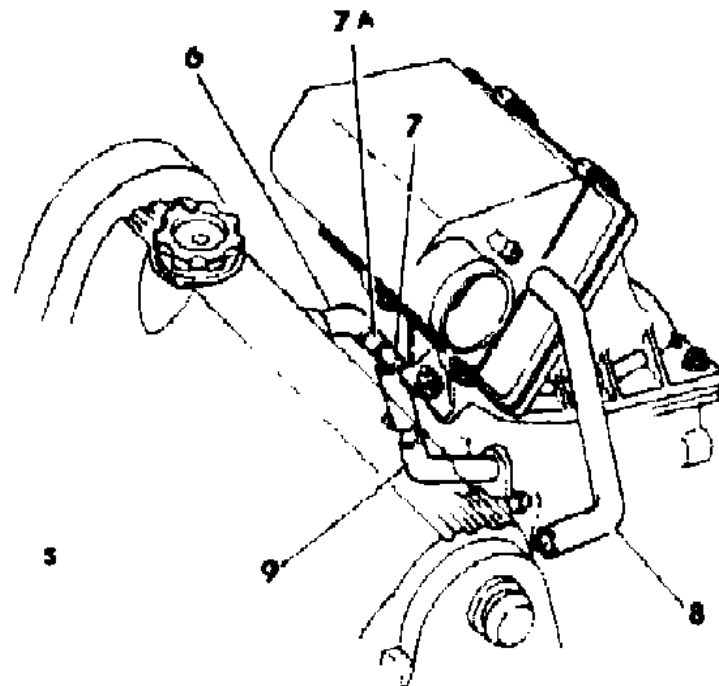
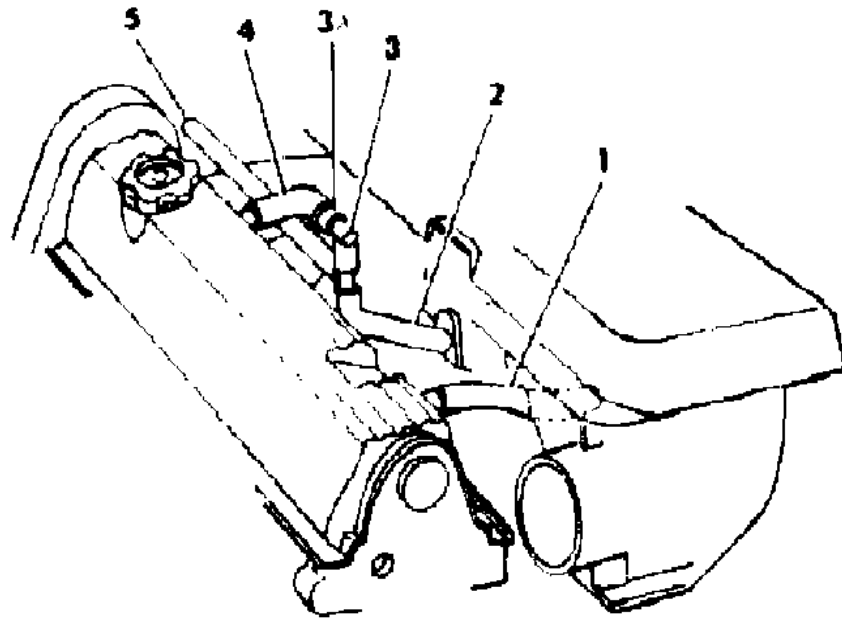
AR = Use as Required - = Non Illustrated Part P.A.R. = Paint as Required

CRANKCASE VENTILATION 2.5 L ENGINE

Figure 9A-2300

8158 2300

EXCEPT 5



ITEM	PART NUMBER	QTY	BODY	MODEL	DESCRIPTION
1	4343 477	1	Exc S		HOSE, Crankcase Vent to Air Cleaner
2	4315 703	1	Exc S		HOSE, Tee to Intake Manifold
	4095 681	AR	Exc S		HOSE, Crankcase Vent Valve to Tee (50' Roll)
-	4300 267	1	Exc S		TEE, Crankcase Vent Valve
3	4343 766	1	Exc S		VALVE, Crankcase Vent
3a	4343 761	1	Exc S		NIPPLE, Crankcase Vent Valve
4	4315 704	1	Exc S		HOSE, PCV Valve to Cylinder Head Cover
5		1			(Refer to Group 25)
6	4315 704	1	S		HOSE, PCV Valve to Cylinder Head Cover
7	4343 766	1	S		VALVE, Crankcase Vent
7a	4343 761	1	S		NIPPLE, Crankcase Vent Valve
8	4387 537	1	S		HOSE, Crankcase Vent to Air Cleaner
9	4315 703	1	S		HOSE, Tee To Intake Manifold
-	4300 267	1	S		TEE, Crankcase Vent Valve
	4095 681	1	S		HOSE, Crankcase Vent Valve to Tee (50" Roll)

MODEL CODES

C BODY = (D41 - DYNASTY)(C41 - NEW YORKER)
 E BODY = (J - CARAVELLE)(E - 600)(T - NEW YORKER TURBO)
 G BODY = (V24 - DAYTONA, PACIFICA & SHELBY)
 H BODY = (D44 - LANCER)(C44 - LEBARON GTS)
 J BODY = (C - LEBARON)
 K BODY = (P - RELIANT)(D - ARIES)(C - LEBARON/ TOWN & COUNTRY)
 L BODY = (M - HORIZON)(Z-OMNI)
 M BODY = (B - GRAN FURY)(G - DIPLOMAT)(F - FIFTH AVENUE/NEWPORT)
 P BODY = (P - SUNDANCE)(D - SHADOW)
 Q BODY = (C27 - MASERATI)
 S BODY = (H - VOYAGER)(K - RAM VAN/ CARAVAN)

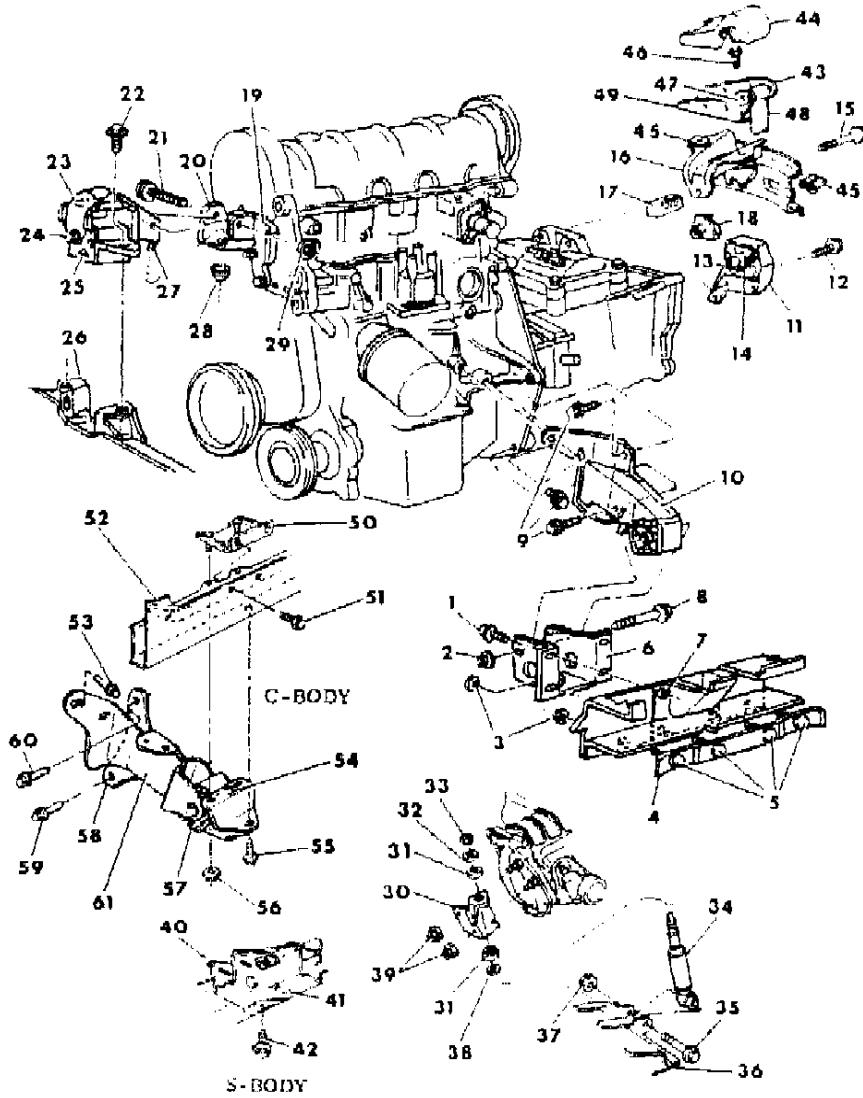
BODY STYLES

12-52 = FWD VAN & WAGON STD. W.B. 27 = 2-DOOR CONVERTIBLE
 13-53 = FWD VAN & WGN EXT W.B. 41 = 4-DOOR SEDAN
 21 = 2-DOOR SEDAN 44 = 4-DOOR HATCHBACK
 24 = 2-DOOR HATCHBACK 45 = 4-DOOR STATION WAGON

AR = Use as Required - = Non Illustrated Part P.A.R. = Paint as Required

ENGINE MOUNTING 2.5 L ENGINE
Figure 9A-2400

8158 2400 B



ITEM	PART NUMBER	QTY	BODY	MODEL	DESCRIPTION
1	6500 535	2			SCREW and WASHER
2	6101 448	1			NUT and WASHER
3	6100 518	4			NUT, Lock
4	6028 762	4	G,J		C/WASHER, Lock
4	4386 340	1			TIE PLATE, Front Crossmember Flange
5	6500 233	4			SCREW
6	4386 342	1			BRACKET, Front Crossmember Engine Mounting
7	6500 259	2			NUT, Lock
8	6501 751	1			SCREW and WASHER
9	6501 163	2			SCREW and WASHER, (To Block)
	6501 565	1			(To Engine Lug)
	6501 740	1	Exc J,G		(To Engine Lug)
	6501 740	1	Exc C		(To Engine Lug)
10	6501 566	1	J,G,C		(To Engine Lug and Trans. Front.)
10	4348 327	1			INSULATOR, Engine Support Front (w/o Fleet and Heavy Duty Brakes)
	4419 642	1	K,S		(w/Fleet and Heavy Duty Brakes)
11	4295 255	1	H,C,K,P		SUPPORT, Engine Left w/Automatic Trans.
	4295 255	1	E		Left w/Automatic Trans.
	4295 255	1	G,J,S		Left w/Automatic Trans. Up to 10-1-87
	4471 085	1	G,J,S		Left, w/Automatic Trans. After 10-1-87
	4295 257	1	H,K,P		w/Manual Trans.
	4295 257	1	G,J,S		w/Manual Trans. Up to 10-1-87
	4471 303	1	G,J,S		w/Manual Trans. After 10-1-87
	4446 017	1	J	C27	w/Manual Trans.- Lt.
	4446 019	1	J	C27	w/Automatic Trans.- Lt.
12	6500 495	3			SCREW and WASHER
13		1			SPACER, Engine Support Bushing (Serviced in Item #11)
		1	J	C27	STUD, Engine Support Insulator Bracket to Engine Bracket- Rt. (Not Serviced)
14	4295 237	1			BUSHING, Engine Support Insulator Left
15	6500 840	1			SCREW, w/Washer
	6100 300	1	J	C27	SCREW, w/Washer, Engine Support Bushing
16		1			BRACKET, Side Rail (See Group 13 Illust.)
17	4431 107	1	Exc. C		WEIGHT, Engine Mount Damper - Left
	4471 924	1	C		Left
18	6500 833	1			U-NUT

MODEL CODES

C BODY = (D41 - DYNASTY)(C41 - NEW YORKER)
 E BODY = (J - CARAVELLE)(E - 600)(T - NEW YORKER TURBO)
 G BODY = (V24 - DAYTONA, PACIFICA & SHELBY)
 H BODY = (D44 - LANCER)(C44 - LEBARON GTS)
 J BODY = (C - LEBARON)
 K BODY = (P - RELIANT)(D - ARIES)(C - LEBARON/ TOWN & COUNTRY)

L BODY = (M - HORIZON)(Z-OMNI)
 M BODY = (B - GRAN FURY)(G - DIPLOMAT)(F - FIFTH AVENUE/NEWPORT)
 P BODY = (P - SUNDANCE)(D - SHADOW)
 Q BODY = (C27 - MASERATI)
 S BODY = (H - VOYAGER)(K - RAM VAN/ CARAVAN)

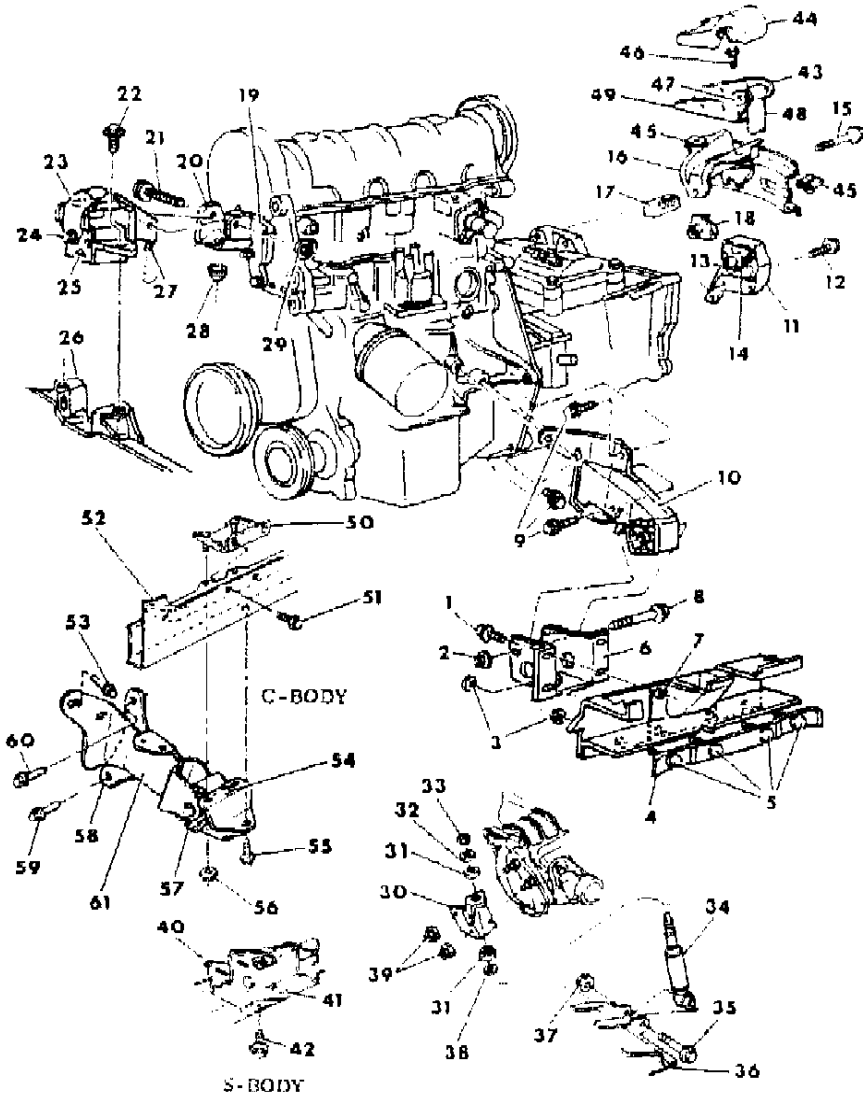
BODY STYLES

12-52 = FWD VAN & WAGON STD. W.B. 27 = 2-DOOR CONVERTIBLE
 13-53 = FWD VAN & WGN EXT W.B. 41 = 4-DOOR SEDAN
 21 = 2-DOOR SEDAN 44 = 4-DOOR HATCHBACK
 24 = 2-DOOR HATCHBACK 45 = 4-DOOR STATION WAGON

AR = Use as Required - = Non Illustrated Part P.A.R. = Paint as Required

ENGINE MOUNTING 2.5 L ENGINE
Figure 9A-2400

8158 2400 B



ITEM	PART NUMBER	QTY	BODY	MODEL	DESCRIPTION
19	4323 642	1			STRUT, Right Engine Mount
20	4343 753	1			BRACKET, Engine Mount Right
21	6501 736	1			BOLT
22	6501 740	1			SCREW and WASHER, (Not Serviced) (M8-1.25x45)
23	4295 265	1			BRACKET, Engine Support Insulator Rt.
	4446 018	1	J	C27	ISULATOR ASSEMBLY ***
	4446 020	1	J	C27	SUPPORT, w/Bracket - Insulator
	4446 081	1	J	C27	Bracket, Engine Damper - Lower Rt. ***
24	6500 839	1			SCREW and WASHER
25	4505 411	1			BUSHING, Engine Support Insulator Rt.
26		1			RAIL, Side (See Group 13 Illust.)
27	4295 274	1			STUD
28	6501 737	1			NUT
29	6501 738	1	Exc. C		NUT and WASHER
	6101 465	1	C		
30	4412 041	1			BRACKET, Engine Damper w/Manual Trans.
31		1			BUSHING, (Serviced in Item 42)
32	6500 966	1			RETAINER, Damper Bushing Upper w/Manual Trans.
33	#6100 525	1			NUT, Damper Upper w/Manual Trans.
34	4364 769	1			DAMPER, w/Bushing, Engine Roll w/Manual Trans.
35	6101 342	1			SCREW, Support Crossmember to Engine Damper w/Manual Trans.
36		1			CROSSMEMBER, (See Group 13)
37	6100 053	2			NUT, Support Crossmember Engine Damper w/Manual Trans.
38	6500 967	1			RETAINER, Damper Bushing Lower w/Manual Trans.
39	6500 363	2			NUT, Engine Roll Strut
40	4440 600	1	S		BRACKET, Front Side Rail Front Crossmember Engine Mount Front
41	4386 586	1	S		GUSSET, w/Nut, Front Crossmember Engine Mount Bracket
42		1	S		SCREW, W/Washer,(M10x1.50x35) (Not Serviced)
43	4446 013	1	J	C27	BRACKET, Engine Damper- Lt.
	4446 082	1	J	C27	UPPER- Rt.
	4446 081	1	J	C27	LOWER- Rt.
-	6500 363	2	J	C27	NUT, Lock- Engine Support Bushing
44	4446 217	1	J	C27	COVER, Engine Support Damper Bracket Lt.
45	6101 283	2	J	C27	U-NUT, Engine Support to Side Rail Bracket Lt.

MODEL CODES

C BODY = (D41 - DYNASTY)(C41 - NEW YORKER)
 E BODY = (J - CARAVELLE)(E - 600)(T - NEW YORKER TURBO)
 G BODY = (V24 - DAYTONA, PACIFICA & SHELBY)
 H BODY = (D44 - LANCER)(C44 - LEBARON GTS)
 J BODY = (C - LEBARON)
 K BODY = (P - RELIANT)(D - ARIES)(C - LEBARON/ TOWN & COUNTRY)

L BODY = (M - HORIZON)(Z-OMNI)
 M BODY = (B - GRAN FURY)(G - DIPLOMAT)(F - FIFTH AVENUE/NEWPORT)
 P BODY = (P - SUNDANCE)(D - SHADOW)
 Q BODY = (C27 - MASERATI)
 S BODY = (H - VOYAGER)(K - RAM VAN/ CARAVAN)

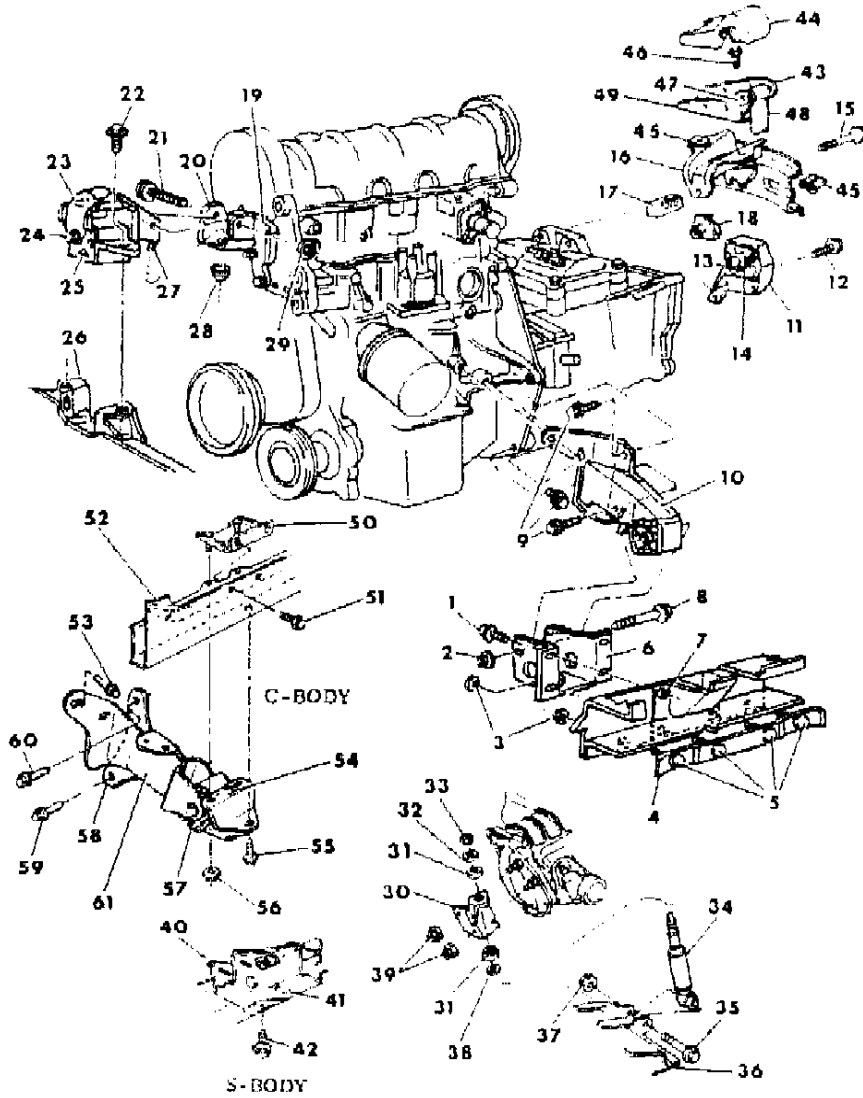
BODY STYLES

12-52 = FWD VAN & WAGON STD. W.B. 27 = 2-DOOR CONVERTIBLE
 13-53 = FWD VAN & WGN EXT W.B. 41 = 4-DOOR SEDAN
 21 = 2-DOOR SEDAN 44 = 4-DOOR HATCHBACK
 24 = 2-DOOR HATCHBACK 45 = 4-DOOR STATION WAGON

AR = Use as Required - = Non Illustrated Part P.A.R. = Paint as Required

ENGINE MOUNTING 2.5 L ENGINE
Figure 9A-2400

8158 2400 B



ITEM	PART NUMBER	QTY	BODY	MODEL	DESCRIPTION
46	6100 584	2	J	C27	SCREW, w/Washer, Engine Support to Side Rail Bracket Lt.
47		1	J	C27	SCREW, w/Washer, Engine Support Bushing (Not Serviced)
48	4446 023	1	J	C27	DAMPER, Engine Lt. & Rt.
49	4446 021	1	J	C27	BRACKET, Engine Support Insulator- Lt. w/Automatic Trans.
	4446 022	1	J	C27	w/Manual Trans.
50	4386 588	1	C	D41	RETAINER, Front Crossmember Plate Engine Mount Bracket
51		2	C	D41	SCREW and WASHER, Crossmember Front Side Rail, Front to Plate Front Side Rail (Not Serviced)
52		1	C	D41	(See Group 13)
53	6501 741	2	C	D41	SCREW and WASHER, Engine Support Insulator Bracket to Engine Block- Front
54	4440 398	1	C	D41	SUPPORT, Front Crossmember Engine Mount (w/Insulator w/o Bushing)
	4412 996	1	C	D41	INSULATOR ASSY., Engine Support Insulator Front (w/Bushing and Support)
	4412 934	1	C	D41	BUSHING, Engine Support Insulator Front
	4386 867	1	C	D41	GUSSET, Front Crossmember Engine Mount Front
	6500 840	1	C	D41	SCREW and WASHER, Engine Support Insulator to Frame Front
55		1	C	D41	SCREW and WASHER, Engine Mount Front Bracket to Crossmember Front Side Rail Front
56	6101 448	2	C	D41	NUT, Lock Engine Mount Front Bracket to Plate Front Side Rail
57		1	C	D41	(Serviced in Item 54)
58		1	C	D41	(Serviced on Item 61)
59	6501 740	1	C	D41	SCREW and WASHER, Engine Support Insulator Bracket to Engine Lug- Front
60	6501 565	1	C	D41	SCREW and WASHER, Engine Support Insulator Bracket to Trans. Front
61	4446 201	1	C	D41	BRACKET, Engine Support Insulator Front
NOTE: The Following items are not shown on illustration. Addition as described in the Chrysler Repair Manual.					
-	6501 072	1			SCREW, w/Washer, Engine Mount and Spacer to Block (M10x1.50-85)
-	6500 157	1			SCREW, w/Washer, Engine Mount Rt. to Block (M10x 1.50-25)
-	6500 816	1			STUD, Block to Engine Mount Rt. (M10x1.50-50)
-	6501 200	1			STUD, Engine Mount and Spacer to Block (M10x1.50-103)
-	4105 790	1			CLOSURE, Rt. Engine Mount Stone Guard

MODEL CODES

C BODY = (D41 - DYNASTY)(C41 - NEW YORKER)
 E BODY = (J - CARAVELLE)(E - 600)(T - NEW YORKER TURBO)
 G BODY = (V24 - DAYTONA, PACIFICA & SHELBY)
 H BODY = (D44 - LANCER)(C44 - LEBARON GTS)
 J BODY = (C - LEBARON)
 K BODY = (P - RELIANT)(D - ARIES)(C - LEBARON/ TOWN & COUNTRY)

L BODY = (M - HORIZON)(Z-OMNI)
 M BODY = (B - GRAN FURY)(G - DIPLOMAT)(F - FIFTH AVENUE/NEWPORT)
 P BODY = (P - SUNDANCE)(D - SHADOW)
 Q BODY = (C27 - MASERATI)
 S BODY = (H - VOYAGER)(K - RAM VAN/ CARAVAN)

BODY STYLES

12-52 = FWD VAN & WAGON STD. W.B. 27 = 2-DOOR CONVERTIBLE
 13-53 = FWD VAN & WGN EXT W.B. 41 = 4-DOOR SEDAN
 21 = 2-DOOR SEDAN 44 = 4-DOOR HATCHBACK
 24 = 2-DOOR HATCHBACK 45 = 4-DOOR STATION WAGON

AR = Use as Required - = Non Illustrated Part P.A.R. = Paint as Required

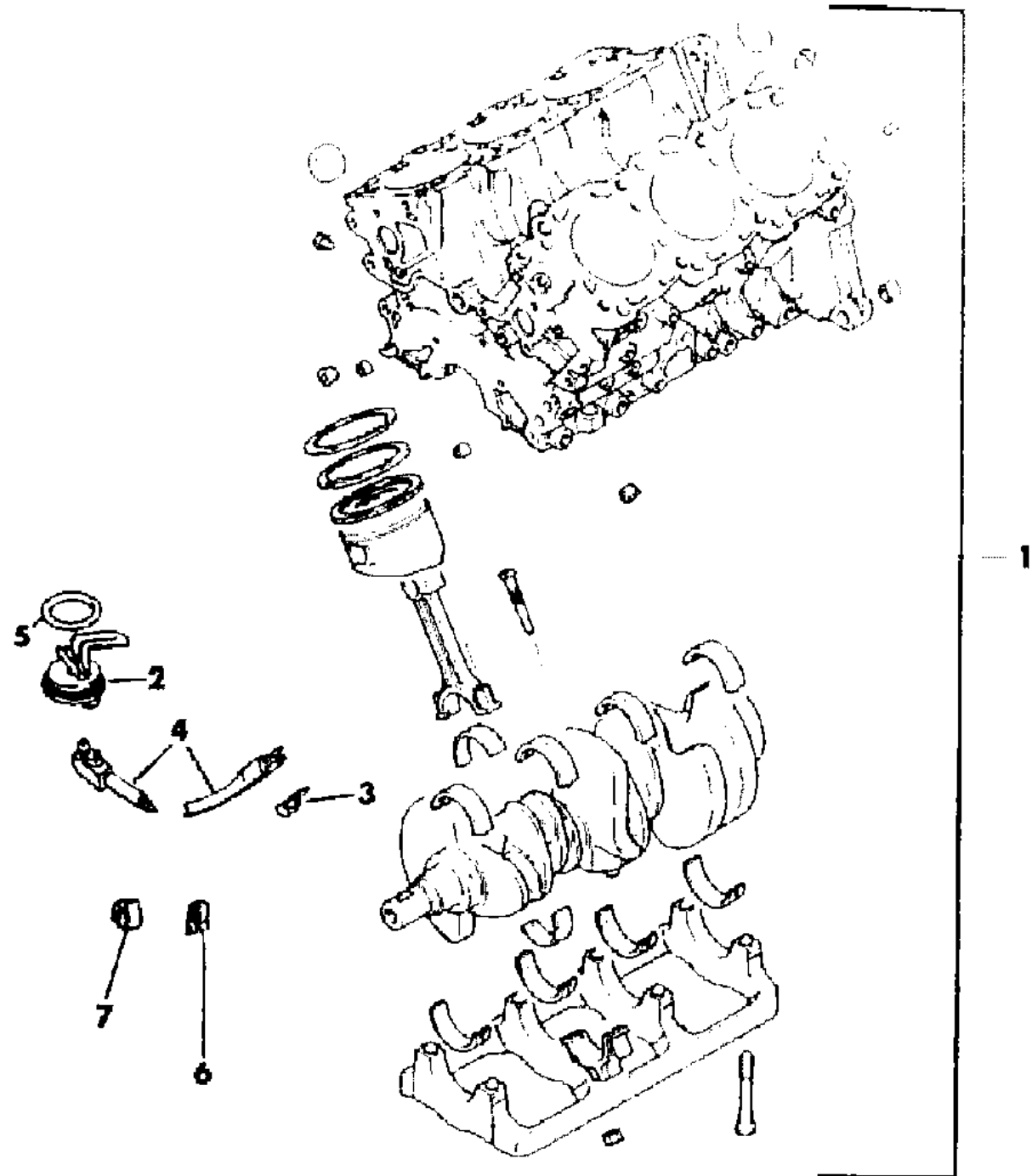
GROUP 9B - ENGINE, 6 CYLINDER

ILLUSTRATION TITLE	GROUP-FIG. NO.
I.D. LOCATION 3.0L ENGINE	Fig. 9B-50
3.0 L ENGINE	
SHORT ENGINE 3.0 L ENGINE	Fig. 9B-100
GASKET SETS 3.0 L ENGINE	Fig. 9B-200
CYLINDER BLOCK 3.0 L ENGINE	Fig. 9B-300
CYLINDER HEAD 3.0 L ENGINE	Fig. 9B-400
CRANKSHAFT, PISTONS AND TORQUE CONVERTER 3.0 L ENGINE	Fig. 9B-500
CAMSHAFT & VALVES 3.0 L ENGINE	Fig. 9B-600
OIL PAN & TIMING BELT COVER 3.0 L ENGINE	Fig. 9B-700
MANIFOLD, INTAKE & EXHAUST 3.0 L ENGINE	Fig. 9B-800
OIL PUMP & OIL FILTER 3.0 L ENGINE	Fig. 9B-900
ENGINE MOUNTING 3.0 L ENGINE	Fig. 9B-1000

ILLUSTRATION NOT AVAILABLE AT TIME OF PUBLICATION

SHORT ENGINE 3.0 L ENGINE
Figure 9B-100

8156 100



ITEM	PART NUMBER	QTY	BODY	MODEL	DESCRIPTION
1	MD12 1063	1			ENGINE, Short
2	4439 058	1			HEATER, Engine Block
3	6015 412	1			CLIP, Engine Block Heater Cord
4	5206 359	1			CORD, Engine Block Heater
5	6501 445	1			O-RING, Engine Block Heater O/S (1-11/32x11/64)
	6501 446	1			(1-11/32x9/64)
	6501 447	1			(13/64x1/16)
6	6015 756	5			STRAP, Engine Block Heater Cord
7		1			CLIP, Engine Block Heater Cord (Not Serviced)

MODEL CODES

C BODY = (D41 - DYNASTY)(C41 - NEW YORKER)
 E BODY = (J - CARAVELLE)(E - 600)(T - NEW YORKER TURBO)
 G BODY = (V24 - DAYTONA, PACIFICA & SHELBY)
 H BODY = (D44 - LANCER)(C44 - LEBARON GTS)
 J BODY = (C - LEBARON)
 K BODY = (P - RELIANT)(D - ARIES)(C - LEBARON/ TOWN & COUNTRY)

L BODY = (M - HORIZON)(Z-OMNI)
 M BODY = (B - GRAN FURY)(G - DIPLOMAT)(F - FIFTH AVENUE/NEWPORT)
 P BODY = (P - SUNDANCE)(D - SHADOW)
 Q BODY = (C27 - MASERATI)
 S BODY = (H - VOYAGER)(K - RAM VAN/ CARAVAN)

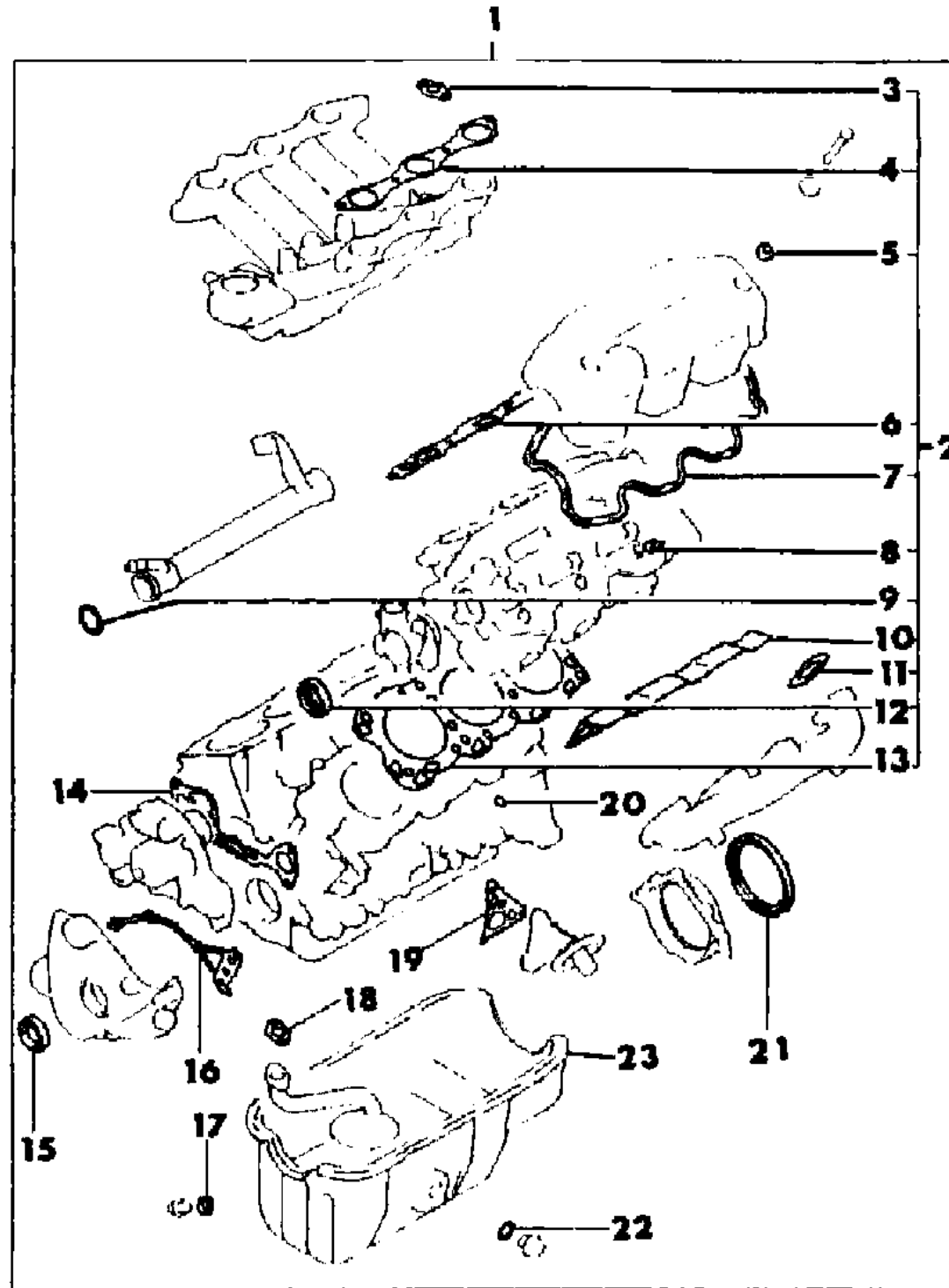
BODY STYLES

12-52 = FWD VAN & WAGON STD. W.B. 27 = 2-DOOR CONVERTIBLE
 13-53 = FWD VAN & WGN EXT W.B. 41 = 4-DOOR SEDAN
 21 = 2-DOOR SEDAN 44 = 4-DOOR HATCHBACK
 24 = 2-DOOR HATCHBACK 45 = 4-DOOR STATION WAGON

AR = Use as Required - = Non Illustrated Part P.A.R. = Paint as Required

GASKET SETS 3.0 L ENGINE
Figure 9B-200

8156 200



ITEM	PART NUMBER	QTY	BODY	MODEL	DESCRIPTION
1	MD99 7312	1			GASKET SET, Engine Overhaul Up to 12/87
	MD99 7494	1			After 12/87
2	MD99 7311	1			GASKET SET, Engine Upper Up to 12/87
	MD99 7488	1			After 12/87
3	MD10 3625	1			GASKET, Heater Pipe
4	MD09 4128	2			GASKET, Inlet Air Plenum
5	MD00 0523	4			OIL SEAL
6	MD10 4722	2			GASKET, Inlet Manifold
7	MD08 8779	2			GASKET, Rocker Cover Up to 12/87
	MD13 3671	2			After 12/87
8	MD00 0508	12			SEAL, Valve Stem
9	MD03 0764	1			O-RING, Water Pipe
10	MD10 4623	1			GASKET, Exhaust Manifold
	MD10 4624	1			GASKET, Exhaust Manifold
11	MD08 8836	2			GASKET, Exhaust Cross Over Pipe
12	MD00 8762	2			OIL SEAL
13	MD11 1805	2			GASKET, Cylinder Head
14	MD10 1925	1			GASKET, Water Pump
15	MD08 8855	1			OIL SEAL
16	MD09 7002	1			GASKET, Oil Pump Case
17	MD05 0317	1			GASKET, Oil Drain Plug (14)
18	MD02 1577	1			GASKET, Oil Screen
19	MD10 5690	1			GASKET, Oil Filter Bracket
20	MF52 0004	1			O-RING, (9)
21	MD10 1915	1			OIL SEAL
22	MD11 0692	1			GASKET
23	4318 025				GASKET, Oil Pan (R.T.V.S. Sealer)

MODEL CODES

C BODY = (D41 - DYNASTY)(C41 - NEW YORKER)	L BODY = (M - HORIZON)(Z-OMNI)
E BODY = (J - CARAVELLE)(E - 600)(T - NEW YORKER TURBO)	M BODY = (B - GRAN FURY)(G - DIPLOMAT)(F - FIFTH AVENUE/NEWPORT)
G BODY = (V24 - DAYTONA, PACIFICA & SHELBY)	P BODY = (P - SUNDANCE)(D - SHADOW)
H BODY = (D44 - LANCER)(C44 - LEBARON GTS)	Q BODY = (C27 - MASERATI)
J BODY = (C - LEBARON)	S BODY = (H - VOYAGER)(K - RAM VAN/ CARAVAN)
K BODY = (P - RELIANT)(D - ARIES)(C - LEBARON/ TOWN & COUNTRY)	

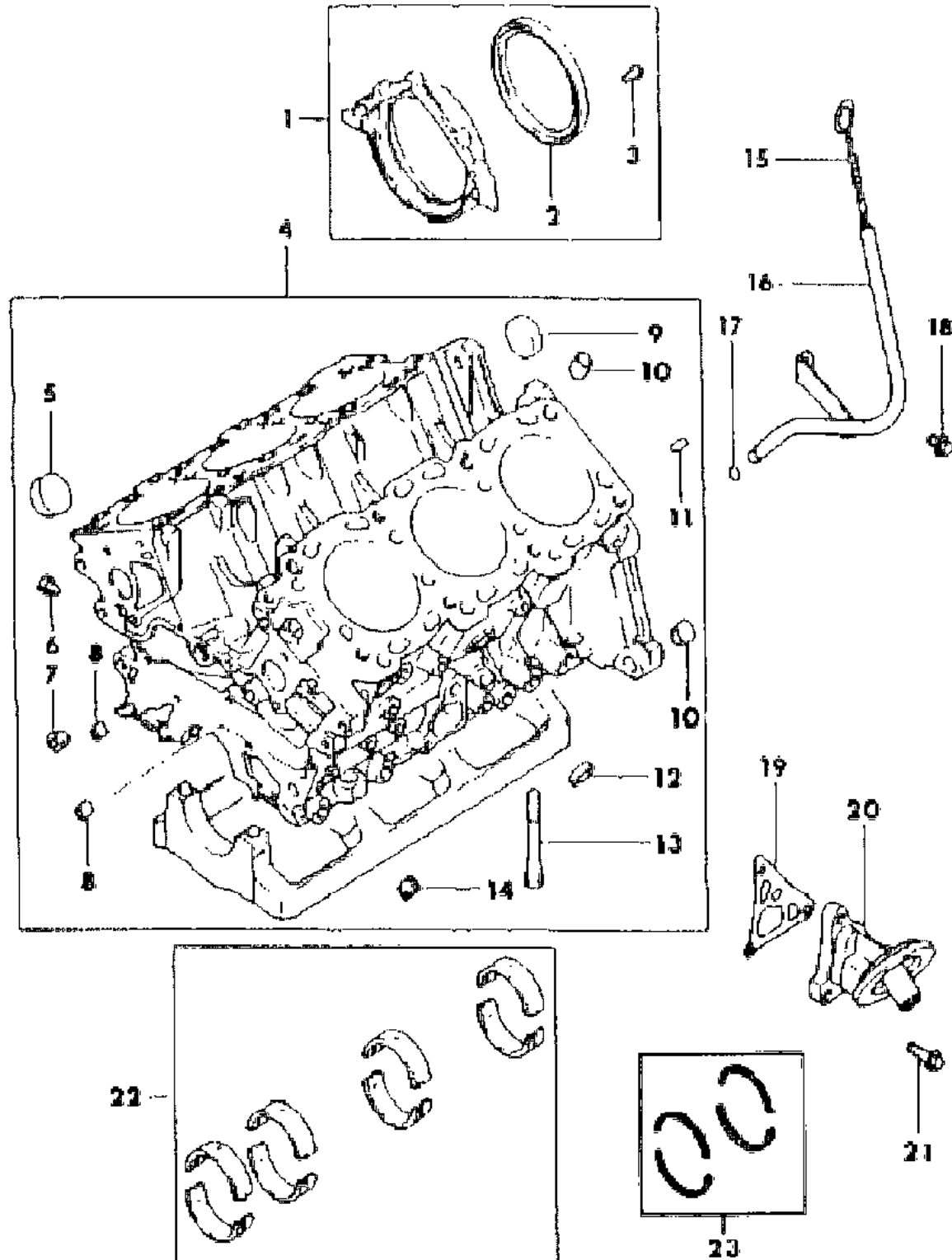
BODY STYLES

12-52 = FWD VAN & WAGON STD. W.B.	27 = 2-DOOR CONVERTIBLE
13-53 = FWD VAN & WGN EXT W.B.	41 = 4-DOOR SEDAN
21 = 2-DOOR SEDAN	44 = 4-DOOR HATCHBACK
24 = 2-DOOR HATCHBACK	45 = 4-DOOR STATION WAGON

AR = Use as Required - = Non Illustrated Part P.A.R. = Paint as Required

CYLINDER BLOCK 3.0 L ENGINE
Figure 9B-300

8156 300



ITEM	PART NUMBER	QTY	BODY	MODEL	DESCRIPTION
1	MD09 6866	1			CASE ASSEMBLY, Oil Seal
2	MD10 1915	1			OIL SEAL
3	MF14 0207	3			BOLT, Flange (6x20)
4	MD11 4563	1			BLOCK ASSEMBLY, Cylinder
5	MD09 6863	1			CAP, Sealing (41)
6	MD01 4929	2			PLUG, Taper (PT-1/8) Up to 9/87
	MD00 0269	2			(PT-1/4) After 9/87
7	MD04 0338	2			PLUG, Taper
8	MS47 1104	2			BUSHING, Knock (8x9)
9	MF66 5541	2			CAP, Sealing (35)
10	MS47 1111	2			BUSHING, Knock (12x13)
	MS47 1112	4			(12x16)
11	MF47 2403	2			PIN, Dowel (6)
12	MF66 5538	5			CAP, Sealing (25)
13	MD08 8723	8			BOLT, Bearing Cap
14	MS66 1142	1			PLUG, Taper (PT-3/8)
15	MD10 3163	1			ROD, Oil Level Gauge
16	MD10 3164	1			GUIDE, Oil Level Gauge
17	MF52 0004	1			O-RING, (9)
18	MF14 0021	1			BOLT, Flange (8x12)
19	MD10 5690	1			GASKET, Oil Filter Bracket
20	MD10 1814	1			BRACKET, Oil Filter
21	MF14 0027	3			BOLT, Flange (8x25)
22	MD10 5269	1			BEARING SET, Crankshaft (Std.)
	MD10 5270	1			0.25 MM U/S
	MD10 5271	1			0.50 MM U/S
	MD10 5272	1			0.75 MM U/S
23	MD11 6890	1			BEARING SET, Crankshaft Thrust

MODEL CODES

C BODY = (D41 - DYNASTY)(C41 - NEW YORKER)	L BODY = (M - HORIZON)(Z-OMNI)
E BODY = (J - CARAVELLE)(E - 600)(T - NEW YORKER TURBO)	M BODY = (B - GRAN FURY)(G - DIPLOMAT)(F - FIFTH AVENUE/NEWPORT)
G BODY = (V24 - DAYTONA, PACIFICA & SHELBY)	P BODY = (P - SUNDANCE)(D - SHADOW)
H BODY = (D44 - LANCER)(C44 - LEBARON GTS)	Q BODY = (C27 - MASERATI)
J BODY = (C - LEBARON)	S BODY = (H - VOYAGER)(K - RAM VAN/ CARAVAN)
K BODY = (P - RELIANT)(D - ARIES)(C - LEBARON/ TOWN & COUNTRY)	

BODY STYLES

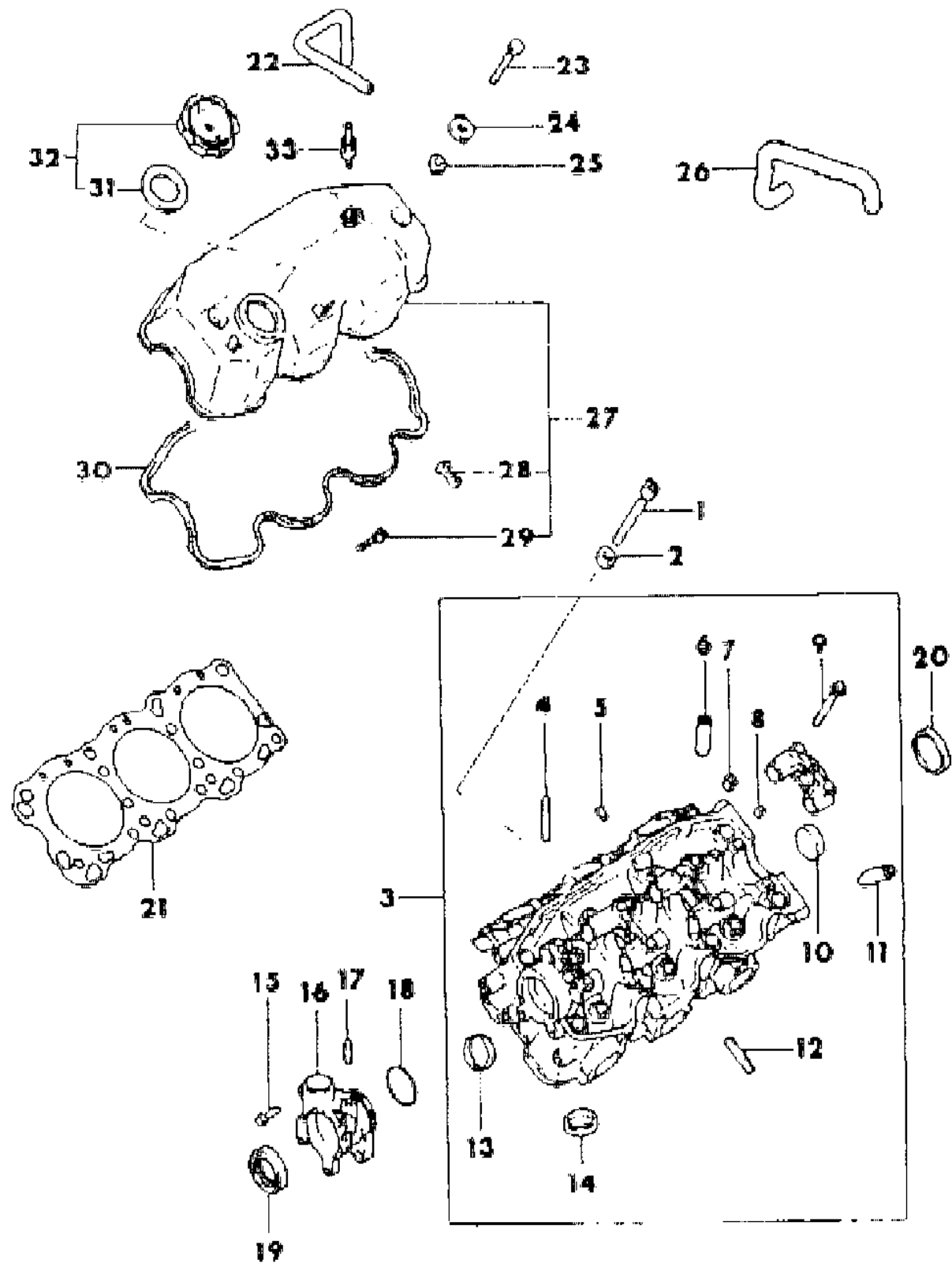
12-52 = FWD VAN & WAGON STD. W.B.	27 = 2-DOOR CONVERTIBLE
13-53 = FWD VAN & WGN EXT W.B.	41 = 4-DOOR SEDAN
21 = 2-DOOR SEDAN	44 = 4-DOOR HATCHBACK
24 = 2-DOOR HATCHBACK	45 = 4-DOOR STATION WAGON

AR = Use as Required - = Non Illustrated Part P.A.R. = Paint as Required

CYLINDER HEAD 3.0 L ENGINE

Figure 9B-400

8156 400



ITEM	PART NUMBER	QTY	BODY	MODEL	DESCRIPTION
1	MD06 5959	16			BOLT, Cylinder Head
2	MD02 0733	16			WASHER, Cylinder Head Bolt
3	MD18 2211	2			HEAD ASSEMBLY, Cylinder
NOTE: WHEN REPLACING A CYL HEAD ASSY WITH MD1822111987-90, ORDER 1 BOLT MF103961 and 1 BOLT MF103966 APPLICATION 1991 and FORWARD HAS CORRECT BOLTS. Addition as described in the Chrysler Repair Manual.					
4	MD10 8395	8			STUD (8x38)
5	MD10 4627	2			PLUG, Taper (1/16)
6	MD00 0461	6			GUIDE, Valve Inlet (0.05 MM O/S)
	MD00 0462	6			(0.25 MM O/S)
	MD00 0463	6			(0.50 MM O/S)
7	MD02 2295	2			PLUG, Taper (1/4)
8	MD00 9347	16			BUSHING, Knock (8)
9	MD02 0566	16			BOLT, Flange
10	MF66 5541	2			PLUG, Expansion
11	MD00 0471	6			GUIDE, Valve Exhaust (0.05 MM O/S)
	MD00 0472	6			(0.25 MM O/S)
	MD00 0473	6			(0.50 MM O/S)
12	MD10 8396	12			STUD (8x30)
13	MD11 0451	6			SEAT, Valve Exhaust (0.30 MM O/S)
	MD11 0452	6			(0.60 MM O/S)
14	MD02 4414	6			SEAT, Valve Inlet (0.30 MM O/S)
	MD02 4415	6			(0.60 MM O/S)
15	MF14 0027	3			BOLT, Flange (8x25)
16	MD09 6907	1			ADAPTER ASSEMBLY, Distributor
17	MS40 1327	1			STUD (8x25)
18	MD09 6909	1			O-RING
19	MD00 8762	2			OIL SEAL
20	MD18 0183	2			PLUG, Cam End
21	MD11 1805	2			GASKET, Cylinder Head
22	MD10 7714	1			HOSE, PCV
23	MF10 3961	4			BOLT (8x35)
	MF10 3966	4			(8x55)
24	MD08 5089	4			WASHER
25	MD00 0523	4			OIL SEAL
26	MD10 7713	1			HOSE, Breather
27	MD10 3695	1			COVER ASSEMBLY, Rocker (Front) Includes Item 28,29
	MD10 3693	1			(Rear) Includes Item 28 Only)

MODEL CODES

C BODY = (D41 - DYNASTY)(C41 - NEW YORKER)
 E BODY = (J - CARAVELLE)(E - 600)(T - NEW YORKER TURBO)
 G BODY = (V24 - DAYTONA, PACIFICA & SHELBY)
 H BODY = (D44 - LANCER)(C44 - LEBARON GTS)
 J BODY = (C - LEBARON)
 K BODY = (P - RELIANT)(D - ARIES)(C - LEBARON/ TOWN & COUNTRY)

L BODY = (M - HORIZON)(Z-OMNI)
 M BODY = (B - GRAN FURY)(G - DIPLOMAT)(F - FIFTH AVENUE/NEWPORT)
 P BODY = (P - SUNDANCE)(D - SHADOW)
 Q BODY = (C27 - MASERATI)
 S BODY = (H - VOYAGER)(K - RAM VAN/ CARAVAN)

BODY STYLES

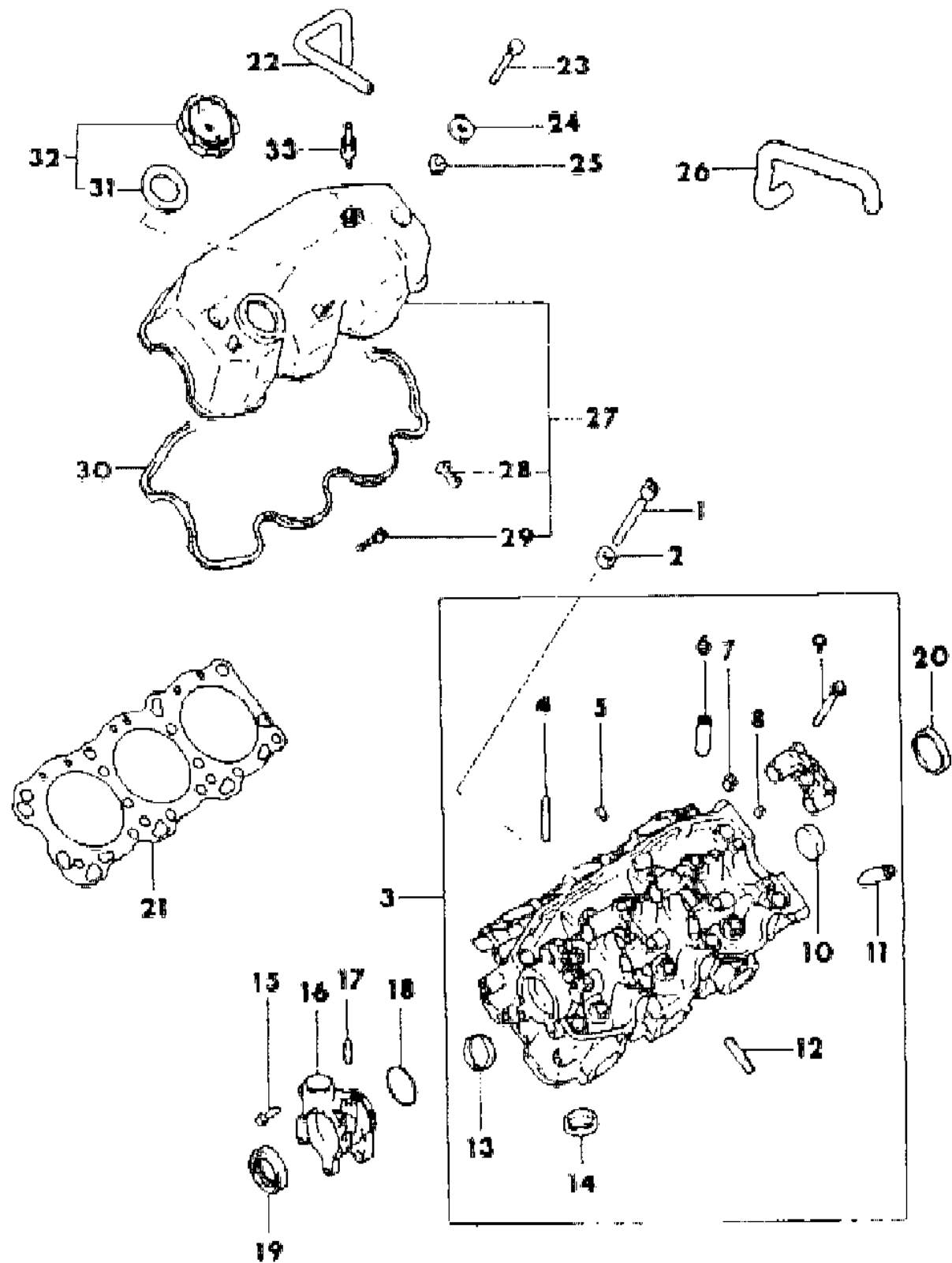
12-52 = FWD VAN & WAGON STD. W.B. 27 = 2-DOOR CONVERTIBLE
 13-53 = FWD VAN & WGN EXT W.B. 41 = 4-DOOR SEDAN
 21 = 2-DOOR SEDAN 44 = 4-DOOR HATCHBACK
 24 = 2-DOOR HATCHBACK 45 = 4-DOOR STATION WAGON

AR = Use as Required - = Non Illustrated Part P.A.R. = Paint as Required

CYLINDER HEAD 3.0 L ENGINE

Figure 9B-400

8156 400



ITEM	PART NUMBER	QTY	BODY	MODEL	DESCRIPTION
28	MD09 7072	1			CLAMP, Cable
29	MD01 7652	2			CLAMP, Cable
30	MD08 8779	2			GASKET, Rocker Cover Up to 12/87
	MD13 3671	2			After 12/87
31	MD10 3148	1			PACKING
32	MD00 8784	1			CAP, Oil Filler
33	MD10 2195	1			VALVE, PCV

MODEL CODES

C BODY = (D41 - DYNASTY)(C41 - NEW YORKER)
 E BODY = (J - CARAVELLE)(E - 600)(T - NEW YORKER TURBO)
 G BODY = (V24 - DAYTONA, PACIFICA & SHELBY)
 H BODY = (D44 - LANCER)(C44 - LEBARON GTS)
 J BODY = (C - LEBARON)
 K BODY = (P - RELIANT)(D - ARIES)(C - LEBARON/ TOWN & COUNTRY)
 L BODY = (M - HORIZON)(Z-OMNI)
 M BODY = (B - GRAN FURY)(G - DIPLOMAT)(F - FIFTH AVENUE/NEWPORT)
 P BODY = (P - SUNDANCE)(D - SHADOW)
 Q BODY = (C27 - MASERATI)
 S BODY = (H - VOYAGER)(K - RAM VAN/ CARAVAN)

BODY STYLES

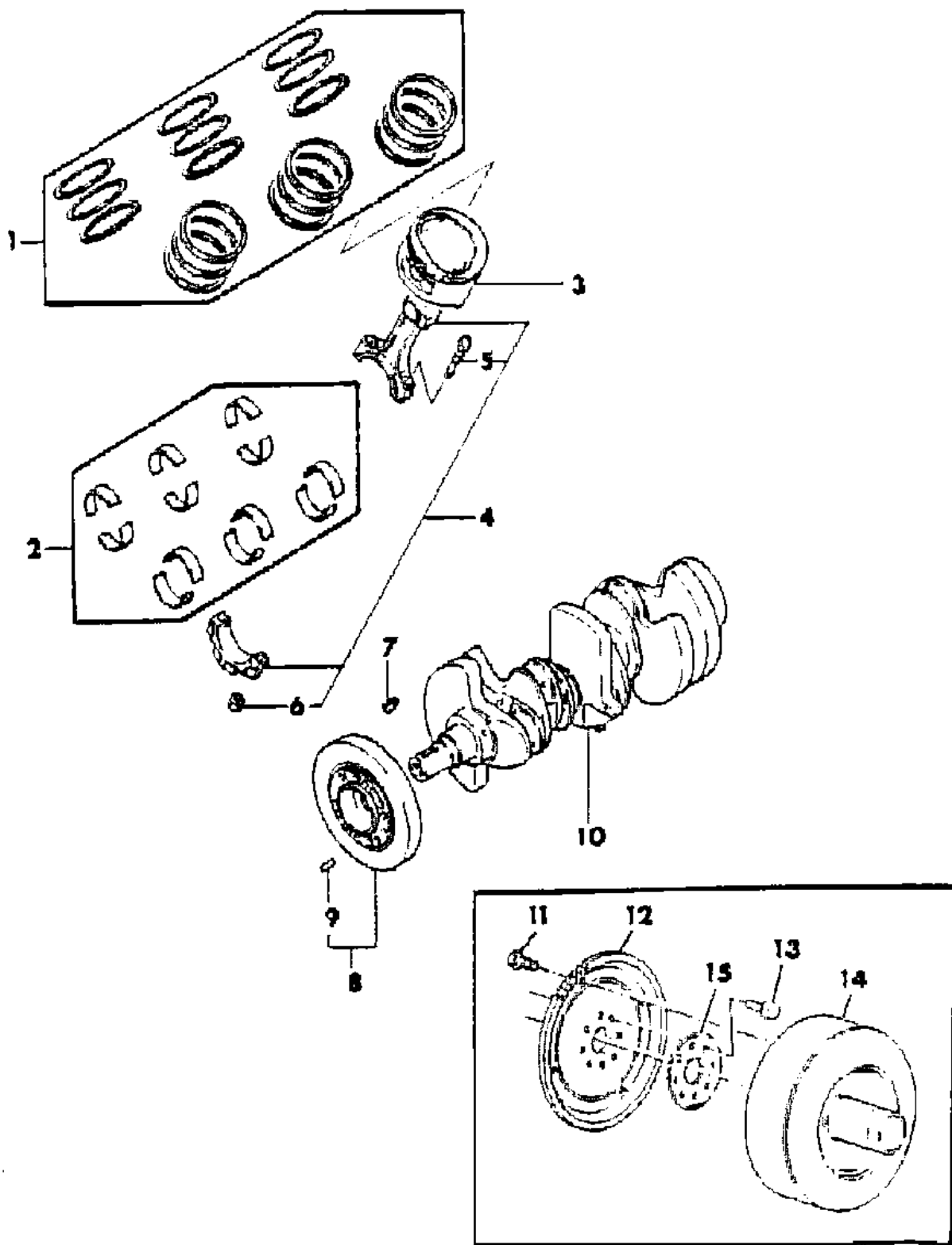
12-52 = FWD VAN & WAGON STD. W.B. 27 = 2-DOOR CONVERTIBLE
 13-53 = FWD VAN & WGN EXT W.B. 41 = 4-DOOR SEDAN
 21 = 2-DOOR SEDAN 44 = 4-DOOR HATCHBACK
 24 = 2-DOOR HATCHBACK 45 = 4-DOOR STATION WAGON

AR = Use as Required - = Non Illustrated Part P.A.R. = Paint as Required

CRANKSHAFT, PISTONS AND TORQUE CONVERTER 3.0 L ENGINE

Figure 9B-500

8156 500 A



ITEM	PART NUMBER	QTY	BODY	MODEL	DESCRIPTION
1	MD10 4922	1			RING SET, Piston (Std.)
	MD10 4923	1			(0.25 MM O/S)
	MD10 4924	1			(0.50 MM O/S)
	MD10 4925	1			(0.75 MM O/S)
	MD10 4926	1			(1.00 MM O/S)
2	MD10 5277	1			BEARING SET, Connecting Rod (Std.)
3					PISTON, w/PIN, Right
	MD11 9671	3			(Std.)
	MD13 1251	3			(0.25 MM O/S)
	MD13 1252	3			(0.50 MM O/S)
	MD13 1253	3			(0.75 MM O/S)
	MD13 1254	3			(1.00 MM O/S)
					PISTON, w/PIN, Left
	MD15 2563	3			(Std.)
	MD15 2575	3			(0.25 MM O/S)
	MD15 2576	3			(0.50 MM O/S)
MD15 2577	3			(0.75 MM O/S)	
MD15 2578	3			(1.00 MM O/S)	
4	MD09 6043	6			ROD ASSEMBLY, Connecting
5	MD09 6144	12			BOLT, Connecting Rod
6	MD00 6704	12			NUT, Connecting Rod
7	MD00 8959	1			KEY, Camshaft (5x22)
8	MD09 6778	1			DAMPER ASSEMBLY, Torsional
9	MF47 2569	1			PIN, Spring (5x16)
10	MD10 5778	1			CRANKSHAFT, Up to 10/87
	MD12 9529	1			After 10/87
11	6501 099	4			BOLT, Drive Plate to T/Converter
12	4446 309	1			PLATE, T/Converter Drive
13	6501 193	8			BOLT, Drive Plate to Crankshaft
14	4471 964	1			TORQUE CONVERTER ASSEMBLY
-	4269 057	1			SEAL, Trans. Torque Converter Impeller Hub
15	4348 349	1			PLATE, Crankshaft Bolt Backing

MODEL CODES

C BODY = (D41 - DYNASTY)(C41 - NEW YORKER)
 E BODY = (J - CARAVELLE)(E - 600)(T - NEW YORKER TURBO)
 G BODY = (V24 - DAYTONA, PACIFICA & SHELBY)
 H BODY = (D44 - LANCER)(C44 - LEBARON GTS)
 J BODY = (C - LEBARON)
 K BODY = (P - RELIANT)(D - ARIES)(C - LEBARON/ TOWN & COUNTRY)

L BODY = (M - HORIZON)(Z-OMNI)
 M BODY = (B - GRAN FURY)(G - DIPLOMAT)(F - FIFTH AVENUE/NEWPORT)
 P BODY = (P - SUNDANCE)(D - SHADOW)
 Q BODY = (C27 - MASERATI)
 S BODY = (H - VOYAGER)(K - RAM VAN/ CARAVAN)

BODY STYLES

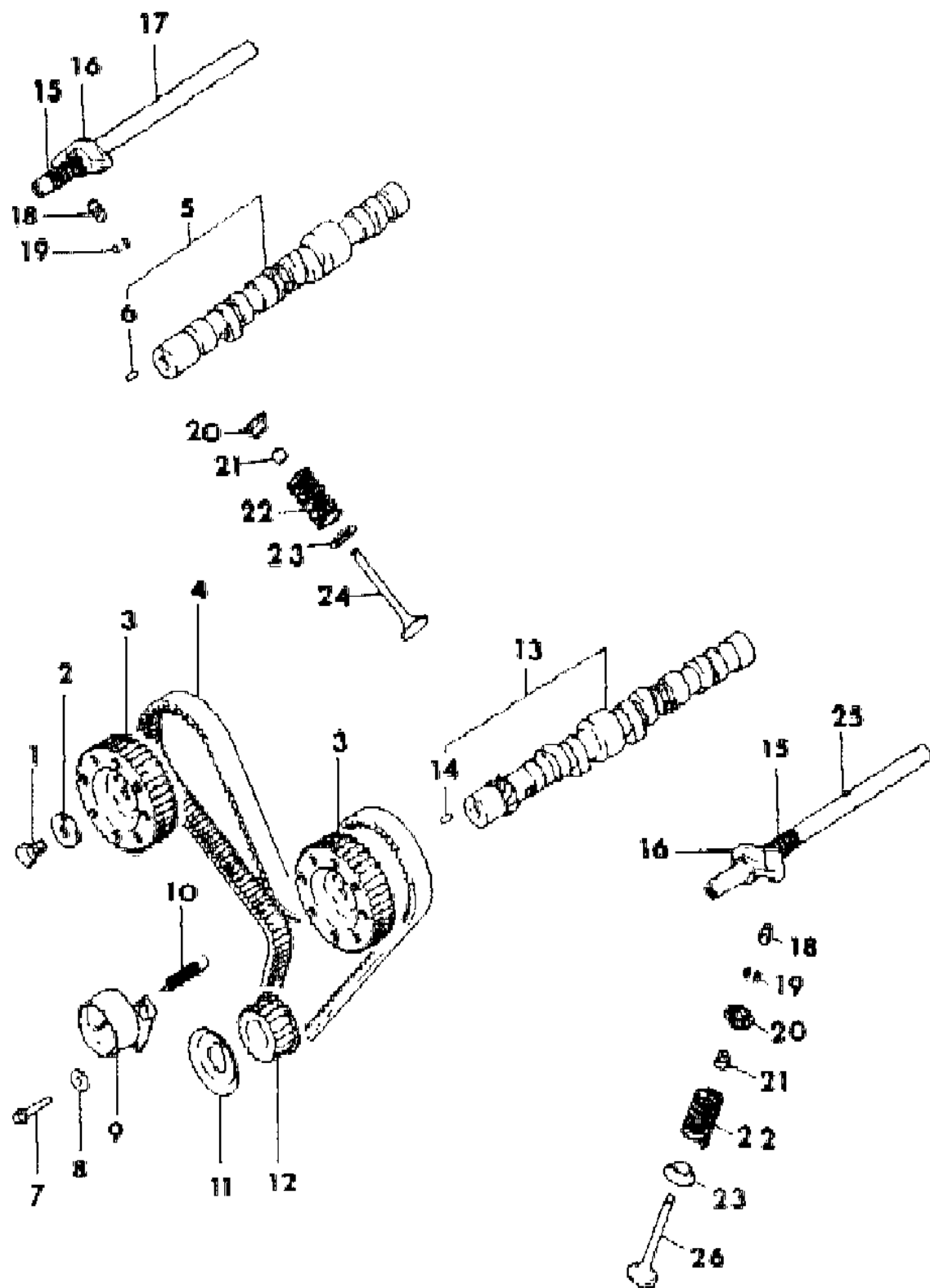
12-52 = FWD VAN & WAGON STD. W.B. 27 = 2-DOOR CONVERTIBLE
 13-53 = FWD VAN & WGN EXT W.B. 41 = 4-DOOR SEDAN
 21 = 2-DOOR SEDAN 44 = 4-DOOR HATCHBACK
 24 = 2-DOOR HATCHBACK 45 = 4-DOOR STATION WAGON

AR = Use as Required - = Non Illustrated Part P.A.R. = Paint as Required

CAMSHAFT & VALVES 3.0 L ENGINE

Figure 9B-600

8156 600



ITEM	PART NUMBER	QTY	BODY	MODEL	DESCRIPTION
1	MF14 0285	2			BOLT, Flange (12x30)
2	MD09 0578	2			WASHER, Camshaft Sprocket
3	MD10 4052	2			SPROCKET, Camshaft
4	MD10 0679	1			BELT, Timing
5	MD09 6765	1			CAMSHAFT ASSEMBLY, (B)- Rt.
6	MF47 2403	1			PIN, Dowel (6)
7	MF14 0234	1			BOLT, Flange (8x45)
8	MD00 1521	1			WASHER, (t=2)
9	MD10 4578	1			TENSIONER, Timing Belt
10	MD10 3082	1			SPRING, Tensioner
11	MD09 6940	1			FLANGE
12	MD10 0568	1			SPROCKET, Crankshaft
13	MD10 4374	1			CAMSHAFT ASSEMBLY, (A)- Lt.
14	MF47 2403	1			PIN, Dowel (6)
15	MD00 0962	12			SPRING, Rocker Shaft Rt. Up to 6/87
	MD12 5669	12			After 6/87
16	MD09 6946	12			ARM, Rocker (B)
17	MD09 6810	2			SHAFT, Intake Rocker Arm
18	MD09 3714	12			ADJUSTER, Lash
19	MD06 1895	24			LOCK, Valve Spring Retainer
20	MD06 6498	12			RETAINER, Valve Spring
21	MD00 0508	12			SEAL, Valve Stem
22	MD09 6942	12			SPRING, Valve
23	MD09 6944	12			SEAT, Valve Spring
24	MD08 8812	6			VALVE, Exhaust
25	MD09 6809	2			SHAFT, Exhaust Rocker Arm
26	MD08 8811	6			VALVE, Inlet

MODEL CODES

C BODY = (D41 - DYNASTY)(C41 - NEW YORKER)	L BODY = (M - HORIZON)(Z-OMNI)
E BODY = (J - CARAVELLE)(E - 600)(T - NEW YORKER TURBO)	M BODY = (B - GRAN FURY)(G - DIPLOMAT)(F - FIFTH AVENUE/NEWPORT)
G BODY = (V24 - DAYTONA, PACIFICA & SHELBY)	P BODY = (P - SUNDANCE)(D - SHADOW)
H BODY = (D44 - LANCER)(C44 - LEBARON GTS)	Q BODY = (C27 - MASERATI)
J BODY = (C - LEBARON)	S BODY = (H - VOYAGER)(K - RAM VAN/ CARAVAN)
K BODY = (P - RELIANT)(D - ARIES)(C - LEBARON/ TOWN & COUNTRY)	

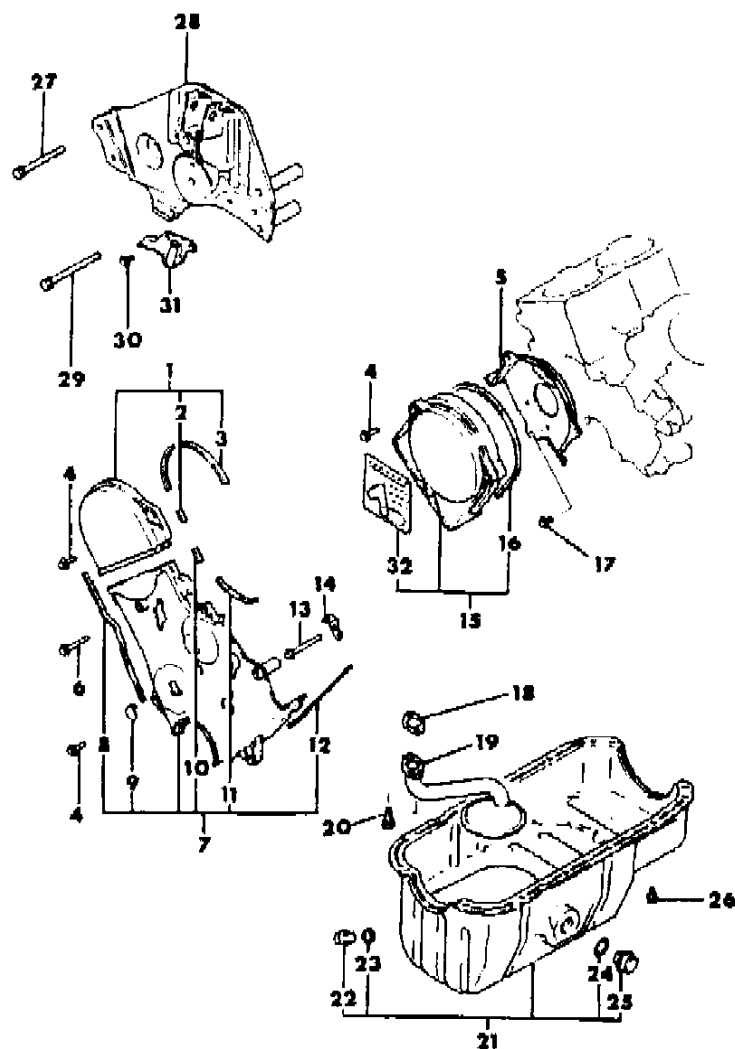
BODY STYLES

12-52 = FWD VAN & WAGON STD. W.B.	27 = 2-DOOR CONVERTIBLE
13-53 = FWD VAN & WGN EXT W.B.	41 = 4-DOOR SEDAN
21 = 2-DOOR SEDAN	44 = 4-DOOR HATCHBACK
24 = 2-DOOR HATCHBACK	45 = 4-DOOR STATION WAGON

AR = Use as Required - = Non Illustrated Part P.A.R. = Paint as Required

OIL PAN & TIMING BELT COVER 3.0 L ENGINE
Figure 9B-700

8158 700 A



ITEM	PART NUMBER	QTY	BODY	MODEL	DESCRIPTION
1	MD10 4025	1			COVER ASSEMBLY, Timing Belt Outer, Upper
2	MD10 4042	1			GASKET, Timing Belt Cover Lower
3	MD10 4043	1			GASKET, Timing Belt Cover Upper
4	MF14 0207	8			BOLT, Flange (6x20)
5	MD10 4161	1			COVER, Timing Belt Inner
6	MF14 0218	1			BOLT, Flange (6x55)
7	MD10 4024	1			COVER ASSEMBLY, Timing Belt Outer, Lower
8	MD10 4040	1			GASKET, Timing Belt Cover Lower
9	#MD00 6668	1			COVER, Access
10	MD10 4042	1			GASKET, Timing Belt Cover Lower
11	MD10 4041	1			GASKET, Timing Belt Cover Lower
12	MD10 4039	1			GASKET, Timing Belt Cover Lower
13	MF14 0219	1			BOLT, Flange (6x60)
14	MD10 7367	1			BRACKET, Harness Clip
15	MD10 4026	1			COVER ASSEMBLY, Timing Belt Outer, Upper
16	MD10 4044	1			GASKET, Timing Belt Cover Upper
17	MF14 0202	3			BOLT, Flange (6x10)
18	MD02 1577	1			GASKET, Oil Screen
19	MD10 9466	1			SCREEN, Oil
20	MS24 1071	2			BOLT, w/Washer, (8x20)
21	MD11 0686	1			PAN ASSEMBLY, Oil
	4449 005	1	S		SHIELD, Engine Oil Pan
22	MD05 0316	1			PLUG, Oil Drain
23	MD05 0317	1			GASKET, Oil Drain Plug (14)
24	MD11 0692	1			GASKET
25	MD10 3167	1			PLUG
26	MD09 7012	16			BOLT, Flange (6X10)
27	MF30 1358	1			BOLT, Washer Assembled (10X85)
28	MD11 1507	1			BRACKET, Engine Support
29	MF30 1360	3			BOLT, Washer Assembled (10X100)
30	MF14 0202	2			BOLT, Flange (6X10)
31	MD09 8809	1			BRACKET, Timing Indicator
32	MD12 9196	1			LABEL, Belt Routing

MODEL CODES

C BODY = (D41 - DYNASTY)(C41 - NEW YORKER)
 E BODY = (J - CARAVELLE)(E - 600)(T - NEW YORKER TURBO)
 G BODY = (V24 - DAYTONA, PACIFICA & SHELBY)
 H BODY = (D44 - LANCER)(C44 - LEBARON GTS)
 J BODY = (C - LEBARON)
 K BODY = (P - RELIANT)(D - ARIES)(C - LEBARON/ TOWN & COUNTRY)
 L BODY = (M - HORIZON)(Z-OMNI)
 M BODY = (B - GRAN FURY)(G - DIPLOMAT)(F - FIFTH AVENUE/NEWPORT)
 P BODY = (P - SUNDANCE)(D - SHADOW)
 Q BODY = (C27 - MASERATI)
 S BODY = (H - VOYAGER)(K - RAM VAN/ CARAVAN)

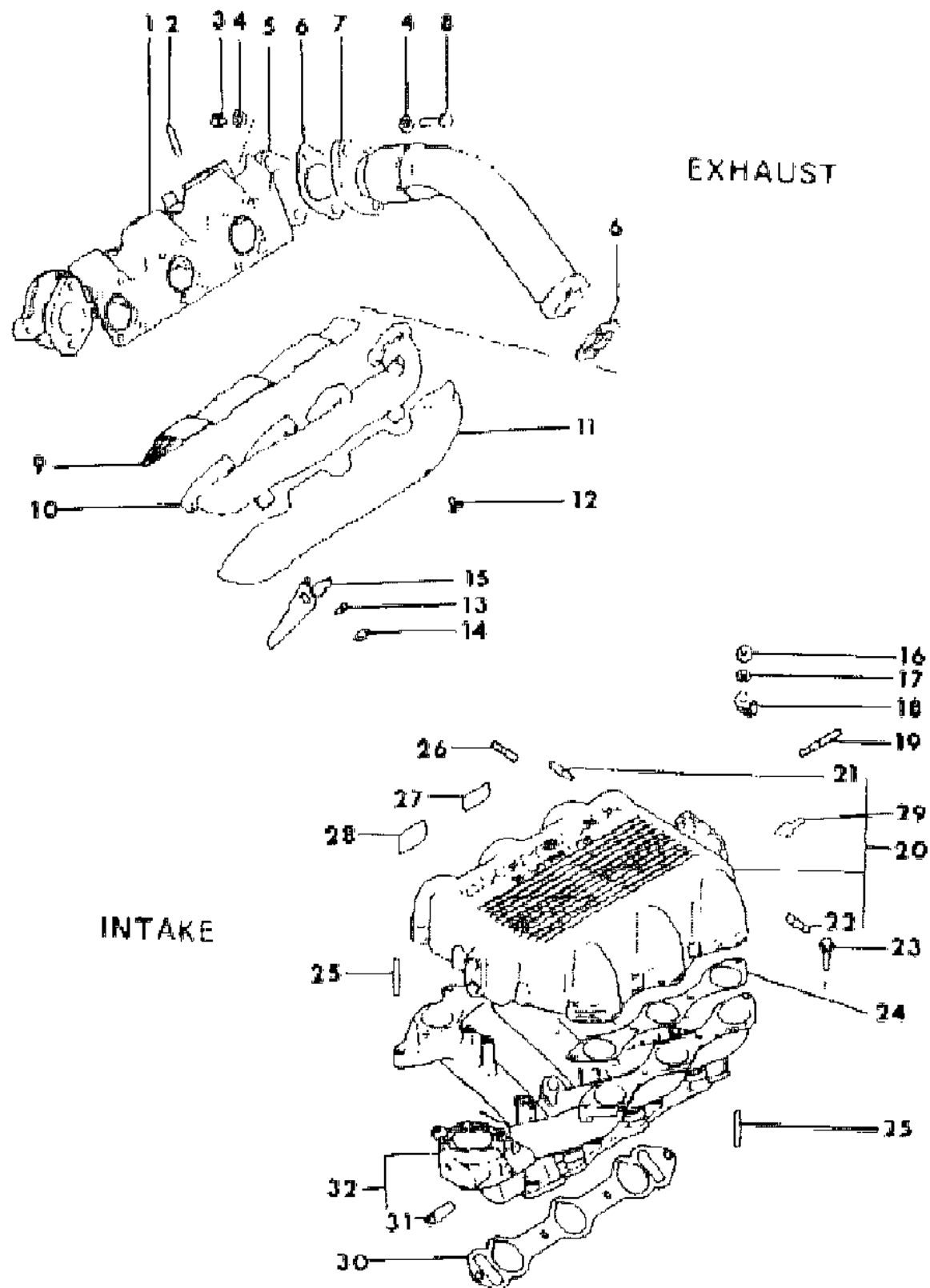
BODY STYLES

12-52 = FWD VAN & WAGON STD. W.B. 27 = 2-DOOR CONVERTIBLE
 13-53 = FWD VAN & WGN EXT W.B. 41 = 4-DOOR SEDAN
 21 = 2-DOOR SEDAN 44 = 4-DOOR HATCHBACK
 24 = 2-DOOR HATCHBACK 45 = 4-DOOR STATION WAGON

AR = Use as Required - = Non Illustrated Part P.A.R. = Paint as Required

MANIFOLD, INTAKE & EXHAUST 3.0 L ENGINE
Figure 9B-800

8156 800



ITEM	PART NUMBER	QTY	BODY	MODEL	DESCRIPTION
1	MD10 4623	1			GASKET, Exhaust Manifold Rt.
2	MD04 1256	2			STUD
3	MD05 0073	4			NUT, (10)
4	MD05 0076	8			WASHER, Plainn (10)
5	MD10 8775	1			MANIFOLD, Exhaust (B) Rt.
6	MD08 8836	2			GASKET, Exhaust Cross Over Pipe
7	MD10 3885	1			PIPE, Exhaust, Cross Over
8	MD00 0478	4			BOLT
9	MD10 4624	1			GASKET, Exhaust Manifold Lt.
10	MD09 6958	1			MANIFOLD, Exhaust (A) Lt.
11	MD10 7717	1			PROTECTOR, Heat (A) Lt.
12	MD06 7956	3			BOLT, Flange
13	MD04 1192	7			WASHER, Plain (8)
14	MD00 0569	12			NUT, (8)
15	MD10 8316	2			HANGER, Engine
16	MF43 0035	10			NUT, (8)
17	MF45 0435	10			WASHER, Spring (8)
18	MD10 8000	1			BRACKET
19	MS40 1437	2			STUD, (8X55)
20	MD10 7978	1			PLENUM, Air Intake
21	MD10 7333	1			NIPPLE
22	MD10 7332	1			NIPPLE
23	MF14 0141	6			BOLT, Flange (8X35)
24	MD09 4128	2			GASKET, Inlet Air Plenum
25	MS40 1331	2			STUD, (8X35)
26	MS40 1425	2			STUD, (8X20)
27		1			LABEL, Engine Build Date (Not Serviced)
28	MD12 0524	1			LABEL, Engine Part Number
29	4026 117	1	S		CONNECTOR, Vac Control (3/8)
	4026 117	1	C		w/BGA P/Disc. Brakes Front/Drum Rear
	4307 879	1	C		w/BGF 4 Wheel P/Disc. Brakes w/Anti-Lock
	4300 269	1			CONNECTOR, Manifold Control 3 Way
30	MD10 4722	2			GASKET, Inlet Manifold
31	MD08 8822	1			NIPPLE, Hose
32	MD11 5744	1			MANIFOLD, Inlet

MODEL CODES

C BODY = (D41 - DYNASTY)(C41 - NEW YORKER)
 E BODY = (J - CARAVELLE)(E - 600)(T - NEW YORKER TURBO)
 G BODY = (V24 - DAYTONA, PACIFICA & SHELBY)
 H BODY = (D44 - LANCER)(C44 - LEBARON GTS)
 J BODY = (C - LEBARON)
 K BODY = (P - RELIANT)(D - ARIES)(C - LEBARON/ TOWN & COUNTRY)

L BODY = (M - HORIZON)(Z-OMNI)
 M BODY = (B - GRAN FURY)(G - DIPLOMAT)(F - FIFTH AVENUE/NEWPORT)
 P BODY = (P - SUNDANCE)(D - SHADOW)
 Q BODY = (C27 - MASERATI)
 S BODY = (H - VOYAGER)(K - RAM VAN/ CARAVAN)

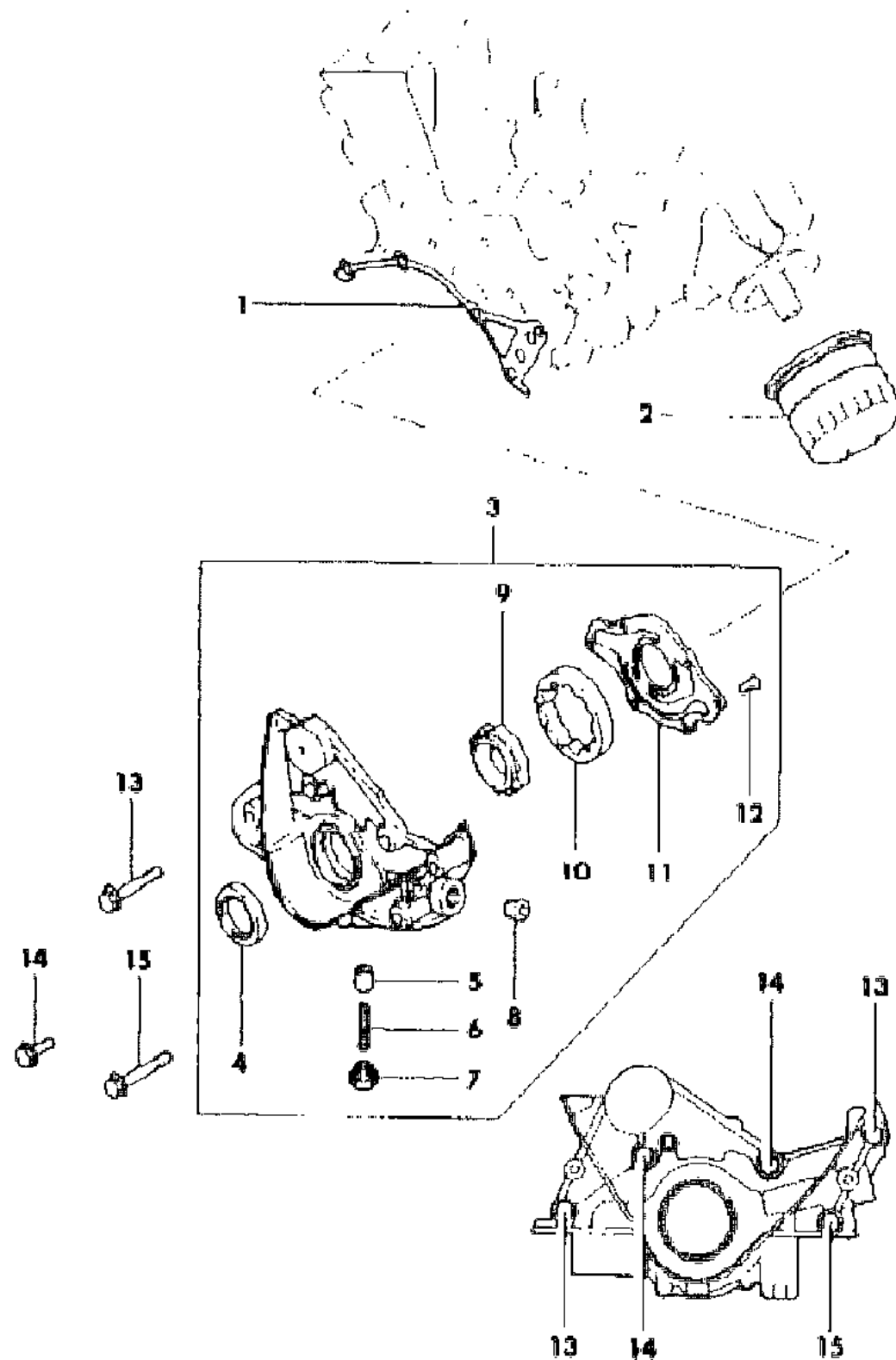
BODY STYLES

12-52 = FWD VAN & WAGON STD. W.B. 27 = 2-DOOR CONVERTIBLE
 13-53 = FWD VAN & WGN EXT W.B. 41 = 4-DOOR SEDAN
 21 = 2-DOOR SEDAN 44 = 4-DOOR HATCHBACK
 24 = 2-DOOR HATCHBACK 45 = 4-DOOR STATION WAGON

AR = Use as Required - = Non Illustrated Part P.A.R. = Paint as Required

OIL PUMP & OIL FILTER 3.0 L ENGINE
Figure 9B-900

8156 900



ITEM	PART NUMBER	QTY	BODY	MODEL	DESCRIPTION
1	MD09 7002	1			GASKET, Oil Pump Case
2	4105 409	1			FILTER, Oil
3	MD10 3718	1			CASE ASSEMBLY, Oil Pump Up to 5/88
	MD13 3667	1			After 5/88
4	MD08 8855	1			OIL SEAL
5	MD02 1563	1			PLUNGER, Relief Up to 5/88
	MD00 1402	1			After 5/88
6	MD01 5988	1			SPRING, Relief
7	MD02 1564	1			PLUG, Up to 5/88
	MD00 1404	1			After 5/88
8	MS66 1142	1			PLUG, Taper (PT-3/8)
9	MD08 8853	1			ROTOR, Oil Pump Inner
10	MD08 8854	1			ROTOR, Oil Pump Outer
11	MD09 7000	1			COVER, Oil Pump
12	MD12 2694	6			SCREW, Machine (6X12)
13	MF14 0036	2			BOLT, Flange (8X55)
14	MF14 0027	2			BOLT, Flange (8X25)
15	MF14 0037	1			BOLT, Flange (8X60)

MODEL CODES

C BODY = (D41 - DYNASTY)(C41 - NEW YORKER)	L BODY = (M - HORIZON)(Z-OMNI)
E BODY = (J - CARAVELLE)(E - 600)(T - NEW YORKER TURBO)	M BODY = (B - GRAN FURY)(G - DIPLOMAT)(F - FIFTH AVENUE/NEWPORT)
G BODY = (V24 - DAYTONA, PACIFICA & SHELBY)	P BODY = (P - SUNDANCE)(D - SHADOW)
H BODY = (D44 - LANCER)(C44 - LEBARON GTS)	Q BODY = (C27 - MASERATI)
J BODY = (C - LEBARON)	S BODY = (H - VOYAGER)(K - RAM VAN/ CARAVAN)
K BODY = (P - RELIANT)(D - ARIES)(C - LEBARON/ TOWN & COUNTRY)	

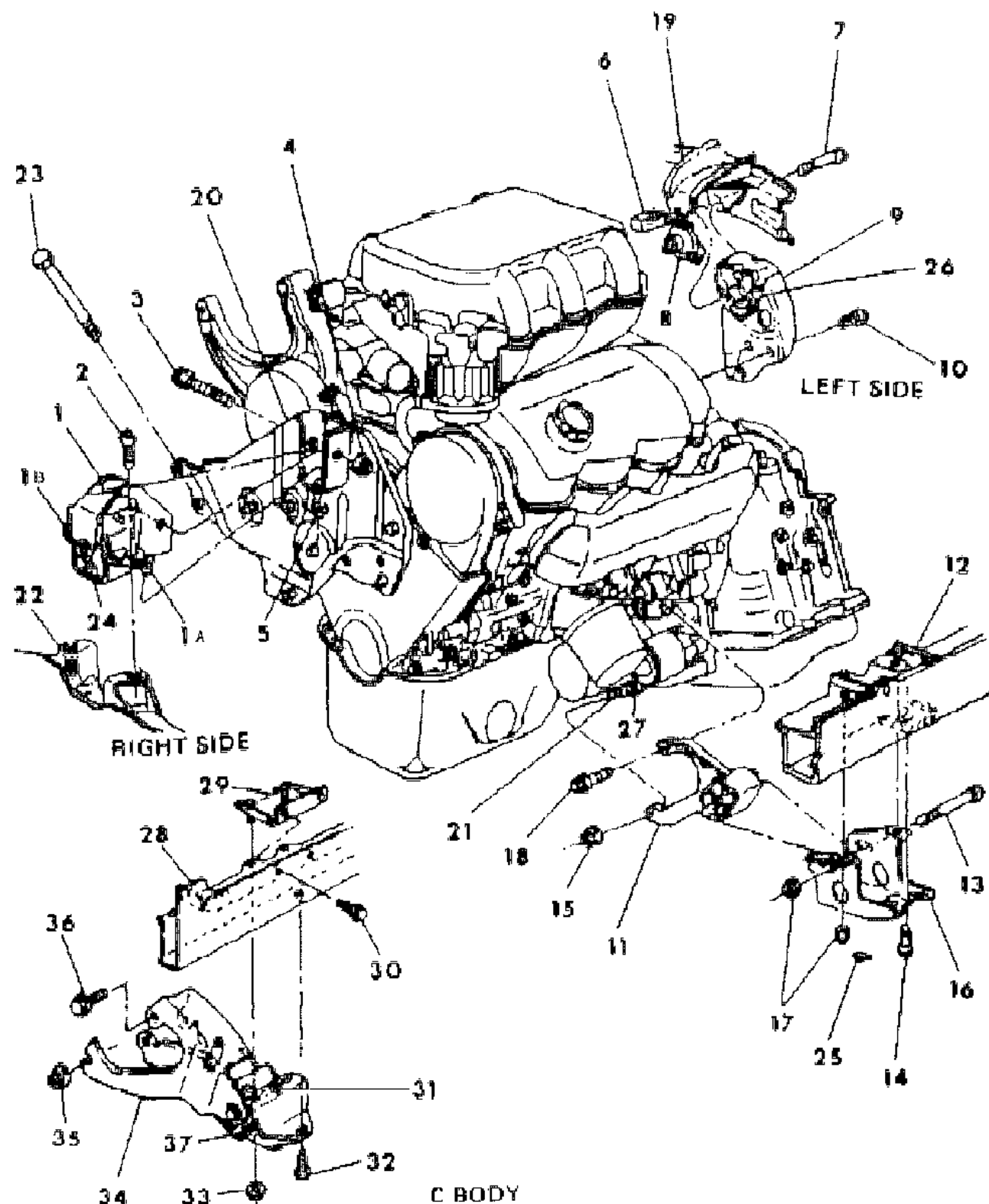
BODY STYLES

12-52 = FWD VAN & WAGON STD. W.B.	27 = 2-DOOR CONVERTIBLE
13-53 = FWD VAN & WGN EXT W.B.	41 = 4-DOOR SEDAN
21 = 2-DOOR SEDAN	44 = 4-DOOR HATCHBACK
24 = 2-DOOR HATCHBACK	45 = 4-DOOR STATION WAGON

AR = Use as Required - = Non Illustrated Part P.A.R. = Paint as Required

ENGINE MOUNTING 3.0 L ENGINE
Figure 9B-1000

8156 1000



ITEM	PART NUMBER	QTY	BODY	MODEL	DESCRIPTION
1	4295 265	1			BRACKET, Engine Support Insulator Rt.
1a	4295 274	1			STUD, Engine Support Insulator Bracket to Engine Mount Bracket Rt.
1b	6500 839	1			SCREW, w/Washer, Engine Support Bushing (M8x1.25x45)
2		2			SCREW, w/Washer, Bushing to Frame Bracket Rt. (Not Serviced)
3	6501 736	1			SCREW, w/Washer, Engine Support Insulator Bracket to Engine Mount Bracket Rt. or Lug Front
	6501 740	1			SCREW, w/Washer, Engine Support Insulator Bracket to Engine Lug Front
4	6501 738	1			NUT, Engine Support Insulator Bracket to Engine Mount Screw & Washer Rt.
	6101 465	1			
5	6501 737	1			NUT, Engine Support Insulator Bracket Stud to Engine Mount Bracket Rt.
6	4431 107	1	S		WEIGHT, Engine Mount Damper Lt.
	4471 924	1	C		
7	6500 840	1			SCREW, w/Washer, Engine Support Insulator to Frame Lt.
8	6500 833	1			U-NUT, Engine Support Insulator to Frame Screw & Washer Lt.
9	4295 255	1	C		SUPPORT, Engine Lt.
	4295 255	1	S		Lt. Up to 10-1-87
	4471 085	1	S		Lt. After 10-1-87
10	6500 495	3			SCREW, w/Washer, Engine Support Insulator Bracket to Trans. Case Lt.
11	4377 787	1	S		INSULATOR, Engine Support Front Up to 3/1/88
	4505 372	1	S		After 3/1/88
12		1	S		(See Group 13)
13	6501 751	1	S		SCREW, w/Washer, Engine Support Insulator to Frame Rt.
14		1	S		SCREW, w/Washer (M10X1.50X35) (Not Serviced)
15	6100 519	1	S		NUT, Engine Support Insulator Bracket to Trans. Case
16	4440 600	1	S		BRACKET, Front Side Rail Front Crossmember Engine Mount
17	6101 448	3	S		NUT, w/Washer
18	6501 740	2	S		SCREW, w/Washer, Engine Support Insulator Bracket to Trans. Case
19		1			(See Group 13)
20	MD11 1507	1			BRACKET, Engine Support Rt.
21	6501 514	1			STUD, Engine Support Insulator Bracket to Trans. Case
22		1			(See Group 13)

MODEL CODES

C BODY = (D41 - DYNASTY)(C41 - NEW YORKER)
 E BODY = (J - CARAVELLE)(E - 600)(T - NEW YORKER TURBO)
 G BODY = (V24 - DAYTONA, PACIFICA & SHELBY)
 H BODY = (D44 - LANCER)(C44 - LEBARON GTS)
 J BODY = (C - LEBARON)
 K BODY = (P - RELIANT)(D - ARIES)(C - LEBARON/ TOWN & COUNTRY)

L BODY = (M - HORIZON)(Z-OMNI)
 M BODY = (B - GRAN FURY)(G - DIPLOMAT)(F - FIFTH AVENUE/NEWPORT)
 P BODY = (P - SUNDANCE)(D - SHADOW)
 Q BODY = (C27 - MASERATI)
 S BODY = (H - VOYAGER)(K - RAM VAN/ CARAVAN)

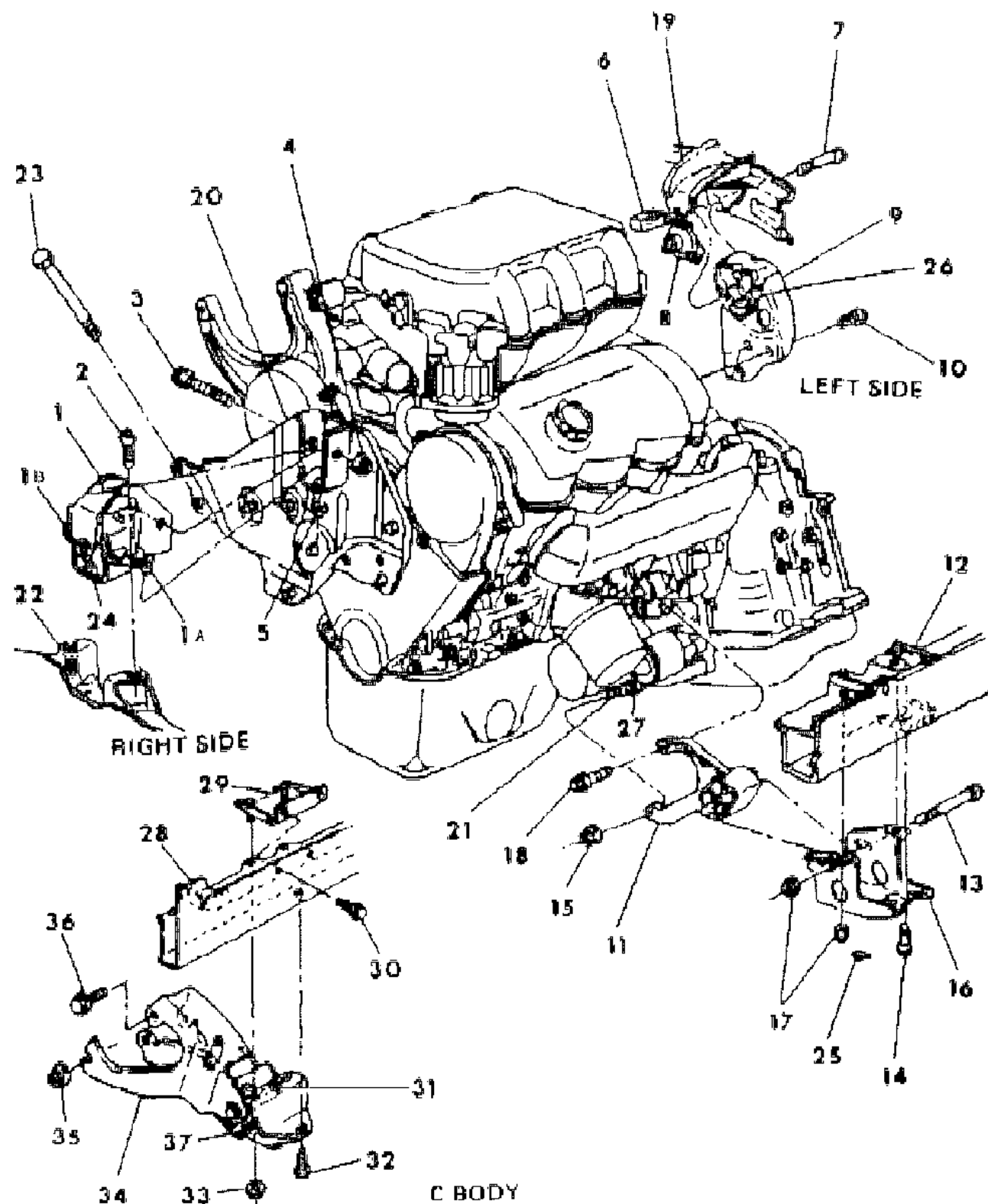
BODY STYLES

12-52 = FWD VAN & WAGON STD. W.B. 27 = 2-DOOR CONVERTIBLE
 13-53 = FWD VAN & WGN EXT W.B. 41 = 4-DOOR SEDAN
 21 = 2-DOOR SEDAN 44 = 4-DOOR HATCHBACK
 24 = 2-DOOR HATCHBACK 45 = 4-DOOR STATION WAGON

AR = Use as Required - = Non Illustrated Part P.A.R. = Paint as Required

ENGINE MOUNTING 3.0 L ENGINE
Figure 9B-1000

8156 1000



ITEM	PART NUMBER	QTY	BODY	MODEL	DESCRIPTION
23	MF30 1358	1			BOLT, w/Washer, Bracket Engine Support Rt. (10X85)
24	4505 411	1			BUSHING, Engine Support Insulator Rt.
25	4386 586	1	S		GUSSET, w/Nut, Front Crossmember Engine Mount Bracket
26	4471 048	1			BUSHING, Engine Support Insulator Lt. (serviced insupport.)
-	6101 332	1			SCREW, w/Washer, Engine Mount Plate to Cylinder Block w/o Air Cond. (M10X1.50-90 Lg.) Not Shown
27		1	C		STRUT, Trans. to Cylinder Block Front (See Group 21)
28		1	C		(See Group 13)
29	4386 588	1	C		RETAINER, Front Crossmember Plate Engine Mount Bracket
30		2	C		SCREW and WASHER, Crossmember Front Side Rail, Front to Plate Front Side Rail (Not Serviced)
31	4440 398	1	C		SUPPORT, Front Crossmember Engine Mount (w/Insulator w/o Bushing)
	4412 996	1	C		INSULATOR ASSY., Engine Support Insulator Front (w/Bushing and Support)
	4412 934	1	C		BUSHING, Engine Support Insulator Front
	4386 867	1	C		GUSSET, Front Crossmember Engine Mount Front
	6500 840	1	C		SCREW and WASHER, Engine Support Insulator to Frame Front
32		1	C		SCREW and WASHER, Engine Mount Front Bracket to Crossmember Front Side Rail Front (Not Serviced) M10x1.50x35
33	6101 448	2	C		NUT, Lock, Engine Mount Bracket to Plate Front Side Rail
34	4446 202	1	C		BRACKET, Engine Support Insulator- Front
35	6101 465	1	C		NUT, Screw and Washer- Rt.
36	6501 736	1	C		SCREW and WASHER, Engine Support Insulator Bracket to Trans. Front
37		1	C		(Serviced in Item 31)

MODEL CODES

C BODY = (D41 - DYNASTY)(C41 - NEW YORKER)	L BODY = (M - HORIZON)(Z-OMNI)
E BODY = (J - CARAVELLE)(E - 600)(T - NEW YORKER TURBO)	M BODY = (B - GRAN FURY)(G - DIPLOMAT)(F - FIFTH AVENUE/NEWPORT)
G BODY = (V24 - DAYTONA, PACIFICA & SHELBY)	P BODY = (P - SUNDANCE)(D - SHADOW)
H BODY = (D44 - LANCER)(C44 - LEBARON GTS)	Q BODY = (C27 - MASERATI)
J BODY = (C - LEBARON)	S BODY = (H - VOYAGER)(K - RAM VAN/ CARAVAN)
K BODY = (P - RELIANT)(D - ARIES)(C - LEBARON/ TOWN & COUNTRY)	

BODY STYLES

12-52 = FWD VAN & WAGON STD. W.B.	27 = 2-DOOR CONVERTIBLE
13-53 = FWD VAN & WGN EXT W.B.	41 = 4-DOOR SEDAN
21 = 2-DOOR SEDAN	44 = 4-DOOR HATCHBACK
24 = 2-DOOR HATCHBACK	45 = 4-DOOR STATION WAGON

AR = Use as Required - = Non Illustrated Part P.A.R. = Paint as Required

GROUP 9C - ENGINE, 8 CYLINDER

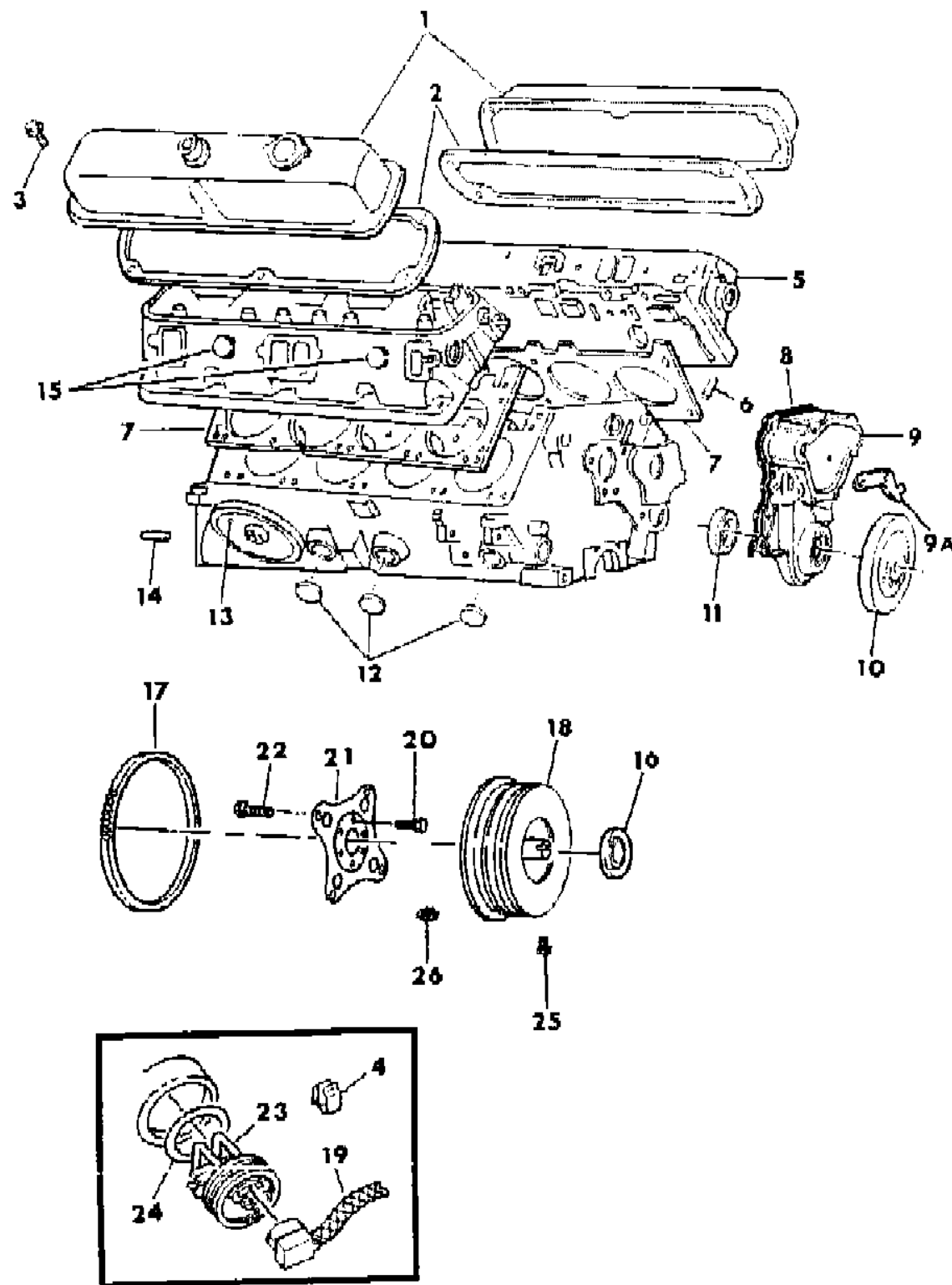
ILLUSTRATION TITLE	GROUP-FIG. NO.
5.2 L ENGINE	
EXTERNAL COMPONENTS 5.2 L ENGINE	Fig. 9C-100
CRANKSHAFT & PISTONS 5.2 L ENGINE	Fig. 9C-200
CAMSHAFT & VALVES 5.2 L ENGINE	Fig. 9C-300
OIL PAN, OIL PUMP & OIL FILTER 5.2 L ENGINE	Fig. 9C-400
ENGINE OIL COOLER 5.2 L ENGINE	Fig. 9C-500
MANIFOLD, INTAKE & EXHAUST 5.2 L ENGINE	Fig. 9C-600
CRANKCASE VENTILATION & OIL FILLER 5.2 L ENGINE	Fig. 9C-700
ENGINE MOUNTING 5.2 L ENGINE	Fig. 9C-800

ILLUSTRATION NOT AVAILABLE AT TIME OF PUBLICATION

EXTERNAL COMPONENTS 5.2 L ENGINE

Figure 9C-100

8109 100 A



ITEM	PART NUMBER	QTY	BODY	MODEL	DESCRIPTION
<p>NOTE: The following symbols are used in connection with engine numbers. Engine numbers without symbols indicate Standard Cylinders and Crankshaft Bearings. The Letter "A" immediately following the engine number indicates Bore .020" (.508 MM) larger than the engine identification number indicates Main and Connecting Rod Bearings .010" (.254 MM) smaller than Standard. rings. The Letter "A" immediately following the engine number indicates Bore .020" (.508 MM) larger than Standard. The Letter "B" immediately following the engine number indicates Bore .020" (.508 MM) larger than Standard. Main and Connecting Rod Bearings .010" (.254 MM) smaller than Standard. The Letters "AB" immediately following the engine identification number indicates Cylinder Bore .020" (.508 MM) larger than Standard. Main and Connecting Rod Bearings .010" (.254 MM) smaller than Standard. The Letters in the circular pads at either end of the engine numbers are for the use of factory inspectors only and should not be connected with the engine numbers. Always mention Serial Numbers when ordering major assemblies.</p> <p>NOTE 1: When a complete overhaul engine gasket set is required for 8 cylinder engine use Upper and Lower Engine Gasket Sets, Intake Manifold Gasket, Exhaust Manifold Gasket and Oil Pan Gaskets.</p> <p>NOTE 2: When a valve grinding gasket set is required for 8 cyl. eng. use Upper Engine Gasket Set, Intake Manifold Gasket and Exhaust Manifold Gasket. Exhaust Manifold Gasket and Oil Pan Gaskets.</p> <p>NOTE 3: All Parts listed are for 318 Engines Exhaust Manifold Gasket and Oil Pan Gaskets.</p>					
	4049 264	1			GASKET SET, Engine, Upper, w/318 Except ELE-318 4BBI Police Eng. Consists of: 2 - 4186348 Gasket. Cyl. Head 2 - 4273129 Gasket. Cyl. Head Cover 8 - 2205958 Shield. Valve Stem Oil, Exhaust 8 - 4071006 Shield. Valve Stem Oil, Exhaust 8 - 4095543 Seal, Valve Guide, Intake
	3837 644	1			2 - 3818115 Gasket, Exh. Pipe Flange GASKET SET, Engine, Lower w/318 Eng. Consists of: 1 - 2129012 Gasket, Chain Case Cover 1 - 50082 Gasket, Cyl. Water Outlet 2 - ----- Gasket, Oil Pan End 1 - 212903 Gasket, Water Pump Body 1 - 3577870 Gasket, Fuel Pump Flange 1 - 1326837 Gasket, Ignition Distributor 1 - 2899532 Seal, Chain Case Cover Oil 1 - 6027245 O-Ring, Ign. Dist. Housing 1 - 2875923 O-Ring, Ign. Dist. Housing
	4049 265	1			GASKET SET, Engine, Upper (w/ELE-318 4BLL. Police Eng.) Consists of: 2 - 4131141 Gasket, Cyl. Head 2 - 4095088 Gasket, Cyl. Head Cover

MODEL CODES

C BODY = (D41 - DYNASTY)(C41 - NEW YORKER)
 E BODY = (J - CARAVELLE)(E - 600)(T - NEW YORKER TURBO)
 G BODY = (V24 - DAYTONA, PACIFICA & SHELBY)
 H BODY = (D44 - LANCER)(C44 - LEBARON GTS)
 J BODY = (C - LEBARON)
 K BODY = (P - RELIANT)(D - ARIES)(C - LEBARON/ TOWN & COUNTRY)

L BODY = (M - HORIZON)(Z-OMNI)
 M BODY = (B - GRAN FURY)(G - DIPLOMAT)(F - FIFTH AVENUE/NEWPORT)
 P BODY = (P - SUNDANCE)(D - SHADOW)
 Q BODY = (C27 - MASERATI)
 S BODY = (H - VOYAGER)(K - RAM VAN/ CARAVAN)

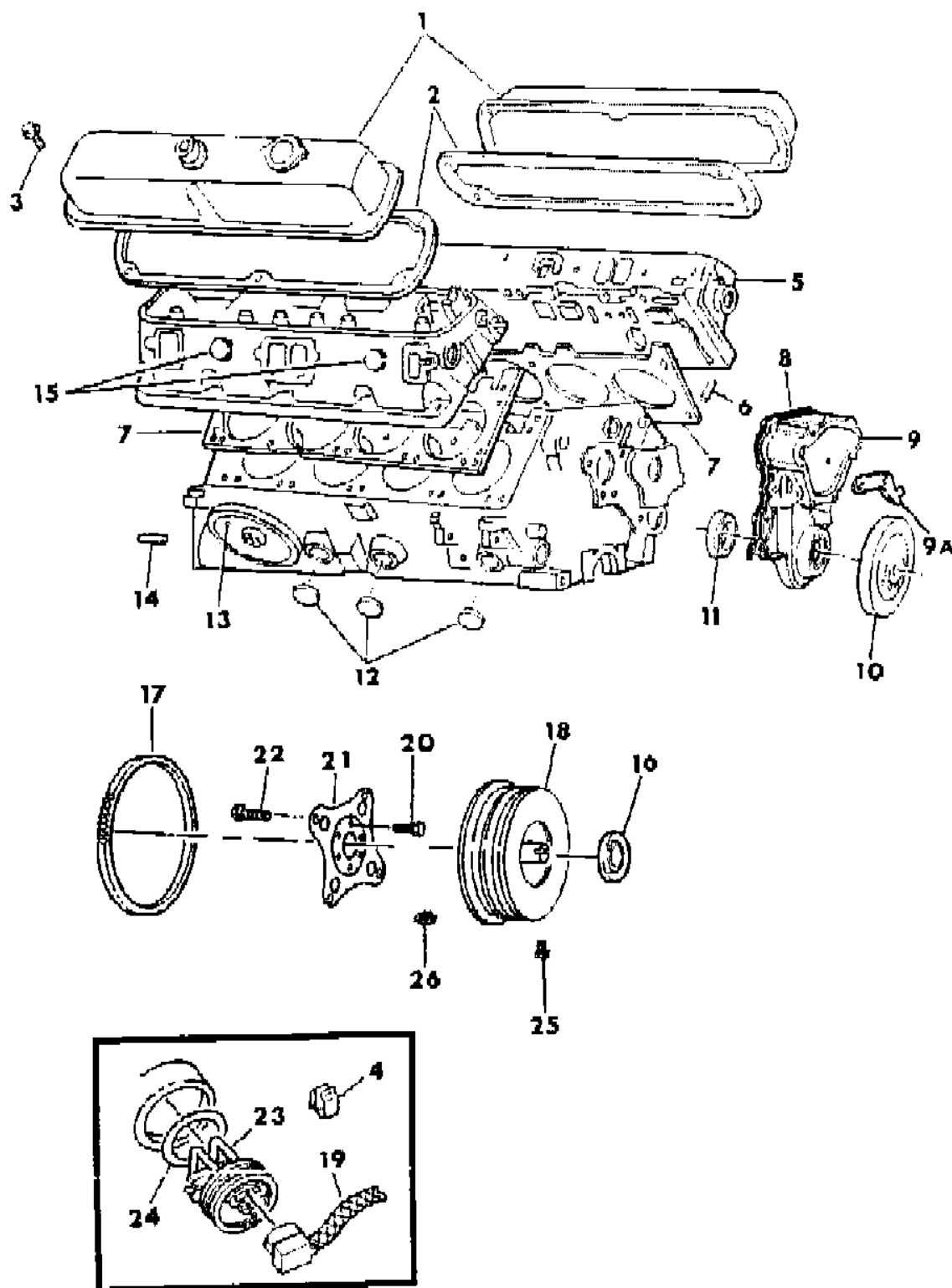
BODY STYLES

12-52 = FWD VAN & WAGON STD. W.B. 27 = 2-DOOR CONVERTIBLE
 13-53 = FWD VAN & WGN EXT W.B. 41 = 4-DOOR SEDAN
 21 = 2-DOOR SEDAN 44 = 4-DOOR HATCHBACK
 24 = 2-DOOR HATCHBACK 45 = 4-DOOR STATION WAGON

AR = Use as Required - = Non Illustrated Part P.A.R. = Paint as Required

EXTERNAL COMPONENTS 5.2 L ENGINE
Figure 9C-100

8109 100 A



ITEM	PART NUMBER	QTY	BODY	MODEL	DESCRIPTION
					1 - 3491023 Gasket, Cyl. Head Cover Oil Filler Pipe
					8 - 4095543 Seal, Valve Guide, Intake
					2 - 3818115 Gasket, Exh. Pipe Flange
					8 - 4071006 Shield, Valve Stem Oil, Exhaust
NOTE: Short Engine Assemblies consists of the Cylinder Block with Pistons and Rings, Crankshaft and Bearings, Connecting Rods and Bearings. Exhaust Manifold Gasket and Oil Pan Gaskets.					
	4448 330	1			ENGINE, Short (except ELE-4Bbl Police Engine)
	4448 960	1			w/ELE-4Bbl Police Engine
1	4448 622	1			COVER, Cylinder Head Right
	4041 016	1			Left
2	4273 129	2			GASKET, Cylinder Head Cover (except ELE-4Bbl Police Engine)
	4095 088	2			w/ELE-4Bbl Police Engine
3	#6031 688	10			SCREW and REINFORCEMENT, Cylinder Head Cover
4	6015 412	2			CLIP, Engine Block Heater Cord
5	4323 423	2			HEAD, Cylinder (except ELE-4Bbl Police Engine)
	4323 346	2			w/ELE-4Bbl Police Engine
	6031 045	10			BOLT, Cylinder Head (1/2 x 1-7/8")
	6031 101	8			(1/2 x 3-5/8")
	2463 260	2			(1/2 x 4-5/8")
6	0141 215	4			DOWEL, Cylinder Block to Head
7	4186 348	2			GASKET, Cylinder Head (except ELE-4Bbl Police Engine)
	4131 141	2			w/ELE-4Bbl Police Engine
8	2129 012	1			GASKET, Chain Case Cover
9	3769 964	1			COVER, Timing Chain Case
	0181 112	2			SCREW, Chain Case Cover (3/8 x 1")
	9420 892	1			(3/8 x 2-3/4")
9a	4095 625	1			INDICATOR, Timing
10	4173 443	1			DAMPER, Crankshaft Vibration
11	3830 109	1			SEAL, Crankshaft Front Oil
12	5203 342	9			PLUG, Cylinder Block Core Hole (1.635")
	4556 023	AR			(1.695")
	5203 341	1			(1.2585")
		2			PLUG, Cylinder Block Water Jacket Drain (1/4" NPT)(Not Serviced)
		1			PLUG, Cylinder Block Hole (1/2" NPT)(Not Serviced)
13	3462 871	1			PLUG, Cylinder Block Oil Line
	3751 818	2			PLUG, Cylinder Block Oil Hole

MODEL CODES

C BODY = (D41 - DYNASTY)(C41 - NEW YORKER)
 E BODY = (J - CARAVELLE)(E - 600)(T - NEW YORKER TURBO)
 G BODY = (V24 - DAYTONA, PACIFICA & SHELBY)
 H BODY = (D44 - LANCER)(C44 - LEBARON GTS)
 J BODY = (C - LEBARON)
 K BODY = (P - RELIANT)(D - ARIES)(C - LEBARON/ TOWN & COUNTRY)

L BODY = (M - HORIZON)(Z-OMNI)
 M BODY = (B - GRAN FURY)(G - DIPLOMAT)(F - FIFTH AVENUE/NEWPORT)
 P BODY = (P - SUNDANCE)(D - SHADOW)
 Q BODY = (C27 - MASERATI)
 S BODY = (H - VOYAGER)(K - RAM VAN/ CARAVAN)

BODY STYLES

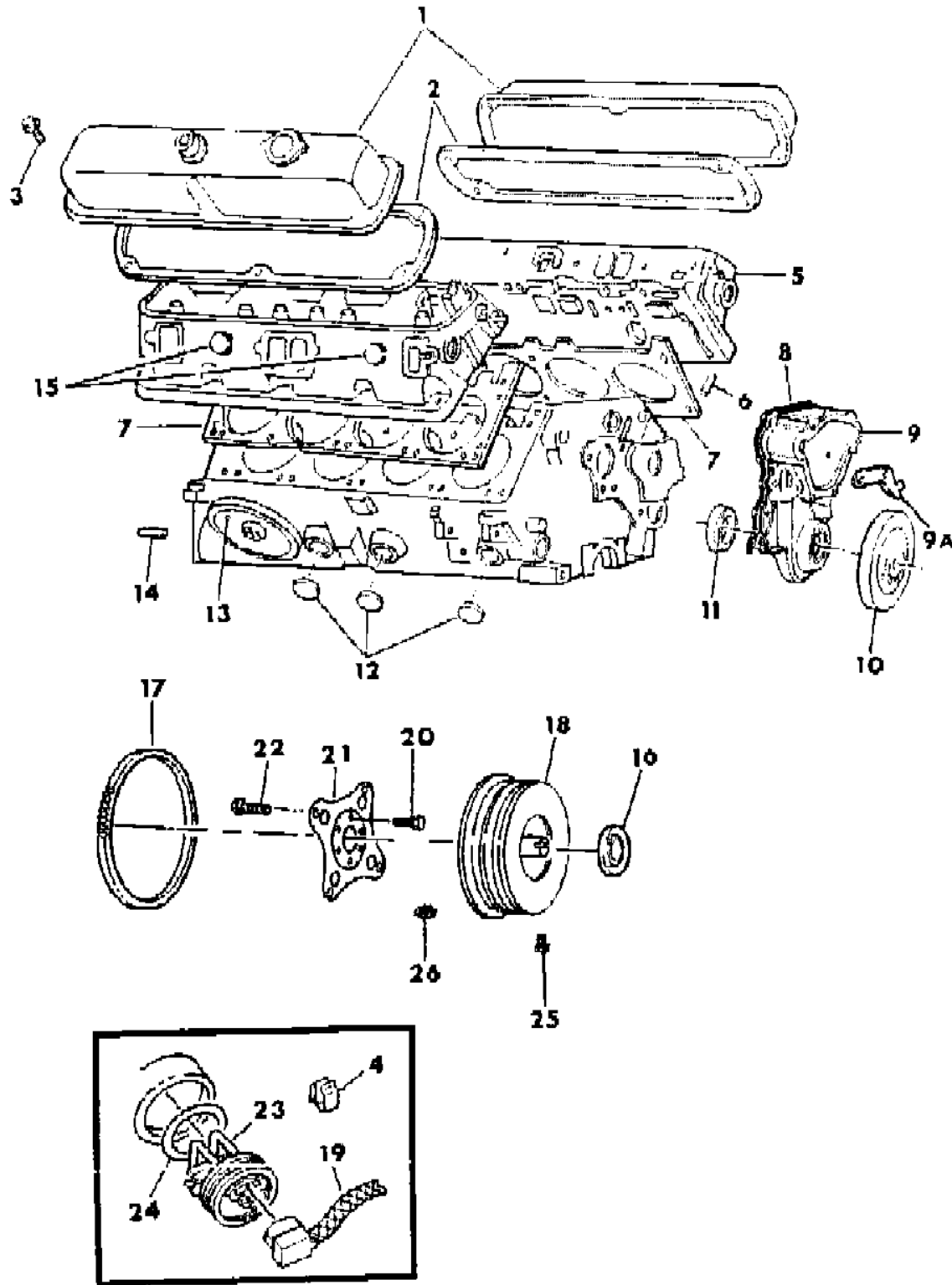
12-52 = FWD VAN & WAGON STD. W.B. 27 = 2-DOOR CONVERTIBLE
 13-53 = FWD VAN & WGN EXT W.B. 41 = 4-DOOR SEDAN
 21 = 2-DOOR SEDAN 44 = 4-DOOR HATCHBACK
 24 = 2-DOOR HATCHBACK 45 = 4-DOOR STATION WAGON

AR = Use as Required - = Non Illustrated Part P.A.R. = Paint as Required

EXTERNAL COMPONENTS 5.2 L ENGINE

Figure 9C-100

8109 100 A



ITEM	PART NUMBER	QTY	BODY	MODEL	DESCRIPTION
		4			PLUG, Cylinder Block Oil Hole (3/8" NPT)(Not Serviced)
14	1122 532	2			DOWEL, Cylinder Block to Transmission Housing
	1736 347	AR			.007" Offset
	1736 348	AR			.014" Offset
	1736 353	AR			.021" Offset
15	5203 341	4			PLUG, Cylinder Head Core Hole (1.2585")
16	3515 137	1			SEAL, Trans. Torque Converter Impeller Hub w/A727 Trans.
	4269 057	1			w/A904 Trans.
17	2121 196	1			GEAR, Starter Ring (11.250" I.D.) w/A999 Trans. (122 Teeth)
	3515 203	1			w/A727 Trans. (130 Teeth)
18		1			CONVERTER, Torque (See Note)
19	5206 359	1			CORD, Engine Block Heater
20	1949 424	6			SCREW, Drive Plate to Crankshaft
21	4058 429	1			PLATE, Torque Converter Drive
22	1949 765	4			SCREW, Drive Plate to Torque Converter
23	4443 903	1			HEATER PACKAGE, Engine Block
	4439 058	1			(Three Wire 600 Use)
24	6027 513	1			O-RING, Engine Block Heater
25	6023 092	1			SCREW, w/Washer, Torque Converter Drain
26	2808 673	1			ROLLER PACKAGE, Over-Running Clutch and Spring Torque Converter

Consists of:
12-Rollers
12-Springs

NOTE: To replace the original Production Torque Converter look on the front cover surface for a Decal which will indicate a Lockup or a Non-Lockup Torque Converter. The Trans. Input Shaft and the Torque Converter Hub has one less spline for the Lockup Lock units are not interchangeable. On the curved surface of the rear Torque Converter Cover will be stamped the last three digits of the production Part No. stamped (488) For service replacement use the following Cross Reference.

PRODUCTION	REMANUFACTURED
TORQUE CONVERTER	TORQUE CONVERTER
STAMPED	SERVICE
112 w/Lock Up- A999 Trans.	!4431113
139 w/Lock Up- A727 Trans.	!4431140

MODEL CODES

C BODY = (D41 - DYNASTY)(C41 - NEW YORKER)
E BODY = (J - CARAVELLE)(E - 600)(T - NEW YORKER TURBO)
G BODY = (V24 - DAYTONA, PACIFICA & SHELBY)
H BODY = (D44 - LANCER)(C44 - LEBARON GTS)
J BODY = (C - LEBARON)
K BODY = (P - RELIANT)(D - ARIES)(C - LEBARON/ TOWN & COUNTRY)

L BODY = (M - HORIZON)(Z-OMNI)
M BODY = (B - GRAN FURY)(G - DIPLOMAT)(F - FIFTH AVENUE/NEWPORT)
P BODY = (P - SUNDANCE)(D - SHADOW)
Q BODY = (C27 - MASERATI)
S BODY = (H - VOYAGER)(K - RAM VAN/ CARAVAN)

BODY STYLES

12-52 = FWD VAN & WAGON STD. W.B. 27 = 2-DOOR CONVERTIBLE
13-53 = FWD VAN & WGN EXT W.B. 41 = 4-DOOR SEDAN
21 = 2-DOOR SEDAN 44 = 4-DOOR HATCHBACK
24 = 2-DOOR HATCHBACK 45 = 4-DOOR STATION WAGON

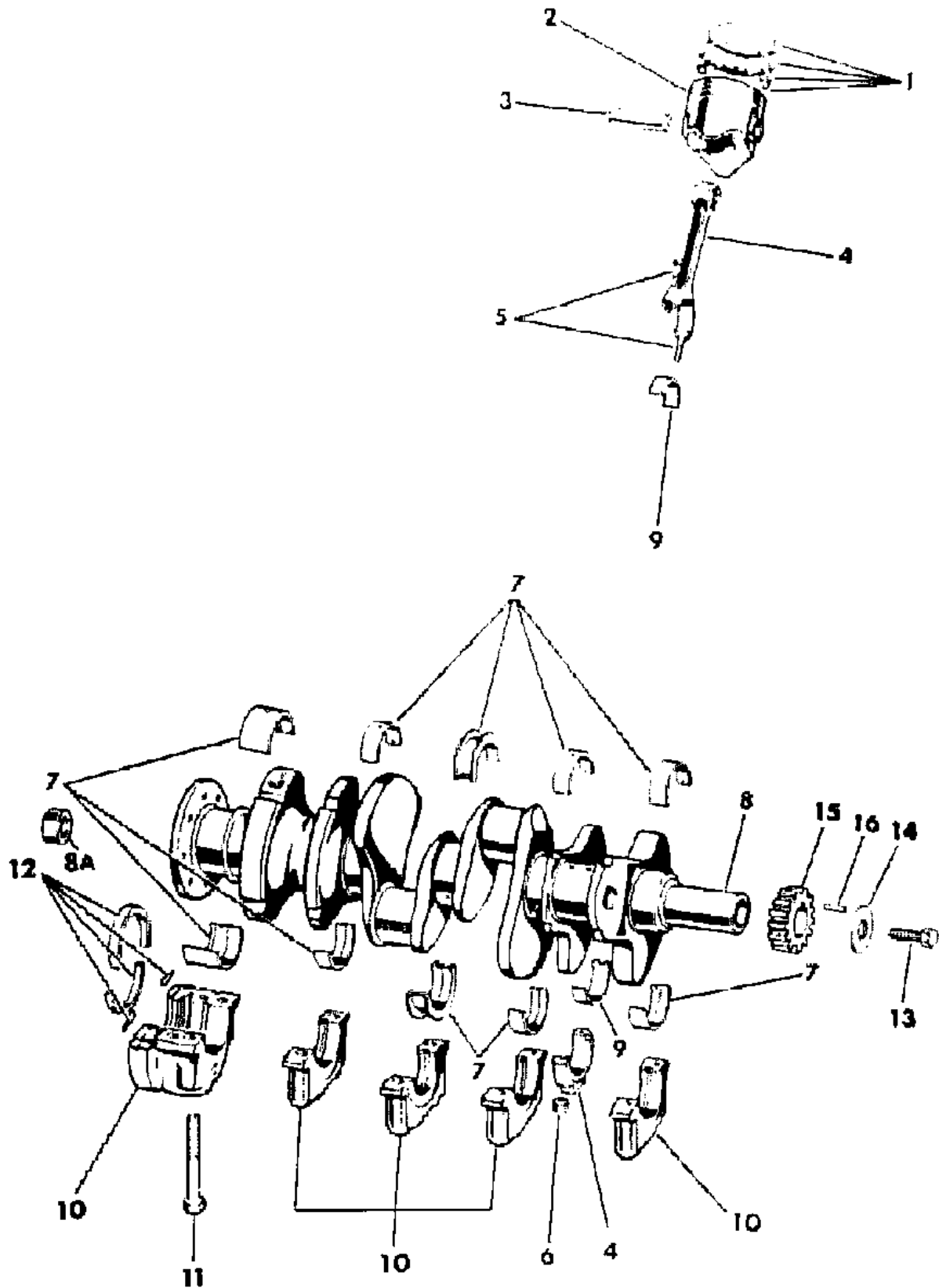
AR = Use as Required - = Non Illustrated Part P.A.R. = Paint as Required

CRANKSHAFT & PISTONS 5.2 L ENGINE

Figure 9C-200

8109 200 A

ITEM	PART NUMBER	QTY	BODY	MODEL	DESCRIPTION
1	2808 553	1			RING SET, Piston (Complete Engine Set) Standard to .009" O/S
	2808 554	1			.020 to .029" O/S
	3780 007	8			(Set for 1 Piston) Standard to .009" O/S
	3780 008	8			.020 to .029" O/S
2	4397 779	8			PISTON and PIN, Standard
	4397 782	8			.020" O/S
3	2658 878	8			PIN, Piston, Standard
	2658 879	8			.003" O/S
	2658 880	8			.008" O/S
4	4387 244	8			ROD and CAP, Connecting
5	4273 344	16			BOLT, Connecting Rod Bearing Cap
6	6032 296	16			NUT, Rod Cap Bolt
7	4397 776	1			BEARING PACKAGE, Crankshaft #1 Standard
	4397 780	1			.001" U/S
	4397 784	1			.002" U/S
	4397 788	1			.003" U/S
	4397 792	1			.010" U/S
	4397 796	1			.012" U/S
	4397 777	2			#2 & 4 except ELE-4Bbl Police Engine, Standard
	4397 781	2			.001" U/S
	4397 785	2			.002" U/S
	4397 789	2			.003" U/S
	4397 793	2			.010" U/S
	4397 797	2			.012" U/S
	4397 778	2			#2 & 4 w/ELE-4Bbl Police Engine, Standard
	4397 783	2			.001" U/S
	4397 787	2			.002" U/S
4397 790	2			.003" U/S	
4397 794	2			.010" U/S	
4397 798	2			.012" U/S	
3780 075	1			#3, Standard	
3780 076	1			.001" U/S	
3780 077	1			.002" U/S	
3780 078	1			.003" U/S	
3780 079	1			.010" U/S	
3780 080	1			.012" U/S	
4397 701	1			#5, Standard	



MODEL CODES

C BODY = (D41 - DYNASTY)(C41 - NEW YORKER)
 E BODY = (J - CARAVELLE)(E - 600)(T - NEW YORKER TURBO)
 G BODY = (V24 - DAYTONA, PACIFICA & SHELBY)
 H BODY = (D44 - LANCER)(C44 - LEBARON GTS)
 J BODY = (C - LEBARON)
 K BODY = (P - RELIANT)(D - ARIES)(C - LEBARON/ TOWN & COUNTRY)
 L BODY = (M - HORIZON)(Z-OMNI)
 M BODY = (B - GRAN FURY)(G - DIPLOMAT)(F - FIFTH AVENUE/NEWPORT)
 P BODY = (P - SUNDANCE)(D - SHADOW)
 Q BODY = (C27 - MASERATI)
 S BODY = (H - VOYAGER)(K - RAM VAN/ CARAVAN)

BODY STYLES

12-52 = FWD VAN & WAGON STD. W.B. 27 = 2-DOOR CONVERTIBLE
 13-53 = FWD VAN & WGN EXT W.B. 41 = 4-DOOR SEDAN
 21 = 2-DOOR SEDAN 44 = 4-DOOR HATCHBACK
 24 = 2-DOOR HATCHBACK 45 = 4-DOOR STATION WAGON

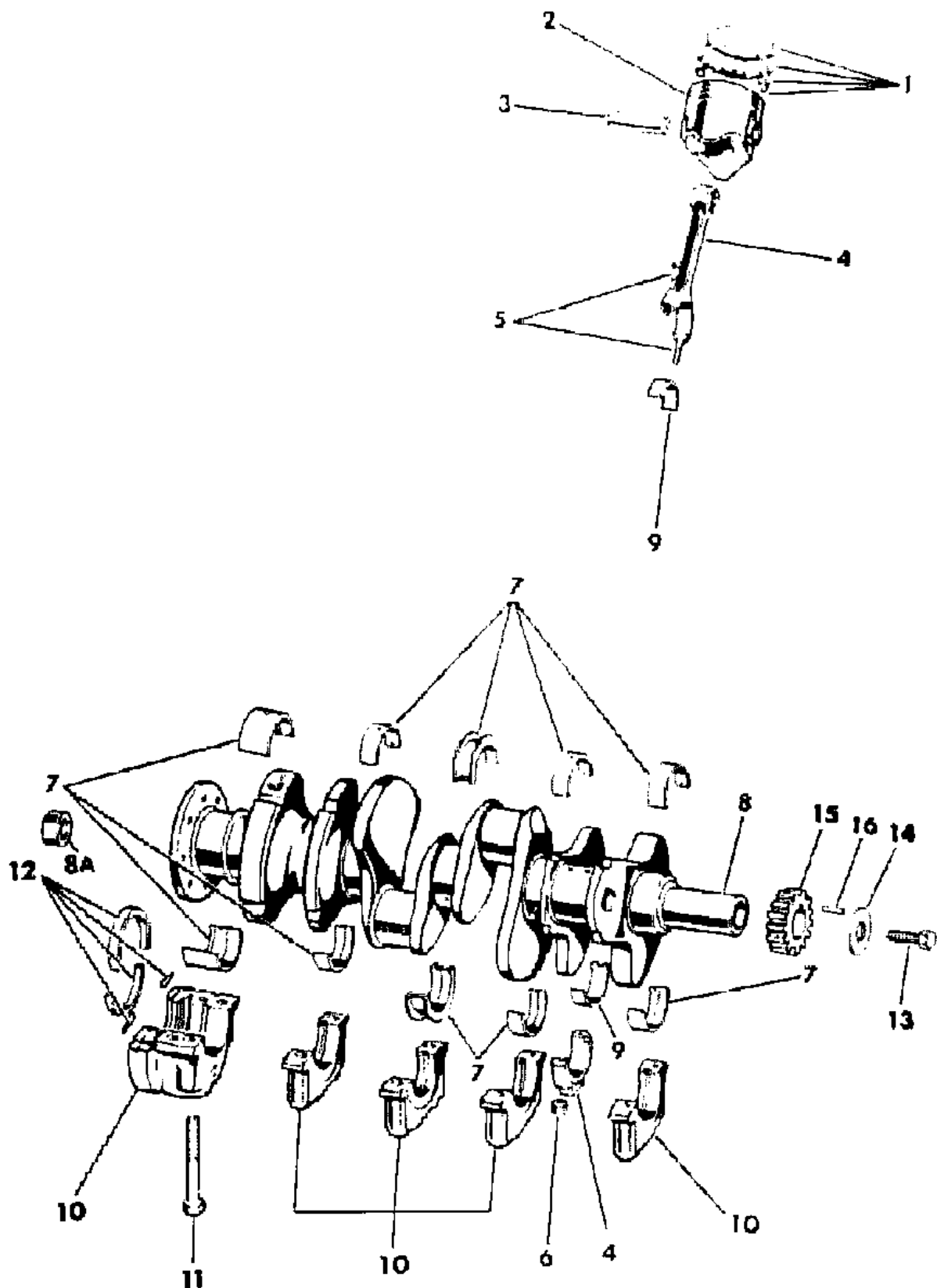
AR = Use as Required - = Non Illustrated Part P.A.R. = Paint as Required

CRANKSHAFT & PISTONS 5.2 L ENGINE

Figure 9C-200

8109 200 A

ITEM	PART NUMBER	QTY	BODY	MODEL	DESCRIPTION
	4397 702	1			.001" U/S
	4397 703	1			.002" U/S
	4397 704	1			.003" U/S
	4397 705	1			.010" U/S
	4397 706	1			.012" U/S
8	3751 831	1			CRANKSHAFT, except ELE-4Bbl Police Engine
	4227 880	1			w/ELE-4Bbl Police Engine
8a	0 53 298	1			BUSHING, Crankshaft Trans. Dr. Pinion
9	4186 118	8			BEARING PACKAGE, Connecting Rod except ELE-4Bbl Police Engine, Standard
	4186 119	8			.001" U/S
	4186 120	8			.002" U/S
	4186 121	8			.003" U/S
	4186 122	8			.010" U/S
	4186 123	8			.012" U/S
	2421 305	8			w/ELE-4Bbl Police Engine, Standard
	2421 306	8			.001" U/S
	2421 307	8			.002" U/S
	2421 308	8			.003" U/S
	2421 309	8			.010" U/S
	2421 310	8			.012" U/S
10	4323 809	1			CAP, Crankshaft Bearing #1
	4323 810	1			#2
	4323 811	1			#3
	4323 812	1			#4
	4323 813	1			#5
11	6027 264	AR			SCREW, Crankshaft Bearing Cap
	6027 335	4			w/ELE-4Bbl Police Engine
12	4397 712	1			OIL SEAL PACKAGE, Crankshaft w/318 Engine
					Consists of:
					2 - Seal, Brg. Oil
					1 - Seal, Brg. Oil - Rt.
					1 - Seal, Brg. Oil - Lt.
13	1821 414	1			SCREW, Crankshaft
14	1855 561	1			WASHER, Crankshaft Screw
15	2463 385	1			SPROCKET, Crankshaft (w/Standard Type Timing Chain)
	1637 657	1			(w/Double Roller Type Timing Chain)



MODEL CODES

C BODY = (D41 - DYNASTY)(C41 - NEW YORKER)
 E BODY = (J - CARAVELLE)(E - 600)(T - NEW YORKER TURBO)
 G BODY = (V24 - DAYTONA, PACIFICA & SHELBY)
 H BODY = (D44 - LANCER)(C44 - LEBARON GTS)
 J BODY = (C - LEBARON)
 K BODY = (P - RELIANT)(D - ARIES)(C - LEBARON/ TOWN & COUNTRY)

L BODY = (M - HORIZON)(Z-OMNI)
 M BODY = (B - GRAN FURY)(G - DIPLOMAT)(F - FIFTH AVENUE/NEWPORT)
 P BODY = (P - SUNDANCE)(D - SHADOW)
 Q BODY = (C27 - MASERATI)
 S BODY = (H - VOYAGER)(K - RAM VAN/ CARAVAN)

BODY STYLES

12-52 = FWD VAN & WAGON STD. W.B. 27 = 2-DOOR CONVERTIBLE
 13-53 = FWD VAN & WGN EXT W.B. 41 = 4-DOOR SEDAN
 21 = 2-DOOR SEDAN 44 = 4-DOOR HATCHBACK
 24 = 2-DOOR HATCHBACK 45 = 4-DOOR STATION WAGON

AR = Use as Required - = Non Illustrated Part P.A.R. = Paint as Required

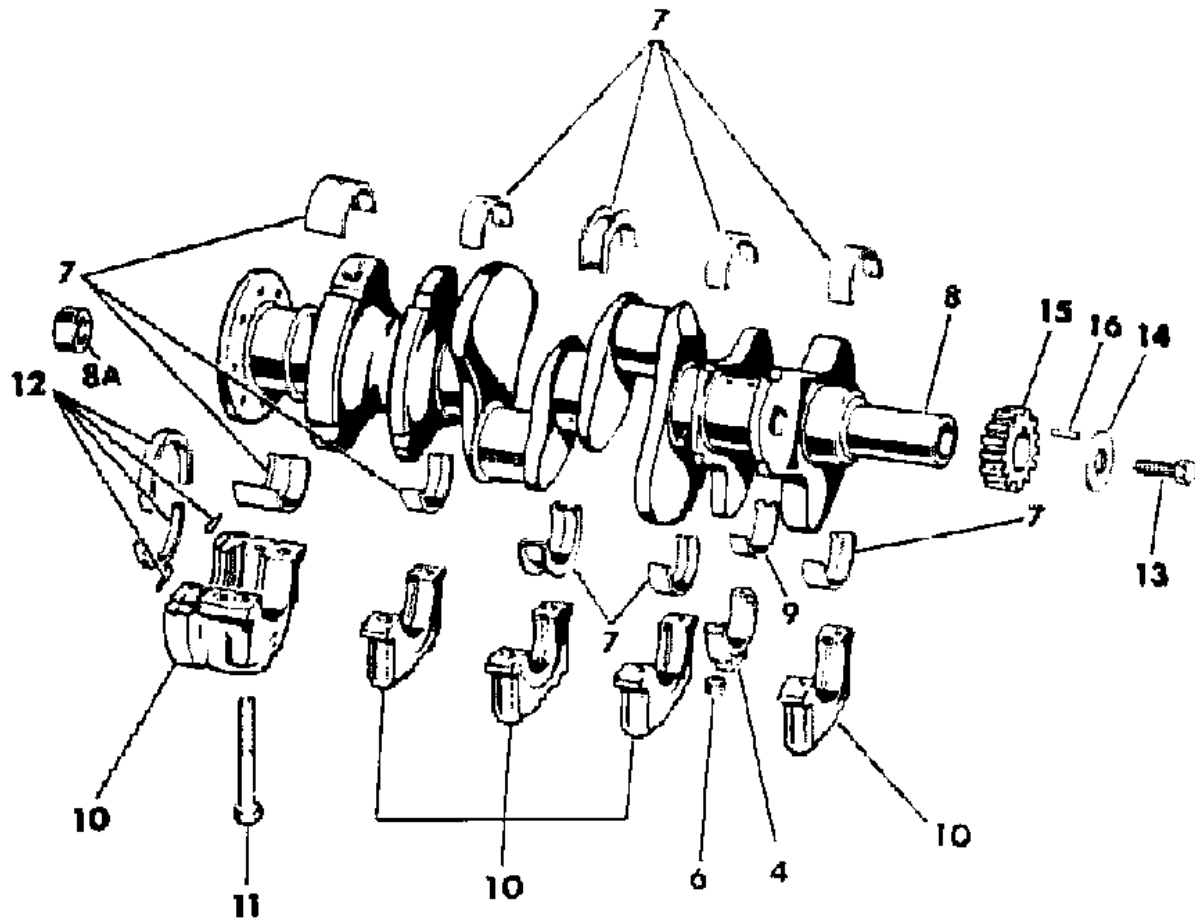
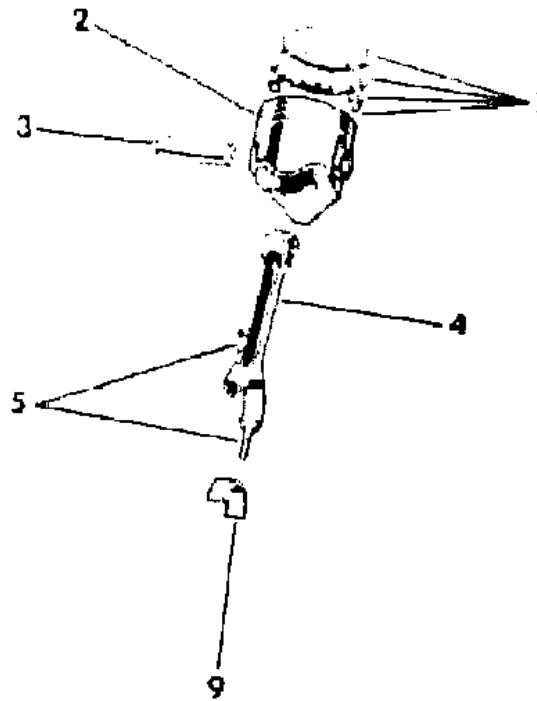
CRANKSHAFT & PISTONS 5.2 L ENGINE

Figure 9C-200

8109 200 A

ITEM	PART NUMBER	QTY	BODY	MODEL	DESCRIPTION
------	-------------	-----	------	-------	-------------

16	6029 411	1			KEY, Sprocket
----	----------	---	--	--	---------------



MODEL CODES

C BODY = (D41 - DYNASTY)(C41 - NEW YORKER)
 E BODY = (J - CARAVELLE)(E - 600)(T - NEW YORKER TURBO)
 G BODY = (V24 - DAYTONA, PACIFICA & SHELBY)
 H BODY = (D44 - LANCER)(C44 - LEBARON GTS)
 J BODY = (C - LEBARON)
 K BODY = (P - RELIANT)(D - ARIES)(C - LEBARON/ TOWN & COUNTRY)

L BODY = (M - HORIZON)(Z-OMNI)
 M BODY = (B - GRAN FURY)(G - DIPLOMAT)(F - FIFTH AVENUE/NEWPORT)
 P BODY = (P - SUNDANCE)(D - SHADOW)
 Q BODY = (C27 - MASERATI)
 S BODY = (H - VOYAGER)(K - RAM VAN/ CARAVAN)

BODY STYLES

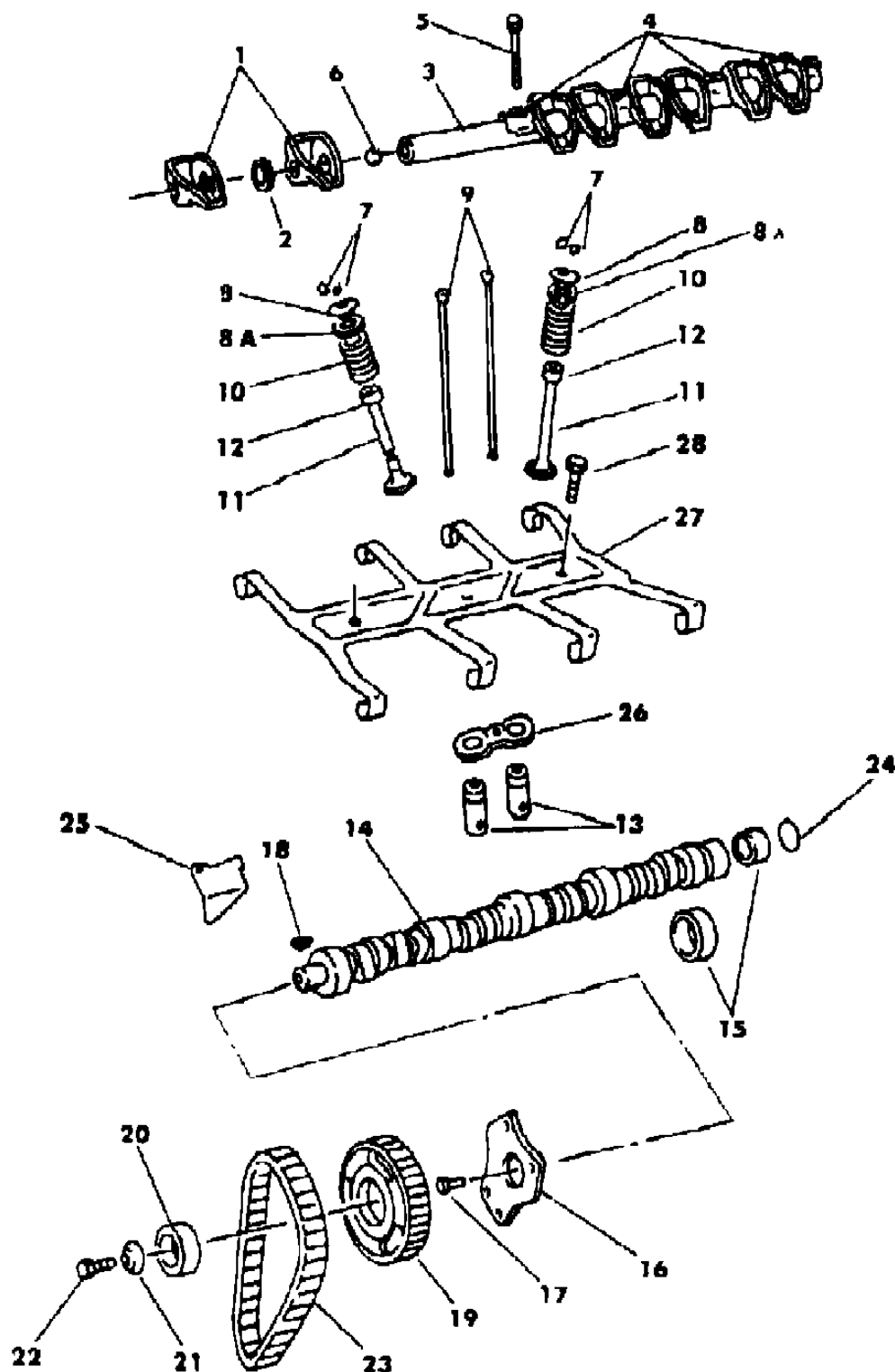
12-52 = FWD VAN & WAGON STD. W.B. 27 = 2-DOOR CONVERTIBLE
 13-53 = FWD VAN & WGN EXT W.B. 41 = 4-DOOR SEDAN
 21 = 2-DOOR SEDAN 44 = 4-DOOR HATCHBACK
 24 = 2-DOOR HATCHBACK 45 = 4-DOOR STATION WAGON

AR = Use as Required - = Non Illustrated Part P.A.R. = Paint as Required

CAMSHAFT & VALVES 5.2 L ENGINE

Figure 9C-300

8109 300



ITEM	PART NUMBER	QTY	BODY	MODEL	DESCRIPTION
1	4100 774	8			ROCKER, Valve Right
	4100 775	8			Left
2		AR			SPACER, Valve Rocker (Not Serviced)
3	2532 149	2			SHAFT, Valve Rocker
4	2463 322	6			RETAINER, Valve Rocker Shaft, End and Center
	2463 323	4			Intermediate
5	0181 095	10			SCREW, Valve Rocker Shaft Retainer
6	1324 268	4			PLUG, Valve Rocker Shaft
7	0381 875	16			LOCK, Intake Valve Spring Retainer (w/2 Grooves) except ELE-4Bbl Police Engine
	1614 666	16			(w/4 Grooves) w/ELE-4Bbl Police Engine
	1614 666	16			LOCK, Exhaust Valve Spring Retainer (w/4 Grooves)
8	2402 045	16			RETAINER, Valve Spring
8A	1859 144	AR			SPACER, Valve Spring
9	4095 291	16			ROD, Valve Push (w/o Roller Type Tappet)
	4483 721	16			(w/Roller Type Tappet) (Also in Pkg.)
10	1739 534	16			SPRING, Valve except ELE-4Bbl Police Engine
	3751 741	16			w/ELE-4Bbl Police Engine
11	2465 335	8			VALVE, Intake, Std., w/318 Except ELE-318 4BBL. POLice Eng.
	2465 336	8			.005 O/S
	2465 337	8			.015 O/S
	2465 338	8			.030 O/S
	3683 801	8			Std., w/ELE-318 4BBL. Police Eng.
	3683 802	8			.005 O/S
	3683 803	8			.015 O/S
12	3683 804	8			.030 O/S
	4100 387	8			VALVE, Exhaust, Std. w/318 Except ELE-318 4BBL. Police Eng.
	4100 388	8			.005 O/S
	4100 389	8			.015 O/S
	4100 390	8			.030 O/S
	4100 632	8			w/(ELE-318 4BBL. Police Eng.)
	4100 633	8			.005 O/S
12	4100 634	8			.015 O/S
	4100 635	8			.030 O/S
12	4071 006	8			SHIELD, Valve Stem Oil Exhaust
	4095 543	8			SEAL, Valve Guide Intake

MODEL CODES

C BODY = (D41 - DYNASTY)(C41 - NEW YORKER)
 E BODY = (J - CARAVELLE)(E - 600)(T - NEW YORKER TURBO)
 G BODY = (V24 - DAYTONA, PACIFICA & SHELBY)
 H BODY = (D44 - LANCER)(C44 - LEBARON GTS)
 J BODY = (C - LEBARON)
 K BODY = (P - RELIANT)(D - ARIES)(C - LEBARON/ TOWN & COUNTRY)

L BODY = (M - HORIZON)(Z-OMNI)
 M BODY = (B - GRAN FURY)(G - DIPLOMAT)(F - FIFTH AVENUE/NEWPORT)
 P BODY = (P - SUNDANCE)(D - SHADOW)
 Q BODY = (C27 - MASERATI)
 S BODY = (H - VOYAGER)(K - RAM VAN/ CARAVAN)

BODY STYLES

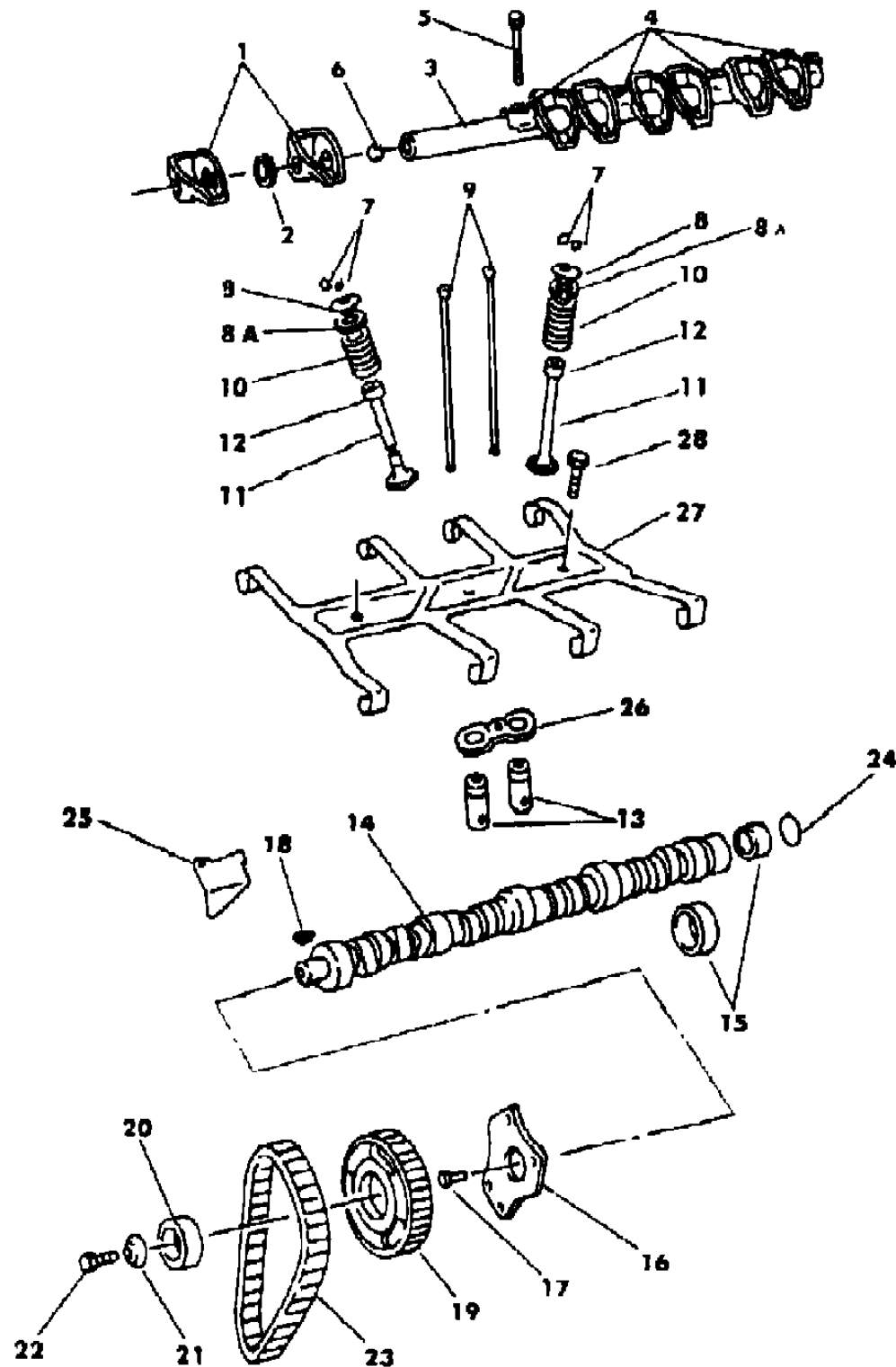
12-52 = FWD VAN & WAGON STD. W.B. 27 = 2-DOOR CONVERTIBLE
 13-53 = FWD VAN & WGN EXT W.B. 41 = 4-DOOR SEDAN
 21 = 2-DOOR SEDAN 44 = 4-DOOR HATCHBACK
 24 = 2-DOOR HATCHBACK 45 = 4-DOOR STATION WAGON

AR = Use as Required - = Non Illustrated Part P.A.R. = Paint as Required

CAMSHAFT & VALVES 5.2 L ENGINE

Figure 9C-300

8109 300



ITEM	PART NUMBER	QTY	BODY	MODEL	DESCRIPTION
13	4049 338	16			TAPPET, Valve, Std. (w/o Roller Type)
	4049 339	16			.001 O/S
	4049 340	16			.008 O/S
	4049 341	16			.030 O/S
	4387 682	16			Std., (Roller Type Tappet) (Also in Pkg.)
	4494 467	AR			TAPPET PACKAGE (Std. w/Roller Type) Contains: 1-Tappet and 1-Push Rod
14	4323 239	1			CAMSHAFT, w/2Bbl Engines
	4227 879	1			w/4Bbl Engines
15	3830 603	1			BEARING, Camshaft No. 1
	4179 776	1			No. 2
	4179 777	1			No. 3
	4179 778	1			No. 4
	1632 526	1			No. 5
16	1618 670	1			PLATE, Camshaft Sprocket Thrust
17	0191 674	3			SCREW, Thrust Plate
18	0106 751	1			KEY, Camshaft
19	2843 610	1			SPROCKET, Camshaft (w/Standard Type Timing Chain)
	2899 556	1			(w/Double Roller Type Timing Chain)
20	2843 661	1			ECCENTRIC, Camshaft
21	1618 732	1			WASHER, Sprocket Retainer Screw
22	6024 027	1			SCREW, Camshaft Sprocket Retainer
23	3514 182	1			CHAIN, Timing (Standard Type)
24	2863 071	1			PLUG, Camshaft Rear Bearing
25	3671 649	1			TAB, Timing Chain Oil
26	4323 227	8			YOKE, Tappet Aligning (w/Roller Type Tappet)
27	4323 207	1			RETAINER, Tappet Aligning Yoke (w/Roller Type Tappet)
28	0181 086	3			SCREW and WASHER, Yoke Retainer (w/Roller Type Tappets)

NOTE: To Identify Between a Right & Left Rocker For the 318 Engine. The Left Rocker Push Rod Socket is approx. 1/16" to the Left and the Right Rocker SOCKET is approx. 1/16" to the right.

MODEL CODES

C BODY = (D41 - DYNASTY)(C41 - NEW YORKER)
 E BODY = (J - CARAVELLE)(E - 600)(T - NEW YORKER TURBO)
 G BODY = (V24 - DAYTONA, PACIFICA & SHELBY)
 H BODY = (D44 - LANCER)(C44 - LEBARON GTS)
 J BODY = (C - LEBARON)
 K BODY = (P - RELIANT)(D - ARIES)(C - LEBARON/ TOWN & COUNTRY)

L BODY = (M - HORIZON)(Z-OMNI)
 M BODY = (B - GRAN FURY)(G - DIPLOMAT)(F - FIFTH AVENUE/NEWPORT)
 P BODY = (P - SUNDANCE)(D - SHADOW)
 Q BODY = (C27 - MASERATI)
 S BODY = (H - VOYAGER)(K - RAM VAN/ CARAVAN)

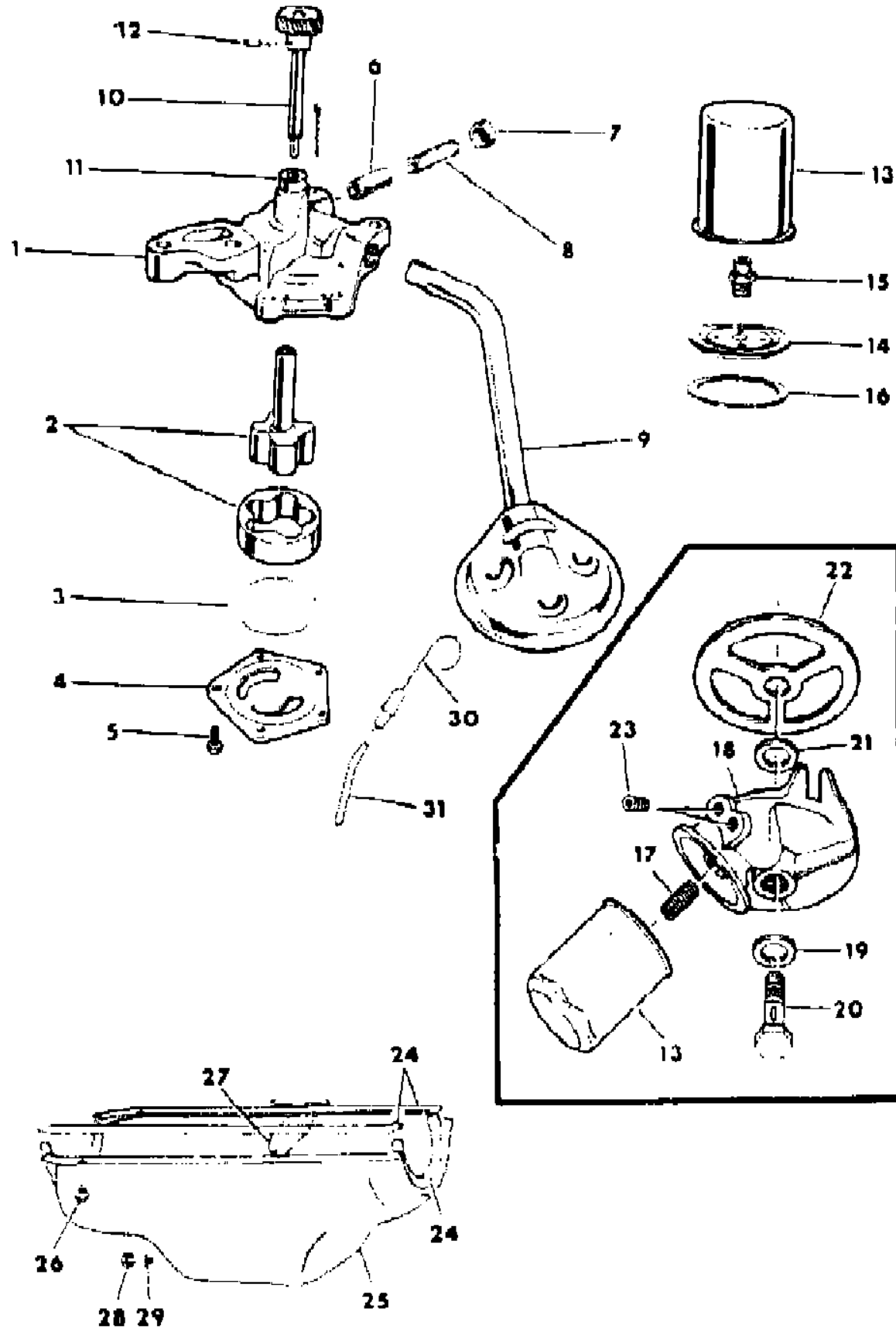
BODY STYLES

12-52 = FWD VAN & WAGON STD. W.B. 27 = 2-DOOR CONVERTIBLE
 13-53 = FWD VAN & WGN EXT W.B. 41 = 4-DOOR SEDAN
 21 = 2-DOOR SEDAN 44 = 4-DOOR HATCHBACK
 24 = 2-DOOR HATCHBACK 45 = 4-DOOR STATION WAGON

AR = Use as Required - = Non Illustrated Part P.A.R. = Paint as Required

OIL PAN, OIL PUMP & OIL FILTER 5.2 L ENGINE
Figure 9C-400

8109 400



ITEM	PART NUMBER	QTY	BODY	MODEL	DESCRIPTION
1	2806 270	1			PUMP, Oil
2	3837 648	1			DRIVE SHAFT and ROTOR PKG., Oil Pump Consists of: 1- ----- Shaft w/Inner Rotor 1- ----- Rotor, Outer
					1- 2268921 Gasket, Oil Pump Cover 1- ----- Rotor Outer, Oil Pump
3	2268 921	1			GASKET, Oil Pump Cover
4	4071 043	1			COVER, Oil Pump
5		5			SCREW, Oil Pump Cover (1/4-20 x .75x")(Not Serviced)
6	2843 208	1			PLUNGER, Oil Pressure Relief Valve
7	2806 273	1			CAP, Oil Pressure Relief Valve
8	2402 473	1			SPRING, Oil Pressure Relief Valve
9	2468 849	1			STRAINER, w/Pipe
10	4095 260	1			SHAFT, Oil Pump and Distributer Drive . Assy.
11	1737 725	1			BUSHING, Oil Pump Distributer Drive Shaft
12		1			PIN, Oil Pump & Distributer Drive Gear (3/16 x 1.25")(Not Serviced)
13	3549 957	1			FILTER, Oil
14	2402 103	1			PLATE, Oil Filter Adapter
15	3671 602	1			ADAPTER, Oil Filter to Cylinder Block
16	3671 314	1			GASKET, Oil Filter Adapter Plate
17	4104 511	1			ADAPTER, Oil Filter to Oil Filter Base
18	#4179 726	1			BASE, Oil Filter Assy.
19	4105 210	1			GASKET, Oil Filter Base Screw
20	4186 347	1			SCREW, Oil Filter Base
21	2463 512	1			SEAL, Oil Filter Base Screw
22	3577 674	1			GASKET, Oil Filter Base
23		1			PLUG, Oil Filter Base (3/8" NPT)(Not Serviced)
24	4397 674	1			GASKET SET, Oil Pan Consists of: 2- ----- Gasket, Oil Pan Side 2- ----- Gasket, Oil Pan End
25	4387 346	1			PAN, Oil
26	6031 413	14			SCREW and WASHER, Oil Pan (5/16 x 13/16")
	6025 926	4			SCREW and WASHER, Oil Pan (5/16 x 1")

MODEL CODES

C BODY = (D41 - DYNASTY)(C41 - NEW YORKER)
E BODY = (J - CARAVELLE)(E - 600)(T - NEW YORKER TURBO)
G BODY = (V24 - DAYTONA, PACIFICA & SHELBY)
H BODY = (D44 - LANCER)(C44 - LEBARON GTS)
J BODY = (C - LEBARON)
K BODY = (P - RELIANT)(D - ARIES)(C - LEBARON/ TOWN & COUNTRY)

L BODY = (M - HORIZON)(Z-OMNI)
M BODY = (B - GRAN FURY)(G - DIPLOMAT)(F - FIFTH AVENUE/NEWPORT)
P BODY = (P - SUNDANCE)(D - SHADOW)
Q BODY = (C27 - MASERATI)
S BODY = (H - VOYAGER)(K - RAM VAN/ CARAVAN)

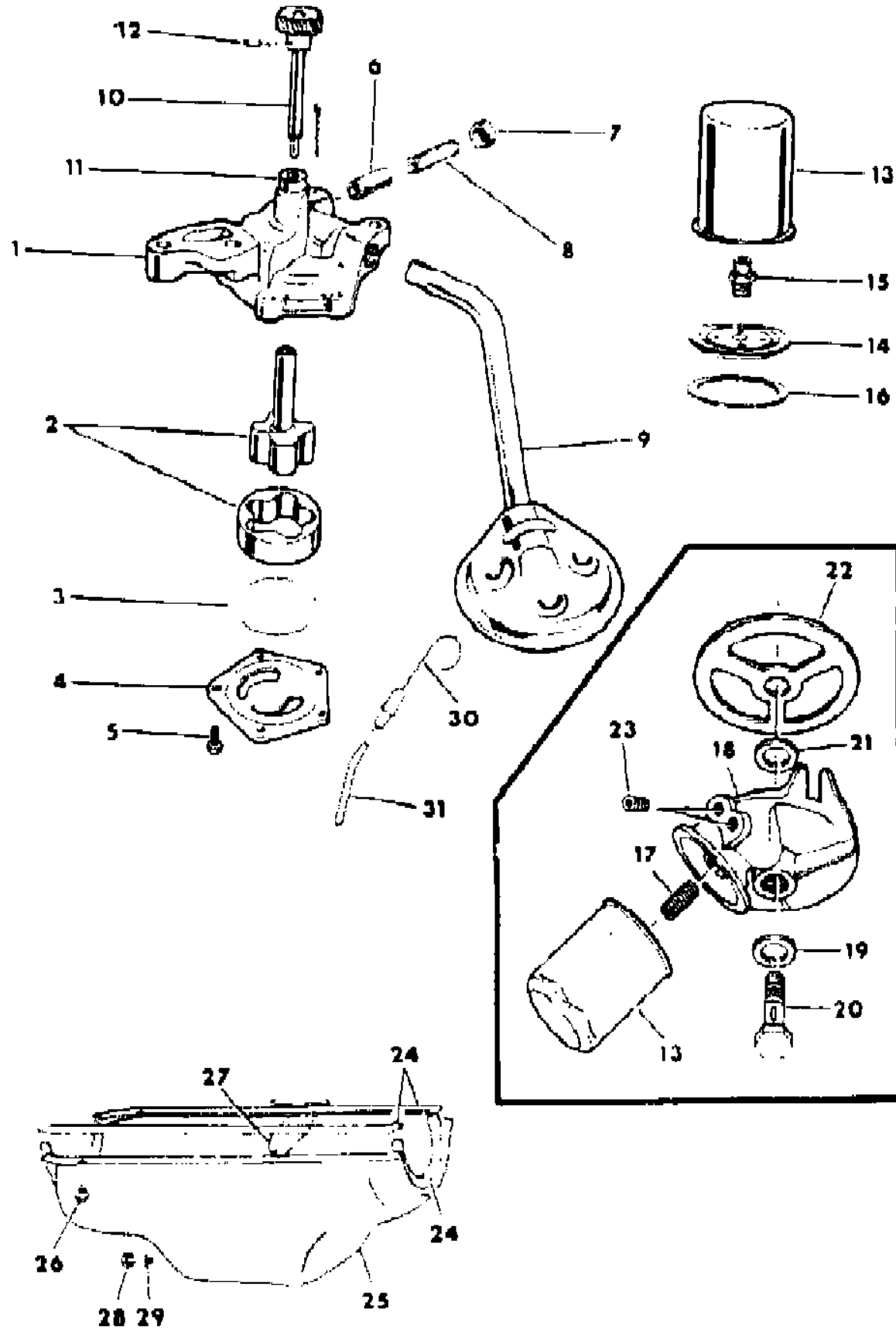
BODY STYLES

12-52 = FWD VAN & WAGON STD. W.B. 27 = 2-DOOR CONVERTIBLE
13-53 = FWD VAN & WGN EXT W.B. 41 = 4-DOOR SEDAN
21 = 2-DOOR SEDAN 44 = 4-DOOR HATCHBACK
24 = 2-DOOR HATCHBACK 45 = 4-DOOR STATION WAGON

AR = Use as Required - = Non Illustrated Part P.A.R. = Paint as Required

OIL PAN, OIL PUMP & OIL FILTER 5.2 L ENGINE
Figure 9C-400

8109 400



ITEM	PART NUMBER	QTY	BODY	MODEL	DESCRIPTION
	6030 163	4			SCREW, Oil Scraper Baffle (1/4 x 1/2") w/ELE-4 Bbl Police Engine
27	3577 794	1			BAFFLE, Crankshaft Oil Scraper w/ELE-4Bbl Police Engine
28	4293 859	1			PLUG PACKAGE, Oil Pan Drain
29	3769 935	1			GASKET, Oil Pan Drain Plug (Also in Plug Pkg)
30	3870 265	1			INDICATOR, Oil Level
31	4027 249	1			TUBE, Oil Level Indicator
		2			SCREW, Oil Pump Mounting (3/8 x 1.375")(Not Serviced) (Not Shown)
		1			PIN, Oil Pressure Relief Valve (Not Serviced) (Not Shown)

MODEL CODES

C BODY = (D41 - DYNASTY)(C41 - NEW YORKER)
 E BODY = (J - CARAVELLE)(E - 600)(T - NEW YORKER TURBO)
 G BODY = (V24 - DAYTONA, PACIFICA & SHELBY)
 H BODY = (D44 - LANCER)(C44 - LEBARON GTS)
 J BODY = (C - LEBARON)
 K BODY = (P - RELIANT)(D - ARIES)(C - LEBARON/ TOWN & COUNTRY)

L BODY = (M - HORIZON)(Z-OMNI)
 M BODY = (B - GRAN FURY)(G - DIPLOMAT)(F - FIFTH AVENUE/NEWPORT)
 P BODY = (P - SUNDANCE)(D - SHADOW)
 Q BODY = (C27 - MASERATI)
 S BODY = (H - VOYAGER)(K - RAM VAN/ CARAVAN)

BODY STYLES

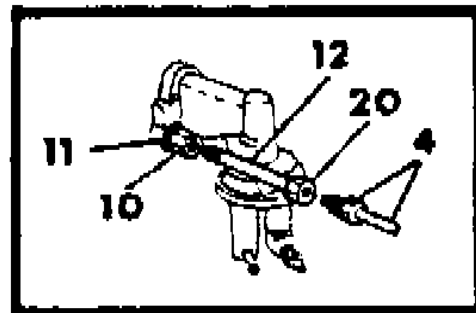
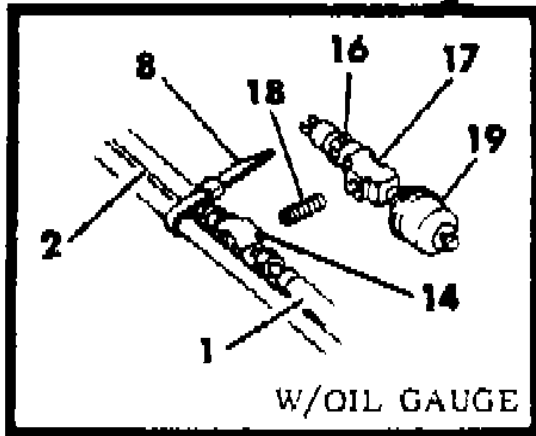
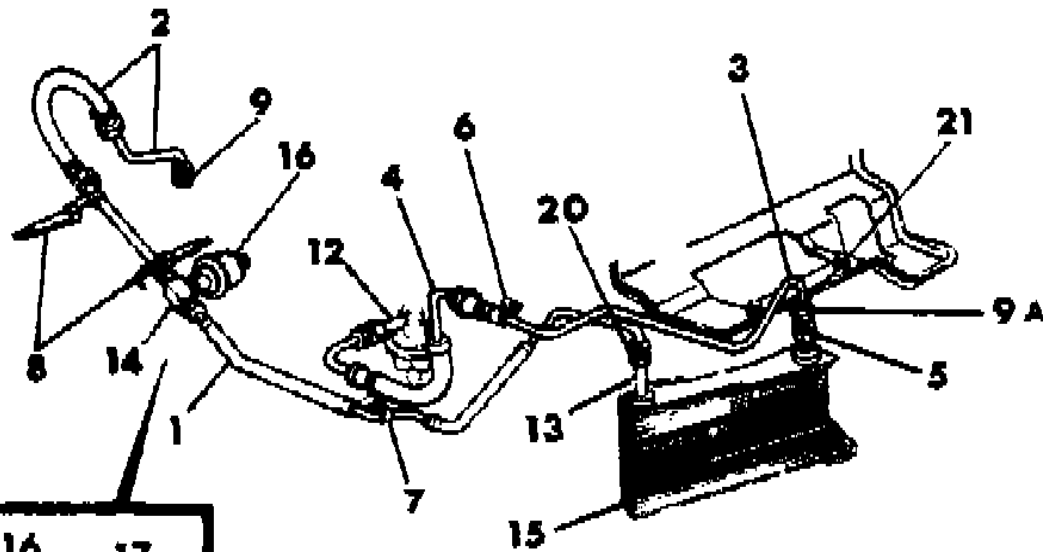
12-52 = FWD VAN & WAGON STD. W.B. 27 = 2-DOOR CONVERTIBLE
 13-53 = FWD VAN & WGN EXT W.B. 41 = 4-DOOR SEDAN
 21 = 2-DOOR SEDAN 44 = 4-DOOR HATCHBACK
 24 = 2-DOOR HATCHBACK 45 = 4-DOOR STATION WAGON

AR = Use as Required - = Non Illustrated Part P.A.R. = Paint as Required

ENGINE OIL COOLER 5.2 L ENGINE

Figure 9C-500

8109 500 A



ITEM	PART NUMBER	QTY	BODY	MODEL	DESCRIPTION
NOTE 1: All tubes for all locations contained in Pkg. No. 4026548. SOCKET is approx. 1/16" to the right.					
1	#4140 400	1			TUBE, Engine Oil Cooler, Front
2		1			TUBE, Engine Oil Cooler, Rear (See Note 1)
3		1			TUBE, Oil Cooler to Engine, Front (See Note 1)
4	4026 549	1			TUBE, Oil Cooler to Engine, Rear
	0120 523	1			CLIP, Tube Att to Yoke
	0153 292	1			U-NUT, Engine Oil Cooler Tube Clip
	6024 073	1			SCREW, w/Washer, Engine Oil Cooler Clip to Yoke
5	4401 386	1			VALVE, Engine Oil Cooler Check
	1550 358	1			RETAINER, Check Valve
6	0120 523	1			CLIP
7	0120 523	2			CLIP
8	6015 756	2			STRAP
9	#6031 741	2			CONNECTOR, Engine to Oil Cooler Tube
9A	0137 406	1			CONNECTOR, Check Valve to Oil Cooler Tube
10	6033 087	1			SCREW, Fuel Pump
11		1			WASHER, (Not Serviced)
12	6032 002	1			PIPE NIPPLE, Return Line
13	6032 005	1			PIPE NIPPLE, Outlet Line
14	0128 275	1			TEE, Oil Pressure Sensing Unit
15	#4140 394	1			OIL COOLER, Engine
16		1			SWITCH, Oil Pressure (See Group 8 Electrical)
17		1			TEE, Dual Sensing Unit (w/Oil Gauge) (Not Serviced)
18		1			NIPPLE, Connector (w/Oil Gauge) (Not Serviced)
19		1			SENDING UNIT, Oil Pressure w/(Oil Gauge) (See Group 8 Electrical)
20	0442 329	2			CONNECTOR, Oil Cool Line
21	1316 864	1			O-RING, Engine Oil Cooler Tube
NOTE: The following items are not shown on illustration. SOCKET is approx. 1/16" to the right.					
	6025 005	3			SCREW and WASHER, Oil Cooler Mounting
	0137 398	AR			NUT, Engine Oil Cooler Tube

MODEL CODES

C BODY = (D41 - DYNASTY)(C41 - NEW YORKER)
 E BODY = (J - CARAVELLE)(E - 600)(T - NEW YORKER TURBO)
 G BODY = (V24 - DAYTONA, PACIFICA & SHELBY)
 H BODY = (D44 - LANCER)(C44 - LEBARON GTS)
 J BODY = (C - LEBARON)
 K BODY = (P - RELIANT)(D - ARIES)(C - LEBARON/ TOWN & COUNTRY)

L BODY = (M - HORIZON)(Z-OMNI)
 M BODY = (B - GRAN FURY)(G - DIPLOMAT)(F - FIFTH AVENUE/NEWPORT)
 P BODY = (P - SUNDANCE)(D - SHADOW)
 Q BODY = (C27 - MASERATI)
 S BODY = (H - VOYAGER)(K - RAM VAN/ CARAVAN)

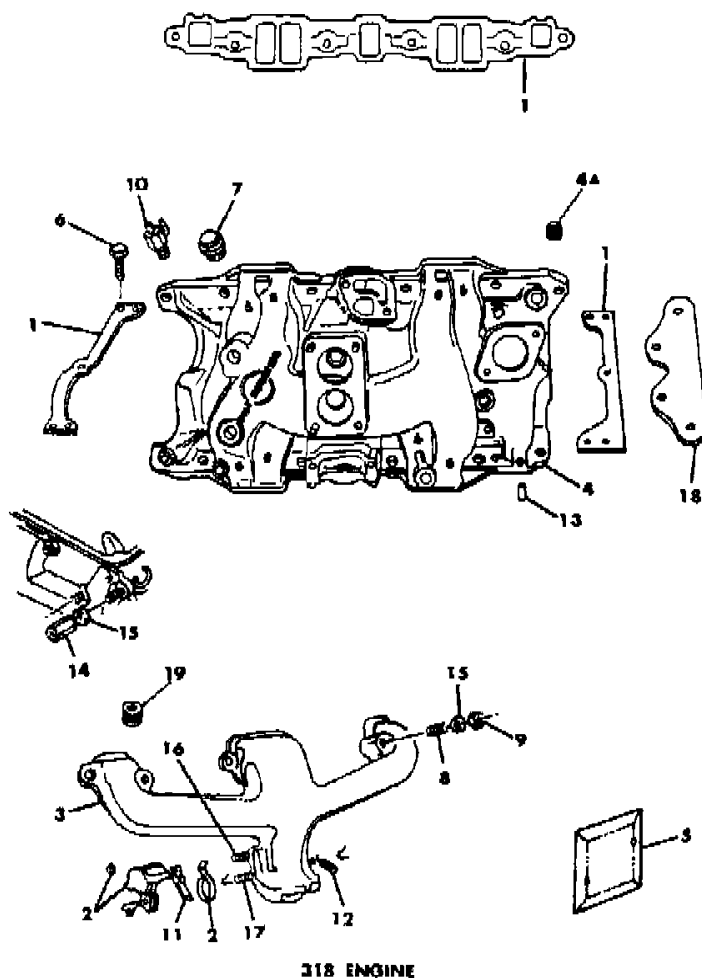
BODY STYLES

12-52 = FWD VAN & WAGON STD. W.B. 27 = 2-DOOR CONVERTIBLE
 13-53 = FWD VAN & WGN EXT W.B. 41 = 4-DOOR SEDAN
 21 = 2-DOOR SEDAN 44 = 4-DOOR HATCHBACK
 24 = 2-DOOR HATCHBACK 45 = 4-DOOR STATION WAGON

AR = Use as Required - = Non Illustrated Part P.A.R. = Paint as Required

MANIFOLD, INTAKE & EXHAUST 5.2 L ENGINE
Figure 9C-600

8109 600 A



ITEM	PART NUMBER	QTY	BODY	MODEL	DESCRIPTION
1	4397 643	1			GASKET SET, Intake Manifold (w/2Bbl Carburetor) Consists of: 2 - ----- Gasket, Intake Manifold 1 - 4343735 Gasket, Intake Manifold Frt. 1 - 4343736 Gasket, Intake Manifold Rr.
	4397 642	1			GASKET SET, Intake Manifold (w/4Bbl Carburetor) Consists of: 2 - ----- Gasket, Intake Manifold 1 - 4343735 Gasket, Intake Manifold Frt. 1 - 4343736 Gasket, Intake Manifold Rr. 1 - ----- Sealer, Intake Manifold End Gasket
	4343 735	1			GASKET, Intake Manifold Front
	4343 736	1			Rear
2	3683 947	1			PACKAGE, Manifold Heat Control Valve Consists of: 1 - ----- Plate, Valve 1 - ----- Shaft, Valve 1 - 2946083 Stop, Valve 1 - ----- Wheel 1 - ----- Thermostat, Valve 1 - 2951626 Spring, Valve Shaft 2 - ----- Bushing, Shaft 2 - ----- Seal, Shaft
3	#4105 058	1			MANIFOLD, Exhaust, Right (Except ELE-4Bbl Police Engine)
	4105 059	1			Right (w/ELE-4Bbl Police Engine)
	4173 162	1			Left (Except ELE-4Bbl Police Engine)
	4173 165	1			Left (w/ELE-4Bbl Police Engine)
4	4201 135	1			MANIFOLD, Intake w/2Bbl Carburetor
	4323 354	1			w/4Bbl Carburetor
		1			SCREW, Detonation Sensor Hole Plug (3/8x5/8) (Not Serviced)
4a	1859 127	AR			PLUG, Intake Manifold (3/8"-18)
5	3698 458	1			SHIELD, Intake Manifold Heat
		2			SCREW, Intake Manifold Heat Shield (Not Serviced)
6	0454 467	11			BOLT, Intake Manifold, 3/8 x 1-5/8"
		1			SCREW and WASHER, Intake Manifold and Air Pump Rear Bracket Mounting (3/8x1-7/8) (Not Serviced)

MODEL CODES

C BODY = (D41 - DYNASTY)(C41 - NEW YORKER)
 E BODY = (J - CARAVELLE)(E - 600)(T - NEW YORKER TURBO)
 G BODY = (V24 - DAYTONA, PACIFICA & SHELBY)
 H BODY = (D44 - LANCER)(C44 - LEBARON GTS)
 J BODY = (C - LEBARON)
 K BODY = (P - RELIANT)(D - ARIES)(C - LEBARON/ TOWN & COUNTRY)

L BODY = (M - HORIZON)(Z-OMNI)
 M BODY = (B - GRAN FURY)(G - DIPLOMAT)(F - FIFTH AVENUE/NEWPORT)
 P BODY = (P - SUNDANCE)(D - SHADOW)
 Q BODY = (C27 - MASERATI)
 S BODY = (H - VOYAGER)(K - RAM VAN/ CARAVAN)

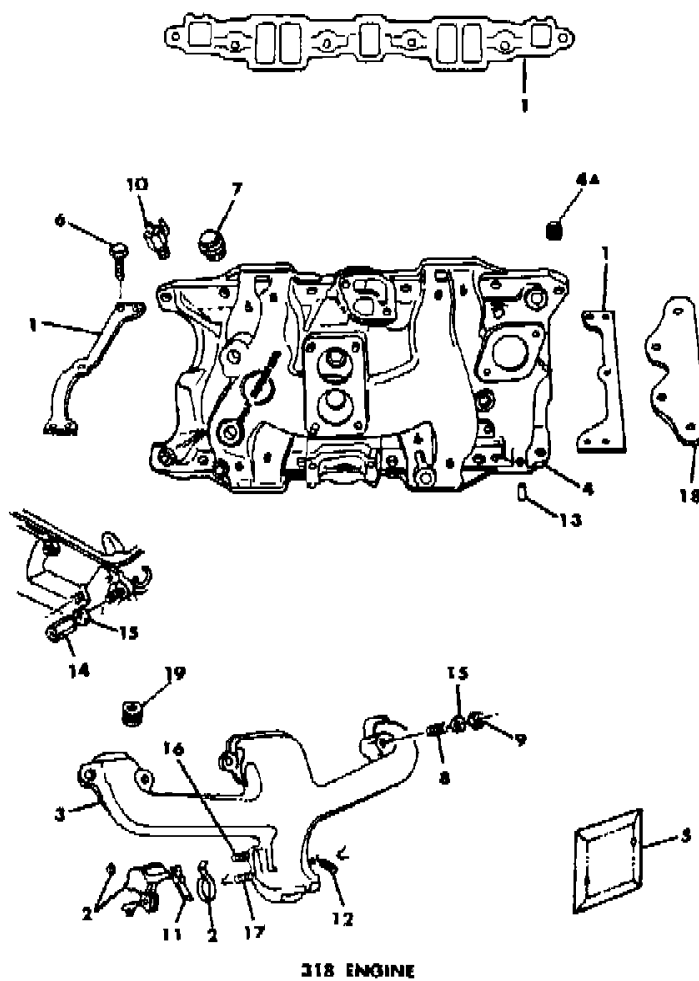
BODY STYLES

12-52 = FWD VAN & WAGON STD. W.B. 27 = 2-DOOR CONVERTIBLE
 13-53 = FWD VAN & WGN EXT W.B. 41 = 4-DOOR SEDAN
 21 = 2-DOOR SEDAN 44 = 4-DOOR HATCHBACK
 24 = 2-DOOR HATCHBACK 45 = 4-DOOR STATION WAGON

AR = Use as Required - = Non Illustrated Part P.A.R. = Paint as Required

MANIFOLD, INTAKE & EXHAUST 5.2 L ENGINE
Figure 9C-600

8109 600 A



ITEM	PART NUMBER	QTY	BODY	MODEL	DESCRIPTION
7	4041 067	1			JET, Intake Manifold Floor
8		1			SCREW, Exhaust Manifold Left, 3-3/16" Lgh., w/Tapped Head (Not Serviced)
	6028 355	1			STUD, Exhaust Manifold Left, 1-14/16" Lgh. Hex.
	6030 622	1			2-15/16" Lgh. Hex.
	6025 991	4			STUD, Exhaust Manifold End
	9421 360	3			SCREW, Exhaust Manifold Long, 5/16 x 2-1/8"
	6031 857	4			5/16 x 1-7/8"
	6029 832	3			5/16 x 1-1/8"
9	#0115 729	4			NUT, Exhaust Manifold End Stud
10		1			CONNECTOR, Intake Manifold Vacuum Control (See Group 5)
	4210 580	1			4-Connections 2-3/16", 1-1/8", 1-1/4"
11	2946 083	1			STOP, Exhaust Manifold Heat Control Valve
12	2951 626	1			SPRING, Exhaust Manifold Heat Control Valve Shaft
13	4006 583	2			DOWEL, Intake Manifold Gasket
14	6031 179	1			NUT, Exhaust Manifold End
15	2121 223	8			WASHER, Exhaust Manifold
16	9409 667	1			PIN, Heat control Valve Stop
17	2951 627	1			PIN, Exhaust Manifold Heat Control Valve Damper
18	4105 671	1			BLOCKER, Intake Manifold Gasket Rear
19		1			PLUG, Exhaust Manifold (1/2" NPT)(Not Serviced)

MODEL CODES

C BODY = (D41 - DYNASTY)(C41 - NEW YORKER)	L BODY = (M - HORIZON)(Z-OMNI)
E BODY = (J - CARAVELLE)(E - 600)(T - NEW YORKER TURBO)	M BODY = (B - GRAN FURY)(G - DIPLOMAT)(F - FIFTH AVENUE/NEWPORT)
G BODY = (V24 - DAYTONA, PACIFICA & SHELBY)	P BODY = (P - SUNDANCE)(D - SHADOW)
H BODY = (D44 - LANCER)(C44 - LEBARON GTS)	Q BODY = (C27 - MASERATI)
J BODY = (C - LEBARON)	S BODY = (H - VOYAGER)(K - RAM VAN/ CARAVAN)
K BODY = (P - RELIANT)(D - ARIES)(C - LEBARON/ TOWN & COUNTRY)	

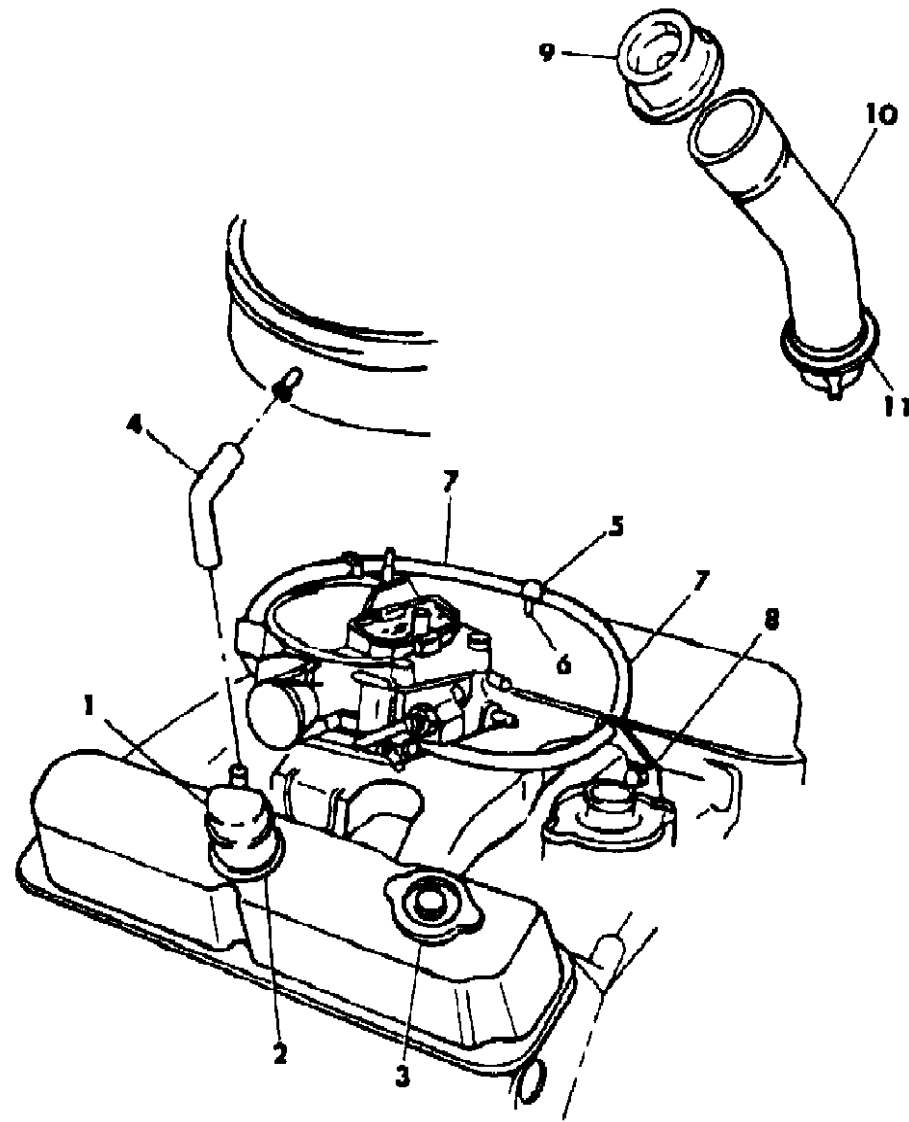
BODY STYLES

12-52 = FWD VAN & WAGON STD. W.B.	27 = 2-DOOR CONVERTIBLE
13-53 = FWD VAN & WGN EXT W.B.	41 = 4-DOOR SEDAN
21 = 2-DOOR SEDAN	44 = 4-DOOR HATCHBACK
24 = 2-DOOR HATCHBACK	45 = 4-DOOR STATION WAGON

AR = Use as Required - = Non Illustrated Part P.A.R. = Paint as Required

CRANKCASE VENTILATION & OIL FILLER 5.2 L ENGINE
Figure 9C-700

8109 700



ITEM	PART NUMBER	QTY	BODY	MODEL	DESCRIPTION
NOTE 1 Part Number 4095681,4026146 Consists of 50Ft. Roll (Use as Required) SOCKET is approx. 1/16" to the right.					
1	4273 322	1			AIR CLEANER, Crankcase Vent Inlet
2	2946 079	1			GROMMET, Crankcase Vent Inlet Air Cleaner
3	4343 715	1			CAP, Oil Filler (except ELD-2Bbl H-Duty, ELE-4Bbl Police)
4	4026 146	AR			HOSE, Crankcase Vent Inlet Air Cleaner to Air Cleaner, 5.25 Lgh. required w/4BBL. (See Note 1)
	3512 778	1			HOSE, Crankcase Vent Inlet Air Cleaner to Air Cleaner, (Molded Hose Cut to Fit 2BBL Eng.)
5	3671 076	1			VALVE, Crankcase Vent
6	3751 510	1			GROMMET, Crankcase Vent Valve
7	4095 681	AR			HOSE, Crankcase Vent Valve to Carb., Cut to 19" Lgh. w/2 BBL. 318 Eng. (See Note 1)
	4343 604	1			(Molded Hose), w/4 BBL. 318 Eng.
8	#4179 924	1			BRACKET, Crankcase Vent Hose Retainer, w/(318 4BBL. Eng.)
9	2960 622	1			CAP, Oil Filler w/(ELD 2BBL. H-Duty, ELE 4BBL. POLICE 318 Eng.)
	0126 085	1			RIVET, Oil Filler Cap
10	4173 223	1			TUBE, Oil Filler, w/(2BBL. H.D. 318 Eng., 4BBL. 318 Eng. Police Pkg.)
11	5214 876	1			GASKET, Oil Filter Tube (w/2BBL. H-Duty, 4BBL. 318Engine Police Pkg.)

MODEL CODES

C BODY = (D41 - DYNASTY)(C41 - NEW YORKER)	L BODY = (M - HORIZON)(Z-OMNI)
E BODY = (J - CARAVELLE)(E - 600)(T - NEW YORKER TURBO)	M BODY = (B - GRAN FURY)(G - DIPLOMAT)(F - FIFTH AVENUE/NEWPORT)
G BODY = (V24 - DAYTONA, PACIFICA & SHELBY)	P BODY = (P - SUNDANCE)(D - SHADOW)
H BODY = (D44 - LANCER)(C44 - LEBARON GTS)	Q BODY = (C27 - MASERATI)
J BODY = (C - LEBARON)	S BODY = (H - VOYAGER)(K - RAM VAN/ CARAVAN)
K BODY = (P - RELIANT)(D - ARIES)(C - LEBARON/ TOWN & COUNTRY)	

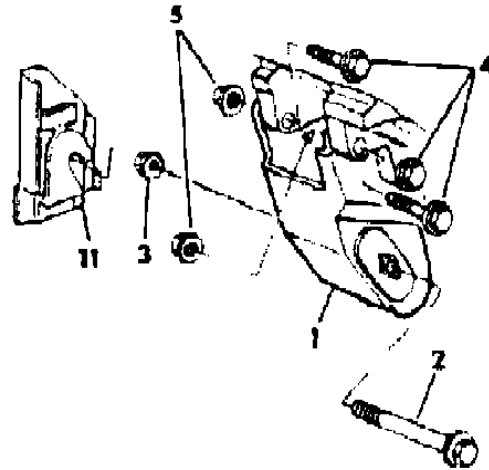
BODY STYLES

12-52 = FWD VAN & WAGON STD. W.B.	27 = 2-DOOR CONVERTIBLE
13-53 = FWD VAN & WGN EXT W.B.	41 = 4-DOOR SEDAN
21 = 2-DOOR SEDAN	44 = 4-DOOR HATCHBACK
24 = 2-DOOR HATCHBACK	45 = 4-DOOR STATION WAGON

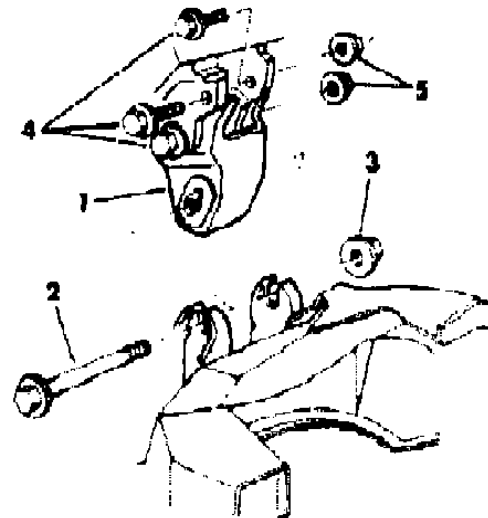
AR = Use as Required - = Non Illustrated Part P.A.R. = Paint as Required

ENGINE MOUNTING 5.2 L ENGINE
Figure 9C-800

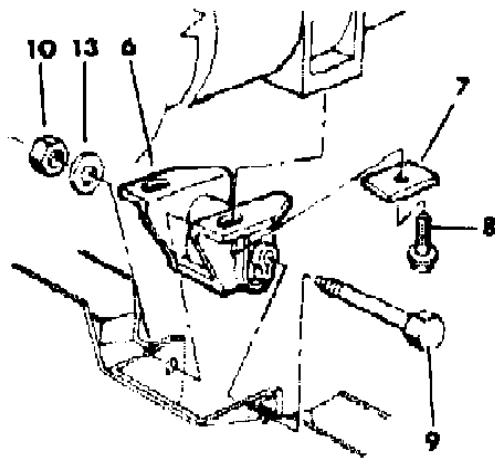
8109 800



RIGHT SIDE FRT.ENG.MTG. 318 ENG.



LEFT SIDE FRT.ENG.MTG. 318 ENG.



RR.ENG.MTG. 318 ENG.

ITEM	PART NUMBER	QTY	BODY	MODEL	DESCRIPTION
1	3642 818	1			INSULATOR, Engine Front Support, Right, w/318 Eng.
	3817 237	1			Left, w/318 Eng.
2	6031 205	2			BOLT, Engine Front Support Insulator to Frame
3	6030 478	2			NUT, Insulator to Frame Bolt
4	6030 754	AR			SCREW, Insulator Bracket to Cylinder Block, Front Lug
	6030 713	2			SCREW, Insulator Bracket to Cylinder Block, Rear Lug
5		AR			NUT, Insulator Bracket to Cylinder Block Screw and Washer (Not Serviced)
6					INSULATOR, Engine Rear Support
	4001 801	1			w/o Heavy Service Package
	3817 295	1			w/Heavy Service Package
7	3410 700	2			SPACER, Eng. Rear Support Insulator Brkt.
8	6033 358	2			SCREW, Eng. Rear Support
9	6028 237	1			BOLT, Eng. Rear Support Insulator to Crossmember Mounting
10	0152 348	1			NUT, Insulator to Crossmember Mounting Bolt
11	4237 022	1			SHIELD, Right, Engine Mount Heat, w/Catalytic Exhaust System
13	9417 098	1			WASHER, Insulator To Crossmember Mounting Bolt Nut

ection 27150.1 and with the Department of California Highway Patrols regulations adopted pursuant to Vehicle Code Section 27150.2 when used in the applications specified in this document.
 State of California. applications specified in this document.
 e 4000 feet elevation. applications specified in this document.

MODEL CODES

C BODY = (D41 - DYNASTY)(C41 - NEW YORKER)	L BODY = (M - HORIZON)(Z-OMNI)
E BODY = (J - CARAVELLE)(E - 600)(T - NEW YORKER TURBO)	M BODY = (B - GRAN FURY)(G - DIPLOMAT)(F - FIFTH AVENUE/NEWPORT)
G BODY = (V24 - DAYTONA, PACIFICA & SHELBY)	P BODY = (P - SUNDANCE)(D - SHADOW)
H BODY = (D44 - LANCER)(C44 - LEBARON GTS)	Q BODY = (C27 - MASERATI)
J BODY = (C - LEBARON)	S BODY = (H - VOYAGER)(K - RAM VAN/ CARAVAN)
K BODY = (P - RELIANT)(D - ARIES)(C - LEBARON/ TOWN & COUNTRY)	

BODY STYLES

12-52 = FWD VAN & WAGON STD. W.B.	27 = 2-DOOR CONVERTIBLE
13-53 = FWD VAN & WGN EXT W.B.	41 = 4-DOOR SEDAN
21 = 2-DOOR SEDAN	44 = 4-DOOR HATCHBACK
24 = 2-DOOR HATCHBACK	45 = 4-DOOR STATION WAGON

AR = Use as Required - = Non Illustrated Part P.A.R. = Paint as Required

GROUP 11 - EXHAUST

ILLUSTRATION TITLE **GROUP-FIG. NO.**

EXHAUST SYSTEMS

EXHAUST SYSTEM L BODY Fig. 11-100
EXHAUST SYSTEM 2.2L ENGINE EFI AND 2.5L ENGINE P,J,K,G,E,H,C BODY Fig. 11-200
EXHAUST SYSTEM 2.2L ENGINE TURBO 1 AND 2 P,J,K,G,E,H BODY Fig. 11-225
EXHAUST SYSTEM C BODY 3.0L ENGINE Fig. 11-300
EXHAUST SYSTEM 2.5L ENGINE S BODY Fig. 11-400
EXHAUST SYSTEM 3.0L ENGINE S BODY Fig. 11-500
EXHAUST SYSTEM M BODY Fig. 11-600

HEAT SHIELDS

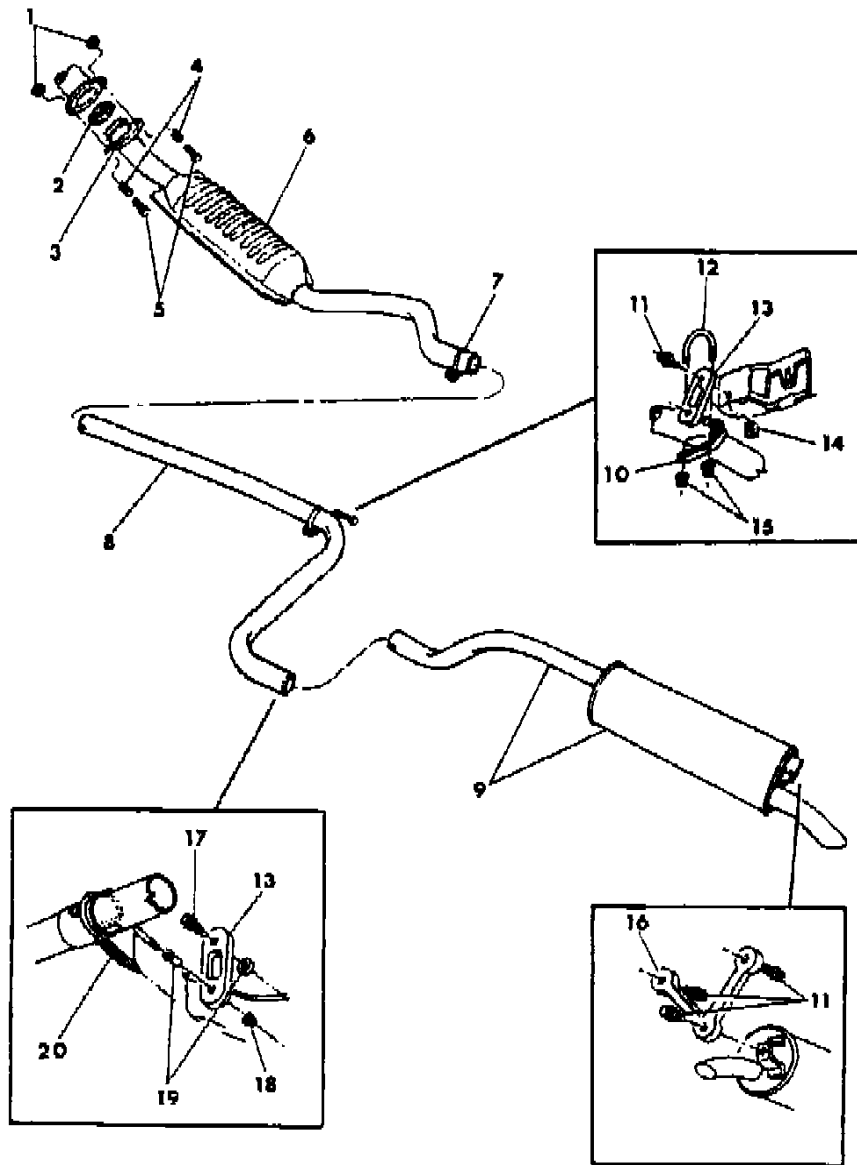
HEAT SHIELDS - EXHAUST L BODY Fig. 11-700
HEAT SHIELDS - EXHAUST P,J,K,G,E,H BODY Fig. 11-800
HEAT SHIELDS - EXHAUST C BODY Fig. 11-900
HEAT SHIELDS - EXHAUST S BODY Fig. 11-1000
HEAT SHIELDS - EXHAUST M BODY Fig. 11-1100

ILLUSTRATION NOT AVAILABLE AT TIME OF PUBLICATION

EXHAUST SYSTEM L BODY

Figure 11-100

8111 100 C



ITEM	PART NUMBER	QTY	BODY	MODEL	DESCRIPTION
1	6100 499	2			NUT
2	4427 549	1			RING, Seal
3	4150 799	1			FLANGE, Front Converter
4	4301 631	2			SPRING
5	5217 003	2			BOLT
6					CONVERTER, Catalytic w/Pipes
	4427 022	1			w/(S/C - NAA, NAF) - Man. Trans. up to 10-12-87
	4427 169	1			after 10-12-87
	4427 023	1			w/(S/C - NAE) - Man. Trans. up to 10-12-87
	4427 170	1			after 10-12-87
	4427 023	1			Auto. Trans. up to 10-12-87
	4427 170	1			after 10-12-87
					ODORLESS CONVERTER
	4427 432	1			w/(S/C - NAA, NAF) - Man. Trans.
	4427 433	1			w/(S/C - NAE) - Man. Trans.
	4427 433	1			Auto. Trans.
7	4301 378	1			CLAMP
8	4301 913	1			PIPE, Exhaust Extension
9	4301 905	1			PIPE, Tail w/Muffler
10	4301 596	1			SUPPORT, Extension Pipe
11	6500 202	AR			SCREW
12	4301 557	1			U-BOLT
13	5217 108	2			INSULATOR
14	6101 283	3			U-NUT
15	6501 730	2			NUT
16	5217 133	1			INSULATOR, Tail Pipe Rear Support
17	6500 306	1			SCREW
18	6500 305	1			NUT
19	4131 336	AR			SPACER, Tail Pipe Front Support Insulator
20	4419 686	1			SUPPORT, Tail Pipe Front

MODEL CODES

C BODY = (D41 - DYNASTY)(C41 - NEW YORKER)
 E BODY = (J - CARAVELLE)(E - 600)(T - NEW YORKER TURBO)
 G BODY = (V24 - DAYTONA, PACIFICA & SHELBY)
 H BODY = (D44 - LANCER)(C44 - LEBARON GTS)
 J BODY = (C - LEBARON)
 K BODY = (P - RELIANT)(D - ARIES)(C - LEBARON/ TOWN & COUNTRY)

L BODY = (M - HORIZON)(Z-OMNI)
 M BODY = (B - GRAN FURY)(G - DIPLOMAT)(F - FIFTH AVENUE/NEWPORT)
 P BODY = (P - SUNDANCE)(D - SHADOW)
 Q BODY = (C27 - MASERATI)
 S BODY = (H - VOYAGER)(K - RAM VAN/ CARAVAN)

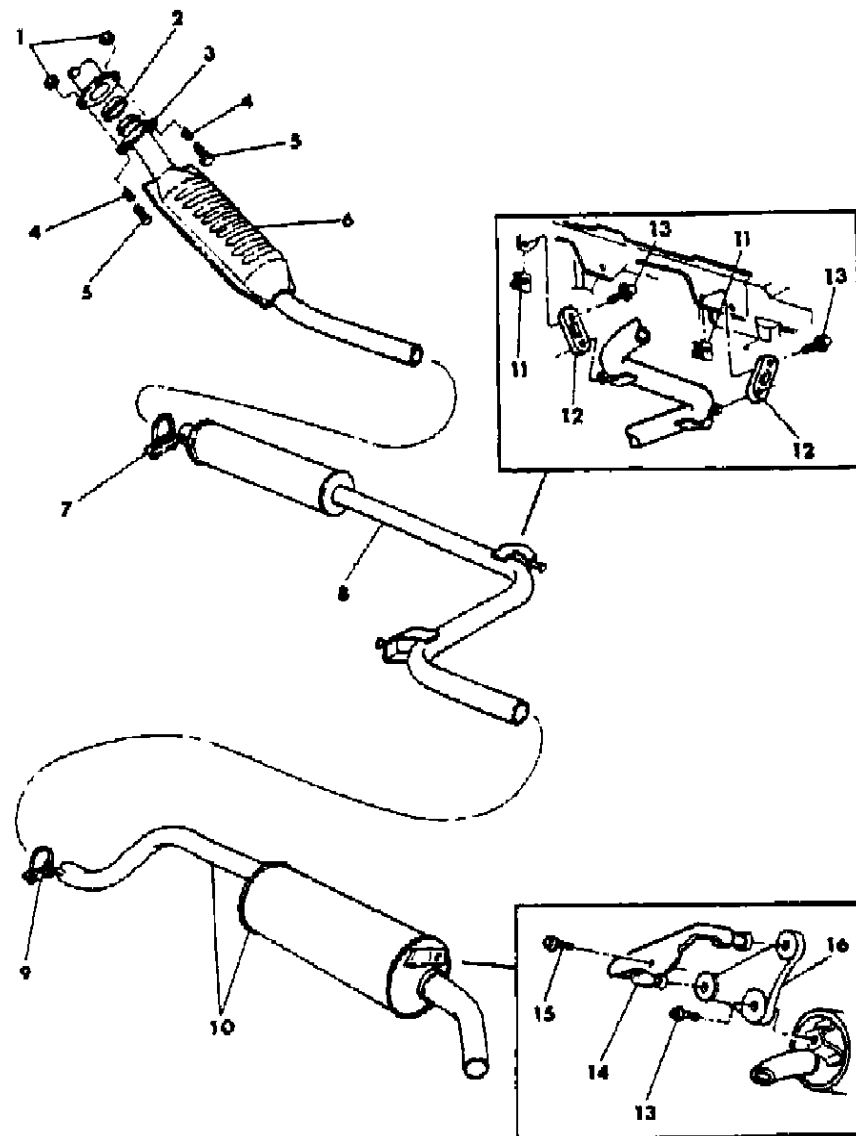
BODY STYLES

12-52 = FWD VAN & WAGON STD. W.B. 27 = 2-DOOR CONVERTIBLE
 13-53 = FWD VAN & WGN EXT W.B. 41 = 4-DOOR SEDAN
 21 = 2-DOOR SEDAN 44 = 4-DOOR HATCHBACK
 24 = 2-DOOR HATCHBACK 45 = 4-DOOR STATION WAGON

AR = Use as Required - = Non Illustrated Part P.A.R. = Paint as Required

EXHAUST SYSTEM 2.2L ENGINE EFI AND 2.5L ENGINE P,J,K,G,E,H,C BODY
Figure 11-200

8111 200 B



ITEM	PART NUMBER	QTY	BODY	MODEL	DESCRIPTION
1	6100 499	2			NUT
2	4427 549	1			RING, Seal
3	4150 799	1			FLANGE, Front Converter
4	4301 631	2			SPRING
5	5217 003	2			BOLT
6					CONVERTER, Catalytic w/Pipes - Front
	4301 715	1	P,H		2.2L Eng. w/(S/C - NAA, NAF) - Man. Trans. up to 10-12-87
	4427 164	1	P,H		after 10-12-87
	4301 716	1	P,H		2.2L Eng. w/(S/C - NAA, NAF) - Auto. Trans. up to 10-12-87
	4427 165	1	P,H		after 10-12-87
	4301 716	1	P,H		2.2L Eng. w/(S/C - NAE) up to 10-12-87
	4427 165	1	P,H		after 10-12-87
	4301 727	1	K		2.2L Eng. w/(S/C - NAA, NAF) - Man. Trans. up to 10-12-87
	4427 166	1	K		after 10-12-87
	4301 728	1	K		2.2L Eng. w/(S/C - NAA, NAF) - Auto. Trans. up to 10-12-87
	4427 167	1	K		after 10-12-87
	4301 728	1	K		2.2L Eng. w/(S/C - NAE) up to 10-12-87
	4427 167	1	K		after 10-12-87
	4301 728	1	E		2.2L Eng. up to 10-12-87
	4427 167	1	E		after 10-12-87
	4301 717	1	P,J,G,H		2.5L Eng. w/(S/C - NAA, NAF) - Man. Trans.
	4301 718	1	P,H		2.5L Eng. w/(S/C - NAA, NAF) - Auto. Trans.
	4427 111	1	J,G		2.5L Eng. w/(S/C - NAA, NAF) - Auto. Trans.
	4301 718	1	P,H		2.5L Eng. w/(S/C - NAE)
	4427 111	1	J,G		2.5L Eng. w/(S/C - NAE)
	4301 732	1	K,E		2.5L Eng. up to 10-12-87
	4427 168	1	K,E		after 10-12-87
	4427 111	1	C		2.5L Eng.
					ODORLESS CONVERTER
	4427 427	1	P,H		2.2L Eng. w/(S/C - NAA, NAF) - Man. Trans.
	4427 428	1	P,H		2.2L Eng. w/(S/C - NAA, NAF) - Auto. Trans.
	4427 428	1	P,H		2.2L Eng. w/(S/C - NAE)
	4427 429	1	K		2.2L Eng. w/(S/C - NAA, NAF) - Man. Trans.
	4427 430	1	K		2.2L Eng. w/(S/C - NAA, NAF) - Auto. Trans.
	4427 430	1	K		2.2L Eng. w/(S/C - NAE)
	4427 430	1	E		2.2L Eng.
	4427 425	1	P,J,G,H		2.5L Eng. w/(S/C - NAA, NAF) - Man. Trans.

MODEL CODES

C BODY = (D41 - DYNASTY)(C41 - NEW YORKER)
 E BODY = (J - CARAVELLE)(E - 600)(T - NEW YORKER TURBO)
 G BODY = (V24 - DAYTONA, PACIFICA & SHELBY)
 H BODY = (D44 - LANCER)(C44 - LEBARON GTS)
 J BODY = (C - LEBARON)
 K BODY = (P - RELIANT)(D - ARIES)(C - LEBARON/ TOWN & COUNTRY)

L BODY = (M - HORIZON)(Z-OMNI)
 M BODY = (B - GRAN FURY)(G - DIPLOMAT)(F - FIFTH AVENUE/NEWPORT)
 P BODY = (P - SUNDANCE)(D - SHADOW)
 Q BODY = (C27 - MASERATI)
 S BODY = (H - VOYAGER)(K - RAM VAN/ CARAVAN)

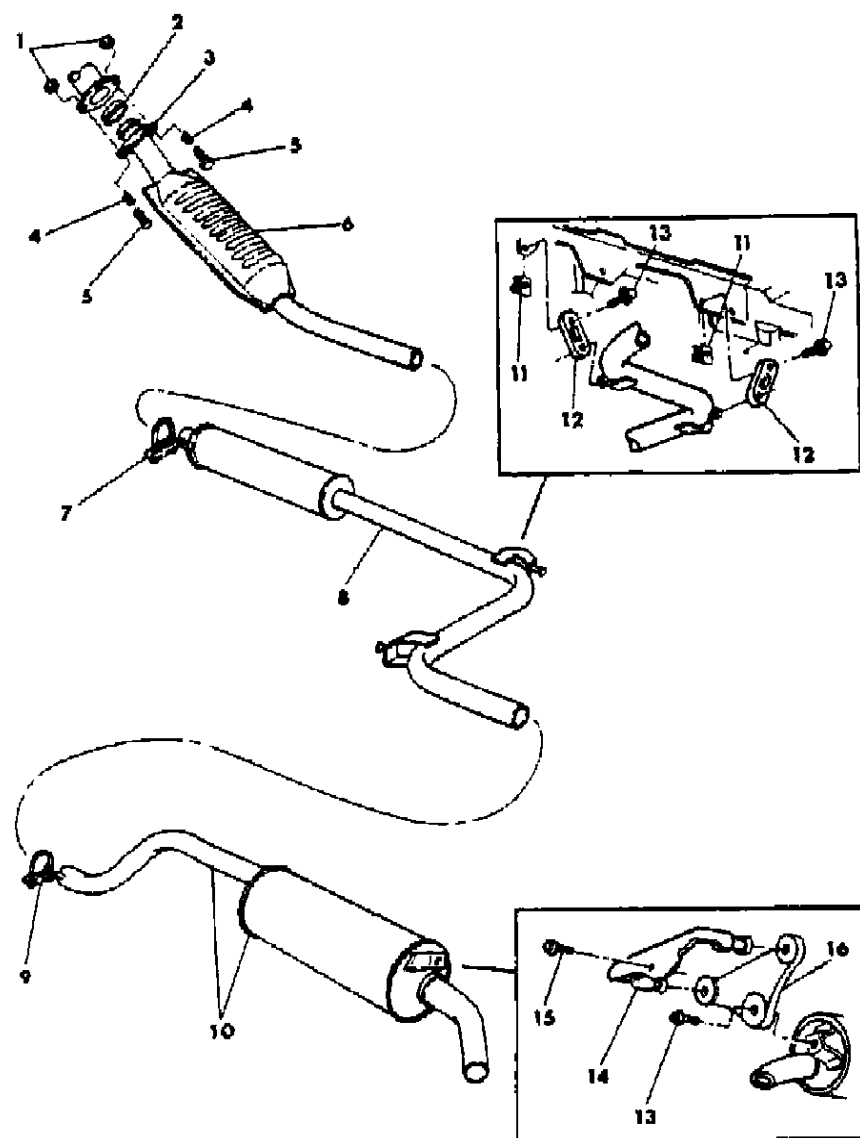
BODY STYLES

12-52 = FWD VAN & WAGON STD. W.B. 27 = 2-DOOR CONVERTIBLE
 13-53 = FWD VAN & WGN EXT W.B. 41 = 4-DOOR SEDAN
 21 = 2-DOOR SEDAN 44 = 4-DOOR HATCHBACK
 24 = 2-DOOR HATCHBACK 45 = 4-DOOR STATION WAGON

AR = Use as Required - = Non Illustrated Part P.A.R. = Paint as Required

EXHAUST SYSTEM 2.2L ENGINE EFI AND 2.5L ENGINE P,J,K,G,E,H,C BODY
Figure 11-200

8111 200 B



ITEM	PART NUMBER	QTY	BODY	MODEL	DESCRIPTION
	4427 426	1	P,J,G,H		2.5L Eng. w/(S/C - NAA, NAF) - Auto. Trans.
	4427 426	1	P,J,G,H		2.5L Eng. w/(S/C - NAE)
	4427 431	1	K,E		2.5L Eng.
	4427 426	1	C		2.5L Eng.
7	4301 378	1			CLAMP
8					PIPE, Exhaust Extension w/o RESONATOR
	4301 779	1	P		2.2L Eng.
	4301 845	1	K	P,D	2.2L Eng.
	4301 980	1	H		2.2L Eng.
	4301 779	1	P,G		2.5L Eng.
	4301 980	1	H		2.5L Eng. w/RESONATOR
	4301 996	1	K		2.2L Eng. and 2.5L Eng.
	4427 078	1	E		2.2L Eng. and 2.5L Eng.
	4301 998	1	J		2.5L Eng.
	4301 942	1	C		2.5L Eng.
9	4301 740	1			CLAMP
10					PIPE, Tail w/Muffler
	4427 086	1	P,H		2.2L Eng.
	4301 811	1	K	P,D	2.2L Eng.
	4301 822	1	K	C	2.2L Eng.
	4301 809	1	E		2.2L Eng.
	4427 086	1	P,H		2.5L Eng.
	4301 703	1	J		2.5L Eng.
	4301 822	1	K		2.5L Eng.
	4301 826	1	G		2.5L Eng.
	4301 809	1	E		2.5L Eng.
	4301 865	1	C		2.5L Eng.
11	6101 283	2			U-NUT
12	5217 108	2			INSULATOR, Extension Pipe Support
13	6500 202	3			BOLT, Shoulder
14	4301 619	1			BRACKET, Muffler Support
15	6100 591	1			SCREW
16	4301 848	1			INSULATOR, Muffler Support

MODEL CODES

C BODY = (D41 - DYNASTY)(C41 - NEW YORKER)
 E BODY = (J - CARAVELLE)(E - 600)(T - NEW YORKER TURBO)
 G BODY = (V24 - DAYTONA, PACIFICA & SHELBY)
 H BODY = (D44 - LANCER)(C44 - LEBARON GTS)
 J BODY = (C - LEBARON)
 K BODY = (P - RELIANT)(D - ARIES)(C - LEBARON/ TOWN & COUNTRY)

L BODY = (M - HORIZON)(Z-OMNI)
 M BODY = (B - GRAN FURY)(G - DIPLOMAT)(F - FIFTH AVENUE/NEWPORT)
 P BODY = (P - SUNDANCE)(D - SHADOW)
 Q BODY = (C27 - MASERATI)
 S BODY = (H - VOYAGER)(K - RAM VAN/ CARAVAN)

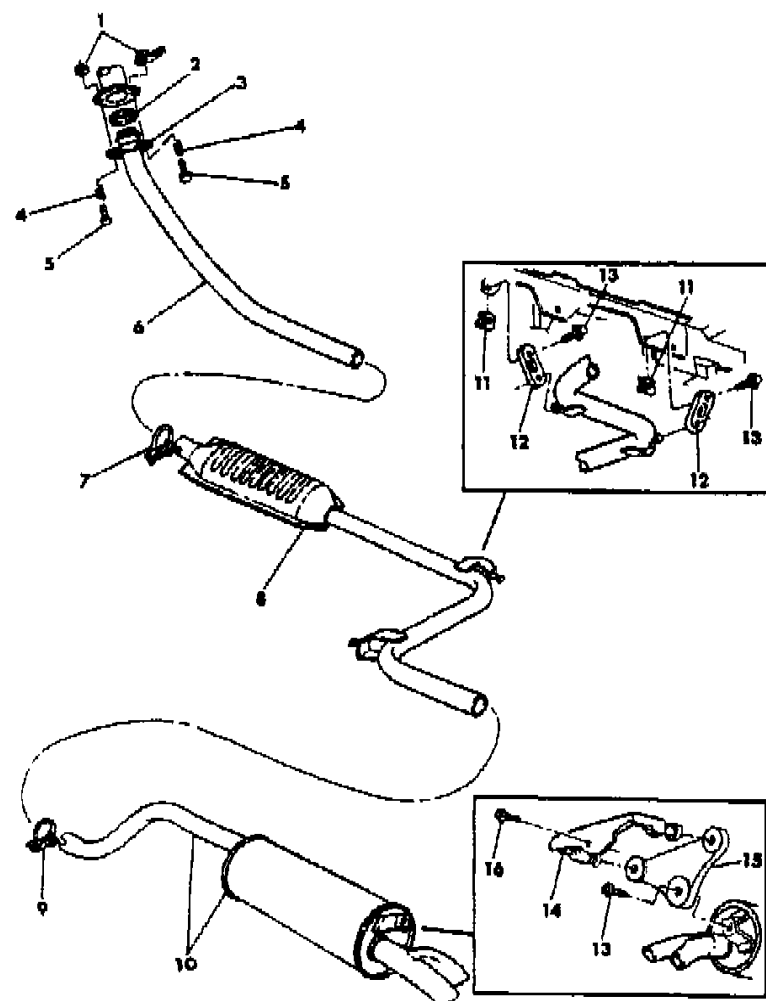
BODY STYLES

12-52 = FWD VAN & WAGON STD. W.B. 27 = 2-DOOR CONVERTIBLE
 13-53 = FWD VAN & WGN EXT W.B. 41 = 4-DOOR SEDAN
 21 = 2-DOOR SEDAN 44 = 4-DOOR HATCHBACK
 24 = 2-DOOR HATCHBACK 45 = 4-DOOR STATION WAGON

AR = Use as Required - = Non Illustrated Part P.A.R. = Paint as Required

EXHAUST SYSTEM 2.2L ENGINE TURBO 1 AND 2 P,J,K,G,E,H BODY
Figure 11-225

8111 225



ITEM	PART NUMBER	QTY	BODY	MODEL	DESCRIPTION	
1	6100 499	1			NUT Rt.	
	4301 250	1			Lt. up to 5-2-88	
	4427 180	1			after 5-2-88	
	4301 436	1			RING, Seal	
3	4301 975	1			FLANGE, Front Exhaust Pipe	
4	4301 631	2			SPRING	
5	5217 003	2			BOLT	
6	4301 981	1	K,E		PIPE, Exhaust 2.2L Eng. Turbo 1	
	4301 979	1	PJGH		2.2L Eng. Turbo 1 & 2	
7	4301 050	1			CLAMP	
8	4301 725	1	P,G		CONVERTER, Catalytic w/Pipes - Rear 2.2L Eng. Turbo 1	
	4301 736	1	J		2.2L Eng. Turbo 1	
	4301 734	1	K		2.2L Eng. Turbo 1	
	4301 735	1	E		2.2L Eng. Turbo 1	
	4301 682	1	H		2.2L Eng. Turbo 1	
	4301 725	1	G		2.2L Eng. Turbo 2	
	4301 682	1	H		2.2L Eng. Turbo 2	
						ODORLESS CONVERTER
	4427 404	1	P,G		2.2L Eng. Turbo 1	
	4427 407	1	J		2.2L Eng. Turbo 1	
4427 405	1	K		2.2L Eng. Turbo 1		
4427 406	1	E		2.2L Eng. Turbo 1		
4427 403	1	H		2.2L Eng. Turbo 1		
4427 404	1	G		2.2L Eng. Turbo 2		
4427 403	1	H		2.2L Eng. Turbo 2		
9	4301 740	1			CLAMP	
10	4427 080	1	P		PIPE, Tail w/Muffler 2.2L Eng. Turbo 1	
	4427 027	1	J		2.2L Eng. Turbo 1	
	4301 832	1	K		2.2L Eng. Turbo 1	
	4301 836	1	G		2.2L Eng. Turbo 1 - Man. Trans.	
	4427 018	1	G		2.2L Eng. Turbo 1 - Auto. Trans.	
	4427 077	1	E		2.2L Eng. Turbo 1	
	4301 994	1	H		2.2L Eng. Turbo 1 - w/o Pacifica Pkg.	

MODEL CODES

C BODY = (D41 - DYNASTY)(C41 - NEW YORKER)
 E BODY = (J - CARAVELLE)(E - 600)(T - NEW YORKER TURBO)
 G BODY = (V24 - DAYTONA, PACIFICA & SHELBY)
 H BODY = (D44 - LANCER)(C44 - LEBARON GTS)
 J BODY = (C - LEBARON)
 K BODY = (P - RELIANT)(D - ARIES)(C - LEBARON/ TOWN & COUNTRY)

L BODY = (M - HORIZON)(Z-OMNI)
 M BODY = (B - GRAN FURY)(G - DIPLOMAT)(F - FIFTH AVENUE/NEWPORT)
 P BODY = (P - SUNDANCE)(D - SHADOW)
 Q BODY = (C27 - MASERATI)
 S BODY = (H - VOYAGER)(K - RAM VAN/ CARAVAN)

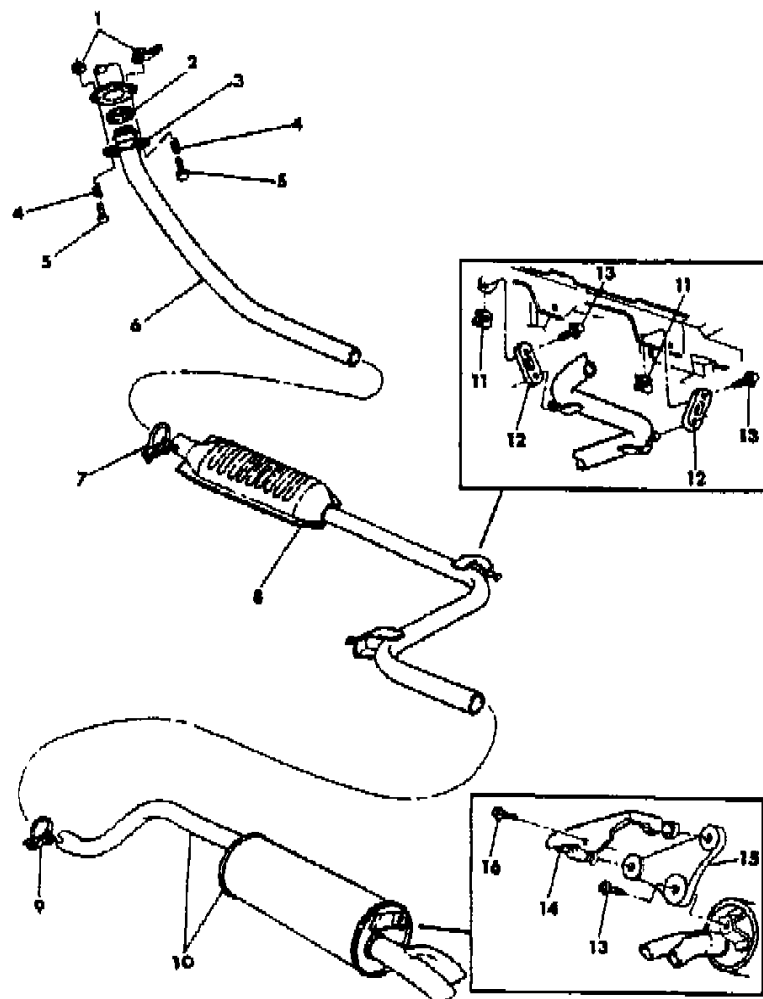
BODY STYLES

12-52 = FWD VAN & WAGON STD. W.B. 27 = 2-DOOR CONVERTIBLE
 13-53 = FWD VAN & WGN EXT W.B. 41 = 4-DOOR SEDAN
 21 = 2-DOOR SEDAN 44 = 4-DOOR HATCHBACK
 24 = 2-DOOR HATCHBACK 45 = 4-DOOR STATION WAGON

AR = Use as Required - = Non Illustrated Part P.A.R. = Paint as Required

EXHAUST SYSTEM 2.2L ENGINE TURBO 1 AND 2 P,J,K,G,E,H BODY
Figure 11-225

8111 225



ITEM	PART NUMBER	QTY	BODY	MODEL	DESCRIPTION
	4427 020	1	H		2.2L Eng. Turbo 1 - w/Pacifica Pkg.
	4301 838	1	G	H-S	2.2L Eng. Turbo 2
	4427 020	1	H		2.2L Eng. Turbo 2 - w/Pacifica Pkg.
11	6101 283	2			U-NUT
12	5217 108	2			INSULATOR, Rear Converter Support
13	6500 202	3			BOLT, Shoulder
14	4301 619	1			BRACKET, Muffler Support
15	4301 848	1			INSULATOR, Muffler Support
16	6100 591	1			SCREW

MODEL CODES

C BODY = (D41 - DYNASTY)(C41 - NEW YORKER)	L BODY = (M - HORIZON)(Z-OMNI)
E BODY = (J - CARAVELLE)(E - 600)(T - NEW YORKER TURBO)	M BODY = (B - GRAN FURY)(G - DIPLOMAT)(F - FIFTH AVENUE/NEWPORT)
G BODY = (V24 - DAYTONA, PACIFICA & SHELBY)	P BODY = (P - SUNDANCE)(D - SHADOW)
H BODY = (D44 - LANCER)(C44 - LEBARON GTS)	Q BODY = (C27 - MASERATI)
J BODY = (C - LEBARON)	S BODY = (H - VOYAGER)(K - RAM VAN/ CARAVAN)
K BODY = (P - RELIANT)(D - ARIES)(C - LEBARON/ TOWN & COUNTRY)	

BODY STYLES

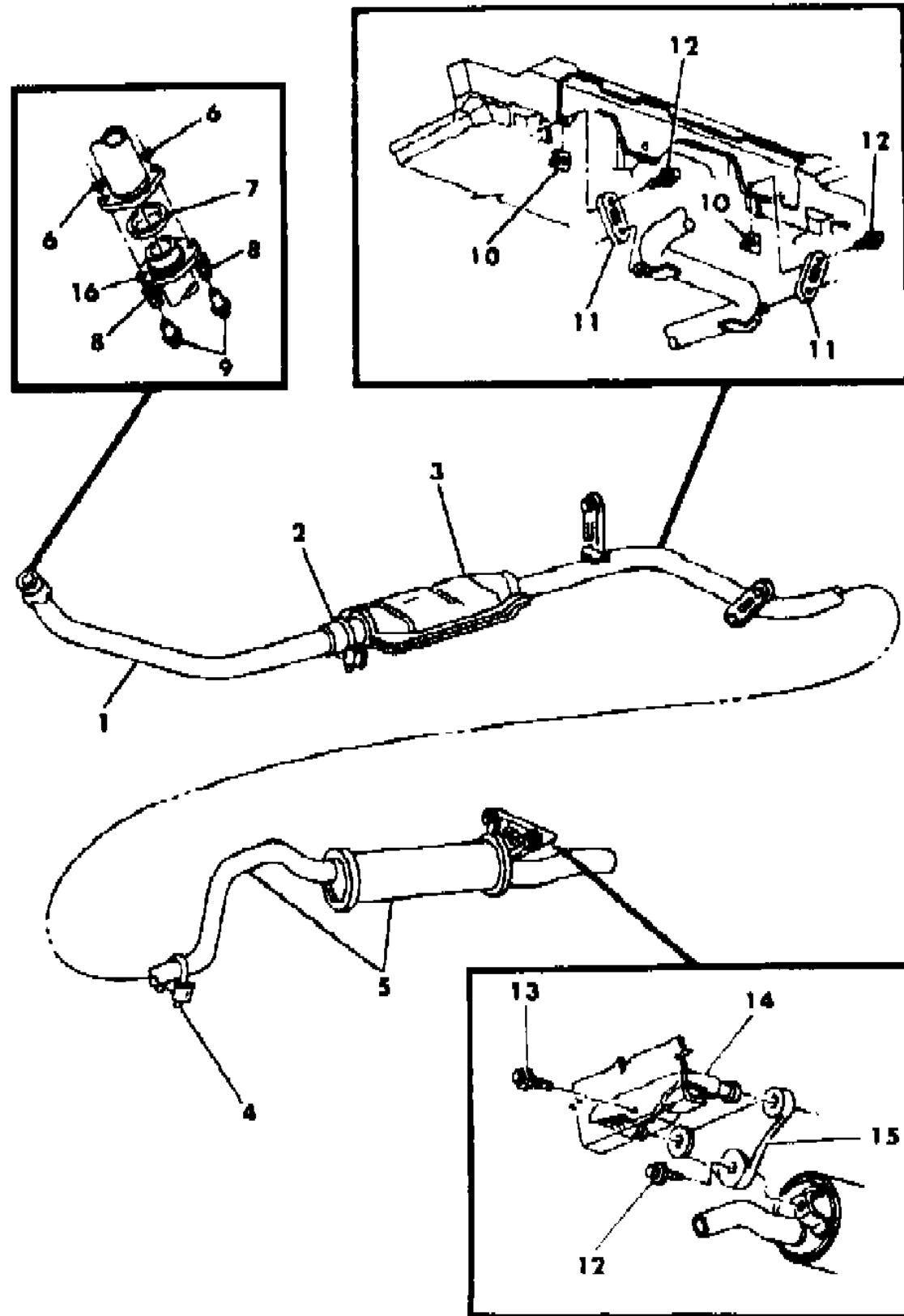
12-52 = FWD VAN & WAGON STD. W.B.	27 = 2-DOOR CONVERTIBLE
13-53 = FWD VAN & WGN EXT W.B.	41 = 4-DOOR SEDAN
21 = 2-DOOR SEDAN	44 = 4-DOOR HATCHBACK
24 = 2-DOOR HATCHBACK	45 = 4-DOOR STATION WAGON

AR = Use as Required - = Non Illustrated Part P.A.R. = Paint as Required

EXHAUST SYSTEM C BODY 3.0L ENGINE

Figure 11-300

8111 300 A



ITEM	PART NUMBER	QTY	BODY	MODEL	DESCRIPTION
1	4301 974	1			PIPE, Exhaust
2	4301 050	1			CLAMP
3	4301 861	1			CONVERTER, Catalytic w/Resonator and Pipes - Rear
	4427 408	1			Odorless Converter
4	4301 740	1			CLAMP
5	4301 867	1			PIPE, Tail w/Muffler
6	6100 499	2			NUT
7	4301 436	1			RING, Seal
8	4301 631	2			SPRING
9	5217 003	2			BOLT
10	6101 283	2			U-NUT
11	5217 108	2			INSULATOR
12	6500 202	3			BOLT, Shoulder
13	6100 591	1			SCREW
14	4301 619	1			BRACKET, Muffler Support
15	4301 848	1			INSULATOR, Muffler Support
16	4301 975	1			FLANGE, Front Converter

MODEL CODES

C BODY = (D41 - DYNASTY)(C41 - NEW YORKER)	L BODY = (M - HORIZON)(Z-OMNI)
E BODY = (J - CARAVELLE)(E - 600)(T - NEW YORKER TURBO)	M BODY = (B - GRAN FURY)(G - DIPLOMAT)(F - FIFTH AVENUE/NEWPORT)
G BODY = (V24 - DAYTONA, PACIFICA & SHELBY)	P BODY = (P - SUNDANCE)(D - SHADOW)
H BODY = (D44 - LANCER)(C44 - LEBARON GTS)	Q BODY = (C27 - MASERATI)
J BODY = (C - LEBARON)	S BODY = (H - VOYAGER)(K - RAM VAN/ CARAVAN)
K BODY = (P - RELIANT)(D - ARIES)(C - LEBARON/ TOWN & COUNTRY)	

BODY STYLES

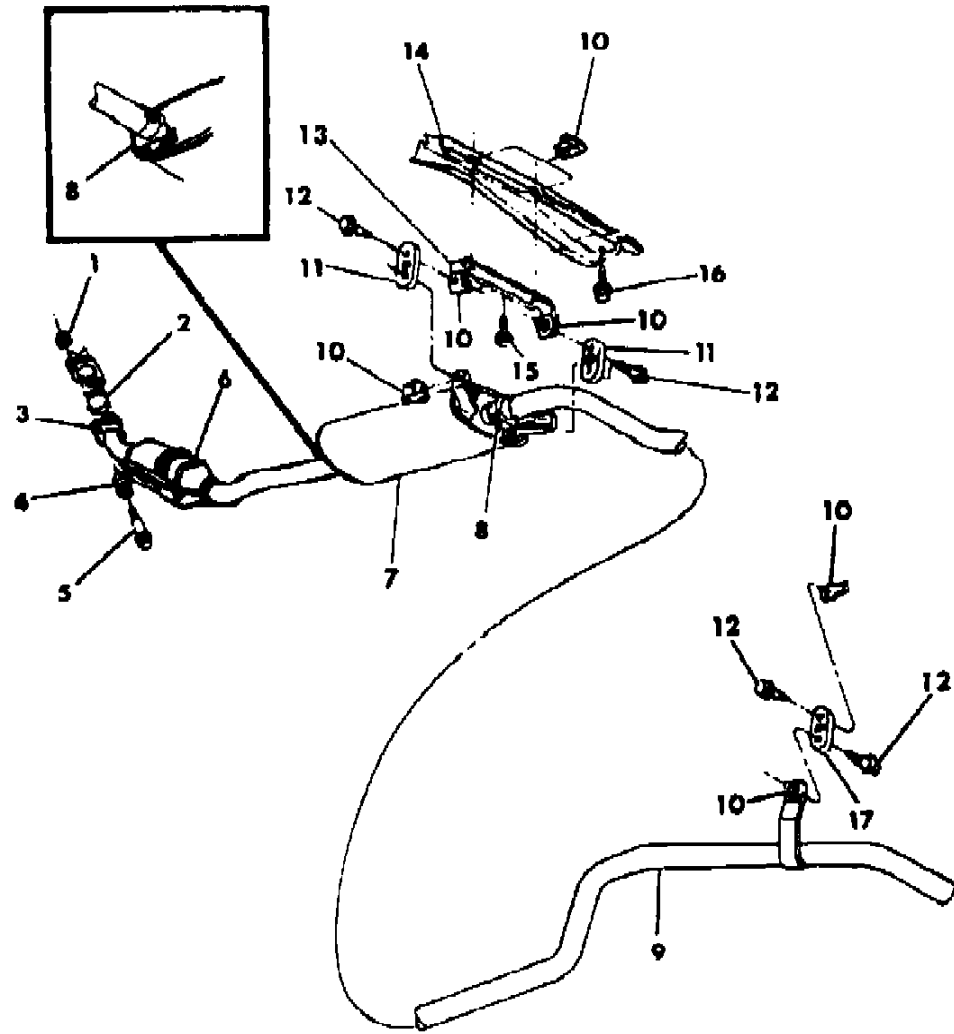
12-52 = FWD VAN & WAGON STD. W.B.	27 = 2-DOOR CONVERTIBLE
13-53 = FWD VAN & WGN EXT W.B.	41 = 4-DOOR SEDAN
21 = 2-DOOR SEDAN	44 = 4-DOOR HATCHBACK
24 = 2-DOOR HATCHBACK	45 = 4-DOOR STATION WAGON

AR = Use as Required - = Non Illustrated Part P.A.R. = Paint as Required

EXHAUST SYSTEM 2.5L ENGINE S BODY

Figure 11-400

8111 400



ITEM	PART NUMBER	QTY	BODY	MODEL	DESCRIPTION
1	6100 499	2			NUT
2	4427 549	1			RING, Seal
3	4150 799	1			FLANGE, Front Converter
4	4301 631	2			SPRING
5	5217 003	2			BOLT
6	4427 109	1			CONVERTER, Catalytic w/Pipe - Rear
	4427 424	1			Odorless Converter
7	4301 756	1			MUFFLER
8	4301 081	2			CLAMP
9					PIPE, Tail
	4301 711	1			w/o Royal SE/LE Decor Pkg. w/o Ext. W.B.
	4301 965	1			w/Royal SE/LE Decor Pkg. (Dual)
	4301 714	1			w/Ext. W.B.
10	6101 283	8			U-NUT
11	4427 092	2			INSULATOR, Muffler Support
12	6500 306	6			BOLT, Shoulder
13	4301 754	1			BRACKET, Muffler Support to Crossmember
14	4301 739	1			CROSSMEMBER, Muffler Support Mounting
15	6100 304	2			SCREW
16	6500 879	4			SCREW
17					INSULATOR, Tail Pipe Support
	4301 960	1			w/o Ext. W.B.
	4427 092	1			w/Ext. W.B.

MODEL CODES

C BODY = (D41 - DYNASTY)(C41 - NEW YORKER)
 E BODY = (J - CARAVELLE)(E - 600)(T - NEW YORKER TURBO)
 G BODY = (V24 - DAYTONA, PACIFICA & SHELBY)
 H BODY = (D44 - LANCER)(C44 - LEBARON GTS)
 J BODY = (C - LEBARON)
 K BODY = (P - RELIANT)(D - ARIES)(C - LEBARON/ TOWN & COUNTRY)

L BODY = (M - HORIZON)(Z-OMNI)
 M BODY = (B - GRAN FURY)(G - DIPLOMAT)(F - FIFTH AVENUE/NEWPORT)
 P BODY = (P - SUNDANCE)(D - SHADOW)
 Q BODY = (C27 - MASERATI)
 S BODY = (H - VOYAGER)(K - RAM VAN/ CARAVAN)

BODY STYLES

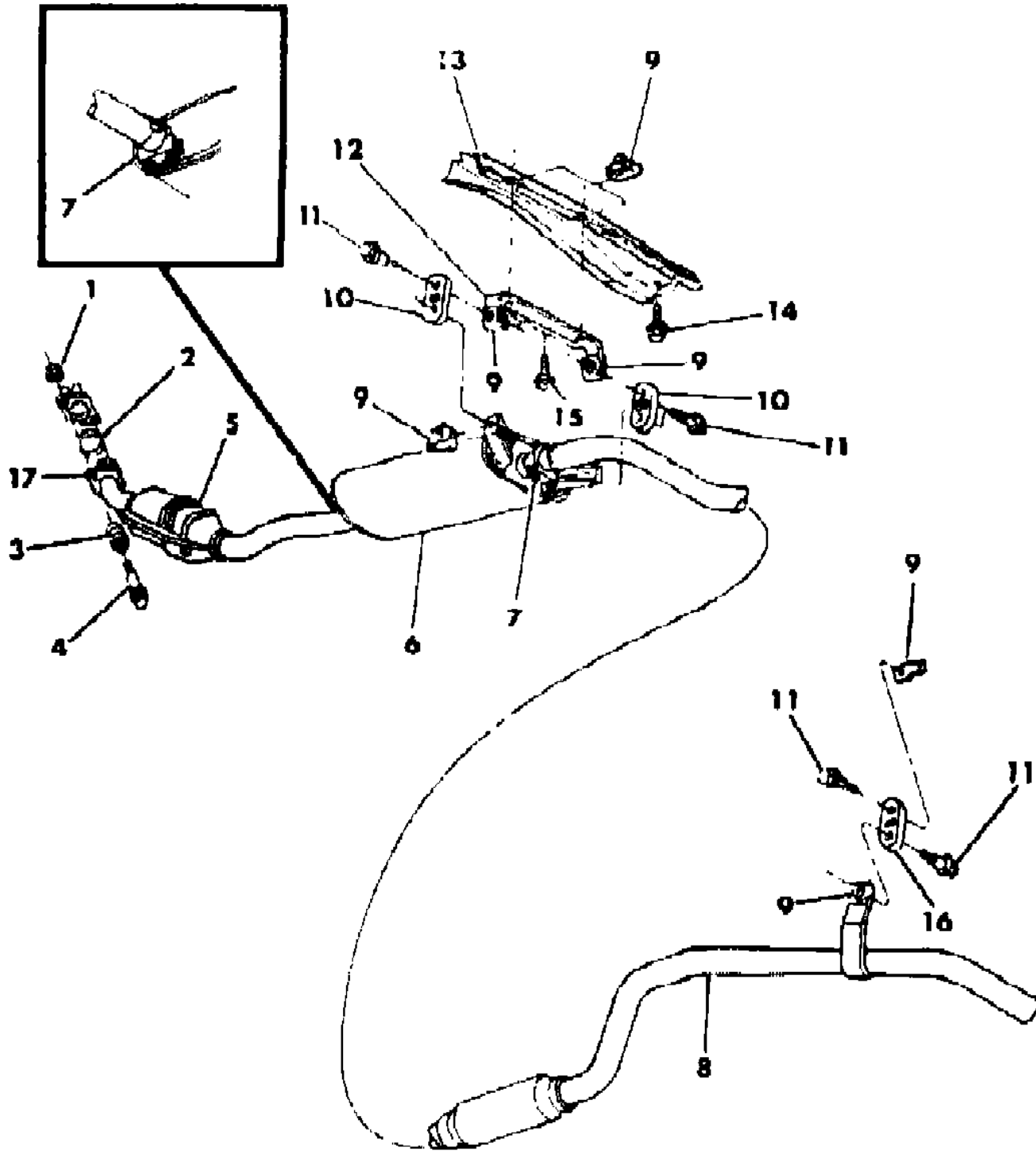
12-52 = FWD VAN & WAGON STD. W.B. 27 = 2-DOOR CONVERTIBLE
 13-53 = FWD VAN & WGN EXT W.B. 41 = 4-DOOR SEDAN
 21 = 2-DOOR SEDAN 44 = 4-DOOR HATCHBACK
 24 = 2-DOOR HATCHBACK 45 = 4-DOOR STATION WAGON

AR = Use as Required - = Non Illustrated Part P.A.R. = Paint as Required

EXHAUST SYSTEM 3.0L ENGINE S BODY

Figure 11-500

8111 500 A



ITEM	PART NUMBER	QTY	BODY	MODEL	DESCRIPTION
1	6100 499	2			NUT
2	4301 436	1			RING, Seal
3	4301 631	2			SPRING
4	5217 003	2			BOLT
5	4301 938	1			CONVERTER, Catalytic w/Pipes
	4427 410	1			Odorless Converter
6	4427 010	1			MUFFLER
7					CLAMP, Muffler
	4301 410	1			Inlet
	4301 081	1			Outlet
8					PIPE, Tail w/Resonator
	4301 944	1			w/o Royal SE/LE Decor Pkg. w/o Ext. W.B. (Single)
	4301 965	1			w/Royal SE/LE Decor Pkg. w/o Ext. W.B. (Dual)
	4301 951	1			w/Ext. W.B.
9	6101 283	8			U-NUT
10	4427 092	2			INSULATOR, Muffler Support
11	6500 306	6			BOLT, Shoulder
12	4301 754	1			BRACKET, Muffler Support to Crossmember
13	4301 739	1			CROSSMEMBER, Muffler Support Mounting
14	6500 879	4			SCREW
15	6100 304	2			SCREW
16					INSULATOR, Tail Pipe Support
	4301 960	1			w/o Ext. W.B.
	4427 092	1			w/Ext. W.B.
17	4301 975	1			FLANGE, Front Converter

MODEL CODES

C BODY = (D41 - DYNASTY)(C41 - NEW YORKER)
 E BODY = (J - CARAVELLE)(E - 600)(T - NEW YORKER TURBO)
 G BODY = (V24 - DAYTONA, PACIFICA & SHELBY)
 H BODY = (D44 - LANCER)(C44 - LEBARON GTS)
 J BODY = (C - LEBARON)
 K BODY = (P - RELIANT)(D - ARIES)(C - LEBARON/ TOWN & COUNTRY)

L BODY = (M - HORIZON)(Z-OMNI)
 M BODY = (B - GRAN FURY)(G - DIPLOMAT)(F - FIFTH AVENUE/NEWPORT)
 P BODY = (P - SUNDANCE)(D - SHADOW)
 Q BODY = (C27 - MASERATI)
 S BODY = (H - VOYAGER)(K - RAM VAN/ CARAVAN)

BODY STYLES

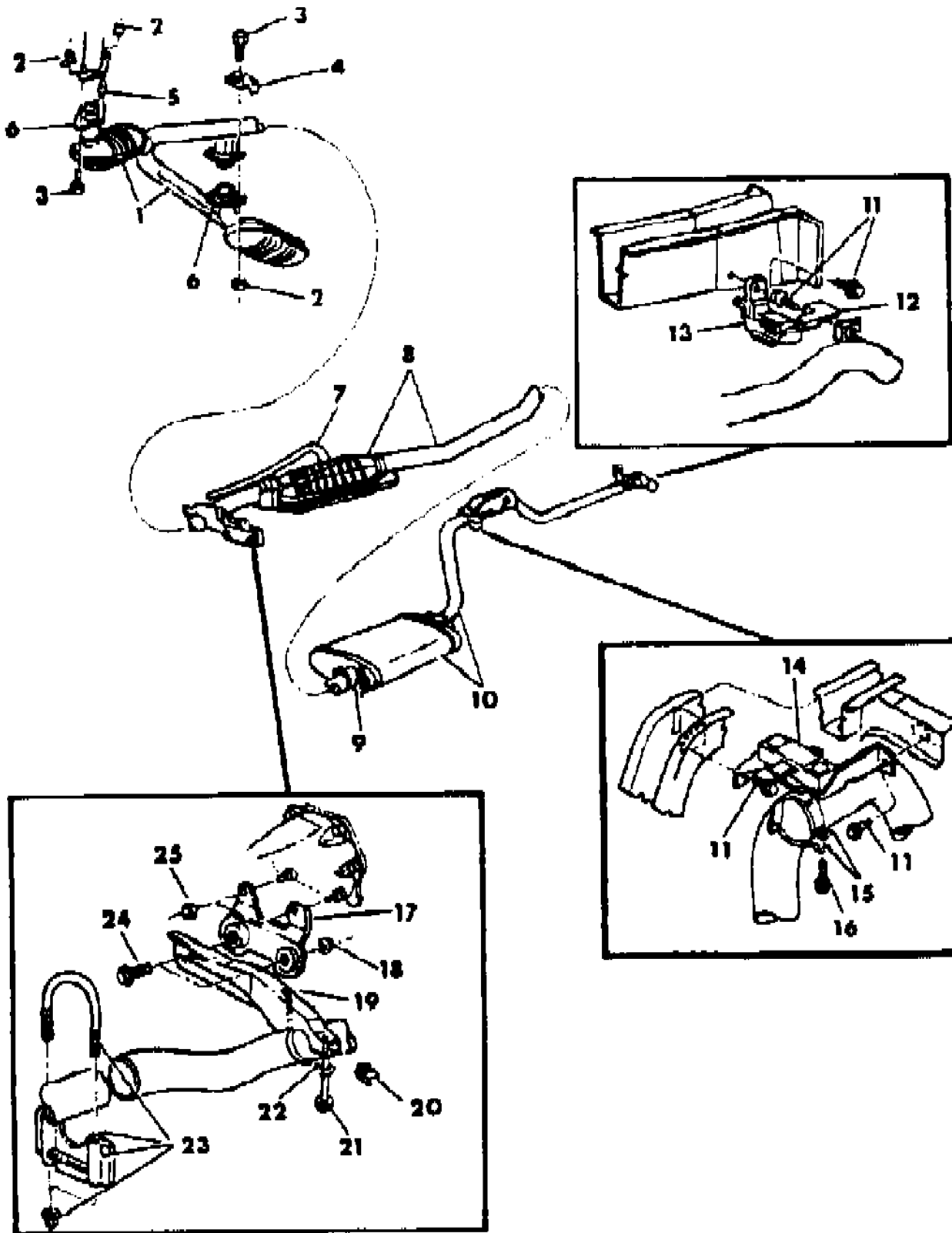
12-52 = FWD VAN & WAGON STD. W.B. 27 = 2-DOOR CONVERTIBLE
 13-53 = FWD VAN & WGN EXT W.B. 41 = 4-DOOR SEDAN
 21 = 2-DOOR SEDAN 44 = 4-DOOR HATCHBACK
 24 = 2-DOOR HATCHBACK 45 = 4-DOOR STATION WAGON

AR = Use as Required - = Non Illustrated Part P.A.R. = Paint as Required

EXHAUST SYSTEM M BODY

Figure 11-600

8111 600



ITEM	PART NUMBER	QTY	BODY	MODEL	DESCRIPTION
1					CONVERTER, Catalytic w/Pipes - Front
	4150 524	1			318 Eng. 2 Bbl.
	4301 896	1			318 Eng. 4 Bbl.
					ODORLESS CONVERTER
	4427 422	1	LHPS		318 Eng. 2 Bbl. - Federal
	4427 401	1	E		318 Eng. 2 Bbl. - Federal
	4427 422	1			318 Eng. 2 Bbl. Heavy Duty - Federal
	4427 401	1			318 Eng. 2 Bbl. - Calif.
	4427 409	1			318 Eng. 4 Bbl.
2					NUT
	6031 959	AR			Right
	6025 405	AR			Left
3	#0181 127	AR			BOLT
4	4004 001	2			RETAINER
5	6031 888	1			STUD, Shoulder
6	4004 700	1			FLANGE, Front Converter
7	4150 638	1			TUBE, Airline to Catalytic Converter
8					CONVERTER, Catalytic w/Pipes - Rear
					ODORLESS CONVERTER
	4427 423	1	LHPS		318 Eng. 2 Bbl. - Federal
	4427 402	1	E		318 Eng. 2 Bbl. - Federal
	4427 423	1			318 Eng. 2 Bbl. Heavy Duty - Federal
	4427 402	1			318 Eng. 2 Bbl. - Calif.
	4427 402	1			318 Eng. 4 Bbl.
9					CLAMP, Saddle
	4301 378	1			Inlet
	4004 961	1			Outlet - 2Bbl.
	4150 277	1			Outlet - 4Bbl.
10					PIPE, Tail w/Muffler
	4301 872	1			318 Eng. 2 Bbl.
	4301 876	1			318 Eng. 4 Bbl.
11	#6031 734	4			SCREW
12	4004 940	1			BLADE, Tail Pipe Rear Support
13	4004 742	1			SUPPORT, Tail Pipe Rear
14	4004 581	1			BRACKET, Tail Pipe Front Support
15					SUPPORT, Tail Pipe - Front
	4004 552	1			318 Eng. 2 Bbl.

MODEL CODES

C BODY = (D41 - DYNASTY)(C41 - NEW YORKER)
 E BODY = (J - CARAVELLE)(E - 600)(T - NEW YORKER TURBO)
 G BODY = (V24 - DAYTONA, PACIFICA & SHELBY)
 H BODY = (D44 - LANCER)(C44 - LEBARON GTS)
 J BODY = (C - LEBARON)
 K BODY = (P - RELIANT)(D - ARIES)(C - LEBARON/ TOWN & COUNTRY)

L BODY = (M - HORIZON)(Z-OMNI)
 M BODY = (B - GRAN FURY)(G - DIPLOMAT)(F - FIFTH AVENUE/NEWPORT)
 P BODY = (P - SUNDANCE)(D - SHADOW)
 Q BODY = (C27 - MASERATI)
 S BODY = (H - VOYAGER)(K - RAM VAN/ CARAVAN)

BODY STYLES

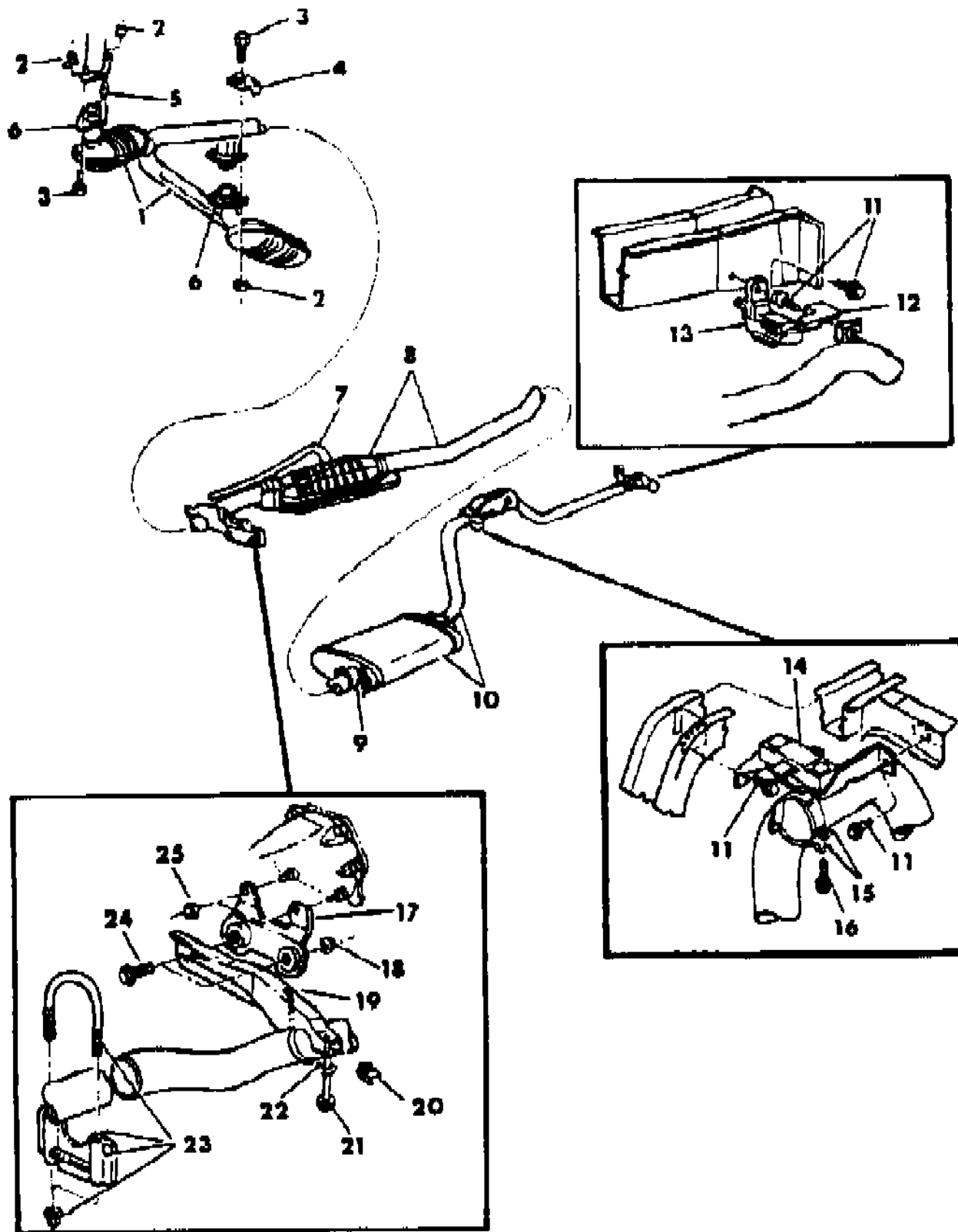
12-52 = FWD VAN & WAGON STD. W.B. 27 = 2-DOOR CONVERTIBLE
 13-53 = FWD VAN & WGN EXT W.B. 41 = 4-DOOR SEDAN
 21 = 2-DOOR SEDAN 44 = 4-DOOR HATCHBACK
 24 = 2-DOOR HATCHBACK 45 = 4-DOOR STATION WAGON

AR = Use as Required - = Non Illustrated Part P.A.R. = Paint as Required

EXHAUST SYSTEM M BODY

Figure 11-600

8111 600



ITEM	PART NUMBER	QTY	BODY	MODEL	DESCRIPTION
	4004 553	1			318 Eng. 4 Bbl.
16	6027 086	1			SCREW
17	4150 623	1			PLATE, Catalytic Converter Support Bracket
18	0118 614	2			NUT
19	4150 334	1			BRACKET, Catalytic Converter Support
20	6029 355	1			U-NUT
21	0153 190	1			SCREW
22	#4150 219	1			CLAMP 2.25
23	4004 961	1			CLAMP, Saddle
24	6022 245	1			SCREW
25	6025 405	2			NUT

MODEL CODES

- C BODY = (D41 - DYNASTY)(C41 - NEW YORKER)
- E BODY = (J - CARAVELLE)(E - 600)(T - NEW YORKER TURBO)
- G BODY = (V24 - DAYTONA, PACIFICA & SHELBY)
- H BODY = (D44 - LANCER)(C44 - LEBARON GTS)
- J BODY = (C - LEBARON)
- K BODY = (P - RELIANT)(D - ARIES)(C - LEBARON/ TOWN & COUNTRY)
- L BODY = (M - HORIZON)(Z-OMNI)
- M BODY = (B - GRAN FURY)(G - DIPLOMAT)(F - FIFTH AVENUE/NEWPORT)
- P BODY = (P - SUNDANCE)(D - SHADOW)
- Q BODY = (C27 - MASERATI)
- S BODY = (H - VOYAGER)(K - RAM VAN/ CARAVAN)

BODY STYLES

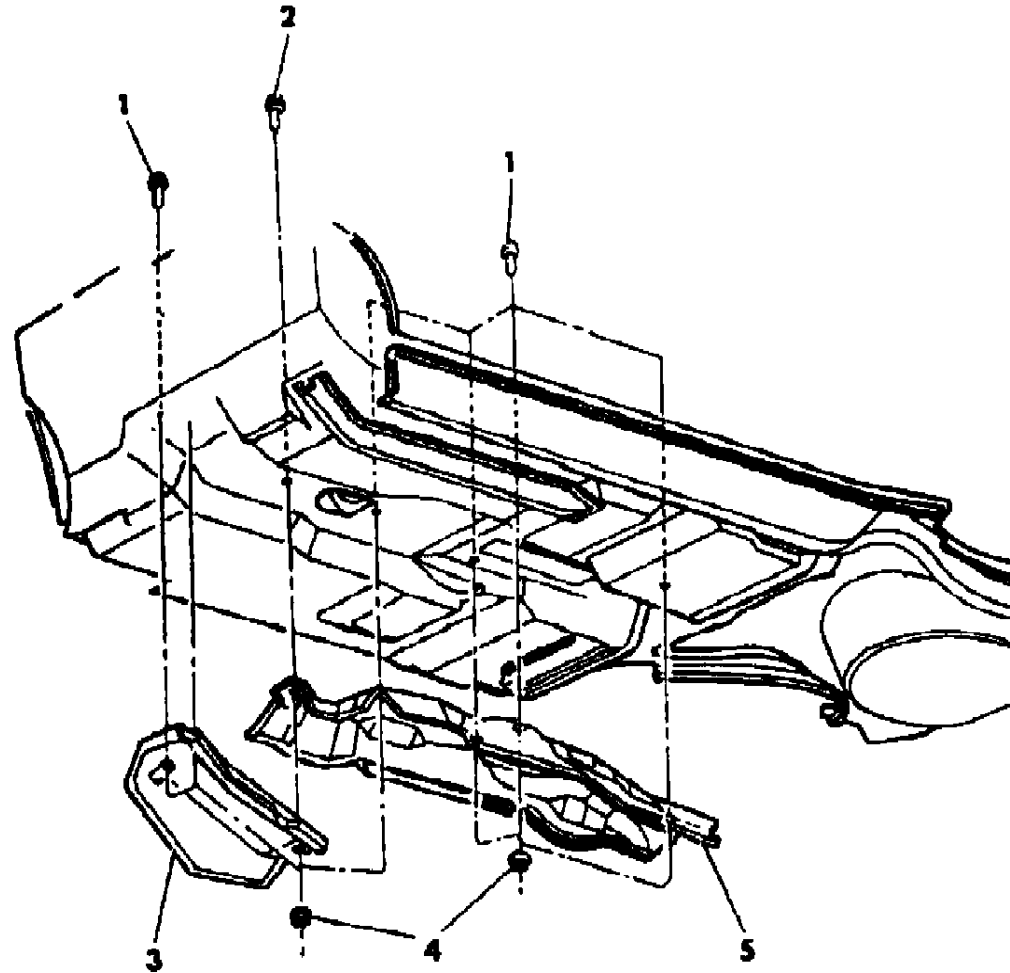
- 12-52 = FWD VAN & WAGON STD. W.B.
- 13-53 = FWD VAN & WGN EXT W.B.
- 21 = 2-DOOR SEDAN
- 24 = 2-DOOR HATCHBACK
- 27 = 2-DOOR CONVERTIBLE
- 41 = 4-DOOR SEDAN
- 44 = 4-DOOR HATCHBACK
- 45 = 4-DOOR STATION WAGON

AR = Use as Required - = Non Illustrated Part P.A.R. = Paint as Required

HEAT SHIELDS - EXHAUST L BODY

Figure 11-700

8111 700



ITEM	PART NUMBER	QTY	BODY	MODEL	DESCRIPTION
1		6			SCREW and WASHER (not serviced)
2	0181 063	1			SCREW
3	4266 737	1			SHIELD, Front Floor Pan
4	0219 462	7			NUT
5	4266 094	1			SHIELD, Underbody Heat

MODEL CODES

C BODY = (D41 - DYNASTY)(C41 - NEW YORKER)
 E BODY = (J - CARAVELLE)(E - 600)(T - NEW YORKER TURBO)
 G BODY = (V24 - DAYTONA, PACIFICA & SHELBY)
 H BODY = (D44 - LANCER)(C44 - LEBARON GTS)
 J BODY = (C - LEBARON)
 K BODY = (P - RELIANT)(D - ARIES)(C - LEBARON/ TOWN & COUNTRY)

L BODY = (M - HORIZON)(Z-OMNI)
 M BODY = (B - GRAN FURY)(G - DIPLOMAT)(F - FIFTH AVENUE/NEWPORT)
 P BODY = (P - SUNDANCE)(D - SHADOW)
 Q BODY = (C27 - MASERATI)
 S BODY = (H - VOYAGER)(K - RAM VAN/ CARAVAN)

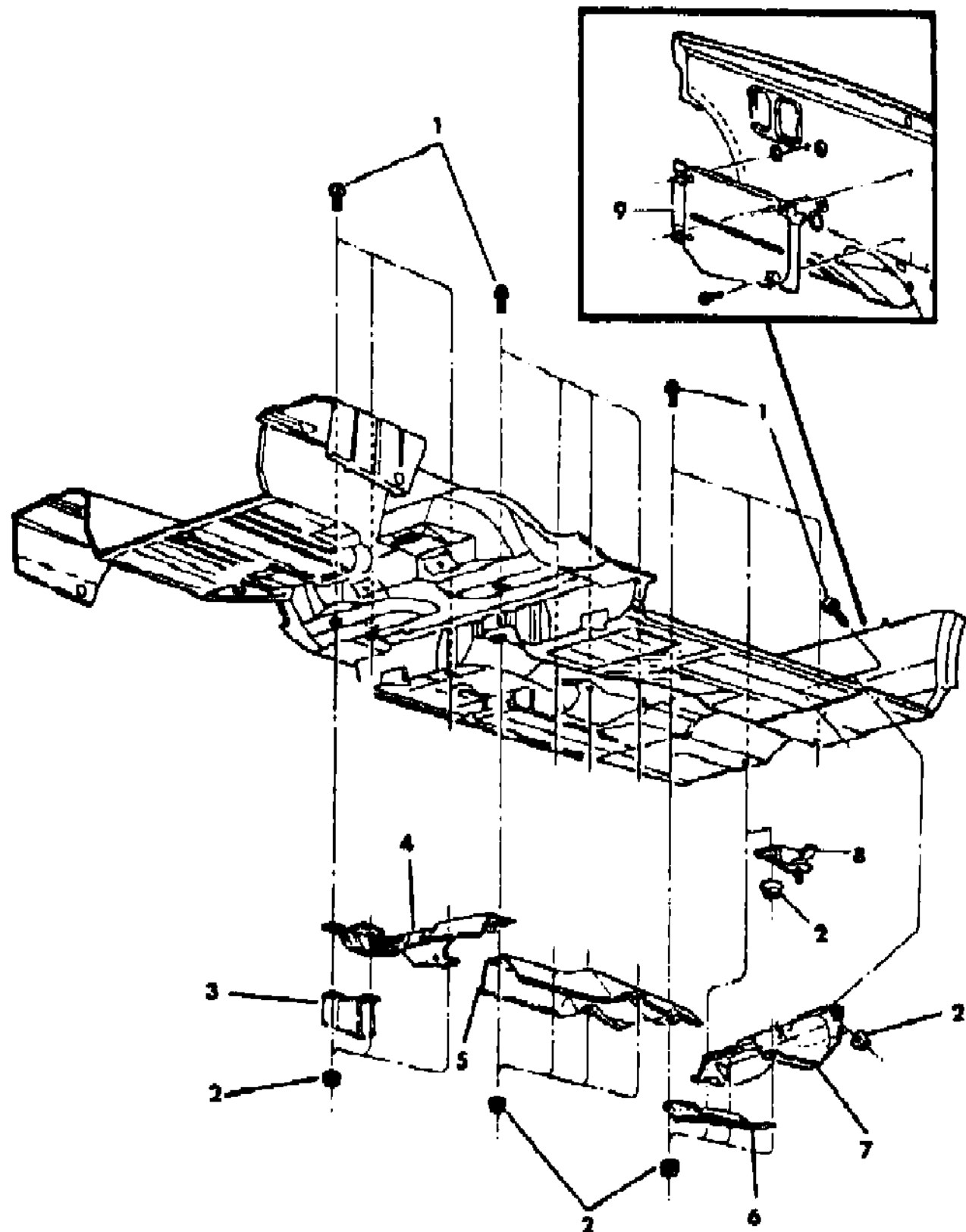
BODY STYLES

12-52 = FWD VAN & WAGON STD. W.B. 27 = 2-DOOR CONVERTIBLE
 13-53 = FWD VAN & WGN EXT W.B. 41 = 4-DOOR SEDAN
 21 = 2-DOOR SEDAN 44 = 4-DOOR HATCHBACK
 24 = 2-DOOR HATCHBACK 45 = 4-DOOR STATION WAGON

AR = Use as Required - = Non Illustrated Part P.A.R. = Paint as Required

HEAT SHIELDS - EXHAUST P,J,K,G,E,H BODY
Figure 11-800

8111 800



ITEM	PART NUMBER	QTY	BODY	MODEL	DESCRIPTION
1		AR			SCREW (not serviced)
2	0219 462	AR			NUT
3	4140 824	1			SHIELD, Front Floor Pan Rear Heat Auxiliary
4	4266 376	1			SHIELD, Front Floor Rear Heat w/(S/C - EDG, EDR)
5					SHIELD, Underbody Catalytic Heat
					Upper
	4266 175	1	K,E		
	4401 201	1	P,J,G,H		
					Lower
	4266 246	1	K,E		2.2L Eng. w/(S/C - EDG)
	4401 203	1	PJGH		SHIELD, Underbody Catalytic Heat - Upper and Lower - 2.2L Eng. w/(S/C - EDG, EDR)
6	4140 802	1	K,E		SHIELD, Front Floor Pan Heat 2.2L Eng. w/(S/C - EDF) & 2.5L Eng.
7	4266 958	1			SHIELD, Dash Panel Heat 2.2L Eng. w/(S/C - EDF) & 2.5L Eng.
-	4266 955	1			SHIELD, Dash Panel Heat - Upper
8	4266 299	1			BRACKET, Dash Panel Heat Shield Attach - Man. Trans.
9	4266 248	1			SHIELD, Firewall Heat 2.2L Eng. w/(S/C - EDG, EDR)

MODEL CODES

C BODY = (D41 - DYNASTY)(C41 - NEW YORKER)	L BODY = (M - HORIZON)(Z-OMNI)
E BODY = (J - CARAVELLE)(E - 600)(T - NEW YORKER TURBO)	M BODY = (B - GRAN FURY)(G - DIPLOMAT)(F - FIFTH AVENUE/NEWPORT)
G BODY = (V24 - DAYTONA, PACIFICA & SHELBY)	P BODY = (P - SUNDANCE)(D - SHADOW)
H BODY = (D44 - LANCER)(C44 - LEBARON GTS)	Q BODY = (C27 - MASERATI)
J BODY = (C - LEBARON)	S BODY = (H - VOYAGER)(K - RAM VAN/ CARAVAN)
K BODY = (P - RELIANT)(D - ARIES)(C - LEBARON/ TOWN & COUNTRY)	

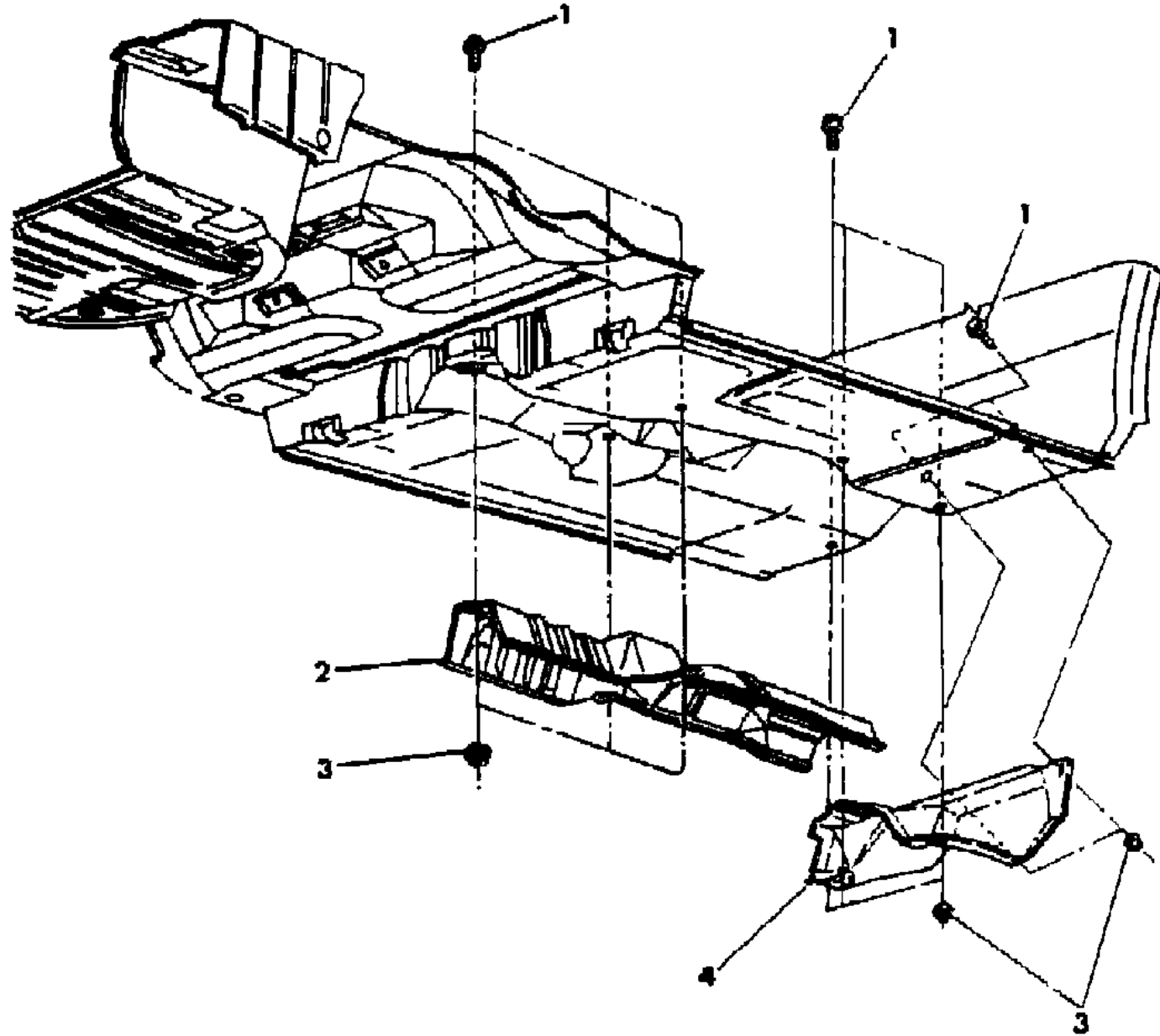
BODY STYLES

12-52 = FWD VAN & WAGON STD. W.B.	27 = 2-DOOR CONVERTIBLE
13-53 = FWD VAN & WGN EXT W.B.	41 = 4-DOOR SEDAN
21 = 2-DOOR SEDAN	44 = 4-DOOR HATCHBACK
24 = 2-DOOR HATCHBACK	45 = 4-DOOR STATION WAGON

AR = Use as Required - = Non Illustrated Part P.A.R. = Paint as Required

HEAT SHIELDS - EXHAUST C BODY
Figure 11-900

8111 900 A



ITEM	PART NUMBER	QTY	BODY	MODEL	DESCRIPTION
1		4			SCREW (not serviced)
2	4401 201	1			SHIELD, Underbody Catalytic Heat Upper
	4401 203	1			Upper and Lower
3	0219 462	4			NUT
4	4266 955	1			SHIELD, Dash Panel Heat 2.2L Eng. Upper
	4266 958	1			Lower

MODEL CODES
 C BODY = (D41 - DYNASTY)(C41 - NEW YORKER)
 E BODY = (J - CARAVELLE)(E - 600)(T - NEW YORKER TURBO)
 G BODY = (V24 - DAYTONA, PACIFICA & SHELBY)
 H BODY = (D44 - LANCER)(C44 - LEBARON GTS)
 J BODY = (C - LEBARON)
 K BODY = (P - RELIANT)(D - ARIES)(C - LEBARON/ TOWN & COUNTRY)
 L BODY = (M - HORIZON)(Z-OMNI)
 M BODY = (B - GRAN FURY)(G - DIPLOMAT)(F - FIFTH AVENUE/NEWPORT)
 P BODY = (P - SUNDANCE)(D - SHADOW)
 Q BODY = (C27 - MASERATI)
 S BODY = (H - VOYAGER)(K - RAM VAN/ CARAVAN)

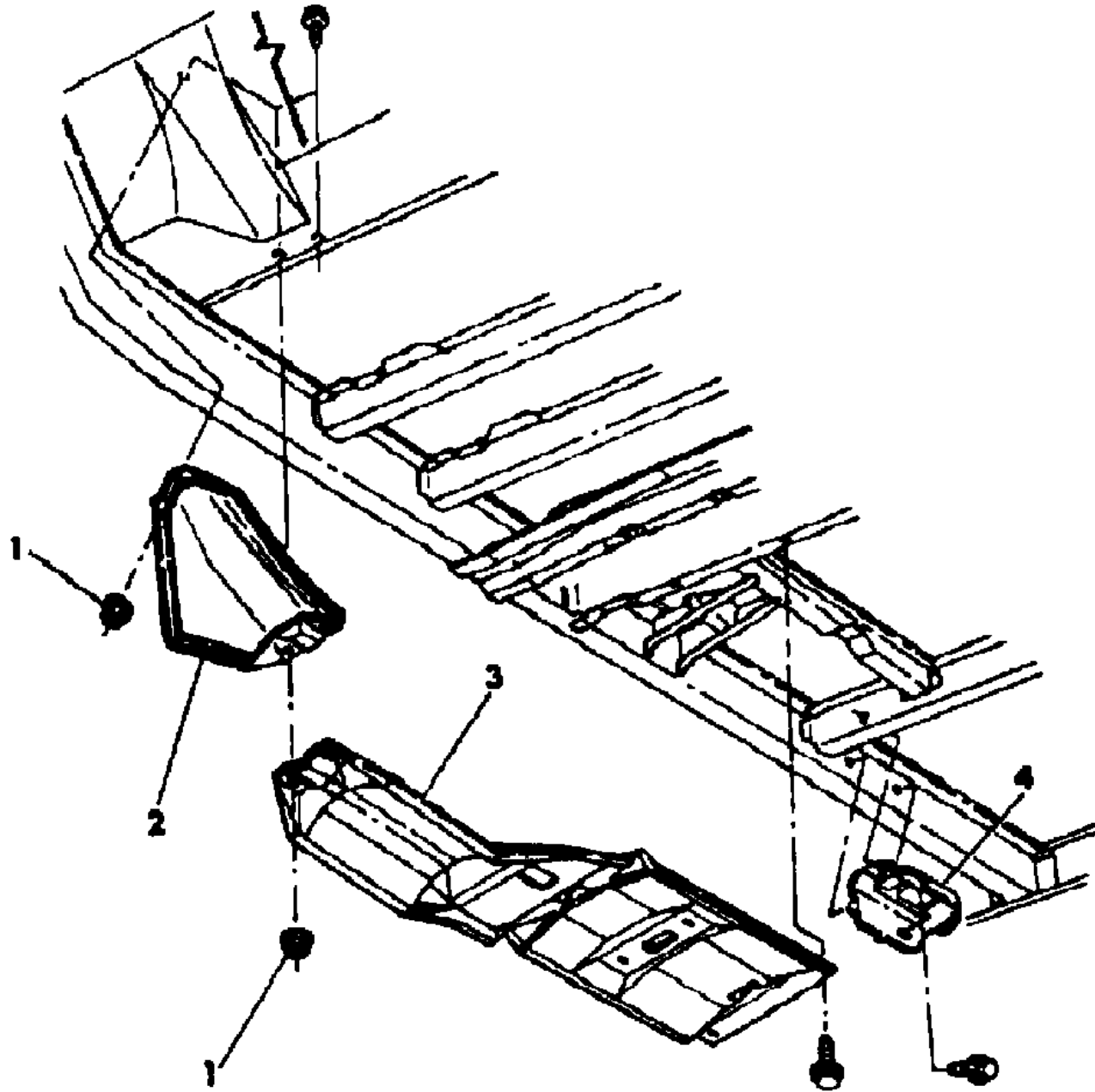
BODY STYLES
 12-52 = FWD VAN & WAGON STD. W.B. 27 = 2-DOOR CONVERTIBLE
 13-53 = FWD VAN & WGN EXT W.B. 41 = 4-DOOR SEDAN
 21 = 2-DOOR SEDAN 44 = 4-DOOR HATCHBACK
 24 = 2-DOOR HATCHBACK 45 = 4-DOOR STATION WAGON

AR = Use as Required - = Non Illustrated Part P.A.R. = Paint as Required

HEAT SHIELDS - EXHAUST S BODY
Figure 11-1000

8111 1000

ITEM	PART NUMBER	QTY	BODY	MODEL	DESCRIPTION
1	0219 462	3			NUT
2	4266 237	1			SHIELD, Toe Board Cable Support
3	4401 209				SHIELD, Underbody Heat - Upper - Converter and Muffler (1 Shield)
	4401 212	1		52,53	SHIELD, Underbody Heat - Muffler (2 Shields) - 2.5L Eng.
	4401 207	1		K12,13	SHIELD, Underbody Heat (3 Shields)
4	4401 228	1			SHIELD, Kick Up Heat



MODEL CODES

C BODY = (D41 - DYNASTY)(C41 - NEW YORKER)	L BODY = (M - HORIZON)(Z-OMNI)
E BODY = (J - CARAVELLE)(E - 600)(T - NEW YORKER TURBO)	M BODY = (B - GRAN FURY)(G - DIPLOMAT)(F - FIFTH AVENUE/NEWPORT)
G BODY = (V24 - DAYTONA, PACIFICA & SHELBY)	P BODY = (P - SUNDANCE)(D - SHADOW)
H BODY = (D44 - LANCER)(C44 - LEBARON GTS)	Q BODY = (C27 - MASERATI)
J BODY = (C - LEBARON)	S BODY = (H - VOYAGER)(K - RAM VAN/ CARAVAN)
K BODY = (P - RELIANT)(D - ARIES)(C - LEBARON/ TOWN & COUNTRY)	

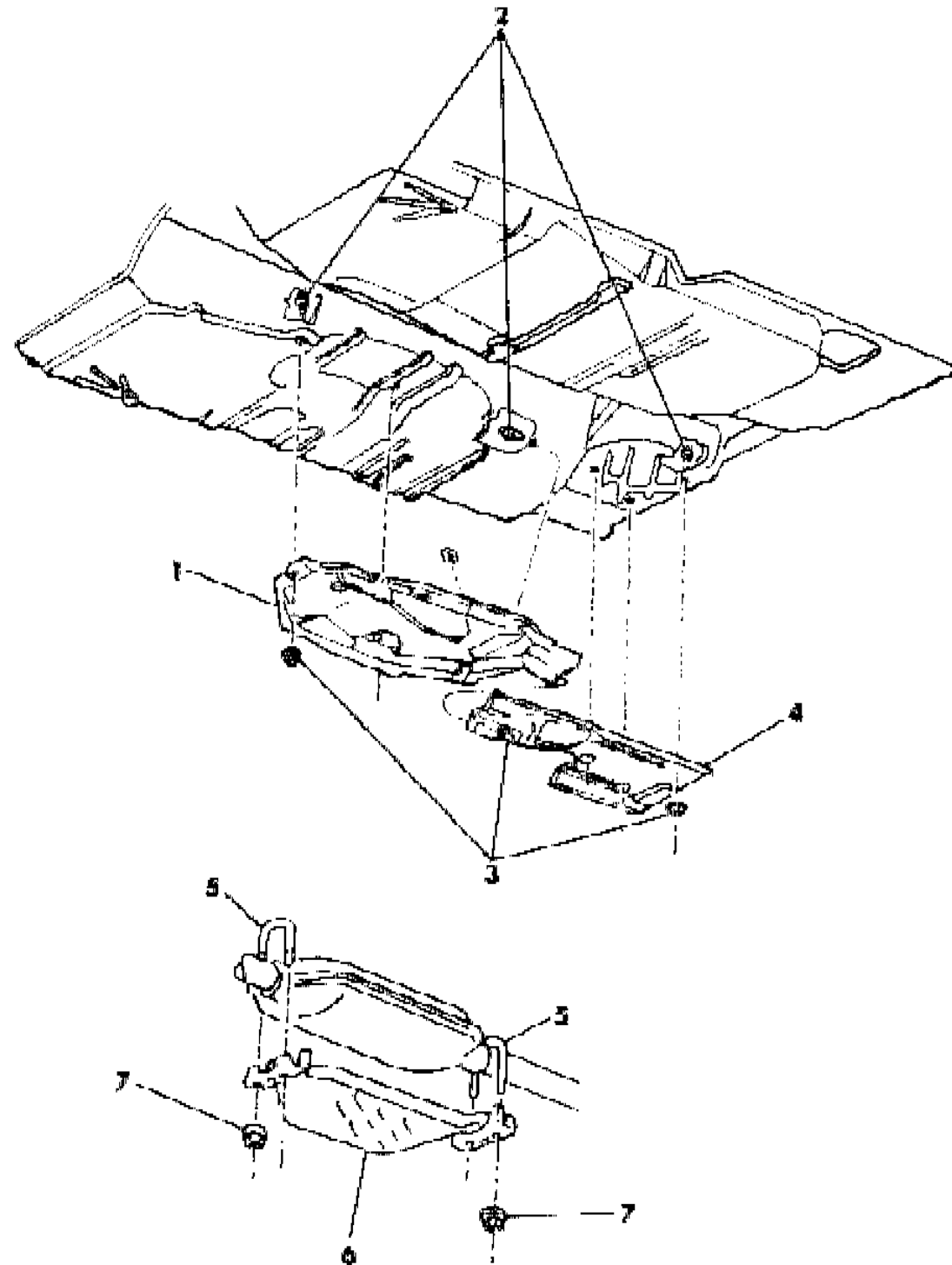
BODY STYLES

12-52 = FWD VAN & WAGON STD. W.B.	27 = 2-DOOR CONVERTIBLE
13-53 = FWD VAN & WGN EXT W.B.	41 = 4-DOOR SEDAN
21 = 2-DOOR SEDAN	44 = 4-DOOR HATCHBACK
24 = 2-DOOR HATCHBACK	45 = 4-DOOR STATION WAGON

AR = Use as Required - = Non Illustrated Part P.A.R. = Paint as Required

HEAT SHIELDS - EXHAUST M BODY
Figure 11-1100

8111 1100 A



ITEM	PART NUMBER	QTY	BODY	MODEL	DESCRIPTION
1	4140 885	1			SHIELD, Front Floor Pan Heat
2	0181 063	AR			SCREW
3	0219 462	AR			NUT
4	3791 301	1			SHIELD, Center Floor Pan
5	#4150 155	2			U-BOLT, Heat Shield Bracket 2.25
	4004 050	2			318 Eng. 2 Bbl. - Canada 2.50
	4150 155	2			318 Eng. 4 Bbl. - Canada 2.25
6	#4150 151	1			SHIELD, Catalytic Heat
	4004 385	1			318 Eng. 2 Bbl. - Canada
	4150 151	1			318 Eng. 4 Bbl. - Canada
7	6033 560	4			NUT

MODEL CODES

C BODY = (D41 - DYNASTY)(C41 - NEW YORKER)	L BODY = (M - HORIZON)(Z-OMNI)
E BODY = (J - CARAVELLE)(E - 600)(T - NEW YORKER TURBO)	M BODY = (B - GRAN FURY)(G - DIPLOMAT)(F - FIFTH AVENUE/NEWPORT)
G BODY = (V24 - DAYTONA, PACIFICA & SHELBY)	P BODY = (P - SUNDANCE)(D - SHADOW)
H BODY = (D44 - LANCER)(C44 - LEBARON GTS)	Q BODY = (C27 - MASERATI)
J BODY = (C - LEBARON)	S BODY = (H - VOYAGER)(K - RAM VAN/ CARAVAN)
K BODY = (P - RELIANT)(D - ARIES)(C - LEBARON/ TOWN & COUNTRY)	

BODY STYLES

12-52 = FWD VAN & WAGON STD. W.B.	27 = 2-DOOR CONVERTIBLE
13-53 = FWD VAN & WGN EXT W.B.	41 = 4-DOOR SEDAN
21 = 2-DOOR SEDAN	44 = 4-DOOR HATCHBACK
24 = 2-DOOR HATCHBACK	45 = 4-DOOR STATION WAGON

AR = Use as Required - = Non Illustrated Part P.A.R. = Paint as Required

GROUP 13 - FRAME & BUMPERS

ILLUSTRATION TITLE	GROUP-FIG. NO.
FRAMES	
FRAME L BODY	Fig. 13-100
FRAME FRONT P,J,K,G,E,H,C BODY	Fig. 13-200
FRAME REAR P,J,K,G,E,H,C BODY	Fig. 13-300
FRAME FRONT S BODY	Fig. 13-400
FRAME REAR S BODY	Fig. 13-500
FRAME M BODY	Fig. 13-600
SHIELD, BOOT AIR DEFLECTOR ALL EXCEPT M BODY	Fig. 13-700
FASCIA AND BUMPERS	
BUMPER, FRONT AND REAR L BODY MODEL 44	Fig. 13-800
FASCIA, BUMPER FRONT P BODY	Fig. 13-900
FASCIA, BUMPER REAR P BODY	Fig. 13-1000
FASCIA, BUMPER FRONT J BODY	Fig. 13-1100
FASCIA, BUMPER REAR J BODY	Fig. 13-1200
BUMPER, FRONT E BODY MODEL E,J EXC. MODEL T K BODY MODEL C,P,D	Fig. 13-1300
BUMPER, FRONT E BODY MODEL T	Fig. 13-1400
BUMPER, REAR K BODY EXCEPT MODEL 45 E BODY MODEL E,J	Fig. 13-1500
BUMPER, REAR K BODY MODEL 45	Fig. 13-1600
BUMPER, REAR E BODY MODEL T	Fig. 13-1700
FASCIA, BUMPER FRONT G BODY	Fig. 13-1800
FASCIA, BUMPER REAR G BODY	Fig. 13-1900
FASCIA, BUMPER FRONT H BODY	Fig. 13-2000
FASCIA, BUMPER REAR H BODY	Fig. 13-2100
FASCIA, BUMPER FRONT C BODY MODEL D	Fig. 13-2200
FASCIA, BUMPER REAR C BODY MODEL D	Fig. 13-2300
FASCIA, BUMPER FRONT C BODY MODEL C	Fig. 13-2400
FASCIA, BUMPER REAR C BODY MODEL C	Fig. 13-2500
BUMPER, FRONT S BODY	Fig. 13-2600
BUMPER, REAR S BODY	Fig. 13-2700
FASCIA, FRONT S BODY MODEL P	Fig. 13-2800
FASCIA, REAR S BODY MODEL P	Fig. 13-2900
BUMPER, FRONT M BODY	Fig. 13-3000
BUMPER, REAR M BODY MODEL B,G	Fig. 13-3100
BUMPER, REAR M BODY MODEL F	Fig. 13-3200

ILLUSTRATION NOT AVAILABLE AT TIME OF PUBLICATION

GROUP 13 - FRAME & BUMPERS

ILLUSTRATION TITLE

GROUP-FIG. NO.

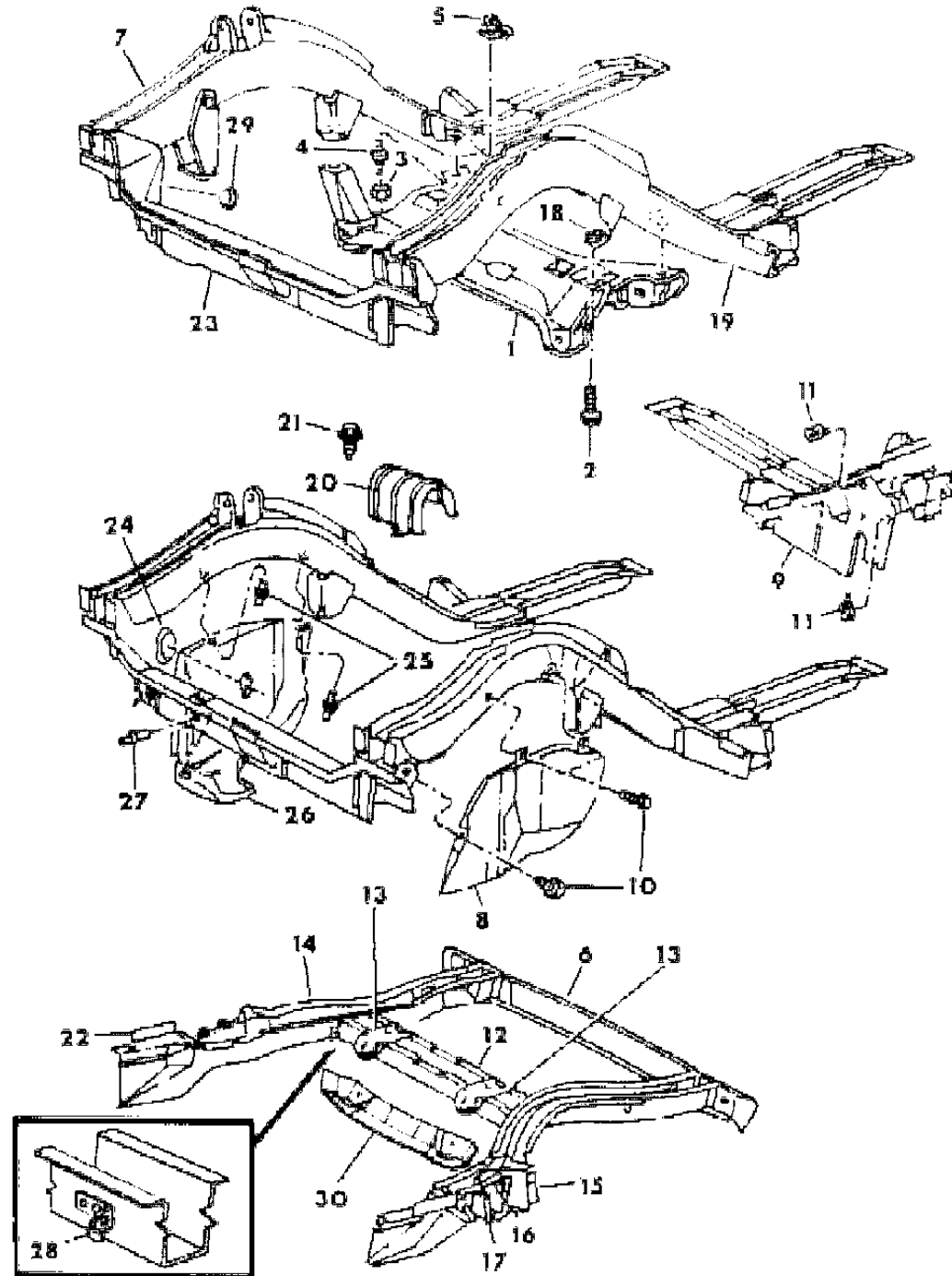
BUMPER FILLERS

FILLER, BUMPER M BODY MODEL F Fig. 13-3300

FILLER, BUMPER M BODY MODEL B,G Fig. 13-3400

FRAME L BODY
Figure 13-100

8113 100 A



ITEM	PART NUMBER	QTY	BODY	MODEL	DESCRIPTION
1	4322 244	1			CROSSMEMBER, Front Suspension, Complete
	4296 258	1			TIE PLATE, C/Member Flange, Front
2	6501 163	2			BOLT and WASHER
3	6500 122	2			NUT, Stud
4	5202 246	2			STUD, Front Suspension Crossmember, Rear
5	6501 075	2			NUT, Plate
6	5218 493	1			CROSSMEMBER, Rear Floor Crossmember, Rear
7	5218 326-7	1			RAIL, Front Side
8	4296 142	1			SHIELD, Trans. Appearance Lt. (See Group 7 For Rt. Side - GRILLE AND RELATED PARTS - Shield, Closure Panel To Rad. Air)
9	5202 617	1			SHIELD, Front Side Rail Rr. Splash, Rt. (Rubber)
10					SCREW (Not Serviced)
11	6029 886	AR			FASTENER, Shield Splash S/Rail
12	5218 438	1			CROSSMEMBER, Rear Floor Pan Front
13					REINFORCEMENT, Rear Seat Belt Anchor (Not Serviced)
14	5218 526-7	1			RAIL, Rear Floor Pan Side
15					GUSSET, w/Nut, Rear, Left (Not Serviced)
16	4314 326	2			REINFORCEMENT, w/Weld Nut, Rear Side Rail to Rear Suspension Mtg. Gusset
17	4314 974-5	1			SUPPORT, Rear, Floor Pan To Sill Lower Jacking
18	4191 299	2			PLATE, Front S/Rail Front Susp. C/Mbr. Front Supt.
19	5200 008-9	1			BRACE, Front Rail To Sill Inner Extension, Jacking Assist
20					SHIELD, Steering Gear, Boot, Splash Right
	4053 000	1			Left
	4052 999	1			Left
21					SCREW (Not Serviced)
22	5200 034-5	1			PANEL, Side Sill Inner Rear
23	5218 325	1			CROSSMEMBER, w/Bracket, Engine Mounting, Front
24	2811 825	2			PLUG, Acc. Pulley Shield
25	6032 049	AR			RETAINER
26	4386 440	1			SHIELD, Acc. Pulley Splash, Right
27	6031 390	AR			RETAINER
28	4314 970-1	1			BRACKET, Rear Floor Pan Crossmember Rear Brake Line
29	2424 864	1			PLUG, Adapter, Front Side Rail, Front Crossmember
	6029 940	1			PLUG, Front Side Rail, Left

MODEL CODES

C BODY = (D41 - DYNASTY)(C41 - NEW YORKER)
E BODY = (J - CARAVELLE)(E - 600)(T - NEW YORKER TURBO)
G BODY = (V24 - DAYTONA, PACIFICA & SHELBY)
H BODY = (D44 - LANCER)(C44 - LEBARON GTS)
J BODY = (C - LEBARON)
K BODY = (P - RELIANT)(D - ARIES)(C - LEBARON/ TOWN & COUNTRY)

L BODY = (M - HORIZON)(Z-OMNI)
M BODY = (B - GRAN FURY)(G - DIPLOMAT)(F - FIFTH AVENUE/NEWPORT)
P BODY = (P - SUNDANCE)(D - SHADOW)
Q BODY = (C27 - MASERATI)
S BODY = (H - VOYAGER)(K - RAM VAN/ CARAVAN)

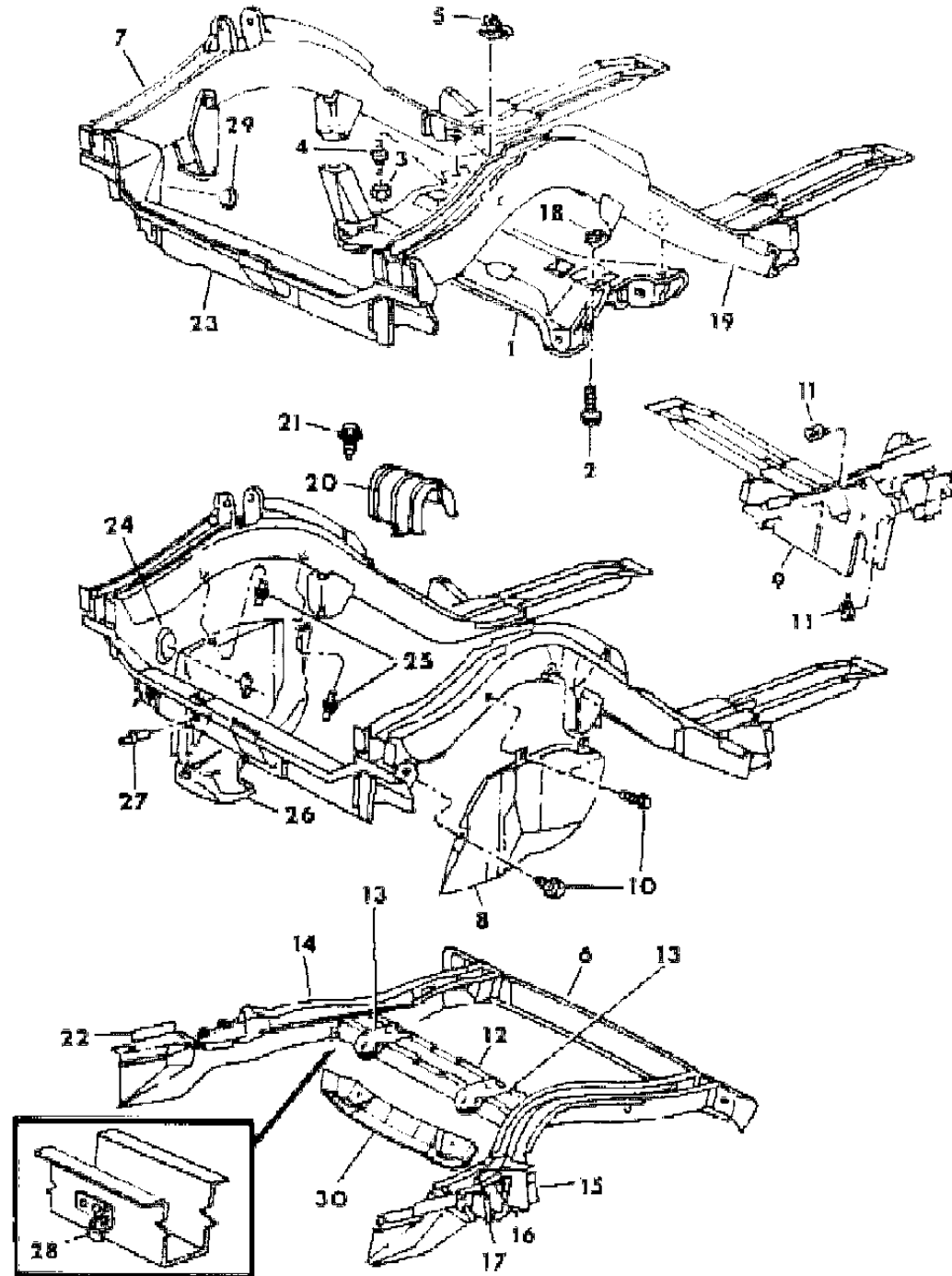
BODY STYLES

12-52 = FWD VAN & WAGON STD. W.B. 27 = 2-DOOR CONVERTIBLE
13-53 = FWD VAN & WGN EXT W.B. 41 = 4-DOOR SEDAN
21 = 2-DOOR SEDAN 44 = 4-DOOR HATCHBACK
24 = 2-DOOR HATCHBACK 45 = 4-DOOR STATION WAGON

AR = Use as Required - = Non Illustrated Part P.A.R. = Paint as Required

FRAME L BODY
Figure 13-100

8113 100 A



ITEM	PART NUMBER	QTY	BODY	MODEL	DESCRIPTION
30	4314 256	2			REINFORCEMENT, w/Bolt, Rear Floor Pan Fuel Tank Strap Mounting, Rear

MODEL CODES

C BODY = (D41 - DYNASTY)(C41 - NEW YORKER)
 E BODY = (J - CARAVELLE)(E - 600)(T - NEW YORKER TURBO)
 G BODY = (V24 - DAYTONA, PACIFICA & SHELBY)
 H BODY = (D44 - LANCER)(C44 - LEBARON GTS)
 J BODY = (C - LEBARON)
 K BODY = (P - RELIANT)(D - ARIES)(C - LEBARON/ TOWN & COUNTRY)

L BODY = (M - HORIZON)(Z-OMNI)
 M BODY = (B - GRAN FURY)(G - DIPLOMAT)(F - FIFTH AVENUE/NEWPORT)
 P BODY = (P - SUNDANCE)(D - SHADOW)
 Q BODY = (C27 - MASERATI)
 S BODY = (H - VOYAGER)(K - RAM VAN/ CARAVAN)

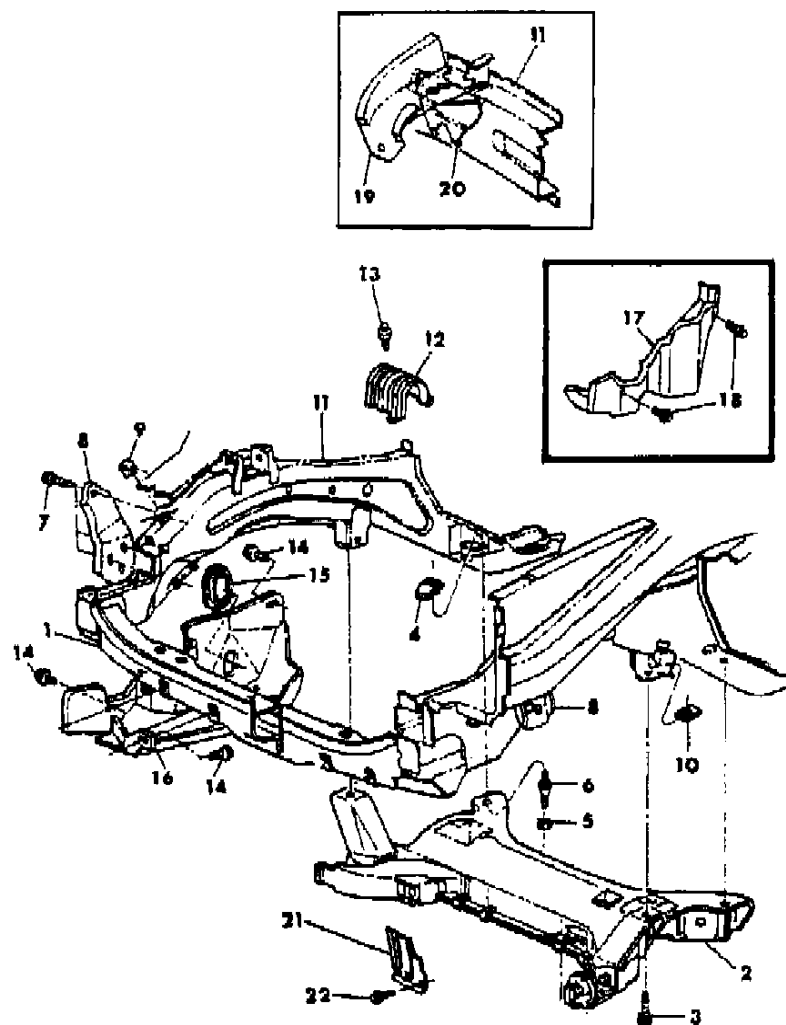
BODY STYLES

12-52 = FWD VAN & WAGON STD. W.B. 27 = 2-DOOR CONVERTIBLE
 13-53 = FWD VAN & WGN EXT W.B. 41 = 4-DOOR SEDAN
 21 = 2-DOOR SEDAN 44 = 4-DOOR HATCHBACK
 24 = 2-DOOR HATCHBACK 45 = 4-DOOR STATION WAGON

AR = Use as Required - = Non Illustrated Part P.A.R. = Paint as Required

FRAME FRONT P,J,K,G,E,H,C BODY
Figure 13-200

5113 2008



ITEM	PART NUMBER	QTY	BODY	MODEL	DESCRIPTION
1	4534 200	1	JKGEH		CROSSMEMBER, Frt. S/Rail Frt. (Also Service 2 Of 4266328 Isolator, 1 Of 4496429 and 4386054 Brackets)
	4440 915	1	P		
	4386 364		C		
2					CROSSMEMBER, Suspension, Front
	4404 322	1	PJKGEH		w/Auto. Trans.
	4404 324	1	PJKGEH		w/Man. Trans.
	4404 375	1	G		w/Special Sport Suspension (15" Wheels)
	4404 375	1	J		w/Firm Feel & Quick Ratio Steering
	4322 979	1	C		
	4323 000	1	PJKGH		BRACKET, Front Suspension Crossmember to Engine Damper
3	4386 340	1			TIE PLATE, Crossmember Flange, Front
	6500 604	2			SCREW and WASHER, Crossmember Mounting
4	6501 075	2			NUT PLATE ASSEMBLY, Crossmember Mounting, Rear
	4296 416	1	Exc. C		REINFORCEMENT, Frt. S/Rail Rr. Rail Pk. Brake Cable, Right (Not Illustrated)
	4296 417	1			BRACKET, Front Side Rail, Rear Rail Pk. Brake Cable, Left (Not Illustrated)
5	6500 122	2			NUT, Stud
6	5202 246	2			STUD, Crossmember Mounting, Rear
7	6100 230	6			SCREW and WASHER
8					BRACKET, Frt. S/Rail Shipping Tie Down (Not Serviced)
9		2			U-NUT (Not Serviced)
10	4191 299	2			PLATE, Front S/Rail Crossmember, Front Support
11	4440 740-1	1	Exc. C		RAIL ASSEMBLY, Front Side Rail, Front, w/Reinforcement
	4490 146-7	1	C		
12					SHIELD, Steering Gear Boot Splash
	4053 000	1	Exc. C		Right
	4404 009	1	Exc. C		Left
13					SCREW (Not Serviced)
					RAIL and REINFORCEMENT, Rail Rr., Park Brake Cable (Not Illustrated)
14	4386 008	1	Exc H,C		Right
	4386 009	1	Exc H,C		Left
15		AR			SCREW (Not Serviced)
15	2811 825	1			PLUG, Splash Shield

MODEL CODES

C BODY = (D41 - DYNASTY)(C41 - NEW YORKER)
 E BODY = (J - CARAVELLE)(E - 600)(T - NEW YORKER TURBO)
 G BODY = (V24 - DAYTONA, PACIFICA & SHELBY)
 H BODY = (D44 - LANCER)(C44 - LEBARON GTS)
 J BODY = (C - LEBARON)
 K BODY = (P - RELIANT)(D - ARIES)(C - LEBARON/ TOWN & COUNTRY)

L BODY = (M - HORIZON)(Z-OMNI)
 M BODY = (B - GRAN FURY)(G - DIPLOMAT)(F - FIFTH AVENUE/NEWPORT)
 P BODY = (P - SUNDANCE)(D - SHADOW)
 Q BODY = (C27 - MASERATI)
 S BODY = (H - VOYAGER)(K - RAM VAN/ CARAVAN)

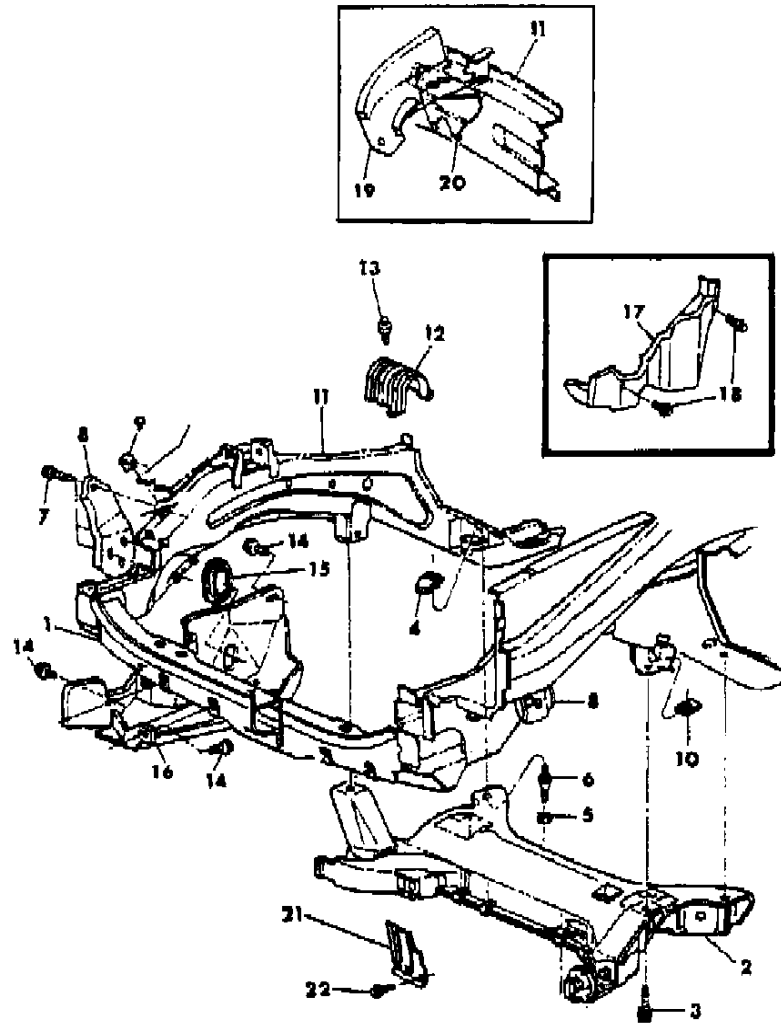
BODY STYLES

12-52 = FWD VAN & WAGON STD. W.B. 27 = 2-DOOR CONVERTIBLE
 13-53 = FWD VAN & WGN EXT W.B. 41 = 4-DOOR SEDAN
 21 = 2-DOOR SEDAN 44 = 4-DOOR HATCHBACK
 24 = 2-DOOR HATCHBACK 45 = 4-DOOR STATION WAGON

AR = Use as Required - = Non Illustrated Part P.A.R. = Paint as Required

FRAME FRONT P,J,K,G,E,H,C BODY
Figure 13-200

5113 2008



ITEM	PART NUMBER	QTY	BODY	MODEL	DESCRIPTION
16	4386 622	1	Exc. C		SHIELD, Accessory Pulley Splash, Right
	4386 554	1	C		
17	4386 625	1	Exc. C		SHIELD, Trans. Appearance, Left
	4386 555		C		
18		2			SCREW and WASHER (Not Serviced)
19	4440 241	1			BRACKET, Front Side Rail Engine Mount, Upper, Left
20	4296 375	1			BRACKET, Front Side Rail Engine Mount, Lower, Left
21	4401 431	1			SHIELD, Boot Air Deflector
22	6501 087	2			BOLT, Air Deflector to Crossmember
-	4475 809	1	PJGH		BRACKET, Front Crossmember Towing (EUROPEAN)

MODEL CODES

C BODY = (D41 - DYNASTY)(C41 - NEW YORKER)
 E BODY = (J - CARAVELLE)(E - 600)(T - NEW YORKER TURBO)
 G BODY = (V24 - DAYTONA, PACIFICA & SHELBY)
 H BODY = (D44 - LANCER)(C44 - LEBARON GTS)
 J BODY = (C - LEBARON)
 K BODY = (P - RELIANT)(D - ARIES)(C - LEBARON/ TOWN & COUNTRY)

L BODY = (M - HORIZON)(Z-OMNI)
 M BODY = (B - GRAN FURY)(G - DIPLOMAT)(F - FIFTH AVENUE/NEWPORT)
 P BODY = (P - SUNDANCE)(D - SHADOW)
 Q BODY = (C27 - MASERATI)
 S BODY = (H - VOYAGER)(K - RAM VAN/ CARAVAN)

BODY STYLES

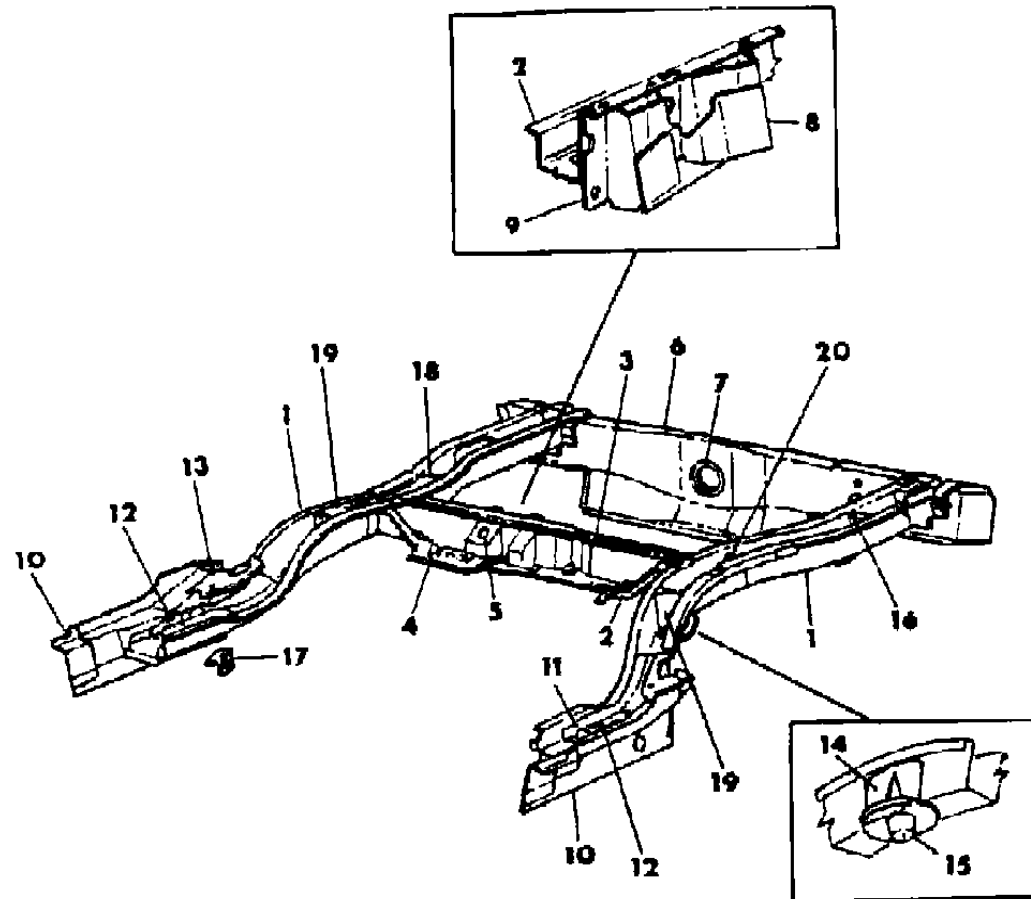
12-52 = FWD VAN & WAGON STD. W.B. 27 = 2-DOOR CONVERTIBLE
 13-53 = FWD VAN & WGN EXT W.B. 41 = 4-DOOR SEDAN
 21 = 2-DOOR SEDAN 44 = 4-DOOR HATCHBACK
 24 = 2-DOOR HATCHBACK 45 = 4-DOOR STATION WAGON

AR = Use as Required - = Non Illustrated Part P.A.R. = Paint as Required

FRAME REAR P,J,K,G,E,H,C BODY

Figure 13-300

8113 300 A



ITEM	PART NUMBER	QTY	BODY	MODEL	DESCRIPTION
1	4475 184-5	1	K		RAIL ASSEMBLY, Rear Floor Pan Side
	4325 906-7	1	E		
	4475 170-1	1	J		
	4475 214-5	1	C		
	4475 172-3	1	PGH		RAIL, Rear Floor Pan Side (For Complete Assy. Order Item #10, #11, #12, #13, #15, #16, & #17)
2	4475 118	1	Exc. C		REINFORCEMENT, w/Plate, Floor Pan
	4475 117	1	C		
3		1			REINFORCEMENT, w/Weld Nut, Rear Floor Pan Rear Suspension Crossmember (Serviced In Item No. 2)
4	4314 256	2			REINFORCEMENT, w/Bolt, Rear Floor Pan Fuel Tank Strap Mtg. Rear
5		1			REINFORCEMENT, Rear Floor Pan Rear Suspension Crossmember Internal (Serviced In Item No. 2)
6	4200 978	1	PGH		CROSSMEMBER, Rear Floor Pan Rear
	4475 160	1	JC		
	4325 902	1	KE		
	4370 317	1	PH		CROSSMEMBER, Rear Suspension (SHELBY)
7	5200 456	1			PLUG, 2.75" Dia./70mm
8		1			PLATE, Rear Floor Pan Rear Suspension Crossmember External Reinforcement (Serviced In Item No. 2)
9		1			REINFORCEMENT, Rear Floor Pan Rear Suspension Crossmember External (Serviced In Item No. 2)
10		1			EXTENSION, Sill Inner Rear
	4475 016-7	1	JKEC		
	4371 522-3	1	PGH		
11		1			REINFORCEMENT, Rear Floor Side Rail Suspension Mtg.
	4475 186-7	1	JKE		Right
	4475 190	1	PGH		Left
	4475 193	1	PGH		
	4416 490-1	1	C		
12	4371 873	2	Exc. C		PLATE, Tapping, Rear Floor Pan Side Rail Suspension
	4416 486-7	1	C		
13					REINFORCEMENT, w/Nut, Front Floor Pan Rear Seat Belt Anchor Outer
	4416 096-7	1	JKEC		
	4314 866-7	1	PGH		

MODEL CODES

C BODY = (D41 - DYNASTY)(C41 - NEW YORKER)
 E BODY = (J - CARAVELLE)(E - 600)(T - NEW YORKER TURBO)
 G BODY = (V24 - DAYTONA, PACIFICA & SHELBY)
 H BODY = (D44 - LANCER)(C44 - LEBARON GTS)
 J BODY = (C - LEBARON)
 K BODY = (P - RELIANT)(D - ARIES)(C - LEBARON/ TOWN & COUNTRY)

L BODY = (M - HORIZON)(Z-OMNI)
 M BODY = (B - GRAN FURY)(G - DIPLOMAT)(F - FIFTH AVENUE/NEWPORT)
 P BODY = (P - SUNDANCE)(D - SHADOW)
 Q BODY = (C27 - MASERATI)
 S BODY = (H - VOYAGER)(K - RAM VAN/ CARAVAN)

BODY STYLES

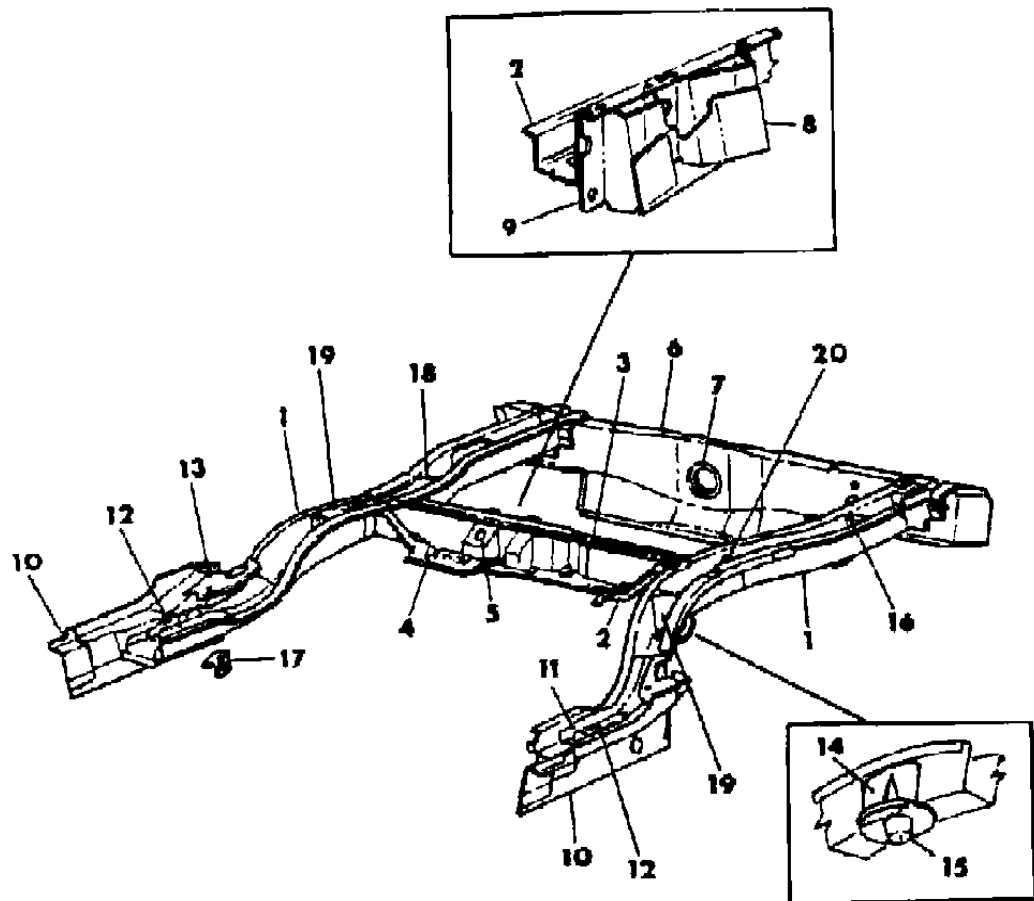
12-52 = FWD VAN & WAGON STD. W.B. 27 = 2-DOOR CONVERTIBLE
 13-53 = FWD VAN & WGN EXT W.B. 41 = 4-DOOR SEDAN
 21 = 2-DOOR SEDAN 44 = 4-DOOR HATCHBACK
 24 = 2-DOOR HATCHBACK 45 = 4-DOOR STATION WAGON

AR = Use as Required - = Non Illustrated Part P.A.R. = Paint as Required

FRAME REAR P,J,K,G,E,H,C BODY

Figure 13-300

8113 300 A



ITEM	PART NUMBER	QTY	BODY	MODEL	DESCRIPTION
14		2			REINFORCEMENT, Rear Floor Pan Side Rail Spring Seat Bracket (Serviced In Item No. 1)
15	4325 008	2			BRACKET, Rear Floor Pan Side Rail Spring Seat
16		1			REINFORCEMENT, Rear Floor Pan Rear Side Rail E.A.U. Mtg.
	4314 132	1	JKE		Right
	4416 450	1	C		Right
	4314 425	1	JKEC		Left
	4206 924-5	1	PGH		
	6101 283	4			U-NUT
17	4314 268	2	Exc. C		BRACKET, Rear Floor Pan Rear Rail Brake Line Ret.
	4416 516-7	1	C		
18	4314 266	1	JKE		REINFORCEMENT, Rear Floor Pan, Rear Rail, Front Crossmember, Right
19	4314 261	2	JKE		GUSSET, Rear Floor Pan, Rear Side Rail, Upper Spring Seat Bracket
20	4314 434	1	JKE		REINFORCEMENT, w/Weld Nut, Rear Floor Pan, Rear Rail Track Bar Gusset
-	4475 805	1	PJGH		BRACKET, Rear Floor Pan Side Rail Towing (EUROPEAN)

MODEL CODES

C BODY = (D41 - DYNASTY)(C41 - NEW YORKER)
 E BODY = (J - CARAVELLE)(E - 600)(T - NEW YORKER TURBO)
 G BODY = (V24 - DAYTONA, PACIFICA & SHELBY)
 H BODY = (D44 - LANCER)(C44 - LEBARON GTS)
 J BODY = (C - LEBARON)
 K BODY = (P - RELIANT)(D - ARIES)(C - LEBARON/ TOWN & COUNTRY)
 L BODY = (M - HORIZON)(Z-OMNI)
 M BODY = (B - GRAN FURY)(G - DIPLOMAT)(F - FIFTH AVENUE/NEWPORT)
 P BODY = (P - SUNDANCE)(D - SHADOW)
 Q BODY = (C27 - MASERATI)
 S BODY = (H - VOYAGER)(K - RAM VAN/ CARAVAN)

BODY STYLES

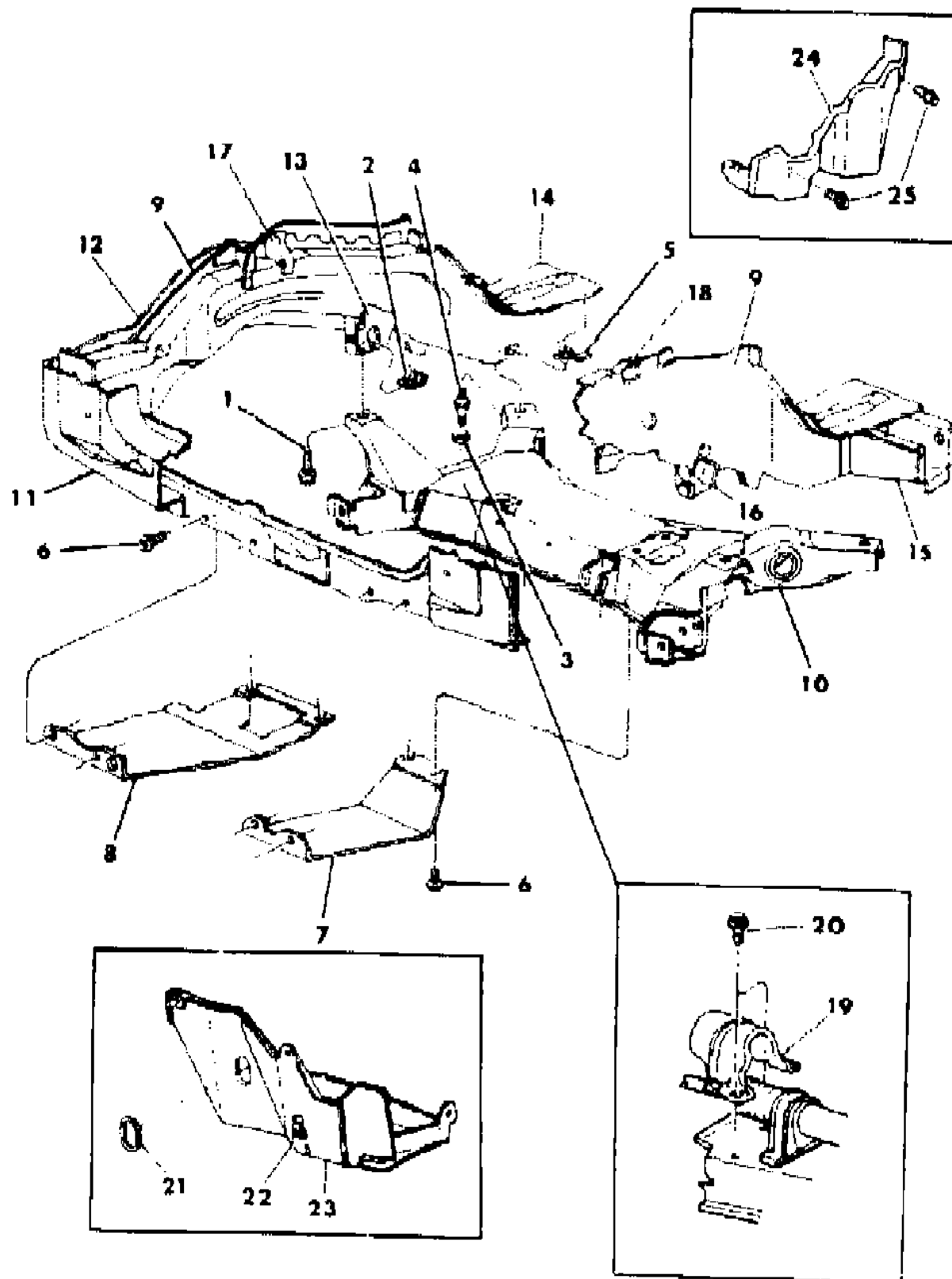
12-52 = FWD VAN & WAGON STD. W.B. 27 = 2-DOOR CONVERTIBLE
 13-53 = FWD VAN & WGN EXT W.B. 41 = 4-DOOR SEDAN
 21 = 2-DOOR SEDAN 44 = 4-DOOR HATCHBACK
 24 = 2-DOOR HATCHBACK 45 = 4-DOOR STATION WAGON

AR = Use as Required - = Non Illustrated Part P.A.R. = Paint as Required

FRAME FRONT S BODY

Figure 13-400

8113 400



ITEM	PART NUMBER	QTY	BODY	MODEL	DESCRIPTION
1	6500 604	2			BOLT and WASHER
2	4191 299	2			PLATE, Crossmember to Side Rail, Front
3	6500 122	2			NUT, Front Suspension, Crossmember Rear
4	5202 246	2			STUD, Front Suspension, Crossmember Rear
5	6501 075	2			PLATE, Front Suspension, Crossmember Rear
6		8			BOLT and WASHER (Not Serviced)
7	4449 006	1			SHIELD, Trans. Oil Pan (FLEET)
8	4449 005	1			SHIELD, Engine Oil Pan (FLEET)
9					RAIL, Side, Front
	4440 716	1			Right
	4440 717	1			Left
	4270 106-7	1			REINFORCEMENT, Side Front Rail Inner (Not Illustrated)
10					CROSSMEMBER, Front Suspension, Complete
	4404 383	1			Up to 4-4-88
	4449 296	1			After 4-4-88 w/Auto. Trans.
	4449 297	1			After 4-4-88 w/Manual Trans.
	4296 258	1			TIE PLATE, Front Crossmember Flange (Not Illustrated)
11					PANEL, Rad. Closure (Reference Only)
12	4386 730-1	1			REINFORCEMENT, Side Front Rail Outer
13	4270 212-3	1			BRACKET, Crossmember Mounting
14	4270 104	2			REINFORCEMENT, Side Front Rail to Dash Panel
15	4270 102-3	1			REINFORCEMENT, Side Front Rail to Sill Inner
16	4270 210-1	1			BRACKET, Side Front Rail Outer Reinforcement Brake Tube Support
17	4386 570	1			BRACKET, Front Side Rail Engine Mounting, Right
18	4440 241	1			BRACKET, Front Side Rail Engine Mount, Upper Left
	4296 375	1			BRACKET, Front Side Rail Engine Mount, Lower Left (Not Illustrated)
	4386 867	1			GUSSET, w/Weld Nut, Front Crossmember Engine Mounting Bracket (Not Illustrated)
19	4052 642	2			SHIELD, Front Suspension Crossmember Steering Gear Boot Splash Shield
20		4			SCREW (Not Serviced)
21	2811 825	1			PLUG
22	6029 509	2			U-NUT
23					SHIELD, Accessory Drive Splash
	4386 654	1			Right w/2.2, 2.5 Engines

MODEL CODES

C BODY = (D41 - DYNASTY)(C41 - NEW YORKER)
 E BODY = (J - CARAVELLE)(E - 600)(T - NEW YORKER TURBO)
 G BODY = (V24 - DAYTONA, PACIFICA & SHELBY)
 H BODY = (D44 - LANCER)(C44 - LEBARON GTS)
 J BODY = (C - LEBARON)
 K BODY = (P - RELIANT)(D - ARIES)(C - LEBARON/ TOWN & COUNTRY)

L BODY = (M - HORIZON)(Z-OMNI)
 M BODY = (B - GRAN FURY)(G - DIPLOMAT)(F - FIFTH AVENUE/NEWPORT)
 P BODY = (P - SUNDANCE)(D - SHADOW)
 Q BODY = (C27 - MASERATI)
 S BODY = (H - VOYAGER)(K - RAM VAN/ CARAVAN)

BODY STYLES

12-52 = FWD VAN & WAGON STD. W.B. 27 = 2-DOOR CONVERTIBLE
 13-53 = FWD VAN & WGN EXT W.B. 41 = 4-DOOR SEDAN
 21 = 2-DOOR SEDAN 44 = 4-DOOR HATCHBACK
 24 = 2-DOOR HATCHBACK 45 = 4-DOOR STATION WAGON

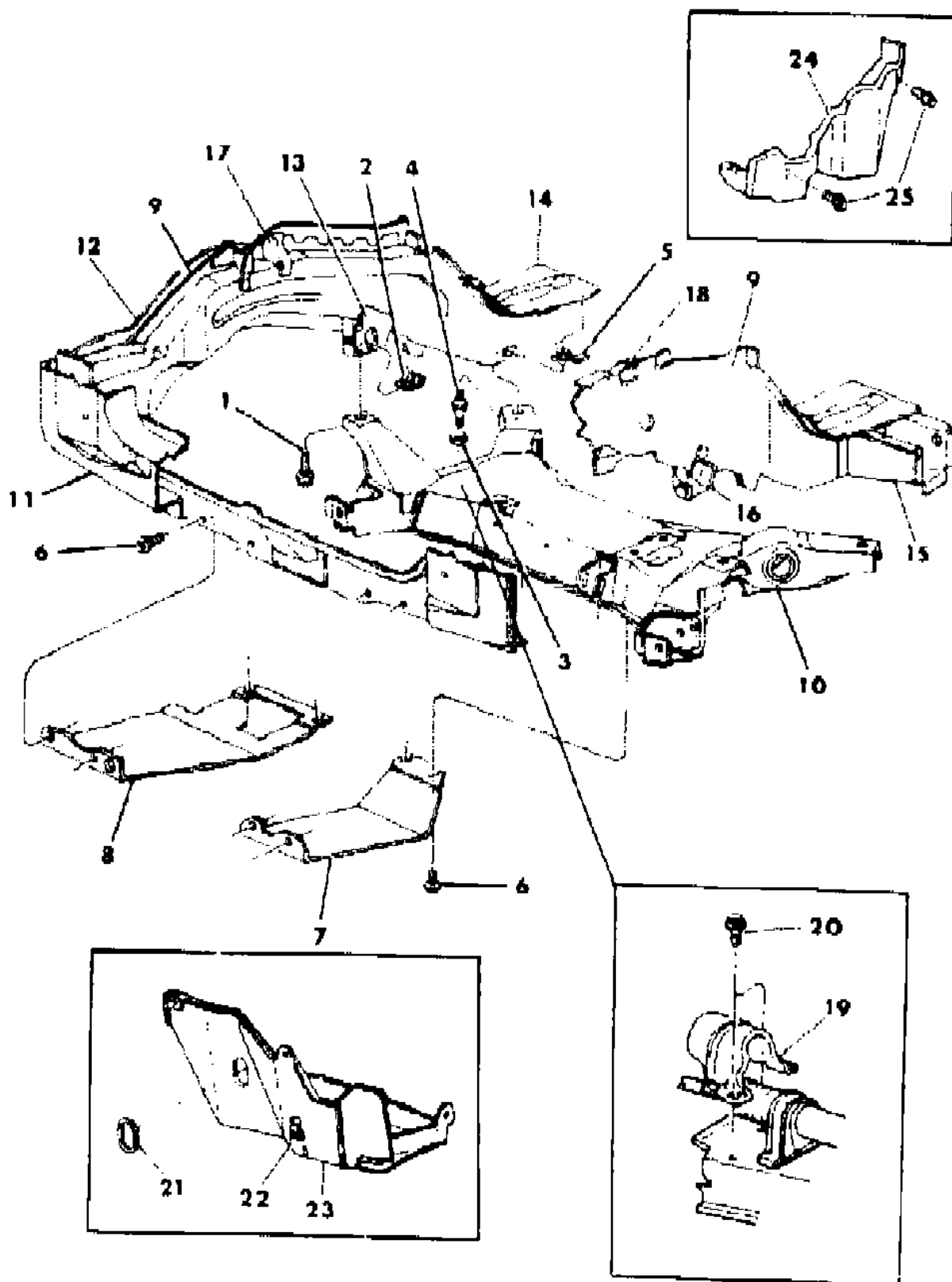
AR = Use as Required - = Non Illustrated Part P.A.R. = Paint as Required

FRAME FRONT S BODY

Figure 13-400

8113 400

ITEM	PART NUMBER	QTY	BODY	MODEL	DESCRIPTION
	4386 656	1			Right w/3.0 Engine
24	4386 657	1			SHIELD, Trans. Appearance, Left
25		2			SCREW and WASHER (Not Serviced)
-	4490 565	1			BRACKET, Front Side Rail, Front Crossmember Towing (EUROPEAN)



MODEL CODES

- C BODY = (D41 - DYNASTY)(C41 - NEW YORKER)
- E BODY = (J - CARAVELLE)(E - 600)(T - NEW YORKER TURBO)
- G BODY = (V24 - DAYTONA, PACIFICA & SHELBY)
- H BODY = (D44 - LANCER)(C44 - LEBARON GTS)
- J BODY = (C - LEBARON)
- K BODY = (P - RELIANT)(D - ARIES)(C - LEBARON/ TOWN & COUNTRY)
- L BODY = (M - HORIZON)(Z-OMNI)
- M BODY = (B - GRAN FURY)(G - DIPLOMAT)(F - FIFTH AVENUE/NEWPORT)
- P BODY = (P - SUNDANCE)(D - SHADOW)
- Q BODY = (C27 - MASERATI)
- S BODY = (H - VOYAGER)(K - RAM VAN/ CARAVAN)

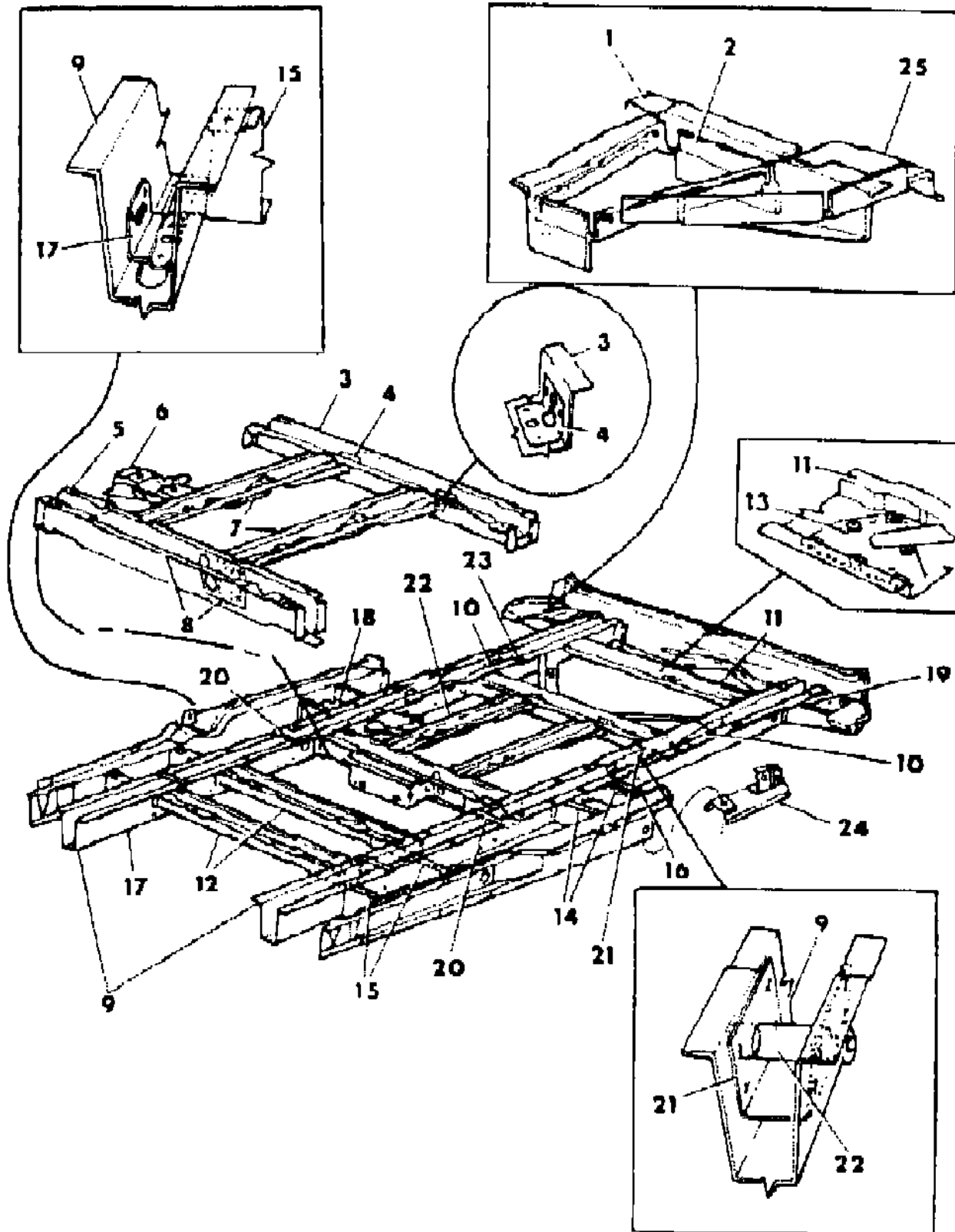
BODY STYLES

- 12-52 = FWD VAN & WAGON STD. W.B.
- 13-53 = FWD VAN & WGN EXT W.B.
- 21 = 2-DOOR SEDAN
- 24 = 2-DOOR HATCHBACK
- 27 = 2-DOOR CONVERTIBLE
- 41 = 4-DOOR SEDAN
- 44 = 4-DOOR HATCHBACK
- 45 = 4-DOOR STATION WAGON

AR = Use as Required - = Non Illustrated Part P.A.R. = Paint as Required

FRAME REAR S BODY
Figure 13-500

8113 500



ITEM	PART NUMBER	QTY	BODY	MODEL	DESCRIPTION
1	4278 194-5	1			SUPPORT, Floor Pan Rear Suspension Hanger Rear Bracket
2	4278 398	2			PLATE, Fir. Pan, Rr. Susp. Hanger Brkt., Rear
3	4416 076	1			CROSSMEMBER, Floor Pan Fuel Tank Support Rear
4	4278 500	2			REINFORCEMENT, Floor Pan Fuel Tank Support Rear Crossmember Strap Mounting
5	4337 695	1			CROSSMEMBER, Floor Pan Fuel Tank Support, Front
6	4416 466	1			REINFORCEMENT, Floor Pan Fuel Tank Support to Side Rail, Rt. Side
7	4416 465	2			STRAINER, Floor Pan, Fuel Tank Support
8	4278 492	2			REINFORCEMENT, Floor Pan Fuel Tank Support Crossmember Strap Mounting
9					RAIL, Floor Pan Side
	4475 822	2			Standard W.B.
	4475 861	2			Extended W.B.
10	4337 808	2			REINFORCEMENT, Floor Pan Side Rail Jounce and Shipping Tie Down
11	4371 778	1			CROSSMEMBER, Floor Pan Tire Stowage Support
12	4475 283	2			CROSSMEMBER, Floor Pan, Front & Rear Seat Support
13	4371 713	1			REINFORCEMENT, Pan Spare Tire Stowage C/Member Winch Mtg.
14	4314 101	2			BRACKET, Floor Pan Rear Suspension Hanger Front
15	4278 960	4			REINFORCEMENT, Floor Pan Side Rail to Sill Inner
16					SUPPORT, Rear Spring to Fuel Filler Tube Ret. Front Lt. Side
	4314 333	1			Standard W.B.
	4385 098	1			Extended W.B.
17	4278 930	1			REINFORCEMENT, Body Side Rail Brake Cable, Rt. Side
18	4314 103	2			PLATE, Rear Susp. Hanger Brkt. Mtg., Front
19	4371 716	1			REINFORCEMENT, Rail Spare Tire Winch Mtg.
20	4278 554	2			PLATE, Floor Pan, Rear Rail Tie
21	4371 622	2			BRACKET, Floor Pan, Rear Shock Absorber Sleeve Mounting
22	4371 620	2			SLEEVE, Floor Pan Rail, Rear Shock Absorber Mounting
23	4337 806	4			STRAP, Floor Pan S/Rail, Rear Seat Striker Reinforcement
24	4314 329	1			RETAINER, Rear Spring to Fuel Filler Tube, Left
25					BRACKET, Floor Pan, Rear Suspension Hanger, Rear
	4278 192-3	1		12,52	
	5255 304-5	1		13,53	
-	4475 807	1			BRACKET, U/Body Rear Rail Towing (EUROPEAN)

MODEL CODES

C BODY = (D41 - DYNASTY)(C41 - NEW YORKER)
 E BODY = (J - CARAVELLE)(E - 600)(T - NEW YORKER TURBO)
 G BODY = (V24 - DAYTONA, PACIFICA & SHELBY)
 H BODY = (D44 - LANCER)(C44 - LEBARON GTS)
 J BODY = (C - LEBARON)
 K BODY = (P - RELIANT)(D - ARIES)(C - LEBARON/ TOWN & COUNTRY)

L BODY = (M - HORIZON)(Z-OMNI)
 M BODY = (B - GRAN FURY)(G - DIPLOMAT)(F - FIFTH AVENUE/NEWPORT)
 P BODY = (P - SUNDANCE)(D - SHADOW)
 Q BODY = (C27 - MASERATI)
 S BODY = (H - VOYAGER)(K - RAM VAN/ CARAVAN)

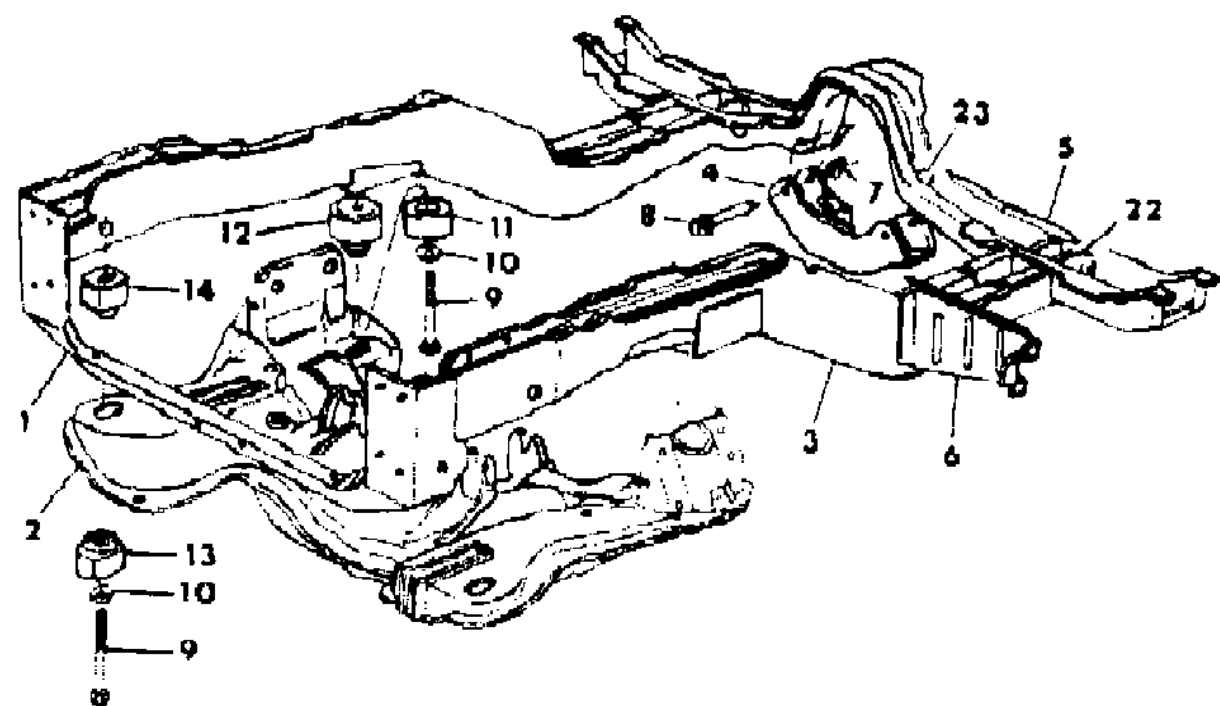
BODY STYLES

12-52 = FWD VAN & WAGON STD. W.B. 27 = 2-DOOR CONVERTIBLE
 13-53 = FWD VAN & WGN EXT W.B. 41 = 4-DOOR SEDAN
 21 = 2-DOOR SEDAN 44 = 4-DOOR HATCHBACK
 24 = 2-DOOR HATCHBACK 45 = 4-DOOR STATION WAGON

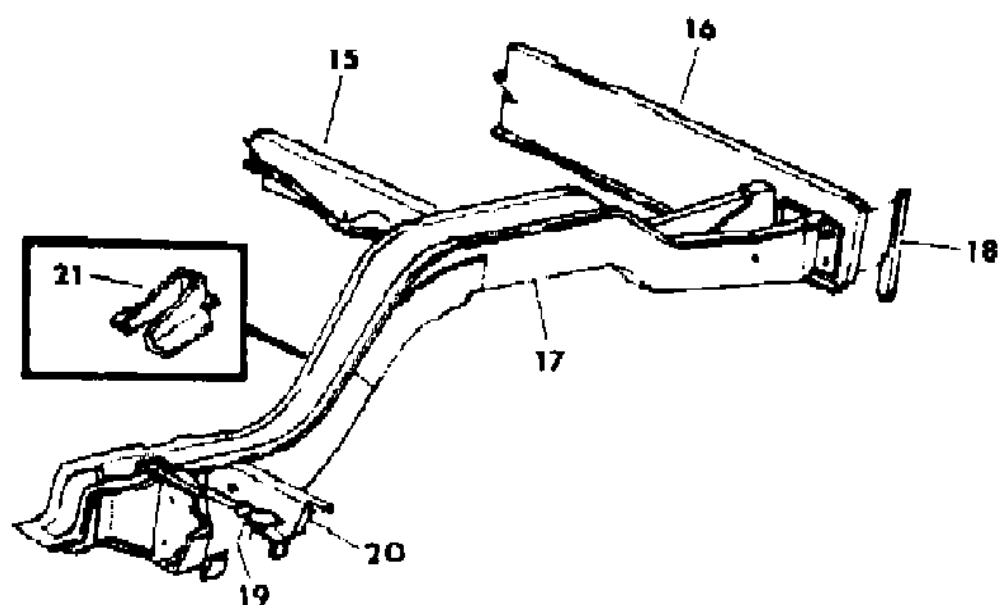
AR = Use as Required - = Non Illustrated Part P.A.R. = Paint as Required

FRAME M BODY
Figure 13-600

8113 600



ITEM	PART NUMBER	QTY	BODY	MODEL	DESCRIPTION
1	4296 620	1			CROSSMEMBER, Front Side Rail, Front
2	4449 089	1			CROSSMEMBER, Front Suspension, Complete
3	4129 898-9				RAIL, w/Reinforcement, Front Side
4	4001 797	1			CROSSMEMBER, Frame Trans. Mounting
5	4296 617	1			CROSSMEMBER, Frt. Side Rail Rear
6	4314 640-1	1			REINFORCEMENT, Front Side Rail to Side Sill, Inner
7	0152 344	2			NUT, Std.
8	6029 550	2			BOLT, Std.
9	6031 150	4			BOLT, Body Hold Down
10	4001 701	4			WASHER, Body Hold Down
11	4001 552	2			ISOLATOR, Lower Cushion, Rear
12	4001 554	2			ISOLATOR, Upper Cushion, Rear
13	4001 596	2			ISOLATOR, Lower Cushion, Front
14	4001 595	2			ISOLATOR, Upper Cushion, Front
15	4314 665	1			CROSSMEMBER, Rr. Shock Absorber
16	4314 663	1			CROSSMEMBER, Rr. Floor Pan Rear
17	4325 152-3	1			RAIL, Floor Pan Rear Side
18	#4015 634	2			REINFORCEMENT, Rr. Floor Pan Rr. C/Member, w/H.D. Service Pkg.
19	4325 148-9	1			SUPPORT, w/Gusset, Center Floor Pan, Rear Suspension, Front Hangar Bracket
20		1			REINFORCEMENT, Rear Side Rail to Side Sill Inner, Rear (Not Serviced)
21	4314 662	2			BRACKET, Rear Side Rail Park Brake Cable
	4296 686-7	1			PLATE, Frt. S/Rail C/Member Reinf. Rear H.D. (Not Illustrated)
	4296 684-5	1			DOUBLER, Frt. S/Rail Frt. Susp. C/Member Reinf. Outer, Rt., H.D. (Not Illustrated)
22	4296 618	4			REINFORCEMENT, Front Side Rail Rear Crossmember Outer
23	4296 619	2			SPACER, Front Side Rail Rear Crossmember



MODEL CODES

C BODY = (D41 - DYNASTY)(C41 - NEW YORKER)
 E BODY = (J - CARAVELLE)(E - 600)(T - NEW YORKER TURBO)
 G BODY = (V24 - DAYTONA, PACIFICA & SHELBY)
 H BODY = (D44 - LANCER)(C44 - LEBARON GTS)
 J BODY = (C - LEBARON)
 K BODY = (P - RELIANT)(D - ARIES)(C - LEBARON/ TOWN & COUNTRY)

L BODY = (M - HORIZON)(Z-OMNI)
 M BODY = (B - GRAN FURY)(G - DIPLOMAT)(F - FIFTH AVENUE/NEWPORT)
 P BODY = (P - SUNDANCE)(D - SHADOW)
 Q BODY = (C27 - MASERATI)
 S BODY = (H - VOYAGER)(K - RAM VAN/ CARAVAN)

BODY STYLES

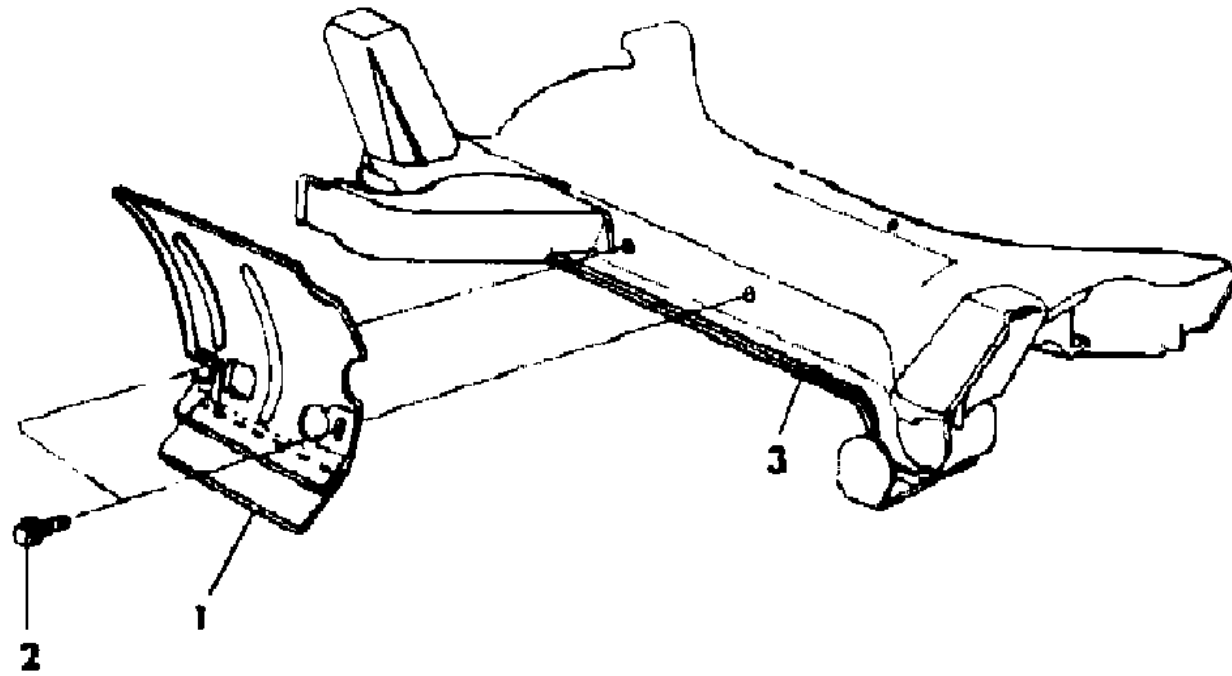
12-52 = FWD VAN & WAGON STD. W.B. 27 = 2-DOOR CONVERTIBLE
 13-53 = FWD VAN & WGN EXT W.B. 41 = 4-DOOR SEDAN
 21 = 2-DOOR SEDAN 44 = 4-DOOR HATCHBACK
 24 = 2-DOOR HATCHBACK 45 = 4-DOOR STATION WAGON

AR = Use as Required - = Non Illustrated Part P.A.R. = Paint as Required

SHIELD, BOOT AIR DEFLECTOR ALL EXCEPT M BODY
Figure 13-700

ITEM	PART NUMBER	QTY	BODY	MODEL	DESCRIPTION
1	4401 226	1	EXC. S		SHIELD, Boot Air Deflector
	4266 321	1	S		Exc. w/EFA Engine
2	6501 087	2			BOLT
3					CROSSMEMBER, Front Suspension (Reference Only)

8113 700



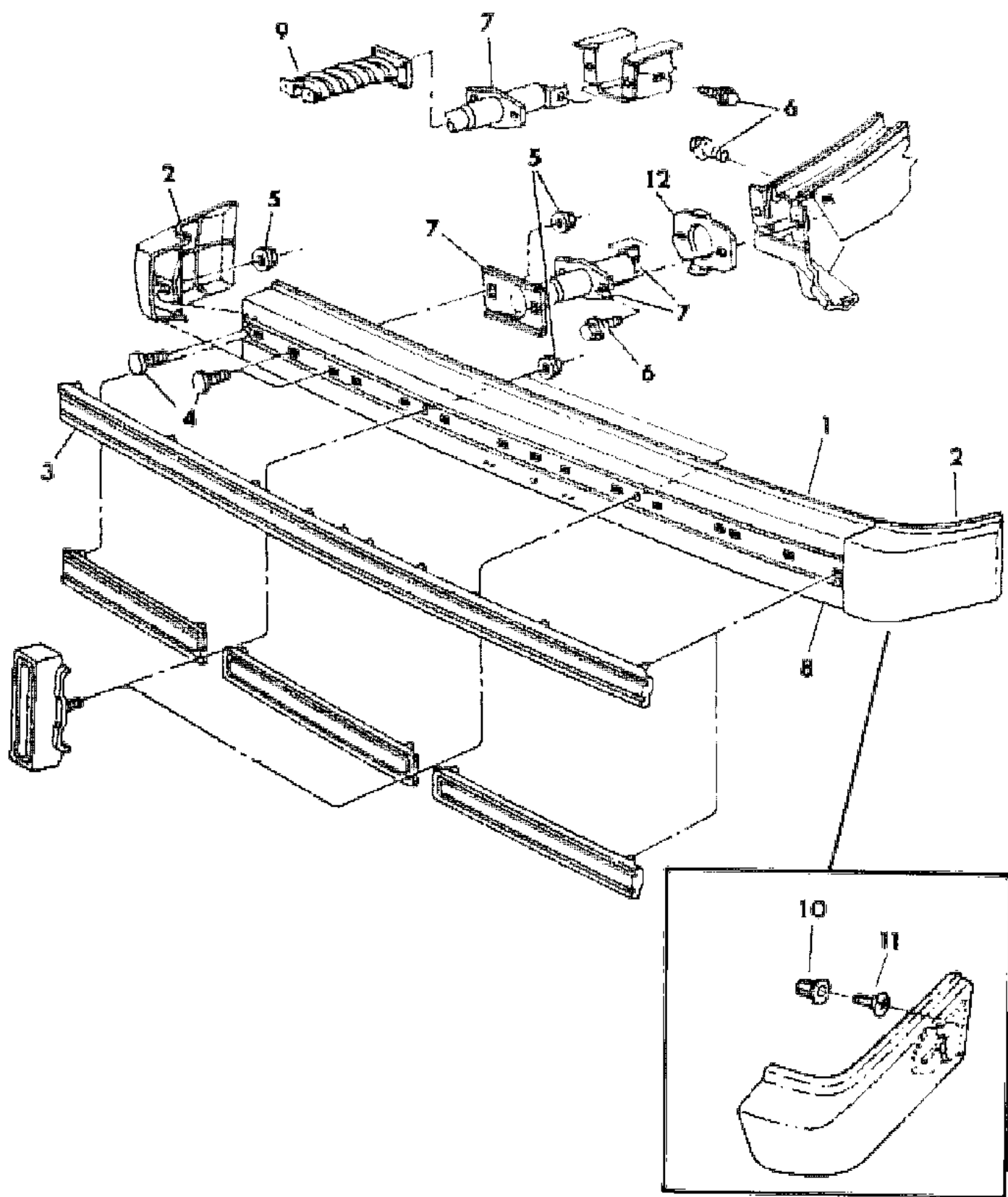
MODEL CODES
 C BODY = (D41 - DYNASTY)(C41 - NEW YORKER)
 E BODY = (J - CARAVELLE)(E - 600)(T - NEW YORKER TURBO)
 G BODY = (V24 - DAYTONA, PACIFICA & SHELBY)
 H BODY = (D44 - LANCER)(C44 - LEBARON GTS)
 J BODY = (C - LEBARON)
 K BODY = (P - RELIANT)(D - ARIES)(C - LEBARON/ TOWN & COUNTRY)
 L BODY = (M - HORIZON)(Z-OMNI)
 M BODY = (B - GRAN FURY)(G - DIPLOMAT)(F - FIFTH AVENUE/NEWPORT)
 P BODY = (P - SUNDANCE)(D - SHADOW)
 Q BODY = (C27 - MASERATI)
 S BODY = (H - VOYAGER)(K - RAM VAN/ CARAVAN)

BODY STYLES
 12-52 = FWD VAN & WAGON STD. W.B. 27 = 2-DOOR CONVERTIBLE
 13-53 = FWD VAN & WGN EXT W.B. 41 = 4-DOOR SEDAN
 21 = 2-DOOR SEDAN 44 = 4-DOOR HATCHBACK
 24 = 2-DOOR HATCHBACK 45 = 4-DOOR STATION WAGON

AR = Use as Required - = Non Illustrated Part P.A.R. = Paint as Required

BUMPER, FRONT AND REAR L BODY MODEL 44
Figure 13-800

8113 800 A



ITEM	PART NUMBER	QTY	BODY	MODEL	DESCRIPTION
1	5216 002	1			BUMPER, Front and Rear w/Nerf and Guards
2	4270 600-1	1			CAP, Bumper End Front
	4270 612-3	1			CAP, Bumper End Rear
	6500 750	2			SCREW, Cap To Fender
	6500 381	2			BOLT, End Cap, Front and Rear
	6500 086	2			NUT and WASHER, End Cap, Front and Rear
		2			FASTENER, w/Nut, Rear Bumper To Quarter Panel (Not Serviced)
3	4194 862	1			NERF STRIP
4	6500 075	6			BOLT
5	6500 086	AR			NUT and WASHER
6	6100 592	6			SCREW and WASHER
7					ABSORBER, Front (2 1/2 Mile Impact)
	4194 971	2			w/Man. Trans.
	4194 963	2			w/Auto.Trans.
	4194 986	2			ABSORBER, Rear (2 1/2 Mile Impact)
	4194 965	2			BRACKET, Limiter Frt. Bumper (2 1/2 Mile Impact) Use w/Auto. Trans. (Not Illustrated)
8	4194 462	1			LICENSE PLATE PACKAGE, Attaching Front
	4270 974	1			Rear
	5216 050	AR			BUTTON, Rubber
	6023 925	AR			NUT
9	4103 318	2			BOOT, Absorber, Front
	4103 213	2			Rear
	6003 654	AR			RETAINER (Push-Nut)
10	6501 558	4			RIVET NUT
11	6500 750	4			SCREW
12	4194 965	2			BRACKET, Limiter Front Bumper (2 1/2 Mile Impact) w/Auto. Trans.

MODEL CODES

C BODY = (D41 - DYNASTY)(C41 - NEW YORKER)	L BODY = (M - HORIZON)(Z-OMNI)
E BODY = (J - CARAVELLE)(E - 600)(T - NEW YORKER TURBO)	M BODY = (B - GRAN FURY)(G - DIPLOMAT)(F - FIFTH AVENUE/NEWPORT)
G BODY = (V24 - DAYTONA, PACIFICA & SHELBY)	P BODY = (P - SUNDANCE)(D - SHADOW)
H BODY = (D44 - LANCER)(C44 - LEBARON GTS)	Q BODY = (C27 - MASERATI)
J BODY = (C - LEBARON)	S BODY = (H - VOYAGER)(K - RAM VAN/ CARAVAN)
K BODY = (P - RELIANT)(D - ARIES)(C - LEBARON/ TOWN & COUNTRY)	

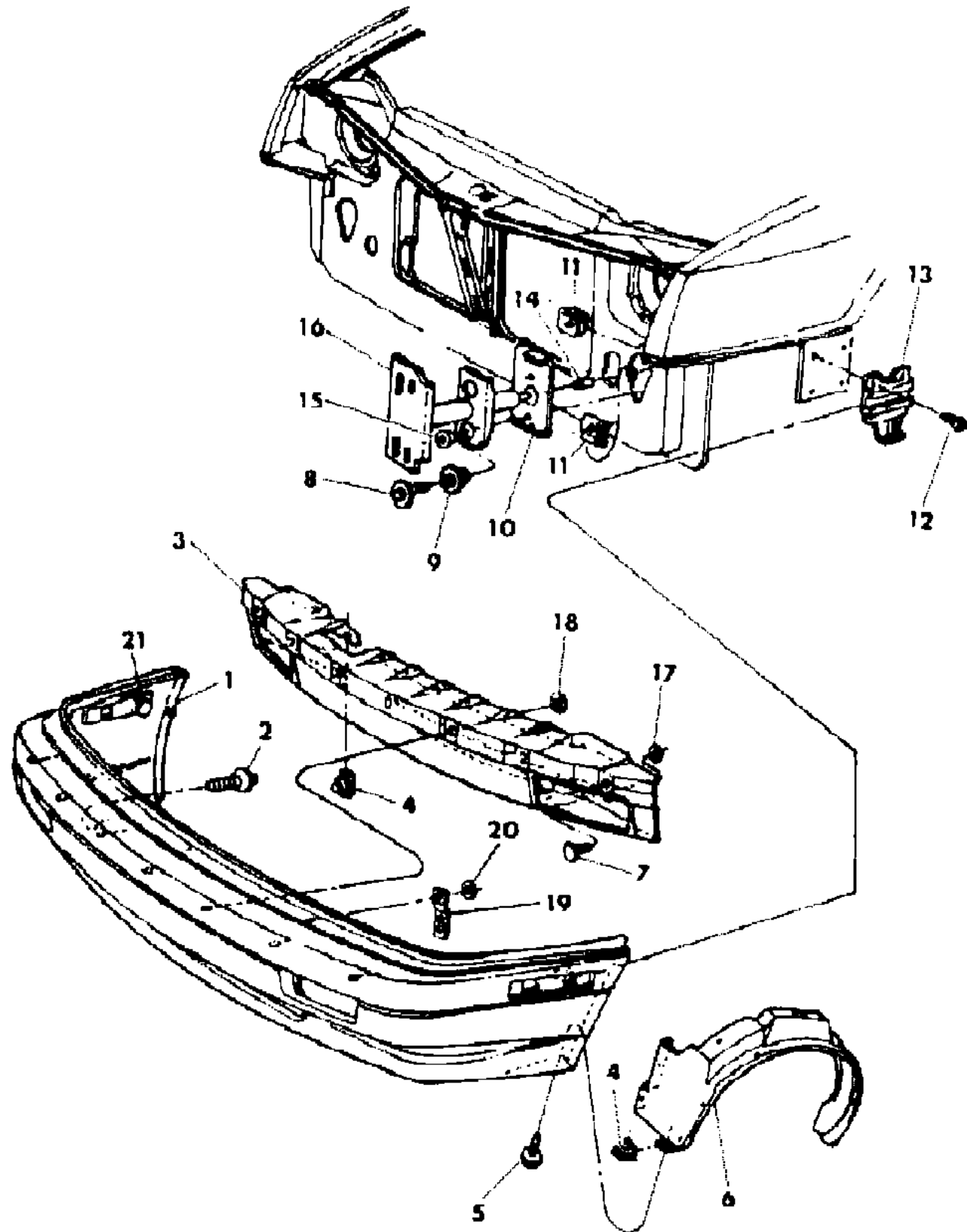
BODY STYLES

12-52 = FWD VAN & WAGON STD. W.B.	27 = 2-DOOR CONVERTIBLE
13-53 = FWD VAN & WGN EXT W.B.	41 = 4-DOOR SEDAN
21 = 2-DOOR SEDAN	44 = 4-DOOR HATCHBACK
24 = 2-DOOR HATCHBACK	45 = 4-DOOR STATION WAGON

AR = Use as Required - = Non Illustrated Part P.A.R. = Paint as Required

FASCIA, BUMPER FRONT P BODY
Figure 13-900

8113 900



ITEM	PART NUMBER	QTY	BODY	MODEL	DESCRIPTION
1	4334 980	1			FASCIA, Front Bumper (Paint As Required)
	4388 527	1			w/Dodge ES and Plymouth RS Packages
	4334 252	1			NERF STRIP (Bright)
	X649 ER4	1			Red, w/Dodge ES and Plymouth RS Packages
2	6100 566	3			SCREW and WASHER
	6500 898	2			RIVET, Support Tab to Fascia Attaching (Not Illustrated)
3	4388 510				REINFORCEMENT, Front Bumper
4	6100 041	5			U-NUT
5	6501 037	2			SCREW and WASHER
6		1			SHIELD, Fender W/House (Reference Only)
7		4			BOLT (Not Serviced)
8	6500 702	4			BOLT and WASHER, Auto Trans.
		4			BOLT and WASHER, w/Man. Trans. (Not Serviced)
9		4			ISOLATOR (Serviced In Item No. 16)
10	4194 927	2			BRACKET, Limiter
11	6500 634	4			U-NUT
12		8			SCREW (Not Serviced)
13	4334 211	2			PLATE, Bumper Fascia to Body
14	4194 932	2			GROMMET
15		4			NUT and WASHER (Not Serviced)
16	4334 214	2			ABSORBER, 2 1/2 Mile Impact, w/Man. Trans.
	4334 217	2			2 1/2 Mile Impact, w/Auto. Trans.
17	6501 025	4			RETAINER
18	6031 635	7			PUSH NUT
	4334 235	1			LICENSE PLATE PACKAGE, Attaching Parts
19	4388 033	3			TAB, Support, Front Bumper Fascia
	6500 898	2			RIVET, Tab to Fascia Attaching
20	6100 840	3			PUSH NUT, Support Tab to Fascia Attaching
21	4334 212	2			PIN, Front Bumper Fascia Attaching

MODEL CODES

C BODY = (D41 - DYNASTY)(C41 - NEW YORKER)
 E BODY = (J - CARAVELLE)(E - 600)(T - NEW YORKER TURBO)
 G BODY = (V24 - DAYTONA, PACIFICA & SHELBY)
 H BODY = (D44 - LANCER)(C44 - LEBARON GTS)
 J BODY = (C - LEBARON)
 K BODY = (P - RELIANT)(D - ARIES)(C - LEBARON/ TOWN & COUNTRY)

L BODY = (M - HORIZON)(Z-OMNI)
 M BODY = (B - GRAN FURY)(G - DIPLOMAT)(F - FIFTH AVENUE/NEWPORT)
 P BODY = (P - SUNDANCE)(D - SHADOW)
 Q BODY = (C27 - MASERATI)
 S BODY = (H - VOYAGER)(K - RAM VAN/ CARAVAN)

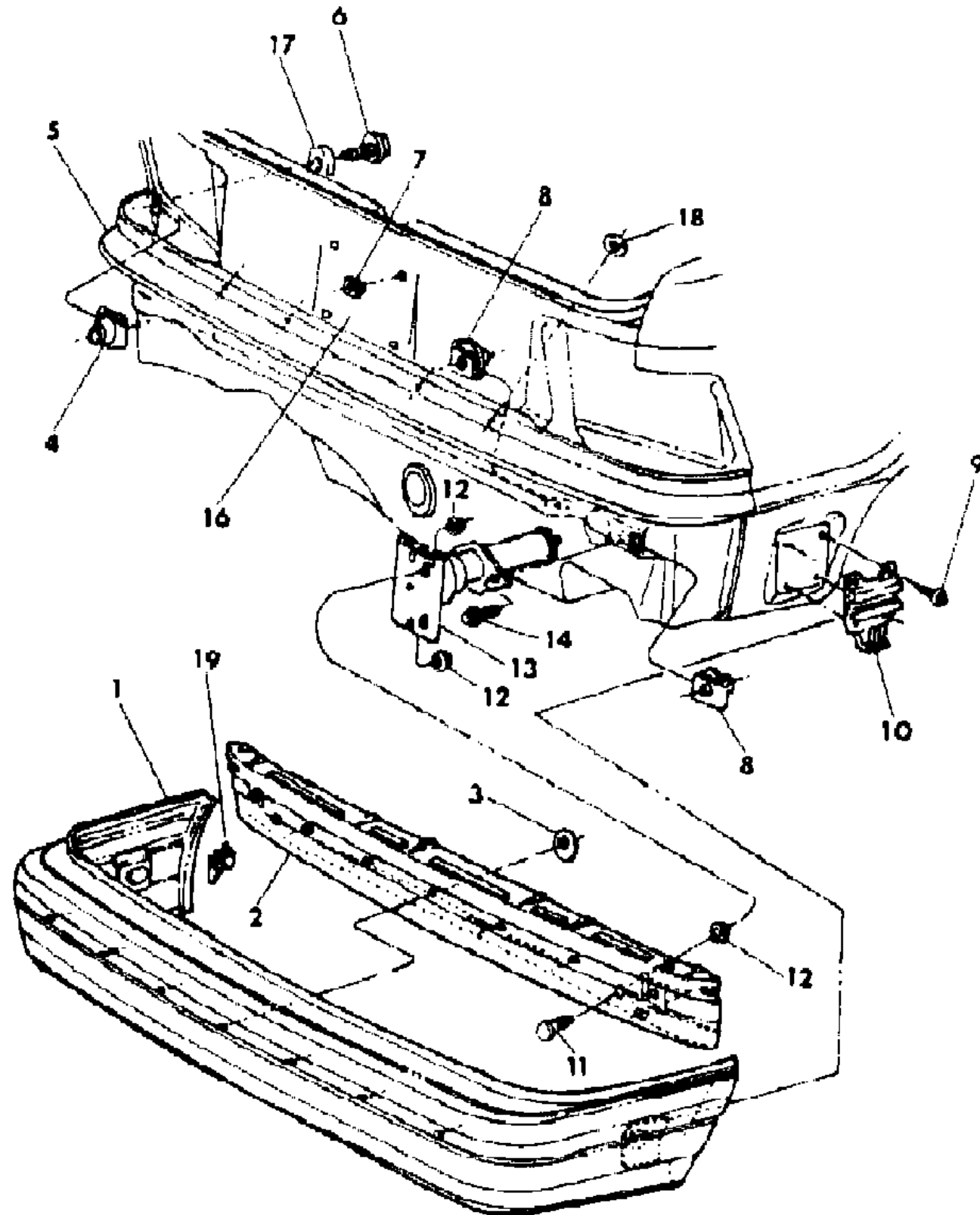
BODY STYLES

12-52 = FWD VAN & WAGON STD. W.B. 27 = 2-DOOR CONVERTIBLE
 13-53 = FWD VAN & WGN EXT W.B. 41 = 4-DOOR SEDAN
 21 = 2-DOOR SEDAN 44 = 4-DOOR HATCHBACK
 24 = 2-DOOR HATCHBACK 45 = 4-DOOR STATION WAGON

AR = Use as Required - = Non Illustrated Part P.A.R. = Paint as Required

FASCIA, BUMPER REAR P BODY
Figure 13-1000

8113 1000



ITEM	PART NUMBER	QTY	BODY	MODEL	DESCRIPTION
1	4334 986	1			FASCIA, Rear Bumper (Paint As Required)
	4334 256	1			NERF STRIP (Bright)
	X659 ER4	1			RED, w/Dodge ES and Plymouth RS Packages
2	4388 035	1			REINFORCEMENT, Rear Bumper Fascia
3	6031 635	7			PUSH NUT
4	6100 040	6			U-NUT
5	4341 276	1			PANEL, Lift Gate Opening Lower Fascia
6					SCREW and WASHER (Not Serviced)
7		4			NUT, License Plate Mounting (Not Serviced)
8	6101 283	4			U-NUT
9		8			SCREW (Not Serviced)
10	4334 211	2			PLATE, Bumper Fascia to Body
11	6500 463	4			BOLT
12	6100 051	4			NUT and WASHER
13	4334 597	2			ABSORBER, 2 1/2 Mile Impact
14		4			SCREW and WASHER (Not Serviced)
16	4270 974	1			LICENSE PLATE PACKAGE, Attaching Parts
17	5231 207	2			WASHER, Sealing
18		4			WASHER, Sealing (Not Serviced)
19	4334 994	2			BRACKET, Rear Fascia to Aperture Panel

MODEL CODES

C BODY = (D41 - DYNASTY)(C41 - NEW YORKER)
 E BODY = (J - CARAVELLE)(E - 600)(T - NEW YORKER TURBO)
 G BODY = (V24 - DAYTONA, PACIFICA & SHELBY)
 H BODY = (D44 - LANCER)(C44 - LEBARON GTS)
 J BODY = (C - LEBARON)
 K BODY = (P - RELIANT)(D - ARIES)(C - LEBARON/ TOWN & COUNTRY)
 L BODY = (M - HORIZON)(Z-OMNI)
 M BODY = (B - GRAN FURY)(G - DIPLOMAT)(F - FIFTH AVENUE/NEWPORT)
 P BODY = (P - SUNDANCE)(D - SHADOW)
 Q BODY = (C27 - MASERATI)
 S BODY = (H - VOYAGER)(K - RAM VAN/ CARAVAN)

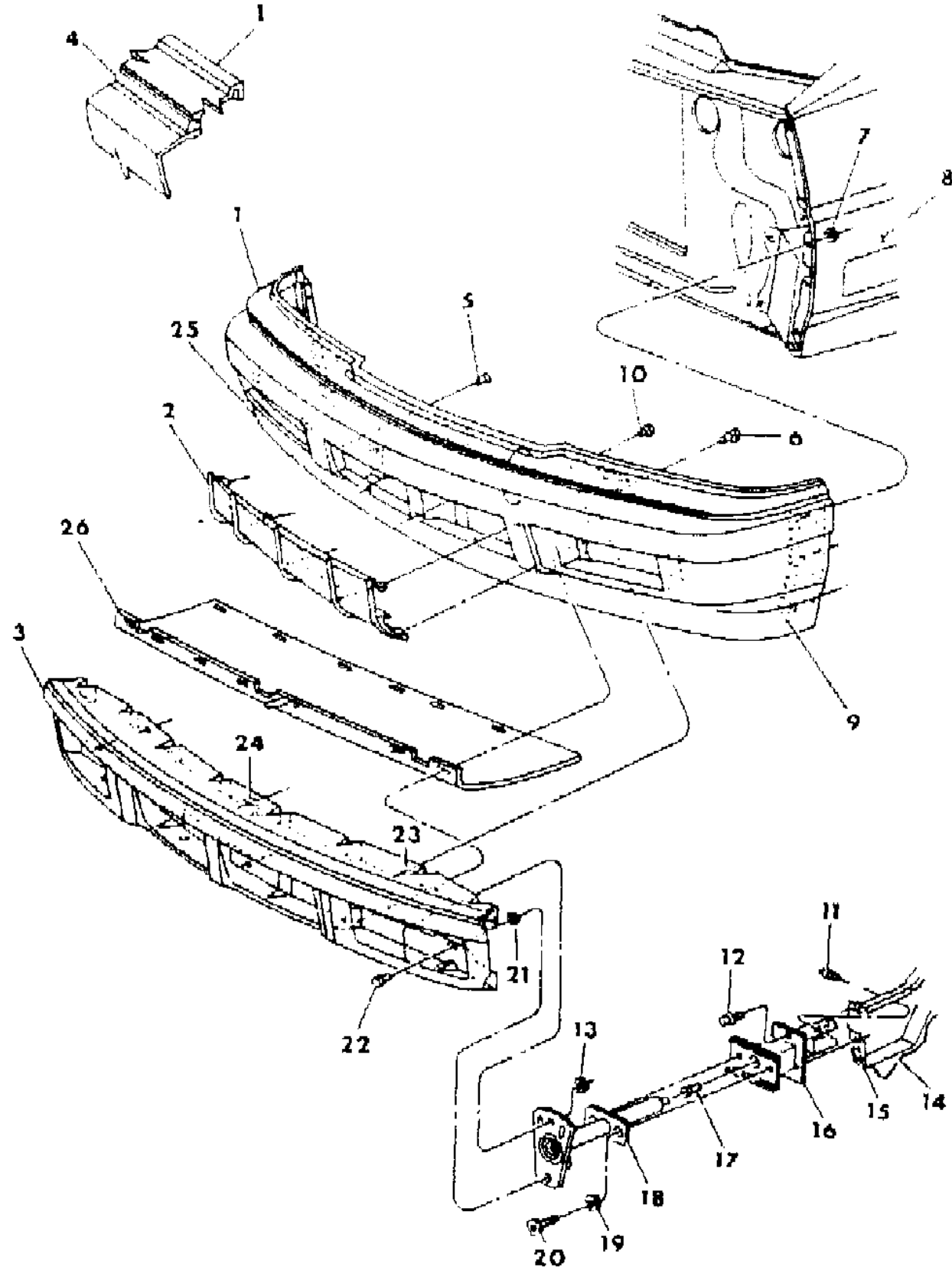
BODY STYLES

12-52 = FWD VAN & WAGON STD. W.B. 27 = 2-DOOR CONVERTIBLE
 13-53 = FWD VAN & WGN EXT W.B. 41 = 4-DOOR SEDAN
 21 = 2-DOOR SEDAN 44 = 4-DOOR HATCHBACK
 24 = 2-DOOR HATCHBACK 45 = 4-DOOR STATION WAGON

AR = Use as Required - = Non Illustrated Part P.A.R. = Paint as Required

FASCIA, BUMPER FRONT J BODY
Figure 13-1100

8113 1100



ITEM	PART NUMBER	QTY	BODY	MODEL	DESCRIPTION
1	4334 352	1			FASCIA, Front Bumper (Paint As Required)
2	4334 317	1			GRILLE, Front Fascia Lower (Bright)
3	4334 389	1			REINFORCEMENT, Front Bumper Fascia
4	4334 353	1			NERF STRIP, Front Bumper Fascia
5	9421 073	8			SCREW and WASHER, Bumper Fascia to Lower Grille
6	6100 286	3			SCREW and WASHER, Bumper Fascia to Reinforcement
7	6500 284	6			NUT and WASHER, Bumper Fascia and Retainer to Fender
8		1			PANEL, Front Fender (Reference Only)
9	4334 392-3	1			RETAINER, Front Bumper Fascia
10	6501 067	3			RETAINER, Bumper Fascia to Reinforcement
11		2			BOLT, Rail Extension Front Bumper to Rail (Not Serviced)
12		4			SCREW and WASHER, Rail Extension to Frame (Not Serviced)
13	6500 086	4			NUT and WASHER
14		1			RAIL, Front Side (Reference Only)
15	6500 634	4			U-NUT, Rail Extension to Front Closure Panel
16	4334 421	2			RAIL, Extension, Front Bumper
17	4194 932	2			GROMMET
18	4388 478	2			ABSORBER, Front Bumper (2 1/2 Mile Impact)
	4334 338	2			(5 Mile Impact)
19		4			ISOLATOR (Serviced In Item No. 18)
20	6500 702	4			BOLT and WASHER
21		4			PUSH NUT (Not Serviced)
22	#6500 381	4			BOLT, Front Bumper Fascia Reinforcement to Absorber
23		2			U-NUT, Front Bumper Fascia to Reinforcement (Not Serviced)
24	6501 591	1			U-NUT, Front Bumper Fascia to Reinforcement
25	4334 327	1			LICENSE PLATE PACKAGE, Attaching Parts
26	4334 316	1			BAFFLE, Front Bumper Fascia Reinforcement to Headlamp Housing

MODEL CODES

C BODY = (D41 - DYNASTY)(C41 - NEW YORKER)
 E BODY = (J - CARAVELLE)(E - 600)(T - NEW YORKER TURBO)
 G BODY = (V24 - DAYTONA, PACIFICA & SHELBY)
 H BODY = (D44 - LANCER)(C44 - LEBARON GTS)
 J BODY = (C - LEBARON)
 K BODY = (P - RELIANT)(D - ARIES)(C - LEBARON/ TOWN & COUNTRY)

L BODY = (M - HORIZON)(Z-OMNI)
 M BODY = (B - GRAN FURY)(G - DIPLOMAT)(F - FIFTH AVENUE/NEWPORT)
 P BODY = (P - SUNDANCE)(D - SHADOW)
 Q BODY = (C27 - MASERATI)
 S BODY = (H - VOYAGER)(K - RAM VAN/ CARAVAN)

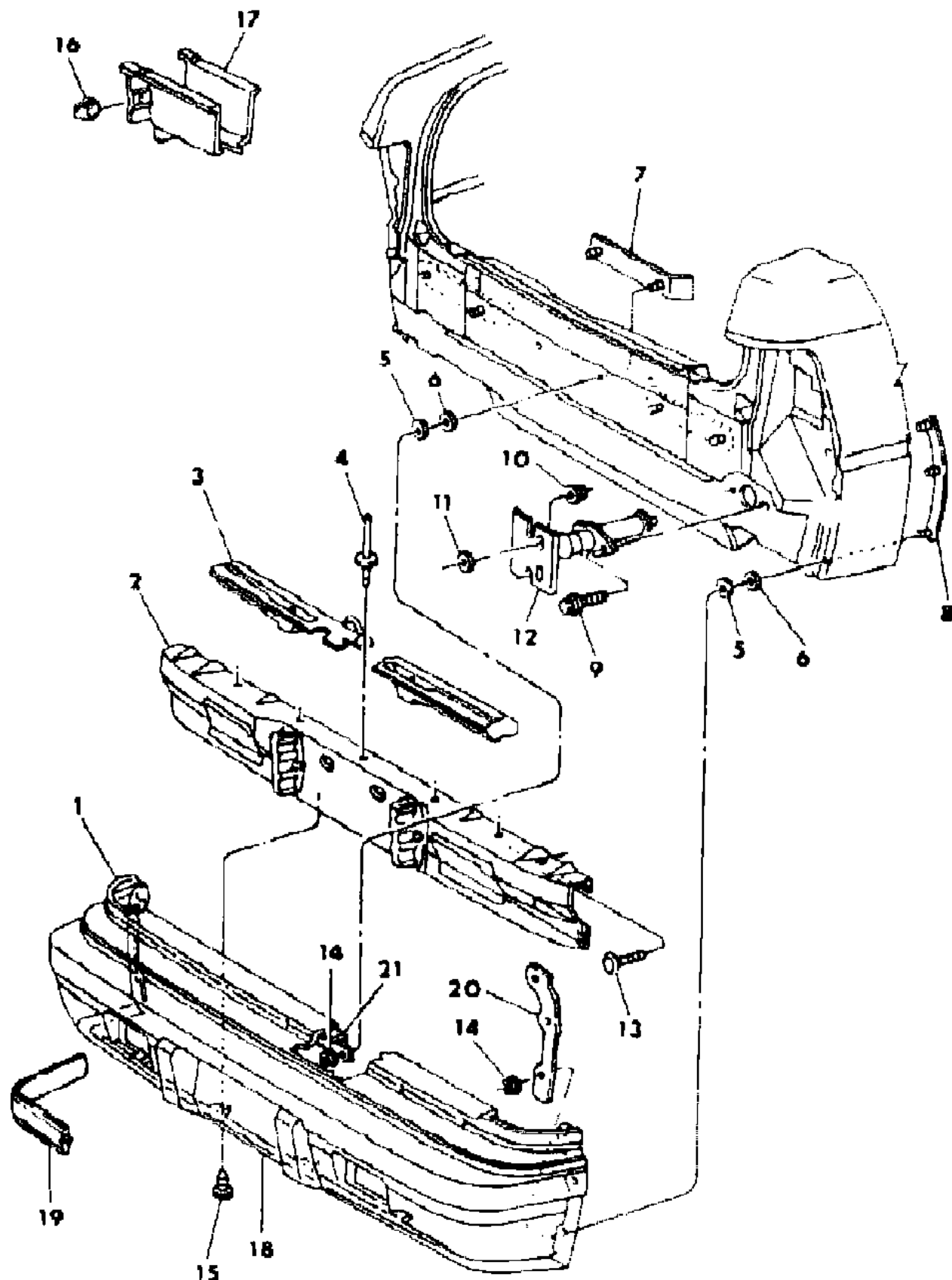
BODY STYLES

12-52 = FWD VAN & WAGON STD. W.B. 27 = 2-DOOR CONVERTIBLE
 13-53 = FWD VAN & WGN EXT W.B. 41 = 4-DOOR SEDAN
 21 = 2-DOOR SEDAN 44 = 4-DOOR HATCHBACK
 24 = 2-DOOR HATCHBACK 45 = 4-DOOR STATION WAGON

AR = Use as Required - = Non Illustrated Part P.A.R. = Paint as Required

FASCIA, BUMPER REAR J BODY
Figure 13-1200

8113 1200



ITEM	PART NUMBER	QTY	BODY	MODEL	DESCRIPTION
1	4334 428	1			FASCIA, Bumper Rear (Paint As Required)
-	4451 335	1			PANEL, Bumper Fascia, Rear (EUROPEAN)
2	4334 436	1			REINFORCEMENT, Rear Bumper Fascia
3	4334 435	1			SUPPORT, Rear Bumper Fascia
4		5			RIVET (Not Serviced)
5					PUSH NUT
	6100 840	12			Up to 4-13-87
	6501 792	12			After 4-13-87
6		12			WASHER, Sealing (Not Serviced)
7	4388 680	3			PLATE, Rear Bumper Fascia Attaching
8	4388 678-9	1			RETAINER, Rear Bumper Aperture Panel
9		4			SCREW and WASHER (Not Serviced)
10	6100 051	4			NUT and WASHER
11		4			PUSH NUT (Not Serviced)
12					ABSORBER, Rear Bumper
	4334 597	2			2 1/2 Mile Impact
	4270 768	2			5 Mile Impact
13	#6500 381	4			BOLT, Carriage
14	6500 284	12			NUT and WASHER
15	6501 067	4			RETAINER
16	6101 283	4			U-NUT
17		1			RAIL, Rear Floor Pan Side (Reference Only)
18	4334 327	1			LICENSE PLATE PACKAGE, Attaching Parts
19	4334 433	1			NERF STRIP, Rear Bumper Fascia
20	4334 430-1	1			RETAINER, Rear Bumper Fascia
21	4334 429	1			BRACE, Rear Bumper Fascia

MODEL CODES

C BODY = (D41 - DYNASTY)(C41 - NEW YORKER)
 E BODY = (J - CARAVELLE)(E - 600)(T - NEW YORKER TURBO)
 G BODY = (V24 - DAYTONA, PACIFICA & SHELBY)
 H BODY = (D44 - LANCER)(C44 - LEBARON GTS)
 J BODY = (C - LEBARON)
 K BODY = (P - RELIANT)(D - ARIES)(C - LEBARON/ TOWN & COUNTRY)

L BODY = (M - HORIZON)(Z-OMNI)
 M BODY = (B - GRAN FURY)(G - DIPLOMAT)(F - FIFTH AVENUE/NEWPORT)
 P BODY = (P - SUNDANCE)(D - SHADOW)
 Q BODY = (C27 - MASERATI)
 S BODY = (H - VOYAGER)(K - RAM VAN/ CARAVAN)

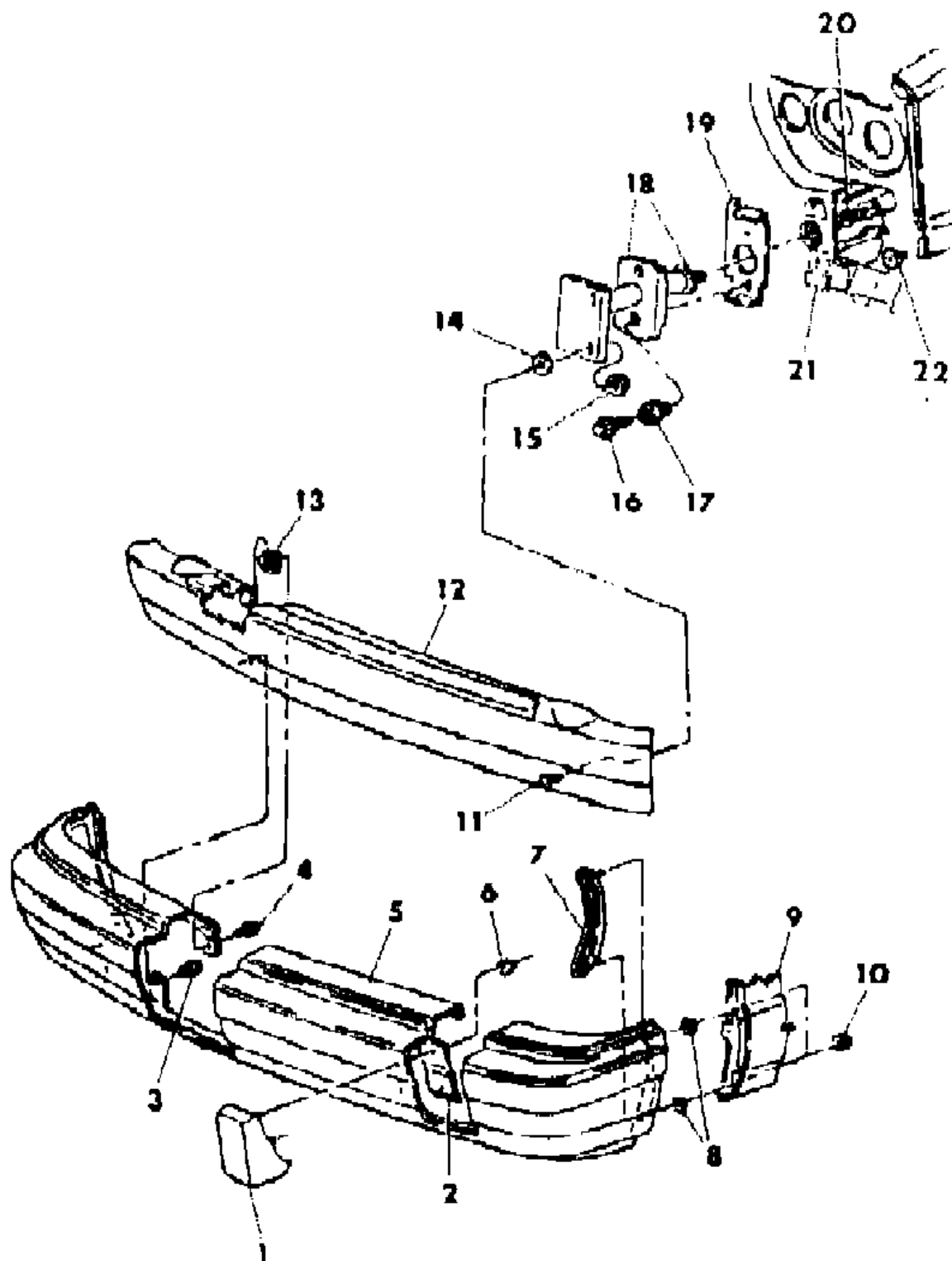
BODY STYLES

12-52 = FWD VAN & WAGON STD. W.B. 27 = 2-DOOR CONVERTIBLE
 13-53 = FWD VAN & WGN EXT W.B. 41 = 4-DOOR SEDAN
 21 = 2-DOOR SEDAN 44 = 4-DOOR HATCHBACK
 24 = 2-DOOR HATCHBACK 45 = 4-DOOR STATION WAGON

AR = Use as Required - = Non Illustrated Part P.A.R. = Paint as Required

BUMPER, FRONT E BODY MODEL E,J EXC. MODEL T K BODY MODEL C,P,D
Figure 13-1300

8113 1300



ITEM	PART NUMBER	QTY	BODY	MODEL	DESCRIPTION
1					GUARD, w/Cushion & Bolt, Bumper
	X668-9 EA7	1	K	C	Dark Gray
	X668-9 EA7	1	E	E,J	Dark Gray
	X668-9 EE3	1	K	C	Light Cordovan
	X668-9 EE3	1	E	E,J	Light Cordovan
	X668-9 EE7	1	K	C	Dark Red
	X668-9 EE7	1	E	E,J	Dark Red
	X668-9 ET2	1	K	C	Tan
	X668-9 ET2	1	E	E,J	Tan
	X668-9 ET7	1	K	C	Dark Brown
	X668-9 ET7	1	E	E,J	Dark Brown
	X668-9 EB8	1	K	C	Nightwatch Blue
	X668-9 EB8	1	E	E,J	Nightwatch Blue
	X668-9 EW4	1	K	C	White
	X668-9 EW4	1	E	E,J	White
		1	K	C	Black
	X668-9 EX9	1	E	E,J	Black
	6030 592	4			RETAINER, Bolt To Guard
	6031 147	4			SPRING NUT, Guard To Cushion
	6500 489	4			BOLT, Plate To Guard
2	4334 009	2	K	C	PLATE, Guard Attaching
	4334 009	2	E	E,J	PLATE, Guard Attaching
3	6501 067	6			RETAINER
4	6100 286	4			SCREW and WASHER
5	4334 003	1	K	P,D	FASCIA, Front Bumper
	4334 733	1	K	C	
	4334 733	1	E	E,J	
	4334 006	1	K	P,D	NERF STRIP, Front Bumper Fascia (Chrome)
	4334 738	1	K	C	
	4334 738	1	E	E,J	
6	6100 047	4			NUT and WASHER
7	4334 034-5	1			RETAINER, Bumper Fascia to Fender
8	6100 840	4			PUSH NUT
9					PANEL, Fender (Ref. Only)
10	6500 284	4			NUT and WASHER
11	6500 463	4			BOLT
12	4334 040	1	K	P,D	REINFORCEMENT, w/Support, Bumper Fascia

MODEL CODES

C BODY = (D41 - DYNASTY)(C41 - NEW YORKER)	L BODY = (M - HORIZON)(Z-OMNI)
E BODY = (J - CARAVELLE)(E - 600)(T - NEW YORKER TURBO)	M BODY = (B - GRAN FURY)(G - DIPLOMAT)(F - FIFTH AVENUE/NEWPORT)
G BODY = (V24 - DAYTONA, PACIFICA & SHELBY)	P BODY = (P - SUNDANCE)(D - SHADOW)
H BODY = (D44 - LANCER)(C44 - LEBARON GTS)	Q BODY = (C27 - MASERATI)
J BODY = (C - LEBARON)	S BODY = (H - VOYAGER)(K - RAM VAN/ CARAVAN)
K BODY = (P - RELIANT)(D - ARIES)(C - LEBARON/ TOWN & COUNTRY)	

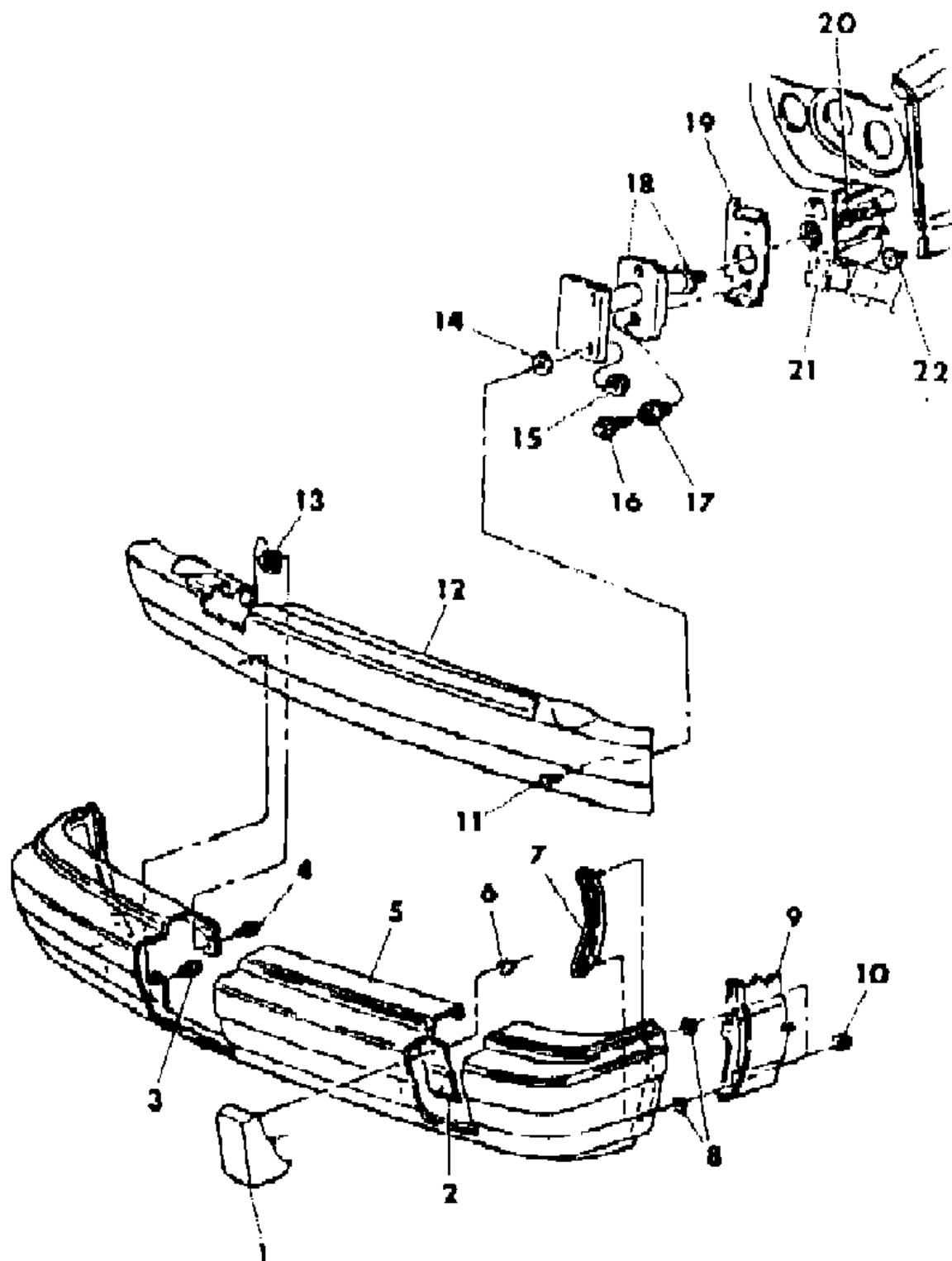
BODY STYLES

12-52 = FWD VAN & WAGON STD. W.B.	27 = 2-DOOR CONVERTIBLE
13-53 = FWD VAN & WGN EXT W.B.	41 = 4-DOOR SEDAN
21 = 2-DOOR SEDAN	44 = 4-DOOR HATCHBACK
24 = 2-DOOR HATCHBACK	45 = 4-DOOR STATION WAGON

AR = Use as Required - = Non Illustrated Part P.A.R. = Paint as Required

BUMPER, FRONT E BODY MODEL E,J EXC. MODEL T K BODY MODEL C,P,D
Figure 13-1300

8113 1300



ITEM	PART NUMBER	QTY	BODY	MODEL	DESCRIPTION
	4334 743	1	K	C	
	4334 743	1	E	E,J	
13	6100 041	4			U-NUT
14		4			RETAINER (Not Serviced)
15	6100 051	4			NUT and WASHER
16	6500 702	4			BOLT and WASHER, Auto. Transmission
17		4			ISOLATOR (Serviced in Item No. 18)
18					ABSORBER
	4194 950	2	K	P,D	2 1/2 Mile Impact, w/Man. Trans.
	4194 917	2	E,K		2 1/2 Mile Impact, w/Auto Trans.
	4194 946	2	K	C,P,D	5 Mile Impact
19	4194 927	2			BRACKET, Limiter
20	4194 932	2			GROMMET
21					RAIL, Front (Ref. Only)
22	6500 634	2			U-NUT
NOTE: The following Items are not shown on Illustration. applications specified in this document.					
	4334 038	1	K	P,D	LICENSE PLATE ATTACHING PACKAGE
	4334 776	1	K	C	
	4334 776	1	E	E,J	

MODEL CODES

C BODY = (D41 - DYNASTY)(C41 - NEW YORKER)	L BODY = (M - HORIZON)(Z-OMNI)
E BODY = (J - CARAVELLE)(E - 600)(T - NEW YORKER TURBO)	M BODY = (B - GRAN FURY)(G - DIPLOMAT)(F - FIFTH AVENUE/NEWPORT)
G BODY = (V24 - DAYTONA, PACIFICA & SHELBY)	P BODY = (P - SUNDANCE)(D - SHADOW)
H BODY = (D44 - LANCER)(C44 - LEBARON GTS)	Q BODY = (C27 - MASERATI)
J BODY = (C - LEBARON)	S BODY = (H - VOYAGER)(K - RAM VAN/ CARAVAN)
K BODY = (P - RELIANT)(D - ARIES)(C - LEBARON/ TOWN & COUNTRY)	

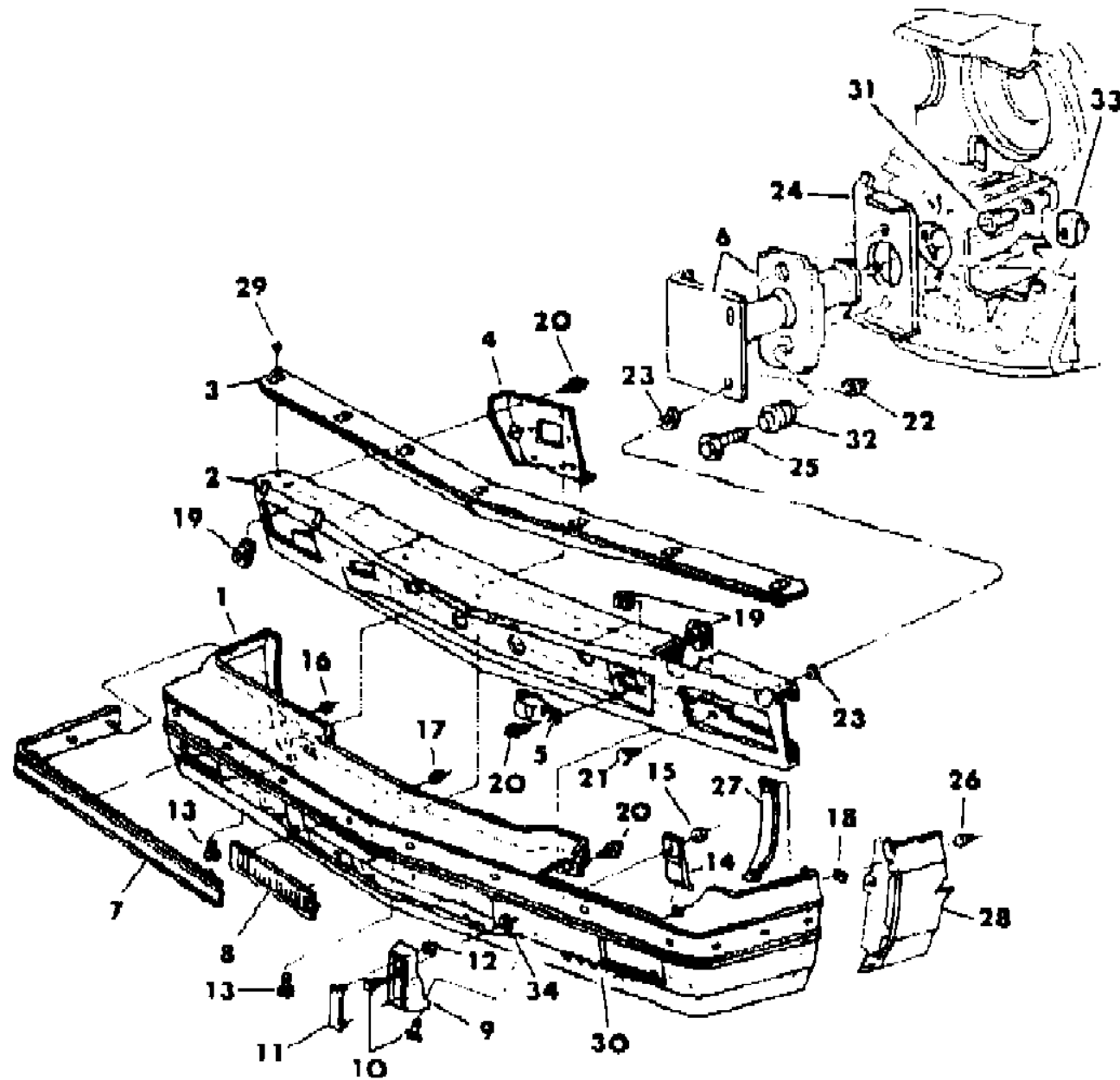
BODY STYLES

12-52 = FWD VAN & WAGON STD. W.B.	27 = 2-DOOR CONVERTIBLE
13-53 = FWD VAN & WGN EXT W.B.	41 = 4-DOOR SEDAN
21 = 2-DOOR SEDAN	44 = 4-DOOR HATCHBACK
24 = 2-DOOR HATCHBACK	45 = 4-DOOR STATION WAGON

AR = Use as Required - = Non Illustrated Part P.A.R. = Paint as Required

BUMPER, FRONT E BODY MODEL T
Figure 13-1400

8113 1400



ITEM	PART NUMBER	QTY	BODY	MODEL	DESCRIPTION
1	4103 379	1			FASCIA, Bumper Frt. (Paint as Req.)
2	4103 374	1			REINFORCEMENT, Fascia Front
3	4194 362	1			SUPPORT, Fascia Front
4	4194 356-7	1			BRACKET, Fascia Park and Turn Lamp Mounting
5	4194 384	2			BRACE, Fascia Guard
6					ABSORBER, Front
	4194 946	2			5 Mile Impact
	4194 917	2			2 1/2 Mile Impact w/Auto. Trans.
7	4103 337	1			NERF, Bright
8	4103 370	1			GRILLE, Fascia, Lower
9	X572-3 ET5	1			GUARD, Front (Paint as Req.)
10	6500 489	4			BOLT, Guard
11	4194 380	2			CUSHION, Guard
12	6031 147	4			SPRING NUT
13	6501 067	AR			RETAINER, Bumper To Reinf.
14	4194 382	2			PLATE, Guard Attaching
15	6100 047	4			NUT and WASHER
16					WASHER (Not Serviced)
17	6029 471	4			NUT
18	6100 840	4			PUSH NUT
19	6100 041	14			U-NUT
20	6100 286	14			SCREW and WASHER
21	6500 463	4			BOLT, Carriage
22	6100 051	4			NUT and WASHER
23					RETAINER (Not Serviced)
24	4194 927	2			BRACKET, Limiter
25	6500 702	4			SCREW and WASHER
26	6500 284	4			NUT, Retainer
27	4194 274-5	1			RETAINER, Fascia
28					PANEL (Fender Ref.)
29					RIVET (Not Serviced)
30	4194 372	1			LICENSE PLATE PACKAGE, Attaching Front
-	5216 050	1			BUTTON, License Plate Mounting
31	4194 932	2			GROMMET
32					ISOLATOR (Serviced in Absorber Item 6)
33	6500 634	2			U-NUT
34	6030 592	2			RETAINER, Upper

MODEL CODES

C BODY = (D41 - DYNASTY)(C41 - NEW YORKER)	L BODY = (M - HORIZON)(Z-OMNI)
E BODY = (J - CARAVELLE)(E - 600)(T - NEW YORKER TURBO)	M BODY = (B - GRAN FURY)(G - DIPLOMAT)(F - FIFTH AVENUE/NEWPORT)
G BODY = (V24 - DAYTONA, PACIFICA & SHELBY)	P BODY = (P - SUNDANCE)(D - SHADOW)
H BODY = (D44 - LANCER)(C44 - LEBARON GTS)	Q BODY = (C27 - MASERATI)
J BODY = (C - LEBARON)	S BODY = (H - VOYAGER)(K - RAM VAN/ CARAVAN)
K BODY = (P - RELIANT)(D - ARIES)(C - LEBARON/ TOWN & COUNTRY)	

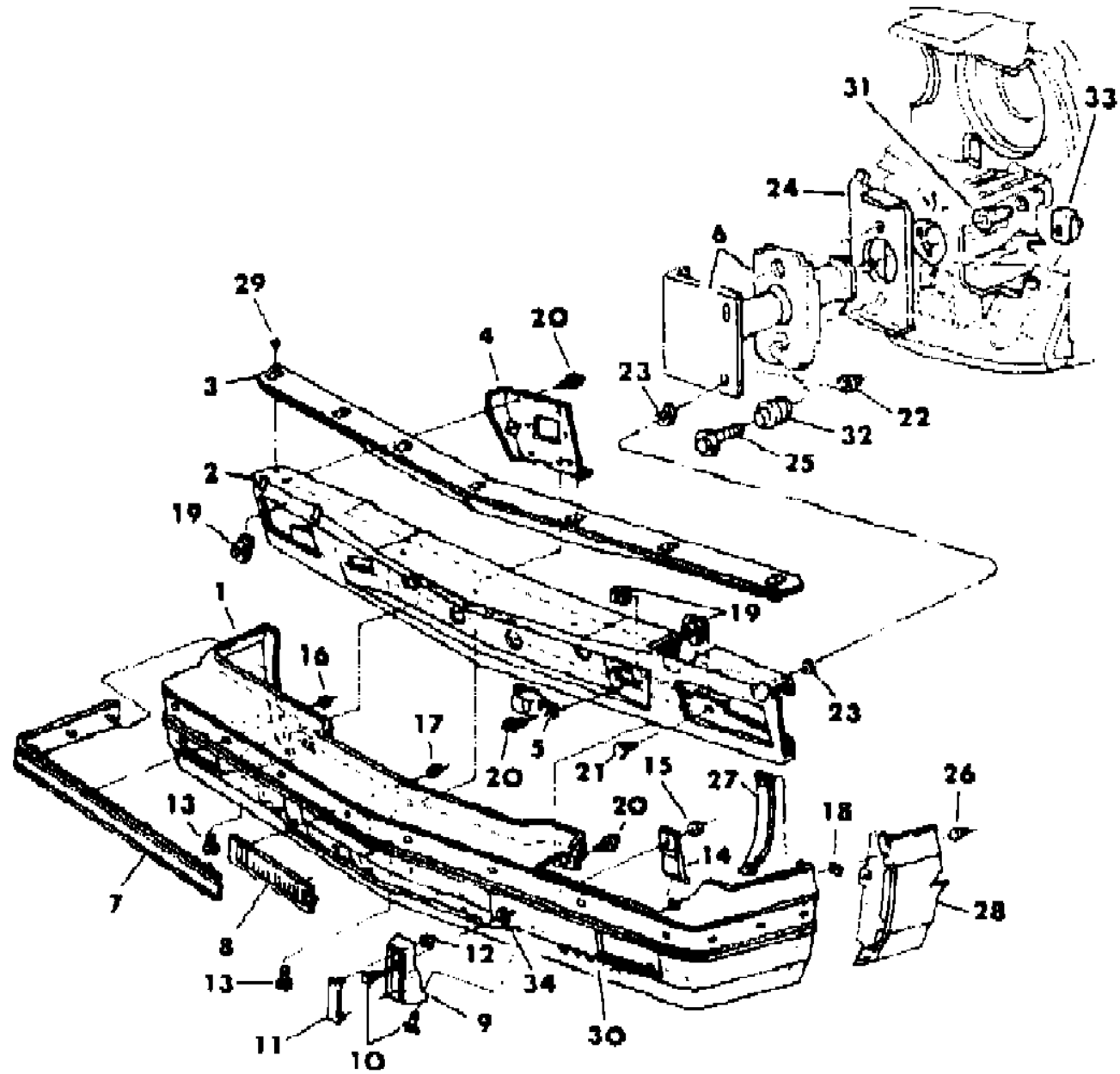
BODY STYLES

12-52 = FWD VAN & WAGON STD. W.B.	27 = 2-DOOR CONVERTIBLE
13-53 = FWD VAN & WGN EXT W.B.	41 = 4-DOOR SEDAN
21 = 2-DOOR SEDAN	44 = 4-DOOR HATCHBACK
24 = 2-DOOR HATCHBACK	45 = 4-DOOR STATION WAGON

AR = Use as Required - = Non Illustrated Part P.A.R. = Paint as Required

BUMPER, FRONT E BODY MODEL T
Figure 13-1400

8113 1400



ITEM	PART NUMBER	QTY	BODY	MODEL	DESCRIPTION
-	4334 474	1			AIR DAM, Radiator Closure Panel (Not Illustrated)

MODEL CODES

C BODY = (D41 - DYNASTY)(C41 - NEW YORKER)
 E BODY = (J - CARAVELLE)(E - 600)(T - NEW YORKER TURBO)
 G BODY = (V24 - DAYTONA, PACIFICA & SHELBY)
 H BODY = (D44 - LANCER)(C44 - LEBARON GTS)
 J BODY = (C - LEBARON)
 K BODY = (P - RELIANT)(D - ARIES)(C - LEBARON/ TOWN & COUNTRY)

L BODY = (M - HORIZON)(Z-OMNI)
 M BODY = (B - GRAN FURY)(G - DIPLOMAT)(F - FIFTH AVENUE/NEWPORT)
 P BODY = (P - SUNDANCE)(D - SHADOW)
 Q BODY = (C27 - MASERATI)
 S BODY = (H - VOYAGER)(K - RAM VAN/ CARAVAN)

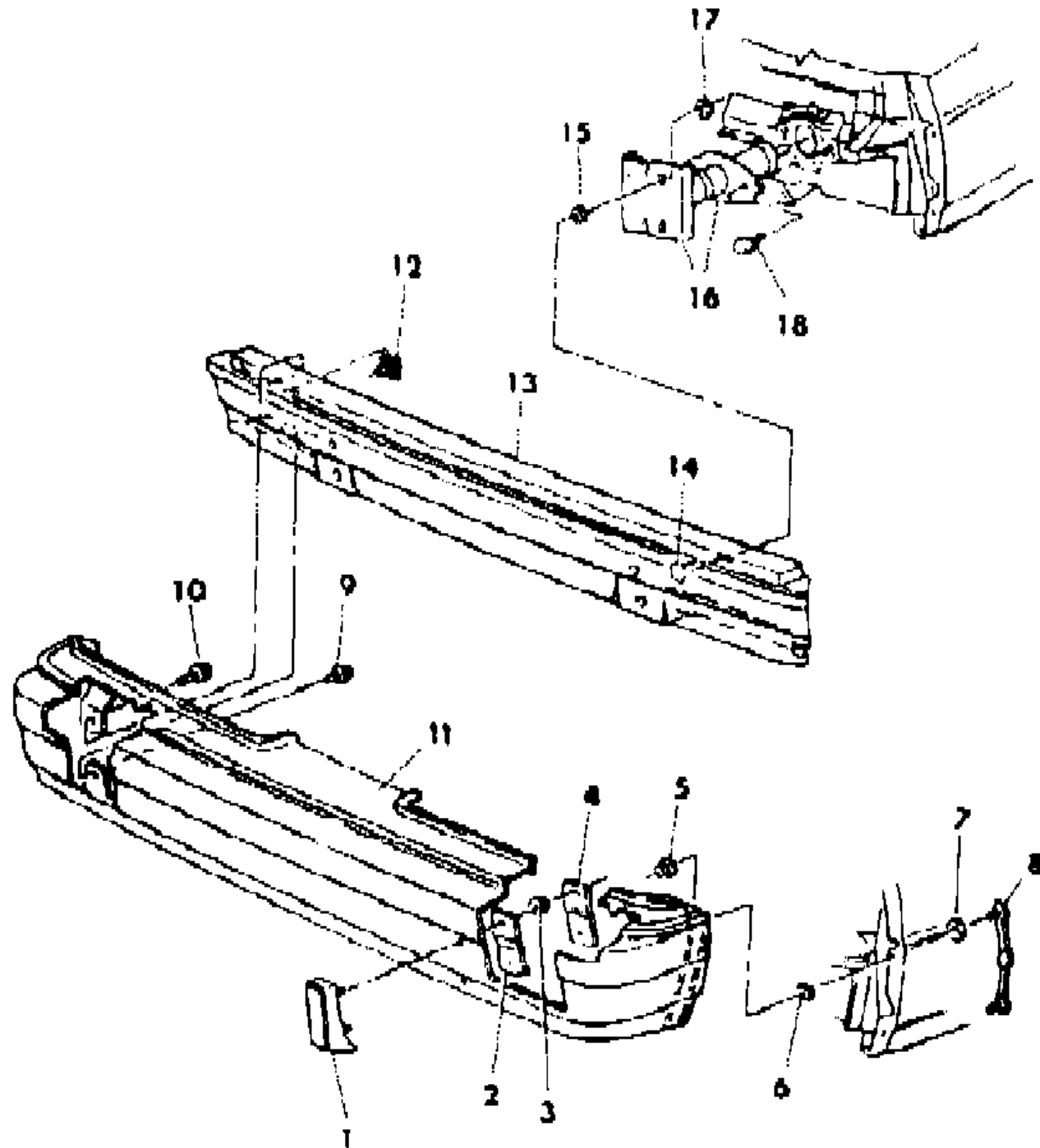
BODY STYLES

12-52 = FWD VAN & WAGON STD. W.B. 27 = 2-DOOR CONVERTIBLE
 13-53 = FWD VAN & WGN EXT W.B. 41 = 4-DOOR SEDAN
 21 = 2-DOOR SEDAN 44 = 4-DOOR HATCHBACK
 24 = 2-DOOR HATCHBACK 45 = 4-DOOR STATION WAGON

AR = Use as Required - = Non Illustrated Part P.A.R. = Paint as Required

BUMPER, REAR K BODY EXCEPT MODEL 45 E BODY MODEL E,J
Figure 13-1500

8113 1500



ITEM	PART NUMBER	QTY	BODY	MODEL	DESCRIPTION
1					GUARD, Bumper
					w/Monotone and Two Tone Paint Pkg.
	X647 EA7	2	K	C	Dark Gray
	X647 EA7	2	E	E,J	Dark Gray
	X647 EB8	2	K	C	Nightwatch Blue
	X647 EB8	2	E	E,J	Nightwatch Blue
	X647 EE3	2	K	C	Light Cordovan
	X647 EE3	2	E	E,J	Light Cordovan
	X647 EE7	2	K	C	Dark Red
	X647 EE7	2	E	E,J	Dark Red
	X647 ET2	2	K	C	Tan
	X647 ET2	2	E	E,J	Tan
	X647 ET7	2	K	C	Dark Brown
	X647 ET7	2	E	E,J	Dark Brown
	X647 EW4	2	K	C	White
	X647 EW4	2	E	E,J	White
	X647 EX9	2	K	C	Black
	X647 EX9	2	E	E,J	Black
					CUSHION, Guard (Serviced in Guard Assembly)
	6031 147	2			SPRING NUT
	6500 489	4			BOLT
	6030 592	4			RETAINER
2	4334 009	2			PLATE, Attaching
3	6100 047	4			NUT and WASHER
4	4194 715	2			ISOLATOR
5	6500 284	4			NUT and WASHER
6	6100 840	4			PUSH NUT
7		4			WASHER, Sealing (Not Serviced)
8	4334 752	2			RETAINER
9	6501 067	AR			RETAINER
10	6100 286	4			SCREW and WASHER
11	4334 052	1			FASCIA (Paint as Required)
	4334 077	1			NERF STRIP, Rear Bumper Fascia
12	6100 041	4			U-NUT
13	4334 507	1			REINFORCEMENT, Bumper Fascia
14	6500 463	4			BOLT
15		4			PUSH NUT (Not Serviced)

MODEL CODES

C BODY = (D41 - DYNASTY)(C41 - NEW YORKER)	L BODY = (M - HORIZON)(Z-OMNI)
E BODY = (J - CARAVELLE)(E - 600)(T - NEW YORKER TURBO)	M BODY = (B - GRAN FURY)(G - DIPLOMAT)(F - FIFTH AVENUE/NEWPORT)
G BODY = (V24 - DAYTONA, PACIFICA & SHELBY)	P BODY = (P - SUNDANCE)(D - SHADOW)
H BODY = (D44 - LANCER)(C44 - LEBARON GTS)	Q BODY = (C27 - MASERATI)
J BODY = (C - LEBARON)	S BODY = (H - VOYAGER)(K - RAM VAN/ CARAVAN)
K BODY = (P - RELIANT)(D - ARIES)(C - LEBARON/ TOWN & COUNTRY)	

BODY STYLES

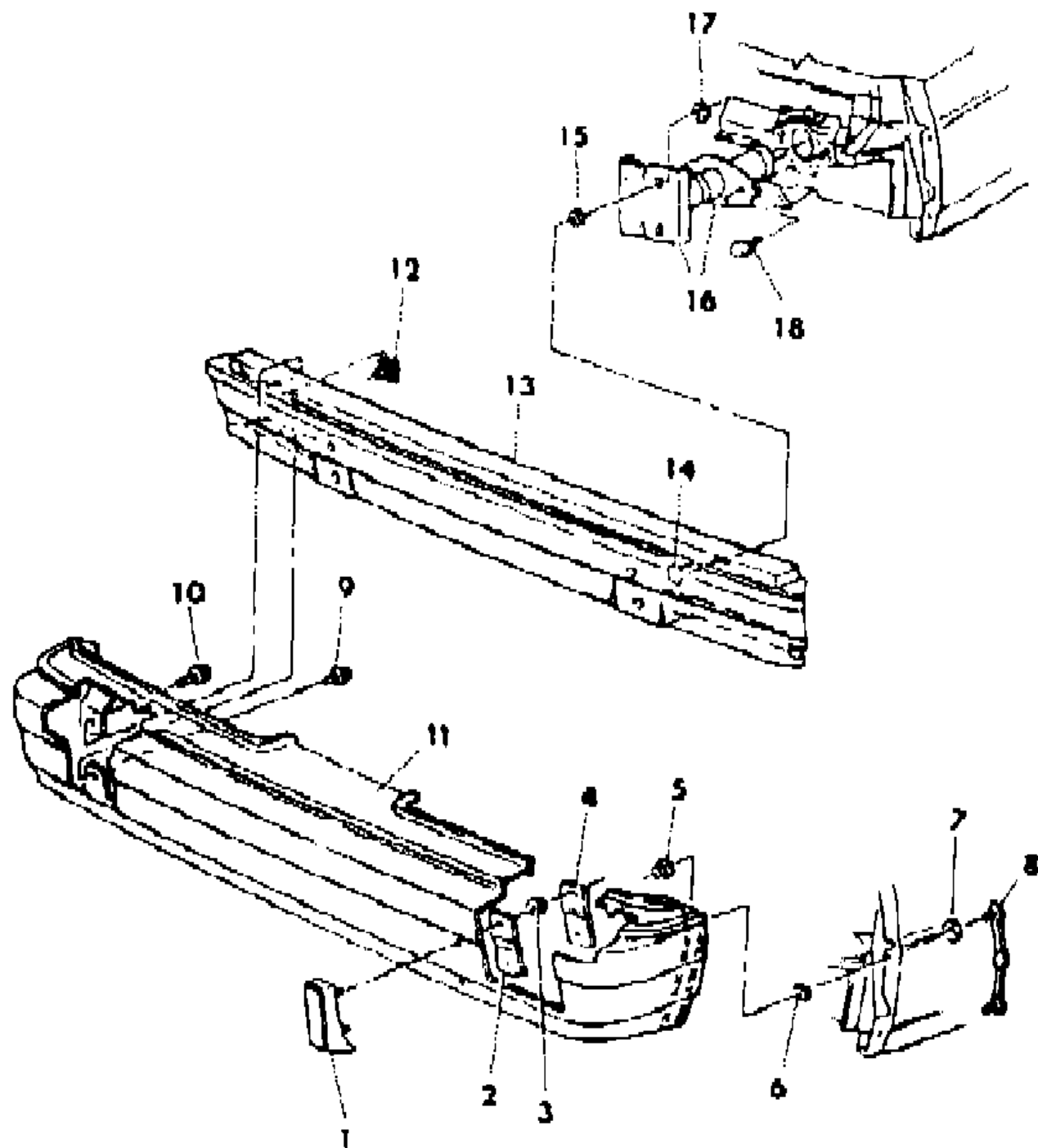
12-52 = FWD VAN & WAGON STD. W.B.	27 = 2-DOOR CONVERTIBLE
13-53 = FWD VAN & WGN EXT W.B.	41 = 4-DOOR SEDAN
21 = 2-DOOR SEDAN	44 = 4-DOOR HATCHBACK
24 = 2-DOOR HATCHBACK	45 = 4-DOOR STATION WAGON

AR = Use as Required - = Non Illustrated Part P.A.R. = Paint as Required

BUMPER, REAR K BODY EXCEPT MODEL 45 E BODY MODEL E,J
Figure 13-1500

8113 1500

ITEM	PART NUMBER	QTY	BODY	MODEL	DESCRIPTION
16					ABSORBER
	4334 597	2			2 1/2 Mile Impact
	4270 768	2			5 Mile Impact
17	6100 051	4			NUT and WASHER
18		4			SCREW and WASHER (Not Serviced)
	6031 299	6			RETAINER, Fascia to Reinforcement (Not Illustrated)



MODEL CODES

C BODY = (D41 - DYNASTY)(C41 - NEW YORKER)	L BODY = (M - HORIZON)(Z-OMNI)
E BODY = (J - CARAVELLE)(E - 600)(T - NEW YORKER TURBO)	M BODY = (B - GRAN FURY)(G - DIPLOMAT)(F - FIFTH AVENUE/NEWPORT)
G BODY = (V24 - DAYTONA, PACIFICA & SHELBY)	P BODY = (P - SUNDANCE)(D - SHADOW)
H BODY = (D44 - LANCER)(C44 - LEBARON GTS)	Q BODY = (C27 - MASERATI)
J BODY = (C - LEBARON)	S BODY = (H - VOYAGER)(K - RAM VAN/ CARAVAN)
K BODY = (P - RELIANT)(D - ARIES)(C - LEBARON/ TOWN & COUNTRY)	

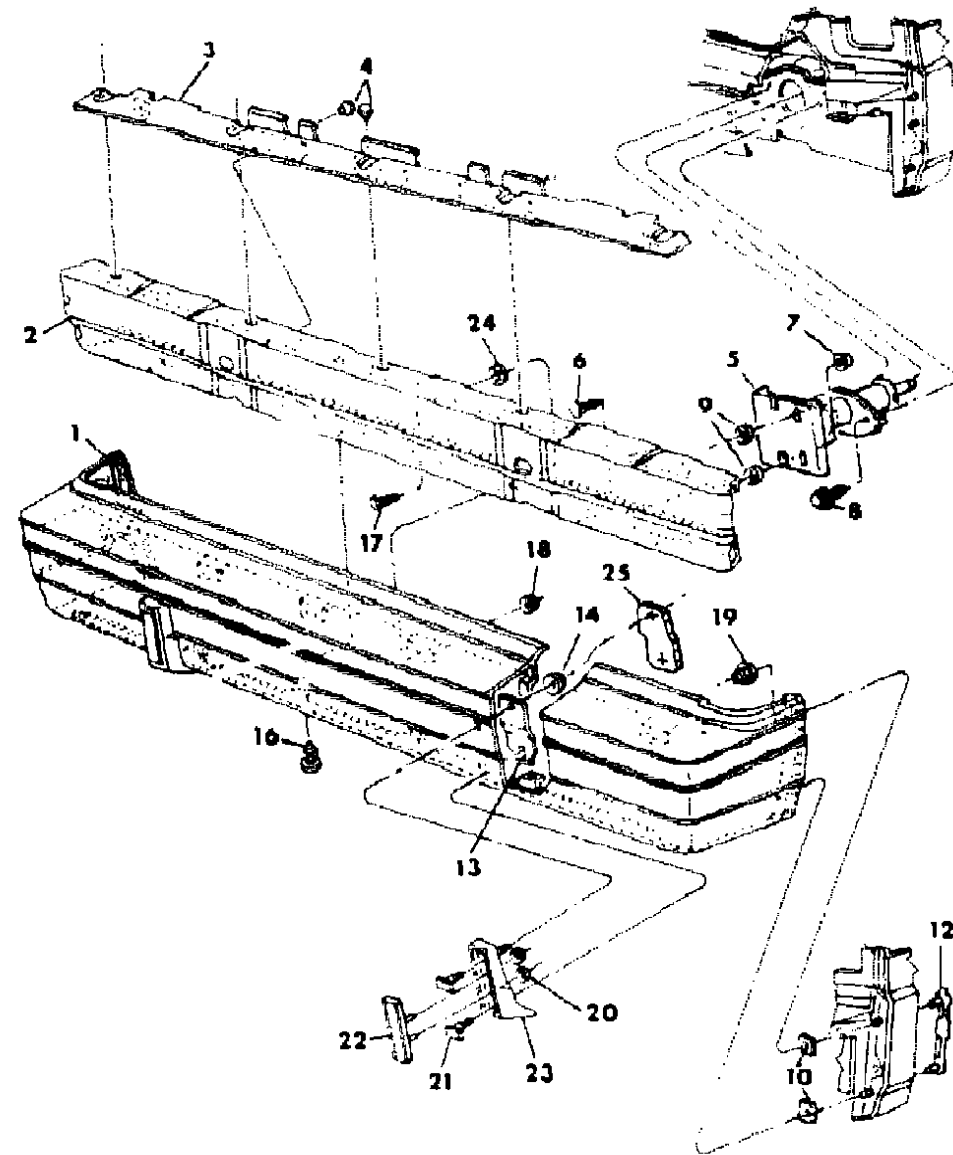
BODY STYLES

12-52 = FWD VAN & WAGON STD. W.B.	27 = 2-DOOR CONVERTIBLE
13-53 = FWD VAN & WGN EXT W.B.	41 = 4-DOOR SEDAN
21 = 2-DOOR SEDAN	44 = 4-DOOR HATCHBACK
24 = 2-DOOR HATCHBACK	45 = 4-DOOR STATION WAGON

AR = Use as Required - = Non Illustrated Part P.A.R. = Paint as Required

BUMPER, REAR K BODY MODEL 45
Figure 13-1600

8113 1600



ITEM	PART NUMBER	QTY	BODY	MODEL	DESCRIPTION
1	4334 062	1			FASCIA, Bumper Rear (Paint As Required)
2	4334 987	1			REINFORCEMENT, Fascia
3	4334 974	1			SUPPORT, Fascia
4					RIVET (Not Serviced)
5	4334 195	2			ABSORBER, Rear (2 1/2 Mile Impact)
6	6500 463	6			BOLT, Reinforcement
7	6100 051	6			NUT and WASHER
8		4			SCREW and WASHER (Not Serviced)
9		4			PUSH NUT (Not Serviced)
10	6100 840	6			PUSH NUT
12	4334 752	2			RETAINER
13	4194 714	2			PLATE, Attaching
14	6100 047	4			NUT and WASHER
16	6501 067	AR			RETAINER
17	6100 286	6			SCREW and WASHER
18	6100 041	6			U-NUT
19	6500 284	4			NUT and WASHER
20	6031 147	4			SPRING NUT
21	6500 489	4			BOLT
22	4334 157	2			CUSHION, Guard Rear
23	4334 154	2			GUARD, Rear
					w/Monotone Paint Pkg.
	X646 EE7	2			Dark Red
	X646 ET7	2			Dark Brown
	X646 EA7	2			Dark Gray
	X646 ET2	2			Tan
	X646 EW4	2			White
24	6100 840	6			RETAINER
25	4194 715	2			ISOLATOR, Guard Plate Attaching
	4270 974	1			LICENSE PLATE PACKAGE (Not Illustrated)

MODEL CODES

C BODY = (D41 - DYNASTY)(C41 - NEW YORKER)
 E BODY = (J - CARAVELLE)(E - 600)(T - NEW YORKER TURBO)
 G BODY = (V24 - DAYTONA, PACIFICA & SHELBY)
 H BODY = (D44 - LANCER)(C44 - LEBARON GTS)
 J BODY = (C - LEBARON)
 K BODY = (P - RELIANT)(D - ARIES)(C - LEBARON/ TOWN & COUNTRY)
 L BODY = (M - HORIZON)(Z-OMNI)
 M BODY = (B - GRAN FURY)(G - DIPLOMAT)(F - FIFTH AVENUE/NEWPORT)
 P BODY = (P - SUNDANCE)(D - SHADOW)
 Q BODY = (C27 - MASERATI)
 S BODY = (H - VOYAGER)(K - RAM VAN/ CARAVAN)

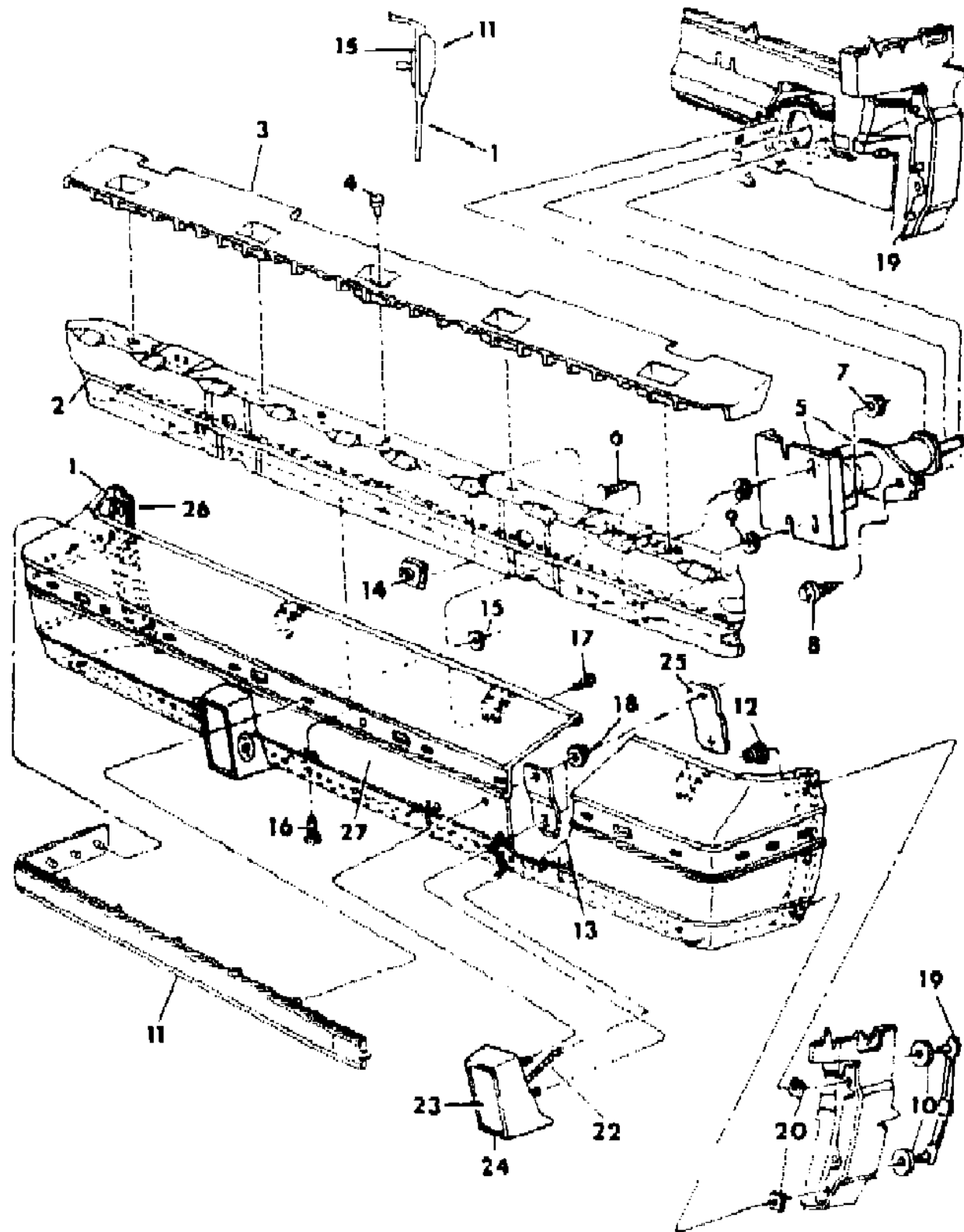
BODY STYLES

12-52 = FWD VAN & WAGON STD. W.B. 27 = 2-DOOR CONVERTIBLE
 13-53 = FWD VAN & WGN EXT W.B. 41 = 4-DOOR SEDAN
 21 = 2-DOOR SEDAN 44 = 4-DOOR HATCHBACK
 24 = 2-DOOR HATCHBACK 45 = 4-DOOR STATION WAGON

AR = Use as Required - = Non Illustrated Part P.A.R. = Paint as Required

BUMPER, REAR E BODY MODEL T
Figure 13-1700

8113 1700



ITEM	PART NUMBER	QTY	BODY	MODEL	DESCRIPTION
1	4334 735	1			FASCIA, Bumper Rear
2	4334 624	1			REINFORCEMENT, Fascia
3	4194 672	1			SUPPORT, Fascia
4					RIVET (Not Serviced)
5	4147 742	2			ABSORBER, Rear Impact
	4147 742	2			5 Mile Impact
	4194 740	2			2 1/2 Mile Impact
6	6500 463	6			BOLT, Reinforcement
7	6100 051	6			NUT and WASHER
8		4			SCREW and WASHER (Not Serviced)
9		4			PUSH NUT (Not Serviced)
10		4			WASHER (Not Serviced)
11	4334 726	1			NERF STRIP, Bright
12	6500 284	4			NUT and WASHER
13	4334 727	2			PLATE, Attaching
14	6100 041	4			U-NUT
15					WASHER (Not Serviced)
16	6501 067	AR			RETAINER
17	6100 286	4			SCREW and WASHER
18	6100 047	4			NUT and WASHER
19	4334 752	2			RETAINER
20	6100 840	4			PUSH NUT
22					HARNES, Lamp (Reference Only)
23	4103 664	2			CUSHION, Guard Rear
24					GUARD, Rear w/Lamp
	X802-3 EB1	1			Ice Blue
	X802-3 FC7	1			Twilight Blue
	X802-3 FS8	1			Charcoal
	X802-3 EA1	1			Silver
	X802-3 EE2	1			Misty Rose
	X802-3 EE9	1			Dark Cordovan
	X802-3 ET5	1			Bronze
	X802-3 EW3	1			White
	X802-3 EX9	1			Black
	6501 219	4			BOLT, Rear Bumper Fascia and Plate to Guard
25	4194 715	2			ISOLATOR, Guard Plate Attaching
26	4334 728-9	1			RETAINER, Bumper Fascia

MODEL CODES

C BODY = (D41 - DYNASTY)(C41 - NEW YORKER)	L BODY = (M - HORIZON)(Z-OMNI)
E BODY = (J - CARAVELLE)(E - 600)(T - NEW YORKER TURBO)	M BODY = (B - GRAN FURY)(G - DIPLOMAT)(F - FIFTH AVENUE/NEWPORT)
G BODY = (V24 - DAYTONA, PACIFICA & SHELBY)	P BODY = (P - SUNDANCE)(D - SHADOW)
H BODY = (D44 - LANCER)(C44 - LEBARON GTS)	Q BODY = (C27 - MASERATI)
J BODY = (C - LEBARON)	S BODY = (H - VOYAGER)(K - RAM VAN/ CARAVAN)
K BODY = (P - RELIANT)(D - ARIES)(C - LEBARON/ TOWN & COUNTRY)	

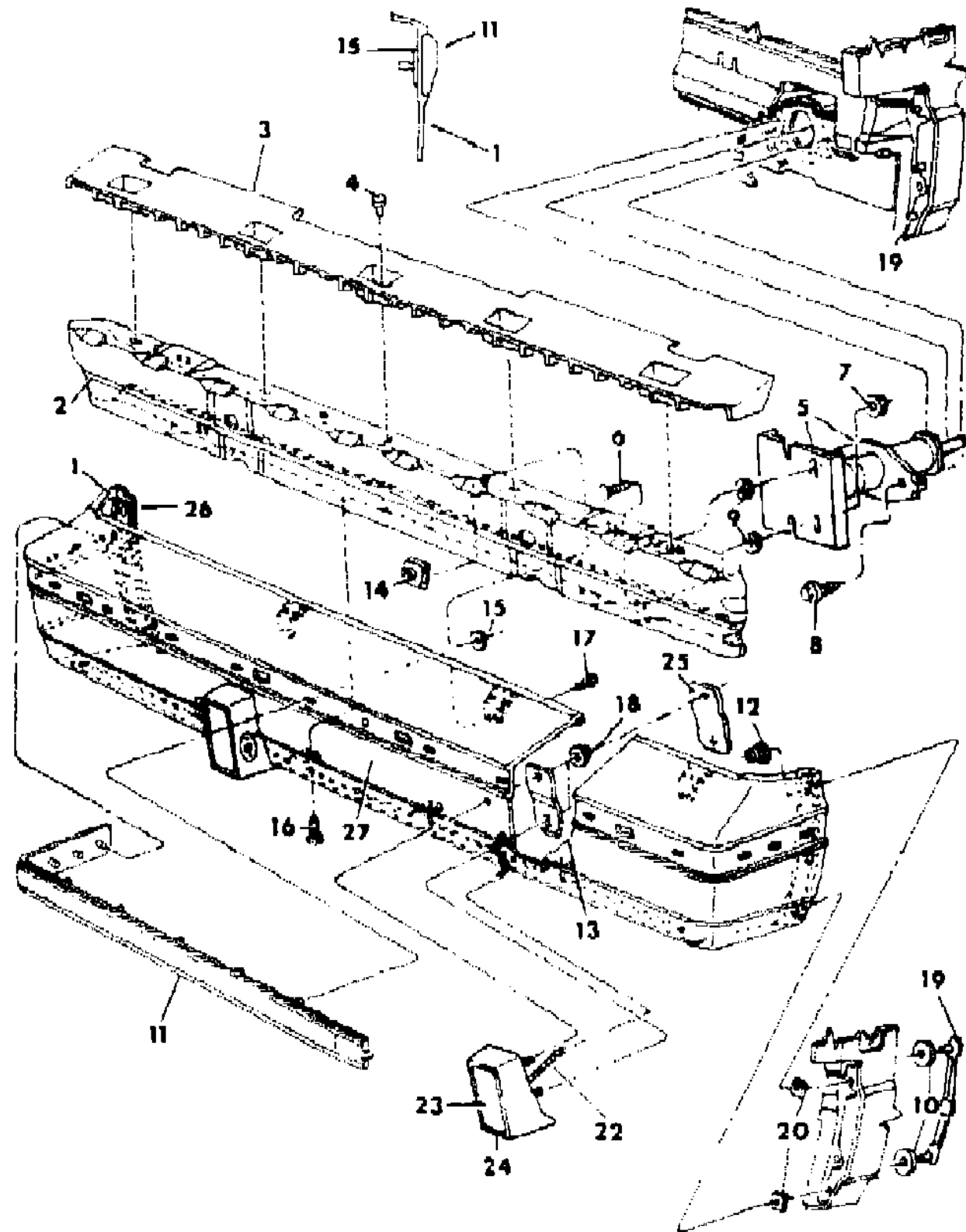
BODY STYLES

12-52 = FWD VAN & WAGON STD. W.B.	27 = 2-DOOR CONVERTIBLE
13-53 = FWD VAN & WGN EXT W.B.	41 = 4-DOOR SEDAN
21 = 2-DOOR SEDAN	44 = 4-DOOR HATCHBACK
24 = 2-DOOR HATCHBACK	45 = 4-DOOR STATION WAGON

AR = Use as Required - = Non Illustrated Part P.A.R. = Paint as Required

BUMPER, REAR E BODY MODEL T
Figure 13-1700

8113 1700



ITEM	PART NUMBER	QTY	BODY	MODEL	DESCRIPTION
27	4388 116	1			LICENSE PLATE PACKAGE, Attaching

MODEL CODES

C BODY = (D41 - DYNASTY)(C41 - NEW YORKER)	L BODY = (M - HORIZON)(Z-OMNI)
E BODY = (J - CARAVELLE)(E - 600)(T - NEW YORKER TURBO)	M BODY = (B - GRAN FURY)(G - DIPLOMAT)(F - FIFTH AVENUE/NEWPORT)
G BODY = (V24 - DAYTONA, PACIFICA & SHELBY)	P BODY = (P - SUNDANCE)(D - SHADOW)
H BODY = (D44 - LANCER)(C44 - LEBARON GTS)	Q BODY = (C27 - MASERATI)
J BODY = (C - LEBARON)	S BODY = (H - VOYAGER)(K - RAM VAN/ CARAVAN)
K BODY = (P - RELIANT)(D - ARIES)(C - LEBARON/ TOWN & COUNTRY)	

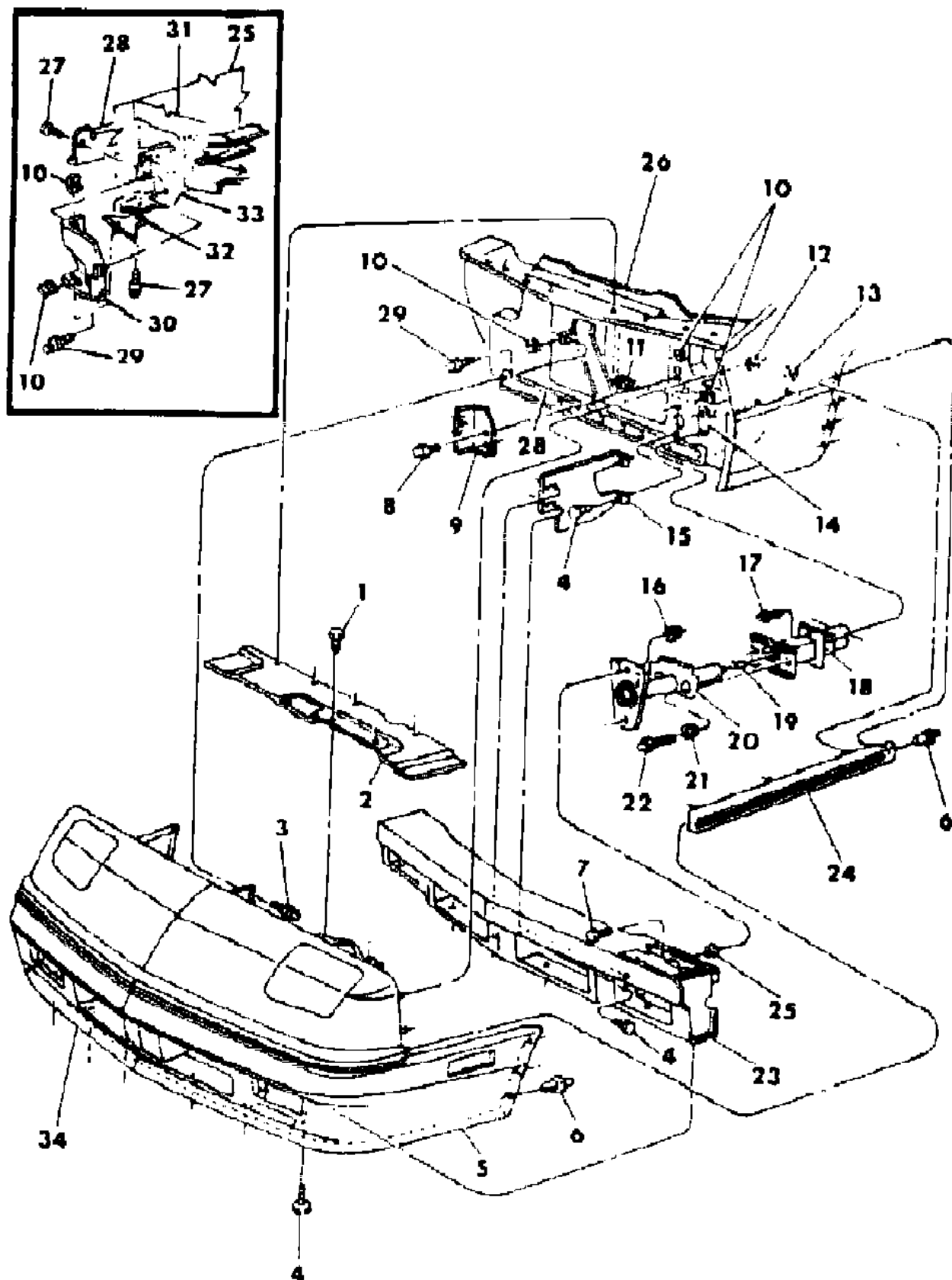
BODY STYLES

12-52 = FWD VAN & WAGON STD. W.B.	27 = 2-DOOR CONVERTIBLE
13-53 = FWD VAN & WGN EXT W.B.	41 = 4-DOOR SEDAN
21 = 2-DOOR SEDAN	44 = 4-DOOR HATCHBACK
24 = 2-DOOR HATCHBACK	45 = 4-DOOR STATION WAGON

AR = Use as Required - = Non Illustrated Part P.A.R. = Paint as Required

FASCIA, BUMPER FRONT G BODY
Figure 13-1800

8113 1800



ITEM	PART NUMBER	QTY	BODY	MODEL	DESCRIPTION
1	6030 441	12			RETAINER, Sight Shield
2	4388 283	1			SIGHT SHIELD, Headlamp Mounting Panel to Crossmember
3	6501 013	1			SCREW and WASHER
4	6501 067	14			RETAINER, Bumper Fascia to Reinforcement
5	4388 081	1			FASCIA, Front Bumper (Paint As Required)
	4451 360-1	1			TAPE, Wheel Opening (Black)
6	6031 390	8			RETAINER, Bumper Fascia to Fender
7	#6500 381	4			BOLT
8		2			SCREW (Not Serviced)
9	4388 088-9	1			BRACKET, Mounting
10	6100 041	AR			U-NUT
11		2			BOLT, Rail Extension Front Bumper to Rail (Not Serviced)
12	6100 049	4			NUT
13		6			NUT (Not Serviced)
14	6500 634	4			U-NUT, Rail Extension to Front Closure Panel
15	4388 346-7	1			BAFFLE, Front Fascia Reinforcement to Closure Panel
16	6500 086	4			NUT and WASHER
17		4			SCREW and WASHER (Not Serviced)
18	4334 421	2			RAIL, Extension, Front Bumper
19	4194 932	2			GROMMET, Absorber to Body Front Bumper
20					ABSORBER
	4388 478	2			2 1/2 Mile Impact
	4334 338	2			5 Mile Impact
21		4			ISOLATOR (Serviced In Item No. 20)
22	6500 702	4			BOLT
23	4388 134	1			REINFORCEMENT, Front Bumper Fascia
24	4388 126-7	1			NERF, Extension, Front
25		4			PUSH NUT (Not Serviced)
26	4388 085	1			PANEL, Fascia Headlamp Mounting
27	6100 568	4			SCREW
28	4386 350	1			GUSSET, Radiator Closure Lower Crossmember
29	6032 214	10			SCREW
30	4386 352-3	1			BULKHEAD, Radiator Closure Panel Lower Crossmember
31		1			SIGHT SHIELD, Front Fender (Reference Only)
32		1			PANEL, Front Fender (Reference Only)
33		1			RAIL, Front Side (Reference Only)
34	4388 125	1			LICENSE PLATE PACKAGE, Attaching Parts

MODEL CODES

C BODY = (D41 - DYNASTY)(C41 - NEW YORKER)
 E BODY = (J - CARAVELLE)(E - 600)(T - NEW YORKER TURBO)
 G BODY = (V24 - DAYTONA, PACIFICA & SHELBY)
 H BODY = (D44 - LANCER)(C44 - LEBARON GTS)
 J BODY = (C - LEBARON)
 K BODY = (P - RELIANT)(D - ARIES)(C - LEBARON/ TOWN & COUNTRY)

L BODY = (M - HORIZON)(Z-OMNI)
 M BODY = (B - GRAN FURY)(G - DIPLOMAT)(F - FIFTH AVENUE/NEWPORT)
 P BODY = (P - SUNDANCE)(D - SHADOW)
 Q BODY = (C27 - MASERATI)
 S BODY = (H - VOYAGER)(K - RAM VAN/ CARAVAN)

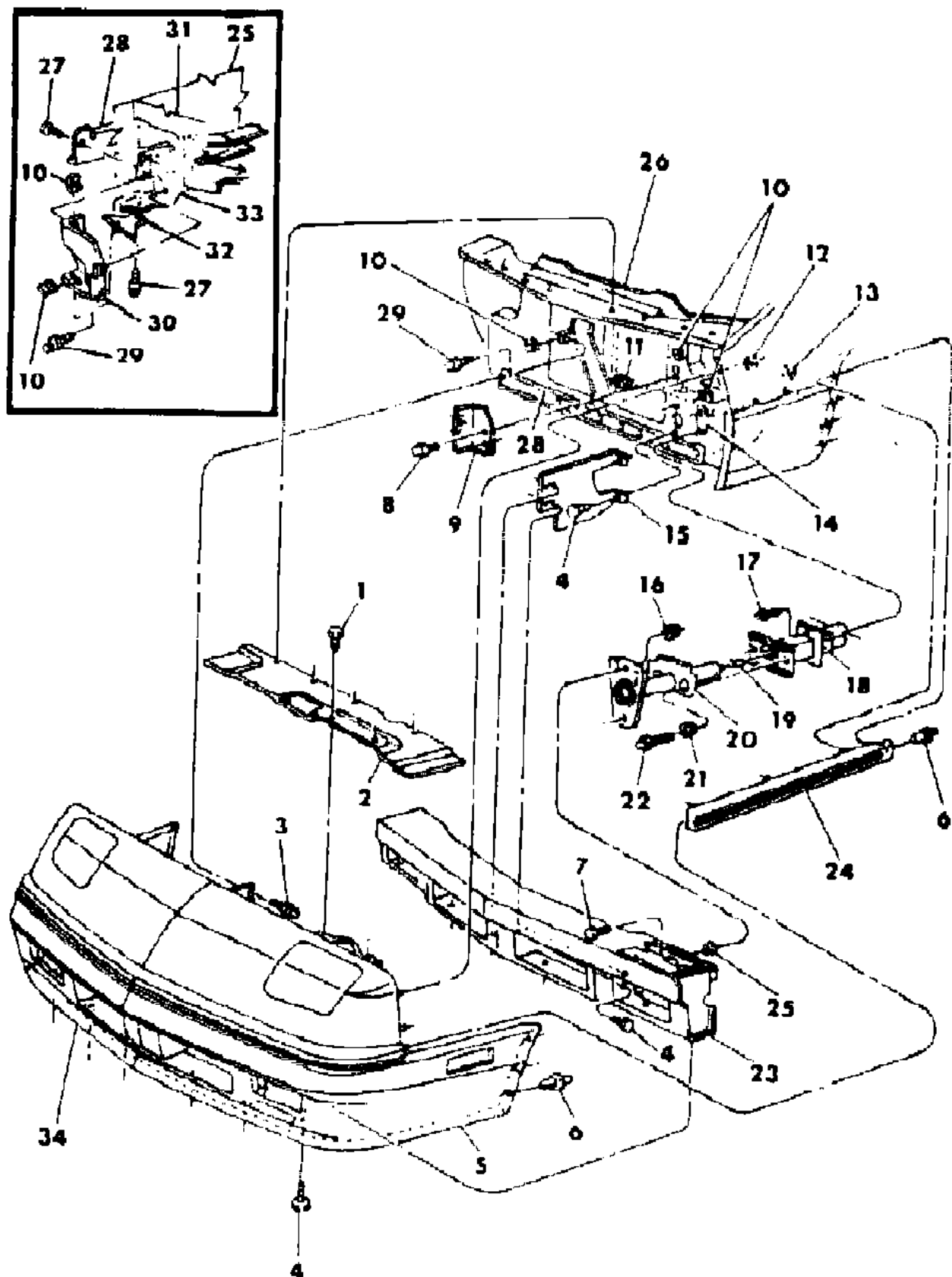
BODY STYLES

12-52 = FWD VAN & WAGON STD. W.B. 27 = 2-DOOR CONVERTIBLE
 13-53 = FWD VAN & WGN EXT W.B. 41 = 4-DOOR SEDAN
 21 = 2-DOOR SEDAN 44 = 4-DOOR HATCHBACK
 24 = 2-DOOR HATCHBACK 45 = 4-DOOR STATION WAGON

AR = Use as Required - = Non Illustrated Part P.A.R. = Paint as Required

FASCIA, BUMPER FRONT G BODY
Figure 13-1800

8113 1800



ITEM	PART NUMBER	QTY	BODY	MODEL	DESCRIPTION
------	-------------	-----	------	-------	-------------

	4451 423	1		S,X	
-	4388 290-1	1			BLOCK, Towing (Not Illustrated)

MODEL CODES

C BODY = (D41 - DYNASTY)(C41 - NEW YORKER)
 E BODY = (J - CARAVELLE)(E - 600)(T - NEW YORKER TURBO)
 G BODY = (V24 - DAYTONA, PACIFICA & SHELBY)
 H BODY = (D44 - LANCER)(C44 - LEBARON GTS)
 J BODY = (C - LEBARON)
 K BODY = (P - RELIANT)(D - ARIES)(C - LEBARON/ TOWN & COUNTRY)

L BODY = (M - HORIZON)(Z-OMNI)
 M BODY = (B - GRAN FURY)(G - DIPLOMAT)(F - FIFTH AVENUE/NEWPORT)
 P BODY = (P - SUNDANCE)(D - SHADOW)
 Q BODY = (C27 - MASERATI)
 S BODY = (H - VOYAGER)(K - RAM VAN/ CARAVAN)

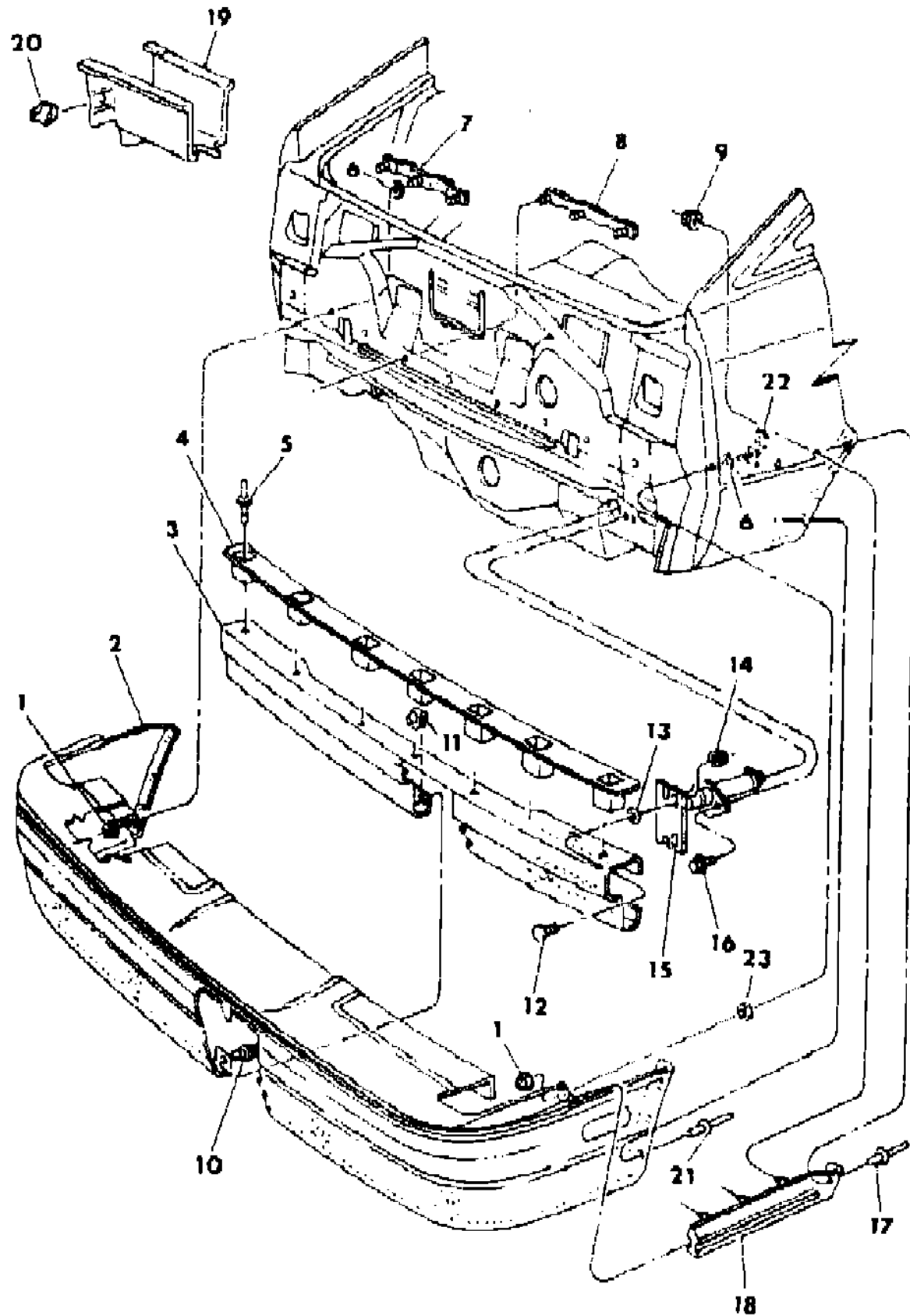
BODY STYLES

12-52 = FWD VAN & WAGON STD. W.B. 27 = 2-DOOR CONVERTIBLE
 13-53 = FWD VAN & WGN EXT W.B. 41 = 4-DOOR SEDAN
 21 = 2-DOOR SEDAN 44 = 4-DOOR HATCHBACK
 24 = 2-DOOR HATCHBACK 45 = 4-DOOR STATION WAGON

AR = Use as Required - = Non Illustrated Part P.A.R. = Paint as Required

FASCIA, BUMPER REAR G BODY
Figure 13-1900

8113 1900



ITEM	PART NUMBER	QTY	BODY	MODEL	DESCRIPTION
1	6500 284	11			NUT and WASHER, Bumper Fascia to Lower Deck Panel
2	4388 079	1			FASCIA, Rear Bumper (Paint As Required)
	4388 300-1	1			TAPE, Rear Bumper Fascia Wheel Opening (Black)
3	4388 461	1			REINFORCEMENT, Rear Bumper Fascia (Up to 8-24-87)
	4388 485	1			(After 8-24-87)
4	4334 961	1			SUPPORT, Rear Bumper Fascia
5		7			RIVET (Not Serviced)
6		11			WASHER (Not Serviced)
7	4388 338	2			RETAINER, Lift Gate Panel to Rear Fascia, Outer
8	4388 336	1			RETAINER, Lift Gate Panel to Rear Fascia, Center
9		6			NUT (Not Serviced)
10	6100 286	3			SCREW, Bumper Fascia Reinforcement
11	6100 041	3			U-NUT
12	#6500 381	4			BOLT
13		4			PUSH NUT (Not Serviced)
14	6100 051	4			NUT and WASHER
15	4334 597	2			ABSORBER (2 1/2 Mile Impact)
16		4			SCREW and WASHER (Not Serviced)
17	6031 390	2			RETAINER, Bumper Fascia to Aperture
18	4443 838-9	1			NERF, Extension Rear (Package)
19		1			RAIL, Rear Floor Pan Side (Reference Only)
20	6101 283	4			U-NUT
21	4388 293	6			RETAINER, Bumper Fascia to Body Side Aperture
22	4388 281	2			PLATE, Rear Bumper Fascia
23	6501 792	2			PUSH NUT

MODEL CODES

C BODY = (D41 - DYNASTY)(C41 - NEW YORKER)
 E BODY = (J - CARAVELLE)(E - 600)(T - NEW YORKER TURBO)
 G BODY = (V24 - DAYTONA, PACIFICA & SHELBY)
 H BODY = (D44 - LANCER)(C44 - LEBARON GTS)
 J BODY = (C - LEBARON)
 K BODY = (P - RELIANT)(D - ARIES)(C - LEBARON/ TOWN & COUNTRY)

L BODY = (M - HORIZON)(Z-OMNI)
 M BODY = (B - GRAN FURY)(G - DIPLOMAT)(F - FIFTH AVENUE/NEWPORT)
 P BODY = (P - SUNDANCE)(D - SHADOW)
 Q BODY = (C27 - MASERATI)
 S BODY = (H - VOYAGER)(K - RAM VAN/ CARAVAN)

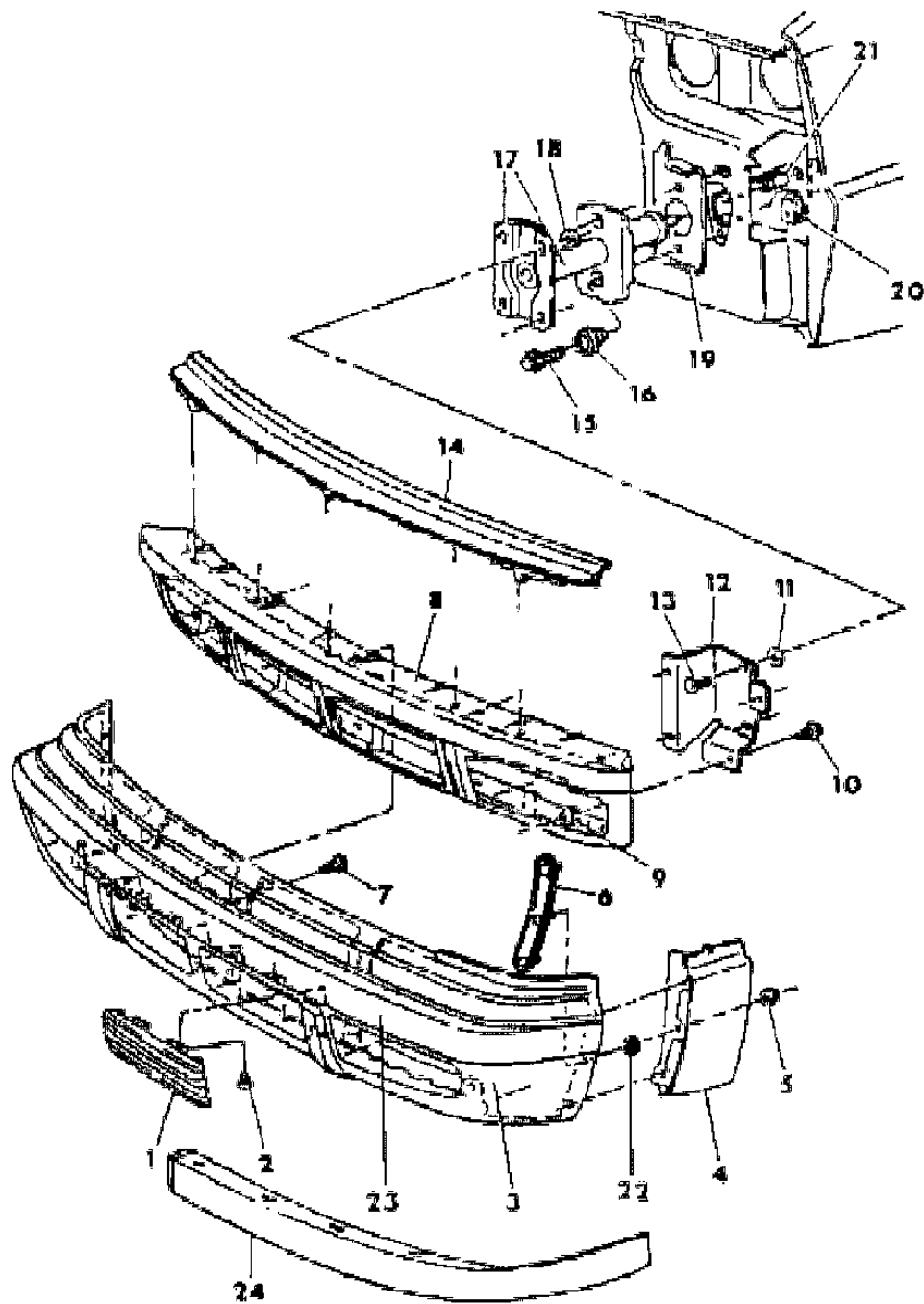
BODY STYLES

12-52 = FWD VAN & WAGON STD. W.B. 27 = 2-DOOR CONVERTIBLE
 13-53 = FWD VAN & WGN EXT W.B. 41 = 4-DOOR SEDAN
 21 = 2-DOOR SEDAN 44 = 4-DOOR HATCHBACK
 24 = 2-DOOR HATCHBACK 45 = 4-DOOR STATION WAGON

AR = Use as Required - = Non Illustrated Part P.A.R. = Paint as Required

FASCIA, BUMPER FRONT H BODY
Figure 13-2000

8113 2000 A



ITEM	PART NUMBER	QTY	BODY	MODEL	DESCRIPTION
1	X162-3 DXX	1			GRILLE, Fascia (Paint As Required)
2		AR			FASTENER (Not Serviced)
3	4270 701	1			FASCIA, Front (Paint As Required)
4					PANEL, Fender (Ref. Only)
5	6100 049	6			NUT and WASHER
6	4270 714	2			RETAINER, Bumper Fascia to Fender
7	6501 067	8			RETAINER
8	4270 711	1			REINFORCEMENT, Bumper Fascia
9		8			U-NUT (Not Serviced)
10		8			SCREW and WASHER (Not Serviced)
11	6501 025	4			RETAINER
12	4270 728-9	1			BRACKET ADAPTER, Reinforcement to Bumper
13		4			BOLT, Carriage (Not Serviced)
14	4270 708	1			SUPPORT, Bumper Fascia
15	6500 702	4			BOLT, w/Auto Trans.
		4			BOLT, w/Man. Trans. (Not Serviced)
16		4			ISOLATOR (Serviced in Item No. 17)
17	4334 144	2			ABSORBER, w/Man. Transmission
	4334 771	2			w/Auto Transmission
18		4			NUT and WASHER (Not Serviced)
19	4194 927	2			BRACKET, Limiter
20	6500 634	2			U-NUT
21	4194 932	2			GROMMET
22		6			PUSH NUT (Not Serviced)
23	4270 703	1			NERF STRIP, Front Fascia
	4270 696	1			LICENSE PLATE PACKAGE (Not Illustrated)
24	4334 078-9	1		D	AIR DAM, Front Bumper Fascia
	4334 080-1	1		D	RETAINER, Air Dam, Front Bumper Fascia
	6032 796	20		D	SCREW and WASHER, Air Dam, Front Fascia

NOTE: Pacifica Air Dam's are shown on ground effects illustration. Group 23, Exterior. applications specified in this document.

MODEL CODES

C BODY = (D41 - DYNASTY)(C41 - NEW YORKER)
 E BODY = (J - CARAVELLE)(E - 600)(T - NEW YORKER TURBO)
 G BODY = (V24 - DAYTONA, PACIFICA & SHELBY)
 H BODY = (D44 - LANCER)(C44 - LEBARON GTS)
 J BODY = (C - LEBARON)
 K BODY = (P - RELIANT)(D - ARIES)(C - LEBARON/ TOWN & COUNTRY)

L BODY = (M - HORIZON)(Z-OMNI)
 M BODY = (B - GRAN FURY)(G - DIPLOMAT)(F - FIFTH AVENUE/NEWPORT)
 P BODY = (P - SUNDANCE)(D - SHADOW)
 Q BODY = (C27 - MASERATI)
 S BODY = (H - VOYAGER)(K - RAM VAN/ CARAVAN)

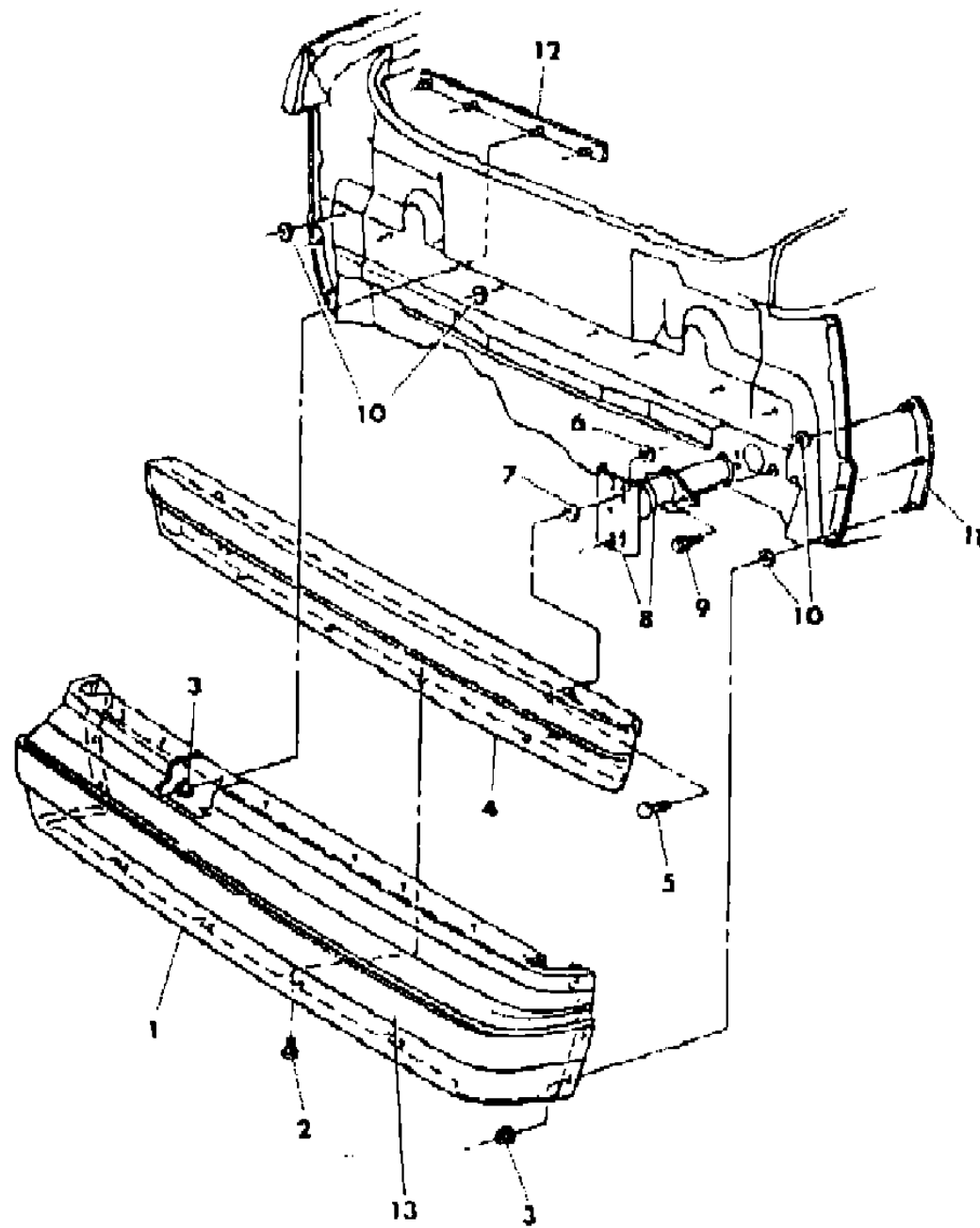
BODY STYLES

12-52 = FWD VAN & WAGON STD. W.B. 27 = 2-DOOR CONVERTIBLE
 13-53 = FWD VAN & WGN EXT W.B. 41 = 4-DOOR SEDAN
 21 = 2-DOOR SEDAN 44 = 4-DOOR HATCHBACK
 24 = 2-DOOR HATCHBACK 45 = 4-DOOR STATION WAGON

AR = Use as Required - = Non Illustrated Part P.A.R. = Paint as Required

FASCIA, BUMPER REAR H BODY
Figure 13-2100

8113 2100



ITEM	PART NUMBER	QTY	BODY	MODEL	DESCRIPTION
1	4451 528	1			FASCIA, Rear (Paint As Required)
2	6501 067	4			RETAINER
3	6100 049	14			NUT and WASHER
4	4388 888	1			REINFORCEMENT, w/Impact Pads, Rear Fascia
	4334 471	3			PAD, Impact, Rear Fascia Reinforcement
5	6500 463	4			BOLT
6	6100 051	4			NUT and WASHER
7		4			PUSH NUT (Not Serviced)
8	4334 597	2			ABSORBER, Impact (2 1/2 M.P.H.)
9		4			SCREW and WASHER (Not Serviced)
10		8			PUSH NUT (Not Serviced)
11	4334 088-9	1			RETAINER, Rear Bumper Fascia to Aperture Panel
12	4334 091	2			PLATE, Rear Bumper Fascia Center Attaching
13	4388 101	1			NERF STRIP or MOULDING, Rear Fascia
	4270 974	1			LICENSE PLATE PACKAGE (Not Illustrated)

NOTE: Pacifica Air Dam's are shown on ground effects illustration. Group 23, Exterior. applications specified in this document.

MODEL CODES

C BODY = (D41 - DYNASTY)(C41 - NEW YORKER)
 E BODY = (J - CARAVELLE)(E - 600)(T - NEW YORKER TURBO)
 G BODY = (V24 - DAYTONA, PACIFICA & SHELBY)
 H BODY = (D44 - LANCER)(C44 - LEBARON GTS)
 J BODY = (C - LEBARON)
 K BODY = (P - RELIANT)(D - ARIES)(C - LEBARON/ TOWN & COUNTRY)

L BODY = (M - HORIZON)(Z-OMNI)
 M BODY = (B - GRAN FURY)(G - DIPLOMAT)(F - FIFTH AVENUE/NEWPORT)
 P BODY = (P - SUNDANCE)(D - SHADOW)
 Q BODY = (C27 - MASERATI)
 S BODY = (H - VOYAGER)(K - RAM VAN/ CARAVAN)

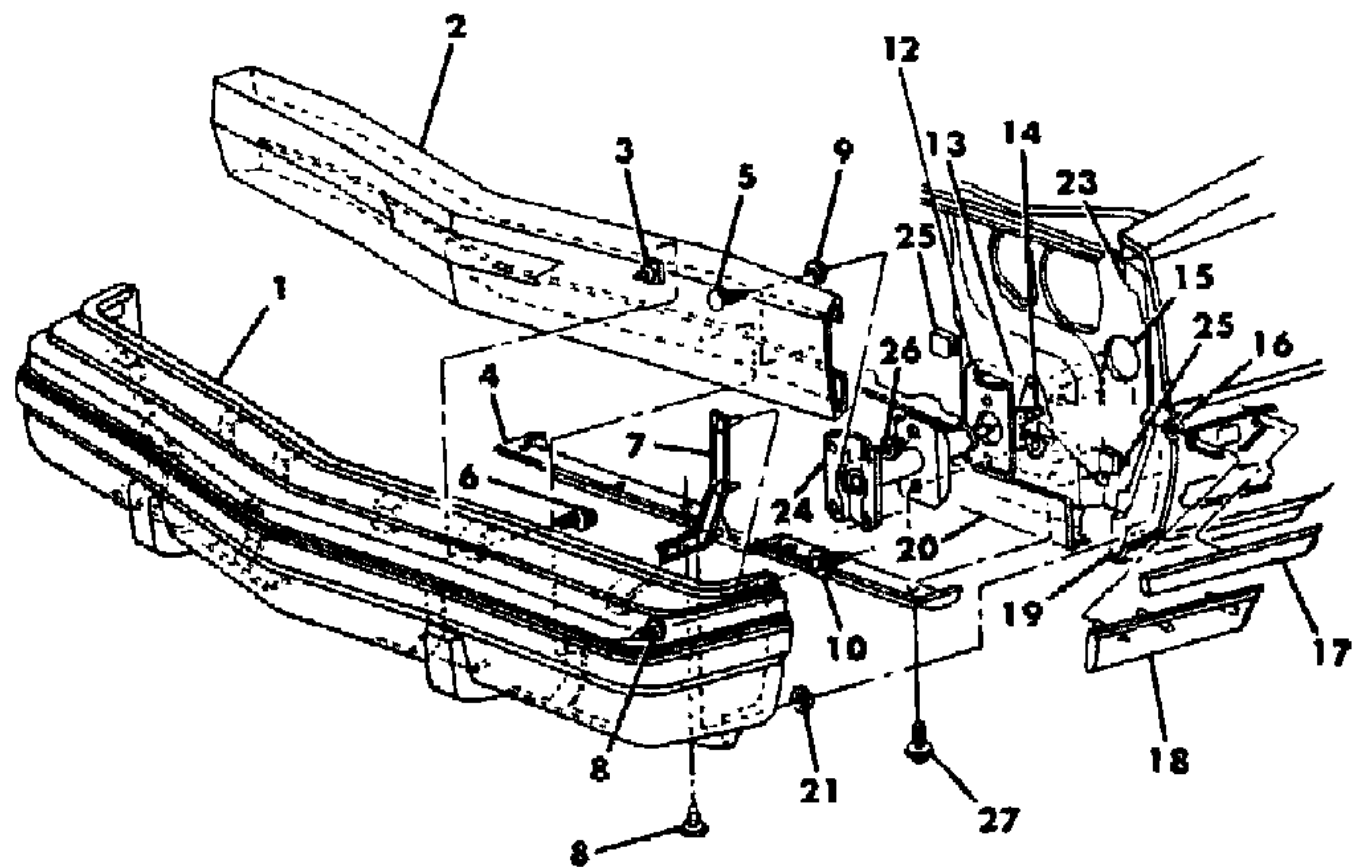
BODY STYLES

12-52 = FWD VAN & WAGON STD. W.B. 27 = 2-DOOR CONVERTIBLE
 13-53 = FWD VAN & WGN EXT W.B. 41 = 4-DOOR SEDAN
 21 = 2-DOOR SEDAN 44 = 4-DOOR HATCHBACK
 24 = 2-DOOR HATCHBACK 45 = 4-DOOR STATION WAGON

AR = Use as Required - = Non Illustrated Part P.A.R. = Paint as Required

FASCIA, BUMPER FRONT C BODY MODEL D
Figure 13-2200

8113 2200 A



ITEM	PART NUMBER	QTY	BODY	MODEL	DESCRIPTION
1	4388 788	1			FASCIA, Front (Primed)
	4451 246	2			SUPPORT, Front Fascia to Lower Crossmember (T Shaped)
	4451 225	1			NERF ASSEMBLY, Front Bumper Fascia
	4388 797	1			PACKAGE, Front License Plate Attaching
2	4388 740	1			REINFORCEMENT, Fascia
3	6100 041	6			U-NUT, Fascia to Reinforcement
4	4334 863	1			AIR DAM, Radiator Closure Panel
5	#6500 381	4			BOLT, Carriage, Reinforcement to E.A.U.
6	6100 286	6			SCREW and WASHER, Fascia to Reinforcement
7	4388 806-7	1			PLATE, Fascia to Fender Mounting
8	6501 067	AR			RETAINER
9					PUSH NUT (Not Serviced)
10	6500 702	4			BOLT and WASHER, E.A.U. to Frame
12					BRACKET, Limiter, Front (Not Required)
13					RAIL, Front Side (Reference Only)
14	4194 932	2			GROMMET, E.A.U. to Body
15					REINFORCEMENT, Side Rail (Reference Only)
16					NUT (Not Serviced)
17	4451 230-1	1			NERF, Extension, Front (Bright)
18	4388 826-7	1			(Black)
19					PANEL, Fender (Reference Only)
20					PANEL, Headlamp Closure (Reference Only)
21	6100 840	8			PUSH NUT, Fascia to Fender
23					REINFORCEMENT, Fender, Front (Reference Only)
24	4388 884	2			ABSORBER, Front, w/3.0 Engine
	4388 503	2			w/2.5 Eng.
25	6500 634	4			U-NUT
26					NUT and WASHER (Not Serviced)
27					SCREW and WASHER (Not Serviced)

MODEL CODES

C BODY = (D41 - DYNASTY)(C41 - NEW YORKER)
 E BODY = (J - CARAVELLE)(E - 600)(T - NEW YORKER TURBO)
 G BODY = (V24 - DAYTONA, PACIFICA & SHELBY)
 H BODY = (D44 - LANCER)(C44 - LEBARON GTS)
 J BODY = (C - LEBARON)
 K BODY = (P - RELIANT)(D - ARIES)(C - LEBARON/ TOWN & COUNTRY)

L BODY = (M - HORIZON)(Z-OMNI)
 M BODY = (B - GRAN FURY)(G - DIPLOMAT)(F - FIFTH AVENUE/NEWPORT)
 P BODY = (P - SUNDANCE)(D - SHADOW)
 Q BODY = (C27 - MASERATI)
 S BODY = (H - VOYAGER)(K - RAM VAN/ CARAVAN)

BODY STYLES

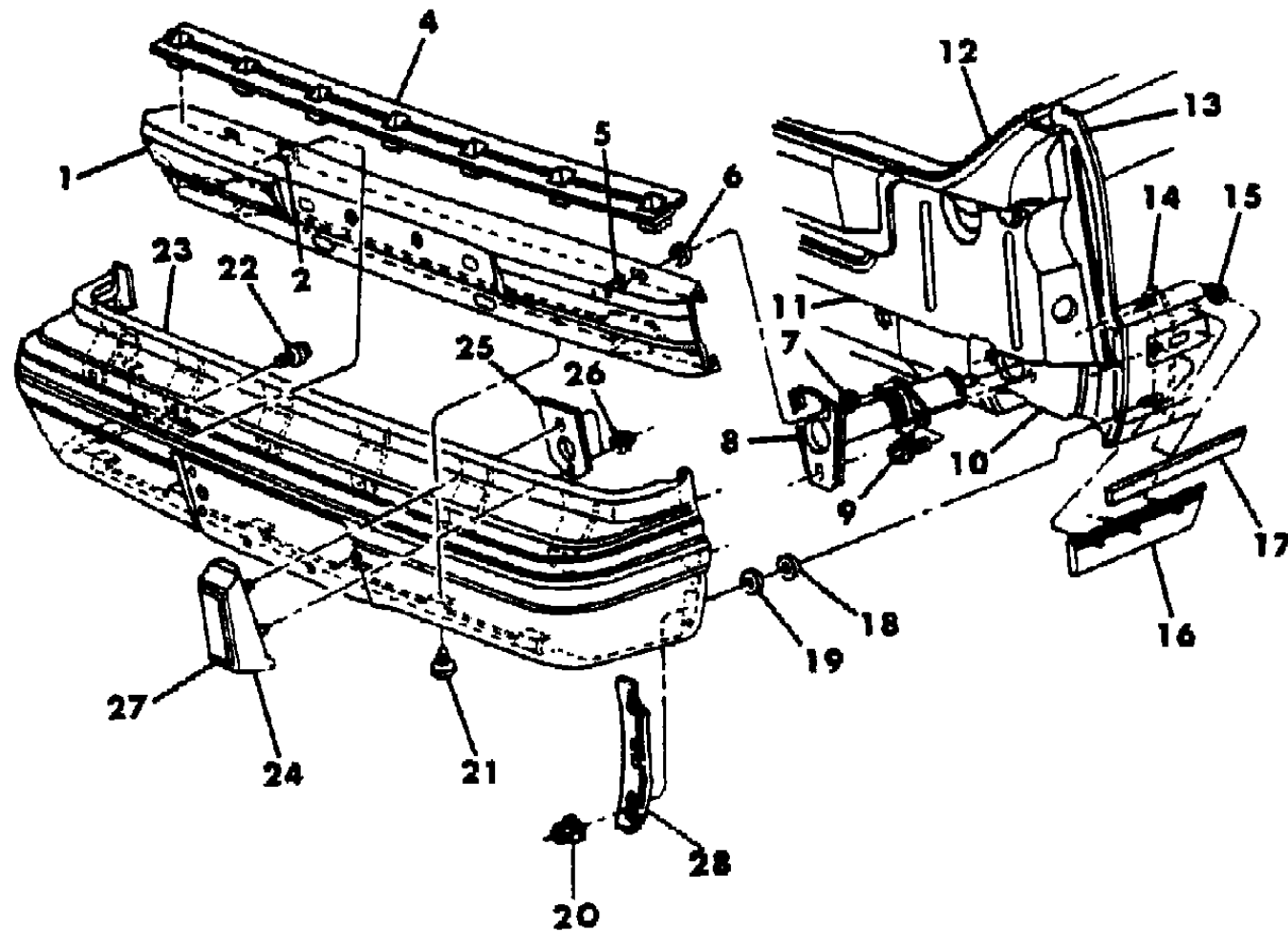
12-52 = FWD VAN & WAGON STD. W.B. 27 = 2-DOOR CONVERTIBLE
 13-53 = FWD VAN & WGN EXT W.B. 41 = 4-DOOR SEDAN
 21 = 2-DOOR SEDAN 44 = 4-DOOR HATCHBACK
 24 = 2-DOOR HATCHBACK 45 = 4-DOOR STATION WAGON

AR = Use as Required - = Non Illustrated Part P.A.R. = Paint as Required

FASCIA, BUMPER REAR C BODY MODEL D

Figure 13-2300

8113 2300 A



ITEM	PART NUMBER	QTY	BODY	MODEL	DESCRIPTION
1	4388 743	1			REINFORCEMENT, Fascia Rear
2	6100 041	6			U-NUT
4	4388 791	1			SUPPORT, Rear Bumper Fascia
5	#6500 381	4			BOLT, Reinforcement to E.A.U.
6					NUT and WASHER (Not Serviced)
7	6100 051	4			NUT and WASHER, Reinforcement to E.A.U.
8	4334 914	2			ABSORBER, Bumper Rear
9					SCREW and WASHER (Not Serviced)
10					CROSSMEMBER, Rear Floor Pan (Reference Only)
11					REINFORCEMENT, Deck Opening Lower Panel (Reference Only)
12					PANEL, Deck Opening Lower (Reference Only)
13					PANEL, Body Side Aperture (Reference Only)
14	4388 810-1	1			PLATE, Aperture to Fascia
15					NUT (Not Serviced)
16	4451 240-1	1			NERF, Ext. Assy., Rear Mldg (Black)
17	4451 232-3	1			NERF, Ext., Rear (Bright)
18					WASHER, Sealing (Not Serviced)
19	6100 840	6			PUSH NUT, Fascia to Aperture Panel
20	6500 284	6			NUT and WASHER, Fascia to Aperture Panel
21	6501 067	6			RETAINER, Fascia to Reinforcement
22	6100 286	6			SCREW and WASHER, Fascia to Reinforcement
23	4388 789	1			FASCIA, Bumper (Primed)
	4451 227	1			NERF ASSY., Rear Bumper Fascia
	4388 799	1			PACKAGE, Rear License Plate Attaching
24	4388 778-9	1			GUARD, w/Lamp, Fascia
25	4388 814	2			PLATE, Guard Attaching
26	6100 047	4			NUT and WASHER, Guard to Fascia
27	4388 782	2			CUSHION, Guard
28	4388 808-9	1			PLATE, Fascia Mounting, Rear

MODEL CODES

C BODY = (D41 - DYNASTY)(C41 - NEW YORKER)
 E BODY = (J - CARAVELLE)(E - 600)(T - NEW YORKER TURBO)
 G BODY = (V24 - DAYTONA, PACIFICA & SHELBY)
 H BODY = (D44 - LANCER)(C44 - LEBARON GTS)
 J BODY = (C - LEBARON)
 K BODY = (P - RELIANT)(D - ARIES)(C - LEBARON/ TOWN & COUNTRY)

L BODY = (M - HORIZON)(Z-OMNI)
 M BODY = (B - GRAN FURY)(G - DIPLOMAT)(F - FIFTH AVENUE/NEWPORT)
 P BODY = (P - SUNDANCE)(D - SHADOW)
 Q BODY = (C27 - MASERATI)
 S BODY = (H - VOYAGER)(K - RAM VAN/ CARAVAN)

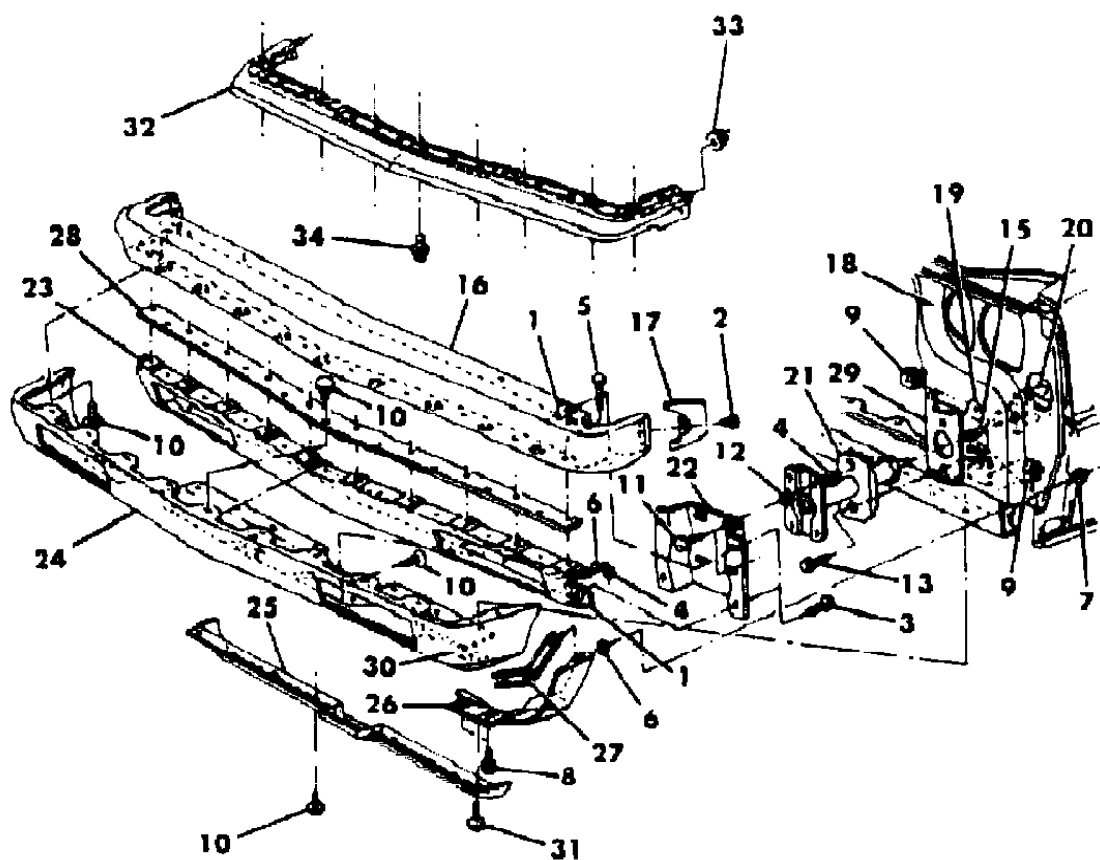
BODY STYLES

12-52 = FWD VAN & WAGON STD. W.B. 27 = 2-DOOR CONVERTIBLE
 13-53 = FWD VAN & WGN EXT W.B. 41 = 4-DOOR SEDAN
 21 = 2-DOOR SEDAN 44 = 4-DOOR HATCHBACK
 24 = 2-DOOR HATCHBACK 45 = 4-DOOR STATION WAGON

AR = Use as Required - = Non Illustrated Part P.A.R. = Paint as Required

FASCIA, BUMPER FRONT C BODY MODEL C
Figure 13-2400

8113 2400



ITEM	PART NUMBER	QTY	BODY	MODEL	DESCRIPTION
1					U-NUT (Not Serviced)
2	6030 441	2			RETAINER, Sight Shield to Bumper
3					SCREW and WASHER, Bumper Adaptor (Not Serviced)
4					NUT and WASHER (Not Serviced)
5	6501 491	10			BOLT, Carriage, Bumper to Reinforcement
6	6501 025	AR			PUSH NUT
7	6500 284	6			NUT and WASHER, Extension to Fender
8	6501 634	4			SCREW, Bumper Extension to Fascia
9	6500 634	4			U-NUT
10	6501 067	AR			RETAINER
11					BOLT, Carriage (Not Serviced)
12	6501 025	4			PUSH NUT, E.A.U. to Adaptor
13					SCREW and WASHER (Not Serviced)
15	4194 932	2			GROMMET, E.A.U. to Body
16	4388 512	1			BUMPER, Front
17	4334 834	2			SIGHT SHIELD, Bumper, Front
18					PANEL, Closure (Reference Only)
19					RAIL, Front Side (Reference Only)
20					REINFORCEMENT, Side Rail (Reference Only)
21	4388 884	2			ABSORBER, Front (5 M.P.H.)
22	4334 860	2			ADAPTOR, Front Bumper Reinforcement
23	4334 859	1			REINFORCEMENT, Front Bumper
24	4334 851	1			FASCIA, Bumper, Front
	4334 900	1			PACKAGE, Front License Plate Attaching
25	4334 863	1			AIR DAM, Radiator Closure Panel
26	4388 840-1	1			EXTENSION, Bumper, Front (Primed)
27	4334 910-1	1			RETAINER, Fascia Extension
28	4334 832	1			ISOLATOR, Bumper Reinforcement
29	4194 927	2			BRACKET, Limiter
30					U-NUT (Not Serviced)
31	6500 778	4			SCREW and WASHER
32	4334 866	1			FILLER, Bumper, Front (Primed)
33	6500 284	2			NUT and WASHER, Filler To Aperture
34					SCREW (Not Serviced)

MODEL CODES

C BODY = (D41 - DYNASTY)(C41 - NEW YORKER)
 E BODY = (J - CARAVELLE)(E - 600)(T - NEW YORKER TURBO)
 G BODY = (V24 - DAYTONA, PACIFICA & SHELBY)
 H BODY = (D44 - LANCER)(C44 - LEBARON GTS)
 J BODY = (C - LEBARON)
 K BODY = (P - RELIANT)(D - ARIES)(C - LEBARON/ TOWN & COUNTRY)

L BODY = (M - HORIZON)(Z-OMNI)
 M BODY = (B - GRAN FURY)(G - DIPLOMAT)(F - FIFTH AVENUE/NEWPORT)
 P BODY = (P - SUNDANCE)(D - SHADOW)
 Q BODY = (C27 - MASERATI)
 S BODY = (H - VOYAGER)(K - RAM VAN/ CARAVAN)

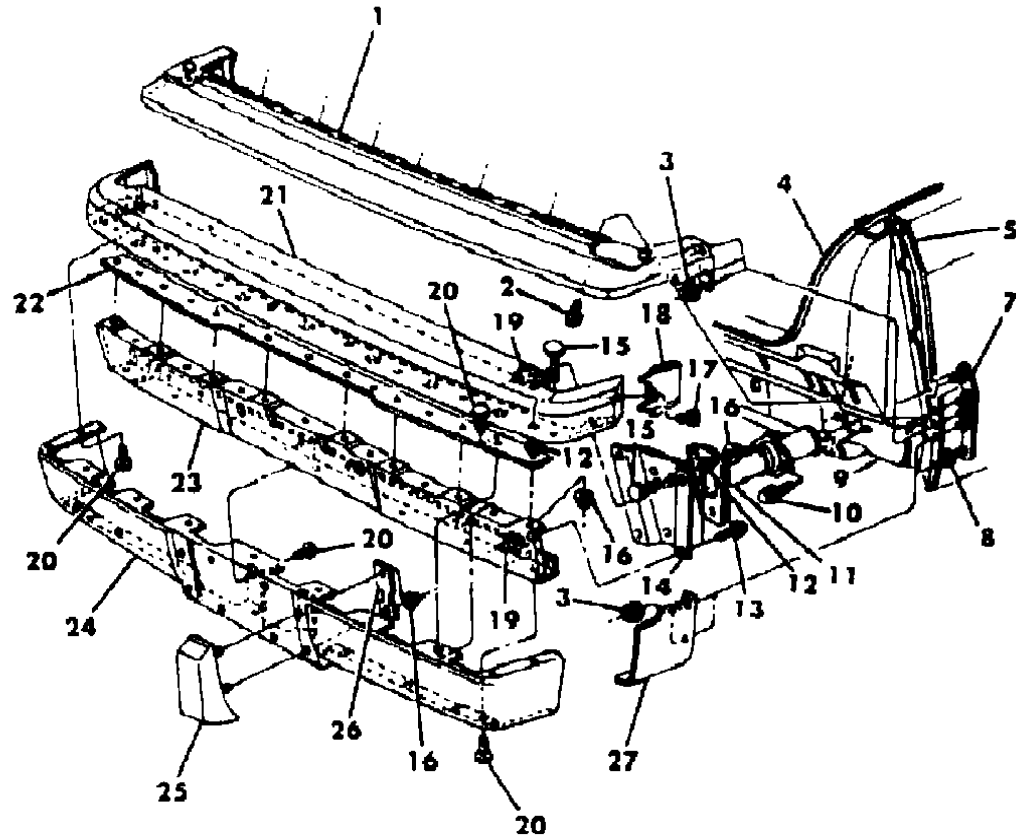
BODY STYLES

12-52 = FWD VAN & WAGON STD. W.B. 27 = 2-DOOR CONVERTIBLE
 13-53 = FWD VAN & WGN EXT W.B. 41 = 4-DOOR SEDAN
 21 = 2-DOOR SEDAN 44 = 4-DOOR HATCHBACK
 24 = 2-DOOR HATCHBACK 45 = 4-DOOR STATION WAGON

AR = Use as Required - = Non Illustrated Part P.A.R. = Paint as Required

FASCIA, BUMPER REAR C BODY MODEL C
Figure 13-2500

8113 2500



ITEM	PART NUMBER	QTY	BODY	MODEL	DESCRIPTION
1	4334 918	1			FILLER, Rear Bumper
2					SCREW, Filler (Not Serviced)
3	6500 284	AR			NUT and WASHER
4					PANEL, Deck Opening Lower (Reference Only)
5					PANEL, Body Side Aperture (Reference Only)
7	4334 846-7	1			RETAINER
8	3835 550	AR			WASHER, Sealing
9					CROSSMEMBER, Rear Floor Pan (Reference Only)
10					SCREW and WASHER (Not Serviced)
11	4334 914	2			ABSORBER, Bumper Rear
12	6501 025	AR			PUSH NUT
13					SCREW and WASHER (Not Serviced)
14	4334 930	2			ADAPTOR, Rear Bumper Reinforcement
15					BOLT (Not Serviced)
16					NUT and WASHER (Not Serviced)
17	6030 441	2			RETAINER, Sight Shield to Bumper
18	4334 836	2			SIGHT SHIELD, Rear Bumper
19					U-NUT, Reinforcement to Adaptor (Not Serviced)
20	6501 067	AR			SCREW and WASHER
21	4388 513	1			BUMPER, Rear
22	4334 833	1			ISOLATOR, Rear Bumper Reinforcement
23	4334 932				REINFORCEMENT, Rear Bumper
24	4334 927	1			FASCIA, Rear Bumper (Primed)
25	4334 940-1	1			GUARD, Rear Bumper (See Group 8 for Lamp Assy.)
26	4334 939	2			PLATE, Rear Bumper Guard
27	4334 920-1	1			EXTENSION, Rear Bumper (Primed)

MODEL CODES

C BODY = (D41 - DYNASTY)(C41 - NEW YORKER)
 E BODY = (J - CARAVELLE)(E - 600)(T - NEW YORKER TURBO)
 G BODY = (V24 - DAYTONA, PACIFICA & SHELBY)
 H BODY = (D44 - LANCER)(C44 - LEBARON GTS)
 J BODY = (C - LEBARON)
 K BODY = (P - RELIANT)(D - ARIES)(C - LEBARON/ TOWN & COUNTRY)
 L BODY = (M - HORIZON)(Z-OMNI)
 M BODY = (B - GRAN FURY)(G - DIPLOMAT)(F - FIFTH AVENUE/NEWPORT)
 P BODY = (P - SUNDANCE)(D - SHADOW)
 Q BODY = (C27 - MASERATI)
 S BODY = (H - VOYAGER)(K - RAM VAN/ CARAVAN)

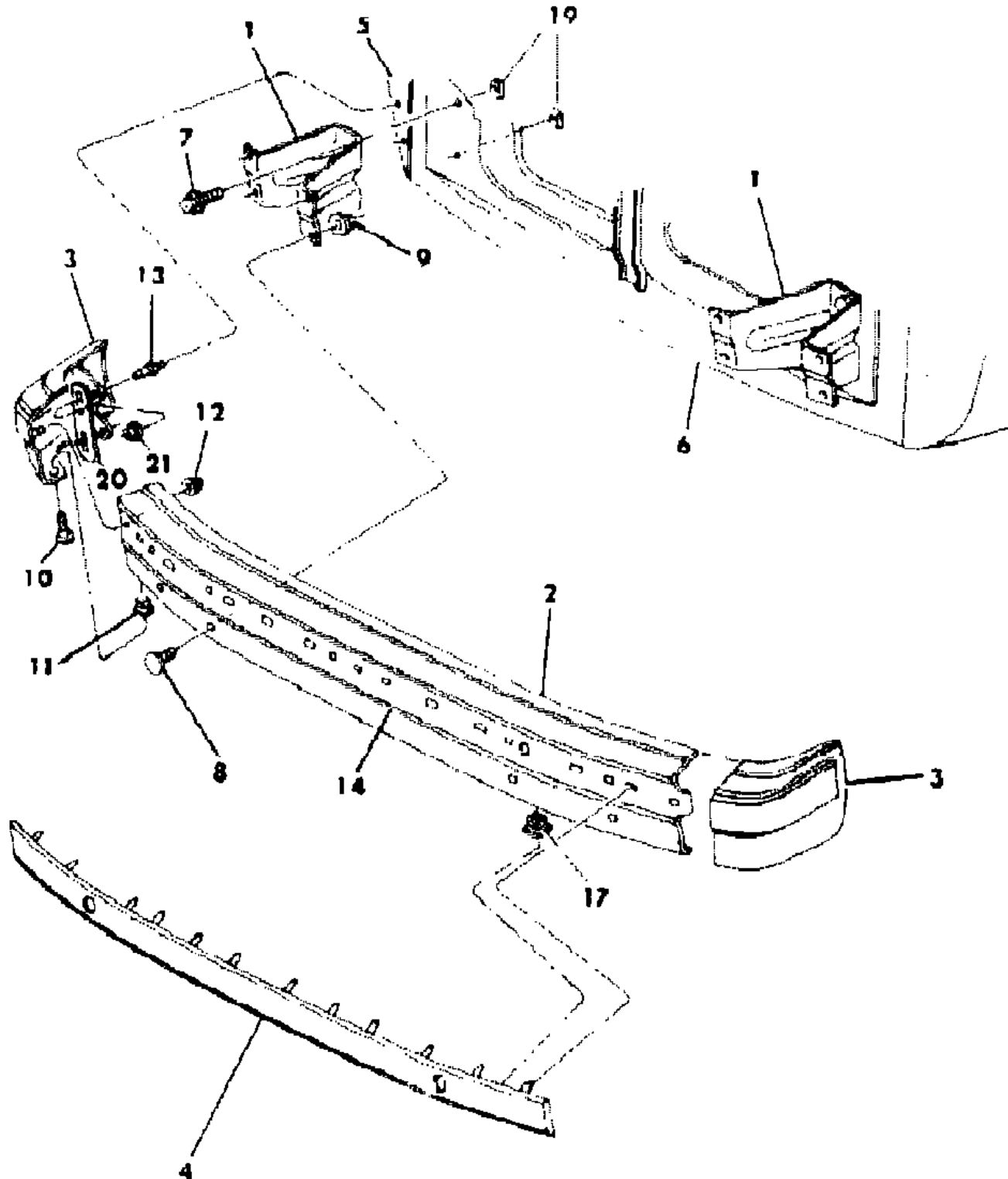
BODY STYLES

12-52 = FWD VAN & WAGON STD. W.B. 27 = 2-DOOR CONVERTIBLE
 13-53 = FWD VAN & WGN EXT W.B. 41 = 4-DOOR SEDAN
 21 = 2-DOOR SEDAN 44 = 4-DOOR HATCHBACK
 24 = 2-DOOR HATCHBACK 45 = 4-DOOR STATION WAGON

AR = Use as Required - = Non Illustrated Part P.A.R. = Paint as Required

BUMPER, FRONT S BODY
Figure 13-2600

8113 2600



ITEM	PART NUMBER	QTY	BODY	MODEL	DESCRIPTION
1	4270 344-5	1			SUPPORT, Bumper
2	4334 593	1			BUMPER, Front w/Nerf
3					CAP, End, Front Bumper
	X556-7 GW7	1			w/Nerf, Gold Dust (Paint As Required)
	X552-3 DX9	1			Black
4	4334 599	1			NERF, Bumper Front
5					FENDER (Reference Only)
6	4388 242	1			AIR DAM, Rad. Closure Panel
	6501 067	7			RETAINER, Air Dam to Closure Panel
	6032 796	4			SCREW and WASHER, Air Dam to Front Fender Panel
7		4			SCREW and WASHER (Not Serviced)
8	6500 075	4			BOLT, Support
9	6100 051	4			NUT and WASHER
10					SCREW and WASHER (Not Serviced)
11					NUT, Plastic (Not Serviced)
12					NUT and WASHER (Not Serviced)
13					STUD (Not Serviced)
14	4270 328	1			LICENSE PLATE PACKAGE, Attaching Front
	5216 050	2			BUTTON, License Plate Mounting
	6030 562	2			NUT, License Plate Bracket to Bumper
17		2			NUT, Plastic (Not Serviced)
19		AR			U-NUT (Not Serviced)
20	4270 585	2			PLATE, End Cap Front Bumper to Fender Attaching
21		4			NUT, Flanged (Not Serviced)

MODEL CODES

C BODY = (D41 - DYNASTY)(C41 - NEW YORKER)
 E BODY = (J - CARAVELLE)(E - 600)(T - NEW YORKER TURBO)
 G BODY = (V24 - DAYTONA, PACIFICA & SHELBY)
 H BODY = (D44 - LANCER)(C44 - LEBARON GTS)
 J BODY = (C - LEBARON)
 K BODY = (P - RELIANT)(D - ARIES)(C - LEBARON/ TOWN & COUNTRY)
 L BODY = (M - HORIZON)(Z-OMNI)
 M BODY = (B - GRAN FURY)(G - DIPLOMAT)(F - FIFTH AVENUE/NEWPORT)
 P BODY = (P - SUNDANCE)(D - SHADOW)
 Q BODY = (C27 - MASERATI)
 S BODY = (H - VOYAGER)(K - RAM VAN/ CARAVAN)

BODY STYLES

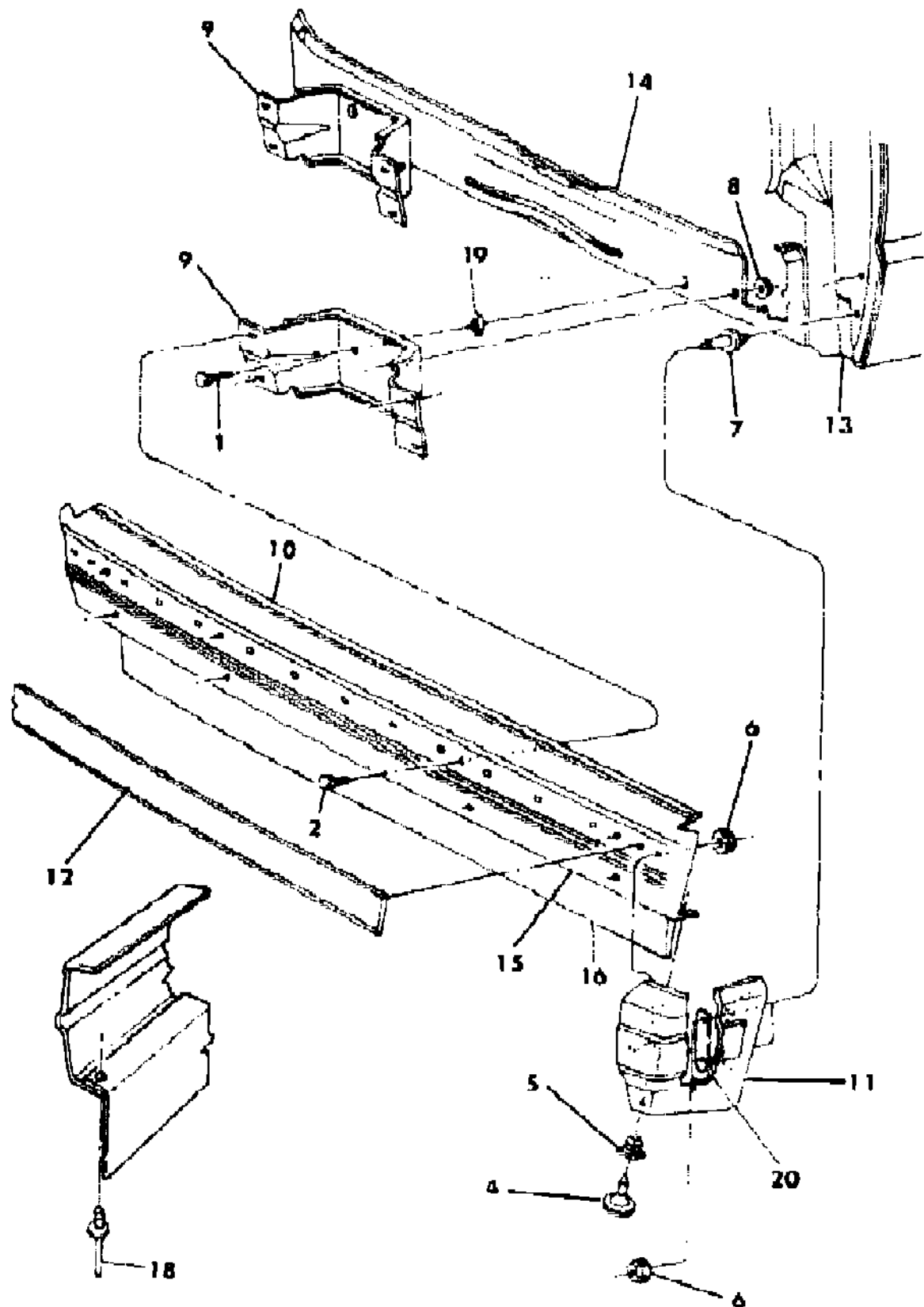
12-52 = FWD VAN & WAGON STD. W.B. 27 = 2-DOOR CONVERTIBLE
 13-53 = FWD VAN & WGN EXT W.B. 41 = 4-DOOR SEDAN
 21 = 2-DOOR SEDAN 44 = 4-DOOR HATCHBACK
 24 = 2-DOOR HATCHBACK 45 = 4-DOOR STATION WAGON

AR = Use as Required - = Non Illustrated Part P.A.R. = Paint as Required

BUMPER, REAR S BODY
Figure 13-2700

8113 2700

ITEM	PART NUMBER	QTY	BODY	MODEL	DESCRIPTION
1					BOLT (Not Serviced)
2	6500 075	8			BOLT, Support
4					SCREW (Not Serviced)
5					NUT, Plastic (Not Serviced)
6					NUT and WASHER (Not Serviced)
7		4			STUD (Not Serviced)
8					NUT (Not Serviced)
9	4270 356-7	1			SUPPORT, Bumper
10	4270 351	1			BUMPER, w/Nerf
11					END, Cap, Bumper Rear
		1			w/Nerf, Gold Dust (Paint As Required)
	4504 090	1			Right
	4504 091	1			Left
	X554-5 DX9	1			Black
12	4270 358	1			NERF, Bumper
13					PANEL, Body Side (Ref. Only)
14					PANEL, L/Gate (Ref. Only)
15	4270 974	1			LICENSE PLATE PACKAGE, Attaching Rear
16	4103 421	1			SIGHT SHIELD, Bumper Rear
18		9			RIVET (Not Serviced)
19		4			PUSH NUT (Not Serviced)
20	4270 585	2			PLATE, End Cap to Extension Aperture Panel Attaching



MODEL CODES

C BODY = (D41 - DYNASTY)(C41 - NEW YORKER)	L BODY = (M - HORIZON)(Z-OMNI)
E BODY = (J - CARAVELLE)(E - 600)(T - NEW YORKER TURBO)	M BODY = (B - GRAN FURY)(G - DIPLOMAT)(F - FIFTH AVENUE/NEWPORT)
G BODY = (V24 - DAYTONA, PACIFICA & SHELBY)	P BODY = (P - SUNDANCE)(D - SHADOW)
H BODY = (D44 - LANCER)(C44 - LEBARON GTS)	Q BODY = (C27 - MASERATI)
J BODY = (C - LEBARON)	S BODY = (H - VOYAGER)(K - RAM VAN/ CARAVAN)
K BODY = (P - RELIANT)(D - ARIES)(C - LEBARON/ TOWN & COUNTRY)	

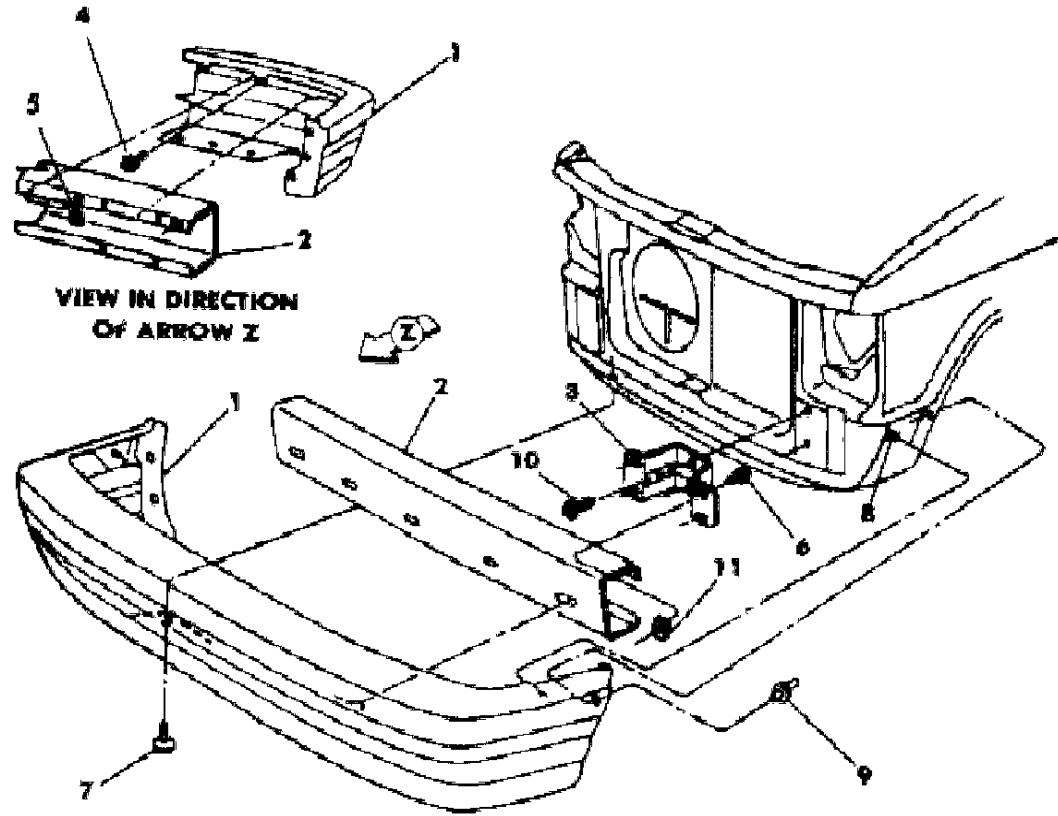
BODY STYLES

12-52 = FWD VAN & WAGON STD. W.B.	27 = 2-DOOR CONVERTIBLE
13-53 = FWD VAN & WGN EXT W.B.	41 = 4-DOOR SEDAN
21 = 2-DOOR SEDAN	44 = 4-DOOR HATCHBACK
24 = 2-DOOR HATCHBACK	45 = 4-DOOR STATION WAGON

AR = Use as Required - = Non Illustrated Part P.A.R. = Paint as Required

FASCIA, FRONT S BODY MODEL P
Figure 13-2800

8113 2800



ITEM	PART NUMBER	QTY	BODY	MODEL	DESCRIPTION
1	4388 350	1			FASCIA, Front Bumper (Paint as Required)
	4388 377	1			PKG, License Plate Attaching
2	4388 368	1			REINFORCEMENT, Fascia Front
3	4388 374-5	1			BRACKET, Support, Reinforcement
4	6100 286	6			SCREW and WASHER, Fascia Tab to Reinforcement
5	6100 041	6			U-NUT, Fascia Tab to Reinforcement
6	6100 304	8			SCREW and WASHER, Reinforcement to Support Bracket
7	6501 067	5			RETAINER, Fascia to Closure Panel
8	6500 284	2			NUT and WASHER, Retainer to Fender
9	6031 390	6			RETAINER, Fascia to Fender
	4388 405	2			RETAINER ASSEMBLY, Front Bumper to Fascia Consists of: 1-4388204 WELD STUD 1-6031138 NUT, Plastic 1-4388404 RETAINER, Fascia to Fender
10					SCREW and WASHER (Not Serviced)
11	6100 042	8			U-NUT, Reinforcement to Support Bracket

MODEL CODES

C BODY = (D41 - DYNASTY)(C41 - NEW YORKER)
 E BODY = (J - CARAVELLE)(E - 600)(T - NEW YORKER TURBO)
 G BODY = (V24 - DAYTONA, PACIFICA & SHELBY)
 H BODY = (D44 - LANCER)(C44 - LEBARON GTS)
 J BODY = (C - LEBARON)
 K BODY = (P - RELIANT)(D - ARIES)(C - LEBARON/ TOWN & COUNTRY)
 L BODY = (M - HORIZON)(Z-OMNI)
 M BODY = (B - GRAN FURY)(G - DIPLOMAT)(F - FIFTH AVENUE/NEWPORT)
 P BODY = (P - SUNDANCE)(D - SHADOW)
 Q BODY = (C27 - MASERATI)
 S BODY = (H - VOYAGER)(K - RAM VAN/ CARAVAN)

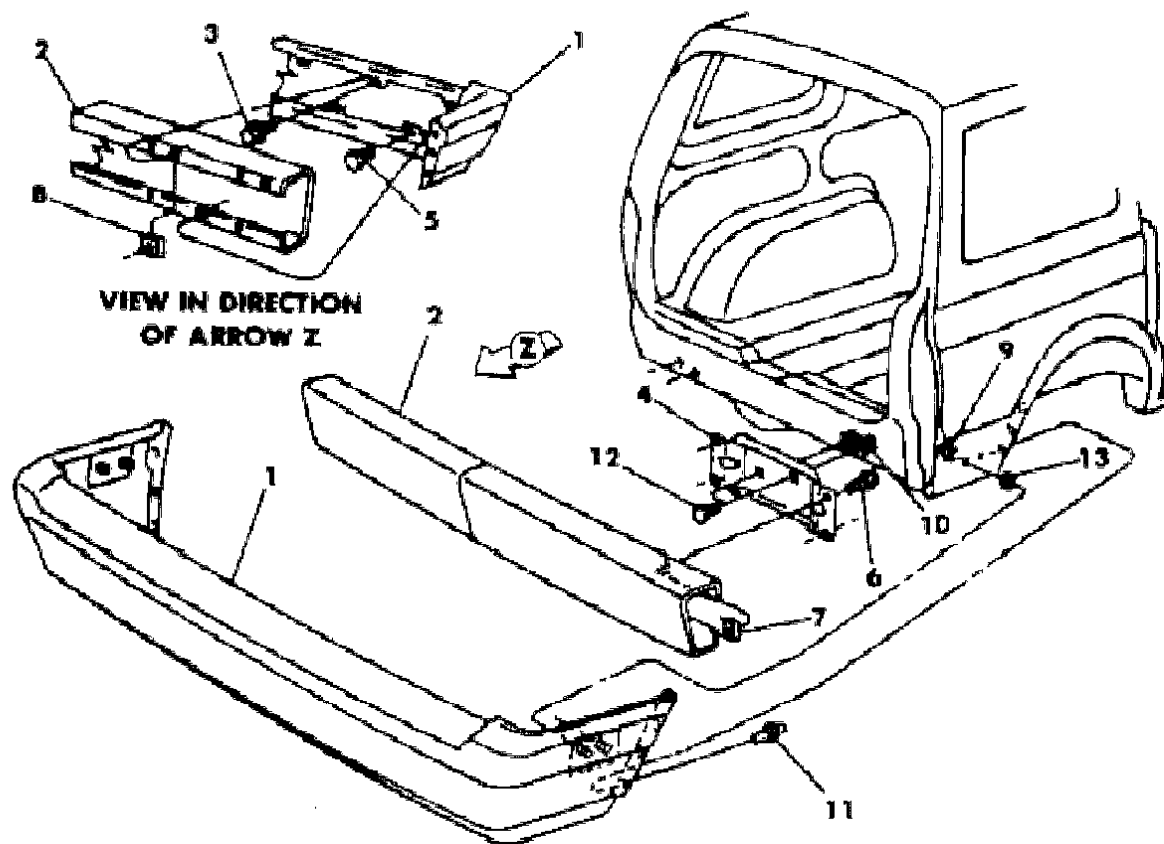
BODY STYLES

12-52 = FWD VAN & WAGON STD. W.B. 27 = 2-DOOR CONVERTIBLE
 13-53 = FWD VAN & WGN EXT W.B. 41 = 4-DOOR SEDAN
 21 = 2-DOOR SEDAN 44 = 4-DOOR HATCHBACK
 24 = 2-DOOR HATCHBACK 45 = 4-DOOR STATION WAGON

AR = Use as Required - = Non Illustrated Part P.A.R. = Paint as Required

FASCIA, REAR S BODY MODEL P
Figure 13-2900

8113 2900



ITEM	PART NUMBER	QTY	BODY	MODEL	DESCRIPTION
1					FASCIA, Bumper Rear (Paint as Required)
	4388 379	1			w/Std. Wheel Base
	4388 380	1			w/Extended Wheel Base
	4388 407	2			RETAINER, Fascia to Aperture Panel w/Std. Wheel Base
	4388 409	2			w/Extended Wheel Base
2	4388 390	1			REINFORCEMENT, Fascia Rear
3	6100 286	6			SCREW and WASHER, Fascia Tab to Reinforcement
4	4388 394-5	1			BRACKET, Support, Bumper Reinforcement
5	6501 067	6			RETAINER, Fascia to Reinforcement
6	6100 304	8			SCREW and WASHER, Support Bracket to Reinforcement
7	6101 283	8			U-NUT, Support Bracket to Reinforcement
8	6100 041	6			U-NUT, Fascia Tab to Reinforcement
9	6500 284	AR			NUT and WASHER, Retainer to Aperture Panel
10					NUT and WASHER (Not Serviced)
11	6031 390	6			RETAINER, Fascia to Aperture Panel
12					BOLT (Not Serviced)
13					WASHER (Not Serviced)

MODEL CODES

C BODY = (D41 - DYNASTY)(C41 - NEW YORKER)
 E BODY = (J - CARAVELLE)(E - 600)(T - NEW YORKER TURBO)
 G BODY = (V24 - DAYTONA, PACIFICA & SHELBY)
 H BODY = (D44 - LANCER)(C44 - LEBARON GTS)
 J BODY = (C - LEBARON)
 K BODY = (P - RELIANT)(D - ARIES)(C - LEBARON/ TOWN & COUNTRY)

L BODY = (M - HORIZON)(Z-OMNI)
 M BODY = (B - GRAN FURY)(G - DIPLOMAT)(F - FIFTH AVENUE/NEWPORT)
 P BODY = (P - SUNDANCE)(D - SHADOW)
 Q BODY = (C27 - MASERATI)
 S BODY = (H - VOYAGER)(K - RAM VAN/ CARAVAN)

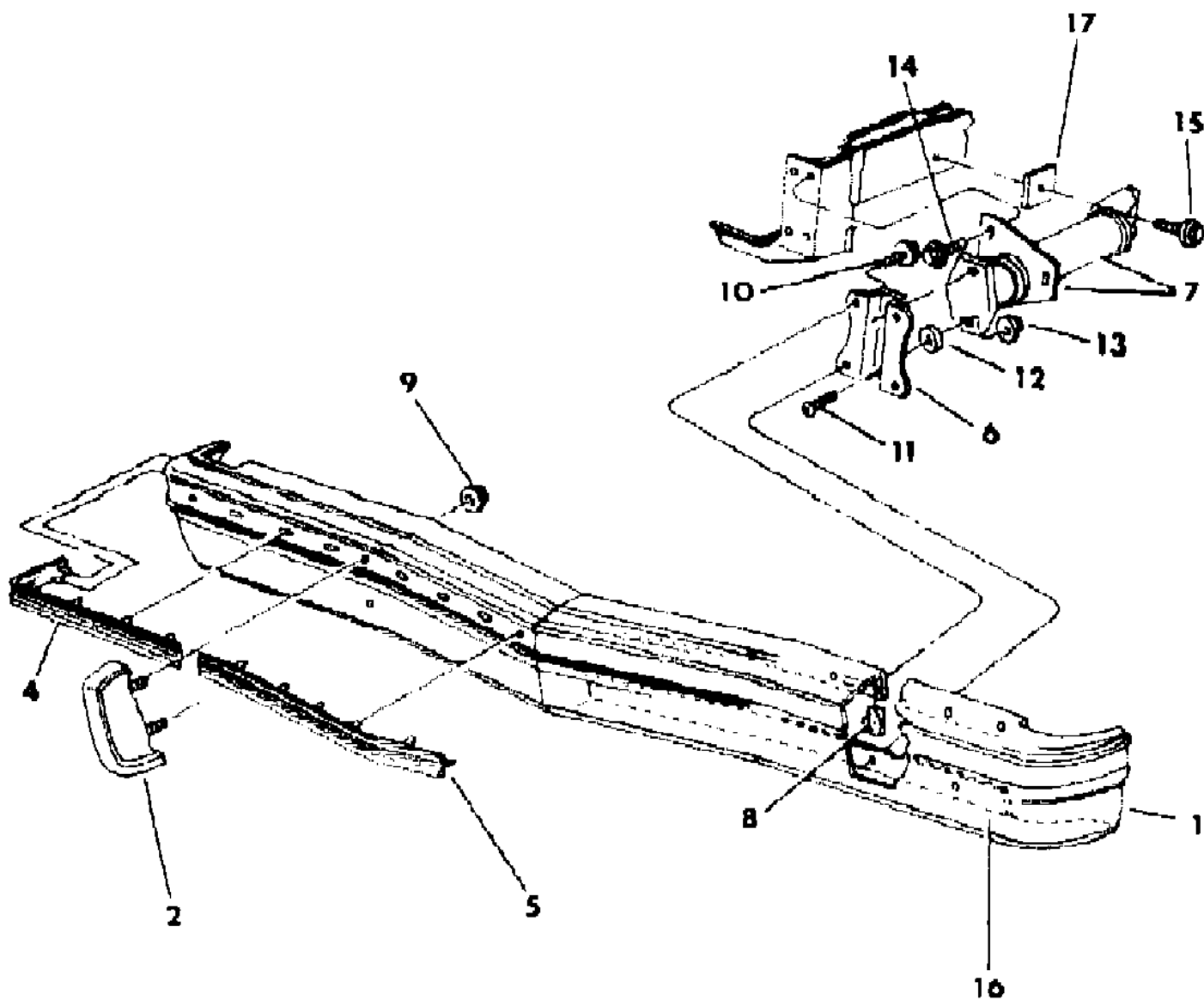
BODY STYLES

12-52 = FWD VAN & WAGON STD. W.B. 27 = 2-DOOR CONVERTIBLE
 13-53 = FWD VAN & WGN EXT W.B. 41 = 4-DOOR SEDAN
 21 = 2-DOOR SEDAN 44 = 4-DOOR HATCHBACK
 24 = 2-DOOR HATCHBACK 45 = 4-DOOR STATION WAGON

AR = Use as Required - = Non Illustrated Part P.A.R. = Paint as Required

BUMPER, FRONT M BODY
Figure 13-3000

8113 3000



ITEM	PART NUMBER	QTY	BODY	MODEL	DESCRIPTION
1	4388 504	1			BUMPER, Frt., w/Guards w/Nerf
2	#4110 214	2			GUARD, Bumper Frt., w/Nerf
4	#4110 266	2			NERF STRIP, Bumper End
5	#4110 268	1			NERF STRIP, Bumper Center
6	#4110 269	2			ADAPTER, Bumper Front
7					ABSORBER, Impact, Frt. (5 M.P.H.)
	4147 506-7	1			Up to 5-16-88
	4451 336-7	1			After 5-16-88
8					U-NUT (Not Serviced)
9	0118 614	4			NUT and WASHER, Guard Attaching
10		8			SCREW and WASHER (Not Serviced)
11	0153 366	4			BOLT, Adapter Attaching
12	6026 334	4			RETAINER, Adapter
13	6031 572	4			NUT, Bolt
14	6031 627	4			SCREW and WASHER, Absorber Attaching
15	6030 471	2			SCREW and WASHER, Absorber Attaching
16	4194 464	1			LICENSE PLATE PACKAGE, Front Attaching
	5216 050	2			BUTTON, License Plate Mounting
17	3753 122	2			PLATE, Anti-Slip

MODEL CODES

C BODY = (D41 - DYNASTY)(C41 - NEW YORKER)	L BODY = (M - HORIZON)(Z-OMNI)
E BODY = (J - CARAVELLE)(E - 600)(T - NEW YORKER TURBO)	M BODY = (B - GRAN FURY)(G - DIPLOMAT)(F - FIFTH AVENUE/NEWPORT)
G BODY = (V24 - DAYTONA, PACIFICA & SHELBY)	P BODY = (P - SUNDANCE)(D - SHADOW)
H BODY = (D44 - LANCER)(C44 - LEBARON GTS)	Q BODY = (C27 - MASERATI)
J BODY = (C - LEBARON)	S BODY = (H - VOYAGER)(K - RAM VAN/ CARAVAN)
K BODY = (P - RELIANT)(D - ARIES)(C - LEBARON/ TOWN & COUNTRY)	

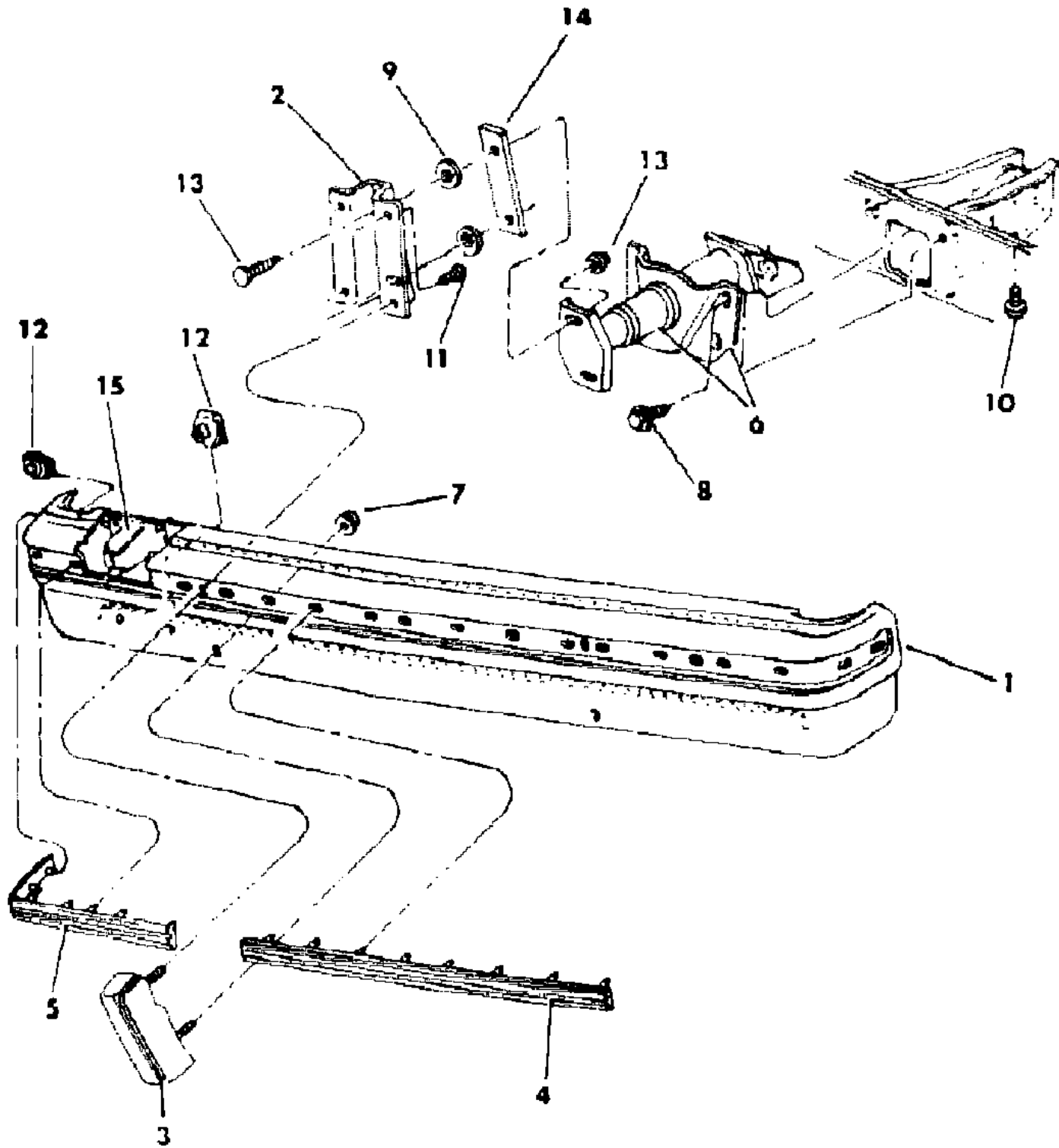
BODY STYLES

12-52 = FWD VAN & WAGON STD. W.B.	27 = 2-DOOR CONVERTIBLE
13-53 = FWD VAN & WGN EXT W.B.	41 = 4-DOOR SEDAN
21 = 2-DOOR SEDAN	44 = 4-DOOR HATCHBACK
24 = 2-DOOR HATCHBACK	45 = 4-DOOR STATION WAGON

AR = Use as Required - = Non Illustrated Part P.A.R. = Paint as Required

BUMPER, REAR M BODY MODEL B,G
Figure 13-3100

8113 3100



ITEM	PART NUMBER	QTY	BODY	MODEL	DESCRIPTION
1	4388 505	1			BUMPER, Rear
2	#4110 530	2			ADAPTER, Absorber
3	#4110 508	2			GUARD, Bumper Rear, w/Nerf
4	#4110 586	1			NERF STRIP, Bumper Center, w/Guards
	4110 583	1			w/o Guards
5	#4110 584-5	1			NERF STRIP, Bumper End, w/Guards
6	4103 931	2			ABSORBER, Impact Rear (5 M.P.H.)
7	0118 614	4			NUT and WASHER, Guard Attaching
8	6031 354	4			SCREW and WASHER, Absorber Mounting
9	6026 334	4			RETAINER, Adapter
10	6030 471	2			SCREW and WASHER, Guard Attaching
11		8			SCREW and WASHER (Not Serviced)
12		8			U-NUT (Not Serviced)
13	0153 366	4			BOLT, Adapter
	6031 572	4			NUT and WASHER
14	3753 124	AR			SHIM
15	#4110 598	2			BLOCKER, Bumper Rear

MODEL CODES

C BODY = (D41 - DYNASTY)(C41 - NEW YORKER)
 E BODY = (J - CARAVELLE)(E - 600)(T - NEW YORKER TURBO)
 G BODY = (V24 - DAYTONA, PACIFICA & SHELBY)
 H BODY = (D44 - LANCER)(C44 - LEBARON GTS)
 J BODY = (C - LEBARON)
 K BODY = (P - RELIANT)(D - ARIES)(C - LEBARON/ TOWN & COUNTRY)

L BODY = (M - HORIZON)(Z-OMNI)
 M BODY = (B - GRAN FURY)(G - DIPLOMAT)(F - FIFTH AVENUE/NEWPORT)
 P BODY = (P - SUNDANCE)(D - SHADOW)
 Q BODY = (C27 - MASERATI)
 S BODY = (H - VOYAGER)(K - RAM VAN/ CARAVAN)

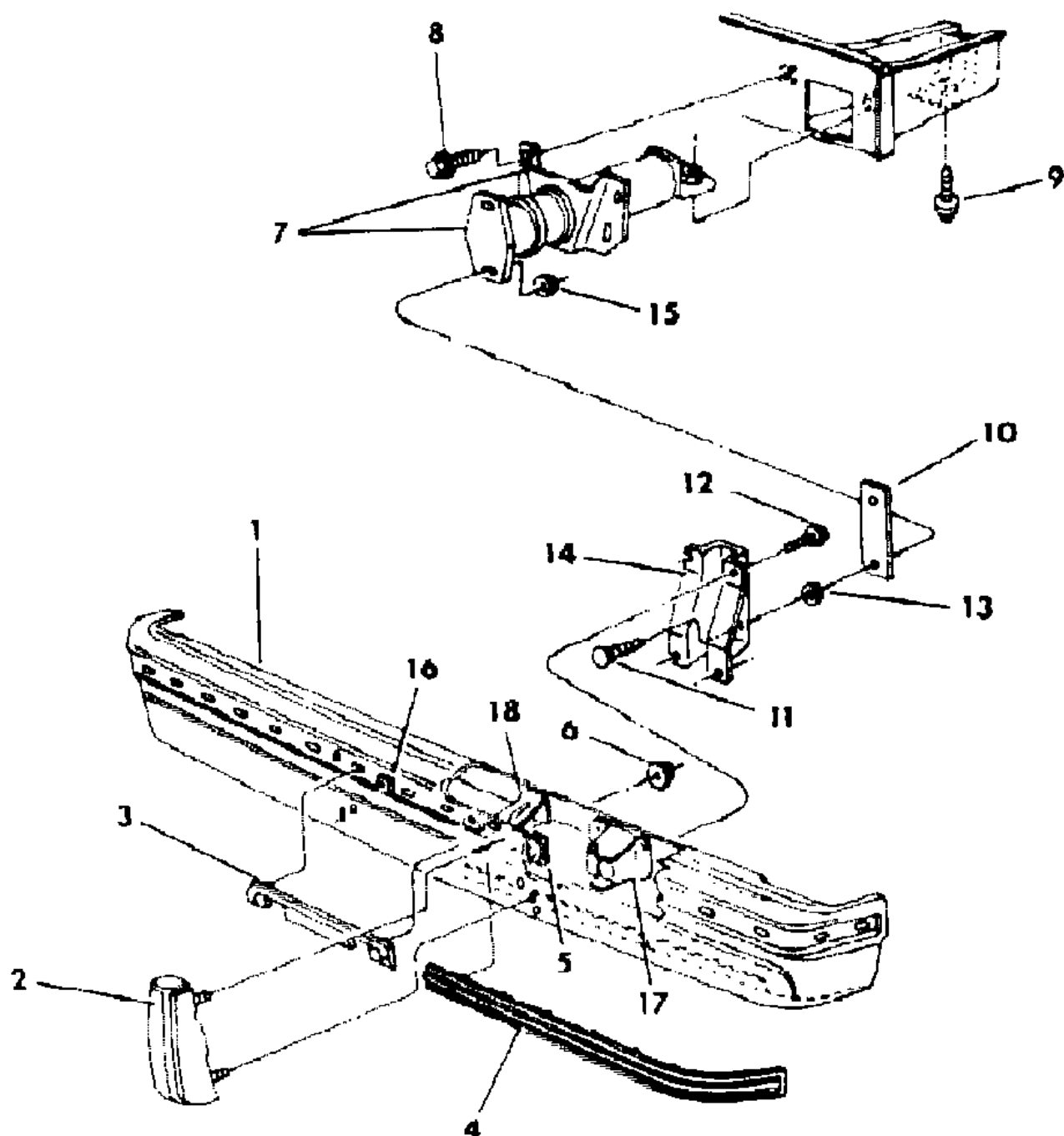
BODY STYLES

12-52 = FWD VAN & WAGON STD. W.B. 27 = 2-DOOR CONVERTIBLE
 13-53 = FWD VAN & WGN EXT W.B. 41 = 4-DOOR SEDAN
 21 = 2-DOOR SEDAN 44 = 4-DOOR HATCHBACK
 24 = 2-DOOR HATCHBACK 45 = 4-DOOR STATION WAGON

AR = Use as Required - = Non Illustrated Part P.A.R. = Paint as Required

BUMPER, REAR M BODY MODEL F
Figure 13-3200

8113 3200



ITEM	PART NUMBER	QTY	BODY	MODEL	DESCRIPTION
1	4388 507	1			BUMPER, Rear, w/Guards, w/Nerf
2	4194 566-7	1			GUARD, Bumper Rear, w/Nerf
3	#4110 536	1			NERF, Bumper Center
4	4194 568-9	1			NERF STRIP, Bumper End
5		10			U-NUT (Not Serviced)
6	0118 614	4			NUT and WASHER, Guard Attaching
7	4103 931	2			ABSORBER, Impact Rear (5 M.P.H.)
8	6031 354	4			SCREW and WASHER, Absorber Mounting
9	6030 471	2			SCREW and WASHER, Absorber Mounting
10	3753 124	AR			SHIM
11	0153 366	4			BOLT, Bracket
12		8			SCREW and WASHER (Not Serviced)
13	6026 334	4			RETAINER, Bracket
14	#4110 530	2			ADAPTOR, Absorber
15	6031 572	4			NUT and WASHER, Absorber Mounting
16					PACKAGE, Licence Plate Mtg. (Not Serviced)
17	#4110 598	2			BLOCKER, Bumper Rear
18	#4110 550	2			BULKHEAD, Bumper Rear

MODEL CODES

C BODY = (D41 - DYNASTY)(C41 - NEW YORKER)	L BODY = (M - HORIZON)(Z-OMNI)
E BODY = (J - CARAVELLE)(E - 600)(T - NEW YORKER TURBO)	M BODY = (B - GRAN FURY)(G - DIPLOMAT)(F - FIFTH AVENUE/NEWPORT)
G BODY = (V24 - DAYTONA, PACIFICA & SHELBY)	P BODY = (P - SUNDANCE)(D - SHADOW)
H BODY = (D44 - LANCER)(C44 - LEBARON GTS)	Q BODY = (C27 - MASERATI)
J BODY = (C - LEBARON)	S BODY = (H - VOYAGER)(K - RAM VAN/ CARAVAN)
K BODY = (P - RELIANT)(D - ARIES)(C - LEBARON/ TOWN & COUNTRY)	

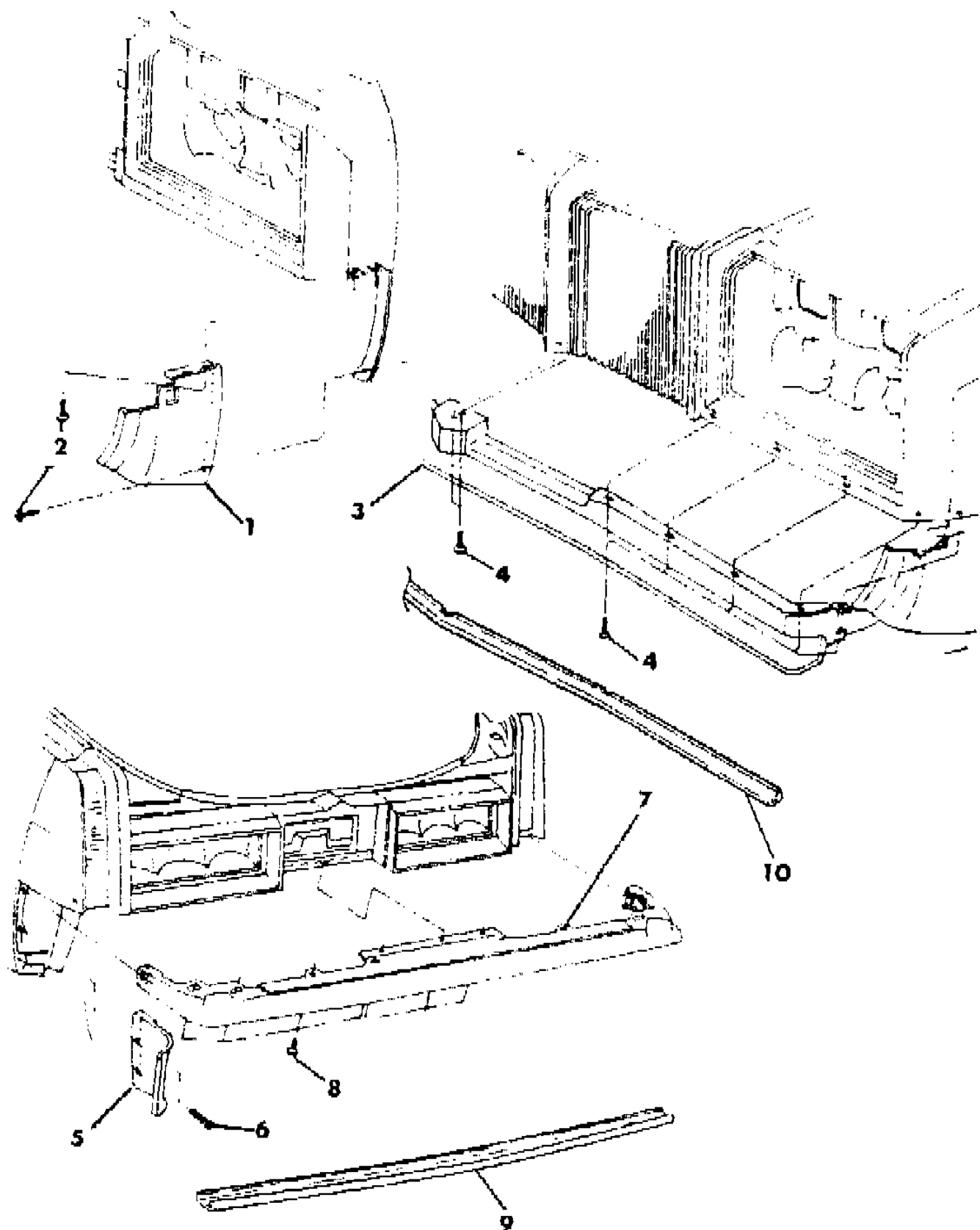
BODY STYLES

12-52 = FWD VAN & WAGON STD. W.B.	27 = 2-DOOR CONVERTIBLE
13-53 = FWD VAN & WGN EXT W.B.	41 = 4-DOOR SEDAN
21 = 2-DOOR SEDAN	44 = 4-DOOR HATCHBACK
24 = 2-DOOR HATCHBACK	45 = 4-DOOR STATION WAGON

AR = Use as Required - = Non Illustrated Part P.A.R. = Paint as Required

FILLER, BUMPER M BODY MODEL F
Figure 13-3300

8113 3300 A



ITEM	PART NUMBER	QTY	BODY	MODEL	DESCRIPTION
1	X518-9 GL2	1			FILLER, Frt. Fender Bumper Side (Paint As Req.)
2		AR			SCREW (Not Serviced)
3	4271 411	1			FILLER, Grill Closure Pnl. Bumper Front (Paint as Required)
4					SCREW (Not Serviced)
5	X536-7 VW3	1			FILLER, Qtr. O/S Panel Bumper Rear (Paint as Required)
6					SCREW (Not Serviced)
7	4504 089	1			FILLER, Deck Opng. Rr. Bumper Center (Paint as Required)
8					SCREW (Not Serviced)
9	4206 338	AR			SUPPORT, Rr. Bumper Filler Lip Edge Repair
10	4074 501	1			SUPPORT, Front Bumper, Filler Edge, Repair
	6031 939	AR			CLIP, Support
	4074 502	1			SPACER, Front Bumper Filler

MODEL CODES

C BODY = (D41 - DYNASTY)(C41 - NEW YORKER)
 E BODY = (J - CARAVELLE)(E - 600)(T - NEW YORKER TURBO)
 G BODY = (V24 - DAYTONA, PACIFICA & SHELBY)
 H BODY = (D44 - LANCER)(C44 - LEBARON GTS)
 J BODY = (C - LEBARON)
 K BODY = (P - RELIANT)(D - ARIES)(C - LEBARON/ TOWN & COUNTRY)

L BODY = (M - HORIZON)(Z-OMNI)
 M BODY = (B - GRAN FURY)(G - DIPLOMAT)(F - FIFTH AVENUE/NEWPORT)
 P BODY = (P - SUNDANCE)(D - SHADOW)
 Q BODY = (C27 - MASERATI)
 S BODY = (H - VOYAGER)(K - RAM VAN/ CARAVAN)

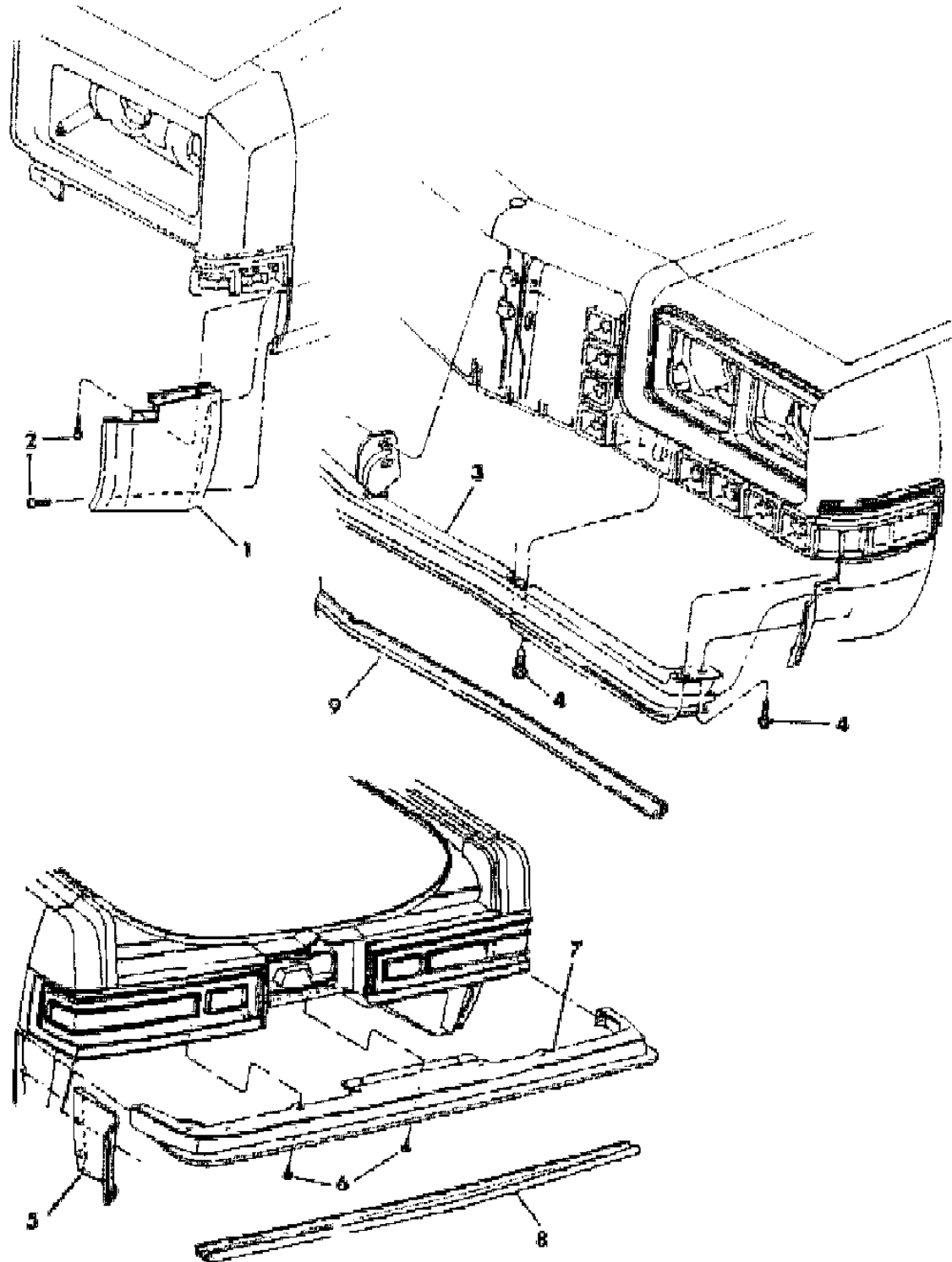
BODY STYLES

12-52 = FWD VAN & WAGON STD. W.B. 27 = 2-DOOR CONVERTIBLE
 13-53 = FWD VAN & WGN EXT W.B. 41 = 4-DOOR SEDAN
 21 = 2-DOOR SEDAN 44 = 4-DOOR HATCHBACK
 24 = 2-DOOR HATCHBACK 45 = 4-DOOR STATION WAGON

AR = Use as Required - = Non Illustrated Part P.A.R. = Paint as Required

FILLER, BUMPER M BODY MODEL B,G
Figure 13-3400

8113 3400 A



ITEM	PART NUMBER	QTY	BODY	MODEL	DESCRIPTION
1	X532-3 GL2	1		B-L,G-L	FILLER, Fender Bumper Side (Paint As Req.)
	X518-9 GL2	1		G-P	
2		AR			SCREW (Not Serviced)
3	X522 GL2	1		B-L,G-L	FILLER, Bumper Frt. (Paint As Req.)
	4271 411	1		G-P	
4		AR			SCREW (Not Serviced)
5	X536-7 VW3	1			FILLER, Qtr. O/S Panel Bumper Rear (Paint as Required)
6		AR			SCREW (Not Serviced)
7	4504 089	1			FILLER, Deck Opng. Bumper, Rear (Paint as Required)
8	4206 338	AR			SUPPORT, Rr. Bumper Filler Lip Edge Repair
	4074 502	1		G-P	SPACER, Filler Front Bumper (Not Illustrated)
9	4074 501	1			SUPPORT, Front Bumper, Filler Edge, Repair
	6031 939	AR			CLIP, Support

MODEL CODES

C BODY = (D41 - DYNASTY)(C41 - NEW YORKER)
 E BODY = (J - CARAVELLE)(E - 600)(T - NEW YORKER TURBO)
 G BODY = (V24 - DAYTONA, PACIFICA & SHELBY)
 H BODY = (D44 - LANCER)(C44 - LEBARON GTS)
 J BODY = (C - LEBARON)
 K BODY = (P - RELIANT)(D - ARIES)(C - LEBARON/ TOWN & COUNTRY)

L BODY = (M - HORIZON)(Z-OMNI)
 M BODY = (B - GRAN FURY)(G - DIPLOMAT)(F - FIFTH AVENUE/NEWPORT)
 P BODY = (P - SUNDANCE)(D - SHADOW)
 Q BODY = (C27 - MASERATI)
 S BODY = (H - VOYAGER)(K - RAM VAN/ CARAVAN)

BODY STYLES

12-52 = FWD VAN & WAGON STD. W.B.	27 = 2-DOOR CONVERTIBLE
13-53 = FWD VAN & WGN EXT W.B.	41 = 4-DOOR SEDAN
21 = 2-DOOR SEDAN	44 = 4-DOOR HATCHBACK
24 = 2-DOOR HATCHBACK	45 = 4-DOOR STATION WAGON

AR = Use as Required - = Non Illustrated Part P.A.R. = Paint as Required

GROUP 14 - FUEL

ILLUSTRATION TITLE	GROUP-FIG. NO.
FRESH AIR INTAKE SYSTEM	
FRESH AIR INTAKE SYSTEM L,P,J,K,G,E,H,C BODY	Fig. 14-100
FRESH AIR INTAKE SYSTEM M BODY	Fig. 14-200
AIR CLEANER SYSTEM	
AIR CLEANER 2.2L ENGINE E.F.I. L BODY	Fig. 14-300
AIR CLEANER E.F.I. P,J,K,G,E,H,C BODY	Fig. 14-400
AIR CLEANER TURBO CHARGER W/O INTER COOLER P,J,K,G,E,H BODY	Fig. 14-500
AIR CLEANER TURBO CHARGER II - W/INTER COOLER	Fig. 14-600
AIR CLEANER 2.5L ENGINE E.F.I. S BODY	Fig. 14-700
AIR CLEANER 3.0L ENGINE C AND S BODY	Fig. 14-800
AIR CLEANER 5.2L-2BBL ENGINE	Fig. 14-900
AIR CLEANER 5.2L-4BBL ENGINE	Fig. 14-1000
CARBURETOR AND COMPONENTS	
CARBURETOR IDENTIFICATION AND CROSS REFERENCE	Fig. 14-1100
CARBURETOR CHOKE, CHOKE CONTROL, FLANGE GASKETS	Fig. 14-1200
CARBURETOR AND COMPONENT PARTS HOLLEY-2BBL.(6280)	Fig. 14-1300
CARBURETOR AND COMPONENT PARTS ROCHESTER - 4BBL.(QUADRA JET ELECTRONIC)	Fig. 14-1400
THROTTLE BODY AND TURBO CHARGER COMPONENTS	
THROTTLE BODY 2.2L AND 2.5L ENGINE	Fig. 14-1500
THROTTLE BODY TURBO CHARGER 2.2L ENGINE	Fig. 14-1600
THROTTLE BODY 3.0L ENGINE	Fig. 14-1700
TURBO CHARGER I W/O INTER-COOLER P,J,K,G,E,H BODY - EDG	Fig. 14-1800
TURBO CHARGER II W/INTER-COOLER G,H BODY - EDR	Fig. 14-1825
FUEL RAIL AND RELATED PARTS TURBO CHARGER	Fig. 14-1900
FUEL RAIL AND RELATED PARTS 3.0L ENGINE	Fig. 14-2000
THROTTLE CONTROL	
THROTTLE CONTROLS 2.2L AND 2.5L ENGINE	Fig. 14-2100
THROTTLE CONTROLS TURBO CHARGER I AND II	Fig. 14-2200
THROTTLE CONTROL 3.0L ENGINE	Fig. 14-2300
THROTTLE CONTROL 5.2L-2BBL ENGINE M BODY	Fig. 14-2400
THROTTLE CONTROL 5.2L-4BBL ENGINE M BODY	Fig. 14-2500
SPEED CONTROL AND SPEED CONTROL CABLES	
SPEED CONTROL L BODY 2.2L ENGINE E.F.I. FIELD INSTALATION	Fig. 14-2575

ILLUSTRATION NOT AVAILABLE AT TIME OF PUBLICATION

GROUP 14 - FUEL**GROUP 14 - FUEL****ILLUSTRATION TITLE****GROUP-FIG. NO.****ILLUSTRATION TITLE****GROUP-FIG. NO.****SPEED CONTROL AND SPEED CONTROL CABLES (Continued)**

SPEED CONTROL L BODY 2.2L ENGINE E.F.I. FIELD INSTALATION	Fig. 14-2575
SPEED CONTROL 2.2L AND 2.5L ENGINE E.F.I. P,J,K,G,E,H,C BODY	Fig. 14-2600
SPEED CONTROL TURBO I W/O INTER COOLER	Fig. 14-2700
SPEED CONTROL TURBO II W/INTER COOLER	Fig. 14-2800
SPEED CONTROL 2.5L ENGINE S BODY	Fig. 14-2900
SPEED CONTROL 3.0L ENGINE C AND S BODY	Fig. 14-3000
SPEED CONTROL M BODY	Fig. 14-3100
SPEED CONTROL CABLES M BODY	Fig. 14-3200

ACCELERATOR PEDAL

ACCELERATOR PEDAL L,P,J,K,G,E,H,C BODY	Fig. 14-3300
ACCELERATOR PEDAL S BODY	Fig. 14-3400
ACCELERATOR PEDAL M BODY	Fig. 14-3500

FUEL FILTER

CARBURETOR FUEL FILTER AND RELATED PARTS	Fig. 14-3600
FUEL FILTER E.F.I. AND TURBO CHARGER L,P,J,K,G,E,H,C BODY	Fig. 14-3700
FUEL FILTER 2.5L AND 3.0L ENGINE S BODY	Fig. 14-3800

FUEL PUMP

FUEL PUMP 5.2L (318) CARBURETED ENGINE	Fig. 14-3900
FUEL PUMP E.F.I. L BODY	Fig. 14-4000
FUEL PUMP TURBO CHARGER P,J,K,G,E,H BODY	Fig. 14-4100
FUEL PUMP E.F.I. P,J,K,G,E,H,C BODY	Fig. 14-4200
FUEL PUMP 2.5L AND 3.0L ENGINE S BODY	Fig. 14-4300

FUEL LINES

FUEL LINES 2.2L ENGINE L BODY	Fig. 14-4400
FUEL LINES P,J,K,G,E,H,C BODY	Fig. 14-4500
FUEL LINES 2.5L AND 3.0L ENGINE S BODY	Fig. 14-4600
FUEL LINES M BODY	Fig. 14-4700

FUEL LEVEL SENDING UNIT

FUEL TANK SENDING UNITS M BODY	Fig. 14-4800
FUEL TANK SENDING UNITS E.F.I. AND TURBO CHARGER	Fig. 14-4900

FUEL TANK

FUEL TANK AND FUEL FILLER TUBES L BODY	Fig. 14-5000
--	--------------

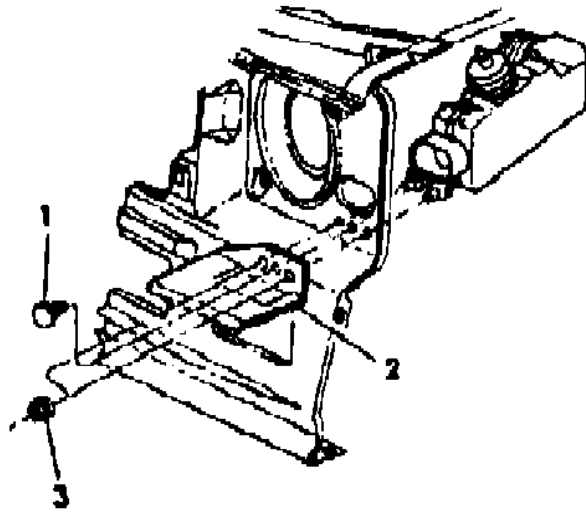
FUEL TANK (Continued)

FUEL TANK AND FUEL FILLER TUBES L BODY	Fig. 14-5000
FUEL TANK AND FILLER TUBES P,J,K,G,E,H,C BODY	Fig. 14-5100
FUEL TANK AND FUEL FILLER TUBES S BODY	Fig. 14-5200
FUEL TANK AND FUEL FILLER TUBES M BODY	Fig. 14-5300

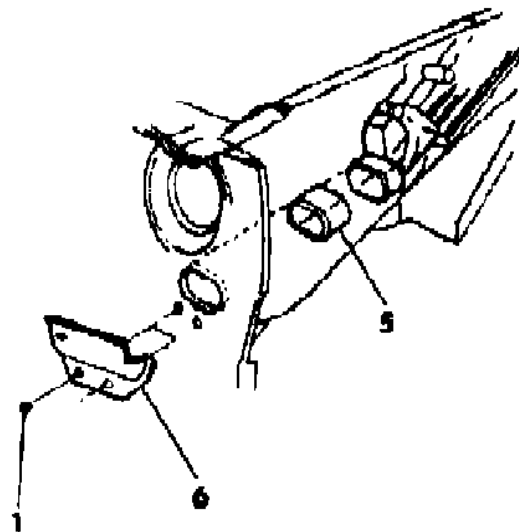
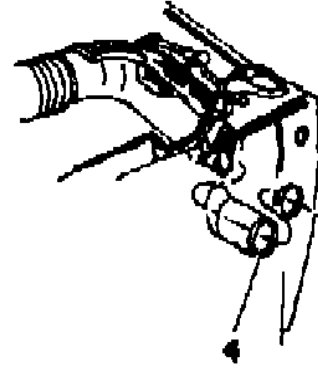
FRESH AIR INTAKE SYSTEM L,P,J,K,G,E,H,C BODY
Figure 14-100

8114 100

ITEM	PART NUMBER	QTY	BODY	MODEL	DESCRIPTION
1	#6031 299	AR			RETAINER
2	#5201 395	1	L		SHIELD, Air Inlet Closure Panel
3	6029 471	AR			NUT
4	5227 011	1	C		DUCT, Radiator Closure to Housing
5					DUCT, Panel to E.S.A. Housing
	5227 009	1	J,G		
	5227 008	1	P		
	5227 374	1	K,E,H		
6	4103 277	1	E		BAFFLE, Air Inlet



M,Z



MODEL CODES

C BODY = (D41 - DYNASTY)(C41 - NEW YORKER)
 E BODY = (J - CARAVELLE)(E - 600)(T - NEW YORKER TURBO)
 G BODY = (V24 - DAYTONA, PACIFICA & SHELBY)
 H BODY = (D44 - LANCER)(C44 - LEBARON GTS)
 J BODY = (C - LEBARON)
 K BODY = (P - RELIANT)(D - ARIES)(C - LEBARON/ TOWN & COUNTRY)

L BODY = (M - HORIZON)(Z-OMNI)
 M BODY = (B - GRAN FURY)(G - DIPLOMAT)(F - FIFTH AVENUE/NEWPORT)
 P BODY = (P - SUNDANCE)(D - SHADOW)
 Q BODY = (C27 - MASERATI)
 S BODY = (H - VOYAGER)(K - RAM VAN/ CARAVAN)

BODY STYLES

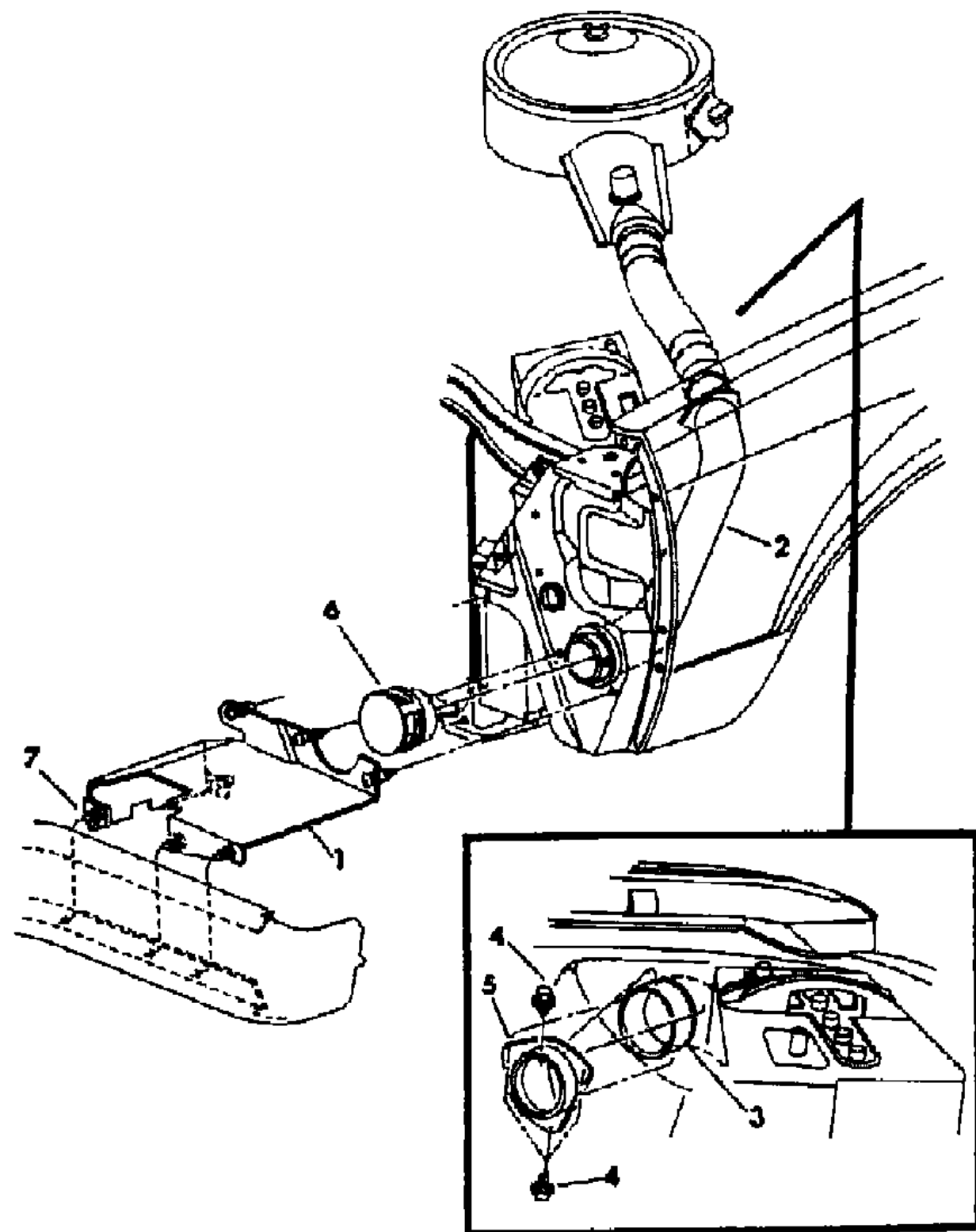
12-52 = FWD VAN & WAGON STD. W.B. 27 = 2-DOOR CONVERTIBLE
 13-53 = FWD VAN & WGN EXT W.B. 41 = 4-DOOR SEDAN
 21 = 2-DOOR SEDAN 44 = 4-DOOR HATCHBACK
 24 = 2-DOOR HATCHBACK 45 = 4-DOOR STATION WAGON

AR = Use as Required - = Non Illustrated Part P.A.R. = Paint as Required

FRESH AIR INTAKE SYSTEM M BODY

Figure 14-200

8114 200



ITEM	PART NUMBER	QTY	BODY	MODEL	DESCRIPTION
1	#4074 745	1			BAFFLE, Engine Air
2	3868 689				DUCT, Engine Air
3	3868 920	1			SEAL, Air Duct
4		2			SCREW (8-18x1/2) (not serviced)
5	3868 552	1			COLLAR, Air Duct
6	3868 957	1			DEFLECTOR and ADAPTER, Air Intake Duct
7	#6031 299	AR			RETAINER, Engine Air Baffle

MODEL CODES

C BODY = (D41 - DYNASTY)(C41 - NEW YORKER)
 E BODY = (J - CARAVELLE)(E - 600)(T - NEW YORKER TURBO)
 G BODY = (V24 - DAYTONA, PACIFICA & SHELBY)
 H BODY = (D44 - LANCER)(C44 - LEBARON GTS)
 J BODY = (C - LEBARON)
 K BODY = (P - RELIANT)(D - ARIES)(C - LEBARON/ TOWN & COUNTRY)
 L BODY = (M - HORIZON)(Z-OMNI)
 M BODY = (B - GRAN FURY)(G - DIPLOMAT)(F - FIFTH AVENUE/NEWPORT)
 P BODY = (P - SUNDANCE)(D - SHADOW)
 Q BODY = (C27 - MASERATI)
 S BODY = (H - VOYAGER)(K - RAM VAN/ CARAVAN)

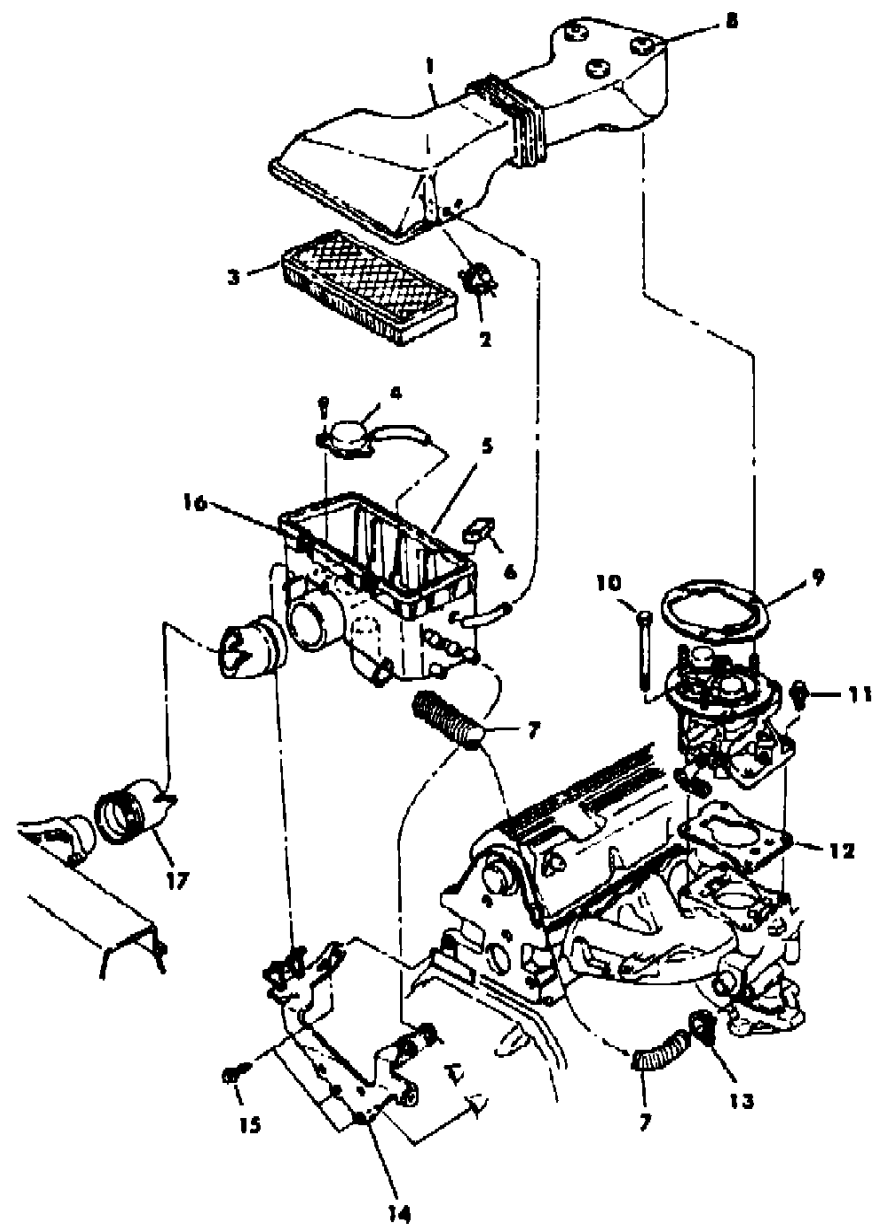
BODY STYLES

12-52 = FWD VAN & WAGON STD. W.B. 27 = 2-DOOR CONVERTIBLE
 13-53 = FWD VAN & WGN EXT W.B. 41 = 4-DOOR SEDAN
 21 = 2-DOOR SEDAN 44 = 4-DOOR HATCHBACK
 24 = 2-DOOR HATCHBACK 45 = 4-DOOR STATION WAGON

AR = Use as Required - = Non Illustrated Part P.A.R. = Paint as Required

AIR CLEANER 2.2L ENGINE E.F.I. L BODY
Figure 14-300

8114 300



ITEM	PART NUMBER	QTY	BODY	MODEL	DESCRIPTION
1	4458 048	1			COVER, Air Cleaner
2	4342 765	1			SENSOR, Temperature
3	4342 800	1			FILTER
4	4306 983	1			MOTOR, Vacuum
5					BODY, Air Cleaner
	4458 042	1			w/Aspirator
	4458 043	1			w/o Aspirator
6	4458 187	AR			FILTER
7	4288 002	1			CONNECTOR, Air
8	4324 348	3			NUT, Air Cleaner to Throttle Body
9	4405 108	1			GASKET
10	6501 581	2			SCREW and WASHER
11	6500 564	2			SCREW and WASHER
12	4324 319	1			GASKET
13		AR			CLAMP (not serviced)
14	4458 039	1			BRACKET
15	6500 158	3			SCREW and WASHER
16	4227 053	AR			LATCH
17	4458 040	1			DUCT, Fresh Air

MODEL CODES

C BODY = (D41 - DYNASTY)(C41 - NEW YORKER)	L BODY = (M - HORIZON)(Z-OMNI)
E BODY = (J - CARAVELLE)(E - 600)(T - NEW YORKER TURBO)	M BODY = (B - GRAN FURY)(G - DIPLOMAT)(F - FIFTH AVENUE/NEWPORT)
G BODY = (V24 - DAYTONA, PACIFICA & SHELBY)	P BODY = (P - SUNDANCE)(D - SHADOW)
H BODY = (D44 - LANCER)(C44 - LEBARON GTS)	Q BODY = (C27 - MASERATI)
J BODY = (C - LEBARON)	S BODY = (H - VOYAGER)(K - RAM VAN/ CARAVAN)
K BODY = (P - RELIANT)(D - ARIES)(C - LEBARON/ TOWN & COUNTRY)	

BODY STYLES

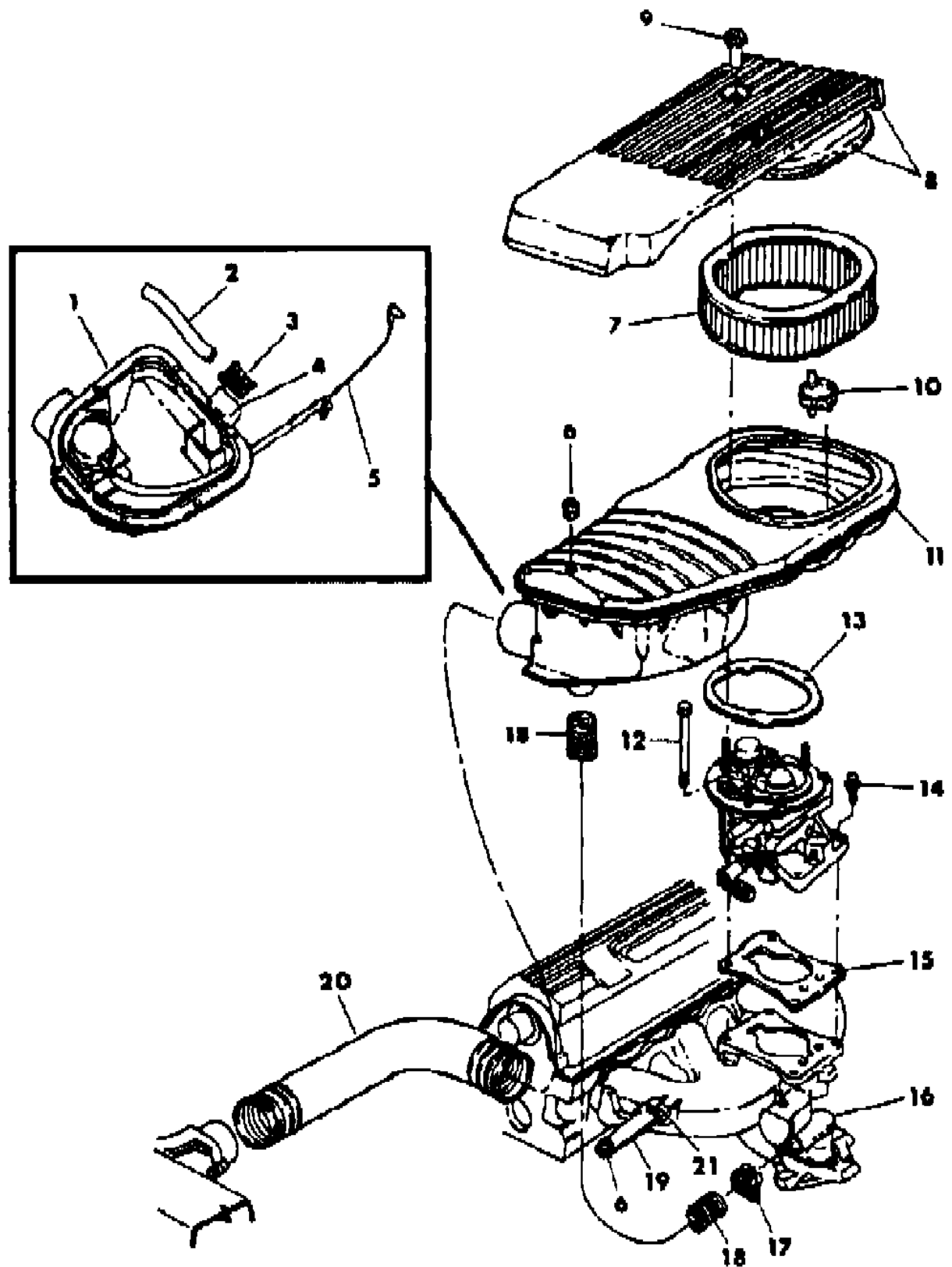
12-52 = FWD VAN & WAGON STD. W.B.	27 = 2-DOOR CONVERTIBLE
13-53 = FWD VAN & WGN EXT W.B.	41 = 4-DOOR SEDAN
21 = 2-DOOR SEDAN	44 = 4-DOOR HATCHBACK
24 = 2-DOOR HATCHBACK	45 = 4-DOOR STATION WAGON

AR = Use as Required - = Non Illustrated Part P.A.R. = Paint as Required

AIR CLEANER E.F.I. P,J,K,G,E,H,C BODY
Figure 14-400

8114 400

ITEM	PART NUMBER	QTY	BODY	MODEL	DESCRIPTION
1					SHELL, Lower
	4405 013	1			w/Aspirator
	4306 124	1			w/o Aspirator
2	4343 477	1			HOSE, P.C.V.
3	4288 006	1			ARRESTOR, Flame
4	4288 007	1			FILTER, P.C.V.
5	4306 317	1			HOSE, Temperature to Vacuum Motor
6	4306 125	2			GROMMET
7	4288 899	1			FILTER, Air
8	4288 005	1			COVER, Air Cleaner
9	4324 314	3			NUT, Cover Retaining
10	4342 765	1			SENSOR, Air Cleaner Temperature
11					BODY, Air Cleaner
	4288 014	1			w/o Aspirator
	4288 013	1			w/Aspirator
12	6501 581	2			SCREW, Throttle Body Attaching
13	4405 108	1			GASKET, Air Cleaner to Throttle Body
14	6500 564	2			SCREW, Throttle Body Attaching
15	4324 319	1			GASKET, Throttle Body to Intake Manifold
16	5203 338	1			HEATER, Carburetor Air
17					CLAMP (not serviced)
18	4288 002	1			CONNECTOR, Air Heater to Air Cleaner
19	4306 123	1			BRACKET, Air Cleaner Mounting
20	4288 003	1			DUCT, Air Cleaner
	4405 018	1	G,J		w/2.5L Engine
21	6500 192	1			SCREW and WASHER



MODEL CODES

C BODY = (D41 - DYNASTY)(C41 - NEW YORKER)	L BODY = (M - HORIZON)(Z-OMNI)
E BODY = (J - CARAVELLE)(E - 600)(T - NEW YORKER TURBO)	M BODY = (B - GRAN FURY)(G - DIPLOMAT)(F - FIFTH AVENUE/NEWPORT)
G BODY = (V24 - DAYTONA, PACIFICA & SHELBY)	P BODY = (P - SUNDANCE)(D - SHADOW)
H BODY = (D44 - LANCER)(C44 - LEBARON GTS)	Q BODY = (C27 - MASERATI)
J BODY = (C - LEBARON)	S BODY = (H - VOYAGER)(K - RAM VAN/ CARAVAN)
K BODY = (P - RELIANT)(D - ARIES)(C - LEBARON/ TOWN & COUNTRY)	

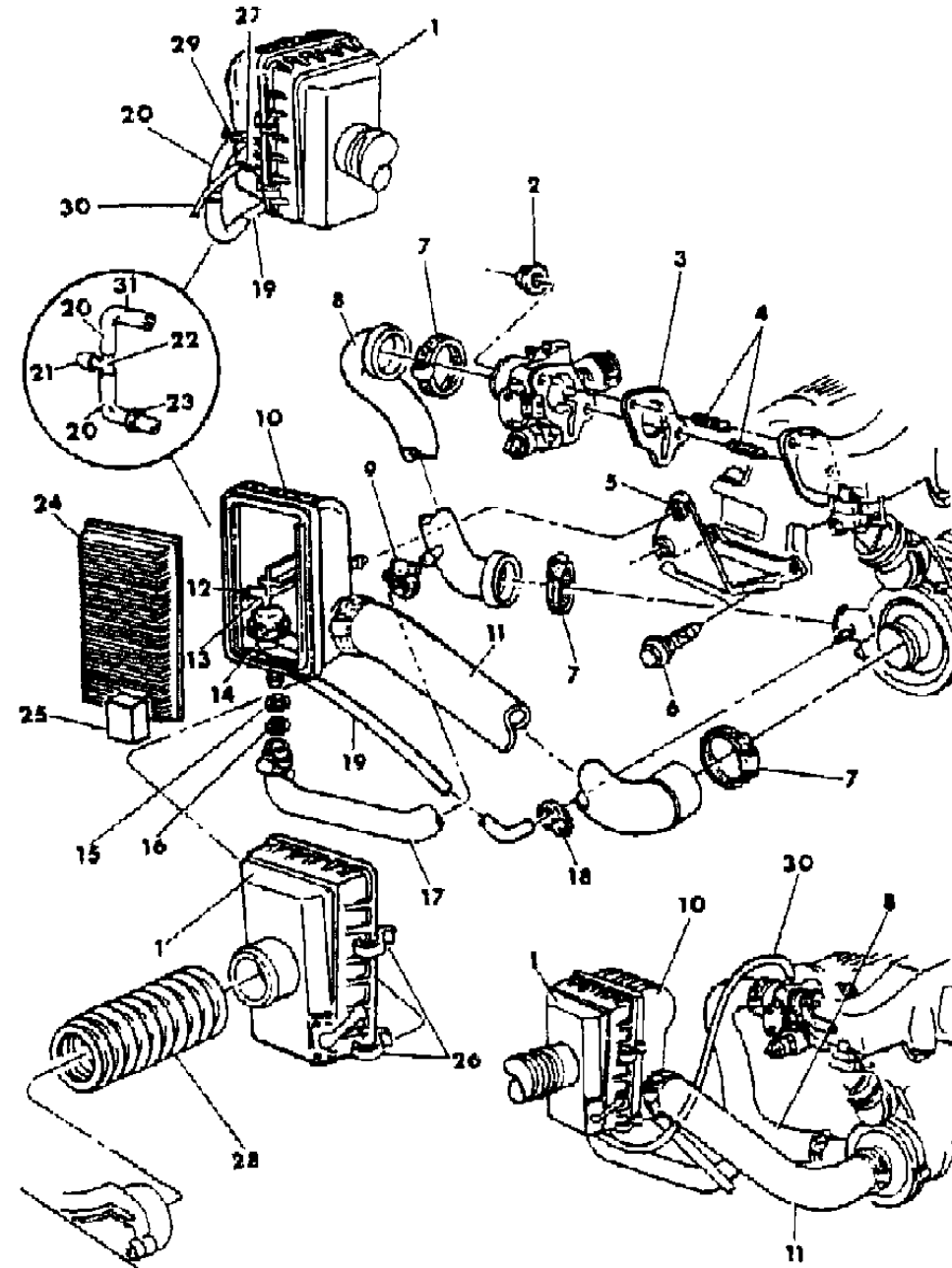
BODY STYLES

12-52 = FWD VAN & WAGON STD. W.B.	27 = 2-DOOR CONVERTIBLE
13-53 = FWD VAN & WGN EXT W.B.	41 = 4-DOOR SEDAN
21 = 2-DOOR SEDAN	44 = 4-DOOR HATCHBACK
24 = 2-DOOR HATCHBACK	45 = 4-DOOR STATION WAGON

AR = Use as Required - = Non Illustrated Part P.A.R. = Paint as Required

AIR CLEANER TURBO CHARGER W/O INTER COOLER P,J,K,G,E,H BODY
Figure 14-500

8114 500 A



ITEM	PART NUMBER	QTY	BODY	MODEL	DESCRIPTION
1	4324 043	1			HOUSING, Air Cleaner Filter
2	6101 445	2			NUT
3	4307 862	1			GASKET, Throttle Body to Intake Manifold
4	6501 645	2			STUD
5	4306 916	1			BRACKET, Air Cleaner Mounting
6	6500 158	2			SCREW and WASHER
7	6033 135	3			CLAMP
8	4504 018	1			HOSE, Turbo to Throttle Body
9	0153 640	2			CLAMP
10	4300 886	1			COVER, Air Cleaner
11	4458 146	1			HOSE, Air Cleaner to Turbo
12	4458 145	1			GROMMET
13	3780 508	1			TUBING
14	4458 162	1			VALVE, Shut-Off
15	4458 144	1			GROMMET
16		1			CLIP (not serviced)
17	4458 081	1			HOSE, Air Cleaner to Turbo
18	6500 650	1			CLAMP
19	4405 119	1			TUBE, Formed
20		1			TUBE, Formed Vapor Ejector (serviced in item 31)
21	3580 172	1			CAP, Vacuum Supply 1/4"
22		1			EJECTOR, Vacuum (serviced in item 31)
23		1			CONNECTOR, 1/4" - 3/8" Hose Black (serviced in Item 31)
24	4342 801	1			FILTER
25	4306 914	1			FILTER, Crankcase Inlet Air
26	4306 913	4			LATCH, Air Cleaner
27	4324 488	1			VALVE, Delay
28	4287 915	1			DUCT, Air Cleaner Fresh Air
29	6500 722	1			CLAMP
30	4287 145	1			TUBE, Formed
31	4324 313	1			HARNES, Speed Control Ejector (contains 19,20,21,22 and 23)

MODEL CODES

C BODY = (D41 - DYNASTY)(C41 - NEW YORKER)
 E BODY = (J - CARAVELLE)(E - 600)(T - NEW YORKER TURBO)
 G BODY = (V24 - DAYTONA, PACIFICA & SHELBY)
 H BODY = (D44 - LANCER)(C44 - LEBARON GTS)
 J BODY = (C - LEBARON)
 K BODY = (P - RELIANT)(D - ARIES)(C - LEBARON/ TOWN & COUNTRY)

L BODY = (M - HORIZON)(Z-OMNI)
 M BODY = (B - GRAN FURY)(G - DIPLOMAT)(F - FIFTH AVENUE/NEWPORT)
 P BODY = (P - SUNDANCE)(D - SHADOW)
 Q BODY = (C27 - MASERATI)
 S BODY = (H - VOYAGER)(K - RAM VAN/ CARAVAN)

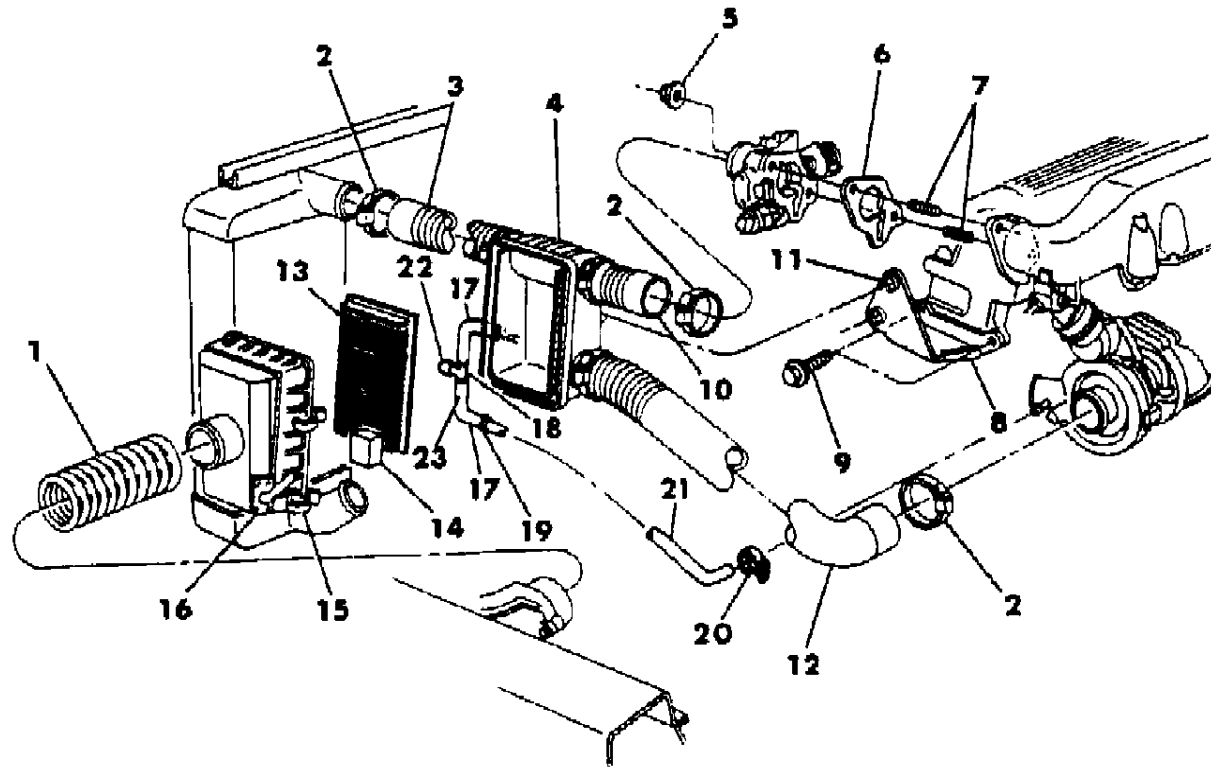
BODY STYLES

12-52 = FWD VAN & WAGON STD. W.B. 27 = 2-DOOR CONVERTIBLE
 13-53 = FWD VAN & WGN EXT W.B. 41 = 4-DOOR SEDAN
 21 = 2-DOOR SEDAN 44 = 4-DOOR HATCHBACK
 24 = 2-DOOR HATCHBACK 45 = 4-DOOR STATION WAGON

AR = Use as Required - = Non Illustrated Part P.A.R. = Paint as Required

AIR CLEANER TURBO CHARGER II - W/INTER COOLER
Figure 14-600

8114 600 A



ITEM	PART NUMBER	QTY	BODY	MODEL	DESCRIPTION
1	4287 915	1			DUCT, Fresh Air
2	6033 135	AR			CLAMP
3	4307 352	1			HOSE, Inter Cooler to Air Cleaner
4	4324 156	1			COVER, Air Cleaner
5	6101 445	2			NUT, Throttle Body Attaching
6	4307 862	1			GASKET, Throttle Body to Intake Manifold
7	6501 645	2			STUD, Throttle Body Attaching
8	4306 916	1			BRACKET, Air Cleaner Mounting
9	6500 158	2			SCREW and WASHER
10	4300 058	1			HOSE, Air Cleaner to Throttle Body
11	4268 295	2			GROMMET
12	4306 102	1			HOSE, Air Cleaner to Turbo Charger
13	4342 801	1			FILTER, Air Cleaner
14	4306 914	1			FILTER, Crankcase Inlet Air
15	4306 913	4			LATCH, Air Cleaner
16	4324 043	1			HOUSING, Filter
17		2			TUBE, Formed Vapor Ejector (serviced in item 23)
18		1			EJECTOR, Vacuum (serviced in item 23)
19		1			CONNECTOR (serviced in item 23)
20	6500 650	1			CLAMP
21	4405 119	1			TUBE, Formed
22	3580 172	1			CAP, Vacuum Supply 1/4"
23	4324 313	1			HARNESSE, Speed Control Ejector (contains 17,18,19,21 and 22)

MODEL CODES

C BODY = (D41 - DYNASTY)(C41 - NEW YORKER)
 E BODY = (J - CARAVELLE)(E - 600)(T - NEW YORKER TURBO)
 G BODY = (V24 - DAYTONA, PACIFICA & SHELBY)
 H BODY = (D44 - LANCER)(C44 - LEBARON GTS)
 J BODY = (C - LEBARON)
 K BODY = (P - RELIANT)(D - ARIES)(C - LEBARON/ TOWN & COUNTRY)

L BODY = (M - HORIZON)(Z-OMNI)
 M BODY = (B - GRAN FURY)(G - DIPLOMAT)(F - FIFTH AVENUE/NEWPORT)
 P BODY = (P - SUNDANCE)(D - SHADOW)
 Q BODY = (C27 - MASERATI)
 S BODY = (H - VOYAGER)(K - RAM VAN/ CARAVAN)

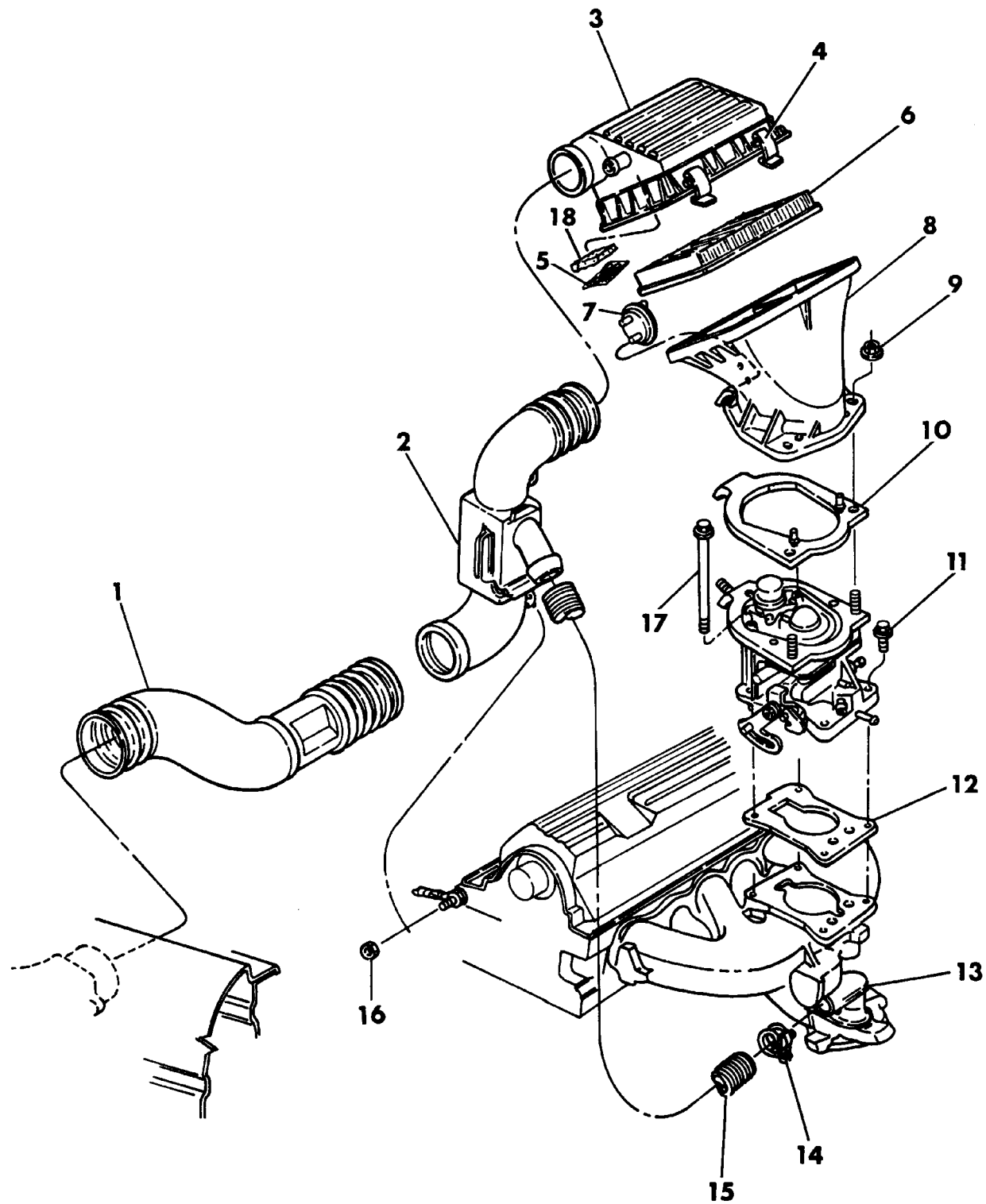
BODY STYLES

12-52 = FWD VAN & WAGON STD. W.B. 27 = 2-DOOR CONVERTIBLE
 13-53 = FWD VAN & WGN EXT W.B. 41 = 4-DOOR SEDAN
 21 = 2-DOOR SEDAN 44 = 4-DOOR HATCHBACK
 24 = 2-DOOR HATCHBACK 45 = 4-DOOR STATION WAGON

AR = Use as Required - = Non Illustrated Part P.A.R. = Paint as Required

AIR CLEANER 2.5L ENGINE E.F.I. S BODY
Figure 14-700

8114 700A



ITEM	PART NUMBER	QTY	BODY	MODEL	DESCRIPTION
1	4201 236	1			DUCT, Air Cleaner Fresh Air
2	4300 293	1			MODULE, Heated Air
3	4300 300	1			COVER, Air Cleaner
4	4306 913	4			CLIP, Air Cleaner Latch
5	4288 006	1			ARRESTOR, Flame
6	4342 801	1			FILTER, Air Cleaner
7	4342 765	1			SENSOR PACKAGE, Air Cleaner Temp.
8	4300 299	1			BODY, Air Cleaner
9	6500 512	3			NUT
10	4201 284	1			GASKET, Air Cleaner to Throttle Body
11	6500 564	2			SCREW and WASHER
12	4324 319	1			GASKET, Throttle Body Flange
13	5203 338	1			HEATER, Throttle Body Air
14					CLAMP (not serviced)
15	4306 121	1			CONNECTOR, Air Heater to Air Cleaner
16	6500 363	1			NUT
17	6501 581	2			SCREW and WASHER
18	4288 007	1			FILTER, PCV

MODEL CODES

C BODY = (D41 - DYNASTY)(C41 - NEW YORKER)	L BODY = (M - HORIZON)(Z-OMNI)
E BODY = (J - CARAVELLE)(E - 600)(T - NEW YORKER TURBO)	M BODY = (B - GRAN FURY)(G - DIPLOMAT)(F - FIFTH AVENUE/NEWPORT)
G BODY = (V24 - DAYTONA, PACIFICA & SHELBY)	P BODY = (P - SUNDANCE)(D - SHADOW)
H BODY = (D44 - LANCER)(C44 - LEBARON GTS)	Q BODY = (C27 - MASERATI)
J BODY = (C - LEBARON)	S BODY = (H - VOYAGER)(K - RAM VAN/ CARAVAN)
K BODY = (P - RELIANT)(D - ARIES)(C - LEBARON/ TOWN & COUNTRY)	

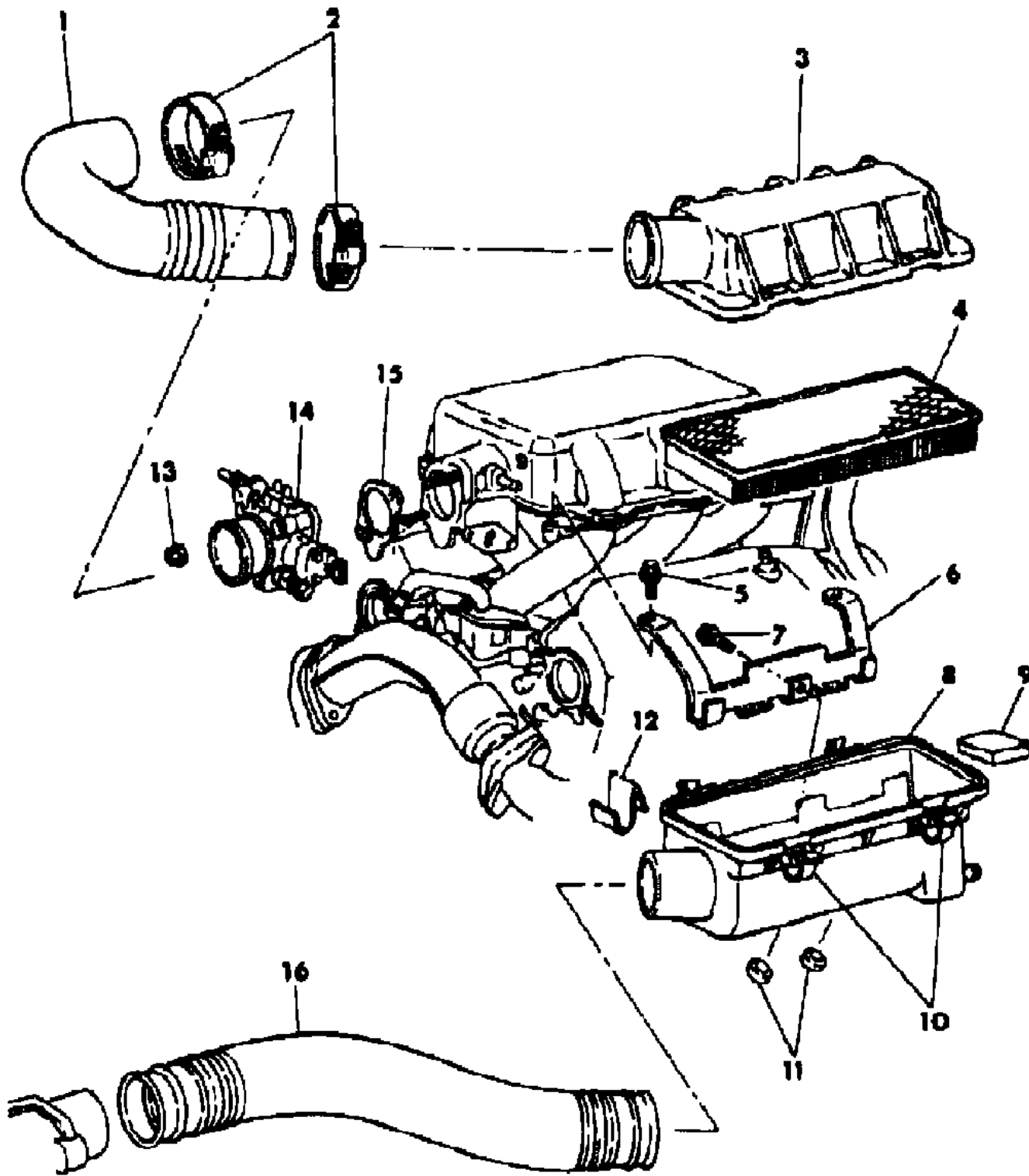
BODY STYLES

12-52 = FWD VAN & WAGON STD. W.B.	27 = 2-DOOR CONVERTIBLE
13-53 = FWD VAN & WGN EXT W.B.	41 = 4-DOOR SEDAN
21 = 2-DOOR SEDAN	44 = 4-DOOR HATCHBACK
24 = 2-DOOR HATCHBACK	45 = 4-DOOR STATION WAGON

AR = Use as Required - = Non Illustrated Part P.A.R. = Paint as Required

AIR CLEANER 3.0L ENGINE C AND S BODY
Figure 14-800

8114 800



ITEM	PART NUMBER	QTY	BODY	MODEL	DESCRIPTION
1	4307 310	1			HOSE, Air Cleaner to Throttle Body
2	6032 368	2			CLAMP
3	4307 302	1			COVER, Air Cleaner
4	4342 800	1			FILTER, Air Cleaner
5	6101 452	2			BOLT
6	4307 307	1			BRACKET
7					SCREW (metric 6-1x16mm) (not serviced)
8	4458 088	1			BODY, Air Cleaner
9	4307 323	1			FILTER, P.C.V. System
10	4306 913	4			LATCH
11	4300 052	2			BUMPER
12	4324 181	1			CLIP, Hose
13	6101 445	2			NUT
14					BODY, Throttle (reference)
15	4300 071	1			GASKET
16					DUCT, Air Cleaner Fresh Air
	4307 311	1	S		
	4275 038	1	C		

MODEL CODES

C BODY = (D41 - DYNASTY)(C41 - NEW YORKER)	L BODY = (M - HORIZON)(Z-OMNI)
E BODY = (J - CARAVELLE)(E - 600)(T - NEW YORKER TURBO)	M BODY = (B - GRAN FURY)(G - DIPLOMAT)(F - FIFTH AVENUE/NEWPORT)
G BODY = (V24 - DAYTONA, PACIFICA & SHELBY)	P BODY = (P - SUNDANCE)(D - SHADOW)
H BODY = (D44 - LANCER)(C44 - LEBARON GTS)	Q BODY = (C27 - MASERATI)
J BODY = (C - LEBARON)	S BODY = (H - VOYAGER)(K - RAM VAN/ CARAVAN)
K BODY = (P - RELIANT)(D - ARIES)(C - LEBARON/ TOWN & COUNTRY)	

BODY STYLES

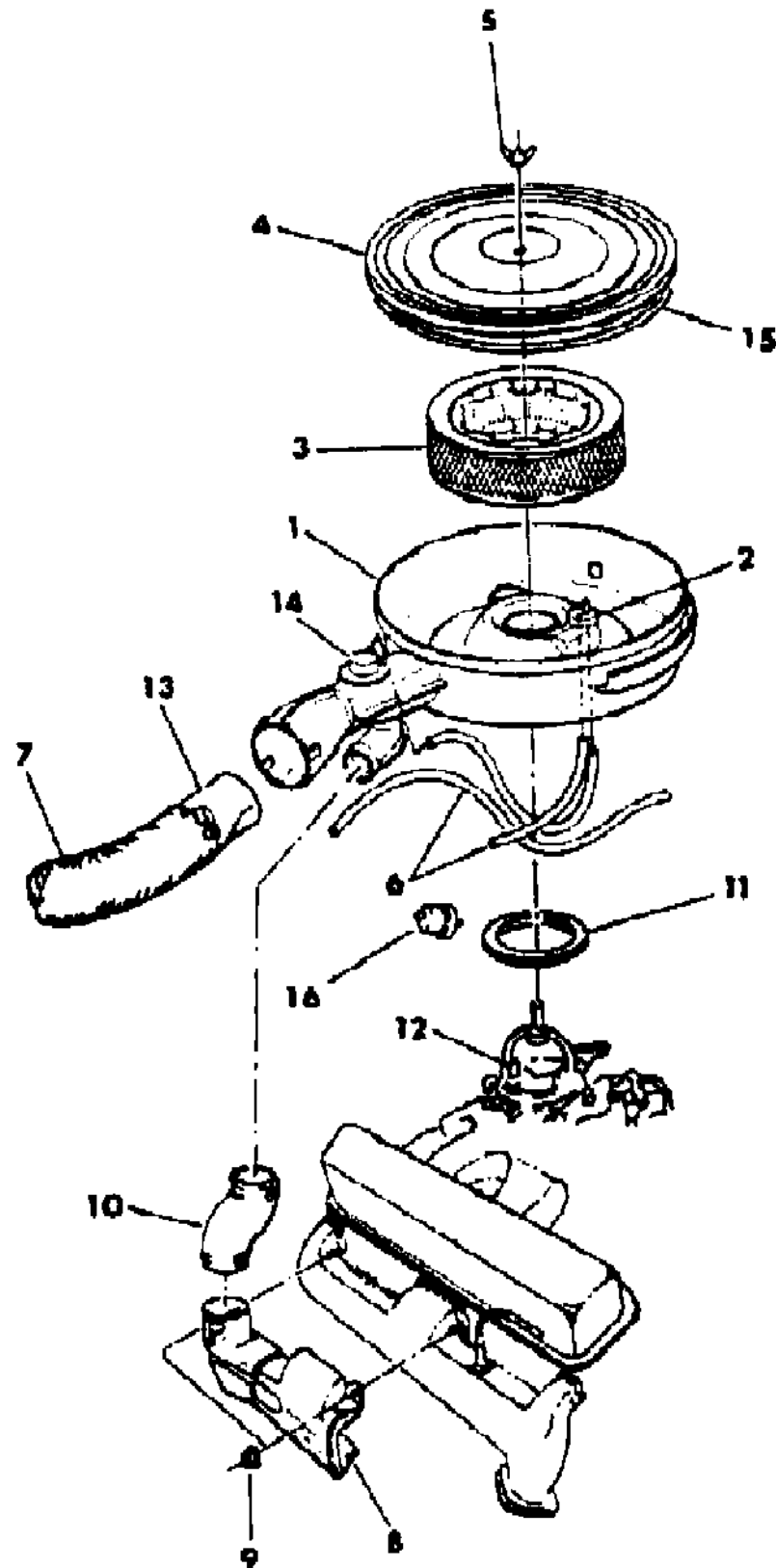
12-52 = FWD VAN & WAGON STD. W.B.	27 = 2-DOOR CONVERTIBLE
13-53 = FWD VAN & WGN EXT W.B.	41 = 4-DOOR SEDAN
21 = 2-DOOR SEDAN	44 = 4-DOOR HATCHBACK
24 = 2-DOOR HATCHBACK	45 = 4-DOOR STATION WAGON

AR = Use as Required - = Non Illustrated Part P.A.R. = Paint as Required

AIR CLEANER 5.2L-2BBL ENGINE

Figure 14-900

8114 900



ITEM	PART NUMBER	QTY	BODY	MODEL	DESCRIPTION
1					BODY, Air Cleaner
	4227 093	1			w/o Aspirator
	4227 092	1			w/Aspirator
2	4240 062	1			SENSOR, Air Cleaner Temperature
3	1739 547	1			FILTER, Air Cleaner
4	3577 759	1			COVER, Air Cleaner
5	6026 841	1			NUT, Air Cleaner
6	4026 511	AR			HOSE, Air Cleaner
7	4049 348	1			DUCT, Air Cleaner to Bodyside
8	4227 981	1			HEATER, Carburetor Air
9	6025 004	2			NUT and WASHER
10	4241 310	1			CONNECTOR, Air Heater to Air Cleaner
11	2536 626	1			GASKET, Air Cleaner to Carburetor
12	2951 393	1			CLAMP, Air Cleaner
13	4213 632	1			ADAPTOR, Snorkel to Fresh Air Duct
14	4397 641	1			DIAPHRAGM, Air Cleaner Snorkel Vacuum
15	4071 703	1			GASKET, Air Cleaner Cover
16	4201 385	1			VALVE, Heated Air Delay

MODEL CODES

C BODY = (D41 - DYNASTY)(C41 - NEW YORKER)
 E BODY = (J - CARAVELLE)(E - 600)(T - NEW YORKER TURBO)
 G BODY = (V24 - DAYTONA, PACIFICA & SHELBY)
 H BODY = (D44 - LANCER)(C44 - LEBARON GTS)
 J BODY = (C - LEBARON)
 K BODY = (P - RELIANT)(D - ARIES)(C - LEBARON/ TOWN & COUNTRY)
 L BODY = (M - HORIZON)(Z-OMNI)
 M BODY = (B - GRAN FURY)(G - DIPLOMAT)(F - FIFTH AVENUE/NEWPORT)
 P BODY = (P - SUNDANCE)(D - SHADOW)
 Q BODY = (C27 - MASERATI)
 S BODY = (H - VOYAGER)(K - RAM VAN/ CARAVAN)

BODY STYLES

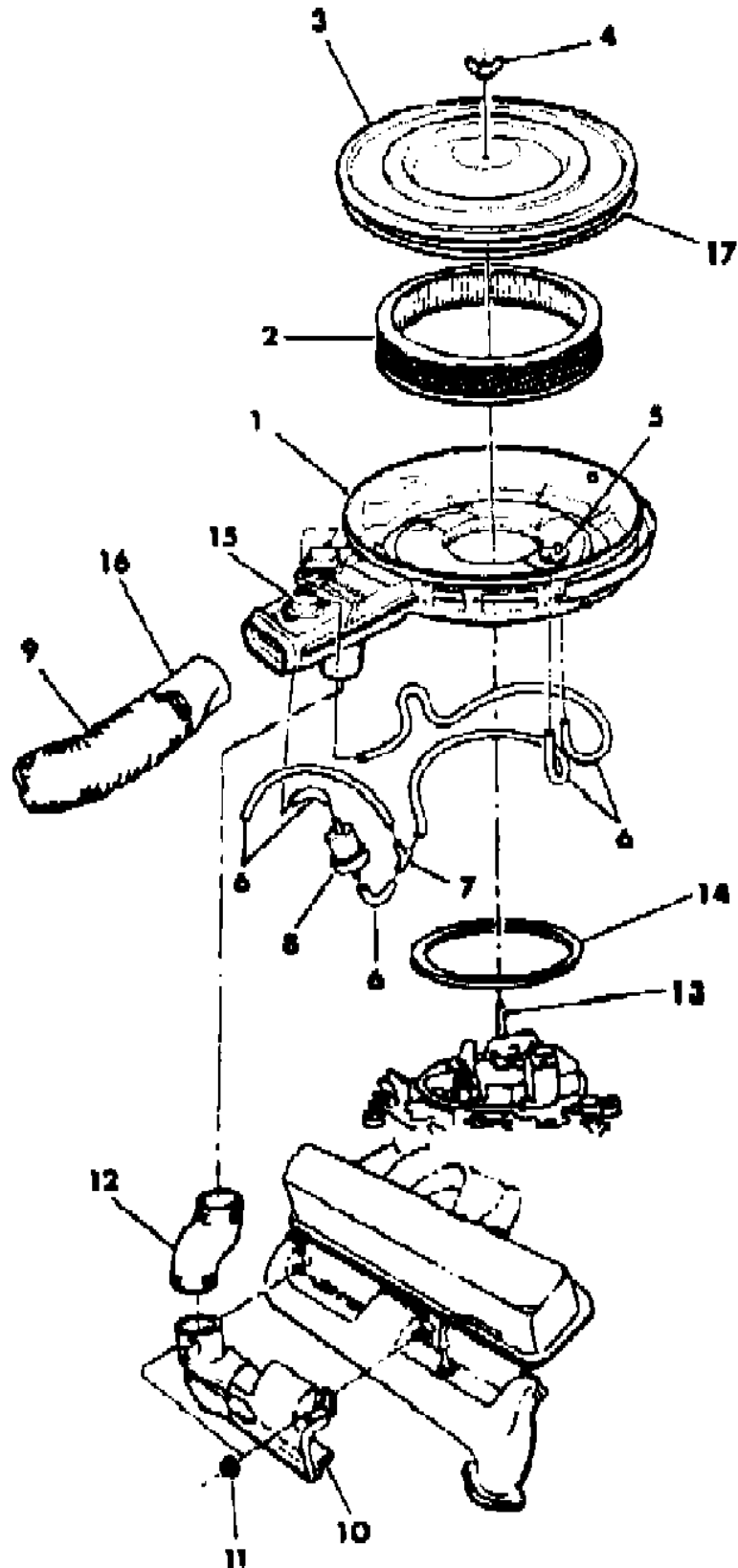
12-52 = FWD VAN & WAGON STD. W.B. 27 = 2-DOOR CONVERTIBLE
 13-53 = FWD VAN & WGN EXT W.B. 41 = 4-DOOR SEDAN
 21 = 2-DOOR SEDAN 44 = 4-DOOR HATCHBACK
 24 = 2-DOOR HATCHBACK 45 = 4-DOOR STATION WAGON

AR = Use as Required - = Non Illustrated Part P.A.R. = Paint as Required

AIR CLEANER 5.2L-4BBL ENGINE

Figure 14-1000

8114 1000



ITEM	PART NUMBER	QTY	BODY	MODEL	DESCRIPTION
1	4275 494	1			BODY, Air Cleaner
2	2863 349	1			FILTER, Air Cleaner
3	2951 756	1			COVER, Air Cleaner
4	6031 609	1			WING NUT, Air Cleaner
5	4240 062	1			SENSOR, Air Cleaner Temperature
6	4026 511	AR			HOSE, Air Cleaner
7	2857 908	2			TEE
8	4201 385	1			VALVE, Heated Air Delay
9	#4179 789	1			DUCT, Air Cleaner to Body Side
10	4227 981	1			HEATER, Carburetor Air
11	6025 004	2			NUT and WASHER
12	4241 310	1			CONNECTOR, Air Heater to Air Cleaner
13	1826 286	1			STUD, Air Cleaner to Carburetor
14	4100 602	1			GASKET, Air Cleaner to Carburetor
15					DIAPHRAGM, Air Cleaner
	4201 010	1			Snorkel Vacuum
	4105 938	1			Vapor Containment Vacuum
16	4213 632				ADAPTOR, Snorkel to Fresh Air Duct
17	4071 703				GASKET, Air Cleaner Cover

MODEL CODES

C BODY = (D41 - DYNASTY)(C41 - NEW YORKER)
 E BODY = (J - CARAVELLE)(E - 600)(T - NEW YORKER TURBO)
 G BODY = (V24 - DAYTONA, PACIFICA & SHELBY)
 H BODY = (D44 - LANCER)(C44 - LEBARON GTS)
 J BODY = (C - LEBARON)
 K BODY = (P - RELIANT)(D - ARIES)(C - LEBARON/ TOWN & COUNTRY)
 L BODY = (M - HORIZON)(Z-OMNI)
 M BODY = (B - GRAN FURY)(G - DIPLOMAT)(F - FIFTH AVENUE/NEWPORT)
 P BODY = (P - SUNDANCE)(D - SHADOW)
 Q BODY = (C27 - MASERATI)
 S BODY = (H - VOYAGER)(K - RAM VAN/ CARAVAN)

BODY STYLES

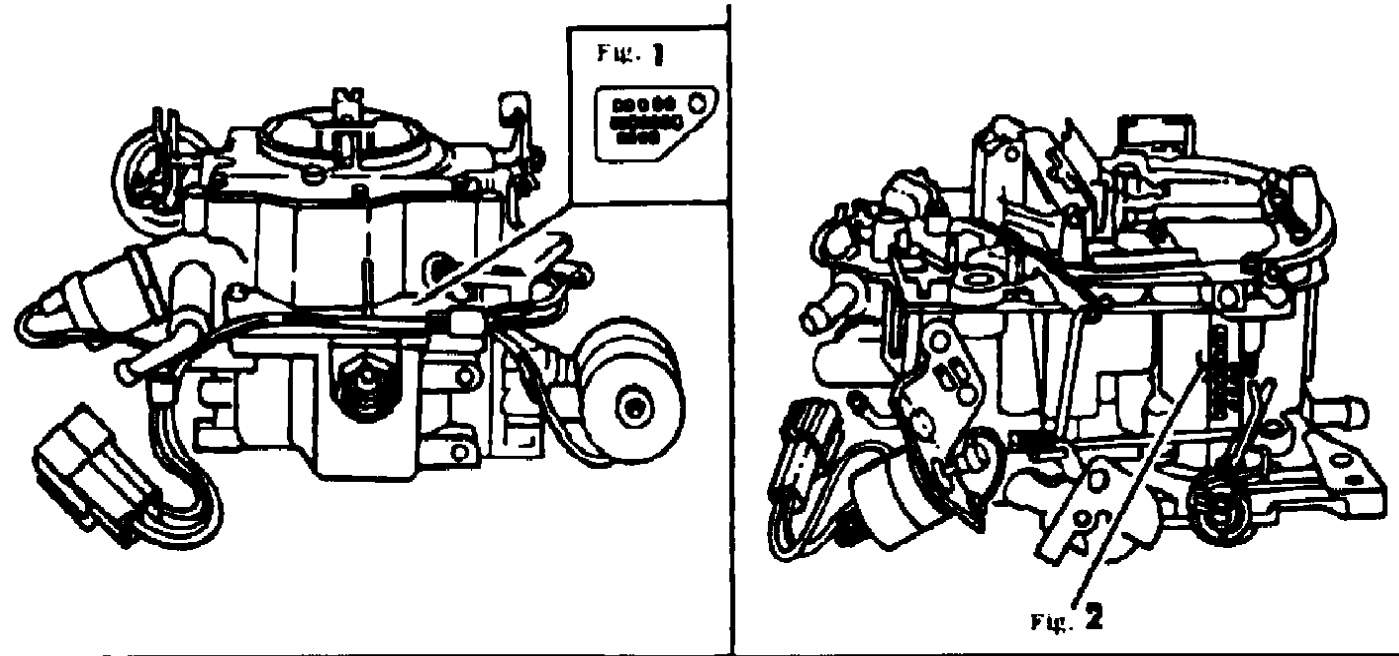
12-52 = FWD VAN & WAGON STD. W.B. 27 = 2-DOOR CONVERTIBLE
 13-53 = FWD VAN & WGN EXT W.B. 41 = 4-DOOR SEDAN
 21 = 2-DOOR SEDAN 44 = 4-DOOR HATCHBACK
 24 = 2-DOOR HATCHBACK 45 = 4-DOOR STATION WAGON

AR = Use as Required - = Non Illustrated Part P.A.R. = Paint as Required

CARBURETOR IDENTIFICATION AND CROSS REFERENCE

Figure 14-1100

8114 1100



ITEM	PART NUMBER	QTY	BODY	MODEL	DESCRIPTION
1					HOLLEY 6280 SERIES CARBURETOR N N N N N N N N
NOTE: The Holley 6280 Carburetor is identified by a tag attached to the top of the Carburetor. It Contains both the Holley and Chrysler Number.					
					N N N N
2					ROCHESTER QUADRA JET CARBURETOR N N N N N N N N
NOTE: The Rochester Quadra Jet Carburetor is identified by the Rochester Number stamped on the throttle side of the float bowl.					
					N N N N
					N N N N
2					QUADRA JET ! 1400 N4306433 N17085433 N318 N1
1					6280 !1300 N4306441 NR-40354-A N318 N2
1					6280 ! 1300 N4324647 NR-40276 N318 N1

MODEL CODES

C BODY = (D41 - DYNASTY)(C41 - NEW YORKER) E BODY = (J - CARAVELLE)(E - 600)(T - NEW YORKER TURBO) G BODY = (V24 - DAYTONA, PACIFICA & SHELBY) H BODY = (D44 - LANCER)(C44 - LEBARON GTS) J BODY = (C - LEBARON) K BODY = (P - RELIANT)(D - ARIES)(C - LEBARON/ TOWN & COUNTRY)	L BODY = (M - HORIZON)(Z-OMNI) M BODY = (B - GRAN FURY)(G - DIPLOMAT)(F - FIFTH AVENUE/NEWPORT) P BODY = (P - SUNDANCE)(D - SHADOW) Q BODY = (C27 - MASERATI) S BODY = (H - VOYAGER)(K - RAM VAN/ CARAVAN)
--	--

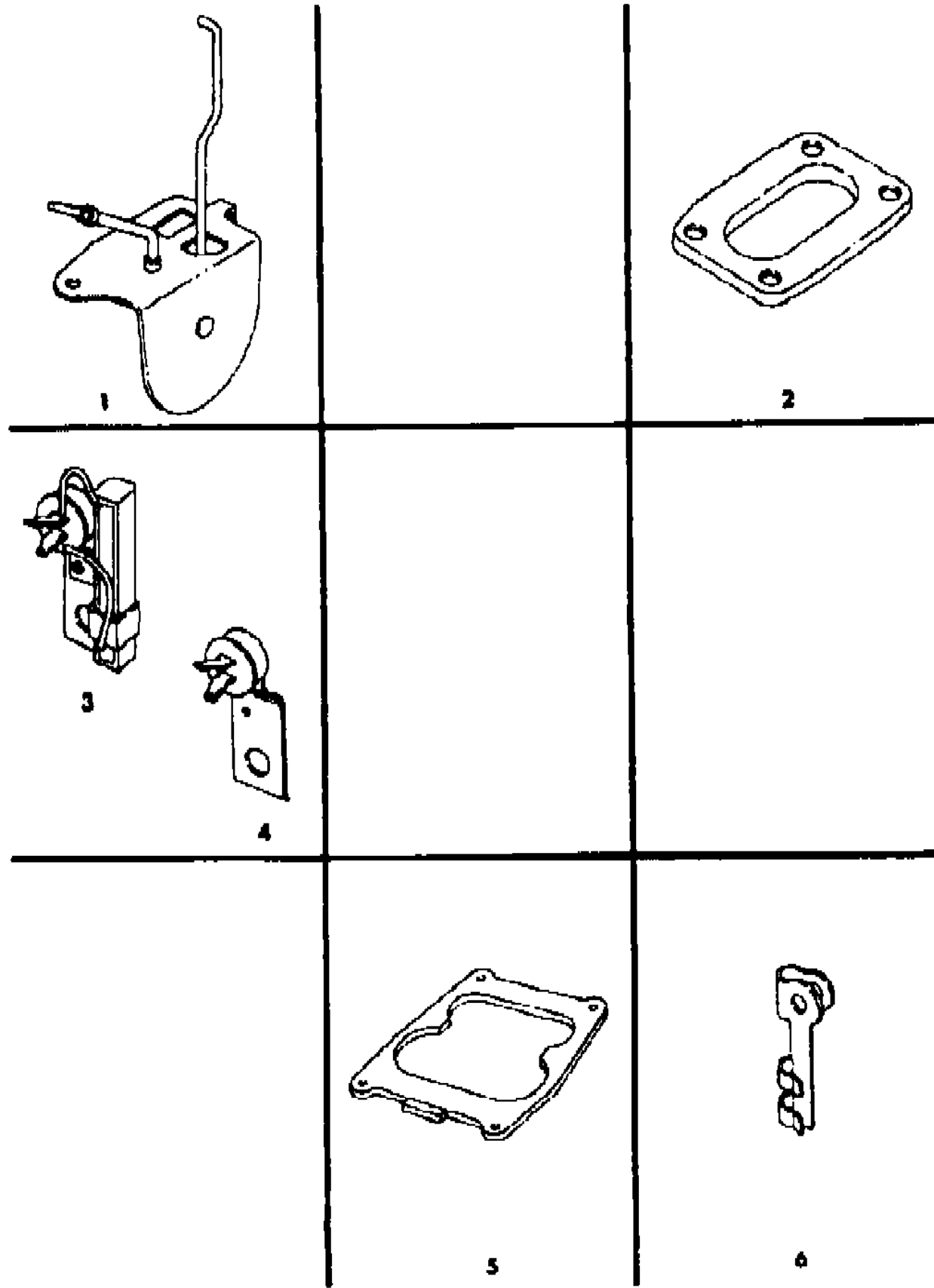
BODY STYLES

12-52 = FWD VAN & WAGON STD. W.B.	27 = 2-DOOR CONVERTIBLE
13-53 = FWD VAN & WGN EXT W.B.	41 = 4-DOOR SEDAN
21 = 2-DOOR SEDAN	44 = 4-DOOR HATCHBACK
24 = 2-DOOR HATCHBACK	45 = 4-DOOR STATION WAGON

AR = Use as Required - = Non Illustrated Part P.A.R. = Paint as Required

CARBURETOR CHOKE, CHOKE CONTROL, FLANGE GASKETS
Figure 14-1200

8114 1200



ITEM	PART NUMBER	QTY	BODY	MODEL	DESCRIPTION
1					CHOKE, Carburetor
	4095 339	1			w/318-2BBL.
2					GASKET, Carburetor Flange
	3870 535	1			w/318-2BBL.
3					CONTROL, Choke
	4049 777	1			w/318-2BBL.
	4106 096	1			w/318-4BBL.
4	4049 799	1			CONTROL, Choke, 318 Engine
5	4307 782	1			GASKET, Flange, w/318-4BBL.
6					CLIP, Choke Rod End
	4095 966	1			w/318-2BBL.
	4041 917	1			w/318-4BBL.

MODEL CODES
 C BODY = (D41 - DYNASTY)(C41 - NEW YORKER)
 E BODY = (J - CARAVELLE)(E - 600)(T - NEW YORKER TURBO)
 G BODY = (V24 - DAYTONA, PACIFICA & SHELBY)
 H BODY = (D44 - LANCER)(C44 - LEBARON GTS)
 J BODY = (C - LEBARON)
 K BODY = (P - RELIANT)(D - ARIES)(C - LEBARON/ TOWN & COUNTRY)
 L BODY = (M - HORIZON)(Z-OMNI)
 M BODY = (B - GRAN FURY)(G - DIPLOMAT)(F - FIFTH AVENUE/NEWPORT)
 P BODY = (P - SUNDANCE)(D - SHADOW)
 Q BODY = (C27 - MASERATI)
 S BODY = (H - VOYAGER)(K - RAM VAN/ CARAVAN)

BODY STYLES
 12-52 = FWD VAN & WAGON STD. W.B. 27 = 2-DOOR CONVERTIBLE
 13-53 = FWD VAN & WGN EXT W.B. 41 = 4-DOOR SEDAN
 21 = 2-DOOR SEDAN 44 = 4-DOOR HATCHBACK
 24 = 2-DOOR HATCHBACK 45 = 4-DOOR STATION WAGON

AR = Use as Required - = Non Illustrated Part P.A.R. = Paint as Required

CARBURETOR AND COMPONENT PARTS HOLLEY-2BBL.(6280)

Figure 14-1300

8114 1300 A

ITEM	PART NUMBER	QTY	BODY	MODEL	DESCRIPTION
A					CARBURETOR ASSEMBLY N N N N
	4324 647				B,F,G w/or w/o Air Cond. ! 318/A NR-40276 N4324647 Y4324647 N1
					B,F,G ! 318/A NR-40354-A N4306441 N4306441 N2
PKG.A	4342 859				GASKET PACKAGE Y4342859 Y4342859 N N
PKG.B	4342 860				REPAIR PACKAGE Y4342860 Y4342860 N N
1	4131 084				NEEDLE and SEAT Y4131084 Y4131084 N N
2					VALVE, Power N N N N Mechanical N N N N
	4186 125				Vacuum Y4186125 Y4186125 N N
3	4131 173				JET, Main Metering Y4131173 N4267108 N N
3	4267 108				JET, Main Metering N4131173 Y4267108 N N
4	4342 857				FLOAT Y4342857 Y4342857 N N
5	4342 854				GASKET, Air Horn Y4342854 Y4342854 N N
6	4397 667				SOLENOID, Switch Valve Y4397667 Y4397667 N N
7	4293 895				DIAPHRAGM, w/Link, Choke Y4293895 Y4293895 N N
8	4267 090				CUP, Pump Y4267090 Y4267090 N N
9	4342 861				SOLENOID, Feed Back, Carb. Y4342861 N4467021 N N
9	4467 021				SOLENOID, Feed Back, Carb. N4342861 Y4467021 N N
10	4342 862				SOLENOID, Idle Stop Y4342862 Y4342862 N N
11	4267 140				PLUG, Idle Needle Y4267140 Y4267140 N N
12	4467 028				PUMP STEM and HEAD PACKAGE Y4467028 Y4467028 N N

MODEL CODES

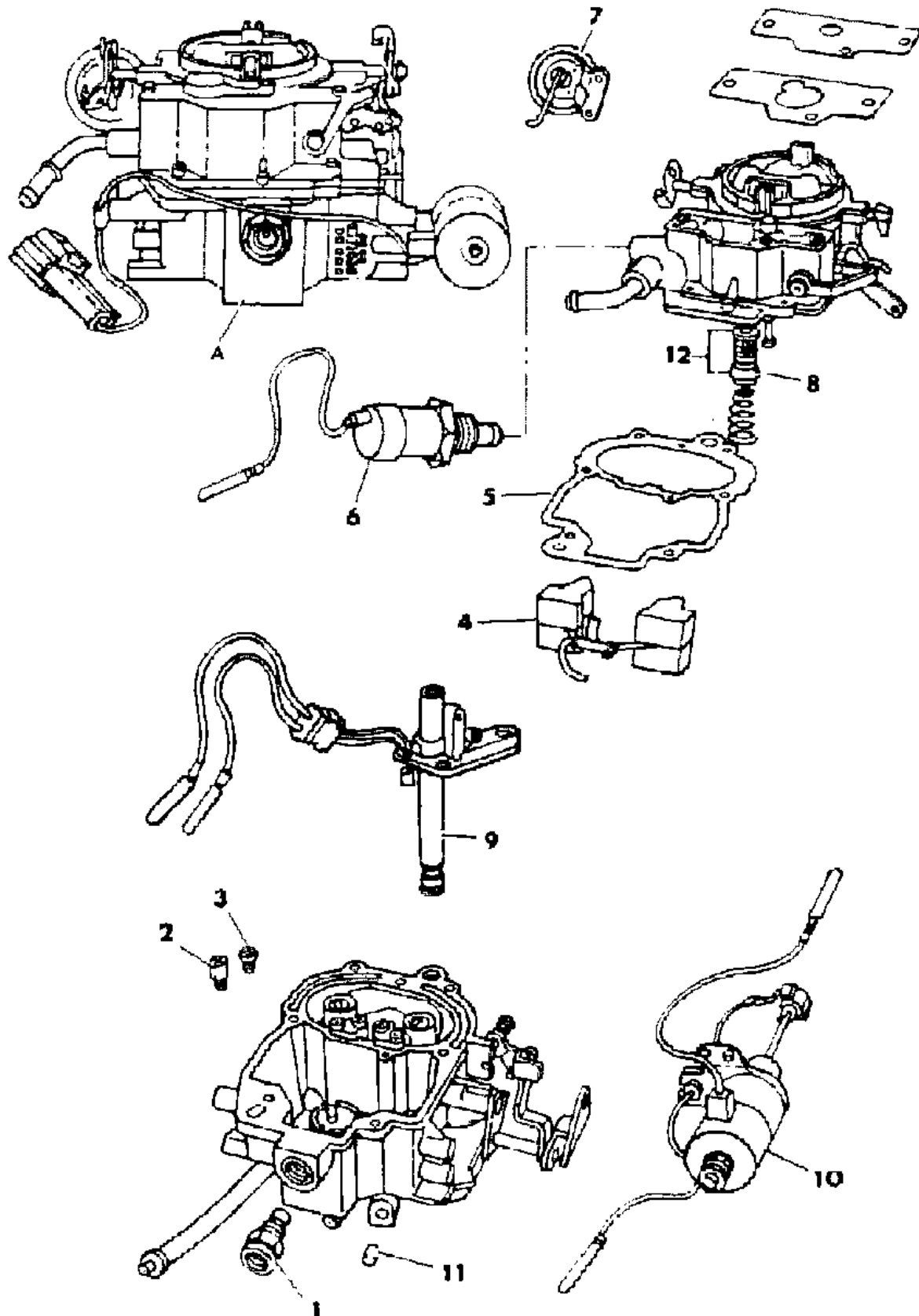
C BODY = (D41 - DYNASTY)(C41 - NEW YORKER)
 E BODY = (J - CARAVELLE)(E - 600)(T - NEW YORKER TURBO)
 G BODY = (V24 - DAYTONA, PACIFICA & SHELBY)
 H BODY = (D44 - LANCER)(C44 - LEBARON GTS)
 J BODY = (C - LEBARON)
 K BODY = (P - RELIANT)(D - ARIES)(C - LEBARON/ TOWN & COUNTRY)

L BODY = (M - HORIZON)(Z-OMNI)
 M BODY = (B - GRAN FURY)(G - DIPLOMAT)(F - FIFTH AVENUE/NEWPORT)
 P BODY = (P - SUNDANCE)(D - SHADOW)
 Q BODY = (C27 - MASERATI)
 S BODY = (H - VOYAGER)(K - RAM VAN/ CARAVAN)

BODY STYLES

12-52 = FWD VAN & WAGON STD. W.B. 27 = 2-DOOR CONVERTIBLE
 13-53 = FWD VAN & WGN EXT W.B. 41 = 4-DOOR SEDAN
 21 = 2-DOOR SEDAN 44 = 4-DOOR HATCHBACK
 24 = 2-DOOR HATCHBACK 45 = 4-DOOR STATION WAGON

AR = Use as Required - = Non Illustrated Part P.A.R. = Paint as Required



CARBURETOR AND COMPONENT PARTS ROCHESTER - 4BBL.(QUADRA JET ELECTRONIC)

Figure 14-1400

8114 1400

ITEM	PART NUMBER	QTY	BODY	MODEL	DESCRIPTION
A					CARBURETOR ASSEMBLY N N N N
	4397 609				B,F,G, w or w/o Air Cond. ! 318/A N17085433 N4306433 Y4397609 N1
1	4342 812				REPAIR PACKAGE Y4342812 N N N
2	4342 813				GASKET PACKAGE, Air Horn, Carb. Y4342813 N N N
3	4342 814				HORN PACKAGE, Carb. Air Y4342814 N N N
4	4342 815				BOWL PACKAGE, Float, Carb. Y4342815 N N N
5	4342 816				BODY PACKAGE, Throttle, Carb. Y4342816 N N N
6	4342 817				HOUSING PACKAGE, Choke, Carb. Y4342817 N N N
7	4342 818				RETAINER PACKAGE, Choke Cover Carb. Y4342818 N N N
8	4342 934				STAT and COVER PACKAGE, Electric Choke, Carb. Y4342934 N N N
9	4342 912				BREAK PACKAGE, Primary Vacuum, Carb. Y4342912 N N N
10	4342 822				SOLENOID PACKAGE, Mixture Control, Carb. Y4342822 N N N
11	4342 823				JET and ROD PACKAGE, Metering, Carb. Y4342823 N N N
12	4342 824				SOLENOID PACKAGE, Idle, Carb. Y4342824 N N N
13	4342 825				FILTER PACKAGE, Fuel, Carb. Y4342825 N N N
14	4342 826				FLOAT and INSERT PACKAGE, Carb. Y4342826 N N N
15	4342 827				PUMP, Carb. Y4342827 N N N
16	4342 828				NEEDLE and SEAT PACKAGE, Carb. Y4342828 N N N
17	4342 829				VALVE PACKAGE, Air Bleed, Carb. Y4342829 N N N
18	4342 830				O-RING PACKAGE, Idle Air Bleed, Carb. Y4342830 N N N
19	4342 831				SCREW PACKAGE, Assortment, Carb. Y4342831 N N N

MODEL CODES

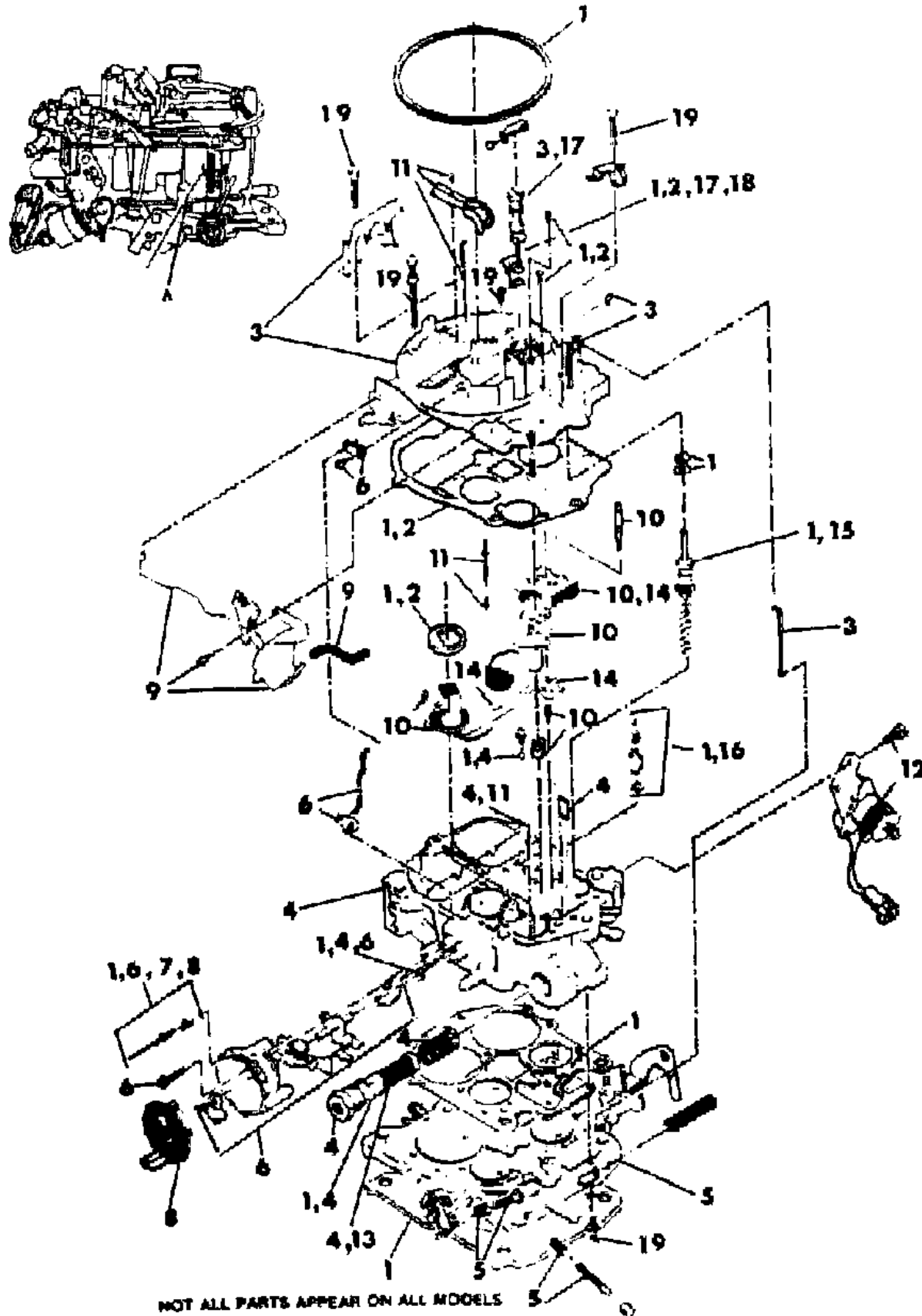
C BODY = (D41 - DYNASTY)(C41 - NEW YORKER)
 E BODY = (J - CARAVELLE)(E - 600)(T - NEW YORKER TURBO)
 G BODY = (V24 - DAYTONA, PACIFICA & SHELBY)
 H BODY = (D44 - LANCER)(C44 - LEBARON GTS)
 J BODY = (C - LEBARON)
 K BODY = (P - RELIANT)(D - ARIES)(C - LEBARON/ TOWN & COUNTRY)

L BODY = (M - HORIZON)(Z-OMNI)
 M BODY = (B - GRAN FURY)(G - DIPLOMAT)(F - FIFTH AVENUE/NEWPORT)
 P BODY = (P - SUNDANCE)(D - SHADOW)
 Q BODY = (C27 - MASERATI)
 S BODY = (H - VOYAGER)(K - RAM VAN/ CARAVAN)

BODY STYLES

12-52 = FWD VAN & WAGON STD. W.B. 27 = 2-DOOR CONVERTIBLE
 13-53 = FWD VAN & WGN EXT W.B. 41 = 4-DOOR SEDAN
 21 = 2-DOOR SEDAN 44 = 4-DOOR HATCHBACK
 24 = 2-DOOR HATCHBACK 45 = 4-DOOR STATION WAGON

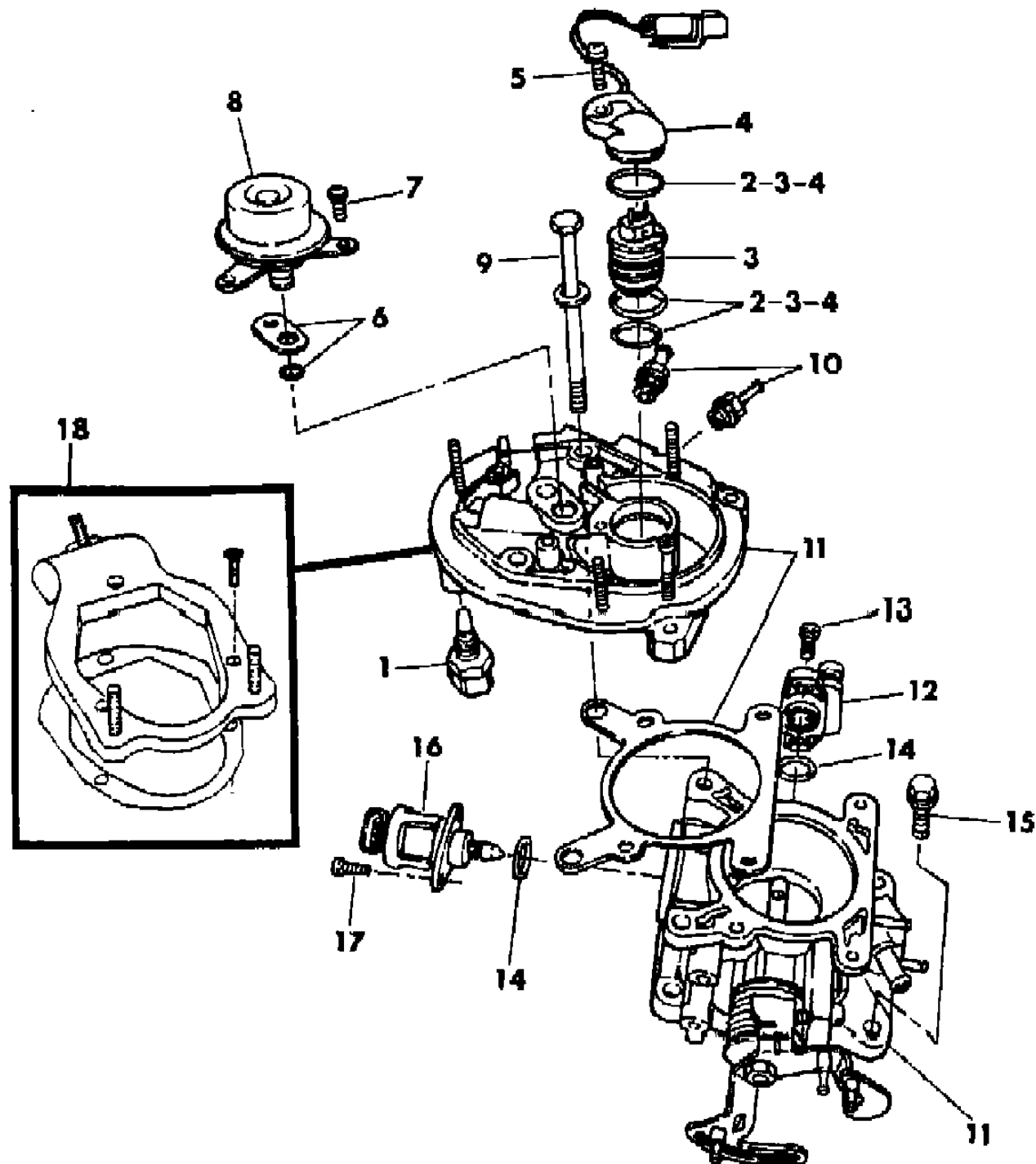
AR = Use as Required - = Non Illustrated Part P.A.R. = Paint as Required



NOT ALL PARTS APPEAR ON ALL MODELS

THROTTLE BODY 2.2L AND 2.5L ENGINE
Figure 14-1500

8114 1500A



ITEM	PART NUMBER	QTY	BODY	MODEL	DESCRIPTION
1	4300 251	1			SENSOR, Temp.
2	4418 607	1			O-RING PACKAGE
3	4418 538	1			INJECTOR, w/O-Rings
4	4300 262	1			CAP, w/O-Rings, Injector
5	4300 258	1			SCREW, Injector Cap Attaching
6	4418 150	1			O-RING, Pressure Regulator
7	4418 155	3			SCREW, Pressure Regulator Attaching
8	4300 263	1			REGULATOR, O-RING and GASKET PACKAGE, Pressure
9	6501 581	2			SCREW, Throttle Body Attaching
10	4300 252	1			FITTING PACKAGE, Fuel Supply and Return
11					BODY, Throttle
	4300 763	1	LPKEH		2.2L Engine
	4300 764	1	JPKG		2.5L Engine
	4300 764	1	EHC		2.5L Engine
	4300 765	1	S		2.5L Engine
12	5226 509	1			SENSOR, Throttle Position
13	4287 383	1			SCREW, Throttle Position Sensor
14	4300 255	1			O-RING, Throttle Position Sensor or A.I.S. Motor
15	6500 564	2			SCREW, Throttle Body Mounting
16	4300 264	1			MOTOR, w/O-Ring, A.I.S.
17	4287 382	1			SCREW PACKAGE, A.I.S Motor Attaching
18	4418 151	1			GASKET, Pressure Regulator
-	4300 253	1			O-RING and GASKET PACKAGE, Pressure Regulator
-	5277 575	1	S		ADAPTER PACKAGE, w/2.5L Engine ***

MODEL CODES

C BODY = (D41 - DYNASTY)(C41 - NEW YORKER)
 E BODY = (J - CARAVELLE)(E - 600)(T - NEW YORKER TURBO)
 G BODY = (V24 - DAYTONA, PACIFICA & SHELBY)
 H BODY = (D44 - LANCER)(C44 - LEBARON GTS)
 J BODY = (C - LEBARON)
 K BODY = (P - RELIANT)(D - ARIES)(C - LEBARON/ TOWN & COUNTRY)

L BODY = (M - HORIZON)(Z-OMNI)
 M BODY = (B - GRAN FURY)(G - DIPLOMAT)(F - FIFTH AVENUE/NEWPORT)
 P BODY = (P - SUNDANCE)(D - SHADOW)
 Q BODY = (C27 - MASERATI)
 S BODY = (H - VOYAGER)(K - RAM VAN/ CARAVAN)

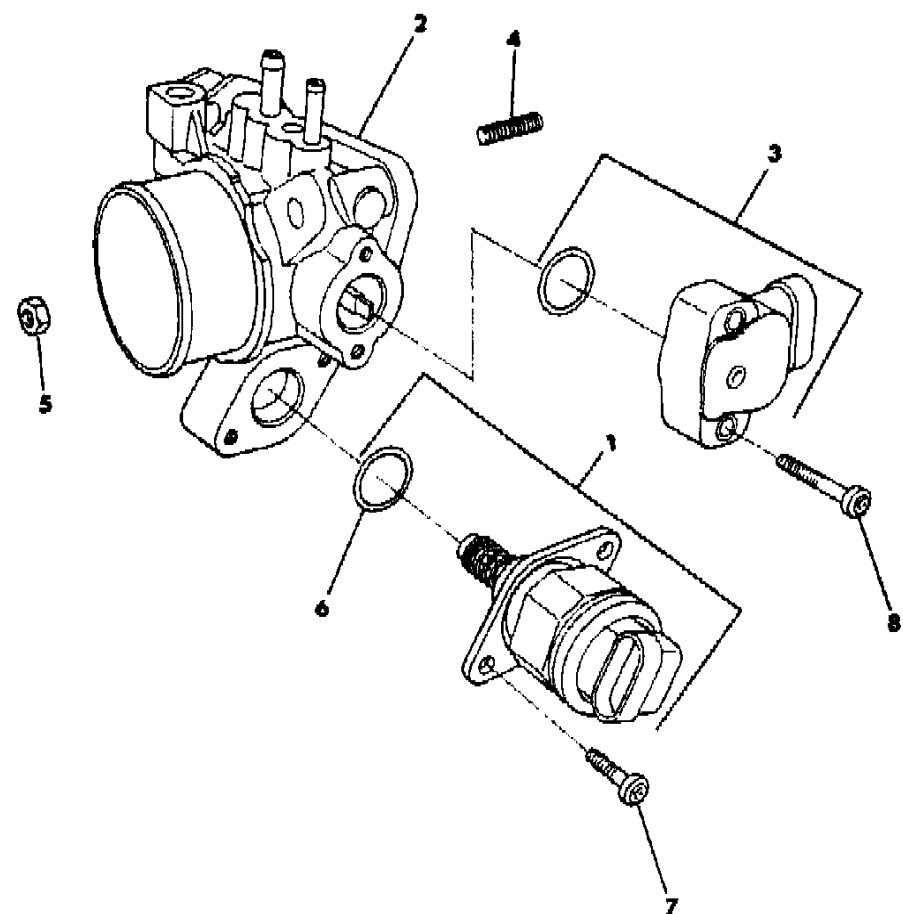
BODY STYLES

12-52 = FWD VAN & WAGON STD. W.B. 27 = 2-DOOR CONVERTIBLE
 13-53 = FWD VAN & WGN EXT W.B. 41 = 4-DOOR SEDAN
 21 = 2-DOOR SEDAN 44 = 4-DOOR HATCHBACK
 24 = 2-DOOR HATCHBACK 45 = 4-DOOR STATION WAGON

AR = Use as Required - = Non Illustrated Part P.A.R. = Paint as Required

THROTTLE BODY TURBO CHARGER 2.2L ENGINE
Figure 14-1600

8114 1600 A



ITEM	PART NUMBER	QTY	BODY	MODEL	DESCRIPTION
1	4300 494	1			MOTOR, A.I.S.
2					BODY, Throttle
	4307 617	1			Manual Transaxle
	4307 616	1			Automatic Transaxle
3	5226 924	1			POTENTIOMETER, Throttle
4	6501 645	2			STUD, Throttle Body Attaching
5	6100 050	2			NUT, Throttle Body Attaching
6	4300 255	1			O-RING, A.I.S. Motor
7	4287 382	1			SCREW, A.I.S. Motor
8	4287 383	1			SCREW, Potentiometer

MODEL CODES
 C BODY = (D41 - DYNASTY)(C41 - NEW YORKER)
 E BODY = (J - CARAVELLE)(E - 600)(T - NEW YORKER TURBO)
 G BODY = (V24 - DAYTONA, PACIFICA & SHELBY)
 H BODY = (D44 - LANCER)(C44 - LEBARON GTS)
 J BODY = (C - LEBARON)
 K BODY = (P - RELIANT)(D - ARIES)(C - LEBARON/ TOWN & COUNTRY)
 L BODY = (M - HORIZON)(Z-OMNI)
 M BODY = (B - GRAN FURY)(G - DIPLOMAT)(F - FIFTH AVENUE/NEWPORT)
 P BODY = (P - SUNDANCE)(D - SHADOW)
 Q BODY = (C27 - MASERATI)
 S BODY = (H - VOYAGER)(K - RAM VAN/ CARAVAN)

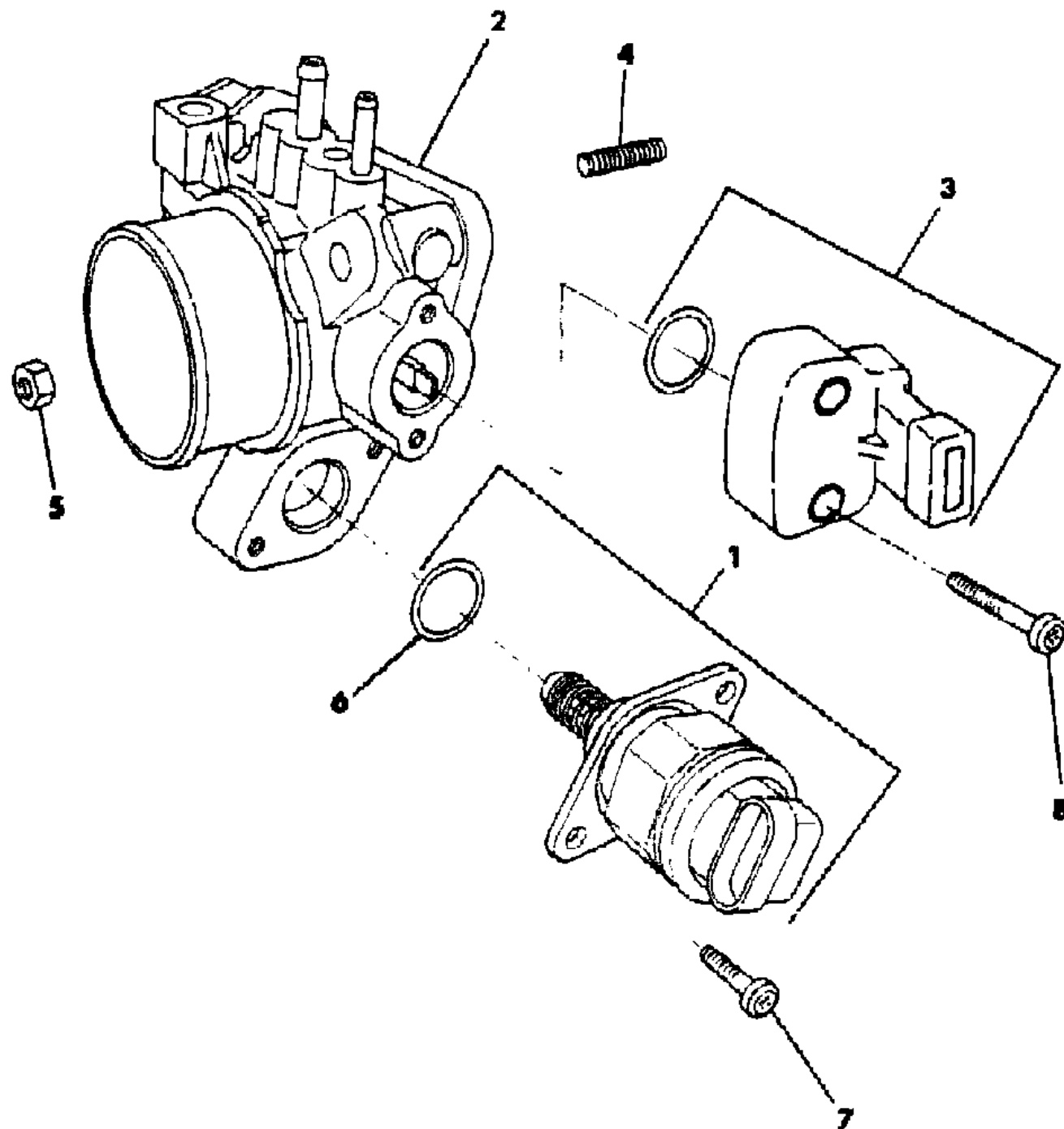
BODY STYLES
 12-52 = FWD VAN & WAGON STD. W.B. 27 = 2-DOOR CONVERTIBLE
 13-53 = FWD VAN & WGN EXT W.B. 41 = 4-DOOR SEDAN
 21 = 2-DOOR SEDAN 44 = 4-DOOR HATCHBACK
 24 = 2-DOOR HATCHBACK 45 = 4-DOOR STATION WAGON

AR = Use as Required - = Non Illustrated Part P.A.R. = Paint as Required

THROTTLE BODY 3.0L ENGINE

Figure 14-1700

8114 1700 A



ITEM	PART NUMBER	QTY	BODY	MODEL	DESCRIPTION
1	4458 355	1			MOTOR, A.I.S.
2	4307 640	1			BODY, Throttle
3	4379 038	1			POTENTIOMETER, Throttle
4	MS40 1337	2			STUD, Throttle Body Attaching
5	6100 050	2			NUT, Throttle Body Attaching
6	4300 255	1			O-RING, A.I.S. Motor
7	4287 382	1			SCREW, A.I.S. Motor
8	4287 383	1			SCREW, Potentiometer

MODEL CODES

C BODY = (D41 - DYNASTY)(C41 - NEW YORKER)
 E BODY = (J - CARAVELLE)(E - 600)(T - NEW YORKER TURBO)
 G BODY = (V24 - DAYTONA, PACIFICA & SHELBY)
 H BODY = (D44 - LANCER)(C44 - LEBARON GTS)
 J BODY = (C - LEBARON)
 K BODY = (P - RELIANT)(D - ARIES)(C - LEBARON/ TOWN & COUNTRY)
 L BODY = (M - HORIZON)(Z-OMNI)
 M BODY = (B - GRAN FURY)(G - DIPLOMAT)(F - FIFTH AVENUE/NEWPORT)
 P BODY = (P - SUNDANCE)(D - SHADOW)
 Q BODY = (C27 - MASERATI)
 S BODY = (H - VOYAGER)(K - RAM VAN/ CARAVAN)

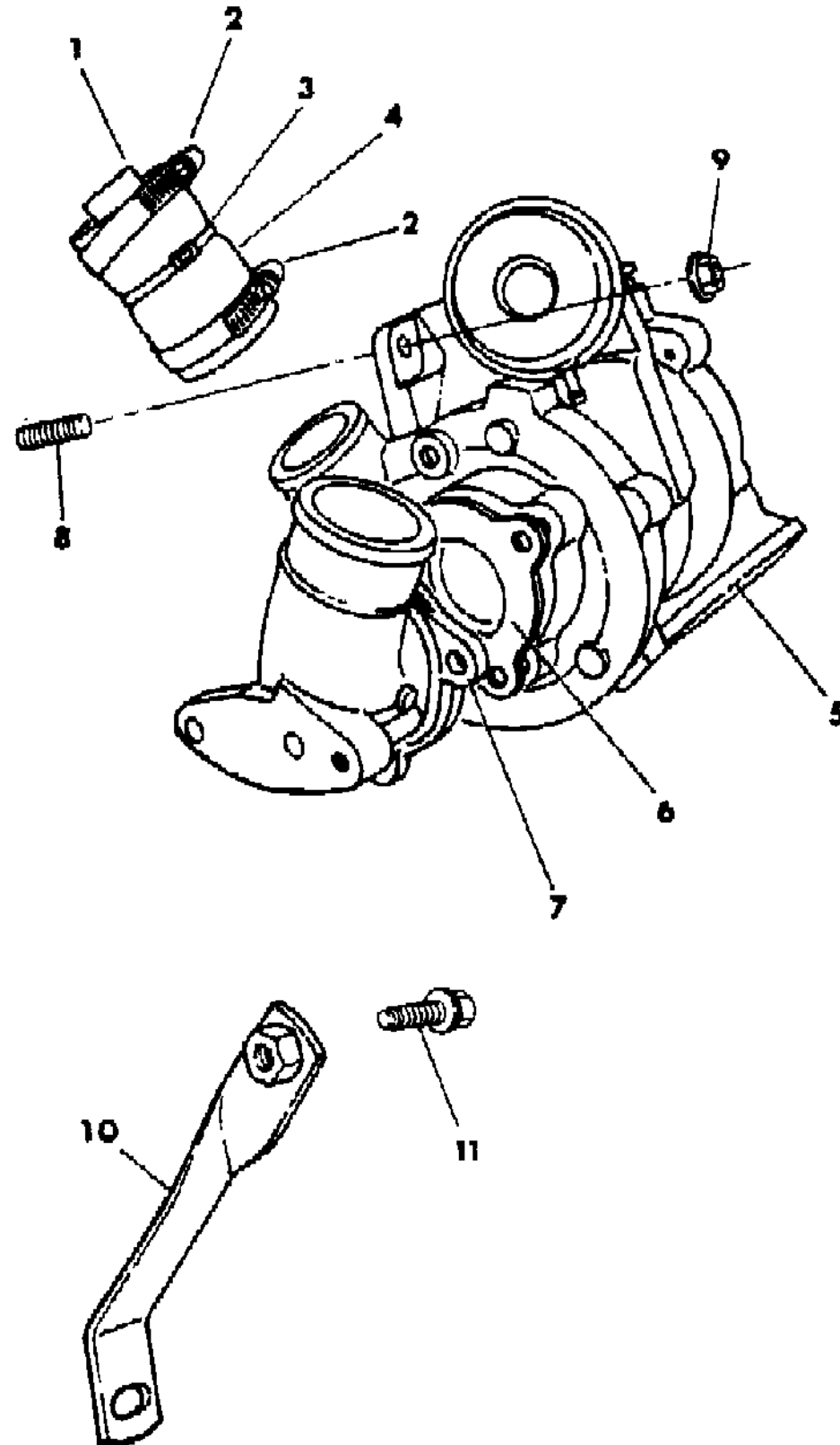
BODY STYLES

12-52 = FWD VAN & WAGON STD. W.B. 27 = 2-DOOR CONVERTIBLE
 13-53 = FWD VAN & WGN EXT W.B. 41 = 4-DOOR SEDAN
 21 = 2-DOOR SEDAN 44 = 4-DOOR HATCHBACK
 24 = 2-DOOR HATCHBACK 45 = 4-DOOR STATION WAGON

AR = Use as Required - = Non Illustrated Part P.A.R. = Paint as Required

TURBO CHARGER I W/O INTER-COOLER P,J,K,G,E,H BODY - EDG
Figure 14-1800

8114 1800 A



ITEM	PART NUMBER	QTY	BODY	MODEL	DESCRIPTION
1	4105 465	1			VANE, Air Flow
2	6032 440	2			CLAMP
3	4105 719	1			STRAP, Vane to Hose
4	4504 018	1			HOSE, Connector
5	4387 235	1			TURBO CHARGER
6	4227 973	1			GASKET, Inlet Elbow to Compressor
7	4105 461	1			ELBOW, Compressor Inlet
8	6500 830	4			STUD, Turbo Attaching
9	6500 680	4			NUT, Turbo Attaching
10	4387 397	1			BRACKET, Support
11	6500 996	1			BOLT and WASHER

MODEL CODES

C BODY = (D41 - DYNASTY)(C41 - NEW YORKER)
 E BODY = (J - CARAVELLE)(E - 600)(T - NEW YORKER TURBO)
 G BODY = (V24 - DAYTONA, PACIFICA & SHELBY)
 H BODY = (D44 - LANCER)(C44 - LEBARON GTS)
 J BODY = (C - LEBARON)
 K BODY = (P - RELIANT)(D - ARIES)(C - LEBARON/ TOWN & COUNTRY)

L BODY = (M - HORIZON)(Z-OMNI)
 M BODY = (B - GRAN FURY)(G - DIPLOMAT)(F - FIFTH AVENUE/NEWPORT)
 P BODY = (P - SUNDANCE)(D - SHADOW)
 Q BODY = (C27 - MASERATI)
 S BODY = (H - VOYAGER)(K - RAM VAN/ CARAVAN)

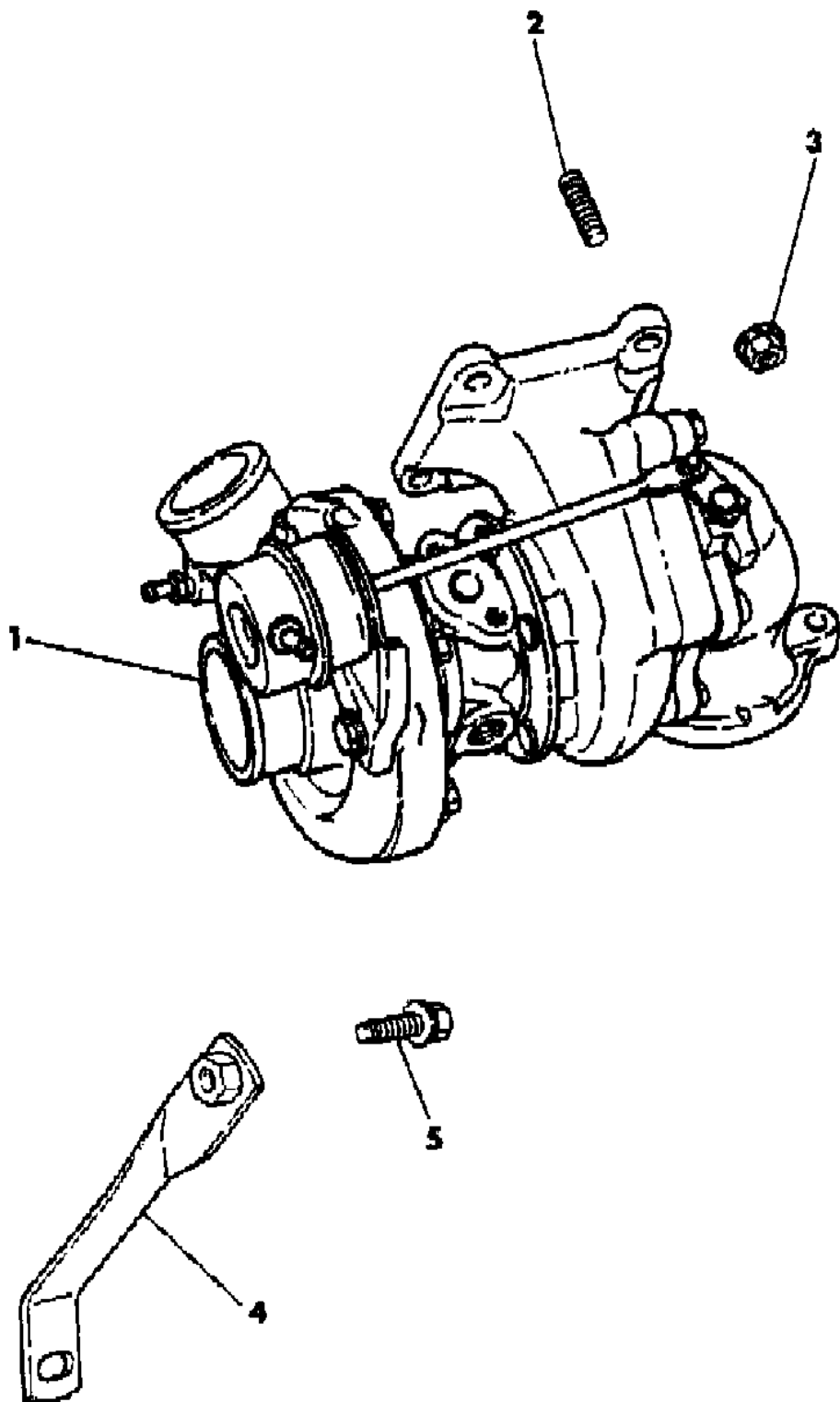
BODY STYLES

12-52 = FWD VAN & WAGON STD. W.B. 27 = 2-DOOR CONVERTIBLE
 13-53 = FWD VAN & WGN EXT W.B. 41 = 4-DOOR SEDAN
 21 = 2-DOOR SEDAN 44 = 4-DOOR HATCHBACK
 24 = 2-DOOR HATCHBACK 45 = 4-DOOR STATION WAGON

AR = Use as Required - = Non Illustrated Part P.A.R. = Paint as Required

TURBO CHARGER II W/WINTER-COOLER G,H BODY - EDR
Figure 14-1825

8114 1825A



ITEM	PART NUMBER	QTY	BODY	MODEL	DESCRIPTION
1	4387 479	1			TURBO CHARGER
2	6500 830	4			STUD, Turbo Attaching
3	6500 680	4			NUT, Turbo Attaching
4	4483 178	1			BRACKET, Turbo Support
5	6500 996	1			BOLT and WASHER

MODEL CODES

C BODY = (D41 - DYNASTY)(C41 - NEW YORKER)	L BODY = (M - HORIZON)(Z-OMNI)
E BODY = (J - CARAVELLE)(E - 600)(T - NEW YORKER TURBO)	M BODY = (B - GRAN FURY)(G - DIPLOMAT)(F - FIFTH AVENUE/NEWPORT)
G BODY = (V24 - DAYTONA, PACIFICA & SHELBY)	P BODY = (P - SUNDANCE)(D - SHADOW)
H BODY = (D44 - LANCER)(C44 - LEBARON GTS)	Q BODY = (C27 - MASERATI)
J BODY = (C - LEBARON)	S BODY = (H - VOYAGER)(K - RAM VAN/ CARAVAN)
K BODY = (P - RELIANT)(D - ARIES)(C - LEBARON/ TOWN & COUNTRY)	

BODY STYLES

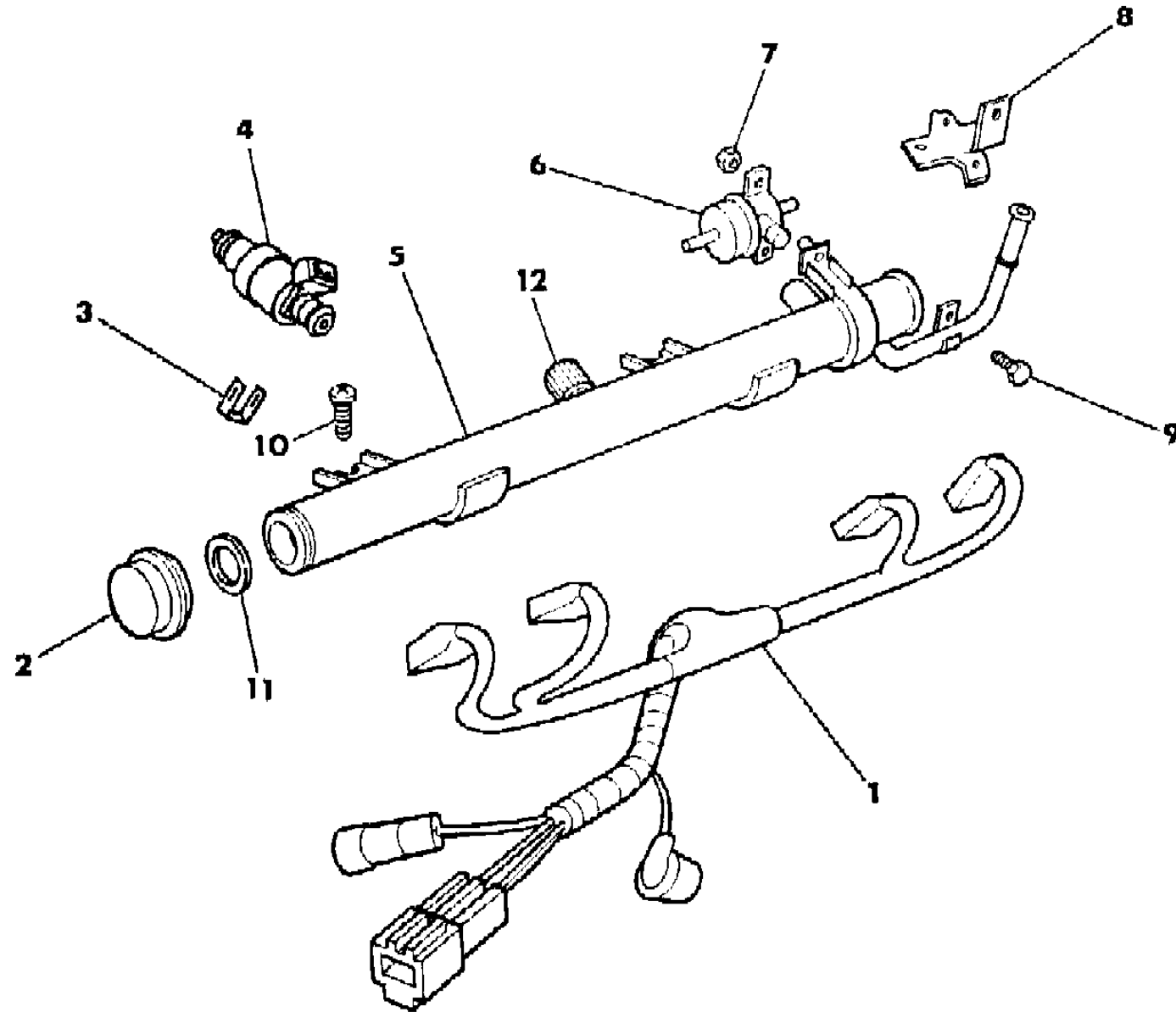
12-52 = FWD VAN & WAGON STD. W.B.	27 = 2-DOOR CONVERTIBLE
13-53 = FWD VAN & WGN EXT W.B.	41 = 4-DOOR SEDAN
21 = 2-DOOR SEDAN	44 = 4-DOOR HATCHBACK
24 = 2-DOOR HATCHBACK	45 = 4-DOOR STATION WAGON

AR = Use as Required - = Non Illustrated Part P.A.R. = Paint as Required

FUEL RAIL AND RELATED PARTS TURBO CHARGER

Figure 14-1900

8114 1900 A



ITEM	PART NUMBER	QTY	BODY	MODEL	DESCRIPTION
1					WIRING, Injector (Refer to Group 8)
2	4306 016	1			DAMPER, Fuel Pulsation
3	4418 257	4			CLIP, Fuel Injector
4					INJECTOR, w/O-Rings Fuel
	4418 474	4			Turbo Charger I
	4418 258	4			Turbo Charger II
5	4418 205	1			RAIL, w/Damper, Fuel
6	4306 015	1			REGULATOR, Fuel Pressure
7	6501 140	2			NUT, Regulator to Fuel Rail
8	4307 225	1			BRACKET, Fuel Rail to Valve Cover
9		1			SCREW, Fuel Rail to Bracket (8-18x.62) (not serviced)
10		4			SCREW and WASHER, Fuel Rail to Intake Manifold (m8-1.25x45mm) (not serviced)
11	4306 940	1			WASHER, Damper to Fuel Rail Sealing
12		1			CAP (serviced in item 5)

MODEL CODES

C BODY = (D41 - DYNASTY)(C41 - NEW YORKER)
 E BODY = (J - CARAVELLE)(E - 600)(T - NEW YORKER TURBO)
 G BODY = (V24 - DAYTONA, PACIFICA & SHELBY)
 H BODY = (D44 - LANCER)(C44 - LEBARON GTS)
 J BODY = (C - LEBARON)
 K BODY = (P - RELIANT)(D - ARIES)(C - LEBARON/ TOWN & COUNTRY)

L BODY = (M - HORIZON)(Z-OMNI)
 M BODY = (B - GRAN FURY)(G - DIPLOMAT)(F - FIFTH AVENUE/NEWPORT)
 P BODY = (P - SUNDANCE)(D - SHADOW)
 Q BODY = (C27 - MASERATI)
 S BODY = (H - VOYAGER)(K - RAM VAN/ CARAVAN)

BODY STYLES

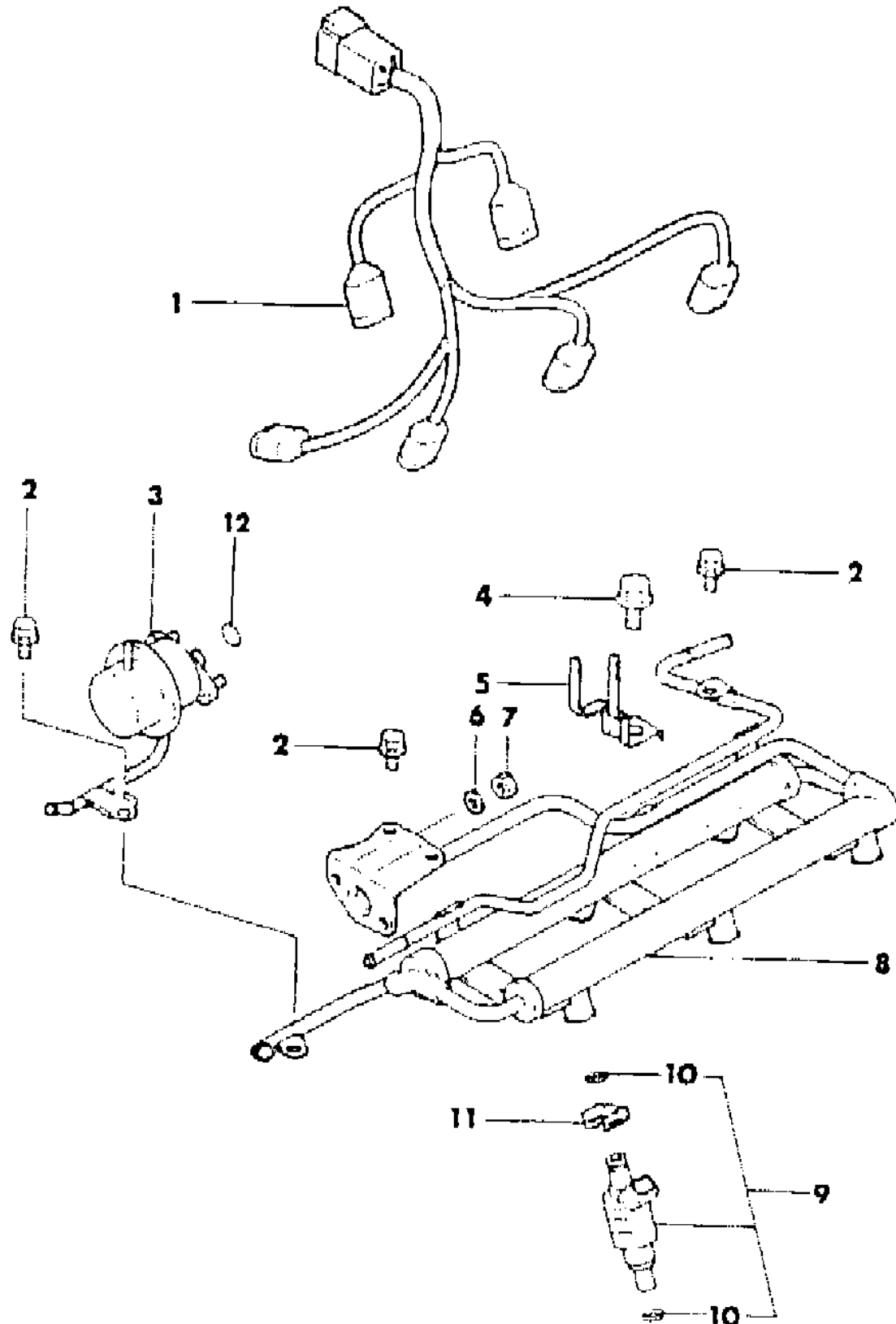
12-52 = FWD VAN & WAGON STD. W.B. 27 = 2-DOOR CONVERTIBLE
 13-53 = FWD VAN & WGN EXT W.B. 41 = 4-DOOR SEDAN
 21 = 2-DOOR SEDAN 44 = 4-DOOR HATCHBACK
 24 = 2-DOOR HATCHBACK 45 = 4-DOOR STATION WAGON

AR = Use as Required - = Non Illustrated Part P.A.R. = Paint as Required

FUEL RAIL AND RELATED PARTS 3.0L ENGINE

Figure 14-2000

8114 2000 A



ITEM	PART NUMBER	QTY	BODY	MODEL	DESCRIPTION
1	MD10 7722	1			HARNES, w/Clips Fuel Injector Wiring
2	MF24 1525	4			BOLT, Flange, (6x6mm)
3	MD12 1584	1			REGULATOR, Fuel Pressure
4	MF14 0022	3			BOLT, Flange, (8x14mm)
5	MD10 7721	1			CLIP
6	MF45 0434	2			WASHER (spring 6)
7	MF43 0034	2			NUT (6)
8	MD12 1585	1			PIPE, Fuel Delivery
9	MD13 2249	6			INJECTOR, Fuel
10					O-RING
	MD61 4822	12			(use w/MD132249)
	MD62 0064	12			(use w/MD116218)
11	MD08 9608	6			CLIP, Fuel Injector
12	MD60 4688	1			O-RING

MODEL CODES

C BODY = (D41 - DYNASTY)(C41 - NEW YORKER)
 E BODY = (J - CARAVELLE)(E - 600)(T - NEW YORKER TURBO)
 G BODY = (V24 - DAYTONA, PACIFICA & SHELBY)
 H BODY = (D44 - LANCER)(C44 - LEBARON GTS)
 J BODY = (C - LEBARON)
 K BODY = (P - RELIANT)(D - ARIES)(C - LEBARON/ TOWN & COUNTRY)

L BODY = (M - HORIZON)(Z-OMNI)
 M BODY = (B - GRAN FURY)(G - DIPLOMAT)(F - FIFTH AVENUE/NEWPORT)
 P BODY = (P - SUNDANCE)(D - SHADOW)
 Q BODY = (C27 - MASERATI)
 S BODY = (H - VOYAGER)(K - RAM VAN/ CARAVAN)

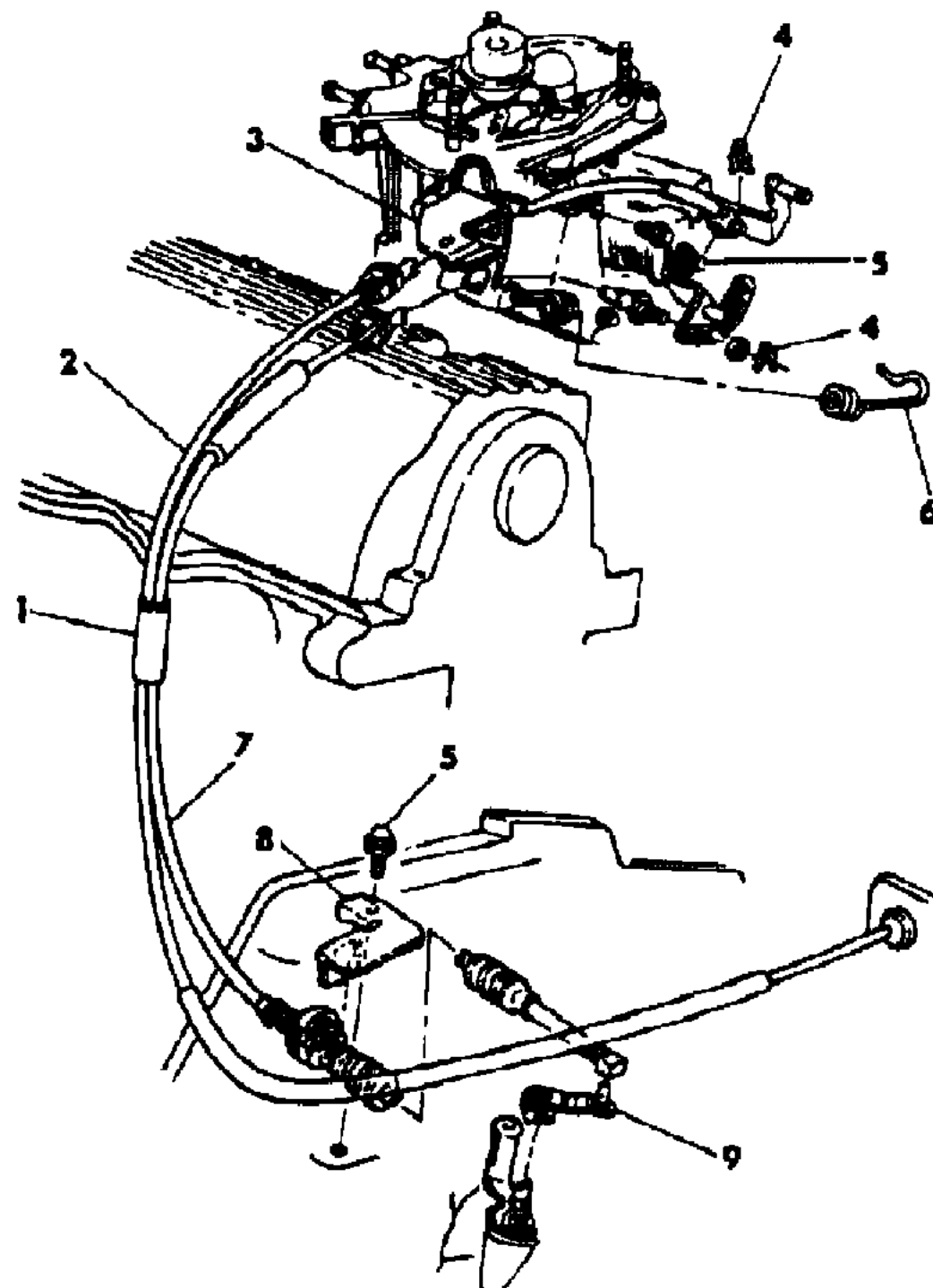
BODY STYLES

12-52 = FWD VAN & WAGON STD. W.B. 27 = 2-DOOR CONVERTIBLE
 13-53 = FWD VAN & WGN EXT W.B. 41 = 4-DOOR SEDAN
 21 = 2-DOOR SEDAN 44 = 4-DOOR HATCHBACK
 24 = 2-DOOR HATCHBACK 45 = 4-DOOR STATION WAGON

AR = Use as Required - = Non Illustrated Part P.A.R. = Paint as Required

THROTTLE CONTROLS 2.2L AND 2.5L ENGINE
Figure 14-2100

8114 2100



ITEM	PART NUMBER	QTY	BODY	MODEL	DESCRIPTION
1	4300 009	1			BUNDLER, Throttle Control Cables
2	4306 188	1	PJKGEHC		CABLE, Throttle Control
	4324 398	1	L		
	4307 911	1	S		
3	4287 550	1	PJKGEH		BRACKET, Cable Mounting
	4287 550	1	CS		
	4300 828	1	L		
4	6033 504	2			CLIP
5	6500 716	AR			SCREW and WASHER
6	4405 008	1			SPRING, Accelerator Return
7					CABLE, Automatic Transmission
	4288 196	1	PJKGEHC		
	4324 331	1	L,S		
8	4300 982	1			BRACKET, Automatic Transmission Cable
9	5240 826	1			LEVER, Automatic Transmission Throttle Control

MODEL CODES

C BODY = (D41 - DYNASTY)(C41 - NEW YORKER)
 E BODY = (J - CARAVELLE)(E - 600)(T - NEW YORKER TURBO)
 G BODY = (V24 - DAYTONA, PACIFICA & SHELBY)
 H BODY = (D44 - LANCER)(C44 - LEBARON GTS)
 J BODY = (C - LEBARON)
 K BODY = (P - RELIANT)(D - ARIES)(C - LEBARON/ TOWN & COUNTRY)

L BODY = (M - HORIZON)(Z-OMNI)
 M BODY = (B - GRAN FURY)(G - DIPLOMAT)(F - FIFTH AVENUE/NEWPORT)
 P BODY = (P - SUNDANCE)(D - SHADOW)
 Q BODY = (C27 - MASERATI)
 S BODY = (H - VOYAGER)(K - RAM VAN/ CARAVAN)

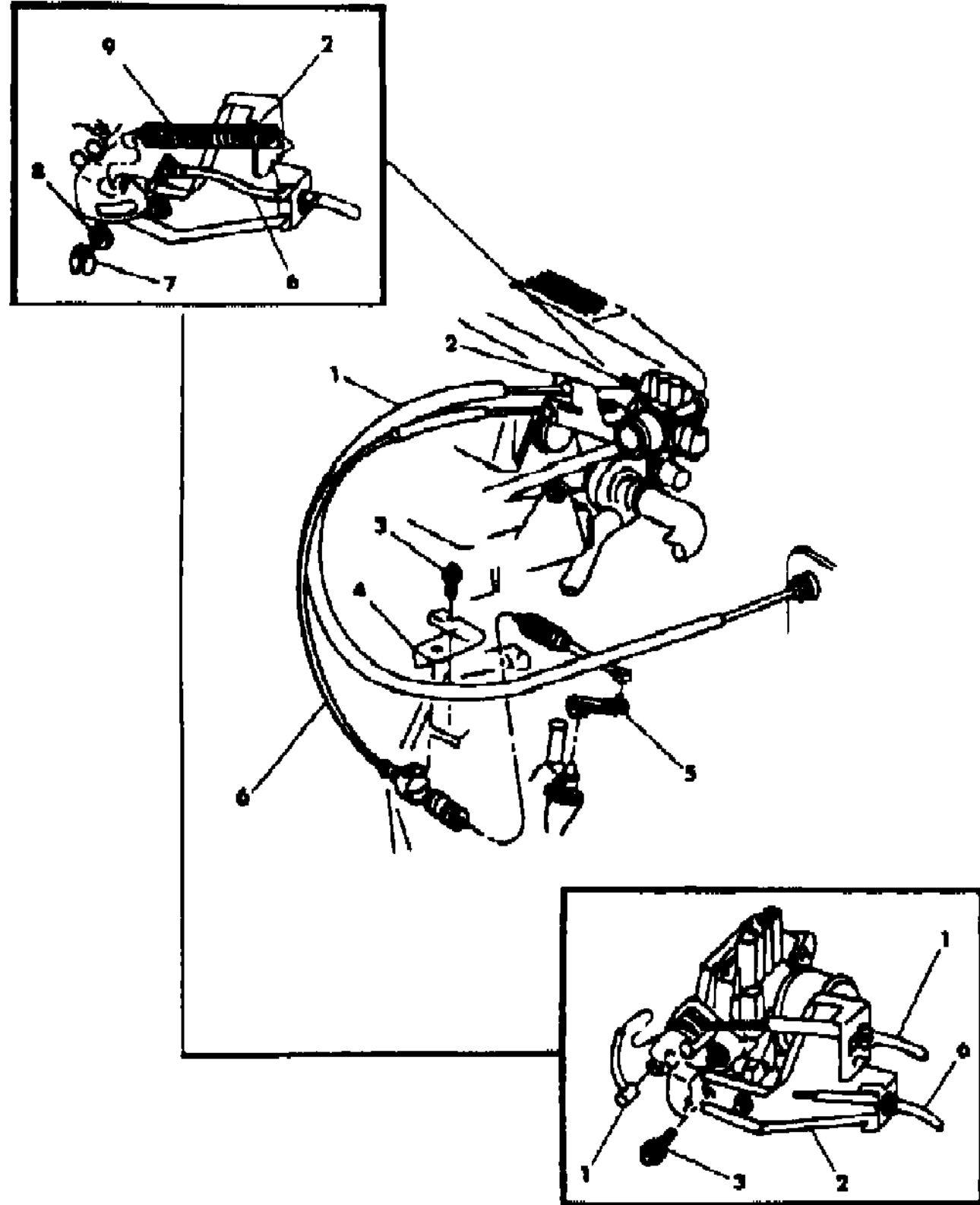
BODY STYLES

12-52 = FWD VAN & WAGON STD. W.B. 27 = 2-DOOR CONVERTIBLE
 13-53 = FWD VAN & WGN EXT W.B. 41 = 4-DOOR SEDAN
 21 = 2-DOOR SEDAN 44 = 4-DOOR HATCHBACK
 24 = 2-DOOR HATCHBACK 45 = 4-DOOR STATION WAGON

AR = Use as Required - = Non Illustrated Part P.A.R. = Paint as Required

THROTTLE CONTROLS TURBO CHARGER I AND II
Figure 14-2200

8114 2200



ITEM	PART NUMBER	QTY	BODY	MODEL	DESCRIPTION
1	4324 380	1			CABLE, Throttle Control
2	4405 059	1			BRACKET, Cable Mounting
3	6501 755	AR			SCREW and WASHER
4	4300 982	1			BRACKET, Cable Mounting Automatic Transmission
5	5240 826	1			LEVER, Automatic Transmission Throttle Control
6	4324 591	1			CABLE, Kickdown Automatic Transmission
7	6033 504	1			CLIP, Automatic Transmission Lever
8		1			WASHER (not serviced)
9	4458 111	1			SPRING, Accelerator Pedal Return

MODEL CODES

C BODY = (D41 - DYNASTY)(C41 - NEW YORKER)
 E BODY = (J - CARAVELLE)(E - 600)(T - NEW YORKER TURBO)
 G BODY = (V24 - DAYTONA, PACIFICA & SHELBY)
 H BODY = (D44 - LANCER)(C44 - LEBARON GTS)
 J BODY = (C - LEBARON)
 K BODY = (P - RELIANT)(D - ARIES)(C - LEBARON/ TOWN & COUNTRY)
 L BODY = (M - HORIZON)(Z-OMNI)
 M BODY = (B - GRAN FURY)(G - DIPLOMAT)(F - FIFTH AVENUE/NEWPORT)
 P BODY = (P - SUNDANCE)(D - SHADOW)
 Q BODY = (C27 - MASERATI)
 S BODY = (H - VOYAGER)(K - RAM VAN/ CARAVAN)

BODY STYLES

12-52 = FWD VAN & WAGON STD. W.B. 27 = 2-DOOR CONVERTIBLE
 13-53 = FWD VAN & WGN EXT W.B. 41 = 4-DOOR SEDAN
 21 = 2-DOOR SEDAN 44 = 4-DOOR HATCHBACK
 24 = 2-DOOR HATCHBACK 45 = 4-DOOR STATION WAGON

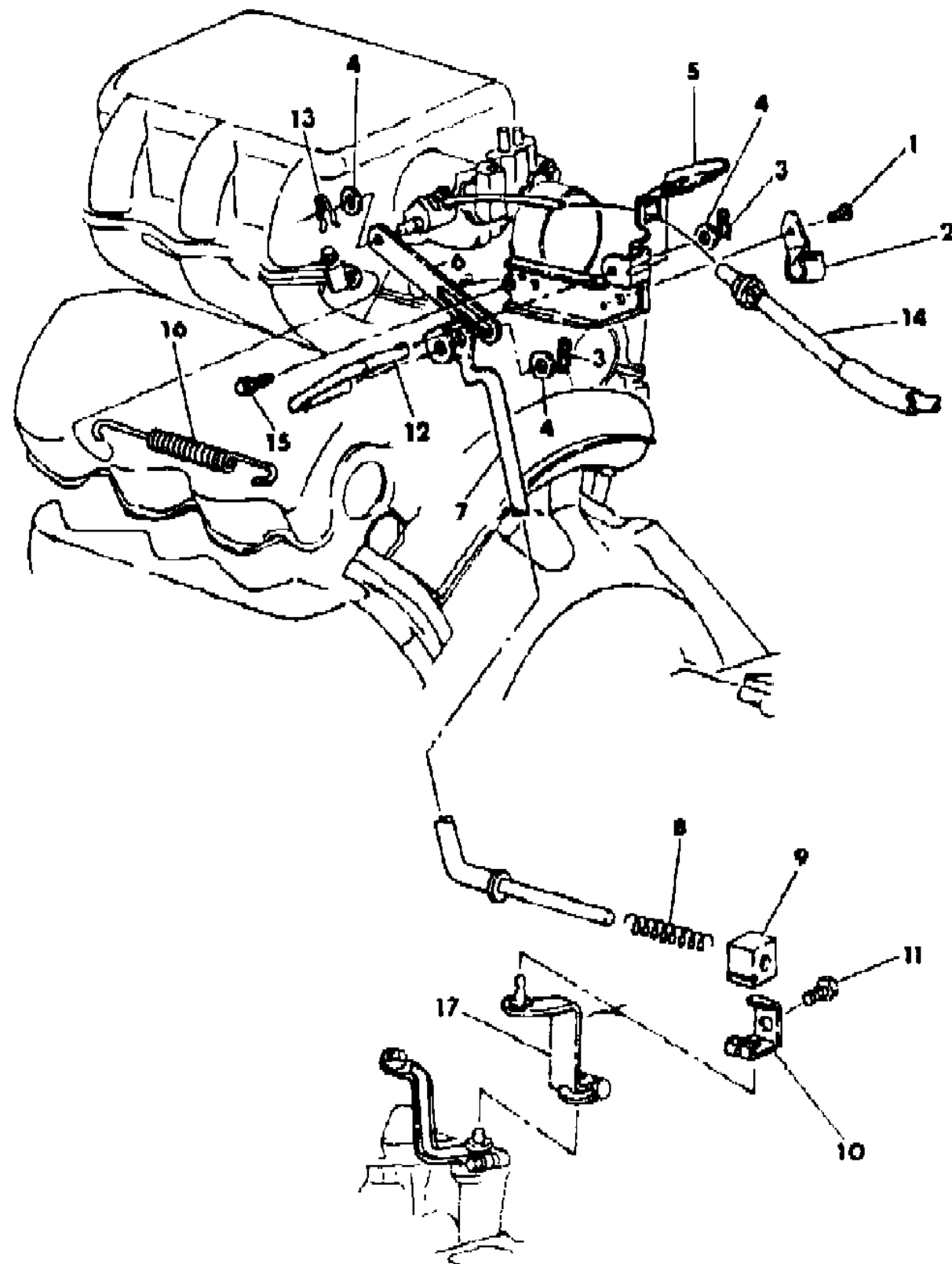
AR = Use as Required - = Non Illustrated Part P.A.R. = Paint as Required

THROTTLE CONTROL 3.0L ENGINE

Figure 14-2300

8114 2300

ITEM	PART NUMBER	QTY	BODY	MODEL	DESCRIPTION
1	6100 845	1			SCREW and WASHER
2	4324 150	1			CLIP
3	6025 867	2			CLIP
4		2			WASHER (not serviced)
5	4288 097	1			BRACKET, Cable Mounting
6	4307 574	1			LINK
7	4288 098	1			ROD
8	3769 198	1			SPRING
9	4307 570	1			SWIVEL
10	4307 569	1			CLIP
11	6101 468	1			SCREW
12	3418 807	1			STABILIZER
13	6026 776	1			CLIP
14	4288 096	1			CABLE, Throttle Control
15	6501 714	2			SCREW and WASHER
16	4288 094	1			SPRING, Rod Return
17	4307 554	1			LEVER, Throttle Control Automatic Transmission



MODEL CODES

C BODY = (D41 - DYNASTY)(C41 - NEW YORKER)
 E BODY = (J - CARAVELLE)(E - 600)(T - NEW YORKER TURBO)
 G BODY = (V24 - DAYTONA, PACIFICA & SHELBY)
 H BODY = (D44 - LANCER)(C44 - LEBARON GTS)
 J BODY = (C - LEBARON)
 K BODY = (P - RELIANT)(D - ARIES)(C - LEBARON/ TOWN & COUNTRY)
 L BODY = (M - HORIZON)(Z-OMNI)
 M BODY = (B - GRAN FURY)(G - DIPLOMAT)(F - FIFTH AVENUE/NEWPORT)
 P BODY = (P - SUNDANCE)(D - SHADOW)
 Q BODY = (C27 - MASERATI)
 S BODY = (H - VOYAGER)(K - RAM VAN/ CARAVAN)

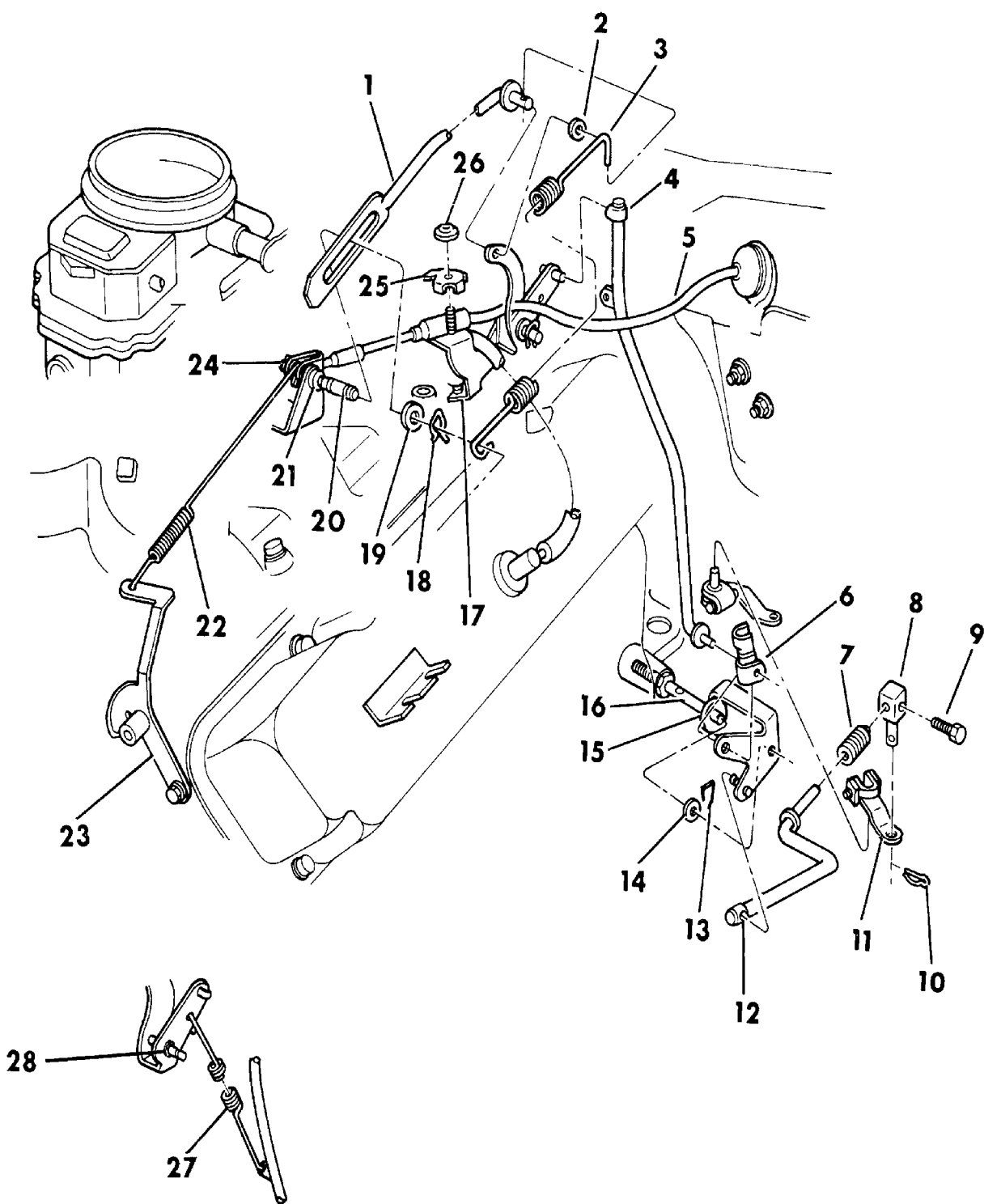
BODY STYLES

12-52 = FWD VAN & WAGON STD. W.B. 27 = 2-DOOR CONVERTIBLE
 13-53 = FWD VAN & WGN EXT W.B. 41 = 4-DOOR SEDAN
 21 = 2-DOOR SEDAN 44 = 4-DOOR HATCHBACK
 24 = 2-DOOR HATCHBACK 45 = 4-DOOR STATION WAGON

AR = Use as Required - = Non Illustrated Part P.A.R. = Paint as Required

THROTTLE CONTROL 5.2L-2BBL ENGINE M BODY
Figure 14-2400

8114 2400A



ITEM	PART NUMBER	QTY	BODY	MODEL	DESCRIPTION
1	3769 872	1			ROD
2	#0120 393	1			WASHER
3	3870 696	1			SPRING
4					ROD
	4041 509	1			w/ELA Engine
	4041 520	1			w/ELD Engine (Heavy Duty)
5	4027 358	1			CABLE
6	2899 361	1			CLIP
7	3769 198	1			SPRING
8	4027 374	1			SWIVEL
9	0181 082	1			SCREW
10	6025 867	1			CLIP
11	4071 980	1			LEVER, Transmission
12					ROD
	4071 978	1			w/ELA Engine
	4173 225	1			w/ELD Engine (Heavy Duty)
13	6027 983	1			CLIP
14	#0120 394	1			WASHER
15					BELLCRANK
	3751 529	1			w/ELA Engine
	3751 535	1			w/ELD (Heavy Duty)
16	3751 531	1			STUD, Transmission Bellcrank
17	3870 670	1			BRACKET, Cable Mounting
18	6026 776	1			CLIP
19		1			WASHER (not serviced)
20	3418 900	1			STUD
21	6030 607	1			NUT
22					SPRING
	3870 659	1			Inner
	3870 660	1			Outer
23					BRACKET (Refer to Group 25)
24	6023 285	1			CLIP
25	2402 210	1			CLIP
26	6033 561	1			NUT and WASHER
27	3870 666	1			SPRING, Linkage Assist
28	3870 685	1			LEVER, Cable Mounting Bracket

MODEL CODES

C BODY = (D41 - DYNASTY)(C41 - NEW YORKER)
 E BODY = (J - CARAVELLE)(E - 600)(T - NEW YORKER TURBO)
 G BODY = (V24 - DAYTONA, PACIFICA & SHELBY)
 H BODY = (D44 - LANCER)(C44 - LEBARON GTS)
 J BODY = (C - LEBARON)
 K BODY = (P - RELIANT)(D - ARIES)(C - LEBARON/ TOWN & COUNTRY)

L BODY = (M - HORIZON)(Z-OMNI)
 M BODY = (B - GRAN FURY)(G - DIPLOMAT)(F - FIFTH AVENUE/NEWPORT)
 P BODY = (P - SUNDANCE)(D - SHADOW)
 Q BODY = (C27 - MASERATI)
 S BODY = (H - VOYAGER)(K - RAM VAN/ CARAVAN)

BODY STYLES

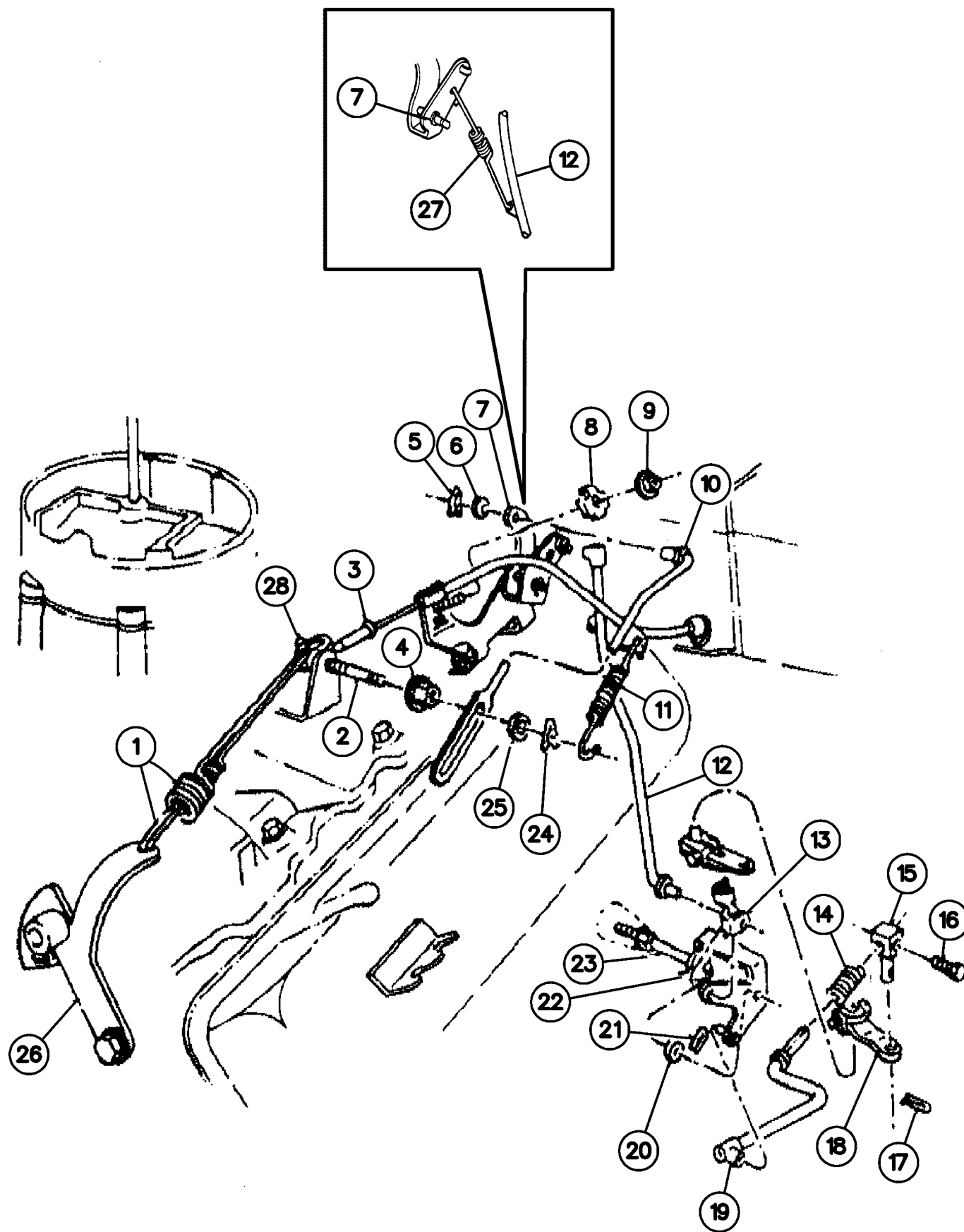
12-52 = FWD VAN & WAGON STD. W.B. 27 = 2-DOOR CONVERTIBLE
 13-53 = FWD VAN & WGN EXT W.B. 41 = 4-DOOR SEDAN
 21 = 2-DOOR SEDAN 44 = 4-DOOR HATCHBACK
 24 = 2-DOOR HATCHBACK 45 = 4-DOOR STATION WAGON

AR = Use as Required - = Non Illustrated Part P.A.R. = Paint as Required

THROTTLE CONTROL 5.2L-4BBL ENGINE M BODY

Figure 14-2500

8114 2500A



ITEM	PART NUMBER	QTY	BODY	MODEL	DESCRIPTION
1					SPRING
	4288 229	1			Inner
	4288 228	1			Outer
2	3418 900	1			STUD
3	4306 179	1			CABLE, Throttle Control
4	6030 607	1			NUT
5	6025 867	1			CLIP
6	#0120 393	1			WASHER
7	4287 969	1			BRACKET, Cable Mounting
8	2402 210	1			CLIP
9	0219 462	1			NUT and WASHER
10	4287 971	1			ROD
11	4027 590	1			SPRING
12	4041 509	1			ROD
13	2899 361	1			CLIP
14	3769 198	1			SPRING
15	4027 374	1			SWIVEL
16	0181 082	1			SCREW
17	6025 867	1			CLIP
18	4071 980	1			LEVER, Transmission
19	4071 978	1			ROD
20	#0120 394	1			WASHER
21	6027 983	1			CLIP
22	3751 529	1			BELLCRANK
23	3751 531	1			STUD
24	6026 776	1			CLIP
25		1			WASHER (not serviced)
26					BRACKET (Refer to Group 25)
27	3870 666	1			SPRING, Linkage Assist
28	6023 285	1			CLIP, Throttle Control
29	3870 685	1			LEVER, Cable Mounting Bracket

MODEL CODES

C BODY = (D41 - DYNASTY)(C41 - NEW YORKER)
 E BODY = (J - CARAVELLE)(E - 600)(T - NEW YORKER TURBO)
 G BODY = (V24 - DAYTONA, PACIFICA & SHELBY)
 H BODY = (D44 - LANCER)(C44 - LEBARON GTS)
 J BODY = (C - LEBARON)
 K BODY = (P - RELIANT)(D - ARIES)(C - LEBARON/ TOWN & COUNTRY)

L BODY = (M - HORIZON)(Z-OMNI)
 M BODY = (B - GRAN FURY)(G - DIPLOMAT)(F - FIFTH AVENUE/NEWPORT)
 P BODY = (P - SUNDANCE)(D - SHADOW)
 Q BODY = (C27 - MASERATI)
 S BODY = (H - VOYAGER)(K - RAM VAN/ CARAVAN)

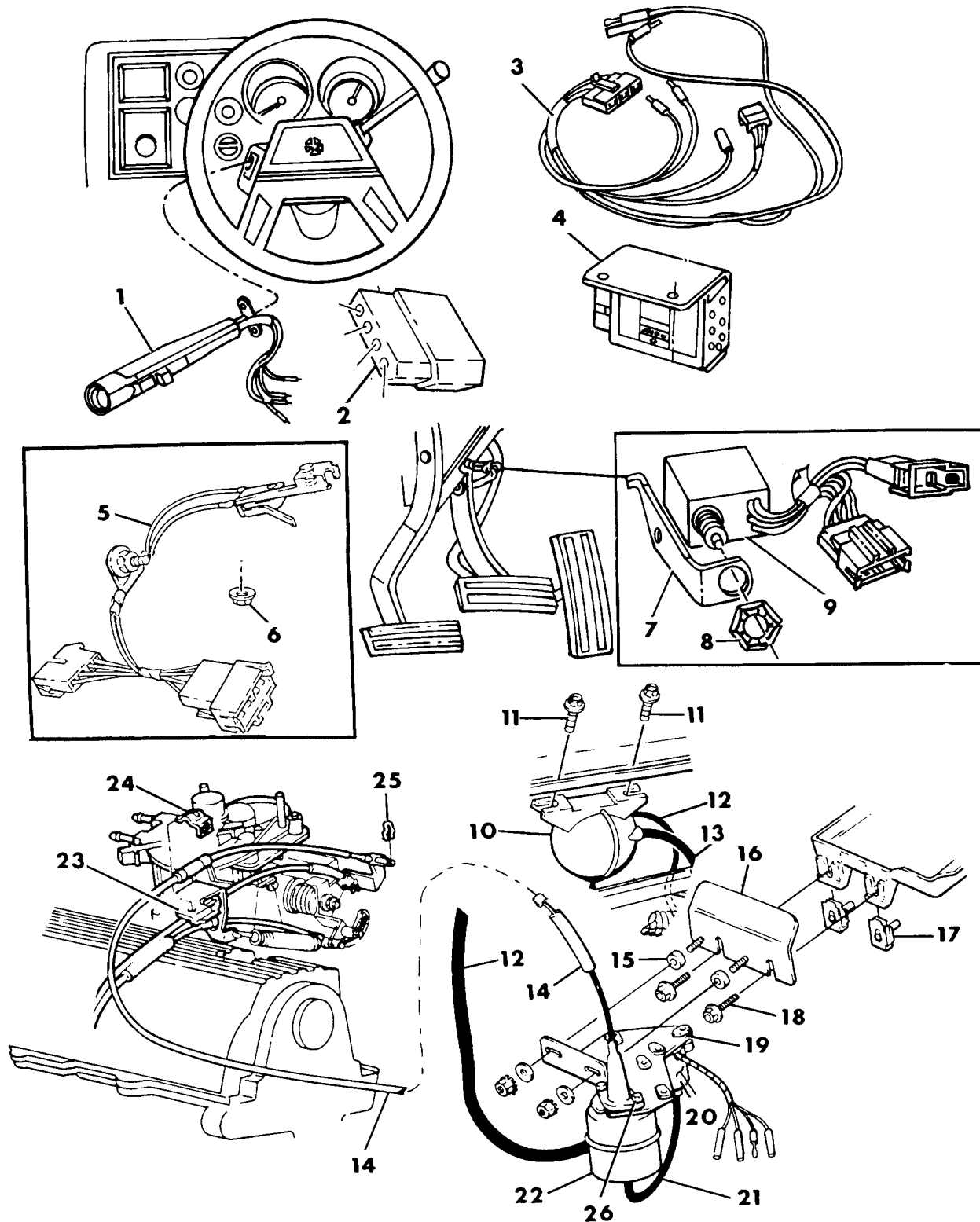
BODY STYLES

12-52 = FWD VAN & WAGON STD. W.B. 27 = 2-DOOR CONVERTIBLE
 13-53 = FWD VAN & WGN EXT W.B. 41 = 4-DOOR SEDAN
 21 = 2-DOOR SEDAN 44 = 4-DOOR HATCHBACK
 24 = 2-DOOR HATCHBACK 45 = 4-DOOR STATION WAGON

AR = Use as Required - = Non Illustrated Part P.A.R. = Paint as Required

SPEED CONTROL L BODY 2.2L ENGINE E.F.I. FIELD INSTALATION
Figure 14-2575

8114 2575



ITEM	PART NUMBER	QTY	BODY	MODEL	DESCRIPTION
PKG.A	4443 073	1			SPEED CONTROL PACKAGE
1	4342 209	1			SWITCH, Control
2	2983 405	1			INSULATOR
3	4364 365	1			HARNESS, Master Wiring
	6101 133	1			FUSE, ATC 5 Amp
4	4312 957	1			MODULE, Electronic
5	4221 696	1			SWITCH and BRACKET, Clutch
6	6500 512	2			NUT, Clutch Switch Mounting
7	4221 580	1			BRACKET, Brake Switch
8	0107 825	1			NUT, Stop Lamp Switch
9	4221 980	1			SWITCH, Stop Lamp
10	4318 821	1			RESERVOIR
11		2			SCREW (m6-1.0x14) (not serviced)
12	4318 826	AR			HOSE, Reservoir to Valve Body, 5/32 ID-1/2 OD x 60"
13	4318 846	AR			HOSE, Reservoir to Brake Booster 7/32 ID x 40"
14	4405 063	1			CABLE, Servo
15	6024 682	2			SPACER
16	4318 823	1			BRACKET, Valve Body and Servo Mounting
17	6500 681	2			U-NUT, Bracket Mounting
18	6100 288	2			SCREW and WASHER, Bracket Mounting
19	4318 820	1			BRACKET, Valve Body and Servo
20	4318 818	1			BODY, Valve
21	4318 827	AR			HOSE, Servo to Valve Body 5/32 x 100"
22	4275 443	1			SERVO, Vacuum
23	4458 705	1			BRACKET, Throttle Cable Mounting
24	4288 072	1			CLIP, Cable Mounting
25	#6031 629	1			CLIP, Cable to Throttle Stud
26	6025 001	2			NUT, Cable Mounting

MODEL CODES

C BODY = (D41 - DYNASTY)(C41 - NEW YORKER)
 E BODY = (J - CARAVELLE)(E - 600)(T - NEW YORKER TURBO)
 G BODY = (V24 - DAYTONA, PACIFICA & SHELBY)
 H BODY = (D44 - LANCER)(C44 - LEBARON GTS)
 J BODY = (C - LEBARON)
 K BODY = (P - RELIANT)(D - ARIES)(C - LEBARON/ TOWN & COUNTRY)

L BODY = (M - HORIZON)(Z-OMNI)
 M BODY = (B - GRAN FURY)(G - DIPLOMAT)(F - FIFTH AVENUE/NEWPORT)
 P BODY = (P - SUNDANCE)(D - SHADOW)
 Q BODY = (C27 - MASERATI)
 S BODY = (H - VOYAGER)(K - RAM VAN/ CARAVAN)

BODY STYLES

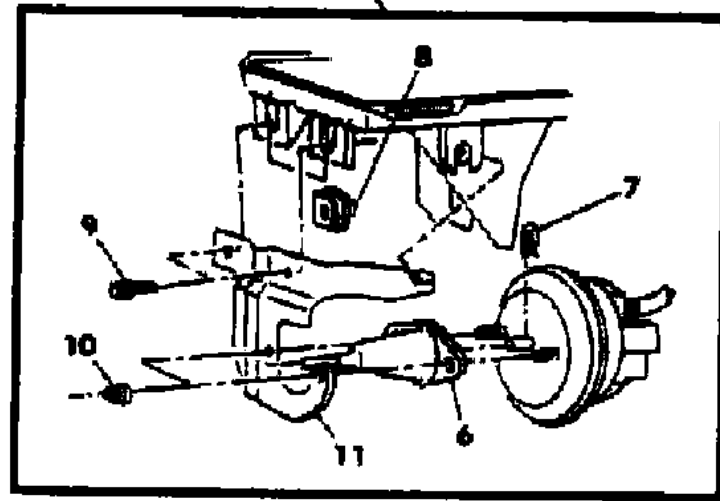
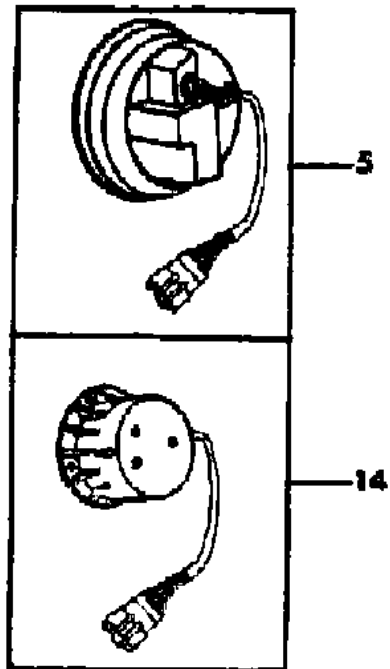
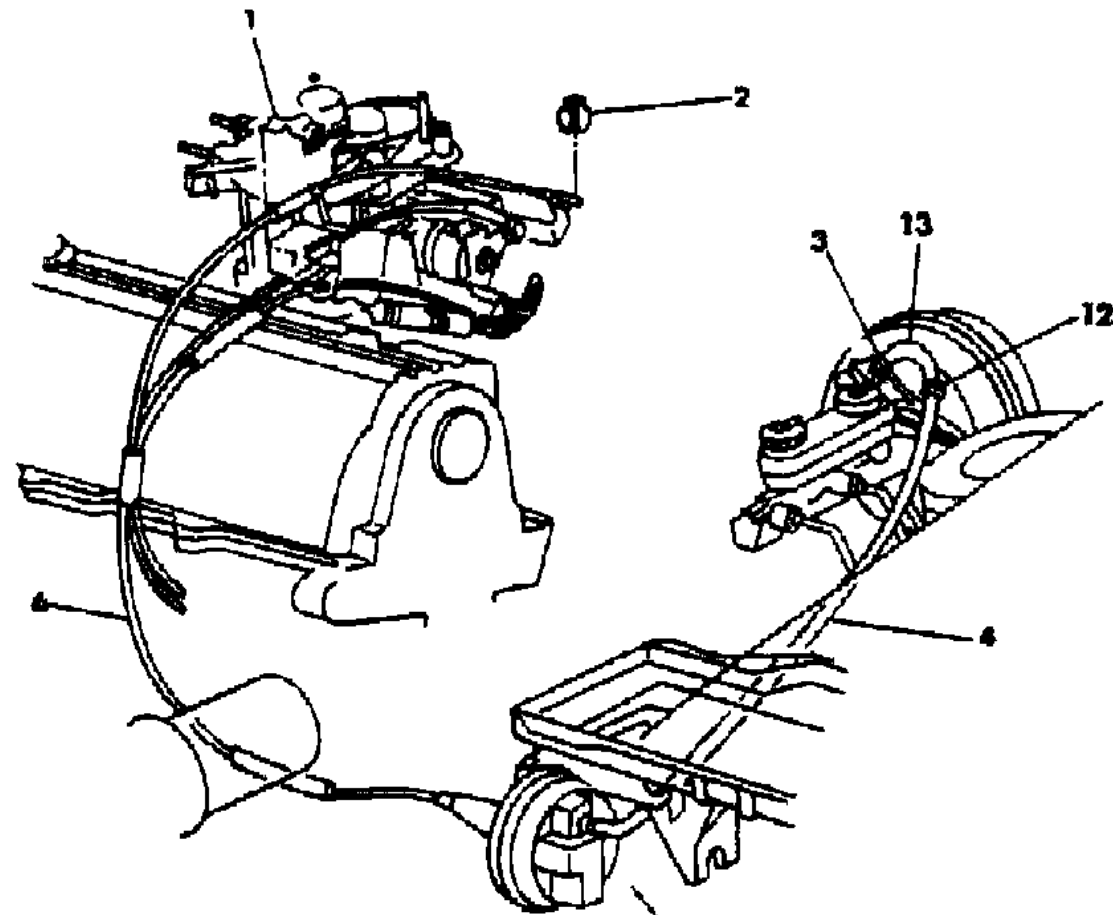
12-52 = FWD VAN & WAGON STD. W.B. 27 = 2-DOOR CONVERTIBLE
 13-53 = FWD VAN & WGN EXT W.B. 41 = 4-DOOR SEDAN
 21 = 2-DOOR SEDAN 44 = 4-DOOR HATCHBACK
 24 = 2-DOOR HATCHBACK 45 = 4-DOOR STATION WAGON

AR = Use as Required - = Non Illustrated Part P.A.R. = Paint as Required

SPEED CONTROL 2.2L AND 2.5L ENGINE E.F.I. P,J,K,G,E,H,C BODY
Figure 14-2600

8114 2600 B

ITEM	PART NUMBER	QTY	BODY	MODEL	DESCRIPTION
PKG.A					SPEED CONTROL PACKAGE
	4443 093	1	PJKGEH		
	4443 092	1	C		
1	4288 072	1			CLIP, Cable Mounting
2	6033 504	1			CLIP, Lever Attaching
3	2448 761	1			CLAMP
4	4104 272	AR			TUBE, Roll Stock 1/4" Black
5					SERVO
	4405 038	1	JGKEC		5 1/2" Dia., w/External Wiring
6	4307 565	1			CABLE
7	6025 867	1			CLIP, Cable to Servo Attaching
8	6501 750	2			U-NUT
9	6100 288	2			SCREW and WASHER
10		2			NUT and WASHER (not serviced)
11					BRACKET, Servo Mounting
	4458 105	1	PJKGEH		
	4288 500	1	C		
12	4306 923	1			VALVE, Check 1/4"
13	4405 003	1			TUBE, Formed
14					SERVO
	4405 138	1	P,K,E,H		4 1/2" Dia., w/External Wiring



MODEL CODES

C BODY = (D41 - DYNASTY)(C41 - NEW YORKER)	L BODY = (M - HORIZON)(Z-OMNI)
E BODY = (J - CARAVELLE)(E - 600)(T - NEW YORKER TURBO)	M BODY = (B - GRAN FURY)(G - DIPLOMAT)(F - FIFTH AVENUE/NEWPORT)
G BODY = (V24 - DAYTONA, PACIFICA & SHELBY)	P BODY = (P - SUNDANCE)(D - SHADOW)
H BODY = (D44 - LANCER)(C44 - LEBARON GTS)	Q BODY = (C27 - MASERATI)
J BODY = (C - LEBARON)	S BODY = (H - VOYAGER)(K - RAM VAN/ CARAVAN)
K BODY = (P - RELIANT)(D - ARIES)(C - LEBARON/ TOWN & COUNTRY)	

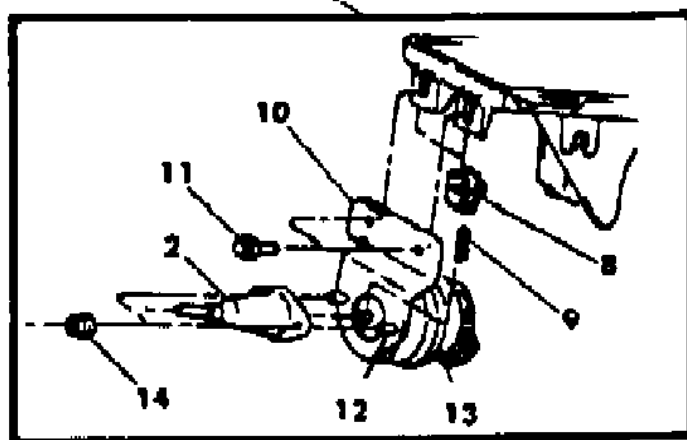
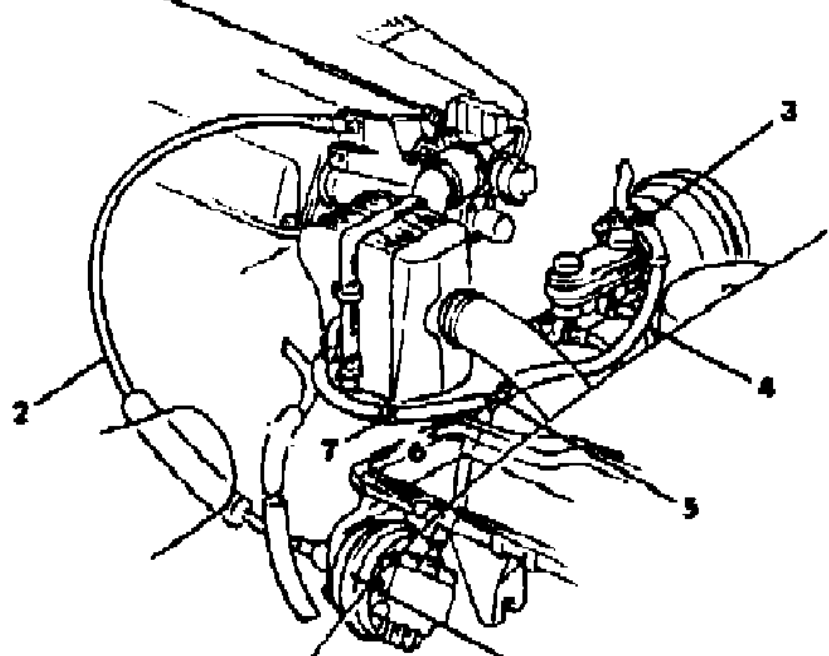
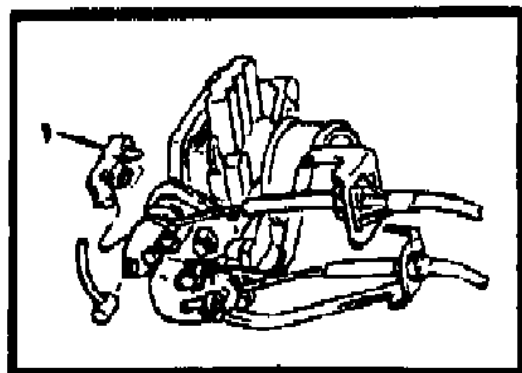
BODY STYLES

12-52 = FWD VAN & WAGON STD. W.B.	27 = 2-DOOR CONVERTIBLE
13-53 = FWD VAN & WGN EXT W.B.	41 = 4-DOOR SEDAN
21 = 2-DOOR SEDAN	44 = 4-DOOR HATCHBACK
24 = 2-DOOR HATCHBACK	45 = 4-DOOR STATION WAGON

AR = Use as Required - = Non Illustrated Part P.A.R. = Paint as Required

SPEED CONTROL TURBO I W/O INTER COOLER
Figure 14-2700

8114 2700



ITEM	PART NUMBER	QTY	BODY	MODEL	DESCRIPTION
PKG.A	4443 094	1			SPEED CONTROL PACKAGE
1	4324 349	1			CLIP, Retainer
2	4324 374	1			CABLE, Speed Control
3	2448 761	1			CLAMP, Hose at Vacuum Source
4	4104 272	AR			TUBE, Roll Stock 1/4" Black
5	4307 218	1			CONNECTOR, Y 1/4"
6	4405 119	AR			TUBE, Formed
7	4306 923	1			VALVE, Check
8	6501 750	2			NUT
9	6025 867	1			CLIP, Cable to Servo
10	4324 384	1			BRACKET, Servo Mounting
11	6100 288	2			SCREW and WASHER
12	6100 840	2			NUT, Push
13	4324 052	1			SERVO
14		2			NUT and WASHER (not serviced)

MODEL CODES

C BODY = (D41 - DYNASTY)(C41 - NEW YORKER)	L BODY = (M - HORIZON)(Z-OMNI)
E BODY = (J - CARAVELLE)(E - 600)(T - NEW YORKER TURBO)	M BODY = (B - GRAN FURY)(G - DIPLOMAT)(F - FIFTH AVENUE/NEWPORT)
G BODY = (V24 - DAYTONA, PACIFICA & SHELBY)	P BODY = (P - SUNDANCE)(D - SHADOW)
H BODY = (D44 - LANCER)(C44 - LEBARON GTS)	Q BODY = (C27 - MASERATI)
J BODY = (C - LEBARON)	S BODY = (H - VOYAGER)(K - RAM VAN/ CARAVAN)
K BODY = (P - RELIANT)(D - ARIES)(C - LEBARON/ TOWN & COUNTRY)	

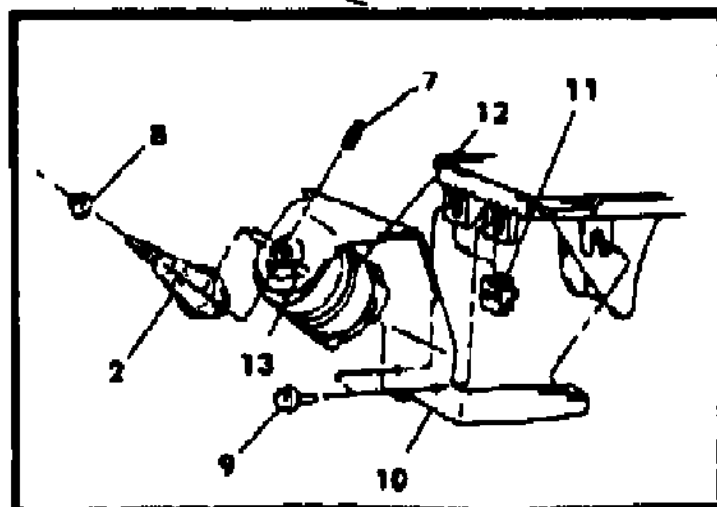
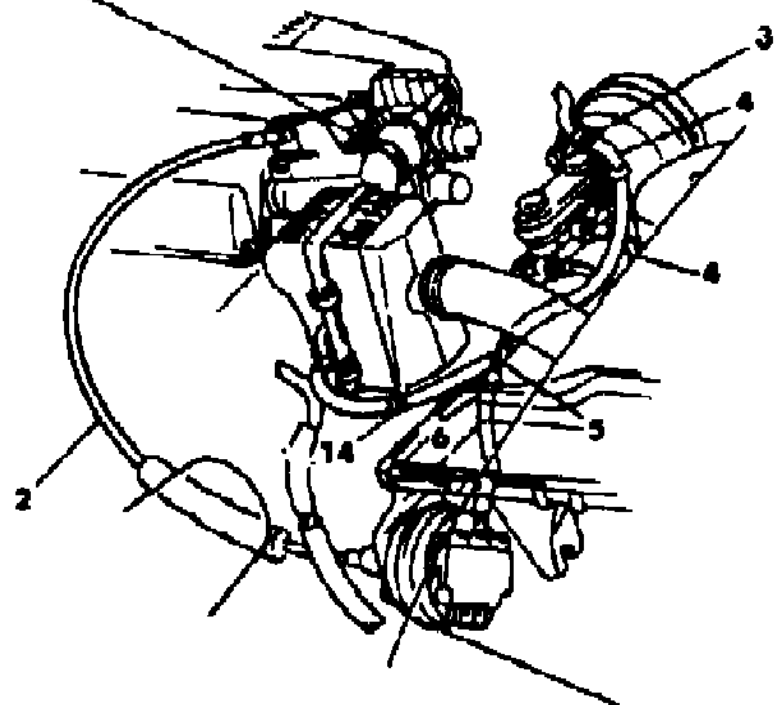
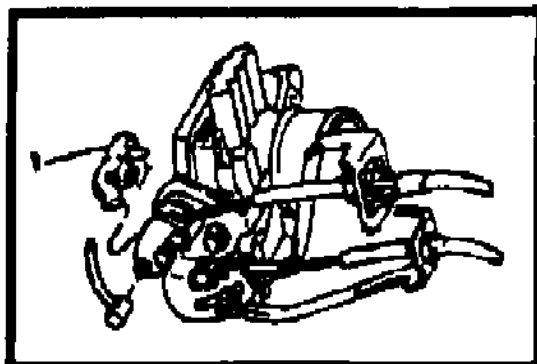
BODY STYLES

12-52 = FWD VAN & WAGON STD. W.B.	27 = 2-DOOR CONVERTIBLE
13-53 = FWD VAN & WGN EXT W.B.	41 = 4-DOOR SEDAN
21 = 2-DOOR SEDAN	44 = 4-DOOR HATCHBACK
24 = 2-DOOR HATCHBACK	45 = 4-DOOR STATION WAGON

AR = Use as Required - = Non Illustrated Part P.A.R. = Paint as Required

SPEED CONTROL TURBO II W/WINTER COOLER
Figure 14-2800

8114 2800



ITEM	PART NUMBER	QTY	BODY	MODEL	DESCRIPTION
PKG.A	4443 094	1			SPEED CONTROL PACKAGE
1	4324 349	1			CLIP, Retainer
2	4458 443	1			CABLE, Speed Control
3	2448 761	1			CONNECTOR, 1/4"
4	4104 272	AR			TUBE, Roll Stock 1/4" Black
5	4307 218	1			CONNECTOR, Y 1/4"
6	4405 119	AR			TUBE, Formed
7	6025 867	1			CLIP, Cable to Servo Attaching
8		2			NUT and WASHER (not serviced)
9	6100 288	2			SCREW and WASHER
10					BRACKET
	4324 053	1	G		
	4458 157	1	H		
11	6501 750	2			NUT, Battery Tray to Speed Control Mounting
12	4324 052	1			SERVO
13	6100 840	2			NUT, Push
14	4306 923	1			VALVE, Check

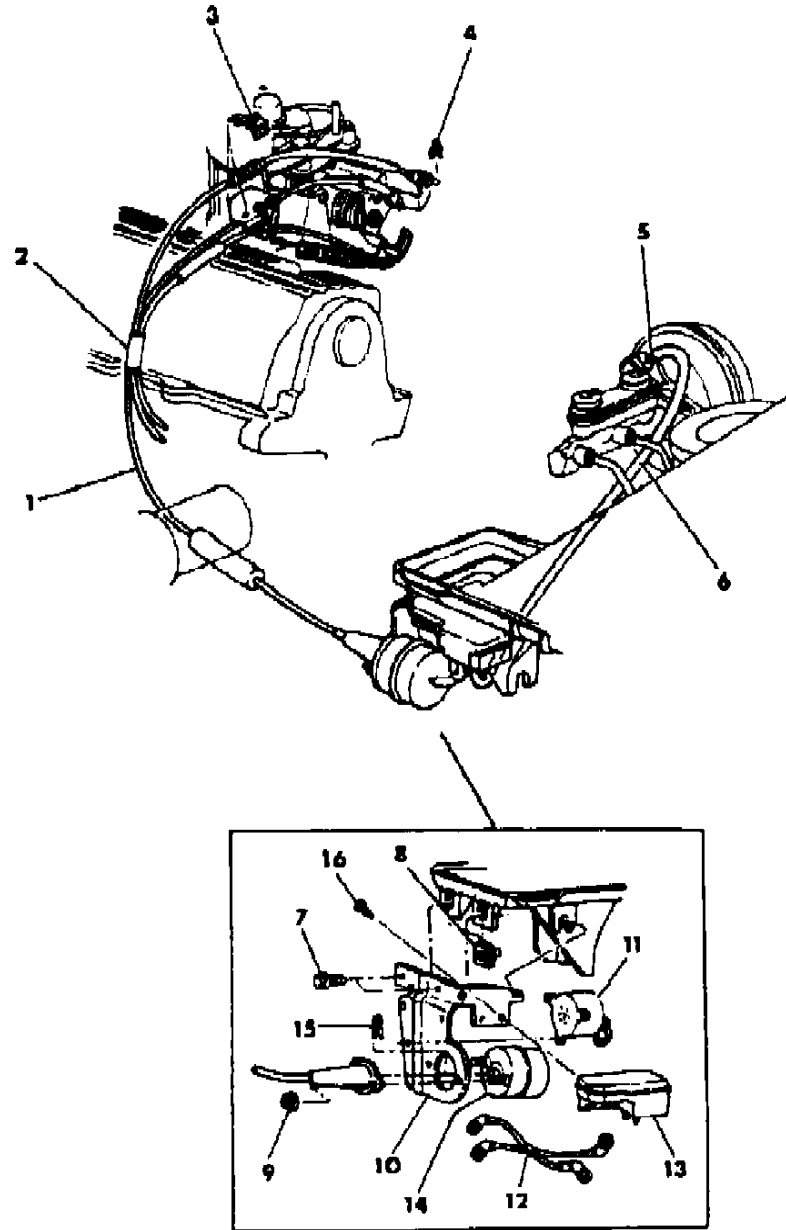
MODEL CODES
 C BODY = (D41 - DYNASTY)(C41 - NEW YORKER)
 E BODY = (J - CARAVELLE)(E - 600)(T - NEW YORKER TURBO)
 G BODY = (V24 - DAYTONA, PACIFICA & SHELBY)
 H BODY = (D44 - LANCER)(C44 - LEBARON GTS)
 J BODY = (C - LEBARON)
 K BODY = (P - RELIANT)(D - ARIES)(C - LEBARON/ TOWN & COUNTRY)
 L BODY = (M - HORIZON)(Z-OMNI)
 M BODY = (B - GRAN FURY)(G - DIPLOMAT)(F - FIFTH AVENUE/NEWPORT)
 P BODY = (P - SUNDANCE)(D - SHADOW)
 Q BODY = (C27 - MASERATI)
 S BODY = (H - VOYAGER)(K - RAM VAN/ CARAVAN)

BODY STYLES
 12-52 = FWD VAN & WAGON STD. W.B. 27 = 2-DOOR CONVERTIBLE
 13-53 = FWD VAN & WGN EXT W.B. 41 = 4-DOOR SEDAN
 21 = 2-DOOR SEDAN 44 = 4-DOOR HATCHBACK
 24 = 2-DOOR HATCHBACK 45 = 4-DOOR STATION WAGON

AR = Use as Required - = Non Illustrated Part P.A.R. = Paint as Required

SPEED CONTROL 2.5L ENGINE S BODY
Figure 14-2900

8114 2900



ITEM	PART NUMBER	QTY	BODY	MODEL	DESCRIPTION
PKG.A	4443 095	1			SPEED CONTROL PACKAGE
1	4324 330	1			CABLE, Speed Control
2	4300 009	1			BUNDLER
3	4288 072	1			CLIP, Cable Mounting
4	#6031 629	1			CLIP, Lever Stud
5	2448 761	1			CLAMP
6	4443 175	AR			HOSE, 1/4 I.D. 25 Foot Spool
7	6100 288	2			SCREW and WASHER, Bracket Mounting
8	6500 681	2			U-NUT, Bracket Mounting
9	6100 047	2			NUT and WASHER
10	4307 201	1			BRACKET
11	4307 876	1			BODY, Valve
12	4307 889	1			HARNESSE, Vacuum
13	4307 203	1			RESERVOIR
14	4405 038	1			SERVO
15	6025 867	2			CLIP
16	6100 286	2			SCREW

MODEL CODES

C BODY = (D41 - DYNASTY)(C41 - NEW YORKER)	L BODY = (M - HORIZON)(Z-OMNI)
E BODY = (J - CARAVELLE)(E - 600)(T - NEW YORKER TURBO)	M BODY = (B - GRAN FURY)(G - DIPLOMAT)(F - FIFTH AVENUE/NEWPORT)
G BODY = (V24 - DAYTONA, PACIFICA & SHELBY)	P BODY = (P - SUNDANCE)(D - SHADOW)
H BODY = (D44 - LANCER)(C44 - LEBARON GTS)	Q BODY = (C27 - MASERATI)
J BODY = (C - LEBARON)	S BODY = (H - VOYAGER)(K - RAM VAN/ CARAVAN)
K BODY = (P - RELIANT)(D - ARIES)(C - LEBARON/ TOWN & COUNTRY)	

BODY STYLES

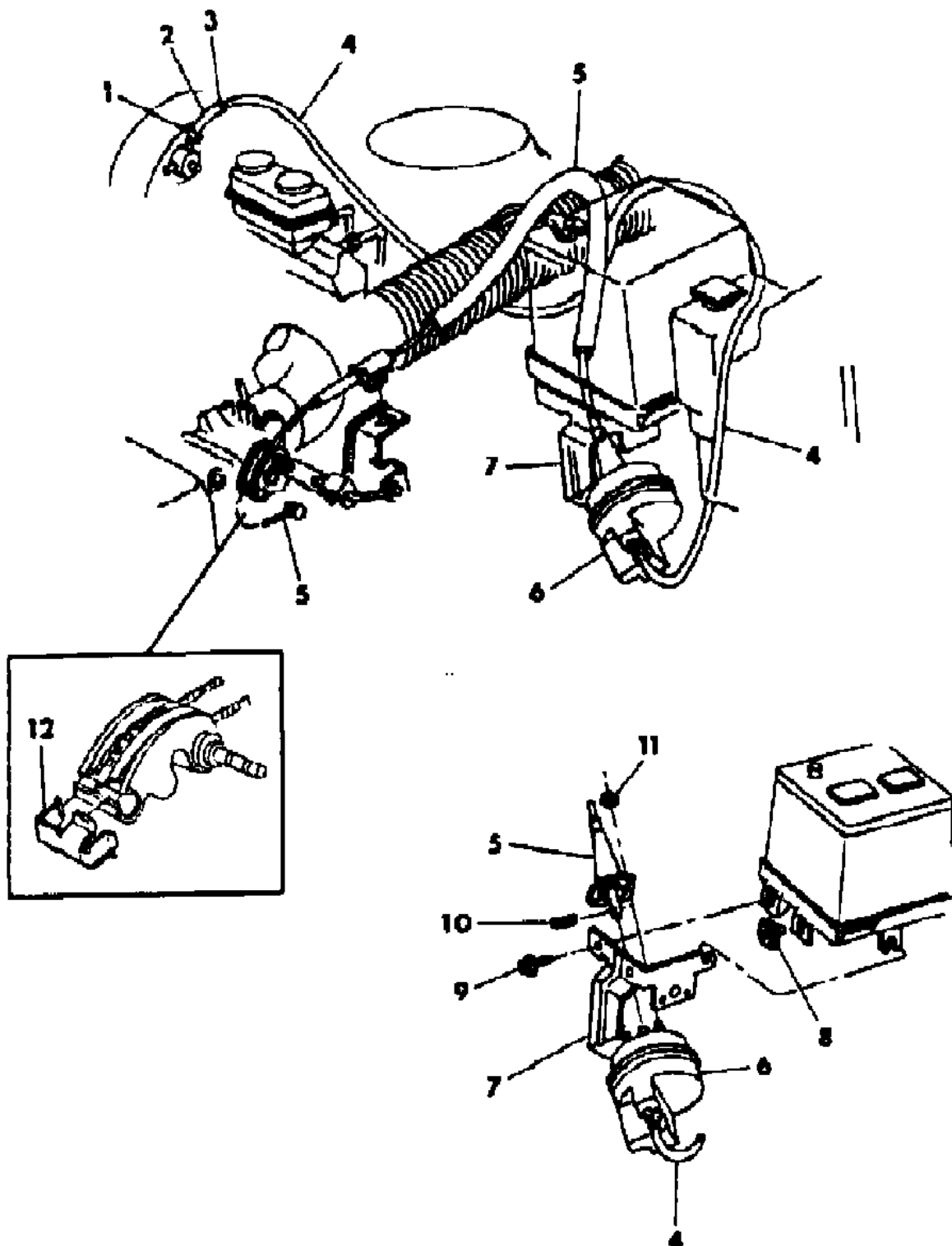
12-52 = FWD VAN & WAGON STD. W.B.	27 = 2-DOOR CONVERTIBLE
13-53 = FWD VAN & WGN EXT W.B.	41 = 4-DOOR SEDAN
21 = 2-DOOR SEDAN	44 = 4-DOOR HATCHBACK
24 = 2-DOOR HATCHBACK	45 = 4-DOOR STATION WAGON

AR = Use as Required - = Non Illustrated Part P.A.R. = Paint as Required

SPEED CONTROL 3.0L ENGINE C AND S BODY
Figure 14-3000

8114 3000

ITEM	PART NUMBER	QTY	BODY	MODEL	DESCRIPTION
PKG.A					SPEED CONTROL PACKAGE
	4443 095	1	S		
	4443 092	1	C		
	4312 957	1	S		MODULE ASSEMBLY, Speed Control ***
	4374 027	1			BRACKET, Module
1	2448 761	1			CLAMP, Vacuum Hose
2	4405 003	1			HOSE, Vacuum Formed
3	4306 923	1			VALVE, Check
4	4443 175	AR			HOSE, Vacuum 1/4 I.D. 25 Foot Spool
5	4324 598	1			CABLE, Speed Control
6	4405 038	1			SERVO, Speed Control
7					BRACKET, Servo Mounting
	4288 498	1	S		
	4288 796	1	C		
8					U-NUT, Bracket Mounting
	6500 681	2	S		
	6501 750	2	C		
9	6100 288	2			SCREW and WASHER, Bracket Mounting
10	6025 867	1			CLIP, Cable Retaining
11		2			NUT and WASHER, Cable Mounting (not serviced)
12	4324 349	1			CLIP, Retaining



MODEL CODES

C BODY = (D41 - DYNASTY)(C41 - NEW YORKER)	L BODY = (M - HORIZON)(Z-OMNI)
E BODY = (J - CARAVELLE)(E - 600)(T - NEW YORKER TURBO)	M BODY = (B - GRAN FURY)(G - DIPLOMAT)(F - FIFTH AVENUE/NEWPORT)
G BODY = (V24 - DAYTONA, PACIFICA & SHELBY)	P BODY = (P - SUNDANCE)(D - SHADOW)
H BODY = (D44 - LANCER)(C44 - LEBARON GTS)	Q BODY = (C27 - MASERATI)
J BODY = (C - LEBARON)	S BODY = (H - VOYAGER)(K - RAM VAN/ CARAVAN)
K BODY = (P - RELIANT)(D - ARIES)(C - LEBARON/ TOWN & COUNTRY)	

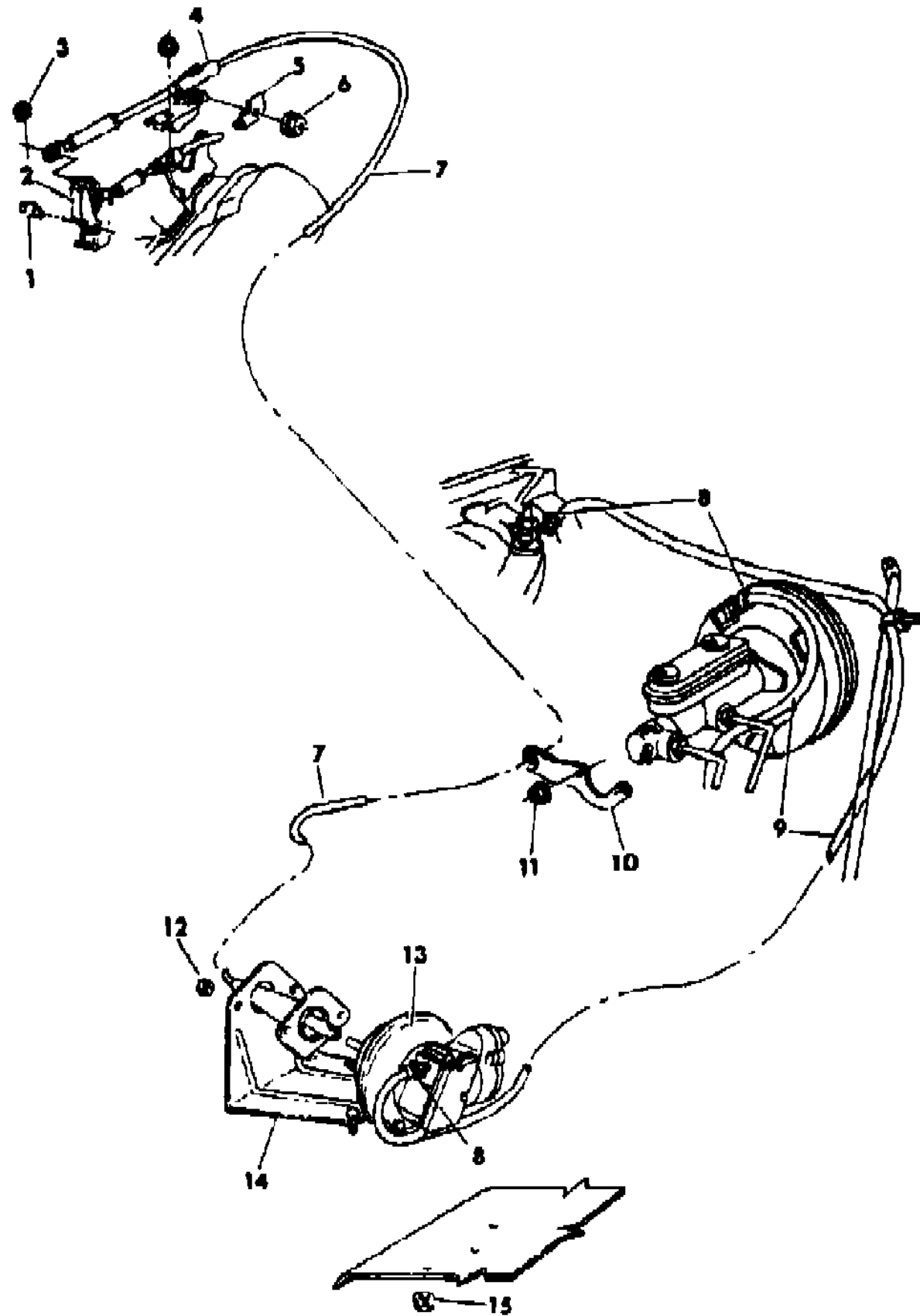
BODY STYLES

12-52 = FWD VAN & WAGON STD. W.B.	27 = 2-DOOR CONVERTIBLE
13-53 = FWD VAN & WGN EXT W.B.	41 = 4-DOOR SEDAN
21 = 2-DOOR SEDAN	44 = 4-DOOR HATCHBACK
24 = 2-DOOR HATCHBACK	45 = 4-DOOR STATION WAGON

AR = Use as Required - = Non Illustrated Part P.A.R. = Paint as Required

SPEED CONTROL M BODY
Figure 14-3100

8114 3100



ITEM	PART NUMBER	QTY	BODY	MODEL	DESCRIPTION
PKG.A	4443 074				SPEED CONTROL PACKAGE
1	6032 134	1			PIN, Lost Motion Link
2	3769 261	1			LINK, Lost Motion
3	6030 479	1			CLIP
4					BRACKET
	2899 376	1			w/5.2L-2BBL
	3830 868	1			w/5.2L-4BBL
5	2402 210	1			CLIP
6	0219 462	1			NUT and WASHER
7					CABLE, Speed Control
	4241 249	1			(up to 4/1/88)
	4405 084	1			(after 4/1/88)
8	2448 761	AR			CLAMP
9	4443 175	AR			HOSE, 1/4 I.D. 25 Foot Spool
10					BRACKET, Cable Routing
	4173 480	1			(up to 12/14/87)
	4306 089	1			(after 12/14/87)
11	0118 614	1			NUT
12	6025 004	2			NUT
13	4241 243	1			SERVO, Speed Control
14	#4104 323	1			BRACKET
15	0219 462	3			NUT

MODEL CODES

C BODY = (D41 - DYNASTY)(C41 - NEW YORKER)	L BODY = (M - HORIZON)(Z-OMNI)
E BODY = (J - CARAVELLE)(E - 600)(T - NEW YORKER TURBO)	M BODY = (B - GRAN FURY)(G - DIPLOMAT)(F - FIFTH AVENUE/NEWPORT)
G BODY = (V24 - DAYTONA, PACIFICA & SHELBY)	P BODY = (P - SUNDANCE)(D - SHADOW)
H BODY = (D44 - LANCER)(C44 - LEBARON GTS)	Q BODY = (C27 - MASERATI)
J BODY = (C - LEBARON)	S BODY = (H - VOYAGER)(K - RAM VAN/ CARAVAN)
K BODY = (P - RELIANT)(D - ARIES)(C - LEBARON/ TOWN & COUNTRY)	

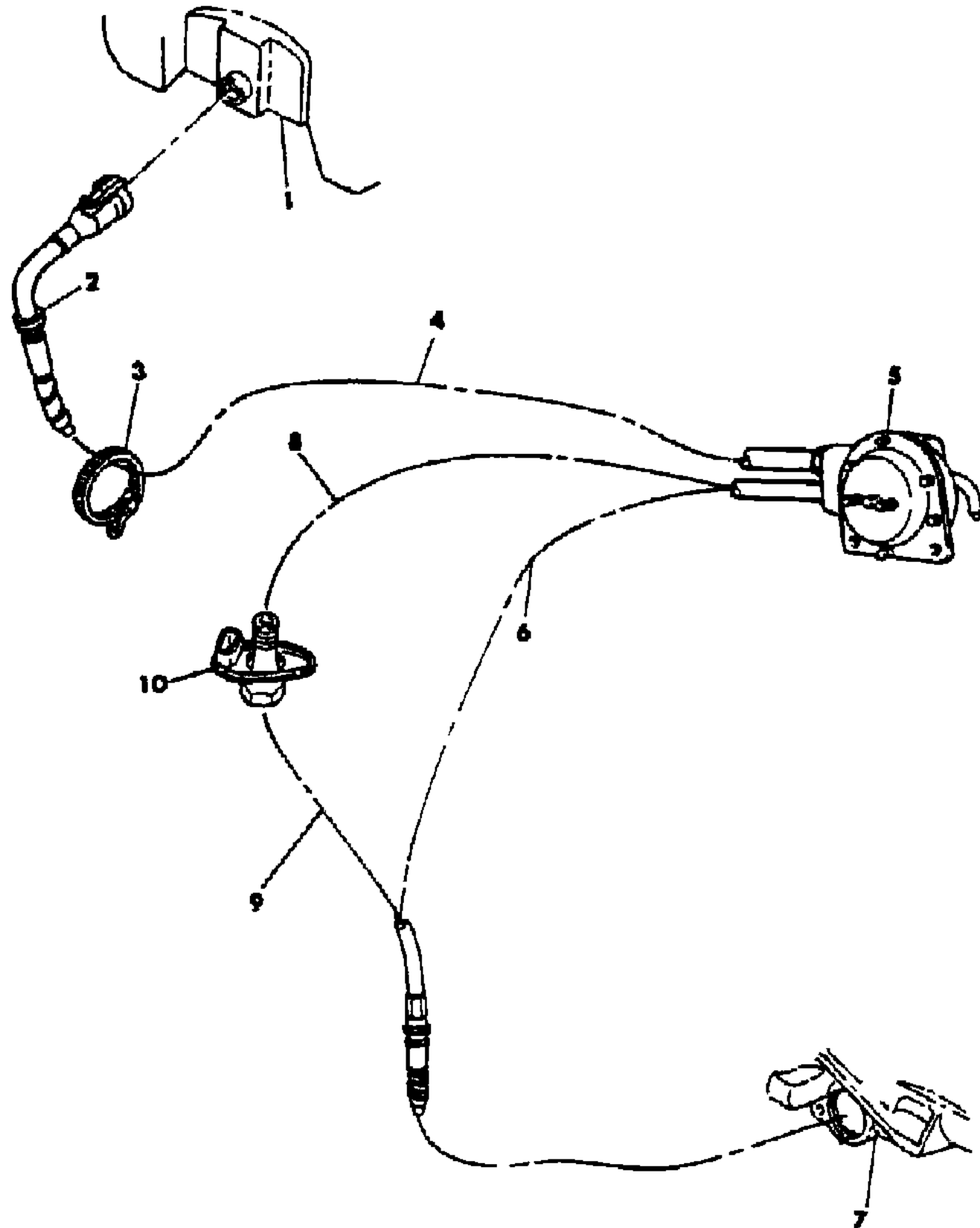
BODY STYLES

12-52 = FWD VAN & WAGON STD. W.B.	27 = 2-DOOR CONVERTIBLE
13-53 = FWD VAN & WGN EXT W.B.	41 = 4-DOOR SEDAN
21 = 2-DOOR SEDAN	44 = 4-DOOR HATCHBACK
24 = 2-DOOR HATCHBACK	45 = 4-DOOR STATION WAGON

AR = Use as Required - = Non Illustrated Part P.A.R. = Paint as Required

SPEED CONTROL CABLES M BODY
Figure 14-3200

8114 3200 A



ITEM	PART NUMBER	QTY	BODY	MODEL	DESCRIPTION
NOTE: All Vehicles for 1988 except M Body use the same Speedometer Cables as listed in Group 21 the side of the float bowl.					
1					SPEEDOMETER, (Reference)
2	3593 446	1			GROMMET, Speedo Cable Dash
3	6015 756	AR			CLIP, Speedo Cable to Heater Hose
4					CABLE, Speedometer to Speed Control
	4437 218	1			35" Long
5					SERVO, Speed Control (Reference)
6					CABLE, Speed Control to Sensor
	4437 219	1			52" Long
7					TRANSMISSION (Reference)
8	4437 312	1			CABLE, Servo to Distance Sensor
9	4437 314	1			CABLE, Sensor to Transmission
10					SENSOR (refer to Group 21)

MODEL CODES

C BODY = (D41 - DYNASTY)(C41 - NEW YORKER)	L BODY = (M - HORIZON)(Z-OMNI)
E BODY = (J - CARAVELLE)(E - 600)(T - NEW YORKER TURBO)	M BODY = (B - GRAN FURY)(G - DIPLOMAT)(F - FIFTH AVENUE/NEWPORT)
G BODY = (V24 - DAYTONA, PACIFICA & SHELBY)	P BODY = (P - SUNDANCE)(D - SHADOW)
H BODY = (D44 - LANCER)(C44 - LEBARON GTS)	Q BODY = (C27 - MASERATI)
J BODY = (C - LEBARON)	S BODY = (H - VOYAGER)(K - RAM VAN/ CARAVAN)
K BODY = (P - RELIANT)(D - ARIES)(C - LEBARON/ TOWN & COUNTRY)	

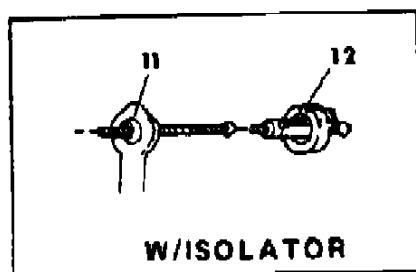
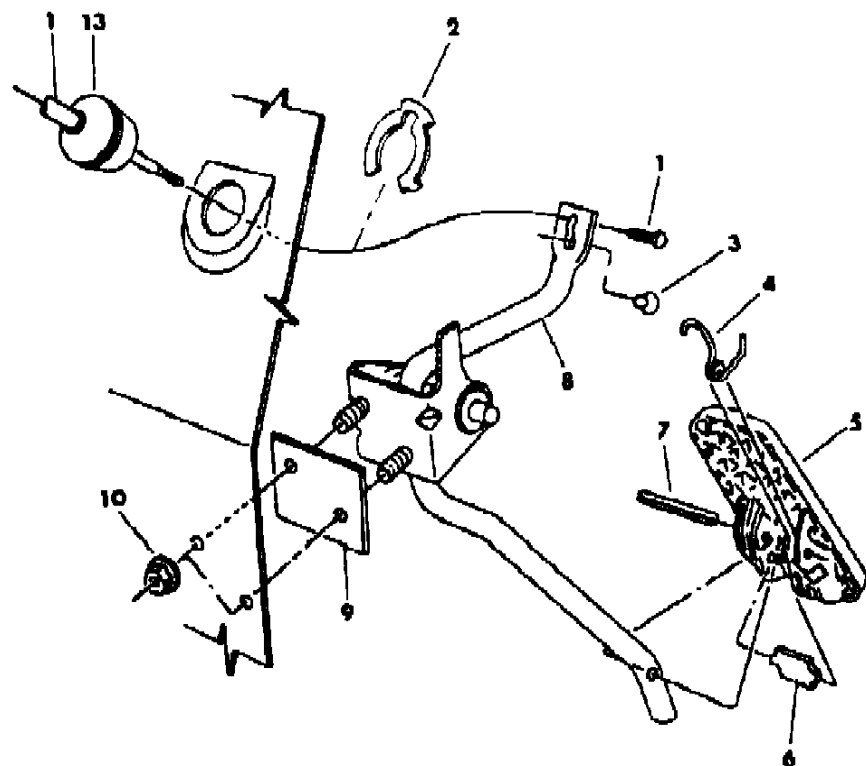
BODY STYLES

12-52 = FWD VAN & WAGON STD. W.B.	27 = 2-DOOR CONVERTIBLE
13-53 = FWD VAN & WGN EXT W.B.	41 = 4-DOOR SEDAN
21 = 2-DOOR SEDAN	44 = 4-DOOR HATCHBACK
24 = 2-DOOR HATCHBACK	45 = 4-DOOR STATION WAGON

AR = Use as Required - = Non Illustrated Part P.A.R. = Paint as Required

ACCELERATOR PEDAL L,P,J,K,G,E,H,C BODY
Figure 14-3300

8114 3300



ITEM	PART NUMBER	QTY	BODY	MODEL	DESCRIPTION
1					CABLE, Throttle Control, see Throttle Control Illustration
2	#5214 613	1			CLIP, Retainer
3	2465 483	1			PLUG
4	2899 354	1			SPRING
5					PEDAL, Accelerator
	4105 073	1	L		Exc T.C.
	4105 073	1	P		w/E.F.I.
	4105 073	1	P		w/T.C., w/Automatic Transmission
	4405 171	1	P		w/T.C., w/Manual Transmission
	4105 073	1	J		w/Automatic Transmission
	4405 171	1	J		w/Manual Transmission
	4105 073	1	K,E,C		w/Automatic or Manual Transmission
	4105 073	1	G,H		w/Automatic Transmission
	4405 171	1	G,H		w/Manual Transmission
6	2899 342	1			PAD
7	9420 947	1			ROLL PIN
8					BRACKET, Shaft and Pedal, Accelerator
	4307 226	1	L		
	4324 590	1	J,G,H		w/Automatic Transmission
	4324 594	1	J,G,H		w/Manual Transmission
	4324 590	1	P		w/Automatic and Turbo
	4324 590	1	P		w/E.F.I. Manual Transmission
	4324 594	1	P		w/Manual Turbo
	4324 590	1	K,E,C		w/Manual and Automatic Transmission
9	4201 048	1			SEAL, Bracket Mounting
	4275 540	1	L		
10	6500 274	2			NUT and WASHER
11	4306 150	1			ISOLATOR, Throttle Cable
12	4287 736	1			RETAINER, w/Isolator
13	5214 416	1			GROMMET, Throttle Control

MODEL CODES

C BODY = (D41 - DYNASTY)(C41 - NEW YORKER)
 E BODY = (J - CARAVELLE)(E - 600)(T - NEW YORKER TURBO)
 G BODY = (V24 - DAYTONA, PACIFICA & SHELBY)
 H BODY = (D44 - LANCER)(C44 - LEBARON GTS)
 J BODY = (C - LEBARON)
 K BODY = (P - RELIANT)(D - ARIES)(C - LEBARON/ TOWN & COUNTRY)
 L BODY = (M - HORIZON)(Z-OMNI)
 M BODY = (B - GRAN FURY)(G - DIPLOMAT)(F - FIFTH AVENUE/NEWPORT)
 P BODY = (P - SUNDANCE)(D - SHADOW)
 Q BODY = (C27 - MASERATI)
 S BODY = (H - VOYAGER)(K - RAM VAN/ CARAVAN)

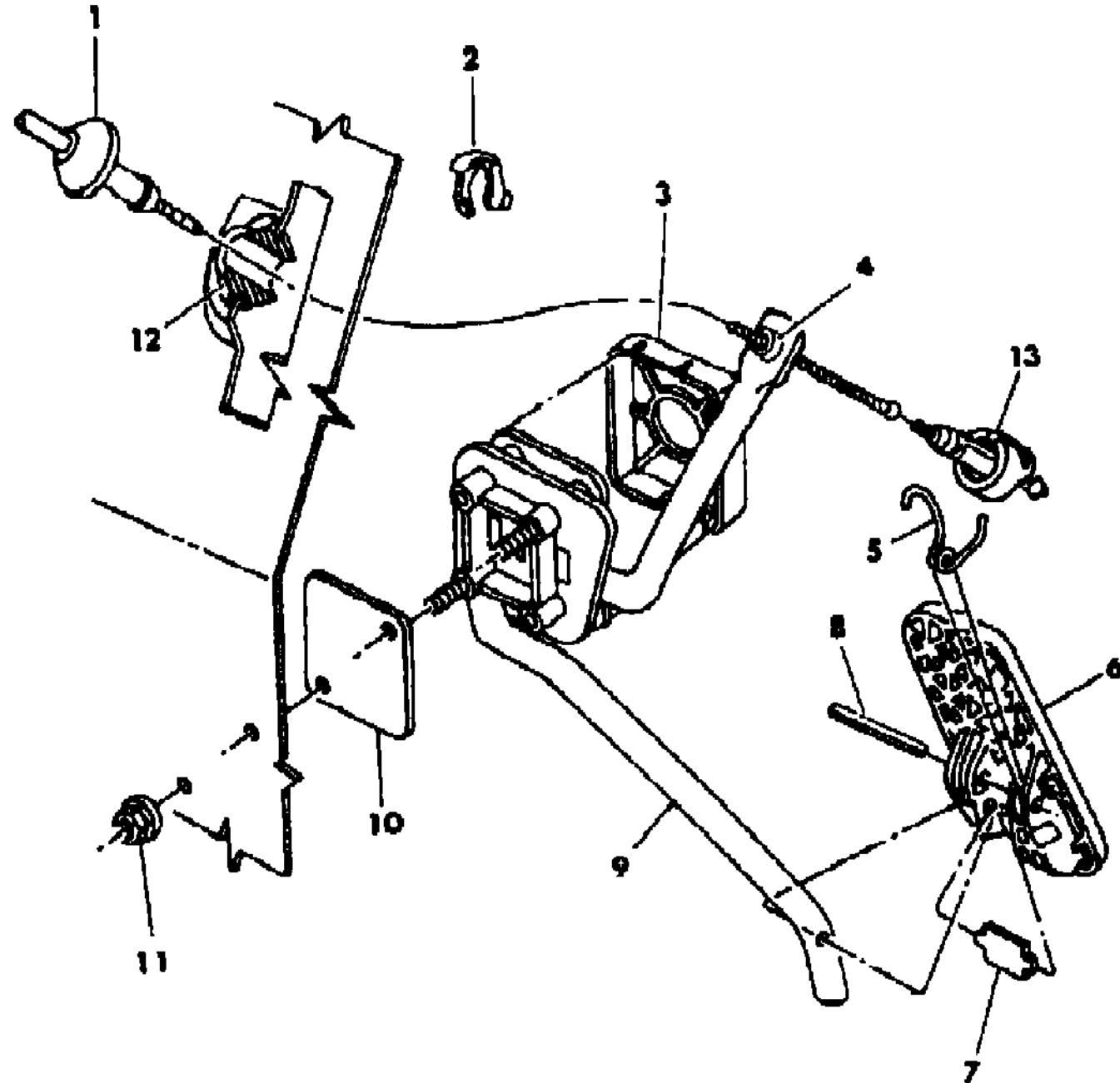
BODY STYLES

12-52 = FWD VAN & WAGON STD. W.B. 27 = 2-DOOR CONVERTIBLE
 13-53 = FWD VAN & WGN EXT W.B. 41 = 4-DOOR SEDAN
 21 = 2-DOOR SEDAN 44 = 4-DOOR HATCHBACK
 24 = 2-DOOR HATCHBACK 45 = 4-DOOR STATION WAGON

AR = Use as Required - = Non Illustrated Part P.A.R. = Paint as Required

ACCELERATOR PEDAL S BODY
Figure 14-3400

8114 3400



ITEM	PART NUMBER	QTY	BODY	MODEL	DESCRIPTION
1					CABLE, Throttle Control see Throttle Control Illustration
2	#5214 613	1			CLIP, Retainer
3	4275 539	1			COVER, Dress up
4	4306 150	1			ISOLATOR, Throttle Cable
5	2899 354	1			SPRING
6	4105 073	1			PEDAL, Accelerator
7	2899 342	1			PAD
8	9420 947	1			ROLL PIN
9	4405 170	1			BRACKET, Accelerator
10	4275 099	1			SEAL
11	6500 274	2			NUT and WASHER
12	5214 416	1			GROMMET
13	4287 736	1			RETAINER, w/Isolator

MODEL CODES

C BODY = (D41 - DYNASTY)(C41 - NEW YORKER)	L BODY = (M - HORIZON)(Z-OMNI)
E BODY = (J - CARAVELLE)(E - 600)(T - NEW YORKER TURBO)	M BODY = (B - GRAN FURY)(G - DIPLOMAT)(F - FIFTH AVENUE/NEWPORT)
G BODY = (V24 - DAYTONA, PACIFICA & SHELBY)	P BODY = (P - SUNDANCE)(D - SHADOW)
H BODY = (D44 - LANCER)(C44 - LEBARON GTS)	Q BODY = (C27 - MASERATI)
J BODY = (C - LEBARON)	S BODY = (H - VOYAGER)(K - RAM VAN/ CARAVAN)
K BODY = (P - RELIANT)(D - ARIES)(C - LEBARON/ TOWN & COUNTRY)	

BODY STYLES

12-52 = FWD VAN & WAGON STD. W.B.	27 = 2-DOOR CONVERTIBLE
13-53 = FWD VAN & WGN EXT W.B.	41 = 4-DOOR SEDAN
21 = 2-DOOR SEDAN	44 = 4-DOOR HATCHBACK
24 = 2-DOOR HATCHBACK	45 = 4-DOOR STATION WAGON

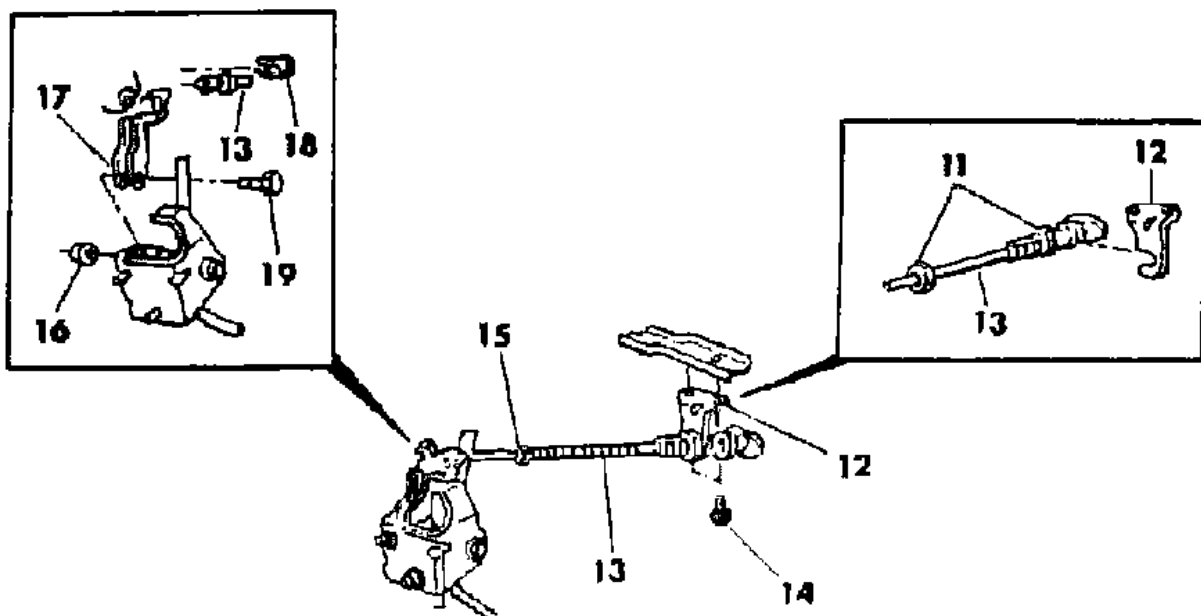
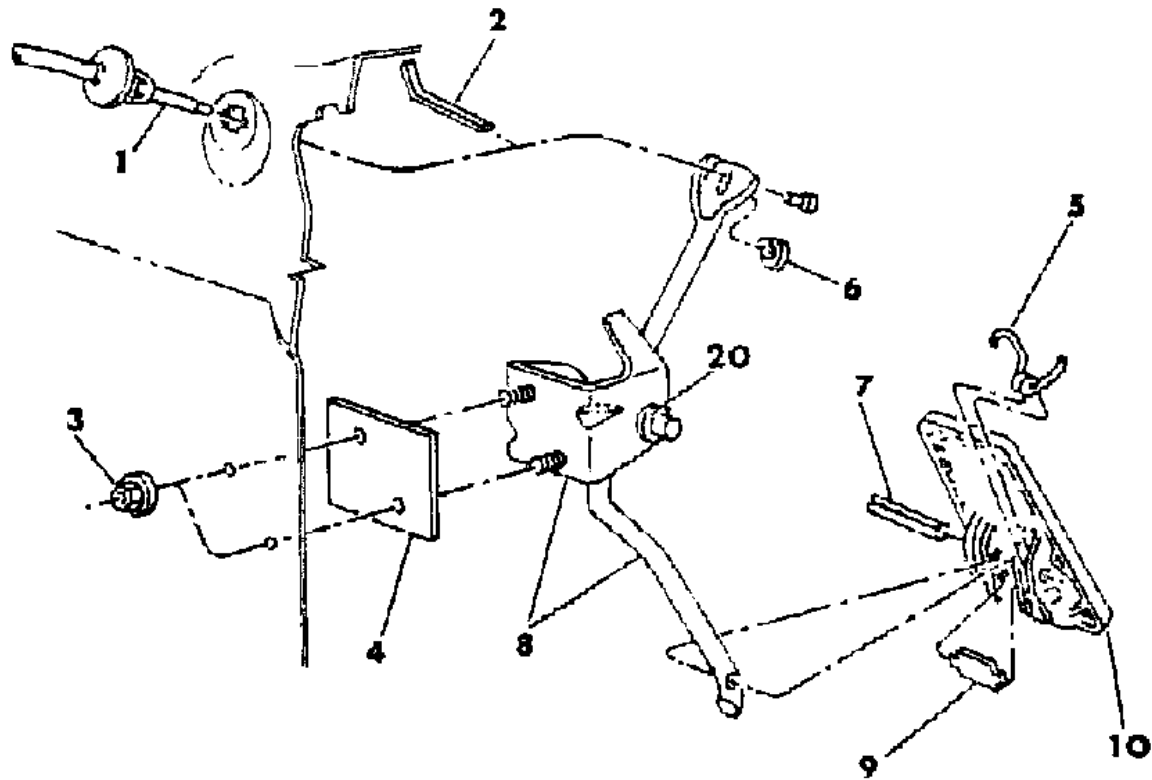
AR = Use as Required - = Non Illustrated Part P.A.R. = Paint as Required

ACCELERATOR PEDAL M BODY

Figure 14-3500

8114 3500 A

ITEM	PART NUMBER	QTY	BODY	MODEL	DESCRIPTION
1					CABLE, Throttle Control, see Throttle Control Illustration
2	3462 725	1			RETAINER
3	6025 004	2			NUT and WASHER
4	2951 468	1			SEAL
5	2899 354	1			SPRING
6	2465 483	1			PLUG
7	9420 947	1			ROLL PIN
8	3870 689	1			BRACKET, Accelerator Shaft
9	2899 342	1			PAD
10	4105 073	1			PEDAL, Accelerator
11	6030 435	2			NUT
12	4041 546	1			BRACKET, Fast Idle Cable
13	4041 545	1			CABLE
14					SCREW (8-18x3/4) (not serviced)
15	2536 847				COLLAR, Cable Adjusting
16	6025 004				NUT and WASHER
17	4041 547	1			LEVER, Fast Idle Adjusting
18	2465 483				PLUG
19	6027 565	1			BOLT
20	2899 351	1			BUSHING, Accelerator Shaft Bracket



MODEL CODES

C BODY = (D41 - DYNASTY)(C41 - NEW YORKER)
 E BODY = (J - CARAVELLE)(E - 600)(T - NEW YORKER TURBO)
 G BODY = (V24 - DAYTONA, PACIFICA & SHELBY)
 H BODY = (D44 - LANCER)(C44 - LEBARON GTS)
 J BODY = (C - LEBARON)
 K BODY = (P - RELIANT)(D - ARIES)(C - LEBARON/ TOWN & COUNTRY)
 L BODY = (M - HORIZON)(Z-OMNI)
 M BODY = (B - GRAN FURY)(G - DIPLOMAT)(F - FIFTH AVENUE/NEWPORT)
 P BODY = (P - SUNDANCE)(D - SHADOW)
 Q BODY = (C27 - MASERATI)
 S BODY = (H - VOYAGER)(K - RAM VAN/ CARAVAN)

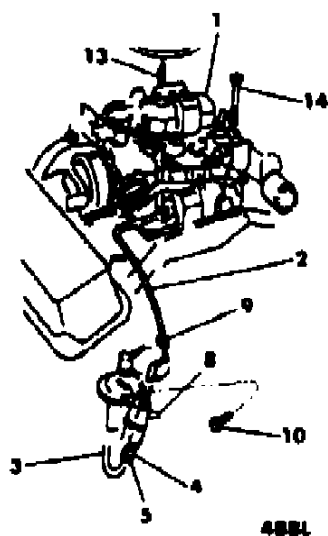
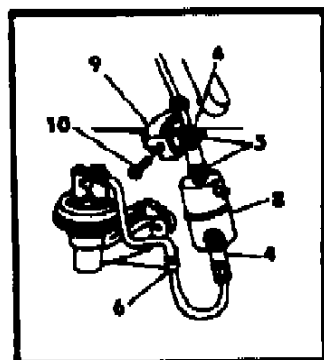
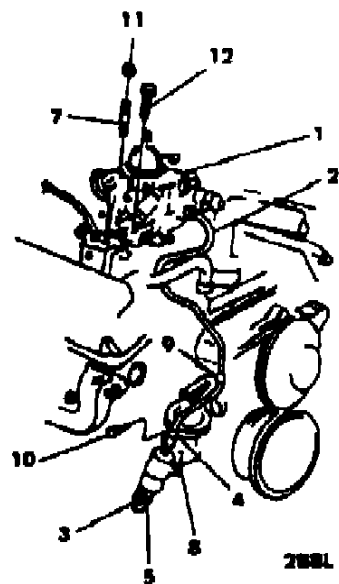
BODY STYLES

12-52 = FWD VAN & WAGON STD. W.B. 27 = 2-DOOR CONVERTIBLE
 13-53 = FWD VAN & WGN EXT W.B. 41 = 4-DOOR SEDAN
 21 = 2-DOOR SEDAN 44 = 4-DOOR HATCHBACK
 24 = 2-DOOR HATCHBACK 45 = 4-DOOR STATION WAGON

AR = Use as Required - = Non Illustrated Part P.A.R. = Paint as Required

CARBURETOR FUEL FILTER AND RELATED PARTS
Figure 14-3600

8114 3600



ITEM	PART NUMBER	QTY	BODY	MODEL	DESCRIPTION
1					CARBURETOR, See Carburetor Charts
2	4418 154	AR			TUBE, Fuel Filter Hose to Carburetor (5/16 O.D. 25 Foot Roll)
3	4027 122	AR			TUBE, Fuel Pump to Fuel Filter
4	4443 176	AR			HOSE, Fuel Filter 5/16 I.D. 25 Foot Spool
5	2463 937	AR			CLAMP
6					CLIP, Fuel Pump to Fuel Filter Hose (not serviced)
7	0152 534	2			STUD, Carburetor Attaching
8					FILTER, Fuel
	4049 224	1			w/318-2bbl. Engine, w/ Vapor Separator
	4186 209	1			w/318-2bbl. Engine, w/o Vapor Separator
	4106 001	1			w/318-4bbl. Engine, w/Vapor Separator
	4186 209	1			w/318-4bbl. Engine, w/o Vapor Separator
9	4179 759	1			CLIP, Fuel Filter Hose to Carburetor Hose Tube
10	6031 927	1			SCREW, Fuel Pump Attaching
11	6032 305	2			NUT, Carburetor Attaching Front
12	6032 436	2			SCREW, Carburetor Attaching
13	1826 286	2			STUD, Carburetor Attaching
14	6033 385	2			BOLT, Carburetor Attaching

MODEL CODES

C BODY = (D41 - DYNASTY)(C41 - NEW YORKER)
 E BODY = (J - CARAVELLE)(E - 600)(T - NEW YORKER TURBO)
 G BODY = (V24 - DAYTONA, PACIFICA & SHELBY)
 H BODY = (D44 - LANCER)(C44 - LEBARON GTS)
 J BODY = (C - LEBARON)
 K BODY = (P - RELIANT)(D - ARIES)(C - LEBARON/ TOWN & COUNTRY)
 L BODY = (M - HORIZON)(Z-OMNI)
 M BODY = (B - GRAN FURY)(G - DIPLOMAT)(F - FIFTH AVENUE/NEWPORT)
 P BODY = (P - SUNDANCE)(D - SHADOW)
 Q BODY = (C27 - MASERATI)
 S BODY = (H - VOYAGER)(K - RAM VAN/ CARAVAN)

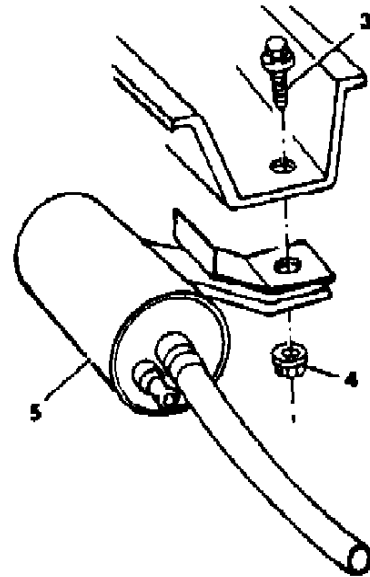
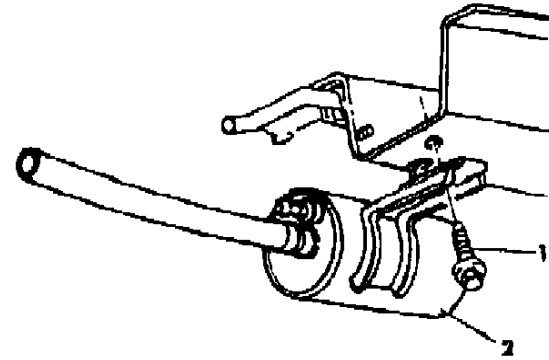
BODY STYLES

12-52 = FWD VAN & WAGON STD. W.B. 27 = 2-DOOR CONVERTIBLE
 13-53 = FWD VAN & WGN EXT W.B. 41 = 4-DOOR SEDAN
 21 = 2-DOOR SEDAN 44 = 4-DOOR HATCHBACK
 24 = 2-DOOR HATCHBACK 45 = 4-DOOR STATION WAGON

AR = Use as Required - = Non Illustrated Part P.A.R. = Paint as Required

FUEL FILTER E.F.I. AND TURBO CHARGER L,P,J,K,G,E,H,C BODY
Figure 14-3700

8114 3700



ITEM	PART NUMBER	QTY	BODY	MODEL	DESCRIPTION
1		1			SCREW, Fuel Filter Mounting (exc L Body)(5/16-18x.75) (not serviced)
2	4443 461	1	PJKGEH		FILTER, Fuel
	4443 462	1	C		
3	0181 063		L		SCREW, Filter Mounting
4	0219 462	1	L		NUT, Filter Mounting Screw
5	4279 898	1	L		FILTER, Fuel

MODEL CODES

C BODY = (D41 - DYNASTY)(C41 - NEW YORKER)
 E BODY = (J - CARAVELLE)(E - 600)(T - NEW YORKER TURBO)
 G BODY = (V24 - DAYTONA, PACIFICA & SHELBY)
 H BODY = (D44 - LANCER)(C44 - LEBARON GTS)
 J BODY = (C - LEBARON)
 K BODY = (P - RELIANT)(D - ARIES)(C - LEBARON/ TOWN & COUNTRY)

L BODY = (M - HORIZON)(Z-OMNI)
 M BODY = (B - GRAN FURY)(G - DIPLOMAT)(F - FIFTH AVENUE/NEWPORT)
 P BODY = (P - SUNDANCE)(D - SHADOW)
 Q BODY = (C27 - MASERATI)
 S BODY = (H - VOYAGER)(K - RAM VAN/ CARAVAN)

BODY STYLES

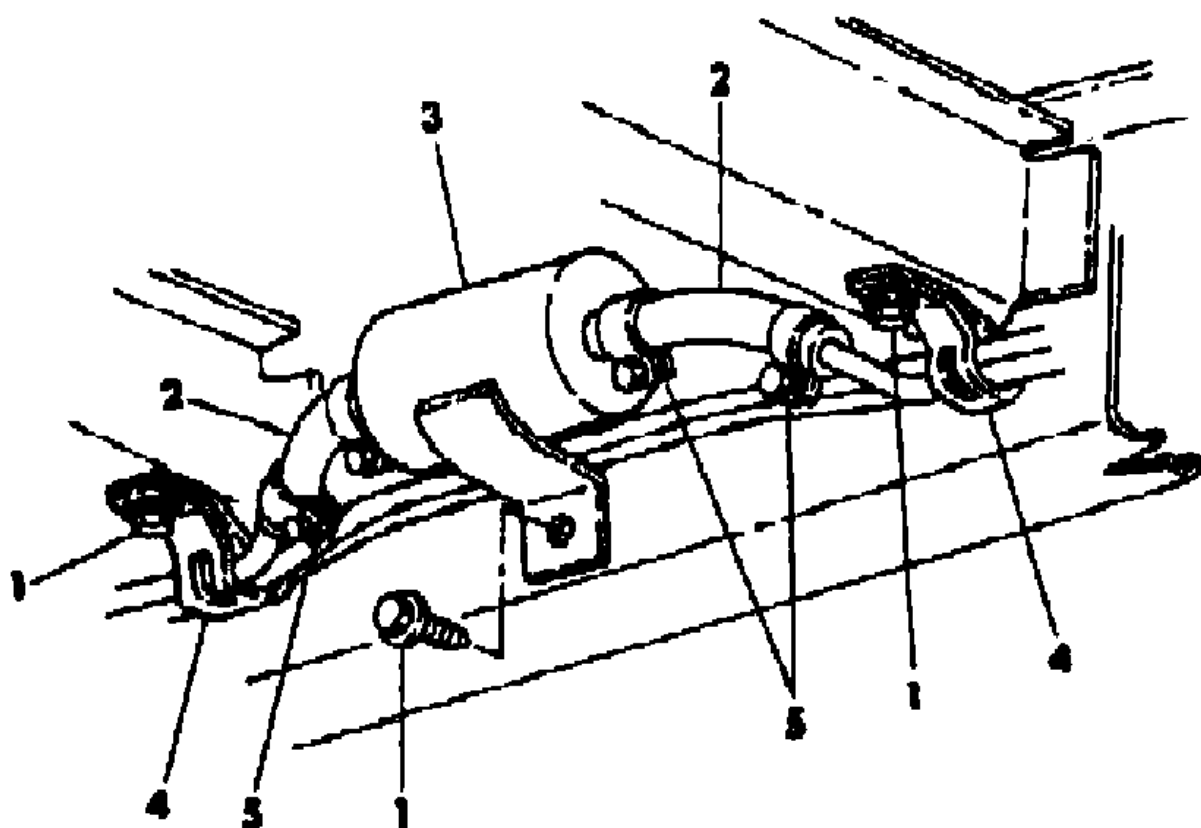
12-52 = FWD VAN & WAGON STD. W.B. 27 = 2-DOOR CONVERTIBLE
 13-53 = FWD VAN & WGN EXT W.B. 41 = 4-DOOR SEDAN
 21 = 2-DOOR SEDAN 44 = 4-DOOR HATCHBACK
 24 = 2-DOOR HATCHBACK 45 = 4-DOOR STATION WAGON

AR = Use as Required - = Non Illustrated Part P.A.R. = Paint as Required

FUEL FILTER 2.5L AND 3.0L ENGINE S BODY
Figure 14-3800

8114 3800

ITEM	PART NUMBER	QTY	BODY	MODEL	DESCRIPTION
1		AR			SCREW (5/16-18x.75) (not serviced)
2	4443 180	AR			HOSE, 5/16 I.D. 25 Foot Spool
3	4443 463	1			FILTER, Fuel
4		AR			CLIP (not serviced)
5	6500 651	AR			CLAMP



MODEL CODES

C BODY = (D41 - DYNASTY)(C41 - NEW YORKER)
 E BODY = (J - CARAVELLE)(E - 600)(T - NEW YORKER TURBO)
 G BODY = (V24 - DAYTONA, PACIFICA & SHELBY)
 H BODY = (D44 - LANCER)(C44 - LEBARON GTS)
 J BODY = (C - LEBARON)
 K BODY = (P - RELIANT)(D - ARIES)(C - LEBARON/ TOWN & COUNTRY)
 L BODY = (M - HORIZON)(Z-OMNI)
 M BODY = (B - GRAN FURY)(G - DIPLOMAT)(F - FIFTH AVENUE/NEWPORT)
 P BODY = (P - SUNDANCE)(D - SHADOW)
 Q BODY = (C27 - MASERATI)
 S BODY = (H - VOYAGER)(K - RAM VAN/ CARAVAN)

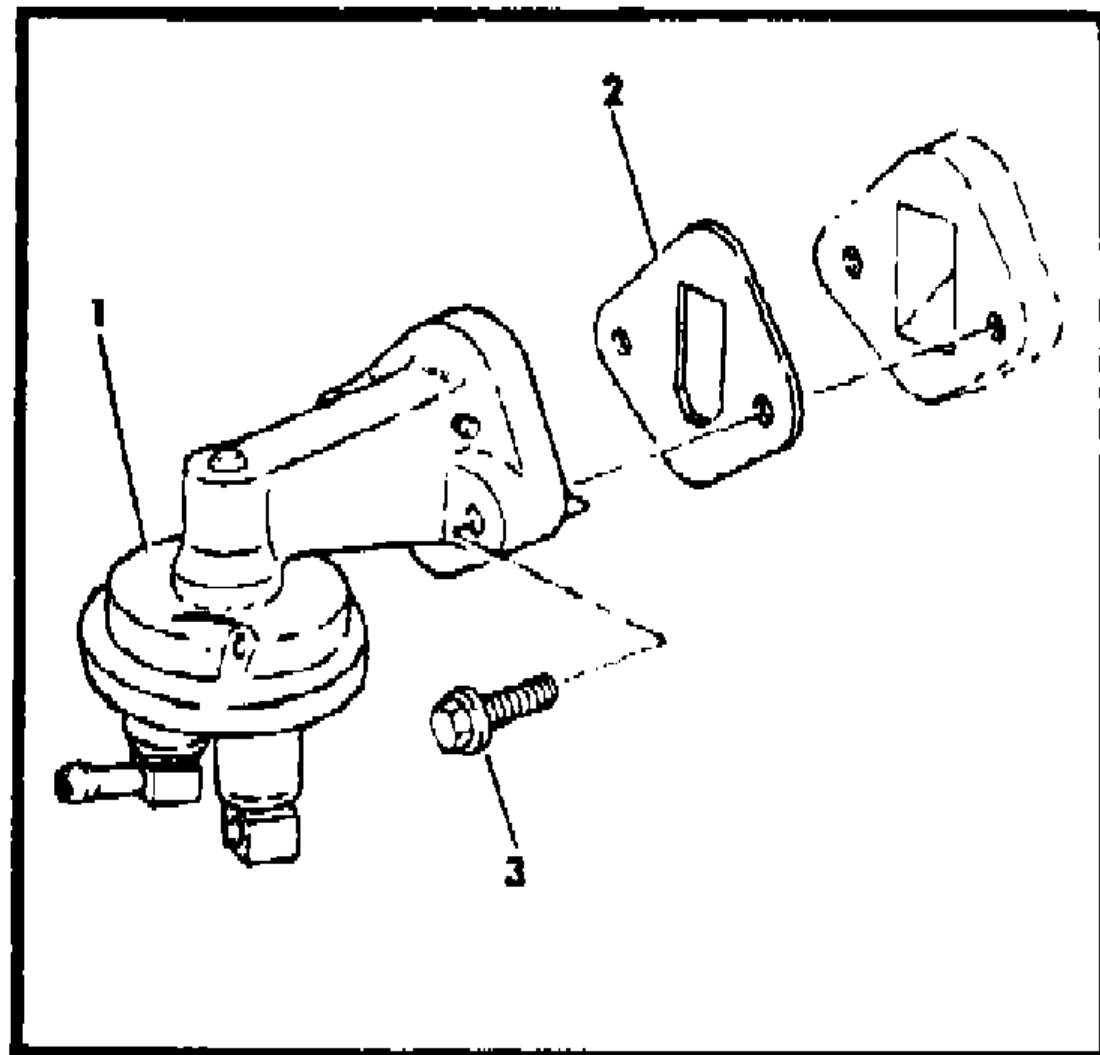
BODY STYLES

12-52 = FWD VAN & WAGON STD. W.B. 27 = 2-DOOR CONVERTIBLE
 13-53 = FWD VAN & WGN EXT W.B. 41 = 4-DOOR SEDAN
 21 = 2-DOOR SEDAN 44 = 4-DOOR HATCHBACK
 24 = 2-DOOR HATCHBACK 45 = 4-DOOR STATION WAGON

AR = Use as Required - = Non Illustrated Part P.A.R. = Paint as Required

FUEL PUMP 5.2L (318) CARBURETED ENGINE
Figure 14-3900

8114 3900



ITEM	PART NUMBER	QTY	BODY	MODEL	DESCRIPTION
1	4293 803	1			PUMP, Fuel
2	2843 770	1			GASKET, Fuel Pump Flange
3	6033 087	2			BOLT, Fuel Pump Attaching

MODEL CODES

C BODY = (D41 - DYNASTY)(C41 - NEW YORKER)
 E BODY = (J - CARAVELLE)(E - 600)(T - NEW YORKER TURBO)
 G BODY = (V24 - DAYTONA, PACIFICA & SHELBY)
 H BODY = (D44 - LANCER)(C44 - LEBARON GTS)
 J BODY = (C - LEBARON)
 K BODY = (P - RELIANT)(D - ARIES)(C - LEBARON/ TOWN & COUNTRY)

L BODY = (M - HORIZON)(Z-OMNI)
 M BODY = (B - GRAN FURY)(G - DIPLOMAT)(F - FIFTH AVENUE/NEWPORT)
 P BODY = (P - SUNDANCE)(D - SHADOW)
 Q BODY = (C27 - MASERATI)
 S BODY = (H - VOYAGER)(K - RAM VAN/ CARAVAN)

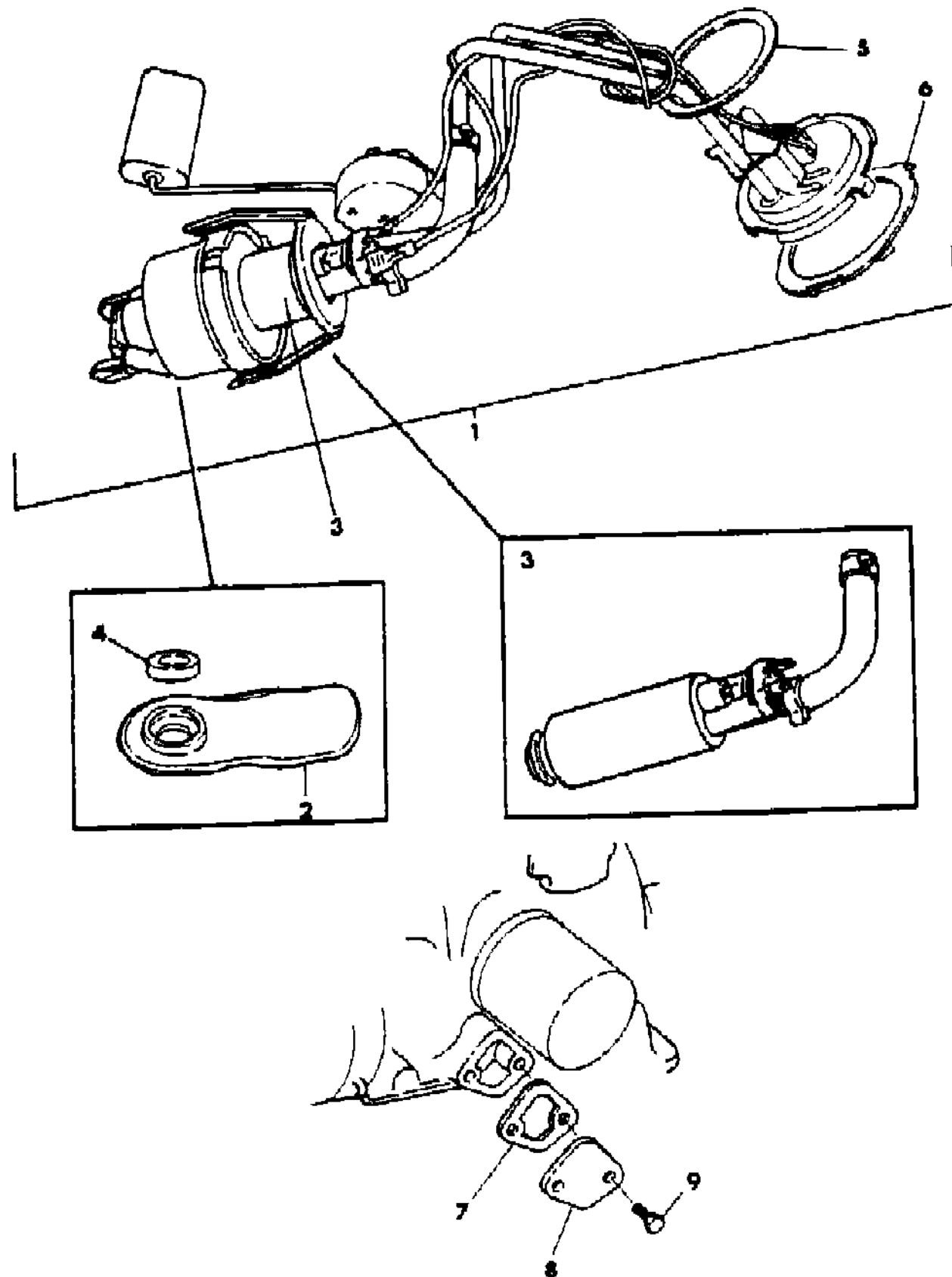
BODY STYLES

12-52 = FWD VAN & WAGON STD. W.B. 27 = 2-DOOR CONVERTIBLE
 13-53 = FWD VAN & WGN EXT W.B. 41 = 4-DOOR SEDAN
 21 = 2-DOOR SEDAN 44 = 4-DOOR HATCHBACK
 24 = 2-DOOR HATCHBACK 45 = 4-DOOR STATION WAGON

AR = Use as Required - = Non Illustrated Part P.A.R. = Paint as Required

FUEL PUMP E.F.I. L BODY
Figure 14-4000

8114 4000 B



ITEM	PART NUMBER	QTY	BODY	MODEL	DESCRIPTION
1	5217 794	1			PUMP, Fuel Complete
2	5217 851	1			FILTER and SEAL
3	5217 796	1			PUMP, Fuel
4	5217 926	1			SEAL, Filter
5	6031 475	1			SEAL, Pump
6	4279 445	1			RETAINER
7	5214 680	1			GASKET, Fuel Pump Pad Cover
8	4275 325	1			COVER, Fuel Pump Pad
9	6501 612	2			SCREW and WASHER

MODEL CODES

C BODY = (D41 - DYNASTY)(C41 - NEW YORKER)
 E BODY = (J - CARAVELLE)(E - 600)(T - NEW YORKER TURBO)
 G BODY = (V24 - DAYTONA, PACIFICA & SHELBY)
 H BODY = (D44 - LANCER)(C44 - LEBARON GTS)
 J BODY = (C - LEBARON)
 K BODY = (P - RELIANT)(D - ARIES)(C - LEBARON/ TOWN & COUNTRY)

L BODY = (M - HORIZON)(Z-OMNI)
 M BODY = (B - GRAN FURY)(G - DIPLOMAT)(F - FIFTH AVENUE/NEWPORT)
 P BODY = (P - SUNDANCE)(D - SHADOW)
 Q BODY = (C27 - MASERATI)
 S BODY = (H - VOYAGER)(K - RAM VAN/ CARAVAN)

BODY STYLES

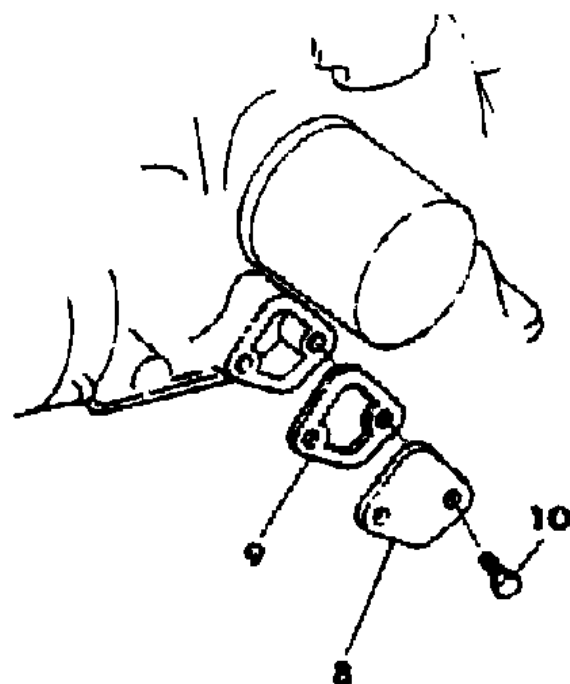
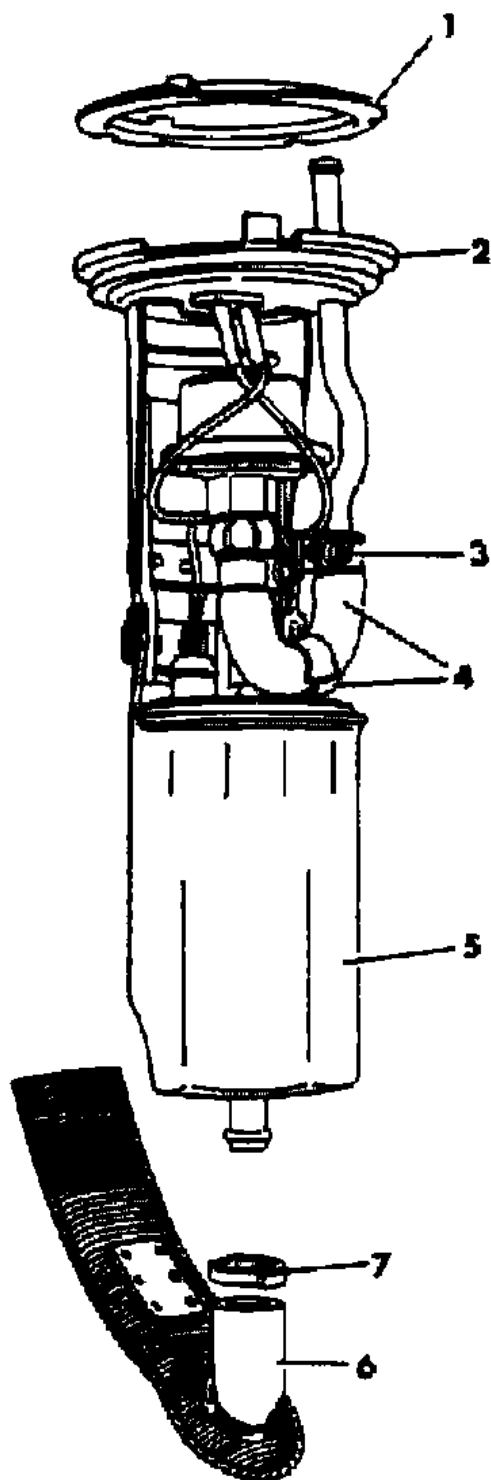
12-52 = FWD VAN & WAGON STD. W.B. 27 = 2-DOOR CONVERTIBLE
 13-53 = FWD VAN & WGN EXT W.B. 41 = 4-DOOR SEDAN
 21 = 2-DOOR SEDAN 44 = 4-DOOR HATCHBACK
 24 = 2-DOOR HATCHBACK 45 = 4-DOOR STATION WAGON

AR = Use as Required - = Non Illustrated Part P.A.R. = Paint as Required

FUEL PUMP TURBO CHARGER P,J,K,G,E,H BODY
Figure 14-4100

8114 4100 A

ITEM	PART NUMBER	QTY	BODY	MODEL	DESCRIPTION
1	4279 445	1			RETAINER, Fuel Pump
2	6031 475	1			SEAL, Fuel Pump
3	6500 651	2			CLAMP
4		1			HOSE (serviced in item 5)
5	4203 941	1			PUMP, Less Filter, Fuel
6	4418 294	1			FILTER, Fuel Pump
7	6033 506	1			CLAMP, Fuel Pump Filter
8	4275 325	1			COVER, Fuel Pump Pad
9	5214 680	1			GASKET, Fuel Pump Pad Cover
10	6501 612	2			SCREW and WASHER



MODEL CODES

C BODY = (D41 - DYNASTY)(C41 - NEW YORKER)
 E BODY = (J - CARAVELLE)(E - 600)(T - NEW YORKER TURBO)
 G BODY = (V24 - DAYTONA, PACIFICA & SHELBY)
 H BODY = (D44 - LANCER)(C44 - LEBARON GTS)
 J BODY = (C - LEBARON)
 K BODY = (P - RELIANT)(D - ARIES)(C - LEBARON/ TOWN & COUNTRY)

L BODY = (M - HORIZON)(Z-OMNI)
 M BODY = (B - GRAN FURY)(G - DIPLOMAT)(F - FIFTH AVENUE/NEWPORT)
 P BODY = (P - SUNDANCE)(D - SHADOW)
 Q BODY = (C27 - MASERATI)
 S BODY = (H - VOYAGER)(K - RAM VAN/ CARAVAN)

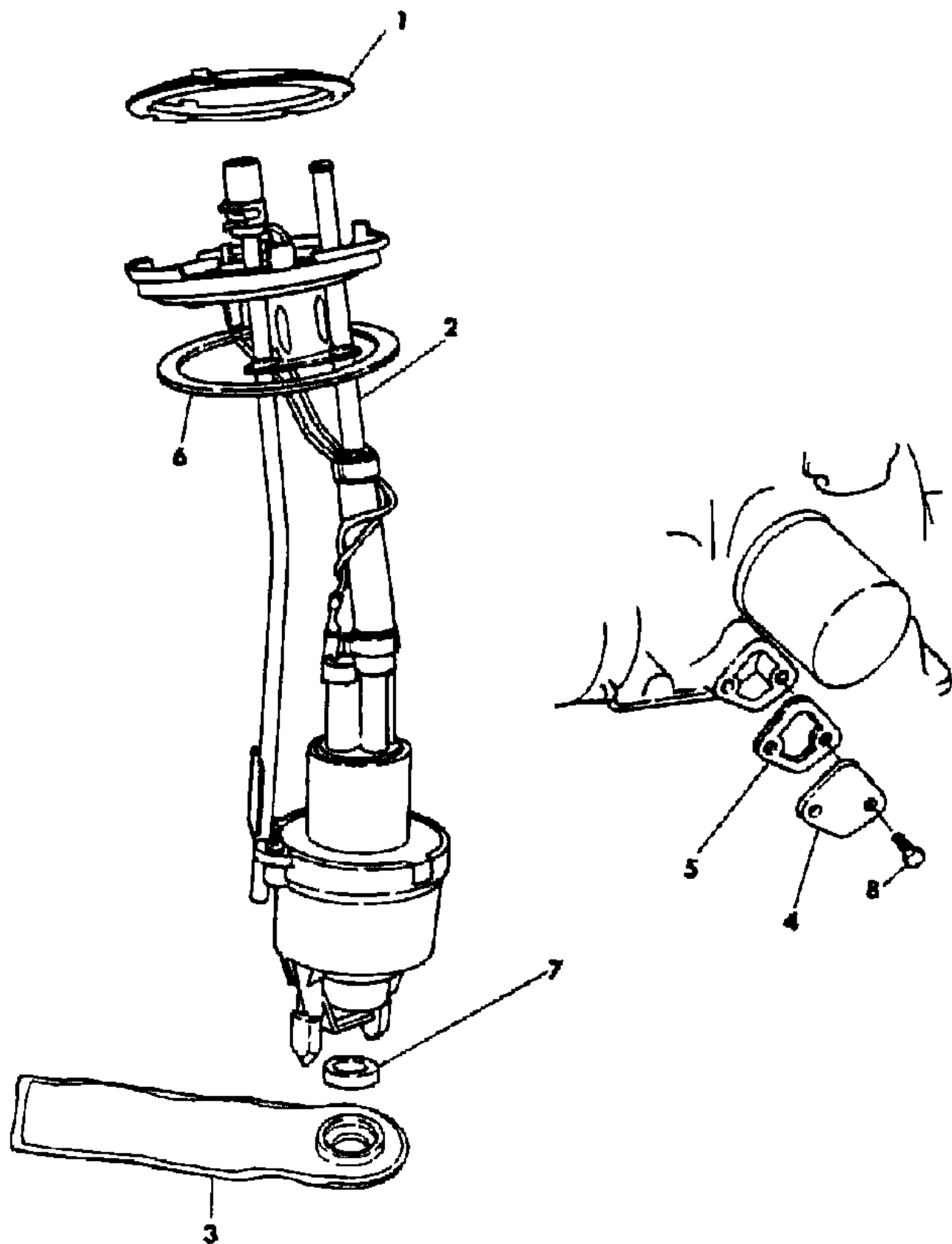
BODY STYLES

12-52 = FWD VAN & WAGON STD. W.B. 27 = 2-DOOR CONVERTIBLE
 13-53 = FWD VAN & WGN EXT W.B. 41 = 4-DOOR SEDAN
 21 = 2-DOOR SEDAN 44 = 4-DOOR HATCHBACK
 24 = 2-DOOR HATCHBACK 45 = 4-DOOR STATION WAGON

AR = Use as Required - = Non Illustrated Part P.A.R. = Paint as Required

FUEL PUMP E.F.I. P,J,K,G,E,H,C BODY
Figure 14-4200

8114 4200 C



ITEM	PART NUMBER	QTY	BODY	MODEL	DESCRIPTION
1	4279 445	1			RETAINER, Fuel Pump Mounting
2	4075 445	1			PUMP, Fuel
	4443 157	1	C		
3	4203 796	1			FILTER, Fuel Pump
4	4275 325	1			COVER, Fuel Pump Pad
5	5214 680	1			GASKET, Fuel Pump Pad Cover
6	6031 475	1			SEAL, Fuel Pump Mounting
7	4075 446	1			SEAL, Filter
8	6501 612	2			SCREW and WASHER

MODEL CODES

C BODY = (D41 - DYNASTY)(C41 - NEW YORKER)
 E BODY = (J - CARAVELLE)(E - 600)(T - NEW YORKER TURBO)
 G BODY = (V24 - DAYTONA, PACIFICA & SHELBY)
 H BODY = (D44 - LANCER)(C44 - LEBARON GTS)
 J BODY = (C - LEBARON)
 K BODY = (P - RELIANT)(D - ARIES)(C - LEBARON/ TOWN & COUNTRY)

L BODY = (M - HORIZON)(Z-OMNI)
 M BODY = (B - GRAN FURY)(G - DIPLOMAT)(F - FIFTH AVENUE/NEWPORT)
 P BODY = (P - SUNDANCE)(D - SHADOW)
 Q BODY = (C27 - MASERATI)
 S BODY = (H - VOYAGER)(K - RAM VAN/ CARAVAN)

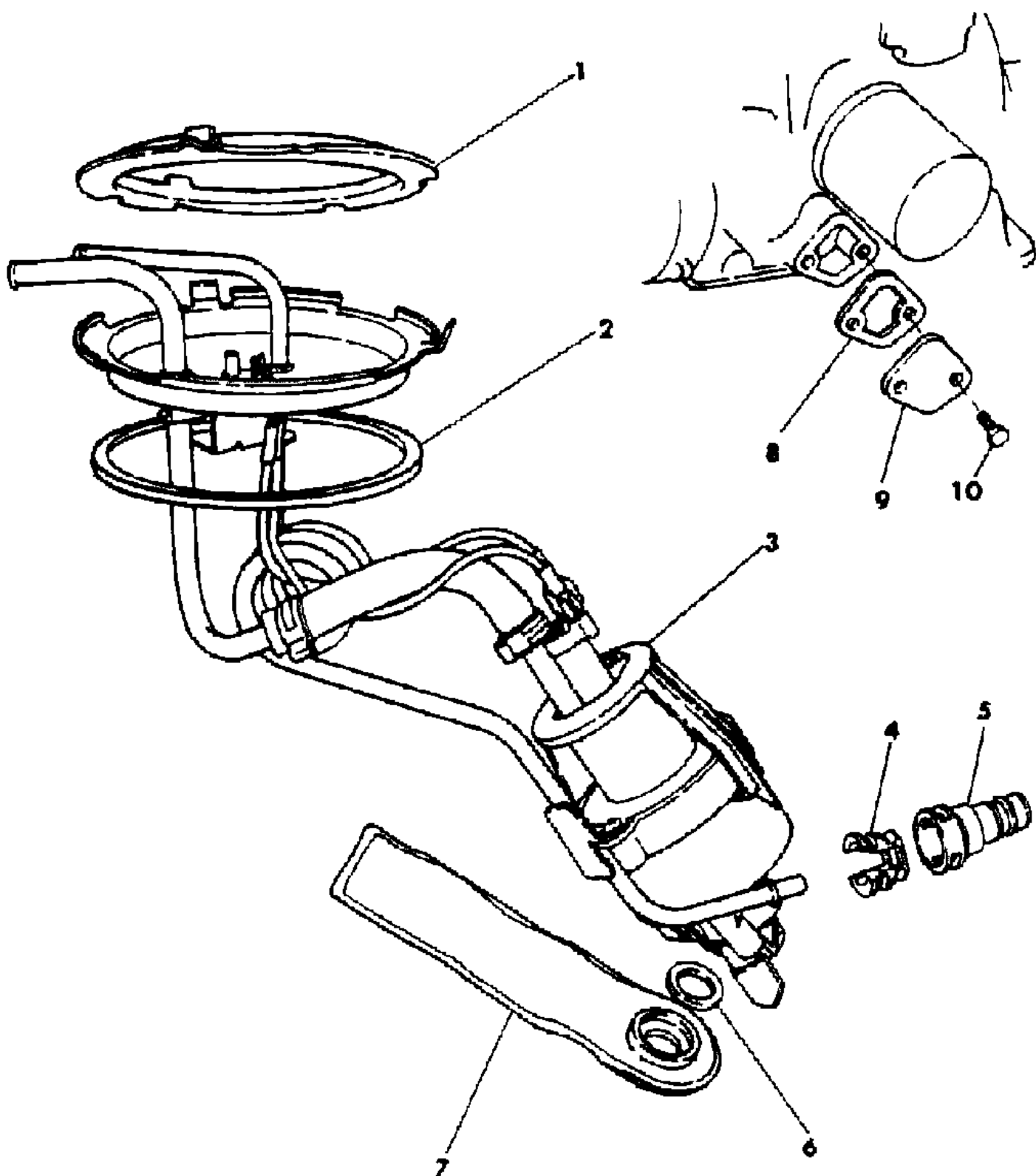
BODY STYLES

12-52 = FWD VAN & WAGON STD. W.B. 27 = 2-DOOR CONVERTIBLE
 13-53 = FWD VAN & WGN EXT W.B. 41 = 4-DOOR SEDAN
 21 = 2-DOOR SEDAN 44 = 4-DOOR HATCHBACK
 24 = 2-DOOR HATCHBACK 45 = 4-DOOR STATION WAGON

AR = Use as Required - = Non Illustrated Part P.A.R. = Paint as Required

FUEL PUMP 2.5L AND 3.0L ENGINE S BODY
Figure 14-4300

8114 4300 A



ITEM	PART NUMBER	QTY	BODY	MODEL	DESCRIPTION
1	4203 879	1			RETAINER
2	6501 463	1			SEAL
3					PUMP, Fuel
	4419 617	1			2.5L Engine
	4419 618	1			3.0L Engine
4	4203 912	1			RETAINER, Quick Connect
5	4203 910	1			CONNECTOR, Fuel Tube
6	4075 446	1			SEAL, Filter
7	4203 994	1			FILTER
8	5214 680	1			GASKET, Fuel Pump Pad Cover
9	4275 325	1			COVER, Fuel Pump Pad
10	6501 162	2			SCREW and WASHER

MODEL CODES

C BODY = (D41 - DYNASTY)(C41 - NEW YORKER)
 E BODY = (J - CARAVELLE)(E - 600)(T - NEW YORKER TURBO)
 G BODY = (V24 - DAYTONA, PACIFICA & SHELBY)
 H BODY = (D44 - LANCER)(C44 - LEBARON GTS)
 J BODY = (C - LEBARON)
 K BODY = (P - RELIANT)(D - ARIES)(C - LEBARON/ TOWN & COUNTRY)
 L BODY = (M - HORIZON)(Z-OMNI)
 M BODY = (B - GRAN FURY)(G - DIPLOMAT)(F - FIFTH AVENUE/NEWPORT)
 P BODY = (P - SUNDANCE)(D - SHADOW)
 Q BODY = (C27 - MASERATI)
 S BODY = (H - VOYAGER)(K - RAM VAN/ CARAVAN)

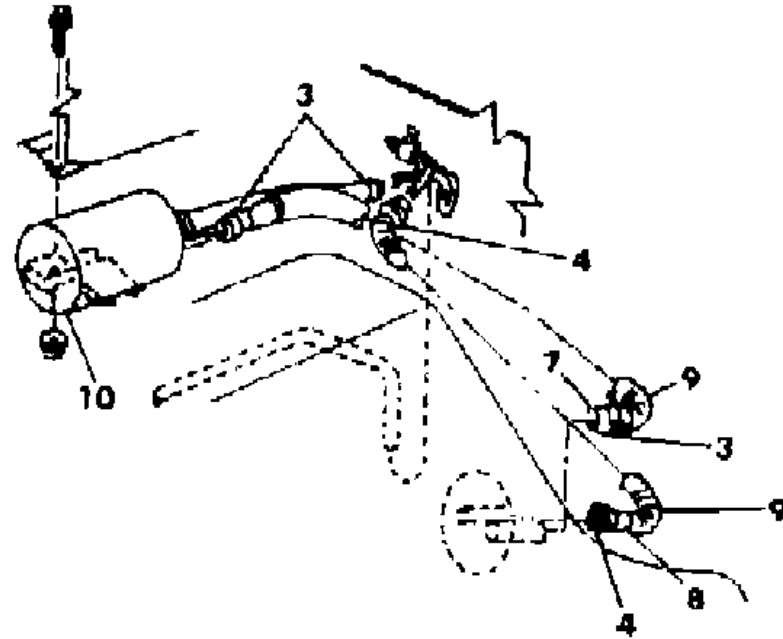
BODY STYLES

12-52 = FWD VAN & WAGON STD. W.B. 27 = 2-DOOR CONVERTIBLE
 13-53 = FWD VAN & WGN EXT W.B. 41 = 4-DOOR SEDAN
 21 = 2-DOOR SEDAN 44 = 4-DOOR HATCHBACK
 24 = 2-DOOR HATCHBACK 45 = 4-DOOR STATION WAGON

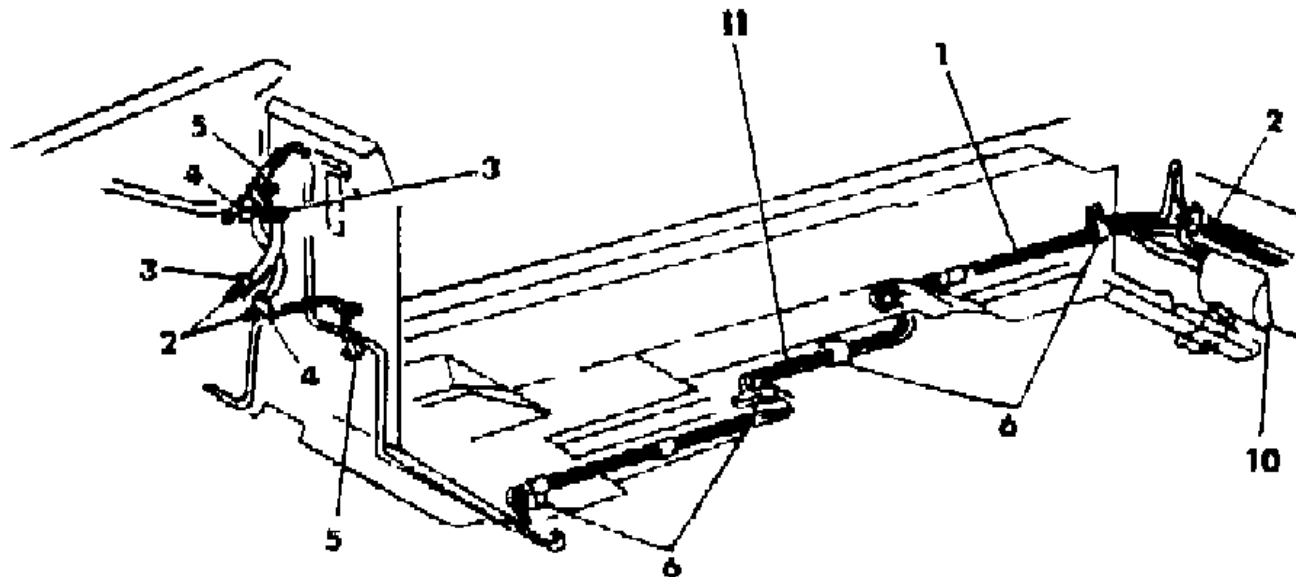
AR = Use as Required - = Non Illustrated Part P.A.R. = Paint as Required

FUEL LINES 2.2L ENGINE L BODY
Figure 14-4400

8114 4400 A



ITEM	PART NUMBER	QTY	BODY	MODEL	DESCRIPTION
1					TUBE, 25 Foot Roll
	4418 154	AR			Fuel Supply 5/16 O.D.
	4418 153	AR			Fuel Return 1/4 O.D.
	1843 251	AR			Vapor 3/16 O.D.
2					HOSE, 25 Foot Spool
	4443 180	AR			Fuel Supply 5/16 I.D.
	4443 179	AR			Fuel Return 1/4 I.D.
	4443 177	AR			Vapor 3/16 I.D.
3	6500 651	AR			CLAMP, Fuel Supply
4	6500 650	AR			CLAMP, Fuel Return
5	4418 093	AR			CLIP
6		AR			CLIP (not serviced)
7	4418 166	1			HOSE, Filter to Tank (formed)
8	4443 179	AR			HOSE, Fuel Return to Tank 1/4 I.D. 25 Foot Spool
9					SLEEVE
	4279 699	AR			w/1/4 I.D. Hose
	4279 993	AR			w/5/16 I.D. Hose
10					FILTER, Fuel (refer to Fuel Filter Illustration)
11					COVER, Tube
	3879 283	AR			Vapor Tube
	3879 285	AR			Fuel Supply
	3879 284	AR			Fuel Return



MODEL CODES

C BODY = (D41 - DYNASTY)(C41 - NEW YORKER)
 E BODY = (J - CARAVELLE)(E - 600)(T - NEW YORKER TURBO)
 G BODY = (V24 - DAYTONA, PACIFICA & SHELBY)
 H BODY = (D44 - LANCER)(C44 - LEBARON GTS)
 J BODY = (C - LEBARON)
 K BODY = (P - RELIANT)(D - ARIES)(C - LEBARON/ TOWN & COUNTRY)

L BODY = (M - HORIZON)(Z-OMNI)
 M BODY = (B - GRAN FURY)(G - DIPLOMAT)(F - FIFTH AVENUE/NEWPORT)
 P BODY = (P - SUNDANCE)(D - SHADOW)
 Q BODY = (C27 - MASERATI)
 S BODY = (H - VOYAGER)(K - RAM VAN/ CARAVAN)

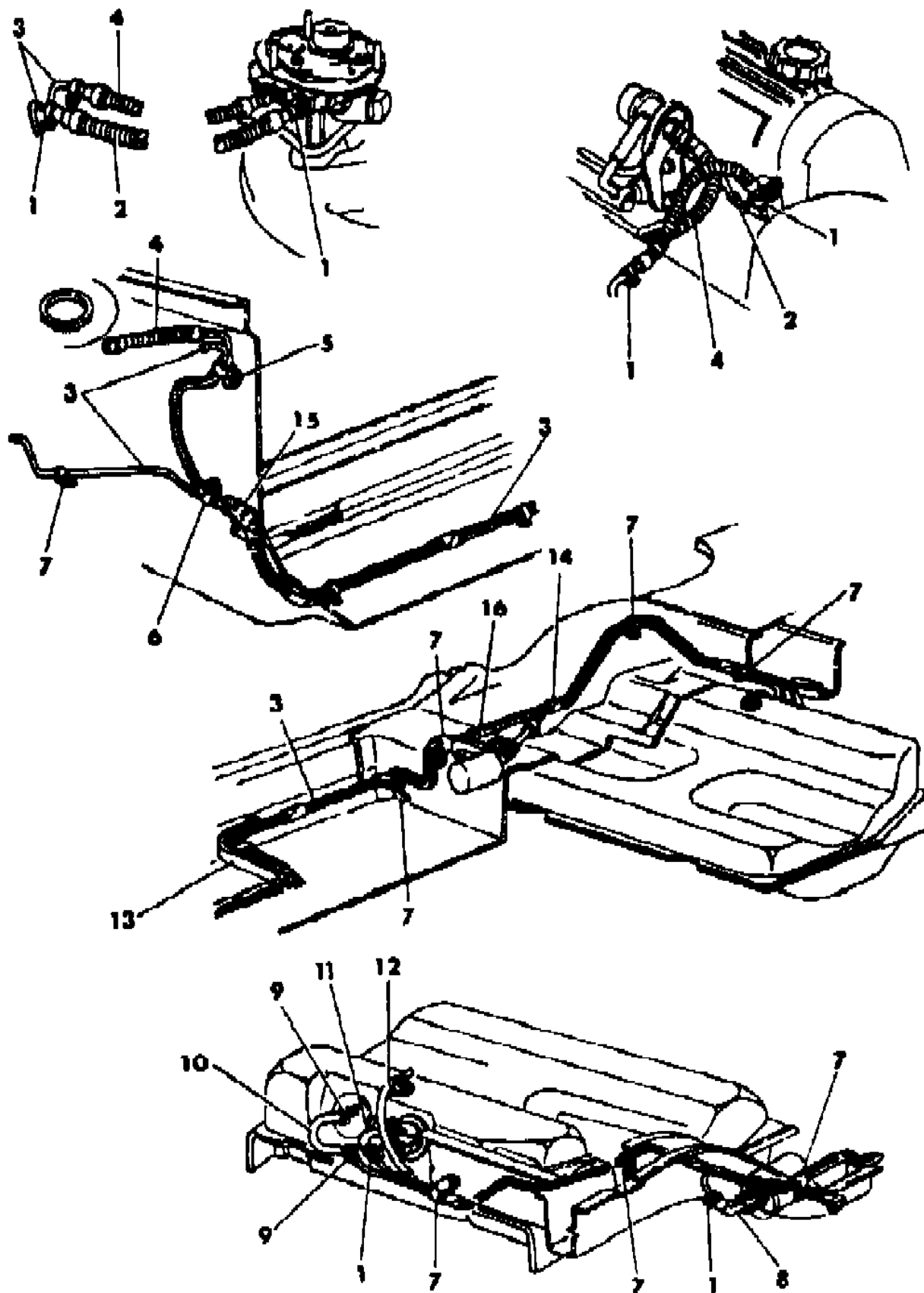
BODY STYLES

12-52 = FWD VAN & WAGON STD. W.B. 27 = 2-DOOR CONVERTIBLE
 13-53 = FWD VAN & WGN EXT W.B. 41 = 4-DOOR SEDAN
 21 = 2-DOOR SEDAN 44 = 4-DOOR HATCHBACK
 24 = 2-DOOR HATCHBACK 45 = 4-DOOR STATION WAGON

AR = Use as Required - = Non Illustrated Part P.A.R. = Paint as Required

FUEL LINES P,J,K,G,E,H,C BODY
Figure 14-4500

8114 4500



ITEM	PART NUMBER	QTY	BODY	MODEL	DESCRIPTION
1	6500 651	6			CLAMP
2	4443 180	AR			HOSE, Fuel Supply, 5/16 I.D. 25 Foot Spool
	4279 993	AR			SLEEVE, Fuel Supply
	4364 392	AR			E.F.I.
					T.C.
3					TUBE, Fuel 25 Foot Roll
	4418 154	AR			Fuel Supply, 5/16 O.D.
	4418 153	AR			Fuel Return, 1/4 O.D.
	1843 251	AR			Fuel Vapor, 3/16 O.D.
4	4443 179	AR			HOSE, Fuel Return, 1/4 I.D. 25 Foot Spool
	4279 699	AR			SLEEVE, Fuel Return Hose
5	4418 092	1			CLIP
6	4418 093	1			CLIP
7		AR			CLIP (not serviced)
8	4443 180	1			HOSE, Fuel Filter to Fuel Supply 5/16 I.D. 25 Foot Spool
9	6500 650	3			CLAMP
10	4279 366	1			HOSE, Fuel Return to Fuel Tank
11	4279 877	1			HOSE, Fuel Supply to Fuel Tank
12	4203 106	AR			HOSE, Vapor Tube to Rollover Valve
13		1			SHIELD, Stone (not serviced)
14		AR			CLIP (not serviced)
15	4418 215	1	C		BLOCKER, Tube Bundle Dash
16		1			HOSE, Fuel Supply to Filter (formed) (serviced w/Filter)

MODEL CODES

C BODY = (D41 - DYNASTY)(C41 - NEW YORKER)
 E BODY = (J - CARAVELLE)(E - 600)(T - NEW YORKER TURBO)
 G BODY = (V24 - DAYTONA, PACIFICA & SHELBY)
 H BODY = (D44 - LANCER)(C44 - LEBARON GTS)
 J BODY = (C - LEBARON)
 K BODY = (P - RELIANT)(D - ARIES)(C - LEBARON/ TOWN & COUNTRY)

L BODY = (M - HORIZON)(Z-OMNI)
 M BODY = (B - GRAN FURY)(G - DIPLOMAT)(F - FIFTH AVENUE/NEWPORT)
 P BODY = (P - SUNDANCE)(D - SHADOW)
 Q BODY = (C27 - MASERATI)
 S BODY = (H - VOYAGER)(K - RAM VAN/ CARAVAN)

BODY STYLES

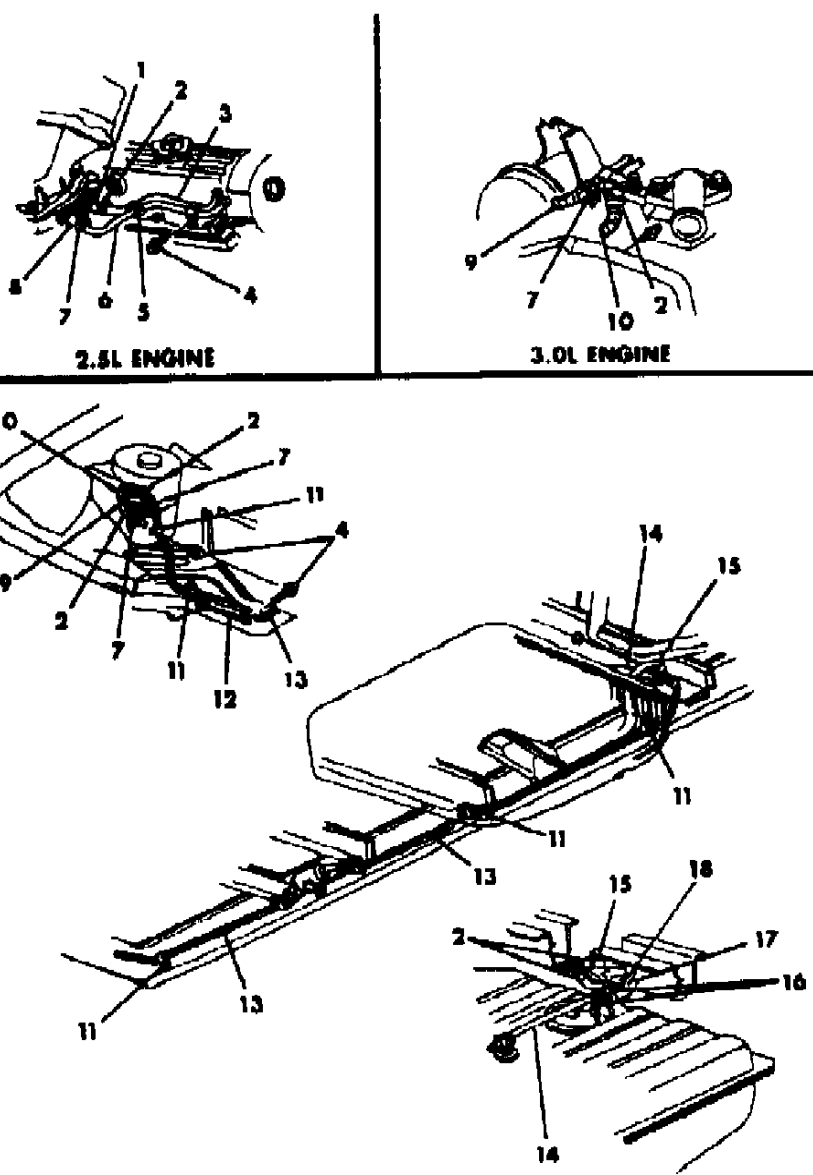
12-52 = FWD VAN & WAGON STD. W.B. 27 = 2-DOOR CONVERTIBLE
 13-53 = FWD VAN & WGN EXT W.B. 41 = 4-DOOR SEDAN
 21 = 2-DOOR SEDAN 44 = 4-DOOR HATCHBACK
 24 = 2-DOOR HATCHBACK 45 = 4-DOOR STATION WAGON

AR = Use as Required - = Non Illustrated Part P.A.R. = Paint as Required

FUEL LINES 2.5L AND 3.0L ENGINE S BODY
Figure 14-4600

6114 4600

ITEM	PART NUMBER	QTY	BODY	MODEL	DESCRIPTION
1	4443 180	AR			HOSE, Fuel Supply 5/16 I.D. 25 Foot Spool
2	6500 651	AR			CLAMP
3	4418 154	AR			TUBE, Fuel Supply 5/16 O.D. 25 Foot Roll
4		AR			SCREW (1/4-14x1/12) (not serviced)
5					CLIP (not serviced)
6	4418 153	AR			TUBE, Fuel Return 1/4 O.D. 25 Foot Roll
7	6500 650	AR			CLAMP
8	4443 179	AR			HOSE, Fuel Return 1/4 I.D. 25 Foot Spool
9	4443 179	AR			HOSE, Fuel Return 1/4 I.D. 25 Foot Spool
	4279 699	AR			SLEEVE, Fuel Return Hose
10	4443 180	AR			HOSE, Fuel Supply 5/15 I.D. 25 Foot Spool
	4279 993	AR			SLEEVE, Fuel Supply Hose
11	4418 093	AR			CLIP
12					SHIELD, Heat (not serviced)
13					TUBE, Fuel 25 Foot Roll
	4418 154	AR			5/16 O.D.
	1843 251	AR			3/16 O.D.
14	4443 178	AR			HOSE, Fuel Vapor Tube Rear to Rollover Valve 3/8 I.D. 25 Foot Spool
15	4443 180	AR			HOSE, Fuel Supply from the Fuel Tank 5/16 I.D. 25 Foot Spool
	4279 993	AR			SLEEVE, Fuel Supply Hose from the Fuel Tank
16	6500 650	AR			CLAMP
17	4443 179	AR			HOSE, Fuel Return to Fuel Tank 1/4 I.D. 25 Foot Spool
18	4279 699	AR			SLEEVE, Fuel Return Hose to Fuel Tank



MODEL CODES

C BODY = (D41 - DYNASTY)(C41 - NEW YORKER)
 E BODY = (J - CARAVELLE)(E - 600)(T - NEW YORKER TURBO)
 G BODY = (V24 - DAYTONA, PACIFICA & SHELBY)
 H BODY = (D44 - LANCER)(C44 - LEBARON GTS)
 J BODY = (C - LEBARON)
 K BODY = (P - RELIANT)(D - ARIES)(C - LEBARON/ TOWN & COUNTRY)
 L BODY = (M - HORIZON)(Z-OMNI)
 M BODY = (B - GRAN FURY)(G - DIPLOMAT)(F - FIFTH AVENUE/NEWPORT)
 P BODY = (P - SUNDANCE)(D - SHADOW)
 Q BODY = (C27 - MASERATI)
 S BODY = (H - VOYAGER)(K - RAM VAN/ CARAVAN)

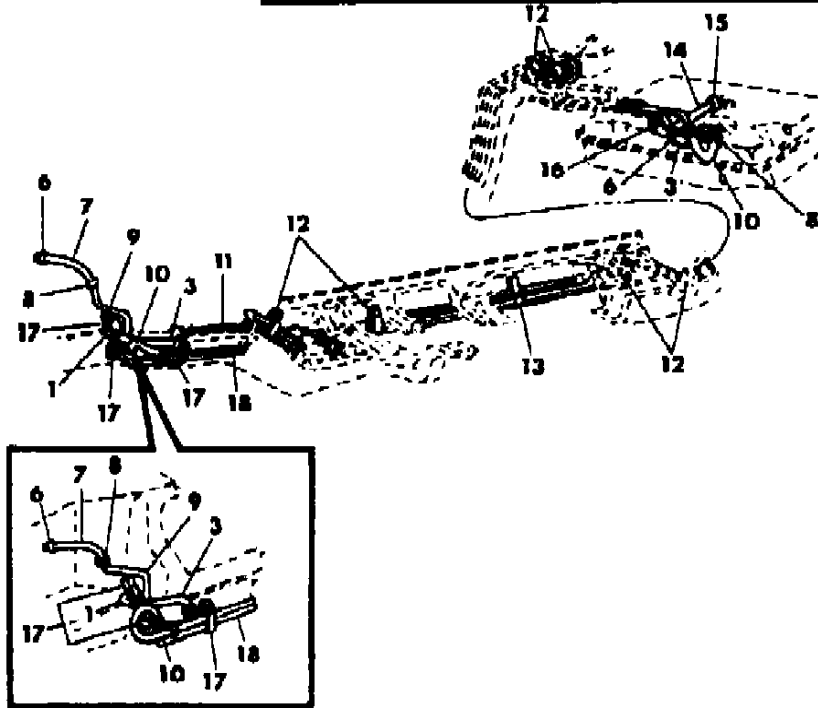
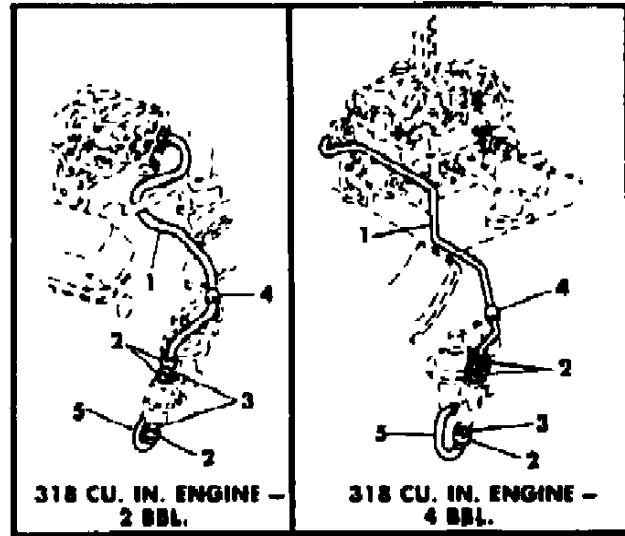
BODY STYLES

12-52 = FWD VAN & WAGON STD. W.B. 27 = 2-DOOR CONVERTIBLE
 13-53 = FWD VAN & WGN EXT W.B. 41 = 4-DOOR SEDAN
 21 = 2-DOOR SEDAN 44 = 4-DOOR HATCHBACK
 24 = 2-DOOR HATCHBACK 45 = 4-DOOR STATION WAGON

AR = Use as Required - = Non Illustrated Part P.A.R. = Paint as Required

FUEL LINES M BODY
Figure 14-4700

8114 4700



ITEM	PART NUMBER	QTY	BODY	MODEL	DESCRIPTION
1	4418 154	AR			TUBE, 5/16 O.D. 25 Foot Roll Fuel Filter Hose to Carburetor Fuel Pump to Fuel Filter Hose Fuel Front Fuel Rear
2	2463 937	AR			CLAMP
3	4443 176	AR			HOSE, 5/16 I.D. 25 Foot Spool Fuel Filter Fuel Pump
4	4179 759	1			Fuel Tube Rear to Tank Front Fuel to Rear CLIP, Fuel Tube Locating
5	4027 122	1			TUBE, Fuel Pump to Fuel Filter Hose
6	2448 761	AR			CLAMP
7					HOSE, Vapor Canister to Fuel Tank Vapor Tube Front (refer to Group 25)
8	3683 823	AR			CLAMP
9	1843 251	AR			TUBE, 3/16 O.D. 25 Foot Roll Fuel Vapor Front Fuel Vapor Rear
10	4443 175	AR			HOSE, 1/4 I.D. 25 Foot Spool Fuel Return Tube Front to Filter Separator Fuel Return Tube Rear to Tank Fuel Return Tube Front to Fuel Return Tube Rear
11	4185 424	1			PLATE, Fuel Tube Cover
12	3583 483	AR			CLIP
13		AR			CLIP, Fuel Vapor Tube Sill Push-On (not serviced)
14	4443 177	AR			HOSE, 3/16 I.D. 25 Foot Spool Fuel Vapor Tube Rear to Tank Fuel Vapor Tube Front to Fuel Vapor Tube Rear
15		AR			CLAMP (not serviced)
16	6032 282	AR			CLAMP
17		AR			CLIP (not serviced)
18	1843 252	AR			TUBE, 1/4 O.D. 25 Foot Roll Fuel Return Front Fuel Return Rear

MODEL CODES

C BODY = (D41 - DYNASTY)(C41 - NEW YORKER)
E BODY = (J - CARAVELLE)(E - 600)(T - NEW YORKER TURBO)
G BODY = (V24 - DAYTONA, PACIFICA & SHELBY)
H BODY = (D44 - LANCER)(C44 - LEBARON GTS)
J BODY = (C - LEBARON)
K BODY = (P - RELIANT)(D - ARIES)(C - LEBARON/ TOWN & COUNTRY)

L BODY = (M - HORIZON)(Z-OMNI)
M BODY = (B - GRAN FURY)(G - DIPLOMAT)(F - FIFTH AVENUE/NEWPORT)
P BODY = (P - SUNDANCE)(D - SHADOW)
Q BODY = (C27 - MASERATI)
S BODY = (H - VOYAGER)(K - RAM VAN/ CARAVAN)

BODY STYLES

12-52 = FWD VAN & WAGON STD. W.B. 27 = 2-DOOR CONVERTIBLE
13-53 = FWD VAN & WGN EXT W.B. 41 = 4-DOOR SEDAN
21 = 2-DOOR SEDAN 44 = 4-DOOR HATCHBACK
24 = 2-DOOR HATCHBACK 45 = 4-DOOR STATION WAGON

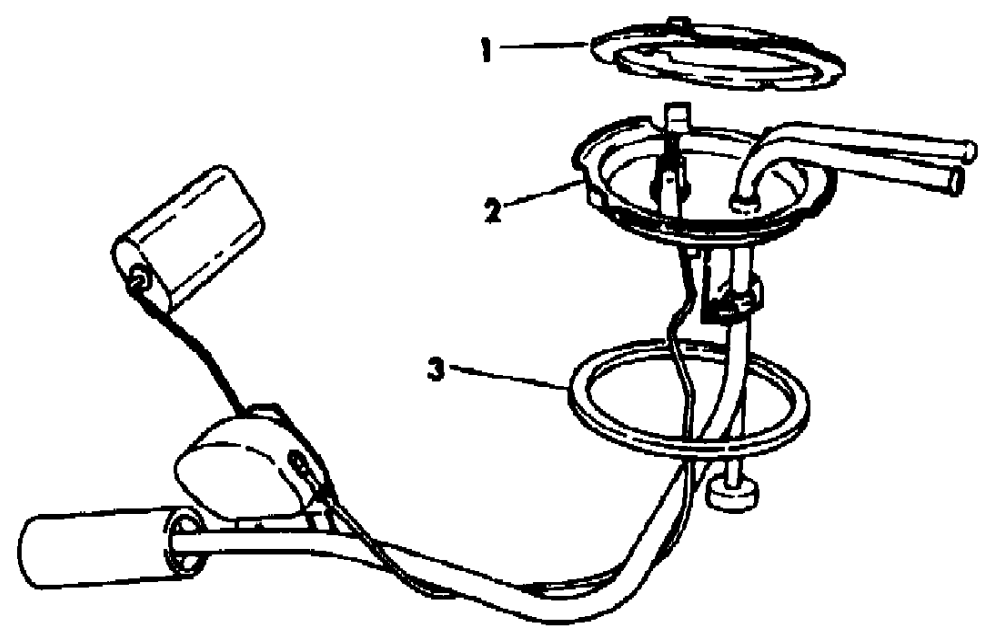
AR = Use as Required - = Non Illustrated Part P.A.R. = Paint as Required

FUEL TANK SENDING UNITS M BODY
Figure 14-4800

8114 4800

ITEM	PART NUMBER	QTY	BODY	MODEL	DESCRIPTION
------	-------------	-----	------	-------	-------------

1	4279 445	1			RETAINER, Fuel Tank Sending Unit
2	#4051 398	1			UNIT, Fuel Tank Sending
3	6031 475	1			SEAL, O-Ring



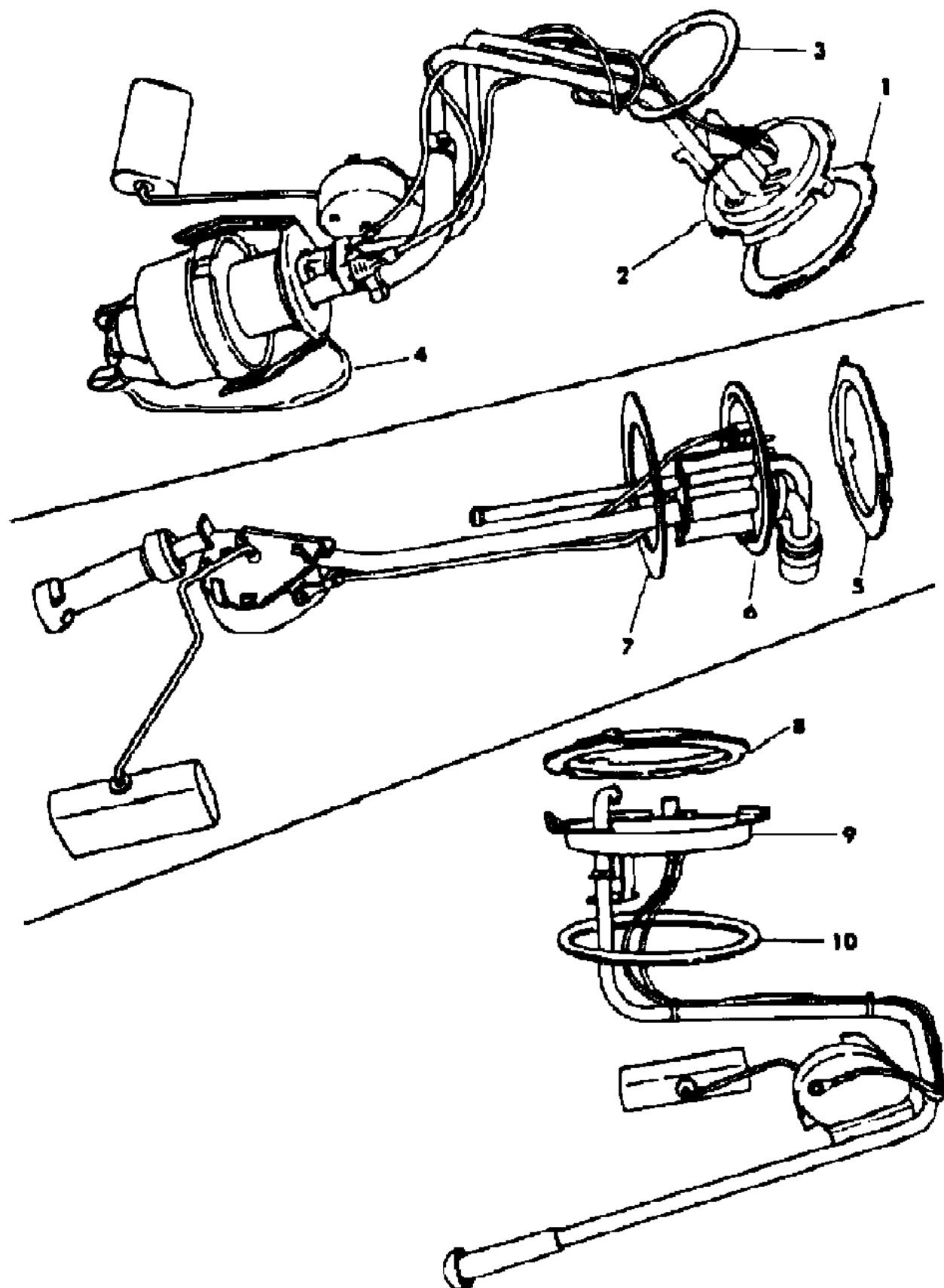
MODEL CODES
 C BODY = (D41 - DYNASTY)(C41 - NEW YORKER)
 E BODY = (J - CARAVELLE)(E - 600)(T - NEW YORKER TURBO)
 G BODY = (V24 - DAYTONA, PACIFICA & SHELBY)
 H BODY = (D44 - LANCER)(C44 - LEBARON GTS)
 J BODY = (C - LEBARON)
 K BODY = (P - RELIANT)(D - ARIES)(C - LEBARON/ TOWN & COUNTRY)
 L BODY = (M - HORIZON)(Z-OMNI)
 M BODY = (B - GRAN FURY)(G - DIPLOMAT)(F - FIFTH AVENUE/NEWPORT)
 P BODY = (P - SUNDANCE)(D - SHADOW)
 Q BODY = (C27 - MASERATI)
 S BODY = (H - VOYAGER)(K - RAM VAN/ CARAVAN)

BODY STYLES
 12-52 = FWD VAN & WAGON STD. W.B. 27 = 2-DOOR CONVERTIBLE
 13-53 = FWD VAN & WGN EXT W.B. 41 = 4-DOOR SEDAN
 21 = 2-DOOR SEDAN 44 = 4-DOOR HATCHBACK
 24 = 2-DOOR HATCHBACK 45 = 4-DOOR STATION WAGON

AR = Use as Required - = Non Illustrated Part P.A.R. = Paint as Required

FUEL TANK SENDING UNITS E.F.I. AND TURBO CHARGER
Figure 14-4900

8114 4900



ITEM	PART NUMBER	QTY	BODY	MODEL	DESCRIPTION
1	4279 445	1	L		RETAINER
2	5217 795	1	L		UNIT, Tank Sending
3	6031 475	1	L		SEAL, O-Ring
4	5217 851	1	L		FILTER, Fuel Tank Sending Unit
5	1730 095	1			RETAINER, Exc. L and S Body
6	4051 663	1			UNIT, Tank Sending, Exc. L and S Body
7	1948 757	1			SEAL, O-Ring, Exc. L and S Body
8	4203 879	1	S		RETAINER, w/2.5L,3.0L Engine
9					UNIT, Fuel Tank Sending
	4419 620	1	S		w/15 Gal. Tank, w/2.5L,3.0L Engine
	4419 619	1	S		w/20 Gal. Tank, w/2.5L,3.0L Engine
10	6501 463	1	S		SEAL, O-Ring

MODEL CODES

C BODY = (D41 - DYNASTY)(C41 - NEW YORKER)
 E BODY = (J - CARAVELLE)(E - 600)(T - NEW YORKER TURBO)
 G BODY = (V24 - DAYTONA, PACIFICA & SHELBY)
 H BODY = (D44 - LANCER)(C44 - LEBARON GTS)
 J BODY = (C - LEBARON)
 K BODY = (P - RELIANT)(D - ARIES)(C - LEBARON/ TOWN & COUNTRY)

L BODY = (M - HORIZON)(Z-OMNI)
 M BODY = (B - GRAN FURY)(G - DIPLOMAT)(F - FIFTH AVENUE/NEWPORT)
 P BODY = (P - SUNDANCE)(D - SHADOW)
 Q BODY = (C27 - MASERATI)
 S BODY = (H - VOYAGER)(K - RAM VAN/ CARAVAN)

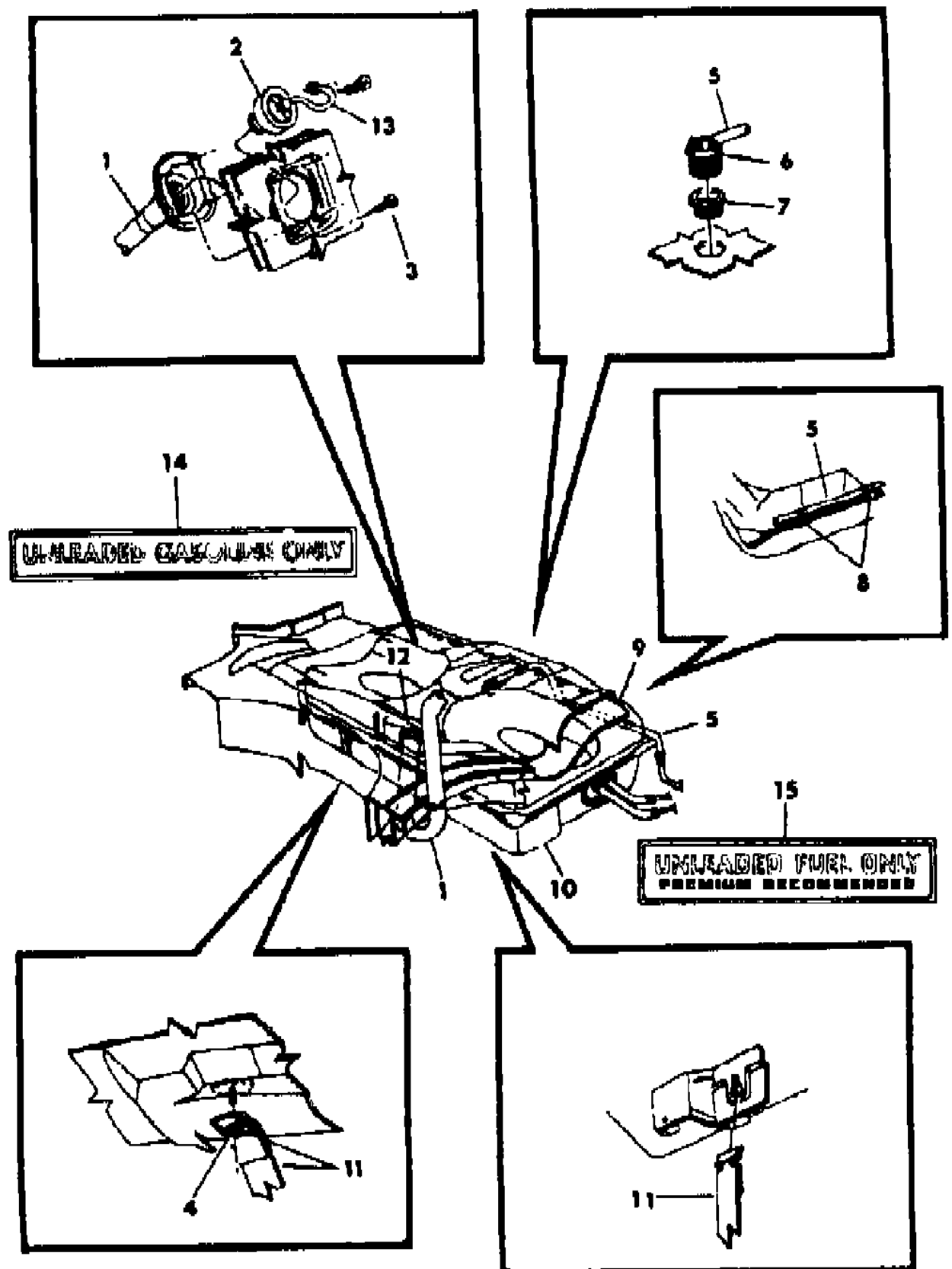
BODY STYLES

12-52 = FWD VAN & WAGON STD. W.B. 27 = 2-DOOR CONVERTIBLE
 13-53 = FWD VAN & WGN EXT W.B. 41 = 4-DOOR SEDAN
 21 = 2-DOOR SEDAN 44 = 4-DOOR HATCHBACK
 24 = 2-DOOR HATCHBACK 45 = 4-DOOR STATION WAGON

AR = Use as Required - = Non Illustrated Part P.A.R. = Paint as Required

FUEL TANK AND FUEL FILLER TUBES L BODY
Figure 14-5000

B114 5000



ITEM	PART NUMBER	QTY	BODY	MODEL	DESCRIPTION
1					TUBE, Fuel Tank Filler
	4279 855	1			w/Unleaded Gas
2					CAP, Gas
	4279 839	1			Non Locking
	4279 841	1			Locking
3		AR			SCREW (10-16x1) (not serviced)
4	6500 599	2			NUT and WASHER
5	4443 177	AR			HOSE, Vapor Tube Rear to Rollover Valve 3/16 I.D. 25 Foot Spool
6	4279 941	1			VALVE, Pressure Release
7	4002 149	1			GROMMET, Valve
8	5217 564	AR			CLIP, Vapor Hose to Fuel Tank
9	5217 516	2			INSULATOR, Fuel Tank
10	5217 793	1			TANK, Fuel
11	4185 520-1	1			STRAP, Fuel Tank Support
12	5217 578	1			GROMMET, Tank to Tube
13	4279 144	1			TETHER, Gas Cap
14	3792 550	1			LABEL, Unleaded Fuel Only
15	4304 651	1			LABEL, Unleaded Gas Premium Recommended

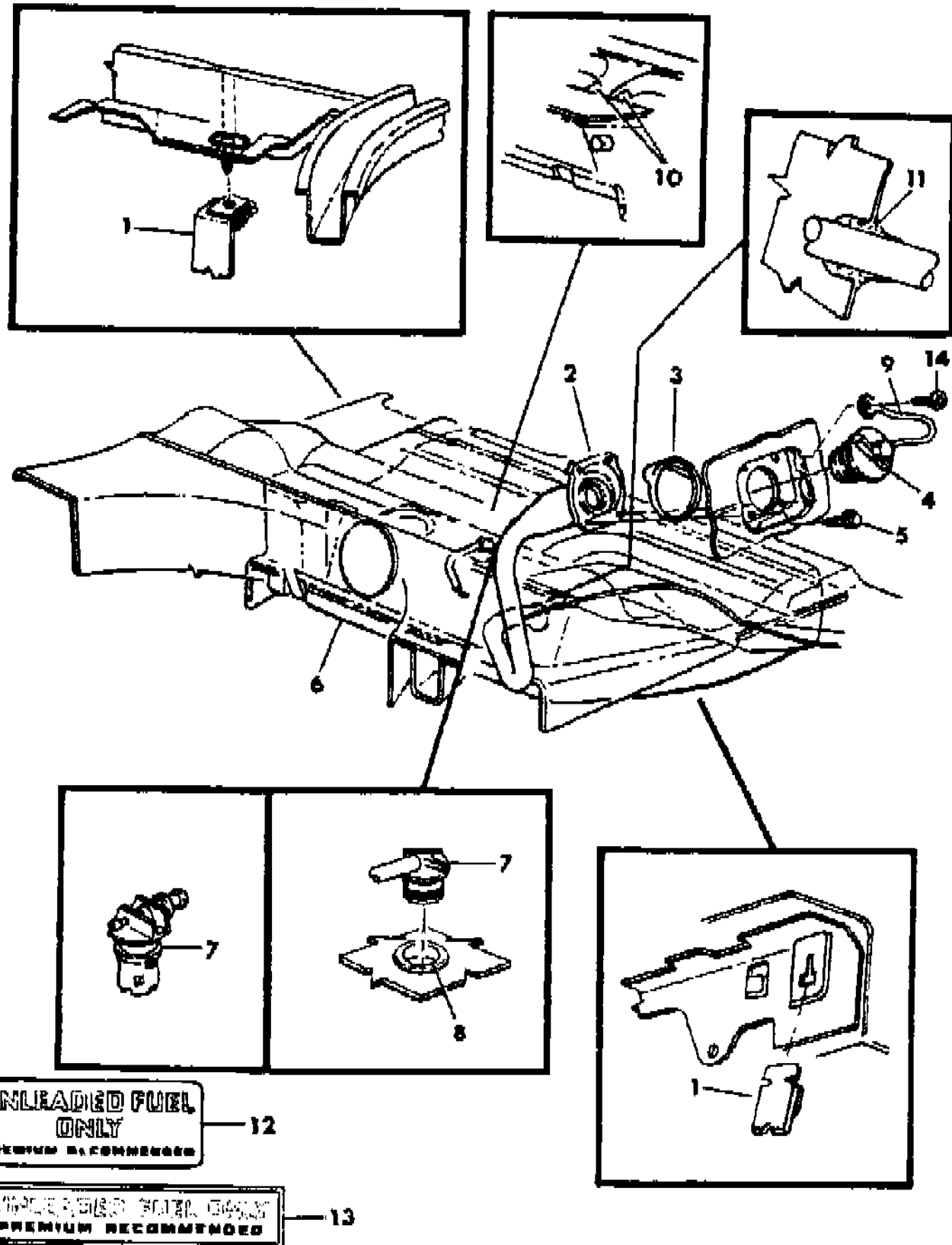
MODEL CODES
 C BODY = (D41 - DYNASTY)(C41 - NEW YORKER)
 E BODY = (J - CARAVELLE)(E - 600)(T - NEW YORKER TURBO)
 G BODY = (V24 - DAYTONA, PACIFICA & SHELBY)
 H BODY = (D44 - LANCER)(C44 - LEBARON GTS)
 J BODY = (C - LEBARON)
 K BODY = (P - RELIANT)(D - ARIES)(C - LEBARON/ TOWN & COUNTRY)
 L BODY = (M - HORIZON)(Z-OMNI)
 M BODY = (B - GRAN FURY)(G - DIPLOMAT)(F - FIFTH AVENUE/NEWPORT)
 P BODY = (P - SUNDANCE)(D - SHADOW)
 Q BODY = (C27 - MASERATI)
 S BODY = (H - VOYAGER)(K - RAM VAN/ CARAVAN)

BODY STYLES
 12-52 = FWD VAN & WAGON STD. W.B. 27 = 2-DOOR CONVERTIBLE
 13-53 = FWD VAN & WGN EXT W.B. 41 = 4-DOOR SEDAN
 21 = 2-DOOR SEDAN 44 = 4-DOOR HATCHBACK
 24 = 2-DOOR HATCHBACK 45 = 4-DOOR STATION WAGON

AR = Use as Required - = Non Illustrated Part P.A.R. = Paint as Required

FUEL TANK AND FILLER TUBES P,J,K,G,E,H,C BODY
Figure 14-5100

8114 5100A



ITEM	PART NUMBER	QTY	BODY	MODEL	DESCRIPTION
1					STRAP, Fuel Tank Support
	4203 948-9	1	EGHJKP		
	4203 964-5	1	C		
2					TUBE, Fuel Tank Filler
	4203 766	1	J		w/Unleaded Fuel
	4279 594	1	K,E		w/Unleaded Fuel
	4279 595	1	K,E		w/Leaded Fuel
	4279 572	1	H		w/Unleaded Fuel
	4279 573	1	H		w/Leaded Fuel
	4203 626	1	P		w/Unleaded Fuel
	4279 131	1	G		w/Unleaded Fuel
	4279 132	1	G		w/Leaded Fuel
	4203 873	1	C		w/Unleaded Fuel
3					GASKET, Filler Tube to Panel (serviced in Tube)
4					CAP, Gas
	4279 839	1			Non Locking
	4279 841	1			Locking
5		AR			SCREW, Filler Tube to Panel (10-16x1) (not serviced)
6					TANK, Fuel
	4203 944	1	PJKGEH		
	4203 958	1	C		
7	4279 941	1			VALVE, Rollover
8	4002 149	1			GROMMET, Rollover Valve
9	4279 144	1			TETHER, Gas Cap
10	4185 506	1			PAD, Fuel Tank Positioning
11	5217 578	1			GROMMET, Fuel Tank Filler Tube
12	4304 718	1			LABEL, Turbo, Unleaded Fuel (English)
13	4304 651	1			LABEL, Premium Unleaded Fuel (English)
14		AR			SCREW (10-16x1) (not serviced)

MODEL CODES

C BODY = (D41 - DYNASTY)(C41 - NEW YORKER)
 E BODY = (J - CARAVELLE)(E - 600)(T - NEW YORKER TURBO)
 G BODY = (V24 - DAYTONA, PACIFICA & SHELBY)
 H BODY = (D44 - LANCER)(C44 - LEBARON GTS)
 J BODY = (C - LEBARON)
 K BODY = (P - RELIANT)(D - ARIES)(C - LEBARON/ TOWN & COUNTRY)

L BODY = (M - HORIZON)(Z-OMNI)
 M BODY = (B - GRAN FURY)(G - DIPLOMAT)(F - FIFTH AVENUE/NEWPORT)
 P BODY = (P - SUNDANCE)(D - SHADOW)
 Q BODY = (C27 - MASERATI)
 S BODY = (H - VOYAGER)(K - RAM VAN/ CARAVAN)

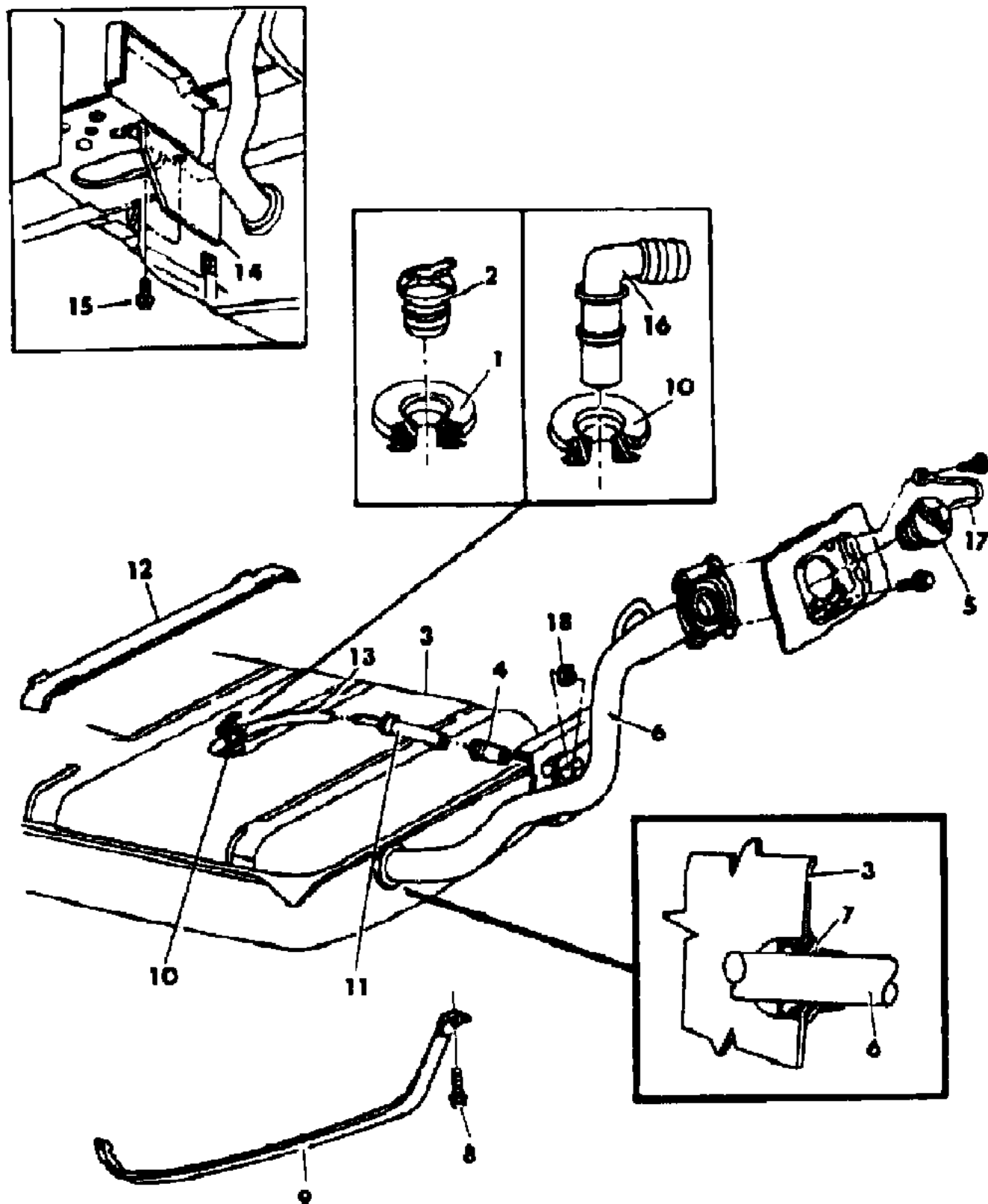
BODY STYLES

12-52 = FWD VAN & WAGON STD. W.B. 27 = 2-DOOR CONVERTIBLE
 13-53 = FWD VAN & WGN EXT W.B. 41 = 4-DOOR SEDAN
 21 = 2-DOOR SEDAN 44 = 4-DOOR HATCHBACK
 24 = 2-DOOR HATCHBACK 45 = 4-DOOR STATION WAGON

AR = Use as Required - = Non Illustrated Part P.A.R. = Paint as Required

FUEL TANK AND FUEL FILLER TUBES S BODY
Figure 14-5200

8114 5200



ITEM	PART NUMBER	QTY	BODY	MODEL	DESCRIPTION
1	4002 149	1			GROMMET, Rollover Valve
2	4279 941	1			VALVE, Rollover
3	5217 875	1			TANK, Fuel w/15 and 20 Gallon
4	4279 205	1			SLEEVE, Fuel Filler Vent Hose
5					CAP, Gas
	4279 839	1			Non - Locking
	4279 841	1			Locking
6					TUBE, Fuel Tank Filler
	4203 666	1			Unleaded Gas w/(SC - NDA)
	4203 667	1			Leaded Gas w/(SC - NDB)
7	5217 578	1			GROMMET, Fuel Filler Tube
8					BOLT, Fuel Tank Strap
	6101 341	2			(use up to 11-16-87)
	6501 893	2			(use after 11-16-87)
	6101 340	2			U-NUT, Fuel Tank Strap Bolt
9	4279 691	2			STRAP, Fuel Tank Mounting
10	4279 279	1			GROMMET, Fuel Tank to Fuel Filler Vent Tube
11	4279 284	1			HOSE, Fuel Filler Vent Tube
12					INSULATOR, Fuel Tank to Floor Pan (not serviced)
13	4279 275	1			TUBE, Fuel Filler Vent
14	4279 904				SHIELD, Filler Tube Stone
15		2			SCREW, Stone Shield (10-16x.625) (not serviced)
16					NIPPLE, Fuel Tank Tube Vent
	4279 273	1			w/15 Gallon Tank (Red)
	4279 274	1			w/20 Gallon Tank (Black)
17	4279 144	1			TETHER, Gas Cap
18	6032 147	1			CLAMP, Fuel Filler Tube Vent Hose

MODEL CODES

C BODY = (D41 - DYNASTY)(C41 - NEW YORKER)
 E BODY = (J - CARAVELLE)(E - 600)(T - NEW YORKER TURBO)
 G BODY = (V24 - DAYTONA, PACIFICA & SHELBY)
 H BODY = (D44 - LANCER)(C44 - LEBARON GTS)
 J BODY = (C - LEBARON)
 K BODY = (P - RELIANT)(D - ARIES)(C - LEBARON/ TOWN & COUNTRY)
 L BODY = (M - HORIZON)(Z-OMNI)
 M BODY = (B - GRAN FURY)(G - DIPLOMAT)(F - FIFTH AVENUE/NEWPORT)
 P BODY = (P - SUNDANCE)(D - SHADOW)
 Q BODY = (C27 - MASERATI)
 S BODY = (H - VOYAGER)(K - RAM VAN/ CARAVAN)

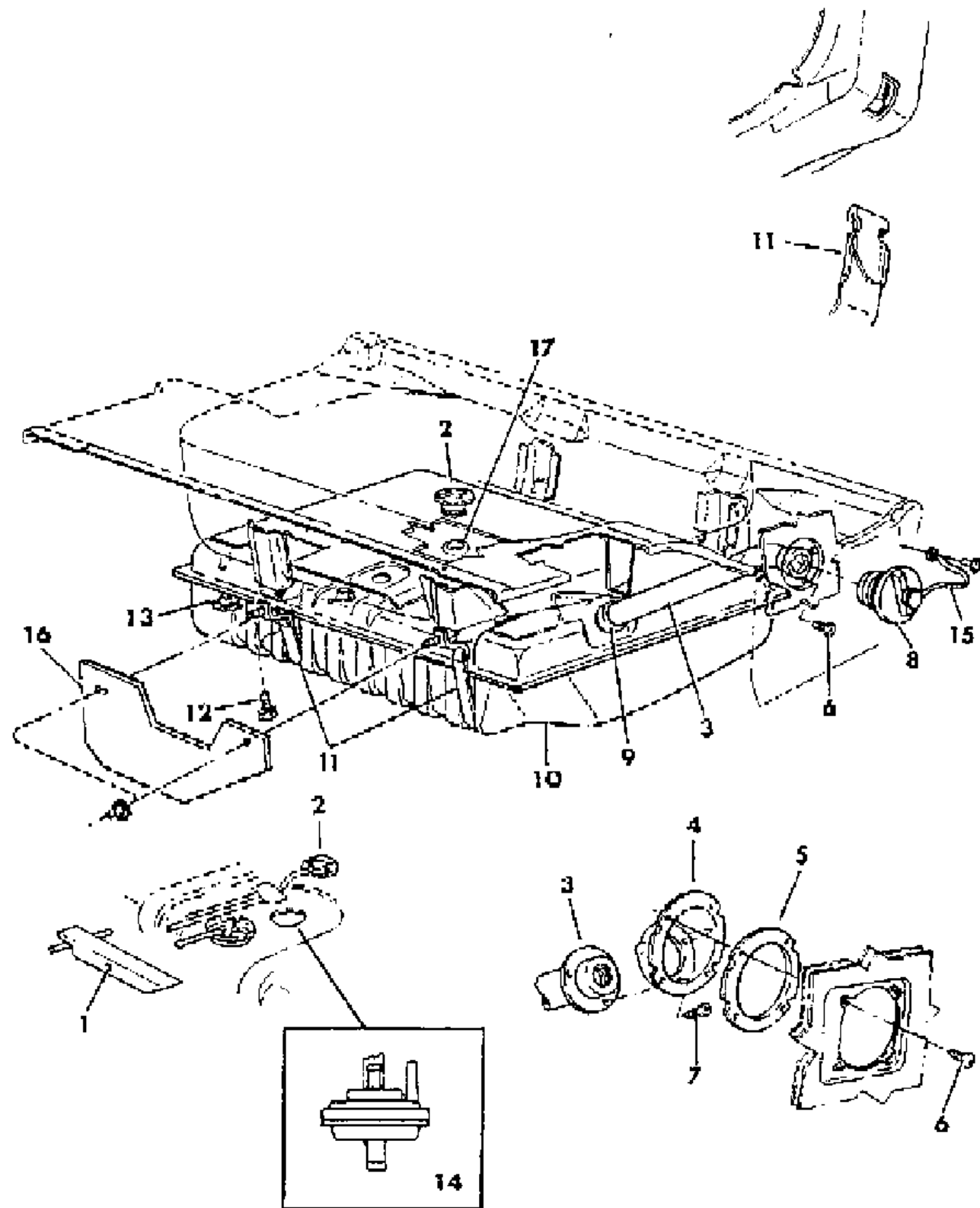
BODY STYLES

12-52 = FWD VAN & WAGON STD. W.B. 27 = 2-DOOR CONVERTIBLE
 13-53 = FWD VAN & WGN EXT W.B. 41 = 4-DOOR SEDAN
 21 = 2-DOOR SEDAN 44 = 4-DOOR HATCHBACK
 24 = 2-DOOR HATCHBACK 45 = 4-DOOR STATION WAGON

AR = Use as Required - = Non Illustrated Part P.A.R. = Paint as Required

FUEL TANK AND FUEL FILLER TUBES M BODY
Figure 14-5300

8114 5300 A



ITEM	PART NUMBER	QTY	BODY	MODEL	DESCRIPTION
1	4002 974	1			SHIELD, Fuel Tank to Floor Pan Splash
2	4002 252	1			VALVE, Rollover
3					TUBE, Fuel Tank Filler
	4279 429	1			Unleaded Gas
	4185 312	1			Leaded Gas
4	#4185 019	1			HOUSING, Filler Tube
5	#4185 037	1			GASKET, Filler Tube to Wheel House Panel
6		4			SCREW, Housing to Body Panel (10-16x1) (not serviced)
7	9414 722	3			SCREW, Housing to Filler Tube
8					CAP, Filler Tube
	4279 839	1			Non Locking
	4279 841	1			Locking
9	4002 010	1			GROMMET, Fuel Tank to Filler Tube
10	4279 479	1			TANK, Fuel
11					STRAP, Fuel Tank Mounting
	4185 452	1			Right
	4185 453	1			Left
12	6031 706	2			BOLT
13		2			U-NUT, (not serviced)
14	4185 414	1			VALVE, Fuel Tank Vent By - Pass
15	4279 144	1			TETHER, Gas Cap
16	4185 449	1			SHIELD
17	4002 149	1			GROMMET, Rollover Valve

MODEL CODES

C BODY = (D41 - DYNASTY)(C41 - NEW YORKER)
 E BODY = (J - CARAVELLE)(E - 600)(T - NEW YORKER TURBO)
 G BODY = (V24 - DAYTONA, PACIFICA & SHELBY)
 H BODY = (D44 - LANCER)(C44 - LEBARON GTS)
 J BODY = (C - LEBARON)
 K BODY = (P - RELIANT)(D - ARIES)(C - LEBARON/ TOWN & COUNTRY)
 L BODY = (M - HORIZON)(Z-OMNI)
 M BODY = (B - GRAN FURY)(G - DIPLOMAT)(F - FIFTH AVENUE/NEWPORT)
 P BODY = (P - SUNDANCE)(D - SHADOW)
 Q BODY = (C27 - MASERATI)
 S BODY = (H - VOYAGER)(K - RAM VAN/ CARAVAN)

BODY STYLES

12-52 = FWD VAN & WAGON STD. W.B. 27 = 2-DOOR CONVERTIBLE
 13-53 = FWD VAN & WGN EXT W.B. 41 = 4-DOOR SEDAN
 21 = 2-DOOR SEDAN 44 = 4-DOOR HATCHBACK
 24 = 2-DOOR HATCHBACK 45 = 4-DOOR STATION WAGON

AR = Use as Required - = Non Illustrated Part P.A.R. = Paint as Required

GROUP 16 - PROP.SHAFT

ILLUSTRATION TITLE

GROUP-FIG. NO.

PROPELLER SHAFTS

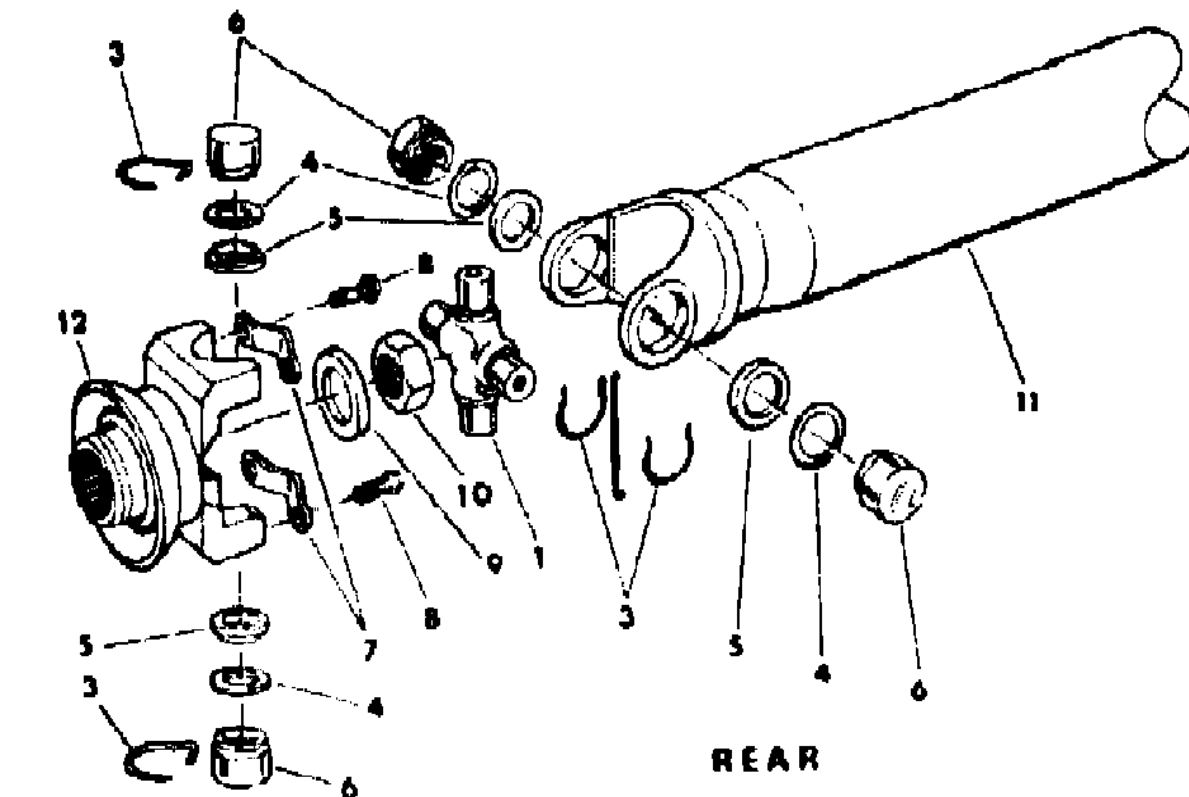
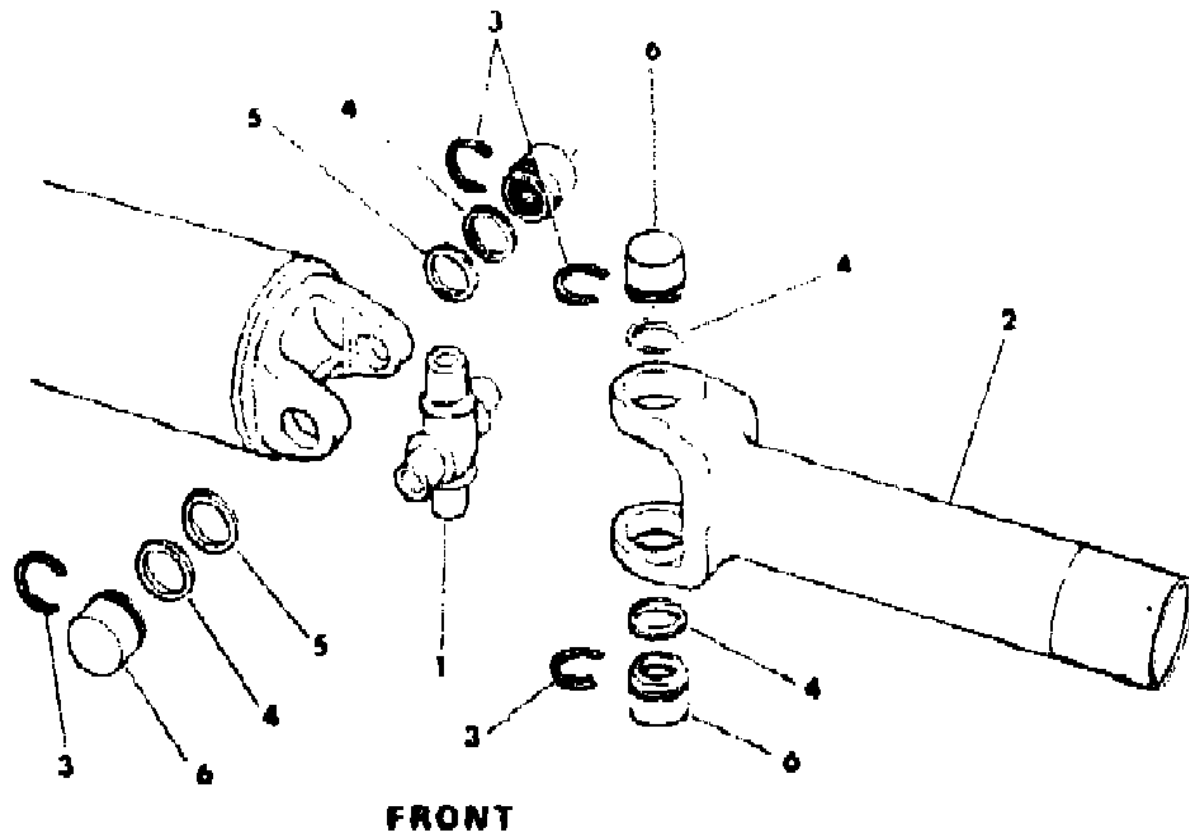
SHAFT, PROPELLER AND UNIVERSAL JOINT Fig. 16-200

ILLUSTRATION NOT AVAILABLE AT TIME OF PUBLICATION

SHAFT, PROPELLER AND UNIVERSAL JOINT

Figure 16-200

8116 200



ITEM	PART NUMBER	QTY	BODY	MODEL	DESCRIPTION
1	4384 514	1			CROSS PACKAGE Consists of: 4- ---- Cross Roller and Bushing 1- ---- Cross 4- ---- Retainer
2	9411 244	AR			FITTING, Grease 1/4-28 (Not Illustrated)
	4412 111	1			YOKE ASSEMBLY, U-Jnt. Slip Spline, 25 Tooth Spline, Except 318 Eng. Heavy Duty w/8 1/4" Axle
	4412 111	1			w/318 Eng. Except Heavy Duty
	4137 456	1			w/318 Eng. Heavy Duty, w/8 1/4" Axle
3	0858 006	AR			RETAINER, U/Jnt. Cross Roller Bushing (Oversize)
	3516 517	AR			RETAINER, U/Jnt. Cross Roller (Serviced in Item #1)
4					SEAL (Serviced in Item #1)
5					RETAINER, Roller Dust Shield (Serviced in Item #1)
6					ROLLER and BUSHING (Serviced in Item #1)
7	1828 824	2			CLAMP
8	6029 562	4			SCREW
9	2070 117	1			WASHER
10	6028 041	1			NUT
11		1			SHAFT (See Chart)
12	3723 251	1			YOKE ASSEMBLY, Drive Pinion, w/7-1/4", 8-1/4" Axle

MODEL CODES

C BODY = (D41 - DYNASTY)(C41 - NEW YORKER)
 E BODY = (J - CARAVELLE)(E - 600)(T - NEW YORKER TURBO)
 G BODY = (V24 - DAYTONA, PACIFICA & SHELBY)
 H BODY = (D44 - LANCER)(C44 - LEBARON GTS)
 J BODY = (C - LEBARON)
 K BODY = (P - RELIANT)(D - ARIES)(C - LEBARON/ TOWN & COUNTRY)

L BODY = (M - HORIZON)(Z-OMNI)
 M BODY = (B - GRAN FURY)(G - DIPLOMAT)(F - FIFTH AVENUE/NEWPORT)
 P BODY = (P - SUNDANCE)(D - SHADOW)
 Q BODY = (C27 - MASERATI)
 S BODY = (H - VOYAGER)(K - RAM VAN/ CARAVAN)

BODY STYLES

12-52 = FWD VAN & WAGON STD. W.B. 27 = 2-DOOR CONVERTIBLE
 13-53 = FWD VAN & WGN EXT W.B. 41 = 4-DOOR SEDAN
 21 = 2-DOOR SEDAN 44 = 4-DOOR HATCHBACK
 24 = 2-DOOR HATCHBACK 45 = 4-DOOR STATION WAGON

AR = Use as Required - = Non Illustrated Part P.A.R. = Paint as Required

GROUP 17 - REAR SUSPENSION

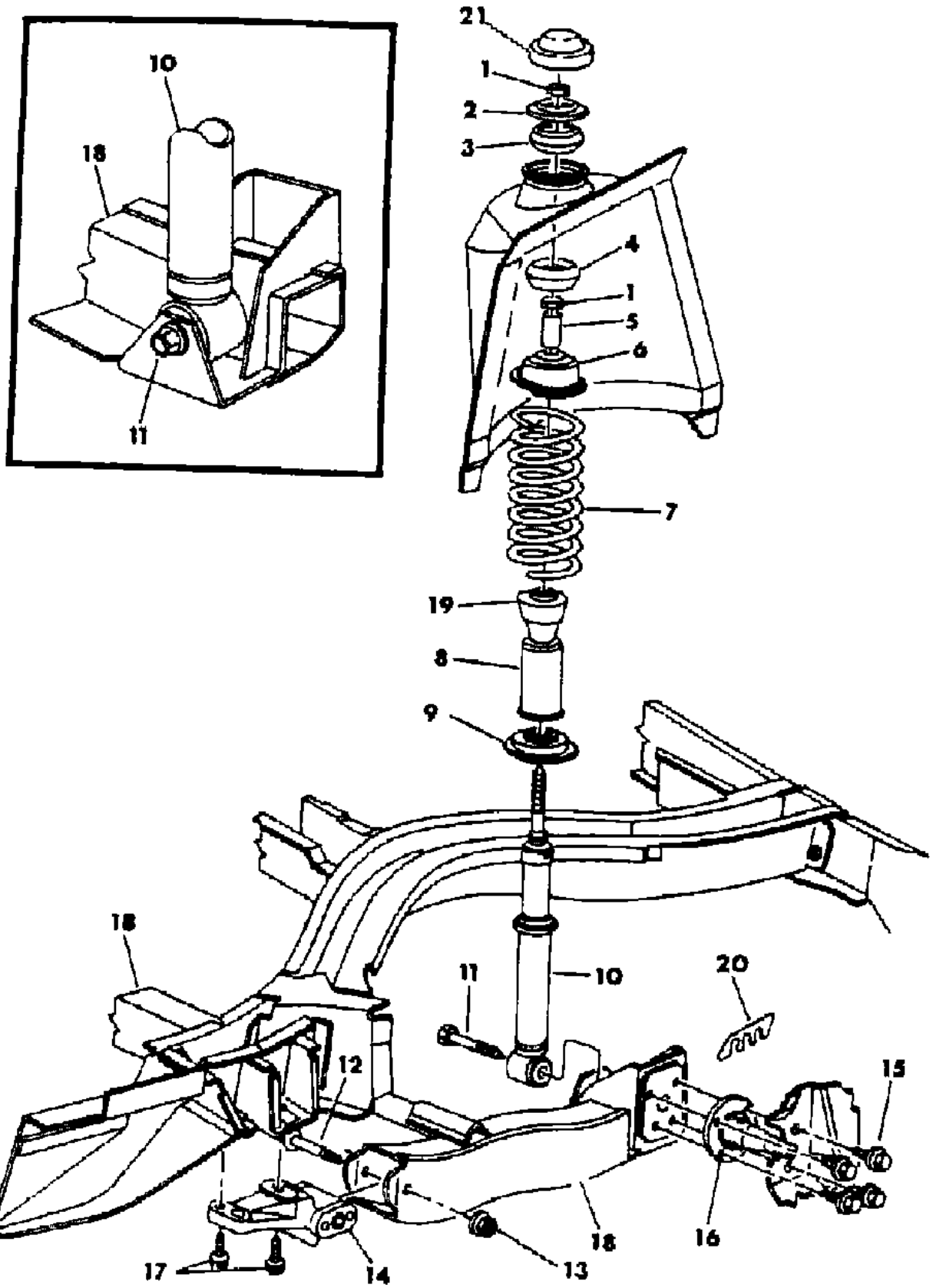
ILLUSTRATION TITLE	GROUP-FIG. NO.
REAR SUSPENSION	
SUSPENSION, REAR L BODY	Fig. 17-100
SUSPENSION, REAR P,J,K,G,E,H,C BODY	Fig. 17-200
SUSPENSION, REAR S BODY	Fig. 17-300
SUSPENSION, REAR M BODY	Fig. 17-400
SWAY BAR	
SWAY BAR, REAR M BODY	Fig. 17-500
LOAD LEVELER SYSTEM	
ELECTRONIC LOAD LEVELING SYSTEM K & E BODY	Fig. 17-600
ELECTRONIC LOAD LEVELING SYSTEM C-BODY	Fig. 17-700

ILLUSTRATION NOT AVAILABLE AT TIME OF PUBLICATION

SUSPENSION, REAR L BODY

Figure 17-100

8117 100



ITEM	PART NUMBER	QTY	BODY	MODEL	DESCRIPTION
1	6100 219	4			NUT, Shock Mtg.
2	5205 032	2			RETAINER, Upper
3	5204 969	2			ISOLATOR, Upper
4	5204 932	2			ISOLATOR, Lower
5	5204 939	2			SLEEVE, Seat
6	4228 083	2			SEAT, Upper
7	5205 154	2			SPRING, Rear Std.
8	5204 937	2			SHIELD, Dust
9	5205 186	2			SEAT, Lower
10	5204 922	2			SHOCK ABSORBER, Rear, Std.
11	6500 115	2			BOLT, Shock Mtg. Lower
12	6501 337	2			BOLT, Hanger To Cont. Arm
13	6500 259	2			NUT, Bolt
14	4228 562	2			HANGER, w/Bushing, Rear Pivot, Std.
15	6500 844	8			BOLT, Spindle
16	4228 117	2			SPINDLE, Rear Wheel Mtg.
17	6501 165	4			SCREW, w/WASHER, Rear Hanger Mtg.
18	5205 038	1			ARM, Control Rr. Susp. Lwr. w/o Sway Bar
19	5205 182	2			BUMPER, Jounce
	5208 884	2			INSULATOR, Rear Shock (In Rear Wheel Well Area) (Not Ill.)
	5208 537	2			COVER, Rear Shock (In Rear Wheel Well Area) (Not Ill.)
20	5205 114	AR			SHIM, Rear Wheel Alignment
21	5205 125	1			COVER, Upper

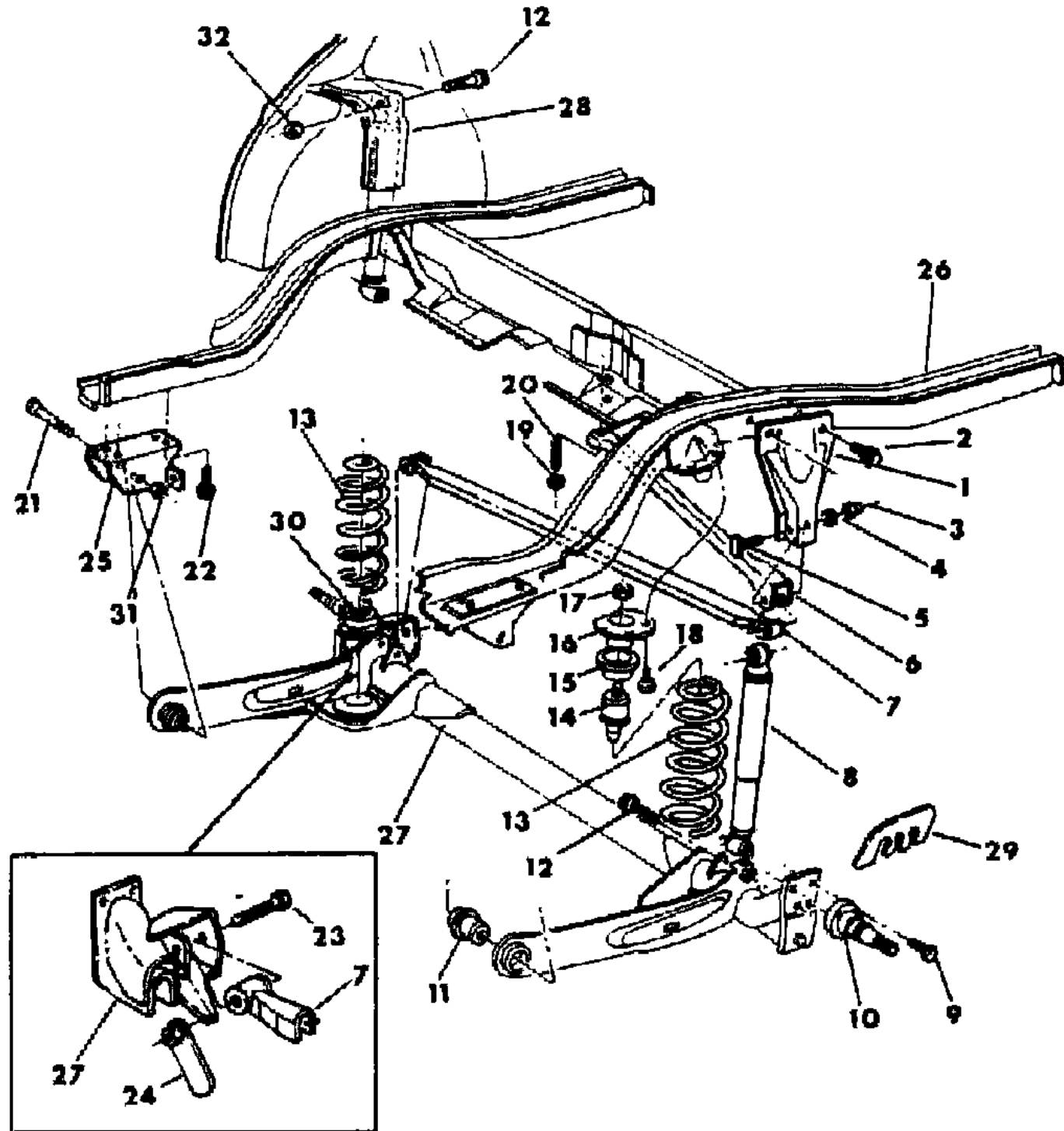
MODEL CODES
 C BODY = (D41 - DYNASTY)(C41 - NEW YORKER)
 E BODY = (J - CARAVELLE)(E - 600)(T - NEW YORKER TURBO)
 G BODY = (V24 - DAYTONA, PACIFICA & SHELBY)
 H BODY = (D44 - LANCER)(C44 - LEBARON GTS)
 J BODY = (C - LEBARON)
 K BODY = (P - RELIANT)(D - ARIES)(C - LEBARON/ TOWN & COUNTRY)
 L BODY = (M - HORIZON)(Z-OMNI)
 M BODY = (B - GRAN FURY)(G - DIPLOMAT)(F - FIFTH AVENUE/NEWPORT)
 P BODY = (P - SUNDANCE)(D - SHADOW)
 Q BODY = (C27 - MASERATI)
 S BODY = (H - VOYAGER)(K - RAM VAN/ CARAVAN)

BODY STYLES
 12-52 = FWD VAN & WAGON STD. W.B. 27 = 2-DOOR CONVERTIBLE
 13-53 = FWD VAN & WGN EXT W.B. 41 = 4-DOOR SEDAN
 21 = 2-DOOR SEDAN 44 = 4-DOOR HATCHBACK
 24 = 2-DOOR HATCHBACK 45 = 4-DOOR STATION WAGON

AR = Use as Required - = Non Illustrated Part P.A.R. = Paint as Required

SUSPENSION, REAR P,J,K,G,E,H,C BODY
Figure 17-200

8117 200



ITEM	PART NUMBER	QTY	BODY	MODEL	DESCRIPTION
	4397 912	1	KE		LOAD LEVELING PACKAGE, Manual, Std. Susp.
	4397 913	1	KE		H.D. Susp. Consists Of: 1- 4228269 Fill Valve Assy, Rr. Susp. Manual 1----- Tee Connector & Air Lines 3----- Clip, Wiring Strap, Rr. Susp. Load 5- 4228545 Clips, Air Lines 1- 4228266 LABEL, Rr. Susp. Man. Leveling 2----- AIR SHOCK, Load Leveling (See Item 8) 1 ----- External Tooth Washer, Fill Valve 1----- Instruction Sheet
1	4228 250	1			BRACKET, Track Bar Mtg.
2	6501 225	2			BOLT, Brkt.
3	6500 835	1			NUT, Pivot Bolt
4	6100 132	1			WASHER, Pivot Bolt
5	6500 415	1			PIVOT, BOLT
6	4228 251	1			BRACE, Track Bar Mtg.
7	4228 256	1			TRACK BAR, Rr. Susp.
8	4228 377	2	KE		SHOCK ABSORBER & BUSHING, w/Std. Shocks
	4147 878	2	P		w/Std. Shocks
	4370 372	2	P		w/Shelby CSX-T
	4228 377	2	KE		w/Premium Shocks
	4228 335	2	PKEH		w/Heavy Duty Shocks
	4228 336	2	H		w/Firm Feel Susp. - Premium Shocks
	4228 339	2	JG		w/Std. Susp. - Premium Shocks
	4228 338	2	JG		w/H.D. Shocks
	4228 337	2	G		w/Firm Feel Susp.- Premium Shocks
	4228 337	2	G		w/Special Sport Susp. - Special Sport Shocks
	4397 912	2	KE		w/Air Load Leveling Shocks - Std. Susp.
	4397 913	2	KE		w/Air Load Leveling Shocks - H.D. or Firm Feel
	4228 378	2	C		w/Std. Susp.- Premium Shocks
	4228 379	2	C		w/H.D.
	4228 764-5	2	C		w/Air Load Leveling Shocks w/Std. Susp.
	4228 766-7	2	C		w/Air Load Leveling Shocks w/Firm Feel
9	6500 844	8			BOLT, Spindle
	6501 716	8	C		

MODEL CODES

C BODY = (D41 - DYNASTY)(C41 - NEW YORKER)
 E BODY = (J - CARAVELLE)(E - 600)(T - NEW YORKER TURBO)
 G BODY = (V24 - DAYTONA, PACIFICA & SHELBY)
 H BODY = (D44 - LANCER)(C44 - LEBARON GTS)
 J BODY = (C - LEBARON)
 K BODY = (P - RELIANT)(D - ARIES)(C - LEBARON/ TOWN & COUNTRY)

L BODY = (M - HORIZON)(Z-OMNI)
 M BODY = (B - GRAN FURY)(G - DIPLOMAT)(F - FIFTH AVENUE/NEWPORT)
 P BODY = (P - SUNDANCE)(D - SHADOW)
 Q BODY = (C27 - MASERATI)
 S BODY = (H - VOYAGER)(K - RAM VAN/ CARAVAN)

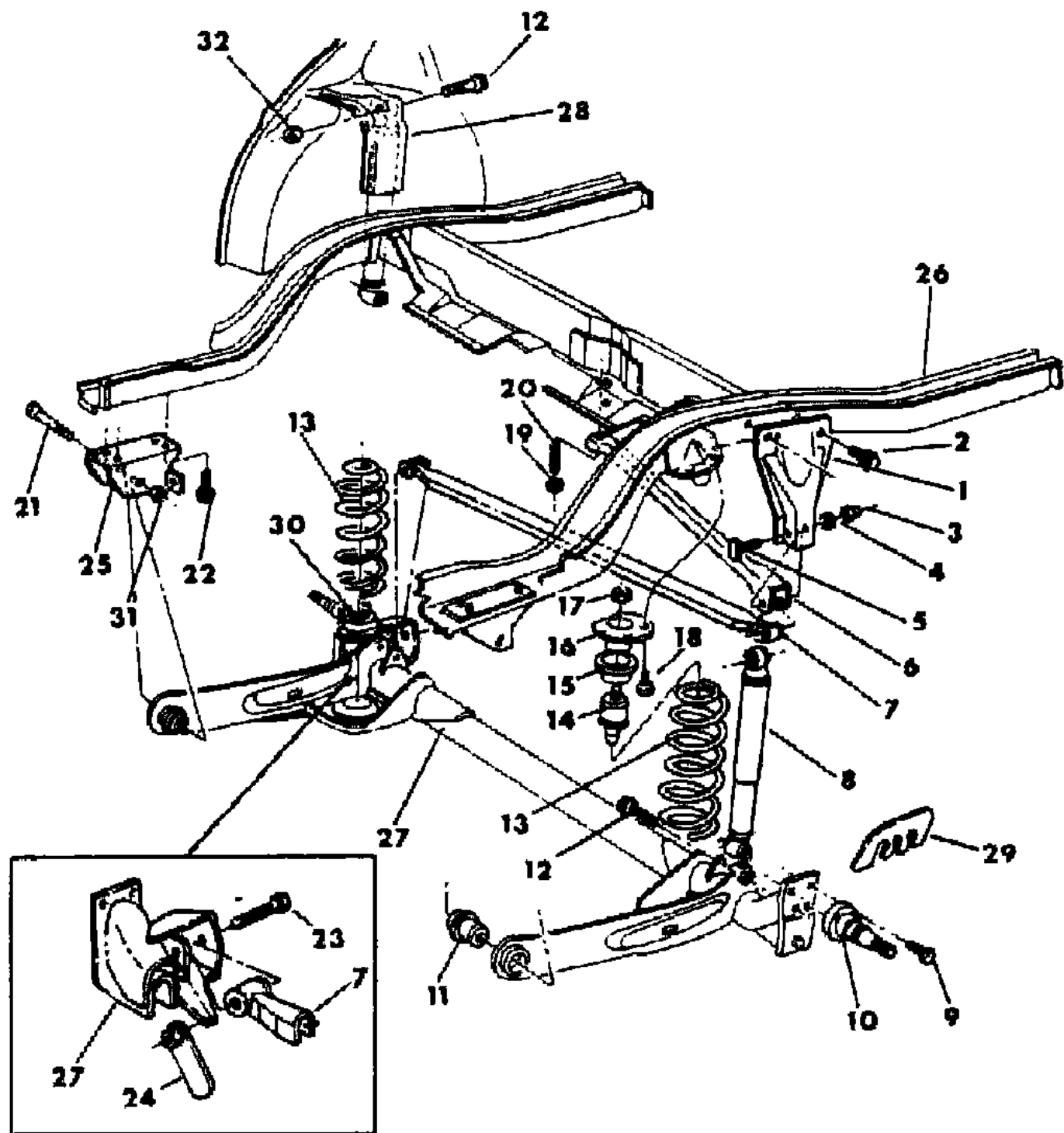
BODY STYLES

12-52 = FWD VAN & WAGON STD. W.B. 27 = 2-DOOR CONVERTIBLE
 13-53 = FWD VAN & WGN EXT W.B. 41 = 4-DOOR SEDAN
 21 = 2-DOOR SEDAN 44 = 4-DOOR HATCHBACK
 24 = 2-DOOR HATCHBACK 45 = 4-DOOR STATION WAGON

AR = Use as Required - = Non Illustrated Part P.A.R. = Paint as Required

SUSPENSION, REAR P,J,K,G,E,H,C BODY
Figure 17-200

8117 200



ITEM	PART NUMBER	QTY	BODY	MODEL	DESCRIPTION
10	4228 117	2			SPINDLE, Rear Wheel Mtg.
11	4421 064	2			BUSHING, Cont. Arm Pivot, All Susp.
	4228 669	2	C		
	4421 065	2	G		w/Firm Feel & Special Sport Susp.
12	6101 439	4			BOLT, Shock Mtg.
13	4147 821	2		P,D24	SPRING, Std., Rear w/14" Tires
	4147 823	2		P,D24	Std., Rear w/15" Tires
	4147 823	2		P,D44	Std., Rear w/14" Tires
	4147 824	2		P,D44	Std., Rear w/15" Tires
	4147 823	2		P,D,21	w/Std. Susp.
	4147 833	2		P,D,21	w/H.D Susp.
	4147 897	2		P,D,21	w/Extra Duty Susp.
	4147 824	2		P,D,41	w/Std. Susp.
	4147 834	2		P,D,41	w/H.D. Susp.
	4147 897	1		P,D,41	w/Extra Duty Susp.
	4147 828	2		P,D,45	w/Std. Susp.
	4147 838	2		P,D,45	w/H.D. Susp.
	4147 899	2		P,D,45	w/Extra Duty Susp.
	4147 824	2		C41	STD. or w/Firm Feel Susp.
	4147 834	2		C41	w/H.D. Susp.
	4147 824	2		D,C44	w/Std. Susp.
	4147 834	2		D,C44	w/Firm Feel Susp.
	4147 831	2		P24,D44	w/Sport Susp. (Pacifica)(Shelby)
	4147 829	2		C,45	STD. or w/Firm Feel Susp.
	4147 838	2		C,45	H.D. or w/Extra Duty Susp.
	4147 827	2		E,T	w/Std. or Firm Feel Susp.
	4147 824	2		J21	
	4147 825	2		J27	
	4147 836	2		E,T	w/H.D. Susp.
	4147 821	2		V24	w/Std. Susp.
	4147 893	2		V24	w/Firm Feel Susp.
	4228 576	2	C	DH41, DP41	Std.
	4228 634	2	C	DH41, DP41	H.D.
	4228 578	2	C	CH41	Std.
	4228 635	2	C	CH41	H.D.
	4228 578	2	C	CP41	Std.
	4228 636	2	C	CP41	H.D.

MODEL CODES

C BODY = (D41 - DYNASTY)(C41 - NEW YORKER)
 E BODY = (J - CARAVELLE)(E - 600)(T - NEW YORKER TURBO)
 G BODY = (V24 - DAYTONA, PACIFICA & SHELBY)
 H BODY = (D44 - LANCER)(C44 - LEBARON GTS)
 J BODY = (C - LEBARON)
 K BODY = (P - RELIANT)(D - ARIES)(C - LEBARON/ TOWN & COUNTRY)

L BODY = (M - HORIZON)(Z-OMNI)
 M BODY = (B - GRAN FURY)(G - DIPLOMAT)(F - FIFTH AVENUE/NEWPORT)
 P BODY = (P - SUNDANCE)(D - SHADOW)
 Q BODY = (C27 - MASERATI)
 S BODY = (H - VOYAGER)(K - RAM VAN/ CARAVAN)

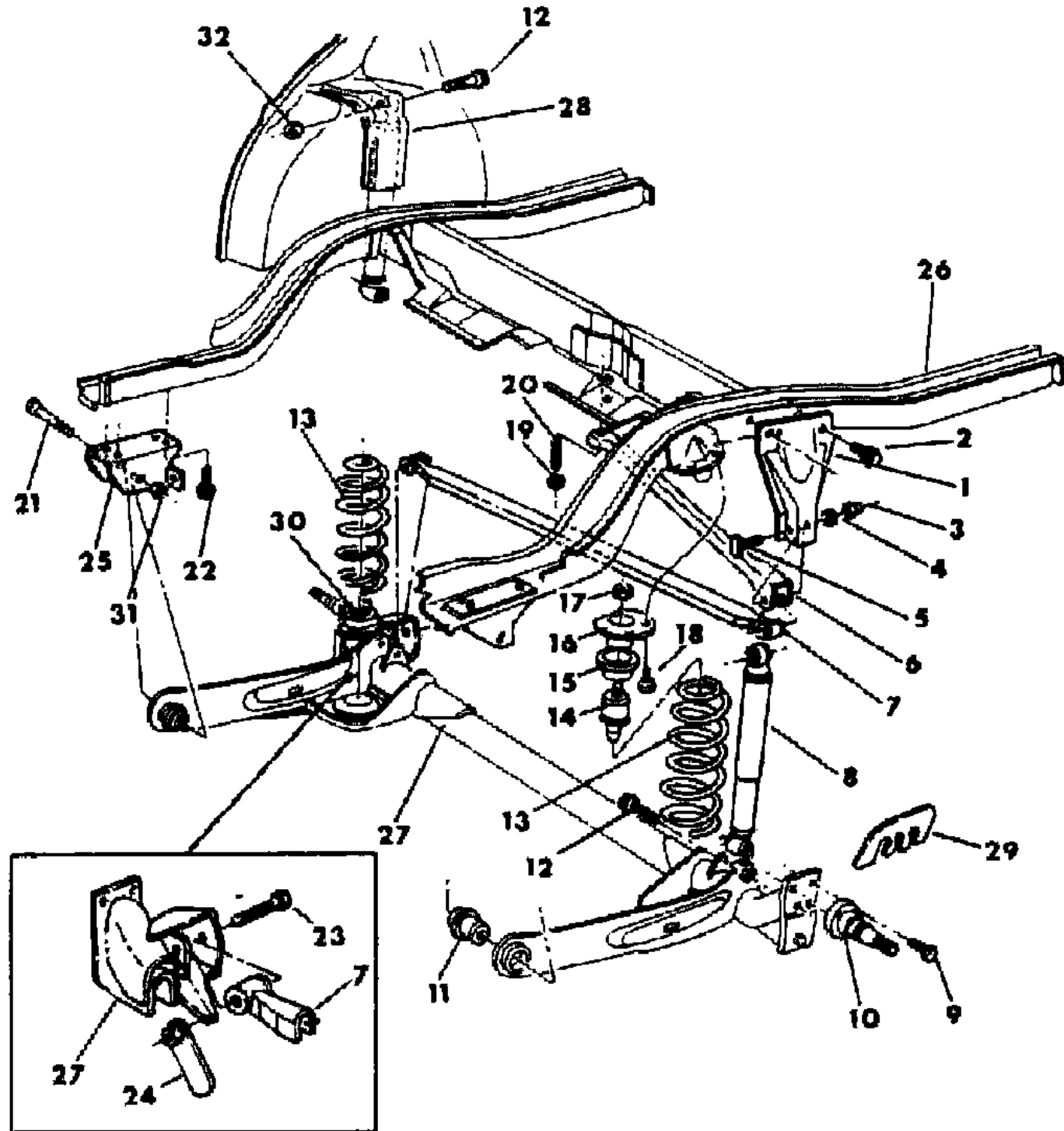
BODY STYLES

12-52 = FWD VAN & WAGON STD. W.B. 27 = 2-DOOR CONVERTIBLE
 13-53 = FWD VAN & WGN EXT W.B. 41 = 4-DOOR SEDAN
 21 = 2-DOOR SEDAN 44 = 4-DOOR HATCHBACK
 24 = 2-DOOR HATCHBACK 45 = 4-DOOR STATION WAGON

AR = Use as Required - = Non Illustrated Part P.A.R. = Paint as Required

SUSPENSION, REAR P,J,K,G,E,H,C BODY
Figure 17-200

8117 200



ITEM	PART NUMBER	QTY	BODY	MODEL	DESCRIPTION
14	4228 159	2			BUMPER, Jounce
15	4147 759	2			ISOLATOR, Spring Upper
16	4228 096	2			CUP, Jounce Bumper, w/One Notch Identification
	4228 440	2			w/Three Notch Identification
17	6500 259	2			NUT, Bumper
	6026 648	2			Retainer
18					SCREW, (Not Serviced)
19	6500 691	1			NUT, Stud
20	6500 909	1			STUD, Brace
21	6100 432	1			BOLT, Hanger
22	6501 423	6			BOLT
23	6101 364	1			PIVOT BOLT, Track Bar
24	6501 216	1			NUT, Track Bar Pivot Bolt
25	4421 062-3	1	PKEH		HANGER, Frt. Pivot
	4421 060-1	1	JG		
	4420 326-7	1	C		
26					FRAME, (Ref.)
27					CROSSMEMBER, Rr. Susp. Control Arm & Axle Channel
	4421 043	1	PEH		w/Std. and Firm Feel Susp.
	4421 041	1	K		w/Std. Susp.
	4421 041	1	KE		w/H.D. Susp.
	4421 045	1	G		w/Sport Susp. (Solid Cross bar)
	4421 044	1	JG		w/Std. Susp.
	4397 920	1	JG		w/Firm Feel Susp. (Hollow Cross Bar)
	4421 046	1	H		w/Special Sport Susp.
	4228 651	1	C		
	4420 376	1	JGH		DAMPER, Rear Axle Torque Rod
28					REINFORCEMENT, w/House (Ref.)
29	5205 114	AR			SHIM, Rear Wheel Alignment
30	4228 799	2			ISOLATOR, Spring Lower
31	6500 259	2			NUT
32	6100 518	4			NUT

MODEL CODES

C BODY = (D41 - DYNASTY)(C41 - NEW YORKER)
 E BODY = (J - CARAVELLE)(E - 600)(T - NEW YORKER TURBO)
 G BODY = (V24 - DAYTONA, PACIFICA & SHELBY)
 H BODY = (D44 - LANCER)(C44 - LEBARON GTS)
 J BODY = (C - LEBARON)
 K BODY = (P - RELIANT)(D - ARIES)(C - LEBARON/ TOWN & COUNTRY)

L BODY = (M - HORIZON)(Z-OMNI)
 M BODY = (B - GRAN FURY)(G - DIPLOMAT)(F - FIFTH AVENUE/NEWPORT)
 P BODY = (P - SUNDANCE)(D - SHADOW)
 Q BODY = (C27 - MASERATI)
 S BODY = (H - VOYAGER)(K - RAM VAN/ CARAVAN)

BODY STYLES

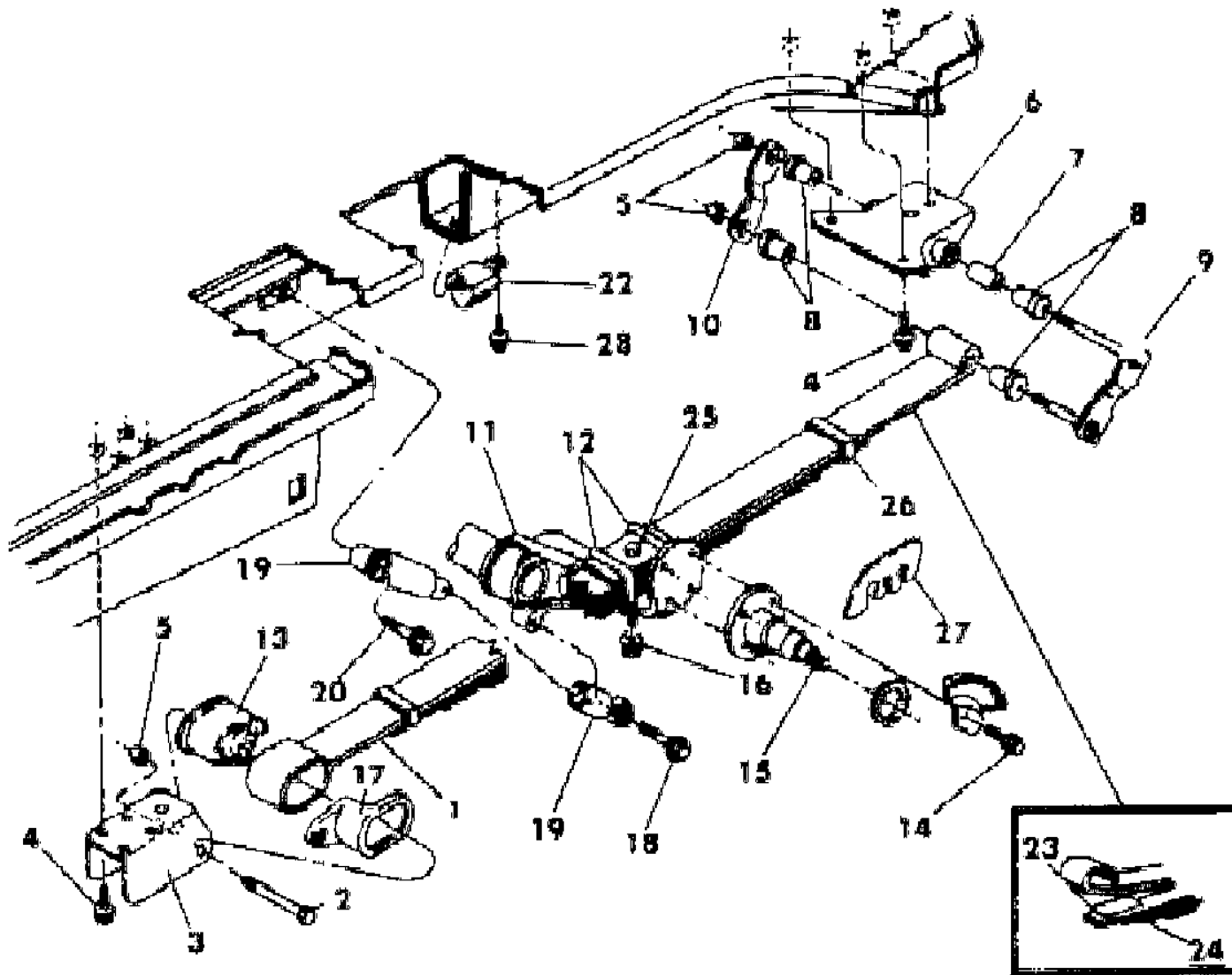
12-52 = FWD VAN & WAGON STD. W.B. 27 = 2-DOOR CONVERTIBLE
 13-53 = FWD VAN & WGN EXT W.B. 41 = 4-DOOR SEDAN
 21 = 2-DOOR SEDAN 44 = 4-DOOR HATCHBACK
 24 = 2-DOOR HATCHBACK 45 = 4-DOOR STATION WAGON

AR = Use as Required - = Non Illustrated Part P.A.R. = Paint as Required

SUSPENSION, REAR S BODY

Figure 17-300

8117 300



ITEM	PART NUMBER	QTY	BODY	MODEL	DESCRIPTION
1	4228 216	2		H,K52	SPRING, Rr. Leaf 5&6 Pass. - Std.
	4420 406	2		H,K53	
	4228 235	2		H,K52	H.D.
	4420 336	2		H,K52	SPRING, Rr. Leaf 7&8 Pass. - Std.
	4420 416	2		H,K13,53	
	4228 236	2		H,K52	H.D.
	4420 334	2		H,K12	SPRING, Rr. Std. w/1200# Payload
2	4228 235	2		H,K12	H.D. w/1700# Payload
	4228 585	2		H,K12	H.D. w/2000# Payload
	6501 600	2			PIVOT BOLT, Rr. Sprg. Frt. Bushing
3	4147 938	1			HANGER, Rr. Sprg. Frt. Right
	4228 491	1			Left
4	6501 118	14			BOLT, Frt. & Rr. Hanger
5	6100 502	AR			NUT
6	4147 927	2			HANGER, Rr. Sprg. Rr.
7	3722 073	2			INSERT, Rr. Sprg. Shackle Bushing
8	4228 564	8			BUSHING, Rr. Sprg. Shackle
9	4094 060	2			BUSHING PACKAGE, w/Shackle Rr. Spring
10	4014 703	2			PLATE, Rr. Sprg. Shackle - Loose
	4228 551	1			TUBE, w/Axle Rear
11	4228 554	1		H,K53	
	4228 565	4			CLIP, Rr. Spring
12	4228 492	2			BUSHING, Rr. Sprg. Frt. Pivot
13	6500 815	8			SCREW, w/Washer, Rr. Susp. Spindle Mtg.
14	4228 120	2			SPINDLE, Rr. Susp. w/Std. Susp. w/4 Hole Flange
	4228 124	2			w/5 Hole Flange
15	6032 996	8			NUT, w/Washer
16	4383 245	1			BRACKET, Actuator
17	6101 364	2			SCREW, w/WASHER Rr. Shock Lwr.
18	4421 471	2		H,K12,52	SHOCK ABSORBER, & Bushing Rr. - Std.
	4421 473	2		H,K12,52	H.D.
	4421 473	2		H,K53	w/Std. Susp.
	4421 474	2		H,K13,53	w/H.D. Susp.
19	6101 364	2			BOLT, w/Washer, Rr. Shock Abs. Upr. Mtg.
20	4228 682	2			BUMPER, Rr. Susp., Rr. Axle
	4228 689	2		H,K13	
21	3638 666	AR			INTERLINER, Leaf Spring - Std.

MODEL CODES

C BODY = (D41 - DYNASTY)(C41 - NEW YORKER)
 E BODY = (J - CARAVELLE)(E - 600)(T - NEW YORKER TURBO)
 G BODY = (V24 - DAYTONA, PACIFICA & SHELBY)
 H BODY = (D44 - LANCER)(C44 - LEBARON GTS)
 J BODY = (C - LEBARON)
 K BODY = (P - RELIANT)(D - ARIES)(C - LEBARON/ TOWN & COUNTRY)

L BODY = (M - HORIZON)(Z-OMNI)
 M BODY = (B - GRAN FURY)(G - DIPLOMAT)(F - FIFTH AVENUE/NEWPORT)
 P BODY = (P - SUNDANCE)(D - SHADOW)
 Q BODY = (C27 - MASERATI)
 S BODY = (H - VOYAGER)(K - RAM VAN/ CARAVAN)

BODY STYLES

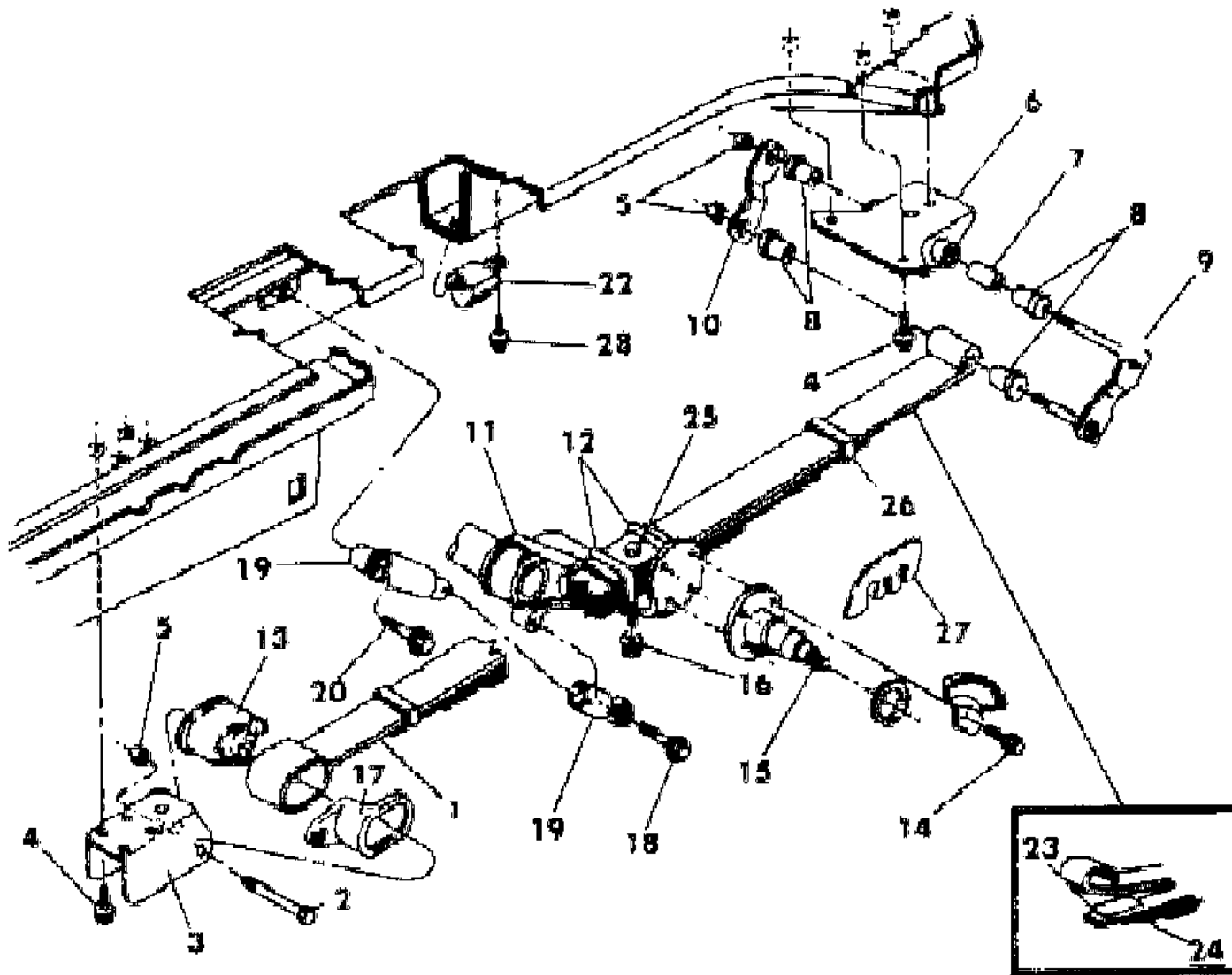
12-52 = FWD VAN & WAGON STD. W.B. 27 = 2-DOOR CONVERTIBLE
 13-53 = FWD VAN & WGN EXT W.B. 41 = 4-DOOR SEDAN
 21 = 2-DOOR SEDAN 44 = 4-DOOR HATCHBACK
 24 = 2-DOOR HATCHBACK 45 = 4-DOOR STATION WAGON

AR = Use as Required - = Non Illustrated Part P.A.R. = Paint as Required

SUSPENSION, REAR S BODY

Figure 17-300

8117 300



ITEM	PART NUMBER	QTY	BODY	MODEL	DESCRIPTION
	4228 030	AR			H.D.
24	2539 512	AR			INTERLEAF, Leaf Spring
25	2953 358	2			BOLT, Rr. Spring Ctr. - Std.
	2961 234	2			H.D.
26	2808 399	4			CLAMP PACKAGE, w/Clip
					CONSIST OF:
					1---- Insulator
					1---- Clip
					1---- Clamp
	4228 129	2			SEAT, Rr. Spring Clip
27	5205 114	2			SHIM, Rr. Wheel Alignment
28		2			SCREW, w/Washer (Not Serv.)

MODEL CODES

C BODY = (D41 - DYNASTY)(C41 - NEW YORKER)
 E BODY = (J - CARAVELLE)(E - 600)(T - NEW YORKER TURBO)
 G BODY = (V24 - DAYTONA, PACIFICA & SHELBY)
 H BODY = (D44 - LANCER)(C44 - LEBARON GTS)
 J BODY = (C - LEBARON)
 K BODY = (P - RELIANT)(D - ARIES)(C - LEBARON/ TOWN & COUNTRY)
 L BODY = (M - HORIZON)(Z-OMNI)
 M BODY = (B - GRAN FURY)(G - DIPLOMAT)(F - FIFTH AVENUE/NEWPORT)
 P BODY = (P - SUNDANCE)(D - SHADOW)
 Q BODY = (C27 - MASERATI)
 S BODY = (H - VOYAGER)(K - RAM VAN/ CARAVAN)

BODY STYLES

12-52 = FWD VAN & WAGON STD. W.B. 27 = 2-DOOR CONVERTIBLE
 13-53 = FWD VAN & WGN EXT W.B. 41 = 4-DOOR SEDAN
 21 = 2-DOOR SEDAN 44 = 4-DOOR HATCHBACK
 24 = 2-DOOR HATCHBACK 45 = 4-DOOR STATION WAGON

AR = Use as Required - = Non Illustrated Part P.A.R. = Paint as Required

SUSPENSION, REAR M BODY
Figure 17-400

8117 400

ITEM	PART NUMBER	QTY	BODY	MODEL	DESCRIPTION
1	3643 989	8			BUSHING, Shackle Pivot
2	4014 634-5	1			HANGER, Rear,Std. Or H.D. w/o Rear Sway Bar
	4014 704-5	1			w/Rear Sway Bar
3	6030 876	4			BOLT, Hanger
4	0271 502	4			NUT, Shackle
5	3780 515	2			BUSHING, w/Shackle Std. Or H.D. w/o Rear Sway Bar
					Consists of:
					1 - ---- Shackle w/Pin
					1 - ---- Plate
					4 - 3643 989 Bushing
					2 - 271 502 Nut
	4094 060	2			BUSHING PACKAGE, w/7 1/4 Or 8 1/4" Axle, w/Rear Sway Bar
					Consists of:
					1 - ---- Shackle w/Pin
					1 - 4014 703 Plate
					4 - 3643 989 Bushing
					2 - 271 502 Nut
6	4026 817	2			SPRING, w/BUSHING, Std. (4 Leaf)
	4131 332	2			H.D. Police Cars Only (5 Leaf)
	4293 178	2			H.D. (5 Leaf)
6A	1829 929	AR			INSULATOR, Alignment Clip
7	3643 558	2			BOLT, Rear Spring Center
8	0152 370	2			NUT, Bolt Pivot
9	0433 179	2			BOLT, Bushing Pivot
10	6025 011	8			NUT, Hanger, Frt.
11	4052 205	2			HANGER, Frt.
12	2403 247	8			BOLT, Hanger, Frt.
13	3815 210	2			BUSHING, Frt. Pivot
	4052 125	2			w/Extra Duty Susp.
13A	3638 666	AR			INTERLINER
13B	2539 512	AR			INTERLEAF
14	0181 173	2			BOLT, Rear Shock Upper Mtg.
14A	2808 399	AR			CLAMP PACKAGE, w/Clip
					Consists of:
					1 - ---- Insulator
					1 - ---- Clip
					1 - ---- Clamp

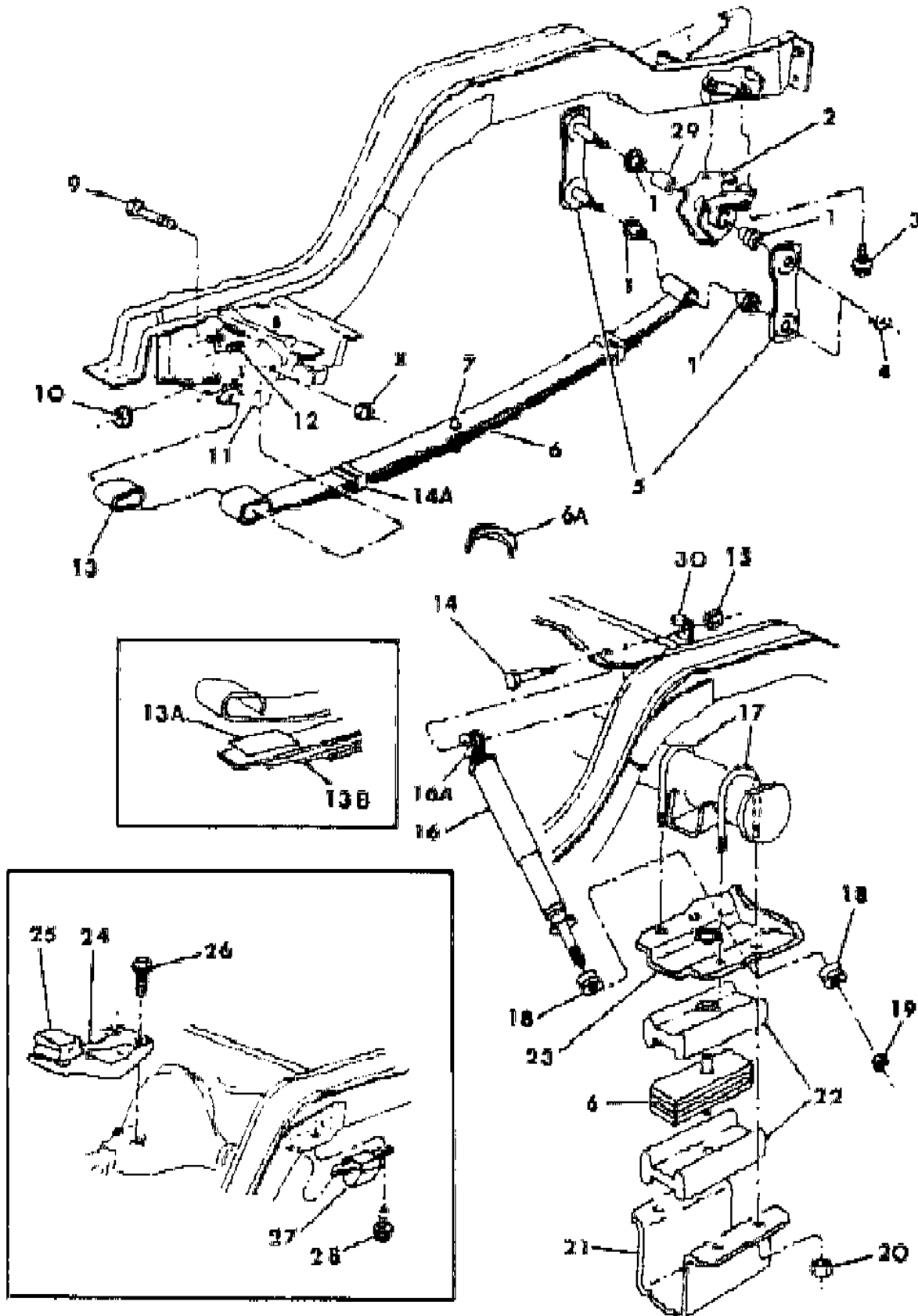
MODEL CODES

C BODY = (D41 - DYNASTY)(C41 - NEW YORKER)	L BODY = (M - HORIZON)(Z-OMNI)
E BODY = (J - CARAVELLE)(E - 600)(T - NEW YORKER TURBO)	M BODY = (B - GRAN FURY)(G - DIPLOMAT)(F - FIFTH AVENUE/NEWPORT)
G BODY = (V24 - DAYTONA, PACIFICA & SHELBY)	P BODY = (P - SUNDANCE)(D - SHADOW)
H BODY = (D44 - LANCER)(C44 - LEBARON GTS)	Q BODY = (C27 - MASERATI)
J BODY = (C - LEBARON)	S BODY = (H - VOYAGER)(K - RAM VAN/ CARAVAN)
K BODY = (P - RELIANT)(D - ARIES)(C - LEBARON/ TOWN & COUNTRY)	

BODY STYLES

12-52 = FWD VAN & WAGON STD. W.B.	27 = 2-DOOR CONVERTIBLE
13-53 = FWD VAN & WGN EXT W.B.	41 = 4-DOOR SEDAN
21 = 2-DOOR SEDAN	44 = 4-DOOR HATCHBACK
24 = 2-DOOR HATCHBACK	45 = 4-DOOR STATION WAGON

AR = Use as Required - = Non Illustrated Part P.A.R. = Paint as Required



SUSPENSION, REAR M BODY
Figure 17-400

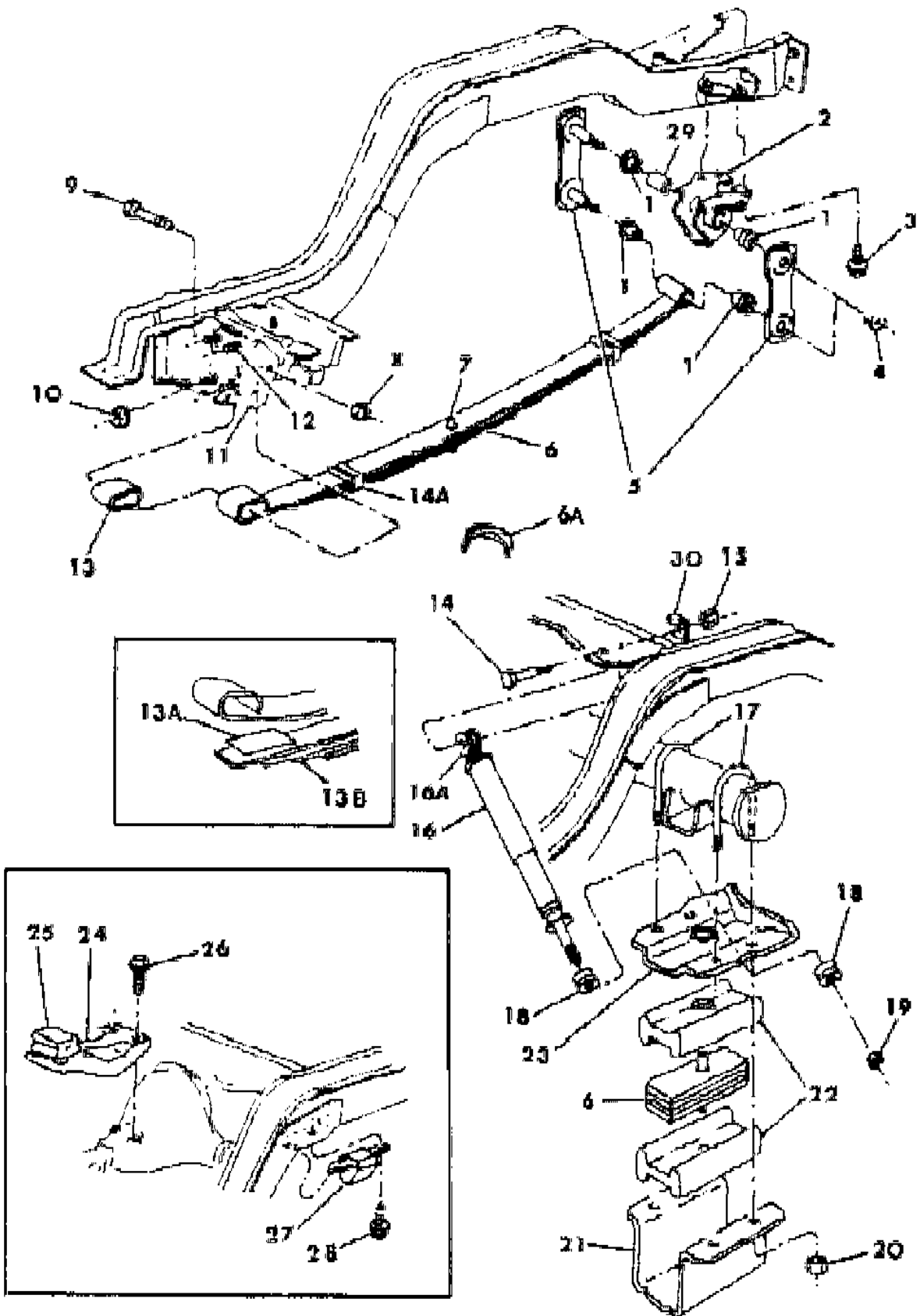
8117 400

ITEM	PART NUMBER	QTY	BODY	MODEL	DESCRIPTION
15	0152 348	2			NUT, Bolt
16	4443 491	2			SHOCK, Rear, Std. (Gas)
	4443 490	2			H.D., 1" Dia. (Gas)
	4057 094	2			H.D., 1-3/8" Dia. (Police + Taxi)
16A	1319 902	2			BUSHING, Rear Shock Upper Mtg., 1" Dia. Std. Or H.D.
17	3845 264	4			CLIP, 4-3/8" Lgh., 7/16-20 Thd.
18	3643 891	4			BUSHING, Lower Mtg.
19	0272 235	2			NUT, Lower Mtg.
20	0152 347	8			NUT, Clip
21	3815 206	2			CLAMP, Spring Isolator, Std.
	3815 309	2			H.D. Or Firm Feel Susp.
22	3815 207	4			ISOLATOR
23	3845 128-9	1			PLATE, 7-1/4" or 8-1/4" Axle w/o Sway Bar
	4014 710-1	1			7-1/4" or 8-1/4" Axle w/Sway Bar
24	3845 249	1			SUPPORT, Pinion Carrier Bumper
25	3845 139	1			BUMPER, w/o Support
26	0181 086	2			SCREW, w/WASHER, Support Mtg. Std.
	0181 112	2			H.D.
27	3845 988	2			BUMPER, w/Support Side Rail, Std. Or H.D., w/o Rear Sway Bar
	4014 503	2			w/Support, w/Rear Sway Bar
	2834 767	2			w/o Support, w/Rear Sway Bar
28		2			SCREW, w/WASHER, Side Rail Att. (Not Serv.)
-	2403 462	4			SPACER, Spring Center Bolt (Not Shown)
-	4014 703	2			PLATE, Spring Shackle, Loose, w/Rear Sway Bar (Not Ill.)
29	3722 073	2			INSERT, Extra Duty
30		2			NUT PLATE, (Not Serv.)

MODEL CODES
 C BODY = (D41 - DYNASTY)(C41 - NEW YORKER)
 E BODY = (J - CARAVELLE)(E - 600)(T - NEW YORKER TURBO)
 G BODY = (V24 - DAYTONA, PACIFICA & SHELBY)
 H BODY = (D44 - LANCER)(C44 - LEBARON GTS)
 J BODY = (C - LEBARON)
 K BODY = (P - RELIANT)(D - ARIES)(C - LEBARON/ TOWN & COUNTRY)
 L BODY = (M - HORIZON)(Z-OMNI)
 M BODY = (B - GRAN FURY)(G - DIPLOMAT)(F - FIFTH AVENUE/NEWPORT)
 P BODY = (P - SUNDANCE)(D - SHADOW)
 Q BODY = (C27 - MASERATI)
 S BODY = (H - VOYAGER)(K - RAM VAN/ CARAVAN)

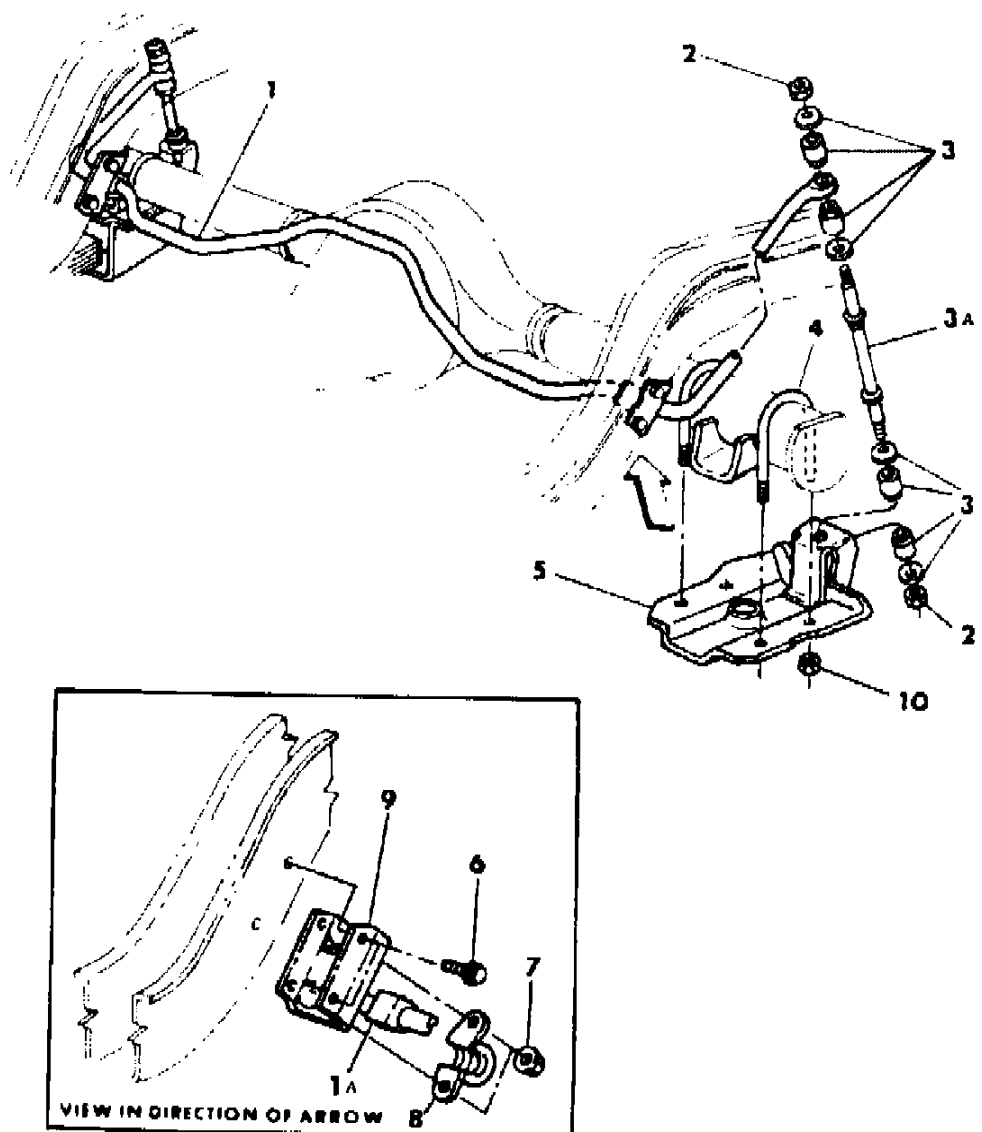
BODY STYLES
 12-52 = FWD VAN & WAGON STD. W.B. 27 = 2-DOOR CONVERTIBLE
 13-53 = FWD VAN & WGN EXT W.B. 41 = 4-DOOR SEDAN
 21 = 2-DOOR SEDAN 44 = 4-DOOR HATCHBACK
 24 = 2-DOOR HATCHBACK 45 = 4-DOOR STATION WAGON

AR = Use as Required - = Non Illustrated Part P.A.R. = Paint as Required



SWAY BAR, REAR M BODY
Figure 17-500

8117 500 A



ITEM	PART NUMBER	QTY	BODY	MODEL	DESCRIPTION
1	4014 714	1			SHAFT, Sway Bar, Rear
1A	3722 992	1			BUSHING, Shaft
2	0118 614	4			NUT, Link
3	3879 212	2			ATTACHING PACKAGE, Sway Bar Rear Consists of: 2 - ---- Insulator 1 - 118 614 Nut 2 - ---- Retainer
3A	4057 086	2			LINK PACKAGE Consists of: 1 - ---- Link 4 - ---- Insulator 2 - 118 614 Nut
4	3845 264	4			CLIP, 4-3/8" Lgh., 7/16-20 Thd.
5	4014 710-1	2			PLATE, Shaft
6	6030 466	8			SCREW, Brkt. Att.
7	6030 607	8			NUT, Brkt.
8	3643 506	2			STRAP, Shaft Brkt.
9	4014 708-9	1			BRACKET, Shaft
10	6023 018	8			NUT, CLIP

MODEL CODES

C BODY = (D41 - DYNASTY)(C41 - NEW YORKER)	L BODY = (M - HORIZON)(Z-OMNI)
E BODY = (J - CARAVELLE)(E - 600)(T - NEW YORKER TURBO)	M BODY = (B - GRAN FURY)(G - DIPLOMAT)(F - FIFTH AVENUE/NEWPORT)
G BODY = (V24 - DAYTONA, PACIFICA & SHELBY)	P BODY = (P - SUNDANCE)(D - SHADOW)
H BODY = (D44 - LANCER)(C44 - LEBARON GTS)	Q BODY = (C27 - MASERATI)
J BODY = (C - LEBARON)	S BODY = (H - VOYAGER)(K - RAM VAN/ CARAVAN)
K BODY = (P - RELIANT)(D - ARIES)(C - LEBARON/ TOWN & COUNTRY)	

BODY STYLES

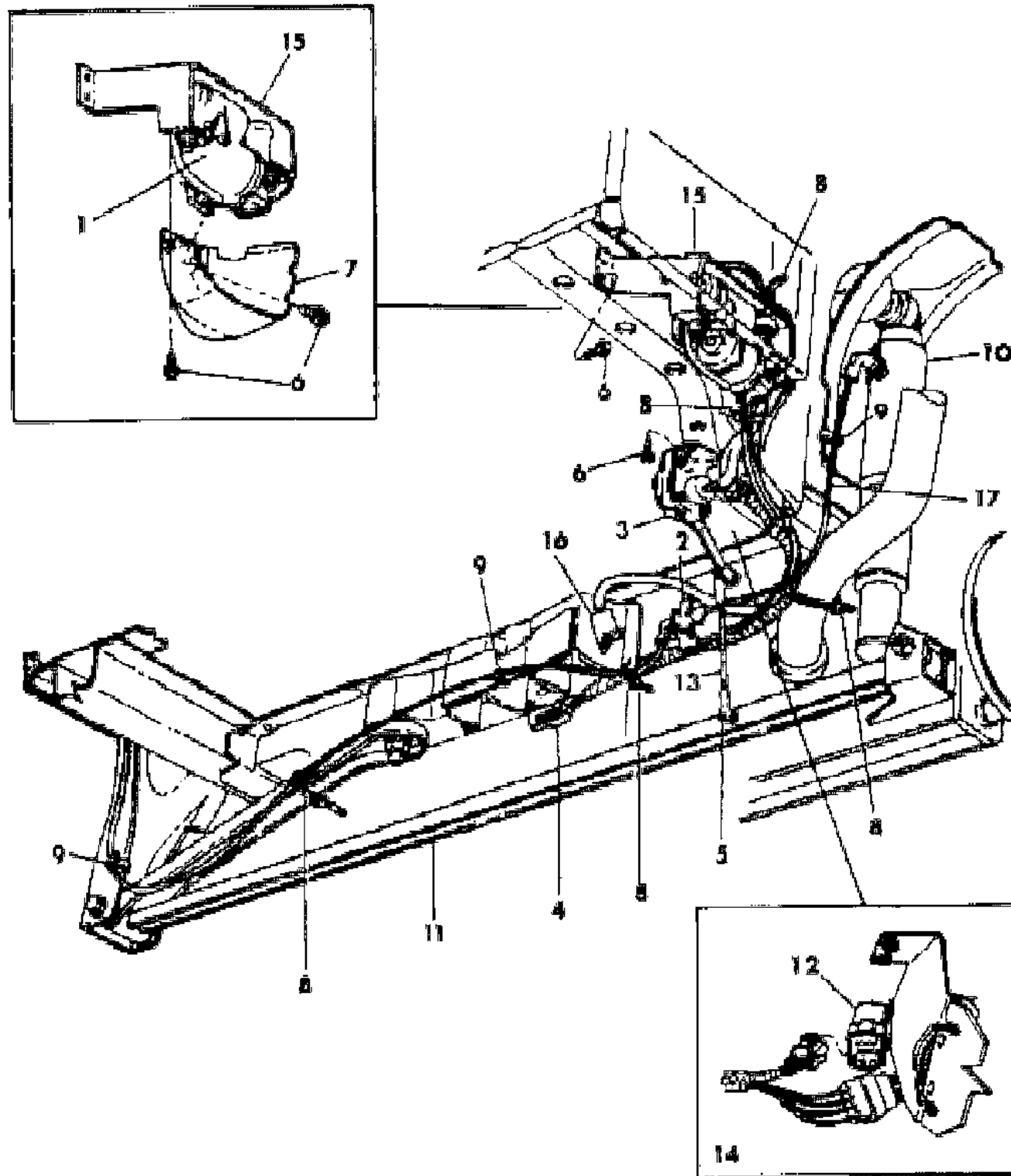
12-52 = FWD VAN & WAGON STD. W.B.	27 = 2-DOOR CONVERTIBLE
13-53 = FWD VAN & WGN EXT W.B.	41 = 4-DOOR SEDAN
21 = 2-DOOR SEDAN	44 = 4-DOOR HATCHBACK
24 = 2-DOOR HATCHBACK	45 = 4-DOOR STATION WAGON

AR = Use as Required - = Non Illustrated Part P.A.R. = Paint as Required

ELECTRONIC LOAD LEVELING SYSTEM K & E BODY

Figure 17-600

8117 600



ITEM	PART NUMBER	QTY	BODY	MODEL	DESCRIPTION
1	4228 675	1			COMPRESSOR
2	4228 536	1			CONNECTOR, Air Lines
3	4228 530	1			SENSOR, Electric Height
4	4228 532	1			HARNESS, Wiring
5	6501 297	1			BALL STUD, Track Bar Link
6		8			SCREW, w/WASHER (Not Serviced)
7	4228 527	1			COVER, Compressor Bracket
8		5			STRAP, (Not Serviced)
9	4228 545	5			CLIP, Connector and Tubing
10					ABSORBER, w/BUSHING
	4228 540	2			w/Normal Duty Suspension
	4228 541	2			w/Heavy Duty Suspension
11	4228 256	1			TRACK BAR
12	4228 673	1			RELAY, w/BRACKET
13	4228 672	1			LINK, Height Sensor
14	4228 539	1			AIR LINE, Compressor
15	4228 674	1			BRACKET, Compressor Mounting
16	4228 676	1			FILTER
17	4228 537	1			AIR LINE, Right Rear Shock Absorber
	4228 538	1			Left Rear Shock Absorber

MODEL CODES

C BODY = (D41 - DYNASTY)(C41 - NEW YORKER)
 E BODY = (J - CARAVELLE)(E - 600)(T - NEW YORKER TURBO)
 G BODY = (V24 - DAYTONA, PACIFICA & SHELBY)
 H BODY = (D44 - LANCER)(C44 - LEBARON GTS)
 J BODY = (C - LEBARON)
 K BODY = (P - RELIANT)(D - ARIES)(C - LEBARON/ TOWN & COUNTRY)

L BODY = (M - HORIZON)(Z-OMNI)
 M BODY = (B - GRAN FURY)(G - DIPLOMAT)(F - FIFTH AVENUE/NEWPORT)
 P BODY = (P - SUNDANCE)(D - SHADOW)
 Q BODY = (C27 - MASERATI)
 S BODY = (H - VOYAGER)(K - RAM VAN/ CARAVAN)

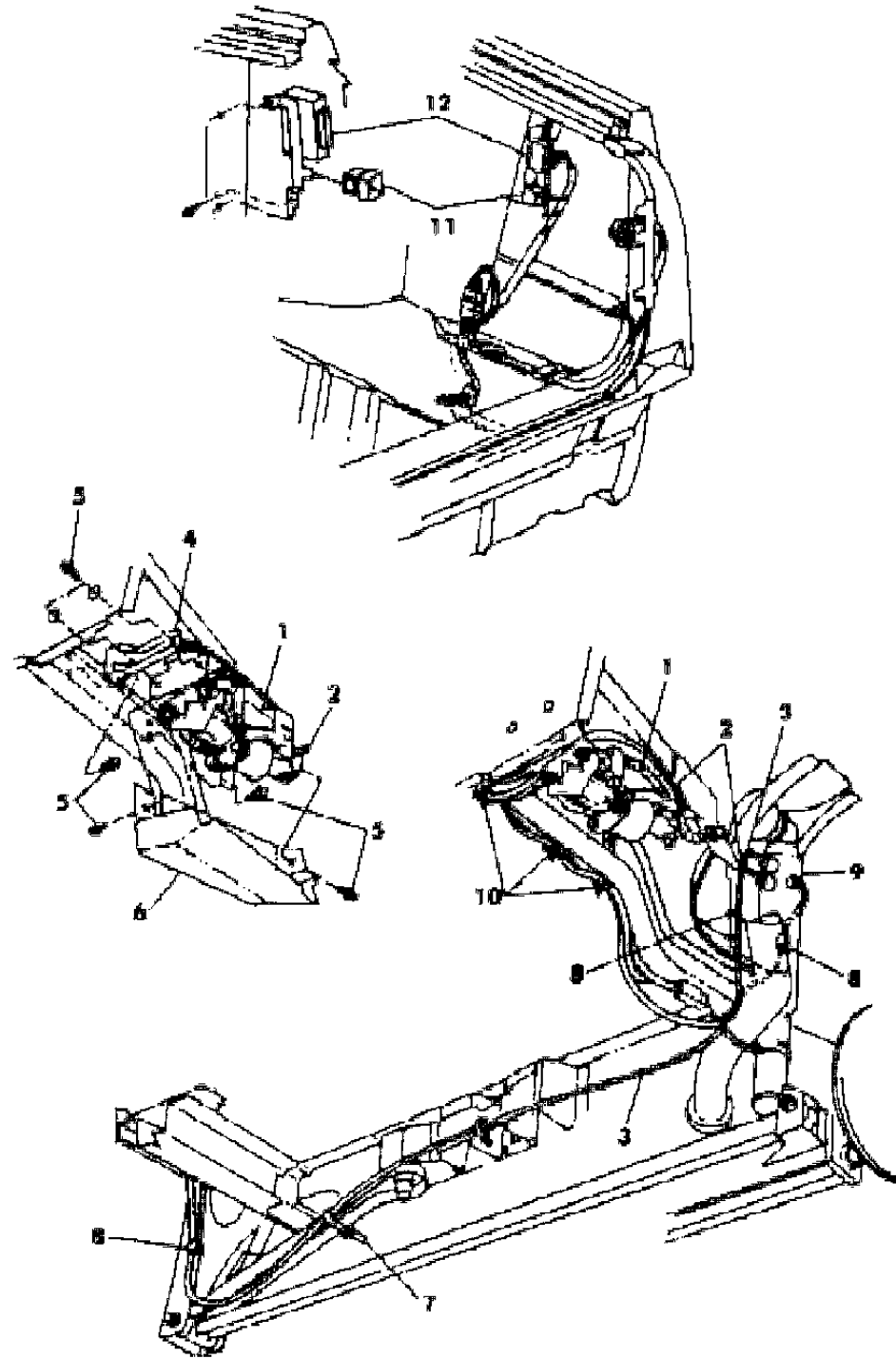
BODY STYLES

12-52 = FWD VAN & WAGON STD. W.B. 27 = 2-DOOR CONVERTIBLE
 13-53 = FWD VAN & WGN EXT W.B. 41 = 4-DOOR SEDAN
 21 = 2-DOOR SEDAN 44 = 4-DOOR HATCHBACK
 24 = 2-DOOR HATCHBACK 45 = 4-DOOR STATION WAGON

AR = Use as Required - = Non Illustrated Part P.A.R. = Paint as Required

ELECTRONIC LOAD LEVELING SYSTEM C-BODY
Figure 17-700

8117 700



ITEM	PART NUMBER	QTY	BODY	MODEL	DESCRIPTION
1	4420 342	1			COMPRESSOR, w/Fasteners
	4228 736	1			BRACKET, Comp. Assy.
	4420 346	1			DRYER, Air Comp. Assy.
	4420 341	1			FILTER, Air Inlet
2	4228 730	1			LINE, Air, Compr to Rt Shock ABS
3	4228 731	1			LINE, Air, Lt Shock ABS to Rt Shock ABS
4	4228 742	1			BRACKET, Compressor Mtg.
5		8			SCREW, w/Washer (Not Serv.)
6	4228 727	1			COVER
7		3			STRAP, (Not Serv.)
8	6015 377	4			CLIP
9	4228 764-5	1			SHOCK ABSORBER, Rear Air
10	6016 168	3			CLIP
11	4228 673	1			RELAY and BRACKET
12	4374 570	1			MODULE, Level Control

MODEL CODES

C BODY = (D41 - DYNASTY)(C41 - NEW YORKER)	L BODY = (M - HORIZON)(Z-OMNI)
E BODY = (J - CARAVELLE)(E - 600)(T - NEW YORKER TURBO)	M BODY = (B - GRAN FURY)(G - DIPLOMAT)(F - FIFTH AVENUE/NEWPORT)
G BODY = (V24 - DAYTONA, PACIFICA & SHELBY)	P BODY = (P - SUNDANCE)(D - SHADOW)
H BODY = (D44 - LANCER)(C44 - LEBARON GTS)	Q BODY = (C27 - MASERATI)
J BODY = (C - LEBARON)	S BODY = (H - VOYAGER)(K - RAM VAN/ CARAVAN)
K BODY = (P - RELIANT)(D - ARIES)(C - LEBARON/ TOWN & COUNTRY)	

BODY STYLES

12-52 = FWD VAN & WAGON STD. W.B.	27 = 2-DOOR CONVERTIBLE
13-53 = FWD VAN & WGN EXT W.B.	41 = 4-DOOR SEDAN
21 = 2-DOOR SEDAN	44 = 4-DOOR HATCHBACK
24 = 2-DOOR HATCHBACK	45 = 4-DOOR STATION WAGON

AR = Use as Required - = Non Illustrated Part P.A.R. = Paint as Required

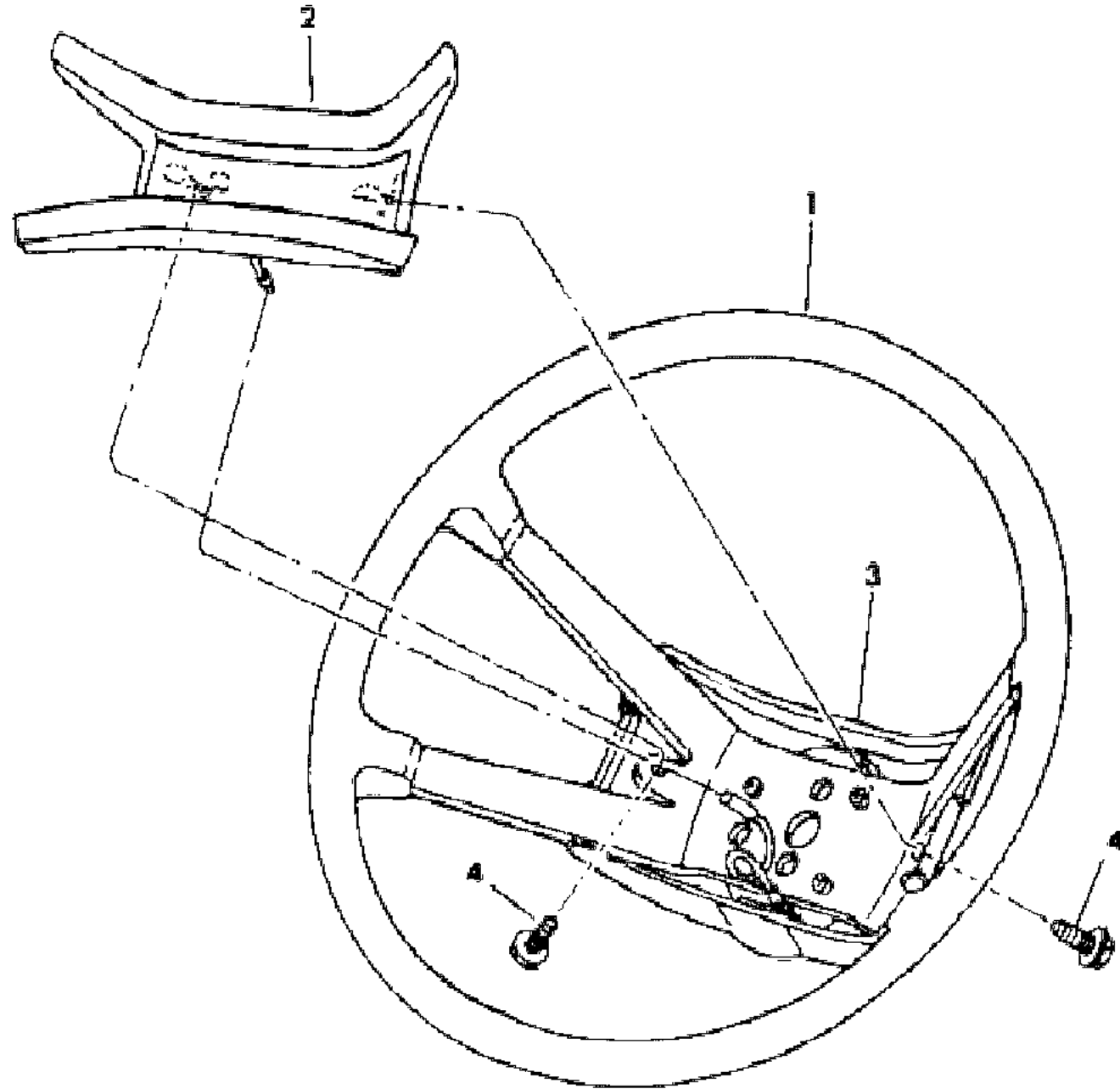
GROUP 19 - STEERING

ILLUSTRATION TITLE	GROUP-FIG. NO.
STEERING WHEELS	
WHEEL, STEERING 4 - SPOKE L BODY	Fig. 19-100
WHEEL, STEERING 2 SPOKE P,K,S BODY	Fig. 19-200
WHEEL, STEERING EURO/SPORT TYPE P,J,G,H BODY	Fig. 19-300
WHEEL, STEERING - 2 SPOKE LUXURY WITH OR WITHOUT LEATHER WRAPPED J,K,E,H,C,S,M BODY .	Fig. 19-400
WHEEL, STEERING - AIR BAG J,G,M BODY	Fig. 19-450
STEERING COLUMNS	
COLUMN ATTACHING PARTS STUDS, BOLTS, COVER, SEAL L BODY	Fig. 19-500
COLUMN, STEERING JACKET SHAFT & COUPLING L BODY	Fig. 19-600
COLUMN, STEERING UPPER FLOOR SHIFT WITHOUT TILT P,J,K,G,H,S BODY	Fig. 19-700
COLUMN, STEERING, UPPER COLUMN SHIFT, WITHOUT TILT K,E,H,C,S,M BODY	Fig. 19-800
COLUMN, STEERING, LOWER WITHOUT TILT M BODY	Fig. 19-900
COLUMN, STEERING, LOWER WITH OR WITHOUT TILT STRG. P,J,K,G,E,H,C,S BODY	Fig. 19-1000
COLUMN, STEERING, UPPER WITH TILT P,J,K,G,E,H,C,S,M BODY	Fig. 19-1100
COLUMN, STEERING, LOWER WITH TILT M BODY	Fig. 19-1200
POWER STEERING PUMPS	
PUMP, POWER STEERING & ATTACHING PARTS WITH 2.2, 2.5, 2.6, 3.0 ENGINE FRONT WHEEL DRIVE	Fig. 19-1300
PUMP, POWER STEERING PULLEY, BRACKETS, OIL COOLER M BODY	Fig. 19-1400
HOSE CHART, POWER STRG. PUMP L,P,J,K,G,E,H,S BODY	Fig. 19-1500
HOSES, POWER STEERING M-BODY	Fig. 19-1600
MANUAL RACK AND PINION GEARS	
GEAR, RACK & PINION, MANUAL ATTACHING PARTS L,P,K BODY	Fig. 19-1700
GEAR, RACK & PINION, MANUAL AND ATTACHING PARTS S BODY	Fig. 19-1800
POWER RACK AND PINION GEAR	
GEAR, RACK & PINION, POWER (TRW) AND ATTACHING PARTS L,P,J,K,G,E,H,C,S BODY	Fig. 19-1900
POWER STEERING GEAR AND LINKAGE	
GEAR, POWER STEERING M BODY	Fig. 19-2000
TIE RODS, STEERING GEAR AND LINKAGE M BODY	Fig. 19-2100

ILLUSTRATION NOT AVAILABLE AT TIME OF PUBLICATION

WHEEL, STEERING 4 - SPOKE L BODY
Figure 19-100

8119 100



ITEM	PART NUMBER	QTY	BODY	MODEL	DESCRIPTION
1	P180 EC7	1			STEERING WHEEL, 4 Spoke, Blue
	P180 EM6	1			Red
	P180 ES8	1			Charcoal
2	P203 BC7	1			PAD, Strg. Wheel Horn, Blue
	P203 AM6	1			Red
	P203 CS8	1			Charcoal
3	P058 BC7	1			SHROUD, Strg. Wheel Hub, Blue (Izumi, Stamped # 41530)
	P058 AM6	1			Red
	P058 CS8	1			Charcoal
	P068 BC7	1			Blue (Sheller Globe, Stamped # 26387)
	P068 AM6	1			Red
	P068 CS8	1			Charcoal
4	6031 652	2			SCREW, Strg. Wheel Horn Pad

MODEL CODES

C BODY = (D41 - DYNASTY)(C41 - NEW YORKER)
 E BODY = (J - CARAVELLE)(E - 600)(T - NEW YORKER TURBO)
 G BODY = (V24 - DAYTONA, PACIFICA & SHELBY)
 H BODY = (D44 - LANCER)(C44 - LEBARON GTS)
 J BODY = (C - LEBARON)
 K BODY = (P - RELIANT)(D - ARIES)(C - LEBARON/ TOWN & COUNTRY)

L BODY = (M - HORIZON)(Z-OMNI)
 M BODY = (B - GRAN FURY)(G - DIPLOMAT)(F - FIFTH AVENUE/NEWPORT)
 P BODY = (P - SUNDANCE)(D - SHADOW)
 Q BODY = (C27 - MASERATI)
 S BODY = (H - VOYAGER)(K - RAM VAN/ CARAVAN)

BODY STYLES

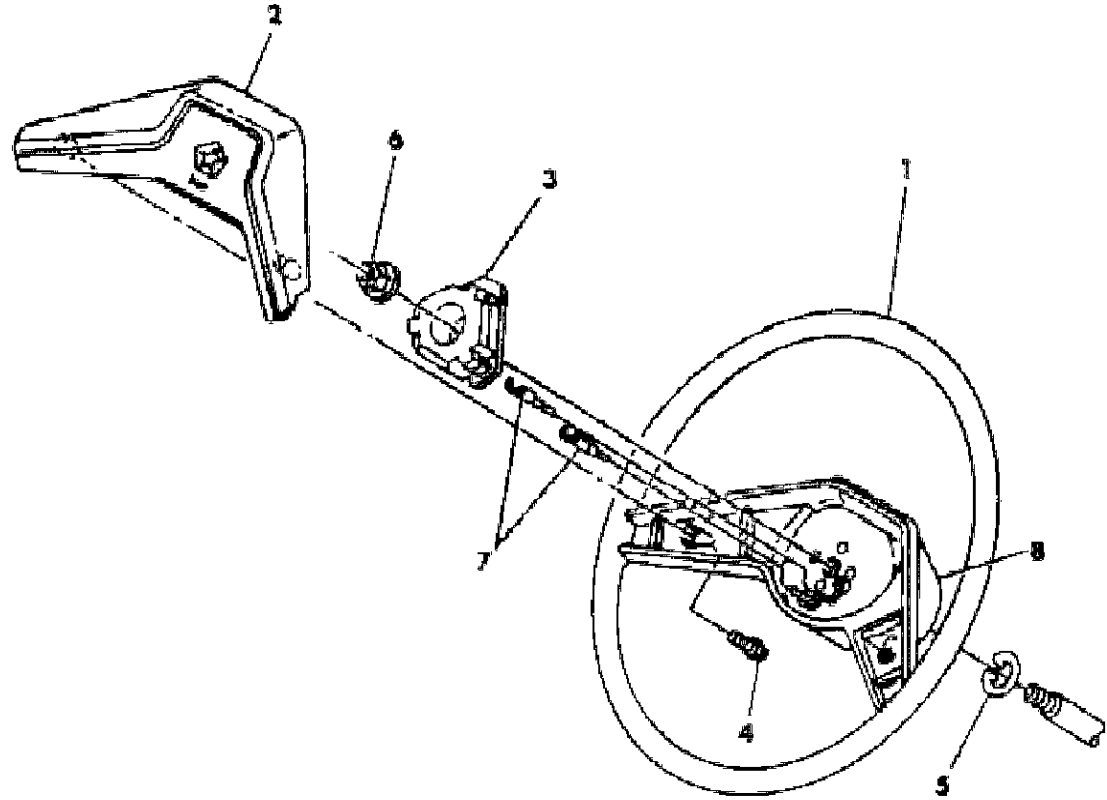
12-52 = FWD VAN & WAGON STD. W.B. 27 = 2-DOOR CONVERTIBLE
 13-53 = FWD VAN & WGN EXT W.B. 41 = 4-DOOR SEDAN
 21 = 2-DOOR SEDAN 44 = 4-DOOR HATCHBACK
 24 = 2-DOOR HATCHBACK 45 = 4-DOOR STATION WAGON

AR = Use as Required - = Non Illustrated Part P.A.R. = Paint as Required

WHEEL, STEERING 2 SPOKE P,K,S BODY

Figure 19-200

8119 200



ITEM	PART NUMBER	QTY	BODY	MODEL	DESCRIPTION
1	P248 GC5	1			WHEEL, Strg., Blue
	P248 GR8	1			Red, Dark (Bordeaux)
	P248 GL7	1			Taupe
	P248 GS8	1			Charcoal
	P248 GE8	1	K		Cordovan
2	P248 GK1	1			Almond
	P173 FC5	1			PAD, Strg. Whl., Blue
	P173 FE8	1	K		Cordovan
	P173 FK1	1			Almond
	P173 FS8	1			Charcoal
	P173 GR8	1			Red, Dark (Bordeaux)
	P173 GL7	1			Taupe
3	4147 070	1			DAMPER, Strg. Whl.
4		2			SCREW, (Not Serv.)
5	3747 988	1			CAM, Turn Signal Cancelling
6	6500 906	1			NUT, Strg. Wheel
7	4304 852	2			CONTACT WIRES
8	P253 GC5	1			SHROUD, Strg. Whl. Hub, Blue
	P253 GL7	1			Taupe
	P253 GE8	1			Cordovan
	P253 GS8	1			Charcoal
	P253 GK1	1			Almond
	P253 GK1	1			Red, Dark (Bordeaux)

MODEL CODES

C BODY = (D41 - DYNASTY)(C41 - NEW YORKER)	L BODY = (M - HORIZON)(Z-OMNI)
E BODY = (J - CARAVELLE)(E - 600)(T - NEW YORKER TURBO)	M BODY = (B - GRAN FURY)(G - DIPLOMAT)(F - FIFTH AVENUE/NEWPORT)
G BODY = (V24 - DAYTONA, PACIFICA & SHELBY)	P BODY = (P - SUNDANCE)(D - SHADOW)
H BODY = (D44 - LANCER)(C44 - LEBARON GTS)	Q BODY = (C27 - MASERATI)
J BODY = (C - LEBARON)	S BODY = (H - VOYAGER)(K - RAM VAN/ CARAVAN)
K BODY = (P - RELIANT)(D - ARIES)(C - LEBARON/ TOWN & COUNTRY)	

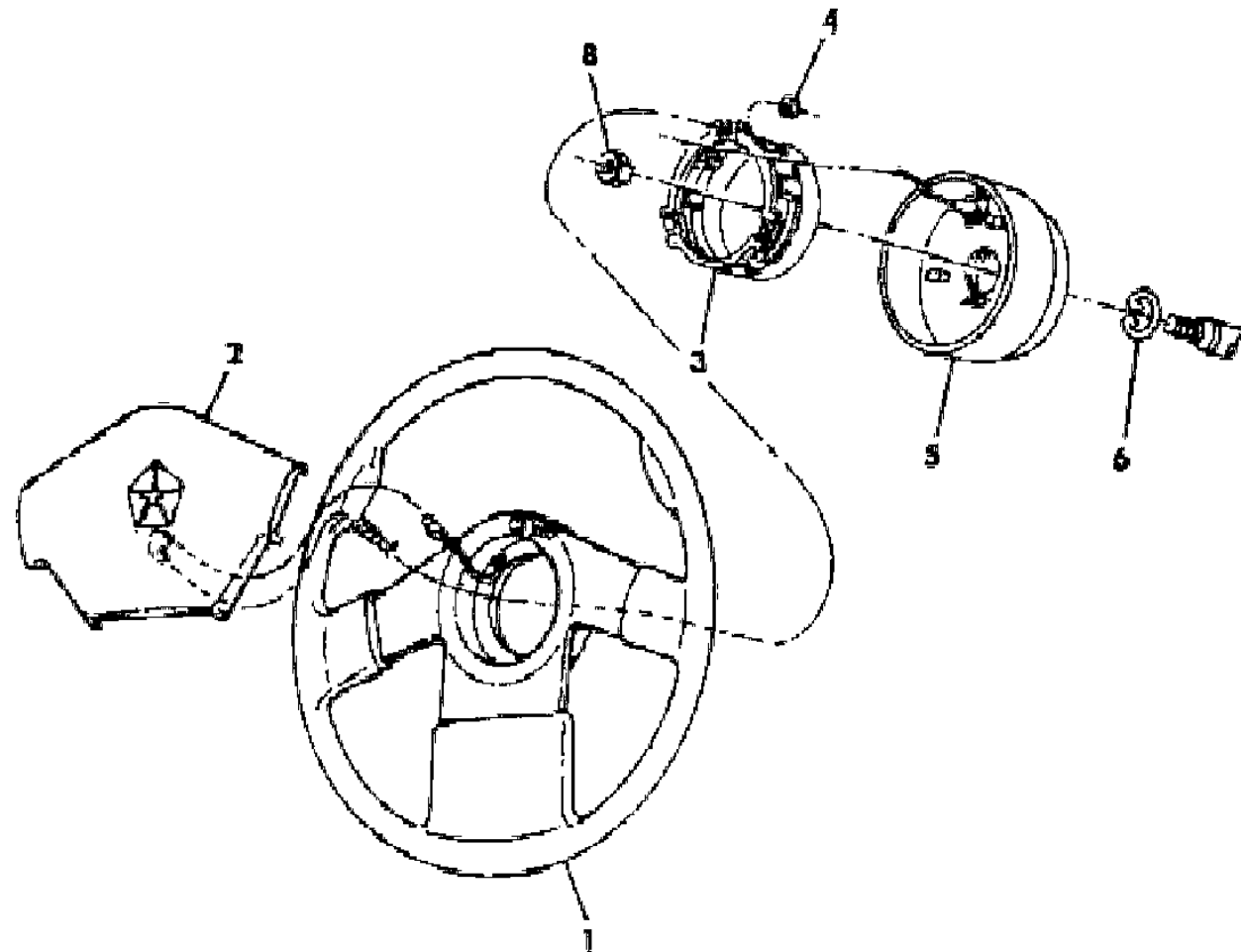
BODY STYLES

12-52 = FWD VAN & WAGON STD. W.B.	27 = 2-DOOR CONVERTIBLE
13-53 = FWD VAN & WGN EXT W.B.	41 = 4-DOOR SEDAN
21 = 2-DOOR SEDAN	44 = 4-DOOR HATCHBACK
24 = 2-DOOR HATCHBACK	45 = 4-DOOR STATION WAGON

AR = Use as Required - = Non Illustrated Part P.A.R. = Paint as Required

WHEEL, STEERING EURO/SPORT TYPE P,J,G,H BODY
Figure 19-300

8119 300



ITEM	PART NUMBER	QTY	BODY	MODEL	DESCRIPTION
1	P246 GL9	1			WHEEL, Strg. w/Leather Wrap, Taupe
	P246 GS9	1			Charcoal
	P246 GR9	1			Red, Dark (Bordeaux)
	P246 GC4	1			Blue
	4467 408	1	P		w/Shelby
	P245 GL7	1			WHEEL, Strg. w/o Leather Wrap, Taupe
	P245 GS8	1			Charcoal
	P245 GR8	1			Red, Dark (Bordeaux)
	P245 GC5	1			Blue
2	P244 GL7	1			PAD, Strg. Wheel, Taupe
	P244 GS8	1			Charcoal
	P244 GR8	1			Red, Dark (Bordeaux)
	P244 GC5	1			Blue
	4467 424	1	P		w/Shelby
	4467 410	1	P		ORNAMENT, w/Shelby
3	4147 070	1			DAMPER
4	6100 507	3			NUT, Damper
5	4333 410	1			SKIRT, Strg. Whl.
	4467 894	1	P		HUB, w/Shelby Wheel
6	3747 988	1			CAM, Turn Signal Cancelling w/o Tilt
	4188 484	1			w/Tilt
8	6500 906	1			NUT, Strg. Whl. Shaft

MODEL CODES

C BODY = (D41 - DYNASTY)(C41 - NEW YORKER)	L BODY = (M - HORIZON)(Z-OMNI)
E BODY = (J - CARAVELLE)(E - 600)(T - NEW YORKER TURBO)	M BODY = (B - GRAN FURY)(G - DIPLOMAT)(F - FIFTH AVENUE/NEWPORT)
G BODY = (V24 - DAYTONA, PACIFICA & SHELBY)	P BODY = (P - SUNDANCE)(D - SHADOW)
H BODY = (D44 - LANCER)(C44 - LEBARON GTS)	Q BODY = (C27 - MASERATI)
J BODY = (C - LEBARON)	S BODY = (H - VOYAGER)(K - RAM VAN/ CARAVAN)
K BODY = (P - RELIANT)(D - ARIES)(C - LEBARON/ TOWN & COUNTRY)	

BODY STYLES

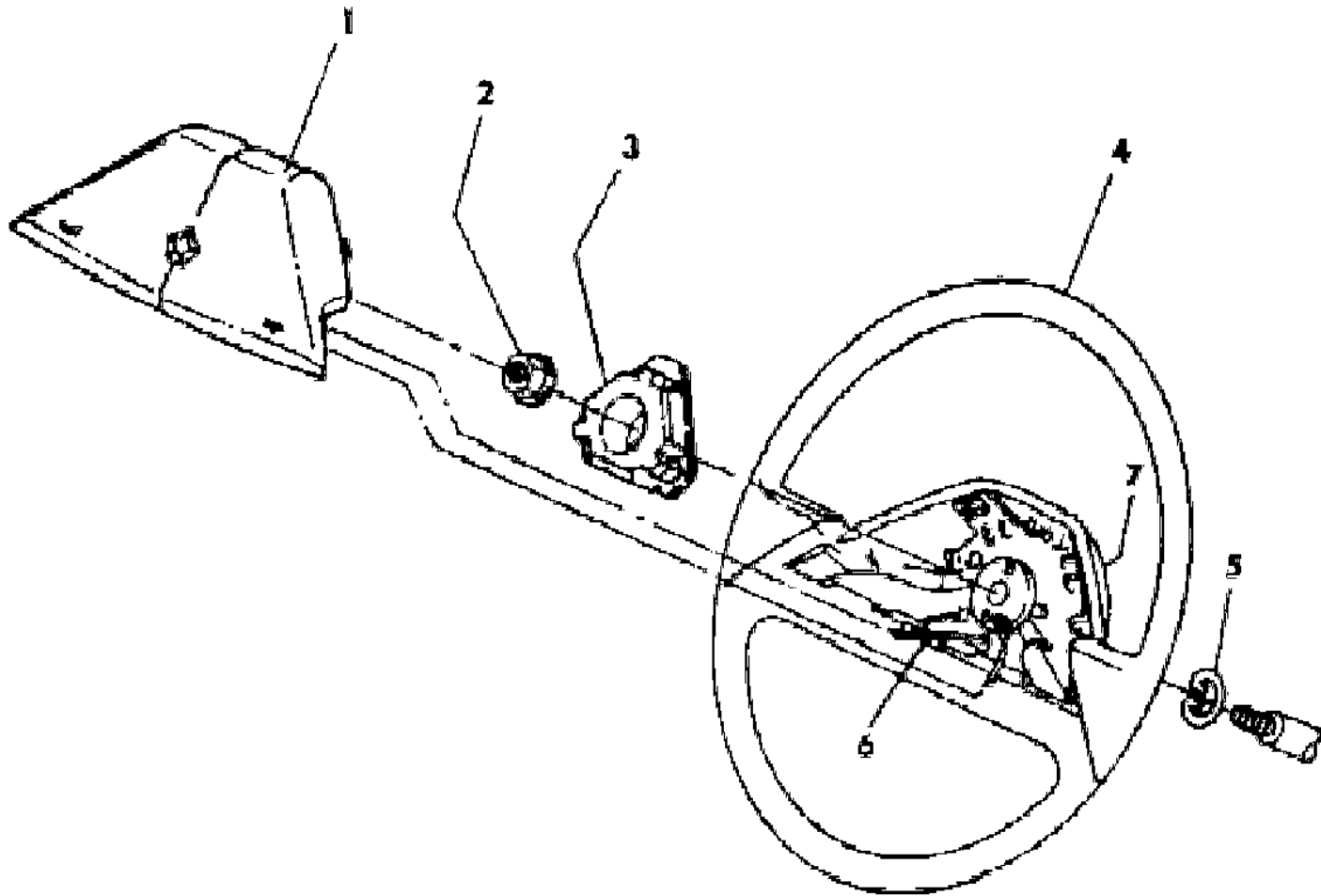
12-52 = FWD VAN & WAGON STD. W.B.	27 = 2-DOOR CONVERTIBLE
13-53 = FWD VAN & WGN EXT W.B.	41 = 4-DOOR SEDAN
21 = 2-DOOR SEDAN	44 = 4-DOOR HATCHBACK
24 = 2-DOOR HATCHBACK	45 = 4-DOOR STATION WAGON

AR = Use as Required - = Non Illustrated Part P.A.R. = Paint as Required

WHEEL, STEERING - 2 SPOKE LUXURY WITH OR WITHOUT LEATHER WRAPPED J,K,E,H,C,S,M BODY

Figure 19-400

8119 400



ITEM	PART NUMBER	QTY	BODY	MODEL	DESCRIPTION	
1	P204 FM6	1			PAD, Strg. Whl. w/Embossed Penta Star, Red	
	P204 FA7	1	M		Silver	
	P204 FK1	1			Almond	
	P204 GL7	1			Taupe	
	P204 FC5	1			Blue	
	P204 FS8	1			Charcoal	
	P204 FE8	1			Cordovan	
	P204 GR8	1			Red, Dark (Bordeaux)	
	P240 FE8	1			PAD, w/Acrylic Crystal Penta Star, Cordovan	
	P240 FS8	1			Charcoal	
	P240 FC7	1	M		Blue	
	P240 FC5	1			Blue	
	P240 FK1	1			Almond	
	P240 GL7	1	CM		Taupe	
P240 FM6	1	M		Red		
P240 GR8	1	C		Red, Dark (Bordeaux)		
P240 FA7	1	M		Silver		
	4147 425	1			ORNAMENT, Acrylic Crystal	
2	6500 906	1			NUT, Strg. Whl.	
3	4147 070	1			DAMPER, Strg. Whl. (w/Auto Trans.)	
4	P250 GA7	1			WHEEL, w/o Leather Wrap, Silver	
	P250 GS8	1			Charcoal	
	P250 GK1	1			Almond	
	P250 GL7	1			Taupe	
	P250 GC5	1			Blue	
	P250 GE8	1			Cordovan	
	P250 GM6	1			Red	
	P250 GR8	1			Red, Dark (Bordeaux)	
	P252 GK2	1			WHEEL, Strg. Whl. w/Leather Wrap, Almond	
	P252 GC4	1			Blue	
	P252 GL9	1			Taupe	
	P252 GS9	1			Charcoal	
	P252 GE7	1			Cordovan	
	P252 GA7	1	M		Silver	
	P252 GM5	1	M		Red	
	P252 GR9	1			Red, Dark (Bordeaux)	
	5	3747 988	1			CAM, Turn Signal Cancelling

MODEL CODES

C BODY = (D41 - DYNASTY)(C41 - NEW YORKER)
 E BODY = (J - CARAVELLE)(E - 600)(T - NEW YORKER TURBO)
 G BODY = (V24 - DAYTONA, PACIFICA & SHELBY)
 H BODY = (D44 - LANCER)(C44 - LEBARON GTS)
 J BODY = (C - LEBARON)
 K BODY = (P - RELIANT)(D - ARIES)(C - LEBARON/ TOWN & COUNTRY)

L BODY = (M - HORIZON)(Z-OMNI)
 M BODY = (B - GRAN FURY)(G - DIPLOMAT)(F - FIFTH AVENUE/NEWPORT)
 P BODY = (P - SUNDANCE)(D - SHADOW)
 Q BODY = (C27 - MASERATI)
 S BODY = (H - VOYAGER)(K - RAM VAN/ CARAVAN)

BODY STYLES

12-52 = FWD VAN & WAGON STD. W.B. 27 = 2-DOOR CONVERTIBLE
 13-53 = FWD VAN & WGN EXT W.B. 41 = 4-DOOR SEDAN
 21 = 2-DOOR SEDAN 44 = 4-DOOR HATCHBACK
 24 = 2-DOOR HATCHBACK 45 = 4-DOOR STATION WAGON

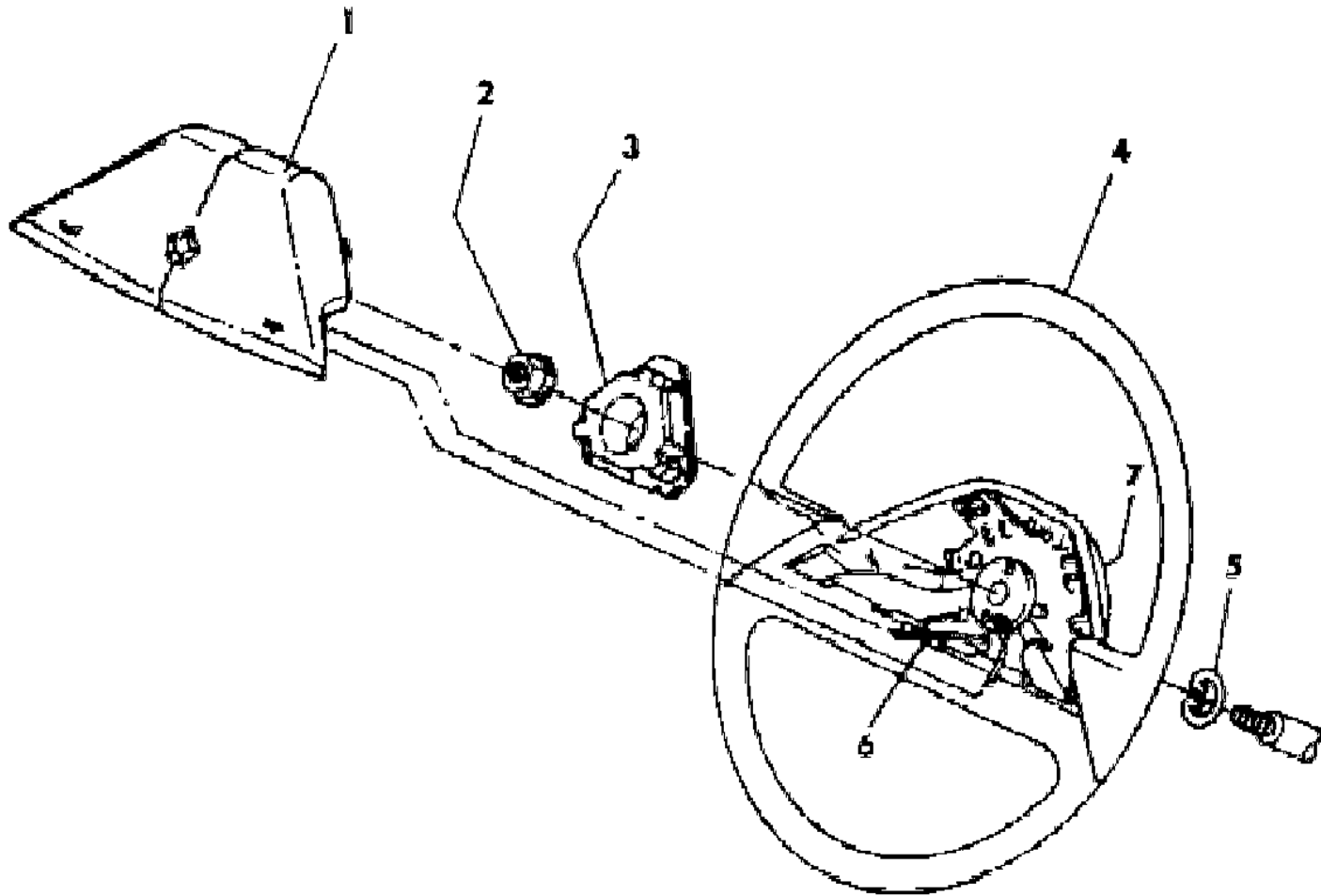
AR = Use as Required - = Non Illustrated Part P.A.R. = Paint as Required

WHEEL, STEERING - 2 SPOKE LUXURY WITH OR WITHOUT LEATHER WRAPPED J,K,E,H,C,S,M BODY

Figure 19-400

ITEM	PART NUMBER	QTY	BODY	MODEL	DESCRIPTION
6	4304 852	1			CONTACT WIRES
7	4333 410	1			SKIRT, Strg. Wheel Hub

8119 400



MODEL CODES

C BODY = (D41 - DYNASTY)(C41 - NEW YORKER)
 E BODY = (J - CARAVELLE)(E - 600)(T - NEW YORKER TURBO)
 G BODY = (V24 - DAYTONA, PACIFICA & SHELBY)
 H BODY = (D44 - LANCER)(C44 - LEBARON GTS)
 J BODY = (C - LEBARON)
 K BODY = (P - RELIANT)(D - ARIES)(C - LEBARON/ TOWN & COUNTRY)

L BODY = (M - HORIZON)(Z-OMNI)
 M BODY = (B - GRAN FURY)(G - DIPLOMAT)(F - FIFTH AVENUE/NEWPORT)
 P BODY = (P - SUNDANCE)(D - SHADOW)
 Q BODY = (C27 - MASERATI)
 S BODY = (H - VOYAGER)(K - RAM VAN/ CARAVAN)

BODY STYLES

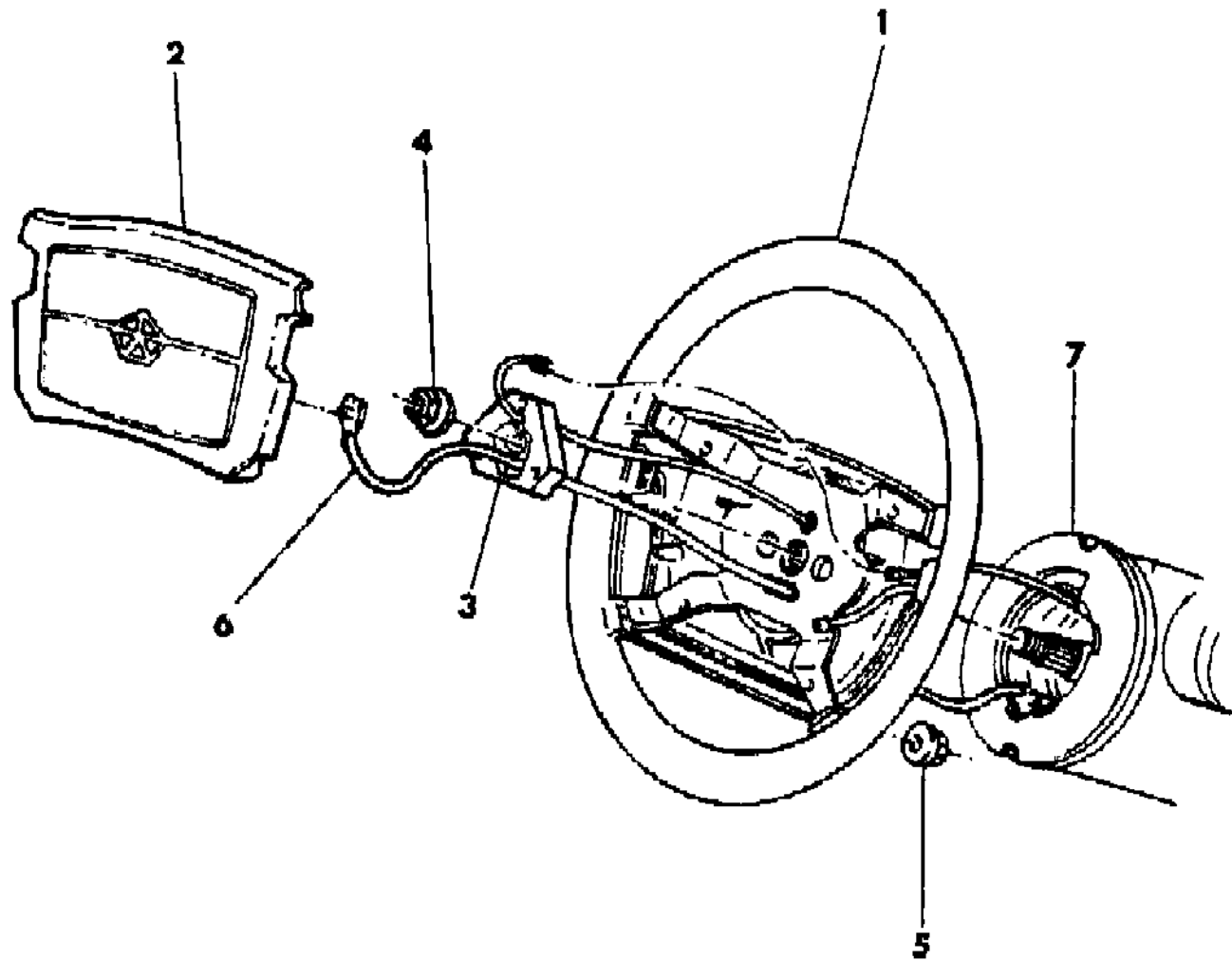
12-52 = FWD VAN & WAGON STD. W.B. 27 = 2-DOOR CONVERTIBLE
 13-53 = FWD VAN & WGN EXT W.B. 41 = 4-DOOR SEDAN
 21 = 2-DOOR SEDAN 44 = 4-DOOR HATCHBACK
 24 = 2-DOOR HATCHBACK 45 = 4-DOOR STATION WAGON

AR = Use as Required - = Non Illustrated Part P.A.R. = Paint as Required

WHEEL, STEERING - AIR BAG J,G,M BODY
Figure 19-450

8119 450 A

ITEM	PART NUMBER	QTY	BODY	MODEL	DESCRIPTION
1	P093 GA7	1	M		WHEEL, Steering (Gray)
	P093 GC5	1			(Blue)
	P093 GM6	1	M		(Red)
	P093 GL7	1			(Tan)
	P093 GS8	1			(Charcole)
2	P093 GR8	1			(Dark Red)
	JF58 GA7	1	M		MODULE, Air Bag and Horn Pad (Gray)
	P096 GC5	1			(Blue) (Stamp #4333332)
	JF58 GM6	1	M		(Red)
	P096 GL7	1			(Tan)
3	P096 GS8	1			(Charcole)
	P096 GR8	1			(Dark Red)
	4333 736	1			DAMPER, Weight
	6500 906	1			NUT, w/Washer Steering Wheel
	6501 587	4			NUT, w/Washer Module Mtg.
4304 852	AR			CONTACT WIRES	
7	4470 667	1			CONTACT PACKAGE, Clockspring
	4333 796	1			PROTECTOR
	4470 505	2			BUTTON PACKAGE, Horn



MODEL CODES

C BODY = (D41 - DYNASTY)(C41 - NEW YORKER)	L BODY = (M - HORIZON)(Z-OMNI)
E BODY = (J - CARAVELLE)(E - 600)(T - NEW YORKER TURBO)	M BODY = (B - GRAN FURY)(G - DIPLOMAT)(F - FIFTH AVENUE/NEWPORT)
G BODY = (V24 - DAYTONA, PACIFICA & SHELBY)	P BODY = (P - SUNDANCE)(D - SHADOW)
H BODY = (D44 - LANCER)(C44 - LEBARON GTS)	Q BODY = (C27 - MASERATI)
J BODY = (C - LEBARON)	S BODY = (H - VOYAGER)(K - RAM VAN/ CARAVAN)
K BODY = (P - RELIANT)(D - ARIES)(C - LEBARON/ TOWN & COUNTRY)	

BODY STYLES

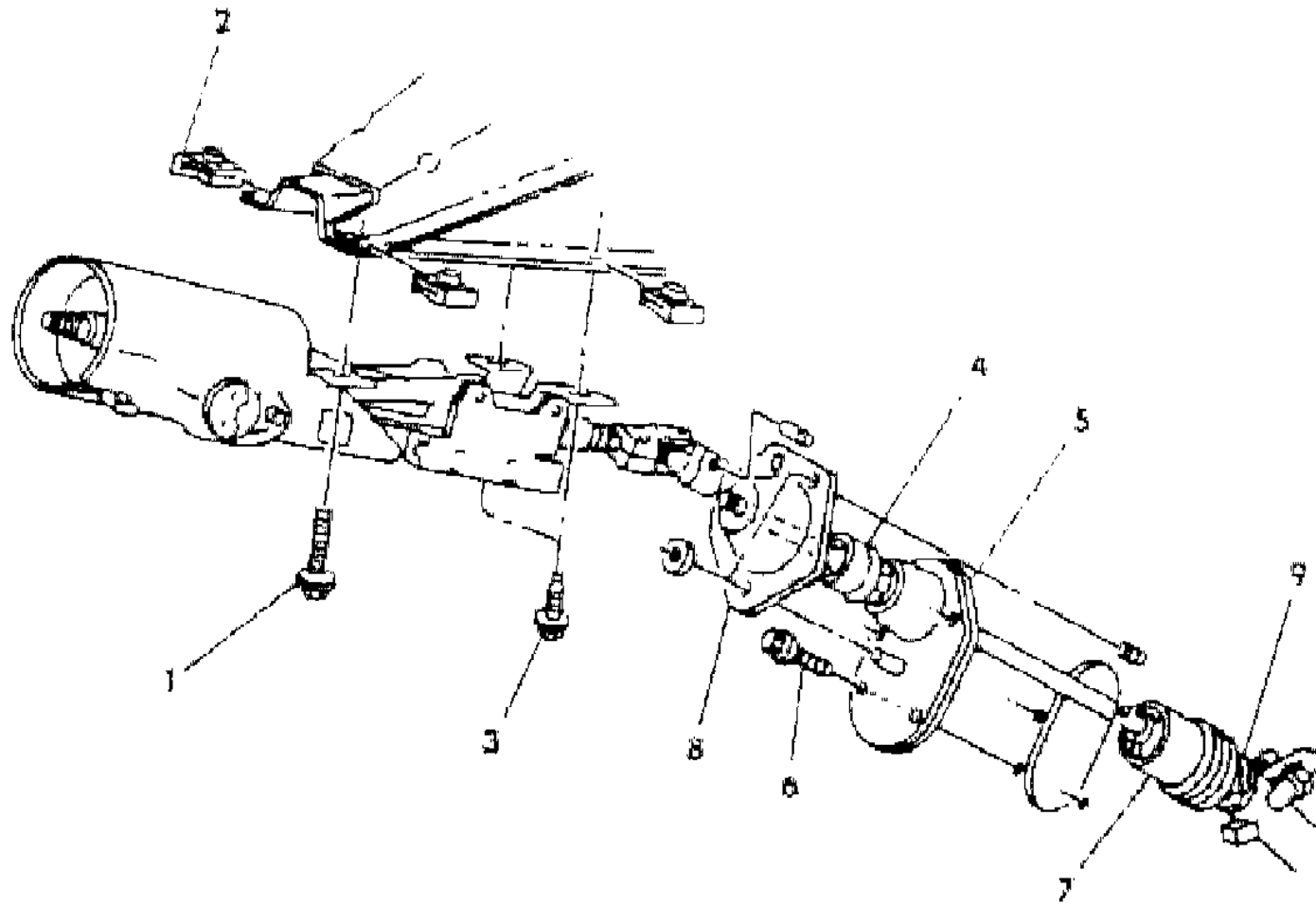
12-52 = FWD VAN & WAGON STD. W.B.	27 = 2-DOOR CONVERTIBLE
13-53 = FWD VAN & WGN EXT W.B.	41 = 4-DOOR SEDAN
21 = 2-DOOR SEDAN	44 = 4-DOOR HATCHBACK
24 = 2-DOOR HATCHBACK	45 = 4-DOOR STATION WAGON

AR = Use as Required - = Non Illustrated Part P.A.R. = Paint as Required

COLUMN ATTACHING PARTS STUDS, BOLTS, COVER, SEAL L BODY
Figure 19-500

8119 500

ITEM	PART NUMBER	QTY	BODY	MODEL	DESCRIPTION
1	6101 371	2			STUD, Strg. Col. Attaching
2		2			NUT, Strg. Col. Attaching Stud (Not Serv.)
3	6101 370	2			SCREW, w/Washer, Strg. Col. Attaching
4	5206 038	1			SEAL, Strg. Shaft
5	4147 165	1			COVER, w/Seal Strg. Column Dash
6		4			SCREW, Strg. Col. Dash Cover (Not Serv.)
7	4147 157	1			SHIELD, Strg. Col. Intermediate Shaft Coupling
8	4147 156	1			SHELL, w/Silencer, Dash Pnl.
9	6032 277	1			CLAMP



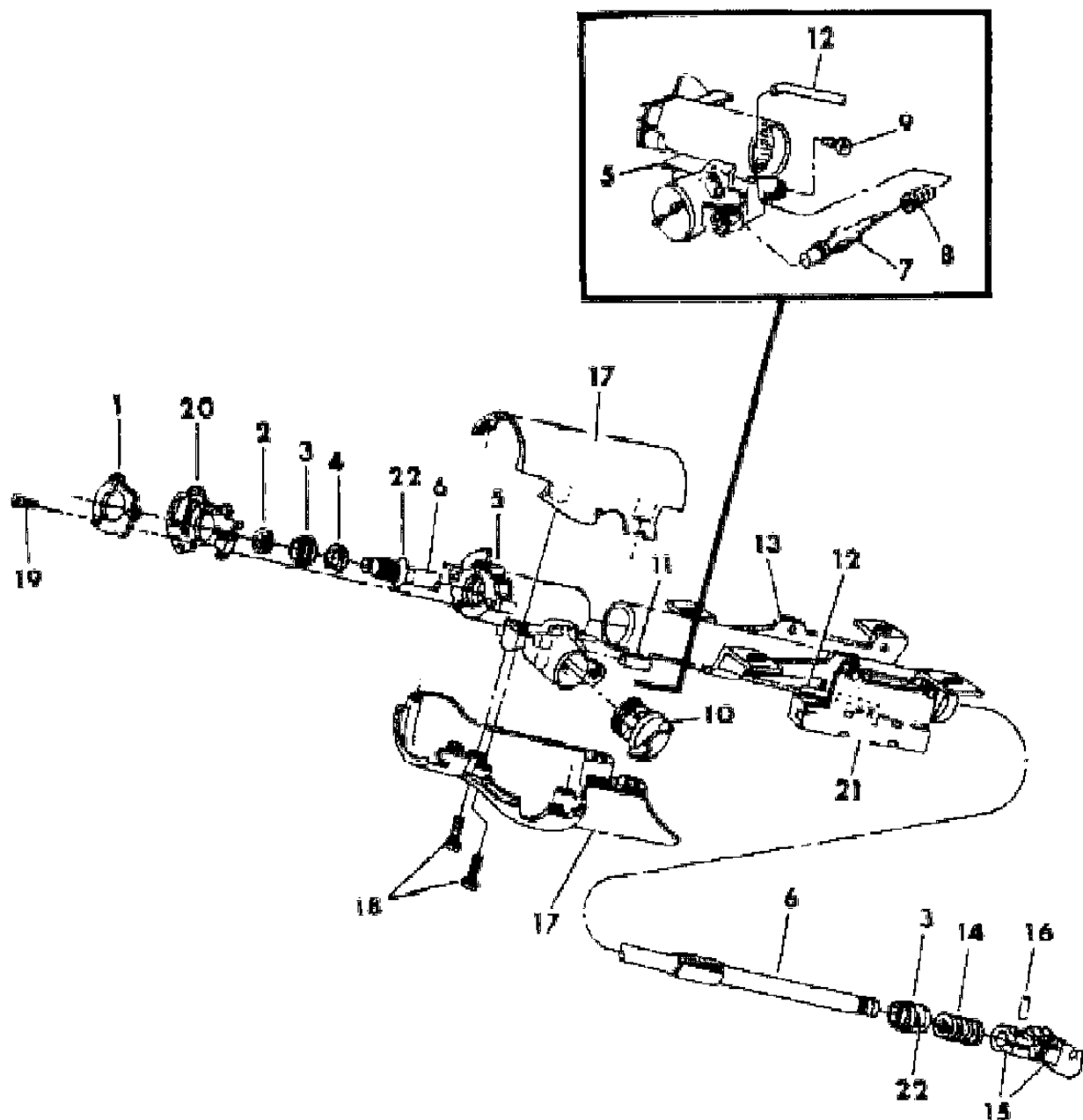
MODEL CODES
 C BODY = (D41 - DYNASTY)(C41 - NEW YORKER)
 E BODY = (J - CARAVELLE)(E - 600)(T - NEW YORKER TURBO)
 G BODY = (V24 - DAYTONA, PACIFICA & SHELBY)
 H BODY = (D44 - LANCER)(C44 - LEBARON GTS)
 J BODY = (C - LEBARON)
 K BODY = (P - RELIANT)(D - ARIES)(C - LEBARON/ TOWN & COUNTRY)
 L BODY = (M - HORIZON)(Z-OMNI)
 M BODY = (B - GRAN FURY)(G - DIPLOMAT)(F - FIFTH AVENUE/NEWPORT)
 P BODY = (P - SUNDANCE)(D - SHADOW)
 Q BODY = (C27 - MASERATI)
 S BODY = (H - VOYAGER)(K - RAM VAN/ CARAVAN)

BODY STYLES
 12-52 = FWD VAN & WAGON STD. W.B. 27 = 2-DOOR CONVERTIBLE
 13-53 = FWD VAN & WGN EXT W.B. 41 = 4-DOOR SEDAN
 21 = 2-DOOR SEDAN 44 = 4-DOOR HATCHBACK
 24 = 2-DOOR HATCHBACK 45 = 4-DOOR STATION WAGON

AR = Use as Required - = Non Illustrated Part P.A.R. = Paint as Required

COLUMN, STEERING JACKET SHAFT & COUPLING L BODY
Figure 19-600

8119 600



ITEM	PART NUMBER	QTY	BODY	MODEL	DESCRIPTION
1	4188 934	1			PLATE, Strg. Column Shaft Bearing Retainer
		3			SCREW, Strg. Column Shaft Bearing Retainer Plate (Not Serviced)
2	6032 364	1			SNAP RING, Strg. Column Shaft Bearing, Upper
3	5211 820	2			BEARING, Strg. Shaft Shift
4	6023 045	1			SNAP RING, Strg. Column Shaft Bearing, Lower
5	4147 001	1			HOUSING, Strg. Lock, Assy.
6	4188 795	1			SHAFT, Strg., Upper, Assy.
7	5206 177	1			LEVER, Lock Inhibitor, Assy.
8	5206 010	1			SPRING, Lock Inhibitor Lever
8	5206 070	1			SPRING, Lock Bolt
9		1			SCREW, Lock Inhibitor Lever (Not Serviced)
10		1			LOCK, Ignition (See Cylinder and Key Illustration in Body Section)
11	6100 685	1			PIN, Ignition Lock Cylinder Spring
12	5206 025	1			ACTUATOR, Ignition Switch
13	#5211 956	1			JACKET, Strg. Column, Assy.
14	5206 183	1			SPRING, Strg. Column Lower Bearing
15	4333 496	1			COUPLING, Upper Strg. Shaft, Man. & Pwr. Strg.
	4333 497	1			Manual Strg.
	4333 499	1			w/Lower Strg. Shaft, w/Man. Strg.
	4333 498	1			w/Power Strg.
	4470 258	1			DAMPER, Strg. Whl.
16	6500 148	3			PIN, Strg. Shaft Coupling Spring
17	P678 VX9	1			SHROUD, Strg. Column, Upper
	P679 VX9	1			Strg. Column, Lower
18	9414 716	4			SCREW, Strg. Column Shroud
19		3			SCREW, Strg. Column Shaft Bearing Retainer Plate (Not Serviced)
20		1			SWITCH, Turn Signal And Hazzard Warning (See Group 8)
21		1			SWITCH, Ignition And Starter (See Group 8)
22	6030 655	1			O-RING

MODEL CODES

C BODY = (D41 - DYNASTY)(C41 - NEW YORKER)	L BODY = (M - HORIZON)(Z-OMNI)
E BODY = (J - CARAVELLE)(E - 600)(T - NEW YORKER TURBO)	M BODY = (B - GRAN FURY)(G - DIPLOMAT)(F - FIFTH AVENUE/NEWPORT)
G BODY = (V24 - DAYTONA, PACIFICA & SHELBY)	P BODY = (P - SUNDANCE)(D - SHADOW)
H BODY = (D44 - LANCER)(C44 - LEBARON GTS)	Q BODY = (C27 - MASERATI)
J BODY = (C - LEBARON)	S BODY = (H - VOYAGER)(K - RAM VAN/ CARAVAN)
K BODY = (P - RELIANT)(D - ARIES)(C - LEBARON/ TOWN & COUNTRY)	

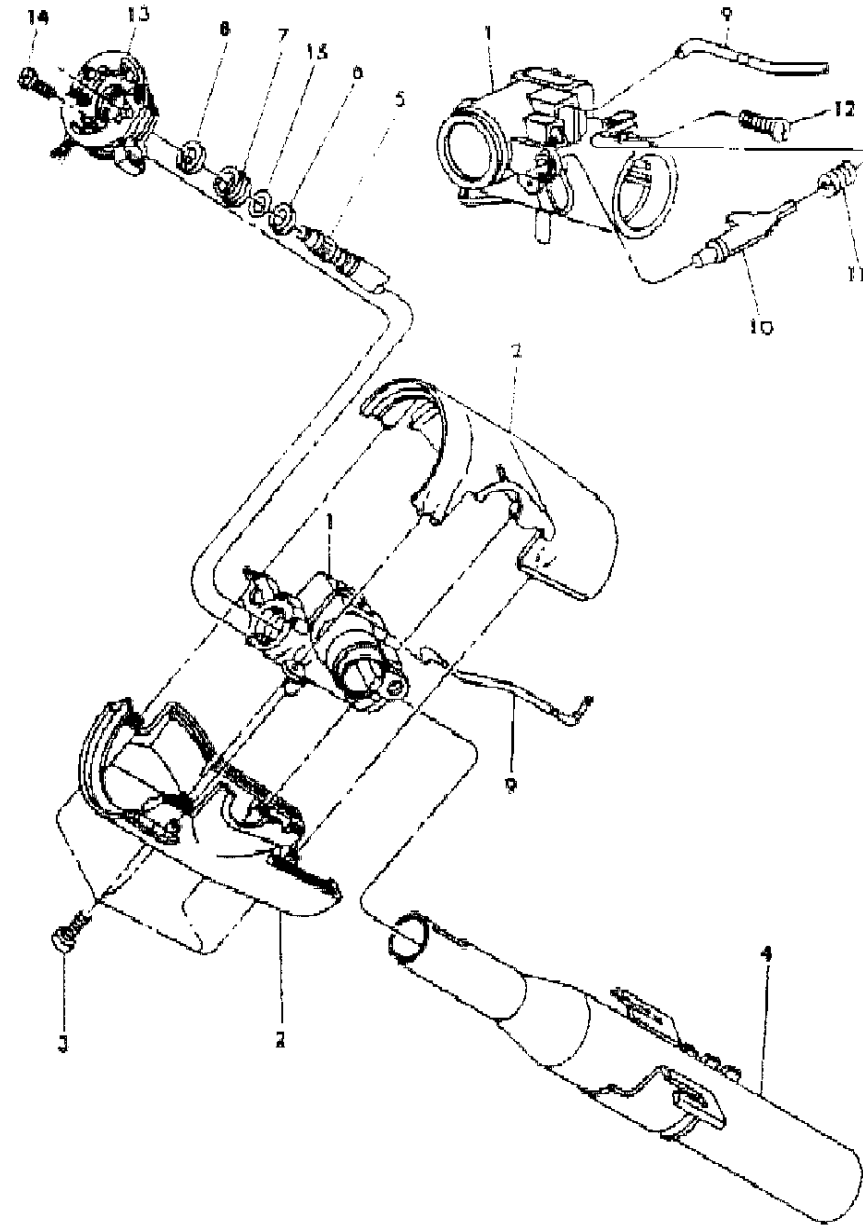
BODY STYLES

12-52 = FWD VAN & WAGON STD. W.B.	27 = 2-DOOR CONVERTIBLE
13-53 = FWD VAN & WGN EXT W.B.	41 = 4-DOOR SEDAN
21 = 2-DOOR SEDAN	44 = 4-DOOR HATCHBACK
24 = 2-DOOR HATCHBACK	45 = 4-DOOR STATION WAGON

AR = Use as Required - = Non Illustrated Part P.A.R. = Paint as Required

COLUMN, STEERING UPPER FLOOR SHIFT WITHOUT TILT P,J,K,G,H,S BODY
Figure 19-700

8119 700



ITEM	PART NUMBER	QTY	BODY	MODEL	DESCRIPTION
1	4333 713	1			HOUSING, Lock
2					SHROUD, Steering Column
	P234 EK1	1	PJGH		Upper (up to 4-25-88)
	P234 EK1	1	S		Upper
	4470 002	1	PJGH		Upper (After 4-25-88)
	P236 EK1	1	PJGH		Lower (up to 4-27-88)
	P236 EK1	1	S		Lower
	4470 003	1	PJGH		Lower (After 4-27-88)
	P771 EK1	1	K		Upper
	P772 EK1	1	K		Lower
	P239 EC5	1	P		SHROUD, Strg. Col. w/Hider Foam, Upper (Serv. Dealer Paint)
3		5			SCREW
4	4333 905	1	P		JACKET, ASSY.
	4333 906	1	HS		
	4470 212	1	JG		
	4333 906	1	K		
5	4147 413	1			SHAFT, ASSY. Upper
6	6023 045	1			SNAP RING, Lower
7	2265 656	1			BEARING, Shaft Upper
8	6032 364	1			SNAP RING, Upper
9	4333 768	1	P		ACTUATOR, Ignition Switch
	4333 769	1	KHS		
	4333 220	1	JG		
10	4333 712	1			LEVER, Lock Inhibitor
11	5206 010	1			SPRING
12		1			SCREW, (Not Serviced)
13		1			SWITCH, Turn Signal & Flasher (See Group 8)
14		3			SCREW, (Not Serviced)
15	6030 655	1			O-RING, Steering Column Shaft Ring

MODEL CODES

C BODY = (D41 - DYNASTY)(C41 - NEW YORKER)
 E BODY = (J - CARAVELLE)(E - 600)(T - NEW YORKER TURBO)
 G BODY = (V24 - DAYTONA, PACIFICA & SHELBY)
 H BODY = (D44 - LANCER)(C44 - LEBARON GTS)
 J BODY = (C - LEBARON)
 K BODY = (P - RELIANT)(D - ARIES)(C - LEBARON/ TOWN & COUNTRY)

L BODY = (M - HORIZON)(Z-OMNI)
 M BODY = (B - GRAN FURY)(G - DIPLOMAT)(F - FIFTH AVENUE/NEWPORT)
 P BODY = (P - SUNDANCE)(D - SHADOW)
 Q BODY = (C27 - MASERATI)
 S BODY = (H - VOYAGER)(K - RAM VAN/ CARAVAN)

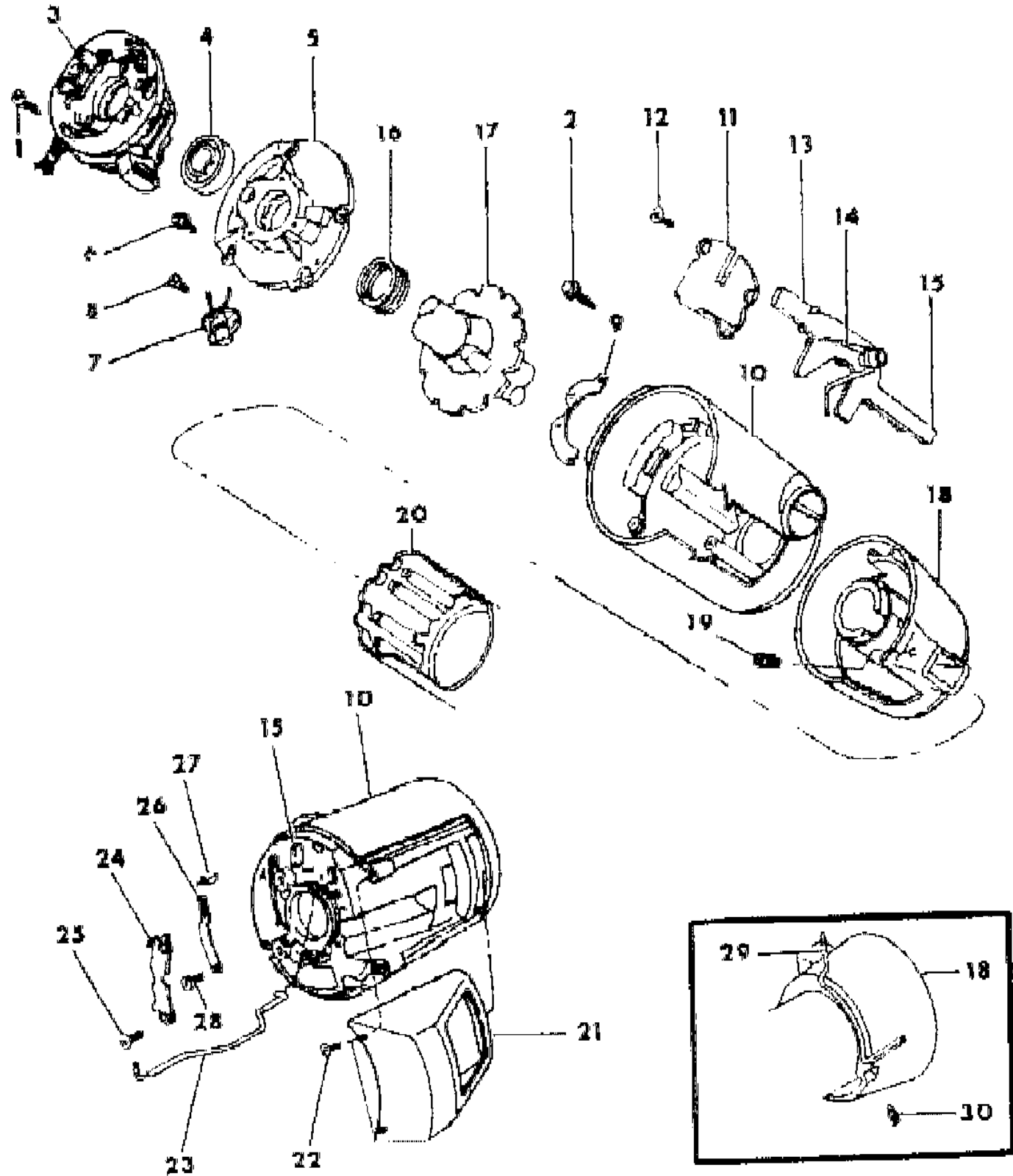
BODY STYLES

12-52 = FWD VAN & WAGON STD. W.B. 27 = 2-DOOR CONVERTIBLE
 13-53 = FWD VAN & WGN EXT W.B. 41 = 4-DOOR SEDAN
 21 = 2-DOOR SEDAN 44 = 4-DOOR HATCHBACK
 24 = 2-DOOR HATCHBACK 45 = 4-DOOR STATION WAGON

AR = Use as Required - = Non Illustrated Part P.A.R. = Paint as Required

COLUMN, STEERING, UPPER COLUMN SHIFT, WITHOUT TILT K,E,H,C,S,M BODY
Figure 19-800

8119 800



ITEM	PART NUMBER	QTY	BODY	MODEL	DESCRIPTION
1		3			SCREW, Turn Signal Switch Mtg. (Not Serviced)
2		4			SCREW, w/WASHER Lock Housing (Not Serviced)
3					SWITCH, Turn Sig. & Flasher (See Group 8)
4	2265 656	1			BEARING, Strg. Col. Upper Shaft
5	4333 038	1			HOUSING, Strg. Col. Shaft Bearing
6		1			SCREW, Bearing Housing (Not Serviced)
7					LAMP, Ign. & Starter Sw. (See Group 8)
8					SCREW, Lamp (See Group 8)
9	4188 076	1			PLATE, Strg. Col. Lock Housing
10					HOUSING, Strg. Column Lock
	P439 FC5	1			Blue
	P439 GL7	1			Taupe
	P439 EE8	1			Cordovan
	P439 EK1	1			Almond
	P439 ES8	1			Charcoal
	P439 EA7	1			Silver, Dark
	P439 GR8	1			Red, Dark (Bordeaux)
	P439 EM6	1			Red
	P439 EX9	1			Black
11	4333 697	1			BELLCRANK, Ignition Switch
12		4			SCREW, Bellcrank (Not Serviced)
13	2950 840	1			LEVER, Strg. Col. Shaft Lock
14	2996 858				SPRING, Strg. Col. Lock
15	4333 726	1			LEVER, Strg. Col. Gearshift Housing Lock Assy.
16	4019 549	1			SPRING, Strg. Column Shaft Lock Plate
17	4019 612	1			PLATE, Strg. Col. Shaft Lock
18	4147 474	1	KEM		HOUSING, Strg. Col. Gearshift, w/Auto Trans., Col. Shift
	P764 EK1	1	H		Serv. Dealer Paint
	P826 GL7	1	C		
	P762 EK1	1	S		Serv. Dealer Paint
19	0125 735	1			SET SCREW, G/Shift Housing
20	#4019 897	1	M		JACKET, Strg. Col.
	4333 043	1	KE		
	4333 043	1	CS		JACKET, Strg. Col.
	4333 905	1	P		JACKET, Strg. Col.
21					COVER, Strg. Col. Lock
	P440 FC5	1			Blue

MODEL CODES

C BODY = (D41 - DYNASTY)(C41 - NEW YORKER)
 E BODY = (J - CARAVELLE)(E - 600)(T - NEW YORKER TURBO)
 G BODY = (V24 - DAYTONA, PACIFICA & SHELBY)
 H BODY = (D44 - LANCER)(C44 - LEBARON GTS)
 J BODY = (C - LEBARON)
 K BODY = (P - RELIANT)(D - ARIES)(C - LEBARON/ TOWN & COUNTRY)

L BODY = (M - HORIZON)(Z-OMNI)
 M BODY = (B - GRAN FURY)(G - DIPLOMAT)(F - FIFTH AVENUE/NEWPORT)
 P BODY = (P - SUNDANCE)(D - SHADOW)
 Q BODY = (C27 - MASERATI)
 S BODY = (H - VOYAGER)(K - RAM VAN/ CARAVAN)

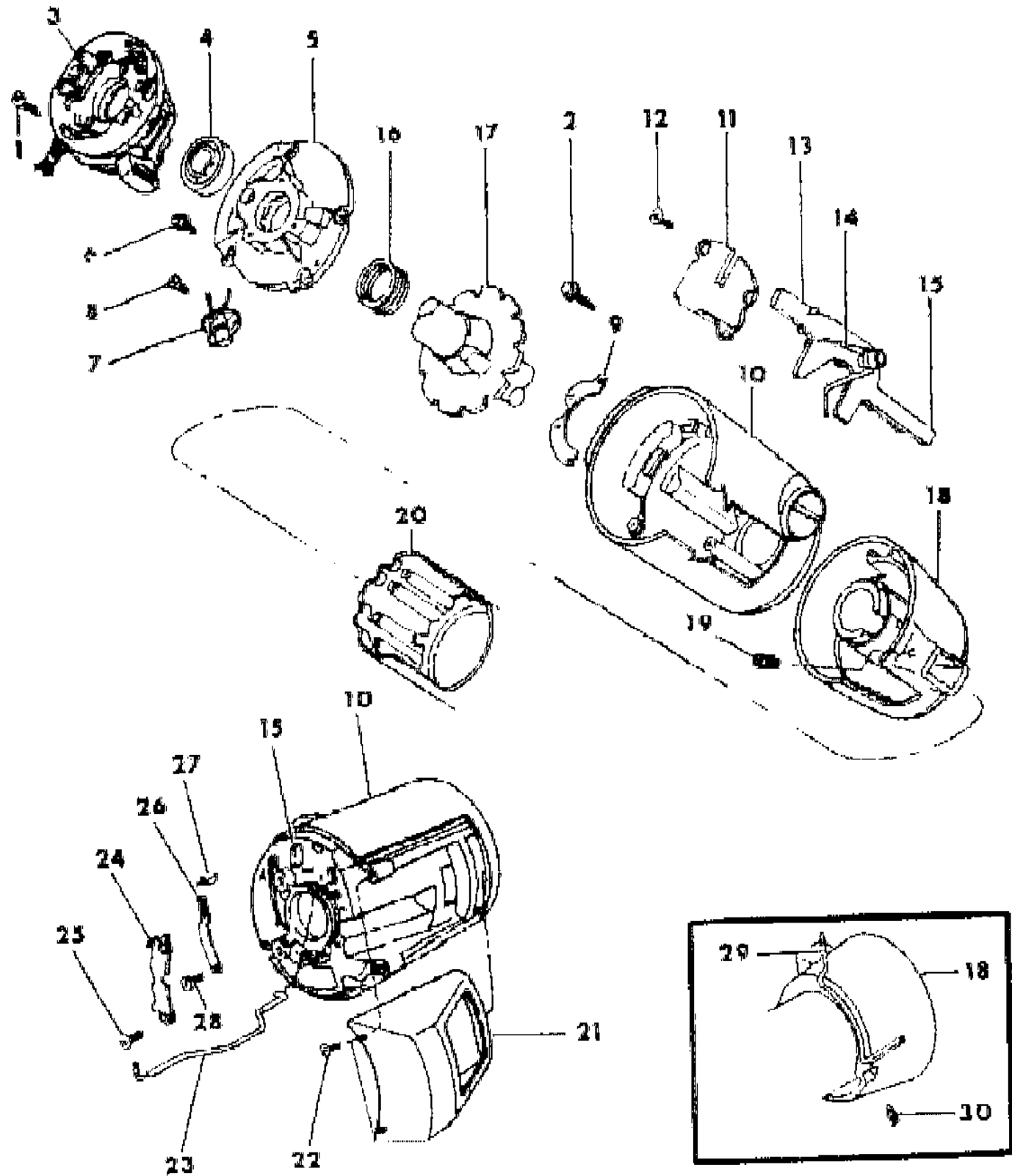
BODY STYLES

12-52 = FWD VAN & WAGON STD. W.B. 27 = 2-DOOR CONVERTIBLE
 13-53 = FWD VAN & WGN EXT W.B. 41 = 4-DOOR SEDAN
 21 = 2-DOOR SEDAN 44 = 4-DOOR HATCHBACK
 24 = 2-DOOR HATCHBACK 45 = 4-DOOR STATION WAGON

AR = Use as Required - = Non Illustrated Part P.A.R. = Paint as Required

COLUMN, STEERING, UPPER COLUMN SHIFT, WITHOUT TILT K,E,H,C,S,M BODY
Figure 19-800

8119 800



ITEM	PART NUMBER	QTY	BODY	MODEL	DESCRIPTION
	P440 GL7	1			Taupe
	P440 EE8	1			Cordovan
	P440 EK1	1			Almond
	P440 ES8	1			Charcoal
	P440 GR8	1			Red, Dark (Bordeaux)
	P440 EM6	1			Red
	P440 EA7	1			Silver, Dark
22	6032 469	2			SCREW, Cover
23	4019 902	1	M		ACTUATOR, Ignition Switch
	4188 291	1	KEHCS		
	4333 768	1	P		
24	4188 572	1	M		GATE, Col. Gearshift Lever
	4333 072	1	KEHCS		GATE, Col. Gearshift Lever
25					SCREW,(Not Serviced)
26	4019 588	1			SPRING, Lock Cylinder Retainer
27	4019 548	1			PLUNGER, Lock Cylinder Retainer
28					SCREW, (Not Serviced)
29		1			POINTER, Gear Selector Indicator (See Group 21)
30	0125 735	1			SCREW, Set Gearshift Pointer

MODEL CODES

C BODY = (D41 - DYNASTY)(C41 - NEW YORKER)
 E BODY = (J - CARAVELLE)(E - 600)(T - NEW YORKER TURBO)
 G BODY = (V24 - DAYTONA, PACIFICA & SHELBY)
 H BODY = (D44 - LANCER)(C44 - LEBARON GTS)
 J BODY = (C - LEBARON)
 K BODY = (P - RELIANT)(D - ARIES)(C - LEBARON/ TOWN & COUNTRY)

L BODY = (M - HORIZON)(Z-OMNI)
 M BODY = (B - GRAN FURY)(G - DIPLOMAT)(F - FIFTH AVENUE/NEWPORT)
 P BODY = (P - SUNDANCE)(D - SHADOW)
 Q BODY = (C27 - MASERATI)
 S BODY = (H - VOYAGER)(K - RAM VAN/ CARAVAN)

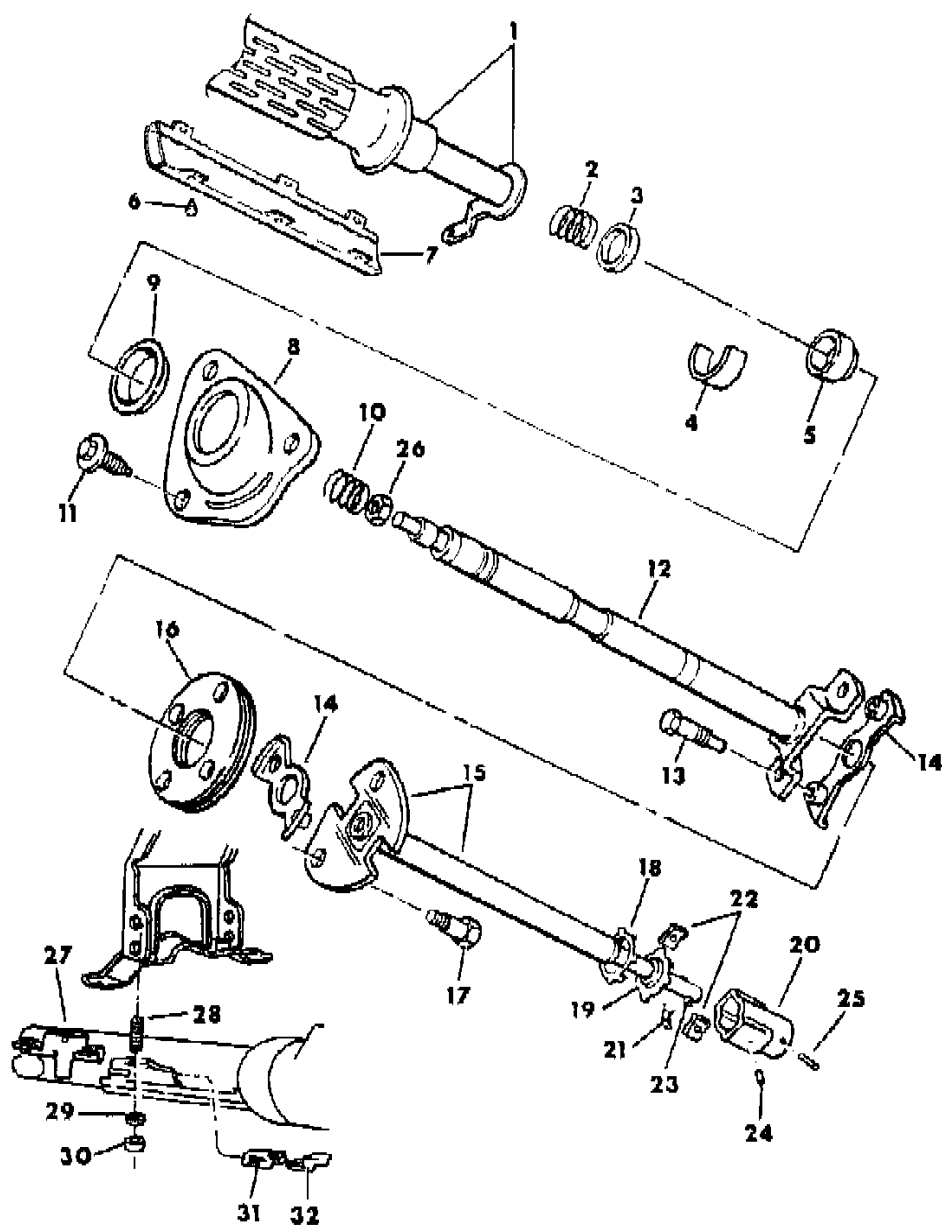
BODY STYLES

12-52 = FWD VAN & WAGON STD. W.B. 27 = 2-DOOR CONVERTIBLE
 13-53 = FWD VAN & WGN EXT W.B. 41 = 4-DOOR SEDAN
 21 = 2-DOOR SEDAN 44 = 4-DOOR HATCHBACK
 24 = 2-DOOR HATCHBACK 45 = 4-DOOR STATION WAGON

AR = Use as Required - = Non Illustrated Part P.A.R. = Paint as Required

COLUMN, STEERING, LOWER WITHOUT TILT M BODY
Figure 19-900

8119 900 A



ITEM	PART NUMBER	QTY	BODY	MODEL	DESCRIPTION
1	3748 247	1			TUBE, Strg. Col. Gearshift, w/Auto. Trans., w/Col.Shift
2		1			SPRING, Tube Retainer (Serviced in Tube Assy.)
3	4147 318	1			BEARING, Strg. Col. Shaft
	4147 319	1			WEDGE, Shaft Bearing
4	4333 108	1			SEAL, Strg. Col. Jacket to Tube
5	3748 229	1			SUPPORT, Shaft Bearing (Floor Shift)
6	6015 925	4			RETAINER, Wiring Trough
7	4188 202	1			TROUGH, Strg. Col. Wiring
8	3748 802	1			PLATE, Jacket Support
9	3748 634	1			GROMMET, Strg. Col.
10	3748 242	1			SPRING, Strg. Col. Lower Bearing
11	#0181 088	3			SCREW, w/Washer Jacket Support Plate
12	4333 644	1			COUPLING, Upper
	4094 080	1			Consist of: Shaft
		1			Coupling
		2			Strap
		2			Bolt
13	#6031 801	2			BOLT, Strg. Col. Shaft Coupling
14	#4186 826	2			STRAP PACKAGE, Steering Col. Coupling, w/Bolts
15	4333 643	1			COUPLING, Lower
	3748 649	1			Consist of: Shaft
		1			Coupling
16	3748 310	1			COUPLING, Strg. Col. Shaft
17	#6031 802	2			BOLT, Strg. Col. Shaft Coupling
18	2530 538	1			COVER, Shaft Coupling Body
19	4019 278	1			SEAL, Shaft Coupling Body
20	3748 268	1			BODY, Strg. Col. Shaft Coupling, w/Power Strg.
21	2925 492	1			SPRING, Shaft Coupling Body
22	2800 738	2			SHOE, Strg. Col. Shaft Coupling Body
23	2266 743	1			PIN, Strg. Col. Intermediate Shaft Coupling
24	6029 951	1			PIN, Coupling Body
25	6028 750	1			PIN, Spring Coupling
26	6500 906	1			NUT, Steering Wheel
27	4019 759	1			PLATE, Strg. Col. Switch Mounting
28	6027 947	2			STUD, Strg. Col. Mounting

MODEL CODES

C BODY = (D41 - DYNASTY)(C41 - NEW YORKER)	L BODY = (M - HORIZON)(Z-OMNI)
E BODY = (J - CARAVELLE)(E - 600)(T - NEW YORKER TURBO)	M BODY = (B - GRAN FURY)(G - DIPLOMAT)(F - FIFTH AVENUE/NEWPORT)
G BODY = (V24 - DAYTONA, PACIFICA & SHELBY)	P BODY = (P - SUNDANCE)(D - SHADOW)
H BODY = (D44 - LANCER)(C44 - LEBARON GTS)	Q BODY = (C27 - MASERATI)
J BODY = (C - LEBARON)	S BODY = (H - VOYAGER)(K - RAM VAN/ CARAVAN)
K BODY = (P - RELIANT)(D - ARIES)(C - LEBARON/ TOWN & COUNTRY)	

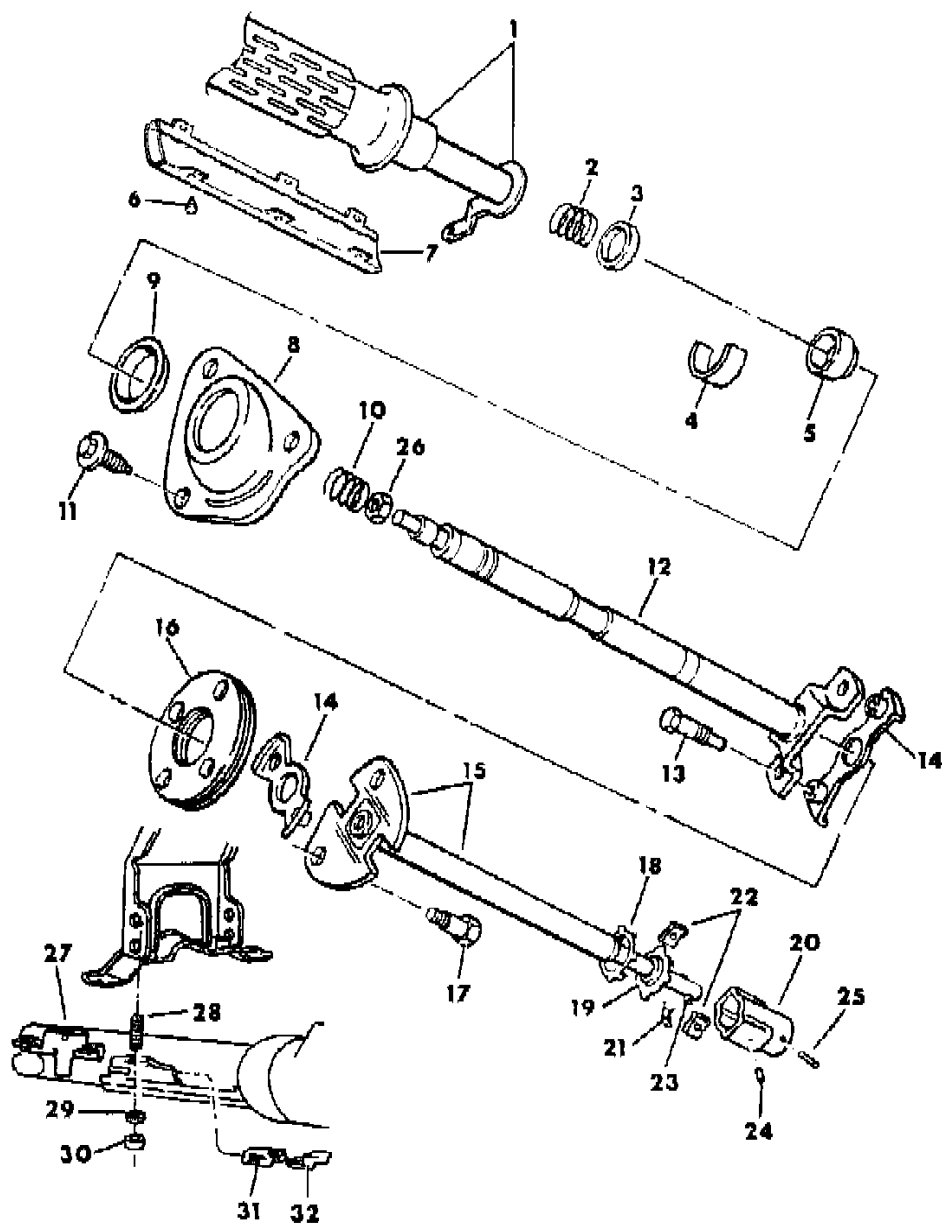
BODY STYLES

12-52 = FWD VAN & WAGON STD. W.B.	27 = 2-DOOR CONVERTIBLE
13-53 = FWD VAN & WGN EXT W.B.	41 = 4-DOOR SEDAN
21 = 2-DOOR SEDAN	44 = 4-DOOR HATCHBACK
24 = 2-DOOR HATCHBACK	45 = 4-DOOR STATION WAGON

AR = Use as Required - = Non Illustrated Part P.A.R. = Paint as Required

COLUMN, STEERING, LOWER WITHOUT TILT M BODY
Figure 19-900

8119 900 A



ITEM	PART NUMBER	QTY	BODY	MODEL	DESCRIPTION
29		2			WASHER, Stud (Not Serviced)
30	6027 403	2			NUT, Stud
31	4147 290	1			CLIP, Strg. Col. Ground
32	3748 492	2			SPACER, Strg. Col. Ground Clip
	5211 212	1			STRAP, Strg. Column Ground

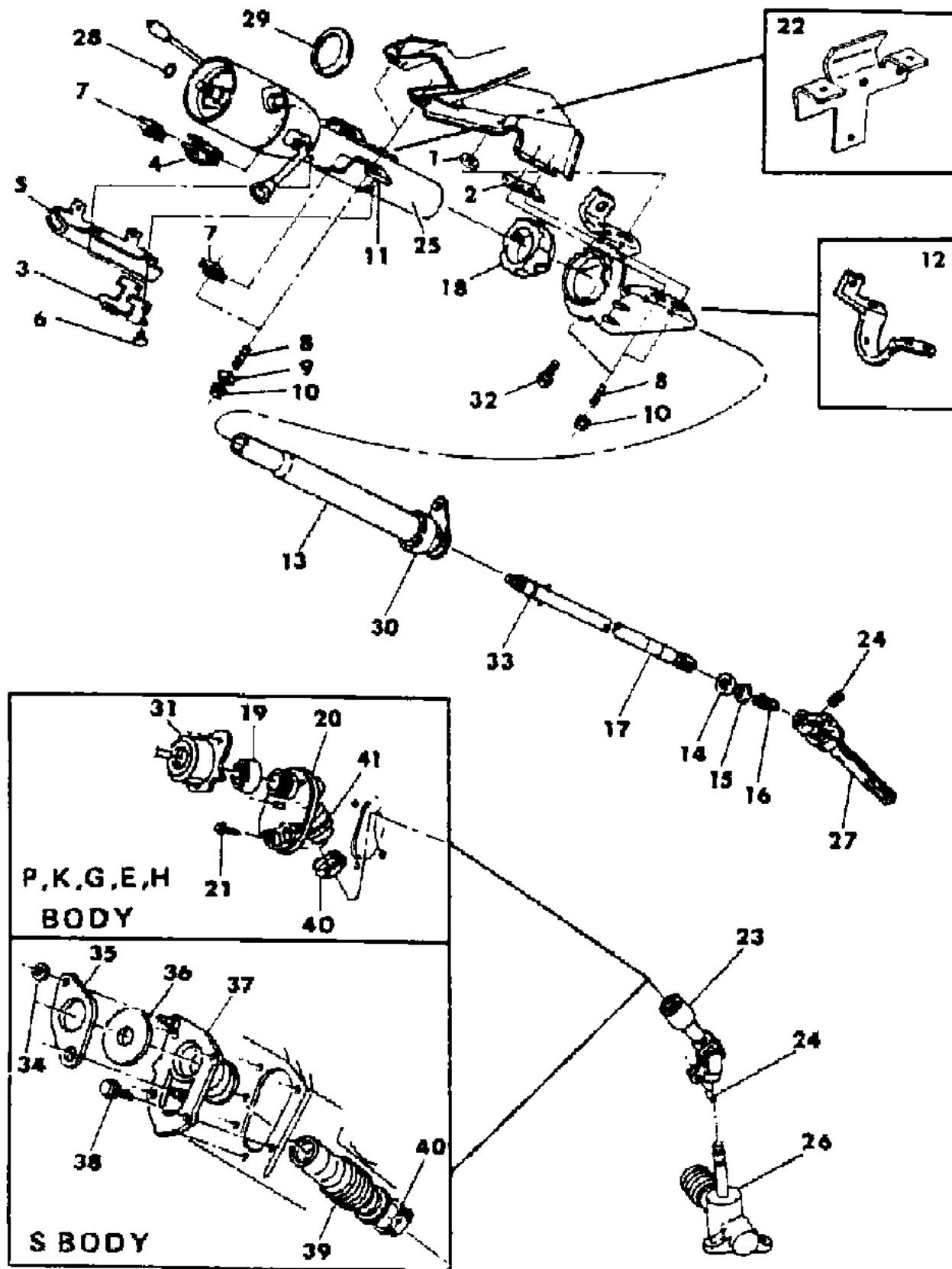
MODEL CODES
 C BODY = (D41 - DYNASTY)(C41 - NEW YORKER)
 E BODY = (J - CARAVELLE)(E - 600)(T - NEW YORKER TURBO)
 G BODY = (V24 - DAYTONA, PACIFICA & SHELBY)
 H BODY = (D44 - LANCER)(C44 - LEBARON GTS)
 J BODY = (C - LEBARON)
 K BODY = (P - RELIANT)(D - ARIES)(C - LEBARON/ TOWN & COUNTRY)
 L BODY = (M - HORIZON)(Z-OMNI)
 M BODY = (B - GRAN FURY)(G - DIPLOMAT)(F - FIFTH AVENUE/NEWPORT)
 P BODY = (P - SUNDANCE)(D - SHADOW)
 Q BODY = (C27 - MASERATI)
 S BODY = (H - VOYAGER)(K - RAM VAN/ CARAVAN)

BODY STYLES
 12-52 = FWD VAN & WAGON STD. W.B. 27 = 2-DOOR CONVERTIBLE
 13-53 = FWD VAN & WGN EXT W.B. 41 = 4-DOOR SEDAN
 21 = 2-DOOR SEDAN 44 = 4-DOOR HATCHBACK
 24 = 2-DOOR HATCHBACK 45 = 4-DOOR STATION WAGON

AR = Use as Required - = Non Illustrated Part P.A.R. = Paint as Required

COLUMN, STEERING, LOWER WITH OR WITHOUT TILT STRG. P,J,K,G,E,H,C,S BODY
Figure 19-1000

8119 1000



ITEM	PART NUMBER	QTY	BODY	MODEL	DESCRIPTION
1	4333 231	AR			SHIM, Left
2	4333 235	AR			SHIM, Right
3	4147 290	1			CLIP, Strg. Column Grnd.
4	4147 361	1	H		BRACKET, E/Wipe Control Mtg.
5	5211 997	1			TROUGH, Strg. Col. Wiring w/Column Shift
	4333 233	1	P		w/Floor Shift
6	6015 925	AR			RETAINER, Trough
7	3748 492	2			SPACER, Strg. Col. Support Bracket
	4147 217	2	PHC		
8	6500 240	5			STUD, Strg. Col. Mounting
9					WASHER, (Not Serviced)
10	6501 730	5			NUT, Strg. Col. Mounting Stud
11		1			BRACKET, Strg. Col. Support Upper (Serviced in Jacket Assy.)
12	4147 229	1	PKEHC		BRACKET, Strg. Col. Support Lwr. w/o Tilt
	4147 194	1	JG		Strg. Col. Support Lwr. w/o Tilt
	4147 195	1	S		Strg. Col. Support Lwr. w/o Tilt
	4188 284	1	PKEHC		Strg. Col. Support Lwr. w/Tilt
	4188 845	1	JG		Strg. Col. Support Lwr. w/Tilt w/o Air Bag
	4470 610	1	JG		Strg. Col. Support Lwr. w/Tilt w/Air Bag
	4147 020	1	S		Strg. Col. Support Lwr. w/Tilt
13	4147 198	1			TUBE, Strg. Col. g/Shift w/o Tilt Column Shift
	4188 320	1	KEHC		w/Tilt, w/o Console
	4147 367	1	S		w/Tilt
14	4147 362	1			BEARING, Strg. Col. Shaft (Col Shift), w/o Tilt Strg.
	4147 449	1			(w/Floor Shift)
	4188 307	1			w/Tilt Strg. (w/Adaptor)
	4188 314	1			Retainer, Bearing w/Tilt Strg.
15	4147 374	1			WEDGE, Strg. Col. Shaft Lower w/o Tilt
16	5206 183	1			SPRING, Strg. Col. Lower Bearing
17	4147 482	1	KEHCS		SHAFT, Strg. Col. Upper, w/o Tilt (Column Shift)(w/Tilt see Illus. 1100)
	4147 413	1			w/o Tilt (Floor Shift)(w/Tilt see Illus. 1100)
	4470 094	1	S		(Except Tilt Strg.)(w/Tilt see Illus. 1100)
18	4333 479	1			ADAPTOR, Strg. Col. Lower w/o Tilt (Column Shift)
	4333 221	1			w/o Tilt (Floor Shift)
	4470 341	1	JG		w/Tilt
19	4188 794	1			SEAL, Strg. Shaft

MODEL CODES

C BODY = (D41 - DYNASTY)(C41 - NEW YORKER)
 E BODY = (J - CARAVELLE)(E - 600)(T - NEW YORKER TURBO)
 G BODY = (V24 - DAYTONA, PACIFICA & SHELBY)
 H BODY = (D44 - LANCER)(C44 - LEBARON GTS)
 J BODY = (C - LEBARON)
 K BODY = (P - RELIANT)(D - ARIES)(C - LEBARON/ TOWN & COUNTRY)

L BODY = (M - HORIZON)(Z-OMNI)
 M BODY = (B - GRAN FURY)(G - DIPLOMAT)(F - FIFTH AVENUE/NEWPORT)
 P BODY = (P - SUNDANCE)(D - SHADOW)
 Q BODY = (C27 - MASERATI)
 S BODY = (H - VOYAGER)(K - RAM VAN/ CARAVAN)

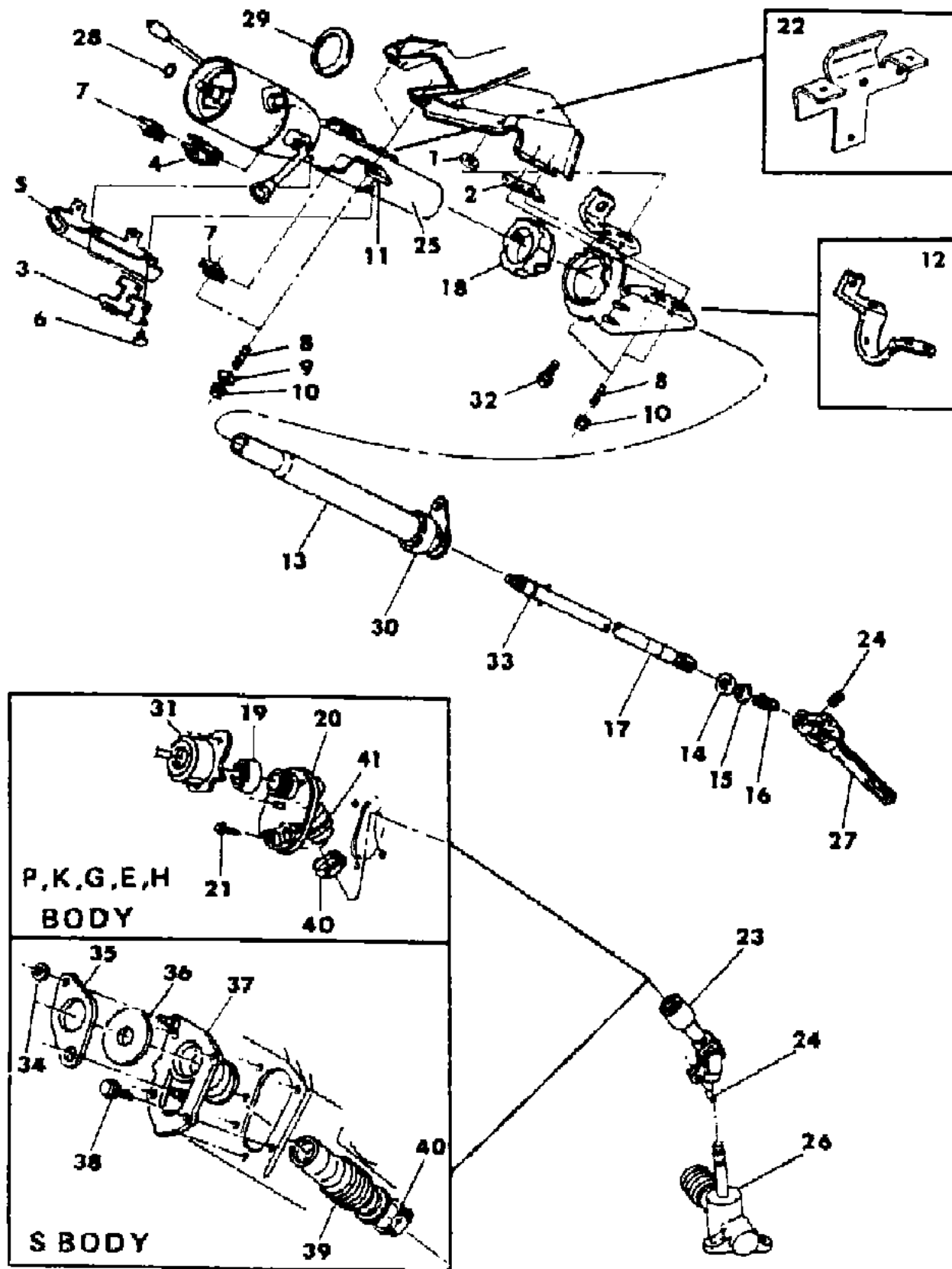
BODY STYLES

12-52 = FWD VAN & WAGON STD. W.B. 27 = 2-DOOR CONVERTIBLE
 13-53 = FWD VAN & WGN EXT W.B. 41 = 4-DOOR SEDAN
 21 = 2-DOOR SEDAN 44 = 4-DOOR HATCHBACK
 24 = 2-DOOR HATCHBACK 45 = 4-DOOR STATION WAGON

AR = Use as Required - = Non Illustrated Part P.A.R. = Paint as Required

COLUMN, STEERING, LOWER WITH OR WITHOUT TILT STRG. P,J,K,G,E,H,C,S BODY
Figure 19-1000

8119 1000



ITEM	PART NUMBER	QTY	BODY	MODEL	DESCRIPTION
20	4147 284	1			COVER, Dash Seal
21	6032 332	4			SCREW, Dash Seal Cover
22	4188 283	1	KEHCS		PLATE, Strg. Column Switch Mtg.
23	4333 128	1			COUPLING, Lower Strg. Shaft (Pwr. Strg.)
	4333 129	1			(Man. Strg.)
24	6500 148	1			PIN, Strg. Shaft Coupling
25	4188 312	1	KHS		JACKET, Pwr. Strg. w/Tilt, w/Floor Shift
	4188 311	1	KEHCS		w/Tilt, w/Column Shift
	4333 328	1	P		w/Tilt, All
	4188 854	1	JG		w/Tilt, All
26		1			GEAR, (See Strg. Gear)
27	4333 126	1			COUPLING, Upper Strg. Shaft (Exc. H,K) (Tag #4188296)
	4333 127	1	S		
28	6032 364	1			SNAP RING, Strg. Col. Shaft Bearing Upper
29	P446 FC5	1	KE		SHIELD, Instrument Panel to Steering Column (Paint as required) (Stamp #4420241)
30	4333 108	1	KEHCS		SEAL, Strg. Col. Jacket to Tube
31	4188 868	1			SHELL, w/Silencer
32	6101 419	2			BOLT, Strg. Col. Support Bracket, w/Tilt Strg.
33	6030 655	1			O-RING, Strg. Col. Shaft
34	6031 147	2	S		NUT, Push On
35	4188 993	1	S		RETAINER, Seal & Dash Liner
36	4188 994	1	S		SEAL, Dash
37	4147 355	1	S		COVER, Dash Seal
38	6032 332	4	S		SCREW, Cover To Dash
39	4188 986	1	S		BOOT, Strg. Coupling
40	6032 277	1	S		CLAMP, Boot To Strg. Gear
	4333 524	1			
41	4470 098	1			SHIELD, Strg. Col Cplg.

MODEL CODES

C BODY = (D41 - DYNASTY)(C41 - NEW YORKER)	L BODY = (M - HORIZON)(Z-OMNI)
E BODY = (J - CARAVELLE)(E - 600)(T - NEW YORKER TURBO)	M BODY = (B - GRAN FURY)(G - DIPLOMAT)(F - FIFTH AVENUE/NEWPORT)
G BODY = (V24 - DAYTONA, PACIFICA & SHELBY)	P BODY = (P - SUNDANCE)(D - SHADOW)
H BODY = (D44 - LANCER)(C44 - LEBARON GTS)	Q BODY = (C27 - MASERATI)
J BODY = (C - LEBARON)	S BODY = (H - VOYAGER)(K - RAM VAN/ CARAVAN)
K BODY = (P - RELIANT)(D - ARIES)(C - LEBARON/ TOWN & COUNTRY)	

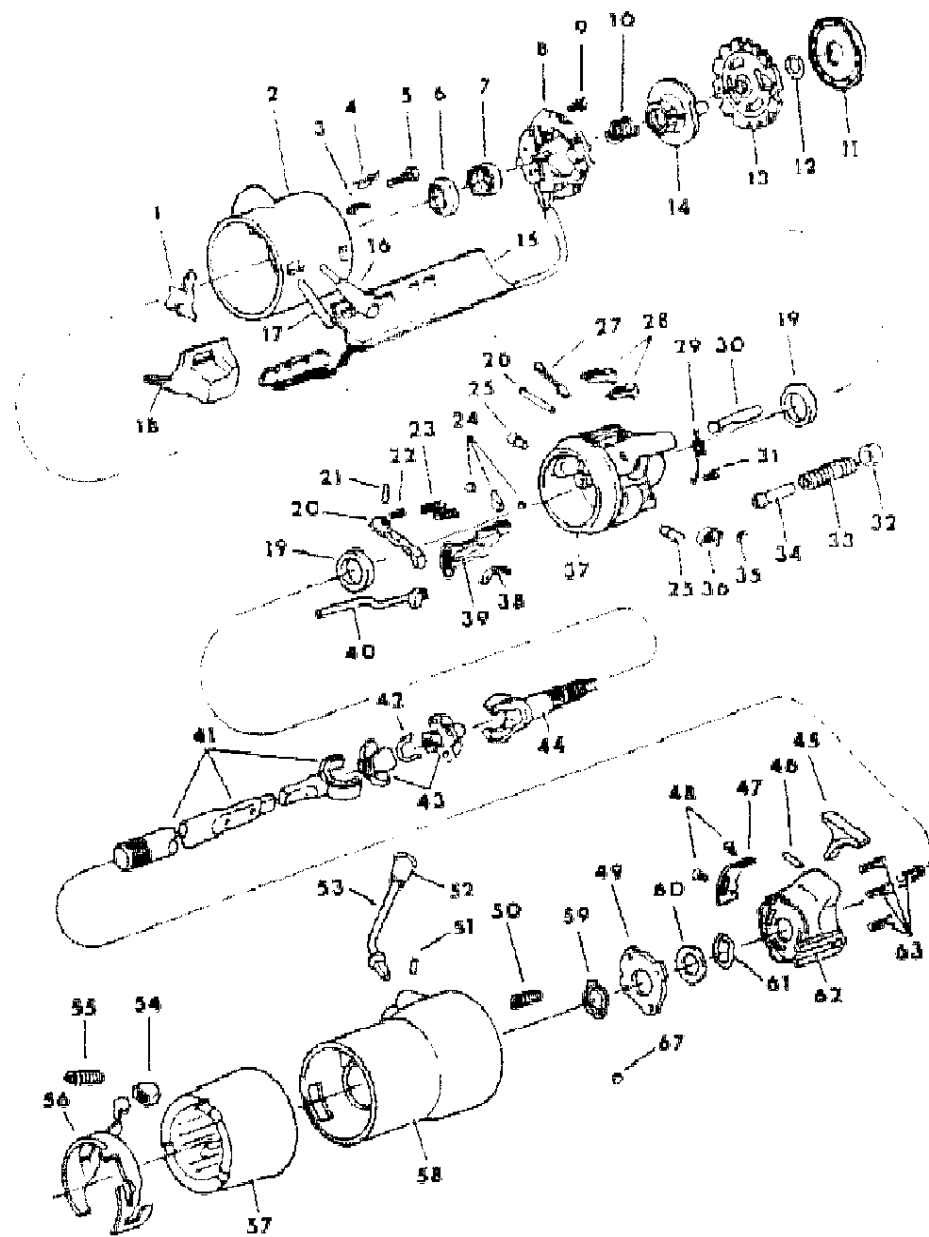
BODY STYLES

12-52 = FWD VAN & WAGON STD. W.B.	27 = 2-DOOR CONVERTIBLE
13-53 = FWD VAN & WGN EXT W.B.	41 = 4-DOOR SEDAN
21 = 2-DOOR SEDAN	44 = 4-DOOR HATCHBACK
24 = 2-DOOR HATCHBACK	45 = 4-DOOR STATION WAGON

AR = Use as Required - = Non Illustrated Part P.A.R. = Paint as Required

COLUMN, STEERING, UPPER WITH TILT P,J,K,G,E,H,C,S,M BODY
Figure 19-1100

8719 1100



ITEM	PART NUMBER	QTY	BODY	MODEL	DESCRIPTION
1	4019 778	1			SHIELD, Tilt Lever Opening
2	4333 531	1			COVER, Lock Housing
3	4019 793	1			CLIP, Buzzer Switch Retaining
4	3488 432	1			SWITCH, Ignition Key Buzzer
5	3467 402	2			SCREW, Oval Head Cross Recess
6		1			RACE, Inner (Serv. in Kit 4147363)
7		1			SEAT, Upper Bearing Inner Race (Serv. in Kit 4147363)
8		1			SWITCH, Turn Signal & Hazzard Warning (See Group 8)
9	3467 814	3			SCREW, Binding Head Cross Recess
10	3575 981	1			SPRING, Upper Bearing
11		1			COVER, Shaft Lock (Not Serv.)
12	2925 062	1			RING, Retainer
13	4019 336	1			LOCK, Shaft
	4470 220	1	JGM		w/Air Bag
14	4188 484	1			CAM, Turn Signal Switch Cancelling
15	4188 202	1	M		TROUGH, Strg. Column Wiring
	5211 997	1			
	4333 233	1	P		
16		1			LEVER, Turn Signal Indicator, (See Group 8)
17	4147 435	1			LEVER, Strg. Col. Release Lock
	4147 436	1	PJGH		
18	4147 002	1			CAP, End Cover
19		2			BEARING, Strg. Shaft Upper (Serv. in Kit 4147364)
20	4188 478	1			LEVER, Shoe Release
21	2880 259	1			PIN, Shoe Release Lever
22	2880 262	1			SPRING, Shoe Release Lever
23	3467 392	2			SPRING, Shoe
24	3467 378	3			BUMPER
25		2			PIN, Pivot (Serv. in Kit 4147363)
26	3467 382	1			PIN, Dowel
27	4188 835	1			SHAFT, Drive
28	3467 388	1			SHOE, Strg. Wheel Lock, w/3 Position
	4019 785	1			w/4 Position
29		1			SPRING, Lock Bolt (Serv. in Kit 4147364)
30	3467 377	1			BOLT, Lock
31	3467 431	1			SCREW, Hex. Washer Head
		1			SCREW, Hex. Washer Head (Serv. in Kit 4147363)

MODEL CODES

C BODY = (D41 - DYNASTY)(C41 - NEW YORKER)
 E BODY = (J - CARAVELLE)(E - 600)(T - NEW YORKER TURBO)
 G BODY = (V24 - DAYTONA, PACIFICA & SHELBY)
 H BODY = (D44 - LANCER)(C44 - LEBARON GTS)
 J BODY = (C - LEBARON)
 K BODY = (P - RELIANT)(D - ARIES)(C - LEBARON/ TOWN & COUNTRY)
 L BODY = (M - HORIZON)(Z-OMNI)
 M BODY = (B - GRAN FURY)(G - DIPLOMAT)(F - FIFTH AVENUE/NEWPORT)
 P BODY = (P - SUNDANCE)(D - SHADOW)
 Q BODY = (C27 - MASERATI)
 S BODY = (H - VOYAGER)(K - RAM VAN/ CARAVAN)

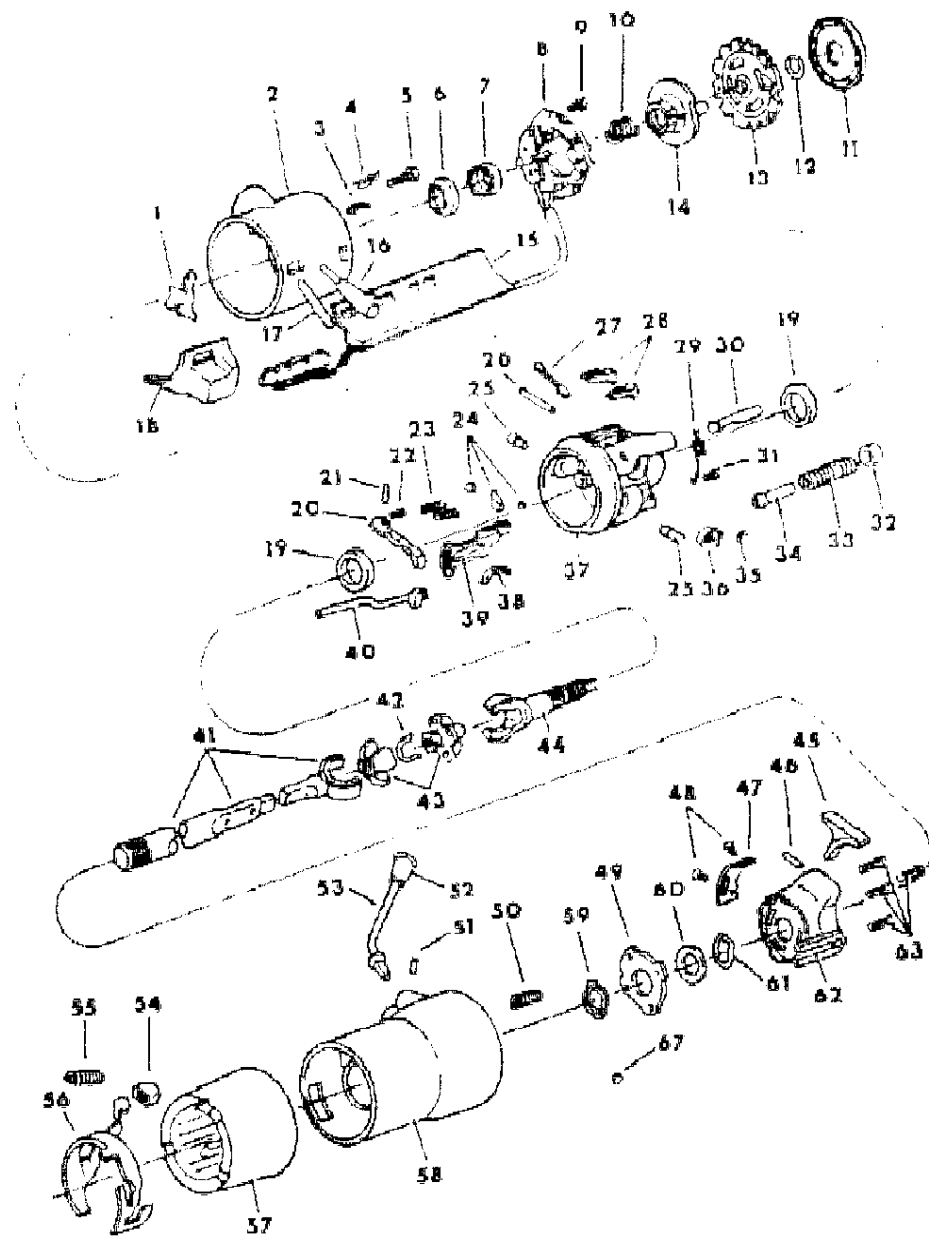
BODY STYLES

12-52 = FWD VAN & WAGON STD. W.B. 27 = 2-DOOR CONVERTIBLE
 13-53 = FWD VAN & WGN EXT W.B. 41 = 4-DOOR SEDAN
 21 = 2-DOOR SEDAN 44 = 4-DOOR HATCHBACK
 24 = 2-DOOR HATCHBACK 45 = 4-DOOR STATION WAGON

AR = Use as Required - = Non Illustrated Part P.A.R. = Paint as Required

COLUMN, STEERING, UPPER WITH TILT P,J,K,G,E,H,C,S,M BODY
Figure 19-1100

8719 1100



ITEM	PART NUMBER	QTY	BODY	MODEL	DESCRIPTION
32		1			RETAINER, Spring (Serv. in Kit 4147363)
33		1			SPRING, Wheel Tilt (Serv. in Kit 4147363)
34		1			GUIDE, Spring (Serv. in Kit 4147363)
35	3467 384	1			RING, Retaining
36		1			SECTOR, Switch Actuator (Serv. Kit 4147364)
37	4333 083	1			HOUSING, Steering Col. Shaft, Upper Bearing
38	3467 391	1			SPRING, Rack Preload
39		1			RACK, Switch Actuator (Serv. in Kit 4147364)
40	4188 486	1	M		ACTUATOR, Ignition Switch
	4188 716	1	KHCS		w/o Console, w/Auto. Trans.
	4188 716	1	E		With or Without Console, All Trans.
	4188 716	1	KHS		w/Auto Trans.
	4188 717	1	KH		w/Console, w/Auto. Trans.
	4188 855	1	JG		w/Console, All Trans. All Eng.
	4188 717	1	KHS		w/Man. Trans.
	4333 327	1	P		All Trans.
41	4188 315	1	M		SHAFT, Strg. Column
	4333 085	1			Strg. Col. (Exc. M BODY)
	4188 476	1	M		SHAFT, Lower
	4333 085	1			Lower (Exc. M BODY)
42		1			SPRING, (Service in Kit 4147365)
43		1			SPHERE, and Spring,(Serv. Kit 4147365)
44	4094 094	1			SHAFT, Upper w/Race, Strg. Column
45	4019 296	1			PLATE, Shroud Retaing, w/Floor Shift (Exc. M BODY)
46	2880 259	1			PIN, Release Lever
47	3748 497	1	M		GATE, Shift Lever
	4147 429	1	KEHCS		GATE, Shift Lever
48	3467 402	2			SCREW, Oval Head Cross Recess
49	3748 498	1			PLATE, Lock
50	2880 284	1			SPRING, Strg. Column Shift Lever
51	9412 281	1			PIN, Lever Spring (Exc. P,G, BODY)
52		1			KNOB, Column Shift Lever (See Group 21)
53		1			LEVER, W/Knob Column Gear Shift (See Group 21)
54	4019 619	1			PAD, Key Release Lever, w/Floor Shift
55	4019 298	1			SPRING, Key Release, w/Floor Shift
56	4019 297	1			LEVER, Key Release, w/Floor Shift
57	4188 325	1	K		SHROUD, Col. Housing, w/Floor Shift

MODEL CODES

C BODY = (D41 - DYNASTY)(C41 - NEW YORKER)	L BODY = (M - HORIZON)(Z-OMNI)
E BODY = (J - CARAVELLE)(E - 600)(T - NEW YORKER TURBO)	M BODY = (B - GRAN FURY)(G - DIPLOMAT)(F - FIFTH AVENUE/NEWPORT)
G BODY = (V24 - DAYTONA, PACIFICA & SHELBY)	P BODY = (P - SUNDANCE)(D - SHADOW)
H BODY = (D44 - LANCER)(C44 - LEBARON GTS)	Q BODY = (C27 - MASERATI)
J BODY = (C - LEBARON)	S BODY = (H - VOYAGER)(K - RAM VAN/ CARAVAN)
K BODY = (P - RELIANT)(D - ARIES)(C - LEBARON/ TOWN & COUNTRY)	

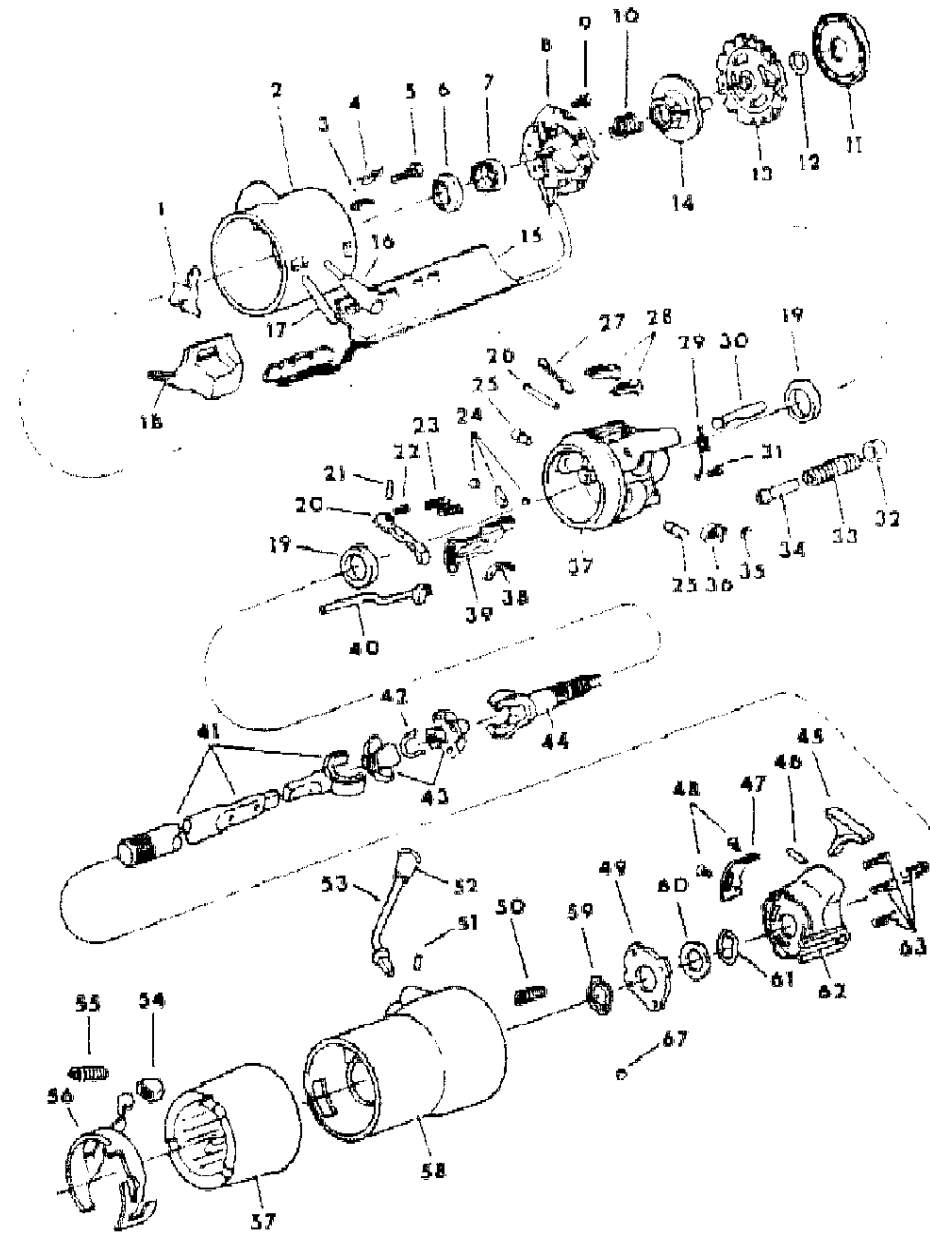
BODY STYLES

12-52 = FWD VAN & WAGON STD. W.B.	27 = 2-DOOR CONVERTIBLE
13-53 = FWD VAN & WGN EXT W.B.	41 = 4-DOOR SEDAN
21 = 2-DOOR SEDAN	44 = 4-DOOR HATCHBACK
24 = 2-DOOR HATCHBACK	45 = 4-DOOR STATION WAGON

AR = Use as Required - = Non Illustrated Part P.A.R. = Paint as Required

COLUMN, STEERING, UPPER WITH TILT P,J,K,G,E,H,C,S,M BODY
Figure 19-1100

8719 1100



ITEM	PART NUMBER	QTY	BODY	MODEL	DESCRIPTION
	4333 329	1	PJGHS		
58	4333 090	1	KEM		BOWL, Gearshift Lever, w/Col. Shift
	4333 091	1	HCS		w/Auto Trans.
59	3748 592	1			WASHER, Wave ,Col. Shift
60	3467 423	1			WASHER, Thrust
61	3467 415	1			RING, Shift Tube Retainer
62	4333 087	1			SUPPORT, Bearing Housing, w/o Floor Shift
	4333 086	1			w/Floor Shift
63	3748 500	4			SCREW, Support
67	6015 925	4			RETAINER, Strg. Col. Wiring Trough
	4188 872	1			PIN, Switch Actuator Pivot
	4147 363	1			PARTS PACKAGE, Upper Column
	4147 364	1			RACK PACKAGE, Column Sector
	4147 365	1			SPHERE PACKAGE, Tilt Column
	6032 732	1	CS		CLIP, Gear Shift Indicator Wire Attaching

MODEL CODES

C BODY = (D41 - DYNASTY)(C41 - NEW YORKER)
 E BODY = (J - CARAVELLE)(E - 600)(T - NEW YORKER TURBO)
 G BODY = (V24 - DAYTONA, PACIFICA & SHELBY)
 H BODY = (D44 - LANCER)(C44 - LEBARON GTS)
 J BODY = (C - LEBARON)
 K BODY = (P - RELIANT)(D - ARIES)(C - LEBARON/ TOWN & COUNTRY)
 L BODY = (M - HORIZON)(Z-OMNI)
 M BODY = (B - GRAN FURY)(G - DIPLOMAT)(F - FIFTH AVENUE/NEWPORT)
 P BODY = (P - SUNDANCE)(D - SHADOW)
 Q BODY = (C27 - MASERATI)
 S BODY = (H - VOYAGER)(K - RAM VAN/ CARAVAN)

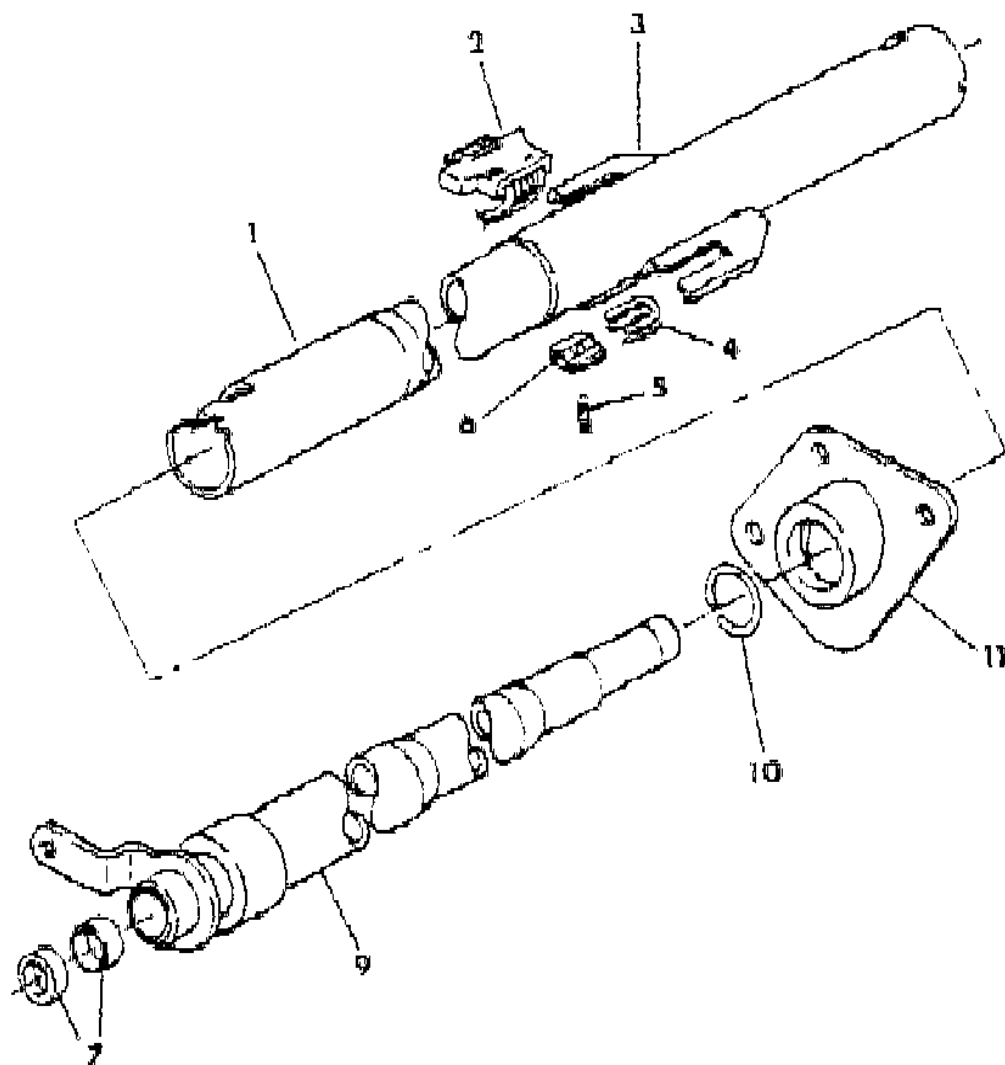
BODY STYLES

12-52 = FWD VAN & WAGON STD. W.B. 27 = 2-DOOR CONVERTIBLE
 13-53 = FWD VAN & WGN EXT W.B. 41 = 4-DOOR SEDAN
 21 = 2-DOOR SEDAN 44 = 4-DOOR HATCHBACK
 24 = 2-DOOR HATCHBACK 45 = 4-DOOR STATION WAGON

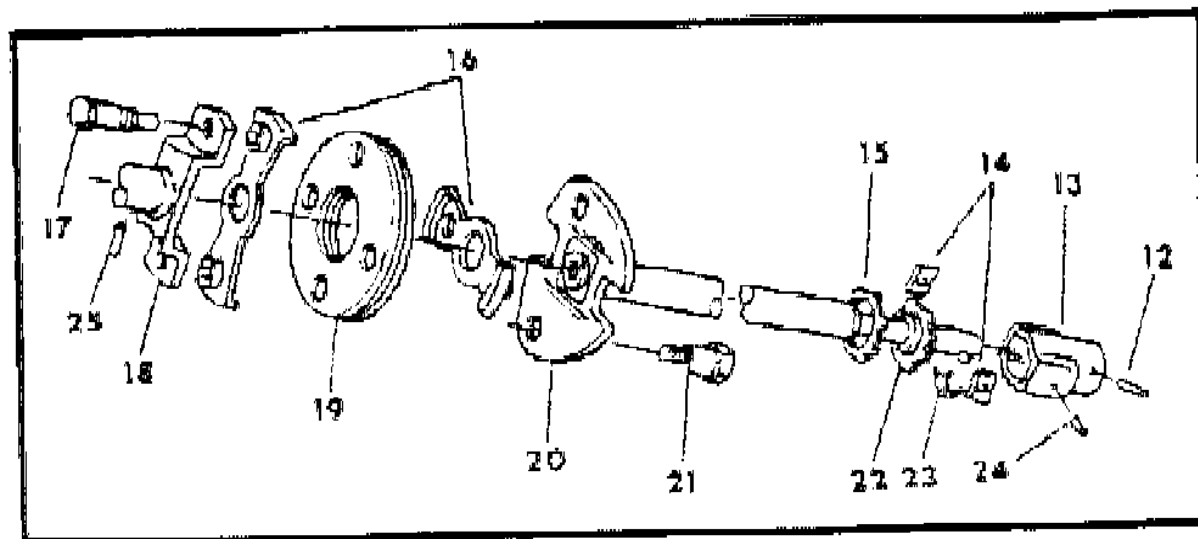
AR = Use as Required - = Non Illustrated Part P.A.R. = Paint as Required

COLUMN, STEERING, LOWER WITH TILT M BODY
Figure 19-1200

8119 1200



ITEM	PART NUMBER	QTY	BODY	MODEL	DESCRIPTION
1	4147 366	1			JACKET, Strg. Col., w/ Col. Shift
2					(See Group 8)
3	4019 271	1			BRACKET, Strg. Col. Support
4		1			CLIP, Strg. Col. Ground (Not Serviced)
5	6500 127	4			SCREW, w/Washer, Bracket To Strg. Col.
	6027 947	2			STUD, Strg. Col. Mounting
6	3748 492	2			SPACER, Strg. Col. Support Bracket
7	4019 501	1			BEARING, w/INSULATOR, Strg. Shaft Lower
9	4188 319	1			TUBE, Strg. Col. Gearshift, w/o Console
10	3748 400	1			GROMMET, Strg. Col.
11	4019 274	1			PLATE, Strg. Col. Jacket Support
12	2266 743	1			PIN, Strg. Col. Shaft Lower Coupling
13	3748 268	1			BODY, Strg. Col. Shaft Coupling
14	2800 738	2			SHOE, Coupling Body
15	2530 538	1			COVER, Coupling Body
16	#4186 826	1			STRAP PACKAGE, Strg. Col. Coupling, w/Bolts
17	#6031 801	2			BOLT, Coupling
18	3748 271	1			FLANGE, Strg. Col. Shaft Coupling
19	3748 310	1			COUPLING, Strg. Col. Shaft
20	4019 262	1			SHAFT, Strg. Col. Coupling Intermediate, 6.34" Lgh
21	#6031 802	2			BOLT, Coupling
22	4443 437	1			SEAL, Coupling Body
23	2925 492	1			SPRING, Strg. Col. Shaft Coupling Body
24	6029 951	1			PIN, Coupling Body
25	6028 750	1			PIN, Coupling Body



MODEL CODES

C BODY = (D41 - DYNASTY)(C41 - NEW YORKER)	L BODY = (M - HORIZON)(Z-OMNI)
E BODY = (J - CARAVELLE)(E - 600)(T - NEW YORKER TURBO)	M BODY = (B - GRAN FURY)(G - DIPLOMAT)(F - FIFTH AVENUE/NEWPORT)
G BODY = (V24 - DAYTONA, PACIFICA & SHELBY)	P BODY = (P - SUNDANCE)(D - SHADOW)
H BODY = (D44 - LANCER)(C44 - LEBARON GTS)	Q BODY = (C27 - MASERATI)
J BODY = (C - LEBARON)	S BODY = (H - VOYAGER)(K - RAM VAN/ CARAVAN)
K BODY = (P - RELIANT)(D - ARIES)(C - LEBARON/ TOWN & COUNTRY)	

BODY STYLES

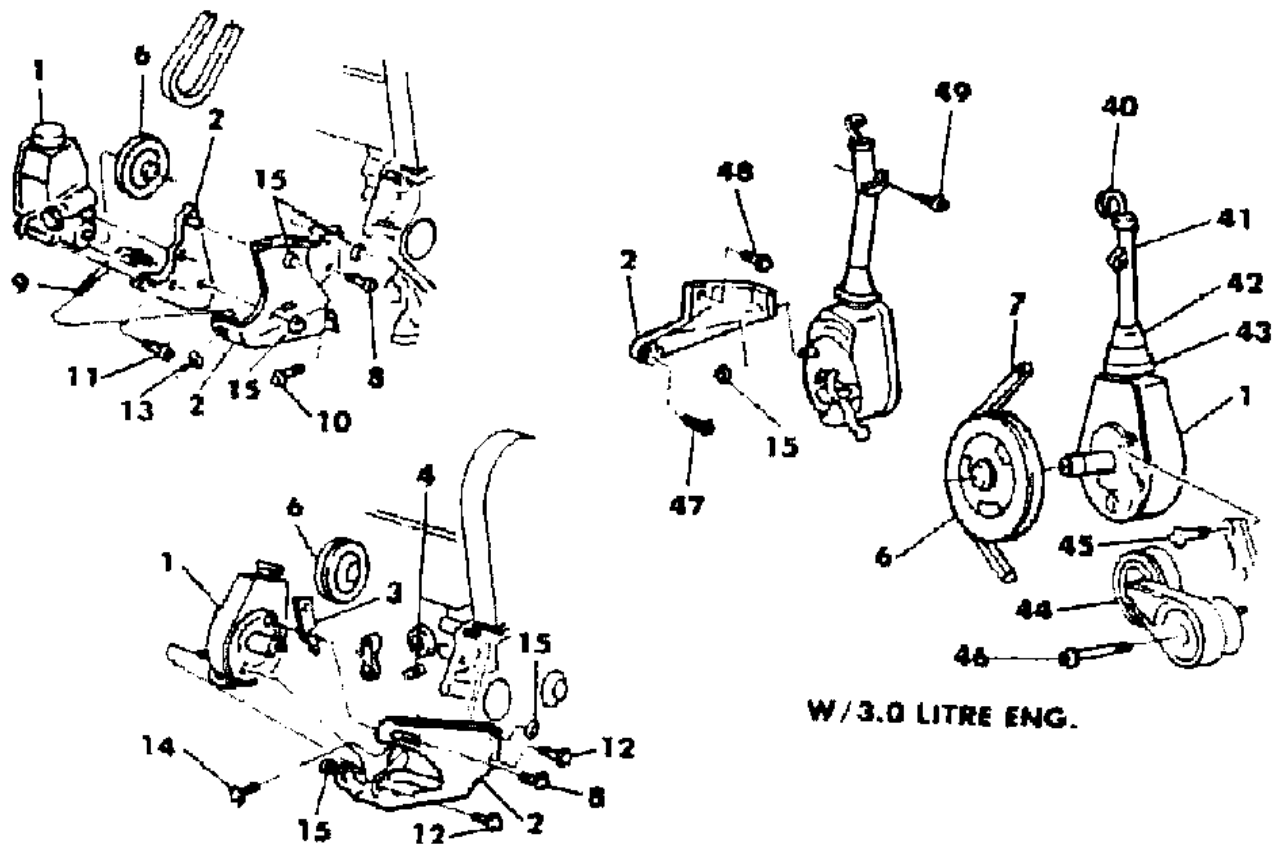
12-52 = FWD VAN & WAGON STD. W.B.	27 = 2-DOOR CONVERTIBLE
13-53 = FWD VAN & WGN EXT W.B.	41 = 4-DOOR SEDAN
21 = 2-DOOR SEDAN	44 = 4-DOOR HATCHBACK
24 = 2-DOOR HATCHBACK	45 = 4-DOOR STATION WAGON

AR = Use as Required - = Non Illustrated Part P.A.R. = Paint as Required

PUMP, POWER STEERING & ATTACHING PARTS WITH 2.2, 2.5, 2.6, 3.0 ENGINE FRONT WHEEL DRIVE

Figure 19-1300

8119 1300 A



W/ 2.2, 2.5 LITRE ENG.

W/ 3.0 LITRE ENG.

ITEM	PART NUMBER	QTY	BODY	MODEL	DESCRIPTION
	4333 377	1			SEAL PACKAGE, w/Saginaw Pump Consists of: 1 ----- Magnet 1 ----- Seal, Drive Shaft 1 ----- Seal, "O"Ring 2 ----- Seal, "O"Ring 1 ----- Seal, "O"Ring 2 ----- Seal, "O"Ring 1 ----- Seal, "O"Ring
	3815 961	1			SERVICE PACKAGE, Retaining Ring and DriveShaft w/ Saginaw Pump Consists of: 1 ----- Ring, Shaft Retaining
	3815 960				1 ----- Shaft, Drive
	3815 964	1			SERVICE PACKAGE, Ring Retaining w/Saginaw Pump SERVICE PACKAGE, Rotor, Vane and Ring w/Saginaw Pump Consists of: 1 ----- Ring, Pump 1 ----- Ring, Shaft Retaining 1 ----- Rotor, Pump 10 ----- Vane, Pump
	3643 453	1			SERVICE PACKAGE, Pump Reservoir w/Saginaw Pump Consists of: 1 ----- Reservoir 1 ----- Seal, "O"Ring 1 ----- Seal, "O"Ring 2 ----- Seal, "O"Ring
	4470 292	1	PJGH		SEAL PACKAGE, w/ZF Pump
1	3815 956	1	LKE		PUMP, Power Strg. w/Std. (Saginaw)
	4188 832	1	E		w/Firm Feel
	3815 956	1	S		w/2.5
	4333 367	1	S		w/3.0
	4333 575	1	PGH		w/Std., Firm Feel Or Extra Duty Susp.(ZF)
	4333 474	1	J		w/Std. (ZF)
	4333 575	1	J		w/Firm Feel or Extra Duty
	4333 367	1	C		(Saginaw)
2	4387 285	1	PJQGH		BRACKET, Power Strg. Pump Mounting,(w/2.2 & 2.5L Eng.)

MODEL CODES

C BODY = (D41 - DYNASTY)(C41 - NEW YORKER)
E BODY = (J - CARAVELLE)(E - 600)(T - NEW YORKER TURBO)
G BODY = (V24 - DAYTONA, PACIFICA & SHELBY)
H BODY = (D44 - LANCER)(C44 - LEBARON GTS)
J BODY = (C - LEBARON)
K BODY = (P - RELIANT)(D - ARIES)(C - LEBARON/ TOWN & COUNTRY)

L BODY = (M - HORIZON)(Z-OMNI)
M BODY = (B - GRAN FURY)(G - DIPLOMAT)(F - FIFTH AVENUE/NEWPORT)
P BODY = (P - SUNDANCE)(D - SHADOW)
Q BODY = (C27 - MASERATI)
S BODY = (H - VOYAGER)(K - RAM VAN/ CARAVAN)

BODY STYLES

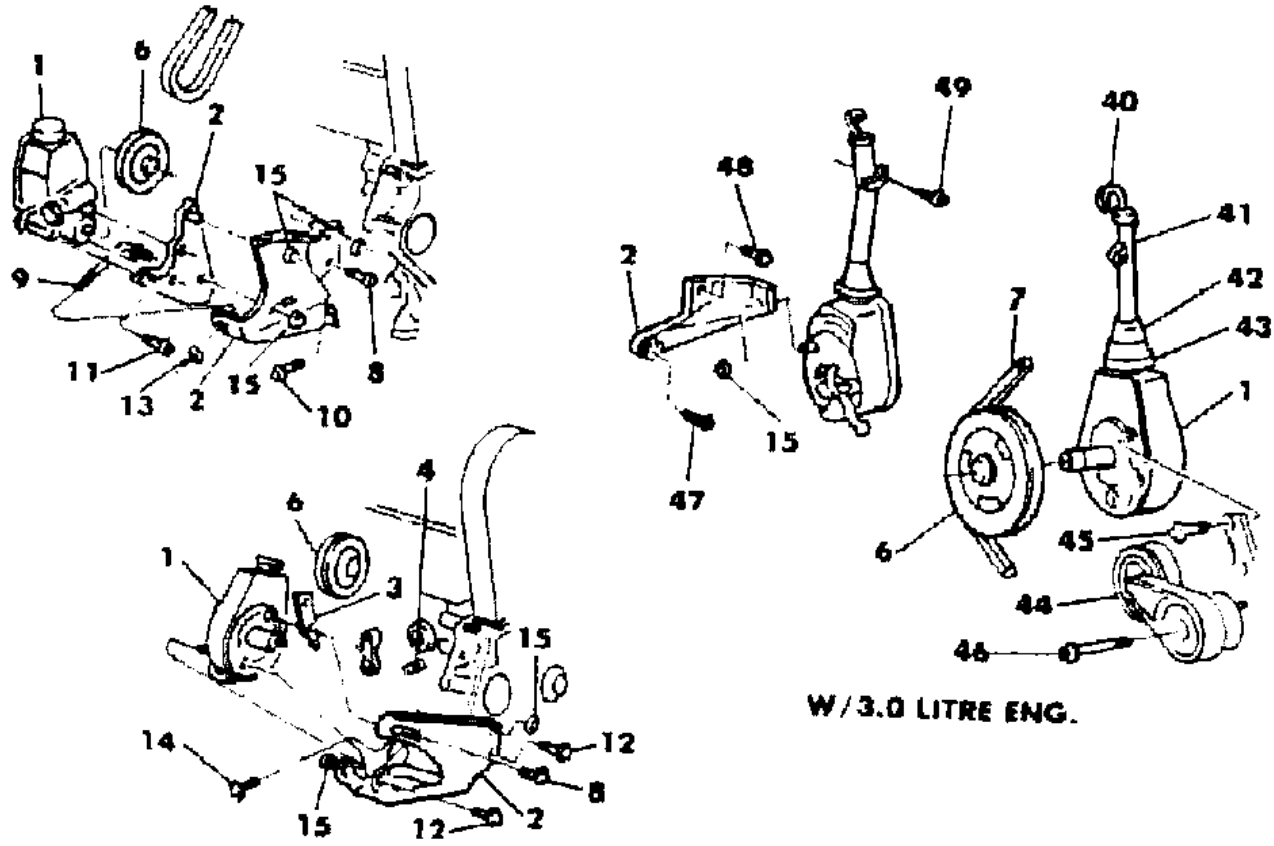
12-52 = FWD VAN & WAGON STD. W.B. 27 = 2-DOOR CONVERTIBLE
13-53 = FWD VAN & WGN EXT W.B. 41 = 4-DOOR SEDAN
21 = 2-DOOR SEDAN 44 = 4-DOOR HATCHBACK
24 = 2-DOOR HATCHBACK 45 = 4-DOOR STATION WAGON

AR = Use as Required - = Non Illustrated Part P.A.R. = Paint as Required

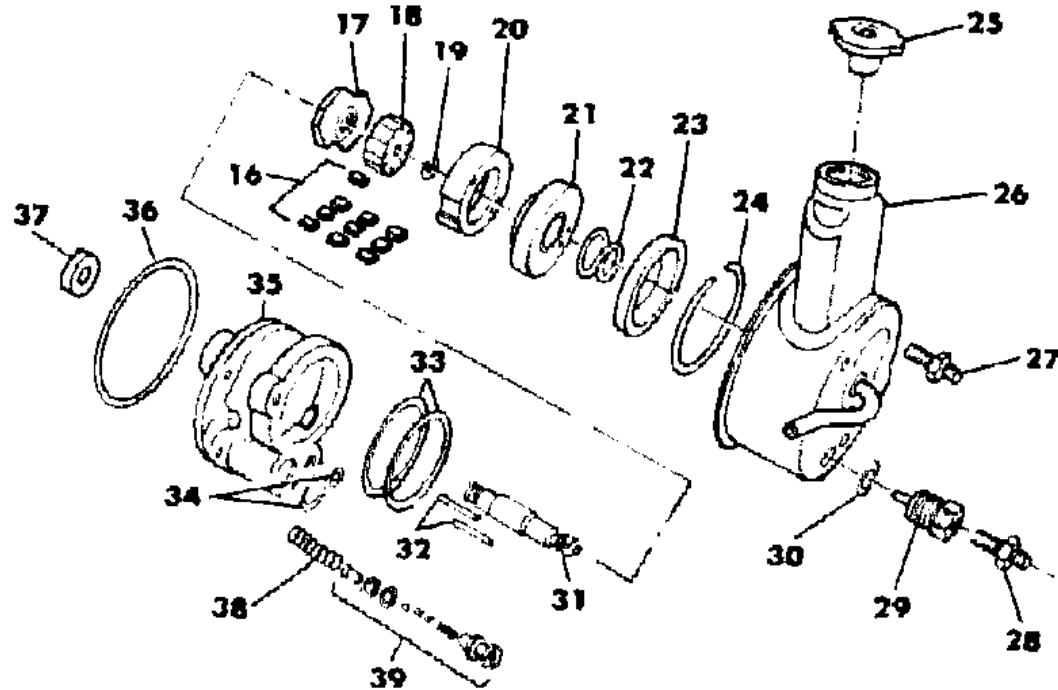
PUMP, POWER STEERING & ATTACHING PARTS WITH 2.2, 2.5, 2.6, 3.0 ENGINE FRONT WHEEL DRIVE

Figure 19-1300

8119 1300 A



W/2.2, 2.5 LITRE ENG.



ITEM	PART NUMBER	QTY	BODY	MODEL	DESCRIPTION
	5214 491	1	LKES		
	4315 446	1	PJGH		BRACKET, Power Strg. Mounting Rear
	4343 892	1	CS		BRACKET, Power Strg. Mounting Rear (w/3.0 Eng.)
3	#5203 743	1	LKES		BRACKET, Power Strg. Pump Adjusting, (w/2.2 & 2.5L Eng.)
4	3815 915	2			STUD, Power Strg. Pump Mounting
6	4387 292	1	PJGH		PULLEY, Power Strg. Pump
	5214 734	1	LKES		
	4343 951	1	CS		(w/3.0 Eng.)
7		1			BELT, Power Strg. Pump, Drive (Refer To Group 7)
8	6500 157	1			SCREW, w/Washer, Mounting Bracket To Cylinder Block
9	6501 619	1	PJGH		BOLT, Pump Adjusting
10	6101 051	1			SCREW, w/Washer
11	#6500 399	AR			SCREW, w/Washer, Pump Pivot (w/2.2L Eng.)
12	#6500 399	1			SCREW, w/Washer, Power Strg. Pump Mounting Bracket To Power Strg. Pump
13	6100 051	1	PJGH		SCREW, w/Washer
14	#6500 399	1			SCREW, w/Washer Power Strg. Pump Mounting Bracket To Block
15	6101 448	1			NUT, Power Strg. Pump Mounting Stud
16		10			VANE, (Serviced in 4031303 Repair Kit)
17	3815 914	1			PLATE, Pump Thrust
18		1			ROTOR, Pump (Serviced in 3815964 Repair Kit)
19	3815 960	1			RING, Pump Drive Shaft Retaining
20		1			RING, Pump (Serviced in 4031303 Repair Kit)
21	3815 967	1			PLATE, Pump Pressure
22	3815 966	1			SPRING, Pump Pressure Plate
23	2537 820	1			PLATE, Pump End
24	2537 823	1			RING, End Plate Retaining
25	#4219 036	1	LKECS		CAP, Oil Pump Reservoir (Saginaw)
	4470 294	1	PJGH		(ZF)
26	#3643 453	1	LKECS		SERVICE PACKAGE, Reservoir (Saginaw)
	4470 169	1	PJGH		(ZF)
27	3815 915	1	LKES		STUD, Pump Mounting
28	3815 915	1	LKES		STUD, Pump Mounting
29	5205 267	1	LKES		FITTING, Union Assy. Std. Susp.
	3815 983	1	C		
30	4333 377	1	LKECS		SERVICE PACKAGE, Seal
31	3815 961	1	LKECS		SERVICE PACKAGE, Shaft and Retaining Ring

MODEL CODES

C BODY = (D41 - DYNASTY)(C41 - NEW YORKER)
 E BODY = (J - CARAVELLE)(E - 600)(T - NEW YORKER TURBO)
 G BODY = (V24 - DAYTONA, PACIFICA & SHELBY)
 H BODY = (D44 - LANCER)(C44 - LEBARON GTS)
 J BODY = (C - LEBARON)
 K BODY = (P - RELIANT)(D - ARIES)(C - LEBARON/ TOWN & COUNTRY)

L BODY = (M - HORIZON)(Z-OMNI)
 M BODY = (B - GRAN FURY)(G - DIPLOMAT)(F - FIFTH AVENUE/NEWPORT)
 P BODY = (P - SUNDANCE)(D - SHADOW)
 Q BODY = (C27 - MASERATI)
 S BODY = (H - VOYAGER)(K - RAM VAN/ CARAVAN)

BODY STYLES

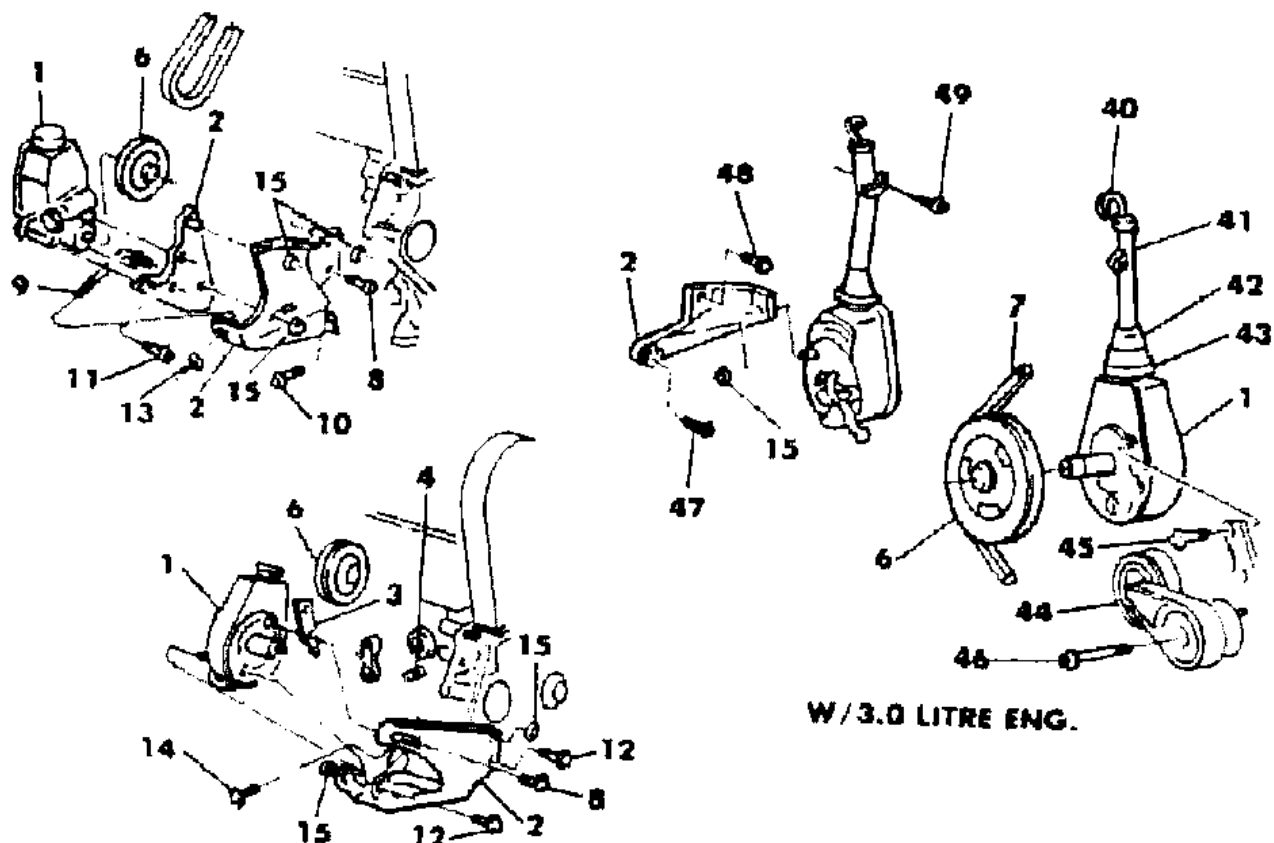
12-52 = FWD VAN & WAGON STD. W.B. 27 = 2-DOOR CONVERTIBLE
 13-53 = FWD VAN & WGN EXT W.B. 41 = 4-DOOR SEDAN
 21 = 2-DOOR SEDAN 44 = 4-DOOR HATCHBACK
 24 = 2-DOOR HATCHBACK 45 = 4-DOOR STATION WAGON

AR = Use as Required - = Non Illustrated Part P.A.R. = Paint as Required

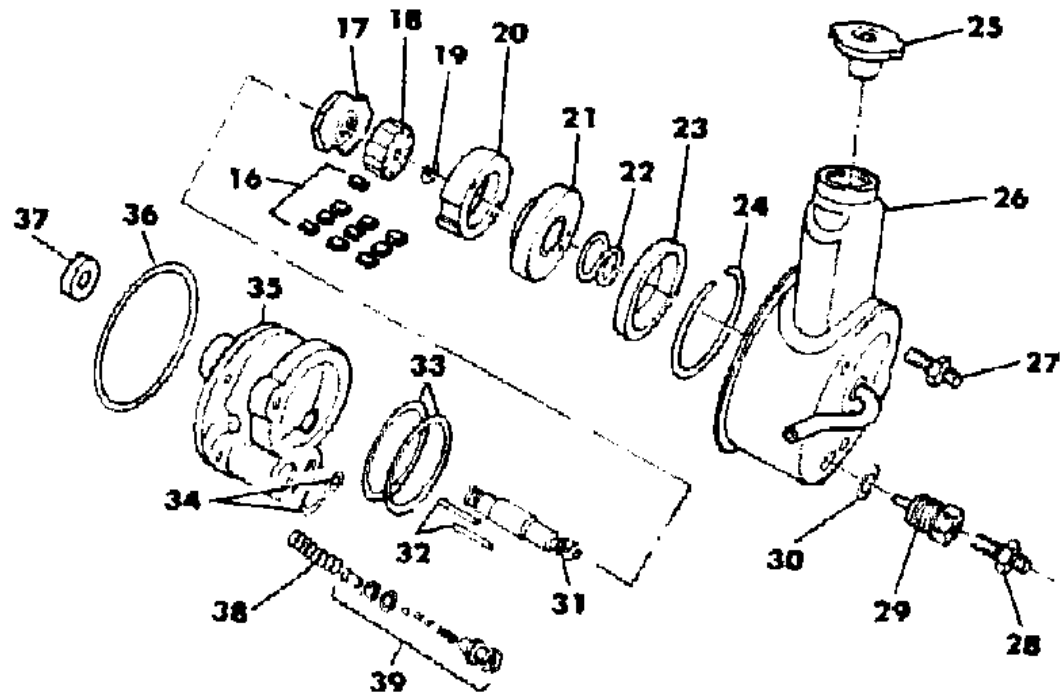
PUMP, POWER STEERING & ATTACHING PARTS WITH 2.2, 2.5, 2.6, 3.0 ENGINE FRONT WHEEL DRIVE

Figure 19-1300

8119 1300 A



W/2.2, 2.5 LITRE ENG.



ITEM	PART NUMBER	QTY	BODY	MODEL	DESCRIPTION
	3815 960	1	LKECS		SERVICE PACKAGE, Ring Retaining
32	2537 819	2	LKECS		PIN, Pump Ring Dowel
33	4333 377	1	LKECS		SERVICE PACKAGE, Seal
34	4333 377	1	LKECS		SERVICE PACKAGE, Seal
35		1			HOUSING, Assy. Pump (Serviced in Pump Assy.)
36	4333 377	1	LKECS		SEAL, Pump Reservoir "O"Ring
	4333 377	1	LKECS		SEAL, Pump Reservoir "O"Ring
37	2537 899	1	LKECS		SEAL, Pump Drive Shaft
38	2537 833	1	LKECS		SPRING, Pump Flow Control
39	3815 965	1	LKECS		VALVE, Pump Flow Control, Std. Susp.
	2891 695	1	LKECS		w/Firm Feel Susp. & Extra Duty
40	4333 460	1	CS		DIP STICK
41	4333 459	1	C		TUBE
	4470 015	1	S		
42	4333 475	1	CS		BOOT
43	2448 763	1	CS		CLAMP
44	4483 469	1	CS		TENSIONER
45	#6500 399	2	CS		SCREW, w/Washer
46	6101 431	1	CS		BOLT
47	6101 062	1	CS		SCREW, w/Washer
48		1	CS		SCREW, w/Washer (Not Serv.)
49	6501 188	1	CS		SCREW

MODEL CODES

C BODY = (D41 - DYNASTY)(C41 - NEW YORKER)
 E BODY = (J - CARAVELLE)(E - 600)(T - NEW YORKER TURBO)
 G BODY = (V24 - DAYTONA, PACIFICA & SHELBY)
 H BODY = (D44 - LANCER)(C44 - LEBARON GTS)
 J BODY = (C - LEBARON)
 K BODY = (P - RELIANT)(D - ARIES)(C - LEBARON/ TOWN & COUNTRY)

L BODY = (M - HORIZON)(Z-OMNI)
 M BODY = (B - GRAN FURY)(G - DIPLOMAT)(F - FIFTH AVENUE/NEWPORT)
 P BODY = (P - SUNDANCE)(D - SHADOW)
 Q BODY = (C27 - MASERATI)
 S BODY = (H - VOYAGER)(K - RAM VAN/ CARAVAN)

BODY STYLES

12-52 = FWD VAN & WAGON STD. W.B. 27 = 2-DOOR CONVERTIBLE
 13-53 = FWD VAN & WGN EXT W.B. 41 = 4-DOOR SEDAN
 21 = 2-DOOR SEDAN 44 = 4-DOOR HATCHBACK
 24 = 2-DOOR HATCHBACK 45 = 4-DOOR STATION WAGON

AR = Use as Required - = Non Illustrated Part P.A.R. = Paint as Required

PUMP, POWER STEERING PULLEY, BRACKETS, OIL COOLER M BODY
Figure 19-1400

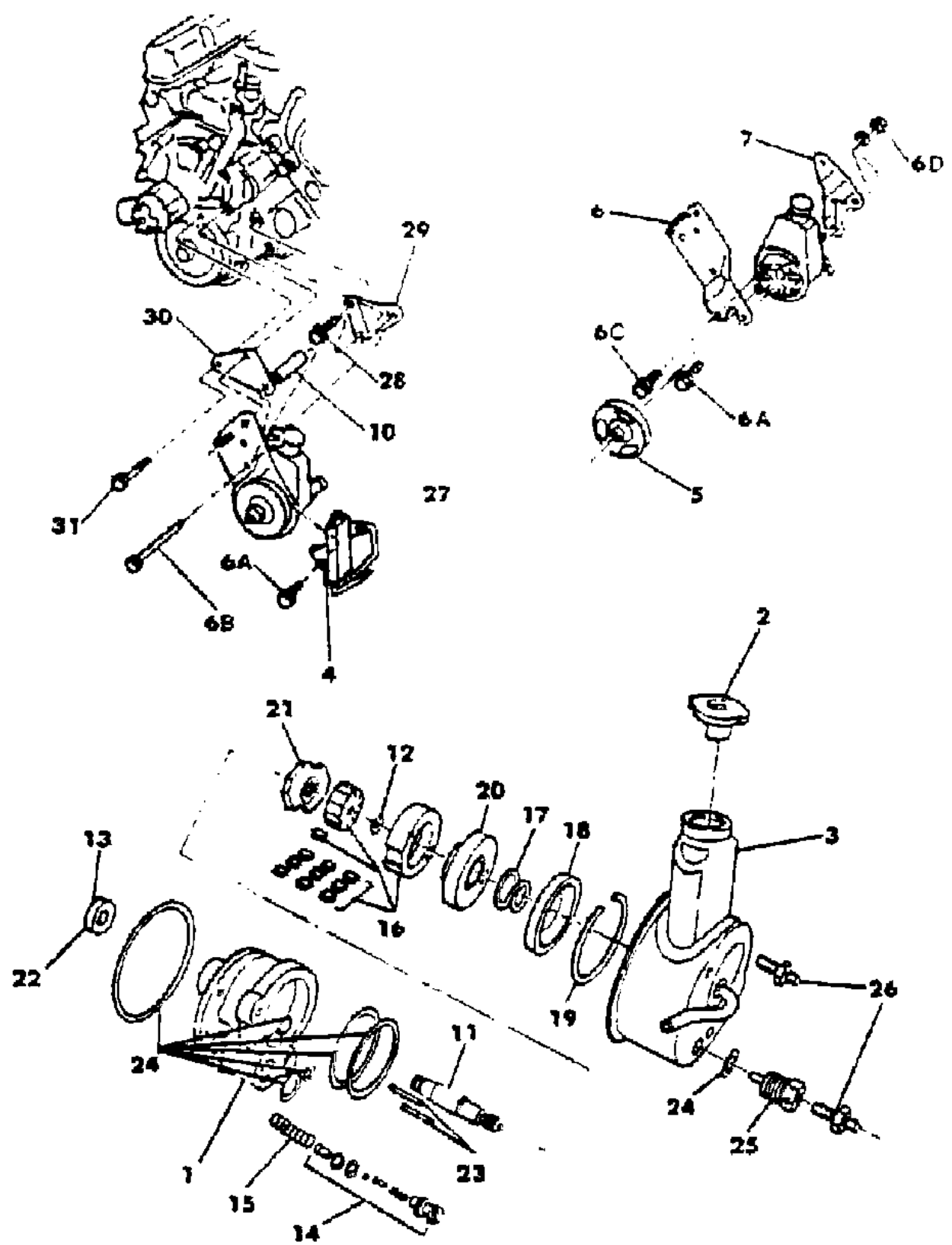
8119 1400

ITEM	PART NUMBER	QTY	BODY	MODEL	DESCRIPTION
1	3815 971	1			OIL PUMP, Power Strg.
2	#4219 036	1			CAP, Oil Pump Reservoir
3	2891 741	1			RESERVOIR, Power Strg. Oil Pump
4	#3643 482	1			COOLER, Power Strg. Pump Oil
5	4343 514	1			PULLEY, Strg. Pump
6	#4179 736	1			BRACKET, Power Strg. Pump, Front
6A	6501 756	1			BOLT, Pump Mounting Bracket
6B	#6500 399	1			BOLT, Pump Mounting Bracket Spacer
6C	0433 105	1			BOLT, Pump Mounting Bracket
6D	#6100 525	2			NUT, Bolt Mounting Bracket
7	#4179 738	1			BRACKET, Power Strg. Pump Rear, w/318 Eng.
10	6029 507	1			SPACER, Pump Mounting Bracket, w/318 Eng.
11	3815 961	1			SHAFT, w/Retaining RING PACKAGE, Pump
	3815 960	1			SERVICE PACKAGE, Ring Retaining
12		1			RING, Pump Dr. Shaft Retaining (Serv. in 3815960 Kit)
13	2537 899	1			SEAL, Pump Drive Shaft
14	2891 460	1			VALVE, Pump Flow Control Pressure Relief
15	2537 833	1			SPRING, Pump Flow Control
16	3815 962	1			REPAIR PACKAGE, Pump Ring and Rotor Vane
17	3815 966	1			SPRING, Pump Pressure Plate
18	2537 820	1			PLATE, Pump End
19	2537 823	1			RING, Pump End Plate Retainer
20	3815 967	1			PLATE, Pump Pressure
21	3815 914	1			PLATE, Pump Thrust
22		1			KEY, Pump Drive Shaft (Not Serviced)
23	2537 819	2			PIN, Pump Ring Dowel
24	4333 377	1			SEAL PACKAGE, Pump
25	4333 377	1			SEAL, Oil Pump Reservoir
	4333 377	1			O-RING, Oil Pump Reservoir
26	3643 493	1			FITTING, Pump Discharge
27	#3643 466	2			STUD, Pump Mounting
28	6029 713	2			SCREW, w/Washer
29	2951 852	1			BRACKET, Rear
30	2951 747	1			BRACKET, Front
31	9420 892	1			BOLT, Water Pump Mtg.

MODEL CODES
 C BODY = (D41 - DYNASTY)(C41 - NEW YORKER)
 E BODY = (J - CARAVELLE)(E - 600)(T - NEW YORKER TURBO)
 G BODY = (V24 - DAYTONA, PACIFICA & SHELBY)
 H BODY = (D44 - LANCER)(C44 - LEBARON GTS)
 J BODY = (C - LEBARON)
 K BODY = (P - RELIANT)(D - ARIES)(C - LEBARON/ TOWN & COUNTRY)
 L BODY = (M - HORIZON)(Z-OMNI)
 M BODY = (B - GRAN FURY)(G - DIPLOMAT)(F - FIFTH AVENUE/NEWPORT)
 P BODY = (P - SUNDANCE)(D - SHADOW)
 Q BODY = (C27 - MASERATI)
 S BODY = (H - VOYAGER)(K - RAM VAN/ CARAVAN)

BODY STYLES
 12-52 = FWD VAN & WAGON STD. W.B. 27 = 2-DOOR CONVERTIBLE
 13-53 = FWD VAN & WGN EXT W.B. 41 = 4-DOOR SEDAN
 21 = 2-DOOR SEDAN 44 = 4-DOOR HATCHBACK
 24 = 2-DOOR HATCHBACK 45 = 4-DOOR STATION WAGON

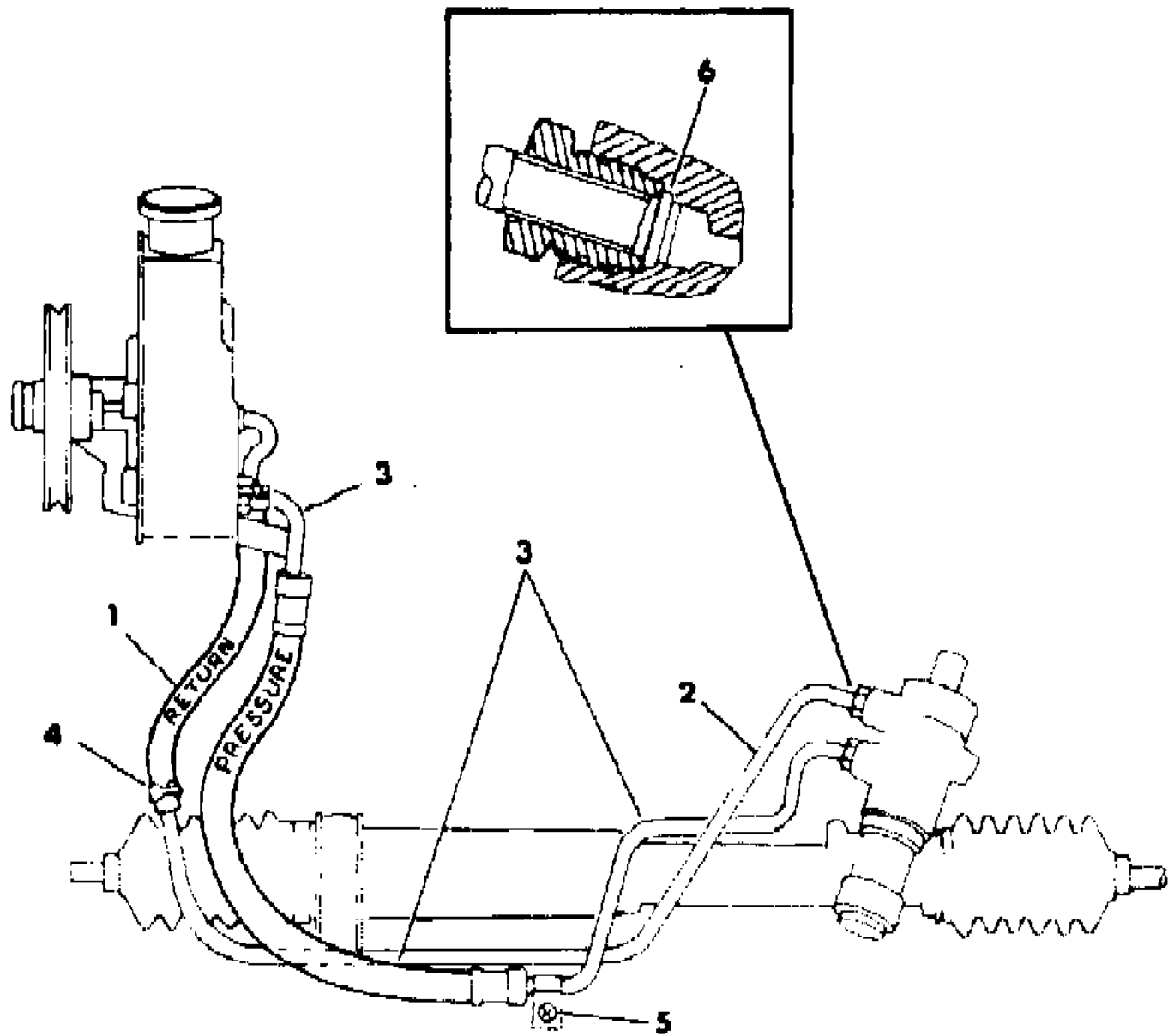
AR = Use as Required - = Non Illustrated Part P.A.R. = Paint as Required



HOSE CHART, POWER STRG. PUMP L,P,J,K,G,E,H,S BODY
Figure 19-1500

8119 1500

ITEM	PART NUMBER	QTY	BODY	MODEL	DESCRIPTION	
NOTE 1: Part No. 3879925 Consists of a 50' Foot Roll use as required the side of the float bowl.						
1		1			HOSE, Return, Power Strg. Pump (Cut to 11" From Part No. 3879925 See Note 1)	
2	4470 067	1	L		TUBE, w/Nut Power Strg. Pump Return Hose, w/2.2	
	4333 779	1	S			
	4333 567	1	S			w/ 3.0 EFI
	4333 563	1	PJGH			w/2.2 & 2.5
	4333 774	1	KEC			w/2.2 & 2.5
	4333 456	1	C			w/3.0 EFI
3	4470 396	1	L		HOSE, Pressure w/2.2 Eng.	
	4470 767	1	PJGHK			w/All
	4333 773	1	KEC			w/2.2, 2.5 EFI
	4333 455	1	C			w/3.0 EFI
	4333 778	1	S			w/2.5 EFI
	4333 566	1	S			w/3.0
4	2448 761	2			CLAMP, Return Hose	
5	4333 770	1			CLAMP, Hose To Frame	
	4333 457	1	C			
	4333 782	1	S			w/2.5
	4333 775	1	S			w/3.0, Pressure LINE
	4333 568	1	S			w/3.0, Return Line
6	5205 254	1			O-RING	



MODEL CODES
 C BODY = (D41 - DYNASTY)(C41 - NEW YORKER)
 E BODY = (J - CARAVELLE)(E - 600)(T - NEW YORKER TURBO)
 G BODY = (V24 - DAYTONA, PACIFICA & SHELBY)
 H BODY = (D44 - LANCER)(C44 - LEBARON GTS)
 J BODY = (C - LEBARON)
 K BODY = (P - RELIANT)(D - ARIES)(C - LEBARON/ TOWN & COUNTRY)
 L BODY = (M - HORIZON)(Z-OMNI)
 M BODY = (B - GRAN FURY)(G - DIPLOMAT)(F - FIFTH AVENUE/NEWPORT)
 P BODY = (P - SUNDANCE)(D - SHADOW)
 Q BODY = (C27 - MASERATI)
 S BODY = (H - VOYAGER)(K - RAM VAN/ CARAVAN)

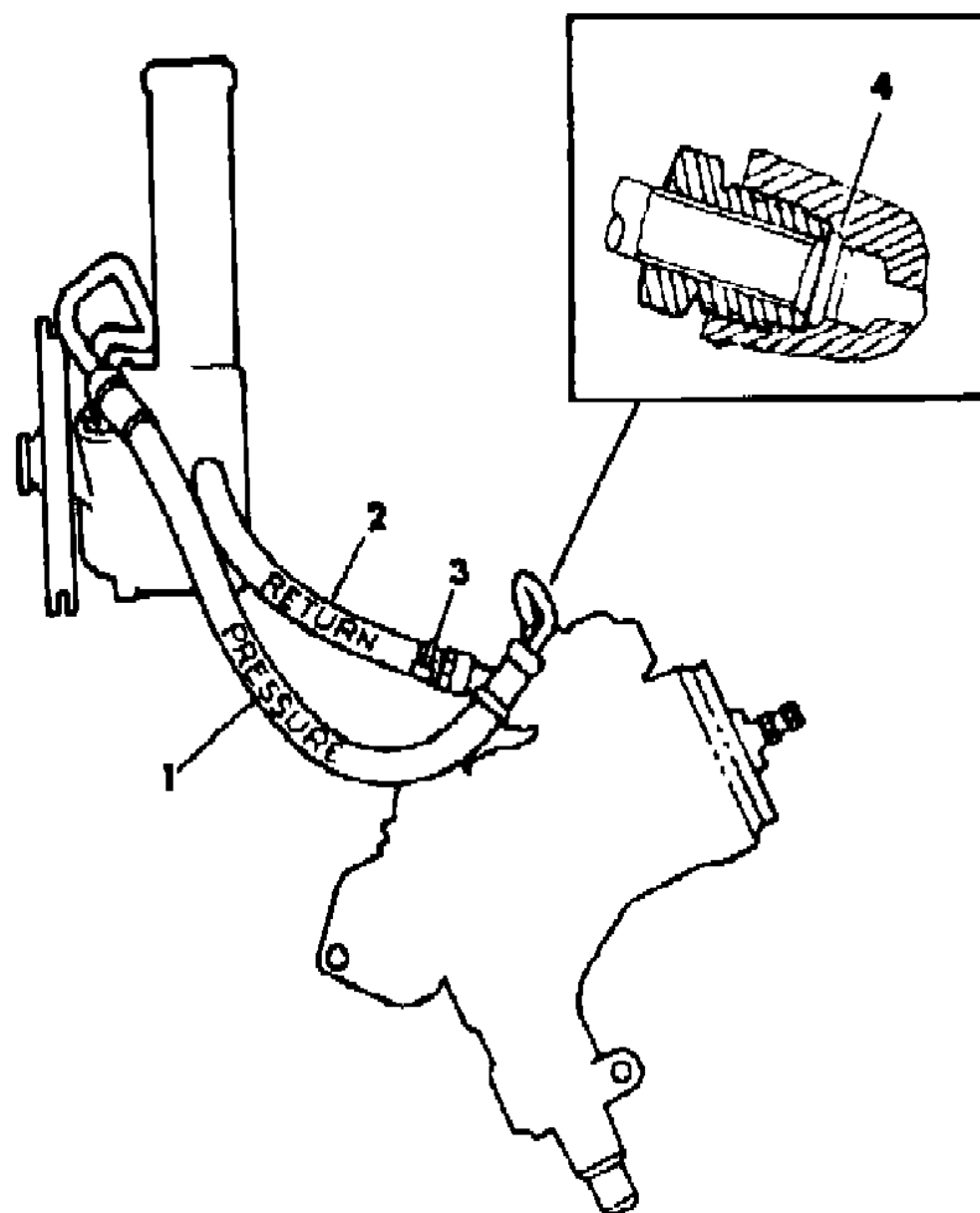
BODY STYLES
 12-52 = FWD VAN & WAGON STD. W.B. 27 = 2-DOOR CONVERTIBLE
 13-53 = FWD VAN & WGN EXT W.B. 41 = 4-DOOR SEDAN
 21 = 2-DOOR SEDAN 44 = 4-DOOR HATCHBACK
 24 = 2-DOOR HATCHBACK 45 = 4-DOOR STATION WAGON

AR = Use as Required - = Non Illustrated Part P.A.R. = Paint as Required

HOSES, POWER STEERING M-BODY
Figure 19-1600

8119 1600

ITEM	PART NUMBER	QTY	BODY	MODEL	DESCRIPTION
NOTE 1: Part No. 3879925 Consists of 50' Foot Roll Use As Required. tie side of the float bowl.					
1	4470 162	1			HOSE, Presure
2		1			HOSE, Return (See Note 1)
3	2448 761	2			CLAMP, Return Hose
4	5205 254	AR			O-RING



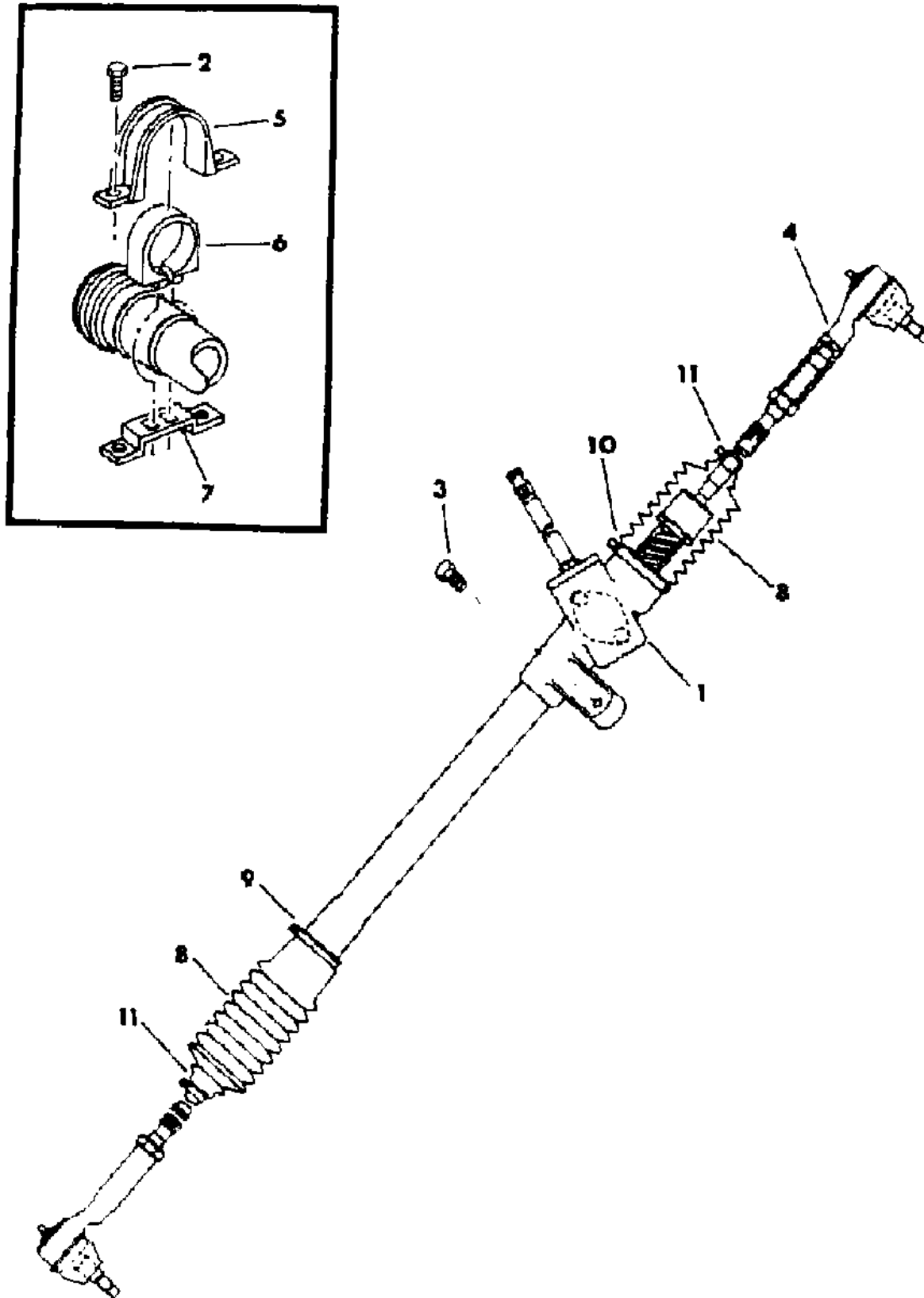
MODEL CODES
 C BODY = (D41 - DYNASTY)(C41 - NEW YORKER)
 E BODY = (J - CARAVELLE)(E - 600)(T - NEW YORKER TURBO)
 G BODY = (V24 - DAYTONA, PACIFICA & SHELBY)
 H BODY = (D44 - LANCER)(C44 - LEBARON GTS)
 J BODY = (C - LEBARON)
 K BODY = (P - RELIANT)(D - ARIES)(C - LEBARON/ TOWN & COUNTRY)
 L BODY = (M - HORIZON)(Z-OMNI)
 M BODY = (B - GRAN FURY)(G - DIPLOMAT)(F - FIFTH AVENUE/NEWPORT)
 P BODY = (P - SUNDANCE)(D - SHADOW)
 Q BODY = (C27 - MASERATI)
 S BODY = (H - VOYAGER)(K - RAM VAN/ CARAVAN)

BODY STYLES
 12-52 = FWD VAN & WAGON STD. W.B. 27 = 2-DOOR CONVERTIBLE
 13-53 = FWD VAN & WGN EXT W.B. 41 = 4-DOOR SEDAN
 21 = 2-DOOR SEDAN 44 = 4-DOOR HATCHBACK
 24 = 2-DOOR HATCHBACK 45 = 4-DOOR STATION WAGON

AR = Use as Required - = Non Illustrated Part P.A.R. = Paint as Required

GEAR, RACK & PINION, MANUAL ATTACHING PARTS L,P,K BODY
Figure 19-1700

8119 1700



ITEM	PART NUMBER	QTY	BODY	MODEL	DESCRIPTION
1	4147 230	1	L		GEAR, Rack and Pinion (Manual Strg.)
	4147 415	1	PK		
2	6101 314	2	L		BOLT, Rack and Pinion Strg. Gear, Rt.
	6101 265	2	PK		BOLT, Rack and Pinion Strg. Gear, Rt.
3	#6101 265	2			BOLT, Rack and Pinion Strg. Gear, Lt.
4	4106 180	2			TIE ROD, Strg. Gear, Outer End
5	5205 225	1			BRACKET, Rack Pinion Strg. Gear Mounting Outer
6	5205 227	1			BUSHING, Rack and Pinion Strg. Gear Mounting
7	5205 226	1			BRACKET, Rack and Pinion Strg. Gear Mounting Inner
8	4131 348	1			SERVICE PACKAGE, Boot and Clamp, Rt. Consists of: 1 - 4147138 Boot, Tie Rod to Rack Tube, Rt. 1 - 5205313 Clamp, Boot to Tie Rod
	4147 071	1			1 - 5205315 Clamp, Boot to Tube, Rt. ADAPTER, Tube To Boot - Rt.
	4131 349	1			SERVICE PACKAGE, Boot and Clamp, Lt. Consists of: 1 - 4147137 Boot, Tie Rod to Housing, Lt. 1 - 5205313 Clamp, Boot to Tie Rod 1 - 5205314 Clamp, Boot to Casting, Lt.
9	3815 816	1			CLAMP, Boot to Tube, Rt.
10	3815 811	1			CLAMP, Boot to Tube, Lt. (Gear Housing)
11	3815 811	2			CLAMP, Boot to Tie Rod
	4147 233	1			ADAPTOR, Strg. Gear To Epic Shield (Not Shown)

MODEL CODES

C BODY = (D41 - DYNASTY)(C41 - NEW YORKER)
 E BODY = (J - CARAVELLE)(E - 600)(T - NEW YORKER TURBO)
 G BODY = (V24 - DAYTONA, PACIFICA & SHELBY)
 H BODY = (D44 - LANCER)(C44 - LEBARON GTS)
 J BODY = (C - LEBARON)
 K BODY = (P - RELIANT)(D - ARIES)(C - LEBARON/ TOWN & COUNTRY)

L BODY = (M - HORIZON)(Z-OMNI)
 M BODY = (B - GRAN FURY)(G - DIPLOMAT)(F - FIFTH AVENUE/NEWPORT)
 P BODY = (P - SUNDANCE)(D - SHADOW)
 Q BODY = (C27 - MASERATI)
 S BODY = (H - VOYAGER)(K - RAM VAN/ CARAVAN)

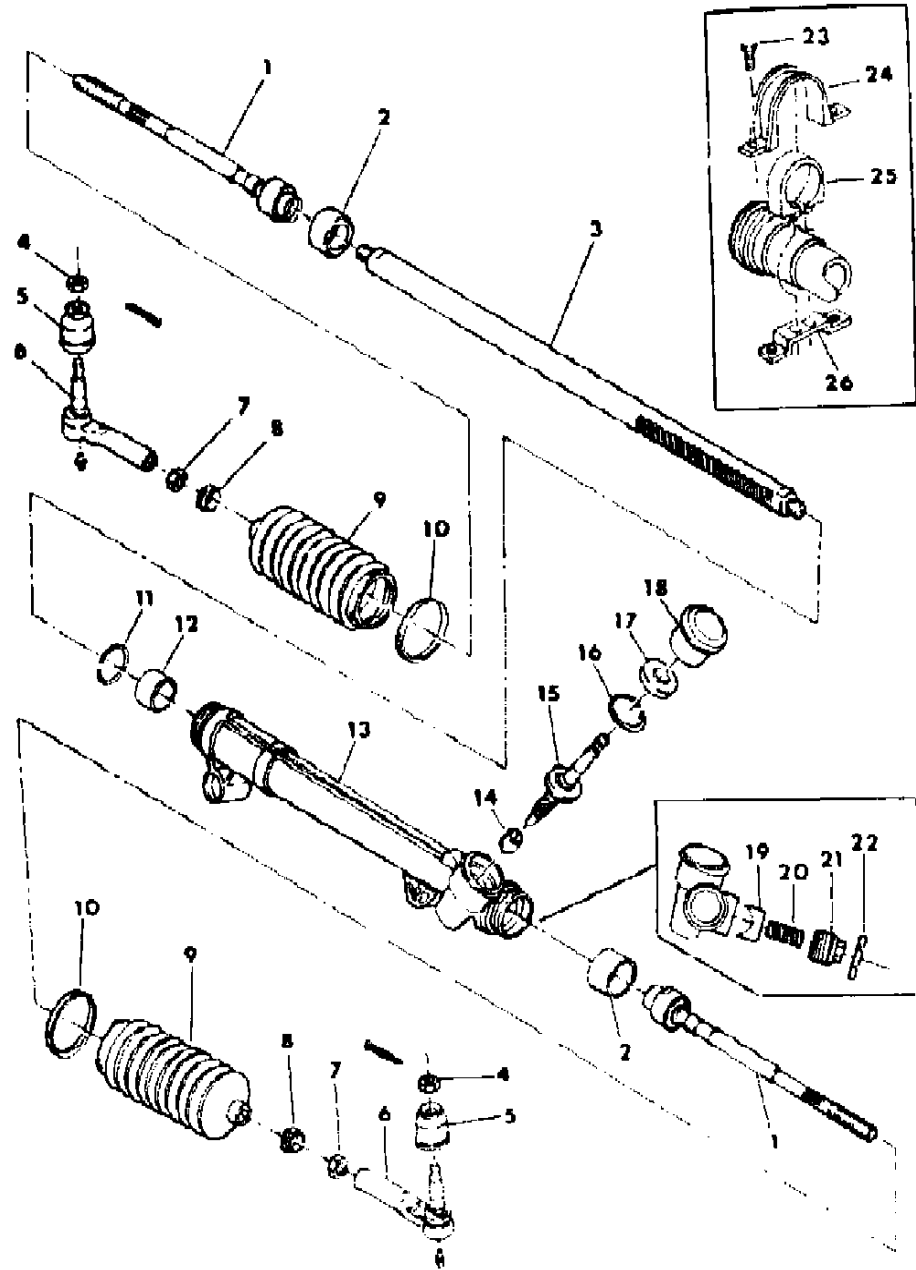
BODY STYLES

12-52 = FWD VAN & WAGON STD. W.B. 27 = 2-DOOR CONVERTIBLE
 13-53 = FWD VAN & WGN EXT W.B. 41 = 4-DOOR SEDAN
 21 = 2-DOOR SEDAN 44 = 4-DOOR HATCHBACK
 24 = 2-DOOR HATCHBACK 45 = 4-DOOR STATION WAGON

AR = Use as Required - = Non Illustrated Part P.A.R. = Paint as Required

GEAR, RACK & PINION, MANUAL AND ATTACHING PARTS S BODY
Figure 19-1800

8119 1800



ITEM	PART NUMBER	QTY	BODY	MODEL	DESCRIPTION
---	4147 075	1			GEAR, Rack & Pinion (Manual Strg.)
1	4147 136	1			ROD, ASSY. Inner Tie - Kit
2	5205 287	1			RING, Shock Dampener
3	4147 243	1			RACK, Steering
4	5205 268	1			NUT, Hex Lock
5	4147 241	1			SEAL, Tie Rod
6	4106 180	1			ROD, ASSY. Outer Tie - Kit
7	5205 275	1			NUT, Hex Jam
8	4147 085	1			CLAMP, Boot -(Serv. in Kit 4147245)
9		1			BOOT, Rack & Pinion - (Serv. in Kit 4147245)
10		1			CLAMP, Boot - (Serv. in Kit 4147245)
11	4147 238	1			RING, Bushing Retaining
12	4147 294	1			BUSHING, Rack
13	4147 236	1			HOUSING, ASSY. Rack & Pinion
14	4147 237	1			BEARING, Roller
15	4147 239	1			PINION, Bearing
16	4147 244	1			RING, Retaining
17		1			SEAL, Strg. Pinion - (Serv. in 4147246 Kit)
18	4147 242	1			ADAPTER, Seal
19	5205 282	1			BEARING, Rack
20	5205 280	1			SPRING, Adjuster
21	5205 286	1			PLUG, Adjuster
22	5205 285	1			NUT, Adjuster Plug Lock
23	6101 493	2			BOLT, Rack & Pinion Strg. Gear - Rt.
24	3643 470	1			BRACKET, Rack & Pinion Strg. Gear Mtg.- Outer
25	3643 471	1			BUSHING, Rack & Pinion Strg. Gear Mtg.- Outer
26	3643 469	1			BRACKET, Rack & Pinion Strg. Gear Mtg.

MODEL CODES

C BODY = (D41 - DYNASTY)(C41 - NEW YORKER)
 E BODY = (J - CARAVELLE)(E - 600)(T - NEW YORKER TURBO)
 G BODY = (V24 - DAYTONA, PACIFICA & SHELBY)
 H BODY = (D44 - LANCER)(C44 - LEBARON GTS)
 J BODY = (C - LEBARON)
 K BODY = (P - RELIANT)(D - ARIES)(C - LEBARON/ TOWN & COUNTRY)

L BODY = (M - HORIZON)(Z-OMNI)
 M BODY = (B - GRAN FURY)(G - DIPLOMAT)(F - FIFTH AVENUE/NEWPORT)
 P BODY = (P - SUNDANCE)(D - SHADOW)
 Q BODY = (C27 - MASERATI)
 S BODY = (H - VOYAGER)(K - RAM VAN/ CARAVAN)

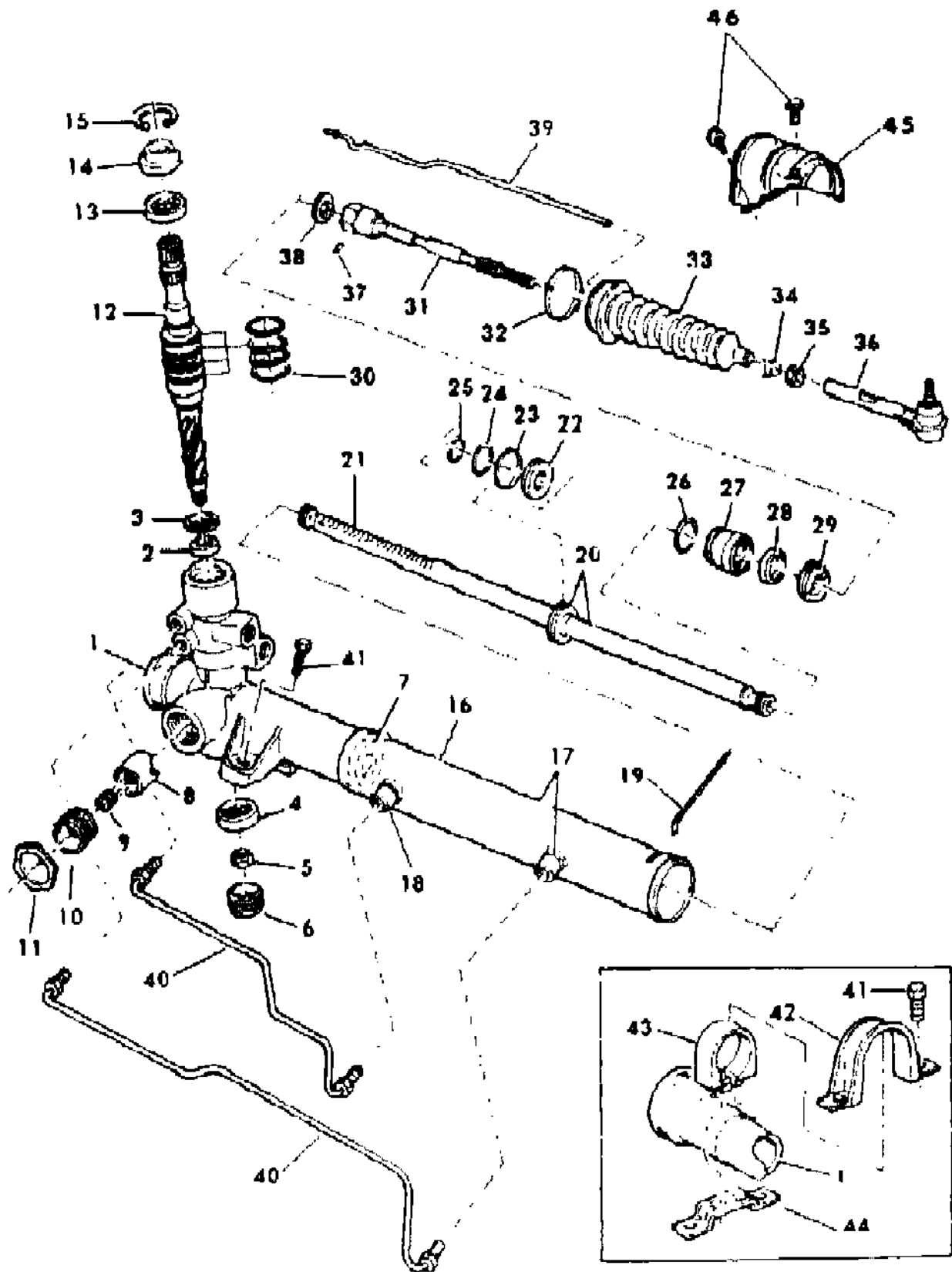
BODY STYLES

12-52 = FWD VAN & WAGON STD. W.B. 27 = 2-DOOR CONVERTIBLE
 13-53 = FWD VAN & WGN EXT W.B. 41 = 4-DOOR SEDAN
 21 = 2-DOOR SEDAN 44 = 4-DOOR HATCHBACK
 24 = 2-DOOR HATCHBACK 45 = 4-DOOR STATION WAGON

AR = Use as Required - = Non Illustrated Part P.A.R. = Paint as Required

**GEAR, RACK & PINION, POWER (TRW) AND ATTACHING PARTS L,P,J,K,G,E,H,C,S BODY
Figure 19-1900**

8119 1900



ITEM	PART NUMBER	QTY	BODY	MODEL	DESCRIPTION
	4106 180	2			SERVICE PACKAGE, Tie Rod Outer Consists of: 1 ----- Tie Rod Outer 1-6500121 Nut 1 ----- Pin Cotter
	3815 865	1			SERVICE PACKAGE, Yoke Consists of: 1 ----- Bearing, Yoke 1 ----- Spring, Yoke
	3815 866	1			SERVICE PACKAGE, Yoke Plug Consists of: 1 ----- Plug 1 ----- Locknut
	3815 874	2			SERVICE RING PACKAGE, Shock Dampner Consists of: 1 ----- Dampner, Shock 1-3815885 Spring Pin, Inner Tie Rod
	4333 733	1			SERVICE PACKAGE, Valve w/Std. Steering
	4333 605	1			w/Firm Feel Steering
	4147 352	1	LS		
	4470 364	1	C		
					Consists of: 1 ----- Valve Assy. 4 ----- Valve Rings
	4147 421	1			SERVICE PACKAGE, Seal, Pinion & Shaft Consists of: 1 ----- Seal, Input Shaft 1 ----- Seal, Upper Pinion 1 ----- Ring, Retaining
					4 ----- Rings, Valve
	3815 878	1			SERVICE PACKAGE, Rack Seal Consists of: 1 ----- Seal, Rack 1 ----- Seal, Rack 1 ----- "O"Ring 1 ----- "O"Ring 1 ----- Ring, Piston

MODEL CODES

C BODY = (D41 - DYNASTY)(C41 - NEW YORKER)
 E BODY = (J - CARAVELLE)(E - 600)(T - NEW YORKER TURBO)
 G BODY = (V24 - DAYTONA, PACIFICA & SHELBY)
 H BODY = (D44 - LANCER)(C44 - LEBARON GTS)
 J BODY = (C - LEBARON)
 K BODY = (P - RELIANT)(D - ARIES)(C - LEBARON/ TOWN & COUNTRY)

L BODY = (M - HORIZON)(Z-OMNI)
 M BODY = (B - GRAN FURY)(G - DIPLOMAT)(F - FIFTH AVENUE/NEWPORT)
 P BODY = (P - SUNDANCE)(D - SHADOW)
 Q BODY = (C27 - MASERATI)
 S BODY = (H - VOYAGER)(K - RAM VAN/ CARAVAN)

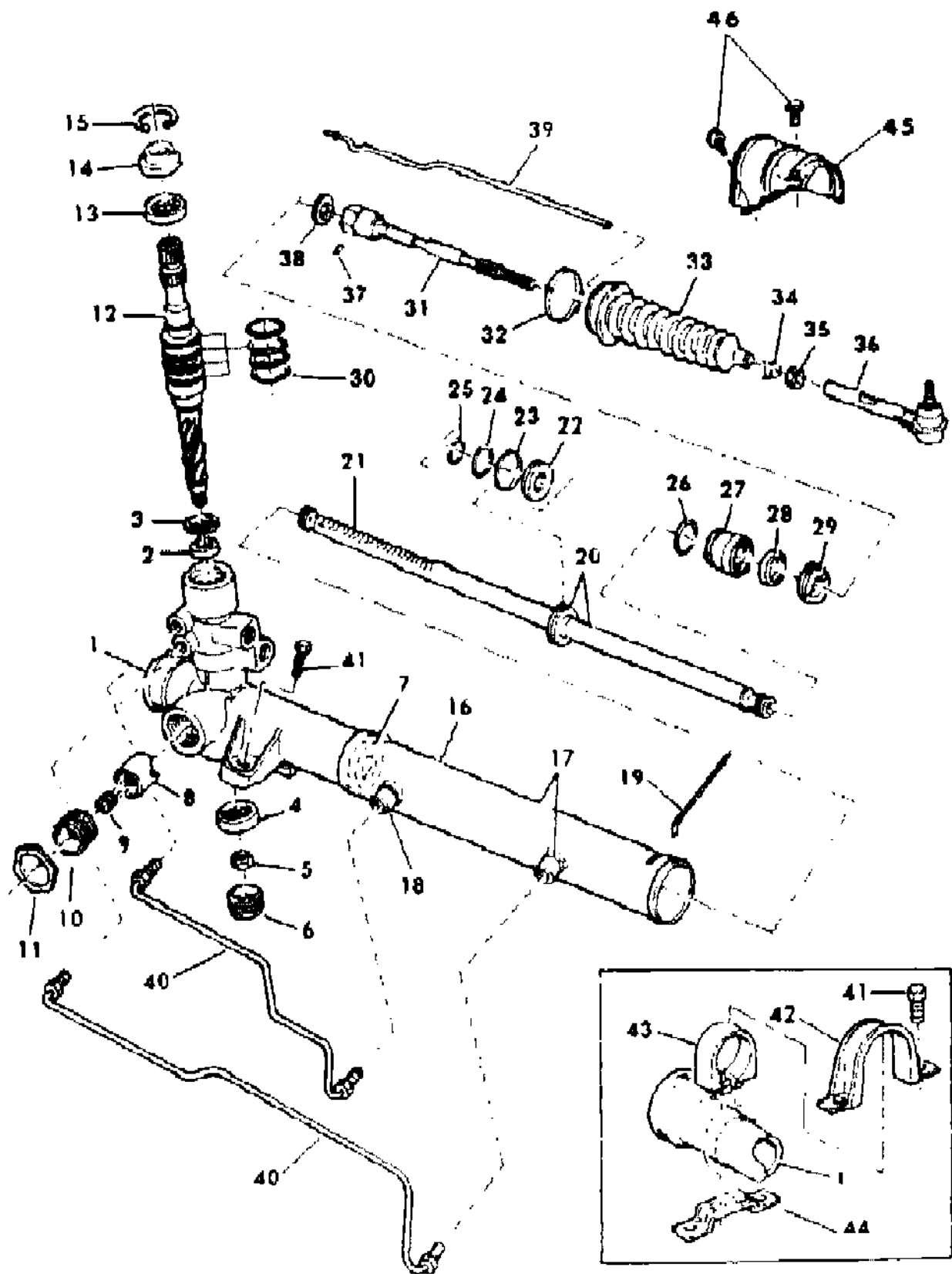
BODY STYLES

12-52 = FWD VAN & WAGON STD. W.B. 27 = 2-DOOR CONVERTIBLE
 13-53 = FWD VAN & WGN EXT W.B. 41 = 4-DOOR SEDAN
 21 = 2-DOOR SEDAN 44 = 4-DOOR HATCHBACK
 24 = 2-DOOR HATCHBACK 45 = 4-DOOR STATION WAGON

AR = Use as Required - = Non Illustrated Part P.A.R. = Paint as Required

**GEAR, RACK & PINION, POWER (TRW) AND ATTACHING PARTS L,P,J,K,G,E,H,C,S BODY
Figure 19-1900**

8119 1900



ITEM	PART NUMBER	QTY	BODY	MODEL	DESCRIPTION
	4147 303	2			SERVICE PACKAGE, Boot (Tapered Boot) 1- 4147301 Clamp, Inboard (After Kit)
	3815 881	1			1 ----- Bellows SERVICE PACKAGE, Bushing Rack Consists of: 1 ----- Bushing 1 ----- "O"Ring 1 ----- Seal
	4147 420	1			SERVICE PACKAGE, Pinion Shaft Bearing Consists of: 1 ----- Bearing 1 ----- Bushing 1 ----- Seal 1 ----- Seal
	4443 424	1	L		GEAR, Rack And Pinion Assy. w/Tie Rod Ends w/Std. Pwr. Strg.
	4293 164	1	KE		w/Std. Pwr. (w/Tag #608 Use 4333608)
	4333 792	1	PJ		w/Std. Pwr. Strg.
	4333 670	1	PJKGH		w/Firm Feel Pwr. Strg.
	4333 633	1	JH		w/Firm Feel Pwr. Strg. w/15" Tires
	4443 425	1	G		w/Firm Feel Pwr. Strg. w/15" Tires
	4470 353	1	C		
	4333 523	1	S		
1	4333 556	1	PJKGEH		HOUSING, Std. Pwr. Strg.
	4333 107	1	JH		w/Firm Feel Steering, w/15" Tires
	4333 621	1	C		
	4147 285	1	S		
2	4147 420	1			BUSHING, Pinion
3	4147 420	1			SEAL
4	3815 868	1			BEARING, Pinion (Also Serviced in Hsg.)
5	3815 869	1			NUT, Pinion
6	4147 306	1			PLUG, Pinion
7		1			SEAL, (Serviced in 3815878 Kit)
8		1			BEARING, YOKE (Serviced in 3815865)
9		1			SPRING, (Serviced in 3815865)
10		1			PLUG, (Serviced in 3815866)

MODEL CODES

C BODY = (D41 - DYNASTY)(C41 - NEW YORKER)
 E BODY = (J - CARAVELLE)(E - 600)(T - NEW YORKER TURBO)
 G BODY = (V24 - DAYTONA, PACIFICA & SHELBY)
 H BODY = (D44 - LANCER)(C44 - LEBARON GTS)
 J BODY = (C - LEBARON)
 K BODY = (P - RELIANT)(D - ARIES)(C - LEBARON/ TOWN & COUNTRY)

L BODY = (M - HORIZON)(Z-OMNI)
 M BODY = (B - GRAN FURY)(G - DIPLOMAT)(F - FIFTH AVENUE/NEWPORT)
 P BODY = (P - SUNDANCE)(D - SHADOW)
 Q BODY = (C27 - MASERATI)
 S BODY = (H - VOYAGER)(K - RAM VAN/ CARAVAN)

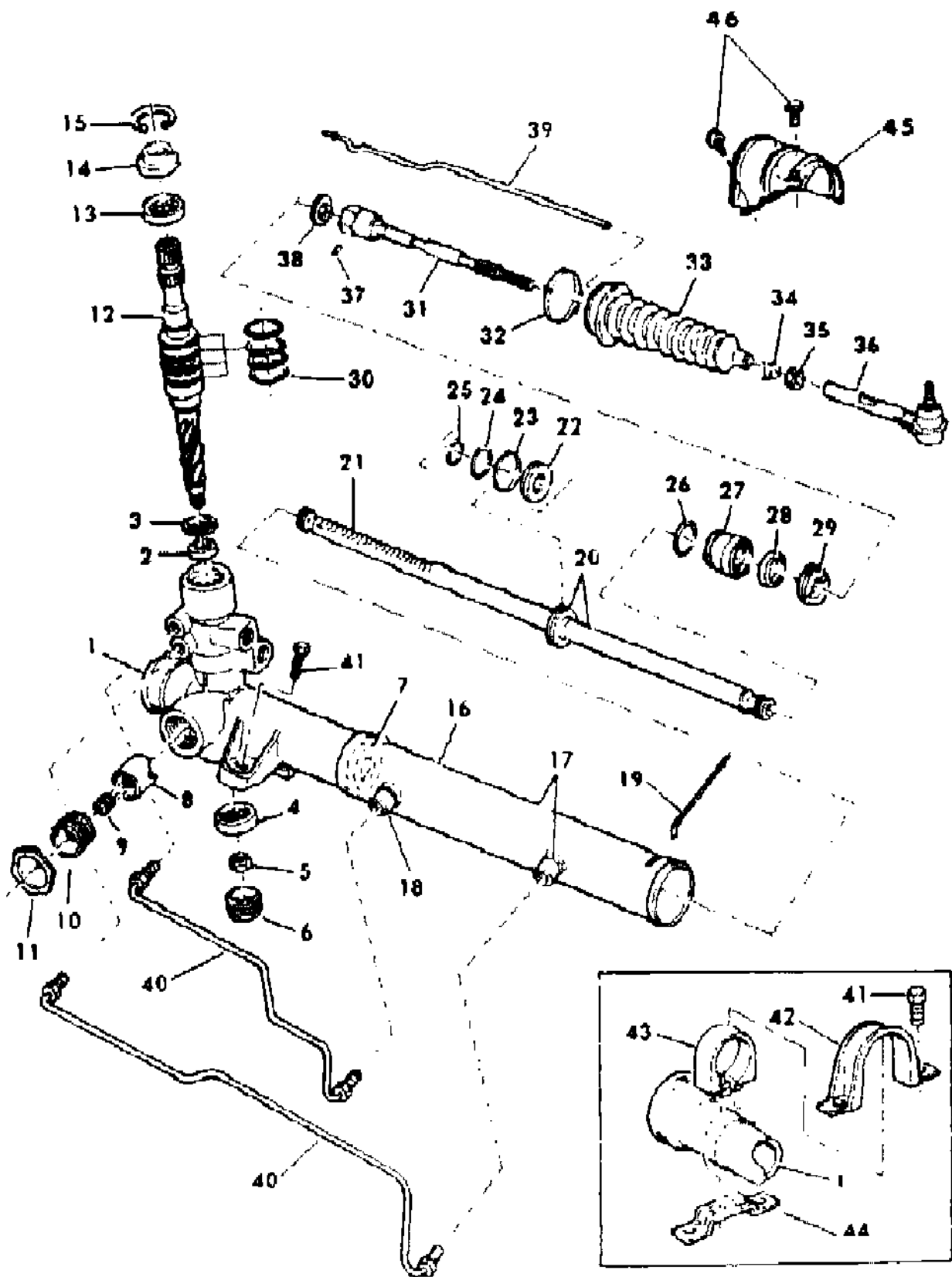
BODY STYLES

12-52 = FWD VAN & WAGON STD. W.B. 27 = 2-DOOR CONVERTIBLE
 13-53 = FWD VAN & WGN EXT W.B. 41 = 4-DOOR SEDAN
 21 = 2-DOOR SEDAN 44 = 4-DOOR HATCHBACK
 24 = 2-DOOR HATCHBACK 45 = 4-DOOR STATION WAGON

AR = Use as Required - = Non Illustrated Part P.A.R. = Paint as Required

GEAR, RACK & PINION, POWER (TRW) AND ATTACHING PARTS L,P,J,K,G,E,H,C,S BODY
Figure 19-1900

8119 1900



ITEM	PART NUMBER	QTY	BODY	MODEL	DESCRIPTION
11		1			NUT, (Serviced in 3815866)
12		1			VALVE, (Serv. in Kit)
13		1			BEARING, (Serviced in Kit)
14	3815 877	1			SEAL, Shaft (Also Serviced in Kits)
15	3815 886	1			RING, Retaining (Also Serviced in Kit)
16		1			TUBE, (Serviced in Housing)
17		1			TUBE, RACK (Serviced in Housing)
18		1			STUD, Weld (Serviced in Housing)
19	3815 884	1			WIRE, Retaining Lock Ring
20	4470 030	1			RACK, Std. Power Steering
	4333 449	1			w/Firm Feel Power Steering
	4333 453	1	S		w/Std. Power Steering
21		1			RACK, (Serviced in Rack Assy.)
22		1			PISTON, (Serviced in Rack Assy.)
23		1			RING, Piston (Serviced in 3815878 Kit)
24		1			O-RING, (Serviced in 3815878 Kit)
25		1			RING, Retaining (Serviced in Rack Assy.)
26		1			O-RING, Bushing (Serviced in 3815878 Kit)
27		1			BUSHING, Rack (Serviced in 3815881)
28		1			SEAL, (Serviced in 3815878, 3815881)
29	3815 883	1			LOCK RING, Bushing
	4333 359	1	JH		w/Firm Feel, w/15" Tires
	4333 558	1	G		
30		4			VALVE RINGS, (Serviced in Kit)
31	4333 450	2			SOCKET, Horizontal
32	4147 301	2			CLAMP, (Also Serviced in Kit)
33	4147 303	1			BELLOWS, Tapped
34	4147 424	2			CLAMP, Inboard
35	3815 867	2			LOCK NUT
36		2			SOCKET, ASSY. (Serviced in 4106180 Tie RodOuter P kg.)
37	3815 885	2			PIN, Inner Tie Rod (Also Serviced in Kits)
38	4470 639	1			DAMPER, (Also in 3815874 Kit) Lt.
	4470 640	1			Rt.
	4470 641	2	QG		
39	3815 871	1			BREATHER TUBE, Rack
	4333 623	1	C		
	4147 342	1	S		

MODEL CODES

C BODY = (D41 - DYNASTY)(C41 - NEW YORKER)
 E BODY = (J - CARAVELLE)(E - 600)(T - NEW YORKER TURBO)
 G BODY = (V24 - DAYTONA, PACIFICA & SHELBY)
 H BODY = (D44 - LANCER)(C44 - LEBARON GTS)
 J BODY = (C - LEBARON)
 K BODY = (P - RELIANT)(D - ARIES)(C - LEBARON/ TOWN & COUNTRY)

L BODY = (M - HORIZON)(Z-OMNI)
 M BODY = (B - GRAN FURY)(G - DIPLOMAT)(F - FIFTH AVENUE/NEWPORT)
 P BODY = (P - SUNDANCE)(D - SHADOW)
 Q BODY = (C27 - MASERATI)
 S BODY = (H - VOYAGER)(K - RAM VAN/ CARAVAN)

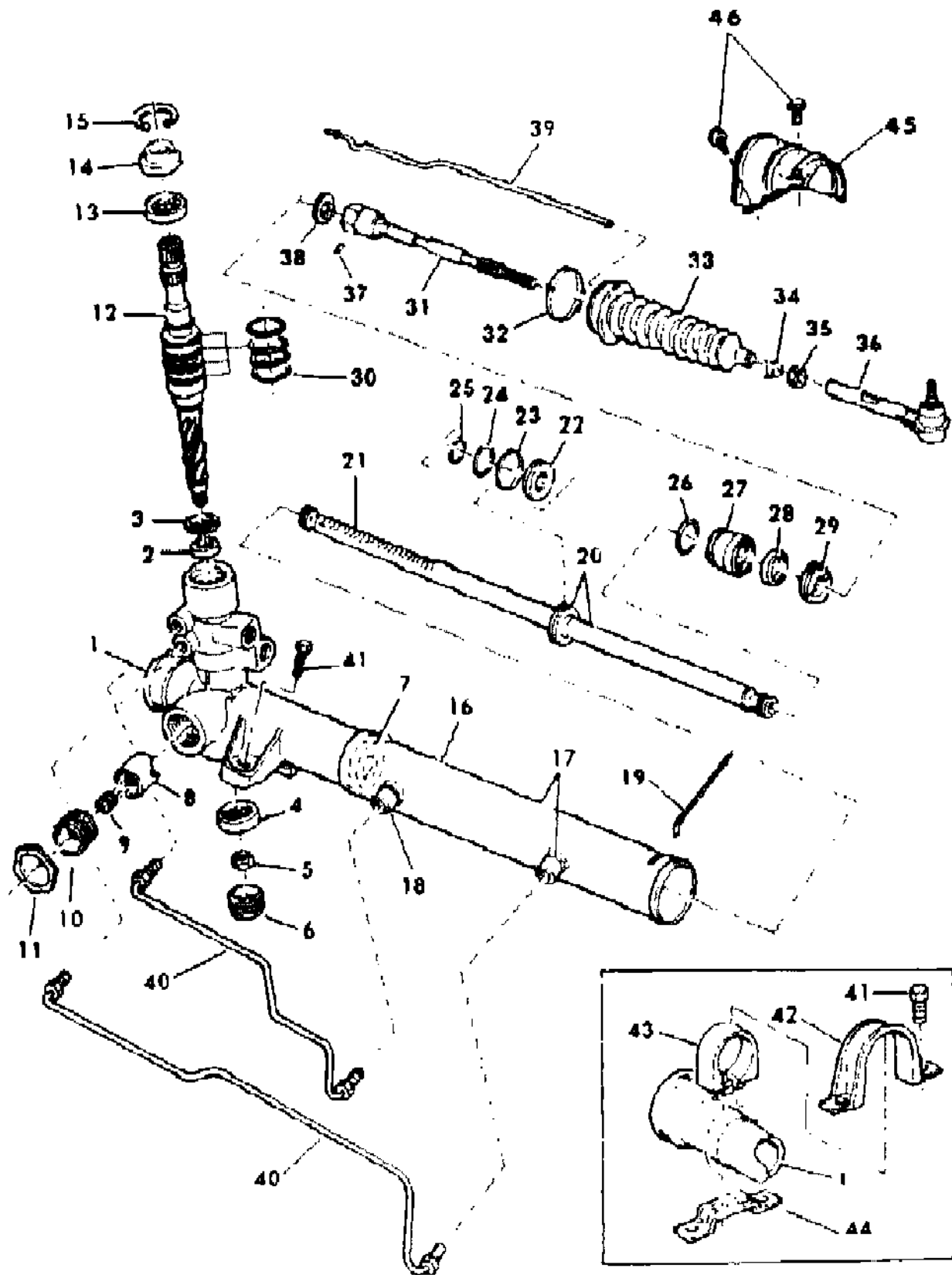
BODY STYLES

12-52 = FWD VAN & WAGON STD. W.B. 27 = 2-DOOR CONVERTIBLE
 13-53 = FWD VAN & WGN EXT W.B. 41 = 4-DOOR SEDAN
 21 = 2-DOOR SEDAN 44 = 4-DOOR HATCHBACK
 24 = 2-DOOR HATCHBACK 45 = 4-DOOR STATION WAGON

AR = Use as Required - = Non Illustrated Part P.A.R. = Paint as Required

**GEAR, RACK & PINION, POWER (TRW) AND ATTACHING PARTS L,P,J,K,G,E,H,C,S BODY
Figure 19-1900**

8119 1900



ITEM	PART NUMBER	QTY	BODY	MODEL	DESCRIPTION
40	4333 360	1			LINE, Cylinder, Left
		1	S		Left (Service in Strg Gear)
	4333 361	1			Right
		1	S		Right (Service in Strg Gear)
41	6100 576	2			BOLT, Rack and Pinion Power Strg. Gear Mounting, Rt.
	6101 265	2			Lt.
	6101 265	4	C		
42	3643 470	1			BRACKET, Rack and Pinion Power Strg. Gear Mounting, Outer Rt.
	3643 421	1	C		Rt.
	3643 424	1	C		Lt.
43	3643 471	1			BUSHING, Rack and Pinion Power Strg. Gear Mounting
	3643 422	1	C		Rt.
	3643 425	1	C		Lt.
44	3643 469	1			BRACKET, Rack and Pinion Power Strg. Gear Mounting, Inner RT.
	3643 419	1	C		Rt.
	3643 423	1	C		Lt.
45	4404 292	1	C		SHEILD, Boot Protector Rt.
	4404 293	1	C		Lt.
46		6	C		SCREW, w/Washer (Not Serv.)

MODEL CODES

C BODY = (D41 - DYNASTY)(C41 - NEW YORKER)	L BODY = (M - HORIZON)(Z-OMNI)
E BODY = (J - CARAVELLE)(E - 600)(T - NEW YORKER TURBO)	M BODY = (B - GRAN FURY)(G - DIPLOMAT)(F - FIFTH AVENUE/NEWPORT)
G BODY = (V24 - DAYTONA, PACIFICA & SHELBY)	P BODY = (P - SUNDANCE)(D - SHADOW)
H BODY = (D44 - LANCER)(C44 - LEBARON GTS)	Q BODY = (C27 - MASERATI)
J BODY = (C - LEBARON)	S BODY = (H - VOYAGER)(K - RAM VAN/ CARAVAN)
K BODY = (P - RELIANT)(D - ARIES)(C - LEBARON/ TOWN & COUNTRY)	

BODY STYLES

12-52 = FWD VAN & WAGON STD. W.B.	27 = 2-DOOR CONVERTIBLE
13-53 = FWD VAN & WGN EXT W.B.	41 = 4-DOOR SEDAN
21 = 2-DOOR SEDAN	44 = 4-DOOR HATCHBACK
24 = 2-DOOR HATCHBACK	45 = 4-DOOR STATION WAGON

AR = Use as Required - = Non Illustrated Part P.A.R. = Paint as Required

GEAR, POWER STEERING M BODY

Figure 19-2000

8119 2000

ITEM	PART NUMBER	QTY	BODY	MODEL	DESCRIPTION
	3879 921	1			SERVICE PACKAGE, Strg. Gear Lower Sector Seal Consists of: 1 - Seal, Strg. Gear Shaft Oil 1 - Seal, Strg. Gear Shaft Dust
	3879 920	1			SERVICE PACKAGE, Strg. Gear Sector Cover Seal Consists of: 1 - "O" Ring, Gear Shaft Cvr. 1 - "O" Ring, Gear Shaft Cvr. 1 - "O" Ring, Gear Shaft Cvr.
	4057 085	1			1 - Seal, Adj. Screw 1 - Gasket, Gear Shaft Adjusting Nut SERVICE PACKAGE, Valve and "O" Ring, Strg. Gear Consists of: 1 - 3643281 Valve, Gear Pressure 1 - 6030655 "O" Ring, Gear Valve Hsg. 1 - 6030656 "O" Ring, Gear Pressure Control Valve 1 - Sleeve, Hose Return
	3879 919	1			SERVICE PACKAGE, Strg. Valve Body Seal Consists of: 1 - 6030655 "O" Ring, Gear Valve Hsg. 1 - 6030656 "O" Ring, Gear Press. Control Valve
	3879 924	1			2 - 6030657 "O" Ring, Gear Hsg. Port 1 - 6030658 "O" Ring, Hsg. to Valve SERVICE PACKAGE, Strg. Gear Power Train Consists of: 1 - Ring, Strg. Gear Ferrule 2 - "O" Ring, Strg. Gear Cyl. Head 1 - Seal, Strg. Gear Reaction Upper 1 - 1733602 "O" Ring, Strg. Gear Hsg. Head 1 - Seal, Worm Sleeve 1 - Ring, Worm Seal 1 - Ring, Gear Reaction Lwr. 1 - "O" Ring, Gear Piston Ring
	4057 088	1			1 - Ring, Gear Piston 1 - Washer, Gear Hsg. Head Nut SERVICE PACKAGE, Strg. Gear Valve Housing and Seal Consists of:

MODEL CODES

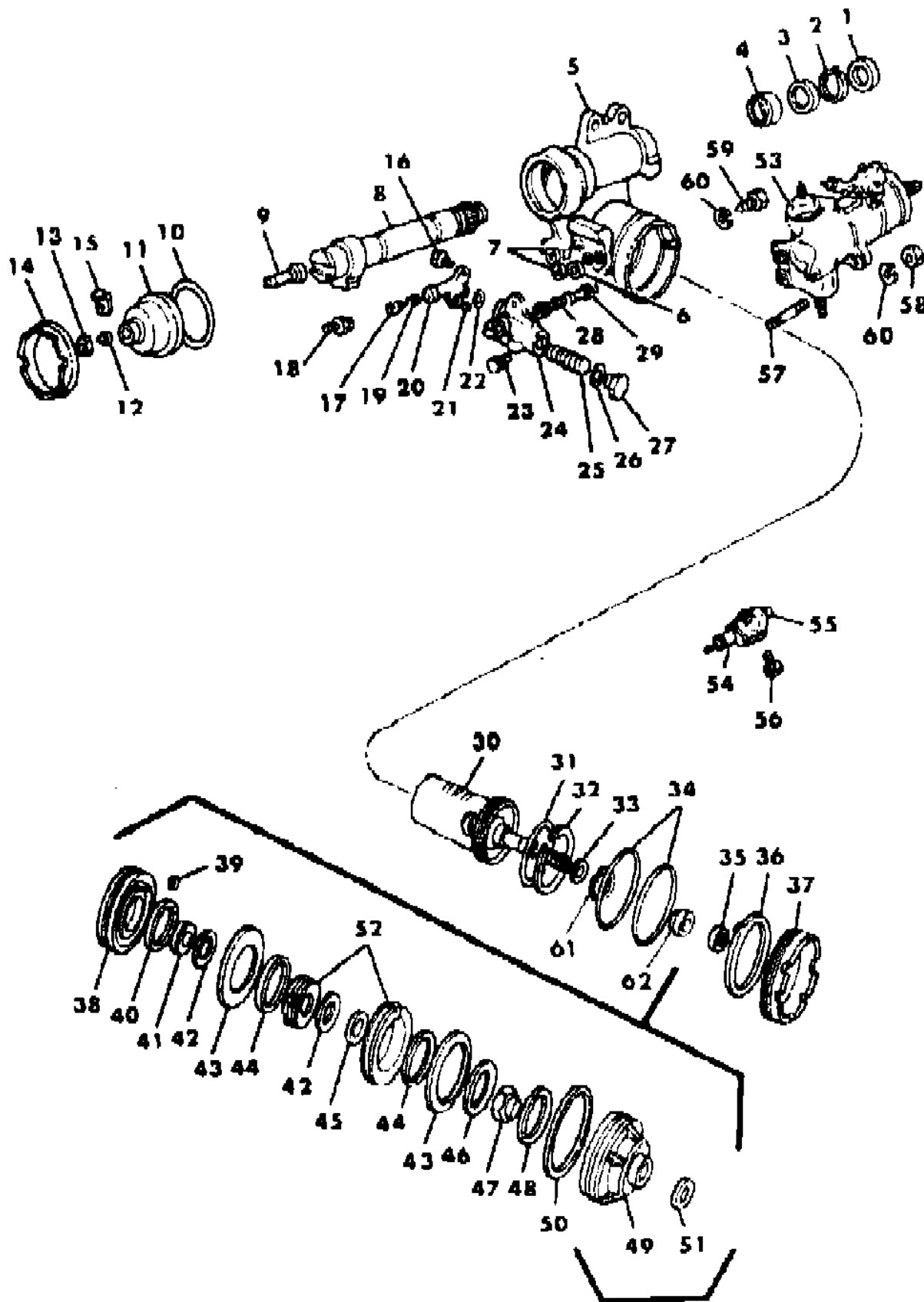
C BODY = (D41 - DYNASTY)(C41 - NEW YORKER)
E BODY = (J - CARAVELLE)(E - 600)(T - NEW YORKER TURBO)
G BODY = (V24 - DAYTONA, PACIFICA & SHELBY)
H BODY = (D44 - LANCER)(C44 - LEBARON GTS)
J BODY = (C - LEBARON)
K BODY = (P - RELIANT)(D - ARIES)(C - LEBARON/ TOWN & COUNTRY)

L BODY = (M - HORIZON)(Z-OMNI)
M BODY = (B - GRAN FURY)(G - DIPLOMAT)(F - FIFTH AVENUE/NEWPORT)
P BODY = (P - SUNDANCE)(D - SHADOW)
Q BODY = (C27 - MASERATI)
S BODY = (H - VOYAGER)(K - RAM VAN/ CARAVAN)

BODY STYLES

12-52 = FWD VAN & WAGON STD. W.B. 27 = 2-DOOR CONVERTIBLE
13-53 = FWD VAN & WGN EXT W.B. 41 = 4-DOOR SEDAN
21 = 2-DOOR SEDAN 44 = 4-DOOR HATCHBACK
24 = 2-DOOR HATCHBACK 45 = 4-DOOR STATION WAGON

AR = Use as Required - = Non Illustrated Part P.A.R. = Paint as Required



GEAR, POWER STEERING M BODY

Figure 19-2000

8119 2000

ITEM	PART NUMBER	QTY	BODY	MODEL	DESCRIPTION
					1 - ----- Housing, Strg. Gear Valve Assy.
					1 - 3879919 Package, Strg. Gear Valve Seal
1		1			SEAL, Dust Strg. Gear Shaft (Serviced in Pkg. 3879921)
2	2127 049	1			SNAP RING, Strg. Gear Shaft Dust Seal
3	1670 356	1			RETAINER, Strg. Gear Shaft Seal
4		1			SEAL, Oil Strg. Gear Shaft (Serviced in Pkg. 3879921)
5	4333 095	1			HOUSING, Strg. Gear
6		1			O-RING, Gear Housing to Valve (Serviced in 3879919)
7	6030 657	2			O-RING, Gear Housing Port (also Serviced in 3879919)
8	3643 302	1			SHAFT, Strg. Gear
9	2948 857	1			SCREW, Gear Shaft Adjusting
10		1			O-RING, Strg. Gear Shaft Cover (Serviced in Pkg.3 879920)
11	3643 301	1			COVER, Strg. Gear Shaft
12		1			BUTTON, Strg. Gear I.D. Tester (Not Service)
13	6028 983	1			NUT, Strg. Gear Shaft Adjusting Screw
14	1733 627	1			NUT, Strg. Gear Shaft Cover
15		1			GASKET, Strg. Shaft Adj. Screw Nut (Serviced in Pkg. 3879920)
16	9408 948	2			SCREW, Pressure Control Valve Att.
17		1			PISTON, Pressure Control Valve (Serviced in 4057085 Valve)
18		1			ADAPTER, Strg. Gear Return Hose (Serviced in Pkg. 4057085)
19		1			SPRING, Pressure Control Valve (Serviced in Pkg. 4057085)
20		1			BODY, Pressure Control Valve (Serviced in Pkg. 4057085)
21		1			O-RING, Strg. Gear Pressure Control Valve (Serviced in Pkg. 3879919)
22	6030 655	1			O-RING, Strg. Gear Valve Housing (also serviced in Pkg. 3879919)
23		1			PLUG, Strg. Gear Valve (Serviced in Housing and Seal Pkg. 3643280)
24		1			HOUSING, Strg. Gear Valve (Serviced in Housing and Seal Pkg. 3643280)
25		1			PISTON, Strg. Gear Valve (Serviced in Housing and Seal Pkg. 3643280)
26	1733 724	1			GASKET, Strg. Gear Valve Plug
27		1			PLUG, Strg. Gear Valve (Serviced in Valve 3643280)
28	1823 151	1			SPRING, Strg. Gear Valve
29	1822 380	1			LEVER, Strg. Gear Valve
30	4342 711	1			WORM and PISTON, Strg. Gear

MODEL CODES

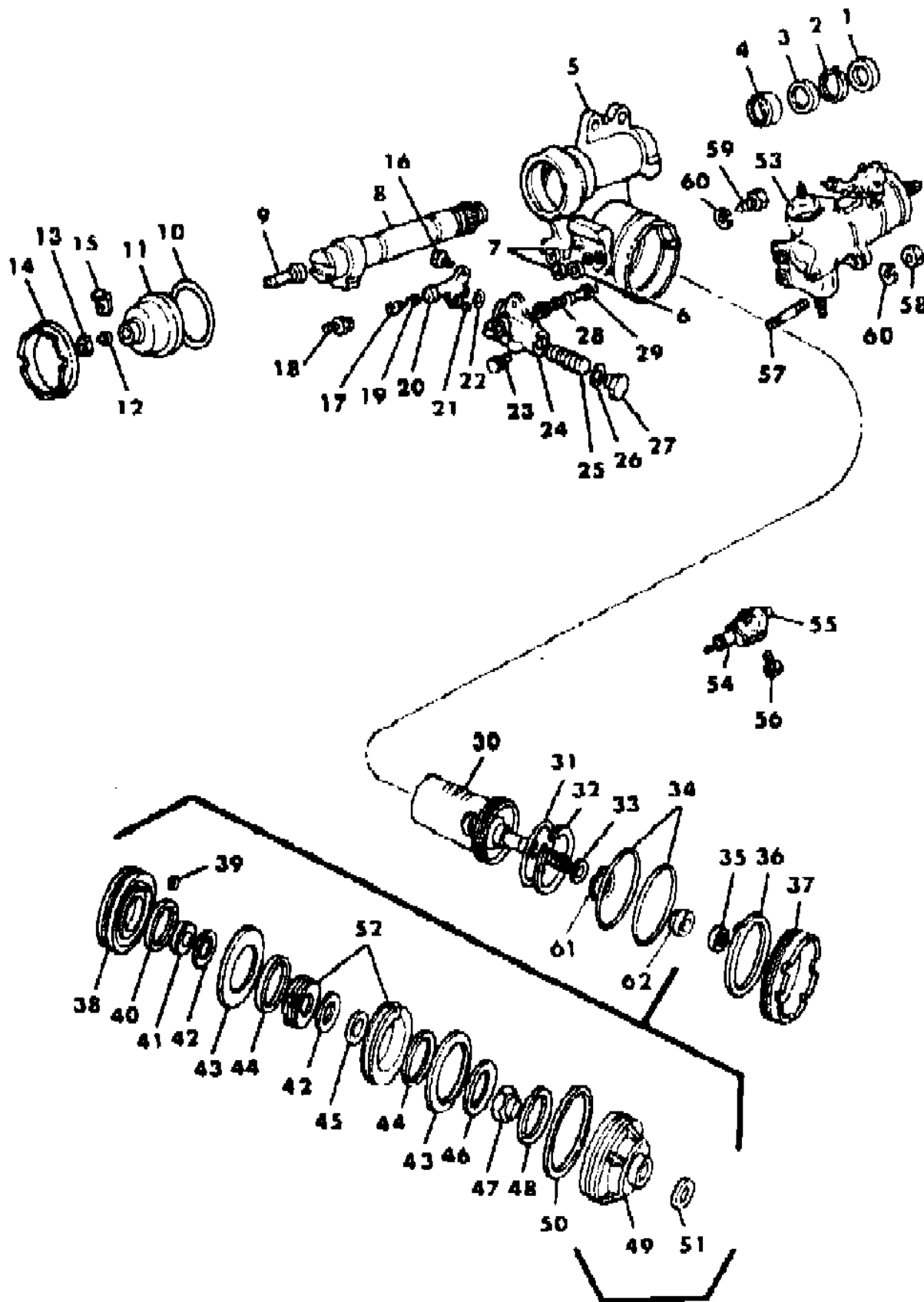
C BODY = (D41 - DYNASTY)(C41 - NEW YORKER)
 E BODY = (J - CARAVELLE)(E - 600)(T - NEW YORKER TURBO)
 G BODY = (V24 - DAYTONA, PACIFICA & SHELBY)
 H BODY = (D44 - LANCER)(C44 - LEBARON GTS)
 J BODY = (C - LEBARON)
 K BODY = (P - RELIANT)(D - ARIES)(C - LEBARON/ TOWN & COUNTRY)

L BODY = (M - HORIZON)(Z-OMNI)
 M BODY = (B - GRAN FURY)(G - DIPLOMAT)(F - FIFTH AVENUE/NEWPORT)
 P BODY = (P - SUNDANCE)(D - SHADOW)
 Q BODY = (C27 - MASERATI)
 S BODY = (H - VOYAGER)(K - RAM VAN/ CARAVAN)

BODY STYLES

12-52 = FWD VAN & WAGON STD. W.B. 27 = 2-DOOR CONVERTIBLE
 13-53 = FWD VAN & WGN EXT W.B. 41 = 4-DOOR SEDAN
 21 = 2-DOOR SEDAN 44 = 4-DOOR HATCHBACK
 24 = 2-DOOR HATCHBACK 45 = 4-DOOR STATION WAGON

AR = Use as Required - = Non Illustrated Part P.A.R. = Paint as Required



GEAR, POWER STEERING M BODY

Figure 19-2000

8119 2000

ITEM	PART NUMBER	QTY	BODY	MODEL	DESCRIPTION
31		1			RING, Strg. Gear Piston (Serviced in Pkg. 3879924)
32		1			RING, Strg. Gear Piston Sealing (Serviced in Pkg. 3879924)
33	1822 406	1			RING, Strg. Gear Worm Seal
34		2			O-RING, Strg. Gear Cyl. Head (Serviced in Pkg. 3879924)
35	2537 796	1			BEARING, Strg. Gear Worm
36		1			WASHER, Strg. Gear Hsg. Head Nut (Serviced in Pkg. 3879924)
37	1733 625	1			NUT, Strg. Gear Hsg. Head
38	3643 173	1			HEAD, Strg. Gear Cylinder
39		1			O-RING, Strg. Gear Ferruel (Serv. In Pkg. 3879924)
40		1			O-RING, Strg. Gear Reaction (Serviced in Pkg. 3879924)
41	1856 292	1			RACE, Strg. Gear Thrust Brg., Inner
42	1822 158	2			BEARING, Strg. Gear Thrust
43	3643 129	2			SPRING, Strg. Gear Reaction (Exc. Police Cars)
	3643 169	2			(Police Cars)
44	1822 150	2			RING, Strg. Gear Reaction
45	1822 156	1			RACE, Strg. Gear Thrust Bearing, Outer
46	1733 790	1			WASHER, Strg. Gear Reaction
47	1822 157	1			NUT, Strg. Gear Thrust Bearing
48	1822 151	1			SEAL, Strg. Gear Reaction Upper
49	3643 315	1			HEAD, Strg. Gear Housing
50	1733 602	1			O-RING, Strg. Gear Hsg. Head
51	3643 321	1			SEAL, Strg. Gear Worm Shaft
52	1822 390	1			SPACER, w/Center Race, Strg. Gear
53	3643 333	1			CHUCK, Power Strg. Gear, Exc. Police Cars (Remanufactured Part)
	3643 334	1			(Police Cars)
54	4057 085	1			SERVICE PACKAGE, Valve and O'Ring, Strg. Gear
55	3643 280	1			VALVE, Strg. Gear Assy. (Includes Valve 3643281)
56	0220 800	2			SCREW, Strg. Gear Valve Mounting
57	6030 443	1			STUD, Strg. Gear Mounting
58	0219 467	1			NUT
59	#6031 732	2			BOLT, Strg. Gear Mounting
60	6027 224	AR			WASHER, Strg. Gear Mounting
61	1822 321	1			SNAP RING, Strg. Gear Cyl. Head
62	1822 320	1			SLEEVE, Strg. Gear Worm
		1			PLUG, Strg. Gear Recirculating Ball Guide (Not Serv.)

MODEL CODES

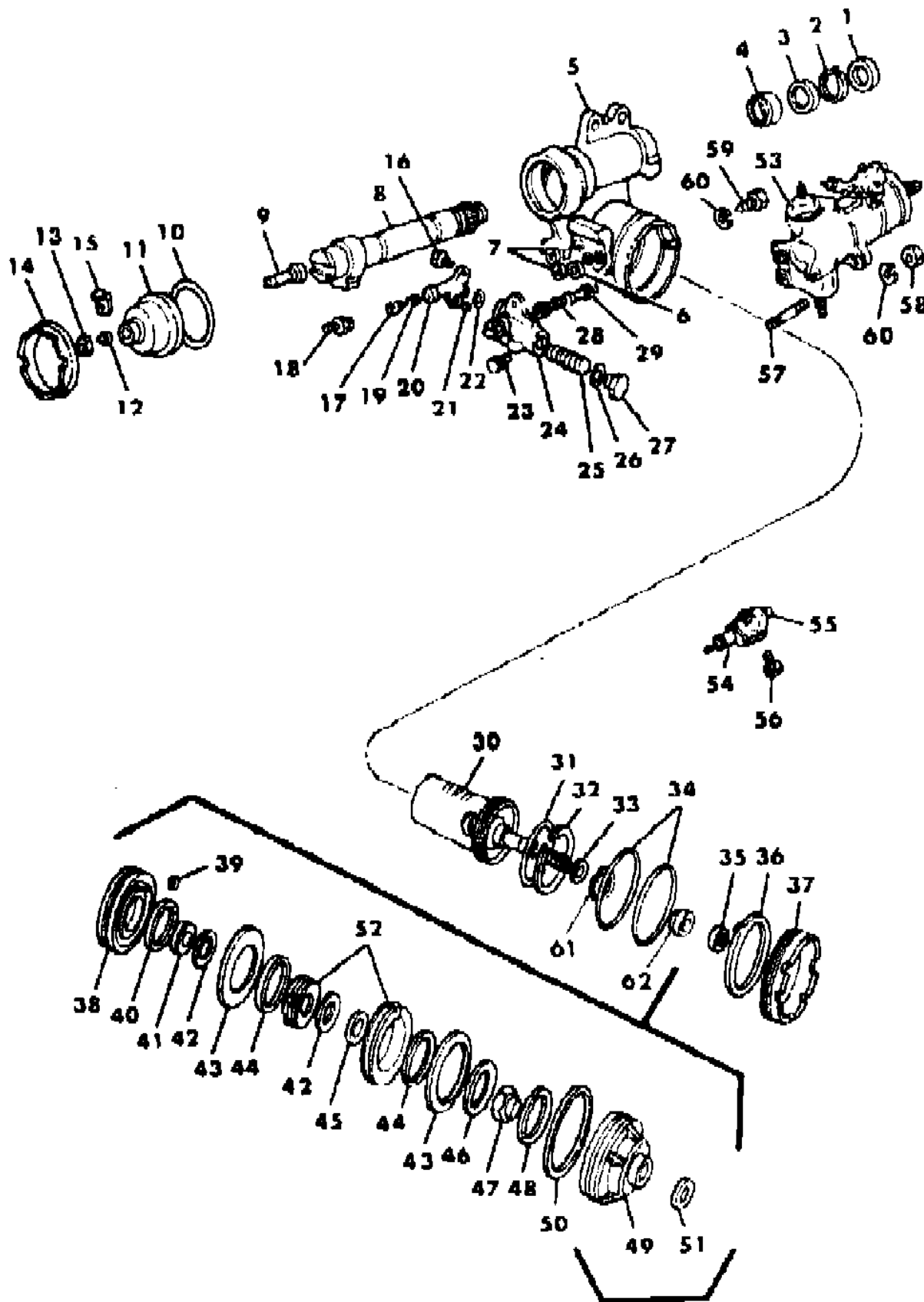
C BODY = (D41 - DYNASTY)(C41 - NEW YORKER)
 E BODY = (J - CARAVELLE)(E - 600)(T - NEW YORKER TURBO)
 G BODY = (V24 - DAYTONA, PACIFICA & SHELBY)
 H BODY = (D44 - LANCER)(C44 - LEBARON GTS)
 J BODY = (C - LEBARON)
 K BODY = (P - RELIANT)(D - ARIES)(C - LEBARON/ TOWN & COUNTRY)

L BODY = (M - HORIZON)(Z-OMNI)
 M BODY = (B - GRAN FURY)(G - DIPLOMAT)(F - FIFTH AVENUE/NEWPORT)
 P BODY = (P - SUNDANCE)(D - SHADOW)
 Q BODY = (C27 - MASERATI)
 S BODY = (H - VOYAGER)(K - RAM VAN/ CARAVAN)

BODY STYLES

12-52 = FWD VAN & WAGON STD. W.B. 27 = 2-DOOR CONVERTIBLE
 13-53 = FWD VAN & WGN EXT W.B. 41 = 4-DOOR SEDAN
 21 = 2-DOOR SEDAN 44 = 4-DOOR HATCHBACK
 24 = 2-DOOR HATCHBACK 45 = 4-DOOR STATION WAGON

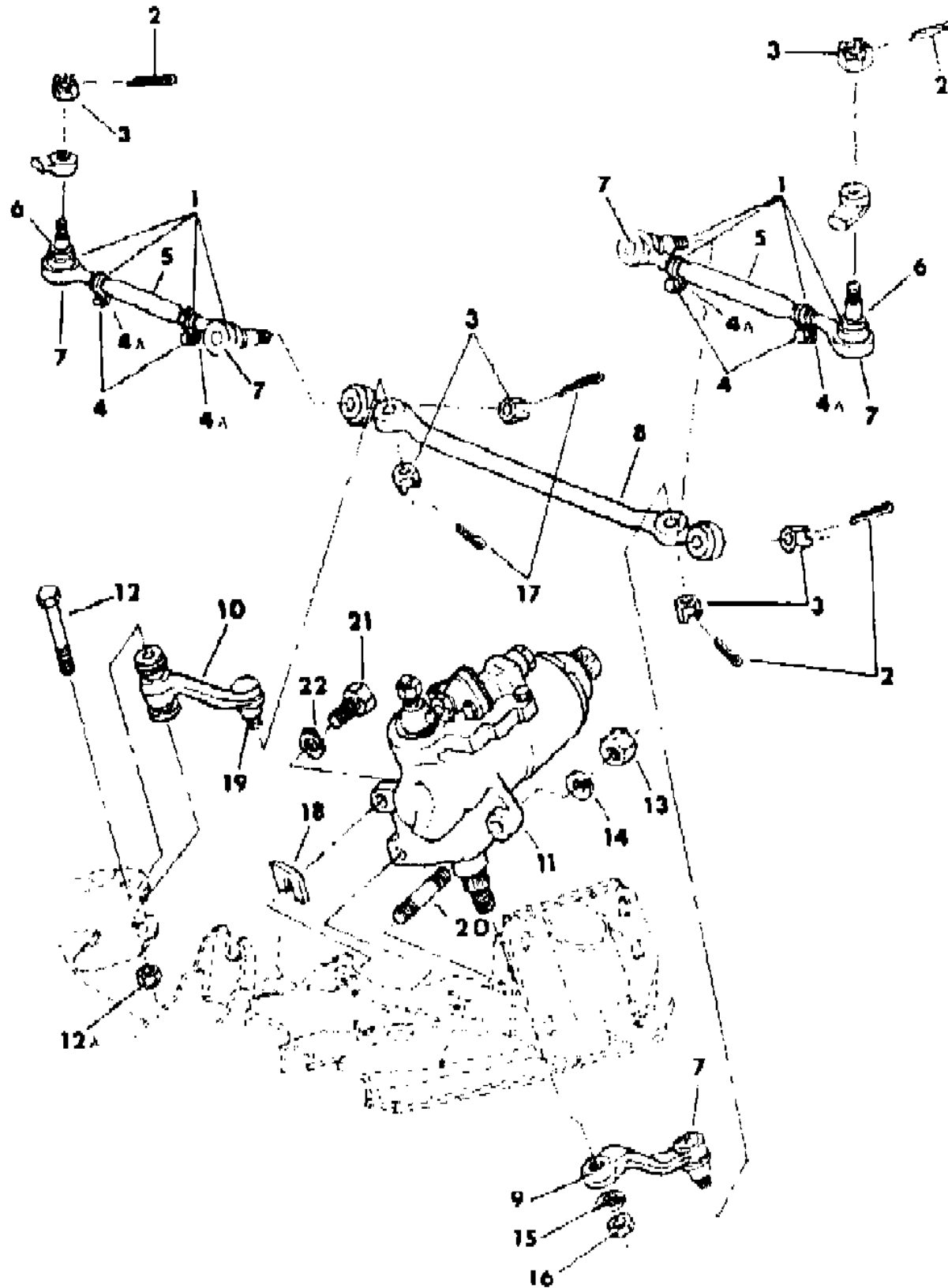
AR = Use as Required - = Non Illustrated Part P.A.R. = Paint as Required



TIE RODS, STEERING GEAR AND LINKAGE M BODY
Figure 19-2100

8119 2100

ITEM	PART NUMBER	QTY	BODY	MODEL	DESCRIPTION
1	3420 155	2			END PACKAGE, Tie Rod Inner, L.H. THD. (9/16-18 Thd.) Consists of: 1 - 6028556 Bolt 1 - ---- --- Clamp 1 - ---- --- Clamp 1 - ---- --- End 1 -9425132 Nut, Stud 1 - 152363 Nut, Clamp Bolt
	3420 154	2			END PACKAGE, Tie Rod Outer, R.H. THD. (9/16-18 Thd.) Consists of: 1 - 6028 556 Bolt 1 - ---- --- Clamp 1 - ---- --- C/Pin 1 - ---- --- End 1 - 9425 132 Nut,Stud 1 - 152 363 Nut,Clamp Bolt
2		AR			PIN, (Not Serv.)
3	9425 132	AR			NUT
4	0153 283	4			BOLT, Strg. Link Tie Rod Tube Clamp
4A	6030 607	4			NUT, Tube Clamp Bolt
5	4014 085	2			TUBE, Steering Link Tie Rod, (9/16-18 Thd.) w/Green Paint Stripe
6	2835 896	5			SEAL, Tie Rod Dust and Strg. Gear Arm
7	6030 099	5			FITTING, Tie Rod End and Strg. Gear Arm
8	3815 727	1			LINK, Steering Center
9	3815 777	1			ARM, Steering Link Gear, w/Power Strg.
10	4014 089	1			ARM, Steering Link Idler
-	4147 417	1			SHEILD, Heat, Police
11					CHUCK, Steering Gear (See Group 19-1600
12	0182 809	1			BOLT, Strg. Link Idler Arm Pivot Bushing
12A	6030 585	1			NUT, Pivot Bushing Bolt
13	0219 467	1			NUT
14	6028 087	1			WASHER
15	6028 088	1			WASHER
16	6029 964	1			NUT
17		AR			PIN, (Not Serv.)
18	6027 224	AR			WASHER
19	2835 895	1			SEAL, Steering Link Idler Arm



MODEL CODES

C BODY = (D41 - DYNASTY)(C41 - NEW YORKER)	L BODY = (M - HORIZON)(Z-OMNI)
E BODY = (J - CARAVELLE)(E - 600)(T - NEW YORKER TURBO)	M BODY = (B - GRAN FURY)(G - DIPLOMAT)(F - FIFTH AVENUE/NEWPORT)
G BODY = (V24 - DAYTONA, PACIFICA & SHELBY)	P BODY = (P - SUNDANCE)(D - SHADOW)
H BODY = (D44 - LANCER)(C44 - LEBARON GTS)	Q BODY = (C27 - MASERATI)
J BODY = (C - LEBARON)	S BODY = (H - VOYAGER)(K - RAM VAN/ CARAVAN)
K BODY = (P - RELIANT)(D - ARIES)(C - LEBARON/ TOWN & COUNTRY)	

BODY STYLES

12-52 = FWD VAN & WAGON STD. W.B.	27 = 2-DOOR CONVERTIBLE
13-53 = FWD VAN & WGN EXT W.B.	41 = 4-DOOR SEDAN
21 = 2-DOOR SEDAN	44 = 4-DOOR HATCHBACK
24 = 2-DOOR HATCHBACK	45 = 4-DOOR STATION WAGON

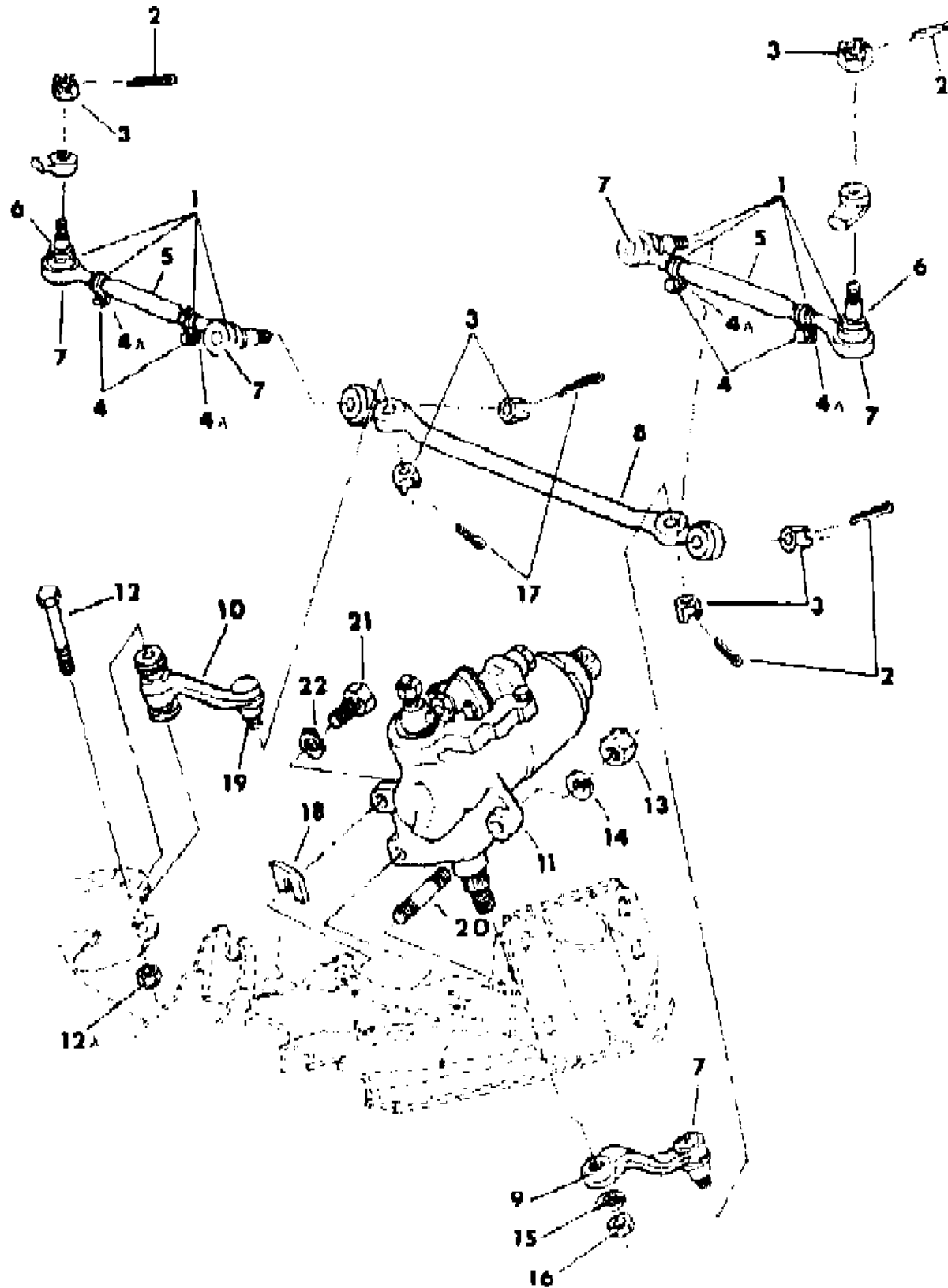
AR = Use as Required - = Non Illustrated Part P.A.R. = Paint as Required

TIE RODS, STEERING GEAR AND LINKAGE M BODY
Figure 19-2100

8119 2100

ITEM	PART NUMBER	QTY	BODY	MODEL	DESCRIPTION
------	-------------	-----	------	-------	-------------

20	6030 443	1			STUD, Strg. Gear Mounting
21	#6031 732	2			BOLT, Strg. Gear Mounting
22	6028 087	AR			WASHER, Strg. Gear Housing to Frame



MODEL CODES

C BODY = (D41 - DYNASTY)(C41 - NEW YORKER)
 E BODY = (J - CARAVELLE)(E - 600)(T - NEW YORKER TURBO)
 G BODY = (V24 - DAYTONA, PACIFICA & SHELBY)
 H BODY = (D44 - LANCER)(C44 - LEBARON GTS)
 J BODY = (C - LEBARON)
 K BODY = (P - RELIANT)(D - ARIES)(C - LEBARON/ TOWN & COUNTRY)

L BODY = (M - HORIZON)(Z-OMNI)
 M BODY = (B - GRAN FURY)(G - DIPLOMAT)(F - FIFTH AVENUE/NEWPORT)
 P BODY = (P - SUNDANCE)(D - SHADOW)
 Q BODY = (C27 - MASERATI)
 S BODY = (H - VOYAGER)(K - RAM VAN/ CARAVAN)

BODY STYLES

12-52 = FWD VAN & WAGON STD. W.B.	27 = 2-DOOR CONVERTIBLE
13-53 = FWD VAN & WGN EXT W.B.	41 = 4-DOOR SEDAN
21 = 2-DOOR SEDAN	44 = 4-DOOR HATCHBACK
24 = 2-DOOR HATCHBACK	45 = 4-DOOR STATION WAGON

AR = Use as Required - = Non Illustrated Part P.A.R. = Paint as Required

GROUP 21M - TRANSMISSION, MANUAL

ILLUSTRATION TITLE	GROUP-FIG. NO.
TRANSAXLES	
TRANSAXLE ASSEMBLIES, AND MOUNTING MANUAL CHRYSLER, A520,A525,A555 5-SPEED	Fig. 21M-100
CASE, TRANSAXLE AND RELATED PARTS MANUAL TRANSAXLE, A520,A525,A555 5-SPEED	Fig. 21M-200
GEAR TRAIN MANUAL TRANSAXLE, A520,A525,A555 5-SPEED	Fig. 21M-300
CONTROLS, INTERNAL MANUAL TRANSAXLE, A520,A525,A555 5-SPEED	Fig. 21M-400
DIFFERENTIAL MANUAL TRANSAXLE, A520,A525,A555 5-SPEED	Fig. 21M-500
GEARSHIFT CONTROLS	
CONTROLS, GEARSHIFT MANUAL TRANSAXLE, A525 L BODY	Fig. 21M-600
CONTROLS, GEARSHIFT MANUAL TRANSAXLE, A520,A555 P,J,G,H BODY	Fig. 21M-700
CONTROLS, GEARSHIFT MANUAL TRANSAXLE, A520 K BODY	Fig. 21M-800
CONTROLS, GEARSHIFT MANUAL TRANSAXLE, A520 S BODY	Fig. 21M-900
SPEEDOMETER CABLES & PINIONS	
CABLES AND PINION, SPEEDOMETER MANUAL TRANSAXLE	Fig. 21M-1000

ILLUSTRATION NOT AVAILABLE AT TIME OF PUBLICATION

TRANSAXLE ASSEMBLIES, AND MOUNTING MANUAL CHRYSLER, A520,A525,A555 5-SPEED
Figure 21M-100

8121 100

ITEM	PART NUMBER	QTY	BODY	MODEL	DESCRIPTION
------	-------------	-----	------	-------	-------------

NOTE: The Transaxle Part No. is Stamped on The Case and Tag the side of the float bowl.

1					TRANSAXLE, 5-SPEED
	4446 334	1	L		w/2.2 E.F.I. Eng., w/2.55 Overall Ratio, A525
	4446 016	1	P,K,H,G		w/2.2,2.5 E.F.I. Eng., w/2.51 Overall Ratio, A520
	4446 016	1	P,J,G,H		w/2.2 TURBO-CHARGED Eng., w/2.51 Overall Ratio, A520
	4446 015	1	G,H		w/2.2 TURBO TWO (EDR) w/INTERCOOLER, w/2.74 Overall Ratio, A555
	4471 004	1	S		w/2.5 E.F.I. Eng., w/2.76 Overall Ratio, A520
					TRANSAXLE ASSY. CROSS REFERENCE
					PRODUCTION NO: SERVICE NO:
					4446334 4446334
					4505322 4446334
					4471001 4446016
					4471002 4471004
					4377815 4446015
					4377816 4446016
					4425070
2	4412 526	1			COVER, Case Upper
3	6501 164	3			SCREW, Trans to Cyl. Block, M12x1.75x50
	3759 944	1			RETAINER, Upper Cover, Special Screw M6x1x14
5	4412 528	1			COVER, Case Lower
	6500 136	AR			SCREW, Case Cover, M6x1x14, Except 2.5 Liter Eng.
	4412 430	1			Retainer, w/2.5 Liter Eng.
6	5240 849	2			DOWEL, Cyl. Block To Cluch Hsg.
7	5224 214	1			STRUT, Trans to Cyl. Block
8	6501 163	AR			SCREW, Strut To Case, M12x1.75x30
	6501 164	1			Right, M12x1.75x50
	6100 344	1			w/Turbo, M12x1.75x40
9					SCREW, (Not Serviced)
10					SHIELD, Trans. Appearance
	4296 142	1	L		
	4386 625	1	J,K,G		
	4386 657	1	S		

MODEL CODES

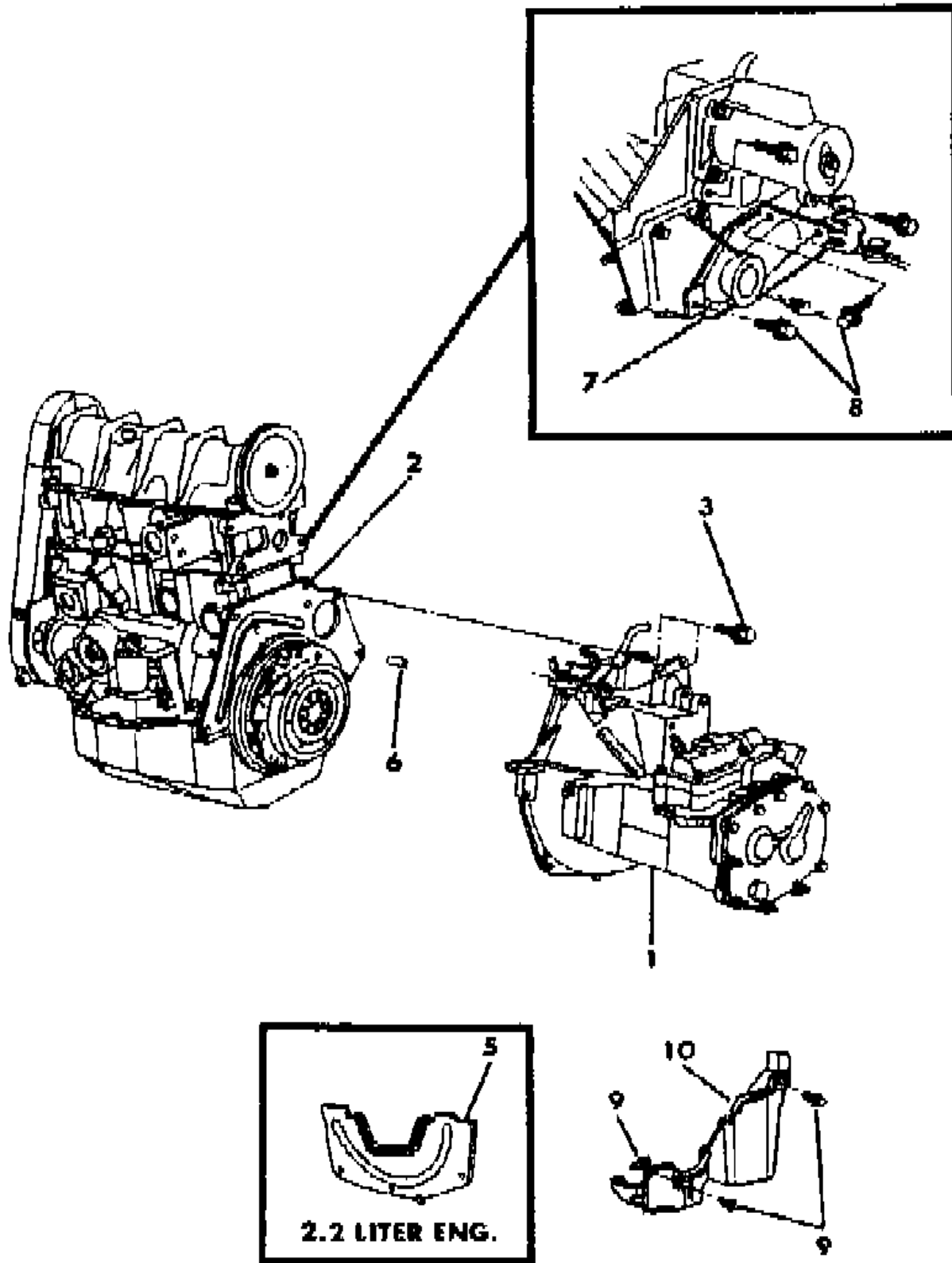
C BODY = (D41 - DYNASTY)(C41 - NEW YORKER)
E BODY = (J - CARAVELLE)(E - 600)(T - NEW YORKER TURBO)
G BODY = (V24 - DAYTONA, PACIFICA & SHELBY)
H BODY = (D44 - LANCER)(C44 - LEBARON GTS)
J BODY = (C - LEBARON)
K BODY = (P - RELIANT)(D - ARIES)(C - LEBARON/ TOWN & COUNTRY)

L BODY = (M - HORIZON)(Z-OMNI)
M BODY = (B - GRAN FURY)(G - DIPLOMAT)(F - FIFTH AVENUE/NEWPORT)
P BODY = (P - SUNDANCE)(D - SHADOW)
Q BODY = (C27 - MASERATI)
S BODY = (H - VOYAGER)(K - RAM VAN/ CARAVAN)

BODY STYLES

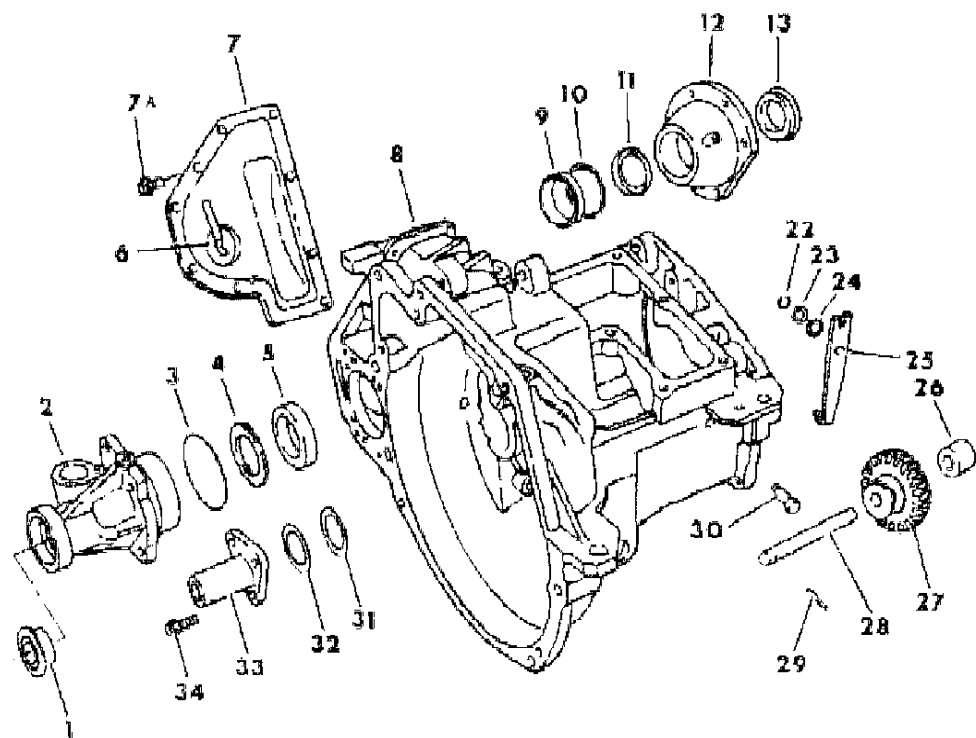
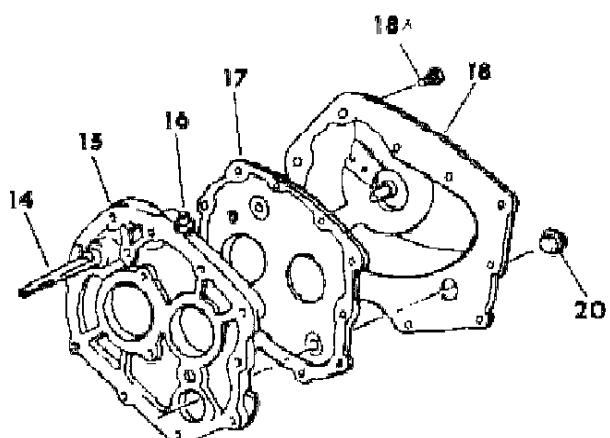
12-52 = FWD VAN & WAGON STD. W.B. 27 = 2-DOOR CONVERTIBLE
13-53 = FWD VAN & WGN EXT W.B. 41 = 4-DOOR SEDAN
21 = 2-DOOR SEDAN 44 = 4-DOOR HATCHBACK
24 = 2-DOOR HATCHBACK 45 = 4-DOOR STATION WAGON

AR = Use as Required - = Non Illustrated Part P.A.R. = Paint as Required



**CASE, TRANSAXLE AND RELATED PARTS MANUAL TRANSAXLE, A520,A525,A555 5-SPEED
Figure 21M-200**

8121 200



ITEM	PART NUMBER	QTY	BODY	MODEL	DESCRIPTION
1	4412 522	1			SEAL, Trans. Extension
2	4269 961	1			EXTENSION, w/Bushing, Transaxle, Use w/4446334 Trans., (4269961 Ext. is Being Replaced By 4431591 Ext. w/o Bushing)
	4377 650	1			Except 4446334 Trans.
	6500 511	4			SCREW, Ext. to Case, M8x1.25x33
3	6500 111	1			O-RING, Trans. Extension
4	5222 255	1			RETAINER, Trans. Extension Oil
5	4269 676	1			CUP, Retainer Differential Bearing
6	3681 601	1			MAGNET, Trans. Chip Collector
7	4329 464	1			PAN, Trans. Diff. Oil, Use w/4446334 Trans.
		1			w/4446015,016,4471004 Trans., (Serv. in Case and Pan Assy. 4348104)
7A	6501 410	5			SCREW, Flange, M8x1.25x14, Use w/4446334 Trans.
	6500 921	3			STUD, Oil Pan To Case, M8x1.25x44
	6501 411	2			STUD, Oil Pan To Case, M8x1.25x41
	6500 470	3			NUT, Oil Pan To Case Stud, M8
7A	6501 401	2			SCREW, Oil Pan To Case, M10x1.50x40, Except 4446334 Trans.
	6501 400	4			M10x1.50x65
	6501 416	4			M10x1.50x90
8	4377 709	1			CASE, Transaxle, Use w/4446334 Trans.
	4348 104	1			Except 4446334 Trans.
9	4269 676	1			CUP, Diff. Retainer Bearing
10					SPACER, Trans. Final Drive
	4207 134	1			0.50mm (.020")
	4207 135	1			0.55mm (.022")
	4207 136	1			0.60mm (.024")
	4207 137	1			0.65mm (.026")
	4207 138	1			0.70mm (.027")
	4207 139	1			0.75mm (.029")
	4207 140	1			0.80mm (.031")
	4207 141	1			0.85mm (.033")
	4207 142	1			0.90mm (.035")
	4207 143	1			0.95mm (.037")
	4207 144	1			1.00mm (.039")
	4207 145	1			1.05mm (.041")
11	5222 256	1			BAFFLE, Oil Feed
12	4377 730	1			RETAINER, Diff. Bearing, 8 Bolt Hole, Use w/4446334 Trans.

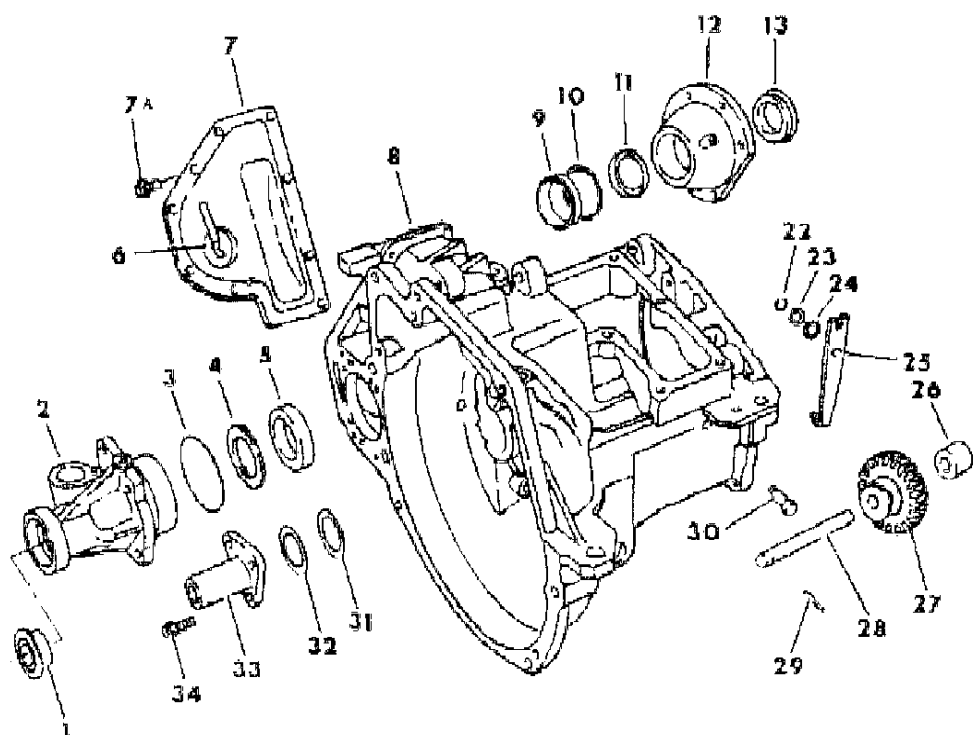
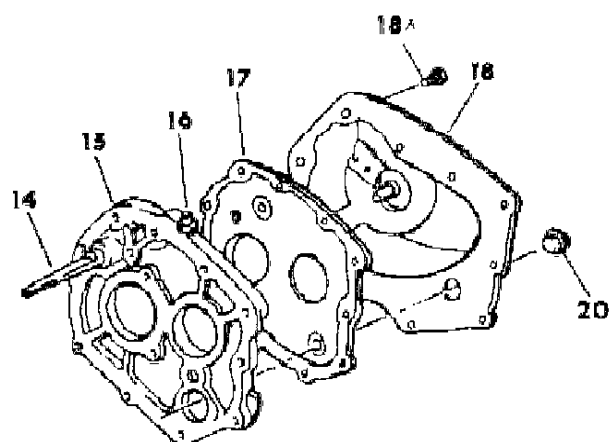
MODEL CODES
 C BODY = (D41 - DYNASTY)(C41 - NEW YORKER)
 E BODY = (J - CARAVELLE)(E - 600)(T - NEW YORKER TURBO)
 G BODY = (V24 - DAYTONA, PACIFICA & SHELBY)
 H BODY = (D44 - LANCER)(C44 - LEBARON GTS)
 J BODY = (C - LEBARON)
 K BODY = (P - RELIANT)(D - ARIES)(C - LEBARON/ TOWN & COUNTRY)
 L BODY = (M - HORIZON)(Z-OMNI)
 M BODY = (B - GRAN FURY)(G - DIPLOMAT)(F - FIFTH AVENUE/NEWPORT)
 P BODY = (P - SUNDANCE)(D - SHADOW)
 Q BODY = (C27 - MASERATI)
 S BODY = (H - VOYAGER)(K - RAM VAN/ CARAVAN)

BODY STYLES
 12-52 = FWD VAN & WAGON STD. W.B. 27 = 2-DOOR CONVERTIBLE
 13-53 = FWD VAN & WGN EXT W.B. 41 = 4-DOOR SEDAN
 21 = 2-DOOR SEDAN 44 = 4-DOOR HATCHBACK
 24 = 2-DOOR HATCHBACK 45 = 4-DOOR STATION WAGON

AR = Use as Required - = Non Illustrated Part P.A.R. = Paint as Required

CASE, TRANSAXLE AND RELATED PARTS MANUAL TRANSAXLE, A520,A525,A555 5-SPEED
Figure 21M-200

8121 200



ITEM	PART NUMBER	QTY	BODY	MODEL	DESCRIPTION
	4377 671	1			Except 4446334 Trans.
	6501 371	8			SCREW, Diff. Brg. Retainer, M10x1.5x30
13	4412 522	1			SEAL, Bearing Retainer
14	4329 583	1			OIL SCOOP, Trans. Bearing Rear
15	4446 359	1			PLATE, Trans. Bearing Retainer
16	2124 715	1			VENT, Trans.
17	4348 281	1			PLATE, Trans. Bearing Back-Up
18	4348 280	1			COVER, Trans. Oil Feed
	4411 970	1			COVER PACKAGE, w/Plate and Plug, Trans. Oil Feed
18A		10			SCREW, Cover, M8x1.25x45 (Not Serviced)
20	4348 325	1			PLUG, Drain and Fill, Rubber
22	6026 125	1			E-CLIP, Reverse Lever Pivot
23	0391 888	1			WASHER, Spring Wave
24	5205 609	1			WASHER, Reverse Lever Pivot
25	5222 656	1			LEVER, Gearshift Reverse
26	4202 367	1			SPACER, Reverse Idler
27	5222 651	1			GEAR, Reverse Idler
28	5222 654	1			SHAFT, Reverse Idler
29	6100 656	1			PIN, Reverse Idler, Slotted Spring 4.20x18
30	5205 625	1			PIN, Reverse Lever Clevis
31					SPACER, Input Shaft
	4202 751	1			0.62mm (.024")
	4202 301	1			0.66mm (.026")
	4202 302	1			0.70mm (.028")
	4202 303	1			0.74mm (.029")
	4202 304	1			0.78mm (.031")
	4202 305	1			0.82mm (.032")
	4202 306	1			0.86mm (.034")
	4202 307	1			0.90mm (.035")
	4202 308	1			0.94mm (.037")
	4202 309	1			0.98mm (.039")
	4202 310	1			1.02mm (.040")
	4202 311	1			1.06mm (.042")
	4202 312	1			1.10mm (.043")
	4202 313	1			1.14mm (.045")
	4202 314	1			1.18mm (.046")
	4202 315	1			1.22mm (.048")

MODEL CODES

C BODY = (D41 - DYNASTY)(C41 - NEW YORKER)	L BODY = (M - HORIZON)(Z-OMNI)
E BODY = (J - CARAVELLE)(E - 600)(T - NEW YORKER TURBO)	M BODY = (B - GRAN FURY)(G - DIPLOMAT)(F - FIFTH AVENUE/NEWPORT)
G BODY = (V24 - DAYTONA, PACIFICA & SHELBY)	P BODY = (P - SUNDANCE)(D - SHADOW)
H BODY = (D44 - LANCER)(C44 - LEBARON GTS)	Q BODY = (C27 - MASERATI)
J BODY = (C - LEBARON)	S BODY = (H - VOYAGER)(K - RAM VAN/ CARAVAN)
K BODY = (P - RELIANT)(D - ARIES)(C - LEBARON/ TOWN & COUNTRY)	

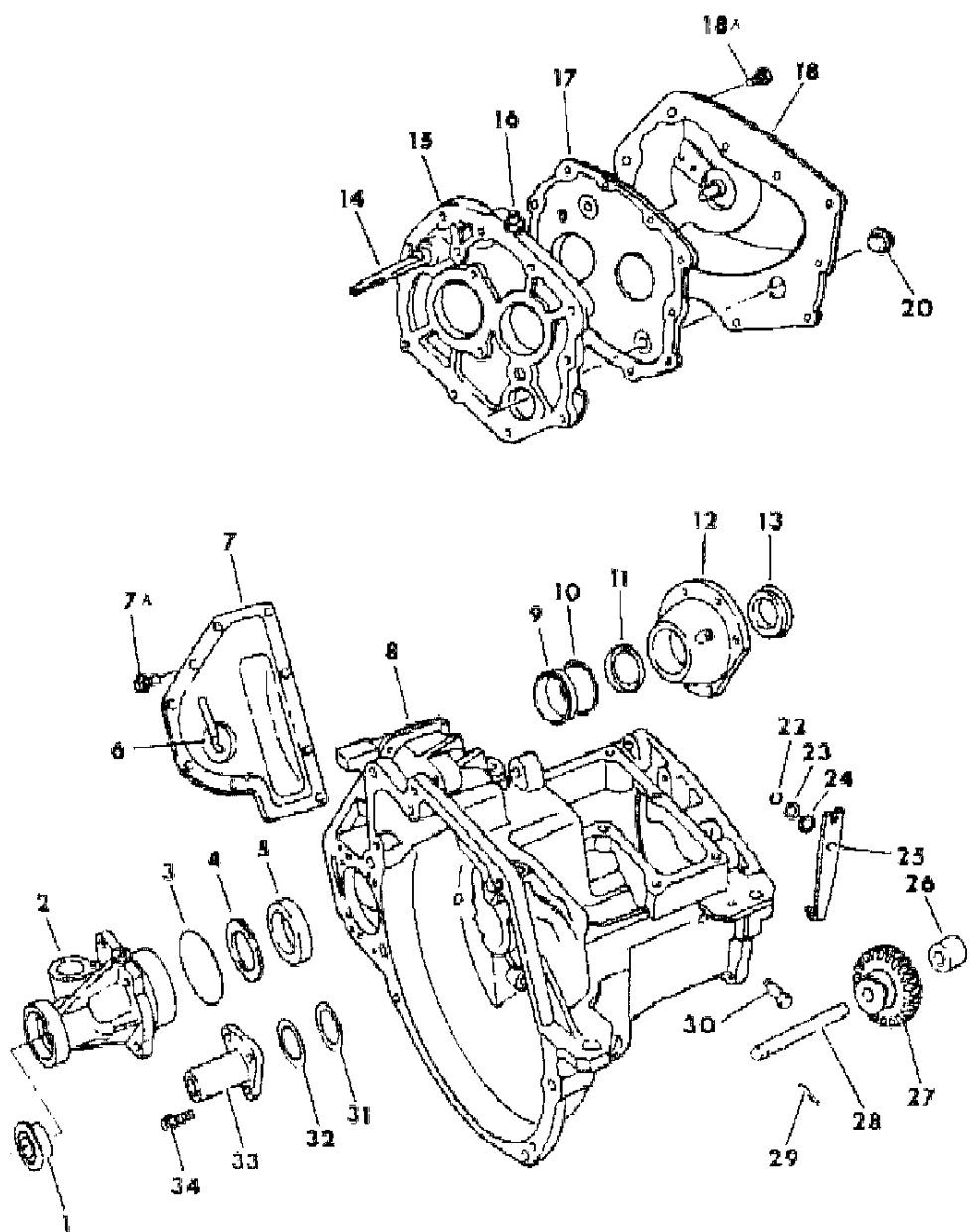
BODY STYLES

12-52 = FWD VAN & WAGON STD. W.B.	27 = 2-DOOR CONVERTIBLE
13-53 = FWD VAN & WGN EXT W.B.	41 = 4-DOOR SEDAN
21 = 2-DOOR SEDAN	44 = 4-DOOR HATCHBACK
24 = 2-DOOR HATCHBACK	45 = 4-DOOR STATION WAGON

AR = Use as Required - = Non Illustrated Part P.A.R. = Paint as Required

CASE, TRANSAXLE AND RELATED PARTS MANUAL TRANSAXLE, A520,A525,A555 5-SPEED
Figure 21M-200

8121 200



ITEM	PART NUMBER	QTY	BODY	MODEL	DESCRIPTION
	4202 316	1			1.26mm (.050")
	4202 317	1			1.30mm (.051")
	4202 318	1			1.34mm (.053")
	4202 319	1			1.38mm (.054")
	4202 320	1			1.42mm (.056")
	4202 321	1			1.46mm (.057")
	4202 322	1			1.50mm (.059")
	4202 323	1			1.54mm (.061")
	4202 324	1			1.58mm (.062")
	4202 325	1			1.62mm (.064")
	4202 326	1			1.66mm (.065")
	4202 752	1			1.70mm (.067")
	4202 753	1			1.74mm (.069")
	4202 754	1			1.78mm (.070")
32	5222 721	1			SEAL, Trans. Input Shaft
33	4295 175	1			RETAINER, Trans. Bearing Pilot and Seal
	4202 093	1			STRAP, Trans. Bearing Retainer, Flat
34	6500 318	3			BOLT, Retainer to Case, M8x1.25x25
	5222 723	1			COVER, Timing Window
	5222 757	2			DOWEL, Case to Bearing Retainer

MODEL CODES

C BODY = (D41 - DYNASTY)(C41 - NEW YORKER)
 E BODY = (J - CARAVELLE)(E - 600)(T - NEW YORKER TURBO)
 G BODY = (V24 - DAYTONA, PACIFICA & SHELBY)
 H BODY = (D44 - LANCER)(C44 - LEBARON GTS)
 J BODY = (C - LEBARON)
 K BODY = (P - RELIANT)(D - ARIES)(C - LEBARON/ TOWN & COUNTRY)
 L BODY = (M - HORIZON)(Z-OMNI)
 M BODY = (B - GRAN FURY)(G - DIPLOMAT)(F - FIFTH AVENUE/NEWPORT)
 P BODY = (P - SUNDANCE)(D - SHADOW)
 Q BODY = (C27 - MASERATI)
 S BODY = (H - VOYAGER)(K - RAM VAN/ CARAVAN)

BODY STYLES

12-52 = FWD VAN & WAGON STD. W.B. 27 = 2-DOOR CONVERTIBLE
 13-53 = FWD VAN & WGN EXT W.B. 41 = 4-DOOR SEDAN
 21 = 2-DOOR SEDAN 44 = 4-DOOR HATCHBACK
 24 = 2-DOOR HATCHBACK 45 = 4-DOOR STATION WAGON

AR = Use as Required - = Non Illustrated Part P.A.R. = Paint as Required

GEAR TRAIN MANUAL TRANSAXLE, A520,A525,A555 5-SPEED
Figure 21M-300

8121 300

ITEM	PART NUMBER	QTY	BODY	MODEL	DESCRIPTION
1	6500 980	1			SNAP RING, Inter Shaft Fifth Speed
2	4431 894	1			PLATE, Fifth Speed Synchronizer Retainer
3	4202 124	2			SPRING, Fifth Speed Synchronizer
4	4411 967	1			SYNCHRONIZER, Fifth Speed
6	4446 061	1			RING, Fifth Speed Synchronizer Stop
7	4329 372	1			GEAR, Fifth Speed, Except 4446015 Trans.
	4348 013	1			w/4446015 Trans.
8	6500 315	1			SNAP RING, Inter Shaft Inner
9	4348 270	1			BEARING, Inter Shaft, Rear, Except 4446015 Trans.
	4348 068	1			Ball, 72mm O.D., w/4446015 Trans.
10	4295 660	1			GEAR, Fourth Speed, 34-48T, Except 4446015 Trans.
	4348 009	1			w/4446015 Trans.
11	4446 061	2			RING, Third and Fourth Synchronizer Stop
12	6500 316	1			SNAP RING, Third and Fourth Gear, Inner
13	4411 968	1			SYNCHRONIZER, Third And Fourth Gear
14	4202 124	2			SPRING, Third and Fourth Gear Synchroizer
15	4446 078	1			GEAR, Third Speed, Except 4446015 Trans.
	4348 007	1			w/4446015 Trans.
16	6033 348	1			SNAP RING, Intermediate Shaft
17	4412 082	2			WASHER, Split Thrust
	6032 705	1			PIN, Split Thrust Washer
18					GEAR, Second Speed
	4446 076	1			w/4446016,334 Trans., w/o Oil Grooves, 39-54T
	4446 074	1			w/4471004 Trans., w/o Oil Grooves, 39-54T
	4348 005	1			w/4446015 Trans.
19	4446 060	2			RING, First and Second Synchronizer Stop
20	4295 725	1			SYNCHRONIZER, First and Second Speed
21	6024 131	1			SNAP RING, First and Second Speed Gear, Inner
22	4269 350	2			SPRING, First and Second Speed Gear Synchronizer
23					GEAR, First Speed
	4295 714	1			w/4471004 Trans.
	4295 716	1			w/4446016,334 Trans., 39-46T, 3-Oil Grooves
	4348 003	1			w/4446015 Trans., 33-39T, 2-Oil Grooves
24	4202 534	1			WASHER, Low Gear Thrust
25					SHAFT, Intermediate
	4412 083	1			w/4446016 Trans., 14T
	4412 968	1			w/4446334 Trans.

MODEL CODES

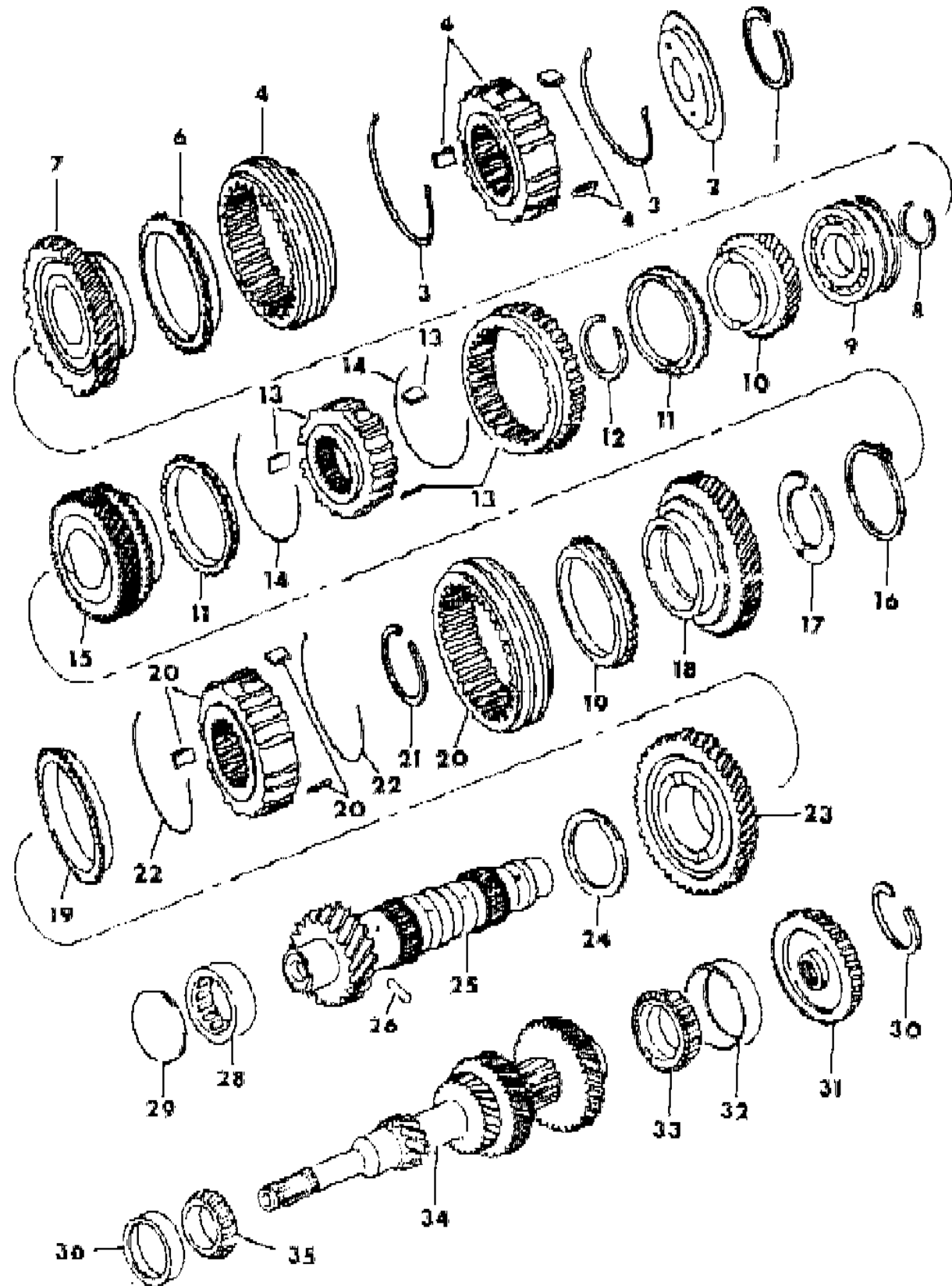
C BODY = (D41 - DYNASTY)(C41 - NEW YORKER)
 E BODY = (J - CARAVELLE)(E - 600)(T - NEW YORKER TURBO)
 G BODY = (V24 - DAYTONA, PACIFICA & SHELBY)
 H BODY = (D44 - LANCER)(C44 - LEBARON GTS)
 J BODY = (C - LEBARON)
 K BODY = (P - RELIANT)(D - ARIES)(C - LEBARON/ TOWN & COUNTRY)

L BODY = (M - HORIZON)(Z-OMNI)
 M BODY = (B - GRAN FURY)(G - DIPLOMAT)(F - FIFTH AVENUE/NEWPORT)
 P BODY = (P - SUNDANCE)(D - SHADOW)
 Q BODY = (C27 - MASERATI)
 S BODY = (H - VOYAGER)(K - RAM VAN/ CARAVAN)

BODY STYLES

12-52 = FWD VAN & WAGON STD. W.B. 27 = 2-DOOR CONVERTIBLE
 13-53 = FWD VAN & WGN EXT W.B. 41 = 4-DOOR SEDAN
 21 = 2-DOOR SEDAN 44 = 4-DOOR HATCHBACK
 24 = 2-DOOR HATCHBACK 45 = 4-DOOR STATION WAGON

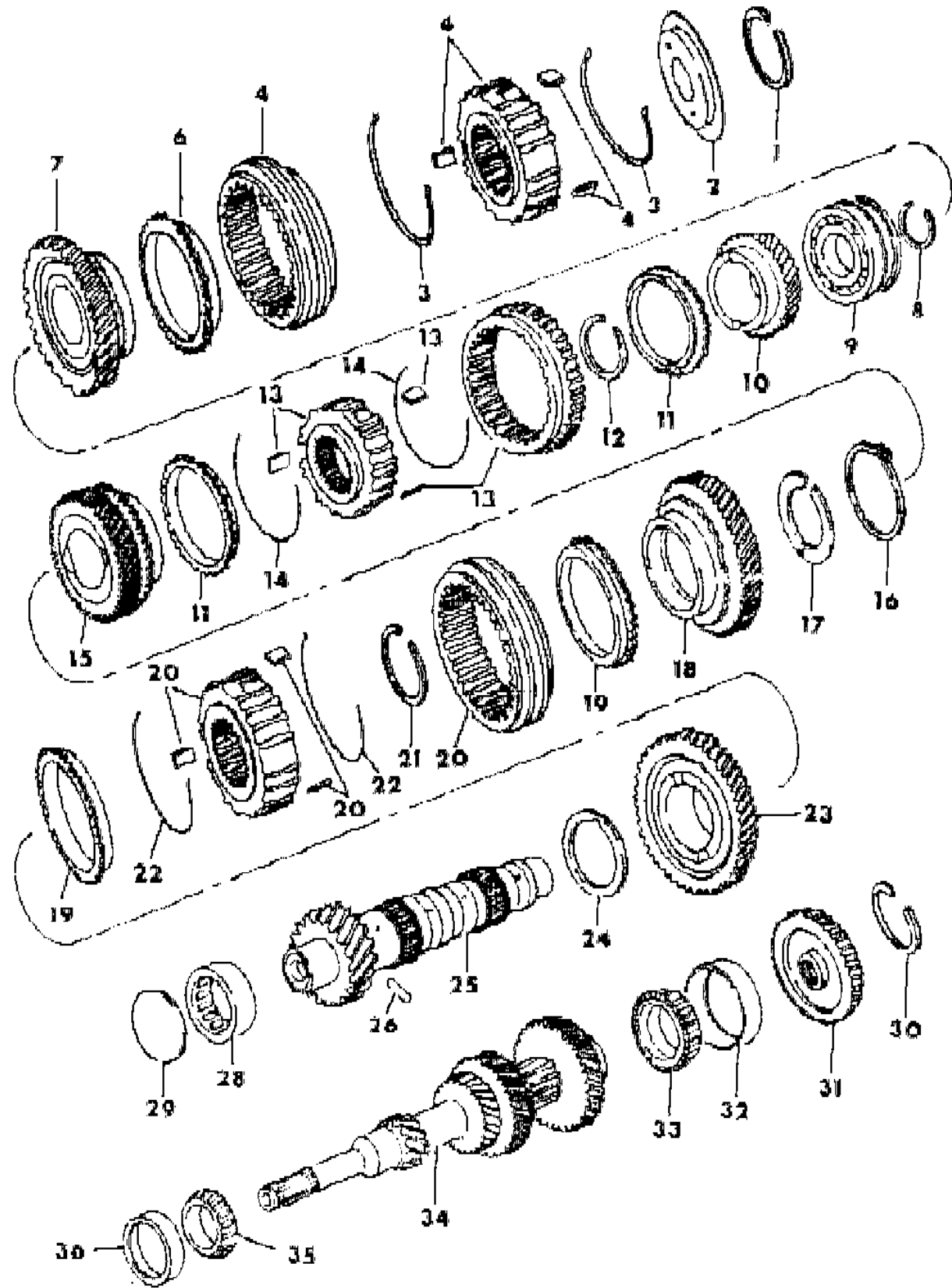
AR = Use as Required - = Non Illustrated Part P.A.R. = Paint as Required



**GEAR TRAIN MANUAL TRANSAXLE, A520,A525,A555 5-SPEED
Figure 21M-300**

8121 300

ITEM	PART NUMBER	QTY	BODY	MODEL	DESCRIPTION
	4412 095	1			w/4471004 Trans., 13T
	4348 015	1			w/4446015 Trans., 13T
26	6032 705	1			PIN, First Gear Thrust Plate Driving
28	4202 590	1			BEARING, Inter Shaft Roller, Use w/4446334 Trans.
	4377 723	1			Roller, 57.20mm O.D., Except 4446334 Trans.
29	5222 957	1			FEEDER, Inter Shaft Inner Oil, Use w/4446334 Trans.
	4377 690	1			Except 4446334 Trans.
30	6500 980	1			SNAP RING, Fifth Speed Gear Input Shaft
31	4329 367	1			GEAR, Fifth Speed Input Shaft, Except 4446015 Trans.
	4348 011	1			Use w/4446015 Trans.
32	5205 567	1			CUP, Input Shaft Bearing Rear
33	5205 568	1			CONE, Input Shaft Bearing Rear
34					SHAFT, Input
	4295 657	1			w/4446016,334 Trans.
	4295 683	1			w/4471004 Trans.
	4348 001	1			w/4446015 Trans.
35	5205 565	1			CONE, Input Shaft Bearing Front
36	5205 564	1			CUP, Input Shaft Bearing Front



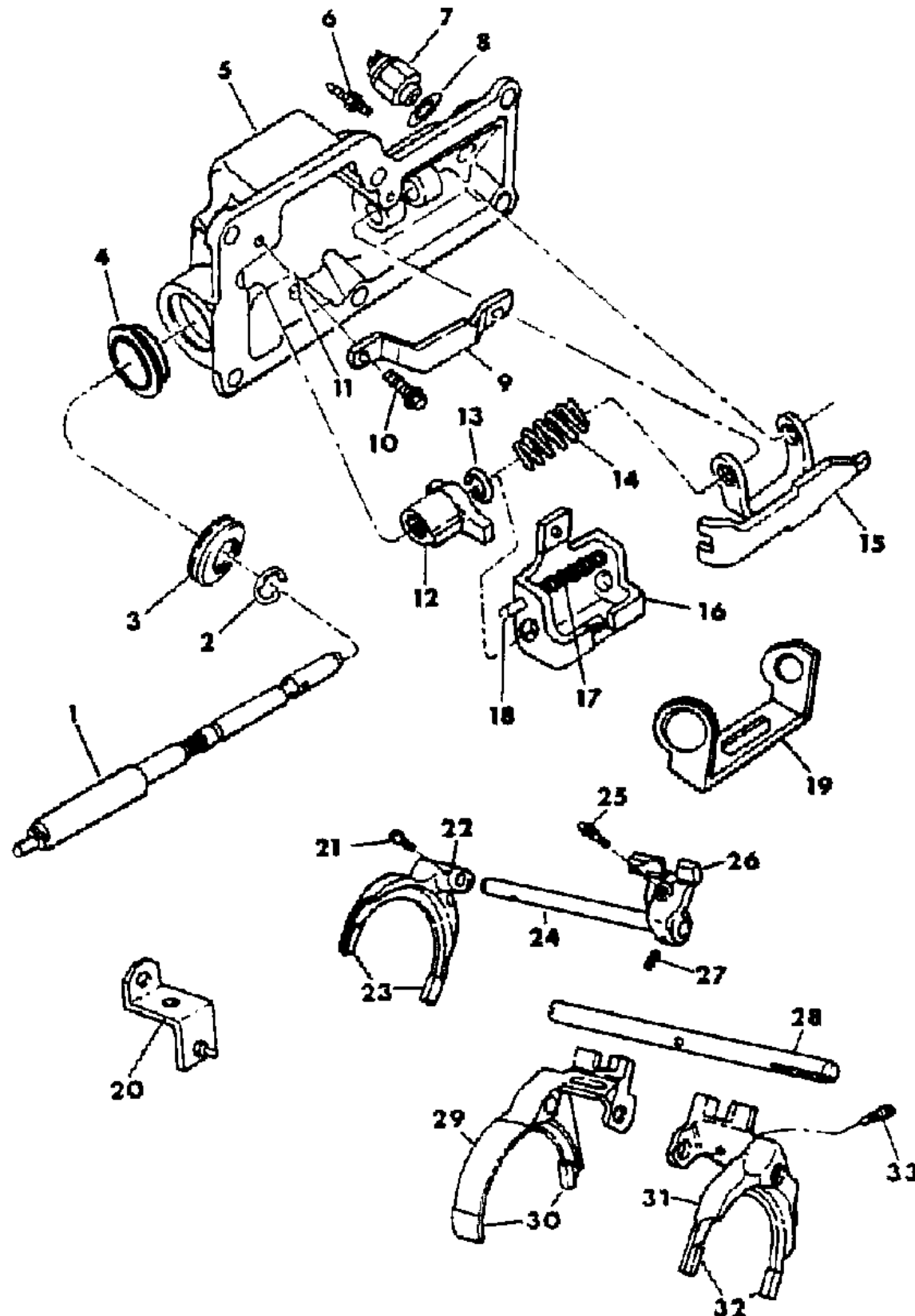
MODEL CODES
 C BODY = (D41 - DYNASTY)(C41 - NEW YORKER)
 E BODY = (J - CARAVELLE)(E - 600)(T - NEW YORKER TURBO)
 G BODY = (V24 - DAYTONA, PACIFICA & SHELBY)
 H BODY = (D44 - LANCER)(C44 - LEBARON GTS)
 J BODY = (C - LEBARON)
 K BODY = (P - RELIANT)(D - ARIES)(C - LEBARON/ TOWN & COUNTRY)
 L BODY = (M - HORIZON)(Z-OMNI)
 M BODY = (B - GRAN FURY)(G - DIPLOMAT)(F - FIFTH AVENUE/NEWPORT)
 P BODY = (P - SUNDANCE)(D - SHADOW)
 Q BODY = (C27 - MASERATI)
 S BODY = (H - VOYAGER)(K - RAM VAN/ CARAVAN)

BODY STYLES
 12-52 = FWD VAN & WAGON STD. W.B. 27 = 2-DOOR CONVERTIBLE
 13-53 = FWD VAN & WGN EXT W.B. 41 = 4-DOOR SEDAN
 21 = 2-DOOR SEDAN 44 = 4-DOOR HATCHBACK
 24 = 2-DOOR HATCHBACK 45 = 4-DOOR STATION WAGON

AR = Use as Required - = Non Illustrated Part P.A.R. = Paint as Required

**CONTROLS, INTERNAL MANUAL TRANSAXLE, A520,A525,A555 5-SPEED
Figure 21M-400**

8121 400



ITEM	PART NUMBER	QTY	BODY	MODEL	DESCRIPTION
1	4269 100	1			SHAFT, Gearshift Selector, Use w/4446334 Trans.
	4412 040	1			Except 4446334 Trans.
2	6030 595	1			SNAP RING, Selector Shaft
3	4202 486	1			SEAL, Selector Shaft Housing Boot
4	4295 197	1			SEAL, Trans. Gearshift Housing
5	4269 164	1			HOUSING, Gearshift, Use w/4446334 Trans.
	4412 038	1			Except 4446334 Trans.
		2			BOLT, G/Shift Housing to Case, M8x1.25x45 (Not Serviced)
	6500 313	2			M8x1.25x28
	6500 318	2			M8x1.25x25
	6501 564	1			M8x1.25x25
	6501 438	1			STUD, Double Ended Hex
6	5222 638	1			PLUG, 1ST & 2ND Shift Adjusting, Use w/4446334 Trans.
7	4221 949	1			SWITCH, Back-Up Light
8	1302 807	1			GASKET, Back-Up Light Switch
9	4205 856	1			LEVER and PLATE, Gearshift Fork Stop
10	6500 417	2			BOLT, Stop Plate, M6x1.00x22
11	4130 888	1			PIN, Selector Stop
12	4269 262	1			SELECTOR, Gearshift Detent
13	6500 328	1			E-CLIP, Gearshift
14	4295 731	1			SPRING, Crossover, w/Cable Shift, Except 4446334 Trans.
	4269 236	1			w/Rod Shift, Use w/4446334 Trans.
15	4205 856	1			LEVER and PLATE, Reverse Shift
16	4329 437	1			BLOCKER, w/Spring, Use w/4446334 Trans.
	4412 100	1			Except 4446334 Trans.
17	4295 046	1			SPRING, Fifth Speed Shift Load, Use w/4446334 Trans.
	4295 048	1			Except 4446334 Trans.
18	4295 028	1			PIN, Fifth Speed Shift Load Spring
19	4269 355	1			PLATE, Spring Stop
20	4329 147	1			LEVER, Gearshift Operating, Use w/4446334 Trans.
	4431 060	1			Except 4446334 Trans.
	6500 568	1			NUT, Operating Lever Retaining Flange Lock, M8, Use w/4446334 Trans.
	6501 677	1			SCREW, Operating Lever Retaining, M8x1.25x25, Except 4446334 Trans.
21	6501 092	1			SET SCREW, 5TH Fork To Rail, M6x1.00x6
22	4340 084	1			FORK, w/Inserts, Fifth Speed, Up To 9-17-87

MODEL CODES

C BODY = (D41 - DYNASTY)(C41 - NEW YORKER)
 E BODY = (J - CARAVELLE)(E - 600)(T - NEW YORKER TURBO)
 G BODY = (V24 - DAYTONA, PACIFICA & SHELBY)
 H BODY = (D44 - LANCER)(C44 - LEBARON GTS)
 J BODY = (C - LEBARON)
 K BODY = (P - RELIANT)(D - ARIES)(C - LEBARON/ TOWN & COUNTRY)

L BODY = (M - HORIZON)(Z-OMNI)
 M BODY = (B - GRAN FURY)(G - DIPLOMAT)(F - FIFTH AVENUE/NEWPORT)
 P BODY = (P - SUNDANCE)(D - SHADOW)
 Q BODY = (C27 - MASERATI)
 S BODY = (H - VOYAGER)(K - RAM VAN/ CARAVAN)

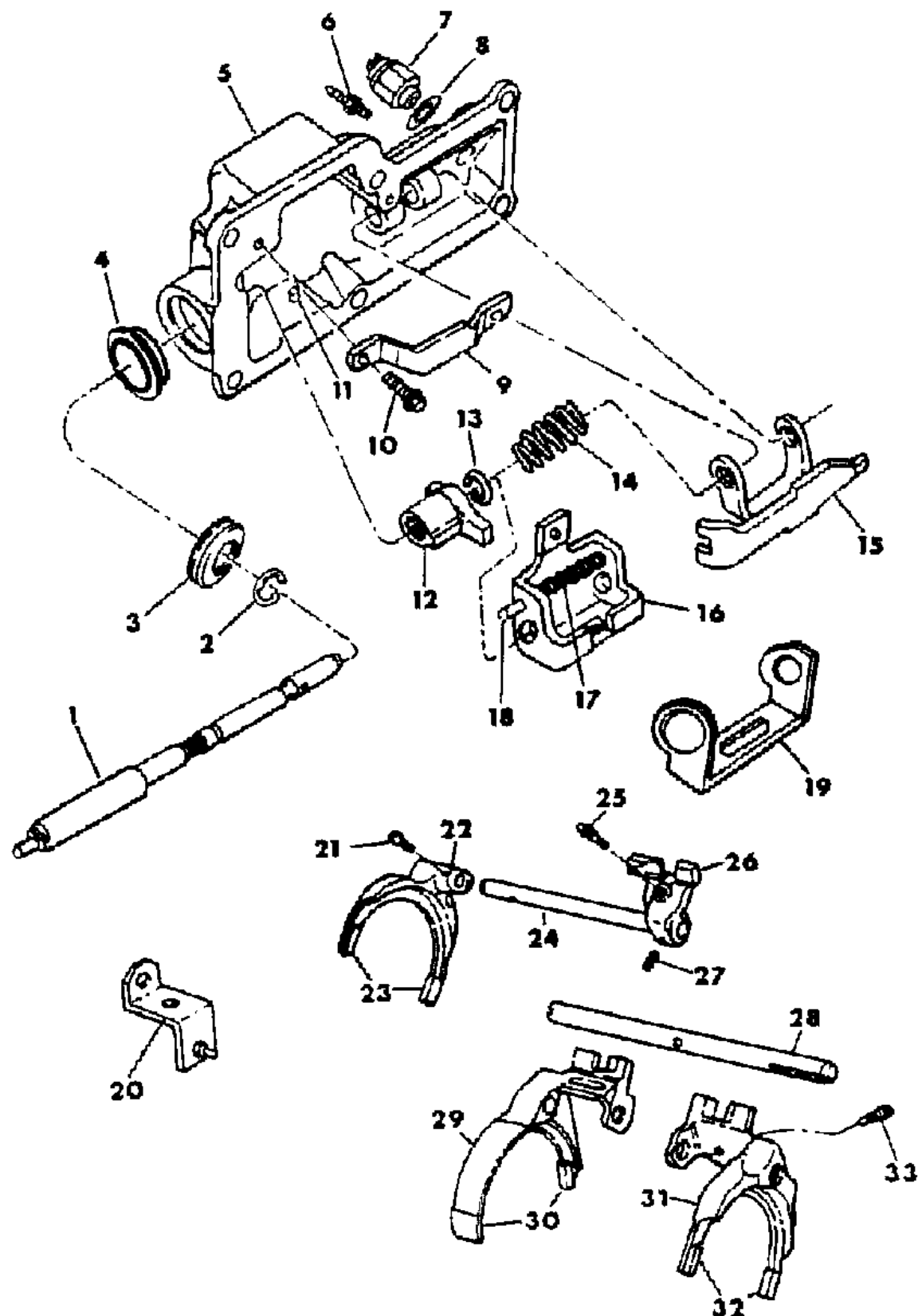
BODY STYLES

12-52 = FWD VAN & WAGON STD. W.B. 27 = 2-DOOR CONVERTIBLE
 13-53 = FWD VAN & WGN EXT W.B. 41 = 4-DOOR SEDAN
 21 = 2-DOOR SEDAN 44 = 4-DOOR HATCHBACK
 24 = 2-DOOR HATCHBACK 45 = 4-DOOR STATION WAGON

AR = Use as Required - = Non Illustrated Part P.A.R. = Paint as Required

CONTROLS, INTERNAL MANUAL TRANSAXLE, A520,A525,A555 5-SPEED
Figure 21M-400

8121 400



ITEM	PART NUMBER	QTY	BODY	MODEL	DESCRIPTION
	4446 342	1			After 9-17-87
23	4295 519	2			INSERT, Gearshift Fork, 5TH Speed
24	4340 072	1			RAIL, Gearshift, 5TH Speed, Up To 9-17-87
	4446 329	1			After 9-17-87
25	6501 142	1			PIN, Shifter Guide, Screw Flanged M8x1.00x21
26	4340 076	1			SHIFTER, 5TH Speed Fork, Up To 9-17-87
	4446 331	1			After 9-17-87
27	6100 656	1			PIN, 5TH Shifter To Rail, Slotted Spring, 4.20x18
28	4340 098	1			RAIL, Trans. Gearshift Fork
29	4377 463	1			FORK, Trans. Gearshift, 3RD & 4TH Speed
30	4295 519	2			INSERT, Gearshift Fork, 3RD & 4TH Speed
31	4446 348	1			FORK, Trans. Gearshift, 1ST & 2ND
32	4269 038	2			INSERT, Gearshift Fork, 1ST & 2ND
33	6501 143	1			PIN, 1ST & 2ND Fork, Screw Flanged, M8x1.00x37

MODEL CODES

C BODY = (D41 - DYNASTY)(C41 - NEW YORKER)
 E BODY = (J - CARAVELLE)(E - 600)(T - NEW YORKER TURBO)
 G BODY = (V24 - DAYTONA, PACIFICA & SHELBY)
 H BODY = (D44 - LANCER)(C44 - LEBARON GTS)
 J BODY = (C - LEBARON)
 K BODY = (P - RELIANT)(D - ARIES)(C - LEBARON/ TOWN & COUNTRY)

L BODY = (M - HORIZON)(Z-OMNI)
 M BODY = (B - GRAN FURY)(G - DIPLOMAT)(F - FIFTH AVENUE/NEWPORT)
 P BODY = (P - SUNDANCE)(D - SHADOW)
 Q BODY = (C27 - MASERATI)
 S BODY = (H - VOYAGER)(K - RAM VAN/ CARAVAN)

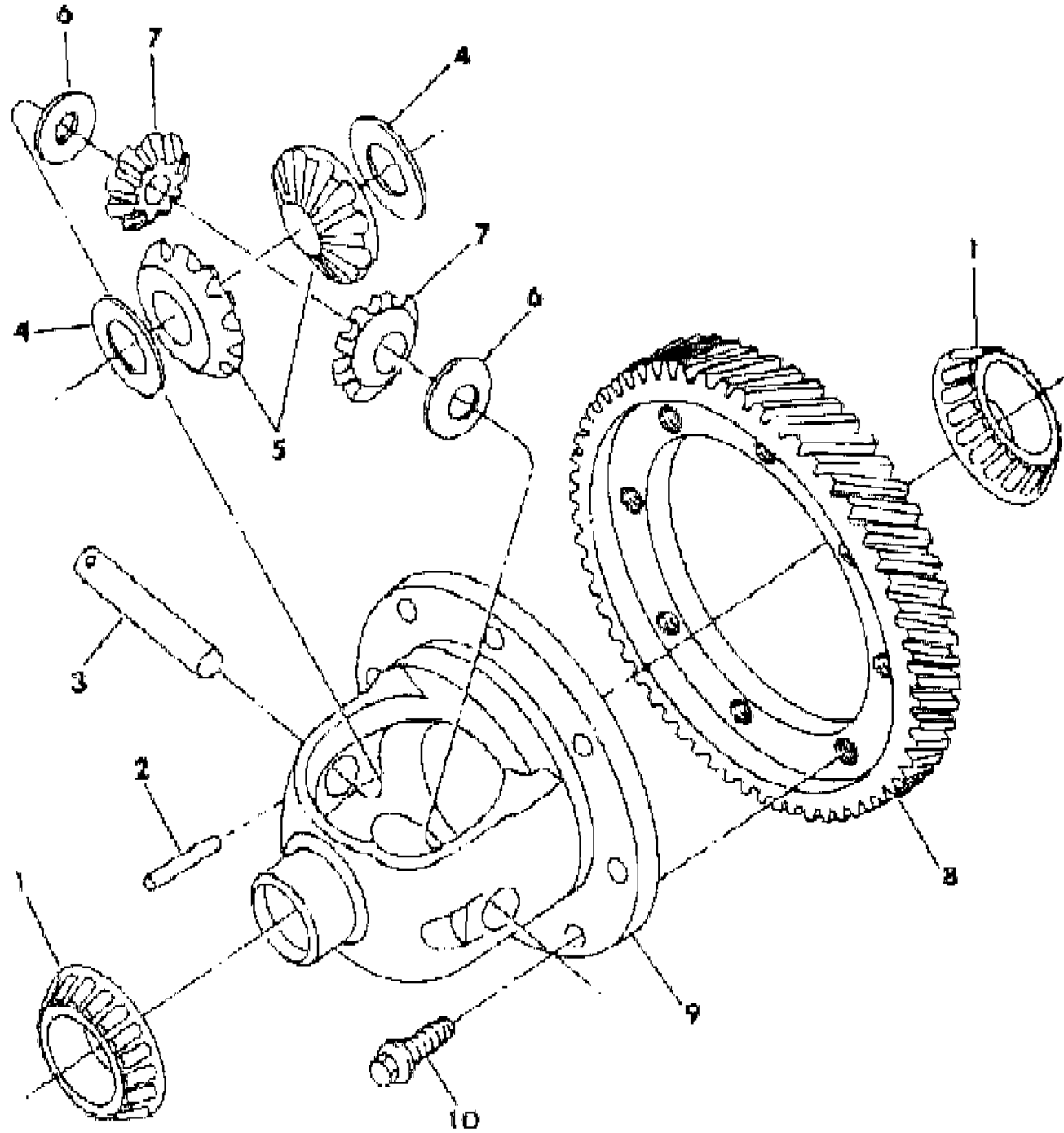
BODY STYLES

12-52 = FWD VAN & WAGON STD. W.B. 27 = 2-DOOR CONVERTIBLE
 13-53 = FWD VAN & WGN EXT W.B. 41 = 4-DOOR SEDAN
 21 = 2-DOOR SEDAN 44 = 4-DOOR HATCHBACK
 24 = 2-DOOR HATCHBACK 45 = 4-DOOR STATION WAGON

AR = Use as Required - = Non Illustrated Part P.A.R. = Paint as Required

DIFFERENTIAL MANUAL TRANSAXLE, A520,A525,A555 5-SPEED
Figure 21M-500

8121 500



ITEM	PART NUMBER	QTY	BODY	MODEL	DESCRIPTION
1	4269 677	2			CONE, Differential Bearing
2	6101 284	1			PIN, Differential Roll
3	4207 073	1			SHAFT, Differential, Use w/4446334 Trans.
	4348 687	1			w/4446016,4471004 Trans.
	4348 084	2			Short, w/4446015 Trans.
	4348 687	1			Long Shaft
-	4348 077	1			RING, Pinion Shaft Retainer, Use w/4446015 Trans.
4	5212 212	2			WASHER, Differential Side Gear, Flat, Use w/4446334 Trans.
-	4131 292	1			WASHER PACKAGE, Diff. Side Gear Flat, Except 4446334 Trans.
		2			Consists Of:
	3723 861	2			WASHER, Thrust .031 - .033" Thk. (Serv. in Pkg.) .036 - .038" Thk.
		2			.041 - .043" Thk. (Serv. in Pkg.)
	3723 863	2			.046 - .048" Thk.
5	4412 048	2			GEAR, Differential Side, Use w/4446334 Trans.
	4348 619	2			Except 4446334 Trans.
6	5212 211	2			WASHER, Pinion, Spherical, Use w/4446334 Trans.
	4412 521	2			0.79 - 0.84" Thk., Except 4446015,334 Trans.
	4412 521	4			0.79 - 0.84" Thk., Use w/4446015 Trans.
7	4412 050	2			PINION, Differential, Use w/4446334 Trans.
	4348 679	2			Except 4446015,334 Trans.
	4348 679	4			Use w/4446015 Trans.
8					GEAR, Final Drive
	4295 417	1			w/4446334 Trans.
	4377 664	1			w/4446016 Trans.
	4377 666	1			w/4471004 Trans.
	4348 082	1			w/4446015 Trans.
9	5222 775	1			CASE, Differential, Use w/4446334 Trans.
	4348 634	1			w/4446016,4471004 Trans.
	4348 080	1			w/4446015 Trans.
10	6501 032	8			BOLT, Drive Gear to Case, M10x1.5x25, Use w/4446334 Trans.
	6501 240	12			M10x1.5x25, Use w/4446016,4471004 Trans.
	6501 103	12			M12x1.5x25, w/4446015 Trans.

MODEL CODES

C BODY = (D41 - DYNASTY)(C41 - NEW YORKER)
 E BODY = (J - CARAVELLE)(E - 600)(T - NEW YORKER TURBO)
 G BODY = (V24 - DAYTONA, PACIFICA & SHELBY)
 H BODY = (D44 - LANCER)(C44 - LEBARON GTS)
 J BODY = (C - LEBARON)
 K BODY = (P - RELIANT)(D - ARIES)(C - LEBARON/ TOWN & COUNTRY)

L BODY = (M - HORIZON)(Z-OMNI)
 M BODY = (B - GRAN FURY)(G - DIPLOMAT)(F - FIFTH AVENUE/NEWPORT)
 P BODY = (P - SUNDANCE)(D - SHADOW)
 Q BODY = (C27 - MASERATI)
 S BODY = (H - VOYAGER)(K - RAM VAN/ CARAVAN)

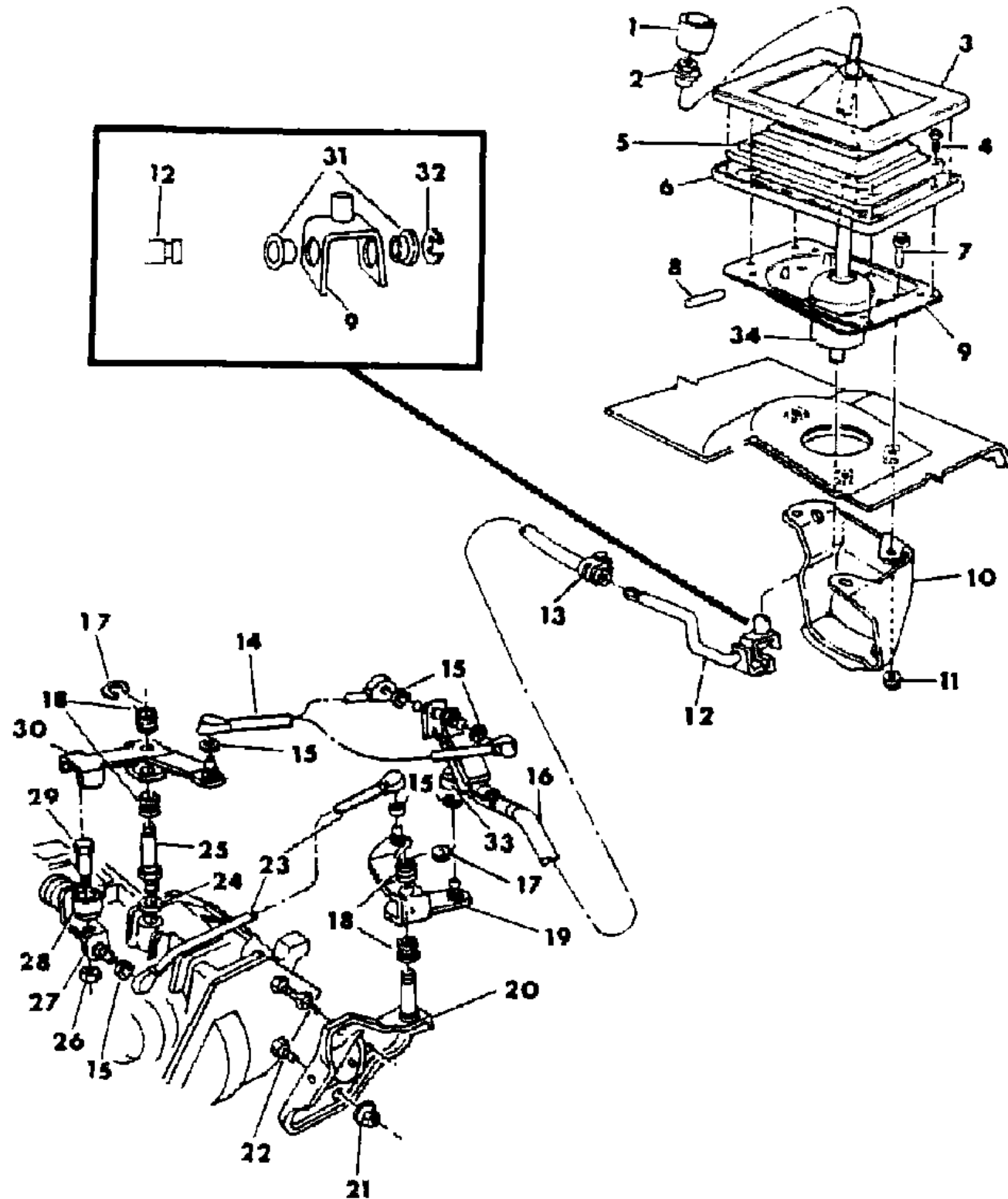
BODY STYLES

12-52 = FWD VAN & WAGON STD. W.B. 27 = 2-DOOR CONVERTIBLE
 13-53 = FWD VAN & WGN EXT W.B. 41 = 4-DOOR SEDAN
 21 = 2-DOOR SEDAN 44 = 4-DOOR HATCHBACK
 24 = 2-DOOR HATCHBACK 45 = 4-DOOR STATION WAGON

AR = Use as Required - = Non Illustrated Part P.A.R. = Paint as Required

CONTROLS, GEARSHIFT MANUAL TRANSAXLE, A525 L BODY
Figure 21M-600

8121 600



ITEM	PART NUMBER	QTY	BODY	MODEL	DESCRIPTION
1	4295 380	1			KNOB, Gearshift Lever
2	4295 374	1			NUT, G/Shift Lever Knob
3	4295 381	1			BEZEL, Lever Boot Base
4		4			SCREW, Not Serviced
5	4295 392	1			BOOT, G/Shift Mechanism, Upper
6	4295 382	1			PLATE, Lever Boot Base
7	6100 577	3			SCREW, Pivot Bracket, M8x1.25x35
8	#0455 277	1			PIN, Mech. Lever
9	4364 766	1			MECHANISM PACKAGE, w/Reverse Lock-Out Brkt.
10	4348 413	1			BRACKET, Reverse Lock-Out
11	6100 050	3			NUT, w/Washer, Bracket Mtg., M8x1.25
12	4348 409	1			CONNECTOR, Tube To Mech.
13	4329 090	1			CLAMP, Tube Connector
	6500 247	1			BOLT, Tube Connector Clamp
	6500 246	1			NUT, Tube Connector Clamp Bolt
14	4348 402	1			ROD, Crossover
15	4377 239	5			SILENCER, Tube or Rod to Ball Joint
-	4431 318	3			CLIP, Rod to Ball Joint Retaining
16	4348 414	1			TUBE, Control Selector
17	6500 328	2			E-RING, Pivot Stud Clevis
18	5206 161	4			BEARING, Lever Clevis
19	4348 433	1			CLEVIS, G/Shift Control Lever
20	4329 087	1			BRACKET, Pivot & Eng. Roll Strut Mtg.
21	6100 517	3			NUT, Bracket Mtg. Lock, M8x1.25
22	6500 921	3			STUD, Pivot Bracket To Case
23	4329 034	1			ROD, Control Selector, Blue
24	6100 132	1			WASHER, Pivot Stud Coned
25	4329 051	1			STUD, Pivot
26	6100 499	1			NUT, Lock, M8x1.25
27	4329 147	1			LEVER, w/Ball Stud, G/Shift Operating
28	4188 456	1			BALL, Selector Crossover Lever
29	6500 562	1			BOLT, Shoulder
30	4348 431	1			LEVER, Crossover
31	5206 161	2			BEARING, G/Shift Lever
32	6500 328	1			E-RING, G/Shift Lever
33	4348 401	1			BALL JOINT, Tube Clevis
	6100 525	1			NUT, Ball Joint Clevis, M10x1.50

MODEL CODES

C BODY = (D41 - DYNASTY)(C41 - NEW YORKER)
 E BODY = (J - CARAVELLE)(E - 600)(T - NEW YORKER TURBO)
 G BODY = (V24 - DAYTONA, PACIFICA & SHELBY)
 H BODY = (D44 - LANCER)(C44 - LEBARON GTS)
 J BODY = (C - LEBARON)
 K BODY = (P - RELIANT)(D - ARIES)(C - LEBARON/ TOWN & COUNTRY)

L BODY = (M - HORIZON)(Z-OMNI)
 M BODY = (B - GRAN FURY)(G - DIPLOMAT)(F - FIFTH AVENUE/NEWPORT)
 P BODY = (P - SUNDANCE)(D - SHADOW)
 Q BODY = (C27 - MASERATI)
 S BODY = (H - VOYAGER)(K - RAM VAN/ CARAVAN)

BODY STYLES

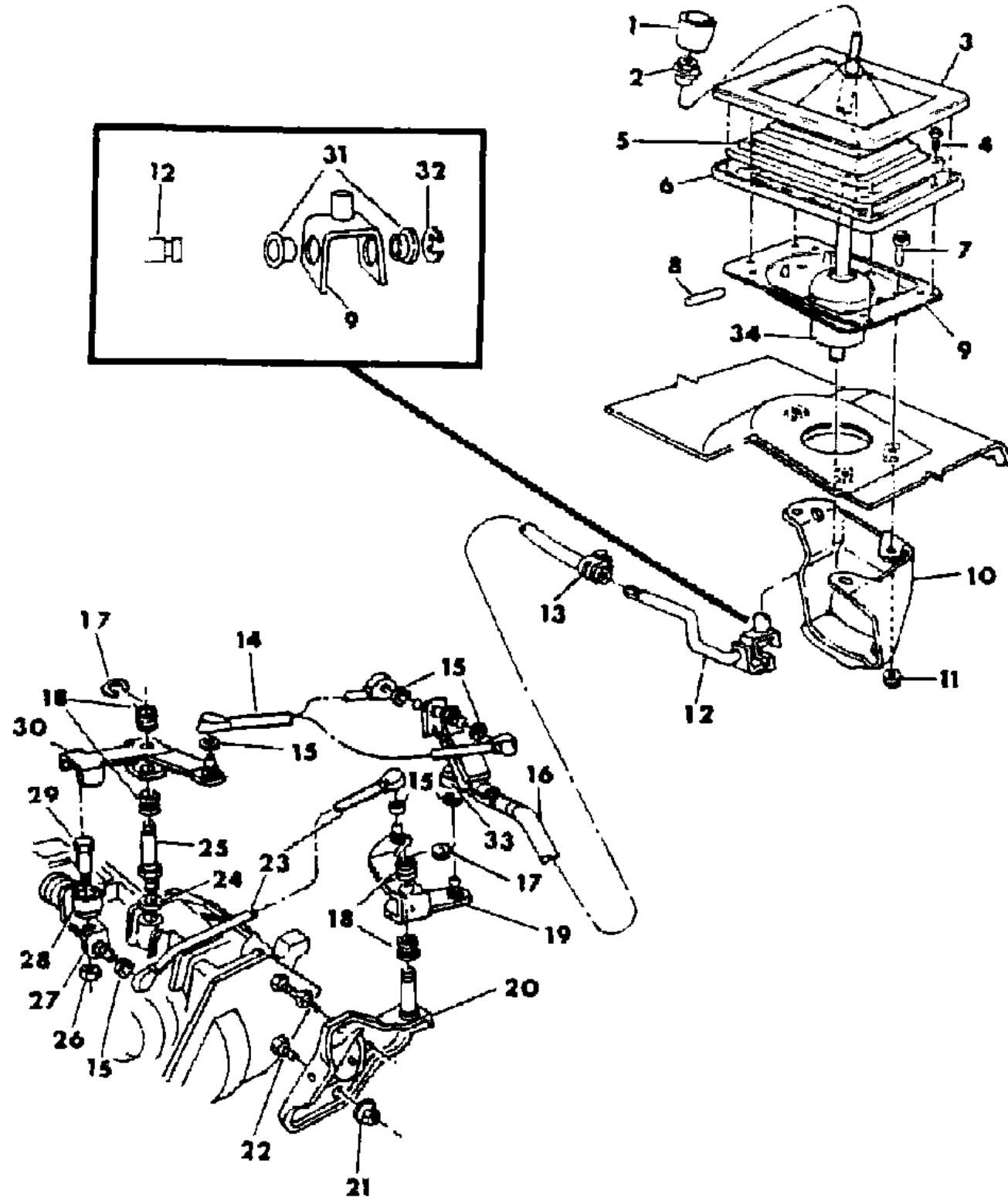
12-52 = FWD VAN & WAGON STD. W.B. 27 = 2-DOOR CONVERTIBLE
 13-53 = FWD VAN & WGN EXT W.B. 41 = 4-DOOR SEDAN
 21 = 2-DOOR SEDAN 44 = 4-DOOR HATCHBACK
 24 = 2-DOOR HATCHBACK 45 = 4-DOOR STATION WAGON

AR = Use as Required - = Non Illustrated Part P.A.R. = Paint as Required

CONTROLS, GEARSHIFT MANUAL TRANSAXLE, A525 L BODY
Figure 21M-600

8121 600

ITEM	PART NUMBER	QTY	BODY	MODEL	DESCRIPTION
34	5206 154	1			BOOT, G/Shift Mech., Lower



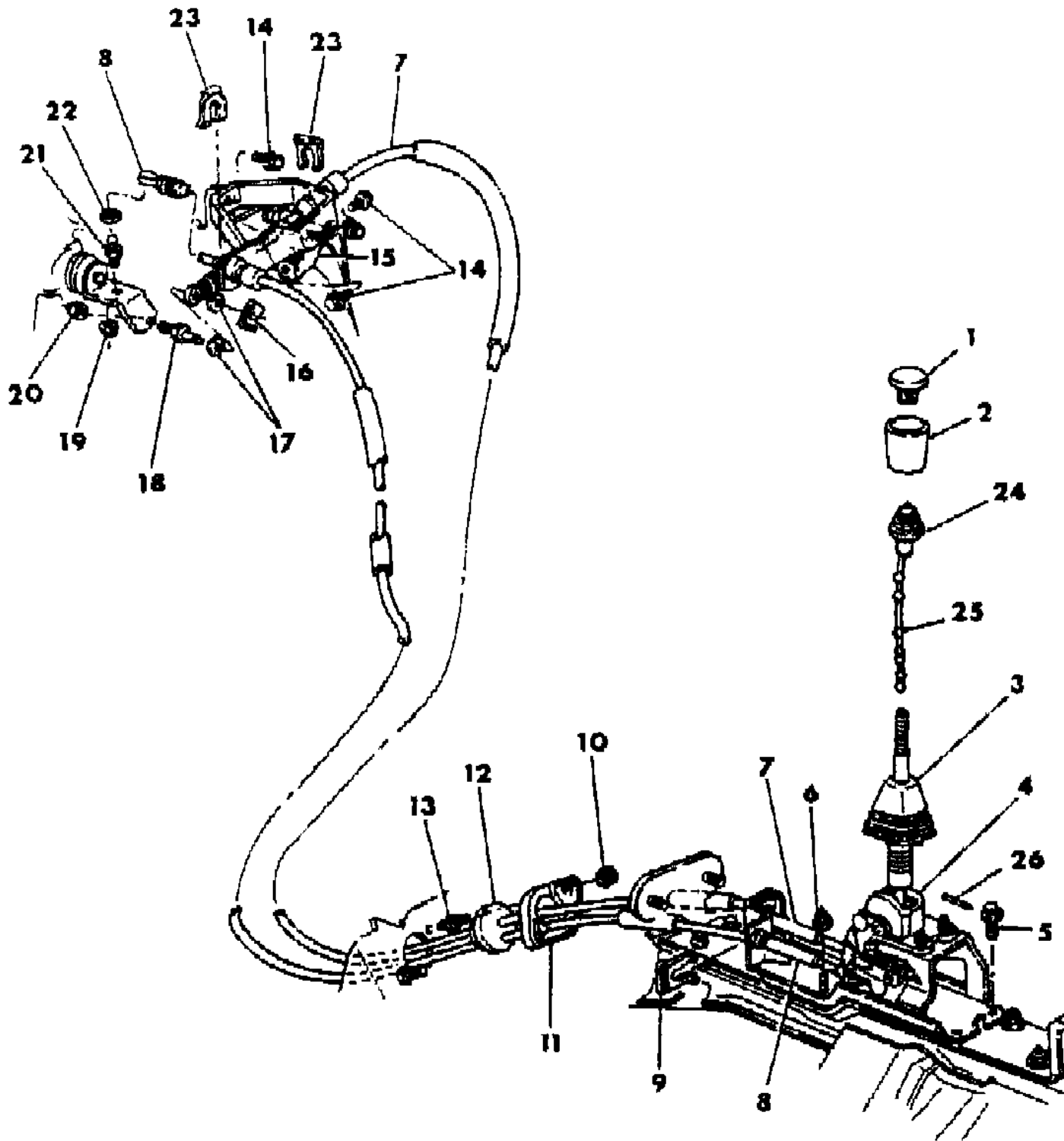
MODEL CODES
 C BODY = (D41 - DYNASTY)(C41 - NEW YORKER)
 E BODY = (J - CARAVELLE)(E - 600)(T - NEW YORKER TURBO)
 G BODY = (V24 - DAYTONA, PACIFICA & SHELBY)
 H BODY = (D44 - LANCER)(C44 - LEBARON GTS)
 J BODY = (C - LEBARON)
 K BODY = (P - RELIANT)(D - ARIES)(C - LEBARON/ TOWN & COUNTRY)
 L BODY = (M - HORIZON)(Z-OMNI)
 M BODY = (B - GRAN FURY)(G - DIPLOMAT)(F - FIFTH AVENUE/NEWPORT)
 P BODY = (P - SUNDANCE)(D - SHADOW)
 Q BODY = (C27 - MASERATI)
 S BODY = (H - VOYAGER)(K - RAM VAN/ CARAVAN)

BODY STYLES
 12-52 = FWD VAN & WAGON STD. W.B. 27 = 2-DOOR CONVERTIBLE
 13-53 = FWD VAN & WGN EXT W.B. 41 = 4-DOOR SEDAN
 21 = 2-DOOR SEDAN 44 = 4-DOOR HATCHBACK
 24 = 2-DOOR HATCHBACK 45 = 4-DOOR STATION WAGON

AR = Use as Required - = Non Illustrated Part P.A.R. = Paint as Required

CONTROLS, GEARSHIFT MANUAL TRANSAXLE, A520,A555 P,J,G,H BODY
Figure 21M-700

8121 700



ITEM	PART NUMBER	QTY	BODY	MODEL	DESCRIPTION
1	4295 345	1			RETAINER, w/Decal, G/Shift Knob, 5-Speed
2	4431 264	1			KNOB, G/Shift Lever
3	4377 337	1	J,G		BOOT, G/Shift Lever
	4377 340	1	J	27	BOOT, w/Bezel, G/Shift Lever (Bezel Woodgrain)
	4348 461	1	P		BOOT, w/Bezel, G/Shift Lever
	4269 408	1	H		BOOT, Gearshift Lever
4	4377 228	1			MECHANISM ASSEMBLY, Gearshift
5		2			SCREW, Mechanism Mtg., (Not Serviced)
6	6501 483	2			NUT, w/Washer, Mech. Mtg. Screw
	6501 483	4	J	27	
7	4431 342	1	P,H		CABLE, G/Shift Control Selector, 51.00" Lg.
	4431 341	1	J,G		53.00" Lg.
8	4431 339	1	P		CABLE, G/Shift Control Crossover, 44.68" Lg.
	4431 336	1	J,G		47.48" Lg.
	4431 337	1	H		45.67" Lg.
9	6501 431	2			CLIP, Cable Attaching, Rear
10	9420 219	2			NUT, Cable Plate Stud
11	4329 013	1			PLATE, Cable Grommet
12	4431 274	1			GROMMET, Cable Plate, Up To 1-25-88
	4446 843	1			After 1-25-88
13	6032 482	2	J,G		STUD, Cable Plate Mtg.
		2	P,H		SCREW, Cable Plate Mtg., (Not Serviced)
14	6100 296	3			SCREW, Cable Mtg. Bracket
15	4412 662	1			BRACKET, Cable Mounting, Front, Up To 1-2-88
	4446 939	1			After 1-2-88
16	6501 332	1			CLIP, Cable to Selector Lever Pin Stud
17		2			WASHER, Selector Cable to Lever Pin Stud
18	6501 340	1			STUD, Selector Cable Operating Lever, Pin
19	6100 499	1			NUT, Cable Crossover Ball Stud Lock, M8x1.25
20	6500 197	1			NUT, Selector Cable Pin Stud, Lock
21	4269 461	1			STUD, Crossover Cable Operating Lever, Ball
22	4377 239	2			SILENCER, Cable to Ball Stud
23	4269 830	2			CLIP, Cable Attaching, Front
24	4443 404	1			RING PACKAGE, G/Shift Lever, Reverse Pull-Up
25		1			STRAP, Pull-Up Ring, (Serviced in Pkg.)
26		1			PIN, Pull-Up Ring Strap, (Serviced in Pkg.)

MODEL CODES

C BODY = (D41 - DYNASTY)(C41 - NEW YORKER)
 E BODY = (J - CARAVELLE)(E - 600)(T - NEW YORKER TURBO)
 G BODY = (V24 - DAYTONA, PACIFICA & SHELBY)
 H BODY = (D44 - LANCER)(C44 - LEBARON GTS)
 J BODY = (C - LEBARON)
 K BODY = (P - RELIANT)(D - ARIES)(C - LEBARON/ TOWN & COUNTRY)

L BODY = (M - HORIZON)(Z-OMNI)
 M BODY = (B - GRAN FURY)(G - DIPLOMAT)(F - FIFTH AVENUE/NEWPORT)
 P BODY = (P - SUNDANCE)(D - SHADOW)
 Q BODY = (C27 - MASERATI)
 S BODY = (H - VOYAGER)(K - RAM VAN/ CARAVAN)

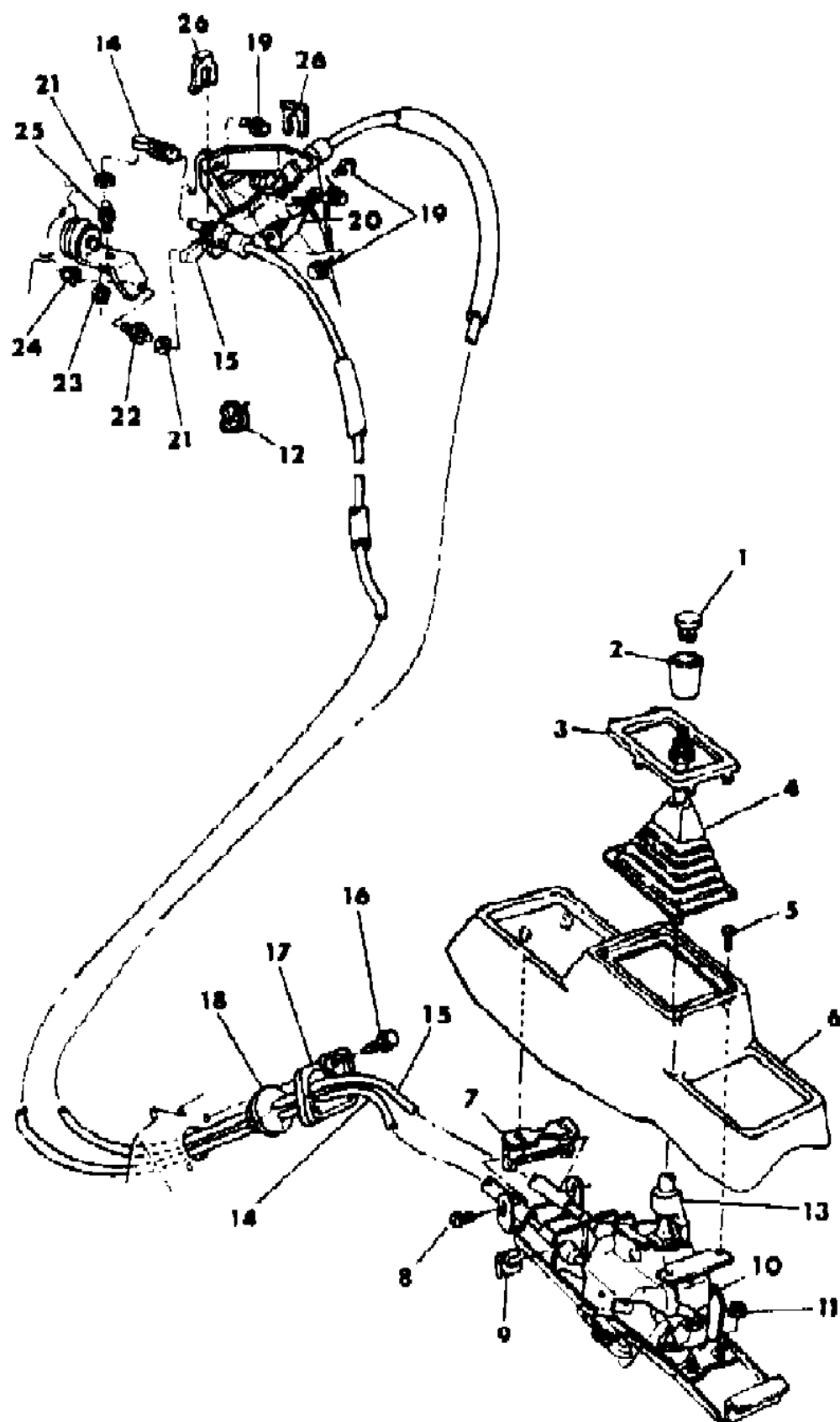
BODY STYLES

12-52 = FWD VAN & WAGON STD. W.B. 27 = 2-DOOR CONVERTIBLE
 13-53 = FWD VAN & WGN EXT W.B. 41 = 4-DOOR SEDAN
 21 = 2-DOOR SEDAN 44 = 4-DOOR HATCHBACK
 24 = 2-DOOR HATCHBACK 45 = 4-DOOR STATION WAGON

AR = Use as Required - = Non Illustrated Part P.A.R. = Paint as Required

CONTROLS, GEARSHIFT MANUAL TRANSAXLE, A520 K BODY
Figure 21M-800

8121 800 A



ITEM	PART NUMBER	QTY	BODY	MODEL	DESCRIPTION
1	4295 345	1			RETAINER, w/Decal, Shift Knob
	4269 819	1			DECAL, Knob Retainer, 5-Speed
2	4431 264	1			KNOB, G/Shift Lever
	6500 780	1			NUT, G/Shift Lever Knob
-	4269 859	1			RING, Pull-Up
3	4377 348	1			BEZEL, Mini Console Boot
4	4269 408	1			BOOT, G/Shift Lever
-	4283 340	1			BEZEL, w/Full Length Console
5		2			SCREW, Console Mtg., (Not Serviced)
6	V157 FK3	1			CONSOLE, Gearshift, Mini
-	4431 278	2			CLIP, Mini Console Mtg.
7	4431 236	1			INSERT, Mini Console Mechanism Mtg.
8		2			SCREW, Insert Mtg., (Not Serviced)
9	6501 431	2			CLIP, Cable Attaching, Rear
10	4419 930	1			MECHANISM, Gearshift
11	6501 483	2			NUT, w/Washer
12	4431 318	1			CLIP, Cable To Operating Lever Retaining
13		1			LEVER, G/Shift (Serviced in Mechanism Assy. Item 10)
14	4412 669	1			CABLE, Gearshift, Crossover, 47.48" Lg.
15	4443 423	1			CABLE, Gearshift, Selector, 48.85" Lg.
	6500 776	2			SCREW, Cable Adjusting
16		2			SCREW, Plate Mtg., (Not Serviced)
17	4329 013	1			PLATE, Cable Grommet
18	4431 274	1			GROMMET, Cable Dash
19	6100 296	3			SCREW, Cable Bracket Mtg.
20	4412 662	1			BRACKET, Cable Mtg., Front
21	4377 239	2			SILENCER, Cable to Stud Pad
22	6501 341	1			STUD, Selector Cable Operating Lever, Ball
23	6100 499	1			NUT, Crossover Cable Ball Stud, Lock
24	6500 197	1			NUT, Selector Cable Ball Stud, Lock
25	4269 461	1			STUD, Crossover Cable Operating Lever, Ball
26	4269 830	2			CLIP, Cable Attaching, Front

MODEL CODES

C BODY = (D41 - DYNASTY)(C41 - NEW YORKER)	L BODY = (M - HORIZON)(Z-OMNI)
E BODY = (J - CARAVELLE)(E - 600)(T - NEW YORKER TURBO)	M BODY = (B - GRAN FURY)(G - DIPLOMAT)(F - FIFTH AVENUE/NEWPORT)
G BODY = (V24 - DAYTONA, PACIFICA & SHELBY)	P BODY = (P - SUNDANCE)(D - SHADOW)
H BODY = (D44 - LANCER)(C44 - LEBARON GTS)	Q BODY = (C27 - MASERATI)
J BODY = (C - LEBARON)	S BODY = (H - VOYAGER)(K - RAM VAN/ CARAVAN)
K BODY = (P - RELIANT)(D - ARIES)(C - LEBARON/ TOWN & COUNTRY)	

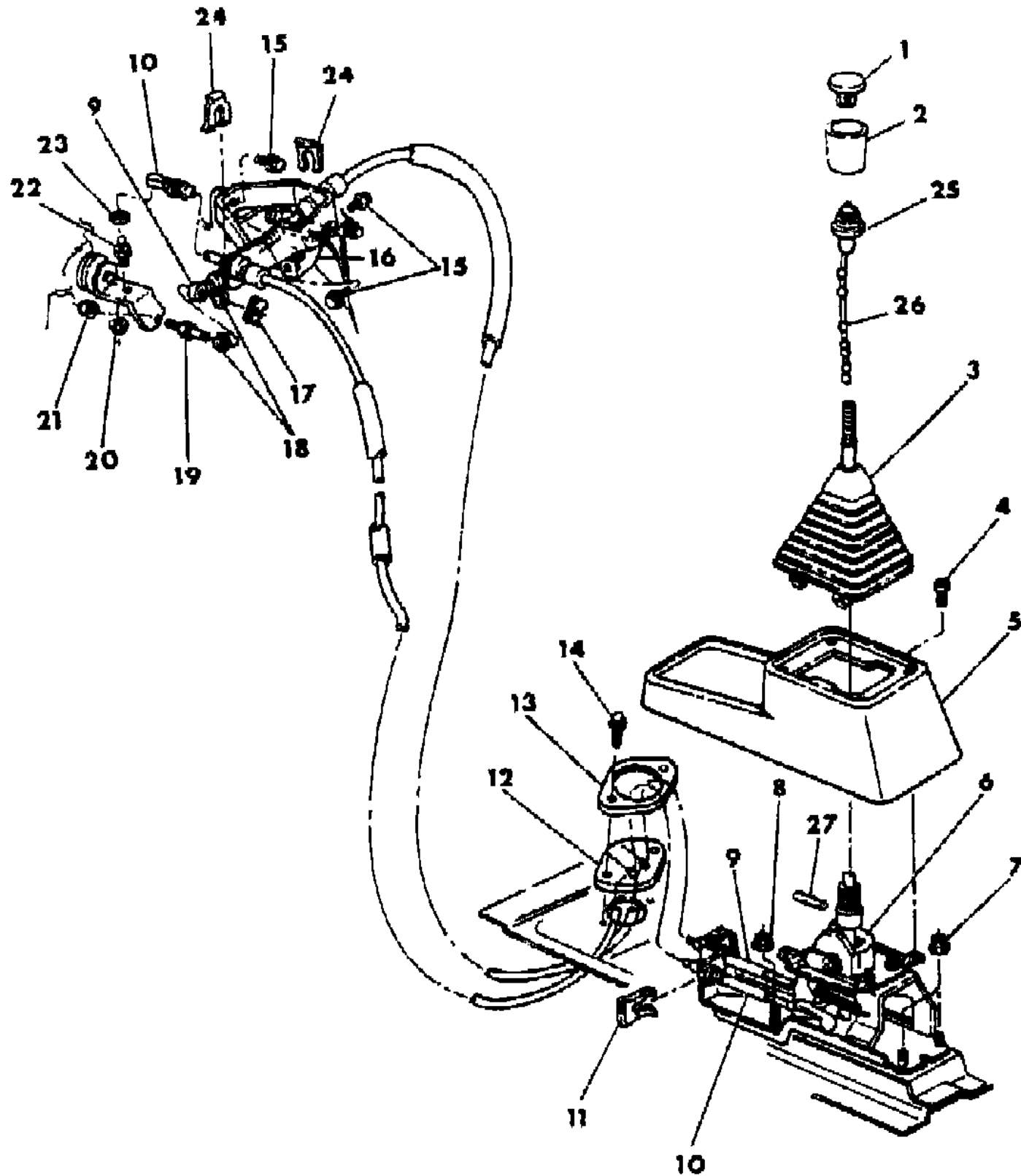
BODY STYLES

12-52 = FWD VAN & WAGON STD. W.B.	27 = 2-DOOR CONVERTIBLE
13-53 = FWD VAN & WGN EXT W.B.	41 = 4-DOOR SEDAN
21 = 2-DOOR SEDAN	44 = 4-DOOR HATCHBACK
24 = 2-DOOR HATCHBACK	45 = 4-DOOR STATION WAGON

AR = Use as Required - = Non Illustrated Part P.A.R. = Paint as Required

CONTROLS, GEARSHIFT MANUAL TRANSAXLE, A520 S BODY
Figure 21M-900

8121 900



ITEM	PART NUMBER	QTY	BODY	MODEL	DESCRIPTION
1	4295 345	1			RETAINER, w/Decal, G/Shift Knob 5-Speed
-	4269 819	1			DECAL, Knob Retainer, 5-Speed
2	4431 264	1			KNOB, G/Shift Lever
3	4377 331	1			BOOT, G/Shift Lever
4		4			SCREW, Console Mtg., (Not Serviced)
5	F333 FS8	1			BASE, G/Shift Mechanism, Charcoal
	F333 GR8	1			Red
	F333 FK1	1			Light Almond
	F333 FC5	1			Twilight Blue
6	4377 229	1			MECHANISM, Gearshift
7-8	6501 483	4			NUT, w/Washer, M8x1.25
9	4431 343	1			CABLE, G/Shift Selector, 50.35" Lg.
10	4431 338	1			CABLE, G/Shift Crossover, 44.00" Lg.
11	6501 431	2			CLIP, Cable to Brkt. Attaching, Rear
12	4431 275	1			GROMMET, Cable Dash
13	4295 319	1			PLATE, Cable Grommet
14	6032 817	2			SCREW, Plate Mtg.
15	6100 296	3			SCREW, Bracket Mtg.
16	4412 662	1			BRACKET, Cable Mtg., Front
17	6501 332	1			CLIP, Selector Cable Pin Stud
18		2			WASHER, Selector Cable, (Not Serviced)
19	6501 340	1			STUD, Selector Cable Operating Lever, Pin
20	6100 499	1			NUT, Crossover Cable Ball Stud, Lock M8x1.25
21	6500 197	1			NUT, Selector Cable Pin Stud, Lock
22	4269 461	1			STUD, Crossover Cable, Ball
23	4377 239	1			SILENCER, Selector Cable to Ball Stud
24	4269 830	2			CLIP, Cable to Bracket Attaching
25	4443 404	1			RING PACKAGE, G/Shift Lever Reverse Pull-Up
26		1			STRAP, Pull-Up Ring, (Serviced in Pkg.)
27		1			PIN, Pull-Up Ring Strap, (Serviced in Pkg.)

MODEL CODES

C BODY = (D41 - DYNASTY)(C41 - NEW YORKER)	L BODY = (M - HORIZON)(Z-OMNI)
E BODY = (J - CARAVELLE)(E - 600)(T - NEW YORKER TURBO)	M BODY = (B - GRAN FURY)(G - DIPLOMAT)(F - FIFTH AVENUE/NEWPORT)
G BODY = (V24 - DAYTONA, PACIFICA & SHELBY)	P BODY = (P - SUNDANCE)(D - SHADOW)
H BODY = (D44 - LANCER)(C44 - LEBARON GTS)	Q BODY = (C27 - MASERATI)
J BODY = (C - LEBARON)	S BODY = (H - VOYAGER)(K - RAM VAN/ CARAVAN)
K BODY = (P - RELIANT)(D - ARIES)(C - LEBARON/ TOWN & COUNTRY)	

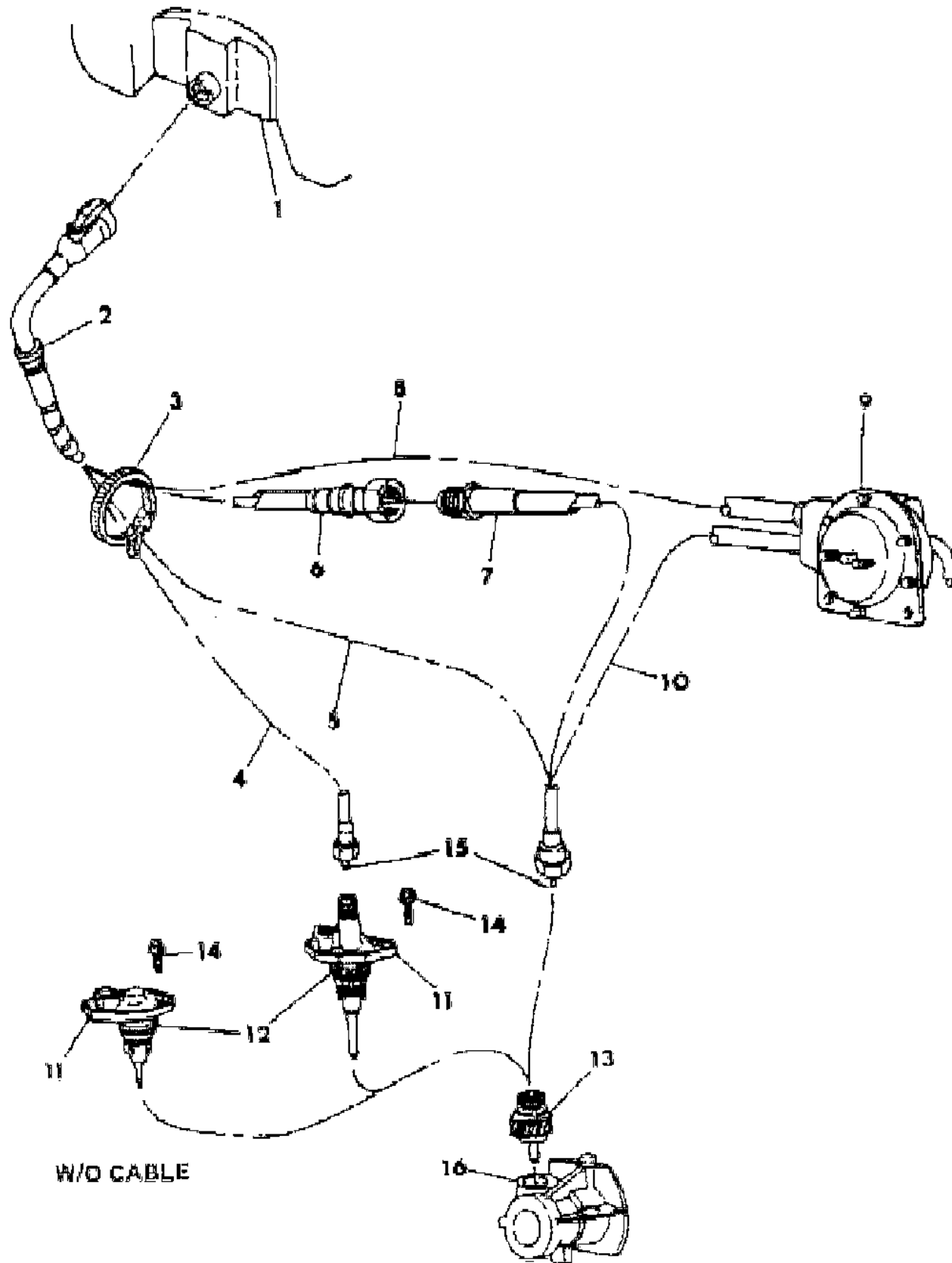
BODY STYLES

12-52 = FWD VAN & WAGON STD. W.B.	27 = 2-DOOR CONVERTIBLE
13-53 = FWD VAN & WGN EXT W.B.	41 = 4-DOOR SEDAN
21 = 2-DOOR SEDAN	44 = 4-DOOR HATCHBACK
24 = 2-DOOR HATCHBACK	45 = 4-DOOR STATION WAGON

AR = Use as Required - = Non Illustrated Part P.A.R. = Paint as Required

CABLES AND PINION, SPEEDOMETER MANUAL TRANSAXLE
Figure 21M-1000

8121 1000



ITEM	PART NUMBER	QTY	BODY	MODEL	DESCRIPTION
1					SPEEDOMETER, (Reference)
2	3593 446	1			GROMMET, Speedo. Cable Dash, Flat Type
	4419 687	1			Bullet Type
	3445 939	1			PLUG, Speedo. Cable Dash Hole, w/Electronic Inst. Panel
3	6015 756	1			CLIP, Speedo. Cable To Heater Hose
4					CABLE, Speedometer To Transmission
5	4439 100	1	S		44" Long, 1/2" Clip-On Upper, 5/8" Female Lower
6					CABLE, TWO PIECE, Speedometer To Transmission
	4437 222	1	L		44" Long, UPPER, 1/2" Clip-On, 5/8" Female
	4374 767	1	P,H		44" Long, UPPER, 1/2" Clip-On, 5/8" Female
	4312 332	1	K,G		44" Long, UPPER, 1/2" Clip-On, 5/8" Female
7	4437 221	1	L		26" Long, LOWER, 5/8" Male, 5/8" Female
	4437 092	1	P,K		24" Long, LOWER, 5/8" Male, 5/8" Female Lower
8					CABLE, Speedometer to Speed Control (Refer To Group 14)
9					CONTROL, Speed (Reference)
10					CABLE, Speed Control To Transmission (Refer To Group 14)
11	5227 896	1			SENSOR, Distance, Used w/Cable, 5/8 Male, 5/8 Female
	5227 897	1			w/o Cable, 5/8 Female
12	5212 152	1			O-RING, Sensor Oil Seal, 1-1/16" I.D.
13					PINION, Trans. Speedometer Drive
	4269 950	AR			19 Teeth, w/P185/75 R14 P/S WSW Misch. Tire, Color YELLOW
	4269 950	AR			19 Teeth, w/14",15",16" Tire, Color YELLOW
	5222 390	AR			20 Teeth, w/13",14",15" Tire, Color BLUE
	5222 388	AR	L,P		21 Teeth, w/P205/50VR15 SBR, LBL, Color White
14	6501 714	1			SCREW, Sensor Retaining, M6x1.00x6G
15					SHAFT, Cable Drive, Universal Drive Type
	2448 294	1			80" Long
16					EXTENSION, Transaxle (Reference)

MODEL CODES

C BODY = (D41 - DYNASTY)(C41 - NEW YORKER)
 E BODY = (J - CARAVELLE)(E - 600)(T - NEW YORKER TURBO)
 G BODY = (V24 - DAYTONA, PACIFICA & SHELBY)
 H BODY = (D44 - LANCER)(C44 - LEBARON GTS)
 J BODY = (C - LEBARON)
 K BODY = (P - RELIANT)(D - ARIES)(C - LEBARON/ TOWN & COUNTRY)

L BODY = (M - HORIZON)(Z-OMNI)
 M BODY = (B - GRAN FURY)(G - DIPLOMAT)(F - FIFTH AVENUE/NEWPORT)
 P BODY = (P - SUNDANCE)(D - SHADOW)
 Q BODY = (C27 - MASERATI)
 S BODY = (H - VOYAGER)(K - RAM VAN/ CARAVAN)

BODY STYLES

12-52 = FWD VAN & WAGON STD. W.B. 27 = 2-DOOR CONVERTIBLE
 13-53 = FWD VAN & WGN EXT W.B. 41 = 4-DOOR SEDAN
 21 = 2-DOOR SEDAN 44 = 4-DOOR HATCHBACK
 24 = 2-DOOR HATCHBACK 45 = 4-DOOR STATION WAGON

AR = Use as Required - = Non Illustrated Part P.A.R. = Paint as Required

GROUP 21A - TRANSMISSION, AUTO.

ILLUSTRATION TITLE

GROUP-FIG. NO.

A999 & A727 TRANSMISSIONS

TRANSMISSION, WITH CASE AND EXTENSION AUTOMATIC, A999,A727 M BODY Fig. 21A-100
PUMP, OIL WITH REACTION SHAFT AUTOMATIC TRANSMISSION, A999,A727 M BODY Fig. 21A-200
GOVERNOR AND PARKING SPRAG AUTOMATIC TRANSMISSION, A999,A727 M BODY Fig. 21A-300
SERVOS, ACCUMULATOR, PISTONS AND SPRINGS AUTOMATIC TRANSMISSION, A999,A727 M BODY . Fig. 21A-400
BANDS, REVERSE AND KICKDOWN WITH LINKAGE AUTOMATIC TRANSMISSION, A999,A727 M BODY . Fig. 21A-500
VALVE BODY AUTOMATIC TRANSMISSION, A999,A727 M BODY Fig. 21A-600
CLUTCH, FRONT AND REAR WITH GEAR TRAIN AUTOMATIC TRANSMISSION, A999 M BODY Fig. 21A-700
CLUTCH, FRONT AND REAR WITH GEAR TRAIN AUTOMATIC TRANSMISSION, A727 M BODY Fig. 21A-800
GEAR TRAIN AND OUTPUT SHAFT AUTOMATIC TRANSMISSION, A999 M BODY Fig. 21A-900
GEAR TRAIN AND OUTPUT SHAFT AUTOMATIC TRANSMISSION, A727 M BODY Fig. 21A-1000

A413,A670 TRANSAXLES

TRANSAXLE ASSEMBLIES AND MOUNTING AUTOMATIC CHRYSLER, A413,A670 Fig. 21A-1100
CASE, EXTENSION AND RETAINER AUTOMATIC TRANSAXLE, A413,A670 Fig. 21A-1200
PUMP, OIL WITH REACTION SHAFT AUTOMATIC TRANSAXLE, A413,A670 Fig. 21A-1300
GOVERNOR AUTOMATIC TRANSAXLE, A413,A670 Fig. 21A-1400
SERVOS, ACCUMULATOR PISTON AND SPRINGS AUTOMATIC TRANSAXLE, A413,A670 Fig. 21A-1500
BANDS, REVERSE AND KICKDOWN WITH PARKING SPRAG AUTOMATIC TRANSAXLE, A413,A670 Fig. 21A-1600
VALVE BODY AUTOMATIC TRANSAXLE, A413,A670 Fig. 21A-1700
SHAFT, TRANSFER AUTOMATIC TRANSAXLE, A413,A670 Fig. 21A-1800
CLUTCH, FRONT AUTOMATIC TRANSAXLE, A413,A670 Fig. 21A-1900
CLUTCH, REAR AND INPUT SHAFT AUTOMATIC TRANSAXLE, A413,A670 Fig. 21A-2000
GEARS, FRONT ANNULUS AND SUN AUTOMATIC TRANSAXLE, A413,A670 Fig. 21A-2100
SHAFT, OUTPUT, REAR CARRIER, REVERSE DRUM, AND OVERRUNING CLUTCH AUTOMATIC
TRANSAXLE, A413,A670 Fig. 21A-2200
DIFFERENTIAL AUTOMATIC TRANSAXLE, A413,A670 Fig. 21A-2300

GEARSHIFT CONTROLS

CONTROLS, GEARSHIFT, FLOOR SHIFT AUTOMATIC TRANSAXLE L BODY Fig. 21A-2400
CONTROLS, GEARSHIFT, COLUMN SHIFT AUTOMATIC TRANSAXLE K,E,C,S BODY Fig. 21A-2500
CONTROLS, GEARSHIFT, FLOOR SHIFT AUTOMATIC TRANSAXLE P,J,K,G,H BODY Fig. 21A-2600
CONTROLS, GEARSHIFT, LOWER WITH COLUMN SHIFT AUTOMATIC TRANSMISSION, A999,A727 M
BODY Fig. 21A-2700
LEVER, COLUMN SHIFT, AND INDICATOR AUTOMATIC TRANSMISSION K,E,C,S,M BODY Fig. 21A-2800

ILLUSTRATION NOT AVAILABLE AT TIME OF PUBLICATION

GROUP 21A - TRANSMISSION, AUTO.

ILLUSTRATION TITLE

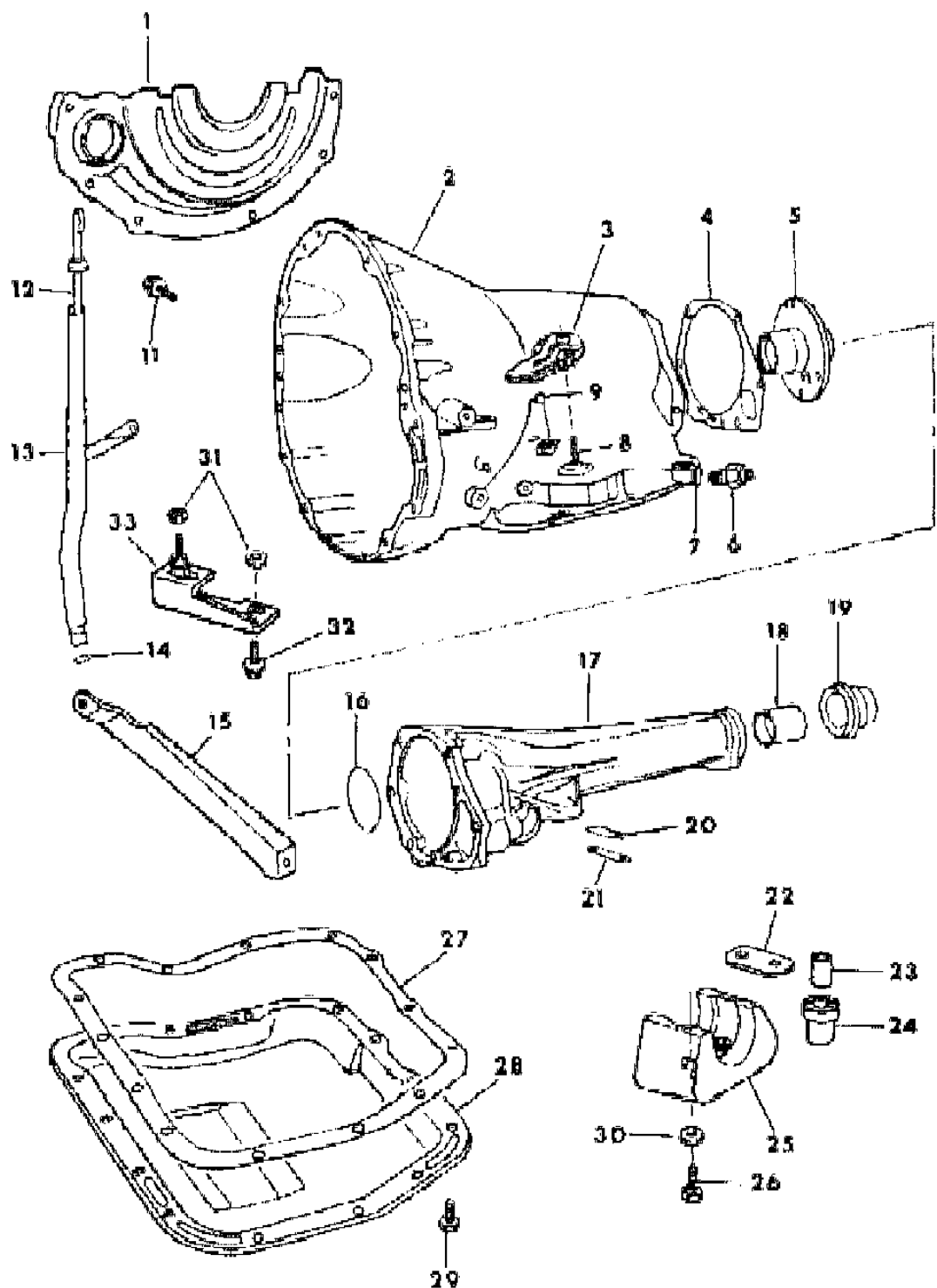
GROUP-FIG. NO.

SPEEDOMETER CABLES & PINIONS

CABLES AND PINION, SPEEDOMETER AUTOMATIC TRANSMISSION	Fig. 21A-2900
PINION AND ADAPTER, SPEEDOMETER CABLE DRIVE AUTOMATIC TRANSMISSION, M BODY	Fig. 21A-3000

TRANSMISSION, WITH CASE AND EXTENSION AUTOMATIC, A999,A727 M BODY
Figure 21A-100

8151 100



ITEM	PART NUMBER	QTY	BODY	MODEL	DESCRIPTION
NOTE: The Seven Digit Transmission Assembly Part Number is Stamped on the Left Side of the Transmisson Oil Pan Rail. the side of the float bowl.					
	4186 862	1			GASKET and SEAL PACKAGE, Trans. A999, Major Repair
	4186 864	1			GASKET and SEAL PACKAGE, Trans. A727, Major Repair
	4471 529	1		B,G-E CLASS	w/5.2L Eng., w/2-BBL, w/2.24 Rr. Axle Ratio, w/LU, Low Stall, Up To 11-16-1987
	4471 533	1		B,G-E CLASS	After 11-16-1987
	4431 572	1	M	L,H,P,S	w/5.2L Eng., w/2-BBL, w/2.24 Rr. Axle Ratio, w/LU, Low Stall, Up To 11-16-1987
	4446 365	1	M	L,H,P,S	From 11-16-1987
	4505 207	1	M	L,H,P,S	After 5-1-1988
	4471 537	1			w/5.2L Eng., w/2-BBL, w/2.76 Rr. Axle Ratio, w/LU, Up To 11-16-1987
	4471 540	1			After 11-16-1987
	4471 531	1			w/5.2L Eng., w/2-BBL, w/2.94 Rr. Axle Ratio, w/LU, Up To 11-16-1987
	4471 535	1			From 11-16-1987
	4505 171	1			After 5-1-1988
	4431 573	1			w/5.2L Eng., w/4-BBL, w/2.94 Rr. Axle Ratio, w/LU, Police, Up To 11-16-1987
	4446 368	1			After 11-16-1987
	4431 574	1		B,G	TRANSMISSION ASSEMBLY, A727 Automatic A727, w/5.2L Eng., w/2-BBL-HD, w/2.24 Rr. Axle Ratio, w/LU, Low Stall, Police, Up to 5-1-1988
	4505 209	1		B,G	A727, w/5.2L Eng., w/2-BBL-HD, w/2.24 Rr. Axle Ratio, w/LU, Low Stall, Police, After 5-1-1988
	TRANSMISSION ASSY. CROSS REFERENCE				
	PRODUCTION NO: SERVICE NO:				
	4431558 4431572				
	4431557 4431573				
	4431553 4431574				
	4505208 4505209				
	4446364 4446365				
	4505206 4505207				
	4446366 4446368				
	4471528 4471529				

MODEL CODES

C BODY = (D41 - DYNASTY)(C41 - NEW YORKER)	L BODY = (M - HORIZON)(Z-OMNI)
E BODY = (J - CARAVELLE)(E - 600)(T - NEW YORKER TURBO)	M BODY = (B - GRAN FURY)(G - DIPLOMAT)(F - FIFTH AVENUE/NEWPORT)
G BODY = (V24 - DAYTONA, PACIFICA & SHELBY)	P BODY = (P - SUNDANCE)(D - SHADOW)
H BODY = (D44 - LANCER)(C44 - LEBARON GTS)	Q BODY = (C27 - MASERATI)
J BODY = (C - LEBARON)	S BODY = (H - VOYAGER)(K - RAM VAN/ CARAVAN)
K BODY = (P - RELIANT)(D - ARIES)(C - LEBARON/ TOWN & COUNTRY)	

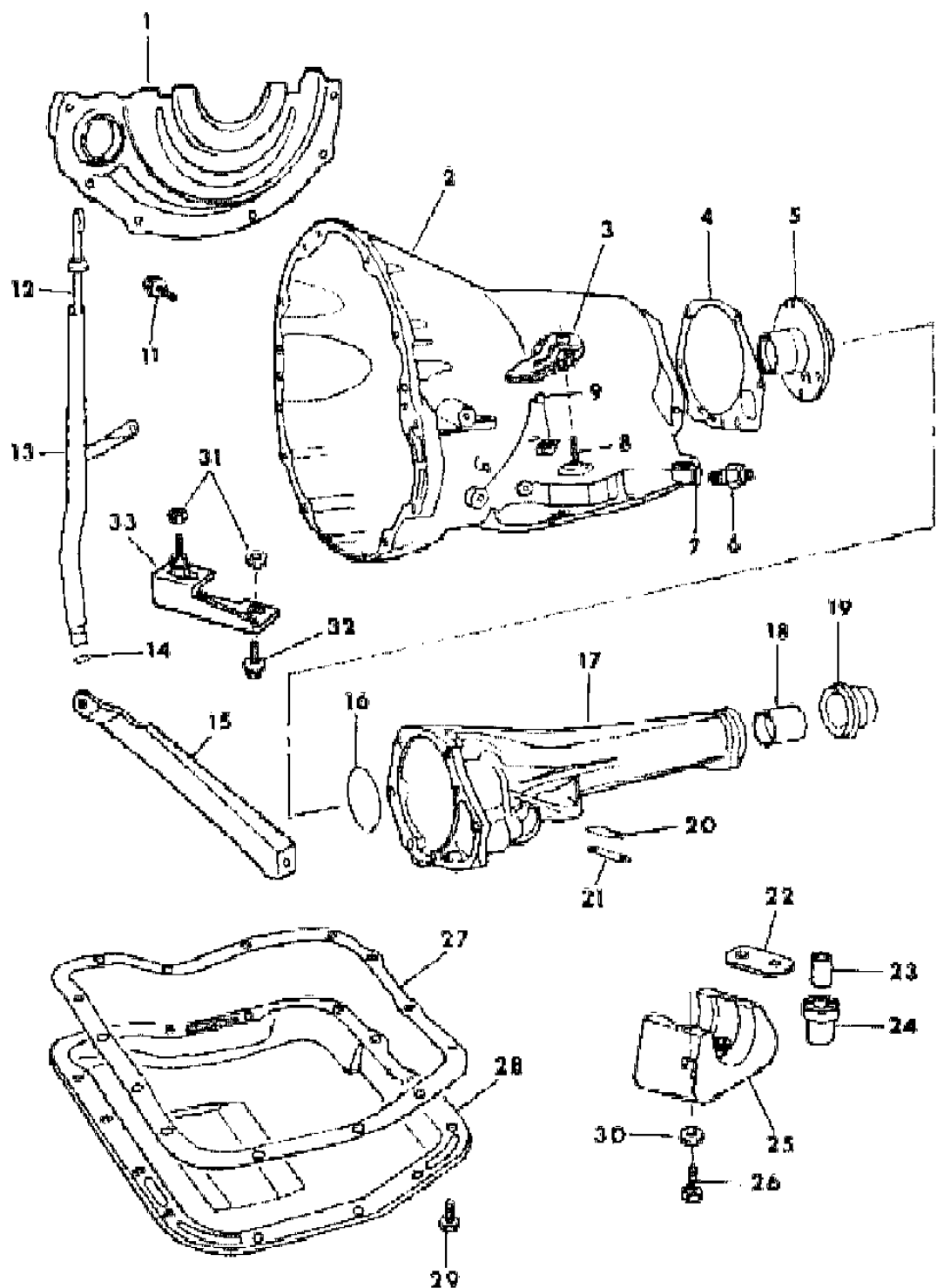
BODY STYLES

12-52 = FWD VAN & WAGON STD. W.B.	27 = 2-DOOR CONVERTIBLE
13-53 = FWD VAN & WGN EXT W.B.	41 = 4-DOOR SEDAN
21 = 2-DOOR SEDAN	44 = 4-DOOR HATCHBACK
24 = 2-DOOR HATCHBACK	45 = 4-DOOR STATION WAGON

AR = Use as Required - = Non Illustrated Part P.A.R. = Paint as Required

TRANSMISSION, WITH CASE AND EXTENSION AUTOMATIC, A999,A727 M BODY
Figure 21A-100

8151 100



ITEM	PART NUMBER	QTY	BODY	MODEL	DESCRIPTION
					4471530 4471531
					4471532 4471533
					4471534 4471535
					4505170 4505171
					4471536 4471537
					4471539 4471540
1	4295 849	1			COVER, Case Dust Shield, A999
	4130 503	1			A727
2	4443 063	1			CASE, Transmission, A999, Use w/4431572,573,4471529,531, 537 Trans.
	4446 795	1			w/4446365,368,4471533,535,540,4505207,171 Trans.
	4412 579	1			A727
	3681 601	1			MAGNET, Case Chip Collector
	0118 749	2			CONNECTOR, Oil Cooler Tube Trans. End, 1/8-27 Pipe Thread
	6033 970	2			1/4-18 Pipe Thread
	6024 863	AR			SCREW, Cyl. Block to Trans. Case, 7/16"-14 x 2-1/8"
	6027 891	2			7/16"-14 x 1-5/8"
	6024 473	AR			7/16"-14 X 2"
	6024 864	AR			3/8"-16 X 1-7/8"
	6027 865	4			Case to Cyl. Block, 3/8"-16 x 1-3/8"
	6027 252	3			3/8"-16 x 2-5/8"ck, 3/8"-16 x 1-3/8"
3	2538 064	1			LEVER, Manual Control w/1/4" Hole at Rod End, A999
	2801 828	1			A727
	4071 980	1			Throttle Control, w/o Bolt and Nut, Straight Type, 2.40" Lgh.
4	2466 954	1			GASKET, Trans. Extension
5	2466 881	1			SUPPORT, Output Shaft, A999, Use w/4431572,573,4471529, 531,537 Trans.
	4431 433	1			w/4446365,368,4471533,535,540 Trans. 6 Hole
	2466 882	1			A727
	0179 818	4			SCREW, Support, 5/16"-18 x 1", Use w/4431572,573,4471529, 531,537 Trans.
	6033 479	6			1/4"-28 x 1-5/8", w/4446365,368,4471533,535,540 Trans.
6	3747 361	1			SWITCH, Trans. Neutral Starter and Back-Up Light (Use Wrg. Pkg. 4209695)
7	2408 143	1			WASHER, Switch Mounting
8	3681 227	1			SHAFT, w/Lever Throttle Valve
9	1942 477	1			SCREW, Kickdown Band Adjusting, A999

MODEL CODES

C BODY = (D41 - DYNASTY)(C41 - NEW YORKER)
 E BODY = (J - CARAVELLE)(E - 600)(T - NEW YORKER TURBO)
 G BODY = (V24 - DAYTONA, PACIFICA & SHELBY)
 H BODY = (D44 - LANCER)(C44 - LEBARON GTS)
 J BODY = (C - LEBARON)
 K BODY = (P - RELIANT)(D - ARIES)(C - LEBARON/ TOWN & COUNTRY)

L BODY = (M - HORIZON)(Z-OMNI)
 M BODY = (B - GRAN FURY)(G - DIPLOMAT)(F - FIFTH AVENUE/NEWPORT)
 P BODY = (P - SUNDANCE)(D - SHADOW)
 Q BODY = (C27 - MASERATI)
 S BODY = (H - VOYAGER)(K - RAM VAN/ CARAVAN)

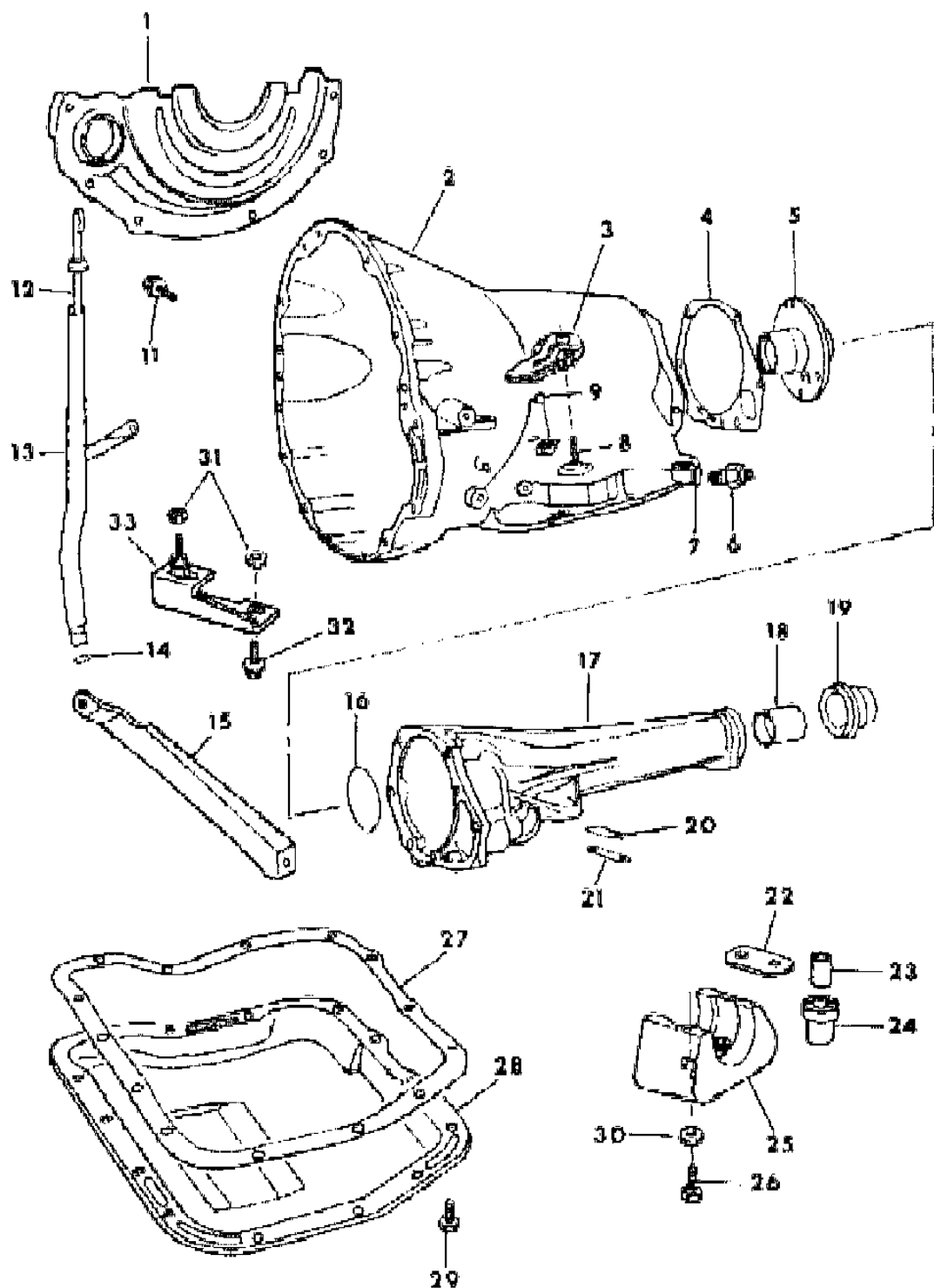
BODY STYLES

12-52 = FWD VAN & WAGON STD. W.B. 27 = 2-DOOR CONVERTIBLE
 13-53 = FWD VAN & WGN EXT W.B. 41 = 4-DOOR SEDAN
 21 = 2-DOOR SEDAN 44 = 4-DOOR HATCHBACK
 24 = 2-DOOR HATCHBACK 45 = 4-DOOR STATION WAGON

AR = Use as Required - = Non Illustrated Part P.A.R. = Paint as Required

TRANSMISSION, WITH CASE AND EXTENSION AUTOMATIC, A999,A727 M BODY
Figure 21A-100

8151 100



ITEM	PART NUMBER	QTY	BODY	MODEL	DESCRIPTION
	2400 389	1			A727
		1			NUT, Lock, 1/2"-20 (Not Serviced)
11	6023 092	3			SCREW, w/Washer, 1/4"-20 x 1/2"
12	4202 953	1			INDICATOR, Oil Level, A999
	4412 598	1			A727
13	4028 181	1			TUBE, Oil Pan Oil Filler, A999
	4028 308	1			A727
14	1316 815	1			SEAL, Oil Filler Tube
15	4446 150	1			STRUT, Trans. to Cyl. Block, Lt.
	4130 693	1			Trans. to Cyl. Block, Rt.
	6025 063	1			SCREW, Strut to Cyl. Block, 3/8"-16 x 1-1/8", Lt.
	0181 112	2			3/8"-16 x 1", Lt.
	6024 863	1			Strut to Case, Lt., 7/16"-14 x 2-1/8", A999
	6024 027	1			7/16"-14 x 1-1/4", Rt., A727
	6025 677	1			7/16"-14 x 1-3/8", Rt., A999
16	2400 185	1			SNAP RING, Output Shaft Brg., Outer, A999
	2400 320	1			A727
17	3780 230	1			EXTENSION, w/Bushing Trans. Case, A999
	4028 190	1			A727
	6027 150	4			SCREW, 1-1/8" Lgh.
	6031 229	2			STUD
18	2801 726	1			BUSHING, Trans. Extension, A999
	2801 724	1			A727
19	4058 047	1			SEAL, Extension Yoke Oil, A999
	3515 383	1			A727
20	2801 398	1			GASKET, Output Shaft Brg., Inspection Cover
21	2466 957	1			COVER, Output Shaft Brg., Inspection
	6028 022	2			SCREW, 1/4"-20 x 5/8"
22	3681 614	1			PLATE, Damper Weight, A999
	4431 401	1			A727
23	3681 189	2			SPACER, Damper Weight
	4431 401	1			SPACER, Damper Weight, A727, Police and Taxi
24	4412 545	2			INSULATOR, Damper Weight, Yellow, A999
	4377 925	2			A727
25	4412 542	1			WEIGHT, w/Spacers and Insulators, A999
	3681 464	1			A727
26	6032 047	2			BOLT, Damper Weight, 5/16"-18 x 1-1/2"

MODEL CODES

C BODY = (D41 - DYNASTY)(C41 - NEW YORKER)
 E BODY = (J - CARAVELLE)(E - 600)(T - NEW YORKER TURBO)
 G BODY = (V24 - DAYTONA, PACIFICA & SHELBY)
 H BODY = (D44 - LANCER)(C44 - LEBARON GTS)
 J BODY = (C - LEBARON)
 K BODY = (P - RELIANT)(D - ARIES)(C - LEBARON/ TOWN & COUNTRY)

L BODY = (M - HORIZON)(Z-OMNI)
 M BODY = (B - GRAN FURY)(G - DIPLOMAT)(F - FIFTH AVENUE/NEWPORT)
 P BODY = (P - SUNDANCE)(D - SHADOW)
 Q BODY = (C27 - MASERATI)
 S BODY = (H - VOYAGER)(K - RAM VAN/ CARAVAN)

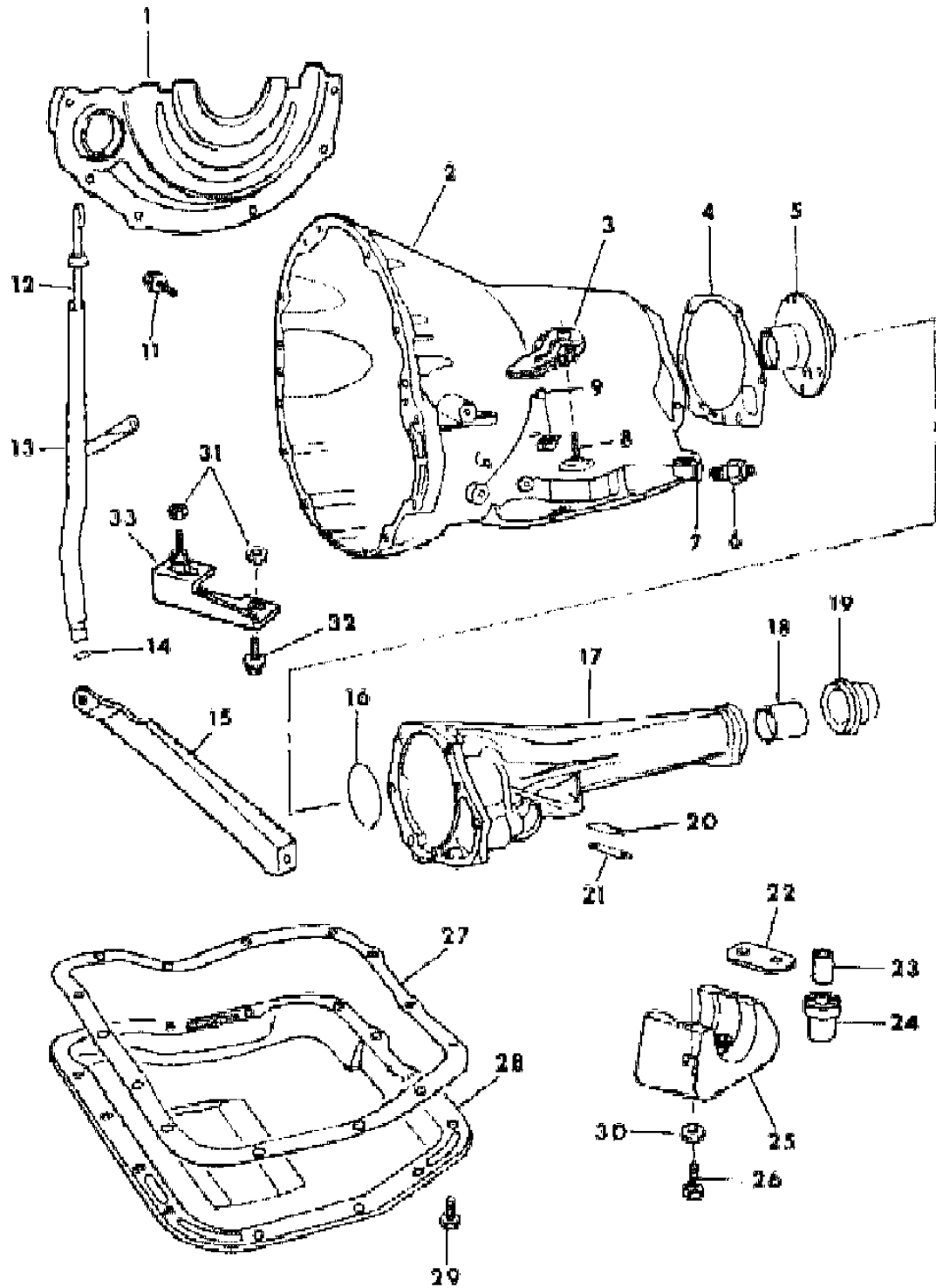
BODY STYLES

12-52 = FWD VAN & WAGON STD. W.B. 27 = 2-DOOR CONVERTIBLE
 13-53 = FWD VAN & WGN EXT W.B. 41 = 4-DOOR SEDAN
 21 = 2-DOOR SEDAN 44 = 4-DOOR HATCHBACK
 24 = 2-DOOR HATCHBACK 45 = 4-DOOR STATION WAGON

AR = Use as Required - = Non Illustrated Part P.A.R. = Paint as Required

TRANSMISSION, WITH CASE AND EXTENSION AUTOMATIC, A999,A727 M BODY
Figure 21A-100

8151 100



ITEM	PART NUMBER	QTY	BODY	MODEL	DESCRIPTION
27	4295 875	1			GASKET, Trans. Oil Pan, A999
	2464 324	1			A727
28	4202 005	1			PAN, w/Plug Trans. Oil, A999
	4058 997	1			A727
29	6023 355	14			SCREW, 5/16"-18 x 5/8"
30	6032 046	2			WASHER, Damper Weight Bolt
31		2			SPACER, (Not Serviced)
32	#0181 088	2			SCREW, 5/16"-18 x 1"
33	4028 635	1			BRACKET, Trans. Manual Low Blockout
	6031 555	1			SCREW, Low Blockout Adjusting
	4348 719	1			SOLENOID ASSEMBLY, Electronic T/Converter Lock-Up, Mounted on Valve Body, A999
	4348 945	1			CONNECTOR, Electronic T/Converter Lock-Up,Solenoi d, A999

MODEL CODES

C BODY = (D41 - DYNASTY)(C41 - NEW YORKER)
 E BODY = (J - CARAVELLE)(E - 600)(T - NEW YORKER TURBO)
 G BODY = (V24 - DAYTONA, PACIFICA & SHELBY)
 H BODY = (D44 - LANCER)(C44 - LEBARON GTS)
 J BODY = (C - LEBARON)
 K BODY = (P - RELIANT)(D - ARIES)(C - LEBARON/ TOWN & COUNTRY)

L BODY = (M - HORIZON)(Z-OMNI)
 M BODY = (B - GRAN FURY)(G - DIPLOMAT)(F - FIFTH AVENUE/NEWPORT)
 P BODY = (P - SUNDANCE)(D - SHADOW)
 Q BODY = (C27 - MASERATI)
 S BODY = (H - VOYAGER)(K - RAM VAN/ CARAVAN)

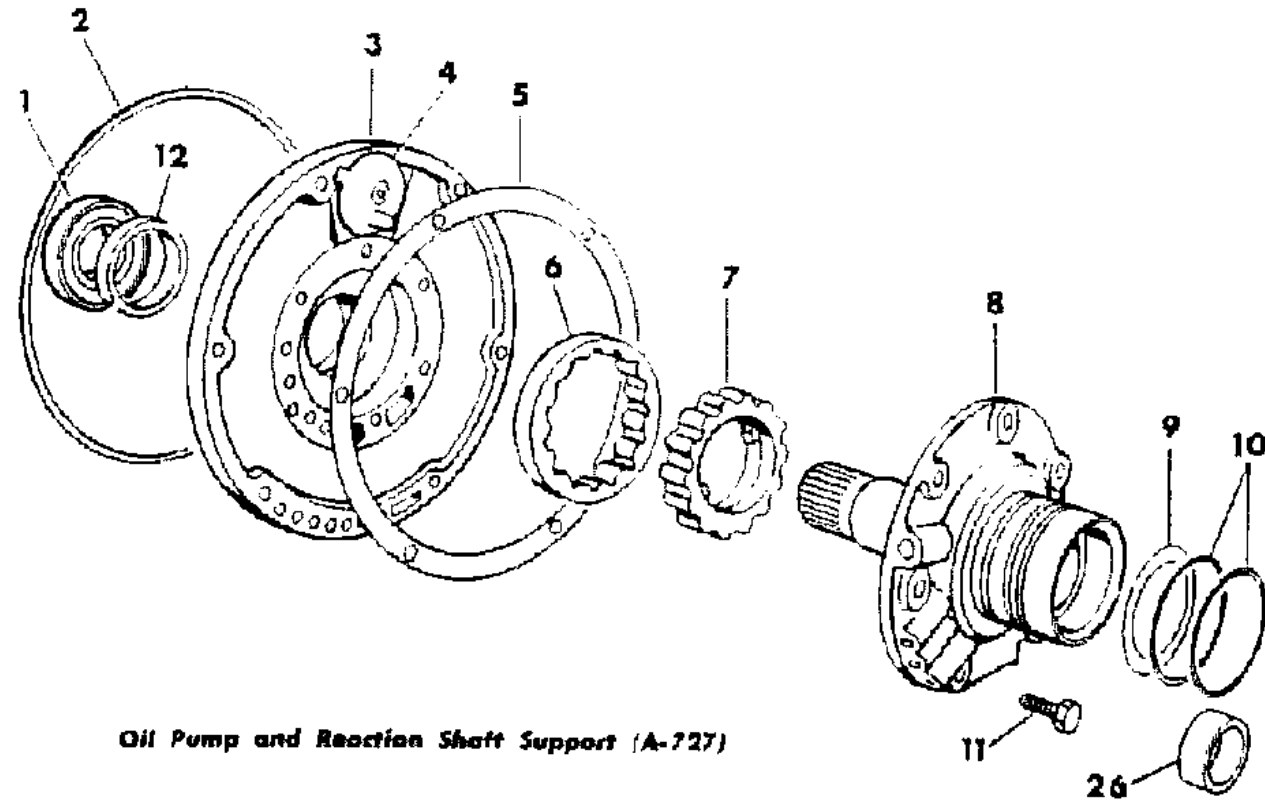
BODY STYLES

12-52 = FWD VAN & WAGON STD. W.B. 27 = 2-DOOR CONVERTIBLE
 13-53 = FWD VAN & WGN EXT W.B. 41 = 4-DOOR SEDAN
 21 = 2-DOOR SEDAN 44 = 4-DOOR HATCHBACK
 24 = 2-DOOR HATCHBACK 45 = 4-DOOR STATION WAGON

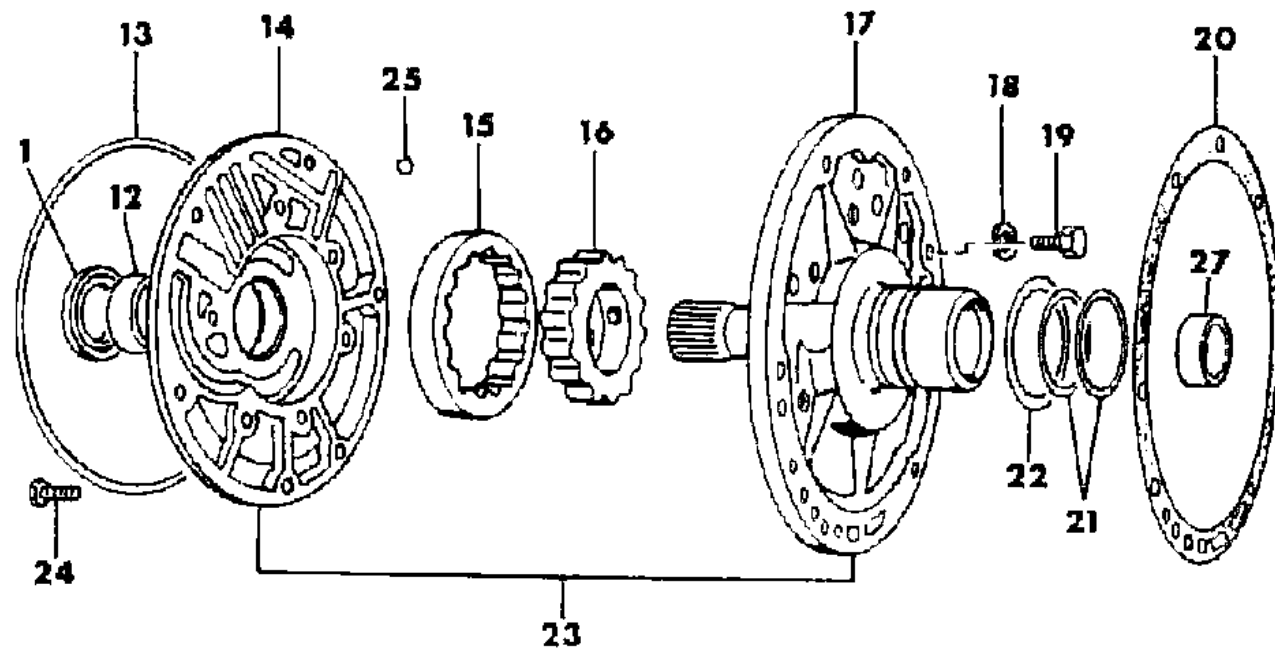
AR = Use as Required - = Non Illustrated Part P.A.R. = Paint as Required

PUMP, OIL WITH REACTION SHAFT AUTOMATIC TRANSMISSION, A999,A727 M BODY
Figure 21A-200

8151 200 A



Oil Pump and Reaction Shaft Support (A-727)



Oil Pump and Reaction Shaft Support Disassembled
(A999)

ITEM	PART NUMBER	QTY	BODY	MODEL	DESCRIPTION
	4131 042	1			GASKET and SEAL PACKAGE, Front Pump, A999 Consists Of: 1 - ----- SEAL, T/C Impeller Hub 1 - ----- SEAL, Oil Pump 1 - ----- GASKET, T/C Reaction Shaft Support
	4057 014	1			GASKET and SEAL PACKAGE, Front Pump, A727
1	3515 137	1			SEAL, T/C Impeller Hub, A727
	4269 057	1			A999
2	1942 021	1			SEAL, O-Ring Front Pump Housing
3	4130 193	1			HOUSING, w/Bushing, Plug and Rotors, Front Pump
4	3420 087	1			BAFFLE, w/Nail, Front Pump Hsg., Vent
5	4028 377	1			GASKET, Front Pump Housing
6		1			ROTOR, (Serviced in Hsg. Assy.)
7		1			ROTOR, (Serviced in Hsg. Assy.)
8	4028 273	1			SHAFT, w/Support, Reaction w/Lock-Up Torque Converter
9					WASHER, Front Clutch Thrust, Frt., 3-21/64" O.D. Green, .061" Thk. Red, .084" Thk. Yellow, .102" Thk.
10	3743 689	2			RING, Reaction Shaft Support Seal
11	0179 815	6			BOLT, w/Washer, Support, 5/16-18 x 11/16"
12	2466 324	1			BUSHING, Frt. Pump Housing, A727
	2466 796	1			A999
13	2204 709	1			SEAL, Frt. Pump Housing, 8-17/64" O.D.
14	4130 192	1			HOUSING, w/Bushing, Rotors, Front Pump
15		1			ROTOR, (Serviced in Hsg. Assy.)
16		1			ROTOR, (Serviced in Hsg. Assy.)
17	4058 413	1			SHAFT, w/Support, Reaction
18					WASHER, Lock (Not Serviced)
19	0179 815	6			SCREW, w/Washer, 5/16"-18 x 11/16"
20	4028 364	1			GASKET, Reaction Shaft Support
21	1942 389	2			RING, Reaction Shaft Support Seal, 2-1/16" I.D.

MODEL CODES

C BODY = (D41 - DYNASTY)(C41 - NEW YORKER)
E BODY = (J - CARAVELLE)(E - 600)(T - NEW YORKER TURBO)
G BODY = (V24 - DAYTONA, PACIFICA & SHELBY)
H BODY = (D44 - LANCER)(C44 - LEBARON GTS)
J BODY = (C - LEBARON)
K BODY = (P - RELIANT)(D - ARIES)(C - LEBARON/ TOWN & COUNTRY)

L BODY = (M - HORIZON)(Z-OMNI)
M BODY = (B - GRAN FURY)(G - DIPLOMAT)(F - FIFTH AVENUE/NEWPORT)
P BODY = (P - SUNDANCE)(D - SHADOW)
Q BODY = (C27 - MASERATI)
S BODY = (H - VOYAGER)(K - RAM VAN/ CARAVAN)

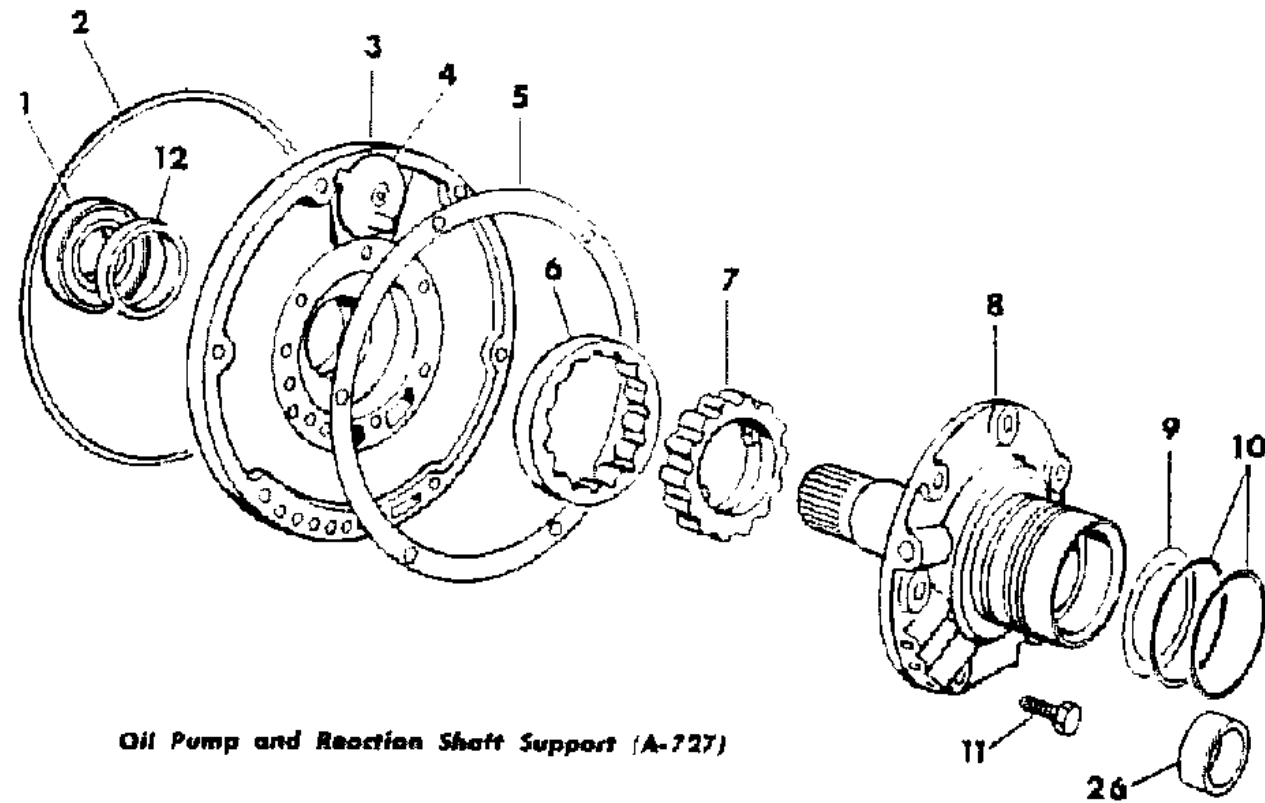
BODY STYLES

12-52 = FWD VAN & WAGON STD. W.B. 27 = 2-DOOR CONVERTIBLE
13-53 = FWD VAN & WGN EXT W.B. 41 = 4-DOOR SEDAN
21 = 2-DOOR SEDAN 44 = 4-DOOR HATCHBACK
24 = 2-DOOR HATCHBACK 45 = 4-DOOR STATION WAGON

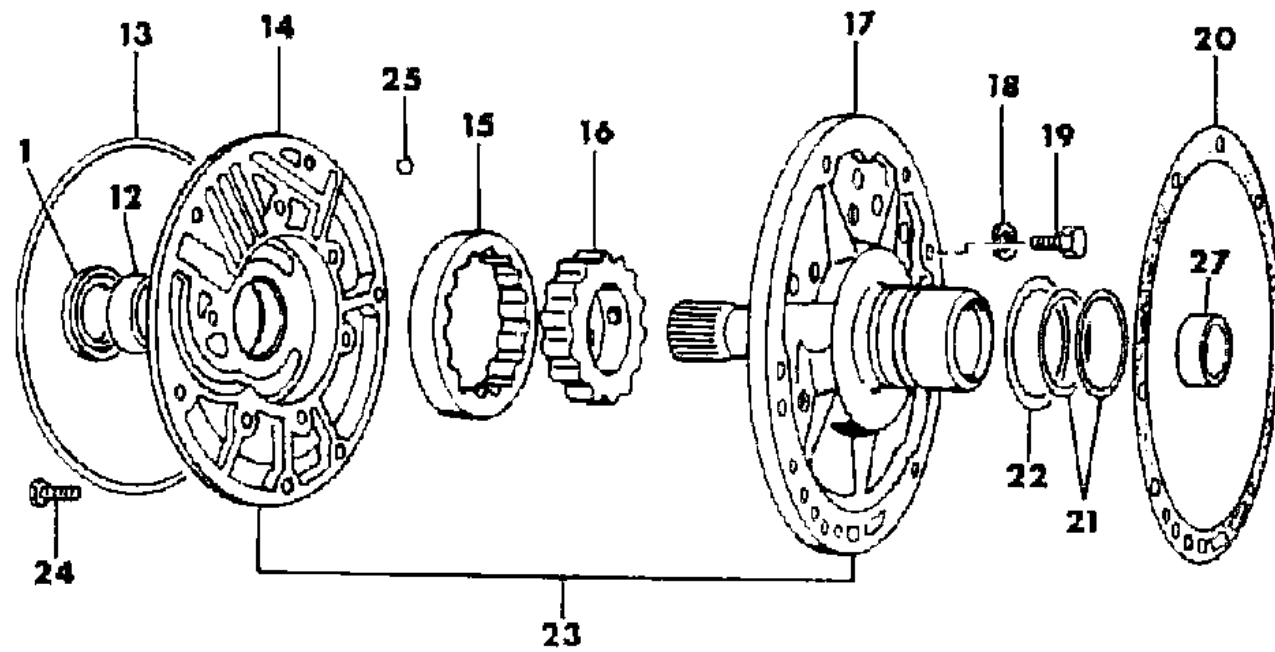
AR = Use as Required - = Non Illustrated Part P.A.R. = Paint as Required

PUMP, OIL WITH REACTION SHAFT AUTOMATIC TRANSMISSION, A999,A727 M BODY
Figure 21A-200

8151 200 A



Oil Pump and Reaction Shaft Support (A-727)



Oil Pump and Reaction Shaft Support Disassembled
(A999)

ITEM	PART NUMBER	QTY	BODY	MODEL	DESCRIPTION
22	3410 572	1			WASHER, Clutch Thrust, 2-5/8" O.D.
23	4202 089	1			HOUSING, w/Support and Reaction Shaft
24	6023 943	7			SCREW, w/Washer, Hsg., 5/16-18 x 1-3/8", A727
	6023 943	6			A999
25	0104 918	AR			BALL, 1/4" Dia.
		AR			Support Small 9/32" Dia. (Not Serviced)
	0147 488	AR			Large 11/32" Dia.
26	2801 348	1			BUSHING, Reaction Shaft, A727
27	4058 635	1			BUSHING, Reaction Shaft, A999

MODEL CODES

C BODY = (D41 - DYNASTY)(C41 - NEW YORKER)
 E BODY = (J - CARAVELLE)(E - 600)(T - NEW YORKER TURBO)
 G BODY = (V24 - DAYTONA, PACIFICA & SHELBY)
 H BODY = (D44 - LANCER)(C44 - LEBARON GTS)
 J BODY = (C - LEBARON)
 K BODY = (P - RELIANT)(D - ARIES)(C - LEBARON/ TOWN & COUNTRY)
 L BODY = (M - HORIZON)(Z-OMNI)
 M BODY = (B - GRAN FURY)(G - DIPLOMAT)(F - FIFTH AVENUE/NEWPORT)
 P BODY = (P - SUNDANCE)(D - SHADOW)
 Q BODY = (C27 - MASERATI)
 S BODY = (H - VOYAGER)(K - RAM VAN/ CARAVAN)

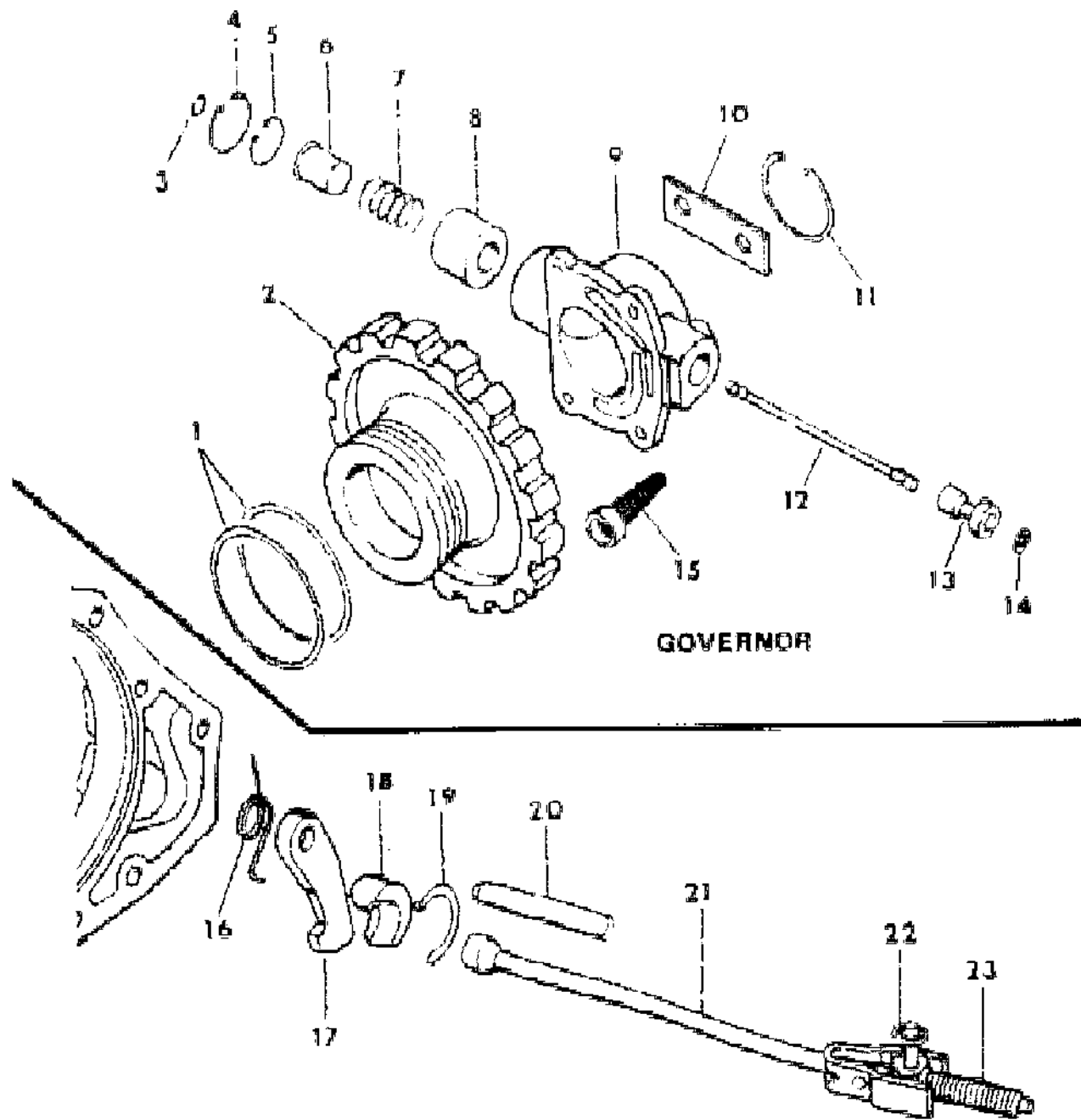
BODY STYLES

12-52 = FWD VAN & WAGON STD. W.B. 27 = 2-DOOR CONVERTIBLE
 13-53 = FWD VAN & WGN EXT W.B. 41 = 4-DOOR SEDAN
 21 = 2-DOOR SEDAN 44 = 4-DOOR HATCHBACK
 24 = 2-DOOR HATCHBACK 45 = 4-DOOR STATION WAGON

AR = Use as Required - = Non Illustrated Part P.A.R. = Paint as Required

GOVERNOR AND PARKING SPRAG AUTOMATIC TRANSMISSION, A999,A727 M BODY
Figure 21A-300

8151 300



GOVERNOR

PARKING LOCK

ITEM	PART NUMBER	QTY	BODY	MODEL	DESCRIPTION
	4186 874	1			BODY PACKAGE, Governor, A999 Consists Of: 1 - ----- BODY, Governor 1 - ----- VALVE, Governor 2 - ----- SEAL RING, Gov. Support
	4186 875	1			4 - ----- BOLT, Gov. Body 1 - ----- SNAP RING, Gov. Body 1 - ----- SNAP RING, Gov. Weight, Outer 1 - ----- VALVE, Governor
	4106 556	1			1 - ----- SHAFT, Governor Valve 2 - ----- SNAP RING, Gov. Valve Shaft BODY PACKAGE, Governor, A727 GASKET and SEAL PACKAGE, Governor, A999 Consists Of: 1 - ----- SPEEDO. PINION Small Parts PKG. 1 - ----- FILTER, Governor 1 - ----- SEAL, Yoke, Small 1 - ----- GASKET, Extension 1 - ----- GASKET, Output Shaft Brg. Cover 1 - ----- SEAL, Oil Filler Tube 2 - ----- RING SEAL, Governor Support
	4106 557	1			GASKET and SEAL PACKAGE, Governor, A727
	4202 658	1			WEIGHT PACKAGE, Governor, A999 Consists of: 1- ----- WEIGHT, Inner 1- ----- WEIGHT, Outer 1- ----- SPRING
	4412 547	1			WEIGHT PACKAGE, Governor, A727
1	1942 109	2			RING, Gov. Support Seal, Frt. and Rr.
2	3743 518	1			SUPPORT, Governor, A999 . A727
3	3743 517	1			SNAP RING, Gov. Valve Shaft
4	1638 461	2			SNAP RING, Gov. Weight, Outer
5	6025 031	1			SNAP RING, Gov. Weight, Inner
6	1636 464	1			WEIGHT, Gov., Inner (Serv. in Wt. Pkg. 4202658)
7					SPRING, Gov. Weight (Serv. in Wt. Pkg. 4202658)
8					WEIGHT, Trans. Gov., Outer (Serv. in Wt. Pkg. 4202658)

MODEL CODES

C BODY = (D41 - DYNASTY)(C41 - NEW YORKER)
 E BODY = (J - CARAVELLE)(E - 600)(T - NEW YORKER TURBO)
 G BODY = (V24 - DAYTONA, PACIFICA & SHELBY)
 H BODY = (D44 - LANCER)(C44 - LEBARON GTS)
 J BODY = (C - LEBARON)
 K BODY = (P - RELIANT)(D - ARIES)(C - LEBARON/ TOWN & COUNTRY)

L BODY = (M - HORIZON)(Z-OMNI)
 M BODY = (B - GRAN FURY)(G - DIPLOMAT)(F - FIFTH AVENUE/NEWPORT)
 P BODY = (P - SUNDANCE)(D - SHADOW)
 Q BODY = (C27 - MASERATI)
 S BODY = (H - VOYAGER)(K - RAM VAN/ CARAVAN)

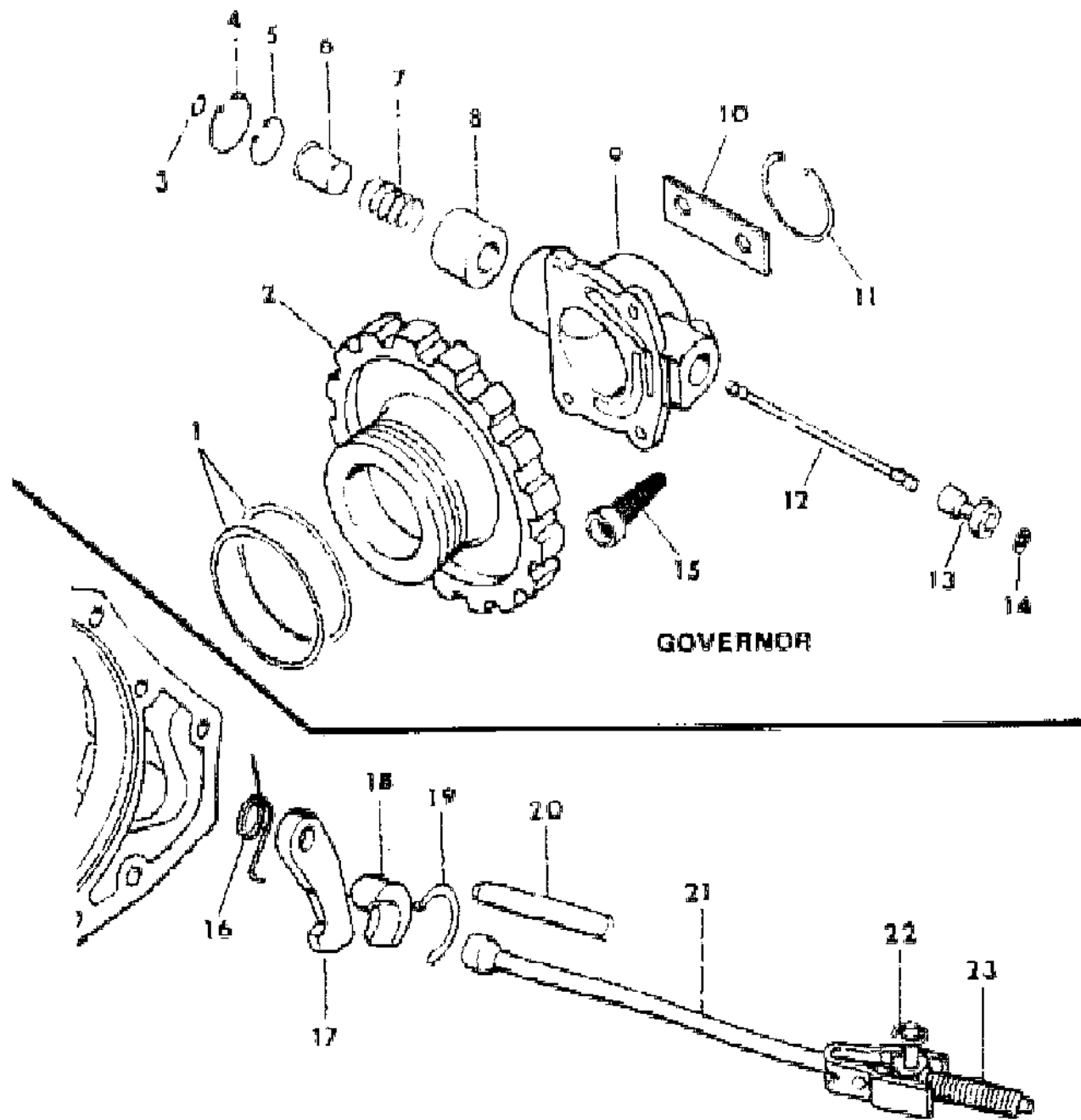
BODY STYLES

12-52 = FWD VAN & WAGON STD. W.B. 27 = 2-DOOR CONVERTIBLE
 13-53 = FWD VAN & WGN EXT W.B. 41 = 4-DOOR SEDAN
 21 = 2-DOOR SEDAN 44 = 4-DOOR HATCHBACK
 24 = 2-DOOR HATCHBACK 45 = 4-DOOR STATION WAGON

AR = Use as Required - = Non Illustrated Part P.A.R. = Paint as Required

GOVERNOR AND PARKING SPRAG AUTOMATIC TRANSMISSION, A999,A727 M BODY
Figure 21A-300

8151 300



GOVERNOR

PARKING LOCK

ITEM	PART NUMBER	QTY	BODY	MODEL	DESCRIPTION
9	4446 151	1			BODY, Governor, A999
	4446 152	1			A727
	6031 613	4			BOLT, Trans. Governor Body
10	3743 520	2			LOCK, Gov. Body Bolt, Off-Set Type
11	6027 271	1			SNAP RING, Gov. Body, A999
	6022 817	1			A727
12	1556 082	1			SHAFT, Gov. Valve
13	3515 479	1			VALVE, Gov.
14	1638 461	2			SNAP RING, Gov. Valve Shaft
15	3743 519	1			FILTER, Trans. Governor
16	2466 909	1			SPRING, Trans. Parking Sprag, Blue
17	2801 157	1			SPRAG, Trans. Parking
18	2538 042	1			PLUG, Parking, Sprag Reaction
		1			PIN, Parking Sprag Reaction Plug
19	2538 034	1			SNAP RING, Parking Sprag Reaction Plug
20	2466 892	1			SHAFT, Trans. Parking Sprag
21	2466 906	1			ROD ASSEMBLY, Parking Sprag 8" Lg., A999
		1			8-3/16" Lg., A727
22	1626 749	1			E-RING, Rod Stud
23		1			SPRING, Parking Rod (Serv. in Parking Sprag Rod Assy.)

MODEL CODES

C BODY = (D41 - DYNASTY)(C41 - NEW YORKER)	L BODY = (M - HORIZON)(Z-OMNI)
E BODY = (J - CARAVELLE)(E - 600)(T - NEW YORKER TURBO)	M BODY = (B - GRAN FURY)(G - DIPLOMAT)(F - FIFTH AVENUE/NEWPORT)
G BODY = (V24 - DAYTONA, PACIFICA & SHELBY)	P BODY = (P - SUNDANCE)(D - SHADOW)
H BODY = (D44 - LANCER)(C44 - LEBARON GTS)	Q BODY = (C27 - MASERATI)
J BODY = (C - LEBARON)	S BODY = (H - VOYAGER)(K - RAM VAN/ CARAVAN)
K BODY = (P - RELIANT)(D - ARIES)(C - LEBARON/ TOWN & COUNTRY)	

BODY STYLES

12-52 = FWD VAN & WAGON STD. W.B.	27 = 2-DOOR CONVERTIBLE
13-53 = FWD VAN & WGN EXT W.B.	41 = 4-DOOR SEDAN
21 = 2-DOOR SEDAN	44 = 4-DOOR HATCHBACK
24 = 2-DOOR HATCHBACK	45 = 4-DOOR STATION WAGON

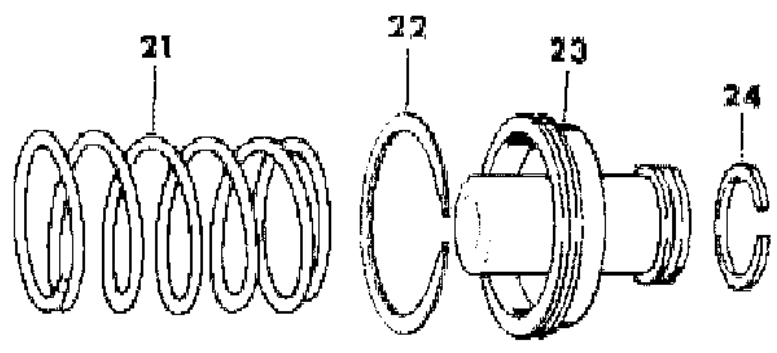
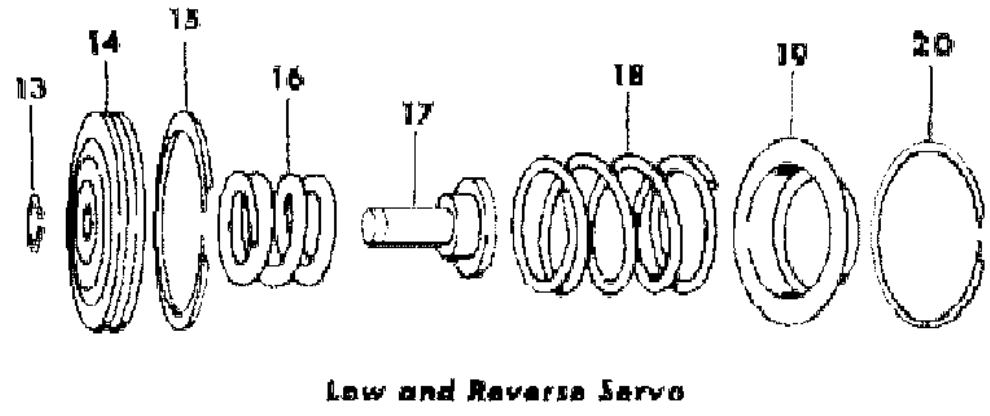
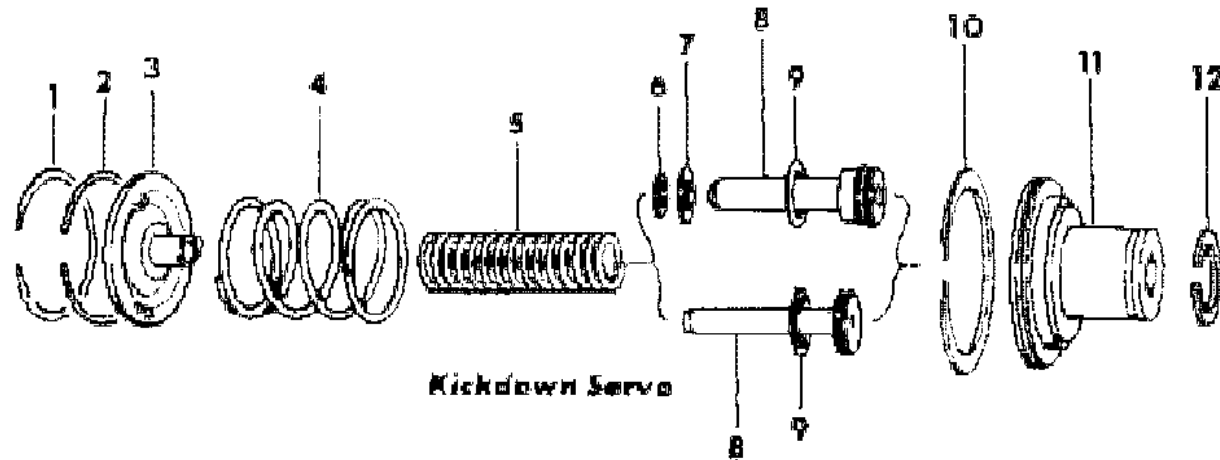
AR = Use as Required - = Non Illustrated Part P.A.R. = Paint as Required

SERVOS, ACCUMULATOR, PISTONS AND SPRINGS AUTOMATIC TRANSMISSION, A999,A727 M BODY

Figure 21A-400

8151 400

ITEM	PART NUMBER	QTY	BODY	MODEL	DESCRIPTION
1	6028 863	1			SNAP RING, Kickdown Servo Guide, 2-3/8" I.D., A999
	1942 130	1			A727
2	4295 966	1			RING, Kickdown Servo Guide Seal, 2-3/8" O.D., A999
	1942 123	1			A727
3	3410 332	1			GUIDE, Kickdown Servo, A999
	3410 441	1			A727
4	4058 885	1			SPRING, Kickdown Servo Piston, Outer 4.5 Coils, 1-3/4" O.D., A999
	3410 518	1			A727
5	3410 444	1			SPRING, Kickdown Servo Piston, Inner 6 Coils, A727
6	6024 336	1			SNAP RING, Piston Rod Inner, 1-1/8" I.D.
7	3410 437	1			RETAINER, Kickdown Piston, Inner, A727
8	4058 780	1			ROD, Kickdown Servo Piston, A999
	3410 445	1			Inner, Rod and Seal, A727
9	6028 864	1			SEAL, Kickdown Inner Piston Rod
10	4295 966	1			RING, Kickdown Servo Piston Seal, 2-3/8" O.D., A999
	1942 123	1			A727
11	4058 777	1			PISTON, Kickdown Servo, A999
	3410 440	1			A727
12	3410 374	1			RING, Kickdown Servo Piston Seal, 1" O.D., A999
	4443 190	1			A727
13	6027 153	1			SNAP RING, Reverse Servo Piston Plug, 7/16" I.D.
14	2801 271	1			PISTON, Reverse Servo, A999
	2801 281	1			A727
15	4202 864	1			SEAL, Reverse Servo Piston, Synthetic Rubber, A999
	4058 741	1			A727
16	#4130 824	1			SPRING, Reverse Servo Cushion, Orange, A999
	3743 580	1			A727
17	3743 353	1			PLUG, Reverse Servo Piston
18	2801 274	1			SPRING, Reverse Servo Piston, A999
	2801 241	1			A727
19	2464 463	1			RETAINER, Reverse Servo Piston, A999
	1942 150	1			A727
20	2464 464	1			SNAP RING, Reverse Servo Piston Spring Retainer, A999
	1942 130	1			A727
21	3515 079	1			SPRING, Accumulator Piston
22	3743 013	1			RING, Accumulator Piston Seal, Large



MODEL CODES

C BODY = (D41 - DYNASTY)(C41 - NEW YORKER)
 E BODY = (J - CARAVELLE)(E - 600)(T - NEW YORKER TURBO)
 G BODY = (V24 - DAYTONA, PACIFICA & SHELBY)
 H BODY = (D44 - LANCER)(C44 - LEBARON GTS)
 J BODY = (C - LEBARON)
 K BODY = (P - RELIANT)(D - ARIES)(C - LEBARON/ TOWN & COUNTRY)

L BODY = (M - HORIZON)(Z-OMNI)
 M BODY = (B - GRAN FURY)(G - DIPLOMAT)(F - FIFTH AVENUE/NEWPORT)
 P BODY = (P - SUNDANCE)(D - SHADOW)
 Q BODY = (C27 - MASERATI)
 S BODY = (H - VOYAGER)(K - RAM VAN/ CARAVAN)

BODY STYLES

12-52 = FWD VAN & WAGON STD. W.B. 27 = 2-DOOR CONVERTIBLE
 13-53 = FWD VAN & WGN EXT W.B. 41 = 4-DOOR SEDAN
 21 = 2-DOOR SEDAN 44 = 4-DOOR HATCHBACK
 24 = 2-DOOR HATCHBACK 45 = 4-DOOR STATION WAGON

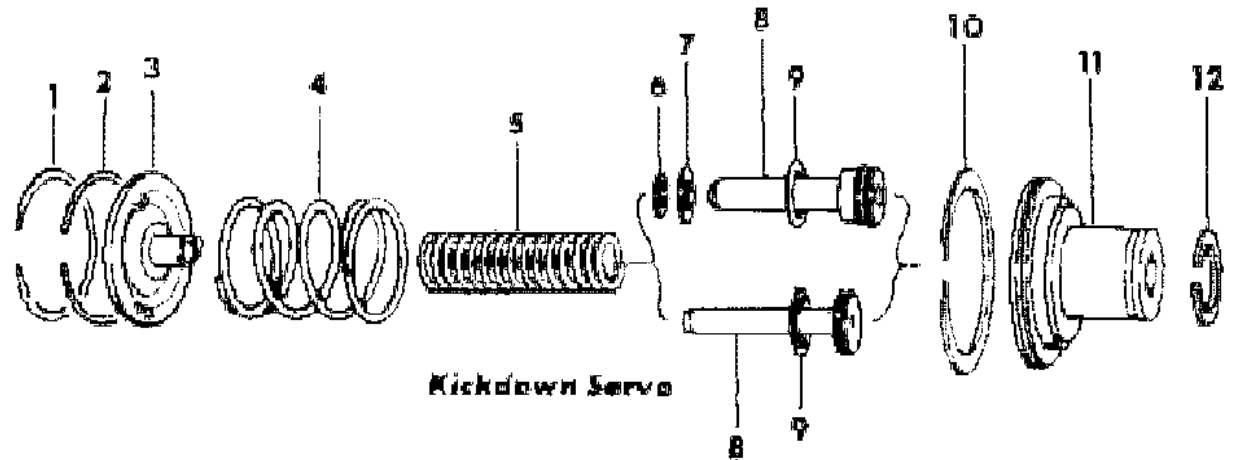
AR = Use as Required - = Non Illustrated Part P.A.R. = Paint as Required

SERVOS, ACCUMULATOR, PISTONS AND SPRINGS AUTOMATIC TRANSMISSION, A999,A727 M BODY

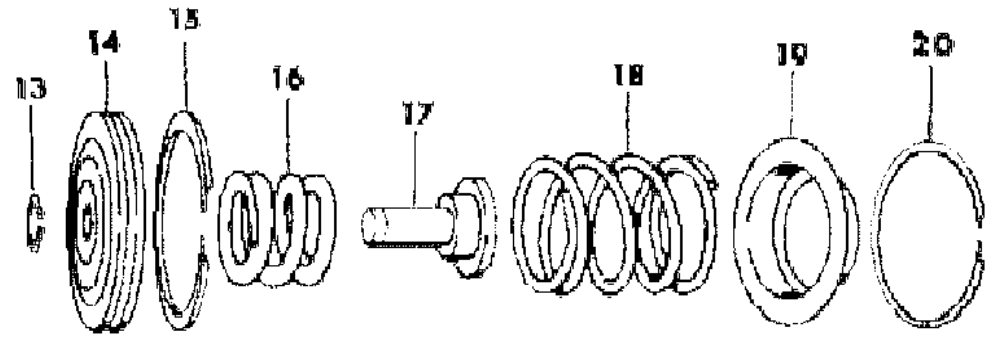
Figure 21A-400

8151 400

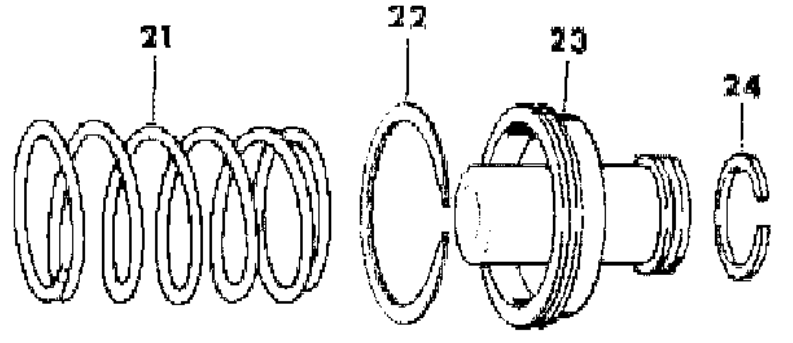
ITEM	PART NUMBER	QTY	BODY	MODEL	DESCRIPTION
23	3410 908	1			PISTON, Accumulator
24	3743 010	1			RING, Accumulator Piston Seal, Small



Kickdown Servo



Low and Reverse Servo



Accumulator Piston and Spring

MODEL CODES
 C BODY = (D41 - DYNASTY)(C41 - NEW YORKER)
 E BODY = (J - CARAVELLE)(E - 600)(T - NEW YORKER TURBO)
 G BODY = (V24 - DAYTONA, PACIFICA & SHELBY)
 H BODY = (D44 - LANCER)(C44 - LEBARON GTS)
 J BODY = (C - LEBARON)
 K BODY = (P - RELIANT)(D - ARIES)(C - LEBARON/ TOWN & COUNTRY)
 L BODY = (M - HORIZON)(Z-OMNI)
 M BODY = (B - GRAN FURY)(G - DIPLOMAT)(F - FIFTH AVENUE/NEWPORT)
 P BODY = (P - SUNDANCE)(D - SHADOW)
 Q BODY = (C27 - MASERATI)
 S BODY = (H - VOYAGER)(K - RAM VAN/ CARAVAN)

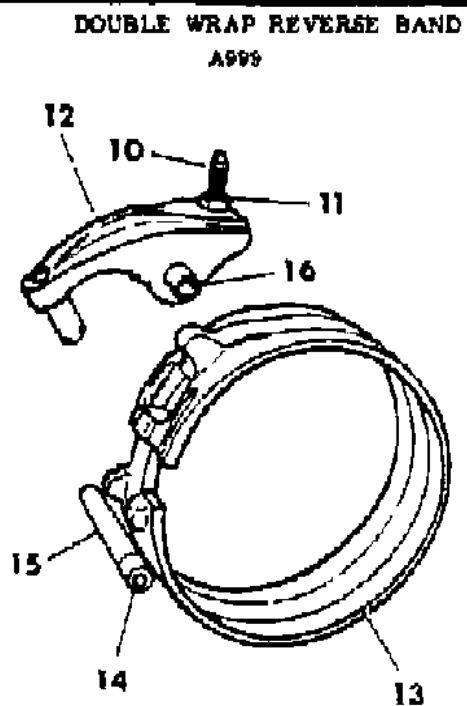
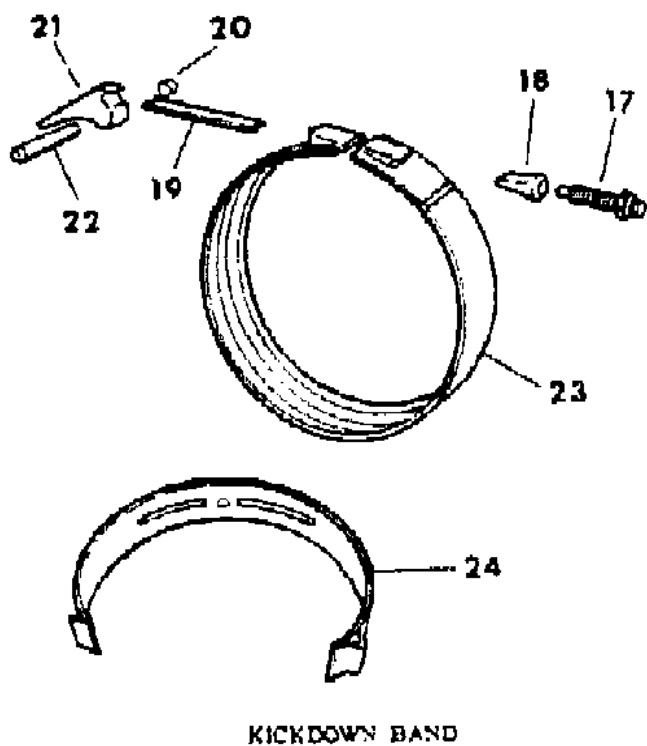
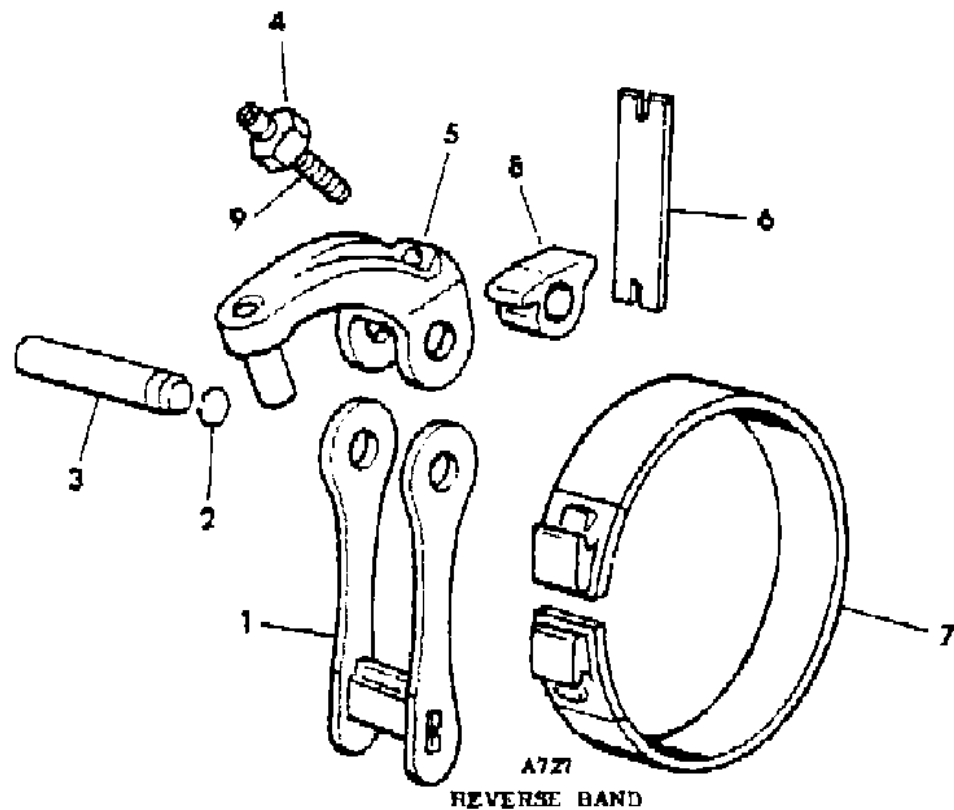
BODY STYLES
 12-52 = FWD VAN & WAGON STD. W.B. 27 = 2-DOOR CONVERTIBLE
 13-53 = FWD VAN & WGN EXT W.B. 41 = 4-DOOR SEDAN
 21 = 2-DOOR SEDAN 44 = 4-DOOR HATCHBACK
 24 = 2-DOOR HATCHBACK 45 = 4-DOOR STATION WAGON

AR = Use as Required - = Non Illustrated Part P.A.R. = Paint as Required

BANDS, REVERSE AND KICKDOWN WITH LINKAGE AUTOMATIC TRANSMISSION, A999,A727 M BODY

Figure 21A-500

8151 500 A



ITEM	PART NUMBER	QTY	BODY	MODEL	DESCRIPTION
1	2204 820	1			LINK, w/Anchor Reverse Band, A727
2	6030 910	1			O-RING, Reverse Band Lever Shaft, A727
3	2124 857	1			SHAFT, Reverse Band Lever, A727
4	0271 506	1			NUT, Adj. Screw Lock, 7/16"-20, A727
5	1942 137	1			LEVER, w/Stem Reverse Band, A727
6	2204 823	1			STRUT, Reverse Band, A727
7	4443 185	1			BAND, Reverse, A727
8	2892 233	1			LEVER, Reverse Band Short, A727
9	1942 141	1			SCREW, Reverse Band Adjusting, A727
10	2538 472	1			SCREW, Reverse Band Adj., 3/8"-24, A999
11	0120 369	1			NUT, Adj. Screw Lock 3/8-24, A999
12	4202 764	1			LEVER, w/Stem, Reverse Band, A999
	4202 765	1			LEVER, Reverse Band, A999
13	4443 187	1			BAND, Reverse, A999
14	6030 657	2			SEAL, Rev. Band Lever Shaft, A999
15	3410 102	1			SHAFT, Rev. Band Reaction, A999
16	3410 102	1			SHAFT, Rev. Band Lever, A999
17	2400 389	1			SCREW, Kickdown Band Adj., A727
	1942 477	1			A999
18	3743 338	1			ANCHOR, Kickdown Band, A727
19	2124 848	1			STRUT, Kickdown Band, A727
	3515 084	1			A999
20		1			PLUG, Shaft Lever
21	2124 666	1			LEVER, Kickdown Band (3.2 Ratio Stamped on Part), w/4431572, 4505207 Trans., A999
	2125 067	1			(3.8 Ratio Stamped on Part) w/4431573,4446368 Trans. A999
	2204 952	1			A727
22	1942 132	1			SHAFT, Kickdown Lever
23	4419 646	1			BAND, Kickdown, A999
24	3621 491	1			BAND, Kickdown, A727

MODEL CODES

C BODY = (D41 - DYNASTY)(C41 - NEW YORKER)
 E BODY = (J - CARAVELLE)(E - 600)(T - NEW YORKER TURBO)
 G BODY = (V24 - DAYTONA, PACIFICA & SHELBY)
 H BODY = (D44 - LANCER)(C44 - LEBARON GTS)
 J BODY = (C - LEBARON)
 K BODY = (P - RELIANT)(D - ARIES)(C - LEBARON/ TOWN & COUNTRY)

L BODY = (M - HORIZON)(Z-OMNI)
 M BODY = (B - GRAN FURY)(G - DIPLOMAT)(F - FIFTH AVENUE/NEWPORT)
 P BODY = (P - SUNDANCE)(D - SHADOW)
 Q BODY = (C27 - MASERATI)
 S BODY = (H - VOYAGER)(K - RAM VAN/ CARAVAN)

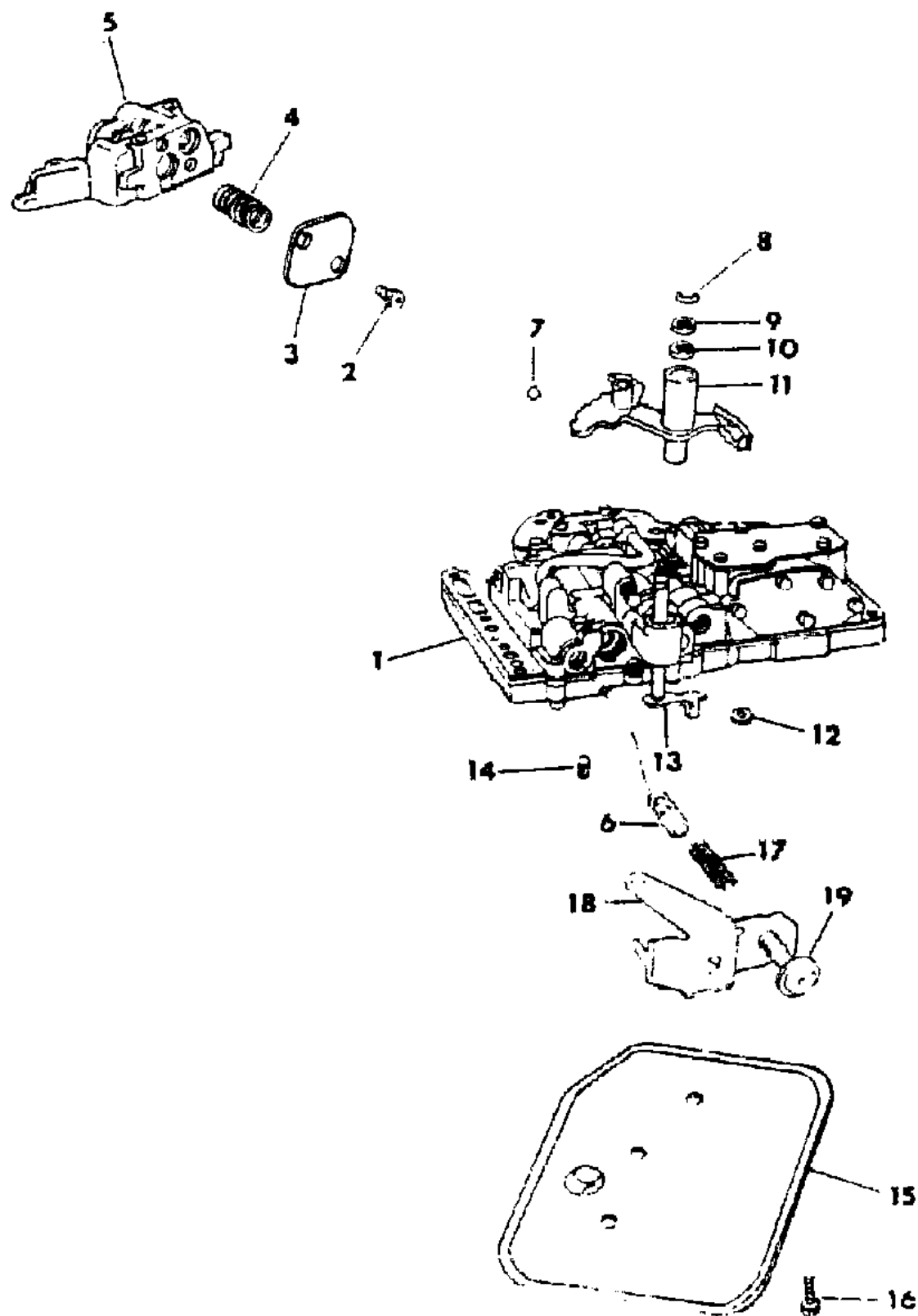
BODY STYLES

12-52 = FWD VAN & WAGON STD. W.B. 27 = 2-DOOR CONVERTIBLE
 13-53 = FWD VAN & WGN EXT W.B. 41 = 4-DOOR SEDAN
 21 = 2-DOOR SEDAN 44 = 4-DOOR HATCHBACK
 24 = 2-DOOR HATCHBACK 45 = 4-DOOR STATION WAGON

AR = Use as Required - = Non Illustrated Part P.A.R. = Paint as Required

VALVE BODY AUTOMATIC TRANSMISSION, A999,A727 M BODY
Figure 21A-600

8151 600



ITEM	PART NUMBER	QTY	BODY	MODEL	DESCRIPTION
	4205 872	1			GASKET and SEAL PACKAGE, Valve Body and Servo, A999 Consists Of: 1 - ----- SCREEN, Reg. Valve 1 - ----- SEAL, Manual Valve Shaft 1 - ----- SEAL, Reverse Band Lever Shaft 1 - ----- SEAL, Reverse Servo Piston 1 - ----- SEAL, Throttle Lever Shaft 1 - ----- GASKET, Oil Pan 1 - ----- RING SEAL, Kickdown Servo Piston, Small 1 - ----- RING SEAL, Kickdown Servo Piston, Small 2 - ----- RING SEAL, Kickdown Servo Piston, Large 2 - ----- RING SEAL, Kickdown Servo Piston, Large 1 - ----- RING SEAL, Accumulator, Small 1 - ----- RING SEAL, Accumulator, Large 1 - ----- FILTER, Oil
1	4057 013	1			GASKET and SEAL PACKAGE, Valve Body and Servo, A727 VALVE BODY, w/Transfer Plate
	4348 759	1			w/4431573,4446368,4471531,535 Trans., Olive
	4348 761	1			w/4471529,533 Trans., Blue
	4412 488	1			w/4431572,4446365,4505207 Trans., Blue
	4471 538	1			w/4471537,540 Trans.
	4505 172	1			w/4505171 Trans.
	4348 961	1			w/4431574 Trans., Natural, A727
	4505 210	1			w/4505209 Trans., Natural, A727
2	6030 888	2			SCREW, Lock-Up Valve Body Cover, 10-24 x 7/16"
	6030 889	14			10-24 x 1"
3					COVER, (Serviced in Valve Body)
4	4202 642	1			SPRING, Trans. Lock-Up Valve, w/4431572,573,4446365,368, 4471529,533,4505207 Trans.
	4202 672	1			SPRING, Trans. Lock-Up, 6.2# (Used w/Technical Serv. Bull. No. P-4477, Serv. in Drive Pkg. 4419440)
5		1			BODY, L/U Valve, (Serviced in Valve Body)
6	#4202 474	1			VALVE, Trans. Switch
	6030 366	2			SCREW, L/U Valve Body to T/Plate, 10-24 x 1-1/2"
7	0147 488	1			BALL, Manual Lever Detent, 11/32
8	6025 857	1			E-RING, Throttle Valve Lever Shaft
9	2538 062	1			WASHER, Throttle Valve Lever Shaft

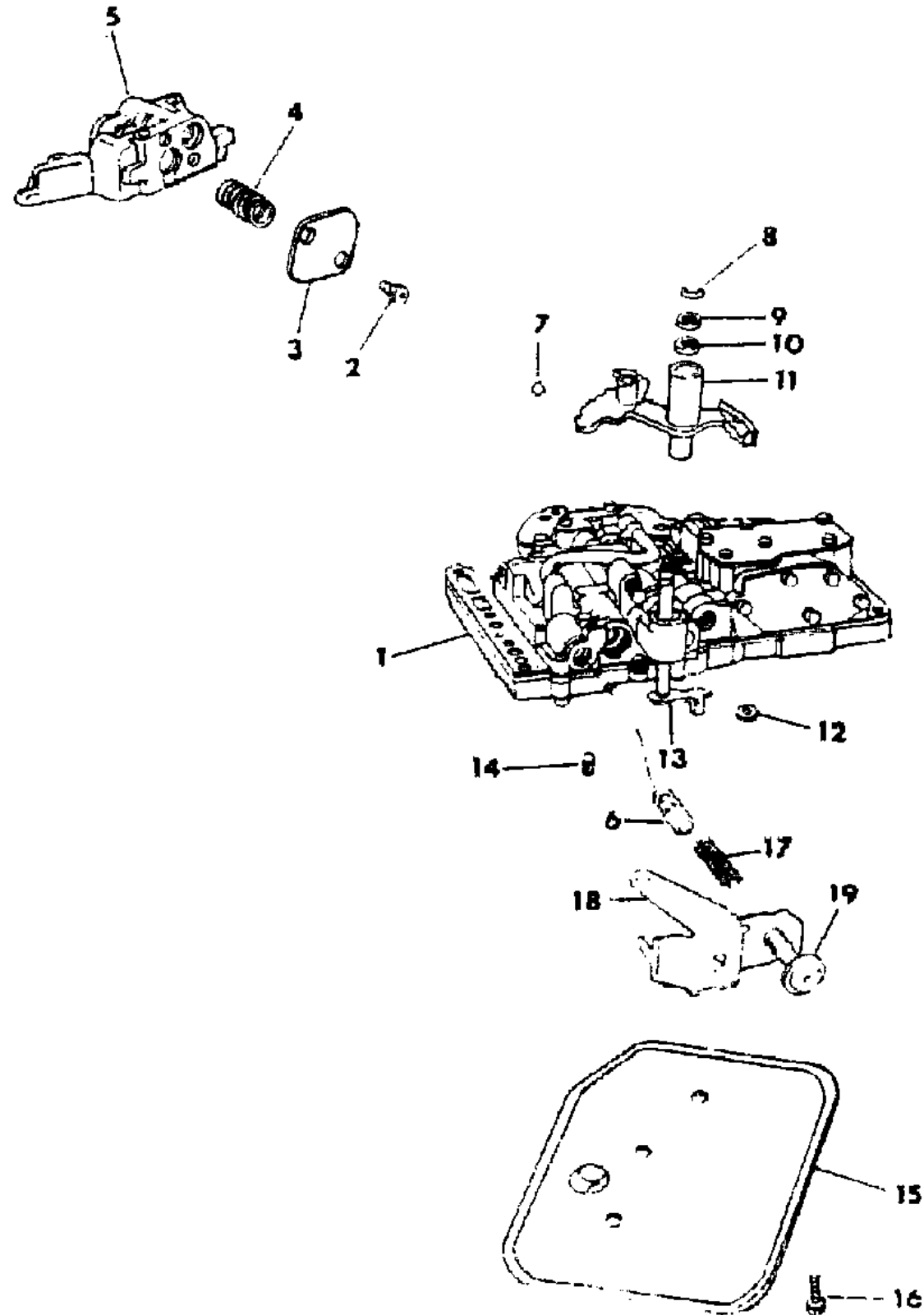
MODEL CODES
 C BODY = (D41 - DYNASTY)(C41 - NEW YORKER)
 E BODY = (J - CARAVELLE)(E - 600)(T - NEW YORKER TURBO)
 G BODY = (V24 - DAYTONA, PACIFICA & SHELBY)
 H BODY = (D44 - LANCER)(C44 - LEBARON GTS)
 J BODY = (C - LEBARON)
 K BODY = (P - RELIANT)(D - ARIES)(C - LEBARON/ TOWN & COUNTRY)
 L BODY = (M - HORIZON)(Z-OMNI)
 M BODY = (B - GRAN FURY)(G - DIPLOMAT)(F - FIFTH AVENUE/NEWPORT)
 P BODY = (P - SUNDANCE)(D - SHADOW)
 Q BODY = (C27 - MASERATI)
 S BODY = (H - VOYAGER)(K - RAM VAN/ CARAVAN)

BODY STYLES
 12-52 = FWD VAN & WAGON STD. W.B. 27 = 2-DOOR CONVERTIBLE
 13-53 = FWD VAN & WGN EXT W.B. 41 = 4-DOOR SEDAN
 21 = 2-DOOR SEDAN 44 = 4-DOOR HATCHBACK
 24 = 2-DOOR HATCHBACK 45 = 4-DOOR STATION WAGON

AR = Use as Required - = Non Illustrated Part P.A.R. = Paint as Required

VALVE BODY AUTOMATIC TRANSMISSION, A999,A727 M BODY
Figure 21A-600

8151 600



ITEM	PART NUMBER	QTY	BODY	MODEL	DESCRIPTION
10	2466 548	1			SEAL, Throttle Valve Lever Shaft
11	3410 484	1			LEVER, w/Insulator Manual Valve
12	3878 447	1			SEAL, Manual Valve Shaft
13	3681 227	1			LEVER, Throttle Valve
14	3878 313	1			SCREEN, Regulator Valve
15	3515 996	1			FILTER, Trans. Oil
16	6030 895	3			SCREW, Oil Filter
17	4130 492	1			SPRING, L/U Switch Valve
18	3743 840	1			BRACKET, Throttle Pressure Adj. Screw
19	6030 609	1			SCREW, Throttle Pressure Adjusting
	0104 918	AR			BALL, Check Valve, 1/4" Dia.

MODEL CODES

C BODY = (D41 - DYNASTY)(C41 - NEW YORKER)
 E BODY = (J - CARAVELLE)(E - 600)(T - NEW YORKER TURBO)
 G BODY = (V24 - DAYTONA, PACIFICA & SHELBY)
 H BODY = (D44 - LANCER)(C44 - LEBARON GTS)
 J BODY = (C - LEBARON)
 K BODY = (P - RELIANT)(D - ARIES)(C - LEBARON/ TOWN & COUNTRY)

L BODY = (M - HORIZON)(Z-OMNI)
 M BODY = (B - GRAN FURY)(G - DIPLOMAT)(F - FIFTH AVENUE/NEWPORT)
 P BODY = (P - SUNDANCE)(D - SHADOW)
 Q BODY = (C27 - MASERATI)
 S BODY = (H - VOYAGER)(K - RAM VAN/ CARAVAN)

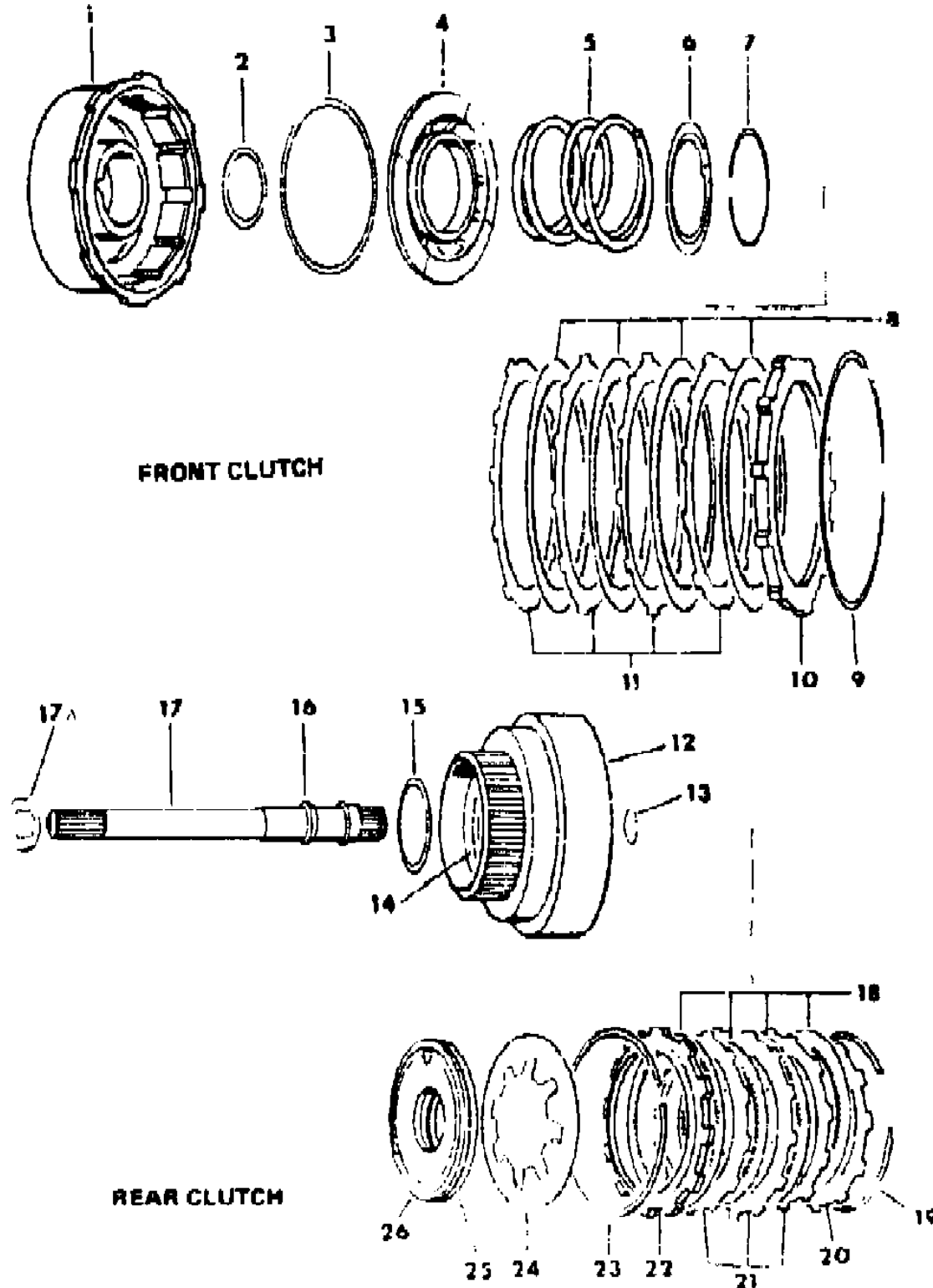
BODY STYLES

12-52 = FWD VAN & WAGON STD. W.B. 27 = 2-DOOR CONVERTIBLE
 13-53 = FWD VAN & WGN EXT W.B. 41 = 4-DOOR SEDAN
 21 = 2-DOOR SEDAN 44 = 4-DOOR HATCHBACK
 24 = 2-DOOR HATCHBACK 45 = 4-DOOR STATION WAGON

AR = Use as Required - = Non Illustrated Part P.A.R. = Paint as Required

CLUTCH, FRONT AND REAR WITH GEAR TRAIN AUTOMATIC TRANSMISSION, A999 M BODY
Figure 21A-700

8151 700



ITEM	PART NUMBER	QTY	BODY	MODEL	DESCRIPTION
	4186 058				SEAL and WASHER PACKAGE, Front and Rear Clutch Consists Of: 1 - ----- SEAL, Frt. Clutch Piston, Inner 1 - ----- SEAL, Frt. Clutch Piston, Outer 1 - ----- SEAL, Rear Clutch Piston, Inner 1 - ----- SEAL, Rear Clutch Piston, Outer AR- ----- WASHER, Output Shaft Thrust AR- ----- WASHER, Output Shaft Thrust Flat and Notched
1	3743 382	1			RETAINER, w/Bushing Frt. Clutch
	2801 727	1			BUSHING, Frt. Clutch Retainer
2	3515 176	1			SEAL, Frt. Clutch Piston, Rubber, Inner
3	4058 487	1			SEAL, Frt. Clutch Piston, Outer
4	3743 384	1			PISTON, Frt. Clutch
	0147 483	1			BALL, 3/16"
5	3515 054	1			SPRING, Frt. Clutch Piston, 3.25 Coils, 3.38" O.D., 273" Wire, Yellow
6	1942 399	1			RETAINER, Frt. Clutch Piston Spring
	0147 483	1			BALL, Check Valve, 3/16"
7	1942 400	1			SNAP RING, Frt. Cl., 2-7/16" O.D., .060" Thk., Inner
8	4329 805	5			DISC, Frt. Clutch
9	3410 571	1			SNAP RING, Frt. Clutch, Outer
10	2801 969	1			PLATE, Clutch Pressure
11	1942 403	5			PLATE, Frt. Clutch
12	4186 879	1			RETAINER, Rr. Clutch
	0147 483	1			BALL, Check Valve, 3/16"
13	6022 859	1			SNAP RING, Input Shaft, 57/64, .059" Thk.
14	4028 333	1			SEAL, Rr. Clutch Retainer Ring, 1-1/2" O.D., .09" Thk.
15	3410 572	2			WASHER, Frt. Clutch Thrust, 5-7/8".O.D.
16	1401 221	2			RING SEAL, Input Shaft, Front and Rear
17	4130 194	1			SHAFT, Input
17A	4058 982	1			PLATE, Input Shaft Thrust, 1" O.D.
18	3780 285	4			DISC, Rr. Clutch
19	#4130 761	AR			SNAP RING, Rr. Clutch Retainer, 5-11/32" O.D., .060" Thk.
	4130 762	AR			.076" Thk.
	4130 763	AR			.098" Thk.
20	2801 969	1			PLATE, Rr. Clutch Pressure, Rear
21	1942 403	3			PLATE, Rr. Clutch

MODEL CODES

C BODY = (D41 - DYNASTY)(C41 - NEW YORKER)
 E BODY = (J - CARAVELLE)(E - 600)(T - NEW YORKER TURBO)
 G BODY = (V24 - DAYTONA, PACIFICA & SHELBY)
 H BODY = (D44 - LANCER)(C44 - LEBARON GTS)
 J BODY = (C - LEBARON)
 K BODY = (P - RELIANT)(D - ARIES)(C - LEBARON/ TOWN & COUNTRY)

L BODY = (M - HORIZON)(Z-OMNI)
 M BODY = (B - GRAN FURY)(G - DIPLOMAT)(F - FIFTH AVENUE/NEWPORT)
 P BODY = (P - SUNDANCE)(D - SHADOW)
 Q BODY = (C27 - MASERATI)
 S BODY = (H - VOYAGER)(K - RAM VAN/ CARAVAN)

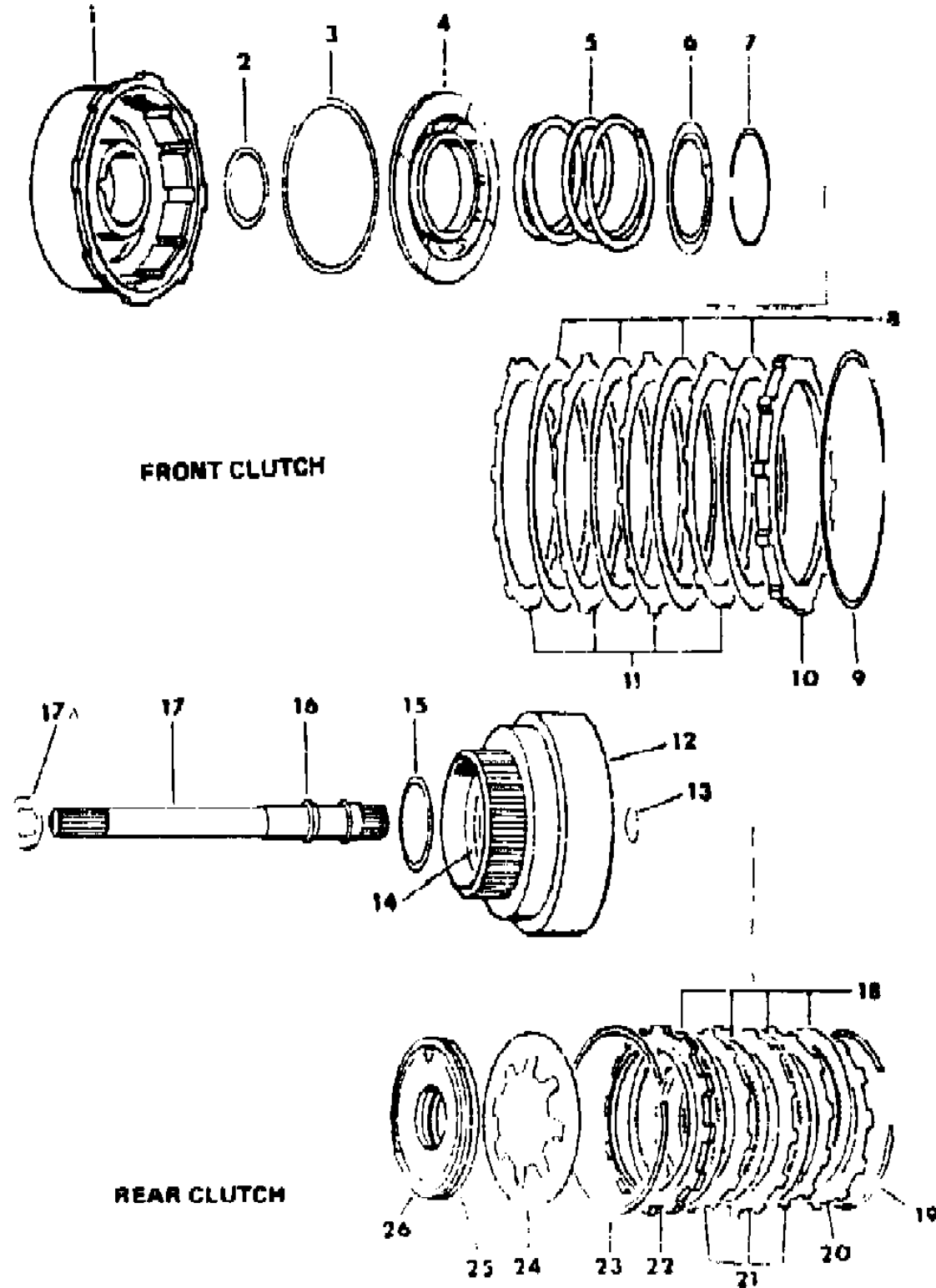
BODY STYLES

12-52 = FWD VAN & WAGON STD. W.B. 27 = 2-DOOR CONVERTIBLE
 13-53 = FWD VAN & WGN EXT W.B. 41 = 4-DOOR SEDAN
 21 = 2-DOOR SEDAN 44 = 4-DOOR HATCHBACK
 24 = 2-DOOR HATCHBACK 45 = 4-DOOR STATION WAGON

AR = Use as Required - = Non Illustrated Part P.A.R. = Paint as Required

CLUTCH, FRONT AND REAR WITH GEAR TRAIN AUTOMATIC TRANSMISSION, A999 M BODY
Figure 21A-700

8151 700



ITEM	PART NUMBER	QTY	BODY	MODEL	DESCRIPTION
22	2466 281	1			PLATE, Rr. Clutch Pressure, Frt.
23	2466 283	1			SPRING, Rr. Clutch Wave
24	1942 414	1			SPRING, Rr. Clutch Piston
25	2538 695	1			SEAL, Rr. Clutch Piston Rubber, Outer
	2538 510	1			Rr. Clutch Piston, Rubber, Inner
26	3515 716	1			PISTON, Rr. Clutch
	0147 483	1			BALL, Check Valve, 3/16"

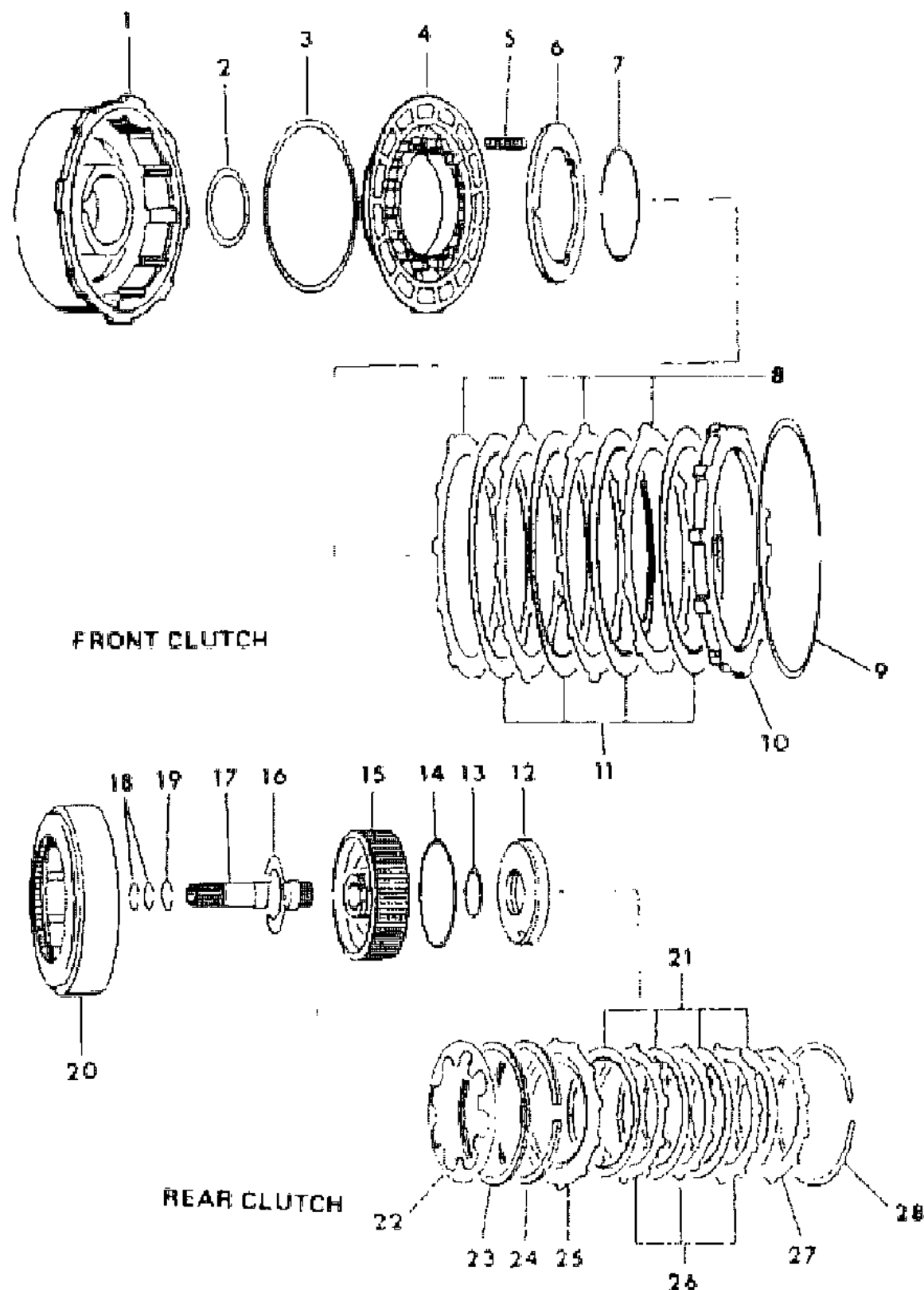
MODEL CODES
 C BODY = (D41 - DYNASTY)(C41 - NEW YORKER)
 E BODY = (J - CARAVELLE)(E - 600)(T - NEW YORKER TURBO)
 G BODY = (V24 - DAYTONA, PACIFICA & SHELBY)
 H BODY = (D44 - LANCER)(C44 - LEBARON GTS)
 J BODY = (C - LEBARON)
 K BODY = (P - RELIANT)(D - ARIES)(C - LEBARON/ TOWN & COUNTRY)
 L BODY = (M - HORIZON)(Z-OMNI)
 M BODY = (B - GRAN FURY)(G - DIPLOMAT)(F - FIFTH AVENUE/NEWPORT)
 P BODY = (P - SUNDANCE)(D - SHADOW)
 Q BODY = (C27 - MASERATI)
 S BODY = (H - VOYAGER)(K - RAM VAN/ CARAVAN)

BODY STYLES
 12-52 = FWD VAN & WAGON STD. W.B. 27 = 2-DOOR CONVERTIBLE
 13-53 = FWD VAN & WGN EXT W.B. 41 = 4-DOOR SEDAN
 21 = 2-DOOR SEDAN 44 = 4-DOOR HATCHBACK
 24 = 2-DOOR HATCHBACK 45 = 4-DOOR STATION WAGON

AR = Use as Required - = Non Illustrated Part P.A.R. = Paint as Required

CLUTCH, FRONT AND REAR WITH GEAR TRAIN AUTOMATIC TRANSMISSION, A727 M BODY
Figure 21A-800

8151 800



ITEM	PART NUMBER	QTY	BODY	MODEL	DESCRIPTION
	4106 590	1			GASKET and SEAL PACKAGE, A727, Front and Rear Clutch Consists Of: 1-3410226 SEAL, Front Clutch Piston, Inner 1-3743237 SEAL, Front Clutch Piston, Outer 1-1942054 SEAL, Rear Clutch Piston, Inner 1-2124835 SEAL, Rear Clutch Piston, Outer 1-3681688 WASHER, O/P Shaft Thrust 1-4058946 PLATE, O/P Shaft Thrust
1	4058 648	1			RETAINER, w/Bushing, Front Clutch
	4058 647	1			BUSHING, Front Clutch Retainer
2	3410 226	1			SEAL, Front Clutch Piston, Inner
3	4058 484	1			SEAL, Front Clutch Piston, Outer
4	2464 651	1			PISTON, Front Clutch
	0147 483	1			BALL, 3/16" Dia.
5	2801 243	11			SPRING, Front Clutch Piston
6	2801 949	1			RETAINER, Front Clutch Piston Spring
	0147 483	1			BALL, 3/16" Dia.
7	2124 824	1			SNAP RING, Front Clutch Inner, .060" Thk., 3" I.D.
8	2124 826	4			PLATE, Front Clutch
9	3410 570	1			SNAP RING, Front Clutch, .050" Thk., 7-8/64" O.D.
10	2801 961	1			PLATE, Front Clutch Pressure
11	4329 846	4			DISC, Front Clutch
12	3743 624	1			PISTON, Rear Clutch
	0147 483	1			BALL, 3/16" Dia.
13	1942 054	1			SEAL, Rear Clutch Piston, Inner
14	2124 835	1			SEAL, Rear Clutch Piston, Outer
15	4028 299	1			RETAINER, Rear Clutch Piston
	4058 443	1			RING, Piston Ret. Oil Seal Lock, 1-7/8" O.D.
16	2204 622	1			WASHER, Front Clutch Thrust, Rear
17	4058 035	1			SHAFT, Input
	3681 709	1			BUSHING, Input Shaft
	0147 488	1			BALL, 11/32" Dia.
18	2801 054	2			RING, Input Shaft Seal, 1-3/16" O.D.
	4412 443	1			RING, Input Shaft Seal, Rear
19	2124 872	1			SNAP RING, Rear Clutch Piston Retainer, .060" Thk. 1-31/64" O.D.
20	3743 622	1			RETAINER, Rear Clutch

MODEL CODES

C BODY = (D41 - DYNASTY)(C41 - NEW YORKER)
 E BODY = (J - CARAVELLE)(E - 600)(T - NEW YORKER TURBO)
 G BODY = (V24 - DAYTONA, PACIFICA & SHELBY)
 H BODY = (D44 - LANCER)(C44 - LEBARON GTS)
 J BODY = (C - LEBARON)
 K BODY = (P - RELIANT)(D - ARIES)(C - LEBARON/ TOWN & COUNTRY)

L BODY = (M - HORIZON)(Z-OMNI)
 M BODY = (B - GRAN FURY)(G - DIPLOMAT)(F - FIFTH AVENUE/NEWPORT)
 P BODY = (P - SUNDANCE)(D - SHADOW)
 Q BODY = (C27 - MASERATI)
 S BODY = (H - VOYAGER)(K - RAM VAN/ CARAVAN)

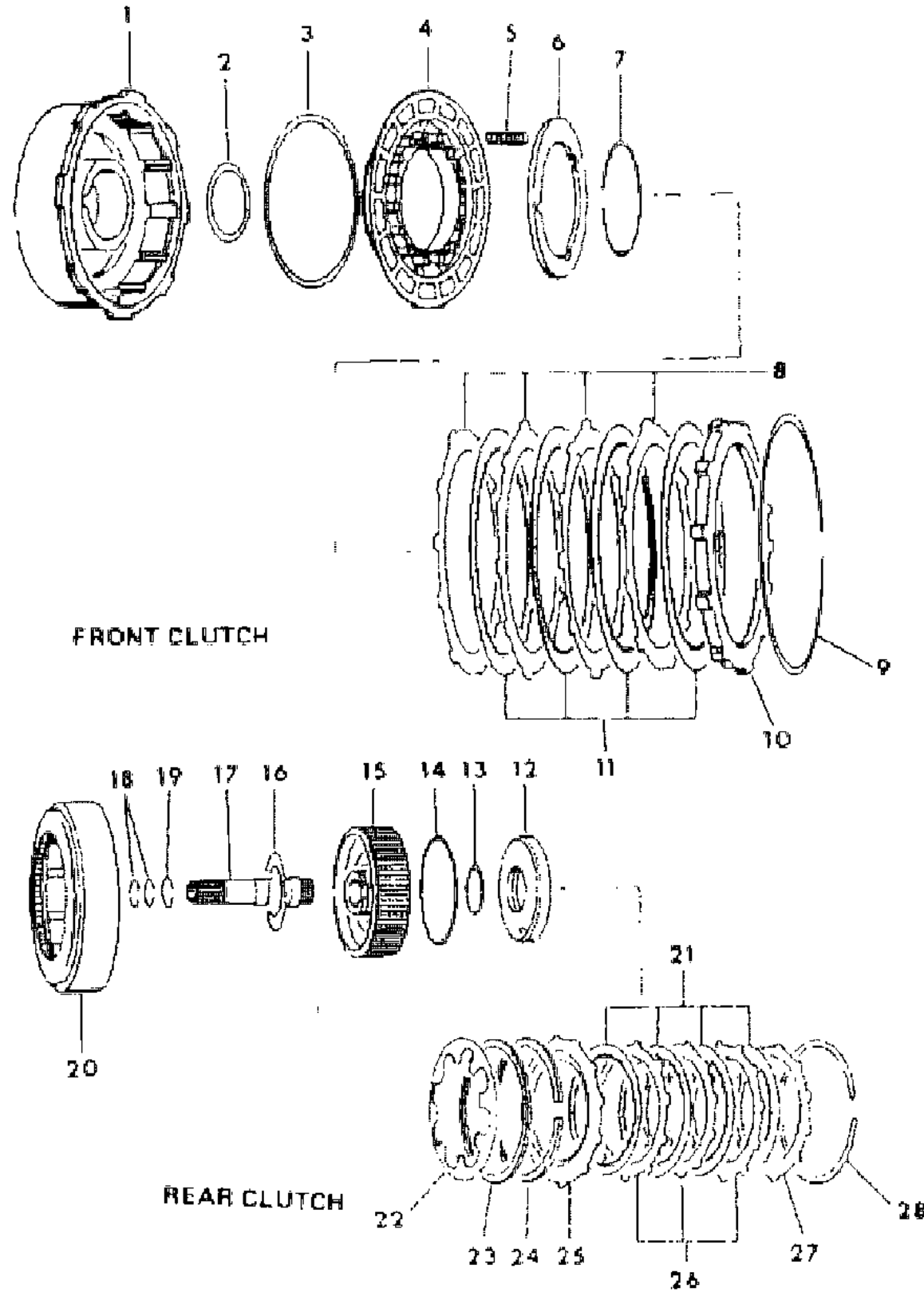
BODY STYLES

12-52 = FWD VAN & WAGON STD. W.B. 27 = 2-DOOR CONVERTIBLE
 13-53 = FWD VAN & WGN EXT W.B. 41 = 4-DOOR SEDAN
 21 = 2-DOOR SEDAN 44 = 4-DOOR HATCHBACK
 24 = 2-DOOR HATCHBACK 45 = 4-DOOR STATION WAGON

AR = Use as Required - = Non Illustrated Part P.A.R. = Paint as Required

CLUTCH, FRONT AND REAR WITH GEAR TRAIN AUTOMATIC TRANSMISSION, A727 M BODY
Figure 21A-800

8151 800



ITEM	PART NUMBER	QTY	BODY	MODEL	DESCRIPTION
	4058 443	1			SNAP RING, Rear Clutch Piston Ret. Seal
21	2801 992	4			DISC, Rear Clutch
22	3743 621	1			SPRING, Rear Clutch Piston
23	3515 077	1			SPACER, Rear Clutch Piston Spring, Plastic, 6-13/16" O.D.
24	2466 806	1			SPRING, Rear Clutch Wave
25	2466 803	1			PLATE, Rear Clutch Pressure, Front
26	2124 826	3			PLATE, Rear Clutch
27	2801 961	1			PLATE, Rear Clutch Pressure, Rear
28					SNAP RING, Rear Clutch Retainer, 7" O.D.
	1942 063	AR			.060" Thk.
	1942 064	AR			.074" Thk.
	1942 065	AR			.088" Thk.
	2466 811	AR			.106" Thk.
	0147 483	1			BALL, Check Valve, 3/16" Dia.

MODEL CODES
 C BODY = (D41 - DYNASTY)(C41 - NEW YORKER)
 E BODY = (J - CARAVELLE)(E - 600)(T - NEW YORKER TURBO)
 G BODY = (V24 - DAYTONA, PACIFICA & SHELBY)
 H BODY = (D44 - LANCER)(C44 - LEBARON GTS)
 J BODY = (C - LEBARON)
 K BODY = (P - RELIANT)(D - ARIES)(C - LEBARON/ TOWN & COUNTRY)
 L BODY = (M - HORIZON)(Z-OMNI)
 M BODY = (B - GRAN FURY)(G - DIPLOMAT)(F - FIFTH AVENUE/NEWPORT)
 P BODY = (P - SUNDANCE)(D - SHADOW)
 Q BODY = (C27 - MASERATI)
 S BODY = (H - VOYAGER)(K - RAM VAN/ CARAVAN)

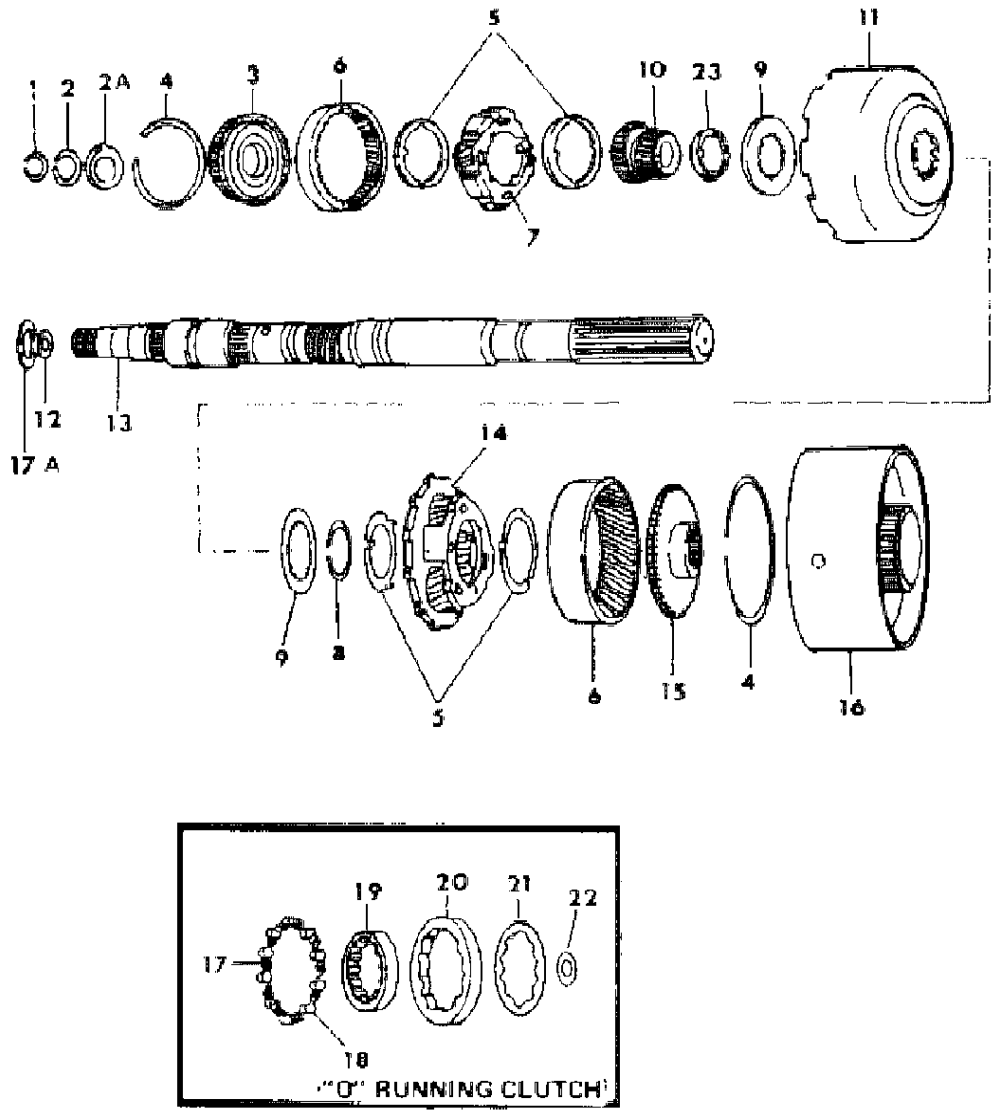
BODY STYLES
 12-52 = FWD VAN & WAGON STD. W.B. 27 = 2-DOOR CONVERTIBLE
 13-53 = FWD VAN & WGN EXT W.B. 41 = 4-DOOR SEDAN
 21 = 2-DOOR SEDAN 44 = 4-DOOR HATCHBACK
 24 = 2-DOOR HATCHBACK 45 = 4-DOOR STATION WAGON

AR = Use as Required - = Non Illustrated Part P.A.R. = Paint as Required

GEAR TRAIN AND OUTPUT SHAFT AUTOMATIC TRANSMISSION, A999 M BODY
Figure 21A-900

8151 900

ITEM	PART NUMBER	QTY	BODY	MODEL	DESCRIPTION
	3420 023	1			RACE PACKAGE, w/Roller and Spring, "O" Running Clutch, Use w/4431572,573,4471529,531,537 Trans. Consists Of: 1 - ----- RACE 10 - ----- ROLLERS 10 - ----- SPRINGS
	3780 221	1			CAM PACKAGE, w/Retainer, Screw and Washer, "O" Running Clutch, Use w/4431572,573,4471529,531,537 Trans. Consists Of: 1 - ----- RETAINER, "O" Running Clutch Spring 1 - ----- CAM, "O" Running Clutch 7 - ----- SCREWS, "O" Running Clutch Cam 7 - ----- WASHERS, "O" Running Clutch Screw
1	6026 289	AR			SNAP RING, Output Shaft, .946" I.D., .040" Thk.
	6030 938	AR			.910" I.D., .062" Thk., Green
	6030 404	AR			.906" I.D., .084" Thk., White
2	6030 576	1			SNAP RING, Frt. Annulus Gear Support, 1-7/16" I.D.
2A	3681 969	1			WASHER, Frt. Annulus Gear Support Thrust w/Lip, Steel Backed Bronze, 2-1/8" O.D.
3	#4130 510	1			SUPPORT, w/Bushing, Front Annulus Gear
4					SNAP RING, Annulus Gear
	4130 513	1			Front
	1942 444	1			Rear
5	4130 518	2			WASHER, Planet Pinion Carrier Thrust, Front
	3681 935	2			Rear
	3681 949	8			RING, Planet Pinion Roller Thrust, Front
	3681 949	8			Rear
6	#4130 512	1			GEAR, Annulus, Front
	3743 184	1			Rear
7	#4130 514	1			CARRIER ASSEMBLY, Front Planet Pinion, 4 Pinion
8	1942 439	1			RING, Sun Driving Shell Lock, Steel, 1-41/64" O.D.
9	#4130 600	2			PLATE, Sun Gear Driving Shell
10	#4130 685	1			GEAR, w/Bushing Trans. Sun
11	#4130 509	1			SHELL, Sun Gear Driving
12	4269 196	AR			WASHER, Output Shaft Thrust, 7/8" O.D., .052" Thk., Steel Backed Bronze
	4269 197	AR			.068" Thk.



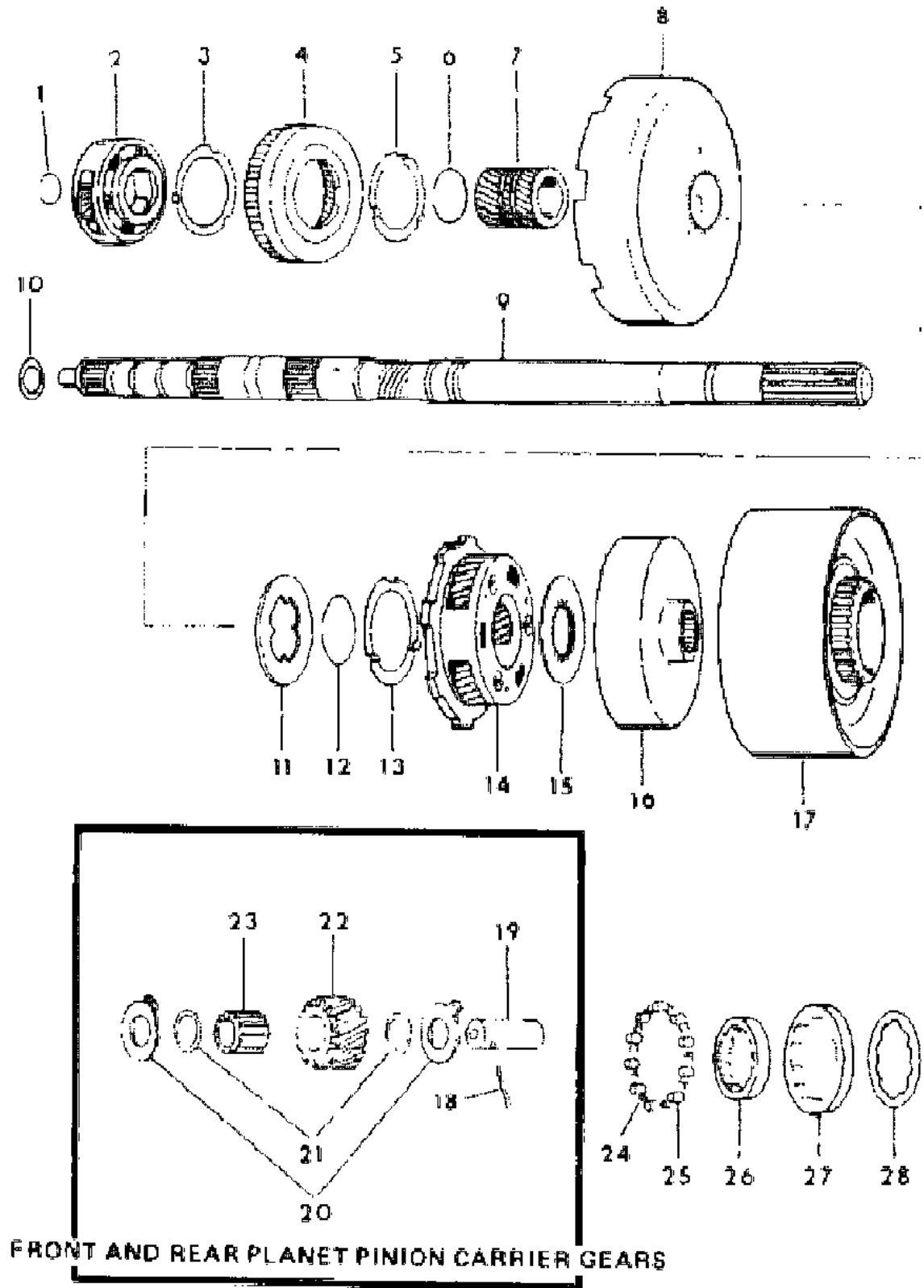
MODEL CODES
C BODY = (D41 - DYNASTY)(C41 - NEW YORKER)
E BODY = (J - CARAVELLE)(E - 600)(T - NEW YORKER TURBO)
G BODY = (V24 - DAYTONA, PACIFICA & SHELBY)
H BODY = (D44 - LANCER)(C44 - LEBARON GTS)
J BODY = (C - LEBARON)
K BODY = (P - RELIANT)(D - ARIES)(C - LEBARON/ TOWN & COUNTRY)
L BODY = (M - HORIZON)(Z-OMNI)
M BODY = (B - GRAN FURY)(G - DIPLOMAT)(F - FIFTH AVENUE/NEWPORT)
P BODY = (P - SUNDANCE)(D - SHADOW)
Q BODY = (C27 - MASERATI)
S BODY = (H - VOYAGER)(K - RAM VAN/ CARAVAN)

BODY STYLES
12-52 = FWD VAN & WAGON STD. W.B. 27 = 2-DOOR CONVERTIBLE
13-53 = FWD VAN & WGN EXT W.B. 41 = 4-DOOR SEDAN
21 = 2-DOOR SEDAN 44 = 4-DOOR HATCHBACK
24 = 2-DOOR HATCHBACK 45 = 4-DOOR STATION WAGON

AR = Use as Required - = Non Illustrated Part P.A.R. = Paint as Required

GEAR TRAIN AND OUTPUT SHAFT AUTOMATIC TRANSMISSION, A727 M BODY
Figure 21A-1000

8151 1000



ITEM	PART NUMBER	QTY	BODY	MODEL	DESCRIPTION
	2808 673	1			ROLLER and SPRING PACKAGE, "O" Running Clutch Consists Of: 12 - ----- ROLLERS 12 - 1942187 SPRINGS
	3420 100	1			RACE PACKAGE, w/Rollers and Springs Consists Of: 1 - ----- RACE, "O" Running Clutch 12 - ----- ROLLERS, "O" Running Clutch 12 - 1942187 SPRINGS, "O" Running Clutch
1	6030 982	AR			SNAP RING, Output Shaft, .048" - .052" Thk.
	6024 311	AR			.055" - .059" Thk.
	6024 312	AR			.062" - .066" Thk.
2	4028 120	1			CARRIER ASSEMBLY, Front Planet, w/4 Pinions
3	2801 060	1			WASHER, Frt. Carrier Thrust, w/4 Tabs, 3-13/32" O.D.
4	2892 656	1			GEAR, w/Support, Frt. Annulus, 2-1/2" I.D. Center Hole
5	1942 081	1			WASHER, Sun Gear Driving Shell Thrust, w/3 Outside Tabs
6	1736 521	1			RING, Sun Gear Driving Shell, Lock
7	2801 311	1			GEAR, w/Bushing, Sun
8	2400 662	1			SHELL, Sun Gear Driving
9	4106 594	1			SHAFT PACKAGE, Output, Consists Of: Output Shaft, Thrust Washer and Thrust Plate
	4329 806	1			PLATE, Output Shaft Thrust, .030" Thk.
	2466 224	1			BEARING, Output Shaft, 2.83" O.D., 1.37" I.D., (Not Shown)
	6025 570	1			SNAP RING, Output Shaft Bearing, 1.26" I.D.(Not Shown)
	6032 739	1			O-RING, Output Shaft Brg. Anti-Rotation (Not Shown)
10	3681 688	1			WASHER, Output Shaft Thrust w/Three Point Bronze Face, .062" Thk.
11	1942 080	1			PLATE, Sun Gear Driving Shell Thrust, w/4 Inside Tongs
12	1736 521	1			RING, Sun Gear Driving Shell, Lock
13	1942 081	1			WASHER, Carrier Thrust, Rear
14	2466 539	1			CARRIER ASSEMBLY, Rear Planet Pinion
15	2400 580	1			PLATE, Rear Annulus Gear Thrust, w/31 Inside Teeth, 3-23/64" O.D.
16	2538 185	1			GEAR, w/Support, Rear Annulus, 3-1/2" I.D. Center Hole
17	4446 112	1			DRUM, Reverse, Ground Finish
18	6024 666	AR			PIN, Frt. and Rr. Planet Pinion Shaft
19	2464 178	AR			SHAFT, Frt. and Rr. Planet Pinion

MODEL CODES

C BODY = (D41 - DYNASTY)(C41 - NEW YORKER)
 E BODY = (J - CARAVELLE)(E - 600)(T - NEW YORKER TURBO)
 G BODY = (V24 - DAYTONA, PACIFICA & SHELBY)
 H BODY = (D44 - LANCER)(C44 - LEBARON GTS)
 J BODY = (C - LEBARON)
 K BODY = (P - RELIANT)(D - ARIES)(C - LEBARON/ TOWN & COUNTRY)

L BODY = (M - HORIZON)(Z-OMNI)
 M BODY = (B - GRAN FURY)(G - DIPLOMAT)(F - FIFTH AVENUE/NEWPORT)
 P BODY = (P - SUNDANCE)(D - SHADOW)
 Q BODY = (C27 - MASERATI)
 S BODY = (H - VOYAGER)(K - RAM VAN/ CARAVAN)

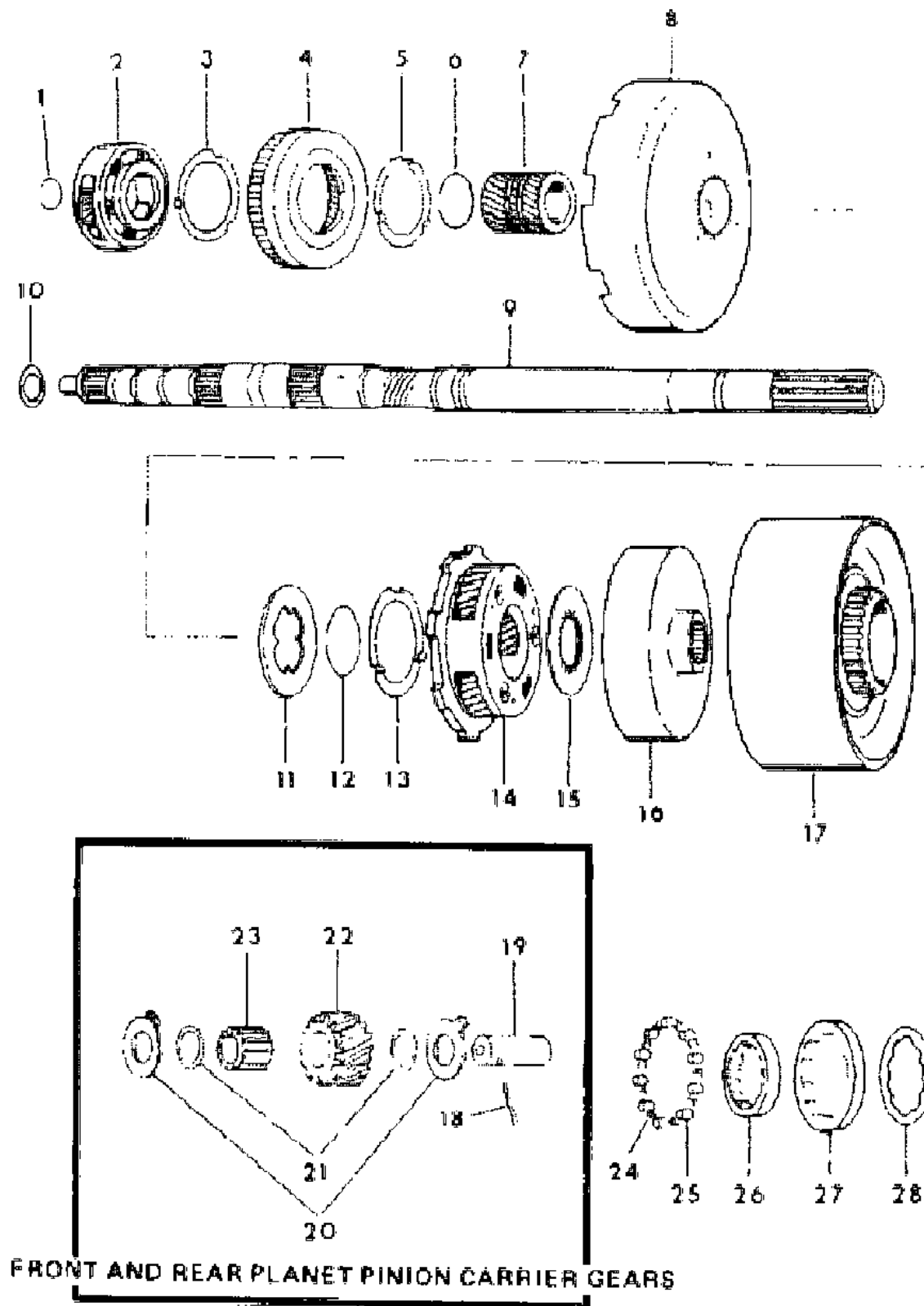
BODY STYLES

12-52 = FWD VAN & WAGON STD. W.B. 27 = 2-DOOR CONVERTIBLE
 13-53 = FWD VAN & WGN EXT W.B. 41 = 4-DOOR SEDAN
 21 = 2-DOOR SEDAN 44 = 4-DOOR HATCHBACK
 24 = 2-DOOR HATCHBACK 45 = 4-DOOR STATION WAGON

AR = Use as Required - = Non Illustrated Part P.A.R. = Paint as Required

GEAR TRAIN AND OUTPUT SHAFT AUTOMATIC TRANSMISSION, A727 M BODY
Figure 21A-1000

8151 1000



ITEM	PART NUMBER	QTY	BODY	MODEL	DESCRIPTION
20	2801 315	AR			WASHER, Frt. and Rr. Planet Pinion
21	2204 649	AR			RING, Frt. and Rr. Pinion Roller, Thrust
22	2400 667	AR			PINION, Frt. and Rr. Planet
23	2204 647	AR			ROLLER, Frt. and Rr. Pinion
24		12			SPRING, "O" Running Clutch Roller (Serv. in 2808673 Pkg.)
25	2808 673	1			ROLLER and SPRING PACKAGE, "O" Running Clutch
26	3420 100	1			RACE PACKAGE, w/Rollers and Springs, "O" Running Clutch
27	1942 095	1			CAM, "O" Running Clutch
28	2801 426	1			RETAINER, "O" Running Clutch Spring
	0125 735	1			SET SCREW, Cam Retaining, 1/4-20 x 5/16"

MODEL CODES

C BODY = (D41 - DYNASTY)(C41 - NEW YORKER)
 E BODY = (J - CARAVELLE)(E - 600)(T - NEW YORKER TURBO)
 G BODY = (V24 - DAYTONA, PACIFICA & SHELBY)
 H BODY = (D44 - LANCER)(C44 - LEBARON GTS)
 J BODY = (C - LEBARON)
 K BODY = (P - RELIANT)(D - ARIES)(C - LEBARON/ TOWN & COUNTRY)

L BODY = (M - HORIZON)(Z-OMNI)
 M BODY = (B - GRAN FURY)(G - DIPLOMAT)(F - FIFTH AVENUE/NEWPORT)
 P BODY = (P - SUNDANCE)(D - SHADOW)
 Q BODY = (C27 - MASERATI)
 S BODY = (H - VOYAGER)(K - RAM VAN/ CARAVAN)

BODY STYLES

12-52 = FWD VAN & WAGON STD. W.B. 27 = 2-DOOR CONVERTIBLE
 13-53 = FWD VAN & WGN EXT W.B. 41 = 4-DOOR SEDAN
 21 = 2-DOOR SEDAN 44 = 4-DOOR HATCHBACK
 24 = 2-DOOR HATCHBACK 45 = 4-DOOR STATION WAGON

AR = Use as Required - = Non Illustrated Part P.A.R. = Paint as Required

TRANSAXLE ASSEMBLIES AND MOUNTING AUTOMATIC CHRYSLER, A413,A670
Figure 21A-1100

8151 1100

ITEM	PART NUMBER	QTY	BODY	MODEL	DESCRIPTION
1					TRANSAXLE ASSEMBLY
	4471 568	1	L,P,K		w/2.2 EFI Liter Eng., w/2.78 Overall Ratio
	4531 085	1	L,K		w/2.2 EFI Liter Eng., w/2.78 Overall Ratio
	4471 569	1	C		w/3.0 EFI Liter Eng., w/2.78 Overall Ratio
	4531 027	1	C		w/3.0 EFI Liter Eng., w/2.78 Overall Ratio
	4471 491	1	K,E,H		w/2.2 EFI Liter Eng., w/3.02 Overall Ratio
	4531 115	1	P,K,E,H		w/2.2 EFI Liter Eng., w/3.02 Overall Ratio
	4471 491	1	PJKGEH		w/2.5 EFI Liter Eng., w/3.02 Overall Ratio, w/LU
	4531 115	1	PJKGEH		w/2.5 EFI Liter Eng., w/3.02 Overall Ratio, w/LU
	4471 491	1	C	D-H,P-41	w/2.5 EFI Liter Eng., w/3.02 Overall Ratio, w/LU
	4531 115	1	C	D-H,P-41	w/2.5 EFI Liter Eng., w/3.02 Overall Ratio, w/LU
	4471 494	1	PJKGEH		w/2.2 EFI-TURBO CHARGED Eng., w/3.02 Overall Ratio
	4531 099	1	PJKGEH		w/2.2 EFI-TURBO CHARGED Eng., w/3.02 Overall Ratio
	4471 486	1	S		w/2.5 EFI Liter Eng., w/3.22 Overall Ratio
	4531 087	1	S		w/2.5 EFI Liter Eng., w/3.22 Overall Ratio
	4471 493	1	S		w/3.0 Liter Eng., w/3.01 Overall Ratio, w/LU, Up To Approx. 11-11-87
	4471 527	1	S		w/3.0 Liter Eng., w/3.01 Overall Ratio, w/LU, After Approx. 11-11-87
	4531 097	1	S		w/3.0 Liter Eng., w/3.01 Overall Ratio, w/LU
					TRANSAXLE ASSY. CROSS REFERENCE
					PRODUCTION NO. SERVICE NO.
					4471567 4471568
					4531084 4531085
					4471937 4471486
					4531086 4531087
					4471947 4471491
					4531114 4531115
					4471949 4471569
					4531026 4531027
					4471968 4471493
					4471526 4471527
					4531116 4531097
					4471421 4471494
					4531098 4531099
	4419 616	1			GASKET PACKAGE, Seals, Rings, O-Rings, Gaskets, Transaxle Major Repair

MODEL CODES

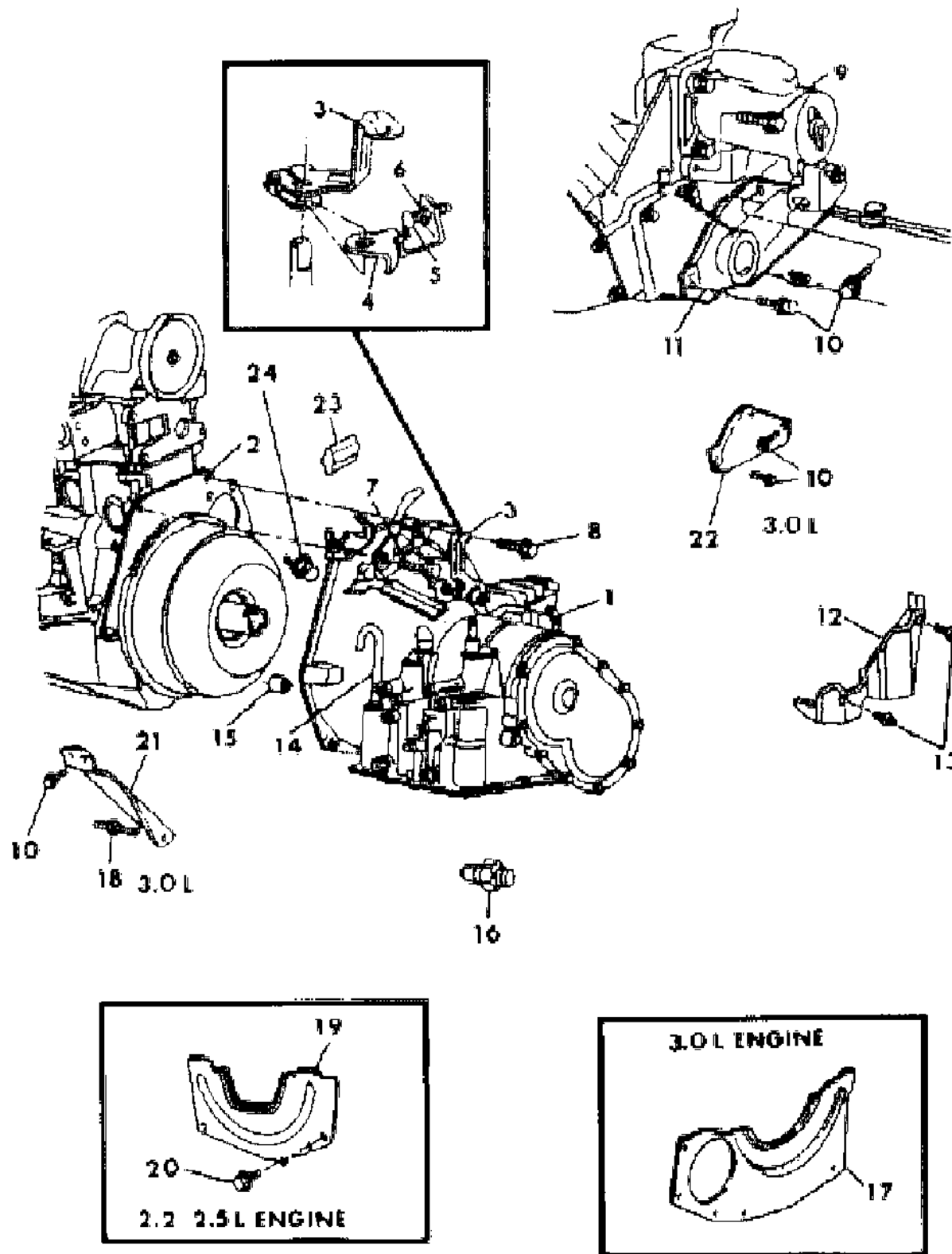
C BODY = (D41 - DYNASTY)(C41 - NEW YORKER)
E BODY = (J - CARAVELLE)(E - 600)(T - NEW YORKER TURBO)
G BODY = (V24 - DAYTONA, PACIFICA & SHELBY)
H BODY = (D44 - LANCER)(C44 - LEBARON GTS)
J BODY = (C - LEBARON)
K BODY = (P - RELIANT)(D - ARIES)(C - LEBARON/ TOWN & COUNTRY)

L BODY = (M - HORIZON)(Z-OMNI)
M BODY = (B - GRAN FURY)(G - DIPLOMAT)(F - FIFTH AVENUE/NEWPORT)
P BODY = (P - SUNDANCE)(D - SHADOW)
Q BODY = (C27 - MASERATI)
S BODY = (H - VOYAGER)(K - RAM VAN/ CARAVAN)

BODY STYLES

12-52 = FWD VAN & WAGON STD. W.B. 27 = 2-DOOR CONVERTIBLE
13-53 = FWD VAN & WGN EXT W.B. 41 = 4-DOOR SEDAN
21 = 2-DOOR SEDAN 44 = 4-DOOR HATCHBACK
24 = 2-DOOR HATCHBACK 45 = 4-DOOR STATION WAGON

AR = Use as Required - = Non Illustrated Part P.A.R. = Paint as Required



TRANSAXLE ASSEMBLIES AND MOUNTING AUTOMATIC CHRYSLER, A413,A670
Figure 21A-1100

8151 1100

ITEM	PART NUMBER	QTY	BODY	MODEL	DESCRIPTION
2	4412 526	1			COVER, Case Upper, w/2.2,2.5L Eng.
	3759 944	1			RETAINER, Cover, Special Screw M6x1x14
3	5224 266	1			LEVER, Manual Control, Except S Body
	4446 790	1			w/S Body
	5240 826	1			Throttle Control, Except w/3.0 Liter Eng.
	4307 554	1			w/3.0 Liter Eng.
	6100 279	1			BOLT, M6x1.00x35
	5212 384	1			NUT, Lever Bolt, M6x1.00
4	4269 530	1			BRACKET, Low Gear Blockout
5	6500 672	1			BOLT, Brkt. Adjusting, M8x1.25x40
6	6100 218	1			NUT, Brkt. Adjusting Bolt, M8x1.25
7					SCREW, (Refer To Item No. 8)
8	6501 163	AR			SCREW, w/Washer, Case to Block M12x1.75x30
	6501 164	3			M12 x 1.75 x 50
9					SCREW, (Refer To Item No. 8)
10	6501 163	AR			SCREW, w/Washer, Strut to Block, M12x1.75x30, w/2.2,2.5 Liter Eng.
11	5224 214	1			STRUT, Trans. Hsg. To Cyl. Block, Rear, Except C,S Body w/3.0 Liter Eng.
12	4296 142	1	L		SHIELD, Trans. Appearance, Left
	4490 535	1	P,H		After 5-25-88
	4386 625	1	JKGE		
	4386 555	1	C		
	4386 657	1	S		
	4449 006	1	S		SHIELD, Trans. Oil Pan, (Fleet Use Only)
13					SCREW, w/Washer (Not Serviced)
14	4329 818	1			INDICATOR, Trans. Fluid (Original Trans. Indicator O-Ring, 18.6mm O.D.)
	4856 444	1			(Replacement Trans. Indicator O-Ring, 19.93mm O.D.)
15	5240 849	2			DOWEL, Trans. To Eng. Alignment
16	4057 750	1			SWITCH, Neutral Starter and Back-Up Light
	2408 143	1			WASHER, Neutral Starter and Back-Up Light Switch
17	4412 523	1	C,S		COVER, Case Lower, w/3.0 Liter Eng.
18	6501 514	1	C,S		STUD, Strut Front, w/3.0 Liter Eng. (Also Shown on 9B-1000)
19	4412 528	1			COVER, Case Lower, w/2.2, 2.5 Liter Eng.
20	6500 136	1			SCREW, Case Cover, Lower, M6x1.00x14, Except 2.5,3.0 Liter Eng.

MODEL CODES

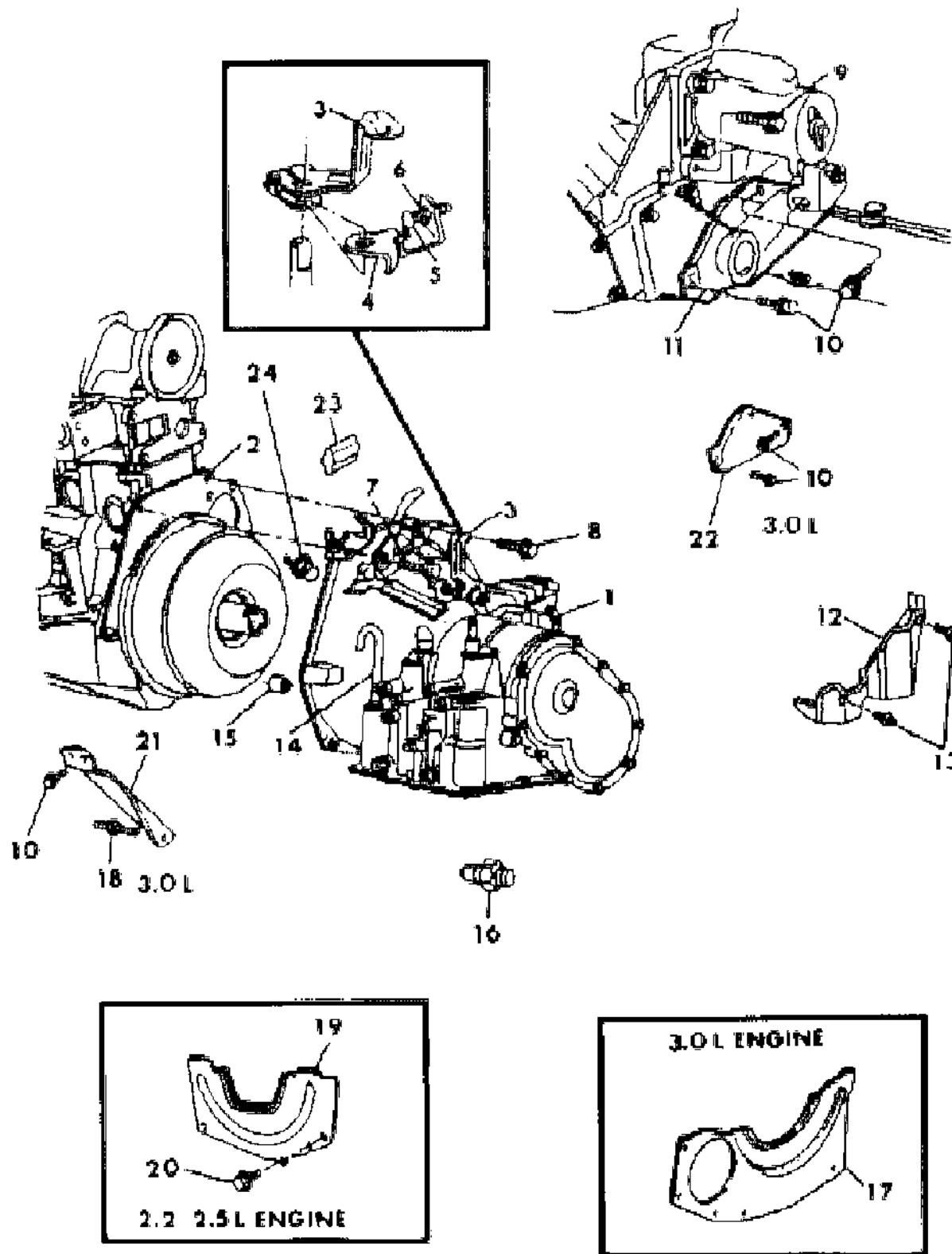
C BODY = (D41 - DYNASTY)(C41 - NEW YORKER)
 E BODY = (J - CARAVELLE)(E - 600)(T - NEW YORKER TURBO)
 G BODY = (V24 - DAYTONA, PACIFICA & SHELBY)
 H BODY = (D44 - LANCER)(C44 - LEBARON GTS)
 J BODY = (C - LEBARON)
 K BODY = (P - RELIANT)(D - ARIES)(C - LEBARON/ TOWN & COUNTRY)

L BODY = (M - HORIZON)(Z-OMNI)
 M BODY = (B - GRAN FURY)(G - DIPLOMAT)(F - FIFTH AVENUE/NEWPORT)
 P BODY = (P - SUNDANCE)(D - SHADOW)
 Q BODY = (C27 - MASERATI)
 S BODY = (H - VOYAGER)(K - RAM VAN/ CARAVAN)

BODY STYLES

12-52 = FWD VAN & WAGON STD. W.B. 27 = 2-DOOR CONVERTIBLE
 13-53 = FWD VAN & WGN EXT W.B. 41 = 4-DOOR SEDAN
 21 = 2-DOOR SEDAN 44 = 4-DOOR HATCHBACK
 24 = 2-DOOR HATCHBACK 45 = 4-DOOR STATION WAGON

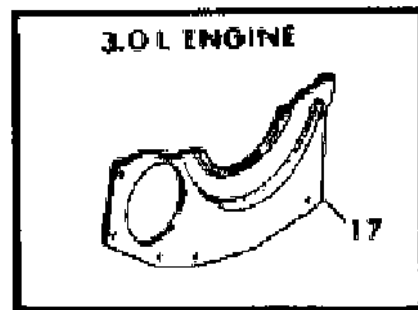
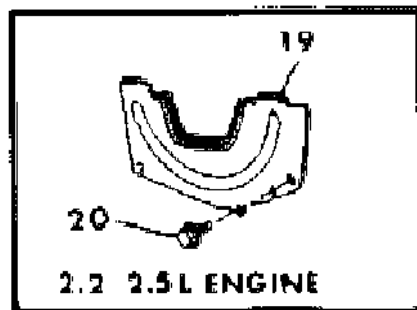
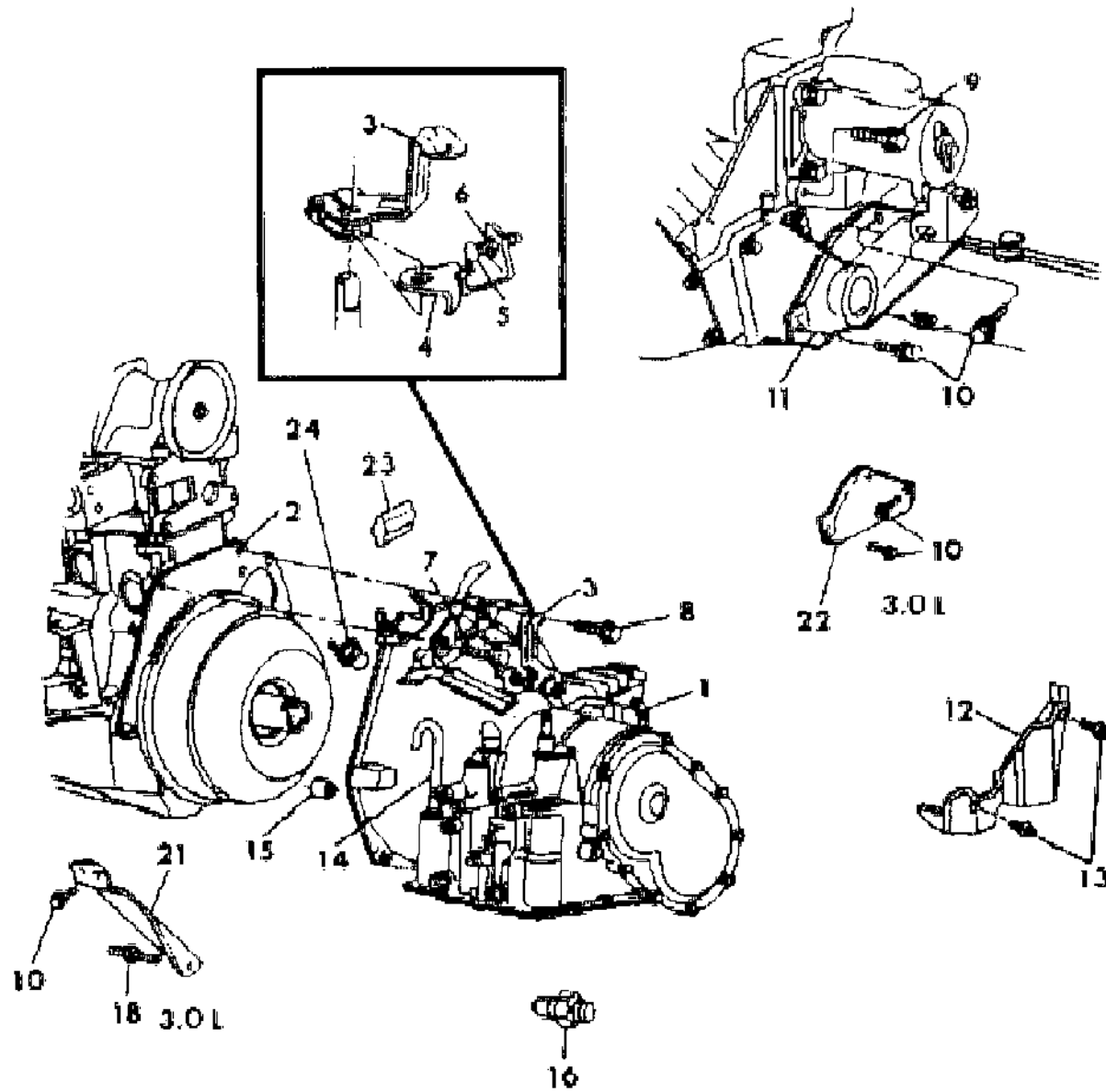
AR = Use as Required - = Non Illustrated Part P.A.R. = Paint as Required



TRANSAXLE ASSEMBLIES AND MOUNTING AUTOMATIC CHRYSLER, A413,A670
Figure 21A-1100

8151 1100

ITEM	PART NUMBER	QTY	BODY	MODEL	DESCRIPTION
	4412 430	1			RETAINER, Case Cover Lower, Special Screw, /2.5 Liter Eng.
	5227 607	1	J,C		SWITCH, Oil Pressure, w/Electronic Message Center
	6032 269	1	J,C		FITTING, Switch, Elbow, 1/8x27 Fem. - 1/16x27 Male Thd.
21	4348 953	1	C,S		STRUT, Trans. to Cyl. Block, Front, w/3.0 Liter Eng.
22	4348 954	1	C,S		STRUT, Trans. to Cyl. Block, Rear, w/3.0 Liter Eng.
23	4431 448	1			COVER, Trans. Timing Window, Except L Body, and 3.0 Liter Eng.
24	4377 923	1			PLUG, Timing Probe Hole, Except L Body, and 3.0 Liter Eng.



MODEL CODES

C BODY = (D41 - DYNASTY)(C41 - NEW YORKER)
 E BODY = (J - CARAVELLE)(E - 600)(T - NEW YORKER TURBO)
 G BODY = (V24 - DAYTONA, PACIFICA & SHELBY)
 H BODY = (D44 - LANCER)(C44 - LEBARON GTS)
 J BODY = (C - LEBARON)
 K BODY = (P - RELIANT)(D - ARIES)(C - LEBARON/ TOWN & COUNTRY)

L BODY = (M - HORIZON)(Z-OMNI)
 M BODY = (B - GRAN FURY)(G - DIPLOMAT)(F - FIFTH AVENUE/NEWPORT)
 P BODY = (P - SUNDANCE)(D - SHADOW)
 Q BODY = (C27 - MASERATI)
 S BODY = (H - VOYAGER)(K - RAM VAN/ CARAVAN)

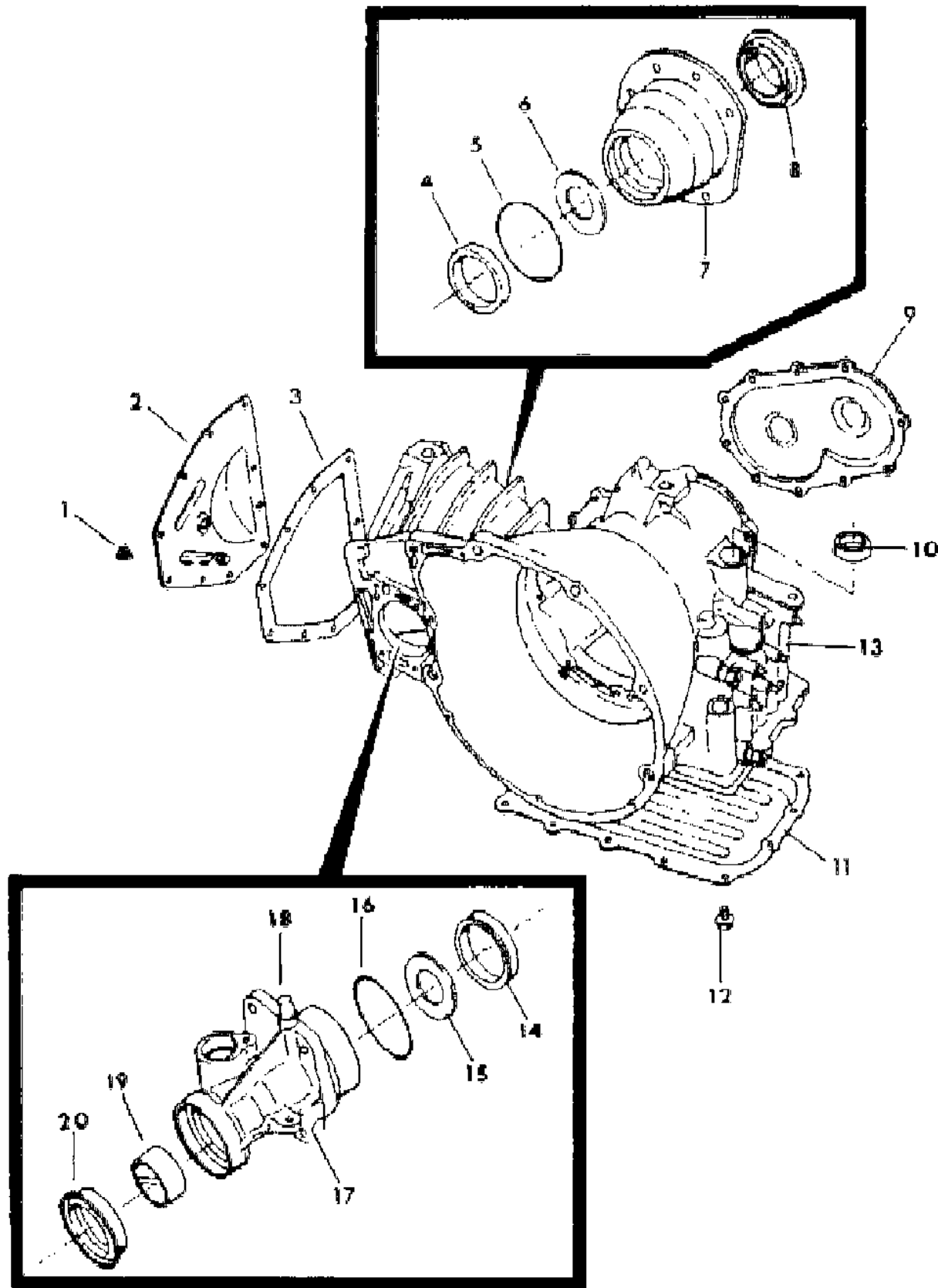
BODY STYLES

12-52 = FWD VAN & WAGON STD. W.B. 27 = 2-DOOR CONVERTIBLE
 13-53 = FWD VAN & WGN EXT W.B. 41 = 4-DOOR SEDAN
 21 = 2-DOOR SEDAN 44 = 4-DOOR HATCHBACK
 24 = 2-DOOR HATCHBACK 45 = 4-DOOR STATION WAGON

AR = Use as Required - = Non Illustrated Part P.A.R. = Paint as Required

CASE, EXTENSION AND RETAINER AUTOMATIC TRANSAXLE, A413,A670
Figure 21A-1200

8151 1200



ITEM	PART NUMBER	QTY	BODY	MODEL	DESCRIPTION
1	6500 739	10			SCREW, w/Washer Diff. Oil Pan To Case, M8x1.25x16
2	4269 657	1			PAN, Transaxle Diff. Oil
3		1			GASKET, Trans. Diff. Oil Pan (Use Silicone Adhesive)
4	4269 676	1			CUP, Differential
5					SPACER, Trans. Final Drive
	4207 134	AR			0.50mm(.020")
	4207 135	AR			0.55mm(.022")
	4207 136	AR			0.60mm(.024")
	4207 137	AR			0.65mm(.026")
	4207 138	AR			0.70mm(.027")
	4207 139	AR			0.75mm(.029")
	4207 140	AR			0.80mm(.031")
	4207 141	AR			0.85mm(.033")
	4207 142	AR			0.90mm(.035")
	4207 143	AR			0.95mm(.037")
	4207 144	AR			1.00mm(.039")
	4207 145	AR			1.05mm(.041")
6	4269 787	1			RETAINER, Trans. Diff. Oil
7	4329 829	1			RETAINER, Trans. Diff. Bearing
	6500 368	6			SCREW, Diff. Brg. Retainer, M8x1.25x23
8	4412 522	1			SEAL, Trans. Diff. Brg. Retainer, Rubber and Metal
9	4348 974	1			COVER, Trans. End, Rear
					GASKET, (Use Silicone Adhesive)
	6500 739	10			SCREW, w/Washer, End Cover M8x1.25x16
10	3878 447	1			SEAL, Manual Valve Lever Shaft
11	4471 422	1			PAN, Transaxle Oil
	3681 601	1			MAGNET, Case Chip Collector
					GASKET, (Use Silicone Adhesive)
12	6500 739	12			SCREW, w/Washer Trans. Oil Pan To Case, M8x1.25x16
	6101 285	1			M6x1x16, w/2.5 Liter Eng.
13					CASE and COVER PACKAGE, Transaxle, w/Tapered Pipe
					Thread Holes For Oil Cooler Line Fittings
	4446 766	1			w/2.2 TURBO Eng., Use w/4471494 Trans.
	4531 126	1			w/2.2 TURBO Eng., Use w/4531099 Trans.
	4446 766	1			w/2.5 Liter Eng., w/4471486 Trans.
	4531 126	1			w/2.5 Liter Eng., w/4531087 Trans.
	4446 768	1			w/2.2,2.5 Liter Eng., w/4471491,568 Trans.

MODEL CODES

C BODY = (D41 - DYNASTY)(C41 - NEW YORKER)
 E BODY = (J - CARAVELLE)(E - 600)(T - NEW YORKER TURBO)
 G BODY = (V24 - DAYTONA, PACIFICA & SHELBY)
 H BODY = (D44 - LANCER)(C44 - LEBARON GTS)
 J BODY = (C - LEBARON)
 K BODY = (P - RELIANT)(D - ARIES)(C - LEBARON/ TOWN & COUNTRY)

L BODY = (M - HORIZON)(Z-OMNI)
 M BODY = (B - GRAN FURY)(G - DIPLOMAT)(F - FIFTH AVENUE/NEWPORT)
 P BODY = (P - SUNDANCE)(D - SHADOW)
 Q BODY = (C27 - MASERATI)
 S BODY = (H - VOYAGER)(K - RAM VAN/ CARAVAN)

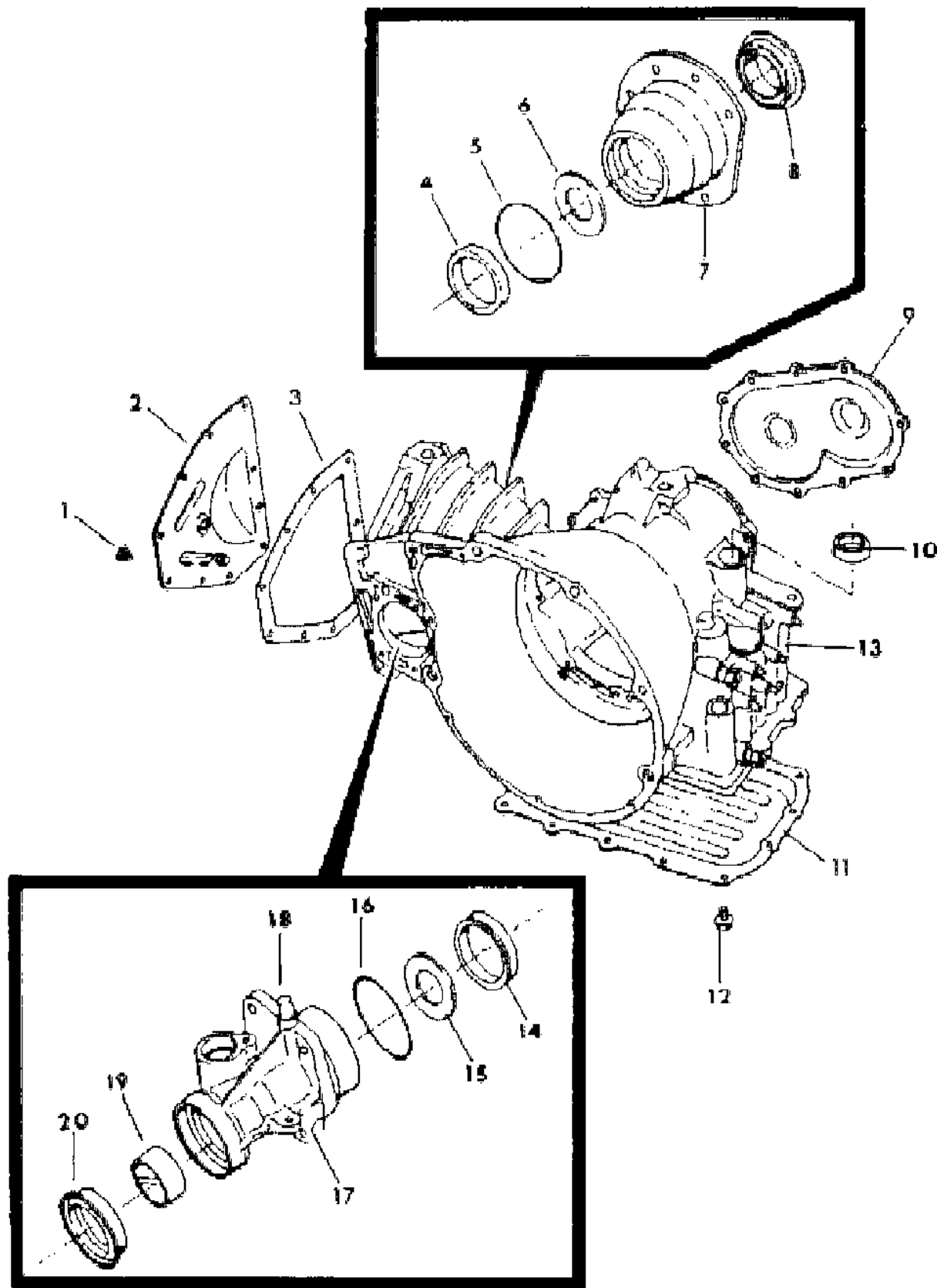
BODY STYLES

12-52 = FWD VAN & WAGON STD. W.B. 27 = 2-DOOR CONVERTIBLE
 13-53 = FWD VAN & WGN EXT W.B. 41 = 4-DOOR SEDAN
 21 = 2-DOOR SEDAN 44 = 4-DOOR HATCHBACK
 24 = 2-DOOR HATCHBACK 45 = 4-DOOR STATION WAGON

AR = Use as Required - = Non Illustrated Part P.A.R. = Paint as Required

CASE, EXTENSION AND RETAINER AUTOMATIC TRANSAXLE, A413,A670
Figure 21A-1200

8151 1200



ITEM	PART NUMBER	QTY	BODY	MODEL	DESCRIPTION
	4531 127	1			w/2.2,2.5 Liter Eng., w/4531085,115 Trans.
	4446 774	1			w/3.0 Liter Eng., w/4471493,527,569 Trans.
	4531 128	1			w/3.0 Liter Eng., w/4531027,097 Trans.
	6100 994	1			PIN, Dowel
	6030 035	AR			PLUG
	4446 725	2			FITTING, Trans. Oil Cooler Line, w/Tapered Pipe Thread
14	4269 676	1			CUP, Extension
15	5222 255	1			RETAINER, Trans. Extension Oil
16	6500 111	1			O-RING, Trans. Extension
17	4549 219	1			EXTENSION PACKAGE, Transaxle (Bushing Not Required) ***
	6500 511	4			SCREW, Ext. to Case, M8x1.25x33
18	2124 715	1			VENT, Trans. Extension
19		1			BUSHING, Trans. Extension (Not Required)
20	4412 522	1			SEAL, Trans. Extension, Rubber and Metal
	4377 005	1			SOLENOID ASSEMBLY, T/C Lock-Up
	4412 305	1			GASKET, Solenoid T/C Lock-Up
	1316 815	1			O-RING, Solenoid Seal, T/C Lock-Up

MODEL CODES

C BODY = (D41 - DYNASTY)(C41 - NEW YORKER)
 E BODY = (J - CARAVELLE)(E - 600)(T - NEW YORKER TURBO)
 G BODY = (V24 - DAYTONA, PACIFICA & SHELBY)
 H BODY = (D44 - LANCER)(C44 - LEBARON GTS)
 J BODY = (C - LEBARON)
 K BODY = (P - RELIANT)(D - ARIES)(C - LEBARON/ TOWN & COUNTRY)
 L BODY = (M - HORIZON)(Z-OMNI)
 M BODY = (B - GRAN FURY)(G - DIPLOMAT)(F - FIFTH AVENUE/NEWPORT)
 P BODY = (P - SUNDANCE)(D - SHADOW)
 Q BODY = (C27 - MASERATI)
 S BODY = (H - VOYAGER)(K - RAM VAN/ CARAVAN)

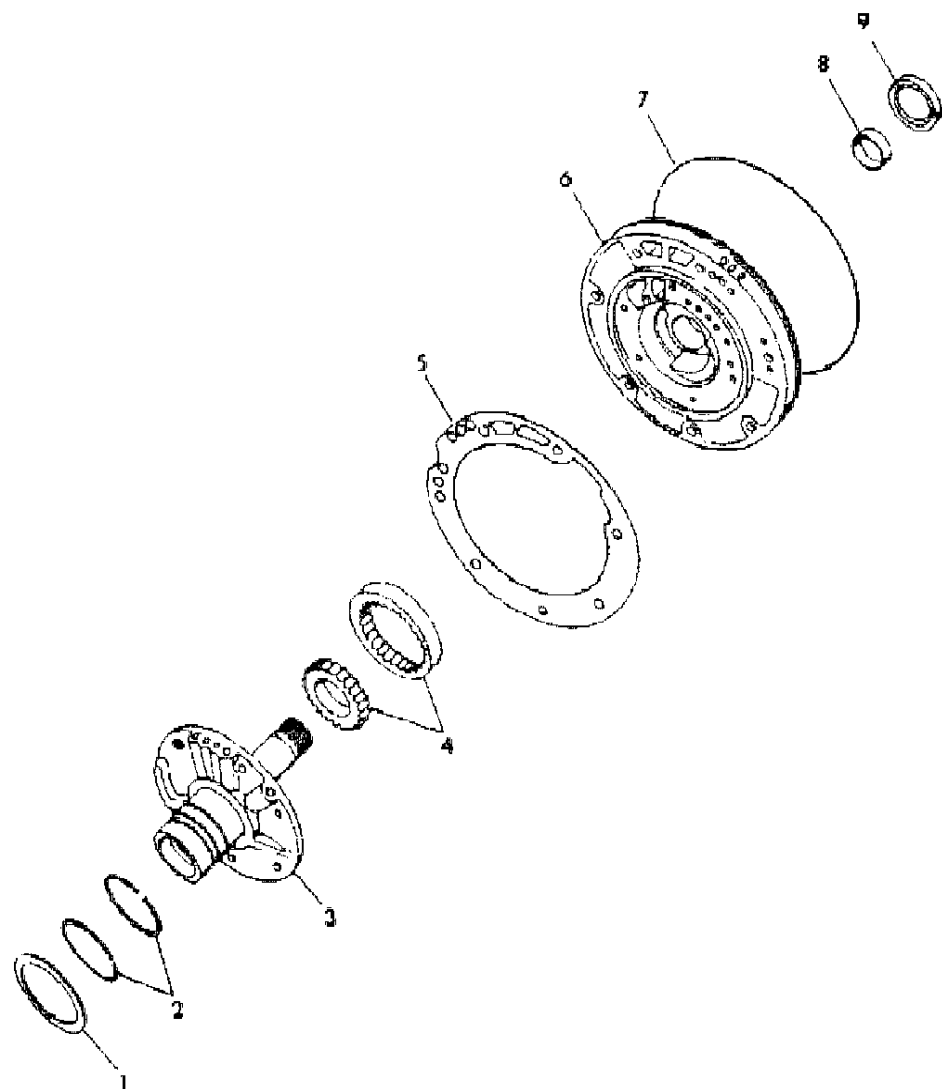
BODY STYLES

12-52 = FWD VAN & WAGON STD. W.B. 27 = 2-DOOR CONVERTIBLE
 13-53 = FWD VAN & WGN EXT W.B. 41 = 4-DOOR SEDAN
 21 = 2-DOOR SEDAN 44 = 4-DOOR HATCHBACK
 24 = 2-DOOR HATCHBACK 45 = 4-DOOR STATION WAGON

AR = Use as Required - = Non Illustrated Part P.A.R. = Paint as Required

PUMP, OIL WITH REACTION SHAFT AUTOMATIC TRANSAXLE, A413,A670
Figure 21A-1300

8151 1300



ITEM	PART NUMBER	QTY	BODY	MODEL	DESCRIPTION
NOTE: There is No SEAL and GASKET PACKAGE for the FRONT PUMP, Order Individual Parts. tie side of the float bowl.					
	4412 525	1			PUMP ASSEMBLY, Trans. Oil (w/o Seals)
1	5205 679	1			WASHER, Frt. Clutch Thrust, Frt., Plastic, 71.5 O.D.
2	5212 305	2			RING, Trans. Reaction Shaft Support Seal
3		1			SHAFT, w/Support and Bushing, Reaction (Serviced in 4412525 Pump Assy.)
	6500 211	6			BOLT, M8x1.25x19
4		1			GEAR and ROTOR, Oil Pump (Serviced in 4412525 Pump Assy.)
5	4269 661	1			GASKET, Transaxle Oil Pump Housing
6		1			HOUSING, w/Bushing and Rotor (Serviced in 4412525 Pump Assy.)
	6501 106	7			SCREW, w/Washer, Oil Pump to Case, M8x1.25x25
7	5205 660	1			SEAL, Trans. Oil Pump Housing, Rubber
8		1			BUSHING, Oil Pump Housing (Serviced in 4412525 Pump Assy.)
9	4269 057	1			SEAL, Torque Converter Impeller Hub, Rubber and Steel

MODEL CODES

C BODY = (D41 - DYNASTY)(C41 - NEW YORKER)	L BODY = (M - HORIZON)(Z-OMNI)
E BODY = (J - CARAVELLE)(E - 600)(T - NEW YORKER TURBO)	M BODY = (B - GRAN FURY)(G - DIPLOMAT)(F - FIFTH AVENUE/NEWPORT)
G BODY = (V24 - DAYTONA, PACIFICA & SHELBY)	P BODY = (P - SUNDANCE)(D - SHADOW)
H BODY = (D44 - LANCER)(C44 - LEBARON GTS)	Q BODY = (C27 - MASERATI)
J BODY = (C - LEBARON)	S BODY = (H - VOYAGER)(K - RAM VAN/ CARAVAN)
K BODY = (P - RELIANT)(D - ARIES)(C - LEBARON/ TOWN & COUNTRY)	

BODY STYLES

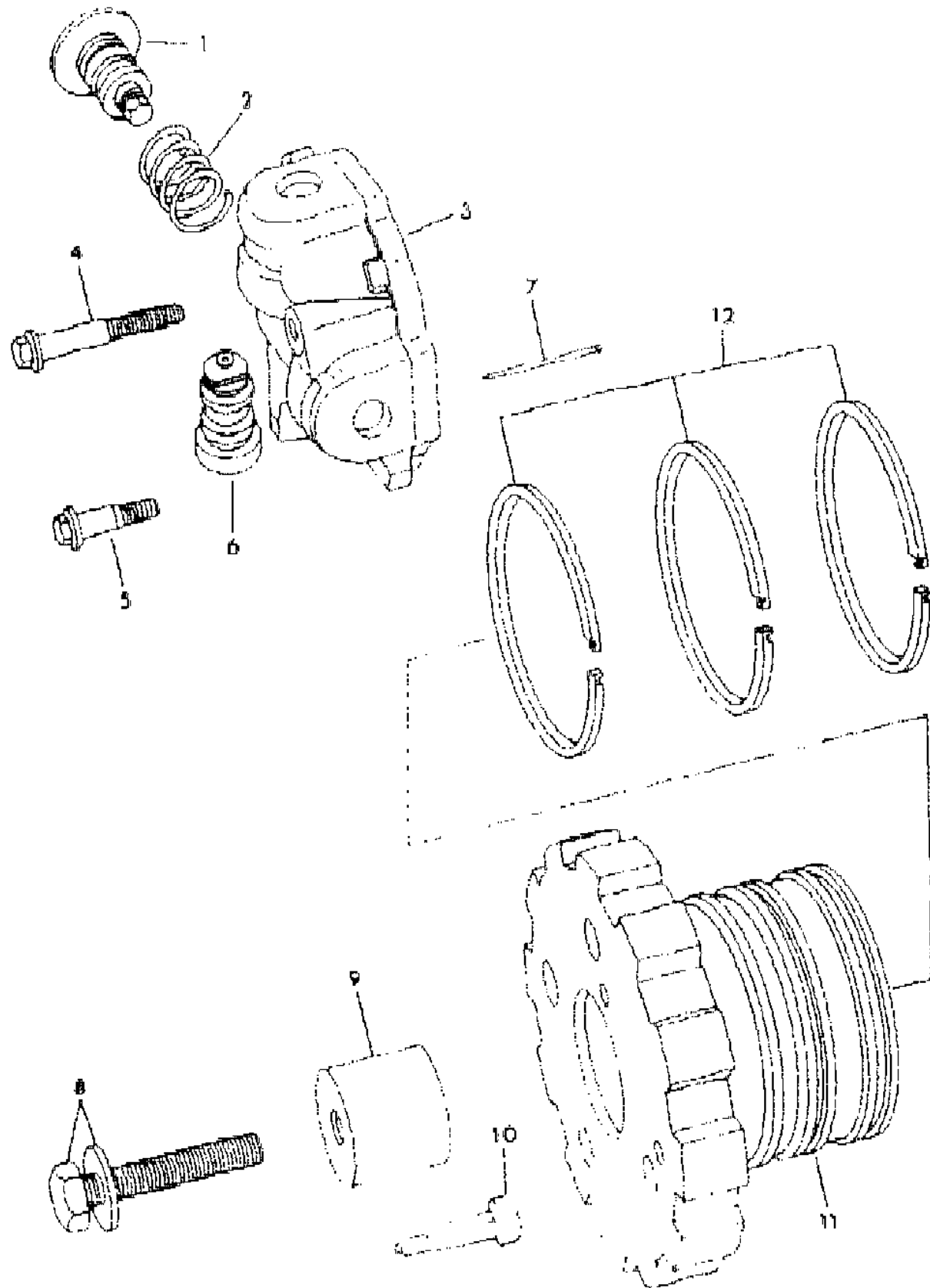
12-52 = FWD VAN & WAGON STD. W.B.	27 = 2-DOOR CONVERTIBLE
13-53 = FWD VAN & WGN EXT W.B.	41 = 4-DOOR SEDAN
21 = 2-DOOR SEDAN	44 = 4-DOOR HATCHBACK
24 = 2-DOOR HATCHBACK	45 = 4-DOOR STATION WAGON

AR = Use as Required - = Non Illustrated Part P.A.R. = Paint as Required

GOVERNOR AUTOMATIC TRANSAXLE, A413,A670

Figure 21A-1400

B151 1400



ITEM	PART NUMBER	QTY	BODY	MODEL	DESCRIPTION
1					VALVE, Gov. Secondary
	4207 185	1			w/4471568,569,4531027,085 Trans.
	4207 183	1			w/4471494,4531099 Trans.
	4295 956	1			w/4471486,491,493,527,4531087,097,115 Trans.
2					SPRING, Gov. Valve
	4207 193	1			Except 4471494,527,4531097,099 Trans.
	4207 194	1			Use w/4471494,4531099 Trans.
	4471 512	1			w/4471527,4531097 Trans.
3	4207 055	1			BODY, Governor
4	6500 209	1			SCREW, Gov. Body, M5x0.8x37
5	6500 208	2			SCREW, Gov. Body, M5x0.8x20
6					VALVE, Gov. Primary
	4207 186	1			w/4471568,569,4531027,085 Trans.
	4269 641	1			w/4471494,4531099 Trans.
	4295 955	1			w/4471486,491,493,527,4531087,097,115 Trans.
7		1			PIN, Gov. Weight Retaining, 3D Finishing Nail 1-1/4" Lg. (Not Serviced)
8	6100 306	1			SCREW, Counterweight to Gov. Support
9	5212 265	1			WEIGHT, Counter Gov.
10	5205 839	1			FILTER, Transaxle Governor
11	4431 504	1			SUPPORT, Governor
12	5212 092	3			RING, Gov. Support Seal

MODEL CODES

C BODY = (D41 - DYNASTY)(C41 - NEW YORKER)
 E BODY = (J - CARAVELLE)(E - 600)(T - NEW YORKER TURBO)
 G BODY = (V24 - DAYTONA, PACIFICA & SHELBY)
 H BODY = (D44 - LANCER)(C44 - LEBARON GTS)
 J BODY = (C - LEBARON)
 K BODY = (P - RELIANT)(D - ARIES)(C - LEBARON/ TOWN & COUNTRY)
 L BODY = (M - HORIZON)(Z-OMNI)
 M BODY = (B - GRAN FURY)(G - DIPLOMAT)(F - FIFTH AVENUE/NEWPORT)
 P BODY = (P - SUNDANCE)(D - SHADOW)
 Q BODY = (C27 - MASERATI)
 S BODY = (H - VOYAGER)(K - RAM VAN/ CARAVAN)

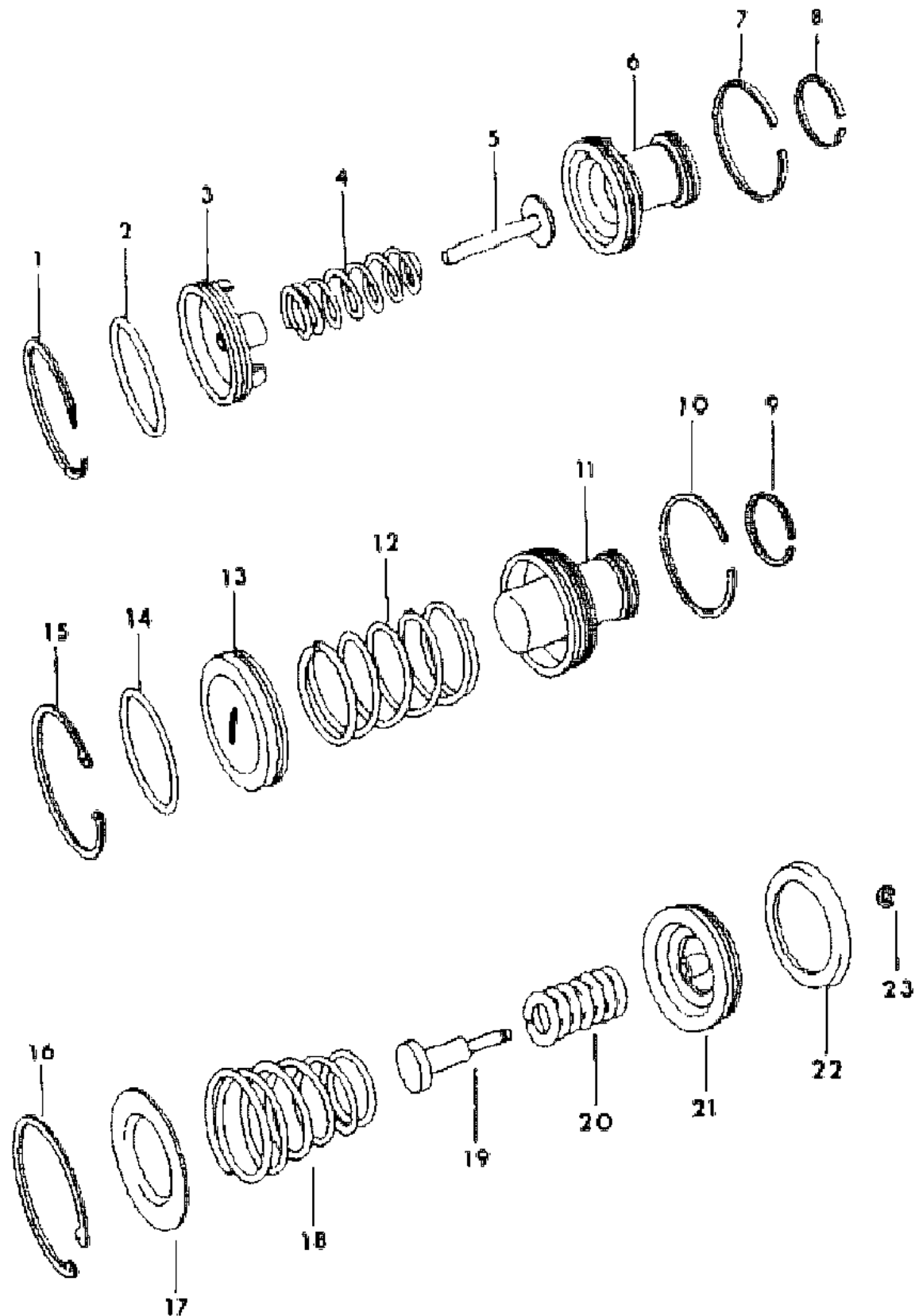
BODY STYLES

12-52 = FWD VAN & WAGON STD. W.B. 27 = 2-DOOR CONVERTIBLE
 13-53 = FWD VAN & WGN EXT W.B. 41 = 4-DOOR SEDAN
 21 = 2-DOOR SEDAN 44 = 4-DOOR HATCHBACK
 24 = 2-DOOR HATCHBACK 45 = 4-DOOR STATION WAGON

AR = Use as Required - = Non Illustrated Part P.A.R. = Paint as Required

SERVOS, ACCUMULATOR PISTON AND SPRINGS AUTOMATIC TRANSAXLE, A413,A670
Figure 21A-1500

8151 1500



ITEM	PART NUMBER	QTY	BODY	MODEL	DESCRIPTION
1	6031 765	1			SNAP RING, Kickdown Servo
2	6031 545	1			RING, Kickdown Servo Piston, Seal
3	5224 344	1			GUIDE, Kickdown Servo
4	4207 229	1			SPRING, Kickdown Servo Piston, Use w/4471486,491,568, 4531085,087,115 Trans.
	4269 559	1			Use w/4471493,494,527,569.4531027,097,099 Trans.
5	4058 943	1			ROD, Kickdown Servo Piston
6	4269 524	1			PISTON, Kickdown Servo
	6025 031	1			SNAP RING, Inner
	6031 410	1			SEAL, Kickdown Servo Inner Piston
7	3743 014	1			RING, Kickdown Servo Piston Seal, Large
8	3743 033	1			RING, Kickdown Servo Piston Seal, Small
9	3743 010	1			RING, Accumulator Piston Seal, Small
10	3743 013	1			RING, Accumulator Piston Seal, Large
11	3410 908	1			PISTON, Accumulator
12	4207 211	1			SPRING, Accumulator, Use w/4471486,491,568,4531085,087,115 Trans.
	4412 577	1			w/4471493,494,527,569,4531027,097,099 Trans.
13	4205 857	1			PLATE, Accumulator
14	6031 545	1			RING, Seal Accumulator Plate
15	5212 252	1			SNAP RING, Accumulator
	4762 713	1			REVERSE SERVO PACKAGE, Consists Of Items 16,17,18,19, 20,22,23
16	6031 909	1			SNAP RING, Reverse Servo Piston Spring Retainer
17		1			RETAINER, Reverse Servo Piston Spring (Serv. in Pkg.)
18	3681 434	1			SPRING, Reverse Servo Piston
19	4269 707	1			PLUG, Reverse Servo Piston
20		1			SPRING, Reverse Servo Cushion (Serv. in Pkg.)
21	3743 898	1			PISTON, Reverse Servo
22	4269 736	1			SEAL, Reverse Servo Piston, Rubber
23	1638 461	1			E-RING, Reverse Servo Plug

MODEL CODES

C BODY = (D41 - DYNASTY)(C41 - NEW YORKER)	L BODY = (M - HORIZON)(Z-OMNI)
E BODY = (J - CARAVELLE)(E - 600)(T - NEW YORKER TURBO)	M BODY = (B - GRAN FURY)(G - DIPLOMAT)(F - FIFTH AVENUE/NEWPORT)
G BODY = (V24 - DAYTONA, PACIFICA & SHELBY)	P BODY = (P - SUNDANCE)(D - SHADOW)
H BODY = (D44 - LANCER)(C44 - LEBARON GTS)	Q BODY = (C27 - MASERATI)
J BODY = (C - LEBARON)	S BODY = (H - VOYAGER)(K - RAM VAN/ CARAVAN)
K BODY = (P - RELIANT)(D - ARIES)(C - LEBARON/ TOWN & COUNTRY)	

BODY STYLES

12-52 = FWD VAN & WAGON STD. W.B.	27 = 2-DOOR CONVERTIBLE
13-53 = FWD VAN & WGN EXT W.B.	41 = 4-DOOR SEDAN
21 = 2-DOOR SEDAN	44 = 4-DOOR HATCHBACK
24 = 2-DOOR HATCHBACK	45 = 4-DOOR STATION WAGON

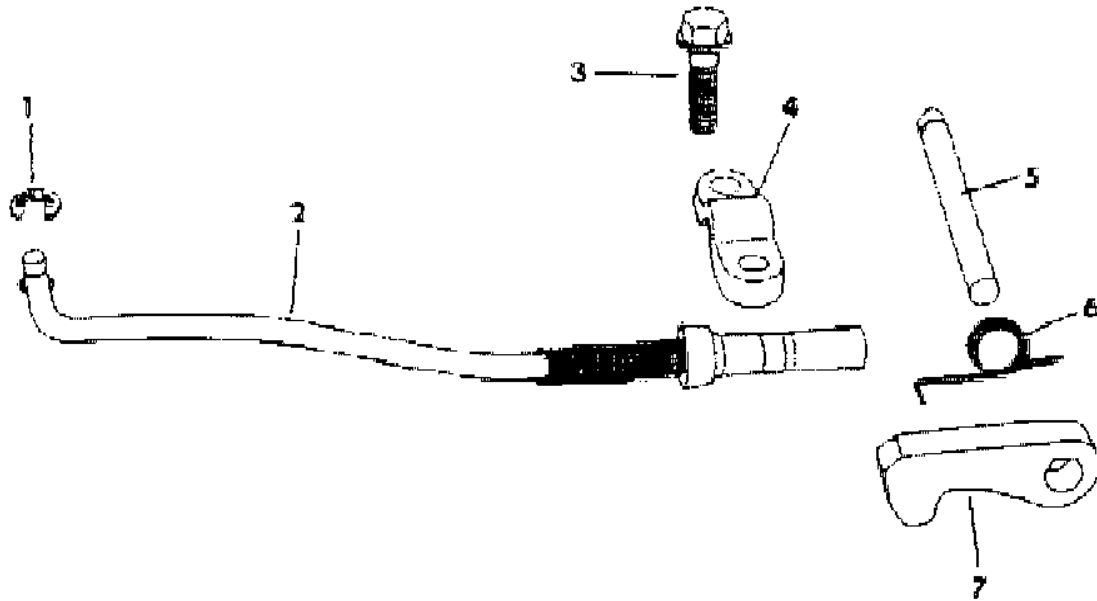
AR = Use as Required - = Non Illustrated Part P.A.R. = Paint as Required

BANDS, REVERSE AND KICKDOWN WITH PARKING SPRAG AUTOMATIC TRANSAXLE, A413,A670

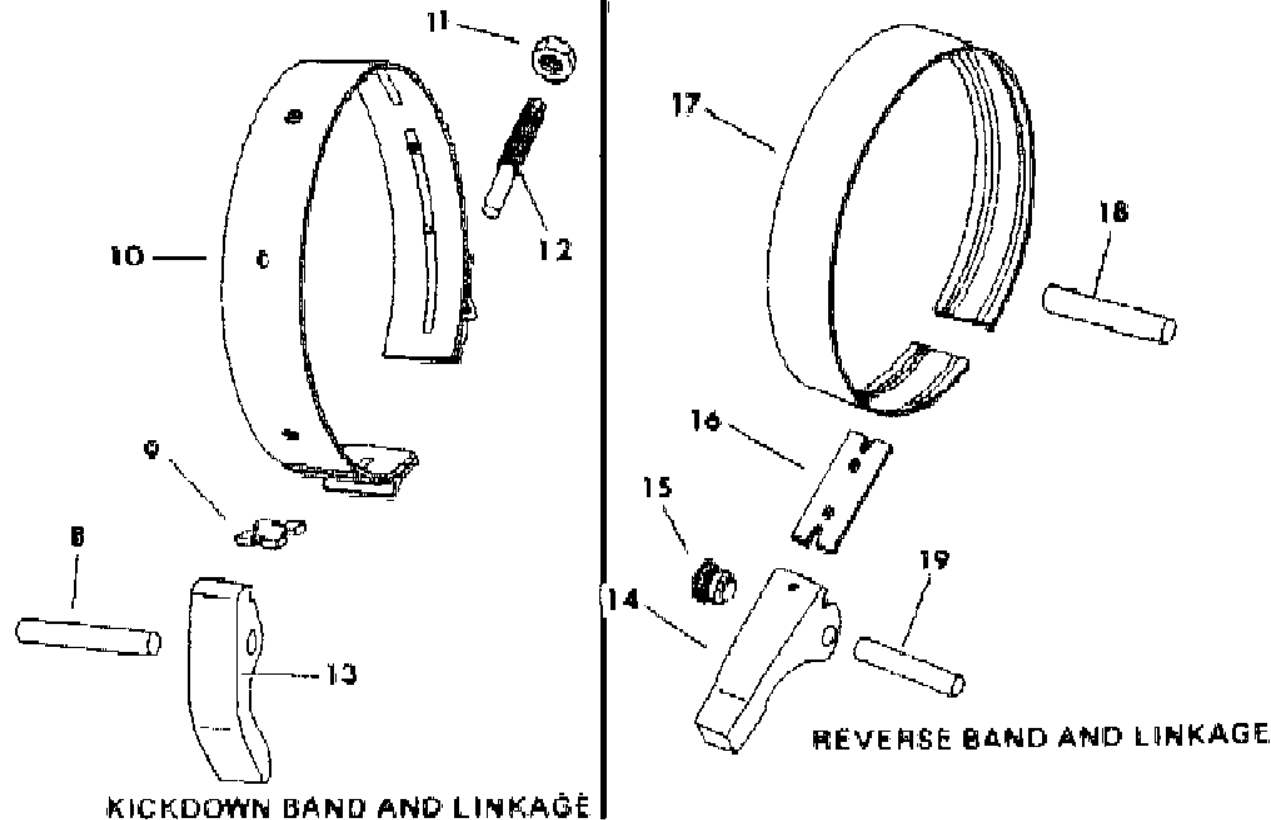
Figure 21A-1600

8151 1600

ITEM	PART NUMBER	QTY	BODY	MODEL	DESCRIPTION
1	1626 749	1			E-RING, Parking Sprag Rod Retainer
2	4431 530	1			ROD, w/Spring, Sleeve And End, Parking Sprag
3	6500 368	2			BOLT, Parking Sprag Support Attaching
4	5212 296	1			SUPPORT, Parking Sprag Rod
5	5212 010	1			SHAFT, Parking Sprag
6	5222 244	1			SPRING, Parking Sprag Pawl
7	5224 468	1			PAWL, Parking Sprag
8	4412 466	1			SHAFT, Kickdown Band Lever
9	5212 343	1			STRUT, Kickdown Band
10	4269 663	1			BAND, Transaxle Kickdown
11	5212 206	1			NUT, Kickdown Band Adj. Screw Lock
12	5212 255	1			SCREW, Kickdown Band Adjusting
13	4207 009	1			LEVER, w/Pin, Kickdown Band, 3.0 Ratio, Use w/4471486,491, 568,4531085,087,115 Trans. 3.4 Ratio, w/4471493,494,527,569,4531027,097,099 Trans.
14	5224 203	1			LEVER, w/Pin and Stem, Reverse Band, Short
	4207 182	1			INTERGAL
15		1			PLUG, Trans. Pipe 1/4"-18 (Not Serviced)
16	5224 264	1			STRUT, Reverse Band
17	5205 765	1			BAND, Transaxle Reverse
	5224 140	1			SCREW, Reverse Band Adjusting
18	5212 344	1			ANCHOR, Reverse Band
19	5222 090	1			SHAFT, Reverse Band Lever



PARKING SPRAG



KICKDOWN BAND AND LINKAGE

REVERSE BAND AND LINKAGE

MODEL CODES

C BODY = (D41 - DYNASTY)(C41 - NEW YORKER)
 E BODY = (J - CARAVELLE)(E - 600)(T - NEW YORKER TURBO)
 G BODY = (V24 - DAYTONA, PACIFICA & SHELBY)
 H BODY = (D44 - LANCER)(C44 - LEBARON GTS)
 J BODY = (C - LEBARON)
 K BODY = (P - RELIANT)(D - ARIES)(C - LEBARON/ TOWN & COUNTRY)

L BODY = (M - HORIZON)(Z-OMNI)
 M BODY = (B - GRAN FURY)(G - DIPLOMAT)(F - FIFTH AVENUE/NEWPORT)
 P BODY = (P - SUNDANCE)(D - SHADOW)
 Q BODY = (C27 - MASERATI)
 S BODY = (H - VOYAGER)(K - RAM VAN/ CARAVAN)

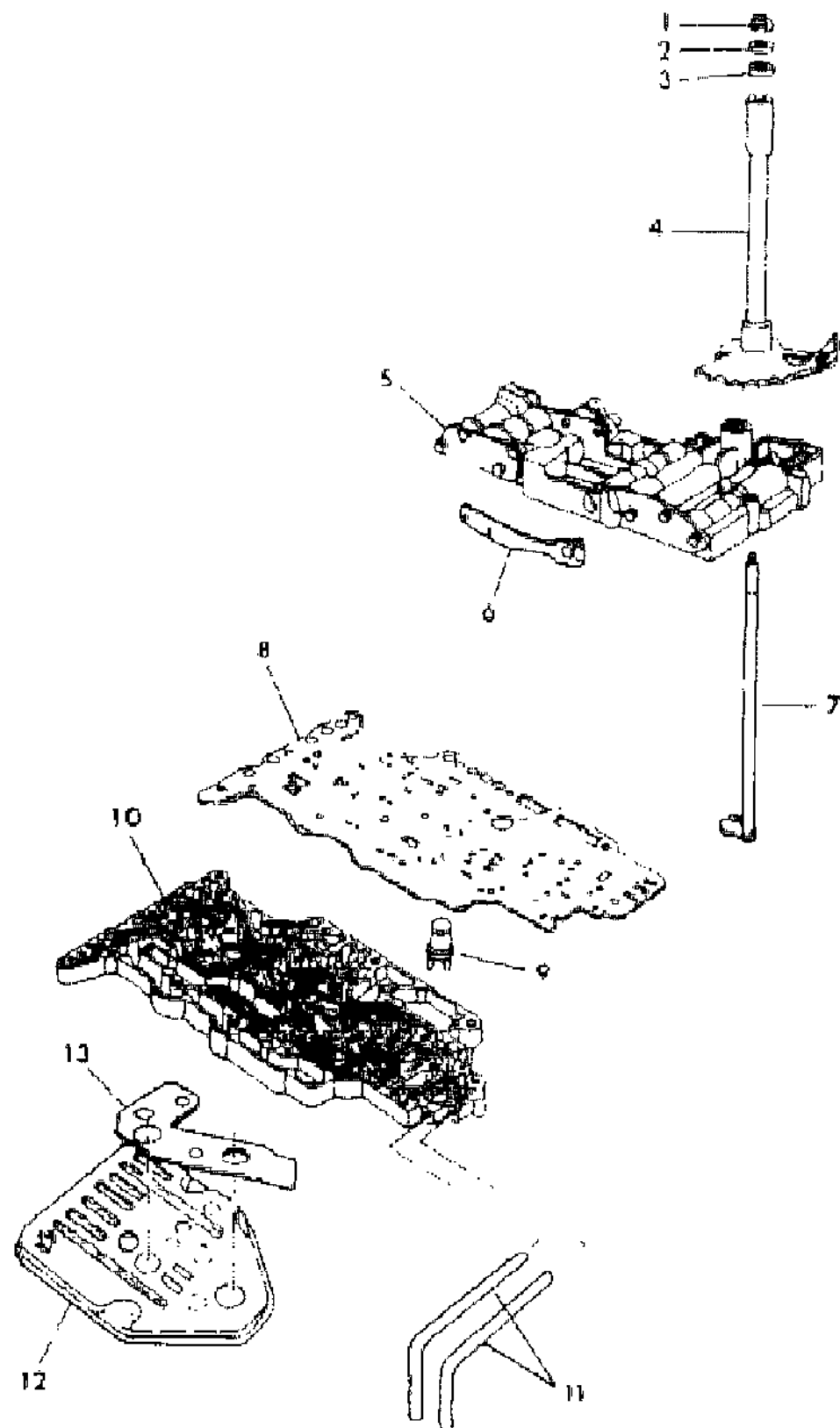
BODY STYLES

12-52 = FWD VAN & WAGON STD. W.B. 27 = 2-DOOR CONVERTIBLE
 13-53 = FWD VAN & WGN EXT W.B. 41 = 4-DOOR SEDAN
 21 = 2-DOOR SEDAN 44 = 4-DOOR HATCHBACK
 24 = 2-DOOR HATCHBACK 45 = 4-DOOR STATION WAGON

AR = Use as Required - = Non Illustrated Part P.A.R. = Paint as Required

VALVE BODY AUTOMATIC TRANSAXLE, A413,A670
Figure 21A-1700

8151 1700



ITEM	PART NUMBER	QTY	BODY	MODEL	DESCRIPTION
1	6025 857	1			SNAP RING, Throttle Valve Lever Shaft
2	2538 062	1			WASHER, Throttle Valve Lever Shaft
3	2466 548	1			SEAL, Throttle Shaft
4	6500 207	1			SCREW, Throttle Pressure Adjusting, M8x0.8x44
4	4269 555	1			LEVER, w/Insulator, Manual Valve
5					VALVE BODY, w/Transfer Plate, Transaxle
	4412 414	1			w/4471486,4531087 Trans.
	4412 415	1			w/4471494,4531099 Trans.
	4412 407	1			w/4471491,568,4531085,115 Trans., (If Vehicle Has PIN Type Connector For Valve Body Solenoid, Remove Black Spade Portion on The Solenoid)
	4412 408				w/4471493,527,569,4531027,097 Trans.
	6100 994	1			PIN, Valve Body to Case Dowel, 5.88x16
	6100 994	1			PIN, Detent Spring to Valve Body
	4329 873	1			VALVE, Valve Body Throttle, (Not Shown)
6	4269 584	1			DETENT ASSEMBLY, Manual Valve Lever
7	5212 244	1			SHAFT ASSEMBLY, Throttle Valve Lever
8	4377 121	1			PLATE, w/4412407,414 Valve Body Assy.
	4412 412	1			w/4412408,415 Valve Body Assy.
	6500 214	AR			SCREW, w/Washer, M5x0.8x11
	6500 215	15			SCREW, w/Washer, Valve Body to T/Plate, M5x0.8x25
9	3878 313	1			SCREEN, Regulator Valve
10		1			PLATE, Transfer (Serviced in Valve Body)
	6100 155	7			SCREW, Transfer Plate to Case, M6x1.00x30
11	5222 020	2			TUBE, Governor Oil
12	4269 649	1			FILTER, Transaxle Oil
	6500 216	2			SCREW, Oil Filter to Valve Body, M5x0.8x30
13	4269 671	1			GASKET, Oil Filter

MODEL CODES

C BODY = (D41 - DYNASTY)(C41 - NEW YORKER)
 E BODY = (J - CARAVELLE)(E - 600)(T - NEW YORKER TURBO)
 G BODY = (V24 - DAYTONA, PACIFICA & SHELBY)
 H BODY = (D44 - LANCER)(C44 - LEBARON GTS)
 J BODY = (C - LEBARON)
 K BODY = (P - RELIANT)(D - ARIES)(C - LEBARON/ TOWN & COUNTRY)

L BODY = (M - HORIZON)(Z-OMNI)
 M BODY = (B - GRAN FURY)(G - DIPLOMAT)(F - FIFTH AVENUE/NEWPORT)
 P BODY = (P - SUNDANCE)(D - SHADOW)
 Q BODY = (C27 - MASERATI)
 S BODY = (H - VOYAGER)(K - RAM VAN/ CARAVAN)

BODY STYLES

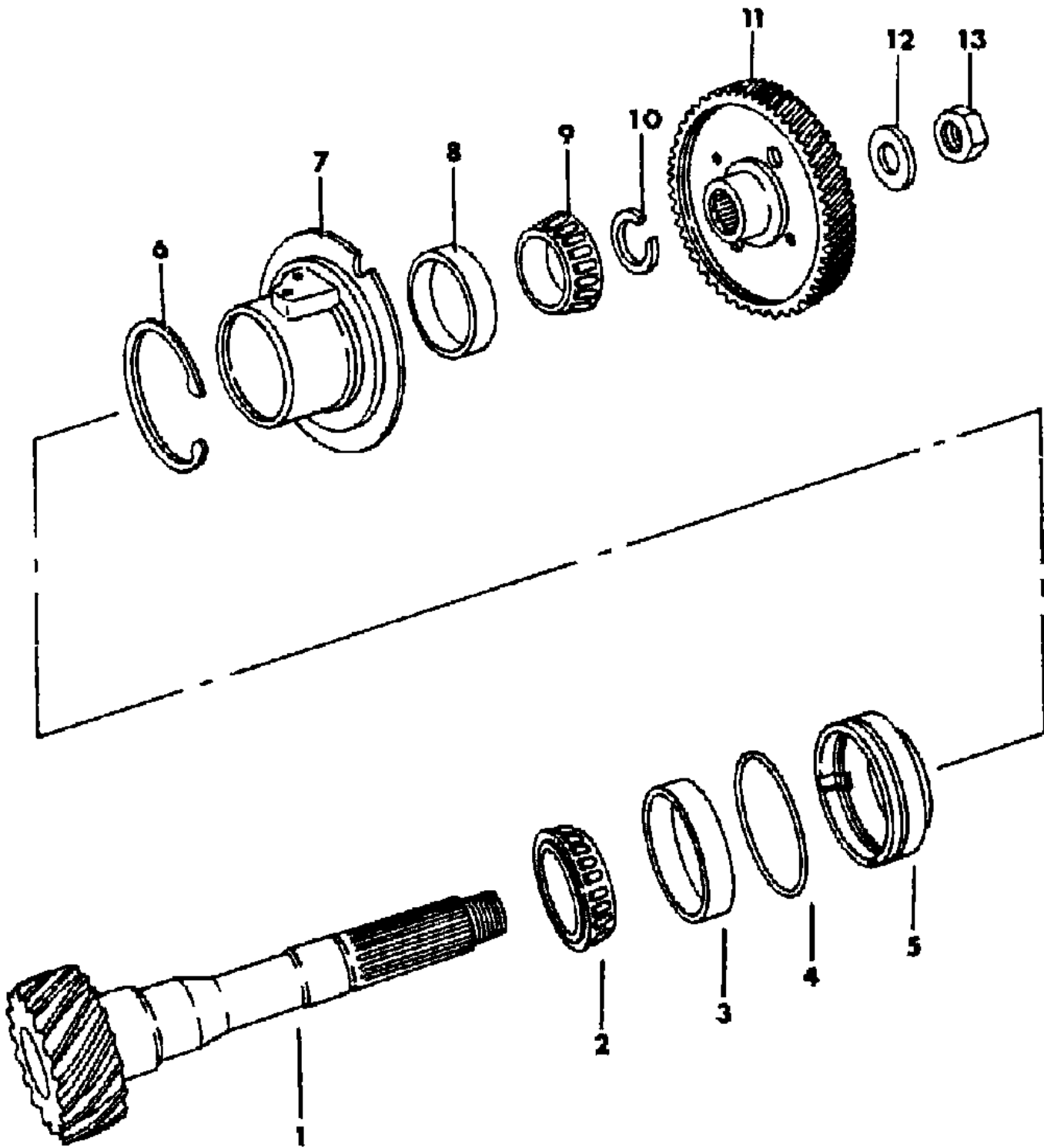
12-52 = FWD VAN & WAGON STD. W.B. 27 = 2-DOOR CONVERTIBLE
 13-53 = FWD VAN & WGN EXT W.B. 41 = 4-DOOR SEDAN
 21 = 2-DOOR SEDAN 44 = 4-DOOR HATCHBACK
 24 = 2-DOOR HATCHBACK 45 = 4-DOOR STATION WAGON

AR = Use as Required - = Non Illustrated Part P.A.R. = Paint as Required

SHAFT, TRANSFER AUTOMATIC TRANSAXLE, A413,A670

Figure 21A-1800

8151 1800



ITEM	PART NUMBER	QTY	BODY	MODEL	DESCRIPTION
1					SHAFT, Transfer, Transaxle
	4412 554	1			w/4471568,4531085 Trans., 20T
	4295 842	1			w/4471491,493,494,527,4531097,099,115 Trans., 21T
	4269 172	1			w/4471486,569,4531027,087 Trans., 20T
2	4269 677	1			CONE, Transfer Shaft
3	4269 676	1			CUP, Transfer Shaft
4	6500 169	1			O-RING, Transfer Shaft Brg. Retainer
5	4269 688	1			RETAINER PACKAGE, Transfer Shaft Bearing
6	5212 353	1			SNAP RING, Transfer Shaft Brg. Retainer
7	5212 371	1			RETAINER, Trans. Governor Support
8	4269 676	1			CUP, Transfer Shaft Gear
9	4269 677	1			CONE, Transfer Shaft Gear
10					SPACER, Transfer Shaft Brg.
	4207 166	AR			0.94mm(.037")
	4207 167	AR			0.99mm(.039")
	4207 168	AR			1.04mm(.041")
	4207 169	AR			1.09mm(.043")
	4207 170	AR			1.14mm(.045")
	4207 171	AR			1.19mm(.047")
	4207 172	AR			1.24mm(.051")
	4207 173	AR			1.29mm
	4207 174	AR			1.34mm(.053")
	4207 175	AR			1.39mm(.055")
	4207 176	AR			1.84mm(.072")
	4207 177	AR			2.29mm(.090")
11					GEAR SET, Transfer Shaft and Output Shaft
	4205 871	1			w/4471486,491,494,4531087,099,115 Trans., 56T-53T
	4186 871	1			w/4471568,4531085 Trans., 52T-57T
	4443 182	1			w/4471493,527,4531097 Trans., 56T-53T
	4443 181	1			w/4471569,4531027 Trans., 52T-57T
12	5222 010	1			WASHER, Transfer Shaft Nut
13	5222 009	1			NUT, Transfer Shaft Gear M20x1.5

MODEL CODES

C BODY = (D41 - DYNASTY)(C41 - NEW YORKER)
 E BODY = (J - CARAVELLE)(E - 600)(T - NEW YORKER TURBO)
 G BODY = (V24 - DAYTONA, PACIFICA & SHELBY)
 H BODY = (D44 - LANCER)(C44 - LEBARON GTS)
 J BODY = (C - LEBARON)
 K BODY = (P - RELIANT)(D - ARIES)(C - LEBARON/ TOWN & COUNTRY)

L BODY = (M - HORIZON)(Z-OMNI)
 M BODY = (B - GRAN FURY)(G - DIPLOMAT)(F - FIFTH AVENUE/NEWPORT)
 P BODY = (P - SUNDANCE)(D - SHADOW)
 Q BODY = (C27 - MASERATI)
 S BODY = (H - VOYAGER)(K - RAM VAN/ CARAVAN)

BODY STYLES

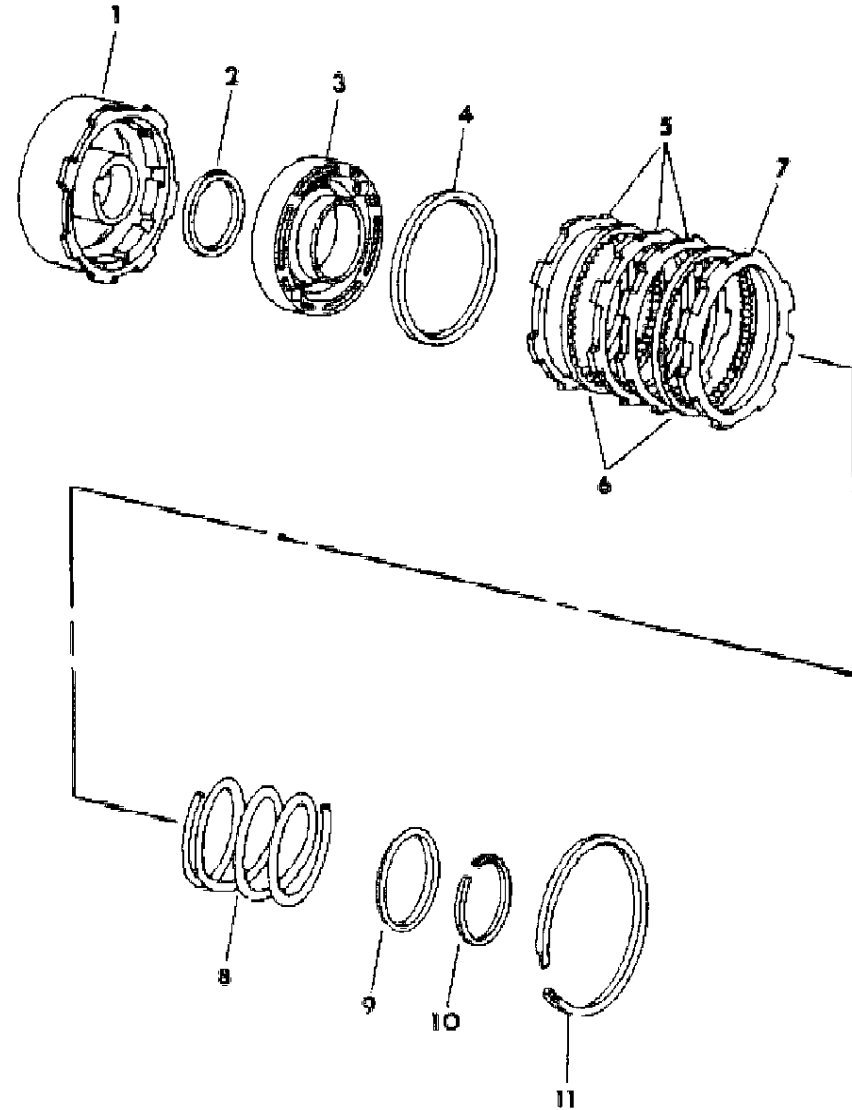
12-52 = FWD VAN & WAGON STD. W.B. 27 = 2-DOOR CONVERTIBLE
 13-53 = FWD VAN & WGN EXT W.B. 41 = 4-DOOR SEDAN
 21 = 2-DOOR SEDAN 44 = 4-DOOR HATCHBACK
 24 = 2-DOOR HATCHBACK 45 = 4-DOOR STATION WAGON

AR = Use as Required - = Non Illustrated Part P.A.R. = Paint as Required

CLUTCH, FRONT AUTOMATIC TRANSAXLE, A413,A670

Figure 21A-1900

8151 1900



ITEM	PART NUMBER	QTY	BODY	MODEL	DESCRIPTION
1	4348 911	1			RETAINER, w/Bushing, Front Clutch, Use w/4471486,491,568, 4531085,087,115 Trans.
	4348 854	1			w/4471493,494,527,569,4531027,097,099 Trans.
	0147 483	1			BALL, Frt. Clutch Ret. Check Valve, 3/16" Dia.
2	5205 670	1			SEAL, Frt. Clutch Piston, Inner
3	4348 855	1			PISTON, Frt. Clutch
4	4058 487	1			SEAL, Frt. Clutch Piston, Outer
5	4207 208	3			PLATE, Frt. Clutch, 1/10" Thk., Use w/4471486,491,568,4531085, 087,115 Trans.
	4207 208	4			w/4471493,494,527,569,4531027,097,099 Trans.
6	5205 675	3			DISC, Frt. Clutch, Use w/4471486,491,568,4531085,087,115 Trans.
	5205 675	4			w/4471493,494,569,4531027,097,099 Trans.
7	4348 888	1			PLATE, Frt. Clutch Reaction, 1/5" Thk.
8	5224 144	1			SPRING, Frt. Clutch Piston, Use w/4471486,491,568,4531085, 087,115 Trans.
	4207 227	1			w/4471493,494,527,569,4531027,097,099 Trans.
9	5205 673	1			RETAINER, Frt. Clutch Spring
10	5205 674	1			SNAP RING, Frt. Clutch, Inner
11	5212 096	1			SNAP RING, Frt. Clutch, Outer, Steel

MODEL CODES

C BODY = (D41 - DYNASTY)(C41 - NEW YORKER)
 E BODY = (J - CARAVELLE)(E - 600)(T - NEW YORKER TURBO)
 G BODY = (V24 - DAYTONA, PACIFICA & SHELBY)
 H BODY = (D44 - LANCER)(C44 - LEBARON GTS)
 J BODY = (C - LEBARON)
 K BODY = (P - RELIANT)(D - ARIES)(C - LEBARON/ TOWN & COUNTRY)

L BODY = (M - HORIZON)(Z-OMNI)
 M BODY = (B - GRAN FURY)(G - DIPLOMAT)(F - FIFTH AVENUE/NEWPORT)
 P BODY = (P - SUNDANCE)(D - SHADOW)
 Q BODY = (C27 - MASERATI)
 S BODY = (H - VOYAGER)(K - RAM VAN/ CARAVAN)

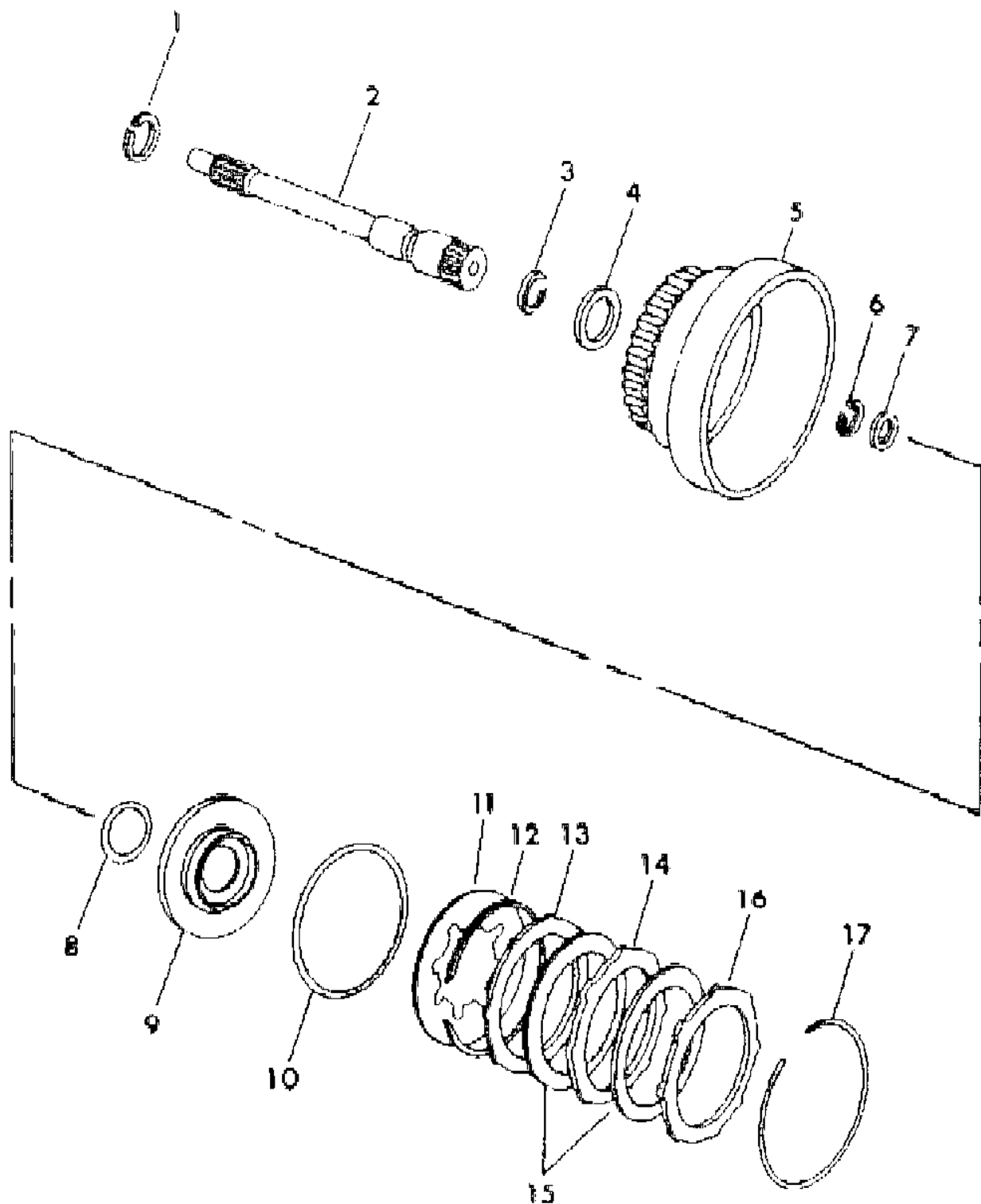
BODY STYLES

12-52 = FWD VAN & WAGON STD. W.B. 27 = 2-DOOR CONVERTIBLE
 13-53 = FWD VAN & WGN EXT W.B. 41 = 4-DOOR SEDAN
 21 = 2-DOOR SEDAN 44 = 4-DOOR HATCHBACK
 24 = 2-DOOR HATCHBACK 45 = 4-DOOR STATION WAGON

AR = Use as Required - = Non Illustrated Part P.A.R. = Paint as Required

CLUTCH, REAR AND INPUT SHAFT AUTOMATIC TRANSAXLE, A413,A670
Figure 21A-2000

8151 2000



ITEM	PART NUMBER	QTY	BODY	MODEL	DESCRIPTION
1	4377 047	2			SEAL RING, Input Shaft, 1" I.D., Use w/4471486,494,4531087, 099 Trans.
	4377 047	3			w/4471491,493,527,568,569,4531027,085,097,115 Trans.
2	4377 106	1			SHAFT, Input, Use w/4471486,494,4531087,099 Trans.
	4348 397	1			w/4471491,493,527,568,569,4531027,085,097,115 Trans.
3	4269 593	1			SEAL, Ring, Rr. Clutch Retainer, 1-3/4" O.D., Nylon
4	5205 680	1			WASHER, Frt. Cl. Thrust, Rr., Nylon, 2-1/2" O.D.
5					RETAINER, Rear Clutch
	4348 916	1			w/4471491,568,4531085,115 Trans.
	4348 856	1			w/4471486,493,494,527,569,4531027,087,097,099 Trans.
6	5205 691	1			SNAP RING, Input Shaft, 7/8" I.D.
7	5224 039	1			WASHER, Output Shaft Thrust 1.98-2.03
	5224 040	1			2.16-2.21
	5224 041	1			2.34-2.39
8	5212 373	1			SEAL, Rr. Cl. Piston, Inner, Rubber
9	4207 202	1			PISTON, Rr. Clutch
	0147 483	1			BALL, Rr. Clutch Piston Check Valve, 3/16" Dia.
10	5205 701	1			SEAL, Rr. Cl. Piston, Outer, Rubber
11					SPRING, Rr. Clutch Piston
	4207 246	1			w/4471491,568,4531085,115 Trans.
	4269 623	1			w/4471486,493,494,527,569,4531027,087,097,099 Trans.
12	4207 265	1			SPRING, Rr. Clutch Wave
13	4269 618	1			PLATE, Rr. Clutch Pressure w/Lip, 3/8" Thk.
14					PLATE, Rear Clutch Plate, 1/16" Thk.
	5224 073	2			w/4471491,568,4531085,115 Trans.
	5224 073	3			w/4471486,493,494,527,569,4531027,087,097,099 Trans.
15					DISC, Rear Clutch
	4531 024	3			w/4471491,568,4531085,115 Trans.
	4531 024	4			w/4471486,493,494,527,569,4531027,087,097,099 Trans.
16	4269 619	1			PLATE, Rr. Clutch Reaction, 1/5" Thk.
17					SNAP RING, Rr. Clutch Retainer
	4269 670	AR			.048 - .050" Thk.
	1942 421	AR			.060 - .062" Thk.
	4130 774	AR			.074 - .076" Thk.
	4130 775	AR			.087 - .089" Thk.

MODEL CODES
 C BODY = (D41 - DYNASTY)(C41 - NEW YORKER)
 E BODY = (J - CARAVELLE)(E - 600)(T - NEW YORKER TURBO)
 G BODY = (V24 - DAYTONA, PACIFICA & SHELBY)
 H BODY = (D44 - LANCER)(C44 - LEBARON GTS)
 J BODY = (C - LEBARON)
 K BODY = (P - RELIANT)(D - ARIES)(C - LEBARON/ TOWN & COUNTRY)
 L BODY = (M - HORIZON)(Z-OMNI)
 M BODY = (B - GRAN FURY)(G - DIPLOMAT)(F - FIFTH AVENUE/NEWPORT)
 P BODY = (P - SUNDANCE)(D - SHADOW)
 Q BODY = (C27 - MASERATI)
 S BODY = (H - VOYAGER)(K - RAM VAN/ CARAVAN)

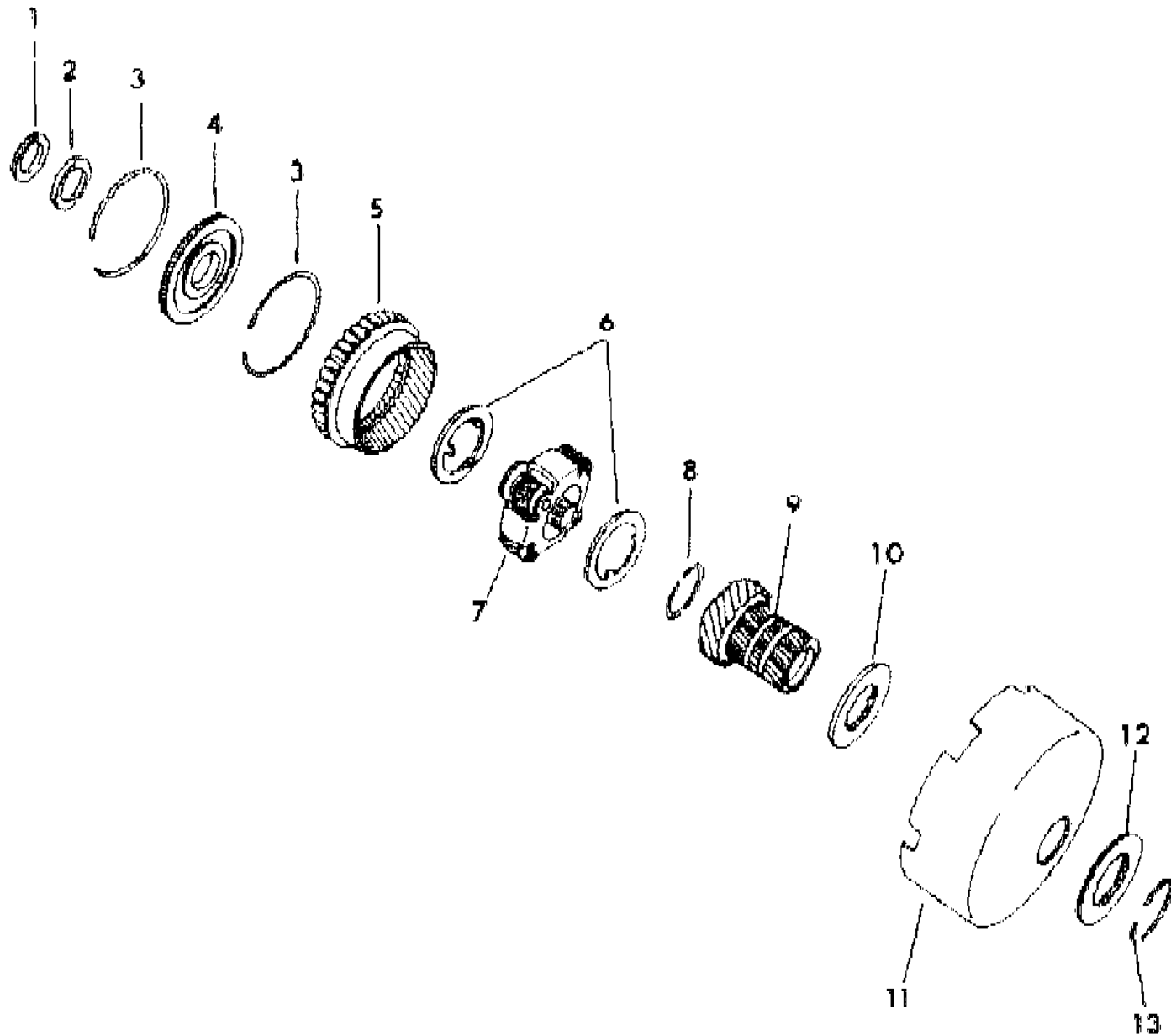
BODY STYLES
 12-52 = FWD VAN & WAGON STD. W.B. 27 = 2-DOOR CONVERTIBLE
 13-53 = FWD VAN & WGN EXT W.B. 41 = 4-DOOR SEDAN
 21 = 2-DOOR SEDAN 44 = 4-DOOR HATCHBACK
 24 = 2-DOOR HATCHBACK 45 = 4-DOOR STATION WAGON

AR = Use as Required - = Non Illustrated Part P.A.R. = Paint as Required

GEARS, FRONT ANNULUS AND SUN AUTOMATIC TRANSAXLE, A413,A670

Figure 21A-2100

8151 2100



ITEM	PART NUMBER	QTY	BODY	MODEL	DESCRIPTION
1	5222 022	1			SNAP RING, Frt. Annulus, Inner, 1-1/8" I.D.
2	5222 493	1			WASHER, Frt. Annulus Gear Thrust
3	5224 079	2			SNAP RING, Frt. Annulus, Outer
4	5224 070	1			SUPPORT, w/Bushing, Frt. Annulus Gear
5	4269 620	1			GEAR, Transaxle Frt. Annulus
6	5224 066	2			WASHER, Frt. Planet Pinion Carrier Thrust
7	4348 900	1			CARRIER ASSEMBLY, Front Planet Pinion, 4 Pinion
8	5205 739	1			LOCK RING, Sun Gear Driving Shell
9	5224 192	1			GEAR, w/Bushing, Sun
10	5224 236	1			SPACER, Sun Gear Plate
11	4207 195	1			SHELL, Sun Gear Driving
12	5205 737	1			PLATE, Sun Gear Driving Shell Thrust
13	5205 739	1			LOCK RING, Sun Gear Driving Shell

MODEL CODES

C BODY = (D41 - DYNASTY)(C41 - NEW YORKER)
 E BODY = (J - CARAVELLE)(E - 600)(T - NEW YORKER TURBO)
 G BODY = (V24 - DAYTONA, PACIFICA & SHELBY)
 H BODY = (D44 - LANCER)(C44 - LEBARON GTS)
 J BODY = (C - LEBARON)
 K BODY = (P - RELIANT)(D - ARIES)(C - LEBARON/ TOWN & COUNTRY)

L BODY = (M - HORIZON)(Z-OMNI)
 M BODY = (B - GRAN FURY)(G - DIPLOMAT)(F - FIFTH AVENUE/NEWPORT)
 P BODY = (P - SUNDANCE)(D - SHADOW)
 Q BODY = (C27 - MASERATI)
 S BODY = (H - VOYAGER)(K - RAM VAN/ CARAVAN)

BODY STYLES

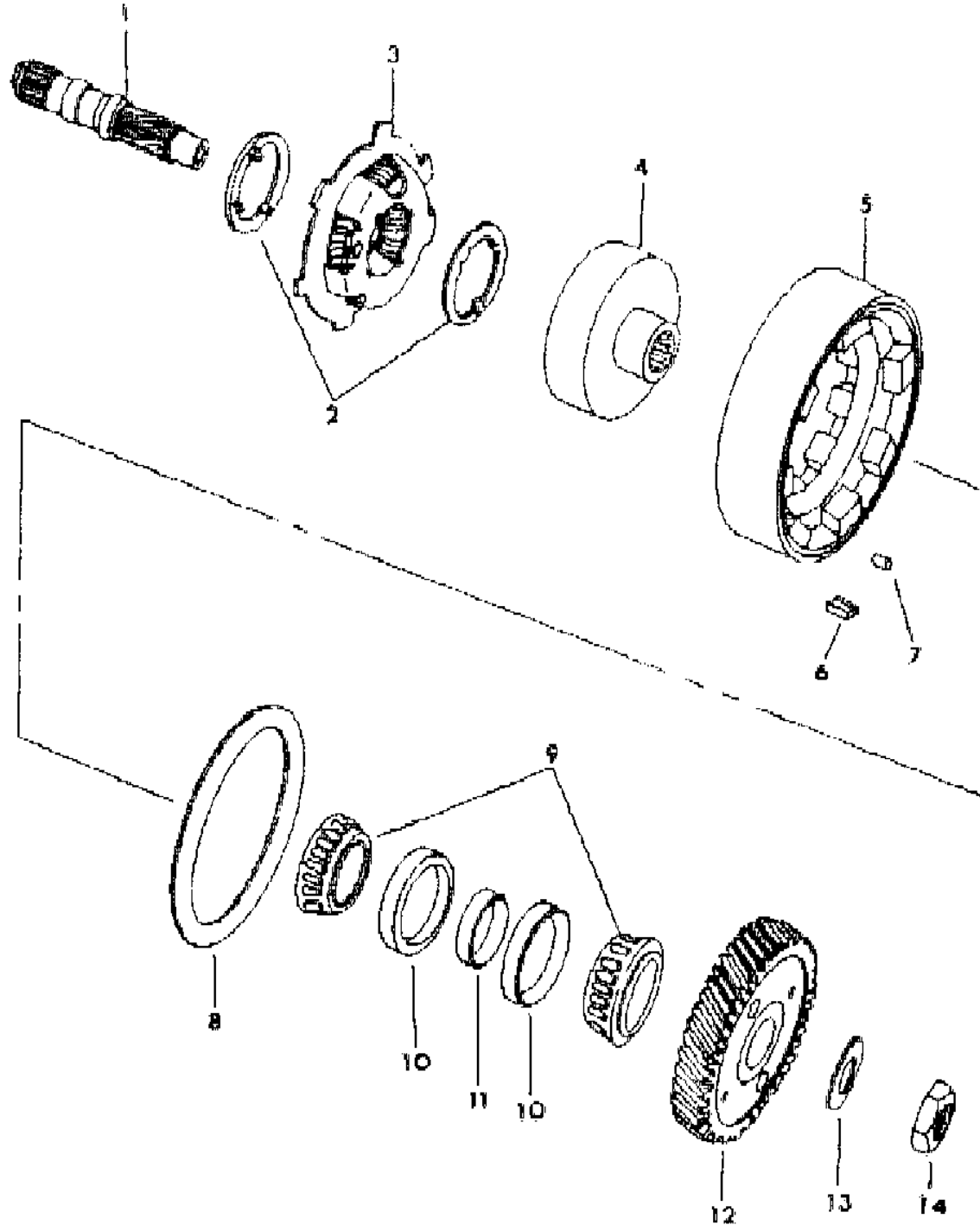
12-52 = FWD VAN & WAGON STD. W.B. 27 = 2-DOOR CONVERTIBLE
 13-53 = FWD VAN & WGN EXT W.B. 41 = 4-DOOR SEDAN
 21 = 2-DOOR SEDAN 44 = 4-DOOR HATCHBACK
 24 = 2-DOOR HATCHBACK 45 = 4-DOOR STATION WAGON

AR = Use as Required - = Non Illustrated Part P.A.R. = Paint as Required

SHAFT, OUTPUT, REAR CARRIER, REVERSE DRUM, AND OVERRUNNING CLUTCH AUTOMATIC TRANSAXLE, A413,A670

Figure 21A-2200

8151 2200



ITEM	PART NUMBER	QTY	BODY	MODEL	DESCRIPTION
1	4348 932	1			SHAFT, Transaxle Output, Except 4471568,4531085 Trans.
	4329 822	1			Use w/4471568,4531085 Trans.
	5205 691	1			SNAP RING, Output Shaft
2	5205 724	2			WASHER, Rr. Planet Pinion Carrier
3	4269 942	1			CARRIER ASSEMBLY, Rear Planet Pinion, 4 Pinion
	4269 937	64			ROLLER, Planet Pinion Carrier, Rear (Not Shown)
	4269 938	4			PINION, Planet Pinion Carrier, Rear (Not Shown)
	4269 940	8			WASHER, Planet Pinion Carrier Roller Thrust, Rear Steel (Not Shown)
	4269 921	8			WASHER, Planet Pinion Carrier Roller Thrust, Rear Bronze (Not Shown)
		4			PINS, Planet Pinion Carrier, Rear, Welded (Not Shown) (Serv. in Carrier Assy.)
4	5222 047	1			GEAR, Rear Annulus
5	#4207 117	1			DRUM, w/Cam, Low and Reverse
	5222 137	1			BUSHING, Low and Reverse Drum
6	4186 886	1			SPRING and ROLLER PACKAGE, "O" Running Clutch
7					ROLLER, "O" Running Clutch Serviced in Spring and Roller Package
8	5205 772	1			WASHER, "O" Running Clutch Cam Thrust
9	#5224 300	2			CONE, Output Shaft
10	#5224 299	2			CUP PACKAGE, Output Shaft
11					SPACER, Output Shaft Brg.
	4207 162	AR			12.65
	4207 163	AR			13.15
	4207 164	AR			13.65
	5224 152	AR			14.99
12		1			GEAR SET, Output Shaft and Transfer Shaft
	4205 871	1			Use w/4471486,491,494,4531087,099,115 Trans., 53T-56T
	4186 871	1			w/4471568,4531085 Trans., 57T-52T
	4443 182	1			w/4471493,527,4531097 Trans., 53T-56T
	4443 181	1			w/4471569,4531027 Trans., 57T-52T
13	5222 010	1			WASHER, Output Shaft Gear Nut
14	5222 009	1			NUT, Output Shaft Gear M20x1.5

MODEL CODES

C BODY = (D41 - DYNASTY)(C41 - NEW YORKER)
 E BODY = (J - CARAVELLE)(E - 600)(T - NEW YORKER TURBO)
 G BODY = (V24 - DAYTONA, PACIFICA & SHELBY)
 H BODY = (D44 - LANCER)(C44 - LEBARON GTS)
 J BODY = (C - LEBARON)
 K BODY = (P - RELIANT)(D - ARIES)(C - LEBARON/ TOWN & COUNTRY)

L BODY = (M - HORIZON)(Z-OMNI)
 M BODY = (B - GRAN FURY)(G - DIPLOMAT)(F - FIFTH AVENUE/NEWPORT)
 P BODY = (P - SUNDANCE)(D - SHADOW)
 Q BODY = (C27 - MASERATI)
 S BODY = (H - VOYAGER)(K - RAM VAN/ CARAVAN)

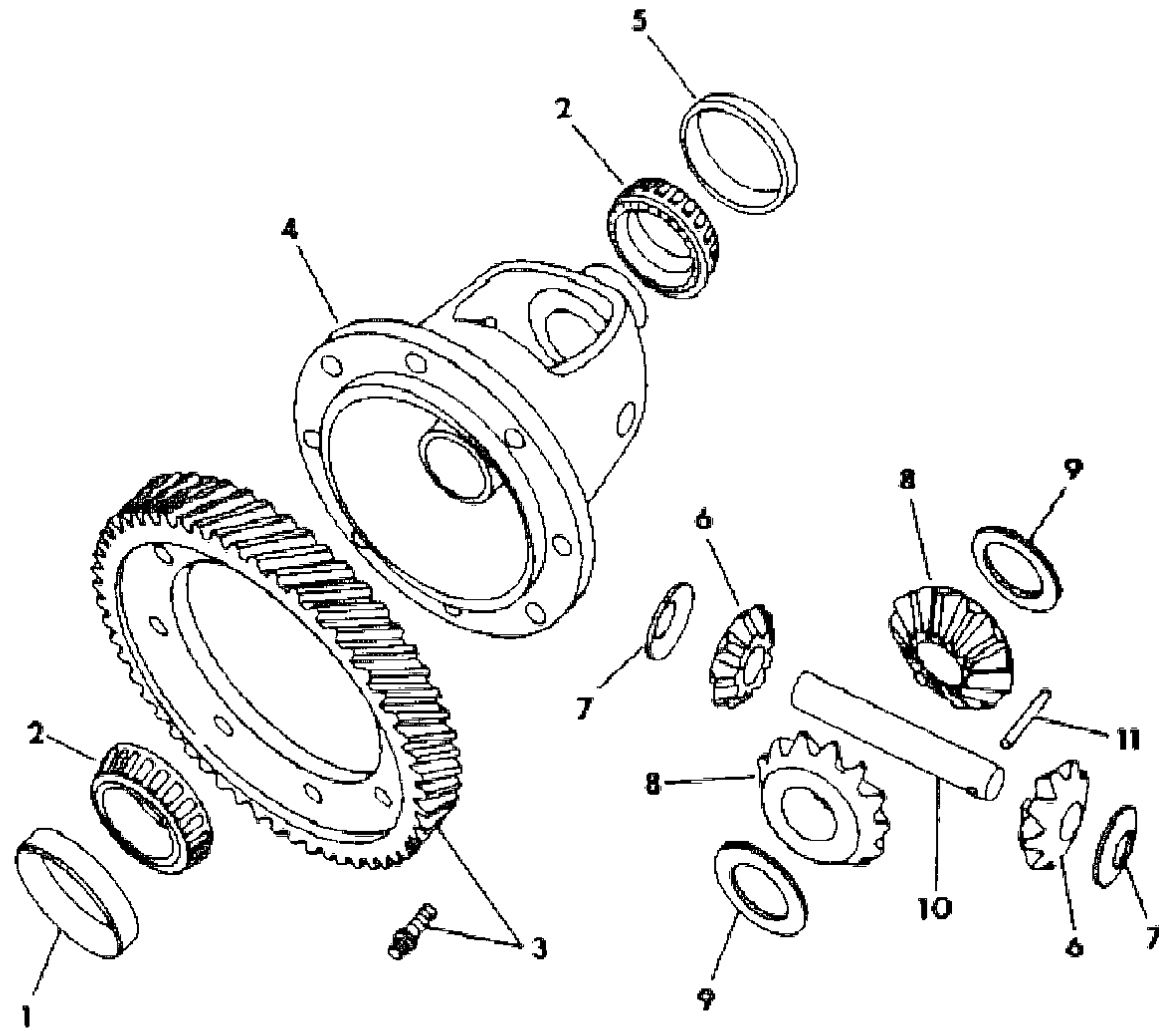
BODY STYLES

12-52 = FWD VAN & WAGON STD. W.B. 27 = 2-DOOR CONVERTIBLE
 13-53 = FWD VAN & WGN EXT W.B. 41 = 4-DOOR SEDAN
 21 = 2-DOOR SEDAN 44 = 4-DOOR HATCHBACK
 24 = 2-DOOR HATCHBACK 45 = 4-DOOR STATION WAGON

AR = Use as Required - = Non Illustrated Part P.A.R. = Paint as Required

DIFFERENTIAL AUTOMATIC TRANSAXLE, A413,A670
Figure 21A-2300

8151 2300



ITEM	PART NUMBER	QTY	BODY	MODEL	DESCRIPTION
1	4269 676	1			CUP, Transaxle Extension
2	4269 677	2			CONE, Transaxle Differential
3					GEAR, Final Drive
	4348 922	1			w/4471486,568,569,4531027,085,087 Trans., 61T
	4348 921	1			w/4471491,493,494,527,4531097,099,115 Trans., 60T
	6501 240	12			SCREW, Diff. Ring Gear to Diff., M10x1.5x25
4	4348 662	1			CASE, Transaxle Differential
5	4269 676	1			CUP, Differential
6	4348 679	2			PINION, Differential
7	4412 521	2			WASHER, Diff. Pinion Thrust, Spherical w/Tab, 0.79-0.84" Thk.
8	4531 093	2			GEAR, Differential Side
9	4131 292	1			WASHER PACKAGE, Diff. Side Gear Thrust, Flat
					Consists Of:
		2			WASHER, .031 - .033" Thk.
		2			.036 - .038" Thk.
		2			.041 - .043" Thk.
		2			.046 - .048" Thk.
10	4348 687	1			SHAFT, Differential
11	6101 284	1			PIN, Diff. Shaft Roll

MODEL CODES

C BODY = (D41 - DYNASTY)(C41 - NEW YORKER)
 E BODY = (J - CARAVELLE)(E - 600)(T - NEW YORKER TURBO)
 G BODY = (V24 - DAYTONA, PACIFICA & SHELBY)
 H BODY = (D44 - LANCER)(C44 - LEBARON GTS)
 J BODY = (C - LEBARON)
 K BODY = (P - RELIANT)(D - ARIES)(C - LEBARON/ TOWN & COUNTRY)

L BODY = (M - HORIZON)(Z-OMNI)
 M BODY = (B - GRAN FURY)(G - DIPLOMAT)(F - FIFTH AVENUE/NEWPORT)
 P BODY = (P - SUNDANCE)(D - SHADOW)
 Q BODY = (C27 - MASERATI)
 S BODY = (H - VOYAGER)(K - RAM VAN/ CARAVAN)

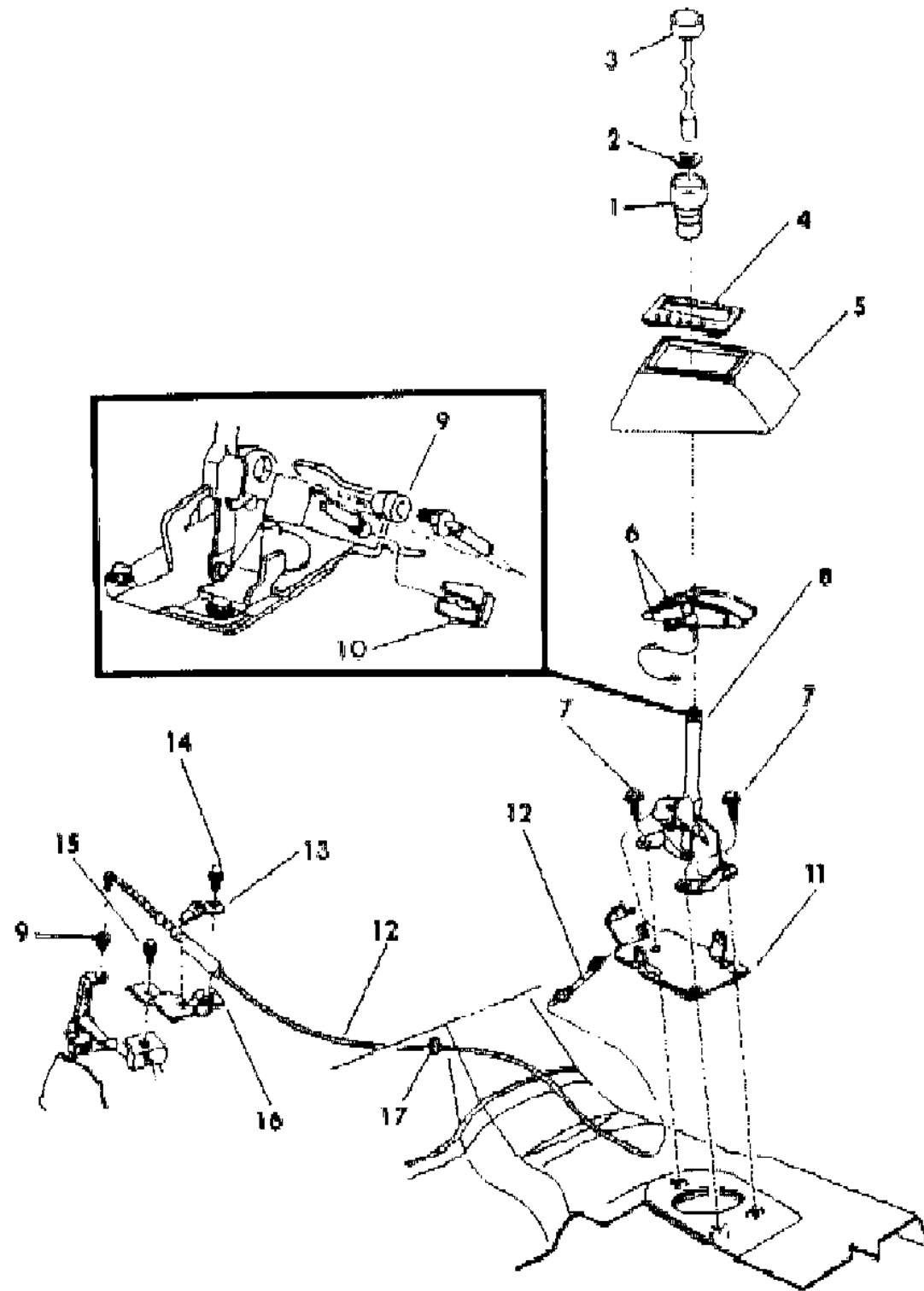
BODY STYLES

12-52 = FWD VAN & WAGON STD. W.B. 27 = 2-DOOR CONVERTIBLE
 13-53 = FWD VAN & WGN EXT W.B. 41 = 4-DOOR SEDAN
 21 = 2-DOOR SEDAN 44 = 4-DOOR HATCHBACK
 24 = 2-DOOR HATCHBACK 45 = 4-DOOR STATION WAGON

AR = Use as Required - = Non Illustrated Part P.A.R. = Paint as Required

CONTROLS, GEARSHIFT, FLOOR SHIFT AUTOMATIC TRANSAXLE L BODY
Figure 21A-2400

8151 2400



ITEM	PART NUMBER	QTY	BODY	MODEL	DESCRIPTION
1	5206 117	1			KNOB, Gearshift
2	5211 832	1			CLIP, Gearshift Knob
3	4019 991	1			BUTTON, Gearshift Knob
4	#5209 966	1			LENS, Console Gear Selector Indicator
5					CONSOLE, Mini, (Refer to Group 8A)
6	4221 479	1			BRACKET, w/Slide, Lamp and Clip, Console Gearshift Selector Indicator
7	6100 577	3			SCREW, w/Washer, M8x1.25x35
8	5211 920	1			ACTUATOR, Gearshift Control
9	3575 333	2			GROMMET
10	4295 369	1			CLIP, Gearshift Control Cable
11	#5211 875	1			BRACKET, Gearshift Control Mounting
12	4377 308	1			CABLE, Gearshift Control, 52.26" Lg.
13	#5211 887	1			CLAMP, Gearshift Control
14	6100 560	1			BOLT, Cable Mounting Front, M6x1.00x35
15	#6100 315	1			SCREW, Bracket Mounting Front, M8x1.25x35
16	4269 802	1			BRACKET, Gearshift Control Cable Mounting Front
17	3593 446	1			GROMMET, G/Shift Cable to Dash Panel, Flat Type
	4419 687	1			Bullet Type

MODEL CODES

C BODY = (D41 - DYNASTY)(C41 - NEW YORKER)
 E BODY = (J - CARAVELLE)(E - 600)(T - NEW YORKER TURBO)
 G BODY = (V24 - DAYTONA, PACIFICA & SHELBY)
 H BODY = (D44 - LANCER)(C44 - LEBARON GTS)
 J BODY = (C - LEBARON)
 K BODY = (P - RELIANT)(D - ARIES)(C - LEBARON/ TOWN & COUNTRY)

L BODY = (M - HORIZON)(Z-OMNI)
 M BODY = (B - GRAN FURY)(G - DIPLOMAT)(F - FIFTH AVENUE/NEWPORT)
 P BODY = (P - SUNDANCE)(D - SHADOW)
 Q BODY = (C27 - MASERATI)
 S BODY = (H - VOYAGER)(K - RAM VAN/ CARAVAN)

BODY STYLES

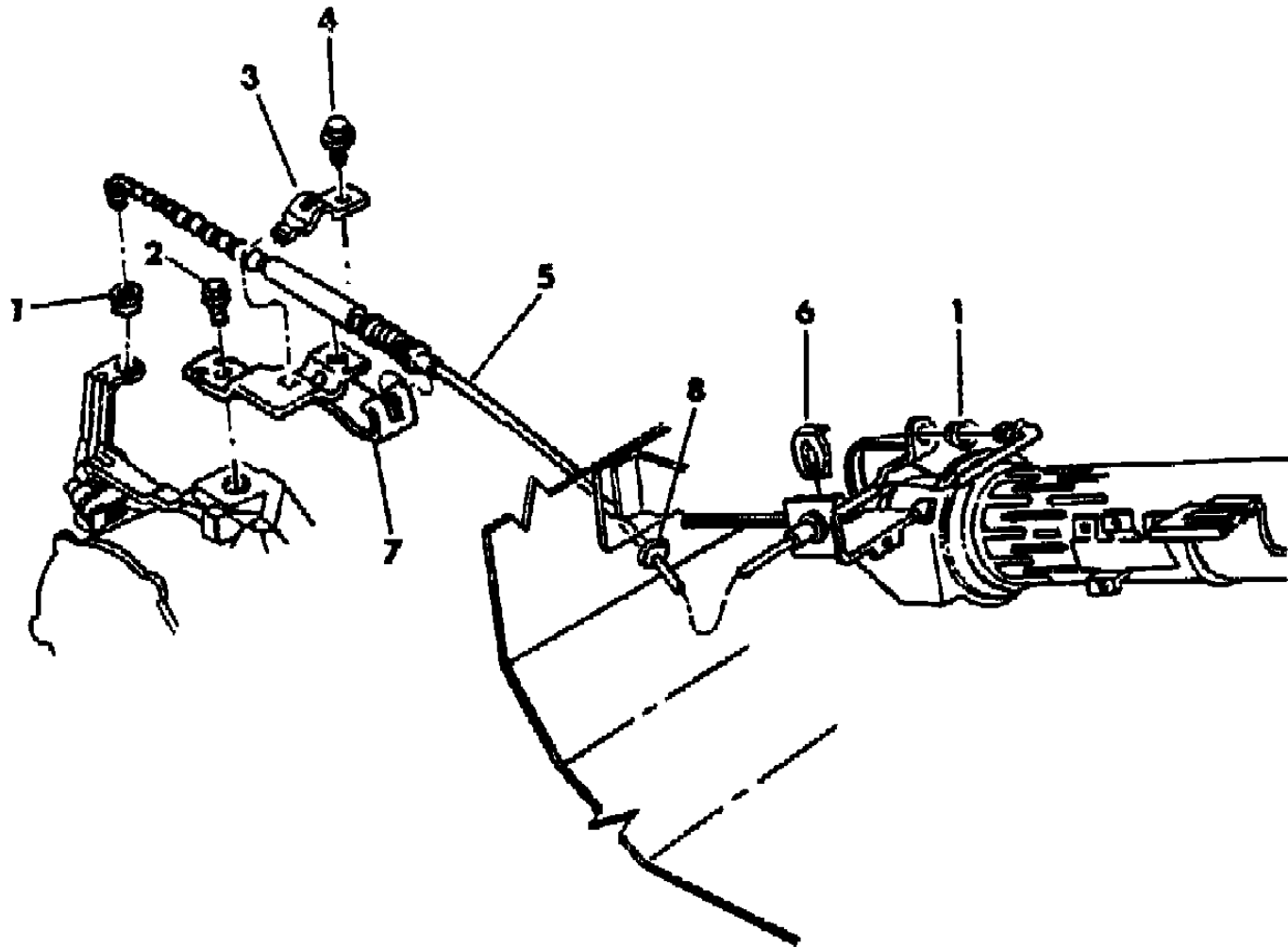
12-52 = FWD VAN & WAGON STD. W.B. 27 = 2-DOOR CONVERTIBLE
 13-53 = FWD VAN & WGN EXT W.B. 41 = 4-DOOR SEDAN
 21 = 2-DOOR SEDAN 44 = 4-DOOR HATCHBACK
 24 = 2-DOOR HATCHBACK 45 = 4-DOOR STATION WAGON

AR = Use as Required - = Non Illustrated Part P.A.R. = Paint as Required

CONTROLS, GEARSHIFT, COLUMN SHIFT AUTOMATIC TRANSAXLE K,E,C,S BODY
Figure 21A-2500

8151 2500

ITEM	PART NUMBER	QTY	BODY	MODEL	DESCRIPTION
1	3575 333	2			GROMMET
2	#6100 315	1			SCREW, Bracket Mounting Front, M8x1.25x35
3	#5211 887	1			CLAMP, Control Cable Mounting Front
4	6100 560	1			BOLT, Cable Mounting Clamp, M6x1.00x35
5					CABLE, Gearshift Control
	4377 317	1	K,E,C		42.13" Lg.
	4377 315	1	S		42.13" Lg.
6	6501 326	1			CLIP, G/Shift Control Cable
7	4329 050	1			BRACKET, Cable Mounting, Front
8	3593 446	1			GROMMET, G/Shift Cable to Dash Panel, Flat Type
	4419 687	1			Bullet Type
	4295 314	1			GROMMET, G/Shift Control Cable



MODEL CODES

C BODY = (D41 - DYNASTY)(C41 - NEW YORKER)	L BODY = (M - HORIZON)(Z-OMNI)
E BODY = (J - CARAVELLE)(E - 600)(T - NEW YORKER TURBO)	M BODY = (B - GRAN FURY)(G - DIPLOMAT)(F - FIFTH AVENUE/NEWPORT)
G BODY = (V24 - DAYTONA, PACIFICA & SHELBY)	P BODY = (P - SUNDANCE)(D - SHADOW)
H BODY = (D44 - LANCER)(C44 - LEBARON GTS)	Q BODY = (C27 - MASERATI)
J BODY = (C - LEBARON)	S BODY = (H - VOYAGER)(K - RAM VAN/ CARAVAN)
K BODY = (P - RELIANT)(D - ARIES)(C - LEBARON/ TOWN & COUNTRY)	

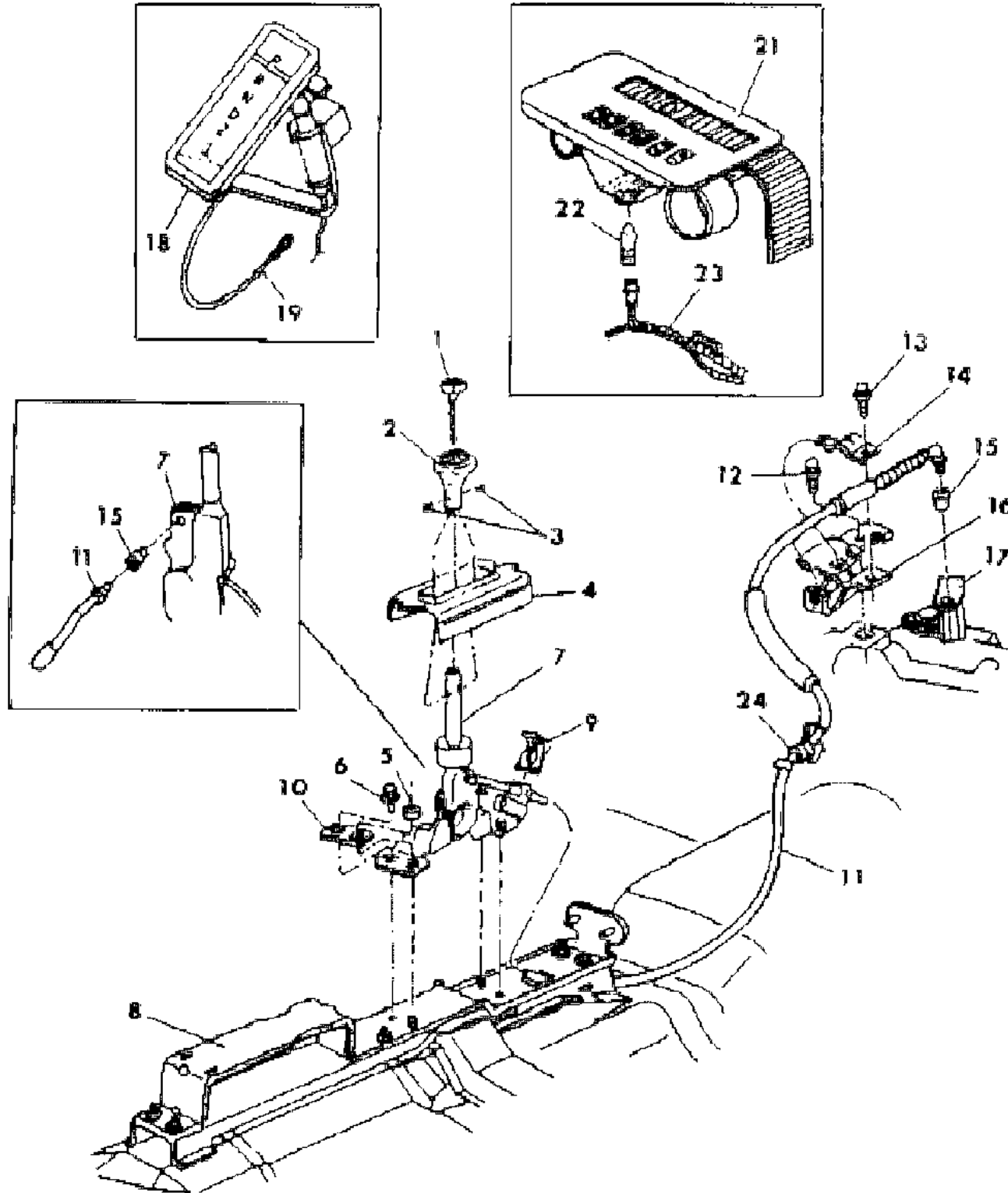
BODY STYLES

12-52 = FWD VAN & WAGON STD. W.B.	27 = 2-DOOR CONVERTIBLE
13-53 = FWD VAN & WGN EXT W.B.	41 = 4-DOOR SEDAN
21 = 2-DOOR SEDAN	44 = 4-DOOR HATCHBACK
24 = 2-DOOR HATCHBACK	45 = 4-DOOR STATION WAGON

AR = Use as Required - = Non Illustrated Part P.A.R. = Paint as Required

CONTROLS, GEARSHIFT, FLOOR SHIFT AUTOMATIC TRANSAXLE P,J,K,G,H BODY
Figure 21A-2600

8151 2600



ITEM	PART NUMBER	QTY	BODY	MODEL	DESCRIPTION
1	4340 167	1	K		BUTTON, w/Rod, G/Shift Knob
	4377 264	1	P,J,G,H		
2	4340 120	1	K		KNOB, G/Shift Control Selector Lever
	4377 276	1	P,J,G,H		
3	6500 870	2	K		SCREW, Knob To Selector Lever
	6501 375	1	P,J,G,H		
4		1			CONSOLE, (Refer to Group 8A)
5	6501 483	2			NUT, Actuator Mtg., M8x1.25
6		2			SCREW, Actuator Mtg.
7	4364 847	1	K		ACTUATOR PACKAGE, Actuator w/Seal, G/Shift Control
	4377 265	1	P,G,H		ACTUATOR, Gearshift Control
	4377 265	1		C-21	
	4377 296	1	J	C-27	
8		1			BRACKET, Rr. Floor Console (Refer to Group 8A)
9	4295 369	1			CLIP, Cable Mounting
10	4377 221	2	K		PLATE, Gearshift Control Actuator
11	4377 303	1	P,K		CABLE, Gearshift Control, 56.10" Lg.
	4377 302	1	J,G		59.13" Lg.
	4377 304	1	H		57.67" Lg.
12	#6100 315	1			SCREW, w/Washer, M8x1.25x35
13	6100 560	1			SCREW, w/Washer, M6x1.00x35
14	#5211 887	1			CLAMP, Cable Mtg.
15	3575 333	2			GROMMET, Cable End
16	4329 050	1			BRACKET, Cable Mtg., Front
17	5224 266	1			LEVER, Manual Control
18	4221 802	1	J,G		LAMP ASSEMBLY, Console G/Shift Selector Indicator (Except Convertible)
	4221 802	1		C-21	
	4221 588	1	H		
19	4221 192	1	G,H		CABLE, Console Selector Indicator Lamp
	4221 192	1		C-21	
21	4221 882	1	P		BEZEL, w/Lamp, Console G/Shift Selector Indicator
	4221 583	1	K		
	4373 020	1	J	C-27	Black, (GTC, H-Line)
	4373 092	1	J	C-27	Woodgrain, (P-Line)
22	9415 969	1	J,K,G		BULB, Console Lamp
	9421 330	1	H		

MODEL CODES

C BODY = (D41 - DYNASTY)(C41 - NEW YORKER)
 E BODY = (J - CARAVELLE)(E - 600)(T - NEW YORKER TURBO)
 G BODY = (V24 - DAYTONA, PACIFICA & SHELBY)
 H BODY = (D44 - LANCER)(C44 - LEBARON GTS)
 J BODY = (C - LEBARON)
 K BODY = (P - RELIANT)(D - ARIES)(C - LEBARON/ TOWN & COUNTRY)

L BODY = (M - HORIZON)(Z-OMNI)
 M BODY = (B - GRAN FURY)(G - DIPLOMAT)(F - FIFTH AVENUE/NEWPORT)
 P BODY = (P - SUNDANCE)(D - SHADOW)
 Q BODY = (C27 - MASERATI)
 S BODY = (H - VOYAGER)(K - RAM VAN/ CARAVAN)

BODY STYLES

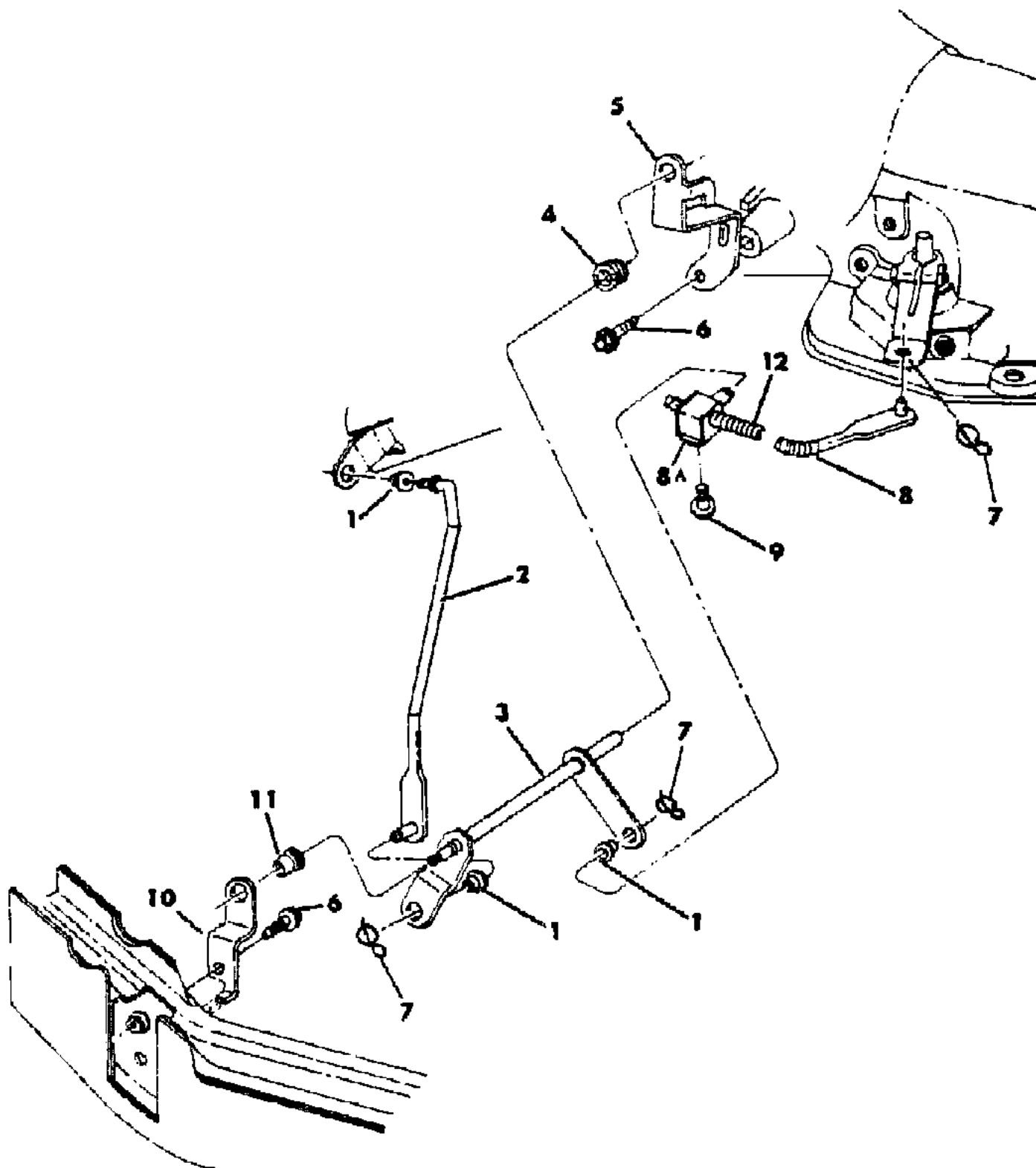
12-52 = FWD VAN & WAGON STD. W.B. 27 = 2-DOOR CONVERTIBLE
 13-53 = FWD VAN & WGN EXT W.B. 41 = 4-DOOR SEDAN
 21 = 2-DOOR SEDAN 44 = 4-DOOR HATCHBACK
 24 = 2-DOOR HATCHBACK 45 = 4-DOOR STATION WAGON

AR = Use as Required - = Non Illustrated Part P.A.R. = Paint as Required

CONTROLS, GEARSHIFT, LOWER WITH COLUMN SHIFT AUTOMATIC TRANSMISSION, A999,A727 M BODY

Figure 21A-2700

8151 2700



ITEM	PART NUMBER	QTY	BODY	MODEL	DESCRIPTION
1	3575 333	3			GROMMET, Lever Rod
2	4188 469	1			ROD, Gear Shift Control Front, A904
	4041 520	1			A727
3	4188 446	1			SHAFT, Torque
4	3575 434	1			BUSHING, Torque Shaft Bracket
5	#4019 234	1			BRACKET, Torque Shaft, A999
	4019 237	1			A727
6	#0181 088	2			SCREW, w/Washer, 5/16-18 x 1"
7	6500 596	AR			S-CLIP, Rod Frt. and Rear
8	4377 310	1			ROD, Gear Shift, Rear, A999
	4173 225	1			A727
8A	4188 437	1			SWIVEL, Gear Shift Rod
	4377 309	1			CLAMP, Swivel
9	0181 086	1			SCREW, Swivel Rod Holding, 5/16"-18 x 3/4"
10	#4019 233	1			BRACKET, Torque Shaft Frame
11	5211 845	1			GROMMET, Torque Shaft Frame Bracket
12	3575 354	1			SPRING, Control Rod Adjusting

MODEL CODES

C BODY = (D41 - DYNASTY)(C41 - NEW YORKER)
 E BODY = (J - CARAVELLE)(E - 600)(T - NEW YORKER TURBO)
 G BODY = (V24 - DAYTONA, PACIFICA & SHELBY)
 H BODY = (D44 - LANCER)(C44 - LEBARON GTS)
 J BODY = (C - LEBARON)
 K BODY = (P - RELIANT)(D - ARIES)(C - LEBARON/ TOWN & COUNTRY)

L BODY = (M - HORIZON)(Z-OMNI)
 M BODY = (B - GRAN FURY)(G - DIPLOMAT)(F - FIFTH AVENUE/NEWPORT)
 P BODY = (P - SUNDANCE)(D - SHADOW)
 Q BODY = (C27 - MASERATI)
 S BODY = (H - VOYAGER)(K - RAM VAN/ CARAVAN)

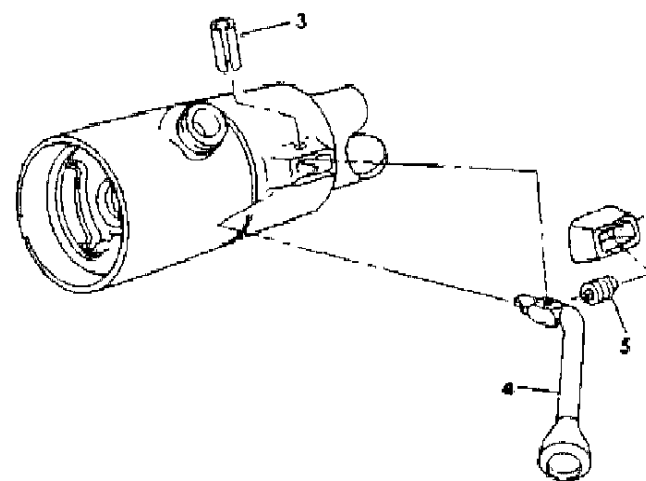
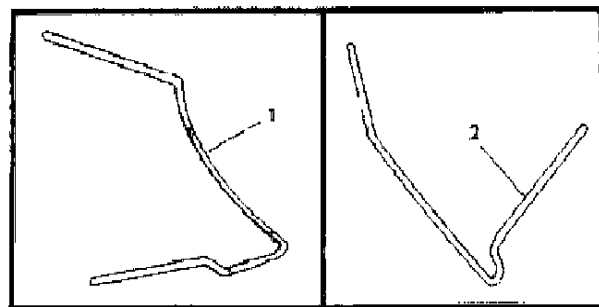
BODY STYLES

12-52 = FWD VAN & WAGON STD. W.B. 27 = 2-DOOR CONVERTIBLE
 13-53 = FWD VAN & WGN EXT W.B. 41 = 4-DOOR SEDAN
 21 = 2-DOOR SEDAN 44 = 4-DOOR HATCHBACK
 24 = 2-DOOR HATCHBACK 45 = 4-DOOR STATION WAGON

AR = Use as Required - = Non Illustrated Part P.A.R. = Paint as Required

LEVER, COLUMN SHIFT, AND INDICATOR AUTOMATIC TRANSMISSION K,E,C,S,M BODY
Figure 21A-2800

8151 2800



ITEM	PART NUMBER	QTY	BODY	MODEL	DESCRIPTION
1	4047 964	1	K,E		POINTER, Gearshift Indicator w/o Tilt
	4047 965	1	K,E		w/Tilt
2	3591 595	1	M		POINTER, Gearshit Indicator w/o Tilt
	4047 722	1	M S		w/Tilt INDICATOR ASSEMBLY, w/Cable (See Group 8A)
3	9412 281	1			PIN, G/Shift Lever, Roll Spring, 1/4" x 1"
4					LEVER, w/Knob, Column Gearshift
	4147 324	1			w/o Tilt
	4147 375	1			w/Tilt, Black Knob, Except C Body
	4147 321	1	C		w/Tilt, Bright Finish Knob
5					SPRING, Gearshift Lever
	2996 786	1			w/o Tilt
	2880 284	1			w/Tilt

MODEL CODES

C BODY = (D41 - DYNASTY)(C41 - NEW YORKER)	L BODY = (M - HORIZON)(Z-OMNI)
E BODY = (J - CARAVELLE)(E - 600)(T - NEW YORKER TURBO)	M BODY = (B - GRAN FURY)(G - DIPLOMAT)(F - FIFTH AVENUE/NEWPORT)
G BODY = (V24 - DAYTONA, PACIFICA & SHELBY)	P BODY = (P - SUNDANCE)(D - SHADOW)
H BODY = (D44 - LANCER)(C44 - LEBARON GTS)	Q BODY = (C27 - MASERATI)
J BODY = (C - LEBARON)	S BODY = (H - VOYAGER)(K - RAM VAN/ CARAVAN)
K BODY = (P - RELIANT)(D - ARIES)(C - LEBARON/ TOWN & COUNTRY)	

BODY STYLES

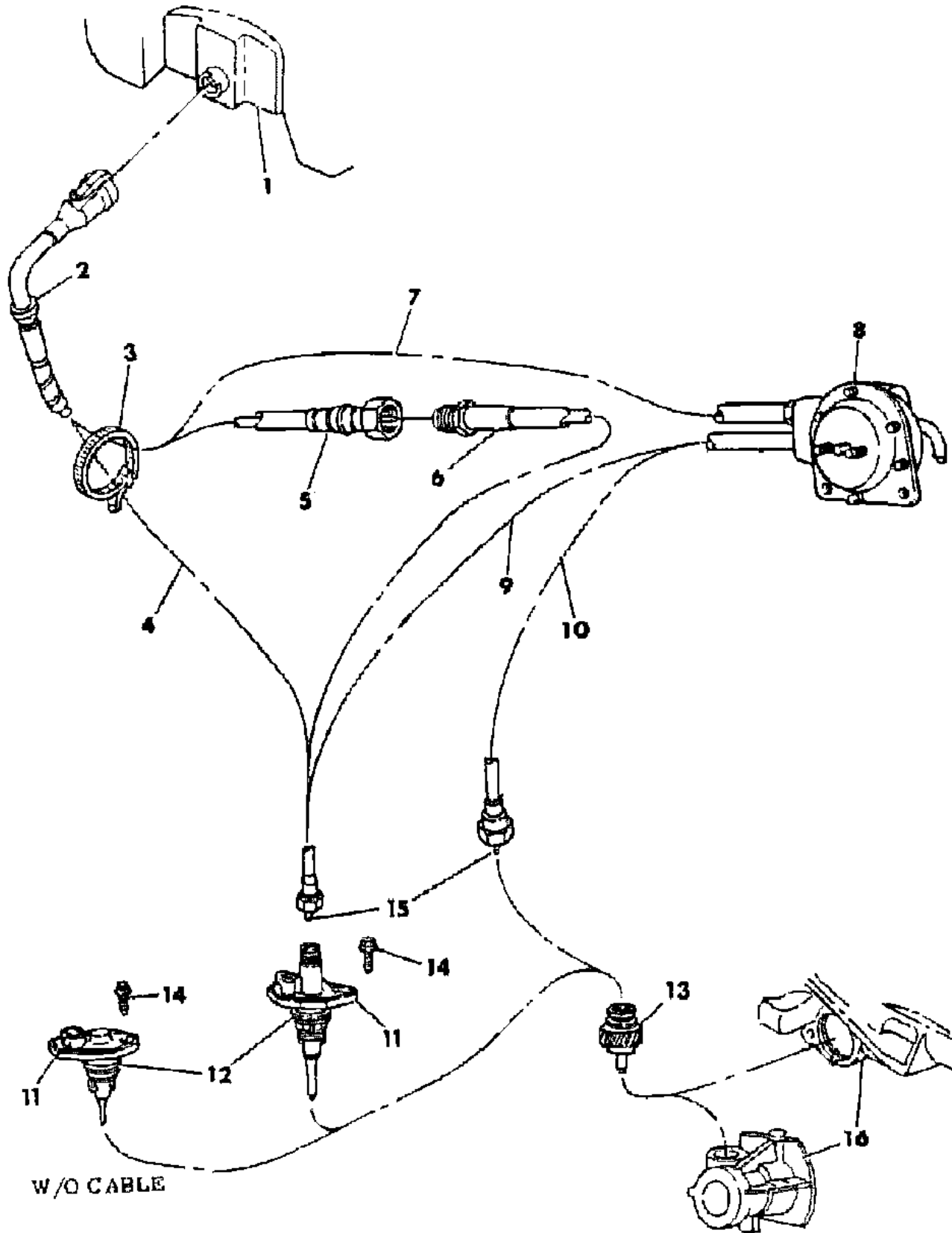
12-52 = FWD VAN & WAGON STD. W.B.	27 = 2-DOOR CONVERTIBLE
13-53 = FWD VAN & WGN EXT W.B.	41 = 4-DOOR SEDAN
21 = 2-DOOR SEDAN	44 = 4-DOOR HATCHBACK
24 = 2-DOOR HATCHBACK	45 = 4-DOOR STATION WAGON

AR = Use as Required - = Non Illustrated Part P.A.R. = Paint as Required

CABLES AND PINION, SPEEDOMETER AUTOMATIC TRANSMISSION

Figure 21A-2900

8151 2900 A



ITEM	PART NUMBER	QTY	BODY	MODEL	DESCRIPTION
1					SPEEDOMETER, (Reference)
2	3593 446	1			GROMMET, Speedo. Cable Dash, Flat Type
	4419 687	1			Bullet Type
	3445 939	1			PLUG, Speedo Cable Dash Hole, w/Electronic Inst. Panel
3	6015 756	AR			CLIP, Speedo. Cable to Heater Hose
4					CABLE, Speedometer To Transmission
	4439 100	1	S		44" Long, 1/2" Clip-On Upper, 5/8" Female Lower
	4437 220	1	M		59" Long, 1/2" Clip-On Upper, 1/2" Push-On Lower
5					CABLE, TWO PIECE, Speedometer To Transmission
	4437 222	1	L		44" Long, UPPER, 1/2" Clip-On Upper, 5/8" Female
	4374 767	1	P,H		44" Long, UPPER, 1/2" Clip-On Upper, 5/8" Female
	4312 332	1	K,E		44" Long, UPPER, 1/2" Clip-On Upper, 5/8" Female
6	4437 221	1	L,E		26" Long, LOWER, 5/8" Male, 5/8" Female Lower
	4437 092	1	P,K,E		24" Long, LOWER, 5/8" Male, 5/8" Female Lower
	4196 136	1		B,G	Two Piece, 10" Long, 1/2" Clip-On Upper, 5/8" Female, And Connector (FLEET CARS)
	4196 137	1		B,G	47" Long, 5/8" Female, 1/2" Push-On Lower (FLEET CARS)
	4370 489	1		B,G	23" Long, 5/8" Female, 5/8" Female Lower (FLEET CARS)
7					CABLE, Speedometer To Speed Control (Refer To Group 14)
8					SPEED CONTROL, (Reference)
9-10					CABLE, Speed Control To Transmission (Refer To Group 14)
11	5227 896	1		L,P,K,E,S	SENSOR, Distance, Used w/Cable, 5/8 Male, 5/8 Female
	5227 897	1		AJKGEHC	w/o Cable, 5/8 Female
	4439 097	1	M		SENSOR PACKAGE, Distance, In Line, Speed Control To Trans.
12	5212 152	1			O-RING, Sensor Oil Seal, 1-1/16" I.D.
13					PINION, Trans. Speedometer Drive, Except M Body
	4269 950	AR			19 Teeth w/P185/75 R14 P/S W.S.W. Michelin, Color YELLOW
	4269 950	AR			19 Teeth, w/14",15",16" Tire, Color YELLOW
	5222 390	AR			20 Teeth, w/13",14",15" Tire, Color BLUE
	5222 388	AR	L,P		21 Teeth, w/P205/50VR15 SBR, LBL, Color White
14	6501 714	1			SCREW, Pinion Sensor Retaining, M6x1.00x6G
15					SHAFT, Cable Drive, Universal Drive Type
	2448 294	1			80" Long
16					TRANSMISSION, or Extension (Reference)

MODEL CODES

C BODY = (D41 - DYNASTY)(C41 - NEW YORKER)
 E BODY = (J - CARAVELLE)(E - 600)(T - NEW YORKER TURBO)
 G BODY = (V24 - DAYTONA, PACIFICA & SHELBY)
 H BODY = (D44 - LANCER)(C44 - LEBARON GTS)
 J BODY = (C - LEBARON)
 K BODY = (P - RELIANT)(D - ARIES)(C - LEBARON/ TOWN & COUNTRY)

L BODY = (M - HORIZON)(Z-OMNI)
 M BODY = (B - GRAN FURY)(G - DIPLOMAT)(F - FIFTH AVENUE/NEWPORT)
 P BODY = (P - SUNDANCE)(D - SHADOW)
 Q BODY = (C27 - MASERATI)
 S BODY = (H - VOYAGER)(K - RAM VAN/ CARAVAN)

BODY STYLES

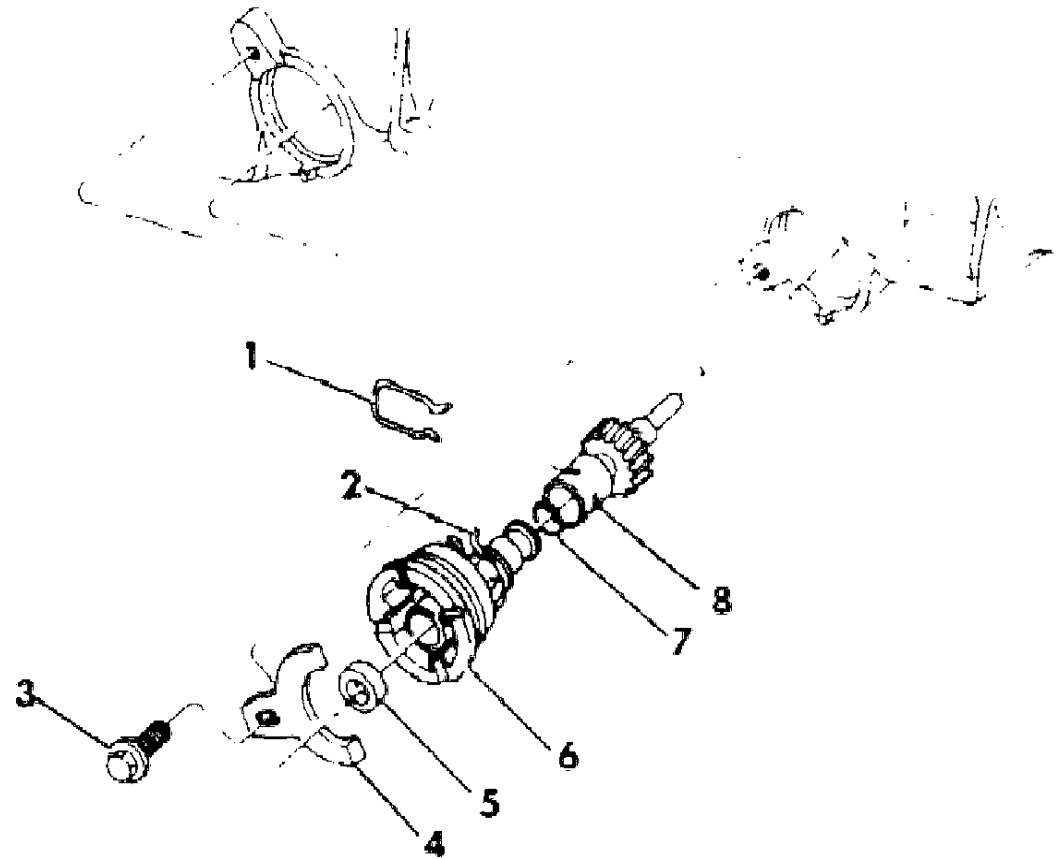
12-52 = FWD VAN & WAGON STD. W.B. 27 = 2-DOOR CONVERTIBLE
 13-53 = FWD VAN & WGN EXT W.B. 41 = 4-DOOR SEDAN
 21 = 2-DOOR SEDAN 44 = 4-DOOR HATCHBACK
 24 = 2-DOOR HATCHBACK 45 = 4-DOOR STATION WAGON

AR = Use as Required - = Non Illustrated Part P.A.R. = Paint as Required

PINION AND ADAPTER, SPEEDOMETER CABLE DRIVE AUTOMATIC TRANSMISSION, M BODY

Figure 21A-3000

8151 3000



ITEM	PART NUMBER	QTY	BODY	MODEL	DESCRIPTION
NOTE: Items 1 Thru 7 are Common to all Rear Axles tie side of the float bowl.					
COLOR OF PINIONS: G = Green; R = Red; Y = Yellow; BL = Black tie side of the float bowl.					
NOTE: PG = Glass, PS = Steel, PR = Rayon tie side of the float bowl.					
1					RETAINER, Speedo. Cable Pinion, (Not Serviced) N N N N
2					RETAINER, Speedo. Cable N4058156 N N N
3					SCREW, Clamp, 5/16"-18 x 3/4" N181086 N N N
4					CLAMP, Retainer Holding N2892399 N N N
5					SEAL, Speedo. Drive Pinion N4028913 N N N
					SEAL and RETAINER PACKAGE, Speedometer Pinion N4057046 N N N
6					ADAPTER, Speedo. Drive Pinion N N N N
	4202 923				22-25 Teeth Pinion Y4202923 N N N
	4202 924				26-33 Teeth Pinion Y4202924 N N N
7					O-RING, Adapter N4130829 N N N
8					PINION, Drive N N N N
					P215/70xHR14-LBL=PS-GDYR N N N4058131/31G N
					P195/75xR15-PG N4058123/23R N N4058130/30Y N
					P205/75xR15-PS N4058122/22G N4058128/28 N4058129/ 29BLN
					P215/70xR15-PR N4058123/23R N N4058129/29BLN
					P215/70xR15-PS N4058123/23R N N4058129/29BLN
					P215/75xR15-PR N N N4058129/29BLN
					P215/75xR15-PS N N N4058129/29BLN

MODEL CODES

C BODY = (D41 - DYNASTY)(C41 - NEW YORKER)
 E BODY = (J - CARAVELLE)(E - 600)(T - NEW YORKER TURBO)
 G BODY = (V24 - DAYTONA, PACIFICA & SHELBY)
 H BODY = (D44 - LANCER)(C44 - LEBARON GTS)
 J BODY = (C - LEBARON)
 K BODY = (P - RELIANT)(D - ARIES)(C - LEBARON/ TOWN & COUNTRY)

L BODY = (M - HORIZON)(Z-OMNI)
 M BODY = (B - GRAN FURY)(G - DIPLOMAT)(F - FIFTH AVENUE/NEWPORT)
 P BODY = (P - SUNDANCE)(D - SHADOW)
 Q BODY = (C27 - MASERATI)
 S BODY = (H - VOYAGER)(K - RAM VAN/ CARAVAN)

BODY STYLES

12-52 = FWD VAN & WAGON STD. W.B. 27 = 2-DOOR CONVERTIBLE
 13-53 = FWD VAN & WGN EXT W.B. 41 = 4-DOOR SEDAN
 21 = 2-DOOR SEDAN 44 = 4-DOOR HATCHBACK
 24 = 2-DOOR HATCHBACK 45 = 4-DOOR STATION WAGON

AR = Use as Required - = Non Illustrated Part P.A.R. = Paint as Required

GROUP 22 - WHEELS

ILLUSTRATION TITLE

GROUP-FIG. NO.

WHEELS AND COVERS

WHEELS AND COVERS L BODY	Fig. 22-100
WHEELS AND COVERS P BODY	Fig. 22-200
WHEELS AND COVERS J BODY	Fig. 22-300
WHEELS AND COVERS K BODY - P,D	Fig. 22-400
WHEELS AND COVERS K BODY - C E BODY	Fig. 22-500
WHEELS AND COVERS G BODY	Fig. 22-600
WHEELS AND COVERS H BODY	Fig. 22-700
WHEELS AND COVERS C BODY	Fig. 22-750
WHEELS AND COVERS S BODY	Fig. 22-800
WHEELS AND COVERS M BODY	Fig. 22-900

JACK AND SPARE TIRE STORAGE

JACK AND SPARE TIRE STOWAGE L BODY	Fig. 22-1000
JACK AND SPARE TIRE STOWAGE P BODY	Fig. 22-1100
JACK AND SPARE TIRE STOWAGE J BODY - C-27	Fig. 22-1200
JACK AND SPARE TIRE STORAGE J BODY - C-21	Fig. 22-1300
JACK AND SPARE TIRE STOWAGE K,E BODY - EXCEPT 45	Fig. 22-1400
JACK AND SPARE TIRE STOWAGE K BODY - P,D,C-45	Fig. 22-1500
JACK AND SPARE TIRE STOWAGE G BODY	Fig. 22-1600
JACK AND SPARE TIRE STOWAGE H BODY	Fig. 22-1700
JACK AND SPARE TIRE STORAGE C BODY	Fig. 22-1725
JACK STOWAGE S BODY	Fig. 22-1800
SPARE TIRE STORAGE OUTSIDE S BODY	Fig. 22-1900
SPARE TIRE STOWAGE INSIDE S BODY	Fig. 22-1925
JACK AND SPARE TIRE STOWAGE M BODY	Fig. 22-2000

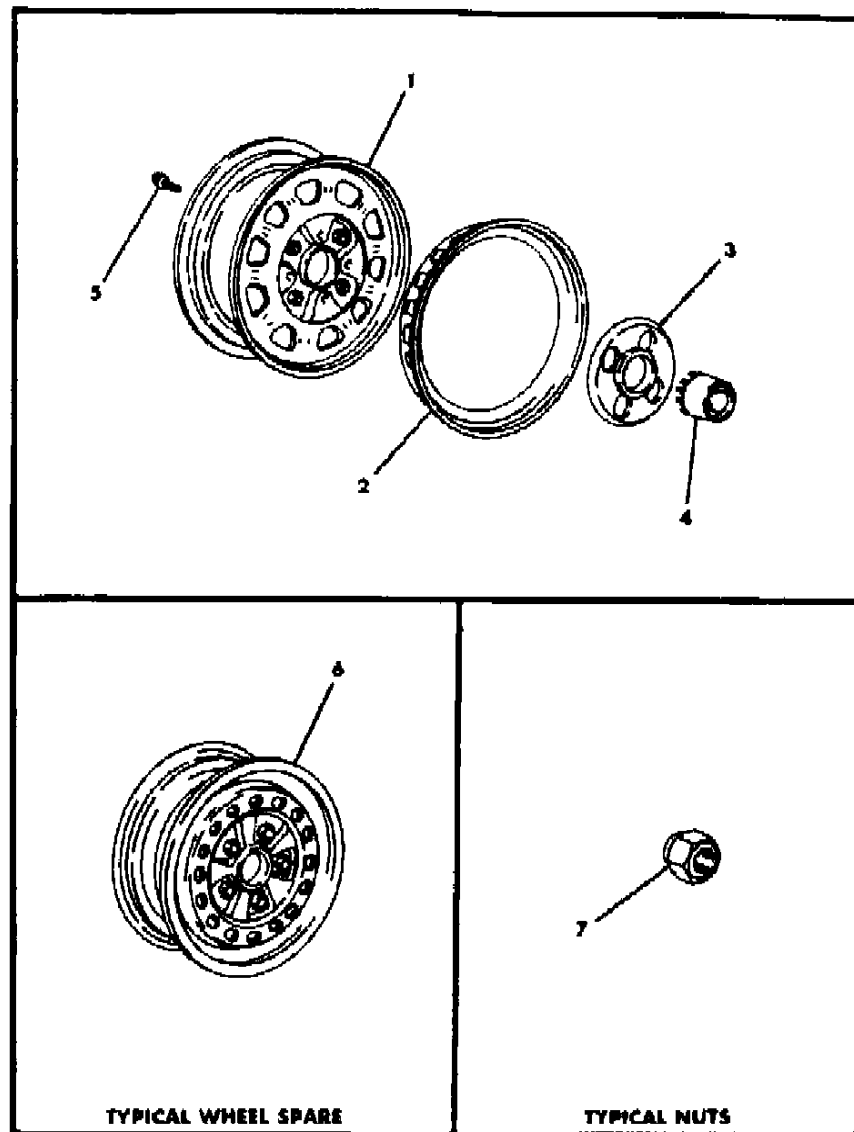
WHEELS MISCELLANEOUS PARTS

WHEEL MISCELLANEOUS ALL BODY	Fig. 22-2100
------------------------------------	--------------

ILLUSTRATION NOT AVAILABLE AT TIME OF PUBLICATION

WHEELS AND COVERS L BODY
Figure 22-100

8122 100 A



ITEM	PART NUMBER	QTY	BODY	MODEL	DESCRIPTION
1	4284 170	4			WHEEL, 13x5.0
2	4126 981	4			RING, Trim
3	4284 793	4			DOME
4	5204 013	4			CAP
5	6029 190	12			SCREW
6	4284 170	1			WHEEL, Spare, 13x5.0
7	6500 294	AR			NUT, Chrome Cap

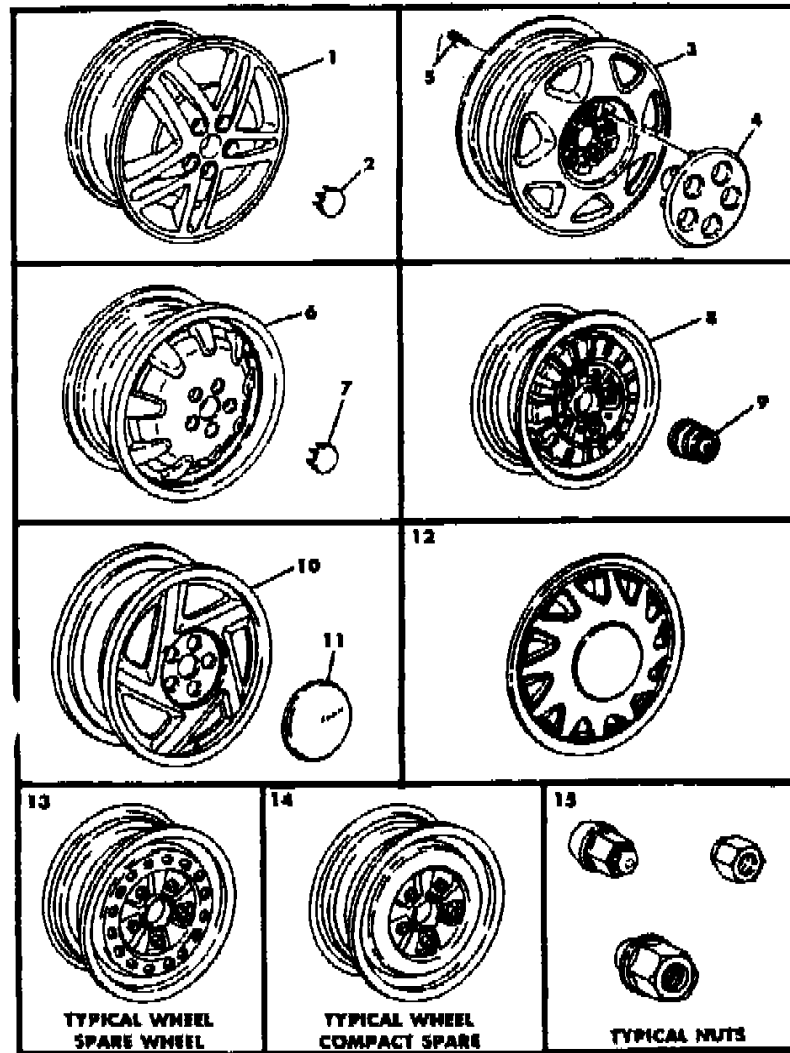
MODEL CODES
 C BODY = (D41 - DYNASTY)(C41 - NEW YORKER)
 E BODY = (J - CARAVELLE)(E - 600)(T - NEW YORKER TURBO)
 G BODY = (V24 - DAYTONA, PACIFICA & SHELBY)
 H BODY = (D44 - LANCER)(C44 - LEBARON GTS)
 J BODY = (C - LEBARON)
 K BODY = (P - RELIANT)(D - ARIES)(C - LEBARON/ TOWN & COUNTRY)
 L BODY = (M - HORIZON)(Z-OMNI)
 M BODY = (B - GRAN FURY)(G - DIPLOMAT)(F - FIFTH AVENUE/NEWPORT)
 P BODY = (P - SUNDANCE)(D - SHADOW)
 Q BODY = (C27 - MASERATI)
 S BODY = (H - VOYAGER)(K - RAM VAN/ CARAVAN)

BODY STYLES
 12-52 = FWD VAN & WAGON STD. W.B. 27 = 2-DOOR CONVERTIBLE
 13-53 = FWD VAN & WGN EXT W.B. 41 = 4-DOOR SEDAN
 21 = 2-DOOR SEDAN 44 = 4-DOOR HATCHBACK
 24 = 2-DOOR HATCHBACK 45 = 4-DOOR STATION WAGON

AR = Use as Required - = Non Illustrated Part P.A.R. = Paint as Required

WHEELS AND COVERS P BODY
Figure 22-200

8122 200 A



ITEM	PART NUMBER	QTY	BODY	MODEL	DESCRIPTION
1	4284 501	4			WHEEL, 14 x 5.5 Aluminum
2	4284 004	4			CAP
3	4284 244	4			WHEEL, 14 x 5.5 Aero Type
4	4284 363	4			WHEEL, 14 x 5.5 Aero Type
5	6029 190	12			SCREW
6	X087 FA1	4			WHEEL, 15 x 6.0 Cast Aluminum, Silver
	X087 GS4	4			Charcoal
7	X089 EA1	4			CAP, Silver
	X089 GS4	4			Charcoal
8	4284 404	4			WHEEL, 13 x 5.0 Argent
9	5204 447	4			CAP, w/Applique, Wheel Center
10	4467 876	2			WHEEL, 15 x 6.5 Cast Aluminum, SHELBY, Right
	4467 877	2			WHEEL, 15 x 6.5 Cast Aluminum, SHELBY, Left
11	4467 893	4			CAP, SHELBY Stamped
12	4284 682	4			COVER, 14" (W4H)
13	4284 404	1			WHEEL, 13 x 5.0, Conventional Spare
	4284 390	1			WHEEL, 14 x 5.5, Black Conventional Spare
14	4284 373	1			WHEEL, Compact Spare, 14 x 4.0
15	6500 294	AR			NUT, Chrome Cap
	6500 092	AR			NUT, w/o Cap
	6500 526	AR			NUT, Standard

MODEL CODES

C BODY = (D41 - DYNASTY)(C41 - NEW YORKER)
 E BODY = (J - CARAVELLE)(E - 600)(T - NEW YORKER TURBO)
 G BODY = (V24 - DAYTONA, PACIFICA & SHELBY)
 H BODY = (D44 - LANCER)(C44 - LEBARON GTS)
 J BODY = (C - LEBARON)
 K BODY = (P - RELIANT)(D - ARIES)(C - LEBARON/ TOWN & COUNTRY)

L BODY = (M - HORIZON)(Z-OMNI)
 M BODY = (B - GRAN FURY)(G - DIPLOMAT)(F - FIFTH AVENUE/NEWPORT)
 P BODY = (P - SUNDANCE)(D - SHADOW)
 Q BODY = (C27 - MASERATI)
 S BODY = (H - VOYAGER)(K - RAM VAN/ CARAVAN)

BODY STYLES

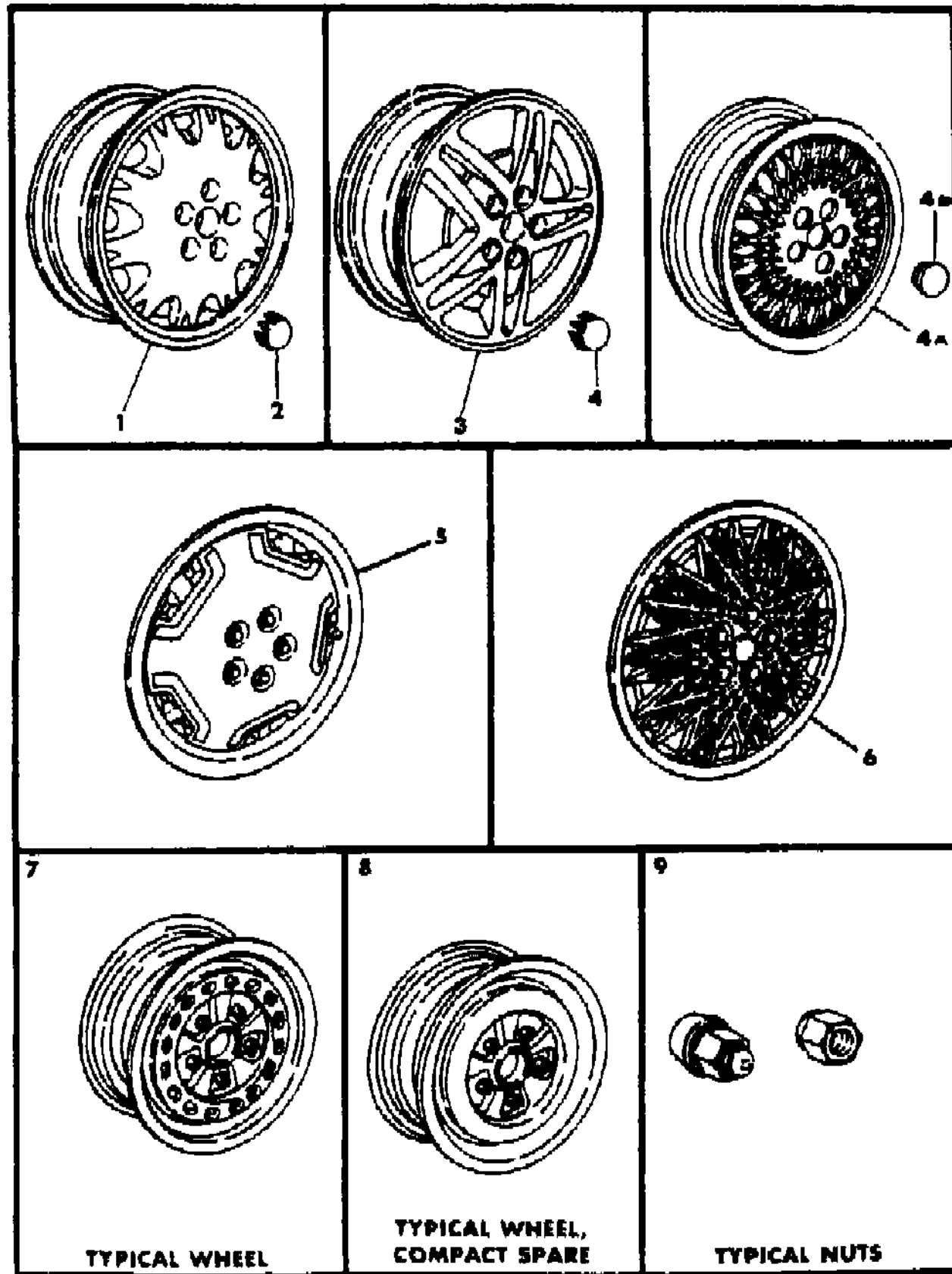
12-52 = FWD VAN & WAGON STD. W.B. 27 = 2-DOOR CONVERTIBLE
 13-53 = FWD VAN & WGN EXT W.B. 41 = 4-DOOR SEDAN
 21 = 2-DOOR SEDAN 44 = 4-DOOR HATCHBACK
 24 = 2-DOOR HATCHBACK 45 = 4-DOOR STATION WAGON

AR = Use as Required - = Non Illustrated Part P.A.R. = Paint as Required

WHEELS AND COVERS J BODY

Figure 22-300

8122 300 B



ITEM	PART NUMBER	QTY	BODY	MODEL	DESCRIPTION
1	4284 543	4			WHEEL, 15 x 6.0, Cast Aluminum
2	4284 004	4			CAP
3	4284 501	4			WHEEL, 14 x 5.5, Cast Aluminum
4	4284 004	4			CAP
4A	X050 GW7	4			WHEEL, 15 x 6.0 Cast Aluminum, White
4B	X086 GW7	4			CAP, White
5	4284 511	4			COVER, (W4T)
6	4284 445	4			COVER, (W5E)
7	4284 390	4			WHEEL, 14 x 5.5
	4284 480	4			WHEEL, 15 x 6.0
8	4284 373	1			WHEEL, Compact Spare, 14 x 4.0
9	6500 294	AR			NUT, Chrome Cap
	6500 526	AR			NUT, Standard

MODEL CODES

C BODY = (D41 - DYNASTY)(C41 - NEW YORKER)
 E BODY = (J - CARAVELLE)(E - 600)(T - NEW YORKER TURBO)
 G BODY = (V24 - DAYTONA, PACIFICA & SHELBY)
 H BODY = (D44 - LANCER)(C44 - LEBARON GTS)
 J BODY = (C - LEBARON)
 K BODY = (P - RELIANT)(D - ARIES)(C - LEBARON/ TOWN & COUNTRY)

L BODY = (M - HORIZON)(Z-OMNI)
 M BODY = (B - GRAN FURY)(G - DIPLOMAT)(F - FIFTH AVENUE/NEWPORT)
 P BODY = (P - SUNDANCE)(D - SHADOW)
 Q BODY = (C27 - MASERATI)
 S BODY = (H - VOYAGER)(K - RAM VAN/ CARAVAN)

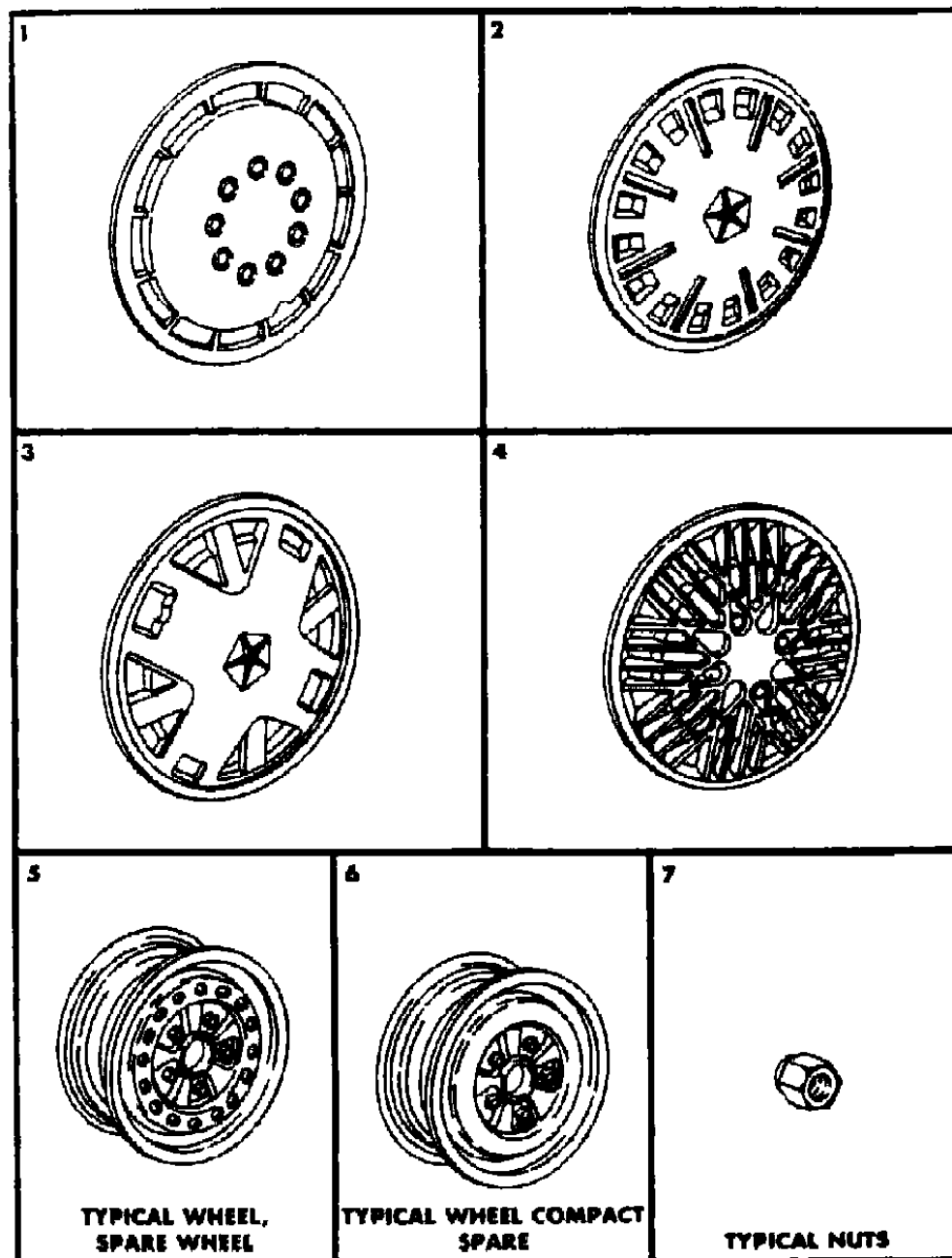
BODY STYLES

12-52 = FWD VAN & WAGON STD. W.B. 27 = 2-DOOR CONVERTIBLE
 13-53 = FWD VAN & WGN EXT W.B. 41 = 4-DOOR SEDAN
 21 = 2-DOOR SEDAN 44 = 4-DOOR HATCHBACK
 24 = 2-DOOR HATCHBACK 45 = 4-DOOR STATION WAGON

AR = Use as Required - = Non Illustrated Part P.A.R. = Paint as Required

WHEELS AND COVERS K BODY - P,D
Figure 22-400

8122 400 A



ITEM	PART NUMBER	QTY	BODY	MODEL	DESCRIPTION
1	4284 117	4			COVER, (W3B)
2	4284 061	4			COVER, (W3A)
3	4284 119	4			COVER, (W4A)
4	4284 729	4			COVER, (W4L)
5	4284 404	4			WHEEL, 13 x 5.0, Argent, 5 Stud
	4284 390	4			WHEEL, 14 x 5.5, 5 Stud
	4284 404	1			WHEEL, Spare 13 x 5.0, Argent, 5 Stud
6	4284 373	1			WHEEL, Compact Spare, 14 x 4.5, 5 Stud
7	6500 526	AR			NUT, Standard

MODEL CODES

C BODY = (D41 - DYNASTY)(C41 - NEW YORKER)
 E BODY = (J - CARAVELLE)(E - 600)(T - NEW YORKER TURBO)
 G BODY = (V24 - DAYTONA, PACIFICA & SHELBY)
 H BODY = (D44 - LANCER)(C44 - LEBARON GTS)
 J BODY = (C - LEBARON)
 K BODY = (P - RELIANT)(D - ARIES)(C - LEBARON/ TOWN & COUNTRY)

L BODY = (M - HORIZON)(Z-OMNI)
 M BODY = (B - GRAN FURY)(G - DIPLOMAT)(F - FIFTH AVENUE/NEWPORT)
 P BODY = (P - SUNDANCE)(D - SHADOW)
 Q BODY = (C27 - MASERATI)
 S BODY = (H - VOYAGER)(K - RAM VAN/ CARAVAN)

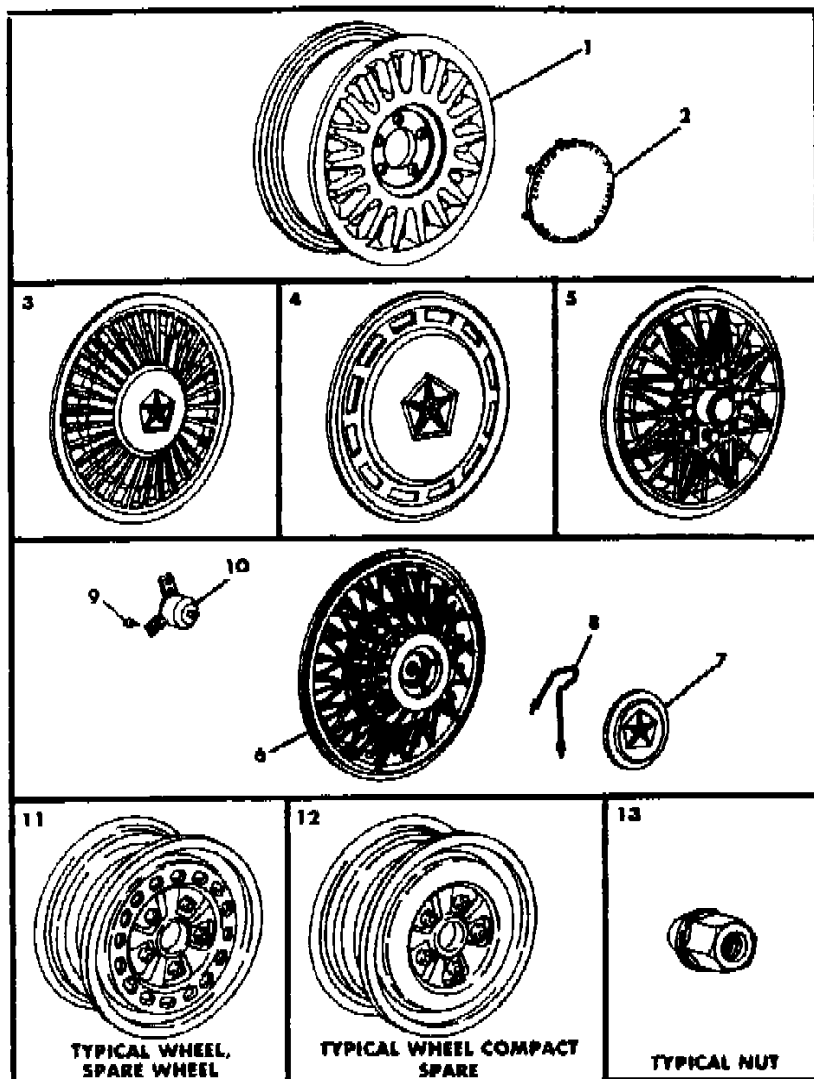
BODY STYLES

12-52 = FWD VAN & WAGON STD. W.B. 27 = 2-DOOR CONVERTIBLE
 13-53 = FWD VAN & WGN EXT W.B. 41 = 4-DOOR SEDAN
 21 = 2-DOOR SEDAN 44 = 4-DOOR HATCHBACK
 24 = 2-DOOR HATCHBACK 45 = 4-DOOR STATION WAGON

AR = Use as Required - = Non Illustrated Part P.A.R. = Paint as Required

WHEELS AND COVERS K BODY - C E BODY
Figure 22-500

8122 500 A



ITEM	PART NUMBER	QTY	BODY	MODEL	DESCRIPTION
1	4284 348	4			WHEEL, 14 x 5.5, 18 Spoke
2	4284 653	4			CAP
3	4284 086	4			COVER, (W4J)
4	4284 064	4			COVER, (W4C)
5	4284 415	4			COVER, (W4R)
6	4284 449	4			COVER, Wire (W4P)
7	4284 457	4			CAP
8	4284 052	AR			SPOKE
9	6029 190	16			SCREW
10	4284 343	4			RETAINER
11	4284 390	4			WHEEL, 14 x 5.5
	4284 390	1			WHEEL, Conventional Spare, 14 x 5.5
12	4284 373	1			WHEEL, Compact Spare, 14 x 4.0
13	6500 294	AR			NUT, Chrome Cap
	6500 092	AR			NUT, w/o Cap

MODEL CODES

C BODY = (D41 - DYNASTY)(C41 - NEW YORKER)	L BODY = (M - HORIZON)(Z-OMNI)
E BODY = (J - CARAVELLE)(E - 600)(T - NEW YORKER TURBO)	M BODY = (B - GRAN FURY)(G - DIPLOMAT)(F - FIFTH AVENUE/NEWPORT)
G BODY = (V24 - DAYTONA, PACIFICA & SHELBY)	P BODY = (P - SUNDANCE)(D - SHADOW)
H BODY = (D44 - LANCER)(C44 - LEBARON GTS)	Q BODY = (C27 - MASERATI)
J BODY = (C - LEBARON)	S BODY = (H - VOYAGER)(K - RAM VAN/ CARAVAN)
K BODY = (P - RELIANT)(D - ARIES)(C - LEBARON/ TOWN & COUNTRY)	

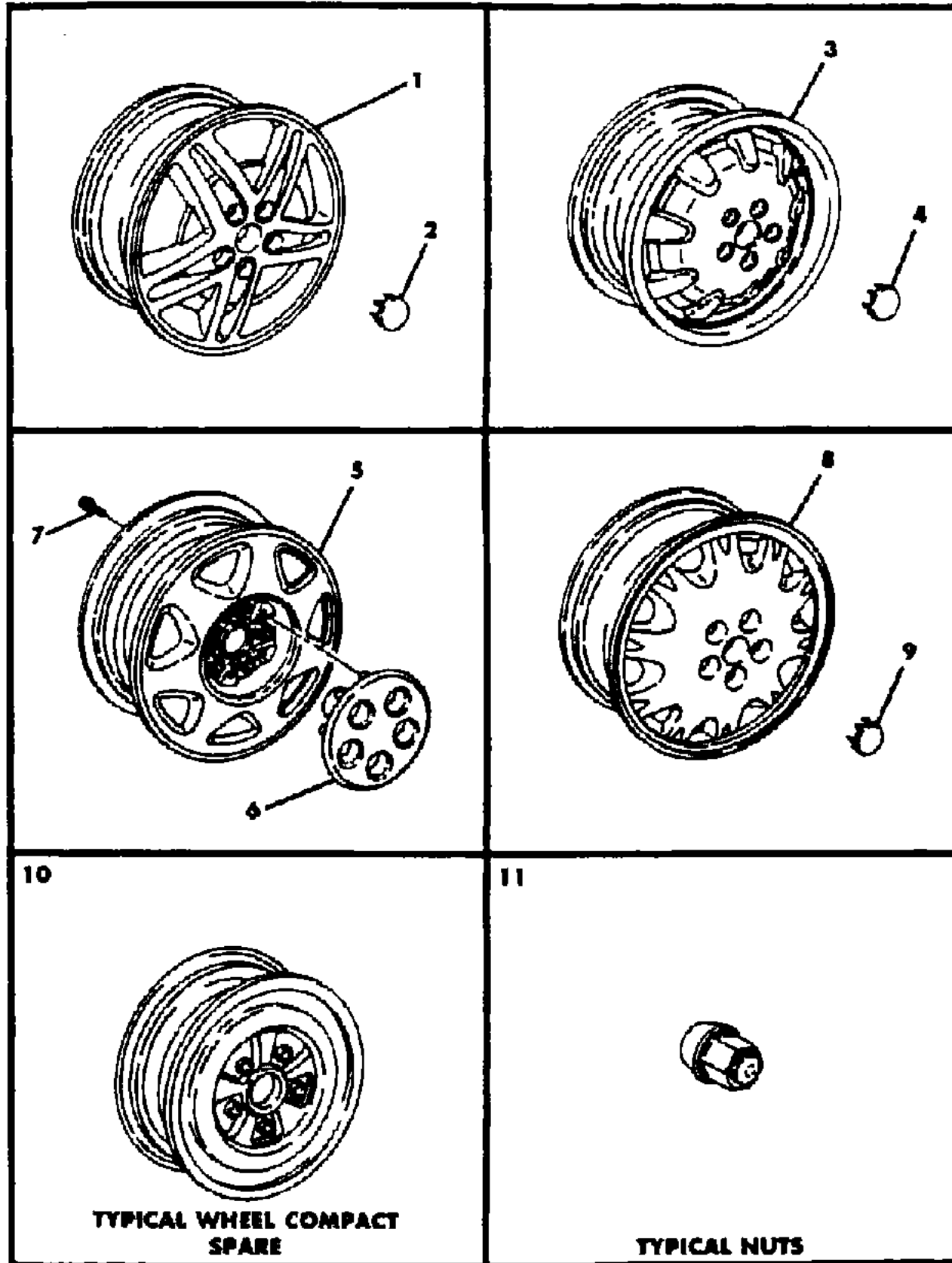
BODY STYLES

12-52 = FWD VAN & WAGON STD. W.B.	27 = 2-DOOR CONVERTIBLE
13-53 = FWD VAN & WGN EXT W.B.	41 = 4-DOOR SEDAN
21 = 2-DOOR SEDAN	44 = 4-DOOR HATCHBACK
24 = 2-DOOR HATCHBACK	45 = 4-DOOR STATION WAGON

AR = Use as Required - = Non Illustrated Part P.A.R. = Paint as Required

WHEELS AND COVERS G BODY
Figure 22-600

8122 600 A



ITEM	PART NUMBER	QTY	BODY	MODEL	DESCRIPTION
1	4284 501	4			WHEEL, 14 x 5.5, Aluminum
2	4284 004	4			CAP
3	X088 EA1	4			WHEEL, 15 x 6.5, Cast Aluminum (Stamping #4284398)
4	X089 EA1	4			CAP, Silver
	X089 GS4	4			Charcoal
5	4284 244	4			WHEEL, 14 x 5.5
6	4284 363	4			DOME
7	6029 190	12			SCREW
8	4284 543	4			WHEEL, 15 x 6.0, Cast Aluminum
9	4284 004	4			CAP
10	4284 435	1			WHEEL, Compact Spare, 15 x 4.0, 5 Studs
11	6500 294	AR			NUT, Chrome Cap

MODEL CODES

C BODY = (D41 - DYNASTY)(C41 - NEW YORKER)
 E BODY = (J - CARAVELLE)(E - 600)(T - NEW YORKER TURBO)
 G BODY = (V24 - DAYTONA, PACIFICA & SHELBY)
 H BODY = (D44 - LANCER)(C44 - LEBARON GTS)
 J BODY = (C - LEBARON)
 K BODY = (P - RELIANT)(D - ARIES)(C - LEBARON/ TOWN & COUNTRY)

L BODY = (M - HORIZON)(Z-OMNI)
 M BODY = (B - GRAN FURY)(G - DIPLOMAT)(F - FIFTH AVENUE/NEWPORT)
 P BODY = (P - SUNDANCE)(D - SHADOW)
 Q BODY = (C27 - MASERATI)
 S BODY = (H - VOYAGER)(K - RAM VAN/ CARAVAN)

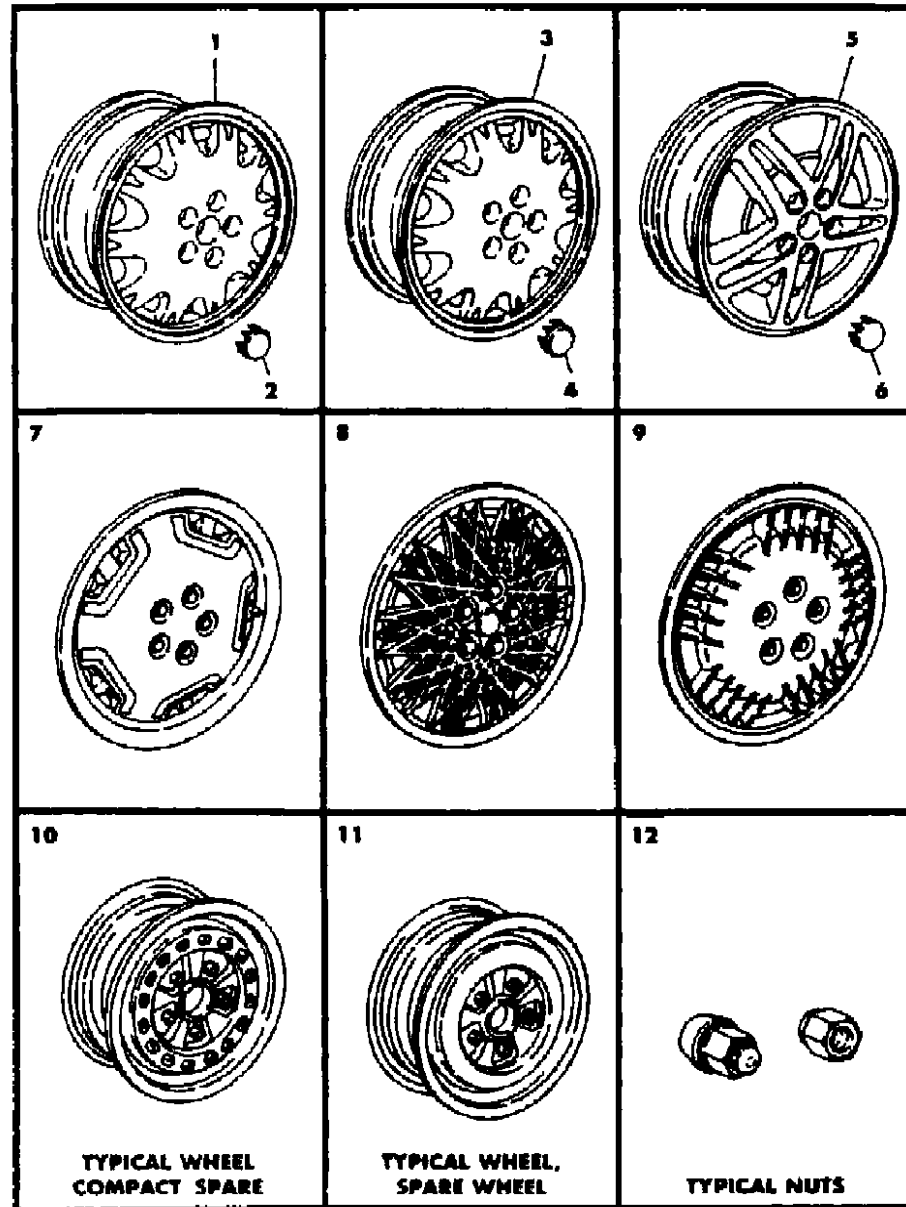
BODY STYLES

12-52 = FWD VAN & WAGON STD. W.B.	27 = 2-DOOR CONVERTIBLE
13-53 = FWD VAN & WGN EXT W.B.	41 = 4-DOOR SEDAN
21 = 2-DOOR SEDAN	44 = 4-DOOR HATCHBACK
24 = 2-DOOR HATCHBACK	45 = 4-DOOR STATION WAGON

AR = Use as Required - = Non Illustrated Part P.A.R. = Paint as Required

WHEELS AND COVERS H BODY
Figure 22-700

8122 700 A



ITEM	PART NUMBER	QTY	BODY	MODEL	DESCRIPTION
1	4284 543	4			WHEEL, 15 x 6.0, Cast Aluminum
2	4284 004	4			CAP
3	4284 915	4			WHEEL, 15 x 6.0, Aluminum, White
4	4284 869	4			CAP, Cast Aluminum, White
	4284 868	4			CAP, Cast Aluminum
5	4284 501	4			WHEEL, 14 x 5.5, Cast Aluminum
6	4284 004	4			CAP
7	4284 511	4			COVER, (W5E)
8	4284 445	4			COVER, (W4T)
9	4284 683	4			COVER, (W4G)
10	4284 390	4			WHEEL, 14 x 5.5
	4284 480	4			WHEEL, 15 x 6.0
	4284 390	1			WHEEL, Conventional Spare, 14 x 5.5
11	4284 373	1			WHEEL, Compact Spare, 14 x 4.0
12	6500 294	AR			NUT, Chrome Cap
	6500 526	AR			NUT, Standard

MODEL CODES

C BODY = (D41 - DYNASTY)(C41 - NEW YORKER)
 E BODY = (J - CARAVELLE)(E - 600)(T - NEW YORKER TURBO)
 G BODY = (V24 - DAYTONA, PACIFICA & SHELBY)
 H BODY = (D44 - LANCER)(C44 - LEBARON GTS)
 J BODY = (C - LEBARON)
 K BODY = (P - RELIANT)(D - ARIES)(C - LEBARON/ TOWN & COUNTRY)

L BODY = (M - HORIZON)(Z-OMNI)
 M BODY = (B - GRAN FURY)(G - DIPLOMAT)(F - FIFTH AVENUE/NEWPORT)
 P BODY = (P - SUNDANCE)(D - SHADOW)
 Q BODY = (C27 - MASERATI)
 S BODY = (H - VOYAGER)(K - RAM VAN/ CARAVAN)

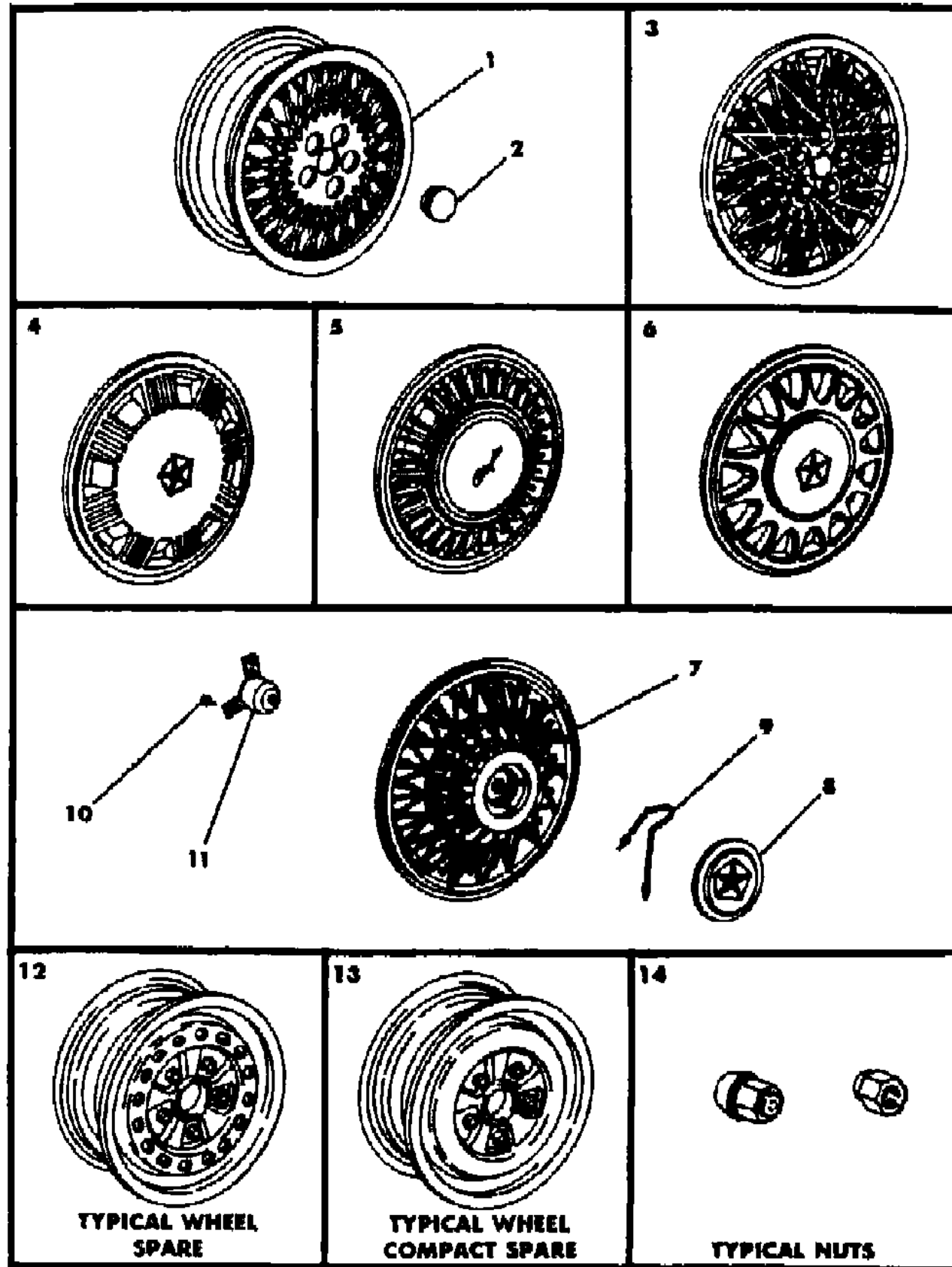
BODY STYLES

12-52 = FWD VAN & WAGON STD. W.B. 27 = 2-DOOR CONVERTIBLE
 13-53 = FWD VAN & WGN EXT W.B. 41 = 4-DOOR SEDAN
 21 = 2-DOOR SEDAN 44 = 4-DOOR HATCHBACK
 24 = 2-DOOR HATCHBACK 45 = 4-DOOR STATION WAGON

AR = Use as Required - = Non Illustrated Part P.A.R. = Paint as Required

WHEELS AND COVERS C BODY
Figure 22-750

8122 750 A



ITEM	PART NUMBER	QTY	BODY	MODEL	DESCRIPTION
1	4284 655	4			WHEEL, 14 x 5.5, Cast Aluminum
2	4284 564	4			CAP
3	4284 445	4			COVER, Plastic (W4T)
4	4284 677	4			COVER, 14" (W4V)
5	4284 610	4			COVER, 14", Interlace Wheel (W4F)
6	4284 605	4			COVER, 14", (W4K)
7	4284 449	4			COVER, Wire (W4P)
8	4284 457	4			CAP
9	4284 052	4			SPOKE
10	6029 190	AR			SCREW
11	4284 343	4			RETAINER
12	4284 433	AR			WHEEL, 14 x 5.5 H.D., Conventional, Conventional Spare up to 1-25-88
	4284 929	AR			after 1-25-88
13	4284 435	4			WHEEL, 15 x 4.0, "T" Compact Spare with Decal
14	6500 294	AR			NUT, Chrome Cap
	6500 526	AR			NUT, Standard

MODEL CODES

C BODY = (D41 - DYNASTY)(C41 - NEW YORKER)
 E BODY = (J - CARAVELLE)(E - 600)(T - NEW YORKER TURBO)
 G BODY = (V24 - DAYTONA, PACIFICA & SHELBY)
 H BODY = (D44 - LANCER)(C44 - LEBARON GTS)
 J BODY = (C - LEBARON)
 K BODY = (P - RELIANT)(D - ARIES)(C - LEBARON/ TOWN & COUNTRY)

L BODY = (M - HORIZON)(Z-OMNI)
 M BODY = (B - GRAN FURY)(G - DIPLOMAT)(F - FIFTH AVENUE/NEWPORT)
 P BODY = (P - SUNDANCE)(D - SHADOW)
 Q BODY = (C27 - MASERATI)
 S BODY = (H - VOYAGER)(K - RAM VAN/ CARAVAN)

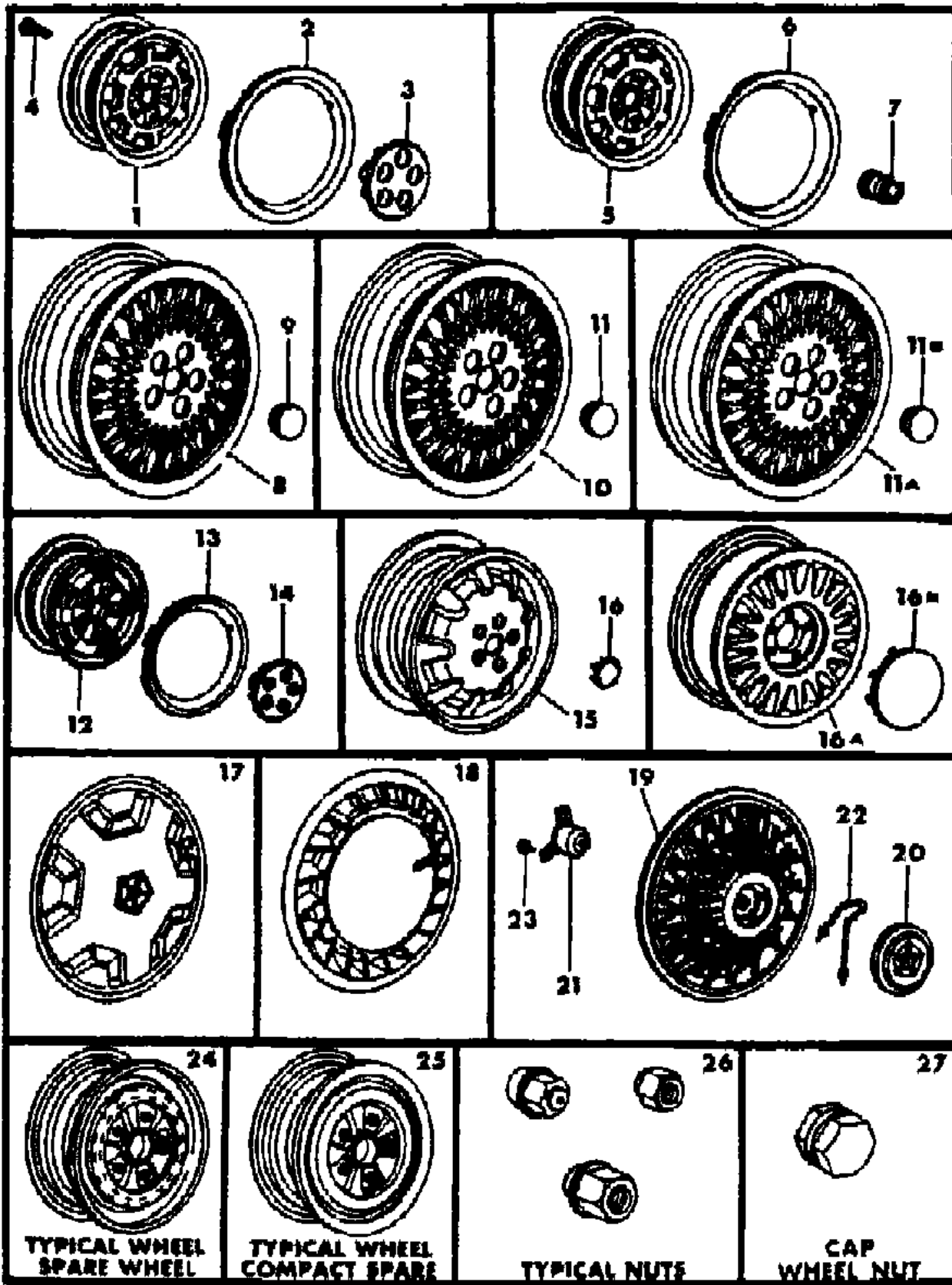
BODY STYLES

12-52 = FWD VAN & WAGON STD. W.B. 27 = 2-DOOR CONVERTIBLE
 13-53 = FWD VAN & WGN EXT W.B. 41 = 4-DOOR SEDAN
 21 = 2-DOOR SEDAN 44 = 4-DOOR HATCHBACK
 24 = 2-DOOR HATCHBACK 45 = 4-DOOR STATION WAGON

AR = Use as Required - = Non Illustrated Part P.A.R. = Paint as Required

WHEELS AND COVERS S BODY
Figure 22-800

8122 800 D



ITEM	PART NUMBER	QTY	BODY	MODEL	DESCRIPTION
1	4284 376	4			WHEEL, 14 x 5.5, 5x100 mm B.C.
2	4126 767	4			RING, Trim
3	4284 116	4			DOME
4	6029 190	4			SCREW
5	4284 376	4			WHEEL, 14 x 5.5, 5x100 MM B.C.
6	4126 767	4			RING, Trim
7	5204 001	4			CAP, Black
8	4284 725	4			WHEEL, 15 x 6.0, 5x100 MM B.C., Argent
9	4284 702	4			CAP, Argent (Use Item 11B)
10	4284 655	4			WHEEL, 14 x 5.5, Cast Aluminum, 5x100 MM B.C.
11	4284 564	4			CAP
11A	X050 GW7	4			WHEEL, 15 x 6.0 Cast Aluminum, 5x100 MM B.C. WHITE
	X050 GD4	4			MIST
11B	X086 GW7	4			CAP WHITE
	X086 GD4	4			MIST
12	4284 618	4			WHEEL, 15 x 6.0, Argent, 5x4.5 IN. B.C.
13	4284 651	4			RING, Trim, 15"
14	4284 659	4			DOME, 15" Wheel
15	X087 GS4	4			WHEEL, 15 x 6.0, Aluminum, Charcoal, 5x100 MM B.C.
16	X089 GS4	4			CAP, Charcoal
	X089 EA1	4			Silver
16A	4284 348	4			WHEEL, 14 x 5.5, 18 Spoke, Cast Aluminum, 5x100 MM B.C.
16B	4284 653	4			CAP
17	4284 674	4			COVER, (W4D)
18	4284 669	4			COVER, (W4Y)
19	4284 449	4			COVER, Wire (W4P)
20	4284 457	4			CAP, (W4P)
21	4284 343	4			RETAINER, (W4P)
22	4284 052	AR			SPOKE, (W4P)
23	6029 190	16			SCREW, (W4P)
24	4284 433	4			WHEEL, 14 x 5.5, Heavy Duty, 5x100 MM B.C.
	4284 618	4			WHEEL, 15 x 6.0, Argent, 5x4.5 IN. B.C. CONVENTIONAL SPARE
	4284 433	1			WHEEL, 14 x 5.5, Heavy Duty, 5x100 MM B.C.
	4284 376	1			WHEEL, 14 x 5.5, 5x100 MM B.C.

MODEL CODES

C BODY = (D41 - DYNASTY)(C41 - NEW YORKER)
 E BODY = (J - CARAVELLE)(E - 600)(T - NEW YORKER TURBO)
 G BODY = (V24 - DAYTONA, PACIFICA & SHELBY)
 H BODY = (D44 - LANCER)(C44 - LEBARON GTS)
 J BODY = (C - LEBARON)
 K BODY = (P - RELIANT)(D - ARIES)(C - LEBARON/ TOWN & COUNTRY)

L BODY = (M - HORIZON)(Z-OMNI)
 M BODY = (B - GRAN FURY)(G - DIPLOMAT)(F - FIFTH AVENUE/NEWPORT)
 P BODY = (P - SUNDANCE)(D - SHADOW)
 Q BODY = (C27 - MASERATI)
 S BODY = (H - VOYAGER)(K - RAM VAN/ CARAVAN)

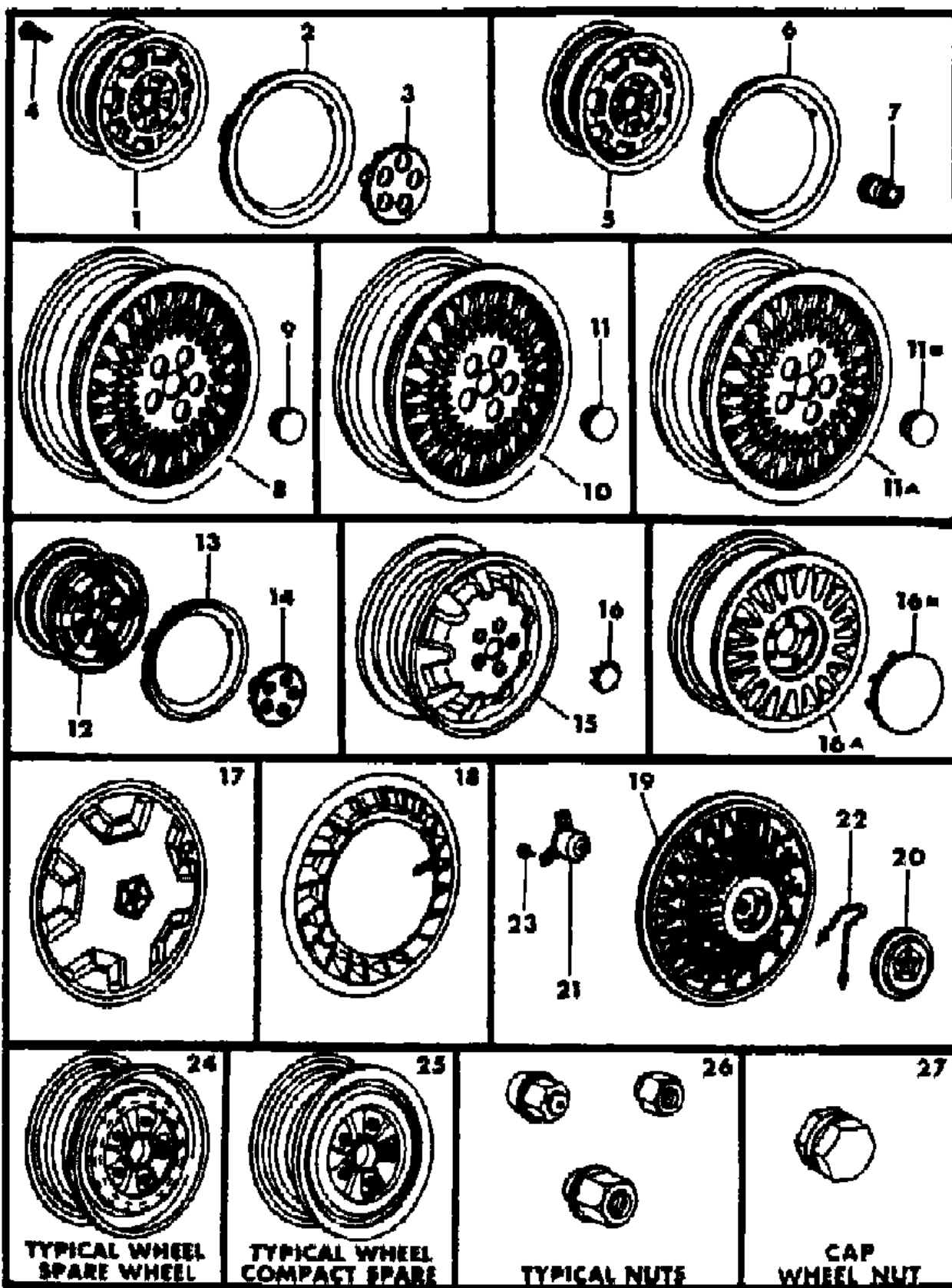
BODY STYLES

12-52 = FWD VAN & WAGON STD. W.B. 27 = 2-DOOR CONVERTIBLE
 13-53 = FWD VAN & WGN EXT W.B. 41 = 4-DOOR SEDAN
 21 = 2-DOOR SEDAN 44 = 4-DOOR HATCHBACK
 24 = 2-DOOR HATCHBACK 45 = 4-DOOR STATION WAGON

AR = Use as Required - = Non Illustrated Part P.A.R. = Paint as Required

WHEELS AND COVERS S BODY
Figure 22-800

8122 800 D



ITEM	PART NUMBER	QTY	BODY	MODEL	DESCRIPTION
	4284 618	1			WHEEL, 15 x 6.0, Argent, 5x4.5 IN. B.C.
	4284 480	1			WHEEL, 15 x 6.0 Black, 5x100mm B.C.
25	4284 435	1			WHEEL, Compact Spare, 15 x 4.0, "T", 5 Studs and Decal
26	6500 294	AR			NUT, Chrome Cap
	6500 092	AR			NUT, without Cap
27	5204 250	AR			CAP, Wheel Nut, Black

MODEL CODES

C BODY = (D41 - DYNASTY)(C41 - NEW YORKER)	L BODY = (M - HORIZON)(Z-OMNI)
E BODY = (J - CARAVELLE)(E - 600)(T - NEW YORKER TURBO)	M BODY = (B - GRAN FURY)(G - DIPLOMAT)(F - FIFTH AVENUE/NEWPORT)
G BODY = (V24 - DAYTONA, PACIFICA & SHELBY)	P BODY = (P - SUNDANCE)(D - SHADOW)
H BODY = (D44 - LANCER)(C44 - LEBARON GTS)	Q BODY = (C27 - MASERATI)
J BODY = (C - LEBARON)	S BODY = (H - VOYAGER)(K - RAM VAN/ CARAVAN)
K BODY = (P - RELIANT)(D - ARIES)(C - LEBARON/ TOWN & COUNTRY)	

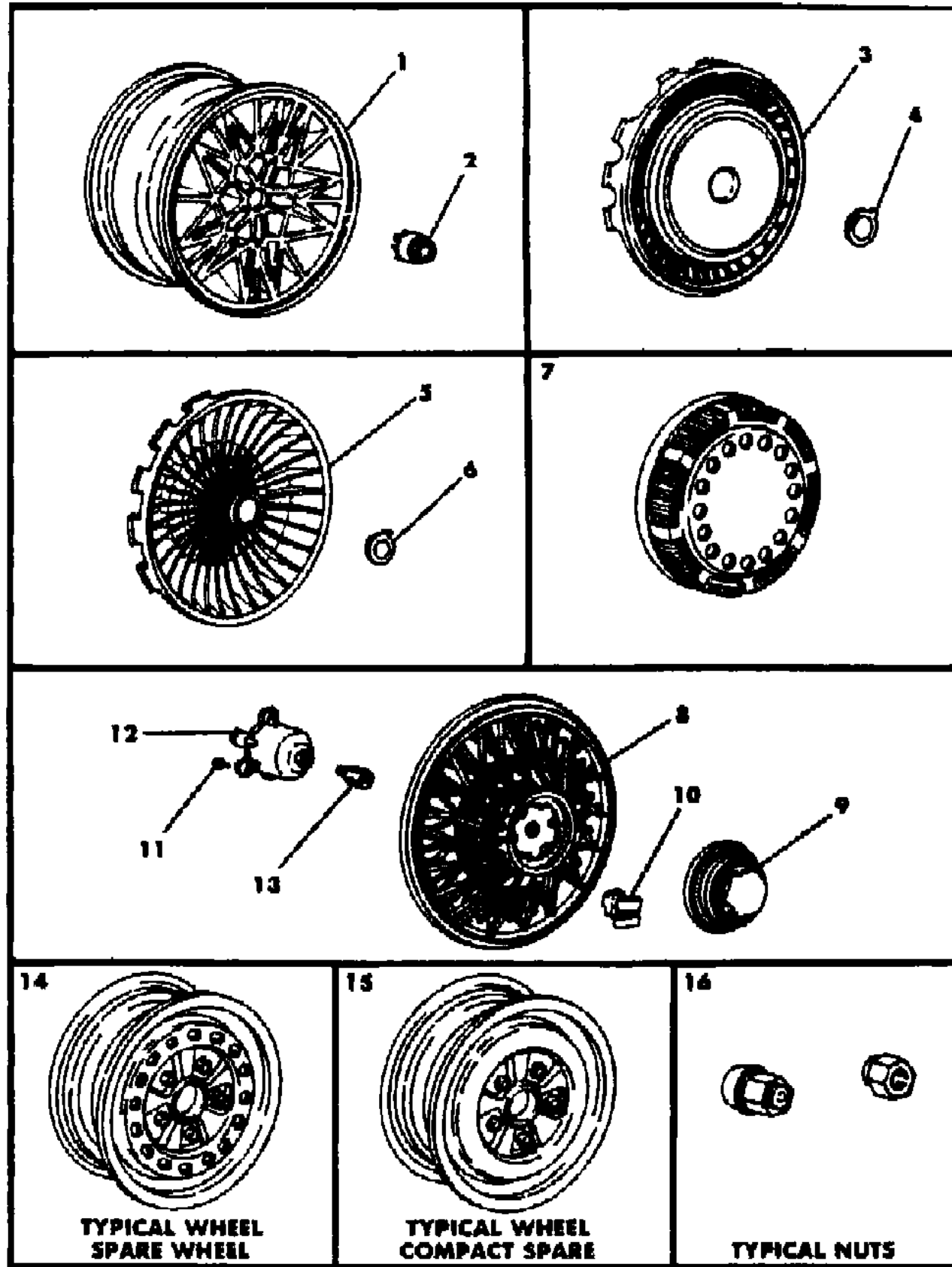
BODY STYLES

12-52 = FWD VAN & WAGON STD. W.B.	27 = 2-DOOR CONVERTIBLE
13-53 = FWD VAN & WGN EXT W.B.	41 = 4-DOOR SEDAN
21 = 2-DOOR SEDAN	44 = 4-DOOR HATCHBACK
24 = 2-DOOR HATCHBACK	45 = 4-DOOR STATION WAGON

AR = Use as Required - = Non Illustrated Part P.A.R. = Paint as Required

WHEELS AND COVERS M BODY
Figure 22-900

8122 900 A



ITEM	PART NUMBER	QTY	BODY	MODEL	DESCRIPTION
1	4126 694	4			WHEEL, 15 x 7.0, Cast Aluminum
2	4284 320	4			CAP
3	#3880 966	4			COVER, (W5B)
4	4126 519	4			DECAL
5	4284 826	4			COVER, with Decal, (W5H)
6	4126 519	4			DECAL
7	3699 152	4			CAP, Hub w/Holes (WHA)
8	4284 306	4			COVER, Wire Wheel, Partial
9	4126 536	4			CAP
10	4238 500	12			CLIP, Cap, Hold
11	6031 712	12			SCREW
12	4126 541	4			RETAINER
13	#4126 692	4			ADAPTER, Lock Bolt
14	3580 060	4			WHEEL, 14 x 6.0
	4126 675	4			WHEEL, 15 x 7.0
	3766 077	4			WHEEL, 15 x 7.0, Heavy Duty
	3766 077	4			WHEEL, 15 x 7.0, Heavy Duty (POLICE)
					CONVENTIONAL SPARE
	3580 060	1			WHEEL, 14 x 6.0
	4126 675	1			WHEEL, 15 x 7.0
	3766 077	1			WHEEL, 15 x 7.0, Heavy Duty
15	3880 940	1			WHEEL, Compact Spare, 15 x 4.0
16	6031 535	AR			NUT, Chrome Cap, 1/2" Thread
	2409 826	AR			NUT, Standard

MODEL CODES

C BODY = (D41 - DYNASTY)(C41 - NEW YORKER)
 E BODY = (J - CARAVELLE)(E - 600)(T - NEW YORKER TURBO)
 G BODY = (V24 - DAYTONA, PACIFICA & SHELBY)
 H BODY = (D44 - LANCER)(C44 - LEBARON GTS)
 J BODY = (C - LEBARON)
 K BODY = (P - RELIANT)(D - ARIES)(C - LEBARON/ TOWN & COUNTRY)

L BODY = (M - HORIZON)(Z-OMNI)
 M BODY = (B - GRAN FURY)(G - DIPLOMAT)(F - FIFTH AVENUE/NEWPORT)
 P BODY = (P - SUNDANCE)(D - SHADOW)
 Q BODY = (C27 - MASERATI)
 S BODY = (H - VOYAGER)(K - RAM VAN/ CARAVAN)

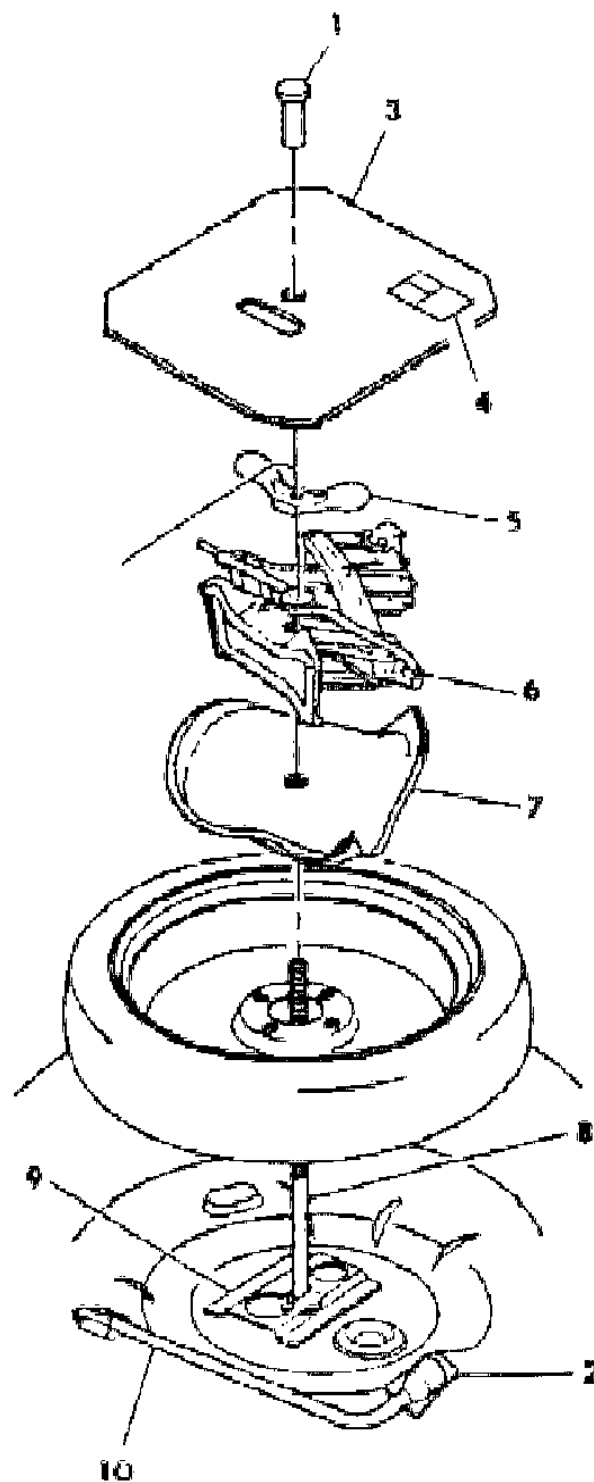
BODY STYLES

12-52 = FWD VAN & WAGON STD. W.B. 27 = 2-DOOR CONVERTIBLE
 13-53 = FWD VAN & WGN EXT W.B. 41 = 4-DOOR SEDAN
 21 = 2-DOOR SEDAN 44 = 4-DOOR HATCHBACK
 24 = 2-DOOR HATCHBACK 45 = 4-DOOR STATION WAGON

AR = Use as Required - = Non Illustrated Part P.A.R. = Paint as Required

JACK AND SPARE TIRE STOWAGE L BODY
Figure 22-1000

8122 1000



ITEM	PART NUMBER	QTY	BODY	MODEL	DESCRIPTION
1	4371 128	1			CAP
2	4337 798	1			PAD
3	4337 716	1			COVER
4	4341 397	1			LABEL
5	6032 619	1			WING NUT
6	4341 310	1			JACK
7	4337 523	1			PAD
8	6032 744	1			BOLT
9	3791 040	1			BRACKET
10	4341 716	1			WRENCH, Lug

MODEL CODES

C BODY = (D41 - DYNASTY)(C41 - NEW YORKER)	L BODY = (M - HORIZON)(Z-OMNI)
E BODY = (J - CARAVELLE)(E - 600)(T - NEW YORKER TURBO)	M BODY = (B - GRAN FURY)(G - DIPLOMAT)(F - FIFTH AVENUE/NEWPORT)
G BODY = (V24 - DAYTONA, PACIFICA & SHELBY)	P BODY = (P - SUNDANCE)(D - SHADOW)
H BODY = (D44 - LANCER)(C44 - LEBARON GTS)	Q BODY = (C27 - MASERATI)
J BODY = (C - LEBARON)	S BODY = (H - VOYAGER)(K - RAM VAN/ CARAVAN)
K BODY = (P - RELIANT)(D - ARIES)(C - LEBARON/ TOWN & COUNTRY)	

BODY STYLES

12-52 = FWD VAN & WAGON STD. W.B.	27 = 2-DOOR CONVERTIBLE
13-53 = FWD VAN & WGN EXT W.B.	41 = 4-DOOR SEDAN
21 = 2-DOOR SEDAN	44 = 4-DOOR HATCHBACK
24 = 2-DOOR HATCHBACK	45 = 4-DOOR STATION WAGON

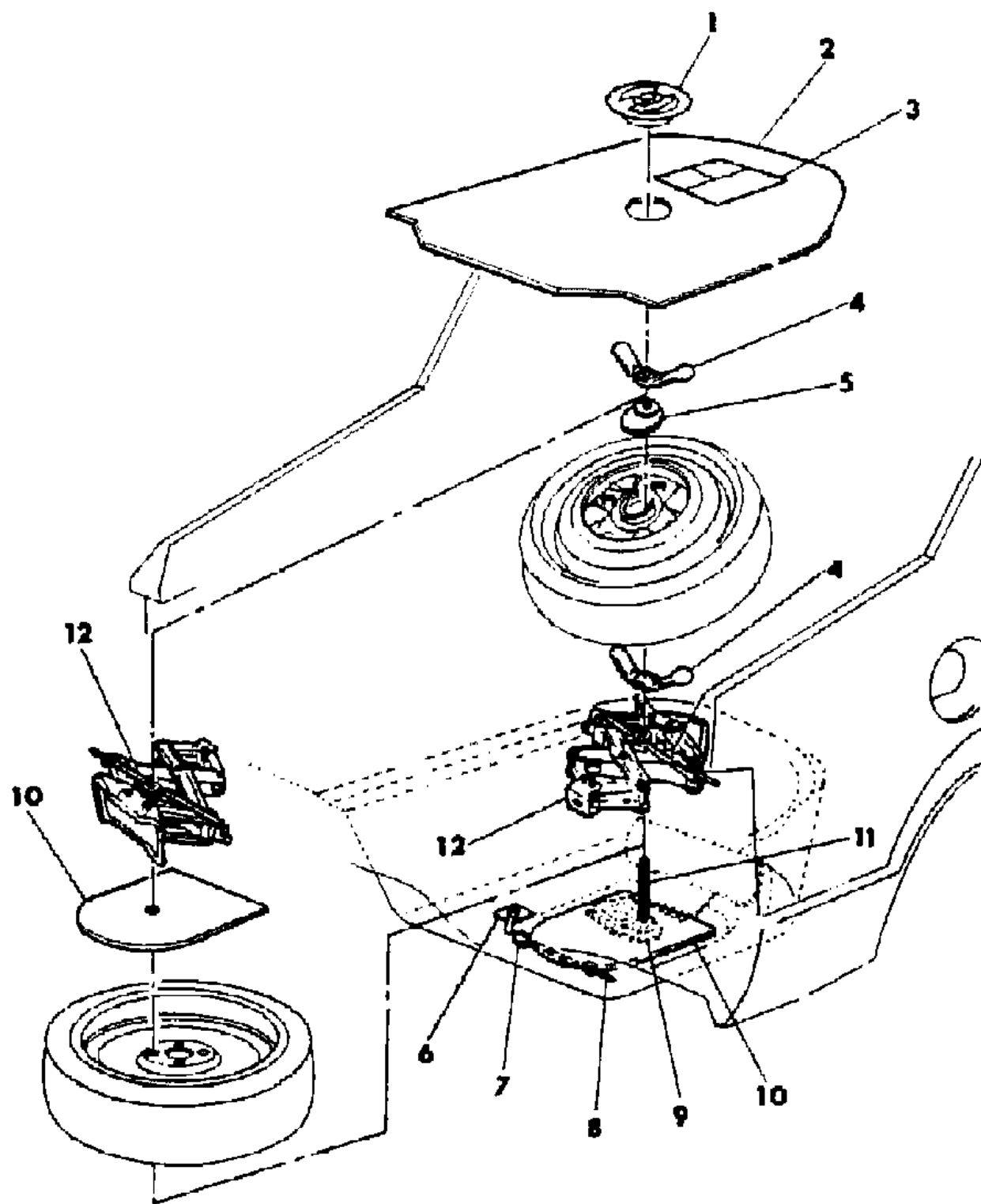
AR = Use as Required - = Non Illustrated Part P.A.R. = Paint as Required

JACK AND SPARE TIRE STOWAGE P BODY

Figure 22-1100

8122 1100

ITEM	PART NUMBER	QTY	BODY	MODEL	DESCRIPTION
1	4371 785	1			PLATE
2	4248 913	1			COVER
3	4341 578	1			LABEL
4	6032 619	2			WING NUT
5	4314 899	1			PLATE
6	4337 798	1			PAD
7	4337 940	1			CLIP
8	4341 716	1			WRENCH
9		1			BRACKET, (serv. in 23A)
10	4337 523	1			PAD
11	6032 790	1			BOLT
12	4341 311	1			JACK



CONVENTIONAL TIRE

MODEL CODES

C BODY = (D41 - DYNASTY)(C41 - NEW YORKER)
 E BODY = (J - CARAVELLE)(E - 600)(T - NEW YORKER TURBO)
 G BODY = (V24 - DAYTONA, PACIFICA & SHELBY)
 H BODY = (D44 - LANCER)(C44 - LEBARON GTS)
 J BODY = (C - LEBARON)
 K BODY = (P - RELIANT)(D - ARIES)(C - LEBARON/ TOWN & COUNTRY)

L BODY = (M - HORIZON)(Z-OMNI)
 M BODY = (B - GRAN FURY)(G - DIPLOMAT)(F - FIFTH AVENUE/NEWPORT)
 P BODY = (P - SUNDANCE)(D - SHADOW)
 Q BODY = (C27 - MASERATI)
 S BODY = (H - VOYAGER)(K - RAM VAN/ CARAVAN)

BODY STYLES

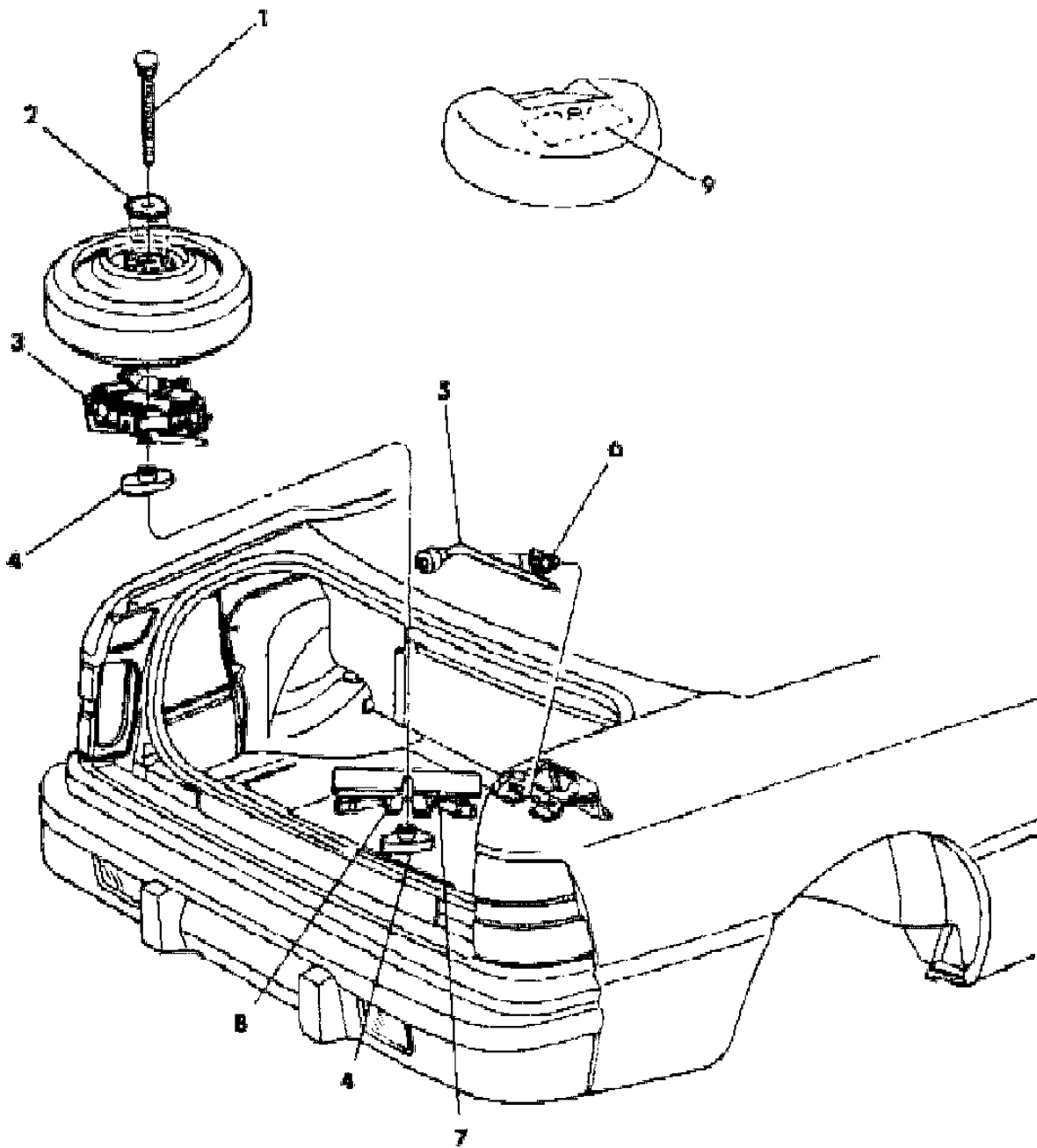
12-52 = FWD VAN & WAGON STD. W.B. 27 = 2-DOOR CONVERTIBLE
 13-53 = FWD VAN & WGN EXT W.B. 41 = 4-DOOR SEDAN
 21 = 2-DOOR SEDAN 44 = 4-DOOR HATCHBACK
 24 = 2-DOOR HATCHBACK 45 = 4-DOOR STATION WAGON

AR = Use as Required - = Non Illustrated Part P.A.R. = Paint as Required

JACK AND SPARE TIRE STOWAGE J BODY - C-27

Figure 22-1200

8122 1200



ITEM	PART NUMBER	QTY	BODY	MODEL	DESCRIPTION
1	6033 334	1			BOLT, Spare Tire and Jack
2	4371 895	1			PLATE, Spare Tire Hold Down Retainer
3	4341 311	1			JACK
4	4416 028	1			WING NUT, Underbody Spare
5	4341 716	1			WRENCH, Wheel Lug
6	4416 086	2			CLIP, Retaining Rear Floor Pan
7	4416 027	1			BRACKET, Compact Spare and Jack Storage
8		1			REINFORCEMENT, Compact Spare and Jack Storage Bracket (serviced in 4416027)
9	4440 292	1			LABEL, Jack and Tire Stowage

MODEL CODES

C BODY = (D41 - DYNASTY)(C41 - NEW YORKER)
 E BODY = (J - CARAVELLE)(E - 600)(T - NEW YORKER TURBO)
 G BODY = (V24 - DAYTONA, PACIFICA & SHELBY)
 H BODY = (D44 - LANCER)(C44 - LEBARON GTS)
 J BODY = (C - LEBARON)
 K BODY = (P - RELIANT)(D - ARIES)(C - LEBARON/ TOWN & COUNTRY)
 L BODY = (M - HORIZON)(Z-OMNI)
 M BODY = (B - GRAN FURY)(G - DIPLOMAT)(F - FIFTH AVENUE/NEWPORT)
 P BODY = (P - SUNDANCE)(D - SHADOW)
 Q BODY = (C27 - MASERATI)
 S BODY = (H - VOYAGER)(K - RAM VAN/ CARAVAN)

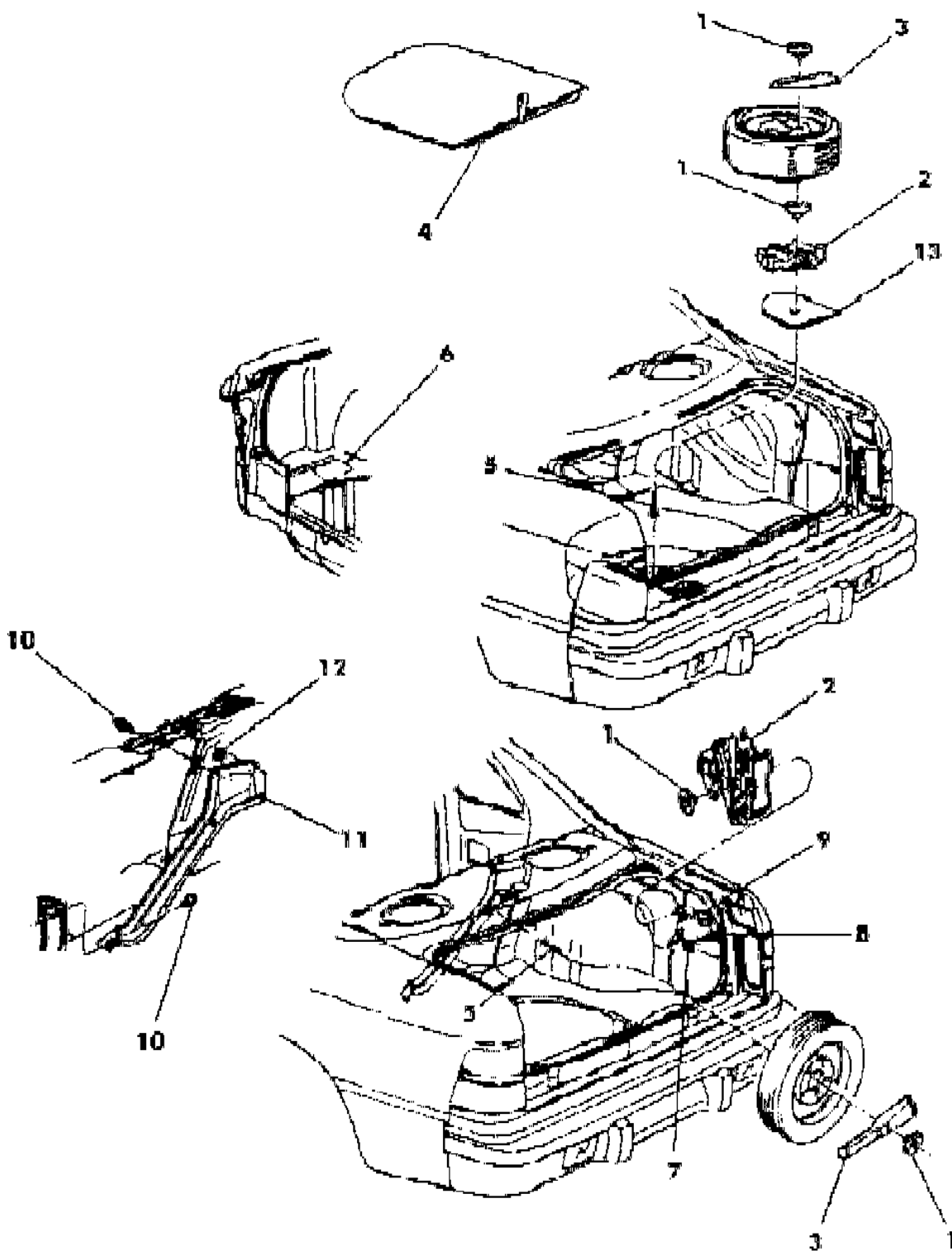
BODY STYLES

12-52 = FWD VAN & WAGON STD. W.B. 27 = 2-DOOR CONVERTIBLE
 13-53 = FWD VAN & WGN EXT W.B. 41 = 4-DOOR SEDAN
 21 = 2-DOOR SEDAN 44 = 4-DOOR HATCHBACK
 24 = 2-DOOR HATCHBACK 45 = 4-DOOR STATION WAGON

AR = Use as Required - = Non Illustrated Part P.A.R. = Paint as Required

JACK AND SPARE TIRE STORAGE J BODY - C-21
Figure 22-1300

8122 1300



ITEM	PART NUMBER	QTY	BODY	MODEL	DESCRIPTION
1	4416 028	1			WING NUT
2	4341 311	1			JACK
3	5216 018	1			HANDLE, Jack
4	4409 902	1			COVER, Spare Tire Carpet Support
5	6033 334	1			BOLT
6	4440 264	1			LABEL, Jack and Tire Stowage
7	4440 052	1			BRACKET, Jack Stowage Bolt
8	6033 442	1			BOLT, up to 8-10-87
-	6033 599	1			after 8-10-87
9	4440 051	1			CLIP
10	6501 185	1			SCREW and WASHER
11	4386 645	1			BRACKET, Shelf Panel Spare Tire Stowage
12	6100 042	1			U-NUT
13	4337 523	1			PAD, Jack and Wheel Anti-Rattle

MODEL CODES

C BODY = (D41 - DYNASTY)(C41 - NEW YORKER)	L BODY = (M - HORIZON)(Z-OMNI)
E BODY = (J - CARAVELLE)(E - 600)(T - NEW YORKER TURBO)	M BODY = (B - GRAN FURY)(G - DIPLOMAT)(F - FIFTH AVENUE/NEWPORT)
G BODY = (V24 - DAYTONA, PACIFICA & SHELBY)	P BODY = (P - SUNDANCE)(D - SHADOW)
H BODY = (D44 - LANCER)(C44 - LEBARON GTS)	Q BODY = (C27 - MASERATI)
J BODY = (C - LEBARON)	S BODY = (H - VOYAGER)(K - RAM VAN/ CARAVAN)
K BODY = (P - RELIANT)(D - ARIES)(C - LEBARON/ TOWN & COUNTRY)	

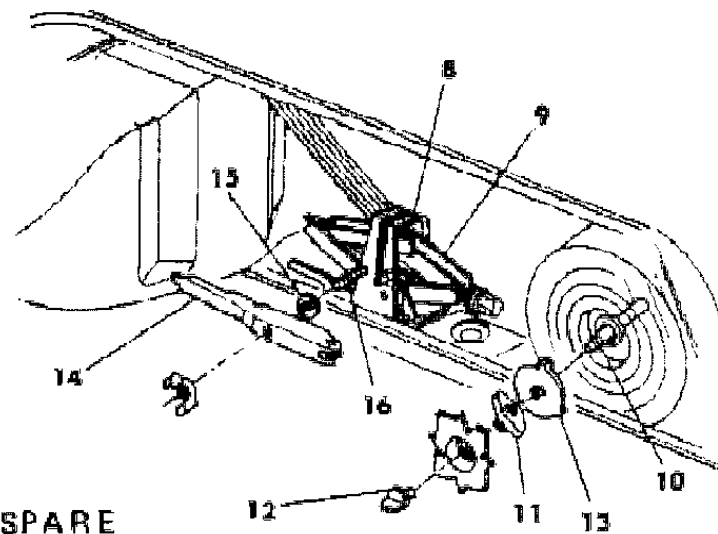
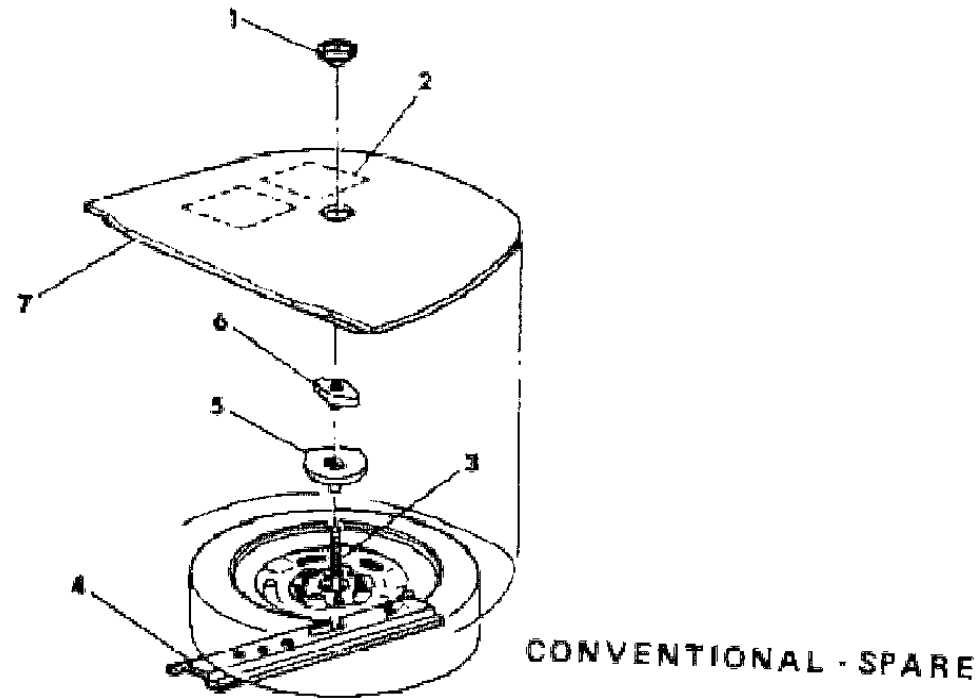
BODY STYLES

12-52 = FWD VAN & WAGON STD. W.B.	27 = 2-DOOR CONVERTIBLE
13-53 = FWD VAN & WGN EXT W.B.	41 = 4-DOOR SEDAN
21 = 2-DOOR SEDAN	44 = 4-DOOR HATCHBACK
24 = 2-DOOR HATCHBACK	45 = 4-DOOR STATION WAGON

AR = Use as Required - = Non Illustrated Part P.A.R. = Paint as Required

JACK AND SPARE TIRE STOWAGE K,E BODY - EXCEPT 45
Figure 22-1400

8122 1400



ITEM	PART NUMBER	QTY	BODY	MODEL	DESCRIPTION
1	4371 785	1			PLATE, Spare Tire Cover Hold Down
2	4440 250	1			LABEL, Jack and Tire Storage
3	6032 744	1			BOLT, Spare Tire Hold Down
4	4337 565	1			BRACKET, Floor Pan Tire Storage
5	4440 366	1			PLATE, Spare Tire Hold Down
6	4416 028	1			WING NUT, Spare Wheel
7	4453 469	1	K		COVER, Spare Tire Well
	4453 473	1	E		COVER, Spare Tire Well
8	4416 774	1			BRACKET, F/Flr. Pan Jack Stowage, Lower
	4416 559	1			BRACKET, F/Flr. Pan Jack Stowage, Upper
9	4342 463	1			JACK
10	6033 423	1			BOLT, Spare Tire Hold Down
11	4416 028	1			WING NUT, Spare Wheel
12	4223 983	1			FASTENER, Spare Tire
13	4440 366	1			PLATE, Spare Tire Hold Down
14	5216 018	1			HANDLE, Jack
15	4440 051	1			CLIP
16	6033 349	1			BOLT, Round Head Short Square Neck

MODEL CODES

C BODY = (D41 - DYNASTY)(C41 - NEW YORKER)	L BODY = (M - HORIZON)(Z-OMNI)
E BODY = (J - CARAVELLE)(E - 600)(T - NEW YORKER TURBO)	M BODY = (B - GRAN FURY)(G - DIPLOMAT)(F - FIFTH AVENUE/NEWPORT)
G BODY = (V24 - DAYTONA, PACIFICA & SHELBY)	P BODY = (P - SUNDANCE)(D - SHADOW)
H BODY = (D44 - LANCER)(C44 - LEBARON GTS)	Q BODY = (C27 - MASERATI)
J BODY = (C - LEBARON)	S BODY = (H - VOYAGER)(K - RAM VAN/ CARAVAN)
K BODY = (P - RELIANT)(D - ARIES)(C - LEBARON/ TOWN & COUNTRY)	

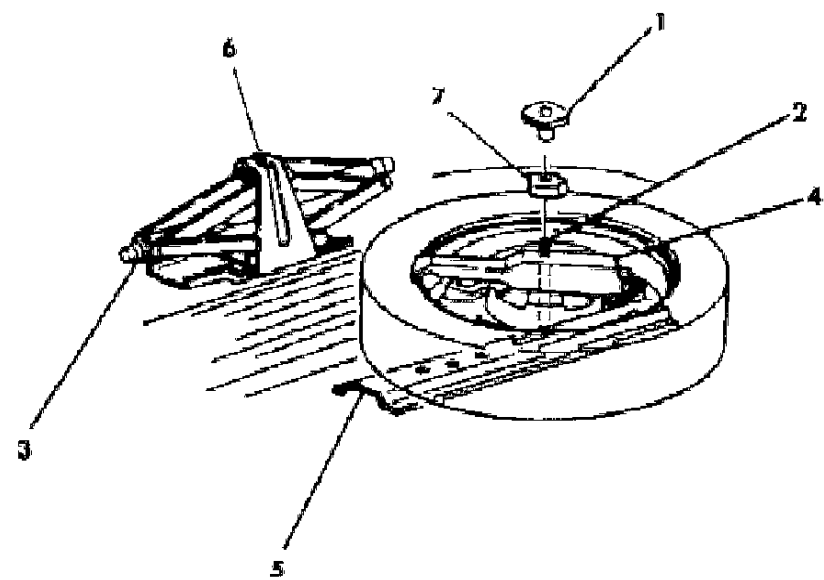
BODY STYLES

12-52 = FWD VAN & WAGON STD. W.B.	27 = 2-DOOR CONVERTIBLE
13-53 = FWD VAN & WGN EXT W.B.	41 = 4-DOOR SEDAN
21 = 2-DOOR SEDAN	44 = 4-DOOR HATCHBACK
24 = 2-DOOR HATCHBACK	45 = 4-DOOR STATION WAGON

AR = Use as Required - = Non Illustrated Part P.A.R. = Paint as Required

JACK AND SPARE TIRE STOWAGE K BODY - P,D,C-45
Figure 22-1500

8122 1500



ITEM	PART NUMBER	QTY	BODY	MODEL	DESCRIPTION
1	4416 028	1			WING NUT
2	6032 266	1			BOLT
3	4342 463	1			JACK, Scissors
4	4341 383	1			HANDLE, Jack
5	4206 247	1			BRACKET, Tire Stowage
-	4304 152	1			LABEL, Jack, Tire
6	4416 775	1			BRACKET, Jack Mtg
7	4314 184	1			RETAINER, Jack Handle Storage

MODEL CODES

C BODY = (D41 - DYNASTY)(C41 - NEW YORKER)	L BODY = (M - HORIZON)(Z-OMNI)
E BODY = (J - CARAVELLE)(E - 600)(T - NEW YORKER TURBO)	M BODY = (B - GRAN FURY)(G - DIPLOMAT)(F - FIFTH AVENUE/NEWPORT)
G BODY = (V24 - DAYTONA, PACIFICA & SHELBY)	P BODY = (P - SUNDANCE)(D - SHADOW)
H BODY = (D44 - LANCER)(C44 - LEBARON GTS)	Q BODY = (C27 - MASERATI)
J BODY = (C - LEBARON)	S BODY = (H - VOYAGER)(K - RAM VAN/ CARAVAN)
K BODY = (P - RELIANT)(D - ARIES)(C - LEBARON/ TOWN & COUNTRY)	

BODY STYLES

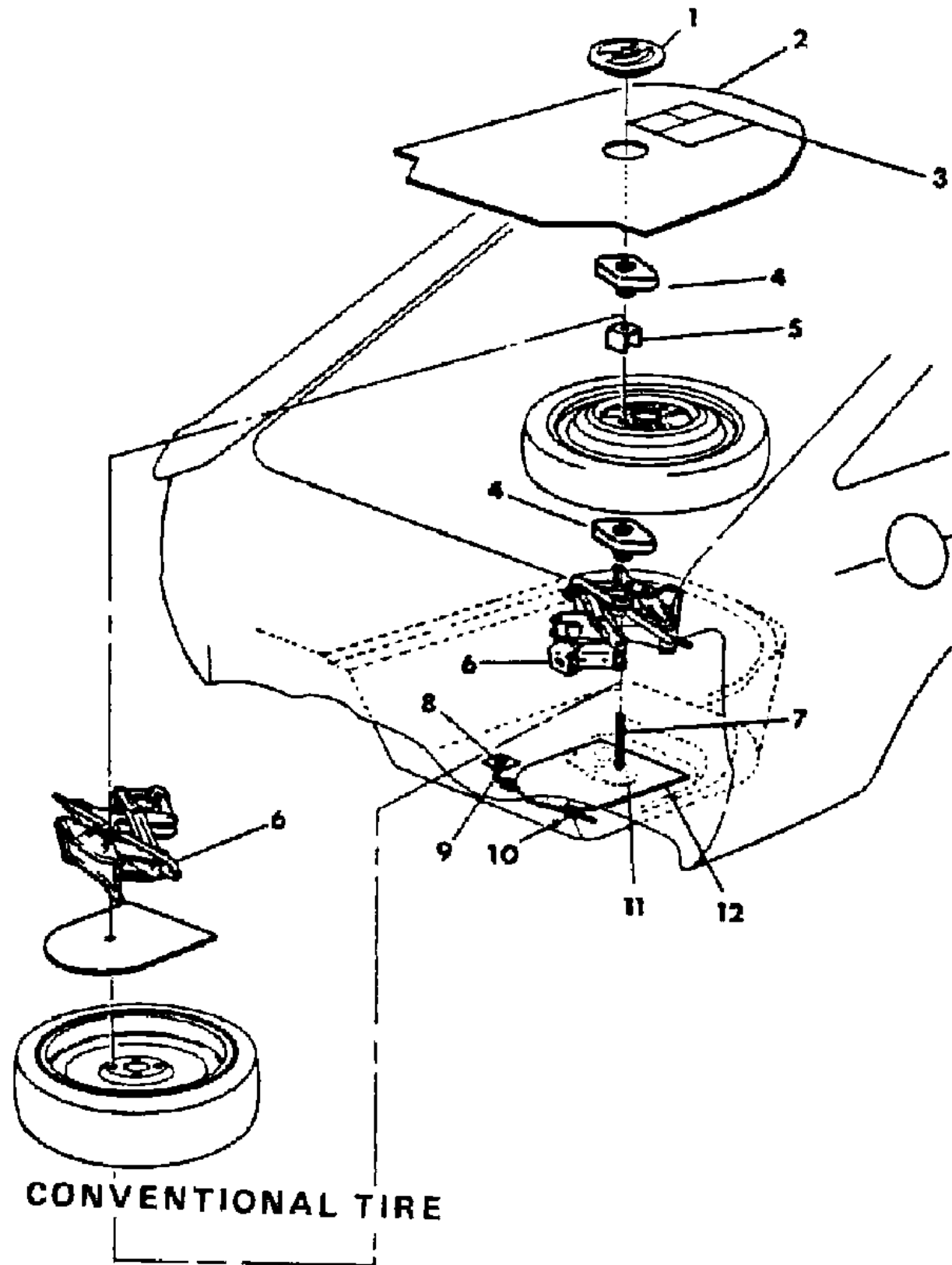
12-52 = FWD VAN & WAGON STD. W.B.	27 = 2-DOOR CONVERTIBLE
13-53 = FWD VAN & WGN EXT W.B.	41 = 4-DOOR SEDAN
21 = 2-DOOR SEDAN	44 = 4-DOOR HATCHBACK
24 = 2-DOOR HATCHBACK	45 = 4-DOOR STATION WAGON

AR = Use as Required - = Non Illustrated Part P.A.R. = Paint as Required

JACK AND SPARE TIRE STOWAGE G BODY

Figure 22-1600

8122 1600



ITEM	PART NUMBER	QTY	BODY	MODEL	DESCRIPTION
1	4371 785	1			PLATE
2	4248 912	1			COVER
3	4341 548	1			LABEL
4	4416 028	1			WING NUT
5	4337 984	1			SPACER
6	4341 311	1			JACK
7	6032 790	1			BOLT
8	4337 798	1			PAD
9	4341 716	1			WRENCH, Lug
10	4337 940	1			CLIP
11		1			BRACKET, (Service in 23C)
12	4337 523	1			PAD

MODEL CODES

C BODY = (D41 - DYNASTY)(C41 - NEW YORKER)
 E BODY = (J - CARAVELLE)(E - 600)(T - NEW YORKER TURBO)
 G BODY = (V24 - DAYTONA, PACIFICA & SHELBY)
 H BODY = (D44 - LANCER)(C44 - LEBARON GTS)
 J BODY = (C - LEBARON)
 K BODY = (P - RELIANT)(D - ARIES)(C - LEBARON/ TOWN & COUNTRY)

L BODY = (M - HORIZON)(Z-OMNI)
 M BODY = (B - GRAN FURY)(G - DIPLOMAT)(F - FIFTH AVENUE/NEWPORT)
 P BODY = (P - SUNDANCE)(D - SHADOW)
 Q BODY = (C27 - MASERATI)
 S BODY = (H - VOYAGER)(K - RAM VAN/ CARAVAN)

BODY STYLES

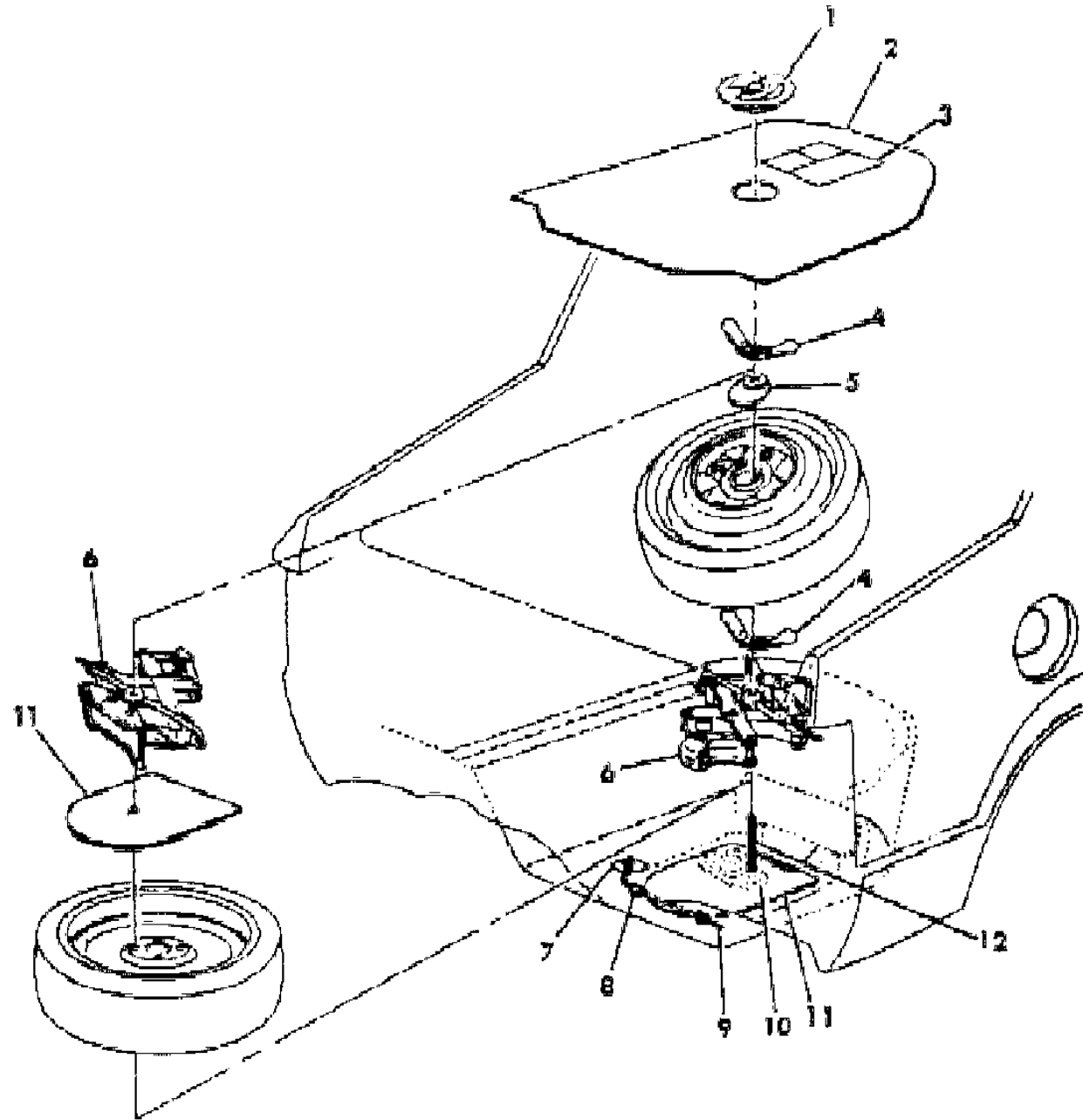
12-52 = FWD VAN & WAGON STD. W.B. 27 = 2-DOOR CONVERTIBLE
 13-53 = FWD VAN & WGN EXT W.B. 41 = 4-DOOR SEDAN
 21 = 2-DOOR SEDAN 44 = 4-DOOR HATCHBACK
 24 = 2-DOOR HATCHBACK 45 = 4-DOOR STATION WAGON

AR = Use as Required - = Non Illustrated Part P.A.R. = Paint as Required

JACK AND SPARE TIRE STOWAGE H BODY

Figure 22-1700

8122 1700



CONVENTIONAL TIRE

ITEM	PART NUMBER	QTY	BODY	MODEL	DESCRIPTION
1	4371 785	1			PLATE
2	4248 912	1			COVER
3	4341 578	1			LABEL
4	6032 619	2			WING NUT
5	4314 899	1			PLATE
6	4341 311	1			JACK
7	4337 798	1			PAD
8	4337 940	2			CLIP
9	4341 716	1			WRENCH, Lug
10		1			BRACKET,(Service in 23C)
11	4337 523	1			PAD
12	6032 790	1			BOLT

MODEL CODES

C BODY = (D41 - DYNASTY)(C41 - NEW YORKER)
 E BODY = (J - CARAVELLE)(E - 600)(T - NEW YORKER TURBO)
 G BODY = (V24 - DAYTONA, PACIFICA & SHELBY)
 H BODY = (D44 - LANCER)(C44 - LEBARON GTS)
 J BODY = (C - LEBARON)
 K BODY = (P - RELIANT)(D - ARIES)(C - LEBARON/ TOWN & COUNTRY)
 L BODY = (M - HORIZON)(Z-OMNI)
 M BODY = (B - GRAN FURY)(G - DIPLOMAT)(F - FIFTH AVENUE/NEWPORT)
 P BODY = (P - SUNDANCE)(D - SHADOW)
 Q BODY = (C27 - MASERATI)
 S BODY = (H - VOYAGER)(K - RAM VAN/ CARAVAN)

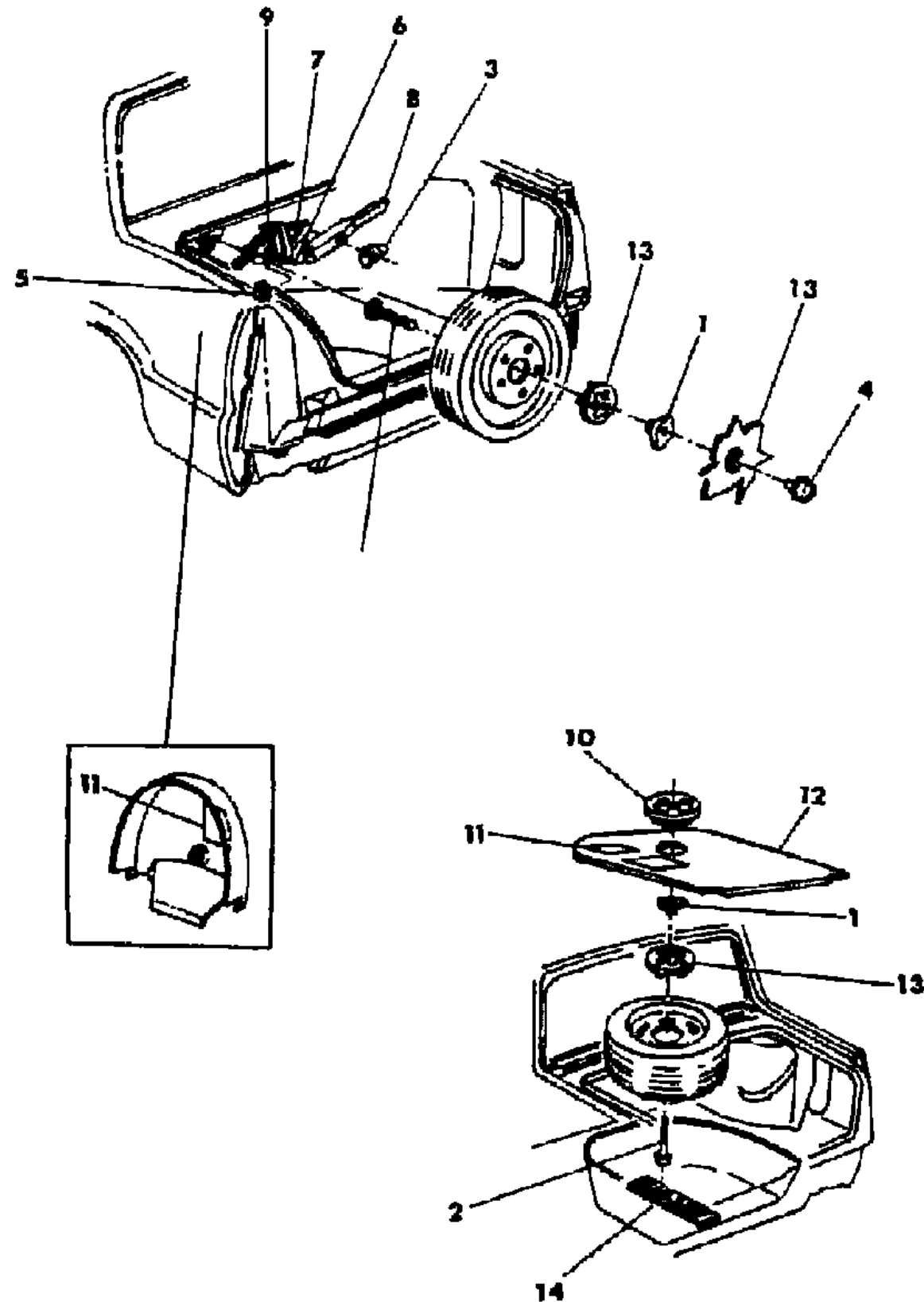
BODY STYLES

12-52 = FWD VAN & WAGON STD. W.B. 27 = 2-DOOR CONVERTIBLE
 13-53 = FWD VAN & WGN EXT W.B. 41 = 4-DOOR SEDAN
 21 = 2-DOOR SEDAN 44 = 4-DOOR HATCHBACK
 24 = 2-DOOR HATCHBACK 45 = 4-DOOR STATION WAGON

AR = Use as Required - = Non Illustrated Part P.A.R. = Paint as Required

JACK AND SPARE TIRE STORAGE C BODY
Figure 22-1725

8122 1725



ITEM	PART NUMBER	QTY	BODY	MODEL	DESCRIPTION
1	4416 028	1			WING NUT, Spare Wheel
2	6033 016	1			BOLT, Spare Tire Hold Down
	6032 744	1			Compact Spare
		1			Conventional Spare
3		1			WING NUT (not serviced)
4	4223 983	1			FASTENER, Spare Tire
5	4440 051	1			CLIP
6	6033 349	1			BOLT, Round Head Short Square Neck
7	4490 113	1			JACK, Sissors
8	4341 383	1			HANDLE, Jack
9	4416 559	1			BRACKET, F/Flr. Pan Jack Stowage, Upper
	4416 686	1			BRACKET, F/Flr. Pan Jack Stowage, Lower
10	4371 785	1			PLATE, Spare Tire Cover Hold Down
11	4440 132	1			LABEL, Jack Tire Storage
12	4453 473	1			COVER, Spare Tire Well
13	4314 899	1			RETAINER, Spare Tire
14	4206 247	1			BRACKET, Spare Wheel Anchor Bolt

MODEL CODES

C BODY = (D41 - DYNASTY)(C41 - NEW YORKER)
 E BODY = (J - CARAVELLE)(E - 600)(T - NEW YORKER TURBO)
 G BODY = (V24 - DAYTONA, PACIFICA & SHELBY)
 H BODY = (D44 - LANCER)(C44 - LEBARON GTS)
 J BODY = (C - LEBARON)
 K BODY = (P - RELIANT)(D - ARIES)(C - LEBARON/ TOWN & COUNTRY)
 L BODY = (M - HORIZON)(Z-OMNI)
 M BODY = (B - GRAN FURY)(G - DIPLOMAT)(F - FIFTH AVENUE/NEWPORT)
 P BODY = (P - SUNDANCE)(D - SHADOW)
 Q BODY = (C27 - MASERATI)
 S BODY = (H - VOYAGER)(K - RAM VAN/ CARAVAN)

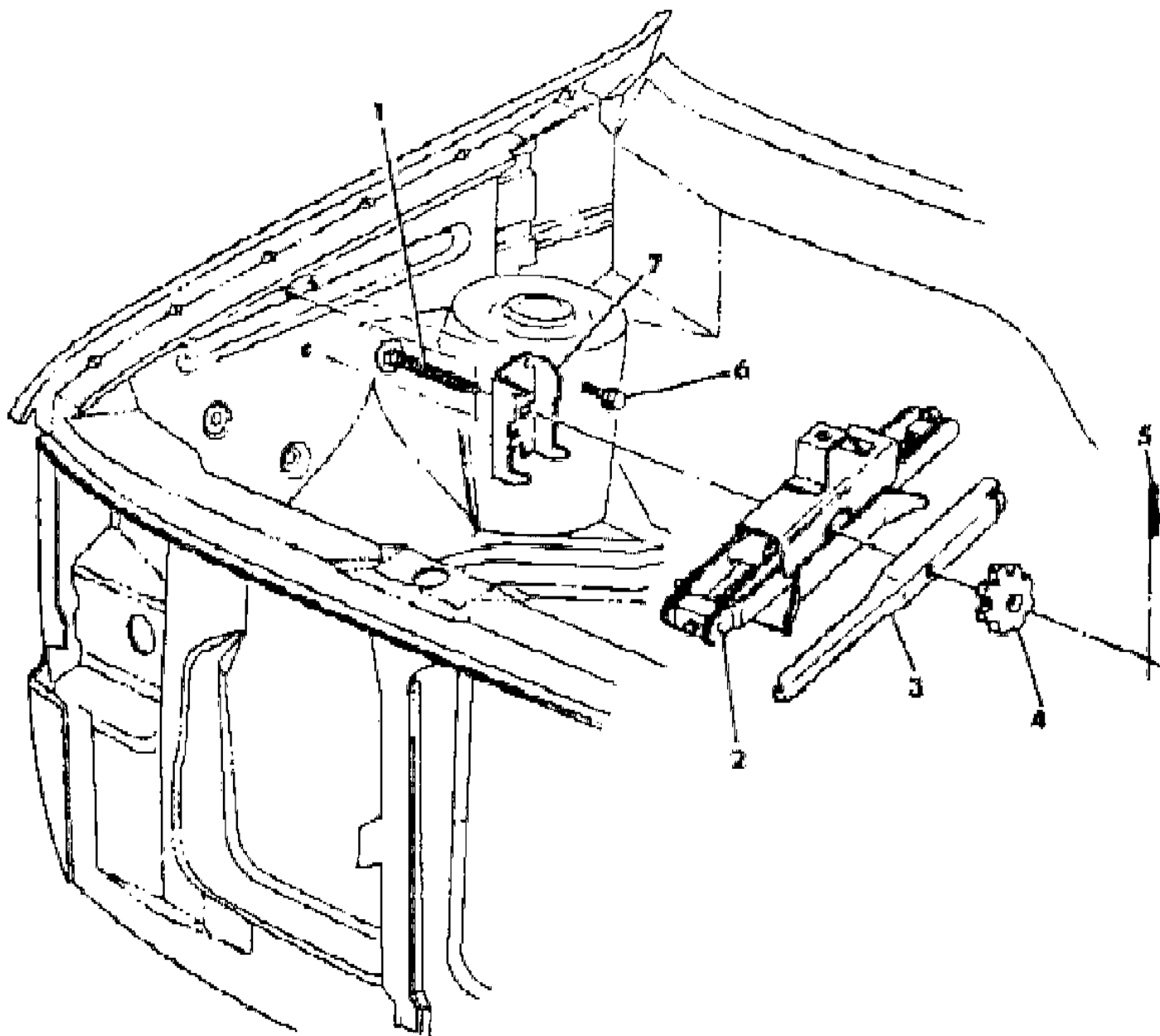
BODY STYLES

12-52 = FWD VAN & WAGON STD. W.B. 27 = 2-DOOR CONVERTIBLE
 13-53 = FWD VAN & WGN EXT W.B. 41 = 4-DOOR SEDAN
 21 = 2-DOOR SEDAN 44 = 4-DOOR HATCHBACK
 24 = 2-DOOR HATCHBACK 45 = 4-DOOR STATION WAGON

AR = Use as Required - = Non Illustrated Part P.A.R. = Paint as Required

JACK STOWAGE S BODY
Figure 22-1800

8122 1800



ITEM	PART NUMBER	QTY	BODY	MODEL	DESCRIPTION
1					BOLT (Not Serviced)
2	4440 136	1			JACK
3	4341 383	1			HANDLE
4	4386 831	1			KNOB, Jack Stowage Attach
5	6027 983	1			CLIP
6	6500 716	3			SCREW, w/Washer
7	4490 101	1			BRACKET
	4386 832	1			LABEL, Jack and Tire Stowage

MODEL CODES

C BODY = (D41 - DYNASTY)(C41 - NEW YORKER)	L BODY = (M - HORIZON)(Z-OMNI)
E BODY = (J - CARAVELLE)(E - 600)(T - NEW YORKER TURBO)	M BODY = (B - GRAN FURY)(G - DIPLOMAT)(F - FIFTH AVENUE/NEWPORT)
G BODY = (V24 - DAYTONA, PACIFICA & SHELBY)	P BODY = (P - SUNDANCE)(D - SHADOW)
H BODY = (D44 - LANCER)(C44 - LEBARON GTS)	Q BODY = (C27 - MASERATI)
J BODY = (C - LEBARON)	S BODY = (H - VOYAGER)(K - RAM VAN/ CARAVAN)
K BODY = (P - RELIANT)(D - ARIES)(C - LEBARON/ TOWN & COUNTRY)	

BODY STYLES

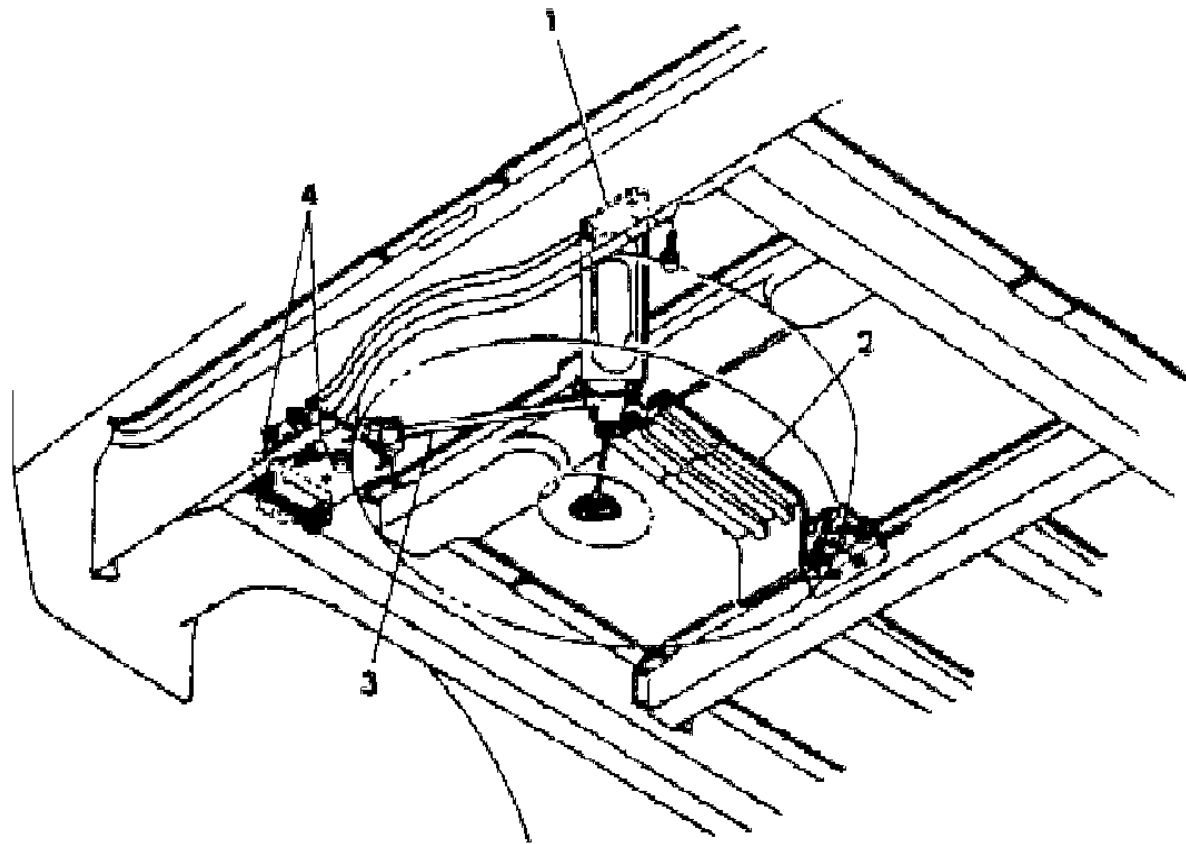
12-52 = FWD VAN & WAGON STD. W.B.	27 = 2-DOOR CONVERTIBLE
13-53 = FWD VAN & WGN EXT W.B.	41 = 4-DOOR SEDAN
21 = 2-DOOR SEDAN	44 = 4-DOOR HATCHBACK
24 = 2-DOOR HATCHBACK	45 = 4-DOOR STATION WAGON

AR = Use as Required - = Non Illustrated Part P.A.R. = Paint as Required

SPARE TIRE STORAGE OUTSIDE S BODY
Figure 22-1900

ITEM	PART NUMBER	QTY	BODY	MODEL	DESCRIPTION
1	4371 793	1			SUPPORT, w/o 119" Extended Wheel Base
	4385 042	1			SUPPORT, w/119" Extended Wheel Base
	4416 526	1			SUPPORT, Spare Wheel Mtg. (Van Std. Wheel Base)
2	4371 346	1			DEFLECTOR, U/Slung Spare Tire
3	4371 784	1			WINCH, w/o 119" Extended Wheel Base
	4385 033	1			WINCH, w/119" Extended Wheel Base
4	6500 070	AR			SCREW
	4284 115	1			CLIP, Socket Retainer
	4284 100	1			SOCKET, Spare Tire Drive Nut

8122 1900



MODEL CODES

C BODY = (D41 - DYNASTY)(C41 - NEW YORKER)	L BODY = (M - HORIZON)(Z-OMNI)
E BODY = (J - CARAVELLE)(E - 600)(T - NEW YORKER TURBO)	M BODY = (B - GRAN FURY)(G - DIPLOMAT)(F - FIFTH AVENUE/NEWPORT)
G BODY = (V24 - DAYTONA, PACIFICA & SHELBY)	P BODY = (P - SUNDANCE)(D - SHADOW)
H BODY = (D44 - LANCER)(C44 - LEBARON GTS)	Q BODY = (C27 - MASERATI)
J BODY = (C - LEBARON)	S BODY = (H - VOYAGER)(K - RAM VAN/ CARAVAN)
K BODY = (P - RELIANT)(D - ARIES)(C - LEBARON/ TOWN & COUNTRY)	

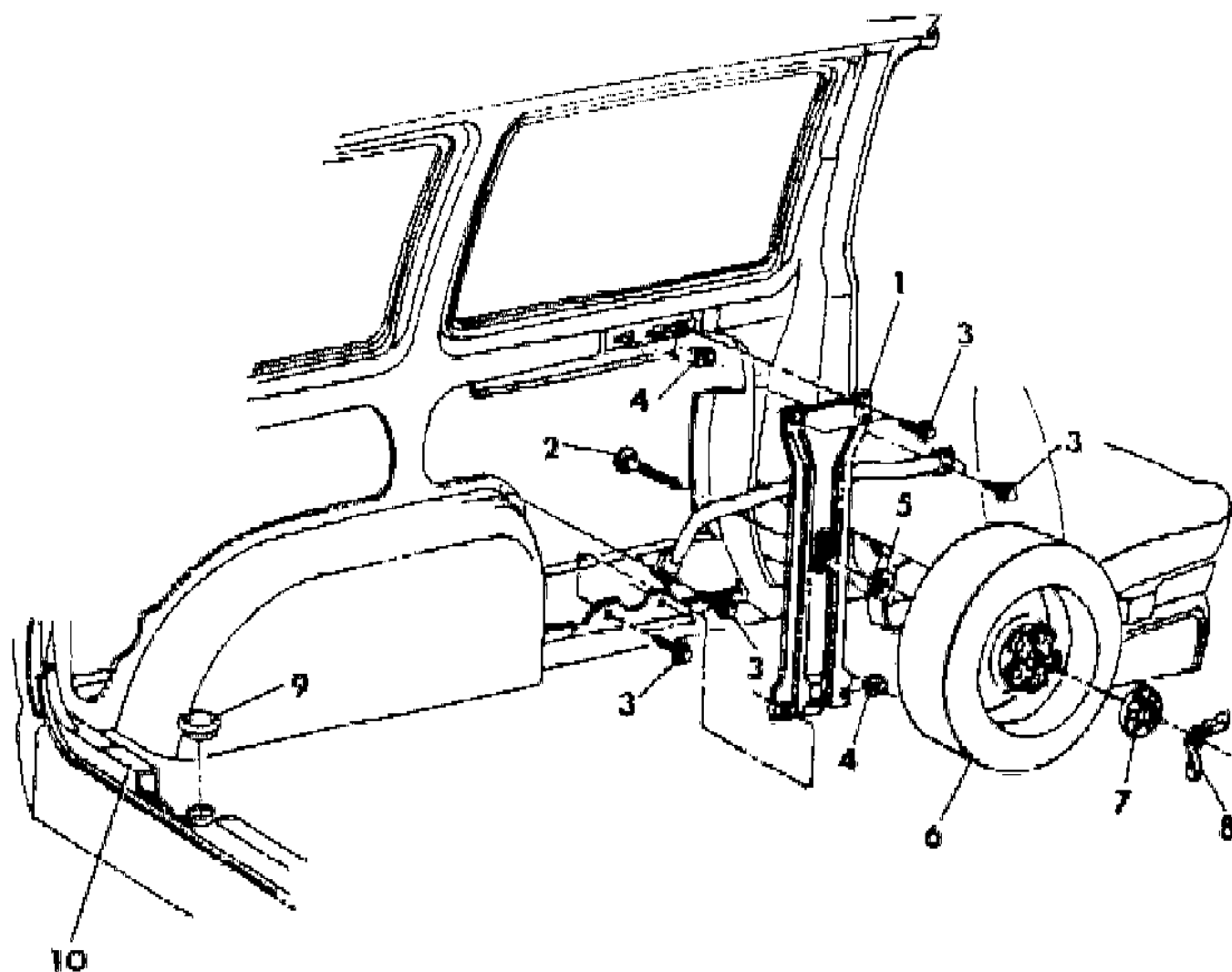
BODY STYLES

12-52 = FWD VAN & WAGON STD. W.B.	27 = 2-DOOR CONVERTIBLE
13-53 = FWD VAN & WGN EXT W.B.	41 = 4-DOOR SEDAN
21 = 2-DOOR SEDAN	44 = 4-DOOR HATCHBACK
24 = 2-DOOR HATCHBACK	45 = 4-DOOR STATION WAGON

AR = Use as Required - = Non Illustrated Part P.A.R. = Paint as Required

SPARE TIRE STOWAGE INSIDE S BODY
Figure 22-1925

8122 1925 A



ITEM	PART NUMBER	QTY	BODY	MODEL	DESCRIPTION
1	4416 526	1			SUPPORT, Spare Wheel Mounting with Standard Wheel Base
	4416 528	1			with Extended Wheel Base
2	6033 371	1			BOLT
3		8			SCREW (not serviced)
4					U-NUT (not serviced)
5	6026 648	1			RETAINER, Push On
6					WHEEL (reference only)
7	4314 852	1			RETAINER, Spare Wheel I/S Mounting with 14" Wheels
	4440 366	1			with 15" Wheels
8	6032 619	1			WING NUT, Spare Wheel
9	4073 475	1			PLUG, Floor Pan Spare Tire Mounting Hole
10	4296 964	1			LABEL, Tire Stowage

MODEL CODES

C BODY = (D41 - DYNASTY)(C41 - NEW YORKER)	L BODY = (M - HORIZON)(Z-OMNI)
E BODY = (J - CARAVELLE)(E - 600)(T - NEW YORKER TURBO)	M BODY = (B - GRAN FURY)(G - DIPLOMAT)(F - FIFTH AVENUE/NEWPORT)
G BODY = (V24 - DAYTONA, PACIFICA & SHELBY)	P BODY = (P - SUNDANCE)(D - SHADOW)
H BODY = (D44 - LANCER)(C44 - LEBARON GTS)	Q BODY = (C27 - MASERATI)
J BODY = (C - LEBARON)	S BODY = (H - VOYAGER)(K - RAM VAN/ CARAVAN)
K BODY = (P - RELIANT)(D - ARIES)(C - LEBARON/ TOWN & COUNTRY)	

BODY STYLES

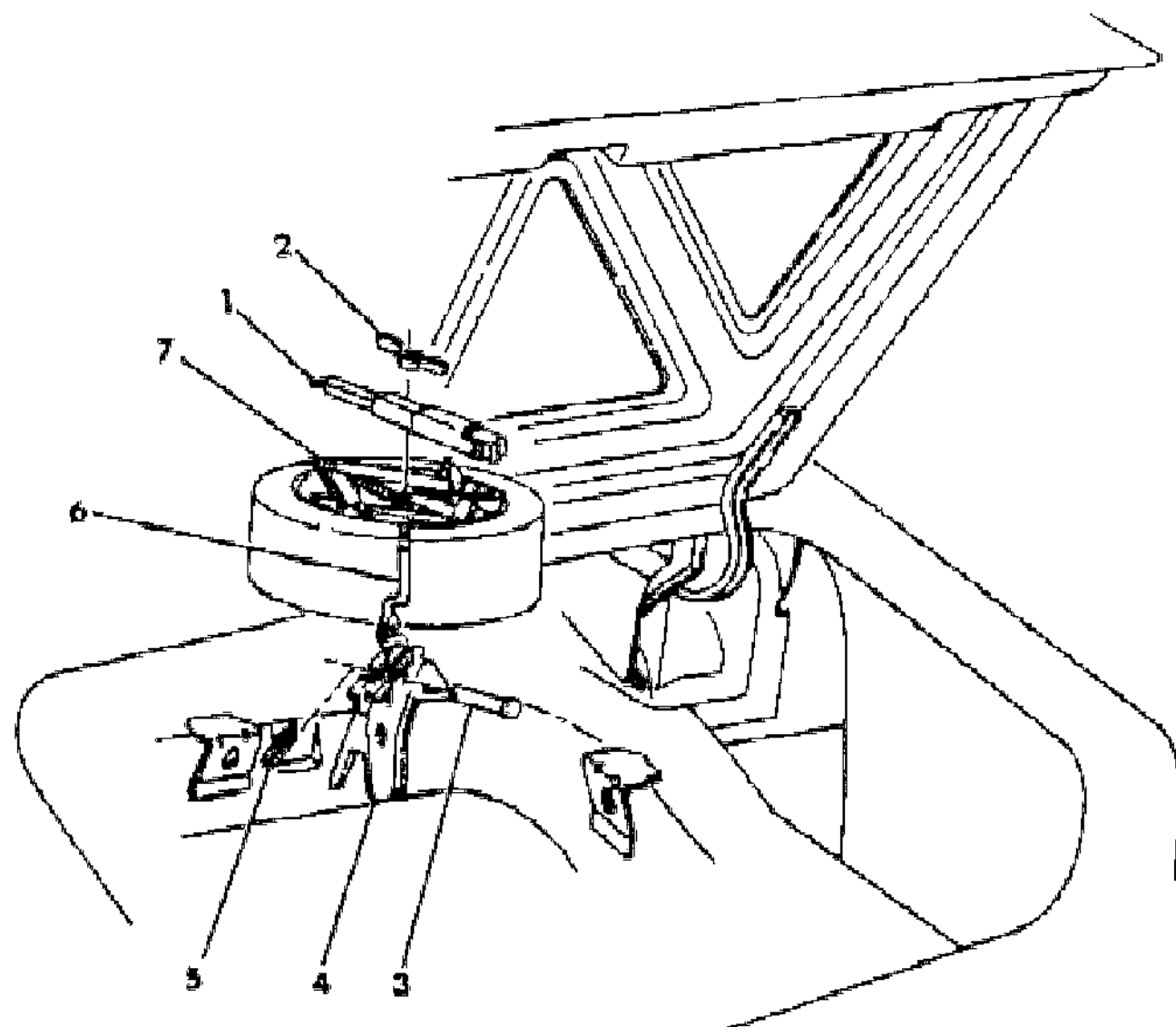
12-52 = FWD VAN & WAGON STD. W.B.	27 = 2-DOOR CONVERTIBLE
13-53 = FWD VAN & WGN EXT W.B.	41 = 4-DOOR SEDAN
21 = 2-DOOR SEDAN	44 = 4-DOOR HATCHBACK
24 = 2-DOOR HATCHBACK	45 = 4-DOOR STATION WAGON

AR = Use as Required - = Non Illustrated Part P.A.R. = Paint as Required

JACK AND SPARE TIRE STOWAGE M BODY
Figure 22-2000

8122 2000

ITEM	PART NUMBER	QTY	BODY	MODEL	DESCRIPTION
1	5216 018	1			HANDLE
2	6032 619	1			WING NUT
3					PIN,(not serviced)
4	#4134 408	1			BRACKET,Anchor Bolt
5	6027 983	1			CLIP
6	#4134 409	1			ROD
7	#4110 232	1			JACK
	4304 012	1			LABEL, Jack, Tire



MODEL CODES
 C BODY = (D41 - DYNASTY)(C41 - NEW YORKER)
 E BODY = (J - CARAVELLE)(E - 600)(T - NEW YORKER TURBO)
 G BODY = (V24 - DAYTONA, PACIFICA & SHELBY)
 H BODY = (D44 - LANCER)(C44 - LEBARON GTS)
 J BODY = (C - LEBARON)
 K BODY = (P - RELIANT)(D - ARIES)(C - LEBARON/ TOWN & COUNTRY)
 L BODY = (M - HORIZON)(Z-OMNI)
 M BODY = (B - GRAN FURY)(G - DIPLOMAT)(F - FIFTH AVENUE/NEWPORT)
 P BODY = (P - SUNDANCE)(D - SHADOW)
 Q BODY = (C27 - MASERATI)
 S BODY = (H - VOYAGER)(K - RAM VAN/ CARAVAN)

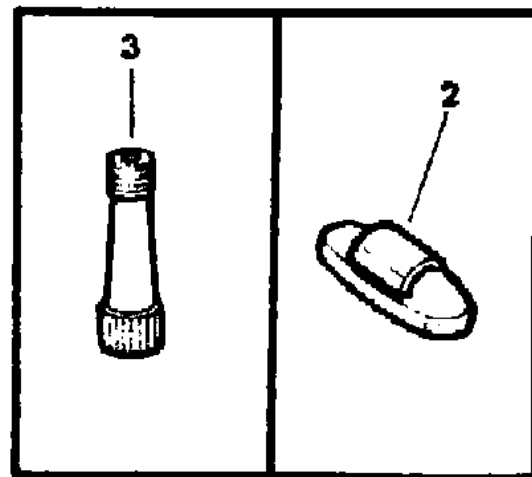
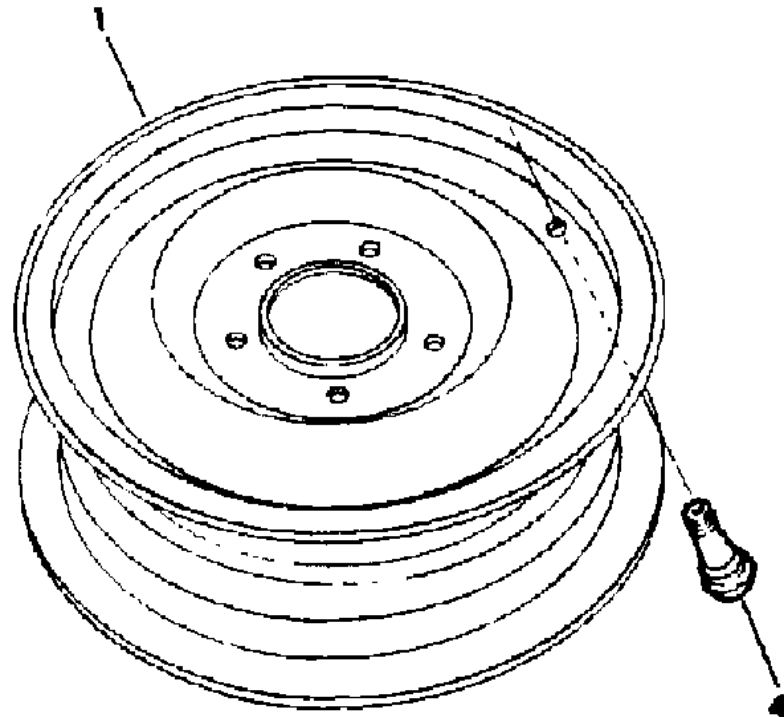
BODY STYLES
 12-52 = FWD VAN & WAGON STD. W.B. 27 = 2-DOOR CONVERTIBLE
 13-53 = FWD VAN & WGN EXT W.B. 41 = 4-DOOR SEDAN
 21 = 2-DOOR SEDAN 44 = 4-DOOR HATCHBACK
 24 = 2-DOOR HATCHBACK 45 = 4-DOOR STATION WAGON

AR = Use as Required - = Non Illustrated Part P.A.R. = Paint as Required

WHEEL MISCELLANEOUS ALL BODY
Figure 22-2100

8122 2100

ITEM	PART NUMBER	QTY	BODY	MODEL	DESCRIPTION
1					WHEEL, (See wheels and covers)
2	1615 354	AR			WEIGHT, 3 oz.
3					EXTENSION PACKAGE
	2401 840	1			3/4"
	3461 079	1			1"
4	4463 862	AR	Q		STEM, Valve
	2073 355	5			STEM, Valve 1-1/4 Lgh.



MODEL CODES

C BODY = (D41 - DYNASTY)(C41 - NEW YORKER)	L BODY = (M - HORIZON)(Z-OMNI)
E BODY = (J - CARAVELLE)(E - 600)(T - NEW YORKER TURBO)	M BODY = (B - GRAN FURY)(G - DIPLOMAT)(F - FIFTH AVENUE/NEWPORT)
G BODY = (V24 - DAYTONA, PACIFICA & SHELBY)	P BODY = (P - SUNDANCE)(D - SHADOW)
H BODY = (D44 - LANCER)(C44 - LEBARON GTS)	Q BODY = (C27 - MASERATI)
J BODY = (C - LEBARON)	S BODY = (H - VOYAGER)(K - RAM VAN/ CARAVAN)
K BODY = (P - RELIANT)(D - ARIES)(C - LEBARON/ TOWN & COUNTRY)	

BODY STYLES

12-52 = FWD VAN & WAGON STD. W.B.	27 = 2-DOOR CONVERTIBLE
13-53 = FWD VAN & WGN EXT W.B.	41 = 4-DOOR SEDAN
21 = 2-DOOR SEDAN	44 = 4-DOOR HATCHBACK
24 = 2-DOOR HATCHBACK	45 = 4-DOOR STATION WAGON

AR = Use as Required - = Non Illustrated Part P.A.R. = Paint as Required

GROUP 23 - BODY - EXTERIOR ORNAMENTATION

ILLUSTRATION TITLE	GROUP-FIG. NO.
L BODY M,Z	
MOULDINGS, WINDSHIELD OUTSIDE L BODY	Fig. 23-100
MOULDINGS AND ORNAMENTATION - EXTERIOR VIEW L BODY, 4 DOOR PLYMOUTH HORIZON, DODGE OMNI	Fig. 23-200
P BODY P,D	
MOULDINGS, WINDSHIELD AND REAR WINDOW OUTSIDE P BODY	Fig. 23-300
MOULDINGS AND ORNAMENTATION - EXTERIOR VIEW P BODY, 2 DOOR PLYMOUTH SUNDANCE, DODGE SHADOW	Fig. 23-400
MOULDINGS AND ORNAMENTATION - EXTERIOR VIEW P BODY, 4 DOOR PLYMOUTH SUNDANCE, DODGE SHADOW	Fig. 23-500
TAPE STRIPES AND DECALS - EXTERIOR VIEW P BODY PLYMOUTH SUNDANCE, DODGE SHADOW ..	Fig. 23-600
GROUND EFFECTS PACKAGE - EXTERIOR VIEW P BODY DODGE SHELBY SHADOW, CSX-T, THRIFTY	Fig. 23-625
J BODY C	
MOULDINGS, WINDSHIELD AND REAR WINDOW OUTSIDE J BODY CHRYSLER LEBARON	Fig. 23-700
MOULDINGS AND ORNAMENTATION - EXTERIOR VIEW J BODY, 2 DOOR, CONVERTIBLE CHRYSLER LEBARON	Fig. 23-800
TAPE STRIPES AND DECALS - EXTERIOR VIEW J BODY, 2 DOOR, CONVERTIBLE CHRYSLER LEBARON	Fig. 23-900
K BODY P,D,C	
MOULDINGS, WINDSHIELD AND REAR WINDOW OUTSIDE K BODY	Fig. 23-1100
COVER, ROOF - EXTERIOR VIEW K BODY, 4 DOOR CHRYSLER LEBARON	Fig. 23-1200
MOULDINGS AND ORNAMENTATION - EXTERIOR VIEW K BODY, 2 DOOR PLYMOUTH RELIANT, DODGE ARIES	Fig. 23-1300
MOULDINGS AND ORNAMENTATION - EXTERIOR VIEW K BODY, 4 DOOR PLYMOUTH RELIANT, DODGE ARIES	Fig. 23-1400
MOULDINGS AND ORNAMENTATION - EXTERIOR VIEW K BODY, SUBURBAN PLYMOUTH RELIANT, DODGE ARIES	Fig. 23-1500
TAPE STRIPES AND DECALS - EXTERIOR VIEW K BODY PLYMOUTH RELIANT, DODGE ARIES	Fig. 23-1600
MOULDING AND ORNAMENTATION - EXTERIOR VIEW K BODY, 4 DOOR CHRYSLER LEBARON	Fig. 23-1700
MOULDINGS AND ORNAMENTATION - EXTERIOR VIEW K BODY, TOWN AND COUNTRY CHRYSLER ..	Fig. 23-1800
TAPE STRIPES AND DECALS - EXTERIOR VIEW K BODY CHRYSLER LEBARON	Fig. 23-1900
G BODY V	
MOULDINGS, WINDSHIELD OUTSIDE G BODY DODGE DAYTONA	Fig. 23-2000

ILLUSTRATION NOT AVAILABLE AT TIME OF PUBLICATION

GROUP 23 - BODY - EXTERIOR ORNAMENTATION

GROUP 23 - BODY - EXTERIOR ORNAMENTATION

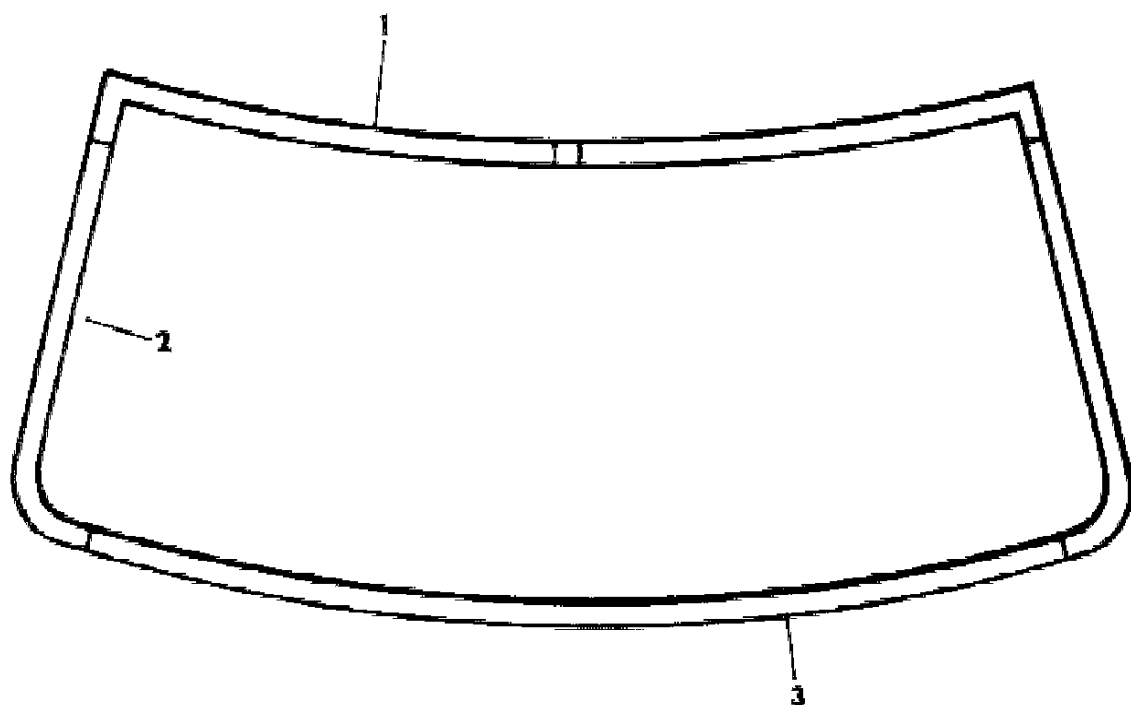
ILLUSTRATION TITLE	GROUP-FIG. NO.
G BODY V (Continued)	
MOULDINGS AND ORNAMENTATION - EXTERIOR VIEW G BODY DODGE DAYTONA, PACIFIC, SHELBY Z	Fig. 23-2100
TAPE STRIPES AND DECALS - EXTERIOR VIEW G BODY DODGE DAYTONA, PACIFIC, SHELBY Z	Fig. 23-2200
GROUND EFFECTS PACKAGE - EXTERIOR VIEW G BODY DODGE DAYTONA, PACIFIC, SHELBY Z	Fig. 23-2300
E BODY J,E,T	
MOULDINGS, WINDSHIELD AND REAR WINDOW OUTSIDE E BODY	Fig. 23-2400
MOULDINGS AND ORNAMENTATION - EXTERIOR VIEW E BODY PLYMOUTH CARAVELLE, DODGE 600	Fig. 23-2500
TAPE STRIPES AND DECALS - EXTERIOR VIEW E BODY PLYMOUTH CARAVELLE, DODGE 600	Fig. 23-2600
MOULDINGS AND ORNAMENTATION - EXTERIOR VIEW E BODY CHRYSLER NEW YORKER, T-P	Fig. 23-2700
MOULDINGS AND ORNAMENTATION - EXTERIOR VIEW E BODY CHRYSLER NEW YORKER, PADDED LANDAU ROOF, T-P	Fig. 23-2800
TAPE STRIPES AND DECALS - EXTERIOR VIEW E BODY CHRYSLER NEW YORKER, T-P	Fig. 23-2900
H BODY D,C	
MOULDINGS, WINDSHIELD OUTSIDE H BODY	Fig. 23-3000
MOULDINGS AND ORNAMENTATION - EXTERIOR VIEW H BODY DODGE LANCER	Fig. 23-3100
TAPE STRIPES AND DECALS - EXTERIOR VIEW H BODY DODGE LANCER	Fig. 23-3200
GROUND EFFECTS PACKAGE - EXTERIOR VIEW H BODY DODGE LANCER SHELBY	Fig. 23-3300
MOULDINGS AND ORNAMENTATION - EXTERIOR VIEW H BODY CHRYSLER LEBARON, GTS	Fig. 23-3400
TAPE STRIPES AND DECALS - EXTERIOR VIEW H BODY CHRYSLER LEBARON, GTS	Fig. 23-3500
C BODY D,C	
MOULDINGS, WINDSHIELD AND REAR WINDOW OUTSIDE C BODY	Fig. 23-3600
COVER, ROOF - EXTERIOR VIEW C BODY	Fig. 23-3700
MOULDINGS AND ORNAMENTATION - EXTERIOR VIEW C BODY DODGE DYNASTY	Fig. 23-3800
MOULDINGS AND ORNAMENTATION - EXTERIOR VIEW C BODY CHRYSLER NEW YORKER, NEW YORKER LANDAU	Fig. 23-4000
S BODY H,K	
MOULDINGS AND ORNAMENTATION - EXTERIOR VIEW S BODY PLYMOUTH VOYAGER WAGON, DODGE CARAVAN WAGON	Fig. 23-4200
MOULDINGS AND ORNAMENTATION - EXTERIOR VIEW S BODY PREMIUM PLYMOUTH VOYAGER WAGON, DODGE CARAVAN WAGON	Fig. 23-4300
TAPE STRIPES AND DECALS - EXTERIOR VIEW S BODY PLYMOUTH VOYAGER WAGON, DODGE CARAVAN WAGON	Fig. 23-4400
MOULDINGS AND ORNAMENTATION - EXTERIOR VIEW S BODY DODGE MINI RAM VAN AND ROYAL ..	Fig. 23-4500

ILLUSTRATION TITLE	GROUP-FIG. NO.
S BODY H,K (Continued)	
MOULDINGS AND ORNAMENTATION - EXTERIOR VIEW S BODY DODGE MINI RAM VAN AND ROYAL ..	Fig. 23-4500
M BODY B,G,F	
MOULDINGS, WINDSHIELD AND REAR WINDOW OUTSIDE M BODY	Fig. 23-4600
COVER, ROOF - EXTERIOR VIEW M BODY PLYMOUTH FURY, DODGE DIPLOMAT, CHRYSLER FIFTH AVE.	Fig. 23-4700
MOULDINGS AND ORNAMENTATION - EXTERIOR VIEW M BODY PLYMOUTH GRAN FURY SALON	Fig. 23-4800
TAPE STRIPES AND DECALS - EXTERIOR VIEW M BODY PLYMOUTH GRAN FURY SALON	Fig. 23-4900
MOULDINGS AND ORNAMENTATION - EXTERIOR VIEW M BODY DODGE DIPLOMAT	Fig. 23-5000
TAPE STRIPES AND DECALS - EXTERIOR VIEW M BODY DODGE DIPLOMAT	Fig. 23-5100
MOULDINGS AND ORNAMENTATION - EXTERIOR VIEW M BODY CHRYSLER NEWPORT	Fig. 23-5200
TAPE STRIPES AND DECALS - EXTERIOR VIEW M BODY CHRYSLER NEWPORT	Fig. 23-5300
MOULDINGS AND ORNAMENTATION - EXTERIOR VIEW M BODY CHRYSLER FIFTH AVENUE	Fig. 23-5400
TAPE STRIPES AND DECALS - EXTERIOR VIEW M BODY CHRYSLER FIFTH AVENUE	Fig. 23-5500

MOULDINGS, WINDSHIELD OUTSIDE L BODY
Figure 23-100

8168-100

ITEM	PART NUMBER	QTY	BODY	MODEL	DESCRIPTION
1	5209 362-3	1			MOULDING, W/Shield, Upr., Black
	6003 878	AR			RETAINER
	6003 304	AR			RETAINER and SCREW
2	5209 364-5	1			MOULDING, W/Shield, Side, Black
	6003 878	AR			RETAINER
	6003 304	AR			RETAINER and SCREW
3	5209 339	1			MOULDING, W/Shield, Lwr., Black
	6003 878	AR			RETAINER
	6003 304	AR			RETAINER and SCREW



MODEL CODES

C BODY = (D41 - DYNASTY)(C41 - NEW YORKER)	L BODY = (M - HORIZON)(Z-OMNI)
E BODY = (J - CARAVELLE)(E - 600)(T - NEW YORKER TURBO)	M BODY = (B - GRAN FURY)(G - DIPLOMAT)(F - FIFTH AVENUE/NEWPORT)
G BODY = (V24 - DAYTONA, PACIFICA & SHELBY)	P BODY = (P - SUNDANCE)(D - SHADOW)
H BODY = (D44 - LANCER)(C44 - LEBARON GTS)	Q BODY = (C27 - MASERATI)
J BODY = (C - LEBARON)	S BODY = (H - VOYAGER)(K - RAM VAN/ CARAVAN)
K BODY = (P - RELIANT)(D - ARIES)(C - LEBARON/ TOWN & COUNTRY)	

BODY STYLES

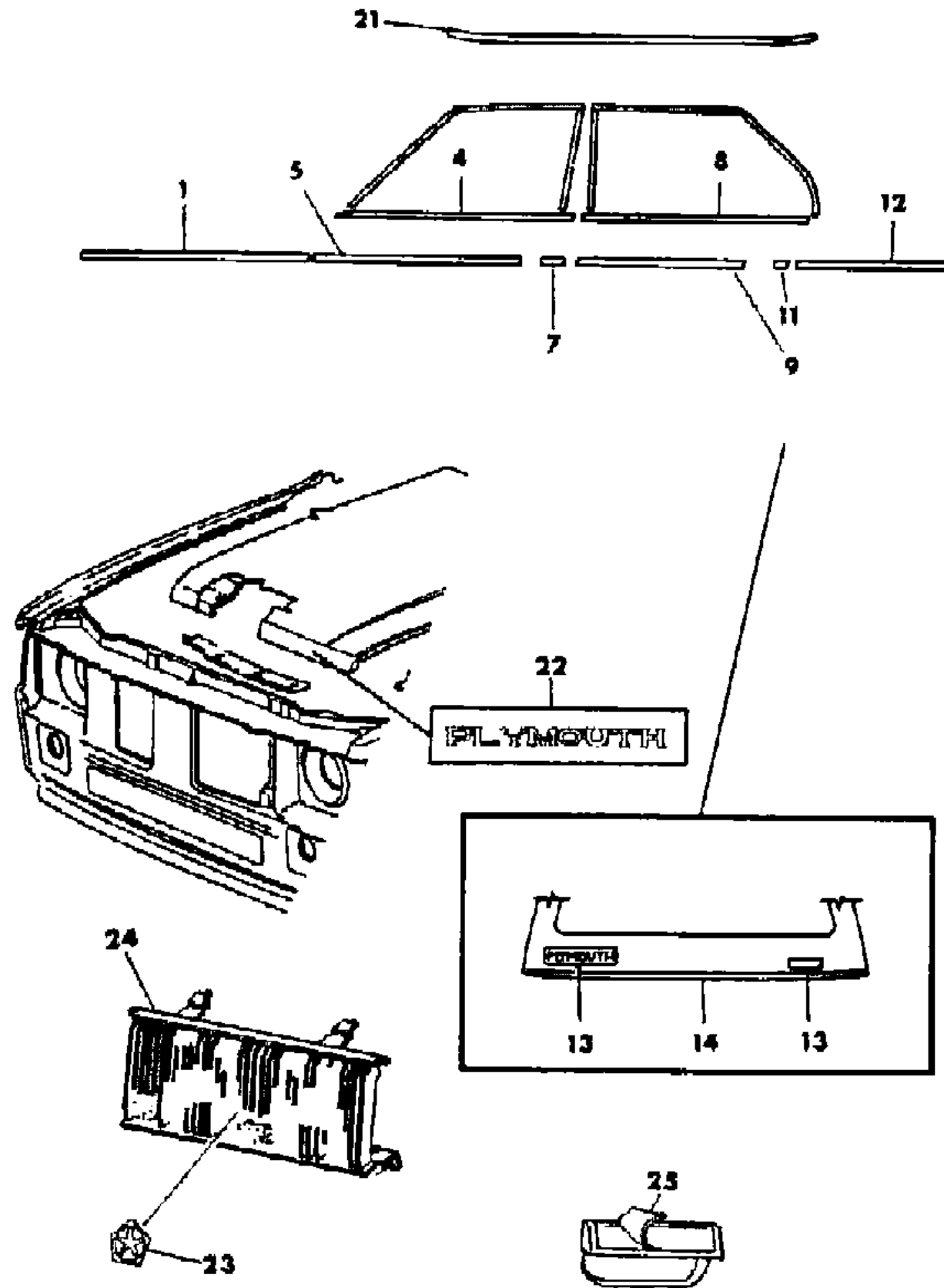
12-52 = FWD VAN & WAGON STD. W.B.	27 = 2-DOOR CONVERTIBLE
13-53 = FWD VAN & WGN EXT W.B.	41 = 4-DOOR SEDAN
21 = 2-DOOR SEDAN	44 = 4-DOOR HATCHBACK
24 = 2-DOOR HATCHBACK	45 = 4-DOOR STATION WAGON

AR = Use as Required - = Non Illustrated Part P.A.R. = Paint as Required

MOULDINGS AND ORNAMENTATION - EXTERIOR VIEW L BODY, 4 DOOR PLYMOUTH HORIZON, DODGE OMNI
Figure 23-200

8168 200

ITEM	PART NUMBER	QTY	BODY	MODEL	DESCRIPTION
1	5209 280-1	1			MOULDING, Fndr., Black Vinyl (Tape Applied)
4	4280 878-9	1			MOULDING and WEATHERSTRIP, Frt. Door Belt, Outer, Black
5	5209 284-5	1			MOULDING, Frt. Door Frt., Black Vinyl (Tape Applied)
7	5209 288	2			MOULDING, Frt. Door Rear, Black Vinyl (Tape Applied)
8	4280 882-3	1			MOULDING and WEATHERSTRIP, Rear Door Belt, Outer, Black
9	5209 292	2			MOULDING, Rear Door Frt., Black Vinyl (Tape Applied)
11	5209 296-7	1			MOULDING, Rear Door Rear, Black Vinyl (Tape Applied)
12	5209 300-1	1			MOULDING, Qtr., Black Vinyl (Tape Applied)
13	5209 430	1			NAMEPLATE, L/Gate, "HORIZON"
	5209 099	1			"OMNI"
	4328 876	1			NAMEPLATE, L/Gate, "PLYMOUTH"
	4328 878	1			"DODGE"
14	5209 303	1			MOULDING, L/Gate, Black Vinyl (Tape Applied)
21	5209 036	2			MOULDING, Roof Side Drain Trough, Repair, Bright
	5209 222	2			MOULDING, Roof Side Drain Trough, Repair, Black
22	3444 927	1			NAMEPLATE, Hood, "PLYMOUTH"
	5209 376	1			"DODGE"
23	4270 608	1			PENTASTAR, Grille Ornament
24					GRILLE, Radiator (See Illus. in Group 7)
25	4339 239	AR			TAPE, Frt. and Rear Door Handle



MODEL CODES

C BODY = (D41 - DYNASTY)(C41 - NEW YORKER)
 E BODY = (J - CARAVELLE)(E - 600)(T - NEW YORKER TURBO)
 G BODY = (V24 - DAYTONA, PACIFICA & SHELBY)
 H BODY = (D44 - LANCER)(C44 - LEBARON GTS)
 J BODY = (C - LEBARON)
 K BODY = (P - RELIANT)(D - ARIES)(C - LEBARON/ TOWN & COUNTRY)

L BODY = (M - HORIZON)(Z-OMNI)
 M BODY = (B - GRAN FURY)(G - DIPLOMAT)(F - FIFTH AVENUE/NEWPORT)
 P BODY = (P - SUNDANCE)(D - SHADOW)
 Q BODY = (C27 - MASERATI)
 S BODY = (H - VOYAGER)(K - RAM VAN/ CARAVAN)

BODY STYLES

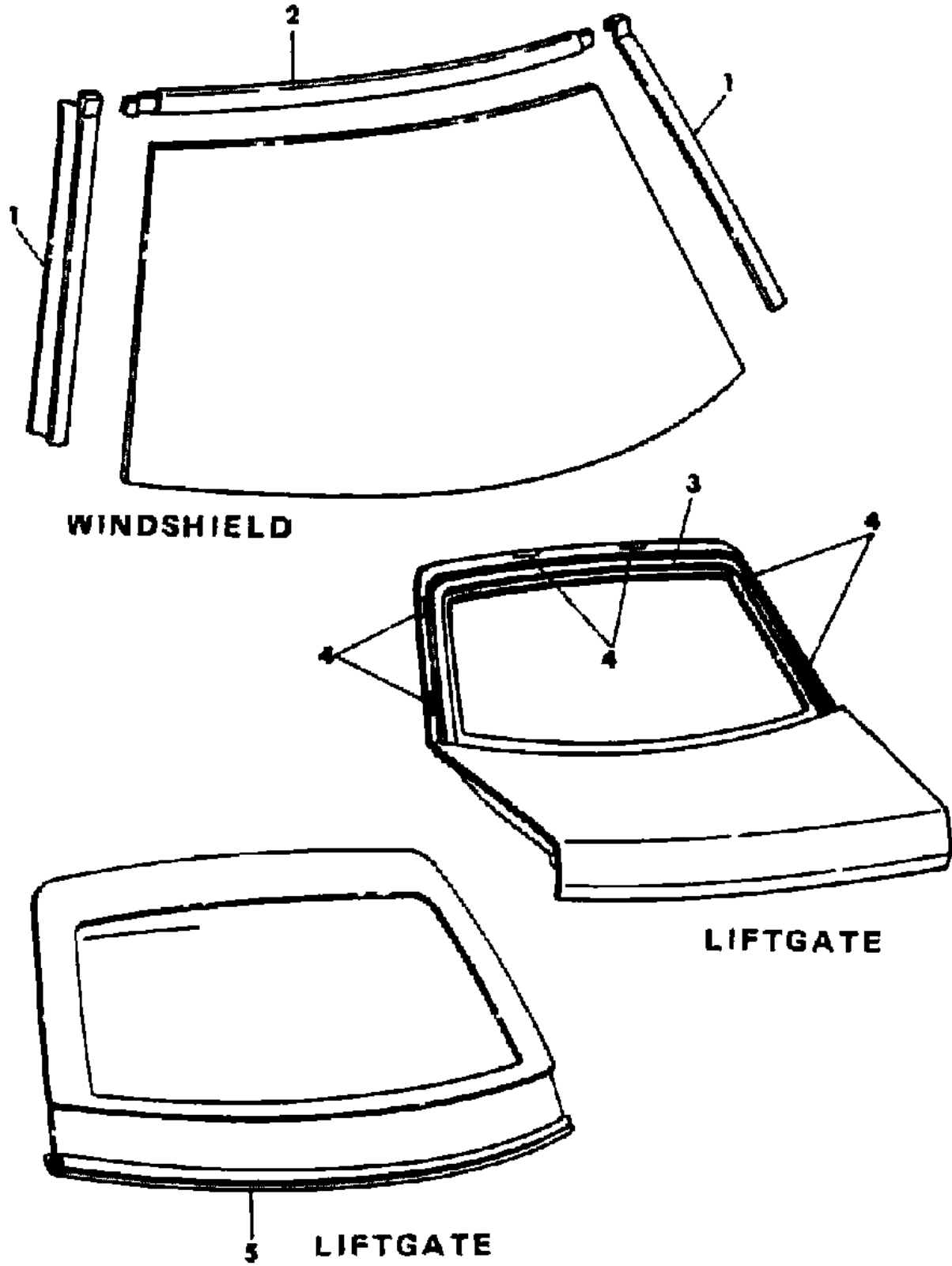
12-52 = FWD VAN & WAGON STD. W.B. 27 = 2-DOOR CONVERTIBLE
 13-53 = FWD VAN & WGN EXT W.B. 41 = 4-DOOR SEDAN
 21 = 2-DOOR SEDAN 44 = 4-DOOR HATCHBACK
 24 = 2-DOOR HATCHBACK 45 = 4-DOOR STATION WAGON

AR = Use as Required - = Non Illustrated Part P.A.R. = Paint as Required

MOULDINGS, WINDSHIELD AND REAR WINDOW OUTSIDE P BODY
Figure 23-300

8168 300

ITEM	PART NUMBER	QTY	BODY	MODEL	DESCRIPTION
1	4454 752-3	1			MOULDING, W/Shield, Side
2	4454 985	1			MOULDING, W/Shield, Upper
3	4365 804	1			MOULDING, L/Gate Glass, Upper
4	4365 806	6			SPACER, L/Gate Glass Support, Upr. and Sides
5	4396 302	1			MOULDING and SPACER, L/Gate Glass, Lwr.
	4365 807	1			SPACER, L/Gate Glass, Lwr.



MODEL CODES
 C BODY = (D41 - DYNASTY)(C41 - NEW YORKER)
 E BODY = (J - CARAVELLE)(E - 600)(T - NEW YORKER TURBO)
 G BODY = (V24 - DAYTONA, PACIFICA & SHELBY)
 H BODY = (D44 - LANCER)(C44 - LEBARON GTS)
 J BODY = (C - LEBARON)
 K BODY = (P - RELIANT)(D - ARIES)(C - LEBARON/ TOWN & COUNTRY)
 L BODY = (M - HORIZON)(Z-OMNI)
 M BODY = (B - GRAN FURY)(G - DIPLOMAT)(F - FIFTH AVENUE/NEWPORT)
 P BODY = (P - SUNDANCE)(D - SHADOW)
 Q BODY = (C27 - MASERATI)
 S BODY = (H - VOYAGER)(K - RAM VAN/ CARAVAN)

BODY STYLES
 12-52 = FWD VAN & WAGON STD. W.B. 27 = 2-DOOR CONVERTIBLE
 13-53 = FWD VAN & WGN EXT W.B. 41 = 4-DOOR SEDAN
 21 = 2-DOOR SEDAN 44 = 4-DOOR HATCHBACK
 24 = 2-DOOR HATCHBACK 45 = 4-DOOR STATION WAGON

AR = Use as Required - = Non Illustrated Part P.A.R. = Paint as Required

MOULDINGS AND ORNAMENTATION - EXTERIOR VIEW P BODY, 2 DOOR PLYMOUTH SUNDANCE, DODGE SHADOW
Figure 23-400

8168 400 B

ITEM	PART NUMBER	QTY	BODY	MODEL	DESCRIPTION	
1	4270 611	1			PENTASTAR, Radiator Grille	
	4388 038	1		D-H	Use w/ES Pkg.	
	6100 840	1			NUT, Pentastar to Red. Grille	
2	X490-1 EX9	1		P-H,D-H	MOULDING, Fndr. Rear, Black	
	X490-1 FAZ	1		P-H,D-H	Charcoal	
3	4454 464-5	1		P-H	MOULDING and WEATHERSTRIP, Door Belt, Bright	
	4454 466-7	1		D-H	Black	
	4443 701	AR			NUT PACKAGE	
	6003 957	AR			RETAINER	
4	4454 460-1	1		P-H	MOULDING, Door Wdo. Opng. Frame, Bright	
	4454 462-3	1		D-H	Black	
	6003 982	AR			RETAINER	
5	4454 468-9	1		P-H	MOULDING, Qtr. Wdo., Bright	
	4454 470-1	1		D-H	Black	
	4057 555	AR			RETAINER PACKAGE	
		AR			SCREW, (Not Serv.)	
6	X496-7 EX9	1		P-H,D-H	MOULDING, Door, Black	
	X496-7 FAZ	1		P-H,D-H	Charcoal	
	7	X498-9 EX9	1		P-H,D-H	MOULDING, Qtr. Frt., Black
		X498-9 FAZ	1		P-H,D-H	Charcoal
8	4398 689	1			NAMEPLATE, L/Gate, "PLYMOUTH"	
	4398 688	1			"DODGE"	
	9	4328 828	1		D-H	MEDALLION, L/Gate Pentastar, Use w/o ES Pkg.)
		X206 ER5	1			Red, Use w/ES Pkg.
10	X206 EX8	1			Black	
	X206 GW7	1			White	
	X206 GL2	1			Light Pewter	
	4366 746	1			NAMEPLATE, L/Gate, "SUNDANCE"	
11	4366 749	1			"SHADOW"	
	4422 105	1			"ES"	
	4454 725	1		P-H	"RS"	
	4319 147	2			NAMEPLATE, Fndr. Side, "TURBO EFI"	
12	4386 082-3	1			MOULDING, Roof to Body Side Aperature Joint, Prime	
	4386 084-5	1			MOULDING, Roof to Body Side Aperature Joint, Wide, Repair, Prime	

MODEL CODES

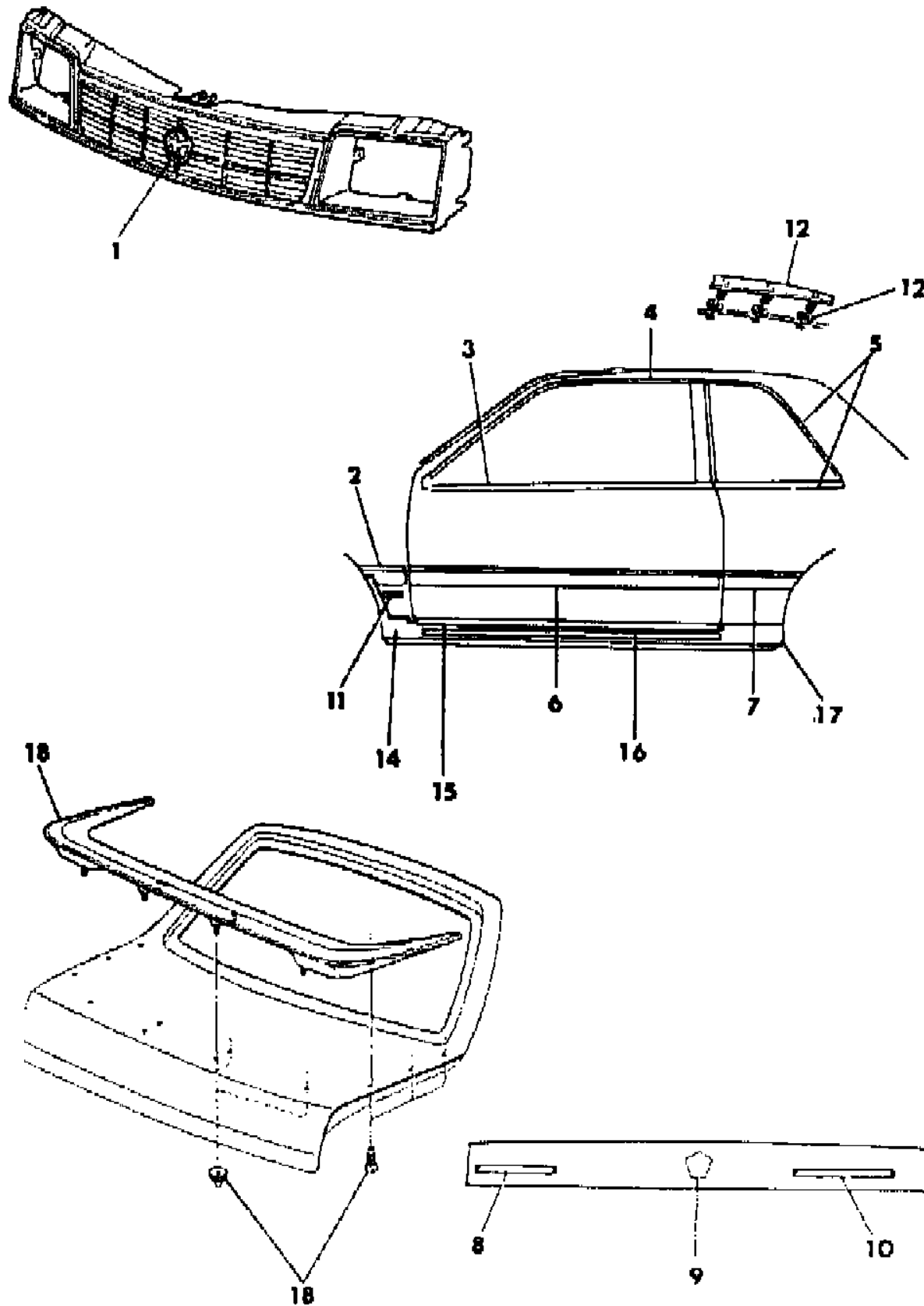
C BODY = (D41 - DYNASTY)(C41 - NEW YORKER)
 E BODY = (J - CARAVELLE)(E - 600)(T - NEW YORKER TURBO)
 G BODY = (V24 - DAYTONA, PACIFICA & SHELBY)
 H BODY = (D44 - LANCER)(C44 - LEBARON GTS)
 J BODY = (C - LEBARON)
 K BODY = (P - RELIANT)(D - ARIES)(C - LEBARON/ TOWN & COUNTRY)

L BODY = (M - HORIZON)(Z-OMNI)
 M BODY = (B - GRAN FURY)(G - DIPLOMAT)(F - FIFTH AVENUE/NEWPORT)
 P BODY = (P - SUNDANCE)(D - SHADOW)
 Q BODY = (C27 - MASERATI)
 S BODY = (H - VOYAGER)(K - RAM VAN/ CARAVAN)

BODY STYLES

12-52 = FWD VAN & WAGON STD. W.B. 27 = 2-DOOR CONVERTIBLE
 13-53 = FWD VAN & WGN EXT W.B. 41 = 4-DOOR SEDAN
 21 = 2-DOOR SEDAN 44 = 4-DOOR HATCHBACK
 24 = 2-DOOR HATCHBACK 45 = 4-DOOR STATION WAGON

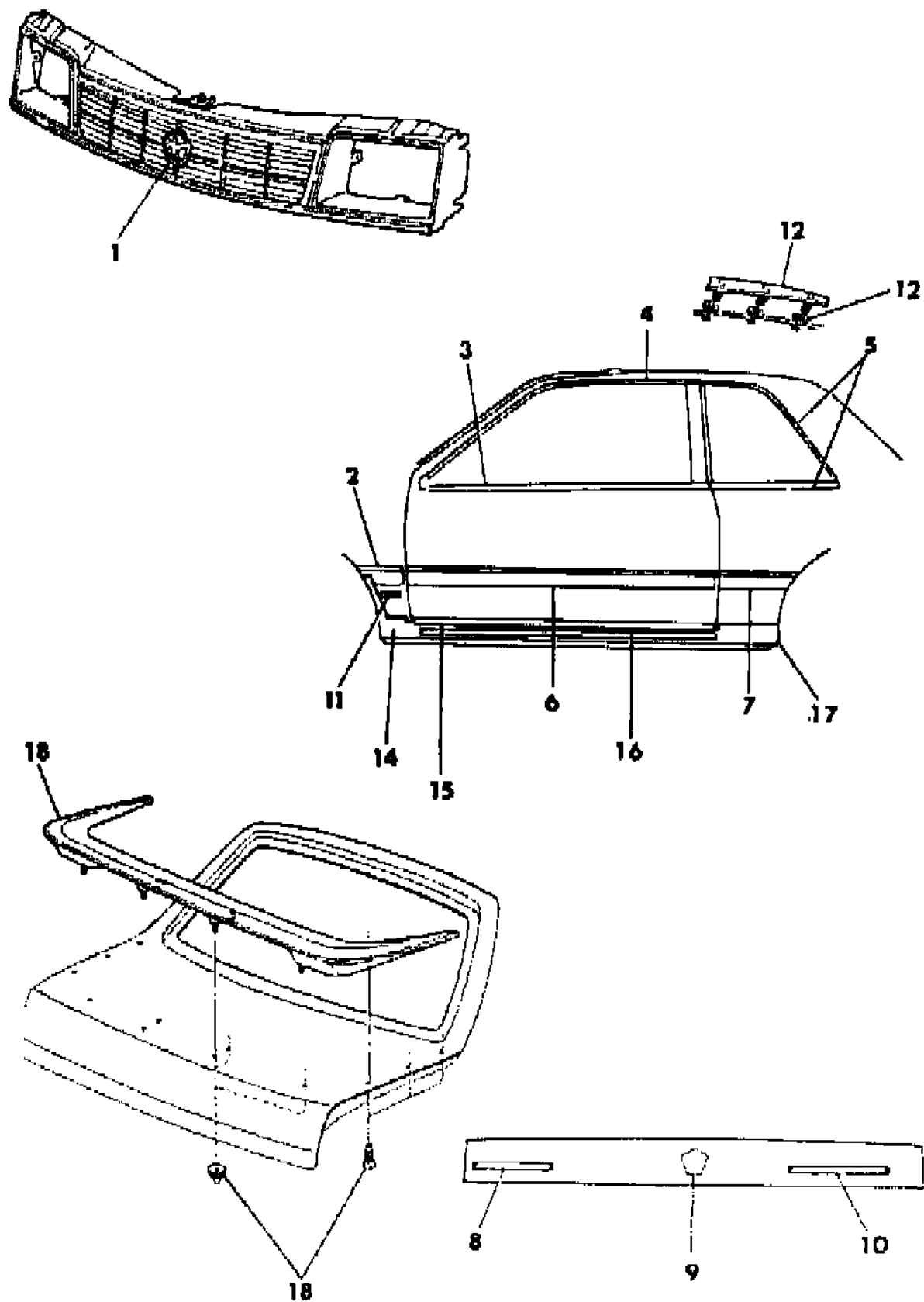
AR = Use as Required - = Non Illustrated Part P.A.R. = Paint as Required



MOULDINGS AND ORNAMENTATION - EXTERIOR VIEW P BODY, 2 DOOR PLYMOUTH SUNDANCE, DODGE SHADOW
Figure 23-400

8168 400 B

ITEM	PART NUMBER	QTY	BODY	MODEL	DESCRIPTION
	4440 494-5	1			MOULDING and SPACER, Roof to Body Side Aperature Joint, Narrow, Repair, Prime
		6			GASKET, (Not Serv.)
14	4443 828-9	1		D-H	APPLIQUE, Fndr. Side Rear
15	4443 820-1	1		D-H	APPLIQUE, Door Lwr.
16	4398 412	2		D-H	BRACKET, Body Side Sill and Qtr. Applique, Atach.
17	4443 822-3	1		D-H	APPLIQUE, Body Side Sill and Qtr.
18	4415 231	1		D-H	SPOILER, L/Gate Air
		6			SCREW
	6032 943	6			NUT



MODEL CODES

C BODY = (D41 - DYNASTY)(C41 - NEW YORKER)
 E BODY = (J - CARAVELLE)(E - 600)(T - NEW YORKER TURBO)
 G BODY = (V24 - DAYTONA, PACIFICA & SHELBY)
 H BODY = (D44 - LANCER)(C44 - LEBARON GTS)
 J BODY = (C - LEBARON)
 K BODY = (P - RELIANT)(D - ARIES)(C - LEBARON/ TOWN & COUNTRY)

L BODY = (M - HORIZON)(Z-OMNI)
 M BODY = (B - GRAN FURY)(G - DIPLOMAT)(F - FIFTH AVENUE/NEWPORT)
 P BODY = (P - SUNDANCE)(D - SHADOW)
 Q BODY = (C27 - MASERATI)
 S BODY = (H - VOYAGER)(K - RAM VAN/ CARAVAN)

BODY STYLES

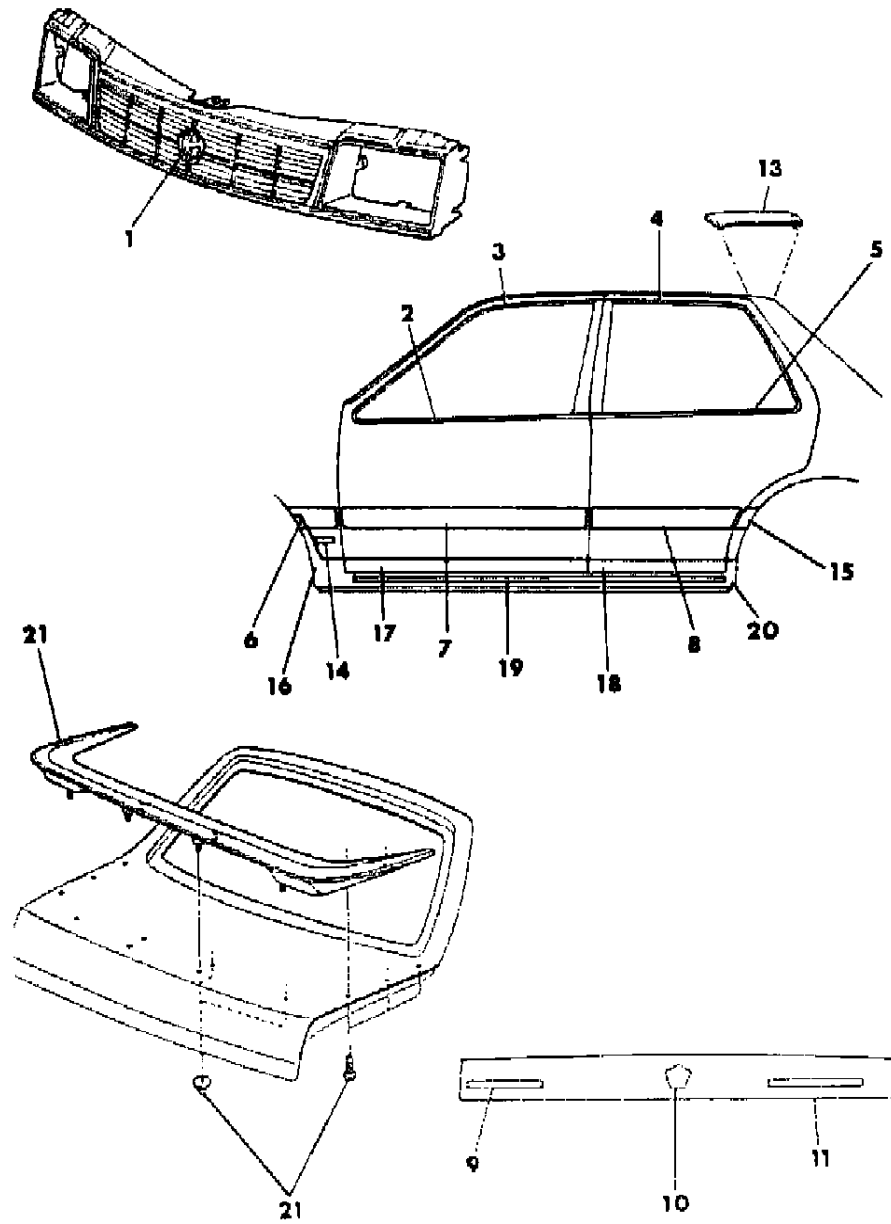
12-52 = FWD VAN & WAGON STD. W.B. 27 = 2-DOOR CONVERTIBLE
 13-53 = FWD VAN & WGN EXT W.B. 41 = 4-DOOR SEDAN
 21 = 2-DOOR SEDAN 44 = 4-DOOR HATCHBACK
 24 = 2-DOOR HATCHBACK 45 = 4-DOOR STATION WAGON

AR = Use as Required - = Non Illustrated Part P.A.R. = Paint as Required

MOULDINGS AND ORNAMENTATION - EXTERIOR VIEW P BODY, 4 DOOR PLYMOUTH SUNDANCE, DODGE SHADOW

Figure 23-500

8168 500 A



ITEM	PART NUMBER	QTY	BODY	MODEL	DESCRIPTION
1	4270 611	1			PENTASTAR, Radiator Grille
	4388 038	1		D-H	Use w/ES Pkg.
	6100 840	1			NUT, Pentastar to Rad. Grille
2	4454 446-7	1			MOULDING and WEATHERSTRIP, Frt. Door Belt, Bright
	4454 448-9	1		D-H	Black
3	4443 701	AR			NUT PACKAGE
		AR			SCREW, (Not Serv.)
	4454 450-1	1			MOULDING, Frt. Door Wdo. Opng. Frame, Bright
4	4454 452-3	1		D-H	Black
	6003 982	AR			RETAINER
	4443 722-3	1			MOULDING, Rear Door Wdo. Opng. Frame, Bright
5	4443 724-5	1		D-H	Black
	6003 982	AR			RETAINER
	4454 436-7	1			T/PLATE, (Serv. in Mldg. Assy.)
6	4454 440-1	1		D-H	MOULDING and WEATHERSTRIP, Rear Door Belt, Bright
		AR			Black
		AR			SCREW, (Not Serv.)
7	X490-1 FAZ	1		P-H,D-H	MOULDING, Fndr. Rear, Charcoal
	X490-1 EX9	1		P-H,D-H	Black
8	X492-3 FAZ	1		P-H,D-H	MOULDING, Frt. Door, Charcoal
	X492-3 EX9	1		P-H,D-H	Black
9	X430-1 GAZ	1		P-H,D-H	MOULDING, Rear Door, Charcoal
	X430-1 GX9	1		P-H,D-H	Black
10	4398 689	1			NAMEPLATE, L/Gate, "PLYMOUTH"
	4398 688	1			"DODGE"
11	4328 828	1		D-H	MEDALLION, L/Gate Pentastar, Use w/o ES Pkg.)
	X206 ER5	1			Red, Use w/ES Pkg.
	X206 EX8	1			Black
	X206 GW7	1			White
	X206 GL2	1			Light Pewter
13	4366 746	1			NAMEPLATE, L/Gate, "SUNDANCE"
	4366 749	1			"SHADOW"
	4422 105	1			"ES"
13	4386 078-9	1			MOULDING, Roof to Body Side Aperature Joint, Base, Prime
	4386 080-1	1			MOULDING, Roof to Body Side Aperature Joint, Wide, Repair, Prime

MODEL CODES

C BODY = (D41 - DYNASTY)(C41 - NEW YORKER)
 E BODY = (J - CARAVELLE)(E - 600)(T - NEW YORKER TURBO)
 G BODY = (V24 - DAYTONA, PACIFICA & SHELBY)
 H BODY = (D44 - LANCER)(C44 - LEBARON GTS)
 J BODY = (C - LEBARON)
 K BODY = (P - RELIANT)(D - ARIES)(C - LEBARON/ TOWN & COUNTRY)

L BODY = (M - HORIZON)(Z-OMNI)
 M BODY = (B - GRAN FURY)(G - DIPLOMAT)(F - FIFTH AVENUE/NEWPORT)
 P BODY = (P - SUNDANCE)(D - SHADOW)
 Q BODY = (C27 - MASERATI)
 S BODY = (H - VOYAGER)(K - RAM VAN/ CARAVAN)

BODY STYLES

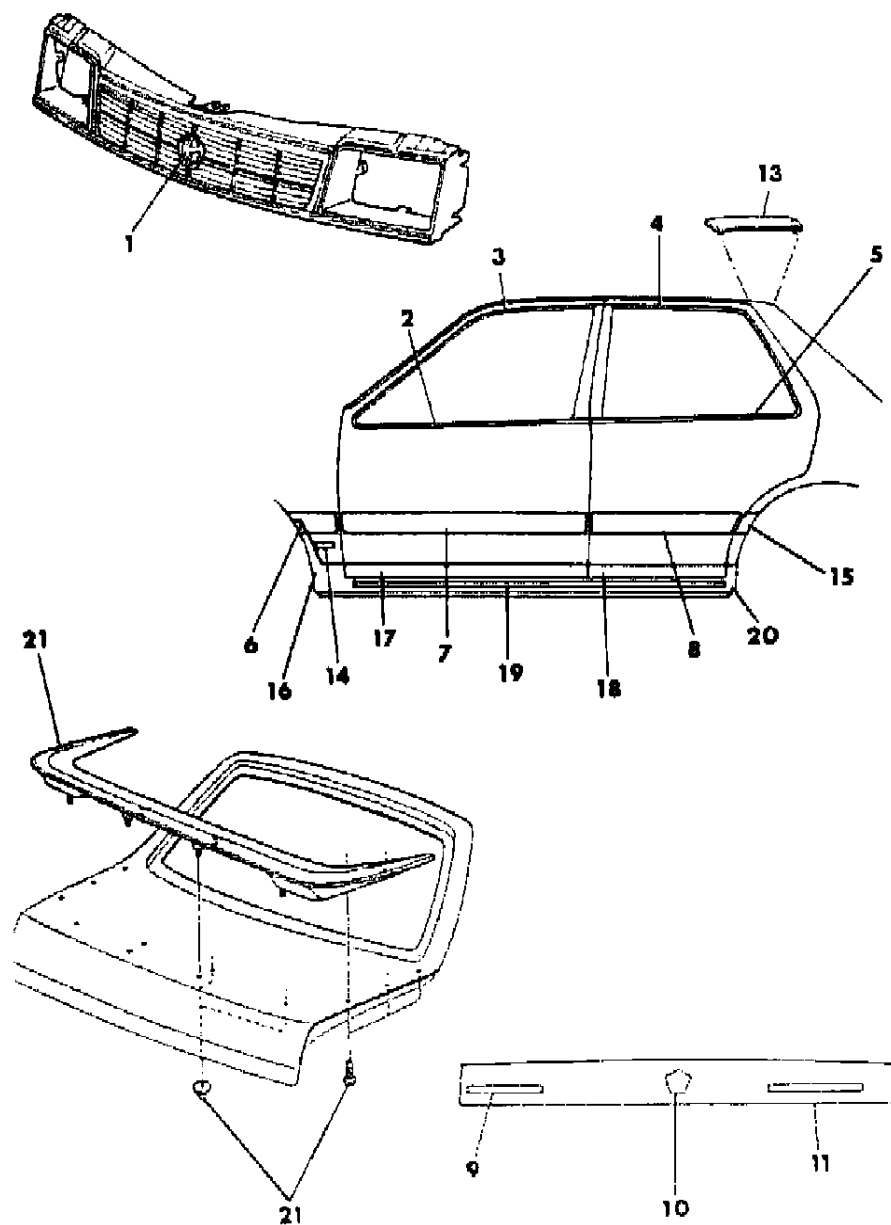
12-52 = FWD VAN & WAGON STD. W.B. 27 = 2-DOOR CONVERTIBLE
 13-53 = FWD VAN & WGN EXT W.B. 41 = 4-DOOR SEDAN
 21 = 2-DOOR SEDAN 44 = 4-DOOR HATCHBACK
 24 = 2-DOOR HATCHBACK 45 = 4-DOOR STATION WAGON

AR = Use as Required - = Non Illustrated Part P.A.R. = Paint as Required

MOULDINGS AND ORNAMENTATION - EXTERIOR VIEW P BODY, 4 DOOR PLYMOUTH SUNDANCE, DODGE SHADOW

Figure 23-500

8168 500 A



ITEM	PART NUMBER	QTY	BODY	MODEL	DESCRIPTION
	4440 270-1	1			MOULDING and SPACER, Roof to Body Side Aperature Joint, Narrow Repair, Prime
14	4319 147	2			NAMEPLATE, Fndr. Side, "TURBO EFI"
15	X428-9 GAZ	1		P-H,D-H	MOULDING, Qtr. Frt., Charcoal
	X428-9 GX9	1		P-H,D-H	Black
16	4443 828-9	1		D-H	APPLIQUE, Fndr. Frt.
17	4443 826-7	1		D-H	APPLIQUE, Frt. Door Lwr.
18	4443 830-1	1		D-H	APPLIQUE, Rear Door Lwr.
19	4422 276	2		D-H	BRACKET, Body Side Sill and Qtr. Applique, Attach.
20	4443 824-5	1		D-H	APPLIQUE, Body Side Sill and Qtr.
21	4415 231	1		D-H	SPOILER, L/Gate Air
		6			SCREW
	6032 943	6			NUT

MODEL CODES

C BODY = (D41 - DYNASTY)(C41 - NEW YORKER)
 E BODY = (J - CARAVELLE)(E - 600)(T - NEW YORKER TURBO)
 G BODY = (V24 - DAYTONA, PACIFICA & SHELBY)
 H BODY = (D44 - LANCER)(C44 - LEBARON GTS)
 J BODY = (C - LEBARON)
 K BODY = (P - RELIANT)(D - ARIES)(C - LEBARON/ TOWN & COUNTRY)

L BODY = (M - HORIZON)(Z-OMNI)
 M BODY = (B - GRAN FURY)(G - DIPLOMAT)(F - FIFTH AVENUE/NEWPORT)
 P BODY = (P - SUNDANCE)(D - SHADOW)
 Q BODY = (C27 - MASERATI)
 S BODY = (H - VOYAGER)(K - RAM VAN/ CARAVAN)

BODY STYLES

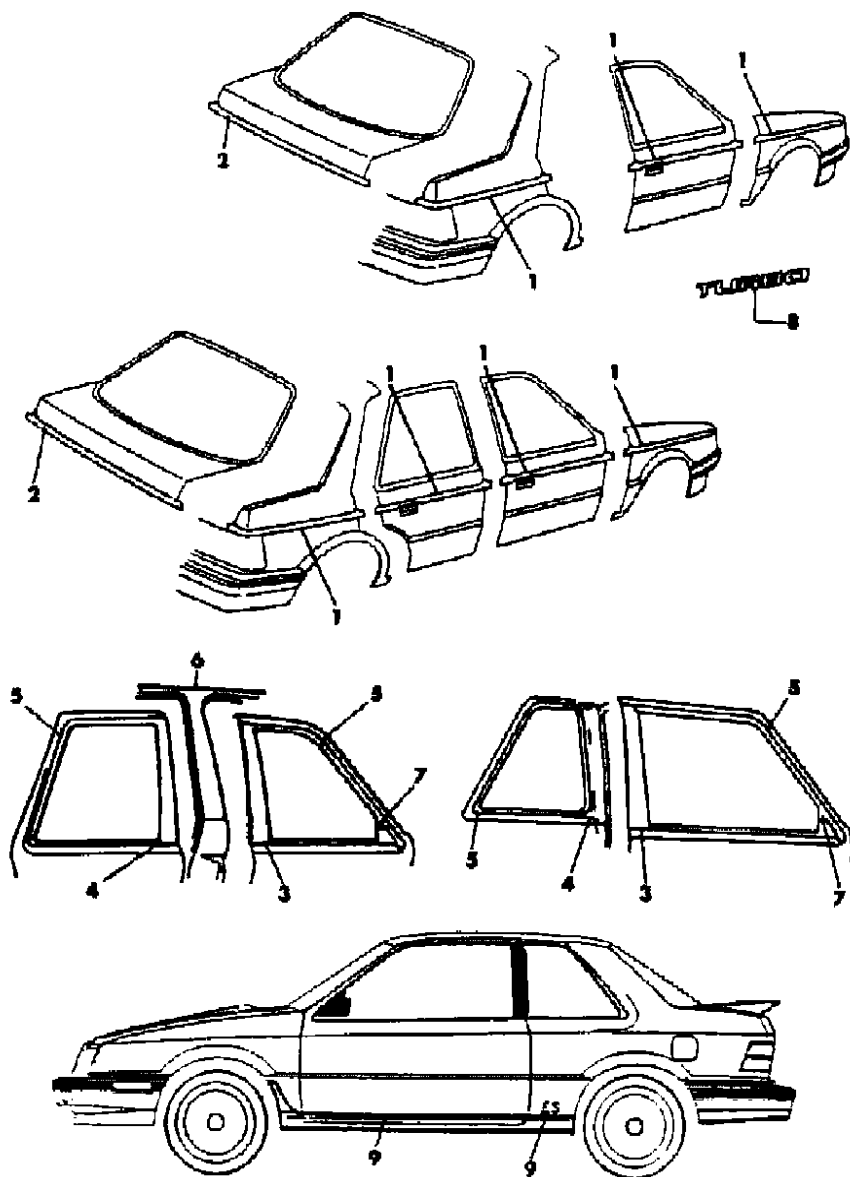
12-52 = FWD VAN & WAGON STD. W.B. 27 = 2-DOOR CONVERTIBLE
 13-53 = FWD VAN & WGN EXT W.B. 41 = 4-DOOR SEDAN
 21 = 2-DOOR SEDAN 44 = 4-DOOR HATCHBACK
 24 = 2-DOOR HATCHBACK 45 = 4-DOOR STATION WAGON

AR = Use as Required - = Non Illustrated Part P.A.R. = Paint as Required

TAPE STRIPES AND DECALS - EXTERIOR VIEW P BODY PLYMOUTH SUNDANCE, DODGE SHADOW

Figure 23-600

8168 600 A



ITEM	PART NUMBER	QTY	BODY	MODEL	DESCRIPTION
1	4443 738-9	1		44	TAPE PACKAGE, Fndr., Doors, Qtr. Pnl., Charcoal
	4443 740-1	1			Light Copper
	4443 742-3	1			Dark Brown
	4397 596-7	1			Blue
	4443 744-5	1			Red
2	4443 730-1	1		24	TAPE PACKAGE, Fndr., Door, Qtr. Pnl., Charcoal
	4443 732-3	1			Light Copper
	4443 734-5	1			Dark Brown
	4397 586-7	1			Blue
	4443 736-7	1			Red
	T794 GH4	1		24,44	TAPE, L/Gate, Red
3	T794 GM8	1			Dark Brown
	T794 GS6	1			Charcoal
	T794 EC4	1			Blue
4	T794 GU2	1			Light Copper
	4366 446-7	1		44	TAPE, Frt. Door Wdo. Opng. Frame, Rear
5	4366 396-7	1		24	TAPE, Door Wdo. Opng. Frame, Rear
	4366 448-9	1		44	TAPE, Rear Door Wdo. Opng. Frame, Frt.
6	4443 836-7	1		24	APPLIQUE, "B" Pillar
	4364 542-3	1		44	TAPE, Frt. and Rear Door Wdo. Surround
7	4398 180-1	1		24	TAPE, Door Wdo. Frame Blackout
	4422 380-1	1		24	TAPE, Qtr. Wdo Opng, Rear, Blackout
8	4366 802-3	1		44	TAPE, "B" Pillar Blackout
9	4422 202-3	1			TAPE, Lwr. Mirror
10	T412 EBB	2		D-H	DECAL, Hood, "TURBO", Black Outline, Silver Center
	T540 GR4	2		D-H	TAPE, Decal Rear Door or Qtr., "ES", Red
11	T540 GX9	2		D-H	Black
	T328 GR4	1		D-H	TAPE, Body Side Applique, Red
12	4422 989	1		24	TAPE, Qtr. Wdo. Opng. and B Pillar Black Out

MODEL CODES

C BODY = (D41 - DYNASTY)(C41 - NEW YORKER)
 E BODY = (J - CARAVELLE)(E - 600)(T - NEW YORKER TURBO)
 G BODY = (V24 - DAYTONA, PACIFICA & SHELBY)
 H BODY = (D44 - LANCER)(C44 - LEBARON GTS)
 J BODY = (C - LEBARON)
 K BODY = (P - RELIANT)(D - ARIES)(C - LEBARON/ TOWN & COUNTRY)

L BODY = (M - HORIZON)(Z-OMNI)
 M BODY = (B - GRAN FURY)(G - DIPLOMAT)(F - FIFTH AVENUE/NEWPORT)
 P BODY = (P - SUNDANCE)(D - SHADOW)
 Q BODY = (C27 - MASERATI)
 S BODY = (H - VOYAGER)(K - RAM VAN/ CARAVAN)

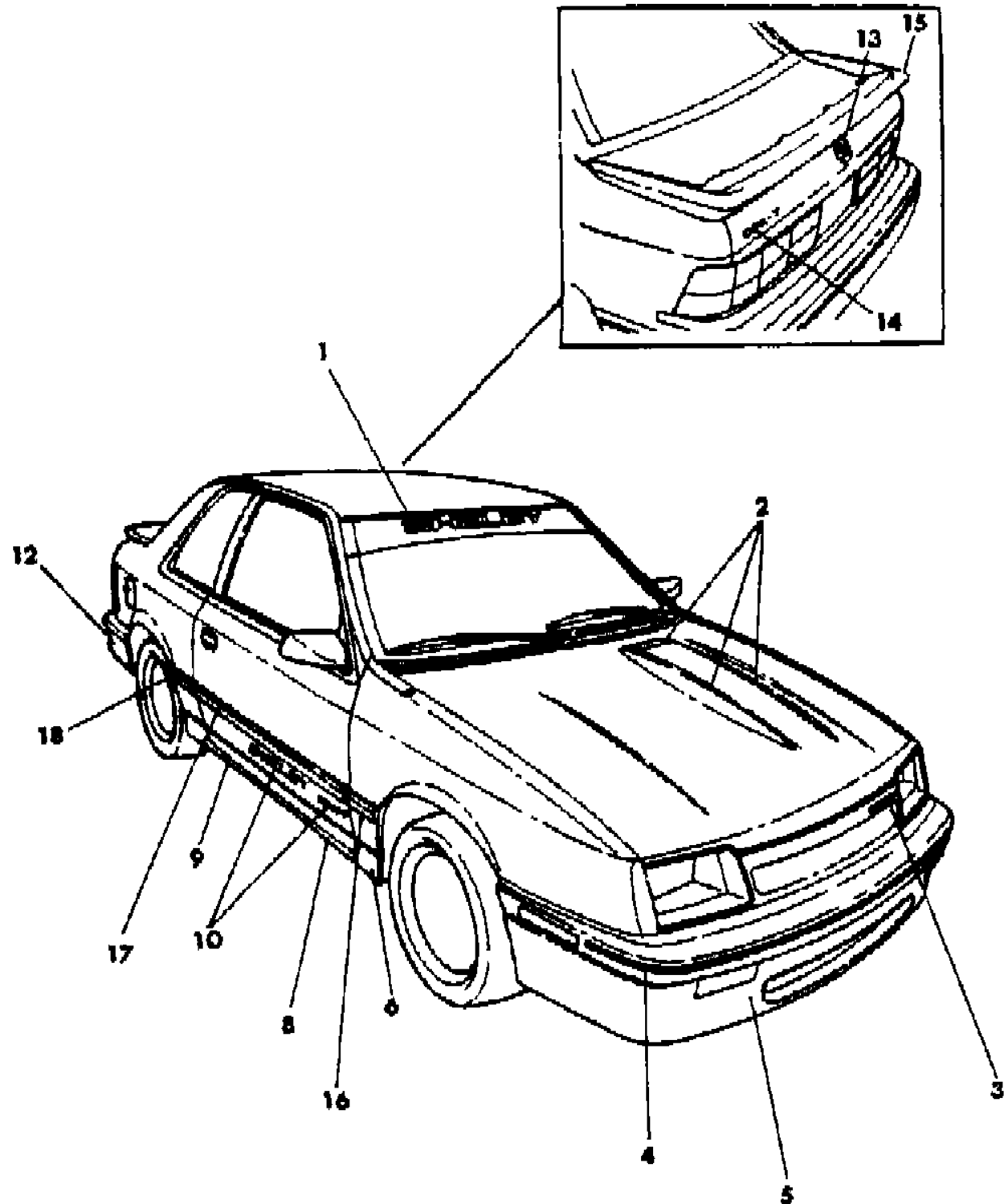
BODY STYLES

12-52 = FWD VAN & WAGON STD. W.B. 27 = 2-DOOR CONVERTIBLE
 13-53 = FWD VAN & WGN EXT W.B. 41 = 4-DOOR SEDAN
 21 = 2-DOOR SEDAN 44 = 4-DOOR HATCHBACK
 24 = 2-DOOR HATCHBACK 45 = 4-DOOR STATION WAGON

AR = Use as Required - = Non Illustrated Part P.A.R. = Paint as Required

GROUND EFFECTS PACKAGE - EXTERIOR VIEW P BODY DODGE SHELBY SHADOW, CSX-T, THRIFTY
Figure 23-625

8168 625 A



ITEM	PART NUMBER	QTY	BODY	MODEL	DESCRIPTION
1	4467 459	1			DECAL, W/Shield, "SHELBY"
2	4467 881	1			TAPE STRIPE, Hood Center
	4467 882	1			TAPE STRIPE, Hood, Rt.
	4467 883	1			Lt.
3	4467 880	1			DECAL, Grille, "CSX-T"
4	4467 461	1			TAPE STRIPE, Fascia Frt. and Rear, Blue
5	4467 452	1			AIR DAM, Frt.
6	4467 468-9	1			APPLIQUE, Side Sill Frt.
8	4467 466-7	1			APPLIQUE, Side Sill Rear
	4467 465	AR			RETAINER
9	4467 470-1	1			APPLIQUE, Door Lwr.
10	4467 878-9	1			TAPE STRIPE, Door, "SHELBY CSX-T"
	4467 476-7	1			TAPE STRIPE, Fndr.
	4467 480-1	1			TAPE STRIPE, Qtr. Pnl.
12	4467 451	1			AIR DAM, Rear
13	4467 453	1			MEDALLION, Rear Hatch
14	4467 884	1			DECAL, Rear Hatch, "CSX-T"
15	4467 885	1			TAPE STRIPE, Rear Spoiler
16	X490-1 FAZ	1			MOULDING, Fndr. Rear, Charcoal, Use Blue Tape Insert, See Item 4
17	X496-7 FAZ	1			MOULDING, Door, Charcoal, Use Blue Tape Insert, See Item 4
18	X498-9 FAZ	1			MOULDING, Qtr. Frt., Charcoal, Use Blue Tape Insert, See Item 4

MODEL CODES

C BODY = (D41 - DYNASTY)(C41 - NEW YORKER)	L BODY = (M - HORIZON)(Z-OMNI)
E BODY = (J - CARAVELLE)(E - 600)(T - NEW YORKER TURBO)	M BODY = (B - GRAN FURY)(G - DIPLOMAT)(F - FIFTH AVENUE/NEWPORT)
G BODY = (V24 - DAYTONA, PACIFICA & SHELBY)	P BODY = (P - SUNDANCE)(D - SHADOW)
H BODY = (D44 - LANCER)(C44 - LEBARON GTS)	Q BODY = (C27 - MASERATI)
J BODY = (C - LEBARON)	S BODY = (H - VOYAGER)(K - RAM VAN/ CARAVAN)
K BODY = (P - RELIANT)(D - ARIES)(C - LEBARON/ TOWN & COUNTRY)	

BODY STYLES

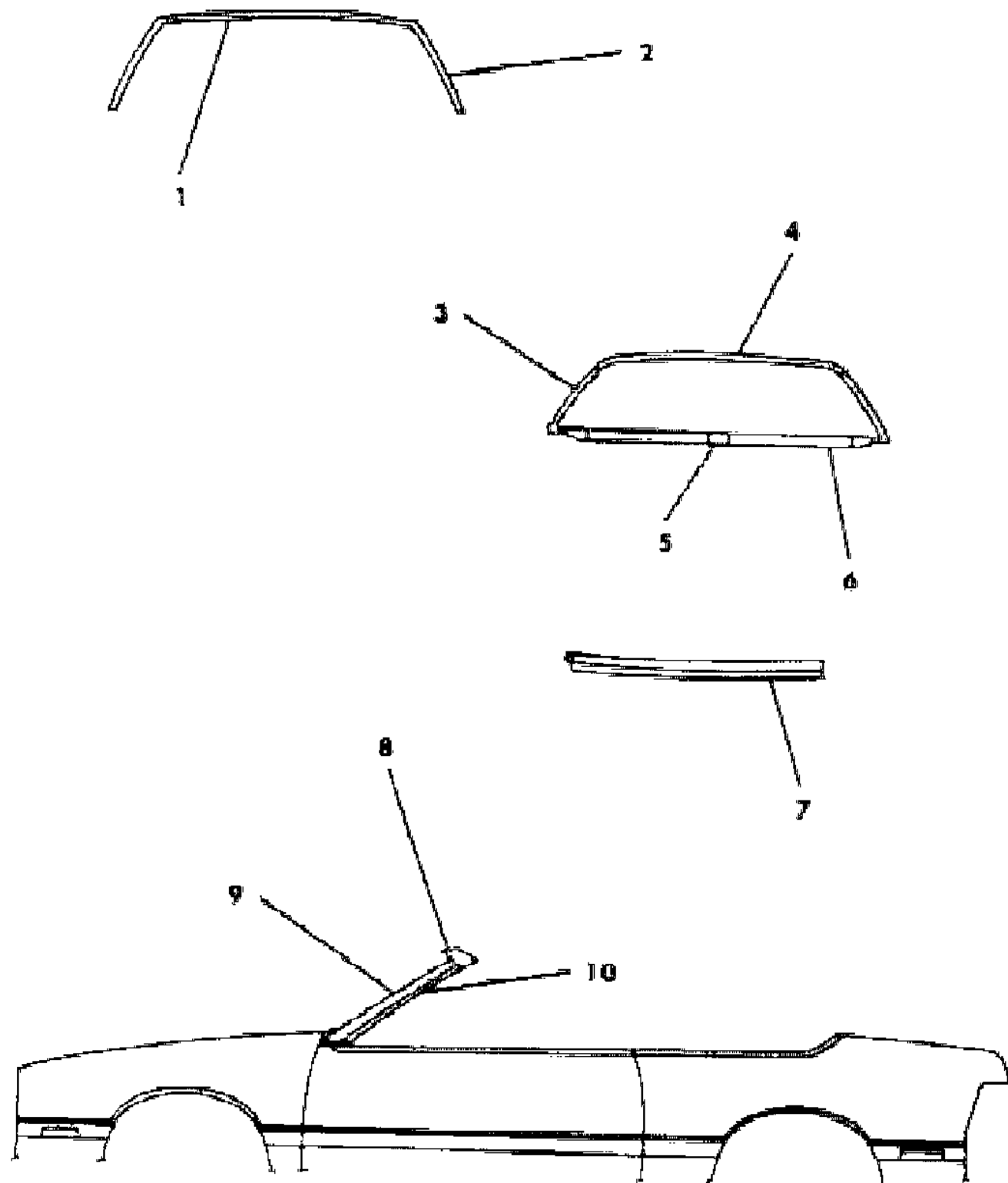
12-52 = FWD VAN & WAGON STD. W.B.	27 = 2-DOOR CONVERTIBLE
13-53 = FWD VAN & WGN EXT W.B.	41 = 4-DOOR SEDAN
21 = 2-DOOR SEDAN	44 = 4-DOOR HATCHBACK
24 = 2-DOOR HATCHBACK	45 = 4-DOOR STATION WAGON

AR = Use as Required - = Non Illustrated Part P.A.R. = Paint as Required

MOULDINGS, WINDSHIELD AND REAR WINDOW OUTSIDE J BODY CHRYSLER LEBARON

Figure 23-700

8168 700



ITEM	PART NUMBER	QTY	BODY	MODEL	DESCRIPTION
1	4366 637	1		21	MOULDING, W/Shield Upr., Black
2	4366 638-9	1		21	MOULDING, W/Shield Side, Black
3	4454 730-1	1		21	MOULDING, Rear Wdo. Side, Bright
	6003 969	AR		21	RETAINER
	6004 133	2			RETAINER, Rear Wdo. Side Mldg. Filler, Use After 2-15-88
4	4454 926-7	1		21	MOULDING, Rear Wdo. Upr., Bright
	6004 114	AR		21	RETAINER
5	4454 916	1		21	CAP, Rear Wdo. Lwr. Mldg., Bright
	6003 969	AR		21	RETAINER
6	4454 930-1	1		21	MOULDING, Rear Wdo. Lwr., Bright
	6003 969	AR		21	RETAINER
7	4454 580	1		21	FILLER, Rear Wdo. Mldg. to Deck Lid, Bright
	6004 039	2		21	RETAINER, Rear Wdo. Lwr. Mldg. Filler
8	4398 820-1	1		27	MOULDING, W/Shield Upr., Bright
		AR		27	SCREW, (Not Serv.)
9	4398 814-5	1		27	MOULDING, W/Shield Pillar, Inner
	6004 036	AR		27	RETAINER
10	4398 812-3	1		27	MOULDING, W/Shield Pillar, Outer, Bright
	4398 698-9	1		27	CAP, W/Shield Pillar Outer Mldg. Lwr. End, Bright

MODEL CODES

C BODY = (D41 - DYNASTY)(C41 - NEW YORKER)
 E BODY = (J - CARAVELLE)(E - 600)(T - NEW YORKER TURBO)
 G BODY = (V24 - DAYTONA, PACIFICA & SHELBY)
 H BODY = (D44 - LANCER)(C44 - LEBARON GTS)
 J BODY = (C - LEBARON)
 K BODY = (P - RELIANT)(D - ARIES)(C - LEBARON/ TOWN & COUNTRY)
 L BODY = (M - HORIZON)(Z-OMNI)
 M BODY = (B - GRAN FURY)(G - DIPLOMAT)(F - FIFTH AVENUE/NEWPORT)
 P BODY = (P - SUNDANCE)(D - SHADOW)
 Q BODY = (C27 - MASERATI)
 S BODY = (H - VOYAGER)(K - RAM VAN/ CARAVAN)

BODY STYLES

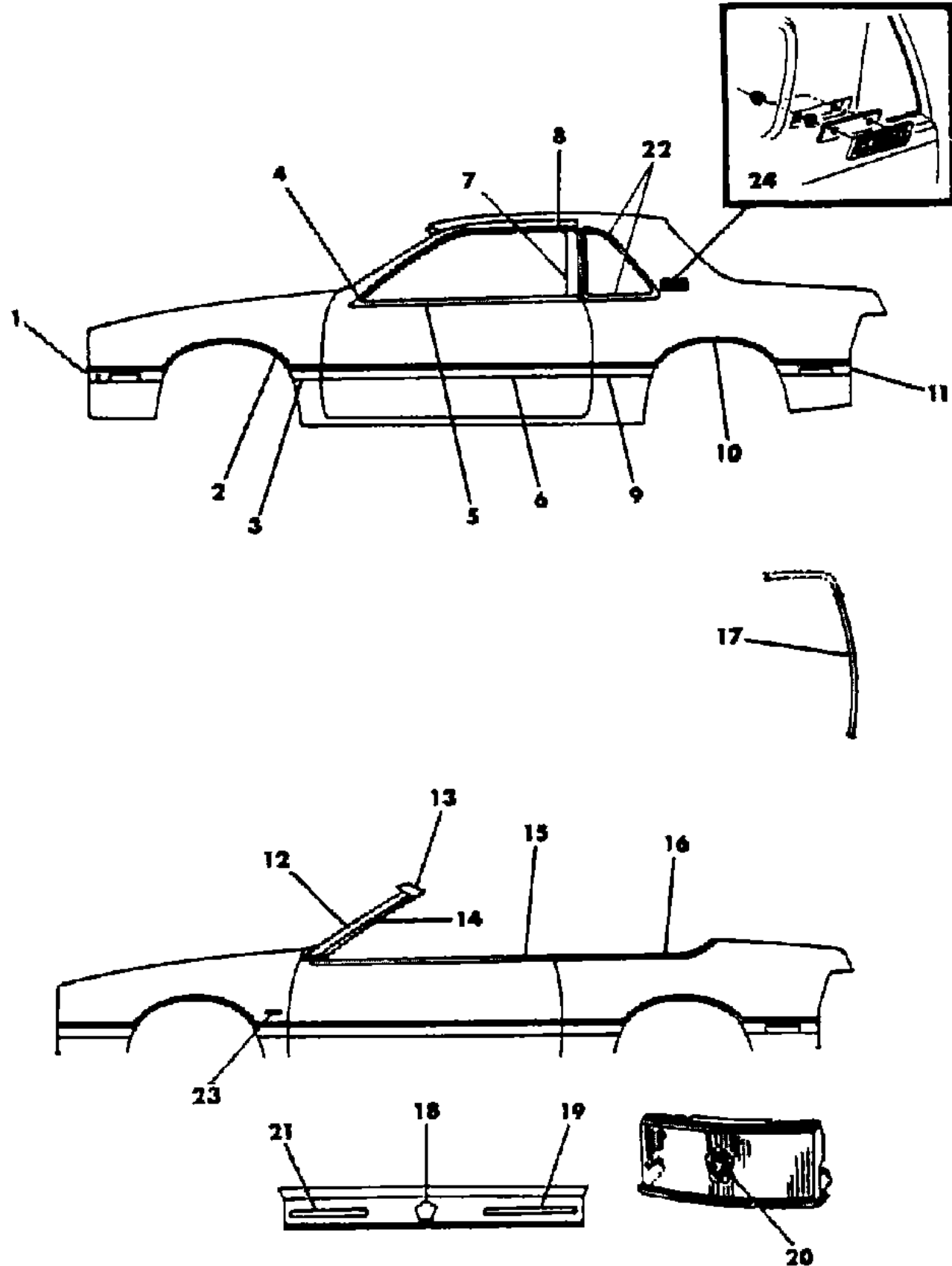
12-52 = FWD VAN & WAGON STD. W.B. 27 = 2-DOOR CONVERTIBLE
 13-53 = FWD VAN & WGN EXT W.B. 41 = 4-DOOR SEDAN
 21 = 2-DOOR SEDAN 44 = 4-DOOR HATCHBACK
 24 = 2-DOOR HATCHBACK 45 = 4-DOOR STATION WAGON

AR = Use as Required - = Non Illustrated Part P.A.R. = Paint as Required

MOULDINGS AND ORNAMENTATION - EXTERIOR VIEW J BODY, 2 DOOR, CONVERTIBLE CHRYSLER LEBARON

Figure 23-800

8168 800



ITEM	PART NUMBER	QTY	BODY	MODEL	DESCRIPTION
1	4321 796-7	1		C-P	MOULDING, Lamp Assy., Fndr. Bumper Nerf Ext. and Side Marker Lamp (P.A.R.)
	4321 812-3	1		C-H	MOULDING, Lamp Assy., Fndr. Bumper Nerf Ext. and Side Marker Lamp (See Illus. in Group 8)
	X074-5 GW7	1		21,27	GTC, Spring Special
		AR		21,27	NUT, Sealing (Not Serv.)
2	4411 622-3	1		C-P,21,27	MOULDING PACKAGE, Fndr. Wheel Opng.
		AR		C-P,21,27	SCREW, (Not Serv.)
3	4366 670-1	1		C-P,21,27	MOULDING, Fndr. Side Rear
	4366 920-1	1		C-H,21,27	MOULDING, Fndr. Rear
	X650-1 GWA	1		21,27	MOULDING, Fndr. Rear, White, Spring Special, GTC
4	4454 906-7	1		21	MOULDING, Door Mirror Base
	4365 854	2		21	SPACER, Door Mirror Base Mldg.
	4422 622-3	1		21	SEAL, Door Belt Mirror Base Mldg.
	6033 101	AR		21	SCREW
5	4491 020-1	1		21	MOULDING, Door Belt and Weatherstrip
	4398 566-7	1		21	WEATHERSTRIP, Door Belt Mldg.
	6032 456	AR		21	SCREW
6	4366 922-3	1		21,27	MOULDING, Door
	4454 340-1	1		C-H,21,27	MOULDING, Door Turbo
	X070-1 GWA	1		21,27	MOULDING, Door White, TURBO GTC, Spring Special
7	4366 662-3	1		21	APPLIQUE, Door Frame Rear, Use Up to 10-5-87
	4491 154-5	1		21	Use From 10-5-87 to 11-10-87
	4491 422-3	1		21	Use After 11-10-87
	4495 000	1		21	APPLIQUE PACKAGE, Door Frame Rear
	4057 555	AR		21	RETAINER PACKAGE
8	4366 640-1	1		21	MOULDING, Door Frame Uppr.
	6033 101	AR		21	SCREW
9	4366 682-3	1		C-P,21,27	MOULDING, Qtr. Frt.
	4366 924-5	1		C-H,21,27	MOULDING, Qtr. Frt.
	X654-5 GWA	1		21,27	MOULDING, Qtr. Frt., White, Spring Special, GTC
10	4411 624-5	1		C-P,21,27	MOULDING PACKAGE, Qtr. Wheel Opng.
		AR		C-P,21,27	SCREW, (Not Serv.)
11	4321 804-5	1		C-P,21,27	MOULDING, Lamp Assy., Rear Bumper Nerf Ext. and Side Marker Lamp (P.A.R.)
	4321 820-1	1		C-H,21,27	MOULDING, Lamp Assy., Rear Bumper Nerf Ext. and Side Marker Lamp (See Illus. in Group 8)

MODEL CODES

C BODY = (D41 - DYNASTY)(C41 - NEW YORKER)
 E BODY = (J - CARAVELLE)(E - 600)(T - NEW YORKER TURBO)
 G BODY = (V24 - DAYTONA, PACIFICA & SHELBY)
 H BODY = (D44 - LANCER)(C44 - LEBARON GTS)
 J BODY = (C - LEBARON)
 K BODY = (P - RELIANT)(D - ARIES)(C - LEBARON/ TOWN & COUNTRY)

L BODY = (M - HORIZON)(Z-OMNI)
 M BODY = (B - GRAN FURY)(G - DIPLOMAT)(F - FIFTH AVENUE/NEWPORT)
 P BODY = (P - SUNDANCE)(D - SHADOW)
 Q BODY = (C27 - MASERATI)
 S BODY = (H - VOYAGER)(K - RAM VAN/ CARAVAN)

BODY STYLES

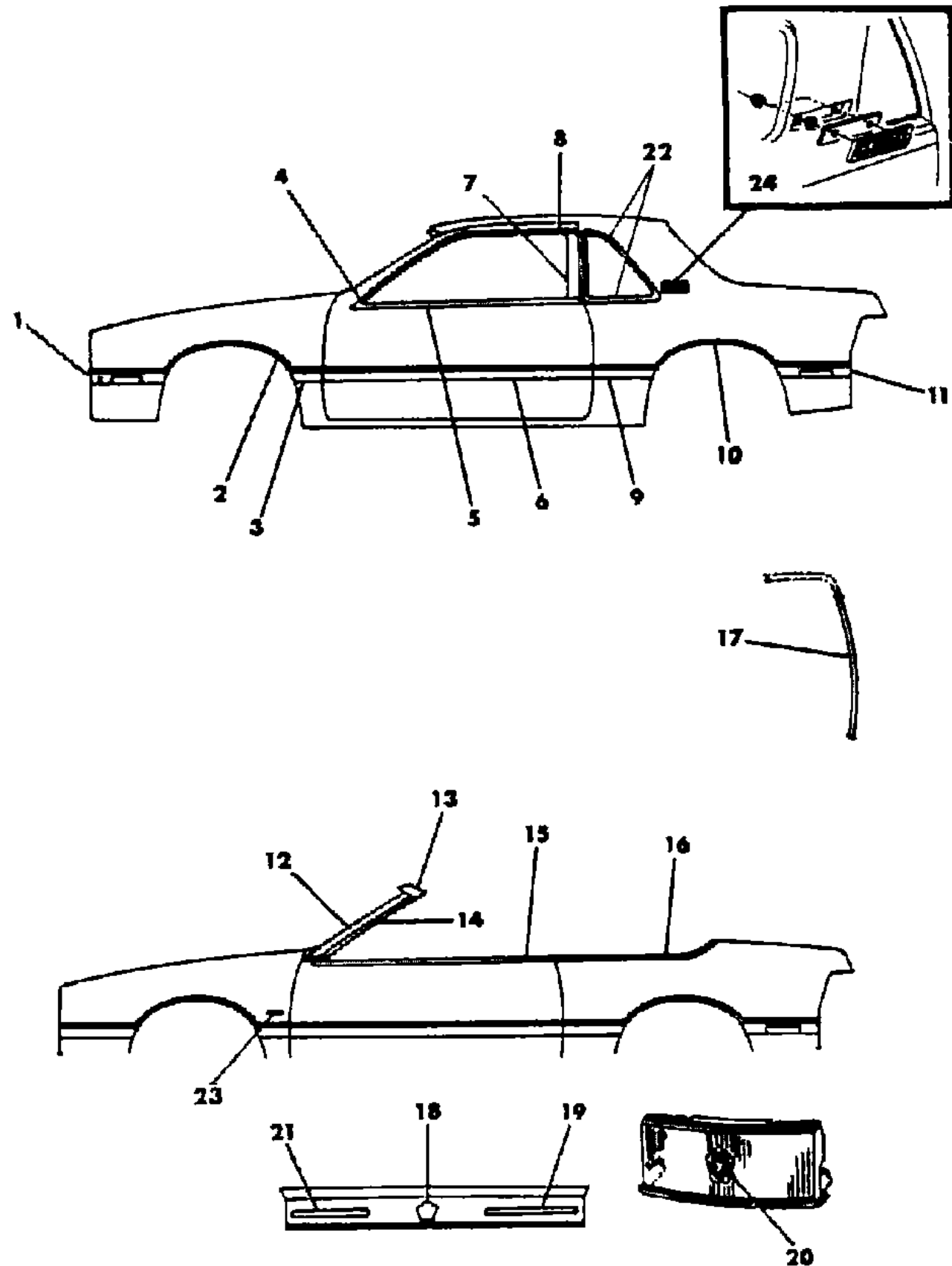
12-52 = FWD VAN & WAGON STD. W.B. 27 = 2-DOOR CONVERTIBLE
 13-53 = FWD VAN & WGN EXT W.B. 41 = 4-DOOR SEDAN
 21 = 2-DOOR SEDAN 44 = 4-DOOR HATCHBACK
 24 = 2-DOOR HATCHBACK 45 = 4-DOOR STATION WAGON

AR = Use as Required - = Non Illustrated Part P.A.R. = Paint as Required

MOULDINGS AND ORNAMENTATION - EXTERIOR VIEW J BODY, 2 DOOR, CONVERTIBLE CHRYSLER LEBARON

Figure 23-800

8168 800



ITEM	PART NUMBER	QTY	BODY	MODEL	DESCRIPTION
	X076-7 GW7	1		21,27	GTC, Spring Special
		AR		21,27	NUT, Sealing, (Not Serv.)
	4399 842-3	1		C-P,21,27	MOULDING COVER, Rear Bumper Nerf Ext. (European)
12	4398 814-5	1		27	MOULDING, W/Shield Pillar, Inner
	6004 036	AR		27	RETAINER
13	4398 820-1	1		27	MOULDING, W/Shield Upr., Bright
		AR		27	SCREW, (Not Serv.)
14	4454 972-3	1		27	MOULDING, W/Shield Pillar Outer, Bright
	4398 698-9	1		27	CAP, W/Shield Pillar Outer Mldg. Lwr. End, Bright
15	4398 366-7	1		27	MOULDING, Door Belt
	4365 664-5	1		27	WEATHERSTRIP, Door Belt
	6032 456	AR		27	SCREW
16	4398 372-3	1		27	MOULDING, Qtr. Belt
	6501 903	12		27	NUT, Qtr. Belt Mldg., Use After 12-14-87
	4398 376-7	1		27	CAP, Qtr. Belt Mldg. End
				27	RETAINER, (Serv. in 4398372-3 Mldg.)
17	4398 378	1		27	MOULDING, Deck Lid Upr. Pnl.
	4398 828-9	1		27	CAP, Deck Lid Upr. Pnl. Mldg. End
	6501 140	AR		27	NUT, Upr. Deck Pnl Mldg.
				27	RETAINER, (Serv. in 4398378 Mldg.)
18	4366 993	1			MEDALLION, Deck Lid Pentastar
19	4398 443	1			NAMEPLATE, Deck Lid, "LE BARON"
20	4270 611	1			PENTASTAR, Rad. Grille
	6100 840	1			NUT
21	4398 442	1			NAMEPLATE, Deck Lid, "CHRYSLER"
22	4419 040-1	1			MOULDING PACKAGE, Qtr. Wdo. Frame and Glass, Bright
23	4319 147	1			NAMEPLATE, Fndr. Side, "TURBO EFI"
24	4440 032-3	1		21	MOULDING, Roof Pnl. to Body Side Aperature (In White)
	4386 863	2		21	INSULATOR, Roof Pnl. to Body Side Aperature Mldg.
	4440 698	4		21	GASKET, Roof Pnl. to Body Side Aperature Joint Mldg.
		4		21	NUT, (Not Serv.)

MODEL CODES

C BODY = (D41 - DYNASTY)(C41 - NEW YORKER)
 E BODY = (J - CARAVELLE)(E - 600)(T - NEW YORKER TURBO)
 G BODY = (V24 - DAYTONA, PACIFICA & SHELBY)
 H BODY = (D44 - LANCER)(C44 - LEBARON GTS)
 J BODY = (C - LEBARON)
 K BODY = (P - RELIANT)(D - ARIES)(C - LEBARON/ TOWN & COUNTRY)

L BODY = (M - HORIZON)(Z-OMNI)
 M BODY = (B - GRAN FURY)(G - DIPLOMAT)(F - FIFTH AVENUE/NEWPORT)
 P BODY = (P - SUNDANCE)(D - SHADOW)
 Q BODY = (C27 - MASERATI)
 S BODY = (H - VOYAGER)(K - RAM VAN/ CARAVAN)

BODY STYLES

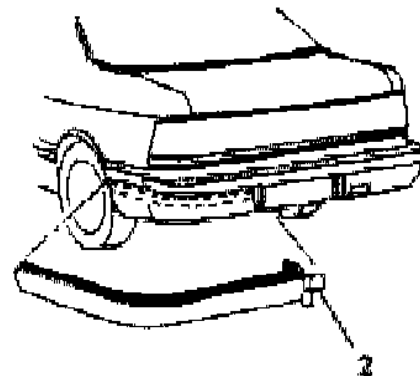
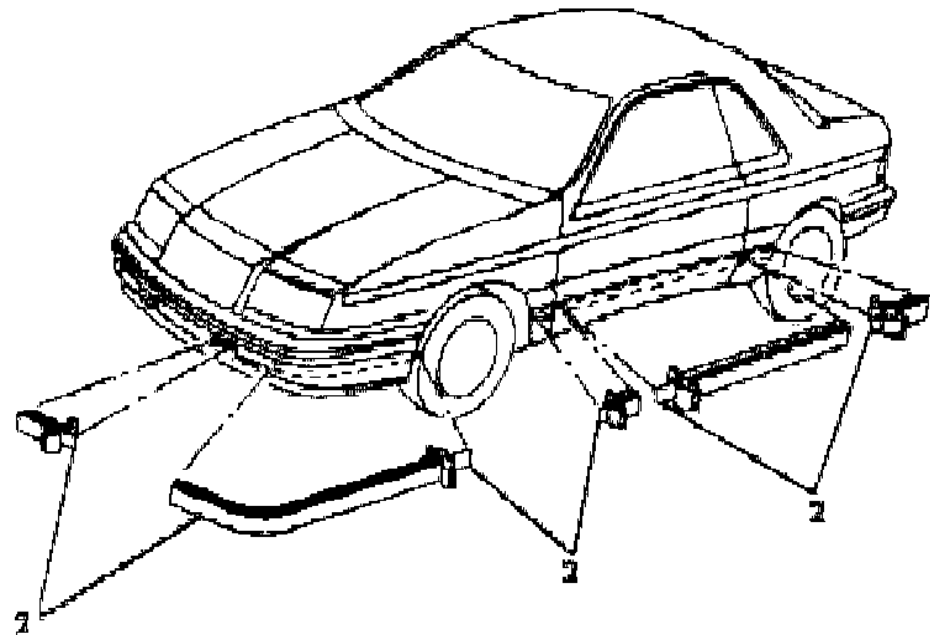
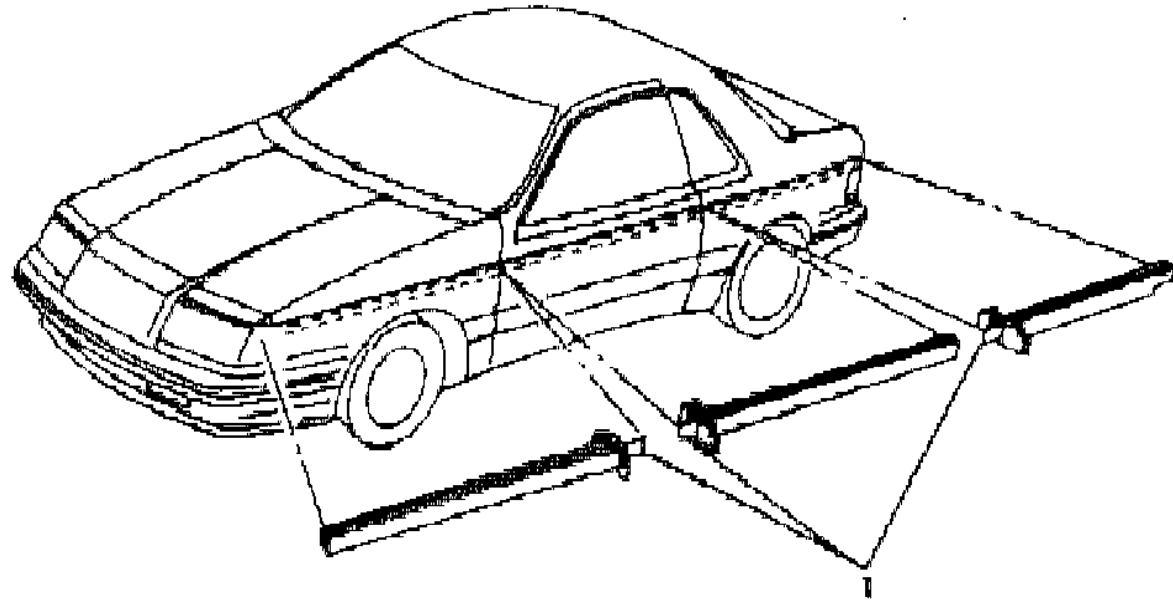
12-52 = FWD VAN & WAGON STD. W.B. 27 = 2-DOOR CONVERTIBLE
 13-53 = FWD VAN & WGN EXT W.B. 41 = 4-DOOR SEDAN
 21 = 2-DOOR SEDAN 44 = 4-DOOR HATCHBACK
 24 = 2-DOOR HATCHBACK 45 = 4-DOOR STATION WAGON

AR = Use as Required - = Non Illustrated Part P.A.R. = Paint as Required

TAPE STRIPES AND DECALS - EXTERIOR VIEW J BODY, 2 DOOR, CONVERTIBLE CHRYSLER LEBARON
Figure 23-900

8168 900

ITEM	PART NUMBER	QTY	BODY	MODEL	DESCRIPTION
1					TAPE PACKAGE, Upper Bodyside
	For Vehicles Built Thru October 1987 the side of the float bowl.				
	4494 226-7	1			Thick Red, Thin Brown
	4494 228-9	1			Thick Light Copper, Thin Pewter
	4494 230-1	1			Thick Silver, Thin Charcoal
	4494 232-3	1			Thick Black, Thin Charcoal
	4494 234-5	1			Thick Red, Thin Rose
	4494 586-7	1			Thick Rose, Thin Red
	For Vehicles Built November 1st 1987 and Later the side of the float bowl.				
	4494 748-9	1			Thick Red, Thin Brown
	4494 750-1	1			Thick Red, Thin Rose
	4494 752-3	1			Thick Light Copper, Thin Pewter
	4494 754-5	1			Thick Silver, Thin Charcoal
	4494 756-7	1			Thick Black, Thin Charcoal
	4494 956-7	1			Thick Silver, Thin Silver, Spring Special GTC
2	4443 768-9	1			TAPE PACKAGE, Fndr. Frt., Door, Qtr. Rear Lwr., Twilight Blue
	4443 772-3	1			Radiant Silver
	4494 286-7	1			Silver Penny
	4494 288-9	1			Glammor Red
	4494 290-1	1			Black Cherry
	4494 292-3	1			Bright White
	T742-3 FA1	1			TAPE, Frt. Fascia, Radiant Silver
	T742-3 GM9	1			Black Cherry
	T742-3 FC7	1			Twilight Blue
	T742-3 GM4	1			Glammor Red
	T742-3 GW7	1			Bright White
	T742-3 GL2	1			Silver Penny
-	4396 716-7	1			TAPE, Door Outer Pnl. Mirror Flag, Blackout



MODEL CODES

C BODY = (D41 - DYNASTY)(C41 - NEW YORKER)	L BODY = (M - HORIZON)(Z-OMNI)
E BODY = (J - CARAVELLE)(E - 600)(T - NEW YORKER TURBO)	M BODY = (B - GRAN FURY)(G - DIPLOMAT)(F - FIFTH AVENUE/NEWPORT)
G BODY = (V24 - DAYTONA, PACIFICA & SHELBY)	P BODY = (P - SUNDANCE)(D - SHADOW)
H BODY = (D44 - LANCER)(C44 - LEBARON GTS)	Q BODY = (C27 - MASERATI)
J BODY = (C - LEBARON)	S BODY = (H - VOYAGER)(K - RAM VAN/ CARAVAN)
K BODY = (P - RELIANT)(D - ARIES)(C - LEBARON/ TOWN & COUNTRY)	

BODY STYLES

12-52 = FWD VAN & WAGON STD. W.B.	27 = 2-DOOR CONVERTIBLE
13-53 = FWD VAN & WGN EXT W.B.	41 = 4-DOOR SEDAN
21 = 2-DOOR SEDAN	44 = 4-DOOR HATCHBACK
24 = 2-DOOR HATCHBACK	45 = 4-DOOR STATION WAGON

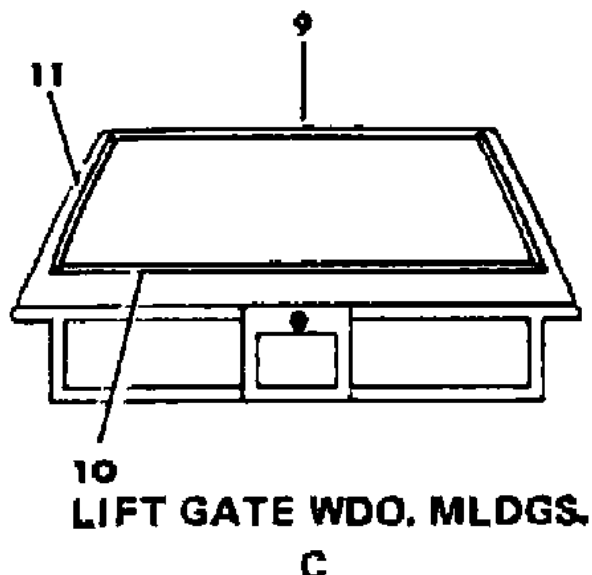
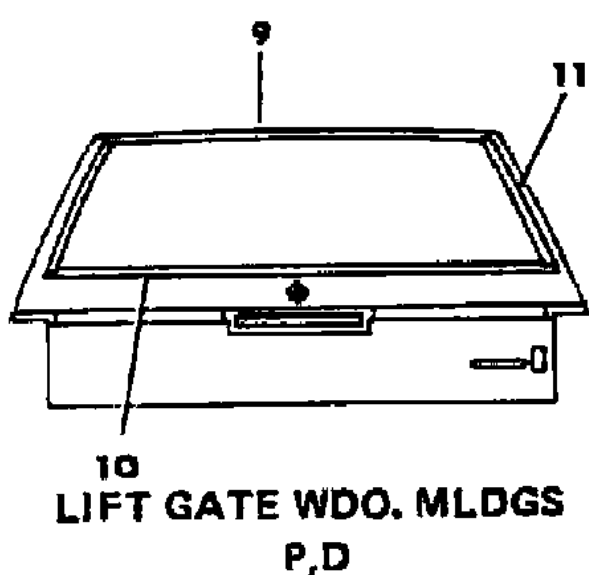
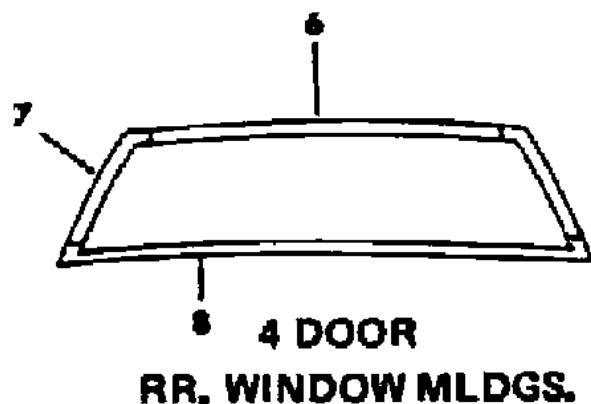
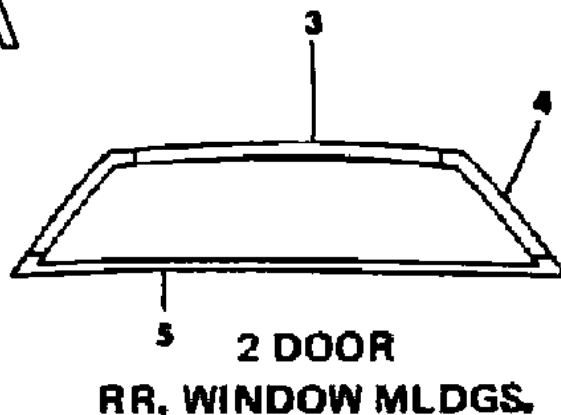
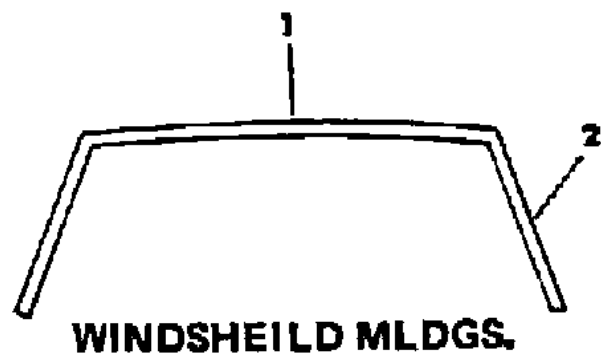
AR = Use as Required - = Non Illustrated Part P.A.R. = Paint as Required

MOULDINGS, WINDSHIELD AND REAR WINDOW OUTSIDE K BODY

Figure 23-1100

8168 1100

ITEM	PART NUMBER	QTY	BODY	MODEL	DESCRIPTION
1	4319 638	1			MOULDING, W/Shield, Upr., Bright
	6003 753	AR			RETAINER, W/Shield, Upr., Mldg.
	4319 318-9	1			MOULDING, W/Shield, Side, Bright
2	6003 753	AR			RETAINER, W/Shield, Side, Mldg.
	6003 879	AR			RETAINER, W/Shield, Side, Mldg.
	4319 631	1		21	MOULDING, Rear Wdo., Upr., Bright
3	6003 916	AR		21	RETAINER
	4319 308-9	1		21	MOULDING, Rear Wdo., Side, Bright
	4276 636	2		21	SPACER, Rear Wdo., Side, Mldg.
4	6003 916	AR		21	RETAINER, Rear Wdo., Side
	6003 879	AR		21	RETAINER, Rear Wdo., Side
	4319 306-7	1		21	MOULDING, Rear Wdo., Lwr., Bright
5	6003 916	AR		21	RETAINER
	4319 633	1		41	MOULDING, Rear Wdo., Upr., Bright
	6003 916	AR		41	RETAINER
6	4319 316-7	1		41	MOULDING, Rear Wdo. w/Spacer, Side, Bright
	4276 631	2		41	SPACER, Rear Wdo., Side
	6003 916	AR		41	RETAINER
7	6003 879	AR		41	RETAINER
	4319 314-5	1		41	MOULDING, Rear Wdo., Lwr., Bright
	6003 916	AR		41	RETAINER
8	4319 322	1		45	MOULDING, L/Gate, Upr.
	6003 916	AR		45	RETAINER
	6003 879	AR		45	RETAINER
9	4319 323	1		45	MOULDING, L/Gate, Lwr.
	6003 916	AR		45	RETAINER
	6003 879	AR		45	RETAINER
10	4319 324-5	1		45	MOULDING, L/Gate, Side
	6003 916	AR		45	RETAINER
	6003 879	AR		45	RETAINER



MODEL CODES

C BODY = (D41 - DYNASTY)(C41 - NEW YORKER)
 E BODY = (J - CARAVELLE)(E - 600)(T - NEW YORKER TURBO)
 G BODY = (V24 - DAYTONA, PACIFICA & SHELBY)
 H BODY = (D44 - LANCER)(C44 - LEBARON GTS)
 J BODY = (C - LEBARON)
 K BODY = (P - RELIANT)(D - ARIES)(C - LEBARON/ TOWN & COUNTRY)

L BODY = (M - HORIZON)(Z-OMNI)
 M BODY = (B - GRAN FURY)(G - DIPLOMAT)(F - FIFTH AVENUE/NEWPORT)
 P BODY = (P - SUNDANCE)(D - SHADOW)
 Q BODY = (C27 - MASERATI)
 S BODY = (H - VOYAGER)(K - RAM VAN/ CARAVAN)

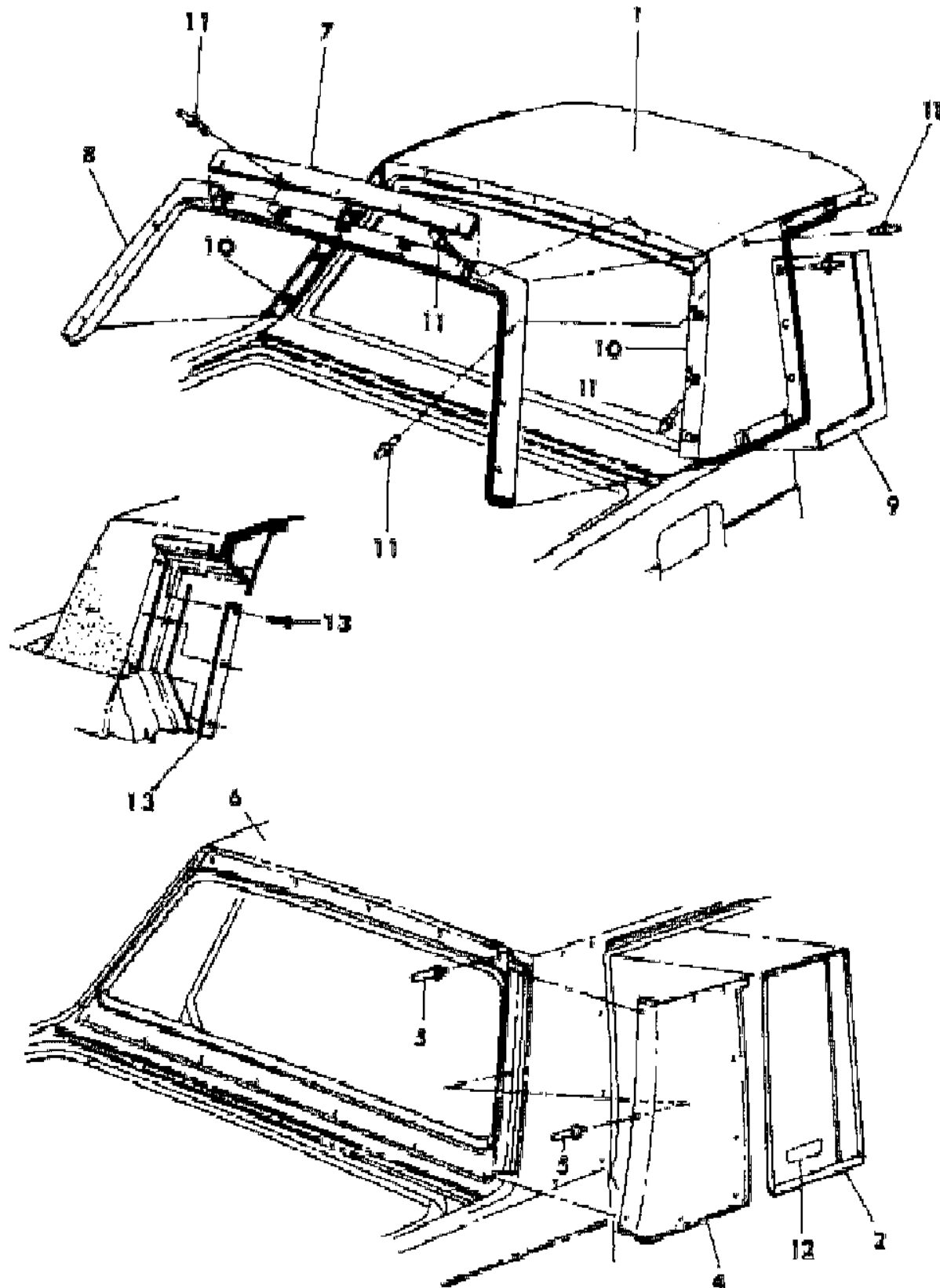
BODY STYLES

12-52 = FWD VAN & WAGON STD. W.B. 27 = 2-DOOR CONVERTIBLE
 13-53 = FWD VAN & WGN EXT W.B. 41 = 4-DOOR SEDAN
 21 = 2-DOOR SEDAN 44 = 4-DOOR HATCHBACK
 24 = 2-DOOR HATCHBACK 45 = 4-DOOR STATION WAGON

AR = Use as Required - = Non Illustrated Part P.A.R. = Paint as Required

COVER, ROOF - EXTERIOR VIEW K BODY, 4 DOOR CHRYSLER LEBARON
Figure 23-1200

8168 1200



ITEM	PART NUMBER	QTY	BODY	MODEL	DESCRIPTION
1	T821 GA2	1			COVER, Padded Landau, Silver (Trim Code VCA)
	T821 GC7	1			Twilight Blue (Trim Code VCC)
	T821 GB1	1			Ice Blue (Trim Code VCD)
	T821 GS8	1			Charcoal (Trim Code VCF)
	T821 GE9	1			Dark Cordovan (Trim Code VCE)
	T821 GE2	1			Light Rosewood (Trim Code VCS)
	T821 GW7	1			White (Trim Code VCN)
2	X382-3 EA2	1			COVER ASSEMBLY, Rear Door Rear Outer, Silver (Trim Code VCA)
	X382-3 FC7	1			Twilight Blue (Trim Code VCC)
	X382-3 EB1	1			Ice Blue (Trim Code VCD)
	X382-3 FS8	1			Charcoal (Trim Code VCF)
	X382-3 EE9	1			Dark Cordovan (Trim Code VCE)
	X382-3 GE2	1			Light Rosewood (Trim Code VCS)
	X382-3 GW7	1			White (Trim Code VCN)
4	4366 102-3	1			FOUNDATION, Qtr.
5		AR			RIVET, (Not Serv.)
6	4366 108	1			PAD, Roof
7	4422 036	1			INSERT ASSEMBLY, Vinyl Roof Rear Wdo. Foundation
8	4366 104	1			FOUNDATION, Vinyl Roof Rear Wdo.
9	4422 198-9	1			FILLER, Vinyl Roof Qtr. Foundation
	4422 035	2			FILLER STRIP, Vinyl Roof Foundation
10	4366 102-3	1			FOUNDATION, Vinyl Roof Qtr.
11		AR			RIVET, (Not Serv.)
12	4017 688	2			NAMEPLATE, "LeBaron"
13	X296-7 EA2	1			RETAINER, Rear Door Opng. Vinyl Roof, Silver
	X296-7 EB1	1			Ice Blue Met.
	X296-7 FC7	1			Twilight Blue
	X296-7 EE9	1			Dark Cordovan
	X296-7 FS8	1			Charcoal
	X296-7 GE2	1			Light Rosewood
	X296-7 GW7	1			White
	X296-7 EX9	1			Black
	6032 508	AR			SCREW
	-	4365 710-1	1		

MODEL CODES

C BODY = (D41 - DYNASTY)(C41 - NEW YORKER)
 E BODY = (J - CARAVELLE)(E - 600)(T - NEW YORKER TURBO)
 G BODY = (V24 - DAYTONA, PACIFICA & SHELBY)
 H BODY = (D44 - LANCER)(C44 - LEBARON GTS)
 J BODY = (C - LEBARON)
 K BODY = (P - RELIANT)(D - ARIES)(C - LEBARON/ TOWN & COUNTRY)

L BODY = (M - HORIZON)(Z-OMNI)
 M BODY = (B - GRAN FURY)(G - DIPLOMAT)(F - FIFTH AVENUE/NEWPORT)
 P BODY = (P - SUNDANCE)(D - SHADOW)
 Q BODY = (C27 - MASERATI)
 S BODY = (H - VOYAGER)(K - RAM VAN/ CARAVAN)

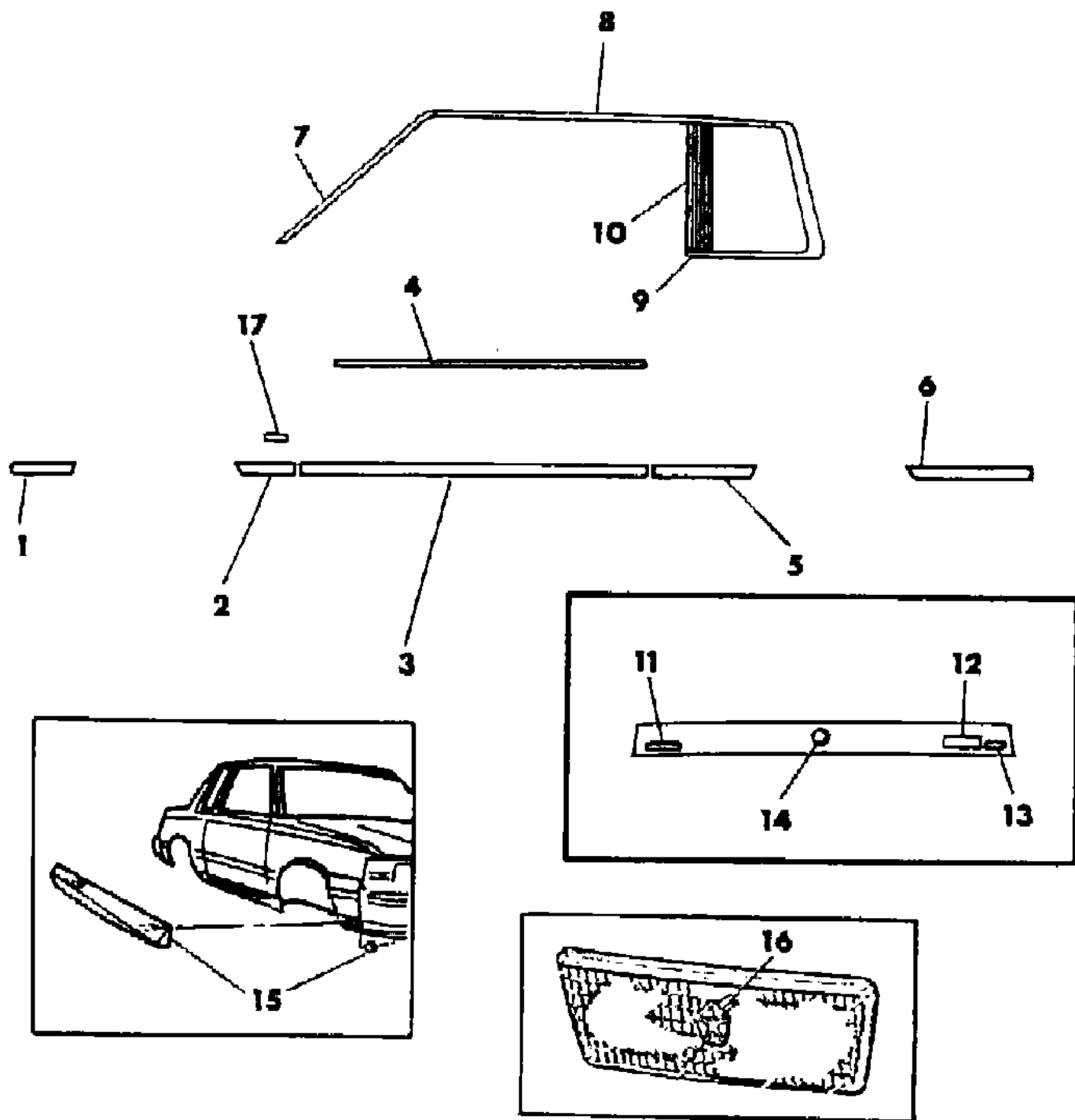
BODY STYLES

12-52 = FWD VAN & WAGON STD. W.B. 27 = 2-DOOR CONVERTIBLE
 13-53 = FWD VAN & WGN EXT W.B. 41 = 4-DOOR SEDAN
 21 = 2-DOOR SEDAN 44 = 4-DOOR HATCHBACK
 24 = 2-DOOR HATCHBACK 45 = 4-DOOR STATION WAGON

AR = Use as Required - = Non Illustrated Part P.A.R. = Paint as Required

MOULDINGS AND ORNAMENTATION - EXTERIOR VIEW K BODY, 2 DOOR PLYMOUTH RELIANT, DODGE ARIES
Figure 23-1300

8168 1300



ITEM	PART NUMBER	QTY	BODY	MODEL	DESCRIPTION
					NUT, (Not Serv.)
1	4339 212-3	1			MOULDING PACKAGE, Fndr. Side Frt.
					NUT, (Not Serv.)
2	4328 222-3	1			MOULDING, Fndr, Side Rear
3	4328 224-5	1			MOULDING, Door
4	4339 254	1			MOULDING PACKAGE, Door Belt, Rt., w/Mirror
	4339 255	1			MOULDING PACKAGE, Door Belt, Lt.
	4339 262	1			MOULDING PACKAGE, Door Belt, Rt., w/o Mirror
	6003 627	AR			RETAINER
5	4328 230-1	1			MOULDING, Qtr. Frt.
6	4339 224-5	1			MOULDING PACKAGE, Qtr. Rear
					NUT, (Not Serv.)
					NUT, (Not Serv.)
7	4328 386-7	1			MOULDING and SEAL, Body Frt. Pillar Drain Trough
	4229 764-5	1			SEAL, Body Frt. Pillar Drain Trough Mldg., Inner
8	4366 692-3	1			MOULDING, Roof Side Drain Trough
9	4366 002-3	1			MOULDING, Qtr. Wdo.
	4328 870-1	1			SEAL, Qtr. Wdo. Mldg.
	4057 555	AR			RETAINER PACKAGE
	6003 936	AR			RETAINER
10	4398 998-9	1			APPLIQUE, Qtr. Wdo. Frt.
		AR			NUT, (Not Serv.)
11	4422 172	1			NAMEPLATE, Deck Lid, "PLYMOUTH"
	4328 878	1			"DODGE"
12	4328 877	1			NAMEPLATE, Deck Lid, "RELIANT"
	4328 879	1			"ARIES"
13	4398 565	1			NAMEPLATE, Deck Lid, "K"
14	X924 EA1	1			MEDALLION, Deck Lid Lock Cyl., Silver
	X924 EB1	1			Ice Blue Met.
	X924 FC7	1			Twilight Blue
	X924 EE9	1			Dark Cordovan
	X924 GE2	1			Light Rosewood
	X924 FS8	1			Charcoal
	X924 GW7	1			White
	X924 EX8	1			Black
					RIVET, (Not Serv.)
15	X622-3 GW7	1			EXTENSION, Fndr., Mldg., Fascia

MODEL CODES

C BODY = (D41 - DYNASTY)(C41 - NEW YORKER)
 E BODY = (J - CARAVELLE)(E - 600)(T - NEW YORKER TURBO)
 G BODY = (V24 - DAYTONA, PACIFICA & SHELBY)
 H BODY = (D44 - LANCER)(C44 - LEBARON GTS)
 J BODY = (C - LEBARON)
 K BODY = (P - RELIANT)(D - ARIES)(C - LEBARON/ TOWN & COUNTRY)

L BODY = (M - HORIZON)(Z-OMNI)
 M BODY = (B - GRAN FURY)(G - DIPLOMAT)(F - FIFTH AVENUE/NEWPORT)
 P BODY = (P - SUNDANCE)(D - SHADOW)
 Q BODY = (C27 - MASERATI)
 S BODY = (H - VOYAGER)(K - RAM VAN/ CARAVAN)

BODY STYLES

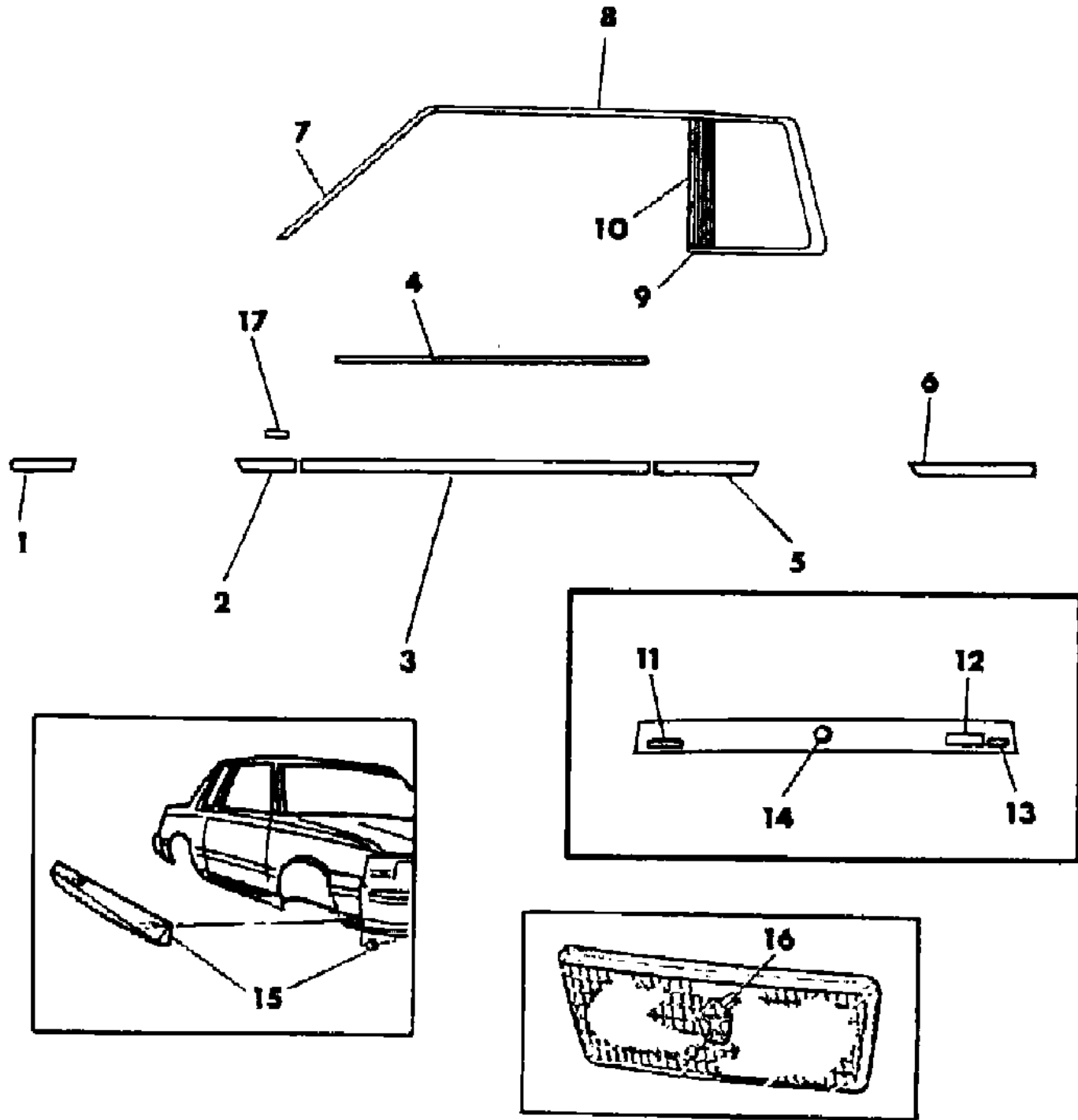
12-52 = FWD VAN & WAGON STD. W.B. 27 = 2-DOOR CONVERTIBLE
 13-53 = FWD VAN & WGN EXT W.B. 41 = 4-DOOR SEDAN
 21 = 2-DOOR SEDAN 44 = 4-DOOR HATCHBACK
 24 = 2-DOOR HATCHBACK 45 = 4-DOOR STATION WAGON

AR = Use as Required - = Non Illustrated Part P.A.R. = Paint as Required

MOULDINGS AND ORNAMENTATION - EXTERIOR VIEW K BODY, 2 DOOR PLYMOUTH RELIANT, DODGE ARIES
Figure 23-1300

8168 1300

ITEM	PART NUMBER	QTY	BODY	MODEL	DESCRIPTION
	6029 471	AR			NUT, Sealing
16	4334 198	1		P	ORNAMENT, Radiator Grille Pentastar
	4334 016	1		D	
17	4422 403	2			NAMEPLATE, Fndr., "LE"
	4319 147	2			NAMEPLATE, Fndr. Side, "TURBO EFI"



MODEL CODES

C BODY = (D41 - DYNASTY)(C41 - NEW YORKER)
 E BODY = (J - CARAVELLE)(E - 600)(T - NEW YORKER TURBO)
 G BODY = (V24 - DAYTONA, PACIFICA & SHELBY)
 H BODY = (D44 - LANCER)(C44 - LEBARON GTS)
 J BODY = (C - LEBARON)
 K BODY = (P - RELIANT)(D - ARIES)(C - LEBARON/ TOWN & COUNTRY)

L BODY = (M - HORIZON)(Z-OMNI)
 M BODY = (B - GRAN FURY)(G - DIPLOMAT)(F - FIFTH AVENUE/NEWPORT)
 P BODY = (P - SUNDANCE)(D - SHADOW)
 Q BODY = (C27 - MASERATI)
 S BODY = (H - VOYAGER)(K - RAM VAN/ CARAVAN)

BODY STYLES

12-52 = FWD VAN & WAGON STD. W.B. 27 = 2-DOOR CONVERTIBLE
 13-53 = FWD VAN & WGN EXT W.B. 41 = 4-DOOR SEDAN
 21 = 2-DOOR SEDAN 44 = 4-DOOR HATCHBACK
 24 = 2-DOOR HATCHBACK 45 = 4-DOOR STATION WAGON

AR = Use as Required - = Non Illustrated Part P.A.R. = Paint as Required

MOULDINGS AND ORNAMENTATION - EXTERIOR VIEW K BODY, 4 DOOR PLYMOUTH RELIANT, DODGE ARIES
Figure 23-1400

8168 1400

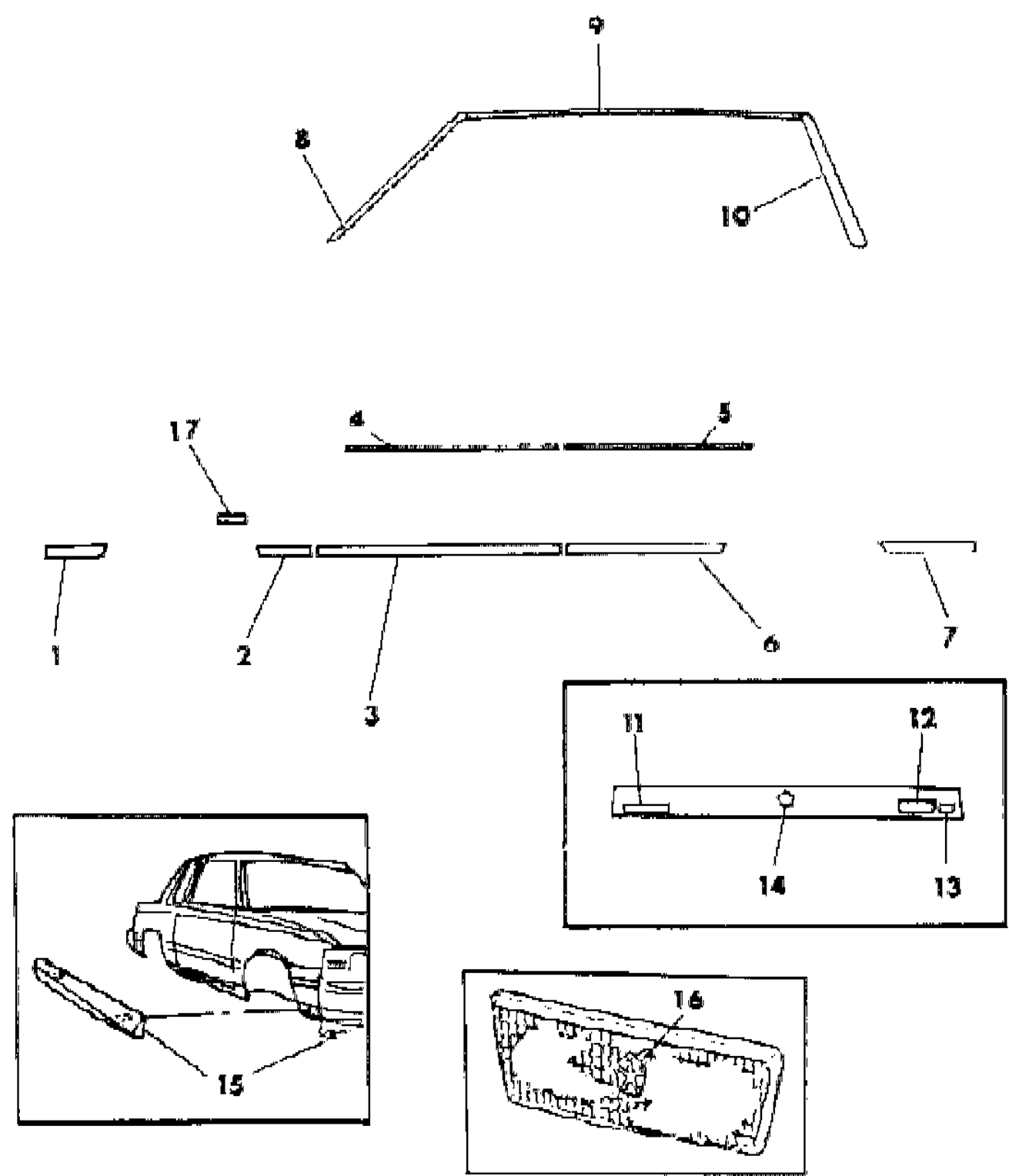
ITEM	PART NUMBER	QTY	BODY	MODEL	DESCRIPTION
					NUT, (Not Serv.)
1	4339 212-3	1			MOULDING PACKAGE, Fndr. Side Frt.
					NUT, (Not Serv.)
2	4328 222-3	1			MOULDING, Fndr. Side Rear
3	4328 226-7	1			MOULDING, Frt. Door
4	4339 256	1			MOULDING PACKAGE, Frt. Door Belt, Rt., w/Mirror
	4339 257	1			MOULDING PACKAGE, Frt. Door Belt, Lt.
	4339 260	1			MOULDING PACKAGE, Frt. Door Belt, Rt., w/o Mirror
	6003 627	AR			RETAINER
5	4339 258-9	1			MOULDING PACKAGE, Rear Door Belt
	6003 627	AR			RETAINER
6	4328 228-9	1			MOULDING, Rear Door
7	4339 224-5	1			MOULDING PACKAGE, Qtr. Rear
					NUT, (Not Serv.)
					NUT, (Not Serv.)
8	4328 386-7	1			MOULDING, Body Frt. Pillar Drain Trough
	4229 764-5	1			SEAL, Body Frt. Pillar Drain Trough Mldg., Inner
9	4366 698-9	1			MOULDING, Roof Side Drain Trough Frt.
10	4328 392-3	1			MOULDING, Roof Side Drain Trough Rear
	4057 555	AR			RETAINER PACKAGE
11	4422 172	1			NAMEPLATE, Deck Lid, "PLYMOUTH"
	4328 878	1			"DODGE"
12	4328 877	1			NAMEPLATE, Deck Lid, "RELIANT"
	4328 879	1			"ARIES"
13	4398 565	1			NAMEPLATE, Deck Lid, "K"
14	X924 EA1	1			MEDALLION, Deck Lid Lock Cyl., Silver
	X924 EB1	1			Ice Blue Met.
	X924 FC7	1			Twilight Blue
	X924 EE9	1			Dark Cordovan
	X924 GE2	1			Light Rosewood
	X924 FS8	1			Charcoal
	X924 GW7	1			White
	X924 EX8	1			Black
					RIVET, (Not Serv.)
15	X622-3 GW7	1			EXTENSION, Fndr. Mldg., Fascia
	6029 471	AR			NUT, Sealing
16	4334 198	1		P	ORNAMENT, Radiator Grille Pentastar

MODEL CODES
 C BODY = (D41 - DYNASTY)(C41 - NEW YORKER)
 E BODY = (J - CARAVELLE)(E - 600)(T - NEW YORKER TURBO)
 G BODY = (V24 - DAYTONA, PACIFICA & SHELBY)
 H BODY = (D44 - LANCER)(C44 - LEBARON GTS)
 J BODY = (C - LEBARON)
 K BODY = (P - RELIANT)(D - ARIES)(C - LEBARON/ TOWN & COUNTRY)

L BODY = (M - HORIZON)(Z-OMNI)
 M BODY = (B - GRAN FURY)(G - DIPLOMAT)(F - FIFTH AVENUE/NEWPORT)
 P BODY = (P - SUNDANCE)(D - SHADOW)
 Q BODY = (C27 - MASERATI)
 S BODY = (H - VOYAGER)(K - RAM VAN/ CARAVAN)

BODY STYLES
 12-52 = FWD VAN & WAGON STD. W.B. 27 = 2-DOOR CONVERTIBLE
 13-53 = FWD VAN & WGN EXT W.B. 41 = 4-DOOR SEDAN
 21 = 2-DOOR SEDAN 44 = 4-DOOR HATCHBACK
 24 = 2-DOOR HATCHBACK 45 = 4-DOOR STATION WAGON

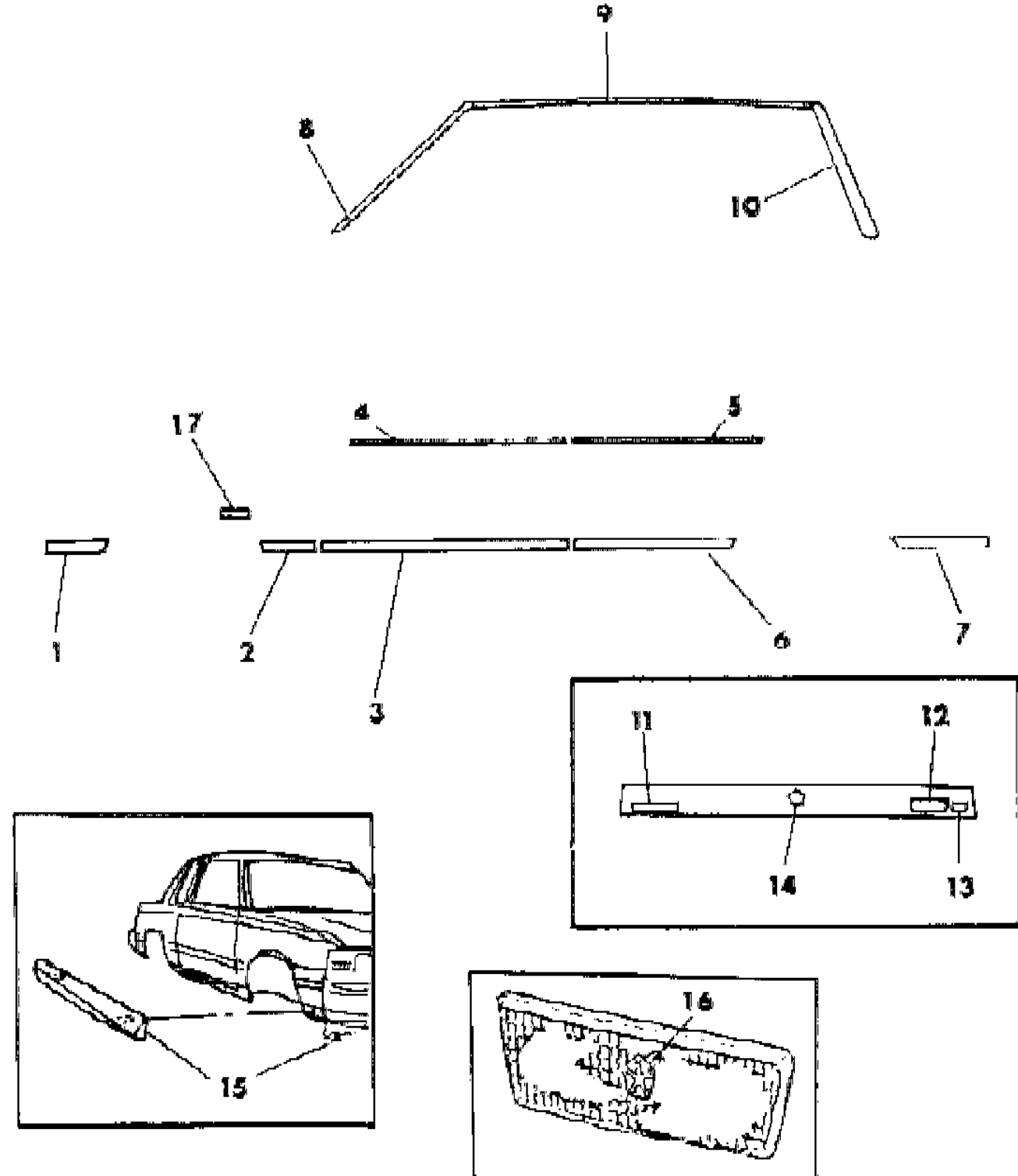
AR = Use as Required - = Non Illustrated Part P.A.R. = Paint as Required



MOULDINGS AND ORNAMENTATION - EXTERIOR VIEW K BODY, 4 DOOR PLYMOUTH RELIANT, DODGE ARIES
Figure 23-1400

8168 1400

ITEM	PART NUMBER	QTY	BODY	MODEL	DESCRIPTION
	4334 016	1		D	
17	4422 403	2			NAMEPLATE, Fndr., "LE"
	4319 147	2			NAMEPLATE, Fndr. Side, "TURBO EFI"



MODEL CODES
 C BODY = (D41 - DYNASTY)(C41 - NEW YORKER)
 E BODY = (J - CARAVELLE)(E - 600)(T - NEW YORKER TURBO)
 G BODY = (V24 - DAYTONA, PACIFICA & SHELBY)
 H BODY = (D44 - LANCER)(C44 - LEBARON GTS)
 J BODY = (C - LEBARON)
 K BODY = (P - RELIANT)(D - ARIES)(C - LEBARON/ TOWN & COUNTRY)

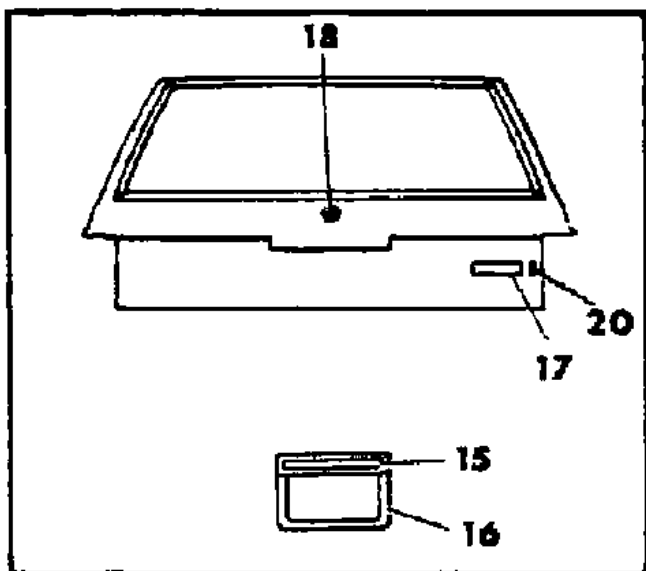
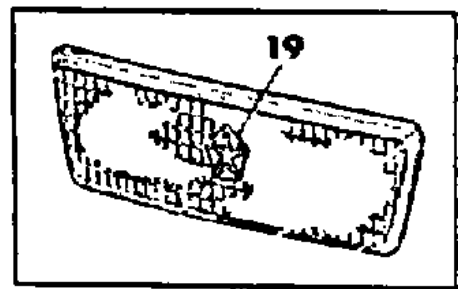
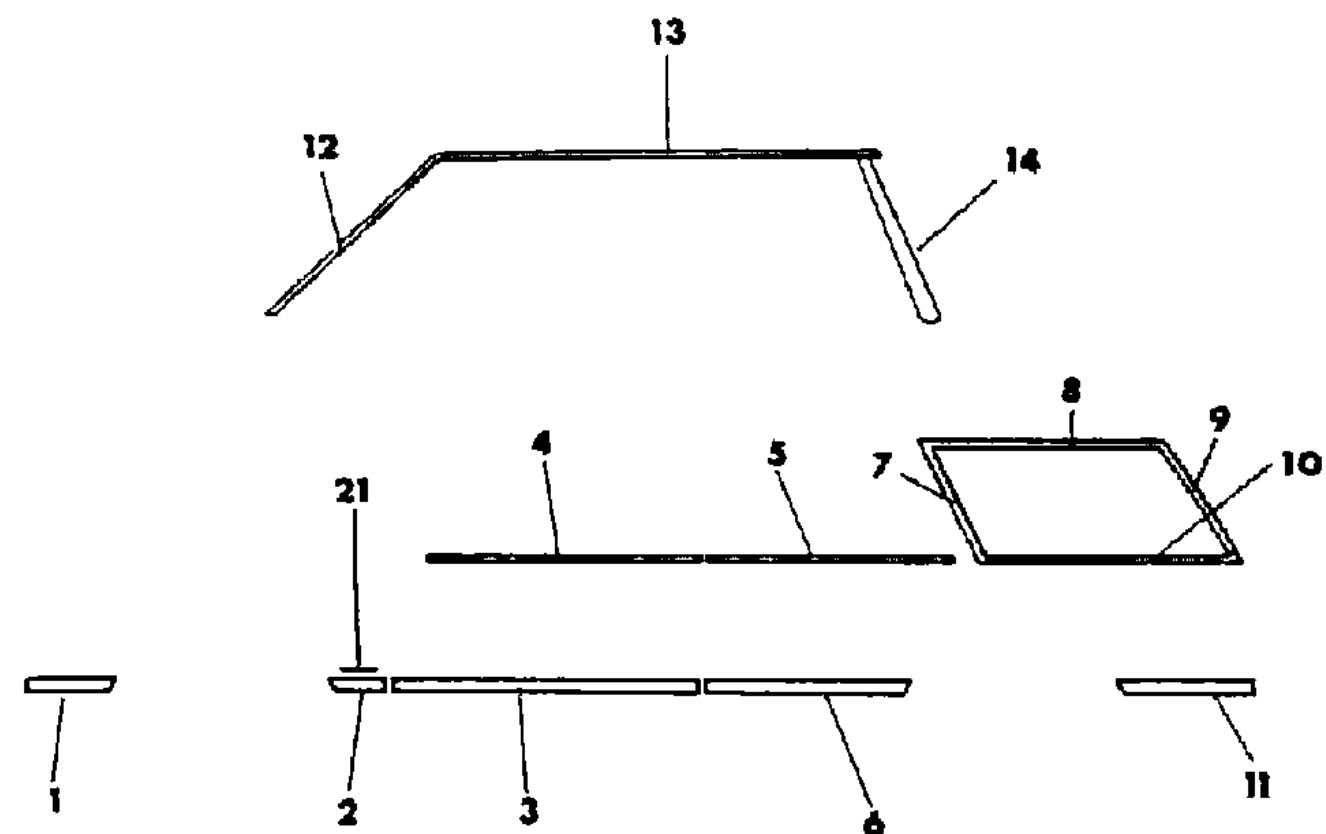
L BODY = (M - HORIZON)(Z-OMNI)
 M BODY = (B - GRAN FURY)(G - DIPLOMAT)(F - FIFTH AVENUE/NEWPORT)
 P BODY = (P - SUNDANCE)(D - SHADOW)
 Q BODY = (C27 - MASERATI)
 S BODY = (H - VOYAGER)(K - RAM VAN/ CARAVAN)

BODY STYLES
 12-52 = FWD VAN & WAGON STD. W.B. 27 = 2-DOOR CONVERTIBLE
 13-53 = FWD VAN & WGN EXT W.B. 41 = 4-DOOR SEDAN
 21 = 2-DOOR SEDAN 44 = 4-DOOR HATCHBACK
 24 = 2-DOOR HATCHBACK 45 = 4-DOOR STATION WAGON

AR = Use as Required - = Non Illustrated Part P.A.R. = Paint as Required

MOULDINGS AND ORNAMENTATION - EXTERIOR VIEW K BODY, SUBURBAN PLYMOUTH RELIANT, DODGE ARIES
Figure 23-1500

8168 1500



ITEM	PART NUMBER	QTY	BODY	MODEL	DESCRIPTION
1	4339 212-3	1			MOULDING PACKAGE, Fndr. Side Frt.
					NUT, (Not Serv.)
2	4328 222-3	1			MOULDING, Fndr. Side Rear
3	4328 226-7	1			MOULDING, Frt. Door
4	4339 256	1			MOULDING PACKAGE, Frt. Door Belt, Rt., w/Mirror
	4339 257	1			MOULDING PACKAGE, Frt. Door Belt, Rt.
	4339 260	1			MOULDING PACKAGE, Frt. Door Belt, Rt., w/o Mirror
	6003 627	AR			RETAINER
5	4339 258-9	1			MOULDING PACKAGE, Rear Door Belt
	6003 627	AR			RETAINER
6	4328 228-9	1			MOULDING, Rear Door
7	4454 472-3	1			MOULDING, Qtr. Wdo. Frt.
	6003 731	AR			RETAINER
8	4319 328	2			MOULDING, Qtr. Wdo. Up.
	6003 916	AR			RETAINER
9	4319 330-1	1			MOULDING, Qtr. Wdo. Rear
					SCREW, (Not Serv.)
10	4319 332-3	1			MOULDING, Qtr. Wdo. Up.
	6003 916	AR			RETAINER
11	4411 856-7	1			MOULDING PACKAGE, Qtr. Rear
	4057 555	AR			RETAINER PACKAGE
	6003 902	AR			RETAINER
12	4328 386-7	1			MOULDING, Body Frt. Pillar Drain Trough
	4229 764-5	1			SEAL, Frt. Pillar Drain Trough Mldg., Inner
13	4366 704-5	1			MOULDING, Roof Side Drain Trough Frt.
14	4328 400-1	1			MOULDING, Roof Side Drain Trough Rear
15	4319 793	1		P	HANDLE and GASKET, L/Gate, PLYMOUTH
	4319 794	1		D	
		AR			NUT and WASHER, (Not Serv.)
16	4175 749	1			MOULDING, L/Gate Lic. Plate Periphery
					SCREW, (Not Serv.)
17	4328 877	1			NAMEPLATE, L/Gate, "RELIANT"
	4328 879	1			"ARIES"
18	X562 EA1	1			MEDALLION, L/Gate, Silver
	X562 DB1	1			Ice Blue Met.
	X562 GE2	1			Light Rosewood
	X562 EE9	1			Dark Cordovan

MODEL CODES
 C BODY = (D41 - DYNASTY)(C41 - NEW YORKER)
 E BODY = (J - CARAVELLE)(E - 600)(T - NEW YORKER TURBO)
 G BODY = (V24 - DAYTONA, PACIFICA & SHELBY)
 H BODY = (D44 - LANCER)(C44 - LEBARON GTS)
 J BODY = (C - LEBARON)
 K BODY = (P - RELIANT)(D - ARIES)(C - LEBARON/ TOWN & COUNTRY)

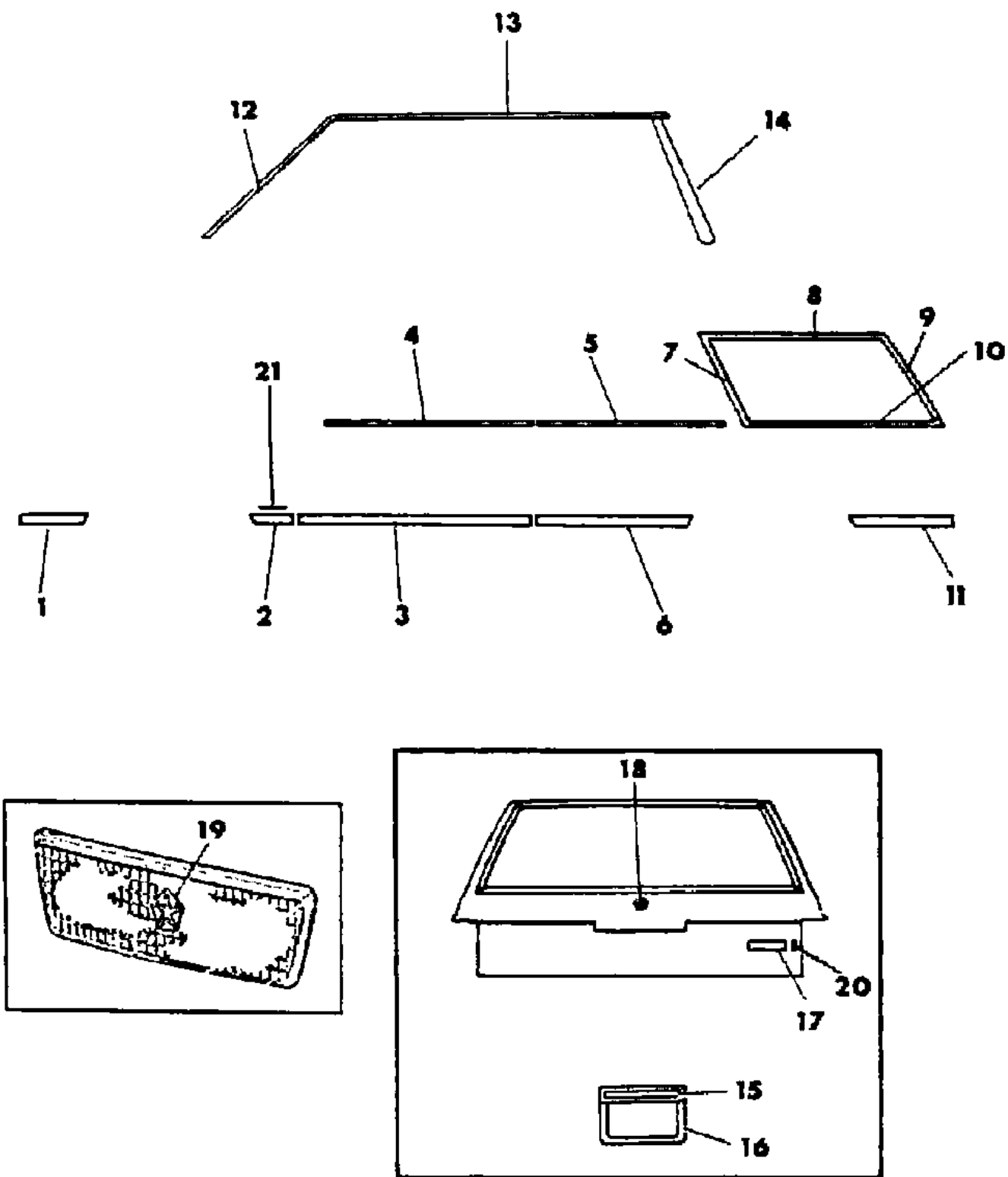
L BODY = (M - HORIZON)(Z-OMNI)
 M BODY = (B - GRAN FURY)(G - DIPLOMAT)(F - FIFTH AVENUE/NEWPORT)
 P BODY = (P - SUNDANCE)(D - SHADOW)
 Q BODY = (C27 - MASERATI)
 S BODY = (H - VOYAGER)(K - RAM VAN/ CARAVAN)

BODY STYLES
 12-52 = FWD VAN & WAGON STD. W.B. 27 = 2-DOOR CONVERTIBLE
 13-53 = FWD VAN & WGN EXT W.B. 41 = 4-DOOR SEDAN
 21 = 2-DOOR SEDAN 44 = 4-DOOR HATCHBACK
 24 = 2-DOOR HATCHBACK 45 = 4-DOOR STATION WAGON

AR = Use as Required - = Non Illustrated Part P.A.R. = Paint as Required

MOULDINGS AND ORNAMENTATION - EXTERIOR VIEW K BODY, SUBURBAN PLYMOUTH RELIANT, DODGE ARIES
Figure 23-1500

8168 1500



ITEM	PART NUMBER	QTY	BODY	MODEL	DESCRIPTION
	X562 FC7	1			Twilight Blue
	X562 GW7	1			White
	X562 FS8	1			Charcoal
19	4334 198	1		P	ORNAMENT, Radiator, "PENTASTAR"
	4334 016	1		D	
20	4398 565	1			NAMEPLATE, L/Gate, "K"
21	4422 403	2			NAMEPLATE, Fndr., "LE"
	4319 147	2			NAMEPLATE, Fndr. Side, "TURBO EFI"

MODEL CODES

C BODY = (D41 - DYNASTY)(C41 - NEW YORKER)
 E BODY = (J - CARAVELLE)(E - 600)(T - NEW YORKER TURBO)
 G BODY = (V24 - DAYTONA, PACIFICA & SHELBY)
 H BODY = (D44 - LANCER)(C44 - LEBARON GTS)
 J BODY = (C - LEBARON)
 K BODY = (P - RELIANT)(D - ARIES)(C - LEBARON/ TOWN & COUNTRY)
 L BODY = (M - HORIZON)(Z-OMNI)
 M BODY = (B - GRAN FURY)(G - DIPLOMAT)(F - FIFTH AVENUE/NEWPORT)
 P BODY = (P - SUNDANCE)(D - SHADOW)
 Q BODY = (C27 - MASERATI)
 S BODY = (H - VOYAGER)(K - RAM VAN/ CARAVAN)

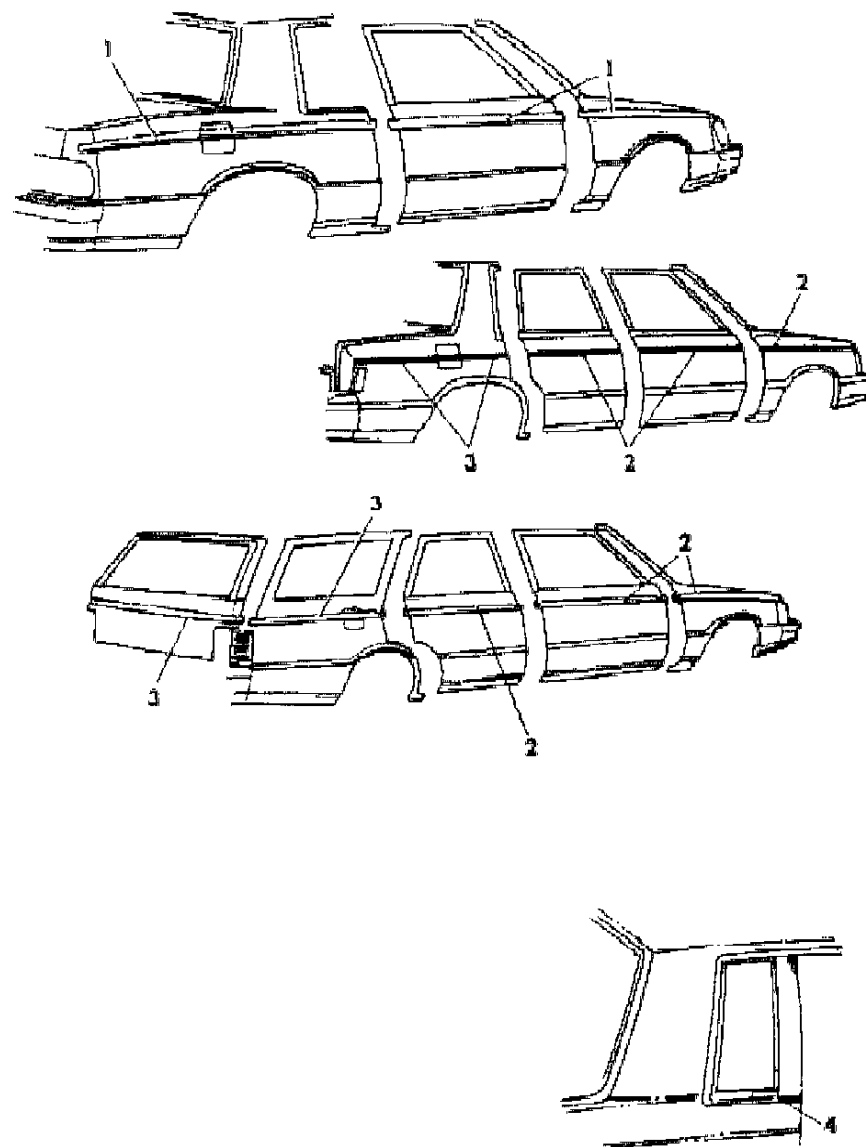
BODY STYLES

12-52 = FWD VAN & WAGON STD. W.B. 27 = 2-DOOR CONVERTIBLE
 13-53 = FWD VAN & WGN EXT W.B. 41 = 4-DOOR SEDAN
 21 = 2-DOOR SEDAN 44 = 4-DOOR HATCHBACK
 24 = 2-DOOR HATCHBACK 45 = 4-DOOR STATION WAGON

AR = Use as Required - = Non Illustrated Part P.A.R. = Paint as Required

TAPE STRIPES AND DECALS - EXTERIOR VIEW K BODY PLYMOUTH RELIANT, DODGE ARIES
Figure 23-1600

8168 1600



ITEM	PART NUMBER	QTY	BODY	MODEL	DESCRIPTION
1	4443 542-3	1		21	TAPE PACKAGE, Fndr., Door, Qtr., Dark Silver
	4443 544-5	1		21	Blue
	4494 634-5	1		21	Rosewood
	4494 636-7	1			Red
2	4443 550-1	1		41,45	TAPE PACKAGE, Fndr., Doors, Dark Silver
	4443 552-3	1		41,45	Blue
	4494 612-3	1		41,45	Red
	4443 556-7	1		41,45	Rosewood
3	T832-3 FA3	1		45	TAPE, Qtr. Pnl., Dark Silver
	T832-3 FC4	1		45	Blue
	T832-3 GE4	1		45	Rosewood
	T832-3 GEE	1		45	Red
	T830-1 FA3	1		41	TAPE, Qtr. Pnl., Dark Silver
	T830-1 FC4	1		41	Blue
	T830-1 GEE	1		41	Red
	T830-1 FE4	1		41	Rosewood
	T834-5 FA3	1		45	TAPE, L/Gate, Dark Silver
	T834-5 FC4	1		45	Blue
4	4366 011	2			DECAL, Qtr. Wdo. Glass Bezel, "RELIANT LE"
	4366 009	2			"ARIES LE"
	-	4342 951	AR		21,41,45

MODEL CODES

C BODY = (D41 - DYNASTY)(C41 - NEW YORKER)	L BODY = (M - HORIZON)(Z-OMNI)
E BODY = (J - CARAVELLE)(E - 600)(T - NEW YORKER TURBO)	M BODY = (B - GRAN FURY)(G - DIPLOMAT)(F - FIFTH AVENUE/NEWPORT)
G BODY = (V24 - DAYTONA, PACIFICA & SHELBY)	P BODY = (P - SUNDANCE)(D - SHADOW)
H BODY = (D44 - LANCER)(C44 - LEBARON GTS)	Q BODY = (C27 - MASERATI)
J BODY = (C - LEBARON)	S BODY = (H - VOYAGER)(K - RAM VAN/ CARAVAN)
K BODY = (P - RELIANT)(D - ARIES)(C - LEBARON/ TOWN & COUNTRY)	

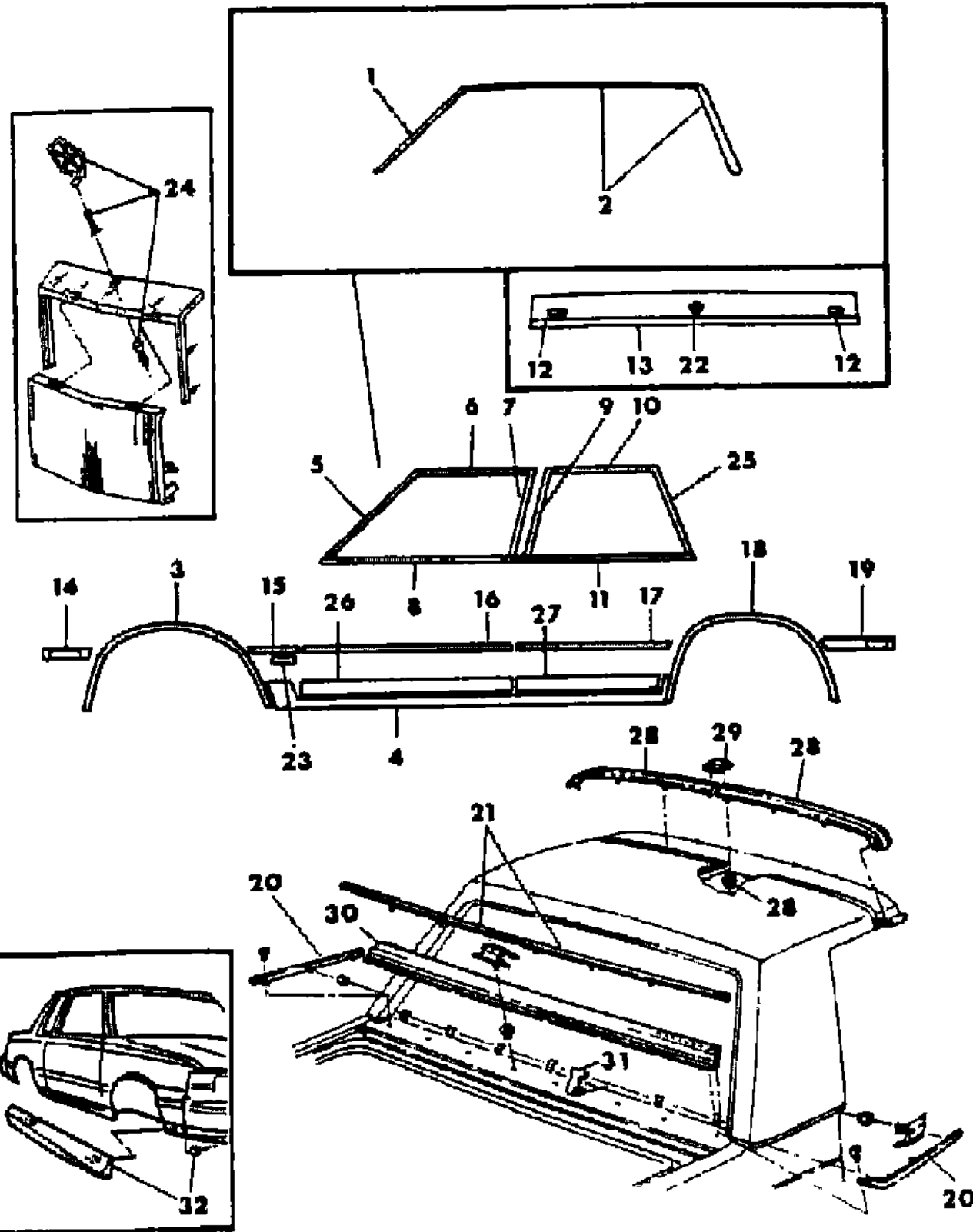
BODY STYLES

12-52 = FWD VAN & WAGON STD. W.B.	27 = 2-DOOR CONVERTIBLE
13-53 = FWD VAN & WGN EXT W.B.	41 = 4-DOOR SEDAN
21 = 2-DOOR SEDAN	44 = 4-DOOR HATCHBACK
24 = 2-DOOR HATCHBACK	45 = 4-DOOR STATION WAGON

AR = Use as Required - = Non Illustrated Part P.A.R. = Paint as Required

MOULDING AND ORNAMENTATION - EXTERIOR VIEW K BODY, 4 DOOR CHRYSLER LEBARON
Figure 23-1700

8168 1700



ITEM	PART NUMBER	QTY	BODY	MODEL	DESCRIPTION
1	4328 386-7	1			MOULDING and SEAL, Body Frt. Pillar Drain Trough, Black
	4229 764-5	1			SEAL, Body Frt. Pillar Drain Trough Mldg., Inner SCREW, (Not Serv.)
2	4398 002-3	1			MOULDING, Roof Side Drain Trough, Frt., Black
	4328 400-1	1			MOULDING, Roof Side Drain Trough, Rear, Black
3	4411 552-3	1			MOULDING, Fndr. Wheel Opng.
4	4364 570-1	1			MOULDING PACKAGE, Body Side Sill
	6003 843	AR			RETAINER
	6003 777	AR			RETAINER
	6003 844	AR			RETAINER
5	4366 824-5	1			MOULDING, Frt. Door Wdo. Opng. Frame, Frt., Bright
6	4319 222-3	1			MOULDING, Frt. Door Wdo. Opng. Frame, Upr., Bright
7	4366 812-3	1			MOULDING, Frt. Door Wdo. Opng. Frame, Rear, Bright
8	4339 256-7	1			MOULDING PACKAGE, Frt. Door Belt
	6003 627	AR			RETAINER
9	4366 820-1	1			MOULDING, Rear Door Wdo. Opng. Frame, Frt.
10	4422 060-1	1			MOULDING, Rear Door Wdo. Opng. Frame, Upr., Use w/Full Padded Roof
	4422 068-9	1			MOULDING, Rear Door Wdo. Opng. Frame, Upr., Use w/o Full Padded Vinyl Roof
	4364 140-1	1			MOULDING PACKAGE, Rear Door Belt, Use w/Full Padded Roof
11	4364 140-1	1			MOULDING PACKAGE, Rear Door Belt, Use w/Full Padded Vinyl Roof
	4339 258-9	1			MOULDING PACKAGE, Rear Door Belt, Use w/o Full Padded Vinyl Roof
12	6003 627	AR			RETAINER
	4422 173	1			NAMEPLATE, Deck Lid, "LEBARON"
	4422 171	1			NAMEPLATE, Deck Lid, "CHRYSLER"
13	4364 568	1			MOULDING PACKAGE, Deck Lid Lwr.
14	4364 666-7	1			MOULDING, Frt. Bumper Nerf Ext. (Paint as Req.)
	6003 790	AR			RETAINER
15	X434-5 EW4	1			MOULDING, Fndr. Rear, White (Paint as Req.)
	X434-5 GW7	1			Bright White
16	X438 EW4	2			MOULDING, Frt. Door, White (Paint as Req.)
	X438 GW7	2			Bright White
17	X278-9 EW4	1			MOULDING, Rear Door, White (Paint as Req.)
	X278-9 GW7	1			Bright White
18	4276 898-9	1			MOULDING, Qtr. Wheel Opng.
19	4411 558-9	1			MOULDING PACKAGE, Rear Bumper Nerf Ext., Dark Cordovan

MODEL CODES

C BODY = (D41 - DYNASTY)(C41 - NEW YORKER)
 E BODY = (J - CARAVELLE)(E - 600)(T - NEW YORKER TURBO)
 G BODY = (V24 - DAYTONA, PACIFICA & SHELBY)
 H BODY = (D44 - LANCER)(C44 - LEBARON GTS)
 J BODY = (C - LEBARON)
 K BODY = (P - RELIANT)(D - ARIES)(C - LEBARON/ TOWN & COUNTRY)

L BODY = (M - HORIZON)(Z-OMNI)
 M BODY = (B - GRAN FURY)(G - DIPLOMAT)(F - FIFTH AVENUE/NEWPORT)
 P BODY = (P - SUNDANCE)(D - SHADOW)
 Q BODY = (C27 - MASERATI)
 S BODY = (H - VOYAGER)(K - RAM VAN/ CARAVAN)

BODY STYLES

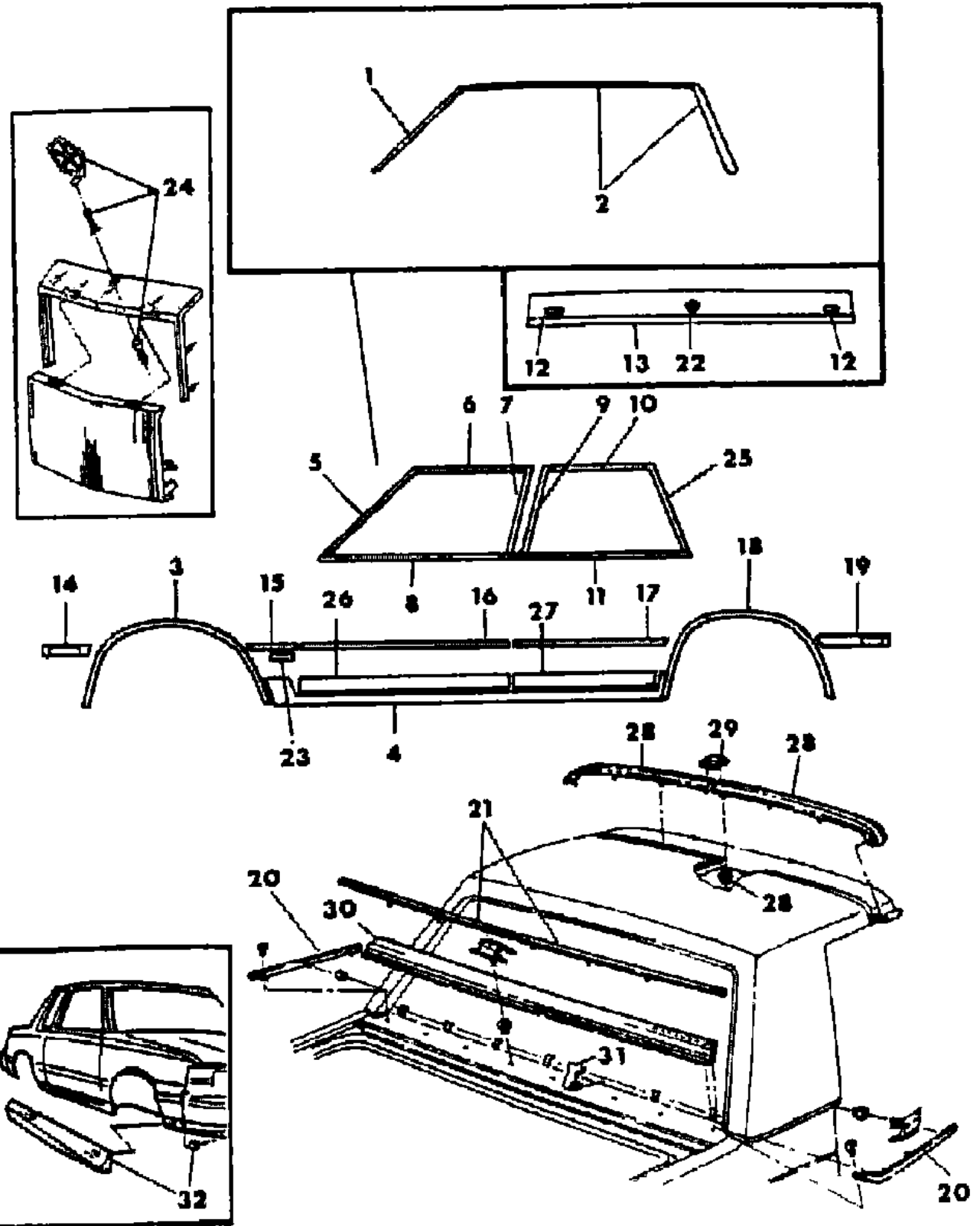
12-52 = FWD VAN & WAGON STD. W.B. 27 = 2-DOOR CONVERTIBLE
 13-53 = FWD VAN & WGN EXT W.B. 41 = 4-DOOR SEDAN
 21 = 2-DOOR SEDAN 44 = 4-DOOR HATCHBACK
 24 = 2-DOOR HATCHBACK 45 = 4-DOOR STATION WAGON

AR = Use as Required - = Non Illustrated Part P.A.R. = Paint as Required

MOULDING AND ORNAMENTATION - EXTERIOR VIEW K BODY, 4 DOOR CHRYSLER LEBARON

Figure 23-1700

8168 1700



ITEM	PART NUMBER	QTY	BODY	MODEL	DESCRIPTION
	4494 182-3	1			Rosewood
	4411 564-5	1			Dark Gray
	4494 184-5	1			Bright White
	6003 790	AR			RETAINER
20	4364 646-7	1			MOULDING, Qtr. Belt, Silver, Use on Padded Vinyl Roof
	4411 878-9	1			Twilight Blue
	4364 650-1	1			Ice Blue Met.
	4364 652-3	1			Dark Cordovan
	4411 880-1	1			Charcoal
	4494 196-7	1			Rosewood
	4494 198-9	1			Bright White
	4364 662-3	1			Black
	4057 555	AR			RETAINER PACKAGE
	6003 953	AR			RETAINER
21	4364 628-9	1			MOULDING, Deck Opng. Upr. Pnl., Silver, Use on Padded Vinyl Roof
	4411 876-7	1			Twilight Blue
	4364 632-3	1			Ice Blue Met.
	4364 634-5	1			Dark Cordovan
	4411 874-5	1			Charcoal
	4494 192-3	1			Rosewood
	4494 194-5	1			Bright White
	4364 644-5	1			Black
	6004 006	AR			RETAINER
22	X924 EA1	1			MEDALLION, Deck Lid Lock Cyl., Silver
	X924 FC7	1			Twilight Blue
	X924 EB1	1			Ice Blue Met.
	X924 FS8	1			Charcoal
	X924 EE9	1			Dark Cordovan
	X924 GE2	1			Rosewood
	X924 GW7	1			Bright White
	X924 EX8	1			Black
					RIVET, (Not Serv.)
23	4319 147	2			NAMEPLATE, Fndr. Side, "TURBO EFI"
24	4270 563	1			ORNAMENT, Radiator Grille
	3672 672	1			SPRING, Ornament
	3672 780	1			RETAINER

MODEL CODES

C BODY = (D41 - DYNASTY)(C41 - NEW YORKER)
 E BODY = (J - CARAVELLE)(E - 600)(T - NEW YORKER TURBO)
 G BODY = (V24 - DAYTONA, PACIFICA & SHELBY)
 H BODY = (D44 - LANCER)(C44 - LEBARON GTS)
 J BODY = (C - LEBARON)
 K BODY = (P - RELIANT)(D - ARIES)(C - LEBARON/ TOWN & COUNTRY)

L BODY = (M - HORIZON)(Z-OMNI)
 M BODY = (B - GRAN FURY)(G - DIPLOMAT)(F - FIFTH AVENUE/NEWPORT)
 P BODY = (P - SUNDANCE)(D - SHADOW)
 Q BODY = (C27 - MASERATI)
 S BODY = (H - VOYAGER)(K - RAM VAN/ CARAVAN)

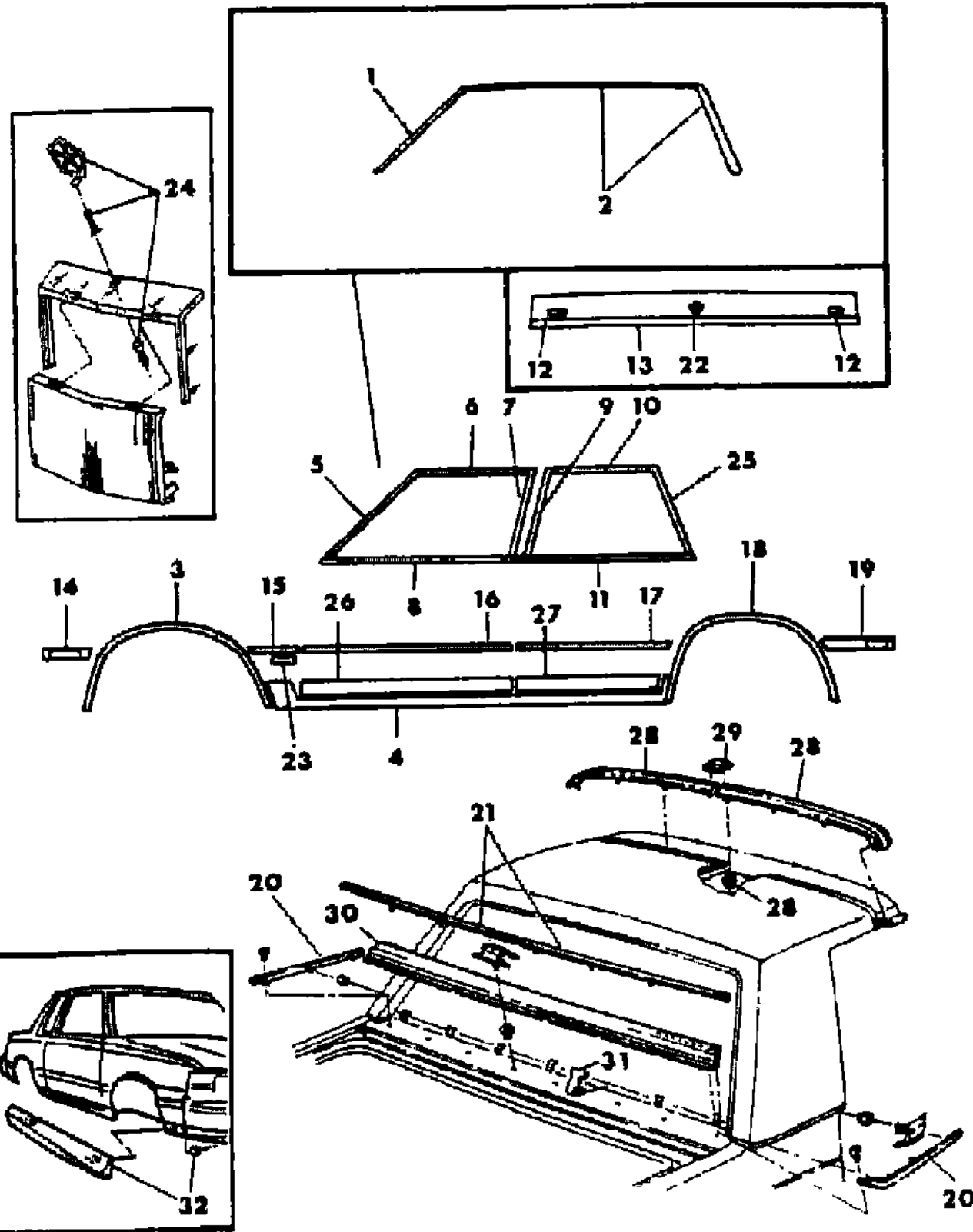
BODY STYLES

12-52 = FWD VAN & WAGON STD. W.B. 27 = 2-DOOR CONVERTIBLE
 13-53 = FWD VAN & WGN EXT W.B. 41 = 4-DOOR SEDAN
 21 = 2-DOOR SEDAN 44 = 4-DOOR HATCHBACK
 24 = 2-DOOR HATCHBACK 45 = 4-DOOR STATION WAGON

AR = Use as Required - = Non Illustrated Part P.A.R. = Paint as Required

MOULDING AND ORNAMENTATION - EXTERIOR VIEW K BODY, 4 DOOR CHRYSLER LEBARON
Figure 23-1700

8168 1700



ITEM	PART NUMBER	QTY	BODY	MODEL	DESCRIPTION
25	4422 002-3	1			MOULDING, Rear Door Wdo. Opng. Frame, Rear, Use w/o Full Padded Vinyl Roof
26	4411 670-1	1			MOULDING PACKAGE, Frt. Door, Lwr.
	6003 842	AR			RETAINER
	4057 555	AR			RETAINER PACKAGE
27	4411 668-9	1			MOULDING PACKAGE, Rear Door, Lwr.
	6003 842	AR			RETAINER
	4057 555	AR			RETAINER PACKAGE
28	4364 546-7	1			MOULDING PACKAGE, Roof Transverse
	4057 555	AR			RETAINER PACKAGE
	6003 953	AR			RETAINER
		AR			NUT, (Not Serv.)
29	4366 112	1			CAP, Roof Transverse Mldg.
30	4494 208	1			MOULDING, Rear Wdo. Lwr., Silver
	4494 207	1			Ice Blue Met.
	4494 204	1			Twilight Blue
	4494 206	1			Dark Cordovan
	4494 203	1			Charcoal
	4494 201	1			Rosewood
	4494 202	1			Bright White
	4494 205	1			Black
31	6003 954	AR			RETAINER
32	X622-3 GW7	1			EXTENSION, Fndr. Mldg. Fascia
	6029 471	AR			NUT, Sealing

MODEL CODES

C BODY = (D41 - DYNASTY)(C41 - NEW YORKER)
 E BODY = (J - CARAVELLE)(E - 600)(T - NEW YORKER TURBO)
 G BODY = (V24 - DAYTONA, PACIFICA & SHELBY)
 H BODY = (D44 - LANCER)(C44 - LEBARON GTS)
 J BODY = (C - LEBARON)
 K BODY = (P - RELIANT)(D - ARIES)(C - LEBARON/ TOWN & COUNTRY)

L BODY = (M - HORIZON)(Z-OMNI)
 M BODY = (B - GRAN FURY)(G - DIPLOMAT)(F - FIFTH AVENUE/NEWPORT)
 P BODY = (P - SUNDANCE)(D - SHADOW)
 Q BODY = (C27 - MASERATI)
 S BODY = (H - VOYAGER)(K - RAM VAN/ CARAVAN)

BODY STYLES

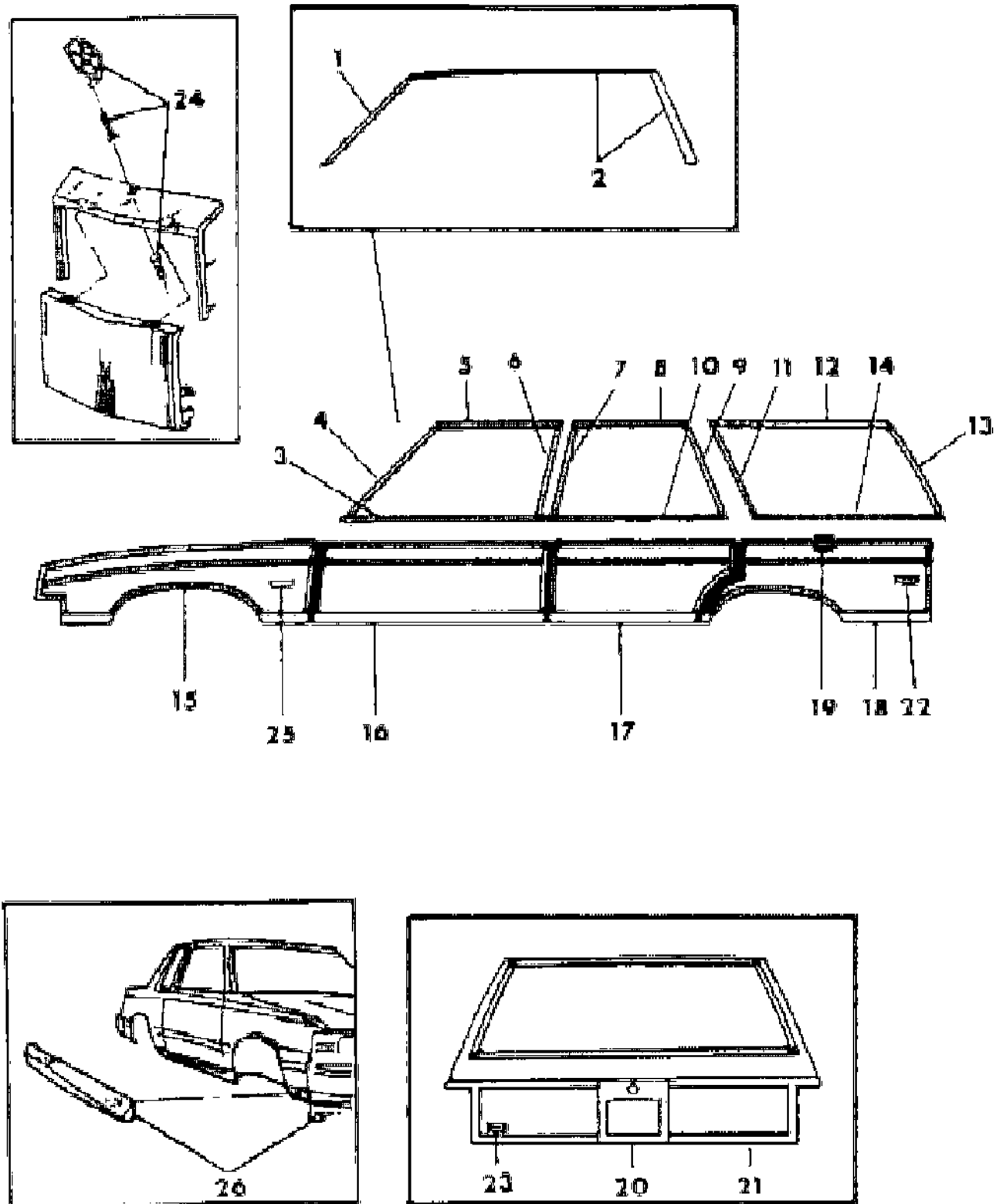
12-52 = FWD VAN & WAGON STD. W.B. 27 = 2-DOOR CONVERTIBLE
 13-53 = FWD VAN & WGN EXT W.B. 41 = 4-DOOR SEDAN
 21 = 2-DOOR SEDAN 44 = 4-DOOR HATCHBACK
 24 = 2-DOOR HATCHBACK 45 = 4-DOOR STATION WAGON

AR = Use as Required - = Non Illustrated Part P.A.R. = Paint as Required

MOULDINGS AND ORNAMENTATION - EXTERIOR VIEW K BODY, TOWN AND COUNTRY CHRYSLER

Figure 23-1800

8168 1800



ITEM	PART NUMBER	QTY	BODY	MODEL	DESCRIPTION
1	4328 386-7	1			MOULDING and SEAL, Body Frt. Pillar Drain Trough
	4229 764-5	1			SEAL, Body Frt. Pillar Drain Trough Mldg., Inner SCREW, (Not Serv.)
2	4366 704-5	1			MOULDING, Roof Side Drain Trough, Frt.,
	4328 400-1	1			MOULDING, Roof Side Drain Trough, Rear
3	4339 256-7	1			MOULDING PACKAGE, Frt. Door Belt
	6003 627	AR			RETAINER
4	4366 824-5	1			MOULDING, Frt. Door Wdo. Opng. Frame, Frt.
5	4319 222-3	1			MOULDING, Frt. Door Wdo. Opng. Frame, Upr.
6	4366 812-3	1			MOULDING, Frt. Door Wdo. Opng. Frame, Rear
7	4366 820-1	1			MOULDING, Rear Door Wdo. Opng. Frame, Frt.
8	4422 062-3	1			MOULDING, Rear Door Wdo. Opng. Frame, Upr.
9	4366 808-9	1			MOULDING, Rear Door Wdo. Opng. Frame, Rear
10	4339 258-9	1			MOULDING PACKAGE, Rear Door Belt
	6003 627	AR			RETAINER
11	4454 472-3	1			MOULDING, Qtr. Wdo. Frt.
	6003 916	AR			RETAINER
	6003 879	AR			WELD STUD
12	4319 328	2			MOULDING, Qtr. Wdo. Upr.
	6003 916	AR			RETAINER
	6003 879	AR			RETAINER
13	4319 330-1	1			MOULDING, Qtr. Wdo. Rear
					SCREW, (Not Serv.)
14	4319 332-3	1			MOULDING, Qtr. Wdo. Lwr.
					RETAINER
					RETAINER
15	4411 690-1	1			MOULDING, Fndr. Side, Woodgrain
					COVER, Fndr. Side Mldg., Attach.
					COVER, Fndr. Side Mldg., Attach.
16	4276 016-7	1			MOULDING, Frt. Door, Woodgrain
					COVER, Frt. Door Mldg., Attach.
					COVER, Frt. Door Mldg., Attach.
17	4276 020-1	1			MOULDING, Rear Door, Woodgrain
					COVER, Rear Door Mldg., Attach.
					COVER, Rear Door Mldg., Attach.
18	4276 024-5	1			MOULDING, Qtr., Woodgrain
					COVER, Qtr. Mldg., Attach.

MODEL CODES

C BODY = (D41 - DYNASTY)(C41 - NEW YORKER)
 E BODY = (J - CARAVELLE)(E - 600)(T - NEW YORKER TURBO)
 G BODY = (V24 - DAYTONA, PACIFICA & SHELBY)
 H BODY = (D44 - LANCER)(C44 - LEBARON GTS)
 J BODY = (C - LEBARON)
 K BODY = (P - RELIANT)(D - ARIES)(C - LEBARON/ TOWN & COUNTRY)

L BODY = (M - HORIZON)(Z-OMNI)
 M BODY = (B - GRAN FURY)(G - DIPLOMAT)(F - FIFTH AVENUE/NEWPORT)
 P BODY = (P - SUNDANCE)(D - SHADOW)
 Q BODY = (C27 - MASERATI)
 S BODY = (H - VOYAGER)(K - RAM VAN/ CARAVAN)

BODY STYLES

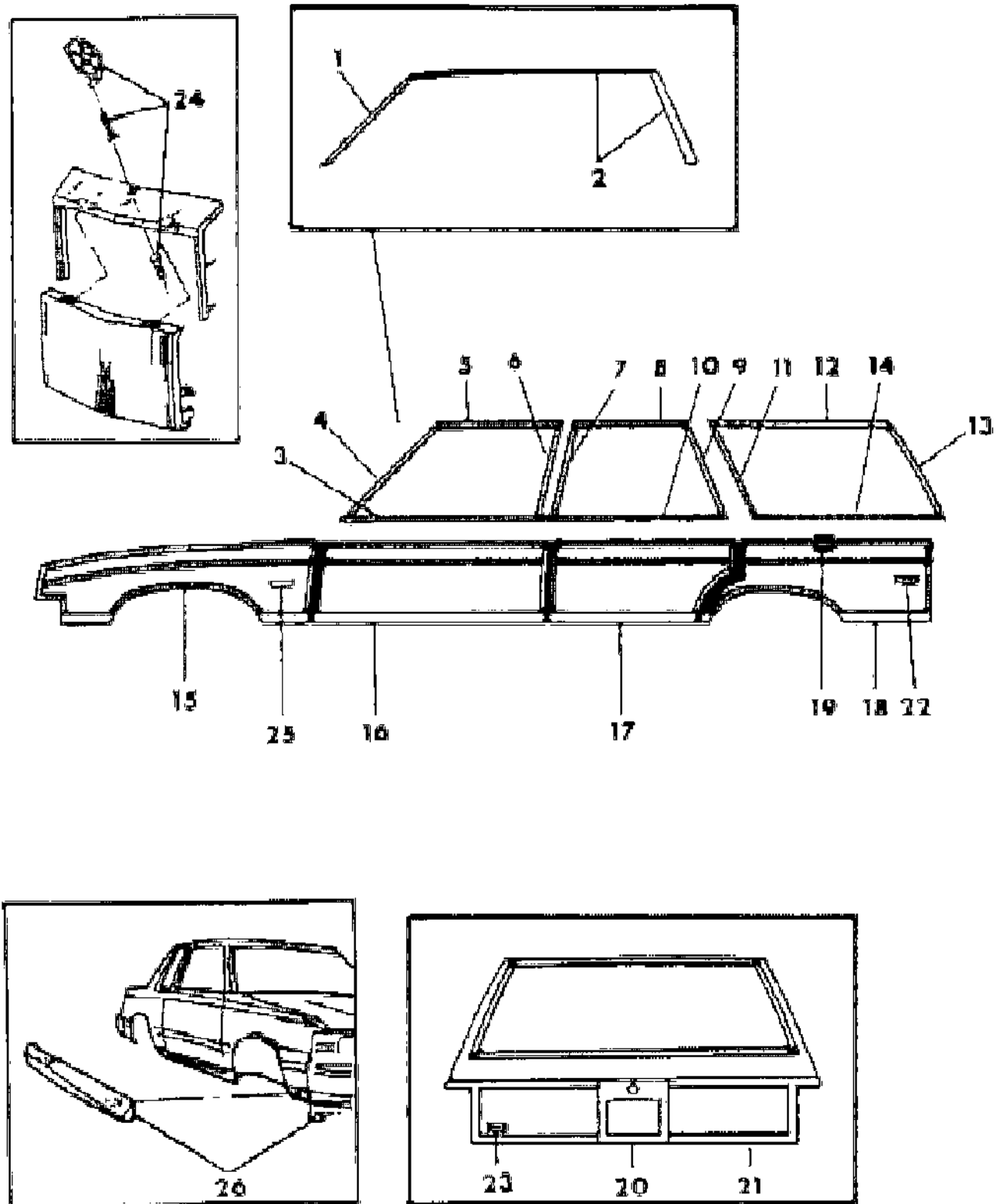
12-52 = FWD VAN & WAGON STD. W.B. 27 = 2-DOOR CONVERTIBLE
 13-53 = FWD VAN & WGN EXT W.B. 41 = 4-DOOR SEDAN
 21 = 2-DOOR SEDAN 44 = 4-DOOR HATCHBACK
 24 = 2-DOOR HATCHBACK 45 = 4-DOOR STATION WAGON

AR = Use as Required - = Non Illustrated Part P.A.R. = Paint as Required

MOULDINGS AND ORNAMENTATION - EXTERIOR VIEW K BODY, TOWN AND COUNTRY CHRYSLER

Figure 23-1800

8168 1800



ITEM	PART NUMBER	QTY	BODY	MODEL	DESCRIPTION
	4022 878	AR			COVER, Qtr. Mldg., Attach.
19	4276 028	1			MOULDING, Qtr. Fuel Filler Door, Woodgrain
	4017 657	AR			COVER, Qtr. Fuel Filler Door Mldg.
					WELD STUD, (Not Serv.)
20	4319 790	1			MOULDING, L/Gate Center, Woodgrain
	4017 657	AR			COVER, L/Gate Center Mldg., Attach.
	4022 878	AR			COVER, L/Gate Center Mldg., Attach.
21	4276 004-5	1			MOULDING, L/Gate Side, Woodgrain
	4017 657	AR			COVER, L/Gate Side Mldg., Attach.
22	4319 753	2			NAMEPLATE, Qtr., "TOWN and COUNTRY"
23	4422 171	1			NAMEPLATE, L/Gate, "CHRYSLER"
24	4270 563	1			ORNAMENT, Radiator Grille
	3672 672	1			SPRING, Ornament
	3672 780	1			RETAINER
25	4319 147	2			NAMEPLATE, Fndr., "TURBO EFI"
26	X622-3 GW7	1			EXTENSION, Fndr. Mldg. Fascia
	6029 471	AR			NUT, Sealing

MODEL CODES

C BODY = (D41 - DYNASTY)(C41 - NEW YORKER)
 E BODY = (J - CARAVELLE)(E - 600)(T - NEW YORKER TURBO)
 G BODY = (V24 - DAYTONA, PACIFICA & SHELBY)
 H BODY = (D44 - LANCER)(C44 - LEBARON GTS)
 J BODY = (C - LEBARON)
 K BODY = (P - RELIANT)(D - ARIES)(C - LEBARON/ TOWN & COUNTRY)

L BODY = (M - HORIZON)(Z-OMNI)
 M BODY = (B - GRAN FURY)(G - DIPLOMAT)(F - FIFTH AVENUE/NEWPORT)
 P BODY = (P - SUNDANCE)(D - SHADOW)
 Q BODY = (C27 - MASERATI)
 S BODY = (H - VOYAGER)(K - RAM VAN/ CARAVAN)

BODY STYLES

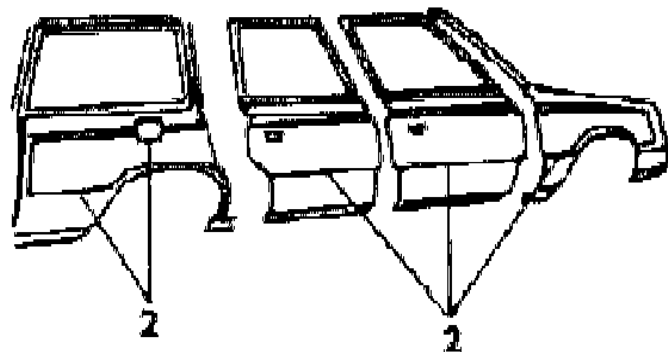
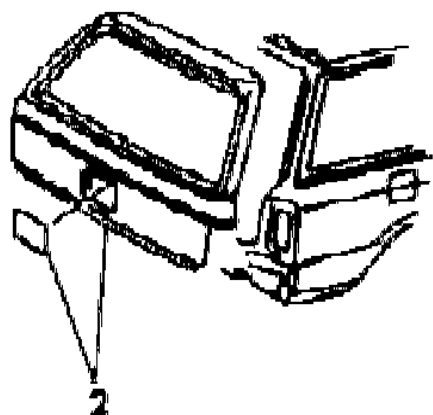
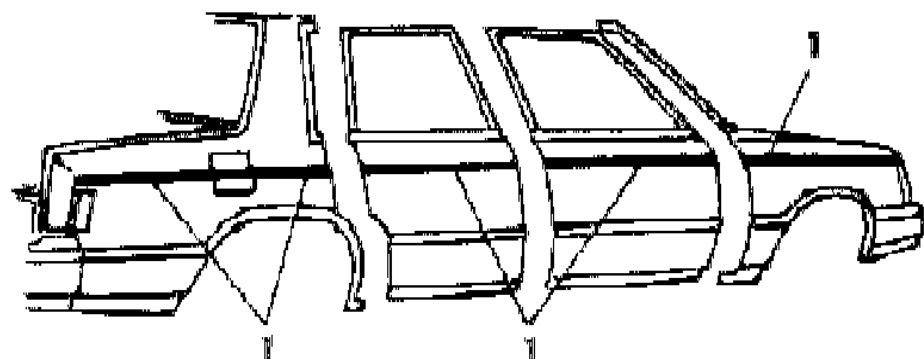
12-52 = FWD VAN & WAGON STD. W.B. 27 = 2-DOOR CONVERTIBLE
 13-53 = FWD VAN & WGN EXT W.B. 41 = 4-DOOR SEDAN
 21 = 2-DOOR SEDAN 44 = 4-DOOR HATCHBACK
 24 = 2-DOOR HATCHBACK 45 = 4-DOOR STATION WAGON

AR = Use as Required - = Non Illustrated Part P.A.R. = Paint as Required

TAPE STRIPES AND DECALS - EXTERIOR VIEW K BODY CHRYSLER LEBARON
Figure 23-1900

8168 1900

ITEM	PART NUMBER	QTY	BODY	MODEL	DESCRIPTION
1	4443 550-1	1		41	TAPE PACKAGE, Fndr., Doors, Dark Silver
	4443 552-3	1		41	Blue
	4494 612-3	1		41	Red
	4443 556-7	1		41	Rosewood
	T830-1 FA3	1		41	TAPE, Qtr. Pnl., Dark Silver
	T830-1 FC4	1		41	Blue
	T830-1 GEE	1		41	Red
	T830-1 FE4	1		41	Rosewood
2	4276 103	AR		45	OVERLAY, Fndr., Door, Qtr., Filler Door, L/Gate, Lic. Plate Depr.



MODEL CODES

C BODY = (D41 - DYNASTY)(C41 - NEW YORKER)	L BODY = (M - HORIZON)(Z-OMNI)
E BODY = (J - CARAVELLE)(E - 600)(T - NEW YORKER TURBO)	M BODY = (B - GRAN FURY)(G - DIPLOMAT)(F - FIFTH AVENUE/NEWPORT)
G BODY = (V24 - DAYTONA, PACIFICA & SHELBY)	P BODY = (P - SUNDANCE)(D - SHADOW)
H BODY = (D44 - LANCER)(C44 - LEBARON GTS)	Q BODY = (C27 - MASERATI)
J BODY = (C - LEBARON)	S BODY = (H - VOYAGER)(K - RAM VAN/ CARAVAN)
K BODY = (P - RELIANT)(D - ARIES)(C - LEBARON/ TOWN & COUNTRY)	

BODY STYLES

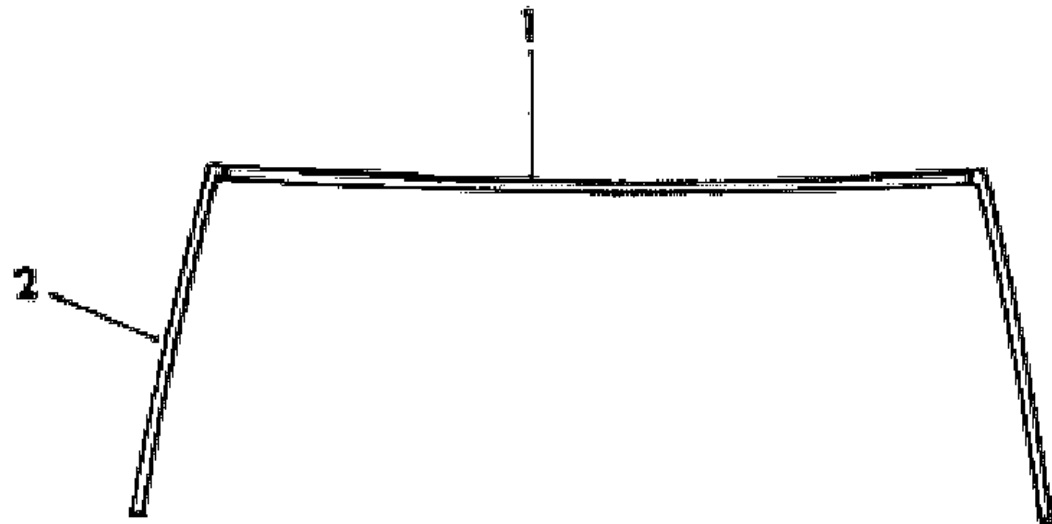
12-52 = FWD VAN & WAGON STD. W.B.	27 = 2-DOOR CONVERTIBLE
13-53 = FWD VAN & WGN EXT W.B.	41 = 4-DOOR SEDAN
21 = 2-DOOR SEDAN	44 = 4-DOOR HATCHBACK
24 = 2-DOOR HATCHBACK	45 = 4-DOOR STATION WAGON

AR = Use as Required - = Non Illustrated Part P.A.R. = Paint as Required

MOULDINGS, WINDSHIELD OUTSIDE G BODY DODGE DAYTONA
Figure 23-2000

8168 2000

ITEM	PART NUMBER	QTY	BODY	MODEL	DESCRIPTION
1	4276 318	1			MOULDING, Windshield, Upr., Black, Use w/o T/Bar Roof
	6003 827	AR			RETAINER, Use w/o T/Bar Roof
2	4276 320-1	1			MOULDING and SEAL, Windshield, Side, Black, Use w/o T/Bar Roof
					SCREW, (Not Serv.)



MODEL CODES
 C BODY = (D41 - DYNASTY)(C41 - NEW YORKER)
 E BODY = (J - CARAVELLE)(E - 600)(T - NEW YORKER TURBO)
 G BODY = (V24 - DAYTONA, PACIFICA & SHELBY)
 H BODY = (D44 - LANCER)(C44 - LEBARON GTS)
 J BODY = (C - LEBARON)
 K BODY = (P - RELIANT)(D - ARIES)(C - LEBARON/ TOWN & COUNTRY)
 L BODY = (M - HORIZON)(Z-OMNI)
 M BODY = (B - GRAN FURY)(G - DIPLOMAT)(F - FIFTH AVENUE/NEWPORT)
 P BODY = (P - SUNDANCE)(D - SHADOW)
 Q BODY = (C27 - MASERATI)
 S BODY = (H - VOYAGER)(K - RAM VAN/ CARAVAN)

BODY STYLES
 12-52 = FWD VAN & WAGON STD. W.B. 27 = 2-DOOR CONVERTIBLE
 13-53 = FWD VAN & WGN EXT W.B. 41 = 4-DOOR SEDAN
 21 = 2-DOOR SEDAN 44 = 4-DOOR HATCHBACK
 24 = 2-DOOR HATCHBACK 45 = 4-DOOR STATION WAGON

AR = Use as Required - = Non Illustrated Part P.A.R. = Paint as Required

MOULDINGS AND ORNAMENTATION - EXTERIOR VIEW G BODY DODGE DAYTONA, PACIFIC, SHELBY Z

Figure 23-2100

8168 2100 A

ITEM	PART NUMBER	QTY	BODY	MODEL	DESCRIPTION
1	4366 830-1	1			MOULDING, Fndr. Rear, Black
	6031 390	AR			RETAINER
2	4366 832-3	1			MOULDING, Door, Black
	6031 390	AR			RETAINER
3	4366 834-5	1			MOULDING, Qtr. Frt., Black
	6031 390	AR			RETAINER
4	4280 148-9	1		V-H,P,S	MOULDING and CLIP, Door Wdo. Opng. Surround, Black, Use w/o T/Bar Roof
	4198 993	16		V-H,P,S	CLIP, Door Wdo. Opng., Outer Mldg., Upr., Use w/o T/Bar Roof
	4445 848-9			V-X	MOULDING and CLIP, Door Opng. Surround, Use w/o T/Bar Roof
5	X510 FR4	1			NAMEPLATE, L/Gate Opng. Lwr. Pnl., "DODGE", Red
6	X839 ER4	2		V-H	NAMEPLATE, Fndr., "CS"
7	X507 FR4	1		V-H	NAMEPLATE, L/Gate Opng. Lwr. Pnl., "DAYTONA", Red
	X304 FR4	1		V-S	NAMEPLATE, L/Gate Opng. Lwr. Pnl., "SHELBY Z", Red
	X569 FR4	1		V-P	"PACIFIC"
	X583 GR4	1		V-S	NAMEPLATE, L/Gate Opng. Lwr. Pnl., "GS TURBO 2", Red (European)
8	4397 046	1			CAP, Roof Frt. Outer Mldg.
9	4397 047	1			CAP, Roof Rear Outer Mldg.
10	4397 070-1	1			MOULDING, Roof Outer Frt., Black
11	4397 076-7	1			MOULDING, Roof Outer Rear, Black
12	4397 074-5	1			MOULDING, "B" Pillar Reveal, Black
13	4397 082-3	1			RETAINER, "B" Pillar Seal
					WEATHERSTRIP, Roof and Door (See T/Bar Roof Illus. in Group 23A)
14	4397 080-1	1			RETAINER, "A" Pillar Seal
15	4397 100-1	1			RETAINER, "A" Pillar Mldg.
16	4397 072-3	1			MOULDING, "A" Pillar Outer, Black
	4397 140-1	1			CLIP, "A" Pillar Mldg. Attach.
17	4397 078-9	1			MOULDING, Door Outer, Black
18	4397 119	1			DECAL PACKAGE, Door, "TURBO", White
	4397 130	1			DECAL PACKAGE, Door, "TURBO Z", Red
	4397 157	1			DECAL PACKAGE, Door, "TURBO Z", Gold
	4422 178	1			DECAL PACKAGE, Door, "EFI"
	4397 131	1			DECAL PACKAGE, "FUEL INJECTION", Red
19	4397 117	AR			SEAL, Weatherstrip Retainer (12 Feet)

MODEL CODES

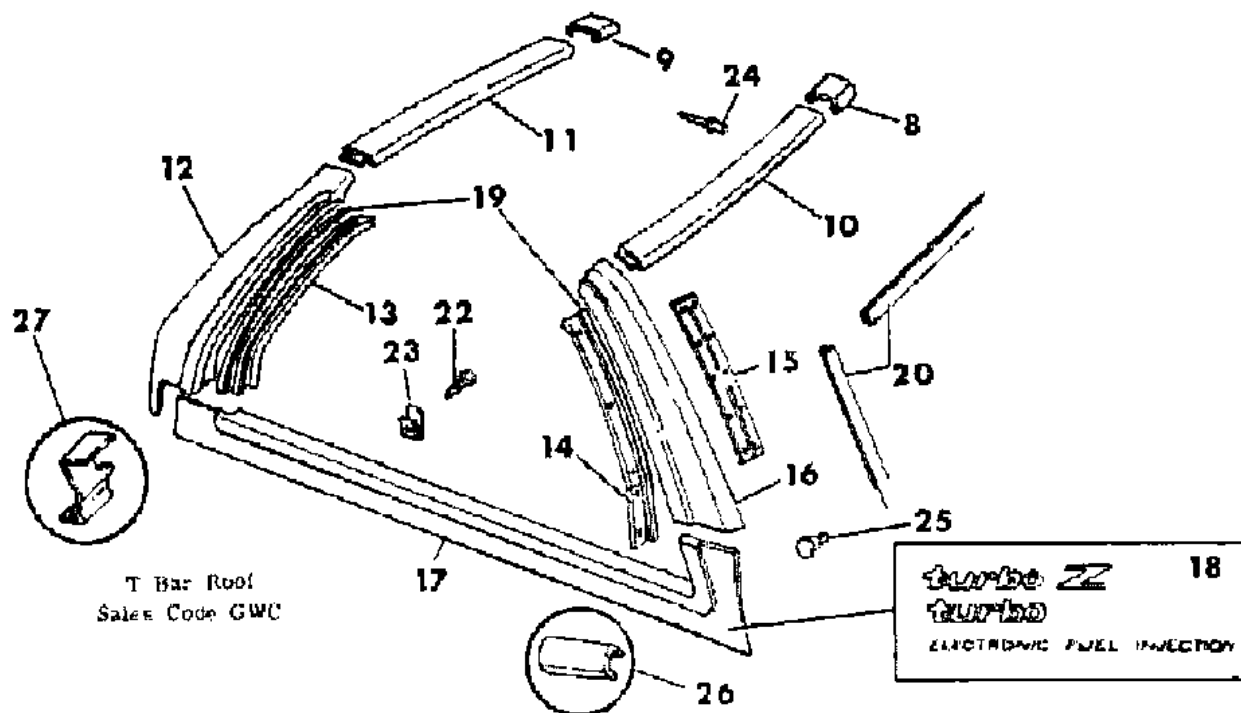
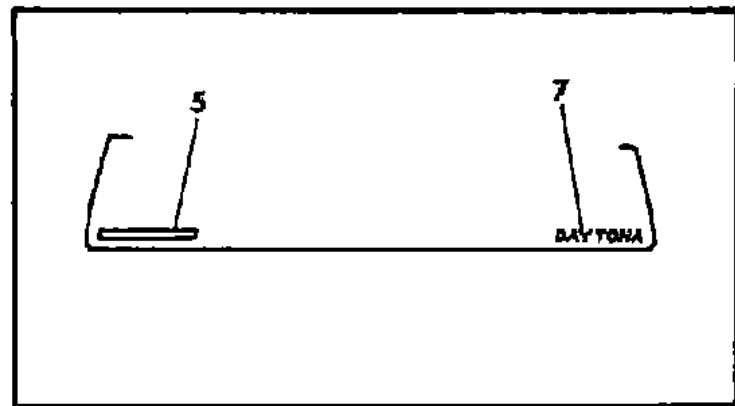
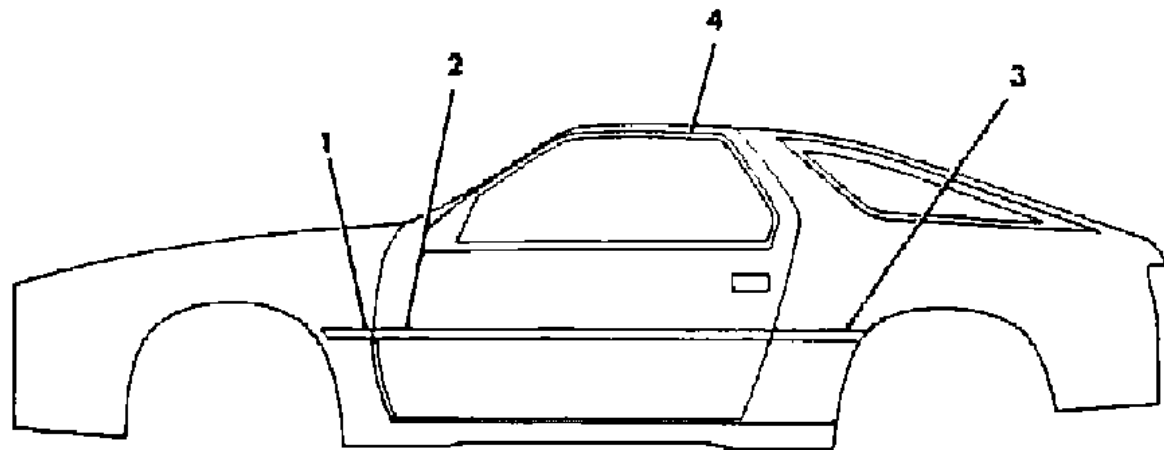
C BODY = (D41 - DYNASTY)(C41 - NEW YORKER)
 E BODY = (J - CARAVELLE)(E - 600)(T - NEW YORKER TURBO)
 G BODY = (V24 - DAYTONA, PACIFICA & SHELBY)
 H BODY = (D44 - LANCER)(C44 - LEBARON GTS)
 J BODY = (C - LEBARON)
 K BODY = (P - RELIANT)(D - ARIES)(C - LEBARON/ TOWN & COUNTRY)

L BODY = (M - HORIZON)(Z-OMNI)
 M BODY = (B - GRAN FURY)(G - DIPLOMAT)(F - FIFTH AVENUE/NEWPORT)
 P BODY = (P - SUNDANCE)(D - SHADOW)
 Q BODY = (C27 - MASERATI)
 S BODY = (H - VOYAGER)(K - RAM VAN/ CARAVAN)

BODY STYLES

12-52 = FWD VAN & WAGON STD. W.B. 27 = 2-DOOR CONVERTIBLE
 13-53 = FWD VAN & WGN EXT W.B. 41 = 4-DOOR SEDAN
 21 = 2-DOOR SEDAN 44 = 4-DOOR HATCHBACK
 24 = 2-DOOR HATCHBACK 45 = 4-DOOR STATION WAGON

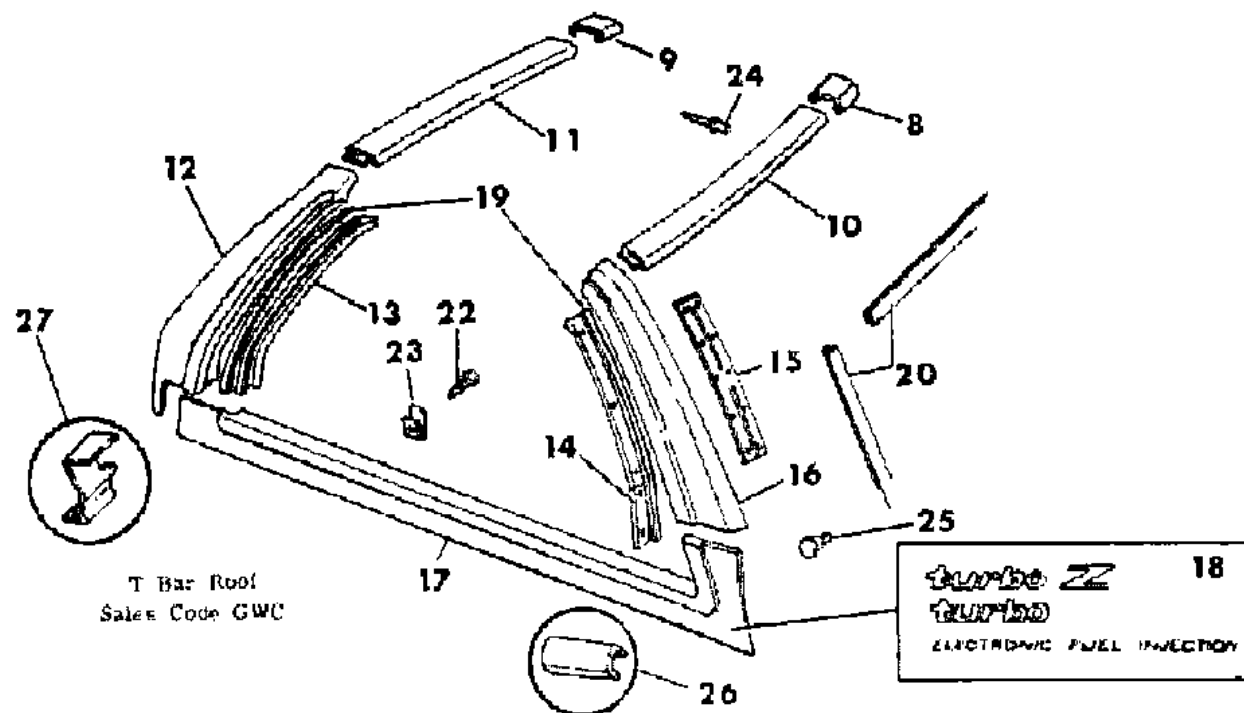
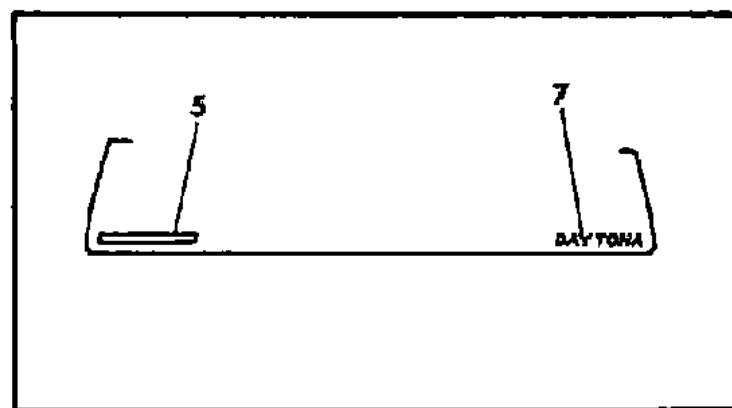
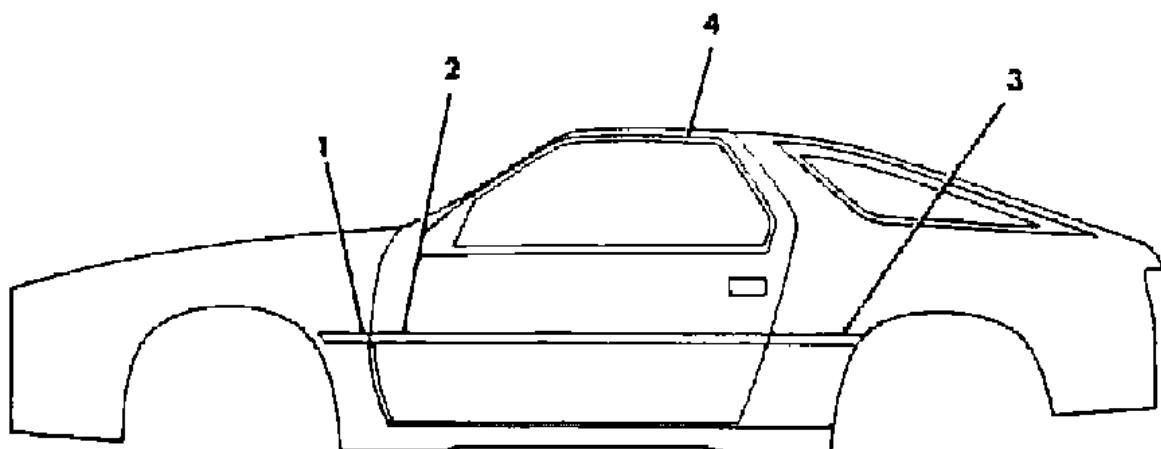
AR = Use as Required - = Non Illustrated Part P.A.R. = Paint as Required



MOULDINGS AND ORNAMENTATION - EXTERIOR VIEW G BODY DODGE DAYTONA, PACIFIC, SHELBY Z
Figure 23-2100

8168 2100 A

ITEM	PART NUMBER	QTY	BODY	MODEL	DESCRIPTION
20	4397 116	1			SEAL, Windshield Reveal (8 Feet)
22	6032 456	AR			SCREW
23	4397 167	AR			CLIP
24	4397 136	AR			RIVET PACKAGE
25	4397 166	AR			RETAINER
26	4397 132-3	1			SIGHT SHIELD, "A" Pillar
27	4397 134-5	1			SIGHT SHIELD, "B" Pillar



MODEL CODES

C BODY = (D41 - DYNASTY)(C41 - NEW YORKER)
 E BODY = (J - CARAVELLE)(E - 600)(T - NEW YORKER TURBO)
 G BODY = (V24 - DAYTONA, PACIFICA & SHELBY)
 H BODY = (D44 - LANCER)(C44 - LEBARON GTS)
 J BODY = (C - LEBARON)
 K BODY = (P - RELIANT)(D - ARIES)(C - LEBARON/ TOWN & COUNTRY)
 L BODY = (M - HORIZON)(Z-OMNI)
 M BODY = (B - GRAN FURY)(G - DIPLOMAT)(F - FIFTH AVENUE/NEWPORT)
 P BODY = (P - SUNDANCE)(D - SHADOW)
 Q BODY = (C27 - MASERATI)
 S BODY = (H - VOYAGER)(K - RAM VAN/ CARAVAN)

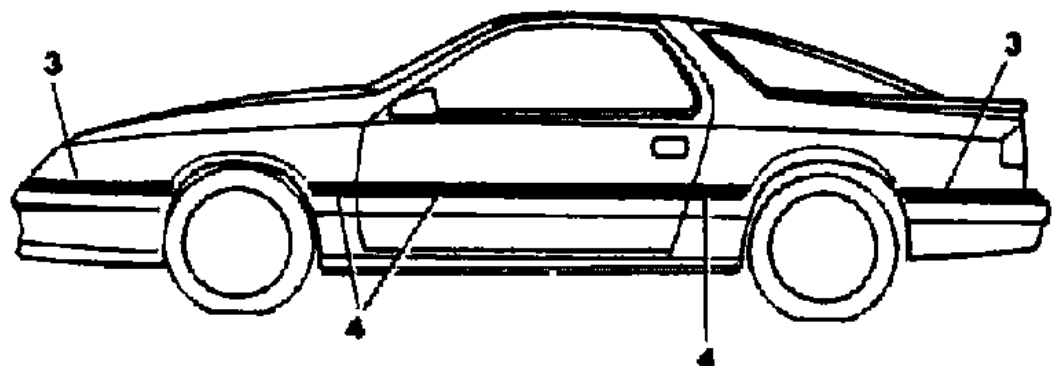
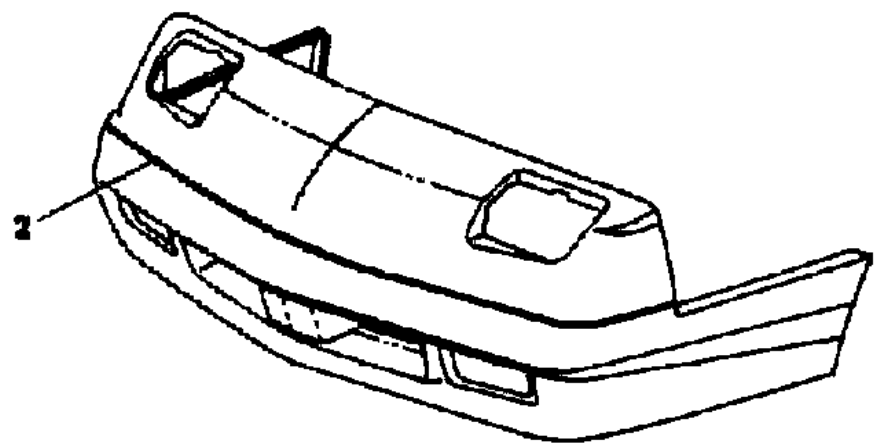
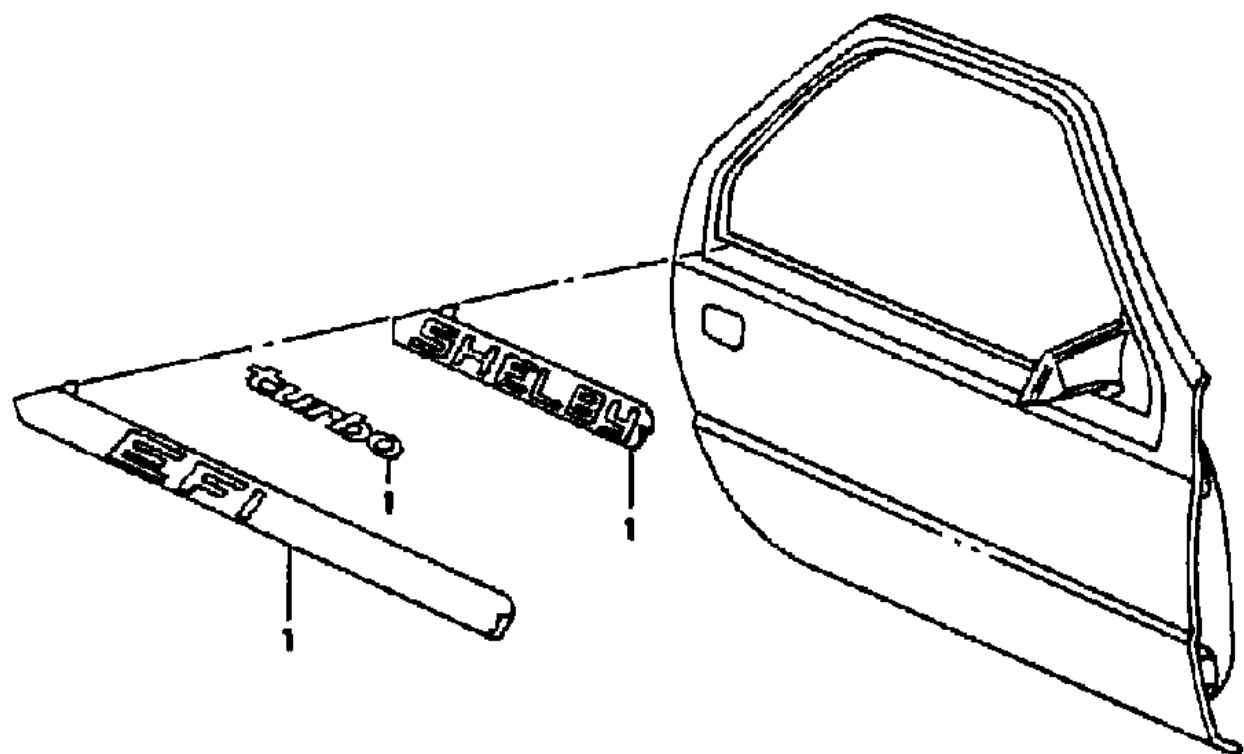
BODY STYLES

12-52 = FWD VAN & WAGON STD. W.B. 27 = 2-DOOR CONVERTIBLE
 13-53 = FWD VAN & WGN EXT W.B. 41 = 4-DOOR SEDAN
 21 = 2-DOOR SEDAN 44 = 4-DOOR HATCHBACK
 24 = 2-DOOR HATCHBACK 45 = 4-DOOR STATION WAGON

AR = Use as Required - = Non Illustrated Part P.A.R. = Paint as Required

TAPE STRIPES AND DECALS - EXTERIOR VIEW G BODY DODGE DAYTONA, PACIFIC, SHELBY Z
Figure 23-2200

8168 2200



ITEM	PART NUMBER	QTY	BODY	MODEL	DESCRIPTION
1	4422 178	2			DECAL, Door Belt Mldg., "EFI"
	4422 975	2		V-S	DECAL, Door Belt Mldg., "SHELBY Z"
	4422 884	2		V-H,V-P	DECAL, Door Belt Mldg., "TURBO"
2	4411 799	1			TAPE PACKAGE, Frt. and Rear Bumper Fascia, Red
3	4443 774	1			TAPE PACKAGE, Nerf Ext. Frt. and Rear, Red
4					MOULDING, Fndr., Door, Qtr. Frt. (See Illus. 2100)
-	4388 148-9	1		V-H,S,P	TAPE, Frt. Bumper Fascia W/Opng., Black
-	4388 305	1		V-S	TAPE, Frt. Bumper Fascia Air Dam, Black, Lt.
	4388 306	1			Rt.

MODEL CODES

C BODY = (D41 - DYNASTY)(C41 - NEW YORKER)
 E BODY = (J - CARAVELLE)(E - 600)(T - NEW YORKER TURBO)
 G BODY = (V24 - DAYTONA, PACIFICA & SHELBY)
 H BODY = (D44 - LANCER)(C44 - LEBARON GTS)
 J BODY = (C - LEBARON)
 K BODY = (P - RELIANT)(D - ARIES)(C - LEBARON/ TOWN & COUNTRY)
 L BODY = (M - HORIZON)(Z-OMNI)
 M BODY = (B - GRAN FURY)(G - DIPLOMAT)(F - FIFTH AVENUE/NEWPORT)
 P BODY = (P - SUNDANCE)(D - SHADOW)
 Q BODY = (C27 - MASERATI)
 S BODY = (H - VOYAGER)(K - RAM VAN/ CARAVAN)

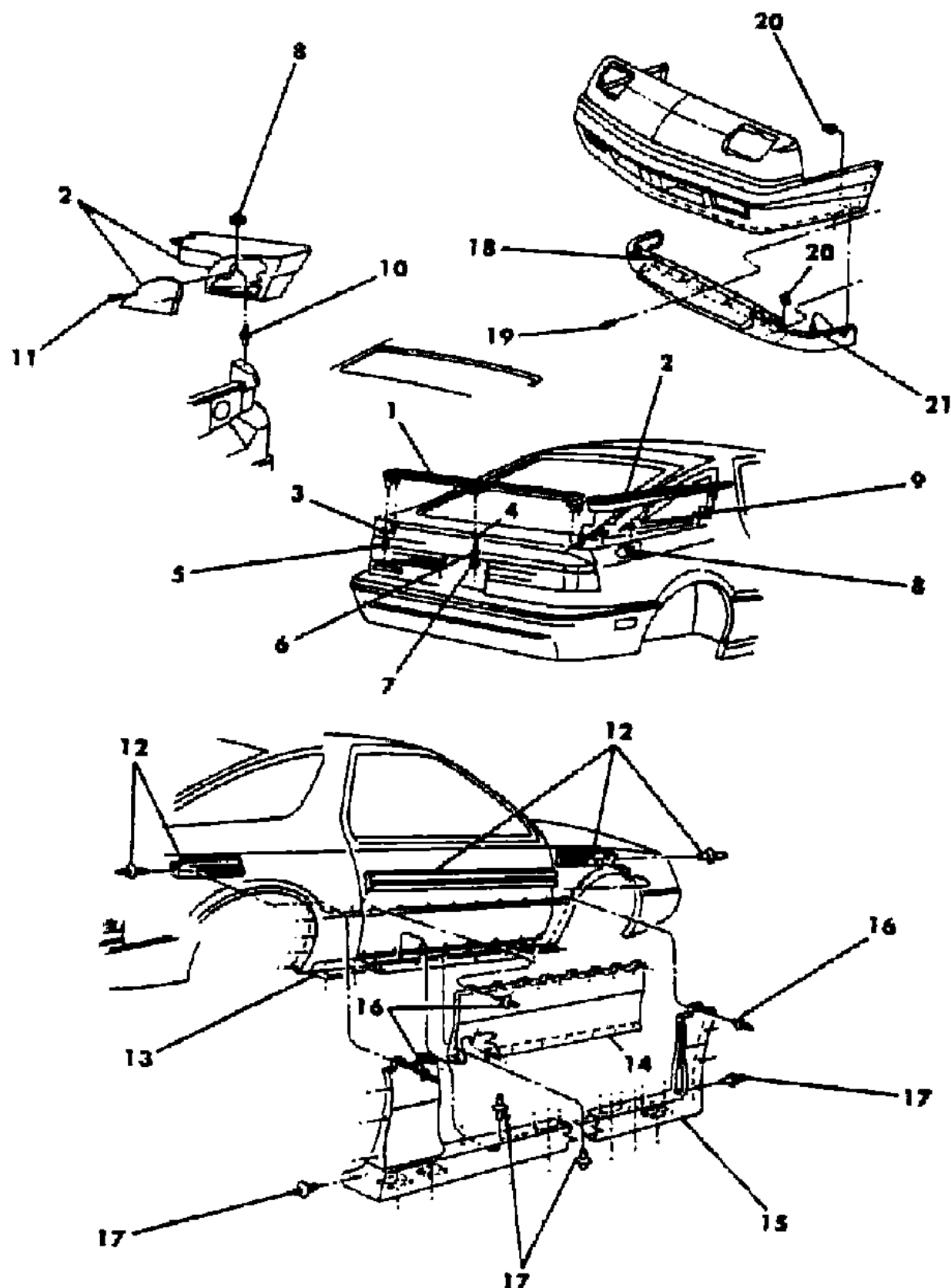
BODY STYLES

12-52 = FWD VAN & WAGON STD. W.B. 27 = 2-DOOR CONVERTIBLE
 13-53 = FWD VAN & WGN EXT W.B. 41 = 4-DOOR SEDAN
 21 = 2-DOOR SEDAN 44 = 4-DOOR HATCHBACK
 24 = 2-DOOR HATCHBACK 45 = 4-DOOR STATION WAGON

AR = Use as Required - = Non Illustrated Part P.A.R. = Paint as Required

GROUND EFFECTS PACKAGE - EXTERIOR VIEW G BODY DODGE DAYTONA, PACIFIC, SHELBY Z
Figure 23-2300

8168 2300



ITEM	PART NUMBER	QTY	BODY	MODEL	DESCRIPTION
1	4365 844	1		V-P,V-S	SPOILER ASSEMBLY, L/Gate Air, w/Two Tone Paint Pkg.
	4451 394	1		V-X	SPOILER ASSEMBLY, L/Gate Air, w/Two Tone Paint Pkg.
2	X534-5 FA1	1		V-P,V-S	SPOILER, Body Side Aperture, Silver
	X534-5 GW7	1		V-P,V-S	White, w/Two Tone Paint Pkg.
	4451 416-7	1		V-X	SPOILER, Body Side Aperture
3	4365 953	2		V-P,V-S	REINFORCEMENT, L/Gate Outer Pnl. Spoiler Attach.
4		AR			WASHER, (Not Serv.)
5	6032 538	4			NUT, L/Gate Outer
6		AR			SCREW and WASHER, (Not Serv.)
7		AR			PLUG, L/Gate (Not Serv.)
8	6025 002	8			NUT
9		6			WASHER, (Not Serv.)
10		2			STUD, (Not Serv.)
11		AR			SCREW, (Serv. in Item 2)
12					MOULDING, Fndr., Door, Qtr. (See Illus. 2100)
13	4366 848-9	1			REINFORCEMENT, Side Sill Ext. Applique
14	4366 852-3	1		V-S	APPLIQUE, Door Lwr.
	4366 870-1	1		V-P	
	4451 412-3	1		V-X	
	4451 431	2		V-X	RETAINER, Door Applique
15	4366 846-7	1		V-S	APPLIQUE, Side Sill Ext.
	4366 866-7	1		V-P	
	4451 410-1	1		V-X	
	4451 429	2		V-X	RETAINER, Sill Applique to Fndr.
	4451 430	2		V-X	RETAINER, Sill Applique to Aperture
	4398 720-1	1		V-S	TAPE, Side Sill Ext. Applique, Frt.
	4398 726-7	1		V-P	
	4366 842-3	1		V-S	TAPE, Side Sill Ext. Applique, Top
	4366 862-3	1		V-P	
	4366 844-5	1		V-S	TAPE, Side Sill Ext. Applique, Rear
	4366 864-5	1		V-P	
	4366 856-7	1		V-S	APPLIQUE, Aperture Pnl. Skirt
	4366 874-5	1		V-P	
	4398 724-5	1		V-S	TAPE, Aperture Pnl. Skirt Applique
	4398 728-9	1		V-P	
	4388 300-1	1			TAPE, Rear Bumper Fascia Wheel Opng., Black
	4398 722-3	1		V-S	PLUG, Side Sill Ext. Applique

MODEL CODES

C BODY = (D41 - DYNASTY)(C41 - NEW YORKER)
 E BODY = (J - CARAVELLE)(E - 600)(T - NEW YORKER TURBO)
 G BODY = (V24 - DAYTONA, PACIFICA & SHELBY)
 H BODY = (D44 - LANCER)(C44 - LEBARON GTS)
 J BODY = (C - LEBARON)
 K BODY = (P - RELIANT)(D - ARIES)(C - LEBARON/ TOWN & COUNTRY)

L BODY = (M - HORIZON)(Z-OMNI)
 M BODY = (B - GRAN FURY)(G - DIPLOMAT)(F - FIFTH AVENUE/NEWPORT)
 P BODY = (P - SUNDANCE)(D - SHADOW)
 Q BODY = (C27 - MASERATI)
 S BODY = (H - VOYAGER)(K - RAM VAN/ CARAVAN)

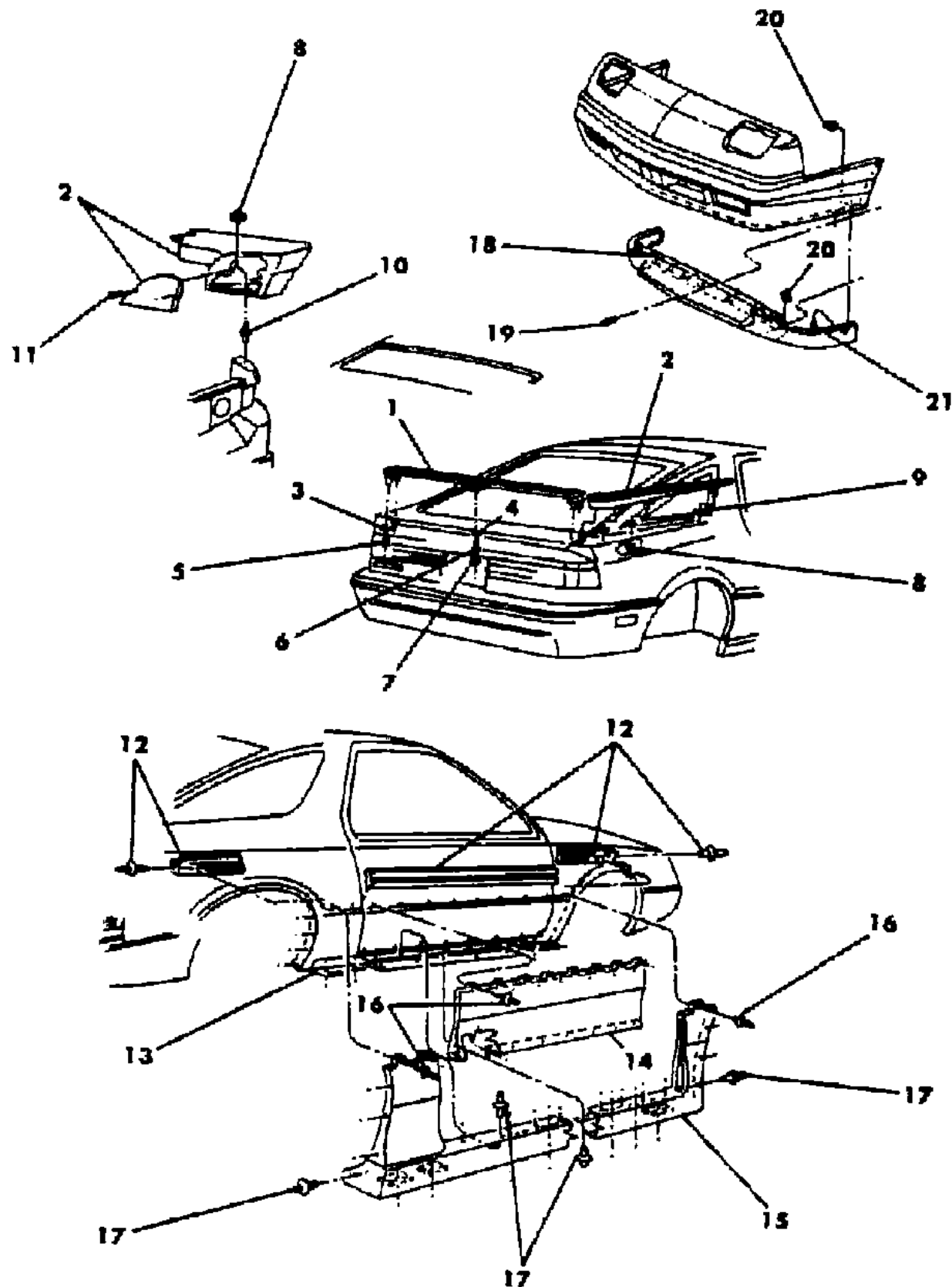
BODY STYLES

12-52 = FWD VAN & WAGON STD. W.B. 27 = 2-DOOR CONVERTIBLE
 13-53 = FWD VAN & WGN EXT W.B. 41 = 4-DOOR SEDAN
 21 = 2-DOOR SEDAN 44 = 4-DOOR HATCHBACK
 24 = 2-DOOR HATCHBACK 45 = 4-DOOR STATION WAGON

AR = Use as Required - = Non Illustrated Part P.A.R. = Paint as Required

GROUND EFFECTS PACKAGE - EXTERIOR VIEW G BODY DODGE DAYTONA, PACIFIC, SHELBY Z
Figure 23-2300

8168 2300



ITEM	PART NUMBER	QTY	BODY	MODEL	DESCRIPTION
16	6033 173	AR			RIVET
17	6031 390	AR			RETAINER
18	4388 324	1		V-P	AIR DAM, Frt. Fascia, Primed
	4388 302-3	1		V-P	TAPE, Frt. Fascia Air Dam, Black
	4388 325	1		V-S	AIR DAM, Frt. Fascia, Primed
	4388 082	1		V-S,V-X	SCOOP ASSEMBLY, Air Dam
19		8			SCREW, (Not Serv.)
20	6101 308	11			U-NUT
21	6100 286	12			SCREW and WASHER

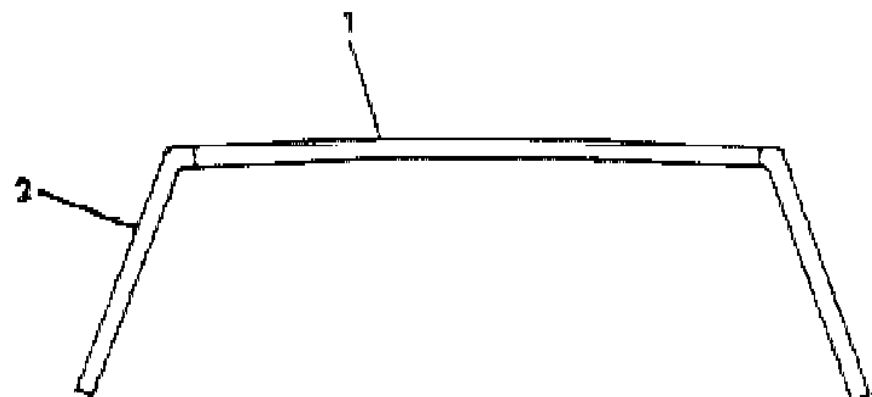
MODEL CODES
 C BODY = (D41 - DYNASTY)(C41 - NEW YORKER)
 E BODY = (J - CARAVELLE)(E - 600)(T - NEW YORKER TURBO)
 G BODY = (V24 - DAYTONA, PACIFICA & SHELBY)
 H BODY = (D44 - LANCER)(C44 - LEBARON GTS)
 J BODY = (C - LEBARON)
 K BODY = (P - RELIANT)(D - ARIES)(C - LEBARON/ TOWN & COUNTRY)
 L BODY = (M - HORIZON)(Z-OMNI)
 M BODY = (B - GRAN FURY)(G - DIPLOMAT)(F - FIFTH AVENUE/NEWPORT)
 P BODY = (P - SUNDANCE)(D - SHADOW)
 Q BODY = (C27 - MASERATI)
 S BODY = (H - VOYAGER)(K - RAM VAN/ CARAVAN)

BODY STYLES
 12-52 = FWD VAN & WAGON STD. W.B. 27 = 2-DOOR CONVERTIBLE
 13-53 = FWD VAN & WGN EXT W.B. 41 = 4-DOOR SEDAN
 21 = 2-DOOR SEDAN 44 = 4-DOOR HATCHBACK
 24 = 2-DOOR HATCHBACK 45 = 4-DOOR STATION WAGON

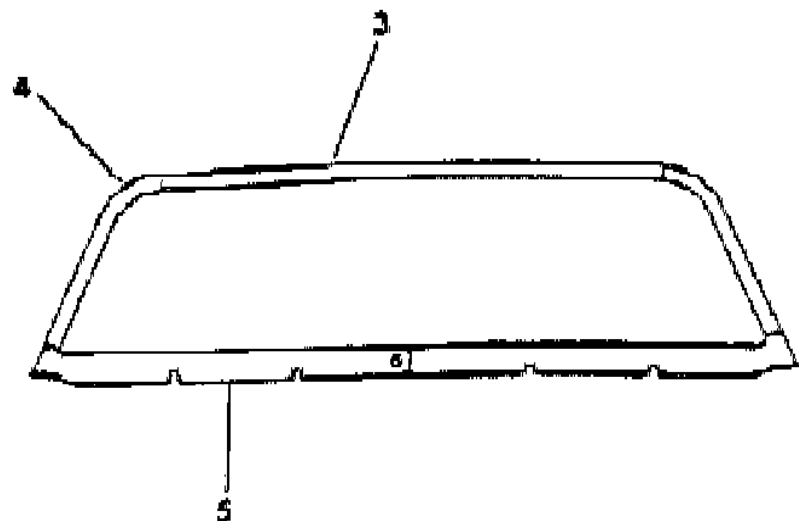
AR = Use as Required - = Non Illustrated Part P.A.R. = Paint as Required

MOULDINGS, WINDSHIELD AND REAR WINDOW OUTSIDE E BODY
Figure 23-2400

8168 2400



W/SHLD MLDGS



RR WDO MLDGS

ITEM	PART NUMBER	QTY	BODY	MODEL	DESCRIPTION
1	4319 638	1			MOULDING, W/Shield, Upr., Bright
	6003 753	AR			RETAINER
2	4319 318-9	1			MOULDING, W/Shield, Side, Bright
	6003 753	AR			RETAINER
	6003 879	AR			RETAINER
3	4319 334	1		J,E	MOULDING, Rear Wdo., Upr., Bright
	6003 916	AR			RETAINER
4	4319 336-7	1		J,E	MOULDING, Rear Wdo., Side, Bright
	6003 916	AR			RETAINER
	6003 879	AR			RETAINER
5	4319 340-1	1		J,E	MOULDING, Rear Wdo., Lwr., Bright

MODEL CODES

C BODY = (D41 - DYNASTY)(C41 - NEW YORKER)
 E BODY = (J - CARAVELLE)(E - 600)(T - NEW YORKER TURBO)
 G BODY = (V24 - DAYTONA, PACIFICA & SHELBY)
 H BODY = (D44 - LANCER)(C44 - LEBARON GTS)
 J BODY = (C - LEBARON)
 K BODY = (P - RELIANT)(D - ARIES)(C - LEBARON/ TOWN & COUNTRY)

L BODY = (M - HORIZON)(Z-OMNI)
 M BODY = (B - GRAN FURY)(G - DIPLOMAT)(F - FIFTH AVENUE/NEWPORT)
 P BODY = (P - SUNDANCE)(D - SHADOW)
 Q BODY = (C27 - MASERATI)
 S BODY = (H - VOYAGER)(K - RAM VAN/ CARAVAN)

BODY STYLES

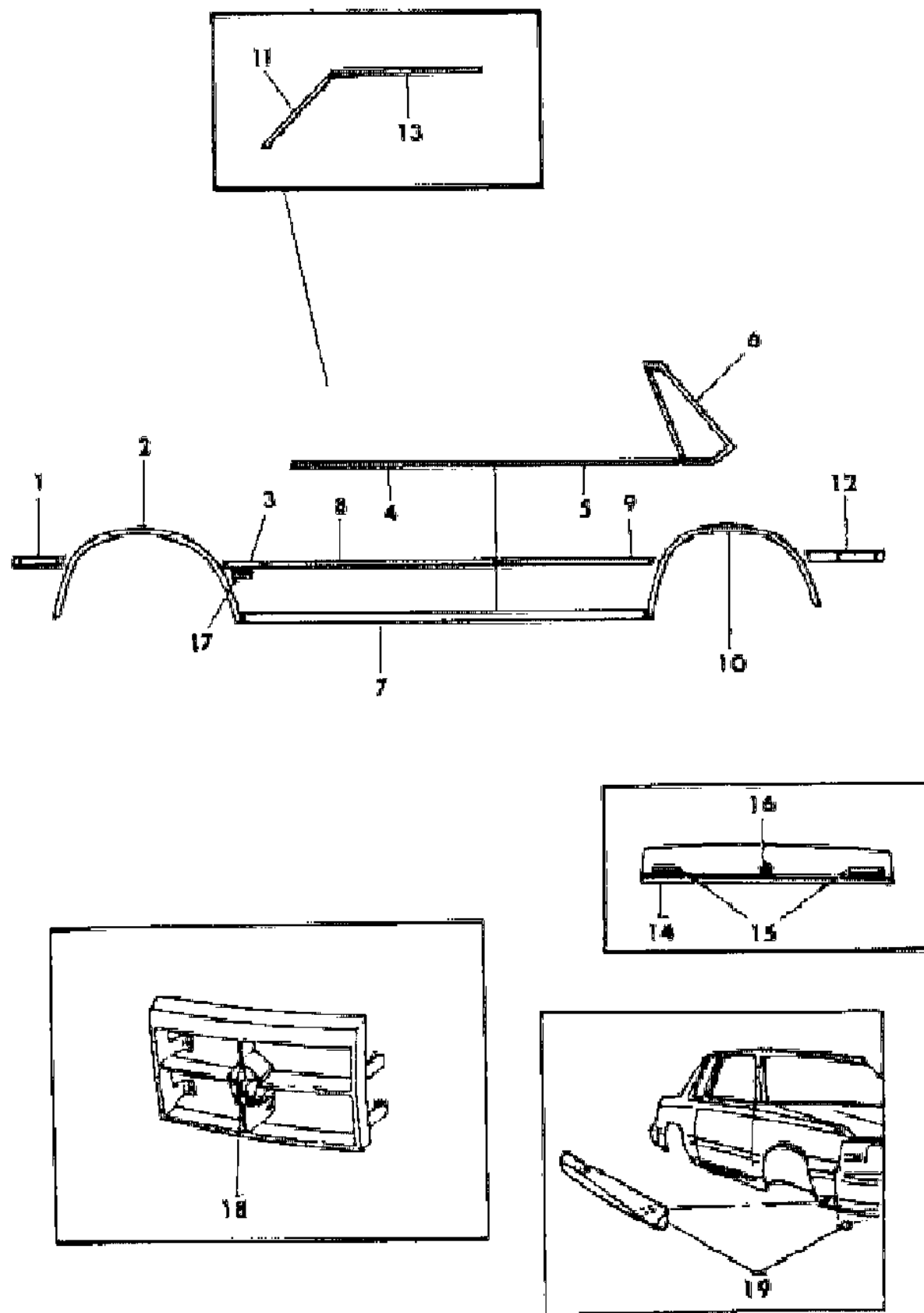
12-52 = FWD VAN & WAGON STD. W.B. 27 = 2-DOOR CONVERTIBLE
 13-53 = FWD VAN & WGN EXT W.B. 41 = 4-DOOR SEDAN
 21 = 2-DOOR SEDAN 44 = 4-DOOR HATCHBACK
 24 = 2-DOOR HATCHBACK 45 = 4-DOOR STATION WAGON

AR = Use as Required - = Non Illustrated Part P.A.R. = Paint as Required

MOULDINGS AND ORNAMENTATION - EXTERIOR VIEW E BODY PLYMOUTH CARAVELLE, DODGE 600

Figure 23-2500

8168 2500



ITEM	PART NUMBER	QTY	BODY	MODEL	DESCRIPTION
1	4364 666-7	1			MOULDING, Frt. Bumper Nerf Ext.
		AR			NUT, (Not Serv.)
2	4366 454-5	1		J-H,E-H	MOULDING, Fndr. W/Opng. SCREW, (Not Serv.)
3	X434-5 EW4	1			MOULDING, Fndr. Rear, White (Paint as Req.)
	X434 GW7	1			MOULDING, Fndr. Rear, Bright White
4	4339 256-7	1			MOULDING PACKAGE, Frt. Door Belt
	6003 627	AR			RETAINER
5	4366 068-9	1			MOULDING, Rear Door Belt
	6003 627	AR			RETAINER
6	4366 052-3	1			MOULDING, Qtr. Wdo.
7	4293 664-5	1		J-H,E-H	MOULDING PACKAGE, Body Side Sill
	6003 777	AR			RETAINER CLIP
	4293 616	AR			SCREW PACKAGE SCREW, (Not Serv.)
8	X438 EW4	2			MOULDING, Frt. Door, White (Paint as Req.)
	X438 GW7	2			MOULDING, Frt. Door, Bright White
9	X442-3 EW4	1			MOULDING, Rear Door, White (Paint as Req.)
	X442-3 GW7	1			MOULDING, Rear Door, Bright White
10	4319 030-1	1		J-H,E-H	MOULDING, Qtr. W/Opng.
11	4328 386-7	1			MOULDING and SEAL, Body Frt. Pillar Drain Trough, Black and Chrome
	4229 764-5	1			SEAL, Body Frt. Pillar Drain Trough Mldg., Inner SCREW, (Not Serv.)
12	X682-3 GW7	1			MOULDING and LENS, Rear Bumper Nerf Ext., Bright White
	X682-3 EA7	1			Dark Gray
	X682-3 EE3	1			Light Rose Wood
	X682-3 EE7	1			Dark Cordovan
		AR			NUT, (Not Serv.)
13	4398 006-7	1			MOULDING, Roof Side Drain Trough, Black and Chrome
14	4364 501	1			MOULDING, Deck Lid Lwr. RETAINER, (Serv. in Mldg.)
15	4422 172	1			NAMEPLATE, Deck Lid, "PLYMOUTH"
	4328 878	1			"DODGE"
	4422 174	1			NAMEPLATE, Deck Lid, "CARAVELLE"
	4276 399	1			"600"
	4422 402	1			NAMEPLATE, Deck Lid, "SE"

MODEL CODES

C BODY = (D41 - DYNASTY)(C41 - NEW YORKER)
 E BODY = (J - CARAVELLE)(E - 600)(T - NEW YORKER TURBO)
 G BODY = (V24 - DAYTONA, PACIFICA & SHELBY)
 H BODY = (D44 - LANCER)(C44 - LEBARON GTS)
 J BODY = (C - LEBARON)
 K BODY = (P - RELIANT)(D - ARIES)(C - LEBARON/ TOWN & COUNTRY)

L BODY = (M - HORIZON)(Z-OMNI)
 M BODY = (B - GRAN FURY)(G - DIPLOMAT)(F - FIFTH AVENUE/NEWPORT)
 P BODY = (P - SUNDANCE)(D - SHADOW)
 Q BODY = (C27 - MASERATI)
 S BODY = (H - VOYAGER)(K - RAM VAN/ CARAVAN)

BODY STYLES

12-52 = FWD VAN & WAGON STD. W.B. 27 = 2-DOOR CONVERTIBLE
 13-53 = FWD VAN & WGN EXT W.B. 41 = 4-DOOR SEDAN
 21 = 2-DOOR SEDAN 44 = 4-DOOR HATCHBACK
 24 = 2-DOOR HATCHBACK 45 = 4-DOOR STATION WAGON

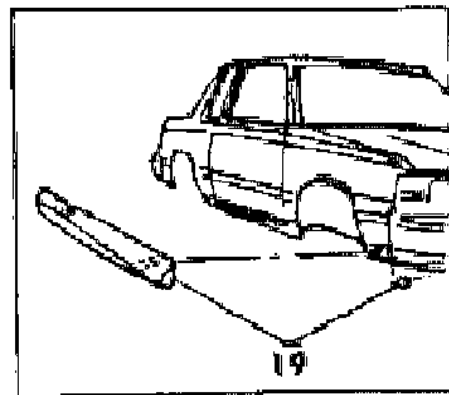
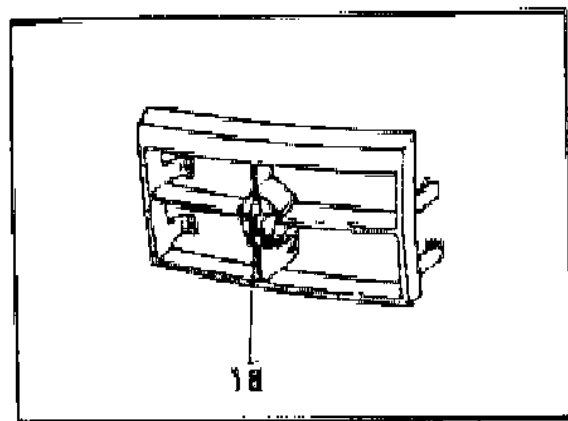
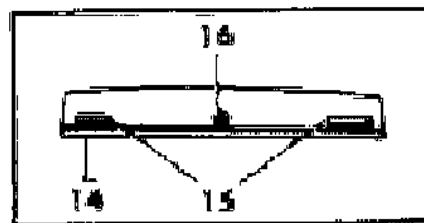
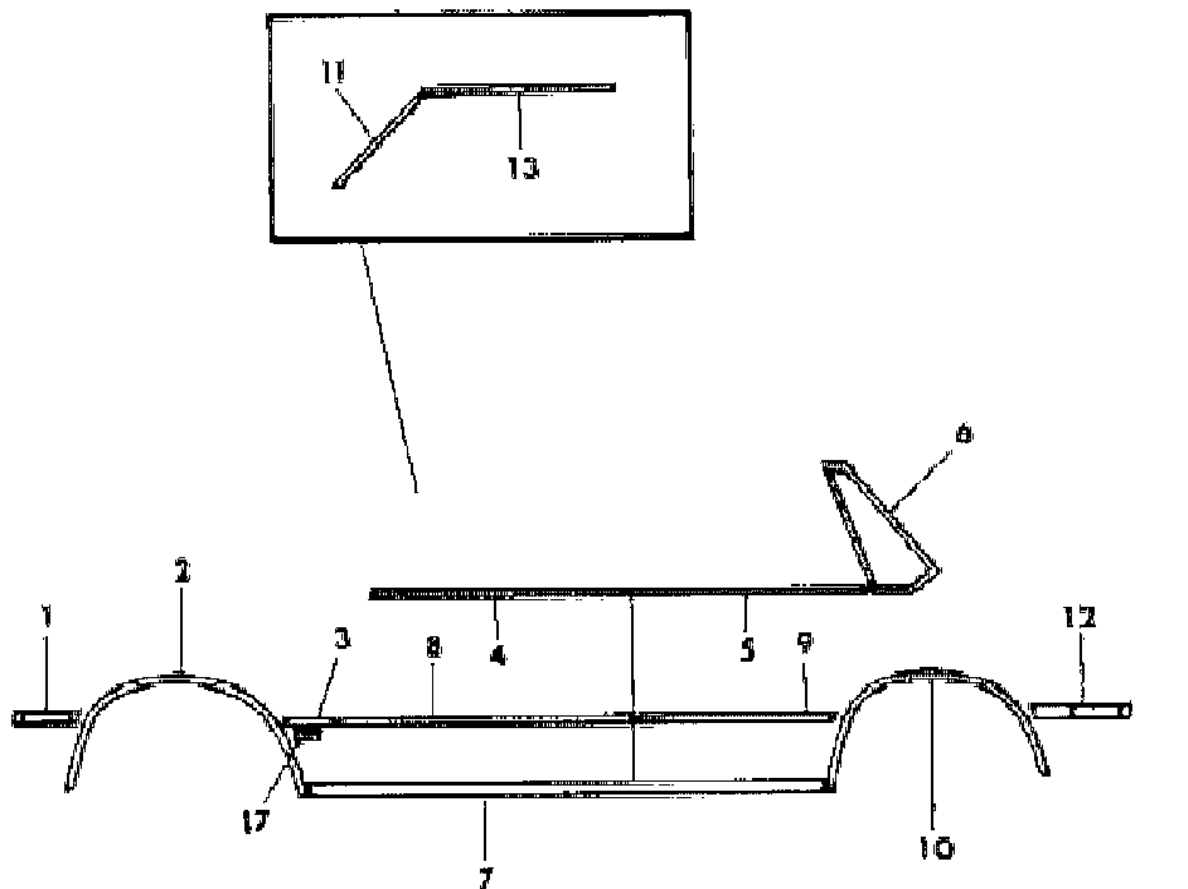
AR = Use as Required - = Non Illustrated Part P.A.R. = Paint as Required

MOULDINGS AND ORNAMENTATION - EXTERIOR VIEW E BODY PLYMOUTH CARAVELLE, DODGE 600

Figure 23-2500

8168 2500

ITEM	PART NUMBER	QTY	BODY	MODEL	DESCRIPTION
	4398 382	1			"600SE"
16	X923 EA1	1			MEDALLION, Deck Lid Lock Cyl., Silver
	X923 EB1	1			Ice Blue Met.
	X923 FC7	1			Twilight Blue
	X923 EE2	1			Misty Rose
	X923 EE9	1			Dark Cordovan
	X923 FS8	1			Charcoal
	X923 GW7	1			Bright White
	X923 EX8	1			Black
17	4319 147	2			RIVET, (Not Serv.)
18	4270 611	1			NAMEPLATE, Fndr. Side, "TURBO EFI"
19	X622-3 DW3	1			PENTASTAR, Radiator Grille
	X622-3 GW7	1			EXTENSION, Fndr. Mldg. Fascia, White (Paint as Req.)
	6029 471	AR			EXTENSION, Fndr. Mldg. Fascia, Bright White
					NUT, Sealing



MODEL CODES

C BODY = (D41 - DYNASTY)(C41 - NEW YORKER)
 E BODY = (J - CARAVELLE)(E - 600)(T - NEW YORKER TURBO)
 G BODY = (V24 - DAYTONA, PACIFICA & SHELBY)
 H BODY = (D44 - LANCER)(C44 - LEBARON GTS)
 J BODY = (C - LEBARON)
 K BODY = (P - RELIANT)(D - ARIES)(C - LEBARON/ TOWN & COUNTRY)

L BODY = (M - HORIZON)(Z-OMNI)
 M BODY = (B - GRAN FURY)(G - DIPLOMAT)(F - FIFTH AVENUE/NEWPORT)
 P BODY = (P - SUNDANCE)(D - SHADOW)
 Q BODY = (C27 - MASERATI)
 S BODY = (H - VOYAGER)(K - RAM VAN/ CARAVAN)

BODY STYLES

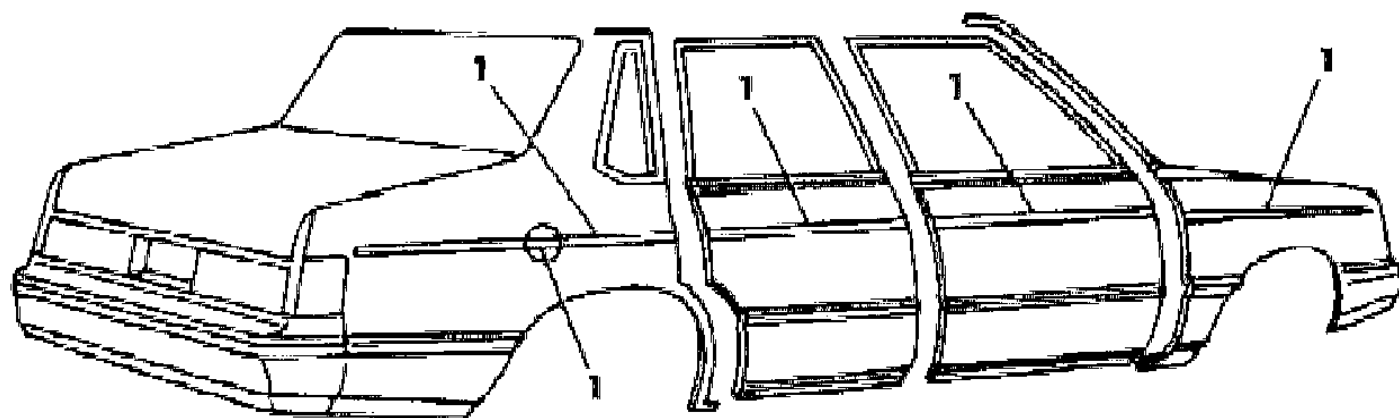
12-52 = FWD VAN & WAGON STD. W.B. 27 = 2-DOOR CONVERTIBLE
 13-53 = FWD VAN & WGN EXT W.B. 41 = 4-DOOR SEDAN
 21 = 2-DOOR SEDAN 44 = 4-DOOR HATCHBACK
 24 = 2-DOOR HATCHBACK 45 = 4-DOOR STATION WAGON

AR = Use as Required - = Non Illustrated Part P.A.R. = Paint as Required

TAPE STRIPES AND DECALS - EXTERIOR VIEW E BODY PLYMOUTH CARAVELLE, DODGE 600
Figure 23-2600

ITEM	PART NUMBER	QTY	BODY	MODEL	DESCRIPTION
1	4443 532-3	1			TAPE PACKAGE, Fndr., Door, Qtr., Dark Silver
	4443 534-5	1			Blue
	4443 538-9	1			Rosewood
	4494 624-5	1			Red

8168 2600



MODEL CODES

C BODY = (D41 - DYNASTY)(C41 - NEW YORKER)	L BODY = (M - HORIZON)(Z-OMNI)
E BODY = (J - CARAVELLE)(E - 600)(T - NEW YORKER TURBO)	M BODY = (B - GRAN FURY)(G - DIPLOMAT)(F - FIFTH AVENUE/NEWPORT)
G BODY = (V24 - DAYTONA, PACIFICA & SHELBY)	P BODY = (P - SUNDANCE)(D - SHADOW)
H BODY = (D44 - LANCER)(C44 - LEBARON GTS)	Q BODY = (C27 - MASERATI)
J BODY = (C - LEBARON)	S BODY = (H - VOYAGER)(K - RAM VAN/ CARAVAN)
K BODY = (P - RELIANT)(D - ARIES)(C - LEBARON/ TOWN & COUNTRY)	

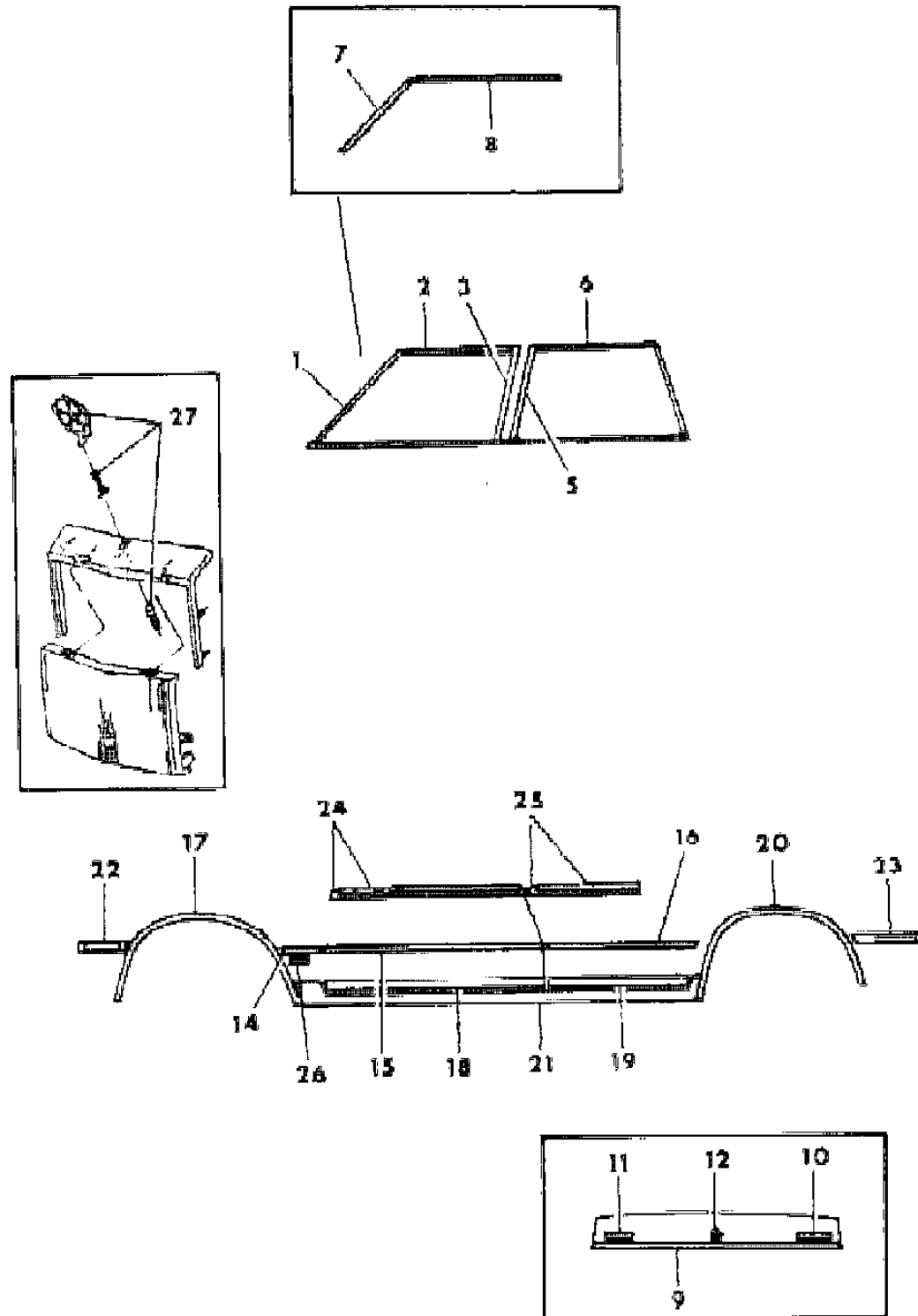
BODY STYLES

12-52 = FWD VAN & WAGON STD. W.B.	27 = 2-DOOR CONVERTIBLE
13-53 = FWD VAN & WGN EXT W.B.	41 = 4-DOOR SEDAN
21 = 2-DOOR SEDAN	44 = 4-DOOR HATCHBACK
24 = 2-DOOR HATCHBACK	45 = 4-DOOR STATION WAGON

AR = Use as Required - = Non Illustrated Part P.A.R. = Paint as Required

MOULDINGS AND ORNAMENTATION - EXTERIOR VIEW E BODY CHRYSLER NEW YORKER, T-P
Figure 23-2700

8168 2700



ITEM	PART NUMBER	QTY	BODY	MODEL	DESCRIPTION
1	4366 824-5	1			MOULDING, Frt. Door Wdo. Opng. Frame, Frt.
2	4319 222-3	1			MOULDING, Frt. Door Wdo. Opng. Frame, Upr.
3	4366 812-3	1			MOULDING, Frt. Door Wdo. Opng. Frame, Rear
5	4366 820-1	1			MOULDING, Rear Door Wdo. Opng. Frame, Frt.
6	4457 012-3	1			MOULDING, Rear Door Wdo. Opng. Frame, Upr.
7	4398 192-3	1			MOULDING and SEAL, Body Frt. Pillar Drain Trough
	4229 764-5	1			SEAL, Body Frt. Pillar Drain Trough Mldg., Inner SCREW, (Not Serv.)
8	4319 204-5	1			MOULDING, Roof Side Drain Trough
9	4366 152	1			MOULDING, Deck Lid Lwr.
10	4422 175	1			NAMEPLATE, Deck Lid, "NEW YORKER"
11	4422 171	1			NAMEPLATE, Deck Lid, "CHRYSLER"
12	X923 EA1	1			MEDALLION, Deck Lid Lock Cyl., Silver
	X923 EB1	1			Ice Blue Met.
	X923 FC7	1			Twilight Blue
	X923 EE2	1			Misty Rose
	X923 EE9	1			Dark Cordovan
	X923 FS8	1			Charcoal
	X923 GW7	1			Bright White
	X923 EX8	1			Black
					RIVET, (Not Serv.)
14	X168-9 FE9	1			MOULDING, Fndr. Rear, Dark Cordovan
	X168-9 FE2	1			Misty Rose
	X168-9 FC7	1			Twilight Blue
	X168-9 FB1	1			Ice Blue Met.
	X168-9 FX9	1			Black
	X168-9 FA2	1			Silver
	X168-9 GW7	1			Bright White
	X168-9 FS8	1			Charcoal
15	X170 FE9	2			MOULDING, Frt. Door, Dark Cordovan
	X170 FE2	2			Misty Rose
	X170 FC7	2			Twilight Blue
	X170 FB1	2			Ice Blue Met.
	X170 FX9	2			Black
	X170 FA2	2			Silver
	X170 GW7	2			Bright White
	X170 FS8	2			Charcoal

MODEL CODES

C BODY = (D41 - DYNASTY)(C41 - NEW YORKER)
 E BODY = (J - CARAVELLE)(E - 600)(T - NEW YORKER TURBO)
 G BODY = (V24 - DAYTONA, PACIFICA & SHELBY)
 H BODY = (D44 - LANCER)(C44 - LEBARON GTS)
 J BODY = (C - LEBARON)
 K BODY = (P - RELIANT)(D - ARIES)(C - LEBARON/ TOWN & COUNTRY)
 L BODY = (M - HORIZON)(Z-OMNI)
 M BODY = (B - GRAN FURY)(G - DIPLOMAT)(F - FIFTH AVENUE/NEWPORT)
 P BODY = (P - SUNDANCE)(D - SHADOW)
 Q BODY = (C27 - MASERATI)
 S BODY = (H - VOYAGER)(K - RAM VAN/ CARAVAN)

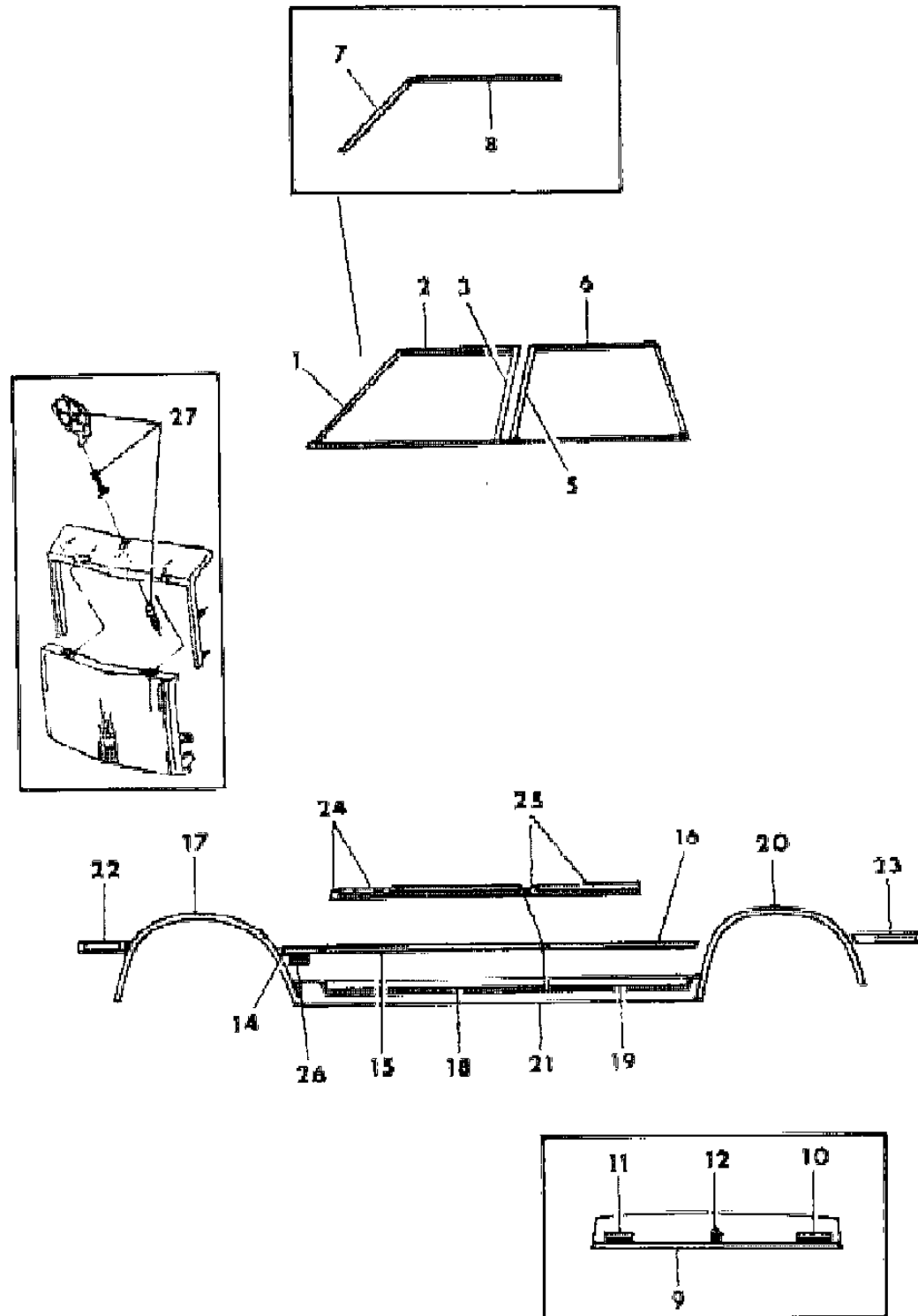
BODY STYLES

12-52 = FWD VAN & WAGON STD. W.B. 27 = 2-DOOR CONVERTIBLE
 13-53 = FWD VAN & WGN EXT W.B. 41 = 4-DOOR SEDAN
 21 = 2-DOOR SEDAN 44 = 4-DOOR HATCHBACK
 24 = 2-DOOR HATCHBACK 45 = 4-DOOR STATION WAGON

AR = Use as Required - = Non Illustrated Part P.A.R. = Paint as Required

MOULDINGS AND ORNAMENTATION - EXTERIOR VIEW E BODY CHRYSLER NEW YORKER, T-P
Figure 23-2700

8168 2700



ITEM	PART NUMBER	QTY	BODY	MODEL	DESCRIPTION
16	X172-3 FE9	1			MOULDING, Rear Door, Dark Cordovan
	X172-3 FE2	1			Misty Rose
	X172-3 FC7	1			Twilight Blue
	X172-3 FB1	1			Ice Blue Met.
	X172-3 FX9	1			Black
	X172-3 FA2	1			Silver
	X172-3 GW7	1			Bright White
	X172-3 FS8	1			Charcoal
17	4328 138-9	1			MOULDING, Fndr. W/Opng.
18	4411 670-1	1			MOULDING PACKAGE, Frt. Door Lwr.
	6003 845	AR			RETAINER
	4057 555	AR			RETAINER PACKAGE
19	4411 666-7	1			MOULDING, Rear Door Lwr.
	6003 845	AR			RETAINER
	4057 555	AR			RETAINER PACKAGE
20	4328 142-3	1			MOULDING, Qtr. W/Opng.
21	4293 652-3	1			MOULDING PACKAGE, Body Side Sill
	6003 843	AR			RETAINER
	6003 844	AR			RETAINER
22	4293 658-9	1			MOULDING PACKAGE, Fndr. Side Frt.
23	4366 070-1	1			MOULDING, Rear Bumper Nerf Ext.
24	4319 096-7	1			MOULDING, Frt. Door Belt
	4411 884-5	1			INSERT PACKAGE, Frt. Door Belt Mldg.
	4057 555	AR			RETAINER PACKAGE
	6003 866	AR			RETAINER
25					SCREW, (Not Serv.)
	4319 102-3	1			MOULDING, Rear Door Belt
	4411 882-3	1			INSERT PACKAGE, Rear Door Belt Mldg.
	4057 555	AR			RETAINER PACKAGE
26					RETAINER
	6003 866	AR			SCREW, (Not Serv.)
	4319 147	2			NAMEPLATE, Fndr. Side, "TURBO EFI"
27	4270 563	1			ORNAMENT, Radiator Grille
	3672 672	1			SPRING, Ornament
	3672 780	1			RETAINER

MODEL CODES

C BODY = (D41 - DYNASTY)(C41 - NEW YORKER)
 E BODY = (J - CARAVELLE)(E - 600)(T - NEW YORKER TURBO)
 G BODY = (V24 - DAYTONA, PACIFICA & SHELBY)
 H BODY = (D44 - LANCER)(C44 - LEBARON GTS)
 J BODY = (C - LEBARON)
 K BODY = (P - RELIANT)(D - ARIES)(C - LEBARON/ TOWN & COUNTRY)

L BODY = (M - HORIZON)(Z-OMNI)
 M BODY = (B - GRAN FURY)(G - DIPLOMAT)(F - FIFTH AVENUE/NEWPORT)
 P BODY = (P - SUNDANCE)(D - SHADOW)
 Q BODY = (C27 - MASERATI)
 S BODY = (H - VOYAGER)(K - RAM VAN/ CARAVAN)

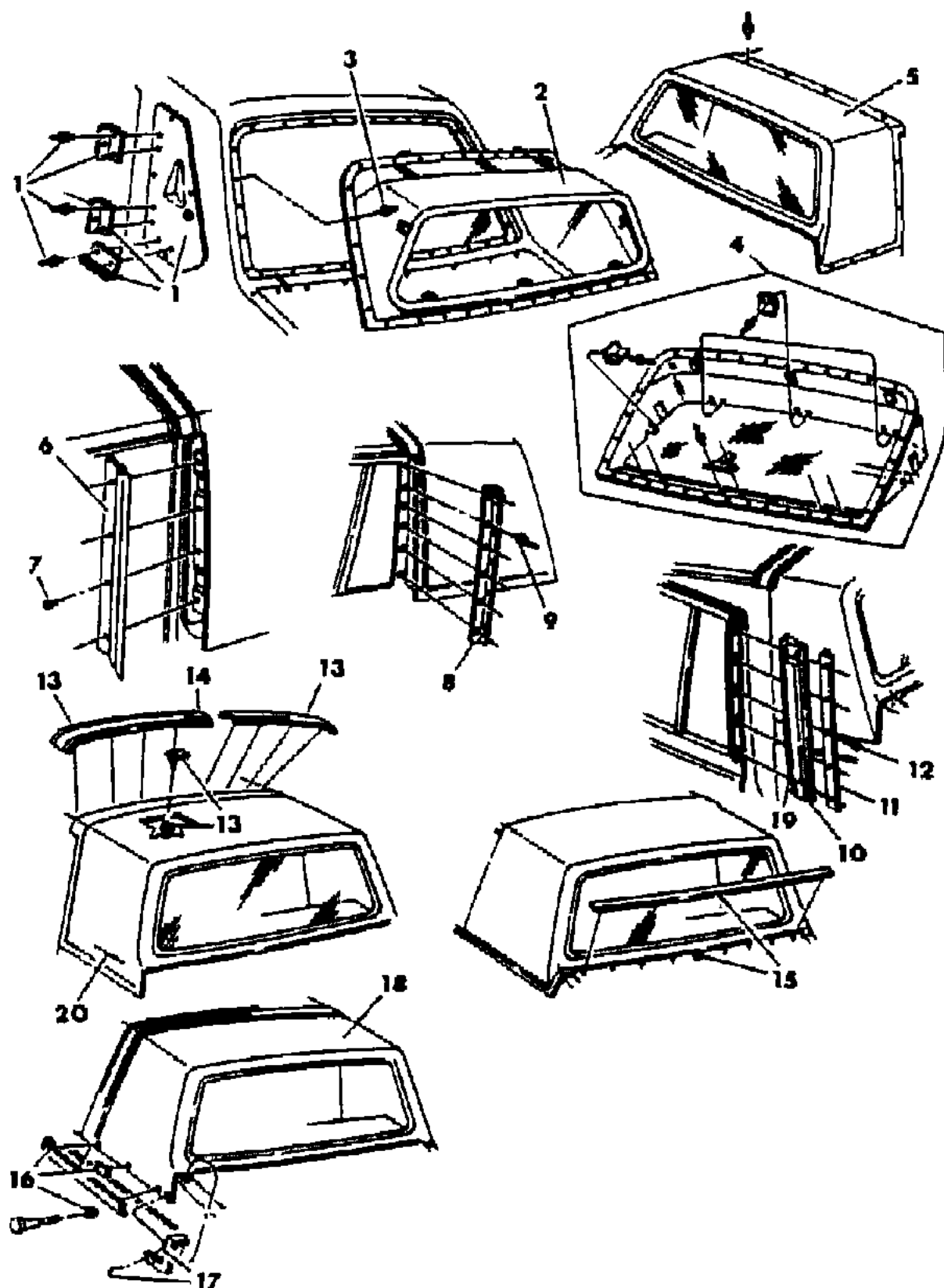
BODY STYLES

12-52 = FWD VAN & WAGON STD. W.B. 27 = 2-DOOR CONVERTIBLE
 13-53 = FWD VAN & WGN EXT W.B. 41 = 4-DOOR SEDAN
 21 = 2-DOOR SEDAN 44 = 4-DOOR HATCHBACK
 24 = 2-DOOR HATCHBACK 45 = 4-DOOR STATION WAGON

AR = Use as Required - = Non Illustrated Part P.A.R. = Paint as Required

MOULDINGS AND ORNAMENTATION - EXTERIOR VIEW E BODY CHRYSLER NEW YORKER, PADDED LANDAU ROOF, T-P
Figure 23-2800

8168 2800



ITEM	PART NUMBER	QTY	BODY	MODEL	DESCRIPTION
1	4339 356-7	1			PANEL PACKAGE, Qtr. Wdo. Closure Consist of: 1-4296380-1 Closure Pnl. 2-4276996 Bracket, Lower
2	4296 489	1			FRAME, Rear Wdo. Opng.
3		AR			RIVET, (Not Serv.)
4	4318 201	1			RETAINER PACKAGE, Rear Wdo. Frame, Attach. Consist of: 2-4296382 Retainer, Upr. 3-4296384 Retainer, Side 3-4296492 Retainer, Lwr.
5	4318 204	1			CAP PACKAGE, Roof Consist of: 1-4319161 Cap 2-4319166 Bracket 2-4319164 Bracket 2-4319666 Reinforcement
	4276 855	1			RETAINER, Roof Cap Rear, Lwr.
	4276 996	2			BRACKET, Roof Cap Attach., Lwr.
6	4328 052-3	1			COVER, Rear Door Opng., C Pillar, Black
7					SCREW, (Not Serv.)
8	4422 140-1	1			BRACKET, Rear Door Wdo. Frame Mldg.
9					RIVET, (Not Serv.)
10	4419 034-5	1			MOULDING PACKAGE, Rear Door Wdo. Frame, Rear
	4454 412-3	1			MOULDING and LAMP ASSEMBLY, Rear Door Wdo. Frame Rear
	9420 254	4			NUT, Rear Door Wdo. Frame Rear Mldg
11	4328 350-1	1			COVER, Rear Door Wdo. Frame Rear Mldg., Black
12					SCREW, (Not Serv.)
13	4328 340-1	1			MOULDING, Roof Transverse
	6003 642	AR			RETAINER
14	4328 344	1			CAP, Roof Transverse Mldg.
15	4318 258	1			MOULDING PACKAGE, Deck Lid Upr., Silver Met.
	4339 204	1			Ice Blue Met.
	4411 842	1			Twilight Blue
	4411 843	1			Charcoal
	4411 538	1			Misty Rose

MODEL CODES

C BODY = (D41 - DYNASTY)(C41 - NEW YORKER)
E BODY = (J - CARAVELLE)(E - 600)(T - NEW YORKER TURBO)
G BODY = (V24 - DAYTONA, PACIFICA & SHELBY)
H BODY = (D44 - LANCER)(C44 - LEBARON GTS)
J BODY = (C - LEBARON)
K BODY = (P - RELIANT)(D - ARIES)(C - LEBARON/ TOWN & COUNTRY)

L BODY = (M - HORIZON)(Z-OMNI)
M BODY = (B - GRAN FURY)(G - DIPLOMAT)(F - FIFTH AVENUE/NEWPORT)
P BODY = (P - SUNDANCE)(D - SHADOW)
Q BODY = (C27 - MASERATI)
S BODY = (H - VOYAGER)(K - RAM VAN/ CARAVAN)

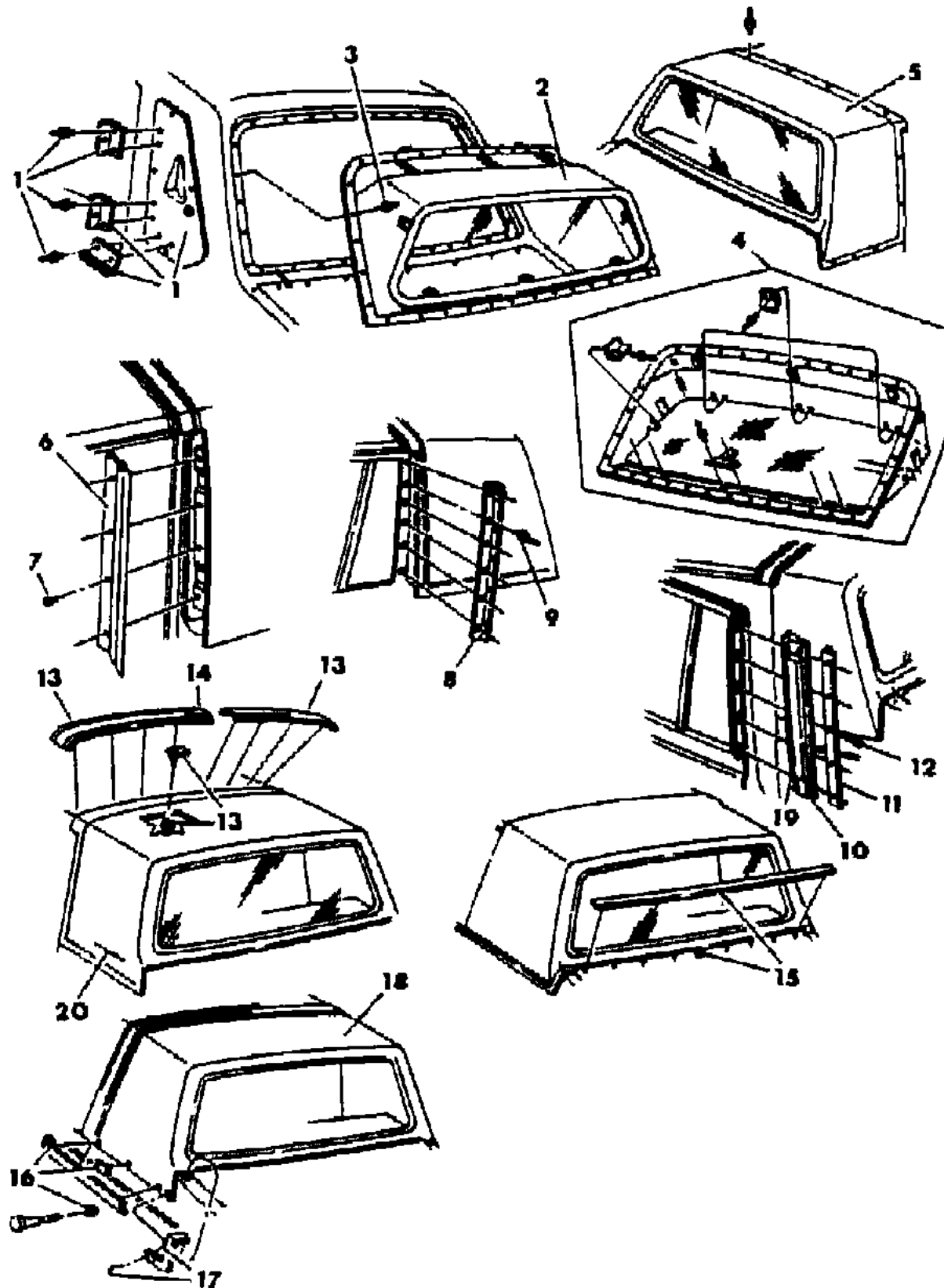
BODY STYLES

12-52 = FWD VAN & WAGON STD. W.B. 27 = 2-DOOR CONVERTIBLE
13-53 = FWD VAN & WGN EXT W.B. 41 = 4-DOOR SEDAN
21 = 2-DOOR SEDAN 44 = 4-DOOR HATCHBACK
24 = 2-DOOR HATCHBACK 45 = 4-DOOR STATION WAGON

AR = Use as Required - = Non Illustrated Part P.A.R. = Paint as Required

MOULDINGS AND ORNAMENTATION - EXTERIOR VIEW E BODY CHRYSLER NEW YORKER, PADDED LANDAU ROOF, T-P
Figure 23-2800

8168 2800



ITEM	PART NUMBER	QTY	BODY	MODEL	DESCRIPTION
	4411 539	1			Dark Cordovan
	4494 200	1			Bright White
	4318 264	1			Black
	6003 863	AR			RETAINER
16	4318 228-9	1			MOULDING PACKAGE, Qtr. Belt Frt., Silver Met.
	4342 674-5	1			Ice Blue Met.
	4411 834-5	1			Twilight Blue
	4411 836-7	1			Charcoal
	4411 518-9	1			Misty Rose
	4411 520-1	1			Dark Cordovan
	4494 188-9	1			Bright White
	4318 240-1	1			Black
					RETAINER, (Serv. in Assy.)
	4057 555	AR			BARREL NUT PACKAGE
17	4318 244-5	1			MOULDING PACKAGE, Qtr. Belt Rear, Silver Met.
	4339 198-9	1			Ice Blue Met.
	4411 838-9	1			Twilight Blue
	4411 840-1	1			Charcoal
	4411 510-1	1			Misty Rose
	4411 512-3	1			Dark Cordovan
	4494 190-1	1			Bright White
	4318 256-7	1			Black
					RETAINER, (Serv. in Assy.)
	4057 555	AR			BARREL NUT PACKAGE
18	4318 208	1			COVER and PAD PACKAGE, Roof, Silver
	4318 434	1			Ice Blue Met.
	4419 046	1			Twilight Blue
	4419 047	1			Charcoal
	4419 018	1			Misty Rose
	4419 019	1			Dark Cordovan
	4467 224	1			Bright White
	4318 214	1			Black
19					LAMP and WIRE ASSEMBLY, Rear Door Wdo. Frame Rear
					Mldg. (See Illus. in Group 8)
20	3569 954	2			NAMEPLATE, Roof Cap, "NEW YORKER"
	4057 555	4			RETAINER PACKAGE, Roof Cap Nameplate

MODEL CODES

C BODY = (D41 - DYNASTY)(C41 - NEW YORKER)
 E BODY = (J - CARAVELLE)(E - 600)(T - NEW YORKER TURBO)
 G BODY = (V24 - DAYTONA, PACIFICA & SHELBY)
 H BODY = (D44 - LANCER)(C44 - LEBARON GTS)
 J BODY = (C - LEBARON)
 K BODY = (P - RELIANT)(D - ARIES)(C - LEBARON/ TOWN & COUNTRY)

L BODY = (M - HORIZON)(Z-OMNI)
 M BODY = (B - GRAN FURY)(G - DIPLOMAT)(F - FIFTH AVENUE/NEWPORT)
 P BODY = (P - SUNDANCE)(D - SHADOW)
 Q BODY = (C27 - MASERATI)
 S BODY = (H - VOYAGER)(K - RAM VAN/ CARAVAN)

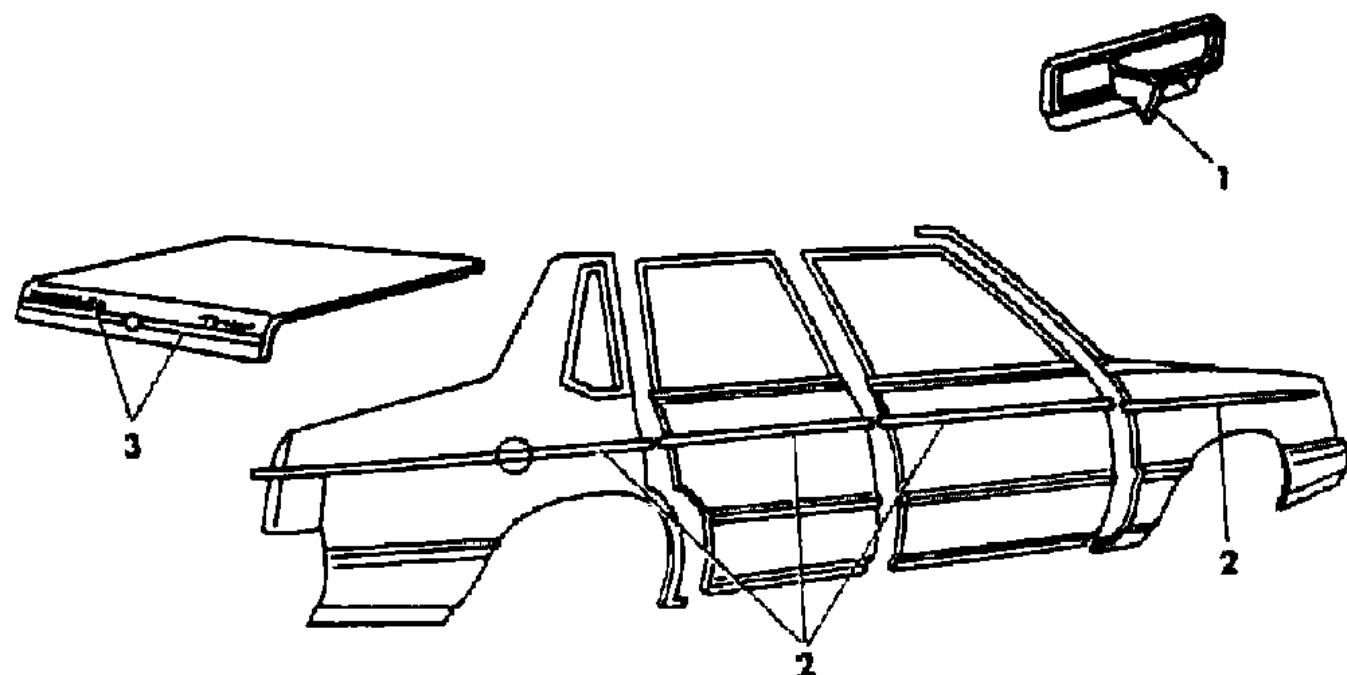
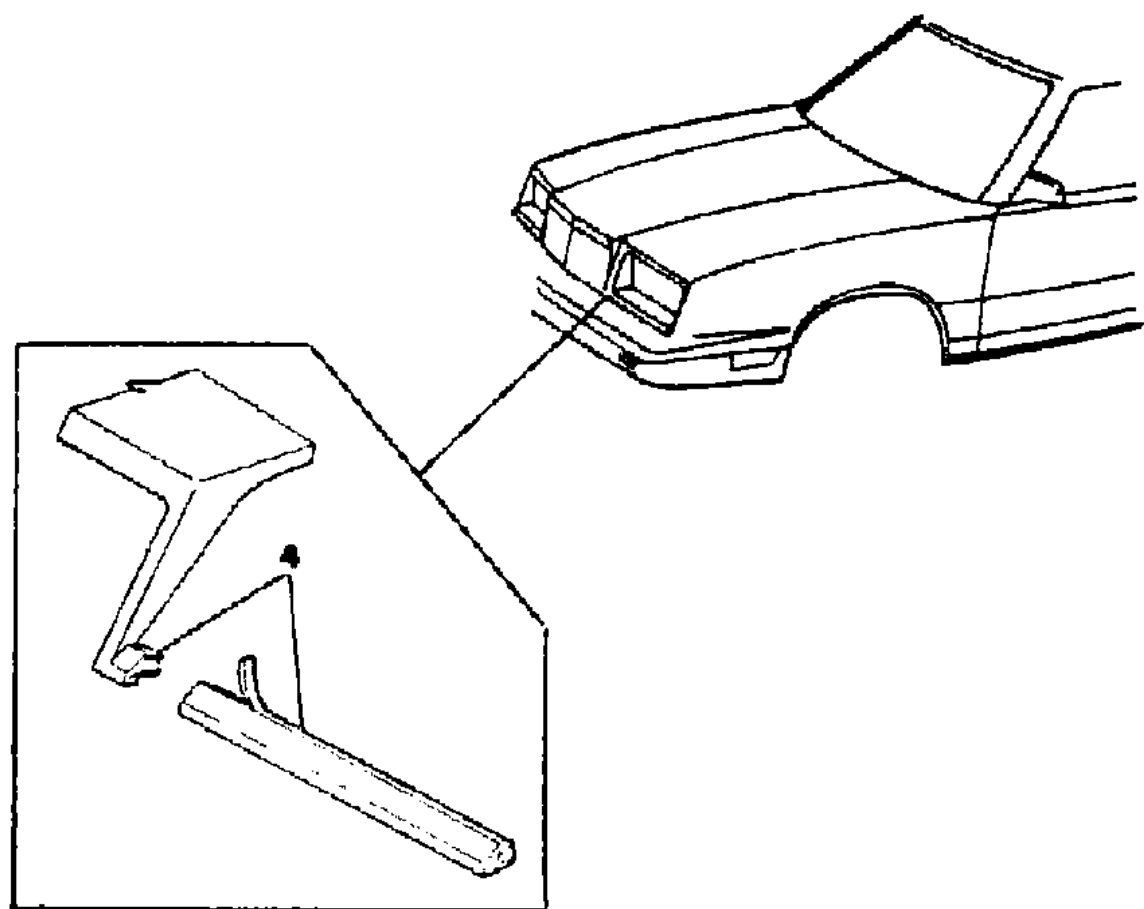
BODY STYLES

12-52 = FWD VAN & WAGON STD. W.B. 27 = 2-DOOR CONVERTIBLE
 13-53 = FWD VAN & WGN EXT W.B. 41 = 4-DOOR SEDAN
 21 = 2-DOOR SEDAN 44 = 4-DOOR HATCHBACK
 24 = 2-DOOR HATCHBACK 45 = 4-DOOR STATION WAGON

AR = Use as Required - = Non Illustrated Part P.A.R. = Paint as Required

TAPE STRIPES AND DECALS - EXTERIOR VIEW E BODY CHRYSLER NEW YORKER, T-P
Figure 23-2900

8168 2900



ITEM	PART NUMBER	QTY	BODY	MODEL	DESCRIPTION	
1	T752 CA1	2			TAPE, Frt. and Rear Door Handle, Silver	
	T752 DB1	2			Ice Blue Met.	
	T752 FC7	2			Twilight Blue	
	T752 FS8	2			Charcoal	
	T752 EE9	2			Dark Cordovan	
	T752 GW7	2			Bright White	
	T752 BX9	2			Black	
	T752 EE2	2			Misty Rose	
2	4443 668-9	1			TAPE PACKAGE, Fndr., Door, Qtr., Dark Silver	
	4443 670-1	1			Blue	
	4443 674-5	1			Rosewood	
	4443 840-1	1			Red	
	3	T572 FA3	1			TAPE, Deck Lid, Dark Silver
		T572 FC4	1			Blue
T572 GEE		1			Red	
	T572 FE4	1			Rosewood	
	4	4339 086-7	1			TAPE PACKAGE, Radiator Grille, Lwr. Ext. and Ctr. Mldg., Silver
		4342 620-1	1			Ice Blue Met.
4411 712-3		1			Twilight Blue	
4411 714-5		1			Charcoal	
4364 676-7		1			Misty Rose	
4364 678-9		1			Dark Cordovan	
4494 110-1		1			Bright White	
4339 104-5	1			Black		

MODEL CODES

C BODY = (D41 - DYNASTY)(C41 - NEW YORKER)	L BODY = (M - HORIZON)(Z-OMNI)
E BODY = (J - CARAVELLE)(E - 600)(T - NEW YORKER TURBO)	M BODY = (B - GRAN FURY)(G - DIPLOMAT)(F - FIFTH AVENUE/NEWPORT)
G BODY = (V24 - DAYTONA, PACIFICA & SHELBY)	P BODY = (P - SUNDANCE)(D - SHADOW)
H BODY = (D44 - LANCER)(C44 - LEBARON GTS)	Q BODY = (C27 - MASERATI)
J BODY = (C - LEBARON)	S BODY = (H - VOYAGER)(K - RAM VAN/ CARAVAN)
K BODY = (P - RELIANT)(D - ARIES)(C - LEBARON/ TOWN & COUNTRY)	

BODY STYLES

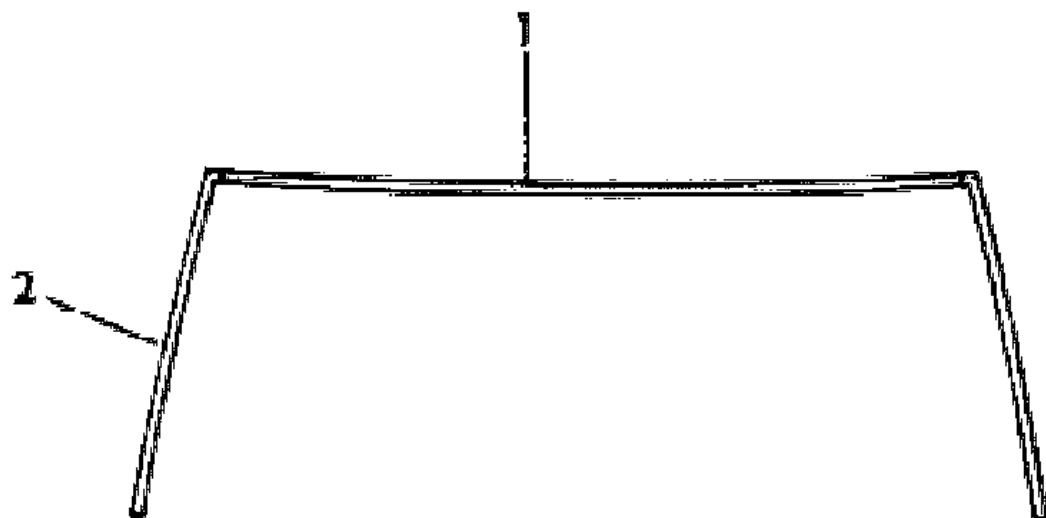
12-52 = FWD VAN & WAGON STD. W.B.	27 = 2-DOOR CONVERTIBLE
13-53 = FWD VAN & WGN EXT W.B.	41 = 4-DOOR SEDAN
21 = 2-DOOR SEDAN	44 = 4-DOOR HATCHBACK
24 = 2-DOOR HATCHBACK	45 = 4-DOOR STATION WAGON

AR = Use as Required - = Non Illustrated Part P.A.R. = Paint as Required

MOULDINGS, WINDSHIELD OUTSIDE H BODY
Figure 23-3000

ITEM	PART NUMBER	QTY	BODY	MODEL	DESCRIPTION
1	4454 985	1			MOULDING, W/Shield Upr., Black
2	4422 232-3	1			MOULDING, W/Shield Side, Black
		AR			SCREW, (Not Serv.)

8168 3000



MODEL CODES

C BODY = (D41 - DYNASTY)(C41 - NEW YORKER)	L BODY = (M - HORIZON)(Z-OMNI)
E BODY = (J - CARAVELLE)(E - 600)(T - NEW YORKER TURBO)	M BODY = (B - GRAN FURY)(G - DIPLOMAT)(F - FIFTH AVENUE/NEWPORT)
G BODY = (V24 - DAYTONA, PACIFICA & SHELBY)	P BODY = (P - SUNDANCE)(D - SHADOW)
H BODY = (D44 - LANCER)(C44 - LEBARON GTS)	Q BODY = (C27 - MASERATI)
J BODY = (C - LEBARON)	S BODY = (H - VOYAGER)(K - RAM VAN/ CARAVAN)
K BODY = (P - RELIANT)(D - ARIES)(C - LEBARON/ TOWN & COUNTRY)	

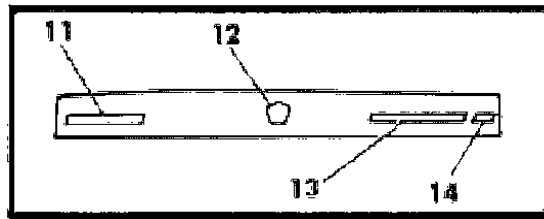
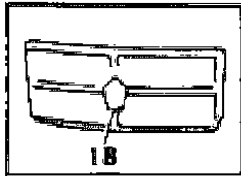
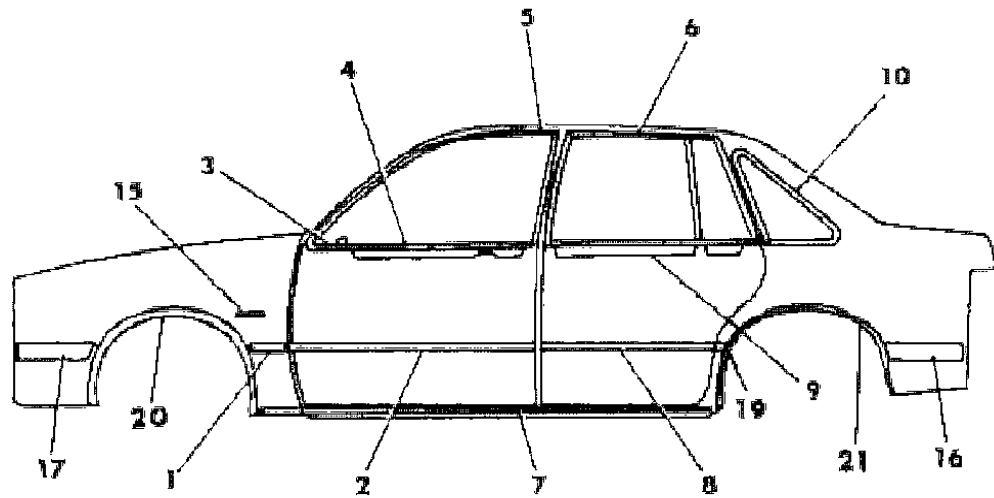
BODY STYLES

12-52 = FWD VAN & WAGON STD. W.B.	27 = 2-DOOR CONVERTIBLE
13-53 = FWD VAN & WGN EXT W.B.	41 = 4-DOOR SEDAN
21 = 2-DOOR SEDAN	44 = 4-DOOR HATCHBACK
24 = 2-DOOR HATCHBACK	45 = 4-DOOR STATION WAGON

AR = Use as Required - = Non Illustrated Part P.A.R. = Paint as Required

MOULDINGS AND ORNAMENTATION - EXTERIOR VIEW H BODY DODGE LANCER
Figure 23-3100

8168 3100



ITEM	PART NUMBER	QTY	BODY	MODEL	DESCRIPTION
1	4364 588-9	1			MOULDING, Fndr. Rear, Black
	4364 586-7	1			Charcoal
	X898-9 FX9	1			MOULDING, Fndr. Rear, w/End Cap, Use w/o Wheel Opng. Mldg., Black
	X898-9 FS7	1			Charcoal
2	4454 506-7	1		D-S	MOULDING, Fndr. Rear
	X846-7 EX9	1			MOULDING, Frt. Door, Black
	X846-7 ES7	1			Charcoal
3	4454 508-9	1		D-S	MOULDING, Frt. Door
	4398 348-9	1		D-H	MOULDING, Frt. Door Belt, Frt.
	4398 306-7	1		D-S	MOULDING, Frt. Door Belt Frt., Black
4	4398 352-3	1		D-H	MOULDING, Frt. Door Belt and W/Strip
	4398 322-3	1		D-S	MOULDING, Frt. Door Belt and W/Strip, Black
5	6032 456	AR			SCREW
	4319 506-7	1		D-H	MOULDING, Frt. Door Wdo. Opng. Frame, Bright
	4319 514-5	1		D-S	MOULDING, Frt. Door Wdo. Opng. Frame, Black
	4319 522-3	1		D-H	MOULDING, Rear Door Wdo. Opng. Frame, Bright
6	4319 534-5	1		D-S	MOULDING, Rear Door Wdo. Opng. Frame, Black
	4339 261	2		D-S	MOULDING PACKAGE, Body Side Sill
7	6003 896	AR			RETAINER
	4057 555	AR			RETAINER PACKAGE
					SCREW, (Not Serv.)
8	X856-7 EX9	1			MOULDING, Rear Door, Black
	X856-7 ES7	1			Charcoal
	4454 510-1	1		D-S	MOULDING, Rear Door
9	4398 358-9	1		D-H	MOULDING, Rear Door Belt and W/Strip
	4398 314-5	1		D-S	MOULDING, Rear Door Belt and W/Strip, Black
	6032 456	AR			SCREW
10	4422 244-5	1		D-H	FRAME and MOULDING, Qtr. Wdo., Bright
	4422 242-3	1		D-S	FRAME and MOULDING, Qtr. Wdo., Black
	4057 555	AR			RETAINER PACKAGE
11	4328 866	1			NAMEPLATE, L/Gate, "DODGE"
12	4328 828	1			MEDALLION, L/Gate, Pentastar
13	4328 702	1			NAMEPLATE, L/Gate, "LANCER"
14	4328 845	1		D-S	NAMEPLATE, L/Gate, "ES"
15	4319 147	2			NAMEPLATE, Fndr., "TURBO EFI"
16	4364 584-5	1		D-H	MOULDING PACKAGE, Qtr. Nerf Ext. Rear, Black

MODEL CODES

C BODY = (D41 - DYNASTY)(C41 - NEW YORKER)
 E BODY = (J - CARAVELLE)(E - 600)(T - NEW YORKER TURBO)
 G BODY = (V24 - DAYTONA, PACIFICA & SHELBY)
 H BODY = (D44 - LANCER)(C44 - LEBARON GTS)
 J BODY = (C - LEBARON)
 K BODY = (P - RELIANT)(D - ARIES)(C - LEBARON/ TOWN & COUNTRY)

L BODY = (M - HORIZON)(Z-OMNI)
 M BODY = (B - GRAN FURY)(G - DIPLOMAT)(F - FIFTH AVENUE/NEWPORT)
 P BODY = (P - SUNDANCE)(D - SHADOW)
 Q BODY = (C27 - MASERATI)
 S BODY = (H - VOYAGER)(K - RAM VAN/ CARAVAN)

BODY STYLES

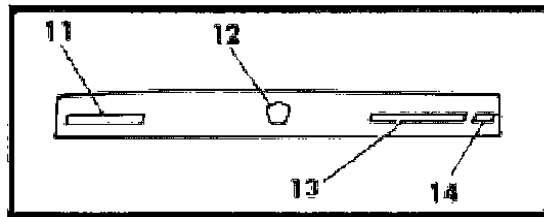
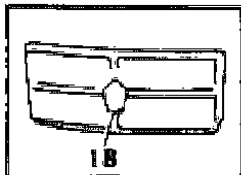
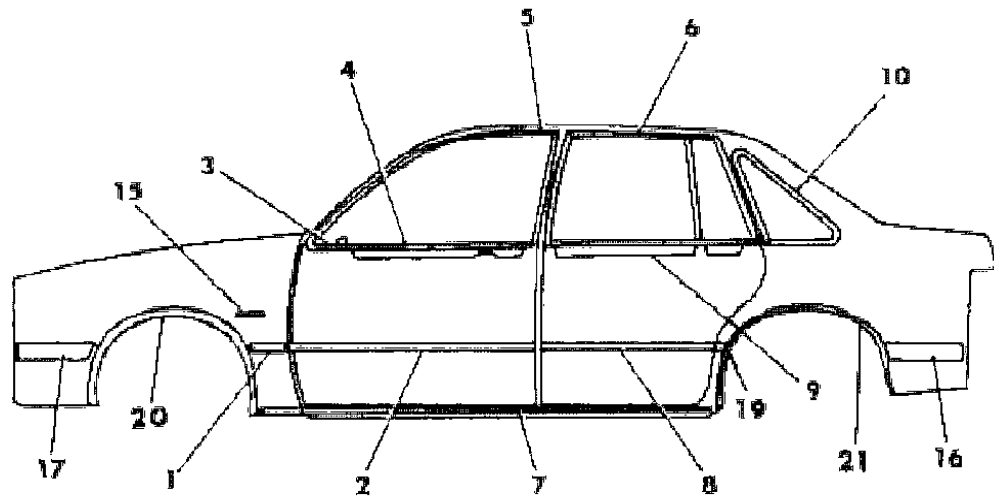
12-52 = FWD VAN & WAGON STD. W.B. 27 = 2-DOOR CONVERTIBLE
 13-53 = FWD VAN & WGN EXT W.B. 41 = 4-DOOR SEDAN
 21 = 2-DOOR SEDAN 44 = 4-DOOR HATCHBACK
 24 = 2-DOOR HATCHBACK 45 = 4-DOOR STATION WAGON

AR = Use as Required - = Non Illustrated Part P.A.R. = Paint as Required

MOULDINGS AND ORNAMENTATION - EXTERIOR VIEW H BODY DODGE LANCER
Figure 23-3100

8168 3100

ITEM	PART NUMBER	QTY	BODY	MODEL	DESCRIPTION
	4364 582-3	1			Charcoal
	4411 866-7	1		D-S	MOULDING PACKAGE, Qtr. Nerf Ext., Black
	4411 868-9	1			Charcoal
17					LAMP ASSEMBLY, Frt. Bumper Nerf Ext. Reflex and Side Marker (See Illus. in Group 8)
	6029 471	AR			NUT
	X874-5 GX9	1		D-S	COVER, Frt. Bumper Nerf Ext., Black (European)
	X874-5 GS7	1			Silver (European)
18	4334 464	1			PENTASTAR, Radiator Grille
19	4364 590-1	1			MOULDING PACKAGE, Qtr. Frt., Charcoal
	4364 592-3	1			Black
20	X844-5 EX9	1			MOULDING, Fndr. Wheel Opng., Black
21	X850-1 EX9	1			MOULDING, Qtr. Wheel Opng., Black



MODEL CODES

C BODY = (D41 - DYNASTY)(C41 - NEW YORKER)	L BODY = (M - HORIZON)(Z-OMNI)
E BODY = (J - CARAVELLE)(E - 600)(T - NEW YORKER TURBO)	M BODY = (B - GRAN FURY)(G - DIPLOMAT)(F - FIFTH AVENUE/NEWPORT)
G BODY = (V24 - DAYTONA, PACIFICA & SHELBY)	P BODY = (P - SUNDANCE)(D - SHADOW)
H BODY = (D44 - LANCER)(C44 - LEBARON GTS)	Q BODY = (C27 - MASERATI)
J BODY = (C - LEBARON)	S BODY = (H - VOYAGER)(K - RAM VAN/ CARAVAN)
K BODY = (P - RELIANT)(D - ARIES)(C - LEBARON/ TOWN & COUNTRY)	

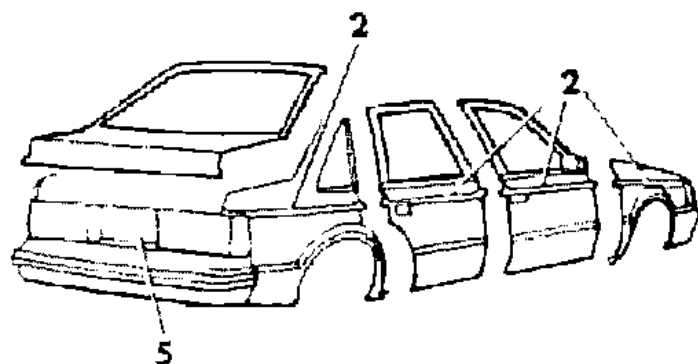
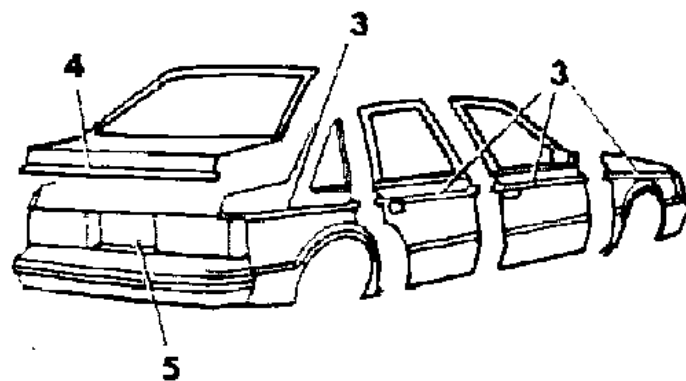
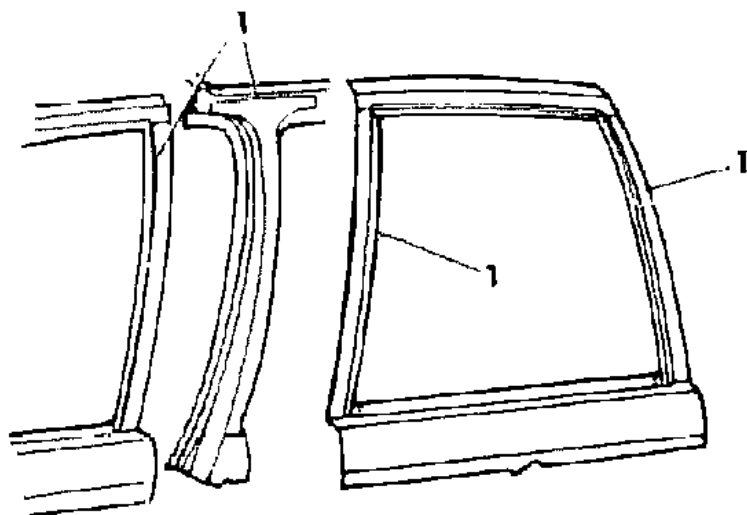
BODY STYLES

12-52 = FWD VAN & WAGON STD. W.B.	27 = 2-DOOR CONVERTIBLE
13-53 = FWD VAN & WGN EXT W.B.	41 = 4-DOOR SEDAN
21 = 2-DOOR SEDAN	44 = 4-DOOR HATCHBACK
24 = 2-DOOR HATCHBACK	45 = 4-DOOR STATION WAGON

AR = Use as Required - = Non Illustrated Part P.A.R. = Paint as Required

TAPE STRIPES AND DECALS - EXTERIOR VIEW H BODY DODGE LANCER
Figure 23-3200

8168 3200 B



ITEM	PART NUMBER	QTY	BODY	MODEL	DESCRIPTION
1	4364 612-3	1		D-S	TAPE, Frt. and Rear Door Wdo. Opng. Frame and B Pillar
2	4494 174-5	1		D-H	TAPE PACKAGE, Fndr., Doors, Charcoal
	4443 562-3	1		D-H	Blue
	4494 176-7	1		D-H	Light Copper
	4494 178-9	1		D-H	Brown
	4494 180-1	1		D-H	Red
	4443 694-5	1		D-H	Black
	T854-5 GS6	1		D-H	TAPE, Qtr., Charcoal
	T854-5 FC4	1		D-H	Blue
	T854-5 GU2	1		D-H	Light Copper
	T854-5 GH4	1		D-H	Red
	T854-5 GM8	1		D-H	Brown
	T854-5 FX9	1		D-H	Black
3	4494 638-9	1		D-S	TAPE PACKAGE, Fndr., Door, Qtr., Black, Rose
	4494 640-1	1		D-S	Charcoal, Greyberry
	4494 642-3	1		D-S	Blue, Dark Copper
	4494 644-5	1		D-S	Pewter, Light Copper
	4494 646-7	1		D-S	Red, Rose
	4494 648-9	1		D-S	Brown, Red
4	T427 GAN	1		D-S	TAPE, L/Gate, Brown, Red
	T427 GAY	1		D-S	Red, Rose
	T427 GAK	1		D-S	Pewter, Light Copper
	T427 GAJ	1		D-S	Blue, Dark Copper
	T427 GAT	1		D-S	Charcoal, Greyberry
	T427 GBG	1		D-S	Black, Rose
5	4366 887	1			TAPE, L/Gate Opng. Lwr. Pnl.

MODEL CODES

C BODY = (D41 - DYNASTY)(C41 - NEW YORKER)
 E BODY = (J - CARAVELLE)(E - 600)(T - NEW YORKER TURBO)
 G BODY = (V24 - DAYTONA, PACIFICA & SHELBY)
 H BODY = (D44 - LANCER)(C44 - LEBARON GTS)
 J BODY = (C - LEBARON)
 K BODY = (P - RELIANT)(D - ARIES)(C - LEBARON/ TOWN & COUNTRY)

L BODY = (M - HORIZON)(Z-OMNI)
 M BODY = (B - GRAN FURY)(G - DIPLOMAT)(F - FIFTH AVENUE/NEWPORT)
 P BODY = (P - SUNDANCE)(D - SHADOW)
 Q BODY = (C27 - MASERATI)
 S BODY = (H - VOYAGER)(K - RAM VAN/ CARAVAN)

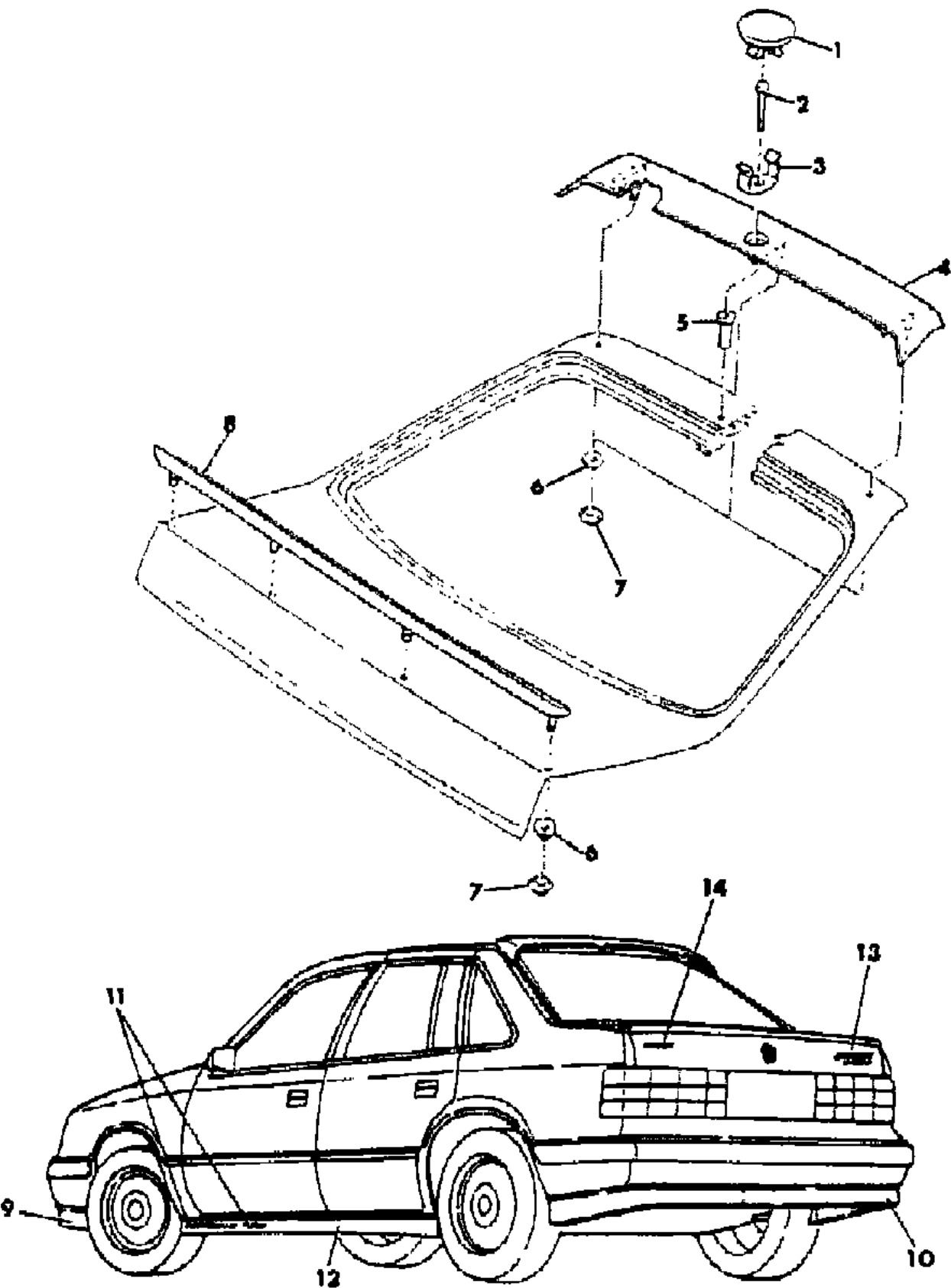
BODY STYLES

12-52 = FWD VAN & WAGON STD. W.B. 27 = 2-DOOR CONVERTIBLE
 13-53 = FWD VAN & WGN EXT W.B. 41 = 4-DOOR SEDAN
 21 = 2-DOOR SEDAN 44 = 4-DOOR HATCHBACK
 24 = 2-DOOR HATCHBACK 45 = 4-DOOR STATION WAGON

AR = Use as Required - = Non Illustrated Part P.A.R. = Paint as Required

GROUND EFFECTS PACKAGE - EXTERIOR VIEW H BODY DODGE LANCER SHELBY
Figure 23-3300

8168 3300 C



ITEM	PART NUMBER	QTY	BODY	MODEL	DESCRIPTION
1		1			COVER, (Serv. in Assy.)
2	6033 549	1			SCREW, L/Gate Upr. Spoiler
3	4336 588	1			CLIP, L/Gate Upr. Spoiler
4	4480 429	1			SPOILER ASSEMBLY, L/Gate, Upr.
5	2094 869	1			NUT, L/Gate Upr. Spoiler
6	6500 991	AR			NUT and WASHER
7	4336 590	5			PLUG, L/Gate Inner Pnl. Upr. Spoiler Access Hole
8	4480 428	1			SPOILER ASSEMBLY, Rear L/Gate, Lwr.
9	4388 482	1			AIR DAM, Frt. Bumper Fascia, Dealer Paint
	4334 080-1	2			RETAINER, Air Dam Frt. Bumper Fascia
	4388 890-1	2			BRACKET, Frt. Bumper Air Dam to Fndr.
		AR			SCREW and WASHER, (Not Serv.)
		AR			RIVET, (Not Serv.)
	6032 796	2			SCREW and WASHER, Frt. Air Dam to Fndr.
10	4388 483	1			AIR DAM, Rear Bumper Fascia
	4388 886-7	1			BRACKET, Rear Bumper Air Dam to Fascia
	4388 890-1	1			BRACKET, Rear Bumper Air Dam to Aperture
		AR			SCREW and WASHER, Rear Air Dam to Aperture (Not Serv.)
		AR			RIVET, (Not Serv.)
11	T778-9 GX9	1			DECAL, Side Sill Mldg., "INTERCOOLED TURBO", Black
	T780-1 GX9	1			DECAL, Side Sill Mldg., "TURBO", Black
12	4491 795	2			MOULDING, Body Side Sill Applique, Prime
	4454 504	6			PLATE, Body Side Sill Applique Lwr., Retainer
13	T776 GX9	1			DECAL, L/Gate, "LANCER SHELBY", Black
14	T777 GX9	1			DECAL, L/Gate, "DODGE", Black

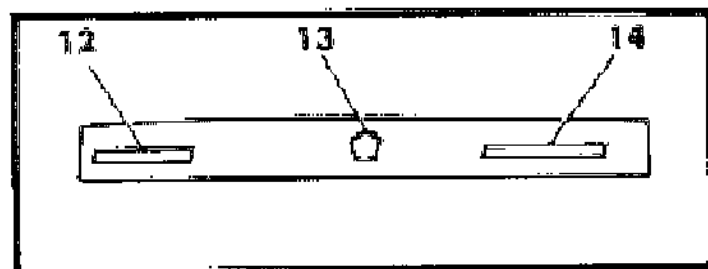
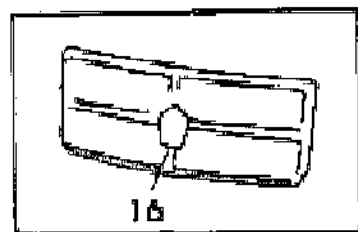
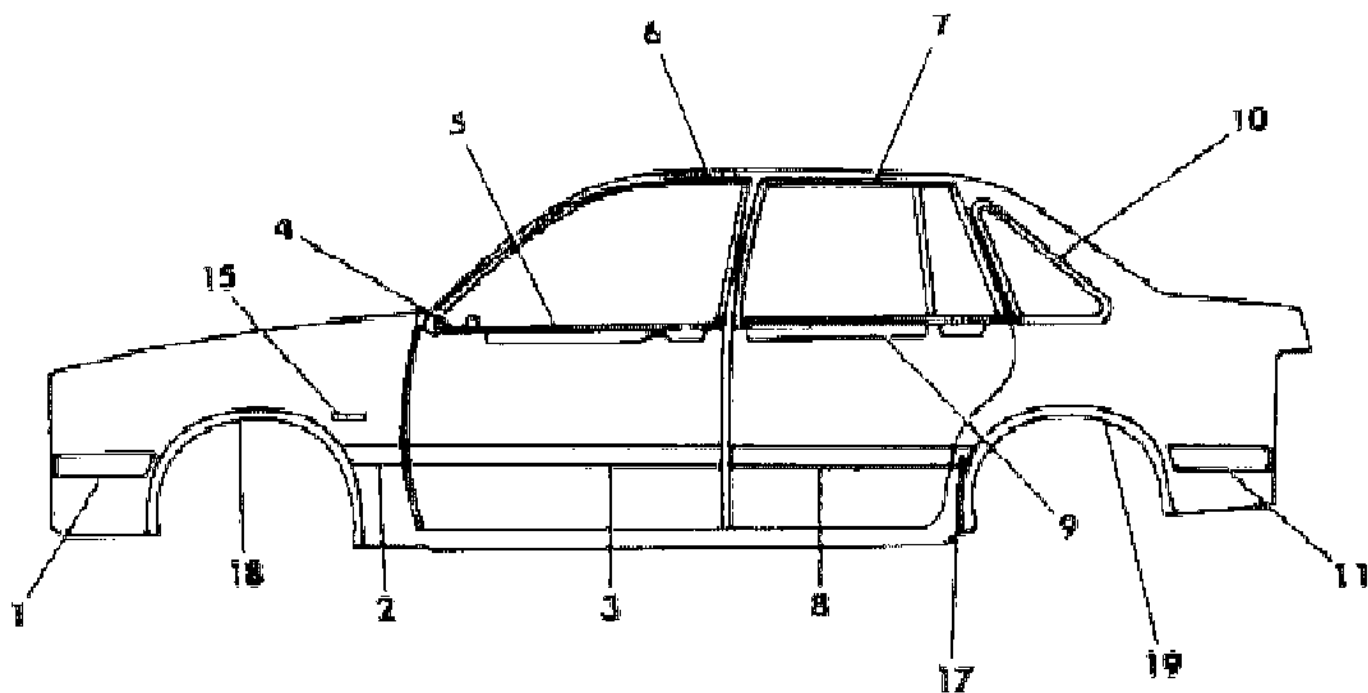
MODEL CODES
 C BODY = (D41 - DYNASTY)(C41 - NEW YORKER)
 E BODY = (J - CARAVELLE)(E - 600)(T - NEW YORKER TURBO)
 G BODY = (V24 - DAYTONA, PACIFICA & SHELBY)
 H BODY = (D44 - LANCER)(C44 - LEBARON GTS)
 J BODY = (C - LEBARON)
 K BODY = (P - RELIANT)(D - ARIES)(C - LEBARON/ TOWN & COUNTRY)
 L BODY = (M - HORIZON)(Z-OMNI)
 M BODY = (B - GRAN FURY)(G - DIPLOMAT)(F - FIFTH AVENUE/NEWPORT)
 P BODY = (P - SUNDANCE)(D - SHADOW)
 Q BODY = (C27 - MASERATI)
 S BODY = (H - VOYAGER)(K - RAM VAN/ CARAVAN)

BODY STYLES
 12-52 = FWD VAN & WAGON STD. W.B. 27 = 2-DOOR CONVERTIBLE
 13-53 = FWD VAN & WGN EXT W.B. 41 = 4-DOOR SEDAN
 21 = 2-DOOR SEDAN 44 = 4-DOOR HATCHBACK
 24 = 2-DOOR HATCHBACK 45 = 4-DOOR STATION WAGON

AR = Use as Required - = Non Illustrated Part P.A.R. = Paint as Required

MOULDINGS AND ORNAMENTATION - EXTERIOR VIEW H BODY CHRYSLER LEBARON, GTS
Figure 23-3400

8168 3400



ITEM	PART NUMBER	QTY	BODY	MODEL	DESCRIPTION
1					LAMP ASSEMBLY, Frt. Bumper Nerf Ext. Reflex and Side Marker (See Illus. in Group 8)
	6029 471	AR			NUT
2	4364 588-9	1			MOULDING PACKAGE, Fndr. Side Rear, Black
	4364 586-7	1			Charcoal
3	X846-7 EX9	1			MOULDING, Frt. Door, Black
	X846-7 ES7	1			Charcoal
4	4398 348-9	1			MOULDING, Frt. Door Belt Frt.
5	4398 352-3	1			MOULDING, Frt. Door Belt and W/Strip
	6032 456	AR			SCREW
6	4319 506-7	1			MOULDING, Frt. Door Wdo. Opng Frame, Bright
7	4319 522-3	1			MOULDING, Rear Door Wdo. Opng. Frame, Bright
8	X856-7 EX9	1			MOULDING, Rear Door, Black
	X856-7 ES7	1			Charcoal
9	4398 358-9	1			MOULDING, Rear Door Belt and W/Strip
	6032 456	AR			SCREW
10	4422 244-5	1			FRAME and MOULDING, Qtr. Wdo., Bright
	4057 555	AR			RETAINER PACKAGE
11	4364 584-5	1			MOULDING PACKAGE, Qtr. Nerf Ext., Black
	4364 582-3	1			Charcoal
12	4328 867	1			NAMEPLATE, L/Gate, "CHRYSLER"
13	4328 828	1			MEDALLION, L/Gate, Pentastar
14	4366 456	1			NAMEPLATE, L/Gate, "LEBARON GTS"
15	4319 147	2			NAMEPLATE, Fndr., "TURBO EFI"
16	4270 611	1			PENTASTAR, Radiator Grille
	6100 840	1			NUT, Pentastar to Rad. Grille
17	4364 590-1	1			MOULDING PACKAGE, Qtr. Frt., Charcoal
	4364 592-3	1			Black
18	X844-5 EX9	1			MOULDING, Fndr. Wheel Opng., Black
	X844-5 ES7	1			Charcoal
19	X850-1 EX9	1			MOULDING, Qtr. Wheel Opng., Black
	X850-1 ES7	1			Charcoal

MODEL CODES

C BODY = (D41 - DYNASTY)(C41 - NEW YORKER)
 E BODY = (J - CARAVELLE)(E - 600)(T - NEW YORKER TURBO)
 G BODY = (V24 - DAYTONA, PACIFICA & SHELBY)
 H BODY = (D44 - LANCER)(C44 - LEBARON GTS)
 J BODY = (C - LEBARON)
 K BODY = (P - RELIANT)(D - ARIES)(C - LEBARON/ TOWN & COUNTRY)

L BODY = (M - HORIZON)(Z-OMNI)
 M BODY = (B - GRAN FURY)(G - DIPLOMAT)(F - FIFTH AVENUE/NEWPORT)
 P BODY = (P - SUNDANCE)(D - SHADOW)
 Q BODY = (C27 - MASERATI)
 S BODY = (H - VOYAGER)(K - RAM VAN/ CARAVAN)

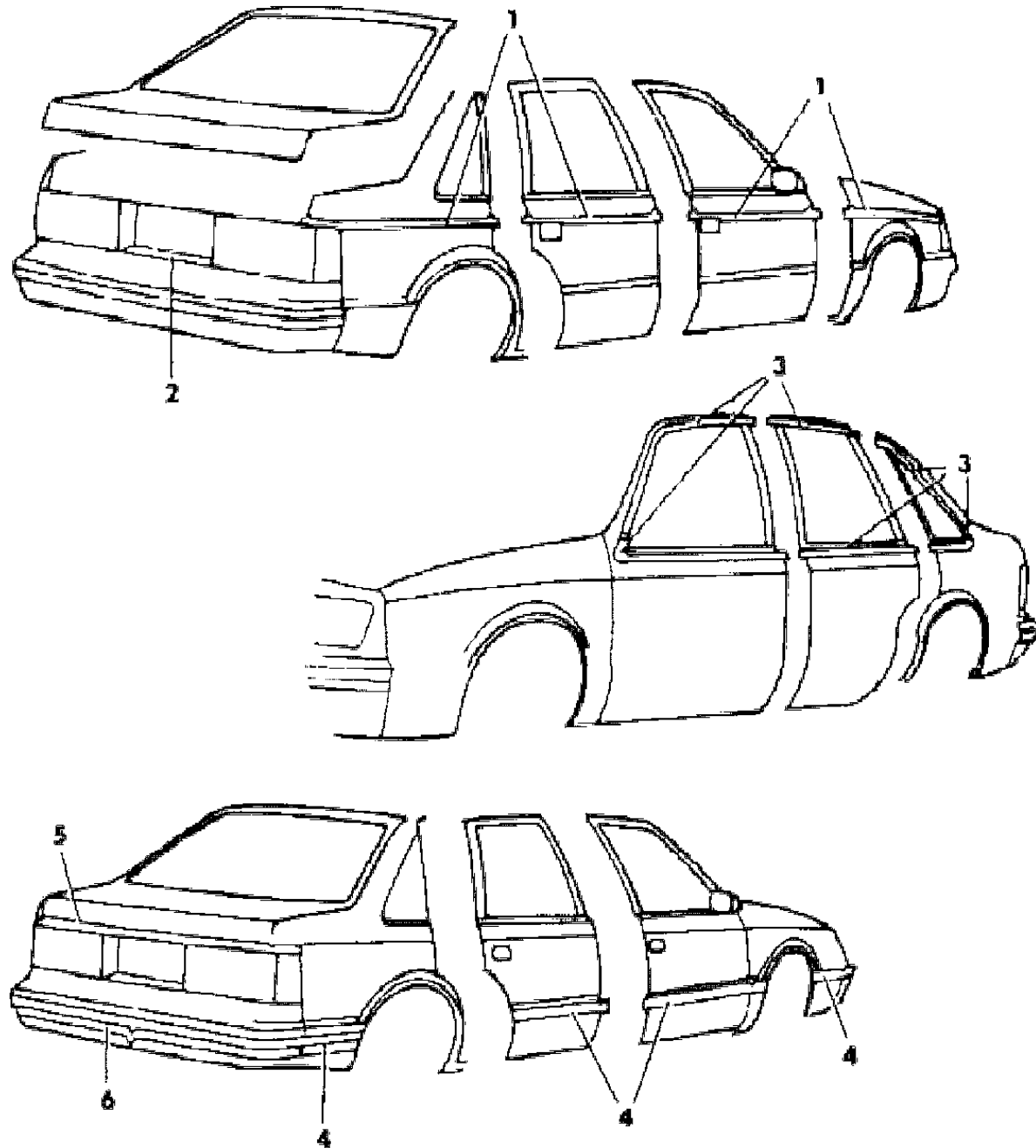
BODY STYLES

12-52 = FWD VAN & WAGON STD. W.B. 27 = 2-DOOR CONVERTIBLE
 13-53 = FWD VAN & WGN EXT W.B. 41 = 4-DOOR SEDAN
 21 = 2-DOOR SEDAN 44 = 4-DOOR HATCHBACK
 24 = 2-DOOR HATCHBACK 45 = 4-DOOR STATION WAGON

AR = Use as Required - = Non Illustrated Part P.A.R. = Paint as Required

TAPE STRIPES AND DECALS - EXTERIOR VIEW H BODY CHRYSLER LEBARON, GTS
Figure 23-3500

8168 3500



ITEM	PART NUMBER	QTY	BODY	MODEL	DESCRIPTION
1	4494 174-5	1		C-H	TAPE PACKAGE, Fndr., Doors, Charcoal
	4443 562-3	1		C-H	Blue
	4494 176-7	1		C-H	Light Copper
	4494 178-9	1		C-H	Brown
	4494 180-1	1		C-H	Red
	4443 694-5	1		C-H	Black
	T854-5 GS6	1		C-H	TAPE, Qtr., Charcoal
	T854-5 FC4	1		C-H	Blue
	T854-5 GM8	1		C-H	Brown
	T854-5 GU2	1		C-H	Light Copper
T854-5 GH4	1		C-H	Red	
T854-5 FX9	1		C-H	Black	
2	4366 887	1			TAPE, L/Gate Opng. Lwr. Pnl.
3	4494 158-9	1		C-P	TAPE PACKAGE, Frt. Door Wdo. Upr., Lwr., Rear Door Wdo. Upr., Lwr., Qtr. Wdo. Upr., Lwr., Red
	4494 160-1	1		C-P	Brown
	4494 162-3	1		C-P	Light Copper
	4411 778-9	1		C-P	Blue
	4494 164-5	1		C-P	Charcoal
	4443 698-9	1		C-P	Black
4	4494 166-7	1		C-P	TAPE PACKAGE, Fndr., Door, Qtr., Charcoal
	4494 168-9	1		C-P	Light Copper
	4494 170-1	1		C-P	Brown
	4411 760-1	1		C-P	Blue
	4494 172-3	1		C-P	Red
	4443 692-3	1		C-P	Black
	T263 GS6	1		C-P	TAPE, L/Gate, Charcoal
T263 GH4	1		C-P	Red	
T263 GM8	1		C-P	Brown	
T263 FC4	1		C-P	Blue	
T263 GU2	1		C-P	Light Copper	
T263 FX9	1		C-P	Black	
6	T301 GH4	1		C-P	TAPE, Rear Fascia, Red
	T301 GM8	1		C-P	Brown
	T301 GS6	1		C-P	Charcoal
	T301 FC4	1		C-P	Blue
	T301 GU2	1		C-P	Light Copper

MODEL CODES

C BODY = (D41 - DYNASTY)(C41 - NEW YORKER)
 E BODY = (J - CARAVELLE)(E - 600)(T - NEW YORKER TURBO)
 G BODY = (V24 - DAYTONA, PACIFICA & SHELBY)
 H BODY = (D44 - LANCER)(C44 - LEBARON GTS)
 J BODY = (C - LEBARON)
 K BODY = (P - RELIANT)(D - ARIES)(C - LEBARON/ TOWN & COUNTRY)

L BODY = (M - HORIZON)(Z-OMNI)
 M BODY = (B - GRAN FURY)(G - DIPLOMAT)(F - FIFTH AVENUE/NEWPORT)
 P BODY = (P - SUNDANCE)(D - SHADOW)
 Q BODY = (C27 - MASERATI)
 S BODY = (H - VOYAGER)(K - RAM VAN/ CARAVAN)

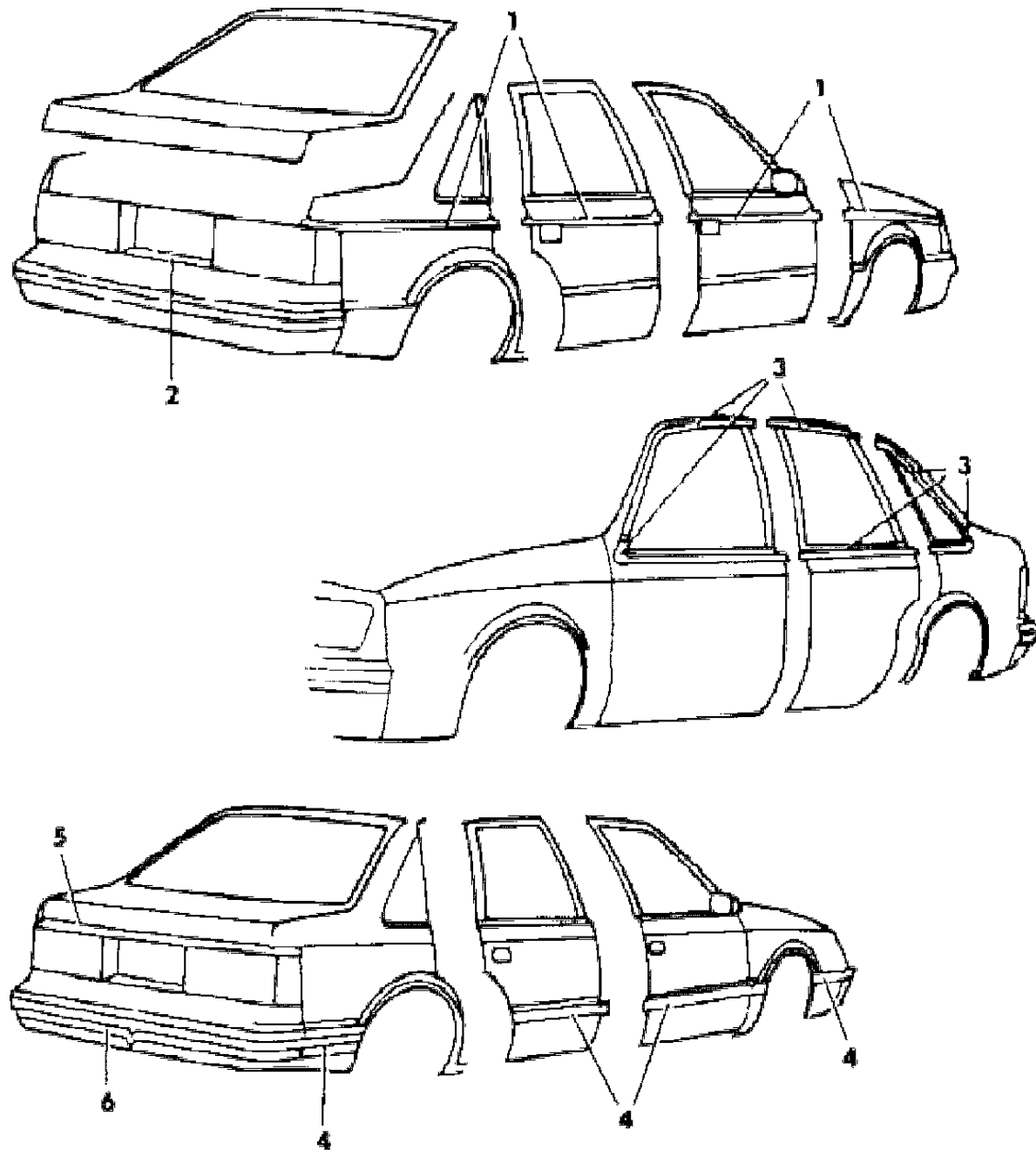
BODY STYLES

12-52 = FWD VAN & WAGON STD. W.B. 27 = 2-DOOR CONVERTIBLE
 13-53 = FWD VAN & WGN EXT W.B. 41 = 4-DOOR SEDAN
 21 = 2-DOOR SEDAN 44 = 4-DOOR HATCHBACK
 24 = 2-DOOR HATCHBACK 45 = 4-DOOR STATION WAGON

AR = Use as Required - = Non Illustrated Part P.A.R. = Paint as Required

TAPE STRIPES AND DECALS - EXTERIOR VIEW H BODY CHRYSLER LEBARON, GTS
Figure 23-3500

8168 3500



ITEM	PART NUMBER	QTY	BODY	MODEL	DESCRIPTION
	T301 FX9	1		C-P	Black

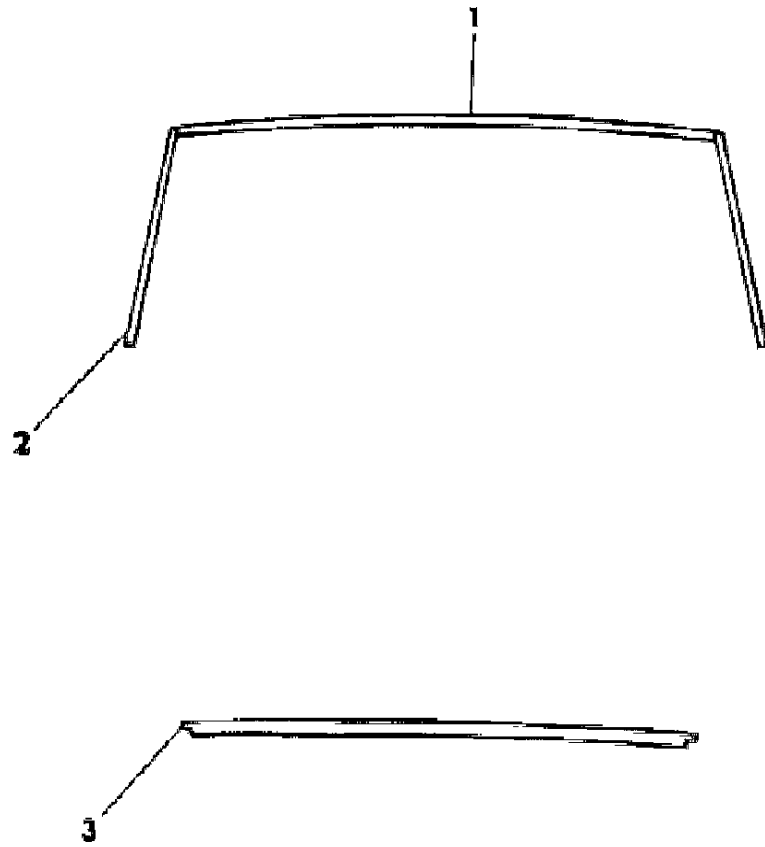
MODEL CODES
 C BODY = (D41 - DYNASTY)(C41 - NEW YORKER)
 E BODY = (J - CARAVELLE)(E - 600)(T - NEW YORKER TURBO)
 G BODY = (V24 - DAYTONA, PACIFICA & SHELBY)
 H BODY = (D44 - LANCER)(C44 - LEBARON GTS)
 J BODY = (C - LEBARON)
 K BODY = (P - RELIANT)(D - ARIES)(C - LEBARON/ TOWN & COUNTRY)
 L BODY = (M - HORIZON)(Z-OMNI)
 M BODY = (B - GRAN FURY)(G - DIPLOMAT)(F - FIFTH AVENUE/NEWPORT)
 P BODY = (P - SUNDANCE)(D - SHADOW)
 Q BODY = (C27 - MASERATI)
 S BODY = (H - VOYAGER)(K - RAM VAN/ CARAVAN)

BODY STYLES
 12-52 = FWD VAN & WAGON STD. W.B. 27 = 2-DOOR CONVERTIBLE
 13-53 = FWD VAN & WGN EXT W.B. 41 = 4-DOOR SEDAN
 21 = 2-DOOR SEDAN 44 = 4-DOOR HATCHBACK
 24 = 2-DOOR HATCHBACK 45 = 4-DOOR STATION WAGON

AR = Use as Required - = Non Illustrated Part P.A.R. = Paint as Required

MOULDINGS, WINDSHIELD AND REAR WINDOW OUTSIDE C BODY
Figure 23-3600

8168 3600



ITEM	PART NUMBER	QTY	BODY	MODEL	DESCRIPTION
1	4398 469	1		D	MOULDING, W/Shield Upr., Black
	4398 021	1		C	MOULDING, W/Shield Upr., Bright
2	4398 472-3	1		D	MOULDING, W/Shield Side, Black
	4398 022-3	1		C	MOULDING, W/Shield Side, Bright
3	4443 813	1		D	MOULDING, Rear Wdo. Lwr., Black
	4443 812	1		C-H	MOULDING, Rear Wdo. Lwr., Bright
	4398 580	1		D	MOULDING, Rear Wdo. Upr. and Side, Black
	4398 581	1		C-H	MOULDING, Rear Wdo. Upr. and Side, Bright

MODEL CODES
 C BODY = (D41 - DYNASTY)(C41 - NEW YORKER)
 E BODY = (J - CARAVELLE)(E - 600)(T - NEW YORKER TURBO)
 G BODY = (V24 - DAYTONA, PACIFICA & SHELBY)
 H BODY = (D44 - LANCER)(C44 - LEBARON GTS)
 J BODY = (C - LEBARON)
 K BODY = (P - RELIANT)(D - ARIES)(C - LEBARON/ TOWN & COUNTRY)
 L BODY = (M - HORIZON)(Z-OMNI)
 M BODY = (B - GRAN FURY)(G - DIPLOMAT)(F - FIFTH AVENUE/NEWPORT)
 P BODY = (P - SUNDANCE)(D - SHADOW)
 Q BODY = (C27 - MASERATI)
 S BODY = (H - VOYAGER)(K - RAM VAN/ CARAVAN)

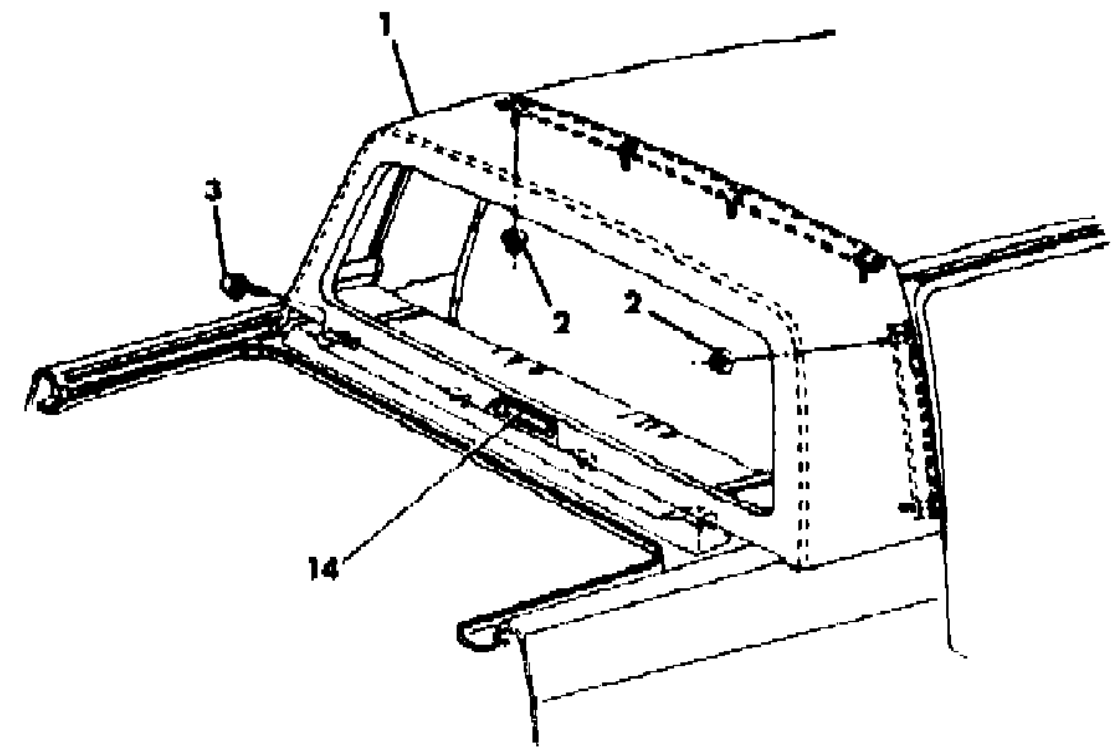
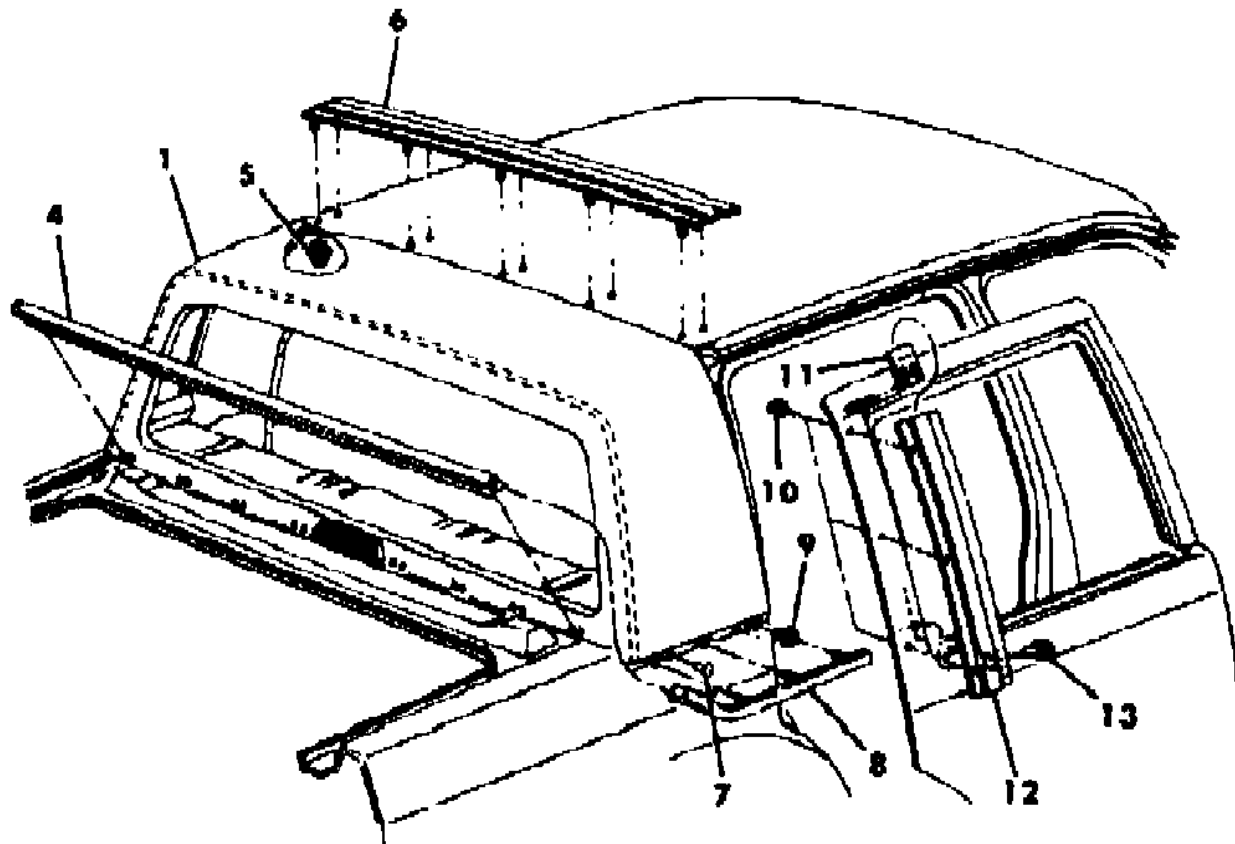
BODY STYLES
 12-52 = FWD VAN & WAGON STD. W.B. 27 = 2-DOOR CONVERTIBLE
 13-53 = FWD VAN & WGN EXT W.B. 41 = 4-DOOR SEDAN
 21 = 2-DOOR SEDAN 44 = 4-DOOR HATCHBACK
 24 = 2-DOOR HATCHBACK 45 = 4-DOOR STATION WAGON

AR = Use as Required - = Non Illustrated Part P.A.R. = Paint as Required

COVER, ROOF - EXTERIOR VIEW C BODY
Figure 23-3700

8168 3700 A

ITEM	PART NUMBER	QTY	BODY	MODEL	DESCRIPTION	
1	4494 709	1		C-S	COVER and PAD, Roof, Bright White	
	4494 710	1			Claret Red	
	4494 711	1			Black Cherry	
	4494 712	1			Dark Pewter	
	4494 713	1			Light Pewter	
	4494 714	1			Dark Forest Green	
	4494 715	1			Twilight Blue	
	4494 716	1			Ice Blue	
	4494 717	1			Charcoal	
	4494 718	1			Silver	
	4398 011	1		C-S	CAP ASSEMBLY, Vinyl Roof, Use Up to 5-30-88	
	4491 964	1		C-S	BONNET ASSEMBLY, Vinyl Roof, Use After 5-30-88	
	2		8		C-S	NUT, (Not Serv.)
	3		4		C-S	SCREW, (Not Serv.)
4	X834 GA2	1		C-S	MOULDING, Deck Up. Pnl., Silver	
	X834 GB1	1			Ice Blue	
	X834 GC7	1			Twilight Blue	
	X834 GG7	1			Dark Forest Green	
	X834 GL2	1			Light Pewter	
	X834 GL8	1			Dark Pewter	
	X834 GM4	1			Claret Red	
	X834 GM9	1			Black Cherry	
	X834 GS8	1			Charcoal	
	X834 GW7	1			Bright White	
5		10			NUT, (Not Serv.)	
6	X830 GA2	1		C-S	MOULDING, Roof Transverse, Silver	
	X830 GB1	1			Ice Blue	
	X830 GC7	1			Twilight Blue	
	X830 GG7	1			Dark Forest Green	
	X830 GL2	1			Light Pewter	
	X830 GL8	1			Dark Pewter	
	X830 GM4	1			Claret Red	
	X830 GM9	1			Black Cherry	
	X830 GS8	1			Charcoal	
	X830 GW7	1			Bright White	
	7		4		C-S	RIVET, (Not Serv.)



MODEL CODES

C BODY = (D41 - DYNASTY)(C41 - NEW YORKER)	L BODY = (M - HORIZON)(Z-OMNI)
E BODY = (J - CARAVELLE)(E - 600)(T - NEW YORKER TURBO)	M BODY = (B - GRAN FURY)(G - DIPLOMAT)(F - FIFTH AVENUE/NEWPORT)
G BODY = (V24 - DAYTONA, PACIFICA & SHELBY)	P BODY = (P - SUNDANCE)(D - SHADOW)
H BODY = (D44 - LANCER)(C44 - LEBARON GTS)	Q BODY = (C27 - MASERATI)
J BODY = (C - LEBARON)	S BODY = (H - VOYAGER)(K - RAM VAN/ CARAVAN)
K BODY = (P - RELIANT)(D - ARIES)(C - LEBARON/ TOWN & COUNTRY)	

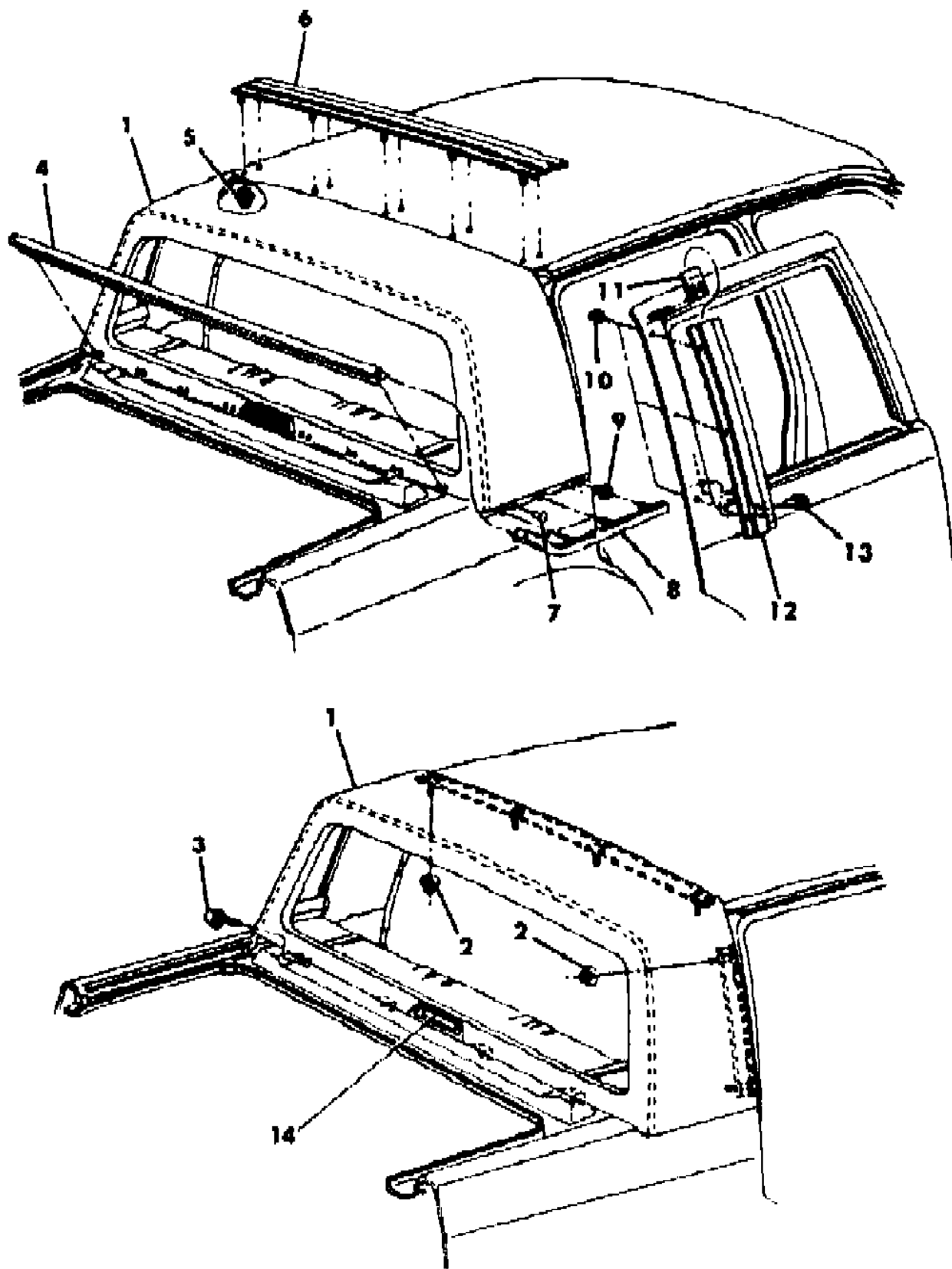
BODY STYLES

12-52 = FWD VAN & WAGON STD. W.B.	27 = 2-DOOR CONVERTIBLE
13-53 = FWD VAN & WGN EXT W.B.	41 = 4-DOOR SEDAN
21 = 2-DOOR SEDAN	44 = 4-DOOR HATCHBACK
24 = 2-DOOR HATCHBACK	45 = 4-DOOR STATION WAGON

AR = Use as Required - = Non Illustrated Part P.A.R. = Paint as Required

COVER, ROOF - EXTERIOR VIEW C BODY
Figure 23-3700

8168 3700 A



ITEM	PART NUMBER	QTY	BODY	MODEL	DESCRIPTION
8	X828-9 GA2	1		C-S	MOULDING ASSEMBLY, Qtr. Belt, w/Frt. and Rear End Caps, Silver
	X828-9 GB1	1			Ice Blue
	X828-9 GC7	1			Twilight Blue
	X828-9 GG7	1			Dark Forest Green
	X828-9 GL2	1			Light Pewter
	X828-9 GL8	1			Dark Pewter
	X828-9 GM4	1			Claret Red
	X828-9 GM9	1			Black Cherry
	X828-9 GS8	1			Charcoal
	X828-9 GW7	1			Bright White
9	4057 555	1			RETAINER PACKAGE
10		6			SCREW, (Not Serv.)
11		2			RETAINER, (Serv. in Item 12)
12	4494 650-1	1		C-S	MOULDING PACKAGE, Rear Door Transverse Mldg. Ext., Dark Forest Green, Use Up to 3-15-88
	4494 652-3	1			Light Pewter
	4494 654-5	1			Dark Pewter
	4494 656-7	1			Bright White
	4494 658-9	1			Black Cherry
	4494 660-1	1			Claret Red
	4494 662-3	1			Ice Blue
	4494 664-5	1			Twilight Blue
	4494 666-7	1			Charcoal
	4494 668-9	1			Silver
	Y054-5 GA2	1			Use After 3-15-88, Silver
	Y054-5 GS8	1			Charcoal
	Y054-5 GC7	1			Twilight Blue
	Y054-5 GB1	1			Ice Blue
	Y054-5 GM4	1			Claret Red
	Y054-5 GM9	1			Black Cherry
	Y054-5 GW7	1			White
	Y054-5 GL8	1			Dark Pewter
	Y054-5 GL2	1			Light Pewter
	Y054-5 GG7	1			Dark Forest Green
13	6033 303	2			SCREW
14	T995 GA2	1			BEZEL, Vinyl Roof Cap, Ctr. High Mtg. Stop Lamp Opng., Silver

MODEL CODES

C BODY = (D41 - DYNASTY)(C41 - NEW YORKER)	L BODY = (M - HORIZON)(Z-OMNI)
E BODY = (J - CARAVELLE)(E - 600)(T - NEW YORKER TURBO)	M BODY = (B - GRAN FURY)(G - DIPLOMAT)(F - FIFTH AVENUE/NEWPORT)
G BODY = (V24 - DAYTONA, PACIFICA & SHELBY)	P BODY = (P - SUNDANCE)(D - SHADOW)
H BODY = (D44 - LANCER)(C44 - LEBARON GTS)	Q BODY = (C27 - MASERATI)
J BODY = (C - LEBARON)	S BODY = (H - VOYAGER)(K - RAM VAN/ CARAVAN)
K BODY = (P - RELIANT)(D - ARIES)(C - LEBARON/ TOWN & COUNTRY)	

BODY STYLES

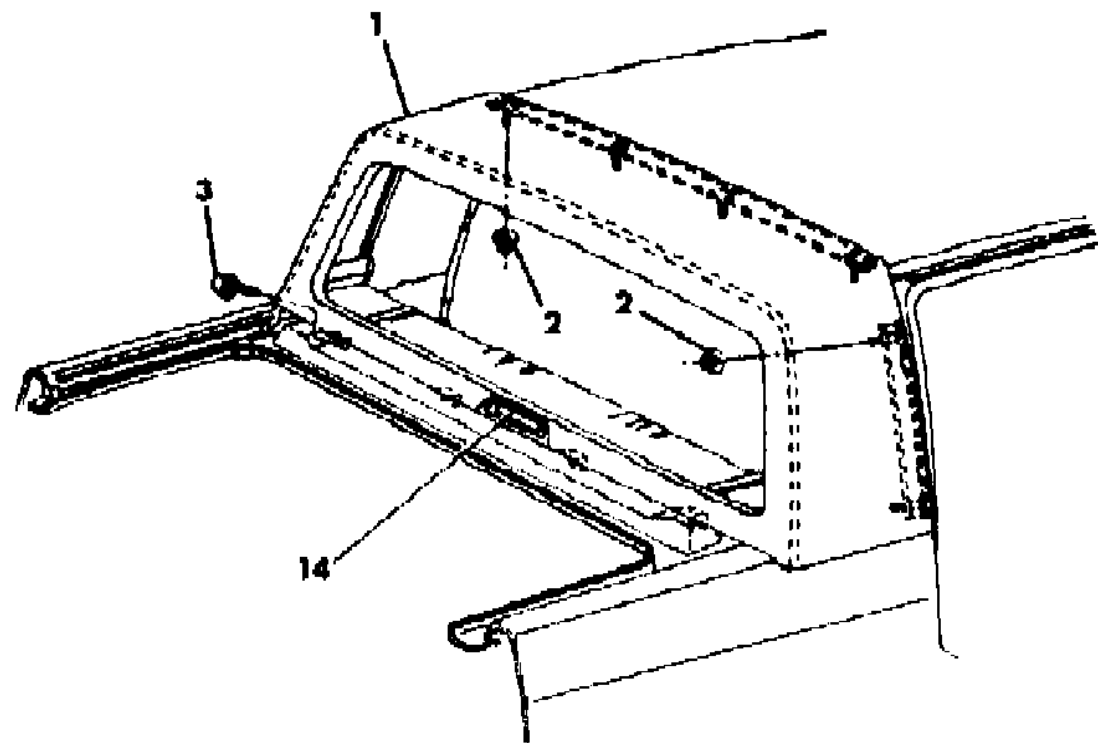
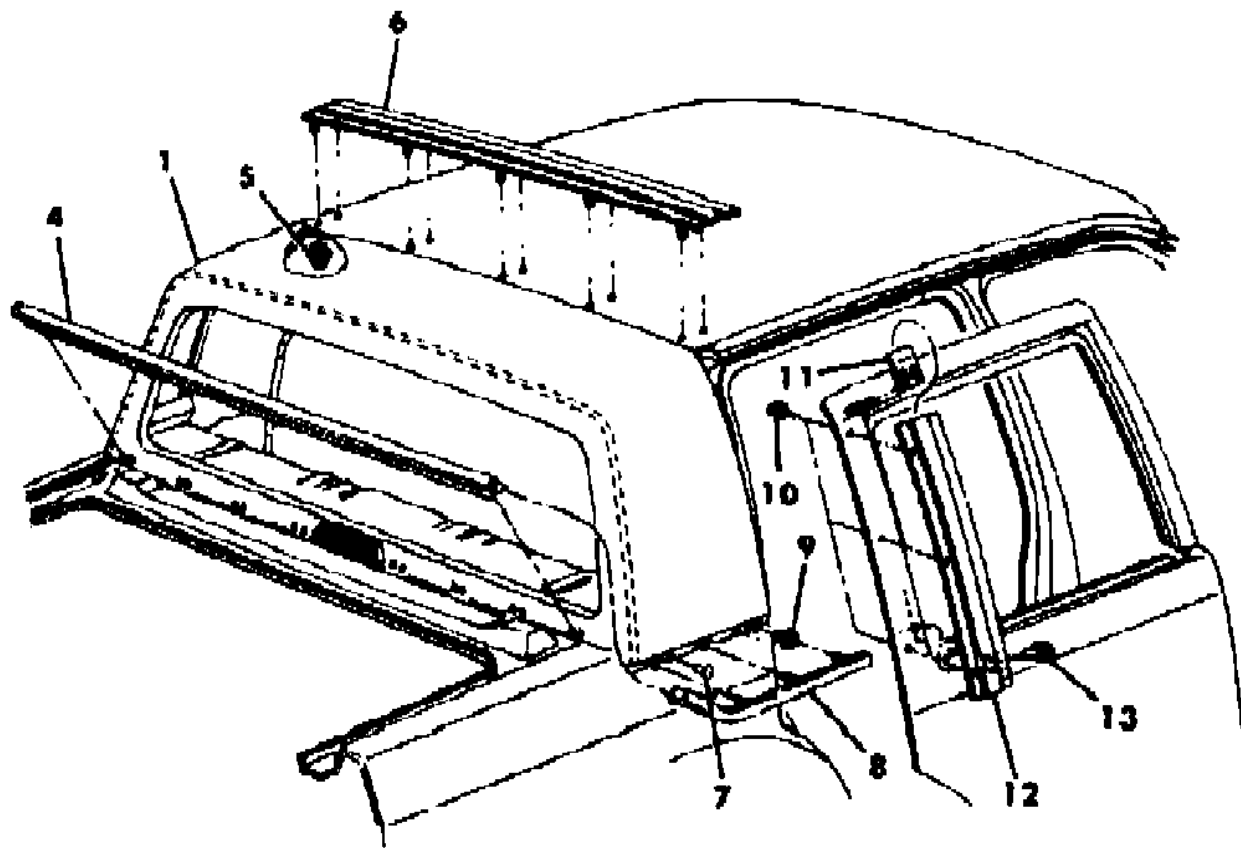
12-52 = FWD VAN & WAGON STD. W.B.	27 = 2-DOOR CONVERTIBLE
13-53 = FWD VAN & WGN EXT W.B.	41 = 4-DOOR SEDAN
21 = 2-DOOR SEDAN	44 = 4-DOOR HATCHBACK
24 = 2-DOOR HATCHBACK	45 = 4-DOOR STATION WAGON

AR = Use as Required - = Non Illustrated Part P.A.R. = Paint as Required

COVER, ROOF - EXTERIOR VIEW C BODY
Figure 23-3700

8168 3700 A

ITEM	PART NUMBER	QTY	BODY	MODEL	DESCRIPTION
	T995 GB1	1			Ice Blue
	T995 GC7	1			Twilight Blue
	T995 GG7	1			Dark Forest Green
	T995 GL2	1			Light Pewter
	T995 GL8	1			Dark Pewter
	T995 GM4	1			Claret Red
	T995 GM9	1			Black Cherry
	T995 GS8	1			Charcoal
	T995 GW7	1			Bright White



MODEL CODES

C BODY = (D41 - DYNASTY)(C41 - NEW YORKER)	L BODY = (M - HORIZON)(Z-OMNI)
E BODY = (J - CARAVELLE)(E - 600)(T - NEW YORKER TURBO)	M BODY = (B - GRAN FURY)(G - DIPLOMAT)(F - FIFTH AVENUE/NEWPORT)
G BODY = (V24 - DAYTONA, PACIFICA & SHELBY)	P BODY = (P - SUNDANCE)(D - SHADOW)
H BODY = (D44 - LANCER)(C44 - LEBARON GTS)	Q BODY = (C27 - MASERATI)
J BODY = (C - LEBARON)	S BODY = (H - VOYAGER)(K - RAM VAN/ CARAVAN)
K BODY = (P - RELIANT)(D - ARIES)(C - LEBARON/ TOWN & COUNTRY)	

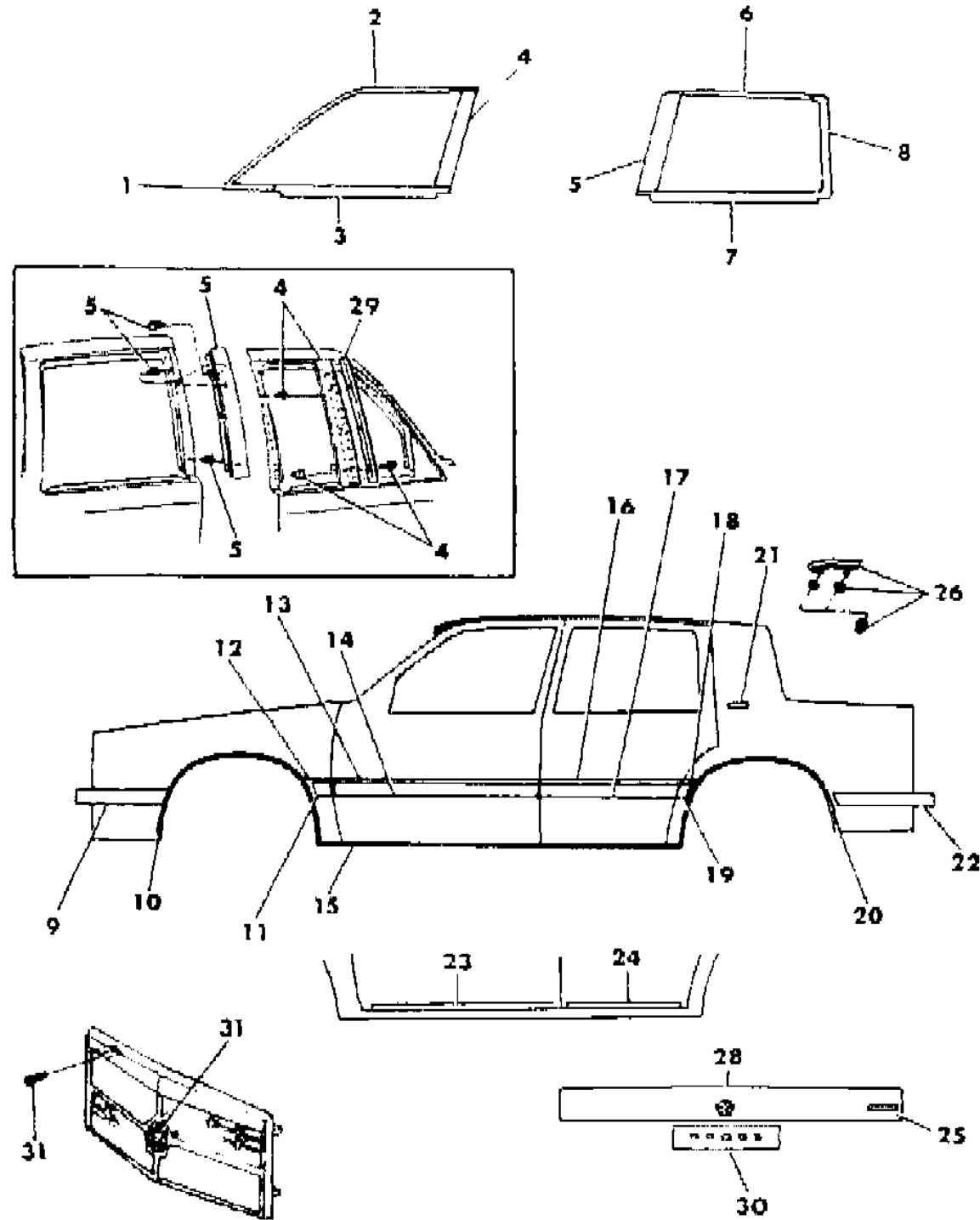
BODY STYLES

12-52 = FWD VAN & WAGON STD. W.B.	27 = 2-DOOR CONVERTIBLE
13-53 = FWD VAN & WGN EXT W.B.	41 = 4-DOOR SEDAN
21 = 2-DOOR SEDAN	44 = 4-DOOR HATCHBACK
24 = 2-DOOR HATCHBACK	45 = 4-DOOR STATION WAGON

AR = Use as Required - = Non Illustrated Part P.A.R. = Paint as Required

MOULDINGS AND ORNAMENTATION - EXTERIOR VIEW C BODY DODGE DYNASTY
Figure 23-3800

8168 3800 E



ITEM	PART NUMBER	QTY	BODY	MODEL	DESCRIPTION
1	4494 218-9	1			MOULDING, Frt. Door Upr. to Belt
2	4494 216-7	1			MOULDING, Frt. Door Upr.
3	4494 220-1	1			MOULDING, Frt. Door Belt
4	4398 044-5	1			CAP, Frt. Door Belt Mldg.
	4494 294-5	1			APPLIQUE PACKAGE, Frt. Door Rear, Black, Use Up to 3-7-88
5	4494 818-9	1			APPLIQUE PACKAGE, Frt. Door Rear, Charcoal, Use After 3-7-88
	6033 184	12			GROMMET
	6033 303	12			SCREW
	4057 555	AR			RETAINER PACKAGE, Barrel Nut
6	4443 804-5	1			APPLIQUE PACKAGE, Rear Door Frt., Black, Use Up to 3-7-88
	4494 820-1	1			APPLIQUE PACKAGE, Rear Door Frt., Charcoal, Use After 3-7-88
7	6033 184	12			GROMMET
	6033 303	12			SCREW
	4057 555	AR			RETAINER PACKAGE, Barrel Nut
8	4443 808-9	1			MOULDING, Rear Door Upr.
9	4443 802-3	1			MOULDING, Rear Door Belt
10	4443 810-1	1			MOULDING, Rear Door Rear
11		1			NERF EXTENSION, Frt. Mldg. (See Group 13)
12	4443 794-5	1			MOULDING PACKAGE, Fndr. Wheel Opng.
13	4443 806-7	1		D-P	MOULDING PACKAGE, Fndr. Rear
14	4398 488-9	1		D-H	MOULDING, Fndr. Rear
15	4398 490-1	1		D-H	MOULDING, Frt. Door
16	4443 814-5	1		D-P	MOULDING PACKAGE, Body Side Frt. Door
17	4443 775	2			MOULDING PACKAGE, Body Side Sill
18	4398 492-3	1		D-H	MOULDING, Rear Door
19	4443 816-7	1		D-P	MOULDING PACKAGE, Body Side Rear Door
20	4398 980-1	1		D-H	MOULDING, Qtr. Frt.
21	4398 910-1	1		D-P	MOULDING, Body Side Qtr. Frt.
22	4443 798-9	1			MOULDING PACKAGE, Qtr. Wheel Opng.
23	4454 249	2			NAMEPLATE, "C" Pillar, "DYNASTY"
24		1			NERF EXTENSION, Rear Mldg. (See Group 13)
25	4443 818	2			MOULDING PACKAGE, Sill Inner Frt. Door
26	4443 819	2			MOULDING PACKAGE, Sill Inner Rear Door
27	4454 248	1		D-H	NAMEPLATE, Deck Lid, "DYNASTY"
28	4454 483	1		D-P	NAMEPLATE, Deck Lid, "DYNASTY LE"

MODEL CODES

C BODY = (D41 - DYNASTY)(C41 - NEW YORKER)
 E BODY = (J - CARAVELLE)(E - 600)(T - NEW YORKER TURBO)
 G BODY = (V24 - DAYTONA, PACIFICA & SHELBY)
 H BODY = (D44 - LANCER)(C44 - LEBARON GTS)
 J BODY = (C - LEBARON)
 K BODY = (P - RELIANT)(D - ARIES)(C - LEBARON/ TOWN & COUNTRY)

L BODY = (M - HORIZON)(Z-OMNI)
 M BODY = (B - GRAN FURY)(G - DIPLOMAT)(F - FIFTH AVENUE/NEWPORT)
 P BODY = (P - SUNDANCE)(D - SHADOW)
 Q BODY = (C27 - MASERATI)
 S BODY = (H - VOYAGER)(K - RAM VAN/ CARAVAN)

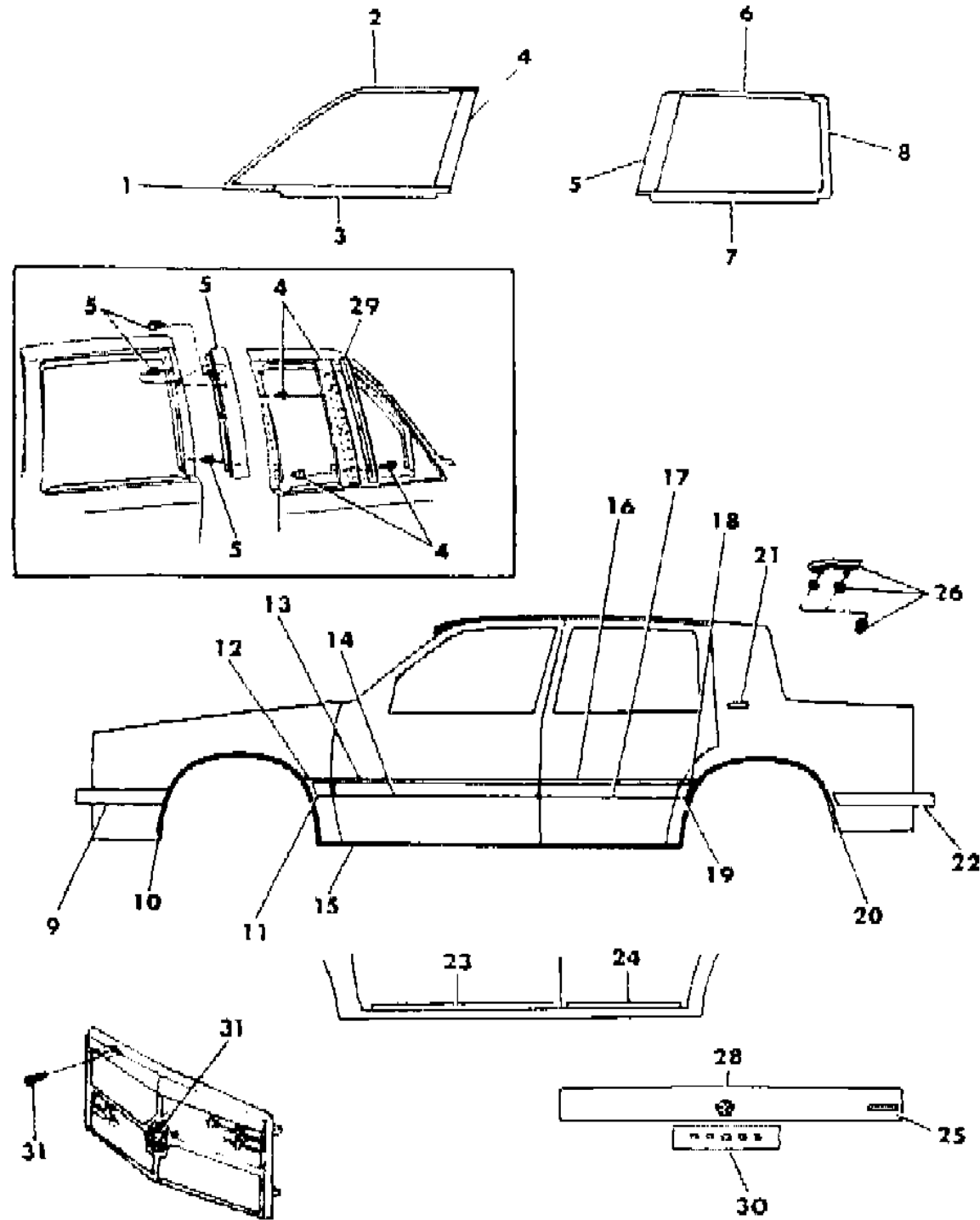
BODY STYLES

12-52 = FWD VAN & WAGON STD. W.B. 27 = 2-DOOR CONVERTIBLE
 13-53 = FWD VAN & WGN EXT W.B. 41 = 4-DOOR SEDAN
 21 = 2-DOOR SEDAN 44 = 4-DOOR HATCHBACK
 24 = 2-DOOR HATCHBACK 45 = 4-DOOR STATION WAGON

AR = Use as Required - = Non Illustrated Part P.A.R. = Paint as Required

MOULDINGS AND ORNAMENTATION - EXTERIOR VIEW C BODY DODGE DYNASTY
Figure 23-3800

8168 3800 E



ITEM	PART NUMBER	QTY	BODY	MODEL	DESCRIPTION
26	4386 548-9	1			MOULDING, Roof Joint, Prime
	4440 140-1	1			MOULDING, Roof Joint, Prime, Repair, Wide
	4440 534-5	1			MOULDING, Roof Joint, Prime, Repair, Narrow
	6027 466	4			NUT and WASHER
		4			WASHER, (Not Serv.)
28	X262 GA1	1			MEDALLION, Deck Lid Lock Cyl., Silver
	X262 GB1	1			Ice Blue
	X262 GC7	1			Twilight Blue
	X262 GG7	1			Dark Forest Green
	X262 GL2	1			Light Pewter
	X262 GL8	1			Dark Pewter
	X262 GM4	1			Claret Red
	X262 GM9	1			Black Cherry
	X262 GS8	1			Charcoal
	X262 GW7	1			Bright White
29					CHANNEL, Frt. Door Glass (See Illus. 23C)
30	4399 114	1			APPLIQUE ASSEMBLY, Lwr. Deck Opng. Pnl., Center, w/Hsg. and Lens, w/Letters
31	4388 753	1			PENTASTAR, Radiator Grille
		4			SCREW, (Not Serv.)

MODEL CODES

C BODY = (D41 - DYNASTY)(C41 - NEW YORKER)
 E BODY = (J - CARAVELLE)(E - 600)(T - NEW YORKER TURBO)
 G BODY = (V24 - DAYTONA, PACIFICA & SHELBY)
 H BODY = (D44 - LANCER)(C44 - LEBARON GTS)
 J BODY = (C - LEBARON)
 K BODY = (P - RELIANT)(D - ARIES)(C - LEBARON/ TOWN & COUNTRY)

L BODY = (M - HORIZON)(Z-OMNI)
 M BODY = (B - GRAN FURY)(G - DIPLOMAT)(F - FIFTH AVENUE/NEWPORT)
 P BODY = (P - SUNDANCE)(D - SHADOW)
 Q BODY = (C27 - MASERATI)
 S BODY = (H - VOYAGER)(K - RAM VAN/ CARAVAN)

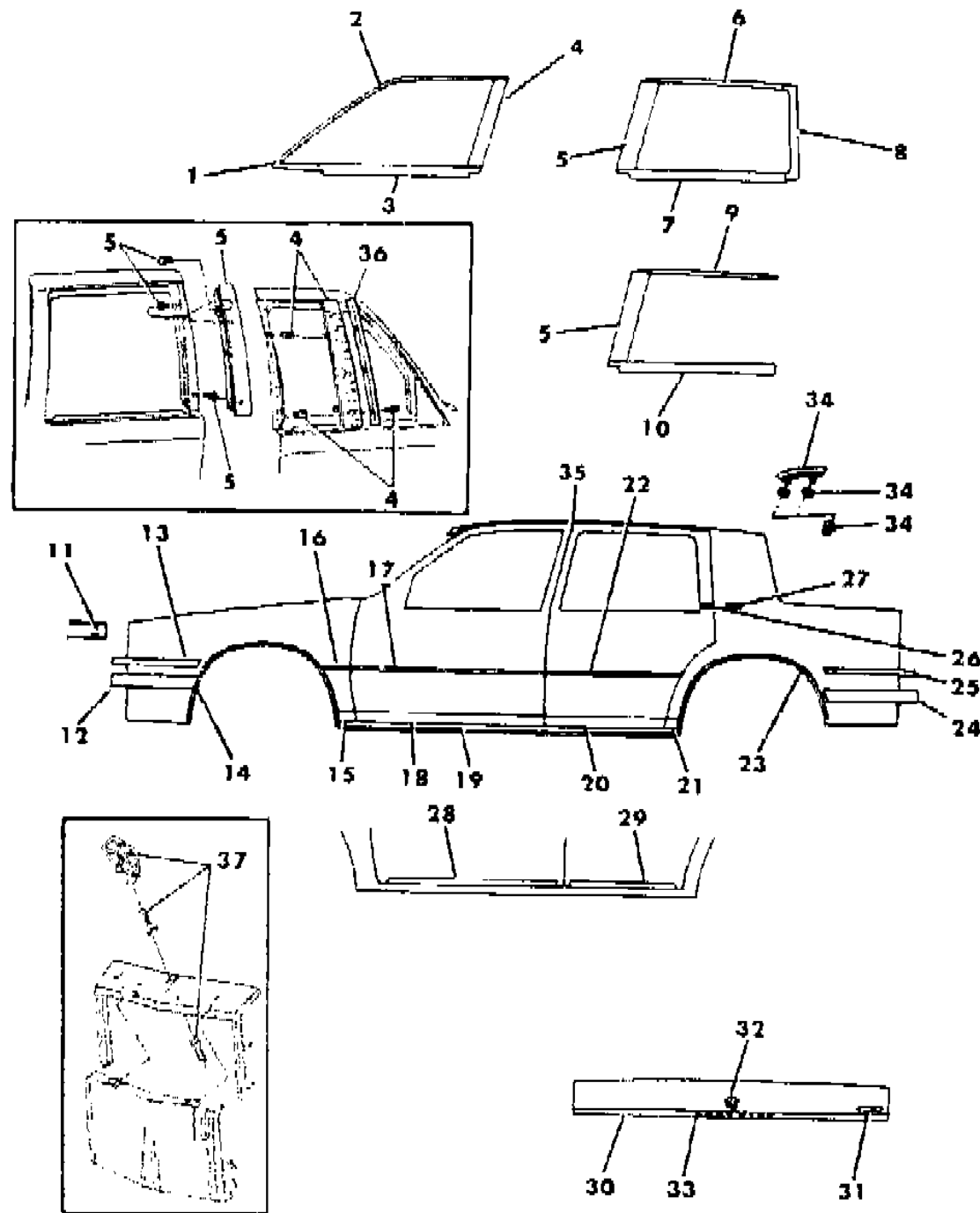
BODY STYLES

12-52 = FWD VAN & WAGON STD. W.B. 27 = 2-DOOR CONVERTIBLE
 13-53 = FWD VAN & WGN EXT W.B. 41 = 4-DOOR SEDAN
 21 = 2-DOOR SEDAN 44 = 4-DOOR HATCHBACK
 24 = 2-DOOR HATCHBACK 45 = 4-DOOR STATION WAGON

AR = Use as Required - = Non Illustrated Part P.A.R. = Paint as Required

MOULDINGS AND ORNAMENTATION - EXTERIOR VIEW C BODY CHRYSLER NEW YORKER, NEW YORKER LANDAU
Figure 23-4000

8168 4000 B



ITEM	PART NUMBER	QTY	BODY	MODEL	DESCRIPTION
1	4494 218-9	1			MOULDING, Frt. Door Upr. to Belt
2	4494 216-7	1			MOULDING, Frt. Door Upr.
3	4494 220-1	1			MOULDING, Frt. Door Belt
4	4398 044-5	1			CAP, Frt. Door Belt
	4494 294-5	1			APPLIQUE PACKAGE, Frt. Door Rear, Black, Use Up to 3-7-88
	4494 818-9	1			APPLIQUE PACKAGE, Frt. Door Rear, Charcoal, Use After 3-7-88
	6033 184	12			GROMMET
	6033 303	12			SCREW
	4057 555	AR			RETAINER PACKAGE, Barrel Nut
5	4443 804-5	1			APPLIQUE PACKAGE, Rear Door Frt., Black, Use Up to 3-7-88
	4494 820-1	1			APPLIQUE PACKAGE, Rear Door Frt., Black, Use After 3-7-88
	6033 184	12			GROMMET
	6033 303	12			SCREW
	4057 555	AR			RETAINER PACKAGE, Barrel Nut
6	4443 808-9	1	C-H		MOULDING, Rear Door Upr.
7	4443 802-3	1	C-H		MOULDING, Rear Door Belt
8	4443 810-1	1	C-H		MOULDING, Rear Door Rear
9	4494 222-3	1	C-S		MOULDING, Rear Door Upr.
10	4443 800-1	1	C-S		MOULDING, Rear Door Belt
	4454 968-9	1	C-S		CAP, Rear Door Belt Mldg. Rear End, Use After Feb. 15, 1988
11	4454 245	1			NAMEPLATE, H/Lamp Door, "CHRYSLER"
12	4494 734-5	1			MOULDING, Fndr. Side Marker Surround
13	4491 088-9	1			MOULDING, Fndr.
14	4491 218-9	1			MOULDING PACKAGE, Fndr. Wheel Opng.
15	4398 098-9	1			MOULDING PACKAGE, Fndr. Side Rear
16	X176-7 GA1	1			MOULDING, Fndr. Rear, Silver, Use Up to 3-1-88
	X176-7 GB1	1			Ice Blue, Use Up to 3-2-88
	X176-7 GC7	1			Twilight Blue, Use Up to 2-26-88
	X176-7 GG7	1			Dark Forest Green, Use Up to 3-14-88
	X176-7 GL2	1			Light Pewter, Use Up to 2-18-88
	X176-7 GL8	1			Dark Pewter, Use Up to 3-15-88
	X176-7 GM4	1			Claret Red, Use Up to 3-4-88
	X176-7 GM9	1			Black Cherry, Use Up to 2-22-88
	X176-7 GS8	1			Charcoal, Use Up to 3-1-88
	X176-7 GW7	1			Bright White, Use Up to 1-19-88
X972-3 GA1	1			MOULDING, Fndr. Rear, Silver, Use After 3-1-88	

MODEL CODES

C BODY = (D41 - DYNASTY)(C41 - NEW YORKER)
 E BODY = (J - CARAVELLE)(E - 600)(T - NEW YORKER TURBO)
 G BODY = (V24 - DAYTONA, PACIFICA & SHELBY)
 H BODY = (D44 - LANCER)(C44 - LEBARON GTS)
 J BODY = (C - LEBARON)
 K BODY = (P - RELIANT)(D - ARIES)(C - LEBARON/ TOWN & COUNTRY)

L BODY = (M - HORIZON)(Z-OMNI)
 M BODY = (B - GRAN FURY)(G - DIPLOMAT)(F - FIFTH AVENUE/NEWPORT)
 P BODY = (P - SUNDANCE)(D - SHADOW)
 Q BODY = (C27 - MASERATI)
 S BODY = (H - VOYAGER)(K - RAM VAN/ CARAVAN)

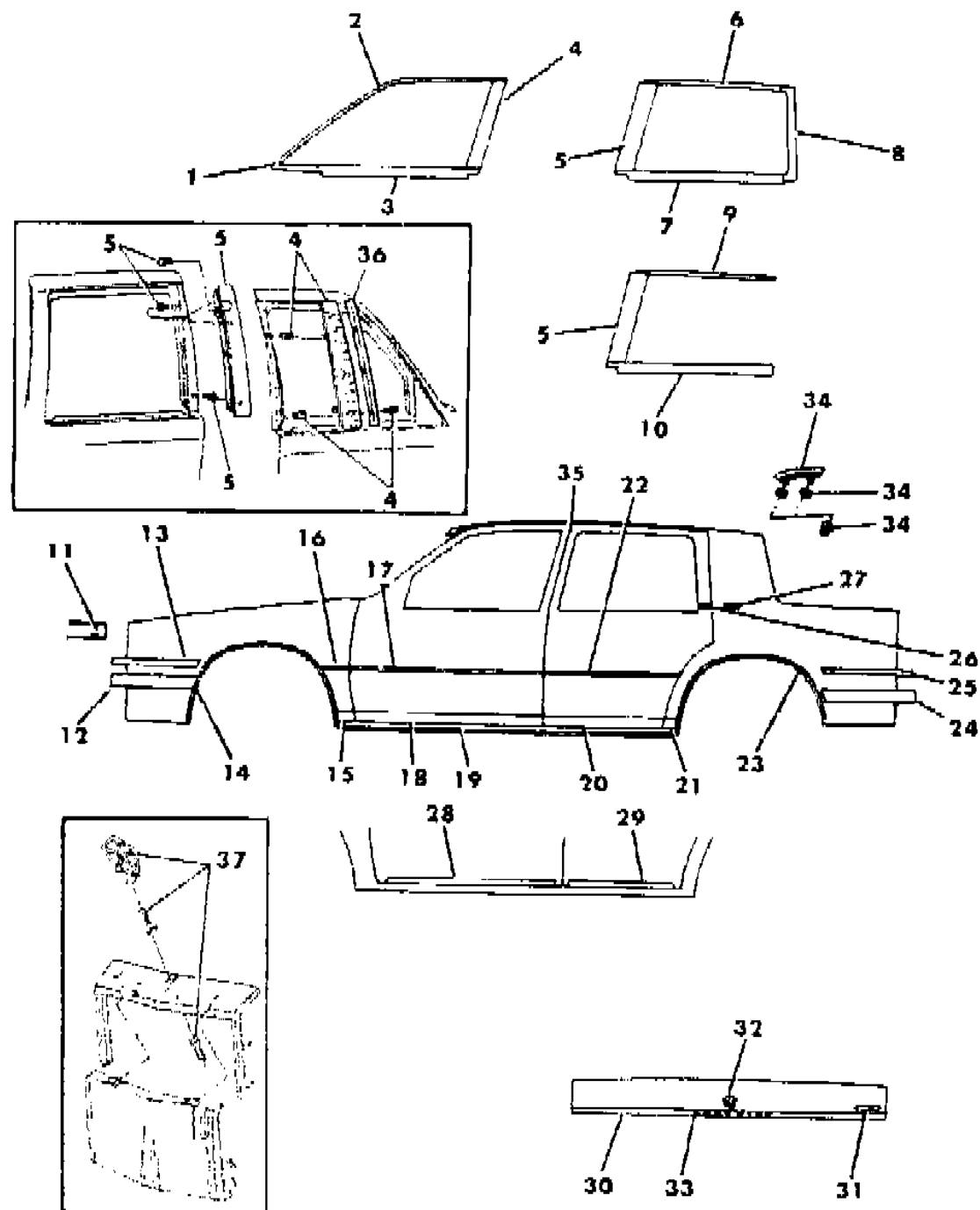
BODY STYLES

12-52 = FWD VAN & WAGON STD. W.B. 27 = 2-DOOR CONVERTIBLE
 13-53 = FWD VAN & WGN EXT W.B. 41 = 4-DOOR SEDAN
 21 = 2-DOOR SEDAN 44 = 4-DOOR HATCHBACK
 24 = 2-DOOR HATCHBACK 45 = 4-DOOR STATION WAGON

AR = Use as Required - = Non Illustrated Part P.A.R. = Paint as Required

MOULDINGS AND ORNAMENTATION - EXTERIOR VIEW C BODY CHRYSLER NEW YORKER, NEW YORKER LANDAU
Figure 23-4000

8168 4000 B



ITEM	PART NUMBER	QTY	BODY	MODEL	DESCRIPTION
	X972-3 GB1	1			Ice Blue, Use After 3-2-88
	X972-3 GC7	1			Twilight Blue, Use After 2-26-88
	X972-3 GG7	1			Dark Forest Green, Use After 3-14-88
	X972-3 GL2	1			Light Pewter, Use After 2-18-88
	X972-3 GL8	1			Dark Pewter, Use After 3-15-88
	X972-3 GM4	1			Claret Red, Use After 3-4-88
	X972-3 GM9	1			Black Cherry, Use After 2-22-88
	X972-3 GS8	1			Charcoal, Use After 3-1-88
	X972-3 GW7	1			Bright White, Use After 1-19-88
17	X178-9 GA1	1			MOULDING, Frt. Door, Silver
	X178-9 GB1	1			Ice Blue
	X178-9 GC7	1			Twilight Blue
	X178-9 GG7	1			Dark Forest Green
	X178-9 GL2	1			Light Pewter
	X178-9 GL8	1			Dark Pewter
	X178-9 GM4	1			Claret Red
	X178-9 GM9	1			Black Cherry
	X178-9 GS8	1			Charcoal
	X178-9 GW7	1			Bright White
18	4411 890-1	1			MOULDING PACKAGE, Frt. Door Lwr.
19	4443 775	2			MOULDING PACKAGE, Body Side Sill
20	4411 892-3	1			MOULDING PACKAGE, Rear Door Lwr.
21	4398 116-7	1			MOULDING, Qtr. Frt. Lwr.
22	X180-1 GA1	1			MOULDING, Rear Door, Silver
	X180-1 GB1	1			Ice Blue
	X180-1 GC7	1			Twilight Blue
	X180-1 GG7	1			Dark Forest Green
	X180-1 GL2	1			Light Pewter
	X180-1 GL8	1			Dark Pewter
	X180-1 GM4	1			Claret Red
	X180-1 GM9	1			Black Cherry
	X180-1 GS8	1			Charcoal
	X180-1 GW7	1			Bright White
23	4491 220-1	1			MOULDING, Qtr. Wheel Opng.
24	4494 736-7	1			MOULDING PACKAGE, Rear Qtr. Surround
25	4491 096-7	1			MOULDING, Qtr. Extension to T/Lamp
26	4454 247	2		C-S	MEDALLION, "C" Pillar, "MARK CROSS"

MODEL CODES

C BODY = (D41 - DYNASTY)(C41 - NEW YORKER)	L BODY = (M - HORIZON)(Z-OMNI)
E BODY = (J - CARAVELLE)(E - 600)(T - NEW YORKER TURBO)	M BODY = (B - GRAN FURY)(G - DIPLOMAT)(F - FIFTH AVENUE/NEWPORT)
G BODY = (V24 - DAYTONA, PACIFICA & SHELBY)	P BODY = (P - SUNDANCE)(D - SHADOW)
H BODY = (D44 - LANCER)(C44 - LEBARON GTS)	Q BODY = (C27 - MASERATI)
J BODY = (C - LEBARON)	S BODY = (H - VOYAGER)(K - RAM VAN/ CARAVAN)
K BODY = (P - RELIANT)(D - ARIES)(C - LEBARON/ TOWN & COUNTRY)	

BODY STYLES

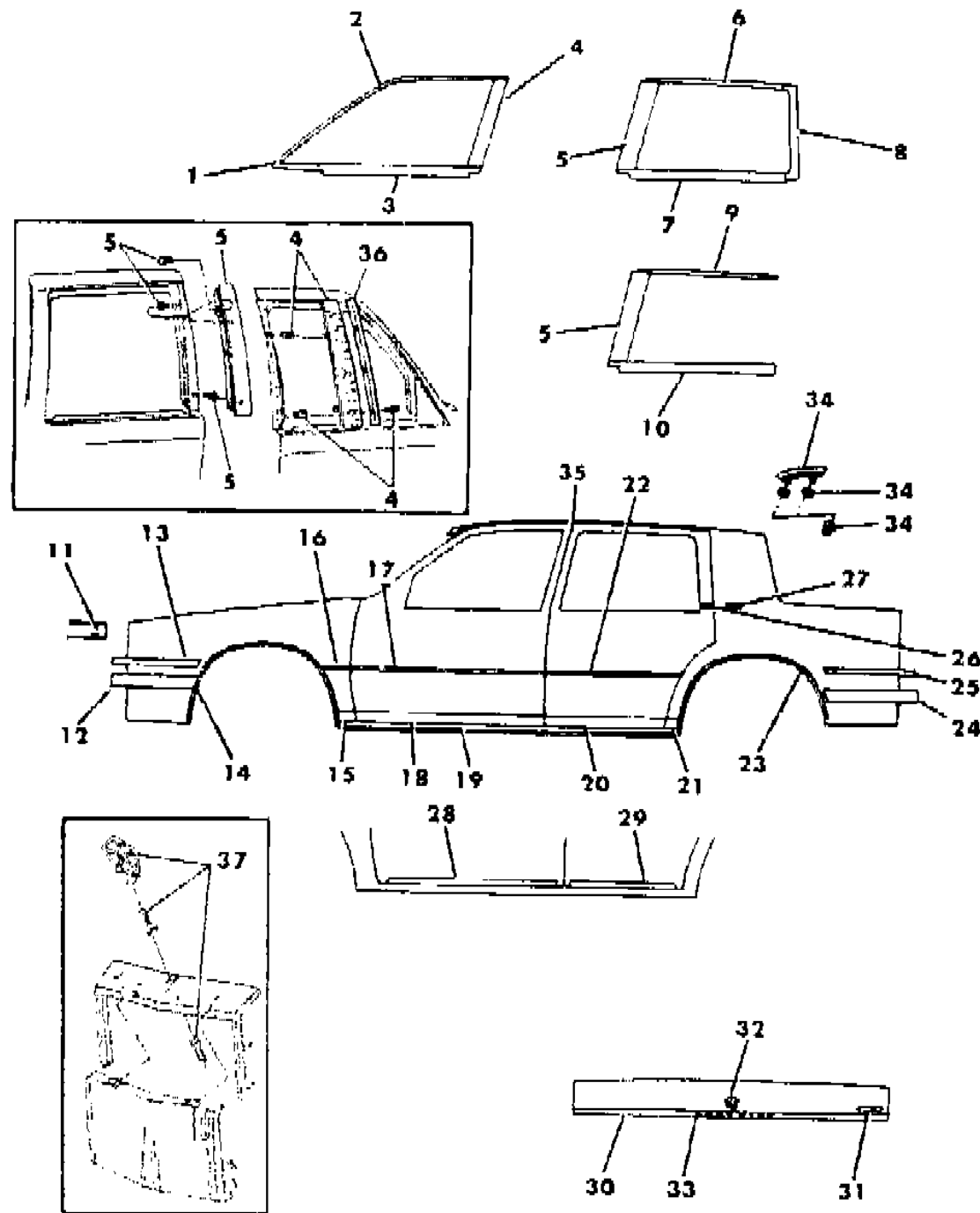
12-52 = FWD VAN & WAGON STD. W.B.	27 = 2-DOOR CONVERTIBLE
13-53 = FWD VAN & WGN EXT W.B.	41 = 4-DOOR SEDAN
21 = 2-DOOR SEDAN	44 = 4-DOOR HATCHBACK
24 = 2-DOOR HATCHBACK	45 = 4-DOOR STATION WAGON

AR = Use as Required - = Non Illustrated Part P.A.R. = Paint as Required

MOULDINGS AND ORNAMENTATION - EXTERIOR VIEW C BODY CHRYSLER NEW YORKER, NEW YORKER LANDAU

Figure 23-4000

8168 4000 B



ITEM	PART NUMBER	QTY	BODY	MODEL	DESCRIPTION
27	4454 246	2		C-H	NAMEPLATE, "C" Pillar, "NEW YORKER"
	4491 316	2		C-S	NAMEPLATE, Roof Cap, "LANDAU"
28	4443 818	2			MOULDING PACKAGE, Sill Inner Frt. Door
29	4443 819	2			MOULDING PACKAGE, Sill Inner Rear Door
30	4398 136	1			MOULDING, Deck Lid Lwr.
	6003 989	AR			RETAINER
31	4422 175	1			NAMEPLATE, Deck Lid, "NEW YORKER"
32	X262 GA1	1			MEDALLION, Deck Lid Lock Cyl., Silver
	X262 GB1	1			Ice Blue
	X262 GC7	1			Twilight Blue
	X262 GG7	1			Dark Forest Green
	X262 GL2	1			Light Pewter
	X262 GL8	1			Dark Pewter
	X262 GM4	1			Claret Red
	X262 GM9	1			Black Cherry
	X262 GS8	1			Charcoal
	X262 GW7	1			Bright White
33		1		C-S	LETTERS, Deck Lid Mldg., "CHRYSLER" (Serv. in Item 30)
34	4386 548-9	1		C-H	MOULDING, Roof Joint, Prime
	4440 140-1	1		C-H	MOULDING, Roof Joint, Prime, Repair, Wide
	4440 534-5	1		C-H	MOULDING, Roof Joint, Prime, Repair, Narrow
	4440 536-7	1		C-S	MOULDING, Roof Joint, Prime
	6027 466	4			NUT and WASHER
		4			WASHER, (Not Serv.)
35	X508-9 GA1	1			COVER, Center Pillar, Silver
	X508-9 GB1	1			Ice Blue
	X508-9 GC7	1			Twilight Blue
	X508-9 GG7	1			Dark Forest Green
	X508-9 GL2	1			Light Pewter
	X508-9 GL8	1			Dark Pewter
	X508-9 GM4	1			Claret Red
	X508-9 GM9	1			Black Cherry
	X508-9 GS8	1			Charcoal
	X508-9 GW7	1			Bright White
36					CHANNEL, Frt. Door Glass (See Illus. 23C)
37	4270 563	1			ORNAMENT, Radiator Grille Header
	3574 200	2			BUTTON

MODEL CODES

C BODY = (D41 - DYNASTY)(C41 - NEW YORKER)
 E BODY = (J - CARAVELLE)(E - 600)(T - NEW YORKER TURBO)
 G BODY = (V24 - DAYTONA, PACIFICA & SHELBY)
 H BODY = (D44 - LANCER)(C44 - LEBARON GTS)
 J BODY = (C - LEBARON)
 K BODY = (P - RELIANT)(D - ARIES)(C - LEBARON/ TOWN & COUNTRY)

L BODY = (M - HORIZON)(Z-OMNI)
 M BODY = (B - GRAN FURY)(G - DIPLOMAT)(F - FIFTH AVENUE/NEWPORT)
 P BODY = (P - SUNDANCE)(D - SHADOW)
 Q BODY = (C27 - MASERATI)
 S BODY = (H - VOYAGER)(K - RAM VAN/ CARAVAN)

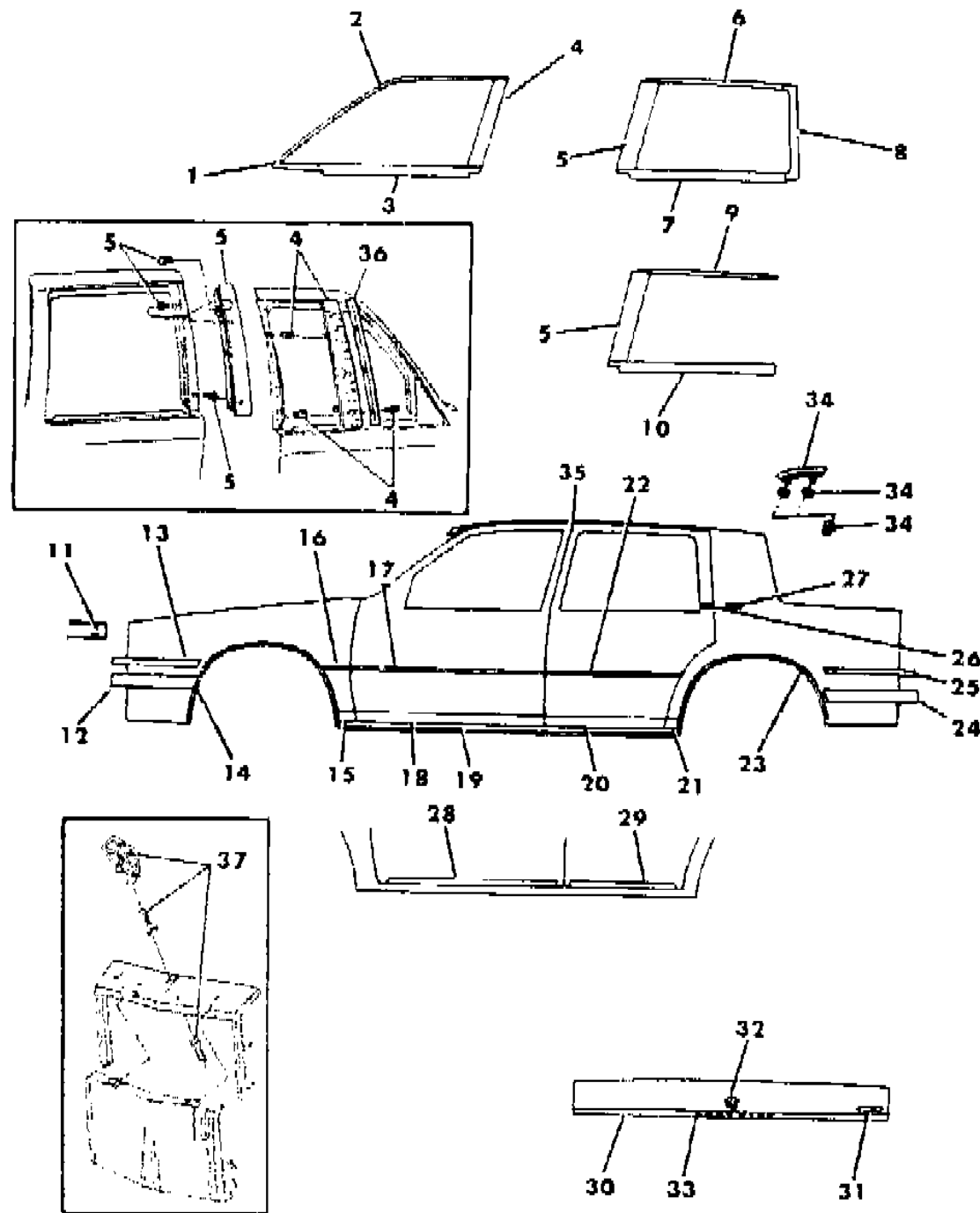
BODY STYLES

12-52 = FWD VAN & WAGON STD. W.B. 27 = 2-DOOR CONVERTIBLE
 13-53 = FWD VAN & WGN EXT W.B. 41 = 4-DOOR SEDAN
 21 = 2-DOOR SEDAN 44 = 4-DOOR HATCHBACK
 24 = 2-DOOR HATCHBACK 45 = 4-DOOR STATION WAGON

AR = Use as Required - = Non Illustrated Part P.A.R. = Paint as Required

MOULDINGS AND ORNAMENTATION - EXTERIOR VIEW C BODY CHRYSLER NEW YORKER, NEW YORKER LANDAU
Figure 23-4000

8168 4000 B



ITEM	PART NUMBER	QTY	BODY	MODEL	DESCRIPTION
	3672 672	1			SPRING, Rad. Grille Header to Ornament
	3672 780	1			RETAINER, Rad. Grille Header to Ornament

MODEL CODES
 C BODY = (D41 - DYNASTY)(C41 - NEW YORKER)
 E BODY = (J - CARAVELLE)(E - 600)(T - NEW YORKER TURBO)
 G BODY = (V24 - DAYTONA, PACIFICA & SHELBY)
 H BODY = (D44 - LANCER)(C44 - LEBARON GTS)
 J BODY = (C - LEBARON)
 K BODY = (P - RELIANT)(D - ARIES)(C - LEBARON/ TOWN & COUNTRY)
 L BODY = (M - HORIZON)(Z-OMNI)
 M BODY = (B - GRAN FURY)(G - DIPLOMAT)(F - FIFTH AVENUE/NEWPORT)
 P BODY = (P - SUNDANCE)(D - SHADOW)
 Q BODY = (C27 - MASERATI)
 S BODY = (H - VOYAGER)(K - RAM VAN/ CARAVAN)

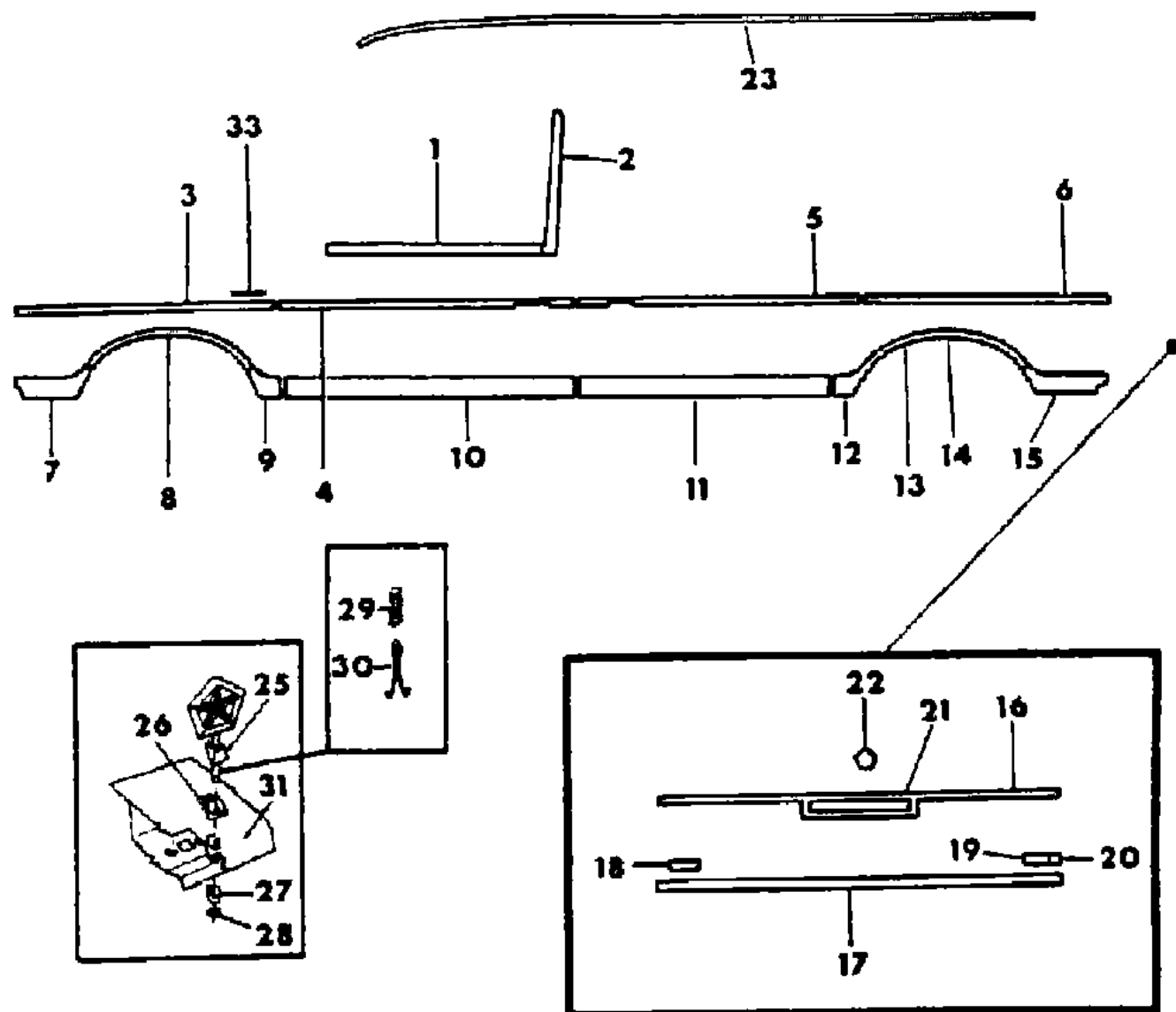
BODY STYLES
 12-52 = FWD VAN & WAGON STD. W.B. 27 = 2-DOOR CONVERTIBLE
 13-53 = FWD VAN & WGN EXT W.B. 41 = 4-DOOR SEDAN
 21 = 2-DOOR SEDAN 44 = 4-DOOR HATCHBACK
 24 = 2-DOOR HATCHBACK 45 = 4-DOOR STATION WAGON

AR = Use as Required - = Non Illustrated Part P.A.R. = Paint as Required

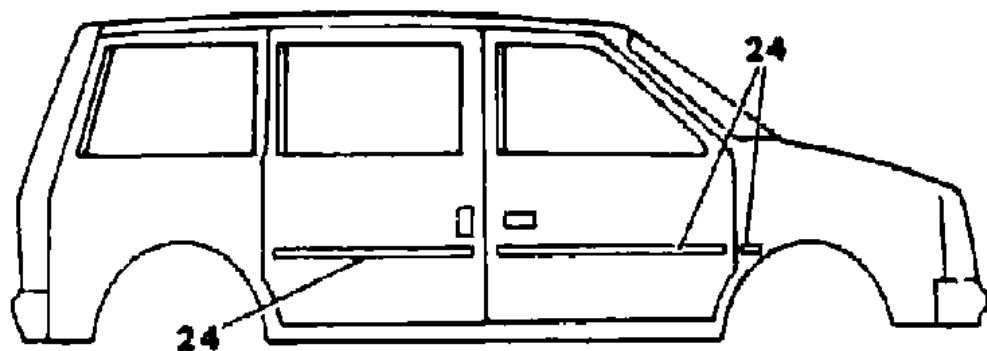
MOULDINGS AND ORNAMENTATION - EXTERIOR VIEW S BODY PLYMOUTH VOYAGER WAGON, DODGE CARAVAN WAGON

Figure 23-4200

8168 4200



PLYMOUTH — 32



ITEM	PART NUMBER	QTY	BODY	MODEL	DESCRIPTION
1	4319 148-9	1			WEATHERSTRIP, Frt. Door Belt
	6032 456	AR			SCREW
2	4319 152-3	1			MOULDING, Frt. Door Wdo. Opng. Frame, Rear
	4057 555	AR			RETAINER PACKAGE
3	4293 572-3	1			MOULDING PACKAGE, Fndr. Side Uprr., Woodgrain
	4293 606	AR			RETAINER PACKAGE
	4057 555	AR			RETAINER PACKAGE
4	4293 574-5	1			MOULDING PACKAGE, Frt. Door Uprr., Woodgrain
	4293 606	AR			RETAINER PACKAGE
	4057 555	AR			RETAINER PACKAGE
5	4364 103	1			MOULDING PACKAGE, Sliding Door Uprr., Woodgrain
	4293 606	AR			RETAINER PACKAGE
	4057 555	AR			RETAINER PACKAGE
6	4293 608-9	1			MOULDING PACKAGE, Qtr. Uprr., Woodgrain, 112.1 W.B
	4411 656-7	1			MOULDING PACKAGE, Qtr. Uprr., Woodgrain, 119.1 W.B
	4293 606	AR			RETAINER PACKAGE
	4057 555	AR			RETAINER PACKAGE
7	4443 512-3	1			MOULDING, Fndr. Frt. Lwr., Woodgrain
	6004 060	2			RETAINER, Use Up to 1-18-88
	6004 154	2			RETAINER, Use After 1-18-88
					SCREW, (Not Serv.)
8	4276 726-7	1			MOULDING, Fndr. W/Opng., Woodgrain
					SCREW, (Not Serv.)
9	4319 600-1	1			MOULDING, Fndr. Lwr. Rear, Woodgrain
	4057 555	AR			RETAINER PACKAGE
	6003 882	AR			RETAINER
					END CAP, (Serv. in Mldg. Assy.)
					SCREW, (Not Serv.)
10	4276 730-1	1			MOULDING, Frt. Door Lwr., Woodgrain
	6003 855	AR			RETAINER
11	4366 328	1			MOULDING, Sliding Door Lwr., Woodgrain
	6003 855	AR			RETAINER
12	4276 739	1			MOULDING, Qtr. Lwr. Frt., Lt., Woodgrain, 112.1 W.B.
	4411 677	1			MOULDING, Qtr. Lwr. Frt., Lt., Woodgrain, 119.1 W.B.
	6003 855	AR			RETAINER
					SCREW, (Not Serv.)
13	4276 743	1			MOULDING, Qtr. W/Opng., Lt., Woodgrain

MODEL CODES

C BODY = (D41 - DYNASTY)(C41 - NEW YORKER)
 E BODY = (J - CARAVELLE)(E - 600)(T - NEW YORKER TURBO)
 G BODY = (V24 - DAYTONA, PACIFICA & SHELBY)
 H BODY = (D44 - LANCER)(C44 - LEBARON GTS)
 J BODY = (C - LEBARON)
 K BODY = (P - RELIANT)(D - ARIES)(C - LEBARON/ TOWN & COUNTRY)

L BODY = (M - HORIZON)(Z-OMNI)
 M BODY = (B - GRAN FURY)(G - DIPLOMAT)(F - FIFTH AVENUE/NEWPORT)
 P BODY = (P - SUNDANCE)(D - SHADOW)
 Q BODY = (C27 - MASERATI)
 S BODY = (H - VOYAGER)(K - RAM VAN/ CARAVAN)

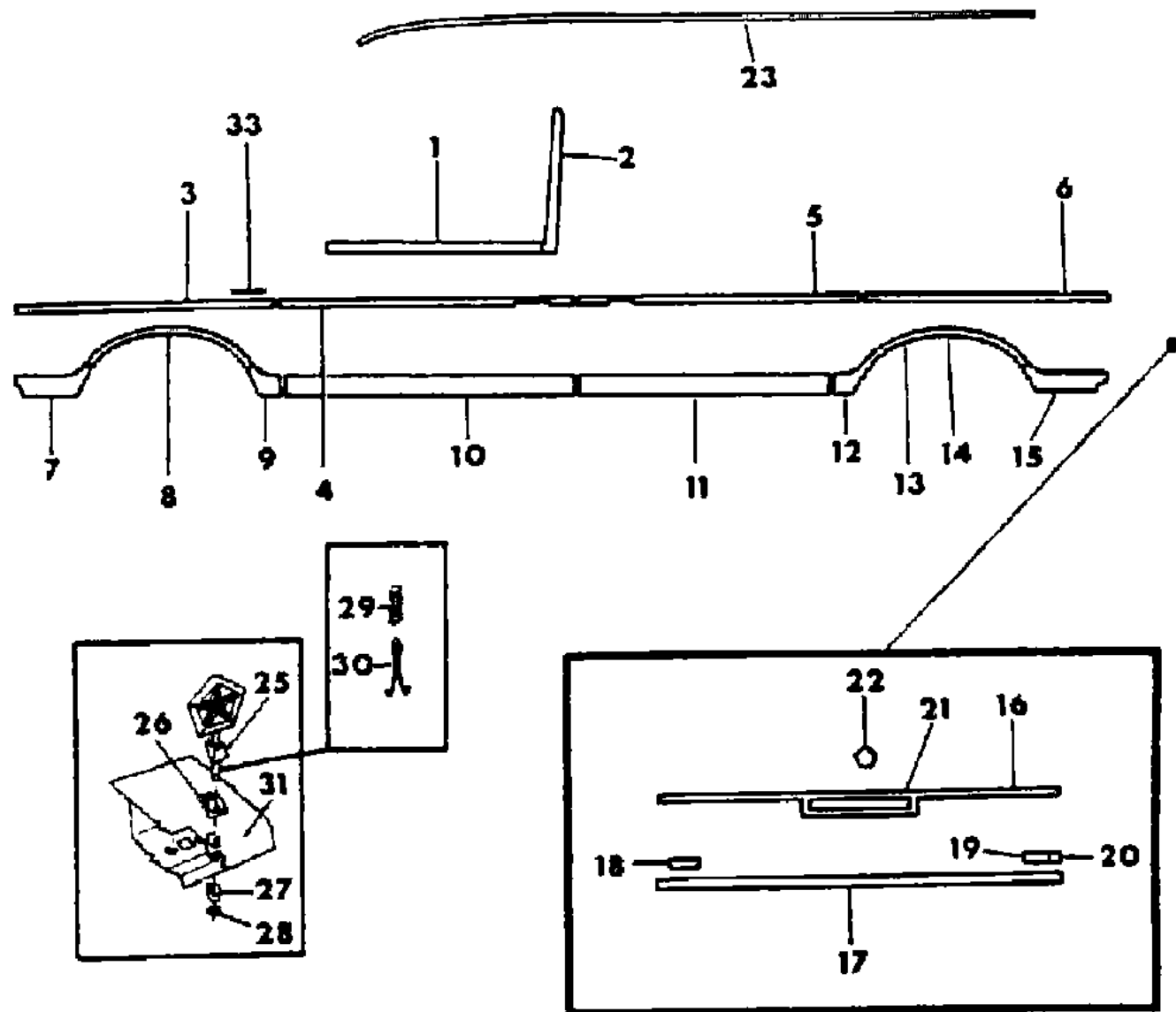
BODY STYLES

12-52 = FWD VAN & WAGON STD. W.B. 27 = 2-DOOR CONVERTIBLE
 13-53 = FWD VAN & WGN EXT W.B. 41 = 4-DOOR SEDAN
 21 = 2-DOOR SEDAN 44 = 4-DOOR HATCHBACK
 24 = 2-DOOR HATCHBACK 45 = 4-DOOR STATION WAGON

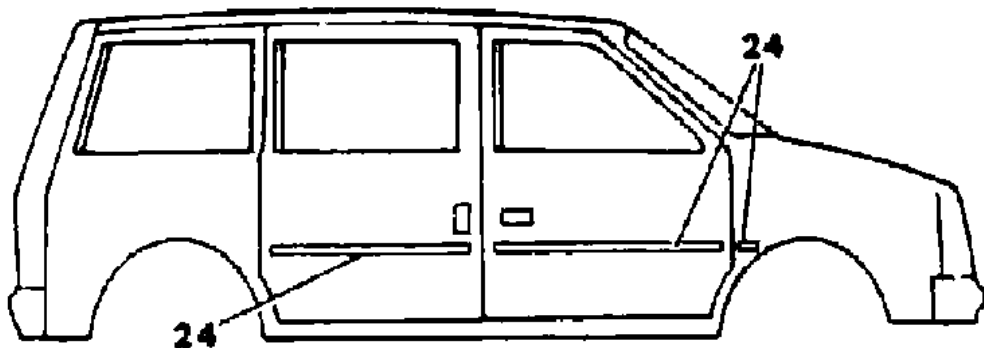
AR = Use as Required - = Non Illustrated Part P.A.R. = Paint as Required

MOULDINGS AND ORNAMENTATION - EXTERIOR VIEW S BODY PLYMOUTH VOYAGER WAGON, DODGE CARAVAN WAGON
Figure 23-4200

8168 4200



PLYMOUTH — 32



ITEM	PART NUMBER	QTY	BODY	MODEL	DESCRIPTION
					SCREW, (Not Serv.)
14	4319 610	1			MOULDING, Qtr. Lwr. Frt. and W/Opng., Rt., Woodgrain, 112.1 W.B.
	4411 676	1			MOULDING, Qtr. Lwr. Frt. and W/Opng., Rt., Woodgrain, 119.1 W.B.
15	4443 514-5	1			SCREW, (Not Serv.)
	4443 516-7	1			MOULDING, Qtr. Lwr. Rear, Woodgrain, 112.1 W.B.
	6004 060	AR			MOULDING, Qtr. Lwr. Rear, Woodgrain, 119.1 W.B.
					RETAINER
16	4293 586-7	1			SCREW, (Not Serv.)
	4293 606	AR			MOULDING PACKAGE, L/Gate Up. Outer, Woodgrain
					RETAINER PACKAGE
17	4293 588	1			MOULDING, L/Gate Lwr., Woodgrain
	6003 849	AR			RETAINER
	4443 850	1			MOULDING, L/Gate Lwr.
	6004 053	7			RETAINER
18	4328 117	1			NAMEPLATE, L/Gate, "PLYMOUTH"
	4328 118	1			"DODGE"
19	4319 995	1			NAMEPLATE, L/Gate, "VOYAGER"
	4319 993	1			"CARAVAN"
20	4328 383	1			NAMEPLATE, L/Gate, "SE"
	4328 384	1			NAMEPLATE, L/Gate, "LE"
21	4328 156	1			HANDLE ASSEMBLY, L/Gate
		AR			NUT and WASHER, (Not Serv.)
	4328 159	1			HANDLE and MOULDING, L/Gate, Woodgrain
		AR			NUT and WASHER, (Not Serv.)
22	4319 497	1			MEDALLION, L/Gate Pentastar
23	4457 044-5	1			MOULDING, Roof Side Drain Trough, Use w/o Rear Dual Hge. Doors, Closed End on Mldg., Std. W.B., Approx. 94" Long
	4398 450-1	1			MOULDING, Roof Side Drain Trough, Use w/Rear Dual Hge. Doors, Std. W.B., Approx. 98.5" Long
	4491 140-1	1			MOULDING, Roof Drain Trough, Use w/o Rear Dual Hge. Doors, Ext. W.B., Approx. 108.64" Long
	4422 422-3	1			Use w/Rear Dual Hge. Doors, Ext. W.B., Approx. 113.6" Long
24	X138-9 GM9	1			MOULDING, Fndr. Rear, Black Cherry
	X138-9 GK9	1			Dark Suede
	X138-9 FC7	1			Twilight Blue

MODEL CODES

C BODY = (D41 - DYNASTY)(C41 - NEW YORKER)
 E BODY = (J - CARAVELLE)(E - 600)(T - NEW YORKER TURBO)
 G BODY = (V24 - DAYTONA, PACIFICA & SHELBY)
 H BODY = (D44 - LANCER)(C44 - LEBARON GTS)
 J BODY = (C - LEBARON)
 K BODY = (P - RELIANT)(D - ARIES)(C - LEBARON/ TOWN & COUNTRY)

L BODY = (M - HORIZON)(Z-OMNI)
 M BODY = (B - GRAN FURY)(G - DIPLOMAT)(F - FIFTH AVENUE/NEWPORT)
 P BODY = (P - SUNDANCE)(D - SHADOW)
 Q BODY = (C27 - MASERATI)
 S BODY = (H - VOYAGER)(K - RAM VAN/ CARAVAN)

BODY STYLES

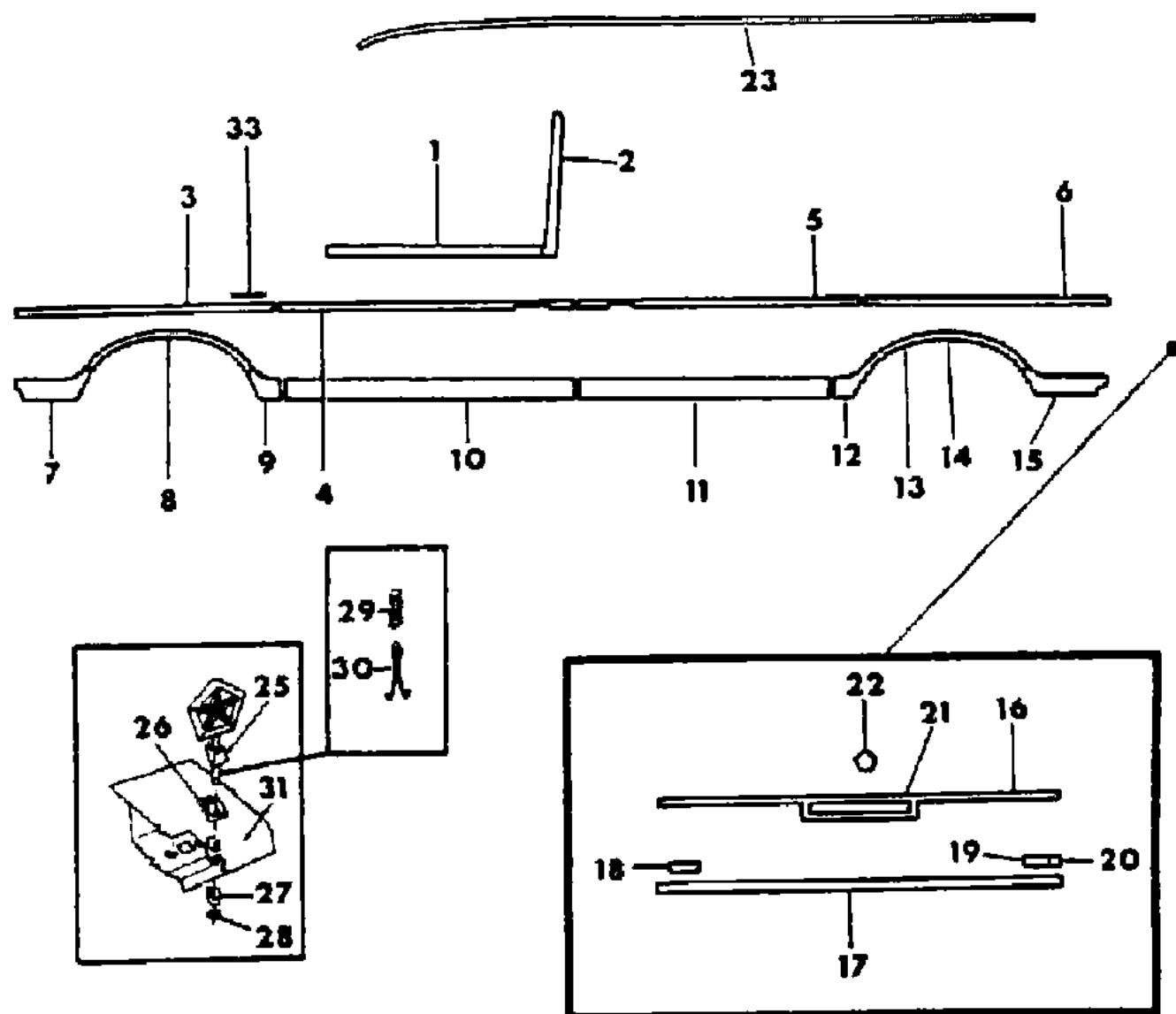
12-52 = FWD VAN & WAGON STD. W.B. 27 = 2-DOOR CONVERTIBLE
 13-53 = FWD VAN & WGN EXT W.B. 41 = 4-DOOR SEDAN
 21 = 2-DOOR SEDAN 44 = 4-DOOR HATCHBACK
 24 = 2-DOOR HATCHBACK 45 = 4-DOOR STATION WAGON

AR = Use as Required - = Non Illustrated Part P.A.R. = Paint as Required

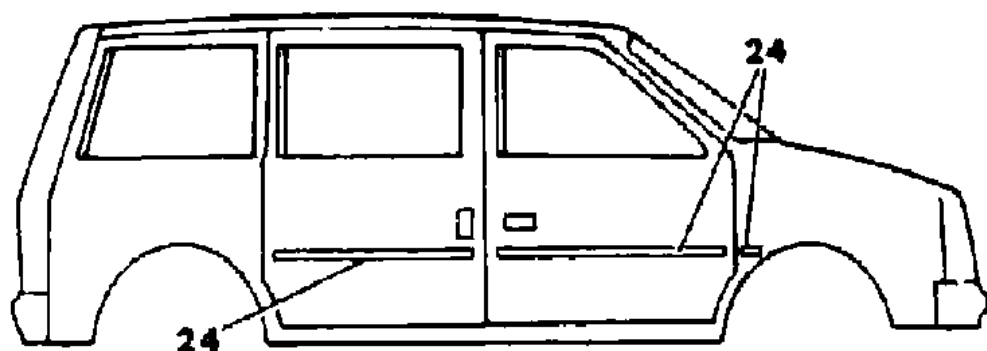
MOULDINGS AND ORNAMENTATION - EXTERIOR VIEW S BODY PLYMOUTH VOYAGER WAGON, DODGE CARAVAN WAGON

Figure 23-4200

8168 4200



PLYMOUTH — 32



ITEM	PART NUMBER	QTY	BODY	MODEL	DESCRIPTION
	X138-9 GW7	1			White
	X138-9 FS8	1			Charcoal
	X140 GM9	2			MOULDING, Frt. Door, Black Cherry
	X140 GK9	2			Dark Suede
	X140 FC7	2			Twilight Blue
	X140 GW7	2			White
	X140 FS8	2			Charcoal
	X142 GK9	1			MOULDING, Sliding Door, 112.1" W.B., Dark Suede
	X142 FC7	1			Twilight Blue
	X142 GW7	1			White
	X142 FS8	1			Charcoal
	X142 GM9	1			Black Cherry
	X164 GK9	1			MOULDING, Sliding Door, 119.1" W.B., Dark Suede
	X164 FC7	1			Twilight Blue
	X164 GW7	1			White
	X164 FS8	1			Charcoal
	X164 GM9	1			Black Cherry
	X165 GK9	1			MOULDING, Qtr., Lt., 112.1" W.B., Dark Suede
	X165 FC7	1			Twilight Blue
	X165 GW7	1			White
	X165 FS8	1			Charcoal
	X165 GM9	1			Black Cherry
	X142 GK9	1			MOULDING, Qtr. Lt., 119.1" W.B., Dark Suede
	X142 FC7	1			Twilight Blue
	X142 GW7	1			White
	X142 FS8	1			Charcoal
	X142 GM9	1			Black Cherry
	X166 GK9	1			MOULDING, Qtr. Rt., 119.1" W.B., Dark Suede
	X166 FC7	1			Twilight Blue
	X166 GW7	1			White
	X166 FS8	1			Charcoal
	X166 GM9	1			Black Cherry
25	4339 013	1			ORNAMENT, Hood (Includes Items 33, 34, 35)
26		1			GASKET, Hood Ornament
27		1			SPACER, Hood Ornament
28	6030 435	1			NUT
29	3672 672	1			SPRING, Hood Ornament

MODEL CODES

C BODY = (D41 - DYNASTY)(C41 - NEW YORKER)
 E BODY = (J - CARAVELLE)(E - 600)(T - NEW YORKER TURBO)
 G BODY = (V24 - DAYTONA, PACIFICA & SHELBY)
 H BODY = (D44 - LANCER)(C44 - LEBARON GTS)
 J BODY = (C - LEBARON)
 K BODY = (P - RELIANT)(D - ARIES)(C - LEBARON/ TOWN & COUNTRY)

L BODY = (M - HORIZON)(Z-OMNI)
 M BODY = (B - GRAN FURY)(G - DIPLOMAT)(F - FIFTH AVENUE/NEWPORT)
 P BODY = (P - SUNDANCE)(D - SHADOW)
 Q BODY = (C27 - MASERATI)
 S BODY = (H - VOYAGER)(K - RAM VAN/ CARAVAN)

BODY STYLES

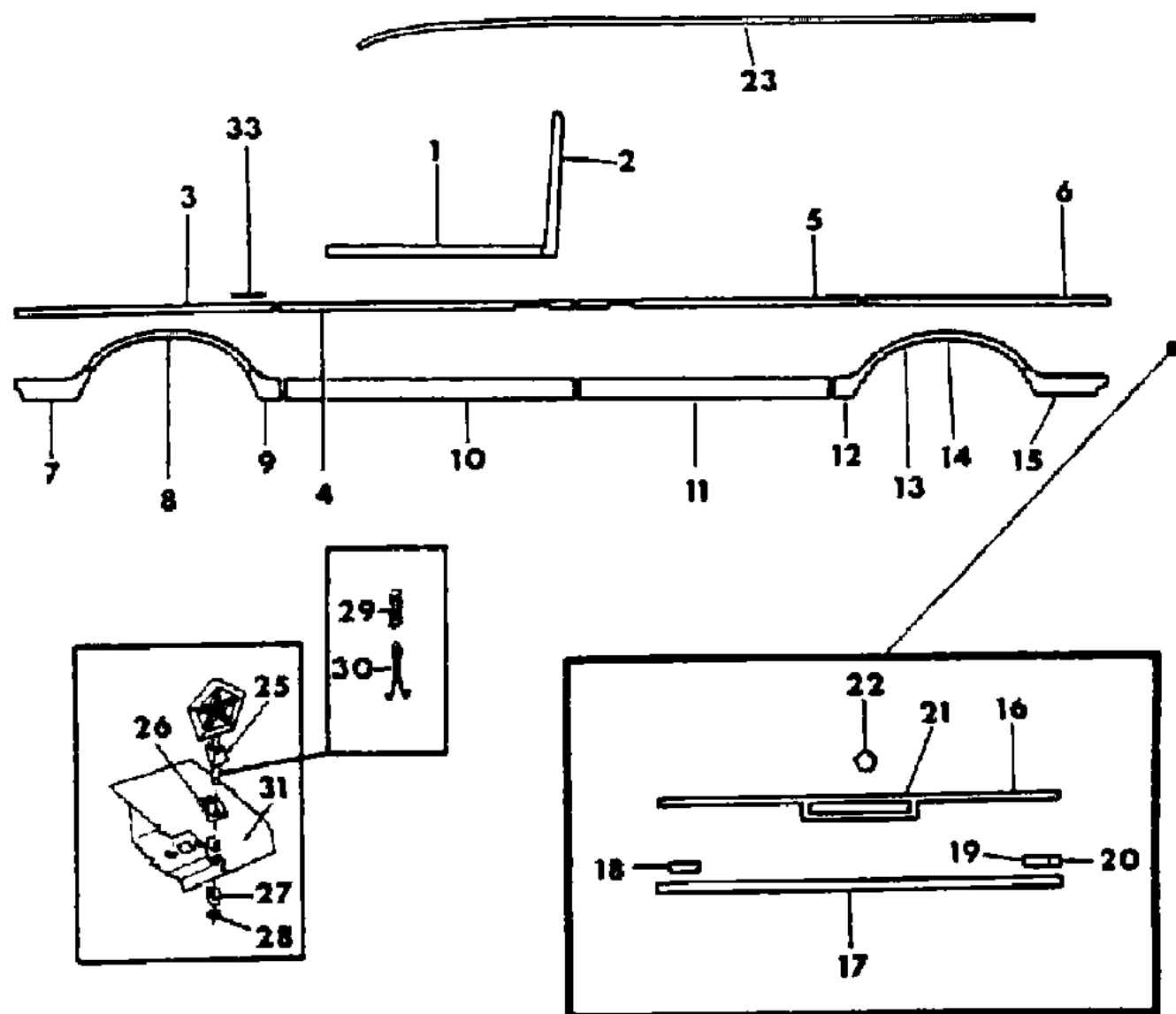
12-52 = FWD VAN & WAGON STD. W.B. 27 = 2-DOOR CONVERTIBLE
 13-53 = FWD VAN & WGN EXT W.B. 41 = 4-DOOR SEDAN
 21 = 2-DOOR SEDAN 44 = 4-DOOR HATCHBACK
 24 = 2-DOOR HATCHBACK 45 = 4-DOOR STATION WAGON

AR = Use as Required - = Non Illustrated Part P.A.R. = Paint as Required

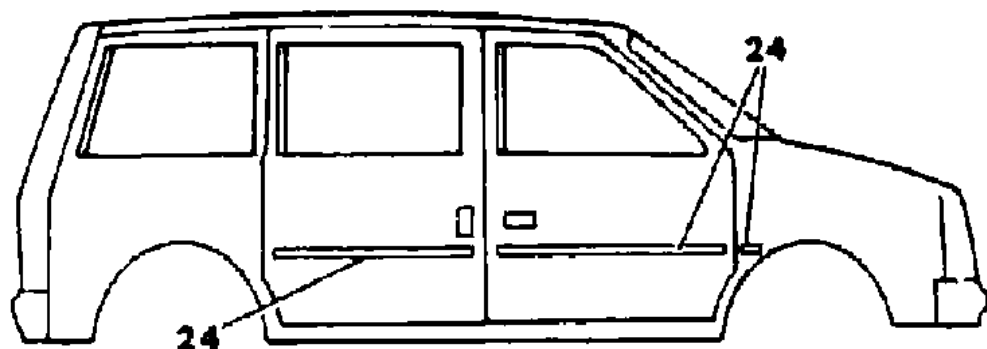
MOULDINGS AND ORNAMENTATION - EXTERIOR VIEW S BODY PLYMOUTH VOYAGER WAGON, DODGE CARAVAN WAGON

Figure 23-4200

8168 4200



PLYMOUTH — 32



ITEM	PART NUMBER	QTY	BODY	MODEL	DESCRIPTION
30	3672 780	1			RETAINER, Hood Ornament
31		1			HOOD, (See Illus. in Group 23A)
32	4388 209	1			NAMEPLATE, "PLYMOUTH"
	4339 085	1			"DODGE"
33	4422 582	2			NAMEPLATE, Fndr. "V6 EFI"

MODEL CODES

- C BODY = (D41 - DYNASTY)(C41 - NEW YORKER)
- E BODY = (J - CARAVELLE)(E - 600)(T - NEW YORKER TURBO)
- G BODY = (V24 - DAYTONA, PACIFICA & SHELBY)
- H BODY = (D44 - LANCER)(C44 - LEBARON GTS)
- J BODY = (C - LEBARON)
- K BODY = (P - RELIANT)(D - ARIES)(C - LEBARON/ TOWN & COUNTRY)
- L BODY = (M - HORIZON)(Z-OMNI)
- M BODY = (B - GRAN FURY)(G - DIPLOMAT)(F - FIFTH AVENUE/NEWPORT)
- P BODY = (P - SUNDANCE)(D - SHADOW)
- Q BODY = (C27 - MASERATI)
- S BODY = (H - VOYAGER)(K - RAM VAN/ CARAVAN)

BODY STYLES

- 12-52 = FWD VAN & WAGON STD. W.B.
- 13-53 = FWD VAN & WGN EXT W.B.
- 21 = 2-DOOR SEDAN
- 24 = 2-DOOR HATCHBACK
- 27 = 2-DOOR CONVERTIBLE
- 41 = 4-DOOR SEDAN
- 44 = 4-DOOR HATCHBACK
- 45 = 4-DOOR STATION WAGON

AR = Use as Required - = Non Illustrated Part P.A.R. = Paint as Required

MOULDINGS AND ORNAMENTATION - EXTERIOR VIEW S BODY PREMIUM PLYMOUTH VOYAGER WAGON, DODGE CARAVAN WAGON

Figure 23-4300

8168 4300

ITEM	PART NUMBER	QTY	BODY	MODEL	DESCRIPTION
1	4422 582	2			NAMEPLATE, Fndr., "V6 EFI"
2	4494 186-7	1			MOULDING PACKAGE, Fndr. Frt. CAP, Fndr. Frt. Mldg., Frt End (Serv. in 4494186-7)
3	4398 268-9	1			MOULDING, Fndr. Wheel Opng.
4	4494 104-5	1			MOULDING PACKAGE, Frt. Door Lwr.
5	4319 148-9	1			WEATHERSTRIP, Frt. Door Belt
6	6032 456	AR			SCREW
6	4319 152-3	1			MOULDING, Frt. Door Wdo. Opng. Frame Rear
	4057 555	AR			RETAINER PACKAGE
7	4443 842-3	1			MOULDING PACKAGE, Side Sill
	4398 304	2			RETAINER, Side Sill Mldg.
	4422 772-3	1			BRACKET, Side Sill Mldg.
8	4494 106	1			MOULDING PACKAGE, Sliding Door Lwr.
	4494 107	1			MOULDING PACKAGE, Lt. Qtr. Pnl. Lwr.
9	4443 844-5	1			CAP, Side Sill Mldg. End
10	4494 102-3	1			MOULDING PACKAGE, Qtr. Wheel Opng.
11	4494 236-7	1			MOULDING PACKAGE, Qtr. Pnl. Rear CAP, Qtr. Rear Mldg. Rear End (Serv. in 4494236-7)
12	4443 746-7	1			MOULDING PACKAGE, Lwr. Door Applique
13		20			RIVET, (Not Serv.)
14		4			SCREW, (Not Serv.)
15	X402-3 GS4	1			INSERT, Lwr. Door Applique Mldg. Lwr.
16	X400-1 GS4	1			INSERT, Lwr. Door Applique Mldg. Upr.
17		10			RIVET, (Not Serv.)
18	4443 748-9	1			MOULDING, Sliding Door Applique
19		2			SCREW, (Not Serv.)
20	X404-5 GS4	1			INSERT, Sliding Door Applique Mldg. Upr.
21	X406-7 GS4	1			INSERT, Sliding Door Applique Mldg. Lwr.
22	X210-1 GS4	1			MOULDING, Side Sill and Wheel Flare, Frt. RETAINER
23	X260-1 GS4	1			MOULDING, Side Sill and Wheel Flare, Rear RETAINER
24	4491 016-7	1			MOULDING, Sill Lwr., Ground Effects
-	6500 898	4			RIVET, Sill Lower Ground Effects to Hoist Pad
25	4319 496	1			MEDALLION, L/Gate Pentastar
26	4443 850	1			MOULDING PACKAGE, L/Gate Lwr. RETAINER
	6004 053	7			

MODEL CODES

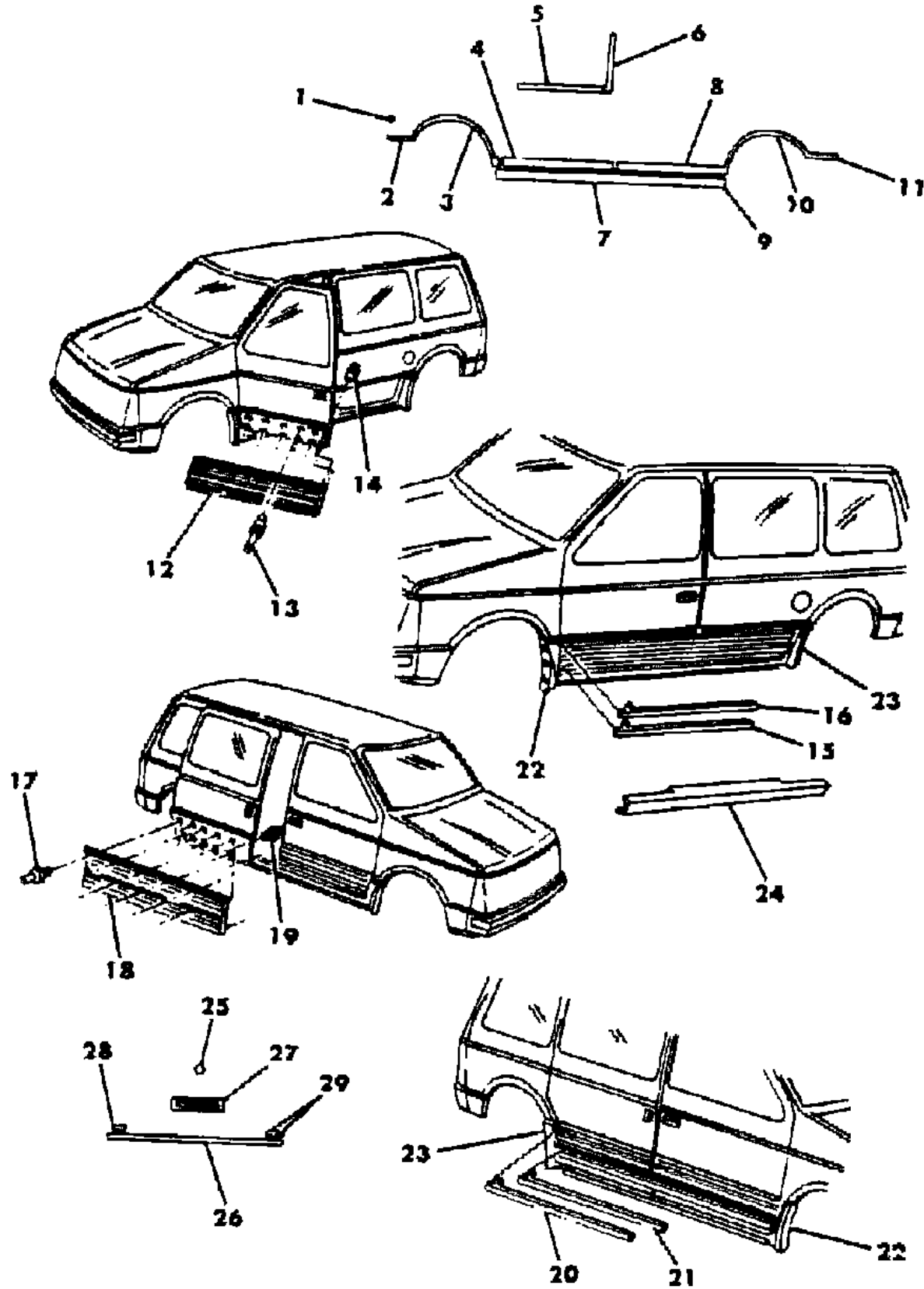
C BODY = (D41 - DYNASTY)(C41 - NEW YORKER)
 E BODY = (J - CARAVELLE)(E - 600)(T - NEW YORKER TURBO)
 G BODY = (V24 - DAYTONA, PACIFICA & SHELBY)
 H BODY = (D44 - LANCER)(C44 - LEBARON GTS)
 J BODY = (C - LEBARON)
 K BODY = (P - RELIANT)(D - ARIES)(C - LEBARON/ TOWN & COUNTRY)

L BODY = (M - HORIZON)(Z-OMNI)
 M BODY = (B - GRAN FURY)(G - DIPLOMAT)(F - FIFTH AVENUE/NEWPORT)
 P BODY = (P - SUNDANCE)(D - SHADOW)
 Q BODY = (C27 - MASERATI)
 S BODY = (H - VOYAGER)(K - RAM VAN/ CARAVAN)

BODY STYLES

12-52 = FWD VAN & WAGON STD. W.B. 27 = 2-DOOR CONVERTIBLE
 13-53 = FWD VAN & WGN EXT W.B. 41 = 4-DOOR SEDAN
 21 = 2-DOOR SEDAN 44 = 4-DOOR HATCHBACK
 24 = 2-DOOR HATCHBACK 45 = 4-DOOR STATION WAGON

AR = Use as Required - = Non Illustrated Part P.A.R. = Paint as Required

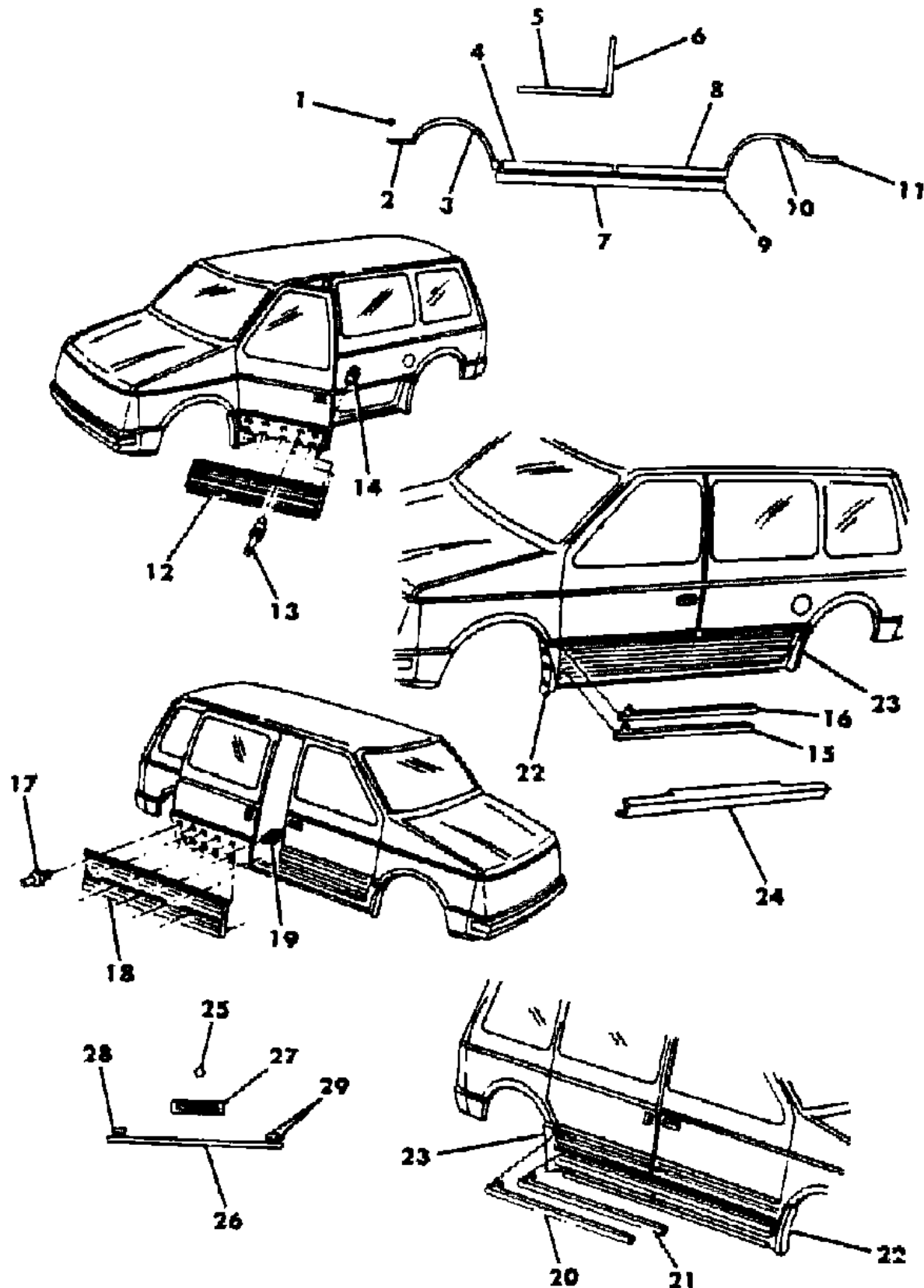


MOULDINGS AND ORNAMENTATION - EXTERIOR VIEW S BODY PREMIUM PLYMOUTH VOYAGER WAGON, DODGE CARAVAN WAGON

Figure 23-4300

8168 4300

ITEM	PART NUMBER	QTY	BODY	MODEL	DESCRIPTION
	4422 634-5	1			CAP, L/Gate Lwr. Mldg. End
27	4454 768	1		K	HANDLE ASSEMBLY, L/Gate
28	4454 515	1		K	NAMEPLATE, L/Gate, "DODGE"
29	4454 516	1		K	NAMEPLATE, L/Gate, "CARAVAN"
	4491 254	1			NAMEPLATE, L/Gate, "GRAND CARAVAN"
	4491 255	1			NAMEPLATE, L/Gate, "GRAND VOYAGER"



MODEL CODES

C BODY = (D41 - DYNASTY)(C41 - NEW YORKER)
 E BODY = (J - CARAVELLE)(E - 600)(T - NEW YORKER TURBO)
 G BODY = (V24 - DAYTONA, PACIFICA & SHELBY)
 H BODY = (D44 - LANCER)(C44 - LEBARON GTS)
 J BODY = (C - LEBARON)
 K BODY = (P - RELIANT)(D - ARIES)(C - LEBARON/ TOWN & COUNTRY)

L BODY = (M - HORIZON)(Z-OMNI)
 M BODY = (B - GRAN FURY)(G - DIPLOMAT)(F - FIFTH AVENUE/NEWPORT)
 P BODY = (P - SUNDANCE)(D - SHADOW)
 Q BODY = (C27 - MASERATI)
 S BODY = (H - VOYAGER)(K - RAM VAN/ CARAVAN)

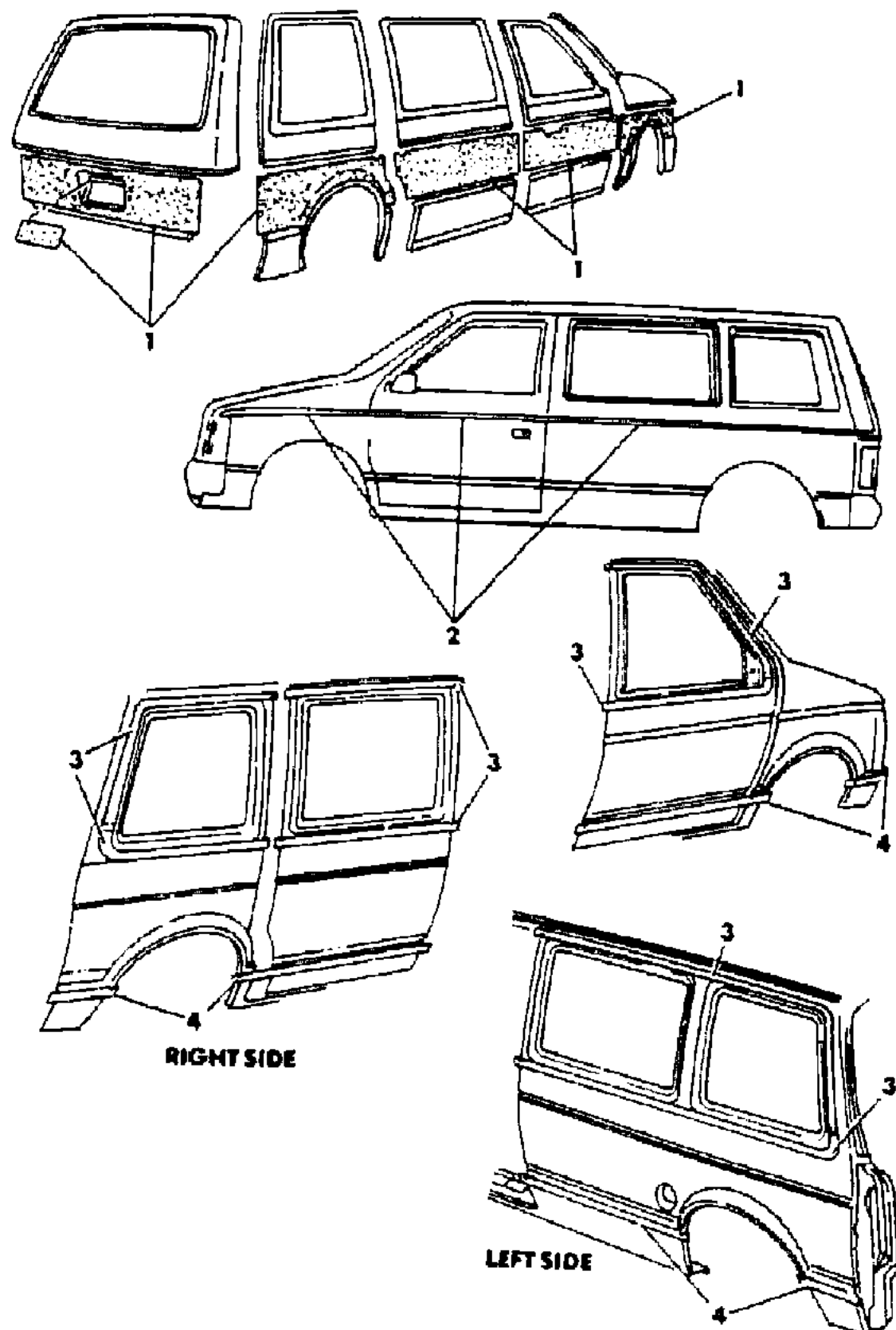
BODY STYLES

12-52 = FWD VAN & WAGON STD. W.B. 27 = 2-DOOR CONVERTIBLE
 13-53 = FWD VAN & WGN EXT W.B. 41 = 4-DOOR SEDAN
 21 = 2-DOOR SEDAN 44 = 4-DOOR HATCHBACK
 24 = 2-DOOR HATCHBACK 45 = 4-DOOR STATION WAGON

AR = Use as Required - = Non Illustrated Part P.A.R. = Paint as Required

TAPE STRIPES AND DECALS - EXTERIOR VIEW S BODY PLYMOUTH VOYAGER WAGON, DODGE CARAVAN WAGON
Figure 23-4400

8168 4400



ITEM	PART NUMBER	QTY	BODY	MODEL	DESCRIPTION
1	4422 979	AR			OVERLAY, Fndr. Frt., Door, Sliding Door, Qtr., L/Gate, Lic. Plate Depr., 112.1" W.B.
	4422 979	AR			OVERLAY, Fndr. Frt., Door, Sliding Door, Qtr., L/Gate Lic. Plate Depr., 119.1" W.B.
2	T352-3 FA3	1			TAPE, Fndr., Dark Silver
	T352-3 FC4	1			Blue
	T352-3 GS6	1			Charcoal
	T352-3 GH4	1			Red
	T352-3 FY1	1			Gold
3	4443 506	AR			TAPE, Body Side, Rolled Stock, 3 1/2 Yds., Dark Silver
	4443 507	AR			Blue
	4443 508	AR			Gold
	4494 101	AR			Red
	4494 108	AR			Charcoal
	T228 GH4	1			TAPE, L/Gate, Red
	T228 GS6	1			Charcoal
	T228 FY1	1			Gold
	T228 FC4	1			Blue
	T228 FA3	1			Silver
4	4494 122-3	1		H,P-52	TAPE PACKAGE, Frt. Door Wdo. Lwr. and Up., Sliding Door Wdo. Up. and Lwr., Qtr. Wdo. Up. and Lwr. and Rear Qtr. Wdo. Lwr., Std. W.B., Red, Taupe
	4494 124-5	1			Silver, Red
	4494 126-7	1			Blue, Light Blue
	4494 128-9	1			Silver, White
	4494 130-1	1			Gold, Maroon
	4494 142-3	1		H,P-53	Ext. W.B., Red, Light Taupe
	4494 144-5	1			Silver, Red
	4494 146-7	1			Blue, Light Blue
	4494 148-9	1			Silver, White
	4494 150-1	1			Gold, Maroon
4	4494 112-3	1		H,P-52	TAPE PACKAGE, Fndr. Frt. Lwr., Frt. Door and Fndr. Rear Lwr., Sliding Door and Qtr. Frt. Lwr., Qtr. Rear Lwr., Std. W.B., Red, Light Taupe
	4494 114-5	1			Silver, Red
	4494 116-7	1			Blue, Light Blue
	4494 118-9	1			Silver, White

MODEL CODES

C BODY = (D41 - DYNASTY)(C41 - NEW YORKER)
 E BODY = (J - CARAVELLE)(E - 600)(T - NEW YORKER TURBO)
 G BODY = (V24 - DAYTONA, PACIFICA & SHELBY)
 H BODY = (D44 - LANCER)(C44 - LEBARON GTS)
 J BODY = (C - LEBARON)
 K BODY = (P - RELIANT)(D - ARIES)(C - LEBARON/ TOWN & COUNTRY)
 L BODY = (M - HORIZON)(Z-OMNI)
 M BODY = (B - GRAN FURY)(G - DIPLOMAT)(F - FIFTH AVENUE/NEWPORT)
 P BODY = (P - SUNDANCE)(D - SHADOW)
 Q BODY = (C27 - MASERATI)
 S BODY = (H - VOYAGER)(K - RAM VAN/ CARAVAN)

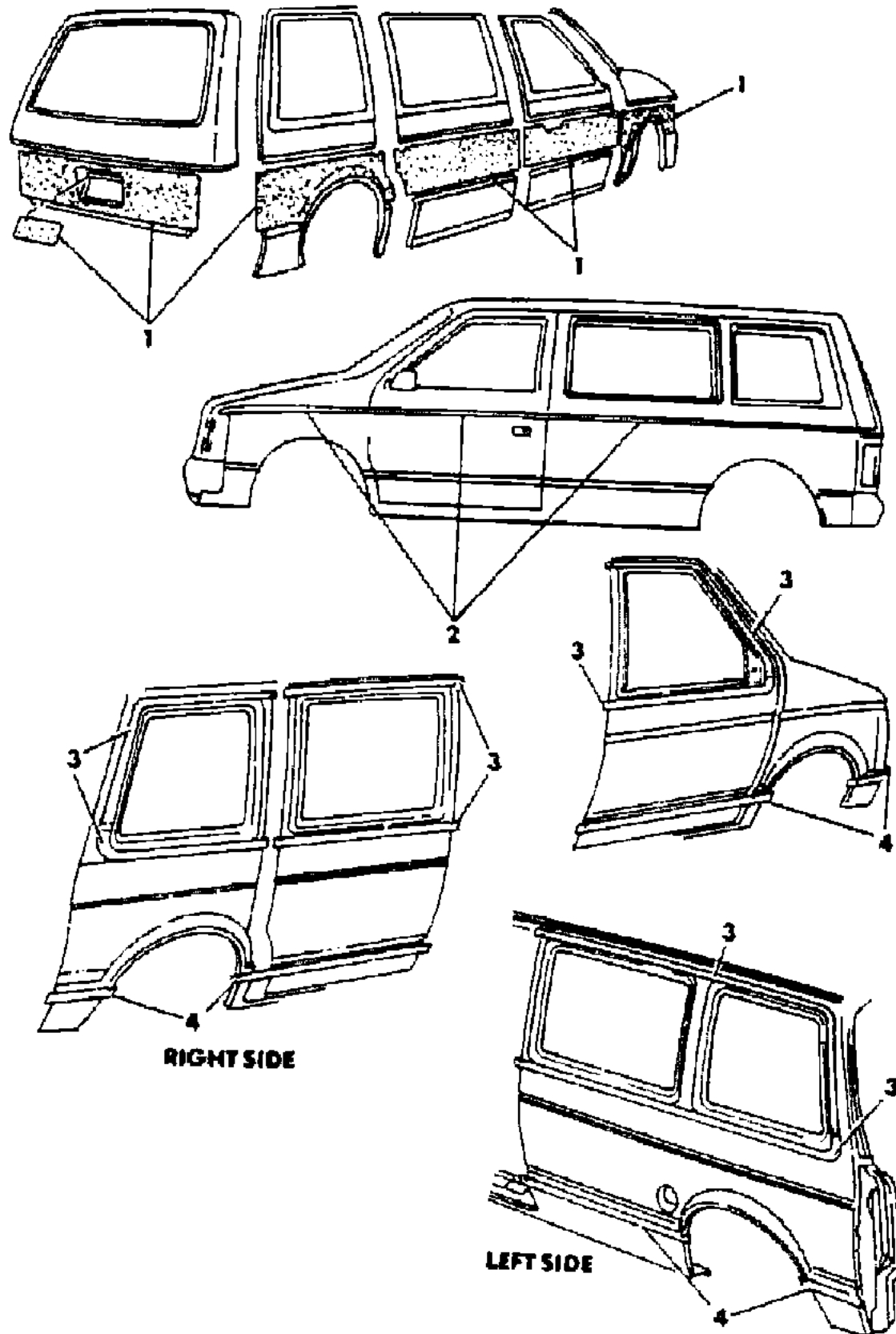
BODY STYLES

12-52 = FWD VAN & WAGON STD. W.B. 27 = 2-DOOR CONVERTIBLE
 13-53 = FWD VAN & WGN EXT W.B. 41 = 4-DOOR SEDAN
 21 = 2-DOOR SEDAN 44 = 4-DOOR HATCHBACK
 24 = 2-DOOR HATCHBACK 45 = 4-DOOR STATION WAGON

AR = Use as Required - = Non Illustrated Part P.A.R. = Paint as Required

TAPE STRIPES AND DECALS - EXTERIOR VIEW S BODY PLYMOUTH VOYAGER WAGON, DODGE CARAVAN WAGON
Figure 23-4400

8168 4400



ITEM	PART NUMBER	QTY	BODY	MODEL	DESCRIPTION
	4494 120-1	1			Gold, Maroon
	4494 276-7	1		H-53	Ext. W.B., Red, Light Taupe
	4494 278-9	1			Silver, Red
	4494 280-1	1			Blue, Light Blue
	4494 282-3	1			Silver, White
	4494 284-5	1			Gold, Maroon
	4494 848-9	1		P-53	Red, Light Taupe
	4494 850-1	1			Blue, Light Blue
	4494 852-3	1			Gold, Maroon
	4494 966-7	1			Silver, Red
	4494 968-9	1			Silver, White
-	4494 298	AR		P-52	TAPE, Body Side and L/Gate, Bright Red

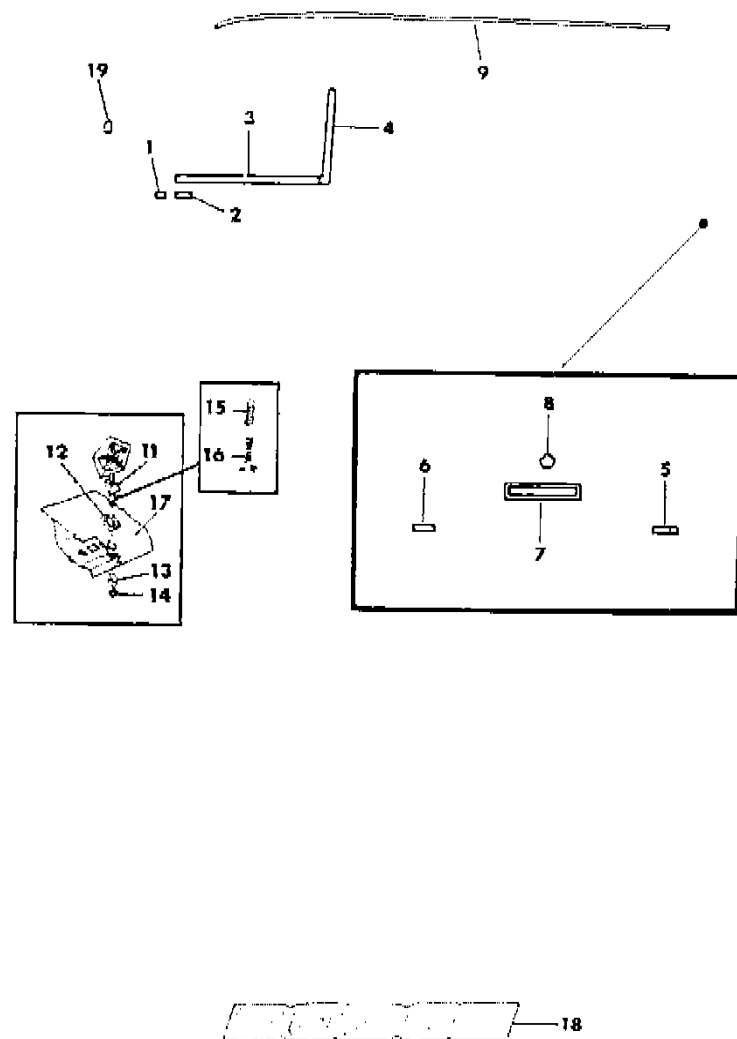
MODEL CODES
 C BODY = (D41 - DYNASTY)(C41 - NEW YORKER)
 E BODY = (J - CARAVELLE)(E - 600)(T - NEW YORKER TURBO)
 G BODY = (V24 - DAYTONA, PACIFICA & SHELBY)
 H BODY = (D44 - LANCER)(C44 - LEBARON GTS)
 J BODY = (C - LEBARON)
 K BODY = (P - RELIANT)(D - ARIES)(C - LEBARON/ TOWN & COUNTRY)
 L BODY = (M - HORIZON)(Z-OMNI)
 M BODY = (B - GRAN FURY)(G - DIPLOMAT)(F - FIFTH AVENUE/NEWPORT)
 P BODY = (P - SUNDANCE)(D - SHADOW)
 Q BODY = (C27 - MASERATI)
 S BODY = (H - VOYAGER)(K - RAM VAN/ CARAVAN)

BODY STYLES
 12-52 = FWD VAN & WAGON STD. W.B. 27 = 2-DOOR CONVERTIBLE
 13-53 = FWD VAN & WGN EXT W.B. 41 = 4-DOOR SEDAN
 21 = 2-DOOR SEDAN 44 = 4-DOOR HATCHBACK
 24 = 2-DOOR HATCHBACK 45 = 4-DOOR STATION WAGON

AR = Use as Required - = Non Illustrated Part P.A.R. = Paint as Required

MOULDINGS AND ORNAMENTATION - EXTERIOR VIEW S BODY DODGE MINI RAM VAN AND ROYAL
Figure 23-4500

8168 4500 A



ITEM	PART NUMBER	QTY	BODY	MODEL	DESCRIPTION
1	4328 544-5	1			MEDALLION, Frt. Door Royal
2	4328 382	2			NAMEPLATE, Frt. Door, "RAM"
3	4319 148-9	1			WEATHERSTRIP, Frt. Door Belt
4	6032 456	AR			SCREW
4	4319 152-3	1			MOULDING, Frt. Door Wdo. Opng. Frame, Rear
5	4057 555	AR			RETAINER PACKAGE
5	4319 994	1			NAMEPLATE, L/Gate, "RAM VAN"
6	4328 118	1			NAMEPLATE, L/Gate, "DODGE"
7	4328 156	1			HANDLE ASSEMBLY, L/Gate
	4422 425	1		K-E	HANDLE ASSEMBLY, Rear Cargo Doors, w/Dual Doors
		AR			NUT and WASHER, (Not Serv.)
8	4319 497	1			MEDALLION, L/Gate Pentastar
9	4457 044-5	1			MOULDING, Roof Side Drain Trough, Use w/o Rear Dual Hge.
	4398 450-1	1			Doors, Closed End on Mldg., Std. W.B., Approx. 92" Long MOULDING, Roof Side Drain Trough, Use w/Rear Dual Hge.
	4491 140-1	1			Doors, Std. W.B., Approx. 96" Long MOULDING, Roof Side Drain Trough, Use w/o Rear Dual Hge.
	4422 422-3	1			Doors, Ext. W.B., Approx. 106" Long Use w/Rear Dual Hge. Doors, Ext. W.B., Approx. 111" Long
11	4339 013	1			ORNAMENT, Hood (Includes Items 14, 15, 16)
12		1			GASKET, Hood Ornament
13		1			SPACER, Hood Ornament
14	6030 435	1			NUT
15	3672 672	1			SPRING, Hood Ornament
16	3672 780	1			RETAINER, Hood Ornament
17		1			HOOD, (See Illus in Group 23A)
18	4339 085	1			NAMEPLATE, "DODGE"
19	4422 582	2			NAMEPLATE, Fndr., "V6 EFI"

MODEL CODES

C BODY = (D41 - DYNASTY)(C41 - NEW YORKER)
 E BODY = (J - CARAVELLE)(E - 600)(T - NEW YORKER TURBO)
 G BODY = (V24 - DAYTONA, PACIFICA & SHELBY)
 H BODY = (D44 - LANCER)(C44 - LEBARON GTS)
 J BODY = (C - LEBARON)
 K BODY = (P - RELIANT)(D - ARIES)(C - LEBARON/ TOWN & COUNTRY)
 L BODY = (M - HORIZON)(Z-OMNI)
 M BODY = (B - GRAN FURY)(G - DIPLOMAT)(F - FIFTH AVENUE/NEWPORT)
 P BODY = (P - SUNDANCE)(D - SHADOW)
 Q BODY = (C27 - MASERATI)
 S BODY = (H - VOYAGER)(K - RAM VAN/ CARAVAN)

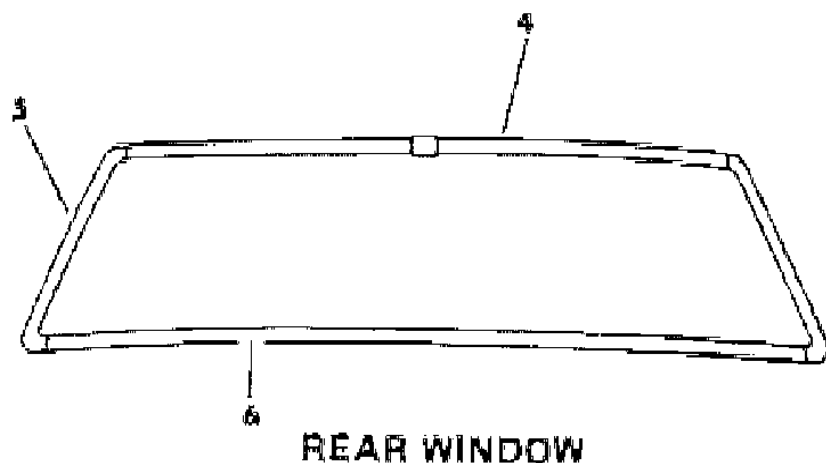
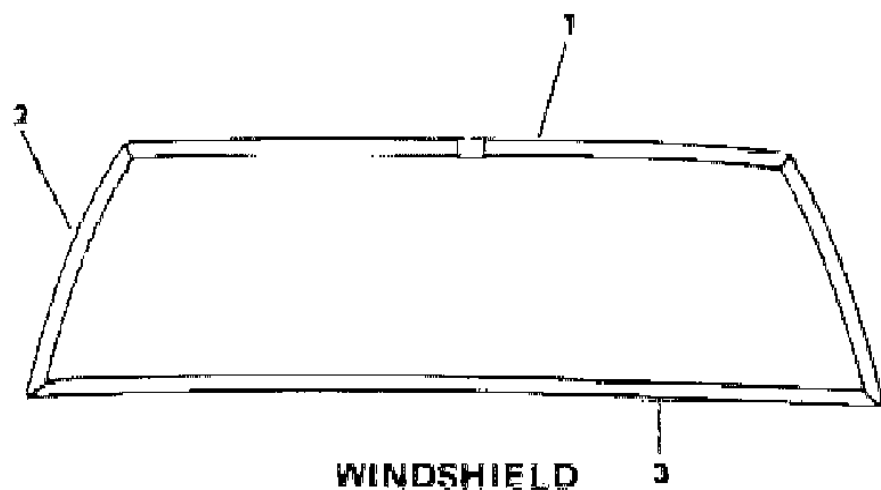
BODY STYLES

12-52 = FWD VAN & WAGON STD. W.B. 27 = 2-DOOR CONVERTIBLE
 13-53 = FWD VAN & WGN EXT W.B. 41 = 4-DOOR SEDAN
 21 = 2-DOOR SEDAN 44 = 4-DOOR HATCHBACK
 24 = 2-DOOR HATCHBACK 45 = 4-DOOR STATION WAGON

AR = Use as Required - = Non Illustrated Part P.A.R. = Paint as Required

MOULDINGS, WINDSHIELD AND REAR WINDOW OUTSIDE M BODY
Figure 23-4600

8168 4600



ITEM	PART NUMBER	QTY	BODY	MODEL	DESCRIPTION
1	4022 712-3	1			MOULDING, W/Shield, Upr., Bright
	6003 916	AR			RETAINER, Upr.
	6003 753	AR			RETAINER, Upr. WELD NUT, (Not Serv.)
2	4022 714-5	1			MOULDING, W/Shield, Side, Bright
	6003 916	AR			RETAINER, Side
	6003 753	AR			RETAINER WELD STUD, (Not Serv.)
3	4022 707	1			MOULDING, W/Shield, Lwr., Bright
	4022 706	AR			SPACER, Lwr.
4	6003 753	AR			RETAINER
	4422 046-7	1		B,G	MOULDING, Rear Wdo., Upr., Bright
	6003 753	AR			RETAINER
5	6003 916	AR			RETAINER
	4422 042-3	1		B,G	MOULDING, Rear Wdo., Side, Bright
	6003 753	AR			RETAINER
6	6003 916	AR			RETAINER
	4422 050	1		B,G	MOULDING, Rear Wdo., Lwr., Bright
	6003 753	AR			RETAINER
	6003 916	AR			RETAINER

MODEL CODES

C BODY = (D41 - DYNASTY)(C41 - NEW YORKER)
 E BODY = (J - CARAVELLE)(E - 600)(T - NEW YORKER TURBO)
 G BODY = (V24 - DAYTONA, PACIFICA & SHELBY)
 H BODY = (D44 - LANCER)(C44 - LEBARON GTS)
 J BODY = (C - LEBARON)
 K BODY = (P - RELIANT)(D - ARIES)(C - LEBARON/ TOWN & COUNTRY)

L BODY = (M - HORIZON)(Z-OMNI)
 M BODY = (B - GRAN FURY)(G - DIPLOMAT)(F - FIFTH AVENUE/NEWPORT)
 P BODY = (P - SUNDANCE)(D - SHADOW)
 Q BODY = (C27 - MASERATI)
 S BODY = (H - VOYAGER)(K - RAM VAN/ CARAVAN)

BODY STYLES

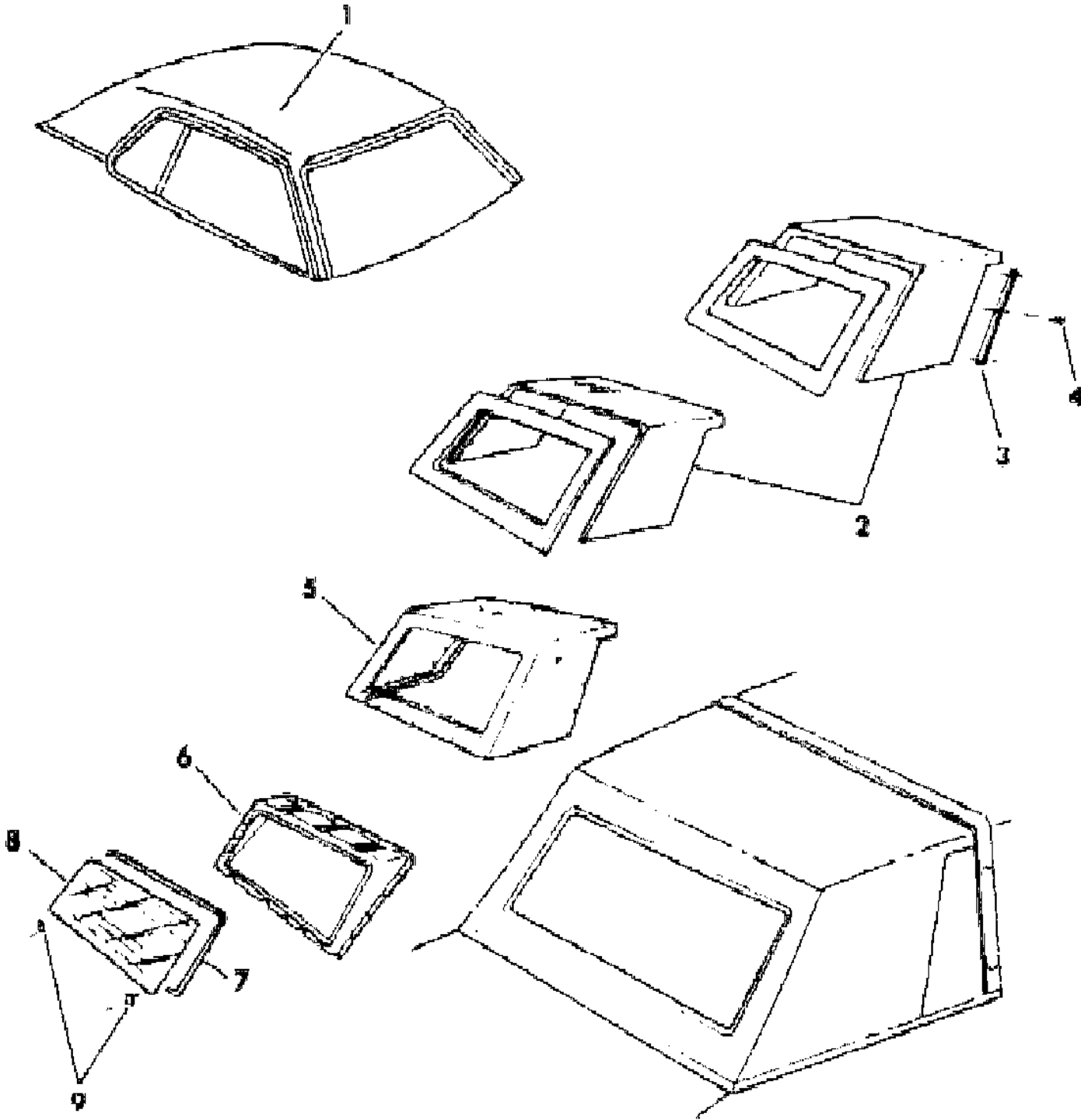
12-52 = FWD VAN & WAGON STD. W.B.	27 = 2-DOOR CONVERTIBLE
13-53 = FWD VAN & WGN EXT W.B.	41 = 4-DOOR SEDAN
21 = 2-DOOR SEDAN	44 = 4-DOOR HATCHBACK
24 = 2-DOOR HATCHBACK	45 = 4-DOOR STATION WAGON

AR = Use as Required - = Non Illustrated Part P.A.R. = Paint as Required

COVER, ROOF - EXTERIOR VIEW M BODY PLYMOUTH FURY, DODGE DIPLOMAT, CHRYSLER FIFTH AVE.

Figure 23-4700

8168 4700



ITEM	PART NUMBER	QTY	BODY	MODEL	DESCRIPTION
1	T813 GA2	1		B,G	COVER, Roof, Silver
	T813 GW7	1		B,G	White
	T813 GL2	1		B,G	Light Pewter
	T813 GM9	1		B,G	Black Cherry
	T813 GC7	1		B,G	Twilight Blue
2	4494 701	1		F-S	COVER ASSEMBLY, Roof, Silver
	4494 702	1			Black
	4494 703	1			Black Cherry
	4494 704	1			Dark Pewter
	4494 705	1			Light Pewter
	4494 706	1			Twilight Blue
	4494 707	1			Ice Blue
	4494 708	1			White
3	4229 804-5	1		F-S	RETAINER, Qtr. Wdo. Upr., Vinyl
4	0153 341	AR		F-S	SCREW
5	4491 248	1		F-S	CAP, Roof Bonnet
6	4229 998	1		F-S	EXTENSION and SUPPORT, Rear Wdo. Mtg.
7		AR		F-S	TAPE, Butyl, 5/16" Thick
8	4229 801	1		F-S	GLASS ASSEMBLY, Rear Wdo., Heated
9		AR		F-S	RETAINER, (Not Serv.)

MODEL CODES

C BODY = (D41 - DYNASTY)(C41 - NEW YORKER)
 E BODY = (J - CARAVELLE)(E - 600)(T - NEW YORKER TURBO)
 G BODY = (V24 - DAYTONA, PACIFICA & SHELBY)
 H BODY = (D44 - LANCER)(C44 - LEBARON GTS)
 J BODY = (C - LEBARON)
 K BODY = (P - RELIANT)(D - ARIES)(C - LEBARON/ TOWN & COUNTRY)
 L BODY = (M - HORIZON)(Z-OMNI)
 M BODY = (B - GRAN FURY)(G - DIPLOMAT)(F - FIFTH AVENUE/NEWPORT)
 P BODY = (P - SUNDANCE)(D - SHADOW)
 Q BODY = (C27 - MASERATI)
 S BODY = (H - VOYAGER)(K - RAM VAN/ CARAVAN)

BODY STYLES

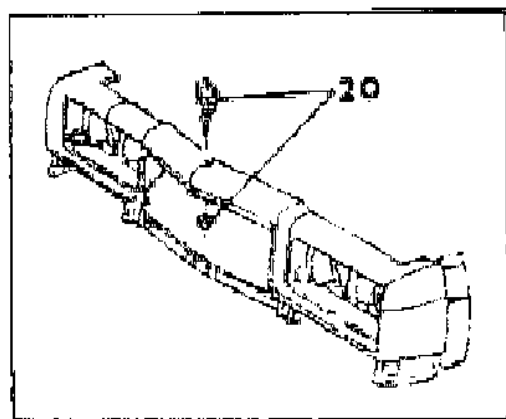
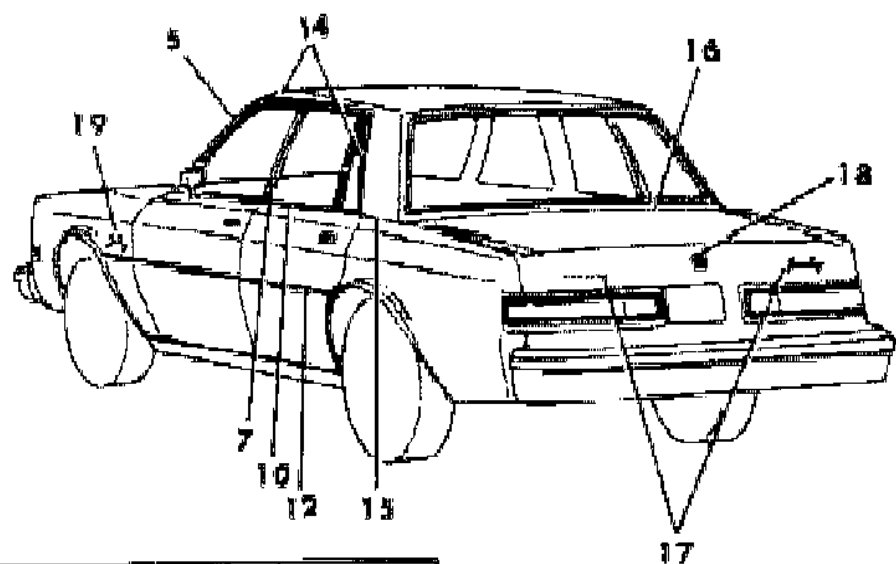
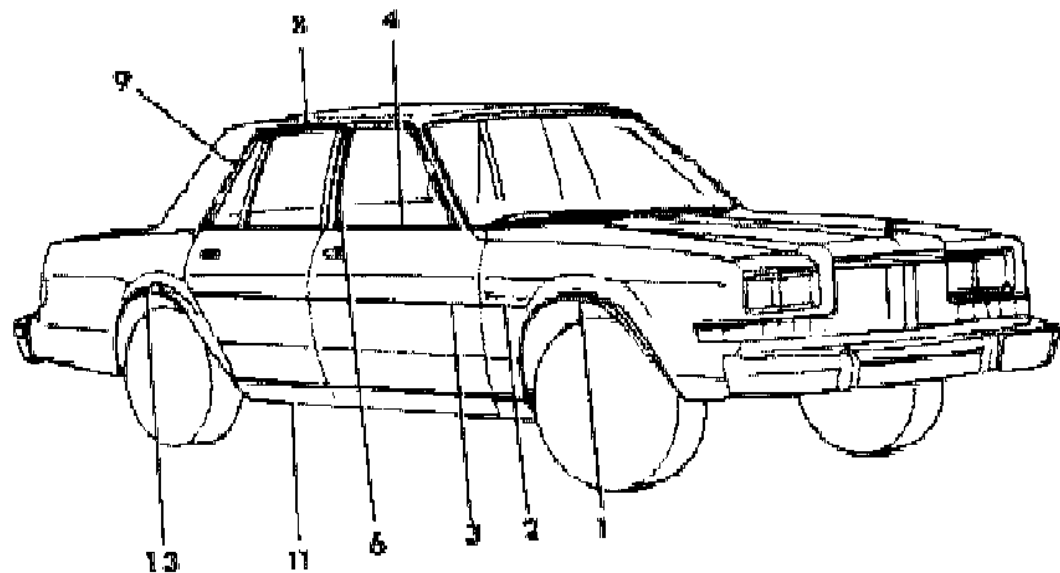
12-52 = FWD VAN & WAGON STD. W.B. 27 = 2-DOOR CONVERTIBLE
 13-53 = FWD VAN & WGN EXT W.B. 41 = 4-DOOR SEDAN
 21 = 2-DOOR SEDAN 44 = 4-DOOR HATCHBACK
 24 = 2-DOOR HATCHBACK 45 = 4-DOOR STATION WAGON

AR = Use as Required - = Non Illustrated Part P.A.R. = Paint as Required

MOULDINGS AND ORNAMENTATION - EXTERIOR VIEW M BODY PLYMOUTH GRAN FURY SALON

Figure 23-4800

8168 4800



ITEM	PART NUMBER	QTY	BODY	MODEL	DESCRIPTION
1	4175 286-7	1			MOULDING, Fndr. Wheel Opng. SCREW, (Not Serv.)
2	X202-3 DW3	1			MOULDING, Fndr. Side, White, Paint to Color
	X202-3 GL2	1			Light Pewter
	X202-3 GL8	1			Dark Pewter
	X202-3 GM9	1			Black Cherry
3	X202-3 GW7	1			Bright White
	X204-5 DW3	1			MOULDING, Frt. Door, White, Paint to Color
	X204-5 GL2	1			Light Pewter
	X204-5 GL8	1			Dark Pewter
4	X204-5 GM9	1			Black Cherry
	X204-5 GW7	1			Bright White
	3811 794-5	1			MOULDING, Frt. Door Belt
5	4022 052-3	1		MOULDING, Frt. Door Wdo. Opng. Frame, Frt., Bright	
6	4022 056-7	1		MOULDING, Frt. Door Wdo. Opng. Frame, Rear, Bright	
7	4022 056	1			MOULDING, Rear Door Wdo. Opng. Frame, Frt., Lt., Bright
	4022 057	1			MOULDING, Rear Door Wdo. Opng. Frame, Frt., Rt., Bright
8	#4175 100-1	1			MOULDING, Rear Door Wdo. Opng. Frame, Upr., Bright
9	4175 102-3	1			MOULDING, Rear Door Wdo. Opng. Frame, Rear, Bright
10	3811 796-7	1			MOULDING, Rear Door Belt
	3780 999	AR			RETAINER and SEAL PACKAGE
	3780 434	AR			RETAINER and SEAL PACKAGE
11	4175 312-3	1			MOULDING, Body Side Sill
	6003 718	AR			RETAINER
	6028 674	AR			SCREW
12	X208-9 DW3	1			MOULDING, Rear Door, White, Paint to Color
	X208-9 GL2	1			Light Pewter
	X208-9 GL8	1			Dark Pewter
	X208-9 GM9	1			Black Cherry
13	X208-9 GW7	1			Bright White
	4175 290-1	1			MOULDING, Qtr. Wheel Opng. SCREW, (Not Serv.)
14	4175 082-3	1			MOULDING, Roof Side Drain Trough, Frt.
	4175 086-7	1			MOULDING, Roof Side Drain Trough, Rear SCREW, (Not Serv.)
15	4240 996-7	1			MOULDING PACKAGE, Qtr. Belt
	3744 367	AR			RETAINER PACKAGE

MODEL CODES

C BODY = (D41 - DYNASTY)(C41 - NEW YORKER)
 E BODY = (J - CARAVELLE)(E - 600)(T - NEW YORKER TURBO)
 G BODY = (V24 - DAYTONA, PACIFICA & SHELBY)
 H BODY = (D44 - LANCER)(C44 - LEBARON GTS)
 J BODY = (C - LEBARON)
 K BODY = (P - RELIANT)(D - ARIES)(C - LEBARON/ TOWN & COUNTRY)

L BODY = (M - HORIZON)(Z-OMNI)
 M BODY = (B - GRAN FURY)(G - DIPLOMAT)(F - FIFTH AVENUE/NEWPORT)
 P BODY = (P - SUNDANCE)(D - SHADOW)
 Q BODY = (C27 - MASERATI)
 S BODY = (H - VOYAGER)(K - RAM VAN/ CARAVAN)

BODY STYLES

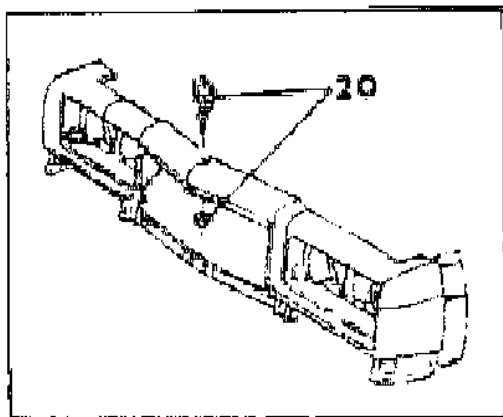
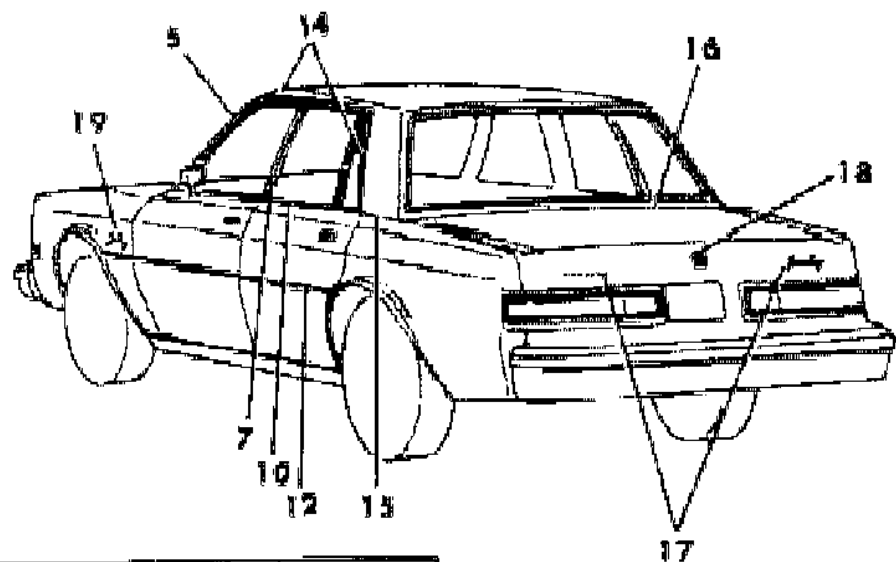
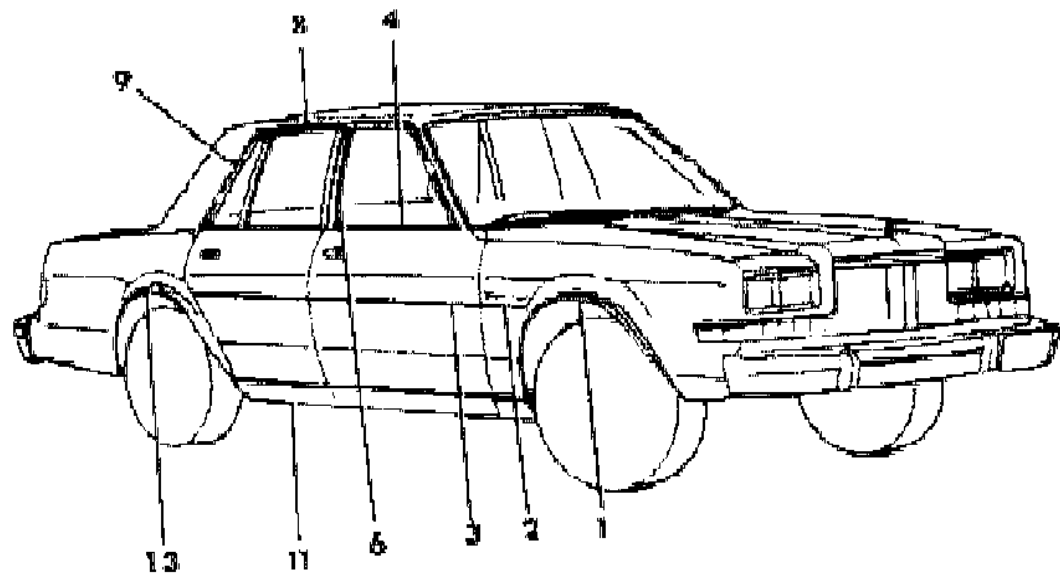
12-52 = FWD VAN & WAGON STD. W.B. 27 = 2-DOOR CONVERTIBLE
 13-53 = FWD VAN & WGN EXT W.B. 41 = 4-DOOR SEDAN
 21 = 2-DOOR SEDAN 44 = 4-DOOR HATCHBACK
 24 = 2-DOOR HATCHBACK 45 = 4-DOOR STATION WAGON

AR = Use as Required - = Non Illustrated Part P.A.R. = Paint as Required

MOULDINGS AND ORNAMENTATION - EXTERIOR VIEW M BODY PLYMOUTH GRAN FURY SALON

Figure 23-4800

8168 4800



ITEM	PART NUMBER	QTY	BODY	MODEL	DESCRIPTION
	4057 555	AR			RETAINER PACKAGE
	3744 671	AR			RETAINER PACKAGE
16	#4186 533	1			MOULDING, Deck Opng. Upr. Pnl.
	3744 671	AR			RETAINER PACKAGE
17	4328 876	1			NAMEPLATE, Deck Lid, "PLYMOUTH"
	4319 757	1			NAMEPLATE, Deck Lid, "GRAN FURY"
18	X925 EA1	1			MEDALLION, Deck Lid Lock Cyl., Silver
	X925 EB1	1			Ice Blue Met.
	X925 GL2	1			Light Pewter
	X925 GL8	1			Dark Pewter
	X925 GM9	1			Black Cherry
	X925 GW7	1			Bright White
	X925 EX8	1			Black
	X925 FC7	1			Twilight Blue
19	4319 757	2			NAMEPLATE, Fndr. Side, "GRAN FURY"
20	4103 313	1			ORNAMENT
	6030 435	1			NUT
	3672 780	1			RETAINER

MODEL CODES

C BODY = (D41 - DYNASTY)(C41 - NEW YORKER)
 E BODY = (J - CARAVELLE)(E - 600)(T - NEW YORKER TURBO)
 G BODY = (V24 - DAYTONA, PACIFICA & SHELBY)
 H BODY = (D44 - LANCER)(C44 - LEBARON GTS)
 J BODY = (C - LEBARON)
 K BODY = (P - RELIANT)(D - ARIES)(C - LEBARON/ TOWN & COUNTRY)

L BODY = (M - HORIZON)(Z-OMNI)
 M BODY = (B - GRAN FURY)(G - DIPLOMAT)(F - FIFTH AVENUE/NEWPORT)
 P BODY = (P - SUNDANCE)(D - SHADOW)
 Q BODY = (C27 - MASERATI)
 S BODY = (H - VOYAGER)(K - RAM VAN/ CARAVAN)

BODY STYLES

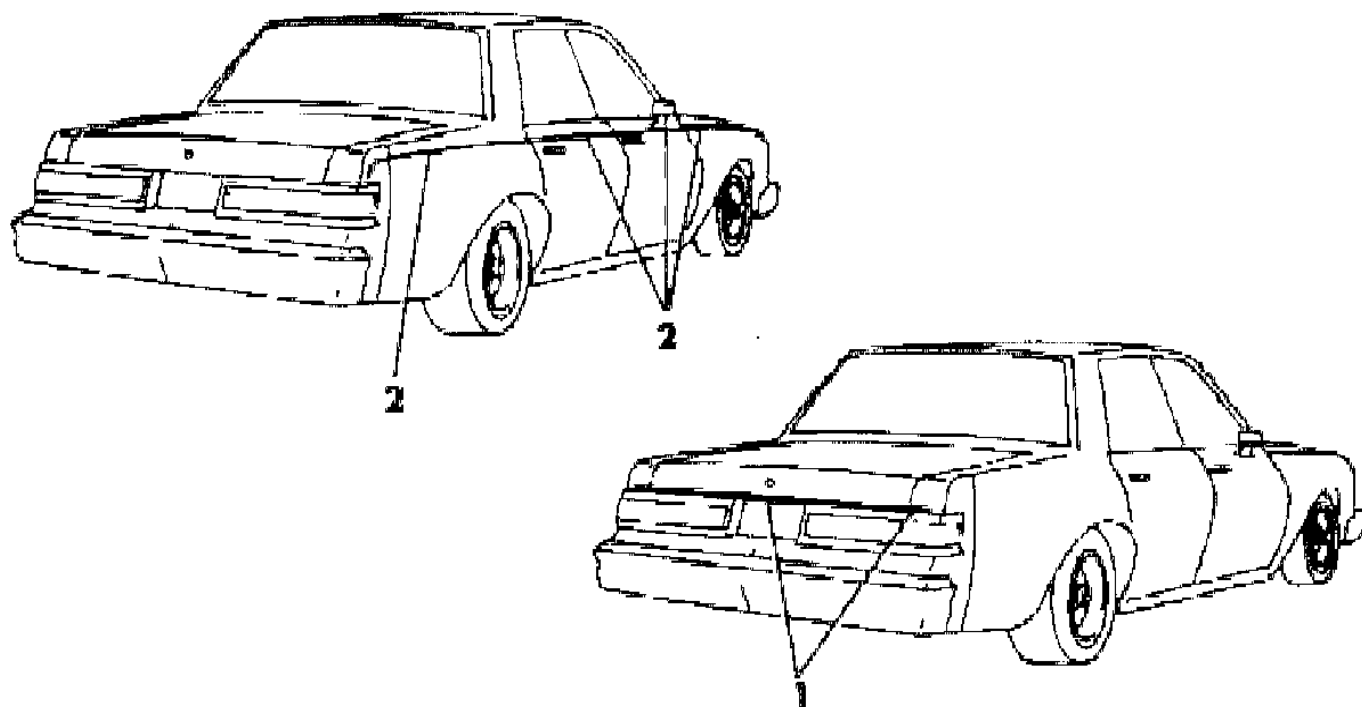
12-52 = FWD VAN & WAGON STD. W.B. 27 = 2-DOOR CONVERTIBLE
 13-53 = FWD VAN & WGN EXT W.B. 41 = 4-DOOR SEDAN
 21 = 2-DOOR SEDAN 44 = 4-DOOR HATCHBACK
 24 = 2-DOOR HATCHBACK 45 = 4-DOOR STATION WAGON

AR = Use as Required - = Non Illustrated Part P.A.R. = Paint as Required

TAPE STRIPES AND DECALS - EXTERIOR VIEW M BODY PLYMOUTH GRAN FURY SALON
Figure 23-4900

8168 4900

ITEM	PART NUMBER	QTY	BODY	MODEL	DESCRIPTION
1	T086 GE5	1			TAPE, Deck Lid and Qtr. End Ext., Red
	T086 GM7	1			Brown
	T086 GU2	1			Light Copper
	T086 GC4	1			Blue
	T086 GA3	1			Dark Silver
2	4494 258-9	1			TAPE PACKAGE, Fndr., Door, Qtr., Dark Silver
	4494 262-3	1			Light Copper
	4494 266-7	1			Red
	4494 264-5	1			Brown
	4494 260-1	1			Blue



MODEL CODES

C BODY = (D41 - DYNASTY)(C41 - NEW YORKER)	L BODY = (M - HORIZON)(Z-OMNI)
E BODY = (J - CARAVELLE)(E - 600)(T - NEW YORKER TURBO)	M BODY = (B - GRAN FURY)(G - DIPLOMAT)(F - FIFTH AVENUE/NEWPORT)
G BODY = (V24 - DAYTONA, PACIFICA & SHELBY)	P BODY = (P - SUNDANCE)(D - SHADOW)
H BODY = (D44 - LANCER)(C44 - LEBARON GTS)	Q BODY = (C27 - MASERATI)
J BODY = (C - LEBARON)	S BODY = (H - VOYAGER)(K - RAM VAN/ CARAVAN)
K BODY = (P - RELIANT)(D - ARIES)(C - LEBARON/ TOWN & COUNTRY)	

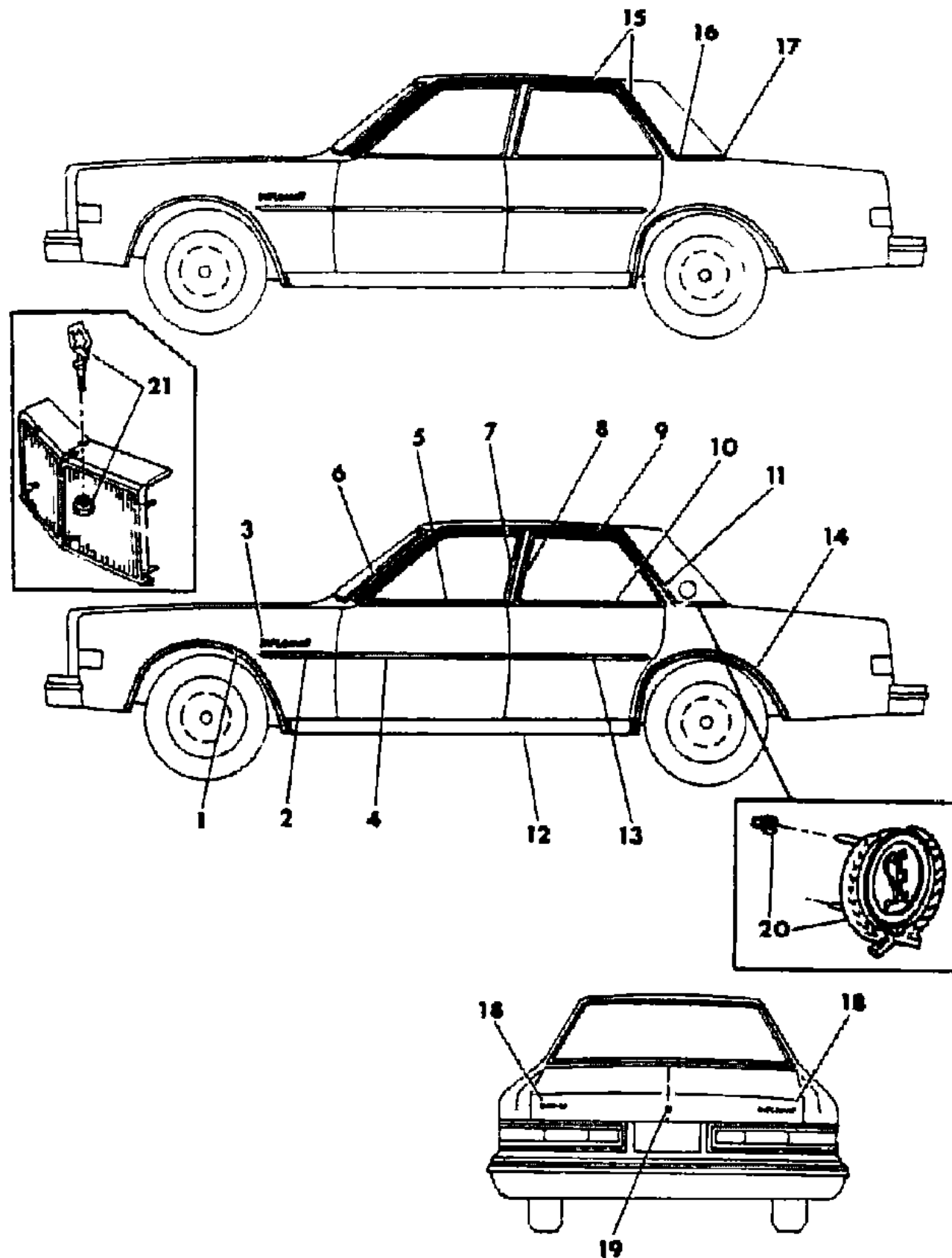
BODY STYLES

12-52 = FWD VAN & WAGON STD. W.B.	27 = 2-DOOR CONVERTIBLE
13-53 = FWD VAN & WGN EXT W.B.	41 = 4-DOOR SEDAN
21 = 2-DOOR SEDAN	44 = 4-DOOR HATCHBACK
24 = 2-DOOR HATCHBACK	45 = 4-DOOR STATION WAGON

AR = Use as Required - = Non Illustrated Part P.A.R. = Paint as Required

MOULDINGS AND ORNAMENTATION - EXTERIOR VIEW M BODY DODGE DIPLOMAT
Figure 23-5000

8168 5000



ITEM	PART NUMBER	QTY	BODY	MODEL	DESCRIPTION
1	4175 286-7	1			MOULDING, Fndr. Wheel Opng. SCREW, (Not Serv.)
2	X202-3 DW3	1			MOULDING, Fndr. Side, White, Paint to Color
	X202-3 GL2	1			Light Pewter
	X202-3 GL8	1			Dark Pewter
	X202-3 GM9	1			Black Cherry
	X202-3 GW7	1			Bright White
3	4319 776	2			NAMEPLATE, Fndr. Side. "DIPLOMAT"
4	X204-5 DW3	1			MOULDING, Frt. Door, White, Paint to Color
	X204-5 GL2	1			Light Pewter
	X204-5 GL8	1			Dark Pewter
	X204-5 GM9	1			Black Cherry
	X204-5 GW7	1			Bright White
5	3811 794-5	1			MOULDING, Frt. Door Belt
	3780 434	AR			RETAINER and SEAL PACKAGE
	3780 999	AR			RETAINER and SEAL PACKAGE
6	4022 052-3	1			MOULDING, Frt. Door Wdo Opng. Frame, Frt., Bright
7	4022 056-7	1			MOULDING, Frt. Door Wdo. Opng. Frame, Rear, Bright
8	4022 056	1			MOULDING, Rear Door Wdo. Opng. Frame, Frt., Lt., Bright
	4022 057	1			Rt., Bright
9	#4175 100-1	1			MOULDING, Rear Door Wdo. Opng. Frame, Upr., Bright
10	3811 796-7	1			MOULDING, Rear Door Belt
	3780 999	AR			RETAINER and SEAL PACKAGE
	3780 434	AR			RETAINER and SEAL PACKAGE
11	4175 102-3	1			MOULDING, Rear Door Wdo. Opng. Frame, Rear, Bright
12	4175 312-3	1			MOULDING, Body Side Sill
	6028 674	AR			SCREW
13	X208-9 DW3	1			MOULDING, Rear Door, White, Paint to Color
	X208-9 GL2	1			Light Pewter
	X208-9 GL8	1			Dark Pewter
	X208-9 GM9	1			Black Cherry
	X208-9 GW7	1			Bright White
14	4175 290-1	1			MOULDING, Qtr. Pnl. Wheel Opng. SCREW, (Not Serv.)
15	4175 082-3	1			MOULDING, Roof Side Drain Trough, Frt. SCREW, (Not Serv.)
	4175 086-7	1			MOULDING, Roof Side Drain Trough, Rear

MODEL CODES

C BODY = (D41 - DYNASTY)(C41 - NEW YORKER)	L BODY = (M - HORIZON)(Z-OMNI)
E BODY = (J - CARAVELLE)(E - 600)(T - NEW YORKER TURBO)	M BODY = (B - GRAN FURY)(G - DIPLOMAT)(F - FIFTH AVENUE/NEWPORT)
G BODY = (V24 - DAYTONA, PACIFICA & SHELBY)	P BODY = (P - SUNDANCE)(D - SHADOW)
H BODY = (D44 - LANCER)(C44 - LEBARON GTS)	Q BODY = (C27 - MASERATI)
J BODY = (C - LEBARON)	S BODY = (H - VOYAGER)(K - RAM VAN/ CARAVAN)
K BODY = (P - RELIANT)(D - ARIES)(C - LEBARON/ TOWN & COUNTRY)	

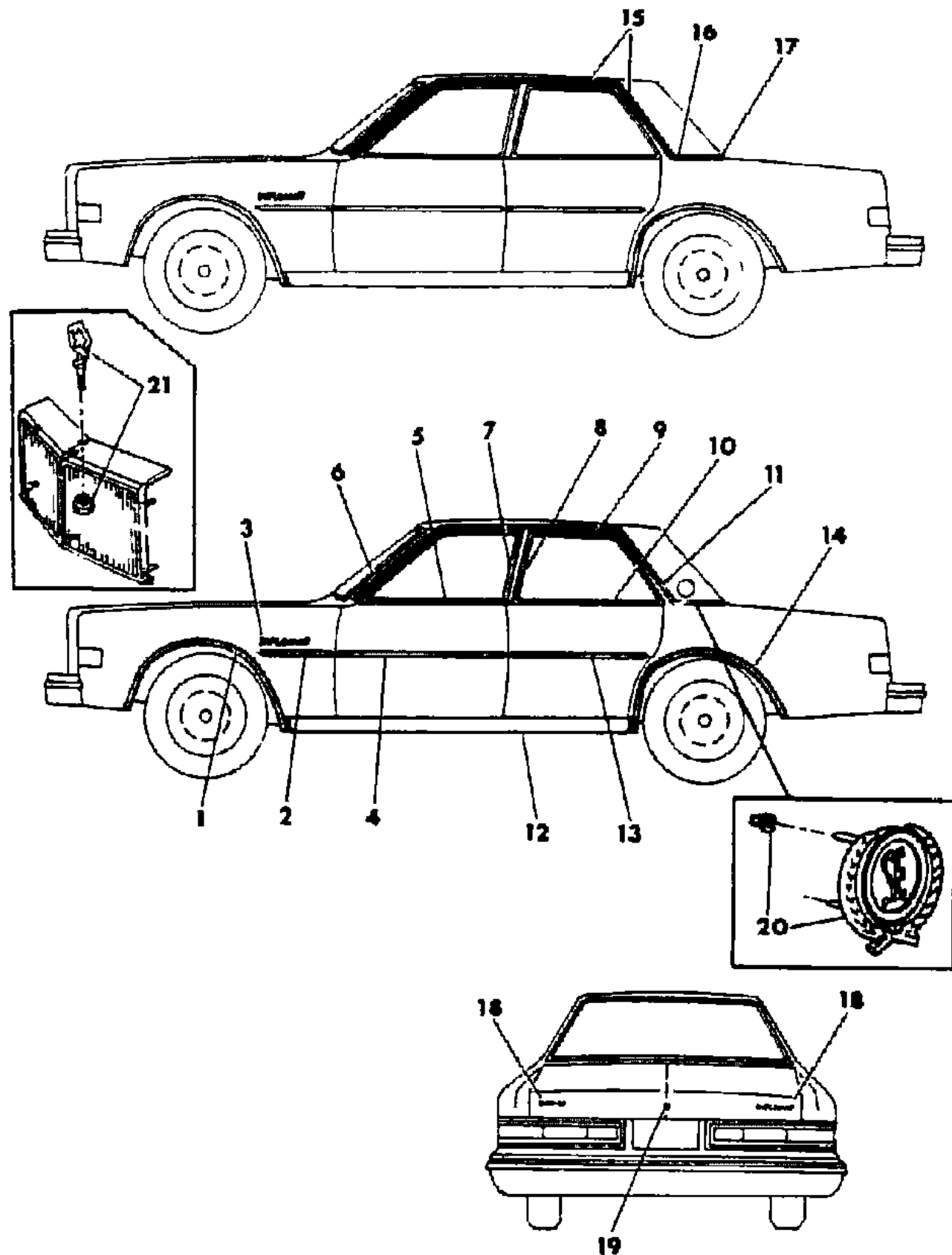
BODY STYLES

12-52 = FWD VAN & WAGON STD. W.B.	27 = 2-DOOR CONVERTIBLE
13-53 = FWD VAN & WGN EXT W.B.	41 = 4-DOOR SEDAN
21 = 2-DOOR SEDAN	44 = 4-DOOR HATCHBACK
24 = 2-DOOR HATCHBACK	45 = 4-DOOR STATION WAGON

AR = Use as Required - = Non Illustrated Part P.A.R. = Paint as Required

MOULDINGS AND ORNAMENTATION - EXTERIOR VIEW M BODY DODGE DIPLOMAT
Figure 23-5000

8168 5000



ITEM	PART NUMBER	QTY	BODY	MODEL	DESCRIPTION
16	4240 996-7	1			MOULDING PACKAGE, Qtr. Belt
	3744 367	AR			RETAINER PACKAGE
	4057 555	AR			RETAINER PACKAGE
	3744 671	AR			RETAINER PACKAGE
	#4186 533	1			MOULDING PACKAGE, Deck Opng. Upr. Pnl.
17	3744 671	AR			RETAINER PACKAGE
	4328 878	1			NAMEPLATE, Deck Lid, "DODGE"
	4319 776	1		G-L	"DIPLOMAT"
18	4328 561	1		G-P	"DIPLOMAT"
	X925 EA1	1			MEDALLION, Deck Lid Lock Cyl., Silver
19	X925 GL2	1			Light Pewter
	X925 EB1	1			Ice Blue Met.
	X925 GL8	1			Dark Pewter
	X925 GM9	1			Black Cherry
	X925 GW7	1			Bright White
	X925 EX8	1			Black
	X925 FC7	1			Twilight Blue
	20	4319 752	2		G-P
6003 627		4		G-P	RETAINER, Qtr. Medallion
21	4103 623	1		G-P	BASE, Radiator Grille Mldg. Ctr. Pentastar
	4103 313	1		G-L	ORNAMENT, Pentastar
	4270 561	1		G-P	
	6030 435	1			NUT
	3672 780	1			RETAINER

MODEL CODES

C BODY = (D41 - DYNASTY)(C41 - NEW YORKER)	L BODY = (M - HORIZON)(Z-OMNI)
E BODY = (J - CARAVELLE)(E - 600)(T - NEW YORKER TURBO)	M BODY = (B - GRAN FURY)(G - DIPLOMAT)(F - FIFTH AVENUE/NEWPORT)
G BODY = (V24 - DAYTONA, PACIFICA & SHELBY)	P BODY = (P - SUNDANCE)(D - SHADOW)
H BODY = (D44 - LANCER)(C44 - LEBARON GTS)	Q BODY = (C27 - MASERATI)
J BODY = (C - LEBARON)	S BODY = (H - VOYAGER)(K - RAM VAN/ CARAVAN)
K BODY = (P - RELIANT)(D - ARIES)(C - LEBARON/ TOWN & COUNTRY)	

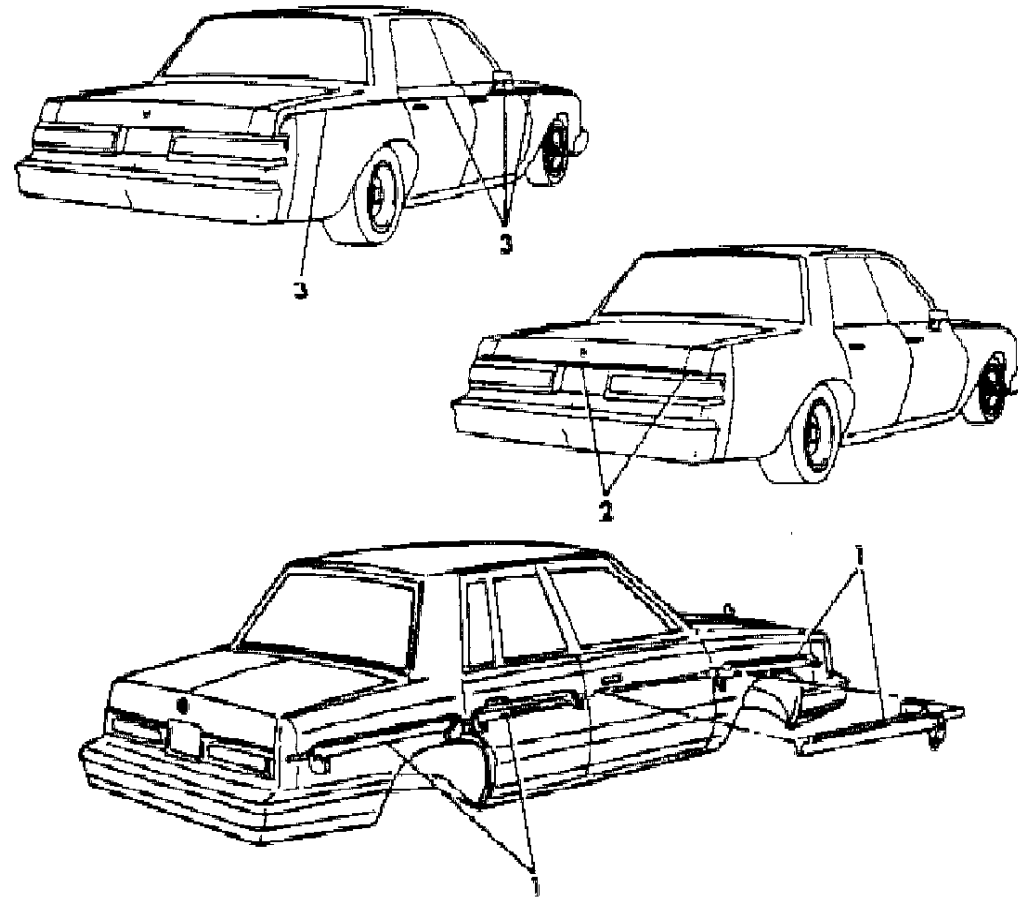
BODY STYLES

12-52 = FWD VAN & WAGON STD. W.B.	27 = 2-DOOR CONVERTIBLE
13-53 = FWD VAN & WGN EXT W.B.	41 = 4-DOOR SEDAN
21 = 2-DOOR SEDAN	44 = 4-DOOR HATCHBACK
24 = 2-DOOR HATCHBACK	45 = 4-DOOR STATION WAGON

AR = Use as Required - = Non Illustrated Part P.A.R. = Paint as Required

**TAPE STRIPES AND DECALS - EXTERIOR VIEW M BODY DODGE DIPLOMAT
Figure 23-5100**

8158 5100



ITEM	PART NUMBER	QTY	BODY	MODEL	DESCRIPTION
1	4494 248-9	1		G-P	TAPE PACKAGE, Fndr., Door, Qtr., Dark Silver
	4494 250-1	1		G-P	Blue
	4494 252-3	1		G-P	Light Copper
	4494 254-5	1		G-P	Brown
	4494 256-7	1		G-P	Red
2	T086 GE5	1		G-L	TAPE, Deck Lid and Qtr. Ext., Red
	T086 GM7	1		G-L	Brown
	T086 GU2	1		G-L	Light Copper
	T086 GC4	1		G-L	Blue
3	T086 GA3	1		G-L	Dark Silver
	4494 258-9	1		G-L	TAPE PACKAGE, Fndr., Door, Qtr., Dark Silver
	4494 262-3	1		G-L	Light Copper
	4494 266-7	1		G-L	Red
	4494 264-5	1		G-L	Brown
	4494 260-1	1		G-L	Blue

MODEL CODES

C BODY = (D41 - DYNASTY)(C41 - NEW YORKER)	L BODY = (M - HORIZON)(Z-OMNI)
E BODY = (J - CARAVELLE)(E - 600)(T - NEW YORKER TURBO)	M BODY = (B - GRAN FURY)(G - DIPLOMAT)(F - FIFTH AVENUE/NEWPORT)
G BODY = (V24 - DAYTONA, PACIFICA & SHELBY)	P BODY = (P - SUNDANCE)(D - SHADOW)
H BODY = (D44 - LANCER)(C44 - LEBARON GTS)	Q BODY = (C27 - MASERATI)
J BODY = (C - LEBARON)	S BODY = (H - VOYAGER)(K - RAM VAN/ CARAVAN)
K BODY = (P - RELIANT)(D - ARIES)(C - LEBARON/ TOWN & COUNTRY)	

BODY STYLES

12-52 = FWD VAN & WAGON STD. W.B.	27 = 2-DOOR CONVERTIBLE
13-53 = FWD VAN & WGN EXT W.B.	41 = 4-DOOR SEDAN
21 = 2-DOOR SEDAN	44 = 4-DOOR HATCHBACK
24 = 2-DOOR HATCHBACK	45 = 4-DOOR STATION WAGON

AR = Use as Required - = Non Illustrated Part P.A.R. = Paint as Required

MOULDINGS AND ORNAMENTATION - EXTERIOR VIEW M BODY CHRYSLER NEWPORT
Figure 23-5200

ILLUSTRATION NOT AVAILABLE AT TIME OF PUBLICATION

ITEM	PART NUMBER	QTY	BODY	MODEL	DESCRIPTION
	4175 286-7	1			MOULDING, Fndr. Wheel Opng.
	X202-3 DW3	1			MOULDING, Fndr. Side, White, Paint to Color
	X202-3 GL2	1			Light Pewter
	X202-3 GL8	1			Dark Pewter
	X202-3 GM9	1			Black Cherry
	X202-3 GW7	1			Bright White
	X204-5 DW3	1			MOULDING, Frt. Door, White, Paint to Color
	X204-5 GL2	1			Light Pewter
	X204-5 GL8	1			Dark Pewter
	X204-5 GM9	1			Black Cherry
	X204-5 GW7	1			Bright White
	3811 794-5	1			MOULDING, Frt. Door Belt
	4022 052-3	1			MOULDING, Frt. Door Wdo. Opng. Frame, Frt., Bright
	4022 056-7	1			MOULDING, Frt. Door Wdo. Opng. Frame, Rear, Bright
	4022 056	1			MOULDING, Rear Door Wdo. Opng. Frame, Frt., Lt., Bright
	4022 057	1			MOULDING, Rear Door Wdo. Opng. Frame, Frt., Rt., Bright
	4175 100-1	1			MOULDING, Rear Door Wdo. Opng. Frame, Upr., Bright
	3811 796-7	1			MOULDING, Rear Door Belt
	4175 102-3	1			MOULDING, Rear Door Wdo. Opng. Frame, Rear, Bright
	4175 312-3	1			MOULDING, Body Side Sill
	X208-9 DW3	1			MOULDING, Rear Door, White, Paint to Color
	X208-9 GL2	1			Light Pewter
	X208-9 GL8	1			Dark Pewter
	X208-9 GM9	1			Black Cherry
	X208-9 GW7	1			Bright White
	4175 290-1	1			MOULDING, Qtr. Pnl. Wheel Opng.
	4175 082-3	1			MOULDING, Roof Side Drain Trough, Frt.
	4175 086-7	1			MOULDING, Roof Side Drain Trough, Rear
	4240 996-7	1			MOULDING PACKAGE, Qtr. Belt
	4186 533	1			MOULDING PACKAGE, Deck Opng. Upr. Pnl.
	X925 EA1	1			MEDALLION, Deck Lid Lock Cyl., Silver
	X925 EB1	1			Ice Blue Met.
	X925 GL2	1			Light Pewter
	X925 GL8	1			Dark Pewter
	X925 GM9	1			Black Cherry
	X925 GW7	1			Bright White
	X925 EX8	1			Black

MODEL CODES

C BODY = (D41 - DYNASTY)(C41 - NEW YORKER)	L BODY = (M - HORIZON)(Z-OMNI)
E BODY = (J - CARAVELLE)(E - 600)(T - NEW YORKER TURBO)	M BODY = (B - GRAN FURY)(G - DIPLOMAT)(F - FIFTH AVENUE/NEWPORT)
G BODY = (V24 - DAYTONA, PACIFICA & SHELBY)	P BODY = (P - SUNDANCE)(D - SHADOW)
H BODY = (D44 - LANCER)(C44 - LEBARON GTS)	Q BODY = (C27 - MASERATI)
J BODY = (C - LEBARON)	S BODY = (H - VOYAGER)(K - RAM VAN/ CARAVAN)
K BODY = (P - RELIANT)(D - ARIES)(C - LEBARON/ TOWN & COUNTRY)	

BODY STYLES

12-52 = FWD VAN & WAGON STD. W.B.	27 = 2-DOOR CONVERTIBLE
13-53 = FWD VAN & WGN EXT W.B.	41 = 4-DOOR SEDAN
21 = 2-DOOR SEDAN	44 = 4-DOOR HATCHBACK
24 = 2-DOOR HATCHBACK	45 = 4-DOOR STATION WAGON

AR = Use as Required - = Non Illustrated Part P.A.R. = Paint as Required

MOULDINGS AND ORNAMENTATION - EXTERIOR VIEW M BODY CHRYSLER NEWPORT
Figure 23-5200

ITEM	PART NUMBER	QTY	BODY	MODEL	DESCRIPTION
	X925 FC7	1			Twilight Blue
	4422 171	1			NAMEPLATE, Deck Lid, "CHRYSLER"
	4328 560	1			NAMEPLATE, Deck Lid, "NEWPORT"
	4229 653	1			APPLIQUE, Deck Opng. Lwr. Pnl.

ILLUSTRATION NOT AVAILABLE AT TIME OF PUBLICATION

MODEL CODES

C BODY = (D41 - DYNASTY)(C41 - NEW YORKER)	L BODY = (M - HORIZON)(Z-OMNI)
E BODY = (J - CARAVELLE)(E - 600)(T - NEW YORKER TURBO)	M BODY = (B - GRAN FURY)(G - DIPLOMAT)(F - FIFTH AVENUE/NEWPORT)
G BODY = (V24 - DAYTONA, PACIFICA & SHELBY)	P BODY = (P - SUNDANCE)(D - SHADOW)
H BODY = (D44 - LANCER)(C44 - LEBARON GTS)	Q BODY = (C27 - MASERATI)
J BODY = (C - LEBARON)	S BODY = (H - VOYAGER)(K - RAM VAN/ CARAVAN)
K BODY = (P - RELIANT)(D - ARIES)(C - LEBARON/ TOWN & COUNTRY)	

BODY STYLES

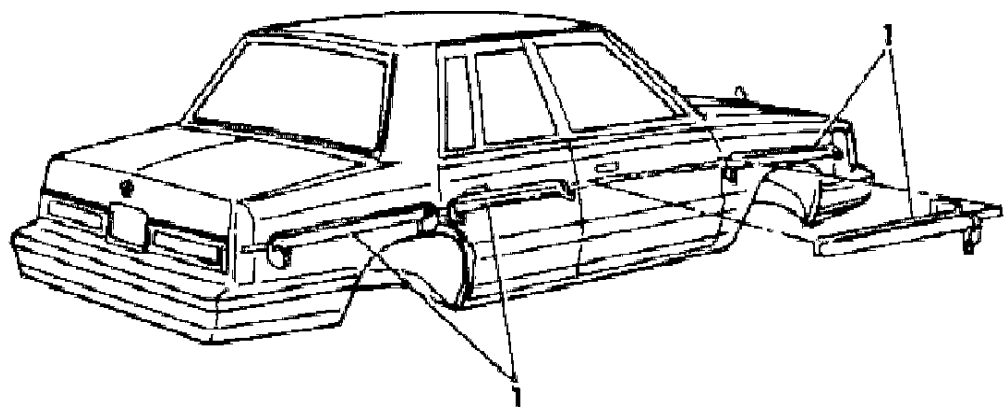
12-52 = FWD VAN & WAGON STD. W.B.	27 = 2-DOOR CONVERTIBLE
13-53 = FWD VAN & WGN EXT W.B.	41 = 4-DOOR SEDAN
21 = 2-DOOR SEDAN	44 = 4-DOOR HATCHBACK
24 = 2-DOOR HATCHBACK	45 = 4-DOOR STATION WAGON

AR = Use as Required - = Non Illustrated Part P.A.R. = Paint as Required

TAPE STRIPES AND DECALS - EXTERIOR VIEW M BODY CHRYSLER NEWPORT
Figure 23-5300

8168 5300

ITEM	PART NUMBER	QTY	BODY	MODEL	DESCRIPTION
1	4494 248-9	1			TAPE PACKAGE, Fndr., Door, Qtr., Dark Silver
	4494 250-1	1			Blue
	4494 252-3	1			Light Copper
	4494 254-5	1			Brown
	4494 256-7	1			Red



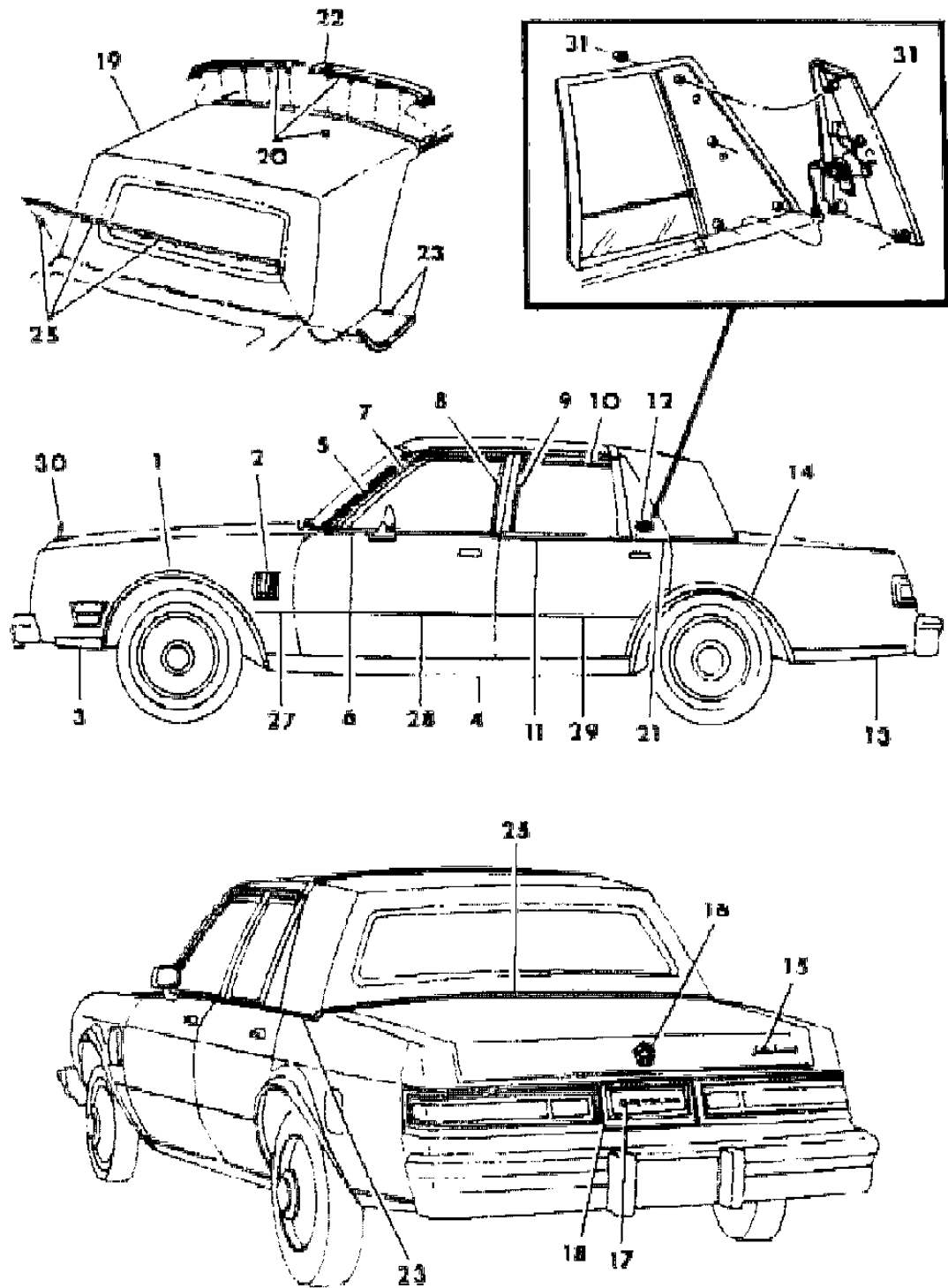
MODEL CODES
 C BODY = (D41 - DYNASTY)(C41 - NEW YORKER)
 E BODY = (J - CARAVELLE)(E - 600)(T - NEW YORKER TURBO)
 G BODY = (V24 - DAYTONA, PACIFICA & SHELBY)
 H BODY = (D44 - LANCER)(C44 - LEBARON GTS)
 J BODY = (C - LEBARON)
 K BODY = (P - RELIANT)(D - ARIES)(C - LEBARON/ TOWN & COUNTRY)
 L BODY = (M - HORIZON)(Z-OMNI)
 M BODY = (B - GRAN FURY)(G - DIPLOMAT)(F - FIFTH AVENUE/NEWPORT)
 P BODY = (P - SUNDANCE)(D - SHADOW)
 Q BODY = (C27 - MASERATI)
 S BODY = (H - VOYAGER)(K - RAM VAN/ CARAVAN)

BODY STYLES
 12-52 = FWD VAN & WAGON STD. W.B. 27 = 2-DOOR CONVERTIBLE
 13-53 = FWD VAN & WGN EXT W.B. 41 = 4-DOOR SEDAN
 21 = 2-DOOR SEDAN 44 = 4-DOOR HATCHBACK
 24 = 2-DOOR HATCHBACK 45 = 4-DOOR STATION WAGON

AR = Use as Required - = Non Illustrated Part P.A.R. = Paint as Required

MOULDINGS AND ORNAMENTATION - EXTERIOR VIEW M BODY CHRYSLER FIFTH AVENUE
Figure 23-5400

8168 5400



ITEM	PART NUMBER	QTY	BODY	MODEL	DESCRIPTION
1	4175 286-7	1			MOULDING, Fndr. Wheel Opng. SCREW, (Not Serv.)
2	X560 CA1	2			LOUVER, Fndr. Side, Silver Met. Light Pewter
	X560 GL2	2			Dark Pewter
	X560 GL8	2			Black Cherry
	X560 GM9	2			Black
	X560 GX6	2			Bright White
	X560 GW7	2			Ice Blue
	X560 DB1	2			Twilight Blue
	X560 FC7	2			NUT, (Not Serv.)
3	4175 314-5	1			MOULDING, Fndr. Side
	6003 673	AR			RETAINER and STUD
	6003 726	AR			RETAINER
	9420 867	AR			NUT
	4175 451	2			PLATE, Fndr. Side Mldg., Attach.
4	4175 312-3	1			MOULDING, Body Side Sill
	6003 718	AR			RETAINER
	6028 674	AR			SCREW STUD, (Not Serv.)
5	4276 154-5	1			MOULDING, Roof Side Drain Trough, Frt. SCREW, (Not Serv.)
6	4328 540-1	1			MOULDING, Frt. Door Belt
	4229 468-9	1			INSERT, Frt. Door Belt Mldg.
7	4022 052-3	1			MOULDING, Frt. Door Wdo. Opng. Frame, Frt.
8	4022 056-7	1			MOULDING, Frt. Door Wdo. Opng. Frame, Rear
9	4022 056	1			MOULDING, Rear Door Wdo. Opng. Frame, Frt., Lt.
	4022 057	1			MOULDING, Rear Door Wdo. Opng. Frame, Frt., Rt.
10	#4175 100-1	1			MOULDING, Rear Door Wdo. Opng. Frame, Upr.
11	4366 182-3	1			MOULDING, Rear Door Belt
	4366 184-5	1			INSERT, Rear Door Belt Mldg.
	4366 186-7	1			CAP, Rear Door Belt Mldg. End
12	4494 296	1			PENTASTAR PACKAGE, Rear Door Qtr. Wdo. Frame
	4494 297	1			WREATH PACKAGE, Rear Door Qtr. Wdo. Frame
13	4175 316-7	1			MOULDING, Qtr. Pnl.
	6003 725	AR			RETAINER
	6003 719	AR			RETAINER

MODEL CODES

C BODY = (D41 - DYNASTY)(C41 - NEW YORKER)
 E BODY = (J - CARAVELLE)(E - 600)(T - NEW YORKER TURBO)
 G BODY = (V24 - DAYTONA, PACIFICA & SHELBY)
 H BODY = (D44 - LANCER)(C44 - LEBARON GTS)
 J BODY = (C - LEBARON)
 K BODY = (P - RELIANT)(D - ARIES)(C - LEBARON/ TOWN & COUNTRY)

L BODY = (M - HORIZON)(Z-OMNI)
 M BODY = (B - GRAN FURY)(G - DIPLOMAT)(F - FIFTH AVENUE/NEWPORT)
 P BODY = (P - SUNDANCE)(D - SHADOW)
 Q BODY = (C27 - MASERATI)
 S BODY = (H - VOYAGER)(K - RAM VAN/ CARAVAN)

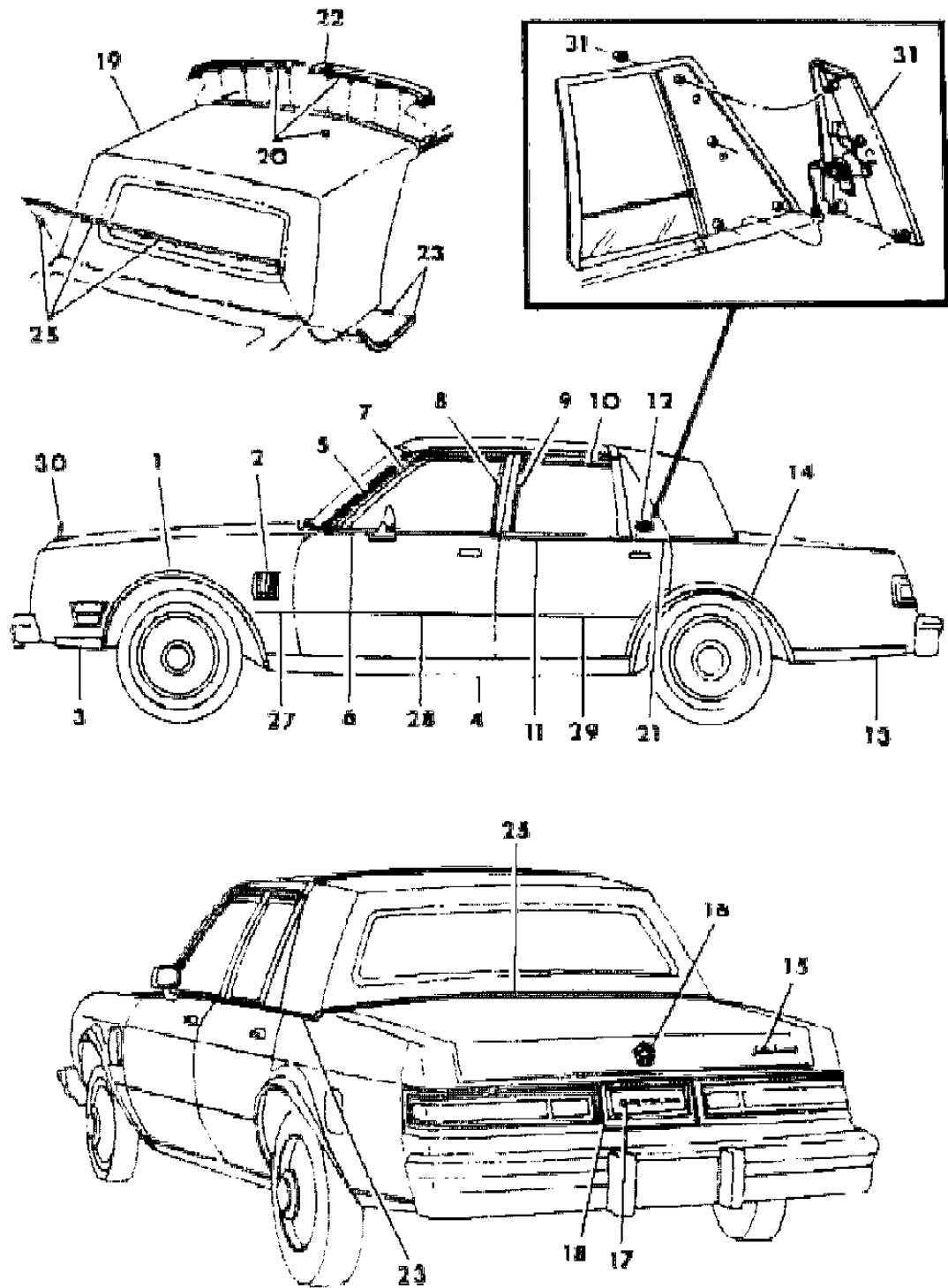
BODY STYLES

12-52 = FWD VAN & WAGON STD. W.B. 27 = 2-DOOR CONVERTIBLE
 13-53 = FWD VAN & WGN EXT W.B. 41 = 4-DOOR SEDAN
 21 = 2-DOOR SEDAN 44 = 4-DOOR HATCHBACK
 24 = 2-DOOR HATCHBACK 45 = 4-DOOR STATION WAGON

AR = Use as Required - = Non Illustrated Part P.A.R. = Paint as Required

MOULDINGS AND ORNAMENTATION - EXTERIOR VIEW M BODY CHRYSLER FIFTH AVENUE
Figure 23-5400

8168 5400



ITEM	PART NUMBER	QTY	BODY	MODEL	DESCRIPTION
	6003 720	AR			RETAINER
	4175 450	2			PLATE, Qtr. Pnl. Mldg., Attach.
	9420 867	AR			NUT
	6001 927	AR			RETAINER and SEAL WELD STUD, (Not Serv.)
14	4175 290-1	1			MOULDING, Qtr. Wheel Opng. SCREW, (Not Serv.)
15	4276 400	1			NAMEPLATE, Deck Lid, "FIFTH AVENUE"
16	X925 EA1	1			MEDALLION, Deck Lid Lock Cyl., Silver Met.
	X925 GM9	1			Black Cherry
	X925 EB1	1			Ice Blue Met.
	X925 GL2	1			Light Pewter
	X925 GL8	1			Dark Pewter
	X925 GW7	1			Bright White
	X925 EX8	1			Black
	X925 FC7	1			Twilight Blue
					RIVET, (Not Serv.)
17	4339 140	1			INSERT PACKAGE, Deck Opng. Lwr. Pnl. Applique
18	4229 653	1			APPLIQUE, Deck Opng. Lwr. Pnl.
	4229 652	1			SUPPORT, Deck Opng. Lwr. Pnl. Applique
	0445 170	8			NUT
19					CAP, Roof Bonnet (See Illus. 4700, Item 5)
20	4491 238-9	1			MOULDING, Roof Transverse
	6003 881	AR			RETAINER
21	X476 GA2	2			MOULDING, Rear Door Belt, Rear, Silver
	X476 GB1	2			Ice Blue
	X476 DX9	2			Black
	X476 GL8	2			Dark Pewter
	X476 GC7	2			Twilight Blue
	X476 GL2	2			Light Pewter
	X476 GM9	2			Black Cherry
	X476 GW7	2			Bright White
	4229 803	AR			RETAINER, Rear Door Belt Rear
22	4366 198	1			MOULDING, Roof Transverse Center Cap
23	X478-9 GA2	1			MOULDING, Qtr. Belt, Silver
	X478-9 GL2	1			Light Pewter
	X478-9 DX9	1			Black

MODEL CODES

C BODY = (D41 - DYNASTY)(C41 - NEW YORKER)
 E BODY = (J - CARAVELLE)(E - 600)(T - NEW YORKER TURBO)
 G BODY = (V24 - DAYTONA, PACIFICA & SHELBY)
 H BODY = (D44 - LANCER)(C44 - LEBARON GTS)
 J BODY = (C - LEBARON)
 K BODY = (P - RELIANT)(D - ARIES)(C - LEBARON/ TOWN & COUNTRY)

L BODY = (M - HORIZON)(Z-OMNI)
 M BODY = (B - GRAN FURY)(G - DIPLOMAT)(F - FIFTH AVENUE/NEWPORT)
 P BODY = (P - SUNDANCE)(D - SHADOW)
 Q BODY = (C27 - MASERATI)
 S BODY = (H - VOYAGER)(K - RAM VAN/ CARAVAN)

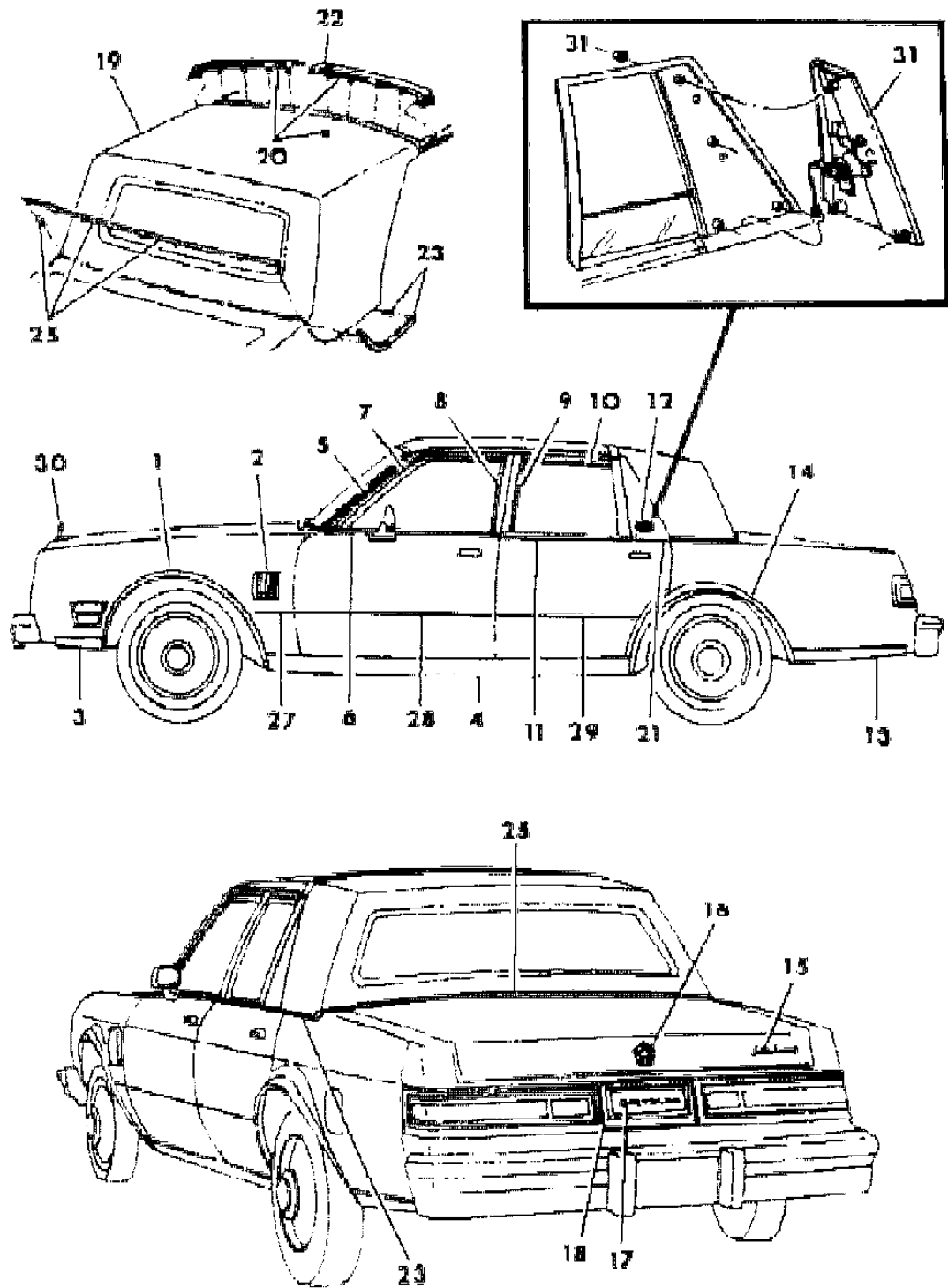
BODY STYLES

12-52 = FWD VAN & WAGON STD. W.B. 27 = 2-DOOR CONVERTIBLE
 13-53 = FWD VAN & WGN EXT W.B. 41 = 4-DOOR SEDAN
 21 = 2-DOOR SEDAN 44 = 4-DOOR HATCHBACK
 24 = 2-DOOR HATCHBACK 45 = 4-DOOR STATION WAGON

AR = Use as Required - = Non Illustrated Part P.A.R. = Paint as Required

MOULDINGS AND ORNAMENTATION - EXTERIOR VIEW M BODY CHRYSLER FIFTH AVENUE
Figure 23-5400

8168 5400



ITEM	PART NUMBER	QTY	BODY	MODEL	DESCRIPTION
	X478-9 GB1	1			Ice Blue
	X478-9 GC7	1			Twilight Blue
	X478-9 GL8	1			Dark Pewter
	X478-9 GM9	1			Black Cherry
	X478-9 GW7	1			Bright White
	4229 803	AR			RETAINER, Qtr. Belt
25	X482-3 GA2	1			MOULDING, Deck Opng. Upr. Pnl., Silver
	X482-3 GL2	1			Light Pewter
	X482-3 DX9	1			Black
	X482-3 GB1	1			Ice Blue
	X482-3 GC7	1			Twilight Blue
	X482-3 GL8	1			Dark Pewter
	X482-3 GM9	1			Black Cherry
	X482-3 GW7	1			Bright White
	4057 555	AR			RETAINER PACKAGE
	4229 803	AR			RETAINER, Deck Opng., Upr. Pnl.
27	X202-3 DW3	1			MOULDING, Fndr. Side, White, Paint to Color
	X202-3 GL2	1			Light Pewter
	X202-3 GL8	1			Dark Pewter
	X202-3 GM9	1			Black Cherry
	X202-3 GW7	1			Bright White
28	X204-5 DW3	1			MOULDING, Frt. Door, White, Paint to Color
	X204-5 GL2	1			Light Pewter
	X204-5 GL8	1			Dark Pewter
	X204-5 GM9	1			Black Cherry
	X204-5 GW7	1			Bright White
29	X208-9 DW3	1			MOULDING, Rear Door, White, Paint to Color
	X208-9 GL2	1			Light Pewter
	X208-9 GL8	1			Dark Pewter
	X208-9 GM9	1			Black Cherry
	X208-9 GW7	1			Bright White
30	4270 563	1			ORNAMENT, Pentastar
	4103 623	1			BASE, Radiator Grille Mldg. Ctr. Pentastar
	6030 435	1			NUT
	3672 780	1			RETAINER
31	T804-5 GA2	1			FRAME, Rear Door Qtr. Wdo., Complete, Silver
	T804-5 GC7	1			Twilight Blue

MODEL CODES

C BODY = (D41 - DYNASTY)(C41 - NEW YORKER)
 E BODY = (J - CARAVELLE)(E - 600)(T - NEW YORKER TURBO)
 G BODY = (V24 - DAYTONA, PACIFICA & SHELBY)
 H BODY = (D44 - LANCER)(C44 - LEBARON GTS)
 J BODY = (C - LEBARON)
 K BODY = (P - RELIANT)(D - ARIES)(C - LEBARON/ TOWN & COUNTRY)

L BODY = (M - HORIZON)(Z-OMNI)
 M BODY = (B - GRAN FURY)(G - DIPLOMAT)(F - FIFTH AVENUE/NEWPORT)
 P BODY = (P - SUNDANCE)(D - SHADOW)
 Q BODY = (C27 - MASERATI)
 S BODY = (H - VOYAGER)(K - RAM VAN/ CARAVAN)

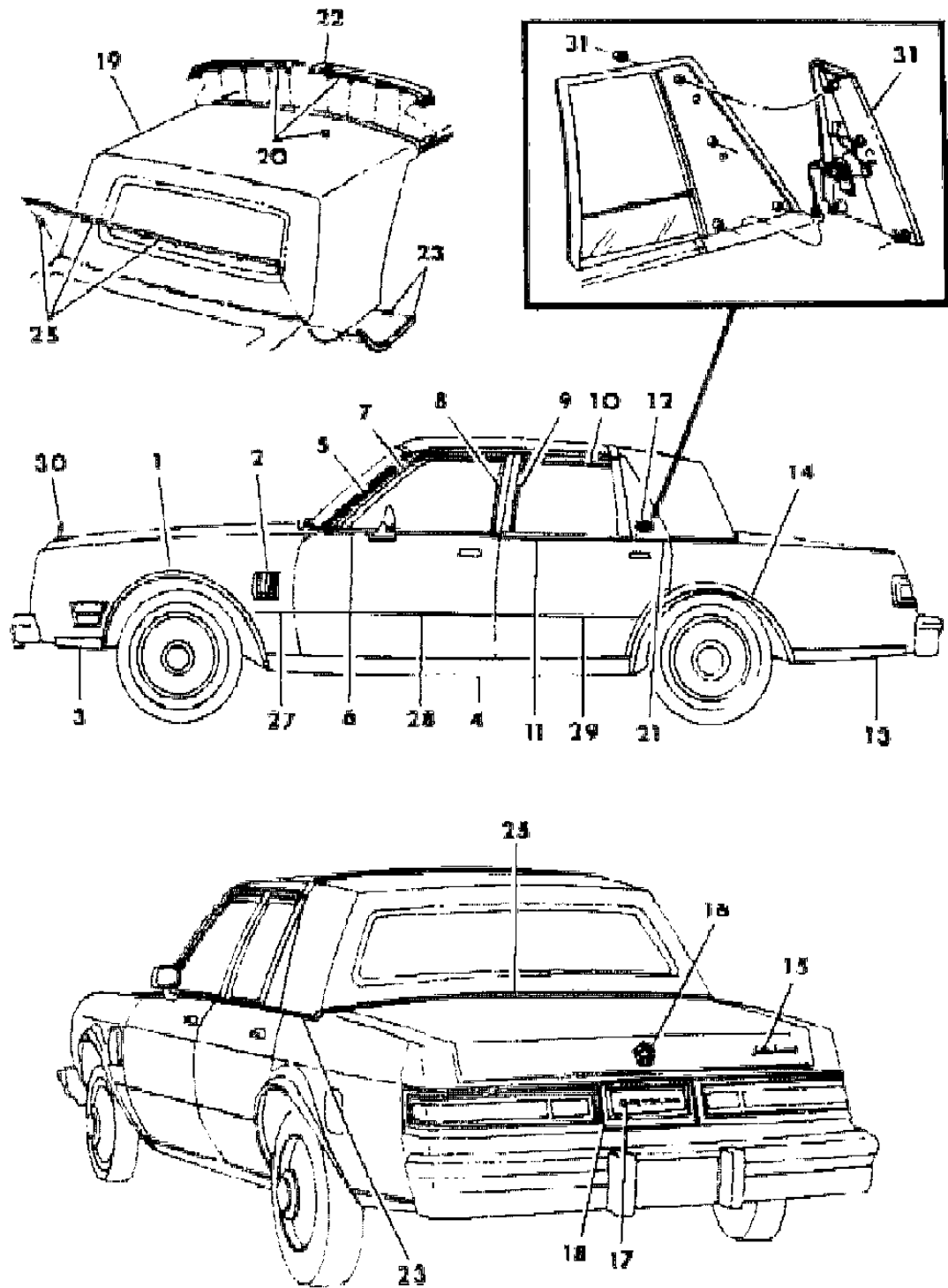
BODY STYLES

12-52 = FWD VAN & WAGON STD. W.B. 27 = 2-DOOR CONVERTIBLE
 13-53 = FWD VAN & WGN EXT W.B. 41 = 4-DOOR SEDAN
 21 = 2-DOOR SEDAN 44 = 4-DOOR HATCHBACK
 24 = 2-DOOR HATCHBACK 45 = 4-DOOR STATION WAGON

AR = Use as Required - = Non Illustrated Part P.A.R. = Paint as Required

MOULDINGS AND ORNAMENTATION - EXTERIOR VIEW M BODY CHRYSLER FIFTH AVENUE
Figure 23-5400

8168 5400



ITEM	PART NUMBER	QTY	BODY	MODEL	DESCRIPTION
	T804-5 GB1	1			Ice Blue
	T804-5 GM9	1			Black Cherry
	T804-5 GW7	1			Bright White
	T804-5 GX9	1			Black
	T804-5 GL8	1			Dark Pewter
	T804-5 GL2	1			Light Pewter
	4229 291	2			RETAINER, Rear Door Qtr. Wdo. Frame Inverter
NOTE: The Following Parts are not Illustrated the side of the float bowl.					
-	4366 122-3	1			SUPPORT, Rear Door Qtr. Wdo. Frame
-	3792 367	AR			TAPE, Backlite Plug Ext. to Glass

MODEL CODES

C BODY = (D41 - DYNASTY)(C41 - NEW YORKER)	L BODY = (M - HORIZON)(Z-OMNI)
E BODY = (J - CARAVELLE)(E - 600)(T - NEW YORKER TURBO)	M BODY = (B - GRAN FURY)(G - DIPLOMAT)(F - FIFTH AVENUE/NEWPORT)
G BODY = (V24 - DAYTONA, PACIFICA & SHELBY)	P BODY = (P - SUNDANCE)(D - SHADOW)
H BODY = (D44 - LANCER)(C44 - LEBARON GTS)	Q BODY = (C27 - MASERATI)
J BODY = (C - LEBARON)	S BODY = (H - VOYAGER)(K - RAM VAN/ CARAVAN)
K BODY = (P - RELIANT)(D - ARIES)(C - LEBARON/ TOWN & COUNTRY)	

BODY STYLES

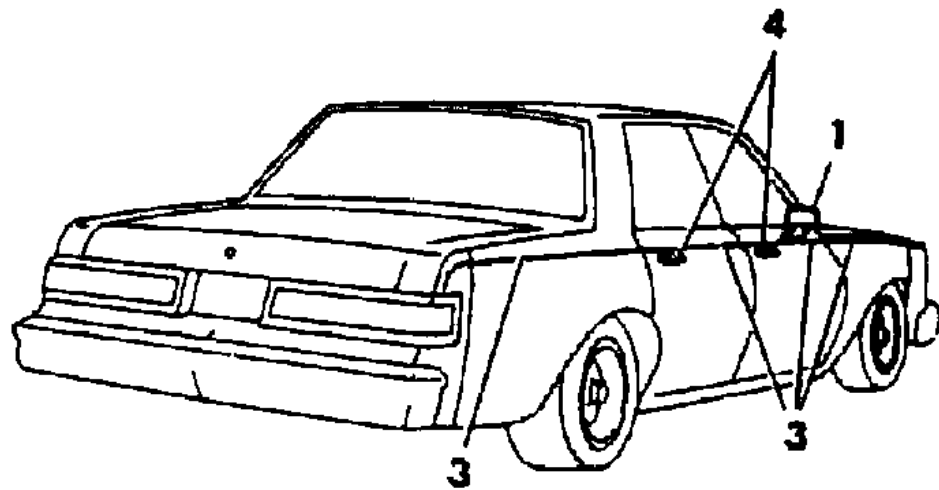
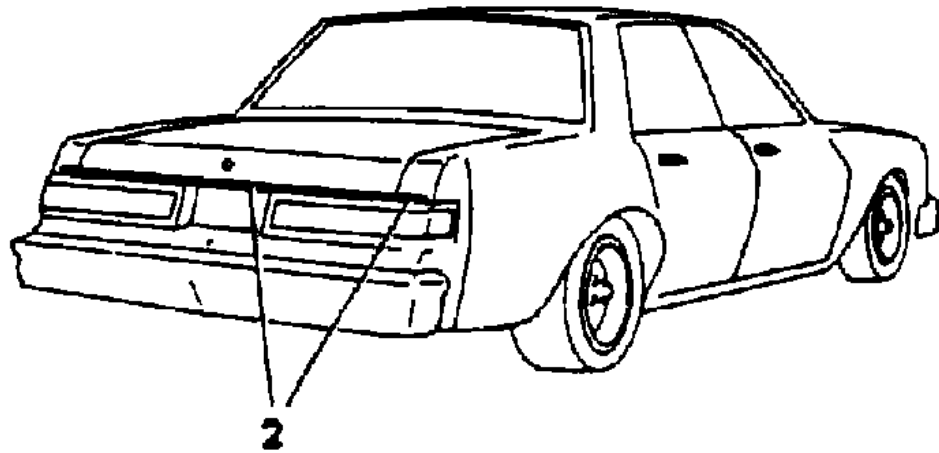
12-52 = FWD VAN & WAGON STD. W.B.	27 = 2-DOOR CONVERTIBLE
13-53 = FWD VAN & WGN EXT W.B.	41 = 4-DOOR SEDAN
21 = 2-DOOR SEDAN	44 = 4-DOOR HATCHBACK
24 = 2-DOOR HATCHBACK	45 = 4-DOOR STATION WAGON

AR = Use as Required - = Non Illustrated Part P.A.R. = Paint as Required

TAPE STRIPES AND DECALS - EXTERIOR VIEW M BODY CHRYSLER FIFTH AVENUE
Figure 23-5500

8168 5500 A

ITEM	PART NUMBER	QTY	BODY	MODEL	DESCRIPTION
1	E324-5 CA1	1			TAPE, Door Mirror, Silver Met.
	E324-5 GL2	1			Light Pewter
	E324-5 GL8	1			Dark Pewter
	E324-5 GM9	1			Black Cherry
	E324-5 GW7	1			Bright White
	E324-5 AX9	1			Black
	E324-5 FB1	1			Ice Blue
2	T086 GE5	1			TAPE, Deck Lid and Qtr. End Ext., Red
	T086 GM7	1			Brown
	T086 GU2	1			Light Copper
	T086 GC4	1			Blue
3	T086 GA3	1			Dark Silver
	4494 238-9	1			TAPE PACKAGE, Fndr., Doors, Dark Silver
	4494 240-1	1			Blue
	4494 242-3	1			Light Copper
	4494 244-5	1			Brown
	4494 246-7	1			Red
	4494 258-9	1			TAPE PACKAGE, Qtr., Dark Silver
	4494 260-1	1			Blue
	4494 262-3	1			Light Copper
	4494 264-5	1			Brown
4	4494 266-7	1			Red
	T360 CA1	AR			TAPE, Door Handle, Silver Met.
	T360 GL2	AR			Light Pewter
	T360 GL8	AR			Dark Pewter
	T360 GM9	AR			Black Cherry
	T360 AX9	AR			Black
	T360 GW7	AR			Bright White
	T360 FB1	AR			Ice Blue
T360 FC7	AR			Twilight Blue	



MODEL CODES

C BODY = (D41 - DYNASTY)(C41 - NEW YORKER)
 E BODY = (J - CARAVELLE)(E - 600)(T - NEW YORKER TURBO)
 G BODY = (V24 - DAYTONA, PACIFICA & SHELBY)
 H BODY = (D44 - LANCER)(C44 - LEBARON GTS)
 J BODY = (C - LEBARON)
 K BODY = (P - RELIANT)(D - ARIES)(C - LEBARON/ TOWN & COUNTRY)

L BODY = (M - HORIZON)(Z-OMNI)
 M BODY = (B - GRAN FURY)(G - DIPLOMAT)(F - FIFTH AVENUE/NEWPORT)
 P BODY = (P - SUNDANCE)(D - SHADOW)
 Q BODY = (C27 - MASERATI)
 S BODY = (H - VOYAGER)(K - RAM VAN/ CARAVAN)

BODY STYLES

12-52 = FWD VAN & WAGON STD. W.B. 27 = 2-DOOR CONVERTIBLE
 13-53 = FWD VAN & WGN EXT W.B. 41 = 4-DOOR SEDAN
 21 = 2-DOOR SEDAN 44 = 4-DOOR HATCHBACK
 24 = 2-DOOR HATCHBACK 45 = 4-DOOR STATION WAGON

AR = Use as Required - = Non Illustrated Part P.A.R. = Paint as Required

GROUP 23A - BODY - SHEET METAL EXCEPT DOORS

ILLUSTRATION TITLE	GROUP-FIG. NO.
BODY PARTIAL	
BODY CONSTRUCTION PARTIAL LIST OF BODY PANEL	Fig. 23A-100
L BODY	
FLOOR PAN FRONT L BODY	Fig. 23A-200
FLOOR PAN REAR L BODY	Fig. 23A-300
FENDER AND SHIELD L BODY	Fig. 23A-400
HOOD AND HOOD RELEASE L BODY	Fig. 23A-500
COWL AND DASH PANEL L BODY	Fig. 23A-600
GLASS WINDSHIELD AND MIRROR L BODY	Fig. 23A-700
BODY FRONT PILLAR L BODY	Fig. 23A-800
APERTURE PANEL L BODY	Fig. 23A-900
BODY REAR QUARTER L BODY	Fig. 23A-1000
LIFTGATE OPENING PANEL L BODY	Fig. 23A-1100
ROOF PANEL L BODY	Fig. 23A-1200
GLASS LIFTGATE L BODY	Fig. 23A-1300
LIFTGATE PANEL L BODY	Fig. 23A-1400
P BODY	
FLOOR PAN FRONT P BODY 24,44	Fig. 23A-1500
PLUGS FRONT FLOOR PAN P BODY 24,44	Fig. 23A-1600
FLOOR PAN REAR P BODY 24,44	Fig. 23A-1700
FENDER AND SHIELD P BODY 24,44	Fig. 23A-1800
HOOD AND HOOD RELEASE P BODY 24,44	Fig. 23A-1900
COWL AND DASH PANEL P BODY 24,44	Fig. 23A-2000
BRACKET AND PLUGS COWL P BODY 24,44	Fig. 23A-2100
GLASS WINDSHIELD AND MIRROR P BODY 24,44	Fig. 23A-2200
BODY FRONT PILLAR P BODY 24,44	Fig. 23A-2300
APERATURE PANEL P BODY 24,44	Fig. 23A-2400
BODY REAR QUARTER P BODY 24,44	Fig. 23A-2500
GLASS QUARTER WINDOW P BODY 24	Fig. 23A-2600
ROOF PANEL P BODY 24,44	Fig. 23A-2700
SUNROOF P BODY 24,44	Fig. 23A-2800
LUGGAGE RACK LIFTGATE AND GLASS LIFTGATE P BODY 24,44	Fig. 23A-2900
LIFTGATE PANEL AND FUEL FILLER DOOR P BODY 24,44	Fig. 23A-3000
LIFTGATE OPENING PANEL P BODY 24,44	Fig. 23A-3100
LIFTGATE RELEASE P BODY 24,44	Fig. 23A-3200

ILLUSTRATION NOT AVAILABLE AT TIME OF PUBLICATION

GROUP 23A - BODY - SHEET METAL EXCEPT DOORS

GROUP 23A - BODY - SHEET METAL EXCEPT DOORS

ILLUSTRATION TITLE

GROUP-FIG. NO.

ILLUSTRATION TITLE

GROUP-FIG. NO.

P BODY (Continued)

LIFTGATE RELEASE P BODY 24,44 Fig. 23A-3200

J BODY

FLOOR PAN J BODY Fig. 23A-3300

FLOOR PAN TUNNEL J BODY 27 Fig. 23A-3400

PLUGS FLOOR PAN J BODY Fig. 23A-3500

FENDER AND SHIELD J BODY Fig. 23A-3600

HOOD AND HOOD RELEASE J BODY Fig. 23A-3700

COWL AND DASH PANEL J BODY Fig. 23A-3800

PLUGS DASH PANEL J BODY Fig. 23A-3900

GLASS WINDSHIELD J BODY Fig. 23A-4000

MIRROR REAR VIEW LIGHTED J BODY Fig. 23A-4050

APERTURE PANEL AND FRONT PILLAR J BODY 21 Fig. 23A-4100

APERTURE PANEL AND FRONT PILLAR J BODY 27 Fig. 23A-4200

QUARTER PANEL J BODY 21 Fig. 23A-4300

QUARTER PANEL J BODY 27 Fig. 23A-4400

GLASS QUARTER WINDOW J BODY 21,27 Fig. 23A-4500

ROOF PANEL AND WINDSHIELD FRAME J BODY Fig. 23A-4600

SUNROOF J BODY 21 Fig. 23A-4700

CONVERTIBLE TOP J BODY 27 Fig. 23A-4800

RAIL, HEADER AND LATCH ASSEMBLY J BODY 27 Fig. 23A-4850

CONVERTIBLE MOTOR AND UPPER WEATHERSTRIP J BODY 27 Fig. 23A-4900

GLASS LIFTGATE J BODY Fig. 23A-5000

LIFTGATE PANEL J BODY Fig. 23A-5100

FUEL FILLER AND LIFTGATE RELEASE J BODY Fig. 23A-5200

K,E BODY

FLOOR PAN K,E BODY Fig. 23A-7300

PLUGS FLOOR PAN K,E BODY Fig. 23A-7400

FENDER AND SHIELD K,E BODY Fig. 23A-7500

BUMPERS AND PLUGS, FENDER, HOOD K,E BODY Fig. 23A-7600

HOOD K,E BODY Fig. 23A-7700

HOOD RELEASE REMOTE CONTROL K,E BODY Fig. 23A-7800

COWL AND DASH PANEL K,E BODY Fig. 23A-7900

PLUGS COWL AND DASH K,E BODY Fig. 23A-8000

GLASS WINDSHIELD AND MIRROR K,E BODY Fig. 23A-8100

K,E BODY (Continued)

GLASS WINDSHIELD AND MIRROR K,E BODY Fig. 23A-8100

BODY FRONT PILLAR K,E BODY Fig. 23A-8200

APERTURE PANEL K,E BODY Fig. 23A-8300

PLUGS BODY SIDE K,E BODY Fig. 23A-8400

BODY SIDE K BODY 21 Fig. 23A-8500

BODY SIDE K BODY 41 Fig. 23A-8600

BODY SIDE E BODY Fig. 23A-8700

BODY SIDE K BODY 45 Fig. 23A-8800

SIDE SILL AND CENTER PILLAR K,E BODY Fig. 23A-8900

QUARTER INSIDE AND WHEELHOUSE OUTER PANEL K BODY 21 Fig. 23A-9000

QUARTER INSIDE AND WHEELHOUSE OUTER PANEL K BODY 41 Fig. 23A-9100

QUARTER INSIDE AND WHEELHOUSE OUTER PANEL E BODY Fig. 23A-9200

QUARTER INSIDE AND WHEELHOUSE OUTER PANEL K BODY 45 Fig. 23A-9300

GLASS QUARTER WINDOW K BODY 21 Fig. 23A-9400

GLASS QUARTER WINDOW E BODY Fig. 23A-9500

GLASS QUARTER WINDOW K BODY 45 Fig. 23A-9600

ROOF PANEL K,E BODY Fig. 23A-9700

ROOF LUGGAGE RACK K BODY 45 Fig. 23A-9800

GLASS REAR WINDOW K BODY 21,41 Fig. 23A-9900

GLASS REAR WINDOW E BODY Fig. 23A-10000

DECK OPENING PANEL K BODY Fig. 23A-10100

DECK OPENING PANEL E BODY Fig. 23A-10200

LIFTGATE OPENING PANEL K BODY 45 Fig. 23A-10300

DECK LID K BODY Fig. 23A-10400

DECK LID E BODY Fig. 23A-10500

BUMPERS AND PLUGS DECK LID K,E BODY Fig. 23A-10600

LIFTGATE PANEL K BODY 45 Fig. 23A-10700

PLUGS LIFTGATE K BODY 45 Fig. 23A-10800

FUEL FILLER AND DECK LID REMOTE RELEASE E BODY Fig. 23A-10900

DECK LID ELECTRIC RELEASE K BODY Fig. 23A-11000

G BODY

FLOOR PAN FRONT G BODY 24 Fig. 23A-11100

FLOOR PAN REAR G BODY 24 Fig. 23A-11200

FENDER AND SHIELD G BODY 24 Fig. 23A-11300

HOOD AND HOOD RELEASE G BODY 24 Fig. 23A-11400



GROUP 23A - BODY - SHEET METAL EXCEPT DOORS

GROUP 23A - BODY - SHEET METAL EXCEPT DOORS

ILLUSTRATION TITLE

GROUP-FIG. NO.

ILLUSTRATION TITLE

GROUP-FIG. NO.

G BODY (Continued)

HOOD AND HOOD RELEASE G BODY 24
 COWL AND DASH PANEL G BODY 24
 GLASS WINDSHIELD AND MIRROR G BODY 24
 BODY FRONT PILLAR AND ROOF PANEL G BODY 24
 APERTURE PANEL G BODY 24
 BODY REAR QUARTER G BODY 24
 GLASS QUARTER WINDOW G BODY 24
 ROOF PANEL G BODY 24
 SUNROOF G BODY 24
 GLASS LIFTGATE G BODY 24
 T-BAR ROOF G BODY 24
 LIFTGATE PANEL G BODY 24
 LIFTGATE OPENING PANEL G BODY 24
 FUEL FILLER AND LIFTGATE REMOTE RELEASE G BODY 24

Fig. 23A-11400
 Fig. 23A-11500
 Fig. 23A-11600
 Fig. 23A-11700
 Fig. 23A-11800
 Fig. 23A-11900
 Fig. 23A-12000
 Fig. 23A-12100
 Fig. 23A-12200
 Fig. 23A-12300
 Fig. 23A-12400
 Fig. 23A-12500
 Fig. 23A-12600
 Fig. 23A-12700

H BODY

FLOOR PAN FRONT H BODY 44
 FLOOR PAN REAR H BODY 44
 FENDER AND SHIELD H BODY 44
 HOOD AND HOOD RELEASE H BODY 44
 COWL AND DASH PANEL H BODY 44
 GLASS WINDSHIELD AND MIRROR H BODY 44
 BODY FRONT PILLAR H BODY 44
 APERTURE PANEL H BODY 44
 BODY REAR QUARTER H BODY 44
 GLASS QUARTER WINDOW H BODY 44
 ROOF PANEL H BODY 44
 SUNROOF MANUAL H BODY 44
 SUNROOF 1 OF 4 H BODY
 SUNROOF 2 OF 4 H BODY
 SUNROOF 3 OF 4 H BODY
 SUNROOF 4 OF 4 H BODY
 GLASS LIFTGATE H BODY 44
 LIFTGATE PANEL H BODY 44
 LIFTGATE OPENING PANEL H BODY 44
 FUEL FILLER AND LIFTGATE REMOTE RELEASE H BODY 44

Fig. 23A-12800
 Fig. 23A-12900
 Fig. 23A-13000
 Fig. 23A-13100
 Fig. 23A-13200
 Fig. 23A-13300
 Fig. 23A-13400
 Fig. 23A-13500
 Fig. 23A-13600
 Fig. 23A-13700
 Fig. 23A-13800
 Fig. 23A-13900
 Fig. 23A-13920
 Fig. 23A-13940
 Fig. 23A-13960
 Fig. 23A-13980
 Fig. 23A-14000
 Fig. 23A-14100
 Fig. 23A-14200
 Fig. 23A-14300

H BODY (Continued)

FUEL FILLER AND LIFTGATE REMOTE RELEASE H BODY 44

Fig. 23A-14300

C BODY

FLOOR PAN C BODY
 FLOOR PAN PLUGS C BODY
 FENDER AND SHIELD C BODY
 COWL SCREEN AND ENGINE SHIELD C BODY
 TOWER AND SHIELD C BODY
 HOOD AND HOOD RELEASE C BODY
 COWL AND DASH PANEL C BODY
 DASH PANEL PLUGS C BODY
 BRACE DASH PANEL TO COWL C BODY
 GLASS WINDSHIELD AND MIRROR C BODY
 PILLAR FRONT AND CENTER C BODY
 APERTURE PANEL C BODY
 BODY SIDE AND QUARTER PANEL C BODY
 SUNROOF AND ROOF PANEL C BODY
 SUNROOF COMPONENT PARTS C BODY
 GLASS REAR WINDOW C BODY
 DECK OPENING PANEL C BODY
 DECK LID C BODY
 DECK LID POWER PULL DOWN C BODY
 DECK LID SHELF AND BAR C BODY
 FUEL FILLER REMOTE DOOR RELEASE C BODY

Fig. 23A-14400
 Fig. 23A-14500
 Fig. 23A-14600
 Fig. 23A-14700
 Fig. 23A-14800
 Fig. 23A-14900
 Fig. 23A-15000
 Fig. 23A-15100
 Fig. 23A-15200
 Fig. 23A-15300
 Fig. 23A-15400
 Fig. 23A-15500
 Fig. 23A-15600
 Fig. 23A-15800
 Fig. 23A-15850
 Fig. 23A-15900
 Fig. 23A-16000
 Fig. 23A-16100
 Fig. 23A-16150
 Fig. 23A-16200
 Fig. 23A-16300

S BODY

FLOOR PAN S BODY
 FENDER AND SHIELD S BODY
 HOOD AND HOOD RELEASE S BODY
 COWL AND DASH PANEL S BODY
 GLASS WINDSHIELD AND MIRROR S BODY
 BODY FRONT PILLAR AND APERTURE PANEL S BODY
 BODY REAR QUARTER (RIGHT) S BODY
 BODY REAR QUARTER (LEFT) S BODY
 ROOF PANEL S BODY
 ROOF LUGGAGE RACK S BODY

Fig. 23A-16400
 Fig. 23A-16500
 Fig. 23A-16600
 Fig. 23A-16700
 Fig. 23A-16800
 Fig. 23A-16900
 Fig. 23A-17000
 Fig. 23A-17100
 Fig. 23A-17200
 Fig. 23A-17300

GROUP 23A - BODY - SHEET METAL EXCEPT DOORS

ILLUSTRATION TITLE

GROUP-FIG. NO.

S BODY (Continued)

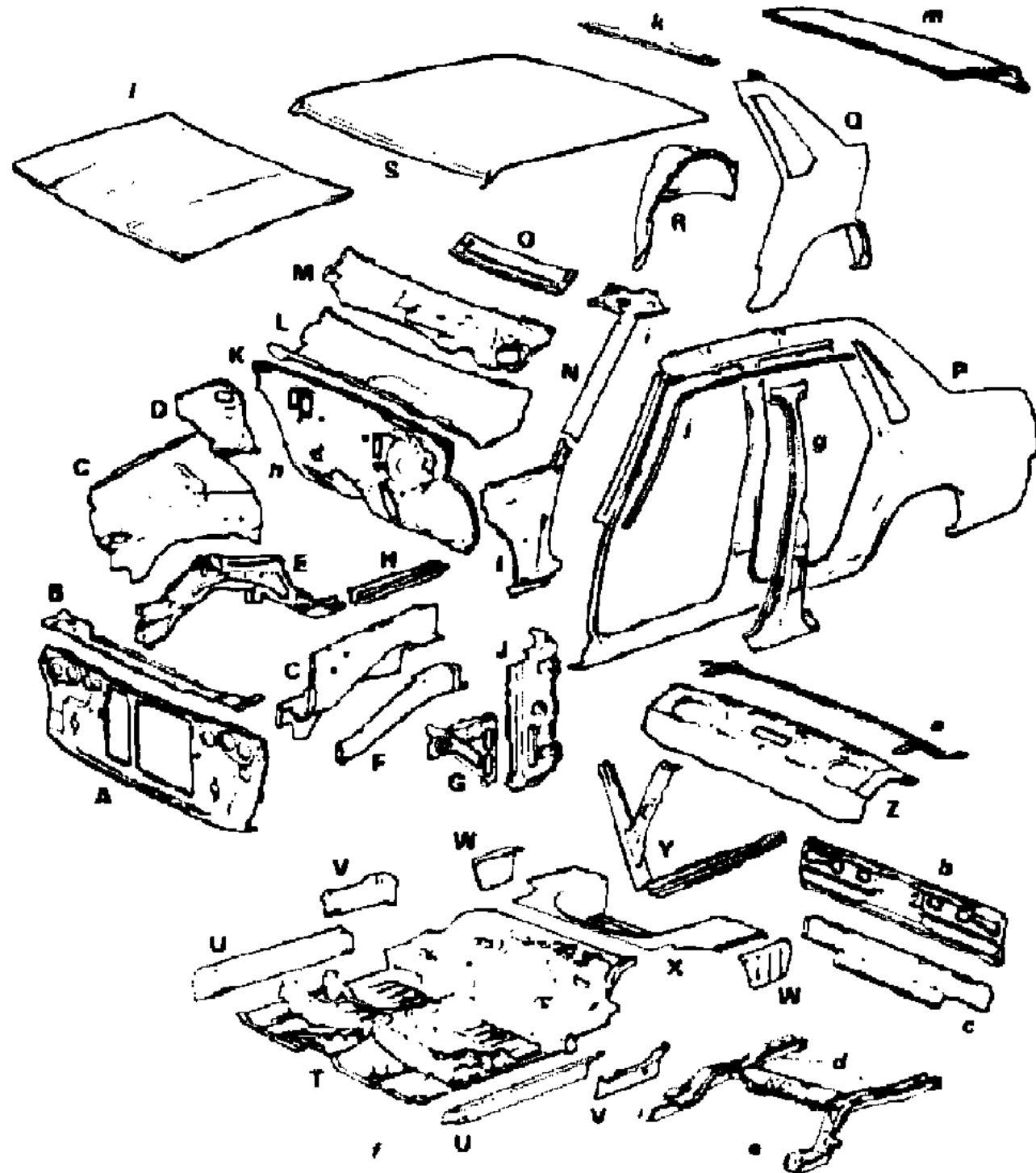
ROOF LUGGAGE RACK S BODY	Fig. 23A-17300
GLASS LIFTGATE S BODY	Fig. 23A-17400
GLASS BODY SIDE APERTURE S BODY	Fig. 23A-17500
LIFTGATE PANEL S BODY	Fig. 23A-17600
PANEL AND EXTENSION DUAL CARGO DOORS S BODY 13,53	Fig. 23A-17700
LIFTGATE OPENING PANEL S BODY	Fig. 23A-17800
FUEL FILLER REMOTE RELEASE S BODY	Fig. 23A-17900

M BODY

FLOOR PAN M BODY	Fig. 23A-18000
PLUGS FLOOR PAN M BODY	Fig. 23A-18100
FENDER AND SHIELD M BODY	Fig. 23A-18200
HOOD M BODY	Fig. 23A-18300
BUMPERS AND PLUGS, FENDER, HOOD M BODY	Fig. 23A-18400
HOOD RELEASE REMOTE CONTROL M BODY	Fig. 23A-18500
COWL AND DASH PANEL M BODY	Fig. 23A-18600
PLUGS COWL AND DASH M BODY	Fig. 23A-18700
GLASS WINDSHIELD AND MIRROR M BODY	Fig. 23A-18800
SIDE SILL AND CENTER PILLAR M BODY	Fig. 23A-18900
PLUGS BODY SIDE M BODY	Fig. 23A-19000
QUARTER PANEL M BODY	Fig. 23A-19100
ROOF PANEL M BODY	Fig. 23A-19200
SUNROOF 1 OF 4 M BODY	Fig. 23A-19300
SUNROOF 2 OF 4 M BODY	Fig. 23A-19350
SUNROOF 3 OF 4 M BODY	Fig. 23A-19400
SUNROOF 4 OF 4 M BODY	Fig. 23A-19450
GLASS REAR WINDOW M BODY	Fig. 23A-19500
DECK LID M BODY	Fig. 23A-19600
DECK OPENING PANEL M BODY	Fig. 23A-19700
BUMPERS AND PLUGS DECK LID M BODY	Fig. 23A-19800
DECK LID ELECTRIC RELEASE M BODY	Fig. 23A-19900

BODY CONSTRUCTION PARTIAL LIST OF BODY PANEL
Figure 23A-100

8169 100



ITEM	PART NUMBER	QTY	BODY	MODEL	DESCRIPTION
A					Radiator Support (In Group 7)
B					Tie Bar Panel (In Group 7)
C					Fender Inner Shield
D					Strut Tower Reinforcement
E					Front Side Rail
F					Upper Splash Shield Beam
G					Hinge Pillar Extension
H					Front Side Rail Extension
I					Cowl Side Panel
J					Front Hinge Pillar
K					Dash Panel
L					Cowl Plenum
M					Cowl Top
N					Pillar Reinforcement
O					Center Windshield Frame
P					Side Aperture
Q					Inner Quarter/Outer Wheelhouse
R					Inner Wheelhouse
S					Roof Panel
T					Front Side Floor Pan
U					Inner Sill Panel
V					Side Sill Panel Extension
W					Floor Pan Side Extension
X					Rear Floor Pan
Y					Brace Shelf Panel To Floor
Z					Shelf Panel
a					Upper Panel Drain Through
b					Tail Panel
c					Lower Tail Panel
d					Rear Side Rail (In Group 13)
e					Rear Side Rail Crossmember (In Group 13)
f					Front Floor Pan Crossmember, Seat Mount
g					Center Pillar Outer
h					Strut Tower Extension To Dash
i					Upper Windshield Pillar
j					Drip Rail
k					Rear Roof Brace

MODEL CODES

C BODY = (D41 - DYNASTY)(C41 - NEW YORKER)
 E BODY = (J - CARAVELLE)(E - 600)(T - NEW YORKER TURBO)
 G BODY = (V24 - DAYTONA, PACIFICA & SHELBY)
 H BODY = (D44 - LANCER)(C44 - LEBARON GTS)
 J BODY = (C - LEBARON)
 K BODY = (P - RELIANT)(D - ARIES)(C - LEBARON/ TOWN & COUNTRY)

L BODY = (M - HORIZON)(Z-OMNI)
 M BODY = (B - GRAN FURY)(G - DIPLOMAT)(F - FIFTH AVENUE/NEWPORT)
 P BODY = (P - SUNDANCE)(D - SHADOW)
 Q BODY = (C27 - MASERATI)
 S BODY = (H - VOYAGER)(K - RAM VAN/ CARAVAN)

BODY STYLES

12-52 = FWD VAN & WAGON STD. W.B. 27 = 2-DOOR CONVERTIBLE
 13-53 = FWD VAN & WGN EXT W.B. 41 = 4-DOOR SEDAN
 21 = 2-DOOR SEDAN 44 = 4-DOOR HATCHBACK
 24 = 2-DOOR HATCHBACK 45 = 4-DOOR STATION WAGON

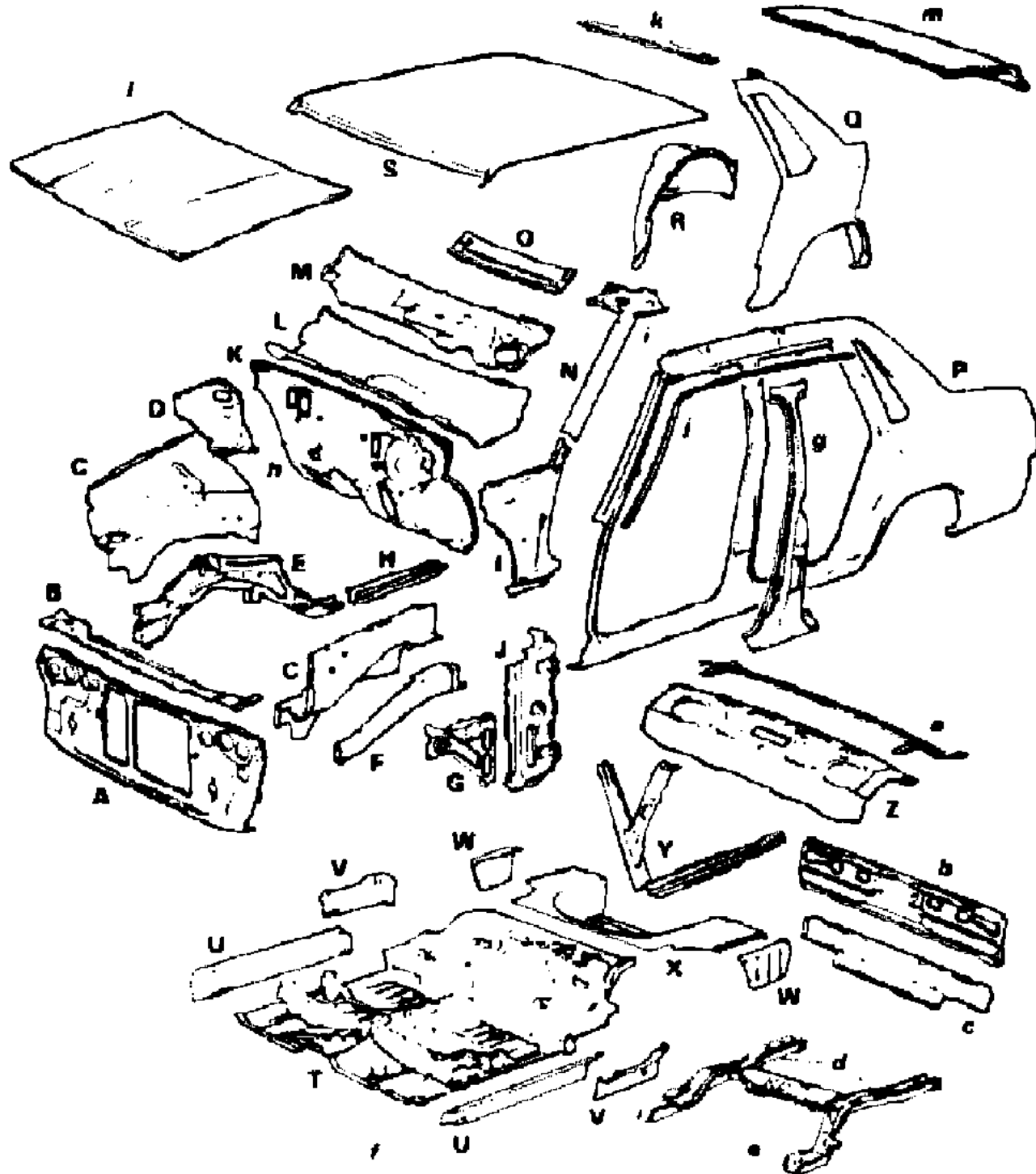
AR = Use as Required - = Non Illustrated Part P.A.R. = Paint as Required

BODY CONSTRUCTION PARTIAL LIST OF BODY PANEL
Figure 23A-100

8169 100

ITEM	PART NUMBER	QTY	BODY	MODEL	DESCRIPTION
------	-------------	-----	------	-------	-------------

l					Hood
m					Deck Lid Or Liftgate



MODEL CODES

C BODY = (D41 - DYNASTY)(C41 - NEW YORKER)
 E BODY = (J - CARAVELLE)(E - 600)(T - NEW YORKER TURBO)
 G BODY = (V24 - DAYTONA, PACIFICA & SHELBY)
 H BODY = (D44 - LANCER)(C44 - LEBARON GTS)
 J BODY = (C - LEBARON)
 K BODY = (P - RELIANT)(D - ARIES)(C - LEBARON/ TOWN & COUNTRY)

L BODY = (M - HORIZON)(Z-OMNI)
 M BODY = (B - GRAN FURY)(G - DIPLOMAT)(F - FIFTH AVENUE/NEWPORT)
 P BODY = (P - SUNDANCE)(D - SHADOW)
 Q BODY = (C27 - MASERATI)
 S BODY = (H - VOYAGER)(K - RAM VAN/ CARAVAN)

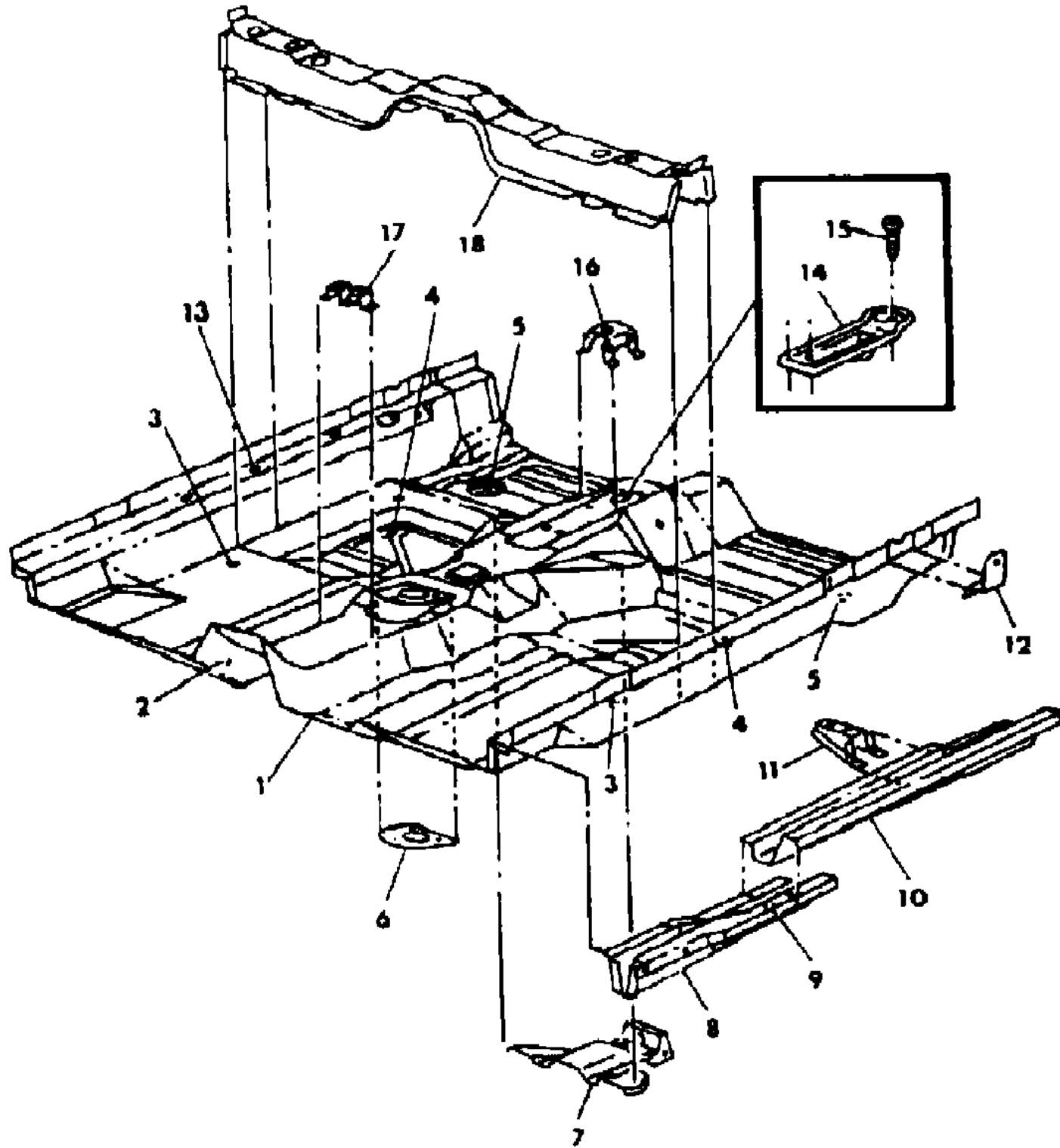
BODY STYLES

12-52 = FWD VAN & WAGON STD. W.B.	27 = 2-DOOR CONVERTIBLE
13-53 = FWD VAN & WGN EXT W.B.	41 = 4-DOOR SEDAN
21 = 2-DOOR SEDAN	44 = 4-DOOR HATCHBACK
24 = 2-DOOR HATCHBACK	45 = 4-DOOR STATION WAGON

AR = Use as Required - = Non Illustrated Part P.A.R. = Paint as Required

FLOOR PAN FRONT L BODY
Figure 23A-200

8169 200



ITEM	PART NUMBER	QTY	BODY	MODEL	DESCRIPTION
1	4371 417	1			PAN, Front Floor
2	2424 864	1			PLUG, 1.75" Dia./44.5 mm
3	2480 957	2			PLUG, 1.00" Dia./25.4 mm
4	#4073 485	2			PLUG, 1.50" Dia./38 mm
5	5200 456	2			PLUG, 2.75" Dia./70 mm
6	4371 415	1			REINFORCEMENT, Gearshift Mounting
7	5230 421	1			REINFORCEMENT, Handbrake and Front Seat Inner Track Rear
8	5200 004-5	1			EXTENSION, Lower Side Sill Front
9	1774 076	10			PLUG, .630" Dia./16 mm
10	5200 006-7	1			PANEL, Side Sill Lower
11	4050 466-7	1			REINFORCEMENT, Sill Lower Front Seat Rear Outer
	5200 176	2			REINFORCEMENT, Front Seat Outer Track Rear Mounting
12	5200 205	2			REINFORCEMENT, Front Seat Belt Outer Mounting
13	2094 631	6			PLUG, .875" Dia./22.2 mm
14	5200 384	1			SEAL, Handbrake Cable
15		3			SCREW, #10-16 x .375" Not Serviced
16		1			BRACKET, Console Rear Armrest Not Req.
17	4314 177	1			BRACKET, Console Front
18	#5230 314	1			CROSSMEMBER, Front Seat Track

MODEL CODES

C BODY = (D41 - DYNASTY)(C41 - NEW YORKER)
 E BODY = (J - CARAVELLE)(E - 600)(T - NEW YORKER TURBO)
 G BODY = (V24 - DAYTONA, PACIFICA & SHELBY)
 H BODY = (D44 - LANCER)(C44 - LEBARON GTS)
 J BODY = (C - LEBARON)
 K BODY = (P - RELIANT)(D - ARIES)(C - LEBARON/ TOWN & COUNTRY)

L BODY = (M - HORIZON)(Z-OMNI)
 M BODY = (B - GRAN FURY)(G - DIPLOMAT)(F - FIFTH AVENUE/NEWPORT)
 P BODY = (P - SUNDANCE)(D - SHADOW)
 Q BODY = (C27 - MASERATI)
 S BODY = (H - VOYAGER)(K - RAM VAN/ CARAVAN)

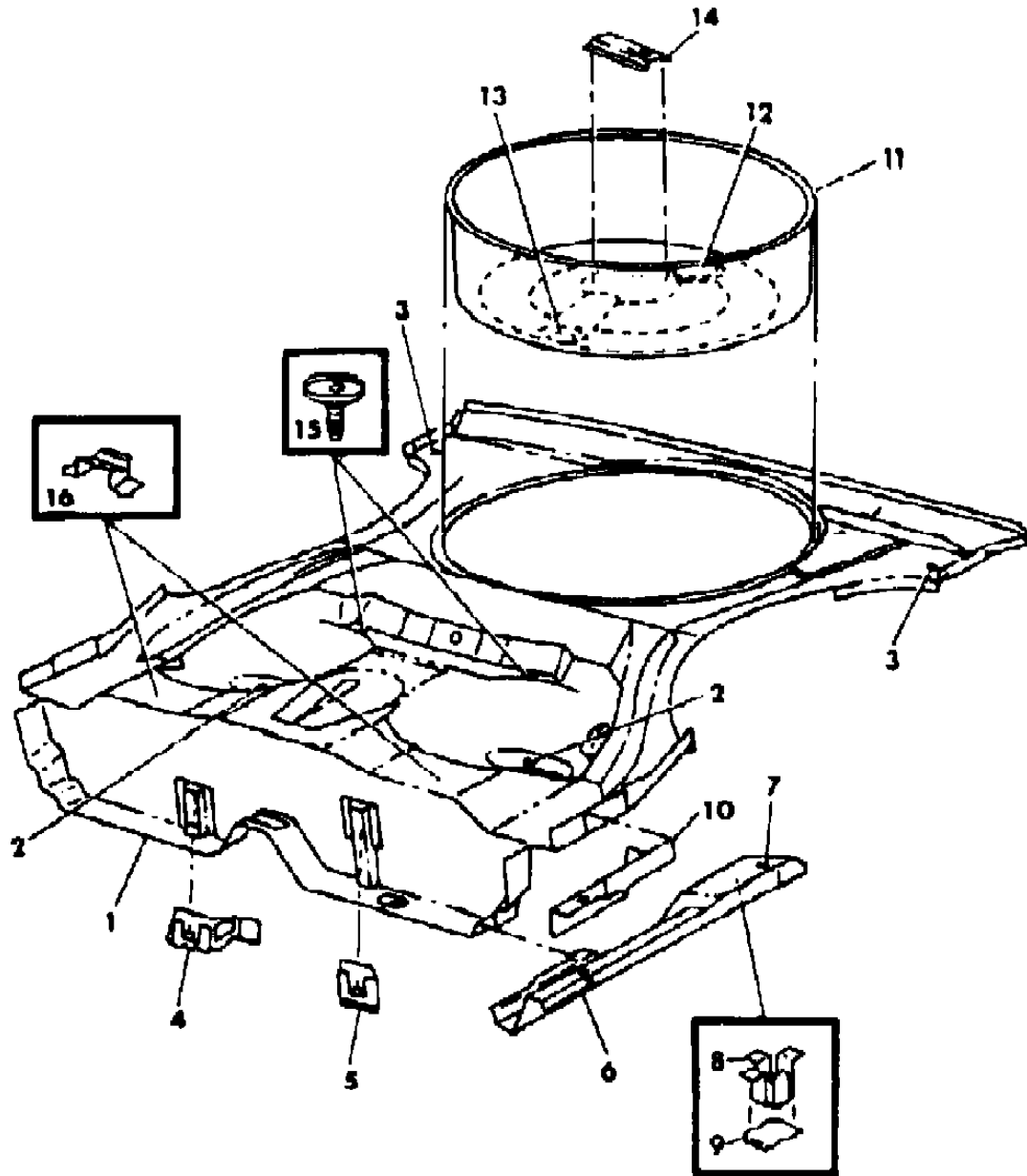
BODY STYLES

12-52 = FWD VAN & WAGON STD. W.B. 27 = 2-DOOR CONVERTIBLE
 13-53 = FWD VAN & WGN EXT W.B. 41 = 4-DOOR SEDAN
 21 = 2-DOOR SEDAN 44 = 4-DOOR HATCHBACK
 24 = 2-DOOR HATCHBACK 45 = 4-DOOR STATION WAGON

AR = Use as Required - = Non Illustrated Part P.A.R. = Paint as Required

FLOOR PAN REAR L BODY
Figure 23A-300

8169 300



ITEM	PART NUMBER	QTY	BODY	MODEL	DESCRIPTION
1	4314 878	1			PAN, Rear Floor
2	5200 474	2			PLUG, .838" Dia./21.3 mm
3	2480 957	2			PLUG, 1.00" Dia./25.4 mm
4	5218 306	1			PLATE, Fuel Tank Strap and Exhaust Hanger
5	5200 266	1			PLATE, Fuel Tank Strap Hanger
6	5200 162-3	1			EXTENSION, Lower Side Sill Rear
7	1774 076	2			PLUG, .630" Dia./16 mm
8	5200 312	2			BRACKET, Jacking Rear
9		2			PLATE, Jacking Bracket 5200313 Not Serviced
10	5200 034-5	1			PANEL, Inner Sill Rear
11	4337 584	1			PANEL, Tire Stowage
12	2424 864	1			PLUG, 1.75" Dia./44.5 mm
13	5200 456	1			PLUG, 2.75" Dia./70 mm
14	3791 040	1			BRACKET, Tire Stowage
15	4314 256	2			REINFORCEMENT, Fuel Tank Strap Rear
16	5200 388	2			RETAINER, Rear Seat Cushion

MODEL CODES

C BODY = (D41 - DYNASTY)(C41 - NEW YORKER)
 E BODY = (J - CARAVELLE)(E - 600)(T - NEW YORKER TURBO)
 G BODY = (V24 - DAYTONA, PACIFICA & SHELBY)
 H BODY = (D44 - LANCER)(C44 - LEBARON GTS)
 J BODY = (C - LEBARON)
 K BODY = (P - RELIANT)(D - ARIES)(C - LEBARON/ TOWN & COUNTRY)

L BODY = (M - HORIZON)(Z-OMNI)
 M BODY = (B - GRAN FURY)(G - DIPLOMAT)(F - FIFTH AVENUE/NEWPORT)
 P BODY = (P - SUNDANCE)(D - SHADOW)
 Q BODY = (C27 - MASERATI)
 S BODY = (H - VOYAGER)(K - RAM VAN/ CARAVAN)

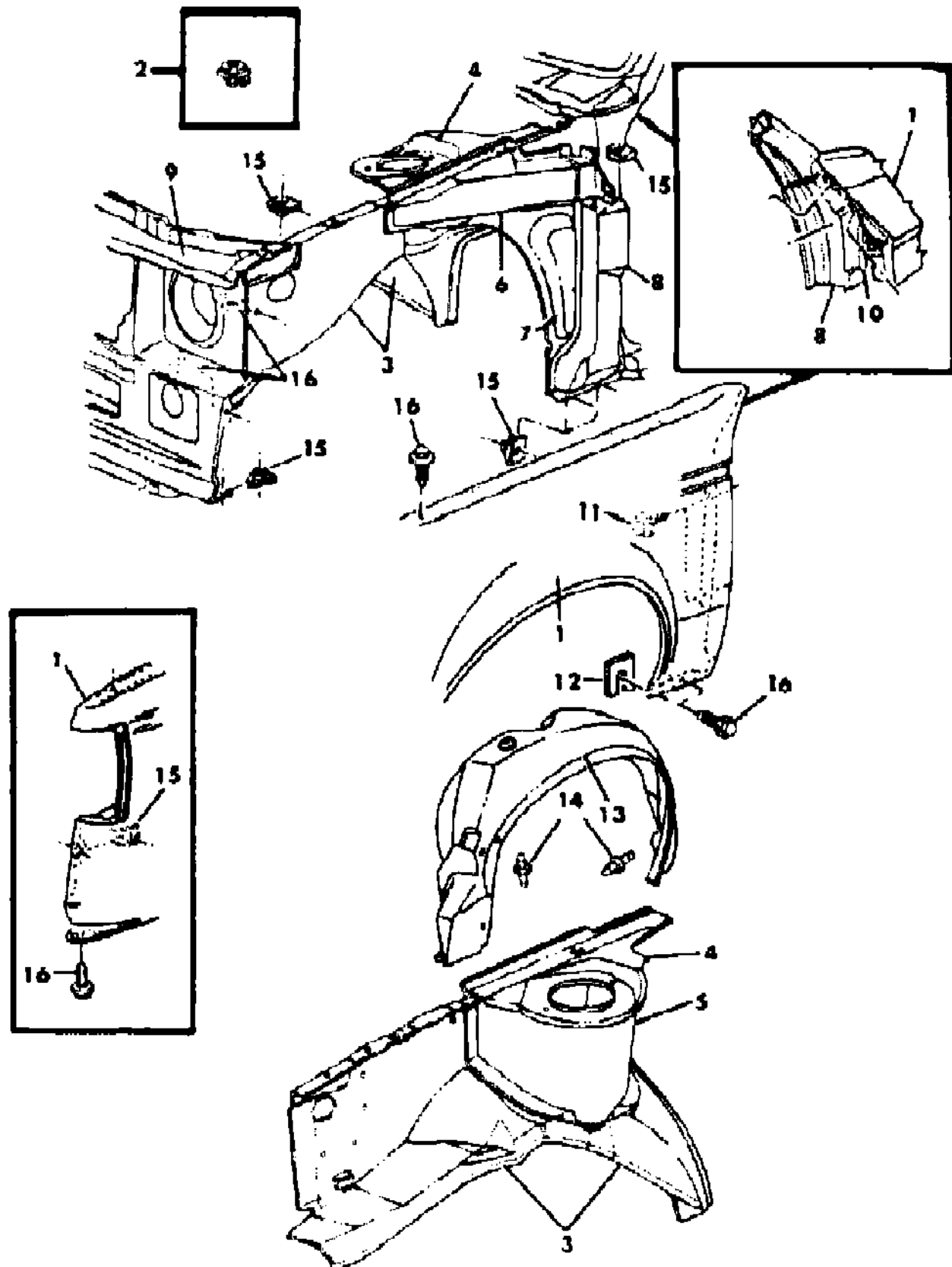
BODY STYLES

12-52 = FWD VAN & WAGON STD. W.B. 27 = 2-DOOR CONVERTIBLE
 13-53 = FWD VAN & WGN EXT W.B. 41 = 4-DOOR SEDAN
 21 = 2-DOOR SEDAN 44 = 4-DOOR HATCHBACK
 24 = 2-DOOR HATCHBACK 45 = 4-DOOR STATION WAGON

AR = Use as Required - = Non Illustrated Part P.A.R. = Paint as Required

FENDER AND SHIELD L BODY
Figure 23A-400

8169 400



ITEM	PART NUMBER	QTY	BODY	MODEL	DESCRIPTION
1	4296 858-9	1			FENDER
2	4222 731	1			PLUG, Fender Antenna Hole
3					PANEL, Fender Shield
	4490 094	1			Right
	4490 019	1			Left
4	4296 730-1	1			REINFORCEMENT, Front Suspension Iso-Strut Tower
5	4490 020-1	1			TOWER, Front Suspension Iso-Strut
6	5200 804-5	1			SUPPORT, Cowl Side Panel To Iso-Strut Mounting Tower
7		1			PANEL, Cowl Side (See Cowl & Dash Panel Illustration)
8		1			PILLAR, Front Hinge (See Body Front Pillar Illustration)
9		1			PANEL, Fender Closure & Headlamp Mounting (See Group 7)
10	5231 084-5	1			BRACKET, Front Hinge Pillar To Iso-Strut Tower Support
11	6100 302	2			SCREW and WASHER
12	6010 031	AR			SHIM
13	4296 130-1	1			SHIELD, Fender Splash
14	6031 390	AR			RETAINER, Drive Pin Type
15	6100 041	AR			U-NUT
16	6100 568	AR			SCREW and WASHER

MODEL CODES

C BODY = (D41 - DYNASTY)(C41 - NEW YORKER)
 E BODY = (J - CARAVELLE)(E - 600)(T - NEW YORKER TURBO)
 G BODY = (V24 - DAYTONA, PACIFICA & SHELBY)
 H BODY = (D44 - LANCER)(C44 - LEBARON GTS)
 J BODY = (C - LEBARON)
 K BODY = (P - RELIANT)(D - ARIES)(C - LEBARON/ TOWN & COUNTRY)

L BODY = (M - HORIZON)(Z-OMNI)
 M BODY = (B - GRAN FURY)(G - DIPLOMAT)(F - FIFTH AVENUE/NEWPORT)
 P BODY = (P - SUNDANCE)(D - SHADOW)
 Q BODY = (C27 - MASERATI)
 S BODY = (H - VOYAGER)(K - RAM VAN/ CARAVAN)

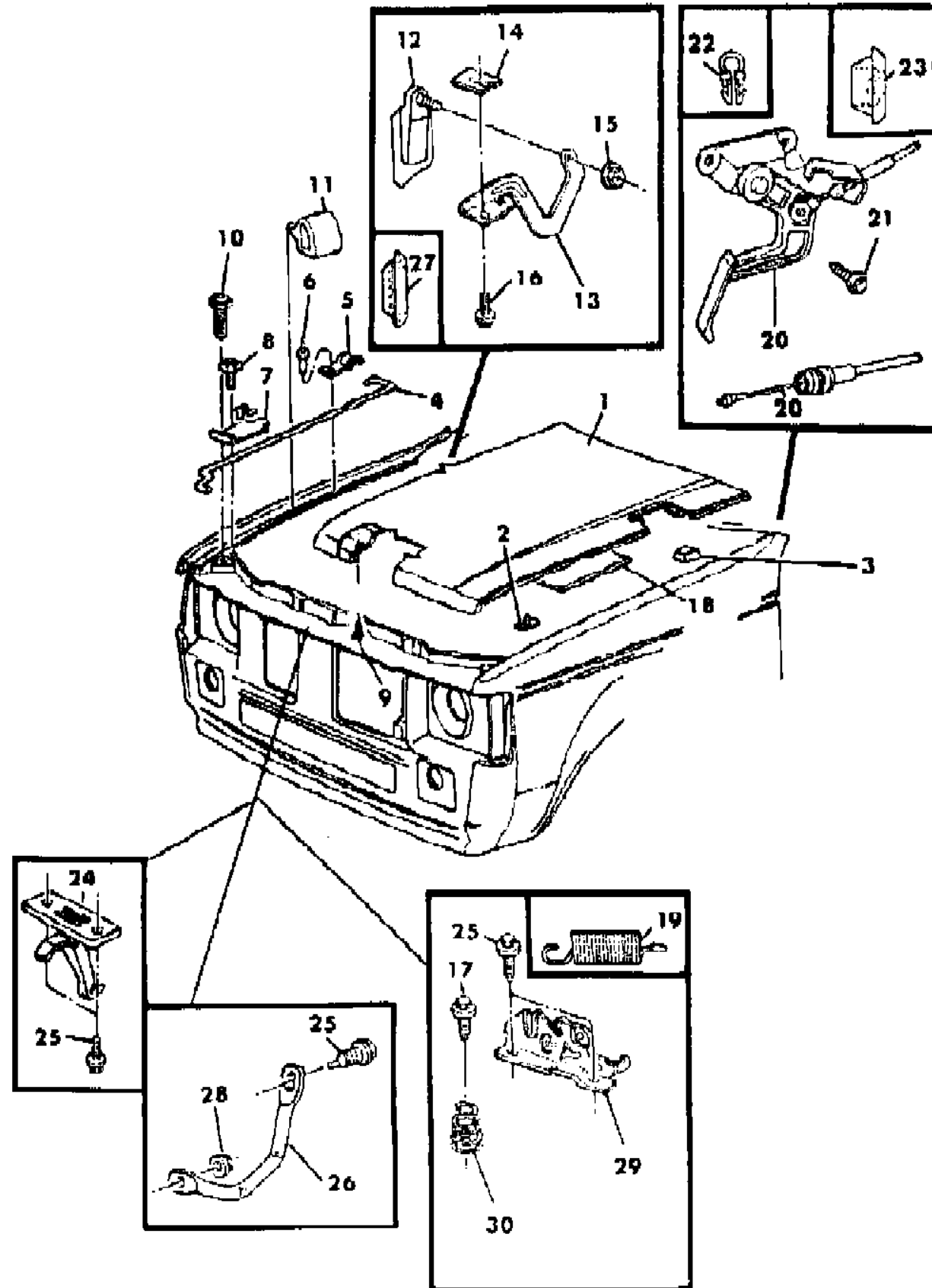
BODY STYLES

12-52 = FWD VAN & WAGON STD. W.B. 27 = 2-DOOR CONVERTIBLE
 13-53 = FWD VAN & WGN EXT W.B. 41 = 4-DOOR SEDAN
 21 = 2-DOOR SEDAN 44 = 4-DOOR HATCHBACK
 24 = 2-DOOR HATCHBACK 45 = 4-DOOR STATION WAGON

AR = Use as Required - = Non Illustrated Part P.A.R. = Paint as Required

HOOD AND HOOD RELEASE L BODY
Figure 23A-500

8159 500 A



ITEM	PART NUMBER	QTY	BODY	MODEL	DESCRIPTION
1	4341 910	1			HOOD, w/o Turbo
2	6003 351	13			FASTENER, Hood Panel Silencer
3	5201 146	2			SEAL, Hood Panel To Fender Edge
4	5201 270	1			ROD, Hood Panel Prop
5	5201 370	1			BRACKET, Hood Panel Prop Rod Anchor
6	6031 115	1			RIVET
7	5201 356	1			CLIP, Hood Panel Prop Rod Stowage
8	6100 568	1			SCREW and WASHER
9	6501 067	8			RETAINER
10	4103 165	2			BUMPER, Hood Panel Front
11	5201 051	2			BUMPER, Hood Panel To Fender
12	5231 228-9	1			HINGE, w/Screw Hood Panel Body Half
13	5201 084-5	1			HINGE, Hood Panel Hood Half
14	6010 031	AR			SHIM
15	6500 201	2			NUT and WASHER
16	6100 567	4			SCREW and WASHER
17	6100 566	1			SCREW and WASHER
18	4049 601	1			SILENCER MATERIAL, Hood Panel Cut To Fit 36" x 72"
19	5207 417	1			SPRING, Hood Panel Latch Lever
20	5207 049	1			RELEASE ASSEMBLY, Inside Hood Latch
21	9421 073	3			SCREW
22		2			CLIP, Not Serviced
23	5207 294	1			GROMMET, Inside Hood Latch Release Cable
24	5207 417	1			CATCH, Hood Safety
25	6101 339	2			SCREW and WASHER
26	5207 038	1			STRIKER, Hood Latch
27	2860 332	AR			PLUG, Hood Hinge Hole Repair 0.75"
28	6100 047	1			NUT and WASHER
29	5207 088	1			LATCH, Hood Inside Release
30	4240 536	1			SPRING, Hood Panel Pop-Up

MODEL CODES

C BODY = (D41 - DYNASTY)(C41 - NEW YORKER)
 E BODY = (J - CARAVELLE)(E - 600)(T - NEW YORKER TURBO)
 G BODY = (V24 - DAYTONA, PACIFICA & SHELBY)
 H BODY = (D44 - LANCER)(C44 - LEBARON GTS)
 J BODY = (C - LEBARON)
 K BODY = (P - RELIANT)(D - ARIES)(C - LEBARON/ TOWN & COUNTRY)

L BODY = (M - HORIZON)(Z-OMNI)
 M BODY = (B - GRAN FURY)(G - DIPLOMAT)(F - FIFTH AVENUE/NEWPORT)
 P BODY = (P - SUNDANCE)(D - SHADOW)
 Q BODY = (C27 - MASERATI)
 S BODY = (H - VOYAGER)(K - RAM VAN/ CARAVAN)

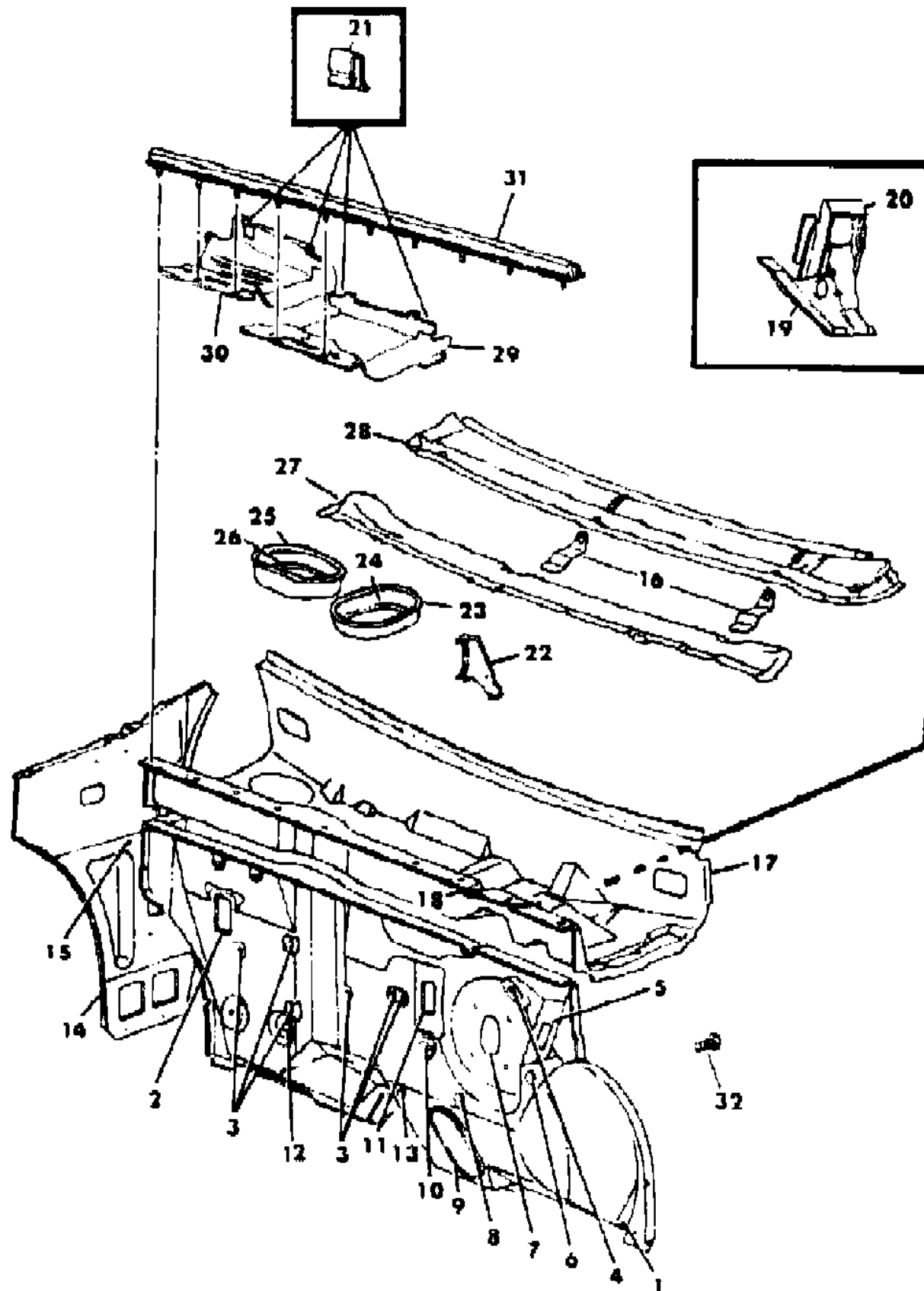
BODY STYLES

12-52 = FWD VAN & WAGON STD. W.B. 27 = 2-DOOR CONVERTIBLE
 13-53 = FWD VAN & WGN EXT W.B. 41 = 4-DOOR SEDAN
 21 = 2-DOOR SEDAN 44 = 4-DOOR HATCHBACK
 24 = 2-DOOR HATCHBACK 45 = 4-DOOR STATION WAGON

AR = Use as Required - = Non Illustrated Part P.A.R. = Paint as Required

COWL AND DASH PANEL L BODY
Figure 23A-600

8169 600



ITEM	PART NUMBER	QTY	BODY	MODEL	DESCRIPTION
1	4475 142	1			PANEL, Dash w/A/C
	4475 143	1			w/o A/C
2		1			SEAL, A/C Unit Coil To Dash Not Serviced
3		AR			SEAL, Heater Or A/C Unit Mounting Stud Not Serviced
4	3593 446	1			GROMMET, Clutch Cable
5		1			SEAL, Bulkhead Connector Not Serviced
6	5207 294	1			GROMMET, Inside Hood Latch Release Cable
7	5204 061	1			GASKET, Power Brake Booster
8	3593 446	1			GROMMET, Speedometer Cable
9	4147 165	1			SEAL and COVER, Dash
10	5214 416	1			GROMMET, Throttle Cable
11	5210 109	1			SEAL, Heater Core To Dash
12		1			SEAL, A/C Unit Drain Not Serviced
13	3445 939	1			PLUG, .906" Dia./23 mm
14					PANEL, Cowl Side
	4337 658	1			Right
	5231 777	1			Left
15	2860 332	1			PLUG, Cowl Side Antenna Hole
16		2			BRACKET, Cowl Top Wiper Pivot Mounting (Serviced In Item #28)
17	4475 141	1			PANEL, Cowl Plenum w/o A/C
	4475 140	1			w/A/C
18		1			GROMMET, Windshield Wiper Wiring Not Serviced
19	4278 124	1			SUPPORT, Cowl Plenum Steering Column Bracket
20	#5231 746	1			BRACKET, Steering Column Support To Cowl Plenum
21	5231 620	2			RETAINER, Cowl Plenum Water Deflector Cover
22	4314 990	1			SUPPORT, Cowl Plenum To Cowl Top Panel
23		1			DEFLECTOR, Cowl Plenum Water w/o A/C (Serviced In Item #17)
24	5210 147	1			COVER, Heater Unit To Plenum
25		1			DEFLECTOR, Cowl Plenum Water w/A/C (Serviced In Item #17)
26	3848 933	1			SEAL, A/C Unit To Plenum
27	5200 514	1			REINFORCEMENT, Cowl Plenum To Cowl Top Panel
28	5218 480	1			PANEL, Cowl Top (Includes Item #16)
29	5231 168	1			COVER, Cowl Plenum Water Deflector w/o A/C
30	5200 988	1			COVER, Cowl Plenum Water Deflector w/A/C
31	5230 419	1			SEAL, w/Retainer Cowl Plenum To Hood

MODEL CODES

C BODY = (D41 - DYNASTY)(C41 - NEW YORKER)
 E BODY = (J - CARAVELLE)(E - 600)(T - NEW YORKER TURBO)
 G BODY = (V24 - DAYTONA, PACIFICA & SHELBY)
 H BODY = (D44 - LANCER)(C44 - LEBARON GTS)
 J BODY = (C - LEBARON)
 K BODY = (P - RELIANT)(D - ARIES)(C - LEBARON/ TOWN & COUNTRY)

L BODY = (M - HORIZON)(Z-OMNI)
 M BODY = (B - GRAN FURY)(G - DIPLOMAT)(F - FIFTH AVENUE/NEWPORT)
 P BODY = (P - SUNDANCE)(D - SHADOW)
 Q BODY = (C27 - MASERATI)
 S BODY = (H - VOYAGER)(K - RAM VAN/ CARAVAN)

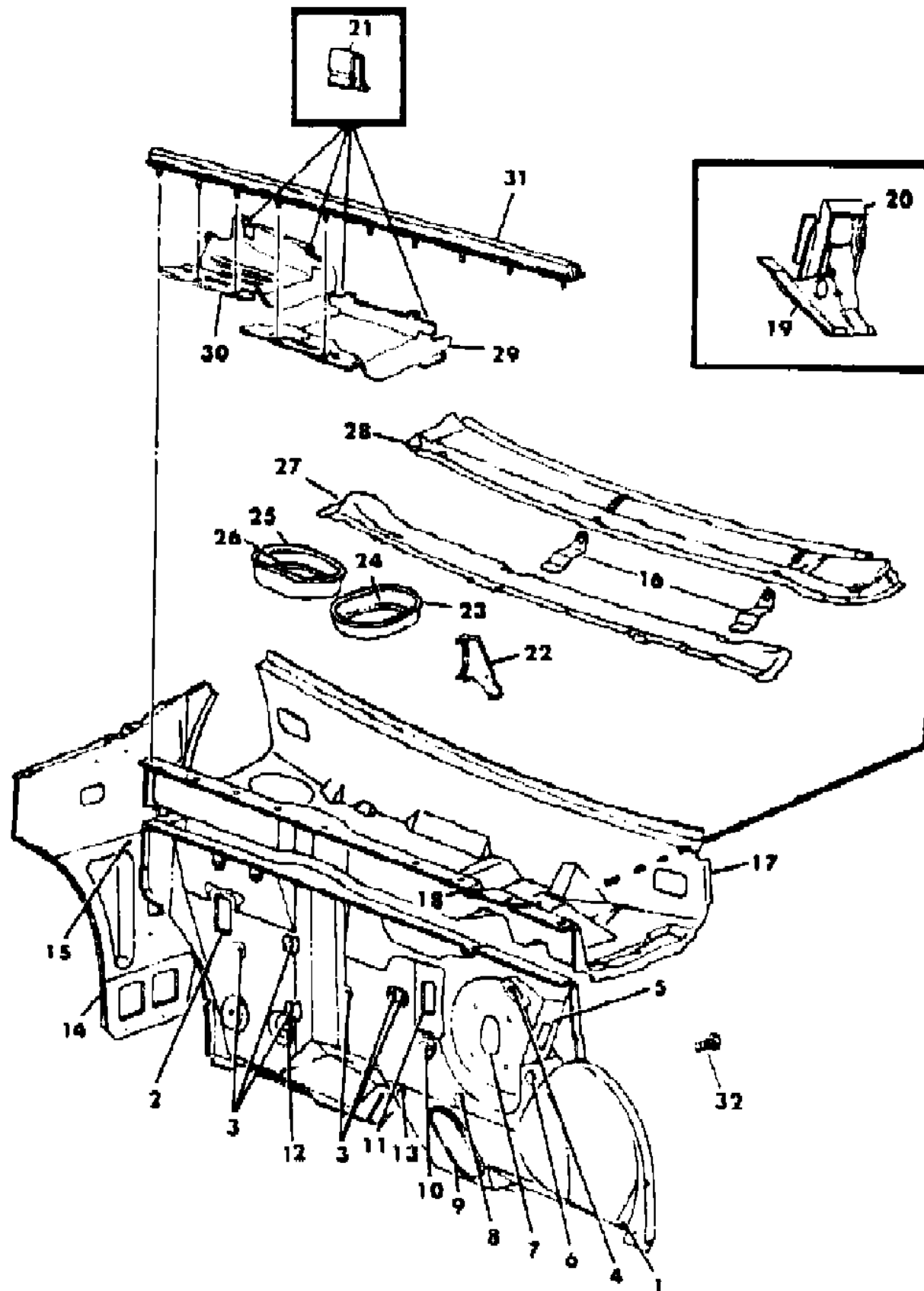
BODY STYLES

12-52 = FWD VAN & WAGON STD. W.B. 27 = 2-DOOR CONVERTIBLE
 13-53 = FWD VAN & WGN EXT W.B. 41 = 4-DOOR SEDAN
 21 = 2-DOOR SEDAN 44 = 4-DOOR HATCHBACK
 24 = 2-DOOR HATCHBACK 45 = 4-DOOR STATION WAGON

AR = Use as Required - = Non Illustrated Part P.A.R. = Paint as Required

COWL AND DASH PANEL L BODY
Figure 23A-600

8169 600



ITEM	PART NUMBER	QTY	BODY	MODEL	DESCRIPTION
32	3759 944	10			RETAINER, Cowl Plenum To Hood Seal

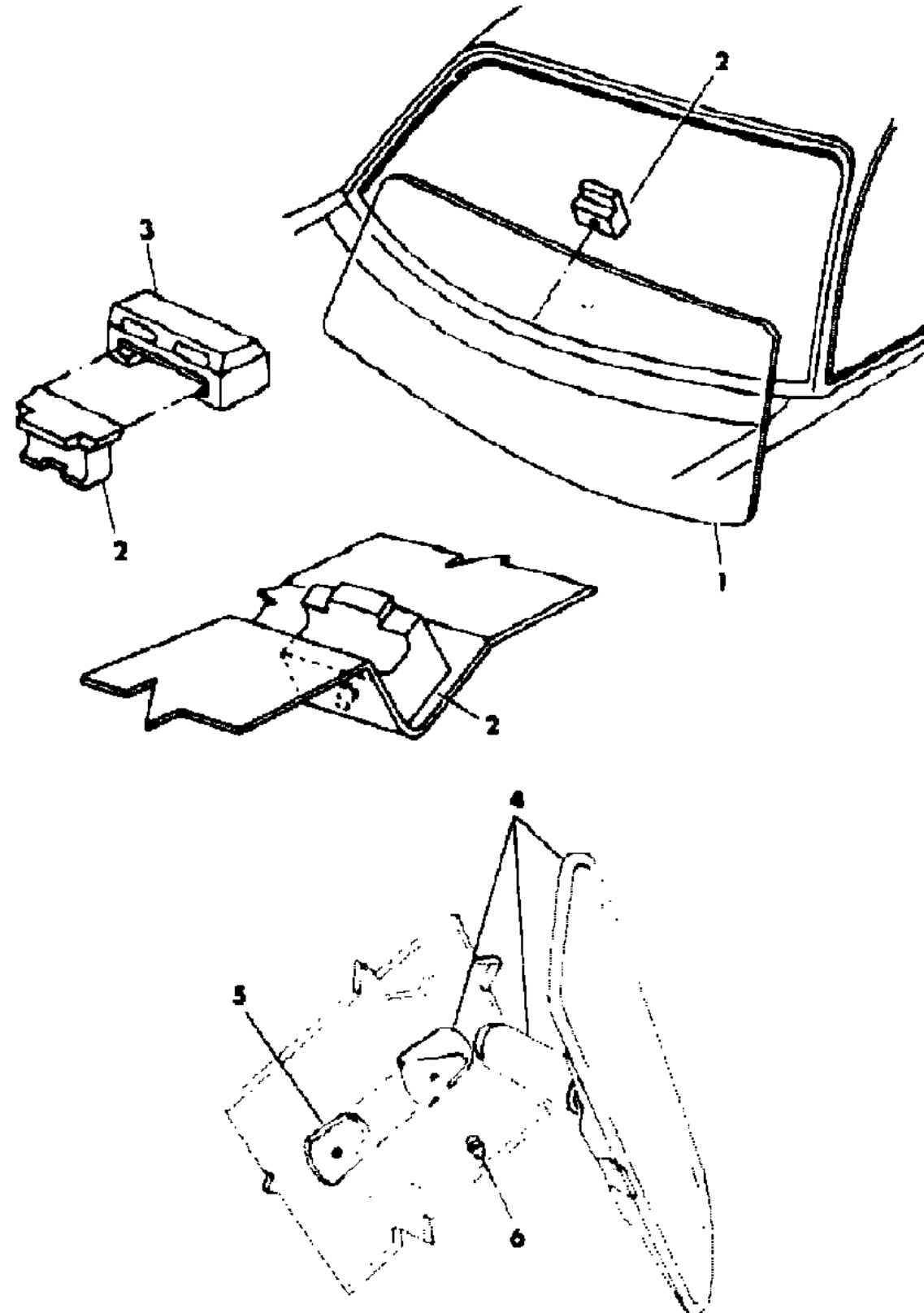
MODEL CODES
 C BODY = (D41 - DYNASTY)(C41 - NEW YORKER)
 E BODY = (J - CARAVELLE)(E - 600)(T - NEW YORKER TURBO)
 G BODY = (V24 - DAYTONA, PACIFICA & SHELBY)
 H BODY = (D44 - LANCER)(C44 - LEBARON GTS)
 J BODY = (C - LEBARON)
 K BODY = (P - RELIANT)(D - ARIES)(C - LEBARON/ TOWN & COUNTRY)
 L BODY = (M - HORIZON)(Z-OMNI)
 M BODY = (B - GRAN FURY)(G - DIPLOMAT)(F - FIFTH AVENUE/NEWPORT)
 P BODY = (P - SUNDANCE)(D - SHADOW)
 Q BODY = (C27 - MASERATI)
 S BODY = (H - VOYAGER)(K - RAM VAN/ CARAVAN)

BODY STYLES
 12-52 = FWD VAN & WAGON STD. W.B. 27 = 2-DOOR CONVERTIBLE
 13-53 = FWD VAN & WGN EXT W.B. 41 = 4-DOOR SEDAN
 21 = 2-DOOR SEDAN 44 = 4-DOOR HATCHBACK
 24 = 2-DOOR HATCHBACK 45 = 4-DOOR STATION WAGON

AR = Use as Required - = Non Illustrated Part P.A.R. = Paint as Required

GLASS WINDSHIELD AND MIRROR L BODY
Figure 23A-700

8169 700



ITEM	PART NUMBER	QTY	BODY	MODEL	DESCRIPTION
------	-------------	-----	------	-------	-------------

NOTE: GLASS, WINDSHIELD - ORDER FROM YOUR LOCAL "MOPAR" GLASS DISTRIBUTOR the side of the float bowl.

1	4337 861	1			GLASS, Windshield Tinted
2	3794 035	AR			SPACER, Windshield Glass Lower (.39")
	4314 777	AR			(.31")
3	3767 767	AR			SHIM, Windshield Glass Spacer (.07")
4	4299 321	1			MIRROR, Rear View
5	4054 066	1			BUTTON, Inside Rear View Mirror Mounting
	4293 039	1			ADHESIVE PACKAGE, Rear View Mirror Button Mounting (Includes Adhesive & Instructions)

6	6031 094	1			SCREW
NOTE: The following items are not shown on illustration. the side of the float bowl.					
PKG A	4057 957	1			FIXED GLASS REPAIR PACKAGE

- Consists of:
- 1- ----- Tape, Butyl (171")
 - 1- ----- Primer, Glass (1 oz.)
 - 1- ----- Primer, Fence (2 oz.)
 - 2-Spacer, Rubber, 0.2"
 - 2-Spacer, Rubber, 0.3"
 - 2-Shim, 0.07"
 - 2- ----- Sponges, Disposable

3767 767

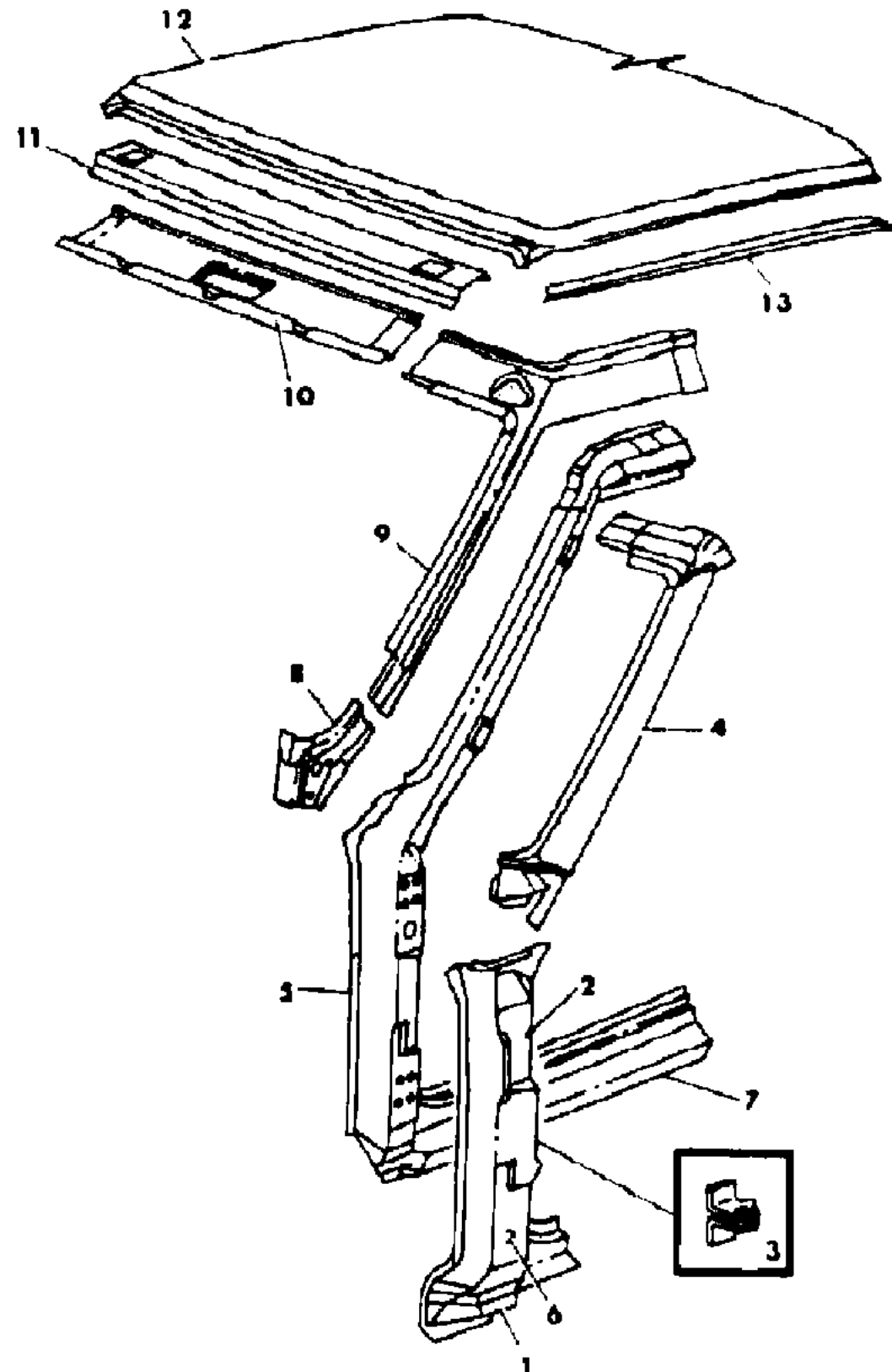
MODEL CODES
 C BODY = (D41 - DYNASTY)(C41 - NEW YORKER)
 E BODY = (J - CARAVELLE)(E - 600)(T - NEW YORKER TURBO)
 G BODY = (V24 - DAYTONA, PACIFICA & SHELBY)
 H BODY = (D44 - LANCER)(C44 - LEBARON GTS)
 J BODY = (C - LEBARON)
 K BODY = (P - RELIANT)(D - ARIES)(C - LEBARON/ TOWN & COUNTRY)
 L BODY = (M - HORIZON)(Z-OMNI)
 M BODY = (B - GRAN FURY)(G - DIPLOMAT)(F - FIFTH AVENUE/NEWPORT)
 P BODY = (P - SUNDANCE)(D - SHADOW)
 Q BODY = (C27 - MASERATI)
 S BODY = (H - VOYAGER)(K - RAM VAN/ CARAVAN)

BODY STYLES
 12-52 = FWD VAN & WAGON STD. W.B. 27 = 2-DOOR CONVERTIBLE
 13-53 = FWD VAN & WGN EXT W.B. 41 = 4-DOOR SEDAN
 21 = 2-DOOR SEDAN 44 = 4-DOOR HATCHBACK
 24 = 2-DOOR HATCHBACK 45 = 4-DOOR STATION WAGON

AR = Use as Required - = Non Illustrated Part P.A.R. = Paint as Required

BODY FRONT PILLAR L BODY
Figure 23A-800

8169 800



ITEM	PART NUMBER	QTY	BODY	MODEL	DESCRIPTION
1	5218 452-3	1			PILLAR and PIVOT, Body Front Hinge (Includes Item 3)
2	2860 332	2			PLUG, .500" Dia./13 mm
3	5231 576	2			PIVOT, Front Door Check Strap
4	4314 780-1	1			FRAME, Windshield Opening Side Outer
5	4314 836-7	1			PANEL, Body Side Aperture Front
6	2860 332	2			PLUG, .500" Dia./13 mm
7	4337 528-9	1			PANEL, Body Side Sill Outer
8	5200 902-3	1			EXTENSION, Windshield Opening Side Inner Frame Lower
9	5200 900-1	1			FRAME, Windshield Opening Side Inner
10	4050 529	1			FRAME, w/Reinforcement Windshield Opening Upper (Includes Item 11)
11		1			REINFORCEMENT, Windshield Opening Upper (Serviced In Item #10)
12		1			PANEL and TROUGH, See Roof Illus.
13	5230 498-9	1			TROUGH, Roof Side Drain

MODEL CODES

C BODY = (D41 - DYNASTY)(C41 - NEW YORKER)	L BODY = (M - HORIZON)(Z-OMNI)
E BODY = (J - CARAVELLE)(E - 600)(T - NEW YORKER TURBO)	M BODY = (B - GRAN FURY)(G - DIPLOMAT)(F - FIFTH AVENUE/NEWPORT)
G BODY = (V24 - DAYTONA, PACIFICA & SHELBY)	P BODY = (P - SUNDANCE)(D - SHADOW)
H BODY = (D44 - LANCER)(C44 - LEBARON GTS)	Q BODY = (C27 - MASERATI)
J BODY = (C - LEBARON)	S BODY = (H - VOYAGER)(K - RAM VAN/ CARAVAN)
K BODY = (P - RELIANT)(D - ARIES)(C - LEBARON/ TOWN & COUNTRY)	

BODY STYLES

12-52 = FWD VAN & WAGON STD. W.B.	27 = 2-DOOR CONVERTIBLE
13-53 = FWD VAN & WGN EXT W.B.	41 = 4-DOOR SEDAN
21 = 2-DOOR SEDAN	44 = 4-DOOR HATCHBACK
24 = 2-DOOR HATCHBACK	45 = 4-DOOR STATION WAGON

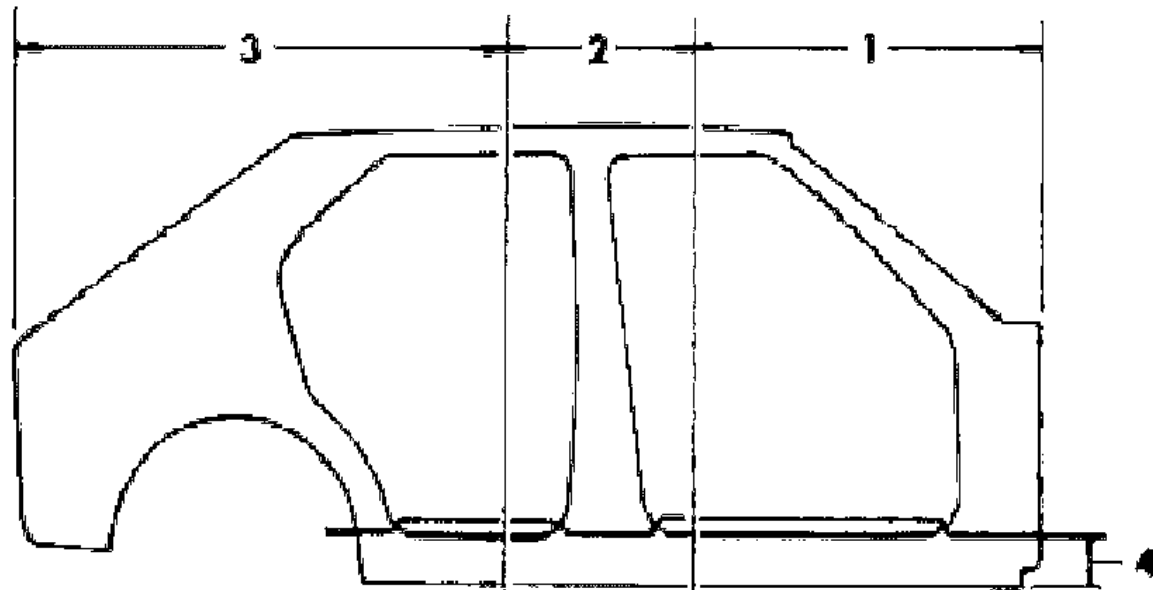
AR = Use as Required - = Non Illustrated Part P.A.R. = Paint as Required

APERTURE PANEL L BODY
Figure 23A-900

8169 900

ITEM	PART NUMBER	QTY	BODY	MODEL	DESCRIPTION
1	4314 836-7	1			PANEL, Body Side Aperture Front
2	4314 834-5	1			PANEL, Body Side Aperture Center
3	4314 832-3	1			PANEL, Body Side Aperture Rear
4	4337 528-9	1			PANEL, Body Side Aperture Sill Outer

NOTE: The Body Side Aperture Panel as used in production is a one piece stamping. These stampings are cut into several sections for service convenience. This illustration is intended to give the user an approximate location of where these stampings are cut, and their relationship to other body side components can be found on the "Body, Front Pillar" and "Body, Rear Quarter" illustrations elsewhere in this group.



MODEL CODES

C BODY = (D41 - DYNASTY)(C41 - NEW YORKER)	L BODY = (M - HORIZON)(Z-OMNI)
E BODY = (J - CARAVELLE)(E - 600)(T - NEW YORKER TURBO)	M BODY = (B - GRAN FURY)(G - DIPLOMAT)(F - FIFTH AVENUE/NEWPORT)
G BODY = (V24 - DAYTONA, PACIFICA & SHELBY)	P BODY = (P - SUNDANCE)(D - SHADOW)
H BODY = (D44 - LANCER)(C44 - LEBARON GTS)	Q BODY = (C27 - MASERATI)
J BODY = (C - LEBARON)	S BODY = (H - VOYAGER)(K - RAM VAN/ CARAVAN)
K BODY = (P - RELIANT)(D - ARIES)(C - LEBARON/ TOWN & COUNTRY)	

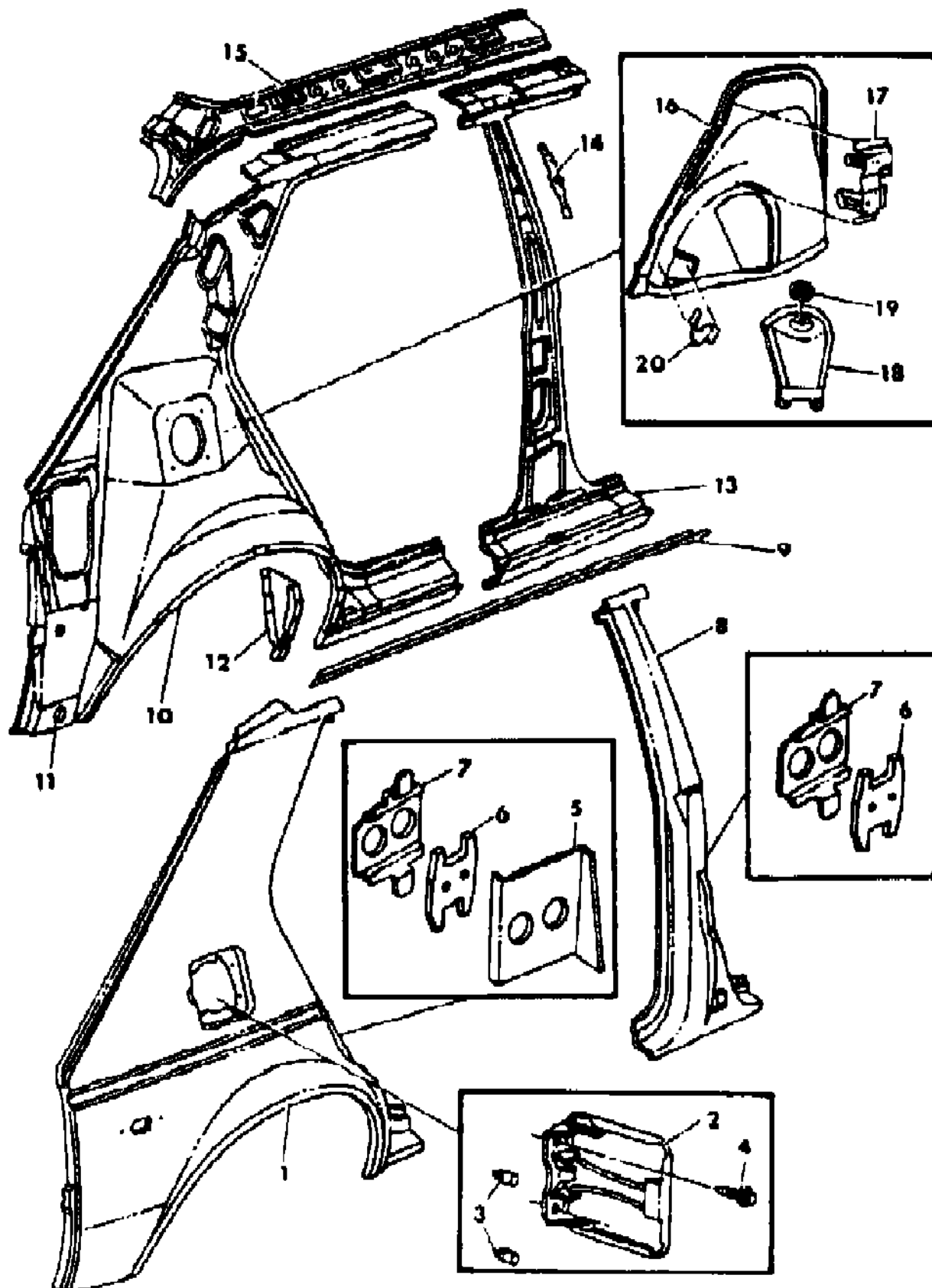
BODY STYLES

12-52 = FWD VAN & WAGON STD. W.B.	27 = 2-DOOR CONVERTIBLE
13-53 = FWD VAN & WGN EXT W.B.	41 = 4-DOOR SEDAN
21 = 2-DOOR SEDAN	44 = 4-DOOR HATCHBACK
24 = 2-DOOR HATCHBACK	45 = 4-DOOR STATION WAGON

AR = Use as Required - = Non Illustrated Part P.A.R. = Paint as Required

BODY REAR QUARTER L BODY
Figure 23A-1000

8169 1000



ITEM	PART NUMBER	QTY	BODY	MODEL	DESCRIPTION
1	4341 520-1	1			PANEL, Quarter Outside
2	5215 891	1			DOOR, Fuel Filler
3	4337 838	2			BUMPER, Fuel Filler Door
4		2			SCREW, #10-16 x .50" Not Serviced
5	4440 928-9	1			REINFORCEMENT, Rear Door Latch Striker
6	5200 368	4			T-PLATE, Door Latch Striker
7	4475 050	4			RETAINER, Door Latch Striker T-Plate
8	4475 048-9	1			PILLAR, Center
9	5230 498-9	1			TROUGH, Roof Side Drain
10	4314 832-3	1			PANEL, Body Side Aperture Rear
11	#4073 485	2			PLUG, 1.50" Dia./38 mm
12	5200 838-9	1			CAP, Body Side To Lower Sill Rear Extension
13	4314 834-5	1			PANEL, Body Side Aperture Center
14	5231 102	2			REINFORCEMENT, Seat Belt Anchor
15	5231 086-7	1			RAIL, Roof Side Inner
16	5200 056-7	1			PANEL, Wheelhouse Inner
17	5200 298-9	1			SUPPORT, Quarter Trim & Seat Back Latch
18	4050 648-9	1			REINFORCEMENT, Shock Absorber Mounting
19	4050 648-9	1			CUP, w/Reinforcement Shock Absorber Mounting (Includes Item 18)
20	5230 344-5	1			BRACKET, Wheelhouse Rear Seat Back Hinge Pivot

MODEL CODES

C BODY = (D41 - DYNASTY)(C41 - NEW YORKER)
 E BODY = (J - CARAVELLE)(E - 600)(T - NEW YORKER TURBO)
 G BODY = (V24 - DAYTONA, PACIFICA & SHELBY)
 H BODY = (D44 - LANCER)(C44 - LEBARON GTS)
 J BODY = (C - LEBARON)
 K BODY = (P - RELIANT)(D - ARIES)(C - LEBARON/ TOWN & COUNTRY)

L BODY = (M - HORIZON)(Z-OMNI)
 M BODY = (B - GRAN FURY)(G - DIPLOMAT)(F - FIFTH AVENUE/NEWPORT)
 P BODY = (P - SUNDANCE)(D - SHADOW)
 Q BODY = (C27 - MASERATI)
 S BODY = (H - VOYAGER)(K - RAM VAN/ CARAVAN)

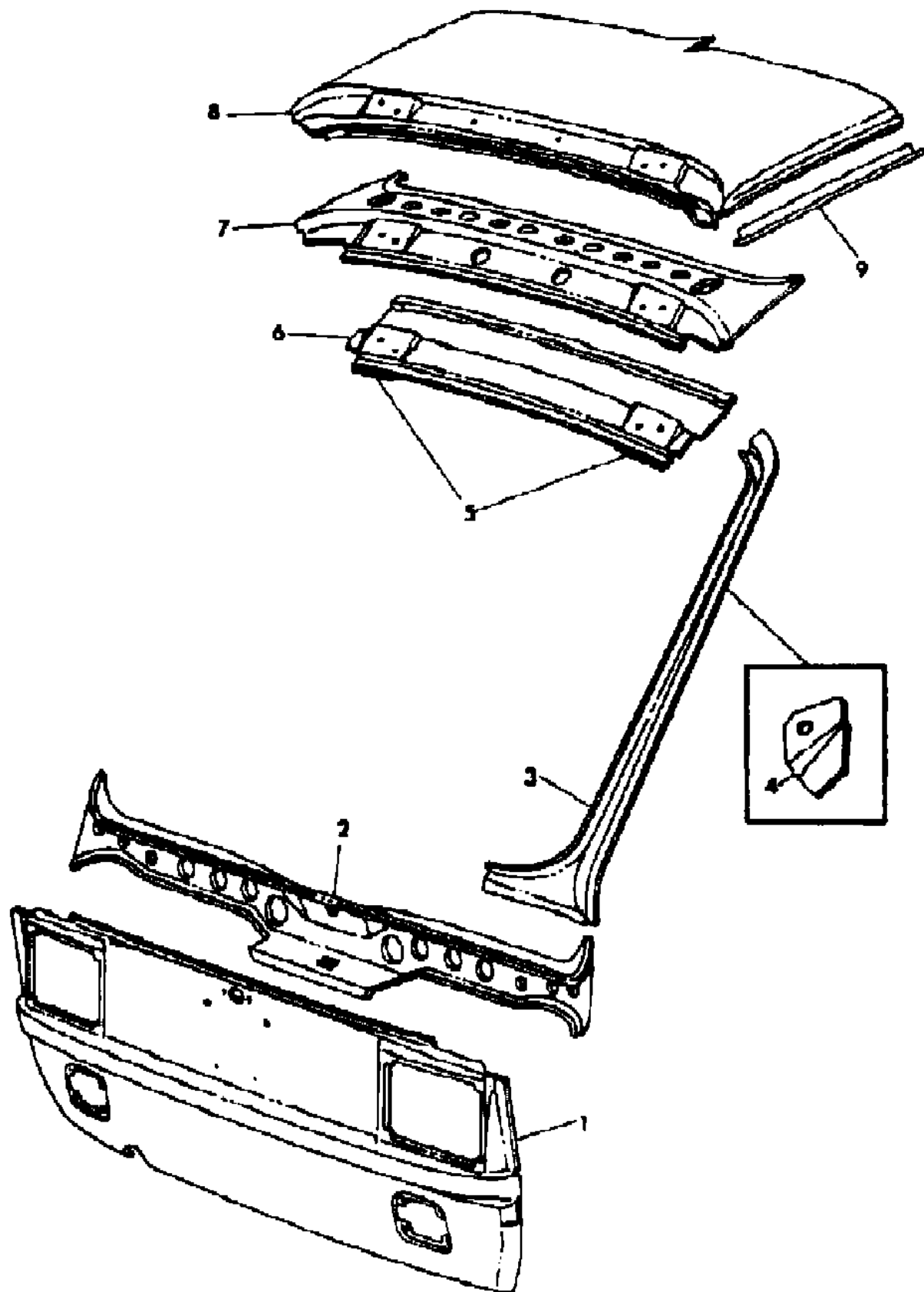
BODY STYLES

12-52 = FWD VAN & WAGON STD. W.B. 27 = 2-DOOR CONVERTIBLE
 13-53 = FWD VAN & WGN EXT W.B. 41 = 4-DOOR SEDAN
 21 = 2-DOOR SEDAN 44 = 4-DOOR HATCHBACK
 24 = 2-DOOR HATCHBACK 45 = 4-DOOR STATION WAGON

AR = Use as Required - = Non Illustrated Part P.A.R. = Paint as Required

LIFTGATE OPENING PANEL L BODY
Figure 23A-1100

8169 1100



ITEM	PART NUMBER	QTY	BODY	MODEL	DESCRIPTION
1	4296 997	1			PANEL, Liftgate Opening Lower
2	5230 450	1			REINFORCEMENT, Liftgate Opening Lower Panel
3	4341 104-5	1			TROUGH, Quarter Liftgate Side Drain
4	5200 380-1	1			REINFORCEMENT, Liftgate Prop To Trough Mounting
5		2			SUPPORT, Liftgate Hinge Mounting (Serviced In Item #6)
6	4050 586	1			FRAME, w/Reinforcement Liftgate Opening Upper
7		1			REINFORCEMENT, Liftgate Opening Frame (Serviced In Item #6)
8		1			PANEL, Roof Outer (See Roof Illus.)
9	5230 498-9	1			TROUGH, Roof Side Drain

MODEL CODES

C BODY = (D41 - DYNASTY)(C41 - NEW YORKER)
 E BODY = (J - CARAVELLE)(E - 600)(T - NEW YORKER TURBO)
 G BODY = (V24 - DAYTONA, PACIFICA & SHELBY)
 H BODY = (D44 - LANCER)(C44 - LEBARON GTS)
 J BODY = (C - LEBARON)
 K BODY = (P - RELIANT)(D - ARIES)(C - LEBARON/ TOWN & COUNTRY)

L BODY = (M - HORIZON)(Z-OMNI)
 M BODY = (B - GRAN FURY)(G - DIPLOMAT)(F - FIFTH AVENUE/NEWPORT)
 P BODY = (P - SUNDANCE)(D - SHADOW)
 Q BODY = (C27 - MASERATI)
 S BODY = (H - VOYAGER)(K - RAM VAN/ CARAVAN)

BODY STYLES

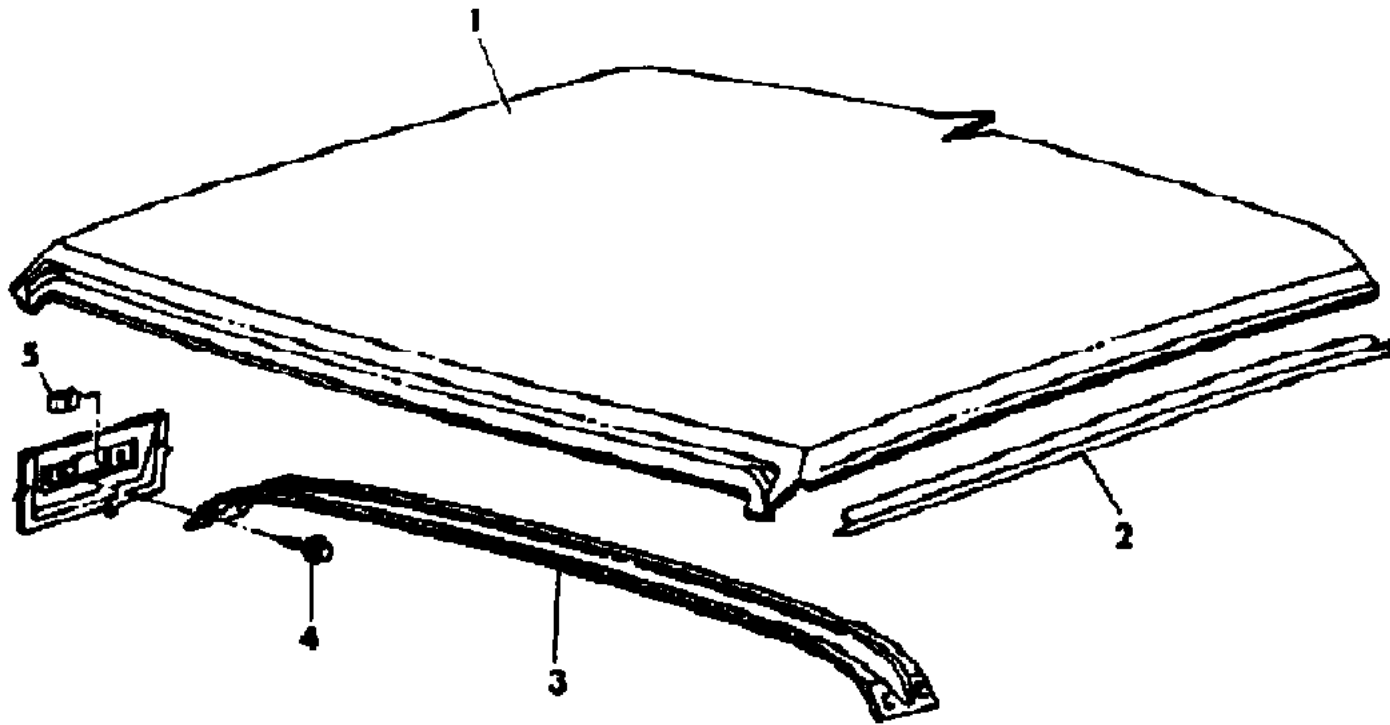
12-52 = FWD VAN & WAGON STD. W.B. 27 = 2-DOOR CONVERTIBLE
 13-53 = FWD VAN & WGN EXT W.B. 41 = 4-DOOR SEDAN
 21 = 2-DOOR SEDAN 44 = 4-DOOR HATCHBACK
 24 = 2-DOOR HATCHBACK 45 = 4-DOOR STATION WAGON

AR = Use as Required - = Non Illustrated Part P.A.R. = Paint as Required

ROOF PANEL L BODY
Figure 23A-1200

ITEM	PART NUMBER	QTY	BODY	MODEL	DESCRIPTION
1	5200 922	1			PANEL, Roof Outer w/o Sunroof
2	5230 498-9	1			TROUGH, Roof Side Drain
3	5200 521	1			BOW, Roof
4	6100 565	4			SCREW
5	6100 041	4			U-NUT

8169 1200



MODEL CODES

C BODY = (D41 - DYNASTY)(C41 - NEW YORKER)	L BODY = (M - HORIZON)(Z-OMNI)
E BODY = (J - CARAVELLE)(E - 600)(T - NEW YORKER TURBO)	M BODY = (B - GRAN FURY)(G - DIPLOMAT)(F - FIFTH AVENUE/NEWPORT)
G BODY = (V24 - DAYTONA, PACIFICA & SHELBY)	P BODY = (P - SUNDANCE)(D - SHADOW)
H BODY = (D44 - LANCER)(C44 - LEBARON GTS)	Q BODY = (C27 - MASERATI)
J BODY = (C - LEBARON)	S BODY = (H - VOYAGER)(K - RAM VAN/ CARAVAN)
K BODY = (P - RELIANT)(D - ARIES)(C - LEBARON/ TOWN & COUNTRY)	

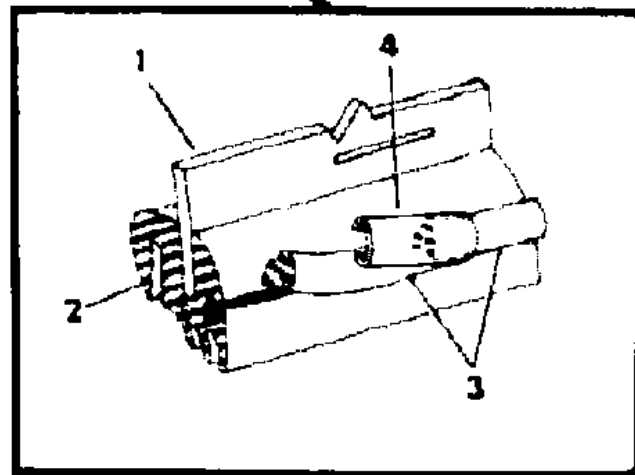
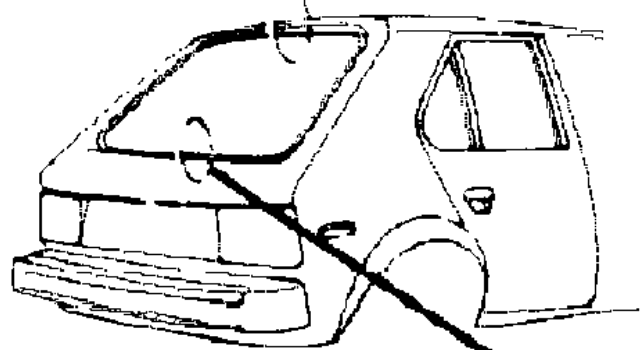
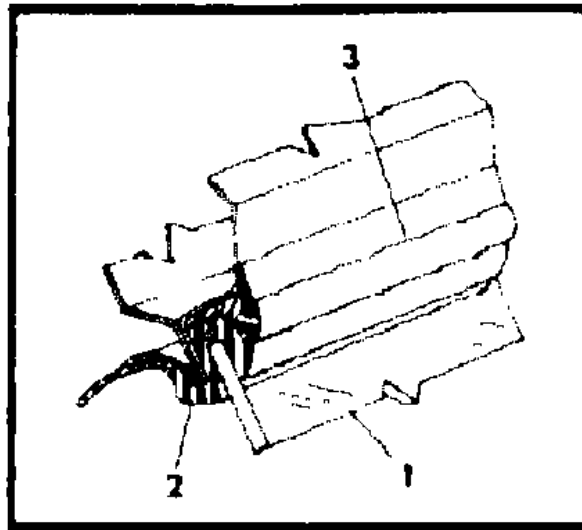
BODY STYLES

12-52 = FWD VAN & WAGON STD. W.B.	27 = 2-DOOR CONVERTIBLE
13-53 = FWD VAN & WGN EXT W.B.	41 = 4-DOOR SEDAN
21 = 2-DOOR SEDAN	44 = 4-DOOR HATCHBACK
24 = 2-DOOR HATCHBACK	45 = 4-DOOR STATION WAGON

AR = Use as Required - = Non Illustrated Part P.A.R. = Paint as Required

GLASS LIFTGATE L BODY
Figure 23A-1300

8169 1300



ITEM	PART NUMBER	QTY	BODY	MODEL	DESCRIPTION
1					GLASS, Liftgate
	5231 924	1			Tinted
	4198 982	1			Tinted Electric Heated
2		1			WEATHERSTRIP, Liftgate Glass Black
	5208 558	1			Use w/Bright Lockstrip
	4310 952	1			Use w/o Bright Lockstrip
3	5208 602	1			LOCKSTRIP, Liftgate Glass Weatherstrip Bright
4	5208 603	1			CAP, Lockstrip Bright
NOTE: The following items are not shown on illustration. s group.					
PKG A	4267 922	1			ELECTRIC GRID REPAIR PKG.
					Consists of:
					1- ----- Cement Cho-Bond, 1/2 oz.
					1- ----- Instruction Sheet

MODEL CODES

C BODY = (D41 - DYNASTY)(C41 - NEW YORKER)
 E BODY = (J - CARAVELLE)(E - 600)(T - NEW YORKER TURBO)
 G BODY = (V24 - DAYTONA, PACIFICA & SHELBY)
 H BODY = (D44 - LANCER)(C44 - LEBARON GTS)
 J BODY = (C - LEBARON)
 K BODY = (P - RELIANT)(D - ARIES)(C - LEBARON/ TOWN & COUNTRY)

L BODY = (M - HORIZON)(Z-OMNI)
 M BODY = (B - GRAN FURY)(G - DIPLOMAT)(F - FIFTH AVENUE/NEWPORT)
 P BODY = (P - SUNDANCE)(D - SHADOW)
 Q BODY = (C27 - MASERATI)
 S BODY = (H - VOYAGER)(K - RAM VAN/ CARAVAN)

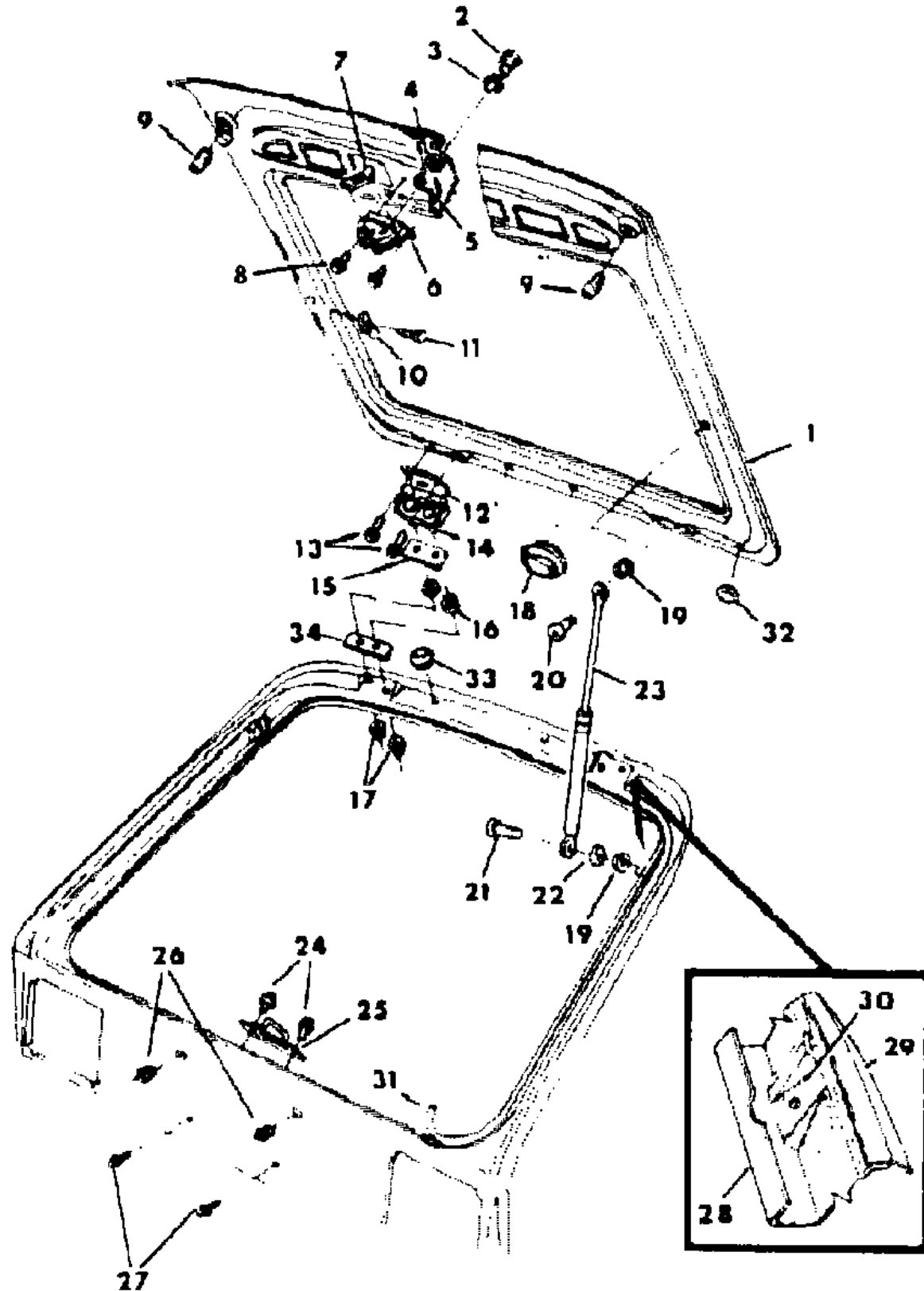
BODY STYLES

12-52 = FWD VAN & WAGON STD. W.B. 27 = 2-DOOR CONVERTIBLE
 13-53 = FWD VAN & WGN EXT W.B. 41 = 4-DOOR SEDAN
 21 = 2-DOOR SEDAN 44 = 4-DOOR HATCHBACK
 24 = 2-DOOR HATCHBACK 45 = 4-DOOR STATION WAGON

AR = Use as Required - = Non Illustrated Part P.A.R. = Paint as Required

LIFTGATE PANEL L BODY
Figure 23A-1400

8169 1400



ITEM	PART NUMBER	QTY	BODY	MODEL	DESCRIPTION
1	4396 220	1			LIFTGATE, Primed
2		1			CYLINDER, Lock (See Group 23D Illustrations)
3	3695 321	1			GASKET, Lock Cylinder
4	4054 202	1			NUT, Lock Cylinder
5	5207 246	1			SHIELD, Water
6	5207 383	1			LATCH, Liftgate
7	5207 244	1			BUMPER, Latch
8	6101 255	2			SCREW and WASHER
9	5230 376	2			BUMPER, Liftgate
10	5200 311	2			BRACKET, Shelf Strap
11		2			RIVET, Pop, 3/16" Dia. x 1/8-1/4" Not Serviced
12	4246 774-5	1			HINGE, Liftgate (Includes Item #14)
13	6100 275	4			SCREW and Washer, Gate Half
14		4			BOLT, Body Half (Serviced In Item #12)
15		AR			SHIM, Not Serviced
16	5231 207	4			WASHER
17	6500 991	4			NUT and WASHER
18	2574 792	2			PLUG, .75" Dia./19.5mm
19	6500 159	4			NUT and WASHER
20	6500 142	2			SCREW, Rod End
21	6500 183	2			SCREW, Tube End
22		2			WASHER, Tube End (Serviced In Item #23)
23	G000 4618	2			PROP, Liftgate (Includes Items #19-22)
24	6101 255	2			SCREW and WASHER
25	5207 184	1			STRIKER, Latch
26	6023 925	4			NUT, License Plate
27	5200 365	2			BUMPER, License Plate
28		1			TROUGH, Liftgate Opening (Reference Only)
29		1			PANEL, Quarter (Reference Only)
30	5200 380-1	1			REINFORCEMENT, Prop Mounting
31	5231 926	1			WEATHERSTRIP, Liftgate Opening
32	6029 939	2			PLUG, .500" Dia./13mm
33	2574 792	1			PLUG, .75" Dia./19.5mm
34	4336 566-7	1			GASKET, Liftgate Hinge To Body

MODEL CODES

C BODY = (D41 - DYNASTY)(C41 - NEW YORKER)
 E BODY = (J - CARAVELLE)(E - 600)(T - NEW YORKER TURBO)
 G BODY = (V24 - DAYTONA, PACIFICA & SHELBY)
 H BODY = (D44 - LANCER)(C44 - LEBARON GTS)
 J BODY = (C - LEBARON)
 K BODY = (P - RELIANT)(D - ARIES)(C - LEBARON/ TOWN & COUNTRY)

L BODY = (M - HORIZON)(Z-OMNI)
 M BODY = (B - GRAN FURY)(G - DIPLOMAT)(F - FIFTH AVENUE/NEWPORT)
 P BODY = (P - SUNDANCE)(D - SHADOW)
 Q BODY = (C27 - MASERATI)
 S BODY = (H - VOYAGER)(K - RAM VAN/ CARAVAN)

BODY STYLES

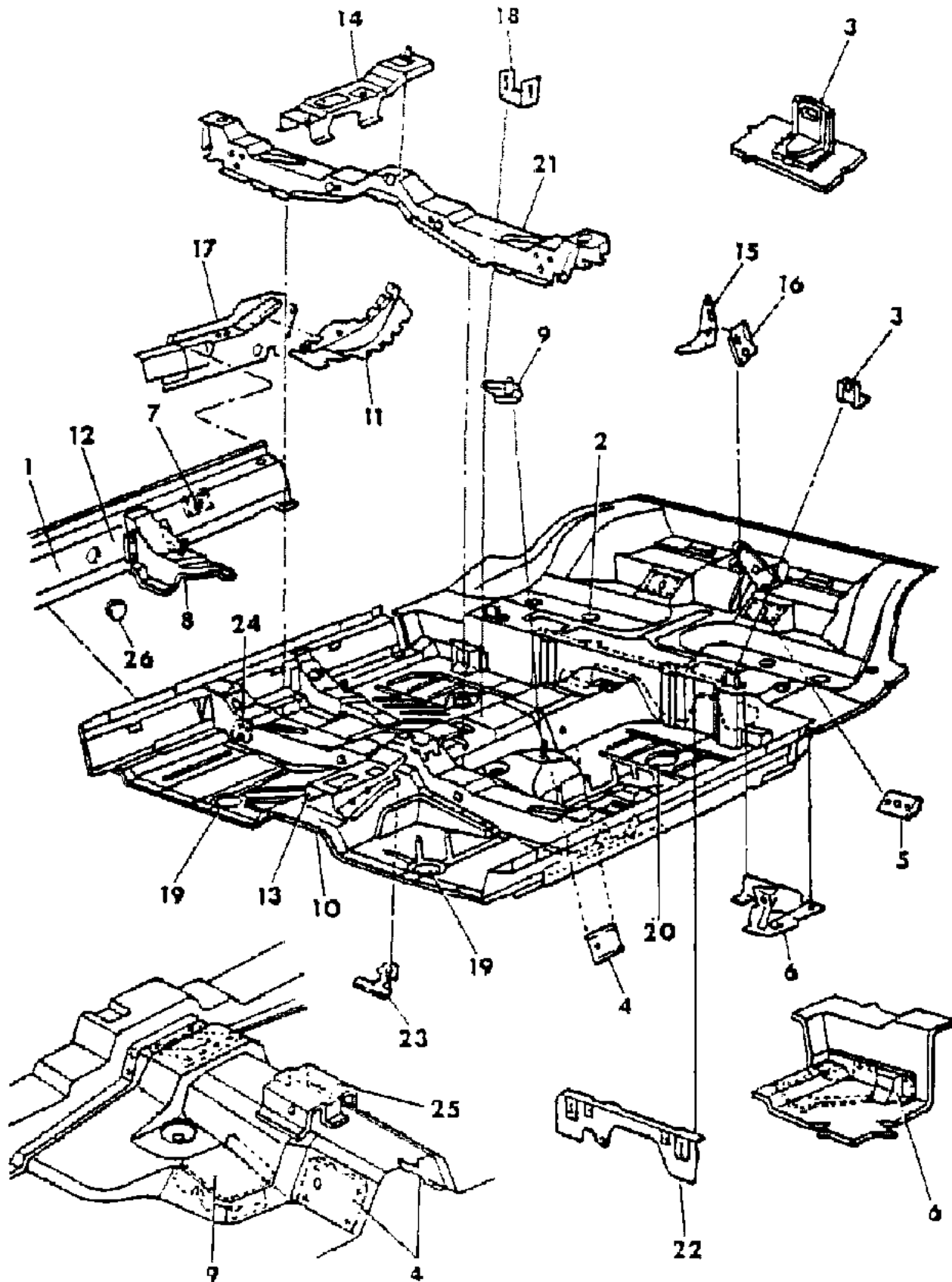
12-52 = FWD VAN & WAGON STD. W.B. 27 = 2-DOOR CONVERTIBLE
 13-53 = FWD VAN & WGN EXT W.B. 41 = 4-DOOR SEDAN
 21 = 2-DOOR SEDAN 44 = 4-DOOR HATCHBACK
 24 = 2-DOOR HATCHBACK 45 = 4-DOOR STATION WAGON

AR = Use as Required - = Non Illustrated Part P.A.R. = Paint as Required

FLOOR PAN FRONT P BODY 24,44

Figure 23A-1500

8169 1500 A



ITEM	PART NUMBER	QTY	BODY	MODEL	DESCRIPTION
1	2574 792	2			PLUG, .75" Dia./19.5 mm
2	4073 475	2			PLUG, 1.50" Dia./38.1 mm
3	4371 289	2			RETAINER, Front Floor Pan Rear Seat Cushion
4	4314 260	2			REINFORCEMENT, Front Floor Pan Front Seat Belt Inner Mounting
5	4314 260	2			REINFORCEMENT, Front Floor Pan Rear Seat Belt Inner Mounting
6	4475 220-1	1			BRACKET, Front Floor Pan Lift Hoisting
7		2			REINFORCEMENT, Front Seat Belt Outer Mounting Serviced In Assy.
8	4206 928-9	1			REINFORCEMENT, Front Floor Pan Front Seat Rear Outer Mounting Up To 5-9-88
	4475 468-9	1			After 5-9-88
9	4371 816-7	1			REINFORCEMENT, Front Floor Pan Front Seat Rear Inner
10	4371 093	1			PAN, Front Floor Up To 5-9-88
	4475 470	1			After 5-9-88
11	4314 866-7	1			REINFORCEMENT, Front Floor Pan Rear Seat Belt Outer Mounting
12	4371 956-7	1			PANEL, Body Side Sill Inner
13	4371 654	1			BRACKET, Console Gear Sel. To Floor Pan Mtg.
14	4371 654	1			BRACKET, Console Gear Sel. To Floor Pan Mtg.
15	4337 933	1			BRACKET, Front Floor Pan Rear Seat Back Center Pivot Mounting, Right
16	4337 941	1			BRACKET, Front Floor Pan Rear Seat Back Center Pivot Mounting, Left
17	4371 522-3	1			EXTENSION, Sill Inner Rear
18		2			BRACKET, Front Floor Pan Center Seat Mounting Not Serviced
19		2			TUBE, 2.75" Dia./69.9 mm Not Serviced
20	2424 864	2			PLUG, 1.75" Dia./44.5 mm
21	4325 836	1			CROSSMEMBER, Front Floor Pan Seat Track Mounting
22	4416 661	1			PLATE, Front Floor Fuel Tank Strap Front Hanger
23	4416 060	1			BRACKET, Front Floor Pan Park Brake Cable
24	4416 916	1			REINFORCEMENT, Floor Pan Front Seat Crossmember
25	4371 655	1			BRACKET, Floor Pan Center Arm Rest Support
26	3794 032	2			SEAL, Side Sill Inner Panel Drain Hole

MODEL CODES

C BODY = (D41 - DYNASTY)(C41 - NEW YORKER)
 E BODY = (J - CARAVELLE)(E - 600)(T - NEW YORKER TURBO)
 G BODY = (V24 - DAYTONA, PACIFICA & SHELBY)
 H BODY = (D44 - LANCER)(C44 - LEBARON GTS)
 J BODY = (C - LEBARON)
 K BODY = (P - RELIANT)(D - ARIES)(C - LEBARON/ TOWN & COUNTRY)

L BODY = (M - HORIZON)(Z-OMNI)
 M BODY = (B - GRAN FURY)(G - DIPLOMAT)(F - FIFTH AVENUE/NEWPORT)
 P BODY = (P - SUNDANCE)(D - SHADOW)
 Q BODY = (C27 - MASERATI)
 S BODY = (H - VOYAGER)(K - RAM VAN/ CARAVAN)

BODY STYLES

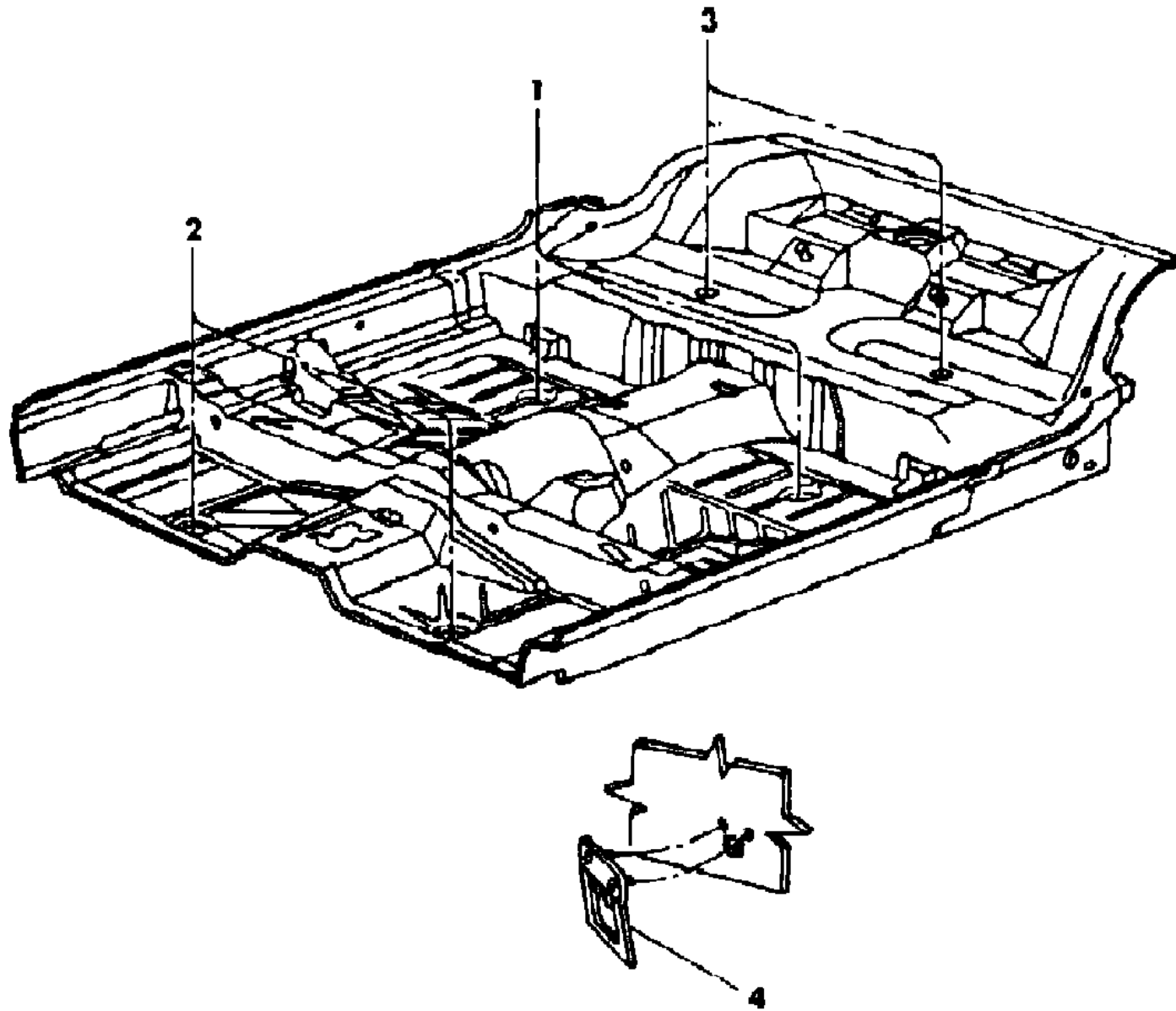
12-52 = FWD VAN & WAGON STD. W.B. 27 = 2-DOOR CONVERTIBLE
 13-53 = FWD VAN & WGN EXT W.B. 41 = 4-DOOR SEDAN
 21 = 2-DOOR SEDAN 44 = 4-DOOR HATCHBACK
 24 = 2-DOOR HATCHBACK 45 = 4-DOOR STATION WAGON

AR = Use as Required - = Non Illustrated Part P.A.R. = Paint as Required

PLUGS FRONT FLOOR PAN P BODY 24,44
Figure 23A-1600

8169 1600

ITEM	PART NUMBER	QTY	BODY	MODEL	DESCRIPTION
1	2424 864	2			PLUG
2	5200 456	2			PLUG
3	4073 475	1			PLUG
4	3794 032	AR			SEAL, Side Sill Inner



MODEL CODES

C BODY = (D41 - DYNASTY)(C41 - NEW YORKER)
 E BODY = (J - CARAVELLE)(E - 600)(T - NEW YORKER TURBO)
 G BODY = (V24 - DAYTONA, PACIFICA & SHELBY)
 H BODY = (D44 - LANCER)(C44 - LEBARON GTS)
 J BODY = (C - LEBARON)
 K BODY = (P - RELIANT)(D - ARIES)(C - LEBARON/ TOWN & COUNTRY)
 L BODY = (M - HORIZON)(Z-OMNI)
 M BODY = (B - GRAN FURY)(G - DIPLOMAT)(F - FIFTH AVENUE/NEWPORT)
 P BODY = (P - SUNDANCE)(D - SHADOW)
 Q BODY = (C27 - MASERATI)
 S BODY = (H - VOYAGER)(K - RAM VAN/ CARAVAN)

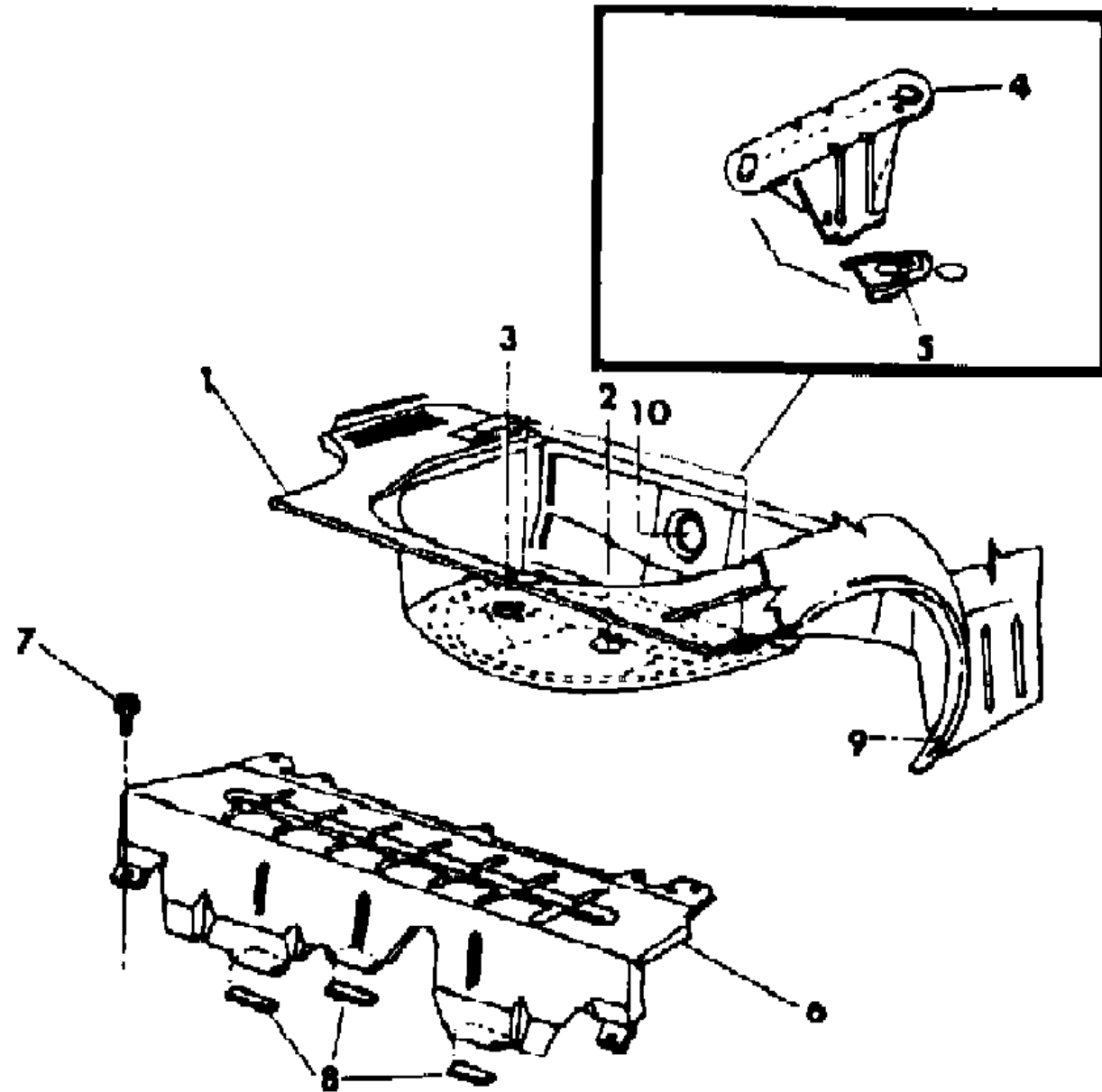
BODY STYLES

12-52 = FWD VAN & WAGON STD. W.B. 27 = 2-DOOR CONVERTIBLE
 13-53 = FWD VAN & WGN EXT W.B. 41 = 4-DOOR SEDAN
 21 = 2-DOOR SEDAN 44 = 4-DOOR HATCHBACK
 24 = 2-DOOR HATCHBACK 45 = 4-DOOR STATION WAGON

AR = Use as Required - = Non Illustrated Part P.A.R. = Paint as Required

FLOOR PAN REAR P BODY 24,44
Figure 23A-1700

8169 1700



ITEM	PART NUMBER	QTY	BODY	MODEL	DESCRIPTION
1	4371 280	1			PAN, Rear Floor
2	2424 864	3			PLUG, 1.75" Dia./44.5 mm
3	6030 773	1			PLUG, 2.25" Dia./57 mm
4	4337 550	1			SUPPORT, Rear Floor Pan Spare Tire Mounting
5	4206 922	1			BRACKET, Rear Floor Pan Spare Tire Anchor Bolt
6	4337 361	1			PANEL, Rear Seat To Floor Pan Filler
7		7			SCREW, #8-18 x .500" Not Serviced
8		3			TAPE, Floor Pan Filler Anti-Squeak Not Serviced
9	#4073 485	2			PLUG
10	5200 456	1			PLUG

MODEL CODES

C BODY = (D41 - DYNASTY)(C41 - NEW YORKER)
 E BODY = (J - CARAVELLE)(E - 600)(T - NEW YORKER TURBO)
 G BODY = (V24 - DAYTONA, PACIFICA & SHELBY)
 H BODY = (D44 - LANCER)(C44 - LEBARON GTS)
 J BODY = (C - LEBARON)
 K BODY = (P - RELIANT)(D - ARIES)(C - LEBARON/ TOWN & COUNTRY)

L BODY = (M - HORIZON)(Z-OMNI)
 M BODY = (B - GRAN FURY)(G - DIPLOMAT)(F - FIFTH AVENUE/NEWPORT)
 P BODY = (P - SUNDANCE)(D - SHADOW)
 Q BODY = (C27 - MASERATI)
 S BODY = (H - VOYAGER)(K - RAM VAN/ CARAVAN)

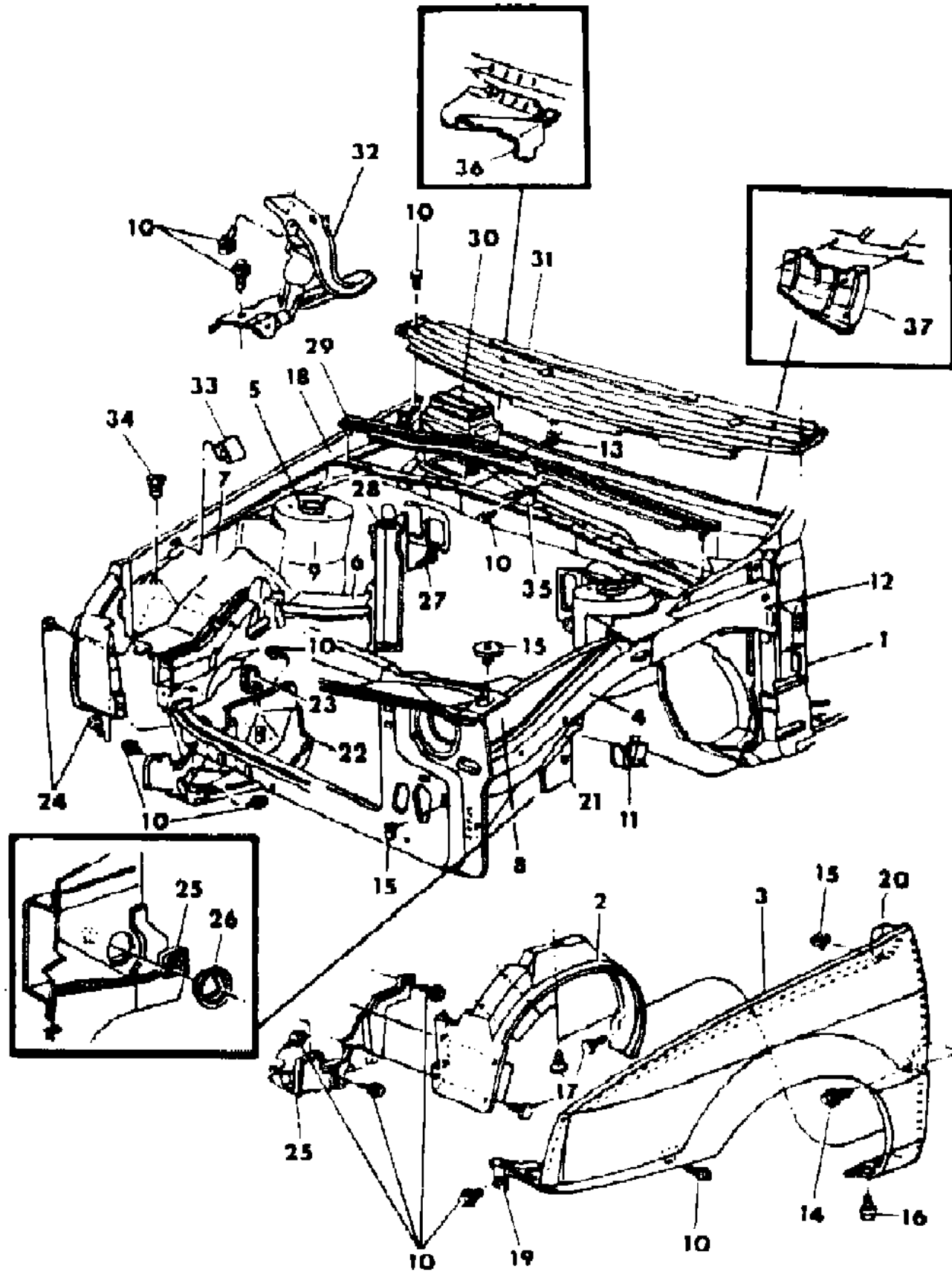
BODY STYLES

12-52 = FWD VAN & WAGON STD. W.B. 27 = 2-DOOR CONVERTIBLE
 13-53 = FWD VAN & WGN EXT W.B. 41 = 4-DOOR SEDAN
 21 = 2-DOOR SEDAN 44 = 4-DOOR HATCHBACK
 24 = 2-DOOR HATCHBACK 45 = 4-DOOR STATION WAGON

AR = Use as Required - = Non Illustrated Part P.A.R. = Paint as Required

FENDER AND SHIELD P BODY 24,44
Figure 23A-1800

8169 1800



ITEM	PART NUMBER	QTY	BODY	MODEL	DESCRIPTION
1	4206 553	2			SUPPORT, Front Hinge Pillar To Fender
2	4341 760-1	1			SHIELD, Fender Wheelhouse Splash
3	4397 454-5	1			FENDER
4	4440 584-5	1			BEAM, Front Fender Shield To Front Hinge Pillar Load
5	4440 850-1	1			TOWER, Front Suspension Iso-Strut Mounting
6	4440 934-5	1			EXTENSION, Iso-Strut Tower To Dash Panel
7	4440 574-5	1			PANEL, Front Fender Shield
8	4341 376	1			PLUG, Front Fender Side Shield Lt.
9	4386 178	2			PLUG, Front Suspension Iso-Strut Tower Sealer
10	6100 568	AR			SCREW
11		1			REINFORCEMENT, Fender Shield Panel Battery Tray (Serviced In Item #7)
12	4440 812-3	1			EXTENSION, Front Fender Shield Load Beam Rear
13		AR			J-NUT, Not Serviced
14		2			SCREW and WASHER, Not Serviced
15	6100 041	AR			U-NUT
16		4			SCREW and WASHER, Not Serviced
17	6030 441	AR			RETAINER
18	4222 739	1			PLUG, Fender Antenna Hole
19		1			REINFORCEMENT, Front Fender Panel (Serviced In Assy.)
20		1			SUPPORT, Cowl Plenum Grill Not Serviced
21	4341 786-7	1			SUPPORT, Fender Side Shield To Fender Bumper Fascia
22	4386 622	1			SHIELD, Acc. Pulley Splash Rt.
23	2811 825	1			PLUG, Acc. Pulley Rt.
24	6030 441	24			RETAINER
25	4386 625	1			SHIELD, Trans. Appearance Lt.
26	4341 376	1			PLUG, Front Fender Panel
27	6030 538	3			RETAINER
28	4341 750	1			SHIELD, Closure Panel Rad. Air
29	4416 779	1			SEAL, Dash Panel To Hood
30	4371 273	1			SCREEN, Cowl Plenum A/C Intlet
31	4416 118	1			PANEL, Plenum Grille
32	4440 824-5	1			HINGE, Hood
33	4296 227	2			BUMPER
34	4103 165	2			BUMPER
35	4371 623	1			SUPPORT, Cowl Plenum To Cowl
36	4462 121	1			SHIELD, Air/Intake Rt.

MODEL CODES

C BODY = (D41 - DYNASTY)(C41 - NEW YORKER)
 E BODY = (J - CARAVELLE)(E - 600)(T - NEW YORKER TURBO)
 G BODY = (V24 - DAYTONA, PACIFICA & SHELBY)
 H BODY = (D44 - LANCER)(C44 - LEBARON GTS)
 J BODY = (C - LEBARON)
 K BODY = (P - RELIANT)(D - ARIES)(C - LEBARON/ TOWN & COUNTRY)

L BODY = (M - HORIZON)(Z-OMNI)
 M BODY = (B - GRAN FURY)(G - DIPLOMAT)(F - FIFTH AVENUE/NEWPORT)
 P BODY = (P - SUNDANCE)(D - SHADOW)
 Q BODY = (C27 - MASERATI)
 S BODY = (H - VOYAGER)(K - RAM VAN/ CARAVAN)

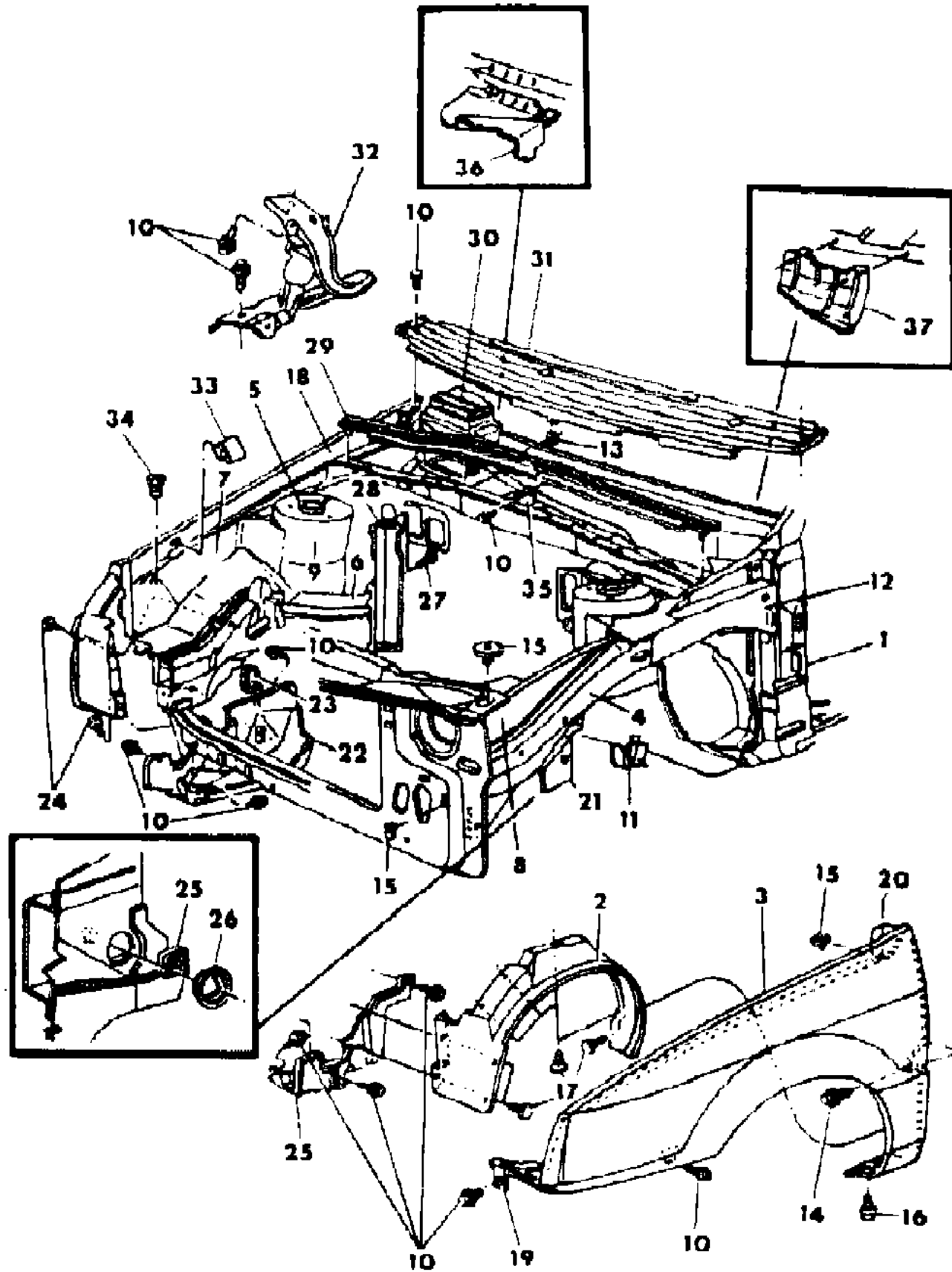
BODY STYLES

12-52 = FWD VAN & WAGON STD. W.B. 27 = 2-DOOR CONVERTIBLE
 13-53 = FWD VAN & WGN EXT W.B. 41 = 4-DOOR SEDAN
 21 = 2-DOOR SEDAN 44 = 4-DOOR HATCHBACK
 24 = 2-DOOR HATCHBACK 45 = 4-DOOR STATION WAGON

AR = Use as Required - = Non Illustrated Part P.A.R. = Paint as Required

FENDER AND SHIELD P BODY 24,44
Figure 23A-1800

8169 1800



ITEM	PART NUMBER	QTY	BODY	MODEL	DESCRIPTION
37	3849 395	1			SHIELD, Intake Vent Lt.

MODEL CODES
 C BODY = (D41 - DYNASTY)(C41 - NEW YORKER)
 E BODY = (J - CARAVELLE)(E - 600)(T - NEW YORKER TURBO)
 G BODY = (V24 - DAYTONA, PACIFICA & SHELBY)
 H BODY = (D44 - LANCER)(C44 - LEBARON GTS)
 J BODY = (C - LEBARON)
 K BODY = (P - RELIANT)(D - ARIES)(C - LEBARON/ TOWN & COUNTRY)
 L BODY = (M - HORIZON)(Z-OMNI)
 M BODY = (B - GRAN FURY)(G - DIPLOMAT)(F - FIFTH AVENUE/NEWPORT)
 P BODY = (P - SUNDANCE)(D - SHADOW)
 Q BODY = (C27 - MASERATI)
 S BODY = (H - VOYAGER)(K - RAM VAN/ CARAVAN)

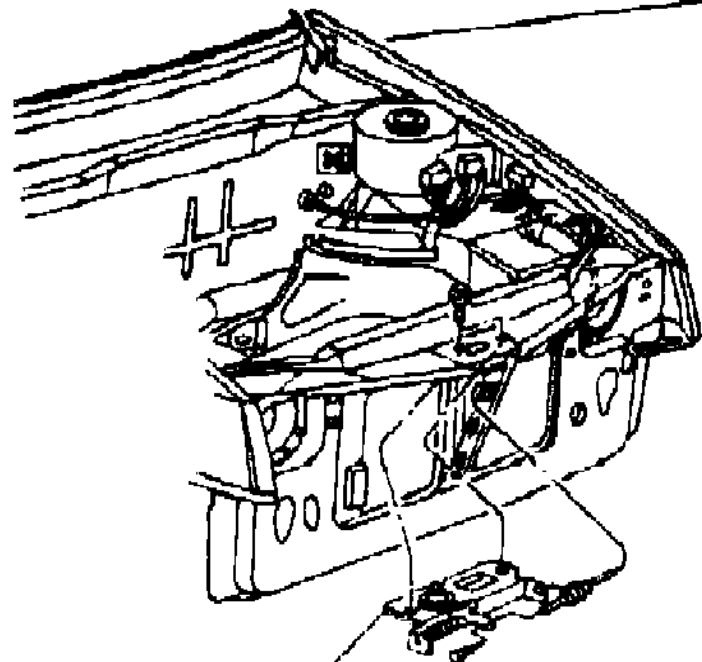
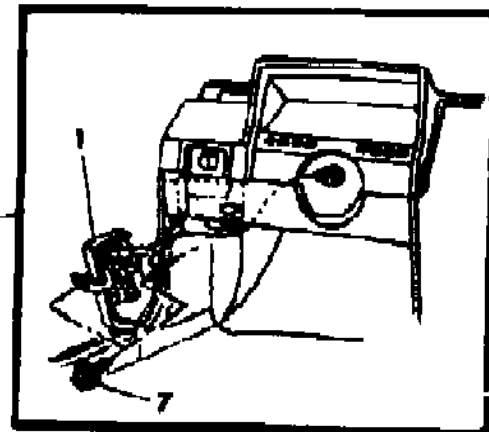
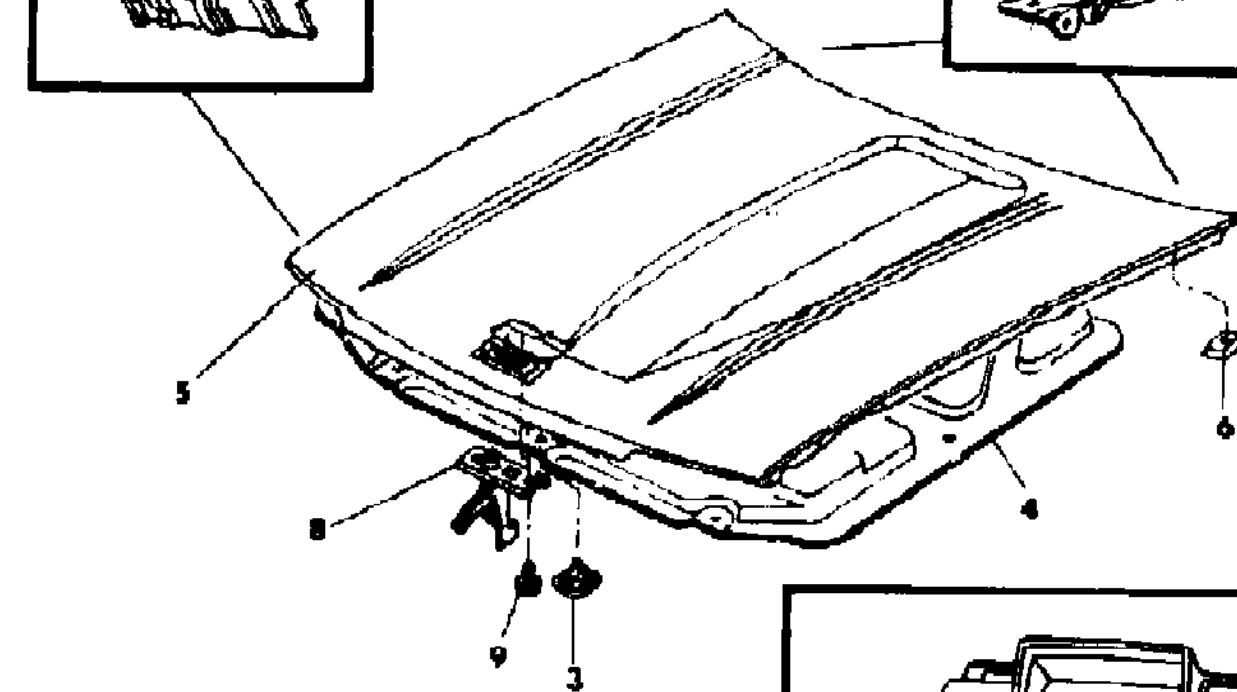
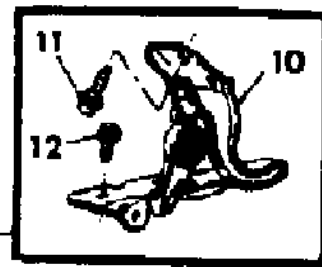
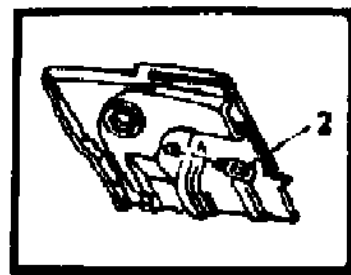
BODY STYLES
 12-52 = FWD VAN & WAGON STD. W.B. 27 = 2-DOOR CONVERTIBLE
 13-53 = FWD VAN & WGN EXT W.B. 41 = 4-DOOR SEDAN
 21 = 2-DOOR SEDAN 44 = 4-DOOR HATCHBACK
 24 = 2-DOOR HATCHBACK 45 = 4-DOOR STATION WAGON

AR = Use as Required - = Non Illustrated Part P.A.R. = Paint as Required

HOOD AND HOOD RELEASE P BODY 24,44

Figure 23A-1900

8169 1900



ITEM	PART NUMBER	QTY	BODY	MODEL	DESCRIPTION
1	4341 462	1			HANDLE, Hood Latch Release w/Cable Up To 5-9-88
	4440 631	1			After 5-9-88
2	2895 126	4			PLUG, Hood Inner Panel Sealing
3	4341 060	16			FASTENER, Hood Panel Silencer
4	4049 601	1			SILENCER MATERIAL, Hood Panel Cut To Fit 36" x 72"
5					HOOD
	4440 465	1		P	w/Or/w/o Turbo
	4440 465	1		D	w/o Turbo
	4440 466	1		D	w/Turbo
6	4341 443	2			SEAL, Hood To Fender Ledge
7		4			SCREW, Not Serviced
8	4386 874	1			STRIKER, Safety Catch Hood
9	6501 501	2			SCREW and WASHER
10	4440 824-5	1			HINGE, Hood
11		4			SCREW and WASHER, Not Serviced
12		4			SCREW and WASHER, Not Serviced
13	4341 952	1			LATCH, Hood w/Locator Plate

MODEL CODES

C BODY = (D41 - DYNASTY)(C41 - NEW YORKER)
 E BODY = (J - CARAVELLE)(E - 600)(T - NEW YORKER TURBO)
 G BODY = (V24 - DAYTONA, PACIFICA & SHELBY)
 H BODY = (D44 - LANCER)(C44 - LEBARON GTS)
 J BODY = (C - LEBARON)
 K BODY = (P - RELIANT)(D - ARIES)(C - LEBARON/ TOWN & COUNTRY)
 L BODY = (M - HORIZON)(Z-OMNI)
 M BODY = (B - GRAN FURY)(G - DIPLOMAT)(F - FIFTH AVENUE/NEWPORT)
 P BODY = (P - SUNDANCE)(D - SHADOW)
 Q BODY = (C27 - MASERATI)
 S BODY = (H - VOYAGER)(K - RAM VAN/ CARAVAN)

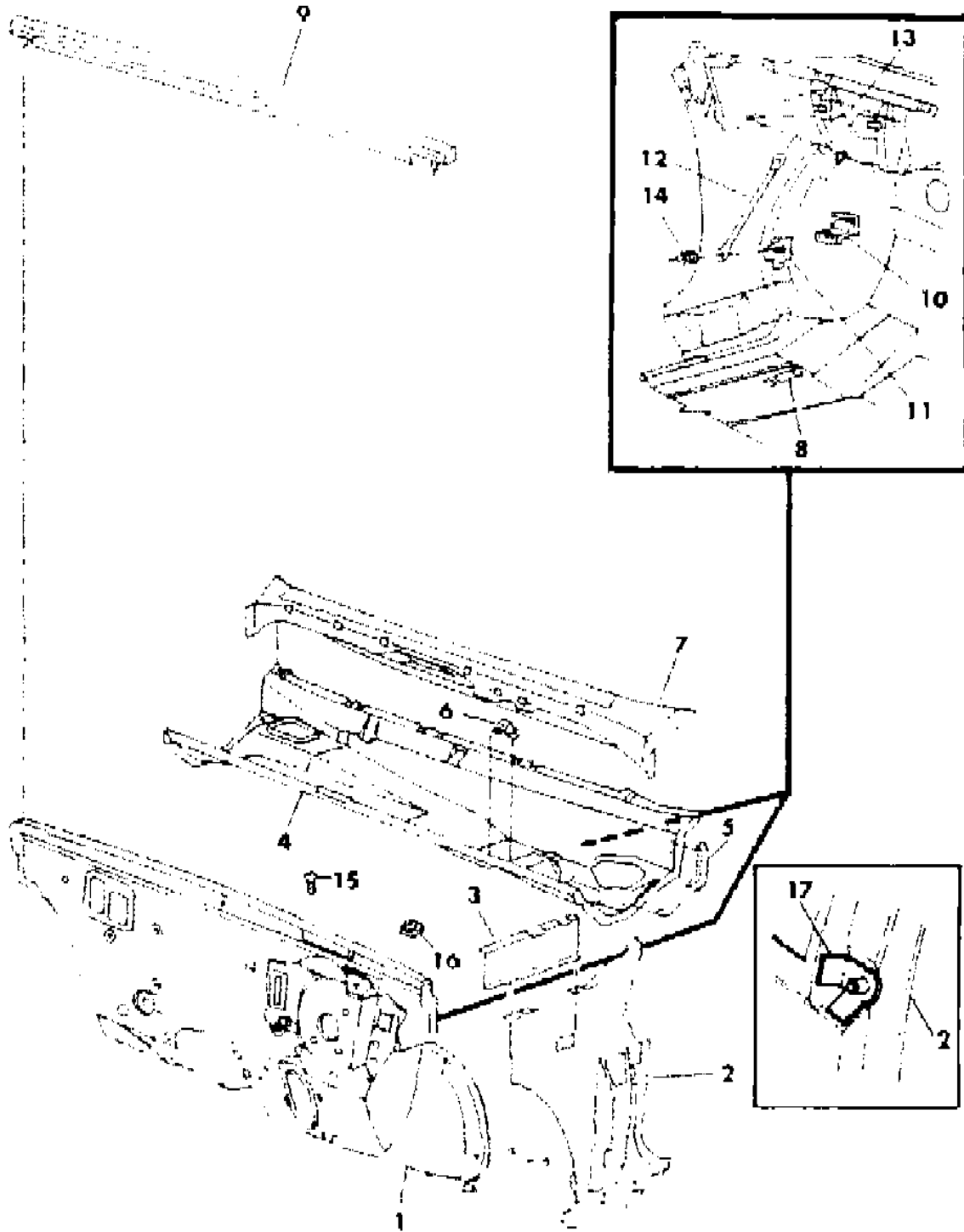
BODY STYLES

12-52 = FWD VAN & WAGON STD. W.B. 27 = 2-DOOR CONVERTIBLE
 13-53 = FWD VAN & WGN EXT W.B. 41 = 4-DOOR SEDAN
 21 = 2-DOOR SEDAN 44 = 4-DOOR HATCHBACK
 24 = 2-DOOR HATCHBACK 45 = 4-DOOR STATION WAGON

AR = Use as Required - = Non Illustrated Part P.A.R. = Paint as Required

COWL AND DASH PANEL P BODY 24,44
Figure 23A-2000

8169 2000 A



ITEM	PART NUMBER	QTY	BODY	MODEL	DESCRIPTION
1	4416 411	1			PANEL, Dash
2	4416 520-1	1			PANEL, Cowl Side Up To 5-9-88
	4475 942-3	1			After 5-9-88
		1			SILENCER, Cowl Plenum Not Serviced
3	4314 546-7	1			REINFORCEMENT, Cowl Side Panel Hood Hinge
4	4416 662	1			PANEL, Cowl Plenum
5					SEAL, w/Retainer Cowl Plenum To Cowl Side
	4337 931	1			Left
	4337 930	1			Right
6	4416 229	1			BRACKET, Cowl Plenum Panel Wiper Moter Mounting
7	4371 916	1			REINFORCEMENT, Cowl Plenum Panel
8	5200 384	1			SEAL, Parking Brake Cable
9	4416 779	1			SEAL, Dash Panel To Hood
10	4410 559	1			BRACKET, Floor Panel Footrest Mounting Upper
11	4206 641	1			BRACKET, Dash To Plenum Panel Brace Mounting Lt.
12	4371 203	1			BRACE, Dash To Plenum Panel Lt.
13		1			SUPPORT, Cowl Plenum Steering Column Bracket Serviced
					Assy.
	4294 429	1			SUPPORT, Brake Pedal To Plenum
14	6500 532	2			NUT and WASHER
15	3759 944	6			RETAINER, Cowl Plenum To Cowl Side Seal
16	4371 786	AR			RETAINER, To Dash Panel Hood Side
17		1			REINFORCEMENT, Cowl Side (Serviced In Item 2)

MODEL CODES

C BODY = (D41 - DYNASTY)(C41 - NEW YORKER)
 E BODY = (J - CARAVELLE)(E - 600)(T - NEW YORKER TURBO)
 G BODY = (V24 - DAYTONA, PACIFICA & SHELBY)
 H BODY = (D44 - LANCER)(C44 - LEBARON GTS)
 J BODY = (C - LEBARON)
 K BODY = (P - RELIANT)(D - ARIES)(C - LEBARON/ TOWN & COUNTRY)

L BODY = (M - HORIZON)(Z-OMNI)
 M BODY = (B - GRAN FURY)(G - DIPLOMAT)(F - FIFTH AVENUE/NEWPORT)
 P BODY = (P - SUNDANCE)(D - SHADOW)
 Q BODY = (C27 - MASERATI)
 S BODY = (H - VOYAGER)(K - RAM VAN/ CARAVAN)

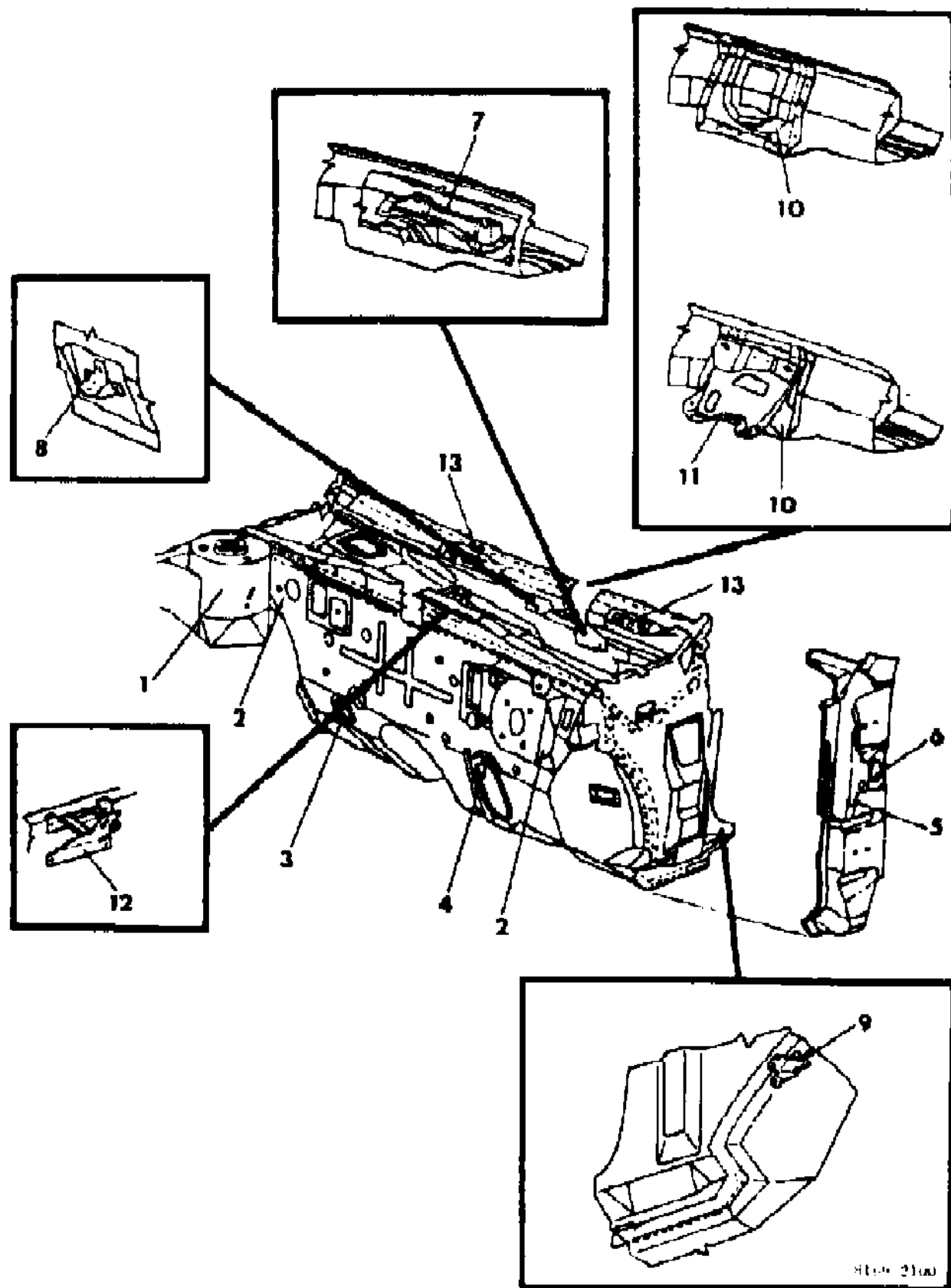
BODY STYLES

12-52 = FWD VAN & WAGON STD. W.B. 27 = 2-DOOR CONVERTIBLE
 13-53 = FWD VAN & WGN EXT W.B. 41 = 4-DOOR SEDAN
 21 = 2-DOOR SEDAN 44 = 4-DOOR HATCHBACK
 24 = 2-DOOR HATCHBACK 45 = 4-DOOR STATION WAGON

AR = Use as Required - = Non Illustrated Part P.A.R. = Paint as Required

BRACKET AND PLUGS COWL P BODY 24,44
Figure 23A-2100

8169 2100



ITEM	PART NUMBER	QTY	BODY	MODEL	DESCRIPTION
1	4386 178	1			PLUG
2	2483 571	2			PLUG, 2.50 Dig.
3	5200 456	1			PLUG
4	3445 939	1			PLUG
5	2860 332	1			PLUG, 0.75 Dig.
6	4368 560	2			PLUG
7	4416 229	1			BRACKET, Cowl Plenum w/Wiper Motor Mtg.
8	4371 339	1			BRACKET, Cowl Plenum Reinf. w/Wiper Motor Mtg.
9	4206 641	2			BRACKET, Dash Panel To Plenum Brace Mtg. Lt.
10	4337 643	1			SUPPORT, Cowl Plenum Strg. Col. Bracket
11	4294 429	1			SUPPORT, Brake Pedal To Plenum
12	4371 623	1			SUPPORT, Cowl Plenum Grille
13	4371 464	1			PLATE, Weld Stud Cowl Plenum Panel Reinf. w/Wiper Pivot Mtg.

MODEL CODES

C BODY = (D41 - DYNASTY)(C41 - NEW YORKER)	L BODY = (M - HORIZON)(Z-OMNI)
E BODY = (J - CARAVELLE)(E - 600)(T - NEW YORKER TURBO)	M BODY = (B - GRAN FURY)(G - DIPLOMAT)(F - FIFTH AVENUE/NEWPORT)
G BODY = (V24 - DAYTONA, PACIFICA & SHELBY)	P BODY = (P - SUNDANCE)(D - SHADOW)
H BODY = (D44 - LANCER)(C44 - LEBARON GTS)	Q BODY = (C27 - MASERATI)
J BODY = (C - LEBARON)	S BODY = (H - VOYAGER)(K - RAM VAN/ CARAVAN)
K BODY = (P - RELIANT)(D - ARIES)(C - LEBARON/ TOWN & COUNTRY)	

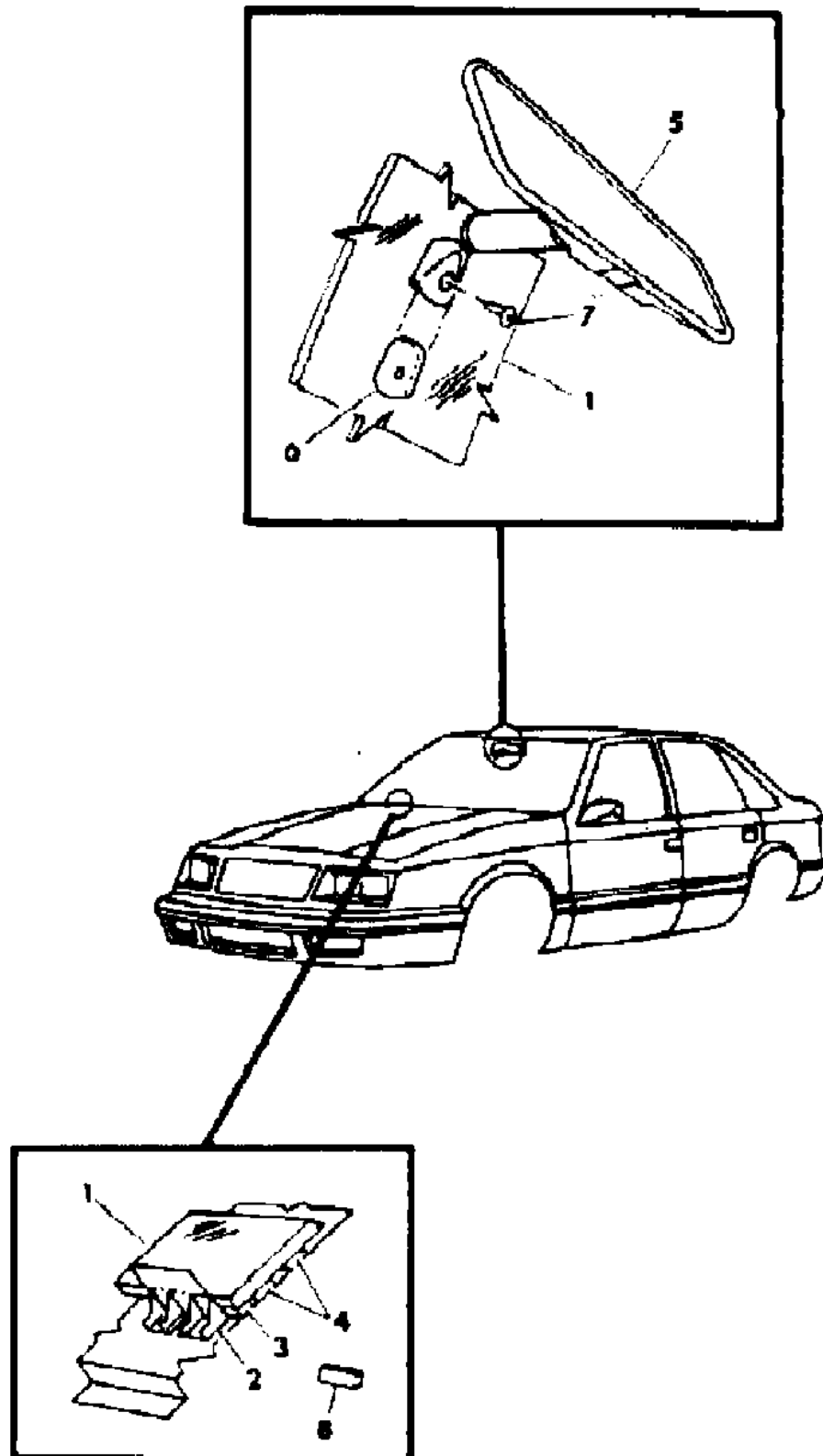
BODY STYLES

12-52 = FWD VAN & WAGON STD. W.B.	27 = 2-DOOR CONVERTIBLE
13-53 = FWD VAN & WGN EXT W.B.	41 = 4-DOOR SEDAN
21 = 2-DOOR SEDAN	44 = 4-DOOR HATCHBACK
24 = 2-DOOR HATCHBACK	45 = 4-DOOR STATION WAGON

AR = Use as Required - = Non Illustrated Part P.A.R. = Paint as Required

GLASS WINDSHIELD AND MIRROR P BODY 24,44
Figure 23A-2200

8169 2200



ITEM	PART NUMBER	QTY	BODY	MODEL	DESCRIPTION
------	-------------	-----	------	-------	-------------

NOTE: GLASS, WINDSHIELD - ORDER FROM YOUR LOCAL "MOPAR" GLASS DISTRIBUTOR s group.

1	4475 006	1			GLASS, Windshield Tinted
	4475 001	1			GLASS, Windshield Clear
2	4206 543	2			SPACER, Windshield Glass Lower
3		AR			SPACER, Windshield Glass Support Not Serviced
4		1			POLYURETHANE, Windshield (Serviced In Package 4267906)
5	4299 321	1			MIRROR, Rear View
6	4054 098	1			BUTTON, Inside Rear View Mounting
	4293 039	1			ADHESIVE PACKAGE, Includes Adhesive & Instructions
7	6031 094	1			SCREW
8	3767 767	AR			SHIM, Windshield .07
PKG A	4267 906	1			REPAIR PACKAGE, Windshield & Rear Window

Consists of:

- 1- ----- Polyurethane, 11.5 oz.
- 1- ----- Fence Primer, 1 oz.
- 1- ----- Glass Wiper-Off Primer, 1 oz.
- 1- ----- Glass Wiper-Out Primer, 1 oz.
- 1- ----- Dabbers
- 1- ----- Nozzle

MODEL CODES

C BODY = (D41 - DYNASTY)(C41 - NEW YORKER)
 E BODY = (J - CARAVELLE)(E - 600)(T - NEW YORKER TURBO)
 G BODY = (V24 - DAYTONA, PACIFICA & SHELBY)
 H BODY = (D44 - LANCER)(C44 - LEBARON GTS)
 J BODY = (C - LEBARON)
 K BODY = (P - RELIANT)(D - ARIES)(C - LEBARON/ TOWN & COUNTRY)

L BODY = (M - HORIZON)(Z-OMNI)
 M BODY = (B - GRAN FURY)(G - DIPLOMAT)(F - FIFTH AVENUE/NEWPORT)
 P BODY = (P - SUNDANCE)(D - SHADOW)
 Q BODY = (C27 - MASERATI)
 S BODY = (H - VOYAGER)(K - RAM VAN/ CARAVAN)

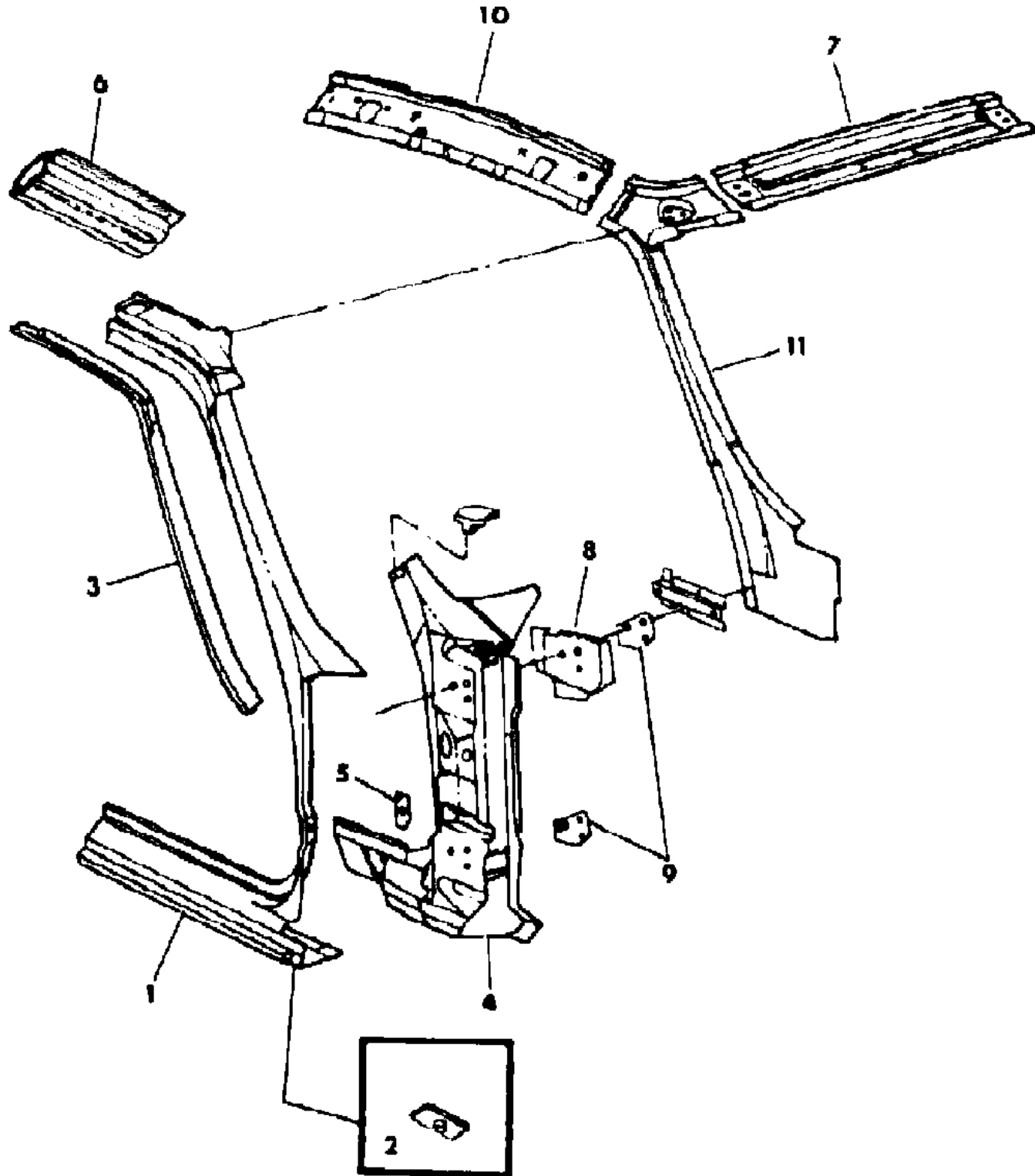
BODY STYLES

12-52 = FWD VAN & WAGON STD. W.B. 27 = 2-DOOR CONVERTIBLE
 13-53 = FWD VAN & WGN EXT W.B. 41 = 4-DOOR SEDAN
 21 = 2-DOOR SEDAN 44 = 4-DOOR HATCHBACK
 24 = 2-DOOR HATCHBACK 45 = 4-DOOR STATION WAGON

AR = Use as Required - = Non Illustrated Part P.A.R. = Paint as Required

BODY FRONT PILLAR P BODY 24,44
Figure 23A-2300

8169 2300



ITEM	PART NUMBER	QTY	BODY	MODEL	DESCRIPTION
1	4475 138-9	1		24,44	PANEL, Body Side Aperture Front
2	4314 277	2			PLATE, Body Side Aperture Jack Locator
3	4296 518-9	1	44		TROUGH, Roof Side Drain
	4341 140-1	1	24		
4	4475 038-9	1			PILLAR, Body Front Hinge
5	4206 553	2			SUPPORT, Front Hinge Pillar To Fender
6	4416 339	1			FRAME, Windshield Opening Upper
7	4314 524-5	1			FRAME, Windshield Opening Side Outer
8	4475 028	1			REINFORCEMENT, Body Front Hinge Pillar Upper Rt.
	4416 297	1			REINFORCEMENT, Body Front Hinge Pillar Upper Lt.
9	4314 558-9	2			PLATE, Body Front Hinge Pillar Hinge
10	4296 528-9	1	44		RAIL, Roof Side Inner
	4341 142-3	1	24		
11	4416 700-1	1			FRAME, Windshield Opening Side Inner

MODEL CODES

C BODY = (D41 - DYNASTY)(C41 - NEW YORKER)
 E BODY = (J - CARAVELLE)(E - 600)(T - NEW YORKER TURBO)
 G BODY = (V24 - DAYTONA, PACIFICA & SHELBY)
 H BODY = (D44 - LANCER)(C44 - LEBARON GTS)
 J BODY = (C - LEBARON)
 K BODY = (P - RELIANT)(D - ARIES)(C - LEBARON/ TOWN & COUNTRY)

L BODY = (M - HORIZON)(Z-OMNI)
 M BODY = (B - GRAN FURY)(G - DIPLOMAT)(F - FIFTH AVENUE/NEWPORT)
 P BODY = (P - SUNDANCE)(D - SHADOW)
 Q BODY = (C27 - MASERATI)
 S BODY = (H - VOYAGER)(K - RAM VAN/ CARAVAN)

BODY STYLES

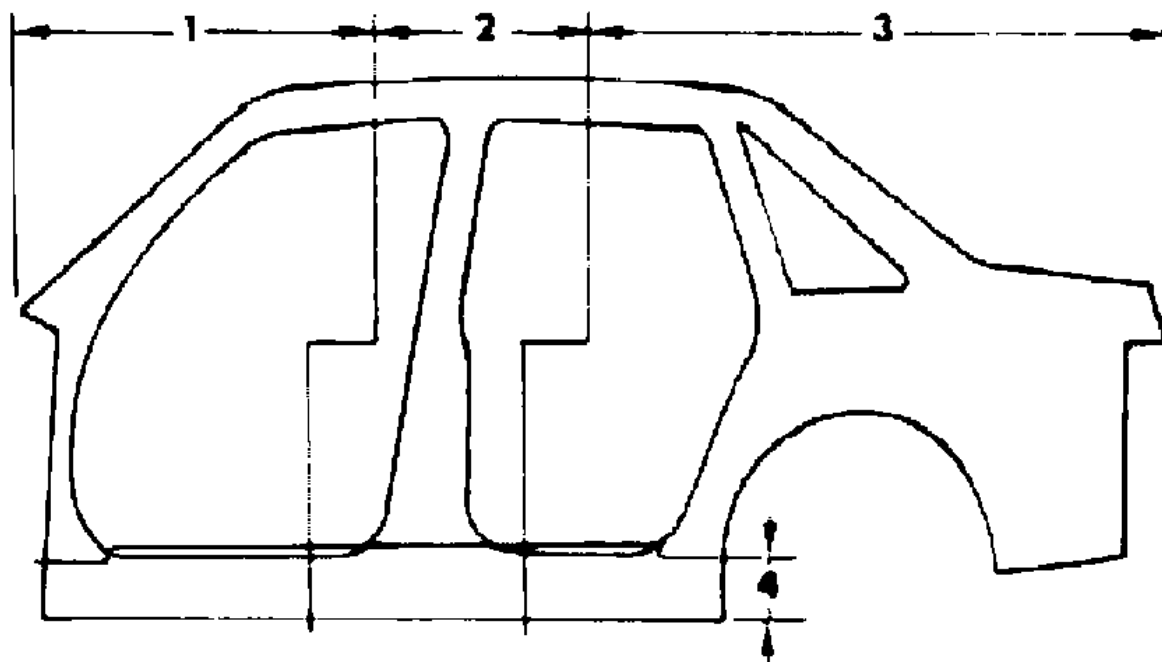
12-52 = FWD VAN & WAGON STD. W.B. 27 = 2-DOOR CONVERTIBLE
 13-53 = FWD VAN & WGN EXT W.B. 41 = 4-DOOR SEDAN
 21 = 2-DOOR SEDAN 44 = 4-DOOR HATCHBACK
 24 = 2-DOOR HATCHBACK 45 = 4-DOOR STATION WAGON

AR = Use as Required - = Non Illustrated Part P.A.R. = Paint as Required

APERATURE PANEL P BODY 24,44
Figure 23A-2400

8169 2400

ITEM	PART NUMBER	QTY	BODY	MODEL	DESCRIPTION
1	4475 138-9	1		24,44	PANEL, Body Side Aperture Front
2	4371 678-9	1		44	PANEL, Body Side Aperture Center
3	4371 680-1	1		44	PANEL, Body Side Aperture Rear
	4371 682-3	1		24	
4	4371 686-7	1		44	PANEL, Body Side Aperture Sill Outer
	4371 684-5	1		24	



MODEL CODES

C BODY = (D41 - DYNASTY)(C41 - NEW YORKER)
 E BODY = (J - CARAVELLE)(E - 600)(T - NEW YORKER TURBO)
 G BODY = (V24 - DAYTONA, PACIFICA & SHELBY)
 H BODY = (D44 - LANCER)(C44 - LEBARON GTS)
 J BODY = (C - LEBARON)
 K BODY = (P - RELIANT)(D - ARIES)(C - LEBARON/ TOWN & COUNTRY)
 L BODY = (M - HORIZON)(Z-OMNI)
 M BODY = (B - GRAN FURY)(G - DIPLOMAT)(F - FIFTH AVENUE/NEWPORT)
 P BODY = (P - SUNDANCE)(D - SHADOW)
 Q BODY = (C27 - MASERATI)
 S BODY = (H - VOYAGER)(K - RAM VAN/ CARAVAN)

BODY STYLES

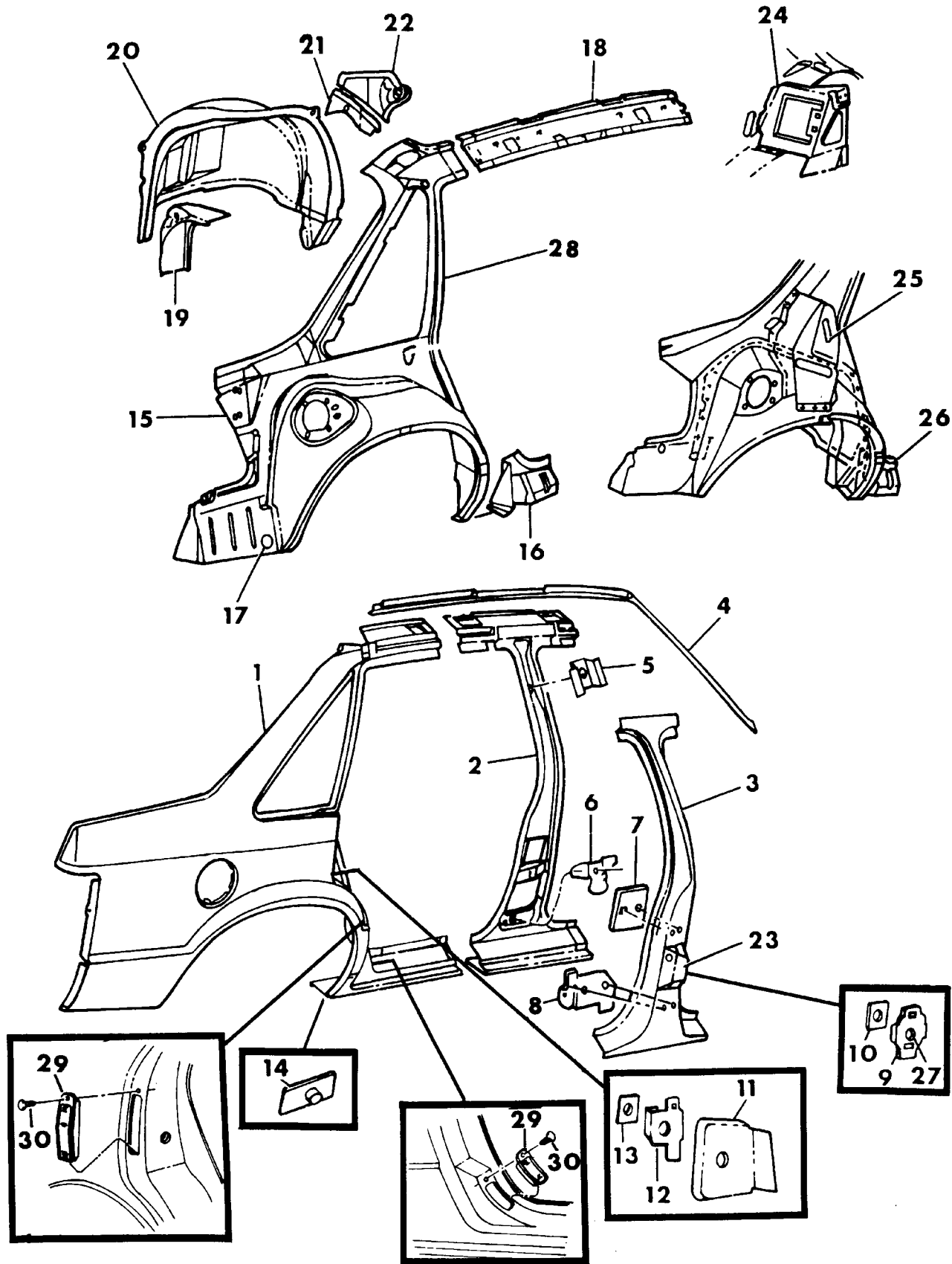
12-52 = FWD VAN & WAGON STD. W.B. 27 = 2-DOOR CONVERTIBLE
 13-53 = FWD VAN & WGN EXT W.B. 41 = 4-DOOR SEDAN
 21 = 2-DOOR SEDAN 44 = 4-DOOR HATCHBACK
 24 = 2-DOOR HATCHBACK 45 = 4-DOOR STATION WAGON

AR = Use as Required - = Non Illustrated Part P.A.R. = Paint as Required

BODY REAR QUARTER P BODY 24,44

Figure 23A-2500

8169 2500 B



ITEM	PART NUMBER	QTY	BODY	MODEL	DESCRIPTION
24	4440 228-9	1	24,44		BRACKET, Rear Seat Back Striker & Radio Speaker Mtg.
25	4314 962-3	1	24,44		SUPPORT, Quarter In Side w/House Quarter Panel
26	4296 726-7	1	24,44		SUPPORT, Quarter In Side Panel Sill Jacking
27	6500 483	2			NUT, Body Center Outer Latch Striker Pillar
28	4341 854-5	1	24		REINFORCEMENT, Quarter Inner and Wheelhouse Outer To Aperture Up To 5-9-88
	4440 502-3	1	24		After 5-9-88
29		1			EXHAUSTER, If Req.
	4512 052-3		24		
	4475 538-9		44		
30	6502 328	AR			RIVET

MODEL CODES

C BODY = (D41 - DYNASTY)(C41 - NEW YORKER)
 E BODY = (J - CARAVELLE)(E - 600)(T - NEW YORKER TURBO)
 G BODY = (V24 - DAYTONA, PACIFICA & SHELBY)
 H BODY = (D44 - LANCER)(C44 - LEBARON GTS)
 J BODY = (C - LEBARON)
 K BODY = (P - RELIANT)(D - ARIES)(C - LEBARON/ TOWN & COUNTRY)

L BODY = (M - HORIZON)(Z-OMNI)
 M BODY = (B - GRAN FURY)(G - DIPLOMAT)(F - FIFTH AVENUE/NEWPORT)
 P BODY = (P - SUNDANCE)(D - SHADOW)
 Q BODY = (C27 - MASERATI)
 S BODY = (H - VOYAGER)(K - RAM VAN/ CARAVAN)

BODY STYLES

12-52 = FWD VAN & WAGON STD. W.B. 27 = 2-DOOR CONVERTIBLE
 13-53 = FWD VAN & WGN EXT W.B. 41 = 4-DOOR SEDAN
 21 = 2-DOOR SEDAN 44 = 4-DOOR HATCHBACK
 24 = 2-DOOR HATCHBACK 45 = 4-DOOR STATION WAGON

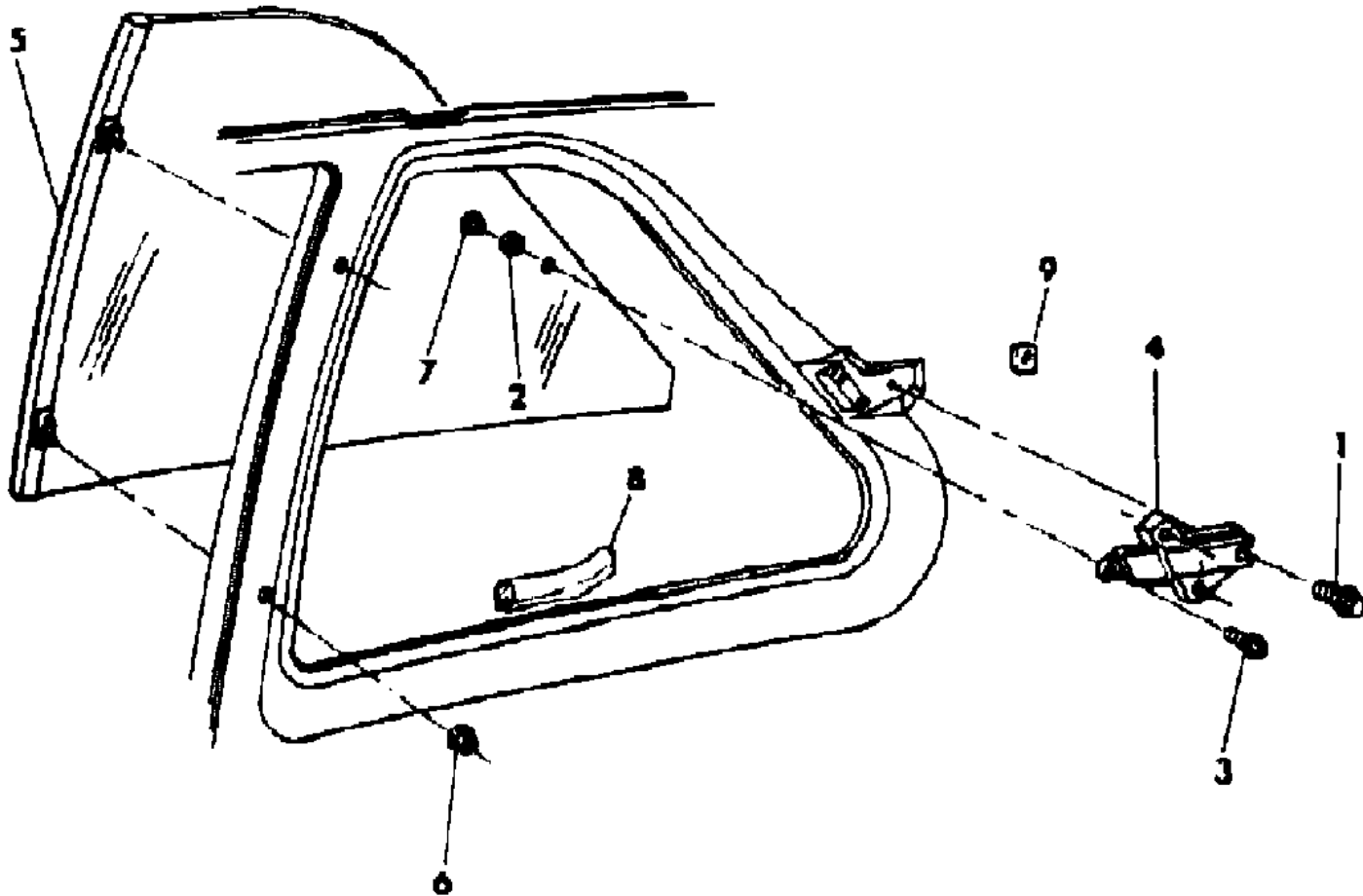
AR = Use as Required - = Non Illustrated Part P.A.R. = Paint as Required

GLASS QUARTER WINDOW P BODY 24

Figure 23A-2600

8169 2600

ITEM	PART NUMBER	QTY	BODY	MODEL	DESCRIPTION
1	6501 037	6			SCREW and WASHER
2	4371 717	2			GASKET
3	6033 040	2			SCREW
4	4416 088-9	1			BRACKET
5	4416 908-9	1			FRAME and GLASS ASSEMBLY
	4475 550-1	1			FRAME and GLASS ASSEMBLY, (EUROPEAN)
6	6501 038	4			NUT
7	4339 313	2			RETAINER
8	4371 062-3	1			WEATHERSTRIP
9	4341 494-5	1			T-PLATE, Quarter Window



MODEL CODES

C BODY = (D41 - DYNASTY)(C41 - NEW YORKER)
 E BODY = (J - CARAVELLE)(E - 600)(T - NEW YORKER TURBO)
 G BODY = (V24 - DAYTONA, PACIFICA & SHELBY)
 H BODY = (D44 - LANCER)(C44 - LEBARON GTS)
 J BODY = (C - LEBARON)
 K BODY = (P - RELIANT)(D - ARIES)(C - LEBARON/ TOWN & COUNTRY)

L BODY = (M - HORIZON)(Z-OMNI)
 M BODY = (B - GRAN FURY)(G - DIPLOMAT)(F - FIFTH AVENUE/NEWPORT)
 P BODY = (P - SUNDANCE)(D - SHADOW)
 Q BODY = (C27 - MASERATI)
 S BODY = (H - VOYAGER)(K - RAM VAN/ CARAVAN)

BODY STYLES

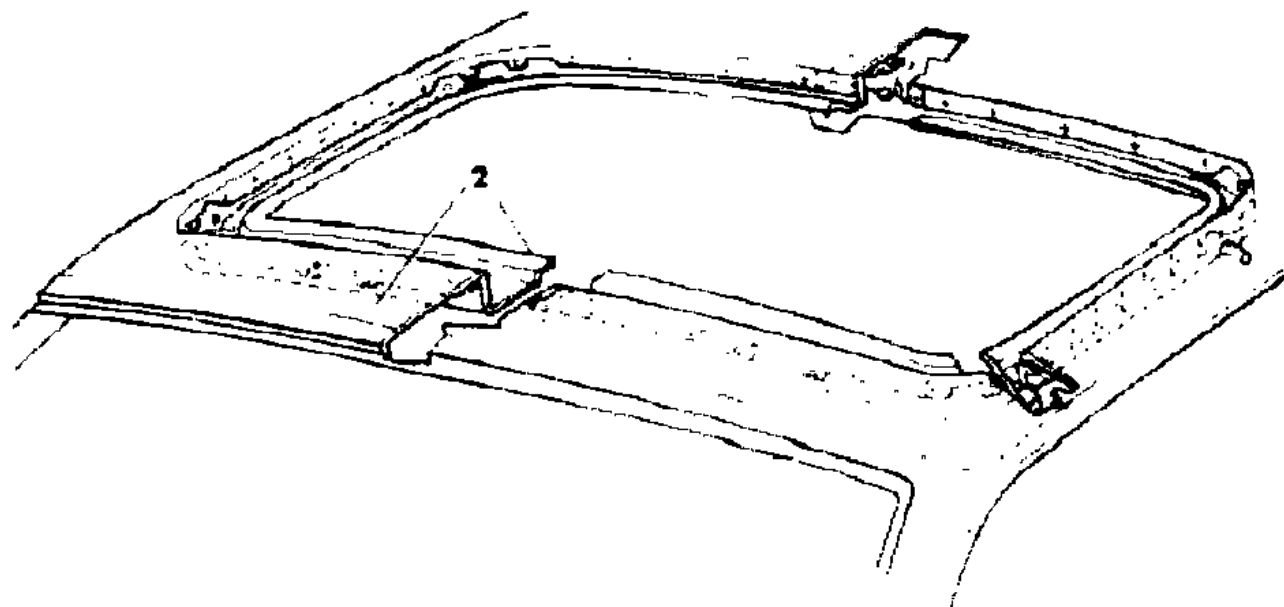
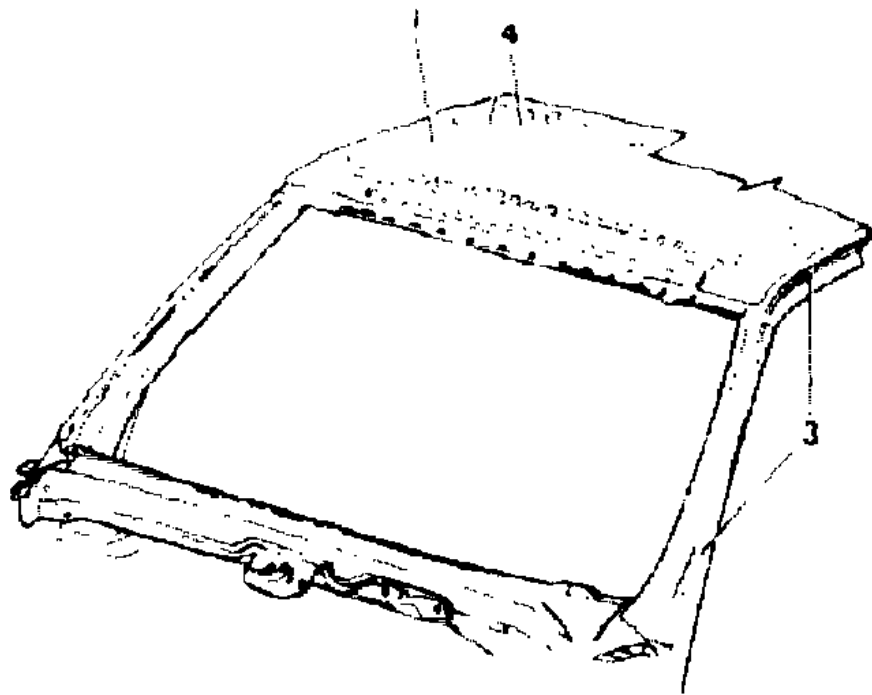
12-52 = FWD VAN & WAGON STD. W.B. 27 = 2-DOOR CONVERTIBLE
 13-53 = FWD VAN & WGN EXT W.B. 41 = 4-DOOR SEDAN
 21 = 2-DOOR SEDAN 44 = 4-DOOR HATCHBACK
 24 = 2-DOOR HATCHBACK 45 = 4-DOOR STATION WAGON

AR = Use as Required - = Non Illustrated Part P.A.R. = Paint as Required

ROOF PANEL P BODY 24,44
Figure 23A-2700

8169 2700

ITEM	PART NUMBER	QTY	BODY	MODEL	DESCRIPTION
1	4296 525	1		44	PANEL, Roof Outer w/o Sunroof
2	4341 138	1		24	PANEL and TROUGH, Outer w/Sunroof
	4386 333	1		44	
3	4386 332	1		24	TROUGH, Roof Side Drain
	4296 518-9	1		44	
4	4341 140-1	1		24	BOW, Roof
	4440 019	2			



MODEL CODES

C BODY = (D41 - DYNASTY)(C41 - NEW YORKER)
 E BODY = (J - CARAVELLE)(E - 600)(T - NEW YORKER TURBO)
 G BODY = (V24 - DAYTONA, PACIFICA & SHELBY)
 H BODY = (D44 - LANCER)(C44 - LEBARON GTS)
 J BODY = (C - LEBARON)
 K BODY = (P - RELIANT)(D - ARIES)(C - LEBARON/ TOWN & COUNTRY)
 L BODY = (M - HORIZON)(Z-OMNI)
 M BODY = (B - GRAN FURY)(G - DIPLOMAT)(F - FIFTH AVENUE/NEWPORT)
 P BODY = (P - SUNDANCE)(D - SHADOW)
 Q BODY = (C27 - MASERATI)
 S BODY = (H - VOYAGER)(K - RAM VAN/ CARAVAN)

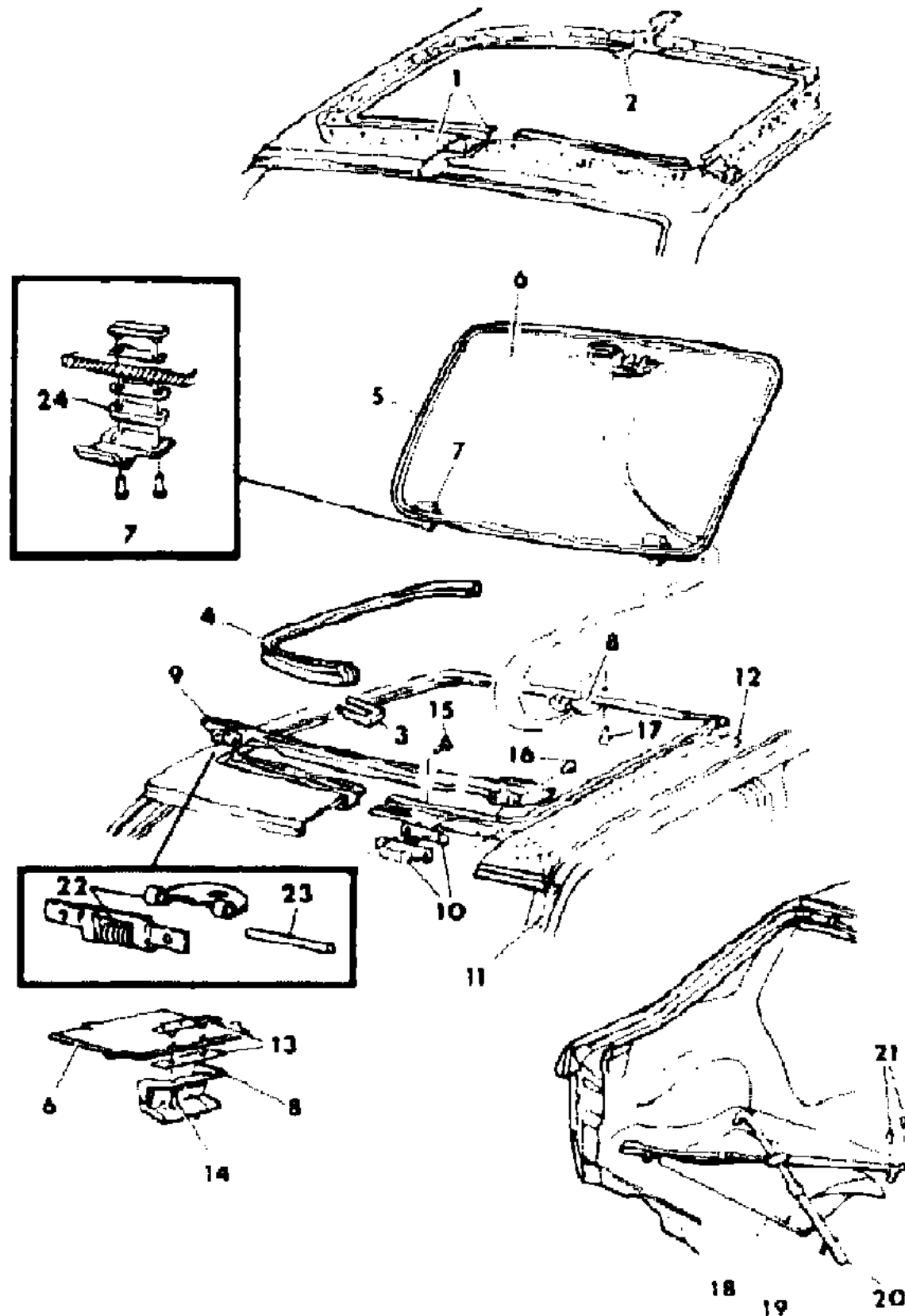
BODY STYLES

12-52 = FWD VAN & WAGON STD. W.B. 27 = 2-DOOR CONVERTIBLE
 13-53 = FWD VAN & WGN EXT W.B. 41 = 4-DOOR SEDAN
 21 = 2-DOOR SEDAN 44 = 4-DOOR HATCHBACK
 24 = 2-DOOR HATCHBACK 45 = 4-DOOR STATION WAGON

AR = Use as Required - = Non Illustrated Part P.A.R. = Paint as Required

SUNROOF P BODY 24,44
Figure 23A-2800

8169 2800



ITEM	PART NUMBER	QTY	BODY	MODEL	DESCRIPTION
1	4386 333	1		44	PANEL and TROUGH, Roof Outer w/Sunroof
	4386 332	1		24	
2	4440 020	1			SUPPORT, Sunroof Drain Trough Reinforcement To Roof Bow
3		1			WELT, Headline Panel Sunroof (See Group 23T)
4	4341 860	1			SEAL, Sunroof Primary (On Trough)
5	4172 849	1			SEAL, Sunroof Secondary (On Glass Panel)
6	4386 104	1			GLASS and PANEL, Sunroof
7	4467 211	2			HINGE and T-PLATE, Package
		4			Screw (Serviced In 4467211)
		4			Grommet (Serviced In 4467211)
		4			Gasket (Serviced In 4467211)
		2			Hinge (Serviced In 4467211)
		2			Plate (Serviced In 4467211)
8	4341 532	1			HANDLE and BASE, Sunroof
9	4341 295	1			DEFLECTOR, Sunroof Air
	4467 212	2			CAP, NUT and SCREW (Package)
10	4341 402-3	1			RETAINER, Sunroof Panel Hinge
11	4026 151	2			HOSE, Sunroof Drain Serviced In Roll Stock
12	4026 151	2			HOSE, Sunroof Drain Serviced In Roll Stock
13	4341 418	1			T-PLATE, Sunroof Latch Handle
14		AR			SCREW, Not Serviced
15		4			SCREW, Not Serviced
16		4			SCREW, Not Serviced
17		3			SCREW, Not Serviced
18	H609 DX7	1			BAG, Stowage (Black)
19	4248 818	4			ANCHOR, Tie Down Strap To Floor Pan
20	H349 CX9	1			STRAP, Sunroof Panel Stowage Tie Down
21		8			SCREW, Not Serviced
22	4341 530-1	1			HINGE
23	6501 111	2			PIN
24	4341 340-1	1			SPACER

MODEL CODES

C BODY = (D41 - DYNASTY)(C41 - NEW YORKER)
 E BODY = (J - CARAVELLE)(E - 600)(T - NEW YORKER TURBO)
 G BODY = (V24 - DAYTONA, PACIFICA & SHELBY)
 H BODY = (D44 - LANCER)(C44 - LEBARON GTS)
 J BODY = (C - LEBARON)
 K BODY = (P - RELIANT)(D - ARIES)(C - LEBARON/ TOWN & COUNTRY)

L BODY = (M - HORIZON)(Z-OMNI)
 M BODY = (B - GRAN FURY)(G - DIPLOMAT)(F - FIFTH AVENUE/NEWPORT)
 P BODY = (P - SUNDANCE)(D - SHADOW)
 Q BODY = (C27 - MASERATI)
 S BODY = (H - VOYAGER)(K - RAM VAN/ CARAVAN)

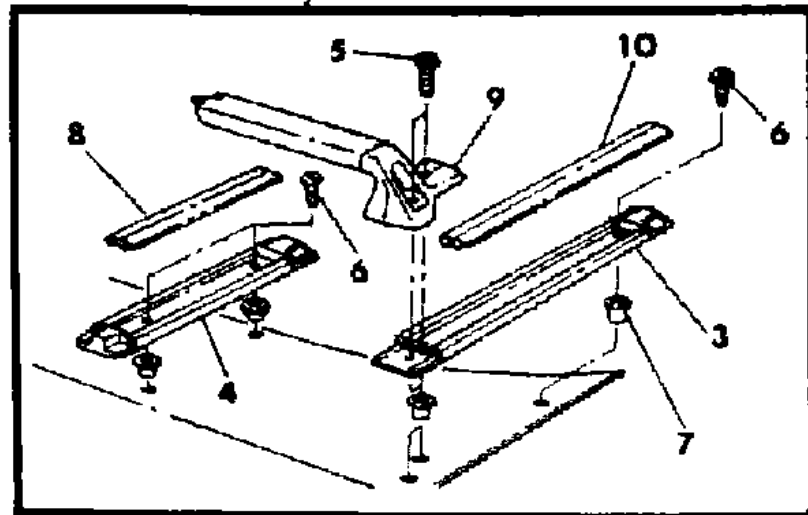
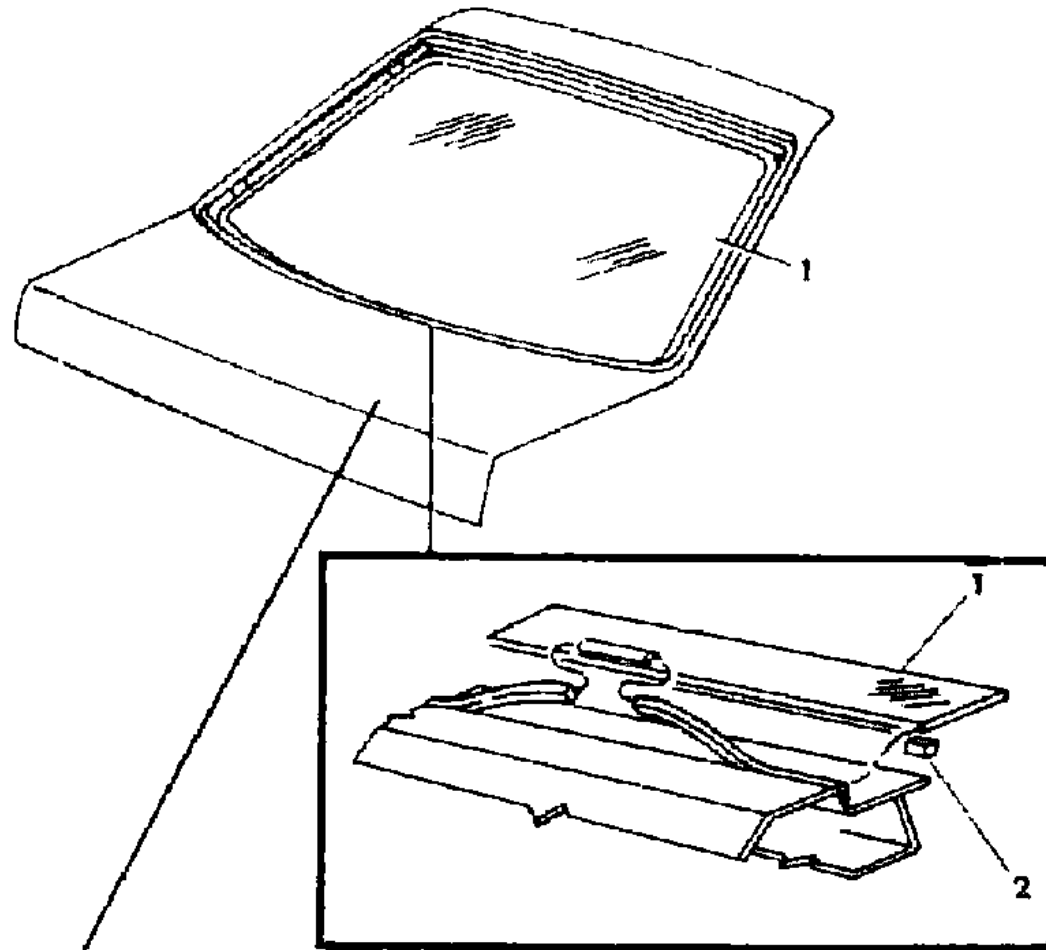
BODY STYLES

12-52 = FWD VAN & WAGON STD. W.B. 27 = 2-DOOR CONVERTIBLE
 13-53 = FWD VAN & WGN EXT W.B. 41 = 4-DOOR SEDAN
 21 = 2-DOOR SEDAN 44 = 4-DOOR HATCHBACK
 24 = 2-DOOR HATCHBACK 45 = 4-DOOR STATION WAGON

AR = Use as Required - = Non Illustrated Part P.A.R. = Paint as Required

LUGGAGE RACK LIFTGATE AND GLASS LIFTGATE P BODY 24,44
Figure 23A-2900

8169 2900 A



ITEM	PART NUMBER	QTY	BODY	MODEL	DESCRIPTION
1	4475 623	1			GLASS, Liftgate Tinted
	4475 623	1			GLASS, Liftgate Tinted (EUROPEAN)
	4475 678	1			Tinted & Heated
	4475 678	1			Tinted & Heated (EUROPEAN)
2	4365 806	AR			SPACER, Liftgate Glass Support
		1			MOULDING, Liftgate Pinch Weld
	H702 GL7				Taupe
	H702 EC7				Blue
	H702 GR8				Red
	H702 GS8				Charcoal
3	4422 895	2			STRIP, Liftgate Rack Skid Outer
4	4422 890	3			STRIP, Liftgate Rack Skid Inner
5		4			SCREW, Not Serviced
6		8			SCREW, Not Serviced
7	6026 292	12			NUT, Blind
8		3			INSERT, Rack Skid Inner Not Serviced
9	4422 886	1			BAR, Liftgate Luggage Rack Cross
10		3			INSERT, Liftgate Luggage Rack Skid Strip Outer Not Serviced

NOTE: The following items are not shown on illustration. s group.

PKG A	4267 906	1			REPAIR PACKAGE, Windshield & Rear Window
					Consists of:
					1- ----- Polyurethane, 11.5 oz.
					1- ----- Fence Primer, 1 oz.
					1- ----- Glass Wipe-Off Primer, 1 oz.
					1- ----- Glass Wipe-Out Primer, 1 oz.
					1- ----- Dabbers
					1- ----- Nozzle

MODEL CODES

C BODY = (D41 - DYNASTY)(C41 - NEW YORKER)
 E BODY = (J - CARAVELLE)(E - 600)(T - NEW YORKER TURBO)
 G BODY = (V24 - DAYTONA, PACIFICA & SHELBY)
 H BODY = (D44 - LANCER)(C44 - LEBARON GTS)
 J BODY = (C - LEBARON)
 K BODY = (P - RELIANT)(D - ARIES)(C - LEBARON/ TOWN & COUNTRY)

L BODY = (M - HORIZON)(Z-OMNI)
 M BODY = (B - GRAN FURY)(G - DIPLOMAT)(F - FIFTH AVENUE/NEWPORT)
 P BODY = (P - SUNDANCE)(D - SHADOW)
 Q BODY = (C27 - MASERATI)
 S BODY = (H - VOYAGER)(K - RAM VAN/ CARAVAN)

BODY STYLES

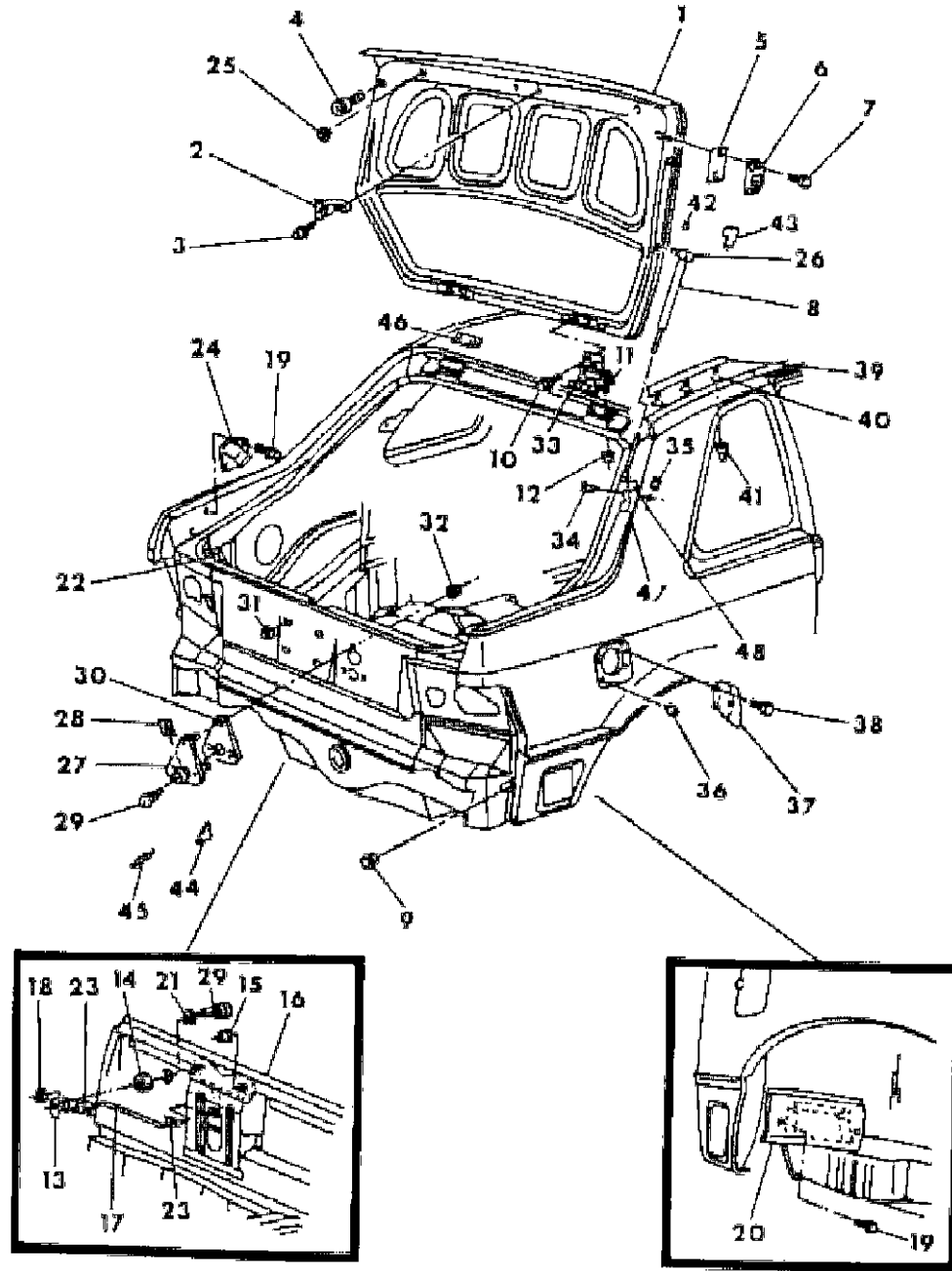
12-52 = FWD VAN & WAGON STD. W.B. 27 = 2-DOOR CONVERTIBLE
 13-53 = FWD VAN & WGN EXT W.B. 41 = 4-DOOR SEDAN
 21 = 2-DOOR SEDAN 44 = 4-DOOR HATCHBACK
 24 = 2-DOOR HATCHBACK 45 = 4-DOOR STATION WAGON

AR = Use as Required - = Non Illustrated Part P.A.R. = Paint as Required

LIFTGATE PANEL AND FUEL FILLER DOOR P BODY 24,44

Figure 23A-3000

8169 3000 8



ITEM	PART NUMBER	QTY	BODY	MODEL	DESCRIPTION
1	4378 521	1			PANEL, Liftgate
2	4378 021	1			STRIKER, Liftgate Latch
	4246 860	1			STRIKER, Liftgate Starilizer
3	6100 592	2			SCREW, Liftgate Latch Striker Mounting
4	4396 304	2			BUMPER, Liftgate Inner Panel Overslam
5	4378 374	AR			SPACER, Liftgate Opening Stabilizer Wedge
6	4246 860	2			STRIKER, Liftgate Opening Stabilizer
7		4			SCREW, Not Serviced
8	4378 250	2			PROP, Liftgate
	4378 289	2			PROP, Liftgate w/Spoiler
9	1774 076	4			PLUG, Liftgate Inner Panel Drain Hole
	1774 076	1			PLUG, Liftgate Drain Trough Rt.
10	6100 275	4			SCREW, Liftgate Hinge To Liftgate
11	4378 384-5	1			HINGE, Liftgate
12	6101 444	4			NUT and WASHER, Liftgate Hinge To Body
13	4378 491	1			LEVER, Liftgate Lock Cylinder
14	4054 202	1			NUT, Liftgate Lock Cylinder Mounting
15	6501 569	2			NUT and WASHER, Liftgate Latch
16	4378 239	1			LATCH ASSEMBLY, Liftgate
17	4378 490	1			LINK, Liftgate Lock Cylinder To Latch
	4378 510	1			EUROPEAN
18	6032 107	1			CLIP, Liftgate Lock Cylinder To Latch Link
19		4			SCREW, Not Serviced
20	4337 182	1			SHIELD, w/House Fuel Filler Tube
21	4246 980	1			SEAL
22	4440 560	1			WEATHERSTRIP, Liftgate Opening
23	2945 109	2			CLIP
24	4246 341	2			WEDGE, Liftgate Opening Stabilizer Wedge
25	6029 939	2			PLUG, Liftgate Drain Hole
26	6500 142	4			SCREW, Liftgate Prop Mounting
27		1			BRACKET, (See Group 23D)
28	4378 075	1			RETAINER
29		1			CYLINDER and BRACKET, (See Group 23D)
30	4246 981	1			GASKET
31	6500 524	4			NUT, License Plate
	5230 376	AR			BUMPER, License
32		AR			NUT, Not Serviced

MODEL CODES

C BODY = (D41 - DYNASTY)(C41 - NEW YORKER)
 E BODY = (J - CARAVELLE)(E - 600)(T - NEW YORKER TURBO)
 G BODY = (V24 - DAYTONA, PACIFICA & SHELBY)
 H BODY = (D44 - LANCER)(C44 - LEBARON GTS)
 J BODY = (C - LEBARON)
 K BODY = (P - RELIANT)(D - ARIES)(C - LEBARON/ TOWN & COUNTRY)

L BODY = (M - HORIZON)(Z-OMNI)
 M BODY = (B - GRAN FURY)(G - DIPLOMAT)(F - FIFTH AVENUE/NEWPORT)
 P BODY = (P - SUNDANCE)(D - SHADOW)
 Q BODY = (C27 - MASERATI)
 S BODY = (H - VOYAGER)(K - RAM VAN/ CARAVAN)

BODY STYLES

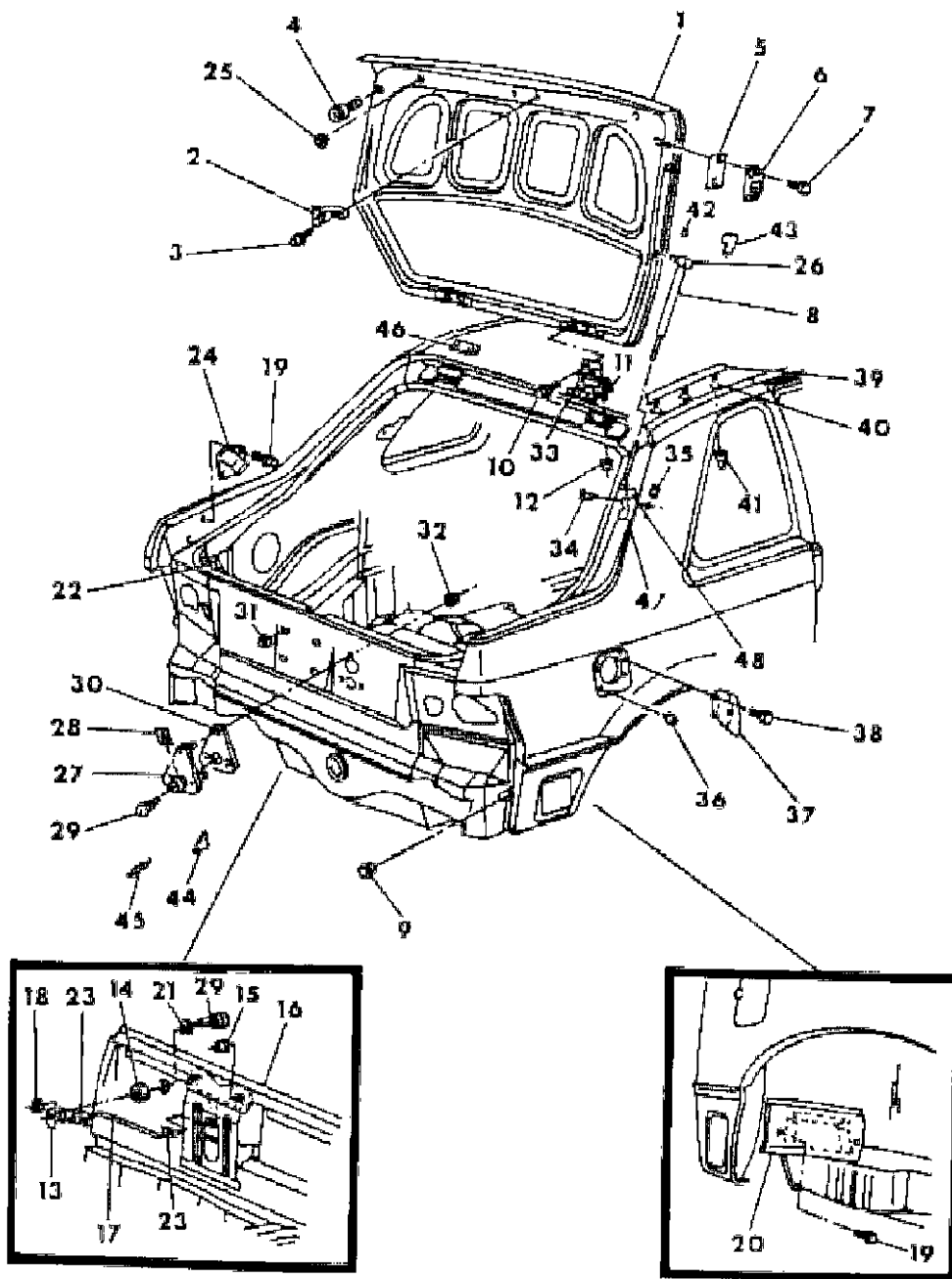
12-52 = FWD VAN & WAGON STD. W.B. 27 = 2-DOOR CONVERTIBLE
 13-53 = FWD VAN & WGN EXT W.B. 41 = 4-DOOR SEDAN
 21 = 2-DOOR SEDAN 44 = 4-DOOR HATCHBACK
 24 = 2-DOOR HATCHBACK 45 = 4-DOOR STATION WAGON

AR = Use as Required - = Non Illustrated Part P.A.R. = Paint as Required

LIFTGATE PANEL AND FUEL FILLER DOOR P BODY 24,44

Figure 23A-3000

8169 3000 8



ITEM	PART NUMBER	QTY	BODY	MODEL	DESCRIPTION
33	6501 347	AR			SCREW
34	4246 123	2			PIN
35	6032 029	1			CLIP
36	4416 985	1			BUMPER
37	4416 946	1			DOOR, Fuel Filler
38		2			SCREW, Not Serviced
39		1			MOULDING, Roof (See Group 23)
40		2			GASKET, (See Group 23)
41		AR			NUT, (See Group 23)
42	4246 676	4			WASHER, Liftgate Prop Clevis
43	4445 368	2			BRACKET
44	4378 011	1			COVER, Liftgate Latch Non Override Lever (Plastic)
45	4172 592	1			SPRING, Liftgate Latch Pawl
46	4365 796-7	1			GASKET, Liftgate Hinge To Body
47	4386 048	2			BRACKET, Opening Side Trough Prop
48	4378 088	2			BOOT, Liftgate Prop

MODEL CODES

C BODY = (D41 - DYNASTY)(C41 - NEW YORKER)
 E BODY = (J - CARAVELLE)(E - 600)(T - NEW YORKER TURBO)
 G BODY = (V24 - DAYTONA, PACIFICA & SHELBY)
 H BODY = (D44 - LANCER)(C44 - LEBARON GTS)
 J BODY = (C - LEBARON)
 K BODY = (P - RELIANT)(D - ARIES)(C - LEBARON/ TOWN & COUNTRY)
 L BODY = (M - HORIZON)(Z-OMNI)
 M BODY = (B - GRAN FURY)(G - DIPLOMAT)(F - FIFTH AVENUE/NEWPORT)
 P BODY = (P - SUNDANCE)(D - SHADOW)
 Q BODY = (C27 - MASERATI)
 S BODY = (H - VOYAGER)(K - RAM VAN/ CARAVAN)

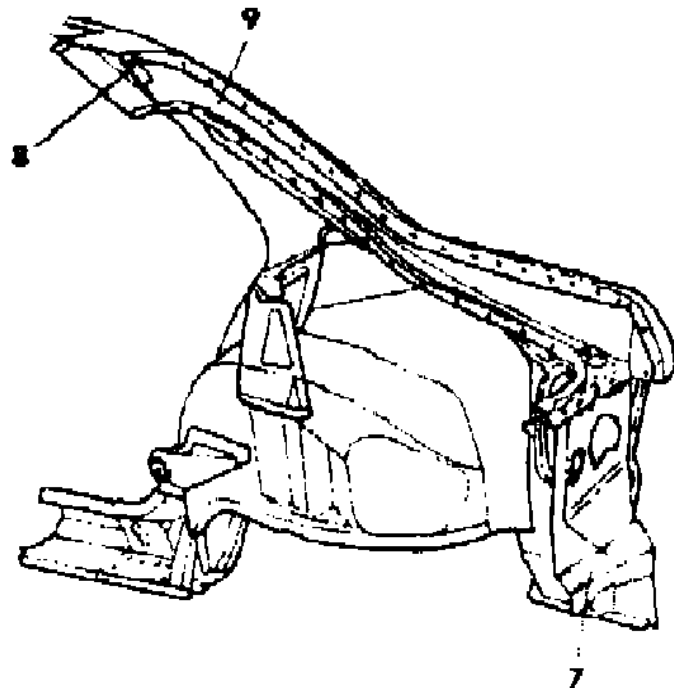
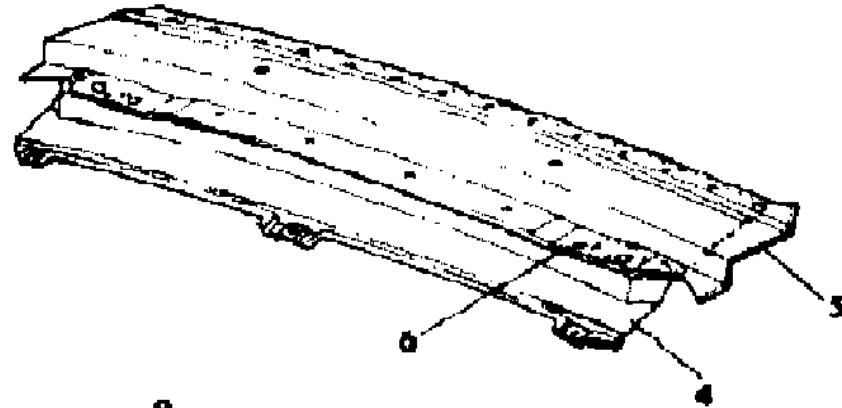
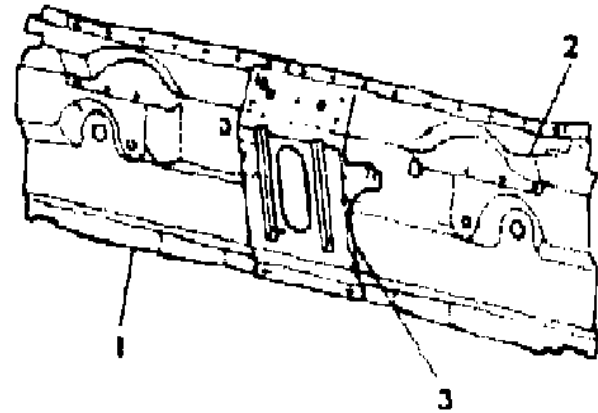
BODY STYLES

12-52 = FWD VAN & WAGON STD. W.B. 27 = 2-DOOR CONVERTIBLE
 13-53 = FWD VAN & WGN EXT W.B. 41 = 4-DOOR SEDAN
 21 = 2-DOOR SEDAN 44 = 4-DOOR HATCHBACK
 24 = 2-DOOR HATCHBACK 45 = 4-DOOR STATION WAGON

AR = Use as Required - = Non Illustrated Part P.A.R. = Paint as Required

LIFTGATE OPENING PANEL P BODY 24,44
Figure 23A-3100

8169 3100



ITEM	PART NUMBER	QTY	BODY	MODEL	DESCRIPTION
1	4440 135	1			PANEL, Liftgate Opening Lower
2	4296 521	1			REINFORCEMENT, Liftgate Opening Lower Panel
3	4490 017	1			SUPPORT, Liftgate Opening Lower Panel Latch
4	4296 512	1			FRAME, Liftgate Opening Upper
5	4296 524	1			REINFORCEMENT, Liftgate Opening Upper Frame
6	4386 050	2			REINFORCEMENT, Liftgate Opening Upper Frame Hinge Mounting
7	4341 264-5	1			EXTENSION, Liftgate Opening Lower Panel Lower
8	4440 662-3	1			TROUGH, Liftgate Opening Side Drain
9	4386 048	2			BRACKET, Opening Side Trough Prop
10	4341 262-3	1			EXTENSION, Liftgate Opening Lower Panel Upper
11	4386 398-9	1			SEAL, w/Shield Liftgate Opening Lower Panel Upper Extension

MODEL CODES

C BODY = (D41 - DYNASTY)(C41 - NEW YORKER)
E BODY = (J - CARAVELLE)(E - 600)(T - NEW YORKER TURBO)
G BODY = (V24 - DAYTONA, PACIFICA & SHELBY)
H BODY = (D44 - LANCER)(C44 - LEBARON GTS)
J BODY = (C - LEBARON)
K BODY = (P - RELIANT)(D - ARIES)(C - LEBARON/ TOWN & COUNTRY)

L BODY = (M - HORIZON)(Z-OMNI)
M BODY = (B - GRAN FURY)(G - DIPLOMAT)(F - FIFTH AVENUE/NEWPORT)
P BODY = (P - SUNDANCE)(D - SHADOW)
Q BODY = (C27 - MASERATI)
S BODY = (H - VOYAGER)(K - RAM VAN/ CARAVAN)

BODY STYLES

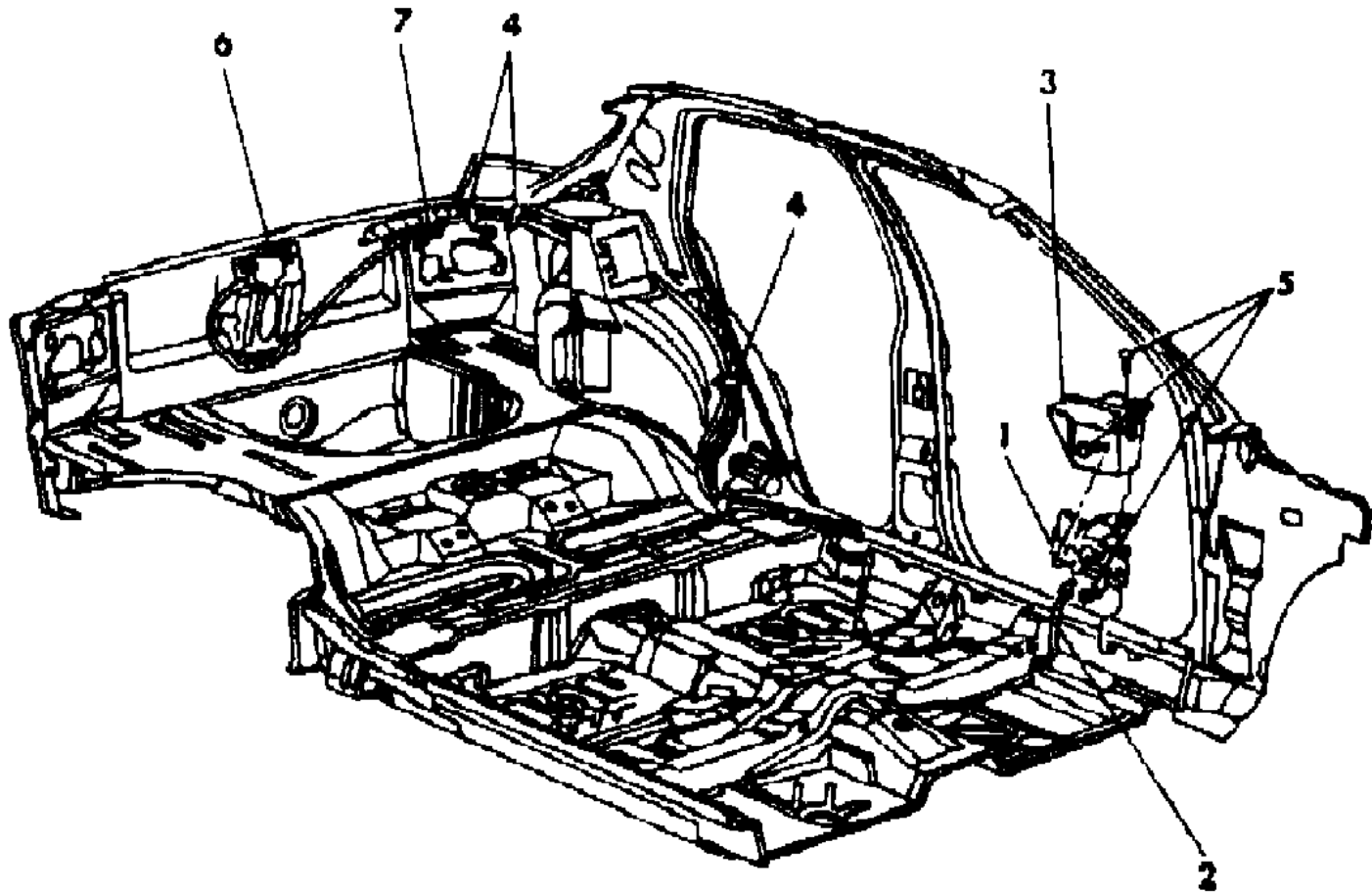
12-52 = FWD VAN & WAGON STD. W.B. 27 = 2-DOOR CONVERTIBLE
13-53 = FWD VAN & WGN EXT W.B. 41 = 4-DOOR SEDAN
21 = 2-DOOR SEDAN 44 = 4-DOOR HATCHBACK
24 = 2-DOOR HATCHBACK 45 = 4-DOOR STATION WAGON

AR = Use as Required - = Non Illustrated Part P.A.R. = Paint as Required

LIFTGATE RELEASE P BODY 24,44
Figure 23A-3200

8169 3200

ITEM	PART NUMBER	QTY	BODY	MODEL	DESCRIPTION
1	4337 180	1			HANDLE, Liftgate Remote Release
2	4475 026	1			CABLE, Liftgate Remote Release
3					COVER, Liftgate Release Handle
	H127 GS8	1			Charcoal
	H127 GR8	1			Red
	H127 GL7	1			Taupe
	H127 EC5	1			Blue
4	6015 756	3			STRAP
5	6032 456	3			SCREW
6	4378 239	1			LATCH ASSEMBLY, Liftgate
7		2			CLIP, Not Serviced



MODEL CODES

C BODY = (D41 - DYNASTY)(C41 - NEW YORKER)
 E BODY = (J - CARAVELLE)(E - 600)(T - NEW YORKER TURBO)
 G BODY = (V24 - DAYTONA, PACIFICA & SHELBY)
 H BODY = (D44 - LANCER)(C44 - LEBARON GTS)
 J BODY = (C - LEBARON)
 K BODY = (P - RELIANT)(D - ARIES)(C - LEBARON/ TOWN & COUNTRY)
 L BODY = (M - HORIZON)(Z-OMNI)
 M BODY = (B - GRAN FURY)(G - DIPLOMAT)(F - FIFTH AVENUE/NEWPORT)
 P BODY = (P - SUNDANCE)(D - SHADOW)
 Q BODY = (C27 - MASERATI)
 S BODY = (H - VOYAGER)(K - RAM VAN/ CARAVAN)

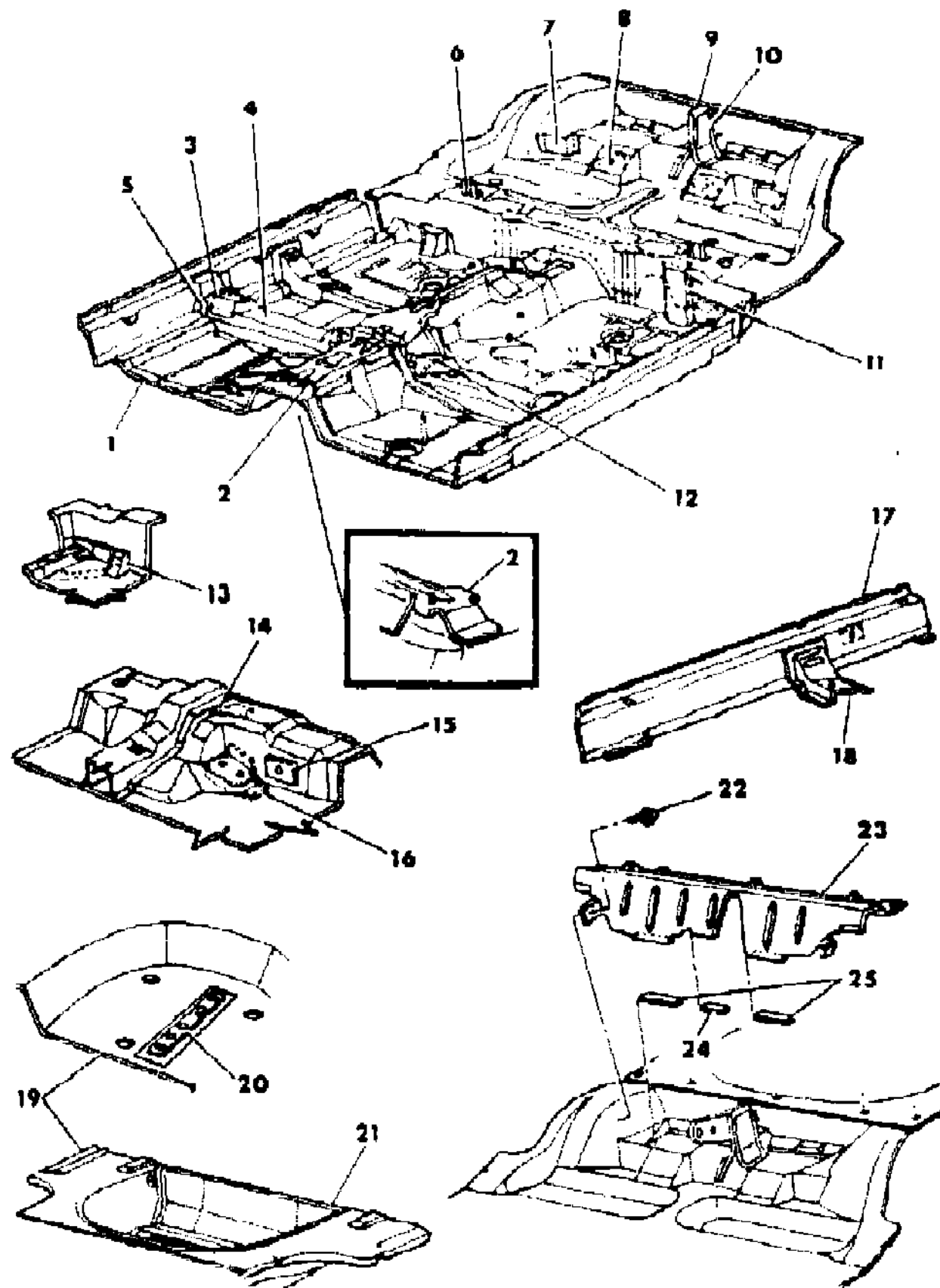
BODY STYLES

12-52 = FWD VAN & WAGON STD. W.B. 27 = 2-DOOR CONVERTIBLE
 13-53 = FWD VAN & WGN EXT W.B. 41 = 4-DOOR SEDAN
 21 = 2-DOOR SEDAN 44 = 4-DOOR HATCHBACK
 24 = 2-DOOR HATCHBACK 45 = 4-DOOR STATION WAGON

AR = Use as Required - = Non Illustrated Part P.A.R. = Paint as Required

FLOOR PAN J BODY
Figure 23A-3300

8169 3300



ITEM	PART NUMBER	QTY	BODY	MODEL	DESCRIPTION
1	4371 110	1			PAN, Front Floor
2	4416 037	1			BRACKET, Front Console
3	4416 915	1			REINFORCEMENT, Pan Crossmember
4	4325 836	1			CROSSMEMBER, Seat
5		1			CROSSMEMBER, Seat Track (Serviced In Item 4)
6	4134 647	1			RETAINER, Rear Seat
7	4134 938-9	1			BRACKET, Seat
8	4314 260	2			REINFORCEMENT, Rear Seat Belt
9	4371 278	1		21	SUPPORT, Front Floor Pan Rear Seat Center Pivot and Spare Tire Stowage Brace Inner
10	4371 279	1		21	SUPPORT, Front Floor Pan Rear Seat Center Pivot and Spare Tire Stowage Brace Outer
11	4416 661	1			PLATE, Fuel Tank Hanger
12	4416 916	1			REINFORCEMENT, Front Seat Crossmember Inner
13	4475 220-1	1			BRACKET, Lift Hoisting
14	4416 060	1			BRACKET, Brake Cable Guide
15	4314 260	2			REINFORCEMENT, Front Seat Belt
16	4371 816-7	1			REINFORCEMENT, Front Floor Pan Front Seat Rear Inner
17	4325 844-5	1			PANEL, Side Sill Inner
	4512 754-5	1			Outer
18	4475 468-9	1			REINFORCEMENT
19	4416 883	1			PAN, Rear Floor
20	4206 247	1			BRACKET, Spare Wheel
21	4475 160	1			CROSSMEMBER, Rear Floor
22		7			SCREW, Not Serviced
23	4371 275	1			PANEL, Rear Seat
24		1			SEAL, Rear Seat Not Serviced
25		2			SEAL, Rear Seat Not Serviced

MODEL CODES

C BODY = (D41 - DYNASTY)(C41 - NEW YORKER)
 E BODY = (J - CARAVELLE)(E - 600)(T - NEW YORKER TURBO)
 G BODY = (V24 - DAYTONA, PACIFICA & SHELBY)
 H BODY = (D44 - LANCER)(C44 - LEBARON GTS)
 J BODY = (C - LEBARON)
 K BODY = (P - RELIANT)(D - ARIES)(C - LEBARON/ TOWN & COUNTRY)

L BODY = (M - HORIZON)(Z-OMNI)
 M BODY = (B - GRAN FURY)(G - DIPLOMAT)(F - FIFTH AVENUE/NEWPORT)
 P BODY = (P - SUNDANCE)(D - SHADOW)
 Q BODY = (C27 - MASERATI)
 S BODY = (H - VOYAGER)(K - RAM VAN/ CARAVAN)

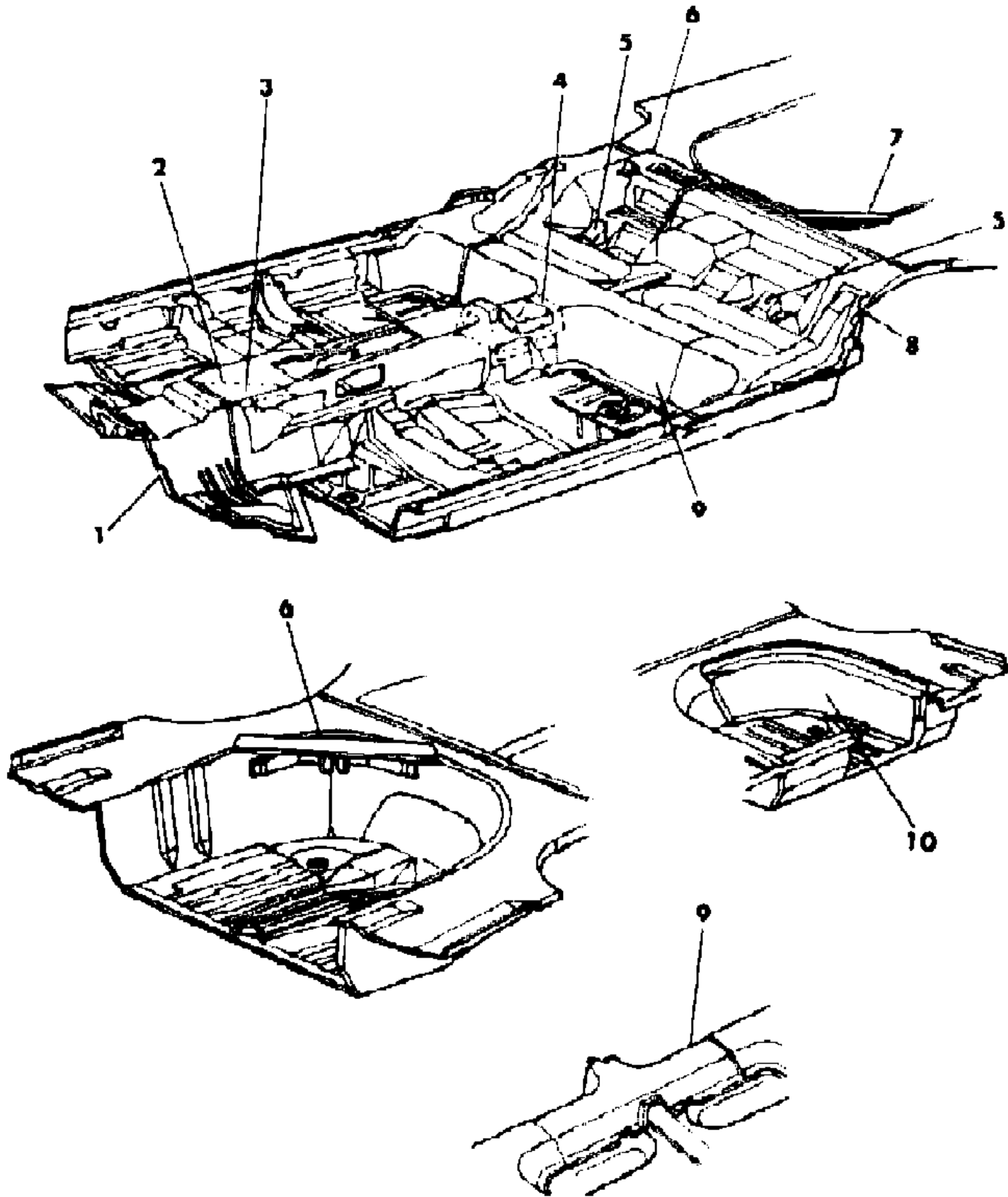
BODY STYLES

12-52 = FWD VAN & WAGON STD. W.B. 27 = 2-DOOR CONVERTIBLE
 13-53 = FWD VAN & WGN EXT W.B. 41 = 4-DOOR SEDAN
 21 = 2-DOOR SEDAN 44 = 4-DOOR HATCHBACK
 24 = 2-DOOR HATCHBACK 45 = 4-DOOR STATION WAGON

AR = Use as Required - = Non Illustrated Part P.A.R. = Paint as Required

FLOOR PAN TUNNEL J BODY 27
Figure 23A-3400

8169 3400



ITEM	PART NUMBER	QTY	BODY	MODEL	DESCRIPTION
1	4416 976	1			REINFORCEMENT, Tunnel Front Up To 4-25-88
	4512 422	1			After 4-25-88
2	4416 635	1			PANEL, Tunnel Assembly Up To 4-25-88
	4512 424	1			After 4-25-88
3	4371 827	1			DEFLECTOR, Up To 4-25-88
	4512 464	1			After 4-25-88
4	4416 428	1			REINFORCEMENT, Pan Tunnel Rear
5	4371 894	2			BRACKET, Rear Seat Inner
6	4371 731	1			BRACKET, Folding Top Hyd. Motor Mtg.
7	4416 027	1			BRACKET, Spare Tire
8	4475 054-5	1			REINFORCEMENT
9	4416 664	1			REINFORCEMENT
10	4416 424	1			REINFORCEMENT

MODEL CODES

C BODY = (D41 - DYNASTY)(C41 - NEW YORKER)
 E BODY = (J - CARAVELLE)(E - 600)(T - NEW YORKER TURBO)
 G BODY = (V24 - DAYTONA, PACIFICA & SHELBY)
 H BODY = (D44 - LANCER)(C44 - LEBARON GTS)
 J BODY = (C - LEBARON)
 K BODY = (P - RELIANT)(D - ARIES)(C - LEBARON/ TOWN & COUNTRY)

L BODY = (M - HORIZON)(Z-OMNI)
 M BODY = (B - GRAN FURY)(G - DIPLOMAT)(F - FIFTH AVENUE/NEWPORT)
 P BODY = (P - SUNDANCE)(D - SHADOW)
 Q BODY = (C27 - MASERATI)
 S BODY = (H - VOYAGER)(K - RAM VAN/ CARAVAN)

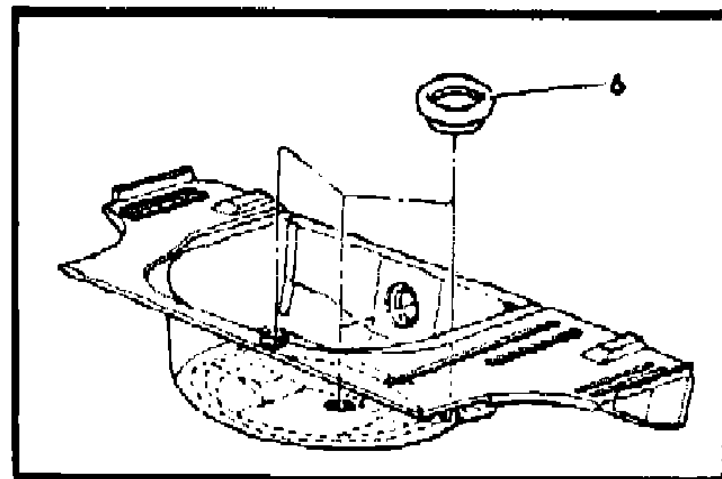
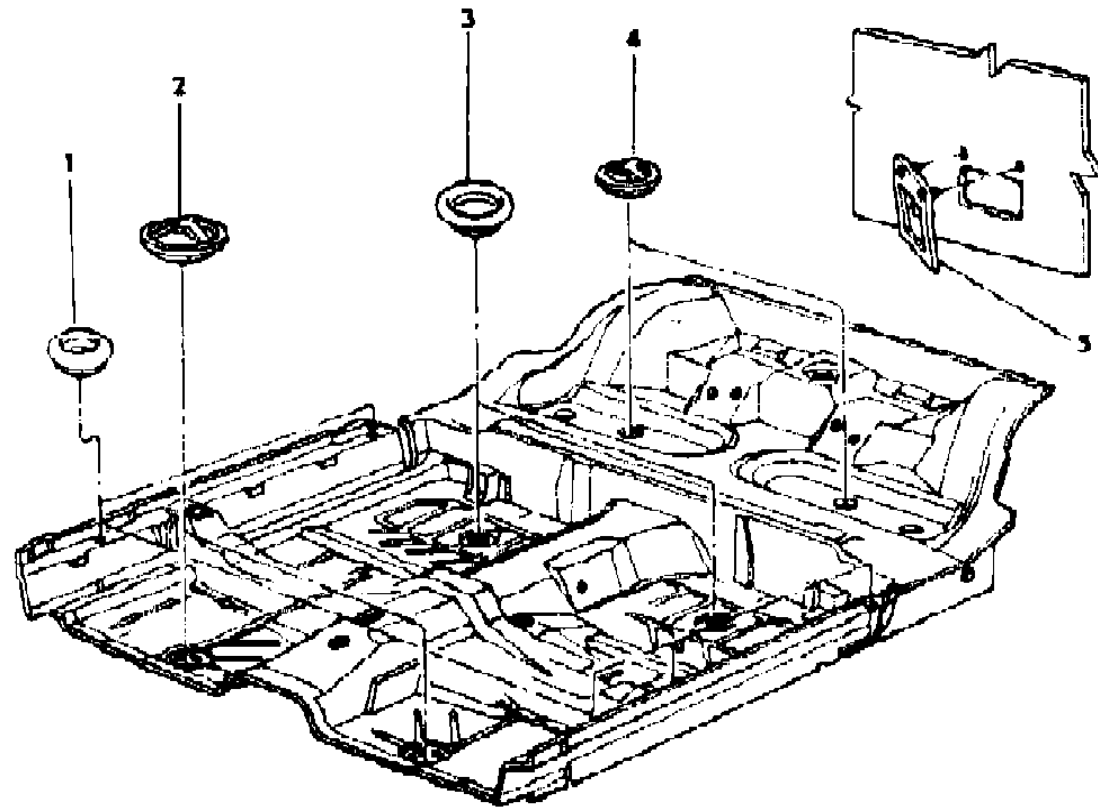
BODY STYLES

12-52 = FWD VAN & WAGON STD. W.B. 27 = 2-DOOR CONVERTIBLE
 13-53 = FWD VAN & WGN EXT W.B. 41 = 4-DOOR SEDAN
 21 = 2-DOOR SEDAN 44 = 4-DOOR HATCHBACK
 24 = 2-DOOR HATCHBACK 45 = 4-DOOR STATION WAGON

AR = Use as Required - = Non Illustrated Part P.A.R. = Paint as Required

PLUGS FLOOR PAN J BODY
Figure 23A-3500

8169 3500



ITEM	PART NUMBER	QTY	BODY	MODEL	DESCRIPTION
1	2860 332	AR			PLUG, 0.75 Dig.
2	5200 456	AR			PLUG
3	2424 864	AR			PLUG
4	#4073 485	AR			PLUG
5	3794 032	AR			SEAL
6	6030 773	AR			PLUG

MODEL CODES

C BODY = (D41 - DYNASTY)(C41 - NEW YORKER)
 E BODY = (J - CARAVELLE)(E - 600)(T - NEW YORKER TURBO)
 G BODY = (V24 - DAYTONA, PACIFICA & SHELBY)
 H BODY = (D44 - LANCER)(C44 - LEBARON GTS)
 J BODY = (C - LEBARON)
 K BODY = (P - RELIANT)(D - ARIES)(C - LEBARON/ TOWN & COUNTRY)

L BODY = (M - HORIZON)(Z-OMNI)
 M BODY = (B - GRAN FURY)(G - DIPLOMAT)(F - FIFTH AVENUE/NEWPORT)
 P BODY = (P - SUNDANCE)(D - SHADOW)
 Q BODY = (C27 - MASERATI)
 S BODY = (H - VOYAGER)(K - RAM VAN/ CARAVAN)

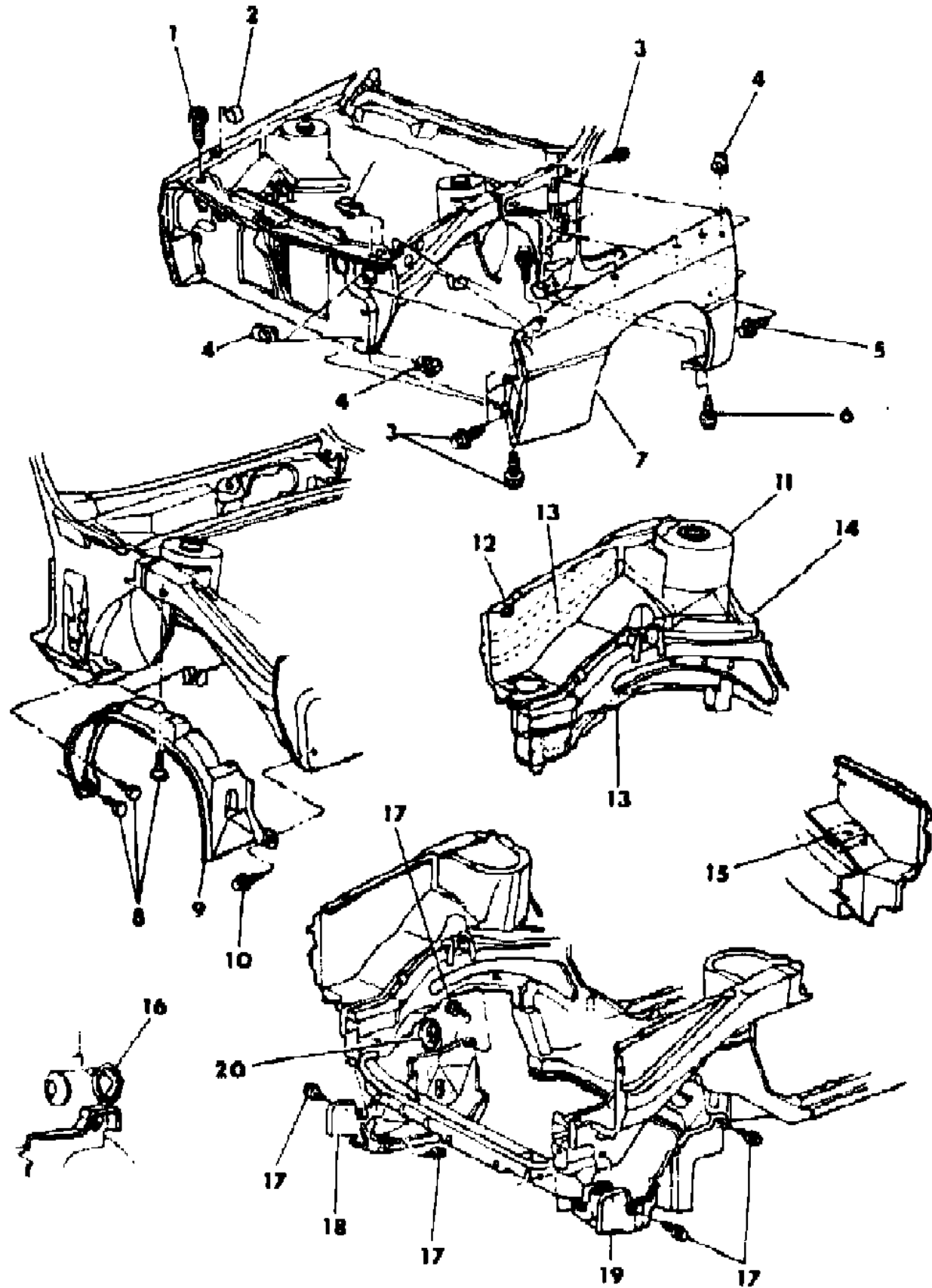
BODY STYLES

12-52 = FWD VAN & WAGON STD. W.B. 27 = 2-DOOR CONVERTIBLE
 13-53 = FWD VAN & WGN EXT W.B. 41 = 4-DOOR SEDAN
 21 = 2-DOOR SEDAN 44 = 4-DOOR HATCHBACK
 24 = 2-DOOR HATCHBACK 45 = 4-DOOR STATION WAGON

AR = Use as Required - = Non Illustrated Part P.A.R. = Paint as Required

FENDER AND SHIELD J BODY
Figure 23A-3600

8169 3600



ITEM	PART NUMBER	QTY	BODY	MODEL	DESCRIPTION
1	4103 165	2			BUMPER
2	4296 227	2			BUMPER
3	6100 568	20			SCREW
4	6100 041	18			U-NUT
5	6501 212	8			SCREW
6		4			SCREW, Not Serviced
7	4411 918-9	1			FENDER, w/o Cornering Lamp
	4411 920-1	1			FENDER, w/Cornering Lamp
8	6030 441	40			RETAINER
9	4386 262-3	1			SHIELD
10	6030 012	6			SCREW
11	4440 850-1	1			TOWER, Front Suspension Iso-Strut Mounting
12	4440 572	1			PANEL, Front Fender Shield Rt.
	4440 563	1			Left
13	4440 580-1	1			BEAM, Front Fender Shield
14	4440 934-5	1			EXTENSION, Iso Strut Tower To Dash Panel
15		AR			REINFORCEMENT, Battery Tray Not Serviced
16	4341 376	1			PLUG
17		6			SCREW, Not Serviced
18	4386 622	1			SHIELD, Pulley Shield
19	4386 625	1			SHIELD, Trans. Appearance Lt.
20	2811 825	1			PLUG

MODEL CODES

C BODY = (D41 - DYNASTY)(C41 - NEW YORKER)
 E BODY = (J - CARAVELLE)(E - 600)(T - NEW YORKER TURBO)
 G BODY = (V24 - DAYTONA, PACIFICA & SHELBY)
 H BODY = (D44 - LANCER)(C44 - LEBARON GTS)
 J BODY = (C - LEBARON)
 K BODY = (P - RELIANT)(D - ARIES)(C - LEBARON/ TOWN & COUNTRY)
 L BODY = (M - HORIZON)(Z-OMNI)
 M BODY = (B - GRAN FURY)(G - DIPLOMAT)(F - FIFTH AVENUE/NEWPORT)
 P BODY = (P - SUNDANCE)(D - SHADOW)
 Q BODY = (C27 - MASERATI)
 S BODY = (H - VOYAGER)(K - RAM VAN/ CARAVAN)

BODY STYLES

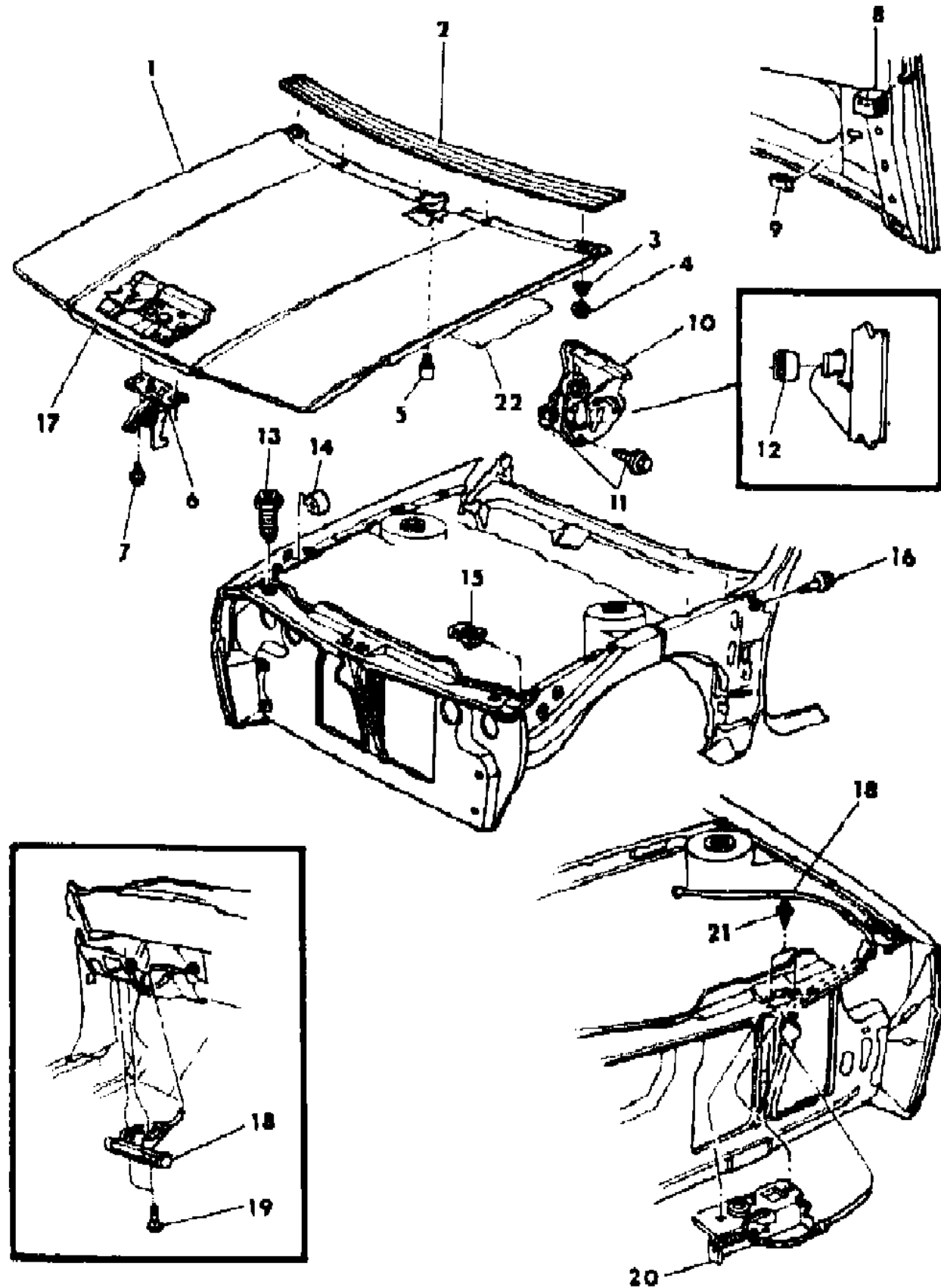
12-52 = FWD VAN & WAGON STD. W.B. 27 = 2-DOOR CONVERTIBLE
 13-53 = FWD VAN & WGN EXT W.B. 41 = 4-DOOR SEDAN
 21 = 2-DOOR SEDAN 44 = 4-DOOR HATCHBACK
 24 = 2-DOOR HATCHBACK 45 = 4-DOOR STATION WAGON

AR = Use as Required - = Non Illustrated Part P.A.R. = Paint as Required

HOOD AND HOOD RELEASE J BODY

Figure 23A-3700

8169 3700



ITEM	PART NUMBER	QTY	BODY	MODEL	DESCRIPTION
1	4440 792	1			HOOD
2	4440 552	1			APPLIQUE, Hood Panel
3		5			NUT, Not Serviced
4		5			PLUG, Not Serviced
5		AR			SPACER, Hood Not Serviced
6	4386 874	1			STRIKER, Hood Safety Catch
7	6501 501	2			SCREW
8	4386 437	2			SEAL, Hood
9	6029 939	2			PLUG, Hood
10	4440 244-5	1			HINGE, Hood
	6033 321	AR			SCREW, Thumb Adjustment
11	6501 212	8			SCREW
12	4296 105	2			BUMPER, Hood Hinge Stop
13	4103 165	2			BUMPER
14	4296 227	2			BUMPER
15	6100 041	18			U-NUT
16	6100 568	20			SCREW
17		1			REINFORCEMENT, Hood Inner Panel Not Serviced
18	4440 688	1			HANDLE and BRACKET, Release Latch
19		2			SCREW, Not Serviced
20	4341 952	1			LATCH ASSEMBLY, Hood
21		2			SCREW, Not Serviced
22	4049 601	1			SILENCER MATERIAL, Hood Panel Cut To Fit 36" x 72"
	4341 060	AR			RETAINER

MODEL CODES

C BODY = (D41 - DYNASTY)(C41 - NEW YORKER)
 E BODY = (J - CARAVELLE)(E - 600)(T - NEW YORKER TURBO)
 G BODY = (V24 - DAYTONA, PACIFICA & SHELBY)
 H BODY = (D44 - LANCER)(C44 - LEBARON GTS)
 J BODY = (C - LEBARON)
 K BODY = (P - RELIANT)(D - ARIES)(C - LEBARON/ TOWN & COUNTRY)

L BODY = (M - HORIZON)(Z-OMNI)
 M BODY = (B - GRAN FURY)(G - DIPLOMAT)(F - FIFTH AVENUE/NEWPORT)
 P BODY = (P - SUNDANCE)(D - SHADOW)
 Q BODY = (C27 - MASERATI)
 S BODY = (H - VOYAGER)(K - RAM VAN/ CARAVAN)

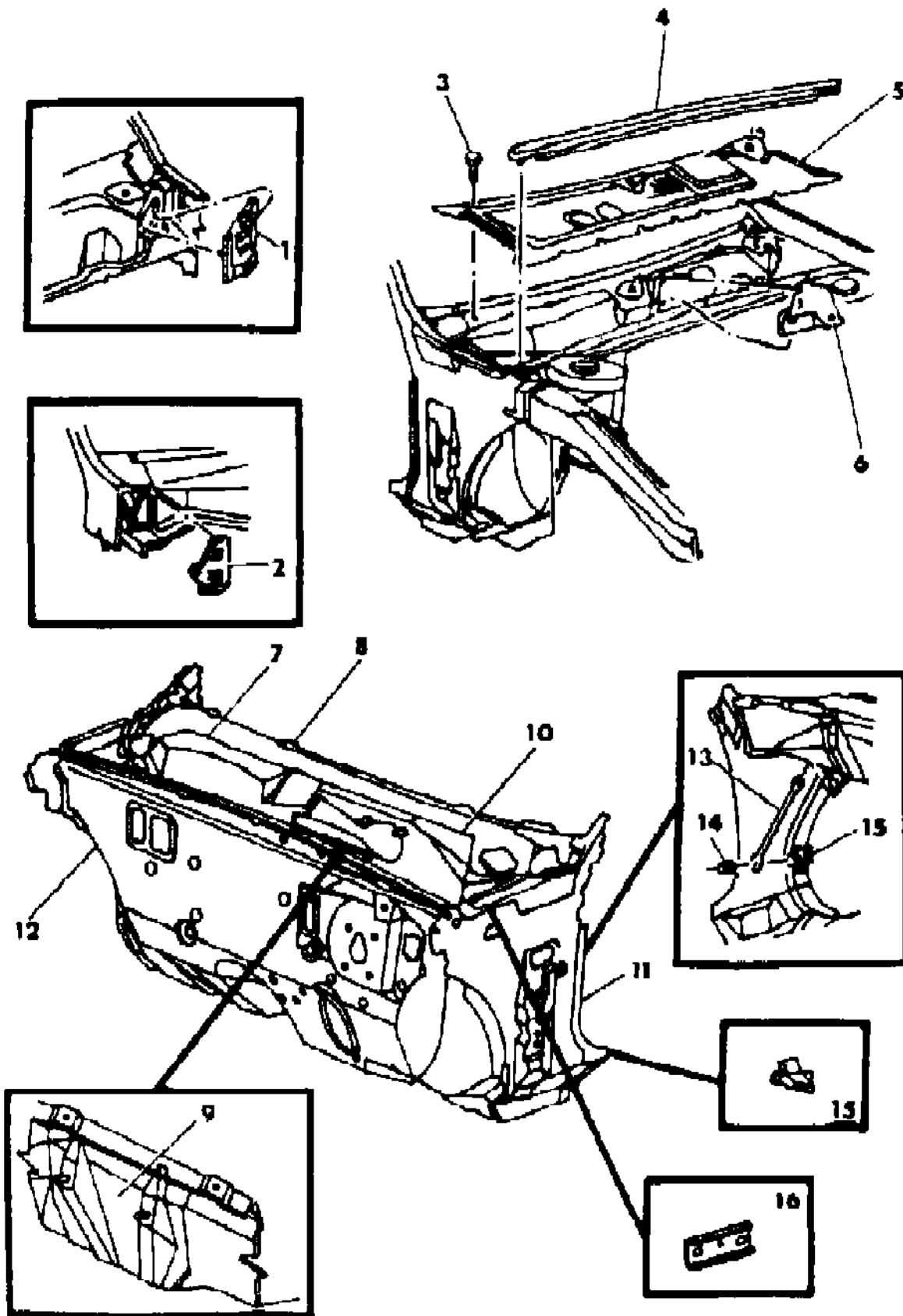
BODY STYLES

12-52 = FWD VAN & WAGON STD. W.B. 27 = 2-DOOR CONVERTIBLE
 13-53 = FWD VAN & WGN EXT W.B. 41 = 4-DOOR SEDAN
 21 = 2-DOOR SEDAN 44 = 4-DOOR HATCHBACK
 24 = 2-DOOR HATCHBACK 45 = 4-DOOR STATION WAGON

AR = Use as Required - = Non Illustrated Part P.A.R. = Paint as Required

COWL AND DASH PANEL J BODY
Figure 23A-3800

8169 3800



ITEM	PART NUMBER	QTY	BODY	MODEL	DESCRIPTION
1	4314 477	1			SCREEN, Cowl Top Lt.
2	4314 476	1			SCREEN, Cowl Top Rt.
3	6030 441	40			RETAINER
4	4475 209	1			SEAL
5	4371 838	1			SCREEN, Cowl Plenum Water Deflector
	4416 472	1			SCREEN ASSEMBLY, w/Rt. & Lt. Shield w/Part # 4416470 & 4416471
6	4314 475	1			SCREEN, Cowl Top Center
7	4371 358	1			PANEL, Cowl Top
8	4371 794	1			PANEL, Cowl Plenum
9	4371 696	1			REINFORCEMENT, Cowl Top w/Shield Wiper Motor
10	4278 589	1			SUPPORT, Plenum Panel Strg.
11	4371 096-7	1			PANEL, Cowl Side
12	4416 411	1			PANEL, Dash
13	4314 879	1			BRACE, Dash To Plenum Panel Lt.
14	6500 532	2			NUT and WASHER
15	4206 641	1			BRACKET, Dash Panel To Plenum Panel Brace Lt.
16	4386 741	2			REINFORCEMENT, Cowl Side Hood Hinge

MODEL CODES

C BODY = (D41 - DYNASTY)(C41 - NEW YORKER)
 E BODY = (J - CARAVELLE)(E - 600)(T - NEW YORKER TURBO)
 G BODY = (V24 - DAYTONA, PACIFICA & SHELBY)
 H BODY = (D44 - LANCER)(C44 - LEBARON GTS)
 J BODY = (C - LEBARON)
 K BODY = (P - RELIANT)(D - ARIES)(C - LEBARON/ TOWN & COUNTRY)

L BODY = (M - HORIZON)(Z-OMNI)
 M BODY = (B - GRAN FURY)(G - DIPLOMAT)(F - FIFTH AVENUE/NEWPORT)
 P BODY = (P - SUNDANCE)(D - SHADOW)
 Q BODY = (C27 - MASERATI)
 S BODY = (H - VOYAGER)(K - RAM VAN/ CARAVAN)

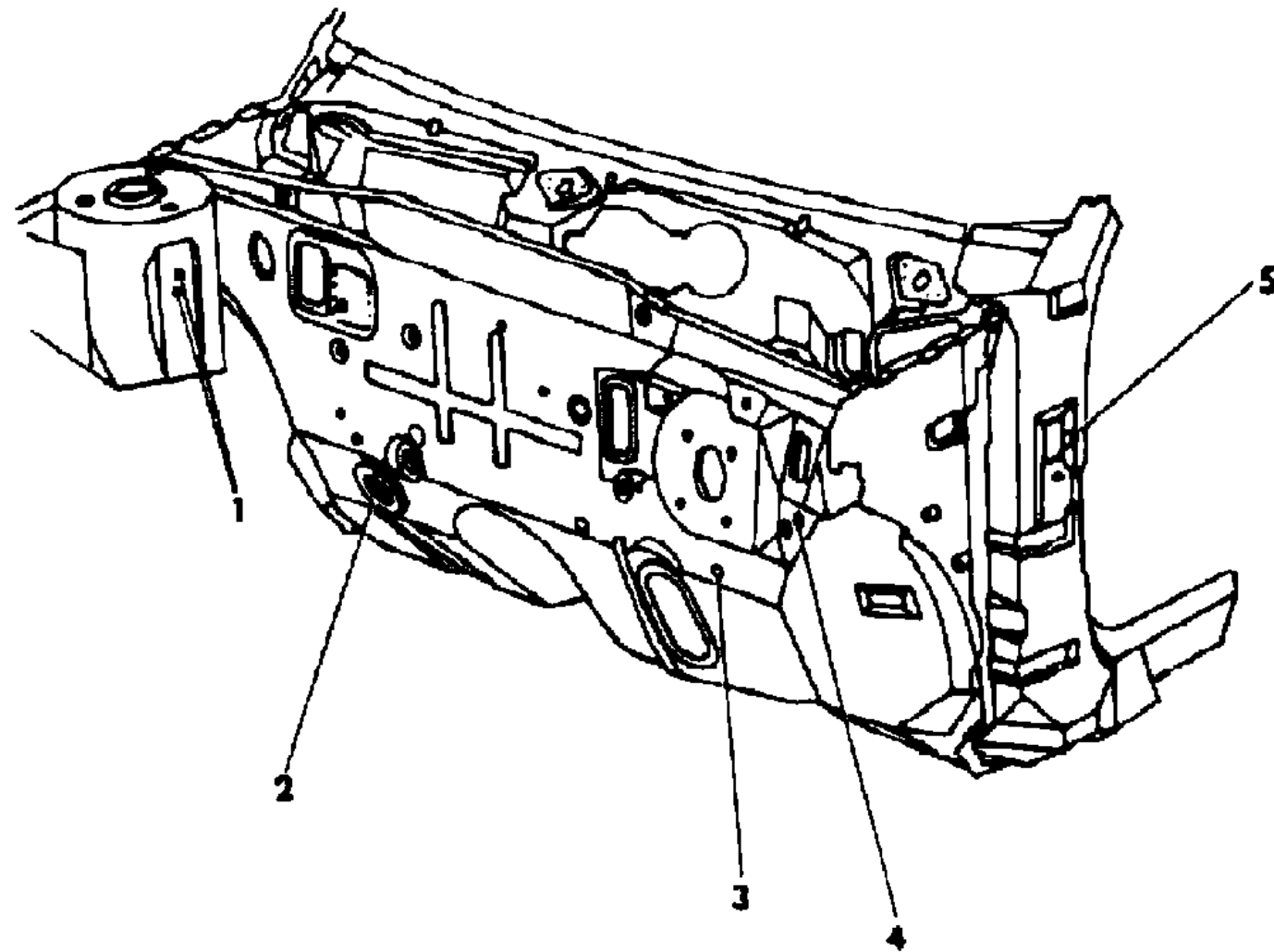
BODY STYLES

12-52 = FWD VAN & WAGON STD. W.B. 27 = 2-DOOR CONVERTIBLE
 13-53 = FWD VAN & WGN EXT W.B. 41 = 4-DOOR SEDAN
 21 = 2-DOOR SEDAN 44 = 4-DOOR HATCHBACK
 24 = 2-DOOR HATCHBACK 45 = 4-DOOR STATION WAGON

AR = Use as Required - = Non Illustrated Part P.A.R. = Paint as Required

PLUGS DASH PANEL J BODY
Figure 23A-3900

8169 3900



ITEM	PART NUMBER	QTY	BODY	MODEL	DESCRIPTION
1	4386 178	AR			PLUG
2	5200 456	AR			PLUG
3	3445 939	AR			PLUG
4	3445 939	AR			PLUG
5	4400 049	AR			PLUG

MODEL CODES

C BODY = (D41 - DYNASTY)(C41 - NEW YORKER)	L BODY = (M - HORIZON)(Z-OMNI)
E BODY = (J - CARAVELLE)(E - 600)(T - NEW YORKER TURBO)	M BODY = (B - GRAN FURY)(G - DIPLOMAT)(F - FIFTH AVENUE/NEWPORT)
G BODY = (V24 - DAYTONA, PACIFICA & SHELBY)	P BODY = (P - SUNDANCE)(D - SHADOW)
H BODY = (D44 - LANCER)(C44 - LEBARON GTS)	Q BODY = (C27 - MASERATI)
J BODY = (C - LEBARON)	S BODY = (H - VOYAGER)(K - RAM VAN/ CARAVAN)
K BODY = (P - RELIANT)(D - ARIES)(C - LEBARON/ TOWN & COUNTRY)	

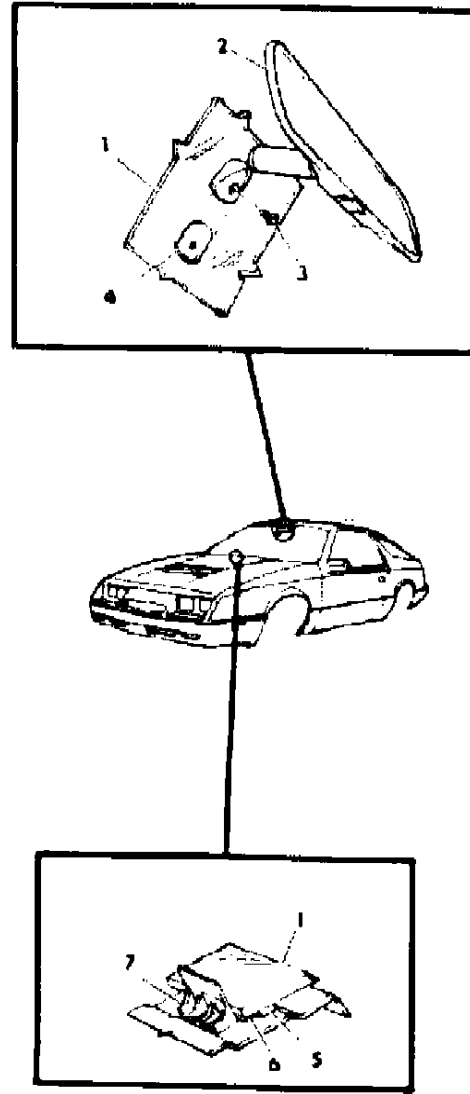
BODY STYLES

12-52 = FWD VAN & WAGON STD. W.B.	27 = 2-DOOR CONVERTIBLE
13-53 = FWD VAN & WGN EXT W.B.	41 = 4-DOOR SEDAN
21 = 2-DOOR SEDAN	44 = 4-DOOR HATCHBACK
24 = 2-DOOR HATCHBACK	45 = 4-DOOR STATION WAGON

AR = Use as Required - = Non Illustrated Part P.A.R. = Paint as Required

GLASS WINDSHIELD J BODY
Figure 23A-4000

8769 4000



ITEM	PART NUMBER	QTY	BODY	MODEL	DESCRIPTION
------	-------------	-----	------	-------	-------------

NOTE: GLASS, WINDSHIELD - ORDER FROM YOUR LOCAL "MOPER" GLASS DISTRIBUTOR s group.

1	4371 532	1			GLASS, Windshield Tinted
2	4299 321	1			MIRROR, Rear View
3	6031 094	1			SCREW, Rear View Mirror
4	4054 098	1			BUTTON, Rear View Mirror Mounting
	4293 039	1			ADHESIVE PACKAGE, Rear View Mirror Button
5		1			POLYURETHANE, (Serviced In Package 4267906)
6		10			SPACER, (Not Serviced)
7	4206 543	2			SPACER, Windshield Glass Lower

NOTE: The Following Item Are Not Shown On Illustration. s group.

PKG A	4267 906	1			REPAIR PACKAGE, Windshield & Rear Window
Consists Of					
1- ----- Polyurethane, 11.5oz					
1- ----- Fence Primer, 1 oz.					
1- ----- Glass Wipe-off Primer, 1 oz					
1- ----- Glass Black-Out Primer, 1 oz					
3- ----- Dabbers					
1- ----- Nozzle					

MODEL CODES

C BODY = (D41 - DYNASTY)(C41 - NEW YORKER)	L BODY = (M - HORIZON)(Z-OMNI)
E BODY = (J - CARAVELLE)(E - 600)(T - NEW YORKER TURBO)	M BODY = (B - GRAN FURY)(G - DIPLOMAT)(F - FIFTH AVENUE/NEWPORT)
G BODY = (V24 - DAYTONA, PACIFICA & SHELBY)	P BODY = (P - SUNDANCE)(D - SHADOW)
H BODY = (D44 - LANCER)(C44 - LEBARON GTS)	Q BODY = (C27 - MASERATI)
J BODY = (C - LEBARON)	S BODY = (H - VOYAGER)(K - RAM VAN/ CARAVAN)
K BODY = (P - RELIANT)(D - ARIES)(C - LEBARON/ TOWN & COUNTRY)	

BODY STYLES

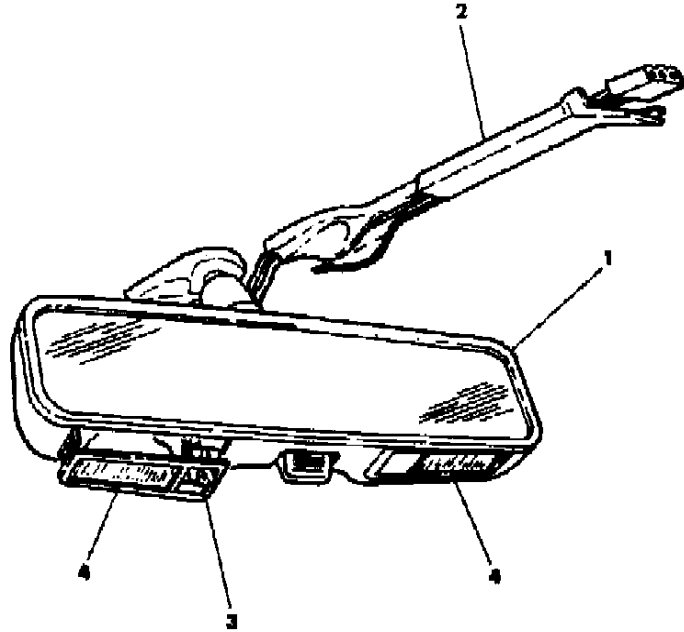
12-52 = FWD VAN & WAGON STD. W.B.	27 = 2-DOOR CONVERTIBLE
13-53 = FWD VAN & WGN EXT W.B.	41 = 4-DOOR SEDAN
21 = 2-DOOR SEDAN	44 = 4-DOOR HATCHBACK
24 = 2-DOOR HATCHBACK	45 = 4-DOOR STATION WAGON

AR = Use as Required - = Non Illustrated Part P.A.R. = Paint as Required

MIRROR REAR VIEW LIGHTED J BODY
Figure 23A-4050

ITEM	PART NUMBER	QTY	BODY	MODEL	DESCRIPTION
1	4299 720	1			MIRROR, Rear View Package
2	4299 782	1			COVER
3	4299 768	1			SWITCH
4	4299 770-1	1			LENS and HOUSING
	4054 098	1			BUTTON

8169 4050 A



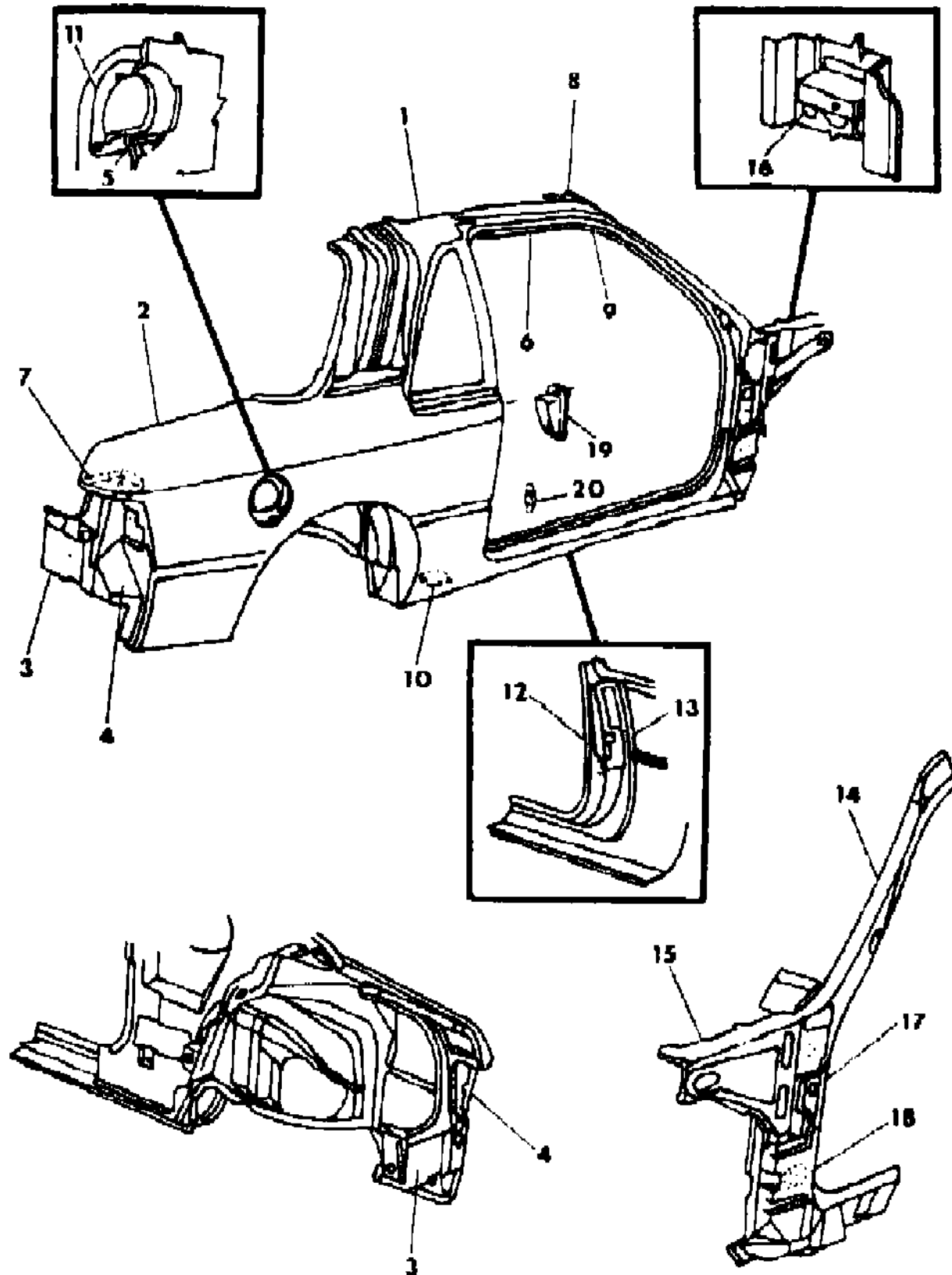
MODEL CODES
 C BODY = (D41 - DYNASTY)(C41 - NEW YORKER)
 E BODY = (J - CARAVELLE)(E - 600)(T - NEW YORKER TURBO)
 G BODY = (V24 - DAYTONA, PACIFICA & SHELBY)
 H BODY = (D44 - LANCER)(C44 - LEBARON GTS)
 J BODY = (C - LEBARON)
 K BODY = (P - RELIANT)(D - ARIES)(C - LEBARON/ TOWN & COUNTRY)
 L BODY = (M - HORIZON)(Z-OMNI)
 M BODY = (B - GRAN FURY)(G - DIPLOMAT)(F - FIFTH AVENUE/NEWPORT)
 P BODY = (P - SUNDANCE)(D - SHADOW)
 Q BODY = (C27 - MASERATI)
 S BODY = (H - VOYAGER)(K - RAM VAN/ CARAVAN)

BODY STYLES
 12-52 = FWD VAN & WAGON STD. W.B. 27 = 2-DOOR CONVERTIBLE
 13-53 = FWD VAN & WGN EXT W.B. 41 = 4-DOOR SEDAN
 21 = 2-DOOR SEDAN 44 = 4-DOOR HATCHBACK
 24 = 2-DOOR HATCHBACK 45 = 4-DOOR STATION WAGON

AR = Use as Required - = Non Illustrated Part P.A.R. = Paint as Required

APERTURE PANEL AND FRONT PILLAR J BODY 21
Figure 23A-4100

8169 4100



ITEM	PART NUMBER	QTY	BODY	MODEL	DESCRIPTION
1	4371 830-1	1			PANEL, Body Side Aperture Front
2	4371 832-3	1			PANEL, Body Side Aperture Rear
3	4416 966-7	1			TROUGH, Body Side
4	4341 682-3	1			EXTENSION, Deck Opening Lower Panel
5	4337 876	1			REINFORCEMENT
6	4341 390-1	1			RAIL, Roof Side Inner
7	4341 684-5	1			EXTENSION, Deck Opening Lower Panel Upper
8	4416 652-3	1			FRAME, w/Shield Opening Side
9	4416 954-5	1			RETAINER, Body Side Aperture Secondary Seal
10	4314 277	4			PLATE, Jack Locator
11	4371 337	1			ADHESIVE, Fuel Filler Door
12	4371 944-5	1			REINFORCEMENT, Door Latch Striker
13	4134 972	1			RETAINER, Door Lock Stricker
14	4371 320-1	1			PILLAR, Front Hinge
15					EXTENSION
	4490 150	1			Right, w/Reinforcement
	4490 149	1			Left
16		1			REINFORCEMENT, Body Front Hinge To w/Shield Frame
	4206 876	1			Right
	4278 599	1			Left
17	4206 553	2			SUPPORT, Front Hinge
18	4314 086	4			PLATE, Front Hinge
19	4371 974-5	1			EXHAUSTER, Body Side Aperture
	6500 787	AR			Rivet
20	#4172 612	2			PLUG, Door Ajar Switch

MODEL CODES

C BODY = (D41 - DYNASTY)(C41 - NEW YORKER)
 E BODY = (J - CARAVELLE)(E - 600)(T - NEW YORKER TURBO)
 G BODY = (V24 - DAYTONA, PACIFICA & SHELBY)
 H BODY = (D44 - LANCER)(C44 - LEBARON GTS)
 J BODY = (C - LEBARON)
 K BODY = (P - RELIANT)(D - ARIES)(C - LEBARON/ TOWN & COUNTRY)
 L BODY = (M - HORIZON)(Z-OMNI)
 M BODY = (B - GRAN FURY)(G - DIPLOMAT)(F - FIFTH AVENUE/NEWPORT)
 P BODY = (P - SUNDANCE)(D - SHADOW)
 Q BODY = (C27 - MASERATI)
 S BODY = (H - VOYAGER)(K - RAM VAN/ CARAVAN)

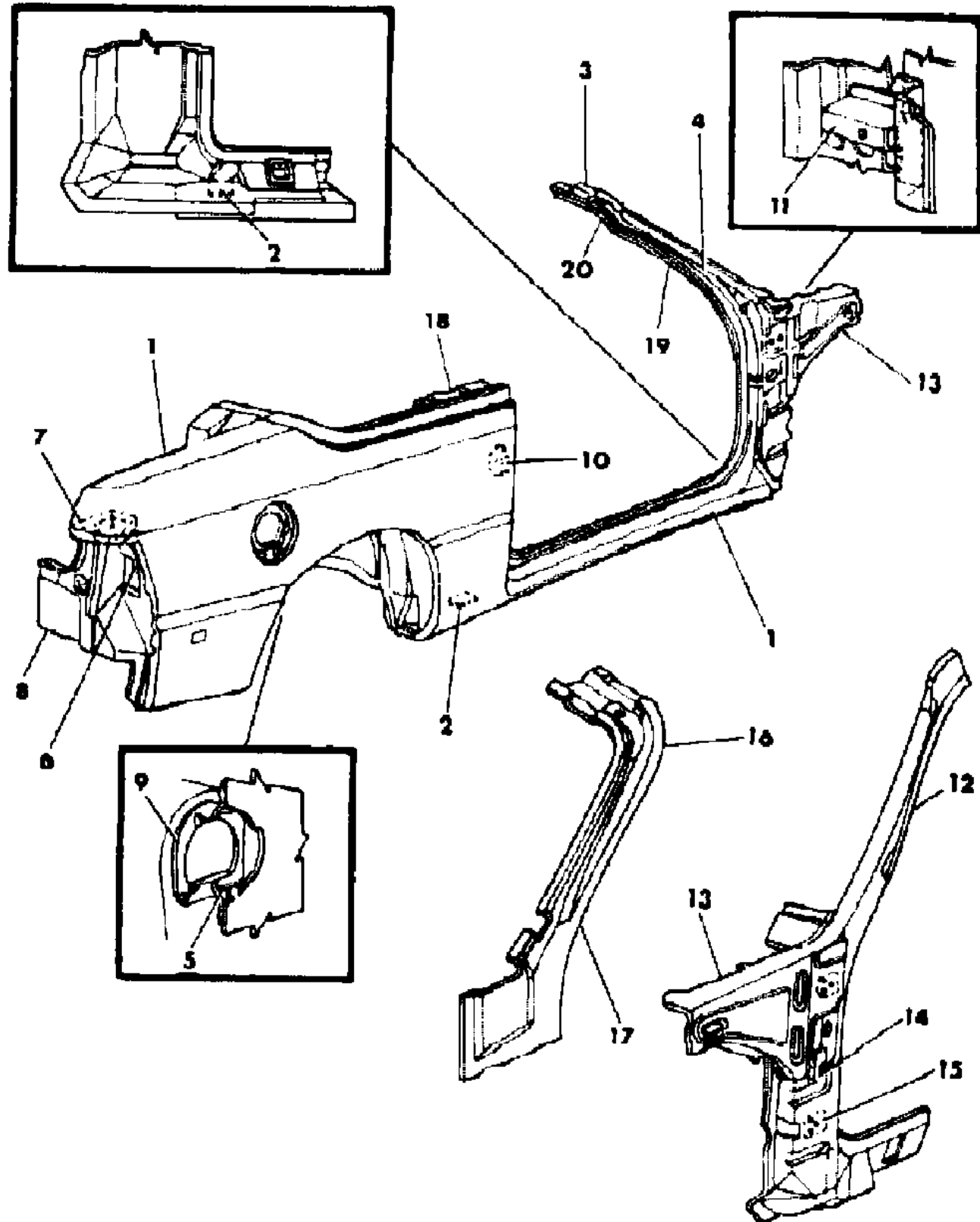
BODY STYLES

12-52 = FWD VAN & WAGON STD. W.B. 27 = 2-DOOR CONVERTIBLE
 13-53 = FWD VAN & WGN EXT W.B. 41 = 4-DOOR SEDAN
 21 = 2-DOOR SEDAN 44 = 4-DOOR HATCHBACK
 24 = 2-DOOR HATCHBACK 45 = 4-DOOR STATION WAGON

AR = Use as Required - = Non Illustrated Part P.A.R. = Paint as Required

APERTURE PANEL AND FRONT PILLAR J BODY 27
Figure 23A-4200

8169 4200



ITEM	PART NUMBER	QTY	BODY	MODEL	DESCRIPTION
1	4416 164-5	1			PANEL, Body Side Aperture Rear
	4416 166-7	1			PANEL, Body Side Aperture Front
2	4314 277	4			PLATE, Jack Locator
3	4371 658-9	1			FRAME, w/Shield Opening Side Outer
4	4371 660-1	1			EXTENSION, w/Shield Opening Outer
5	4337 876	1			REINFORCEMENT, Aperture Fuel Filler Door
6	4341 682-3	1			EXTENSION, Deck Opening Lower
7	4341 684-5	1			EXTENSION, Deck Opening Lower
8	4416 966-7	1			TROUGH, Body Side Drain
9	4371 337	1			ADHESIVE, Fuel Filler Door
10	4134 972	2			RETAINER, Door Latch Striker
11	4206 876	1			REINFORCEMENT, Body Front Hinge To w/Shield Frame Rt.
	4278 599	1			REINFORCEMENT, Body Front Hinge To w/Shield Frame Lt.
12	5253 520-1	1			PILLAR, Body Front Hinge
13					EXTENSION
	4297 956	1			Right, w/Reinforcement
	4314 183	1			Left
14	4206 553	2			SUPPORT, Body Front Front Hinge
15	4314 086	2			PLATE, Body Front Hinge Plate Tapping
16	4416 492-3	1			FRAME, w/Plate
17	4371 386-7	1			FRAME, w/Shield
18	4440 142-3	1			WEATHERSTRIP, Qtr. Window
19	4475 060-1	1			WEATHERSTRIP, Body Side Aperture Panel Door Opening
20	4396 314-5	1			RETAINER and SEAL, Body Front Hinge

MODEL CODES

C BODY = (D41 - DYNASTY)(C41 - NEW YORKER)
 E BODY = (J - CARAVELLE)(E - 600)(T - NEW YORKER TURBO)
 G BODY = (V24 - DAYTONA, PACIFICA & SHELBY)
 H BODY = (D44 - LANCER)(C44 - LEBARON GTS)
 J BODY = (C - LEBARON)
 K BODY = (P - RELIANT)(D - ARIES)(C - LEBARON/ TOWN & COUNTRY)

L BODY = (M - HORIZON)(Z-OMNI)
 M BODY = (B - GRAN FURY)(G - DIPLOMAT)(F - FIFTH AVENUE/NEWPORT)
 P BODY = (P - SUNDANCE)(D - SHADOW)
 Q BODY = (C27 - MASERATI)
 S BODY = (H - VOYAGER)(K - RAM VAN/ CARAVAN)

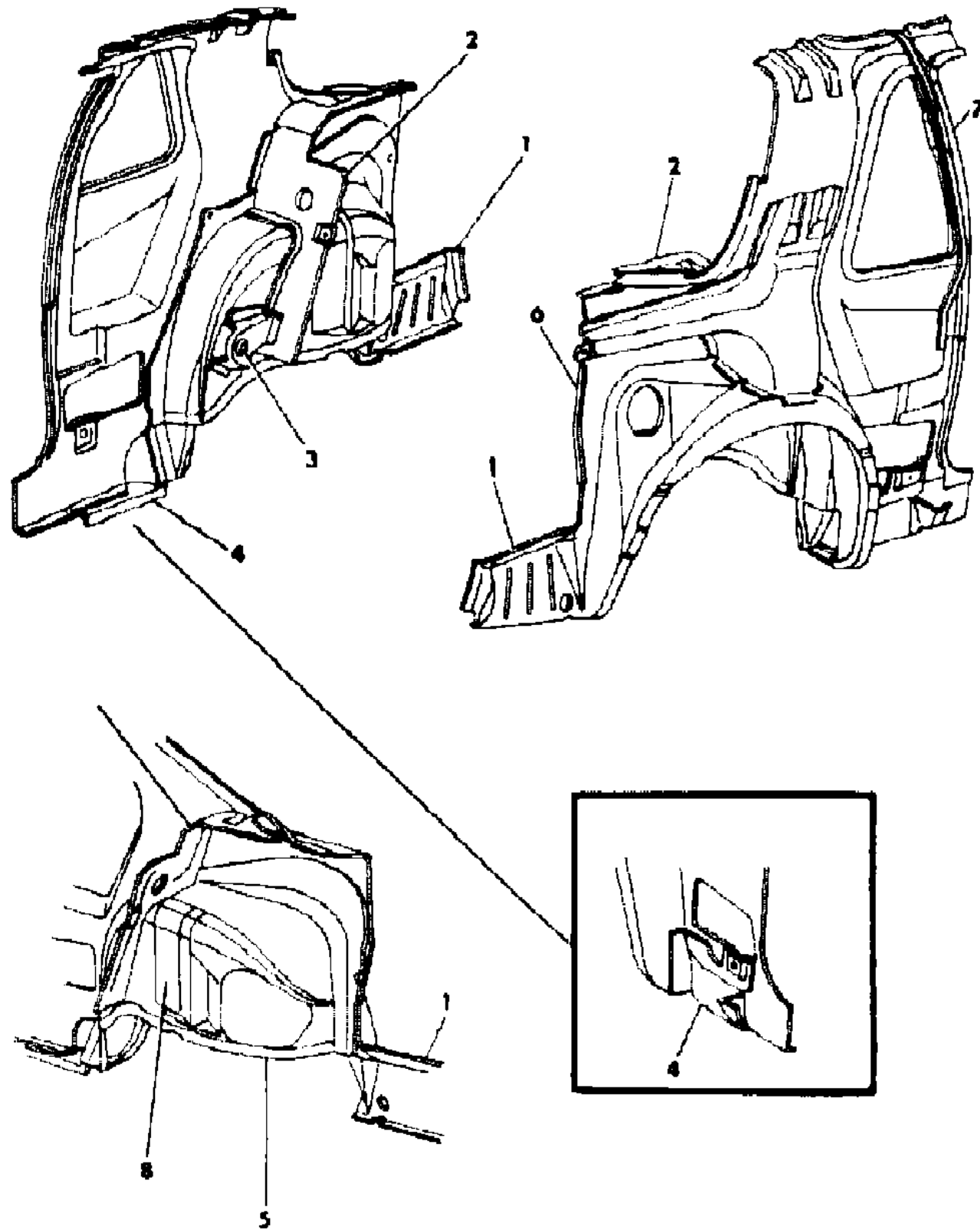
BODY STYLES

12-52 = FWD VAN & WAGON STD. W.B. 27 = 2-DOOR CONVERTIBLE
 13-53 = FWD VAN & WGN EXT W.B. 41 = 4-DOOR SEDAN
 21 = 2-DOOR SEDAN 44 = 4-DOOR HATCHBACK
 24 = 2-DOOR HATCHBACK 45 = 4-DOOR STATION WAGON

AR = Use as Required - = Non Illustrated Part P.A.R. = Paint as Required

QUARTER PANEL J BODY 21
Figure 23A-4300

8169 4300



ITEM	PART NUMBER	QTY	BODY	MODEL	DESCRIPTION
1	4440 528-9	1			PANEL, Quarter Inner and Wheelhouse Outer
2	4490 050-1	1			PANEL, Shelf Extension Side
3	4386 168-9	1			BRACKET, Rear Seat Back Pivot
4	4440 802-3	1			REINFORCEMENT
5	4440 198-9	1			PANEL, Rear w/House Inner
6	4337 518-9	1			REINFORCEMENT, Body Side Aperture
7	4341 694-5	1			REINFORCEMENT, Quarter Inner Panel Upper Front
8	4134 686-7	1			REINFORCEMENT, w/House Inner Panel Shock

MODEL CODES

C BODY = (D41 - DYNASTY)(C41 - NEW YORKER)
 E BODY = (J - CARAVELLE)(E - 600)(T - NEW YORKER TURBO)
 G BODY = (V24 - DAYTONA, PACIFICA & SHELBY)
 H BODY = (D44 - LANCER)(C44 - LEBARON GTS)
 J BODY = (C - LEBARON)
 K BODY = (P - RELIANT)(D - ARIES)(C - LEBARON/ TOWN & COUNTRY)

L BODY = (M - HORIZON)(Z-OMNI)
 M BODY = (B - GRAN FURY)(G - DIPLOMAT)(F - FIFTH AVENUE/NEWPORT)
 P BODY = (P - SUNDANCE)(D - SHADOW)
 Q BODY = (C27 - MASERATI)
 S BODY = (H - VOYAGER)(K - RAM VAN/ CARAVAN)

BODY STYLES

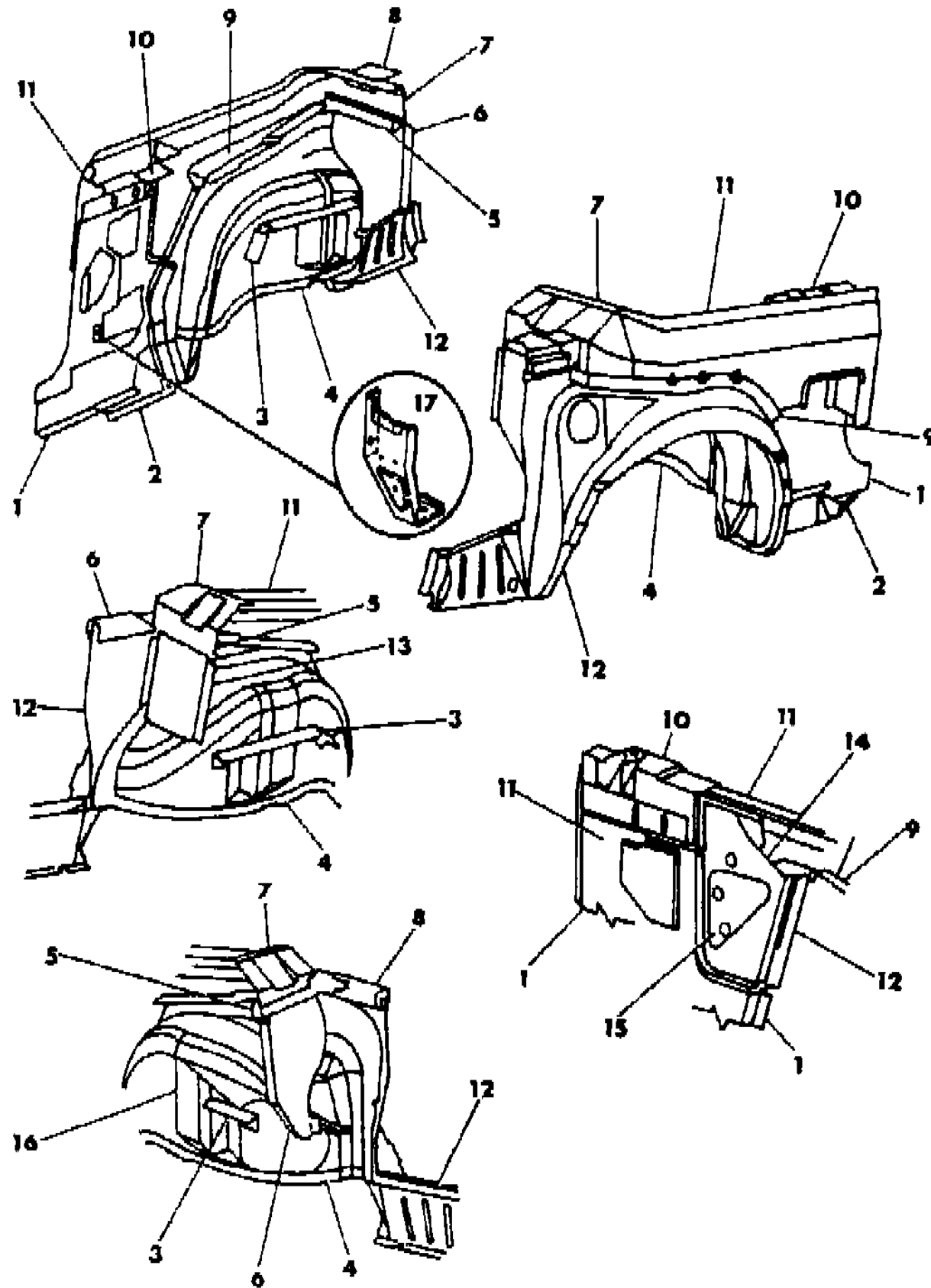
12-52 = FWD VAN & WAGON STD. W.B. 27 = 2-DOOR CONVERTIBLE
 13-53 = FWD VAN & WGN EXT W.B. 41 = 4-DOOR SEDAN
 21 = 2-DOOR SEDAN 44 = 4-DOOR HATCHBACK
 24 = 2-DOOR HATCHBACK 45 = 4-DOOR STATION WAGON

AR = Use as Required - = Non Illustrated Part P.A.R. = Paint as Required

QUARTER PANEL J BODY 27

Figure 23A-4400

8169 4400 A



ITEM	PART NUMBER	QTY	BODY	MODEL	DESCRIPTION
1	4341 770-1	1			EXTENSION, Quarter Inner Panel
2	4440 802-3	1			REINFORCEMENT, Quarter Panel
3	4386 066-7	1			BRACKET, Rear w/House Inner Floor
4	4440 198-9	1			PANEL, Rear w/House Inner
5	4386 058-9	1			EXTENSION, Deck Opening Panel Drain Trough Lower
6	4440 834	1			EXTENSION, Deck Opening Upper Closer Panel Rt.
7	4440 830-1	1			EXTENSION, Deck Opening Panel Drain Trough Upper
8	4371 032-3	1			BRACE, Quarter Inner Panel
9	4416 650-1	1			REINFORCEMENT, Belt Bar Lower
10	4371 742-3	1			BRACE, Belt Bar Reinforcement
11	4371 740-1	1			REINFORCEMENT, Belt Bar Upper
12	4386 668-9	1			PANEL, Quarter Inner and w/House Outer
13	4386 057	1			EXTENSION, Deck Oprning Upper Closure Lt.
14	4371 400-1	1			EXTENSION, Belt Reinforcement
15	4371 734	1			PLATE, Belt Bar Reinforcement To w/House
16	4134 686-7	1			REINFORCEMENT, Rear w/House Inner Panel
17	4386 060-1	1			BRACE, Seat Belt

MODEL CODES

C BODY = (D41 - DYNASTY)(C41 - NEW YORKER)
 E BODY = (J - CARAVELLE)(E - 600)(T - NEW YORKER TURBO)
 G BODY = (V24 - DAYTONA, PACIFICA & SHELBY)
 H BODY = (D44 - LANCER)(C44 - LEBARON GTS)
 J BODY = (C - LEBARON)
 K BODY = (P - RELIANT)(D - ARIES)(C - LEBARON/ TOWN & COUNTRY)

L BODY = (M - HORIZON)(Z-OMNI)
 M BODY = (B - GRAN FURY)(G - DIPLOMAT)(F - FIFTH AVENUE/NEWPORT)
 P BODY = (P - SUNDANCE)(D - SHADOW)
 Q BODY = (C27 - MASERATI)
 S BODY = (H - VOYAGER)(K - RAM VAN/ CARAVAN)

BODY STYLES

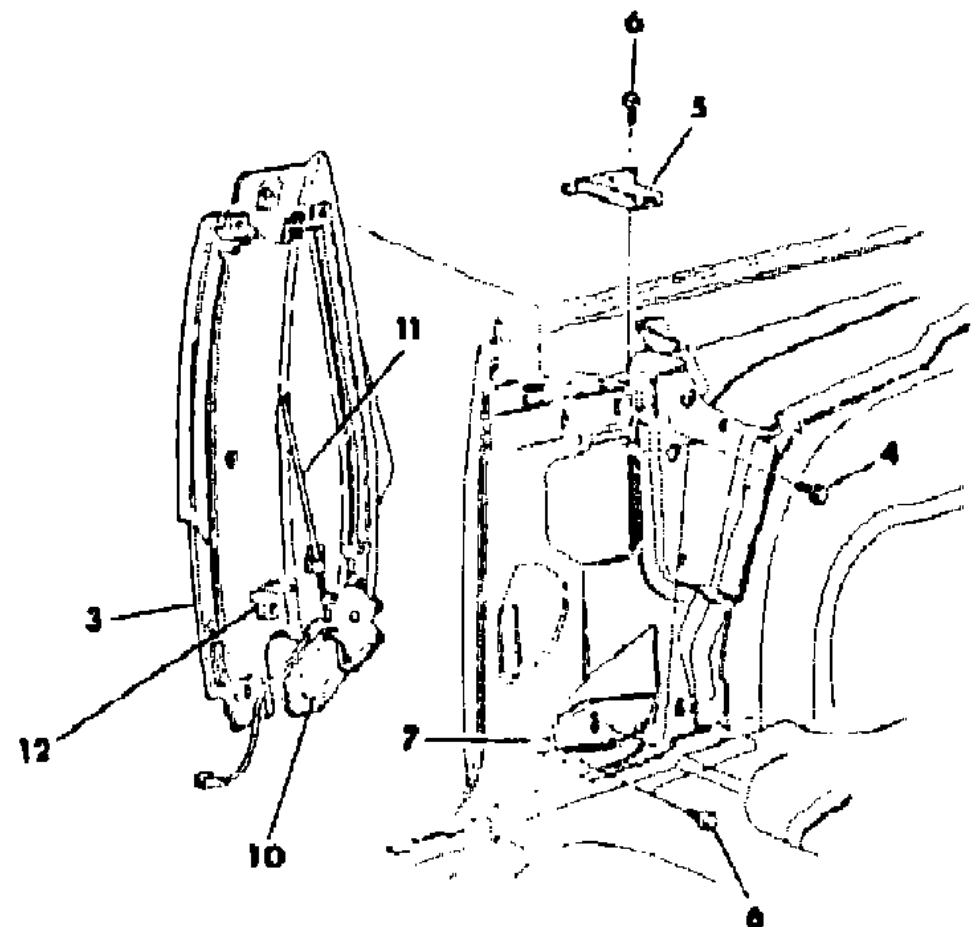
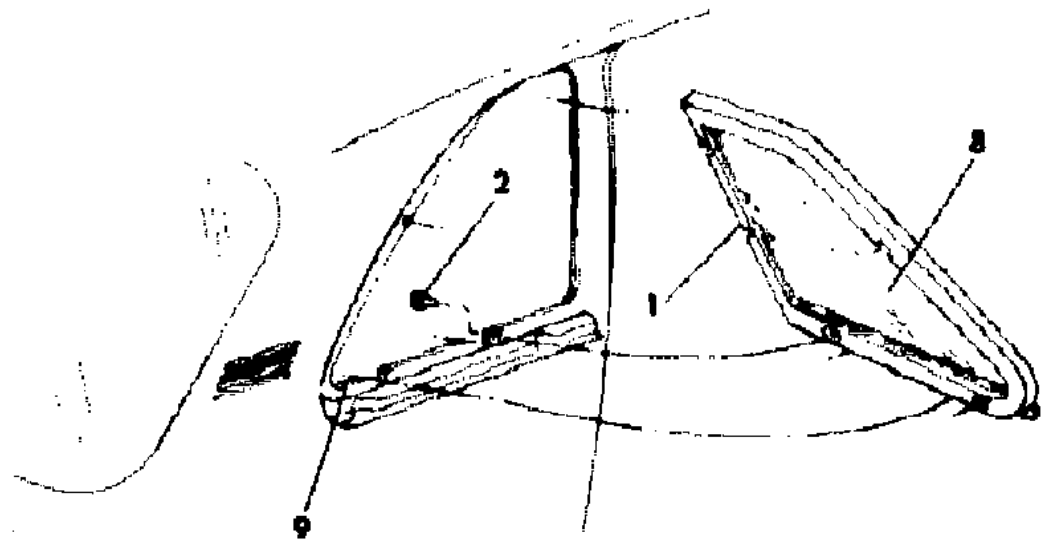
12-52 = FWD VAN & WAGON STD. W.B. 27 = 2-DOOR CONVERTIBLE
 13-53 = FWD VAN & WGN EXT W.B. 41 = 4-DOOR SEDAN
 21 = 2-DOOR SEDAN 44 = 4-DOOR HATCHBACK
 24 = 2-DOOR HATCHBACK 45 = 4-DOOR STATION WAGON

AR = Use as Required - = Non Illustrated Part P.A.R. = Paint as Required

GLASS QUARTER WINDOW J BODY 21,27
Figure 23A-4500

8169 4500

ITEM	PART NUMBER	QTY	BODY	MODEL	DESCRIPTION
1	4337 890-1	1		21	FRAME and GLASS ASSEMBLY
	4475 240-1	1		21	FRAME and GLASS ASSEMBLY, (EUROPEAN)
2		4		21	SCREW, Not Serviced
3	4445 414-5	1		27	REGULATOR
	4480 828-9	1		27	REGULATOR ASSEMBLY, w/Motor & Cable (w/Out Glass)
4	6100 565	3		27	SCREW
5	4445 106	2		27	STABILIZER, Inner Belt Quarter Glass
6		3		27	SCREW, Not Serviced
7	4415 198-9	1		27	BRACE, Quarter Window
8	4415 084-5	1		27	GLASS, Quarter Window Tinted
	4475 580-1	1			GLASS, Quarter Window Tinted (EUROPEAN) E-Marked
	4415 086-7	1		27	RETAINER
9	4415 088-9	1		27	WEATHERSTRIP, Quarter Window Glass Front
10	4445 412-3	1		27	MOTOR, Quarter Window
11	4445 418	2		27	CABLE, (Upper and Lower)
12	4445 416-7	1		27	LIFTPLATE



MODEL CODES

C BODY = (D41 - DYNASTY)(C41 - NEW YORKER)	L BODY = (M - HORIZON)(Z-OMNI)
E BODY = (J - CARAVELLE)(E - 600)(T - NEW YORKER TURBO)	M BODY = (B - GRAN FURY)(G - DIPLOMAT)(F - FIFTH AVENUE/NEWPORT)
G BODY = (V24 - DAYTONA, PACIFICA & SHELBY)	P BODY = (P - SUNDANCE)(D - SHADOW)
H BODY = (D44 - LANCER)(C44 - LEBARON GTS)	Q BODY = (C27 - MASERATI)
J BODY = (C - LEBARON)	S BODY = (H - VOYAGER)(K - RAM VAN/ CARAVAN)
K BODY = (P - RELIANT)(D - ARIES)(C - LEBARON/ TOWN & COUNTRY)	

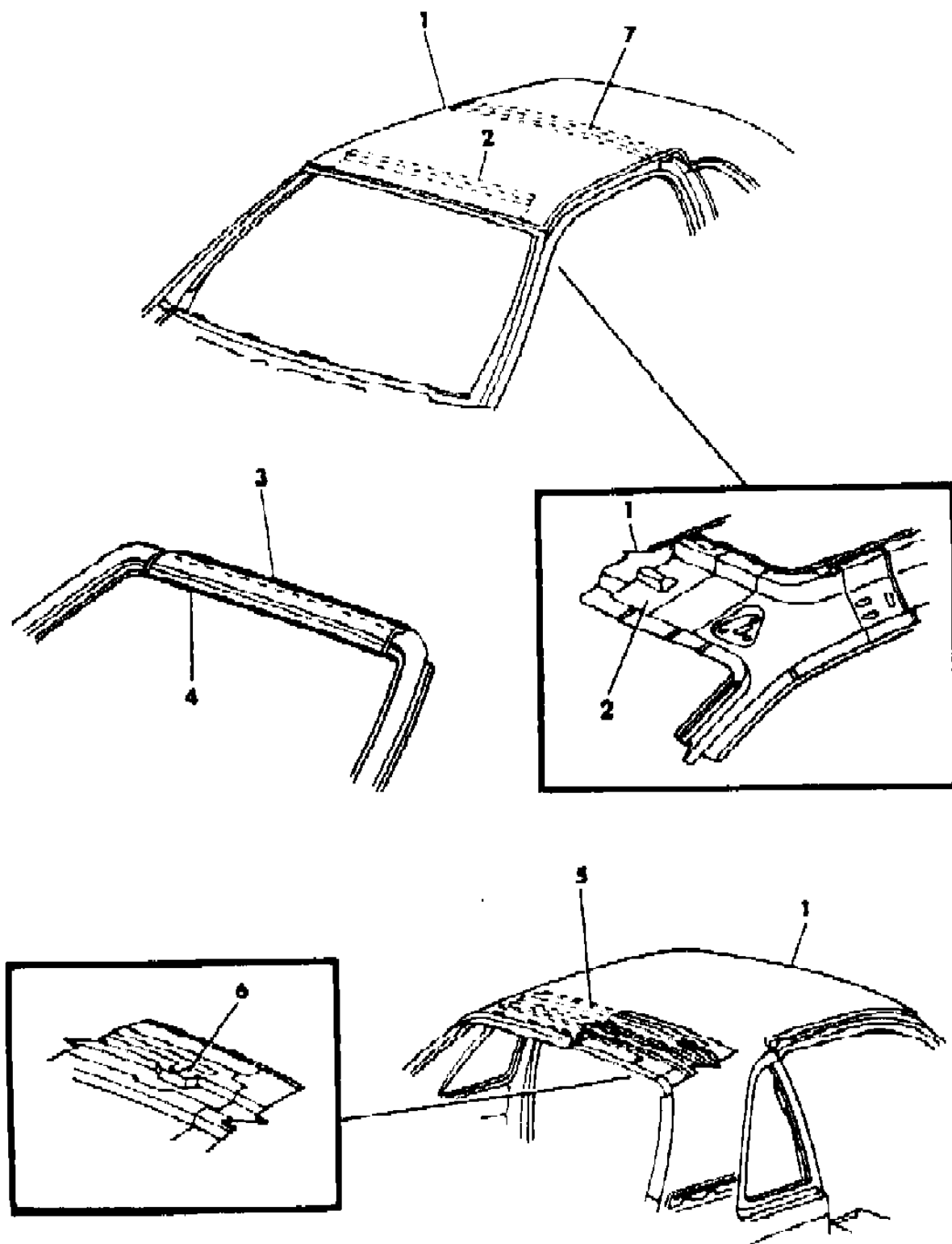
BODY STYLES

12-52 = FWD VAN & WAGON STD. W.B.	27 = 2-DOOR CONVERTIBLE
13-53 = FWD VAN & WGN EXT W.B.	41 = 4-DOOR SEDAN
21 = 2-DOOR SEDAN	44 = 4-DOOR HATCHBACK
24 = 2-DOOR HATCHBACK	45 = 4-DOOR STATION WAGON

AR = Use as Required - = Non Illustrated Part P.A.R. = Paint as Required

ROOF PANEL AND WINDSHIELD FRAME J BODY
Figure 23A-4600

8169 4600 A



ITEM	PART NUMBER	QTY	BODY	MODEL	DESCRIPTION
1	4341 414	1			PANEL ROOF
2	4416 805	1			FRAME, w/Shield Opening Upper
3	4371 025	1			FRAME, w/Shield Header Outer
4	4475 024	1			FRAME, w/Shield Header Inner
5	4341 679	1			FRAME, Rear Window Opening Upper
6	6032 934	6			FASTENER
7	4440 445	1			BOW

MODEL CODES

C BODY = (D41 - DYNASTY)(C41 - NEW YORKER)
 E BODY = (J - CARAVELLE)(E - 600)(T - NEW YORKER TURBO)
 G BODY = (V24 - DAYTONA, PACIFICA & SHELBY)
 H BODY = (D44 - LANCER)(C44 - LEBARON GTS)
 J BODY = (C - LEBARON)
 K BODY = (P - RELIANT)(D - ARIES)(C - LEBARON/ TOWN & COUNTRY)
 L BODY = (M - HORIZON)(Z-OMNI)
 M BODY = (B - GRAN FURY)(G - DIPLOMAT)(F - FIFTH AVENUE/NEWPORT)
 P BODY = (P - SUNDANCE)(D - SHADOW)
 Q BODY = (C27 - MASERATI)
 S BODY = (H - VOYAGER)(K - RAM VAN/ CARAVAN)

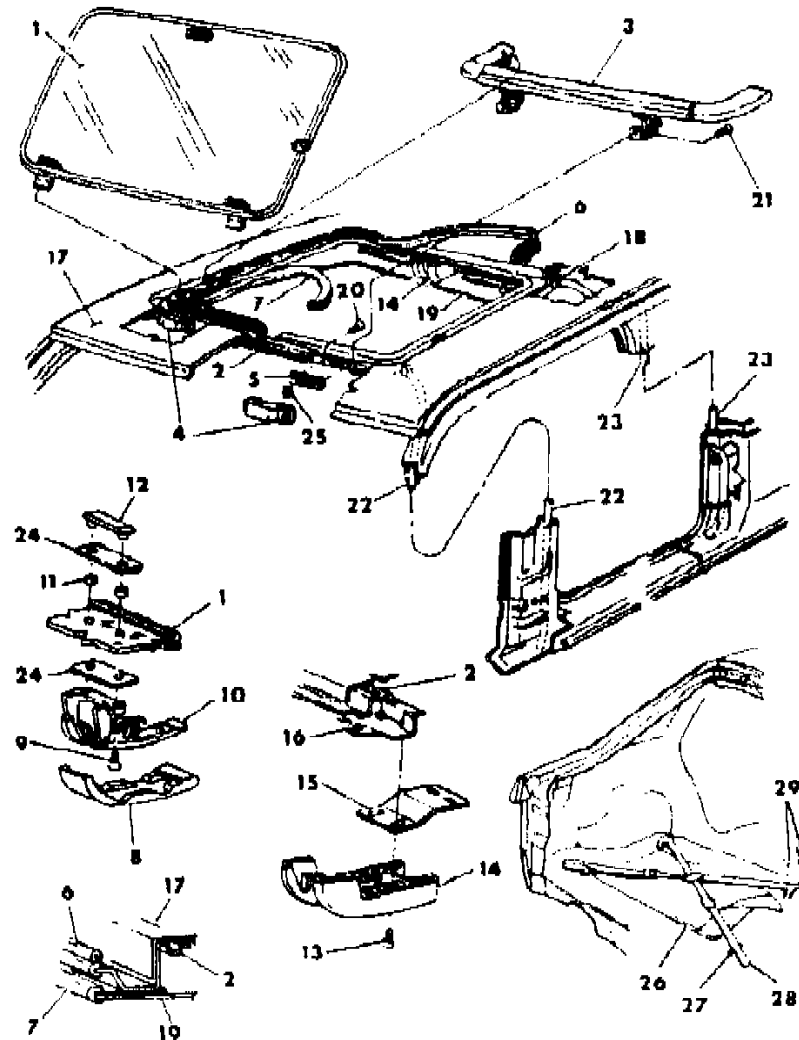
BODY STYLES

12-52 = FWD VAN & WAGON STD. W.B. 27 = 2-DOOR CONVERTIBLE
 13-53 = FWD VAN & WGN EXT W.B. 41 = 4-DOOR SEDAN
 21 = 2-DOOR SEDAN 44 = 4-DOOR HATCHBACK
 24 = 2-DOOR HATCHBACK 45 = 4-DOOR STATION WAGON

AR = Use as Required - = Non Illustrated Part P.A.R. = Paint as Required

SUNROOF J BODY 21
Figure 23A-4700

8169 4700



ITEM	PART NUMBER	QTY	BODY	MODEL	DESCRIPTION
1	4440 762	1			GLASS ASSEMBLY
	4172 849	1			SEAL, Secondary
2	4386 604	1			PANEL ROOF, w/Trough Assembly
3	4440 080	1			DEFLECTOR ASSEMBLY
4	4341 402-3	1			RETAINER ASSEMBLY, Hinge
5		2			GASKET, Serviced In Item 4
6	4440 978	1			SEAL PRIMARY
7		1			WELT
	H612 FS8	1			Charcoal
	H612 FC5	1			Blue
	H612 GR8	1			Red
8	H612 GL7	1			Taupe
					COVER, Latch Handle
	H798 FS8	1			Charcoal
	H798 FC5	1			Blue Twilight
9	H798 GR8	1			Red
	H798 GL7	1			Taupe
		2			SCREW, Serviced In 4467211 Package
	10	4440 080	1		HANDLE ASSEMBLY
11		2		GROMMET, Not Serviced	
12	4467 211	1			HINGE and T-PLATE, Package
					Consists of:
		1			T-Plate
		1			Gasket
		1			Grommet
		1			Gasket
		1			Spacer
	1			Hinge	
	1			Screw	
13		3			SCREW, Not Serviced
14					BASE ASSEMBLY
	H799 FS8	1			Charcoal
	H799 FC5	1			Blue Twilight
	H799 GR8	1			Red
	H799 GL7	1			Taupe
15	4440 092	1			SUPPORT, Sunroof Trough To Roof Bow
16		1			REINFORCEMENT, Drain Trough Not Serviced

MODEL CODES

C BODY = (D41 - DYNASTY)(C41 - NEW YORKER)
 E BODY = (J - CARAVELLE)(E - 600)(T - NEW YORKER TURBO)
 G BODY = (V24 - DAYTONA, PACIFICA & SHELBY)
 H BODY = (D44 - LANCER)(C44 - LEBARON GTS)
 J BODY = (C - LEBARON)
 K BODY = (P - RELIANT)(D - ARIES)(C - LEBARON/ TOWN & COUNTRY)

L BODY = (M - HORIZON)(Z-OMNI)
 M BODY = (B - GRAN FURY)(G - DIPLOMAT)(F - FIFTH AVENUE/NEWPORT)
 P BODY = (P - SUNDANCE)(D - SHADOW)
 Q BODY = (C27 - MASERATI)
 S BODY = (H - VOYAGER)(K - RAM VAN/ CARAVAN)

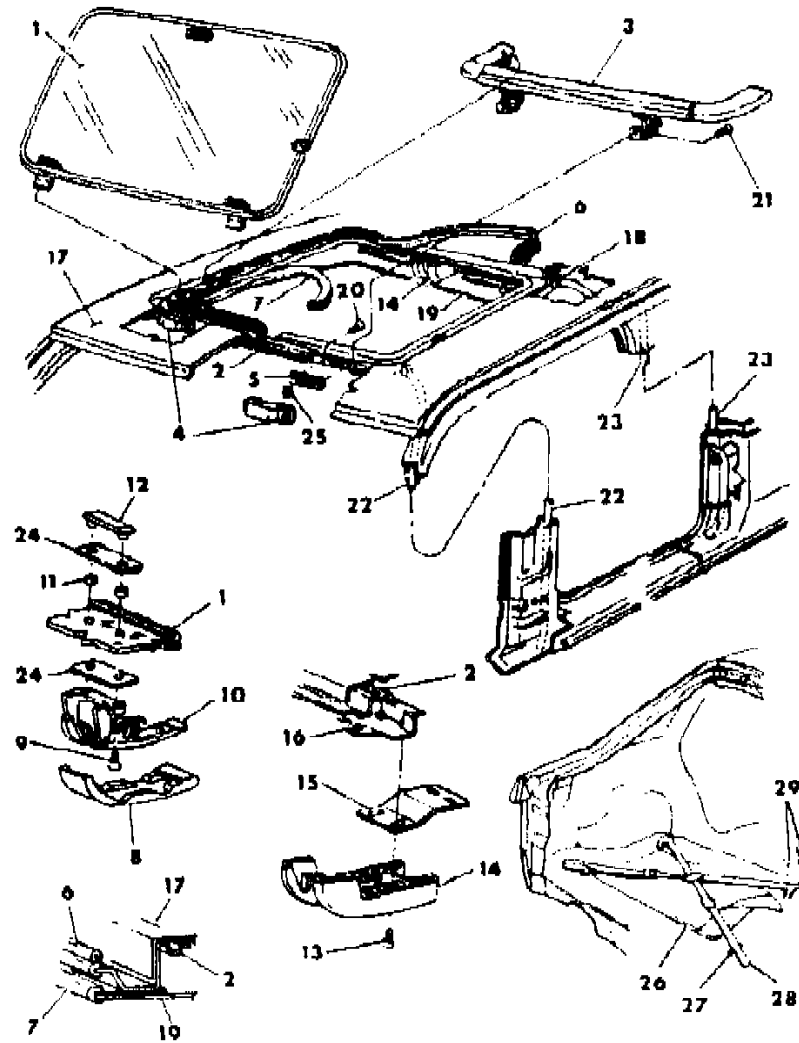
BODY STYLES

12-52 = FWD VAN & WAGON STD. W.B. 27 = 2-DOOR CONVERTIBLE
 13-53 = FWD VAN & WGN EXT W.B. 41 = 4-DOOR SEDAN
 21 = 2-DOOR SEDAN 44 = 4-DOOR HATCHBACK
 24 = 2-DOOR HATCHBACK 45 = 4-DOOR STATION WAGON

AR = Use as Required - = Non Illustrated Part P.A.R. = Paint as Required

SUNROOF J BODY 21
Figure 23A-4700

8169 4700



ITEM	PART NUMBER	QTY	BODY	MODEL	DESCRIPTION
17	4341 414	1			PANEL, Roof
18	2448 761	4			CLAMP, Sunroof Drain Hose
19		1			HEADLINER
	H087 FS8	1			Charcoal
	H087 FC5	1			Blue
	H087 GR8	1			Red
	H087 GL7	1			Taupe
20		2			SCREW, Not Serviced
21		2			SCREW, Deflector Hinge Retainer Not Serviced
22	4278 799	2			HOSE, Front
23	4026 151	2			HOSE, Rear
24		2			GASKET, Handle Serviced In 4467211 Package
25		4			NUT, Serviced In Item 4
26	H608 CX7	1			BAG, Stowage (Black)
27	4248 818	4			ANCHOR, Tie Down Strap To Floor Pan
28	H349 CX9	1			STRAP, Sunroof Stowage Tie-Down
29		8			SCREW, #8-18 x.75" Not Serviced

MODEL CODES

C BODY = (D41 - DYNASTY)(C41 - NEW YORKER)
 E BODY = (J - CARAVELLE)(E - 600)(T - NEW YORKER TURBO)
 G BODY = (V24 - DAYTONA, PACIFICA & SHELBY)
 H BODY = (D44 - LANCER)(C44 - LEBARON GTS)
 J BODY = (C - LEBARON)
 K BODY = (P - RELIANT)(D - ARIES)(C - LEBARON/ TOWN & COUNTRY)

L BODY = (M - HORIZON)(Z-OMNI)
 M BODY = (B - GRAN FURY)(G - DIPLOMAT)(F - FIFTH AVENUE/NEWPORT)
 P BODY = (P - SUNDANCE)(D - SHADOW)
 Q BODY = (C27 - MASERATI)
 S BODY = (H - VOYAGER)(K - RAM VAN/ CARAVAN)

BODY STYLES

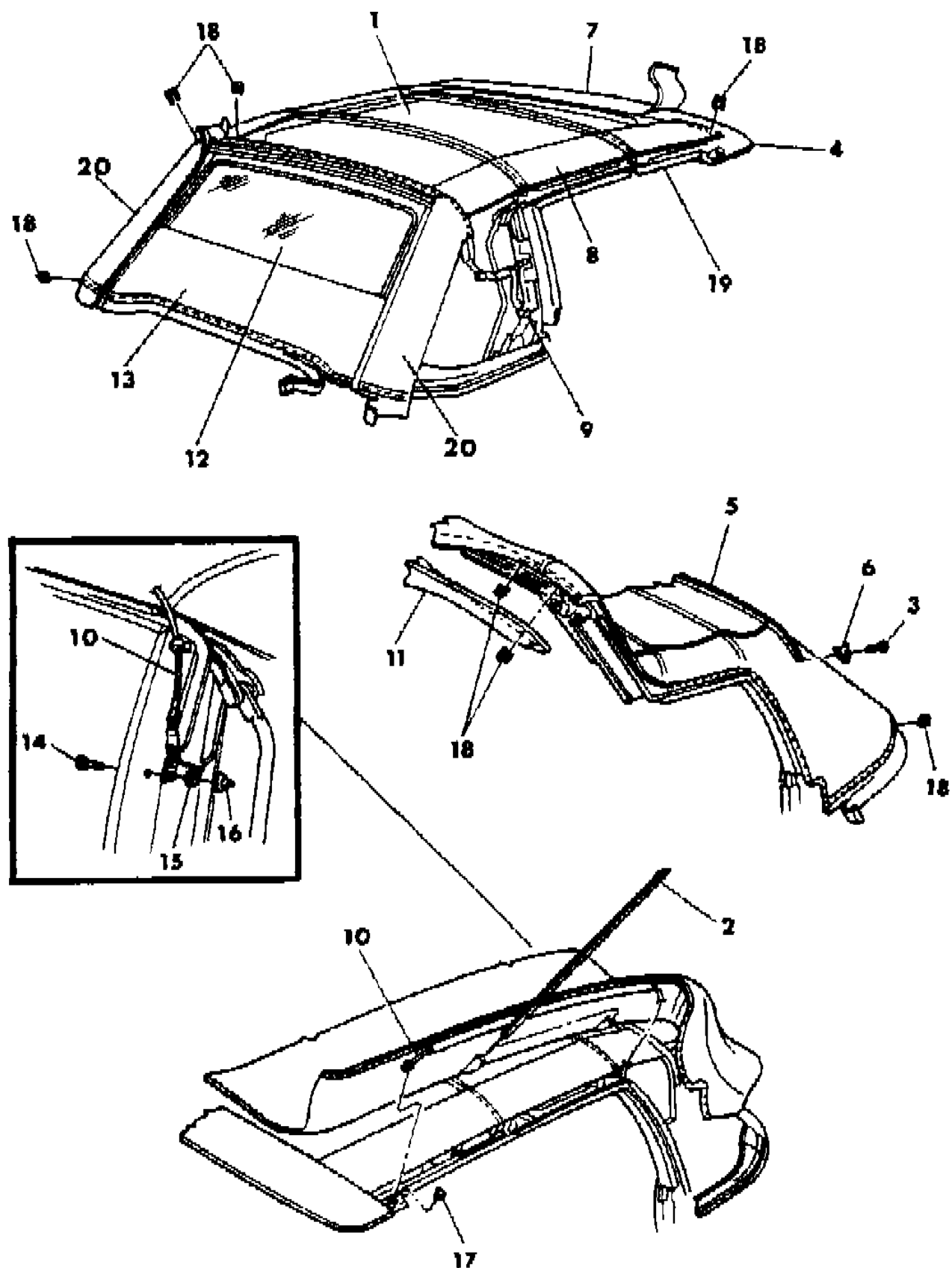
12-52 = FWD VAN & WAGON STD. W.B. 27 = 2-DOOR CONVERTIBLE
 13-53 = FWD VAN & WGN EXT W.B. 41 = 4-DOOR SEDAN
 21 = 2-DOOR SEDAN 44 = 4-DOOR HATCHBACK
 24 = 2-DOOR HATCHBACK 45 = 4-DOOR STATION WAGON

AR = Use as Required - = Non Illustrated Part P.A.R. = Paint as Required

CONVERTIBLE TOP J BODY 27

Figure 23A-4800

8169 4800 A



ITEM	PART NUMBER	QTY	BODY	MODEL	DESCRIPTION
1		1			COVER ASSEMBLY
	T960 GC4				Blue
	T960 GL5				Pewter
	T960 GW7				White
	T960 GX9				Black
2		1			BOW ASSEMBLY
	4490 133				#1 Bow
	4490 134				#2 Bow
	4490 135				#3 Bow
3		2			SCREW, Not Serviced
4	4386 408	1			HEADER and LATCH ASSEMBLY
5		1			STRIP
	T928 FC4				Blue
	T898 GL5				Pewter
	T928 FX9				Black
	T898 GW7				White
6	4491 774	2			CAP, #3 Bow Moulding End
7	4097 784	1			PAD, Header
8	4454 921	2			STAY, Side Up To 10-25-88
	4538 300	2			STAY, Side After 10-25-88
9	4386 412-3	1			RAIL ASSEMBLY
10	4422 810	2			CABLE
	4305 011	2			Spring
11		1			WELT, f/Top Header
	T902 FC4				Blue
	T902 GL5				Pewter
	T902 GW7				White
	T902 FX9				Black
12		1			WINDOW, Rear f/Top Heated
	X927 GC4				Blue
	X927 GL5				Pewter
	X927 GW7				White
	X927 GX9				Black
13		1			BOOT, f/Top
					Up To 5-23-88
	T967 FC7				Blue
	T967 GL2				Pewter Light

MODEL CODES

C BODY = (D41 - DYNASTY)(C41 - NEW YORKER)
 E BODY = (J - CARAVELLE)(E - 600)(T - NEW YORKER TURBO)
 G BODY = (V24 - DAYTONA, PACIFICA & SHELBY)
 H BODY = (D44 - LANCER)(C44 - LEBARON GTS)
 J BODY = (C - LEBARON)
 K BODY = (P - RELIANT)(D - ARIES)(C - LEBARON/ TOWN & COUNTRY)
 L BODY = (M - HORIZON)(Z-OMNI)
 M BODY = (B - GRAN FURY)(G - DIPLOMAT)(F - FIFTH AVENUE/NEWPORT)
 P BODY = (P - SUNDANCE)(D - SHADOW)
 Q BODY = (C27 - MASERATI)
 S BODY = (H - VOYAGER)(K - RAM VAN/ CARAVAN)

BODY STYLES

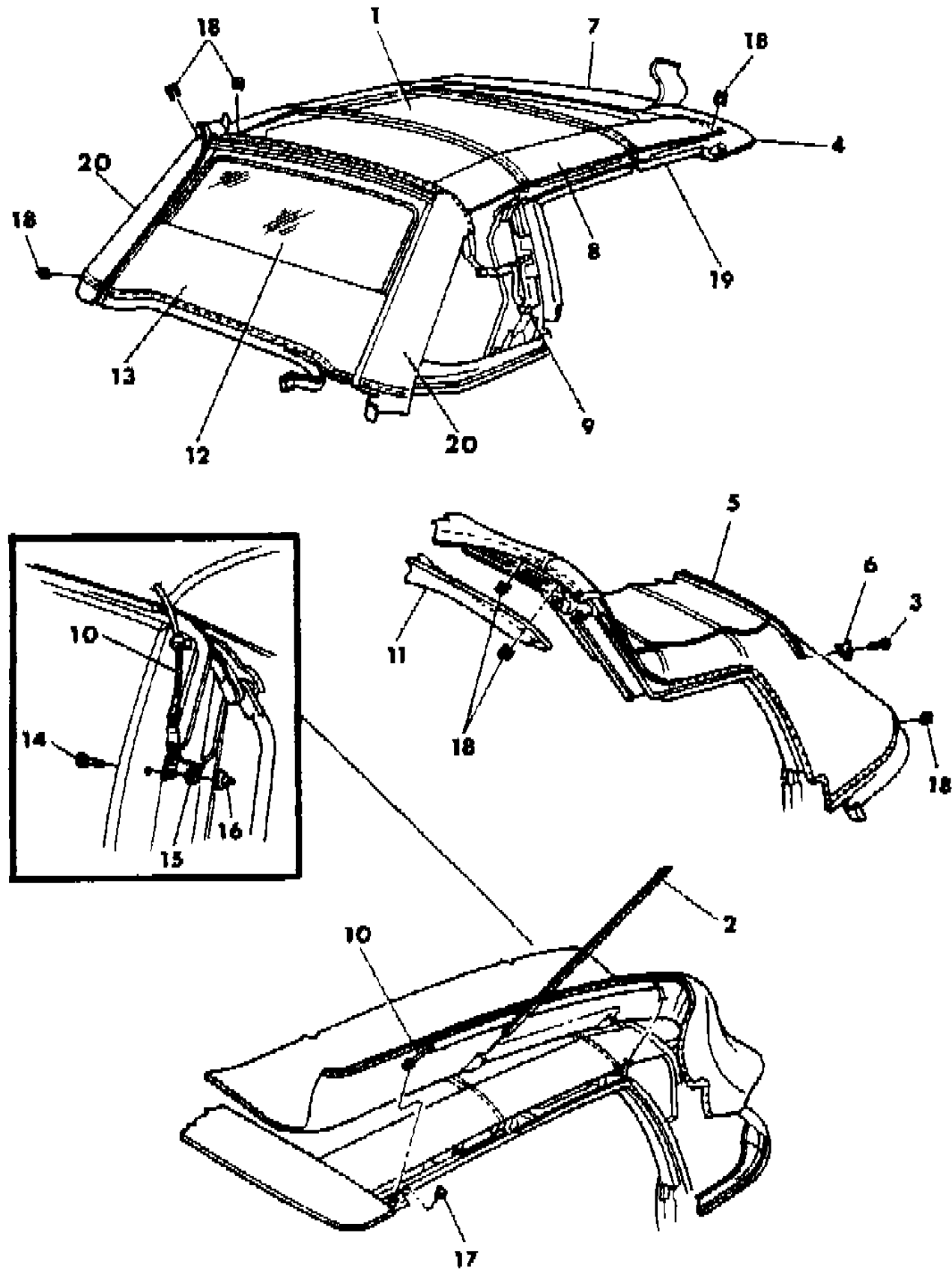
12-52 = FWD VAN & WAGON STD. W.B. 27 = 2-DOOR CONVERTIBLE
 13-53 = FWD VAN & WGN EXT W.B. 41 = 4-DOOR SEDAN
 21 = 2-DOOR SEDAN 44 = 4-DOOR HATCHBACK
 24 = 2-DOOR HATCHBACK 45 = 4-DOOR STATION WAGON

AR = Use as Required - = Non Illustrated Part P.A.R. = Paint as Required

CONVERTIBLE TOP J BODY 27

Figure 23A-4800

8169 4800 A



ITEM	PART NUMBER	QTY	BODY	MODEL	DESCRIPTION
	T967 GM4				Red Claret
	T967 GM9				Black Cherry
	T967 GW7				White
	T967 FA2				Silver
	T967 GL8				Pewter Dark
	T967 FR3				Red Flash
	T967 FX9				Black
					After 5-23-88
	T959 GC7				Blue
	T959 GL2				Pewter Light
	T959 GM4				Red Claret
	T959 GM9				Black Cheery
	T959 GW7				White
	T959 GA2				Silver
	T959 GL8				Pewter Dark
	T959 GR3				Red Flash
	T959 GX9				Black
	6004 156-7	1			CLIP, f/Top Boot To Deck Opening Upper Panel Mldg.
14					SCREW, Not Serviced
15		2			NUT, Not Serviced
16	4491 698	2			CAP
17	4454 701	2			RETAINER PLUG
18					STAPLE, Not Serviced
19		1			COVER ASSEMBLY, Headliner
	H883 FS8				Charcoal
	H883 FC5				Blue
	H883 GR8				Red
	H883 GL7				Taupe
	4114 785	4			FASTENER, Headliner
20	4491 775	2			STAY, Rear Up To 9-21-88
	4538 301	2			STAY, Rear After 9-21-88

MODEL CODES

C BODY = (D41 - DYNASTY)(C41 - NEW YORKER)
 E BODY = (J - CARAVELLE)(E - 600)(T - NEW YORKER TURBO)
 G BODY = (V24 - DAYTONA, PACIFICA & SHELBY)
 H BODY = (D44 - LANCER)(C44 - LEBARON GTS)
 J BODY = (C - LEBARON)
 K BODY = (P - RELIANT)(D - ARIES)(C - LEBARON/ TOWN & COUNTRY)
 L BODY = (M - HORIZON)(Z-OMNI)
 M BODY = (B - GRAN FURY)(G - DIPLOMAT)(F - FIFTH AVENUE/NEWPORT)
 P BODY = (P - SUNDANCE)(D - SHADOW)
 Q BODY = (C27 - MASERATI)
 S BODY = (H - VOYAGER)(K - RAM VAN/ CARAVAN)

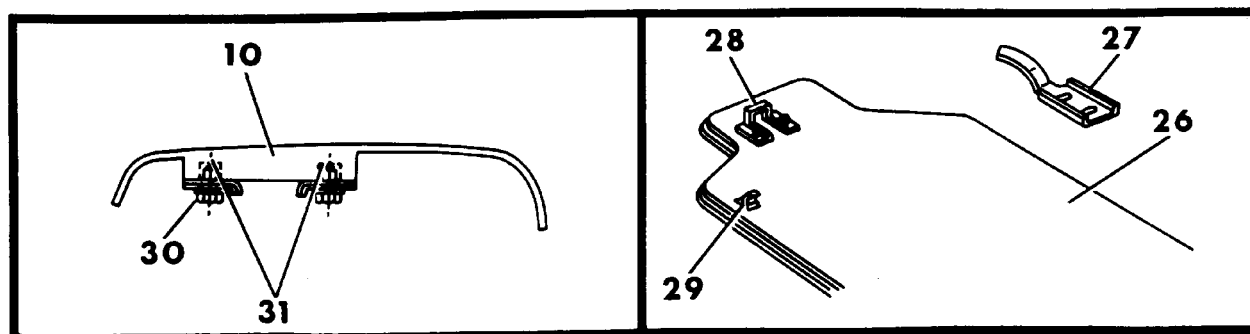
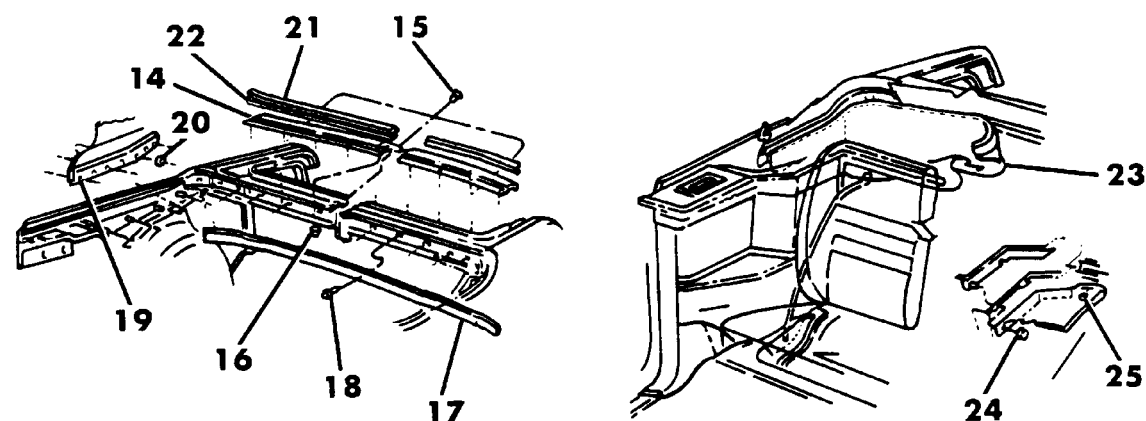
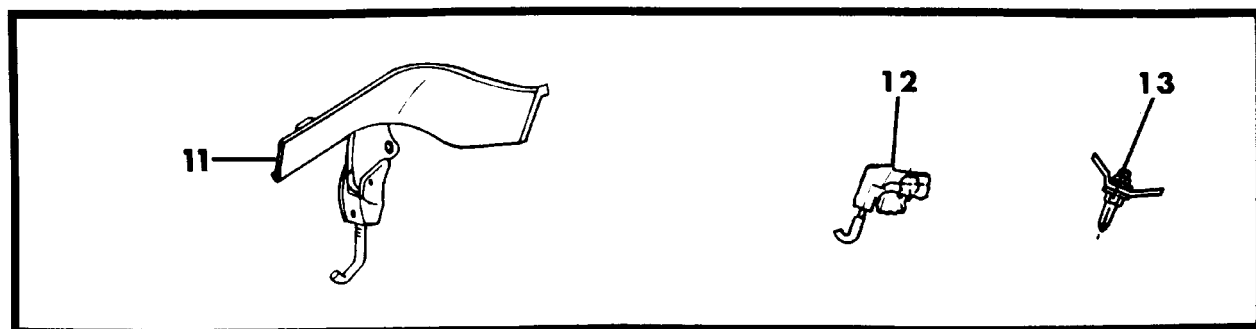
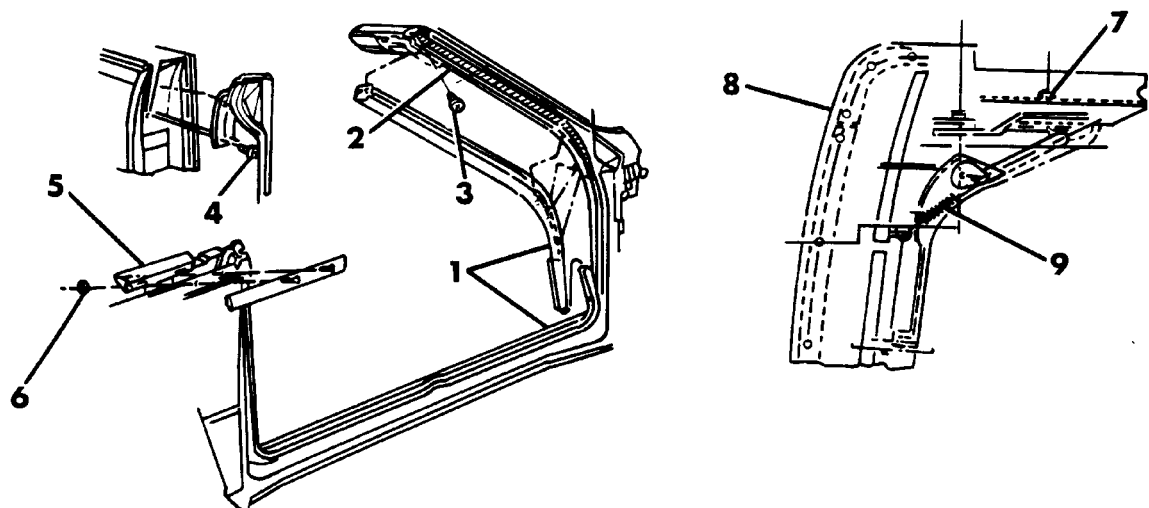
BODY STYLES

12-52 = FWD VAN & WAGON STD. W.B. 27 = 2-DOOR CONVERTIBLE
 13-53 = FWD VAN & WGN EXT W.B. 41 = 4-DOOR SEDAN
 21 = 2-DOOR SEDAN 44 = 4-DOOR HATCHBACK
 24 = 2-DOOR HATCHBACK 45 = 4-DOOR STATION WAGON

AR = Use as Required - = Non Illustrated Part P.A.R. = Paint as Required

RAIL, HEADER AND LATCH ASSEMBLY J BODY 27
Figure 23A-4850

8169 4850 B



ITEM	PART NUMBER	QTY	BODY	MODEL	DESCRIPTION
1	4475 964-5	1			WEATHERSTRIP, Body Side Aperture Panel Door Opening
2	4396 314-5	1			RETAINER and SEAL
3		5			SCREW, Not Serviced
4		8			SCREW, Not Serviced
5	4440 142-3	1			WEATHERSTRIP, Qtr. Window Belt
	4381 690-1	1			WEATHERSTRIP, Qtr. Top Inner Belt
6	6501 140	AR			NUT
7	4386 412-3	1			RAIL ASSEMBLY
8	4386 408	1			HEADER and LATCH ASSEMBLY
	4490 926	1			TOP ASSEMBLY, f/Top (Less Trim)
9		2			SPRING (Serviced in Header Assembly) ***
10		1			FOUNDATION, f/Top Boot Service In Boot Assy.
11	4386 748-9	1			LATCH and BASE
12	4341 706	2			HOOK
13	4341 707	2			PIN, Locating
14	4341 778	1			FILLER, Deck Lid Opening Upper Panel To Backlite
15		3			SCREW, Not Serviced
16	6501 140	9			NUT and WASHER
17	4422 417	1			RETAINER and EXTENSION
18	6500 354	13			SCREW and WASHER
19	4422 420-1	1			EXTENSION, Body Aperture Belt Bar
20	6501 279	8			NUT and WASHER
21	4398 378	1			MOULDING, Deck Upper Panel
22	4491 253	1			RETAINER, Deck Opening Upper Boot Up To 4-6-88
	4491 547	1			After 4-6-88
23	4507 348	1			SLINGWELL
	4410 579	1			SILENCER, Slingwell
24	6025 002	6			NUT
25	6002 972	2			CLIP, Slingwell
26		1			BOOT, f/Top (See Illus. Convertible Top)
27	4454 348-9	1			RETAINER, f/Top Boot Foundation
	4328 880	4			RETAINER, f/Top To Quarter Trim Moulding
28	4422 264	2			CATCH, f/Top Boot Front
29	4422 571	6			LOCATOR, f/Top Boot To Quarter Belt Moulding
30	#6101 254	8			SCREW and WASHER
31	6501 533	8			INSERT, f/Top Boot For Foundation

MODEL CODES

C BODY = (D41 - DYNASTY)(C41 - NEW YORKER)
 E BODY = (J - CARAVELLE)(E - 600)(T - NEW YORKER TURBO)
 G BODY = (V24 - DAYTONA, PACIFICA & SHELBY)
 H BODY = (D44 - LANCER)(C44 - LEBARON GTS)
 J BODY = (C - LEBARON)
 K BODY = (P - RELIANT)(D - ARIES)(C - LEBARON/ TOWN & COUNTRY)

L BODY = (M - HORIZON)(Z-OMNI)
 M BODY = (B - GRAN FURY)(G - DIPLOMAT)(F - FIFTH AVENUE/NEWPORT)
 P BODY = (P - SUNDANCE)(D - SHADOW)
 Q BODY = (C27 - MASERATI)
 S BODY = (H - VOYAGER)(K - RAM VAN/ CARAVAN)

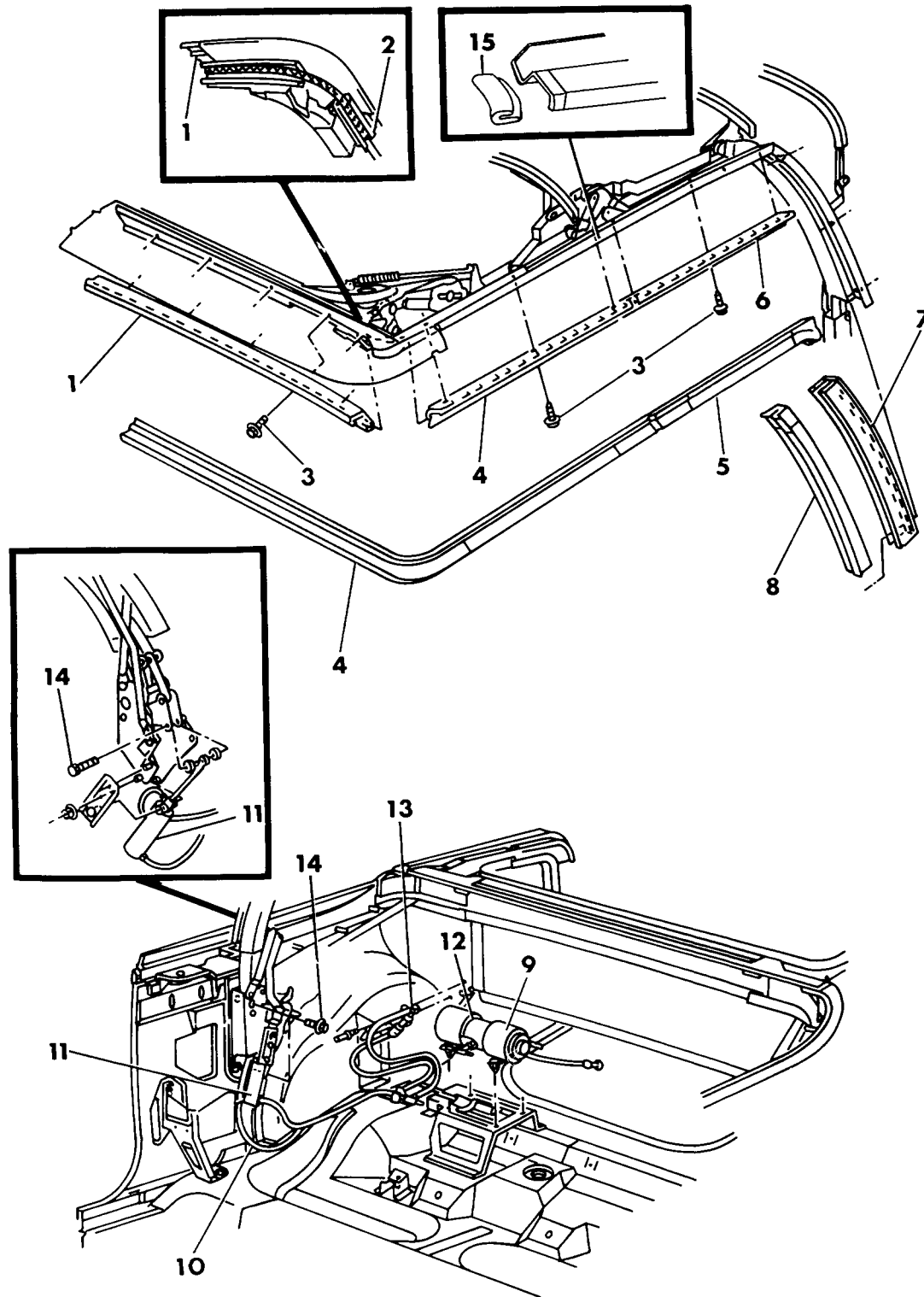
BODY STYLES

12-52 = FWD VAN & WAGON STD. W.B. 27 = 2-DOOR CONVERTIBLE
 13-53 = FWD VAN & WGN EXT W.B. 41 = 4-DOOR SEDAN
 21 = 2-DOOR SEDAN 44 = 4-DOOR HATCHBACK
 24 = 2-DOOR HATCHBACK 45 = 4-DOOR STATION WAGON

AR = Use as Required - = Non Illustrated Part P.A.R. = Paint as Required

CONVERTIBLE MOTOR AND UPPER WEATHERSTRIP J BODY 27
Figure 23A-4900

8169 4900 C



ITEM	PART NUMBER	QTY	BODY	MODEL	DESCRIPTION
1	4396 305	1			RETAINER and SEAL, f/Top Header w/Strip Up To 10-12-87
	4490 374	1			After 10-12-87
2	4396 308-9	1			RETAINER and SEAL, f/Top Side Rail Front w/Strip
3		29			SCREW, Not Serviced
	0153 687	AR			CAP, Screw Cover Up To 2-7-87
	4491 698	AR			After 12-7-87
4	4490 610	1			WEATHERSTRIP, f/Top Side Rail and Front Header
5	4490 604-5	1			WEATHERSTRIP, f/Top Side Rail Center End
6	4396 310-1	1			RETAINER and SEAL, f/Top Side Rail Center
7	4396 312-3	1			RETAINER and SEAL, f/Top Rail Rear
8	4490 068-9	1			WEATHERSTRIP, f/Top Side Rail Rear
9	4386 415	1			MOTOR and PUMP
	4097 654	2			SEAL, Motor and Pump
10	4386 416	1			HOSE and VALVE ASSEMBLY
	5252 882	2			HOSE, Upper & Lower
	4097 663	4			SEAL, Cyl. To Hose
11	4490 592	2			CYLINDER, Folding Top
12	4490 593	1			PLUG, Motor
13	4490 351	1			KNOB, Valve Hose
14		AR			SCREW, Not Serviced
		1			SPRING PACKAGE, Bow Return Part # C3940296
					Consists of:
	4490 557	2			Spring
	4490 558	2			Bracket
	4490 559	2			Spacer
	4490 767	2			Cover
15	4490 276	2			SEAL, Center To Front Side Rail Joint Sound

MODEL CODES

C BODY = (D41 - DYNASTY)(C41 - NEW YORKER)
 E BODY = (J - CARAVELLE)(E - 600)(T - NEW YORKER TURBO)
 G BODY = (V24 - DAYTONA, PACIFICA & SHELBY)
 H BODY = (D44 - LANCER)(C44 - LEBARON GTS)
 J BODY = (C - LEBARON)
 K BODY = (P - RELIANT)(D - ARIES)(C - LEBARON/ TOWN & COUNTRY)

L BODY = (M - HORIZON)(Z-OMNI)
 M BODY = (B - GRAN FURY)(G - DIPLOMAT)(F - FIFTH AVENUE/NEWPORT)
 P BODY = (P - SUNDANCE)(D - SHADOW)
 Q BODY = (C27 - MASERATI)
 S BODY = (H - VOYAGER)(K - RAM VAN/ CARAVAN)

BODY STYLES

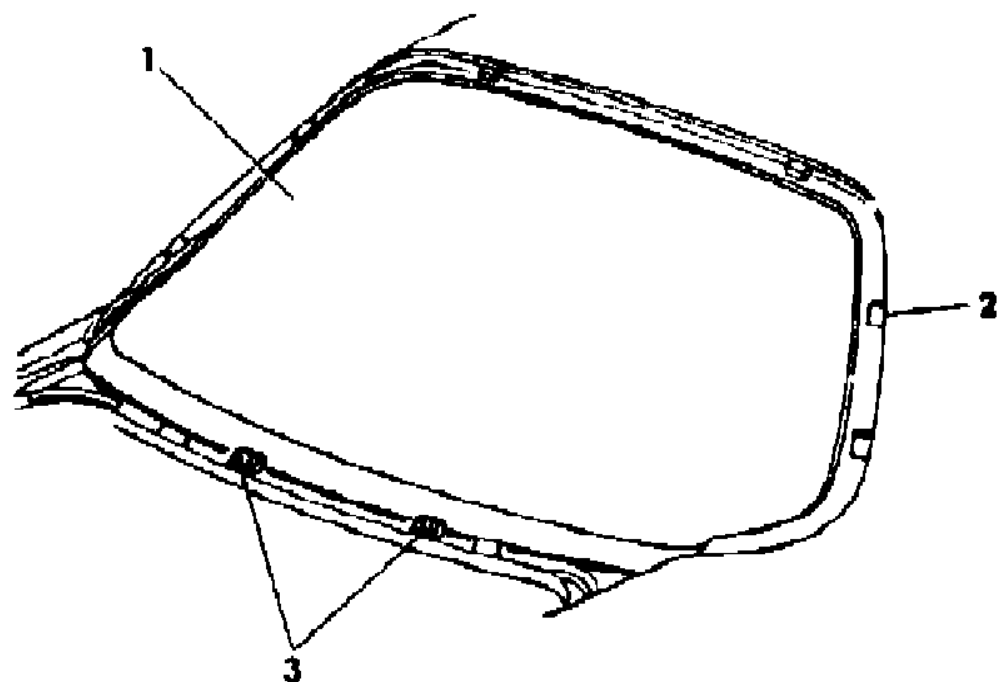
12-52 = FWD VAN & WAGON STD. W.B. 27 = 2-DOOR CONVERTIBLE
 13-53 = FWD VAN & WGN EXT W.B. 41 = 4-DOOR SEDAN
 21 = 2-DOOR SEDAN 44 = 4-DOOR HATCHBACK
 24 = 2-DOOR HATCHBACK 45 = 4-DOOR STATION WAGON

AR = Use as Required - = Non Illustrated Part P.A.R. = Paint as Required

GLASS LIFTGATE J BODY
Figure 23A-5000

ITEM	PART NUMBER	QTY	BODY	MODEL	DESCRIPTION
1		1			GLASS, Liftgate
	4371 166				Tinted and Heated
	4475 668	1			Tinted and Heated (EUROPEAN)
	4337 960				Tinted
2		8			SPACER, Not Serviced
3	4416 112	2			SPACER

8169 5000



MODEL CODES

C BODY = (D41 - DYNASTY)(C41 - NEW YORKER)	L BODY = (M - HORIZON)(Z-OMNI)
E BODY = (J - CARAVELLE)(E - 600)(T - NEW YORKER TURBO)	M BODY = (B - GRAN FURY)(G - DIPLOMAT)(F - FIFTH AVENUE/NEWPORT)
G BODY = (V24 - DAYTONA, PACIFICA & SHELBY)	P BODY = (P - SUNDANCE)(D - SHADOW)
H BODY = (D44 - LANCER)(C44 - LEBARON GTS)	Q BODY = (C27 - MASERATI)
J BODY = (C - LEBARON)	S BODY = (H - VOYAGER)(K - RAM VAN/ CARAVAN)
K BODY = (P - RELIANT)(D - ARIES)(C - LEBARON/ TOWN & COUNTRY)	

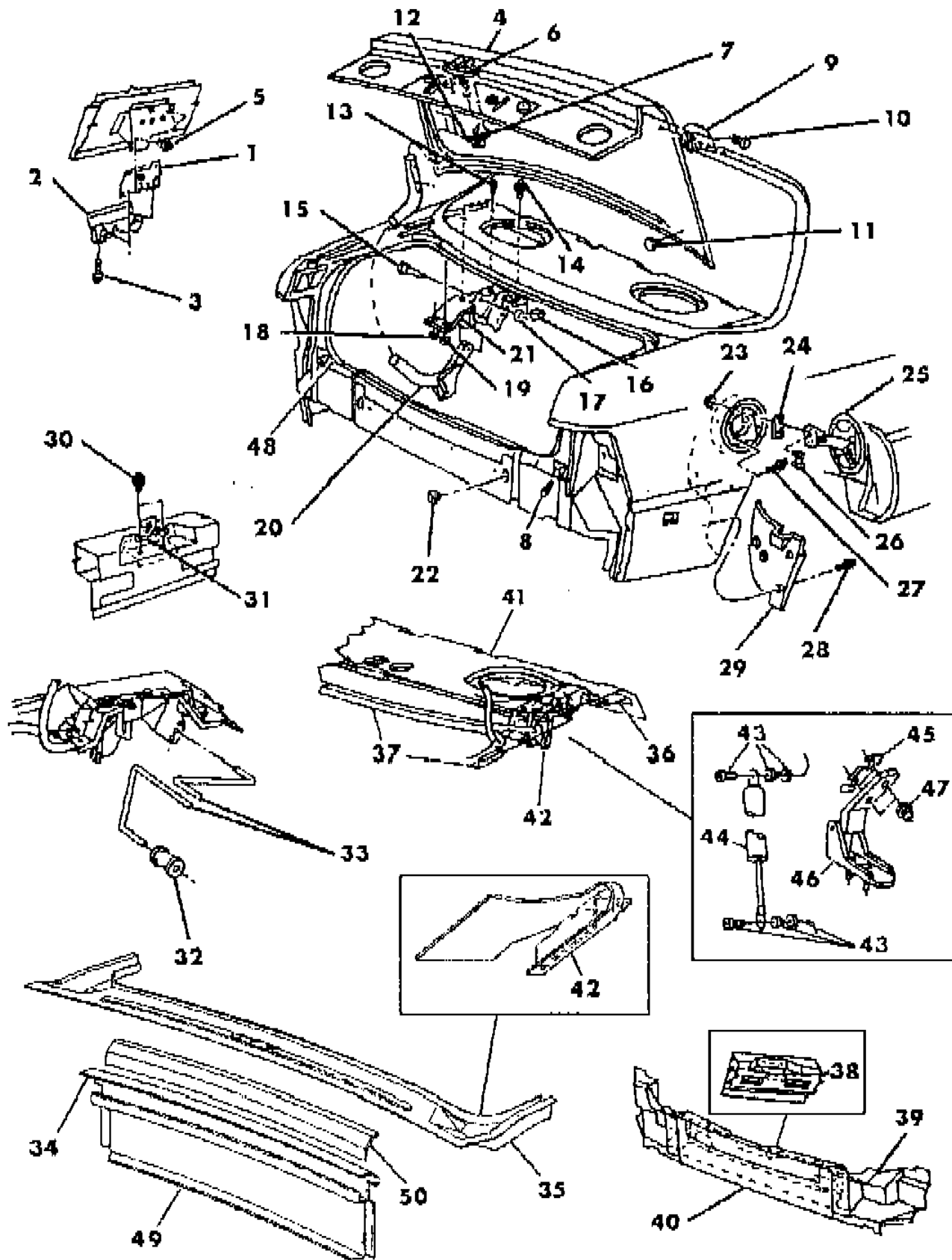
BODY STYLES

12-52 = FWD VAN & WAGON STD. W.B.	27 = 2-DOOR CONVERTIBLE
13-53 = FWD VAN & WGN EXT W.B.	41 = 4-DOOR SEDAN
21 = 2-DOOR SEDAN	44 = 4-DOOR HATCHBACK
24 = 2-DOOR HATCHBACK	45 = 4-DOOR STATION WAGON

AR = Use as Required - = Non Illustrated Part P.A.R. = Paint as Required

LIFTGATE PANEL J BODY
Figure 23A-5100

88169 5100B



ITEM	PART NUMBER	QTY	BODY	MODEL	DESCRIPTION
1	4378 438	1			LATCH, Deck Lid
2	4378 288	1			COVER, Deck Lid Latch
3		AR			SCREW, Deck Lid Cover Not Serviced
4		1			PANEL, Deck Lid
	4371 149			21	Up To 3-18-88
	4416 929			21	After 3-18-88
	4371 476	1		27	Up To 10-1-87
	4416 930	1		27	After 10-1-87
	4490 401	1		27	FILLER, Deck Lid Opening Upper Panel To Backlite
5	6100 312	2			SCREW and WASHER
6		1			CYLINDER and BRACKET, (See Group 23D)
7	6100 815	3			NUT
8	4336 077	2			BUMPER, Deck Lid Overslam
	6023 531	2			SCREW, Deck Lid Overslam
9	4416 766-7	1			COVER, Deck Lid Inner Panel Tail Lamp Filler
10	6501 477	4			RETAINER
11	6029 939	2			PLUG
12		4		21	SCREW, Not Serviced
13		4		21	SCREW, Not Serviced
14		2		21	SCREW, Not Serviced
15	4206 243	2		21	PIN, Deck Lid
16	6101 283	2		21	U-NUT
17	6022 149	2		21	NUT
18	4337 874	AR		21	BUMPER, Deck Lid
19	6101 445	2		21	NUT
20	4371 482-3	1		21	HINGE, Deck Lid
21	4490 046-7	1		21	SUPPORT, Deck Lid Hinge To Shelf Panel
22	4440 294	2			PLUG, Deck Opening Lower
23	6032 641	2			NUT and WASHER
24	4337 145	AR			SHIM
25	4337 875	1			DOOR, Fuel Filler
26	4337 155	AR			PLATE, Fuel Filler Door
27	4337 144	2			BUMPER
28		8			SCREW, Not Serviced
29	4371 598-9	1			SHIELD, Rear w/House Inner Panel
30		2			SCREW and WASHER, Not Serviced
31	4378 085	1			STRIKER, Deck Lid

MODEL CODES

C BODY = (D41 - DYNASTY)(C41 - NEW YORKER)
 E BODY = (J - CARAVELLE)(E - 600)(T - NEW YORKER TURBO)
 G BODY = (V24 - DAYTONA, PACIFICA & SHELBY)
 H BODY = (D44 - LANCER)(C44 - LEBARON GTS)
 J BODY = (C - LEBARON)
 K BODY = (P - RELIANT)(D - ARIES)(C - LEBARON/ TOWN & COUNTRY)

L BODY = (M - HORIZON)(Z-OMNI)
 M BODY = (B - GRAN FURY)(G - DIPLOMAT)(F - FIFTH AVENUE/NEWPORT)
 P BODY = (P - SUNDANCE)(D - SHADOW)
 Q BODY = (C27 - MASERATI)
 S BODY = (H - VOYAGER)(K - RAM VAN/ CARAVAN)

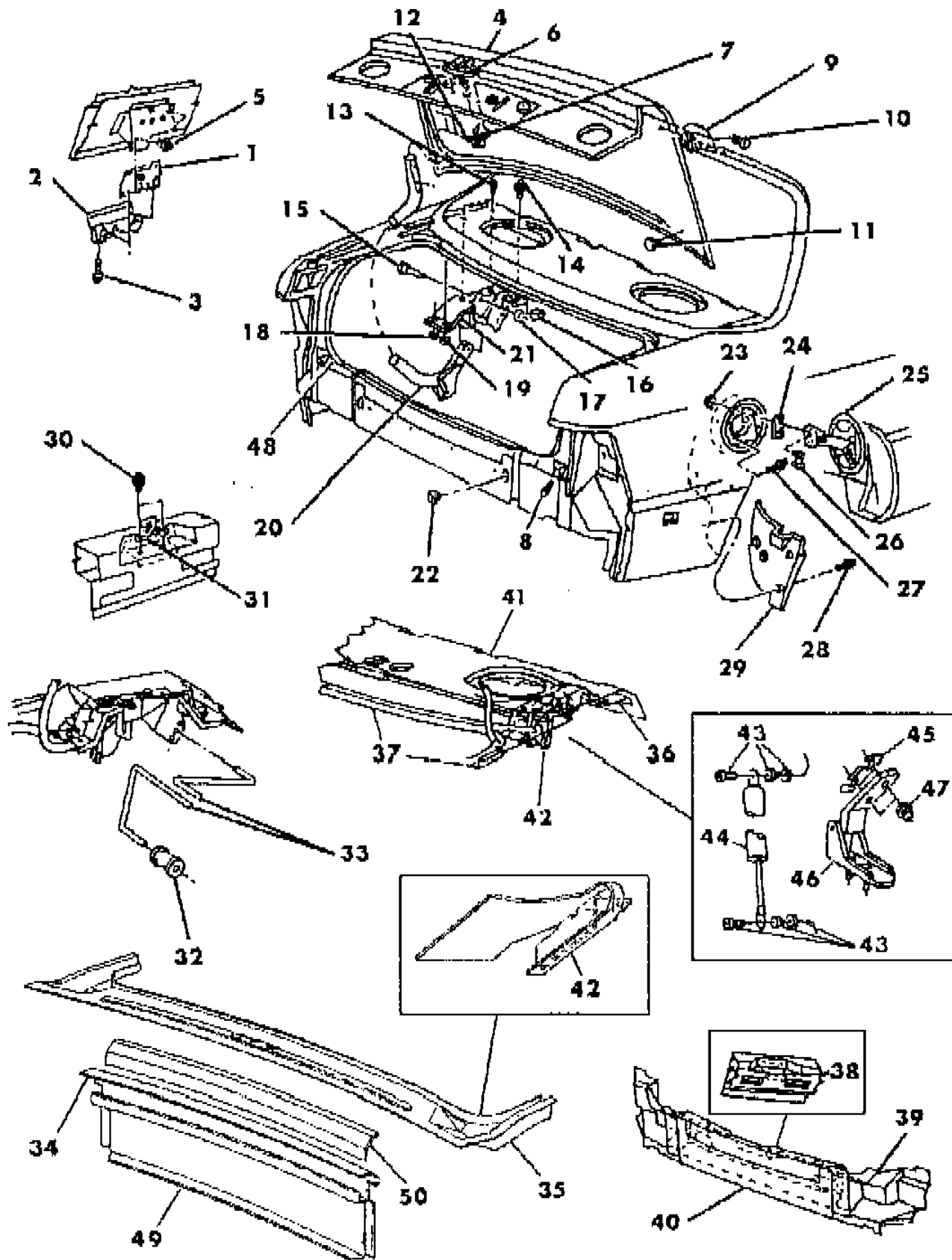
BODY STYLES

12-52 = FWD VAN & WAGON STD. W.B. 27 = 2-DOOR CONVERTIBLE
 13-53 = FWD VAN & WGN EXT W.B. 41 = 4-DOOR SEDAN
 21 = 2-DOOR SEDAN 44 = 4-DOOR HATCHBACK
 24 = 2-DOOR HATCHBACK 45 = 4-DOOR STATION WAGON

AR = Use as Required - = Non Illustrated Part P.A.R. = Paint as Required

LIFTGATE PANEL J BODY
Figure 23A-5100

88169 5100B



ITEM	PART NUMBER	QTY	BODY	MODEL	DESCRIPTION
32	4416 514	2			ROLLER, Deck Lid Torsion Bar
33	4371 484-5	1			BAR, Deck Lid Hinge Torsion
34	4440 139	1	27		TROUGH, Deck Opening Upper Panel Drain
35	4440 137	1	27		TROUGH, Deck Opening Upper Drain
36	4341 692	1			REINFORCEMENT, Shelf Panel Front
37	4440 474	1	21		TROUGH, Deck Opening Upper Drain
38	4386 086	1			REINFORCEMENT, Deck Opening Lower Panel Striker
39	4341 690	1			REINFORCEMENT, Opening Lower Panel
40	4341 681	1			PANEL, Deck Opening Lower
41		1			PANEL, Not Serviced
42	4440 260-1	1	27		BRACKET, Door Opening Upper Panel Prop
43		AR	27		SCREW and WASHER, Not Serviced
44	4416 914	2	27		PROP
45		AR	27		SHIM, Not Serviced
46	4416 156	2	27		HINGE ASSEMBLY
47	6500 284	4	27		NUT and WASHER
48	4386 818	1			WEATHERSTRIP, Deck Lid Opening
49	4440 332	1	27		PANEL, Deck Lid Opening Upper Rear
50	4440 152	1	27		BRACE, Deck Opening Drain Trough to Closure Panel

MODEL CODES

C BODY = (D41 - DYNASTY)(C41 - NEW YORKER)
 E BODY = (J - CARAVELLE)(E - 600)(T - NEW YORKER TURBO)
 G BODY = (V24 - DAYTONA, PACIFICA & SHELBY)
 H BODY = (D44 - LANCER)(C44 - LEBARON GTS)
 J BODY = (C - LEBARON)
 K BODY = (P - RELIANT)(D - ARIES)(C - LEBARON/ TOWN & COUNTRY)

L BODY = (M - HORIZON)(Z-OMNI)
 M BODY = (B - GRAN FURY)(G - DIPLOMAT)(F - FIFTH AVENUE/NEWPORT)
 P BODY = (P - SUNDANCE)(D - SHADOW)
 Q BODY = (C27 - MASERATI)
 S BODY = (H - VOYAGER)(K - RAM VAN/ CARAVAN)

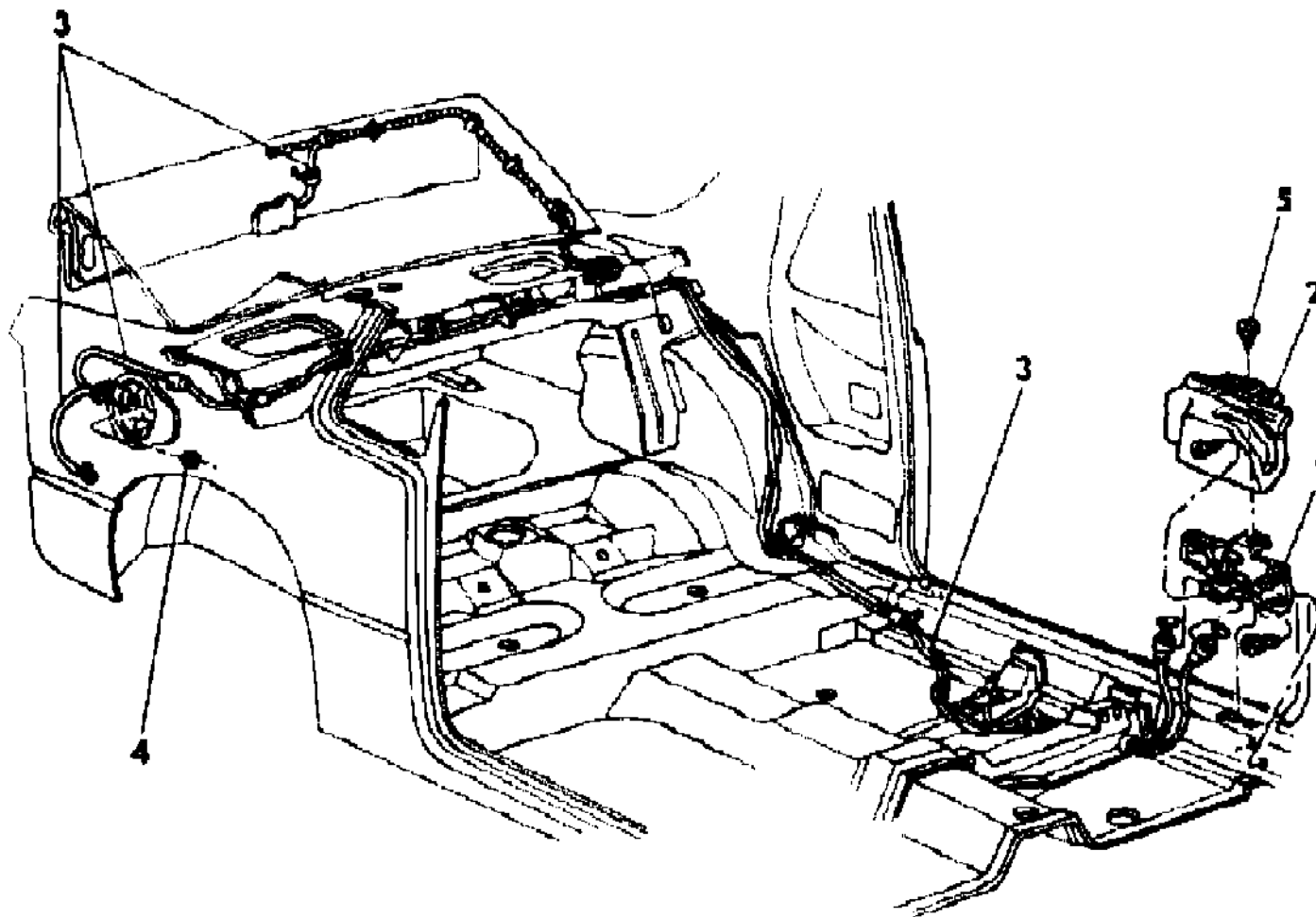
BODY STYLES

12-52 = FWD VAN & WAGON STD. W.B. 27 = 2-DOOR CONVERTIBLE
 13-53 = FWD VAN & WGN EXT W.B. 41 = 4-DOOR SEDAN
 21 = 2-DOOR SEDAN 44 = 4-DOOR HATCHBACK
 24 = 2-DOOR HATCHBACK 45 = 4-DOOR STATION WAGON

AR = Use as Required - = Non Illustrated Part P.A.R. = Paint as Required

FUEL FILLER AND LIFTGATE RELEASE J BODY
Figure 23A-5200

8169 5200



ITEM	PART NUMBER	QTY	BODY	MODEL	DESCRIPTION
1	4371 488	1			HANDLE, Fuel Filler and Liftgate Remote Release
2	S990 GR8	1			COVER Red
	S990 GL7				Taupe
	S990 DS8				Charcoal
	S990 FC5				Blue
3	4414 741	1		21	CABLE and WIRING ASSEMBLY
	4414 743	1		27	
	4371 600	1		21	CABLE, Deck Latch Release
	4416 393	1		27	
	4416 757	1		21	CABLE, Fuel Filler Release
	4416 389	1		27	
4		1			NUT, Not Serviced
5	6032 456	3			CLIP

MODEL CODES

C BODY = (D41 - DYNASTY)(C41 - NEW YORKER)	L BODY = (M - HORIZON)(Z-OMNI)
E BODY = (J - CARAVELLE)(E - 600)(T - NEW YORKER TURBO)	M BODY = (B - GRAN FURY)(G - DIPLOMAT)(F - FIFTH AVENUE/NEWPORT)
G BODY = (V24 - DAYTONA, PACIFICA & SHELBY)	P BODY = (P - SUNDANCE)(D - SHADOW)
H BODY = (D44 - LANCER)(C44 - LEBARON GTS)	Q BODY = (C27 - MASERATI)
J BODY = (C - LEBARON)	S BODY = (H - VOYAGER)(K - RAM VAN/ CARAVAN)
K BODY = (P - RELIANT)(D - ARIES)(C - LEBARON/ TOWN & COUNTRY)	

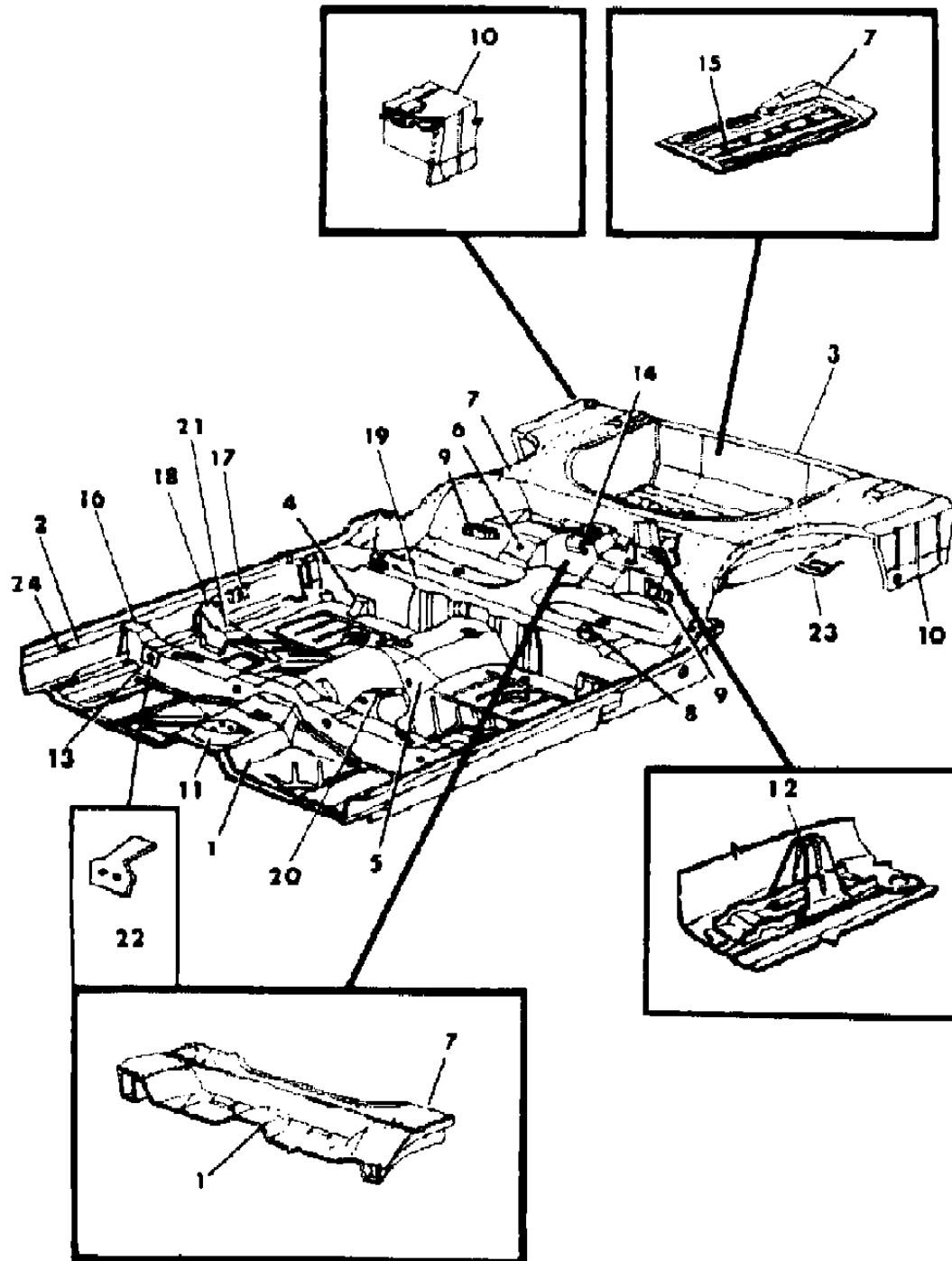
BODY STYLES

12-52 = FWD VAN & WAGON STD. W.B.	27 = 2-DOOR CONVERTIBLE
13-53 = FWD VAN & WGN EXT W.B.	41 = 4-DOOR SEDAN
21 = 2-DOOR SEDAN	44 = 4-DOOR HATCHBACK
24 = 2-DOOR HATCHBACK	45 = 4-DOOR STATION WAGON

AR = Use as Required - = Non Illustrated Part P.A.R. = Paint as Required

FLOOR PAN K,E BODY
Figure 23A-7300

8169 7300



ITEM	PART NUMBER	QTY	BODY	MODEL	DESCRIPTION
1	4371 990	1		P,D,C	PAN, Front Floor
	4371 989	1		J,E,T	
2	4337 078-9	1		P,D,C	PANEL, Body Side Sill Inner
	4337 916-7	1		J,E,T	
	4337 540-1	1		21	PANEL, Body Side Sill Outer
	4337 526-7	1		41,45	PANEL, Body Side Sill
	4416 178-9	1		E	PANEL, Body Sill Outer
3	4325 902	1			CROSSMEMBER, Rear Floor Pan Rear
4	4475 220-1	1			BRACKET, Front Floor Pan Lift Hoisting
5	4314 259	2			REINFORCEMENT, Front Floor Pan Front Seat Belt Inner Mounting
6	4314 260	2			REINFORCEMENT, Front Floor Pan Rear Seat Belt Inner Mounting
7	4314 934	1		P,D,C	PAN, Rear Floor
	4314 936	1		J,E,T	
8	4134 647	2		P,D,C	RETAINER, Front Floor Pan Rear Seat Cushion
	4206 904	2		J,E,T	
9	4134 938-9	1		21,41	BRACKET, Front Floor Pan Rear Seat Back Mounting
10	4134 674-5	1		P,D,C	EXTENSION, Rear Floor Pan Side
	4416 594-5	1		J,E,T	
11	4337 549	1			BRACKET, Console Mounting
12	4416 774	1		exc. 45	BRACKET, Front Floor Pan Jack Stowage
	4416 775	1		45	BRACKET, Rear Floor Pan Jack Stowage
13	4371 236	2			REINFORCEMENT, Front Floor Pan
14	4206 216	1		45	SUPPORT, Front Floor Pan Seat Back Center
15	4206 247	1			BRACKET, Spare Wheel Anchor Bolt
16	4325 673	1			CROSSMEMBER, Floor Pan Seat Track Mounting
17	4314 326	2			REINFORCEMENT, Front Seat Belt Outer Anchor
18	4314 494-5	1			REINFORCEMENT, Front Floor Pan Front Seat Rear Outer Attaching
19		1			PLATE, Front Floor Pan Fuel Tank Strap Front Hanger 4314257 Not Serviced
20	4314 502-3	1			REINFORCEMENT, Front Floor Pan Front Seat Rear Inner Attaching, w/Reclining Seats
	4314 866-7	1			REINFORCEMENT, Front Floor Pan Rear Seat Belt Anchor Outer

MODEL CODES

C BODY = (D41 - DYNASTY)(C41 - NEW YORKER)
 E BODY = (J - CARAVELLE)(E - 600)(T - NEW YORKER TURBO)
 G BODY = (V24 - DAYTONA, PACIFICA & SHELBY)
 H BODY = (D44 - LANCER)(C44 - LEBARON GTS)
 J BODY = (C - LEBARON)
 K BODY = (P - RELIANT)(D - ARIES)(C - LEBARON/ TOWN & COUNTRY)

L BODY = (M - HORIZON)(Z-OMNI)
 M BODY = (B - GRAN FURY)(G - DIPLOMAT)(F - FIFTH AVENUE/NEWPORT)
 P BODY = (P - SUNDANCE)(D - SHADOW)
 Q BODY = (C27 - MASERATI)
 S BODY = (H - VOYAGER)(K - RAM VAN/ CARAVAN)

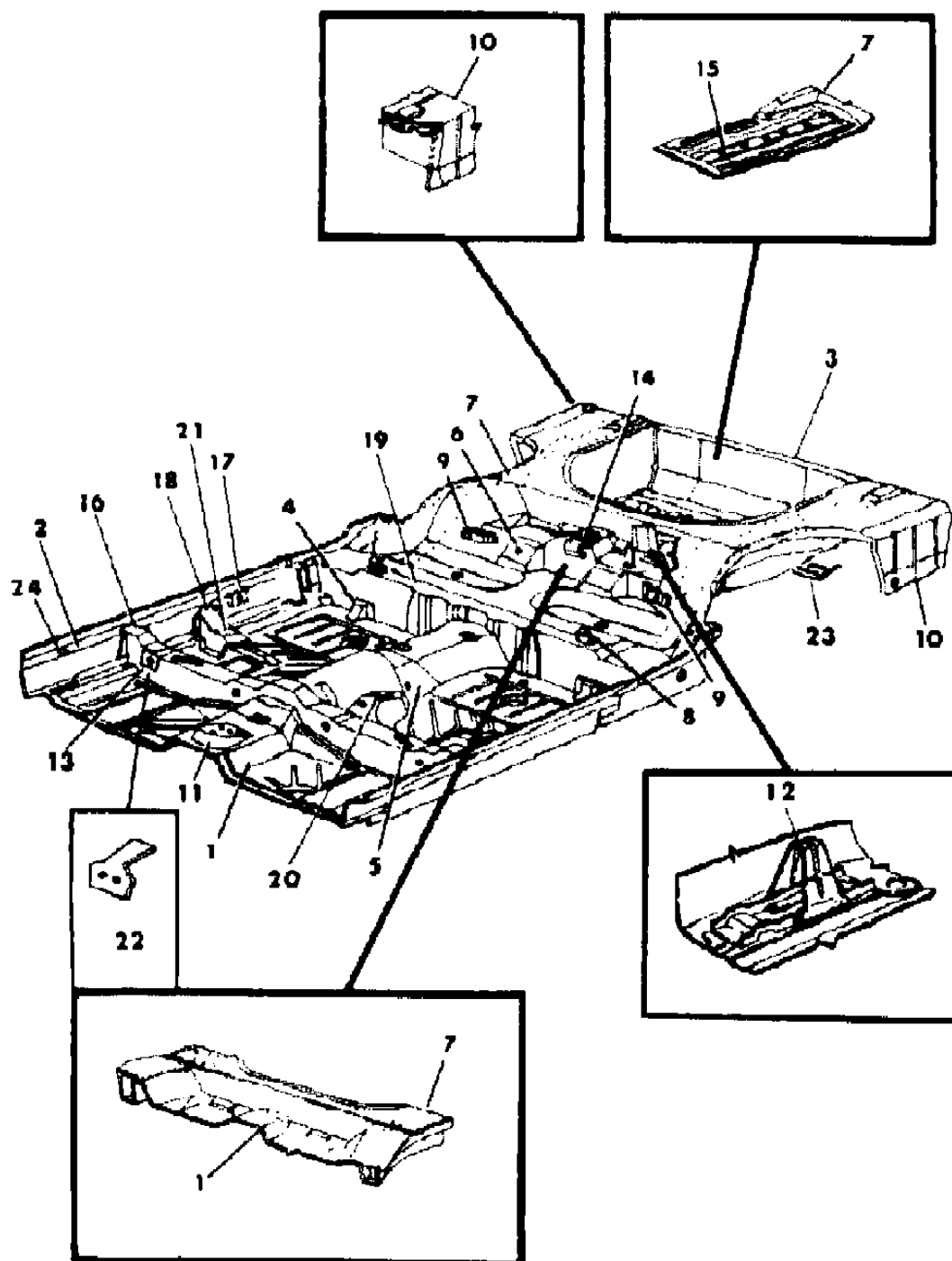
BODY STYLES

12-52 = FWD VAN & WAGON STD. W.B. 27 = 2-DOOR CONVERTIBLE
 13-53 = FWD VAN & WGN EXT W.B. 41 = 4-DOOR SEDAN
 21 = 2-DOOR SEDAN 44 = 4-DOOR HATCHBACK
 24 = 2-DOOR HATCHBACK 45 = 4-DOOR STATION WAGON

AR = Use as Required - = Non Illustrated Part P.A.R. = Paint as Required

FLOOR PAN K,E BODY
Figure 23A-7300

8169 7300



ITEM	PART NUMBER	QTY	BODY	MODEL	DESCRIPTION
21	4278 574	2			PLATE, Front Floor Pan Front Seat Rear Outer Attaching Reinforcement (w/Heavy Service Pkg.)
22	4337 480	2			REINFORCEMENT, Front Floor Pan Seat Track Mounting Crossmember (w/Heavy Service Pkg.)
23	4337 565	1			REINFORCEMENT, Rear Floor Pan Tire Well (w/Heavy Service Package)
24	3794 032	2			SEAL, Side Sill Inner Panel Drain Hole

MODEL CODES

C BODY = (D41 - DYNASTY)(C41 - NEW YORKER)
 E BODY = (J - CARAVELLE)(E - 600)(T - NEW YORKER TURBO)
 G BODY = (V24 - DAYTONA, PACIFICA & SHELBY)
 H BODY = (D44 - LANCER)(C44 - LEBARON GTS)
 J BODY = (C - LEBARON)
 K BODY = (P - RELIANT)(D - ARIES)(C - LEBARON/ TOWN & COUNTRY)

L BODY = (M - HORIZON)(Z-OMNI)
 M BODY = (B - GRAN FURY)(G - DIPLOMAT)(F - FIFTH AVENUE/NEWPORT)
 P BODY = (P - SUNDANCE)(D - SHADOW)
 Q BODY = (C27 - MASERATI)
 S BODY = (H - VOYAGER)(K - RAM VAN/ CARAVAN)

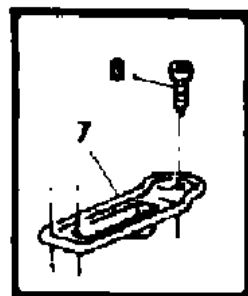
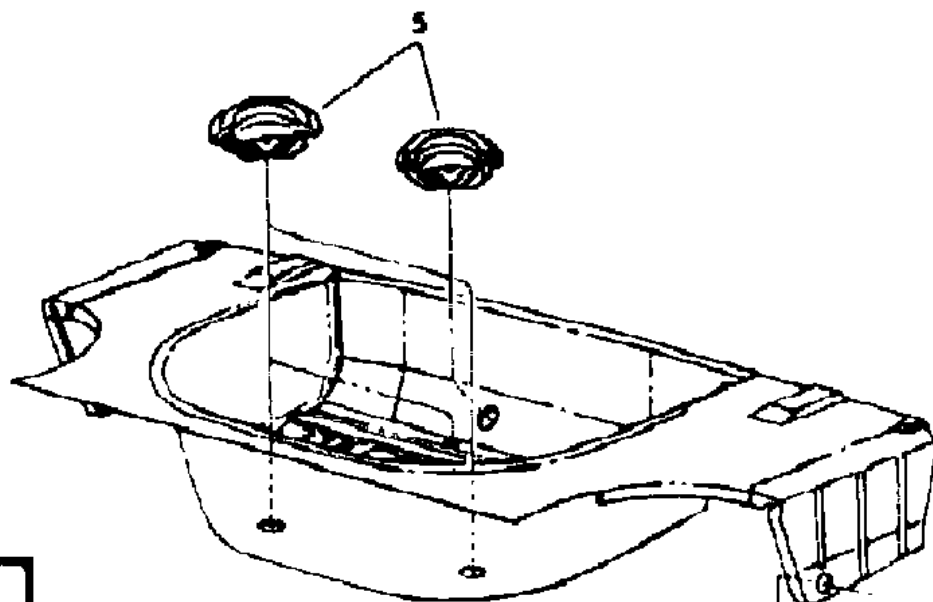
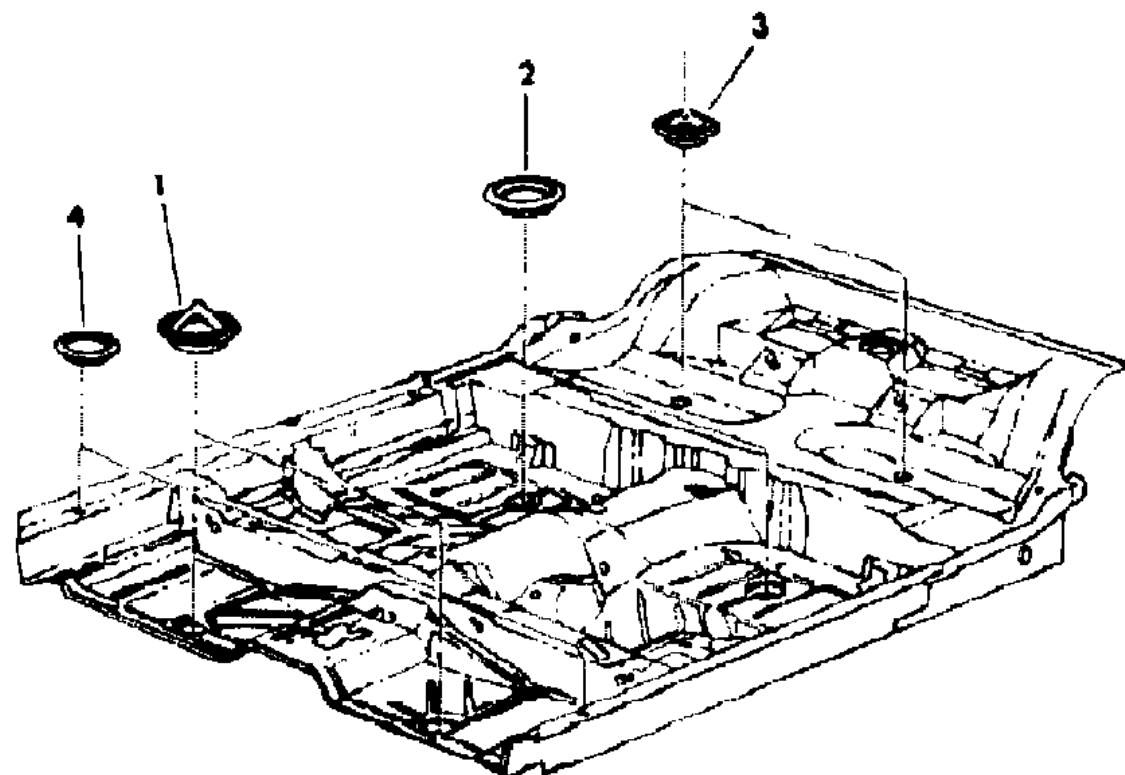
BODY STYLES

12-52 = FWD VAN & WAGON STD. W.B. 27 = 2-DOOR CONVERTIBLE
 13-53 = FWD VAN & WGN EXT W.B. 41 = 4-DOOR SEDAN
 21 = 2-DOOR SEDAN 44 = 4-DOOR HATCHBACK
 24 = 2-DOOR HATCHBACK 45 = 4-DOOR STATION WAGON

AR = Use as Required - = Non Illustrated Part P.A.R. = Paint as Required

PLUGS FLOOR PAN K,E BODY
Figure 23A-7400

8169 7400



ITEM	PART NUMBER	QTY	BODY	MODEL	DESCRIPTION
1	5200 456	2			PLUG
2	2424 864	2			PLUG
3	4073 475	2			PLUG
4	2574 792	2			PLUG
5	6030 773	4			PLUG
6	#4073 485	2			PLUG
7	5200 384	1			SEAL, Front Floor Pan Parking Brake Cable
8	9414 722	3			SCREW, Parking Brake Cable Seal

MODEL CODES

C BODY = (D41 - DYNASTY)(C41 - NEW YORKER)
 E BODY = (J - CARAVELLE)(E - 600)(T - NEW YORKER TURBO)
 G BODY = (V24 - DAYTONA, PACIFICA & SHELBY)
 H BODY = (D44 - LANCER)(C44 - LEBARON GTS)
 J BODY = (C - LEBARON)
 K BODY = (P - RELIANT)(D - ARIES)(C - LEBARON/ TOWN & COUNTRY)
 L BODY = (M - HORIZON)(Z-OMNI)
 M BODY = (B - GRAN FURY)(G - DIPLOMAT)(F - FIFTH AVENUE/NEWPORT)
 P BODY = (P - SUNDANCE)(D - SHADOW)
 Q BODY = (C27 - MASERATI)
 S BODY = (H - VOYAGER)(K - RAM VAN/ CARAVAN)

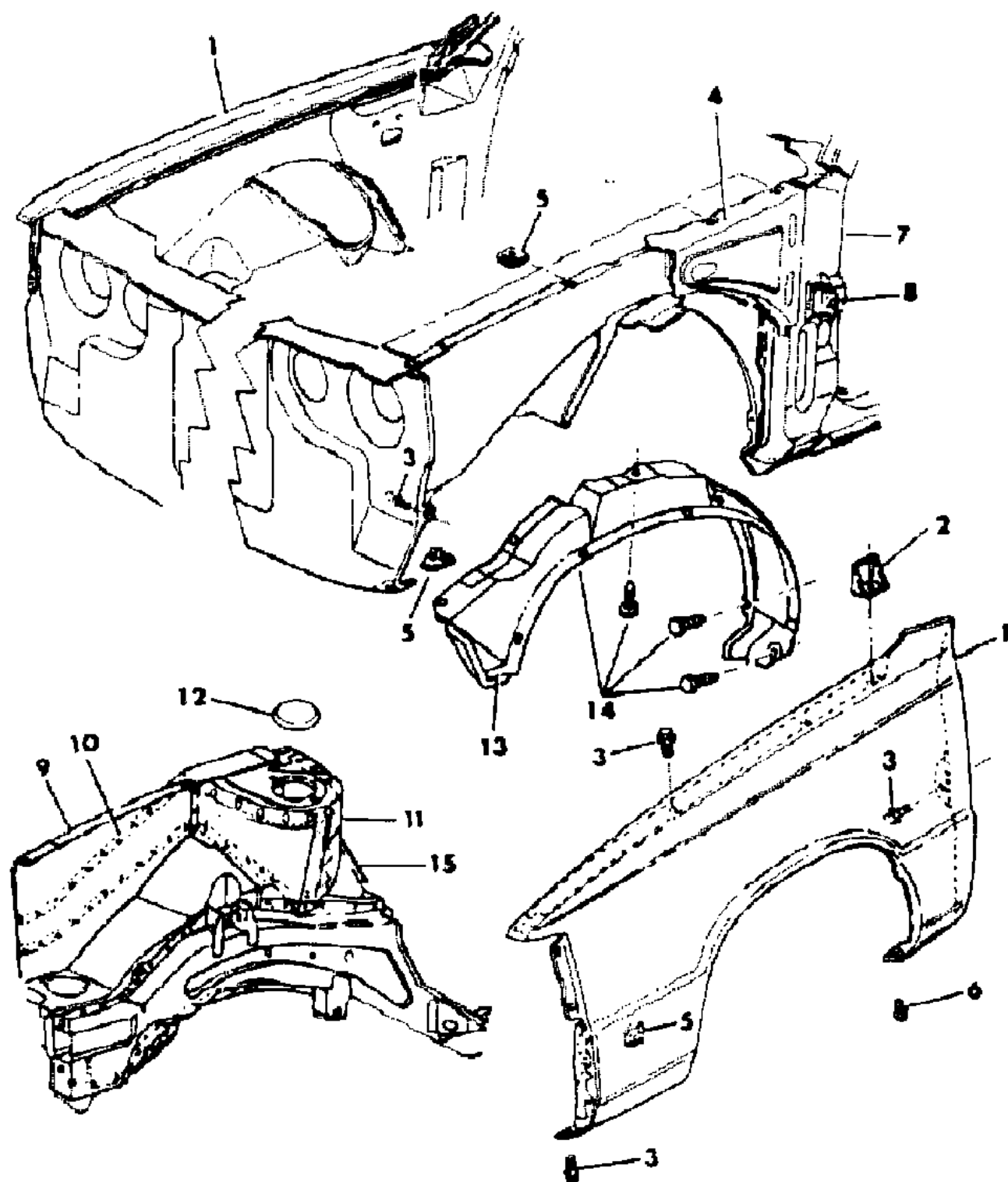
BODY STYLES

12-52 = FWD VAN & WAGON STD. W.B. 27 = 2-DOOR CONVERTIBLE
 13-53 = FWD VAN & WGN EXT W.B. 41 = 4-DOOR SEDAN
 21 = 2-DOOR SEDAN 44 = 4-DOOR HATCHBACK
 24 = 2-DOOR HATCHBACK 45 = 4-DOOR STATION WAGON

AR = Use as Required - = Non Illustrated Part P.A.R. = Paint as Required

FENDER AND SHIELD K,E BODY
Figure 23A-7500

8169 7500



ITEM	PART NUMBER	QTY	BODY	MODEL	DESCRIPTION
1	4342 476-7	1			FENDER, w/o Cornering Lamps
	4411 904-5	1	E	J,E-H	w/Cornering Lamps
	4411 902-3	1	E	T-P	w/Corner Lamps and Side Marker
2	4296 538	2			STABILIZER, Fender To Hood
3	6100 568	AR			SCREW and WASHER
4	4314 183	1			EXTENSION, Iso-Strut Tower To Dash Panel Lt.
	4297 956	1			EXTENSION, w/Reinforcement Strut Tower To Body Front Hinge Pillar Rt.
5	6100 041	AR			U-NUT
6		AR			SCREW and WASHER, Not Serviced
7	4314 272-3	1			PILLAR, Body Front Hinge
8	4206 553	2			SUPPORT, Body Front Hinge Pillar To Fender
9					PANEL, Front Fender Shield
	4440 553	1			Left
	4440 570	1			Right
					REINFORCEMENT, Fender Side Shield Panel Battery Tray (Serviced In Item 9)
10	4440 580-1	1			BEAM, Front Fender Shield Upper Load Path
11	4440 850-1	1			TOWER, Front Suspension Iso-Strut Mounting
12	4341 714	2			CAP, Frt. Susp. Isolator Strut Mounting Tower
13	4103 308-9	1	K	P,D	SHIELD, Fender Wheelhouse Splash
	4341 814-5	1		C,J,K,T	
	4386 625	1			SHIELD, Trans. Appearance Lt.
	4386 622	1			SHIELD, Pulley Rt.
14	6030 441	AR			RETAINER
15	4440 934-5	1			EXTENSION, Iso-Strut Tower To Dash Panel

MODEL CODES

C BODY = (D41 - DYNASTY)(C41 - NEW YORKER)
 E BODY = (J - CARAVELLE)(E - 600)(T - NEW YORKER TURBO)
 G BODY = (V24 - DAYTONA, PACIFICA & SHELBY)
 H BODY = (D44 - LANCER)(C44 - LEBARON GTS)
 J BODY = (C - LEBARON)
 K BODY = (P - RELIANT)(D - ARIES)(C - LEBARON/ TOWN & COUNTRY)

L BODY = (M - HORIZON)(Z-OMNI)
 M BODY = (B - GRAN FURY)(G - DIPLOMAT)(F - FIFTH AVENUE/NEWPORT)
 P BODY = (P - SUNDANCE)(D - SHADOW)
 Q BODY = (C27 - MASERATI)
 S BODY = (H - VOYAGER)(K - RAM VAN/ CARAVAN)

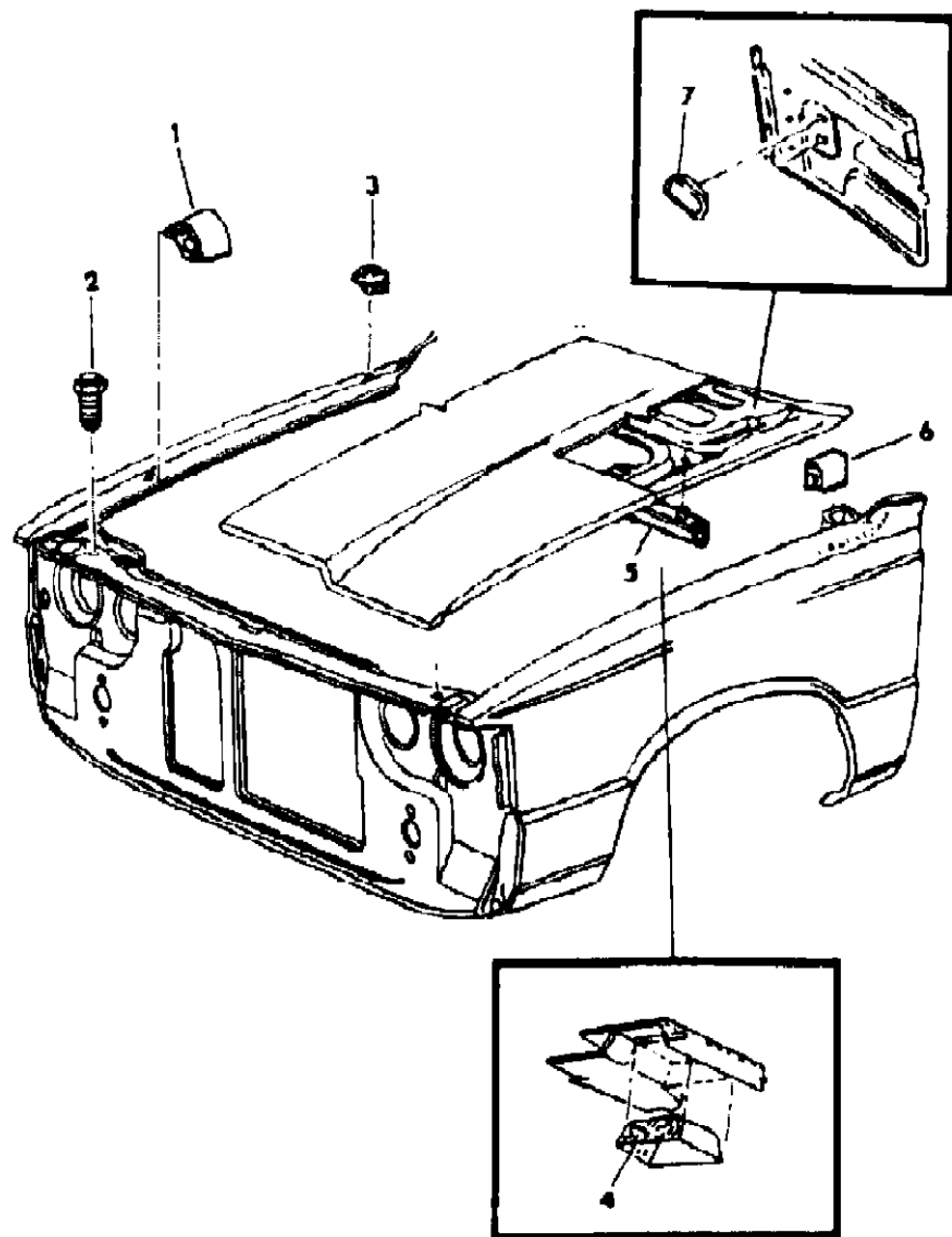
BODY STYLES

12-52 = FWD VAN & WAGON STD. W.B. 27 = 2-DOOR CONVERTIBLE
 13-53 = FWD VAN & WGN EXT W.B. 41 = 4-DOOR SEDAN
 21 = 2-DOOR SEDAN 44 = 4-DOOR HATCHBACK
 24 = 2-DOOR HATCHBACK 45 = 4-DOOR STATION WAGON

AR = Use as Required - = Non Illustrated Part P.A.R. = Paint as Required

BUMPERS AND PLUGS, FENDER, HOOD K,E BODY
Figure 23A-7600

8169 7600



ITEM	PART NUMBER	QTY	BODY	MODEL	DESCRIPTION
1	5201 343	2			BUMPER, Fender Hood Side
2	4103 165	2			BUMPER, Crossmember To Hood
3	4222 731	1			PLUG, Fender Antenna Hole
	4341 376	1			PLUG, Front Fender Side Shield Lt.
4	4103 134	2			SEAL, Hood To Cowl
5	4475 209	1			SEAL, Dash Panel To Hood
6		2			BUMPER, Not Serviced
7	2895 126	4			PLUG, Hood Inner Panel Sealing

MODEL CODES

C BODY = (D41 - DYNASTY)(C41 - NEW YORKER)	L BODY = (M - HORIZON)(Z-OMNI)
E BODY = (J - CARAVELLE)(E - 600)(T - NEW YORKER TURBO)	M BODY = (B - GRAN FURY)(G - DIPLOMAT)(F - FIFTH AVENUE/NEWPORT)
G BODY = (V24 - DAYTONA, PACIFICA & SHELBY)	P BODY = (P - SUNDANCE)(D - SHADOW)
H BODY = (D44 - LANCER)(C44 - LEBARON GTS)	Q BODY = (C27 - MASERATI)
J BODY = (C - LEBARON)	S BODY = (H - VOYAGER)(K - RAM VAN/ CARAVAN)
K BODY = (P - RELIANT)(D - ARIES)(C - LEBARON/ TOWN & COUNTRY)	

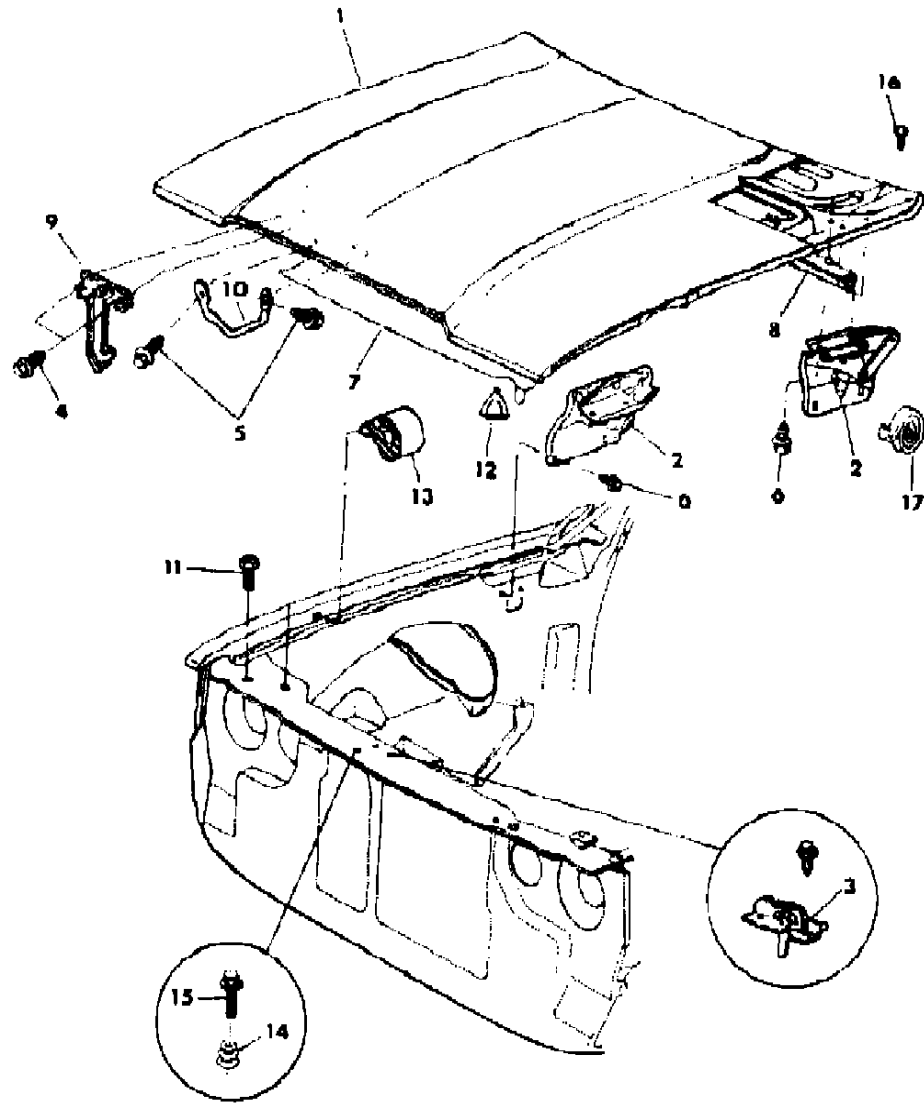
BODY STYLES

12-52 = FWD VAN & WAGON STD. W.B.	27 = 2-DOOR CONVERTIBLE
13-53 = FWD VAN & WGN EXT W.B.	41 = 4-DOOR SEDAN
21 = 2-DOOR SEDAN	44 = 4-DOOR HATCHBACK
24 = 2-DOOR HATCHBACK	45 = 4-DOOR STATION WAGON

AR = Use as Required - = Non Illustrated Part P.A.R. = Paint as Required

HOOD K,E BODY
Figure 23A-7700

8169 7700



ITEM	PART NUMBER	QTY	BODY	MODEL	DESCRIPTION
1	4440 362	1		P,D	HOOD
	4440 360	1		C,J,E,T	
2	4440 544-5	1			HINGE, Hood
3	5232 057	1			LATCH, Hood
4		AR			SCREW and WASHER, Not Serviced
5		AR			SCREW and WASHER, Not Serviced
6		AR			SCREW and WASHER, Not Serviced
7	4049 601	1			SILENCER, Hood Inner Panel Cut To Fit 36" x 72"
8	4475 209	1			SEAL, Dash Panel To Hood
9	4103 194	1			CATCH, Hood Safety
10	4296 046	1			STRIKER, Hood Latch
11	4103 165	2			BUMPER, Crossmember To Hood
12	4341 060	AR			FASTENER, Hood Inner Panel Silencer
	6003 423	4			FASTENER, Hood Silencer To Shield
13	5201 343	2			BUMPER, Fender Hood Side
14	4103 288	1			SPRING, Hood Pop-Up
15	6500 191	AR			SCREW and WASHER
16	3759 944	11			RETAINER, Dash Panel To Hood Seal
17	4270 152	2			SPRING, Hood Hinge

MODEL CODES

C BODY = (D41 - DYNASTY)(C41 - NEW YORKER)
 E BODY = (J - CARAVELLE)(E - 600)(T - NEW YORKER TURBO)
 G BODY = (V24 - DAYTONA, PACIFICA & SHELBY)
 H BODY = (D44 - LANCER)(C44 - LEBARON GTS)
 J BODY = (C - LEBARON)
 K BODY = (P - RELIANT)(D - ARIES)(C - LEBARON/ TOWN & COUNTRY)

L BODY = (M - HORIZON)(Z-OMNI)
 M BODY = (B - GRAN FURY)(G - DIPLOMAT)(F - FIFTH AVENUE/NEWPORT)
 P BODY = (P - SUNDANCE)(D - SHADOW)
 Q BODY = (C27 - MASERATI)
 S BODY = (H - VOYAGER)(K - RAM VAN/ CARAVAN)

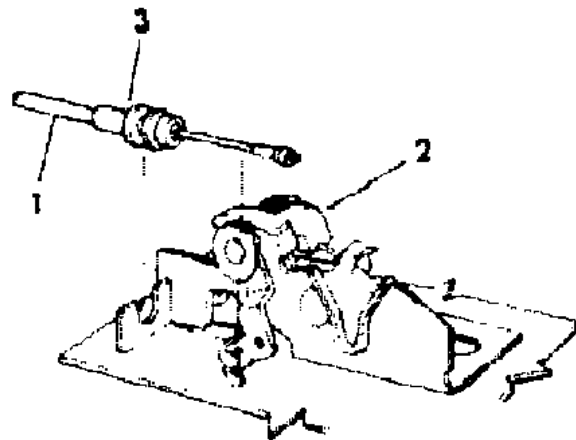
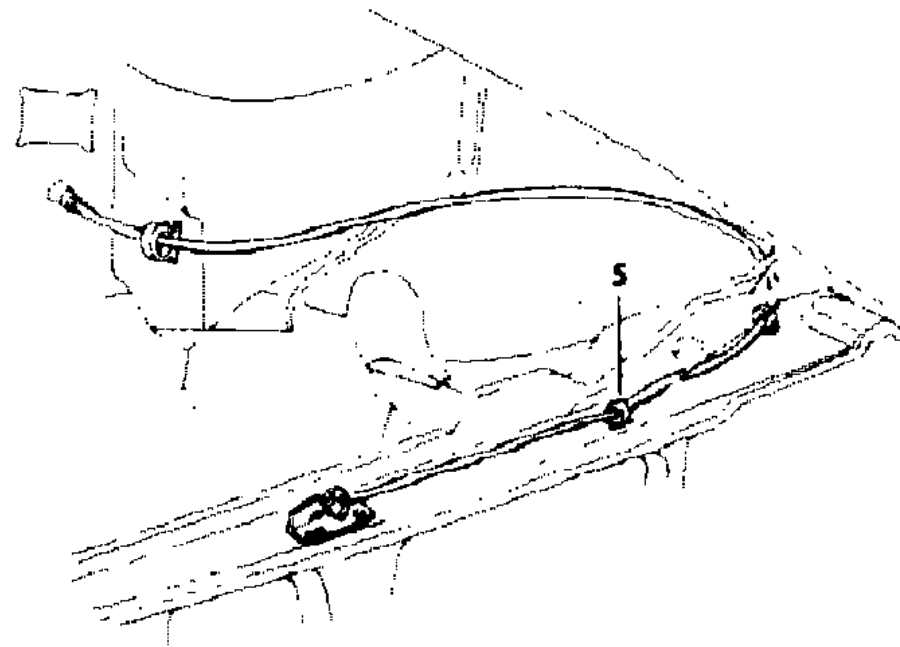
BODY STYLES

12-52 = FWD VAN & WAGON STD. W.B. 27 = 2-DOOR CONVERTIBLE
 13-53 = FWD VAN & WGN EXT W.B. 41 = 4-DOOR SEDAN
 21 = 2-DOOR SEDAN 44 = 4-DOOR HATCHBACK
 24 = 2-DOOR HATCHBACK 45 = 4-DOOR STATION WAGON

AR = Use as Required - = Non Illustrated Part P.A.R. = Paint as Required

HOOD RELEASE REMOTE CONTROL K,E BODY
Figure 23A-7800

8169 7800



ITEM	PART NUMBER	QTY	BODY	MODEL	DESCRIPTION
1	4172 527	1			RELEASE, Inside Hood Latch
2	5232 057	1			LATCH, Hood Inside Release
3	5207 294	1			GROMMET, Instrument Panel Hood Latch Release Cable
4		AR			SCREW, Not Serviced
5		2			CLIP, Not Serviced
6	5207 447	1			SPRING, Hood Latch Inside Release Lever

MODEL CODES

C BODY = (D41 - DYNASTY)(C41 - NEW YORKER)
 E BODY = (J - CARAVELLE)(E - 600)(T - NEW YORKER TURBO)
 G BODY = (V24 - DAYTONA, PACIFICA & SHELBY)
 H BODY = (D44 - LANCER)(C44 - LEBARON GTS)
 J BODY = (C - LEBARON)
 K BODY = (P - RELIANT)(D - ARIES)(C - LEBARON/ TOWN & COUNTRY)

L BODY = (M - HORIZON)(Z-OMNI)
 M BODY = (B - GRAN FURY)(G - DIPLOMAT)(F - FIFTH AVENUE/NEWPORT)
 P BODY = (P - SUNDANCE)(D - SHADOW)
 Q BODY = (C27 - MASERATI)
 S BODY = (H - VOYAGER)(K - RAM VAN/ CARAVAN)

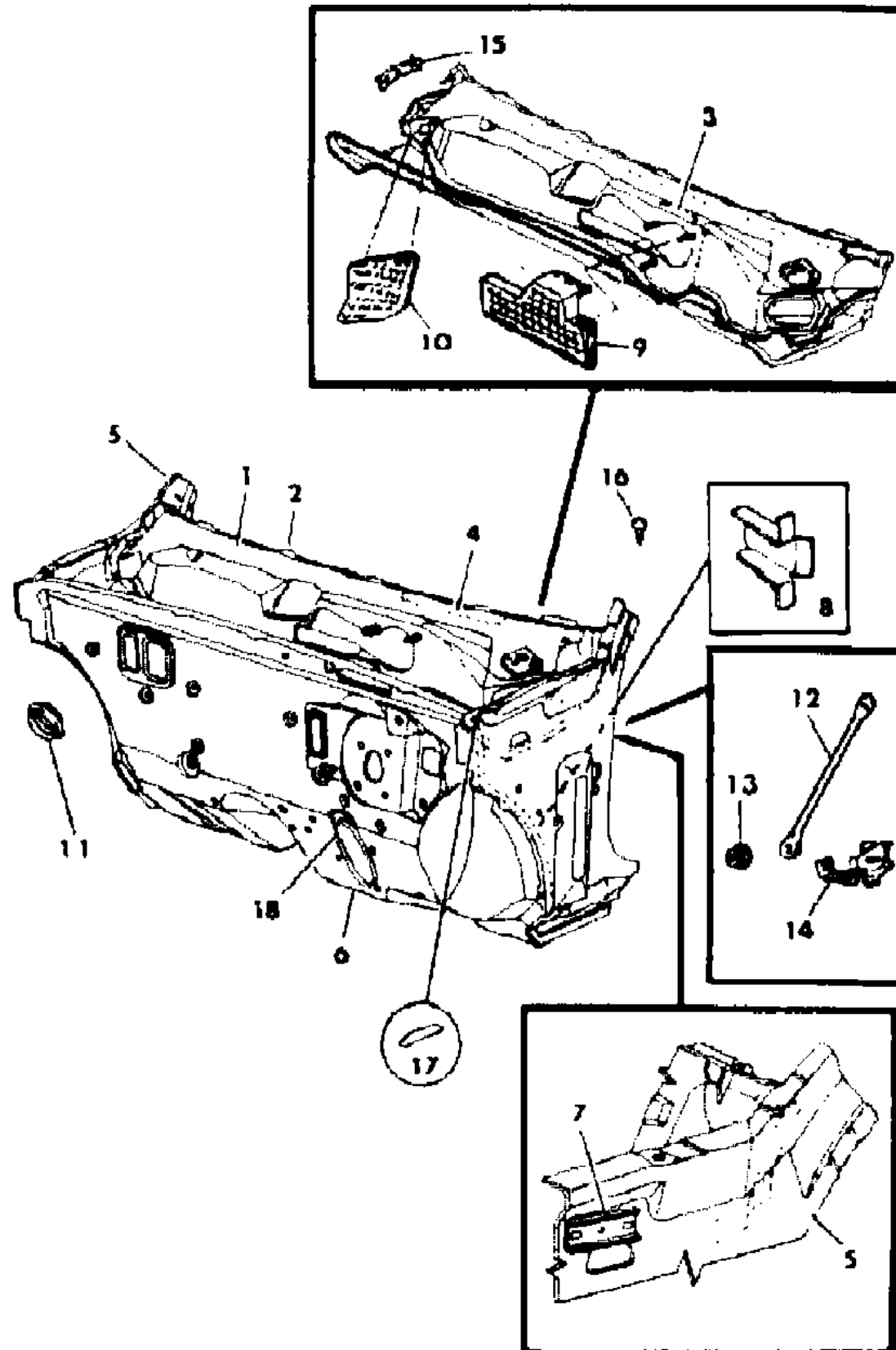
BODY STYLES

12-52 = FWD VAN & WAGON STD. W.B.	27 = 2-DOOR CONVERTIBLE
13-53 = FWD VAN & WGN EXT W.B.	41 = 4-DOOR SEDAN
21 = 2-DOOR SEDAN	44 = 4-DOOR HATCHBACK
24 = 2-DOOR HATCHBACK	45 = 4-DOOR STATION WAGON

AR = Use as Required - = Non Illustrated Part P.A.R. = Paint as Required

COWL AND DASH PANEL K,E BODY
Figure 23A-7900

8169 7900



ITEM	PART NUMBER	QTY	BODY	MODEL	DESCRIPTION
1	4371 428	1			PANEL, Cowl Top
2	4371 794	1			PANEL, Cowl Plenum
3	4371 696	1			REINFORCEMENT, Cowl Top Wiper Motor Mounting
4	4278 589	1			SUPPORT, Cowl Plenum Steering Column Bracket
5	4416 758-9	1			PANEL, Cowl Side
6	4416 412	1			PANEL, Dash
7	4386 741	2			REINFORCEMENT, Hood Hinge
8	4206 641	1			BRACKET, Dash Panel To Plenum Panel Brace Mounting Lt.
9	4198 378	1			SCREEN, Cowl Plenum
10					SCREEN, Cowl Plenum Top
	4314 618	1			Right
	4314 477	1			Left
11	2483 571	1			PLUG, 2.5 Dia. w/o Turbo
12	4314 879	1			BRACE, Dash To Plenum Panel Lt.
13	6500 532	2			NUT, w/Washer Dash Panel To Planum Lt.
14		AR			CLIP, Hood Release Cable Not Serviced
15	4337 341	1			SEAL, w/Retainer Cowl Plenum To Cowl Lt.
	4337 342	1			Right
16	3759 944	6			RETAINER, Cowl Plenum To Cowl Side Seal
17	4198 305	2			SEAL, Cowl Side To Cowl Plenum Panel
18	4337 274	1			PLATE, Dash Panel Accelerator (w/Heavy Service Pkg.)

MODEL CODES

C BODY = (D41 - DYNASTY)(C41 - NEW YORKER)
 E BODY = (J - CARAVELLE)(E - 600)(T - NEW YORKER TURBO)
 G BODY = (V24 - DAYTONA, PACIFICA & SHELBY)
 H BODY = (D44 - LANCER)(C44 - LEBARON GTS)
 J BODY = (C - LEBARON)
 K BODY = (P - RELIANT)(D - ARIES)(C - LEBARON/ TOWN & COUNTRY)

L BODY = (M - HORIZON)(Z-OMNI)
 M BODY = (B - GRAN FURY)(G - DIPLOMAT)(F - FIFTH AVENUE/NEWPORT)
 P BODY = (P - SUNDANCE)(D - SHADOW)
 Q BODY = (C27 - MASERATI)
 S BODY = (H - VOYAGER)(K - RAM VAN/ CARAVAN)

BODY STYLES

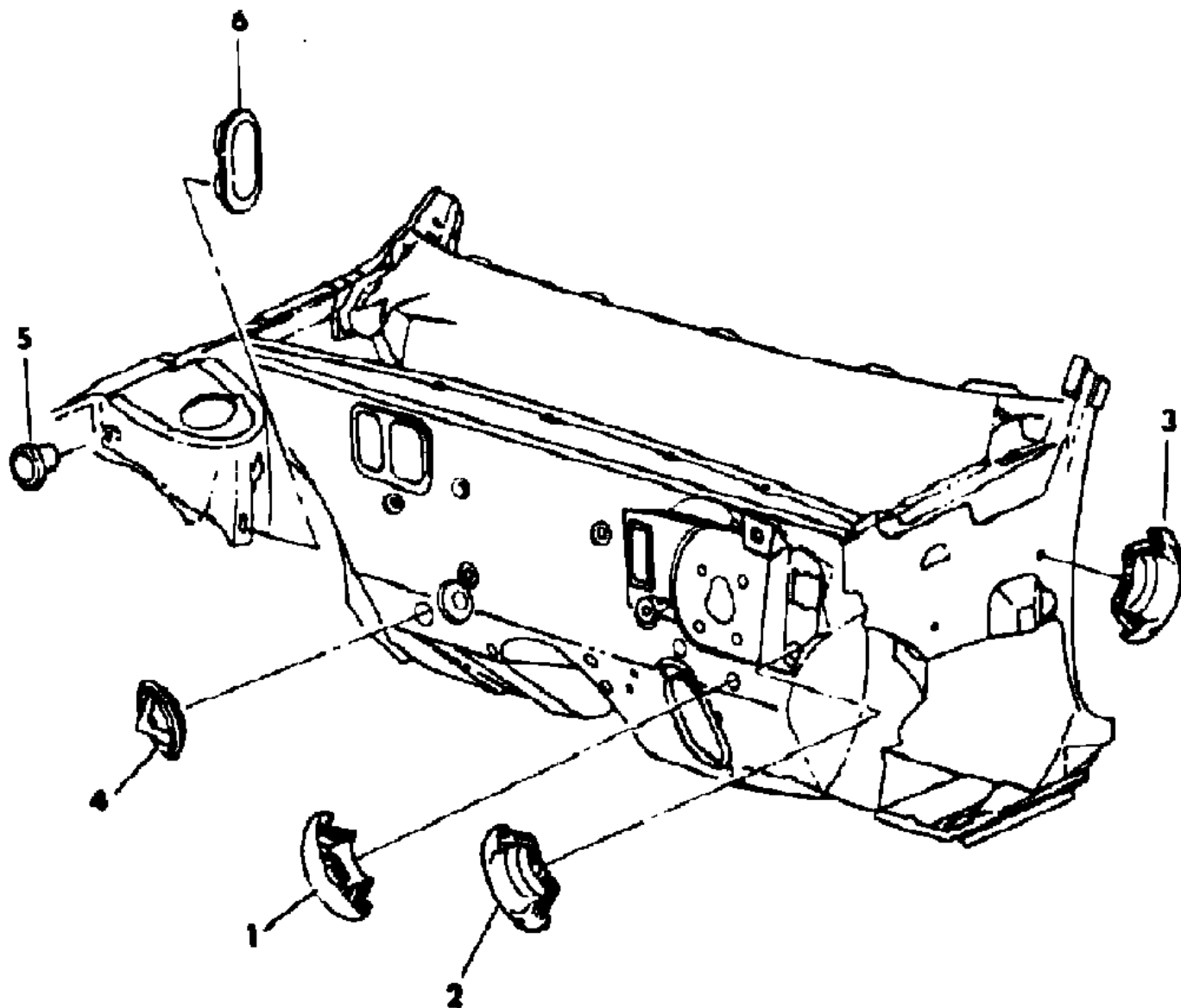
12-52 = FWD VAN & WAGON STD. W.B. 27 = 2-DOOR CONVERTIBLE
 13-53 = FWD VAN & WGN EXT W.B. 41 = 4-DOOR SEDAN
 21 = 2-DOOR SEDAN 44 = 4-DOOR HATCHBACK
 24 = 2-DOOR HATCHBACK 45 = 4-DOOR STATION WAGON

AR = Use as Required - = Non Illustrated Part P.A.R. = Paint as Required

PLUGS COWL AND DASH K,E BODY
Figure 23A-8000

8169 8000

ITEM	PART NUMBER	QTY	BODY	MODEL	DESCRIPTION
1	3445 939	1			PLUG, .906" Dia./23 mm
2	2860 332	1			PLUG, Hood Release Cable
3	2860 332	1			PLUG, Antenna Hole
4	5200 456	1			PLUG, Drain Hole
5	2423 737	1			PLUG, Strut Mounting Tower Lt.
6	4386 178	1			PLUG, Front Sunsp., Strut Mounting Tower Hole
	4206 515	1			PLUG, Dash Panel Wiper Support Attaching Hole



MODEL CODES

C BODY = (D41 - DYNASTY)(C41 - NEW YORKER)	L BODY = (M - HORIZON)(Z-OMNI)
E BODY = (J - CARAVELLE)(E - 600)(T - NEW YORKER TURBO)	M BODY = (B - GRAN FURY)(G - DIPLOMAT)(F - FIFTH AVENUE/NEWPORT)
G BODY = (V24 - DAYTONA, PACIFICA & SHELBY)	P BODY = (P - SUNDANCE)(D - SHADOW)
H BODY = (D44 - LANCER)(C44 - LEBARON GTS)	Q BODY = (C27 - MASERATI)
J BODY = (C - LEBARON)	S BODY = (H - VOYAGER)(K - RAM VAN/ CARAVAN)
K BODY = (P - RELIANT)(D - ARIES)(C - LEBARON/ TOWN & COUNTRY)	

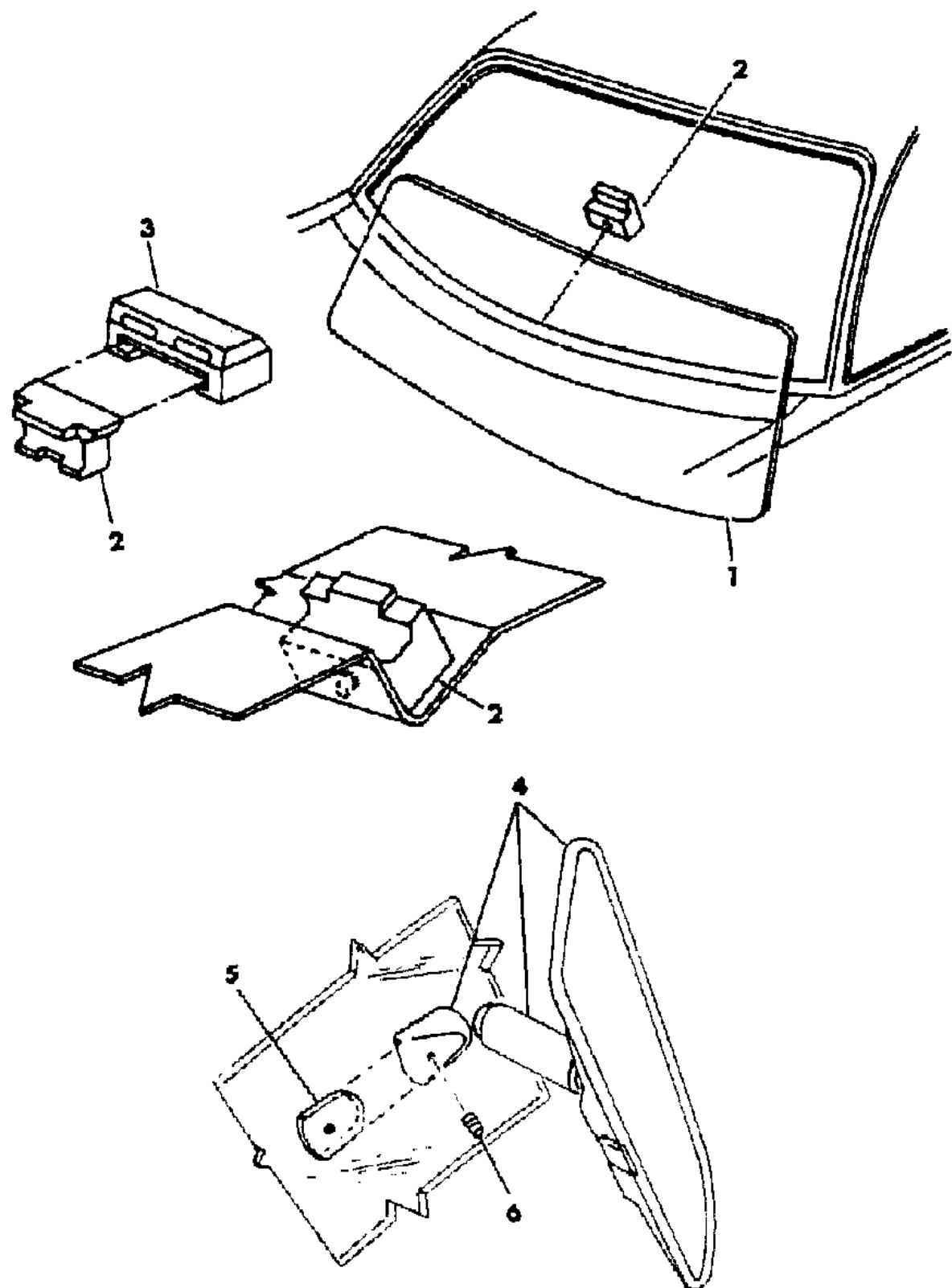
BODY STYLES

12-52 = FWD VAN & WAGON STD. W.B.	27 = 2-DOOR CONVERTIBLE
13-53 = FWD VAN & WGN EXT W.B.	41 = 4-DOOR SEDAN
21 = 2-DOOR SEDAN	44 = 4-DOOR HATCHBACK
24 = 2-DOOR HATCHBACK	45 = 4-DOOR STATION WAGON

AR = Use as Required - = Non Illustrated Part P.A.R. = Paint as Required

GLASS WINDSHIELD AND MIRROR K,E BODY
Figure 23A-8100

8169 8100



ITEM	PART NUMBER	QTY	BODY	MODEL	DESCRIPTION
------	-------------	-----	------	-------	-------------

NOTE: GLASS, WINDSHIELD - ORDER FROM YOUR LOCAL "MOPAR" GLASS DISTRIBUTOR s group.

1	4337 471	1			GLASS, Windshield Clear
	4337 474	1			Tinted
2	4206 543	2			SPACER, Windshield Glass Lower
	4336 513	3	21		SPACER, Windshield Support
3	3767 767	AR			SHIM, Windshield Glass Spacer Lower (0.02" Thick)
	3767 196	AR			(.106" Thick)
4	4082 199	1			MIRROR, Rear View
5	4054 098	1			BUTTON, Rear View Mirror Mounting
	4293 039	1			ADHESIVE PACKAGE, Rear View Mirror Button Mounting (Includes Adhesive & Instructions)
6	6031 094	1			SCREW, Rear View Mirror

NOTE: The following items are not shown on illustration. s group.

PKG A	4267 906	1			REPAIR PACKAGE, Windshield & Rear Window Consists of: 1- ----- Polyurethane, 11.5 Oz. 1- ----- Primer, Fence, 1 Oz. 1- ----- Primer, Wipe Off, 1 Oz. 1- ----- Primer, Blackout 1 Oz. 3- ----- Dabbers 1- ----- Nozzle 1- ----- Instruction Sheet
PKG B	4057 957	1			FIXED GLASS REPAIR PACKAGE Consists of: 1- ----- Tape, Butyl, 171.00" 1- ----- Primer, Glass 1- ----- Primer, Fence 2-Spacer, Rubber, 0.2" 2-Spacer, Rubber, 0.3" 2-Shim 0.07" 2- ----- Sponges, Disposable 1- ----- Instruction Sheet
	3767 767				

MODEL CODES

C BODY = (D41 - DYNASTY)(C41 - NEW YORKER)	L BODY = (M - HORIZON)(Z-OMNI)
E BODY = (J - CARAVELLE)(E - 600)(T - NEW YORKER TURBO)	M BODY = (B - GRAN FURY)(G - DIPLOMAT)(F - FIFTH AVENUE/NEWPORT)
G BODY = (V24 - DAYTONA, PACIFICA & SHELBY)	P BODY = (P - SUNDANCE)(D - SHADOW)
H BODY = (D44 - LANCER)(C44 - LEBARON GTS)	Q BODY = (C27 - MASERATI)
J BODY = (C - LEBARON)	S BODY = (H - VOYAGER)(K - RAM VAN/ CARAVAN)
K BODY = (P - RELIANT)(D - ARIES)(C - LEBARON/ TOWN & COUNTRY)	

BODY STYLES

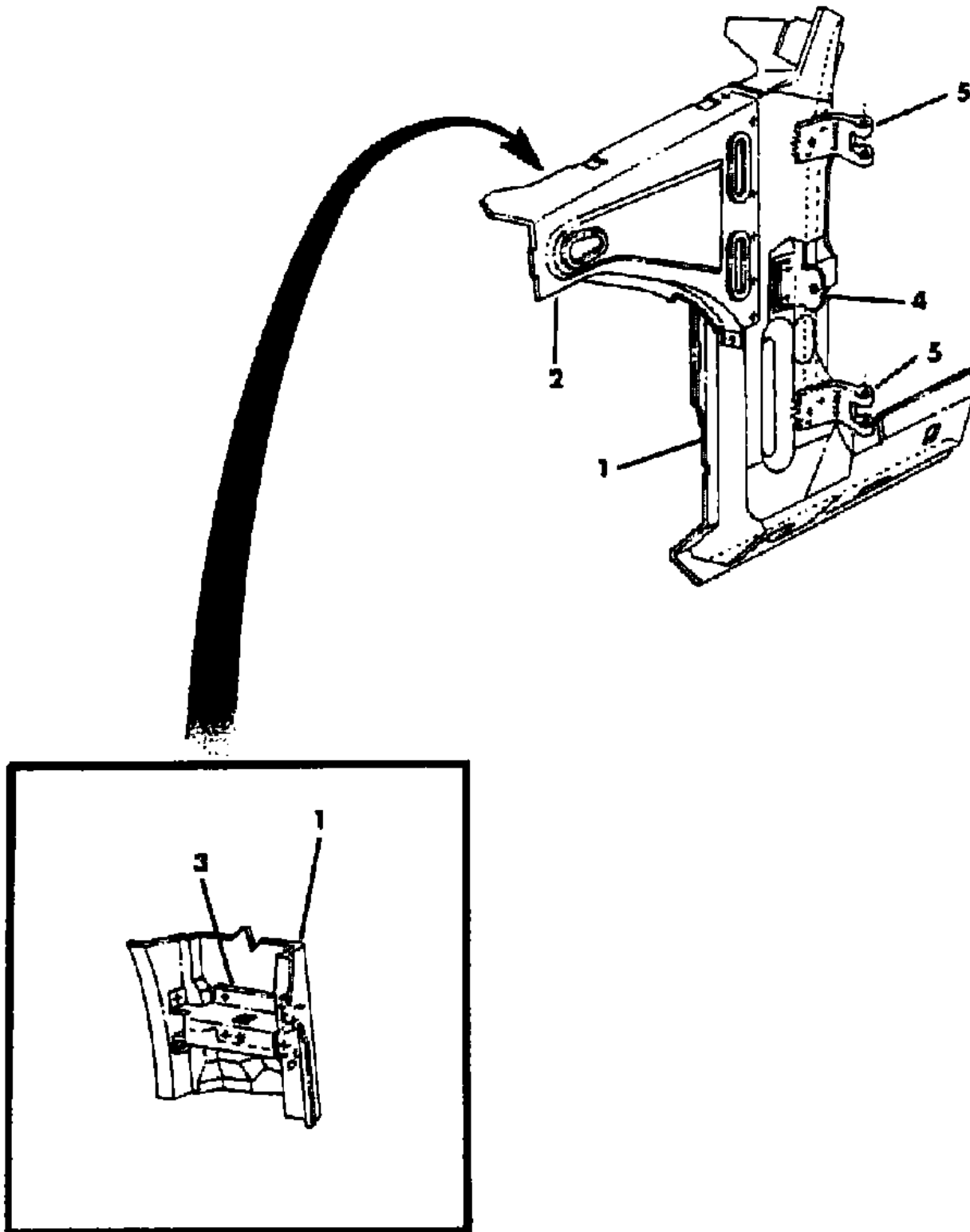
12-52 = FWD VAN & WAGON STD. W.B.	27 = 2-DOOR CONVERTIBLE
13-53 = FWD VAN & WGN EXT W.B.	41 = 4-DOOR SEDAN
21 = 2-DOOR SEDAN	44 = 4-DOOR HATCHBACK
24 = 2-DOOR HATCHBACK	45 = 4-DOOR STATION WAGON

AR = Use as Required - = Non Illustrated Part P.A.R. = Paint as Required

BODY FRONT PILLAR K,E BODY
Figure 23A-8200

8169 8200

ITEM	PART NUMBER	QTY	BODY	MODEL	DESCRIPTION
1	4314 272-3	1			PILLAR, Body Front Hinge
2	4297 956	1			EXTENSION, Strut Tower To Body Front Hinge Pillar Right
	4314 183	1			Left
3	4198 176	1			REINFORCEMENT, Pillar To Cowl Side Parking Brake Bracket Lt.
4	4206 553	2			SUPPORT, Body Front Hinge Pillar To Fender
5		2			HINGE, See Door Illustration



MODEL CODES

C BODY = (D41 - DYNASTY)(C41 - NEW YORKER)
 E BODY = (J - CARAVELLE)(E - 600)(T - NEW YORKER TURBO)
 G BODY = (V24 - DAYTONA, PACIFICA & SHELBY)
 H BODY = (D44 - LANCER)(C44 - LEBARON GTS)
 J BODY = (C - LEBARON)
 K BODY = (P - RELIANT)(D - ARIES)(C - LEBARON/ TOWN & COUNTRY)

L BODY = (M - HORIZON)(Z-OMNI)
 M BODY = (B - GRAN FURY)(G - DIPLOMAT)(F - FIFTH AVENUE/NEWPORT)
 P BODY = (P - SUNDANCE)(D - SHADOW)
 Q BODY = (C27 - MASERATI)
 S BODY = (H - VOYAGER)(K - RAM VAN/ CARAVAN)

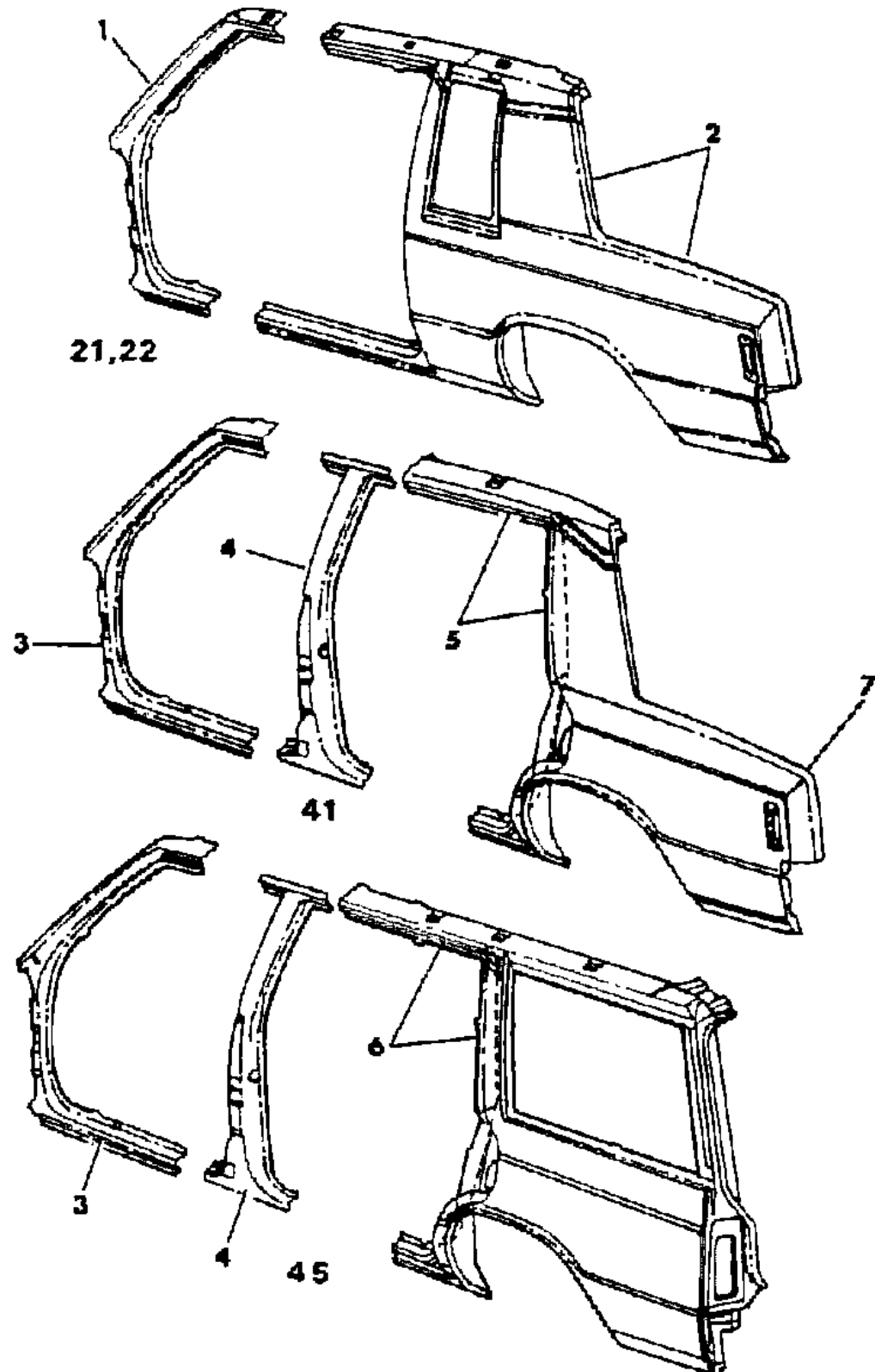
BODY STYLES

12-52 = FWD VAN & WAGON STD. W.B. 27 = 2-DOOR CONVERTIBLE
 13-53 = FWD VAN & WGN EXT W.B. 41 = 4-DOOR SEDAN
 21 = 2-DOOR SEDAN 44 = 4-DOOR HATCHBACK
 24 = 2-DOOR HATCHBACK 45 = 4-DOOR STATION WAGON

AR = Use as Required - = Non Illustrated Part P.A.R. = Paint as Required

APERTURE PANEL K,E BODY
Figure 23A-8300

8169 8300



ITEM	PART NUMBER	QTY	BODY	MODEL	DESCRIPTION
1	4314 446-7	1		21	PANEL, Body Side Aperture Front
2	4371 214-5	1		21	PANEL, Body Side Aperture Rear
3	4314 438-9	1		41,45	PANEL, Body Side Aperture Front
4	4337 088-9	1		P,D,C	PANEL, Body Side Aperture Center
	4314 444-5	1		J,E,T	
5	4314 954-5	1		P,D,C 41	PANEL, Body Side Aperture Rear
	4371 594-5	1		J,E,T	
6	4314 440-1	1		P,D,C-45	PANEL, Body Side Aperture Rear
7	4416 132-3	1		J,E	EXTENSION, Body Side Aperture Rear
	4337 708-9	1		T	
	4337 112-3	1		P,D-21	
	4337 114-5	1		P,D-41	
	4416 128-9	1		C-41	

MODEL CODES

C BODY = (D41 - DYNASTY)(C41 - NEW YORKER)
 E BODY = (J - CARAVELLE)(E - 600)(T - NEW YORKER TURBO)
 G BODY = (V24 - DAYTONA, PACIFICA & SHELBY)
 H BODY = (D44 - LANCER)(C44 - LEBARON GTS)
 J BODY = (C - LEBARON)
 K BODY = (P - RELIANT)(D - ARIES)(C - LEBARON/ TOWN & COUNTRY)

L BODY = (M - HORIZON)(Z-OMNI)
 M BODY = (B - GRAN FURY)(G - DIPLOMAT)(F - FIFTH AVENUE/NEWPORT)
 P BODY = (P - SUNDANCE)(D - SHADOW)
 Q BODY = (C27 - MASERATI)
 S BODY = (H - VOYAGER)(K - RAM VAN/ CARAVAN)

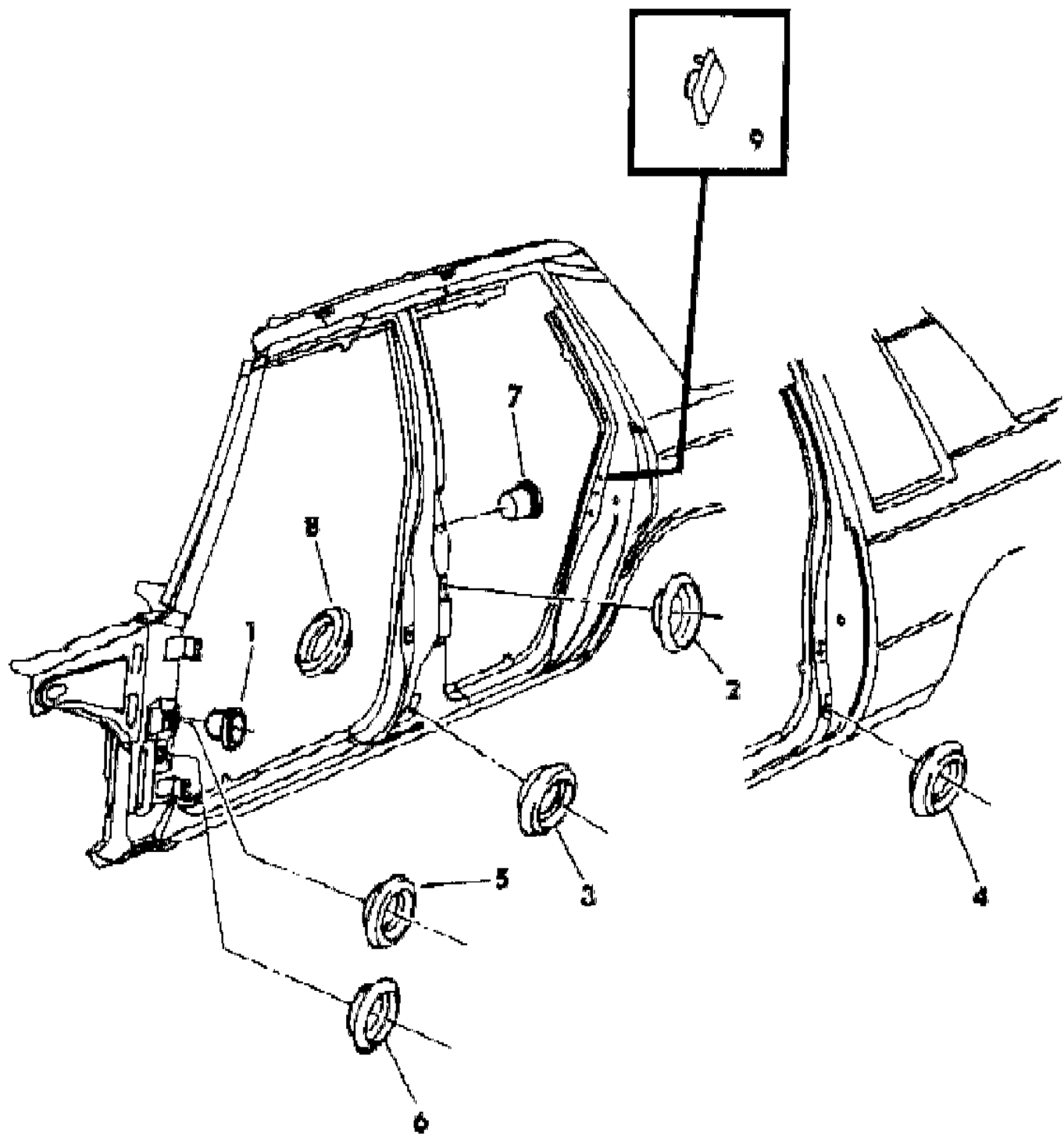
BODY STYLES

12-52 = FWD VAN & WAGON STD. W.B. 27 = 2-DOOR CONVERTIBLE
 13-53 = FWD VAN & WGN EXT W.B. 41 = 4-DOOR SEDAN
 21 = 2-DOOR SEDAN 44 = 4-DOOR HATCHBACK
 24 = 2-DOOR HATCHBACK 45 = 4-DOOR STATION WAGON

AR = Use as Required - = Non Illustrated Part P.A.R. = Paint as Required

PLUGS BODY SIDE K,E BODY
Figure 23A-8400

8169 8400



ITEM	PART NUMBER	QTY	BODY	MODEL	DESCRIPTION
1	6025 871	1			PLUG
2	2480 957	2			PLUG
3	4172 862	2			PLUG
4	4172 862	2			PLUG
5	2860 332	1			PLUG
6		2			PLUG, Not Serviced
7	6025 871	2			PLUG
8	2574 792	2			PLUG
9	4337 950	2			PLUG, w/o Door Ajar Switch

MODEL CODES

C BODY = (D41 - DYNASTY)(C41 - NEW YORKER)	L BODY = (M - HORIZON)(Z-OMNI)
E BODY = (J - CARAVELLE)(E - 600)(T - NEW YORKER TURBO)	M BODY = (B - GRAN FURY)(G - DIPLOMAT)(F - FIFTH AVENUE/NEWPORT)
G BODY = (V24 - DAYTONA, PACIFICA & SHELBY)	P BODY = (P - SUNDANCE)(D - SHADOW)
H BODY = (D44 - LANCER)(C44 - LEBARON GTS)	Q BODY = (C27 - MASERATI)
J BODY = (C - LEBARON)	S BODY = (H - VOYAGER)(K - RAM VAN/ CARAVAN)
K BODY = (P - RELIANT)(D - ARIES)(C - LEBARON/ TOWN & COUNTRY)	

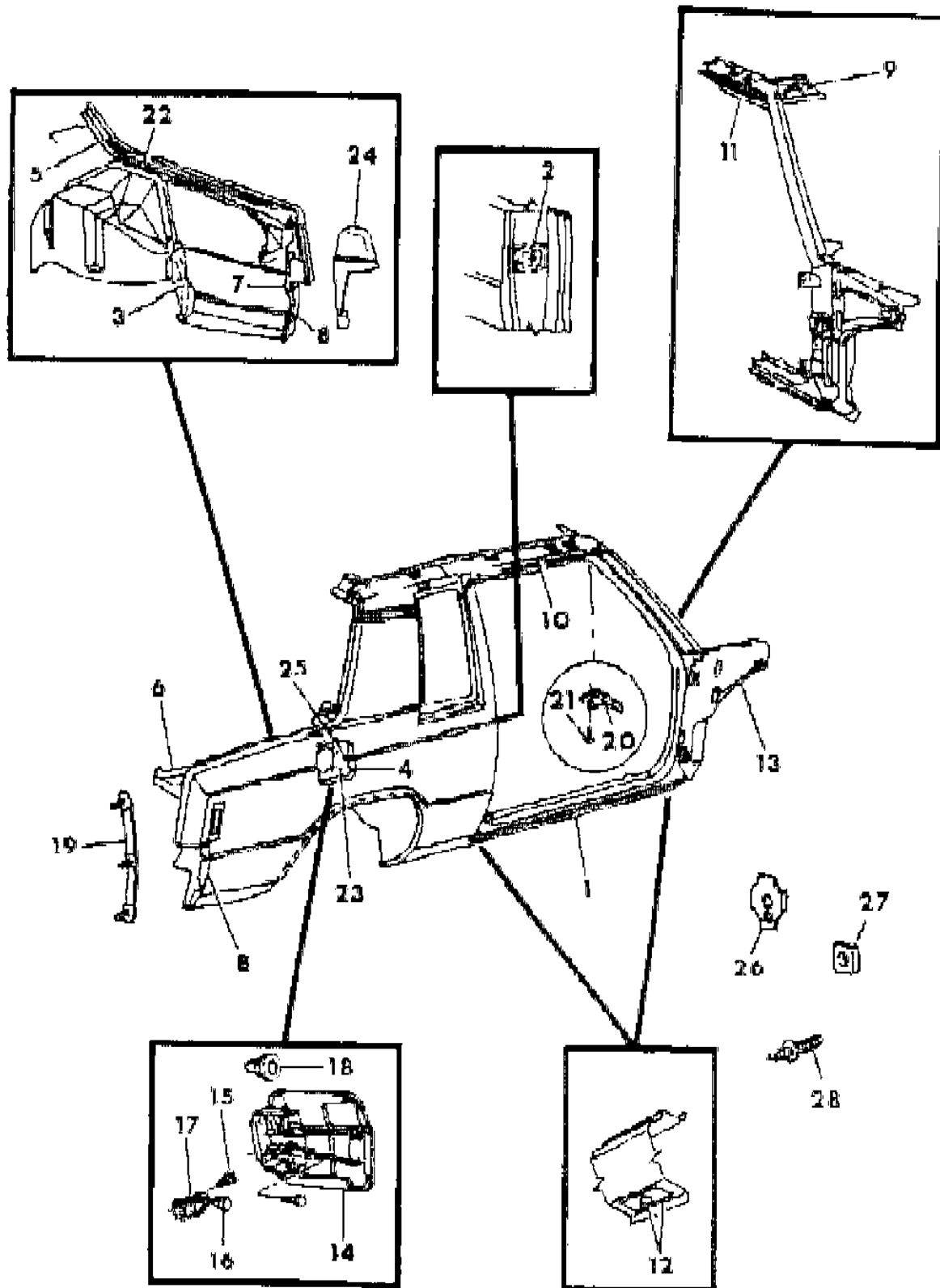
BODY STYLES

12-52 = FWD VAN & WAGON STD. W.B.	27 = 2-DOOR CONVERTIBLE
13-53 = FWD VAN & WGN EXT W.B.	41 = 4-DOOR SEDAN
21 = 2-DOOR SEDAN	44 = 4-DOOR HATCHBACK
24 = 2-DOOR HATCHBACK	45 = 4-DOOR STATION WAGON

AR = Use as Required - = Non Illustrated Part P.A.R. = Paint as Required

BODY SIDE K BODY 21
Figure 23A-8500

8169 8500



ITEM	PART NUMBER	QTY	BODY	MODEL	DESCRIPTION
1	4314 446-7	1		21	PANEL, Body Side Aperture Front
	4371 214-5	1		P,D-21	Rear
2	4200 774-5	1			REINFORCEMENT, w/Retainer Body Side Aperture Door Latch Striker Nut
3	4206 690-1	1			REINFORCEMENT, Body Side Aperture Panel
4	4314 298	1			REINFORCEMENT, Body Side Aperture Fuel Filler Door Opening
5	4134 852-3	1			REINFORCEMENT, Aperture Panel Lower Corner Back Lite Opening To Quarter Inside Panel
6	4296 834-5	1			TROUGH, Body Side Aperture Side Drain
7	4296 836-7	1			EXTENSION, Deck Opening Lower Panel Side Drain Trough
8	4416 124-5	1		C	EXTENSION, Body Side aperture
9	4416 446-7	1			FRAME, w/Shield Opening Side Inner
10	4296 992-3	1		21	TROUGH, Roof Panel Aperture Side Drain
11	4136 952-3	1			REINFORCEMENT, Windshield Opening Side Inner Frame
12	4314 277	4			PLATE, Body Side Aperture Jack Locator
13		1			PILLAR, See Body Front Hinge Pillar Illustration
14	4314 484	1			DOOR and HINGE, Body Aperture Fuel Filler
15		4			SCREW, Not Serviced
16	5200 365	2			BUTTON, Body Side Aperture Fuel Filler Door Stop Bumper
17	4314 302	1			BRACKET, Body Side Aperture Fuel Filler Door Stop
18		2			NUT, Body Side Aperture Fuel Filler Door Attaching Not Serviced
19		2			RETAINER, w/Studs Quarter Outside Panel Rear Bumper Fascia (Serviced in Item #24)
20	4337 136-7	1			FILLER, w/Tape Drain Trough Front End To "A" Pillar
21	6032 650	2			SCREW, w/Washer Drain Trough To "A" Pillar Filler Mounting
22	4206 237	2			SEAL, Quarter Outside Aperture Panel To Back Lite Lower Corner Reinforcement
23	4386 848	1		21	ADHESIVE, Inner Panel To Fuel Filler
24	4337 112-3	1		P,D	EXTENSION, w/Stud Body Side Aperture Panel Quarter End
25	4337 001	1		C	BEZEL, Quarter Outside Fuel Filler Opening (Town & Country)
26	4134 972	2			RETAINER, Body Side Aperture Door Latch Strike Nut
27	6500 483	2			NUT, Striker
28	6031 107	6			STUD, Body Side Aperture Panel Quarter End Extension

MODEL CODES

C BODY = (D41 - DYNASTY)(C41 - NEW YORKER)
 E BODY = (J - CARAVELLE)(E - 600)(T - NEW YORKER TURBO)
 G BODY = (V24 - DAYTONA, PACIFICA & SHELBY)
 H BODY = (D44 - LANCER)(C44 - LEBARON GTS)
 J BODY = (C - LEBARON)
 K BODY = (P - RELIANT)(D - ARIES)(C - LEBARON/ TOWN & COUNTRY)

L BODY = (M - HORIZON)(Z-OMNI)
 M BODY = (B - GRAN FURY)(G - DIPLOMAT)(F - FIFTH AVENUE/NEWPORT)
 P BODY = (P - SUNDANCE)(D - SHADOW)
 Q BODY = (C27 - MASERATI)
 S BODY = (H - VOYAGER)(K - RAM VAN/ CARAVAN)

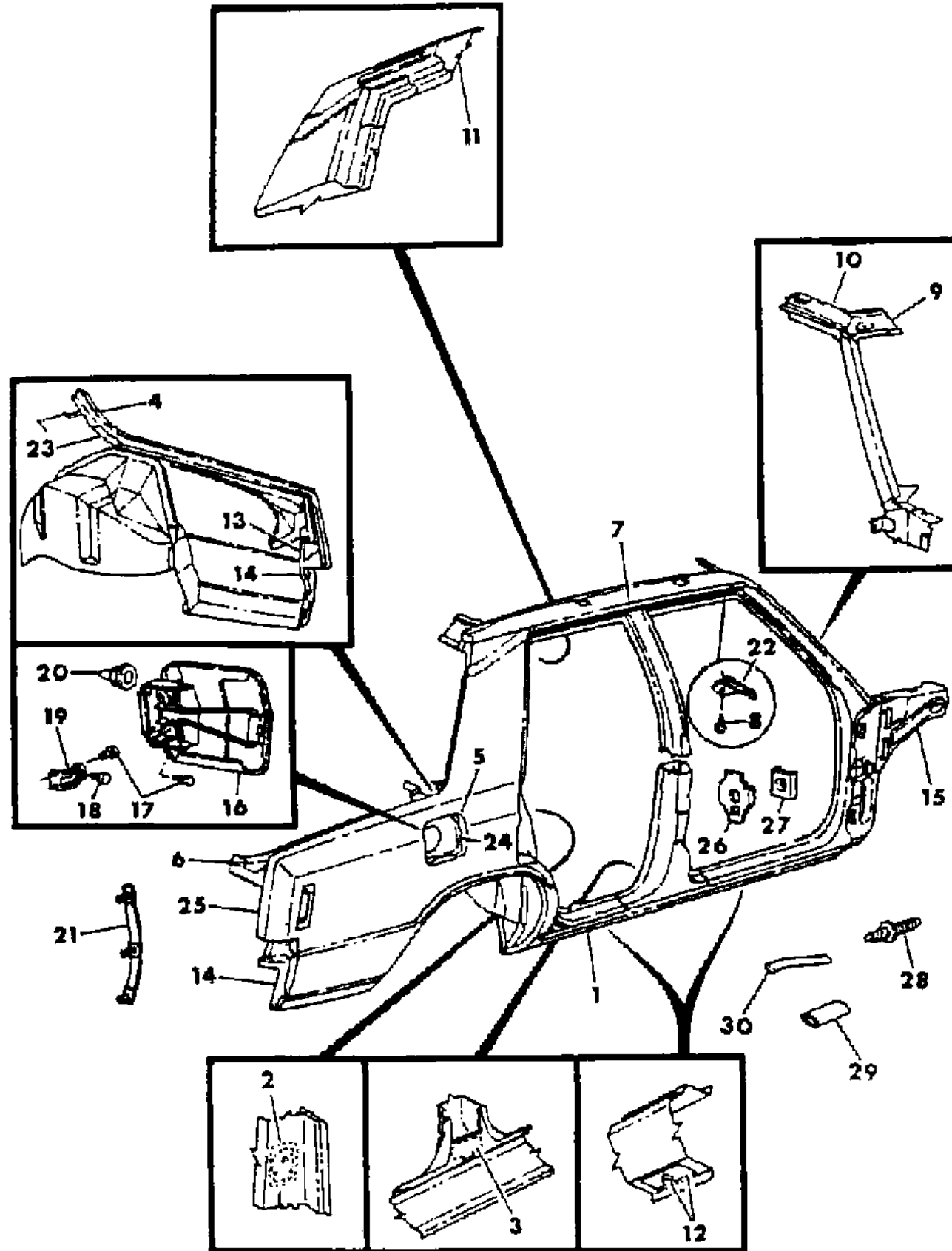
BODY STYLES

12-52 = FWD VAN & WAGON STD. W.B. 27 = 2-DOOR CONVERTIBLE
 13-53 = FWD VAN & WGN EXT W.B. 41 = 4-DOOR SEDAN
 21 = 2-DOOR SEDAN 44 = 4-DOOR HATCHBACK
 24 = 2-DOOR HATCHBACK 45 = 4-DOOR STATION WAGON

AR = Use as Required - = Non Illustrated Part P.A.R. = Paint as Required

BODY SIDE K BODY 41
Figure 23A-8600

8169 8600



ITEM	PART NUMBER	QTY	BODY	MODEL	DESCRIPTION
1	4314 438-9	1			PANEL, Body Side Aperture Front
	4337 088-9	1			Center
	4314 954-5	1			Rear
2	4297 188-9	1			REINFORCEMENT, w/Retainer Body Side Aperture Door Latch Striker Nut
3	4337 226	2			REINFORCEMENT, Body Side Aperture Seat Belt Anchor Lower
	4416 646-7	1			Upper
4	4134 830-1	1			REINFORCEMENT, Aperture Panel Lower Corner Back Lite To Quarter Inside Panel
5	4314 298	1			REINFORCEMENT, Body Side Aperture Fuel Filler Door Opening
	4206 410-1	1			REINFORCEMENT, Body Front Pillar (Spot Light) w/Police Pkg.
6	4296 834-5	1			TROUGH, Body Side Aperture Side Drain
7	4296 986-7	1			TROUGH, Aperture Panel Roof Side Drain
8	6032 650	2			SCREW, w/Washer Drain Trough To "A" Pillar Filler Mounting
9		1			FRAME, Windshield Opening (Serviced In Item 10)
10	4416 588-9	1			FRAME, Windshield Opening Side Aperture
11	4386 610-1	1			RAIL, Roof Side Inner
12	4314 277	4			PLATE, Body Side Aperture Jack Locator
13	4296 836-7	1			EXTENSION, Deck Opening Lower Panel Side Drain Trough
14	4296 836-7	1	C		EXTENSION, Deck Opening Lower Panel Side Drain Trough
					Lower
15					PILLAR, See Body Front Hinge Pillar Illustration
16	4314 486	1			DOOR, Body Aperture Fuel Filler
17		4			SCREW, Not Serviced
18	5200 365	2			BUTTON, Fuel Filler Door
19	4314 302	1			BRACKET, Body Side Aperture Fuel Filler Door Stop
20		2			NUT, Body Side Aperture Fuel Filler Door Attaching Not Serviced
21		1			RETAINER, w/Studs Outside Rear Panel Fascia (Serviced in Item #25)
22	4337 136-7	1			FILLER, w/Tape Drain Trough Front End To "A" Pillar
23	4206 237	2			SEAL, Quarter Outside Aperture Panel To Back Lite Lower
					Corner Reinforcement
24	4386 848	1			ADHESIVE and FASTENER, Inner Panel To Fuel Filler Opening Reinforcement
25	4337 114-5	1		P,D	EXTENSION, w/Stud Body Side Aperture Panel Quarter End
	4416 128-9	1		C	EXTENSION, w/Stud Body Side Aperture Panel Quarter End

MODEL CODES

C BODY = (D41 - DYNASTY)(C41 - NEW YORKER)
 E BODY = (J - CARAVELLE)(E - 600)(T - NEW YORKER TURBO)
 G BODY = (V24 - DAYTONA, PACIFICA & SHELBY)
 H BODY = (D44 - LANCER)(C44 - LEBARON GTS)
 J BODY = (C - LEBARON)
 K BODY = (P - RELIANT)(D - ARIES)(C - LEBARON/ TOWN & COUNTRY)

L BODY = (M - HORIZON)(Z-OMNI)
 M BODY = (B - GRAN FURY)(G - DIPLOMAT)(F - FIFTH AVENUE/NEWPORT)
 P BODY = (P - SUNDANCE)(D - SHADOW)
 Q BODY = (C27 - MASERATI)
 S BODY = (H - VOYAGER)(K - RAM VAN/ CARAVAN)

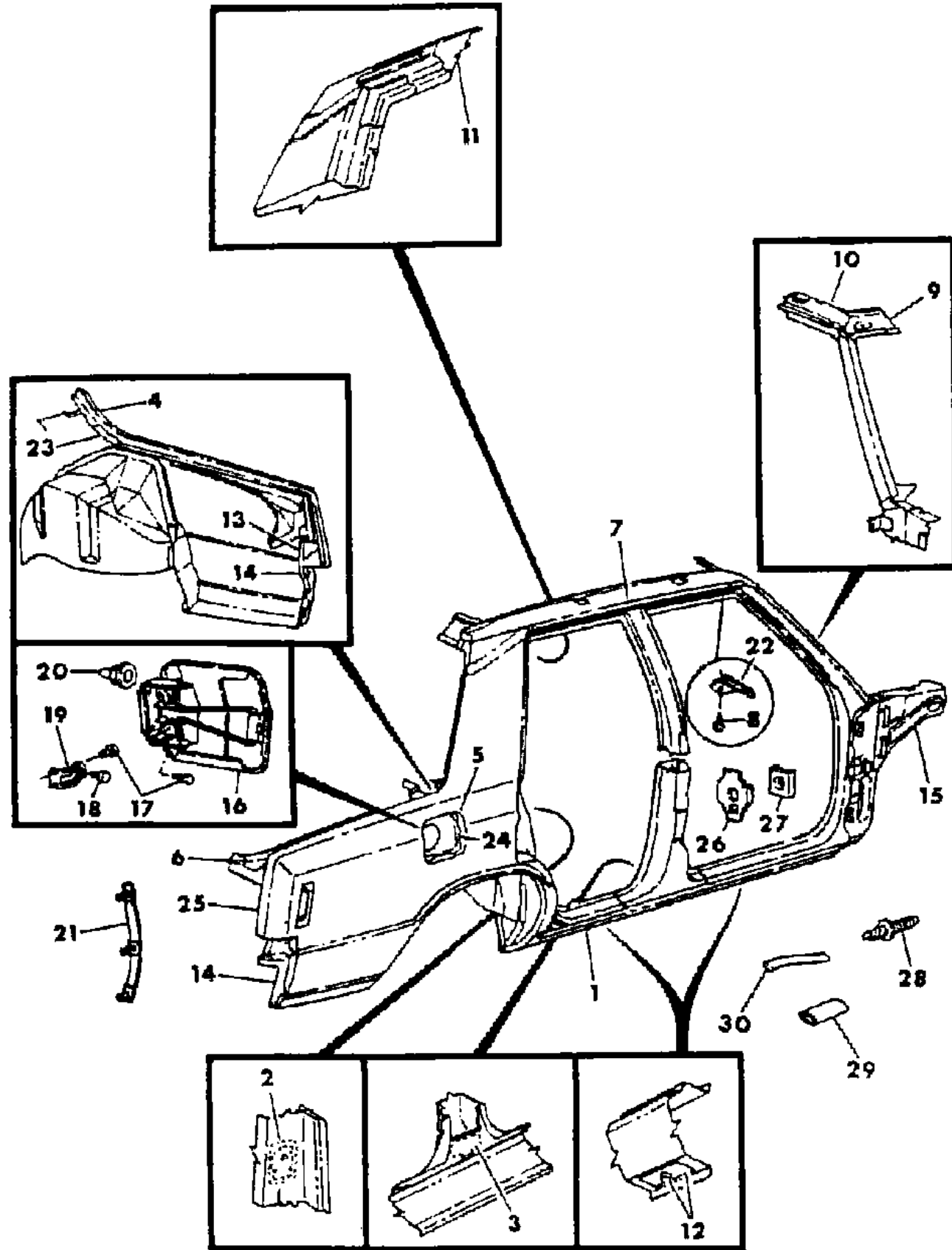
BODY STYLES

12-52 = FWD VAN & WAGON STD. W.B. 27 = 2-DOOR CONVERTIBLE
 13-53 = FWD VAN & WGN EXT W.B. 41 = 4-DOOR SEDAN
 21 = 2-DOOR SEDAN 44 = 4-DOOR HATCHBACK
 24 = 2-DOOR HATCHBACK 45 = 4-DOOR STATION WAGON

AR = Use as Required - = Non Illustrated Part P.A.R. = Paint as Required

BODY SIDE K BODY 41
Figure 23A-8600

8169 8600



ITEM	PART NUMBER	QTY	BODY	MODEL	DESCRIPTION
26	4134 972	2			RETAINER, Body Side Aperture Door Latch Striker Nut
27	6500 483	2			NUT, Striker
28	6031 107	6		P,D	STUD, Body Side Aperture Panel Quarter End Extension
29	4206 746	1			BAND, Fuel Filler Door Hinge Spring Pin Noise Dampener
30	4206 487	2			SEAL, Center Pillar To Drain Trough

MODEL CODES

C BODY = (D41 - DYNASTY)(C41 - NEW YORKER)
 E BODY = (J - CARAVELLE)(E - 600)(T - NEW YORKER TURBO)
 G BODY = (V24 - DAYTONA, PACIFICA & SHELBY)
 H BODY = (D44 - LANCER)(C44 - LEBARON GTS)
 J BODY = (C - LEBARON)
 K BODY = (P - RELIANT)(D - ARIES)(C - LEBARON/ TOWN & COUNTRY)
 L BODY = (M - HORIZON)(Z-OMNI)
 M BODY = (B - GRAN FURY)(G - DIPLOMAT)(F - FIFTH AVENUE/NEWPORT)
 P BODY = (P - SUNDANCE)(D - SHADOW)
 Q BODY = (C27 - MASERATI)
 S BODY = (H - VOYAGER)(K - RAM VAN/ CARAVAN)

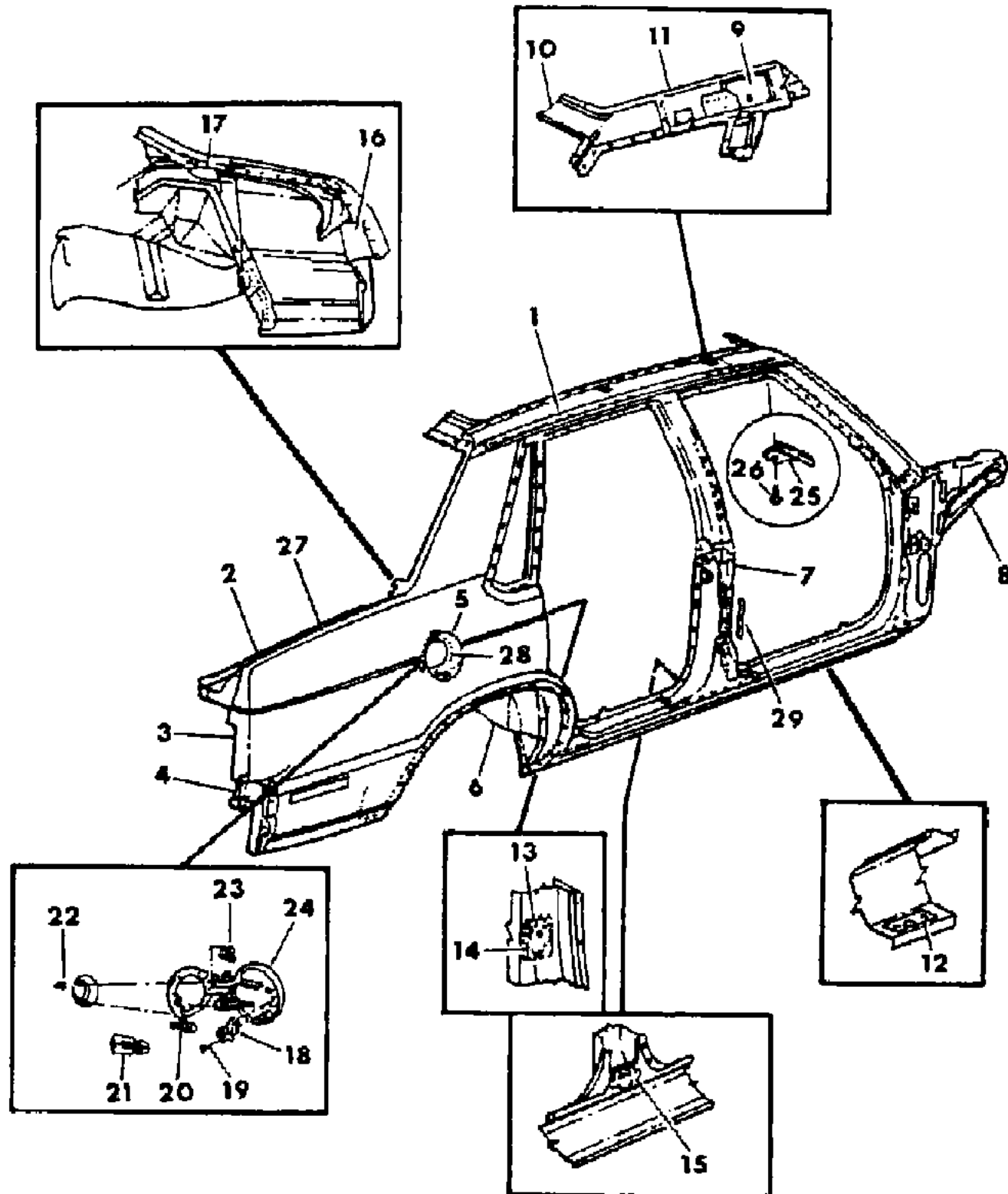
BODY STYLES

12-52 = FWD VAN & WAGON STD. W.B. 27 = 2-DOOR CONVERTIBLE
 13-53 = FWD VAN & WGN EXT W.B. 41 = 4-DOOR SEDAN
 21 = 2-DOOR SEDAN 44 = 4-DOOR HATCHBACK
 24 = 2-DOOR HATCHBACK 45 = 4-DOOR STATION WAGON

AR = Use as Required - = Non Illustrated Part P.A.R. = Paint as Required

BODY SIDE E BODY
Figure 23A-8700

8169 8700



ITEM	PART NUMBER	QTY	BODY	MODEL	DESCRIPTION
1	4296 988-9	1			TROUGH, Roof Side Drain
2	4337 710-1	1			TROUGH, Body Side Aperture Drain
3	4314 438-9	1			PANEL, Body Side Aperture Front
	4314 444-5	1			Center
	4371 594-5	1			Rear
4	4341 642-3	1			EXTENSION, Deck Opening Lower Panel Side Drain Trough Upper
5	4337 205	1			REINFORCEMENT, Body Side Aperture Fuel Filler Door Opening
6		1			PANEL, See Qtr. Inside and Wheelhouse Outer Illustration
7		1			PILLAR, See Side Sill and Center Pillar Illustration
8		1			PILLAR, See Body Front Hinge Pillar Illustration
9	4341 604-5	1			RAIL, Roof Side Inner
10	4416 588-9	1			FRAME, Windshield Opening Side Inner
11	4337 272-3	1			REINFORCEMENT, Windshield Opening Side Aperture Upper
12	4314 277	4			PLATE, Body Side Aperture Jack Locator
13	4134 972	2			RETAINER, Body Side Aperture Panel Door Lock Striker Nut
14	4297 188-9	1			REINFORCEMENT, w/Retainer Body Side Aperture Door Latch Striker Nut
15	4337 226	2			REINFORCEMENT, Body Side Aperture Seat Belt Anchor Lower
	4206 198-9	1			Upper
16	4341 642-3	1			EXTENSION, Deck Opening Lower Panel Side Drain Trough Upper
17	4206 942-3	1			REINFORCEMENT, Body Side Aperture Lower Corner Back Lite
18	4337 194	1			LATCH, Fuel Filler Door
19		2			SCREW, Not Serviced
20		AR			SCREW, Not Serviced
21	4314 923	1			BUMPER, Body Side Aperture Fuel Filler Door Remote
22	6032 641	2			NUT and WASHER
23	4337 147	1			PLATE, Fuel Filler Door and Hinge Mounting
24	4337 200	1			DOOR, Body Aperture Fuel Filler
25	4337 136-7	1			FILLER, w/Tape Drain Trough Front End To "A" Pillar
26	6032 650	2			SCREW, w/Washer Drain Trough To "A" Pillar Filler Mounting
27	4206 970	1			TROUGH, Deck Opening Upper Drain
28	4386 848	1			ADHESIVE and FASTENER, Inner Panel To Fuel Filler Opening Reinforcement
29	4206 487	2			SEAL, Center Pillar To Drain Trough
	4206 486	2			SEAL, Body Side Aperture To Lower Front Pillar

MODEL CODES

C BODY = (D41 - DYNASTY)(C41 - NEW YORKER)
 E BODY = (J - CARAVELLE)(E - 600)(T - NEW YORKER TURBO)
 G BODY = (V24 - DAYTONA, PACIFICA & SHELBY)
 H BODY = (D44 - LANCER)(C44 - LEBARON GTS)
 J BODY = (C - LEBARON)
 K BODY = (P - RELIANT)(D - ARIES)(C - LEBARON/ TOWN & COUNTRY)

L BODY = (M - HORIZON)(Z-OMNI)
 M BODY = (B - GRAN FURY)(G - DIPLOMAT)(F - FIFTH AVENUE/NEWPORT)
 P BODY = (P - SUNDANCE)(D - SHADOW)
 Q BODY = (C27 - MASERATI)
 S BODY = (H - VOYAGER)(K - RAM VAN/ CARAVAN)

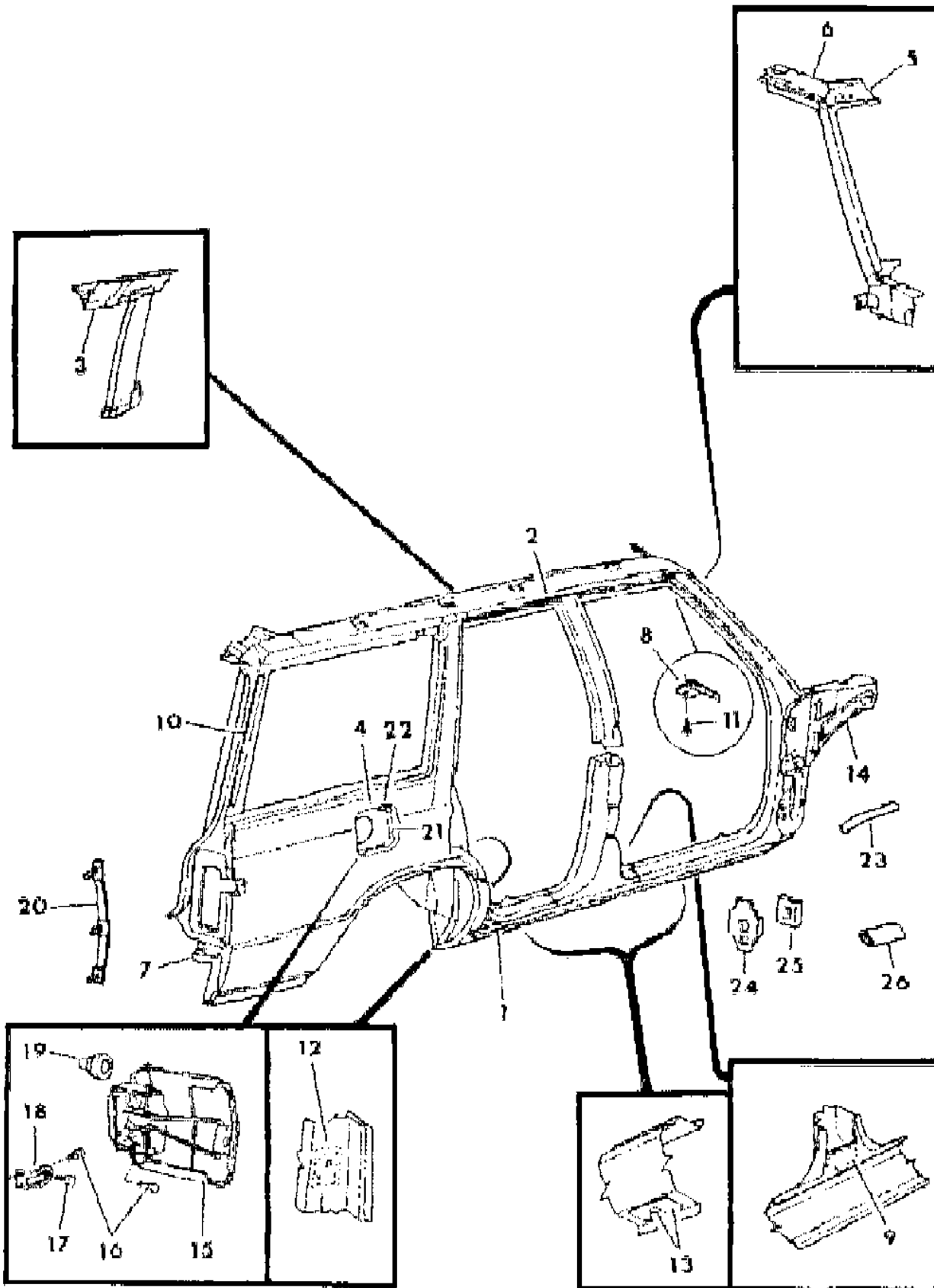
BODY STYLES

12-52 = FWD VAN & WAGON STD. W.B. 27 = 2-DOOR CONVERTIBLE
 13-53 = FWD VAN & WGN EXT W.B. 41 = 4-DOOR SEDAN
 21 = 2-DOOR SEDAN 44 = 4-DOOR HATCHBACK
 24 = 2-DOOR HATCHBACK 45 = 4-DOOR STATION WAGON

AR = Use as Required - = Non Illustrated Part P.A.R. = Paint as Required

BODY SIDE K BODY 45
Figure 23A-8800

8169 8800



ITEM	PART NUMBER	QTY	BODY	MODEL	DESCRIPTION
1	4314 438-9	1			PANEL, Body Side Aperture Front
	4337 088-9	1			Center
	4314 440-1	1			Rear
2	4296 990-1	1			TROUGH, Aperture Panel Roof Side Drain
3	4341 738-9	1			RAIL, Roof Side Inner Front
4	4314 298	1			REINFORCEMENT, Body Side Aperture Fuel Filler Door Opening
5	4416 588-9	1			FRAME, Windshield Opening Side Inner
6	4337 272-3	1			REINFORCEMENT, Windshield Opening Side Aperture Upper
7	4206 130-1	1			EXTENSION, Body Side Aperture Panel Lower Rear
8	4337 136-7	1			FILLER, w/Tape Drain Trough Front End To "A" Pillar
9	4337 226	2			REINFORCEMENT, Body Side Aperture Panel Seat Belt Anchor
	4206 198-9	1			Lower Upper
10	4278 643	2			SUPPORT, Aperture Panel Quarter Window Rear Moulding
11	6032 650	2			SCREW, w/Washer Drain Trough To "A" Pillar Filler Mounting
12	4297 188-9	1			REINFORCEMENT, Body Side Aperture Panel Dr. Latch Striker Nut
13	4314 277	4			PLATE, Body Side Aperture Jack Locator
14		1			PILLAR, See Body Front Hinge Pillar Illustration
15	4314 488	1			DOOR, Body Aperture Fuel Filler
16		4			SCREW, Not Serviced
17	5200 365	2			BUTTON, Body Side Aperture Fuel Filler Door Stop Bumper
18	4314 302	1			BRACKET, Body Side Aperture Fuel Filler Door Stop
19		2			NUT, Body Side Aperture Fuel Filler Door Attaching Not Serviced
20	4334 752	2			RETAINER, w/Studs Quarter Outside Panel Rear Bumper Fascia
21	4337 001	1			BEZEL, Fuel Filler Door Opening
22	4386 848	1			ADHESIVE and FASTENER, Inner Panel To Fuel Filler Opening Reinforcement
23	4206 487	2			SEAL, Center Pillar To Drain Trough
24	4134 972	2			RETAINER, Body Side Aperture Door Latch Striker Nut
25	6500 483	2			NUT, Striker
26	4206 746	1			BAND, Fuel Filler Hinge Spring Pin Noise Damper

MODEL CODES

C BODY = (D41 - DYNASTY)(C41 - NEW YORKER)
 E BODY = (J - CARAVELLE)(E - 600)(T - NEW YORKER TURBO)
 G BODY = (V24 - DAYTONA, PACIFICA & SHELBY)
 H BODY = (D44 - LANCER)(C44 - LEBARON GTS)
 J BODY = (C - LEBARON)
 K BODY = (P - RELIANT)(D - ARIES)(C - LEBARON/ TOWN & COUNTRY)

L BODY = (M - HORIZON)(Z-OMNI)
 M BODY = (B - GRAN FURY)(G - DIPLOMAT)(F - FIFTH AVENUE/NEWPORT)
 P BODY = (P - SUNDANCE)(D - SHADOW)
 Q BODY = (C27 - MASERATI)
 S BODY = (H - VOYAGER)(K - RAM VAN/ CARAVAN)

BODY STYLES

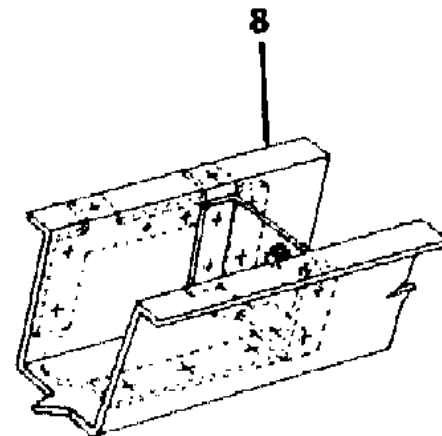
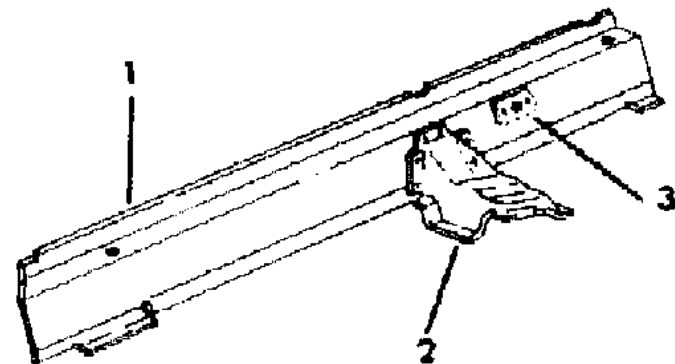
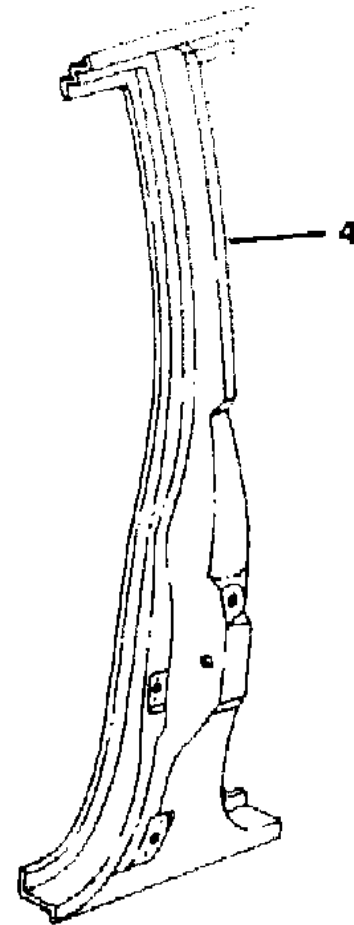
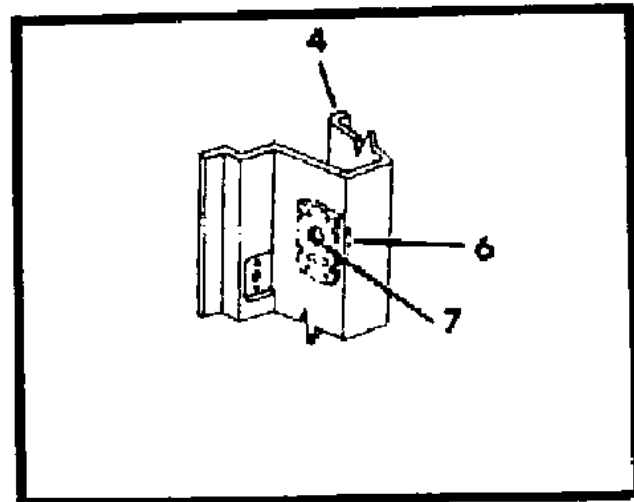
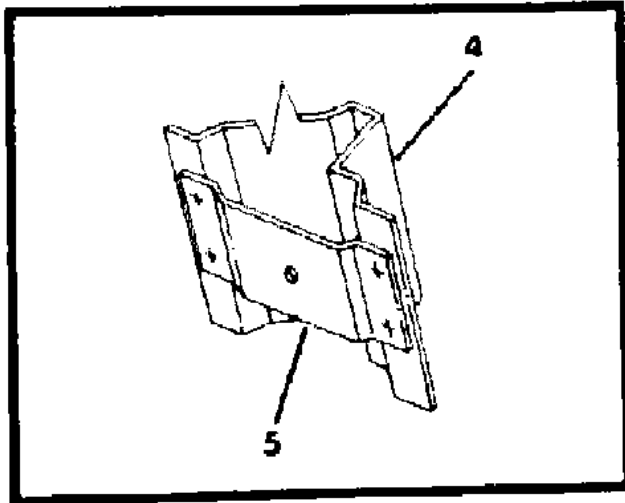
12-52 = FWD VAN & WAGON STD. W.B. 27 = 2-DOOR CONVERTIBLE
 13-53 = FWD VAN & WGN EXT W.B. 41 = 4-DOOR SEDAN
 21 = 2-DOOR SEDAN 44 = 4-DOOR HATCHBACK
 24 = 2-DOOR HATCHBACK 45 = 4-DOOR STATION WAGON

AR = Use as Required - = Non Illustrated Part P.A.R. = Paint as Required

SIDE SILL AND CENTER PILLAR K,E BODY
Figure 23A-8900

8169 8900

ITEM	PART NUMBER	QTY	BODY	MODEL	DESCRIPTION
1	4337 078-9	1		P,D,C	PANEL, Body Side Sill Inner
	4337 916-7	1		J,E,T	
2	4314 494-5	1			REINFORCEMENT, Front Floor Pan Front Seat Rear Outer Attaching
3	4314 326	2			REINFORCEMENT, Floor Pan Side Sill Inner Front Seat Belt
4	4371 788-9	1		41,45	PILLAR, Body Center Outer
5	4416 646-7	1		41,45	REINFORCEMENT, Body Side Aperture Seat Belt Anchor Upper
6	4134 972	2			RETAINER, Body Side Aperture Panel Door Lock Striker Nut
7	6500 483	2			NUT, Body Side Aperture Panel Door Lock Striker
8	4371 522-3	1			EXTENSION, Sill Inner Rear



MODEL CODES

C BODY = (D41 - DYNASTY)(C41 - NEW YORKER)
 E BODY = (J - CARAVELLE)(E - 600)(T - NEW YORKER TURBO)
 G BODY = (V24 - DAYTONA, PACIFICA & SHELBY)
 H BODY = (D44 - LANCER)(C44 - LEBARON GTS)
 J BODY = (C - LEBARON)
 K BODY = (P - RELIANT)(D - ARIES)(C - LEBARON/ TOWN & COUNTRY)

L BODY = (M - HORIZON)(Z-OMNI)
 M BODY = (B - GRAN FURY)(G - DIPLOMAT)(F - FIFTH AVENUE/NEWPORT)
 P BODY = (P - SUNDANCE)(D - SHADOW)
 Q BODY = (C27 - MASERATI)
 S BODY = (H - VOYAGER)(K - RAM VAN/ CARAVAN)

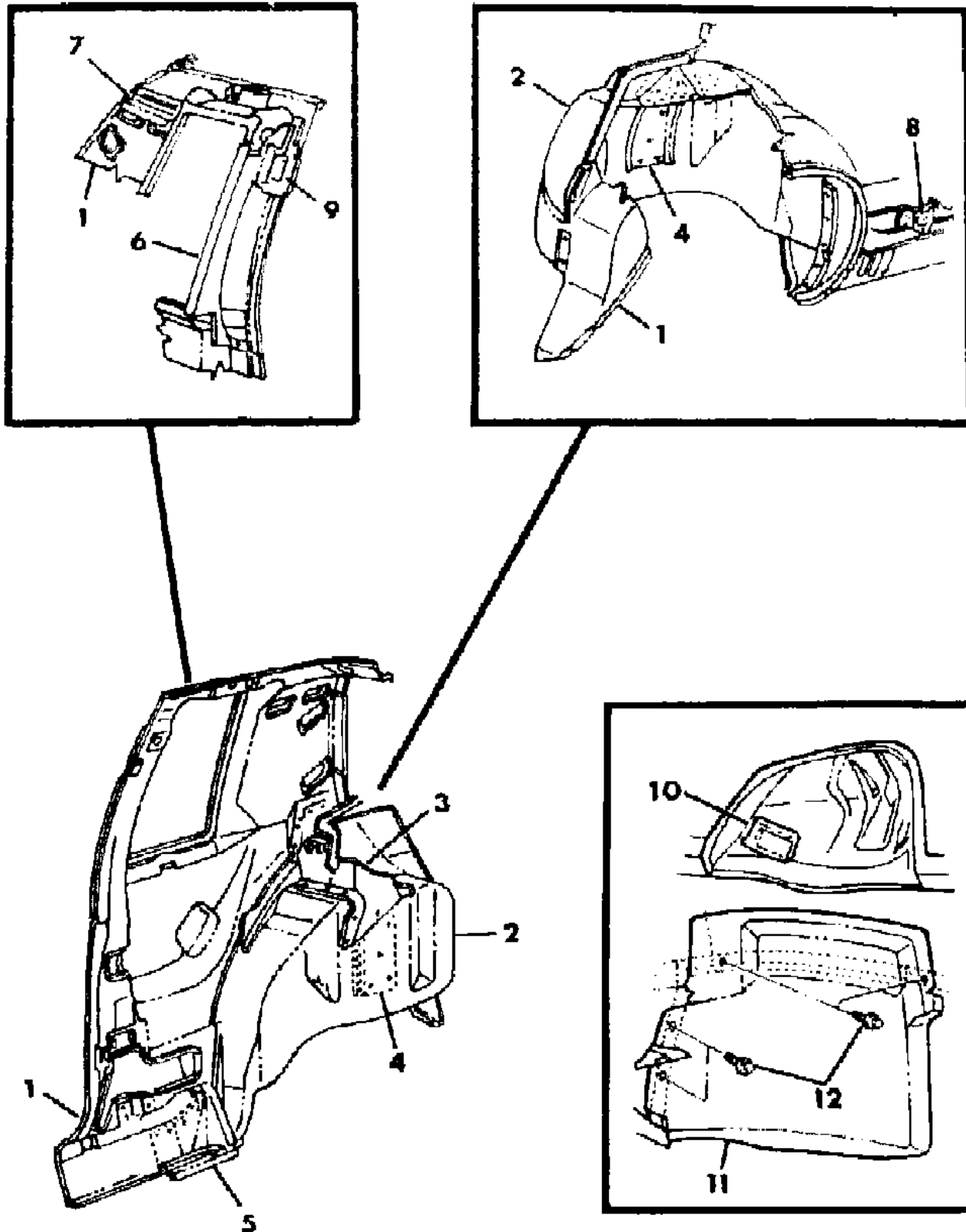
BODY STYLES

12-52 = FWD VAN & WAGON STD. W.B. 27 = 2-DOOR CONVERTIBLE
 13-53 = FWD VAN & WGN EXT W.B. 41 = 4-DOOR SEDAN
 21 = 2-DOOR SEDAN 44 = 4-DOOR HATCHBACK
 24 = 2-DOOR HATCHBACK 45 = 4-DOOR STATION WAGON

AR = Use as Required - = Non Illustrated Part P.A.R. = Paint as Required

QUARTER INSIDE AND WHEELHOUSE OUTER PANEL K BODY 21
Figure 23A-9000

8169 9000



ITEM	PART NUMBER	QTY	BODY	MODEL	DESCRIPTION
1	4386 774-5	1			PANEL, Quarter Inside and Wheelhouse Outer
2	4386 200-1	1			PANEL, Rear Wheelhouse Inner
3		1			EXTENSION, Shelf Panel Not Serviced
4	4134 686-7	1			REINFORCEMENT, W/House Inner Panel Shock Absorber Mounting
5	4278 596-7	1			REINFORCEMENT, Quarter Inner Panel Sill Jacking
6	4325 258-9	1			REINFORCEMENT, Quarter Inside Panel To Body Side Aperture Panel Front
7	4341 086-7	1			SUPPORT, Quarter Inside and Wheelhouse Outer To Side Aperture Panel
8	4341 097	2			REINFORCEMENT, Qtr. Inside Wheelhouse Qtr. Panel Seat Belt Retractor
9	4314 326	2			REINFORCEMENT, Quarter Inside Panel Upper Shoulder Belt Anchor
10	4371 494	1		P,D	SHIELD, W/House Inner Panel Fuel Filler Tube Rt.
11	4371 492-3	1		C	SHIELD, Rear W/House Inner Panel Appearance
12		AR			SCREW, Not Serviced

MODEL CODES

C BODY = (D41 - DYNASTY)(C41 - NEW YORKER)
 E BODY = (J - CARAVELLE)(E - 600)(T - NEW YORKER TURBO)
 G BODY = (V24 - DAYTONA, PACIFICA & SHELBY)
 H BODY = (D44 - LANCER)(C44 - LEBARON GTS)
 J BODY = (C - LEBARON)
 K BODY = (P - RELIANT)(D - ARIES)(C - LEBARON/ TOWN & COUNTRY)

L BODY = (M - HORIZON)(Z-OMNI)
 M BODY = (B - GRAN FURY)(G - DIPLOMAT)(F - FIFTH AVENUE/NEWPORT)
 P BODY = (P - SUNDANCE)(D - SHADOW)
 Q BODY = (C27 - MASERATI)
 S BODY = (H - VOYAGER)(K - RAM VAN/ CARAVAN)

BODY STYLES

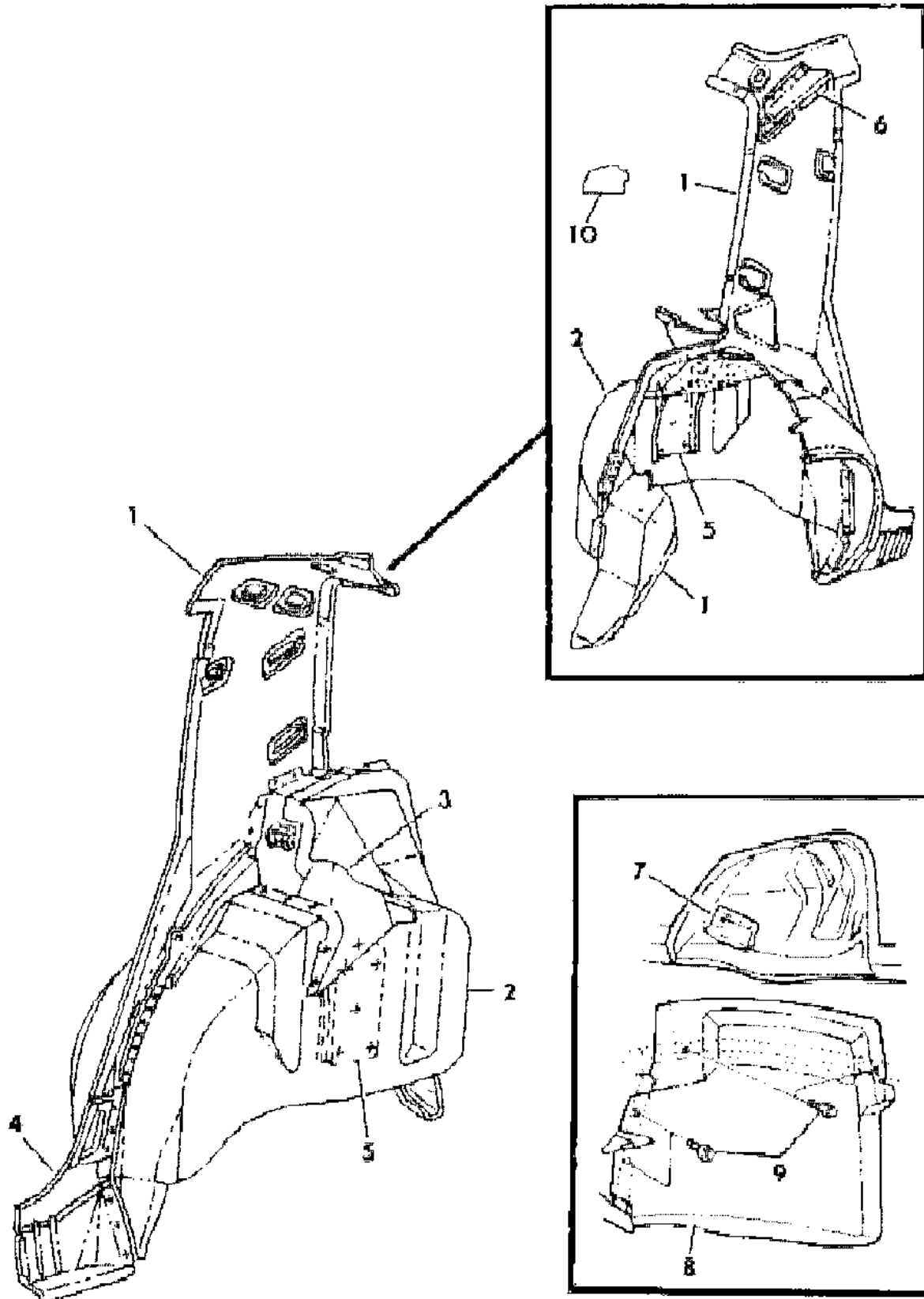
12-52 = FWD VAN & WAGON STD. W.B. 27 = 2-DOOR CONVERTIBLE
 13-53 = FWD VAN & WGN EXT W.B. 41 = 4-DOOR SEDAN
 21 = 2-DOOR SEDAN 44 = 4-DOOR HATCHBACK
 24 = 2-DOOR HATCHBACK 45 = 4-DOOR STATION WAGON

AR = Use as Required - = Non Illustrated Part P.A.R. = Paint as Required

QUARTER INSIDE AND WHEELHOUSE OUTER PANEL K BODY 41
Figure 23A-9100

8169 9100

ITEM	PART NUMBER	QTY	BODY	MODEL	DESCRIPTION
1	4296 414-5	1			PANEL, Quarter Inside and Wheelhouse Outer
2	4386 200-1	1			PANEL, Rear Wheelhouse Inner
3		1			EXTENSION, Shelf Panel Not Serviced
4	4206 074-5	1			REINFORCEMENT, Quarter Inner Panel Sill Jacking
5	4134 686-7	1			REINFORCEMENT, W/House Inner Panel Shock Absorber
6	4341 088-9	1			Mounting SUPPORT, Quarter Inside and Wheelhouse Outer To Side Aperture Panel
7	4371 494	1			SHIELD, W/House Inner Panel Fuel Filler Tube Rt.
8	4371 492-3	1		C	SHIELD, Rear W/House Inner Panel Appearance
9		AR			SCREW, Not Serviced
10	4206 218	2			SEAL, Quarter Outside Panel To Deck Lower Panel Extension



MODEL CODES

C BODY = (D41 - DYNASTY)(C41 - NEW YORKER)
 E BODY = (J - CARAVELLE)(E - 600)(T - NEW YORKER TURBO)
 G BODY = (V24 - DAYTONA, PACIFICA & SHELBY)
 H BODY = (D44 - LANCER)(C44 - LEBARON GTS)
 J BODY = (C - LEBARON)
 K BODY = (P - RELIANT)(D - ARIES)(C - LEBARON/ TOWN & COUNTRY)

L BODY = (M - HORIZON)(Z-OMNI)
 M BODY = (B - GRAN FURY)(G - DIPLOMAT)(F - FIFTH AVENUE/NEWPORT)
 P BODY = (P - SUNDANCE)(D - SHADOW)
 Q BODY = (C27 - MASERATI)
 S BODY = (H - VOYAGER)(K - RAM VAN/ CARAVAN)

BODY STYLES

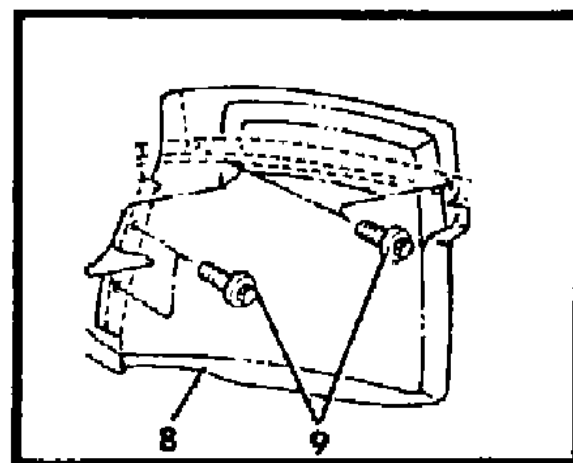
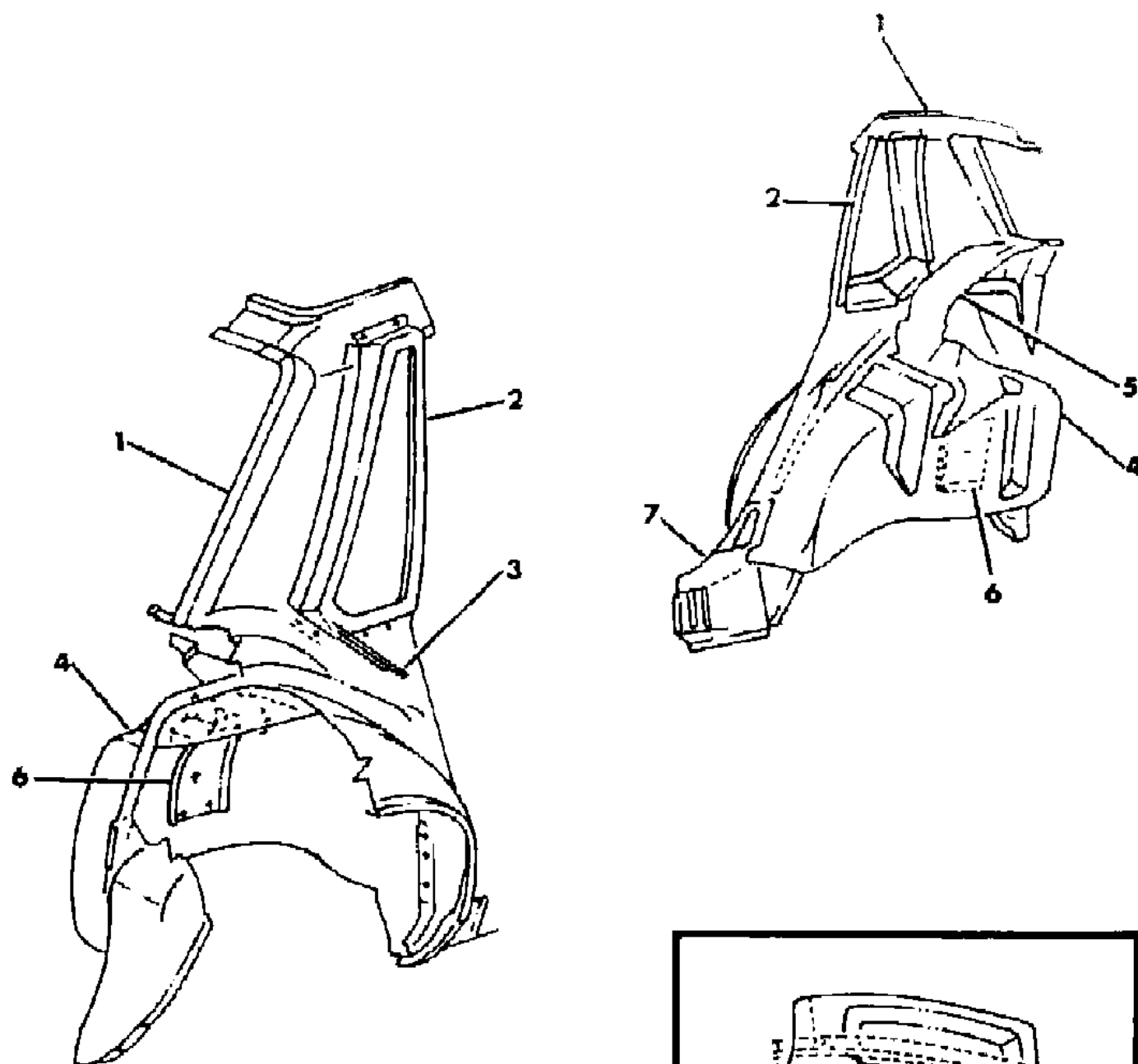
12-52 = FWD VAN & WAGON STD. W.B. 27 = 2-DOOR CONVERTIBLE
 13-53 = FWD VAN & WGN EXT W.B. 41 = 4-DOOR SEDAN
 21 = 2-DOOR SEDAN 44 = 4-DOOR HATCHBACK
 24 = 2-DOOR HATCHBACK 45 = 4-DOOR STATION WAGON

AR = Use as Required - = Non Illustrated Part P.A.R. = Paint as Required

QUARTER INSIDE AND WHEELHOUSE OUTER PANEL E BODY
Figure 23A-9200

8169 9200

ITEM	PART NUMBER	QTY	BODY	MODEL	DESCRIPTION
1	4341 708-9	1			PANEL, Quarter Inside and Wheelhouse Outer
2	4314 252-3	1			REINFORCEMENT, Body Side Aperture To Quarter Inside
3	4296 288-9	1			TROUGH, Quarter Inside Panel Wdo. Reinforcement Drain
4	4386 200-1	1			PANEL, Rear Wheelhouse Inner
5		1			EXTENSION, Shelf Panel Not Serviced
6	4134 686-7	1			REINFORCEMENT, Wheelhouse Inner Panel Shock Absorber Mounting
7	4206 074-5	1			REINFORCEMENT, Quarter Inner Panel Sill Jacking
8	4371 492-3	1			SHIELD, Rear Wheelhouse Inner Panel Appearance
9		AR			SCREW, Not Serviced



MODEL CODES

C BODY = (D41 - DYNASTY)(C41 - NEW YORKER)
 E BODY = (J - CARAVELLE)(E - 600)(T - NEW YORKER TURBO)
 G BODY = (V24 - DAYTONA, PACIFICA & SHELBY)
 H BODY = (D44 - LANCER)(C44 - LEBARON GTS)
 J BODY = (C - LEBARON)
 K BODY = (P - RELIANT)(D - ARIES)(C - LEBARON/ TOWN & COUNTRY)

L BODY = (M - HORIZON)(Z-OMNI)
 M BODY = (B - GRAN FURY)(G - DIPLOMAT)(F - FIFTH AVENUE/NEWPORT)
 P BODY = (P - SUNDANCE)(D - SHADOW)
 Q BODY = (C27 - MASERATI)
 S BODY = (H - VOYAGER)(K - RAM VAN/ CARAVAN)

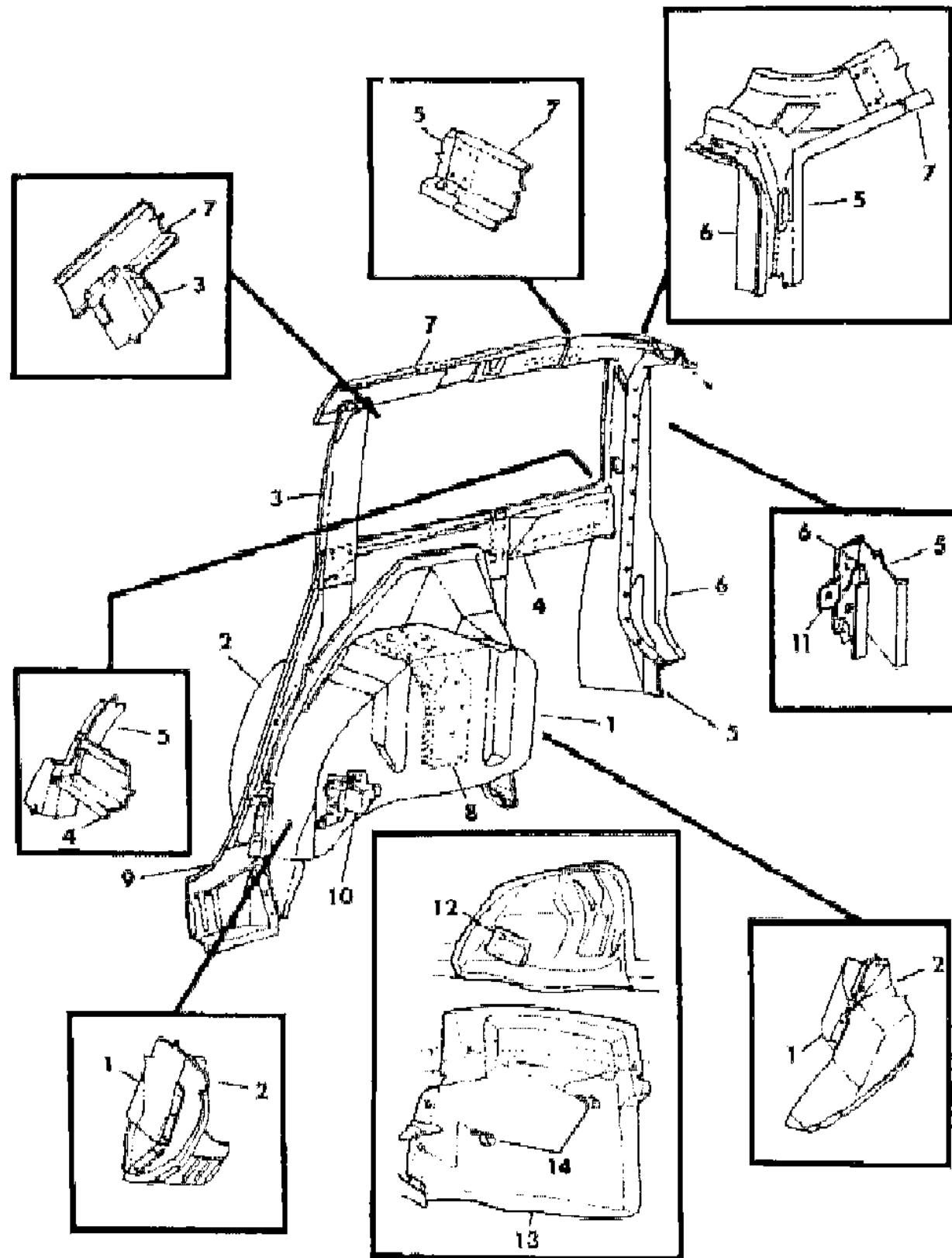
BODY STYLES

12-52 = FWD VAN & WAGON STD. W.B. 27 = 2-DOOR CONVERTIBLE
 13-53 = FWD VAN & WGN EXT W.B. 41 = 4-DOOR SEDAN
 21 = 2-DOOR SEDAN 44 = 4-DOOR HATCHBACK
 24 = 2-DOOR HATCHBACK 45 = 4-DOOR STATION WAGON

AR = Use as Required - = Non Illustrated Part P.A.R. = Paint as Required

QUARTER INSIDE AND WHEELHOUSE OUTER PANEL K BODY 45
Figure 23A-9300

8169 9300



ITEM	PART NUMBER	QTY	BODY	MODEL	DESCRIPTION
1	4386 200-1	1			PANEL, Rear Wheelhouse Inner
2	4296 412-3	1			PANEL, Quarter Inside and Wheelhouse Outer
3	4134 814-5	1			PANEL, Body Rear Lock Pillar Upper Inner
4	4134 822-3	1			REINFORCEMENT, Quarter Panel Belt
5	4134 824-5	1			PILLAR, Quarter Outside Panel Liftgate Opening Front
6	4134 826-7	1			PILLAR, Quarter Outside Panel Liftgate Opening Rear
7	4206 150-1	1			RAIL, Roof Side Inner Rear
8	4134 686-7	1			REINFORCEMENT, W/House Inner Panel Shock Absorber Mounting
9	4206 074-5	1			REINFORCEMENT, Quarter Inner Panel Sill Jacking
10	4206 220-1	1			BRACKET, Wheelhouse Inner Panel Rear, Folding Seat Back Hinge Mounting
11	4296 404	2			BRACKET, Liftgate Opening Pillar Prop Attaching
12	4371 494	1		P,D	SHIELD, W/House Inner Panel Fuel Filler Tube Rt.
13	4371 492-3	1		C	SHIELD, Rear Wheelhouse Inner Panel Appearance
14		AR			SCREW, Not Serviced

MODEL CODES

C BODY = (D41 - DYNASTY)(C41 - NEW YORKER)
 E BODY = (J - CARAVELLE)(E - 600)(T - NEW YORKER TURBO)
 G BODY = (V24 - DAYTONA, PACIFICA & SHELBY)
 H BODY = (D44 - LANCER)(C44 - LEBARON GTS)
 J BODY = (C - LEBARON)
 K BODY = (P - RELIANT)(D - ARIES)(C - LEBARON/ TOWN & COUNTRY)

L BODY = (M - HORIZON)(Z-OMNI)
 M BODY = (B - GRAN FURY)(G - DIPLOMAT)(F - FIFTH AVENUE/NEWPORT)
 P BODY = (P - SUNDANCE)(D - SHADOW)
 Q BODY = (C27 - MASERATI)
 S BODY = (H - VOYAGER)(K - RAM VAN/ CARAVAN)

BODY STYLES

12-52 = FWD VAN & WAGON STD. W.B. 27 = 2-DOOR CONVERTIBLE
 13-53 = FWD VAN & WGN EXT W.B. 41 = 4-DOOR SEDAN
 21 = 2-DOOR SEDAN 44 = 4-DOOR HATCHBACK
 24 = 2-DOOR HATCHBACK 45 = 4-DOOR STATION WAGON

AR = Use as Required - = Non Illustrated Part P.A.R. = Paint as Required

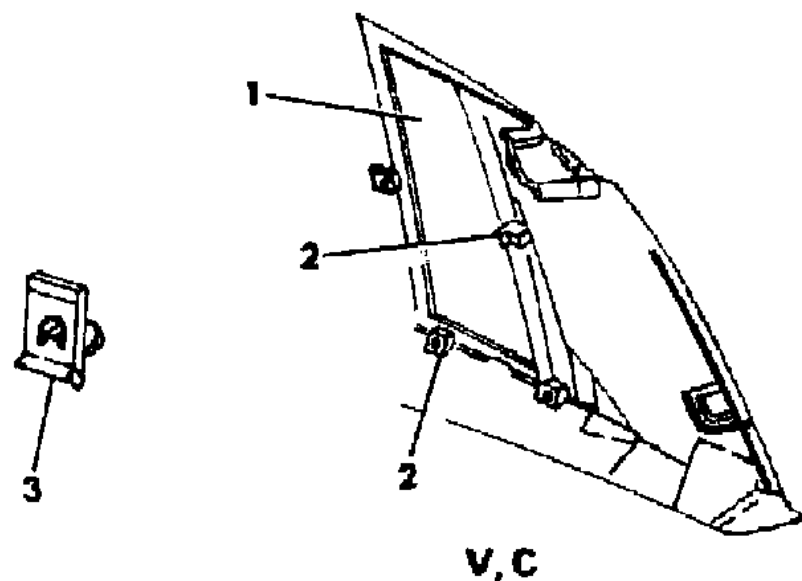
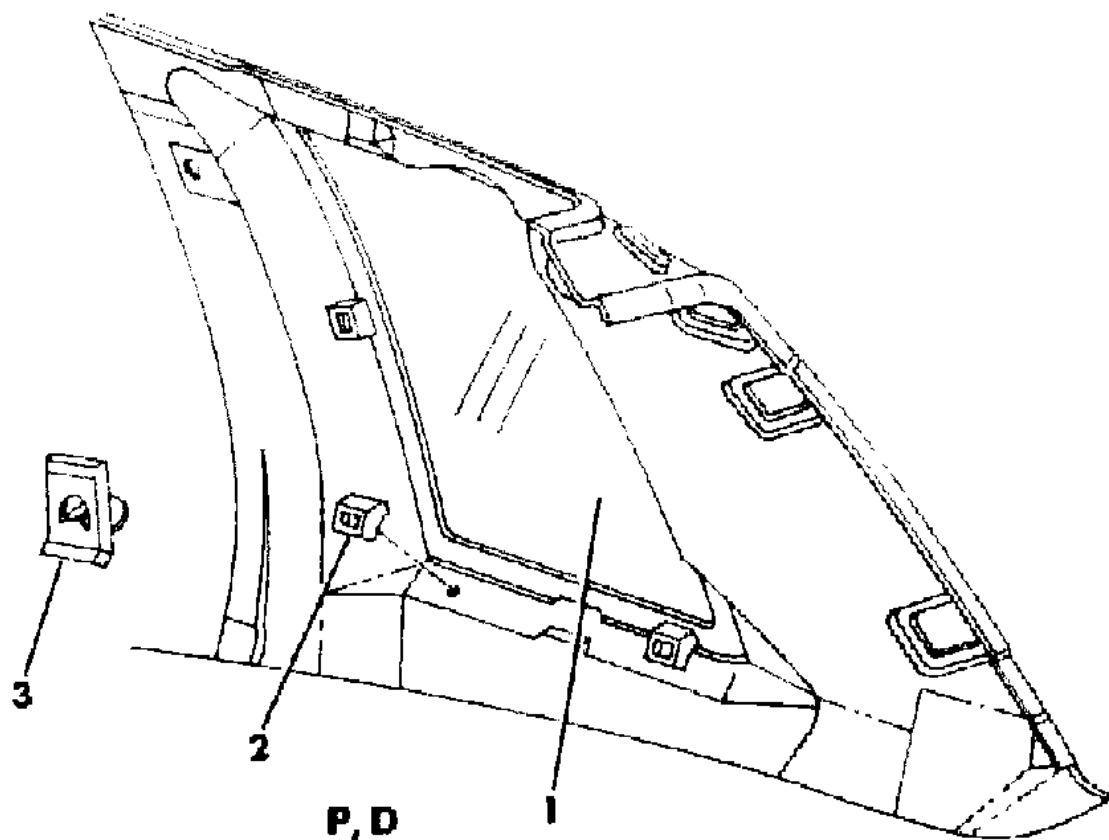
GLASS QUARTER WINDOW K BODY 21
Figure 23A-9400

8169 9400

ITEM	PART NUMBER	QTY	BODY	MODEL	DESCRIPTION
1	4337 116-7	1		P,D-M	GLASS and FRAME, Window Tinted
	4337 190-1	1		P,D-L	GLASS, Quarter Window Tinted
2	4206 362	AR			SPACER, Quarter Window Glass
3	4206 852	2			RETAINER, Quarter Window Glass Upper
	4206 852	2			Lower

NOTE: The following items are not shown on illustration. s group.

PKG A	4057 957	1			FIXED GLASS REPAIR PACKAGE
					Consists of:
					1- ----- Tape, Butyl, 171.00"
					1- ----- Primer, Glass
					1- ----- PRIMER, Fence
					2-Spacer, Rubber, 0.2"
					2-Spacer, Rubber, 0.3"
	3767 767				2-Shim, 0.07"
					2- ----- Sponges, Disposable



MODEL CODES

C BODY = (D41 - DYNASTY)(C41 - NEW YORKER)	L BODY = (M - HORIZON)(Z-OMNI)
E BODY = (J - CARAVELLE)(E - 600)(T - NEW YORKER TURBO)	M BODY = (B - GRAN FURY)(G - DIPLOMAT)(F - FIFTH AVENUE/NEWPORT)
G BODY = (V24 - DAYTONA, PACIFICA & SHELBY)	P BODY = (P - SUNDANCE)(D - SHADOW)
H BODY = (D44 - LANCER)(C44 - LEBARON GTS)	Q BODY = (C27 - MASERATI)
J BODY = (C - LEBARON)	S BODY = (H - VOYAGER)(K - RAM VAN/ CARAVAN)
K BODY = (P - RELIANT)(D - ARIES)(C - LEBARON/ TOWN & COUNTRY)	

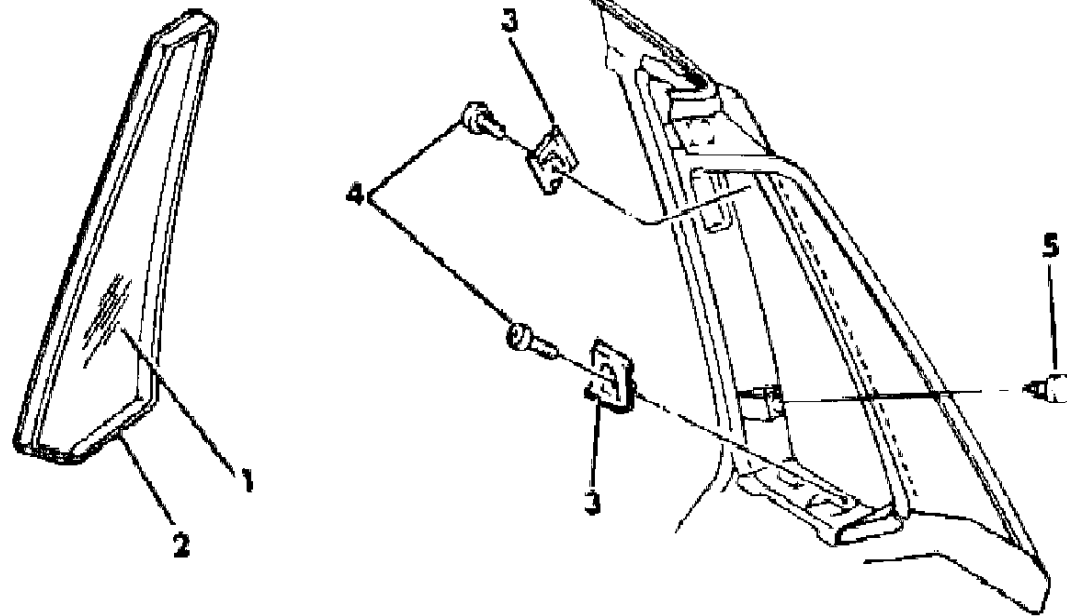
BODY STYLES

12-52 = FWD VAN & WAGON STD. W.B.	27 = 2-DOOR CONVERTIBLE
13-53 = FWD VAN & WGN EXT W.B.	41 = 4-DOOR SEDAN
21 = 2-DOOR SEDAN	44 = 4-DOOR HATCHBACK
24 = 2-DOOR HATCHBACK	45 = 4-DOOR STATION WAGON

AR = Use as Required - = Non Illustrated Part P.A.R. = Paint as Required

GLASS QUARTER WINDOW E BODY
Figure 23A-9500

8169 9500



ITEM	PART NUMBER	QTY	BODY	MODEL	DESCRIPTION
1	4206 890-1	1		exc. T-P	GLASS, Quarter Window Tinted
2		AR			SEAL, Quarter Window Glass Frame Not Serviced
3	4206 852	2			RETAINER, Quarter Window Glass Upper
	4206 852	2			Lower
4		4			SCREW, Not Serviced
5	4278 856	10			SPACER, Quarter Window Glass

NOTE: The following items are not shown on illustration. s group.

PKG A	4057 957	1			FIXED GLASS REPAIR PACKAGE
					Consists of:
					1- ----- Tape, Butyl, 171.00"
					1- ----- Primer, Glass
					1- ----- Primer, Fence
					2-Spacer, Rubber, 0.2"
					2-Spacer, Rubber, 0.3"
	3767 767				2-Shim, 0.07"
					2- ----- Sponges, Disposable

MODEL CODES

C BODY = (D41 - DYNASTY)(C41 - NEW YORKER)	L BODY = (M - HORIZON)(Z-OMNI)
E BODY = (J - CARAVELLE)(E - 600)(T - NEW YORKER TURBO)	M BODY = (B - GRAN FURY)(G - DIPLOMAT)(F - FIFTH AVENUE/NEWPORT)
G BODY = (V24 - DAYTONA, PACIFICA & SHELBY)	P BODY = (P - SUNDANCE)(D - SHADOW)
H BODY = (D44 - LANCER)(C44 - LEBARON GTS)	Q BODY = (C27 - MASERATI)
J BODY = (C - LEBARON)	S BODY = (H - VOYAGER)(K - RAM VAN/ CARAVAN)
K BODY = (P - RELIANT)(D - ARIES)(C - LEBARON/ TOWN & COUNTRY)	

BODY STYLES

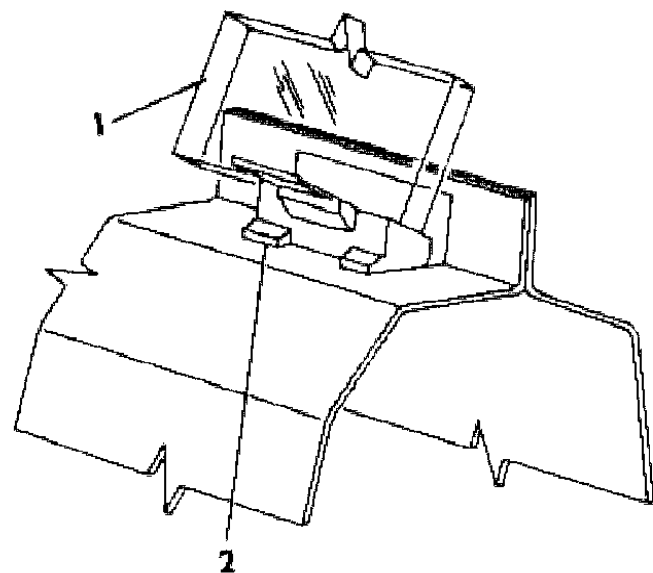
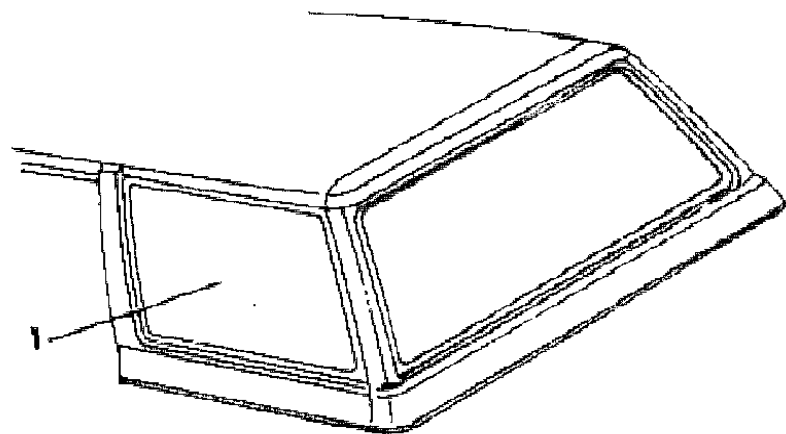
12-52 = FWD VAN & WAGON STD. W.B.	27 = 2-DOOR CONVERTIBLE
13-53 = FWD VAN & WGN EXT W.B.	41 = 4-DOOR SEDAN
21 = 2-DOOR SEDAN	44 = 4-DOOR HATCHBACK
24 = 2-DOOR HATCHBACK	45 = 4-DOOR STATION WAGON

AR = Use as Required - = Non Illustrated Part P.A.R. = Paint as Required

GLASS QUARTER WINDOW K BODY 45
Figure 23A-9600

8169 9600

ITEM	PART NUMBER	QTY	BODY	MODEL	DESCRIPTION
1	4206 170-1	1			GLASS, Quarter Window Clear
	4206 172-3	1			Tinted
2	4206 693	2			SPACER, Quarter Window Glass Rear
	4206 517	4			Lower (Plastic)
NOTE: The following items are not shown on illustration. s group.					
PKG A	4057 957	1			FIXED GLASS REPAIR PACKAGE
					Consists of:
					1- ----- Tape, Butyl, 171.00"
					1- ----- Primer, Glass
					1- ----- Primer, Fence
					2-Spacer, Rubber, 0.2"
					2-Spacer, Rubber, 0.3"
	3767 767				2-Shim, 0.07"
					2- ----- Sponges, Disposable



MODEL CODES

C BODY = (D41 - DYNASTY)(C41 - NEW YORKER)	L BODY = (M - HORIZON)(Z-OMNI)
E BODY = (J - CARAVELLE)(E - 600)(T - NEW YORKER TURBO)	M BODY = (B - GRAN FURY)(G - DIPLOMAT)(F - FIFTH AVENUE/NEWPORT)
G BODY = (V24 - DAYTONA, PACIFICA & SHELBY)	P BODY = (P - SUNDANCE)(D - SHADOW)
H BODY = (D44 - LANCER)(C44 - LEBARON GTS)	Q BODY = (C27 - MASERATI)
J BODY = (C - LEBARON)	S BODY = (H - VOYAGER)(K - RAM VAN/ CARAVAN)
K BODY = (P - RELIANT)(D - ARIES)(C - LEBARON/ TOWN & COUNTRY)	

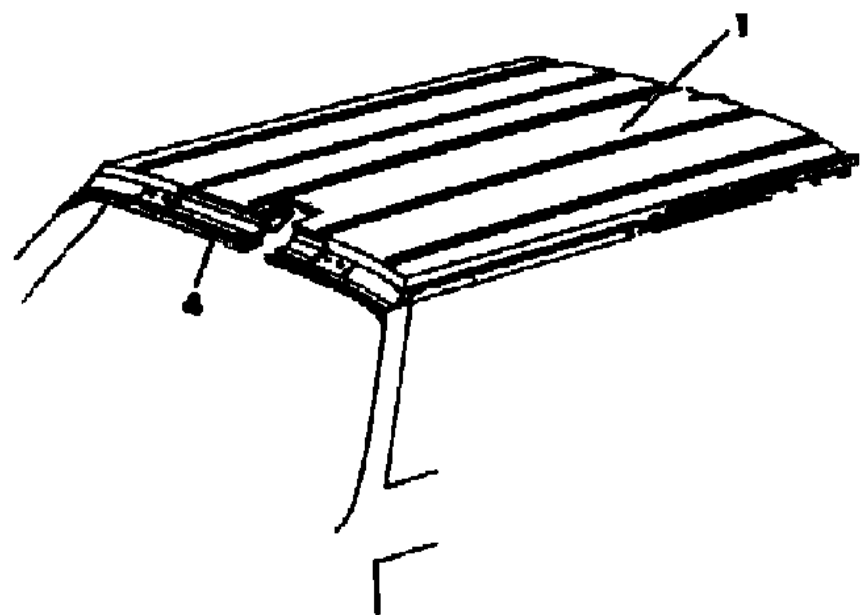
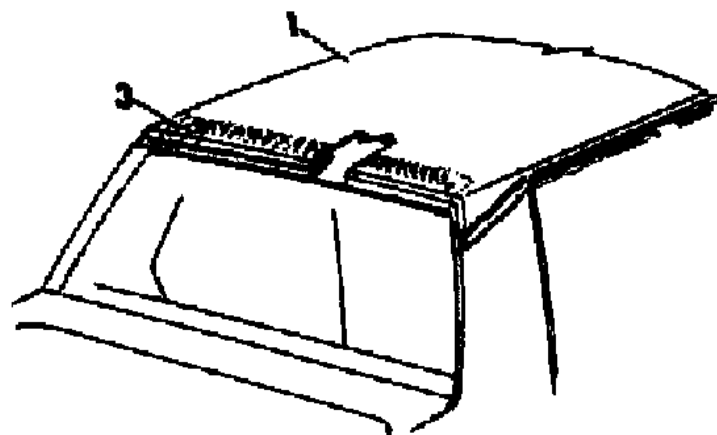
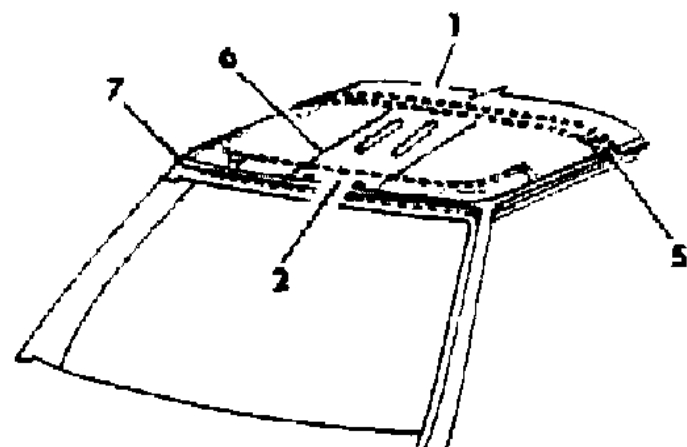
BODY STYLES

12-52 = FWD VAN & WAGON STD. W.B.	27 = 2-DOOR CONVERTIBLE
13-53 = FWD VAN & WGN EXT W.B.	41 = 4-DOOR SEDAN
21 = 2-DOOR SEDAN	44 = 4-DOOR HATCHBACK
24 = 2-DOOR HATCHBACK	45 = 4-DOOR STATION WAGON

AR = Use as Required - = Non Illustrated Part P.A.R. = Paint as Required

ROOF PANEL K,E BODY
Figure 23A-9700

8169 9700



ITEM	PART NUMBER	QTY	BODY	MODEL	DESCRIPTION
1	4136 800	1		21	PANEL, Roof
	4136 801	1		P,D,C 41	
	4206 806	1		J,E,T	
	4206 950	1		45	
2	4371 256	1		21	FRAME, w/Shield Opening Upper
	4371 712	1		41,45	
3	4136 912	1		21	FRAME, Rear Window Opening Upper
	4136 950	1		P,D,C 41	
	4206 854	1		J,E,T	
4	4129 748	1		45	FRAME, w/Reinforcement Liftgate Opening Upper
5	4386 478	2		21,41	BOW, Roof Panel
	4341 401	3		45	BOW, Roof Panel
6	4278 835	1			SUPPORT, Roof Panel Outside Flasher Light Or Siren
7	6003 423	AR			FASTENER, w/Shield Upper Frame To w/Shield Side Frame

MODEL CODES

C BODY = (D41 - DYNASTY)(C41 - NEW YORKER)
 E BODY = (J - CARAVELLE)(E - 600)(T - NEW YORKER TURBO)
 G BODY = (V24 - DAYTONA, PACIFICA & SHELBY)
 H BODY = (D44 - LANCER)(C44 - LEBARON GTS)
 J BODY = (C - LEBARON)
 K BODY = (P - RELIANT)(D - ARIES)(C - LEBARON/ TOWN & COUNTRY)

L BODY = (M - HORIZON)(Z-OMNI)
 M BODY = (B - GRAN FURY)(G - DIPLOMAT)(F - FIFTH AVENUE/NEWPORT)
 P BODY = (P - SUNDANCE)(D - SHADOW)
 Q BODY = (C27 - MASERATI)
 S BODY = (H - VOYAGER)(K - RAM VAN/ CARAVAN)

BODY STYLES

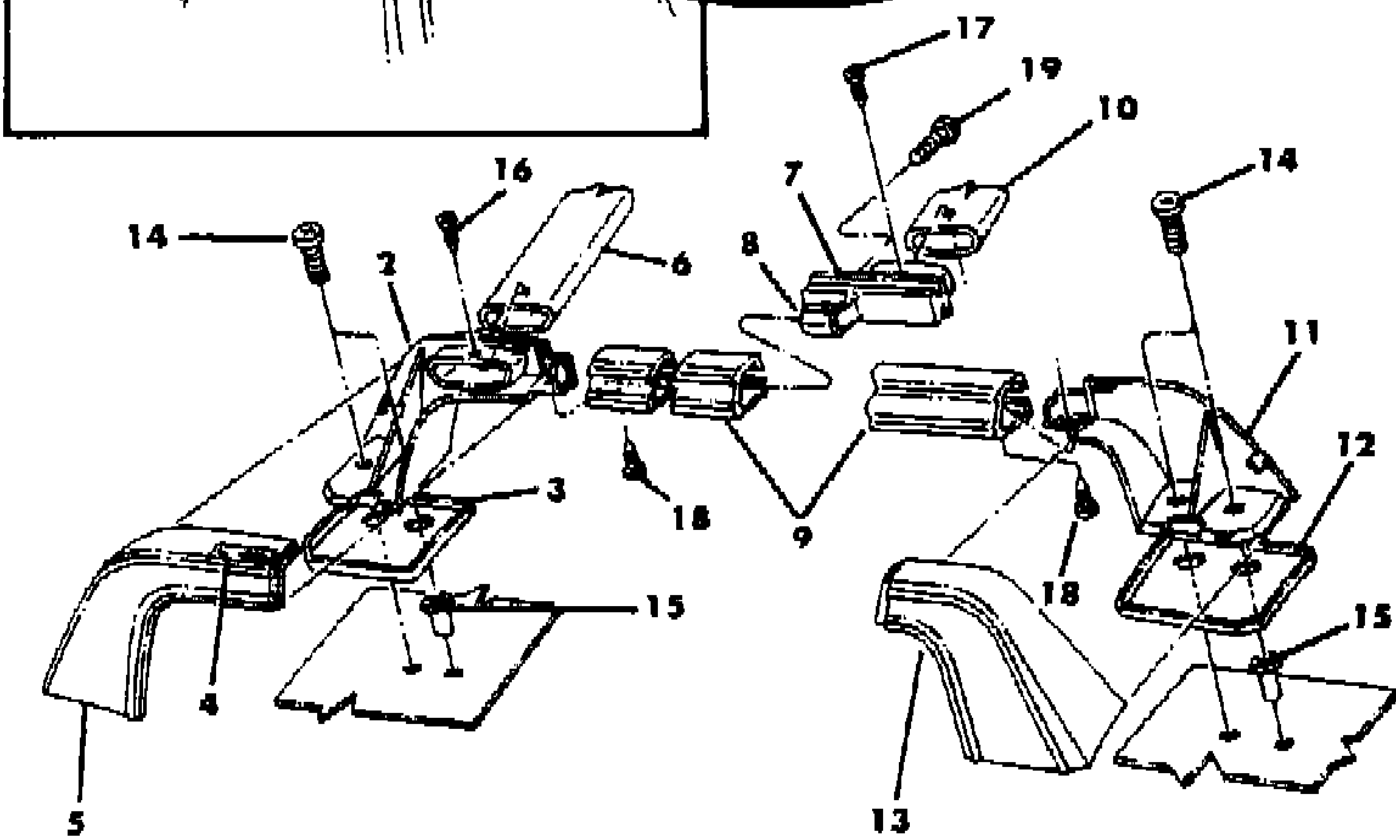
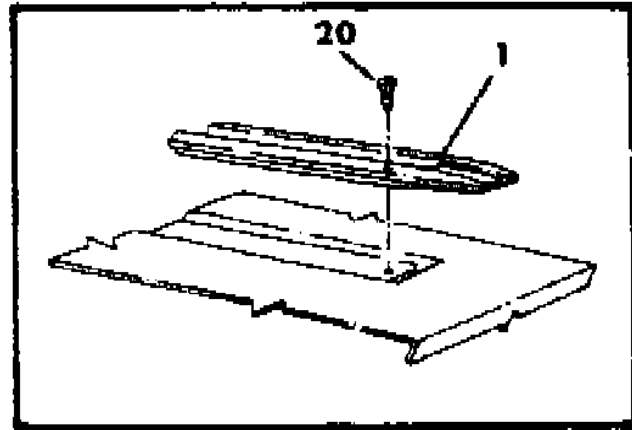
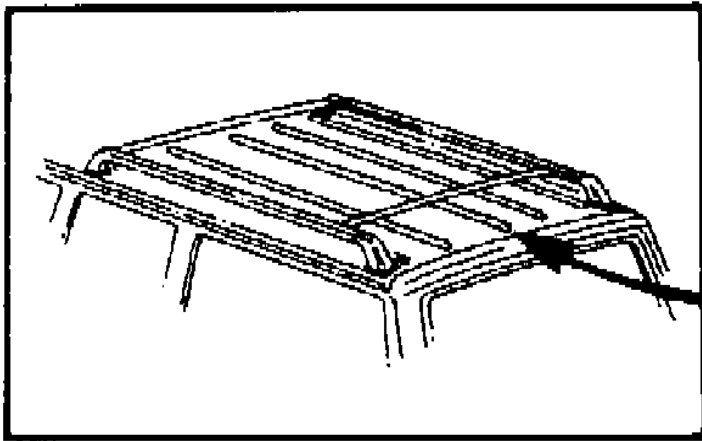
12-52 = FWD VAN & WAGON STD. W.B. 27 = 2-DOOR CONVERTIBLE
 13-53 = FWD VAN & WGN EXT W.B. 41 = 4-DOOR SEDAN
 21 = 2-DOOR SEDAN 44 = 4-DOOR HATCHBACK
 24 = 2-DOOR HATCHBACK 45 = 4-DOOR STATION WAGON

AR = Use as Required - = Non Illustrated Part P.A.R. = Paint as Required

ROOF LUGGAGE RACK K BODY 45

Figure 23A-9800

8169 9800



ITEM	PART NUMBER	QTY	BODY	MODEL	DESCRIPTION
1-2	4366 021	1			LUGGAGE RACK PACKAGE, Roof (Feild Installed)
					Consists of:
		2			Rail w/Overlay
		1			Support, Side Rail Front
		1			Support, Side Rail Rear
		2			Cross Bar, Front and Rear
		2			Bracket, Cross Bar Front
		4			Retainer, Roof Rack Cross Bar
		4			Tapping, Roof Rack Cross Bar
		1			Cover Cap, Side Rail Support Front
		1			Cover Cap, Side Rail Support Rear
		1			Spacer, Side Rail Support Front
		1			Spacer, Side Rail Support Rear
		2			2- ----- Screw, Rear Cross Bar Not Serviced
		2			Screw, Front Cross Bar
		8			Blind Nut, Side Rail To Roof Panel
		8			Screw, Side Rail To Roof Panel
		4			4- ----- Screw, Side Rail Support To Cap (Not Serviced)
		4			Loop, Roof Luggage Rack Cross Bar
1	4398 176	5			SKID STRIP
2	4319 786-7	1			SUPPORT, Side Rail Support
3	4229 044-5	1			SPACER, Side Rail Support Side
4		2			LABEL, (Not Serv.)
5	4366 550-1	1			COVER CAP, Side Rail Support Front
6	4366 019	2			CROSS BAR, Front
7	4366 018	2			BRACKET, Cross Bar Front
8	4229 322	2			RETAINER, Roof Rack Cross Bar
9	4229 034	2			RAIL and OVERLAY Side ***
10	4366 019	1			CROSS BAR, Rear
11	4319 780-1	1			SUPPORT, Side Rail Rear
12	4229 046	1			SPACER, Side Rail Support Rear
13	4366 552-3	1			COVER CAP, Side Rail Support Rear
14	6032 500	8			SCREW
15	2094 869	8			NUT, Side Rail To Roof Panel
16	9414 722	2			SCREW, Cross Bar Front
17		2			SCREW, (Not Serv.)
18		4			SCREW, (Not Serv.)

MODEL CODES

C BODY = (D41 - DYNASTY)(C41 - NEW YORKER)
 E BODY = (J - CARAVELLE)(E - 600)(T - NEW YORKER TURBO)
 G BODY = (V24 - DAYTONA, PACIFICA & SHELBY)
 H BODY = (D44 - LANCER)(C44 - LEBARON GTS)
 J BODY = (C - LEBARON)
 K BODY = (P - RELIANT)(D - ARIES)(C - LEBARON/ TOWN & COUNTRY)

L BODY = (M - HORIZON)(Z-OMNI)
 M BODY = (B - GRAN FURY)(G - DIPLOMAT)(F - FIFTH AVENUE/NEWPORT)
 P BODY = (P - SUNDANCE)(D - SHADOW)
 Q BODY = (C27 - MASERATI)
 S BODY = (H - VOYAGER)(K - RAM VAN/ CARAVAN)

BODY STYLES

12-52 = FWD VAN & WAGON STD. W.B. 27 = 2-DOOR CONVERTIBLE
 13-53 = FWD VAN & WGN EXT W.B. 41 = 4-DOOR SEDAN
 21 = 2-DOOR SEDAN 44 = 4-DOOR HATCHBACK
 24 = 2-DOOR HATCHBACK 45 = 4-DOOR STATION WAGON

AR = Use as Required - = Non Illustrated Part P.A.R. = Paint as Required

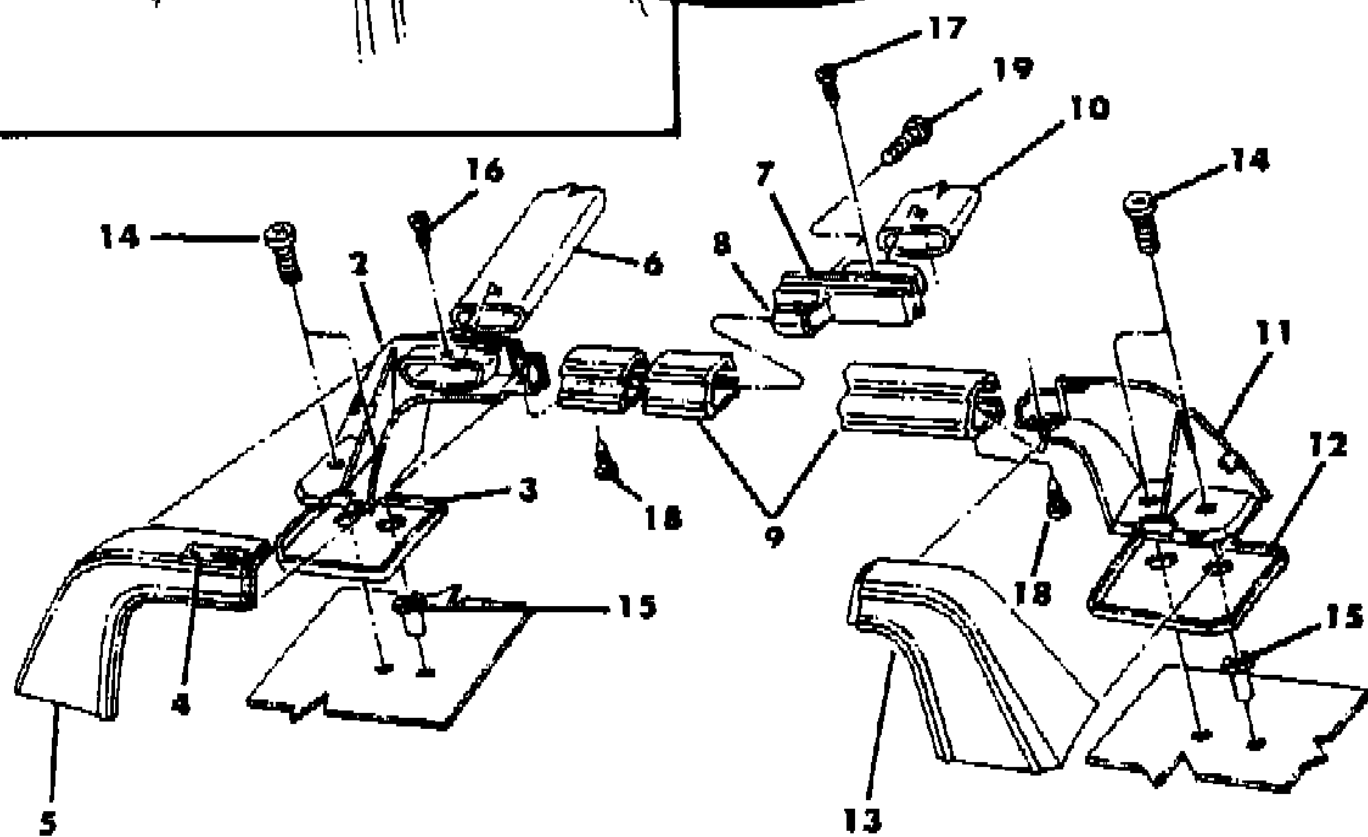
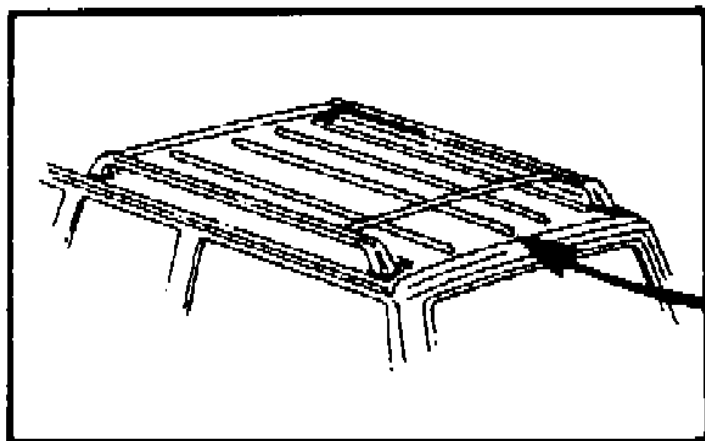
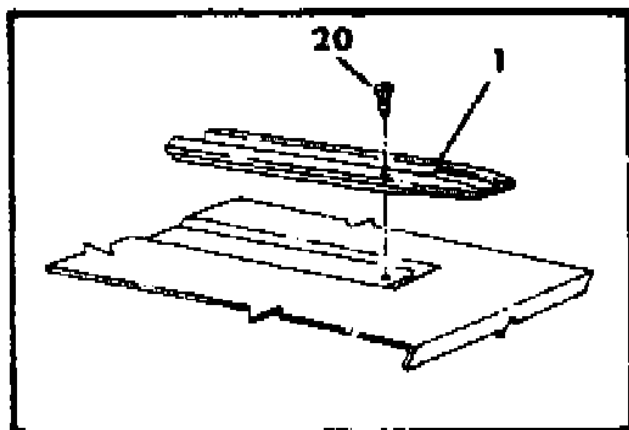
ROOF LUGGAGE RACK K BODY 45

Figure 23A-9800

8169 9800

ITEM	PART NUMBER	QTY	BODY	MODEL	DESCRIPTION
------	-------------	-----	------	-------	-------------

19		2			SCREW, (Not Serv.)
20		15			SCREW, 8-18x0625" (Not Serv.)



MODEL CODES

C BODY = (D41 - DYNASTY)(C41 - NEW YORKER)
 E BODY = (J - CARAVELLE)(E - 600)(T - NEW YORKER TURBO)
 G BODY = (V24 - DAYTONA, PACIFICA & SHELBY)
 H BODY = (D44 - LANCER)(C44 - LEBARON GTS)
 J BODY = (C - LEBARON)
 K BODY = (P - RELIANT)(D - ARIES)(C - LEBARON/ TOWN & COUNTRY)

L BODY = (M - HORIZON)(Z-OMNI)
 M BODY = (B - GRAN FURY)(G - DIPLOMAT)(F - FIFTH AVENUE/NEWPORT)
 P BODY = (P - SUNDANCE)(D - SHADOW)
 Q BODY = (C27 - MASERATI)
 S BODY = (H - VOYAGER)(K - RAM VAN/ CARAVAN)

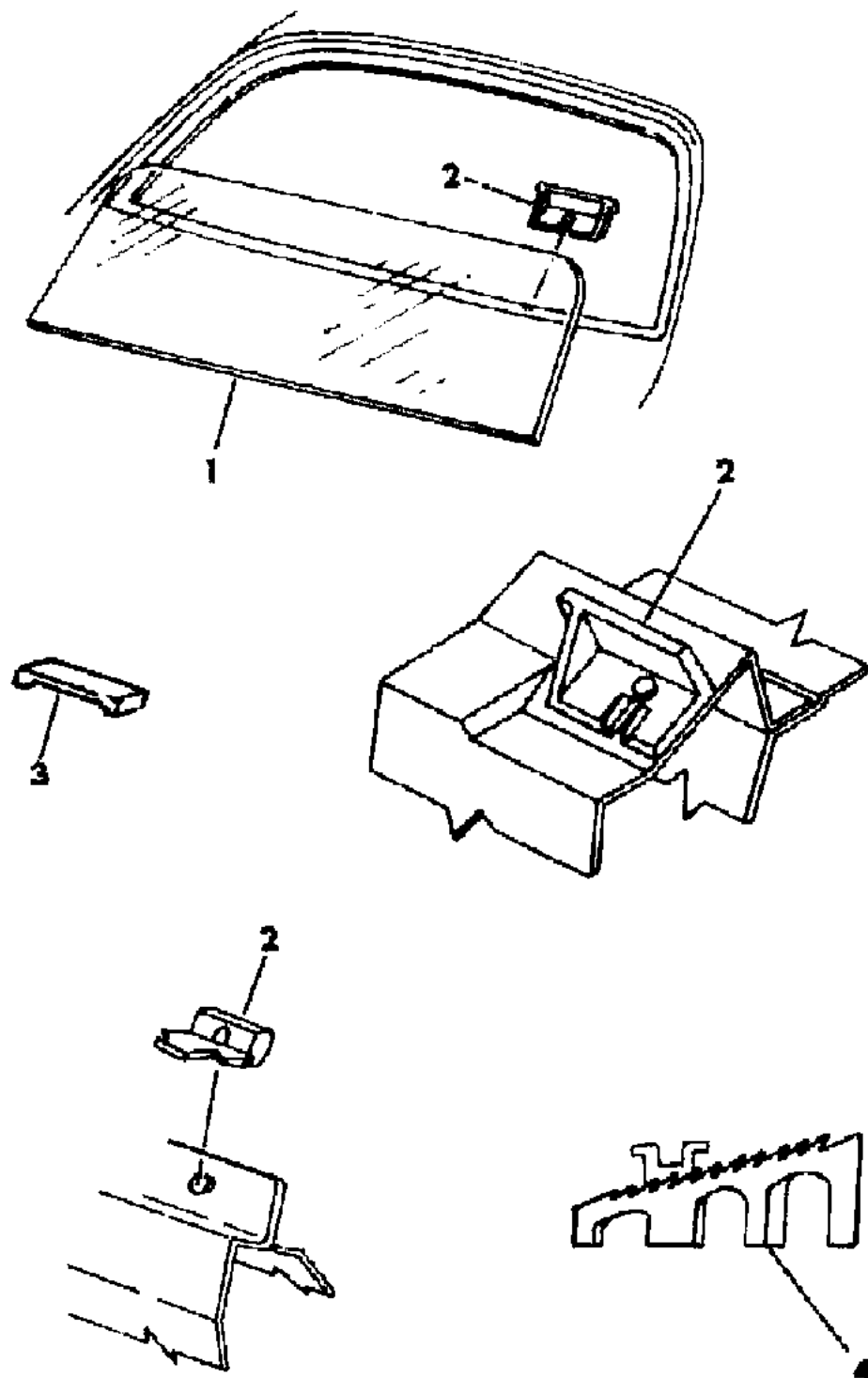
BODY STYLES

12-52 = FWD VAN & WAGON STD. W.B.	27 = 2-DOOR CONVERTIBLE
13-53 = FWD VAN & WGN EXT W.B.	41 = 4-DOOR SEDAN
21 = 2-DOOR SEDAN	44 = 4-DOOR HATCHBACK
24 = 2-DOOR HATCHBACK	45 = 4-DOOR STATION WAGON

AR = Use as Required - = Non Illustrated Part P.A.R. = Paint as Required

GLASS REAR WINDOW K BODY 21,41
Figure 23A-9900

8169 9900



ITEM	PART NUMBER	QTY	BODY	MODEL	DESCRIPTION
------	-------------	-----	------	-------	-------------

NOTE: GLASS, REAR WINDOW - ORDER FROM YOUR LOCAL "MOPAR" GLASS DISTRIBUTOR s group.

1					GLASS, Rear Window
	4136 934	1		P,D,21	Clear
	4136 935	1		P,D,21	Tinted
	4278 210	1		P,D,21	Tinted Electric Heated
	4136 954	1		P,D,41	Clear
	4136 955	1		P,D,41	Tinted
	4278 216	1		P,D,41	Tinted Electric Heated
	4416 092	1		C 41	Clear
	4416 093	1		C 41	Tinted
	4337 998	1		C 41	Tinted Electric Heated
2					SPACER, Rear Wdo. Glass Lower
	4136 335	2			w/o Vinyl Roof
	4206 514	2			w/Vinyl Roof
3					SHIM, Rear Wdo. Lower Spacer
	3767 767	AR			Approximately .218" Thick
	3767 196	AR			Approximately .106" Thick
	4278 511	AR		21,41	Approximately .2875" Thick
	4278 077	AR		21,41	Approximately .2187" Thick
4					SPACER, Rear w/Padded Landau Vinyl Roof Pkg.
	4278 755	AR			

NOTE: The following items are not shown on illustration. s group.

PKG A	4267 906	1			REPAIR PACKAGE, Windshield & Rear Window
					Consists of:
					1- ----- Polyurethane, 11.5 Oz.
					1- ----- Primer, Fence, 1 Oz. .
					1- ----- Primer, Wipe Off, 1 Oz.
					1- ----- Primer, Blackout 1 Oz.
					3- ----- Dabbers
					1- ----- Nozzle
					1- ----- Instruction Sheet
PKG B	4057 957	1			FIXED GLASS REPAIR PACKAGE
					Consists of:
					1- ----- Tape, Butyl, 171.00"
					1- ----- Primer, Glass
					1- ----- Primer, Fence
					2-Spacer, Rubber, 0.2"
					2-Spacer, Rubber, 0.3"

MODEL CODES

C BODY = (D41 - DYNASTY)(C41 - NEW YORKER)
E BODY = (J - CARAVELLE)(E - 600)(T - NEW YORKER TURBO)
G BODY = (V24 - DAYTONA, PACIFICA & SHELBY)
H BODY = (D44 - LANCER)(C44 - LEBARON GTS)
J BODY = (C - LEBARON)
K BODY = (P - RELIANT)(D - ARIES)(C - LEBARON/ TOWN & COUNTRY)

L BODY = (M - HORIZON)(Z-OMNI)
M BODY = (B - GRAN FURY)(G - DIPLOMAT)(F - FIFTH AVENUE/NEWPORT)
P BODY = (P - SUNDANCE)(D - SHADOW)
Q BODY = (C27 - MASERATI)
S BODY = (H - VOYAGER)(K - RAM VAN/ CARAVAN)

BODY STYLES

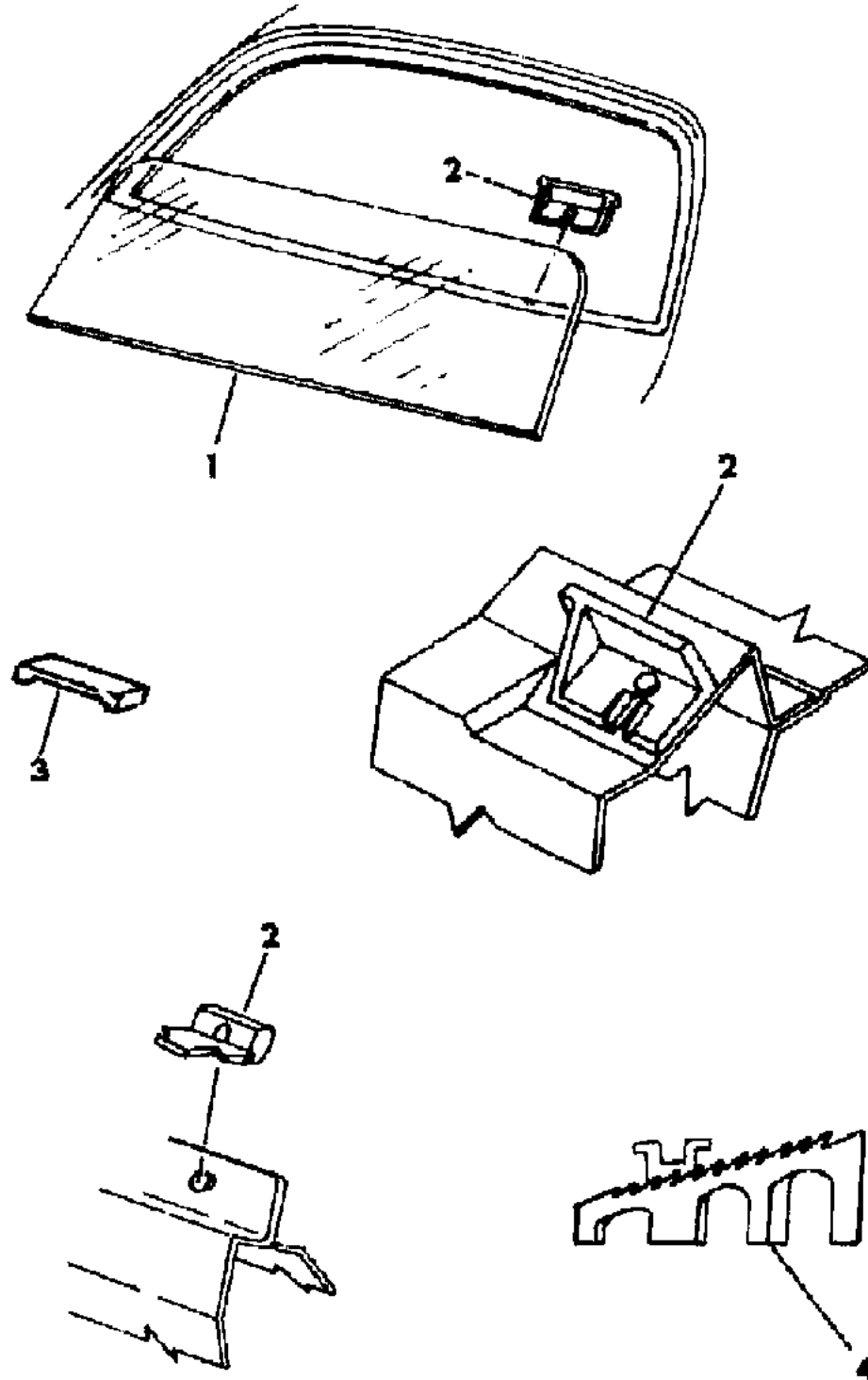
12-52 = FWD VAN & WAGON STD. W.B. 27 = 2-DOOR CONVERTIBLE
13-53 = FWD VAN & WGN EXT W.B. 41 = 4-DOOR SEDAN
21 = 2-DOOR SEDAN 44 = 4-DOOR HATCHBACK
24 = 2-DOOR HATCHBACK 45 = 4-DOOR STATION WAGON

AR = Use as Required - = Non Illustrated Part P.A.R. = Paint as Required

GLASS REAR WINDOW K BODY 21,41
Figure 23A-9900

8169 9900

ITEM	PART NUMBER	QTY	BODY	MODEL	DESCRIPTION
	3767 767				2-Shim, 0.07"
PKG C	4267 922	1			2- ----- Sponges, Disposable REPAIR PACKAGE, Back Lite Grid & Pigtail



MODEL CODES

C BODY = (D41 - DYNASTY)(C41 - NEW YORKER)
 E BODY = (J - CARAVELLE)(E - 600)(T - NEW YORKER TURBO)
 G BODY = (V24 - DAYTONA, PACIFICA & SHELBY)
 H BODY = (D44 - LANCER)(C44 - LEBARON GTS)
 J BODY = (C - LEBARON)
 K BODY = (P - RELIANT)(D - ARIES)(C - LEBARON/ TOWN & COUNTRY)

L BODY = (M - HORIZON)(Z-OMNI)
 M BODY = (B - GRAN FURY)(G - DIPLOMAT)(F - FIFTH AVENUE/NEWPORT)
 P BODY = (P - SUNDANCE)(D - SHADOW)
 Q BODY = (C27 - MASERATI)
 S BODY = (H - VOYAGER)(K - RAM VAN/ CARAVAN)

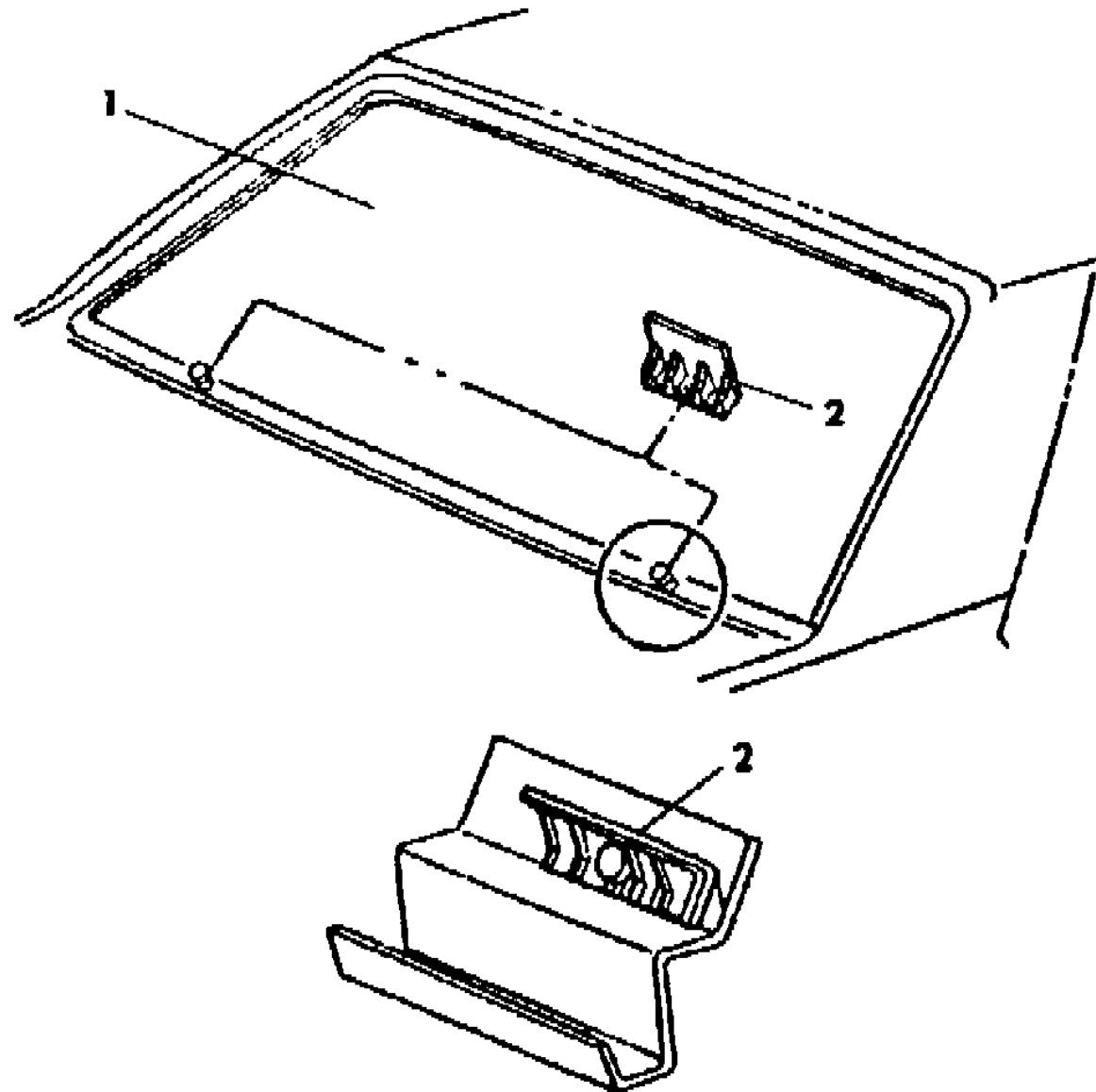
BODY STYLES

12-52 = FWD VAN & WAGON STD. W.B. 27 = 2-DOOR CONVERTIBLE
 13-53 = FWD VAN & WGN EXT W.B. 41 = 4-DOOR SEDAN
 21 = 2-DOOR SEDAN 44 = 4-DOOR HATCHBACK
 24 = 2-DOOR HATCHBACK 45 = 4-DOOR STATION WAGON

AR = Use as Required - = Non Illustrated Part P.A.R. = Paint as Required

GLASS REAR WINDOW E BODY
Figure 23A-1000

8169 10000



ITEM	PART NUMBER	QTY	BODY	MODEL	DESCRIPTION
------	-------------	-----	------	-------	-------------

NOTE: GLASS, REAR WINDOW - ORDER FROM YOUR LOCAL "MOPAR" GLASS DISTRIBUTOR s group.

1					GLASS, Rear Window
	4206 892	1		exc. T-P	Tinted
	4337 729	1		T-P	Tinted
	4206 893	1		exc. T-P	Tinted Electric Heated
	4337 730	1		T-P	Tinted Electric Heated
2	4206 543	2		exc. T-P	SPACER, Rear Wdo. Glass Lower

NOTE: The following items are not shown on illustration. s group.

PKG A	4267 906	1			REPAIR PACKAGE, Windshield & Rear Window
					Consists of:
					1- ----- Polyurethane, 11.5 Oz.
					1- ----- Primer, Fence, 1 Oz.
					1- ----- Primer, Wipe Off, 1 Oz.
					1- ----- Primer, Blackout 1 Oz.
					3- ----- Dabbers
					1- ----- Nozzle
					1- ----- Instruction Sheet
PKG B	4057 957	1			FIXED GLASS REPAIR PACKAGE
					Consists of:
					1- ----- Tape, Butyl, 171.00"
					1- ----- Primer, Glass
					1- ----- Primer, Fence
					2-Spacer, Rubber, 0.2"
					2-Spacer, Rubber, 0.3"
					2-Shim, 0.07"
					2- ----- Sponges, Disposable
PKG C	4267 922	1			REPAIR PACKAGE, Back Lite Grid & Pigtail

MODEL CODES

C BODY = (D41 - DYNASTY)(C41 - NEW YORKER)
E BODY = (J - CARAVELLE)(E - 600)(T - NEW YORKER TURBO)
G BODY = (V24 - DAYTONA, PACIFICA & SHELBY)
H BODY = (D44 - LANCER)(C44 - LEBARON GTS)
J BODY = (C - LEBARON)
K BODY = (P - RELIANT)(D - ARIES)(C - LEBARON/ TOWN & COUNTRY)

L BODY = (M - HORIZON)(Z-OMNI)
M BODY = (B - GRAN FURY)(G - DIPLOMAT)(F - FIFTH AVENUE/NEWPORT)
P BODY = (P - SUNDANCE)(D - SHADOW)
Q BODY = (C27 - MASERATI)
S BODY = (H - VOYAGER)(K - RAM VAN/ CARAVAN)

BODY STYLES

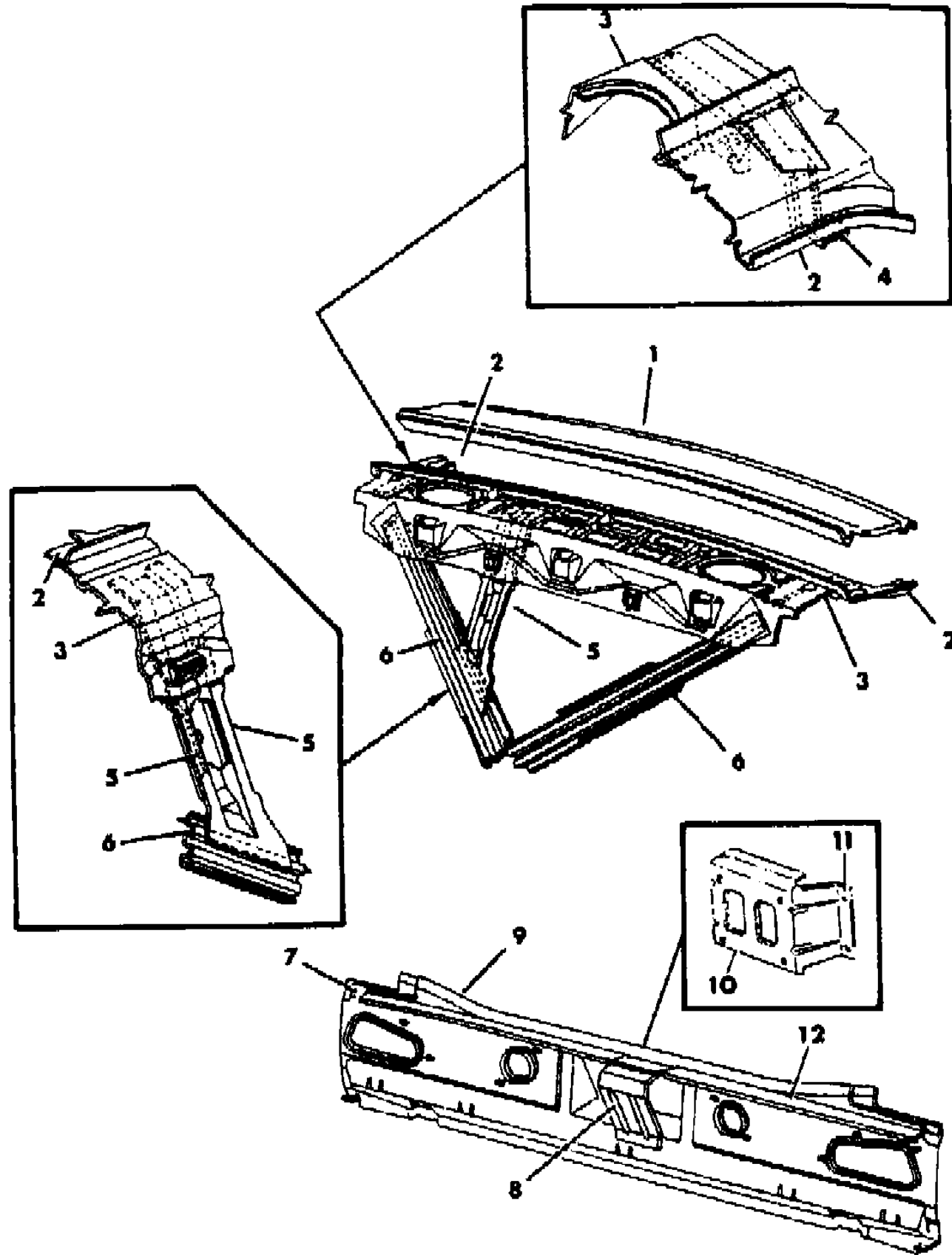
12-52 = FWD VAN & WAGON STD. W.B. 27 = 2-DOOR CONVERTIBLE
13-53 = FWD VAN & WGN EXT W.B. 41 = 4-DOOR SEDAN
21 = 2-DOOR SEDAN 44 = 4-DOOR HATCHBACK
24 = 2-DOOR HATCHBACK 45 = 4-DOOR STATION WAGON

AR = Use as Required - = Non Illustrated Part P.A.R. = Paint as Required

DECK OPENING PANEL K BODY

Figure 23A-1010

8169 10100



ITEM	PART NUMBER	QTY	BODY	MODEL	DESCRIPTION
1	4134 801	1			PANEL, Deck Opening Upper
2	4278 250	1			TROUGH, Deck Opening Upper Drain
3		1			PANEL, Shelf Not Serviced
4	4206 326-7	1			SUPPORT, Deck Opening Upper Trough Hinge
5	4297 903	1			BRACKET, w/Reinforcement Shelf Panel Spare Tire Stowage
6		2			BRACE, Shelf Panel To Floor Pan Diagonal Not Serviced
7	4386 374	1			PANEL, Deck Opening Lower
8	4386 376	1	P,D,C		SUPPORT, Deck Opening Lower Panel
9	4296 839	1			REINFORCEMENT, Deck Opening Lower Panel
10	4341 214	1	P,D,C		PANEL, Deck Opening Lower License Plate Mounting Adapter
11	3679 333	1	C		RIVET, License Plate Mounting Bracket To Deck Opening Lower Panel
12	4278 578	1			REINFORCEMENT, Shelf Panel To Floor Pan Diagonal Brace Lower (w/Heavy Service Pkg.)

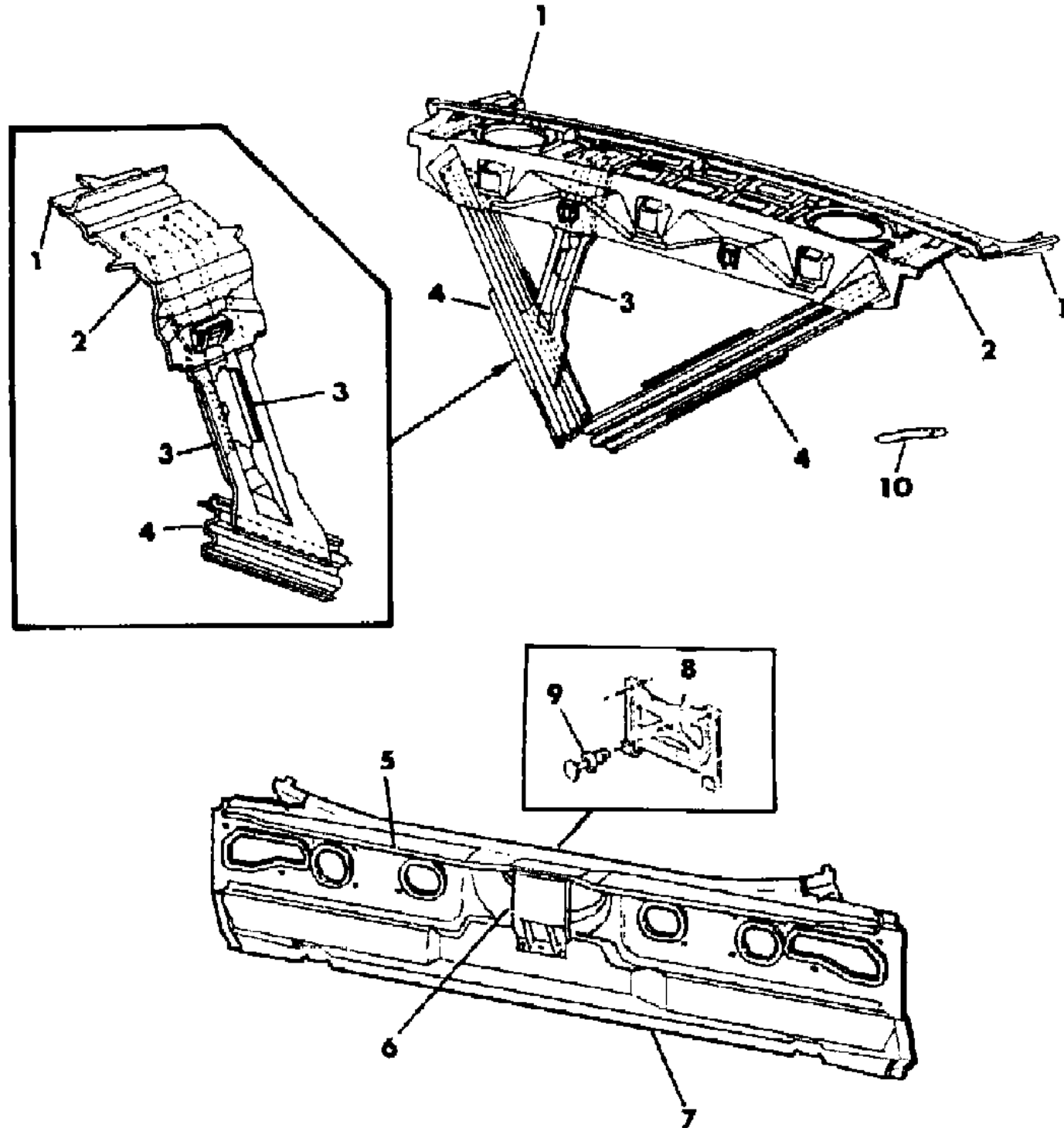
MODEL CODES
 C BODY = (D41 - DYNASTY)(C41 - NEW YORKER)
 E BODY = (J - CARAVELLE)(E - 600)(T - NEW YORKER TURBO)
 G BODY = (V24 - DAYTONA, PACIFICA & SHELBY)
 H BODY = (D44 - LANCER)(C44 - LEBARON GTS)
 J BODY = (C - LEBARON)
 K BODY = (P - RELIANT)(D - ARIES)(C - LEBARON/ TOWN & COUNTRY)
 L BODY = (M - HORIZON)(Z-OMNI)
 M BODY = (B - GRAN FURY)(G - DIPLOMAT)(F - FIFTH AVENUE/NEWPORT)
 P BODY = (P - SUNDANCE)(D - SHADOW)
 Q BODY = (C27 - MASERATI)
 S BODY = (H - VOYAGER)(K - RAM VAN/ CARAVAN)

BODY STYLES
 12-52 = FWD VAN & WAGON STD. W.B. 27 = 2-DOOR CONVERTIBLE
 13-53 = FWD VAN & WGN EXT W.B. 41 = 4-DOOR SEDAN
 21 = 2-DOOR SEDAN 44 = 4-DOOR HATCHBACK
 24 = 2-DOOR HATCHBACK 45 = 4-DOOR STATION WAGON

AR = Use as Required - = Non Illustrated Part P.A.R. = Paint as Required

DECK OPENING PANEL E BODY
Figure 23A-1020

8169 10200



ITEM	PART NUMBER	QTY	BODY	MODEL	DESCRIPTION
1	4206 970	1			TROUGH, Deck Opening Upper Drain
2		1			PANEL, Shelf Not Serviced
3	4297 903	1			BRACKET, w/Reinforcement Shelf Panel Spare Tire Stowage
4		2			BRACE, Shelf Panel To Floor Pan Diagonal Not Serviced
5	4341 833	1			REINFORCEMENT, Deck Opening Lower Panel
	4278 578	1			REINFORCEMENT, Shelf Panel To Floor Pan Diagonal Brace (w/Heavy Service Pkg.)
6	4206 357	1			SUPPORT, Deck Opening Lower Panel Striker
	4296 282	2			SUPPORT, Deck Lid Hinge To Shelf Panel
	4321 707	1			SUPPORT, Lower Deck Opening Panel Applique
7	4341 832	1			PANEL, Deck Opening Lower
8	4341 075	1			BRACKET, License Plate Mounting Rear
9	3679 333	1			RIVET, License Plate Mounting Bracket To Deck Opening Lower Panel
10	4206 487	AR			SEAL, Deck Opening Lower Drain Trough Extension

MODEL CODES

C BODY = (D41 - DYNASTY)(C41 - NEW YORKER)
 E BODY = (J - CARAVELLE)(E - 600)(T - NEW YORKER TURBO)
 G BODY = (V24 - DAYTONA, PACIFICA & SHELBY)
 H BODY = (D44 - LANCER)(C44 - LEBARON GTS)
 J BODY = (C - LEBARON)
 K BODY = (P - RELIANT)(D - ARIES)(C - LEBARON/ TOWN & COUNTRY)

L BODY = (M - HORIZON)(Z-OMNI)
 M BODY = (B - GRAN FURY)(G - DIPLOMAT)(F - FIFTH AVENUE/NEWPORT)
 P BODY = (P - SUNDANCE)(D - SHADOW)
 Q BODY = (C27 - MASERATI)
 S BODY = (H - VOYAGER)(K - RAM VAN/ CARAVAN)

BODY STYLES

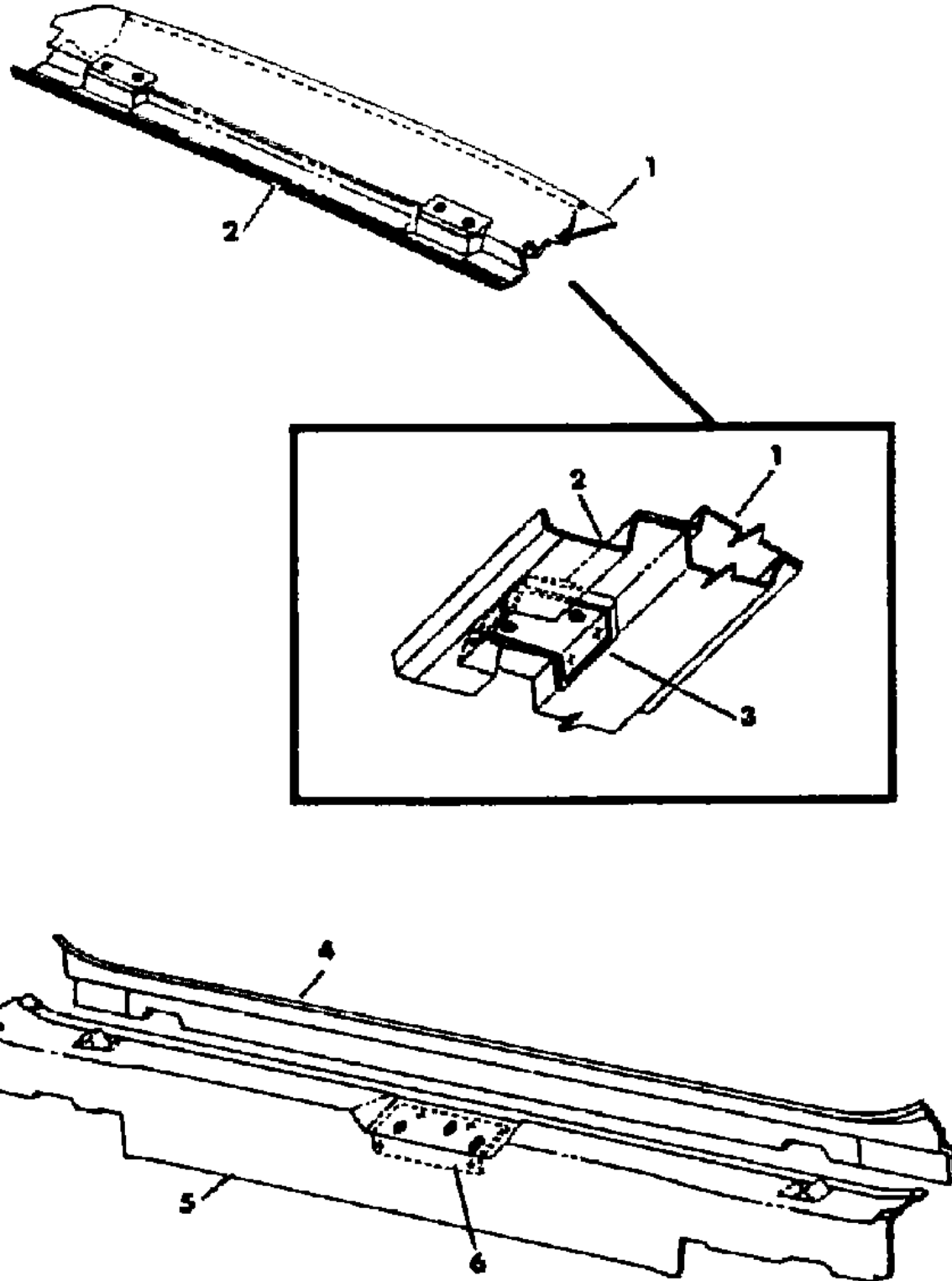
12-52 = FWD VAN & WAGON STD. W.B. 27 = 2-DOOR CONVERTIBLE
 13-53 = FWD VAN & WGN EXT W.B. 41 = 4-DOOR SEDAN
 21 = 2-DOOR SEDAN 44 = 4-DOOR HATCHBACK
 24 = 2-DOOR HATCHBACK 45 = 4-DOOR STATION WAGON

AR = Use as Required - = Non Illustrated Part P.A.R. = Paint as Required

LIFTGATE OPENING PANEL K BODY 45
Figure 23A-1030

8169 10300

ITEM	PART NUMBER	QTY	BODY	MODEL	DESCRIPTION
1	4134 832	1			REINFORCEMENT, Liftgate Opening Upper Frame
2	4129 748	1			FRAME, w/Reinforcement Liftgate Opening Upper Hinge (Body Half)
3		1			REINFORCEMENT, (Serviced In Item 2)
4	4134 835	1			PANEL, Liftgate Opening Lower
5	4206 965	1			REINFORCEMENT, Liftgate Opening Lower Panel
6	4206 209	1			REINFORCEMENT, Liftgate Latch Striker



MODEL CODES

C BODY = (D41 - DYNASTY)(C41 - NEW YORKER)
 E BODY = (J - CARAVELLE)(E - 600)(T - NEW YORKER TURBO)
 G BODY = (V24 - DAYTONA, PACIFICA & SHELBY)
 H BODY = (D44 - LANCER)(C44 - LEBARON GTS)
 J BODY = (C - LEBARON)
 K BODY = (P - RELIANT)(D - ARIES)(C - LEBARON/ TOWN & COUNTRY)

L BODY = (M - HORIZON)(Z-OMNI)
 M BODY = (B - GRAN FURY)(G - DIPLOMAT)(F - FIFTH AVENUE/NEWPORT)
 P BODY = (P - SUNDANCE)(D - SHADOW)
 Q BODY = (C27 - MASERATI)
 S BODY = (H - VOYAGER)(K - RAM VAN/ CARAVAN)

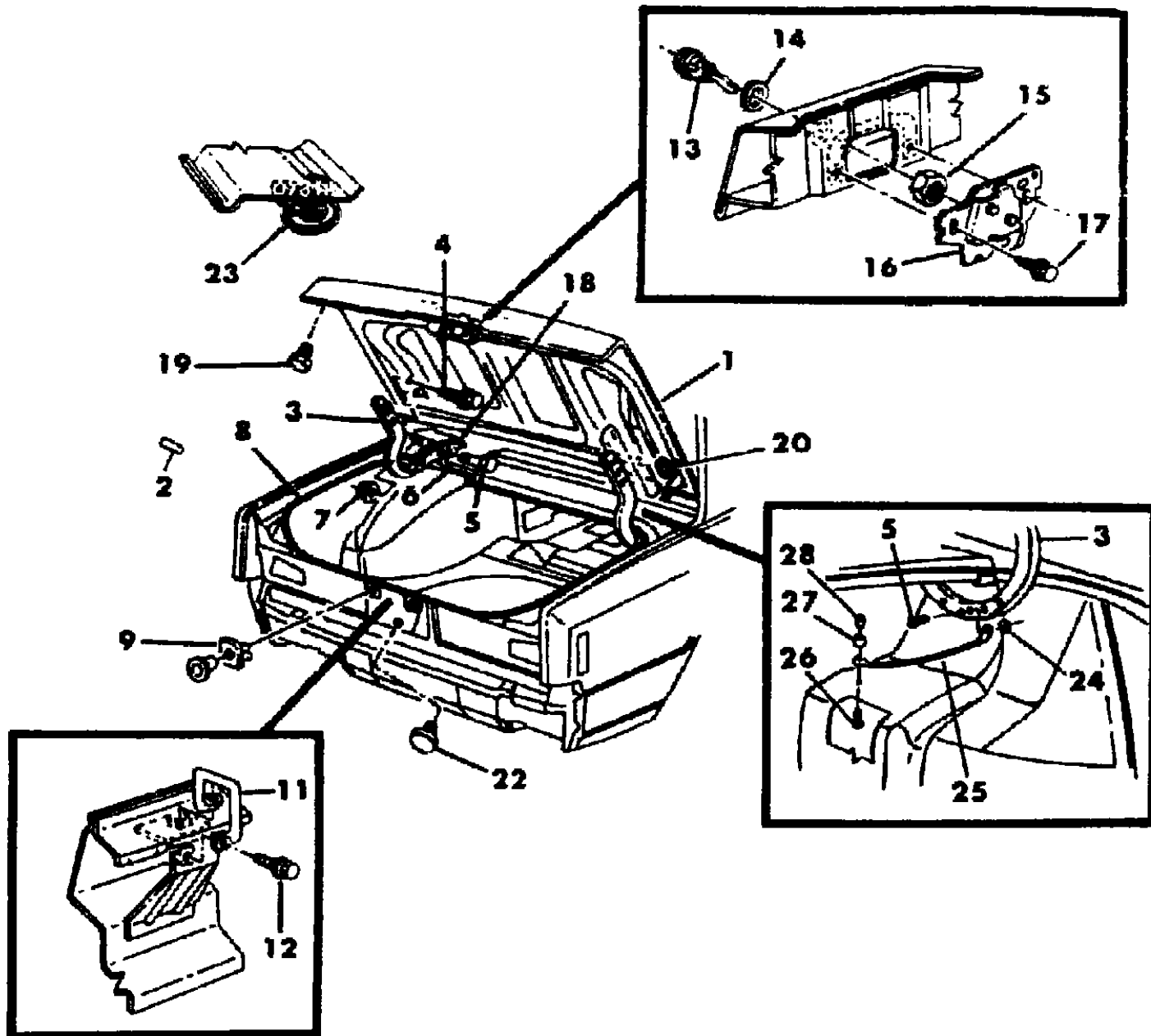
BODY STYLES

12-52 = FWD VAN & WAGON STD. W.B. 27 = 2-DOOR CONVERTIBLE
 13-53 = FWD VAN & WGN EXT W.B. 41 = 4-DOOR SEDAN
 21 = 2-DOOR SEDAN 44 = 4-DOOR HATCHBACK
 24 = 2-DOOR HATCHBACK 45 = 4-DOOR STATION WAGON

AR = Use as Required - = Non Illustrated Part P.A.R. = Paint as Required

DECK LID K BODY
Figure 23A-1040

8169 10400



ITEM	PART NUMBER	QTY	BODY	MODEL	DESCRIPTION
1	4475 183	1		P,D-21,41	LID, Deck
	4475 183	1		C,41	
2	4206 796	2			SLEEVE, Deck Lid Hinge Torsion Bar
3	4371 420-1	1		21,41	HINGE, Deck Lid
4		4		21,41	SCREW and WASHER, Not Serviced
5	4278 463	2		21,41	PIN, Deck Lid Hinge Pivot
6	4475 198-9	1		21,41	BAR, Deck Lid Hinge Torsion
7	6022 149	2		21,41	NUT, Deck Lid Hinge Pivot Pin
8	4278 176	1		P,D	WEATHERSTRIP, Deck Lid Opening
	4337 275	1		C	
9	6500 524	4		All	NUT, License Plate Mounting
11	4172 986	1		All	STRIKER, Deck Lid Latch
12	6101 339	2		All	SCREW and WASHER
13		1		All	CYLINDER, Deck Lid Lock (See Group 23D-Illustrations)
14	3695 321	1		All	GASKET, Deck Lid Lock Cylinder
15	4054 202	1		All	NUT, Deck Lid Lock Cylinder
16	4054 825	1		All	LATCH, Deck Lid, Manual
	4054 962	1		All	Electric
17	6025 346	2		All	SCREW and WASHER
18	4206 326-7	1		21,41	SUPPORT, Deck Opening Upper Trough Hinge
19	5230 376	2		All	BUMPER, Deck Lid Inside Adjustable
20	6029 939	AR		All	PLUG, .500" Dia./13mm
22	5200 365	AR			BUTTON, License
23		1		21,41	RETAINER, Deck Lid Hinge Torsion Bar Not Serviced
24	6022 149	1		21,41	NUT
25	4206 751	1		21,41	CABLE, Wheelhouse Inner To Deck Lid Hinge Restrainer
26	6032 214	1		21,41	SCREW
27	6032 057	1		21,41	NUT
28	4073 281	2		21,41	CAP, Deck Lid Cable

MODEL CODES

C BODY = (D41 - DYNASTY)(C41 - NEW YORKER)
 E BODY = (J - CARAVELLE)(E - 600)(T - NEW YORKER TURBO)
 G BODY = (V24 - DAYTONA, PACIFICA & SHELBY)
 H BODY = (D44 - LANCER)(C44 - LEBARON GTS)
 J BODY = (C - LEBARON)
 K BODY = (P - RELIANT)(D - ARIES)(C - LEBARON/ TOWN & COUNTRY)

L BODY = (M - HORIZON)(Z-OMNI)
 M BODY = (B - GRAN FURY)(G - DIPLOMAT)(F - FIFTH AVENUE/NEWPORT)
 P BODY = (P - SUNDANCE)(D - SHADOW)
 Q BODY = (C27 - MASERATI)
 S BODY = (H - VOYAGER)(K - RAM VAN/ CARAVAN)

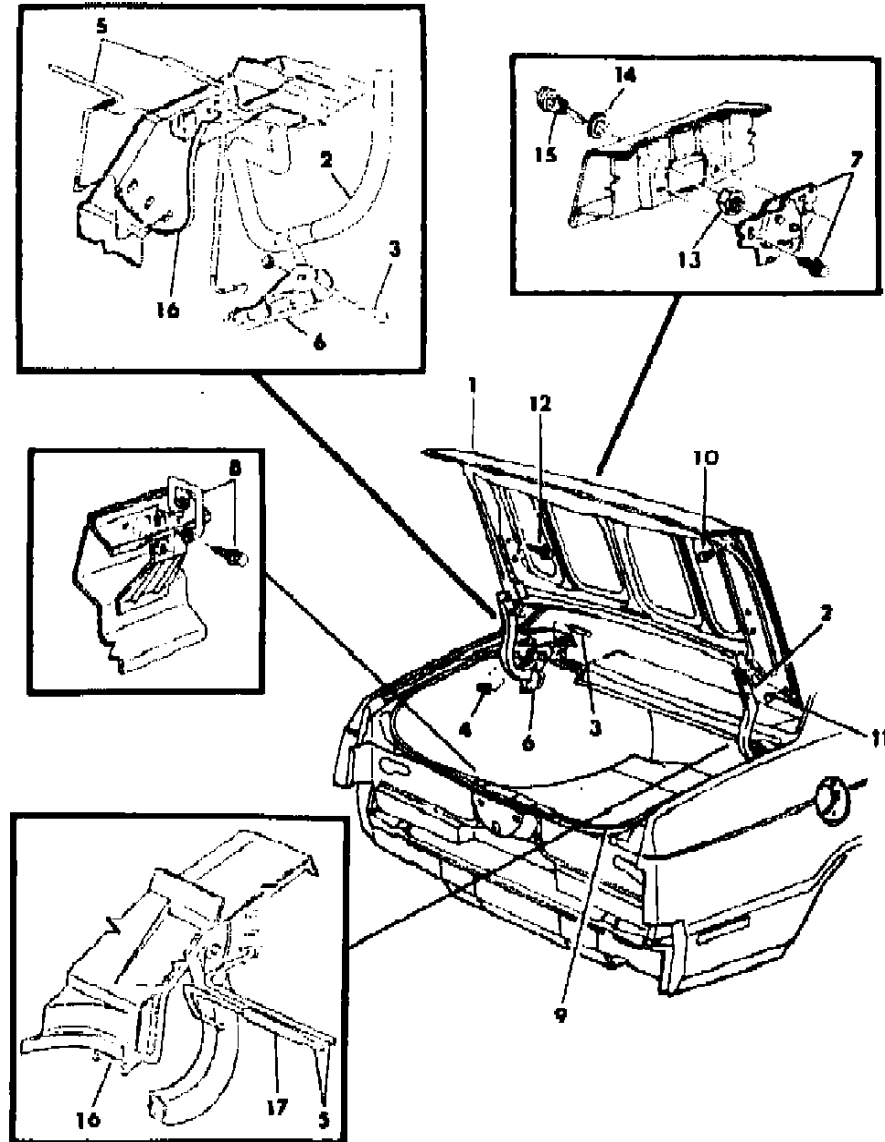
BODY STYLES

12-52 = FWD VAN & WAGON STD. W.B. 27 = 2-DOOR CONVERTIBLE
 13-53 = FWD VAN & WGN EXT W.B. 41 = 4-DOOR SEDAN
 21 = 2-DOOR SEDAN 44 = 4-DOOR HATCHBACK
 24 = 2-DOOR HATCHBACK 45 = 4-DOOR STATION WAGON

AR = Use as Required - = Non Illustrated Part P.A.R. = Paint as Required

DECK LID E BODY
Figure 23A-1050

8159 10500



ITEM	PART NUMBER	QTY	BODY	MODEL	DESCRIPTION
1	4416 598	1			LID, Deck
2	4371 930-1	1			HINGE, Deck Lid
3	4416 596-7	2			PIN, Deck Lid Hinge Pivot
	4278 463	2			PIN, Deck Lid Hinge To Torsion Bar Link
4	6022 149	2			NUT, Deck Lid Hinge Pivot
	6022 149	2			NUT, Deck Lid Hinge Torsion Bar Link Pin
5	4314 196-7	1			BAR, Deck Lid Hinge Torsion
6	4314 198	2			LINK, Deck Lid Hinge Torsion Bar
7	4378 053	1			LATCH, Deck Lid (Cable Release)
8	4172 986	1			STRIKER, Deck Lid Latch
9	4278 776	1			WEATHERSTRIP, Deck Lid Opening (Closed Loop)
10	5230 376	2			BUMPER, Deck Lid Inside (Adjustable)
	4314 192	2			BUMPER, Deck Lid Hinge Support Slam
11	6029 939	2			PLUG, Deck Lid Inner Panel Drain Hole
	2895 126	2			PLUG, Deck Lid Rear
12	6025 002	2			NUT
13		1			NUT, (See Cylinder and Key Illustration)
14		1			GASKET, (See Cylinder and Key Illustration)
15		1			CYLINDER, (See Cylinder and Key Illustration)
16	4296 282	2			SUPPORT, Deck Lid Hinge To Shelf Panel
17	4206 796	2			SLEEVE, Deck Lid Hinge Torsion Bar

MODEL CODES

C BODY = (D41 - DYNASTY)(C41 - NEW YORKER)
 E BODY = (J - CARAVELLE)(E - 600)(T - NEW YORKER TURBO)
 G BODY = (V24 - DAYTONA, PACIFICA & SHELBY)
 H BODY = (D44 - LANCER)(C44 - LEBARON GTS)
 J BODY = (C - LEBARON)
 K BODY = (P - RELIANT)(D - ARIES)(C - LEBARON/ TOWN & COUNTRY)

L BODY = (M - HORIZON)(Z-OMNI)
 M BODY = (B - GRAN FURY)(G - DIPLOMAT)(F - FIFTH AVENUE/NEWPORT)
 P BODY = (P - SUNDANCE)(D - SHADOW)
 Q BODY = (C27 - MASERATI)
 S BODY = (H - VOYAGER)(K - RAM VAN/ CARAVAN)

BODY STYLES

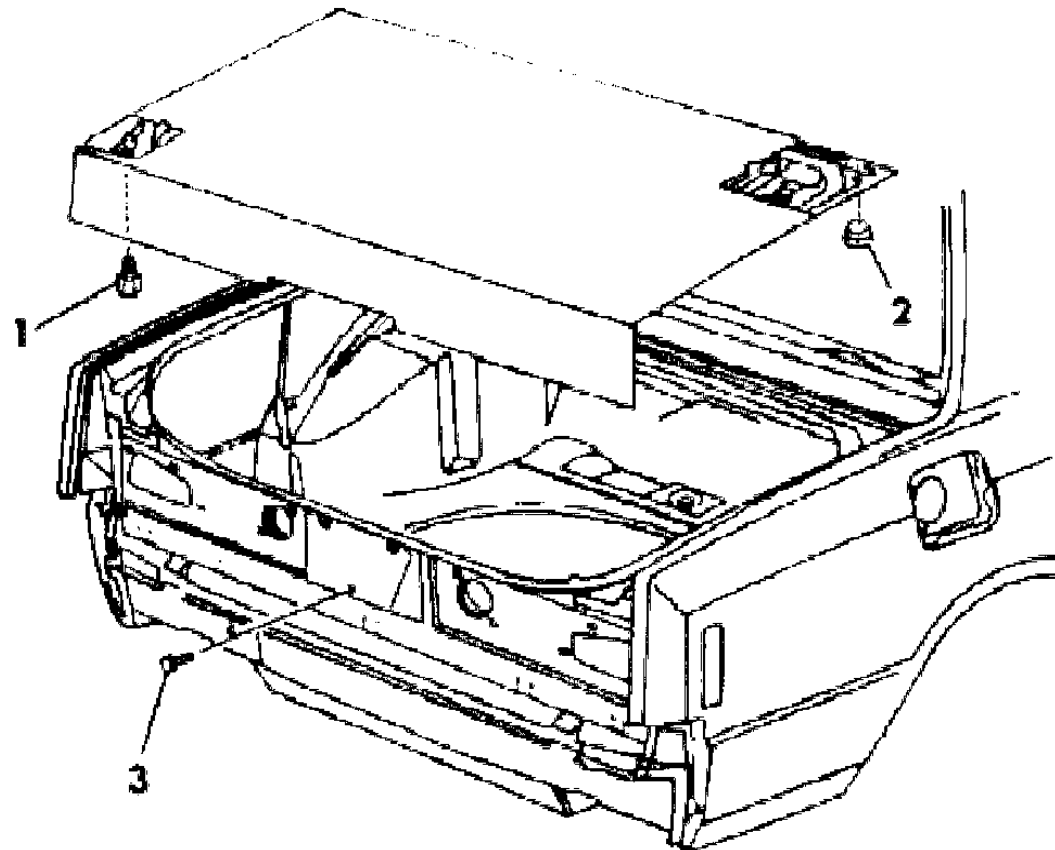
12-52 = FWD VAN & WAGON STD. W.B. 27 = 2-DOOR CONVERTIBLE
 13-53 = FWD VAN & WGN EXT W.B. 41 = 4-DOOR SEDAN
 21 = 2-DOOR SEDAN 44 = 4-DOOR HATCHBACK
 24 = 2-DOOR HATCHBACK 45 = 4-DOOR STATION WAGON

AR = Use as Required - = Non Illustrated Part P.A.R. = Paint as Required

BUMPERS AND PLUGS DECK LID K,E BODY
Figure 23A-1060

8169 10600

ITEM	PART NUMBER	QTY	BODY	MODEL	DESCRIPTION
1	5230 376	2			BUMPER
2	6029 939	AR			PLUG
3	5200 365	1			BUTTON



MODEL CODES

C BODY = (D41 - DYNASTY)(C41 - NEW YORKER)	L BODY = (M - HORIZON)(Z-OMNI)
E BODY = (J - CARAVELLE)(E - 600)(T - NEW YORKER TURBO)	M BODY = (B - GRAN FURY)(G - DIPLOMAT)(F - FIFTH AVENUE/NEWPORT)
G BODY = (V24 - DAYTONA, PACIFICA & SHELBY)	P BODY = (P - SUNDANCE)(D - SHADOW)
H BODY = (D44 - LANCER)(C44 - LEBARON GTS)	Q BODY = (C27 - MASERATI)
J BODY = (C - LEBARON)	S BODY = (H - VOYAGER)(K - RAM VAN/ CARAVAN)
K BODY = (P - RELIANT)(D - ARIES)(C - LEBARON/ TOWN & COUNTRY)	

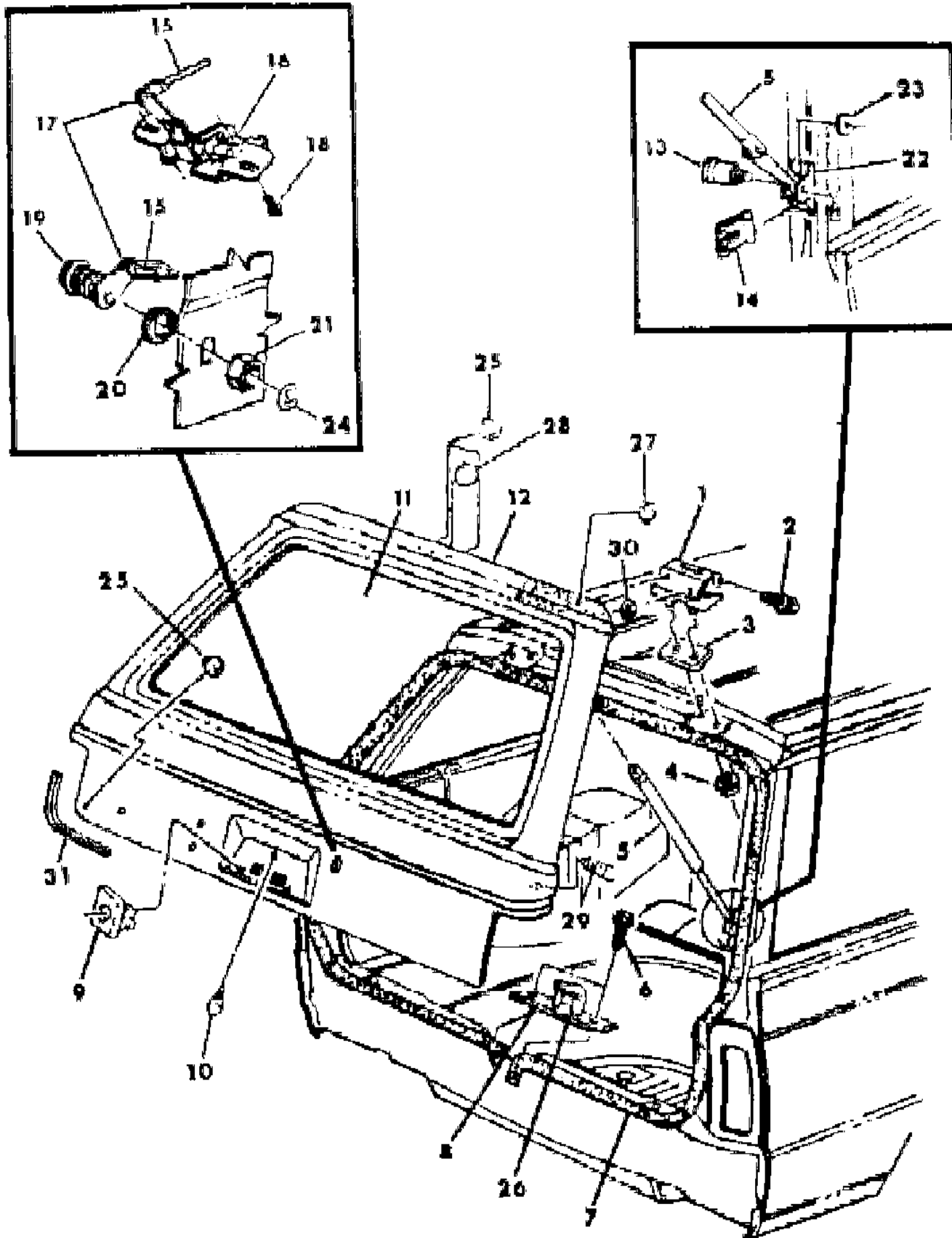
BODY STYLES

12-52 = FWD VAN & WAGON STD. W.B.	27 = 2-DOOR CONVERTIBLE
13-53 = FWD VAN & WGN EXT W.B.	41 = 4-DOOR SEDAN
21 = 2-DOOR SEDAN	44 = 4-DOOR HATCHBACK
24 = 2-DOOR HATCHBACK	45 = 4-DOOR STATION WAGON

AR = Use as Required - = Non Illustrated Part P.A.R. = Paint as Required

LIFTGATE PANEL K BODY 45
Figure 23A-1070

8169 10700



ITEM	PART NUMBER	QTY	BODY	MODEL	DESCRIPTION
1	4246 837	2			HINGE, Liftgate
2	6100 275	4			SCREW and WASHER
3	4246 359	AR			SHIM, Liftgate Hinge (Body Half)
4	6101 444	4			NUT and WASHER
5	G000 4442	2			PROP, Liftgate Hold-Open
6	6025 346	2			SCREW and WASHER
7	5231 926	1			WEATHERSTRIP, Liftgate Opening
8	4246 310	1			STRIKER, Liftgate Latch
9	6500 524	2			NUT
10	5200 365	2			BUTTON, Liftgate Outer Panel License Plate Mtg. Bumper
11	4198 837	1			GLASS, Liftgate Clear
	4198 838	1			Tinted
	4198 955	1			Tinted Electric Heated
	4198 396	2			SPACER, Liftgate Glass Lower
12	4415 390	1			PANEL, Liftgate
13	4246 123	4			PIN, Liftgate Prop Mounting
14	6032 029	4			CLIP, Liftgate Prop Mounting Pin
15	4378 020	1			LINK and SLEEVE, Liftgate
16	4246 597	1			LATCH, Liftgate (Includes Cargo Lamp Switch) Manual
	4246 596	1			Electric
17	3454 220	2			CLIP, Latch Release Link Attaching
18	6025 346	2			SCREW and WASHER
19		1			CYLINDER, (In Cylinder and Key Illustration)
20		1			GASKET, (In Cylinder and Key Illustration)
21	4054 202	1			NUT
22	4296 404	2			BRACKET, Liftgate Opening Pillar Prop Attaching
23	4246 243	2			BUMPER, Liftgate Prop Anti-Rattle
24	6032 107	1			CLIP, Liftgate Lock Cylinder Retainer
25	6031 044	4			PLUG, Liftgate Inner Panel Hole
26	4246 321	1			BUMPER, Liftgate Latch Striker
27	2094 631	1			PLUG, Liftgate Inner
28	2860 332	1			PLUG, Liftgate Inner Washer Hose Hole
29	4103 165	2			BUMPER
	4396 256	2			BUMPER, Liftgate Inner Panel
		2			SCREW, Bumper Liftgate Not Serviced
30	5231 207	4			WASHER, Liftgate Hinge (Body Half)
31	4078 959	AR			WELT, Liftgate Trim

MODEL CODES

C BODY = (D41 - DYNASTY)(C41 - NEW YORKER)
 E BODY = (J - CARAVELLE)(E - 600)(T - NEW YORKER TURBO)
 G BODY = (V24 - DAYTONA, PACIFICA & SHELBY)
 H BODY = (D44 - LANCER)(C44 - LEBARON GTS)
 J BODY = (C - LEBARON)
 K BODY = (P - RELIANT)(D - ARIES)(C - LEBARON/ TOWN & COUNTRY)

L BODY = (M - HORIZON)(Z-OMNI)
 M BODY = (B - GRAN FURY)(G - DIPLOMAT)(F - FIFTH AVENUE/NEWPORT)
 P BODY = (P - SUNDANCE)(D - SHADOW)
 Q BODY = (C27 - MASERATI)
 S BODY = (H - VOYAGER)(K - RAM VAN/ CARAVAN)

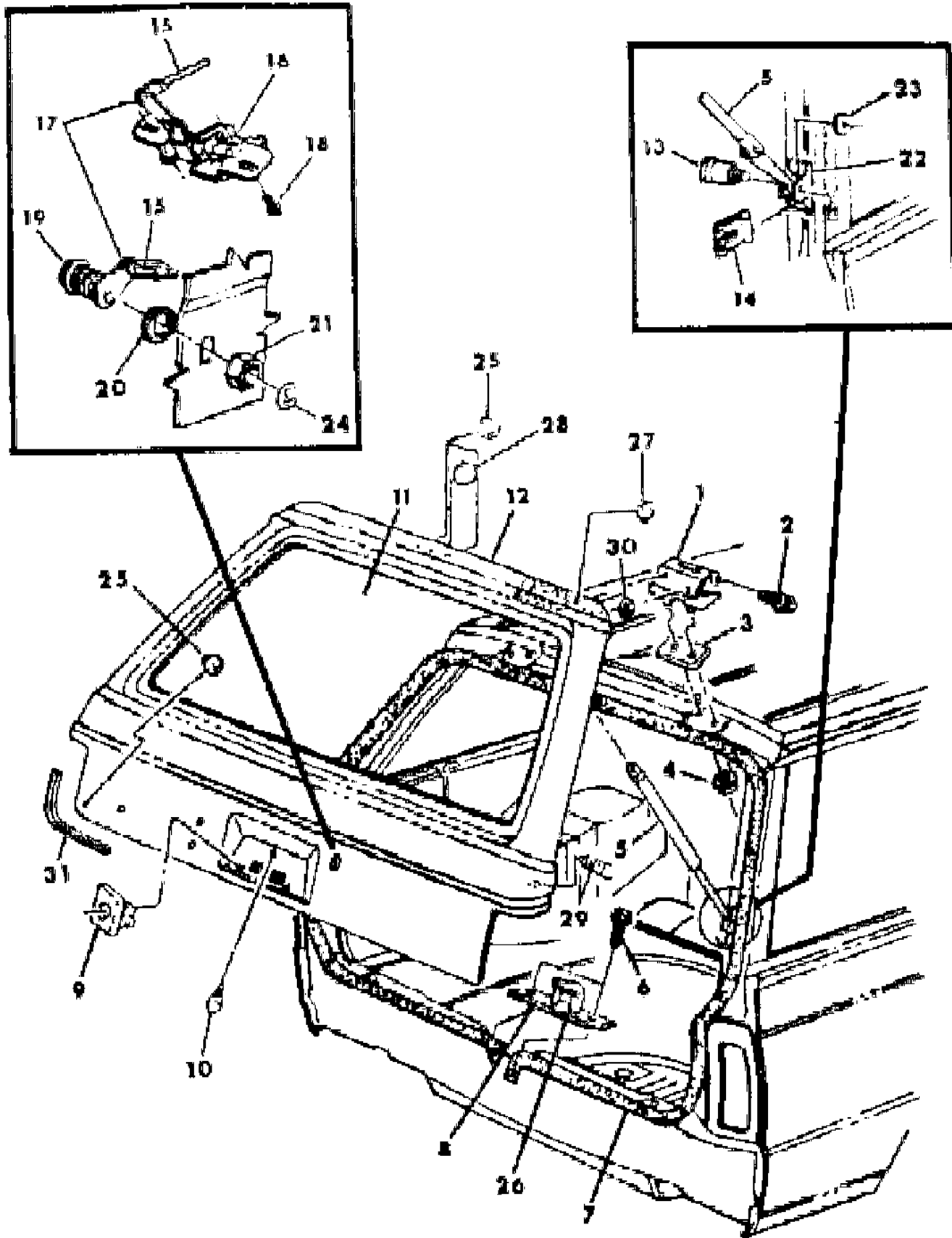
BODY STYLES

12-52 = FWD VAN & WAGON STD. W.B. 27 = 2-DOOR CONVERTIBLE
 13-53 = FWD VAN & WGN EXT W.B. 41 = 4-DOOR SEDAN
 21 = 2-DOOR SEDAN 44 = 4-DOOR HATCHBACK
 24 = 2-DOOR HATCHBACK 45 = 4-DOOR STATION WAGON

AR = Use as Required - = Non Illustrated Part P.A.R. = Paint as Required

LIFTGATE PANEL K BODY 45
Figure 23A-1070

8169 10700



ITEM	PART NUMBER	QTY	BODY	MODEL	DESCRIPTION
------	-------------	-----	------	-------	-------------

NOTE: The following items are not shown on illustration. s group.

PKG A	4267 922	1			ELECTRIC GRID REPAIR PKG.
-------	----------	---	--	--	---------------------------

MODEL CODES

C BODY = (D41 - DYNASTY)(C41 - NEW YORKER)
 E BODY = (J - CARAVELLE)(E - 600)(T - NEW YORKER TURBO)
 G BODY = (V24 - DAYTONA, PACIFICA & SHELBY)
 H BODY = (D44 - LANCER)(C44 - LEBARON GTS)
 J BODY = (C - LEBARON)
 K BODY = (P - RELIANT)(D - ARIES)(C - LEBARON/ TOWN & COUNTRY)

L BODY = (M - HORIZON)(Z-OMNI)
 M BODY = (B - GRAN FURY)(G - DIPLOMAT)(F - FIFTH AVENUE/NEWPORT)
 P BODY = (P - SUNDANCE)(D - SHADOW)
 Q BODY = (C27 - MASERATI)
 S BODY = (H - VOYAGER)(K - RAM VAN/ CARAVAN)

BODY STYLES

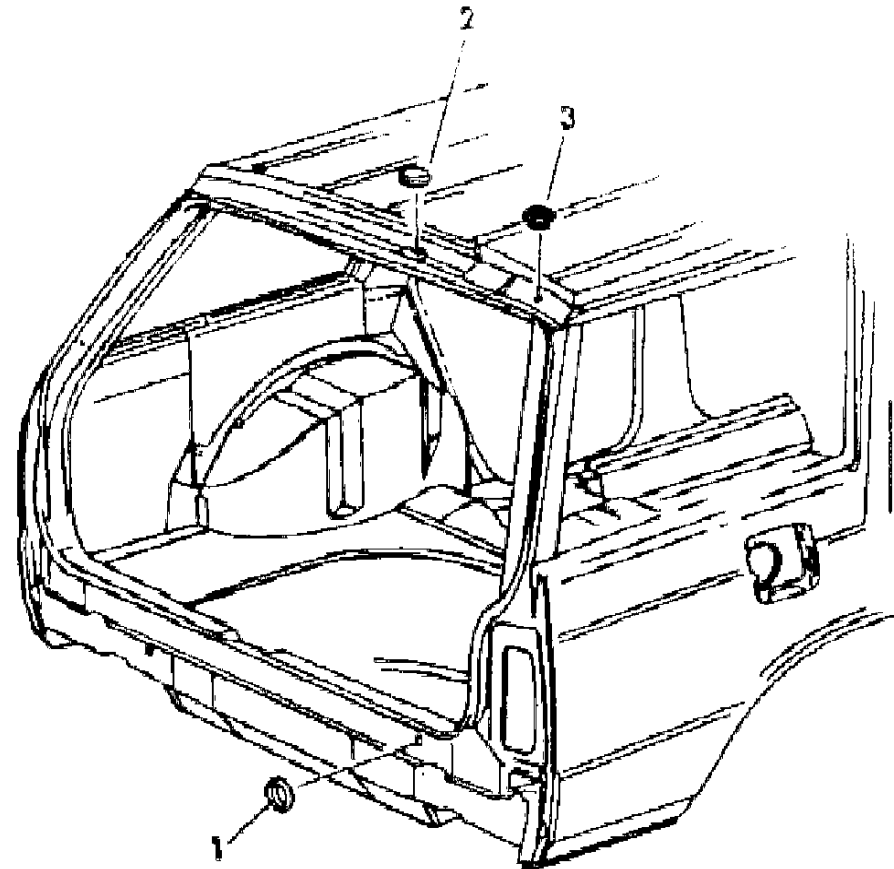
12-52 = FWD VAN & WAGON STD. W.B.	27 = 2-DOOR CONVERTIBLE
13-53 = FWD VAN & WGN EXT W.B.	41 = 4-DOOR SEDAN
21 = 2-DOOR SEDAN	44 = 4-DOOR HATCHBACK
24 = 2-DOOR HATCHBACK	45 = 4-DOOR STATION WAGON

AR = Use as Required - = Non Illustrated Part P.A.R. = Paint as Required

PLUGS LIFTGATE K BODY 45
Figure 23A-1080

8169 10800

ITEM	PART NUMBER	QTY	BODY	MODEL	DESCRIPTION
1	1774 076	1			PLUG
2	1774 076	1			PLUG
3	2574 792	1			PLUG



MODEL CODES

C BODY = (D41 - DYNASTY)(C41 - NEW YORKER)
 E BODY = (J - CARAVELLE)(E - 600)(T - NEW YORKER TURBO)
 G BODY = (V24 - DAYTONA, PACIFICA & SHELBY)
 H BODY = (D44 - LANCER)(C44 - LEBARON GTS)
 J BODY = (C - LEBARON)
 K BODY = (P - RELIANT)(D - ARIES)(C - LEBARON/ TOWN & COUNTRY)

L BODY = (M - HORIZON)(Z-OMNI)
 M BODY = (B - GRAN FURY)(G - DIPLOMAT)(F - FIFTH AVENUE/NEWPORT)
 P BODY = (P - SUNDANCE)(D - SHADOW)
 Q BODY = (C27 - MASERATI)
 S BODY = (H - VOYAGER)(K - RAM VAN/ CARAVAN)

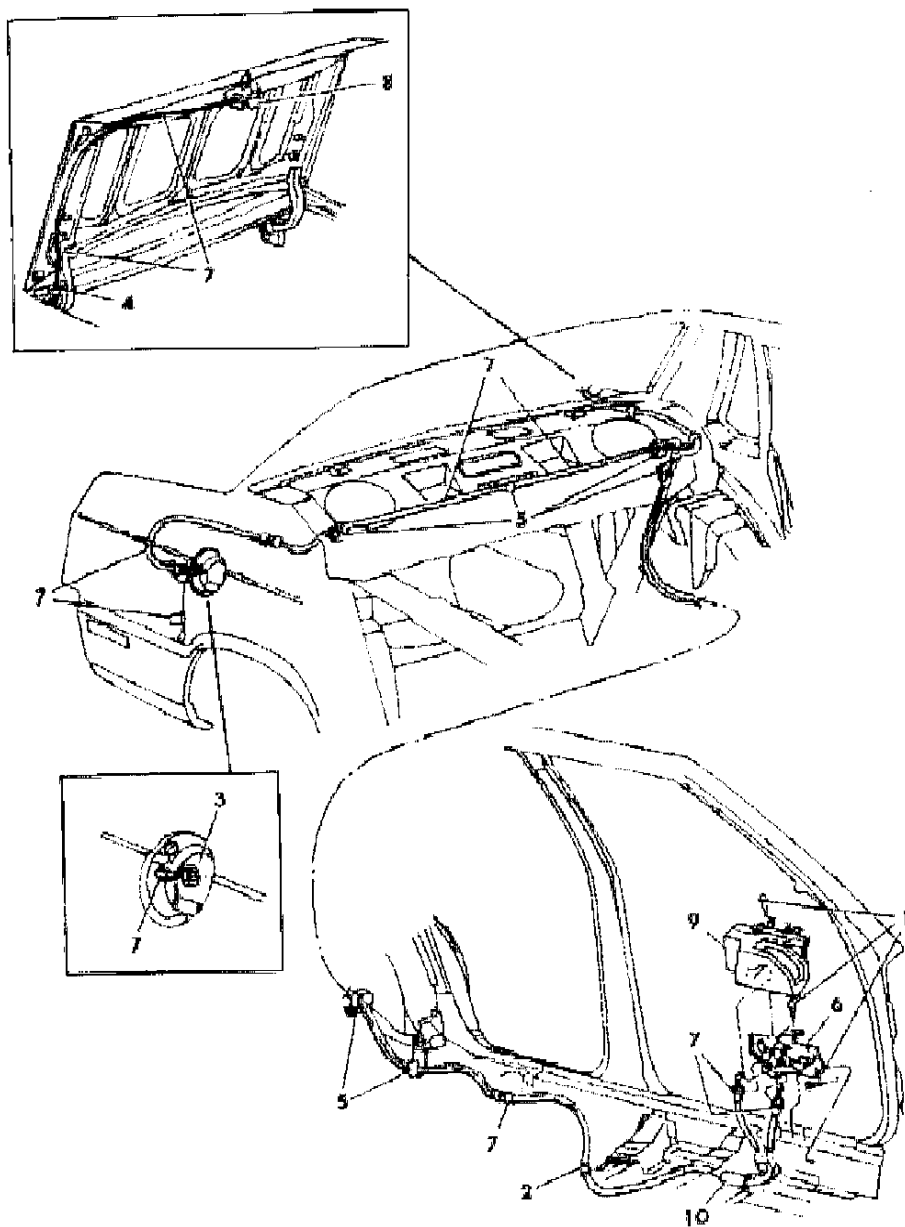
BODY STYLES

12-52 = FWD VAN & WAGON STD. W.B. 27 = 2-DOOR CONVERTIBLE
 13-53 = FWD VAN & WGN EXT W.B. 41 = 4-DOOR SEDAN
 21 = 2-DOOR SEDAN 44 = 4-DOOR HATCHBACK
 24 = 2-DOOR HATCHBACK 45 = 4-DOOR STATION WAGON

AR = Use as Required - = Non Illustrated Part P.A.R. = Paint as Required

FUEL FILLER AND DECK LID REMOTE RELEASE E BODY
Figure 23A-1090

8169 10900



ITEM	PART NUMBER	QTY	BODY	MODEL	DESCRIPTION
1	6032 456	5			SCREW
2		1			CLIP, Not Serviced
3		1			NUT, M12 x 1.75" Not Serviced
4	6016 059	1			CLIP
5		AR			CLIP, Not Serviced
6					HANDLE, Fuel Filler & Deck Lid Remote Release
	4371 488	1			w/Cable Release Deck Lid
	4416 146	1			w/o Cable Release Deck Lid
7	4337 383	1			CABLE, Fuel Filler and Deck Lid Remote Release
	4371 430	1			CABLE, Body Side Aperture Fuel Filler Door
8	4378 053	1			LATCH, Deck Lid
9					COVER, Fuel Filler and Deck Lid Remote Release Handle
	S990 FC5	1			Blue
	S990 EE8	1			Cordovan
	S990 DS8	1			Charcoal
	S990 EK1	1			Almond
10	4371 202	1			CONDUIT, Fuel Filler and Deck Lid Remote Release Cable

MODEL CODES

C BODY = (D41 - DYNASTY)(C41 - NEW YORKER)	L BODY = (M - HORIZON)(Z-OMNI)
E BODY = (J - CARAVELLE)(E - 600)(T - NEW YORKER TURBO)	M BODY = (B - GRAN FURY)(G - DIPLOMAT)(F - FIFTH AVENUE/NEWPORT)
G BODY = (V24 - DAYTONA, PACIFICA & SHELBY)	P BODY = (P - SUNDANCE)(D - SHADOW)
H BODY = (D44 - LANCER)(C44 - LEBARON GTS)	Q BODY = (C27 - MASERATI)
J BODY = (C - LEBARON)	S BODY = (H - VOYAGER)(K - RAM VAN/ CARAVAN)
K BODY = (P - RELIANT)(D - ARIES)(C - LEBARON/ TOWN & COUNTRY)	

BODY STYLES

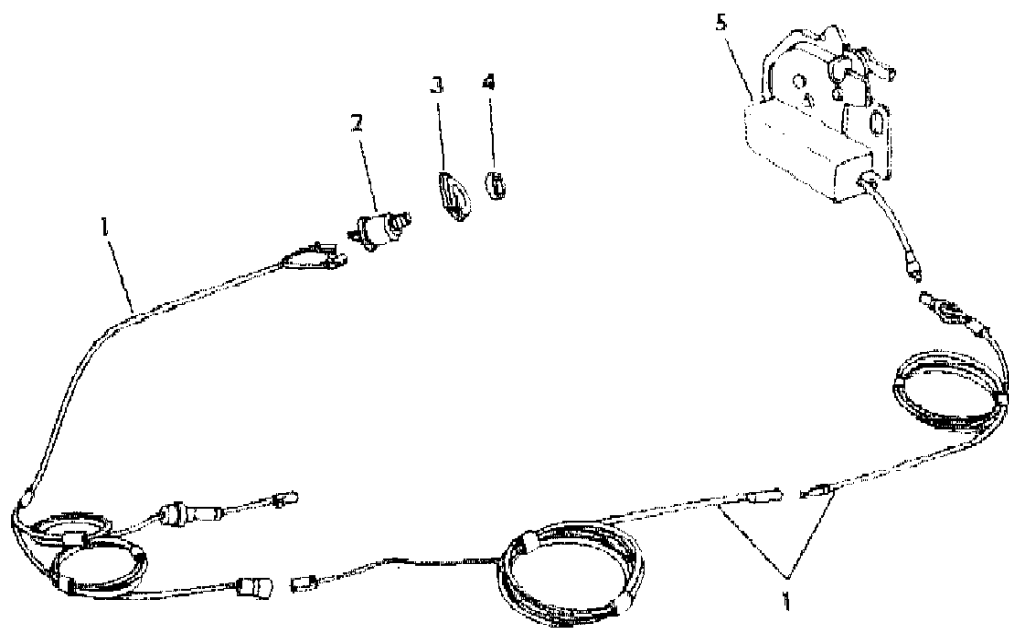
12-52 = FWD VAN & WAGON STD. W.B.	27 = 2-DOOR CONVERTIBLE
13-53 = FWD VAN & WGN EXT W.B.	41 = 4-DOOR SEDAN
21 = 2-DOOR SEDAN	44 = 4-DOOR HATCHBACK
24 = 2-DOOR HATCHBACK	45 = 4-DOOR STATION WAGON

AR = Use as Required - = Non Illustrated Part P.A.R. = Paint as Required

DECK LID ELECTRIC RELEASE K BODY
Figure 23A-1100

ITEM	PART NUMBER	QTY	BODY	MODEL	DESCRIPTION
1		1			WIRING, See Group 8 Body Wiring
2	3747 154	1			SWITCH, Remote Deck Lid Release Or Instrument Panel Mtg.
3	3747 875	1			BEZEL, Electric Release Switch
4	6028 824	1			NUT, Electric Release Swich Mtg.
5	4054 962	1			LATCH, Electric Deck Lid
PKG A	4131 515	1			LATCH PACKAGE ELECTRIC

8169 11000



MODEL CODES

C BODY = (D41 - DYNASTY)(C41 - NEW YORKER)	L BODY = (M - HORIZON)(Z-OMNI)
E BODY = (J - CARAVELLE)(E - 600)(T - NEW YORKER TURBO)	M BODY = (B - GRAN FURY)(G - DIPLOMAT)(F - FIFTH AVENUE/NEWPORT)
G BODY = (V24 - DAYTONA, PACIFICA & SHELBY)	P BODY = (P - SUNDANCE)(D - SHADOW)
H BODY = (D44 - LANCER)(C44 - LEBARON GTS)	Q BODY = (C27 - MASERATI)
J BODY = (C - LEBARON)	S BODY = (H - VOYAGER)(K - RAM VAN/ CARAVAN)
K BODY = (P - RELIANT)(D - ARIES)(C - LEBARON/ TOWN & COUNTRY)	

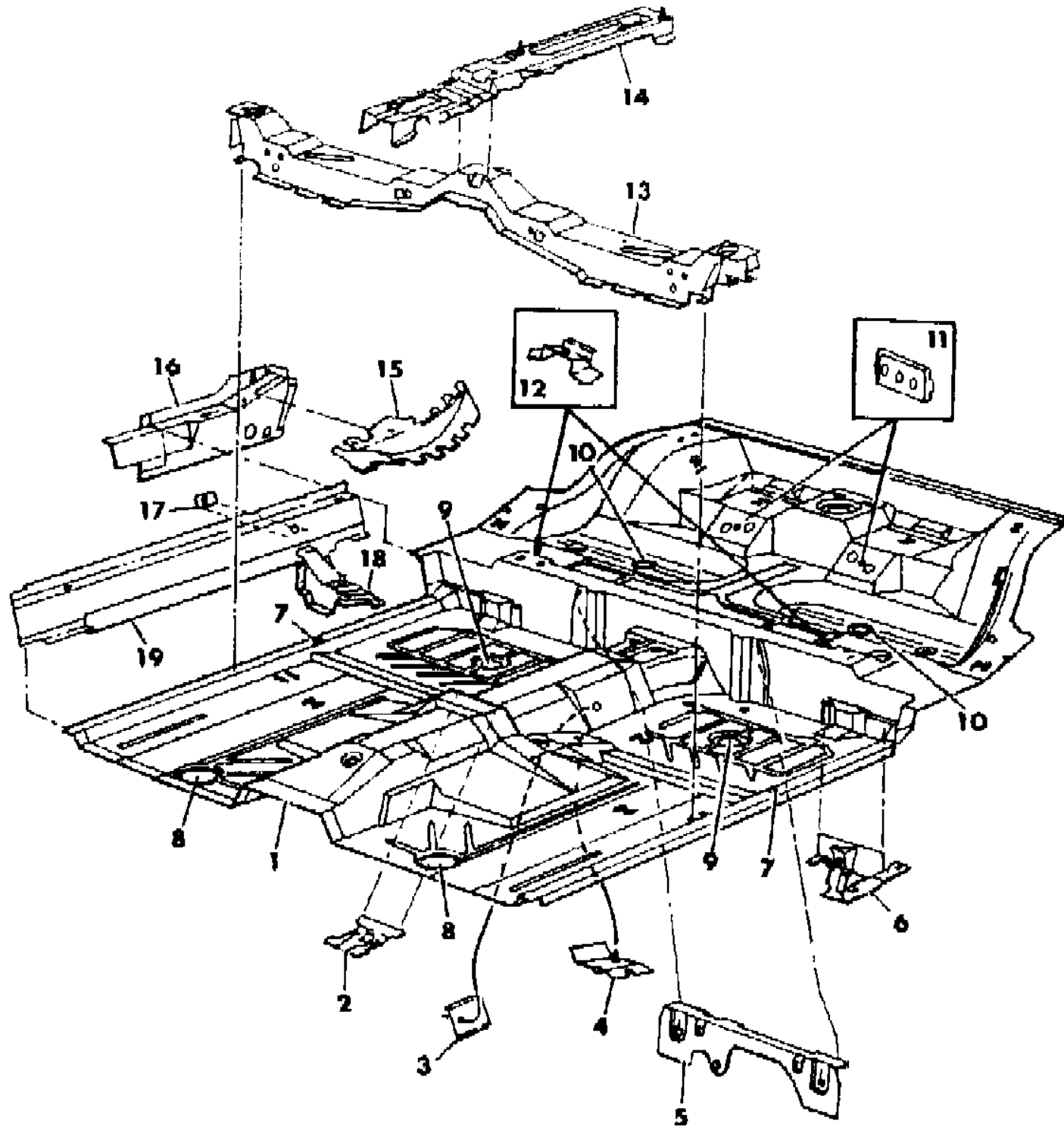
BODY STYLES

12-52 = FWD VAN & WAGON STD. W.B.	27 = 2-DOOR CONVERTIBLE
13-53 = FWD VAN & WGN EXT W.B.	41 = 4-DOOR SEDAN
21 = 2-DOOR SEDAN	44 = 4-DOOR HATCHBACK
24 = 2-DOOR HATCHBACK	45 = 4-DOOR STATION WAGON

AR = Use as Required - = Non Illustrated Part P.A.R. = Paint as Required

FLOOR PAN FRONT G BODY 24
Figure 23A-1110

8169 11100



ITEM	PART NUMBER	QTY	BODY	MODEL	DESCRIPTION
1	4371 093	1			PAN, Front Floor
2	4416 060	1			BRACKET, Front Floor Pan Park Brake Cable Guide
3	4314 260	2			REINFORCEMENT, Front Floor Pan Front Seat Belt Inner Mounting
4	4371 816-7	1			REINFORCEMENT, Front Floor Pan Front Seat Rear Inner
5		1			PLATE, Front Floor Pan Fuel Tank Strap & Exhaust Hanger Not Serviced
6	4475 220-1	1			BRACKET, Front Floor Pan Lift Hoisting
7	2574 792	2			PLUG, .75" Dia./19.5 mm
8	5200 456	2			PLUG, 2.75" Dia./70 mm
9	2424 864	2			PLUG, 1.75" Dia./44.5 mm
10	4073 475	2			PLUG, 1.50" Dia./38 mm
11	4314 260	2			REINFORCEMENT, Front Floor Pan Rear Seat & Seat Belt Inner Mounting
12	5200 388	2			RETAINER, Front Floor Pan Rear Seat Cushion
13	4325 836	1			CROSSMEMBER, Front Floor Pan Front Seat Track
14	4416 037	1			BRACKET, Console To Floor Pan Mounting
15	4314 866-7	1			REINFORCEMENT, Front Floor Pan Rear Seat Belt Outer Mounting
16	4371 522-3	1			EXTENSION, Side Sill Inner Rear
17	4314 326	2			REINFORCEMENT, Front Seat Belt Outer Mounting
18	4371 812-3	1			REINFORCEMENT, Front Floor Pan Front Seat Rear Outer Mounting
19	4371 956-7	1			PANEL, Body Side Sill Inner

MODEL CODES

C BODY = (D41 - DYNASTY)(C41 - NEW YORKER)
 E BODY = (J - CARAVELLE)(E - 600)(T - NEW YORKER TURBO)
 G BODY = (V24 - DAYTONA, PACIFICA & SHELBY)
 H BODY = (D44 - LANCER)(C44 - LEBARON GTS)
 J BODY = (C - LEBARON)
 K BODY = (P - RELIANT)(D - ARIES)(C - LEBARON/ TOWN & COUNTRY)

L BODY = (M - HORIZON)(Z-OMNI)
 M BODY = (B - GRAN FURY)(G - DIPLOMAT)(F - FIFTH AVENUE/NEWPORT)
 P BODY = (P - SUNDANCE)(D - SHADOW)
 Q BODY = (C27 - MASERATI)
 S BODY = (H - VOYAGER)(K - RAM VAN/ CARAVAN)

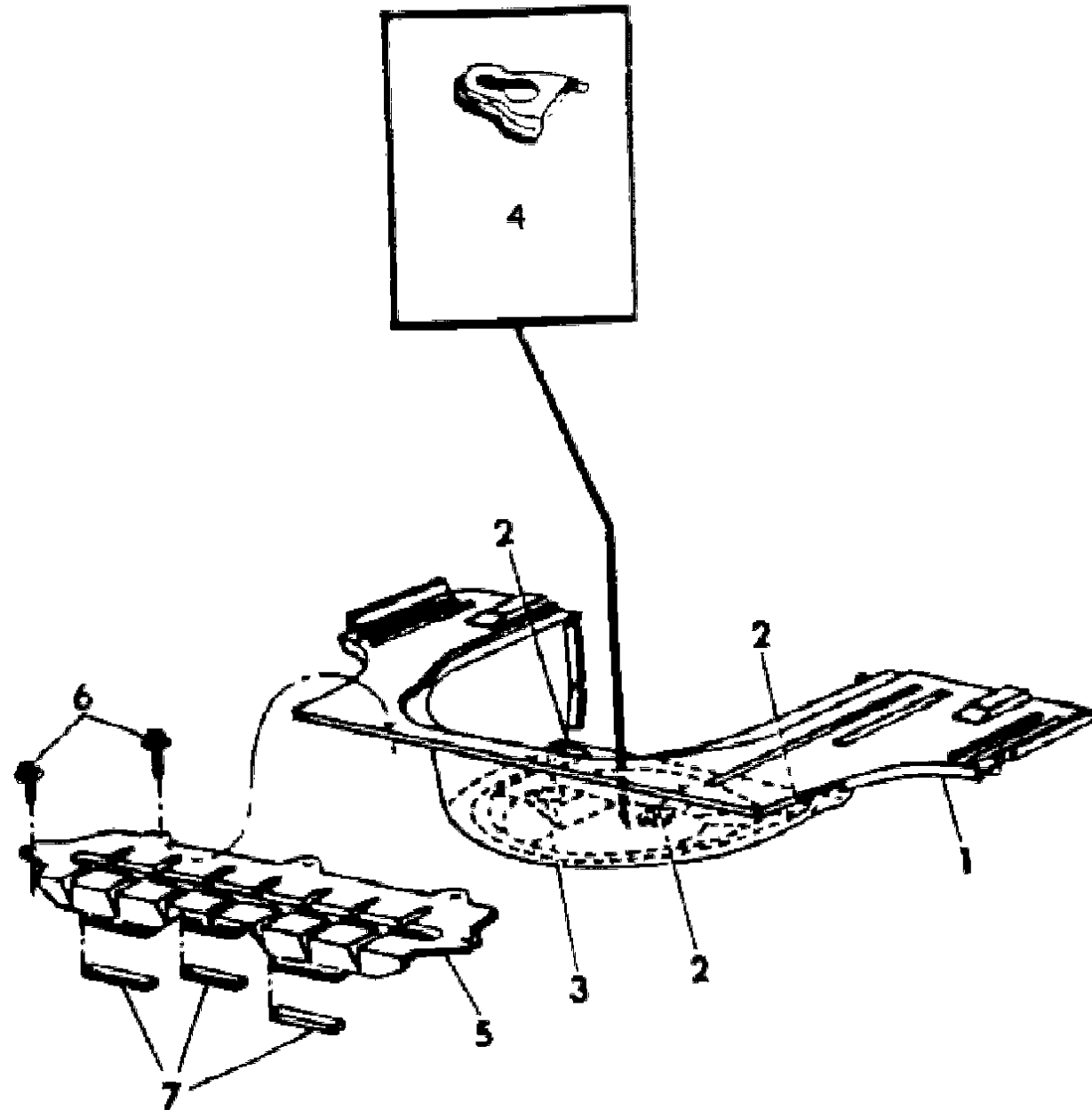
BODY STYLES

12-52 = FWD VAN & WAGON STD. W.B. 27 = 2-DOOR CONVERTIBLE
 13-53 = FWD VAN & WGN EXT W.B. 41 = 4-DOOR SEDAN
 21 = 2-DOOR SEDAN 44 = 4-DOOR HATCHBACK
 24 = 2-DOOR HATCHBACK 45 = 4-DOOR STATION WAGON

AR = Use as Required - = Non Illustrated Part P.A.R. = Paint as Required

FLOOR PAN REAR G BODY 24
Figure 23A-1120

8169 11200



ITEM	PART NUMBER	QTY	BODY	MODEL	DESCRIPTION
1	4371 280	1			PAN, Rear Floor
2	2424 864	3			PLUG, 1.75" Dia./44.5 mm
3	6030 773	1			PLUG, 2.25" Dia./57 mm
4	4206 922	1			BRACKET, Rear Floor Pan Spare Tire Anchor Bolt
5	4314 058	1			PANEL, Rear Seat To Floor Pan Filler
6		5			SCREW, #8-18 x .50" Not Serviced
7		3			TAPE, Floor Pan Filler Anti-Squeak Not Serviced

MODEL CODES

C BODY = (D41 - DYNASTY)(C41 - NEW YORKER)
 E BODY = (J - CARAVELLE)(E - 600)(T - NEW YORKER TURBO)
 G BODY = (V24 - DAYTONA, PACIFICA & SHELBY)
 H BODY = (D44 - LANCER)(C44 - LEBARON GTS)
 J BODY = (C - LEBARON)
 K BODY = (P - RELIANT)(D - ARIES)(C - LEBARON/ TOWN & COUNTRY)

L BODY = (M - HORIZON)(Z-OMNI)
 M BODY = (B - GRAN FURY)(G - DIPLOMAT)(F - FIFTH AVENUE/NEWPORT)
 P BODY = (P - SUNDANCE)(D - SHADOW)
 Q BODY = (C27 - MASERATI)
 S BODY = (H - VOYAGER)(K - RAM VAN/ CARAVAN)

BODY STYLES

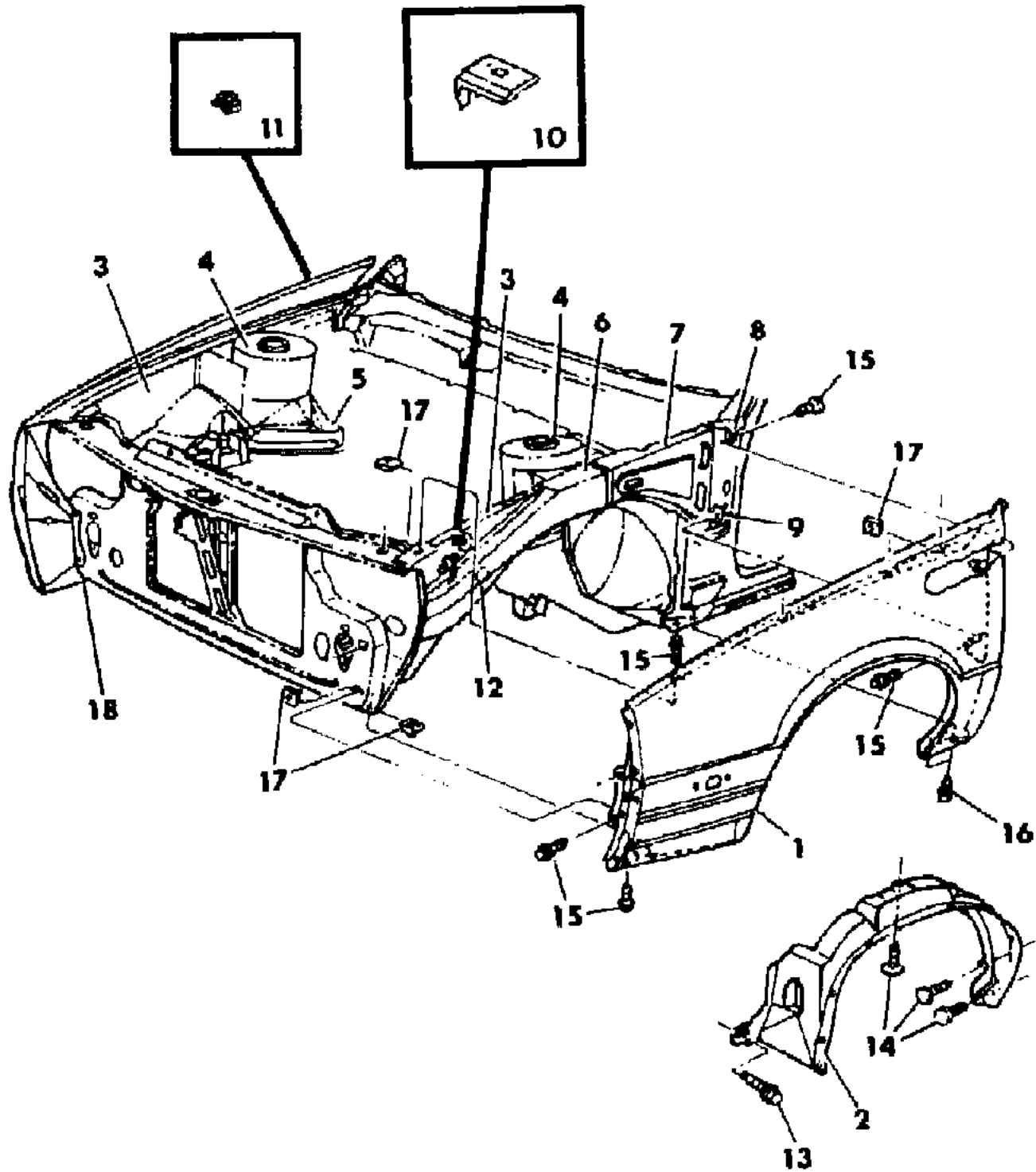
12-52 = FWD VAN & WAGON STD. W.B. 27 = 2-DOOR CONVERTIBLE
 13-53 = FWD VAN & WGN EXT W.B. 41 = 4-DOOR SEDAN
 21 = 2-DOOR SEDAN 44 = 4-DOOR HATCHBACK
 24 = 2-DOOR HATCHBACK 45 = 4-DOOR STATION WAGON

AR = Use as Required - = Non Illustrated Part P.A.R. = Paint as Required

FENDER AND SHIELD G BODY 24

Figure 23A-1130

8169 11300



ITEM	PART NUMBER	QTY	BODY	MODEL	DESCRIPTION
1					FENDER
	4411 914	1			Right
	4411 915	1			Left
2	4386 126-7	1			SHIELD, Fender Wheelhouse Splash
3	4440 572	1			PANEL, Front Fender Shield Rt.
	4440 563	1			PANEL, Front Fender Shield Lt.
4	4440 850-1	1			TOWER, Front Suspension Iso-Strut Mounting
5	4440 934-5	1			EXTENSION, Iso-Strut Tower To Dash Panel
6	4440 580-1	1			BEAM, Front Fender Upper Load Path Front
7	4297 956	1			EXTENSION, w/Reinforcement Body Front Hinge Pillar To Strut Tower Rt.
	4314 183	1			EXTENSION, Body Front Hinge Pillar To Strut Tower Lt.
8		AR			TAB, Front Fender Upper Rear Mounting (Serviced In Panel, Body Side Aperture Front - See "Body, Front Pillar" Illustration)
9	4206 553	2			SUPPORT, Body Front Hinge Pillar to Fender
10		1			REINFORCEMENT, Front Fender Shield Battery Tray (Serviced In Item #3)
11	4222 731	1			PLUG, Fender Antenna Hole
12	4341 376	1			PLUG, 1.50" Dia./38 mm
13		2			SCREW, 1/4-14 x .875" Not Serviced
14	6030 441	25			RETAINER, Fender Splash Shield Mounting
15	6100 568	18			SCREW and WASHER
16		4			SCREW and WASHER, Not Serviced
17	6100 041	18			U-NUT
18		1			REINFORCEMENT, Front Serviced w/Fender

MODEL CODES

C BODY = (D41 - DYNASTY)(C41 - NEW YORKER)
 E BODY = (J - CARAVELLE)(E - 600)(T - NEW YORKER TURBO)
 G BODY = (V24 - DAYTONA, PACIFICA & SHELBY)
 H BODY = (D44 - LANCER)(C44 - LEBARON GTS)
 J BODY = (C - LEBARON)
 K BODY = (P - RELIANT)(D - ARIES)(C - LEBARON/ TOWN & COUNTRY)

L BODY = (M - HORIZON)(Z-OMNI)
 M BODY = (B - GRAN FURY)(G - DIPLOMAT)(F - FIFTH AVENUE/NEWPORT)
 P BODY = (P - SUNDANCE)(D - SHADOW)
 Q BODY = (C27 - MASERATI)
 S BODY = (H - VOYAGER)(K - RAM VAN/ CARAVAN)

BODY STYLES

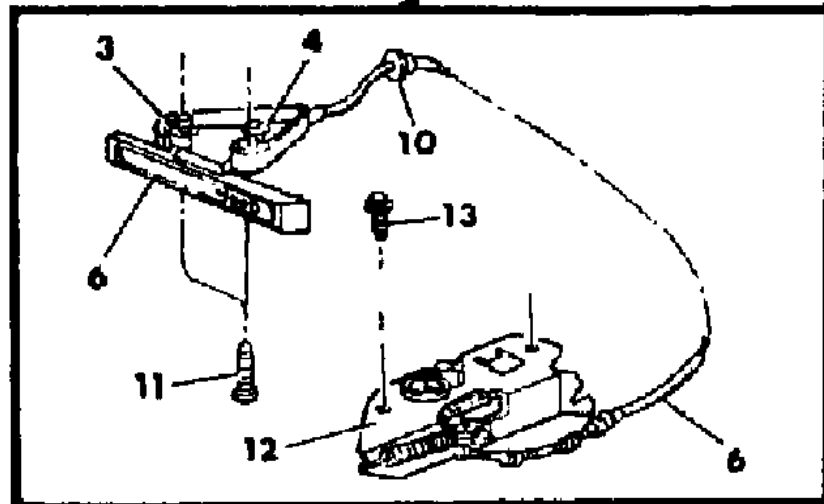
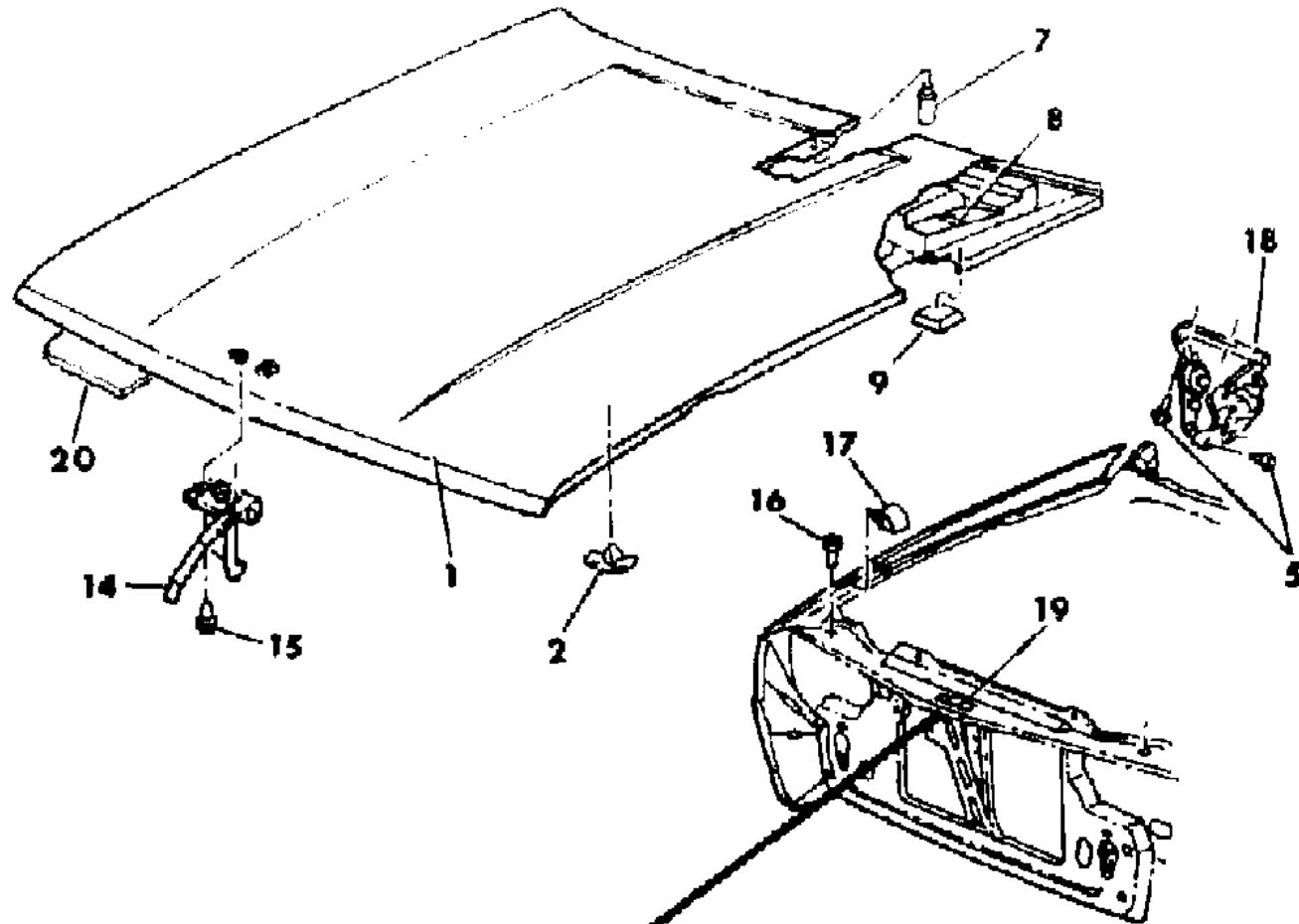
12-52 = FWD VAN & WAGON STD. W.B. 27 = 2-DOOR CONVERTIBLE
 13-53 = FWD VAN & WGN EXT W.B. 41 = 4-DOOR SEDAN
 21 = 2-DOOR SEDAN 44 = 4-DOOR HATCHBACK
 24 = 2-DOOR HATCHBACK 45 = 4-DOOR STATION WAGON

AR = Use as Required - = Non Illustrated Part P.A.R. = Paint as Required

HOOD AND HOOD RELEASE G BODY 24

Figure 23A-1140

8169 11400



ITEM	PART NUMBER	QTY	BODY	MODEL	DESCRIPTION
1	4341 509	1		H,P	HOOD
	4490 673	1		S,X	
2	6003 351	15			RETAINER, Hood Panel Silencer
3	6024 203	1			PUSHNUT, Hood Release Handle To Bracket
4	6031 147	1			SPRING NUT, Inside Hood Release Cable To Handle
5	6501 212	AR			SCREW and WASHER
6	4440 688	1			HANDLE and BRACKET, Release Latch
7		1			SPACER, Hood Rear To Cowl Top 4296096 Not Serviced
8	2895 126	2			PLUG, Hood Inner Panel Sealing
9	4341 611	2			SEAL, Hood To Fender Ledge
10	5207 294	1			GROMMET, Dash Panel Hood Release Cable
11		2			SCREW, #10-16 x 1.50" Not Serviced
12	4341 952	1			LATCH ASSEMBLY, Hood
13	6501 373	4			SCREW and WASHER
14	4386 874	1			STRIKER and SAFETY CATCH, Hood
15	6501 373	4			SCREW and WASHER
16	4103 165	2			BUMPER, Crossmember To Hood Adjustable
17	4296 227	2			BUMPER, Fender Hood Side
18	4440 244-5	1			HINGE, Hood
	6033 321	AR			SCREW, Thumb Adjustment Serviced w/Hinge
19	4341 871	1			REINFORCEMENT, Crossmember Radiator Hood Latch
20					SILENCER, Hood Panel
	4386 072	1		S,X	
	4386 683	1		H,P	

MODEL CODES

C BODY = (D41 - DYNASTY)(C41 - NEW YORKER)
 E BODY = (J - CARAVELLE)(E - 600)(T - NEW YORKER TURBO)
 G BODY = (V24 - DAYTONA, PACIFICA & SHELBY)
 H BODY = (D44 - LANCER)(C44 - LEBARON GTS)
 J BODY = (C - LEBARON)
 K BODY = (P - RELIANT)(D - ARIES)(C - LEBARON/ TOWN & COUNTRY)

L BODY = (M - HORIZON)(Z-OMNI)
 M BODY = (B - GRAN FURY)(G - DIPLOMAT)(F - FIFTH AVENUE/NEWPORT)
 P BODY = (P - SUNDANCE)(D - SHADOW)
 Q BODY = (C27 - MASERATI)
 S BODY = (H - VOYAGER)(K - RAM VAN/ CARAVAN)

BODY STYLES

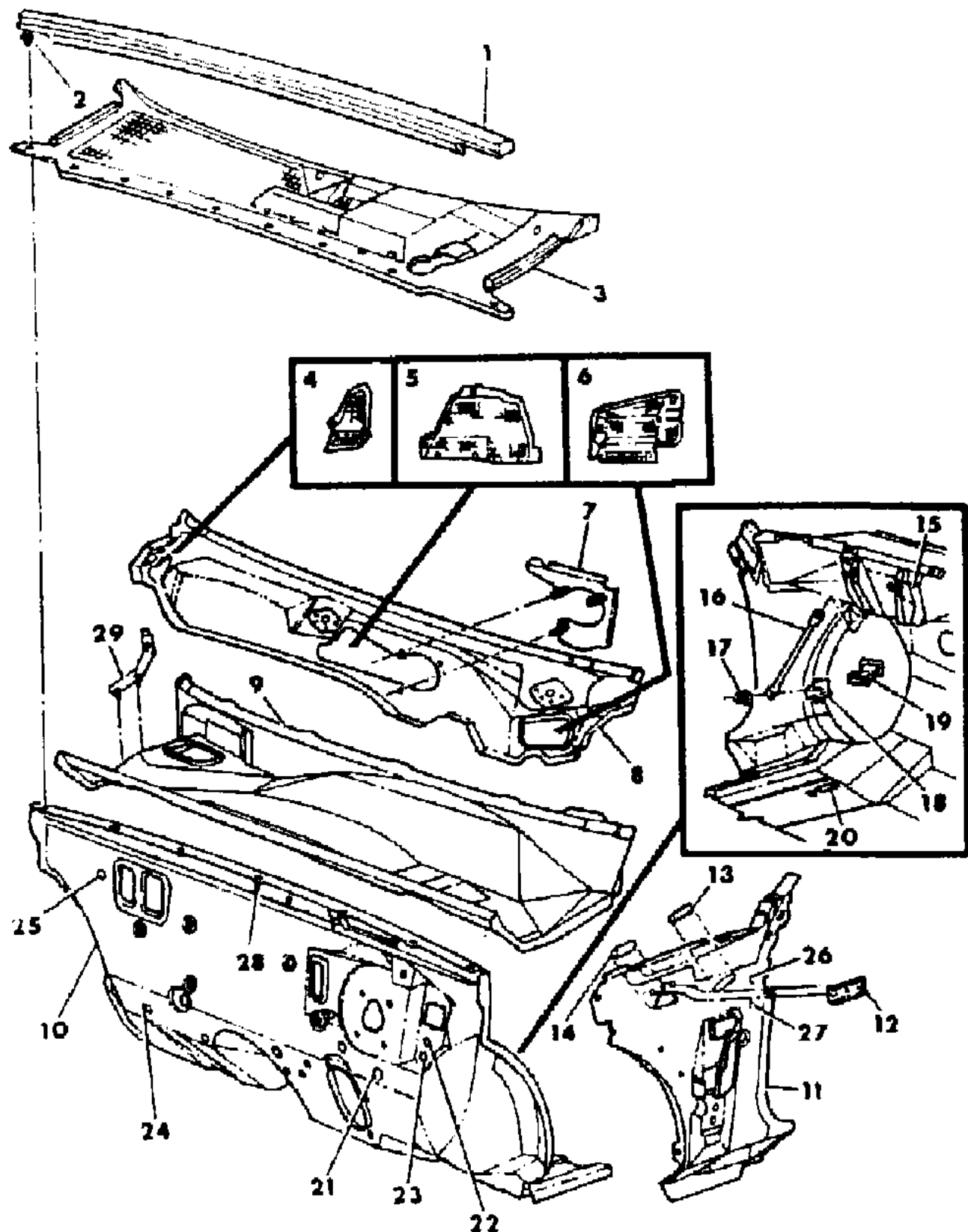
12-52 = FWD VAN & WAGON STD. W.B. 27 = 2-DOOR CONVERTIBLE
 13-53 = FWD VAN & WGN EXT W.B. 41 = 4-DOOR SEDAN
 21 = 2-DOOR SEDAN 44 = 4-DOOR HATCHBACK
 24 = 2-DOOR HATCHBACK 45 = 4-DOOR STATION WAGON

AR = Use as Required - = Non Illustrated Part P.A.R. = Paint as Required

COWL AND DASH PANEL G BODY 24

Figure 23A-1150

8169 11500



ITEM	PART NUMBER	QTY	BODY	MODEL	DESCRIPTION
1	4475 209	1			SEAL, Dash Panel To Hood (Includes Item #2)
2	3759 944	11			RETAINER, Dash Panel To Hood Seal
3	4371 838	1			SCREEN, Cowl Plenum Water Deflector
4	4314 476	1			SCREEN, Cowl Plenum Rt.
5	4314 475	1			SCREEN, Cowl Plenum Center
6	4314 477	1			SCREEN, Cowl Plenum Lt.
7	4371 696	1			REINFORCEMENT, Cowl Top Wiper Motor Mounting
8	4371 358	1			PANEL, Cowl Top
9	4371 794	1			PANEL, Cowl Plenum
10	4416 411	1			PANEL, Dash
11	4371 096-7	1			PANEL, Cowl Side
12	4386 741	2			REINFORCEMENT, Cowl Side Hood Hinge
13	4198 305	2			SEAL, Cowl Side To Cowl Plenum
14		2			SEAL, Cowl Plenum Lower Drain Hole Not Serviced
15	4278 589	1			SUPPORT, Cowl Plenum Steering Column Bracket
16	4314 879	1			BRACE, Dash To Plenum Panel Lt.
17	6500 532	2			NUT and WASHER
18	4206 641	1			BRACKET, Dash To Plenum Panel Brace Mounting Lt.
19	4410 559	1			BRACKET, Dash Panel Footrest Mounting Upper
20	5200 384	1			SEAL, Dash Panel Parking Brake Cable
21	3445 939	1			PLUG, .906" Dia./23 mm
22	3445 939	1			PLUG, .906" Dia./23 mm
23	2860 332	1			PLUG, .500" Dia./13 mm
24	5200 456	1			PLUG, 2.75" Dia./70 mm
25	2483 571	1			PLUG, 2.50" Dia./63 mm
26		2			PLUG, 1.62" Dia./41 mm Not Serviced
27	2860 332	1			PLUG, Right Side Only, .500" Dia./13 mm
28	4206 515	1			PLUG, Dash Panel Wiper Support Mounting Hole
29	4337 341	1			SEAL, w/Retainer Cowl Plenum To Cowl Side Lt.
	4337 342	1			SEAL, w/Retainer Cowl Plenum To Cowl Side Rt.

MODEL CODES

C BODY = (D41 - DYNASTY)(C41 - NEW YORKER)
 E BODY = (J - CARAVELLE)(E - 600)(T - NEW YORKER TURBO)
 G BODY = (V24 - DAYTONA, PACIFICA & SHELBY)
 H BODY = (D44 - LANCER)(C44 - LEBARON GTS)
 J BODY = (C - LEBARON)
 K BODY = (P - RELIANT)(D - ARIES)(C - LEBARON/ TOWN & COUNTRY)

L BODY = (M - HORIZON)(Z-OMNI)
 M BODY = (B - GRAN FURY)(G - DIPLOMAT)(F - FIFTH AVENUE/NEWPORT)
 P BODY = (P - SUNDANCE)(D - SHADOW)
 Q BODY = (C27 - MASERATI)
 S BODY = (H - VOYAGER)(K - RAM VAN/ CARAVAN)

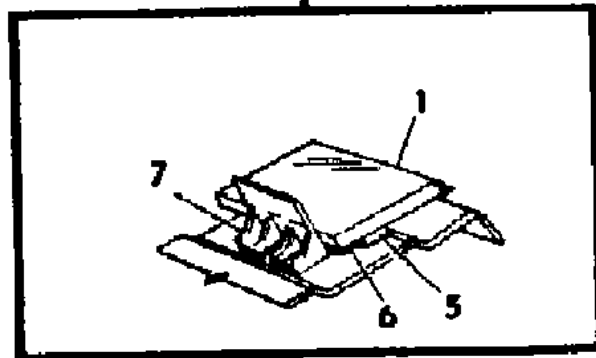
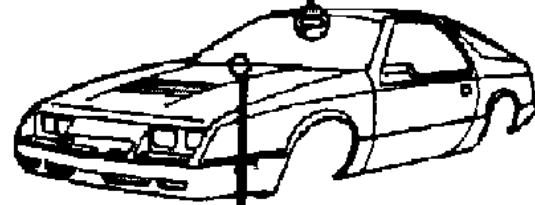
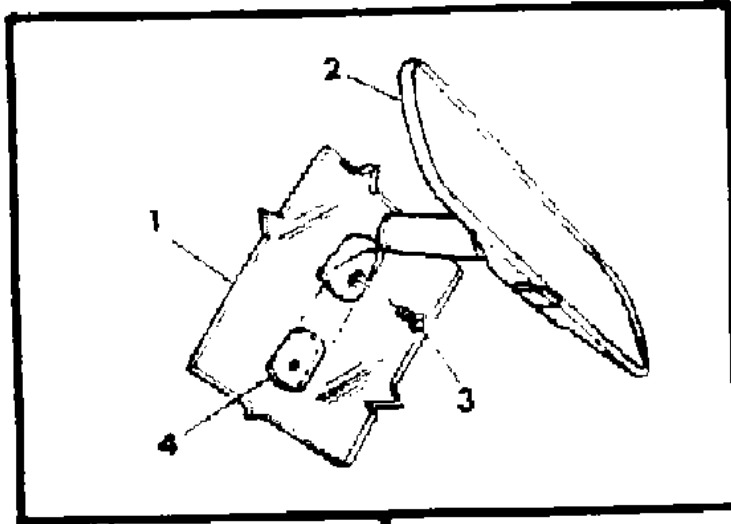
BODY STYLES

12-52 = FWD VAN & WAGON STD. W.B. 27 = 2-DOOR CONVERTIBLE
 13-53 = FWD VAN & WGN EXT W.B. 41 = 4-DOOR SEDAN
 21 = 2-DOOR SEDAN 44 = 4-DOOR HATCHBACK
 24 = 2-DOOR HATCHBACK 45 = 4-DOOR STATION WAGON

AR = Use as Required - = Non Illustrated Part P.A.R. = Paint as Required

GLASS WINDSHIELD AND MIRROR G BODY 24
Figure 23A-1160

8169 11600



ITEM	PART NUMBER	QTY	BODY	MODEL	DESCRIPTION
------	-------------	-----	------	-------	-------------

NOTE: GLASS, WINDSHIELD - ORDER FROM YOUR LOCAL "MOPAR" GLASS DISTRIBUTOR s group.

1	4416 391	1			GLASS, Windshield Tinted
2	4299 321	1			MIRROR, Rear View
3	6031 094	1			SCREW, Rear View Mirror
4	4054 066	1			BUTTON, Rear View Mirror Mounting
	4293 039	1			ADHESIVE PACKAGE, Rear View Mirror Button Mounting (Includes Adhesive & Instructions)
5		1			POLYURETHANE, Windshield (Serviced In Package #4267906)
6		10			SPACER, Windshield Glass Support Not Serviced
7	4206 543	2			SPACER, Windshield Glass Lower

NOTE: The following items are not shown on illustration. s group.

PKG A 4267 906 1 REPAIR PACKAGE, Windshield & Rear Window

Consists of:

- 1- ----- Polyurethane, 11.5 oz.
- 1- ----- Fence Primer, 1 oz.
- 1- ----- Glass Wipe-Off Primer, 1 oz.
- 1- ----- Glass Black-Out Primer, 1 oz.
- 3- ----- Dabbers
- 1- ----- Nozzle

MODEL CODES

C BODY = (D41 - DYNASTY)(C41 - NEW YORKER)
 E BODY = (J - CARAVELLE)(E - 600)(T - NEW YORKER TURBO)
 G BODY = (V24 - DAYTONA, PACIFICA & SHELBY)
 H BODY = (D44 - LANCER)(C44 - LEBARON GTS)
 J BODY = (C - LEBARON)
 K BODY = (P - RELIANT)(D - ARIES)(C - LEBARON/ TOWN & COUNTRY)

L BODY = (M - HORIZON)(Z-OMNI)
 M BODY = (B - GRAN FURY)(G - DIPLOMAT)(F - FIFTH AVENUE/NEWPORT)
 P BODY = (P - SUNDANCE)(D - SHADOW)
 Q BODY = (C27 - MASERATI)
 S BODY = (H - VOYAGER)(K - RAM VAN/ CARAVAN)

BODY STYLES

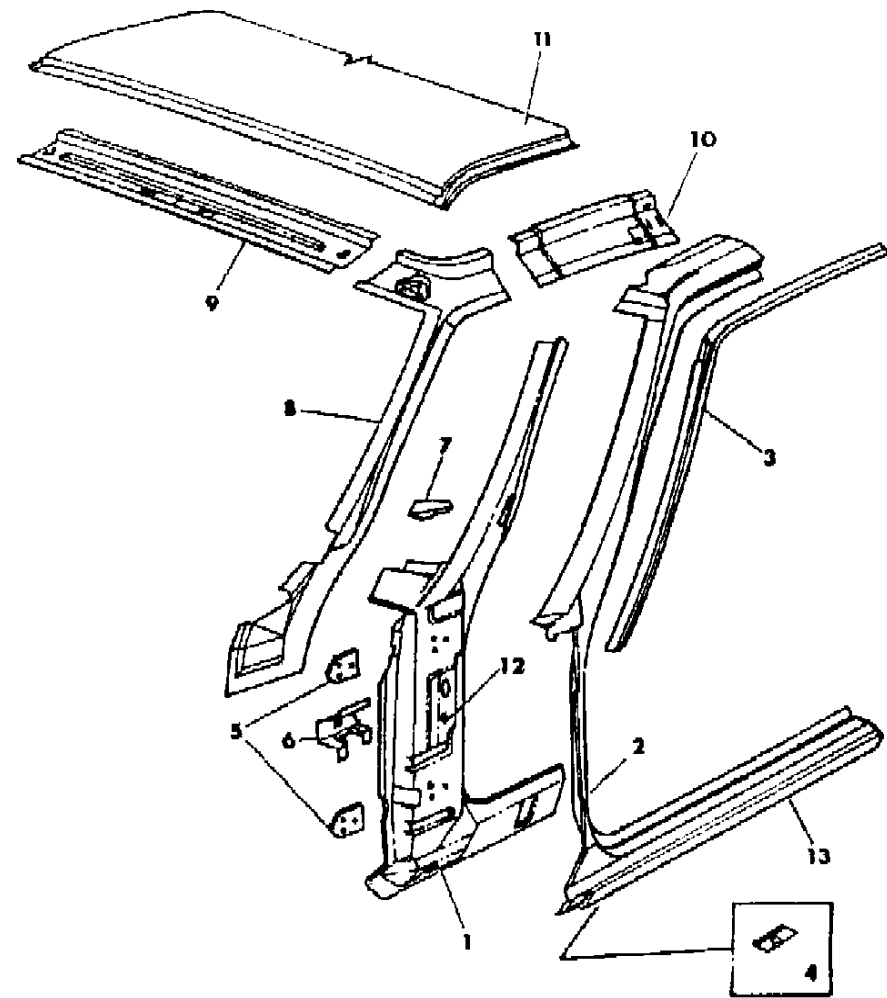
12-52 = FWD VAN & WAGON STD. W.B. 27 = 2-DOOR CONVERTIBLE
 13-53 = FWD VAN & WGN EXT W.B. 41 = 4-DOOR SEDAN
 21 = 2-DOOR SEDAN 44 = 4-DOOR HATCHBACK
 24 = 2-DOOR HATCHBACK 45 = 4-DOOR STATION WAGON

AR = Use as Required - = Non Illustrated Part P.A.R. = Paint as Required

BODY FRONT PILLAR AND ROOF PANEL G BODY 24

Figure 23A-1170

8169 11700



ITEM	PART NUMBER	QTY	BODY	MODEL	DESCRIPTION
1	4416 454-5	1			PILLAR, Body Front Hinge
2	4278 914-5	1			PANEL, Body Side Aperture Front
3	4206 824-5	1			RETAINER, Body Side Aperture Secondary Seal
4	4314 277	2			PLATE, Body Side Aperture Jack Locator
5	4314 086	4			PLATE, Body Front Hinge Pillar Door Hinge Tapping
6	4206 876	1			REINFORCEMENT, Hinge Pillar To Windshield Frame Rt.
	4278 599	1			REINFORCEMENT, Hinge Pillar To Windshield Frams Lt.
7		1			SEAL, Body Front Hinge Pillar To Windshield Opening Side Inner Frame Not Serviced
8	4371 068-9	1			FRAME, Windshield Opening Side Inner
9	4416 805	1			FRAME, Windshield Opening Upper
10	4341 758-9	1			RAIL, Roof Side Inner
11	4206 821	1			PANEL, Roof Outer w/o Sunroof
	4341 728	1			PANEL and TROUGH, Roof Outer w/Sunroof
12	2860 332	1			PLUG, Body Front Hinge Pillar Antenna Hole (Right Side Only)
13	4337 532-3	1			PANEL, Body Side Aperture Sill Outer

MODEL CODES

C BODY = (D41 - DYNASTY)(C41 - NEW YORKER)
 E BODY = (J - CARAVELLE)(E - 600)(T - NEW YORKER TURBO)
 G BODY = (V24 - DAYTONA, PACIFICA & SHELBY)
 H BODY = (D44 - LANCER)(C44 - LEBARON GTS)
 J BODY = (C - LEBARON)
 K BODY = (P - RELIANT)(D - ARIES)(C - LEBARON/ TOWN & COUNTRY)

L BODY = (M - HORIZON)(Z-OMNI)
 M BODY = (B - GRAN FURY)(G - DIPLOMAT)(F - FIFTH AVENUE/NEWPORT)
 P BODY = (P - SUNDANCE)(D - SHADOW)
 Q BODY = (C27 - MASERATI)
 S BODY = (H - VOYAGER)(K - RAM VAN/ CARAVAN)

BODY STYLES

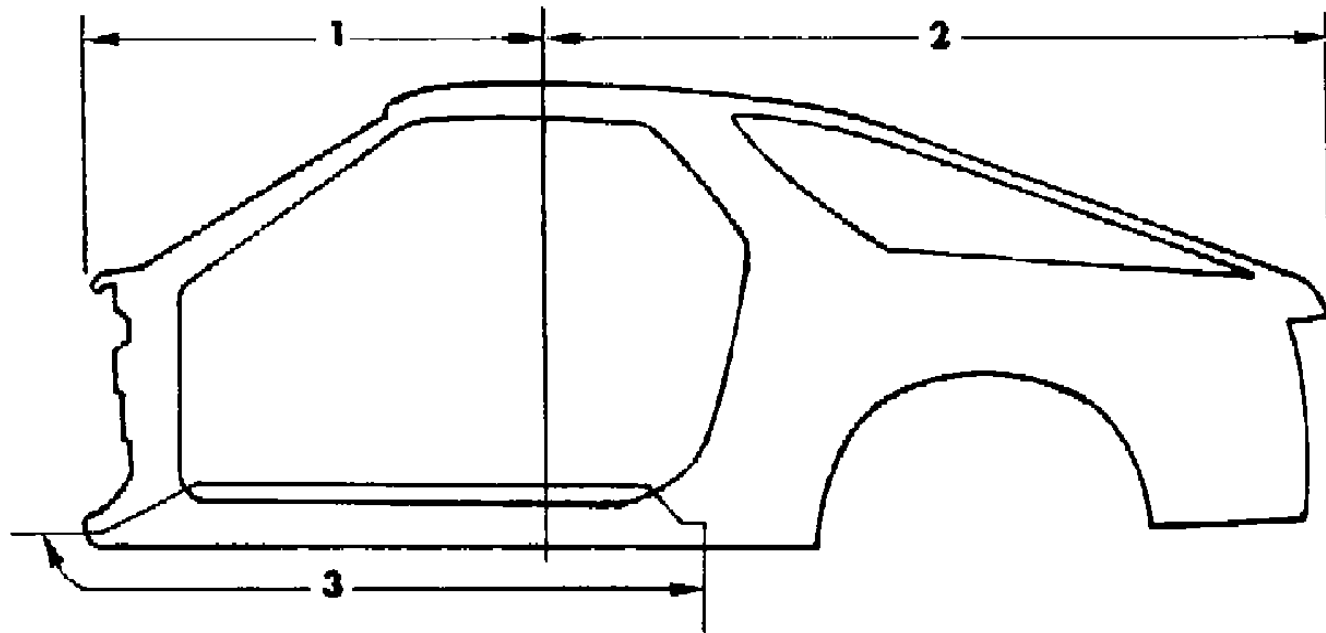
12-52 = FWD VAN & WAGON STD. W.B. 27 = 2-DOOR CONVERTIBLE
 13-53 = FWD VAN & WGN EXT W.B. 41 = 4-DOOR SEDAN
 21 = 2-DOOR SEDAN 44 = 4-DOOR HATCHBACK
 24 = 2-DOOR HATCHBACK 45 = 4-DOOR STATION WAGON

AR = Use as Required - = Non Illustrated Part P.A.R. = Paint as Required

APERATURE PANEL G BODY 24
Figure 23A-1180

8169 11800

ITEM	PART NUMBER	QTY	BODY	MODEL	DESCRIPTION
1	4278 914-5	1			PANEL, Body Side Aperture Front
2	4371 950-1	1			PANEL, Body Side Aperture Rear w/Hole
	5253 080-1	1			w/o Hole
3	4337 532-3	1			PANEL, Body Side Sill



MODEL CODES

C BODY = (D41 - DYNASTY)(C41 - NEW YORKER)
 E BODY = (J - CARAVELLE)(E - 600)(T - NEW YORKER TURBO)
 G BODY = (V24 - DAYTONA, PACIFICA & SHELBY)
 H BODY = (D44 - LANCER)(C44 - LEBARON GTS)
 J BODY = (C - LEBARON)
 K BODY = (P - RELIANT)(D - ARIES)(C - LEBARON/ TOWN & COUNTRY)
 L BODY = (M - HORIZON)(Z-OMNI)
 M BODY = (B - GRAN FURY)(G - DIPLOMAT)(F - FIFTH AVENUE/NEWPORT)
 P BODY = (P - SUNDANCE)(D - SHADOW)
 Q BODY = (C27 - MASERATI)
 S BODY = (H - VOYAGER)(K - RAM VAN/ CARAVAN)

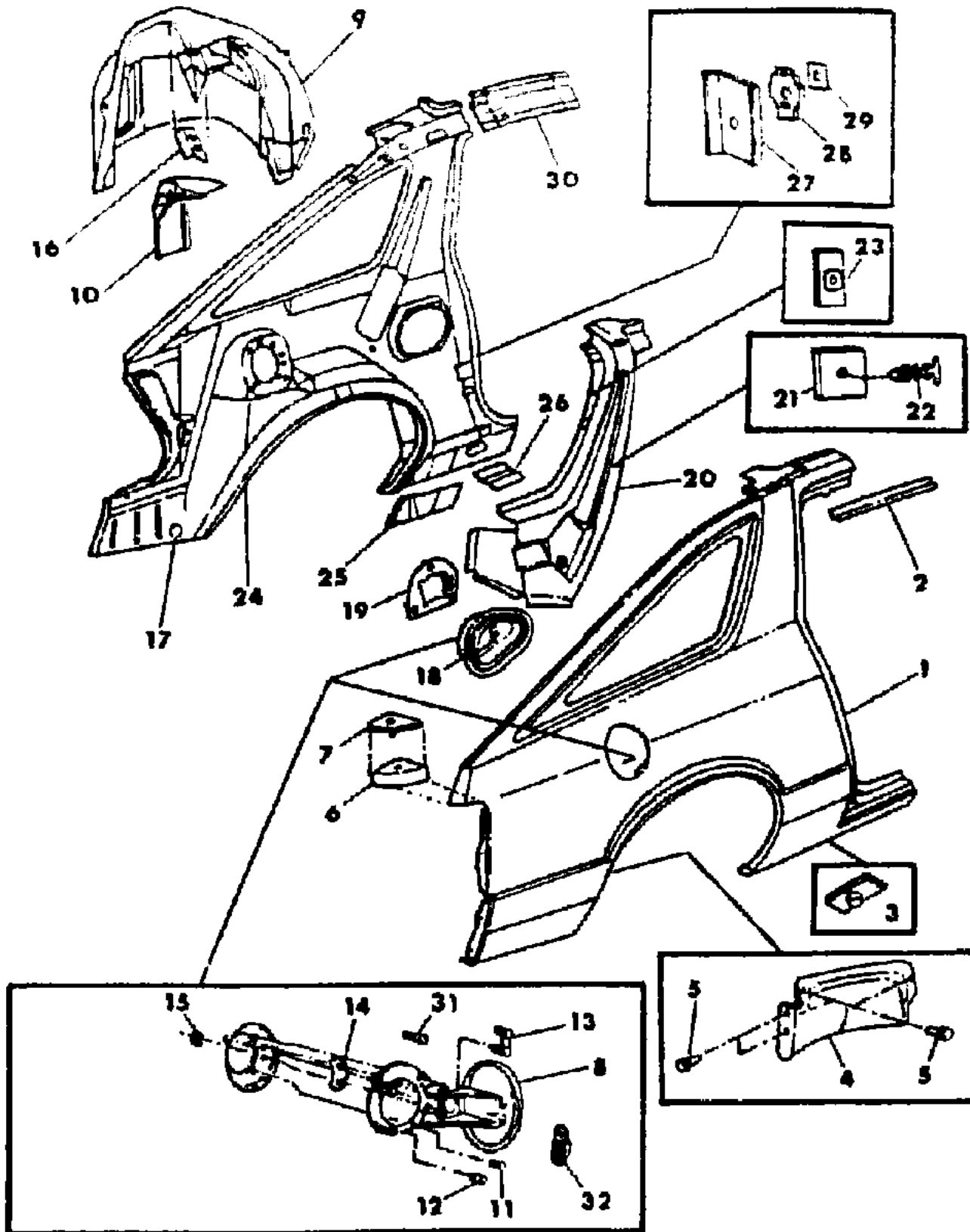
BODY STYLES

12-52 = FWD VAN & WAGON STD. W.B. 27 = 2-DOOR CONVERTIBLE
 13-53 = FWD VAN & WGN EXT W.B. 41 = 4-DOOR SEDAN
 21 = 2-DOOR SEDAN 44 = 4-DOOR HATCHBACK
 24 = 2-DOOR HATCHBACK 45 = 4-DOOR STATION WAGON

AR = Use as Required - = Non Illustrated Part P.A.R. = Paint as Required

BODY REAR QUARTER G BODY 24
Figure 23A-1190

8169 11900



ITEM	PART NUMBER	QTY	BODY	MODEL	DESCRIPTION
1	4371 950-1	1			PANEL, Body Side Aperture Rear w/Hole
	5253 080-1	1			w/o Hole
2	4206 824-5	1			RETAINER, Body Side Aperture Secondary Seal
3	4314 277	2			PLATE, Body Side Aperture Jack Locator
4	4314 104-5	1			SHIELD, Rear Wheelhouse Inner Panel Appearance
5		8			SCREW, #10-16 x .50" Not Serviced
6	4206 974-5	1			EXTENSION, Liftgate Opening Lower Panel Upper
7	4314 121	2			SEAL, Liftgate Opening Lower Panel Upper Extension
8	4364 448	1			DOOR and SUPPORT, Body Side Aperture Fuel Filler Door
9	4206 832-3	1			PANEL, Rear Wheelhouse Inner
10	4134 686-7	1			REINFORCEMENT, Rear Wheelhouse Inner Panel Shock Absorber Mounting
11		3			SCREW, #10-16 x 1.00" Not Serviced
12	4015 682	2			BUMPER
13	4337 147	1			PLATE, Fuel Filler Door Mounting
14	4314 601	AR			SHIM
15	6032 641	2			NUT
16	4278 630	2			REINFORCEMENT, Wheelhouse Rear Seat Back Latch
17	#4073 485	2			PLUG, 1.50" Dia./38 mm
18	4337 219	1			REINFORCEMENT, Body Side Aperture Fuel Filler Door Opening
19	4337 398	1			GASKET, Inner To Fuel Filler Door
20	4386 266-7	1			SUPPORT, Quarter Inner & Wheelhouse Outer To Aperture
21		2			SPACER, Quarter Inner Panel Support To Aperture Not Serviced
22	5208 743	2			RETAINER
23	4314 326	2			REINFORCEMENT, Quarter Inner Panel Upper Shoulder Harness
24	4386 264-5	1			PANEL, Quarter Inner and Wheelhouse Outer
25	4278 596-7	1			REINFORCEMENT, Quarter Inner Panel Sill Jacking
26	4278 573	2			REINFORCEMENT, Aperture To Quarter Inner & Wheelhouse Outer Panel
27	4325 188	2			REINFORCEMENT, w/Retainer Aperture Door Lock Striker Includes Item 28
28	4134 972	2			RETAINER, Aperture Door Lock Striker T-Plate
29	4314 743	2			T-PLATE, Aperture Door Lock Striker
30	4341 758-9	1			RAIL, Roof Side Inner
31	6032 280	1			SCREW, Shoulder Gas Cap Tether Mounting
32	4337 194	1			LATCH, Body Side Aperture Fuel Filler Door

MODEL CODES

C BODY = (D41 - DYNASTY)(C41 - NEW YORKER)
 E BODY = (J - CARAVELLE)(E - 600)(T - NEW YORKER TURBO)
 G BODY = (V24 - DAYTONA, PACIFICA & SHELBY)
 H BODY = (D44 - LANCER)(C44 - LEBARON GTS)
 J BODY = (C - LEBARON)
 K BODY = (P - RELIANT)(D - ARIES)(C - LEBARON/ TOWN & COUNTRY)

L BODY = (M - HORIZON)(Z-OMNI)
 M BODY = (B - GRAN FURY)(G - DIPLOMAT)(F - FIFTH AVENUE/NEWPORT)
 P BODY = (P - SUNDANCE)(D - SHADOW)
 Q BODY = (C27 - MASERATI)
 S BODY = (H - VOYAGER)(K - RAM VAN/ CARAVAN)

BODY STYLES

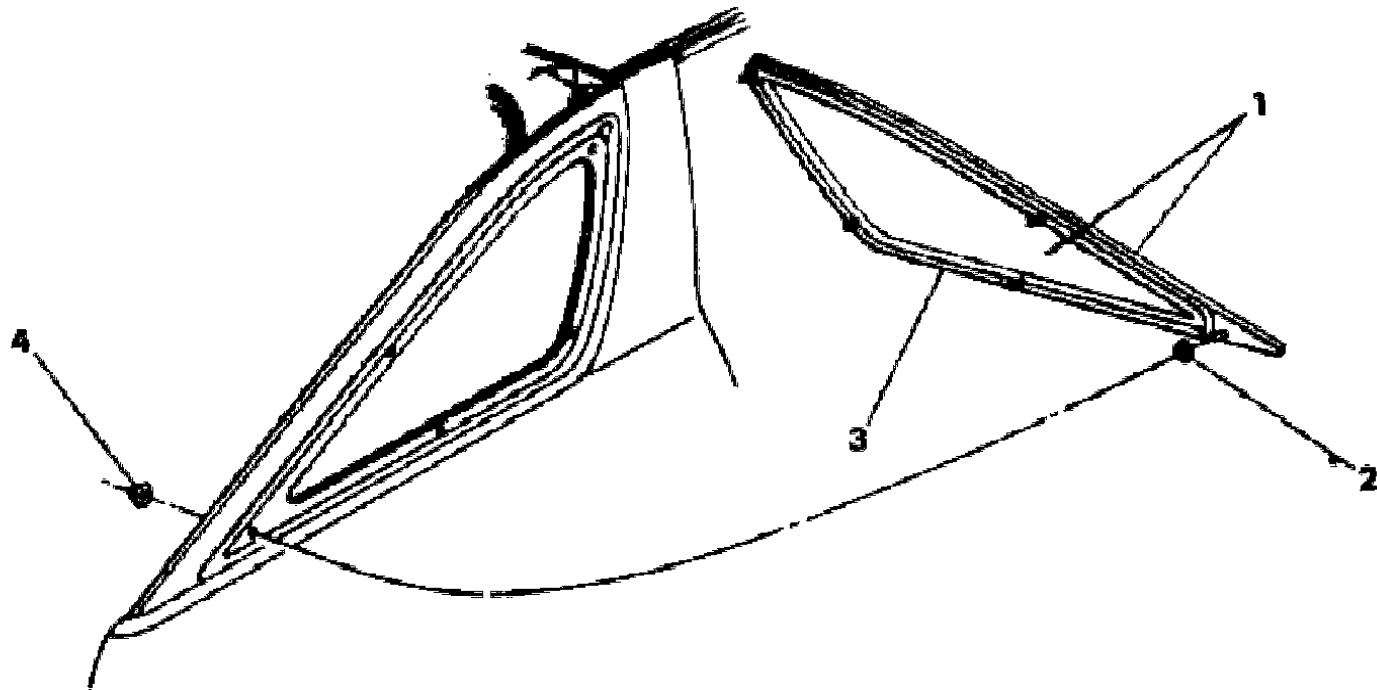
12-52 = FWD VAN & WAGON STD. W.B. 27 = 2-DOOR CONVERTIBLE
 13-53 = FWD VAN & WGN EXT W.B. 41 = 4-DOOR SEDAN
 21 = 2-DOOR SEDAN 44 = 4-DOOR HATCHBACK
 24 = 2-DOOR HATCHBACK 45 = 4-DOOR STATION WAGON

AR = Use as Required - = Non Illustrated Part P.A.R. = Paint as Required

GLASS QUARTER WINDOW G BODY 24
Figure 23A-1200

ITEM	PART NUMBER	QTY	BODY	MODEL	DESCRIPTION
1	4416 956-7	1			FRAME and GLASS, Window Tinted
2		2			SEALING WASHER, Quarter Window Mounting Stud Not Serviced
3		AR			SEAL, Quarter Window (Butyl Tape (187") Serviced In Repair Pkg. 4057957
4	6100 775	8			NUT and WASHER
NOTE: The following items are not shown on illustration. s group.					
PKG A	4057 957	1			FIXED GLASS REPAIR PACKAGE Consists of:
					1- ----- Tape, Butyl (171")
					1- ----- Primer, Glass (1 oz.)
					1- ----- Primer, Fence (2 oz.)
					2-Spacer, Rubber, 0.2"
					2-Spacer, Rubber 0.3"
	3767 767				2-Shim, 0.07"
					2- ----- Sponges, Disposable

8169 12000



MODEL CODES

C BODY = (D41 - DYNASTY)(C41 - NEW YORKER)	L BODY = (M - HORIZON)(Z-OMNI)
E BODY = (J - CARAVELLE)(E - 600)(T - NEW YORKER TURBO)	M BODY = (B - GRAN FURY)(G - DIPLOMAT)(F - FIFTH AVENUE/NEWPORT)
G BODY = (V24 - DAYTONA, PACIFICA & SHELBY)	P BODY = (P - SUNDANCE)(D - SHADOW)
H BODY = (D44 - LANCER)(C44 - LEBARON GTS)	Q BODY = (C27 - MASERATI)
J BODY = (C - LEBARON)	S BODY = (H - VOYAGER)(K - RAM VAN/ CARAVAN)
K BODY = (P - RELIANT)(D - ARIES)(C - LEBARON/ TOWN & COUNTRY)	

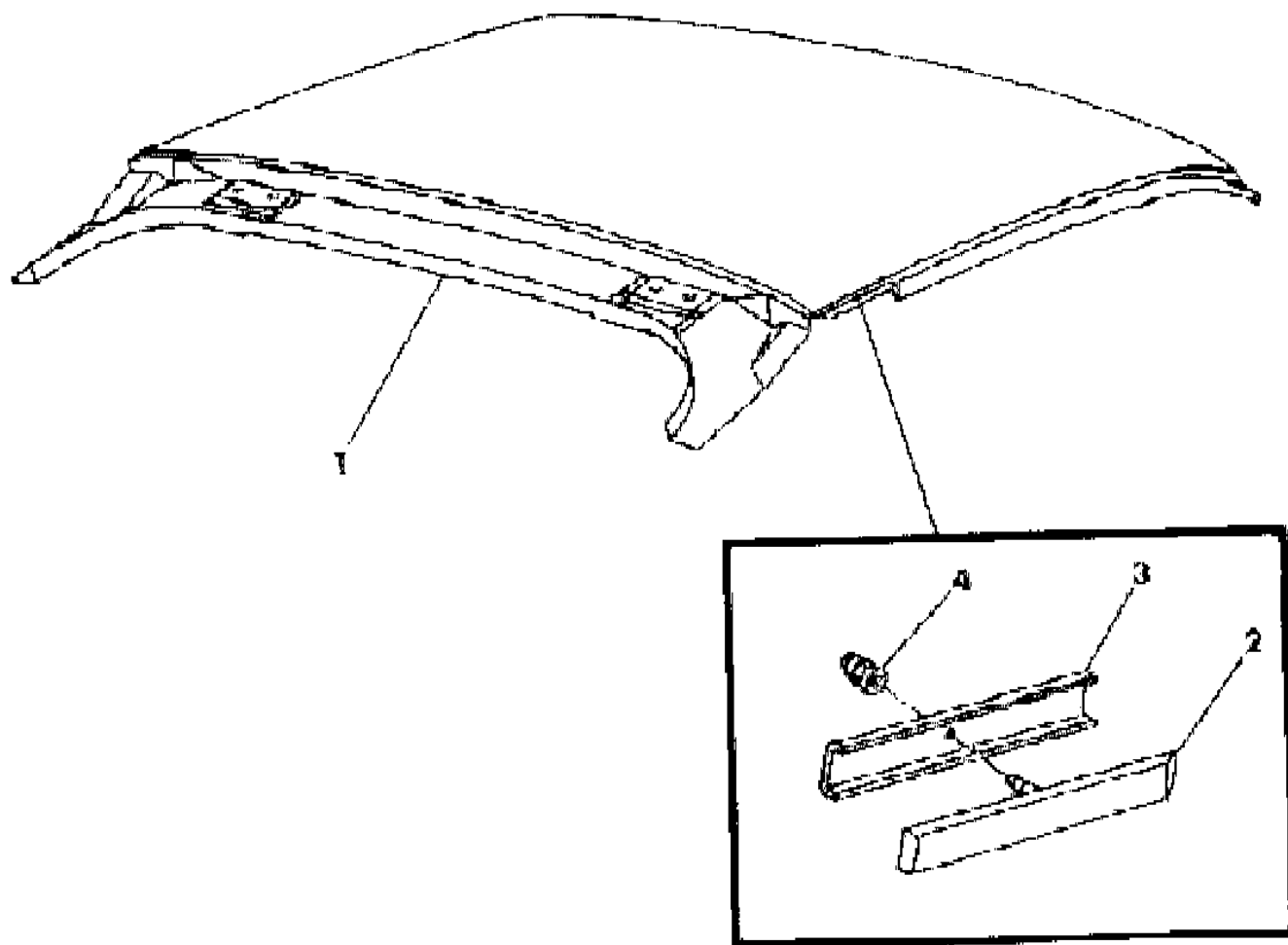
BODY STYLES

12-52 = FWD VAN & WAGON STD. W.B.	27 = 2-DOOR CONVERTIBLE
13-53 = FWD VAN & WGN EXT W.B.	41 = 4-DOOR SEDAN
21 = 2-DOOR SEDAN	44 = 4-DOOR HATCHBACK
24 = 2-DOOR HATCHBACK	45 = 4-DOOR STATION WAGON

AR = Use as Required - = Non Illustrated Part P.A.R. = Paint as Required

ROOF PANEL G BODY 24
Figure 23A-1210

8169 12100



ITEM	PART NUMBER	QTY	BODY	MODEL	DESCRIPTION
1	4206 821	1			PANEL, Roof Outer w/o Sunroof
	4341 728	1			PANEL and TROUGH, Roof Outer w/Sunroof
2	4490 070-1	1			MOULDING, Roof To Body Side Aperture Joint Includes Items 3-4
3		2			GASKET, Roof Panel to Aperture Joint Moulding (Served In Item #2)
4	6033 284	2			NUT and SEAL, (Includes Item 2)

MODEL CODES

C BODY = (D41 - DYNASTY)(C41 - NEW YORKER)	L BODY = (M - HORIZON)(Z-OMNI)
E BODY = (J - CARAVELLE)(E - 600)(T - NEW YORKER TURBO)	M BODY = (B - GRAN FURY)(G - DIPLOMAT)(F - FIFTH AVENUE/NEWPORT)
G BODY = (V24 - DAYTONA, PACIFICA & SHELBY)	P BODY = (P - SUNDANCE)(D - SHADOW)
H BODY = (D44 - LANCER)(C44 - LEBARON GTS)	Q BODY = (C27 - MASERATI)
J BODY = (C - LEBARON)	S BODY = (H - VOYAGER)(K - RAM VAN/ CARAVAN)
K BODY = (P - RELIANT)(D - ARIES)(C - LEBARON/ TOWN & COUNTRY)	

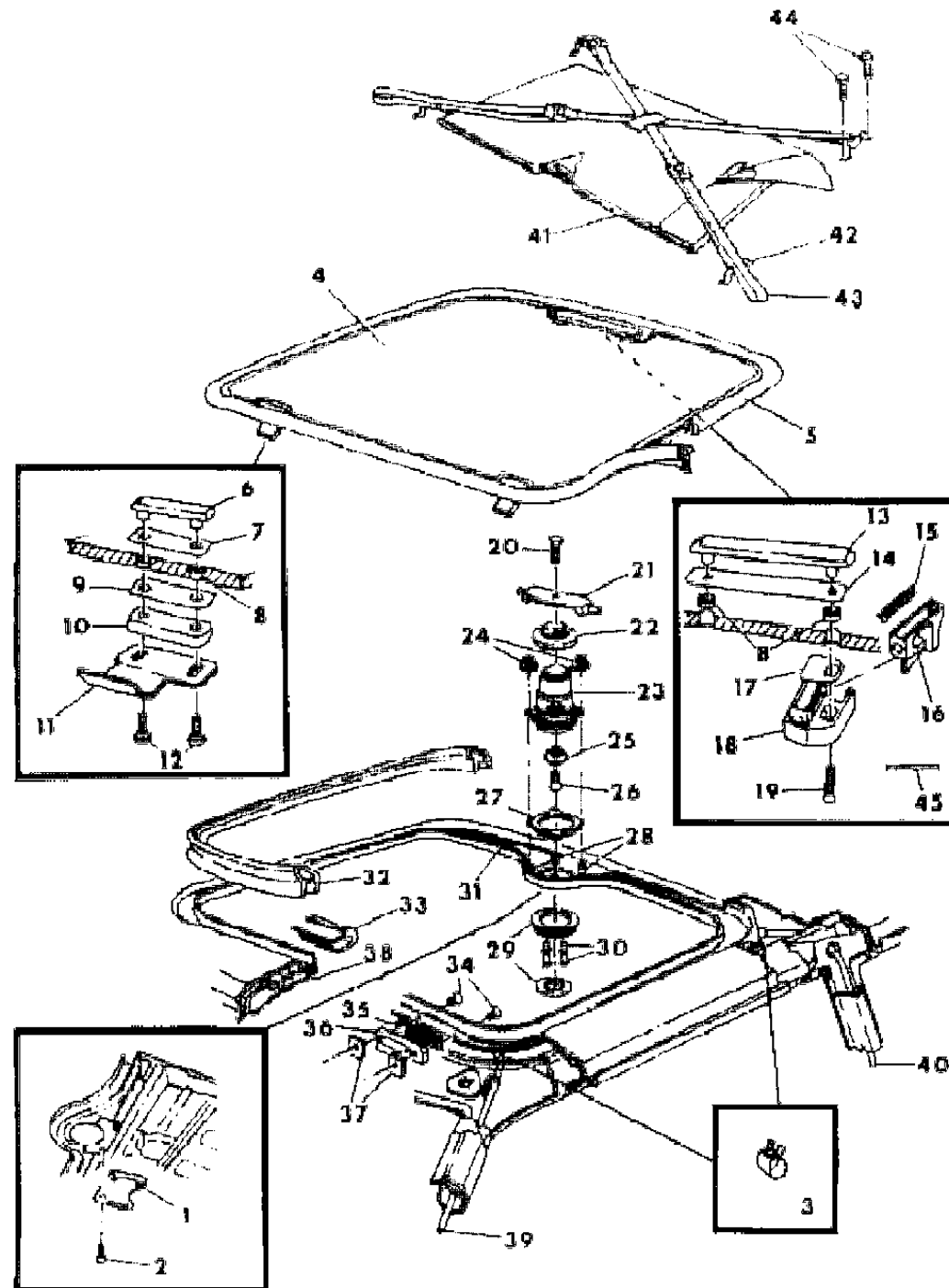
BODY STYLES

12-52 = FWD VAN & WAGON STD. W.B.	27 = 2-DOOR CONVERTIBLE
13-53 = FWD VAN & WGN EXT W.B.	41 = 4-DOOR SEDAN
21 = 2-DOOR SEDAN	44 = 4-DOOR HATCHBACK
24 = 2-DOOR HATCHBACK	45 = 4-DOOR STATION WAGON

AR = Use as Required - = Non Illustrated Part P.A.R. = Paint as Required

SUNROOF G BODY 24
Figure 23A-1220

B169 1220C



ITEM	PART NUMBER	QTY	BODY	MODEL	DESCRIPTION
1	4278 794	1			SUPPORT, Sunroof Opening Drain Trough
2	9421 073	4			SCREW
3	2448 761	4			CLAMP, Drain Hose To Trough
4	4296 034	1			PANEL, Sunroof Glass w/Frame (Bonded)
5	4172 849	1			SEAL, Sunroof (Secondary)
6-12	4467 211	2			HINGE and T-PLATE, Includes Item 6-12
6		2			T-PLATE, Serviced In Package #4467211
7		2			GASKET, Serviced In Package #4467211
8		6			GROMMET, Serviced In Package #4467211
9		2			GASKET, Serviced In Package #4467211
10		2			SPACER, Serviced In Package #4467211
11		2			HINGE, Serviced In Package #4467211
12		4			SCREW, Serviced In Package #4467211
13	5207 322	1			T-PLATE, Latch
14	5207 368	1			GASKET, Latch T-Plate
15	4106 872-3	1			HOUSING and LATCH, Sun Roof (Includes Item 15-19)
15		2			SPRING, Serviced In Package #4106872-3
16		2			LATCH, Serviced In Package #4106872-3
17		2			GASKET, Serviced In Package #4106872-3
18		2			HOUSING, Serviced In Package #4106872-3
19		2			SCREW, Serviced In Package #4106872-3
20		1			SCREW, #10-16 x .75" Not Serviced
21	5207 327	1			STRIKER, Latch
22	4341 037	1			GASKET and RETAINER, Adjuster
23	4341 035	1			ADJUSTER, Latch (Includes Items #20-23 & 25,26)
24	6501 140	4			NUT
25	5232 094	1			WASHER, Latch Striker Stop
26		1			SCREW, #8-18 x .75" Not Serviced
27	5232 052	1			GASKET, Latch Adjuster To Trough
28		4			SCREW, Weld, M5 x 15mm (Serviced in Item #31)
29					HANDLE, Tilting Roof Pnl. Riser Control
	H808 FS8	1			Charcoal
	H808 FC5	1			Blue
	H808 GR8	1			Red
	H808 GL7	1			Taupe
30	6031 171	4			SCREW
31	4341 728	1			PANEL and TROUGH, Outer w/Sunroof (Includes Item 28)

MODEL CODES

C BODY = (D41 - DYNASTY)(C41 - NEW YORKER)
 E BODY = (J - CARAVELLE)(E - 600)(T - NEW YORKER TURBO)
 G BODY = (V24 - DAYTONA, PACIFICA & SHELBY)
 H BODY = (D44 - LANCER)(C44 - LEBARON GTS)
 J BODY = (C - LEBARON)
 K BODY = (P - RELIANT)(D - ARIES)(C - LEBARON/ TOWN & COUNTRY)

L BODY = (M - HORIZON)(Z-OMNI)
 M BODY = (B - GRAN FURY)(G - DIPLOMAT)(F - FIFTH AVENUE/NEWPORT)
 P BODY = (P - SUNDANCE)(D - SHADOW)
 Q BODY = (C27 - MASERATI)
 S BODY = (H - VOYAGER)(K - RAM VAN/ CARAVAN)

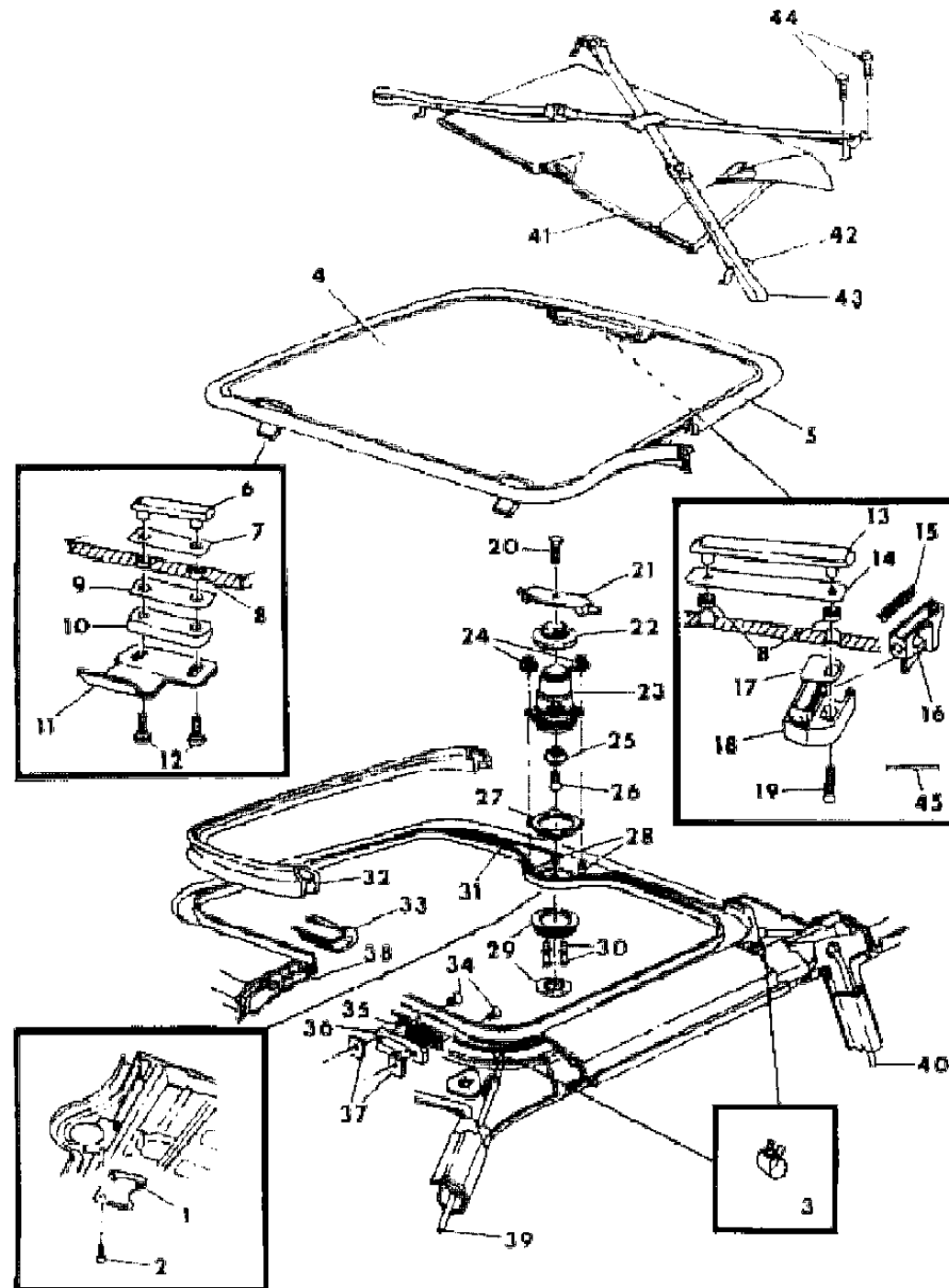
BODY STYLES

12-52 = FWD VAN & WAGON STD. W.B. 27 = 2-DOOR CONVERTIBLE
 13-53 = FWD VAN & WGN EXT W.B. 41 = 4-DOOR SEDAN
 21 = 2-DOOR SEDAN 44 = 4-DOOR HATCHBACK
 24 = 2-DOOR HATCHBACK 45 = 4-DOOR STATION WAGON

AR = Use as Required - = Non Illustrated Part P.A.R. = Paint as Required

SUNROOF G BODY 24
Figure 23A-1220

B169 1220C



ITEM	PART NUMBER	QTY	BODY	MODEL	DESCRIPTION
32	4440 798	1			SEAL, Sunroof (Primary)
33					WELT, Sunroof Headliner Opening
	H737 FS8	1			Charcoal
	H737 GR8	1			Red
	H737 GL7	1			Taupe
	H737 FC5	1			Blue
34	6101 127	4			SCREW
35	5232 050-1	1			GASKET, Hinge Receiver
36	4172 966-7	1			RECEIVER, Hinge (Includes Items #35 & 37)
37	5207 378	4			PLATE, Hinge Receiver
38		1			HEADLINER, See Group 23-Interior Trim Illustrations
39	4278 798	2			HOSE, Sunroof Drain Trough Front
40	4278 799	2			HOSE, Sunroof Drain Trough Rear
41	H608 CX7	1			BAG, Stowage (Black)
42	4248 818	4			ANCHOR, Tie-Down Strap To Floor Pan
43	H349 CX9	1			STRAP, Sunroof Stowage Tie-Down
44		8			SCREW, #8-18 x .75" Not Serviced
45	5207 474	2			PIN, Glass Frame Connecting

MODEL CODES

C BODY = (D41 - DYNASTY)(C41 - NEW YORKER)	L BODY = (M - HORIZON)(Z-OMNI)
E BODY = (J - CARAVELLE)(E - 600)(T - NEW YORKER TURBO)	M BODY = (B - GRAN FURY)(G - DIPLOMAT)(F - FIFTH AVENUE/NEWPORT)
G BODY = (V24 - DAYTONA, PACIFICA & SHELBY)	P BODY = (P - SUNDANCE)(D - SHADOW)
H BODY = (D44 - LANCER)(C44 - LEBARON GTS)	Q BODY = (C27 - MASERATI)
J BODY = (C - LEBARON)	S BODY = (H - VOYAGER)(K - RAM VAN/ CARAVAN)
K BODY = (P - RELIANT)(D - ARIES)(C - LEBARON/ TOWN & COUNTRY)	

BODY STYLES

12-52 = FWD VAN & WAGON STD. W.B.	27 = 2-DOOR CONVERTIBLE
13-53 = FWD VAN & WGN EXT W.B.	41 = 4-DOOR SEDAN
21 = 2-DOOR SEDAN	44 = 4-DOOR HATCHBACK
24 = 2-DOOR HATCHBACK	45 = 4-DOOR STATION WAGON

AR = Use as Required - = Non Illustrated Part P.A.R. = Paint as Required

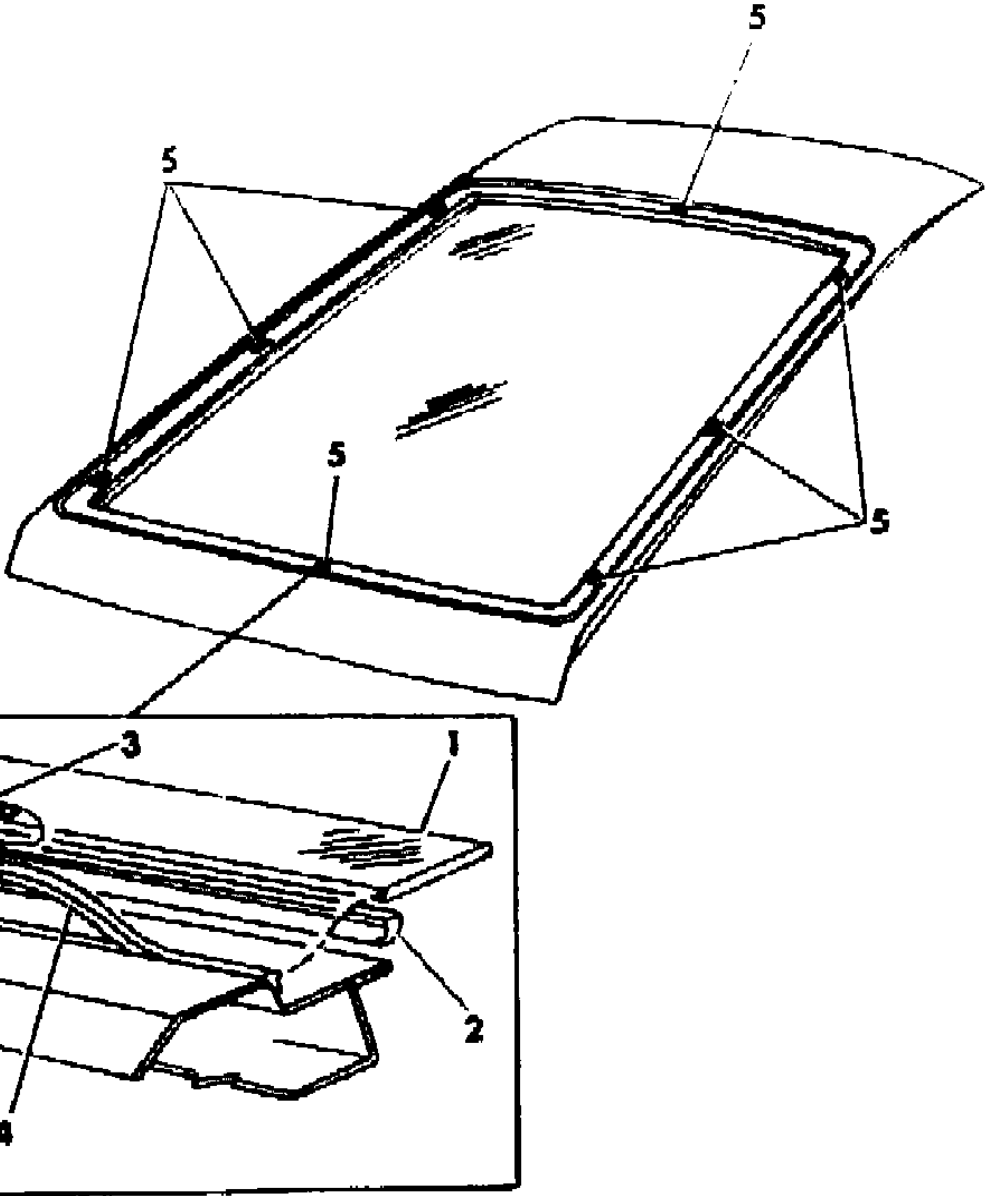
GLASS LIFTGATE G BODY 24
Figure 23A-1230

8169 12300

ITEM	PART NUMBER	QTY	BODY	MODEL	DESCRIPTION
1	4198 723	1			GLASS, Liftgate Tinted, w/o Liftgate Wiper, w/o Electric Heated
	4198 721	1			Tinted, w/o Liftgate Wiper w/Electric Heated
	4280 189	1			Tinted, w/Liftgate Wiper w/Electric Heated
2	4206 848	1			DAM, Glass Adhesive (119")
3	4198 929	1			CAP, Liftgate Glass Lockstrip End
4	4365 563	1			MOULDING, Liftgate Glass To Outer Pnl. Up To 5-16-88
	4378 698				After 5-16-88
5	4365 854	8			SPACER, Liftgate Glass Support

NOTE: The following items are not shown on illustration. s group.

PKG A	4267 906	1			REPAIR PACKAGE, Windshield & Rear Window Consists of: 1- ----- Polyurethane, 11.5 oz. 1- ----- Fence Primer, 1 oz. 1- ----- Glass Wipe-Off Primer, 1 oz. 1- ----- Glass Black-Out Primer, 1 oz. 3- ----- Dabbers 1- ----- Nozzle
PKG B	4267 922	1			REPAIR PACKAGE, Back Lite Grid & Pigtail Consists of: 1- ----- Cement, Cho-Bond, 1/2 oz. 1- ----- Instruction Sheet



MODEL CODES
 C BODY = (D41 - DYNASTY)(C41 - NEW YORKER)
 E BODY = (J - CARAVELLE)(E - 600)(T - NEW YORKER TURBO)
 G BODY = (V24 - DAYTONA, PACIFICA & SHELBY)
 H BODY = (D44 - LANCER)(C44 - LEBARON GTS)
 J BODY = (C - LEBARON)
 K BODY = (P - RELIANT)(D - ARIES)(C - LEBARON/ TOWN & COUNTRY)
 L BODY = (M - HORIZON)(Z-OMNI)
 M BODY = (B - GRAN FURY)(G - DIPLOMAT)(F - FIFTH AVENUE/NEWPORT)
 P BODY = (P - SUNDANCE)(D - SHADOW)
 Q BODY = (C27 - MASERATI)
 S BODY = (H - VOYAGER)(K - RAM VAN/ CARAVAN)

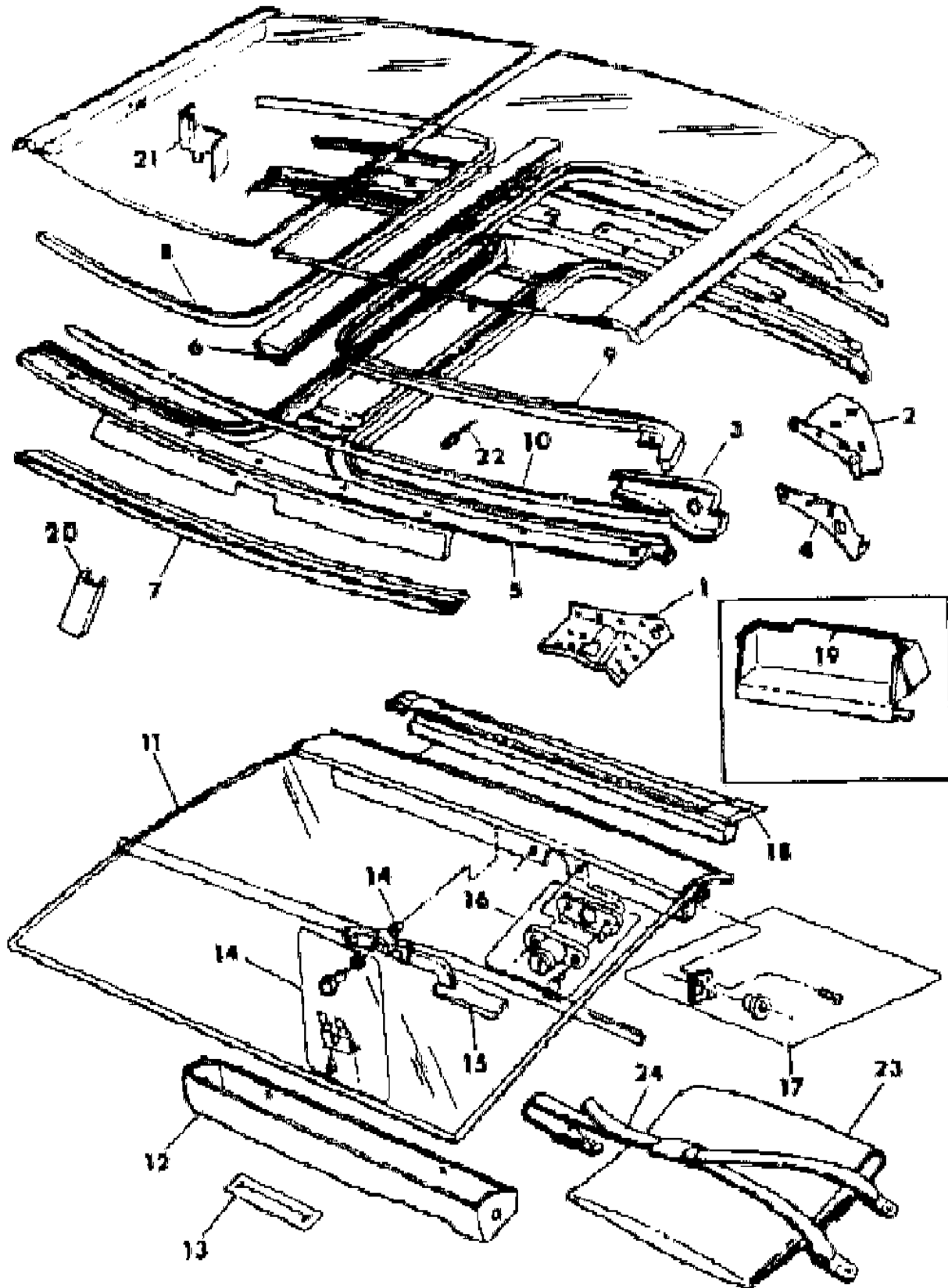
BODY STYLES
 12-52 = FWD VAN & WAGON STD. W.B. 27 = 2-DOOR CONVERTIBLE
 13-53 = FWD VAN & WGN EXT W.B. 41 = 4-DOOR SEDAN
 21 = 2-DOOR SEDAN 44 = 4-DOOR HATCHBACK
 24 = 2-DOOR HATCHBACK 45 = 4-DOOR STATION WAGON

AR = Use as Required - = Non Illustrated Part P.A.R. = Paint as Required

T-BAR ROOF G BODY 24
Figure 23A-1240

8169 12400

ITEM	PART NUMBER	QTY	BODY	MODEL	DESCRIPTION
1	4397 014-5	1			BRACKET, "A" Pillar Cap
2	4397 016-7	1			BRACKET, "B" Pillar Cap
3	4397 146-7	1			CAP, "A" Pillar Paint As Required
4	4397 150-1	1			CAP, "B" Pillar Paint As Required
5	4397 045	1			FRAME, Roof Insert
6	4397 054	1			MOULDING, Center Frame Glass Panel Black
7	4397 055	1			REINFORCEMENT, Header
8	4397 060	1			MOULDING, Headliner Locking (Black)
9					WEATHERSTRIP, Door and Glass Panel Complete
	4397 092-3	1			Up A Pillar Down B Pillar Cross Top
10	4397 098	1			SEAL, Roof Mldg. "P" Section
11	4397 190-1	1			PANEL, Glass T-Bar Complete
12	4397 154-5	1			COVER, Latch Glass Panel Paint As Required
13	4397 044	1			COVER, Latch Shield
14	4397 061	1			BOLT, Shoulder Latch Handle Package
15	4397 086-7	1			LATCH ASSEMBLY, T-Bar Roof Panel
16	4467 510	1			LOCK ASSEMBLY, T-Bar Roof Panel
17	4397 089	1			BUSHING, Latch Rod Guide
18	4397 090-1	1			SEAL, Side Rail
19	4397 170-1	1			REINFORCEMENT, "B" Pillar To Wheel Housing
20	4397 132-3	1			SIGHT SHIELD, "A" Pillar (Also See Exterior Ornmentation)
21	4397 134-5	1			SIGHT SHIELD, "B" Pillar (Also See Exterior Ornmentation)
22	4397 136	1			RIVET PACKAGE, Moulding Attachment Black
23	4397 108	1			BAG, T-Bar Roof
24	4397 109	AR			ANCHOR, Tie Down



MODEL CODES

C BODY = (D41 - DYNASTY)(C41 - NEW YORKER)
 E BODY = (J - CARAVELLE)(E - 600)(T - NEW YORKER TURBO)
 G BODY = (V24 - DAYTONA, PACIFICA & SHELBY)
 H BODY = (D44 - LANCER)(C44 - LEBARON GTS)
 J BODY = (C - LEBARON)
 K BODY = (P - RELIANT)(D - ARIES)(C - LEBARON/ TOWN & COUNTRY)

L BODY = (M - HORIZON)(Z-OMNI)
 M BODY = (B - GRAN FURY)(G - DIPLOMAT)(F - FIFTH AVENUE/NEWPORT)
 P BODY = (P - SUNDANCE)(D - SHADOW)
 Q BODY = (C27 - MASERATI)
 S BODY = (H - VOYAGER)(K - RAM VAN/ CARAVAN)

BODY STYLES

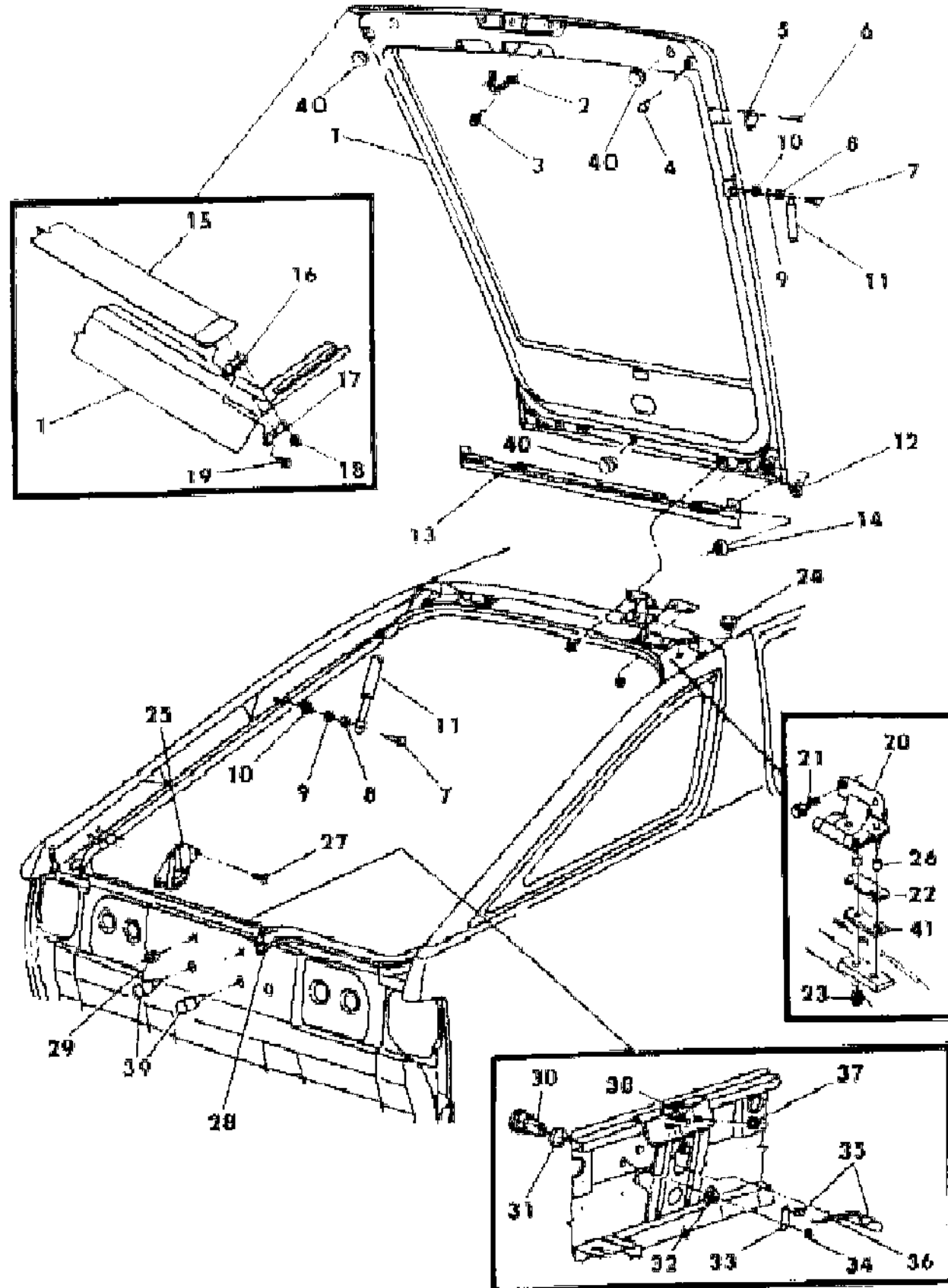
12-52 = FWD VAN & WAGON STD. W.B. 27 = 2-DOOR CONVERTIBLE
 13-53 = FWD VAN & WGN EXT W.B. 41 = 4-DOOR SEDAN
 21 = 2-DOOR SEDAN 44 = 4-DOOR HATCHBACK
 24 = 2-DOOR HATCHBACK 45 = 4-DOOR STATION WAGON

AR = Use as Required - = Non Illustrated Part P.A.R. = Paint as Required

LIFTGATE PANEL G BODY 24

Figure 23A-1250

8169 12500



ITEM	PART NUMBER	QTY	BODY	MODEL	DESCRIPTION
1	4378 485	1			PANEL, Liftgate
2	4378 046	1			STRIKER, Liftgate Latch
3	6100 592	2			SCREW, w/Washer
4	4396 304	2			BUMPER, Liftgate Inside Panel Corner
5	4246 860	2			STRIKER, Liftgate Stabilizer
6		4			SCREW, #10-16 x .75" Not Serviced
7		4			SCREW, M8 x 1.25" (Serviced in Item #11)
8	4246 676	4			WASHER, Liftgate Prop Clevis
9		4			WASHER, (Serviced in Item #11)
10	6500 159	4			NUT and WASHER
11	4246 673	2			PROP, Liftgate w/Spoiler
	G000 4712	1			PROP, Liftgate w/Louver
12	2574 792	1			PLUG, .75" Dia./19.5 mm
13	4280 831	1			WEATHERSTRIP, Liftgate Secondary
14	6025 160	7			RETAINER
15		1			SPOILER, Liftgate (See Group 23)
16		AR			GASKET, Liftgate Spoiler Mounting (See Group 23)
17		AR			REINFORCEMENT, Liftgate Spoiler Mounting (See Group 23)
18		AR			NUT, (See Group 23)
19		AR			SCREW, (See Group 23)
20	4378 407	2			HINGE, Liftgate
21	6100 275	4			SCREW and WASHER
22	4246 832	AR			SHIM, Liftgate Hinge
23	6501 569	4			NUT and WASHER
24	1774 076	1			PLUG, .630" Dia./16 mm
25	4246 341	2			WEDGE, Liftgate Opening Stabilizer
26	4337 900	4			WASHER, Liftgate Hinge To Body Sealing
27		4			SCREW, #10-16 x .50" (Not Serviced)
28	4198 930	1			WEATHERSTRIP, Liftgate Opening
29	6500 524	4			NUT, License Plate Mounting
30		1			CYLINDER and BRACKET, (See Group 23D)
31	3695 321	1			GASKET, Lock Cylinder Mounting
32	4054 202	1			NUT, Lock Cylinder Mounting
33	4378 015	1			LEVER, Liftgate Lock Cylinder
34	6032 107	1			RETAINER, Lock Cylinder Lever
35	3454 220	2			CLIP, Lock To Latch Link
36	4378 458	1			LINK, Lock Cylinder To Latch

MODEL CODES

C BODY = (D41 - DYNASTY)(C41 - NEW YORKER)
 E BODY = (J - CARAVELLE)(E - 600)(T - NEW YORKER TURBO)
 G BODY = (V24 - DAYTONA, PACIFICA & SHELBY)
 H BODY = (D44 - LANCER)(C44 - LEBARON GTS)
 J BODY = (C - LEBARON)
 K BODY = (P - RELIANT)(D - ARIES)(C - LEBARON/ TOWN & COUNTRY)

L BODY = (M - HORIZON)(Z-OMNI)
 M BODY = (B - GRAN FURY)(G - DIPLOMAT)(F - FIFTH AVENUE/NEWPORT)
 P BODY = (P - SUNDANCE)(D - SHADOW)
 Q BODY = (C27 - MASERATI)
 S BODY = (H - VOYAGER)(K - RAM VAN/ CARAVAN)

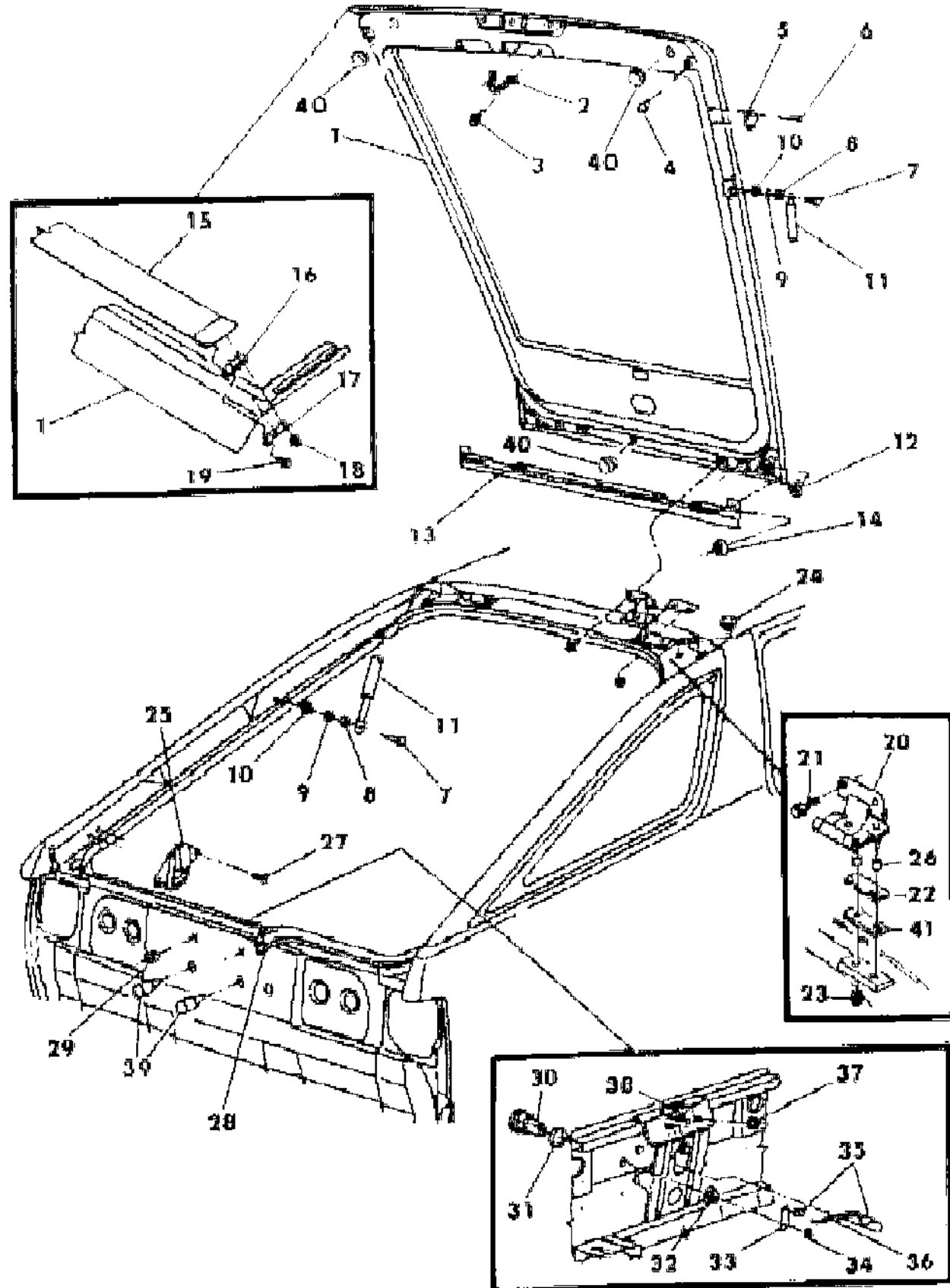
BODY STYLES

12-52 = FWD VAN & WAGON STD. W.B. 27 = 2-DOOR CONVERTIBLE
 13-53 = FWD VAN & WGN EXT W.B. 41 = 4-DOOR SEDAN
 21 = 2-DOOR SEDAN 44 = 4-DOOR HATCHBACK
 24 = 2-DOOR HATCHBACK 45 = 4-DOOR STATION WAGON

AR = Use as Required - = Non Illustrated Part P.A.R. = Paint as Required

LIFTGATE PANEL G BODY 24
Figure 23A-1250

8169 12500



ITEM	PART NUMBER	QTY	BODY	MODEL	DESCRIPTION
37	6501 569	2			NUT and WASHER
38	4378 275	1			LATCH, Liftgate (Cable Release)
39	5200 365	2			BUMPER, Liftgate Opening Lower Panel License Plate
40	6029 939	3			PLUG, Liftgate Inner Panel Hole
41	4365 698	2			GASKET, Liftgate Hinge To Body

MODEL CODES

C BODY = (D41 - DYNASTY)(C41 - NEW YORKER)
 E BODY = (J - CARAVELLE)(E - 600)(T - NEW YORKER TURBO)
 G BODY = (V24 - DAYTONA, PACIFICA & SHELBY)
 H BODY = (D44 - LANCER)(C44 - LEBARON GTS)
 J BODY = (C - LEBARON)
 K BODY = (P - RELIANT)(D - ARIES)(C - LEBARON/ TOWN & COUNTRY)

L BODY = (M - HORIZON)(Z-OMNI)
 M BODY = (B - GRAN FURY)(G - DIPLOMAT)(F - FIFTH AVENUE/NEWPORT)
 P BODY = (P - SUNDANCE)(D - SHADOW)
 Q BODY = (C27 - MASERATI)
 S BODY = (H - VOYAGER)(K - RAM VAN/ CARAVAN)

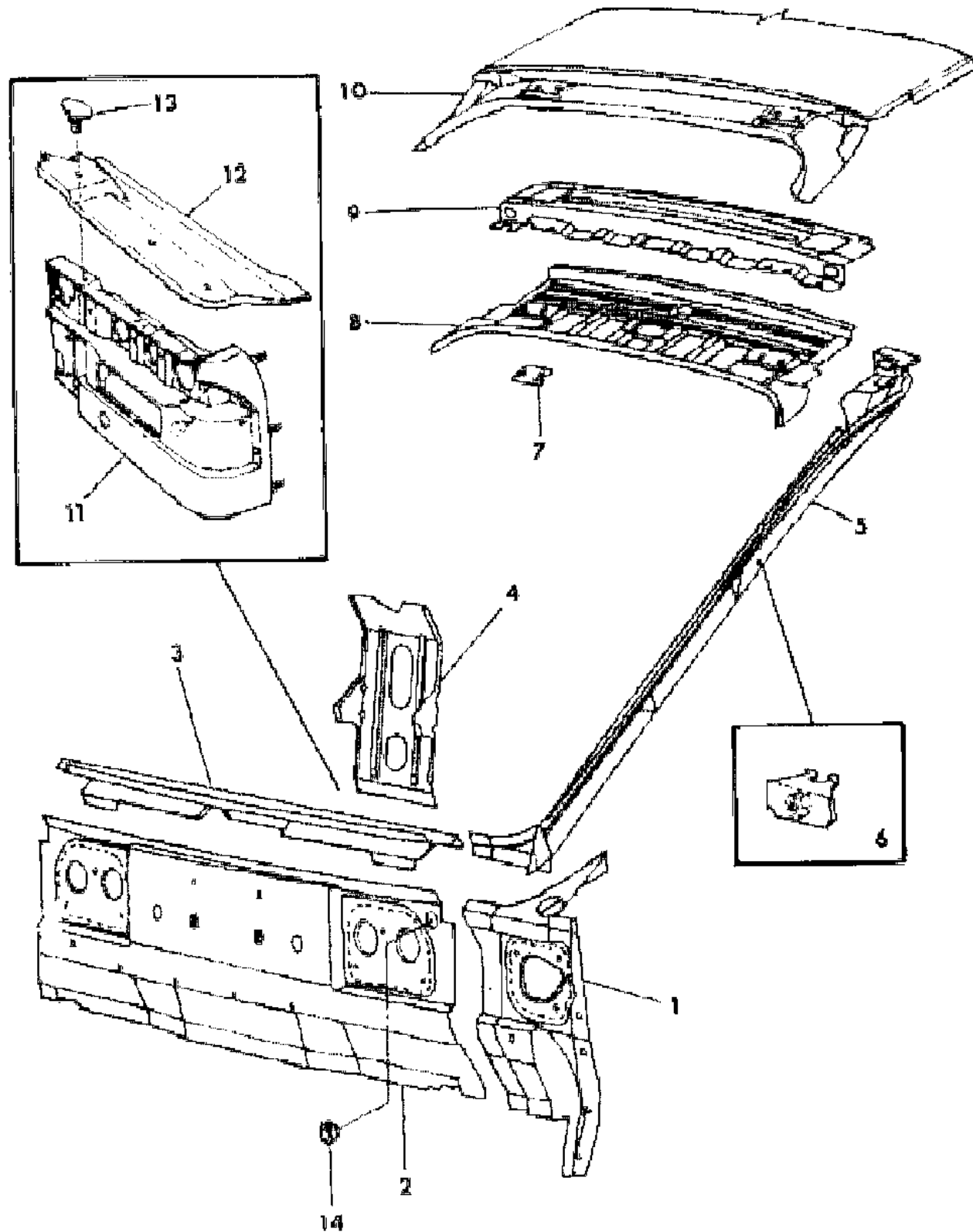
BODY STYLES

12-52 = FWD VAN & WAGON STD. W.B. 27 = 2-DOOR CONVERTIBLE
 13-53 = FWD VAN & WGN EXT W.B. 41 = 4-DOOR SEDAN
 21 = 2-DOOR SEDAN 44 = 4-DOOR HATCHBACK
 24 = 2-DOOR HATCHBACK 45 = 4-DOOR STATION WAGON

AR = Use as Required - = Non Illustrated Part P.A.R. = Paint as Required

LIFTGATE OPENING PANEL G BODY 24
Figure 23A-1260

8169 12600



ITEM	PART NUMBER	QTY	BODY	MODEL	DESCRIPTION
1	4341 974-5	1			EXTENSION, Liftgate Opening Lower Panel
2	4341 963	1			PANEL, Liftgate Opening Lower
3	4341 392	1			REINFORCEMENT, Liftgate Opening Lower Panel
4	4365 712	1			SUPPORT, Liftgate Opening Lower Panel Latch Striker
5	4490 042-3	1			TROUGH, Liftgate Opening Side Drain
6	4336 398	2			REINFORCEMENT, Liftgate Opening Trough Prop
7	4206 976	2			REINFORCEMENT, Liftgate Opening Upper Frame Hinge Mounting
8	4386 786	1			FRAME, Liftgate Opening Upper
9	4206 917	1			REINFORCEMENT, Liftgate Opening Upper Frame
10	4206 821	1			PANEL, Roof Outer w/o Sunroof
	4341 728	1			PANEL and TROUGH, Roof Outer w/Sunroof
11	4440 647	1			PANEL, Liftgate Opening Lower Closure
12	4440 843	1			PLATE, Tail Lamp Scuff Plate
13	6501 630	6			PLUG
14	6023 925	4			NUT

MODEL CODES

C BODY = (D41 - DYNASTY)(C41 - NEW YORKER)
 E BODY = (J - CARAVELLE)(E - 600)(T - NEW YORKER TURBO)
 G BODY = (V24 - DAYTONA, PACIFICA & SHELBY)
 H BODY = (D44 - LANCER)(C44 - LEBARON GTS)
 J BODY = (C - LEBARON)
 K BODY = (P - RELIANT)(D - ARIES)(C - LEBARON/ TOWN & COUNTRY)
 L BODY = (M - HORIZON)(Z-OMNI)
 M BODY = (B - GRAN FURY)(G - DIPLOMAT)(F - FIFTH AVENUE/NEWPORT)
 P BODY = (P - SUNDANCE)(D - SHADOW)
 Q BODY = (C27 - MASERATI)
 S BODY = (H - VOYAGER)(K - RAM VAN/ CARAVAN)

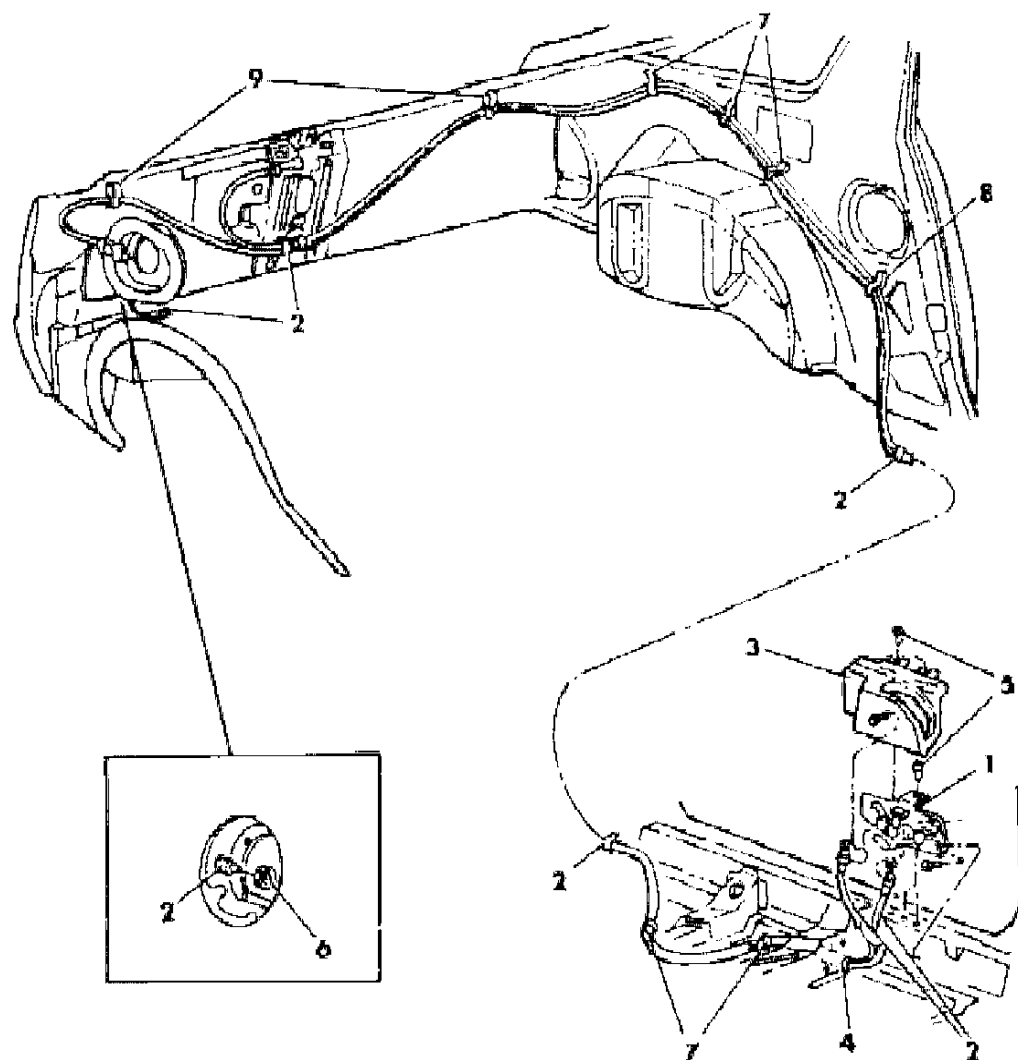
BODY STYLES

12-52 = FWD VAN & WAGON STD. W.B. 27 = 2-DOOR CONVERTIBLE
 13-53 = FWD VAN & WGN EXT W.B. 41 = 4-DOOR SEDAN
 21 = 2-DOOR SEDAN 44 = 4-DOOR HATCHBACK
 24 = 2-DOOR HATCHBACK 45 = 4-DOOR STATION WAGON

AR = Use as Required - = Non Illustrated Part P.A.R. = Paint as Required

FUEL FILLER AND LIFTGATE REMOTE RELEASE G BODY 24
Figure 23A-1270

8169 12700



ITEM	PART NUMBER	QTY	BODY	MODEL	DESCRIPTION
1	4371 488	1			HANDLE, Body Side Aperture Fuel Filler & Liftgate Remote Release
2	4337 385	1			CABLE, Body Side Aperture Fuel Filler & Liftgate Remote Release (Includes Auxilliary Cable)
3					COVER, Remote Release Handle
	S990 GR8	1			Red
	S990 FC5	1			Blue
	S990 GL7	1			Taupe
	S990 DS8	1			Charcoal
	S990 DX9	1			Black
4	4371 202	1			CONDUIT, Body Side Aperture Fuel Filler & Liftgate Remote Release Cable
5	6032 456	4			SCREW, Remote Release Cover and Handle To Sill
6		AR			NUT, Fuel Door Remote Release 6500993 Not Serviced
7		AR			CLIP, 6015237 Not Serviced
8		AR			CLIP, Wiring Not Serviced
9		AR			CLIP, Wiring Not Serviced

MODEL CODES

C BODY = (D41 - DYNASTY)(C41 - NEW YORKER)
 E BODY = (J - CARAVELLE)(E - 600)(T - NEW YORKER TURBO)
 G BODY = (V24 - DAYTONA, PACIFICA & SHELBY)
 H BODY = (D44 - LANCER)(C44 - LEBARON GTS)
 J BODY = (C - LEBARON)
 K BODY = (P - RELIANT)(D - ARIES)(C - LEBARON/ TOWN & COUNTRY)
 L BODY = (M - HORIZON)(Z-OMNI)
 M BODY = (B - GRAN FURY)(G - DIPLOMAT)(F - FIFTH AVENUE/NEWPORT)
 P BODY = (P - SUNDANCE)(D - SHADOW)
 Q BODY = (C27 - MASERATI)
 S BODY = (H - VOYAGER)(K - RAM VAN/ CARAVAN)

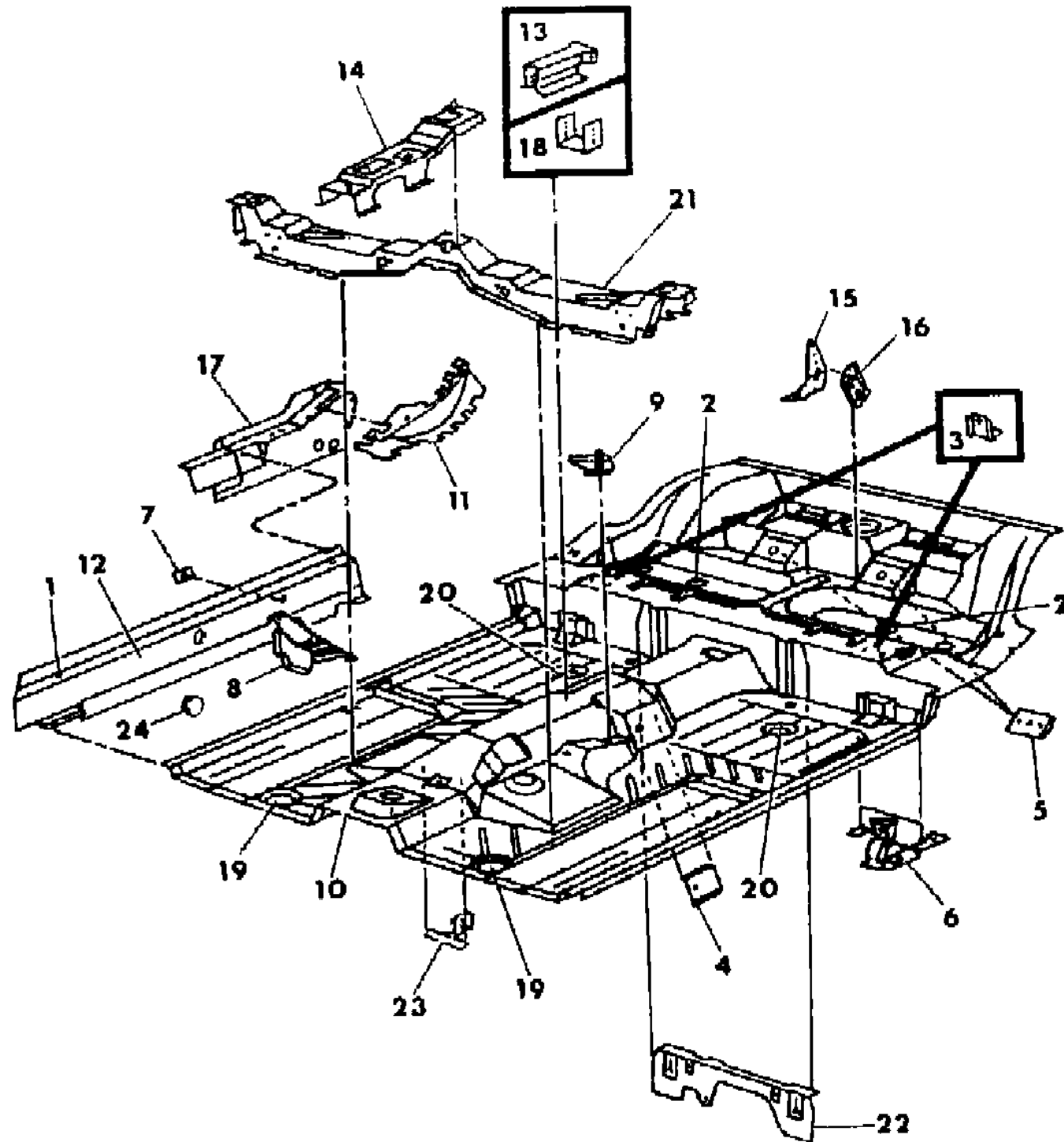
BODY STYLES

12-52 = FWD VAN & WAGON STD. W.B. 27 = 2-DOOR CONVERTIBLE
 13-53 = FWD VAN & WGN EXT W.B. 41 = 4-DOOR SEDAN
 21 = 2-DOOR SEDAN 44 = 4-DOOR HATCHBACK
 24 = 2-DOOR HATCHBACK 45 = 4-DOOR STATION WAGON

AR = Use as Required - = Non Illustrated Part P.A.R. = Paint as Required

FLOOR PAN FRONT H BODY 44
Figure 23A-1280

8169 12800



ITEM	PART NUMBER	QTY	BODY	MODEL	DESCRIPTION
1	2574 792	2			PLUG, .75" Dia./19.5 mm
2	4073 475	2			PLUG, 1.50" Dia./38.1 mm
3	4206 904	2			RETAINER, Front Floor Pan Rear Seat Cushion
4	4314 259	2			REINFORCEMENT, Front Floor Pan Front Seat Belt Inner Mounting
5	4314 260	2			REINFORCEMENT, Front Floor Pan Rear Seat Belt Inner Mounting
6	4475 220-1 4475 108	1 AR			BRACKET, Front Floor Pan Lift Hoisting BRACKET, Floor Pan Side Sill Jacking
7	4314 326	2			REINFORCEMENT, Front Seat Belt Outer Mounting
8	4475 468-9	1			REINFORCEMENT, Front Floor Pan Front Seat Rear Outer Mounting
9	4371 816-7	1			REINFORCEMENT, Front Floor Pan Front Seat Rear Inner
10	4416 397	1			PAN, Front Floor
11	4314 866-7	1			REINFORCEMENT, Front Floor Pan Rear Seat Belt Outer Mounting
12	4475 452-3	1			PANEL, Body Side Sill Inner
13	4416 417	1			BRACKET, Rear Console To Floor Pan Mounting
14	4416 415	1			BRACKET, Front Console To Front Floor Pan
15	4337 106	1			BRACKET, Front Floor Pan Rear Seat Back Center Pivot Mounting Rt.
16	4337 161	1			BRACKET, Front Floor Pan Rear Seat Back Center Pivot Mounting Lt.
17	4371 522-3	1			EXTENSION, Sill Inner Rear
18	4337 948	1			BRACKET, Front Floor Pan Center Seat Mounting
19	5200 456	2			PLUG, 2.75" Dia./69.9 mm
20	2424 864	2			PLUG, 1.75" Dia./44.5 mm
21	4325 836	1			CROSSMEMBER, Front Floor Pan Seat Track Mounting
22		1			PLATE, Front Floor Fuel Tank Strap Front Hanger 4314257 Not Serviced
23		1			BRACKET, Front Floor Pan Parking Brake Cable 4314263 Not Serviced
24	3794 032	2			SEAL, Side Sill Inner Panel Drian Hole

MODEL CODES

C BODY = (D41 - DYNASTY)(C41 - NEW YORKER)
 E BODY = (J - CARAVELLE)(E - 600)(T - NEW YORKER TURBO)
 G BODY = (V24 - DAYTONA, PACIFICA & SHELBY)
 H BODY = (D44 - LANCER)(C44 - LEBARON GTS)
 J BODY = (C - LEBARON)
 K BODY = (P - RELIANT)(D - ARIES)(C - LEBARON/ TOWN & COUNTRY)

L BODY = (M - HORIZON)(Z-OMNI)
 M BODY = (B - GRAN FURY)(G - DIPLOMAT)(F - FIFTH AVENUE/NEWPORT)
 P BODY = (P - SUNDANCE)(D - SHADOW)
 Q BODY = (C27 - MASERATI)
 S BODY = (H - VOYAGER)(K - RAM VAN/ CARAVAN)

BODY STYLES

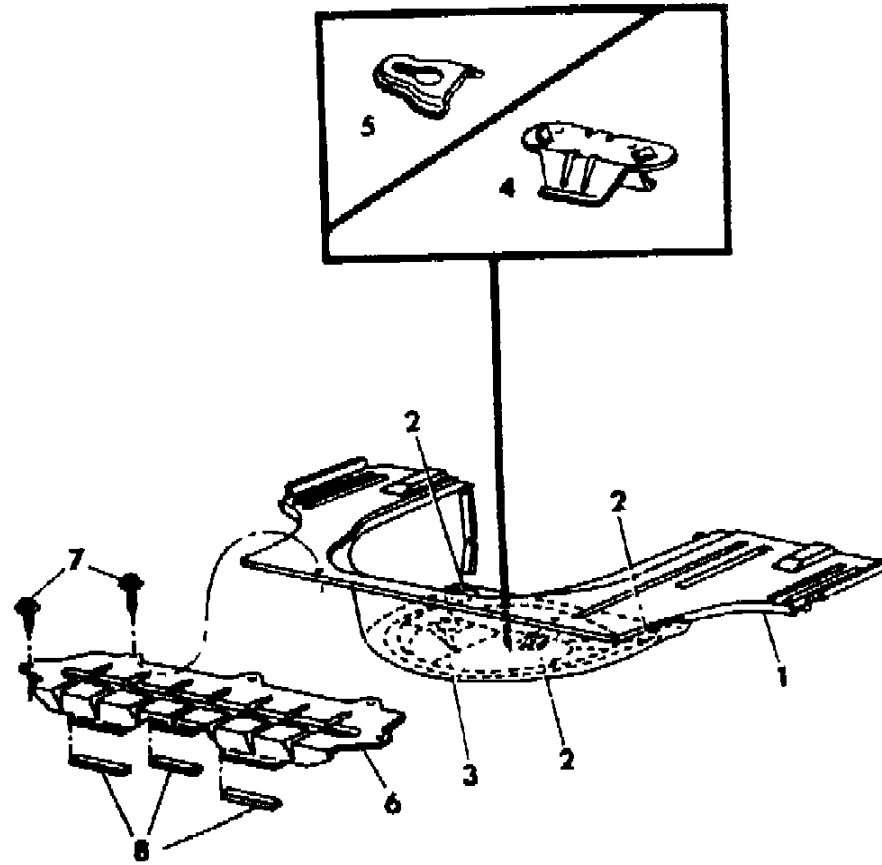
12-52 = FWD VAN & WAGON STD. W.B. 27 = 2-DOOR CONVERTIBLE
 13-53 = FWD VAN & WGN EXT W.B. 41 = 4-DOOR SEDAN
 21 = 2-DOOR SEDAN 44 = 4-DOOR HATCHBACK
 24 = 2-DOOR HATCHBACK 45 = 4-DOOR STATION WAGON

AR = Use as Required - = Non Illustrated Part P.A.R. = Paint as Required

FLOOR PAN REAR H BODY 44
Figure 23A-1290

8169 12900

ITEM	PART NUMBER	QTY	BODY	MODEL	DESCRIPTION
1	4371 280	1			PAN, Rear Floor
2	2424 864	3			PLUG, 1.75" Dia./44.5 mm
3	6030 773	1			PLUG, 2.25" Dia./57 mm
4	4337 550	1			SUPPORT, Rear Floor Pan Spare Tire Mounting
5	4206 922	1			BRACKET, Rear Floor Pan Spare Tire Anchor Bolt
6	4337 166	1			PANEL, Rear Seat To Floor Pan Filler
7		5			SCREW, #8-18 x .500" Not Serviced
8		3			TAPE, Floor Pan Filler Anti-Squeak Not Serviced



MODEL CODES

C BODY = (D41 - DYNASTY)(C41 - NEW YORKER)
 E BODY = (J - CARAVELLE)(E - 600)(T - NEW YORKER TURBO)
 G BODY = (V24 - DAYTONA, PACIFICA & SHELBY)
 H BODY = (D44 - LANCER)(C44 - LEBARON GTS)
 J BODY = (C - LEBARON)
 K BODY = (P - RELIANT)(D - ARIES)(C - LEBARON/ TOWN & COUNTRY)

L BODY = (M - HORIZON)(Z-OMNI)
 M BODY = (B - GRAN FURY)(G - DIPLOMAT)(F - FIFTH AVENUE/NEWPORT)
 P BODY = (P - SUNDANCE)(D - SHADOW)
 Q BODY = (C27 - MASERATI)
 S BODY = (H - VOYAGER)(K - RAM VAN/ CARAVAN)

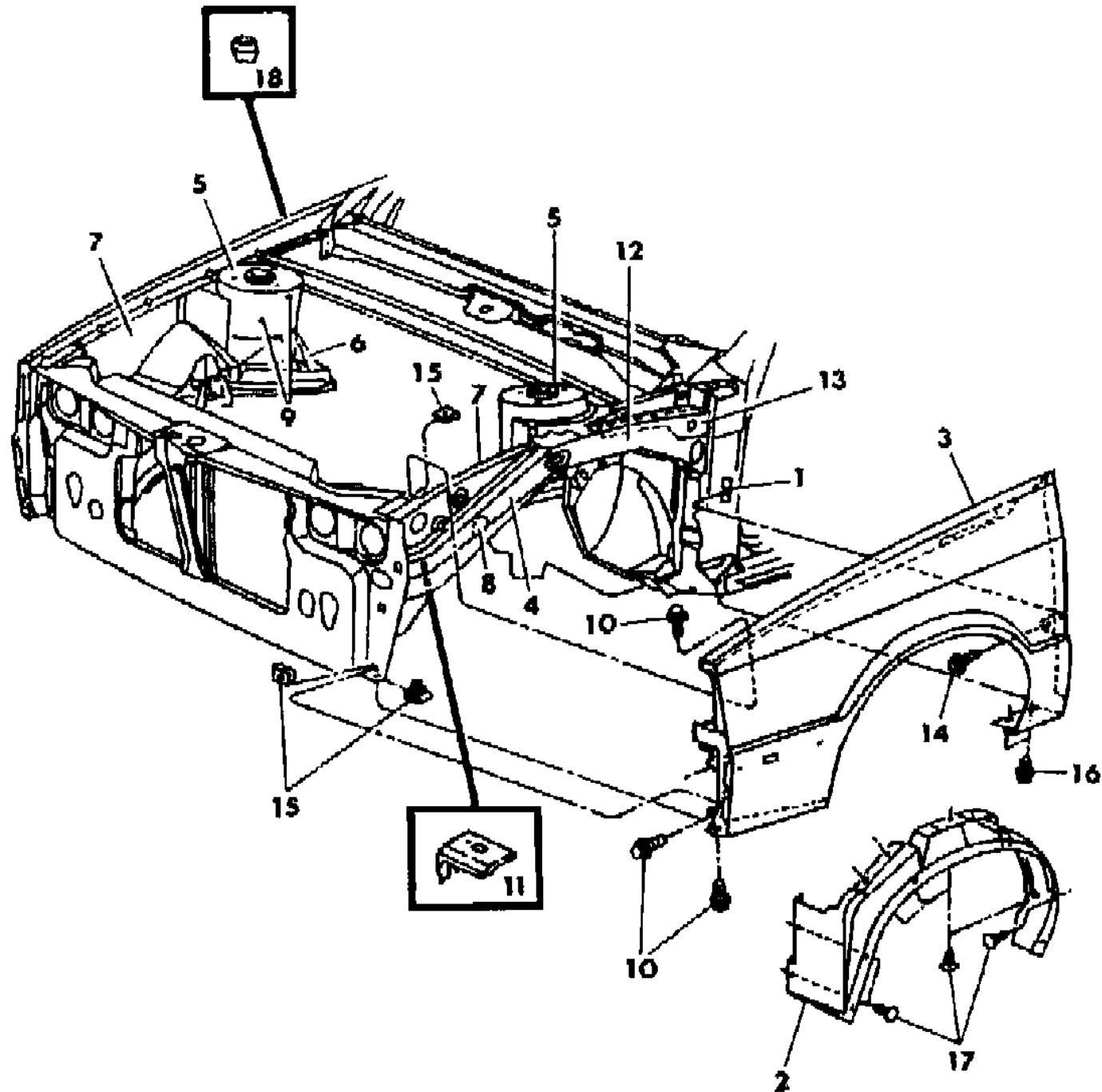
BODY STYLES

12-52 = FWD VAN & WAGON STD. W.B. 27 = 2-DOOR CONVERTIBLE
 13-53 = FWD VAN & WGN EXT W.B. 41 = 4-DOOR SEDAN
 21 = 2-DOOR SEDAN 44 = 4-DOOR HATCHBACK
 24 = 2-DOOR HATCHBACK 45 = 4-DOOR STATION WAGON

AR = Use as Required - = Non Illustrated Part P.A.R. = Paint as Required

FENDER AND SHIELD H BODY 44
Figure 23A-1300

8169 13000



ITEM	PART NUMBER	QTY	BODY	MODEL	DESCRIPTION
1	4206 553	2			SUPPORT, Front Hinge Pillar To Fender
2	4296 176-7	1			SHIELD, Fender Wheelhouse Splash
3	4342 478-9	1			FENDER
4	4440 582-3	1			BEAM, Front Fender Shield To Front Hinge Pillar Load
5	4440 850-1	1			TOWER, Front Suspension Iso-Strut Mounting
6	4440 934-5	1			EXTENSION, Iso-Strut Tower To Dash Panel
7		1			PANEL, Front Fender Shield
	4440 572	1			Right
	4440 563	1			Left
8	4341 376	1			PLUG, Front Fender Side Shield Lt.
9	4386 178	2			PLUG, Front Suspension Iso-Strut Tower Sealer
10	6100 568	AR			SCREW and WASHER
11		1			REINFORCEMENT, Fender Shield Panel Battery Tray (Serviced In Item #7)
12	4386 170-1	1			EXTENSION, Front Fender Shield Load Beam Rear
13		1			REINFORCEMENT, Front Fender Shield Load Beam Rear Extension Not Serviced
14		2			SCREW and WASHER, Not Serviced
15	6100 041	AR			U-NUT
16		4			SCREW and WASHER, Not Serviced
17	6030 441	AR			RETAINER
18	4222 739	1			PLUG, Fender Antenna Hole

MODEL CODES

C BODY = (D41 - DYNASTY)(C41 - NEW YORKER)
 E BODY = (J - CARAVELLE)(E - 600)(T - NEW YORKER TURBO)
 G BODY = (V24 - DAYTONA, PACIFICA & SHELBY)
 H BODY = (D44 - LANCER)(C44 - LEBARON GTS)
 J BODY = (C - LEBARON)
 K BODY = (P - RELIANT)(D - ARIES)(C - LEBARON/ TOWN & COUNTRY)
 L BODY = (M - HORIZON)(Z-OMNI)
 M BODY = (B - GRAN FURY)(G - DIPLOMAT)(F - FIFTH AVENUE/NEWPORT)
 P BODY = (P - SUNDANCE)(D - SHADOW)
 Q BODY = (C27 - MASERATI)
 S BODY = (H - VOYAGER)(K - RAM VAN/ CARAVAN)

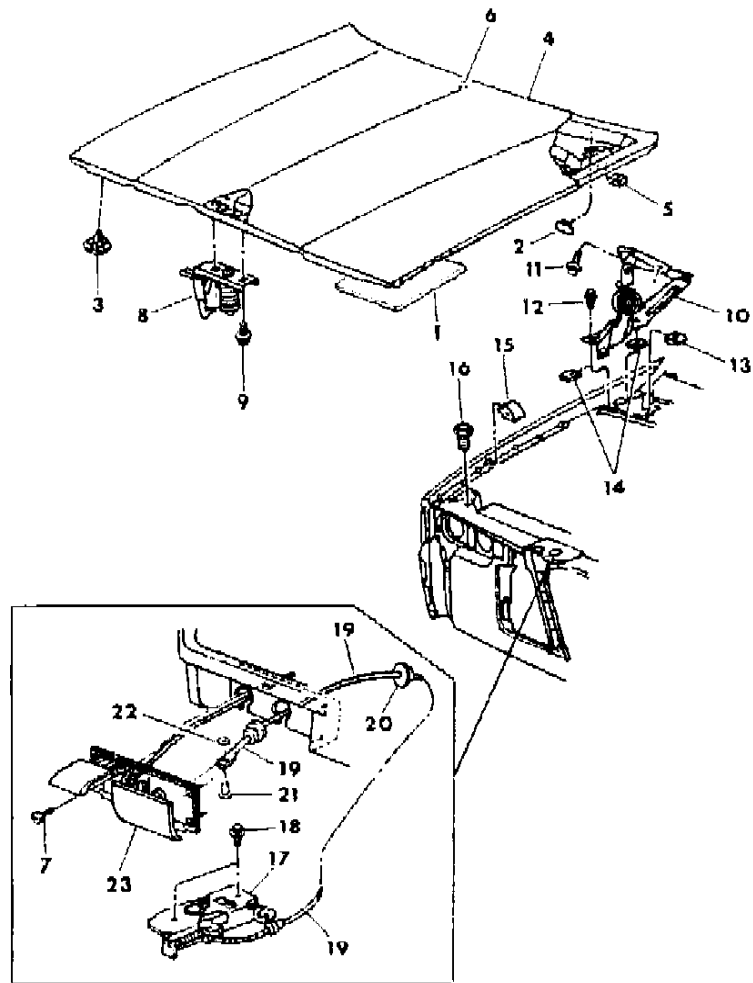
BODY STYLES

12-52 = FWD VAN & WAGON STD. W.B. 27 = 2-DOOR CONVERTIBLE
 13-53 = FWD VAN & WGN EXT W.B. 41 = 4-DOOR SEDAN
 21 = 2-DOOR SEDAN 44 = 4-DOOR HATCHBACK
 24 = 2-DOOR HATCHBACK 45 = 4-DOOR STATION WAGON

AR = Use as Required - = Non Illustrated Part P.A.R. = Paint as Required

HOOD AND HOOD RELEASE H BODY 44
Figure 23A-1310

8169 13100 A



ITEM	PART NUMBER	QTY	BODY	MODEL	DESCRIPTION
1	4049 601	1			SILENCER MATERIAL, Hood Panel Cut To Fit 36" x 72"
2	2895 126	2			PLUG, Hood Inner Panel Sealing
3	4341 060	16			FASTENER, Hood Panel Silencer
4	4386 089	1			HOOD
5	4341 675	2			SEAL, Hood to Fender Ledge
6	4206 515	1			PLUG, Hood Inner Panel Drain Hole
7		4			SCREW, 8-15 x .625 Not Serviced
8	4341 891	1			STRIKER and SAFETY CATCH, Hood
9	6501 501	2			SCREW and WASHER
10	4296 170-1	1			HINGE, Hood
11		4			SCREW and WASHER, Not Serviced
12		4			SCREW and WASHER, Not Serviced
13	6100 041	4			U-NUT
14	4341 468	AR			SHIM, Hood Hinge To Body
15	4103 968	2			BUMPER, Fender Hood Side
16	4103 165	2			BUMPER, Crossmember to Hood
17	4296 593	1			LATCH ASSEMBLY, w/Plate and Locator Safety Catch
		1			REINFORCEMENT, Crossmember Rad. Closure Panel Latch (See Group 7)
18	6501 501	2			SCREW and WASHER
19	4296 712	1			CABLE, Hood Latch Release Handle
20	5207 294	1			GROMMET, Hood Latch Release Cable
21	4054 965	1			PIN, Hood Latch Release Cable Handle Retaining
22	6031 147	1			NUT, Push
23					HANDLE, Park Brake and Hood Latch Release
	P400 FC5	1			Blue
	P400 GL7	1			Taupe
	P400 DS8	1			Charcoal
	P400 GR8	1			Red

MODEL CODES

C BODY = (D41 - DYNASTY)(C41 - NEW YORKER)
 E BODY = (J - CARAVELLE)(E - 600)(T - NEW YORKER TURBO)
 G BODY = (V24 - DAYTONA, PACIFICA & SHELBY)
 H BODY = (D44 - LANCER)(C44 - LEBARON GTS)
 J BODY = (C - LEBARON)
 K BODY = (P - RELIANT)(D - ARIES)(C - LEBARON/ TOWN & COUNTRY)

L BODY = (M - HORIZON)(Z-OMNI)
 M BODY = (B - GRAN FURY)(G - DIPLOMAT)(F - FIFTH AVENUE/NEWPORT)
 P BODY = (P - SUNDANCE)(D - SHADOW)
 Q BODY = (C27 - MASERATI)
 S BODY = (H - VOYAGER)(K - RAM VAN/ CARAVAN)

BODY STYLES

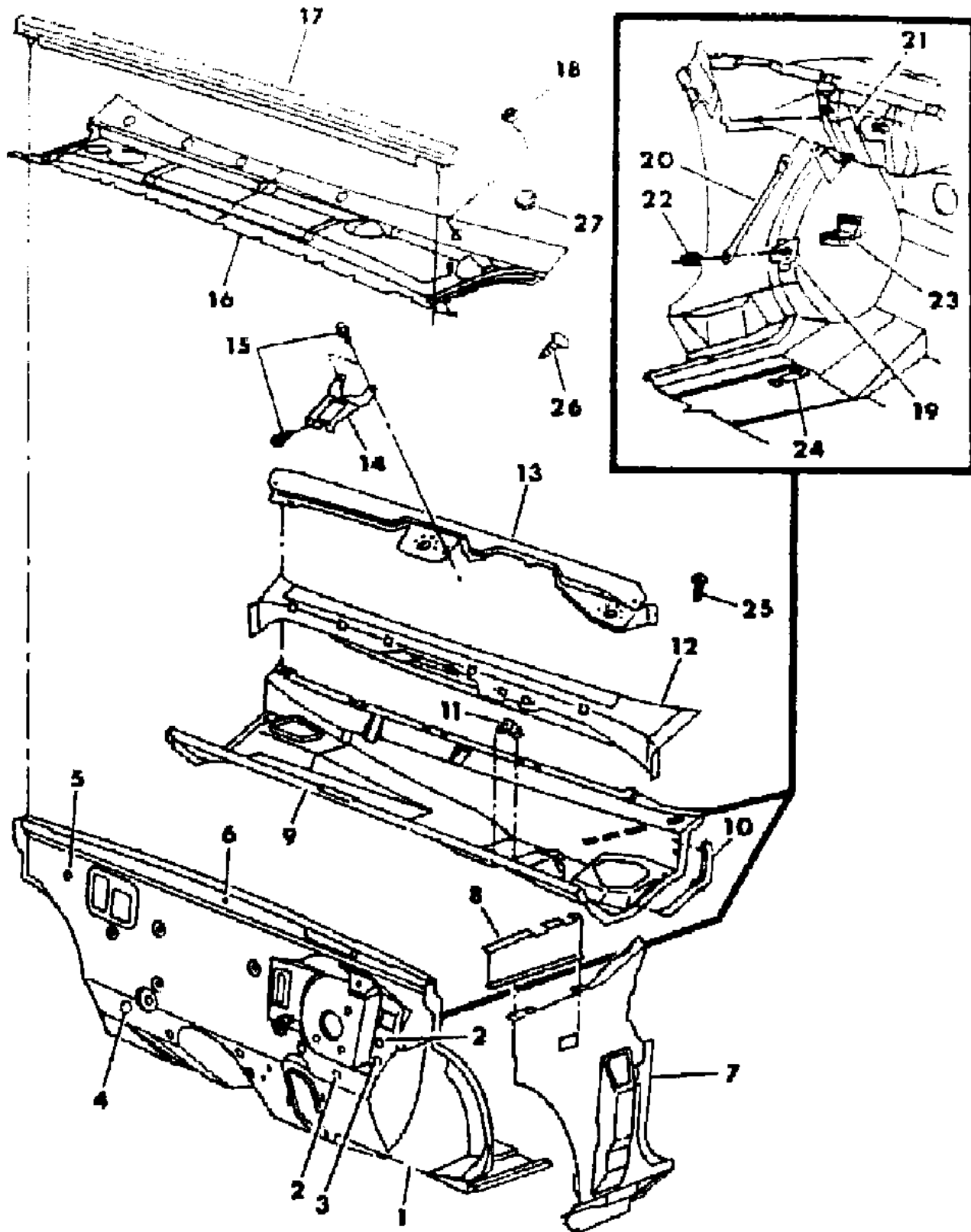
12-52 = FWD VAN & WAGON STD. W.B. 27 = 2-DOOR CONVERTIBLE
 13-53 = FWD VAN & WGN EXT W.B. 41 = 4-DOOR SEDAN
 21 = 2-DOOR SEDAN 44 = 4-DOOR HATCHBACK
 24 = 2-DOOR HATCHBACK 45 = 4-DOOR STATION WAGON

AR = Use as Required - = Non Illustrated Part P.A.R. = Paint as Required

COWL AND DASH PANEL H BODY 44

Figure 23A-1320

8169 13200



ITEM	PART NUMBER	QTY	BODY	MODEL	DESCRIPTION
1	4416 411	1			PANEL, Dash
2	3445 939	2			PLUG, .906" Dia./23 mm
3	2860 332	1			PLUG, .500" Dia./13 mm
4	5200 456	1			PLUG, 2.75" Dia./70 mm
5	2483 571	1			PLUG, 2.50" Dia./63 mm
6	4206 515	1			PLUG, .430" Dia./11 mm
7	4416 458-9	1			PANEL, Cowl Side
8	4314 546-7	1			REINFORCEMENT, Cowl Side Panel Hood Hinge
9	4416 311	1			PANEL, Cowl Plenum
10					SEAL, w/Retainer Cowl Plenum To Cowl Side Left
11	4371 365	1			BRACKET, Cowl Plenum Panel Lower Wiper Motor Mounting
12	4337 249	1			REINFORCEMENT, Cowl Plenum Panel
13	4371 332	1			REINFORCEMENT, Cowl Plenum Panel
14	4416 645	1			SUPPORT, Cowl Top Screen
15	4371 136	1			SUPPORT, Cowl Top Support To Dash Panel Wiper Pivot
16		3			SCREW and WASHER, Not Serviced
17	4416 308	1			SCREEN, Cowl Top
18	4416 779	1			SEAL, Dash Panel To Hood
19		5			SCREW, #8-18 x .500" Not Serviced
20	4206 641	1			BRACKET, Dash To Plenum Panel Brace Mounting Lt.
21	4314 879	1			BRACE, Dash To Plenum Panel Lt.
22	4278 979	1			SUPPORT, Cowl Plenum Steering Column Bracket
23	6500 532	2			NUT and WASHER
24	4410 559	1			BRACKET, Floor Panel Footrest Mounting Upper
25	5200 384	1			SEAL, Park Brake Cable
26	3759 944	AR			RETAINER, Cowl Plenum To Cowl Side Seal
27	6501 387	2			RETAINER, Cowl Top Screen
	6501 152	10			PLUG

MODEL CODES

C BODY = (D41 - DYNASTY)(C41 - NEW YORKER)
 E BODY = (J - CARAVELLE)(E - 600)(T - NEW YORKER TURBO)
 G BODY = (V24 - DAYTONA, PACIFICA & SHELBY)
 H BODY = (D44 - LANCER)(C44 - LEBARON GTS)
 J BODY = (C - LEBARON)
 K BODY = (P - RELIANT)(D - ARIES)(C - LEBARON/ TOWN & COUNTRY)

L BODY = (M - HORIZON)(Z-OMNI)
 M BODY = (B - GRAN FURY)(G - DIPLOMAT)(F - FIFTH AVENUE/NEWPORT)
 P BODY = (P - SUNDANCE)(D - SHADOW)
 Q BODY = (C27 - MASERATI)
 S BODY = (H - VOYAGER)(K - RAM VAN/ CARAVAN)

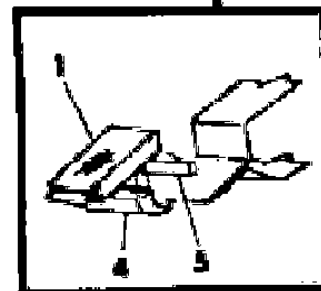
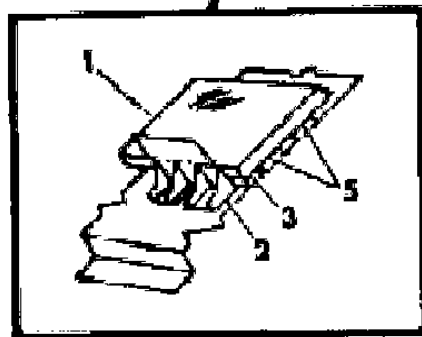
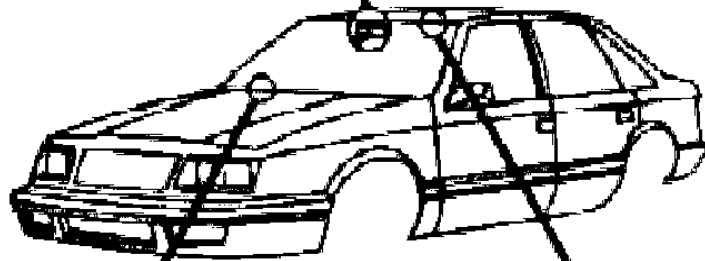
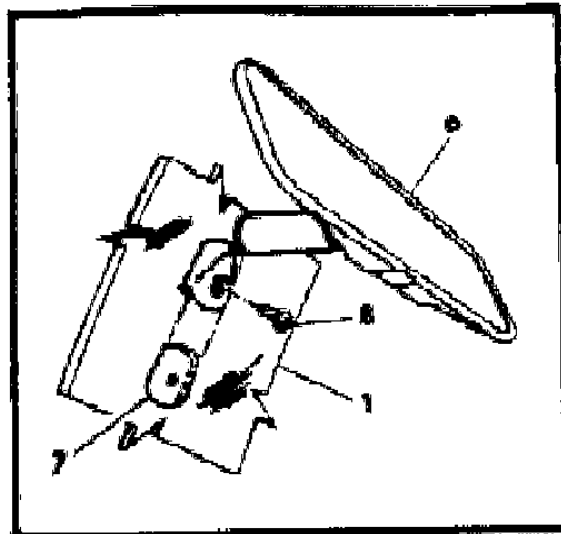
BODY STYLES

12-52 = FWD VAN & WAGON STD. W.B. 27 = 2-DOOR CONVERTIBLE
 13-53 = FWD VAN & WGN EXT W.B. 41 = 4-DOOR SEDAN
 21 = 2-DOOR SEDAN 44 = 4-DOOR HATCHBACK
 24 = 2-DOOR HATCHBACK 45 = 4-DOOR STATION WAGON

AR = Use as Required - = Non Illustrated Part P.A.R. = Paint as Required

GLASS WINDSHIELD AND MIRROR H BODY 44
Figure 23A-1330

8169 13300



ITEM	PART NUMBER	QTY	BODY	MODEL	DESCRIPTION
NOTE: GLASS, WINDSHIELD - ORDER FROM YOUR LOCAL "MOPAR" GLASS DISTRIBUTOR s group.					
1	4278 986	1			GLASS, Windshield Tinted
2	4206 543	2			SPACER, Windshield Glass Lower
*	3767 767	AR			SHIM, Windshield Glass Spacer Lower (.07")
3		6			SPACER, Windshield Glass Support Not Serviced
4	4206 848	AR			DAM, Windshield Glass Adhesive (119")
5		1			POLYURETHANE, Windshield (Serviced In Package #4267906)
6	4299 321	1			MIRROR, Rear View
7	4054 098	1			BUTTON, Inside Rear View Mirror Mounting
	4293 039	1			ADHESIVE PACKAGE, Inside Rear View Mirror Button (Includes Adhesive & Instructions)
8	6031 094	1			SCREW

NOTE: The Following Items Are Not Shown On Illustration. s group.

PKG A	4267 906	1			REPAIR PACKAGE, Windshield & Rear Window Consists of: 1- ----- Polyurethane, 11.5 oz. 1- ----- Fence Primer, 1 oz. 1- ----- Glass Wipe-Off Primer, 1 oz. 1- ----- Glass Black-Out Primer, 1 oz. 3- ----- Dabbers 1- ----- Nozzle
-------	----------	---	--	--	---

MODEL CODES
 C BODY = (D41 - DYNASTY)(C41 - NEW YORKER)
 E BODY = (J - CARAVELLE)(E - 600)(T - NEW YORKER TURBO)
 G BODY = (V24 - DAYTONA, PACIFICA & SHELBY)
 H BODY = (D44 - LANCER)(C44 - LEBARON GTS)
 J BODY = (C - LEBARON)
 K BODY = (P - RELIANT)(D - ARIES)(C - LEBARON/ TOWN & COUNTRY)
 L BODY = (M - HORIZON)(Z-OMNI)
 M BODY = (B - GRAN FURY)(G - DIPLOMAT)(F - FIFTH AVENUE/NEWPORT)
 P BODY = (P - SUNDANCE)(D - SHADOW)
 Q BODY = (C27 - MASERATI)
 S BODY = (H - VOYAGER)(K - RAM VAN/ CARAVAN)

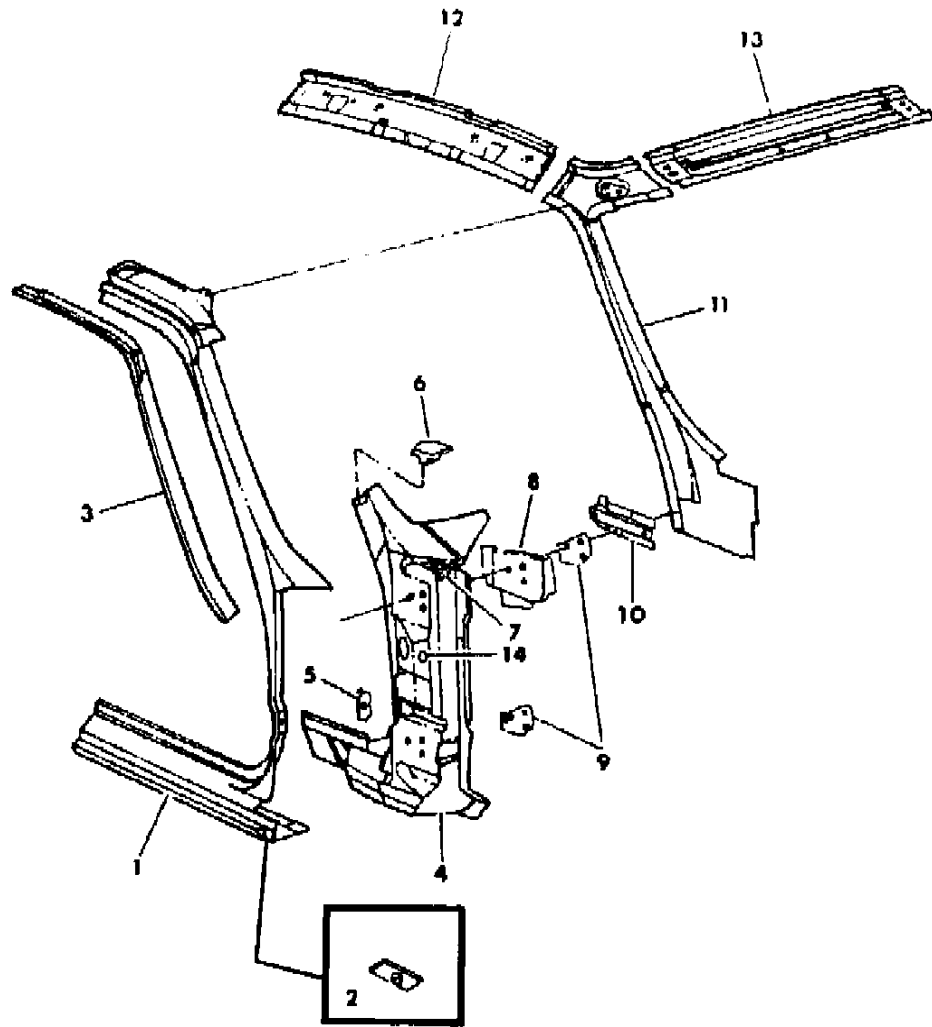
BODY STYLES
 12-52 = FWD VAN & WAGON STD. W.B. 27 = 2-DOOR CONVERTIBLE
 13-53 = FWD VAN & WGN EXT W.B. 41 = 4-DOOR SEDAN
 21 = 2-DOOR SEDAN 44 = 4-DOOR HATCHBACK
 24 = 2-DOOR HATCHBACK 45 = 4-DOOR STATION WAGON

AR = Use as Required - = Non Illustrated Part P.A.R. = Paint as Required

BODY FRONT PILLAR H BODY 44
Figure 23A-1340

8169 13400

ITEM	PART NUMBER	QTY	BODY	MODEL	DESCRIPTION
1	4278 982-3	1			PANEL, Body Side Aperture Front
2	4314 277	2			PLATE, Body Side Aperture Jack Locator
3	4278 906-7	1			TROUGH, Roof Side Drain
4	4278 904-5	1			PILLAR, Body Front Hinge
5	4206 553	2			SUPPORT, Front Hinge Pillar To Fender
6	4337 018-9	1			SEAL, Body Front Hinge Pillar To Windshield Opening Side Frame
7	4337 856	2			SEAL, Body Front Hinge Pillar To Iso-Strut Tower Extension
8	4416 694	1			REINFORCEMENT, Body Front Hinge Pillar Upper Rt.
	4416 697	1			REINFORCEMENT, Body Front Hinge Pillar Upper Lt.
9	4314 558-9	2			PLATE, Body Front Hinge Pillar Hinge
10	4337 026-7	1			REINFORCEMENT, Windshield Opening Side Frame
11	4278 888-9	1			FRAME, Windshield Side Inner
12	4341 640-1	1			RAIL, Roof Side Inner
13	4314 203	1			FRAME, Windshield Opening Upper Outer
14	2860 332	1			PLUG, Body Front Hinge Pillar Antenna Hole
	5200 456	2			PLUG, Body Front Hinge Pillar Wiring Hole



MODEL CODES

C BODY = (D41 - DYNASTY)(C41 - NEW YORKER)	L BODY = (M - HORIZON)(Z-OMNI)
E BODY = (J - CARAVELLE)(E - 600)(T - NEW YORKER TURBO)	M BODY = (B - GRAN FURY)(G - DIPLOMAT)(F - FIFTH AVENUE/NEWPORT)
G BODY = (V24 - DAYTONA, PACIFICA & SHELBY)	P BODY = (P - SUNDANCE)(D - SHADOW)
H BODY = (D44 - LANCER)(C44 - LEBARON GTS)	Q BODY = (C27 - MASERATI)
J BODY = (C - LEBARON)	S BODY = (H - VOYAGER)(K - RAM VAN/ CARAVAN)
K BODY = (P - RELIANT)(D - ARIES)(C - LEBARON/ TOWN & COUNTRY)	

BODY STYLES

12-52 = FWD VAN & WAGON STD. W.B.	27 = 2-DOOR CONVERTIBLE
13-53 = FWD VAN & WGN EXT W.B.	41 = 4-DOOR SEDAN
21 = 2-DOOR SEDAN	44 = 4-DOOR HATCHBACK
24 = 2-DOOR HATCHBACK	45 = 4-DOOR STATION WAGON

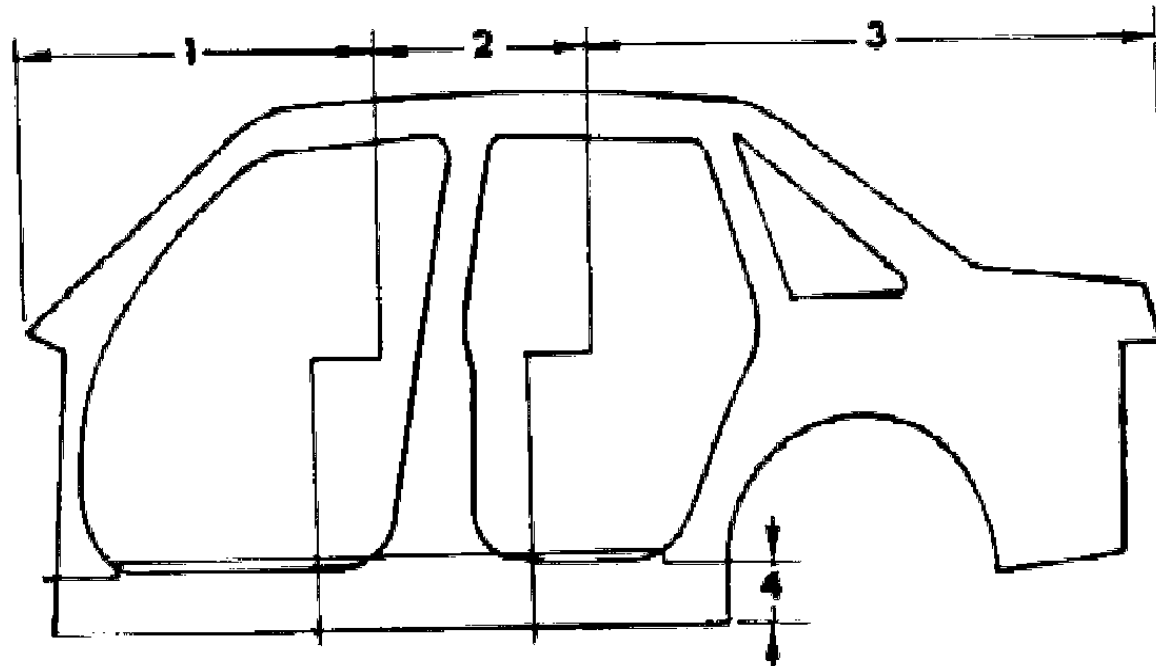
AR = Use as Required - = Non Illustrated Part P.A.R. = Paint as Required

APERTURE PANEL H BODY 44

Figure 23A-1350

8169 13500

ITEM	PART NUMBER	QTY	BODY	MODEL	DESCRIPTION
1	4278 982-3	1			PANEL, Body Side Aperture Front
2	4278 984-5	1			PANEL, Body Side Aperture Center
3	4278 980-1	1			PANEL, Body Side Aperture Rear
4	4416 200-1	1			PANEL, Body Side Aperture Sill Outer



MODEL CODES

C BODY = (D41 - DYNASTY)(C41 - NEW YORKER)	L BODY = (M - HORIZON)(Z-OMNI)
E BODY = (J - CARAVELLE)(E - 600)(T - NEW YORKER TURBO)	M BODY = (B - GRAN FURY)(G - DIPLOMAT)(F - FIFTH AVENUE/NEWPORT)
G BODY = (V24 - DAYTONA, PACIFICA & SHELBY)	P BODY = (P - SUNDANCE)(D - SHADOW)
H BODY = (D44 - LANCER)(C44 - LEBARON GTS)	Q BODY = (C27 - MASERATI)
J BODY = (C - LEBARON)	S BODY = (H - VOYAGER)(K - RAM VAN/ CARAVAN)
K BODY = (P - RELIANT)(D - ARIES)(C - LEBARON/ TOWN & COUNTRY)	

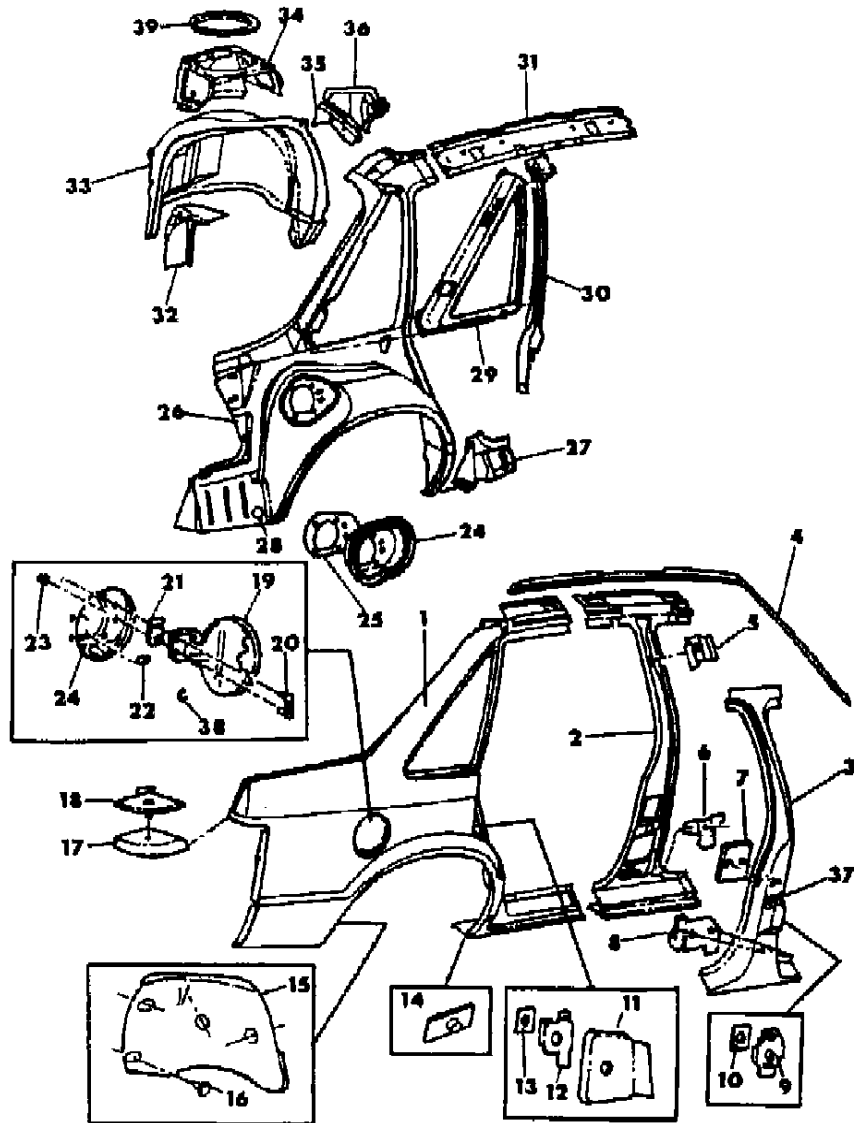
BODY STYLES

12-52 = FWD VAN & WAGON STD. W.B.	27 = 2-DOOR CONVERTIBLE
13-53 = FWD VAN & WGN EXT W.B.	41 = 4-DOOR SEDAN
21 = 2-DOOR SEDAN	44 = 4-DOOR HATCHBACK
24 = 2-DOOR HATCHBACK	45 = 4-DOOR STATION WAGON

AR = Use as Required - = Non Illustrated Part P.A.R. = Paint as Required

BODY REAR QUARTER H BODY 44
Figure 23A-1360

8169 13600 A



ITEM	PART NUMBER	QTY	BODY	MODEL	DESCRIPTION
1	4278 980-1	1			PANEL, Body Side Aperture Rear
2	4278 984-5	1			PANEL, Body Side Aperture Center
3	4280 692-3	1			PILLAR, Body Center Outer
4	4278 906-7	1			TROUGH, Roof Side Drain
5	4314 815	2			REINFORCEMENT, Body Side Aperture Front Shoulder Belt Mounting
6	4416 634	2			REINFORCEMENT, Body Side Aperture Seat Belt Anchor Lower
7	4314 762	2			T-PLATE, Rear Door Upper Hinge
8	4416 542	2			T-PLATE, Rear Door Lower Hinge
9	4134 972	2			RETAINER, Body Center Outer Pillar Door Latch Striker T-Plate
10	4314 743	2			T-PLATE, Front Door Latch Striker
11	4337 744-5	1			REINFORCEMENT, w/Retainer Body Side Aperture Rear Door Latch Striker (Includes Item 12)
12		1			RETAINER, Body Side Aperture Rear Door Latch Striker T-Plate (Serviced In Item #11)
13	4314 743	2			T-PLATE, Rear Door Latch Striker
14	4314 277	2			PLATE, Body Side Aperture Jack Locator
15	4337 036-7	1			SHIELD, Rear Wheelhouse Front Appearance
16		8			SCREW, #10-16 x .500" Not Serviced
17	4314 020-1	1			EXTENSION, Liftgate Opening Lower Panel Upper
18	4371 196-7	1			SEAL, w/Shield Liftgate Opening Lower Panel Upper Extension
	4337 410	2			SEAL, Liftgate Opening Lower Panel Upper Extension
19	4416 944	1			DOOR, Body Side Aperture Fuel Filler
20	4337 155	1			PLATE, Fuel Filler Door Hinge Mounting
21	4337 145	AR			SHIM, Body Side Aperture Fuel Filler Door
22	4337 144	2			BUMPER, Body Side Aperture Fuel Filler Door
23	6032 641	2			NUT and WASHER
24	4371 124	1			REINFORCEMENT, Body Side Aperture Fuel Filler Door Mounting
25	4337 029	1			ADHESIVE and FASTENER, Inner To Fuel Filler Opening Reinforcemen Gasket
26	4341 818-9	1			PANEL, Quarter Inner and Wheelhouse Outer
27	4296 726-7	1			SUPPORT, Quarter Inner Panel Sill Jacking
28	#4073 485	2			PLUG, 1.50" Dia./38mm
29	4314 190-1	1			REINFORCEMENT, Quarter Inner Panel Quarter Window
30	4314 026-7	1			SUPPORT, Quarter Inner Panel To Body Side Aperture
31	4341 640-1	1			RAIL, Roof Side Inner

MODEL CODES

C BODY = (D41 - DYNASTY)(C41 - NEW YORKER)
 E BODY = (J - CARAVELLE)(E - 600)(T - NEW YORKER TURBO)
 G BODY = (V24 - DAYTONA, PACIFICA & SHELBY)
 H BODY = (D44 - LANCER)(C44 - LEBARON GTS)
 J BODY = (C - LEBARON)
 K BODY = (P - RELIANT)(D - ARIES)(C - LEBARON/ TOWN & COUNTRY)

L BODY = (M - HORIZON)(Z-OMNI)
 M BODY = (B - GRAN FURY)(G - DIPLOMAT)(F - FIFTH AVENUE/NEWPORT)
 P BODY = (P - SUNDANCE)(D - SHADOW)
 Q BODY = (C27 - MASERATI)
 S BODY = (H - VOYAGER)(K - RAM VAN/ CARAVAN)

BODY STYLES

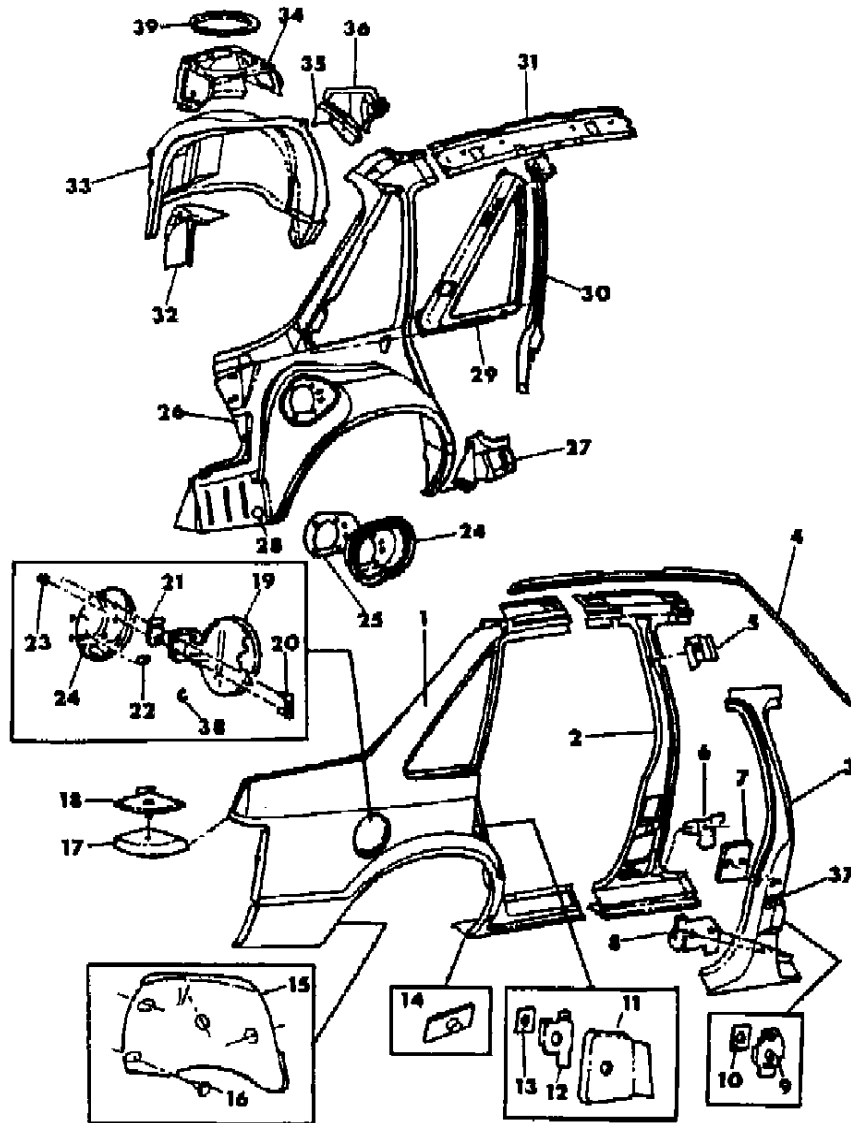
12-52 = FWD VAN & WAGON STD. W.B. 27 = 2-DOOR CONVERTIBLE
 13-53 = FWD VAN & WGN EXT W.B. 41 = 4-DOOR SEDAN
 21 = 2-DOOR SEDAN 44 = 4-DOOR HATCHBACK
 24 = 2-DOOR HATCHBACK 45 = 4-DOOR STATION WAGON

AR = Use as Required - = Non Illustrated Part P.A.R. = Paint as Required

BODY REAR QUARTER H BODY 44
Figure 23A-1360

ITEM	PART NUMBER	QTY	BODY	MODEL	DESCRIPTION
32	4134 686-7	1			REINFORCEMENT, Wheelhouse Inner Panel Shock Absorber Mounting
33	4440 198-9	1			PANEL, Rear Wheelhouse Inner
34	4440 224-5	1			EXTENSION, Shelf Panel
35	4296 754-5	1			GUSSET, Rear Wheelhouse Inner To Rear Seat Back Pivot Lower
36	4341 028-9	1			GUSSET, Rear Wheelhouse Inner To Rear Seat Back Pivot Upper
37	2480 957	2			PLUG, 1.00" Dia./25.4mm
38	1626 749	1			E-RING, Fuel Filler Door Hinge
39	4430 053	2			BRACKET, w/Infinty Sound System Speaker

8169 13600 A



MODEL CODES

C BODY = (D41 - DYNASTY)(C41 - NEW YORKER)	L BODY = (M - HORIZON)(Z-OMNI)
E BODY = (J - CARAVELLE)(E - 600)(T - NEW YORKER TURBO)	M BODY = (B - GRAN FURY)(G - DIPLOMAT)(F - FIFTH AVENUE/NEWPORT)
G BODY = (V24 - DAYTONA, PACIFICA & SHELBY)	P BODY = (P - SUNDANCE)(D - SHADOW)
H BODY = (D44 - LANCER)(C44 - LEBARON GTS)	Q BODY = (C27 - MASERATI)
J BODY = (C - LEBARON)	S BODY = (H - VOYAGER)(K - RAM VAN/ CARAVAN)
K BODY = (P - RELIANT)(D - ARIES)(C - LEBARON/ TOWN & COUNTRY)	

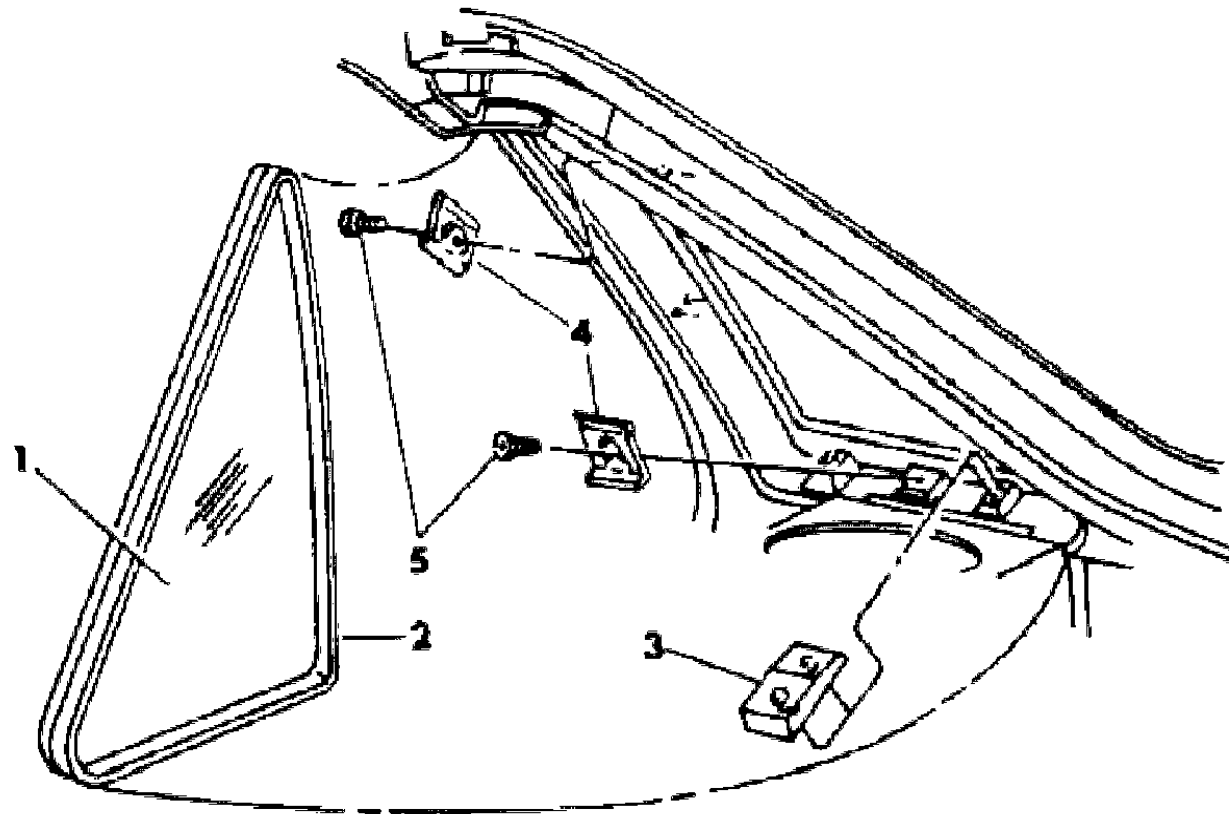
BODY STYLES

12-52 = FWD VAN & WAGON STD. W.B.	27 = 2-DOOR CONVERTIBLE
13-53 = FWD VAN & WGN EXT W.B.	41 = 4-DOOR SEDAN
21 = 2-DOOR SEDAN	44 = 4-DOOR HATCHBACK
24 = 2-DOOR HATCHBACK	45 = 4-DOOR STATION WAGON

AR = Use as Required - = Non Illustrated Part P.A.R. = Paint as Required

GLASS QUARTER WINDOW H BODY 44
Figure 23A-1370

8169 13700



ITEM	PART NUMBER	QTY	BODY	MODEL	DESCRIPTION
1	4278 998-9	1			GLASS, Quarter Window Tinted
2		AR			SEAL, Quarter Window Glass Bonding (187" Butyl) Serviced In Repair Pkg. 4057957
3	4337 011	8			SPACER, Quarter Window Glass
4	4206 852	4			RETAINER, Quarter Window Glass
5		4			SCREW, #8-18 x .625" Not Serviced
NOTE: The Following Items Are Not Shown On Illustration. s group.					
PKG A	4057 957	1			FIXED GLASS REPAIR PACKAGE Consists of:
					1- ----- Tape, Butyl (171")
					1- ----- Primer, Glass (1 oz.)
					1- ----- Primer, Fence (2 oz.)
					2-Spacer, Rubber, 0.2"
					2-Spacer, Rubber, 0.3"
	3767 767				2-Shim, 0.07"
					2- ----- Sponges, Disposable

MODEL CODES

C BODY = (D41 - DYNASTY)(C41 - NEW YORKER)	L BODY = (M - HORIZON)(Z-OMNI)
E BODY = (J - CARAVELLE)(E - 600)(T - NEW YORKER TURBO)	M BODY = (B - GRAN FURY)(G - DIPLOMAT)(F - FIFTH AVENUE/NEWPORT)
G BODY = (V24 - DAYTONA, PACIFICA & SHELBY)	P BODY = (P - SUNDANCE)(D - SHADOW)
H BODY = (D44 - LANCER)(C44 - LEBARON GTS)	Q BODY = (C27 - MASERATI)
J BODY = (C - LEBARON)	S BODY = (H - VOYAGER)(K - RAM VAN/ CARAVAN)
K BODY = (P - RELIANT)(D - ARIES)(C - LEBARON/ TOWN & COUNTRY)	

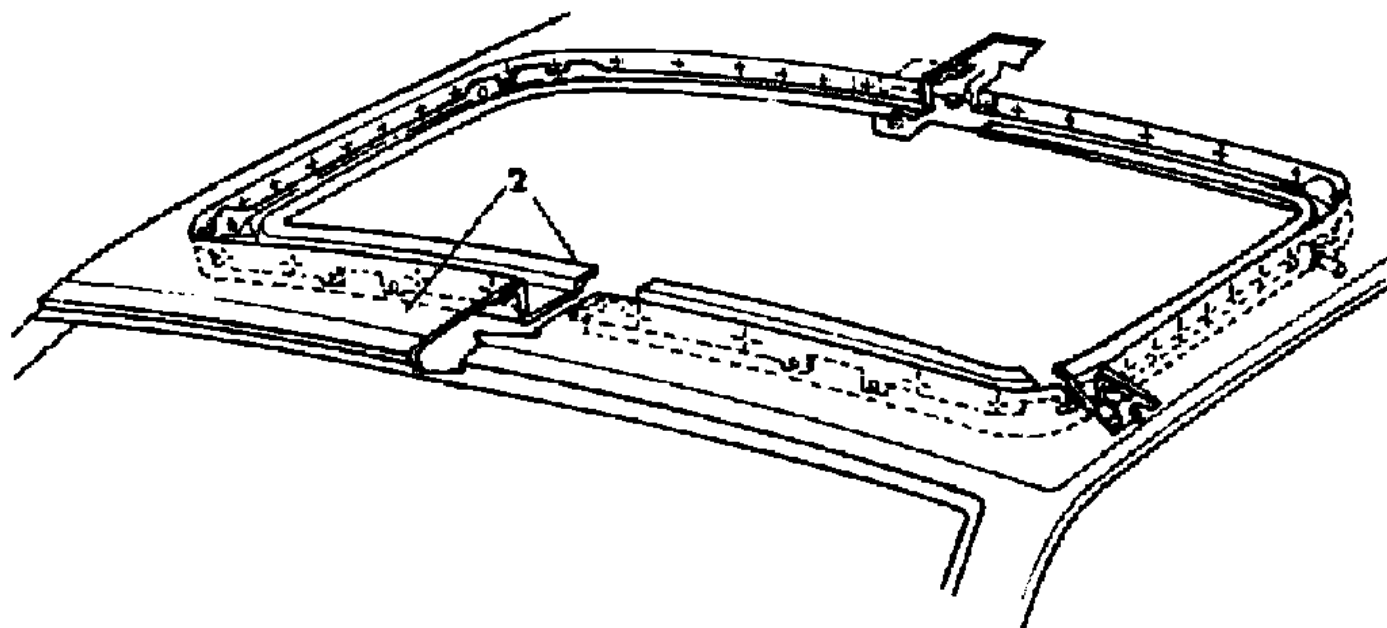
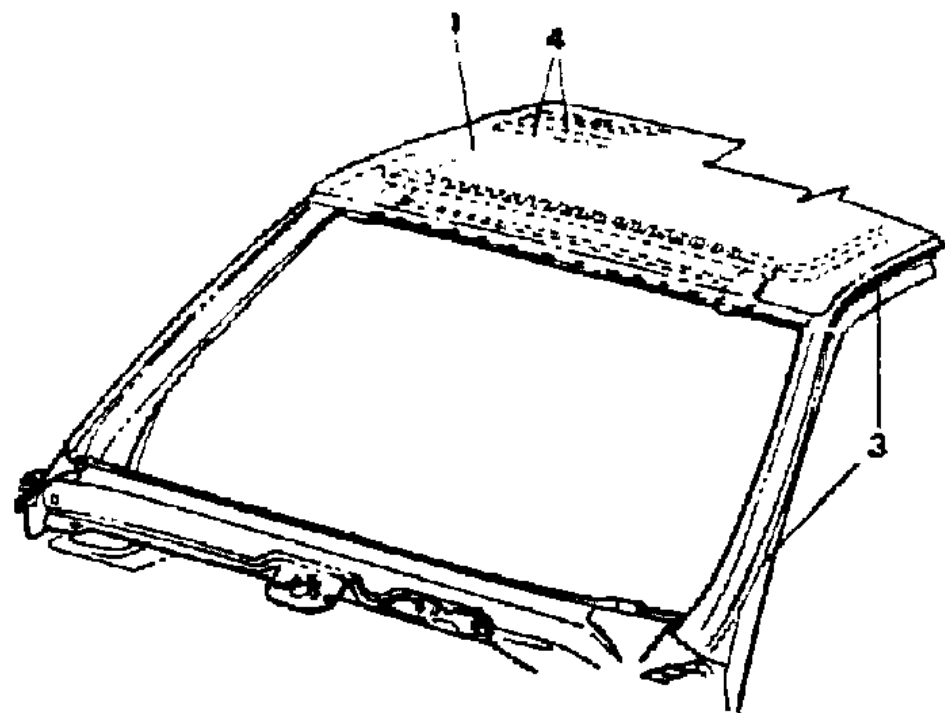
BODY STYLES

12-52 = FWD VAN & WAGON STD. W.B.	27 = 2-DOOR CONVERTIBLE
13-53 = FWD VAN & WGN EXT W.B.	41 = 4-DOOR SEDAN
21 = 2-DOOR SEDAN	44 = 4-DOOR HATCHBACK
24 = 2-DOOR HATCHBACK	45 = 4-DOOR STATION WAGON

AR = Use as Required - = Non Illustrated Part P.A.R. = Paint as Required

ROOF PANEL H BODY 44
Figure 23A-1380

8169 13800



ITEM	PART NUMBER	QTY	BODY	MODEL	DESCRIPTION
1	4278 887	1			PANEL, Roof Outer w/o Sunroof
2	4341 544	1			PANEL and TROUGH, Roof Outer w/Sunroof
3	4278 906-7	1			TROUGH, Roof Side Drain
4	4386 899	2			BOW, Roof

MODEL CODES

C BODY = (D41 - DYNASTY)(C41 - NEW YORKER)	L BODY = (M - HORIZON)(Z-OMNI)
E BODY = (J - CARAVELLE)(E - 600)(T - NEW YORKER TURBO)	M BODY = (B - GRAN FURY)(G - DIPLOMAT)(F - FIFTH AVENUE/NEWPORT)
G BODY = (V24 - DAYTONA, PACIFICA & SHELBY)	P BODY = (P - SUNDANCE)(D - SHADOW)
H BODY = (D44 - LANCER)(C44 - LEBARON GTS)	Q BODY = (C27 - MASERATI)
J BODY = (C - LEBARON)	S BODY = (H - VOYAGER)(K - RAM VAN/ CARAVAN)
K BODY = (P - RELIANT)(D - ARIES)(C - LEBARON/ TOWN & COUNTRY)	

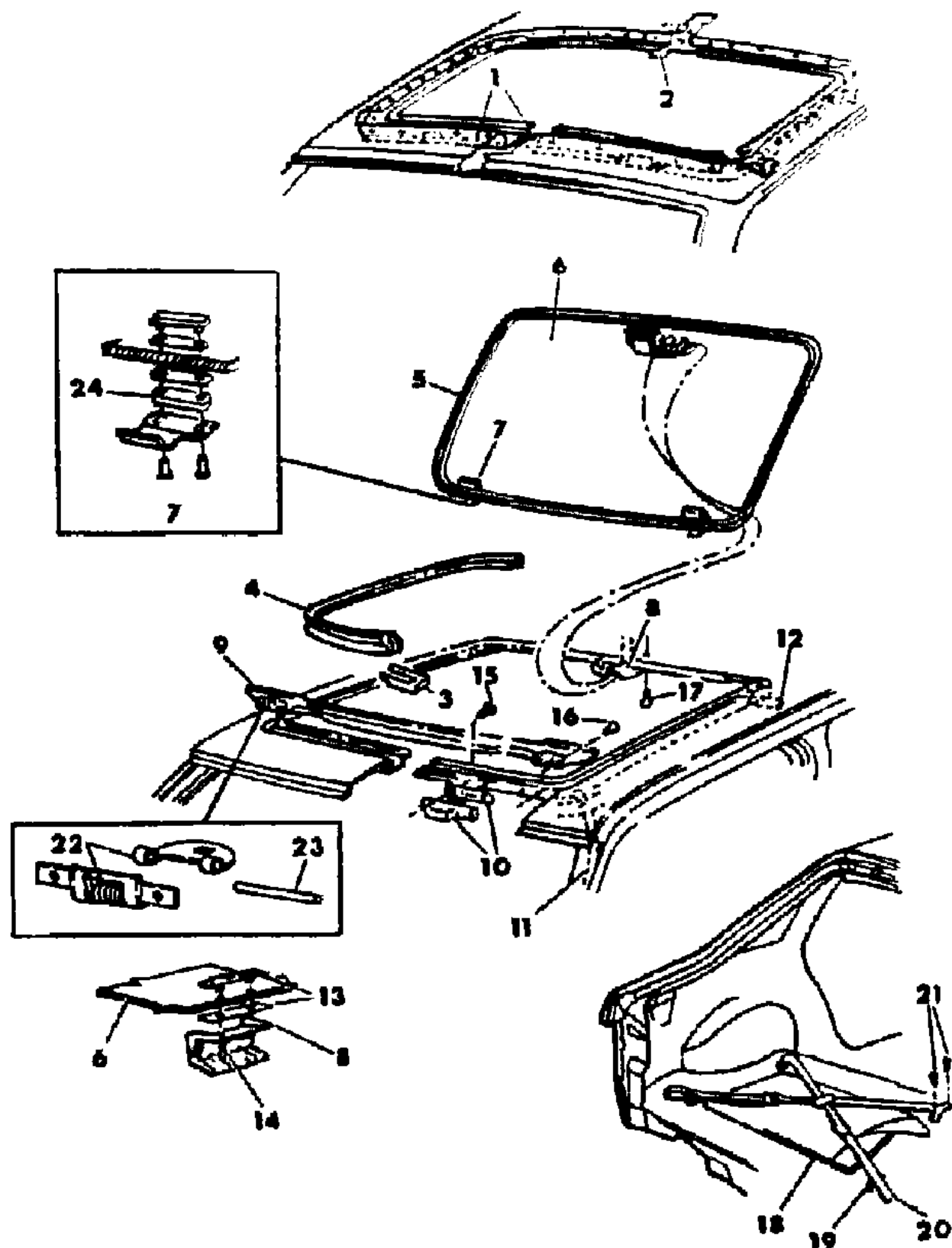
BODY STYLES

12-52 = FWD VAN & WAGON STD. W.B.	27 = 2-DOOR CONVERTIBLE
13-53 = FWD VAN & WGN EXT W.B.	41 = 4-DOOR SEDAN
21 = 2-DOOR SEDAN	44 = 4-DOOR HATCHBACK
24 = 2-DOOR HATCHBACK	45 = 4-DOOR STATION WAGON

AR = Use as Required - = Non Illustrated Part P.A.R. = Paint as Required

SUNROOF MANUAL H BODY 44
Figure 23A-1390

8169 13900



ITEM	PART NUMBER	QTY	BODY	MODEL	DESCRIPTION
1	4341 544	1			PANEL and TROUGH, Roof Outer w/Sunroof
2	4341 816	1			SUPPORT, Sunroof Drain Trough Reinforcement To Roof Bow
3		1			WELT, Headliner Panel Sunroof Opening
	H516 FC5	1			Blue
	H516 GL7	1			Taupe
	H516 GR8	1			Red
	H516 FS8	1			Charcoal
4	4341 960	1			SEAL, Sunroof Primary (On Trough)
5	4172 849	1			SEAL, Sunroof Secondary (On Glass Panel)
6	4341 610	1			PANEL and FRAME, Sunroof Glass
7	4467 211	2			HINGE and T-PLATE, Package
		4			SCREW, Serviced In 4467211 Pkg.
		4			GROMMET, Serviced In 4467211 Pkg.
		4			GASKET, Serviced In 4467211 Pkg.
		2			HINGE, Serviced In 4467211 Pkg.
8	4341 532	1			HANDLE and BASE, Sunroof
9	4341 295	1			DEFLECTOR, Sunroof Air
	4467 212	2			CAP, NUT and SCREW, Package
10	4341 402-3	1			RETAINER, Sunroof Panel Hinge On Trough
11	4278 798	2			HOSE, Sunroof Drain Front
12		AR			HOSE, Sunroof Drain Rear 3/8" I.D. x 50' Roll Stock Not Serviced
13	4341 418	1			T-PLATE, Sunroof Latch Handle
14		2			SCREW, Not Serviced
15		4			SCREW, Not Serviced
16		4			SCREW, Not Serviced
17		3			SCREW, Not Serviced
18	H609 DX7	1			BAG, Stowage (Black)
19	4248 818	4			ANCHOR, Tie-Down Strap To Floor Pan
20	H349 CX9	1			STRAP, Sunroof Pnl. Stowage Tie Down
21		8			SCREW, Not Serviced
22	4341 530-1	1			HINGE, Sunroof Air Deflector
23	6501 111	2			PIN, Sunroof Air Deflector
24	4341 340-1	1			SPACER, Sunroof Hinge T-Plate

MODEL CODES

C BODY = (D41 - DYNASTY)(C41 - NEW YORKER)
 E BODY = (J - CARAVELLE)(E - 600)(T - NEW YORKER TURBO)
 G BODY = (V24 - DAYTONA, PACIFICA & SHELBY)
 H BODY = (D44 - LANCER)(C44 - LEBARON GTS)
 J BODY = (C - LEBARON)
 K BODY = (P - RELIANT)(D - ARIES)(C - LEBARON/ TOWN & COUNTRY)

L BODY = (M - HORIZON)(Z-OMNI)
 M BODY = (B - GRAN FURY)(G - DIPLOMAT)(F - FIFTH AVENUE/NEWPORT)
 P BODY = (P - SUNDANCE)(D - SHADOW)
 Q BODY = (C27 - MASERATI)
 S BODY = (H - VOYAGER)(K - RAM VAN/ CARAVAN)

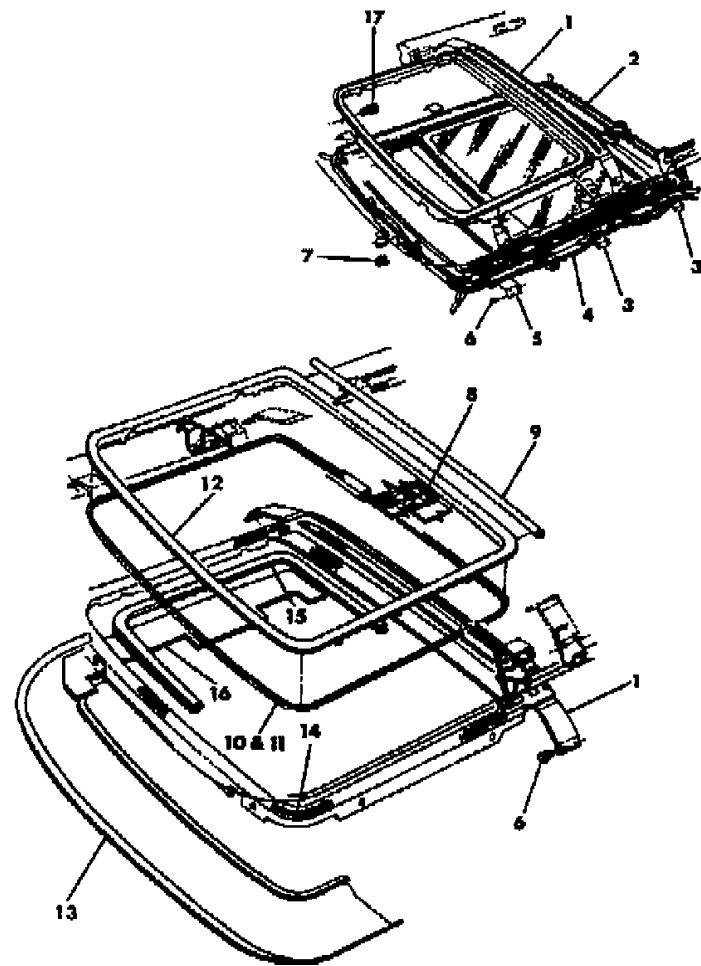
BODY STYLES

12-52 = FWD VAN & WAGON STD. W.B. 27 = 2-DOOR CONVERTIBLE
 13-53 = FWD VAN & WGN EXT W.B. 41 = 4-DOOR SEDAN
 21 = 2-DOOR SEDAN 44 = 4-DOOR HATCHBACK
 24 = 2-DOOR HATCHBACK 45 = 4-DOOR STATION WAGON

AR = Use as Required - = Non Illustrated Part P.A.R. = Paint as Required

SUNROOF 1 OF 4 H BODY
Figure 23A-1392

8169 13920



ITEM	PART NUMBER	QTY	BODY	MODEL	DESCRIPTION
1	4467 990	1			REINFORCEMENT ASSEMBLY, Roof Panel Opening
2	4467 971	1			HOUSING ASSEMBLY Consists of: TAPE, Black Cloth EXTENSION, Water Dam SEAL, Cable Tube Ring RETAINER, Track To Housing RETAINER, Tube To Housing RIVET, 3/16 X .250 TUBE, Cable Drive SWITCH, Sensor TAPE, Butyl Foam NUT, m4-0.7 x 6.32 SEALER, Sillcone Clear PLUG, Track SCREW, m4-0.7 x 10.0 LUBRICANT, Poly Grease SCREW, m4-2 x 1.41 x 12.7 ACTUATOR, Panel Vent BOLT, Shoulder NUT, m5 x 11.81 x 7.11 BOLT, m5 x 0.8 x 10.0 SCREW, m5 x 0.8 x 36.0 RETAINER, Cable Lower COVER, Retainer SCREW, m3.5 x 0.6 x 8.0 SPACER, Drive PAD, Motor Isolater DRIVE ASSEMBLY, Electric SEALER, Silicone Black VELCRO, Loop TRACK ASSEMBLY GUIDE ASSEMBLY, Rear GUIDE ASSEMBLY, Front BLADE ASSEMBLY, Wind Deflector ARM ASSEMBLY, Pivot
3		4			EXTENSION, Side Not Serviced

MODEL CODES

C BODY = (D41 - DYNASTY)(C41 - NEW YORKER)	L BODY = (M - HORIZON)(Z-OMNI)
E BODY = (J - CARAVELLE)(E - 600)(T - NEW YORKER TURBO)	M BODY = (B - GRAN FURY)(G - DIPLOMAT)(F - FIFTH AVENUE/NEWPORT)
G BODY = (V24 - DAYTONA, PACIFICA & SHELBY)	P BODY = (P - SUNDANCE)(D - SHADOW)
H BODY = (D44 - LANCER)(C44 - LEBARON GTS)	Q BODY = (C27 - MASERATI)
J BODY = (C - LEBARON)	S BODY = (H - VOYAGER)(K - RAM VAN/ CARAVAN)
K BODY = (P - RELIANT)(D - ARIES)(C - LEBARON/ TOWN & COUNTRY)	

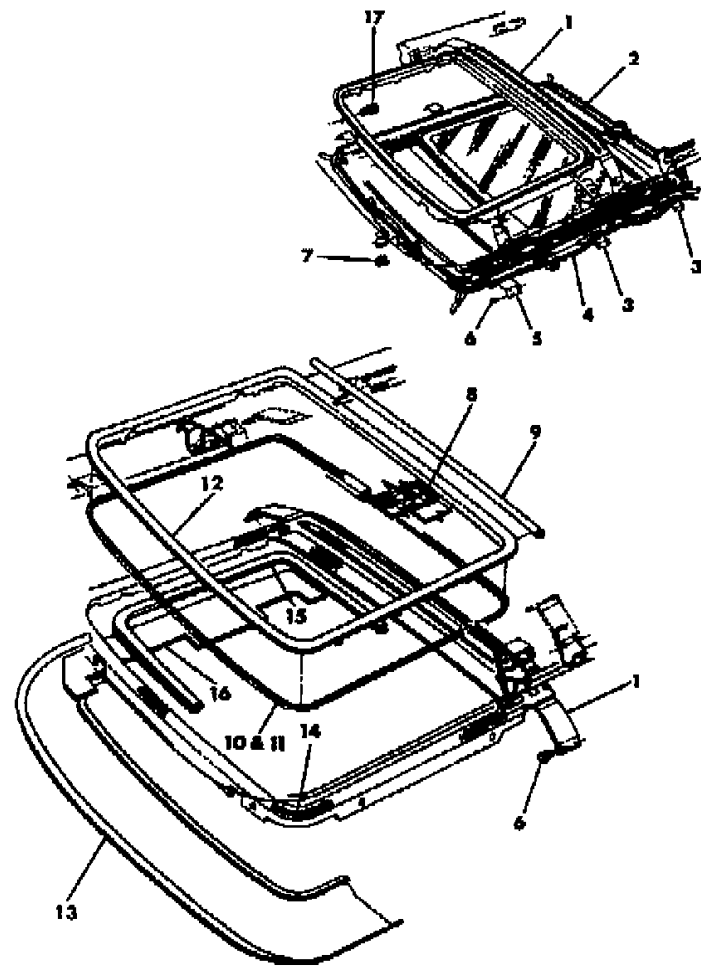
BODY STYLES

12-52 = FWD VAN & WAGON STD. W.B.	27 = 2-DOOR CONVERTIBLE
13-53 = FWD VAN & WGN EXT W.B.	41 = 4-DOOR SEDAN
21 = 2-DOOR SEDAN	44 = 4-DOOR HATCHBACK
24 = 2-DOOR HATCHBACK	45 = 4-DOOR STATION WAGON

AR = Use as Required - = Non Illustrated Part P.A.R. = Paint as Required

SUNROOF 1 OF 4 H BODY
Figure 23A-1392

8169 13920



ITEM	PART NUMBER	QTY	BODY	MODEL	DESCRIPTION
4	4467 973	1			WIRE HARNESS
5		2			EXTENSION, Side Not serviced
6		30			SCREW, 10-16x.50 Not Serviced
7	4373 383	1			SWITCH ASSEMBLY
8		1			ADHESIVE, Not Serviced
9	4467 954	1			SHIM, Reveal Molding
10		1			ZINC CHROMATE, Not Serviced
11		1			SEALER-LAP JOINT
12	4467 972	1			MOULDING, Roof Opening Reveal
13		1			HEADLINER ASSEMBLY
	4467 982				Charcoal
	4467 983				Twilight Blue
	4467 984				Bordeaux
	4467 985				Taupe
14		1			ADHESIVE, Not Serviced
15		1			WELT ASSEMBLY
	4467 986				Charcoal
	4467 987				Twilight Blue
	4467 988				Bordeaux
	4467 989				Taupe
16		1			PAD, Housing Rt. and Lt. Not Serviced
17	4467 951	7			BOLT, m5 x 0.8 x 10.0
-	4467 939	AR			SEAL, Insert (Unique Service Kits)

MODEL CODES

C BODY = (D41 - DYNASTY)(C41 - NEW YORKER)	L BODY = (M - HORIZON)(Z-OMNI)
E BODY = (J - CARAVELLE)(E - 600)(T - NEW YORKER TURBO)	M BODY = (B - GRAN FURY)(G - DIPLOMAT)(F - FIFTH AVENUE/NEWPORT)
G BODY = (V24 - DAYTONA, PACIFICA & SHELBY)	P BODY = (P - SUNDANCE)(D - SHADOW)
H BODY = (D44 - LANCER)(C44 - LEBARON GTS)	Q BODY = (C27 - MASERATI)
J BODY = (C - LEBARON)	S BODY = (H - VOYAGER)(K - RAM VAN/ CARAVAN)
K BODY = (P - RELIANT)(D - ARIES)(C - LEBARON/ TOWN & COUNTRY)	

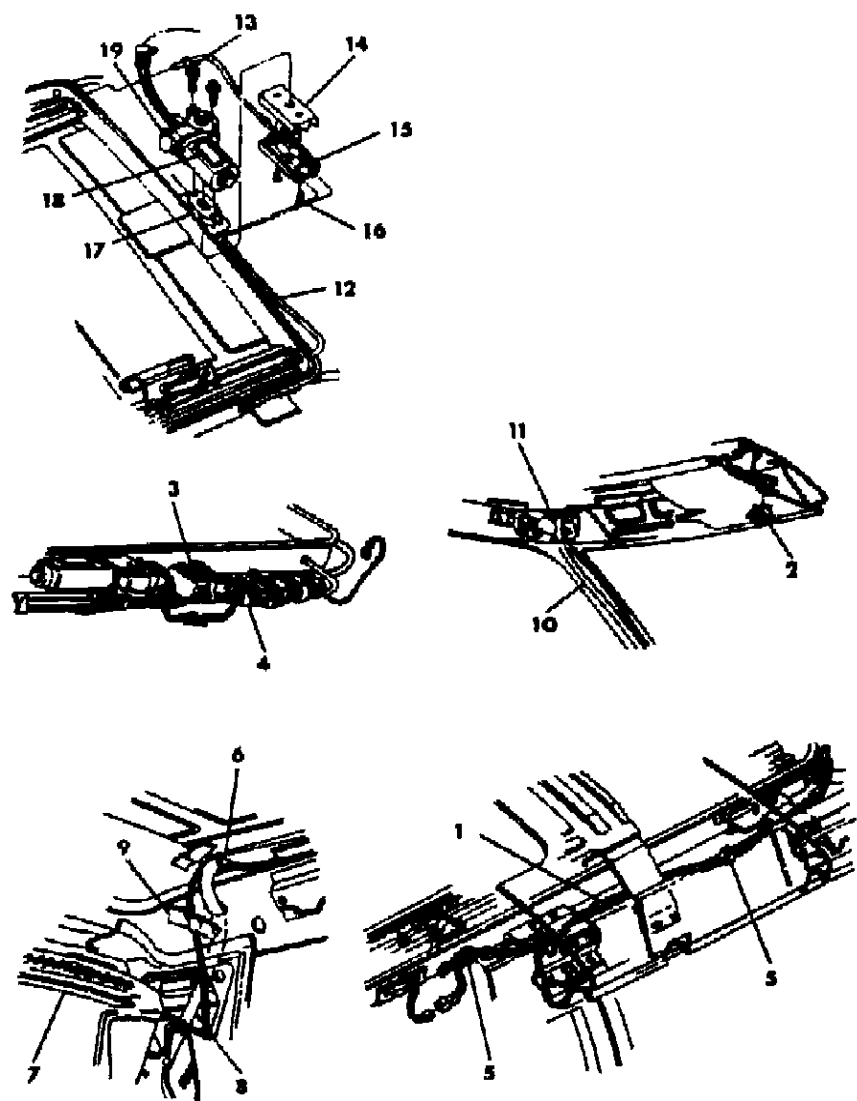
BODY STYLES

12-52 = FWD VAN & WAGON STD. W.B.	27 = 2-DOOR CONVERTIBLE
13-53 = FWD VAN & WGN EXT W.B.	41 = 4-DOOR SEDAN
21 = 2-DOOR SEDAN	44 = 4-DOOR HATCHBACK
24 = 2-DOOR HATCHBACK	45 = 4-DOOR STATION WAGON

AR = Use as Required - = Non Illustrated Part P.A.R. = Paint as Required

SUNROOF 2 OF 4 H BODY
Figure 23A-1394

8169 13940



ITEM	PART NUMBER	QTY	BODY	MODEL	DESCRIPTION
1	4467 973	1			WIRE HARNESS
2	4373 383	1			SWITCH ASSEMBLY
3	4467 948	1			MODULE ASSEMBLY
4					TAPE, Electrical .75x .007 Not Serviced
5		2			CLIP, Wire Not Serviced
6		2			CLAMP, Hose m21.5 x 1.0 Not Serviced
7		1			TAPE PVC FOAM, Not Serviced
8		2			HOSE, Rear Not Serviced
9		1			TAPE, Black Cloth Not Serviced
10		2			HOSE, Front Not Serviced
11		2			CLAMP, Hose M18.0 Not Serviced
12	4467 971	1			HOUSING ASSEMBLY
13		2			SCREW, m5 x 0.8 x 36.0 Not Serviced
14	4467 921	1			RETAINER, Cable Lower
15	4467 922	1			COVER, Retainer
16		2			SCREW, m3.5 x 0.6 x 8.0 Not Serviced
17	4172 243	1			SPACER, Drive
18	4467 918	1			PAD, Motor Isolater
19	4467 968	1			DRIVE ASSEMBLY, Electric

MODEL CODES

C BODY = (D41 - DYNASTY)(C41 - NEW YORKER)	L BODY = (M - HORIZON)(Z-OMNI)
E BODY = (J - CARAVELLE)(E - 600)(T - NEW YORKER TURBO)	M BODY = (B - GRAN FURY)(G - DIPLOMAT)(F - FIFTH AVENUE/NEWPORT)
G BODY = (V24 - DAYTONA, PACIFICA & SHELBY)	P BODY = (P - SUNDANCE)(D - SHADOW)
H BODY = (D44 - LANCER)(C44 - LEBARON GTS)	Q BODY = (C27 - MASERATI)
J BODY = (C - LEBARON)	S BODY = (H - VOYAGER)(K - RAM VAN/ CARAVAN)
K BODY = (P - RELIANT)(D - ARIES)(C - LEBARON/ TOWN & COUNTRY)	

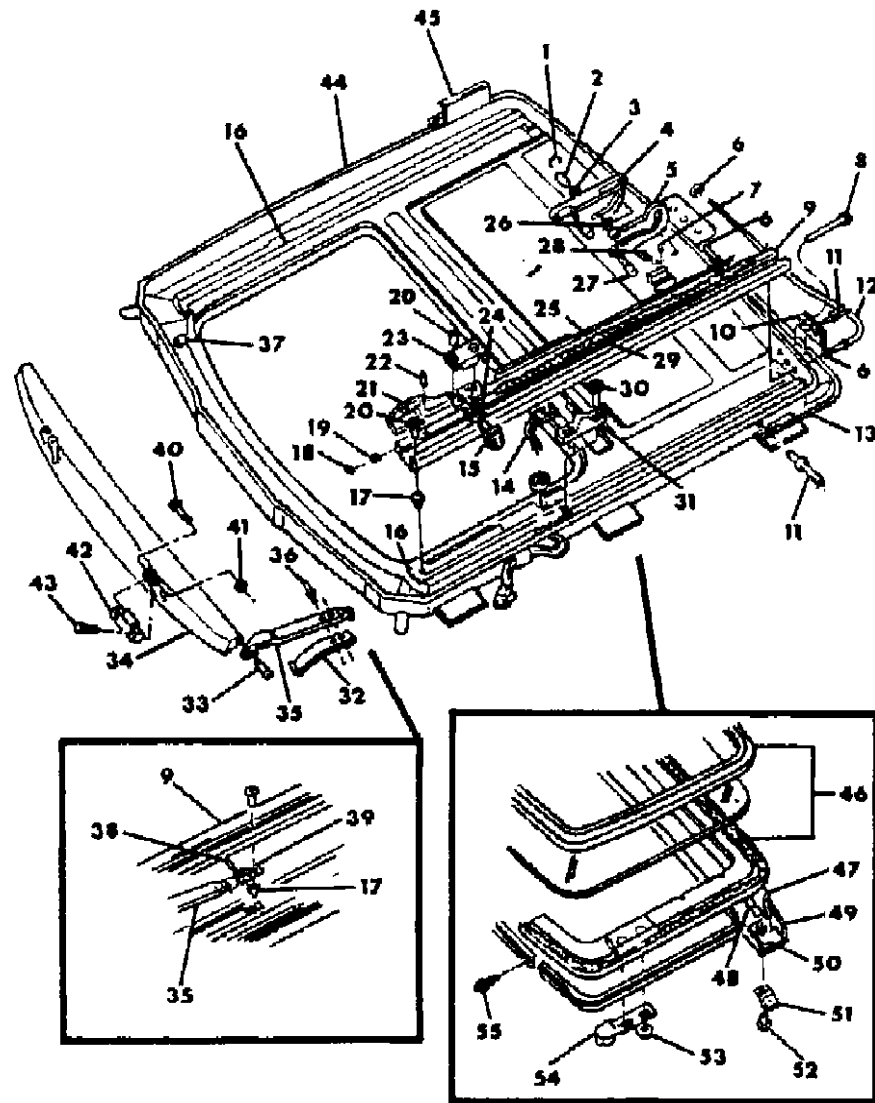
BODY STYLES

12-52 = FWD VAN & WAGON STD. W.B.	27 = 2-DOOR CONVERTIBLE
13-53 = FWD VAN & WGN EXT W.B.	41 = 4-DOOR SEDAN
21 = 2-DOOR SEDAN	44 = 4-DOOR HATCHBACK
24 = 2-DOOR HATCHBACK	45 = 4-DOOR STATION WAGON

AR = Use as Required - = Non Illustrated Part P.A.R. = Paint as Required

SUNROOF 3 OF 4 H BODY
Figure 23A-1396

8169 13960



ITEM	PART NUMBER	QTY	BODY	MODEL	DESCRIPTION
1		2			RETAINER, Ring
2		2			SHAFT, Service In Assembly
3		2			WASHER, Serviced In Assembly
4	4467 928-9	1			BLOCK CAM Consists of: Shaft, Anti-Lift Sleeve
5	4467 930-1	1			LINK, Rear Guide Consists of: Shaft Pin, Rear Guide Sleeve
6	4467 920	6			SEAL, Cable Tube Ring
7		1			MAGNET LOGIC, Lt. Only Not Serviced
8	4467 913	2			RETAINER, Track To Housing
9	4467 908-9	1			TRACK, w/Pin Spring Slotted
10	4467 919	2			RETAINER, Tube To Housing
11		4			RIVET, 3/16 x .250 Not Serviced
12	4467 914-5	1			TUBE, Cable Drive
13	4467 916-7	1			TUBE, Cable Return
14	4467 912	1			SWITCH, Sensor
15		2			PIN, Front Guide Lock
16		1			TAPE, Butyl Foam Not Serviced 3/16
17		6			NUT, m4-0.7 x 6.32 Not Serviced
18		1			SEALER, Silicone Clear
19	4467 911	2			PLUG, Track
20		10			SCREW, m4-0.7 x 10.0 Not Serviced
21	4467 934-5	1			GUIDE, Front Panel Consists of: Pin, Front Guide Lock Screw, m4-07 x 10 Cover, Front Guide Locking Spring
22		2			PIN, Spring Slotted
23		2			COVER, Front Guide Locking
24		4			SPRING
25	4467 926-7	1			GUIDE, Rear Molded

MODEL CODES

C BODY = (D41 - DYNASTY)(C41 - NEW YORKER)
E BODY = (J - CARAVELLE)(E - 600)(T - NEW YORKER TURBO)
G BODY = (V24 - DAYTONA, PACIFICA & SHELBY)
H BODY = (D44 - LANCER)(C44 - LEBARON GTS)
J BODY = (C - LEBARON)
K BODY = (P - RELIANT)(D - ARIES)(C - LEBARON/ TOWN & COUNTRY)
L BODY = (M - HORIZON)(Z-OMNI)
M BODY = (B - GRAN FURY)(G - DIPLOMAT)(F - FIFTH AVENUE/NEWPORT)
P BODY = (P - SUNDANCE)(D - SHADOW)
Q BODY = (C27 - MASERATI)
S BODY = (H - VOYAGER)(K - RAM VAN/ CARAVAN)

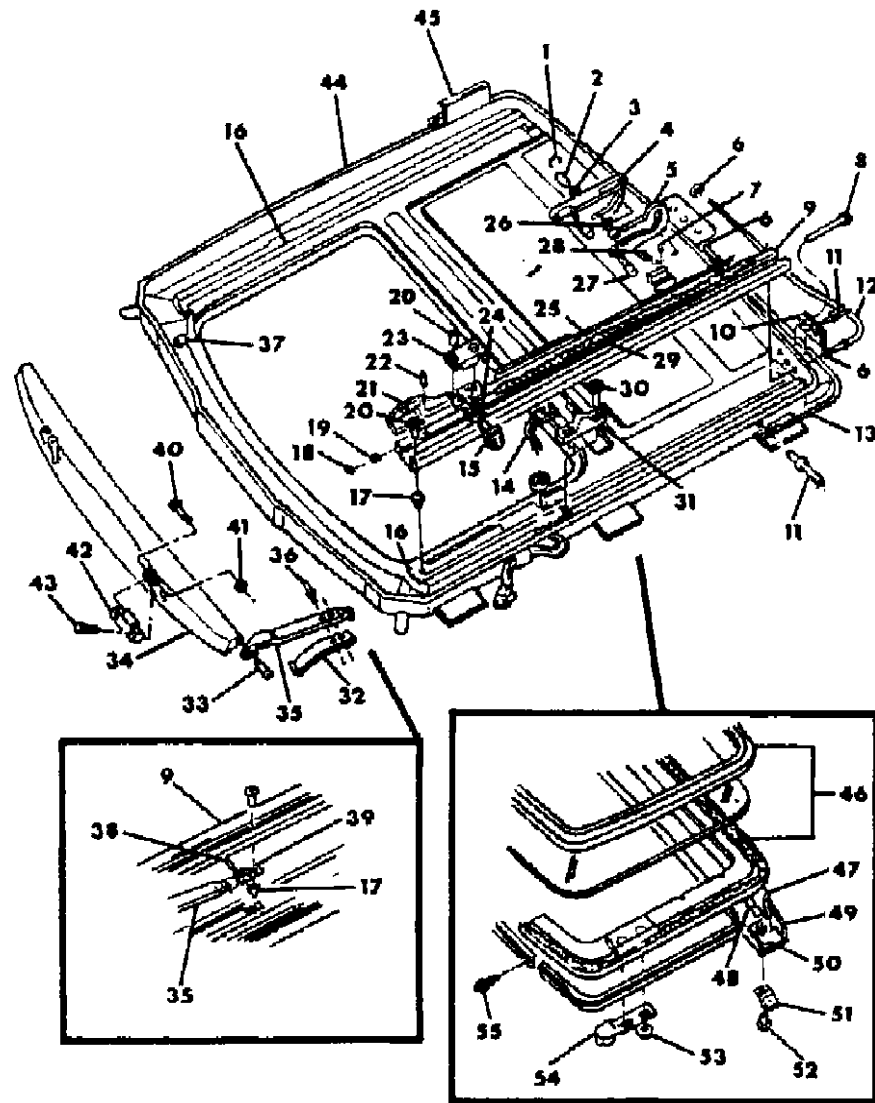
BODY STYLES

12-52 = FWD VAN & WAGON STD. W.B. 27 = 2-DOOR CONVERTIBLE
13-53 = FWD VAN & WGN EXT W.B. 41 = 4-DOOR SEDAN
21 = 2-DOOR SEDAN 44 = 4-DOOR HATCHBACK
24 = 2-DOOR HATCHBACK 45 = 4-DOOR STATION WAGON

AR = Use as Required - = Non Illustrated Part P.A.R. = Paint as Required

SUNROOF 3 OF 4 H BODY
Figure 23A-1396

8169 13960



ITEM	PART NUMBER	QTY	BODY	MODEL	DESCRIPTION
					Consists of:
					Retainer, Ring
					Washer Flat
					Washer Wave
					Pin, Pivot
					Block-Cam Assembly
					Link Assembly
26		2			WASHER
27		2			PIN, Rear Guide
28	4467 932	2			PIN, Pivot
29		1			LUBRICANT, Poly Grease
30		4			SCREW, m4.2 x 1.41 x 12.7 Not Serviced
31	4467 933	2			ACTUATOR, Panel Vent
32		2			SPRING, Leaf
33	4467 910	2			BOLT, Shoulder
34	4467 906	1			BLADE, Wind Deflector
					Consists of:
					Pin, Pivot
					Retainer, Ring
					Bracket Rt. & Lt.
35	4467 936	2			ARM, Wind Deflector
					Consists of:
					Spring Left
					Rivet
					Actuator
36		4			RIVET, 1/8 x .187 Not Serviced
37		7			NUT, m5 x 11.81 x 7.11 Not Serviced
38		2			PIN, Spring Slotted
39		2			ACTUATOR
40	4467 907	2			PIN, Pivot
41		2			RETAINER, Ring
42	4467 904-5	1			BRACKET
43		4			BOLT, m5 x 0.8 x 10.0 Not Serviced
44	4467 971	1			HOUSING ASSEMBLY
45	4467 902-3	1			EXTENSION, Water Dam
46	4467 938	1			GLASS ASSEMBLY, Panel
	4467 949	1			SEAL, Roof Sliding Panel

MODEL CODES

C BODY = (D41 - DYNASTY)(C41 - NEW YORKER)
 E BODY = (J - CARAVELLE)(E - 600)(T - NEW YORKER TURBO)
 G BODY = (V24 - DAYTONA, PACIFICA & SHELBY)
 H BODY = (D44 - LANCER)(C44 - LEBARON GTS)
 J BODY = (C - LEBARON)
 K BODY = (P - RELIANT)(D - ARIES)(C - LEBARON/ TOWN & COUNTRY)

L BODY = (M - HORIZON)(Z-OMNI)
 M BODY = (B - GRAN FURY)(G - DIPLOMAT)(F - FIFTH AVENUE/NEWPORT)
 P BODY = (P - SUNDANCE)(D - SHADOW)
 Q BODY = (C27 - MASERATI)
 S BODY = (H - VOYAGER)(K - RAM VAN/ CARAVAN)

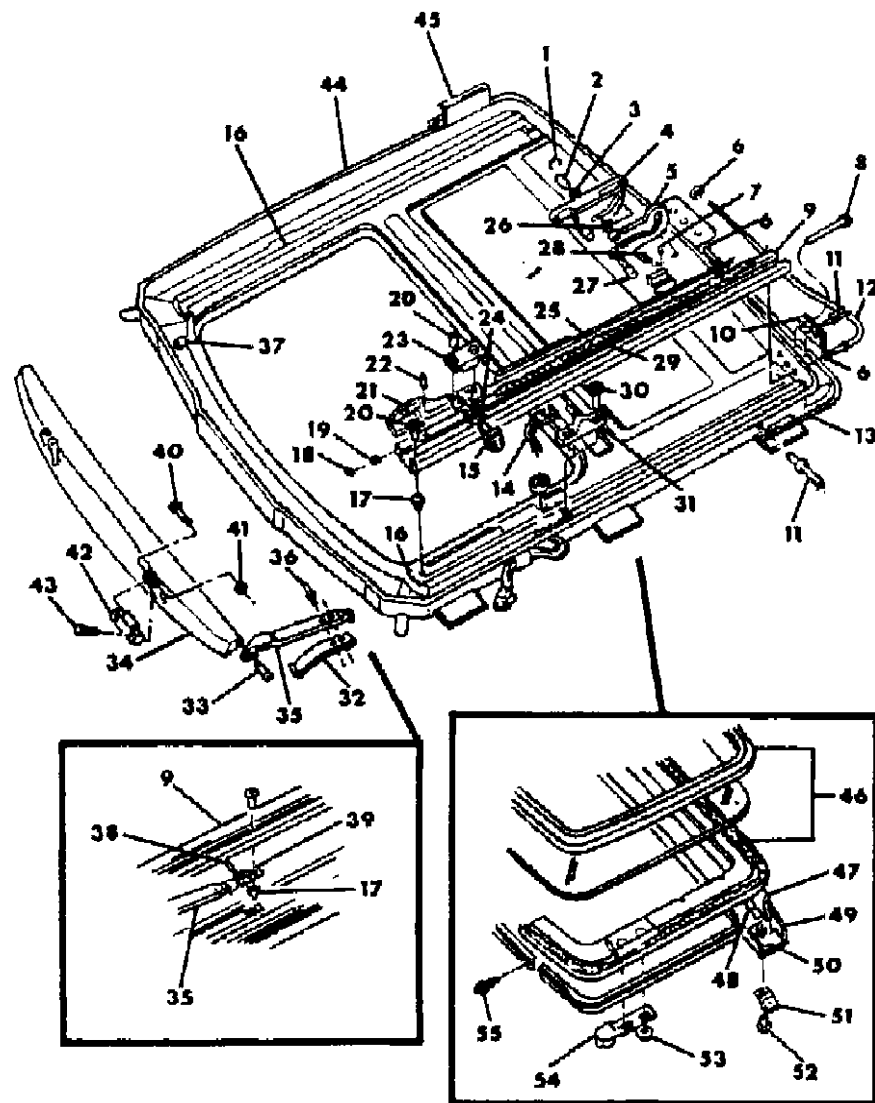
BODY STYLES

12-52 = FWD VAN & WAGON STD. W.B. 27 = 2-DOOR CONVERTIBLE
 13-53 = FWD VAN & WGN EXT W.B. 41 = 4-DOOR SEDAN
 21 = 2-DOOR SEDAN 44 = 4-DOOR HATCHBACK
 24 = 2-DOOR HATCHBACK 45 = 4-DOOR STATION WAGON

AR = Use as Required - = Non Illustrated Part P.A.R. = Paint as Required

SUNROOF 3 OF 4 H BODY
Figure 23A-1396

8169 13960



ITEM	PART NUMBER	QTY	BODY	MODEL	DESCRIPTION
47	4467 944	1			EXTENSION, Trough Rear
48		1			SEALER, Silicone Black Not Serviced
49	4467 943	1			BEZEL, Rear Drain Trough Consists of: Extension, Trough Sealer, Silicone Black Velcro, Loop Guide Screw m4 x 07 x 8.0
50		5			VELCRO, Loop
51	4467 945	2			GUIDE
52		2			SCREW, m4 x 0.7 x 8.0 Not Serviced
53		4			NUT and WASHER, Not Serviced
54	4467 940-1	1			BRACKET
55		4			SCREW, 8-18 x .38 Not Serviced

MODEL CODES

C BODY = (D41 - DYNASTY)(C41 - NEW YORKER)
 E BODY = (J - CARAVELLE)(E - 600)(T - NEW YORKER TURBO)
 G BODY = (V24 - DAYTONA, PACIFICA & SHELBY)
 H BODY = (D44 - LANCER)(C44 - LEBARON GTS)
 J BODY = (C - LEBARON)
 K BODY = (P - RELIANT)(D - ARIES)(C - LEBARON/ TOWN & COUNTRY)
 L BODY = (M - HORIZON)(Z-OMNI)
 M BODY = (B - GRAN FURY)(G - DIPLOMAT)(F - FIFTH AVENUE/NEWPORT)
 P BODY = (P - SUNDANCE)(D - SHADOW)
 Q BODY = (C27 - MASERATI)
 S BODY = (H - VOYAGER)(K - RAM VAN/ CARAVAN)

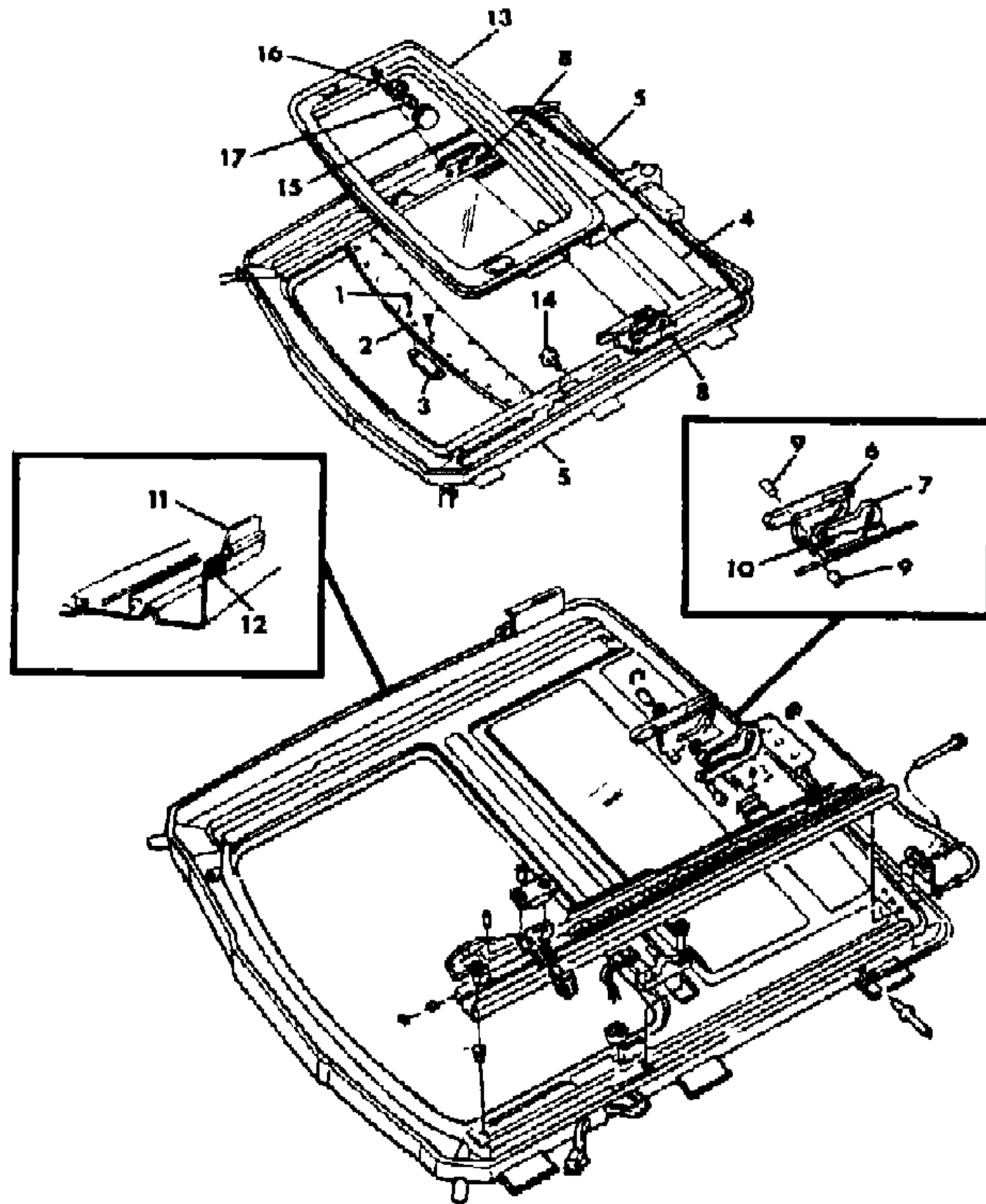
BODY STYLES

12-52 = FWD VAN & WAGON STD. W.B. 27 = 2-DOOR CONVERTIBLE
 13-53 = FWD VAN & WGN EXT W.B. 41 = 4-DOOR SEDAN
 21 = 2-DOOR SEDAN 44 = 4-DOOR HATCHBACK
 24 = 2-DOOR HATCHBACK 45 = 4-DOOR STATION WAGON

AR = Use as Required - = Non Illustrated Part P.A.R. = Paint as Required

SUNROOF 4 OF 4 H BODY
Figure 23A-1398

8169 13980



ITEM	PART NUMBER	QTY	BODY	MODEL	DESCRIPTION
1		2			SCREW, 8-30 x 38 Not Serviced
2		1			SUNSCREEN ASSEMBLY
	4467 978				Charcoal
	4467 979				Twilight Blue
	4467 980				Bordeaux
	4467 981				Taupe
3		1			HANDLE
	4467 974				Charcoal
	4467 994				Twilight Blue
	4467 976				Bordeaux
	4467 993				Taupe
4		1			PAD, Rear Not Serviced
5	4467 971	1			HOUSING ASSEMBLY
6	4467 928-9	1			BLOCK CAM
					Consists of:
					Shaft, Anti-Lift
					Sleeve
7	4467 930-1	1			LINK, Rear Guide
					Consists of:
					Shaft
					Pin, Rear Guide
					Sleeve
8	4467 926-7	1			GUIDE, Rear Molded
9	4467 925	4			SLEEVE
10		2			SHAFT, Anti-Lift Service In Block-Cam
11	4467 952	1			SEAL, Dust
12		1			ADHESIVE, Rubber Not Serviced
13	4467 938	1			GLASS ASSEMBLY, Panel
	4467 949	1			SEAL, Roof Sliding Panel
14	4467 942	2			BOLT, m5 x 0.8 x 15.0
15	4467 953	4			CAP, Button Head
16	4467 937	4			RETAINER, Button Head Cap
17	4467 944	1			EXTENSION, Trough Rear

MODEL CODES

C BODY = (D41 - DYNASTY)(C41 - NEW YORKER)
 E BODY = (J - CARAVELLE)(E - 600)(T - NEW YORKER TURBO)
 G BODY = (V24 - DAYTONA, PACIFICA & SHELBY)
 H BODY = (D44 - LANCER)(C44 - LEBARON GTS)
 J BODY = (C - LEBARON)
 K BODY = (P - RELIANT)(D - ARIES)(C - LEBARON/ TOWN & COUNTRY)
 L BODY = (M - HORIZON)(Z-OMNI)
 M BODY = (B - GRAN FURY)(G - DIPLOMAT)(F - FIFTH AVENUE/NEWPORT)
 P BODY = (P - SUNDANCE)(D - SHADOW)
 Q BODY = (C27 - MASERATI)
 S BODY = (H - VOYAGER)(K - RAM VAN/ CARAVAN)

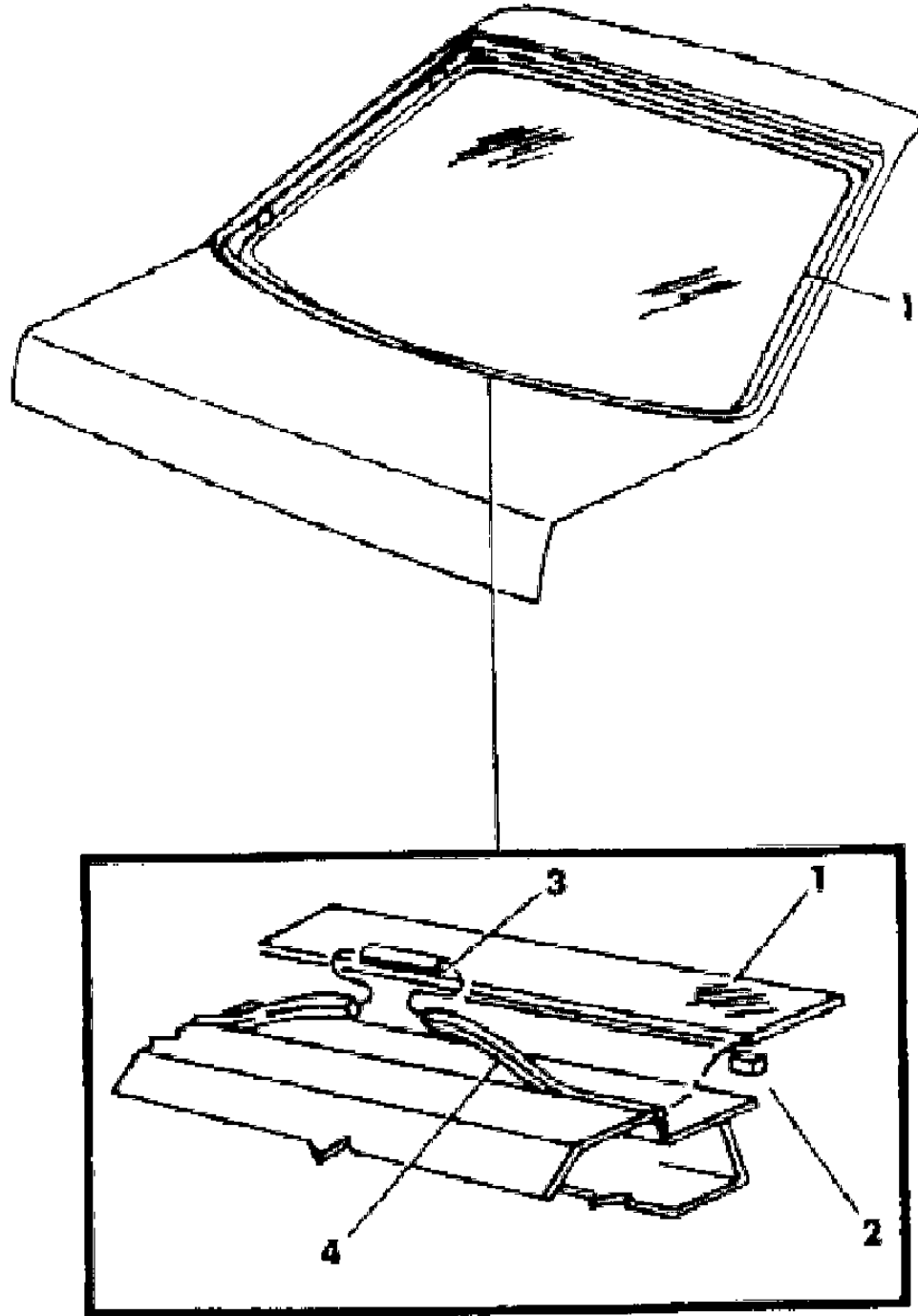
BODY STYLES

12-52 = FWD VAN & WAGON STD. W.B. 27 = 2-DOOR CONVERTIBLE
 13-53 = FWD VAN & WGN EXT W.B. 41 = 4-DOOR SEDAN
 21 = 2-DOOR SEDAN 44 = 4-DOOR HATCHBACK
 24 = 2-DOOR HATCHBACK 45 = 4-DOOR STATION WAGON

AR = Use as Required - = Non Illustrated Part P.A.R. = Paint as Required

GLASS LIFTGATE H BODY 44
Figure 23A-1400

8169 14000



ITEM	PART NUMBER	QTY	BODY	MODEL	DESCRIPTION
1	4396 010	1			GLASS, Liftgate Tinted & Heated Up to 5-1-88
	4415 966	1			After 5-1-88
	4475 982	1			GLASS, Liftgate Tinted & Heated (EUROPEAN)
2		13			SPACER, Liftgate Glass Support Not Serviced
3	4198 929	1			CAP, Liftgate Glass Moulding
4	4365 732	1			MOULDING, Liftgate Glass
	4336 631	1			MOULDING, Liftgate Repair
NOTE: The following items are not shown on illustration. s group.					
PKG A	4267 906	1			REPAIR PACKAGE, Windshield & Rear Window

- Consists of:
- 1- ----- Polyurethane, 11.5 oz.
 - 1- ----- Fence Primer, 1 oz.
 - 1- ----- Glass Wipe-Off Primer, 1 oz.
 - 1- ----- Glass Black-Out Primer, 1 oz.
 - 3- ----- Dabbers
 - 1- ----- Nozzle

MODEL CODES

- | | |
|--|--|
| C BODY = (D41 - DYNASTY)(C41 - NEW YORKER) | L BODY = (M - HORIZON)(Z-OMNI) |
| E BODY = (J - CARAVELLE)(E - 600)(T - NEW YORKER TURBO) | M BODY = (B - GRAN FURY)(G - DIPLOMAT)(F - FIFTH AVENUE/NEWPORT) |
| G BODY = (V24 - DAYTONA, PACIFICA & SHELBY) | P BODY = (P - SUNDANCE)(D - SHADOW) |
| H BODY = (D44 - LANCER)(C44 - LEBARON GTS) | Q BODY = (C27 - MASERATI) |
| J BODY = (C - LEBARON) | S BODY = (H - VOYAGER)(K - RAM VAN/ CARAVAN) |
| K BODY = (P - RELIANT)(D - ARIES)(C - LEBARON/ TOWN & COUNTRY) | |

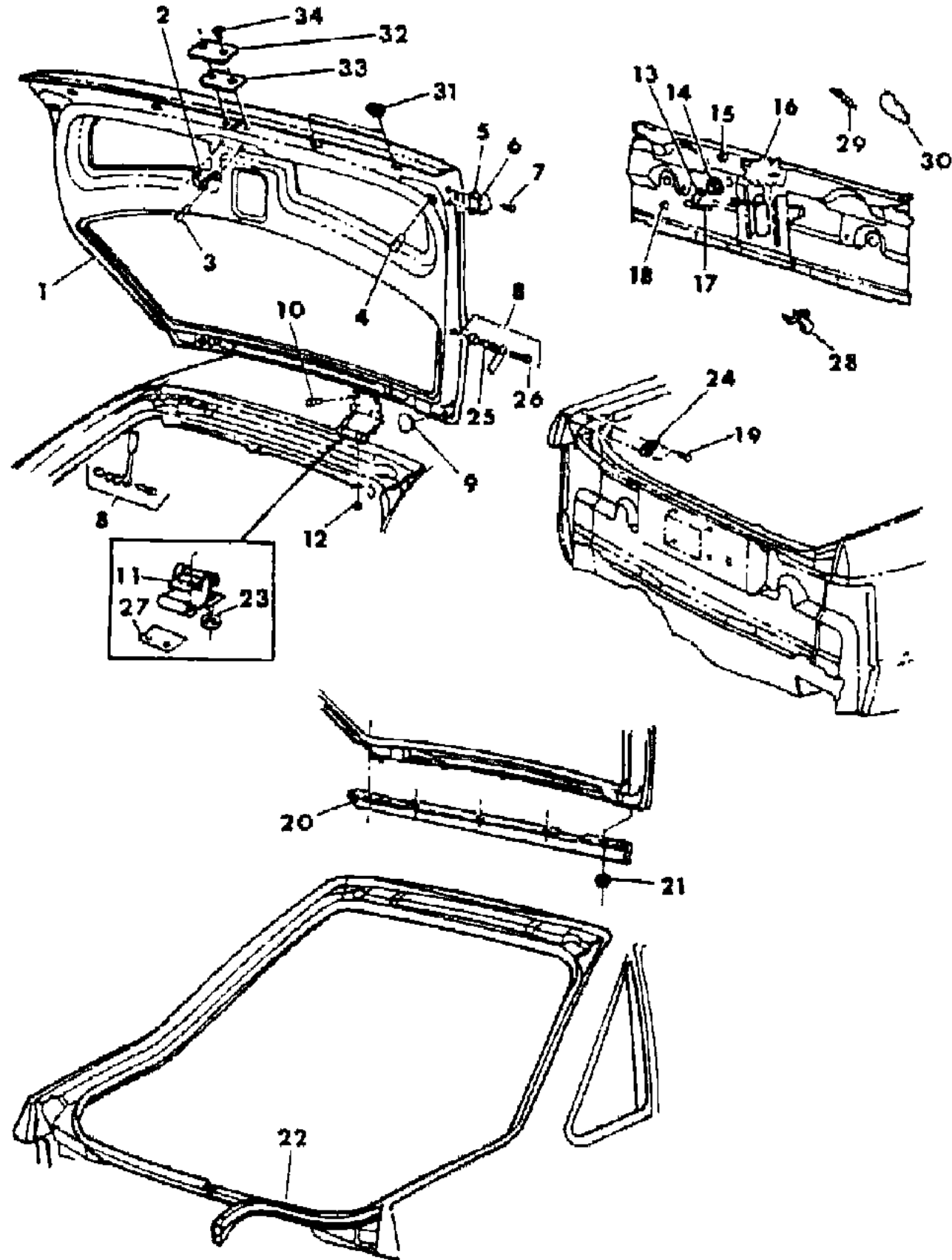
BODY STYLES

- | | |
|-----------------------------------|---------------------------|
| 12-52 = FWD VAN & WAGON STD. W.B. | 27 = 2-DOOR CONVERTIBLE |
| 13-53 = FWD VAN & WGN EXT W.B. | 41 = 4-DOOR SEDAN |
| 21 = 2-DOOR SEDAN | 44 = 4-DOOR HATCHBACK |
| 24 = 2-DOOR HATCHBACK | 45 = 4-DOOR STATION WAGON |

AR = Use as Required - = Non Illustrated Part P.A.R. = Paint as Required

LIFTGATE PANEL H BODY 44
Figure 23A-1410

8169 14100 A



ITEM	PART NUMBER	QTY	BODY	MODEL	DESCRIPTION
1	4365 259	1			PANEL, Liftgate
2	4378 047	1			STRIKER, Liftgate Latch
3	6100 592	2			SCREW and WASHER, Liftgate Latch Striker
4	4336 014	2			BUMPER, Liftgate Inner Panel Adjustable
5	4246 753	AR			SPACER, Liftgate Opening Stabilizer Wedge
6	4378 183	2			WEDGE, Liftgate Opening Stabilizer
7		4			SCREW, Not Serviced
8	G000 4436	2			PROP, Liftgate
9	1774 076	2			PLUG, Liftgate Inner Panel Drain Hole
	2889 843	1			PLUG, Liftgate Drain Trough Rt.
10	6100 275	4			SCREW, w/Washer Liftgate Hinge To Liftgate
11	4378 432-3	1			HINGE, Liftgate
12	6101 444	4			NUT and WASHER, Liftgate Hinge To Body
13	4246 835	1			LEVER, Liftgate Lock Cylinder
14	4054 202	1			NUT, Liftgate Lock Cylinder Mounting
15	6501 569	2			NUT and WASHER, Liftgate Latch
16	4378 242	1			LATCH, Liftgate
17	4246 758	1			LINK, Liftgate Lock Cylinder To Latch
18	6032 107	1			CLIP, Liftgate Lock Cylinder To Latch Link
19		4			SCREW, Not Serviced
20	4310 172	1			WEATHERSTRIP, Liftgate Upper To Roof (Secondary)
21	6025 160	5			RETAINER, Liftgate Secondary Weatherstrip
22	4310 470	1			WEATHERSTRIP, Liftgate Opening
23	4337 900	4			WASHER, Liftgate Hinge To Body Sealing
24	4317 007	2			STRIKER, Liftgate Opening Stabilizer Wedge
25	4246 676	AR			WASHER, Liftgate Prop Clevis
26	6500 183	4			SCREW, Liftgate Prop Mounting
27	4365 796-7	1			GASKET, Liftgate Hinge To Body
28	4378 033	1			CLIP, Liftgate Latch Link
29	4172 592	1			SPRING, Liftgate Latch Paw
30	4378 011	1			COVER, Liftgate Latch Non-Override Lever (Plastic)
31	2895 126	4			PLUG, Liftgate Inner Panel Drain Hole
32	4206 986	1			GASKET
33	4206 995	1			PLATE
34		2			SCREW, Not Serviced

MODEL CODES

C BODY = (D41 - DYNASTY)(C41 - NEW YORKER)
 E BODY = (J - CARAVELLE)(E - 600)(T - NEW YORKER TURBO)
 G BODY = (V24 - DAYTONA, PACIFICA & SHELBY)
 H BODY = (D44 - LANCER)(C44 - LEBARON GTS)
 J BODY = (C - LEBARON)
 K BODY = (P - RELIANT)(D - ARIES)(C - LEBARON/ TOWN & COUNTRY)

L BODY = (M - HORIZON)(Z-OMNI)
 M BODY = (B - GRAN FURY)(G - DIPLOMAT)(F - FIFTH AVENUE/NEWPORT)
 P BODY = (P - SUNDANCE)(D - SHADOW)
 Q BODY = (C27 - MASERATI)
 S BODY = (H - VOYAGER)(K - RAM VAN/ CARAVAN)

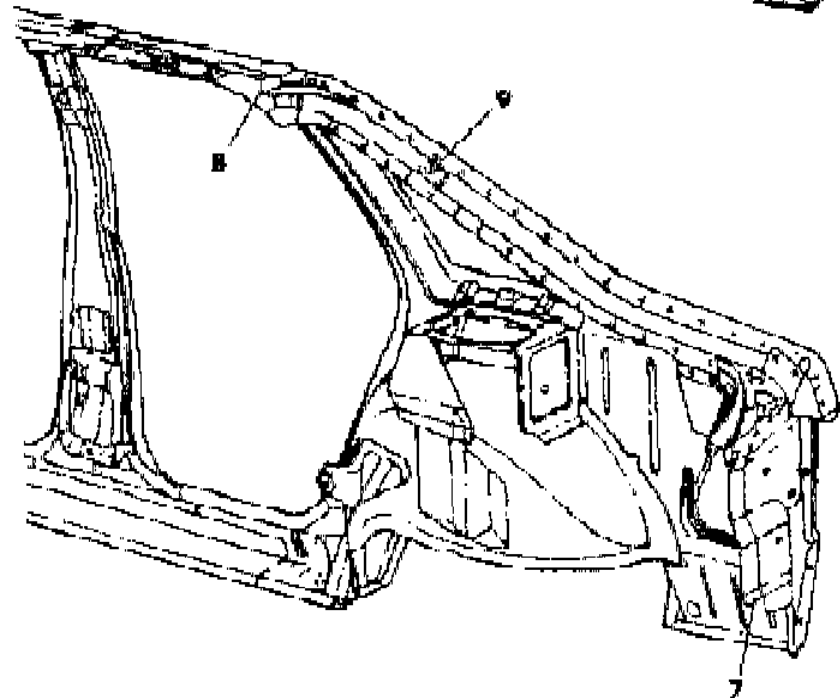
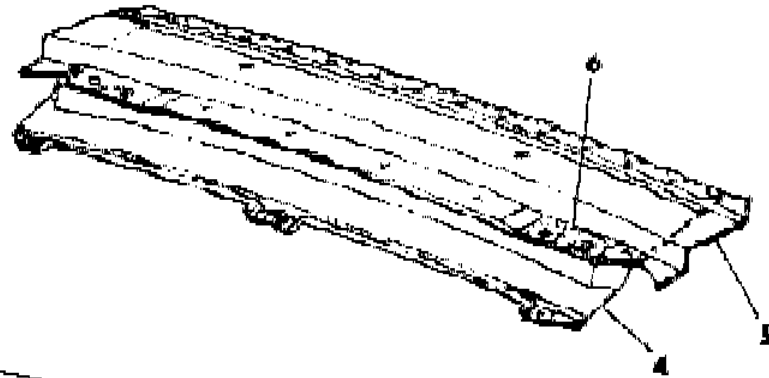
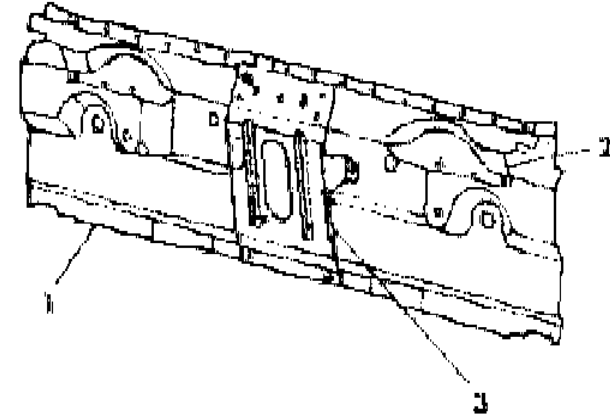
BODY STYLES

12-52 = FWD VAN & WAGON STD. W.B. 27 = 2-DOOR CONVERTIBLE
 13-53 = FWD VAN & WGN EXT W.B. 41 = 4-DOOR SEDAN
 21 = 2-DOOR SEDAN 44 = 4-DOOR HATCHBACK
 24 = 2-DOOR HATCHBACK 45 = 4-DOOR STATION WAGON

AR = Use as Required - = Non Illustrated Part P.A.R. = Paint as Required

LIFTGATE OPENING PANEL H BODY 44
Figure 23A-1420

B169 14200



ITEM	PART NUMBER	QTY	BODY	MODEL	DESCRIPTION
1	4278 896	1			PANEL, Liftgate Opening Lower
2	4278 897	1			REINFORCEMENT, Liftgate Opening Lower Panel
3	4314 024	1			SUPPORT, Liftgate Opening Lower Panel Latch
4	4314 004	1			FRAME, Liftgate Opening Upper
5	4314 005	1			REINFORCEMENT, Liftgate Opening Upper Frame
6	4314 002	2			REINFORCEMENT, Liftgate Opening Upper Frame Hinge Mounting
7	4314 018-9	1			EXTENSION, Liftgate Opening Lower Panel Lower
8	4371 120-1	1			TROUGH, Body Side Aperture Liftgate Drain
9	4336 398	2			REINFORCEMENT, Liftgate Trough Prop Attach.

MODEL CODES

C BODY = (D41 - DYNASTY)(C41 - NEW YORKER)
 E BODY = (J - CARAVELLE)(E - 600)(T - NEW YORKER TURBO)
 G BODY = (V24 - DAYTONA, PACIFICA & SHELBY)
 H BODY = (D44 - LANCER)(C44 - LEBARON GTS)
 J BODY = (C - LEBARON)
 K BODY = (P - RELIANT)(D - ARIES)(C - LEBARON/ TOWN & COUNTRY)
 L BODY = (M - HORIZON)(Z-OMNI)
 M BODY = (B - GRAN FURY)(G - DIPLOMAT)(F - FIFTH AVENUE/NEWPORT)
 P BODY = (P - SUNDANCE)(D - SHADOW)
 Q BODY = (C27 - MASERATI)
 S BODY = (H - VOYAGER)(K - RAM VAN/ CARAVAN)

BODY STYLES

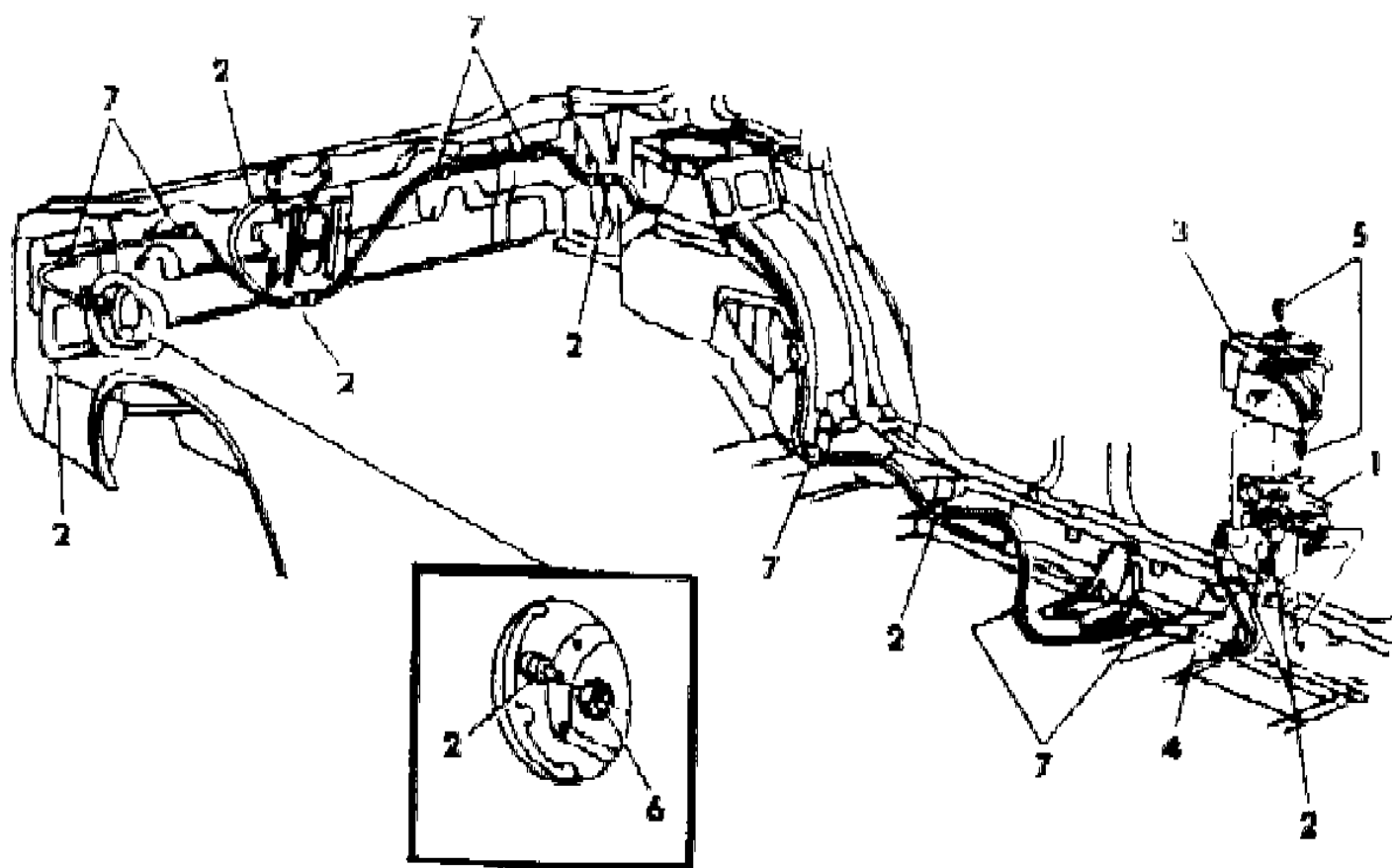
12-52 = FWD VAN & WAGON STD. W.B. 27 = 2-DOOR CONVERTIBLE
 13-53 = FWD VAN & WGN EXT W.B. 41 = 4-DOOR SEDAN
 21 = 2-DOOR SEDAN 44 = 4-DOOR HATCHBACK
 24 = 2-DOOR HATCHBACK 45 = 4-DOOR STATION WAGON

AR = Use as Required - = Non Illustrated Part P.A.R. = Paint as Required

FUEL FILLER AND LIFTGATE REMOTE RELEASE H BODY 44

Figure 23A-1430

8169 14300



ITEM	PART NUMBER	QTY	BODY	MODEL	DESCRIPTION
1	4371 488	1			HANDLE, Fuel Filler and Liftgate Remote Release
2	4337 384	1			CABLE, Fuel Filler & Liftgate Remote Release (Includes Auxilliary Release Cable)
3					COVER, Fuel Filler and Liftgate Remote Release Handle
	S990 GL7	1			Taupe
	S990 FC5	1			Blue
	S990 DS8	1			Charcoal
	S990 GR8	1			Red
4	4371 202	1			CONDUIT, Fuel Filler & Liftgate Remote Release Cable
5	6032 456	5			SCREW
6		1			NUT, M12 x 1.75" Not Serviced
7		AR			CLIP, Not Serviced

MODEL CODES

C BODY = (D41 - DYNASTY)(C41 - NEW YORKER)
 E BODY = (J - CARAVELLE)(E - 600)(T - NEW YORKER TURBO)
 G BODY = (V24 - DAYTONA, PACIFICA & SHELBY)
 H BODY = (D44 - LANCER)(C44 - LEBARON GTS)
 J BODY = (C - LEBARON)
 K BODY = (P - RELIANT)(D - ARIES)(C - LEBARON/ TOWN & COUNTRY)
 L BODY = (M - HORIZON)(Z-OMNI)
 M BODY = (B - GRAN FURY)(G - DIPLOMAT)(F - FIFTH AVENUE/NEWPORT)
 P BODY = (P - SUNDANCE)(D - SHADOW)
 Q BODY = (C27 - MASERATI)
 S BODY = (H - VOYAGER)(K - RAM VAN/ CARAVAN)

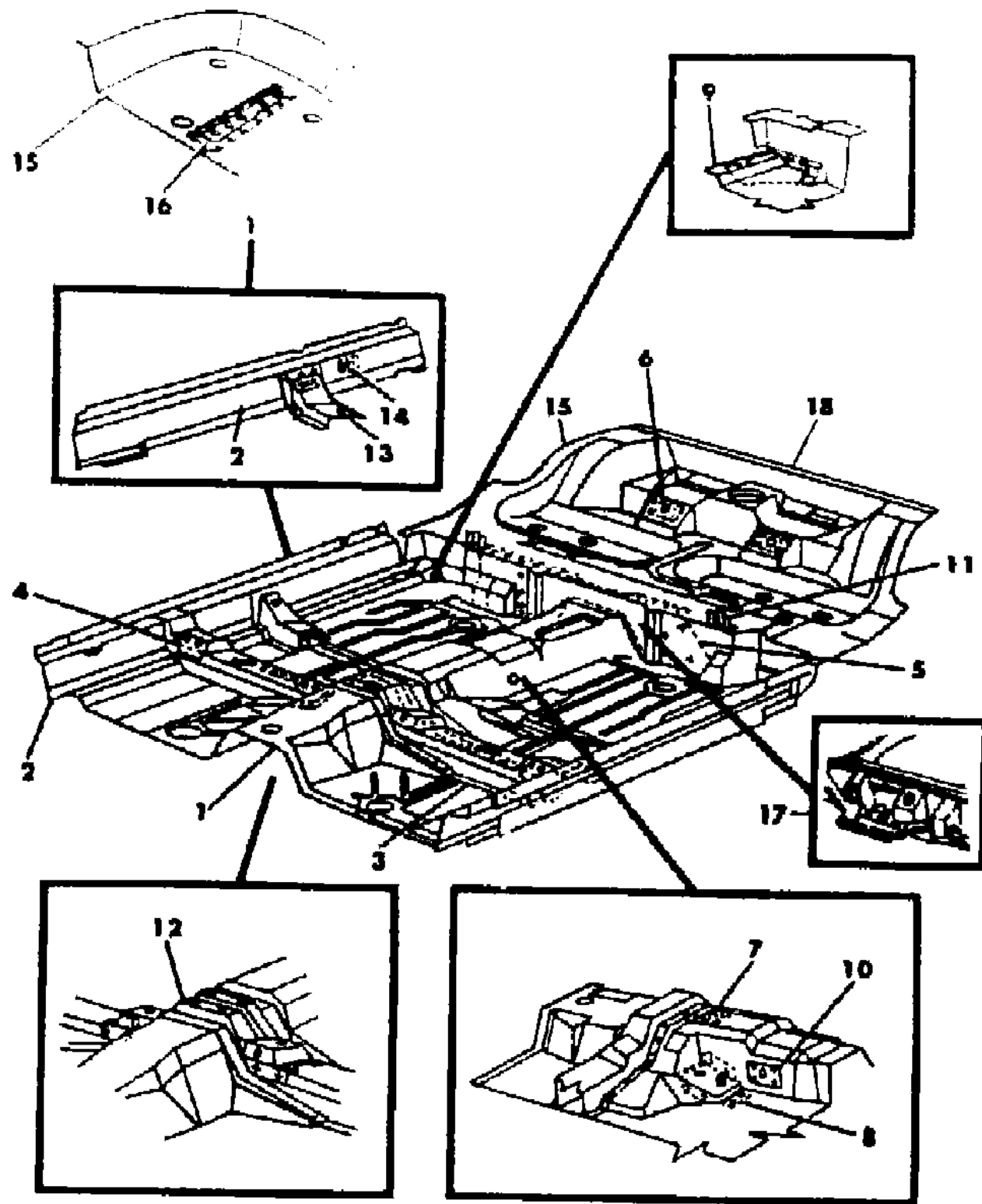
BODY STYLES

12-52 = FWD VAN & WAGON STD. W.B. 27 = 2-DOOR CONVERTIBLE
 13-53 = FWD VAN & WGN EXT W.B. 41 = 4-DOOR SEDAN
 21 = 2-DOOR SEDAN 44 = 4-DOOR HATCHBACK
 24 = 2-DOOR HATCHBACK 45 = 4-DOOR STATION WAGON

AR = Use as Required - = Non Illustrated Part P.A.R. = Paint as Required

FLOOR PAN C BODY
Figure 23A-1440

8169 14400



ITEM	PART NUMBER	QTY	BODY	MODEL	DESCRIPTION
1	4475 216	1			PAN, Front Floor
2	4475 488-9	1			PANEL, Body Side Sill Inner
3	4475 307	1			CROSSMEMBER, Front Floor Pan
4	4416 915	2			REINFORCEMENT, Floor Pan Front Seat
5	4416 135	1			PLATE, Front Floor Pan Fuel Tank Hanger
6	4314 260	2			REINFORCEMENT, Front Floor Pan Rear Seat Belt Anchor Inner
7	4416 060	1			BRACKET, Front Floor Pan Park Brake Guide
8	4371 816-7	1			REINFORCEMENT, Front Floor Pan Front Seat Rear Inner
9	4475 220-1	1			BRACKET, Front Floor Pan Lift Hoisting
10	4314 260	2			REINFORCEMENT, Front Floor Pan Front Seat Belt Inner
11	4206 904	2			REINFORCEMENT, Front Floor Pan Rear Seat Cushion
12		1			REINFORCEMENT, Front Floor Pan Serviced In Item # 3
13	4371 812-3	1			REINFORCEMENT, Front Floor Pan Front Seat Rear Qtr.
14		2			REINFORCEMENT, Front Seat Belt Qtr. Anchor Not Serviced
15	4371 932	1			PAN, Rear Floor
16	4206 247	1			BRACKET, Rear Floor Pan
17	4314 256	2			REINFORCEMENT, Front Floor Pan Fuel Tank Strap
18	4475 160	1			CROSSMEMBER, Rear Floor Pan

MODEL CODES

C BODY = (D41 - DYNASTY)(C41 - NEW YORKER)
 E BODY = (J - CARAVELLE)(E - 600)(T - NEW YORKER TURBO)
 G BODY = (V24 - DAYTONA, PACIFICA & SHELBY)
 H BODY = (D44 - LANCER)(C44 - LEBARON GTS)
 J BODY = (C - LEBARON)
 K BODY = (P - RELIANT)(D - ARIES)(C - LEBARON/ TOWN & COUNTRY)
 L BODY = (M - HORIZON)(Z-OMNI)
 M BODY = (B - GRAN FURY)(G - DIPLOMAT)(F - FIFTH AVENUE/NEWPORT)
 P BODY = (P - SUNDANCE)(D - SHADOW)
 Q BODY = (C27 - MASERATI)
 S BODY = (H - VOYAGER)(K - RAM VAN/ CARAVAN)

BODY STYLES

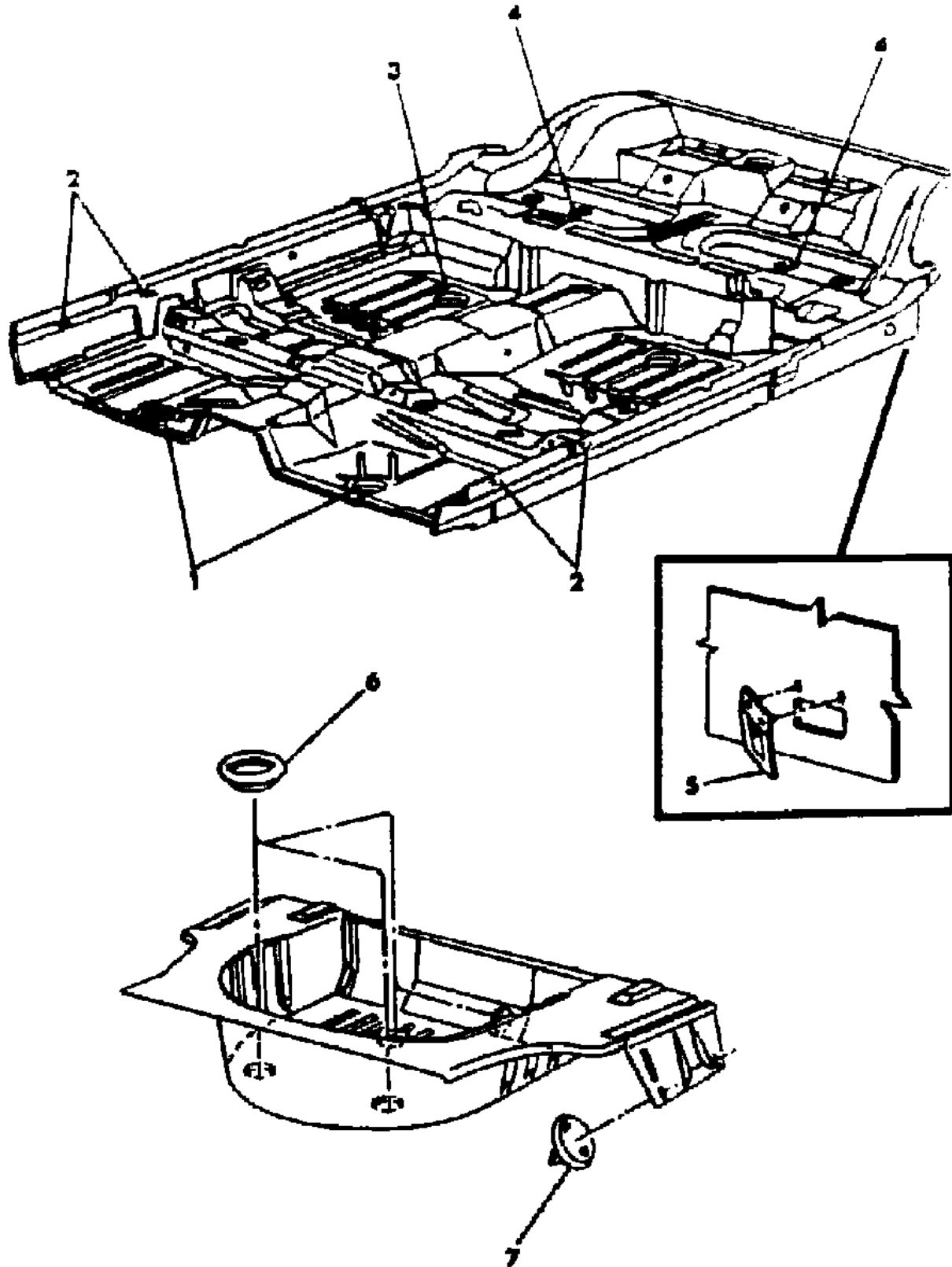
12-52 = FWD VAN & WAGON STD. W.B. 27 = 2-DOOR CONVERTIBLE
 13-53 = FWD VAN & WGN EXT W.B. 41 = 4-DOOR SEDAN
 21 = 2-DOOR SEDAN 44 = 4-DOOR HATCHBACK
 24 = 2-DOOR HATCHBACK 45 = 4-DOOR STATION WAGON

AR = Use as Required - = Non Illustrated Part P.A.R. = Paint as Required

FLOOR PAN PLUGS C BODY
Figure 23A-1450

8169 14500

ITEM	PART NUMBER	QTY	BODY	MODEL	DESCRIPTION
1	5200 456	2			PLUG, 2.75 Dia.
2	2860 332	4			PLUG, 0.75 Dia.
3	2424 864	2			PLUG, 1.75 Dia.
4	4073 475	2			PLUG, 1.50 Dia.
5	3794 032	2			SEAL, Side Sill Inner
6	6030 773	4			PLUG, 57.2mm
7		4			PLUG, Not Serviced



MODEL CODES

C BODY = (D41 - DYNASTY)(C41 - NEW YORKER)
 E BODY = (J - CARAVELLE)(E - 600)(T - NEW YORKER TURBO)
 G BODY = (V24 - DAYTONA, PACIFICA & SHELBY)
 H BODY = (D44 - LANCER)(C44 - LEBARON GTS)
 J BODY = (C - LEBARON)
 K BODY = (P - RELIANT)(D - ARIES)(C - LEBARON/ TOWN & COUNTRY)

L BODY = (M - HORIZON)(Z-OMNI)
 M BODY = (B - GRAN FURY)(G - DIPLOMAT)(F - FIFTH AVENUE/NEWPORT)
 P BODY = (P - SUNDANCE)(D - SHADOW)
 Q BODY = (C27 - MASERATI)
 S BODY = (H - VOYAGER)(K - RAM VAN/ CARAVAN)

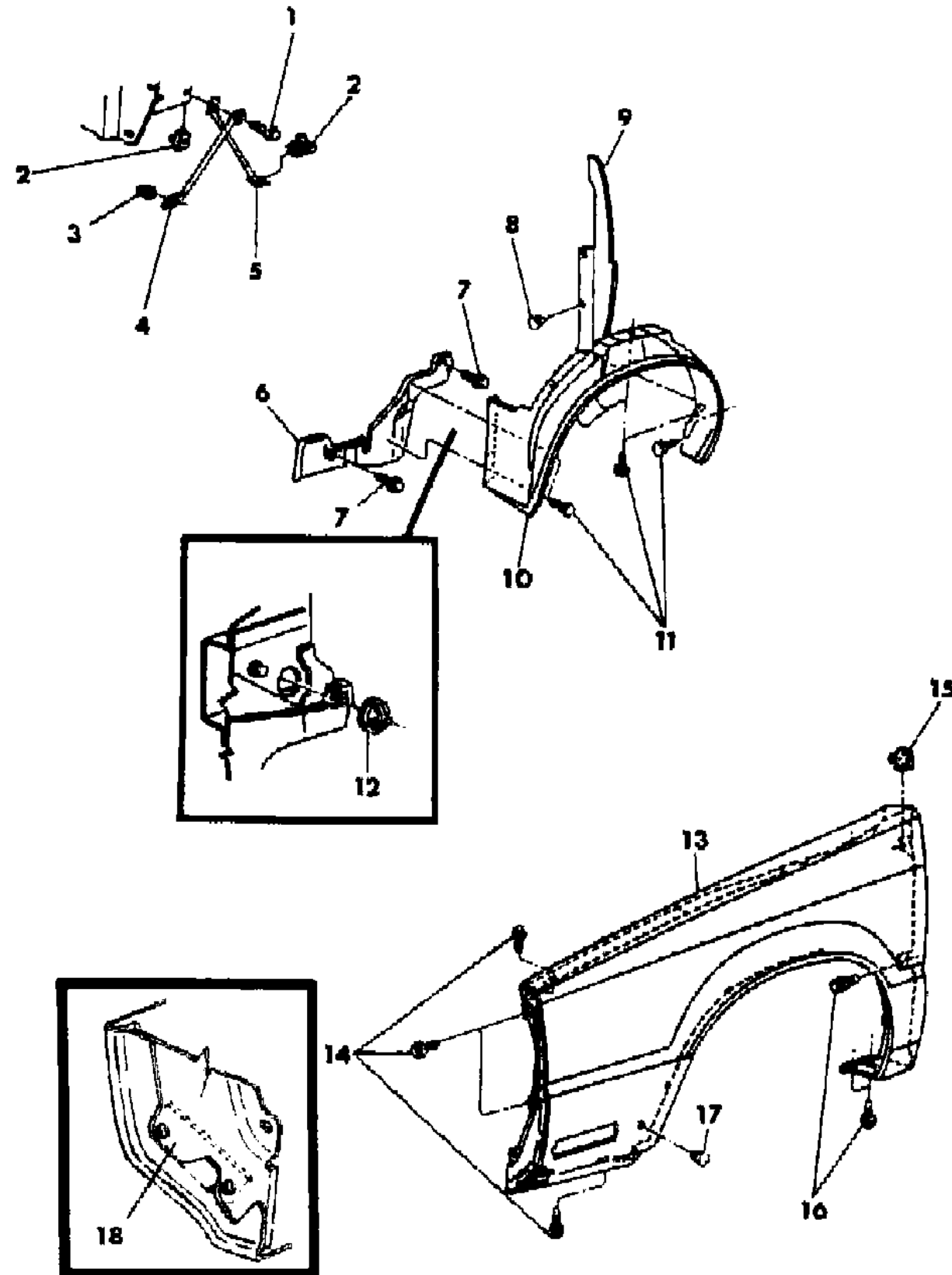
BODY STYLES

12-52 = FWD VAN & WAGON STD. W.B. 27 = 2-DOOR CONVERTIBLE
 13-53 = FWD VAN & WGN EXT W.B. 41 = 4-DOOR SEDAN
 21 = 2-DOOR SEDAN 44 = 4-DOOR HATCHBACK
 24 = 2-DOOR HATCHBACK 45 = 4-DOOR STATION WAGON

AR = Use as Required - = Non Illustrated Part P.A.R. = Paint as Required

FENDER AND SHIELD C BODY
Figure 23A-1460

8169 14600 A



ITEM	PART NUMBER	QTY	BODY	MODEL	DESCRIPTION
1	6100 568	AR			SCREW and WASHER
2	6100 041	AR			U-NUT
3	6500 284	2			NUT
4	4440 884-5	1		D	BRACE, Front Fender To Shield
5	4386 648	2			BRACE, Fender
6	4386 555	1			SHIELD, Trans. Lt.
7		AR			SCREW and WASHER, Not Serviced
8	4341 060-1	6			FASTENER
9		2			BAFFLE, Body Front Not Serviced
10	4386 576-7	1			SHIELD, Fender w/House Splash
11	6030 441	26			RETAINER
12	4341 376	1			PLUG, Front Fender Panel Lt.
13	4411 928-9	1			FENDER
14	6501 501	9			SCREW and WASHER
15	6100 568	AR			SCREW and WASHER
16		AR			SCREW and WASHER, Not Serviced
17	6029 939	4			PLUG
18	4440 882	2			BRACKET, Fender Reinforcement To Side

MODEL CODES

C BODY = (D41 - DYNASTY)(C41 - NEW YORKER)
 E BODY = (J - CARAVELLE)(E - 600)(T - NEW YORKER TURBO)
 G BODY = (V24 - DAYTONA, PACIFICA & SHELBY)
 H BODY = (D44 - LANCER)(C44 - LEBARON GTS)
 J BODY = (C - LEBARON)
 K BODY = (P - RELIANT)(D - ARIES)(C - LEBARON/ TOWN & COUNTRY)
 L BODY = (M - HORIZON)(Z-OMNI)
 M BODY = (B - GRAN FURY)(G - DIPLOMAT)(F - FIFTH AVENUE/NEWPORT)
 P BODY = (P - SUNDANCE)(D - SHADOW)
 Q BODY = (C27 - MASERATI)
 S BODY = (H - VOYAGER)(K - RAM VAN/ CARAVAN)

BODY STYLES

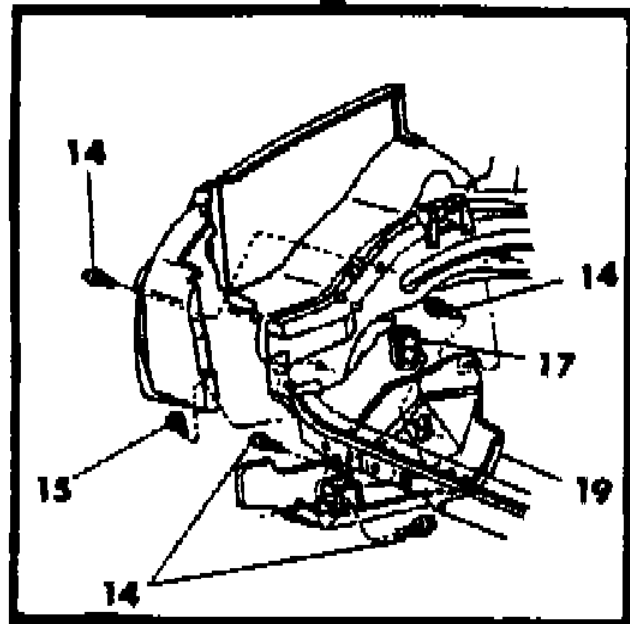
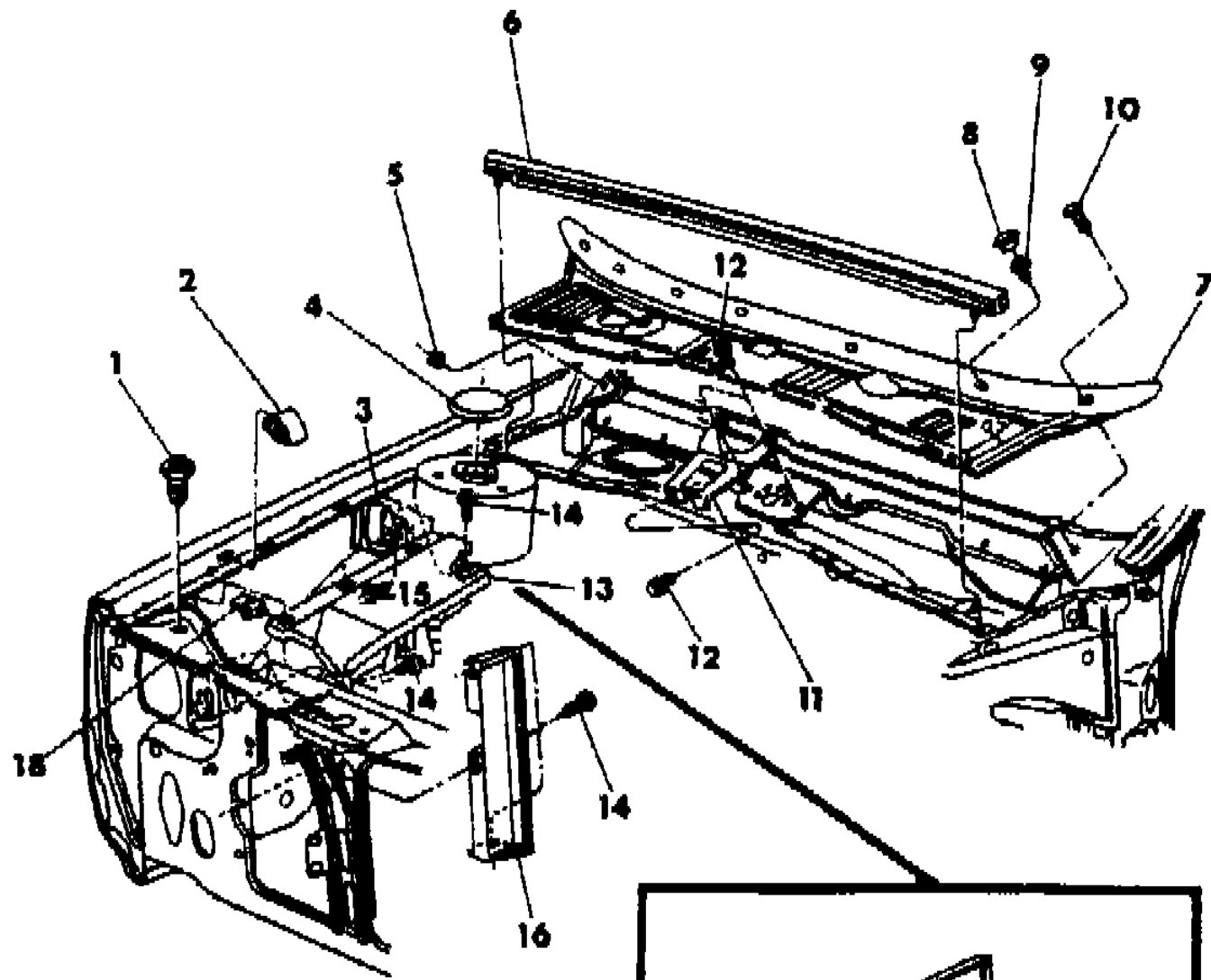
12-52 = FWD VAN & WAGON STD. W.B. 27 = 2-DOOR CONVERTIBLE
 13-53 = FWD VAN & WGN EXT W.B. 41 = 4-DOOR SEDAN
 21 = 2-DOOR SEDAN 44 = 4-DOOR HATCHBACK
 24 = 2-DOOR HATCHBACK 45 = 4-DOOR STATION WAGON

AR = Use as Required - = Non Illustrated Part P.A.R. = Paint as Required

COWL SCREEN AND ENGINE SHIELD C BODY

Figure 23A-1470

8169 14700 A



ITEM	PART NUMBER	QTY	BODY	MODEL	DESCRIPTION
1	4103 165	2			BUMPER, Crossmember
2	4103 968	2			BUMPER, Fender Hood Up To 1-4-88
	4490 165	2			After 1-4-88
3					SUPPORT, Appearance Shield To Iso-Tower, Not Serviced
4	4440 646	2			CAP, Iso-Strut
5		2			PLUG, Not Serviced
6	4416 779	1			SEAL, Dash Panel To Hood
7	4416 822	1			SCREEN, Cowl Top
8	6501 152	5			PLUG
9		AR			SCREW and WASHER, Not Serviced
10	6501 387	2			PIN, Cowl Top Screen
11	4371 136	1			SUPPORT, Cowl Top To Dash Panel Wiper
12	6501 501	3			SCREW and WASHER
13					SHIELD, Engine Compartment Appearance, Not Serviced
14		AR			SCREW and WASHER, Not Serviced
15		26			RETAINER, 6031441 Not serviced
16	4440 014	1			SHIELD, Closure Panel Rt.
17	2811 825	1			PLUG, Right Side
18	6100 041	5			U-NUT
19	4386 554	1			SHIELD, Pulley Splash

MODEL CODES

C BODY = (D41 - DYNASTY)(C41 - NEW YORKER)
 E BODY = (J - CARAVELLE)(E - 600)(T - NEW YORKER TURBO)
 G BODY = (V24 - DAYTONA, PACIFICA & SHELBY)
 H BODY = (D44 - LANCER)(C44 - LEBARON GTS)
 J BODY = (C - LEBARON)
 K BODY = (P - RELIANT)(D - ARIES)(C - LEBARON/ TOWN & COUNTRY)

L BODY = (M - HORIZON)(Z-OMNI)
 M BODY = (B - GRAN FURY)(G - DIPLOMAT)(F - FIFTH AVENUE/NEWPORT)
 P BODY = (P - SUNDANCE)(D - SHADOW)
 Q BODY = (C27 - MASERATI)
 S BODY = (H - VOYAGER)(K - RAM VAN/ CARAVAN)

BODY STYLES

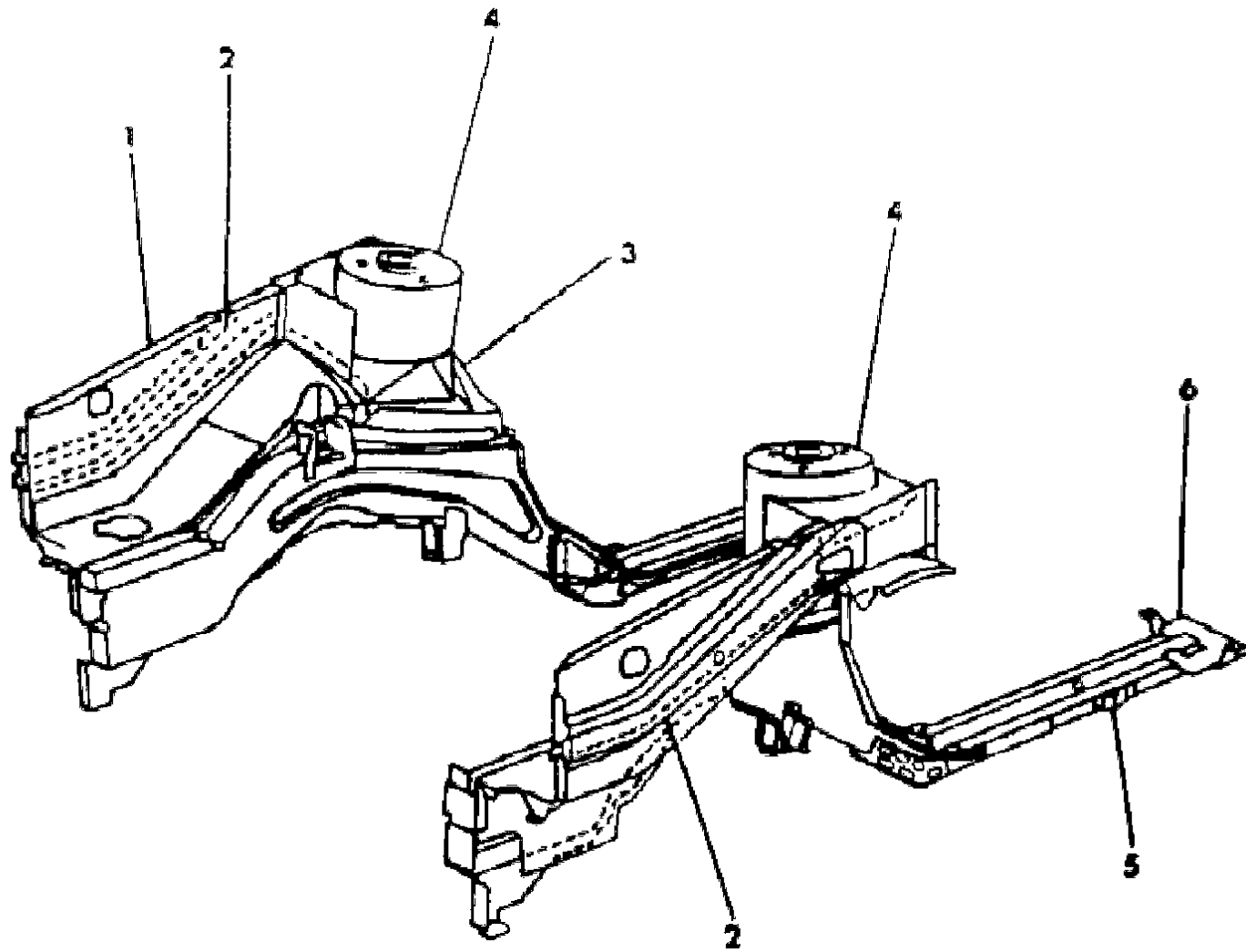
12-52 = FWD VAN & WAGON STD. W.B. 27 = 2-DOOR CONVERTIBLE
 13-53 = FWD VAN & WGN EXT W.B. 41 = 4-DOOR SEDAN
 21 = 2-DOOR SEDAN 44 = 4-DOOR HATCHBACK
 24 = 2-DOOR HATCHBACK 45 = 4-DOOR STATION WAGON

AR = Use as Required - = Non Illustrated Part P.A.R. = Paint as Required

TOWER AND SHIELD C BODY
Figure 23A-1480

8169 14800

ITEM	PART NUMBER	QTY	BODY	MODEL	DESCRIPTION
1					SHIELD, Front Fender Panel
	4386 362	1			Right
	4386 873	1			Left
2	4386 582-3	1			BEAM, Front Fender Shield To Front Hanger
3	4440 934-5	1			EXTENSION, Iso-Strut Tower To Dash
4	4440 850-1	1			TOWER, Iso-Strut
5	4296 417	1			BRACKET, Side Rail Rear Bracket Cable
6	4475 744-5	1			SHIELD, Front Floor Pan Fuel Line



MODEL CODES

C BODY = (D41 - DYNASTY)(C41 - NEW YORKER)
 E BODY = (J - CARAVELLE)(E - 600)(T - NEW YORKER TURBO)
 G BODY = (V24 - DAYTONA, PACIFICA & SHELBY)
 H BODY = (D44 - LANCER)(C44 - LEBARON GTS)
 J BODY = (C - LEBARON)
 K BODY = (P - RELIANT)(D - ARIES)(C - LEBARON/ TOWN & COUNTRY)

L BODY = (M - HORIZON)(Z-OMNI)
 M BODY = (B - GRAN FURY)(G - DIPLOMAT)(F - FIFTH AVENUE/NEWPORT)
 P BODY = (P - SUNDANCE)(D - SHADOW)
 Q BODY = (C27 - MASERATI)
 S BODY = (H - VOYAGER)(K - RAM VAN/ CARAVAN)

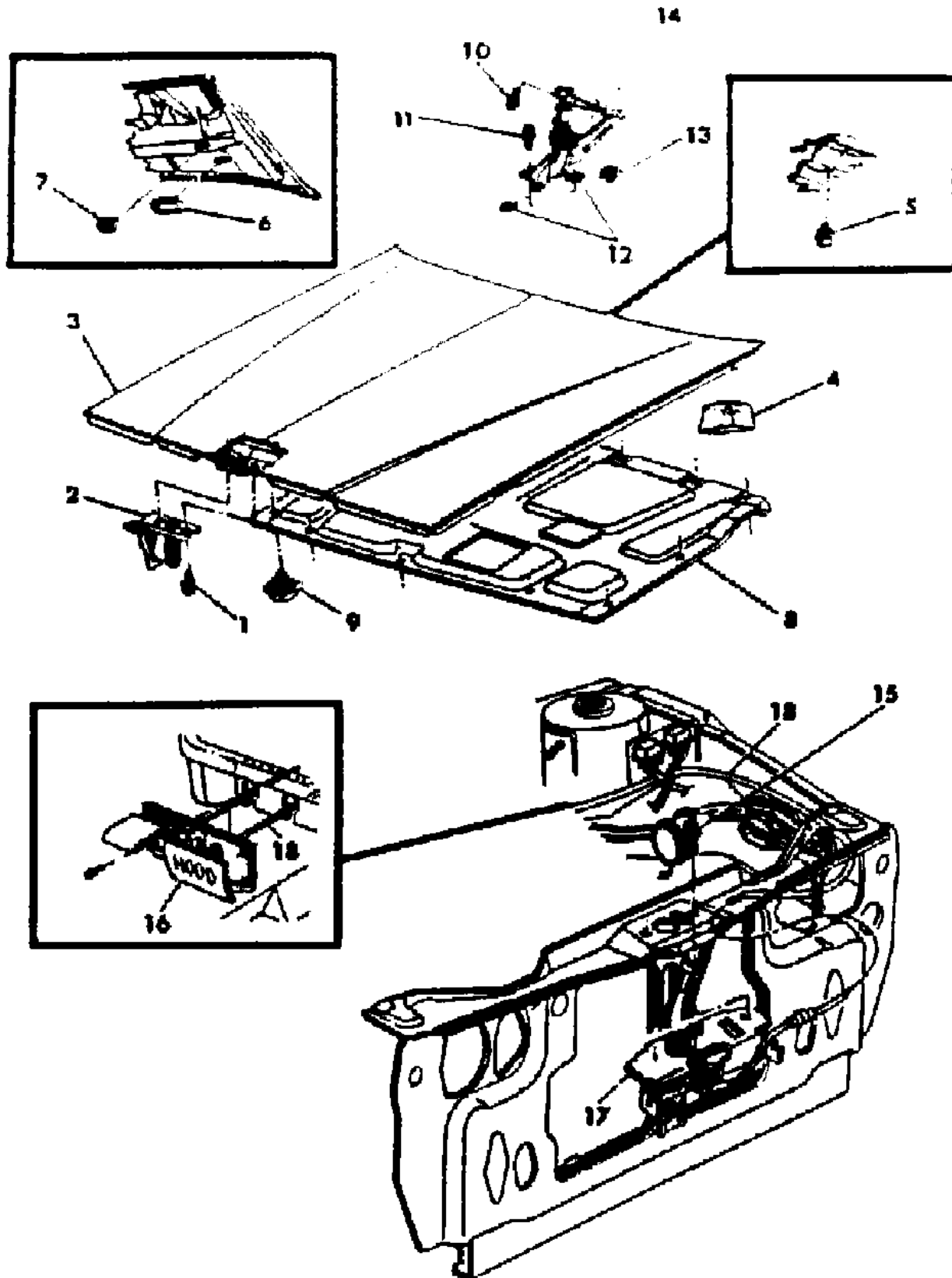
BODY STYLES

12-52 = FWD VAN & WAGON STD. W.B. 27 = 2-DOOR CONVERTIBLE
 13-53 = FWD VAN & WGN EXT W.B. 41 = 4-DOOR SEDAN
 21 = 2-DOOR SEDAN 44 = 4-DOOR HATCHBACK
 24 = 2-DOOR HATCHBACK 45 = 4-DOOR STATION WAGON

AR = Use as Required - = Non Illustrated Part P.A.R. = Paint as Required

HOOD AND HOOD RELEASE C BODY
Figure 23A-1490

8169 14900



ITEM	PART NUMBER	QTY	BODY	MODEL	DESCRIPTION
1	6501 501	2			SCREW and WASHER
2	4341 891	1			STRIKER and CATCH, (Safety)
3	4386 482	1			HOOD
4	4341 675	2			SEAL, Hood Panel To Fender
5	4206 515	1			PLUG, Drain Hole
6	2895 126	2			PLUG
7		3			PLUG, Hood Inner Not Serviced
8	4386 236	1			SILENCER
9	4341 060	14			FASTENER
10		4			SCREW and WASHER, Not Serviced
11	6101 371	2			SCREW and WASHER
12	4341 468	AR			SHIM
13	6100 041	AR			U-NUT
14	4386 224-5	1			HINGE
15		2			SCREW and WASHER, Not Serviced
16		1			HANDLE ASSEMBLY
	P400 DS8				Charcoal
	P400 FC5				Blue
	P400 GR8				Red
	P400 GL7				Taupe
17	4296 593	1			LATCH
-	4386 897	1			REINFORCEMENT, Crossmember Radiator Closure and Hood Latch
18	4386 237	1			CABLE, Hood Latch Release

MODEL CODES
 C BODY = (D41 - DYNASTY)(C41 - NEW YORKER)
 E BODY = (J - CARAVELLE)(E - 600)(T - NEW YORKER TURBO)
 G BODY = (V24 - DAYTONA, PACIFICA & SHELBY)
 H BODY = (D44 - LANCER)(C44 - LEBARON GTS)
 J BODY = (C - LEBARON)
 K BODY = (P - RELIANT)(D - ARIES)(C - LEBARON/ TOWN & COUNTRY)
 L BODY = (M - HORIZON)(Z-OMNI)
 M BODY = (B - GRAN FURY)(G - DIPLOMAT)(F - FIFTH AVENUE/NEWPORT)
 P BODY = (P - SUNDANCE)(D - SHADOW)
 Q BODY = (C27 - MASERATI)
 S BODY = (H - VOYAGER)(K - RAM VAN/ CARAVAN)

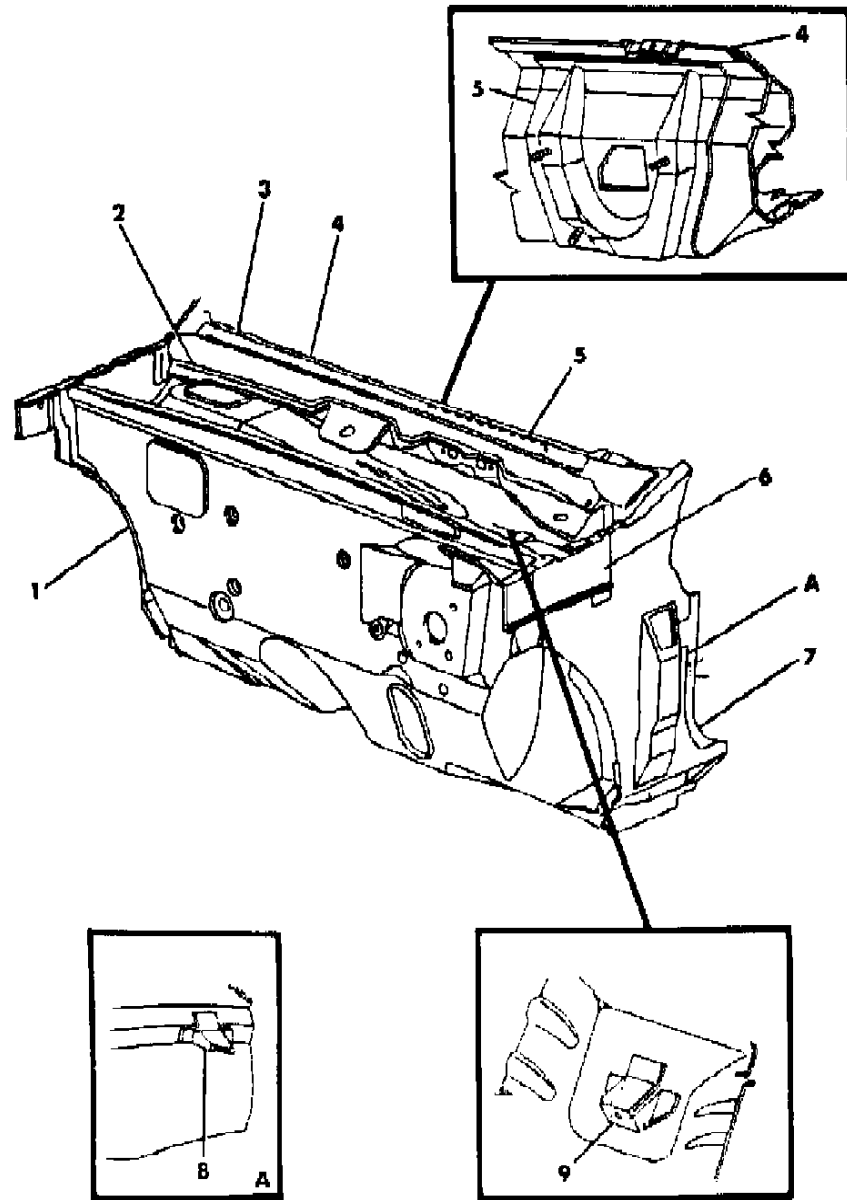
BODY STYLES
 12-52 = FWD VAN & WAGON STD. W.B. 27 = 2-DOOR CONVERTIBLE
 13-53 = FWD VAN & WGN EXT W.B. 41 = 4-DOOR SEDAN
 21 = 2-DOOR SEDAN 44 = 4-DOOR HATCHBACK
 24 = 2-DOOR HATCHBACK 45 = 4-DOOR STATION WAGON

AR = Use as Required - = Non Illustrated Part P.A.R. = Paint as Required

COWL AND DASH PANEL C BODY

Figure 23A-1500

8169 15000 A



ITEM	PART NUMBER	QTY	BODY	MODEL	DESCRIPTION
1	4416 411	1			PANEL, Dash
2	4416 645	1			SUPPORT, Cowl Top Screen
3	4371 332	1			REINFORCEMENT, Cowl Plenum Panel
4	4416 311	1			PANEL, Plenum Cowl
5	4278 979	1			SUPPORT, Cowl Plenum Panel Strg. Bracket
6	4314 546-7	1			REINFORCEMENT, Cowl Side Panel Hood Hinge
7	4416 458-9	1			PANEL, Cowl Side
8	4206 641	1			BRACKET, Dash Panel To Plenum Panel To Brace Lt.
9	4337 249	1			BRACKET, Cowl Plenum Lower w/s Wiper Motor

MODEL CODES

C BODY = (D41 - DYNASTY)(C41 - NEW YORKER)
 E BODY = (J - CARAVELLE)(E - 600)(T - NEW YORKER TURBO)
 G BODY = (V24 - DAYTONA, PACIFICA & SHELBY)
 H BODY = (D44 - LANCER)(C44 - LEBARON GTS)
 J BODY = (C - LEBARON)
 K BODY = (P - RELIANT)(D - ARIES)(C - LEBARON/ TOWN & COUNTRY)

L BODY = (M - HORIZON)(Z-OMNI)
 M BODY = (B - GRAN FURY)(G - DIPLOMAT)(F - FIFTH AVENUE/NEWPORT)
 P BODY = (P - SUNDANCE)(D - SHADOW)
 Q BODY = (C27 - MASERATI)
 S BODY = (H - VOYAGER)(K - RAM VAN/ CARAVAN)

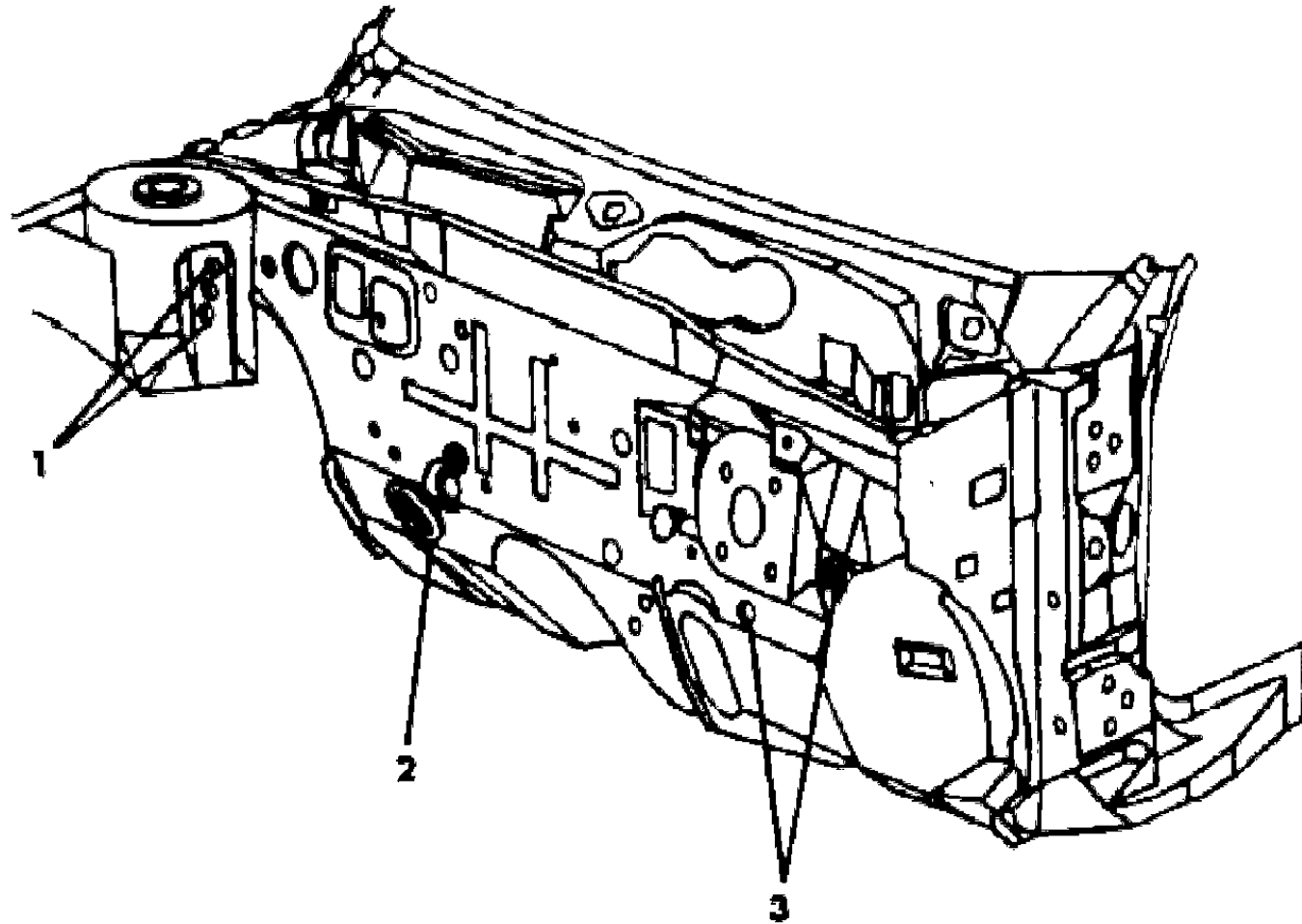
BODY STYLES

12-52 = FWD VAN & WAGON STD. W.B. 27 = 2-DOOR CONVERTIBLE
 13-53 = FWD VAN & WGN EXT W.B. 41 = 4-DOOR SEDAN
 21 = 2-DOOR SEDAN 44 = 4-DOOR HATCHBACK
 24 = 2-DOOR HATCHBACK 45 = 4-DOOR STATION WAGON

AR = Use as Required - = Non Illustrated Part P.A.R. = Paint as Required

DASH PANEL PLUGS C BODY
Figure 23A-1510

8169 15100



ITEM	PART NUMBER	QTY	BODY	MODEL	DESCRIPTION
1	4386 178	4			PLUG
2	5200 456	1			PLUG
3	3445 939	AR			PLUG

MODEL CODES

C BODY = (D41 - DYNASTY)(C41 - NEW YORKER)	L BODY = (M - HORIZON)(Z-OMNI)
E BODY = (J - CARAVELLE)(E - 600)(T - NEW YORKER TURBO)	M BODY = (B - GRAN FURY)(G - DIPLOMAT)(F - FIFTH AVENUE/NEWPORT)
G BODY = (V24 - DAYTONA, PACIFICA & SHELBY)	P BODY = (P - SUNDANCE)(D - SHADOW)
H BODY = (D44 - LANCER)(C44 - LEBARON GTS)	Q BODY = (C27 - MASERATI)
J BODY = (C - LEBARON)	S BODY = (H - VOYAGER)(K - RAM VAN/ CARAVAN)
K BODY = (P - RELIANT)(D - ARIES)(C - LEBARON/ TOWN & COUNTRY)	

BODY STYLES

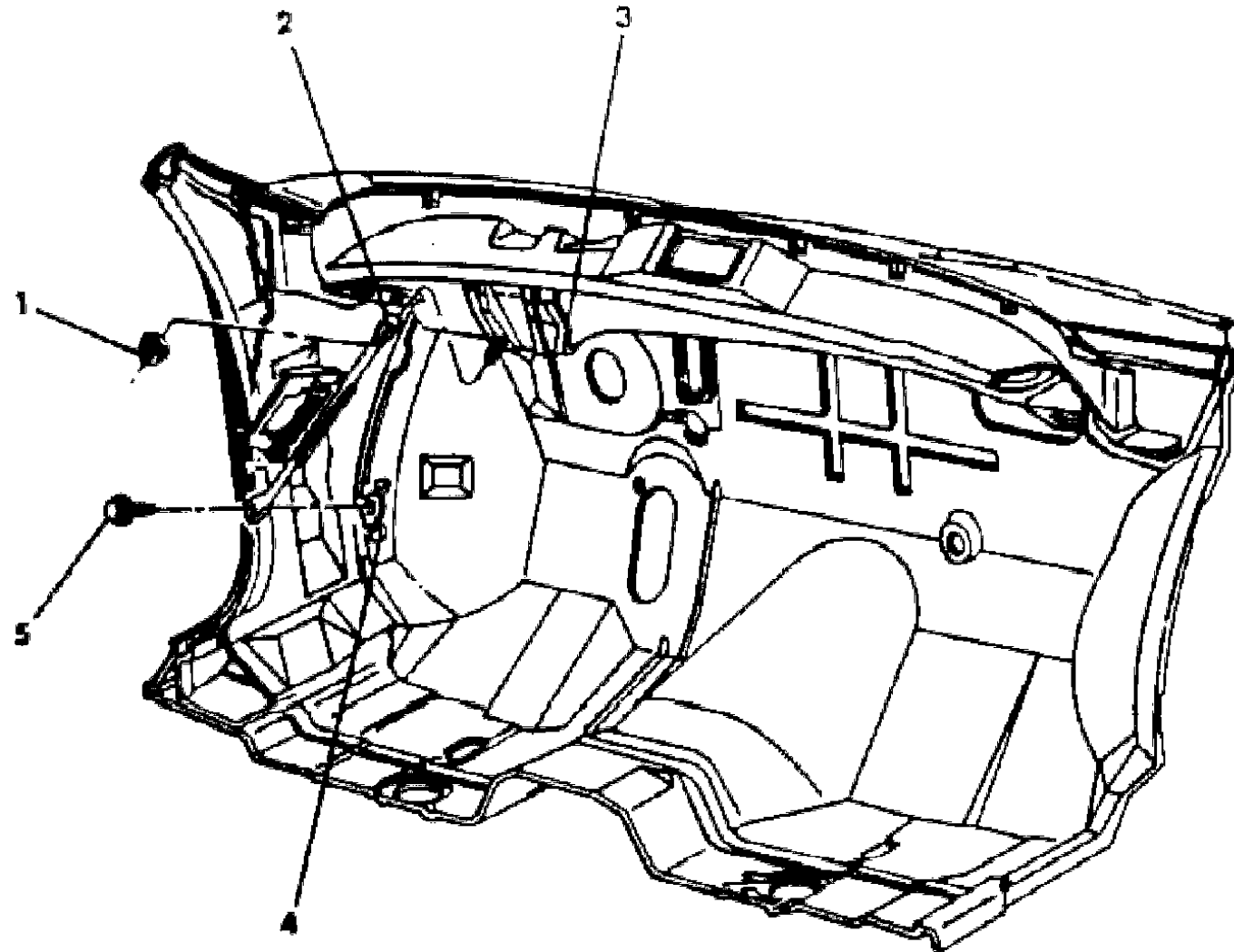
12-52 = FWD VAN & WAGON STD. W.B.	27 = 2-DOOR CONVERTIBLE
13-53 = FWD VAN & WGN EXT W.B.	41 = 4-DOOR SEDAN
21 = 2-DOOR SEDAN	44 = 4-DOOR HATCHBACK
24 = 2-DOOR HATCHBACK	45 = 4-DOOR STATION WAGON

AR = Use as Required - = Non Illustrated Part P.A.R. = Paint as Required

BRACE DASH PANEL TO COWL C BODY
Figure 23A-1520

8169 15200

ITEM	PART NUMBER	QTY	BODY	MODEL	DESCRIPTION
1	6500 532	2			NUT
2	4416 223	1			BRACE
3		1			SUPPORT, See Dash Illus.
4		1			BRACKET, Lt. Not Serviced
5					SCREW, Not Serviced



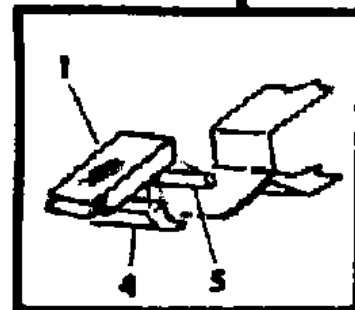
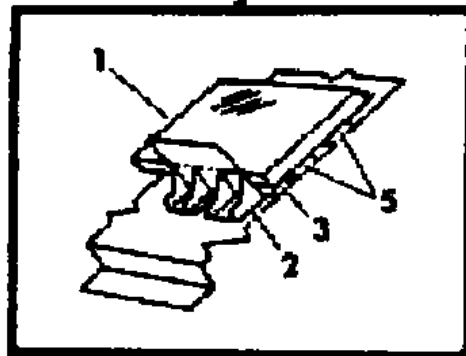
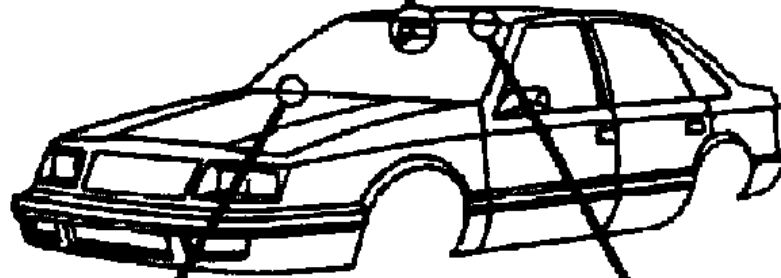
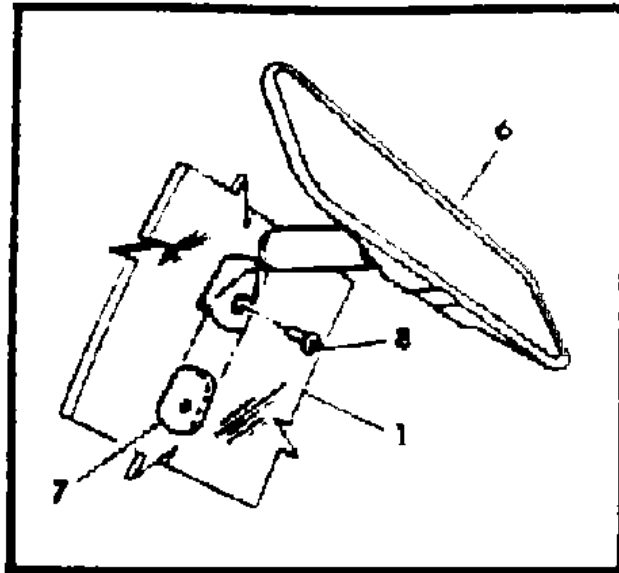
MODEL CODES
 C BODY = (D41 - DYNASTY)(C41 - NEW YORKER)
 E BODY = (J - CARAVELLE)(E - 600)(T - NEW YORKER TURBO)
 G BODY = (V24 - DAYTONA, PACIFICA & SHELBY)
 H BODY = (D44 - LANCER)(C44 - LEBARON GTS)
 J BODY = (C - LEBARON)
 K BODY = (P - RELIANT)(D - ARIES)(C - LEBARON/ TOWN & COUNTRY)
 L BODY = (M - HORIZON)(Z-OMNI)
 M BODY = (B - GRAN FURY)(G - DIPLOMAT)(F - FIFTH AVENUE/NEWPORT)
 P BODY = (P - SUNDANCE)(D - SHADOW)
 Q BODY = (C27 - MASERATI)
 S BODY = (H - VOYAGER)(K - RAM VAN/ CARAVAN)

BODY STYLES
 12-52 = FWD VAN & WAGON STD. W.B. 27 = 2-DOOR CONVERTIBLE
 13-53 = FWD VAN & WGN EXT W.B. 41 = 4-DOOR SEDAN
 21 = 2-DOOR SEDAN 44 = 4-DOOR HATCHBACK
 24 = 2-DOOR HATCHBACK 45 = 4-DOOR STATION WAGON

AR = Use as Required - = Non Illustrated Part P.A.R. = Paint as Required

GLASS WINDSHIELD AND MIRROR C BODY
Figure 23A-1530

8169 15300



ITEM	PART NUMBER	QTY	BODY	MODEL	DESCRIPTION
1	4371 926	1			GLASS, Windshield Tinted
2	4206 543	2			SPACER, Windshield Glass Lower
*	3767 767	AR			SHIM, Windshield Glass Spacer Lower (.07")
3		6			SPACER, Not Serviced
4	4206 848	AR			DAM, Windshield Glass Adhesive (119")
5		1			POLYURETHANE, Windshield (Serviced In Package #4267906)
6	4299 325	1			MIRROR, Rear View
7	4054 066	1			BUTTON, Inside Rear View Mounting
	4293 039	1			ADHESIVE PACKAGE, Inside Rear View Mirror Button
8		1			SCREW, Not Serviced

NOTE: The Following Item Are Not Shown On Illustration s group.

PKG A 4267 906 1 REPAIR PACKAGE, Windshield and Rear Window

Consists of:

- 1- ----- Polyurethane, 11.5 oz
- 1- ----- Fence Primer, 1 oz.
- 1- ----- Glass Wipe-Off Primer, 1 oz.
- 1- ----- Glass Black-Out Primer, 1 oz.
- 3- ----- Dabbers
- 1- ----- Nozzle

MODEL CODES

C BODY = (D41 - DYNASTY)(C41 - NEW YORKER)
 E BODY = (J - CARAVELLE)(E - 600)(T - NEW YORKER TURBO)
 G BODY = (V24 - DAYTONA, PACIFICA & SHELBY)
 H BODY = (D44 - LANCER)(C44 - LEBARON GTS)
 J BODY = (C - LEBARON)
 K BODY = (P - RELIANT)(D - ARIES)(C - LEBARON/ TOWN & COUNTRY)

L BODY = (M - HORIZON)(Z-OMNI)
 M BODY = (B - GRAN FURY)(G - DIPLOMAT)(F - FIFTH AVENUE/NEWPORT)
 P BODY = (P - SUNDANCE)(D - SHADOW)
 Q BODY = (C27 - MASERATI)
 S BODY = (H - VOYAGER)(K - RAM VAN/ CARAVAN)

BODY STYLES

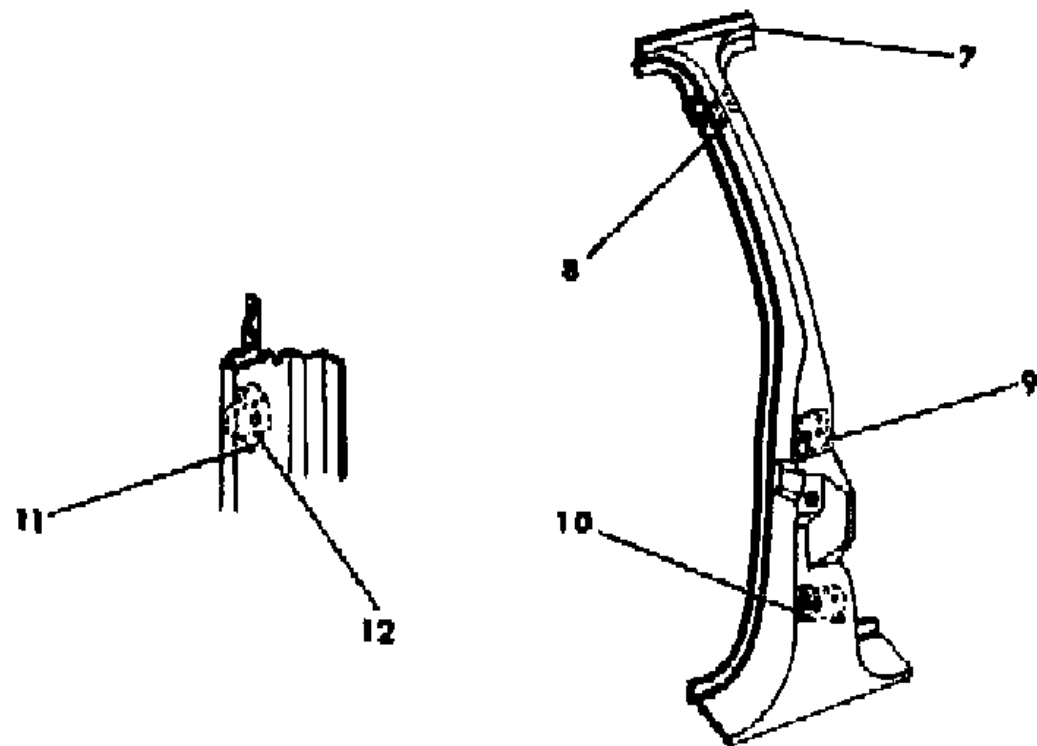
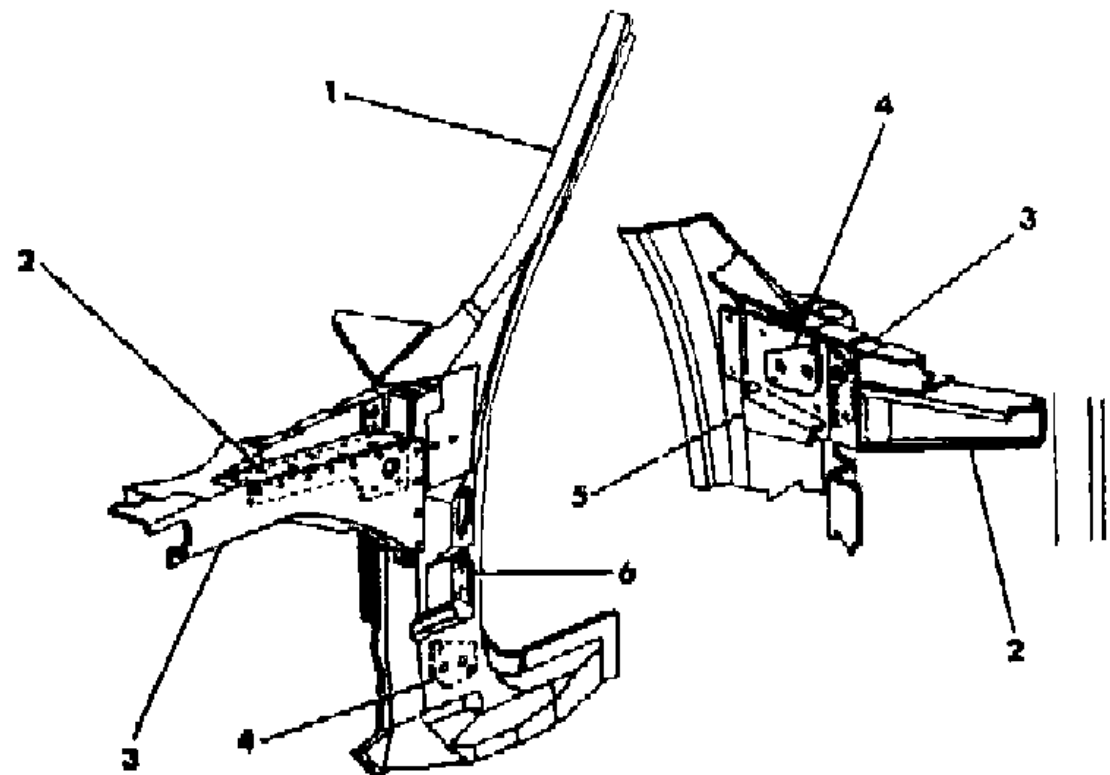
12-52 = FWD VAN & WAGON STD. W.B. 27 = 2-DOOR CONVERTIBLE
 13-53 = FWD VAN & WGN EXT W.B. 41 = 4-DOOR SEDAN
 21 = 2-DOOR SEDAN 44 = 4-DOOR HATCHBACK
 24 = 2-DOOR HATCHBACK 45 = 4-DOOR STATION WAGON

AR = Use as Required - = Non Illustrated Part P.A.R. = Paint as Required

PILLAR FRONT AND CENTER C BODY

Figure 23A-1540

8169 15400



ITEM	PART NUMBER	QTY	BODY	MODEL	DESCRIPTION
1	4416 874-5	1			PILLAR, Body Front
2	4386 666	1			REINFORCEMENT, Front Fender Load Beam Rear
3	4440 788-9	1			EXTENSION, Front Fender Load Beam Rear
4	4314 558-9	1			PLATE, Body Front Hinge
5	4416 694	1			REINFORCEMENT, Hinge Pillar Upper Rt.
	4416 697	1			Left
6	4206 553	2			SUPPORT, Body Front Hinge Pillar To Fender
7	4371 016-7	1			PILLAR, Body Center
8	4371 555	2			REINFORCEMENT, Seat Belt Anchor Upper
9	4314 762	2			PLATE, Door Hinge Tapping
10	4416 542	2			PLATE, Center Pillar Lower Pillar Hinge
11	4134 972	2			RETAINER, Latch Striker
12	4314 743	2			PLATE, Latch Striker

MODEL CODES

C BODY = (D41 - DYNASTY)(C41 - NEW YORKER)
 E BODY = (J - CARAVELLE)(E - 600)(T - NEW YORKER TURBO)
 G BODY = (V24 - DAYTONA, PACIFICA & SHELBY)
 H BODY = (D44 - LANCER)(C44 - LEBARON GTS)
 J BODY = (C - LEBARON)
 K BODY = (P - RELIANT)(D - ARIES)(C - LEBARON/ TOWN & COUNTRY)
 L BODY = (M - HORIZON)(Z-OMNI)
 M BODY = (B - GRAN FURY)(G - DIPLOMAT)(F - FIFTH AVENUE/NEWPORT)
 P BODY = (P - SUNDANCE)(D - SHADOW)
 Q BODY = (C27 - MASERATI)
 S BODY = (H - VOYAGER)(K - RAM VAN/ CARAVAN)

BODY STYLES

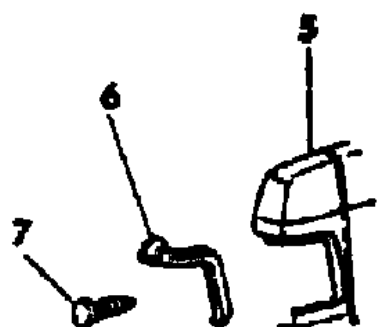
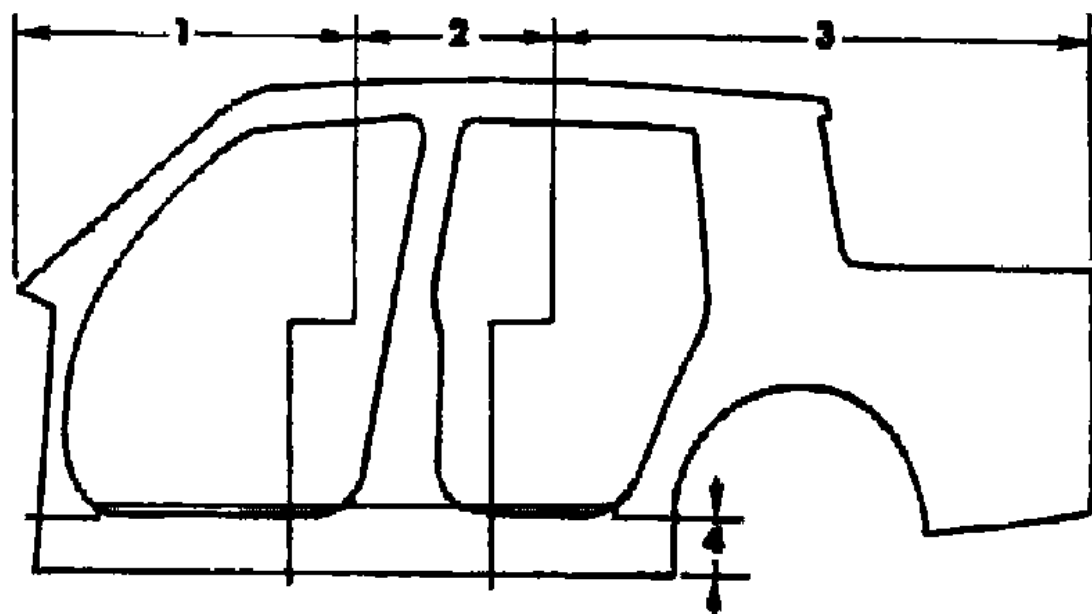
12-52 = FWD VAN & WAGON STD. W.B. 27 = 2-DOOR CONVERTIBLE
 13-53 = FWD VAN & WGN EXT W.B. 41 = 4-DOOR SEDAN
 21 = 2-DOOR SEDAN 44 = 4-DOOR HATCHBACK
 24 = 2-DOOR HATCHBACK 45 = 4-DOOR STATION WAGON

AR = Use as Required - = Non Illustrated Part P.A.R. = Paint as Required

APERTURE PANEL C BODY
Figure 23A-1550

8169 15500 A

ITEM	PART NUMBER	QTY	BODY	MODEL	DESCRIPTION
1	4416 610-1	1			PANEL, Body Side Aperture Front
2	4416 612-3	1			PANEL, Body Side Aperture Center, Inner
3	4416 608-9	1			PANEL, Body Side Aperture Rear
4	4416 606-7	1			PANEL, Body Side Sill Outer
5					EXTENSION, Body Side Aperture Panel Qtr. End
	4416 150-1	1	C		
	4416 152-3	1	D		
6	4475 366-7	1			WELT, Qtr. End Extension
7	6501 692	18			RETAINER



MODEL CODES

C BODY = (D41 - DYNASTY)(C41 - NEW YORKER)	L BODY = (M - HORIZON)(Z-OMNI)
E BODY = (J - CARAVELLE)(E - 600)(T - NEW YORKER TURBO)	M BODY = (B - GRAN FURY)(G - DIPLOMAT)(F - FIFTH AVENUE/NEWPORT)
G BODY = (V24 - DAYTONA, PACIFICA & SHELBY)	P BODY = (P - SUNDANCE)(D - SHADOW)
H BODY = (D44 - LANCER)(C44 - LEBARON GTS)	Q BODY = (C27 - MASERATI)
J BODY = (C - LEBARON)	S BODY = (H - VOYAGER)(K - RAM VAN/ CARAVAN)
K BODY = (P - RELIANT)(D - ARIES)(C - LEBARON/ TOWN & COUNTRY)	

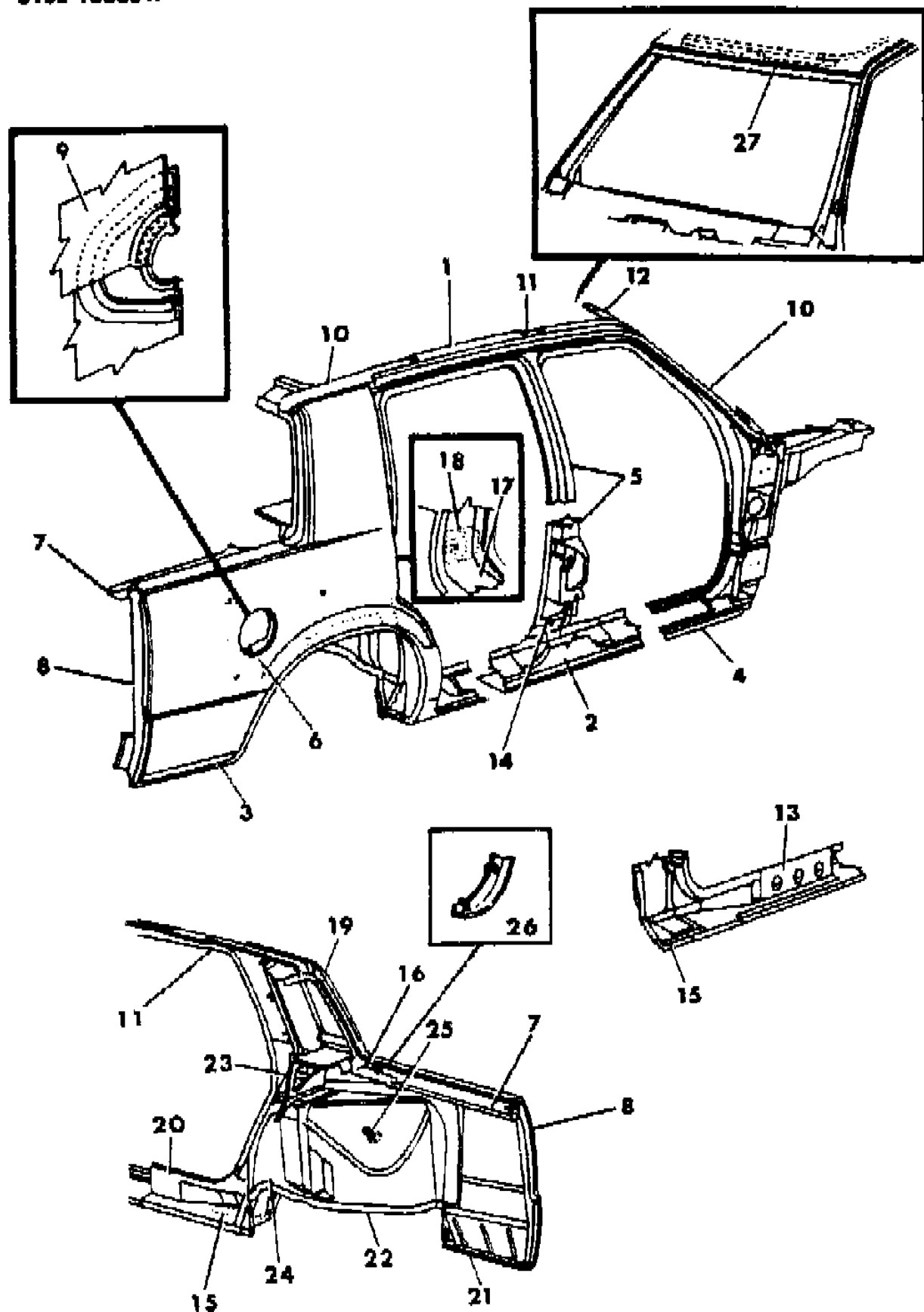
BODY STYLES

12-52 = FWD VAN & WAGON STD. W.B.	27 = 2-DOOR CONVERTIBLE
13-53 = FWD VAN & WGN EXT W.B.	41 = 4-DOOR SEDAN
21 = 2-DOOR SEDAN	44 = 4-DOOR HATCHBACK
24 = 2-DOOR HATCHBACK	45 = 4-DOOR STATION WAGON

AR = Use as Required - = Non Illustrated Part P.A.R. = Paint as Required

BODY SIDE AND QUARTER PANEL C BODY
Figure 23A-1560

8169 15600 A



ITEM	PART NUMBER	QTY	BODY	MODEL	DESCRIPTION
1	4416 610-1	1			PANEL, Aperture Front
2	4416 612-3	1			PANEL, Aperture Center, Inner
3	4416 608-9	1			PANEL, Aperture Rear
4	4416 606-7	1			PANEL, Side Sill
5	4371 016-7	1			PILLAR, Body Center
6	4371 012-3	1			REINFORCEMENT, Body Side Aperture
7	4371 566-7	1			TROUGH, Deck Lid Drain
8	4371 802-3	1			EXTENSION, Aperture Panel End
9	4416 045	1			REINFORCEMENT, Fuel Filler
10	4341 746-7	1			TROUGH, Roof Side Drain
11	4341 756-7	1			RAIL, Roof Side Inner
12	4371 072-3	1			FRAME, Windshield Opening Inner
13	4371 556-7	1			REINFORCEMENT, Body Side Sill
14	4371 564	AR			REINFORCEMENT, Seat Belt Anchor Lower
15	4314 277	4			PLATE, Jack Locator
16	4371 568-9	1			REINFORCEMENT, Panel Lower Corner Back Lite
17		2			RETAINER, Door Striker Nut Serviced In Assy.
18	4371 562-3	1			REINFORCEMENT, Rear Door Latch Striker
19	4341 752-3	1			PANEL, Quarter Inside w/House Outer
20	4416 556-7	1			REINFORCEMENT, Jacking Sill Inner Rear
21	4386 468-9	1			EXTENSION, Quarter Inner w/House Qtr. Panel
22	4341 754-5	1			PANEL, Rear w/House Inner
23		1			EXTENSION, Shelf Panel Not Serviced
24	4386 246-7	1			REINFORCEMENT, w/House Inner Panel Shock Abs.
25	4440 658	2			REINFORCEMENT, Deck Lid Hinge Brace
26	4416 772-3	1			RETAINER and SEAL, Panel Lower Corner Back Lite
27	4371 071	1			FRAME, Windshield Opening upper

MODEL CODES

C BODY = (D41 - DYNASTY)(C41 - NEW YORKER)	L BODY = (M - HORIZON)(Z-OMNI)
E BODY = (J - CARAVELLE)(E - 600)(T - NEW YORKER TURBO)	M BODY = (B - GRAN FURY)(G - DIPLOMAT)(F - FIFTH AVENUE/NEWPORT)
G BODY = (V24 - DAYTONA, PACIFICA & SHELBY)	P BODY = (P - SUNDANCE)(D - SHADOW)
H BODY = (D44 - LANCER)(C44 - LEBARON GTS)	Q BODY = (C27 - MASERATI)
J BODY = (C - LEBARON)	S BODY = (H - VOYAGER)(K - RAM VAN/ CARAVAN)
K BODY = (P - RELIANT)(D - ARIES)(C - LEBARON/ TOWN & COUNTRY)	

BODY STYLES

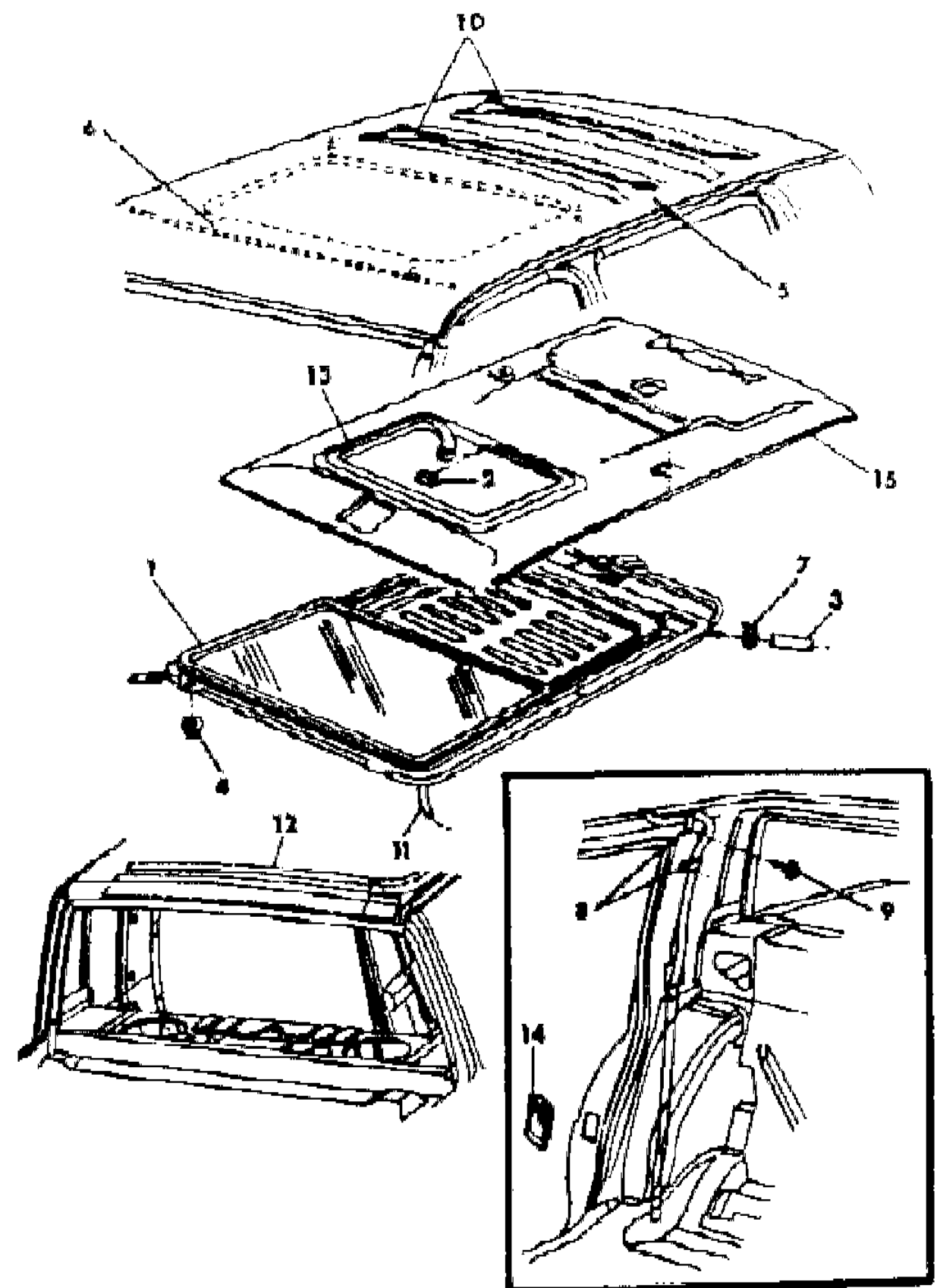
12-52 = FWD VAN & WAGON STD. W.B.	27 = 2-DOOR CONVERTIBLE
13-53 = FWD VAN & WGN EXT W.B.	41 = 4-DOOR SEDAN
21 = 2-DOOR SEDAN	44 = 4-DOOR HATCHBACK
24 = 2-DOOR HATCHBACK	45 = 4-DOOR STATION WAGON

AR = Use as Required - = Non Illustrated Part P.A.R. = Paint as Required

SUNROOF AND ROOF PANEL C BODY
Figure 23A-1580

8169 15800

ITEM	PART NUMBER	QTY	BODY	MODEL	DESCRIPTION
1		1			SUNROOF ASSEMBLY, Service By Component Parts
2		1			RETAINER, Sunroof Welt
	H626 GS8				Charcoal
	H626 GC5				Blue
	H626 GR8				Red
	H626 GL7				Taupe
3	4278 798	2			HOSE, Sunroof Drain Rear
4		8			NUT, Not Serviced
5		1			PANEL, Roof
	4341 743				w/o Sunroof
	4386 386				w/Sunroof
6		8			STUD, Not Serviced
7		4			CLAMP, Sunroof Hose To Spout Not Serviced
8		6			CLIP, Not Serviced
9		6			SCREW, Not Serviced
10	4341 744	2			BOW, Roof
11	4278 798	2			HOSE, Sunroof Drain Front
12	4341 745	1			FRAME, Rear Window Opening Upper
13		1			WELT, Headling
	H484 GS8				Charcoal
	H484 GC5				Blue
	H484 GR8				Red
	H484 GL7				Taupe
14	4416 138-9	1			EXHAUSTER, Side Aperture Air
15		1			HEADLINER, See Trim



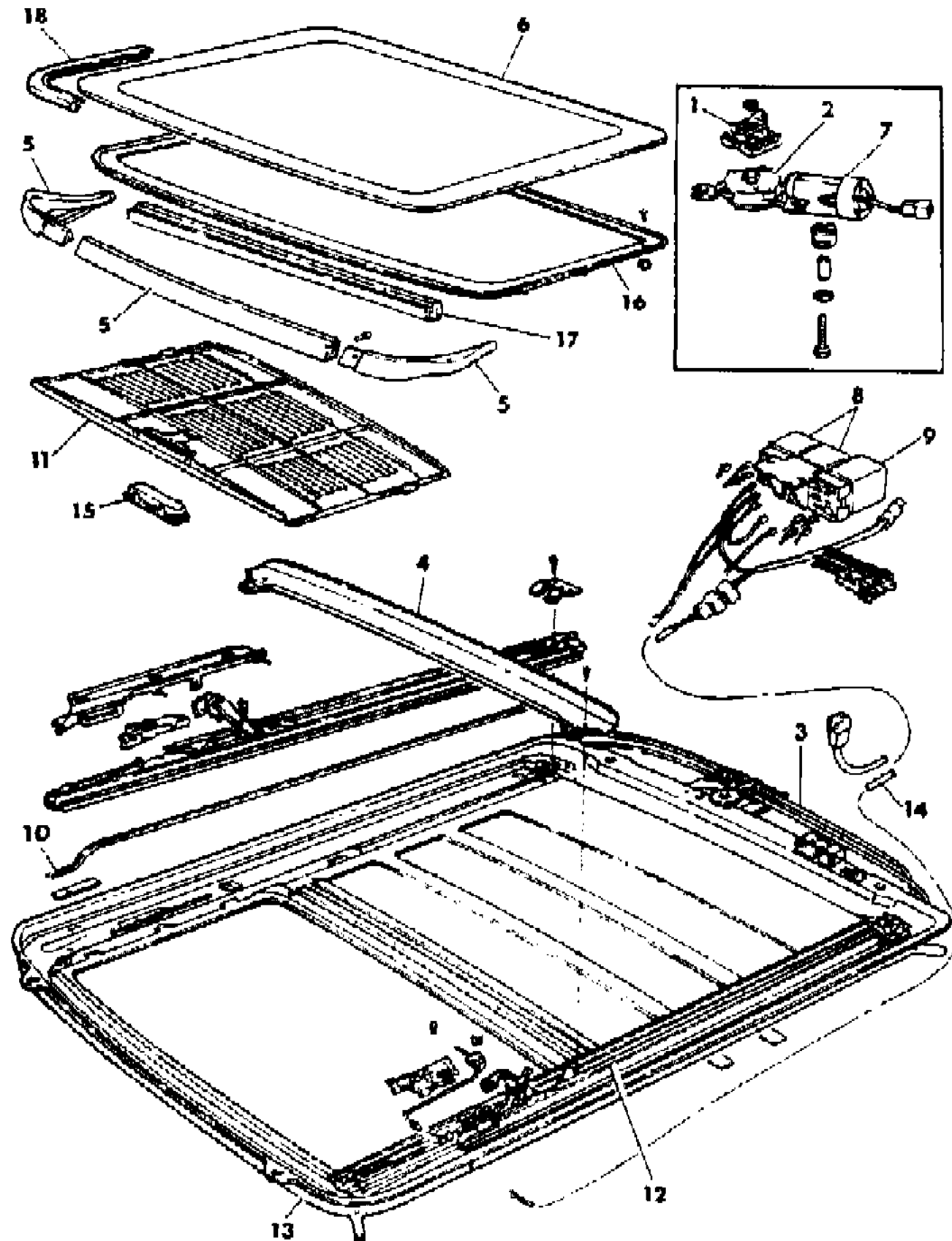
MODEL CODES
 C BODY = (D41 - DYNASTY)(C41 - NEW YORKER)
 E BODY = (J - CARAVELLE)(E - 600)(T - NEW YORKER TURBO)
 G BODY = (V24 - DAYTONA, PACIFICA & SHELBY)
 H BODY = (D44 - LANCER)(C44 - LEBARON GTS)
 J BODY = (C - LEBARON)
 K BODY = (P - RELIANT)(D - ARIES)(C - LEBARON/ TOWN & COUNTRY)
 L BODY = (M - HORIZON)(Z-OMNI)
 M BODY = (B - GRAN FURY)(G - DIPLOMAT)(F - FIFTH AVENUE/NEWPORT)
 P BODY = (P - SUNDANCE)(D - SHADOW)
 Q BODY = (C27 - MASERATI)
 S BODY = (H - VOYAGER)(K - RAM VAN/ CARAVAN)

BODY STYLES
 12-52 = FWD VAN & WAGON STD. W.B. 27 = 2-DOOR CONVERTIBLE
 13-53 = FWD VAN & WGN EXT W.B. 41 = 4-DOOR SEDAN
 21 = 2-DOOR SEDAN 44 = 4-DOOR HATCHBACK
 24 = 2-DOOR HATCHBACK 45 = 4-DOOR STATION WAGON

AR = Use as Required - = Non Illustrated Part P.A.R. = Paint as Required

SUNROOF COMPONENT PARTS C BODY
Figure 23A-1585

8169 15850



ITEM	PART NUMBER	QTY	BODY	MODEL	DESCRIPTION
1	4440 169	1			BRACKET
2		1			BRACKET, Drive Cable Service In Assy.
3	4386 888-9	1			CABLE ASSEMBLY, Drive
4	4440 273	1			CHANNEL ASSEMBLY, Drain
5	4386 895	1			DEFLECTOR ASSEMBLY, Wind
6	4386 883	1			GLASS ASEMBLY
7	4386 890	1			MOTOR
8	4440 286	2			RELAY, Wiring Harness Power
9	4440 621	1			RELAY, Wiring Harness Control
10		1			SEAL, Drain Service In Assy.
11		1			SUNSHADE ASSEMBLY
	H695 GS8				Charcoal
	H695 GC5				Blue
	H695 GR8				Red
	H695 GL7				Taupä
12	4386 884-5	1			TRACK ASSEMBLY
13		1			TRAY, Service In Assy.
14	4440 285	1			WIRING HARNESS
15	4440 620	1			HANDLE
16		1			REINFORCEMENT, Glass Service In Assy.
17		1			SUPPORT, Glass Reinforcement (Serviced in Item #6)
18		1			SEAL, Glass Service In Assy.
	4440 283	1			LOCATOR ASSEMBLY, Drive Cable Lt. w/Switch (Old Style)
	4440 277	2			CLIP, Sunshade Retainer
	4440 480	1			LOCATOR, Drive Cable Rt.
	4440 481	1			LOCATOR, Drive Cable (Includes Micro Switch)
	4440 274-5	1			BRACKET ASSEMBLY, Side Adjusting
	4440 164-5	1			COVER ASSEMBLY, Mechanism Upper
		1			HOUSING, Motor Gear Box Service w/Motor

MODEL CODES

C BODY = (D41 - DYNASTY)(C41 - NEW YORKER)
 E BODY = (J - CARAVELLE)(E - 600)(T - NEW YORKER TURBO)
 G BODY = (V24 - DAYTONA, PACIFICA & SHELBY)
 H BODY = (D44 - LANCER)(C44 - LEBARON GTS)
 J BODY = (C - LEBARON)
 K BODY = (P - RELIANT)(D - ARIES)(C - LEBARON/ TOWN & COUNTRY)

L BODY = (M - HORIZON)(Z-OMNI)
 M BODY = (B - GRAN FURY)(G - DIPLOMAT)(F - FIFTH AVENUE/NEWPORT)
 P BODY = (P - SUNDANCE)(D - SHADOW)
 Q BODY = (C27 - MASERATI)
 S BODY = (H - VOYAGER)(K - RAM VAN/ CARAVAN)

BODY STYLES

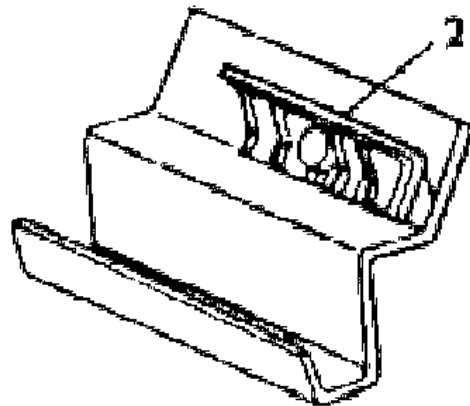
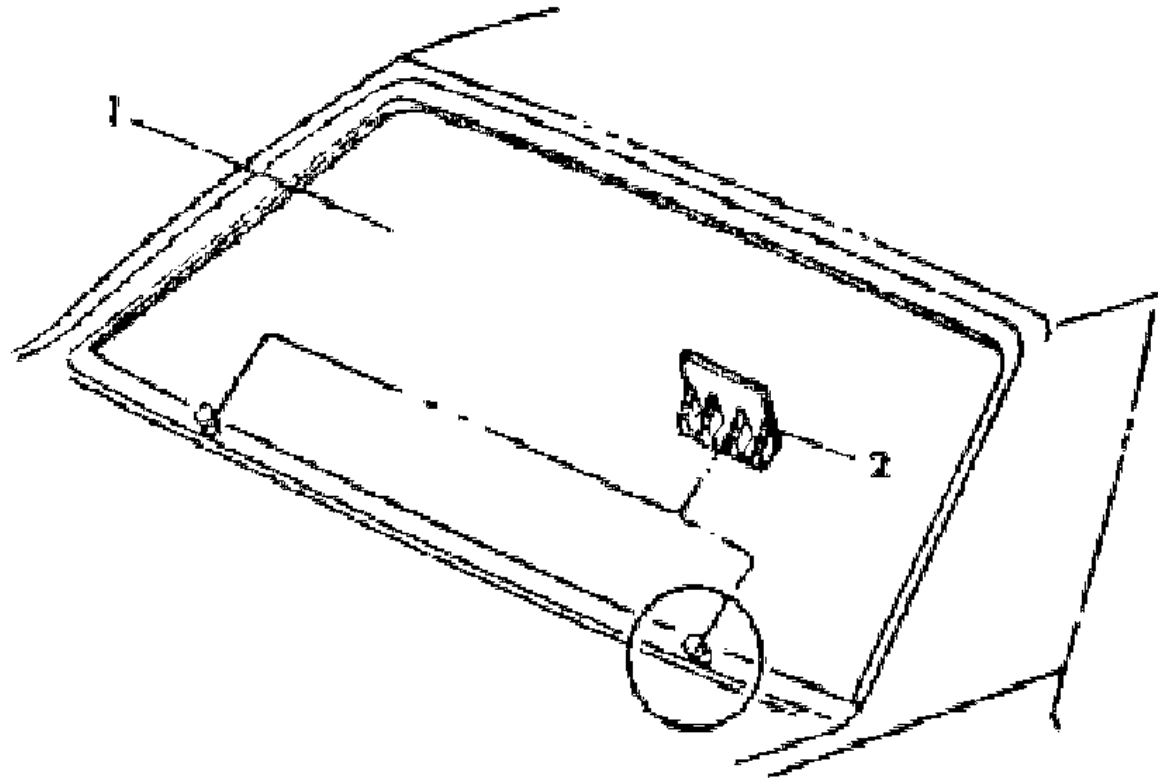
12-52 = FWD VAN & WAGON STD. W.B. 27 = 2-DOOR CONVERTIBLE
 13-53 = FWD VAN & WGN EXT W.B. 41 = 4-DOOR SEDAN
 21 = 2-DOOR SEDAN 44 = 4-DOOR HATCHBACK
 24 = 2-DOOR HATCHBACK 45 = 4-DOOR STATION WAGON

AR = Use as Required - = Non Illustrated Part P.A.R. = Paint as Required

GLASS REAR WINDOW C BODY
Figure 23A-1590

8169 15900

ITEM	PART NUMBER	QTY	BODY	MODEL	DESCRIPTION
1		1			GLASS
	4416 800			H,P	
	4416 803			S	
2	4206 543	AR			SPACER, Rear Window Glass Lower



MODEL CODES

C BODY = (D41 - DYNASTY)(C41 - NEW YORKER)
 E BODY = (J - CARAVELLE)(E - 600)(T - NEW YORKER TURBO)
 G BODY = (V24 - DAYTONA, PACIFICA & SHELBY)
 H BODY = (D44 - LANCER)(C44 - LEBARON GTS)
 J BODY = (C - LEBARON)
 K BODY = (P - RELIANT)(D - ARIES)(C - LEBARON/ TOWN & COUNTRY)

L BODY = (M - HORIZON)(Z-OMNI)
 M BODY = (B - GRAN FURY)(G - DIPLOMAT)(F - FIFTH AVENUE/NEWPORT)
 P BODY = (P - SUNDANCE)(D - SHADOW)
 Q BODY = (C27 - MASERATI)
 S BODY = (H - VOYAGER)(K - RAM VAN/ CARAVAN)

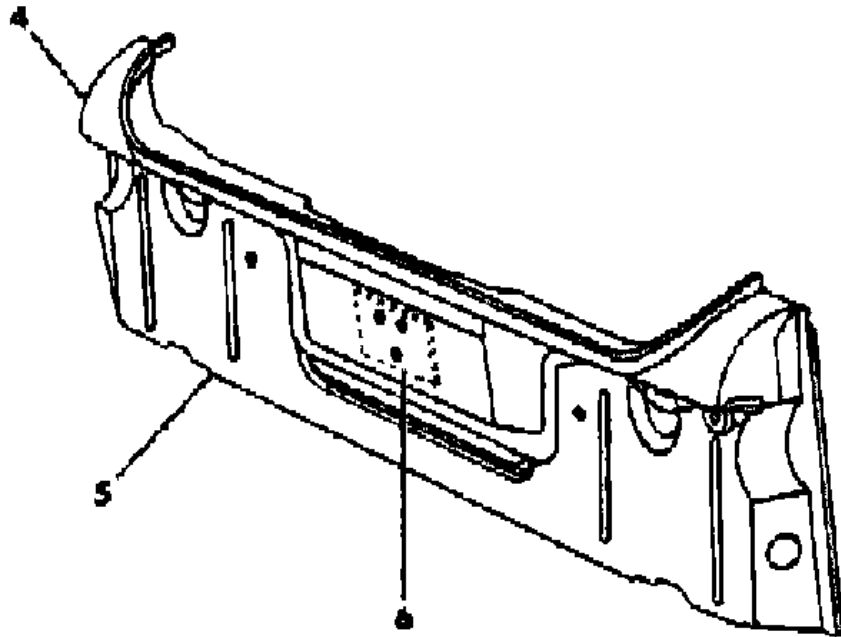
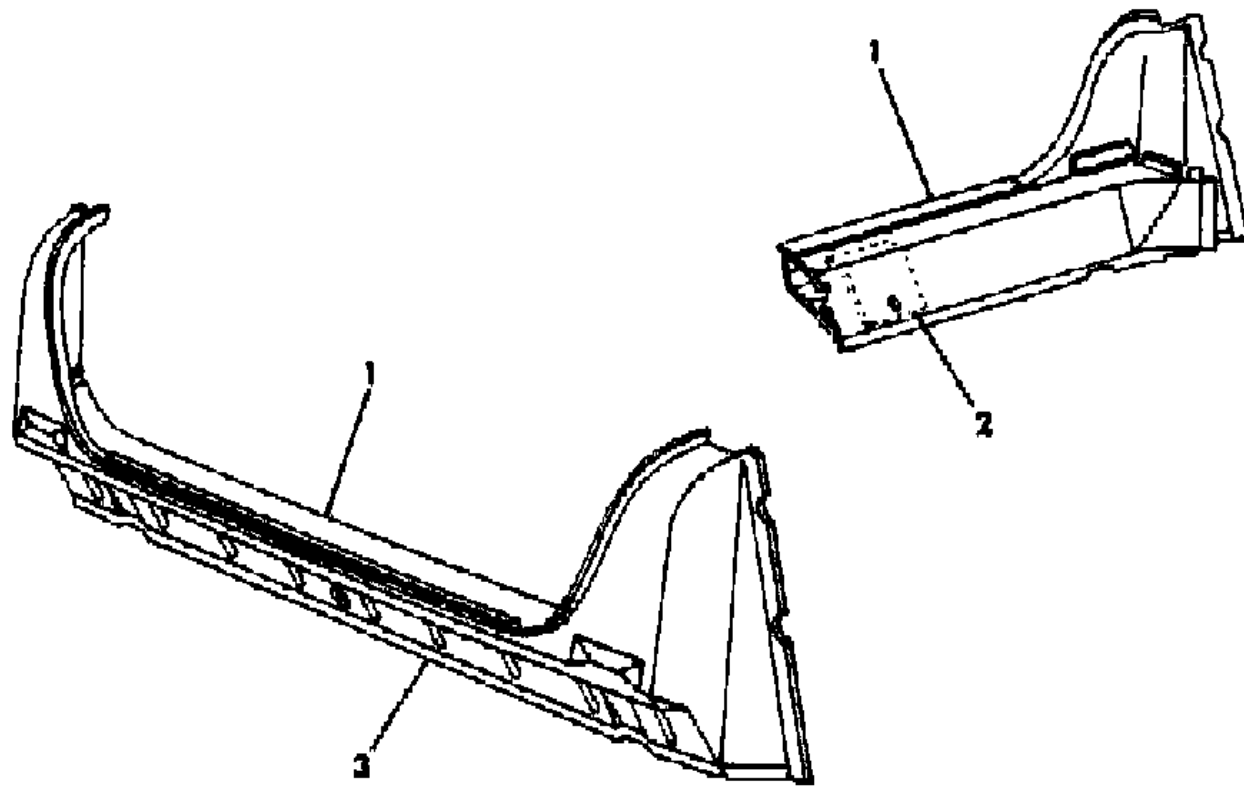
BODY STYLES

12-52 = FWD VAN & WAGON STD. W.B. 27 = 2-DOOR CONVERTIBLE
 13-53 = FWD VAN & WGN EXT W.B. 41 = 4-DOOR SEDAN
 21 = 2-DOOR SEDAN 44 = 4-DOOR HATCHBACK
 24 = 2-DOOR HATCHBACK 45 = 4-DOOR STATION WAGON

AR = Use as Required - = Non Illustrated Part P.A.R. = Paint as Required

DECK OPENING PANEL C BODY
Figure 23A-1600

8169 16000



ITEM	PART NUMBER	QTY	BODY	MODEL	DESCRIPTION
1	4341 791	1	C		REINFORCEMENT, Deck Opening Lower Panel
2	4386 680	1	C		T-PLATE, Deck Opening Lower Panel Latch Striker
3	4386 466	1	C		PANEL, Deck Opening Lower
	4073 474	3			PLUG, Deck Opening Lower
4	4386 208	1	D		PANEL, Deck Opening Lower
5	4386 209	1	D		REINFORCEMENT, Deck Opening Lower Panel
6	4386 681	1	D		PLATE, Deck Opening Lower Panel Latch Striker

MODEL CODES

C BODY = (D41 - DYNASTY)(C41 - NEW YORKER)
 E BODY = (J - CARAVELLE)(E - 600)(T - NEW YORKER TURBO)
 G BODY = (V24 - DAYTONA, PACIFICA & SHELBY)
 H BODY = (D44 - LANCER)(C44 - LEBARON GTS)
 J BODY = (C - LEBARON)
 K BODY = (P - RELIANT)(D - ARIES)(C - LEBARON/ TOWN & COUNTRY)

L BODY = (M - HORIZON)(Z-OMNI)
 M BODY = (B - GRAN FURY)(G - DIPLOMAT)(F - FIFTH AVENUE/NEWPORT)
 P BODY = (P - SUNDANCE)(D - SHADOW)
 Q BODY = (C27 - MASERATI)
 S BODY = (H - VOYAGER)(K - RAM VAN/ CARAVAN)

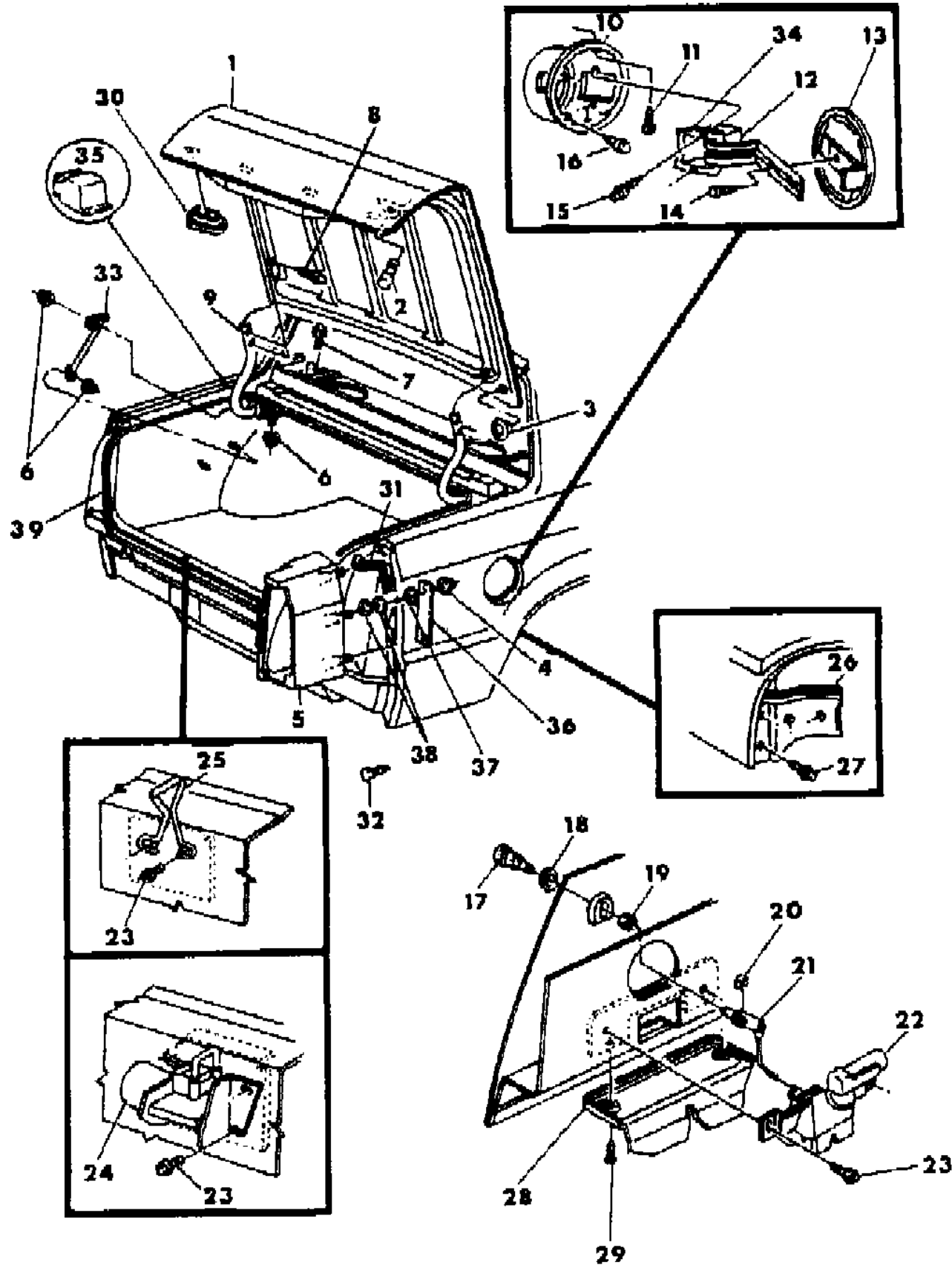
BODY STYLES

12-52 = FWD VAN & WAGON STD. W.B. 27 = 2-DOOR CONVERTIBLE
 13-53 = FWD VAN & WGN EXT W.B. 41 = 4-DOOR SEDAN
 21 = 2-DOOR SEDAN 44 = 4-DOOR HATCHBACK
 24 = 2-DOOR HATCHBACK 45 = 4-DOOR STATION WAGON

AR = Use as Required - = Non Illustrated Part P.A.R. = Paint as Required

DECK LID C BODY
Figure 23A-1610

8169 16100C



ITEM	PART NUMBER	QTY	BODY	MODEL	DESCRIPTION
1	4371 897	1	C		PANEL, Deck Lid Up To 9-10-87
	4475 737	1	C		After 9-10-87
	4371 952	1	D		PANEL, Deck Lid
2	4396 304	2	D		BUMPER, Deck Lid Inside Adjustable
	4475 475	2	C		
	6023 531	2	C		Screw
3	6029 939	2			PLUG
4		6			NUT, Not Serviced
5		1			EXTENSION, Body Side Aperture Panel Qtr. End
	4416 150-1	1	C		
	4416 152-3	1	D		
6	6101 445	6			NUT and WASHER
7	6501 679	4			SCREW and WASHER
8		4			SCREW and WASHER, Not Serviced
9	4416 370-1	1			HINGE
10	4371 583	1			HOUSING, Fuel Filler
11		3			SCREW, Not Serviced
12	4440 382	1			HINGE, Fuel Filler Door
13	4440 514	1			DOOR, Fuel Filler
14		2			SCREW, Not Serviced
15		2			SCREW, Not Serviced
16	4371 970	2			BUMPER, Fuel Filler Door
	4475 858	2			BUMPER, Fuel Filler Door Hinge
17					CYLINDER, Service In Key Illus.
18	3695 321	1			GASKET
19	4054 202	1			NUT
20	6032 107	1			CLIP
21	4378 131	1			LINK
22	4378 277	1			LATCH, Deck Lid Electric Release
	4378 129	1	C	S	Quiet
23	6501 422	4			SCREW and WASHER
24	4378 724	1			MOTOR, Deck Lid Power Pull Down
25	4378 368	1			STRIKER, Deck Lid Latch Electric
26	4386 852-3	1			SHIELD, w/House Inner Panel
27		4			SCREW and WASHER, Not Serviced
28					COVER, Deck Lid Pull Down Latch
	4378 360	1	D		

MODEL CODES

C BODY = (D41 - DYNASTY)(C41 - NEW YORKER)
 E BODY = (J - CARAVELLE)(E - 600)(T - NEW YORKER TURBO)
 G BODY = (V24 - DAYTONA, PACIFICA & SHELBY)
 H BODY = (D44 - LANCER)(C44 - LEBARON GTS)
 J BODY = (C - LEBARON)
 K BODY = (P - RELIANT)(D - ARIES)(C - LEBARON/ TOWN & COUNTRY)

L BODY = (M - HORIZON)(Z-OMNI)
 M BODY = (B - GRAN FURY)(G - DIPLOMAT)(F - FIFTH AVENUE/NEWPORT)
 P BODY = (P - SUNDANCE)(D - SHADOW)
 Q BODY = (C27 - MASERATI)
 S BODY = (H - VOYAGER)(K - RAM VAN/ CARAVAN)

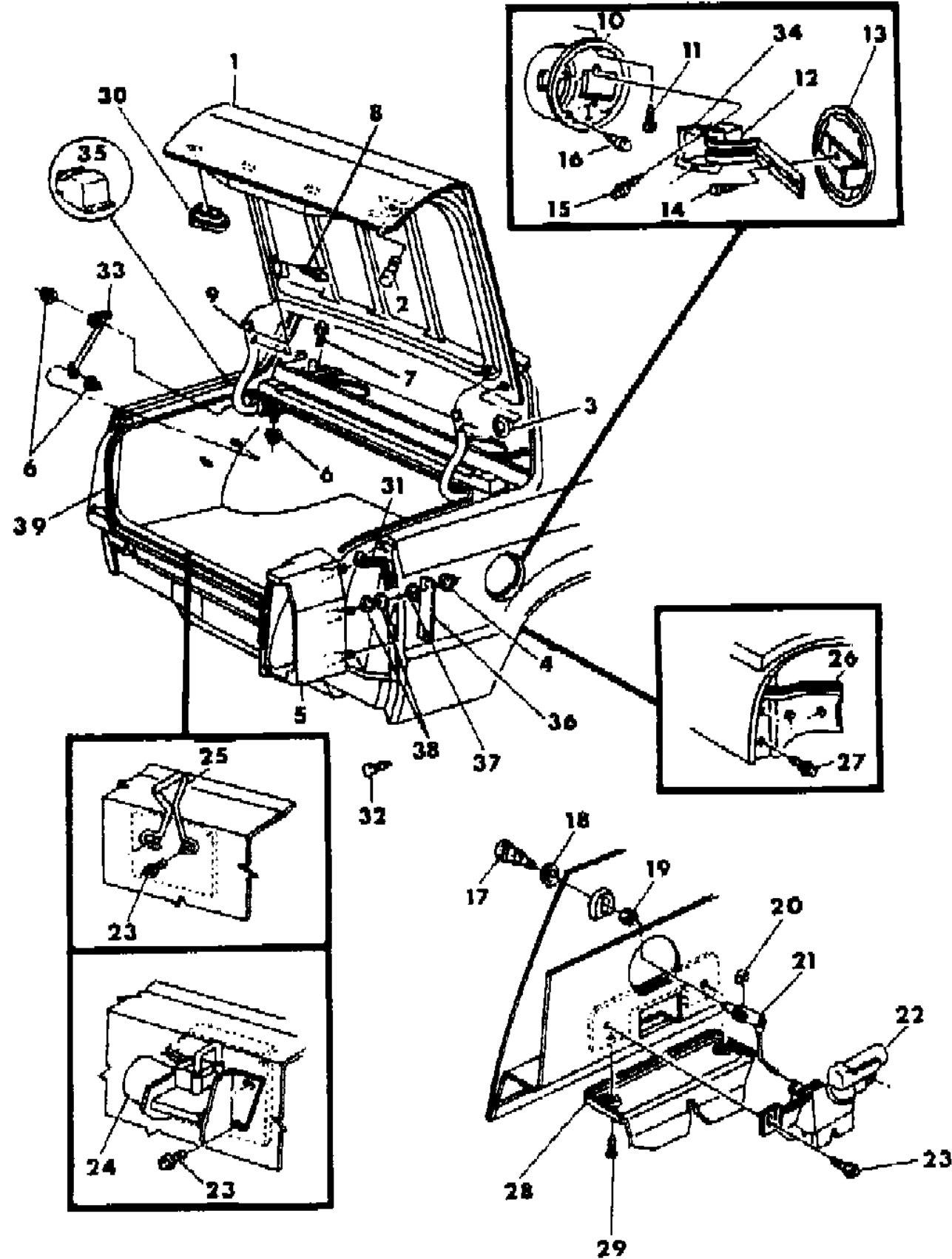
BODY STYLES

12-52 = FWD VAN & WAGON STD. W.B. 27 = 2-DOOR CONVERTIBLE
 13-53 = FWD VAN & WGN EXT W.B. 41 = 4-DOOR SEDAN
 21 = 2-DOOR SEDAN 44 = 4-DOOR HATCHBACK
 24 = 2-DOOR HATCHBACK 45 = 4-DOOR STATION WAGON

AR = Use as Required - = Non Illustrated Part P.A.R. = Paint as Required

DECK LID C BODY
Figure 23A-1610

8169 16100C



ITEM	PART NUMBER	QTY	BODY	MODEL	DESCRIPTION
					COVER, Deck Lid Latch Electric
	4378 361	1	D		
	4378 363	1	C		
29		AR			SCREW, Not Serviced
30		AR			PLUG, Not Serviced
31	4475 366-7	1			WELT, Qtr. End Extension
32	6501 692	18			RETAINER
33	4440 656-7	1			BRACE
34	4371 582	1			COVER, Body Side Aerture Panel Fuel Filler Door Hinge
35	4416 378	2			BUMPER, Deck Lid Hinge Support Stop
36		2			SPACER, Side Extension Not Serviced
37		4			WASHER, Not Serviced
38		AR			WASHER, Not Serviced
39	4490 700	1	C	S,H	WEATHERSTRIP, Deck Opening
	4490 699	1	D	H,P	

MODEL CODES

C BODY = (D41 - DYNASTY)(C41 - NEW YORKER)
 E BODY = (J - CARAVELLE)(E - 600)(T - NEW YORKER TURBO)
 G BODY = (V24 - DAYTONA, PACIFICA & SHELBY)
 H BODY = (D44 - LANCER)(C44 - LEBARON GTS)
 J BODY = (C - LEBARON)
 K BODY = (P - RELIANT)(D - ARIES)(C - LEBARON/ TOWN & COUNTRY)
 L BODY = (M - HORIZON)(Z-OMNI)
 M BODY = (B - GRAN FURY)(G - DIPLOMAT)(F - FIFTH AVENUE/NEWPORT)
 P BODY = (P - SUNDANCE)(D - SHADOW)
 Q BODY = (C27 - MASERATI)
 S BODY = (H - VOYAGER)(K - RAM VAN/ CARAVAN)

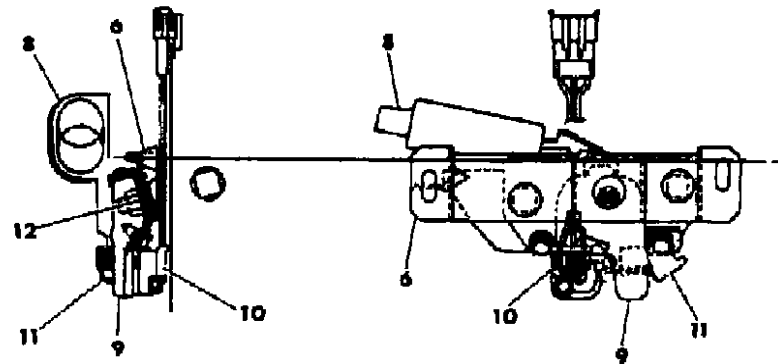
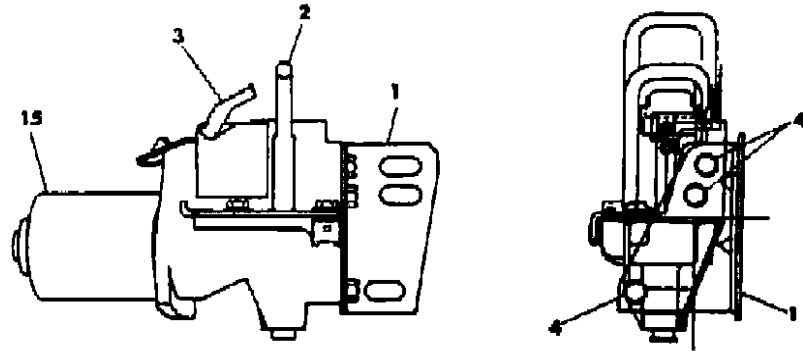
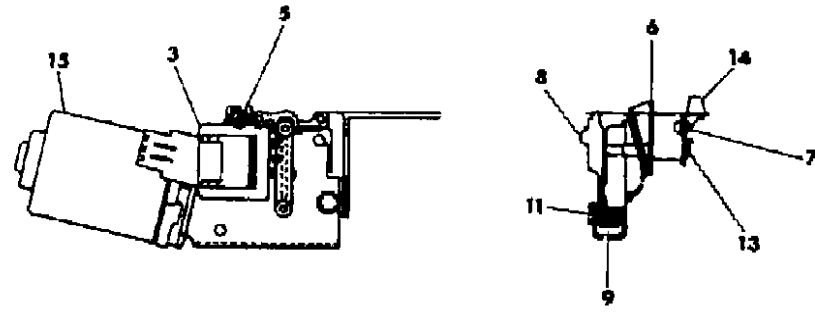
BODY STYLES

12-52 = FWD VAN & WAGON STD. W.B. 27 = 2-DOOR CONVERTIBLE
 13-53 = FWD VAN & WGN EXT W.B. 41 = 4-DOOR SEDAN
 21 = 2-DOOR SEDAN 44 = 4-DOOR HATCHBACK
 24 = 2-DOOR HATCHBACK 45 = 4-DOOR STATION WAGON

AR = Use as Required - = Non Illustrated Part P.A.R. = Paint as Required

DECK LID POWER PULL DOWN C BODY
Figure 23A-1615

8169 16150 A



ITEM	PART NUMBER	QTY	BODY	MODEL	DESCRIPTION
1	4378 122	1			BRACKET, Striker Deck Lid Pull Down
2	4378 284	1			STRIKER ASSEMBLY, Deck Lid Pull Down
	4378 725	1			STRIKER and HOUSING, w/Gear
3	4373 225	1			SWITCH ASSEMBLY, Deck Lid Pull Down
4		3			SCREW, Not Serviced
5		1			SCREW, Not Serviced
6	4378 272	1	C	H,P	BRACKET ADAPTOR, Latch
	4378 121	1	C	S	BRACKET ADAPTOR, Latch
7	4467 249	1	C	S	LEVER and PIN, Latch
8	4378 280	1			SOLENOID ASSEMBLY, Latch
9	4378 281	1			LATCH ASSEMBLY
10	4373 224	1			SWITCH ASSEMBLY, Latch
11	4378 282	1			SPRING RETAINER ASSEMBLY, Latch
12	6100 051	2			NUT and WASHER
13	6032 107	2	C	S	CLIP, Pin Retainer
14	2945 108	1	C	S	CLIP, Rod Retainer
15	4378 724	1			MOTOR, Deck Lid Pull Down

MODEL CODES

C BODY = (D41 - DYNASTY)(C41 - NEW YORKER)
 E BODY = (J - CARAVELLE)(E - 600)(T - NEW YORKER TURBO)
 G BODY = (V24 - DAYTONA, PACIFICA & SHELBY)
 H BODY = (D44 - LANCER)(C44 - LEBARON GTS)
 J BODY = (C - LEBARON)
 K BODY = (P - RELIANT)(D - ARIES)(C - LEBARON/ TOWN & COUNTRY)

L BODY = (M - HORIZON)(Z-OMNI)
 M BODY = (B - GRAN FURY)(G - DIPLOMAT)(F - FIFTH AVENUE/NEWPORT)
 P BODY = (P - SUNDANCE)(D - SHADOW)
 Q BODY = (C27 - MASERATI)
 S BODY = (H - VOYAGER)(K - RAM VAN/ CARAVAN)

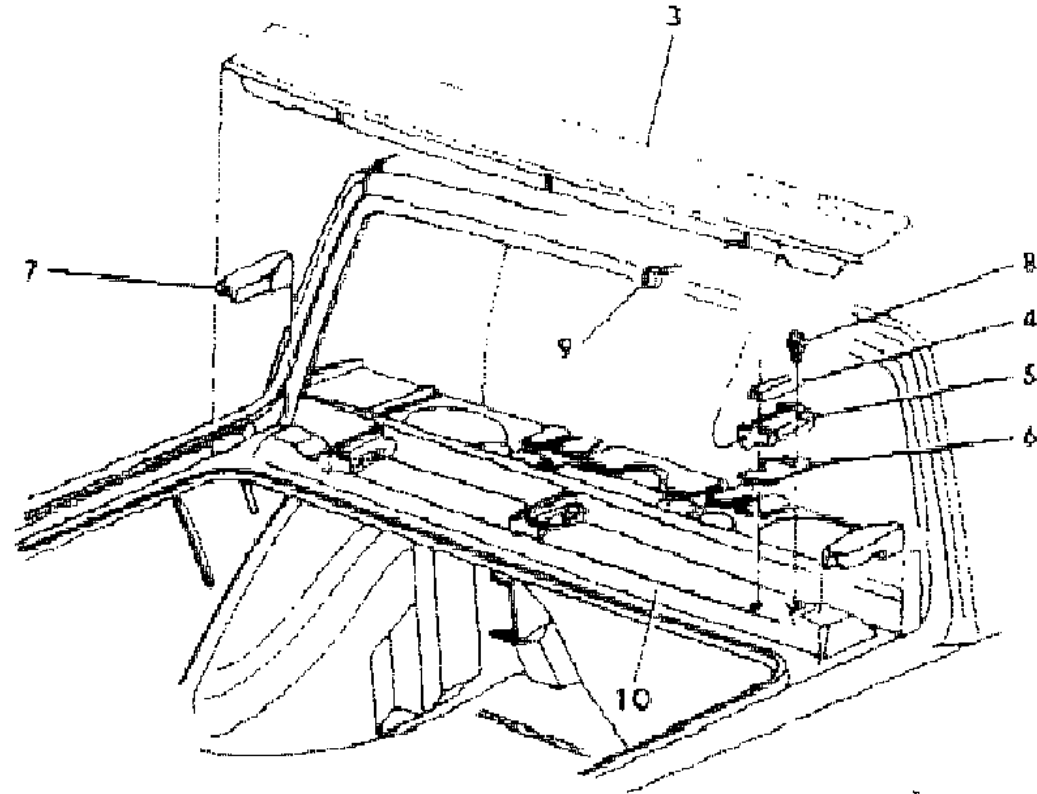
BODY STYLES

12-52 = FWD VAN & WAGON STD. W.B. 27 = 2-DOOR CONVERTIBLE
 13-53 = FWD VAN & WGN EXT W.B. 41 = 4-DOOR SEDAN
 21 = 2-DOOR SEDAN 44 = 4-DOOR HATCHBACK
 24 = 2-DOOR HATCHBACK 45 = 4-DOOR STATION WAGON

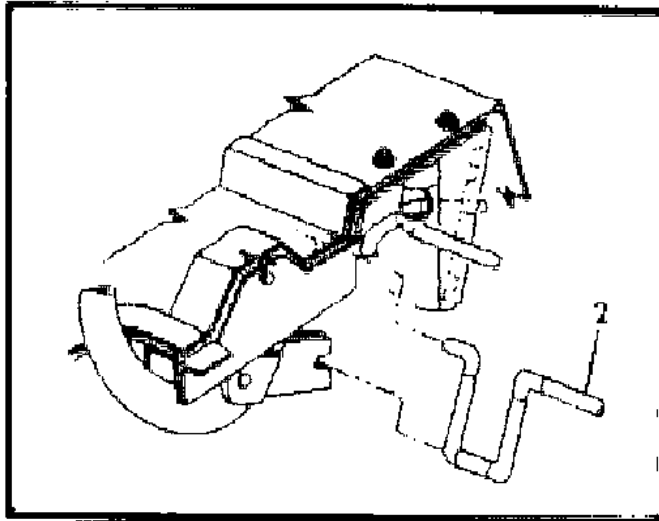
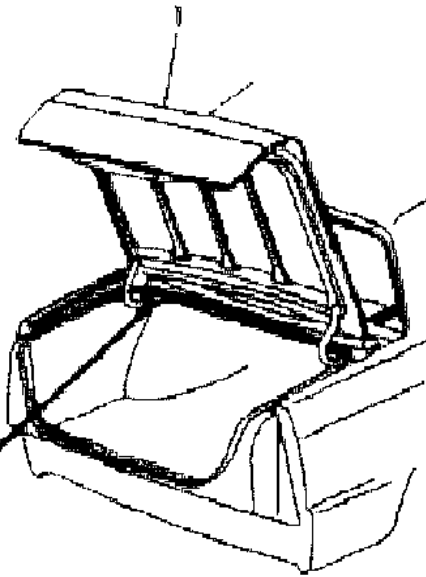
AR = Use as Required - = Non Illustrated Part P.A.R. = Paint as Required

DECK LID SHELF AND BAR C BODY
Figure 23A-1620

8169 16200



ITEM	PART NUMBER	QTY	BODY	MODEL	DESCRIPTION
1					PANEL, Deck Lid
	4371 897	1	C		
	4371 952	1	D		
2					BAR and SLEEVE, Deck Lid Hinge Torsion
	4416 368-9	1	C		
	4416 784-5	1	D		
3					PANEL, Deck Opening Upper
	4386 212	1	C	S	
	4386 550	1	C,D	H,P	
4		3			ISOLATOR, Not Serviced
5					RETAINER, Deck Opening Upper Panel
	4386 647	3	C	S	
	4386 870	3	C,D	H,P	
6		AR			SPACER, Not Serviced
7	4440 478-9	1			SUPPORT, Deck Opening Upper Panel
8		6			SCREW, Not Serviced
9	6028 674	3			SCREW
10	4512 130	1			TROUGH, Deck Opening Upper Drain



MODEL CODES

C BODY = (D41 - DYNASTY)(C41 - NEW YORKER)
 E BODY = (J - CARAVELLE)(E - 600)(T - NEW YORKER TURBO)
 G BODY = (V24 - DAYTONA, PACIFICA & SHELBY)
 H BODY = (D44 - LANCER)(C44 - LEBARON GTS)
 J BODY = (C - LEBARON)
 K BODY = (P - RELIANT)(D - ARIES)(C - LEBARON/ TOWN & COUNTRY)

L BODY = (M - HORIZON)(Z-OMNI)
 M BODY = (B - GRAN FURY)(G - DIPLOMAT)(F - FIFTH AVENUE/NEWPORT)
 P BODY = (P - SUNDANCE)(D - SHADOW)
 Q BODY = (C27 - MASERATI)
 S BODY = (H - VOYAGER)(K - RAM VAN/ CARAVAN)

BODY STYLES

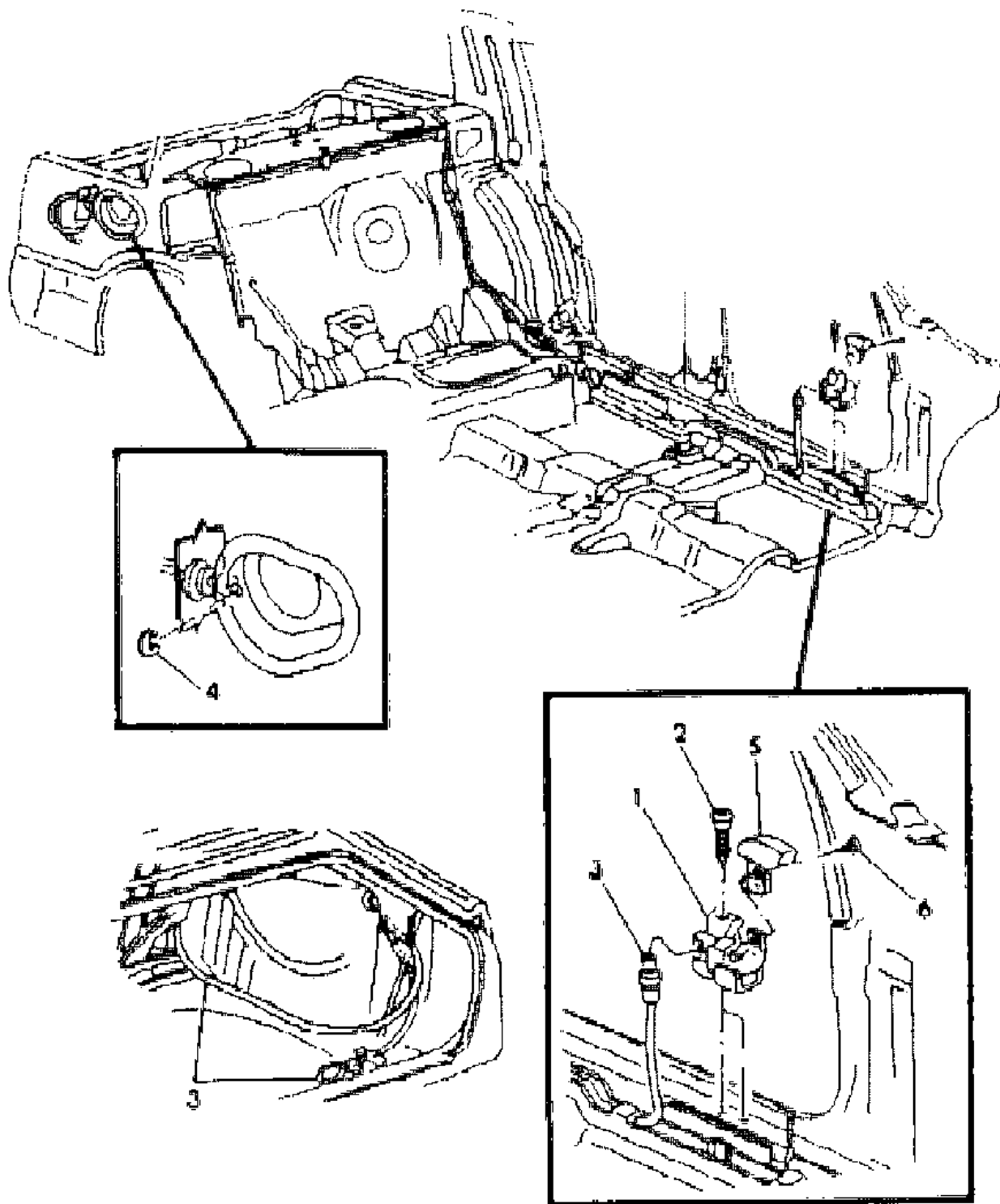
12-52 = FWD VAN & WAGON STD. W.B. 27 = 2-DOOR CONVERTIBLE
 13-53 = FWD VAN & WGN EXT W.B. 41 = 4-DOOR SEDAN
 21 = 2-DOOR SEDAN 44 = 4-DOOR HATCHBACK
 24 = 2-DOOR HATCHBACK 45 = 4-DOOR STATION WAGON

AR = Use as Required - = Non Illustrated Part P.A.R. = Paint as Required

FUEL FILLER REMOTE RELEASE C BODY
Figure 23A-1630

8169 16300

ITEM	PART NUMBER	QTY	BODY	MODEL	DESCRIPTION
1	4416 192	1			LEVER, Fuel Filler
2	6032 456	2			SCREW
3	4475 247	1			CABLE and LATCH ASSEMBLY
4	1626 749	1			E-CLIP, .527
	6033 510	1			E-CLIP, .687
5	4371 905	1			HANDLE
6		1			SCREW, Not Serviced



MODEL CODES

C BODY = (D41 - DYNASTY)(C41 - NEW YORKER)
 E BODY = (J - CARAVELLE)(E - 600)(T - NEW YORKER TURBO)
 G BODY = (V24 - DAYTONA, PACIFICA & SHELBY)
 H BODY = (D44 - LANCER)(C44 - LEBARON GTS)
 J BODY = (C - LEBARON)
 K BODY = (P - RELIANT)(D - ARIES)(C - LEBARON/ TOWN & COUNTRY)

L BODY = (M - HORIZON)(Z-OMNI)
 M BODY = (B - GRAN FURY)(G - DIPLOMAT)(F - FIFTH AVENUE/NEWPORT)
 P BODY = (P - SUNDANCE)(D - SHADOW)
 Q BODY = (C27 - MASERATI)
 S BODY = (H - VOYAGER)(K - RAM VAN/ CARAVAN)

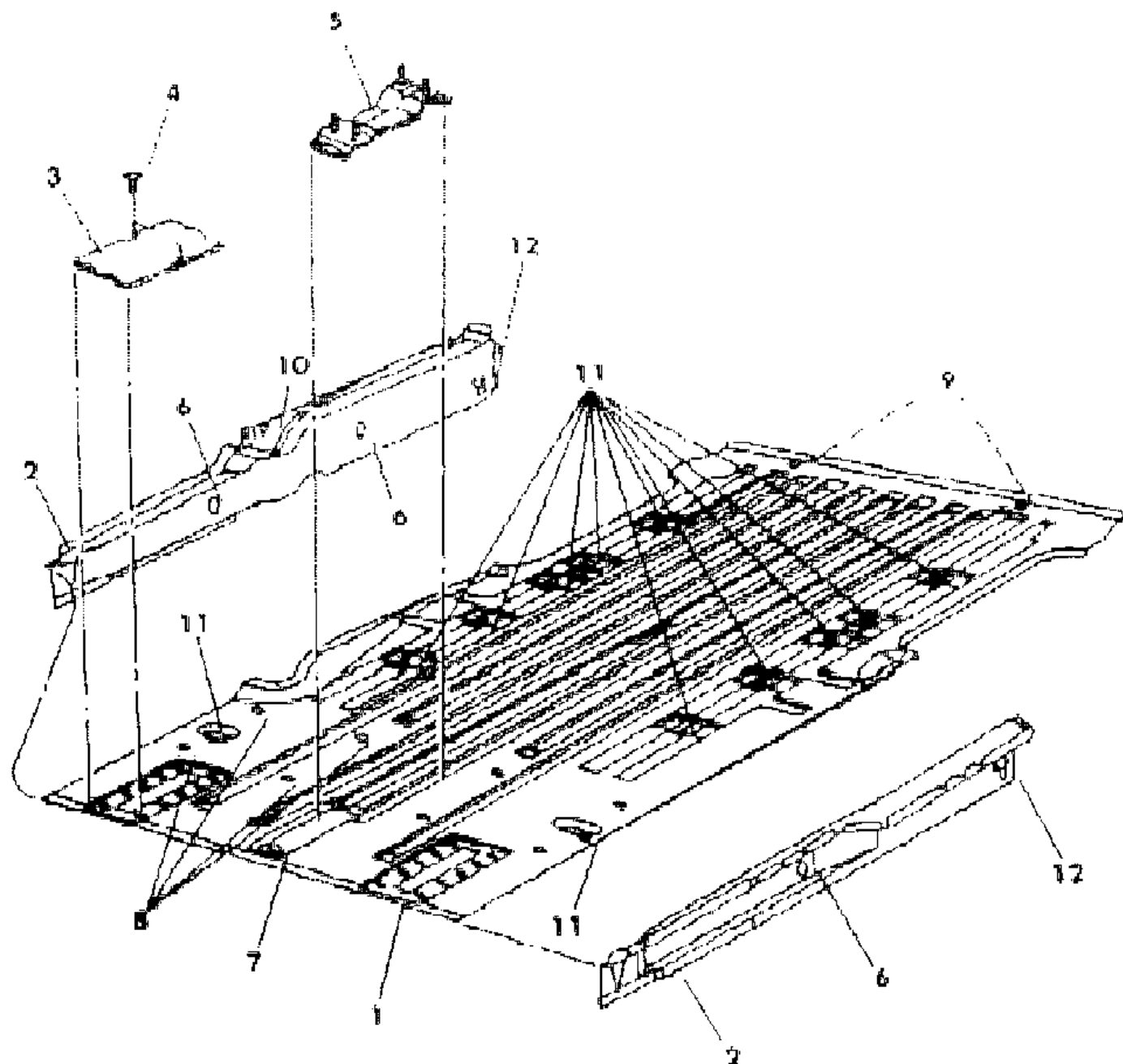
BODY STYLES

12-52 = FWD VAN & WAGON STD. W.B. 27 = 2-DOOR CONVERTIBLE
 13-53 = FWD VAN & WGN EXT W.B. 41 = 4-DOOR SEDAN
 21 = 2-DOOR SEDAN 44 = 4-DOOR HATCHBACK
 24 = 2-DOOR HATCHBACK 45 = 4-DOOR STATION WAGON

AR = Use as Required - = Non Illustrated Part P.A.R. = Paint as Required

FLOOR PAN S BODY
Figure 23A-1640

8169 16400



ITEM	PART NUMBER	QTY	BODY	MODEL	DESCRIPTION
1	4416 191	1		12	PAN, Floor
	4416 094	1		52	
	4337 574	1		13	
	4475 286	1		53	
2					PANEL, Body Side Sill Inner
	4416 214	1		12,52	Right
	4416 361	1		12,52	Left
	4385 052	1		13,53	Right
	4385 053	1		13,53	Left
	3	2			COVER, Floor Pan Side Rail Weld Access Not Serviced
4		4			SCREW, #10 x .625" Not Serviced
5	4371 819	1			BRACKET, Floor Pan Shifter Mounting
6	#4073 485	3			PLUG, 1.50" Dia./38mm
7	4073 475	1			PLUG, 1.50" Dia./38mm
8	1774 076	4			PLUG, .630" Dia./16mm
9	2860 332	2			PLUG, .500" Dia./13mm
	3726 319	2			PLUG
10	1950 477	1			PLUG, Body Side Sill Inner Rt.
11		2			PLUG, .250" Dia./6mm Not Serviced
	4314 223	2			PLUG, Floor Pan Rear Hanger Front Bracket
12	3794 032	2			SEAL, Body Side Sill Inner Panel

MODEL CODES

C BODY = (D41 - DYNASTY)(C41 - NEW YORKER)
 E BODY = (J - CARAVELLE)(E - 600)(T - NEW YORKER TURBO)
 G BODY = (V24 - DAYTONA, PACIFICA & SHELBY)
 H BODY = (D44 - LANCER)(C44 - LEBARON GTS)
 J BODY = (C - LEBARON)
 K BODY = (P - RELIANT)(D - ARIES)(C - LEBARON/ TOWN & COUNTRY)
 L BODY = (M - HORIZON)(Z-OMNI)
 M BODY = (B - GRAN FURY)(G - DIPLOMAT)(F - FIFTH AVENUE/NEWPORT)
 P BODY = (P - SUNDANCE)(D - SHADOW)
 Q BODY = (C27 - MASERATI)
 S BODY = (H - VOYAGER)(K - RAM VAN/ CARAVAN)

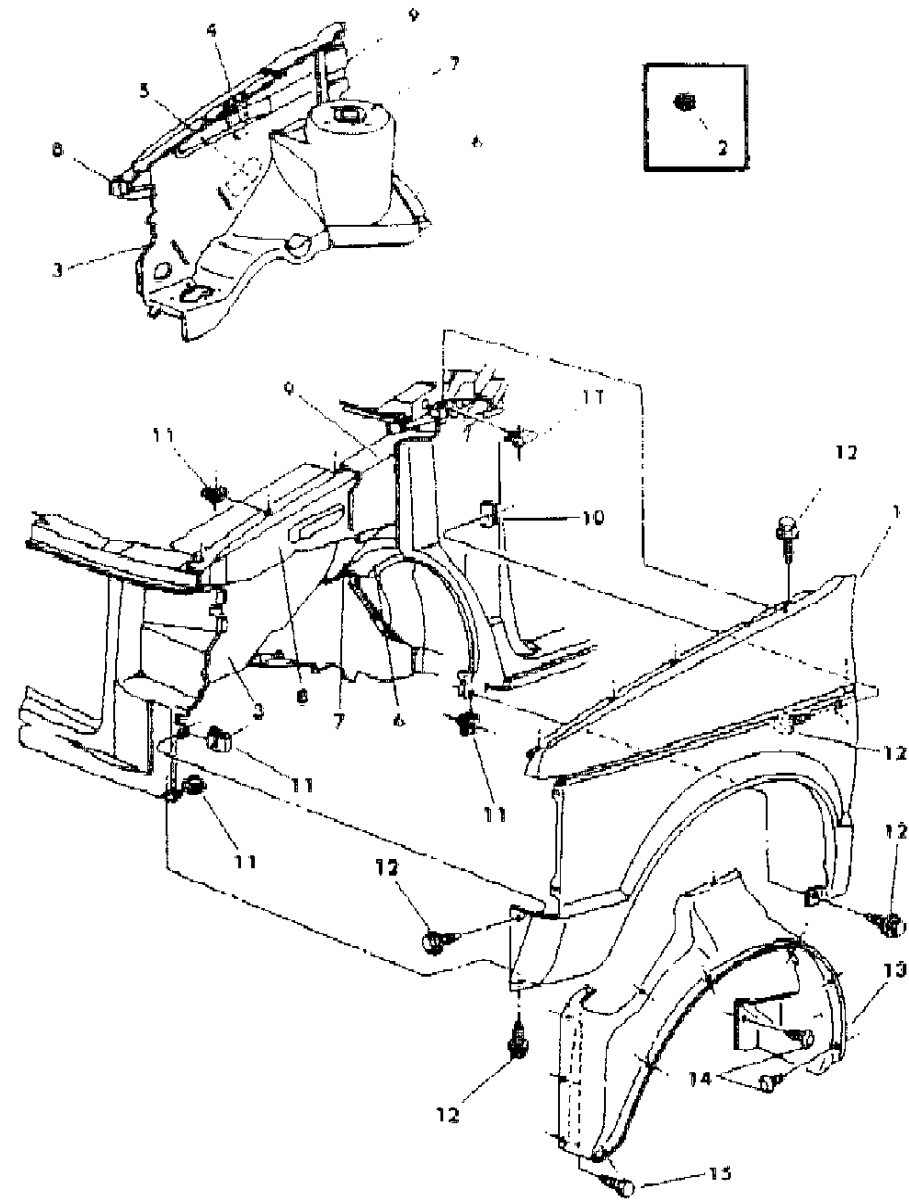
BODY STYLES

12-52 = FWD VAN & WAGON STD. W.B. 27 = 2-DOOR CONVERTIBLE
 13-53 = FWD VAN & WGN EXT W.B. 41 = 4-DOOR SEDAN
 21 = 2-DOOR SEDAN 44 = 4-DOOR HATCHBACK
 24 = 2-DOOR HATCHBACK 45 = 4-DOOR STATION WAGON

AR = Use as Required - = Non Illustrated Part P.A.R. = Paint as Required

FENDER AND SHIELD S BODY
Figure 23A-1650

8169 16500



ITEM	PART NUMBER	QTY	BODY	MODEL	DESCRIPTION
1	4411 912-3	1			FENDER
2	4222 739	1			PLUG, Fender Antenna Hole
3	4490 208-9	1			PANEL, Front Fender Shield
4	4341 023	1			BRACKET, Jack Stowage Mount Reinforcement
5	4220 849	1			PLATE, Horn Mounting
6	4296 812-3	1			EXTENSION, Iso-Strut Tower To Dash Panel
7	4440 336-7	1			TOWER, Iso-Strut Mounting
8	4490 194-5	1			BEAM, Front Fender Shield
9	4386 162-3	1			EXTENSION, Body Side Aperture To Front Fender Shield Beam
10	4314 093	2			BRACKET, Body Side Aperture To Fender Center
11	6100 041	14			U-NUT
12	6100 567	16			SCREW and WASHER
13	4296 218-9	1			SHIELD, Fender Wheelhouse Splash
14	6030 441	22			RETAINER
15		6			SCREW, 1/4\"-14 x .875\" Not Serviced

MODEL CODES

C BODY = (D41 - DYNASTY)(C41 - NEW YORKER)
 E BODY = (J - CARAVELLE)(E - 600)(T - NEW YORKER TURBO)
 G BODY = (V24 - DAYTONA, PACIFICA & SHELBY)
 H BODY = (D44 - LANCER)(C44 - LEBARON GTS)
 J BODY = (C - LEBARON)
 K BODY = (P - RELIANT)(D - ARIES)(C - LEBARON/ TOWN & COUNTRY)
 L BODY = (M - HORIZON)(Z-OMNI)
 M BODY = (B - GRAN FURY)(G - DIPLOMAT)(F - FIFTH AVENUE/NEWPORT)
 P BODY = (P - SUNDANCE)(D - SHADOW)
 Q BODY = (C27 - MASERATI)
 S BODY = (H - VOYAGER)(K - RAM VAN/ CARAVAN)

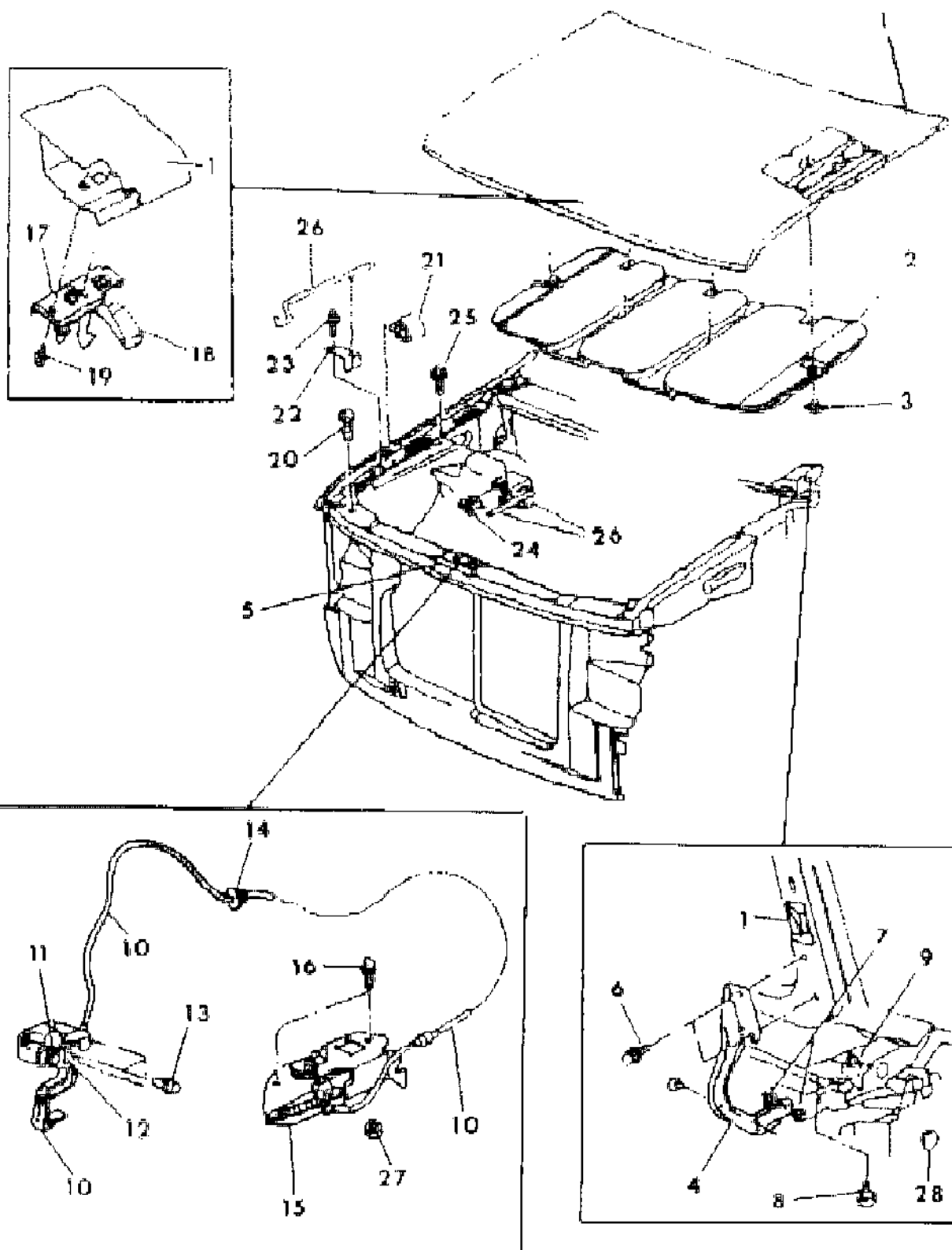
BODY STYLES

12-52 = FWD VAN & WAGON STD. W.B. 27 = 2-DOOR CONVERTIBLE
 13-53 = FWD VAN & WGN EXT W.B. 41 = 4-DOOR SEDAN
 21 = 2-DOOR SEDAN 44 = 4-DOOR HATCHBACK
 24 = 2-DOOR HATCHBACK 45 = 4-DOOR STATION WAGON

AR = Use as Required - = Non Illustrated Part P.A.R. = Paint as Required

HOOD AND HOOD RELEASE S BODY
Figure 23A-1660

8169 16600



ITEM	PART NUMBER	QTY	BODY	MODEL	DESCRIPTION
1	4440 416	1			HOOD
		AR			SHIM, Washer Hood Not Serviced
2	4049 601	1			SILENCER MATERIAL, Hood Panel Cut To Fit 36" x 72" (w/Metal Hood)
	4341 384	1			SILENCER, Hood Panel (w/Plastic Hood)
3	6003 351	7			FASTENER, Hood Panel Silencer (w/Metal Hood)
	4341 060	17			FASTENER, Hood Panel Silencer (w/Plastic Hood)
4	4341 726-7	1			ARM and BUSHING, Hood Hinge
5	4341 871	1			REINFORCEMENT, Crossmember Radiator Hood Latch
6	6500 515	4			SCREW and WASHER
7	6030 592	2			NUT, Spring
8	4270 218	1			BUMPER, Hood Hinge Up Stop (Right Side Only)
9	4341 381	2			REINFORCEMENT, w/Pin Cowl Plenum Side Inner Hood Hinge
					Mounting
10	4270 039	1			RELEASE, Inside Hood Latch (Includes Items #11,12 & 14)
11	6022 149	1			NUT, Inside Hood Release Handle To Bracket
12	6031 147	1			NUT, Inside Hood Release Cable To Handle
13	9421 073	3			SCREW
14	5207 294	1			GROMMET, Inside Hood Release Cable To Dash Panel
15	4296 593	1			LATCH, Hood (Body Half)
		1			PLATE and LOCATOR, Hood Latch Safety Catch Serviced In 4296593
16	6501 373	4			SCREW and WASHER
17		1			PLATE, Hood Latch Serviced In 4341849
18	4341 849	1			LATCH and CATCH, Hood Half (Includes Item 17)
19	6101 339	4			SCREW and WASHER
20	4103 165	2			BUMPER, Crossmember To Hood Adjustable
21	4296 227	2			BUMPER, Fender To Hood Side
22	4296 437	1			CLIP, Hood Prop Rod Stowage
23		1			SCREW, #10-16 x .500" Not Serviced
24	6100 041	AR			U-NUT
25	6501 212	AR			SCREW, w/Washer
26	4296 737	1			ROD and BRACKET, Hood Prop
27	6101 289	AR			NUT, Hood Latch Body Half Screw Repair
28	4296 757	2			BUTTON, Hood Hinge Arm

MODEL CODES

C BODY = (D41 - DYNASTY)(C41 - NEW YORKER)
 E BODY = (J - CARAVELLE)(E - 600)(T - NEW YORKER TURBO)
 G BODY = (V24 - DAYTONA, PACIFICA & SHELBY)
 H BODY = (D44 - LANCER)(C44 - LEBARON GTS)
 J BODY = (C - LEBARON)
 K BODY = (P - RELIANT)(D - ARIES)(C - LEBARON/ TOWN & COUNTRY)
 L BODY = (M - HORIZON)(Z-OMNI)
 M BODY = (B - GRAN FURY)(G - DIPLOMAT)(F - FIFTH AVENUE/NEWPORT)
 P BODY = (P - SUNDANCE)(D - SHADOW)
 Q BODY = (C27 - MASERATI)
 S BODY = (H - VOYAGER)(K - RAM VAN/ CARAVAN)

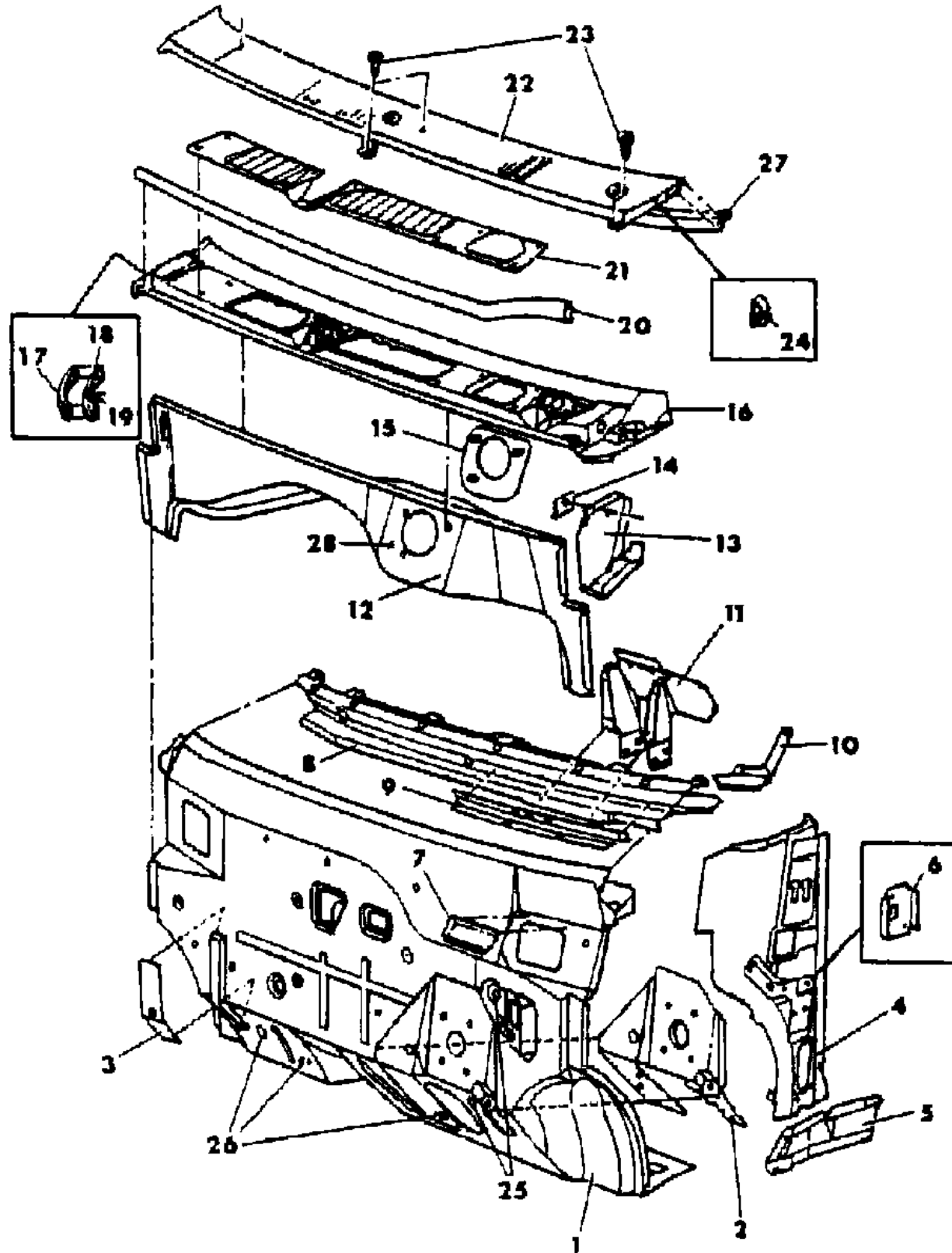
BODY STYLES

12-52 = FWD VAN & WAGON STD. W.B. 27 = 2-DOOR CONVERTIBLE
 13-53 = FWD VAN & WGN EXT W.B. 41 = 4-DOOR SEDAN
 21 = 2-DOOR SEDAN 44 = 4-DOOR HATCHBACK
 24 = 2-DOOR HATCHBACK 45 = 4-DOOR STATION WAGON

AR = Use as Required - = Non Illustrated Part P.A.R. = Paint as Required

COWL AND DASH PANEL S BODY
Figure 23A-1670

8169 16700



ITEM	PART NUMBER	QTY	BODY	MODEL	DESCRIPTION
1	4475 287	1			PANEL, Dash
2	4337 329	1			REINFORCEMENT, Dash Panel Accelerator and Brake Pedal
3	4337 276	1			REINFORCEMENT, Dash Panel To Front Side Rail Upper Rt.
4	4475 034-5	1			PANEL, Cowl Side Up To 3-1-88
	4512 426-7	1			After 3-1-88
5	4278 046-7	1			EXTENSION, Body Side Sill Inner Panel
6	4278 733	1			REINFORCEMENT, Cowl Side Park Brake Mounting Bracket
7	4278 415	1			BRACKET, Cowl Plenum Water Deflector Lt.
8	4278 051	1			REINFORCEMENT, Dash Panel Belt
9	4278 675	1			SUPPORT, Dash Panel Belt Reinforcement Steering Column Mounting
10	4278 386-7	1			REINFORCEMENT, Dash Panel Belt To Windshield Frame Inner
11	4314 210	1			BRACKET, Dash Panel Steering Column Mounting Support
12	4475 051	1			PANEL, Cowl Plenum Lower Up
13	4278 148-9	1			PANEL, Cowl Plenum Side Inner
14	4341 381	2			REINFORCEMENT, w/Pin Cowl Plenum Side Inner Hood Hinge Mounting
15	4371 698	1			REINFORCEMENT, Cowl Lower Plenum Windshield Wiper Motor Mounting
16	4278 056	1			PANEL, Cowl Plenum Upper
17	4371 542	2			SEAL, Cowl Top To Body Side Aperture Panel
18	4314 806-7	1			RETAINER, w/Fastener Cowl Top To Body Side Aperture Panel Seal (Includes Item 19)
19	6003 808	2			FASTENER
20	4371 542	1			SEAL, Cowl Plenum To Hood
21	4314 059	1			SCREEN, w/Seal Cowl Plenum Upper
22	4278 057	1			PANEL, Cowl Plenum Grille
23		6			SCREW, #8-18 x .625" Not Serviced
24	6032 281	2			CLIP, Cowl Plenum Grille Mounting
25	3445 939	1			PLUG, .906" Dia./23 mm
26	5200 456	3			PLUG, 2.75" Dia./70 mm
27		1			SEAL, Cowl Plenum Grille Panel To Windshield Not Serviced
28	6030 441	1			PLUG, Cowl Plenum Lower Windshield Wiper Motor Mounting P/Nut

MODEL CODES

C BODY = (D41 - DYNASTY)(C41 - NEW YORKER)	L BODY = (M - HORIZON)(Z-OMNI)
E BODY = (J - CARAVELLE)(E - 600)(T - NEW YORKER TURBO)	M BODY = (B - GRAN FURY)(G - DIPLOMAT)(F - FIFTH AVENUE/NEWPORT)
G BODY = (V24 - DAYTONA, PACIFICA & SHELBY)	P BODY = (P - SUNDANCE)(D - SHADOW)
H BODY = (D44 - LANCER)(C44 - LEBARON GTS)	Q BODY = (C27 - MASERATI)
J BODY = (C - LEBARON)	S BODY = (H - VOYAGER)(K - RAM VAN/ CARAVAN)
K BODY = (P - RELIANT)(D - ARIES)(C - LEBARON/ TOWN & COUNTRY)	

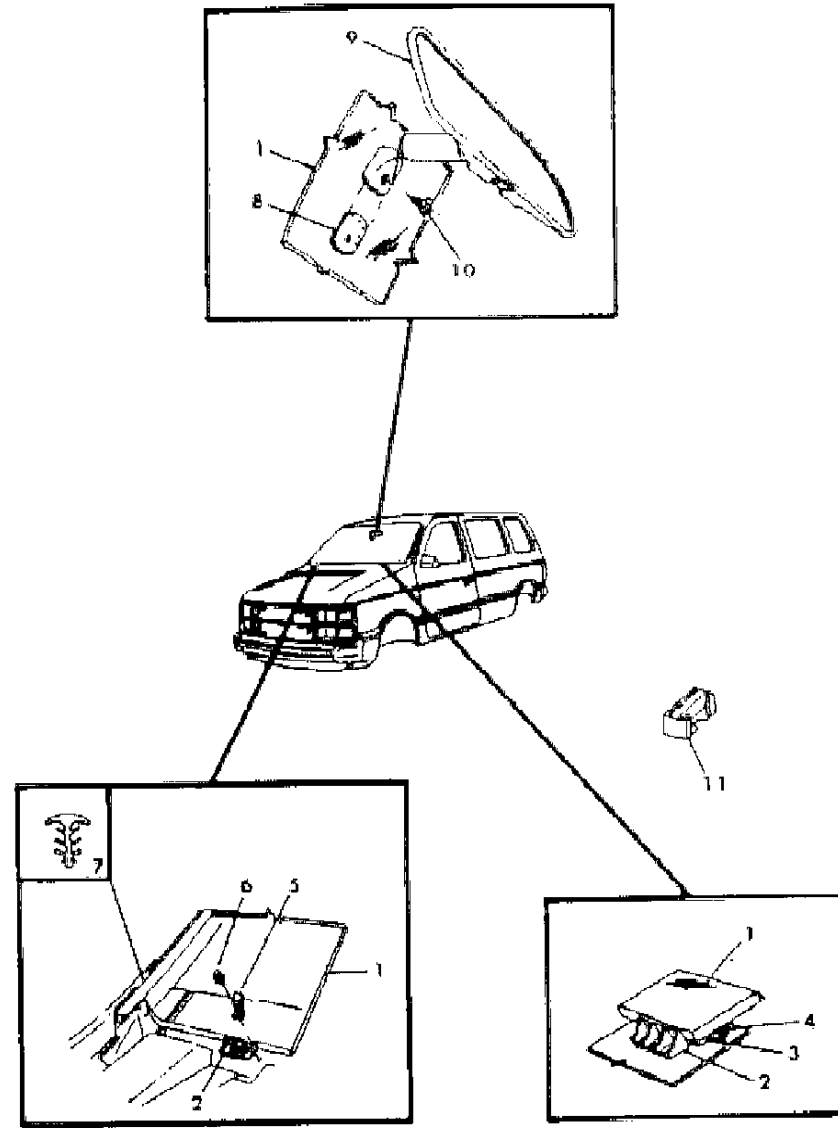
BODY STYLES

12-52 = FWD VAN & WAGON STD. W.B.	27 = 2-DOOR CONVERTIBLE
13-53 = FWD VAN & WGN EXT W.B.	41 = 4-DOOR SEDAN
21 = 2-DOOR SEDAN	44 = 4-DOOR HATCHBACK
24 = 2-DOOR HATCHBACK	45 = 4-DOOR STATION WAGON

AR = Use as Required - = Non Illustrated Part P.A.R. = Paint as Required

GLASS WINDSHIELD AND MIRROR S BODY
Figure 23A-1680

8169 16800



ITEM	PART NUMBER	QTY	BODY	MODEL	DESCRIPTION
NOTE: GLASS, WINDSHIELD - ORDER FROM YOUR LOCAL "MOPAR" GLASS DISTRIBUTOR s group.					
1	4278 865	1			GLASS, Windshield Tinted (E-Marked)
2	4206 543	2			SPACER, Windshield Lower
3		1			ADHESIVE, Windshield Polyurethane (Serviced in Package #4267906)
4	4206 848	AR			DAM, Windshield Glass Adhesive (119")
5	4337 032	2			CLIP, Windshield Hold-Down
6		2			SCREW, #8-18 x .375" Not Serviced
7	4314 873	1			MOULDING, Windshield Glass Repair (114")
8	4054 098	1			BUTTON, Inside Rear View Mirror Mounting
	4293 039	1			ADHESIVE PACKAGE, Rear View Mirror Button Mounting (Includes Adhesive & Instructions)
9	4299 325	1			MIRROR, Rear View
10	6031 094	1			SCREW
11	3767 767	AR			SHIM, Windshield Lower Spacer (.07)
	3767 196	AR			SHIM, Windshield Lower Spscer (.106)
NOTE: The following items are not shown on illustrstion. s group.					
PKG A	4267 906	1			REPAIR PACKAGE, Windshield & Rear Window
					Consists of:
					1- ----- Polyurethane, 11.5 oz.
					1- ----- Fence Primer, 1 oz.
					1- ----- Glass Wipe-Off Primer, 1 oz.
					1- ----- Glass Black-Out Primer, 1 oz.
					1- ----- Nozzle

MODEL CODES

C BODY = (D41 - DYNASTY)(C41 - NEW YORKER)	L BODY = (M - HORIZON)(Z-OMNI)
E BODY = (J - CARAVELLE)(E - 600)(T - NEW YORKER TURBO)	M BODY = (B - GRAN FURY)(G - DIPLOMAT)(F - FIFTH AVENUE/NEWPORT)
G BODY = (V24 - DAYTONA, PACIFICA & SHELBY)	P BODY = (P - SUNDANCE)(D - SHADOW)
H BODY = (D44 - LANCER)(C44 - LEBARON GTS)	Q BODY = (C27 - MASERATI)
J BODY = (C - LEBARON)	S BODY = (H - VOYAGER)(K - RAM VAN/ CARAVAN)
K BODY = (P - RELIANT)(D - ARIES)(C - LEBARON/ TOWN & COUNTRY)	

BODY STYLES

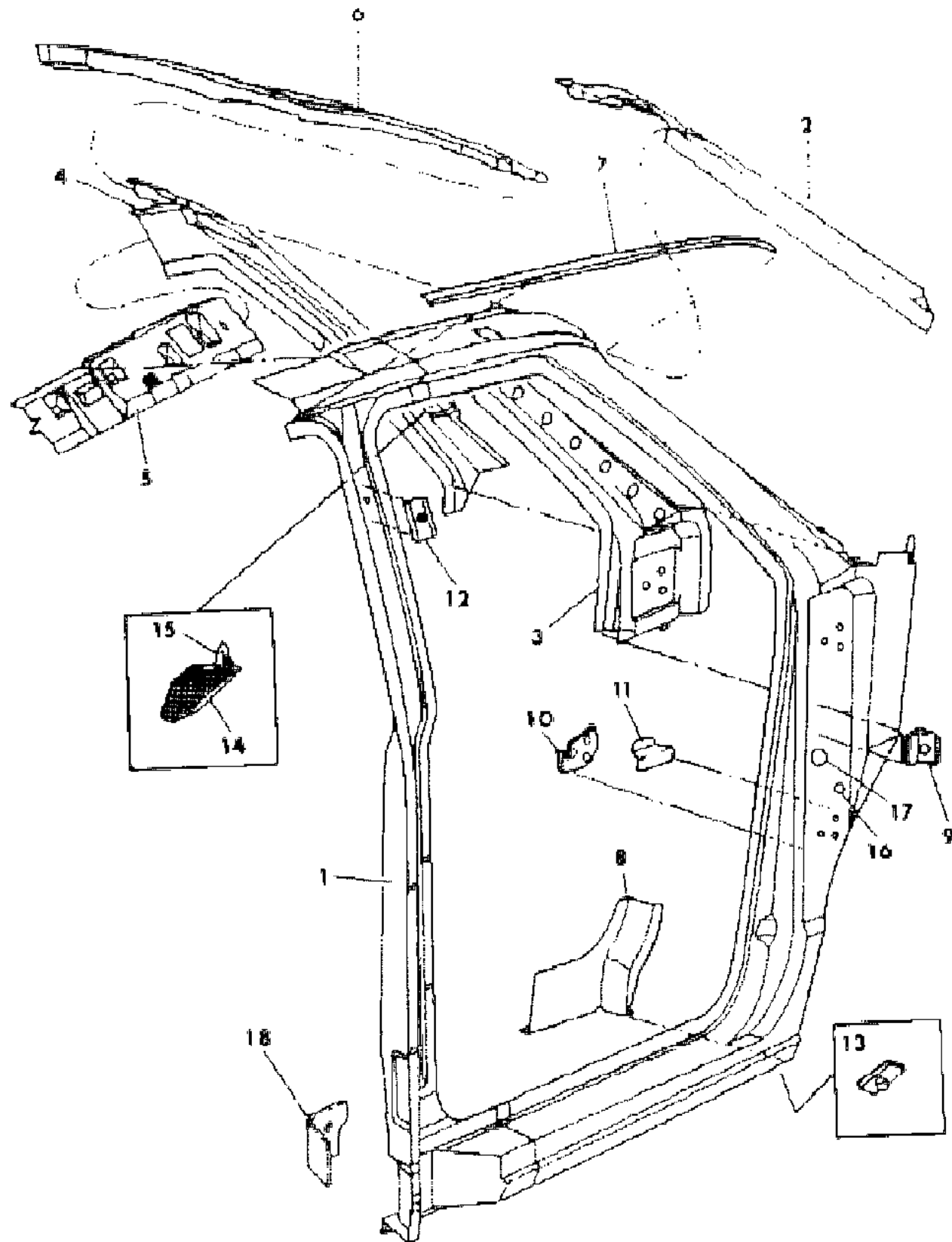
12-52 = FWD VAN & WAGON STD. W.B.	27 = 2-DOOR CONVERTIBLE
13-53 = FWD VAN & WGN EXT W.B.	41 = 4-DOOR SEDAN
21 = 2-DOOR SEDAN	44 = 4-DOOR HATCHBACK
24 = 2-DOOR HATCHBACK	45 = 4-DOOR STATION WAGON

AR = Use as Required - = Non Illustrated Part P.A.R. = Paint as Required

BODY FRONT PILLAR AND APERTURE PANEL S BODY

Figure 23A-1690

A169 16900



ITEM	PART NUMBER	QTY	BODY	MODEL	DESCRIPTION
1	4416 212	1			PANEL, Body Side Aperture Front Rt.
	4337 801	1			PANEL, Body Side Aperture Lt.
2	4314 850-1	1			PANEL, Windshield Opening Side
3	4371 460-1	1			FRAME, Windshield Side Outer
4	4416 216-7	1			FRAME, Windshield Side Inner
5					RAIL, Roof Side Inner
	4337 252	1			Right
	4386 699	1			Left
6	4416 211	1			FRAME, Windshield Opening Upper
7	4278 006-7	1		12,52	TROUGH, Roof Side Drain
	4385 010-1	1		13,53	
8	4278 612-3	1			REINFORCEMENT, Jacking Pad Locator Front
9	4314 093	2			BRACKET, Body Side Aperture Front To Fender Center
10	4314 558-9	2			PLATE, Body Front Pillar Hinge Tapping
11	4278 408-9	1			REINFORCEMENT, Body Side Aperture Front Door Lower Hinge Mounting
12	4337 394	2			REINFORCEMENT, Body Side Aperture Front Shoulder Belt Mounting Rt.
13	4314 277	4			PLATE, Body Side Aperture Jack Locator
14	4337 388-9	1		52,53	SEAL, Windshield Side Frame Outer To Inner (Includes Item #15)
15		AR			FASTENER, Not Serviced
16	2860 332	1			PLUG, .500" Dia./13mm
17	6030 773	2			PLUG, 2.25" Dia./57mm
18	4416 231	1			REINFORCEMENT, Body Side Aperture Seat Belt

MODEL CODES

C BODY = (D41 - DYNASTY)(C41 - NEW YORKER)
 E BODY = (J - CARAVELLE)(E - 600)(T - NEW YORKER TURBO)
 G BODY = (V24 - DAYTONA, PACIFICA & SHELBY)
 H BODY = (D44 - LANCER)(C44 - LEBARON GTS)
 J BODY = (C - LEBARON)
 K BODY = (P - RELIANT)(D - ARIES)(C - LEBARON/ TOWN & COUNTRY)

L BODY = (M - HORIZON)(Z-OMNI)
 M BODY = (B - GRAN FURY)(G - DIPLOMAT)(F - FIFTH AVENUE/NEWPORT)
 P BODY = (P - SUNDANCE)(D - SHADOW)
 Q BODY = (C27 - MASERATI)
 S BODY = (H - VOYAGER)(K - RAM VAN/ CARAVAN)

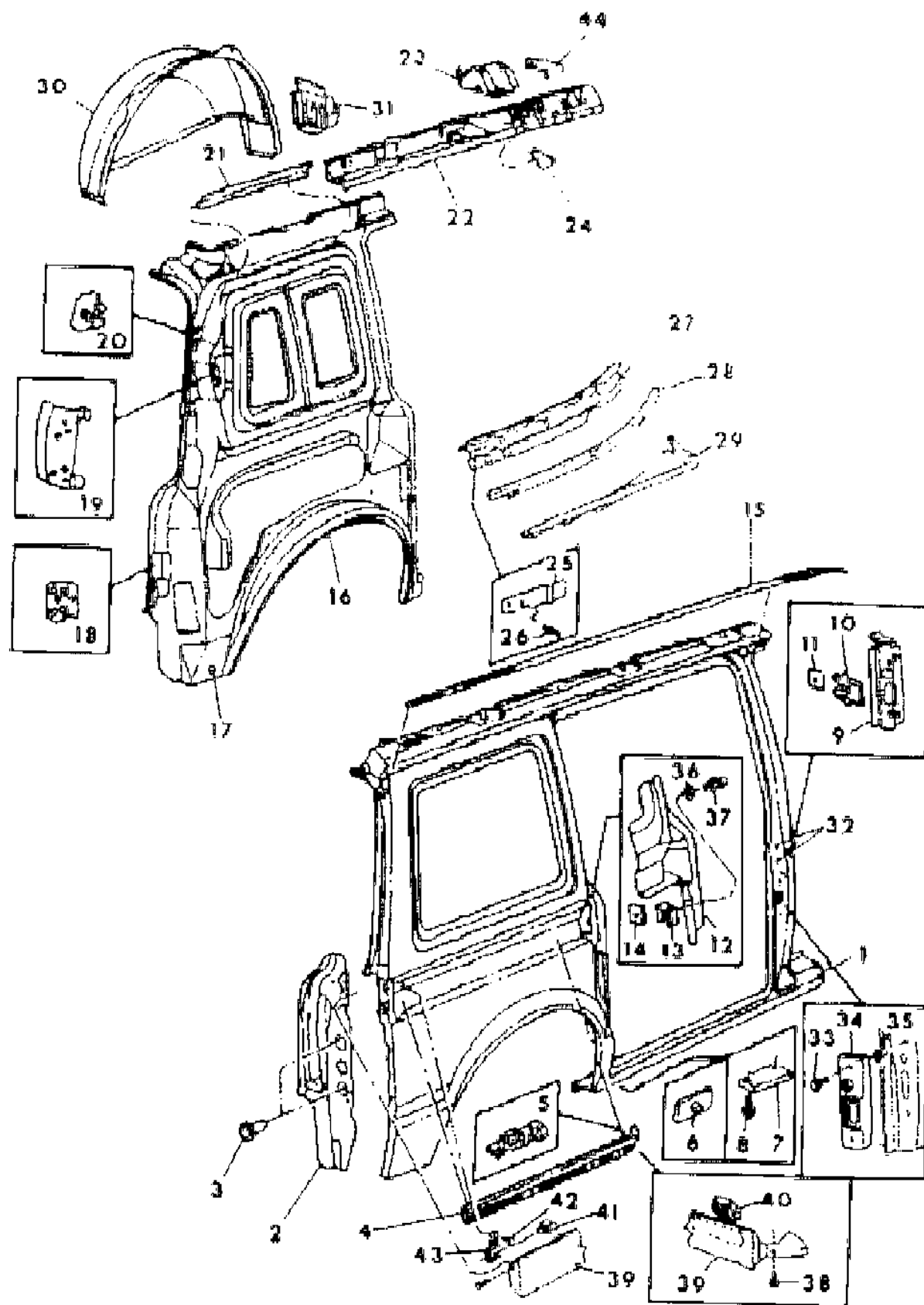
BODY STYLES

12-52 = FWD VAN & WAGON STD. W.B. 27 = 2-DOOR CONVERTIBLE
 13-53 = FWD VAN & WGN EXT W.B. 41 = 4-DOOR SEDAN
 21 = 2-DOOR SEDAN 44 = 4-DOOR HATCHBACK
 24 = 2-DOOR HATCHBACK 45 = 4-DOOR STATION WAGON

AR = Use as Required - = Non Illustrated Part P.A.R. = Paint as Required

BODY REAR QUARTER (RIGHT) S BODY
Figure 23A-1700

8169 17000



ITEM	PART NUMBER	QTY	BODY	MODEL	DESCRIPTION
1					PANEL, Body Side Aperture Rear
	4416 844	1		12	
	4416 842	1		52	
	4385 014	1		13	
	4385 016	1		53	
2	4416 340	1			PANEL, Body Side Aperture Rear Extension
3	4314 044	2			CUP, w/Seal Body Side Aperture Rear Extension
4	4385 080	1			TRACK, Sliding Door Center
5	4314 609	1			BRACKET, Sliding Door Center Track Cover Front
	4341 977	AR			BRACKET, Sliding Door Upper Front
6	4314 277	4			PLATE, Body Side Aperture Jack Locator
7	4385 108	AR			PAD, Body Side Aperture Rear Hoisting
	4512 134-5	1			w/Ground Effects Package
8		2			SCREW and WASHER, Not Serviced
9	4278 066	1			REINFORCEMENT, Body Side Aperture Front Door Latch Striker
10	4314 092	1			RETAINER, Body Side Aperture Front Door Latch Striker T-Plate
11	4314 743	1			T-PLATE, Body Side Aperture Front Door Latch Striker
12	4385 078	1			REINFORCEMENT, Body Side Aperture Sliding Door Latch Striker
	4440 542	1			BRACE, Bodyside Aperture To Bodyside Sill Inner
13	4337 153	1			RETAINER, Body Side Aperture Sliding Door Latch Striker T-Plate
	4337 152	1			T-PLATE, Body Side Aperture Sliding Door Latch Striker
14	4278 006	1		12,52	TROUGH, Roof Side Drain
	4385 010	1		13,53	
16		1			PANEL, Quarter Inner & Wheelhouse Outer
	4440 750	1		12	
	4490 268	1		52	Up To 3-14-88
	4490 884	1		52	After 3-14-88
	4440 754	1		13	
	4440 756	1		53	
17	#4073 485	1			PLUG, 1.50" Dia./38 mm
18	4314 049	1			REINFORCEMENT, Quarter Inner Panel Liftgate Stabilizer
19	4341 062	1			T-PLATE, Rear Quarter Window Latch
20	4336 398	1			REINFORCEMENT, Quarter Inner Panel Liftgate Prop Mounting
21	4337 110	1		12,13	REINFORCEMENT, Body Side Aperture To Quarter Inner Panel Rear

MODEL CODES

C BODY = (D41 - DYNASTY)(C41 - NEW YORKER)
 E BODY = (J - CARAVELLE)(E - 600)(T - NEW YORKER TURBO)
 G BODY = (V24 - DAYTONA, PACIFICA & SHELBY)
 H BODY = (D44 - LANCER)(C44 - LEBARON GTS)
 J BODY = (C - LEBARON)
 K BODY = (P - RELIANT)(D - ARIES)(C - LEBARON/ TOWN & COUNTRY)

L BODY = (M - HORIZON)(Z-OMNI)
 M BODY = (B - GRAN FURY)(G - DIPLOMAT)(F - FIFTH AVENUE/NEWPORT)
 P BODY = (P - SUNDANCE)(D - SHADOW)
 Q BODY = (C27 - MASERATI)
 S BODY = (H - VOYAGER)(K - RAM VAN/ CARAVAN)

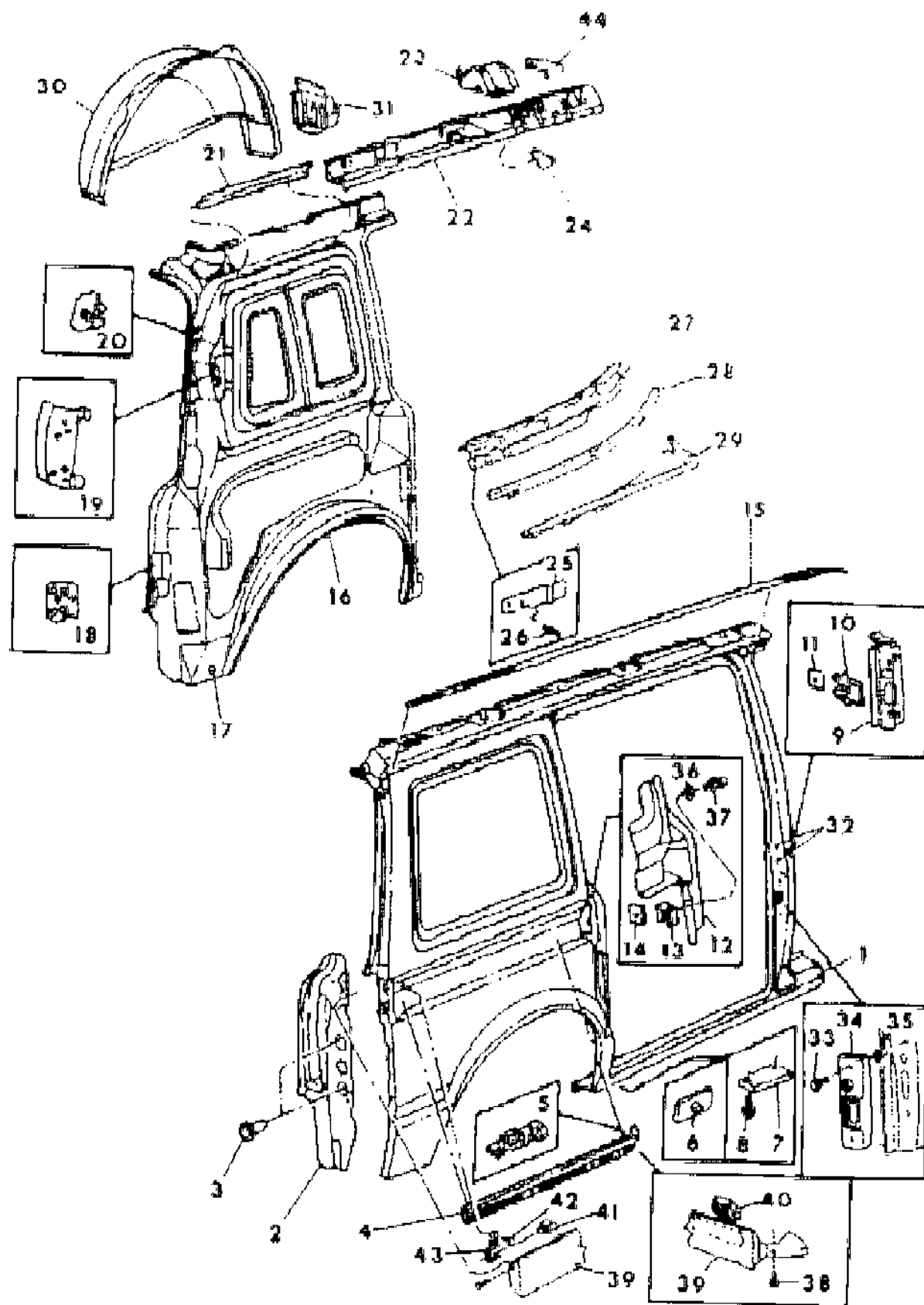
BODY STYLES

12-52 = FWD VAN & WAGON STD. W.B. 27 = 2-DOOR CONVERTIBLE
 13-53 = FWD VAN & WGN EXT W.B. 41 = 4-DOOR SEDAN
 21 = 2-DOOR SEDAN 44 = 4-DOOR HATCHBACK
 24 = 2-DOOR HATCHBACK 45 = 4-DOOR STATION WAGON

AR = Use as Required - = Non Illustrated Part P.A.R. = Paint as Required

BODY REAR QUARTER (RIGHT) S BODY
Figure 23A-1700

8169 17000



ITEM	PART NUMBER	QTY	BODY	MODEL	DESCRIPTION
	4385 054	1		13	REINFORCEMENT, Body Side Aperture To Quarter Inner Rt.
22	4337 252	1			RAIL, Roof Side Inner
23	4337 253	1			SUPPORT, Roof Side Rail Inner To Sliding Door Upper Track
24	4314 508	1			SEAL, Body Side Aperture To Roof Side Rail Inner
25	4475 128	1			SPRING, Sliding Door Lower Stop Hold-Open
26		2			RIVET, 1/8" Dia. x 3/16" Grip Range Not Serviced
27	4490 015	1			REINFORCEMENT, Sliding Door Lower Track
28	4490 003	1			TRACK, Sliding Door Lower
29	4341 428	1			SUPPORT, Sliding Door Lower Track
30	4385 018-9	1			PANEL, Wheelhouse Inner
31	4278 556	1			REINFORCEMENT, Wheelhouse Inner To Sill Inner
	4385 048	1			REINFORCEMENT, Body Side Aperture Jacking
32	6025 871	2			PLUG, Body Side Aperture Sliding Door Dome Lamp & Door Ajar
					Switch Holes
33	6101 453	2			SCREW and WASHER
34	4280 768	1			GUIDE, Stabilizer
	4280 781	1			SEAL, Guide Bracket
35		1			RIVET, Nut Not Serviced
36	4184 105	AR			SPACER, Striker
37	4336 826	1			STRIKER, Door
38		4			SCREW, Track Cover Not Serviced
39	4385 094	1			PANEL, Body Side Aperture Sliding Door Track Cover Short
					Wheel Base
	4385 050	1			Long Wheel Base
40	6501 071	4			RETAINER, Track Cover
41	4365 225	1			BUMPER, Over Travel Stop Bracket
42		1			SCREW, Not Serviced
43	4385 088	1			BRACKET, Over Travel Stop
44	4445 440	1			BRACKET, Sliding Door Track To Rail

MODEL CODES

C BODY = (D41 - DYNASTY)(C41 - NEW YORKER)
 E BODY = (J - CARAVELLE)(E - 600)(T - NEW YORKER TURBO)
 G BODY = (V24 - DAYTONA, PACIFICA & SHELBY)
 H BODY = (D44 - LANCER)(C44 - LEBARON GTS)
 J BODY = (C - LEBARON)
 K BODY = (P - RELIANT)(D - ARIES)(C - LEBARON/ TOWN & COUNTRY)

L BODY = (M - HORIZON)(Z-OMNI)
 M BODY = (B - GRAN FURY)(G - DIPLOMAT)(F - FIFTH AVENUE/NEWPORT)
 P BODY = (P - SUNDANCE)(D - SHADOW)
 Q BODY = (C27 - MASERATI)
 S BODY = (H - VOYAGER)(K - RAM VAN/ CARAVAN)

BODY STYLES

12-52 = FWD VAN & WAGON STD. W.B. 27 = 2-DOOR CONVERTIBLE
 13-53 = FWD VAN & WGN EXT W.B. 41 = 4-DOOR SEDAN
 21 = 2-DOOR SEDAN 44 = 4-DOOR HATCHBACK
 24 = 2-DOOR HATCHBACK 45 = 4-DOOR STATION WAGON

AR = Use as Required - = Non Illustrated Part P.A.R. = Paint as Required

BODY REAR QUARTER (LEFT) S BODY
Figure 23A-1710

8169 17100

ITEM	PART NUMBER	QTY	BODY	MODEL	DESCRIPTION
1					PANEL, Body Side Aperture Rear
	4416 233	1		12	
	4416 235	1		52	
	4385 015	1		13	
	4385 017	1		53	
2	4416 341	1			PANEL, Body Side Aperture Rear Extension
3	4314 044	2			CUP, w/Seal Body Side Aperture Rear Extension
4	4314 541	1			SHIELD, Rear Wheelhouse Front
5		4			SCREW, 1/4"-14 x .875" Not Serviced
6	4385 108	AR			PAD, Body Side Aperture Rear Hoisting Not Serviced
7		2			SCREW and WASHER, Not Serviced
8	4314 277	1			PLATE, Body Side Aperture Jack Locator
9	4278 007	1		12,52	TROUGH, Roof Side Drain
	4385 011	1		13,53	
10	4278 389	1			REINFORCEMENT, Body Side Aperture Fuel Filler Door Opening
11	4337 399	1			ADHESIVE, Inner To Fuel Filler
	6032 294	3			FASTENER, Adhesive Gasket
12	4278 553	1			REINFORCEMENT, Body Side Aperture Jacking Bracket
13		1			PANEL, Quarter Inner and Wheelhouse Outer
	4440 469	1		12	
	4440 471	1		52	
	4385 007	1		13	
	4385 009	1		53	
14	4341 559	1			REINFORCEMENT, Quarter Inner & Wheelhouse Outer
15	#4073 485	1			PLUG, 1.50" Dia./38mm
16	#4073 485	1			PLUG, 1.50" Dia./38mm
17	4337 109	1		12	REINFORCEMENT, Body Side Aperture Rear To Quarter Inner Panel
	4385 055	1		13	
18	4385 019	1			PANEL, Wheelhouse Inner
19	4336 398	1			REINFORCEMENT, Quarter Inner Panel Liftgate Prop Mounting
20	4341 063	1		52,53	T-PLATE, Rear Quarter Window Latch
21	4314 049	1			REINFORCEMENT, Quarter Inner Panel Liftgate Stabilizer
22	4337 111	1		52,53	SEAL, Body Side Aperture To Quarter Inner Panel
23	4337 394	1			REINFORCEMENT, Body Side Aperture Front Shoulder Belt Mounting
24	4341 061	1		52,53	T-PLATE, Front Quarter Window Latch

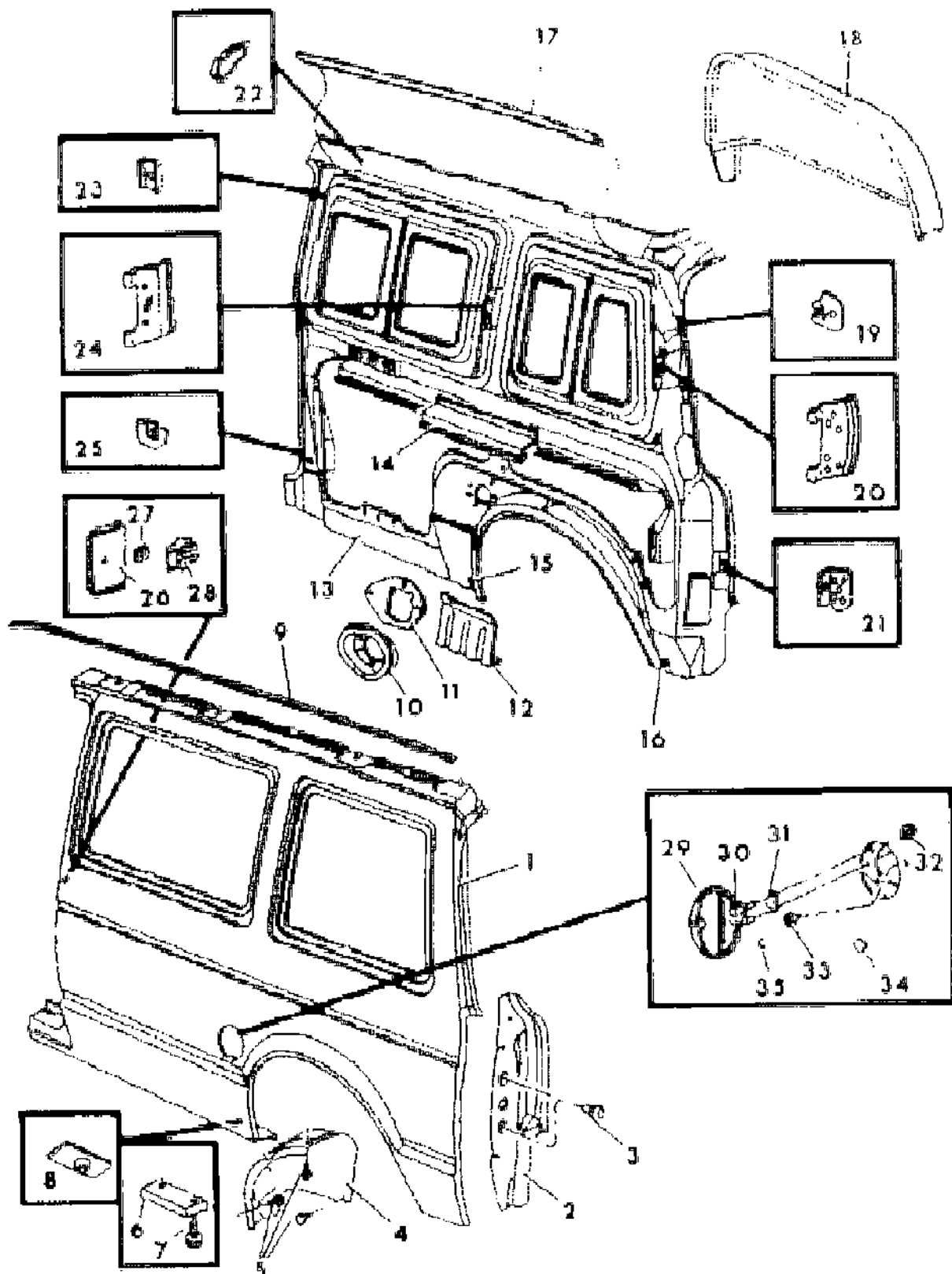
MODEL CODES

C BODY = (D41 - DYNASTY)(C41 - NEW YORKER)	L BODY = (M - HORIZON)(Z-OMNI)
E BODY = (J - CARAVELLE)(E - 600)(T - NEW YORKER TURBO)	M BODY = (B - GRAN FURY)(G - DIPLOMAT)(F - FIFTH AVENUE/NEWPORT)
G BODY = (V24 - DAYTONA, PACIFICA & SHELBY)	P BODY = (P - SUNDANCE)(D - SHADOW)
H BODY = (D44 - LANCER)(C44 - LEBARON GTS)	Q BODY = (C27 - MASERATI)
J BODY = (C - LEBARON)	S BODY = (H - VOYAGER)(K - RAM VAN/ CARAVAN)
K BODY = (P - RELIANT)(D - ARIES)(C - LEBARON/ TOWN & COUNTRY)	

BODY STYLES

12-52 = FWD VAN & WAGON STD. W.B.	27 = 2-DOOR CONVERTIBLE
13-53 = FWD VAN & WGN EXT W.B.	41 = 4-DOOR SEDAN
21 = 2-DOOR SEDAN	44 = 4-DOOR HATCHBACK
24 = 2-DOOR HATCHBACK	45 = 4-DOOR STATION WAGON

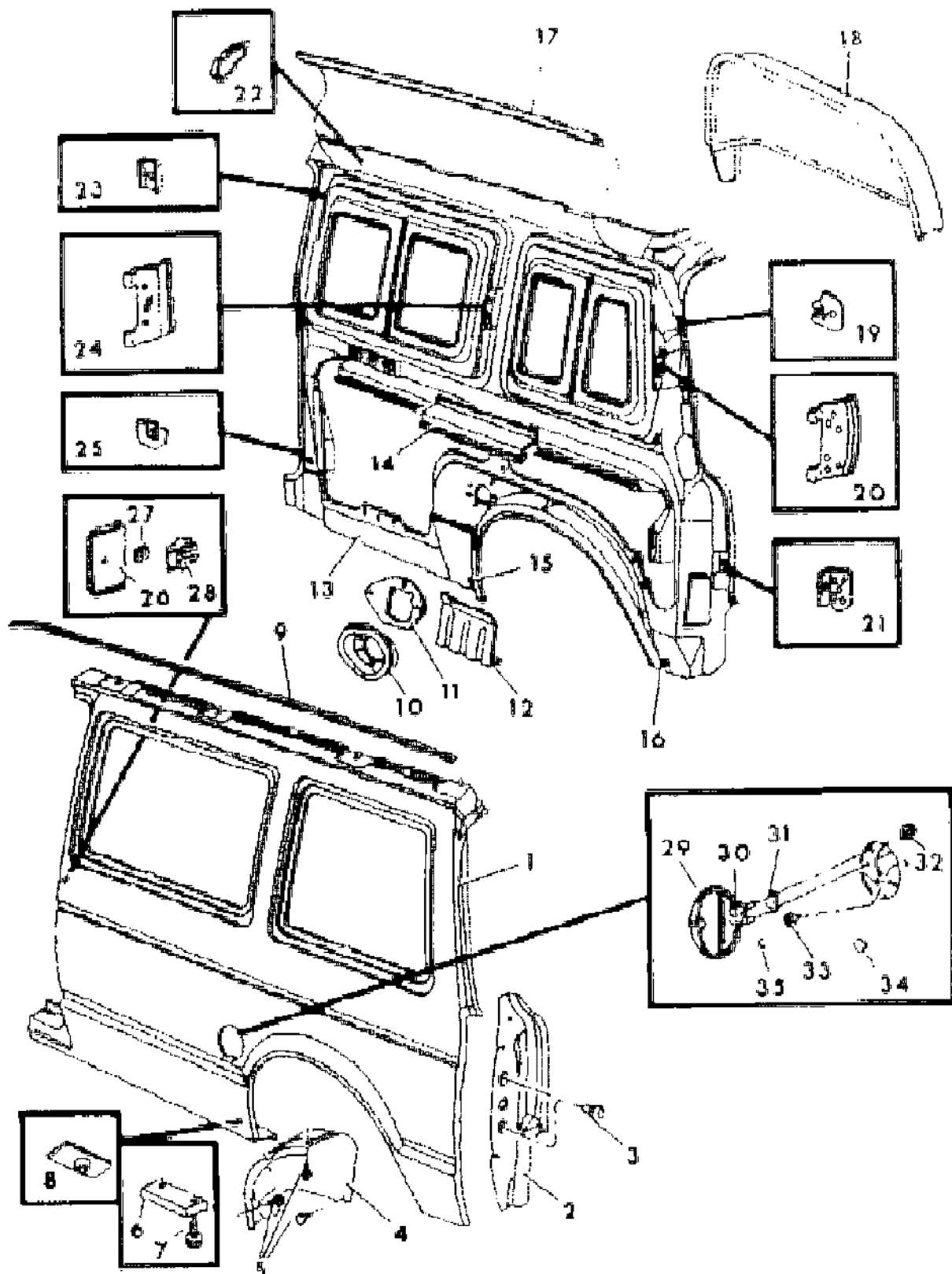
AR = Use as Required - = Non Illustrated Part P.A.R. = Paint as Required



BODY REAR QUARTER (LEFT) S BODY
Figure 23A-1710

8169 17100

ITEM	PART NUMBER	QTY	BODY	MODEL	DESCRIPTION
25	4337 267	1			REINFORCEMENT, Body Side Aperture Front Shoulder Belt Retractor Mounting
26	4278 067	1			REINFORCEMENT, Body Side Aperture Front Door Striker
27	4314 743	1			T-PLATE, Body Side Aperture Front Door Striker
28	4314 092	1			RETAINER, Body Side Aperture Front Door Striker T-Plate
29	4371 447	1			DOOR and HINGE, Body Aperture Fuel Filler Manual Remote
	4371 910	1			
30	4337 155	1			PLATE, Body Side Aperture Fuel Filler Door
31		AR			SHIM, Body Side Aperture Fuel Filler Door Not Serviced
32	6032 641	2			NUT and WASHER
33	4416 985	1			BUMPER, Body Side Aperture Fuel Filler Door Remote
34	3760 482	1			PLUG, Fuel Filler Opening
35	1626 749	1			E-RING, (Clip) Fuel Filler Opening



MODEL CODES

C BODY = (D41 - DYNASTY)(C41 - NEW YORKER)	L BODY = (M - HORIZON)(Z-OMNI)
E BODY = (J - CARAVELLE)(E - 600)(T - NEW YORKER TURBO)	M BODY = (B - GRAN FURY)(G - DIPLOMAT)(F - FIFTH AVENUE/NEWPORT)
G BODY = (V24 - DAYTONA, PACIFICA & SHELBY)	P BODY = (P - SUNDANCE)(D - SHADOW)
H BODY = (D44 - LANCER)(C44 - LEBARON GTS)	Q BODY = (C27 - MASERATI)
J BODY = (C - LEBARON)	S BODY = (H - VOYAGER)(K - RAM VAN/ CARAVAN)
K BODY = (P - RELIANT)(D - ARIES)(C - LEBARON/ TOWN & COUNTRY)	

BODY STYLES

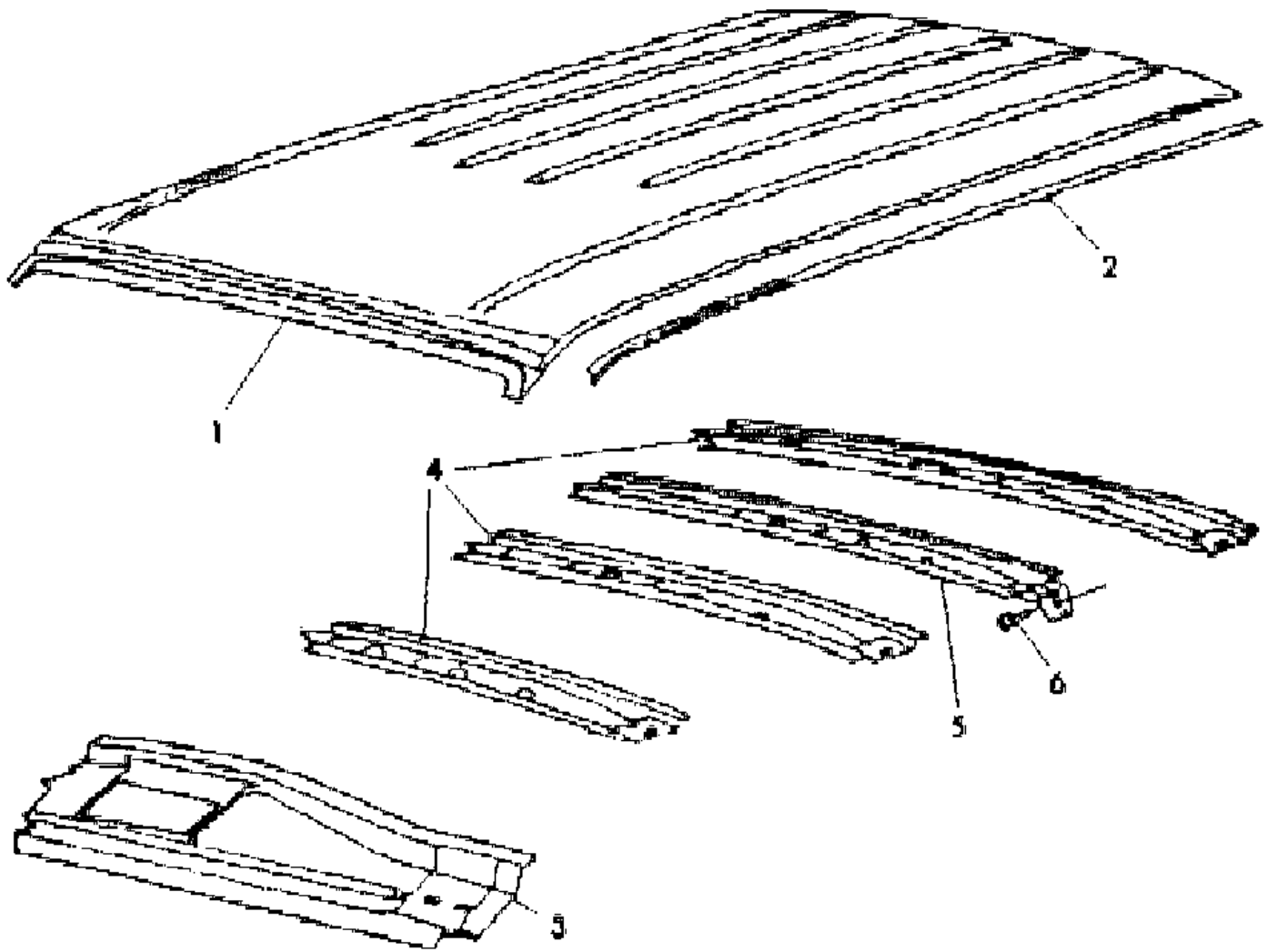
12-52 = FWD VAN & WAGON STD. W.B.	27 = 2-DOOR CONVERTIBLE
13-53 = FWD VAN & WGN EXT W.B.	41 = 4-DOOR SEDAN
21 = 2-DOOR SEDAN	44 = 4-DOOR HATCHBACK
24 = 2-DOOR HATCHBACK	45 = 4-DOOR STATION WAGON

AR = Use as Required - = Non Illustrated Part P.A.R. = Paint as Required

ROOF PANEL S BODY
Figure 23A-1720

8169 17200

ITEM	PART NUMBER	QTY	BODY	MODEL	DESCRIPTION
1	4490 004	1		12,52	PANEL, Roof Outer
	4490 006	1		13,53	
2	4278 006-7	1		12,52	TROUGH, Roof Side Drain
	4385 010-1	1		13,53	
3	4416 211	1			FRAME, Windshield Opening Upper
4	4341 623	3		12,52	BOW, Roof #1,2, & 4
	4341 623	3		13,53	BOW, Roof #1,3, & 5
5	4278 779	1		12,52	BOW, Roof #3
	4278 779	1		13,53	BOW, Roof #4
	4440 758	1		13,53	BOW, Roof #2
6		2			SCREW, #10-16 x .625" Not Serviced



MODEL CODES
 C BODY = (D41 - DYNASTY)(C41 - NEW YORKER)
 E BODY = (J - CARAVELLE)(E - 600)(T - NEW YORKER TURBO)
 G BODY = (V24 - DAYTONA, PACIFICA & SHELBY)
 H BODY = (D44 - LANCER)(C44 - LEBARON GTS)
 J BODY = (C - LEBARON)
 K BODY = (P - RELIANT)(D - ARIES)(C - LEBARON/ TOWN & COUNTRY)
 L BODY = (M - HORIZON)(Z-OMNI)
 M BODY = (B - GRAN FURY)(G - DIPLOMAT)(F - FIFTH AVENUE/NEWPORT)
 P BODY = (P - SUNDANCE)(D - SHADOW)
 Q BODY = (C27 - MASERATI)
 S BODY = (H - VOYAGER)(K - RAM VAN/ CARAVAN)

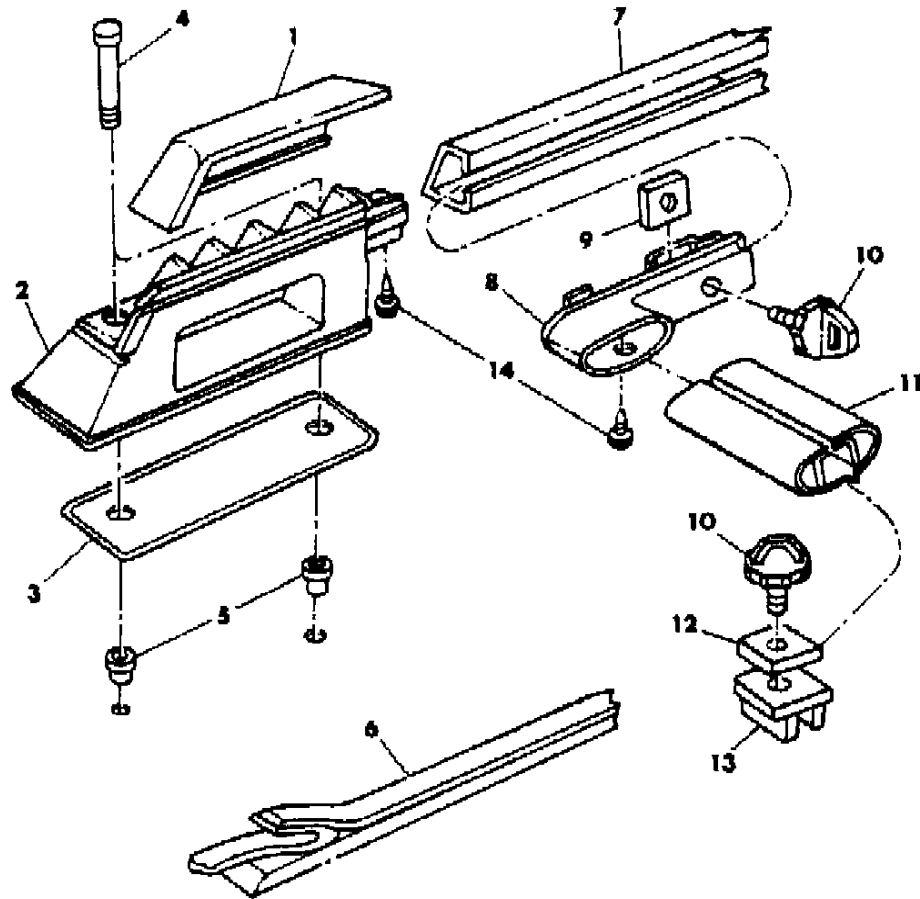
BODY STYLES
 12-52 = FWD VAN & WAGON STD. W.B. 27 = 2-DOOR CONVERTIBLE
 13-53 = FWD VAN & WGN EXT W.B. 41 = 4-DOOR SEDAN
 21 = 2-DOOR SEDAN 44 = 4-DOOR HATCHBACK
 24 = 2-DOOR HATCHBACK 45 = 4-DOOR STATION WAGON

AR = Use as Required - = Non Illustrated Part P.A.R. = Paint as Required

ROOF LUGGAGE RACK S BODY
Figure 23A-1730

8169 17300

ITEM	PART NUMBER	QTY	BODY	MODEL	DESCRIPTION
	4454 430	1			LUGGAGE RACK PACKAGE, Roof (Field Installed)
1	4366 544	2			LABEL, Roof Luggage Rack Side Rail Overload Caution
					COVER, Roof Luggage Rack Side Rail Support
	4319 811	2			Rt. Front, Lt. Rear
	4319 810	2			Lt. Front, Rt. Rear
2	4319 850-1	2			SUPPORT, w/Pad Roof Luggage Rack Side Rail
3		4			PAD, Roof Luggage Rack Side Rail Support (Serviced In Item #2)
4		8			SCREW, 1/4"-20 x 2.125" Not Serviced
5	2094 869	8			NUT, Blind
6	4319 815	6			STRIP, w/Pad Roof Luggage Rack Skid
7	4319 802	2			RAIL, Roof Luggage Rack Side
8					BRACKET, Roof Luggage Rack Cross Bar
	4319 804	2			Rt. Front, Lt. Rear
	4319 805	2			Lt. Front, Rt. Rear
9	4229 321	4			T-PLATE, Roof Luggage Rack Side Rail Loop
10	4229 334	8			LOOP, Roof Luggage Rack Cross Rail
	4422 937	4			LOOP, Roof Luggage Rack Side Rail
11	4319 803	2			BAR, Roof Luggage Rack Cross
12	4229 321	4			T-PLATE, Roof Luggage Rack Cross Bar Loop
13	4229 322	4			RETAINER, Roof Luggage Rack Cross Bar Loop T-Plate
14		4			SCREW, #10-16 x .500" Not Serviced



MODEL CODES

C BODY = (D41 - DYNASTY)(C41 - NEW YORKER)	L BODY = (M - HORIZON)(Z-OMNI)
E BODY = (J - CARAVELLE)(E - 600)(T - NEW YORKER TURBO)	M BODY = (B - GRAN FURY)(G - DIPLOMAT)(F - FIFTH AVENUE/NEWPORT)
G BODY = (V24 - DAYTONA, PACIFICA & SHELBY)	P BODY = (P - SUNDANCE)(D - SHADOW)
H BODY = (D44 - LANCER)(C44 - LEBARON GTS)	Q BODY = (C27 - MASERATI)
J BODY = (C - LEBARON)	S BODY = (H - VOYAGER)(K - RAM VAN/ CARAVAN)
K BODY = (P - RELIANT)(D - ARIES)(C - LEBARON/ TOWN & COUNTRY)	

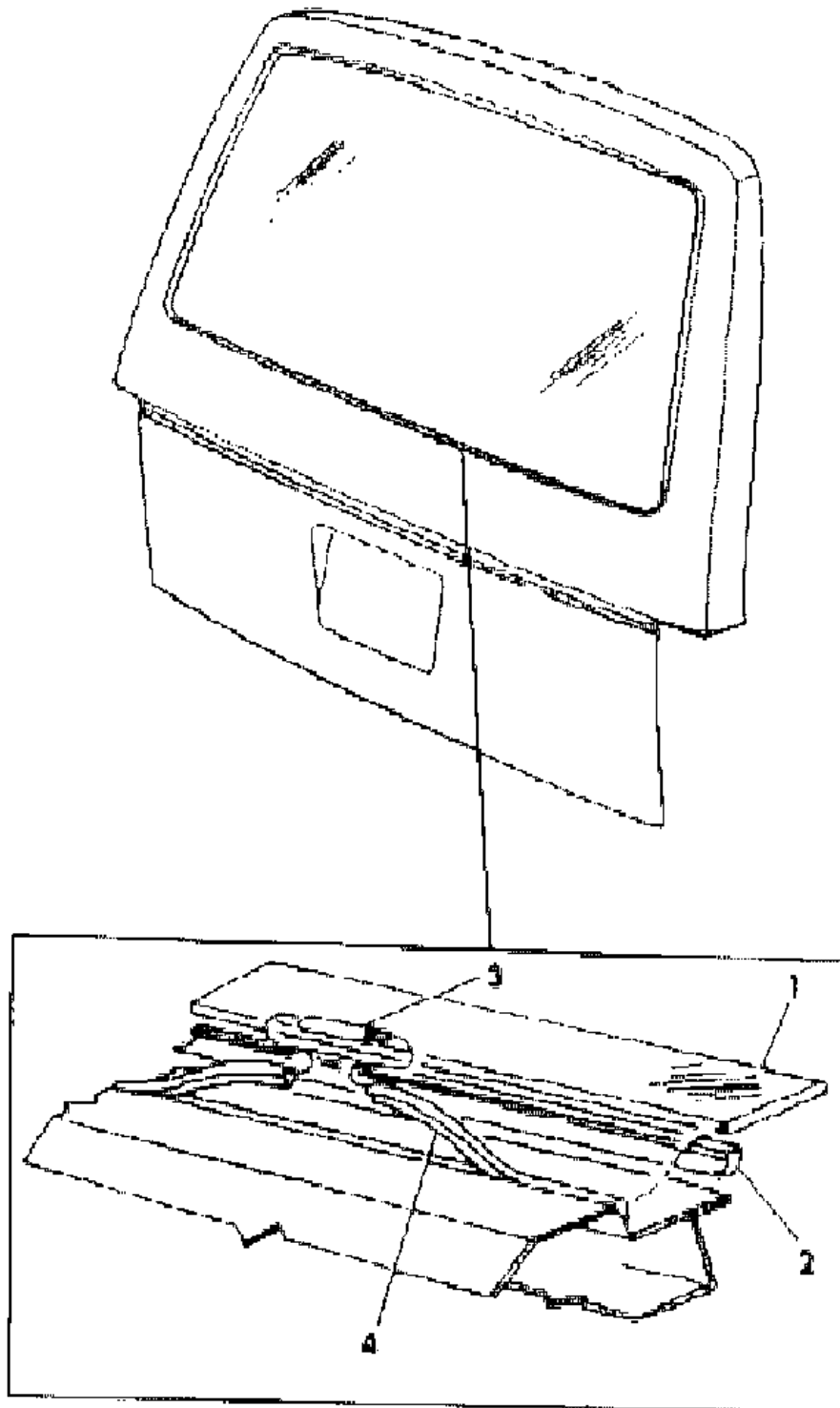
BODY STYLES

12-52 = FWD VAN & WAGON STD. W.B.	27 = 2-DOOR CONVERTIBLE
13-53 = FWD VAN & WGN EXT W.B.	41 = 4-DOOR SEDAN
21 = 2-DOOR SEDAN	44 = 4-DOOR HATCHBACK
24 = 2-DOOR HATCHBACK	45 = 4-DOOR STATION WAGON

AR = Use as Required - = Non Illustrated Part P.A.R. = Paint as Required

GLASS LIFTGATE S BODY
Figure 23A-1740

8169 17400



ITEM	PART NUMBER	QTY	BODY	MODEL	DESCRIPTION
1	4280 070	1			GLASS, Liftgate Tinted
	4475 622	1			GLASS, Liftgate Tinted (EUROPEAN)
	4280 071	1			Sunscreen
	4415 040	1			Tinted Electric Heated
	4475 676	1			Tinted Electric Heated (EUROPEAN)
	4415 042	1			Sunscreen Electric Heated
2	4206 848	AR			DAM, Glass Adhesive (119")
3	4198 929	1			CAP, Liftgate Glass Lock Strip
4	4365 614	1			MOULDING, Liftgate Glass To Outer Panel

NOTE: The following items are not shown on illustration. s group.

PKG A	4267 906	1			REPAIR PACKAGE, Windshield & Rear Window Consists of: 1- ----- Polyurethane, 11.5 oz. 1- ----- Fence Primer, 1 oz. 1- ----- Glass Wipe-Off Primer, 1 oz. 1- ----- Glass Black-Out Primer, 1 oz. 3- ----- Dabbers 1- ----- Nozzle
PKG B	4267 922	1			REPAIR PACKAGE, Back Lite Grid & Pigtail Consists of: 1- ----- Cement, Cho-Bond, 1/2 oz. 1- ----- Instruction Sheet

MODEL CODES

C BODY = (D41 - DYNASTY)(C41 - NEW YORKER)	L BODY = (M - HORIZON)(Z-OMNI)
E BODY = (J - CARAVELLE)(E - 600)(T - NEW YORKER TURBO)	M BODY = (B - GRAN FURY)(G - DIPLOMAT)(F - FIFTH AVENUE/NEWPORT)
G BODY = (V24 - DAYTONA, PACIFICA & SHELBY)	P BODY = (P - SUNDANCE)(D - SHADOW)
H BODY = (D44 - LANCER)(C44 - LEBARON GTS)	Q BODY = (C27 - MASERATI)
J BODY = (C - LEBARON)	S BODY = (H - VOYAGER)(K - RAM VAN/ CARAVAN)
K BODY = (P - RELIANT)(D - ARIES)(C - LEBARON/ TOWN & COUNTRY)	

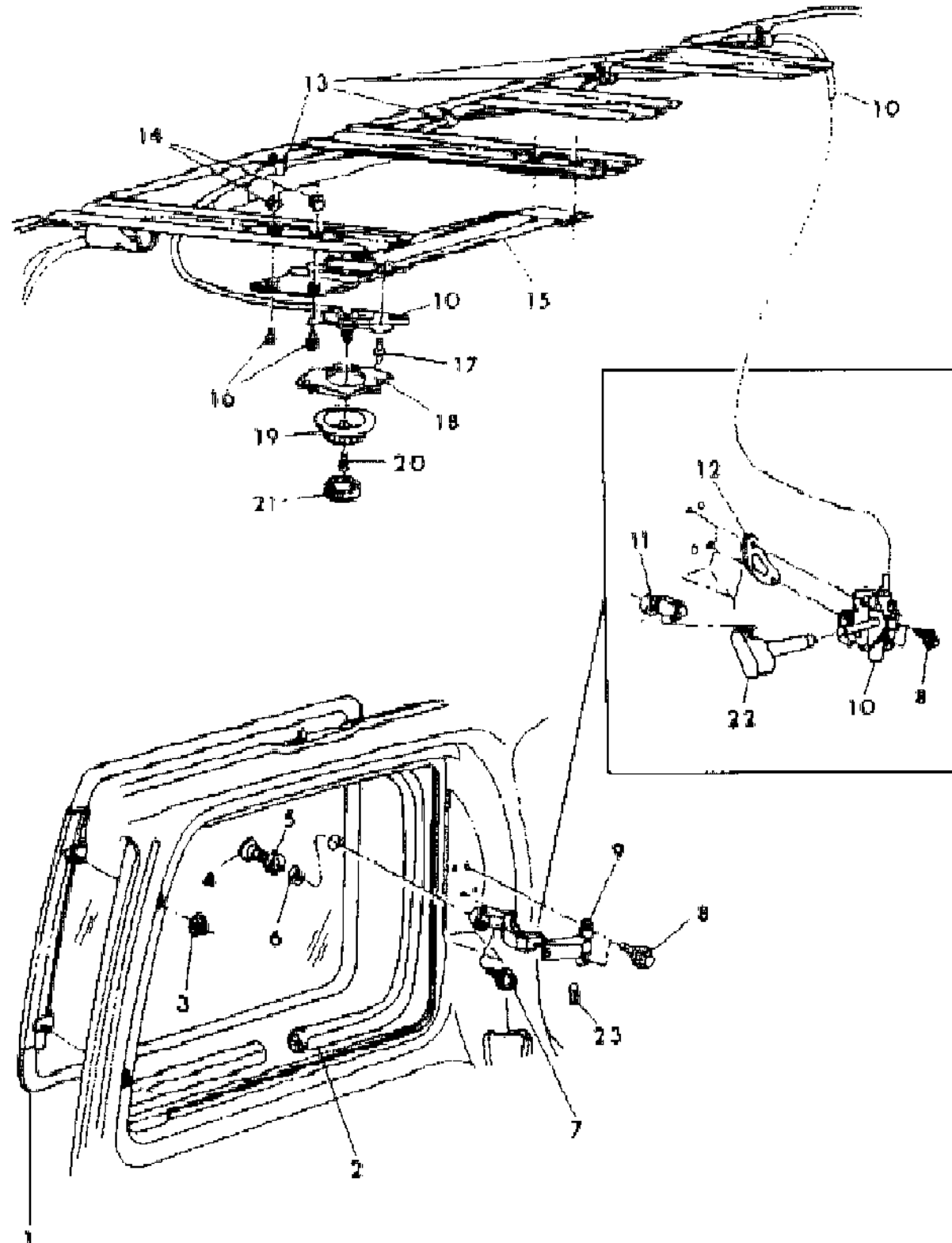
BODY STYLES

12-52 = FWD VAN & WAGON STD. W.B.	27 = 2-DOOR CONVERTIBLE
13-53 = FWD VAN & WGN EXT W.B.	41 = 4-DOOR SEDAN
21 = 2-DOOR SEDAN	44 = 4-DOOR HATCHBACK
24 = 2-DOOR HATCHBACK	45 = 4-DOOR STATION WAGON

AR = Use as Required - = Non Illustrated Part P.A.R. = Paint as Required

GLASS BODY SIDE APERTURE S BODY
Figure 23A-1750

8169 17500



ITEM	PART NUMBER	QTY	BODY	MODEL	DESCRIPTION
1	4337 438-9	1		52	GLASS, FRAME and HINGE, Body Side Rear Tinted
	4337 430-1	1		52	Sunscreen
	4445 902-3	1		53	GLASS, FRAME and HINGE, Body Side Rear Tinted
	4445 904-5	1		53	Sunscreen
	4336 405	1			GLASS, HINGE and FRAME, Body Side Lt. Tinted
	4336 407	1			Sunscreen
	4512 820-1	1			GLASS, HINGE and LATCH, Body Side Aperture Panel Rear Tinted (EUROPEAN)
	4512 056-7	1			GLASS, HINGE and PIVOT, Bracket Body Side Rear Aperture Tinted (EUROPEAN)
2	4475 605	1			GLASS, HINGE and LATCH, Body Side Window Tinted Left (EUROPEAN)
	4337 546-7	1		52	WEATHERSTRIP, Rear Quarter Window
3	4336 475	1			WEATHERSTRIP, Body Side Window Opening Lt.
	4385 084-5	1		53	WEATHERSTRIP, Body Side Aperture Panel Rear Glass
4-7	6501 038	6		52	NUT
	4184 688	2			PLUG, Sliding Door Vent Window
4	4339 313	3			RETAINER, Quarter Window Glass To Latch Includes Item 4-7
		3			RETAINER, Quarter Window Glass (Serviced In Package #4339313)
5		3			GASKET, Quarter Window Glass Retainer (Serviced In Package #4339313)
		3			SPACER, Quarter Window Glass Retainer (Serviced In Package #4339313)
7		3			SCREW, 1/4"-20 x .375" (Serviced In Package #4339313)
		3			SCREW and WASHER
9	6501 037	6			LATCH, Quarter Vent Window Manual
	4365 418	2			LATCH, Sliding Door Vent Window
	4365 799	1			LATCH, Side Vent Window
10	4365 419	1			LATCH, Side Vent Window
	4396 626-7	1		52	HANDLE and ACTUATOR, Quarter Window Remote (Includes Item 22)
11	4396 724-5	1		53	HANDLE and ACTUATOR, Quarter Window Remote (Includes Item 22)
	4365 746	2			BRACKET, Rear Quarter Window Remote Latch To Glass
12	4337 227	2			SPACER, Rear Quarter Window Remote Latch To Body
13	3766 495	8			CLIP, Rear Quarter Window Remote Cable Routing
14	6032 304	8			FASTENER
15	4386 757	2			BRACKET, Rear Quarter Window Remote Actuator To Roof Bow

MODEL CODES

C BODY = (D41 - DYNASTY)(C41 - NEW YORKER)
 E BODY = (J - CARAVELLE)(E - 600)(T - NEW YORKER TURBO)
 G BODY = (V24 - DAYTONA, PACIFICA & SHELBY)
 H BODY = (D44 - LANCER)(C44 - LEBARON GTS)
 J BODY = (C - LEBARON)
 K BODY = (P - RELIANT)(D - ARIES)(C - LEBARON/ TOWN & COUNTRY)

L BODY = (M - HORIZON)(Z-OMNI)
 M BODY = (B - GRAN FURY)(G - DIPLOMAT)(F - FIFTH AVENUE/NEWPORT)
 P BODY = (P - SUNDANCE)(D - SHADOW)
 Q BODY = (C27 - MASERATI)
 S BODY = (H - VOYAGER)(K - RAM VAN/ CARAVAN)

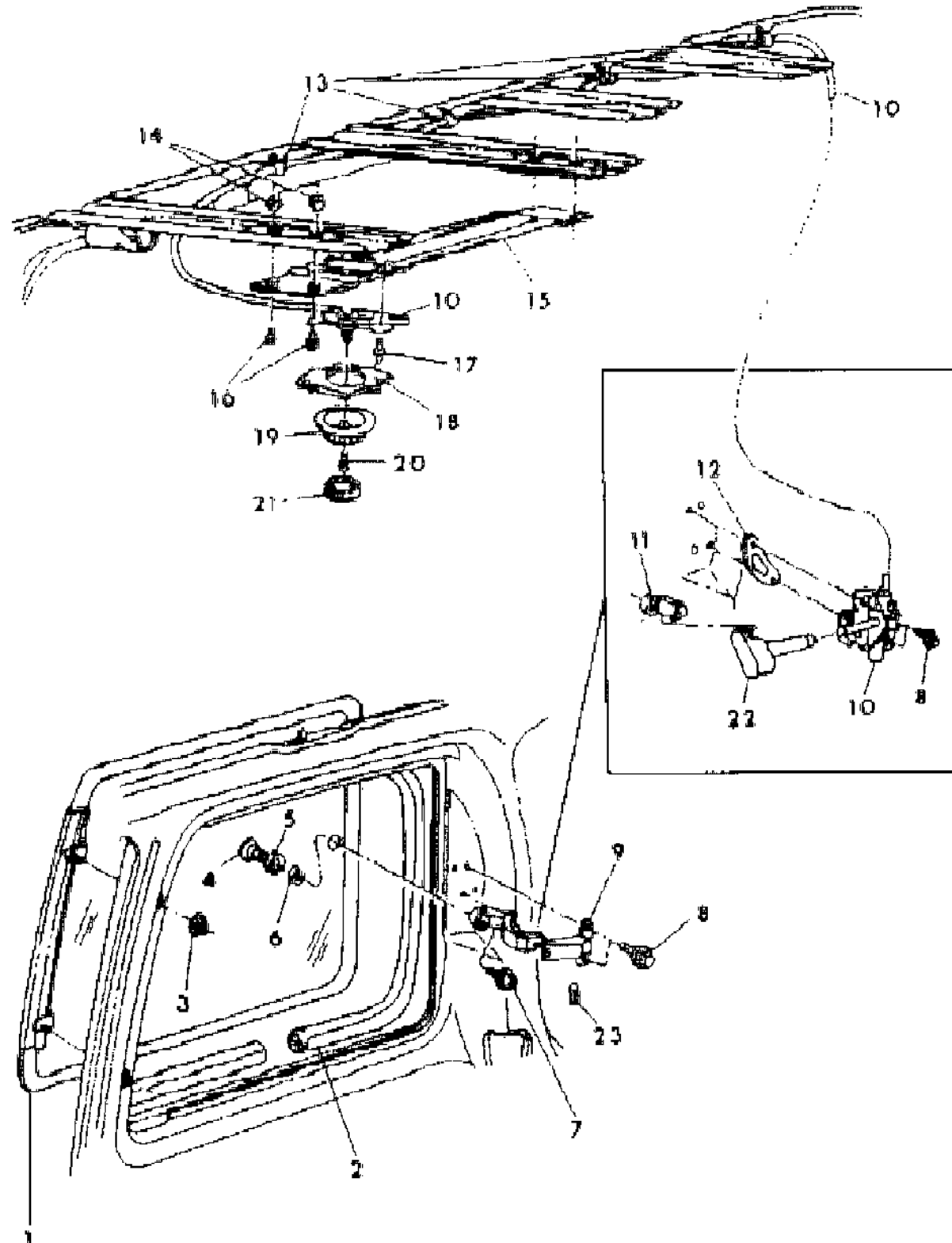
BODY STYLES

12-52 = FWD VAN & WAGON STD. W.B. 27 = 2-DOOR CONVERTIBLE
 13-53 = FWD VAN & WGN EXT W.B. 41 = 4-DOOR SEDAN
 21 = 2-DOOR SEDAN 44 = 4-DOOR HATCHBACK
 24 = 2-DOOR HATCHBACK 45 = 4-DOOR STATION WAGON

AR = Use as Required - = Non Illustrated Part P.A.R. = Paint as Required

GLASS BODY SIDE APERTURE S BODY
Figure 23A-1750

8169 17500



ITEM	PART NUMBER	QTY	BODY	MODEL	DESCRIPTION
16		8			SCREW, Not Serviced
17	6031 115	4			RIVET
18		1			HEADLINER, Roof Inside (See Group 23IT - Headliner Illustration)
19					HANDLE, Rear Quarter Window Remote Actuator
	H305 CA3	2			Silver
	H305 FC5	2			Blue
	H305 GR8	2			Red
	H305 EK1	2			Light Almond
20	6500 846	2			SCREW
21					COVER, Rear Quarter Window Remote Handle
	H296 CA3	2			Silver
	H296 FC5	2			Blue
	H296 EK1	2			Light Almond
	H296 GR8	2			Red
22	4310 970-1	1			HANDLE, Quarter Vent Window Remote Latch (Included In Item #10)
23	6033 377	2			SPRING PIN, Quarter Vent Window Actuator Handle To Link

MODEL CODES

C BODY = (D41 - DYNASTY)(C41 - NEW YORKER)	L BODY = (M - HORIZON)(Z-OMNI)
E BODY = (J - CARAVELLE)(E - 600)(T - NEW YORKER TURBO)	M BODY = (B - GRAN FURY)(G - DIPLOMAT)(F - FIFTH AVENUE/NEWPORT)
G BODY = (V24 - DAYTONA, PACIFICA & SHELBY)	P BODY = (P - SUNDANCE)(D - SHADOW)
H BODY = (D44 - LANCER)(C44 - LEBARON GTS)	Q BODY = (C27 - MASERATI)
J BODY = (C - LEBARON)	S BODY = (H - VOYAGER)(K - RAM VAN/ CARAVAN)
K BODY = (P - RELIANT)(D - ARIES)(C - LEBARON/ TOWN & COUNTRY)	

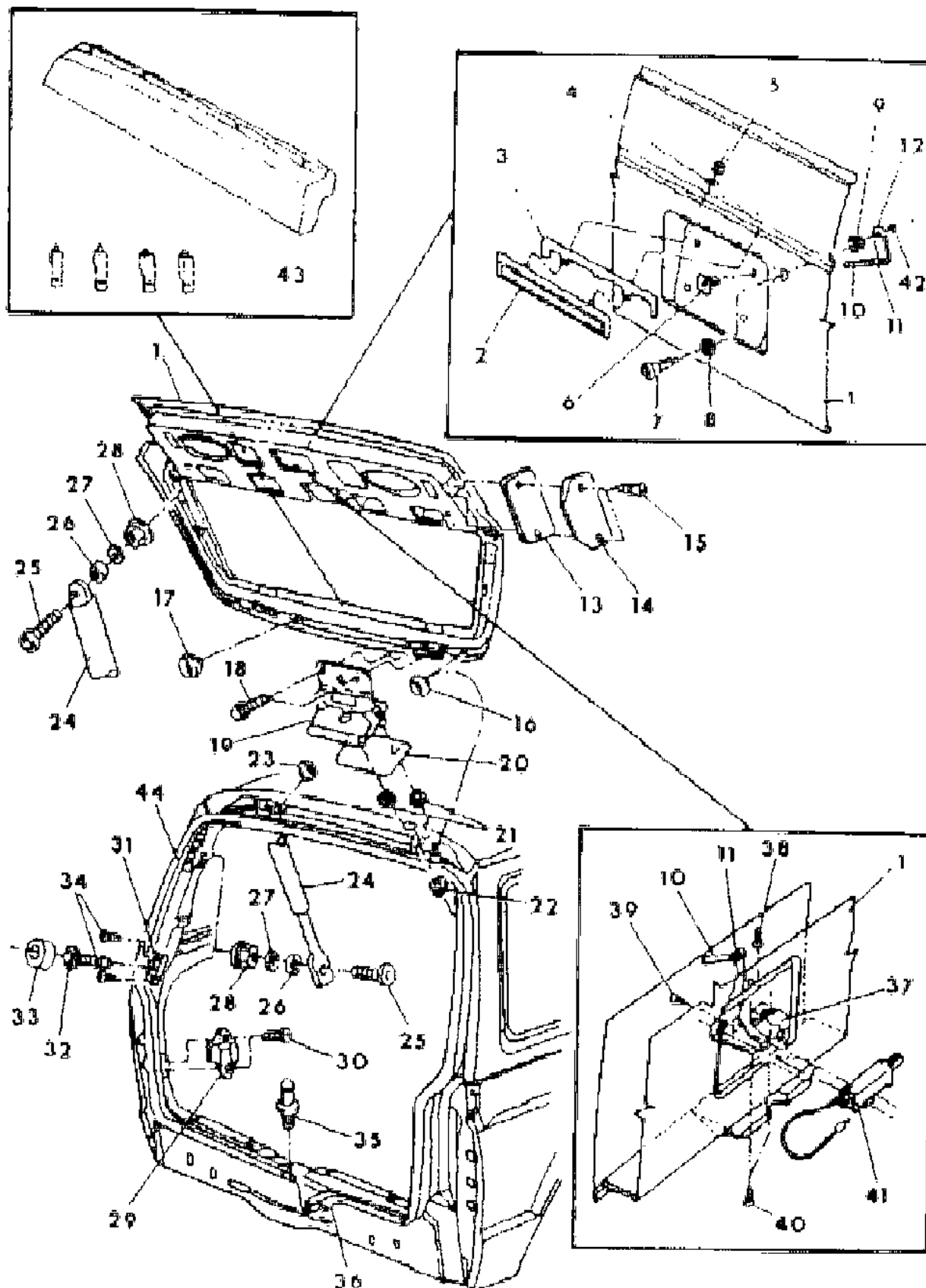
BODY STYLES

12-52 = FWD VAN & WAGON STD. W.B.	27 = 2-DOOR CONVERTIBLE
13-53 = FWD VAN & WGN EXT W.B.	41 = 4-DOOR SEDAN
21 = 2-DOOR SEDAN	44 = 4-DOOR HATCHBACK
24 = 2-DOOR HATCHBACK	45 = 4-DOOR STATION WAGON

AR = Use as Required - = Non Illustrated Part P.A.R. = Paint as Required

LIFTGATE PANEL S BODY
Figure 23A-1760

8169 1760C



ITEM	PART NUMBER	QTY	BODY	MODEL	DESCRIPTION
1	4415 044	1			PANEL, Liftgate Up To 1-4-88
	4378 551	1			After 1-4-88
2	4328 156	1			HANDLE, Liftgate
	4328 159	1			HANDLE and MOULDING, Liftgate
3		1			GASKET, (Serviced In Item 2)
4		2			GASKET, (Serviced IN Item 2)
5		4			NUT, Not Serviced
6		4			NUT, License Plate Mounting (Not Serviced)
7		1			CYLINDER, Liftgate Lock (See Group 23D-Illustrations)
8	3695 321	1			GASKET, Liftgate Lock Cylinder
9	4054 202	1			NUT, Liftgate Lock Cylinder
10	4246 539	1			LINK, Liftgate Lock Cylinder To Latch
11	3454 221	2			CLIP, Liftgate Lock Cylinder To Latch Link
12	4246 815	1			LEVER, Liftgate Lock Cylinder
13	4378 218	AR			SHIM, Liftgate Stabilizer Striker (1.50mm)
	4378 219	AR			(.75mm)
14	4378 200	2			STRIKER, Liftgate Stabilizer
15		4			SCREW, #10-16 x .75" Not Serviced
16	2094 631	2			PLUG, .875" Dia./22.2mm
17	2574 792	1			PLUG, .75" Dia./19.5mm
18		4			SCREW and WASHER, Not Serviced
19	4378 210-1	2			HINGE, Liftgate
20	4246 359	AR			SHIM, Liftgate Hinge To Body
21	5231 207	4			WASHER, Liftgate Hinge To Body Sealing
22	6101 444	4			NUT and WASHER
23	1774 076	1			PLUG, .630" Dia./16mm
24	G000 4775	2			PROP, Liftgate
	4246 672	2			w/Wiper and/or w/Stereo
25	6500 142	4			SCREW
26	5207 281	4			BUMPER
27		4			WASHER, (Not Serviced)
28	6500 159	4			NUT and WASHER
29	4378 079	2			WEDGE, Liftgate Opening Stabilizer
30		4			SCREW, #10-16 x .75" Not Serviced
31	4341 426-7	1			BRACKET, Liftgate Overslam Bumper
32	6023 531	2			SCREW, Liftgate Overslam Bumper
33	4336 077	2			BUMPER, Liftgate Overslam

MODEL CODES

C BODY = (D41 - DYNASTY)(C41 - NEW YORKER)
 E BODY = (J - CARAVELLE)(E - 600)(T - NEW YORKER TURBO)
 G BODY = (V24 - DAYTONA, PACIFICA & SHELBY)
 H BODY = (D44 - LANCER)(C44 - LEBARON GTS)
 J BODY = (C - LEBARON)
 K BODY = (P - RELIANT)(D - ARIES)(C - LEBARON/ TOWN & COUNTRY)

L BODY = (M - HORIZON)(Z-OMNI)
 M BODY = (B - GRAN FURY)(G - DIPLOMAT)(F - FIFTH AVENUE/NEWPORT)
 P BODY = (P - SUNDANCE)(D - SHADOW)
 Q BODY = (C27 - MASERATI)
 S BODY = (H - VOYAGER)(K - RAM VAN/ CARAVAN)

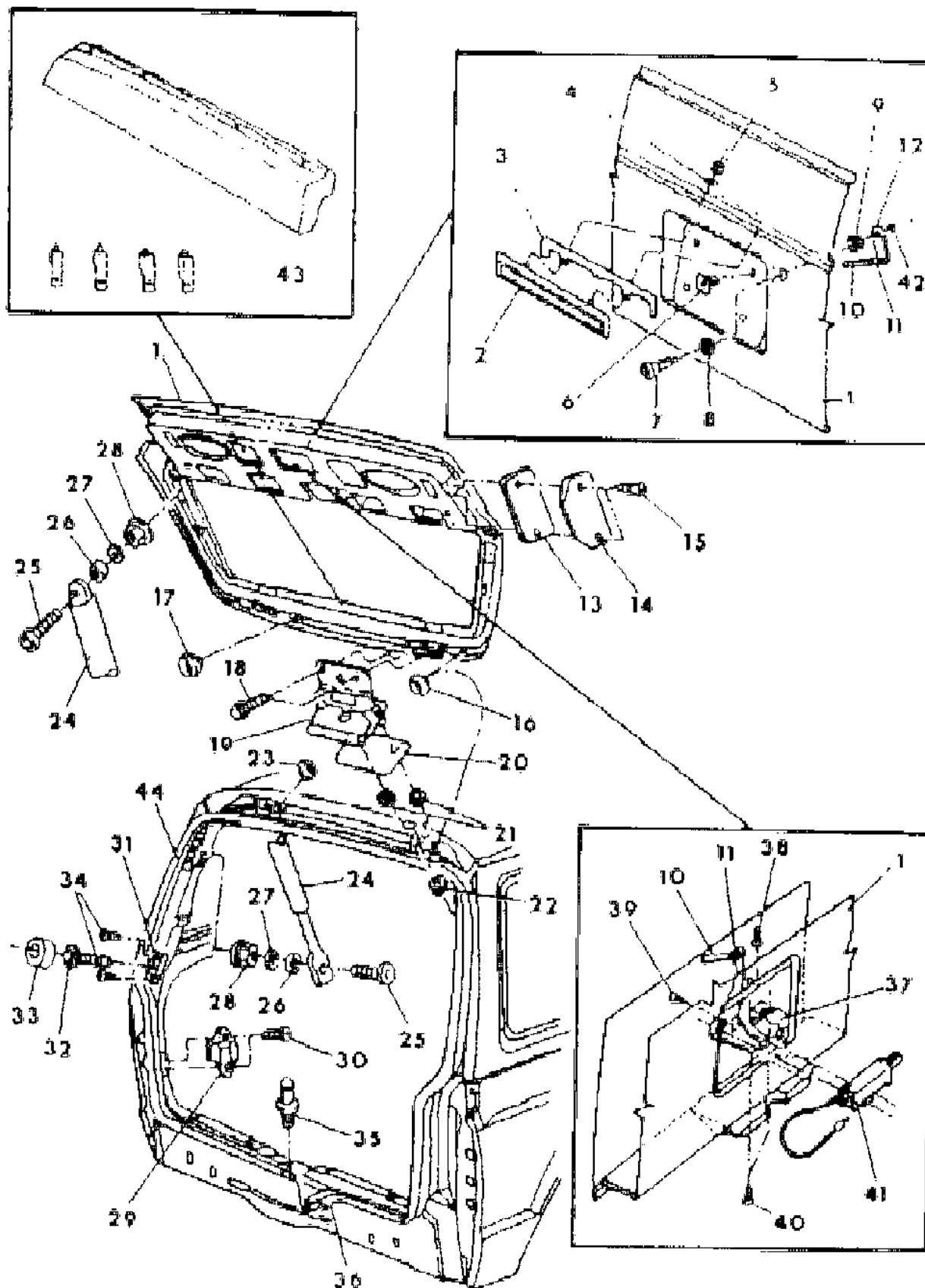
BODY STYLES

12-52 = FWD VAN & WAGON STD. W.B. 27 = 2-DOOR CONVERTIBLE
 13-53 = FWD VAN & WGN EXT W.B. 41 = 4-DOOR SEDAN
 21 = 2-DOOR SEDAN 44 = 4-DOOR HATCHBACK
 24 = 2-DOOR HATCHBACK 45 = 4-DOOR STATION WAGON

AR = Use as Required - = Non Illustrated Part P.A.R. = Paint as Required

LIFTGATE PANEL S BODY
Figure 23A-1760

8169 1760C



ITEM	PART NUMBER	QTY	BODY	MODEL	DESCRIPTION
34		4			SCREW, #10-16 x .675" Not Serviced
35	4246 586	1			STRIKER, Liftgate Latch Up To 1-4-88
	4378 563	1			After 1-4-88
	6033 350	4			SCREW, Liftgate Striker
36	4280 063	1			WEATHERSTRIP, Liftgate Opening
37	4246 540	1			LATCH, Liftgate
38		1			SLEEVE, Electric Liftgate Latch Release Pawl Not Serviced
39	9421 073	2			SCREW, .190-16x.500
40	6501 563	2			SCREW, M6.3x1.41x 15.9mm
41	4246 874	1			SOLENOID, w/Bracket Electric Liftgate Release
42	6032 107	1			CLIP, Liftgate Lock Cylinder Lever Retainer
43	P434 9819	1			AIR DEFLECTOR
44	4336 734	2			T-PLATE, Liftgate Prop

MODEL CODES

C BODY = (D41 - DYNASTY)(C41 - NEW YORKER)
 E BODY = (J - CARAVELLE)(E - 600)(T - NEW YORKER TURBO)
 G BODY = (V24 - DAYTONA, PACIFICA & SHELBY)
 H BODY = (D44 - LANCER)(C44 - LEBARON GTS)
 J BODY = (C - LEBARON)
 K BODY = (P - RELIANT)(D - ARIES)(C - LEBARON/ TOWN & COUNTRY)
 L BODY = (M - HORIZON)(Z-OMNI)
 M BODY = (B - GRAN FURY)(G - DIPLOMAT)(F - FIFTH AVENUE/NEWPORT)
 P BODY = (P - SUNDANCE)(D - SHADOW)
 Q BODY = (C27 - MASERATI)
 S BODY = (H - VOYAGER)(K - RAM VAN/ CARAVAN)

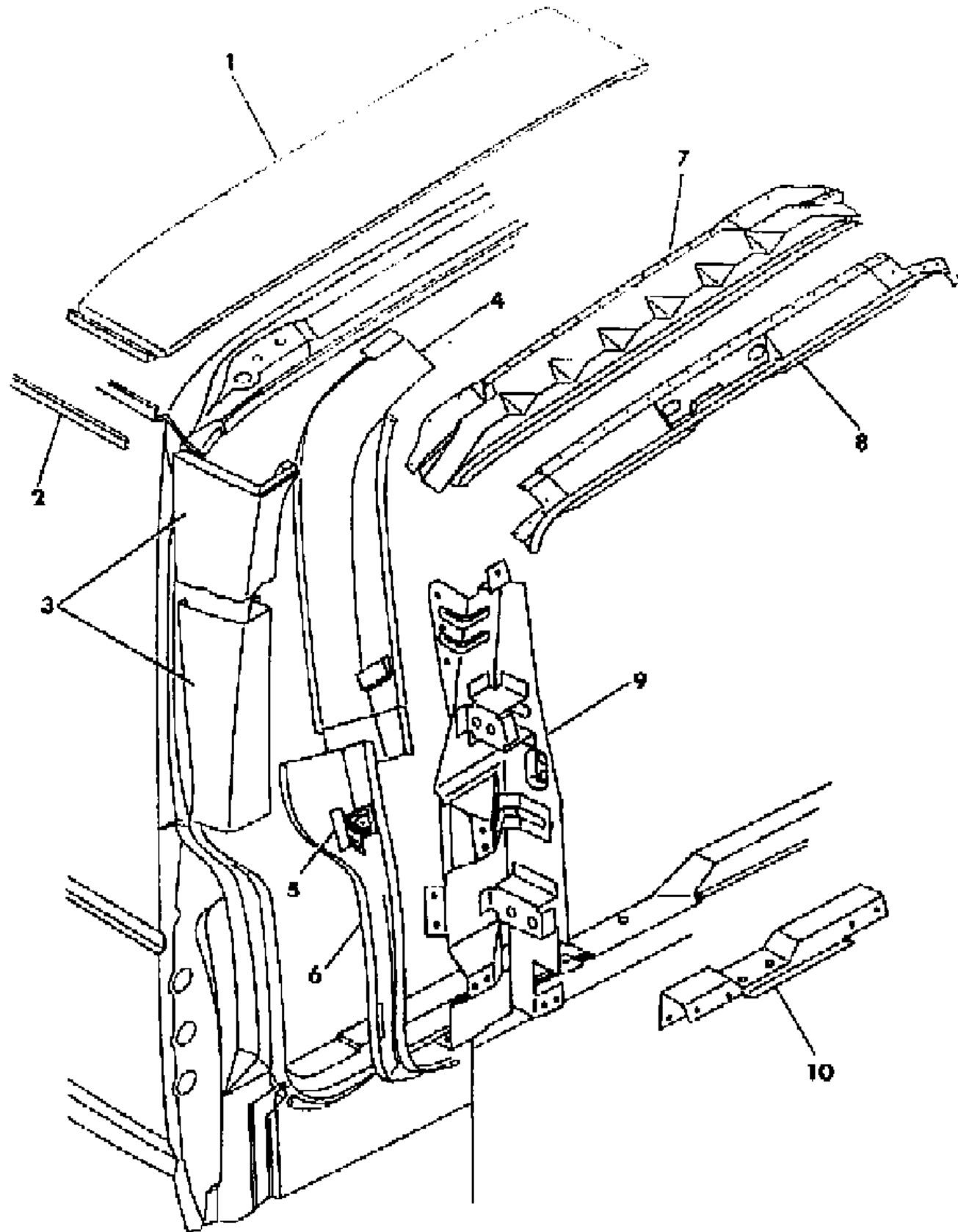
BODY STYLES

12-52 = FWD VAN & WAGON STD. W.B. 27 = 2-DOOR CONVERTIBLE
 13-53 = FWD VAN & WGN EXT W.B. 41 = 4-DOOR SEDAN
 21 = 2-DOOR SEDAN 44 = 4-DOOR HATCHBACK
 24 = 2-DOOR HATCHBACK 45 = 4-DOOR STATION WAGON

AR = Use as Required - = Non Illustrated Part P.A.R. = Paint as Required

PANEL AND EXTENSION DUAL CARGO DOORS S BODY 13,53
Figure 23A-1770

8169 1770G



ITEM	PART NUMBER	QTY	BODY	MODEL	DESCRIPTION
1	4386 426	1			PANEL, Roof Extension Rear
	4378 766	1			SEAL, (Moulding) Dual Cargo Door To Roof
	4378 767	AR			RETAINER, Dual Cargo Door Seal
2	4398 450-1	1			MOULDING, Roof Side Drain Trough
3	4371 756-7	1			PANEL and EXTENSION
	4378 764-5	1			SEAL, (Moulding) Dual Cargo Door Ext.
	4378 767	AR			RETAINER, Dual Cargo Door Ext. Seal
4	4386 418-9	1			PANEL, Quarter Inner Upper Extension
5	4386 642-3	2			EXTENSION, Roof Drain Trough
6	4386 420-1	1			PANEL ASSEMBLY, Quarter Inner Lower Extension (Include Item 9)
7	4386 424	1			REINFORCEMENT, Header Extension
8		1			FRAME, Header Extension Service In Item 7
9		1			REINFORCEMENT, Quarter Inner Extension (Service In Item #6)
10		1			PANEL and T-PLATE, Sill
	4386 479				w/S.W.B.
	4480 006				w/L.W.B.

MODEL CODES

C BODY = (D41 - DYNASTY)(C41 - NEW YORKER)
 E BODY = (J - CARAVELLE)(E - 600)(T - NEW YORKER TURBO)
 G BODY = (V24 - DAYTONA, PACIFICA & SHELBY)
 H BODY = (D44 - LANCER)(C44 - LEBARON GTS)
 J BODY = (C - LEBARON)
 K BODY = (P - RELIANT)(D - ARIES)(C - LEBARON/ TOWN & COUNTRY)

L BODY = (M - HORIZON)(Z-OMNI)
 M BODY = (B - GRAN FURY)(G - DIPLOMAT)(F - FIFTH AVENUE/NEWPORT)
 P BODY = (P - SUNDANCE)(D - SHADOW)
 Q BODY = (C27 - MASERATI)
 S BODY = (H - VOYAGER)(K - RAM VAN/ CARAVAN)

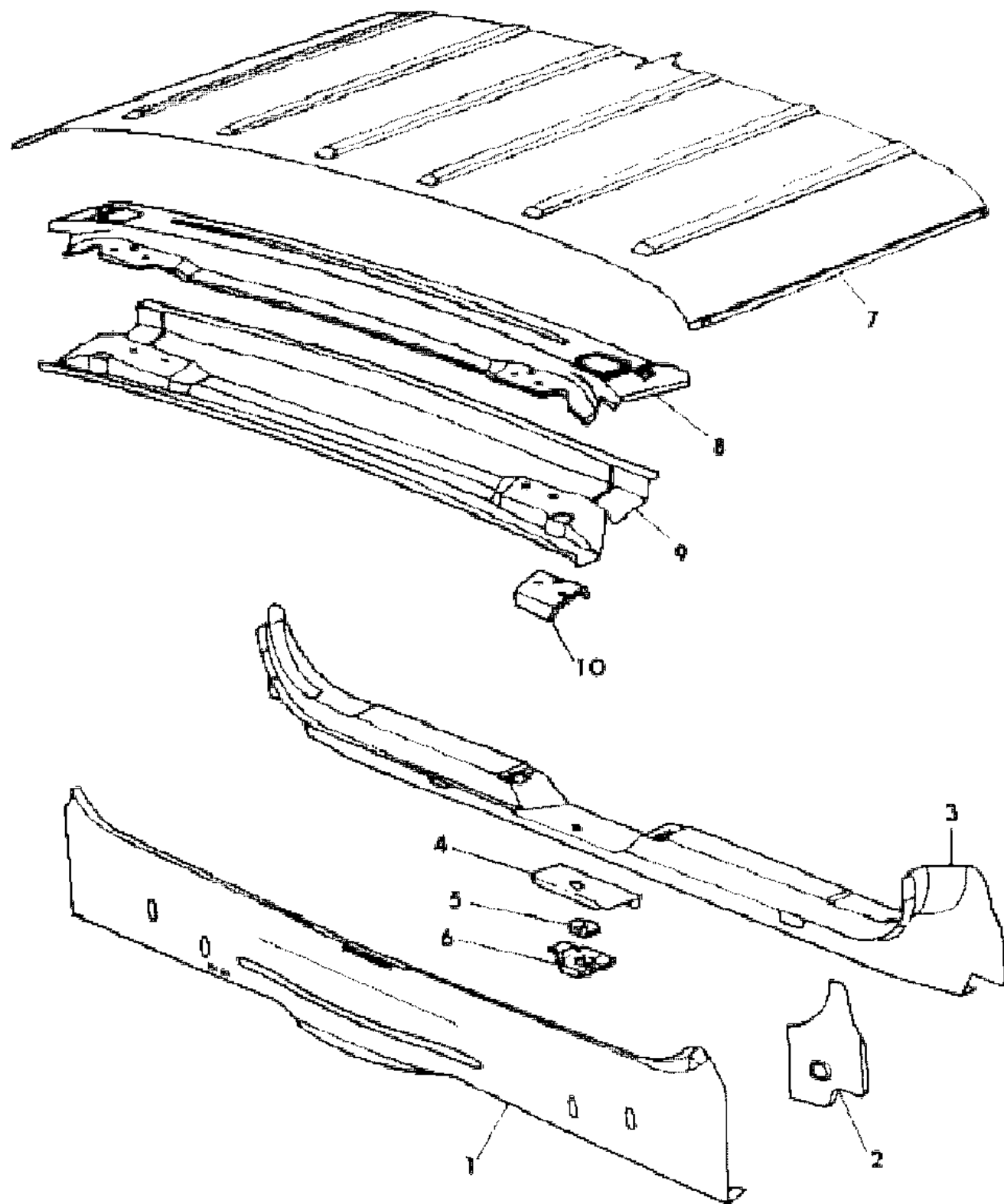
BODY STYLES

12-52 = FWD VAN & WAGON STD. W.B. 27 = 2-DOOR CONVERTIBLE
 13-53 = FWD VAN & WGN EXT W.B. 41 = 4-DOOR SEDAN
 21 = 2-DOOR SEDAN 44 = 4-DOOR HATCHBACK
 24 = 2-DOOR HATCHBACK 45 = 4-DOOR STATION WAGON

AR = Use as Required - = Non Illustrated Part P.A.R. = Paint as Required

LIFTGATE OPENING PANEL S BODY
Figure 23A-1780

B169 17800



ITEM	PART NUMBER	QTY	BODY	MODEL	DESCRIPTION
1	4296 698	1		12,52	PANEL, Liftgate Opening Lower
2	4385 027	1		13,53	PANEL, w/P-Nut Liftgate Opening Panel
	4337 012-3	1		12,52	SUPPORT, Liftgate Opening Lower Reinforcement
3	4385 060-1	1		13,53	
	4337 025	1		12,52	REINFORCEMENT, Liftgate Opening Lower Panel
4	4385 028	1		13,53	
	4278 187	1		12,52	REINFORCEMENT, Liftgate Opening Lower Panel Latch Striker
5	4385 029	1		13,53	
		1			T-PLATE, Liftgate Latch Striker (6500791 Not Serviced)
6	4278 557	1			RETAINER, Liftgate Latch Striker T-Plate
7		1			PANEL, Roof Outer (See Roof Panel Illus.)
8	4386 729	1			REINFORCEMENT, Liftgate Opening Upper Frame
9	4490 005	1			FRAME, Liftgate Opening Upper
10	4386 754-5	1			REINFORCEMENT, Liftgate Opening Upper Frame Hinge

MODEL CODES

C BODY = (D41 - DYNASTY)(C41 - NEW YORKER)
 E BODY = (J - CARAVELLE)(E - 600)(T - NEW YORKER TURBO)
 G BODY = (V24 - DAYTONA, PACIFICA & SHELBY)
 H BODY = (D44 - LANCER)(C44 - LEBARON GTS)
 J BODY = (C - LEBARON)
 K BODY = (P - RELIANT)(D - ARIES)(C - LEBARON/ TOWN & COUNTRY)

L BODY = (M - HORIZON)(Z-OMNI)
 M BODY = (B - GRAN FURY)(G - DIPLOMAT)(F - FIFTH AVENUE/NEWPORT)
 P BODY = (P - SUNDANCE)(D - SHADOW)
 Q BODY = (C27 - MASERATI)
 S BODY = (H - VOYAGER)(K - RAM VAN/ CARAVAN)

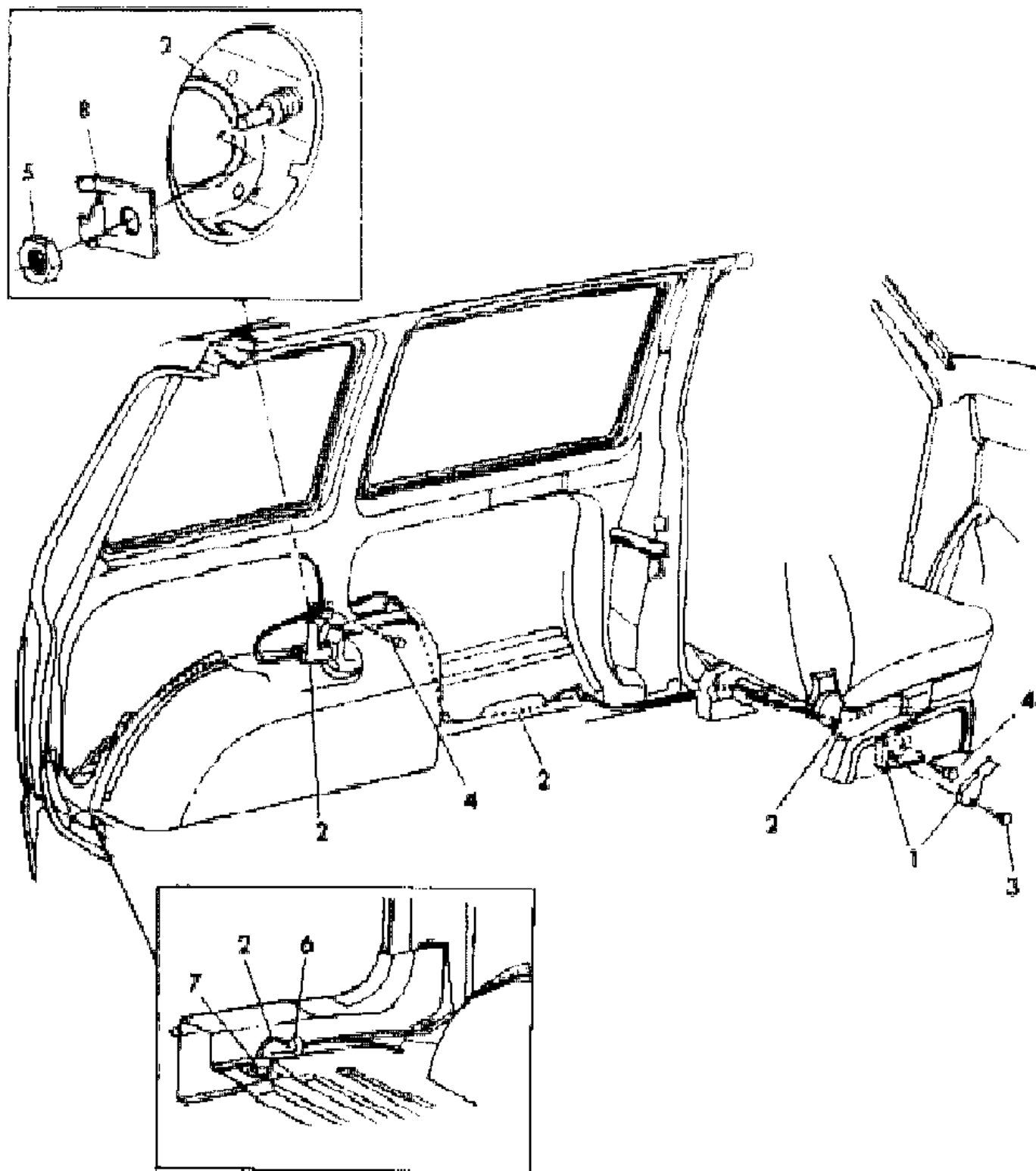
BODY STYLES

12-52 = FWD VAN & WAGON STD. W.B. 27 = 2-DOOR CONVERTIBLE
 13-53 = FWD VAN & WGN EXT W.B. 41 = 4-DOOR SEDAN
 21 = 2-DOOR SEDAN 44 = 4-DOOR HATCHBACK
 24 = 2-DOOR HATCHBACK 45 = 4-DOOR STATION WAGON

AR = Use as Required - = Non Illustrated Part P.A.R. = Paint as Required

FUEL FILLER REMOTE RELEASE S BODY
Figure 23A-1790

8169 17900



ITEM	PART NUMBER	QTY	BODY	MODEL	DESCRIPTION
1	4314 969	1			HANDLE, w/Bracker Body Side Aperture Remote Fuel Filler Door Release
2	4314 498	1			CABLE, w/Bracket Body Side Aperture Remote Fuel Filler Door Release (Includes Auxilliary Release Cable)
3	6500 981	1			SCREW
4	6032 196	2			SCREW
5		1			NUT, M12 x 1.75" Not Serviced
6		1			CLIP, Not Serviced
7		1			BOLT, Spare Tire Winch (See Group 22-Illustrations)
8	4371 896	1			SPRING, Body Side Fuel Filler Door Remote

MODEL CODES

C BODY = (D41 - DYNASTY)(C41 - NEW YORKER)
 E BODY = (J - CARAVELLE)(E - 600)(T - NEW YORKER TURBO)
 G BODY = (V24 - DAYTONA, PACIFICA & SHELBY)
 H BODY = (D44 - LANCER)(C44 - LEBARON GTS)
 J BODY = (C - LEBARON)
 K BODY = (P - RELIANT)(D - ARIES)(C - LEBARON/ TOWN & COUNTRY)
 L BODY = (M - HORIZON)(Z-OMNI)
 M BODY = (B - GRAN FURY)(G - DIPLOMAT)(F - FIFTH AVENUE/NEWPORT)
 P BODY = (P - SUNDANCE)(D - SHADOW)
 Q BODY = (C27 - MASERATI)
 S BODY = (H - VOYAGER)(K - RAM VAN/ CARAVAN)

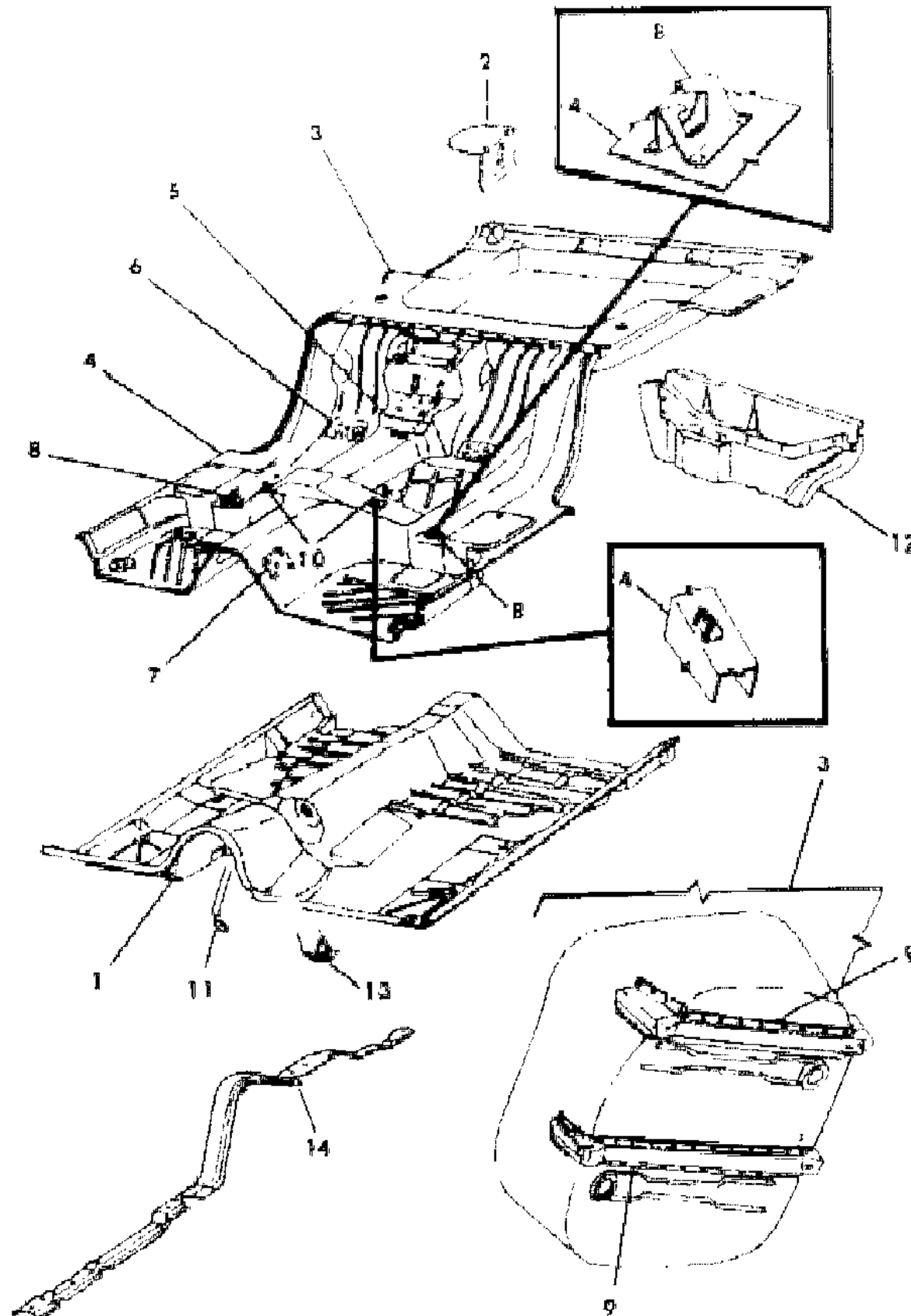
BODY STYLES

12-52 = FWD VAN & WAGON STD. W.B. 27 = 2-DOOR CONVERTIBLE
 13-53 = FWD VAN & WGN EXT W.B. 41 = 4-DOOR SEDAN
 21 = 2-DOOR SEDAN 44 = 4-DOOR HATCHBACK
 24 = 2-DOOR HATCHBACK 45 = 4-DOOR STATION WAGON

AR = Use as Required - = Non Illustrated Part P.A.R. = Paint as Required

FLOOR PAN M BODY
Figure 23A-1800

8169 18000



ITEM	PART NUMBER	QTY	BODY	MODEL	DESCRIPTION
1	4416 982	1			PAN, Front Floor Up To 5-16-88
	4475 383	1			After 5-16-88
2	4134 424	1			SUPPORT, Rear Floor Pan Spare Wheel Side Or Center
3	4416 984	1			PAN, Rear Floor
4	4416 983	1			PAN, Center Floor
5	4314 671	1			REINFORCEMENT, Center Floor Pan Pinion Carrier Bumper
6	4314 260	2			REINFORCEMENT, Center Floor Pan Rear Seat Belt Inner
7	4314 259	2			REINFORCEMENT, Center Floor Pan Front Seat Belt Inner
8	3446 302	2			RETAINER, Center Floor Pan Rear Seat Cushion (w/o Heavy Duty Rear Seat Springs)
9					STRAINER, w/Reinforcement Fuel Tank Front and Rear
	4325 156	1			Right
	4325 155	1			Left
10	#4134 377	2			BRACKET, Center Floor Pan Rear Seat Cushion (w/Heavy Duty Rear Seat Springs)
11	4314 642-3	1			REINFORCEMENT, Seat Guide Front Outer
12	4416 990-1	1			EXTENSION, Rear Floor Pan Side
13	4314 644-5	1			REINFORCEMENT, Seat Guide Outer Rear
14	4200 001	1			CROSSMEMBER, Reinforcement Front Floor Pan Anti-Seat Shake

MODEL CODES

C BODY = (D41 - DYNASTY)(C41 - NEW YORKER)
 E BODY = (J - CARAVELLE)(E - 600)(T - NEW YORKER TURBO)
 G BODY = (V24 - DAYTONA, PACIFICA & SHELBY)
 H BODY = (D44 - LANCER)(C44 - LEBARON GTS)
 J BODY = (C - LEBARON)
 K BODY = (P - RELIANT)(D - ARIES)(C - LEBARON/ TOWN & COUNTRY)
 L BODY = (M - HORIZON)(Z-OMNI)
 M BODY = (B - GRAN FURY)(G - DIPLOMAT)(F - FIFTH AVENUE/NEWPORT)
 P BODY = (P - SUNDANCE)(D - SHADOW)
 Q BODY = (C27 - MASERATI)
 S BODY = (H - VOYAGER)(K - RAM VAN/ CARAVAN)

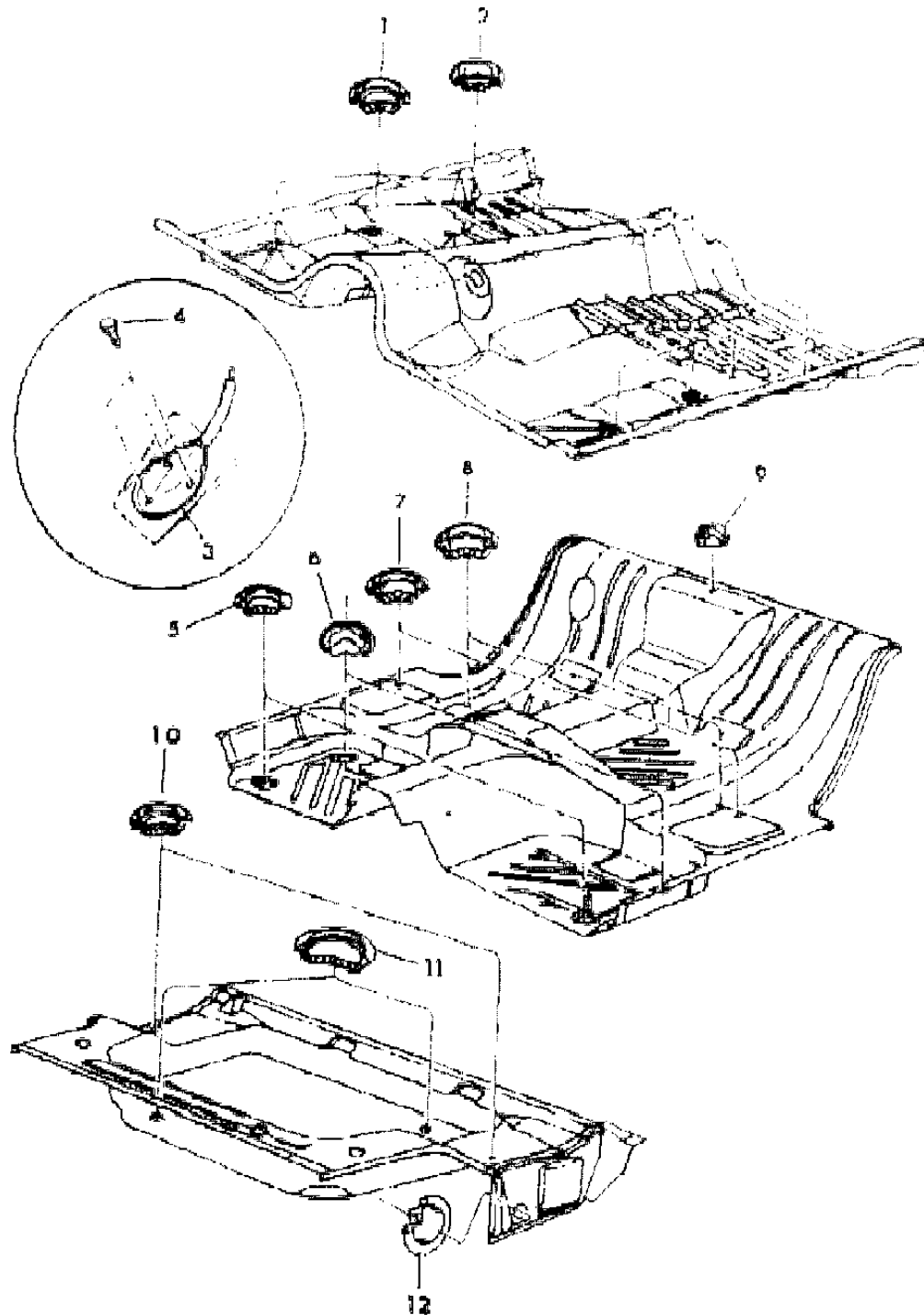
BODY STYLES

12-52 = FWD VAN & WAGON STD. W.B. 27 = 2-DOOR CONVERTIBLE
 13-53 = FWD VAN & WGN EXT W.B. 41 = 4-DOOR SEDAN
 21 = 2-DOOR SEDAN 44 = 4-DOOR HATCHBACK
 24 = 2-DOOR HATCHBACK 45 = 4-DOOR STATION WAGON

AR = Use as Required - = Non Illustrated Part P.A.R. = Paint as Required

PLUGS FLOOR PAN M BODY
Figure 23A-1810

8169 18100



ITEM	PART NUMBER	QTY	BODY	MODEL	DESCRIPTION
1	2480 957	6			PLUG
2	1774 076	2			PLUG
3	2259 118	1			SEAL, Parking Brake Cable
4		3			SCREW, Not Serviced
5	6030 773	2			PLUG
6	4073 475	2			PLUG
7	2480 957	2			PLUG
8	2480 957	2			PLUG
9	4073 474	1			PLUG
10	2480 957	2			PLUG
11	6030 773	2			PLUG
12	#4073 485	2			PLUG
	1774 076	4			PLUG, Front Floor Pan Seat Track Holes w/Split Back Bench w/Center Arm Rest

MODEL CODES

C BODY = (D41 - DYNASTY)(C41 - NEW YORKER)	L BODY = (M - HORIZON)(Z-OMNI)
E BODY = (J - CARAVELLE)(E - 600)(T - NEW YORKER TURBO)	M BODY = (B - GRAN FURY)(G - DIPLOMAT)(F - FIFTH AVENUE/NEWPORT)
G BODY = (V24 - DAYTONA, PACIFICA & SHELBY)	P BODY = (P - SUNDANCE)(D - SHADOW)
H BODY = (D44 - LANCER)(C44 - LEBARON GTS)	Q BODY = (C27 - MASERATI)
J BODY = (C - LEBARON)	S BODY = (H - VOYAGER)(K - RAM VAN/ CARAVAN)
K BODY = (P - RELIANT)(D - ARIES)(C - LEBARON/ TOWN & COUNTRY)	

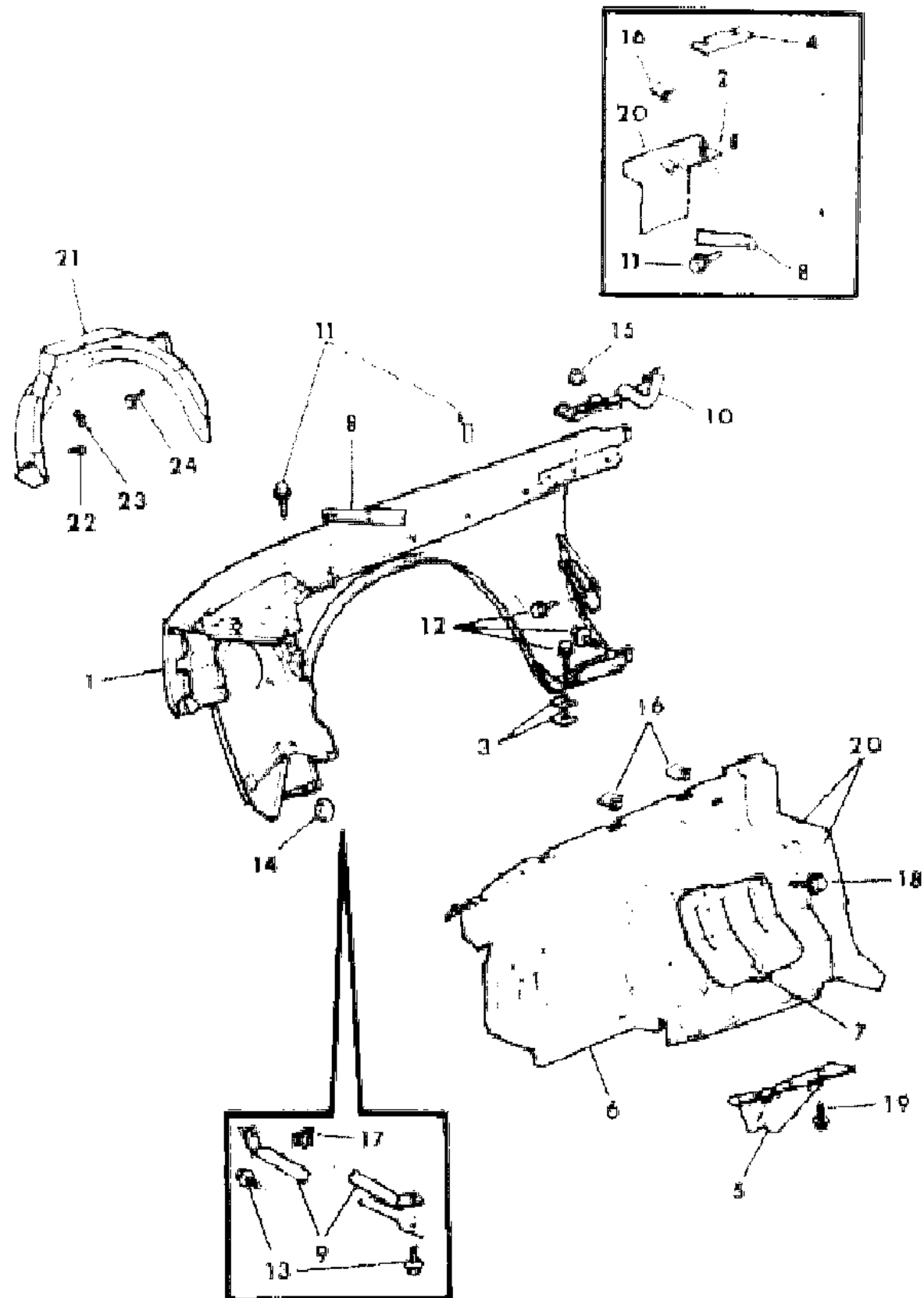
BODY STYLES

12-52 = FWD VAN & WAGON STD. W.B.	27 = 2-DOOR CONVERTIBLE
13-53 = FWD VAN & WGN EXT W.B.	41 = 4-DOOR SEDAN
21 = 2-DOOR SEDAN	44 = 4-DOOR HATCHBACK
24 = 2-DOOR HATCHBACK	45 = 4-DOOR STATION WAGON

AR = Use as Required - = Non Illustrated Part P.A.R. = Paint as Required

FENDER AND SHIELD M BODY
Figure 23A-1820

8169 18200



ITEM	PART NUMBER	QTY	BODY	MODEL	DESCRIPTION
1	4443 878-9	1		B,F,G	FENDER
2	#4136 191	2			REINFORCEMENT, Dash Pnl. Hood Hge.
3	6010 031	AR			SHIM
4	6010 031	AR			SHIM, Fender To Cowl Side
5		1			SHIELD, Frt. Side Rail Lwr. Splash Lt. Not Serviced
6		1			PANEL, Fender Shield
	4296 894	1			Right
	4296 895	1			Left
7	4005 108	2			COVER, Fndr. Shield Pnl. Upr. Control Arm, Alum.
8	3868 634	1			STRUT, Fndr. Cowl Top Rt. (w/o Heavy Serviced Pkg.)
	3868 979	1			STRUT, Fndr. Cowl Top Lt. (w/o Heavy Serviced Pkg.)
	4103 066-7	1			w/Heavy Service Pkg.
9	3868 966-7	1			BRACE, Fndr. Lwr. Flange
10		1			HINGE and PROP, Hood Complete (See Hood Illus.)
11	9425 118	AR			SCREW and WASHER
12		AR			SCREW and WASHER, Not Serviced
13		AR			SCREW and WASHER, Not Serviced
14	0118 614	AR			NUT and WASHER
15	0118 614	AR			NUT and WASHER
16	0153 294	AR			U-NUT
17	0152 454	AR			U-NUT
18		AR			SCREW, Not Serviced
19		AR			SCREW and WASHER, Not Serviced
20		1			SUPPORT, Dash Pnl. To Fndr. S/Shield Upr.(See Cowl Illus.)
21	3868 968-9	1			SHIELD, Fndr. Splash
22		AR			SCREW, Not Serviced
23	6031 390	AR			RETAINER
24	6030 441	AR			RETAINER, Fender Splash Shield To Front Side Shield Panel

MODEL CODES

C BODY = (D41 - DYNASTY)(C41 - NEW YORKER)
 E BODY = (J - CARAVELLE)(E - 600)(T - NEW YORKER TURBO)
 G BODY = (V24 - DAYTONA, PACIFICA & SHELBY)
 H BODY = (D44 - LANCER)(C44 - LEBARON GTS)
 J BODY = (C - LEBARON)
 K BODY = (P - RELIANT)(D - ARIES)(C - LEBARON/ TOWN & COUNTRY)

L BODY = (M - HORIZON)(Z-OMNI)
 M BODY = (B - GRAN FURY)(G - DIPLOMAT)(F - FIFTH AVENUE/NEWPORT)
 P BODY = (P - SUNDANCE)(D - SHADOW)
 Q BODY = (C27 - MASERATI)
 S BODY = (H - VOYAGER)(K - RAM VAN/ CARAVAN)

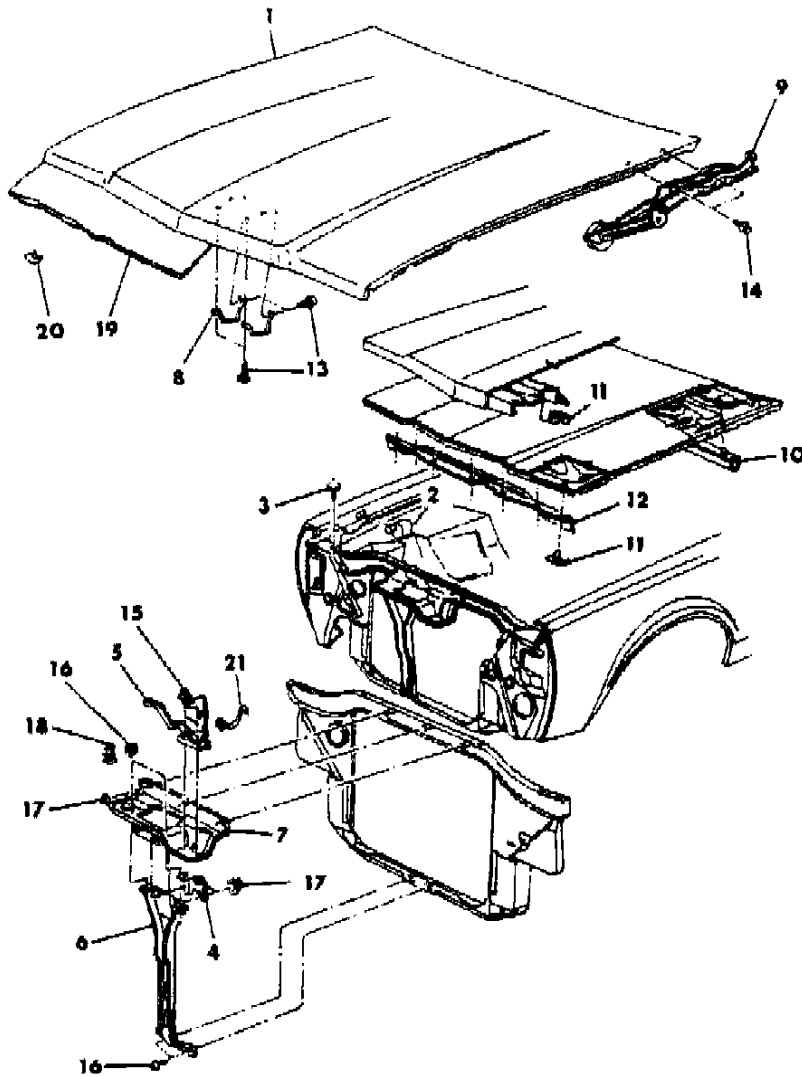
BODY STYLES

12-52 = FWD VAN & WAGON STD. W.B. 27 = 2-DOOR CONVERTIBLE
 13-53 = FWD VAN & WGN EXT W.B. 41 = 4-DOOR SEDAN
 21 = 2-DOOR SEDAN 44 = 4-DOOR HATCHBACK
 24 = 2-DOOR HATCHBACK 45 = 4-DOOR STATION WAGON

AR = Use as Required - = Non Illustrated Part P.A.R. = Paint as Required

HOOD M BODY
Figure 23A-1830

8169 18300



ITEM	PART NUMBER	QTY	BODY	MODEL	DESCRIPTION
1	4325 200	1			HOOD
2	3443 894	2			BUMPER, Fender Hood Side
3	6023 531	AR			SCREW, Fender Flange Hood Adj. Bumper
4	3861 819	1			LATCH, Hood
5	4296 934	1			CATCH, Hood Safety Complete
6	#4074 810	1			SUPPORT, Hood Lock Vertical
7	#4103 490	1			PLATE, Hood Lock
8	4054 003	1			STRIKER, Hood Safety Catch
9	#4103 428-9	1			HINGE and PROP, Hood
10	3868 603	1			SEAL, Hood Cowl
11	6003 351	7			FASTENER, Seal Hood To Yoke Seal
	6003 568	14			FASTENER
12	#4074 857	1			SEAL, Hood Inner Pnl. To Yoke
13	0181 063	AR			SCREW and WASHER
14		AR			SCREW and WASHER, Not Serviced
15	0181 063	AR			SCREW and WASHER
16	9425 118	AR			SCREW and WASHER
17	0118 614	AR			NUT and WASHER
18	4240 535	1			SPRING, Hood Pop-Up Eyelet Type
19	4049 601	1			SILENCER, Hood Inner Pnl. 36" x 72" Cut To Fit
20	6003 351	13			FASTENER, Hood Inner Pnl. Silencer
21	4296 933	1			SPRING, Hood Safety Catch Anti-Vibration

MODEL CODES

C BODY = (D41 - DYNASTY)(C41 - NEW YORKER)
 E BODY = (J - CARAVELLE)(E - 600)(T - NEW YORKER TURBO)
 G BODY = (V24 - DAYTONA, PACIFICA & SHELBY)
 H BODY = (D44 - LANCER)(C44 - LEBARON GTS)
 J BODY = (C - LEBARON)
 K BODY = (P - RELIANT)(D - ARIES)(C - LEBARON/ TOWN & COUNTRY)

L BODY = (M - HORIZON)(Z-OMNI)
 M BODY = (B - GRAN FURY)(G - DIPLOMAT)(F - FIFTH AVENUE/NEWPORT)
 P BODY = (P - SUNDANCE)(D - SHADOW)
 Q BODY = (C27 - MASERATI)
 S BODY = (H - VOYAGER)(K - RAM VAN/ CARAVAN)

BODY STYLES

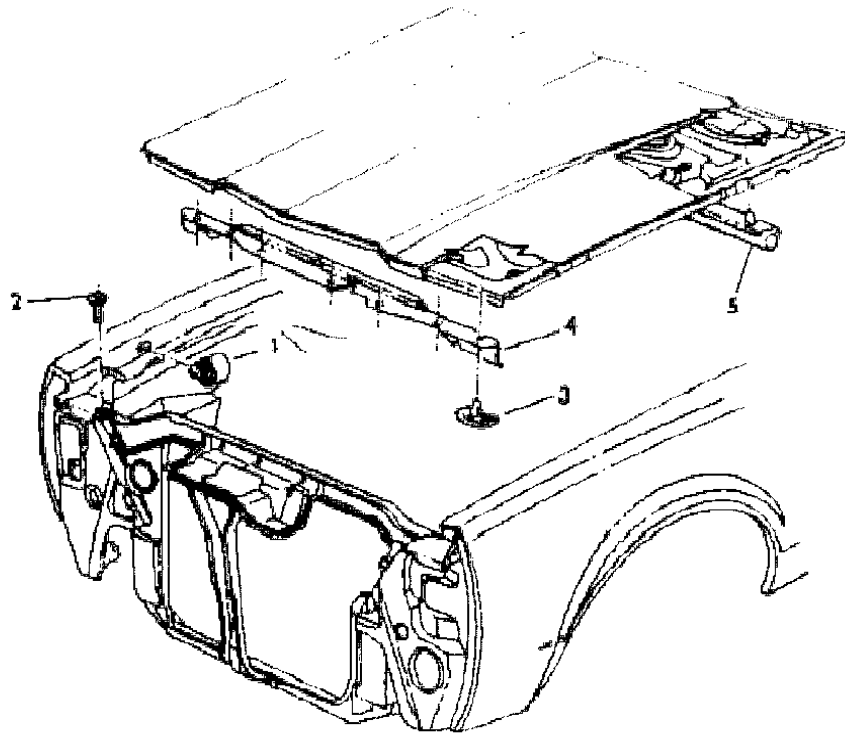
12-52 = FWD VAN & WAGON STD. W.B. 27 = 2-DOOR CONVERTIBLE
 13-53 = FWD VAN & WGN EXT W.B. 41 = 4-DOOR SEDAN
 21 = 2-DOOR SEDAN 44 = 4-DOOR HATCHBACK
 24 = 2-DOOR HATCHBACK 45 = 4-DOOR STATION WAGON

AR = Use as Required - = Non Illustrated Part P.A.R. = Paint as Required

BUMPERS AND PLUGS, FENDER, HOOD M BODY
Figure 23A-1840

8169 18400

ITEM	PART NUMBER	QTY	BODY	MODEL	DESCRIPTION
1	3443 894	2			BUMPER, Fender Hood
2	6023 531	2			SCREW
3	6003 351	7			FASTENER
4	#4074 857	1			SEAL, Hood Yoke
5	3868 603	1			SEAL, Hood To Cowl



MODEL CODES

C BODY = (D41 - DYNASTY)(C41 - NEW YORKER)	L BODY = (M - HORIZON)(Z-OMNI)
E BODY = (J - CARAVELLE)(E - 600)(T - NEW YORKER TURBO)	M BODY = (B - GRAN FURY)(G - DIPLOMAT)(F - FIFTH AVENUE/NEWPORT)
G BODY = (V24 - DAYTONA, PACIFICA & SHELBY)	P BODY = (P - SUNDANCE)(D - SHADOW)
H BODY = (D44 - LANCER)(C44 - LEBARON GTS)	Q BODY = (C27 - MASERATI)
J BODY = (C - LEBARON)	S BODY = (H - VOYAGER)(K - RAM VAN/ CARAVAN)
K BODY = (P - RELIANT)(D - ARIES)(C - LEBARON/ TOWN & COUNTRY)	

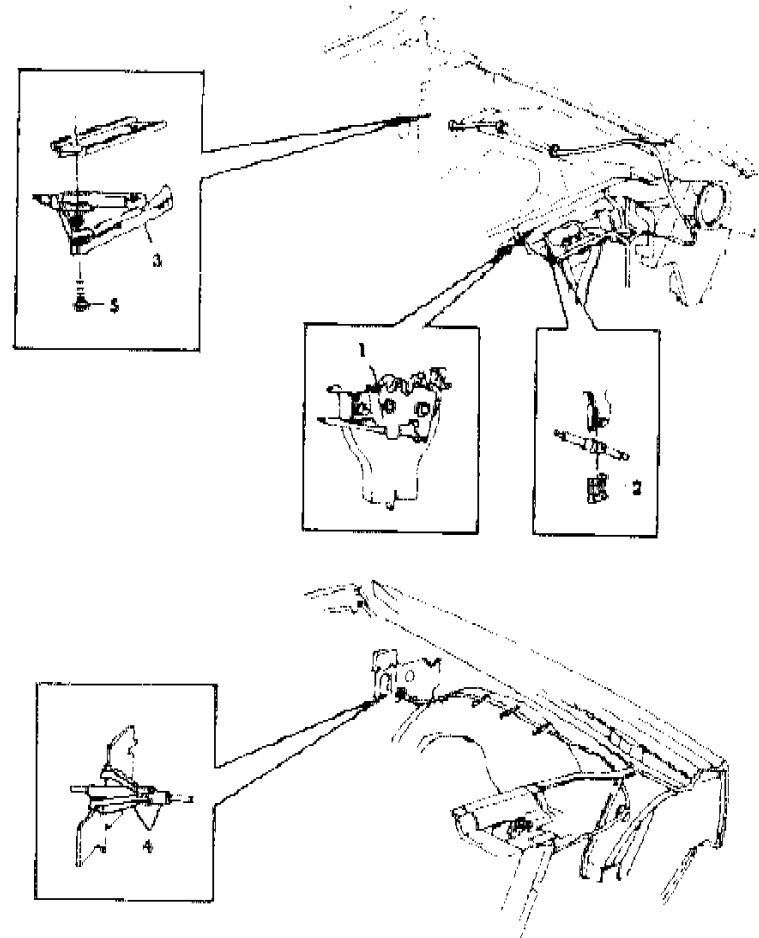
BODY STYLES

12-52 = FWD VAN & WAGON STD. W.B.	27 = 2-DOOR CONVERTIBLE
13-53 = FWD VAN & WGN EXT W.B.	41 = 4-DOOR SEDAN
21 = 2-DOOR SEDAN	44 = 4-DOOR HATCHBACK
24 = 2-DOOR HATCHBACK	45 = 4-DOOR STATION WAGON

AR = Use as Required - = Non Illustrated Part P.A.R. = Paint as Required

HOOD RELEASE REMOTE CONTROL M BODY
Figure 23A-1850

8169 18500



ITEM	PART NUMBER	QTY	BODY	MODEL	DESCRIPTION
1	3861 819	1			LATCH, Hood
2	3861 231	1			CLIP, Hood Latch Rel. Cable Ret.
3	3882 085	1			RELEASE, Inst. Pnl. Hood Latch
4	3695 100	1			GROMMET, Hood Latch Rel. Handle Cable
5		AR			SCREW, Not Serviced

MODEL CODES

C BODY = (D41 - DYNASTY)(C41 - NEW YORKER)	L BODY = (M - HORIZON)(Z-OMNI)
E BODY = (J - CARAVELLE)(E - 600)(T - NEW YORKER TURBO)	M BODY = (B - GRAN FURY)(G - DIPLOMAT)(F - FIFTH AVENUE/NEWPORT)
G BODY = (V24 - DAYTONA, PACIFICA & SHELBY)	P BODY = (P - SUNDANCE)(D - SHADOW)
H BODY = (D44 - LANCER)(C44 - LEBARON GTS)	Q BODY = (C27 - MASERATI)
J BODY = (C - LEBARON)	S BODY = (H - VOYAGER)(K - RAM VAN/ CARAVAN)
K BODY = (P - RELIANT)(D - ARIES)(C - LEBARON/ TOWN & COUNTRY)	

BODY STYLES

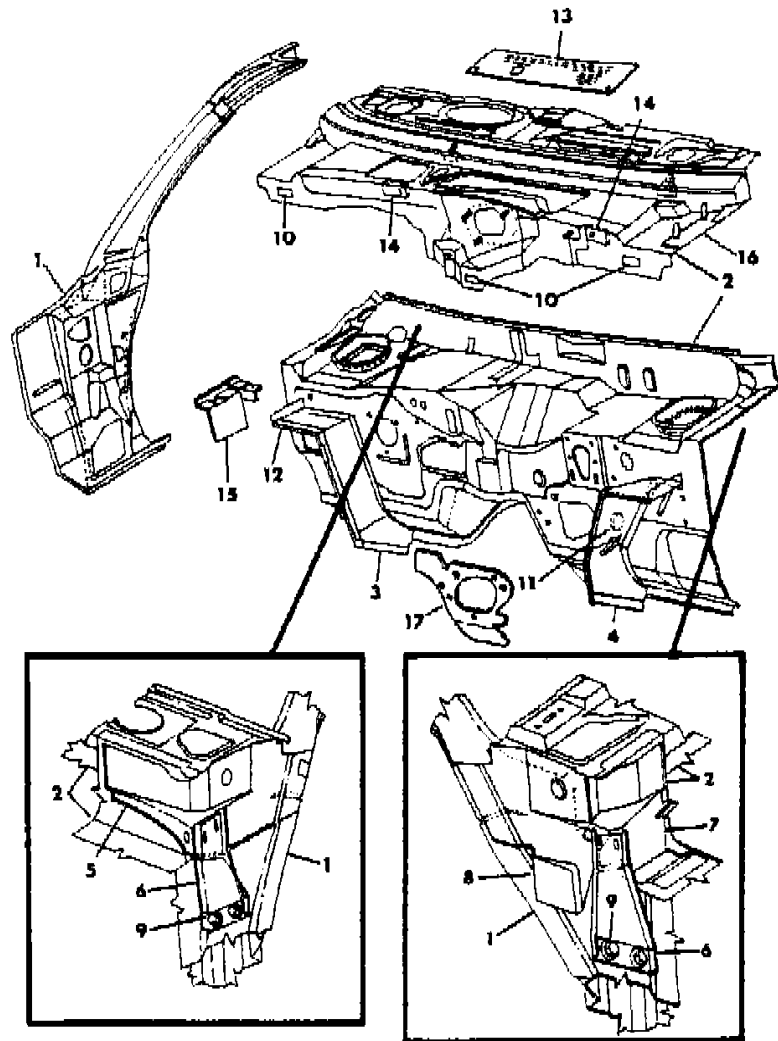
12-52 = FWD VAN & WAGON STD. W.B.	27 = 2-DOOR CONVERTIBLE
13-53 = FWD VAN & WGN EXT W.B.	41 = 4-DOOR SEDAN
21 = 2-DOOR SEDAN	44 = 4-DOOR HATCHBACK
24 = 2-DOOR HATCHBACK	45 = 4-DOOR STATION WAGON

AR = Use as Required - = Non Illustrated Part P.A.R. = Paint as Required

COWL AND DASH PANEL M BODY

Figure 23A-1860

8169 18600



ITEM	PART NUMBER	QTY	BODY	MODEL	DESCRIPTION
1	4325 186-7	1			PANEL, Cowl Side Up To 5-16-88
	4475 390-1	1			After 5-16-88
2	4337 567	1			PANEL, Cowl Top & Dash w/o A/C Up To 5-16-88
	4475 380	1			After 5-16-88
	4337 566	1			w/A/C Up To 5-16-88
	4475 381	1			After 5-16-88
3	#4198 190	1			SUPPORT, Dash Pnl. To Fender Side Shield Lower Rt.
4	4198 191	1			SUPPORT, Dash Pnl. To Fender Side Shield Lower Lt.
5	4136 542	1			REINFORCEMENT, Dash Pnl. To Cowl Side Rt.
6	3793 882	1			BRACKET, Cowl Side To Windshield Lower Corner Rt.
	4040 697	1			Left
7	3793 421	1			BRACKET, Dash Pnl. To Steering Column Reinforcement & Lower Corner Gusset Lt.
8	4136 543	1			GUSSET, Windshield Lower Coner Lt.
9	0181 086	4			BOLT
10	3794 032	3			SEAL, Cowl Top Drain Hole
	3875 949	2			SEAL, Cowl Top Pnl. To w/Shield Outer Frame
11	2811 825	1			PLUG, Clutch Rod Hole
12	4198 188-9	1			BRACKET, Dash Pnl. To Fender Side Shield To Rail Support w/ Heavy Service Package
13	3794 196	1			SCREEN, Cowl Top Fresh Air Opening
14	4040 880-1	1			BRACKET, Cowl Top Pnl. To Fender Strut w/Heavy Service Package
15	#4136 186-7	1			SUPPORT, Dash Pnl. To Fender Side Shield Upper
16	#4136 191	2			REINFORCEMENT, Dash Pnl. Hood Hinge
17	4136 041	1			REINFORCEMENT, Dash Panel Accelerator Pedal (w/Heavy Serviced Package)

MODEL CODES

C BODY = (D41 - DYNASTY)(C41 - NEW YORKER)
 E BODY = (J - CARAVELLE)(E - 600)(T - NEW YORKER TURBO)
 G BODY = (V24 - DAYTONA, PACIFICA & SHELBY)
 H BODY = (D44 - LANCER)(C44 - LEBARON GTS)
 J BODY = (C - LEBARON)
 K BODY = (P - RELIANT)(D - ARIES)(C - LEBARON/ TOWN & COUNTRY)

L BODY = (M - HORIZON)(Z-OMNI)
 M BODY = (B - GRAN FURY)(G - DIPLOMAT)(F - FIFTH AVENUE/NEWPORT)
 P BODY = (P - SUNDANCE)(D - SHADOW)
 Q BODY = (C27 - MASERATI)
 S BODY = (H - VOYAGER)(K - RAM VAN/ CARAVAN)

BODY STYLES

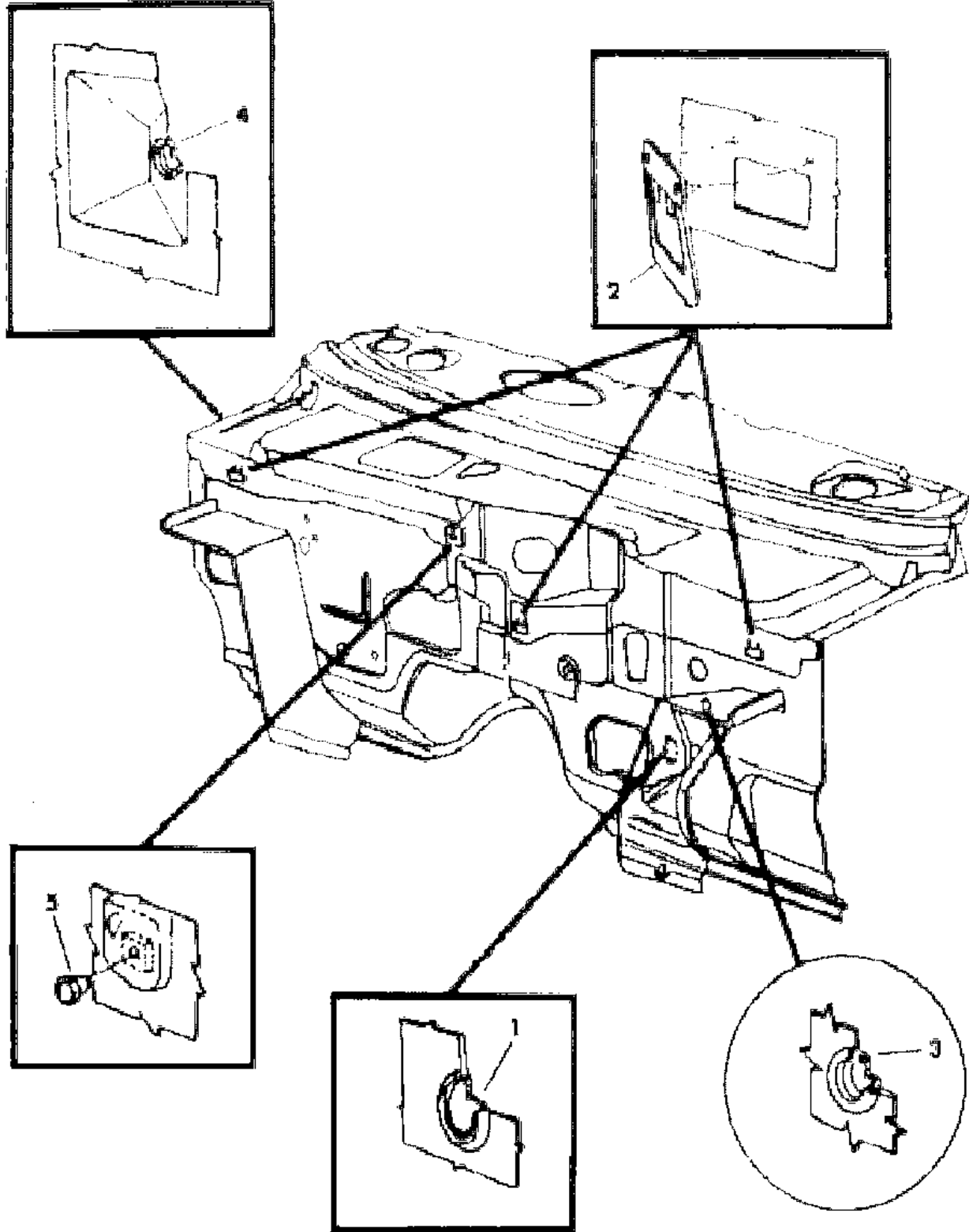
12-52 = FWD VAN & WAGON STD. W.B. 27 = 2-DOOR CONVERTIBLE
 13-53 = FWD VAN & WGN EXT W.B. 41 = 4-DOOR SEDAN
 21 = 2-DOOR SEDAN 44 = 4-DOOR HATCHBACK
 24 = 2-DOOR HATCHBACK 45 = 4-DOOR STATION WAGON

AR = Use as Required - = Non Illustrated Part P.A.R. = Paint as Required

PLUGS COWL AND DASH M BODY
Figure 23A-1870

8169 18700

ITEM	PART NUMBER	QTY	BODY	MODEL	DESCRIPTION
1		1			PLUG, Not Serviced
2	3794 032	3			SEAL, Cowl Top
3	1774 076	1			PLUG, Hood Release Cable
4	2860 332	1			PLUG, Antenna Hole
5	2423 737	1			PLUG, Cowl Top
	2423 737	1			PLUG, Ballast Resistor Mounting Hole w/318 Eng.
	2423 737	2			PLUG, E.C.U. Mounting Hole w/318 Eng.
	2423 737	2			PLUG, Electronic Throttle Control Mounting Hole w/318 Eng.
	6030 773	AR			PLUG, Cowl Top Panel Repair



MODEL CODES

C BODY = (D41 - DYNASTY)(C41 - NEW YORKER)
 E BODY = (J - CARAVELLE)(E - 600)(T - NEW YORKER TURBO)
 G BODY = (V24 - DAYTONA, PACIFICA & SHELBY)
 H BODY = (D44 - LANCER)(C44 - LEBARON GTS)
 J BODY = (C - LEBARON)
 K BODY = (P - RELIANT)(D - ARIES)(C - LEBARON/ TOWN & COUNTRY)

L BODY = (M - HORIZON)(Z-OMNI)
 M BODY = (B - GRAN FURY)(G - DIPLOMAT)(F - FIFTH AVENUE/NEWPORT)
 P BODY = (P - SUNDANCE)(D - SHADOW)
 Q BODY = (C27 - MASERATI)
 S BODY = (H - VOYAGER)(K - RAM VAN/ CARAVAN)

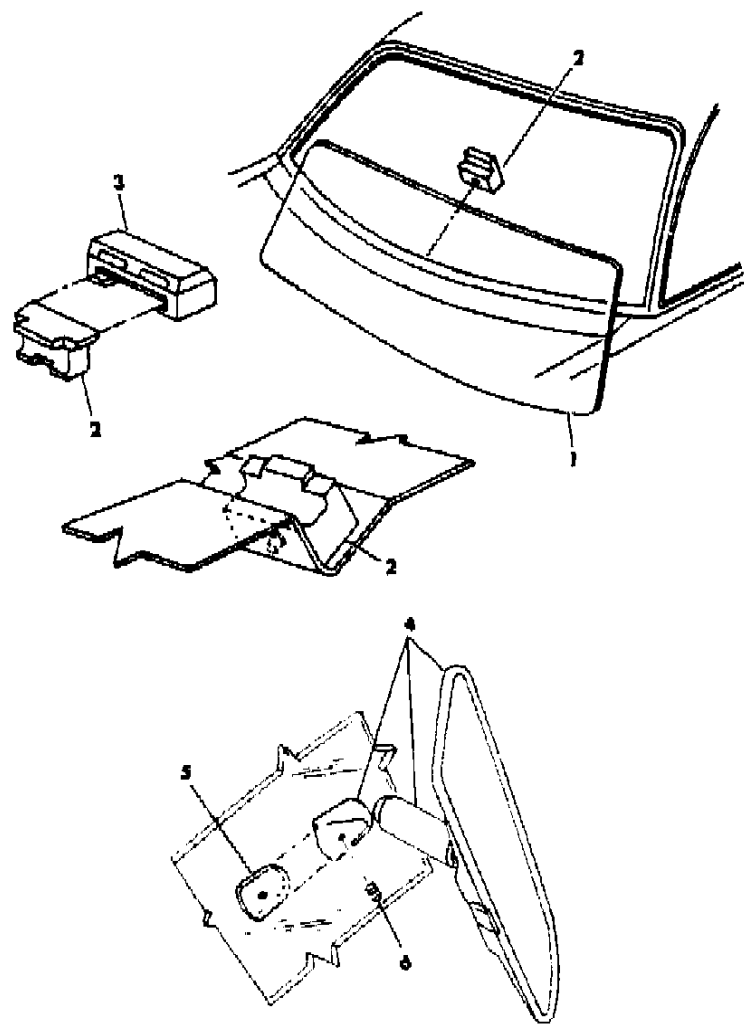
BODY STYLES

12-52 = FWD VAN & WAGON STD. W.B. 27 = 2-DOOR CONVERTIBLE
 13-53 = FWD VAN & WGN EXT W.B. 41 = 4-DOOR SEDAN
 21 = 2-DOOR SEDAN 44 = 4-DOOR HATCHBACK
 24 = 2-DOOR HATCHBACK 45 = 4-DOOR STATION WAGON

AR = Use as Required - = Non Illustrated Part P.A.R. = Paint as Required

GLASS WINDSHIELD AND MIRROR M BODY
Figure 23A-1880

8159 18800



ITEM	PART NUMBER	QTY	BODY	MODEL	DESCRIPTION
------	-------------	-----	------	-------	-------------

NOTE: GLASS, WINDSHIELD - ORDER FROM YOUR LOCAL "MOPAR" GLASS DISTRIBUTOR s group.

1	3795 695	1			GLASS, Windshield Tinted
2	4314 872	2			SPACER, Windshield Glass Lower, Approximately .230" Thick
	3767 820	AR			Approximately .150" Thick
3	3767 767	AR			SHIM, Windshield Glass Spacer Lower, Approximately.218" Thick
4	4299 325	1			MIRROR, Rear View
5	4054 098	1			BUTTON, Rear View Mirror Mounting
	4293 039	1			ADHESIVE PACKAGE, Rear View Mirror Button Mounting (Includes Adhesive & Instructions)

6 6031 094 1 SCREW, Rear View Mirror

NOTE: The following items are not shown on illustration. s group.

PKG A	4057 957	1			FIXED GLASS REPAIR PACKAGE
					Consists of:
					1- ----- Tape, Butyl, 171.00"
					1- ----- Primer, Glass
					1- ----- Primer, Fence
	3674 698				2-Spacer, Rubber, 0.2"
	3793 290				2-Spacer, Rubber, 0.3"
	3767 767				2-Shim, 0.07"
					2- ----- Sponges, Disposable

MODEL CODES

C BODY = (D41 - DYNASTY)(C41 - NEW YORKER)	L BODY = (M - HORIZON)(Z-OMNI)
E BODY = (J - CARAVELLE)(E - 600)(T - NEW YORKER TURBO)	M BODY = (B - GRAN FURY)(G - DIPLOMAT)(F - FIFTH AVENUE/NEWPORT)
G BODY = (V24 - DAYTONA, PACIFICA & SHELBY)	P BODY = (P - SUNDANCE)(D - SHADOW)
H BODY = (D44 - LANCER)(C44 - LEBARON GTS)	Q BODY = (C27 - MASERATI)
J BODY = (C - LEBARON)	S BODY = (H - VOYAGER)(K - RAM VAN/ CARAVAN)
K BODY = (P - RELIANT)(D - ARIES)(C - LEBARON/ TOWN & COUNTRY)	

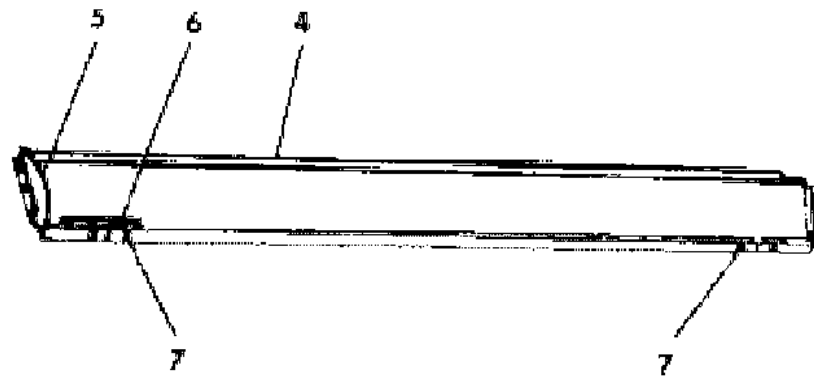
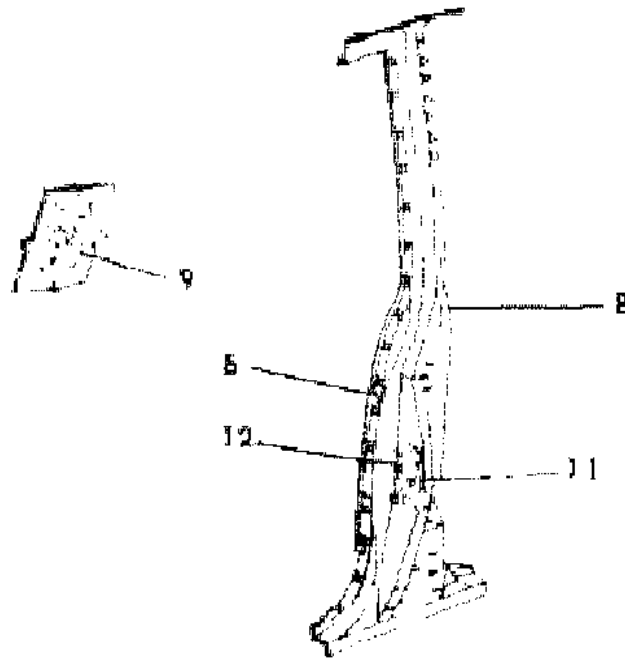
BODY STYLES

12-52 = FWD VAN & WAGON STD. W.B.	27 = 2-DOOR CONVERTIBLE
13-53 = FWD VAN & WGN EXT W.B.	41 = 4-DOOR SEDAN
21 = 2-DOOR SEDAN	44 = 4-DOOR HATCHBACK
24 = 2-DOOR HATCHBACK	45 = 4-DOOR STATION WAGON

AR = Use as Required - = Non Illustrated Part P.A.R. = Paint as Required

SIDE SILL AND CENTER PILLAR M BODY
Figure 23A-1890

8169 1890G



ITEM	PART NUMBER	QTY	BODY	MODEL	DESCRIPTION
1	4475 168-9	1			PANEL, Side Sill Inner Front
2	4314 642-3	1			REINFORCEMENT, Front Floor Pan Seat Guide Front Outer
3	4314 644-5	1			REINFORCEMENT, Front Floor Pan Seat Guide Rear Outer
4	4015 558-9	1			PANEL, Side Sill Outer
5	3791 060-1	1			CAP, Side Sill Panel Front
6	#4134 534	2			REINFORCEMENT, Side Sill Outer Jacking Front
7	#4134 416	4			BRACKET, Outer Sill Jack Locator
8	4325 166-7	1			PILLAR, Body Center
9	4314 326	4			REINFORCEMENT, Body Center Pillar Seat Shoulder Belt Hanger
10	4416 988-9	1			PANEL, Side Sill Inner Rear
11	3445 952	2			PLATE, Body Lock Pillar Striker
12	3752 366	2			REINFORCEMENT, w/T-Plate Body Center Pillar and Retainer

MODEL CODES

C BODY = (D41 - DYNASTY)(C41 - NEW YORKER)	L BODY = (M - HORIZON)(Z-OMNI)
E BODY = (J - CARAVELLE)(E - 600)(T - NEW YORKER TURBO)	M BODY = (B - GRAN FURY)(G - DIPLOMAT)(F - FIFTH AVENUE/NEWPORT)
G BODY = (V24 - DAYTONA, PACIFICA & SHELBY)	P BODY = (P - SUNDANCE)(D - SHADOW)
H BODY = (D44 - LANCER)(C44 - LEBARON GTS)	Q BODY = (C27 - MASERATI)
J BODY = (C - LEBARON)	S BODY = (H - VOYAGER)(K - RAM VAN/ CARAVAN)
K BODY = (P - RELIANT)(D - ARIES)(C - LEBARON/ TOWN & COUNTRY)	

BODY STYLES

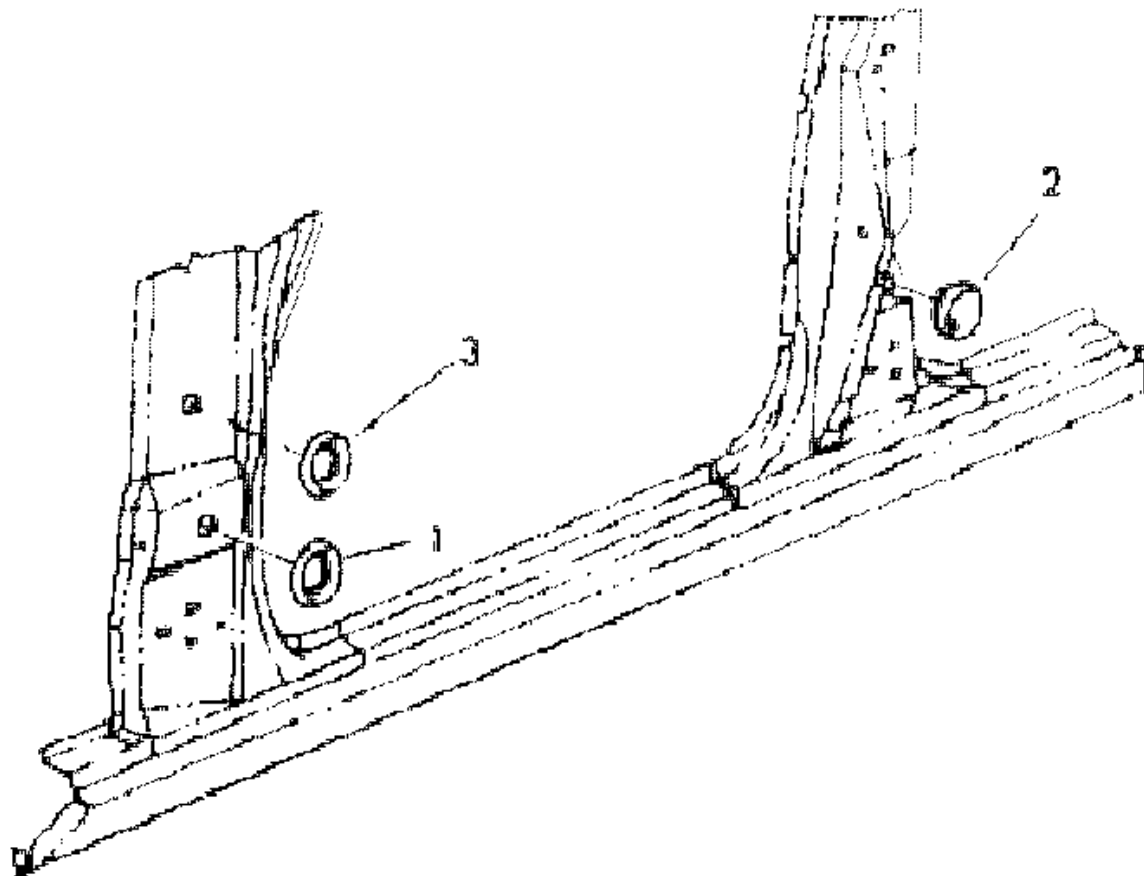
12-52 = FWD VAN & WAGON STD. W.B.	27 = 2-DOOR CONVERTIBLE
13-53 = FWD VAN & WGN EXT W.B.	41 = 4-DOOR SEDAN
21 = 2-DOOR SEDAN	44 = 4-DOOR HATCHBACK
24 = 2-DOOR HATCHBACK	45 = 4-DOOR STATION WAGON

AR = Use as Required - = Non Illustrated Part P.A.R. = Paint as Required

PLUGS BODY SIDE M BODY
Figure 23A-1900

8169 19000

ITEM	PART NUMBER	QTY	BODY	MODEL	DESCRIPTION
1	6030 773	2			PLUG
2	2480 957	2			PLUG
3	2860 332	1			PLUG



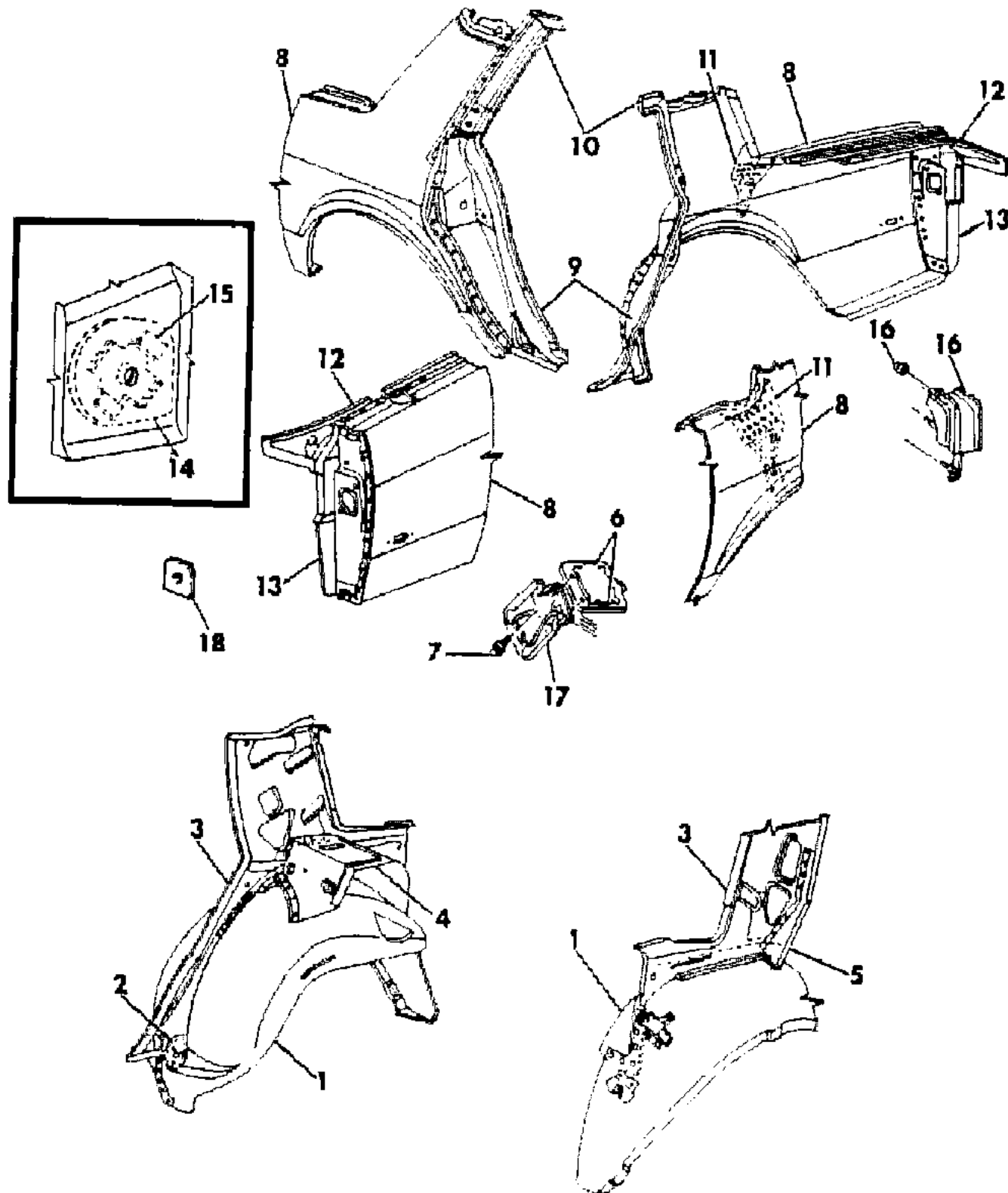
MODEL CODES
 C BODY = (D41 - DYNASTY)(C41 - NEW YORKER)
 E BODY = (J - CARAVELLE)(E - 600)(T - NEW YORKER TURBO)
 G BODY = (V24 - DAYTONA, PACIFICA & SHELBY)
 H BODY = (D44 - LANCER)(C44 - LEBARON GTS)
 J BODY = (C - LEBARON)
 K BODY = (P - RELIANT)(D - ARIES)(C - LEBARON/ TOWN & COUNTRY)
 L BODY = (M - HORIZON)(Z-OMNI)
 M BODY = (B - GRAN FURY)(G - DIPLOMAT)(F - FIFTH AVENUE/NEWPORT)
 P BODY = (P - SUNDANCE)(D - SHADOW)
 Q BODY = (C27 - MASERATI)
 S BODY = (H - VOYAGER)(K - RAM VAN/ CARAVAN)

BODY STYLES
 12-52 = FWD VAN & WAGON STD. W.B. 27 = 2-DOOR CONVERTIBLE
 13-53 = FWD VAN & WGN EXT W.B. 41 = 4-DOOR SEDAN
 21 = 2-DOOR SEDAN 44 = 4-DOOR HATCHBACK
 24 = 2-DOOR HATCHBACK 45 = 4-DOOR STATION WAGON

AR = Use as Required - = Non Illustrated Part P.A.R. = Paint as Required

QUARTER PANEL M BODY
Figure 23A-1910

8169 19100



ITEM	PART NUMBER	QTY	BODY	MODEL	DESCRIPTION
1	#4134 064-5	1			PANEL, Qtr. W/House Inner
2	4206 262-3	1			REINFORCEMENT, W/House Inner Panel Rear Seat Belt
3	4490 082-3	1			PANEL, Qtr. Inside and W/House Outer
4		1			EXTENSION, Shelf Panel Not Serviced
5	#4134 420-1	1			SUPPORT, Body Lock Pillar To W/House
6	5220 250	2			BUMPER, Qtr. Outside Panel Fuel Filler Door
7		2			SCREW, Not Serviced
8	4337 458-9	1			PANEL, Quarter Outside
9	4341 546-7	1			PILLAR, Body Lock Lower
10	#4134 290-1	1			PILLAR, Qtr. Panel Body Lock Upper
11		1			FILLER, Outside Panel Rear Wdo. Not Serviced
12	#4134 130-1	1			TROUGH, Qtr. Side Drain
13	4341 540-1	1			REINFORCEMENT, Qtr. Outside Panel End
14	3791 078	2			REINFORCEMENT, Body Lock Pillar Lock Striker
15		2			RETAINER, Not Serviced
16	#4134 260-1	1			EXTENSION, Qtr. Outside Panel End
17	4278 911	1			DOOR, Qtr. Outside Panel Fuel Filler
18	3445 952	2			PLATE, Body Lock Pillar Lock Striker

MODEL CODES

C BODY = (D41 - DYNASTY)(C41 - NEW YORKER)
 E BODY = (J - CARAVELLE)(E - 600)(T - NEW YORKER TURBO)
 G BODY = (V24 - DAYTONA, PACIFICA & SHELBY)
 H BODY = (D44 - LANCER)(C44 - LEBARON GTS)
 J BODY = (C - LEBARON)
 K BODY = (P - RELIANT)(D - ARIES)(C - LEBARON/ TOWN & COUNTRY)

L BODY = (M - HORIZON)(Z-OMNI)
 M BODY = (B - GRAN FURY)(G - DIPLOMAT)(F - FIFTH AVENUE/NEWPORT)
 P BODY = (P - SUNDANCE)(D - SHADOW)
 Q BODY = (C27 - MASERATI)
 S BODY = (H - VOYAGER)(K - RAM VAN/ CARAVAN)

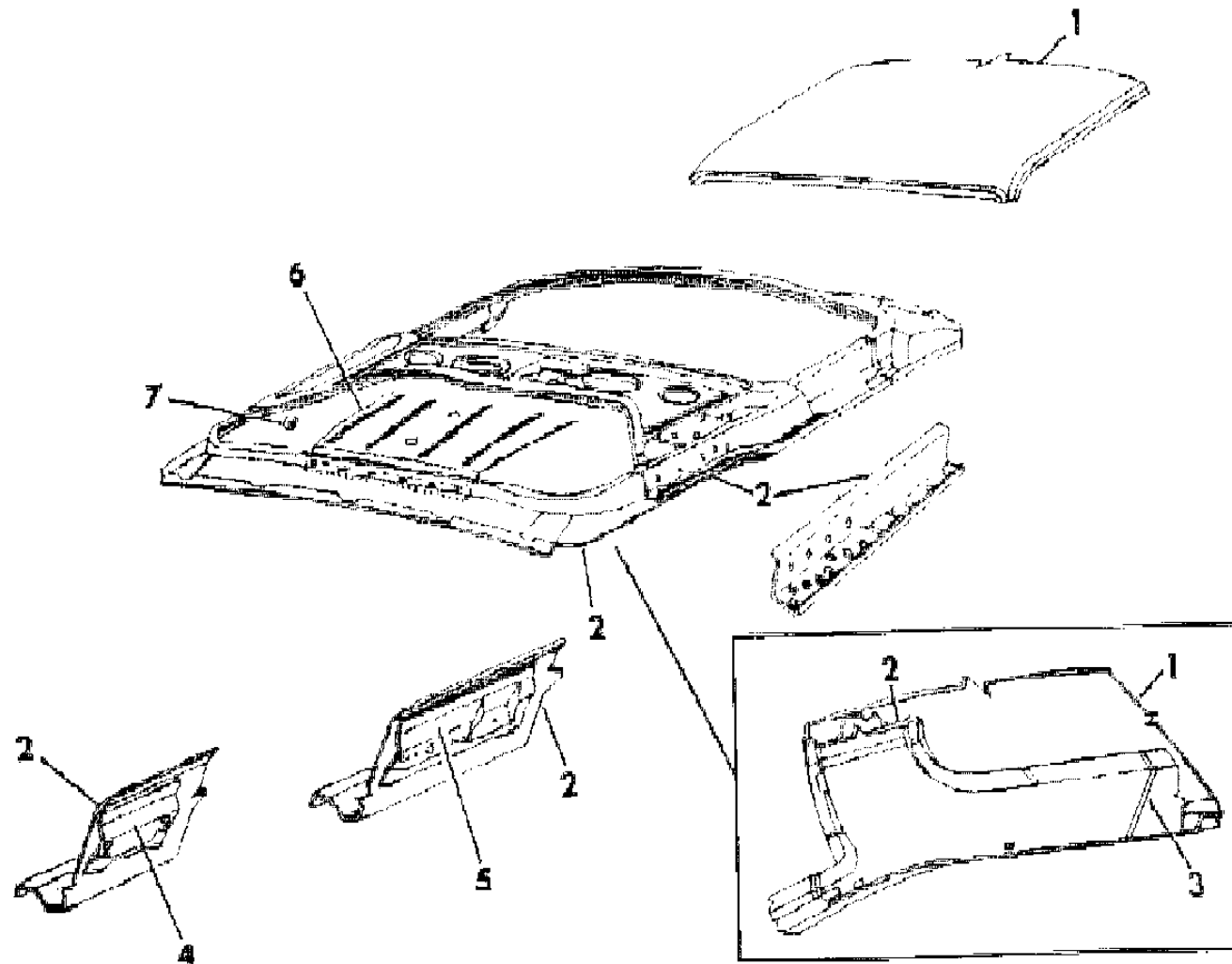
BODY STYLES

12-52 = FWD VAN & WAGON STD. W.B. 27 = 2-DOOR CONVERTIBLE
 13-53 = FWD VAN & WGN EXT W.B. 41 = 4-DOOR SEDAN
 21 = 2-DOOR SEDAN 44 = 4-DOOR HATCHBACK
 24 = 2-DOOR HATCHBACK 45 = 4-DOOR STATION WAGON

AR = Use as Required - = Non Illustrated Part P.A.R. = Paint as Required

ROOF PANEL M BODY
Figure 23A-1920

8169 19200



ITEM	PART NUMBER	QTY	BODY	MODEL	DESCRIPTION
1	#4136 087	1			PANEL, Roof Outer
2	4490 078	1			PANEL, Roof Inner
3	4475 196-7	1			EXTENSION, W/Shield Opening Side Frame Upper Corner
4	4490 077	2		F-S	REINFORCEMENT, Roof Inner Panel Assist Strap Front
5	4490 080-1	1		F-S	REINFORCEMENT, Roof Inner Panel Assist Strap Rear
6	4206 716	1			SUPPORT, Roof Panel Outside Flasher Light Or Siren
7	6031 160	AR		F-S	U-NUT, Roof Inner Panel Assist Strap Reinforcement Front Or Rear

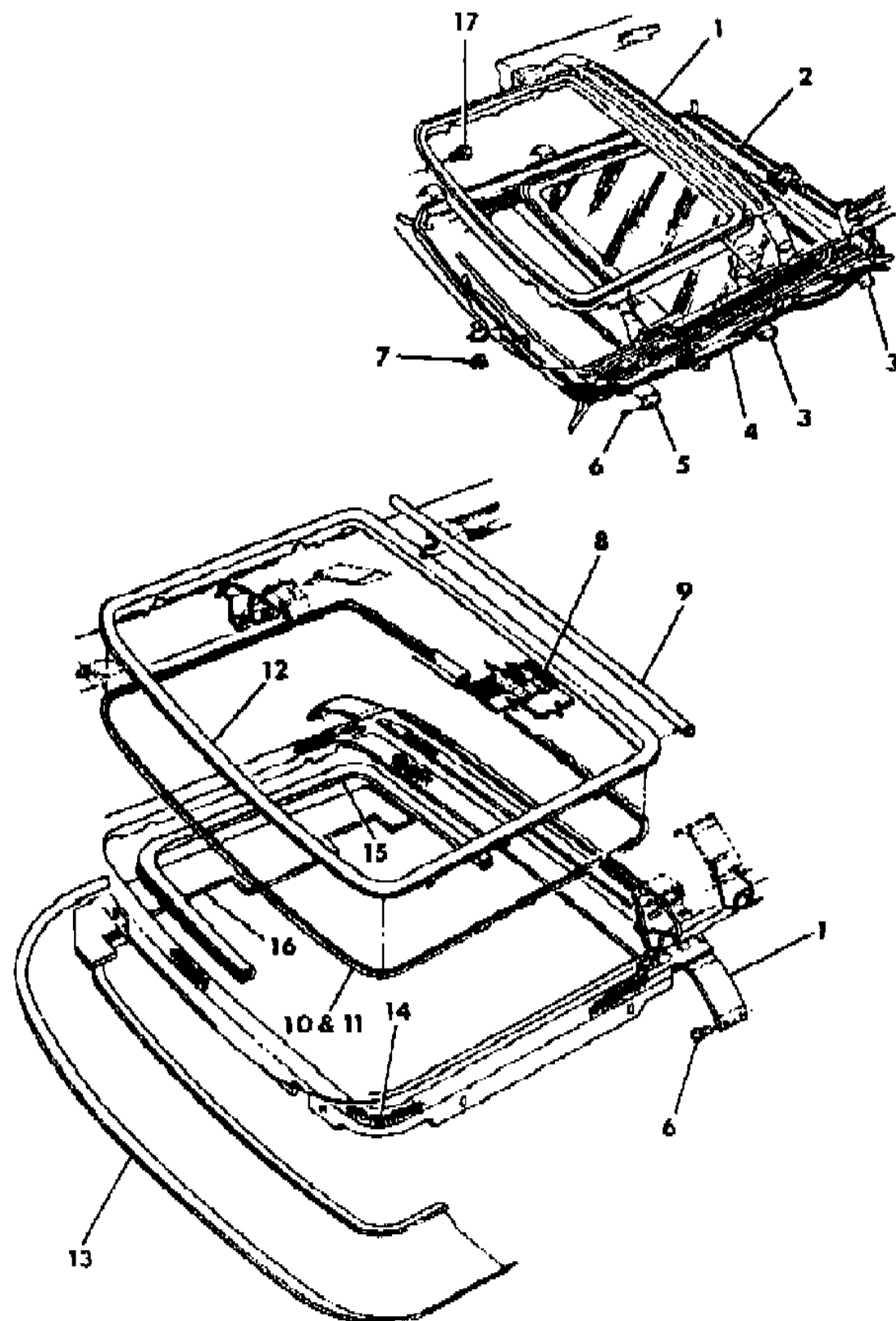
MODEL CODES
 C BODY = (D41 - DYNASTY)(C41 - NEW YORKER)
 E BODY = (J - CARAVELLE)(E - 600)(T - NEW YORKER TURBO)
 G BODY = (V24 - DAYTONA, PACIFICA & SHELBY)
 H BODY = (D44 - LANCER)(C44 - LEBARON GTS)
 J BODY = (C - LEBARON)
 K BODY = (P - RELIANT)(D - ARIES)(C - LEBARON/ TOWN & COUNTRY)
 L BODY = (M - HORIZON)(Z-OMNI)
 M BODY = (B - GRAN FURY)(G - DIPLOMAT)(F - FIFTH AVENUE/NEWPORT)
 P BODY = (P - SUNDANCE)(D - SHADOW)
 Q BODY = (C27 - MASERATI)
 S BODY = (H - VOYAGER)(K - RAM VAN/ CARAVAN)

BODY STYLES
 12-52 = FWD VAN & WAGON STD. W.B. 27 = 2-DOOR CONVERTIBLE
 13-53 = FWD VAN & WGN EXT W.B. 41 = 4-DOOR SEDAN
 21 = 2-DOOR SEDAN 44 = 4-DOOR HATCHBACK
 24 = 2-DOOR HATCHBACK 45 = 4-DOOR STATION WAGON

AR = Use as Required - = Non Illustrated Part P.A.R. = Paint as Required

SUNROOF 1 OF 4 M BODY
Figure 23A-1930

8169 19300 B



ITEM	PART NUMBER	QTY	BODY	MODEL	DESCRIPTION
1	4467 999	1			REINFORCEMENT ASSEMBLY, Roof Panel Opening
2	4467 901	1			HOUSING ASSEMBLY Consists of: TAPE, Black Cloth EXTENSION, Water Dam SEAL, Cable Tube Ring RETAINER, Track To Housing RETAINER, Tube To Housing RIVET, 3/16 X .250 TUBE, Cable Drive SWITCH, Sensor TAPE, Butyl Foam NUT, m4-0.7 x 6.32 SEALER, Sillcone Clear PLUG, Track SCREW, m4-0.7 x 10.0 LUBRICANT, Poly Grease SCREW, m4-2 x 1.41 x 12.7 ACTUATOR, Panel Vent BOLT, Shoulder NUT, m5 x 11.81 x 7.11 BOLT, m5 x 0.8 x 10.0 SCREW, m5 x 0.8 x 36.0 RETAINER, Cable Lower COVER, Retainer SCREW, m3.5 x 0.6 x 8.0 SPACER, Drive PAD, Motor Isolater DRIVE ASSEMBLY, Electric SEALER, Silicone Black VELCRO, Loop TRACK ASSEMBLY GUIDE ASSEMBLY, Rear GUIDE ASSEMBLY, Front BLADE ASSEMBLY, Wind Deflector ARM ASSEMBLY, Pivot
3		4			EXTENSION, Side Not Serviced

MODEL CODES

C BODY = (D41 - DYNASTY)(C41 - NEW YORKER)
E BODY = (J - CARAVELLE)(E - 600)(T - NEW YORKER TURBO)
G BODY = (V24 - DAYTONA, PACIFICA & SHELBY)
H BODY = (D44 - LANCER)(C44 - LEBARON GTS)
J BODY = (C - LEBARON)
K BODY = (P - RELIANT)(D - ARIES)(C - LEBARON/ TOWN & COUNTRY)

L BODY = (M - HORIZON)(Z-OMNI)
M BODY = (B - GRAN FURY)(G - DIPLOMAT)(F - FIFTH AVENUE/NEWPORT)
P BODY = (P - SUNDANCE)(D - SHADOW)
Q BODY = (C27 - MASERATI)
S BODY = (H - VOYAGER)(K - RAM VAN/ CARAVAN)

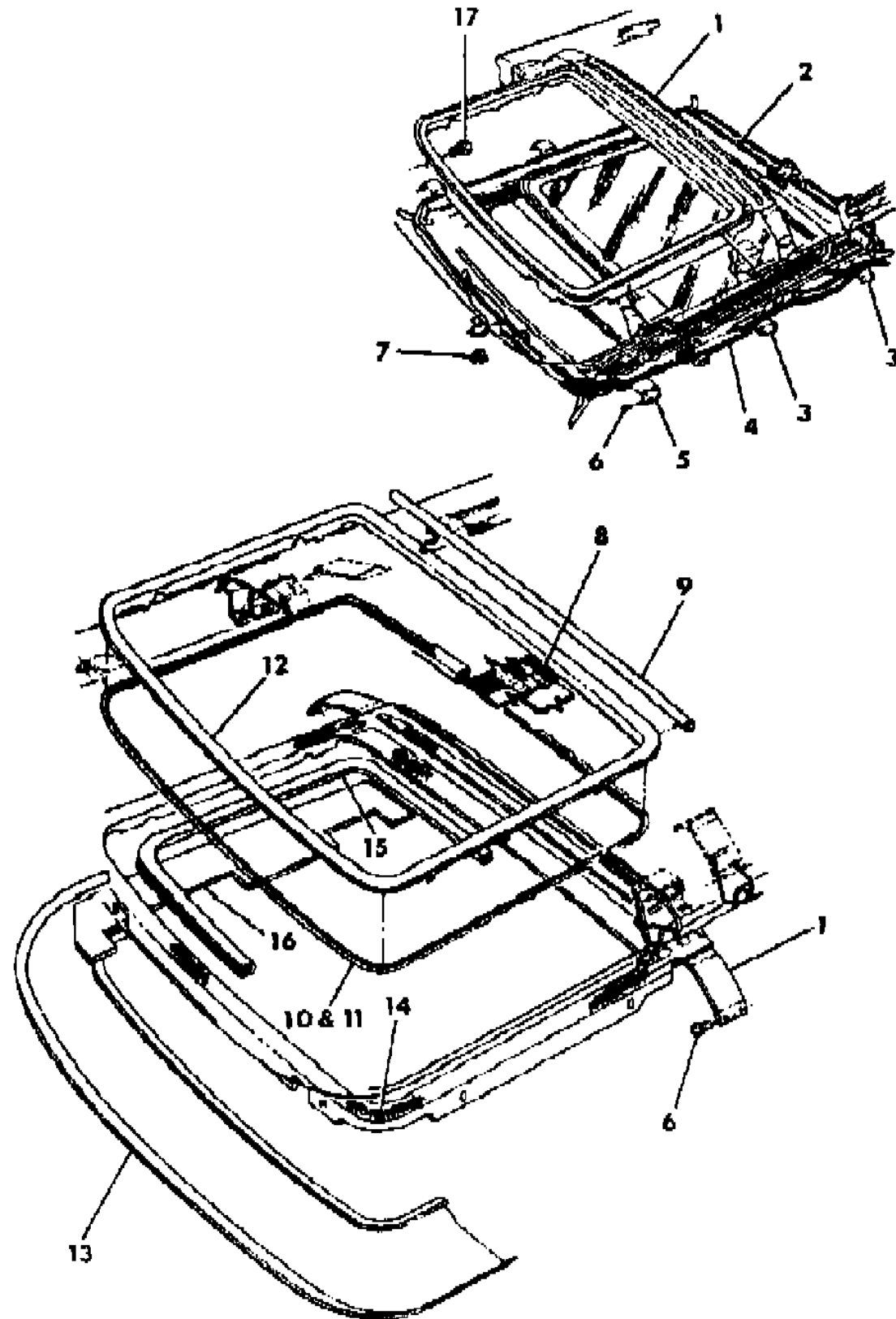
BODY STYLES

12-52 = FWD VAN & WAGON STD. W.B. 27 = 2-DOOR CONVERTIBLE
13-53 = FWD VAN & WGN EXT W.B. 41 = 4-DOOR SEDAN
21 = 2-DOOR SEDAN 44 = 4-DOOR HATCHBACK
24 = 2-DOOR HATCHBACK 45 = 4-DOOR STATION WAGON

AR = Use as Required - = Non Illustrated Part P.A.R. = Paint as Required

SUNROOF 1 OF 4 M BODY
Figure 23A-1930

8169 19300 B



ITEM	PART NUMBER	QTY	BODY	MODEL	DESCRIPTION
4	4468 000	1			WIRE HARNESS
5		2			EXTENSION, Side Not serviced
6		30			SCREW, 10-16x.50 Not Serviced
7	4373 073	1			SWITCH ASSEMBLY, (CHROME)
8		1			ADHESIVE, Not Serviced
9	4467 954	1			SHIM, Reveal Molding
10		1			ZINC CHROMATE, Not Serviced
11		1			SEALER-LAP JOINT
12	4467 947	1			MOULDING, Roof Opening Reveal
13		1			HEADLINER ASSEMBLY
	4296 058				Silver
	4246 468				Red
	4467 992				Twilight Blue
	4467 991				Taupe
14		1			ADHESIVE, Not Serviced
15		1			WELT ASSEMBLY
	4467 964				Silver
	4467 965				Red
	4467 998				Twilight Blue
	4467 997				Taupe
16		1			PAD, Housing Rt. and Lt. Not Serviced
17	4467 951	7			BOLT, m5 x 0.8 x 10.0
-	4467 939	AR			SEAL, Insert (Unique Service Kits)

MODEL CODES

C BODY = (D41 - DYNASTY)(C41 - NEW YORKER)
 E BODY = (J - CARAVELLE)(E - 600)(T - NEW YORKER TURBO)
 G BODY = (V24 - DAYTONA, PACIFICA & SHELBY)
 H BODY = (D44 - LANCER)(C44 - LEBARON GTS)
 J BODY = (C - LEBARON)
 K BODY = (P - RELIANT)(D - ARIES)(C - LEBARON/ TOWN & COUNTRY)
 L BODY = (M - HORIZON)(Z-OMNI)
 M BODY = (B - GRAN FURY)(G - DIPLOMAT)(F - FIFTH AVENUE/NEWPORT)
 P BODY = (P - SUNDANCE)(D - SHADOW)
 Q BODY = (C27 - MASERATI)
 S BODY = (H - VOYAGER)(K - RAM VAN/ CARAVAN)

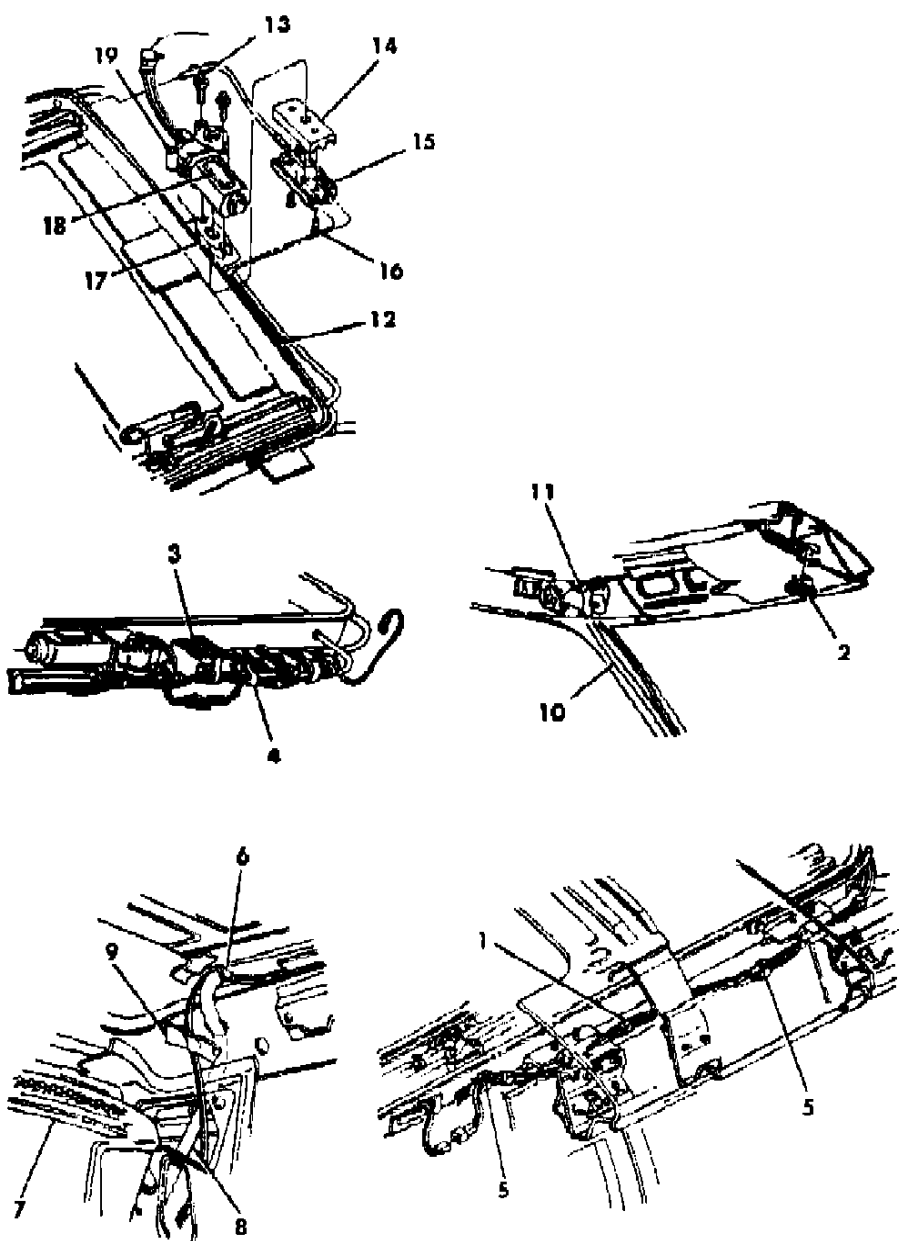
BODY STYLES

12-52 = FWD VAN & WAGON STD. W.B. 27 = 2-DOOR CONVERTIBLE
 13-53 = FWD VAN & WGN EXT W.B. 41 = 4-DOOR SEDAN
 21 = 2-DOOR SEDAN 44 = 4-DOOR HATCHBACK
 24 = 2-DOOR HATCHBACK 45 = 4-DOOR STATION WAGON

AR = Use as Required - = Non Illustrated Part P.A.R. = Paint as Required

SUNROOF 2 OF 4 M BODY
Figure 23A-1935

8169 19350 A



ITEM	PART NUMBER	QTY	BODY	MODEL	DESCRIPTION
1	4468 000	1			WIRE HARNESS
2	4373 073	1			SWITCH ASSEMBLY, (CHROME)
3	4467 948	1			MODULE ASSEMBLY
4					TAPE, Electrical .75x .007 Not Serviced
5	6015 377	2			CLIP, Wire
6		2			CLAMP, Hose m21.5 x 1.0 Not Serviced
7		1			TAPE PVC FOAM, Not Serviced
8		2			HOSE, Rear Not Serviced
9		1			TAPE, Black Cloth Not Serviced
10		2			HOSE, Front Not Serviced
11		2			CLAMP, Hose M18.0 Not Serviced
12	4467 901	1			HOUSING ASSEMBLY
13		2			SCREW, m5 x 0.8 x 36.0 Not Serviced
14	4467 921	1			RETAINER, Cable Lower
15	4467 922	1			COVER, Retainer
16		2			SCREW, m3.5 x 0.6 x 8.0 Not Serviced
17	4172 243	1			SPACER, Drive
18	4467 918	1			PAD, Motor Isolater
19	4467 968	1			DRIVE ASSEMBLY, Electric

MODEL CODES

C BODY = (D41 - DYNASTY)(C41 - NEW YORKER)
 E BODY = (J - CARAVELLE)(E - 600)(T - NEW YORKER TURBO)
 G BODY = (V24 - DAYTONA, PACIFICA & SHELBY)
 H BODY = (D44 - LANCER)(C44 - LEBARON GTS)
 J BODY = (C - LEBARON)
 K BODY = (P - RELIANT)(D - ARIES)(C - LEBARON/ TOWN & COUNTRY)
 L BODY = (M - HORIZON)(Z-OMNI)
 M BODY = (B - GRAN FURY)(G - DIPLOMAT)(F - FIFTH AVENUE/NEWPORT)
 P BODY = (P - SUNDANCE)(D - SHADOW)
 Q BODY = (C27 - MASERATI)
 S BODY = (H - VOYAGER)(K - RAM VAN/ CARAVAN)

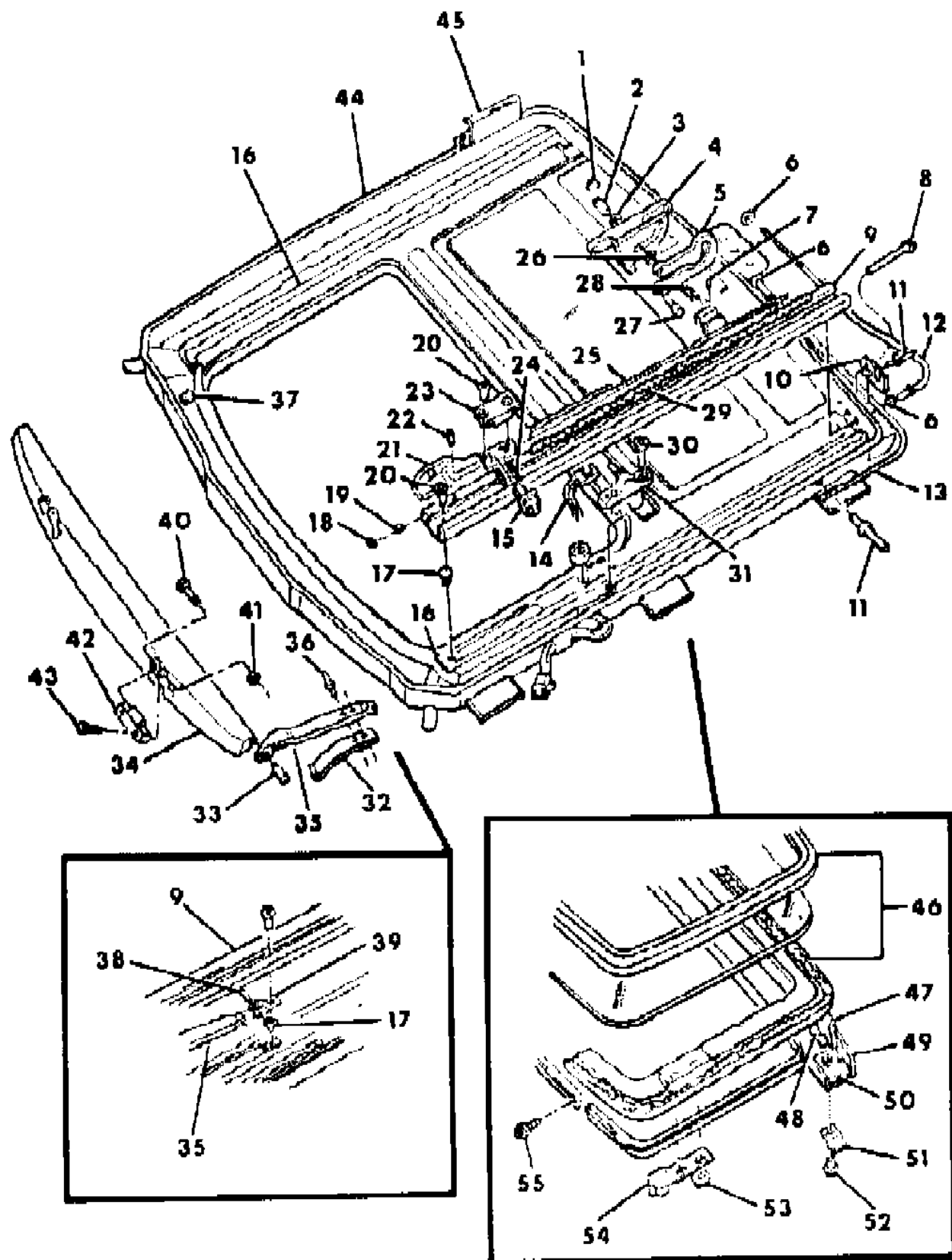
BODY STYLES

12-52 = FWD VAN & WAGON STD. W.B. 27 = 2-DOOR CONVERTIBLE
 13-53 = FWD VAN & WGN EXT W.B. 41 = 4-DOOR SEDAN
 21 = 2-DOOR SEDAN 44 = 4-DOOR HATCHBACK
 24 = 2-DOOR HATCHBACK 45 = 4-DOOR STATION WAGON

AR = Use as Required - = Non Illustrated Part P.A.R. = Paint as Required

SUNROOF 3 OF 4 M BODY
Figure 23A-1940

8169 19400 B



ITEM	PART NUMBER	QTY	BODY	MODEL	DESCRIPTION
1		2			RETAINER, Ring
2		2			SHAFT, Service In Assembly
3		2			WASHER, Serviced In Assembly
4	4467 928-9	1			BLOCK CAM Consists of: Shaft, Anti-Lift Sleeve
5	4467 930-1	1			LINK, Rear Guide Consists of: Shaft Pin, Rear Guide Sleeve
6	4467 920	6			SEAL, Cable Tube Ring
7		1			MAGNET LOGIC, Lt. Only Not Serviced
8	4467 913	2			RETAINER, Track To Housing
9	4467 908-9	1			TRACK, w/Pin Spring Slotted
10	4467 919	2			RETAINER, Tube To Housing
11		4			RIVET, 3/16 x .250 Not Serviced
12	4467 914-5	1			TUBE, Cable Drive
13	4467 916-7	1			TUBE, Cable Return
14	4467 912	1			SWITCH, Sensor
15		2			PIN, Front Guide Lock
16		1			TAPE, Butyl Foam Not Serviced 3/16
17		6			NUT, m4-0.7 x 6.32 Not Serviced
18		1			SEALER, Silicone Clear
19	4467 911	2			PLUG, Track
20		10			SCREW, m4-0.7 x 10.0 Not Serviced
21	4467 934-5	1			GUIDE, Front Panel Consists of: Pin, Front Guide Lock Screw, m4-07 x 10 Cover, Front Guide Locking Spring
22		2			PIN, Spring Slotted
23		2			COVER, Front Guide Locking
24		4			SPRING
25	4467 926-7	1			GUIDE, Rear Molded

MODEL CODES

C BODY = (D41 - DYNASTY)(C41 - NEW YORKER)
 E BODY = (J - CARAVELLE)(E - 600)(T - NEW YORKER TURBO)
 G BODY = (V24 - DAYTONA, PACIFICA & SHELBY)
 H BODY = (D44 - LANCER)(C44 - LEBARON GTS)
 J BODY = (C - LEBARON)
 K BODY = (P - RELIANT)(D - ARIES)(C - LEBARON/ TOWN & COUNTRY)
 L BODY = (M - HORIZON)(Z-OMNI)
 M BODY = (B - GRAN FURY)(G - DIPLOMAT)(F - FIFTH AVENUE/NEWPORT)
 P BODY = (P - SUNDANCE)(D - SHADOW)
 Q BODY = (C27 - MASERATI)
 S BODY = (H - VOYAGER)(K - RAM VAN/ CARAVAN)

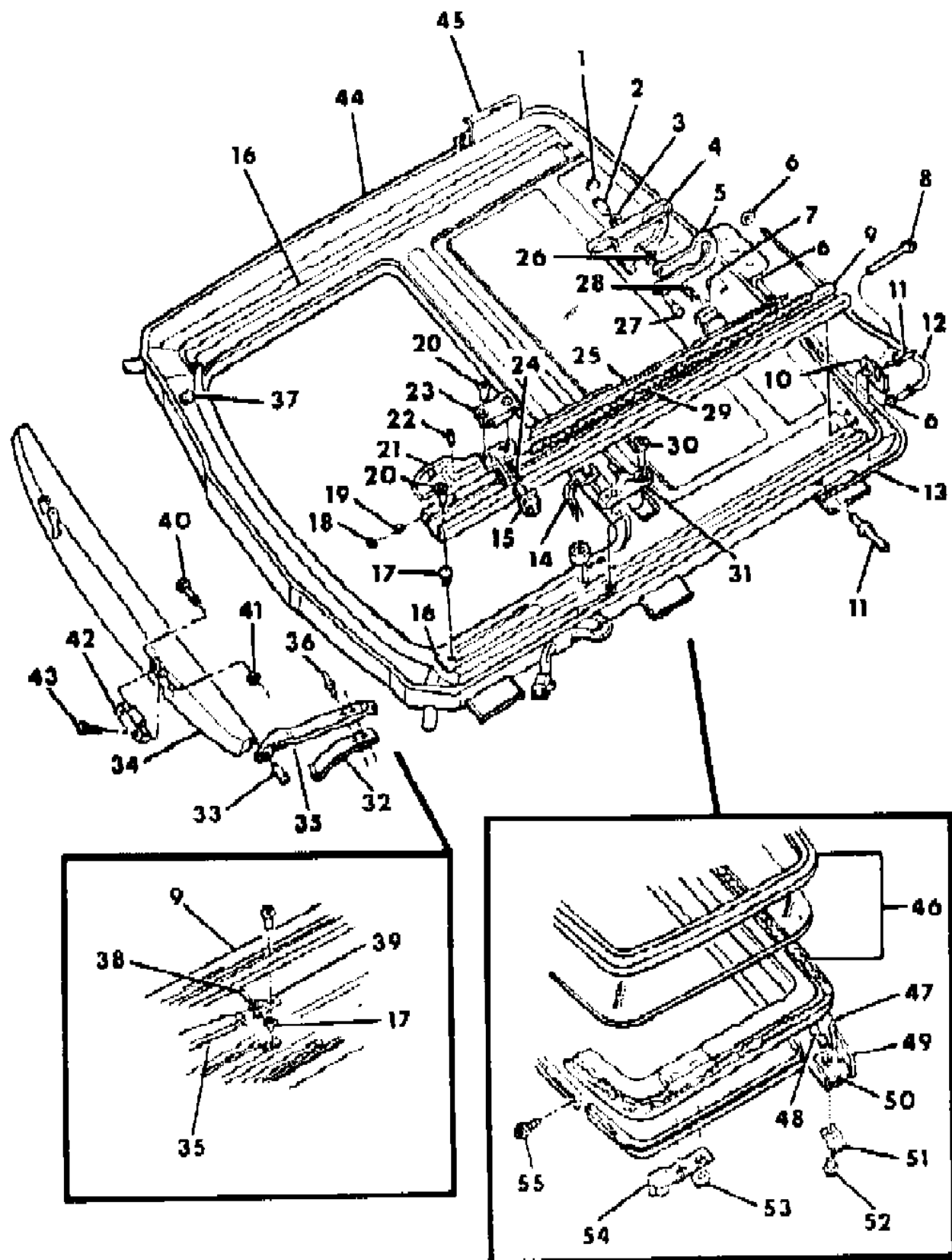
BODY STYLES

12-52 = FWD VAN & WAGON STD. W.B. 27 = 2-DOOR CONVERTIBLE
 13-53 = FWD VAN & WGN EXT W.B. 41 = 4-DOOR SEDAN
 21 = 2-DOOR SEDAN 44 = 4-DOOR HATCHBACK
 24 = 2-DOOR HATCHBACK 45 = 4-DOOR STATION WAGON

AR = Use as Required - = Non Illustrated Part P.A.R. = Paint as Required

SUNROOF 3 OF 4 M BODY
Figure 23A-1940

8169 19400 B



ITEM	PART NUMBER	QTY	BODY	MODEL	DESCRIPTION
					Consists of:
					Retainer, Ring
					Washer Flat
					Washer Wave
					Pin, Pivot
					Block-Cam Assembly
					Link Assembly
26		2			WASHER
27		2			PIN, Rear Guide
28	4467 932	2			PIN, Pivot
29		1			LUBRICANT, Poly Grease
30		4			SCREW, m4.2 x 1.41 x 12.7 Not Serviced
31	4467 933	2			ACTUATOR, Panel Vent
32		2			SPRING, Leaf
33	4467 910	2			BOLT, Shoulder
34	4467 906	1			BLADE, Wind Deflector
					Consists of:
					Pin, Pivot
					Retainer, Ring
					Bracket Rt. & Lt.
35	4467 936	2			ARM, Wind Deflector
					Consists of:
					Spring Left
					Rivet
					Actuator
36		4			RIVET, 1/8 x .187 Not Serviced
37		7			NUT, m5 x 11.81 x 7.11 Not Serviced
38		2			PIN, Spring Slotted
39		2			ACTUATOR
40	4467 907	2			PIN, Pivot
41		2			RETAINER, Ring
42	4467 904-5	1			BRACKET
43		4			BOLT, m5 x 0.8 x 10.0 Not Serviced
44	4467 901	1			HOUSING ASSEMBLY
45	4467 902-3	1			EXTENSION, Water Dam
46	4467 938	1			GLASS ASSEMBLY, Panel
	4467 949	1			SEAL, Roof Sliding Panel

MODEL CODES

C BODY = (D41 - DYNASTY)(C41 - NEW YORKER)
 E BODY = (J - CARAVELLE)(E - 600)(T - NEW YORKER TURBO)
 G BODY = (V24 - DAYTONA, PACIFICA & SHELBY)
 H BODY = (D44 - LANCER)(C44 - LEBARON GTS)
 J BODY = (C - LEBARON)
 K BODY = (P - RELIANT)(D - ARIES)(C - LEBARON/ TOWN & COUNTRY)

L BODY = (M - HORIZON)(Z-OMNI)
 M BODY = (B - GRAN FURY)(G - DIPLOMAT)(F - FIFTH AVENUE/NEWPORT)
 P BODY = (P - SUNDANCE)(D - SHADOW)
 Q BODY = (C27 - MASERATI)
 S BODY = (H - VOYAGER)(K - RAM VAN/ CARAVAN)

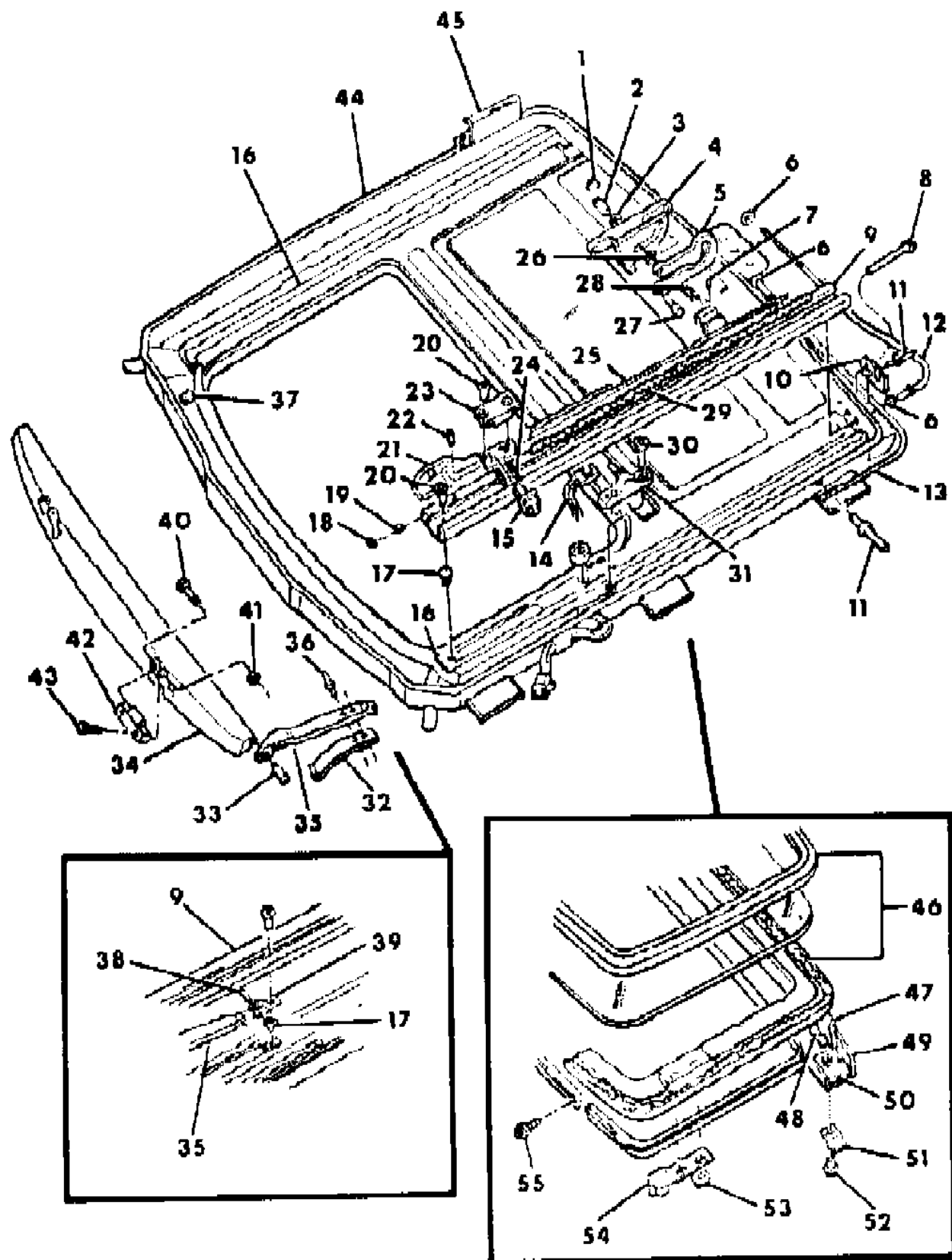
BODY STYLES

12-52 = FWD VAN & WAGON STD. W.B. 27 = 2-DOOR CONVERTIBLE
 13-53 = FWD VAN & WGN EXT W.B. 41 = 4-DOOR SEDAN
 21 = 2-DOOR SEDAN 44 = 4-DOOR HATCHBACK
 24 = 2-DOOR HATCHBACK 45 = 4-DOOR STATION WAGON

AR = Use as Required - = Non Illustrated Part P.A.R. = Paint as Required

SUNROOF 3 OF 4 M BODY
Figure 23A-1940

8169 19400 B



ITEM	PART NUMBER	QTY	BODY	MODEL	DESCRIPTION
47	4467 944	1			EXTENSION, Trough Rear
48		1			SEALER, Silicone Black Not Serviced
49	4467 943	1			BEZEL, Rear Drain Trough Consists of: Extension, Trough Sealer, Silicone Black Velcro, Loop Guide Screw m4 x 07 x 8.0
50		5			VELCRO, Loop
51	4467 945	2			GUIDE
52		2			SCREW, m4 x 0.7 x 8.0 Not Serviced
53		4			NUT and WASHER, Not Serviced
54	4467 940-1	1			BRACKET
55		4			SCREW, 8-18 x .38 Not Serviced

MODEL CODES

C BODY = (D41 - DYNASTY)(C41 - NEW YORKER)
 E BODY = (J - CARAVELLE)(E - 600)(T - NEW YORKER TURBO)
 G BODY = (V24 - DAYTONA, PACIFICA & SHELBY)
 H BODY = (D44 - LANCER)(C44 - LEBARON GTS)
 J BODY = (C - LEBARON)
 K BODY = (P - RELIANT)(D - ARIES)(C - LEBARON/ TOWN & COUNTRY)
 L BODY = (M - HORIZON)(Z-OMNI)
 M BODY = (B - GRAN FURY)(G - DIPLOMAT)(F - FIFTH AVENUE/NEWPORT)
 P BODY = (P - SUNDANCE)(D - SHADOW)
 Q BODY = (C27 - MASERATI)
 S BODY = (H - VOYAGER)(K - RAM VAN/ CARAVAN)

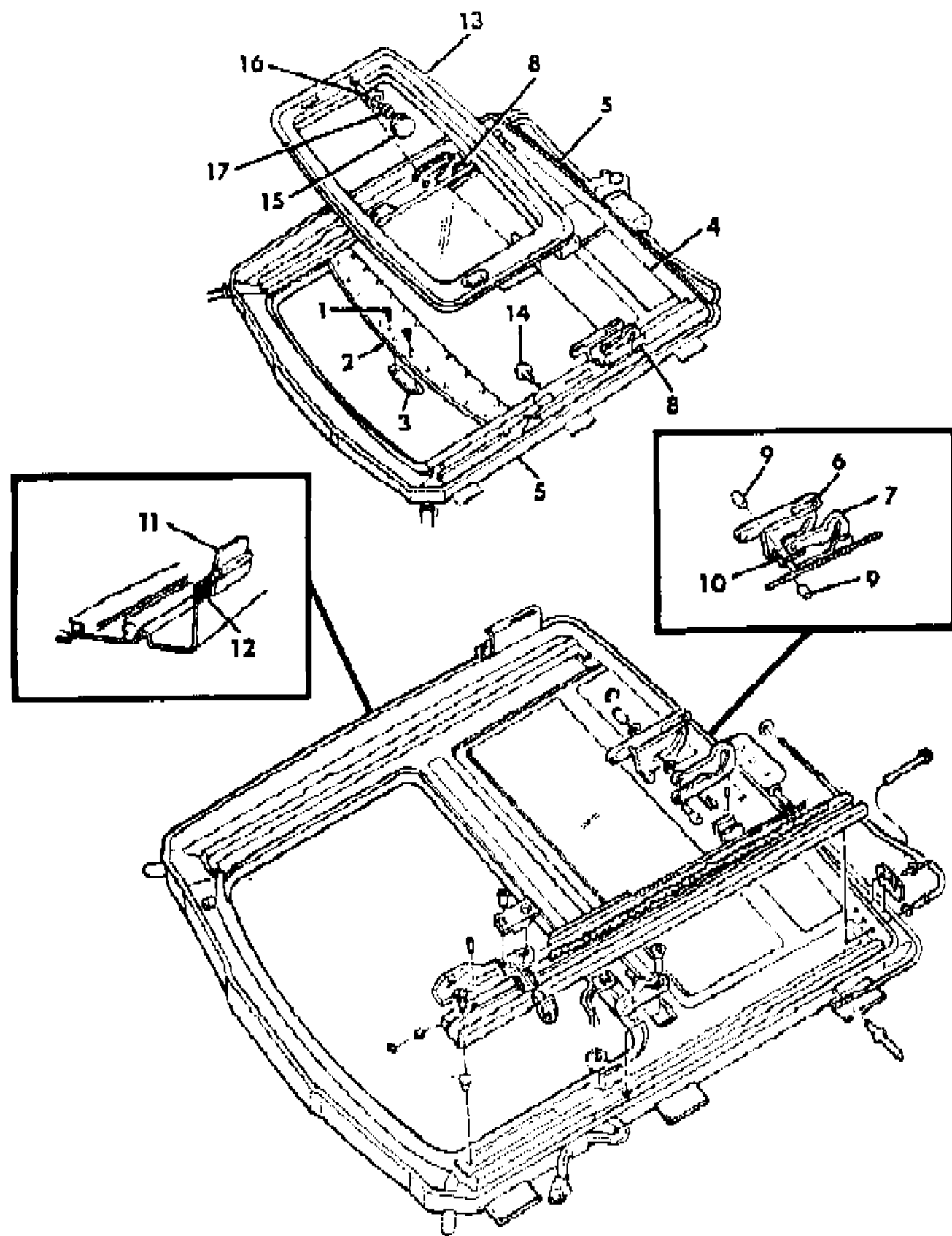
BODY STYLES

12-52 = FWD VAN & WAGON STD. W.B. 27 = 2-DOOR CONVERTIBLE
 13-53 = FWD VAN & WGN EXT W.B. 41 = 4-DOOR SEDAN
 21 = 2-DOOR SEDAN 44 = 4-DOOR HATCHBACK
 24 = 2-DOOR HATCHBACK 45 = 4-DOOR STATION WAGON

AR = Use as Required - = Non Illustrated Part P.A.R. = Paint as Required

SUNROOF 4 OF 4 M BODY
Figure 23A-1945

8169 19450 A



ITEM	PART NUMBER	QTY	BODY	MODEL	DESCRIPTION
1		2			SCREW, 8-30 x 38 Not Serviced
2		1			SUNSCREEN ASSEMBLY
	4467 960				Silver
	4467 961				Red
	4467 996				Twilight Blue
	4467 995				Taupe
3		1			HANDLE
	4467 956				Silver
	4467 957				Red
	4467 993	1			Taupe
	4467 994	1			Twilight Blue
4		1			PAD, Rear Not Serviced
5	4467 901	1			HOUSING ASSEMBLY
6	4467 928-9	1			BLOCK CAM
					Consists of:
					Shaft, Anti-Lift
					Sleeve
7	4467 930-1	1			LINK, Rear Guide
					Consists of:
					Shaft
					Pin, Rear Guide
					Sleeve
8	4467 926-7	1			GUIDE, Rear Molded
9	4467 925	4			SLEEVE
10		2			SHAFT, Anti-Lift Service In Block-Cam
11	4467 952	1			SEAL, Dust
12		1			ADHESIVE, Rubber Not Serviced
13	4467 938	1			GLASS ASSEMBLY, Panel
	4467 949	1			SEAL, Roof Sliding Panel
14	4467 942	2			BOLT, m5 x 0.8 x 15.0
15	4467 953	4			CAP, Button Head
16	4467 937	4			RETAINER, Button Head Cap
17	4467 944	1			EXTENSION, Trough Rear

MODEL CODES

C BODY = (D41 - DYNASTY)(C41 - NEW YORKER)
 E BODY = (J - CARAVELLE)(E - 600)(T - NEW YORKER TURBO)
 G BODY = (V24 - DAYTONA, PACIFICA & SHELBY)
 H BODY = (D44 - LANCER)(C44 - LEBARON GTS)
 J BODY = (C - LEBARON)
 K BODY = (P - RELIANT)(D - ARIES)(C - LEBARON/ TOWN & COUNTRY)

L BODY = (M - HORIZON)(Z-OMNI)
 M BODY = (B - GRAN FURY)(G - DIPLOMAT)(F - FIFTH AVENUE/NEWPORT)
 P BODY = (P - SUNDANCE)(D - SHADOW)
 Q BODY = (C27 - MASERATI)
 S BODY = (H - VOYAGER)(K - RAM VAN/ CARAVAN)

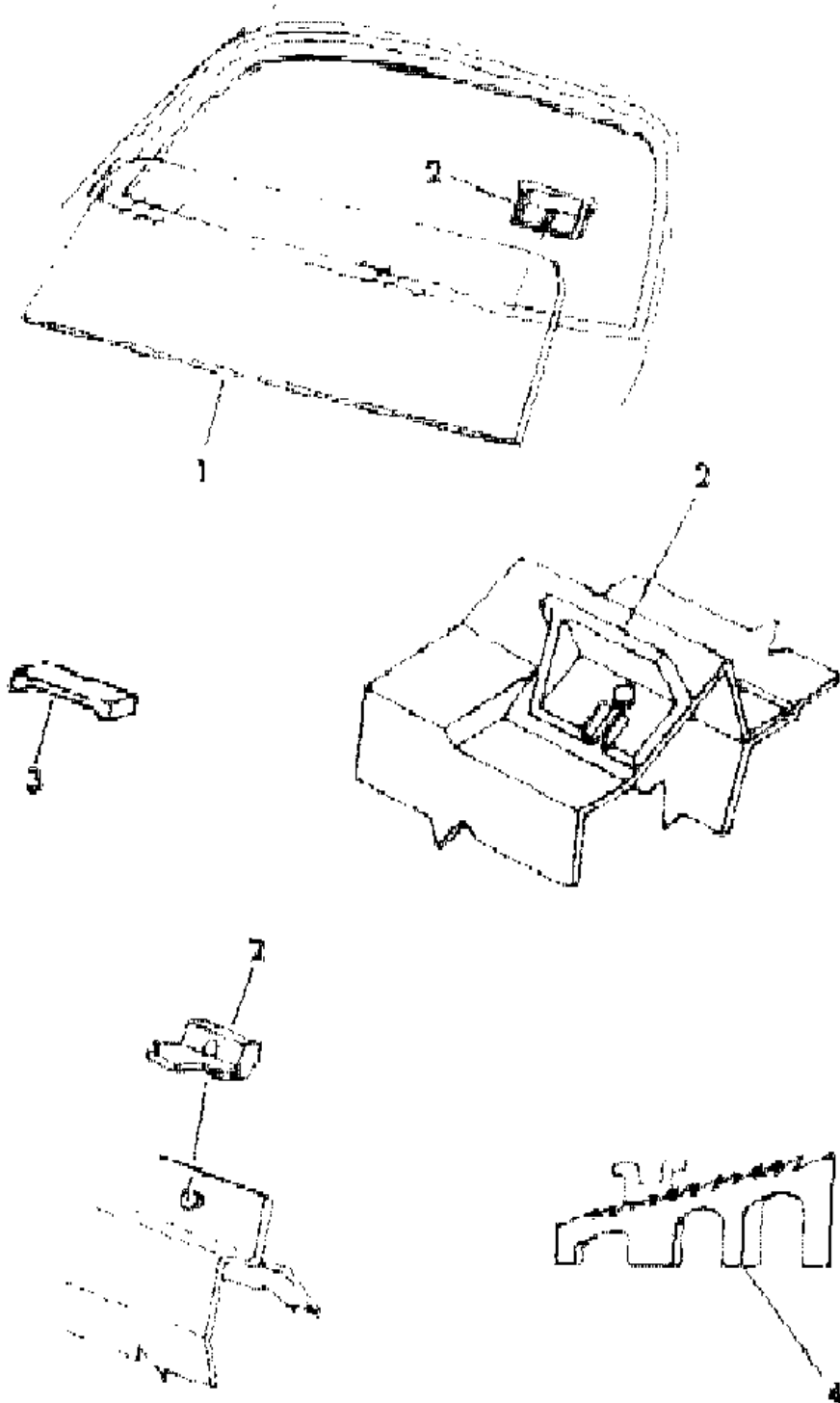
BODY STYLES

12-52 = FWD VAN & WAGON STD. W.B. 27 = 2-DOOR CONVERTIBLE
 13-53 = FWD VAN & WGN EXT W.B. 41 = 4-DOOR SEDAN
 21 = 2-DOOR SEDAN 44 = 4-DOOR HATCHBACK
 24 = 2-DOOR HATCHBACK 45 = 4-DOOR STATION WAGON

AR = Use as Required - = Non Illustrated Part P.A.R. = Paint as Required

GLASS REAR WINDOW M BODY
Figure 23A-1950

8169 19500



ITEM	PART NUMBER	QTY	BODY	MODEL	DESCRIPTION
------	-------------	-----	------	-------	-------------

NOTE: GLASS, REAR WINDOW - ORDER FROM YOUR LOCAL "MOPAR" GLASS DISTRIBUTOR s group.

1	4136 303	1		B,G,F-H	GLASS, Rear Window Tinted
	4136 304	1		B,G,F-H	Tinted Electric Heated
	4229 801	1		F-S	Tinted, Electric Heated w/Padded Landau Vinyl Roof w/Qtr. Plug
2	#4136 335	2		All	SPACER, Rear Wdo. Glass Lower
3	3767 196	AR		All	SHIM, Rear Wdo Lower Spacer
4	4278 755	AR			SPACER, Rear w/Padded Landau Vinyl Roof Pkg.

NOTE: The following items are not shown on illustration. s group.

PKG A	4057 957	1		All	FIXED GLASS REPAIR PACKAGE Consists of: 1- ----- Tape, Butyl, 171.00" 1- ----- Primer, Glass 1- ----- Primer, Fence 2-Spacer, Rubber, 0.2" 2-Spacer, Rubber, 0.3" 2-Shim, 0.07" 2- ----- Sponges, Disposable
	3767 767				
PKG B	4267 922	1			REPAIR PACKAGE, Back Lite Grid & Pigtail

MODEL CODES

C BODY = (D41 - DYNASTY)(C41 - NEW YORKER)	L BODY = (M - HORIZON)(Z-OMNI)
E BODY = (J - CARAVELLE)(E - 600)(T - NEW YORKER TURBO)	M BODY = (B - GRAN FURY)(G - DIPLOMAT)(F - FIFTH AVENUE/NEWPORT)
G BODY = (V24 - DAYTONA, PACIFICA & SHELBY)	P BODY = (P - SUNDANCE)(D - SHADOW)
H BODY = (D44 - LANCER)(C44 - LEBARON GTS)	Q BODY = (C27 - MASERATI)
J BODY = (C - LEBARON)	S BODY = (H - VOYAGER)(K - RAM VAN/ CARAVAN)
K BODY = (P - RELIANT)(D - ARIES)(C - LEBARON/ TOWN & COUNTRY)	

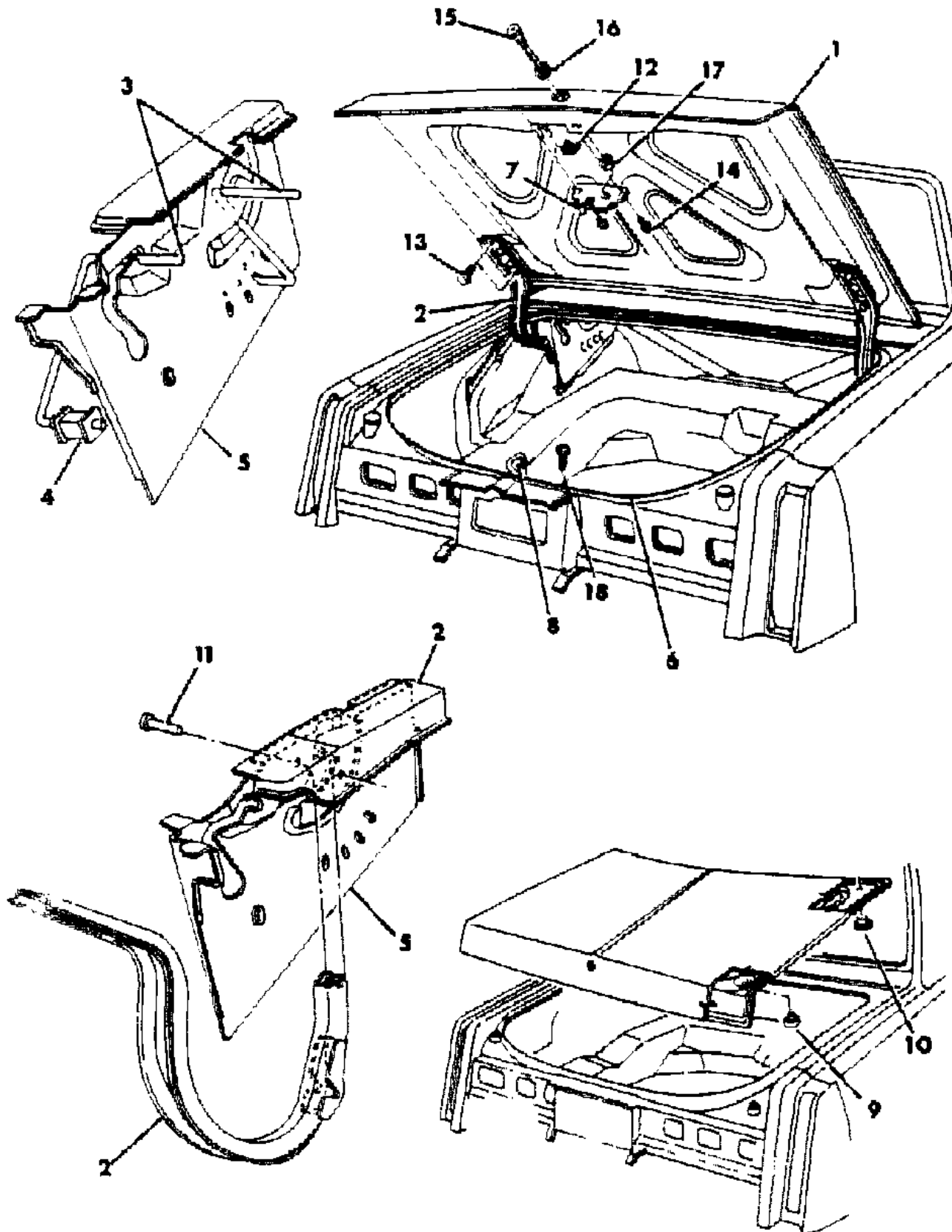
BODY STYLES

12-52 = FWD VAN & WAGON STD. W.B.	27 = 2-DOOR CONVERTIBLE
13-53 = FWD VAN & WGN EXT W.B.	41 = 4-DOOR SEDAN
21 = 2-DOOR SEDAN	44 = 4-DOOR HATCHBACK
24 = 2-DOOR HATCHBACK	45 = 4-DOOR STATION WAGON

AR = Use as Required - = Non Illustrated Part P.A.R. = Paint as Required

DECK LID M BODY
Figure 23A-1960

8169 19600



ITEM	PART NUMBER	QTY	BODY	MODEL	DESCRIPTION
1	4297 073	1			LID, Deck Complete Up To 10-25-87
	4475 178	1			After 10-25-87
2	#4134 518-9	1			HINGE, Deck Lid
	4129 804-5	1			HINGE ASSEMBLY, Deck Lid Upper Pivot Mounting
3	#4134 520-1	1			BAR, Deck Lid Hinge Torsion
4	2480 230	2			SLIDE, Deck Lid Hinge Torsion Bar
5	4129 804-5	1			HINGE ASSEMBLY, Pivot, Deck Lid Upr. Mtg.
	4134 516-7	1			Lower
6	4354 073	1			WEATHERSTRIP, Deck Lid
7	4054 825	1			LATCH, Deck Lid Manual
	4054 962	1			Electric
8	#4172 676	1			STRIKER, Deck Lid Latch
9	5230 376	2			BUMPER, Deck Lid Inside Panel
10	6029 939	2			PLUG, Deck Lid Inner Panel Drain Hole
11		AR			RIVET, Not Serviced
12		AR			U-NUT, Not Serviced
13	#0181 088	4			SCREW and WASHER
14	#0181 088	2			BOLT
15		1			CYLINDER, (See Cylinder and Key Illustration)
16		1			GASKET, (See Cylinder and Key Illustration)
17		1			NUT, (See Cylinder and Key Illustration)
18	0181 063	2			SCREW and WASHER

MODEL CODES

C BODY = (D41 - DYNASTY)(C41 - NEW YORKER)
 E BODY = (J - CARAVELLE)(E - 600)(T - NEW YORKER TURBO)
 G BODY = (V24 - DAYTONA, PACIFICA & SHELBY)
 H BODY = (D44 - LANCER)(C44 - LEBARON GTS)
 J BODY = (C - LEBARON)
 K BODY = (P - RELIANT)(D - ARIES)(C - LEBARON/ TOWN & COUNTRY)

L BODY = (M - HORIZON)(Z-OMNI)
 M BODY = (B - GRAN FURY)(G - DIPLOMAT)(F - FIFTH AVENUE/NEWPORT)
 P BODY = (P - SUNDANCE)(D - SHADOW)
 Q BODY = (C27 - MASERATI)
 S BODY = (H - VOYAGER)(K - RAM VAN/ CARAVAN)

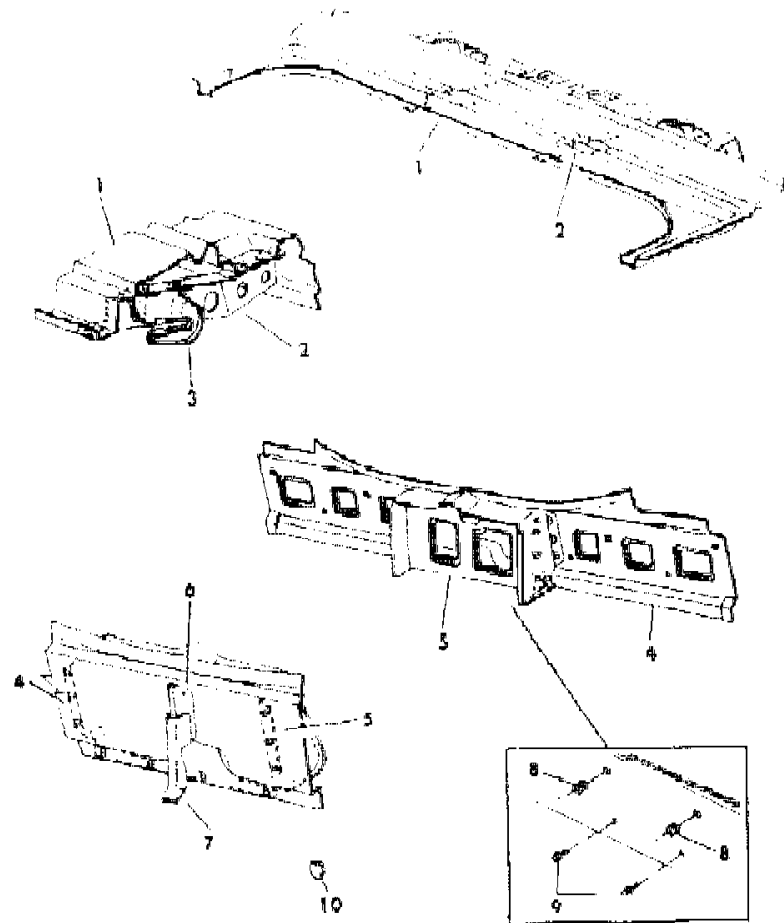
BODY STYLES

12-52 = FWD VAN & WAGON STD. W.B. 27 = 2-DOOR CONVERTIBLE
 13-53 = FWD VAN & WGN EXT W.B. 41 = 4-DOOR SEDAN
 21 = 2-DOOR SEDAN 44 = 4-DOOR HATCHBACK
 24 = 2-DOOR HATCHBACK 45 = 4-DOOR STATION WAGON

AR = Use as Required - = Non Illustrated Part P.A.R. = Paint as Required

DECK OPENING PANEL M BODY
Figure 23A-1970

8169 19700



ITEM	PART NUMBER	QTY	BODY	MODEL	DESCRIPTION
1	4386 575	1			PANEL, Deck Opening Upper Drain Trough And Shelf
2		2			SUPPORT, Not Serviced
3		1			RETAINER, Not Serviced
4	#4206 020	1			REINFORCEMENT, Deck Opening Lower Panel
5	4206 737	1			PANEL, Deck Opening Lower Pnl. License Plate Mounting
6	#4206 119	1			EXTENSION, Deck Lid Latch Striker Support
7	#4134 166	1			SUPPORT, Deck Lid Latch Striker
8	6027 958	4			NUT, License Plate
9	6027 937	4			SCREW, License Plate
10	0432 396	2		F-S	PLUG, License Plate

MODEL CODES

C BODY = (D41 - DYNASTY)(C41 - NEW YORKER)	L BODY = (M - HORIZON)(Z-OMNI)
E BODY = (J - CARAVELLE)(E - 600)(T - NEW YORKER TURBO)	M BODY = (B - GRAN FURY)(G - DIPLOMAT)(F - FIFTH AVENUE/NEWPORT)
G BODY = (V24 - DAYTONA, PACIFICA & SHELBY)	P BODY = (P - SUNDANCE)(D - SHADOW)
H BODY = (D44 - LANCER)(C44 - LEBARON GTS)	Q BODY = (C27 - MASERATI)
J BODY = (C - LEBARON)	S BODY = (H - VOYAGER)(K - RAM VAN/ CARAVAN)
K BODY = (P - RELIANT)(D - ARIES)(C - LEBARON/ TOWN & COUNTRY)	

BODY STYLES

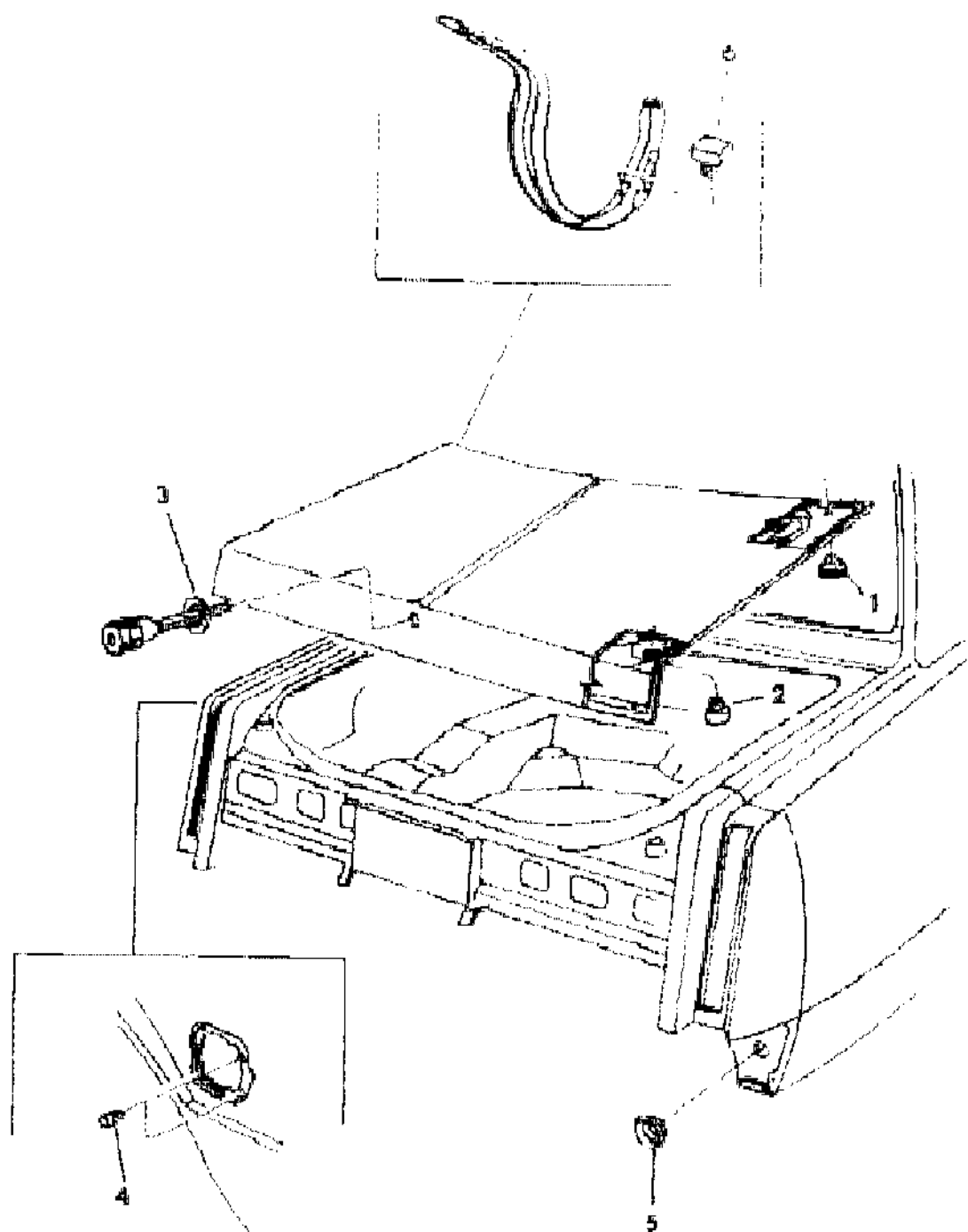
12-52 = FWD VAN & WAGON STD. W.B.	27 = 2-DOOR CONVERTIBLE
13-53 = FWD VAN & WGN EXT W.B.	41 = 4-DOOR SEDAN
21 = 2-DOOR SEDAN	44 = 4-DOOR HATCHBACK
24 = 2-DOOR HATCHBACK	45 = 4-DOOR STATION WAGON

AR = Use as Required - = Non Illustrated Part P.A.R. = Paint as Required

BUMPERS AND PLUGS DECK LID M BODY
Figure 23A-1980

8169 19800

ITEM	PART NUMBER	QTY	BODY	MODEL	DESCRIPTION
1	6029 939	2			PLUG
2	5230 376	2			BUMPER
3	3695 321	1			GASKET
4	5220 250	2			BUMPER
5	1774 076	2			PLUG
6	4206 399	2			BUMPER



MODEL CODES

C BODY = (D41 - DYNASTY)(C41 - NEW YORKER)	L BODY = (M - HORIZON)(Z-OMNI)
E BODY = (J - CARAVELLE)(E - 600)(T - NEW YORKER TURBO)	M BODY = (B - GRAN FURY)(G - DIPLOMAT)(F - FIFTH AVENUE/NEWPORT)
G BODY = (V24 - DAYTONA, PACIFICA & SHELBY)	P BODY = (P - SUNDANCE)(D - SHADOW)
H BODY = (D44 - LANCER)(C44 - LEBARON GTS)	Q BODY = (C27 - MASERATI)
J BODY = (C - LEBARON)	S BODY = (H - VOYAGER)(K - RAM VAN/ CARAVAN)
K BODY = (P - RELIANT)(D - ARIES)(C - LEBARON/ TOWN & COUNTRY)	

BODY STYLES

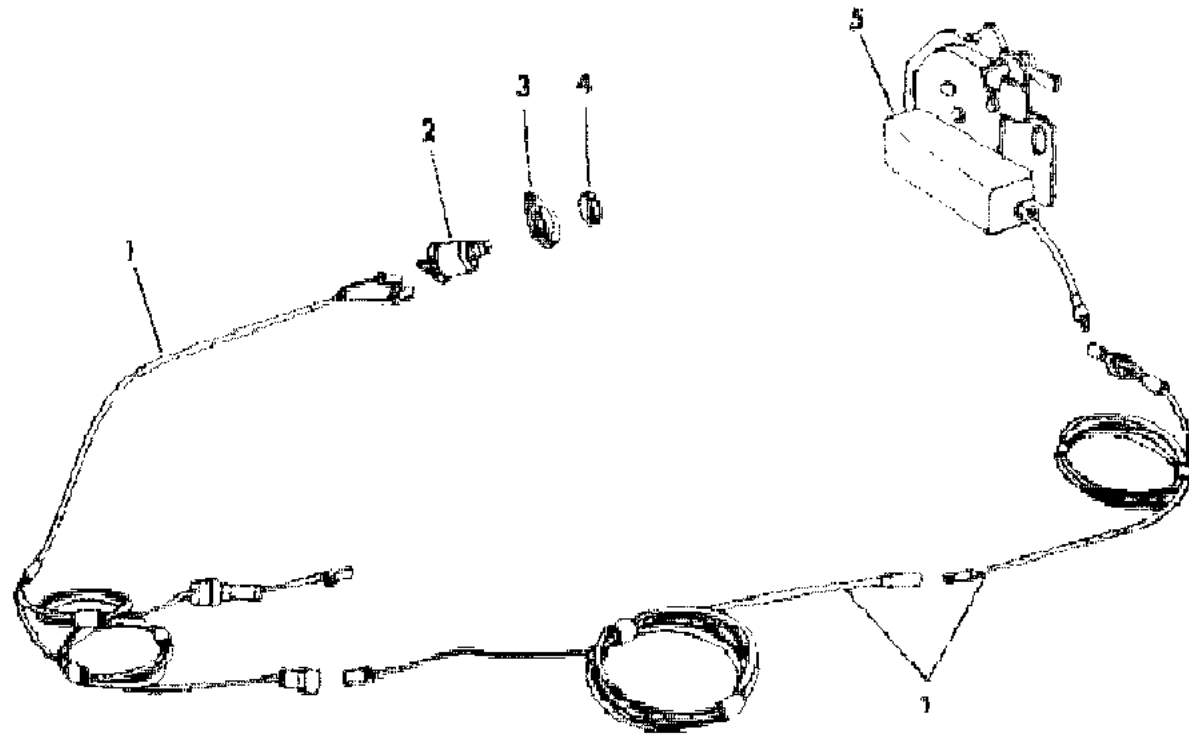
12-52 = FWD VAN & WAGON STD. W.B.	27 = 2-DOOR CONVERTIBLE
13-53 = FWD VAN & WGN EXT W.B.	41 = 4-DOOR SEDAN
21 = 2-DOOR SEDAN	44 = 4-DOOR HATCHBACK
24 = 2-DOOR HATCHBACK	45 = 4-DOOR STATION WAGON

AR = Use as Required - = Non Illustrated Part P.A.R. = Paint as Required

DECK LID ELECTRIC RELEASE M BODY
Figure 23A-1990

8169 1990

ITEM	PART NUMBER	QTY	BODY	MODEL	DESCRIPTION
1		1			WIRING, See Group 8 Body Wiring
2	3747 154	1			SWITCH, Remote Deck Lid Release Or Instrument Panel Mounting
3	3747 390	1			BEZEL, Electric Release Switch
4	6028 824	1			NUT, Electric Release Switch Mounting
5	4054 962	1			LATCH, Electric Deck Lid
	4131 515	1			LATCH PACKAGE, Electric
-	6028 976	1			PUSHNUT, Electric Deck Lid Latch Spring



MODEL CODES

C BODY = (D41 - DYNASTY)(C41 - NEW YORKER)	L BODY = (M - HORIZON)(Z-OMNI)
E BODY = (J - CARAVELLE)(E - 600)(T - NEW YORKER TURBO)	M BODY = (B - GRAN FURY)(G - DIPLOMAT)(F - FIFTH AVENUE/NEWPORT)
G BODY = (V24 - DAYTONA, PACIFICA & SHELBY)	P BODY = (P - SUNDANCE)(D - SHADOW)
H BODY = (D44 - LANCER)(C44 - LEBARON GTS)	Q BODY = (C27 - MASERATI)
J BODY = (C - LEBARON)	S BODY = (H - VOYAGER)(K - RAM VAN/ CARAVAN)
K BODY = (P - RELIANT)(D - ARIES)(C - LEBARON/ TOWN & COUNTRY)	

BODY STYLES

12-52 = FWD VAN & WAGON STD. W.B.	27 = 2-DOOR CONVERTIBLE
13-53 = FWD VAN & WGN EXT W.B.	41 = 4-DOOR SEDAN
21 = 2-DOOR SEDAN	44 = 4-DOOR HATCHBACK
24 = 2-DOOR HATCHBACK	45 = 4-DOOR STATION WAGON

AR = Use as Required - = Non Illustrated Part P.A.R. = Paint as Required

GROUP 23C - BODY - DOORS AND RELATED PARTS

ILLUSTRATION TITLE	GROUP-FIG. NO.
L BODY	
DOOR, FRONT SHELL, REGULATOR, CONTROLS AND LOCKS L BODY	Fig. 23C-100
DOOR, FRONT GLASS, HANDLES AND HARDWARE L BODY	Fig. 23C-200
DOOR, REAR SHELL, REGULATOR AND CONTROLS L BODY	Fig. 23C-300
DOOR, REAR GLASS, HANDLE AND LOCK L BODY	Fig. 23C-400
DOOR, FRONT AND REAR WEATHERSTRIPS AND RUNS L BODY	Fig. 23C-500
MIRROR, EXTERIOR L BODY	Fig. 23C-600
P BODY	
DOOR, FRONT SHELL, HANDLES AND LOCKS P BODY 24	Fig. 23C-700
DOOR, FRONT GLASS, REGULATORS AND SPEAKERS P BODY 24	Fig. 23C-800
DOOR, FRONT SHELL, HANDLE AND LOCK P BODY 44	Fig. 23C-900
DOOR, FRONT GLASS AND REGULATOR P BODY 44	Fig. 23C-1000
DOOR, REAR SHELL, HANDLE AND CONTROLS P BODY 44	Fig. 23C-1100
DOOR, REAR GLASS, REGULATOR AND LOCKS P BODY 44	Fig. 23C-1200
DOOR, FRONT AND REAR WEATHERSTRIPS P BODY	Fig. 23C-1300
DOOR, FRONT AND REAR RUN AND SEALS P BODY	Fig. 23C-1400
MIRROR, EXTERIOR P BODY	Fig. 23C-1500
J BODY	
DOOR, FRONT COMPLETE LESS WEATHERSTRIPS AND RUNS J BODY 21	Fig. 23C-1600
DOOR, FRONT WEATHERSTRIPS AND RUNS J BODY 21	Fig. 23C-1700
DOOR, FRONT COMPLETE, LESS WEATHERSTRIPS AND RUNS J BODY 27	Fig. 23C-1800
DOOR, FRONT WEATHERSTRIPS AND SEALS J BODY 27	Fig. 23C-1900
MIRRORS, EXTERIOR J BODY	Fig. 23C-2000
K,E BODY	
DOOR, FRONT SHELL, HANDLE AND CONTROL K BODY 21	Fig. 23C-2100
DOOR, FRONT GLASS AND REGULATOR K BODY 21	Fig. 23C-2200
DOOR, FRONT SHELL, CONTROL AND HARDWARE K,E BODY 41,45	Fig. 23C-2300
DOOR, FRONT GLASS AND REGULATOR K,E BODY 41,45	Fig. 23C-2400
DOOR, REAR SHELL, HANDLE AND CONTROL K,E BODY 41,45	Fig. 23C-2500
DOOR, REAR GLASS AND REGULATOR K,E BODY 41,45	Fig. 23C-2600
DOOR, FRONT AND REAR WEATHERSTRIP AND RUN K,E BODY	Fig. 23C-2700
MIRRORS, EXTERIOR K,E BODY	Fig. 23C-2800
G BODY	
DOOR, FRONT COMPLETE LESS WEATHERSTRIP AND RUN G BODY	Fig. 23C-2900

ILLUSTRATION NOT AVAILABLE AT TIME OF PUBLICATION

GROUP 23C - BODY - DOORS AND RELATED PARTS

GROUP 23C - BODY - DOORS AND RELATED PARTS

ILLUSTRATION TITLE

GROUP-FIG. NO.

ILLUSTRATION TITLE

GROUP-FIG. NO.

G BODY (Continued)

DOOR, FRONT COMPLETE LESS WEATHERSTRIP AND RUN G BODY	Fig. 23C-2900
DOOR, FRONT WITH T BAR ROOF G BODY	Fig. 23C-3000
DOOR, FRONT WEATHERSTRIP AND RUN G BODY	Fig. 23C-3100
MIRROR, EXTERIOR G BODY	Fig. 23C-3200

H BODY

DOOR, FRONT SHELL, HANDLE AND CONTROL H BODY	Fig. 23C-3300
DOOR, FRONT HANDLE AND REGULATOR H BODY	Fig. 23C-3400
DOOR, REAR SHELL, HANDLE, GLASS AND CONTROLS H BODY	Fig. 23C-3500
DOOR, FRONT AND REAR WEATHERSTRIPS AND RUNS H BODY	Fig. 23C-3600
MIRROR, EXTERIOR H BODY	Fig. 23C-3700

C BODY

DOOR, FRONT SHELL, HANDLES AND LOCKS C BODY	Fig. 23C-3800
DOOR, FRONT GLASS, REGULATOR AND SPEAKERS C BODY	Fig. 23C-3900
DOOR, REAR SHELL, HANDLES AND LOCKS C BODY	Fig. 23C-4000
DOOR, REAR GLASS, REGULATORS AND CONTROLS C BODY	Fig. 23C-4200
DOOR, FRONT AND REAR WEATHERSTRIPS, RUNS AND SEALS C BODY	Fig. 23C-4300
MIRROR, EXTERIOR C BODY	Fig. 23C-4400

S BODY

DOOR, FRONT COMPLETE LESS WEATHERSTRIPS AND RUNS S BODY	Fig. 23C-4500
DOOR, SLIDING SHELL, GLASS AND CONTROLS S BODY	Fig. 23C-4600
DOOR, SLIDING HANDLE, CONTROL AND LOCK S BODY	Fig. 23C-4700
DOOR, SLIDING TRACK S BODY	Fig. 23C-4800
DOOR, REAR CARGO HINGED SHELL, GLASS AND WEATHERSTRIP S BODY	Fig. 23C-4900
DOOR, REAR CARGO HINGED HANDLE, CONTROLS AND LINKS S BODY	Fig. 23C-5000
DOOR, FRONT AND SIDE WEATHERSTRIPS S BODY	Fig. 23C-5100
MIRROR, EXTERIOR S BODY	Fig. 23C-5200

M BODY

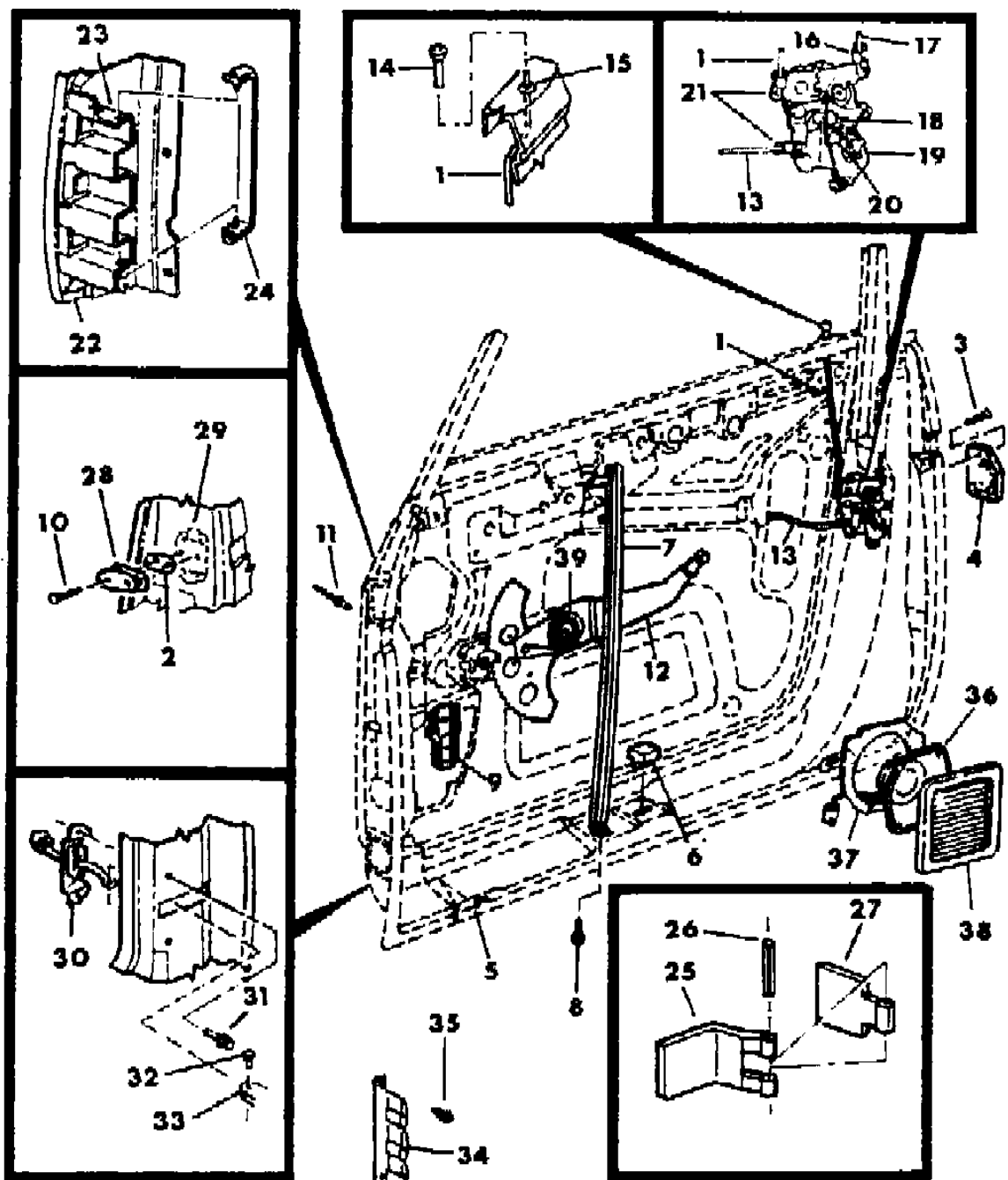
DOOR, FRONT SHELL, HANDLE, LOCK AND CONTROLS M BODY	Fig. 23C-5300
DOOR, FRONT GLASS AND REGULATOR M BODY	Fig. 23C-5400
DOOR, REAR SHELL, HANDLE AND CONTROLS M BODY	Fig. 23C-5500
DOOR, REAR GLASS AND REGULATOR M BODY	Fig. 23C-5600
DOOR, REAR GLASS AND WEATHERSTRIPS M BODY	Fig. 23C-5700
DOOR, FRONT AND REAR WEATHERSTRIPS AND RUNS M BODY	Fig. 23C-5800

M BODY (Continued)

DOOR, FRONT AND REAR WEATHERSTRIPS AND RUNS M BODY	Fig. 23C-5800
MIRROR, EXTERIOR M BODY	Fig. 23C-5900

DOOR, FRONT SHELL, REGULATOR, CONTROLS AND LOCKS L BODY
Figure 23C-100

8171 100



ITEM	PART NUMBER	QTY	BODY	MODEL	DESCRIPTION
1	5200 970	2			ROD, Door Latch Locking Control Push
2	5231 368	2			STOP, Door
3	6100 866	AR			SCREW
4	4184 776-7	1			LATCH, Front Door Exterior
5	4297 856-7	1			SHELL, Front Door
6	4310 022-3	1			PANEL, Repair
7	3759 910	2			BUMPER, Glass Down Stop
8	4280 580-1	1			CHANNEL and BRACKET, Door Glass
9	6500 191	AR			SCREW
10	6500 295	AR			BRACKET, Mirror Control Mtg., Refer to Mirror Illus.
11	6031 115	AR			SCREW
12	5231 742-3	1			RIVET
13	5231 742-3	1			REGULATOR, Front Door Window
14	4339 301	2			SLIDE PACKAGE, Manual Regulator
15	5231 220-1	1			LINK, Door Latch Remote Control to Latch
16	4049 609	AR			KNOB PACKAGE, Latch Lockig
17	3510 447	2			GROMMET, Trim Panel Lock Knob
18	3760 130-1	AR			CLIP
19	5231 480-1	1			LINK, Door Lock Key Cylinder to Latch
20	4336 294-5	1			LINK, Exterior Handle to Latch
21	4184 750	1			LATCH, Front Door Inside
22	4184 753	1			Right, Non Override
23	2945 108-9	AR			Left, Override
24	3454 220-1	AR			CLIP
25					CLIP
26					PILLAR, Serviced in Door Shell
27					REINFORCEMENT, Serviced in Door Shell
28	5231 294	2			BUMPER and RETAINER, Door Impact Bar
29	5231 594	4			LEAF, Front Door Fixed Hinge, Body Half
30	6500 361	4			PIN, Door Hinge
31	6500 803	4			CLIP, Pin
32	5231 595	4			LEAF, Front Door Moving Hinge, Door Half
33	5200 875	2			STRIKER, Front Door Latch
34	5231 564	AR			SPACER, Door Latch Striker
35	5200 368	2			T-PLATE, Body Center Pillar Outer Latch Striker
36	4293 244	2			ARM, Front Door Check
37	5200 875	2			SCREW (DNS)
38					
39					

MODEL CODES

C BODY = (D41 - DYNASTY)(C41 - NEW YORKER)	L BODY = (M - HORIZON)(Z-OMNI)
E BODY = (J - CARAVELLE)(E - 600)(T - NEW YORKER TURBO)	M BODY = (B - GRAN FURY)(G - DIPLOMAT)(F - FIFTH AVENUE/NEWPORT)
G BODY = (V24 - DAYTONA, PACIFICA & SHELBY)	P BODY = (P - SUNDANCE)(D - SHADOW)
H BODY = (D44 - LANCER)(C44 - LEBARON GTS)	Q BODY = (C27 - MASERATI)
J BODY = (C - LEBARON)	S BODY = (H - VOYAGER)(K - RAM VAN/ CARAVAN)
K BODY = (P - RELIANT)(D - ARIES)(C - LEBARON/ TOWN & COUNTRY)	

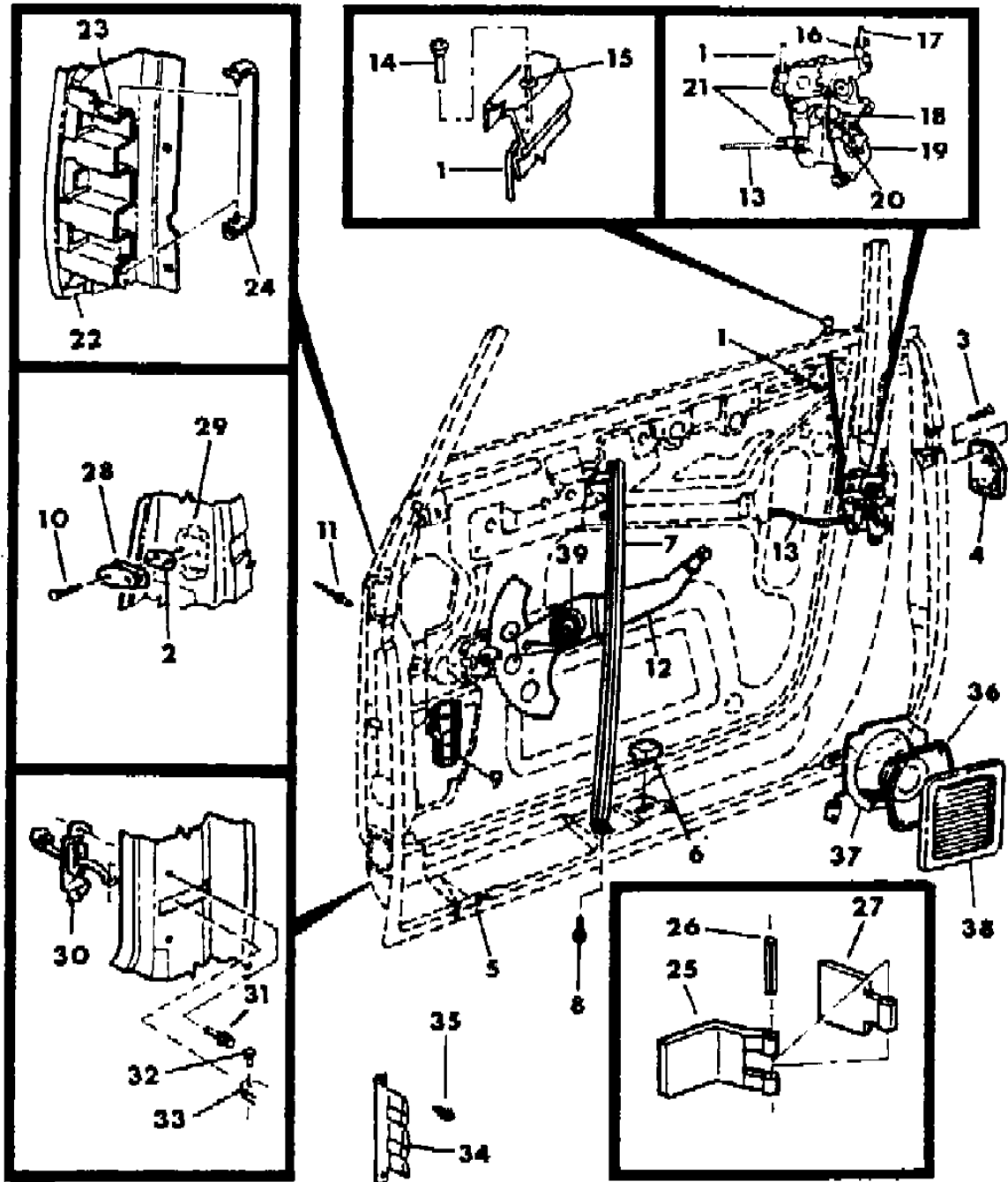
BODY STYLES

12-52 = FWD VAN & WAGON STD. W.B.	27 = 2-DOOR CONVERTIBLE
13-53 = FWD VAN & WGN EXT W.B.	41 = 4-DOOR SEDAN
21 = 2-DOOR SEDAN	44 = 4-DOOR HATCHBACK
24 = 2-DOOR HATCHBACK	45 = 4-DOOR STATION WAGON

AR = Use as Required - = Non Illustrated Part P.A.R. = Paint as Required

DOOR, FRONT SHELL, REGULATOR, CONTROLS AND LOCKS L BODY
Figure 23C-100

8171 100



ITEM	PART NUMBER	QTY	BODY	MODEL	DESCRIPTION
32					RIVET (DNS)
33					BRACKET, Check Arm, Serviced in Pillar
34	5231 368	2			STOP, Front Door
35		4			SCREW (DNS)
36	4222 776	2			SPEAKER, Door
37	4222 575	2			ADAPTER, Door Speaker
38	4720 831	2			GRILLE, Door Speaker
39	3508 121	2			SPRING, Regulator Assist

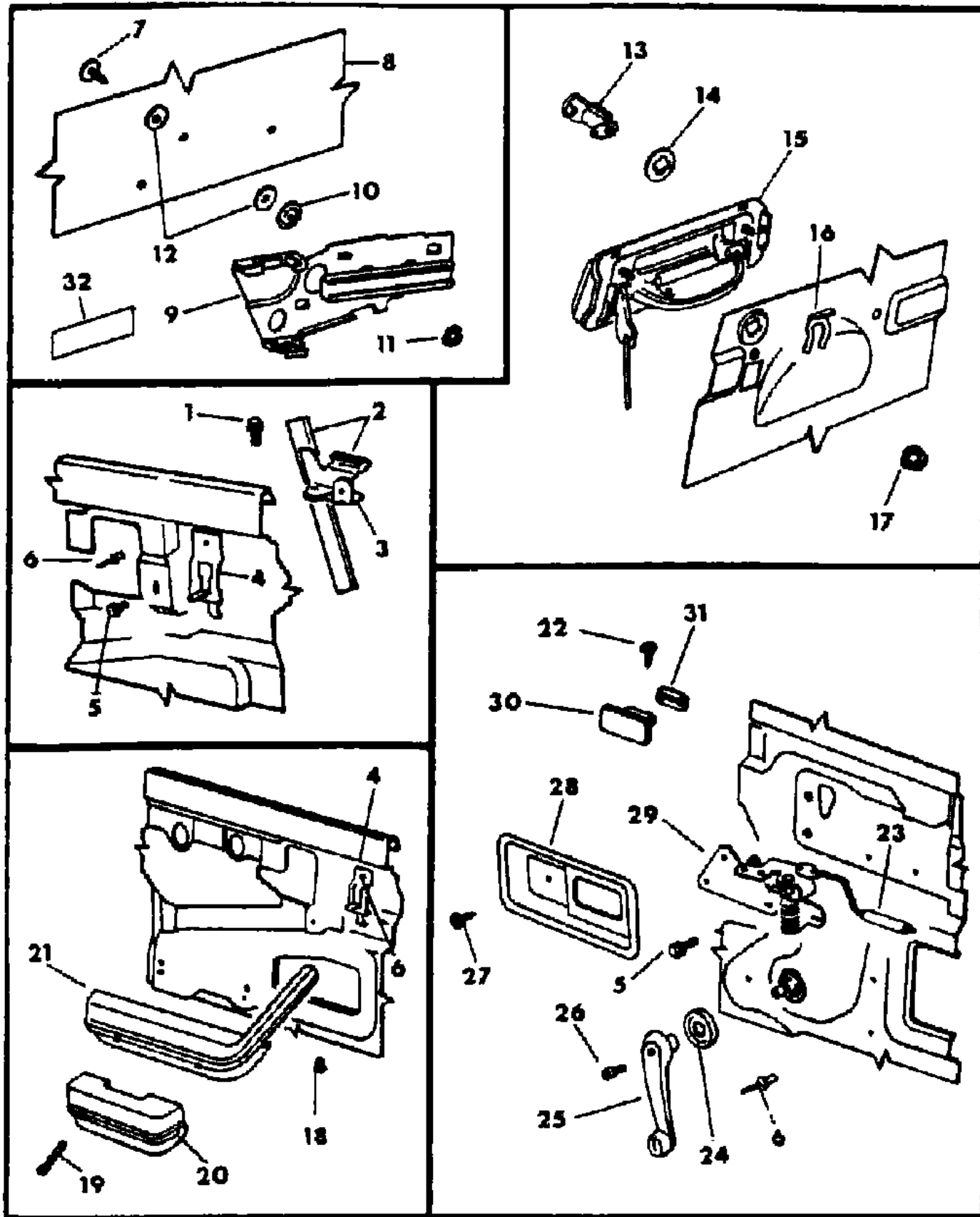
MODEL CODES
 C BODY = (D41 - DYNASTY)(C41 - NEW YORKER)
 E BODY = (J - CARAVELLE)(E - 600)(T - NEW YORKER TURBO)
 G BODY = (V24 - DAYTONA, PACIFICA & SHELBY)
 H BODY = (D44 - LANCER)(C44 - LEBARON GTS)
 J BODY = (C - LEBARON)
 K BODY = (P - RELIANT)(D - ARIES)(C - LEBARON/ TOWN & COUNTRY)
 L BODY = (M - HORIZON)(Z-OMNI)
 M BODY = (B - GRAN FURY)(G - DIPLOMAT)(F - FIFTH AVENUE/NEWPORT)
 P BODY = (P - SUNDANCE)(D - SHADOW)
 Q BODY = (C27 - MASERATI)
 S BODY = (H - VOYAGER)(K - RAM VAN/ CARAVAN)

BODY STYLES
 12-52 = FWD VAN & WAGON STD. W.B. 27 = 2-DOOR CONVERTIBLE
 13-53 = FWD VAN & WGN EXT W.B. 41 = 4-DOOR SEDAN
 21 = 2-DOOR SEDAN 44 = 4-DOOR HATCHBACK
 24 = 2-DOOR HATCHBACK 45 = 4-DOOR STATION WAGON

AR = Use as Required - = Non Illustrated Part P.A.R. = Paint as Required

DOOR, FRONT GLASS, HANDLES AND HARDWARE L BODY
Figure 23C-200

8171 200



ITEM	PART NUMBER	QTY	BODY	MODEL	DESCRIPTION
1	6500 191	AR			SCREW and WASHER
2	4280 580-1	1			CHANNEL and BRACKET, Glass
3		1			BRACKET, Glass Track Channel, Serviced in Item #2
4	4310 778	2			SUPPORT, Door Inside Panel Arm Rest
5		AR			SCREW (DNS)
6	6031 115	AR			RIVET
7	6029 998	AR			STUD and WASHER
8	5200 780-1	1			GLASS, Front Door
9	4336 508-9	1			PLATE and CHANNEL, Glass Track, w/Upper and Lower Guide
10		AR			T-NUT (DNS)
11					NUT (DNS)
12	5231 769	AR			GASKET, Door Glass
13					CYLINDER, Lock, Refer to 23D
14					GASKET, Cylinder, Refer to 23D
15	4339 367	2			HANDLE, Exterior
16					RETAINER, Refer to 23D
17	6500 274	AR			NUT
18	6500 141	AR			SCREW
19		AR			SCREW (DNS)
20					ARM REST, Refer to IT Section
21					ARM REST, Long, Refer to IT Section
22	6031 318	AR			SCREW
23	5231 220-1	1			LINK, Door Latch Remote Control to Latch
24	3882 768	AR			SPACER, Manual Window Regulator Handle
25					HANDLE, Window Regulator
	4310 824	2			Up to 12-3-87
	4480 649	2			After 12-3-87
26		2			SCREW (DNS)
27	6100 903	2			SCREW
28					BEZEL, Front Door Latch Remote Control Handle
	D459 AA3	2			Silver
	D459 BB5	2			Blue
	D459 VM6	2			Red
29	5231 930-1	1			REMOTE CONTROL, Front Door Latch
30	5200 878-9	1			HANDLE, Front Door Latch Remote Control
31	5231 135	2			SEAL, Door Latch Remote Control Handle
32	4365 683	1			DECAL, Seat Belt Safety

MODEL CODES

C BODY = (D41 - DYNASTY)(C41 - NEW YORKER)
 E BODY = (J - CARAVELLE)(E - 600)(T - NEW YORKER TURBO)
 G BODY = (V24 - DAYTONA, PACIFICA & SHELBY)
 H BODY = (D44 - LANCER)(C44 - LEBARON GTS)
 J BODY = (C - LEBARON)
 K BODY = (P - RELIANT)(D - ARIES)(C - LEBARON/ TOWN & COUNTRY)

L BODY = (M - HORIZON)(Z-OMNI)
 M BODY = (B - GRAN FURY)(G - DIPLOMAT)(F - FIFTH AVENUE/NEWPORT)
 P BODY = (P - SUNDANCE)(D - SHADOW)
 Q BODY = (C27 - MASERATI)
 S BODY = (H - VOYAGER)(K - RAM VAN/ CARAVAN)

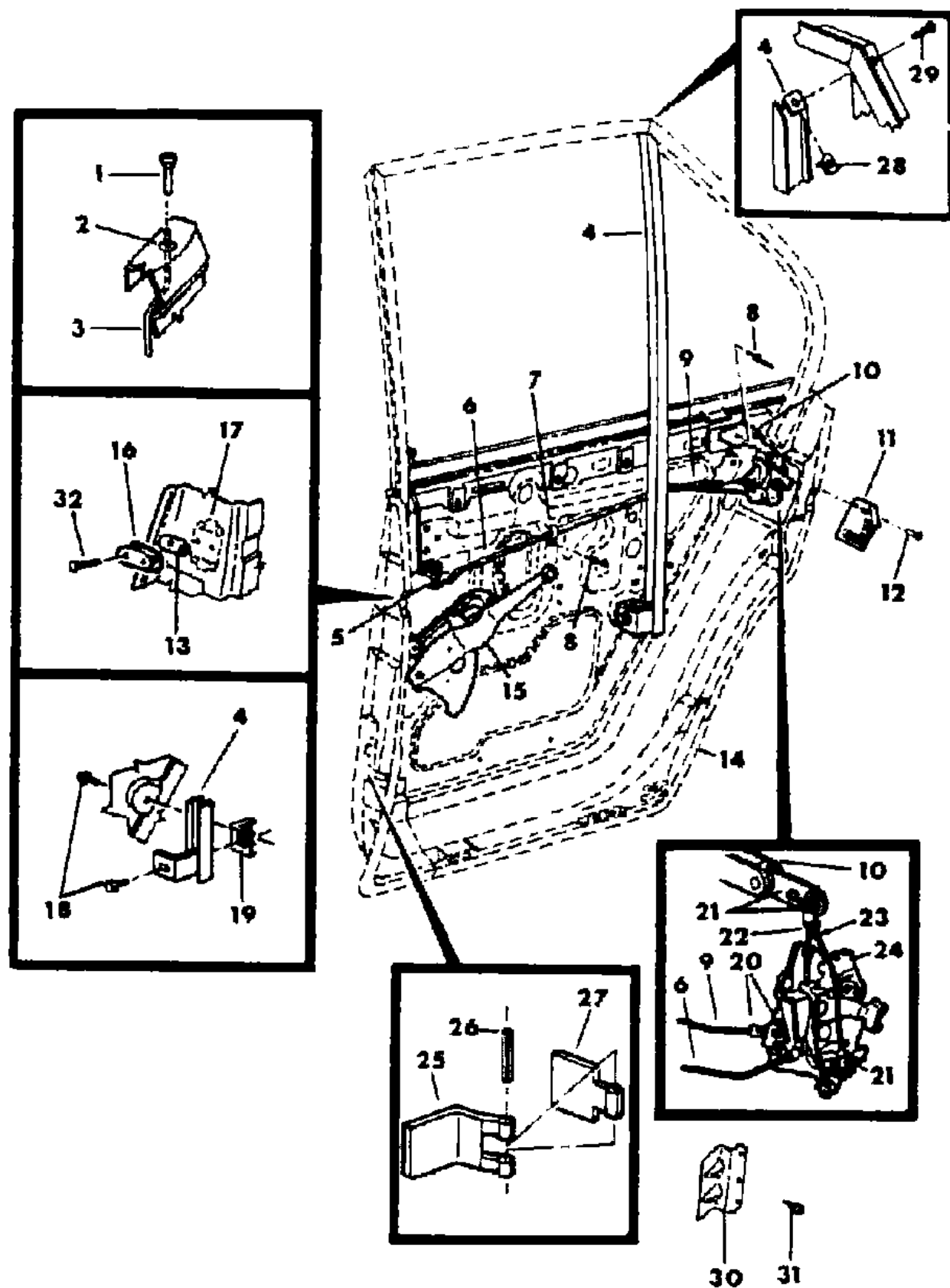
BODY STYLES

12-52 = FWD VAN & WAGON STD. W.B. 27 = 2-DOOR CONVERTIBLE
 13-53 = FWD VAN & WGN EXT W.B. 41 = 4-DOOR SEDAN
 21 = 2-DOOR SEDAN 44 = 4-DOOR HATCHBACK
 24 = 2-DOOR HATCHBACK 45 = 4-DOOR STATION WAGON

AR = Use as Required - = Non Illustrated Part P.A.R. = Paint as Required

DOOR, REAR SHELL, REGULATOR AND CONTROLS L BODY
Figure 23C-300

8171 300



ITEM	PART NUMBER	QTY	BODY	MODEL	DESCRIPTION
1	4049 609	2			KNOB PACKAGE, Latch Locking
2	3510 447	2			GROMMET, Trim Panel Lock Knob
3	5200 909	2			ROD, Latch Locking Control Push
4	4310 282-3	1			CHANNEL and BRACKET, w/Run Door Glass
5	3871 044	2			LEVER, Door Latch Locking Control
6	5231 563	2			LINK, Door Latch Locking Control to Latch
7	3882 620	AR			CLIP, Anti Rattle
8	6031 115	AR			RIVET
9	5231 222-3	1			LINK, Door Latch Remote Control to Latch
10	4336 613	2			BRACKET and LEVER, Door Latch Actuating
11	4184 776-7	1			LATCH, Rear Door Outside
12	6100 866	AR			SCREW
13	5231 564	AR			SPACER, Door Striker
14	4297 850-1	1			SHELL, Rear Door
	4310 024-5	1			PANEL, Repair
15	5200 722-3	1			REGULATOR, Rear Door Window
	4339 301	2			SLIDE PACKAGE, Manual Regulator
16	5200 875	2			STRIKER, Door Latch
17	5200 368	2			T-PLATE, Latch Striker
18		AR			SCREW (DNS)
19	5231 136	2			BRACKET, Fixed Vent Window Division Channel Att.
20	3454 220-1	AR			CLIP
21	2945 108-9	AR			CLIP
22	4310 892-3	1			LINK, Exterior Handle to Actg. Lever
23	5231 523	2			LINK, Door Latch to Actg. Lever
24	5231 650-1	1			LATCH, Rear Door Inside
25	5231 594	4			LEAF, Rear Door Fixed Hinge, Body Half
26	6500 361	4			PIN, Hinge
27	5231 595	4			LEAF, Rear Door Moving Hinge, Door Half
28		2			U-NUT (DNS)
29					SCREW (DNS)
30	5231 369	2			STOP, Rear Door
31		4			SCREW (DNS)
32	6500 295	AR			SCREW

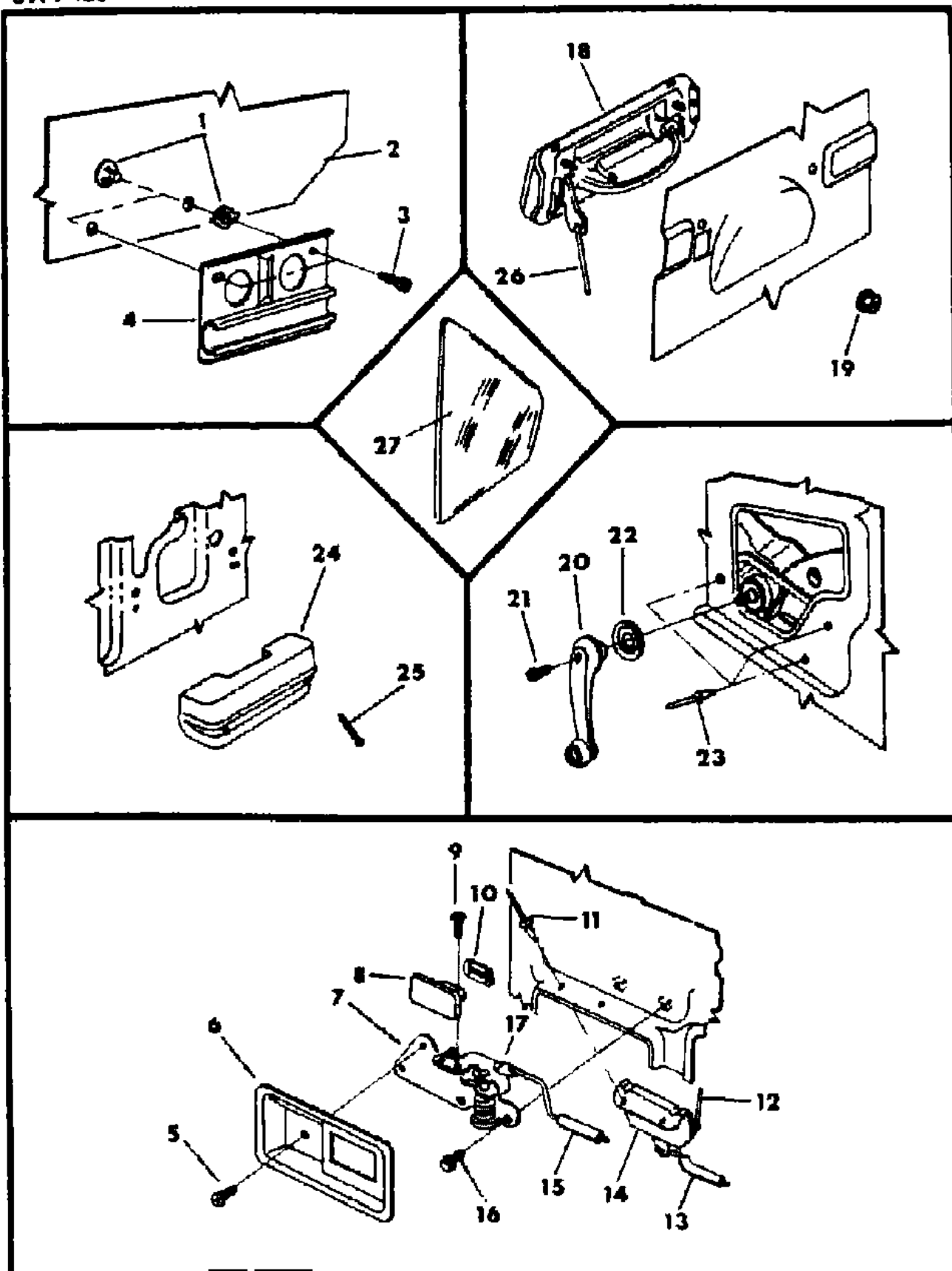
MODEL CODES
 C BODY = (D41 - DYNASTY)(C41 - NEW YORKER)
 E BODY = (J - CARAVELLE)(E - 600)(T - NEW YORKER TURBO)
 G BODY = (V24 - DAYTONA, PACIFICA & SHELBY)
 H BODY = (D44 - LANCER)(C44 - LEBARON GTS)
 J BODY = (C - LEBARON)
 K BODY = (P - RELIANT)(D - ARIES)(C - LEBARON/ TOWN & COUNTRY)
 L BODY = (M - HORIZON)(Z-OMNI)
 M BODY = (B - GRAN FURY)(G - DIPLOMAT)(F - FIFTH AVENUE/NEWPORT)
 P BODY = (P - SUNDANCE)(D - SHADOW)
 Q BODY = (C27 - MASERATI)
 S BODY = (H - VOYAGER)(K - RAM VAN/ CARAVAN)

BODY STYLES
 12-52 = FWD VAN & WAGON STD. W.B. 27 = 2-DOOR CONVERTIBLE
 13-53 = FWD VAN & WGN EXT W.B. 41 = 4-DOOR SEDAN
 21 = 2-DOOR SEDAN 44 = 4-DOOR HATCHBACK
 24 = 2-DOOR HATCHBACK 45 = 4-DOOR STATION WAGON

AR = Use as Required - = Non Illustrated Part P.A.R. = Paint as Required

DOOR, REAR GLASS, HANDLE AND LOCK L BODY
Figure 23C-400

8171 400



ITEM	PART NUMBER	QTY	BODY	MODEL	DESCRIPTION
1	3744 734	AR			BUSHING and FASTENER PKG., Glass Lift
2	5231 732-3	1			GLASS, Rear Door, Movable
3	6030 182	AR			SCREW
4	5215 364	2			CHANNEL, Door Glass Track
5	6100 903	AR			SCREW
6					BEZEL, Rear Door Latch Remote Control Handle
	D459 AA3	2			Silver
	D459 BB5	2			Blue
	D459 VM6	2			Red
7	5231 930-1	1			REMOTE CONTROL, Rear Door Latch
8	5200 878-9	1			HANDLE, Rear Door Latch Remote Control
9	6031 318	AR			SCREW
10	5231 135	2			SEAL, Door Latch Remote Control Handle
11	6031 115	AR			RIVET
12	5200 909	2			ROD, Door Latch Locking Control Push
13	5231 563	2			LINK, Door Latch Locking Control to Latch
14	5215 338-9	1			SUPPORT, Door Latch Locking Control Lever
15	5231 222-3	1			LINK, Door Latch Remote Control to Latch
16		AR			SCREW (DNS)
17	2945 108-9	AR			CLIP
18	4339 367	2			HANDLE, Rear Door Exterior
19	6500 274	4			NUT and WASHER
20					HANDLE, Window Regulator
	4310 824	2			Up to 12-3-87
	4480 649	2			After 12-3-87
21	6031 644	2			SCREW
22	3882 768	2			SPACER, Manual Window Regulator Handle
23	6031 115	AR			RIVET
24					ARM REST, Refer to IT Section
25		AR			SCREW (DNS)
26	5231 523	2			LINK, Exterior Handle to Actg. Lever
27					GLASS, Rear Door Stationary
	5231 894-5	1			Clear
	5231 896-7	1			Tinted

MODEL CODES

C BODY = (D41 - DYNASTY)(C41 - NEW YORKER)
 E BODY = (J - CARAVELLE)(E - 600)(T - NEW YORKER TURBO)
 G BODY = (V24 - DAYTONA, PACIFICA & SHELBY)
 H BODY = (D44 - LANCER)(C44 - LEBARON GTS)
 J BODY = (C - LEBARON)
 K BODY = (P - RELIANT)(D - ARIES)(C - LEBARON/ TOWN & COUNTRY)

L BODY = (M - HORIZON)(Z-OMNI)
 M BODY = (B - GRAN FURY)(G - DIPLOMAT)(F - FIFTH AVENUE/NEWPORT)
 P BODY = (P - SUNDANCE)(D - SHADOW)
 Q BODY = (C27 - MASERATI)
 S BODY = (H - VOYAGER)(K - RAM VAN/ CARAVAN)

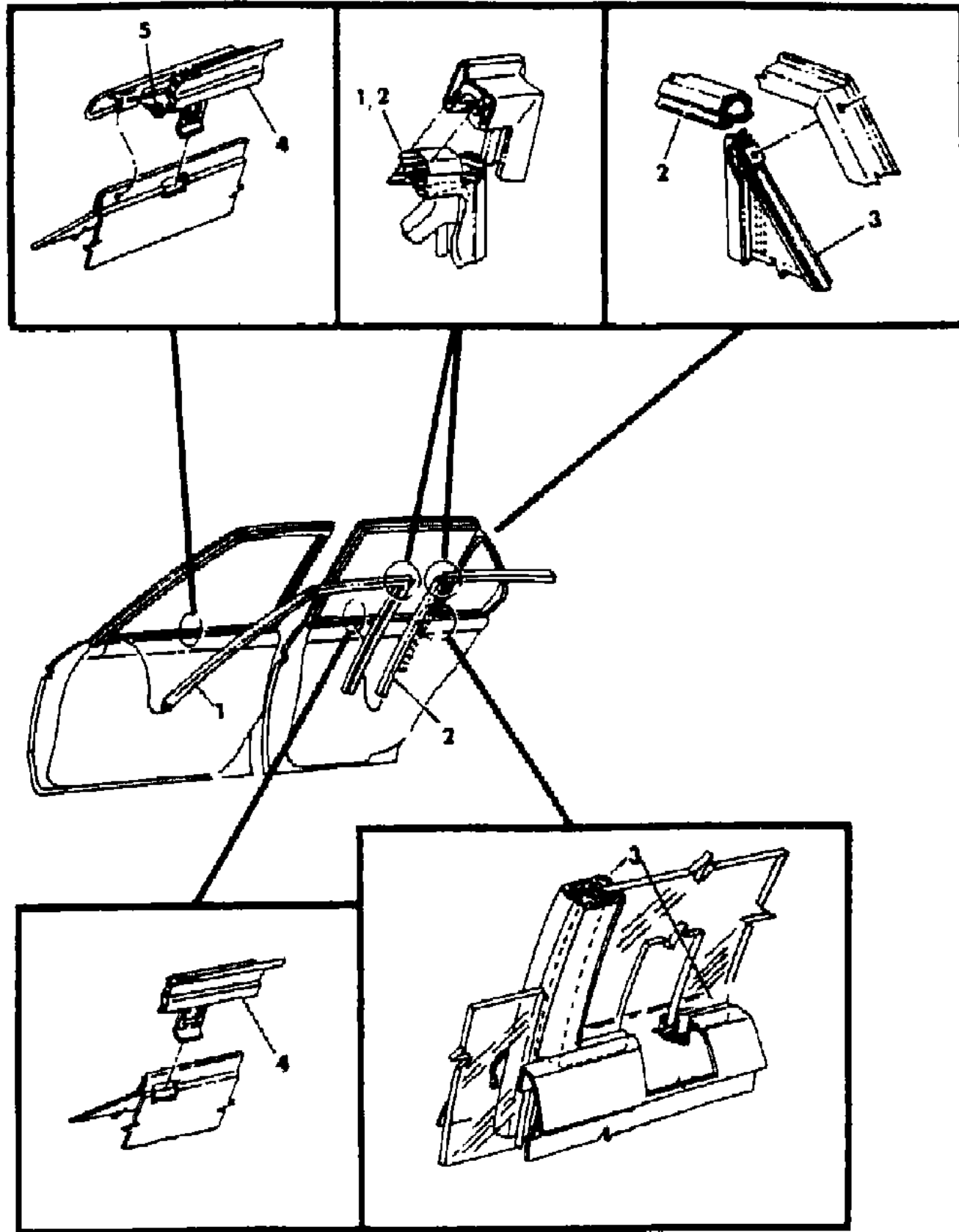
BODY STYLES

12-52 = FWD VAN & WAGON STD. W.B. 27 = 2-DOOR CONVERTIBLE
 13-53 = FWD VAN & WGN EXT W.B. 41 = 4-DOOR SEDAN
 21 = 2-DOOR SEDAN 44 = 4-DOOR HATCHBACK
 24 = 2-DOOR HATCHBACK 45 = 4-DOOR STATION WAGON

AR = Use as Required - = Non Illustrated Part P.A.R. = Paint as Required

DOOR, FRONT AND REAR WEATHERSTRIPS AND RUNS L BODY
Figure 23C-500

8171 500



ITEM	PART NUMBER	QTY	BODY	MODEL	DESCRIPTION
NOTE: Front and Rear Door Opening Weatherstrip. Refer to IT Section, Pinchweld Weatherstrip Body Mounted s group.					
1	4310 058	2			RUN and CLIP, Glass
2	5231 367	2			RUN, Rear Door Glass
3	5200 770	2			WEATHERSTRIP, Rear Door Fixed Vent Window
4					WEATHERSTRIP and CLIPS, Window Belt
					Front Door
					Outer, Belt, Refer to Exterior Ornaminations
	5231 886-7	1			Inner
					Rear Door
					Outer, Belt, Refer to Exterior Ornaminations
					Inner
5	5208 624-5	1			SCREW (DNS)
		AR			

MODEL CODES

C BODY = (D41 - DYNASTY)(C41 - NEW YORKER)
 E BODY = (J - CARAVELLE)(E - 600)(T - NEW YORKER TURBO)
 G BODY = (V24 - DAYTONA, PACIFICA & SHELBY)
 H BODY = (D44 - LANCER)(C44 - LEBARON GTS)
 J BODY = (C - LEBARON)
 K BODY = (P - RELIANT)(D - ARIES)(C - LEBARON/ TOWN & COUNTRY)

L BODY = (M - HORIZON)(Z-OMNI)
 M BODY = (B - GRAN FURY)(G - DIPLOMAT)(F - FIFTH AVENUE/NEWPORT)
 P BODY = (P - SUNDANCE)(D - SHADOW)
 Q BODY = (C27 - MASERATI)
 S BODY = (H - VOYAGER)(K - RAM VAN/ CARAVAN)

BODY STYLES

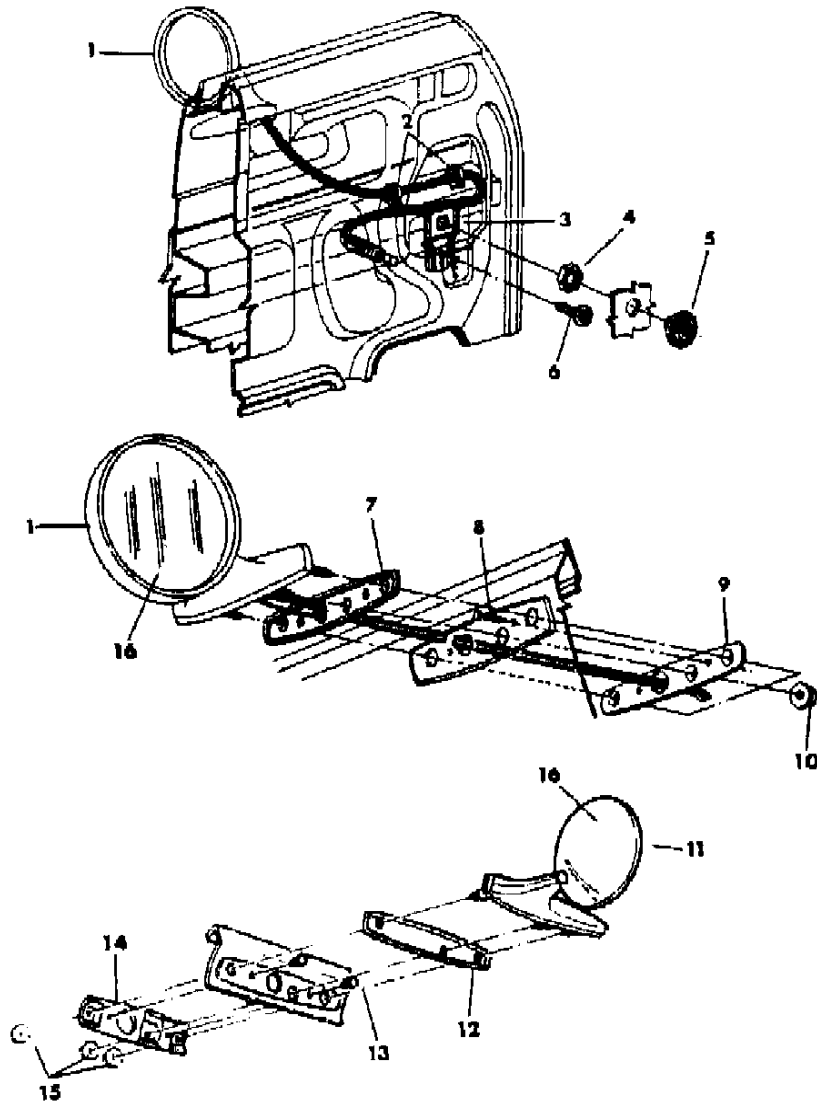
12-52 = FWD VAN & WAGON STD. W.B. 27 = 2-DOOR CONVERTIBLE
 13-53 = FWD VAN & WGN EXT W.B. 41 = 4-DOOR SEDAN
 21 = 2-DOOR SEDAN 44 = 4-DOOR HATCHBACK
 24 = 2-DOOR HATCHBACK 45 = 4-DOOR STATION WAGON

AR = Use as Required - = Non Illustrated Part P.A.R. = Paint as Required

MIRROR, EXTERIOR L BODY
Figure 23C-600

8171 600

ITEM	PART NUMBER	QTY	BODY	MODEL	DESCRIPTION
1					MIRROR PACKAGE, Remote Control
	4299 224-5	1			Round, Chrome
	5232 182-3	1			Round, Black
	4419 271	1			Conv., Black, Right
	3882 071	1			Manual, Chrome, Left
2					CLIP, Serviced in Mirror Package
3	5207 214	2			BRACKET, Remote Control Mtg.
4	6030 356	AR			NUT, Control Index
5	2999 001	1			BEZEL, Remote Control Mirror Control Att.
6		AR			SCREW (DNS)
7	4054 132	1			GASKET, Remote Control, Right
8		AR			RETAINER (DNS)
9	4299 126-7	1			REINFORCEMENT, Mirror
10	6025 001	AR			NUT
11					MIRROR PACKAGE, Manual Round Chrome
	3882 071	1			Left
	4267 927	1			Right
12					GASKET, Serviced in Package
13	3759 944	AR			RETAINER CLIP, Mirror Mounting Reinforcement
14	3861 805	1			REINFORCEMENT, Mirror
15	6025 001	AR			NUT
16					REPLACEMENT GLASS PACKAGE, Mirror
	4267 870-1	1			Remote Control
	4267 884	1			Manual Glass



MODEL CODES

C BODY = (D41 - DYNASTY)(C41 - NEW YORKER)
 E BODY = (J - CARAVELLE)(E - 600)(T - NEW YORKER TURBO)
 G BODY = (V24 - DAYTONA, PACIFICA & SHELBY)
 H BODY = (D44 - LANCER)(C44 - LEBARON GTS)
 J BODY = (C - LEBARON)
 K BODY = (P - RELIANT)(D - ARIES)(C - LEBARON/ TOWN & COUNTRY)

L BODY = (M - HORIZON)(Z-OMNI)
 M BODY = (B - GRAN FURY)(G - DIPLOMAT)(F - FIFTH AVENUE/NEWPORT)
 P BODY = (P - SUNDANCE)(D - SHADOW)
 Q BODY = (C27 - MASERATI)
 S BODY = (H - VOYAGER)(K - RAM VAN/ CARAVAN)

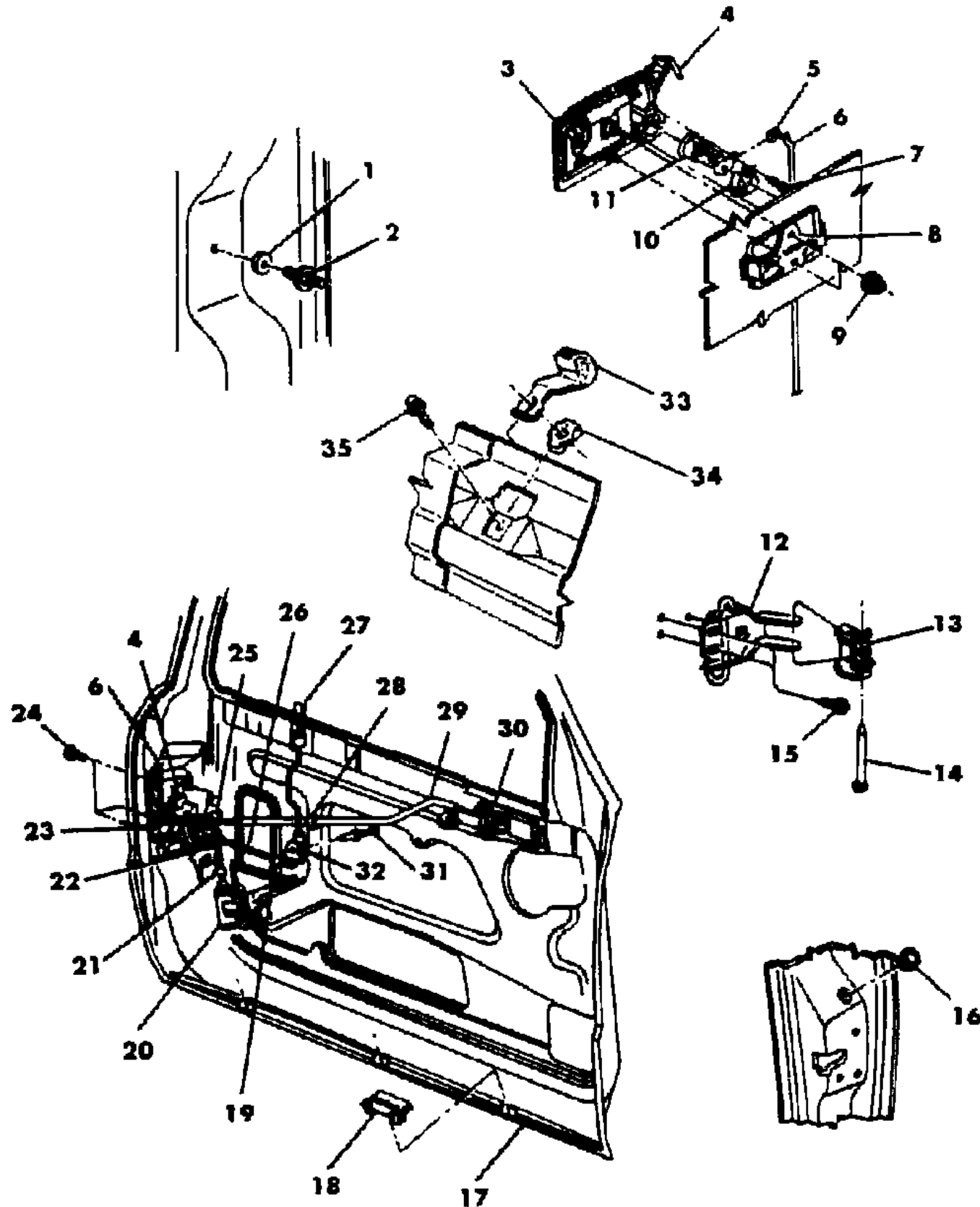
BODY STYLES

12-52 = FWD VAN & WAGON STD. W.B. 27 = 2-DOOR CONVERTIBLE
 13-53 = FWD VAN & WGN EXT W.B. 41 = 4-DOOR SEDAN
 21 = 2-DOOR SEDAN 44 = 4-DOOR HATCHBACK
 24 = 2-DOOR HATCHBACK 45 = 4-DOOR STATION WAGON

AR = Use as Required - = Non Illustrated Part P.A.R. = Paint as Required

DOOR, FRONT SHELL, HANDLES AND LOCKS P BODY 24
Figure 23C-700

8171 700



ITEM	PART NUMBER	QTY	BODY	MODEL	DESCRIPTION
1	4184 105	AR			SPACER, Striker
2	4310 543	2			STRIKER, Latch
3	4419 028-9	1			HANDLE, Exterior
4	4365 194-5	1			LINK, Handle to Latch
5	4336 136	2			CLIP
6	4365 196-7	1			LINK, Cylinder to Latch
7					SCREW (DNS)
8	4419 012-3	1			HANDLE and BRACKET, Exterior
9	6500 284	2			NUT
10	4184 684-5	1			RETAINER, Lock Cylinder
11					CYLINDER, Lock, Refer to 23D
12					HINGE, Body Half
	4365 815	2			Upper
	4365 813	2			Lower
13					HINGE, Door Half
	4280 730	2			Upper
	4365 026	2			Lower
14	4280 727	4			PIN, Hinge
15	6500 354	AR			SCREW
16					PLUG (DNS)
17	4443 644-5	1			DOOR SHELL
	4415 554-5	1			PANEL, Repair
18					PLUG (DNS)
19	6031 115	4			RIVET
20	4445 400	2			SOLENOID, Lock
21	4184 172	2			CLIP, Solenoid
22	4365 202	2			LINK, Solenoid to Latch
23					LOCK, Door
	4336 377	1			Left
	4336 378	1			Right
24	6501 220	6			SCREW
25					CLIP
	4184 244	1			Left
	4184 245	1			Right
26	4365 694	2			LEVER, Latch Lock
27					KNOB and ROD, Locking
	D634 GR8	2			Red

MODEL CODES

C BODY = (D41 - DYNASTY)(C41 - NEW YORKER)
 E BODY = (J - CARAVELLE)(E - 600)(T - NEW YORKER TURBO)
 G BODY = (V24 - DAYTONA, PACIFICA & SHELBY)
 H BODY = (D44 - LANCER)(C44 - LEBARON GTS)
 J BODY = (C - LEBARON)
 K BODY = (P - RELIANT)(D - ARIES)(C - LEBARON/ TOWN & COUNTRY)

L BODY = (M - HORIZON)(Z-OMNI)
 M BODY = (B - GRAN FURY)(G - DIPLOMAT)(F - FIFTH AVENUE/NEWPORT)
 P BODY = (P - SUNDANCE)(D - SHADOW)
 Q BODY = (C27 - MASERATI)
 S BODY = (H - VOYAGER)(K - RAM VAN/ CARAVAN)

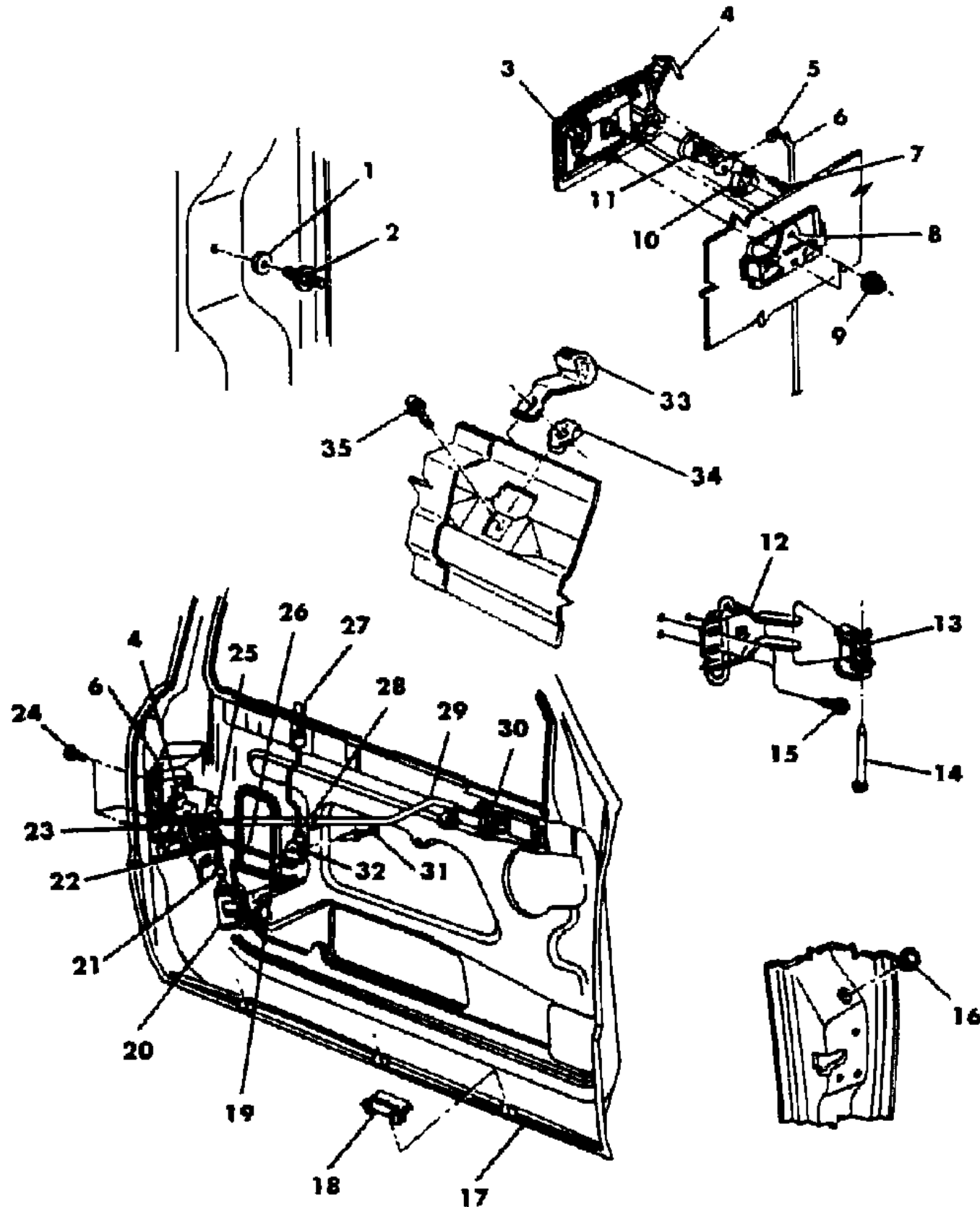
BODY STYLES

12-52 = FWD VAN & WAGON STD. W.B. 27 = 2-DOOR CONVERTIBLE
 13-53 = FWD VAN & WGN EXT W.B. 41 = 4-DOOR SEDAN
 21 = 2-DOOR SEDAN 44 = 4-DOOR HATCHBACK
 24 = 2-DOOR HATCHBACK 45 = 4-DOOR STATION WAGON

AR = Use as Required - = Non Illustrated Part P.A.R. = Paint as Required

DOOR, FRONT SHELL, HANDLES AND LOCKS P BODY 24
Figure 23C-700

8171 700



ITEM	PART NUMBER	QTY	BODY	MODEL	DESCRIPTION
	D634 EC5	2			Blue
	D634 GS8	2			Charcoal
	D634 GL7	2			Taupe
28	3882 620	2			CLIP, Antirattle
29	4365 184-5	1			LINK, R/Control Handle to Latch
30	4445 002-3	1			HOUSING, R/Control
31	6501 509	2			RIVET
32	4415 514-5	1			LEVER and CLIP, Latch to Lock
33	4445 058	2			STABILIZER, Glass Inner Belt
34	6100 041	2			U-NUT
35		2			SCREW (DNS)

MODEL CODES

C BODY = (D41 - DYNASTY)(C41 - NEW YORKER)
 E BODY = (J - CARAVELLE)(E - 600)(T - NEW YORKER TURBO)
 G BODY = (V24 - DAYTONA, PACIFICA & SHELBY)
 H BODY = (D44 - LANCER)(C44 - LEBARON GTS)
 J BODY = (C - LEBARON)
 K BODY = (P - RELIANT)(D - ARIES)(C - LEBARON/ TOWN & COUNTRY)

L BODY = (M - HORIZON)(Z-OMNI)
 M BODY = (B - GRAN FURY)(G - DIPLOMAT)(F - FIFTH AVENUE/NEWPORT)
 P BODY = (P - SUNDANCE)(D - SHADOW)
 Q BODY = (C27 - MASERATI)
 S BODY = (H - VOYAGER)(K - RAM VAN/ CARAVAN)

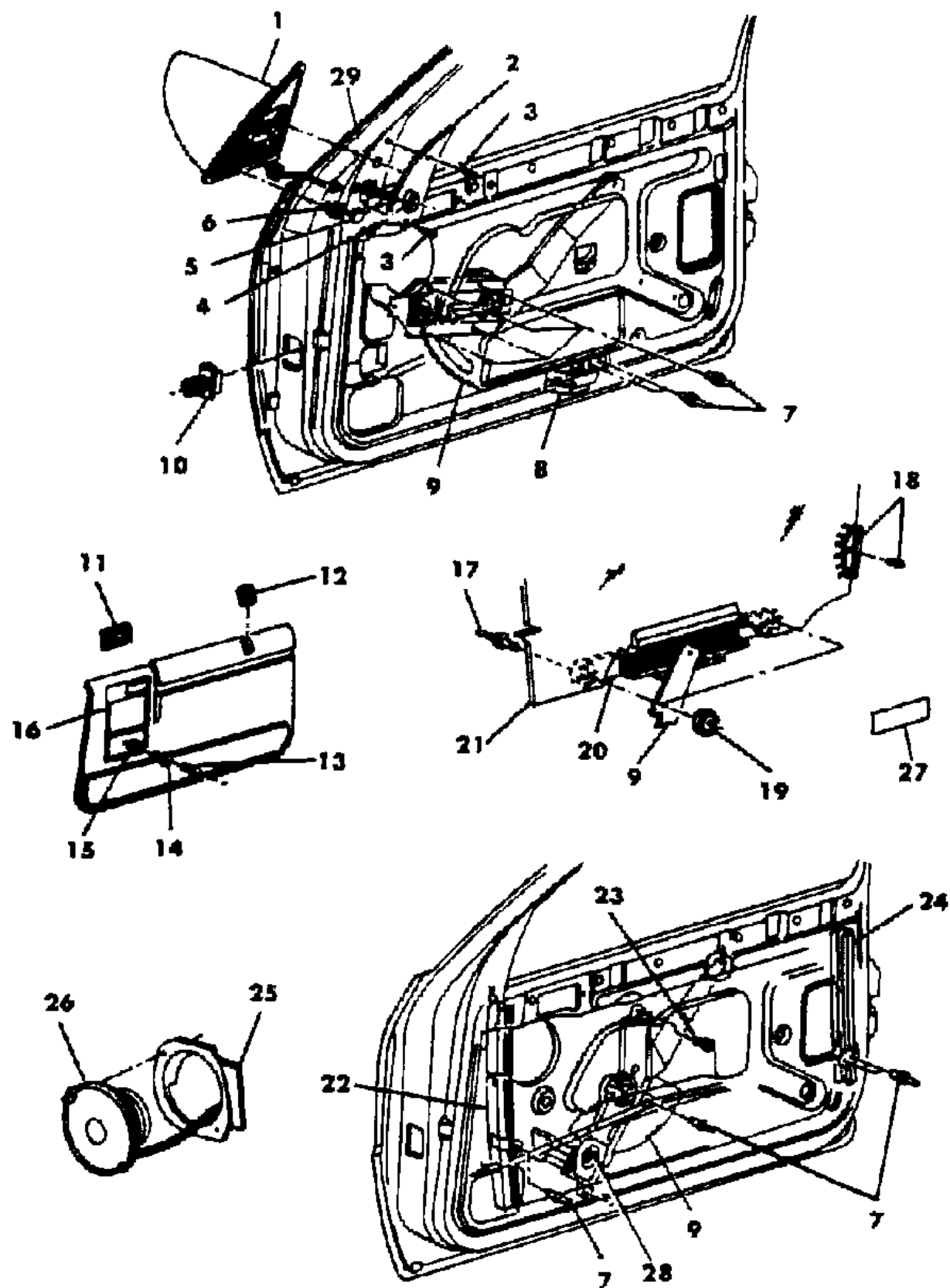
BODY STYLES

12-52 = FWD VAN & WAGON STD. W.B. 27 = 2-DOOR CONVERTIBLE
 13-53 = FWD VAN & WGN EXT W.B. 41 = 4-DOOR SEDAN
 21 = 2-DOOR SEDAN 44 = 4-DOOR HATCHBACK
 24 = 2-DOOR HATCHBACK 45 = 4-DOOR STATION WAGON

AR = Use as Required - = Non Illustrated Part P.A.R. = Paint as Required

DOOR, FRONT GLASS, REGULATORS AND SPEAKERS P BODY 24
Figure 23C-800

8171 800



ITEM	PART NUMBER	QTY	BODY	MODEL	DESCRIPTION
1-6					MIRROR, Refer to Mirror Illustration
7	6031 115	AR			RIVET
8	4415 572	2			DOWNSTOP, Glass
9					REGULATOR, Glass
	4396 700-1	1			Manual
	4445 890-1	1			Electric
	4396 699	2			SPRING, Manual Regulator Assist
	4415 184-5	1			PLATE, Electric Regulator
10					FLEXTUBE, Serviced in Wiring Harness
11	4336 732	2			BEZEL, R/Control
12					BEZEL, Locking Knob
	D444 GR8	2			Red
	D444 EC5	2			Blue
	D444 FS8	2			Charcoal
	D444 GL7	2			Taupe
13					SCREW
	6033 000	2			Up to 5-9-88
	6032 830	2			After 5-9-88
14					HANDLE, Window Regulator
	4310 825	2			Up to 5-9-88
	4415 820	2			After 5-9-88
	4415 824	2			PLUG, Handle
15					SPACER, Regulator Handle
	3882 768	2			Up to 5-9-88
	4445 993	2			After 5-9-88
16	D236-7 EA3	1			BEZEL, Speaker
	D456 EK1	2			COVER, Manual Regulator Hole
17					RIVET (DNS)
18	4339 372	2			SLIDE PACKAGE, Glass Edge
19	4396 734	4			GASKET and WASHER, Glass Att.
20	4396 736	2			CHANNEL, Glass Lift
21					GLASS, Door
	4336 954-5	1			Clear
	4336 956-7	1			Tinted
	4475 572-3	1			Tinted (EUROPEAN)
22	4445 048-9	1			RETAINER and BRACKET, Glass Run Lower Front
23	6100 557	2			SCREW

MODEL CODES

C BODY = (D41 - DYNASTY)(C41 - NEW YORKER)
 E BODY = (J - CARAVELLE)(E - 600)(T - NEW YORKER TURBO)
 G BODY = (V24 - DAYTONA, PACIFICA & SHELBY)
 H BODY = (D44 - LANCER)(C44 - LEBARON GTS)
 J BODY = (C - LEBARON)
 K BODY = (P - RELIANT)(D - ARIES)(C - LEBARON/ TOWN & COUNTRY)
 L BODY = (M - HORIZON)(Z-OMNI)
 M BODY = (B - GRAN FURY)(G - DIPLOMAT)(F - FIFTH AVENUE/NEWPORT)
 P BODY = (P - SUNDANCE)(D - SHADOW)
 Q BODY = (C27 - MASERATI)
 S BODY = (H - VOYAGER)(K - RAM VAN/ CARAVAN)

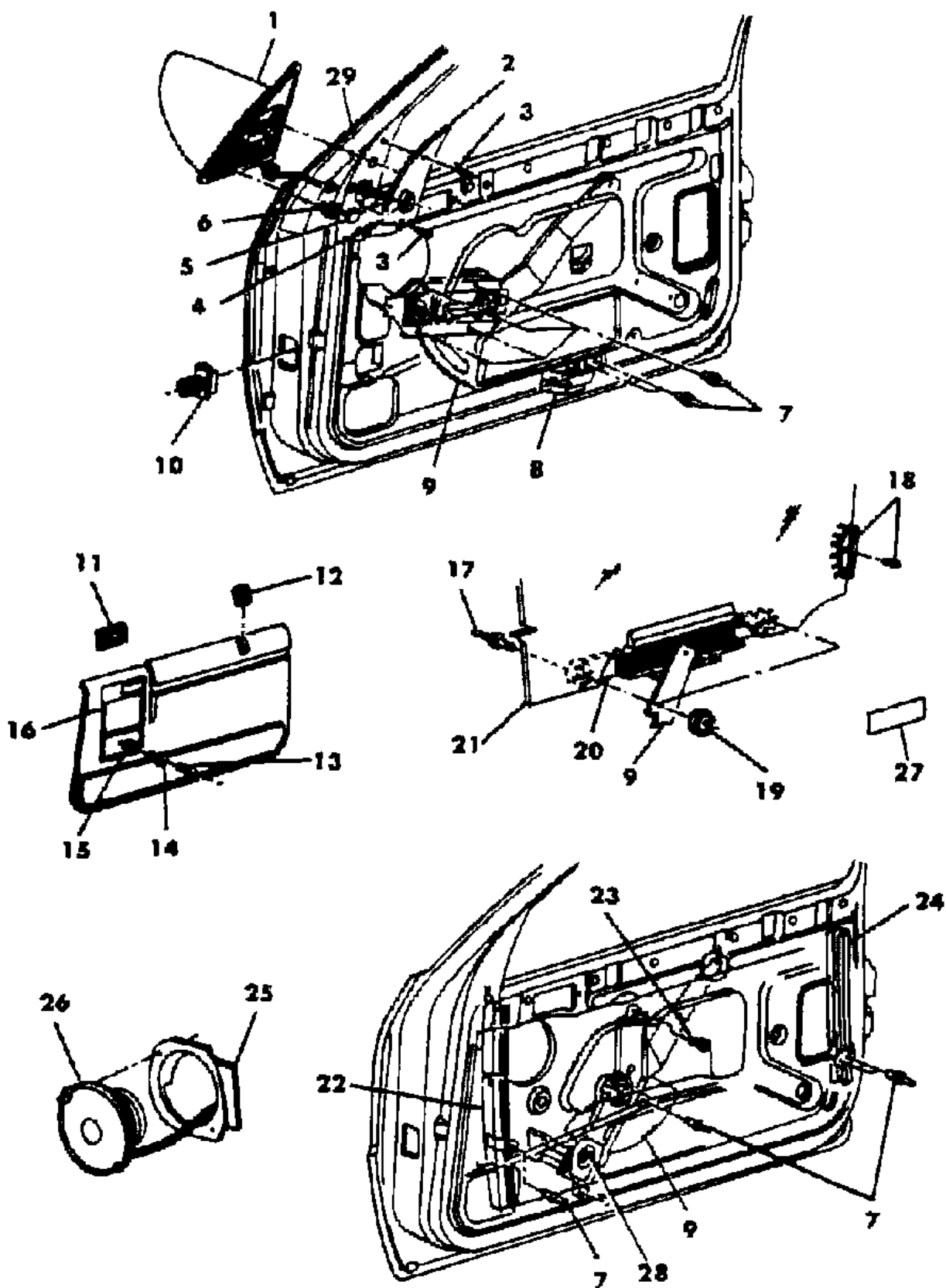
BODY STYLES

12-52 = FWD VAN & WAGON STD. W.B. 27 = 2-DOOR CONVERTIBLE
 13-53 = FWD VAN & WGN EXT W.B. 41 = 4-DOOR SEDAN
 21 = 2-DOOR SEDAN 44 = 4-DOOR HATCHBACK
 24 = 2-DOOR HATCHBACK 45 = 4-DOOR STATION WAGON

AR = Use as Required - = Non Illustrated Part P.A.R. = Paint as Required

DOOR, FRONT GLASS, REGULATORS AND SPEAKERS P BODY 24
Figure 23C-800

8171 800



ITEM	PART NUMBER	QTY	BODY	MODEL	DESCRIPTION
24	4336 970-1	1			RETAINER and BRACKET, Glass Run Lower Rear
	4336 966-7	1			CHANNEL, Glass Run Rear Track
25	4469 060-1	1			ADAPTOR, Speaker
26	4364 744	2			SPEAKER, Door
27	4365 683	1			DECAL, Seat Belt Safety
28	4415 186-7	1			MOTOR and MECHANISM, Electric Regulator
	4467 350	2			GEAR and SEAL KIT, Motor
29	4396 730	1			BRACKET, Mirror Reinforcement

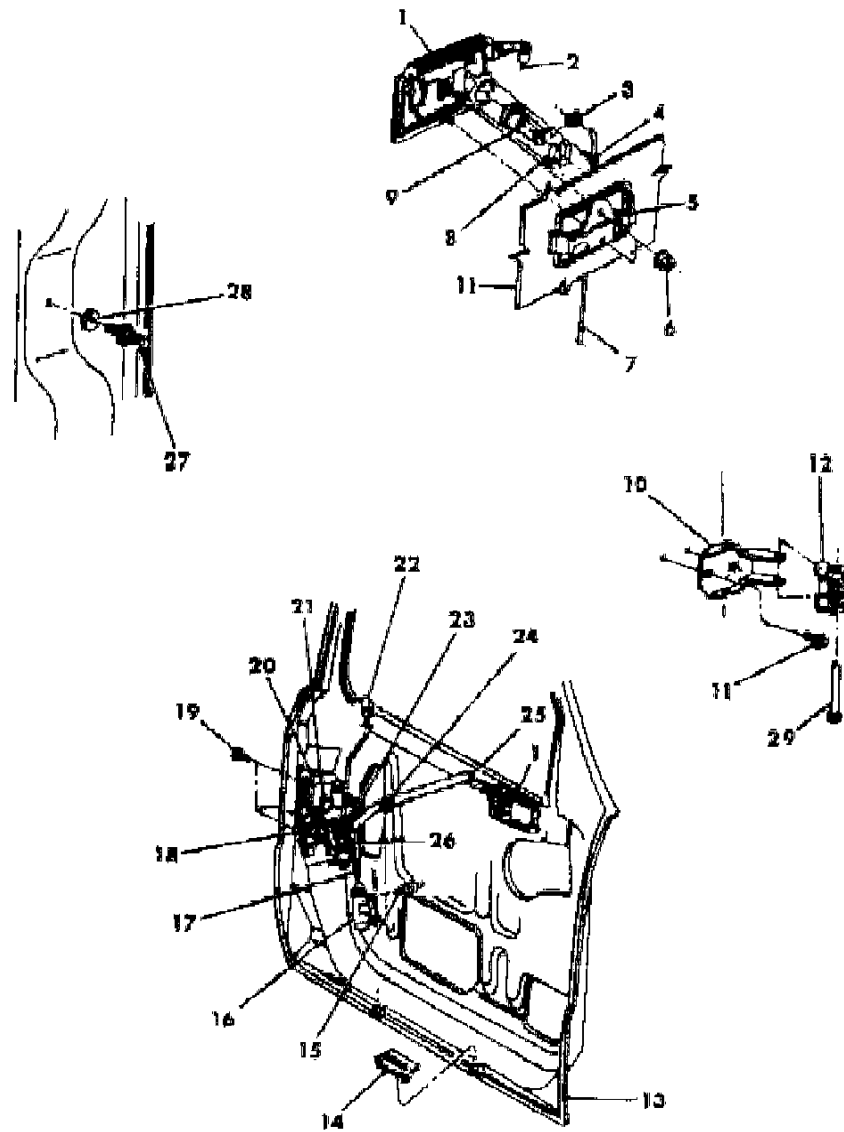
MODEL CODES
 C BODY = (D41 - DYNASTY)(C41 - NEW YORKER)
 E BODY = (J - CARAVELLE)(E - 600)(T - NEW YORKER TURBO)
 G BODY = (V24 - DAYTONA, PACIFICA & SHELBY)
 H BODY = (D44 - LANCER)(C44 - LEBARON GTS)
 J BODY = (C - LEBARON)
 K BODY = (P - RELIANT)(D - ARIES)(C - LEBARON/ TOWN & COUNTRY)
 L BODY = (M - HORIZON)(Z-OMNI)
 M BODY = (B - GRAN FURY)(G - DIPLOMAT)(F - FIFTH AVENUE/NEWPORT)
 P BODY = (P - SUNDANCE)(D - SHADOW)
 Q BODY = (C27 - MASERATI)
 S BODY = (H - VOYAGER)(K - RAM VAN/ CARAVAN)

BODY STYLES
 12-52 = FWD VAN & WAGON STD. W.B. 27 = 2-DOOR CONVERTIBLE
 13-53 = FWD VAN & WGN EXT W.B. 41 = 4-DOOR SEDAN
 21 = 2-DOOR SEDAN 44 = 4-DOOR HATCHBACK
 24 = 2-DOOR HATCHBACK 45 = 4-DOOR STATION WAGON

AR = Use as Required - = Non Illustrated Part P.A.R. = Paint as Required

DOOR, FRONT SHELL, HANDLE AND LOCK P BODY 44
Figure 23C-900

8171 900



ITEM	PART NUMBER	QTY	BODY	MODEL	DESCRIPTION
1	4419 012-3	1			HANDLE, Exterior
2	4365 006-7	1			LINK, Handle to Latch
3	4336 136	2			CLIP, Lock Cylinder to Lever
4					SCREW (DNS)
5					BRACKET and ISOLATOR, Serviced in Item 1
6	6500 284	4			SCREW
7	4365 004-5	1			LINK, Cylinder to Latch
8					RETAINER, Lock Cylinder, Refer to 23D
9					CYLINDER, Lock, Refer to 23D
10					HINGE, Body Half
	4365 815	2			Upper
	4365 813	2			Lower
11	6501 155	8			SCREW, Hinge
12					HINGE, Door Half
	4280 730	2			Upper
	4365 026	2			Lower
13	4443 646-7	1			DOOR SHELL
	4415 560-1	1			PANEL, Repair
14		4			PLUG, Drain (DNS)
15	6031 115	AR			RIVET
16	4445 400	2			SOLENOID, Door Lock
17	4184 172	2			CLIP, Solenoid
18					LATCH
	4336 377	1			Left
	4336 378	1			Right
19	6501 220	6			SCREW, Latch Mtg.
20	4365 004-5	1			LINK, Lock Cylinder to Latch
21	4365 006-7	1			LINK, Handle to Latch
22					KNOB and PUSHROD, Locking
	D632-3 GR8	1			Red
	D632-3 EC5	1			Blue
	D632-3 GS8	1			Charcoal
	D632-3 GL7	1			Taupe
23	4184 244-5	1			CLIP
24	3882 620	2			CLIP, Anti Rattle
25	4336 728-9	1			LINK, Remote Control Handle to Latch
26	4336 750	2			LINK, Solenoid to Latch

MODEL CODES

C BODY = (D41 - DYNASTY)(C41 - NEW YORKER)	L BODY = (M - HORIZON)(Z-OMNI)
E BODY = (J - CARAVELLE)(E - 600)(T - NEW YORKER TURBO)	M BODY = (B - GRAN FURY)(G - DIPLOMAT)(F - FIFTH AVENUE/NEWPORT)
G BODY = (V24 - DAYTONA, PACIFICA & SHELBY)	P BODY = (P - SUNDANCE)(D - SHADOW)
H BODY = (D44 - LANCER)(C44 - LEBARON GTS)	Q BODY = (C27 - MASERATI)
J BODY = (C - LEBARON)	S BODY = (H - VOYAGER)(K - RAM VAN/ CARAVAN)
K BODY = (P - RELIANT)(D - ARIES)(C - LEBARON/ TOWN & COUNTRY)	

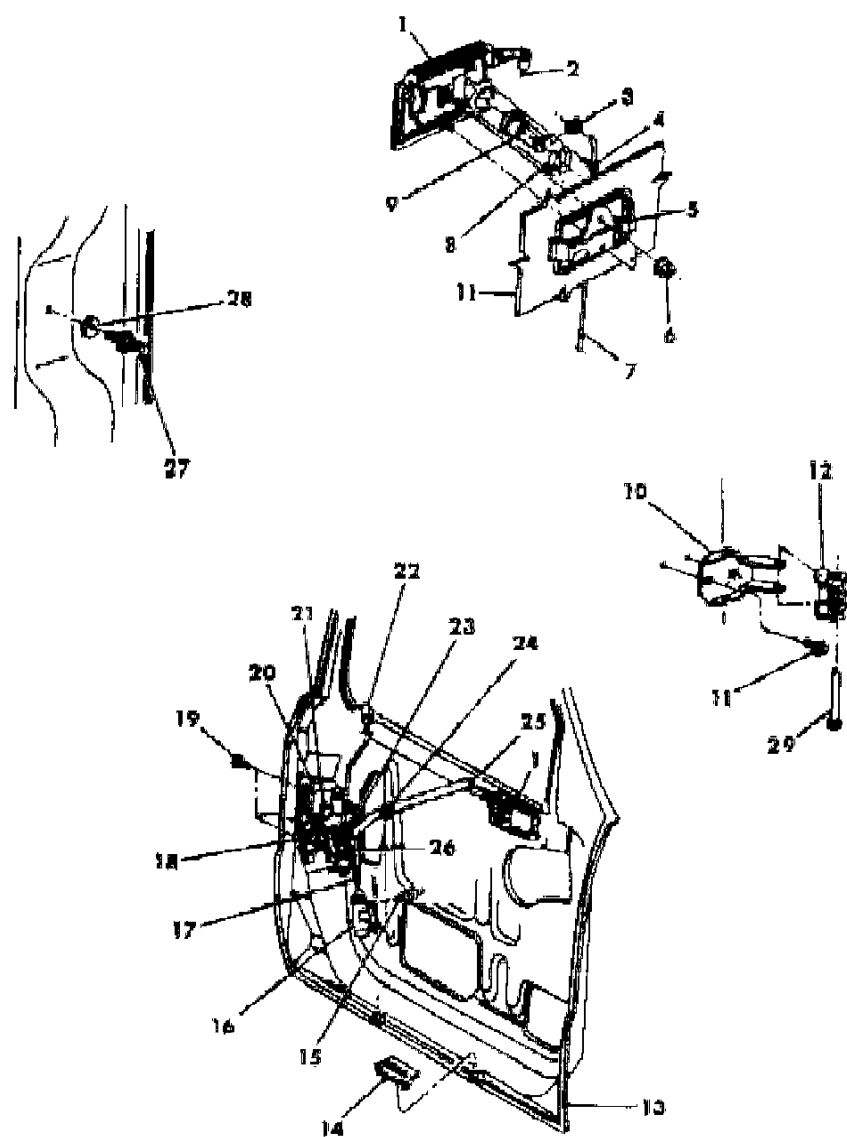
BODY STYLES

12-52 = FWD VAN & WAGON STD. W.B.	27 = 2-DOOR CONVERTIBLE
13-53 = FWD VAN & WGN EXT W.B.	41 = 4-DOOR SEDAN
21 = 2-DOOR SEDAN	44 = 4-DOOR HATCHBACK
24 = 2-DOOR HATCHBACK	45 = 4-DOOR STATION WAGON

AR = Use as Required - = Non Illustrated Part P.A.R. = Paint as Required

DOOR, FRONT SHELL, HANDLE AND LOCK P BODY 44
Figure 23C-900

8171 900



ITEM	PART NUMBER	QTY	BODY	MODEL	DESCRIPTION
------	-------------	-----	------	-------	-------------

27	4336 826	2			STRIKER, Door
28	4184 105	AR			SPACER, Door Striker
29	4280 727	4			PIN, Hinge

MODEL CODES

C BODY = (D41 - DYNASTY)(C41 - NEW YORKER)
 E BODY = (J - CARAVELLE)(E - 600)(T - NEW YORKER TURBO)
 G BODY = (V24 - DAYTONA, PACIFICA & SHELBY)
 H BODY = (D44 - LANCER)(C44 - LEBARON GTS)
 J BODY = (C - LEBARON)
 K BODY = (P - RELIANT)(D - ARIES)(C - LEBARON/ TOWN & COUNTRY)

L BODY = (M - HORIZON)(Z-OMNI)
 M BODY = (B - GRAN FURY)(G - DIPLOMAT)(F - FIFTH AVENUE/NEWPORT)
 P BODY = (P - SUNDANCE)(D - SHADOW)
 Q BODY = (C27 - MASERATI)
 S BODY = (H - VOYAGER)(K - RAM VAN/ CARAVAN)

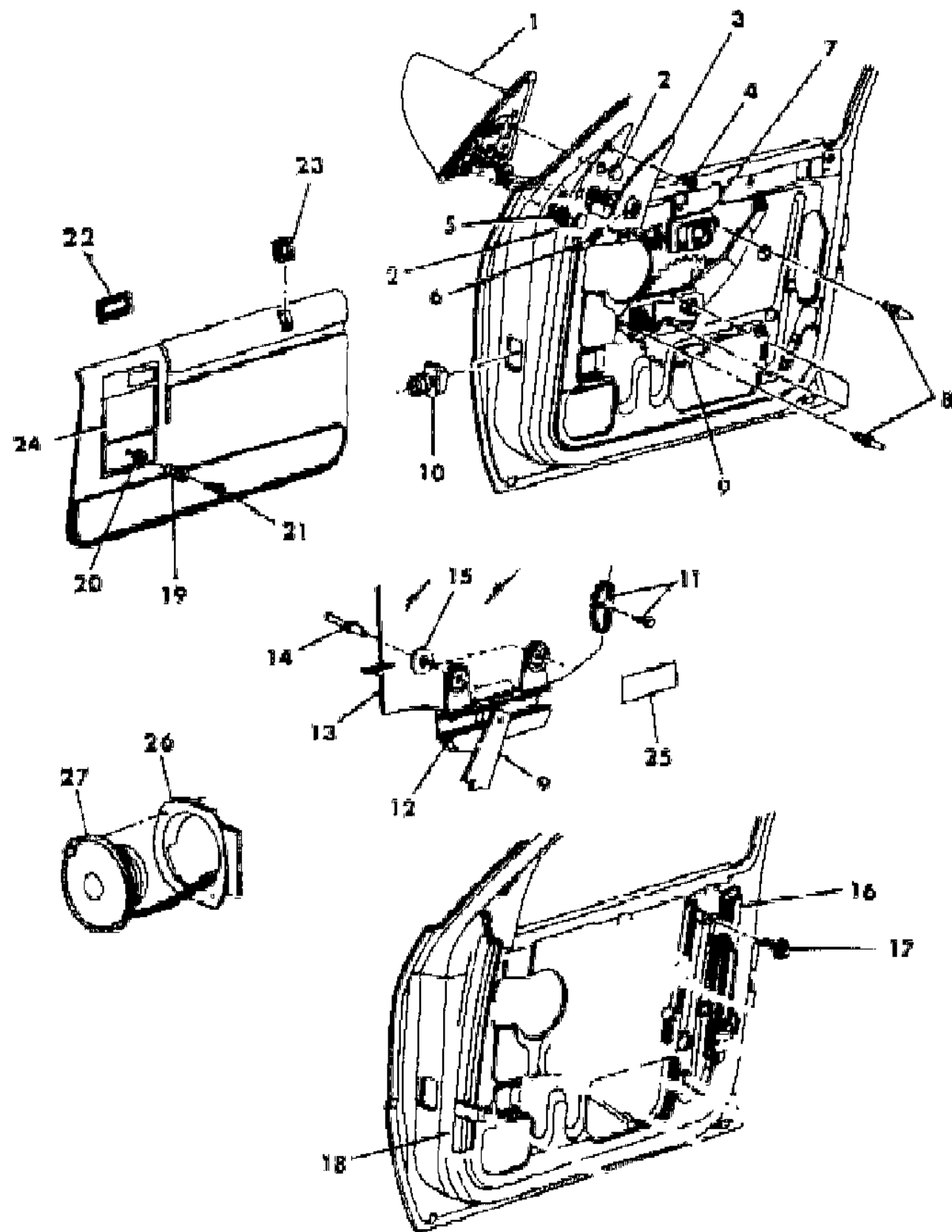
BODY STYLES

12-52 = FWD VAN & WAGON STD. W.B. 27 = 2-DOOR CONVERTIBLE
 13-53 = FWD VAN & WGN EXT W.B. 41 = 4-DOOR SEDAN
 21 = 2-DOOR SEDAN 44 = 4-DOOR HATCHBACK
 24 = 2-DOOR HATCHBACK 45 = 4-DOOR STATION WAGON

AR = Use as Required - = Non Illustrated Part P.A.R. = Paint as Required

DOOR, FRONT GLASS AND REGULATOR P BODY 44
Figure 23C-1000

8171 1000



ITEM	PART NUMBER	QTY	BODY	MODEL	DESCRIPTION
1-6					MIRROR, Exterior, Refer to Mirror Illustration
7	4445 002-3	1			HOUSING, Remote Control
8	6031 115	AR			RIVET
9					REGULATOR, Window
	4336 452-3	1			Manual, Up to 5-9-88
	4480 026-7	1			Manual After 5-9-88
	4445 602-3	1			Electric
	4445 506-7	1			MOTOR and MECHANISM, Electric Regulator
	4467 214	2			GEAR PACKAGE, Flex Rack
	6501 230	10			SCREW, Electric Regulator Mtg.
	D456 GL7	2			COVER, Window Regulator Bezel
10					FLEXTUBE, Serviced in Wiring Harness
11	4339 372	4			SLIDE PACKAGE, Glass
12	4396 688	2			CHANNEL, Glass Lift
13					GLASS, Door
	4445 328-9	1			Clear
	4445 330-1	1			Tinted
	4336 853	2			BUMPER, Glass Downstop
14		4			RIVET (DNS)
15	4310 149	4			GASKET
16	4336 866-7	1			RETAINER and BRACKET, Glass Run Lower Rear
	4445 098	2			BUMPER, Glass Run Rear Retainer
17	6100 557	2			SCREW
18	4445 050-1	1			RETAINER and BRACKET, Glass Run Lower Front
19					HANDLE, Window Regulator
	4310 825	2			Up to 5-9-88
	4415 820	2			After 5-9-88
20					SPACER, Window Regulator Handle
	2935 231	2			Up to 5-9-88
	4445 993	2			After 5-9-88
21	6033 000	2			SCREW
22	4336 732	2			BEZEL, Remote Control
23					BEZEL, Locking Knob
	D444 GR8	2			Red
	D444 EC5	2			Blue
	D444 FS8	2			Charcoal
	D444 GL7	2			Taupe

MODEL CODES
 C BODY = (D41 - DYNASTY)(C41 - NEW YORKER)
 E BODY = (J - CARAVELLE)(E - 600)(T - NEW YORKER TURBO)
 G BODY = (V24 - DAYTONA, PACIFICA & SHELBY)
 H BODY = (D44 - LANCER)(C44 - LEBARON GTS)
 J BODY = (C - LEBARON)
 K BODY = (P - RELIANT)(D - ARIES)(C - LEBARON/ TOWN & COUNTRY)
 L BODY = (M - HORIZON)(Z-OMNI)
 M BODY = (B - GRAN FURY)(G - DIPLOMAT)(F - FIFTH AVENUE/NEWPORT)
 P BODY = (P - SUNDANCE)(D - SHADOW)
 Q BODY = (C27 - MASERATI)
 S BODY = (H - VOYAGER)(K - RAM VAN/ CARAVAN)

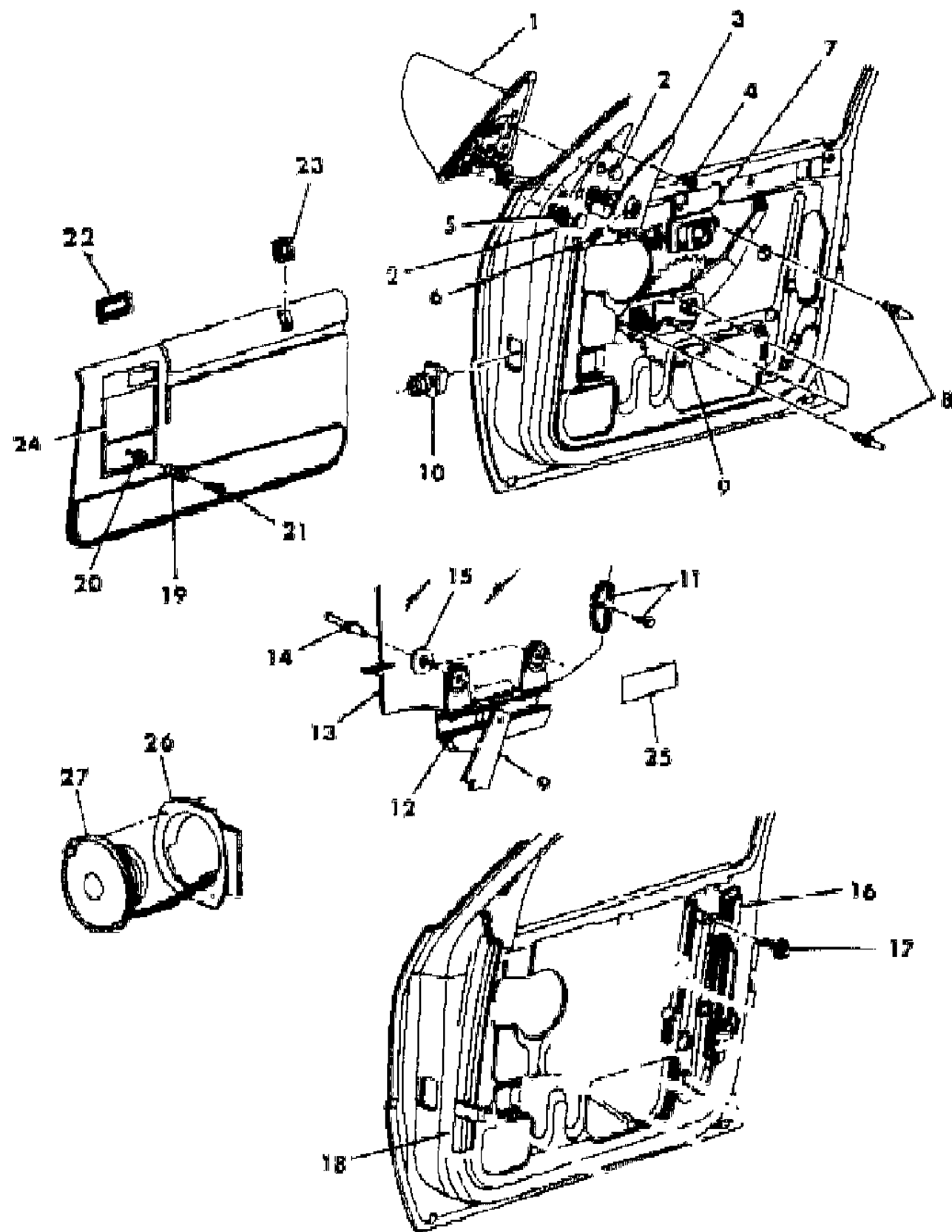
BODY STYLES
 12-52 = FWD VAN & WAGON STD. W.B. 27 = 2-DOOR CONVERTIBLE
 13-53 = FWD VAN & WGN EXT W.B. 41 = 4-DOOR SEDAN
 21 = 2-DOOR SEDAN 44 = 4-DOOR HATCHBACK
 24 = 2-DOOR HATCHBACK 45 = 4-DOOR STATION WAGON

AR = Use as Required - = Non Illustrated Part P.A.R. = Paint as Required

DOOR, FRONT GLASS AND REGULATOR P BODY 44

Figure 23C-1000

8171 1000



ITEM	PART NUMBER	QTY	BODY	MODEL	DESCRIPTION
24	D236-7 EA3	1			BEZEL, Speaker
25	4365 683	1			DECAL, Seat Belt Safety
26	4469 060-1	1			ADAPTOR, Speaker
27	4364 744	2			SPEAKER, Door

MODEL CODES

- C BODY = (D41 - DYNASTY)(C41 - NEW YORKER)
- E BODY = (J - CARAVELLE)(E - 600)(T - NEW YORKER TURBO)
- G BODY = (V24 - DAYTONA, PACIFICA & SHELBY)
- H BODY = (D44 - LANCER)(C44 - LEBARON GTS)
- J BODY = (C - LEBARON)
- K BODY = (P - RELIANT)(D - ARIES)(C - LEBARON/ TOWN & COUNTRY)
- L BODY = (M - HORIZON)(Z-OMNI)
- M BODY = (B - GRAN FURY)(G - DIPLOMAT)(F - FIFTH AVENUE/NEWPORT)
- P BODY = (P - SUNDANCE)(D - SHADOW)
- Q BODY = (C27 - MASERATI)
- S BODY = (H - VOYAGER)(K - RAM VAN/ CARAVAN)

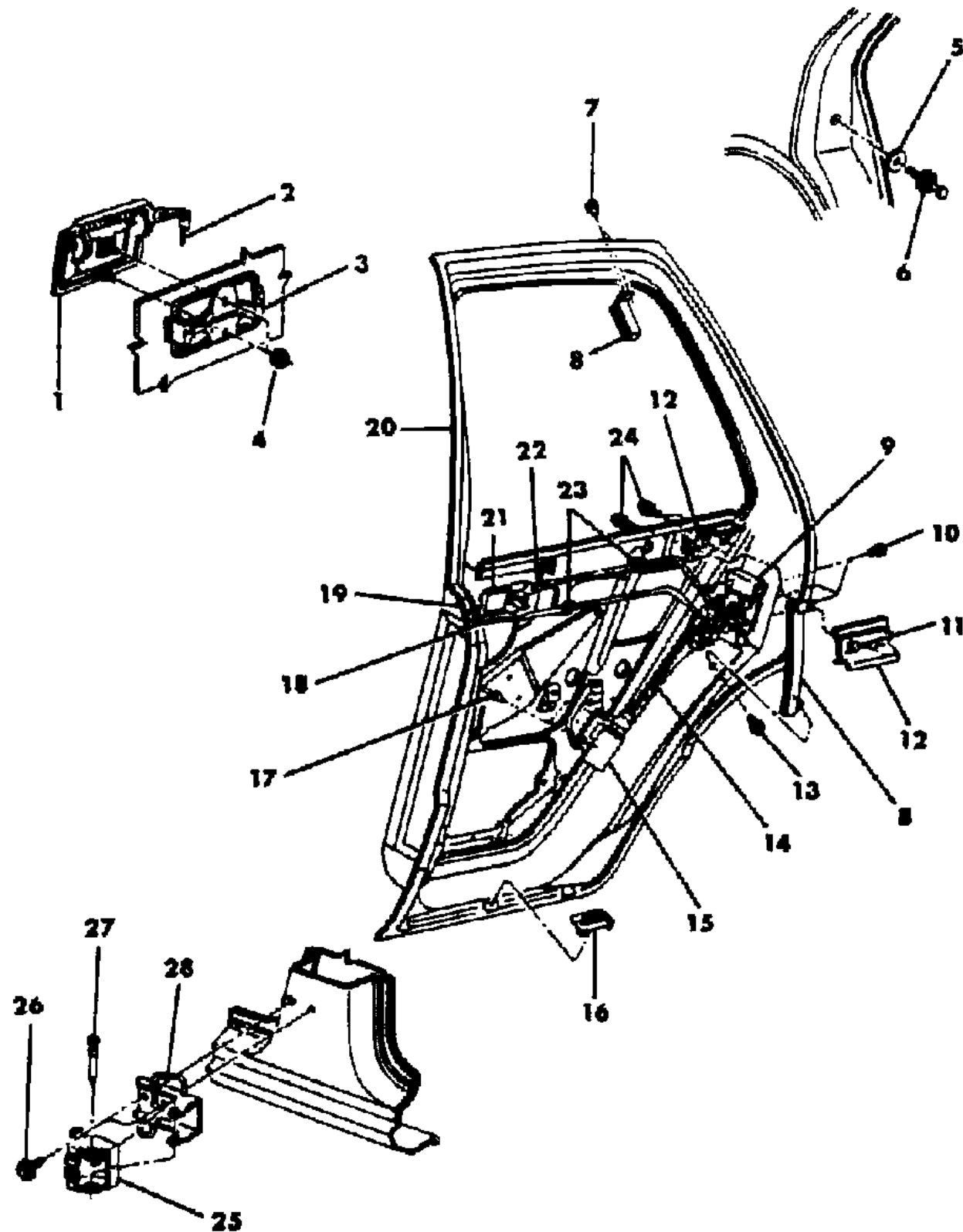
BODY STYLES

- 12-52 = FWD VAN & WAGON STD. W.B.
- 13-53 = FWD VAN & WGN EXT W.B.
- 21 = 2-DOOR SEDAN
- 24 = 2-DOOR HATCHBACK
- 27 = 2-DOOR CONVERTIBLE
- 41 = 4-DOOR SEDAN
- 44 = 4-DOOR HATCHBACK
- 45 = 4-DOOR STATION WAGON

AR = Use as Required - = Non Illustrated Part P.A.R. = Paint as Required

DOOR, REAR SHELL, HANDLE AND CONTROLS P BODY 44
Figure 23C-1100

8171 1100



ITEM	PART NUMBER	QTY	BODY	MODEL	DESCRIPTION
1	4419 014-5	1			HANDLE, Exterior
2	4336 386-7	1			LINK, Handle to Latch
3		2			BRACKET and INSULATOR, Handle, Serviced in Item 1
4	6500 284	4			NUT
5	4184 105	AR			SPACER, Striker
6	4310 543	2			STRIKER, Latch
7		2			SCREW (DNS)
8	4445 522-3	1			CHANNEL, w/Glass
	4365 054-5	1			REINFORCEMENT, Division Channel to Inner Panel
9	4415 410-1	1			LATCH
10	6501 220	6			SCREW, Latch Mtg.
11	6100 041	2			U-NUT
12		2			REINFORCEMENT, Outer Panel Belt, Serviced in #20
13	6024 067	2			SCREW, Division Channel
14	4336 403	2			LINK, Solenoid to Latch
15	4396 015	2			SOLENOID, Door Lock
16		2			PLUG, Drain (DNS)
17	6031 115	AR			RIVET
18	4336 840-1	1			LINK, Latch Locking
19	4336 824-5	1			LEVER, Latch Locking
20	4397 468-9	1			DOOR SHELL
	4415 575	2			REINFORCEMENT, Inner Panel
	4415 566-7	1			PANEL, Repair
21	4445 002-3	1			HOUSING, Remote Control
22	4336 836-7	1			LINK, Remote Control
23	3882 620	4			CLIP, Anti Rattle
24	6100 567	AR			SCREW
25	4415 932	2			HINGE, Door Half, Lower
	4415 934	2			Upper
26	6500 300	AR			SCREW, Body Half Hinge
27	4280 727	4			PIN, Hinge
28	4310 182	2			HINGE, Body Half, Lower
	4310 933	2			Upper

MODEL CODES

C BODY = (D41 - DYNASTY)(C41 - NEW YORKER)
 E BODY = (J - CARAVELLE)(E - 600)(T - NEW YORKER TURBO)
 G BODY = (V24 - DAYTONA, PACIFICA & SHELBY)
 H BODY = (D44 - LANCER)(C44 - LEBARON GTS)
 J BODY = (C - LEBARON)
 K BODY = (P - RELIANT)(D - ARIES)(C - LEBARON/ TOWN & COUNTRY)

L BODY = (M - HORIZON)(Z-OMNI)
 M BODY = (B - GRAN FURY)(G - DIPLOMAT)(F - FIFTH AVENUE/NEWPORT)
 P BODY = (P - SUNDANCE)(D - SHADOW)
 Q BODY = (C27 - MASERATI)
 S BODY = (H - VOYAGER)(K - RAM VAN/ CARAVAN)

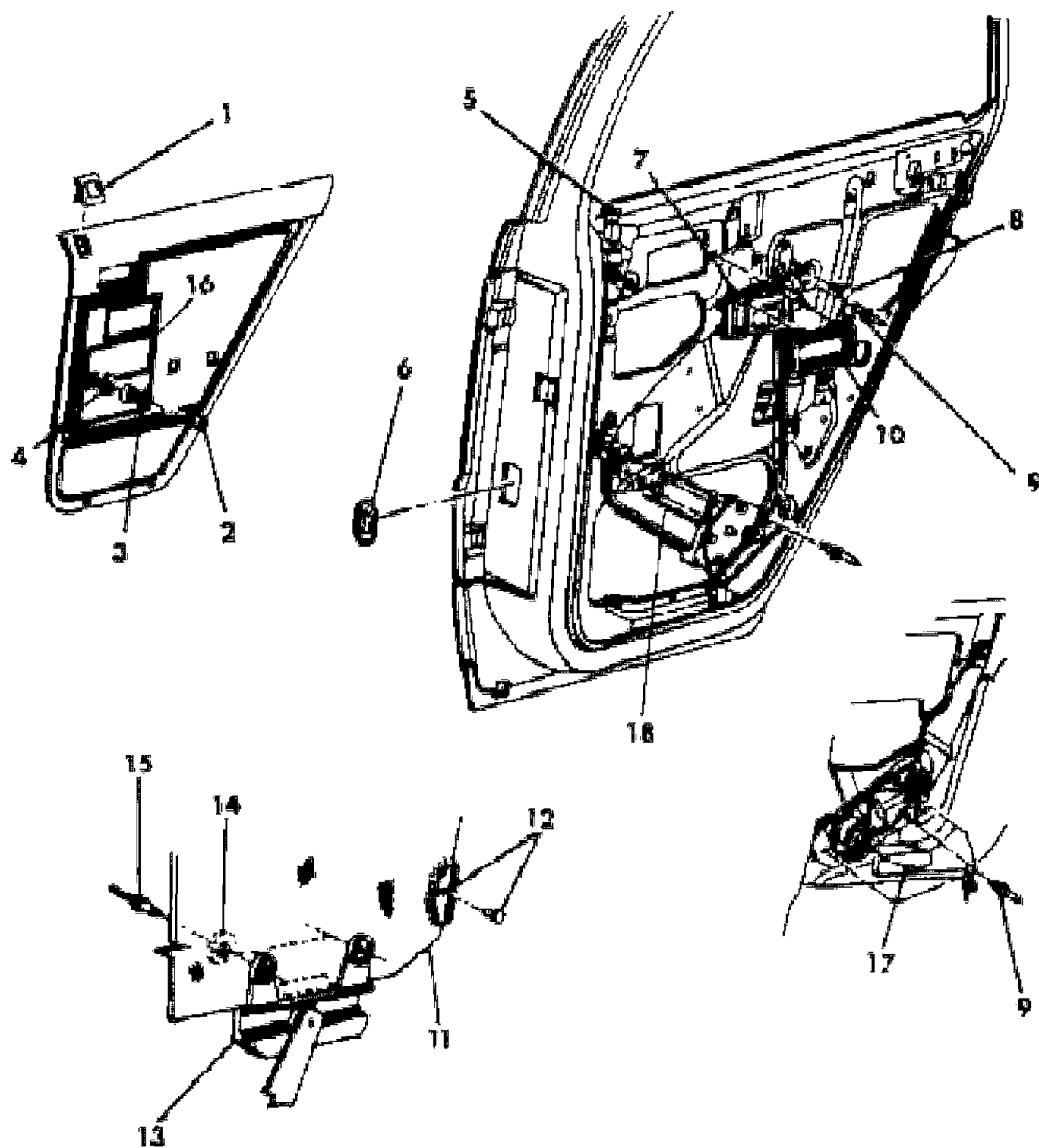
BODY STYLES

12-52 = FWD VAN & WAGON STD. W.B. 27 = 2-DOOR CONVERTIBLE
 13-53 = FWD VAN & WGN EXT W.B. 41 = 4-DOOR SEDAN
 21 = 2-DOOR SEDAN 44 = 4-DOOR HATCHBACK
 24 = 2-DOOR HATCHBACK 45 = 4-DOOR STATION WAGON

AR = Use as Required - = Non Illustrated Part P.A.R. = Paint as Required

DOOR, REAR GLASS, REGULATOR AND LOCKS P BODY 44
Figure 23C-1200

8171 1200



ITEM	PART NUMBER	QTY	BODY	MODEL	DESCRIPTION
1	D444 GR8	2			BEZEL, Door Lock Knob Red
	D444 EC5	2			Blue
	D444 FS8	2			Charcoal
	D444 GL7	2			Taupe
2	6033 000	2			SCREW, Window Regulator Handle Up to 5-9-88
	6032 830	2			After 5-9-88
3					HANDLE, Window Regulator
	4310 825	2			Up to 5-9-88
	4415 820	2			After 5-9-88
4	4415 824	2			PLUG, Handle
					SPACER, Window Regulator Handle
	2935 231	2			Up to 5-9-88
5	4445 993	2			After 5-9-88
					KNOB, Latch Locking
6	D604 GR8	2			Red
	D604 EC5	2			Blue
	D604 GS8	2			Cordovan
	D604 GL7	2			Almond
	4336 843	2			PUSH ROD, Latch Locking
6	6031 488	2			PLUG, Hinge Pillar
7	4445 002-3	1			HOUSING, Remote Control
8	6100 557	2			SCREW, Regulator Att.
9	6031 115	AR			RIVET
10	4336 732	2			BEZEL, Remote Control
11					GLASS, Movable
	4480 008-9	1			Clear
	4480 010-1	1			Tinted
	4475 590-1	1			GLASS, Fixed
	4396 294	2			STABILIZER, Glass
12	4339 372	2			SLIDE PACKAGE, Glass
13	4336 997	2			CHANNEL, Glass Lift, w/Manual Regulator
	4336 896-7	1			LIFTARM, w/Electric Regulator
14	4310 149	4			GASKET, Lift Channel
15		4			RIVET (DNS)
16	D238-9 GL7	1			BEZEL, Trim Panel

MODEL CODES

C BODY = (D41 - DYNASTY)(C41 - NEW YORKER)	L BODY = (M - HORIZON)(Z-OMNI)
E BODY = (J - CARAVELLE)(E - 600)(T - NEW YORKER TURBO)	M BODY = (B - GRAN FURY)(G - DIPLOMAT)(F - FIFTH AVENUE/NEWPORT)
G BODY = (V24 - DAYTONA, PACIFICA & SHELBY)	P BODY = (P - SUNDANCE)(D - SHADOW)
H BODY = (D44 - LANCER)(C44 - LEBARON GTS)	Q BODY = (C27 - MASERATI)
J BODY = (C - LEBARON)	S BODY = (H - VOYAGER)(K - RAM VAN/ CARAVAN)
K BODY = (P - RELIANT)(D - ARIES)(C - LEBARON/ TOWN & COUNTRY)	

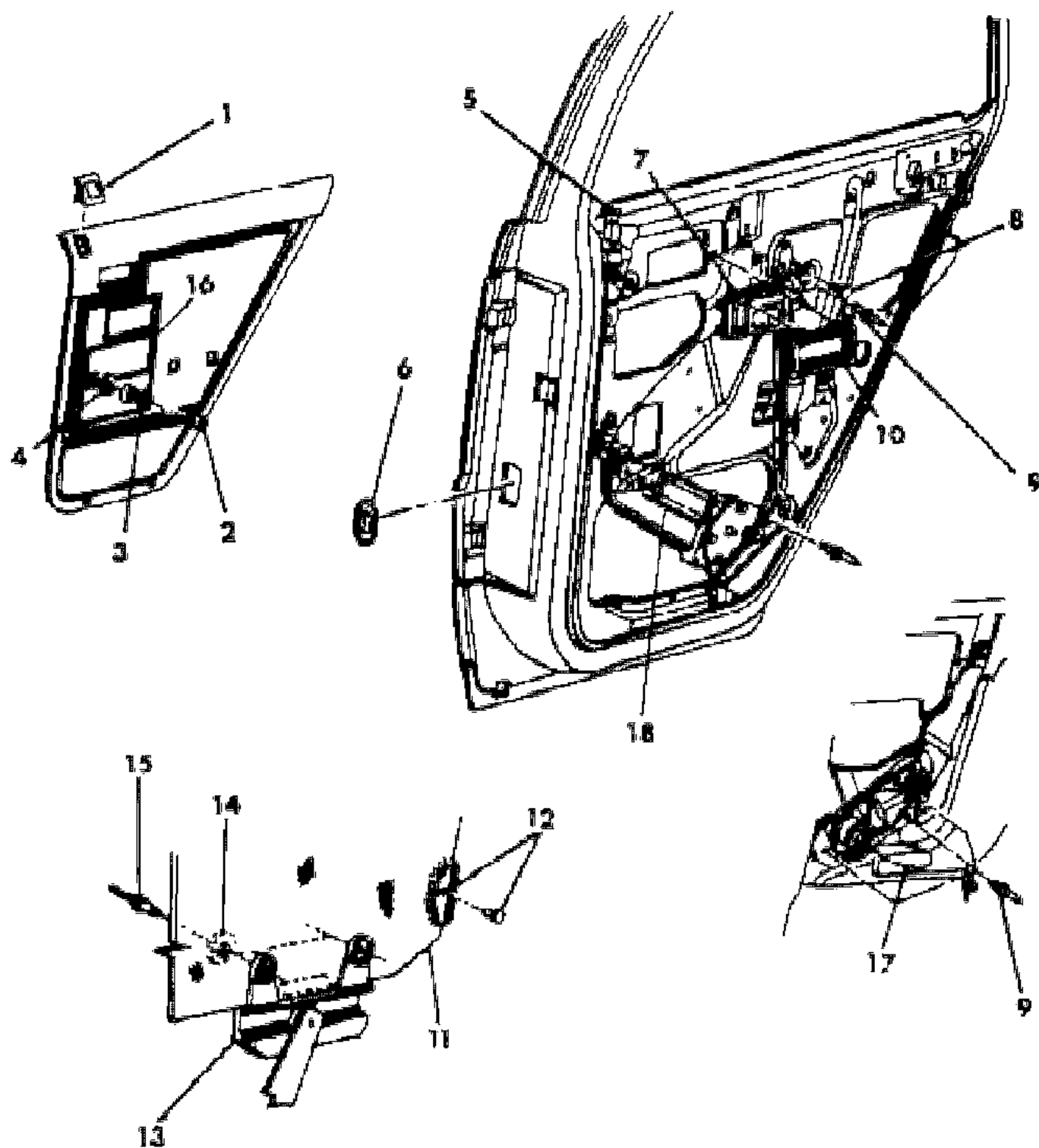
BODY STYLES

12-52 = FWD VAN & WAGON STD. W.B.	27 = 2-DOOR CONVERTIBLE
13-53 = FWD VAN & WGN EXT W.B.	41 = 4-DOOR SEDAN
21 = 2-DOOR SEDAN	44 = 4-DOOR HATCHBACK
24 = 2-DOOR HATCHBACK	45 = 4-DOOR STATION WAGON

AR = Use as Required - = Non Illustrated Part P.A.R. = Paint as Required

DOOR, REAR GLASS, REGULATOR AND LOCKS P BODY 44
Figure 23C-1200

8171 1200



ITEM	PART NUMBER	QTY	BODY	MODEL	DESCRIPTION
17					REGULATOR, Window
	4336 456-7	1			Manual, Up to 5-9-88
	4480 028-9	1			Manual, After 5-9-88
	4396 208-9	1			Electric
	4467 214	2			GEAR PACKAGE, Regulator Flexrack
18	4445 502-3	1			MOTOR and MECHANISM, Electric Regulator

MODEL CODES

C BODY = (D41 - DYNASTY)(C41 - NEW YORKER)
 E BODY = (J - CARAVELLE)(E - 600)(T - NEW YORKER TURBO)
 G BODY = (V24 - DAYTONA, PACIFICA & SHELBY)
 H BODY = (D44 - LANCER)(C44 - LEBARON GTS)
 J BODY = (C - LEBARON)
 K BODY = (P - RELIANT)(D - ARIES)(C - LEBARON/ TOWN & COUNTRY)
 L BODY = (M - HORIZON)(Z-OMNI)
 M BODY = (B - GRAN FURY)(G - DIPLOMAT)(F - FIFTH AVENUE/NEWPORT)
 P BODY = (P - SUNDANCE)(D - SHADOW)
 Q BODY = (C27 - MASERATI)
 S BODY = (H - VOYAGER)(K - RAM VAN/ CARAVAN)

BODY STYLES

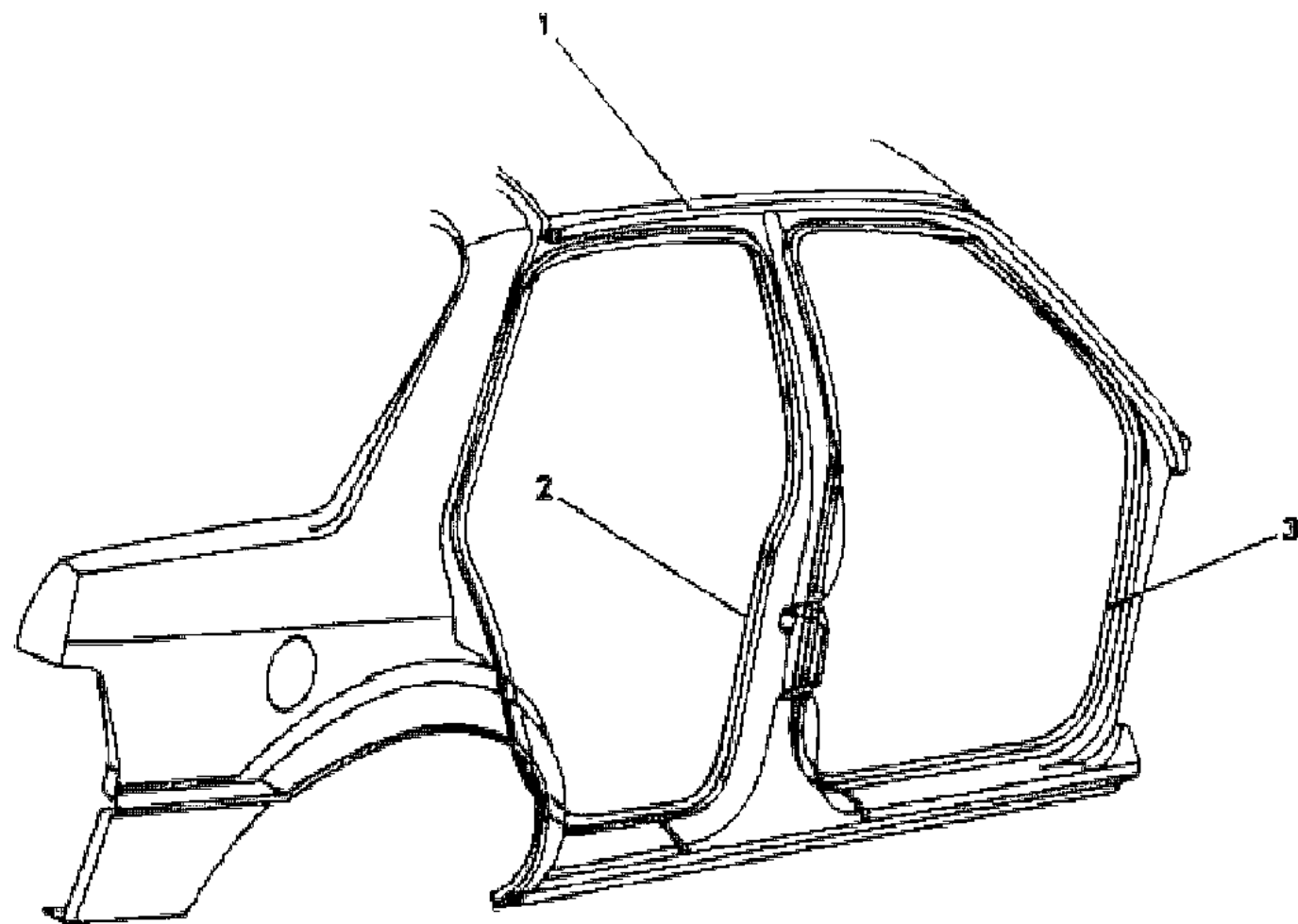
12-52 = FWD VAN & WAGON STD. W.B. 27 = 2-DOOR CONVERTIBLE
 13-53 = FWD VAN & WGN EXT W.B. 41 = 4-DOOR SEDAN
 21 = 2-DOOR SEDAN 44 = 4-DOOR HATCHBACK
 24 = 2-DOOR HATCHBACK 45 = 4-DOOR STATION WAGON

AR = Use as Required - = Non Illustrated Part P.A.R. = Paint as Required

DOOR, FRONT AND REAR WEATHERSTRIPS P BODY
Figure 23C-1300

8171 1300

ITEM	PART NUMBER	QTY	BODY	MODEL	DESCRIPTION
1	4445 952	2		44	WEATHERSTRIP, Front and Rear Door Drip Secondary
	4415 960-1	1		24	
2	4445 336-7	1			WEATHERSTRIP, Rear Door Opening
	4381 900-1	1			WEATHERSTRIP, Rear Door
3	4336 928-9	1		44	WEATHERSTRIP, Front Door Opening
	4336 974-5	1		24	



MODEL CODES

C BODY = (D41 - DYNASTY)(C41 - NEW YORKER)	L BODY = (M - HORIZON)(Z-OMNI)
E BODY = (J - CARAVELLE)(E - 600)(T - NEW YORKER TURBO)	M BODY = (B - GRAN FURY)(G - DIPLOMAT)(F - FIFTH AVENUE/NEWPORT)
G BODY = (V24 - DAYTONA, PACIFICA & SHELBY)	P BODY = (P - SUNDANCE)(D - SHADOW)
H BODY = (D44 - LANCER)(C44 - LEBARON GTS)	Q BODY = (C27 - MASERATI)
J BODY = (C - LEBARON)	S BODY = (H - VOYAGER)(K - RAM VAN/ CARAVAN)
K BODY = (P - RELIANT)(D - ARIES)(C - LEBARON/ TOWN & COUNTRY)	

BODY STYLES

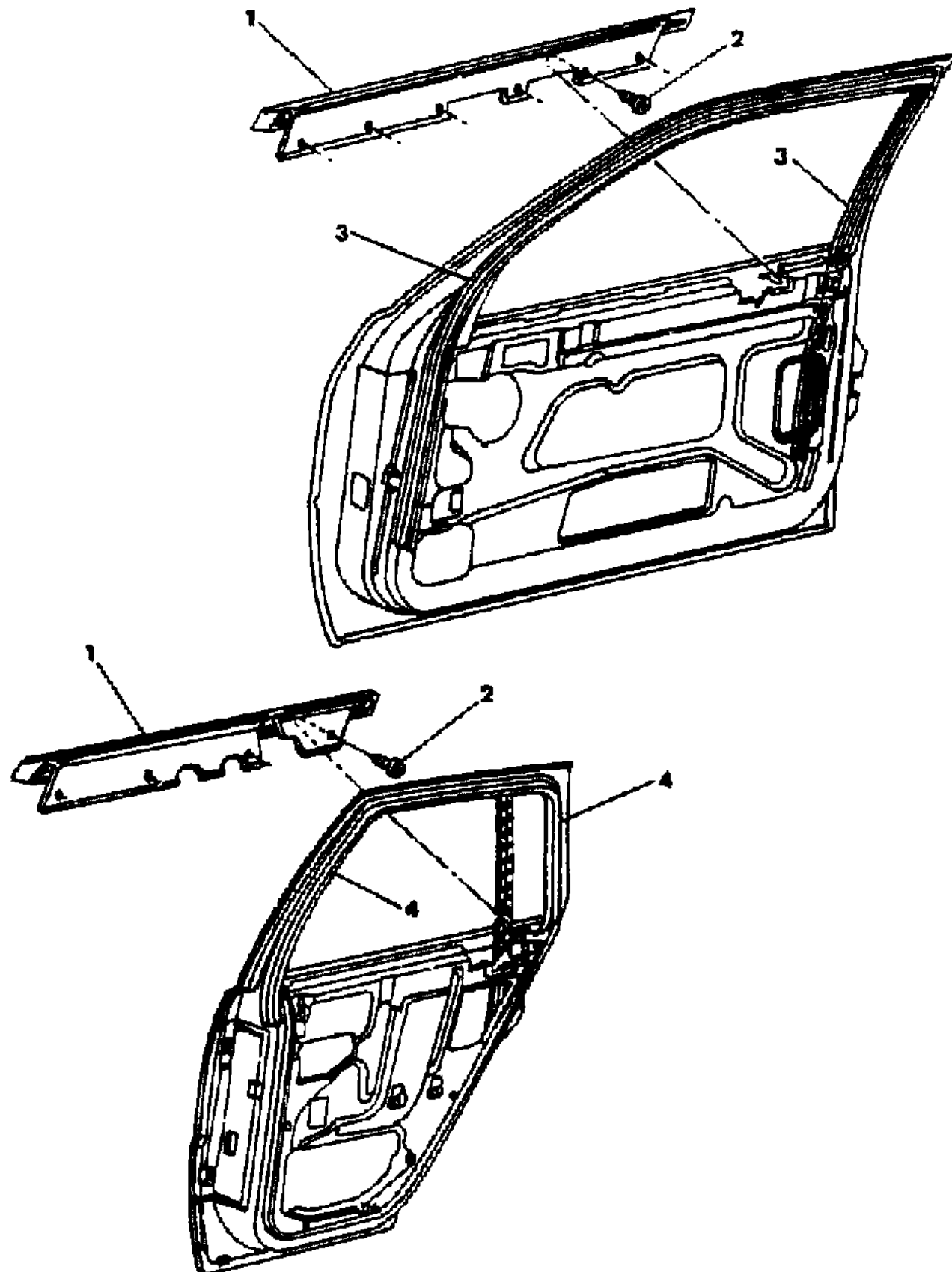
12-52 = FWD VAN & WAGON STD. W.B.	27 = 2-DOOR CONVERTIBLE
13-53 = FWD VAN & WGN EXT W.B.	41 = 4-DOOR SEDAN
21 = 2-DOOR SEDAN	44 = 4-DOOR HATCHBACK
24 = 2-DOOR HATCHBACK	45 = 4-DOOR STATION WAGON

AR = Use as Required - = Non Illustrated Part P.A.R. = Paint as Required

DOOR, FRONT AND REAR RUN AND SEALS P BODY

Figure 23C-1400

8171 1400



ITEM	PART NUMBER	QTY	BODY	MODEL	DESCRIPTION
1					MOULDING and WEATHERSTRIP, Refer to Exterior Ornamentation
2	6032 456	AR			SCREW
3	4415 342-3	1		44	RUN, Front Door Glass
	4415 346-7	1		24	
4	4336 704-5	1		44	RETAINER, Front Door Glass Run Rear, Upper
	4445 372-3	1		44	

MODEL CODES

C BODY = (D41 - DYNASTY)(C41 - NEW YORKER)
 E BODY = (J - CARAVELLE)(E - 600)(T - NEW YORKER TURBO)
 G BODY = (V24 - DAYTONA, PACIFICA & SHELBY)
 H BODY = (D44 - LANCER)(C44 - LEBARON GTS)
 J BODY = (C - LEBARON)
 K BODY = (P - RELIANT)(D - ARIES)(C - LEBARON/ TOWN & COUNTRY)
 L BODY = (M - HORIZON)(Z-OMNI)
 M BODY = (B - GRAN FURY)(G - DIPLOMAT)(F - FIFTH AVENUE/NEWPORT)
 P BODY = (P - SUNDANCE)(D - SHADOW)
 Q BODY = (C27 - MASERATI)
 S BODY = (H - VOYAGER)(K - RAM VAN/ CARAVAN)

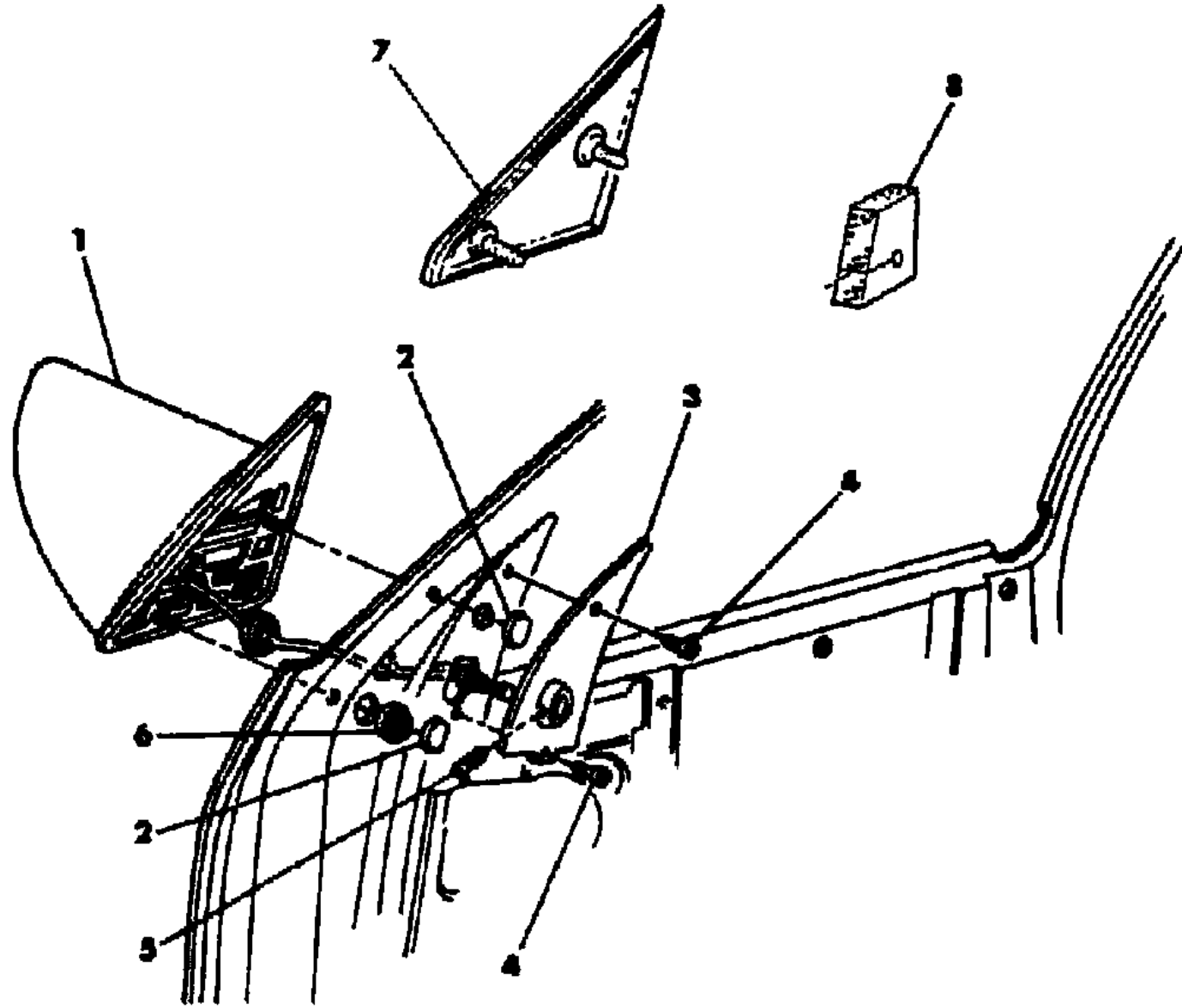
BODY STYLES

12-52 = FWD VAN & WAGON STD. W.B. 27 = 2-DOOR CONVERTIBLE
 13-53 = FWD VAN & WGN EXT W.B. 41 = 4-DOOR SEDAN
 21 = 2-DOOR SEDAN 44 = 4-DOOR HATCHBACK
 24 = 2-DOOR HATCHBACK 45 = 4-DOOR STATION WAGON

AR = Use as Required - = Non Illustrated Part P.A.R. = Paint as Required

MIRROR, EXTERIOR P BODY
Figure 23C-1500

8171 1500 A



ITEM	PART NUMBER	QTY	BODY	MODEL	DESCRIPTION
1					MIRROR, Exterior
	4299 412-3	1			Remote Control
	4299 570-1	1			Electric
	4299 798-9	1			Electric (EUROPEAN)
	4339 360-1	1			GLASS, Mirror Replacement
2	4415 888	2			PLUG, Mirror, Inside Att.
3	4299 378-9	1			BEZEL, Inside, w/Remote Control Mirrors
	4299 380-1	1			w/Electric Mirrors
4		2			SCREW (DNS)
5		2			SCREW (DNS)
6		2			NUT (DNS)
7	4299 574	1			BEZEL, Outer Right
8	4299 668	2			SEAL, Bezel

MODEL CODES

C BODY = (D41 - DYNASTY)(C41 - NEW YORKER)
 E BODY = (J - CARAVELLE)(E - 600)(T - NEW YORKER TURBO)
 G BODY = (V24 - DAYTONA, PACIFICA & SHELBY)
 H BODY = (D44 - LANCER)(C44 - LEBARON GTS)
 J BODY = (C - LEBARON)
 K BODY = (P - RELIANT)(D - ARIES)(C - LEBARON/ TOWN & COUNTRY)
 L BODY = (M - HORIZON)(Z-OMNI)
 M BODY = (B - GRAN FURY)(G - DIPLOMAT)(F - FIFTH AVENUE/NEWPORT)
 P BODY = (P - SUNDANCE)(D - SHADOW)
 Q BODY = (C27 - MASERATI)
 S BODY = (H - VOYAGER)(K - RAM VAN/ CARAVAN)

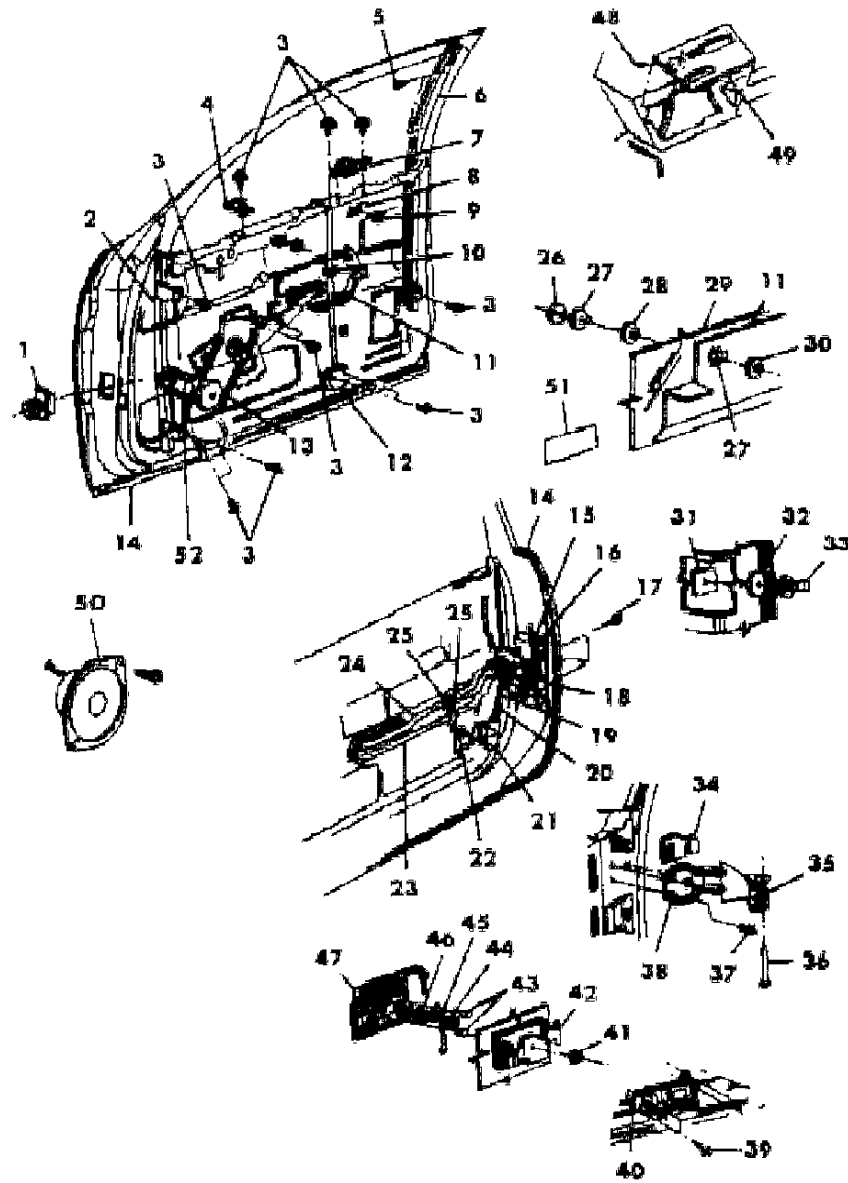
BODY STYLES

12-52 = FWD VAN & WAGON STD. W.B. 27 = 2-DOOR CONVERTIBLE
 13-53 = FWD VAN & WGN EXT W.B. 41 = 4-DOOR SEDAN
 21 = 2-DOOR SEDAN 44 = 4-DOOR HATCHBACK
 24 = 2-DOOR HATCHBACK 45 = 4-DOOR STATION WAGON

AR = Use as Required - = Non Illustrated Part P.A.R. = Paint as Required

DOOR, FRONT COMPLETE LESS WEATHERSTRIPS AND RUNS J BODY 21
Figure 23C-1600

8171 1600



ITEM	PART NUMBER	QTY	BODY	MODEL	DESCRIPTION
1	4400 049	2			GROMMET, Door
2	4365 864-5	1			CHANNEL and BRACKET, Glass, Front
3		AR			SCREW (DNS)
4	4365 862	2			STABILIZER, Glass
5	6032 456	2			SCREW
6	4445 172-3	1			CHANNEL and BRACKET, Glass, Rear
7	4365 984-5	1			BRACKET and LINER, Glass Guide
8	4365 959	4			BRACKET, Upstop
9	6500 284	4			NUT and WASHER
10	3788 079	2			SLEEVE, Guide Post
11	4365 878-9	1			LIFTPLATE, Glass
	3788 272	2			GUIDE, Liftplate Lower
	4365 978	4			BUMPER, Liftplate Downstop
12	4365 916	2			GUIDEPOST and BRACKET
13					REGULATOR, Glass
	4365 914-5	1			Manual
	4415 878-9	1			Electric
	4365 888	2			SPRING, Regulator Assist
	4310 825	2			HANDLE, Regulator
	4396 002	2			SPACER, Regulator Handle
	6031 644	2			SCREW, Regulator Handle
14	4443 640-1				DOOR SHELL
	2895 126	4			PLUG, Drain
					PANEL, Repair
	4415 590-1	1			Up to 10-29-87
	4480 664-5	1			After 10-29-87
15	4396 082-3	1			LINK, Cylinder to Latch
16					LATCH, Door
	4396 246	1			Right
	4396 249	1			Left
17	6501 220	6			SCREW
18	4184 244-5	1			CLIP, Lock Link Att.
19	4184 172	2			CLIP, Solenoid
20	4184 172	2			CLIP
21	4396 015	2			SOLENOID, Lock
22	6031 115	AR			RIVET
23	4396 124-5	1			LINK and SLEEVE, Latch Locking

MODEL CODES

C BODY = (D41 - DYNASTY)(C41 - NEW YORKER)	L BODY = (M - HORIZON)(Z-OMNI)
E BODY = (J - CARAVELLE)(E - 600)(T - NEW YORKER TURBO)	M BODY = (B - GRAN FURY)(G - DIPLOMAT)(F - FIFTH AVENUE/NEWPORT)
G BODY = (V24 - DAYTONA, PACIFICA & SHELBY)	P BODY = (P - SUNDANCE)(D - SHADOW)
H BODY = (D44 - LANCER)(C44 - LEBARON GTS)	Q BODY = (C27 - MASERATI)
J BODY = (C - LEBARON)	S BODY = (H - VOYAGER)(K - RAM VAN/ CARAVAN)
K BODY = (P - RELIANT)(D - ARIES)(C - LEBARON/ TOWN & COUNTRY)	

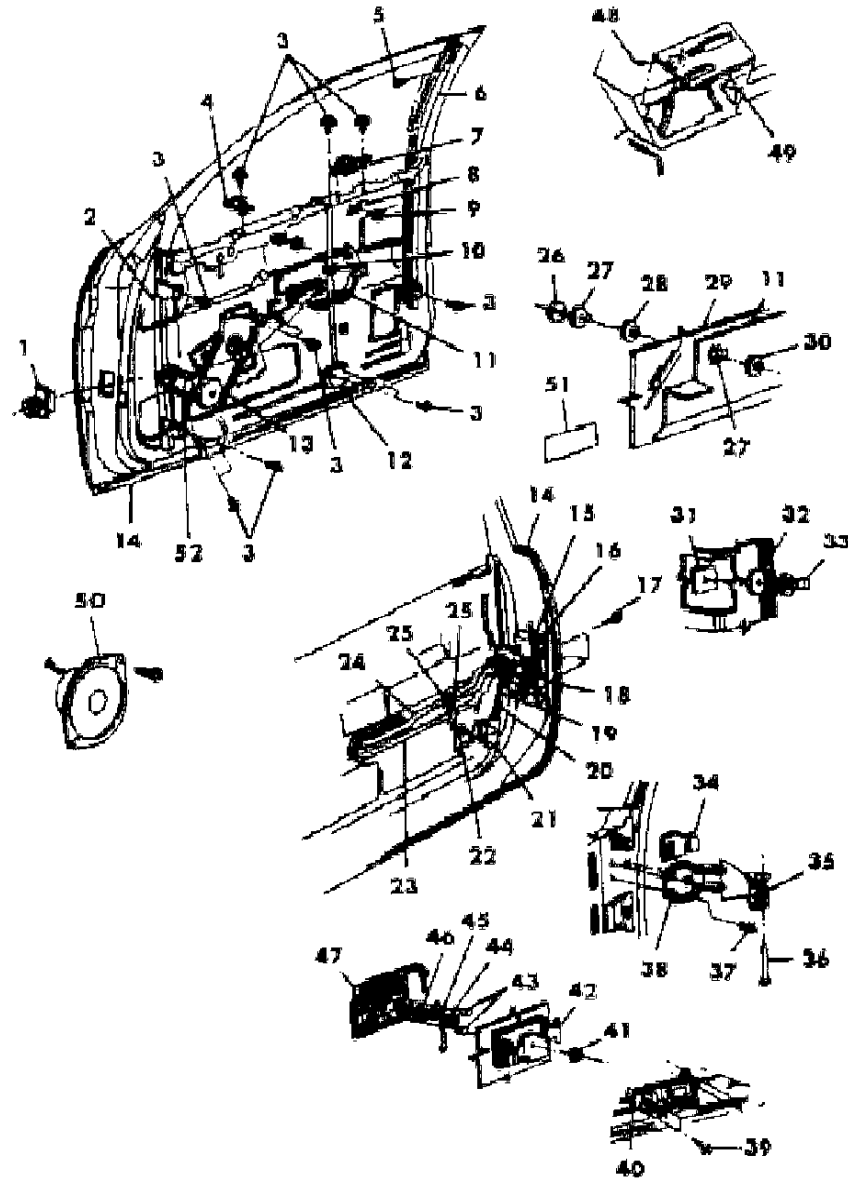
BODY STYLES

12-52 = FWD VAN & WAGON STD. W.B.	27 = 2-DOOR CONVERTIBLE
13-53 = FWD VAN & WGN EXT W.B.	41 = 4-DOOR SEDAN
21 = 2-DOOR SEDAN	44 = 4-DOOR HATCHBACK
24 = 2-DOOR HATCHBACK	45 = 4-DOOR STATION WAGON

AR = Use as Required - = Non Illustrated Part P.A.R. = Paint as Required

DOOR, FRONT COMPLETE LESS WEATHERSTRIPS AND RUNS J BODY 21
Figure 23C-1600

8171 1600



ITEM	PART NUMBER	QTY	BODY	MODEL	DESCRIPTION
	4396 106	2			LINK, Solenoid to Latch
24	4396 128-9	1			LINK and SLEEVE, Latch R/Control
25	3882 620	4			CLIP, Antirattle
26	6029 998	6			WASHER and STUD, Glass
27	5231 769	12			GASKET, Glass Isolator
28	6028 587	6			T-NUT
29	4480 496-7	1			GLASS and GUIDE, Door
	4475 592-3	1			(EUROPEAN)
30		2			NUT (DNS)
31	4314 743	2			PLATE, Striker
32	4184 105	2			SPACER, Striker
33	4310 543	2			STRIKER, Latch
34	4336 288	AR			SHIM, Hinge
35					HINGE, Door Half
	4280 730	2			Upper
	4280 732	2			Lower
36	4280 727	4			PIN, Hinge
37	6500 354	12			SCREW, Hinge
38					HINGE, Body Half
	4365 815	2			Upper
	4365 813	2			Lower
39	6032 985	8			SCREW
40	4396 018-9	1			REMOTE CONTROL, Door
41	6031 029	2			NUT and WASHER
42	4396 472-3	1			BRACKET, w/Isolator
43		AR			SCREW (DNS)
44	4184 684-5	1			RETAINER, Lock Cylinder
45	4336 136	2			CLIP, Link to Cylinder
46		2			CYLINDER, Door Lock, Refer to 23D
47					HANDLE, Exterior
	4419 026-7	1			Black
	4480 998-9	1			White
48	0140 854	2			SCREW
49					BEZEL, Trim Panel
	4381 848-9	1			w/Remote Control Mirrors, Black
	4496 188-9	1			w/Remote Mirrors, Woodgrain
	4381 850	1			Right, w/Door Locks, Black

MODEL CODES

C BODY = (D41 - DYNASTY)(C41 - NEW YORKER)
 E BODY = (J - CARAVELLE)(E - 600)(T - NEW YORKER TURBO)
 G BODY = (V24 - DAYTONA, PACIFICA & SHELBY)
 H BODY = (D44 - LANCER)(C44 - LEBARON GTS)
 J BODY = (C - LEBARON)
 K BODY = (P - RELIANT)(D - ARIES)(C - LEBARON/ TOWN & COUNTRY)

L BODY = (M - HORIZON)(Z-OMNI)
 M BODY = (B - GRAN FURY)(G - DIPLOMAT)(F - FIFTH AVENUE/NEWPORT)
 P BODY = (P - SUNDANCE)(D - SHADOW)
 Q BODY = (C27 - MASERATI)
 S BODY = (H - VOYAGER)(K - RAM VAN/ CARAVAN)

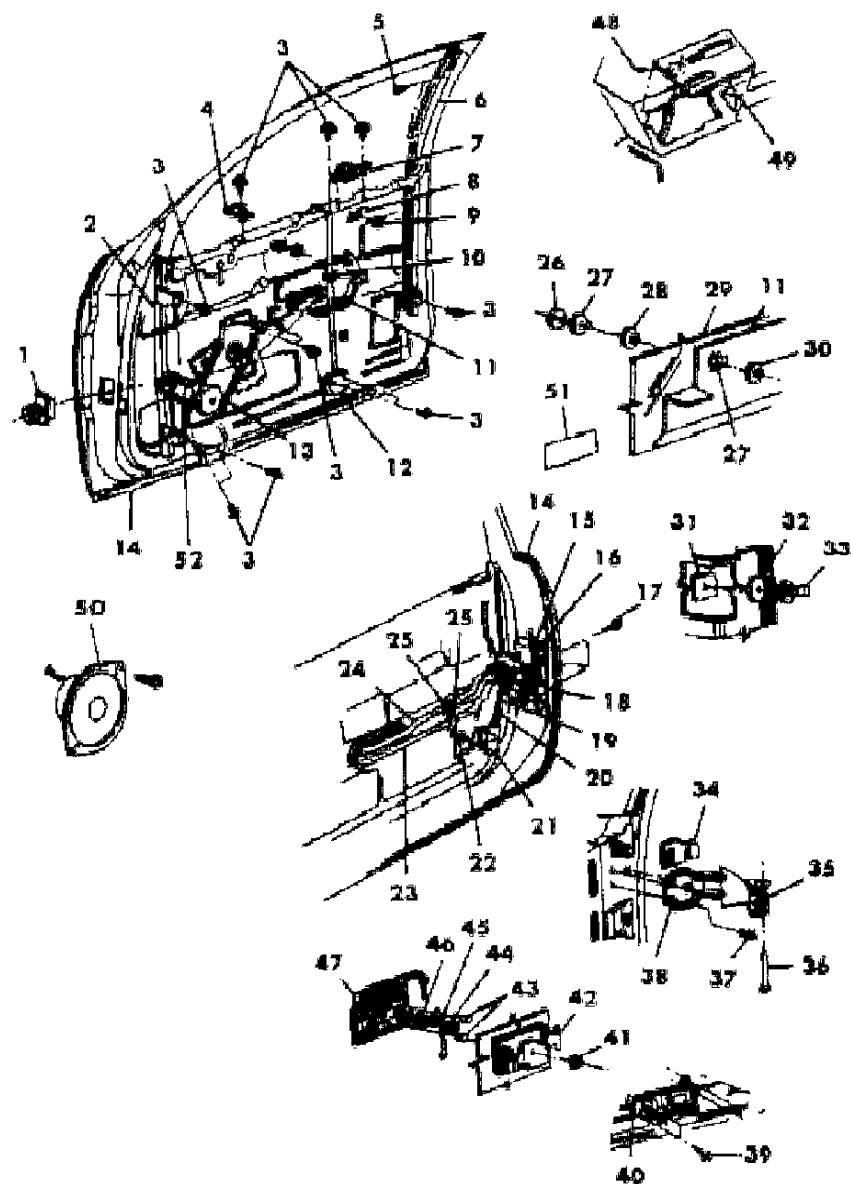
BODY STYLES

12-52 = FWD VAN & WAGON STD. W.B. 27 = 2-DOOR CONVERTIBLE
 13-53 = FWD VAN & WGN EXT W.B. 41 = 4-DOOR SEDAN
 21 = 2-DOOR SEDAN 44 = 4-DOOR HATCHBACK
 24 = 2-DOOR HATCHBACK 45 = 4-DOOR STATION WAGON

AR = Use as Required - = Non Illustrated Part P.A.R. = Paint as Required

DOOR, FRONT COMPLETE LESS WEATHERSTRIPS AND RUNS J BODY 21
Figure 23C-1600

8171 1600



ITEM	PART NUMBER	QTY	BODY	MODEL	DESCRIPTION
	4496 190	1			Right, w/Door Locks, Woodgrain
	4381 851	1			Left, w/Door Locks and Electric Mirrors, Black
	4496 191	1			Left, w/Door Locks and Electric Mirrors, Woodgrain
	4381 852	1			Left, w/Remote Mirrors and Electric Seat, Black
	4496 193	1			Left, w/Remote Mirrors and Electric Seat, Woodgrain
	4381 853	1			Left, w/Door Locks, Electric Mirrors and Electric Seat, Black
	4496 195	1			Left, w/Door Locks, Electric Mirrors and Electric Seat, Woodgrain
	4247 211	AR			CATCH, Bezel Att.
50					SPEAKER, Door
	4430 066	2			w/Four Speaker System
	4430 174	2			w/Six Speaker System
	4372 600-1	1			ENCLOSURE, Speaker
	D708-9 GL7	1			GRILLE, Speaker
51	4365 683	1			DECAL, Seat Belt Safety
52	4415 168-9	1			MOTOR and MECHANISM, Electric Regulator
	4467 350	2			GEAR and SEAL KIT, Motor

MODEL CODES

C BODY = (D41 - DYNASTY)(C41 - NEW YORKER)	L BODY = (M - HORIZON)(Z-OMNI)
E BODY = (J - CARAVELLE)(E - 600)(T - NEW YORKER TURBO)	M BODY = (B - GRAN FURY)(G - DIPLOMAT)(F - FIFTH AVENUE/NEWPORT)
G BODY = (V24 - DAYTONA, PACIFICA & SHELBY)	P BODY = (P - SUNDANCE)(D - SHADOW)
H BODY = (D44 - LANCER)(C44 - LEBARON GTS)	Q BODY = (C27 - MASERATI)
J BODY = (C - LEBARON)	S BODY = (H - VOYAGER)(K - RAM VAN/ CARAVAN)
K BODY = (P - RELIANT)(D - ARIES)(C - LEBARON/ TOWN & COUNTRY)	

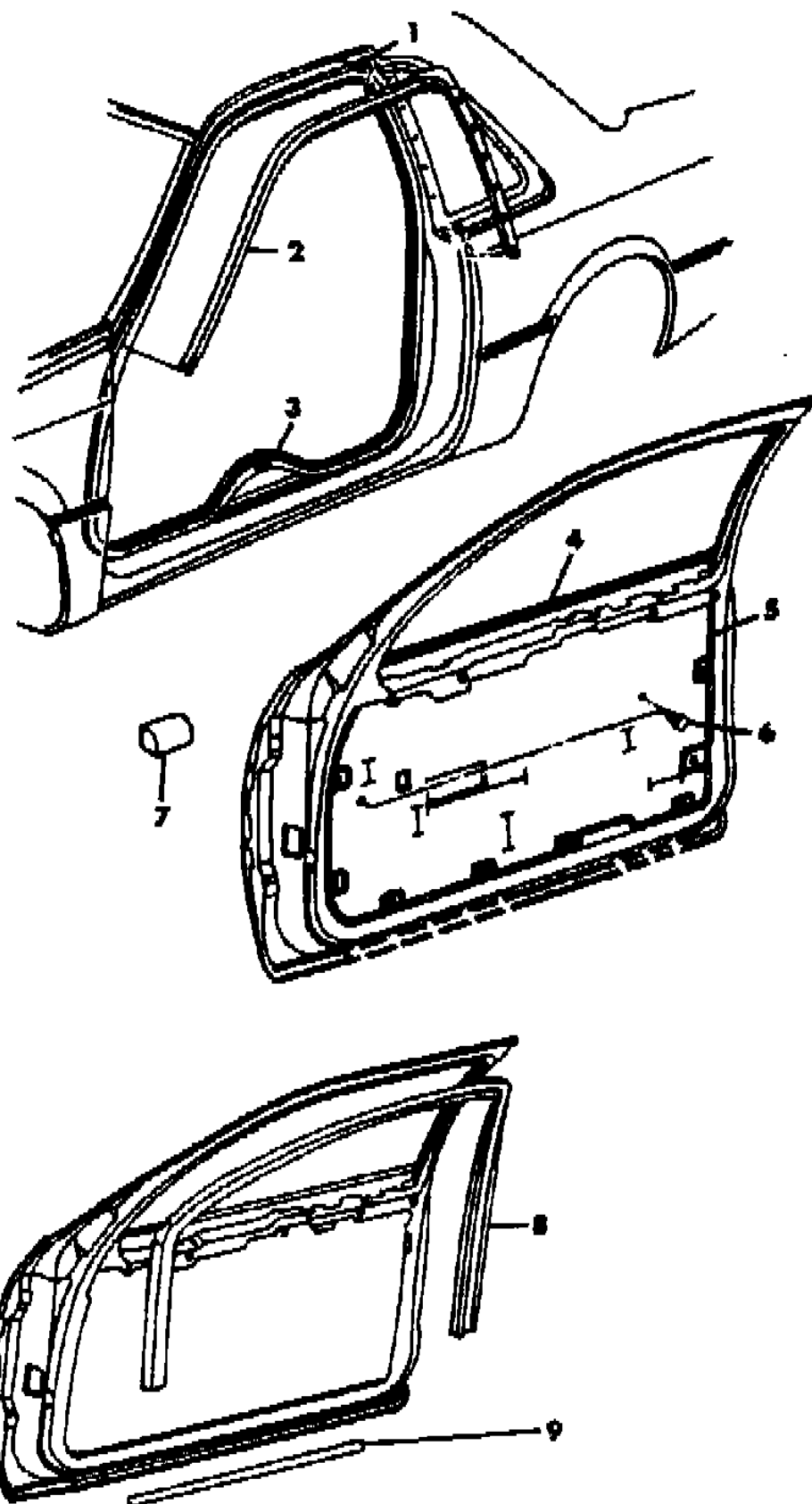
BODY STYLES

12-52 = FWD VAN & WAGON STD. W.B.	27 = 2-DOOR CONVERTIBLE
13-53 = FWD VAN & WGN EXT W.B.	41 = 4-DOOR SEDAN
21 = 2-DOOR SEDAN	44 = 4-DOOR HATCHBACK
24 = 2-DOOR HATCHBACK	45 = 4-DOOR STATION WAGON

AR = Use as Required - = Non Illustrated Part P.A.R. = Paint as Required

DOOR, FRONT WEATHERSTRIPS AND RUNS J BODY 21
Figure 23C-1700

8171 1700 A



ITEM	PART NUMBER	QTY	BODY	MODEL	DESCRIPTION
1	4057 555	AR			RETAINER, Weatherstrip
2	4396 386-7	1			WEATHERSTRIP, Door Opening Drip
3	4445 758-9	1			WEATHERSTRIP, Door Opening
4	4398 566-7	1			WEATHERSTRIP, Outside Belt Moulding
5		2			LINER, Door (DNS)
6	6016 144	4			FASTENER, Liner
7	4396 374	2			SEAL, Belt, Rear
	4445 174-5	1			Front
8	4415 872-3	1			RUN, w/Weatherstrip
	4445 172-3	1			BRACKET, Glass Run Rear
9	4480 698-9	1			WEATHERSTRIP, Secondary

MODEL CODES

C BODY = (D41 - DYNASTY)(C41 - NEW YORKER)
 E BODY = (J - CARAVELLE)(E - 600)(T - NEW YORKER TURBO)
 G BODY = (V24 - DAYTONA, PACIFICA & SHELBY)
 H BODY = (D44 - LANCER)(C44 - LEBARON GTS)
 J BODY = (C - LEBARON)
 K BODY = (P - RELIANT)(D - ARIES)(C - LEBARON/ TOWN & COUNTRY)

L BODY = (M - HORIZON)(Z-OMNI)
 M BODY = (B - GRAN FURY)(G - DIPLOMAT)(F - FIFTH AVENUE/NEWPORT)
 P BODY = (P - SUNDANCE)(D - SHADOW)
 Q BODY = (C27 - MASERATI)
 S BODY = (H - VOYAGER)(K - RAM VAN/ CARAVAN)

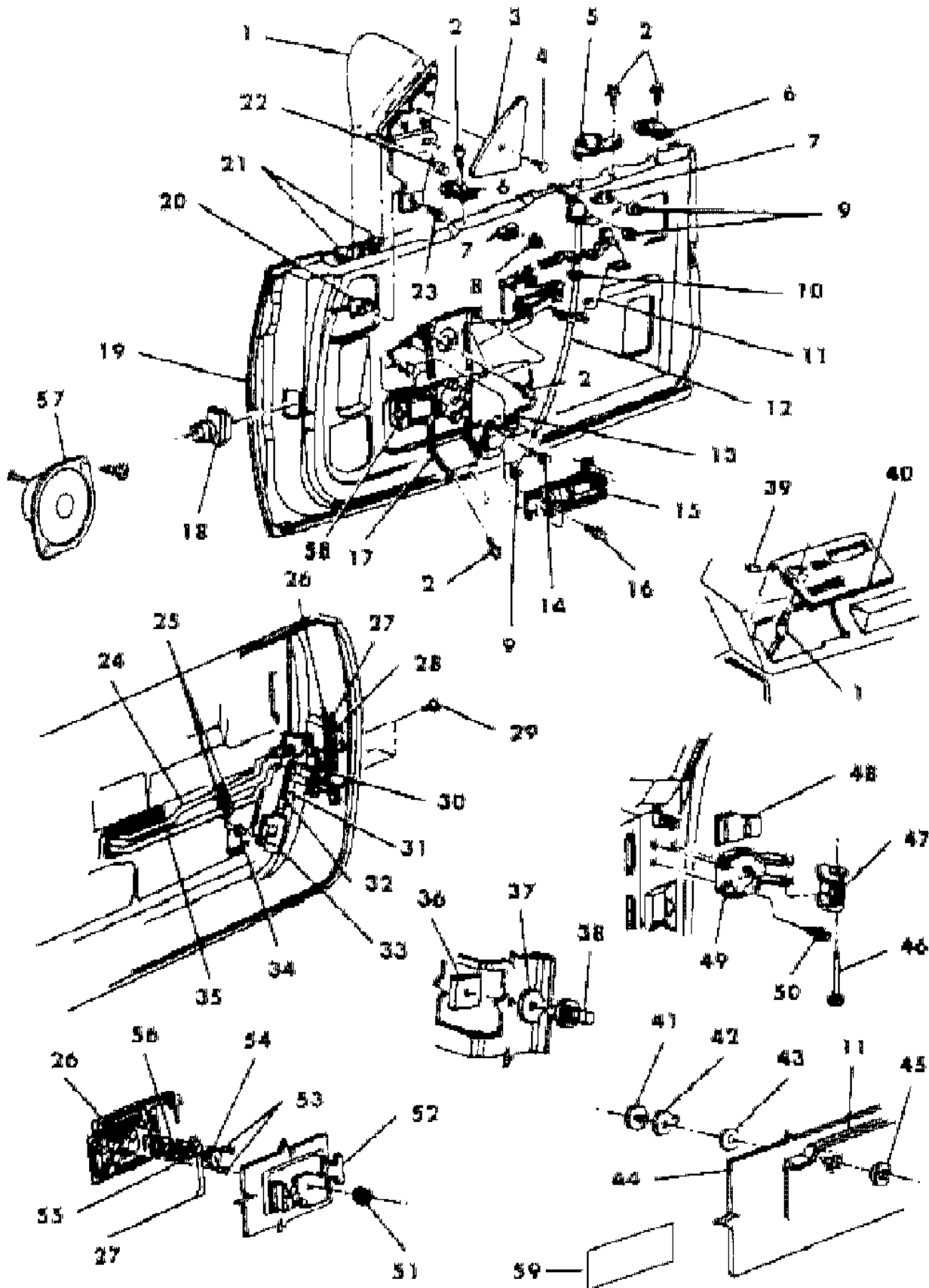
BODY STYLES

12-52 = FWD VAN & WAGON STD. W.B. 27 = 2-DOOR CONVERTIBLE
 13-53 = FWD VAN & WGN EXT W.B. 41 = 4-DOOR SEDAN
 21 = 2-DOOR SEDAN 44 = 4-DOOR HATCHBACK
 24 = 2-DOOR HATCHBACK 45 = 4-DOOR STATION WAGON

AR = Use as Required - = Non Illustrated Part P.A.R. = Paint as Required

DOOR, FRONT COMPLETE, LESS WEATHERSTRIPS AND RUNS J BODY 27
Figure 23C-1800

8171 1800



ITEM	PART NUMBER	QTY	BODY	MODEL	DESCRIPTION
1					MIRROR, Exterior, Refer to Mirror Illus.
2		AR			SCREW (DNS)
3					COVER, Refer to Mirror Illus.
4					SCREW, Refer to Mirror Illus.
5	4365 984-5	1			BRACKET, Glass Guide Hook
6	4365 862	4			STABILIZER, Glass
7	4365 959	4			BRACKET, Upstop
8					SCREW (DNS)
9	6100 047	AR			NUT and WASHER
10	3788 079	2			SLEEVE, Post
11	4396 510-1	1			LIFTPLATE, Glass
	3788 272	2			GUIDE, Liftplate Lower
12	4396 162-3	1			GUIDEPOST, Glass
13	4415 473	2			BRACKET, Downstop
14	6032 114	4			SCREW
15	4396 018-9	1			REMOTE CONTROL, Door
16	6032 985	8			SCREW
17	4415 880-1	1			REGULATOR, Glass
	4365 888	2			SPRING, Regulator Assist
18	4400 049	2			GROMMET
19	4411 924-5	1			DOOR SHELL
	2895 126	4			PLUG, Drain
	4365 564-5	1			PANEL, Repair
					WEDGE, Plastic
	4480 642-3	1			Body Half
	4480 822-3	1			Door Half
20	6101 398	2			U-NUT
21					U-NUT (DNS)
22					SCREW (DNS)
23	6100 286	2			SCREW and WASHER
24	4396 128-9	1			LINK and SLEEVE, Remote Control Latch
25	3882 620	4			CLIP, Antirattle
26					HANDLE, Exterior
	4419 026-7	1			Black
	4480 998-9	1			White
27	4396 082-3	1			LINK, Lock Cylinder to Latch
28					LATCH, Door

MODEL CODES
 C BODY = (D41 - DYNASTY)(C41 - NEW YORKER)
 E BODY = (J - CARAVELLE)(E - 600)(T - NEW YORKER TURBO)
 G BODY = (V24 - DAYTONA, PACIFICA & SHELBY)
 H BODY = (D44 - LANCER)(C44 - LEBARON GTS)
 J BODY = (C - LEBARON)
 K BODY = (P - RELIANT)(D - ARIES)(C - LEBARON/ TOWN & COUNTRY)

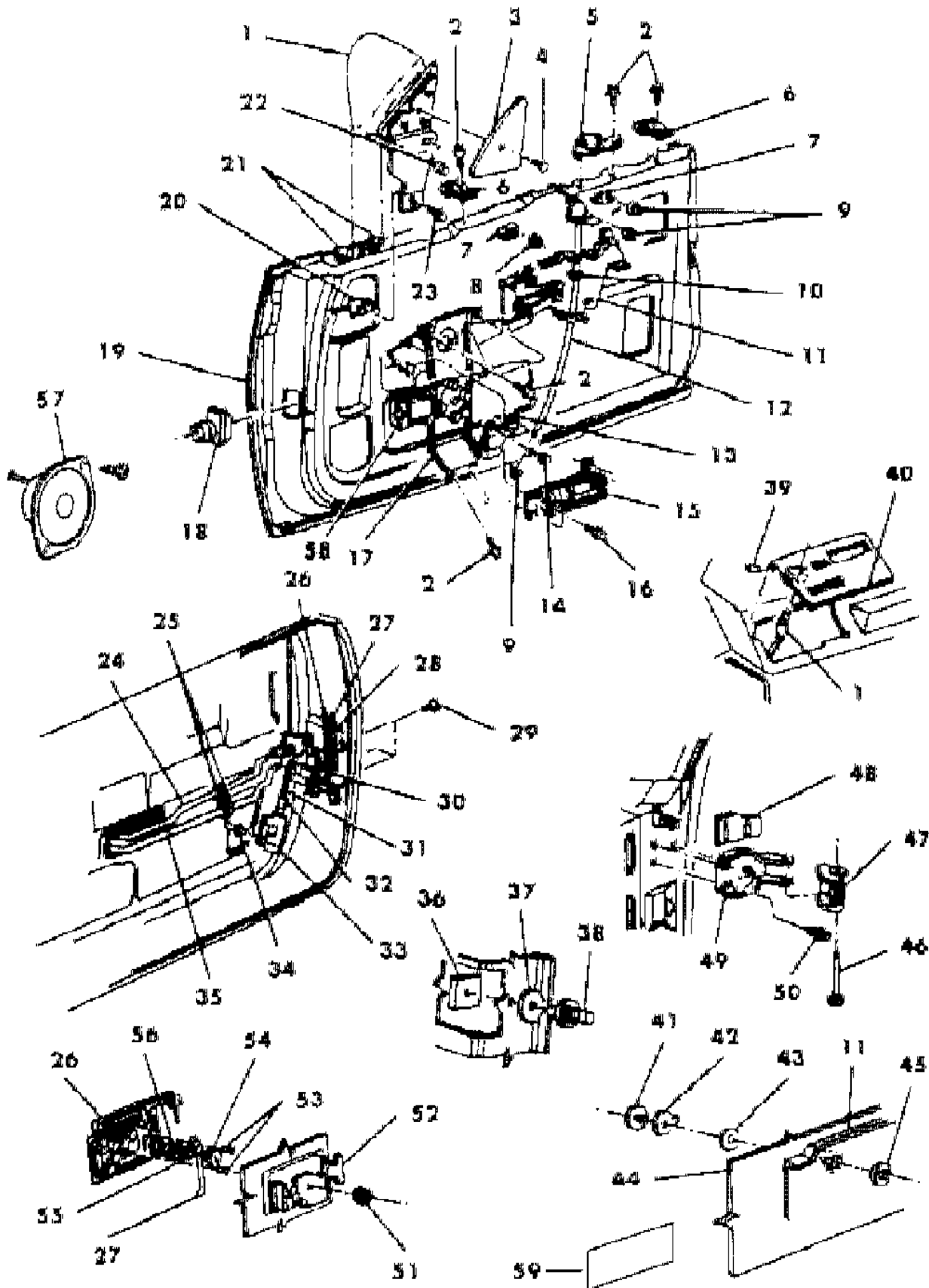
L BODY = (M - HORIZON)(Z-OMNI)
 M BODY = (B - GRAN FURY)(G - DIPLOMAT)(F - FIFTH AVENUE/NEWPORT)
 P BODY = (P - SUNDANCE)(D - SHADOW)
 Q BODY = (C27 - MASERATI)
 S BODY = (H - VOYAGER)(K - RAM VAN/ CARAVAN)

BODY STYLES
 12-52 = FWD VAN & WAGON STD. W.B. 27 = 2-DOOR CONVERTIBLE
 13-53 = FWD VAN & WGN EXT W.B. 41 = 4-DOOR SEDAN
 21 = 2-DOOR SEDAN 44 = 4-DOOR HATCHBACK
 24 = 2-DOOR HATCHBACK 45 = 4-DOOR STATION WAGON

AR = Use as Required - = Non Illustrated Part P.A.R. = Paint as Required

DOOR, FRONT COMPLETE, LESS WEATHERSTRIPS AND RUNS J BODY 27
Figure 23C-1800

8171 1800



ITEM	PART NUMBER	QTY	BODY	MODEL	DESCRIPTION
	4396 249	1			Left
	4396 246	1			Right
29	6501 220	6			SCREW
30	4184 244-5	1			CLIP, Lock Link Att.
31					NUT (DNS)
32	4184 172	2			CLIP
33	4396 015	2			SOLENOID, Lock
34	6031 115	AR			RIVET
35	4396 124-5	1			LINK and SLEEVE, Latch Locking
36	4314 743	2			PLATE, Striker
37	4184 105	AR			SPACER, Striker
38	4310 543	2			STRIKER, Latch
39	0140 854	2			SCREW
40					BEZEL, Trim Panel
	4381 848-9	1			w/Remote Mirrors, Black
	4496 188-9	1			w/Remote Mirrors, Woodgrain
	4381 850	1			Right, w/Door Locks, Black
	4496 190	1			Right, w/Door Locks, Woodgrain
	4381 851	1			Left, w/Door Locks and Electric Mirrors, Black
	4496 191	1			Left, w/Door Locks and Electric Mirrors, Woodgrain
	4381 852	1			Left, w/Remote Mirrors and Electric Seat, Black
	4496 193	1			Left, w/Remote Mirrors and Electric Seat, Woodgrain
	4381 853	1			Left, w/Door Locks, Electric Mirrors and Electric Seat, Black
	4496 195	1			Left, w/Door Locks, Electric Mirrors and Electric Seat, Woodgrain
	4247 211	AR			CATCH, Bezel Att.
41	6029 998	6			STUD, Glass Liftplate Att.
42	5231 769	12			GASKET, Glass Isolator
43	6028 587	6			T-NUT
44	4396 110-1	1			GLASS, Door
	4475 578-9	1			(EUROPEAN)
45					NUT (DNS)
46	4280 727	4			PIN, Hinge
47		4			HINGE, Door Half, Serviced in Door Shell
48	4336 288	AR			SHIM, Hinge
49					HINGE, Body Half
	4365 815	2			Upper

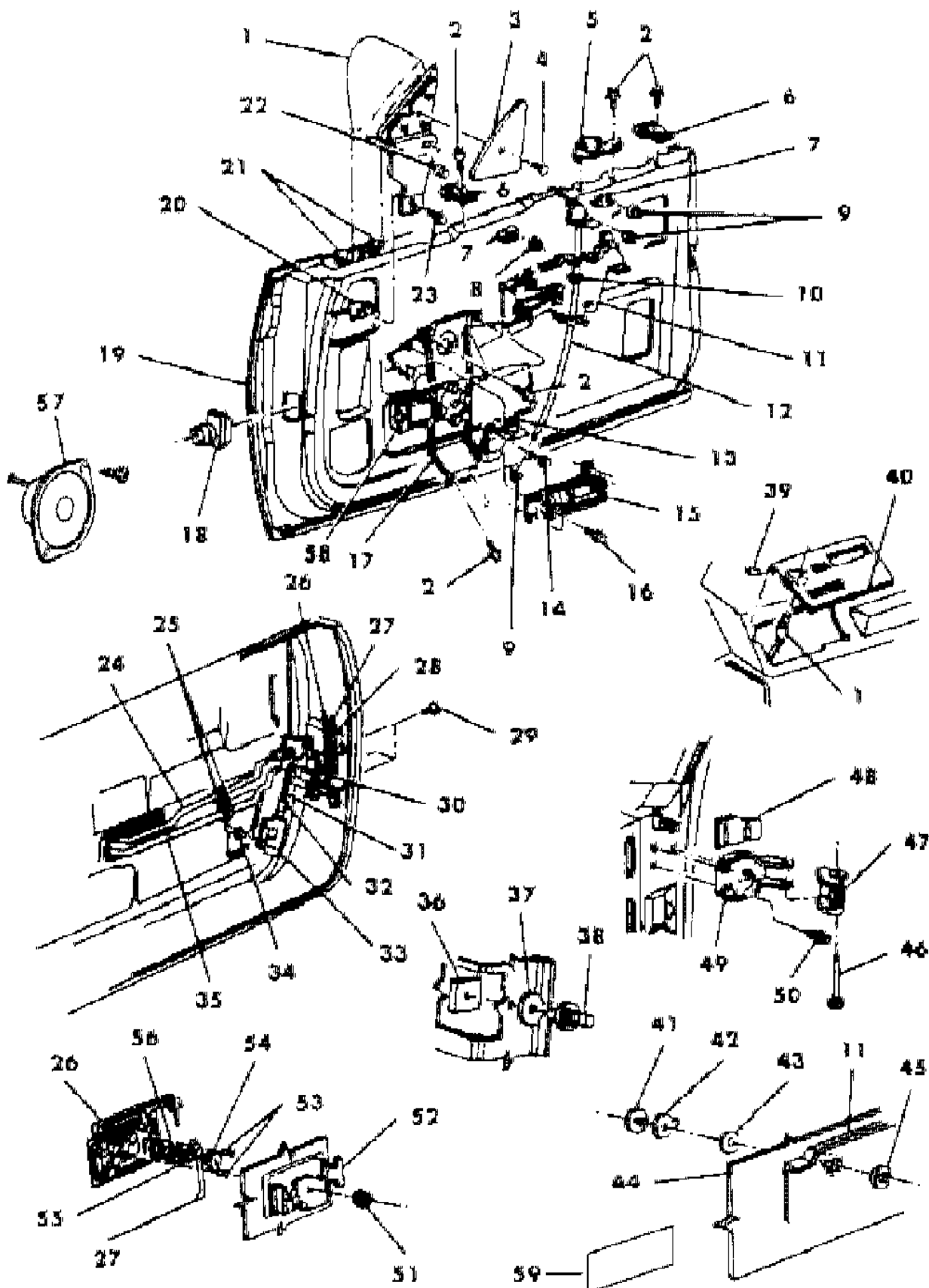
MODEL CODES
 C BODY = (D41 - DYNASTY)(C41 - NEW YORKER)
 E BODY = (J - CARAVELLE)(E - 600)(T - NEW YORKER TURBO)
 G BODY = (V24 - DAYTONA, PACIFICA & SHELBY)
 H BODY = (D44 - LANCER)(C44 - LEBARON GTS)
 J BODY = (C - LEBARON)
 K BODY = (P - RELIANT)(D - ARIES)(C - LEBARON/ TOWN & COUNTRY)
 L BODY = (M - HORIZON)(Z-OMNI)
 M BODY = (B - GRAN FURY)(G - DIPLOMAT)(F - FIFTH AVENUE/NEWPORT)
 P BODY = (P - SUNDANCE)(D - SHADOW)
 Q BODY = (C27 - MASERATI)
 S BODY = (H - VOYAGER)(K - RAM VAN/ CARAVAN)

BODY STYLES
 12-52 = FWD VAN & WAGON STD. W.B. 27 = 2-DOOR CONVERTIBLE
 13-53 = FWD VAN & WGN EXT W.B. 41 = 4-DOOR SEDAN
 21 = 2-DOOR SEDAN 44 = 4-DOOR HATCHBACK
 24 = 2-DOOR HATCHBACK 45 = 4-DOOR STATION WAGON

AR = Use as Required - = Non Illustrated Part P.A.R. = Paint as Required

DOOR, FRONT COMPLETE, LESS WEATHERSTRIPS AND RUNS J BODY 27
Figure 23C-1800

8171 1800



ITEM	PART NUMBER	QTY	BODY	MODEL	DESCRIPTION
	4365 813	2			Lower
	4396 496-7	1			WEDGE, Body Half Hinge
	4396 498-9	1			Door Half Hinge
	4396 495	AR			SHIM, Wedge
50	6500 354	12			BOLT
51	6031 029	2			NUT and WASHER, Handle
52	4396 472-3	1			BRACKET, w/Isolator
53					SCREW (DNS)
54	4184 684-5	1			RETAINER, Lock Cylinder
55	4336 136	2			CLIP, Link to Lock Cylinder
56					CYLINDER, Lock, Refer to 23D
57					SPEAKER, Door
	4430 066	2			w/Four Speaker System
	4430 174	2			w/Six Speaker System
	4372 600-1	1			ENCLOSURE, Speaker
	D708-9 GL7	1			GRILLE, Speaker
58	4415 168-9	1			MOTOR and MECHANISM, Electric Regulator
	4467 350	2			GEAR and SEAL KIT, Motor
	4339 433	2			Short Shaft
	4467 350	2			Long Shaft
59	4365 683	1			DECAL, Seat Belt Safety

MODEL CODES

C BODY = (D41 - DYNASTY)(C41 - NEW YORKER)	L BODY = (M - HORIZON)(Z-OMNI)
E BODY = (J - CARAVELLE)(E - 600)(T - NEW YORKER TURBO)	M BODY = (B - GRAN FURY)(G - DIPLOMAT)(F - FIFTH AVENUE/NEWPORT)
G BODY = (V24 - DAYTONA, PACIFICA & SHELBY)	P BODY = (P - SUNDANCE)(D - SHADOW)
H BODY = (D44 - LANCER)(C44 - LEBARON GTS)	Q BODY = (C27 - MASERATI)
J BODY = (C - LEBARON)	S BODY = (H - VOYAGER)(K - RAM VAN/ CARAVAN)
K BODY = (P - RELIANT)(D - ARIES)(C - LEBARON/ TOWN & COUNTRY)	

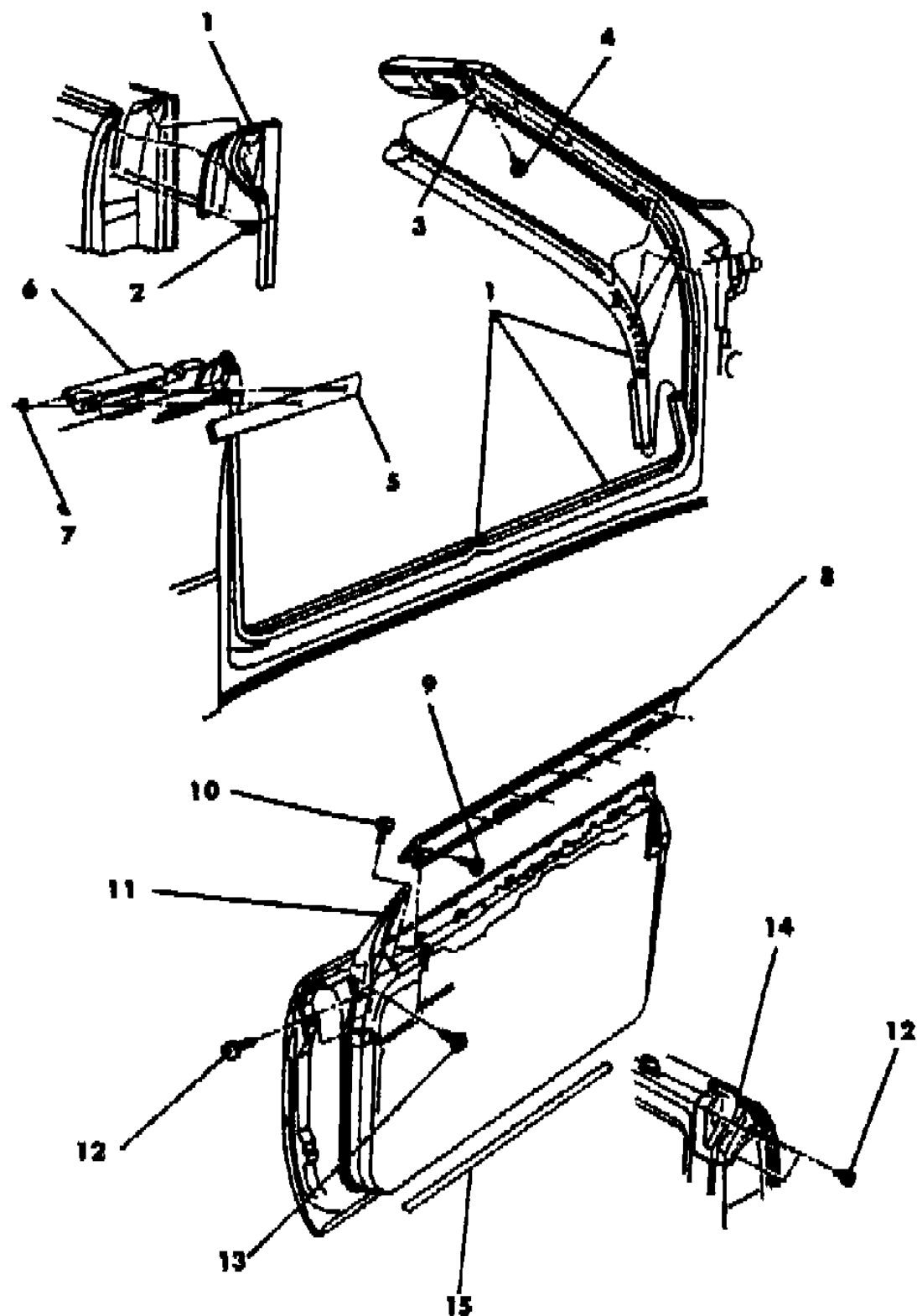
BODY STYLES

12-52 = FWD VAN & WAGON STD. W.B.	27 = 2-DOOR CONVERTIBLE
13-53 = FWD VAN & WGN EXT W.B.	41 = 4-DOOR SEDAN
21 = 2-DOOR SEDAN	44 = 4-DOOR HATCHBACK
24 = 2-DOOR HATCHBACK	45 = 4-DOOR STATION WAGON

AR = Use as Required - = Non Illustrated Part P.A.R. = Paint as Required

DOOR, FRONT WEATHERSTRIPS AND SEALS J BODY 27
Figure 23C-1900

8171 1900 A



ITEM	PART NUMBER	QTY	BODY	MODEL	DESCRIPTION
1	4416 866-7	1			WEATHERSTRIP, Door Opening
2					SCREW (DNS)
3	4396 314-5	1			RETAINER and SEAL, Weatherstrip
4					SCREW (DNS)
5					MOULDING, Quarter, Refer to Ext. Ornamentation
6					WEATHERSTRIP, Quarter Window Belt
	4440 142-3	1			Up to 10-12-87
	4490 370-1	1			After 10-12-87
7					NUT (DNS)
8					MOULDING, Door, Refer to Ext. Ornamentation
9					SCREW, Refer to Ext. Ornamentation
10					SCREW (DNS)
11	4480 728-9	1			SEAL, Hinge Pillar Belt
12					SCREW (DNS)
13					SCREW (DNS)
14	4365 662-3	1			SEAL, Lock Pillar Belt
15	4480 698-9	1			WEATHERSTRIP, Secondary

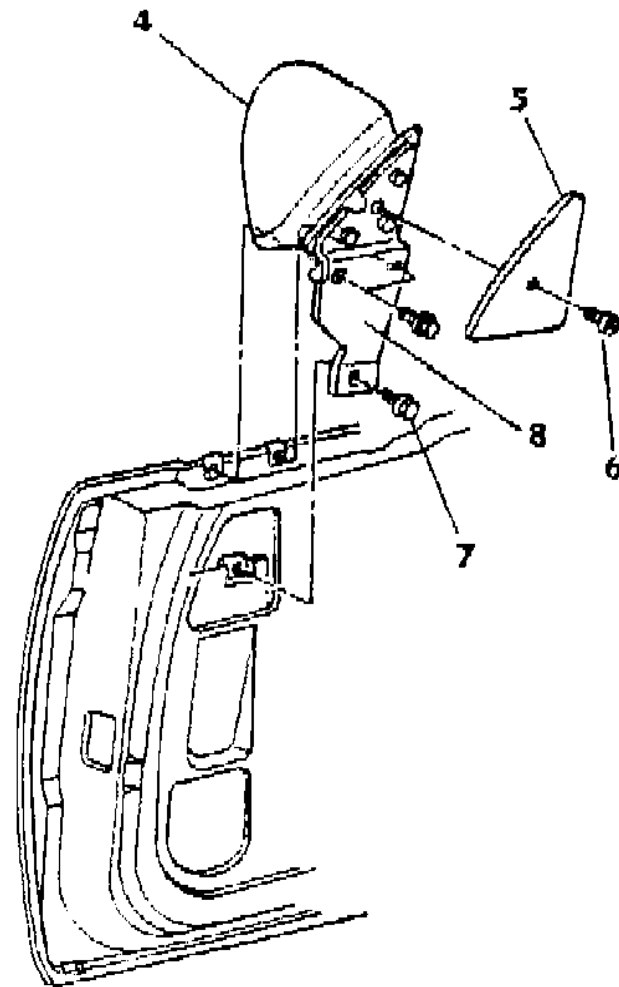
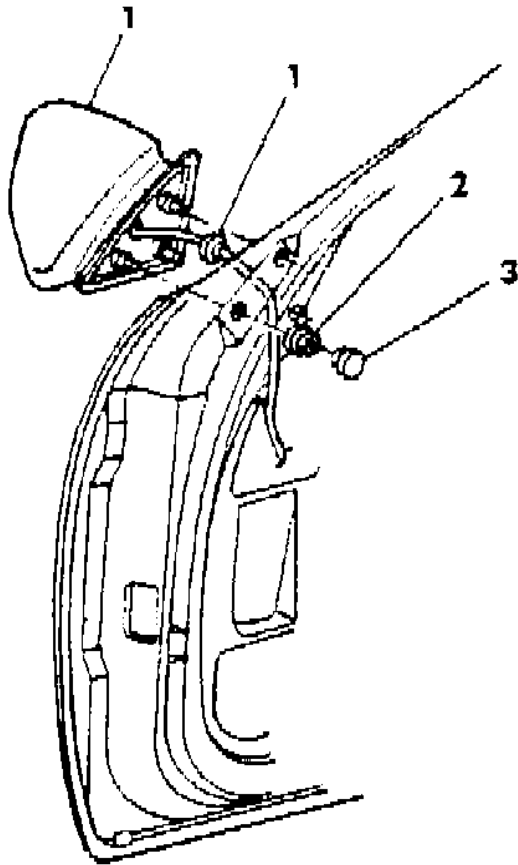
MODEL CODES
 C BODY = (D41 - DYNASTY)(C41 - NEW YORKER)
 E BODY = (J - CARAVELLE)(E - 600)(T - NEW YORKER TURBO)
 G BODY = (V24 - DAYTONA, PACIFICA & SHELBY)
 H BODY = (D44 - LANCER)(C44 - LEBARON GTS)
 J BODY = (C - LEBARON)
 K BODY = (P - RELIANT)(D - ARIES)(C - LEBARON/ TOWN & COUNTRY)
 L BODY = (M - HORIZON)(Z-OMNI)
 M BODY = (B - GRAN FURY)(G - DIPLOMAT)(F - FIFTH AVENUE/NEWPORT)
 P BODY = (P - SUNDANCE)(D - SHADOW)
 Q BODY = (C27 - MASERATI)
 S BODY = (H - VOYAGER)(K - RAM VAN/ CARAVAN)

BODY STYLES
 12-52 = FWD VAN & WAGON STD. W.B. 27 = 2-DOOR CONVERTIBLE
 13-53 = FWD VAN & WGN EXT W.B. 41 = 4-DOOR SEDAN
 21 = 2-DOOR SEDAN 44 = 4-DOOR HATCHBACK
 24 = 2-DOOR HATCHBACK 45 = 4-DOOR STATION WAGON

AR = Use as Required - = Non Illustrated Part P.A.R. = Paint as Required

MIRRORS, EXTERIOR J BODY
Figure 23C-2000

8171 2000 A



ITEM	PART NUMBER	QTY	BODY	MODEL	DESCRIPTION
1					MIRROR, Exterior
	4299 546-7	1		21	Remote Control
	4299 682-3	1		21	Electric (Black)
	4520 002-3	1		21	Electric, White
	4299 788-9	1		21	Electric (EUROPEAN)
	4419 036-7	1			GLASS, Mirror, R/Control
2				21	NUT (DNS)
3	4184 688	4		21	PLUG, Access Hole
4					MIRROR, Exterior
	4299 550-1	1		27	Remote Control
	4299 686-7	1		27	Electric (Black)
	4520 004-5	1		27	Electric, White
	4299 792-3	1		27	Electric (EUROPEAN)
	4373 120	1			KNOB, Electric Mirror
	4299 806	2		27	SEAL, Outer Belt Moulding
5	4299 446-7	1		27	COVER, Mtg. Plate
6				27	SCREW (DNS)
7	6100 286	2		27	SCREW
8	4299 444-5	1		27	PLATE, Mirror Mtg.

MODEL CODES

C BODY = (D41 - DYNASTY)(C41 - NEW YORKER)
 E BODY = (J - CARAVELLE)(E - 600)(T - NEW YORKER TURBO)
 G BODY = (V24 - DAYTONA, PACIFICA & SHELBY)
 H BODY = (D44 - LANCER)(C44 - LEBARON GTS)
 J BODY = (C - LEBARON)
 K BODY = (P - RELIANT)(D - ARIES)(C - LEBARON/ TOWN & COUNTRY)
 L BODY = (M - HORIZON)(Z-OMNI)
 M BODY = (B - GRAN FURY)(G - DIPLOMAT)(F - FIFTH AVENUE/NEWPORT)
 P BODY = (P - SUNDANCE)(D - SHADOW)
 Q BODY = (C27 - MASERATI)
 S BODY = (H - VOYAGER)(K - RAM VAN/ CARAVAN)

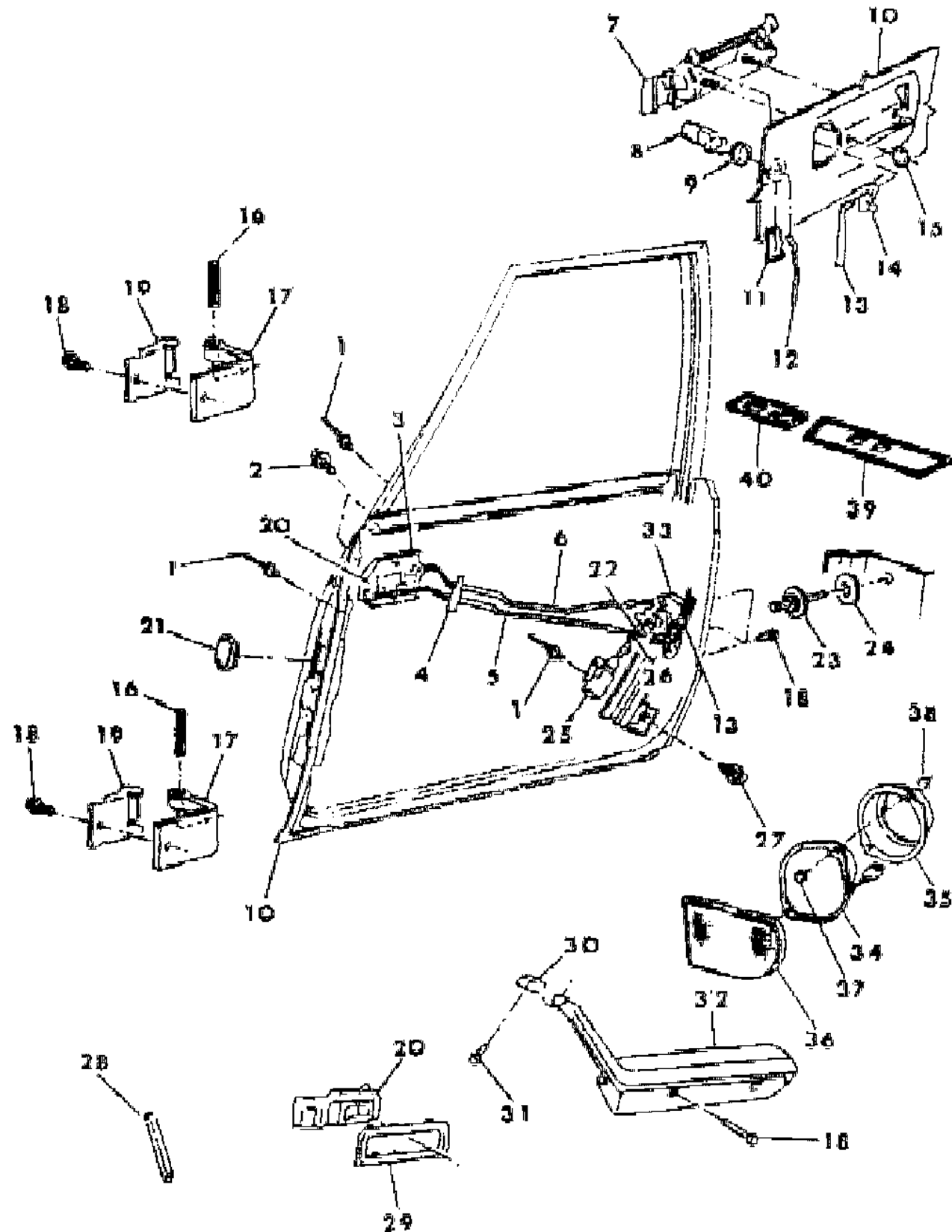
BODY STYLES

12-52 = FWD VAN & WAGON STD. W.B. 27 = 2-DOOR CONVERTIBLE
 13-53 = FWD VAN & WGN EXT W.B. 41 = 4-DOOR SEDAN
 21 = 2-DOOR SEDAN 44 = 4-DOOR HATCHBACK
 24 = 2-DOOR HATCHBACK 45 = 4-DOOR STATION WAGON

AR = Use as Required - = Non Illustrated Part P.A.R. = Paint as Required

DOOR, FRONT SHELL, HANDLE AND CONTROL K BODY 21
Figure 23C-2100

8171 2100



ITEM	PART NUMBER	QTY	BODY	MODEL	DESCRIPTION
1	6031 115	AR			RIVET
2	6100 274	4			SCREW
3	4184 252	2			PLATE, Door Latch
4	4184 281	4			CLIP, Anti Rattle
5	4184 702-3	1			LINK and SLEEVE
6	4184 272-3	1			LINK and SLEEVE
7	4184 228	2			HANDLE, Exterior Door
	6028 674	4			SCREW, Handle
8					CYLINDER, Lock, Refer to 23D
9					GASKET, Cylinder, Refer to 23D
10	4411 952-3	1			DOOR SHELL
	4310 060-1				PANEL, Repair
11					RETAINER, Cylinder, Refer to 23D
12	4184 016-7	1			LINK, Cylinder to Latch
13	4184 024-5	1			LINK, Exterior Handle to Latch
14	2945 108-9	1			CLIP
15	6025 004	4			NUT
16	6501 299	4			PIN, Hinge
	4336 115	2			BUSHING, Hinge
	6500 803	4			CLIP, Hinge Pin
17	4318 350	4			HINGE, Door Body Half
	4318 301	4			Door Half
	4412 000	AR			HINGE and PIN PACKAGE, Door Half Moving
18		4			SCREW (DNS)
19	4184 117	4			CHECK SPRING, Body Half
20	4396 570-1				CONTROL, Black w/Chrome Handle, Push & Locked
21	4336 390	2			PLUG
22	4184 244-5	1			CLIP
23	4336 826	2			STRIKER, Door
	6500 483	2			NUT, Striker
24	4184 105	AR			SPACER, Door
25	4396 015	2			SOLENOID, Power Door Lock
	4184 172	2			CLIP, Solenoid
26	4184 072	2			LINK, Electric Motor to Latch
27	6100 565	2			SCREW and WASHER
28	5231 294	2			BUMPER and RETAINER
29	D405 CX9	2		PL,DL	BEZEL, Door Lock Handle

MODEL CODES

C BODY = (D41 - DYNASTY)(C41 - NEW YORKER)
 E BODY = (J - CARAVELLE)(E - 600)(T - NEW YORKER TURBO)
 G BODY = (V24 - DAYTONA, PACIFICA & SHELBY)
 H BODY = (D44 - LANCER)(C44 - LEBARON GTS)
 J BODY = (C - LEBARON)
 K BODY = (P - RELIANT)(D - ARIES)(C - LEBARON/ TOWN & COUNTRY)

L BODY = (M - HORIZON)(Z-OMNI)
 M BODY = (B - GRAN FURY)(G - DIPLOMAT)(F - FIFTH AVENUE/NEWPORT)
 P BODY = (P - SUNDANCE)(D - SHADOW)
 Q BODY = (C27 - MASERATI)
 S BODY = (H - VOYAGER)(K - RAM VAN/ CARAVAN)

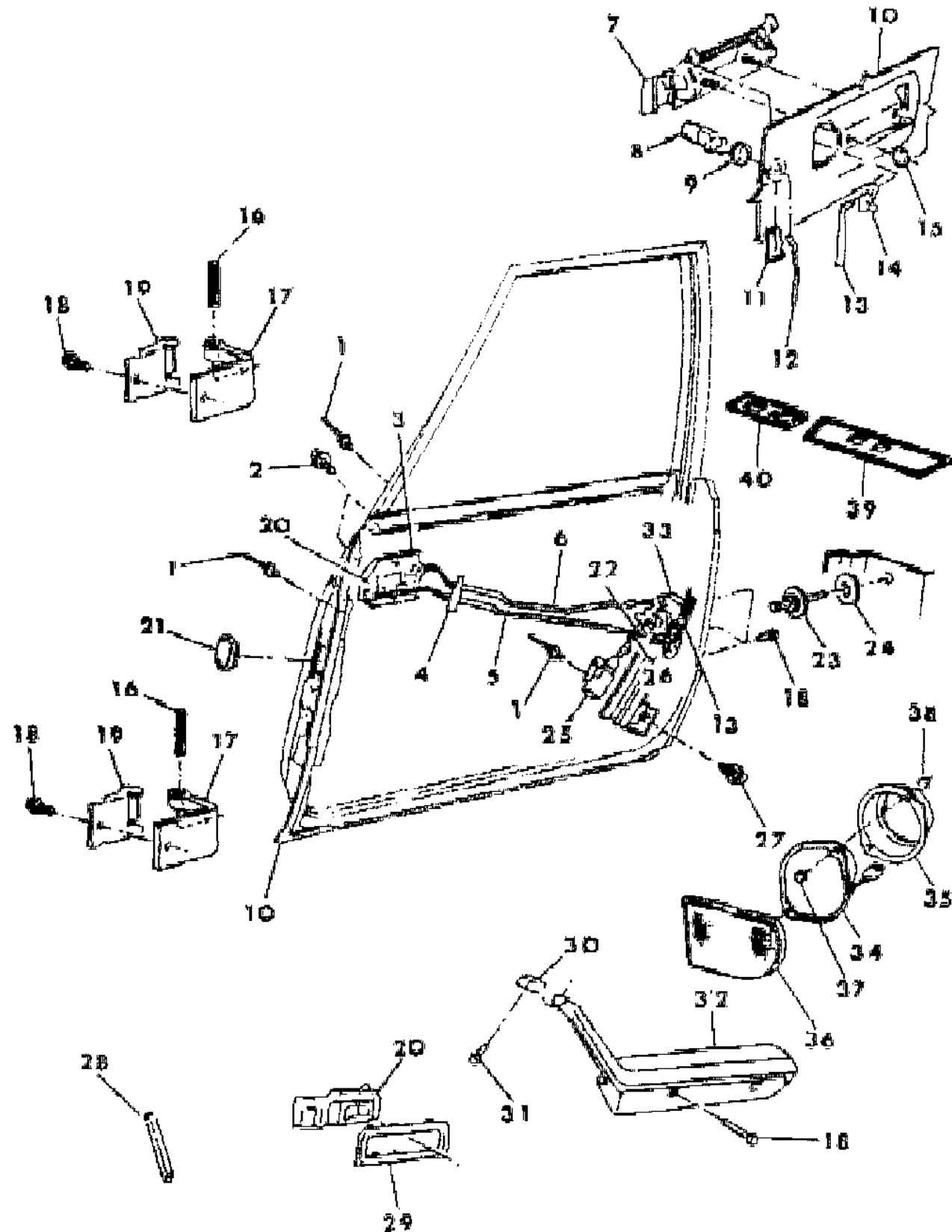
BODY STYLES

12-52 = FWD VAN & WAGON STD. W.B. 27 = 2-DOOR CONVERTIBLE
 13-53 = FWD VAN & WGN EXT W.B. 41 = 4-DOOR SEDAN
 21 = 2-DOOR SEDAN 44 = 4-DOOR HATCHBACK
 24 = 2-DOOR HATCHBACK 45 = 4-DOOR STATION WAGON

AR = Use as Required - = Non Illustrated Part P.A.R. = Paint as Required

DOOR, FRONT SHELL, HANDLE AND CONTROL K BODY 21
Figure 23C-2100

8171 2100



ITEM	PART NUMBER	QTY	BODY	MODEL	DESCRIPTION
	4184 723	2		PH,DH	
	4310 656-7	1	C		Chrome w/Finish Plate
	4310 652	2	C		APPLIQUE, Remote Control Bezel
30			P,D		BEZEL, Refer to IT Section
31			P,D		SCREW, Refer to IT Section
32		1			ARM REST, Refer to IT Section
33					LATCH, Door
	4336 377	1			Left, Override
	4336 378	1			Right, Non Override
	6501 220	AR			SCREW, Latch Att.
34	4430 178	2			SPEAKERS, Door
35	4372 482-3	1			ADAPTOR, Speaker
36			C		GRILLE, Speaker
	P504-5 FC5	1			Blue
	P504-5 EE8	1			Cordovan
	P504-5 ES8	1			Charcoal
	P504-5 EK1	1			Almond
37		4			SCREW (DNS)
38	6032 527	4			NUT
39			C		BEZEL, Electric Window
	4283 860	1			Single, Right
	4283 861	1			Two Gang, Left
40			C		BEZEL, Armrest
	4283 885	1			w/Door Locks, Electric Mirror, Left
	4247 409	1			w/o Door Locks, Electric Mirror, Left
	4283 884	2			w/Door Locks

MODEL CODES

C BODY = (D41 - DYNASTY)(C41 - NEW YORKER)	L BODY = (M - HORIZON)(Z-OMNI)
E BODY = (J - CARAVELLE)(E - 600)(T - NEW YORKER TURBO)	M BODY = (B - GRAN FURY)(G - DIPLOMAT)(F - FIFTH AVENUE/NEWPORT)
G BODY = (V24 - DAYTONA, PACIFICA & SHELBY)	P BODY = (P - SUNDANCE)(D - SHADOW)
H BODY = (D44 - LANCER)(C44 - LEBARON GTS)	Q BODY = (C27 - MASERATI)
J BODY = (C - LEBARON)	S BODY = (H - VOYAGER)(K - RAM VAN/ CARAVAN)
K BODY = (P - RELIANT)(D - ARIES)(C - LEBARON/ TOWN & COUNTRY)	

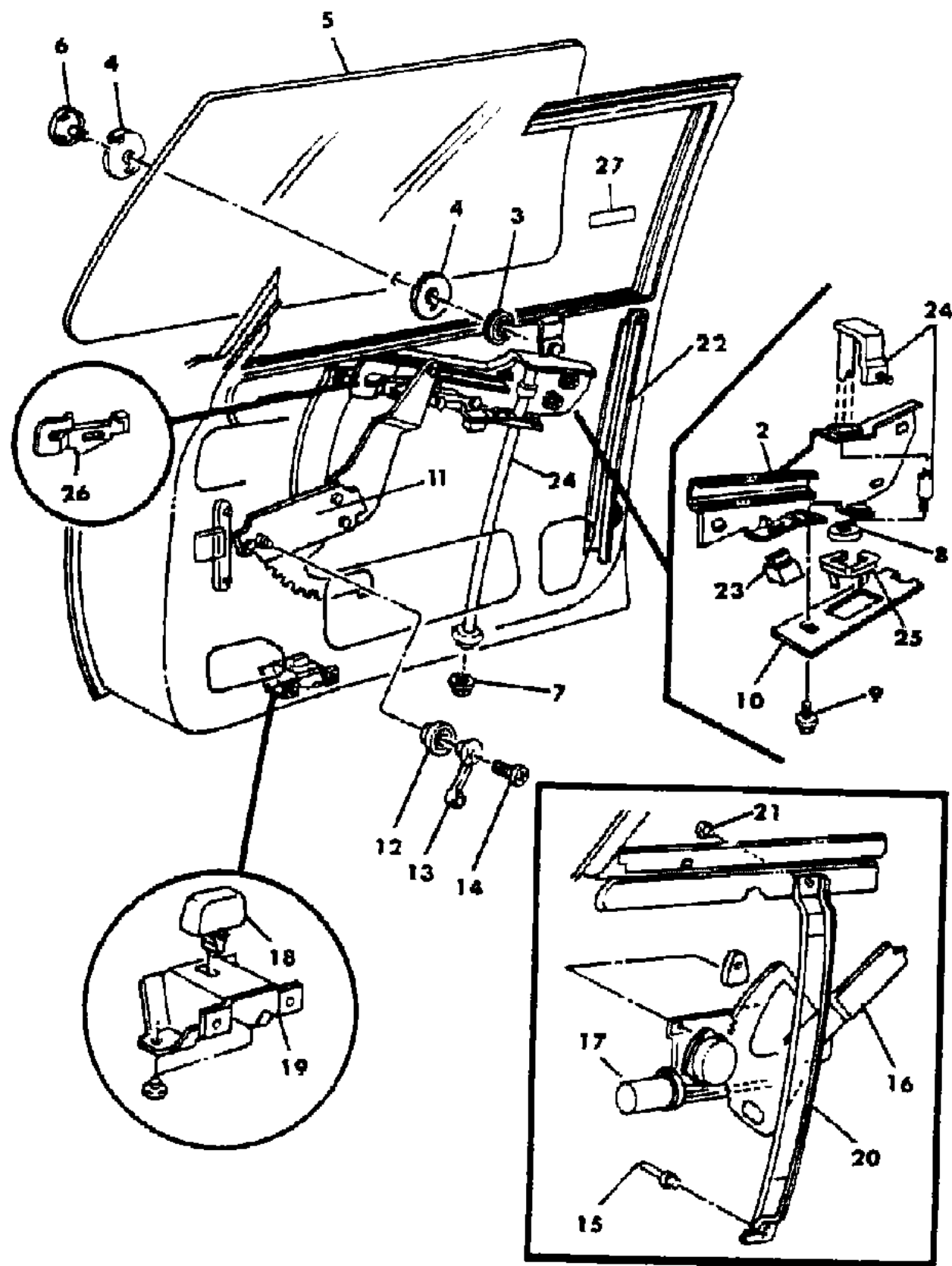
BODY STYLES

12-52 = FWD VAN & WAGON STD. W.B.	27 = 2-DOOR CONVERTIBLE
13-53 = FWD VAN & WGN EXT W.B.	41 = 4-DOOR SEDAN
21 = 2-DOOR SEDAN	44 = 4-DOOR HATCHBACK
24 = 2-DOOR HATCHBACK	45 = 4-DOOR STATION WAGON

AR = Use as Required - = Non Illustrated Part P.A.R. = Paint as Required

DOOR, FRONT GLASS AND REGULATOR K BODY 21
Figure 23C-2200

8171 2200



ITEM	PART NUMBER	QTY	BODY	MODEL	DESCRIPTION
2	4310 368-9	1			PLATE and CHANNEL, Glass Lift
3	6028 587	6			T-NUT
4	5231 769	AR			GASKET, Glass Isolator
5					GLASS, Door
	4136 918	1		P,D	Clear Right, w/o Mirror
	4198 401	1		P,D,C	Clear Left
	4136 920	1		P,D	Tinted Right, w/o Mirror
	4198 403	1		P,D,C	Tinted Left
	4198 400	1		P,D,C	Clear Right w/Mirror
	4198 402	1		P,D,C	Tinted Right w/Mirror
6	6029 998	6			WASHER and STUD
7	6100 049	4			NUT and WASHER
8	3788 079	2			SLEEVE, Glass Track Lower
9		4			SCREW (DNS)
10	4310 922-3	2			RETAINER
11	4184 018-9	1			REGULATOR, Manual Window
	3760 506	2			SPRING, Manual Regulator Assist
	4339 301	2			SLIDE PACKAGE, Manual and Electric Regulator
12	3882 767	AR			SPACER, Regulator Handle
13					HANDLE, Window Regulator
	4310 824	2			Up to 12-3-87
	4480 649	2			After 12-3-87
14	6027 221	2			SCREW
15		AR			RIVET (DNS)
16	4280 432-3	1			REGULATOR, Electric Window
	2999 467	2			SPACER, Electric Regulator
17	4336 600-1	1			MOTOR and MECHANISM, Electric Window
	4339 433	2			GEAR and SEAL KIT, Motor
18	3875 997	AR			BUMPER, Glass Downstop Electric
19	4310 378	2			BRACKET, Electric Window Downstop Bumper
20	4310 380	2			SUPPORT, Electric Regulator Mounting
21	6100 566	AR			SCREW
22	4310 384-5	1			CHANNEL and BRACKET, Glass Run Rear
23	3759 566	2			BUMPER, Downstop
24	4310 381	2			TRACK and BRACKET, Glass
25	4136 914	2			GUIDE, Front Door Glass
26	4310 376-7	1			BRACKET, Electric Window Upstop

MODEL CODES

C BODY = (D41 - DYNASTY)(C41 - NEW YORKER)
 E BODY = (J - CARAVELLE)(E - 600)(T - NEW YORKER TURBO)
 G BODY = (V24 - DAYTONA, PACIFICA & SHELBY)
 H BODY = (D44 - LANCER)(C44 - LEBARON GTS)
 J BODY = (C - LEBARON)
 K BODY = (P - RELIANT)(D - ARIES)(C - LEBARON/ TOWN & COUNTRY)

L BODY = (M - HORIZON)(Z-OMNI)
 M BODY = (B - GRAN FURY)(G - DIPLOMAT)(F - FIFTH AVENUE/NEWPORT)
 P BODY = (P - SUNDANCE)(D - SHADOW)
 Q BODY = (C27 - MASERATI)
 S BODY = (H - VOYAGER)(K - RAM VAN/ CARAVAN)

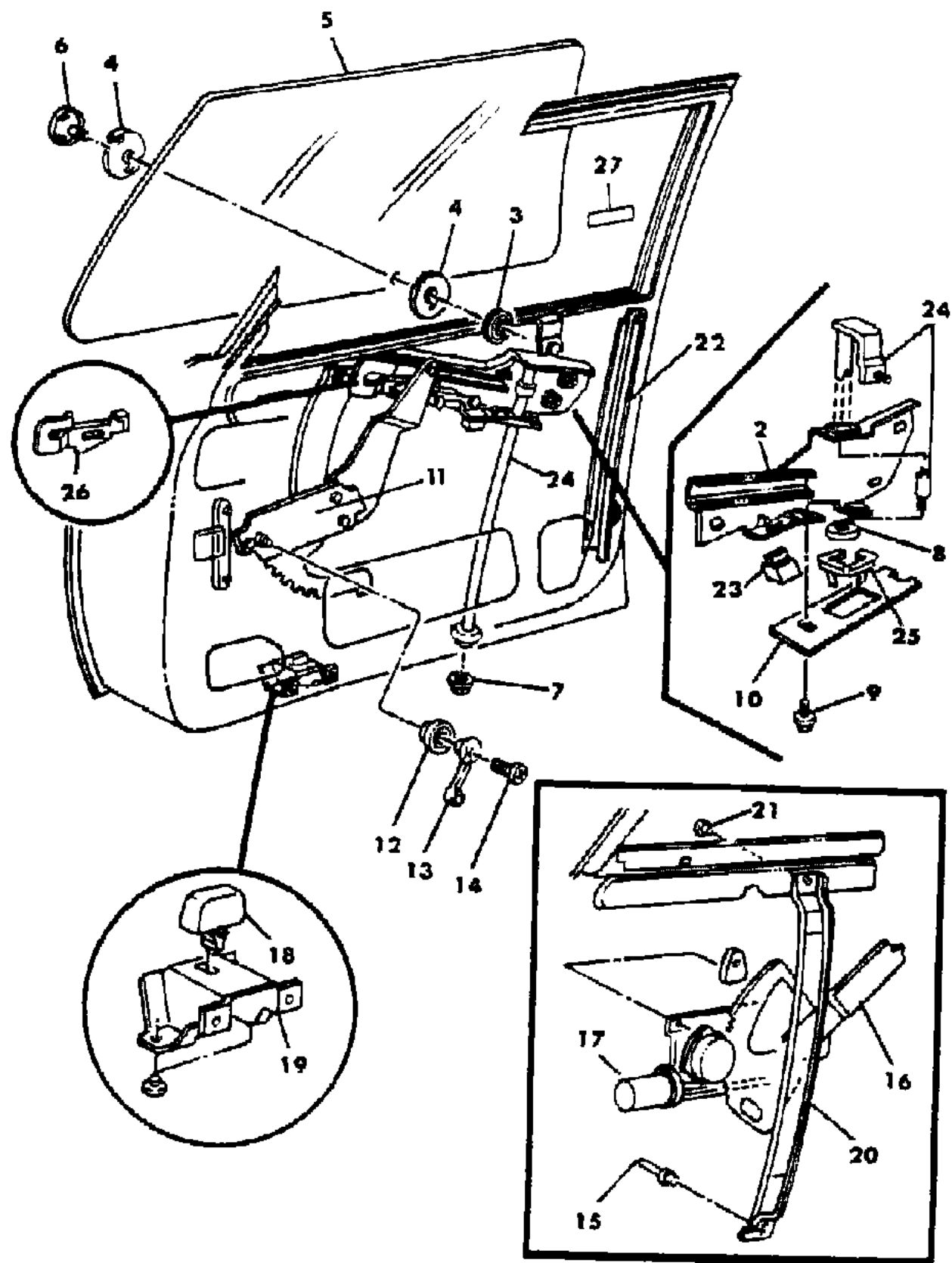
BODY STYLES

12-52 = FWD VAN & WAGON STD. W.B. 27 = 2-DOOR CONVERTIBLE
 13-53 = FWD VAN & WGN EXT W.B. 41 = 4-DOOR SEDAN
 21 = 2-DOOR SEDAN 44 = 4-DOOR HATCHBACK
 24 = 2-DOOR HATCHBACK 45 = 4-DOOR STATION WAGON

AR = Use as Required - = Non Illustrated Part P.A.R. = Paint as Required

DOOR, FRONT GLASS AND REGULATOR K BODY 21
Figure 23C-2200

8171 2200



ITEM	PART NUMBER	QTY	BODY	MODEL	DESCRIPTION
27	4365 683	1			DECAL, Seat Belt Safety

MODEL CODES

C BODY = (D41 - DYNASTY)(C41 - NEW YORKER)
 E BODY = (J - CARAVELLE)(E - 600)(T - NEW YORKER TURBO)
 G BODY = (V24 - DAYTONA, PACIFICA & SHELBY)
 H BODY = (D44 - LANCER)(C44 - LEBARON GTS)
 J BODY = (C - LEBARON)
 K BODY = (P - RELIANT)(D - ARIES)(C - LEBARON/ TOWN & COUNTRY)

L BODY = (M - HORIZON)(Z-OMNI)
 M BODY = (B - GRAN FURY)(G - DIPLOMAT)(F - FIFTH AVENUE/NEWPORT)
 P BODY = (P - SUNDANCE)(D - SHADOW)
 Q BODY = (C27 - MASERATI)
 S BODY = (H - VOYAGER)(K - RAM VAN/ CARAVAN)

BODY STYLES

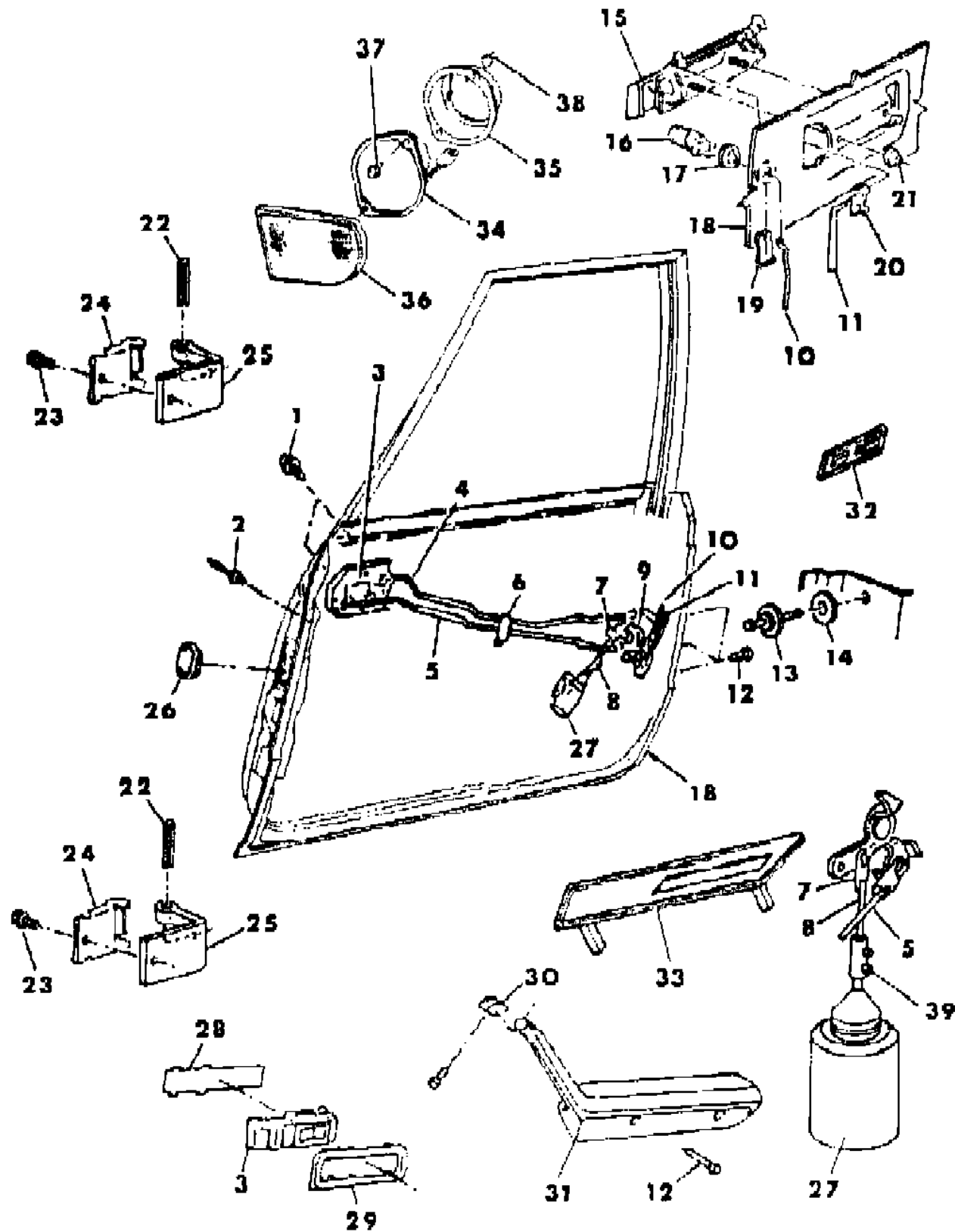
12-52 = FWD VAN & WAGON STD. W.B. 27 = 2-DOOR CONVERTIBLE
 13-53 = FWD VAN & WGN EXT W.B. 41 = 4-DOOR SEDAN
 21 = 2-DOOR SEDAN 44 = 4-DOOR HATCHBACK
 24 = 2-DOOR HATCHBACK 45 = 4-DOOR STATION WAGON

AR = Use as Required - = Non Illustrated Part P.A.R. = Paint as Required

DOOR, FRONT SHELL, CONTROL AND HARDWARE K,E BODY 41,45

Figure 23C-2300

8171 2300 A



ITEM	PART NUMBER	QTY	BODY	MODEL	DESCRIPTION
1		2			SCREW (DNS)
2	6031 115	AR			RIVET
3	4396 570-1				HOUSING, Remote Control
4	4184 268-9	1			LINK
5	4184 274-5	1			LINK
6	4184 280	AR			CLIP, Anti Rattle
7					CLIP
	4184 244-5	1			w/Electric Locks
	3454 220-1	1			w/o Electric Locks
8	4184 072	1			LINK, Motor to Latch
9					LATCH, Front Door
	4336 377	1			Left Override
	4336 378	1			Right Non override
	6501 220	AR			SCREW, Latch Att.
10	4184 016-7	1			LINK, Cylinder to Latch
11	4184 024-5	1			LINK, Handle
12		AR			SCREW (DNS)
13	4336 826	2			STRIKER, Door
	6500 483	2			NUT, Striker
14	4184 105	AR			SPACER, Door
15	4184 228	2			HANDLE, Exterior
	6028 674	4			SCREW, Handle
16					CYLINDER, Refer to 23D
17					GASKET, Refer to 23D
18	4397 470-1	1			DOOR SHELL
	4310 062-3	1			PANEL, Repair
19					RETAINER, Refer to 23D
20	2945 108-9	1			CLIP
21	6025 004	2			NUT
22	6501 299	2			PIN, Hinge
	4336 115	2			BUSHING, Hinge
	6500 803	4			CLIP, Hinge Pin
23	6100 275	4			SCREW
24	4184 117	4			CHECK SPRING, Body Half
25	4318 350	4			HINGE, Body Half
	4318 301	4			Door Half
	4412 000	AR			HINGE and PIN PACKAGE, Door Half Moving

MODEL CODES

C BODY = (D41 - DYNASTY)(C41 - NEW YORKER)
 E BODY = (J - CARAVELLE)(E - 600)(T - NEW YORKER TURBO)
 G BODY = (V24 - DAYTONA, PACIFICA & SHELBY)
 H BODY = (D44 - LANCER)(C44 - LEBARON GTS)
 J BODY = (C - LEBARON)
 K BODY = (P - RELIANT)(D - ARIES)(C - LEBARON/ TOWN & COUNTRY)
 L BODY = (M - HORIZON)(Z-OMNI)
 M BODY = (B - GRAN FURY)(G - DIPLOMAT)(F - FIFTH AVENUE/NEWPORT)
 P BODY = (P - SUNDANCE)(D - SHADOW)
 Q BODY = (C27 - MASERATI)
 S BODY = (H - VOYAGER)(K - RAM VAN/ CARAVAN)

BODY STYLES

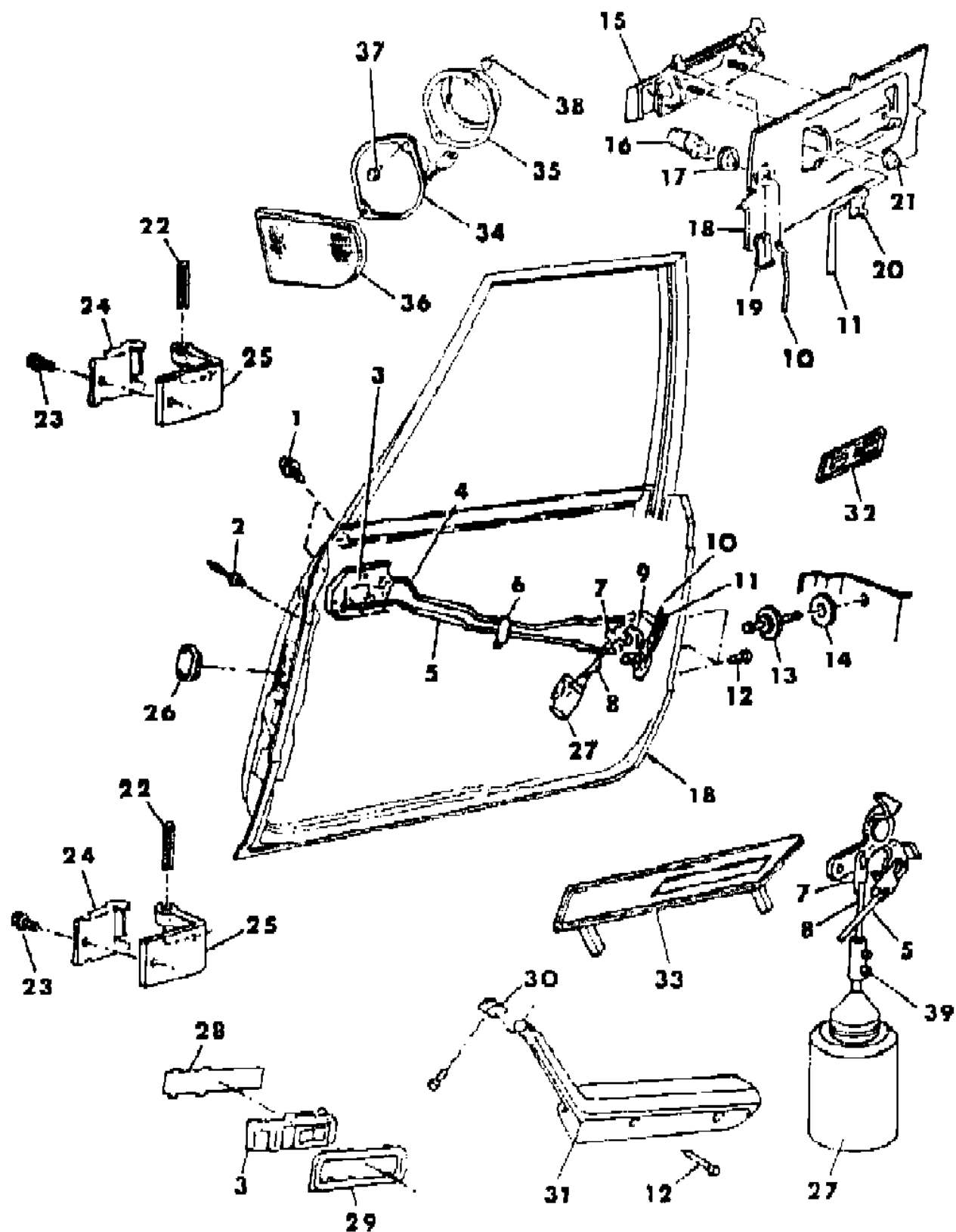
12-52 = FWD VAN & WAGON STD. W.B. 27 = 2-DOOR CONVERTIBLE
 13-53 = FWD VAN & WGN EXT W.B. 41 = 4-DOOR SEDAN
 21 = 2-DOOR SEDAN 44 = 4-DOOR HATCHBACK
 24 = 2-DOOR HATCHBACK 45 = 4-DOOR STATION WAGON

AR = Use as Required - = Non Illustrated Part P.A.R. = Paint as Required

DOOR, FRONT SHELL, CONTROL AND HARDWARE K,E BODY 41,45

Figure 23C-2300

8171 2300 A



ITEM	PART NUMBER	QTY	BODY	MODEL	DESCRIPTION
26	4336 390	2			PLUG
27	4396 015	2			SOLENOID, Power Door Lock
28	4184 252	2			PLATE, Door Latch
29	4280 840	2	J,E,T		SEAL, Door Latch
					BEZEL, Remote Control Latch
	D405 CX9	1		PL,DL,PM,DM	Black
	4310 654-5	1		C,E,J,T	Chrome w/Finish Plate
	4310 648	1		C,E,J,T	APPLIQUE, Remote Control Bezel (woodgrain)
					Left
	4310 649	1			Right
	4184 723	2	PH,PP,DH,DP		
30					BEZEL, Refer to IT Section
31					ARM REST, Refer to IT Section
32					BEZEL, Armrest
	4283 885	2			w/Door Locks and Electric Mirrors
	4247 409	2			w/o Door Locks and Electric Mirrors
33	4283 884	2			w/Door Locks
					BEZEL and FINISH PLATE
	4283 860	1			Single, Right
34	4283 879	1			Five Gang, Left
	4430 178	2	P,D,C		SPEAKERS, Door
35	4372 154	2	J,E,T		w/Infinity Sound System
	4372 482-3	1			ADAPTOR, Speaker
36			C,J,E,T		GRILLE, Speaker
	P504-5 FC5	1			Blue
	P504-5 EE8	1			Cordovan
	P504-5 ES8	1			Charcoal
	P504-5 EK1	1			Almond
37		4			SCREW (DNS)
38	6032 527	4			NUT
39	4184 172	2			CLIP, Solenoid

MODEL CODES

C BODY = (D41 - DYNASTY)(C41 - NEW YORKER)
 E BODY = (J - CARAVELLE)(E - 600)(T - NEW YORKER TURBO)
 G BODY = (V24 - DAYTONA, PACIFICA & SHELBY)
 H BODY = (D44 - LANCER)(C44 - LEBARON GTS)
 J BODY = (C - LEBARON)
 K BODY = (P - RELIANT)(D - ARIES)(C - LEBARON/ TOWN & COUNTRY)
 L BODY = (M - HORIZON)(Z-OMNI)
 M BODY = (B - GRAN FURY)(G - DIPLOMAT)(F - FIFTH AVENUE/NEWPORT)
 P BODY = (P - SUNDANCE)(D - SHADOW)
 Q BODY = (C27 - MASERATI)
 S BODY = (H - VOYAGER)(K - RAM VAN/ CARAVAN)

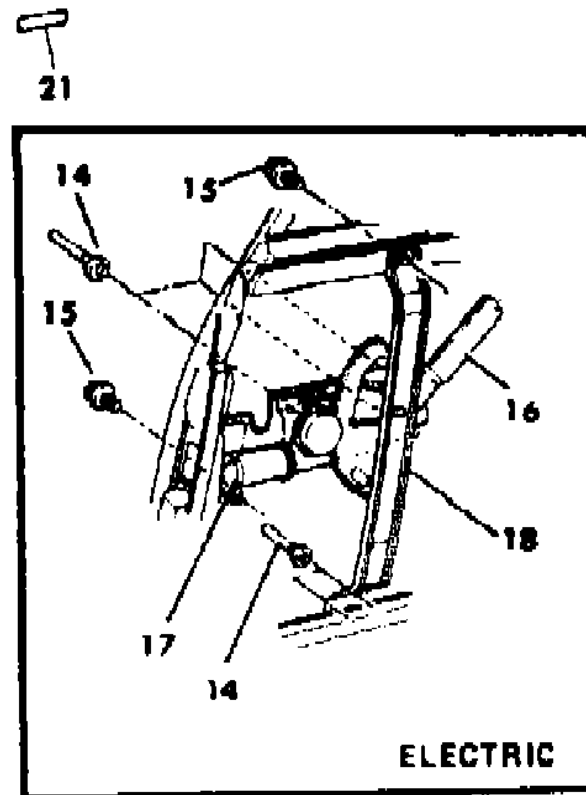
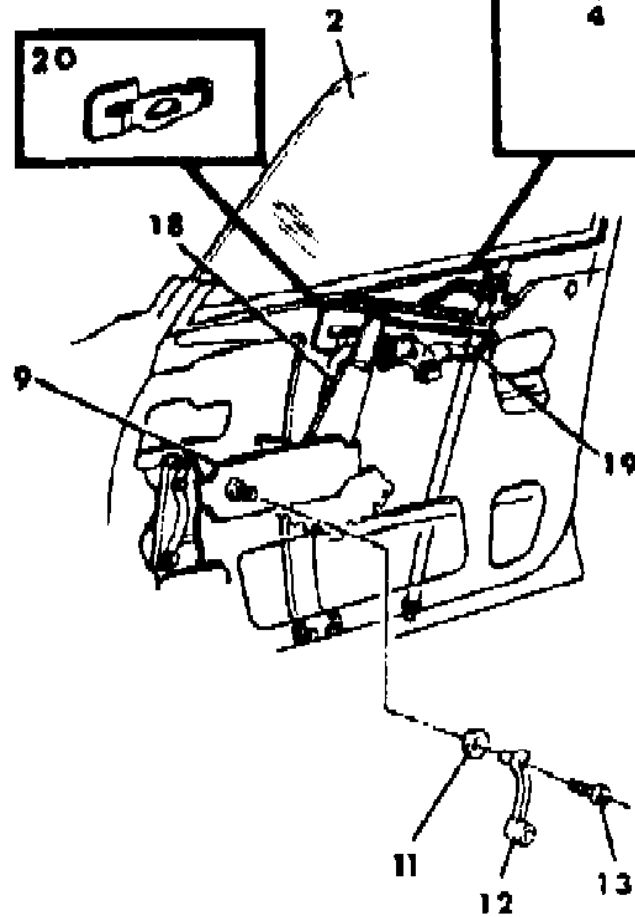
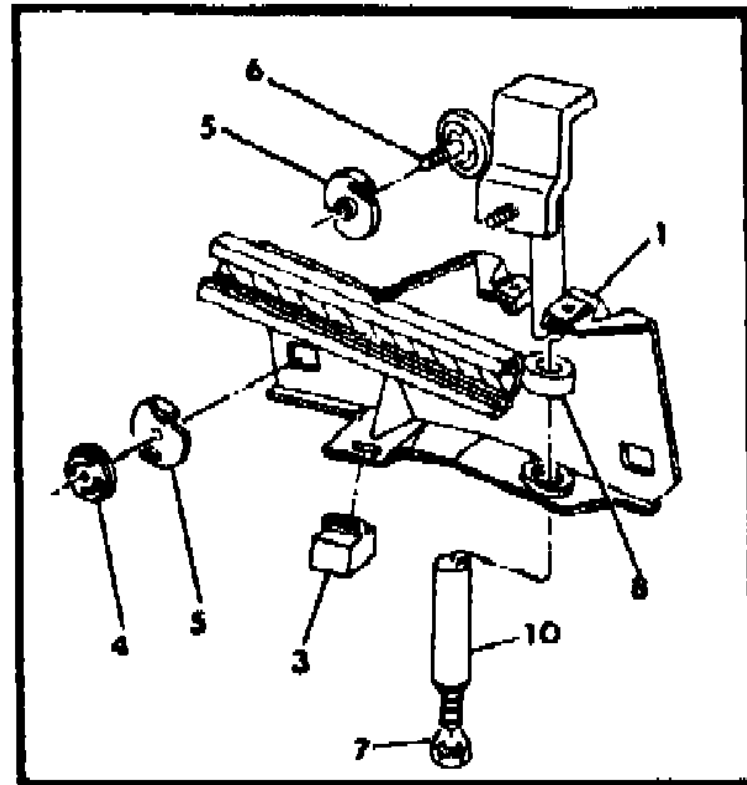
BODY STYLES

12-52 = FWD VAN & WAGON STD. W.B. 27 = 2-DOOR CONVERTIBLE
 13-53 = FWD VAN & WGN EXT W.B. 41 = 4-DOOR SEDAN
 21 = 2-DOOR SEDAN 44 = 4-DOOR HATCHBACK
 24 = 2-DOOR HATCHBACK 45 = 4-DOOR STATION WAGON

AR = Use as Required - = Non Illustrated Part P.A.R. = Paint as Required

DOOR, FRONT GLASS AND REGULATOR K,E BODY 41,45
Figure 23C-2400

8171 2400 A



ITEM	PART NUMBER	QTY	BODY	MODEL	DESCRIPTION
1	4310 374-5	1			PLATE and CHANNEL, Glass Lift
2					GLASS, Door
	4280 562	1			Clear Right w/o Mirror
	4280 566	1			Clear Right w/Mirror
	4280 567	1			Clear Left
	4280 564	1			Tinted Right w/o Mirror
	4280 568	1			Tinted Right w/Mirror
	4280 569	1			Tinted Left
3	3759 566	AR			BUMPER, Glass Downstop
4	6028 587	6			T-NUT
5	5231 769	AR			GASKET, Glass Isolator
6	6029 998	6			WASHER
7	6100 049	4			NUT
8	3788 079	2			SLEEVE, Track Lower
9	4184 060-1	1			REGULATOR, Window, Manual
	3508 121	2			SPRING, Manual Regulator Assist
	4339 301	2			SLIDE PACKAGE, Manual and Electric Regulator
10	4310 382	2			TRACK and BRACKET
11	3882 767	AR			SPACER, Regulator Handle
12					HANDLE, Window Regulator
	4310 824	2			Up to 12-3-87
	4480 649	2			After 12-3-87
13	6027 221	2			SCREW
14	6031 115	AR			RIVET
15	6100 566	2			SCREW
16	4280 432-3	1			REGULATOR, Window, Electric
	2999 467	2			SPACER, Electric Regulator
17	4396 402-3				MOTOR and MECHANISM, Window Lift
	4339 433	2			GEAR and SEAL KIT, Motor
18	4310 380	2			SUPPORT and NUT
19	4136 914	2			GUIDE, Door Glass
	4280 711	4			PAD, Glass Guide Plate
20	4310 376-7	1			BRACKET, Electric Window Upstop
21	4365 683	1			DECAL, Seat Belt Safety

MODEL CODES

C BODY = (D41 - DYNASTY)(C41 - NEW YORKER)
 E BODY = (J - CARAVELLE)(E - 600)(T - NEW YORKER TURBO)
 G BODY = (V24 - DAYTONA, PACIFICA & SHELBY)
 H BODY = (D44 - LANCER)(C44 - LEBARON GTS)
 J BODY = (C - LEBARON)
 K BODY = (P - RELIANT)(D - ARIES)(C - LEBARON/ TOWN & COUNTRY)
 L BODY = (M - HORIZON)(Z-OMNI)
 M BODY = (B - GRAN FURY)(G - DIPLOMAT)(F - FIFTH AVENUE/NEWPORT)
 P BODY = (P - SUNDANCE)(D - SHADOW)
 Q BODY = (C27 - MASERATI)
 S BODY = (H - VOYAGER)(K - RAM VAN/ CARAVAN)

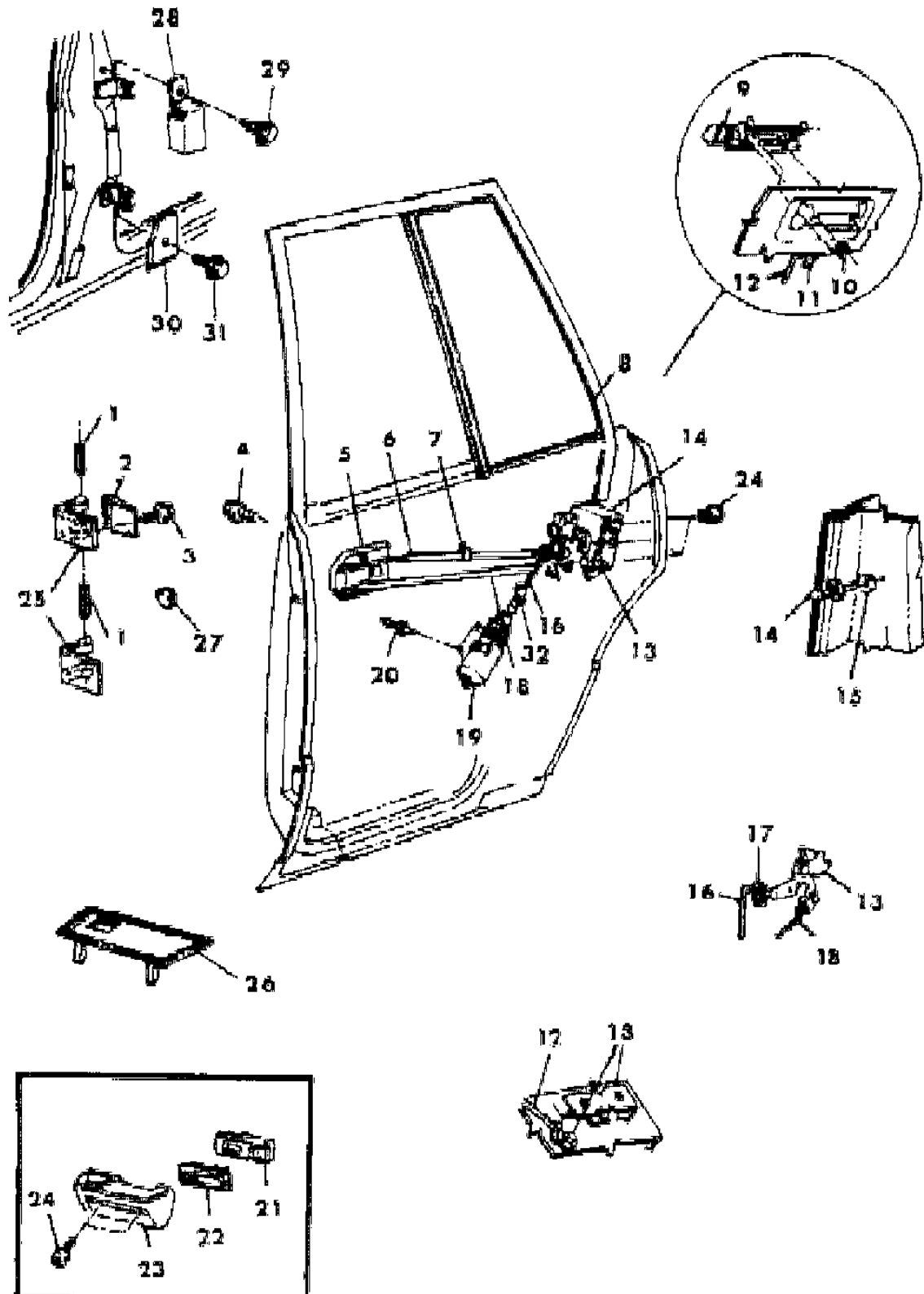
BODY STYLES

12-52 = FWD VAN & WAGON STD. W.B. 27 = 2-DOOR CONVERTIBLE
 13-53 = FWD VAN & WGN EXT W.B. 41 = 4-DOOR SEDAN
 21 = 2-DOOR SEDAN 44 = 4-DOOR HATCHBACK
 24 = 2-DOOR HATCHBACK 45 = 4-DOOR STATION WAGON

AR = Use as Required - = Non Illustrated Part P.A.R. = Paint as Required

DOOR, REAR SHELL, HANDLE AND CONTROL K,E BODY 41,45
Figure 23C-2500

8171 2500



ITEM	PART NUMBER	QTY	BODY	MODEL	DESCRIPTION
1	6501 299	2			PIN, Hinge
	4336 115	2			BUSHING, Hinge
	6500 803	2			CLIP, Hinge Pin
2	4184 117	1			CHECK SPRING
3	6100 557	2			SCREW
4	6100 274	2			SCREW
5	4184 252	2			PLATE and NUT, Mtg.
6	4365 428-9	1	P,D,C		LINK and SLEEVE
	4184 530-1	1	J,E,T		
7	3882 620	2			CLIP, Anti Rattle
8	4397 476-7	1	P,D,C,41		DOOR SHELL
	4397 480-1	1	J,E,T 41		
	4397 478-9	1	P,D,C 45		
	4365 520-1	1	PDC 41,45		PANEL, Repair
	4310 066-7	1	J,E,T 41		
9	4184 228	2			HANDLE, Exterior Door
	6028 674	4			SCREW, Handle
10	6025 004	2			NUT
11	3882 762	2			CLIP, Link to Handle
12	4184 118	2	P,D,C		LINK, Outside Handle to Latch
	4184 598	2	J,E,T		
13	4336 380-1	1			LATCH
	6501 220	AR			SCREW, Latch Att.
	4280 842	2	J,E,T		SEAL, Door Latch
14	4336 826	2			STRIKER
	6500 483	2			NUT, Striker
15	4184 105	AR			SPACER
16	4365 424	2	P,D,C		LINK, Electric Latch to Motor
	4184 742-3	2	J,E,T		
17	4184 244-5	1			CLIP, Latch to Electric Motor Link
18	3454 220-1	1	P,D,C		w/o Electric Locks
	4184 698-9	1	P,D,C		LINK
	4184 540-1	1	J,E,T		
19	4396 015	2			SOLENOID, Power Door Lock
20	6031 115	AR			RIVET
21	4396 570-1				HOUSING, Remote Control
22					BEZEL, Remote Control Housing

MODEL CODES

C BODY = (D41 - DYNASTY)(C41 - NEW YORKER)
 E BODY = (J - CARAVELLE)(E - 600)(T - NEW YORKER TURBO)
 G BODY = (V24 - DAYTONA, PACIFICA & SHELBY)
 H BODY = (D44 - LANCER)(C44 - LEBARON GTS)
 J BODY = (C - LEBARON)
 K BODY = (P - RELIANT)(D - ARIES)(C - LEBARON/ TOWN & COUNTRY)

L BODY = (M - HORIZON)(Z-OMNI)
 M BODY = (B - GRAN FURY)(G - DIPLOMAT)(F - FIFTH AVENUE/NEWPORT)
 P BODY = (P - SUNDANCE)(D - SHADOW)
 Q BODY = (C27 - MASERATI)
 S BODY = (H - VOYAGER)(K - RAM VAN/ CARAVAN)

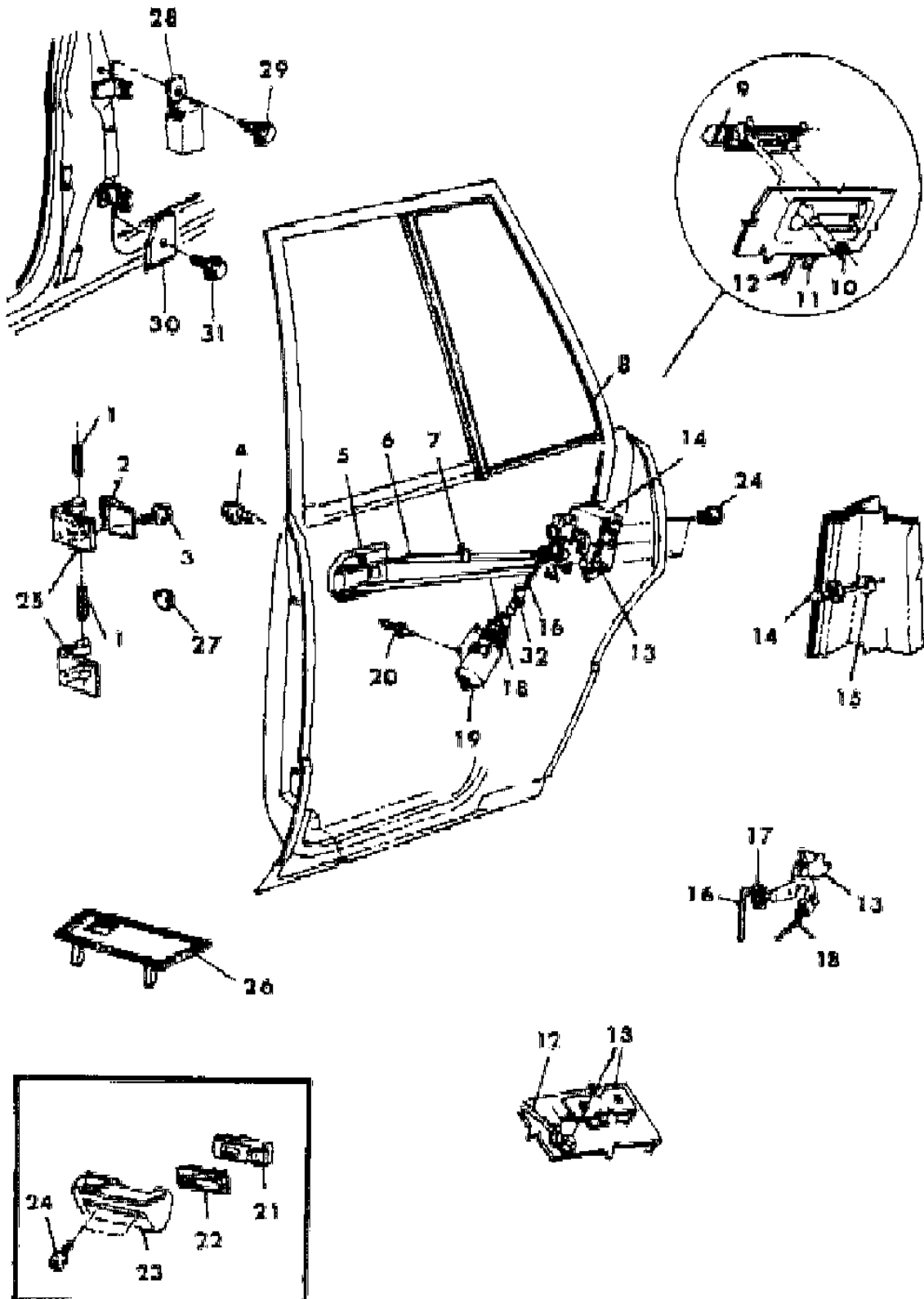
BODY STYLES

12-52 = FWD VAN & WAGON STD. W.B. 27 = 2-DOOR CONVERTIBLE
 13-53 = FWD VAN & WGN EXT W.B. 41 = 4-DOOR SEDAN
 21 = 2-DOOR SEDAN 44 = 4-DOOR HATCHBACK
 24 = 2-DOOR HATCHBACK 45 = 4-DOOR STATION WAGON

AR = Use as Required - = Non Illustrated Part P.A.R. = Paint as Required

DOOR, REAR SHELL, HANDLE AND CONTROL K,E BODY 41,45
Figure 23C-2500

8171 2500



ITEM	PART NUMBER	QTY	BODY	MODEL	DESCRIPTION
	D405 CX9	2		PL,DL	
	4184 723	2		PH,PP,DH,DP	
	4310 656-7	1		C,J,E,T	Chrome, w/Finish Plate
	4310 652	1		C,J,E,T	APPLIQUE, Remote Control Bezel
23					ARM REST, Refer to IT Section
24		AR			SCREW (DNS)
25	4318 350	4			HINGE, Body Half
	4318 301	4			Door Half
	4412 000	AR			HINGE and PIN PACKAGE, Door Half Moving
26	4283 894-5	1			BEZEL and FACE PLATE, Door
27	6031 488	2		P,D	PLUG, Door
28	X144-5 BT8	1			COVER, Hinge, Upper
29	6032 509	AR			SCREW
30	X146-7 BT8	2			COVER, Hinge, Lower
31	6100 275	AR			SCREW
32	4184 172	2			CLIP, Solenoid

MODEL CODES

C BODY = (D41 - DYNASTY)(C41 - NEW YORKER)
 E BODY = (J - CARAVELLE)(E - 600)(T - NEW YORKER TURBO)
 G BODY = (V24 - DAYTONA, PACIFICA & SHELBY)
 H BODY = (D44 - LANCER)(C44 - LEBARON GTS)
 J BODY = (C - LEBARON)
 K BODY = (P - RELIANT)(D - ARIES)(C - LEBARON/ TOWN & COUNTRY)
 L BODY = (M - HORIZON)(Z-OMNI)
 M BODY = (B - GRAN FURY)(G - DIPLOMAT)(F - FIFTH AVENUE/NEWPORT)
 P BODY = (P - SUNDANCE)(D - SHADOW)
 Q BODY = (C27 - MASERATI)
 S BODY = (H - VOYAGER)(K - RAM VAN/ CARAVAN)

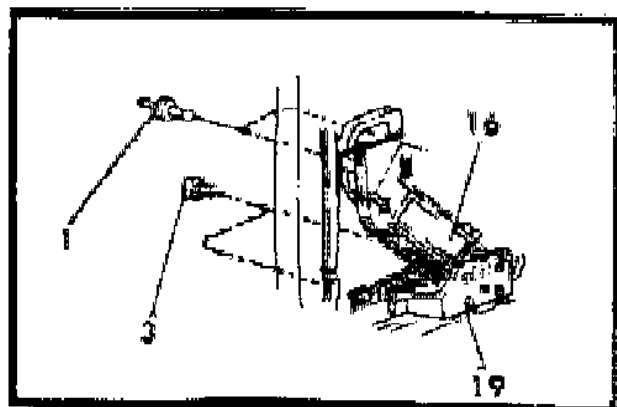
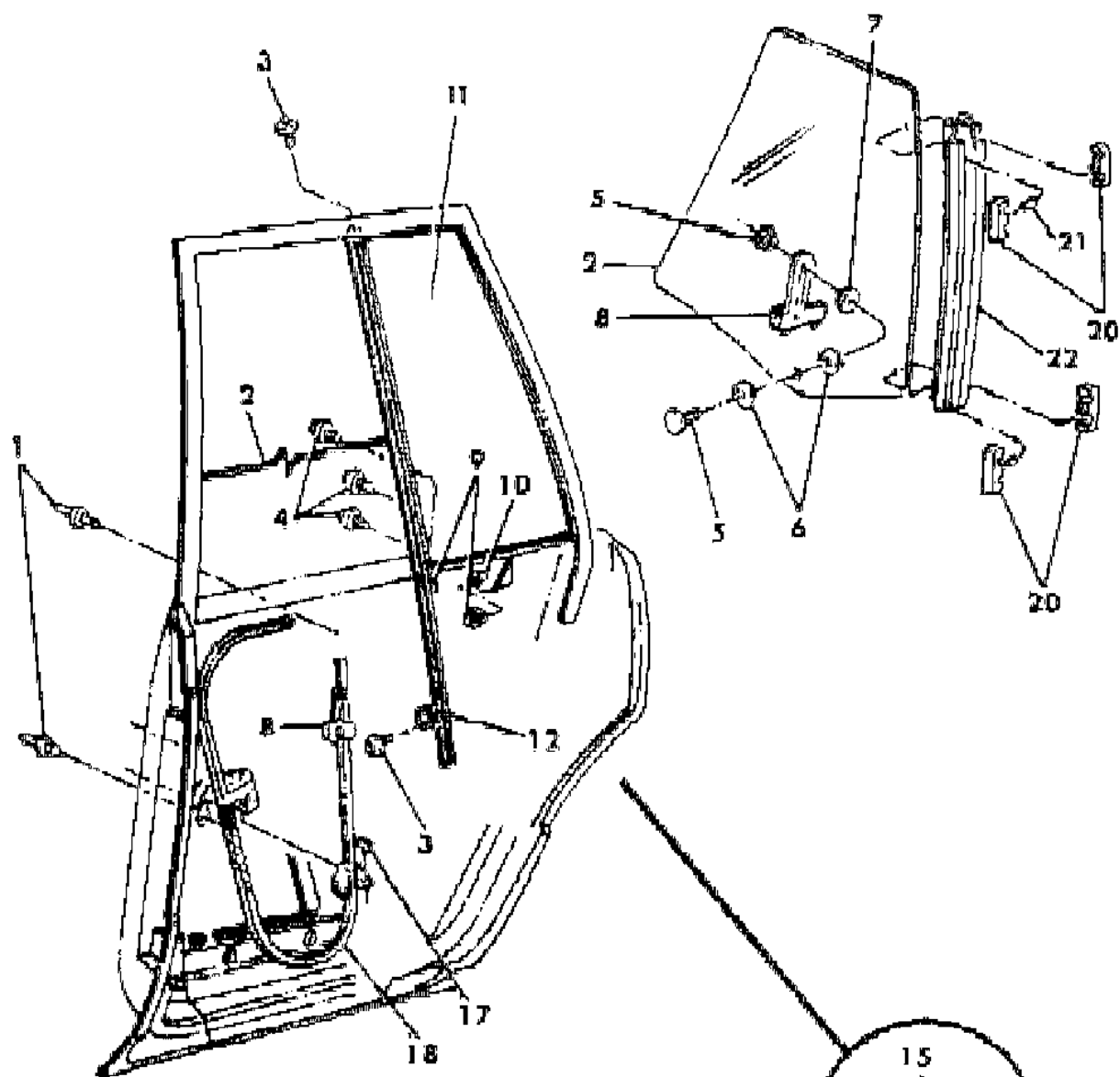
BODY STYLES

12-52 = FWD VAN & WAGON STD. W.B. 27 = 2-DOOR CONVERTIBLE
 13-53 = FWD VAN & WGN EXT W.B. 41 = 4-DOOR SEDAN
 21 = 2-DOOR SEDAN 44 = 4-DOOR HATCHBACK
 24 = 2-DOOR HATCHBACK 45 = 4-DOOR STATION WAGON

AR = Use as Required - = Non Illustrated Part P.A.R. = Paint as Required

DOOR, REAR GLASS AND REGULATOR K,E BODY 41,45
Figure 23C-2600

8171 2600



ITEM	PART NUMBER	QTY	BODY	MODEL	DESCRIPTION
1	6031 115	AR			RIVET
2	4365 114-5	1		P,D,C	GLASS Clear
	4365 116-7	1		P,D,C	Tinted
	4198 868-9	1		J,E,T	
3					SCREW (DNS)
4	6100 274	AR			SCREW
5-7	4267 907	AR			HARDWARE PACKAGE
6	5231 769	AR			GASKET
7	6028 587	AR			T-NUT
8	4336 532-3	1			ARM and NUT, Regulator Drive
9	6100 041	AR			U-NUT
10	4396 293	2			BRACKET ASSEMBLY, Fixed Glass Support
	4198 639	2			BRACKET, Fixed Glass Support
11					GLASS, Stationary
	4365 124-5	1		P,D,C 41	
	4365 132-3	1		P,D,C 45	
	4198 728-9	1		J,E,T 41	w/o Padded Landau Roof
	4280 870-1	1		T-P 41	w/Padded Landau Roof
12					CHANNEL, Divisional Glass
	4365 140-1	1		P,D,C	
	4198 858-9	1		J,E,T	
	4365 404-5	1			BRACKET and NUT, Lower Channel
13	6100 566	AR		J,E,T	SCREW
	6100 567	AR		P,D,C	
14					HANDLE, Window Regulator
	4310 824	2			Up to 12-3-87
	4480 649	2			After 12-3-87
15	3882 767	AR			SPACER
16	4310 938-9	1			MOTOR and MECHANISM, Electric Window
17	4184 575	AR			BUMPER, Downstop
18					REGULATOR, Window
	4365 464-5	1			Manual
	4365 474-5	1			Electric
	4467 214	2			GEAR PACKAGE, Regulator Flexrack
19	4336 338-9	1			BRACKET, Motor Mtg.
20	4198 752	AR			RETAINER, Divisional Glass Weatherstrip

MODEL CODES

C BODY = (D41 - DYNASTY)(C41 - NEW YORKER)
 E BODY = (J - CARAVELLE)(E - 600)(T - NEW YORKER TURBO)
 G BODY = (V24 - DAYTONA, PACIFICA & SHELBY)
 H BODY = (D44 - LANCER)(C44 - LEBARON GTS)
 J BODY = (C - LEBARON)
 K BODY = (P - RELIANT)(D - ARIES)(C - LEBARON/ TOWN & COUNTRY)

L BODY = (M - HORIZON)(Z-OMNI)
 M BODY = (B - GRAN FURY)(G - DIPLOMAT)(F - FIFTH AVENUE/NEWPORT)
 P BODY = (P - SUNDANCE)(D - SHADOW)
 Q BODY = (C27 - MASERATI)
 S BODY = (H - VOYAGER)(K - RAM VAN/ CARAVAN)

BODY STYLES

12-52 = FWD VAN & WAGON STD. W.B. 27 = 2-DOOR CONVERTIBLE
 13-53 = FWD VAN & WGN EXT W.B. 41 = 4-DOOR SEDAN
 21 = 2-DOOR SEDAN 44 = 4-DOOR HATCHBACK
 24 = 2-DOOR HATCHBACK 45 = 4-DOOR STATION WAGON

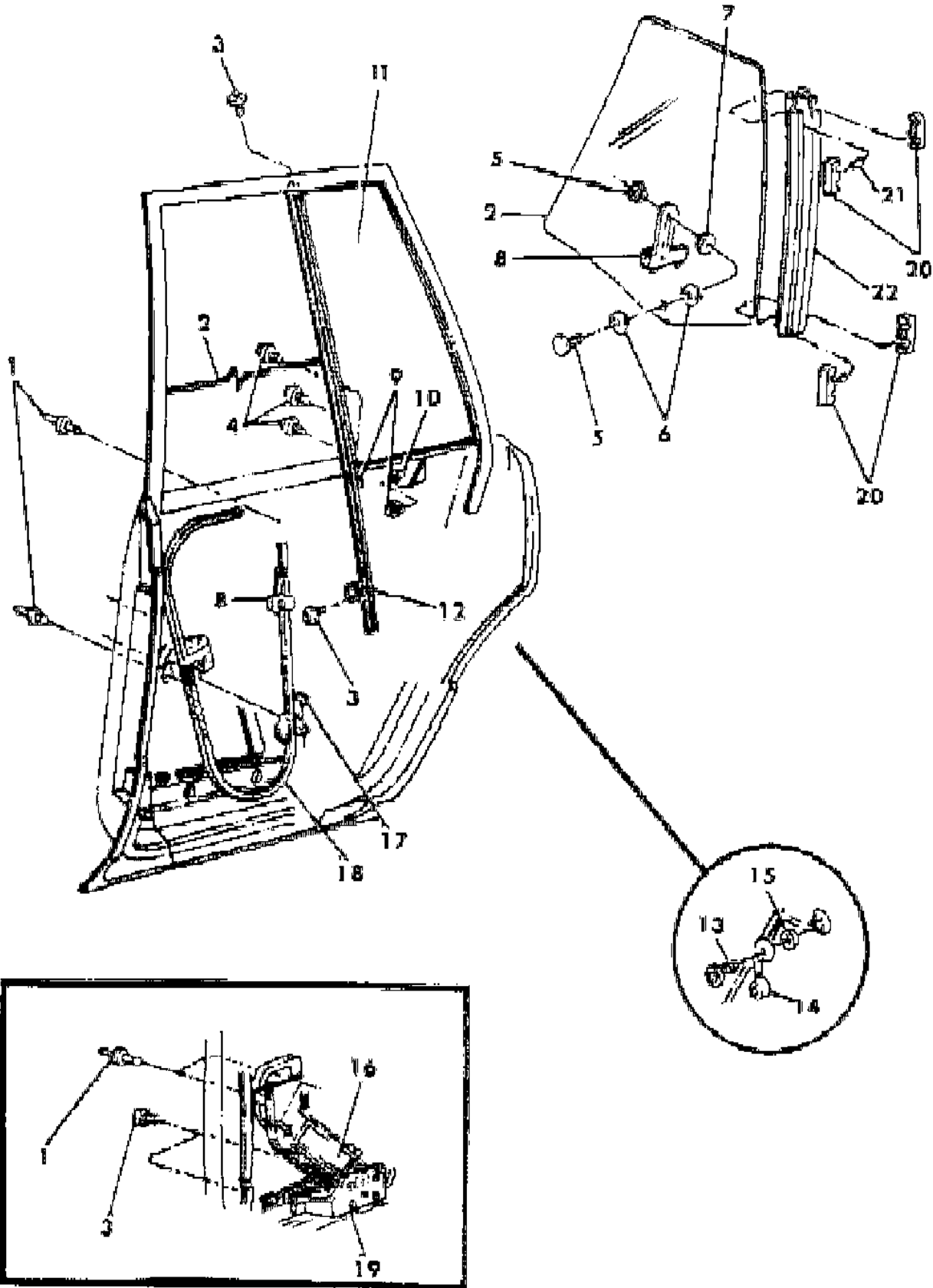
AR = Use as Required - = Non Illustrated Part P.A.R. = Paint as Required

DOOR, REAR GLASS AND REGULATOR K,E BODY 41,45
Figure 23C-2600

8171 2600

ITEM	PART NUMBER	QTY	BODY	MODEL	DESCRIPTION
------	-------------	-----	------	-------	-------------

21	2861 744	AR			PIN, Weatherstrip Retaining
22	4198 750-1	1			WEATHERSTRIP, Divisional Glass Channel



MODEL CODES

C BODY = (D41 - DYNASTY)(C41 - NEW YORKER)	L BODY = (M - HORIZON)(Z-OMNI)
E BODY = (J - CARAVELLE)(E - 600)(T - NEW YORKER TURBO)	M BODY = (B - GRAN FURY)(G - DIPLOMAT)(F - FIFTH AVENUE/NEWPORT)
G BODY = (V24 - DAYTONA, PACIFICA & SHELBY)	P BODY = (P - SUNDANCE)(D - SHADOW)
H BODY = (D44 - LANCER)(C44 - LEBARON GTS)	Q BODY = (C27 - MASERATI)
J BODY = (C - LEBARON)	S BODY = (H - VOYAGER)(K - RAM VAN/ CARAVAN)
K BODY = (P - RELIANT)(D - ARIES)(C - LEBARON/ TOWN & COUNTRY)	

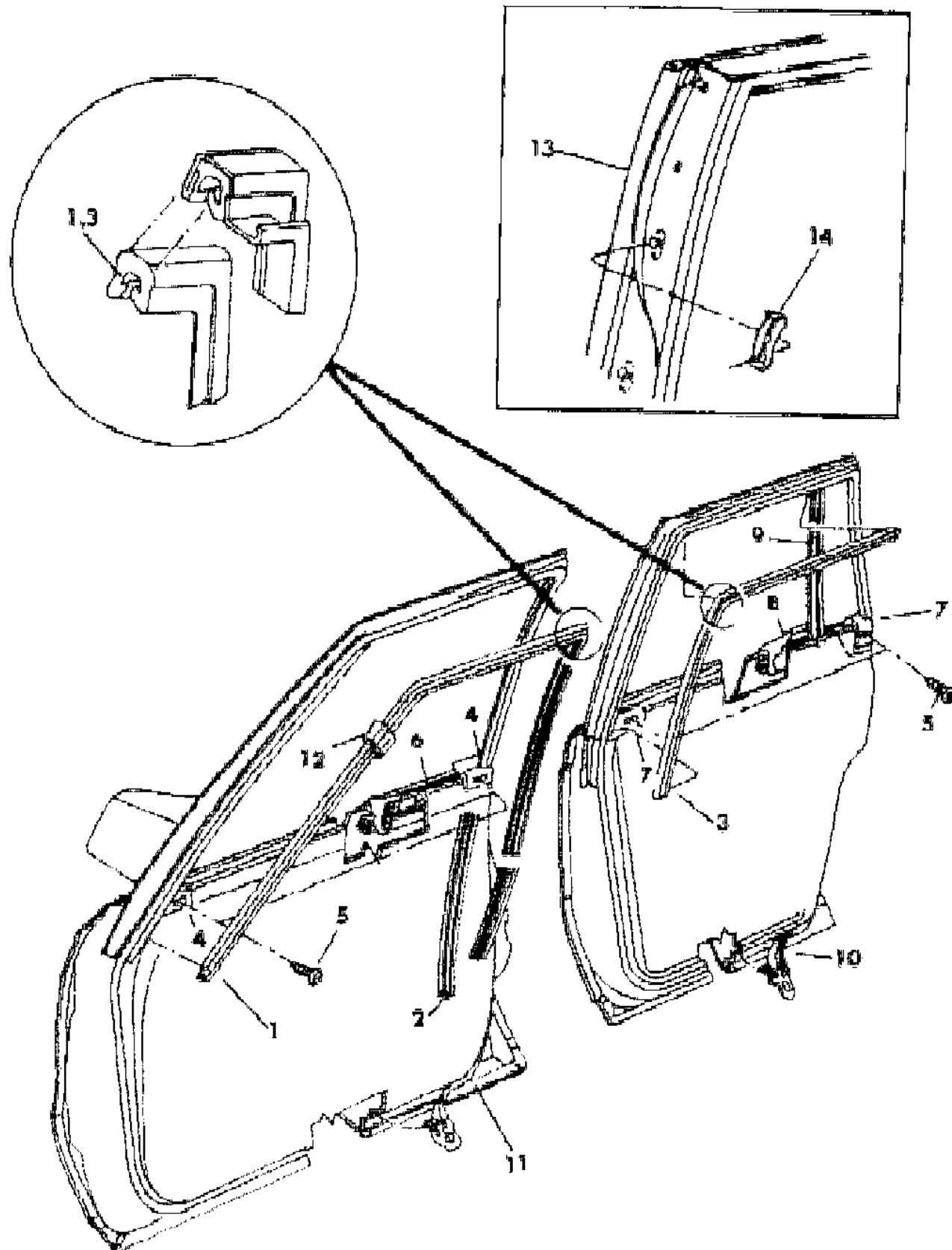
BODY STYLES

12-52 = FWD VAN & WAGON STD. W.B.	27 = 2-DOOR CONVERTIBLE
13-53 = FWD VAN & WGN EXT W.B.	41 = 4-DOOR SEDAN
21 = 2-DOOR SEDAN	44 = 4-DOOR HATCHBACK
24 = 2-DOOR HATCHBACK	45 = 4-DOOR STATION WAGON

AR = Use as Required - = Non Illustrated Part P.A.R. = Paint as Required

DOOR, FRONT AND REAR WEATHERSTRIP AND RUN K,E BODY
Figure 23C-2700

8171 2700



ITEM	PART NUMBER	QTY	BODY	MODEL	DESCRIPTION
1					RUN, Front Door Glass
	4310 764	1		21	Right w/o Mirror
	4310 762-3	1		21	w/Mirror
	4365 482	1		41,45	Right w/o Mirror
	4365 480-1	1		41,45	w/Mirror
2	4310 384-5	1		21	CHANNEL, Front Door, Rear
3					RUN, Rear Door Glass
	4280 856-7	1		J,E,T 41	
	4365 112-3	1		P,D,C 41,45	
4	4198 382-3	1			SEAL, Front Door Belt, Front
	4198 384-5	1		21	Rear
	4310 632-3	1		41,45	Rear
5		2			SCREW (DNS)
6					WEATHERSTRIP, Front Door Belt, Outer
	4198 512-3	1		21	
	4198 514-5	1		41,45	
		1			Inner, Serviced on Door Trim Panel
7	4280 134-5	1		41,45	SEAL, Rear Door Belt, Front
	4198 388-9	1		41,45	Rear
8	4198 754-5	1		J,E,T	WEATHERSTRIP, Rear Door Belt, Outer
	4415 282-3	1		P,D,C 41,45	
9					WEATHERSTRIP, Rear Door Glass, Stationary
	4198 730-1	1		J,E,T	
	4365 106-7	1		P,D,C 41	
	4365 108-9	1		P,D,C 45	
10					WEATHERSTRIP, Rear Door
	4365 230-1	1		P,D,C	
	4365 380-1	1		J,E,T	
11					WEATHERSTRIP, Front Door
	4280 172-3	1		21	
	4415 258-9	1		41,45	
	2217 508	AR			CLIP, Outer Weatherstrip Att.
	4040 732	AR			RETAINER, Door Opening Weatherstrip Att.
12	4310 059	2			CLIP, Glass Run Roll-off
13	4365 541	4		Exc. P,D	SEAL, Front and Rear Door Frame, Secondary
	4280 458-9	1		Exc. P,D	Rear Door Stationary Glass Sound
14	6003 693	AR			CLIP, Seal Att.

MODEL CODES

C BODY = (D41 - DYNASTY)(C41 - NEW YORKER)
 E BODY = (J - CARAVELLE)(E - 600)(T - NEW YORKER TURBO)
 G BODY = (V24 - DAYTONA, PACIFICA & SHELBY)
 H BODY = (D44 - LANCER)(C44 - LEBARON GTS)
 J BODY = (C - LEBARON)
 K BODY = (P - RELIANT)(D - ARIES)(C - LEBARON/ TOWN & COUNTRY)

L BODY = (M - HORIZON)(Z-OMNI)
 M BODY = (B - GRAN FURY)(G - DIPLOMAT)(F - FIFTH AVENUE/NEWPORT)
 P BODY = (P - SUNDANCE)(D - SHADOW)
 Q BODY = (C27 - MASERATI)
 S BODY = (H - VOYAGER)(K - RAM VAN/ CARAVAN)

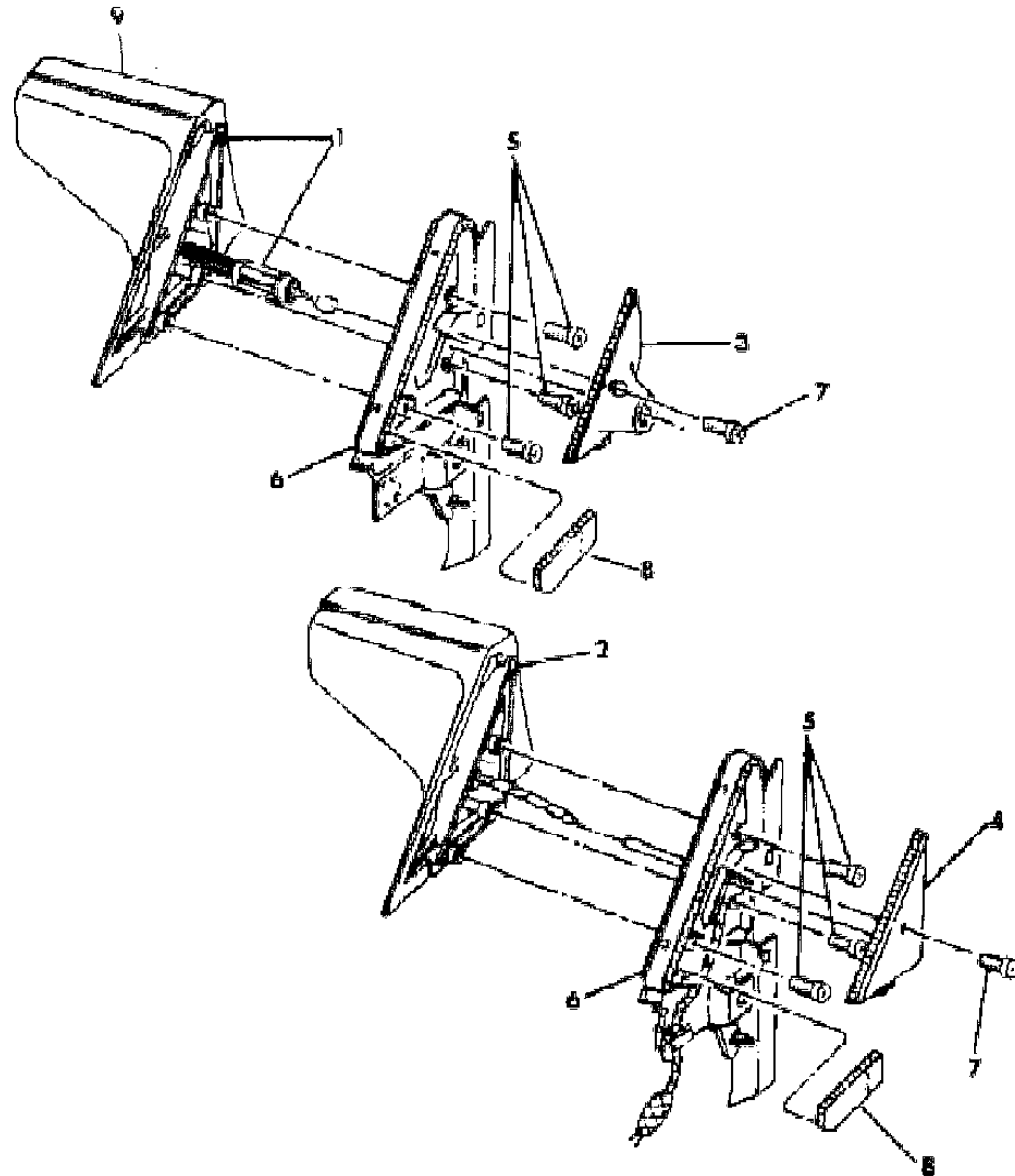
BODY STYLES

12-52 = FWD VAN & WAGON STD. W.B. 27 = 2-DOOR CONVERTIBLE
 13-53 = FWD VAN & WGN EXT W.B. 41 = 4-DOOR SEDAN
 21 = 2-DOOR SEDAN 44 = 4-DOOR HATCHBACK
 24 = 2-DOOR HATCHBACK 45 = 4-DOOR STATION WAGON

AR = Use as Required - = Non Illustrated Part P.A.R. = Paint as Required

MIRRORS, EXTERIOR K,E BODY
Figure 23C-2800

8171 2800



ITEM	PART NUMBER	QTY	BODY	MODEL	DESCRIPTION
NOTE: Right Mirror is for Replacement of Factory Installed Original Equipment Only. s group.					
1					MIRROR PACKAGE, Rectangular Remote Control
	4318 280-1	1			Chrome
	4318 439	1			Black, Aerodynamic, Left
	4318 438	1			Black, Aerodynamic, Right
					MIRROR PACKAGE, Manual
	4339 340	1			Black, Left
	4299 416	1			Black, Right
	4318 282-3	1			Chrome
2					MIRROR PACKAGE, Electric
	4299 560-1	1			Black
	4299 558-9	1			Chrome
3	4299 056-7	1			BEZEL, Remote Control Mirror, Inside
4	4299 054-5	1			BEZEL, w/Manual and Electric Mirror, Inside
	4299 052-3	1			SEAL, Bezel to Support
	4246 204-5	1			SEAL, Mirror Bracket Inner Bezel
5	6032 121	AR			SCREW
6	4299 382-3	1			SUPPORT PACKAGE, Mirror Attaching
	6032 814	2			PUSHNUT, Glass Run Mirror Support
7		AR			SCREW (DNS)
	4299 058	2			SPACER, Mirror Support to Door Lower Attaching
8		1			SEAL, Serviced in Item 6
9	4267 872-3	1			GLASS REPLACEMENT PACKAGE, Mirror

MODEL CODES

C BODY = (D41 - DYNASTY)(C41 - NEW YORKER)
 E BODY = (J - CARAVELLE)(E - 600)(T - NEW YORKER TURBO)
 G BODY = (V24 - DAYTONA, PACIFICA & SHELBY)
 H BODY = (D44 - LANCER)(C44 - LEBARON GTS)
 J BODY = (C - LEBARON)
 K BODY = (P - RELIANT)(D - ARIES)(C - LEBARON/ TOWN & COUNTRY)

L BODY = (M - HORIZON)(Z-OMNI)
 M BODY = (B - GRAN FURY)(G - DIPLOMAT)(F - FIFTH AVENUE/NEWPORT)
 P BODY = (P - SUNDANCE)(D - SHADOW)
 Q BODY = (C27 - MASERATI)
 S BODY = (H - VOYAGER)(K - RAM VAN/ CARAVAN)

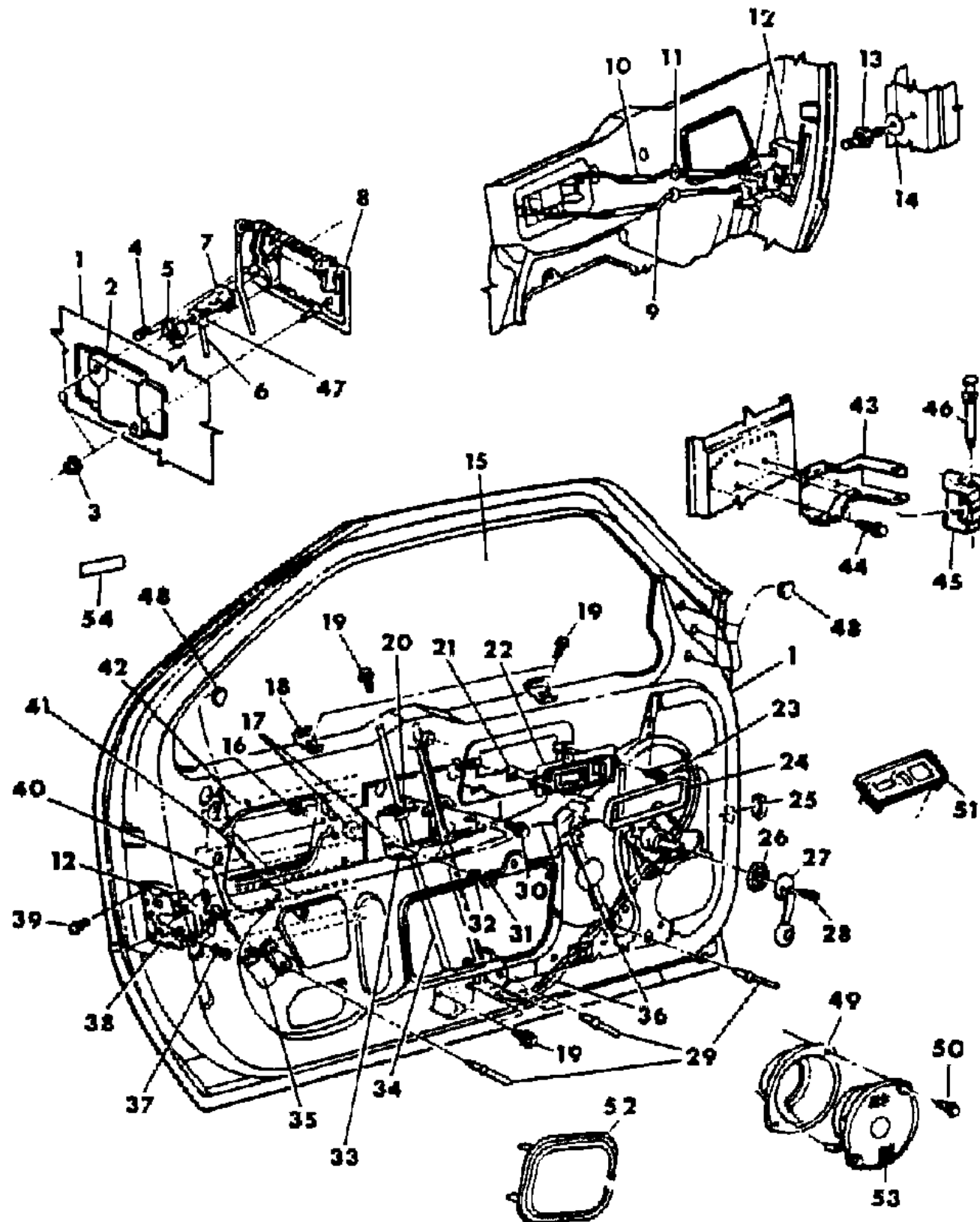
BODY STYLES

12-52 = FWD VAN & WAGON STD. W.B. 27 = 2-DOOR CONVERTIBLE
 13-53 = FWD VAN & WGN EXT W.B. 41 = 4-DOOR SEDAN
 21 = 2-DOOR SEDAN 44 = 4-DOOR HATCHBACK
 24 = 2-DOOR HATCHBACK 45 = 4-DOOR STATION WAGON

AR = Use as Required - = Non Illustrated Part P.A.R. = Paint as Required

DOOR, FRONT COMPLETE LESS WEATHERSTRIP AND RUN G BODY
Figure 23C-2900

8171 2900



ITEM	PART NUMBER	QTY	BODY	MODEL	DESCRIPTION
1	4411 916-7	1			DOOR SHELL
	4397 112-3	1			PANEL, Repair
2	4336 200-1	1			BRACKET and ISOLATOR, Exterior Handle
3	6031 029	2			NUT, Exterior Handle Att.
4		2			SCREW (DNS)
5		1			RETAINER, Lock Cylinder, Refer to 23D
6	4184 690-1	1			LINK, Lock Cylinder to Latch
7		1			CYLINDER and KEY, Refer to 23D
8					HANDLE, Exterior
	4336 192-3	1			w/Illuminated Entry
	4336 196-7	1			w/o Illuminated Entry
	4336 222	1			STRAP, Exterior Handle Housing
9	4336 166-7	1			LINK, Latch Locking
10	4415 954-5	1			LINK, Remote Control Latch
11	3882 620	2			CLIP, Anti Rattle
12					LATCH, Door
	4396 249	1			Override, Left
	4396 246	1			Non Override, Right
	6501 220	AR			SCREW, Latch Att.
13	4310 543	2			STRIKER, Latch
14	4184 105	AR			SPACER, Striker
15	4198 682-3	1			GLASS, Door
	4280 192-3	1			(EUROPEAN)
16	6029 998	3			WASHER and STUD
17	5231 769	2			GASKET
18	4365 862	4			STABILIZER, Glass
	3788 273	2			GUIDE, Lower Glass
19		AR			SCREW (DNS)
20	3788 080	2			SLEEVE, Glass Track Tube
21		6			U-NUT (DNS)
22	4396 572-3				HOUSING, Remote Control
23		6			SCREW (DNS)
24	4415 426-7	1			BEZEL, Remote Control Handle
25	6031 488	2			PLUG, Hinge Pillar
26	4184 405	2			SPACER, Window Regulator Handle
27	4310 825	2			HANDLE, Window Regulator
28	6031 644	2			SCREW

MODEL CODES

C BODY = (D41 - DYNASTY)(C41 - NEW YORKER)
 E BODY = (J - CARAVELLE)(E - 600)(T - NEW YORKER TURBO)
 G BODY = (V24 - DAYTONA, PACIFICA & SHELBY)
 H BODY = (D44 - LANCER)(C44 - LEBARON GTS)
 J BODY = (C - LEBARON)
 K BODY = (P - RELIANT)(D - ARIES)(C - LEBARON/ TOWN & COUNTRY)

L BODY = (M - HORIZON)(Z-OMNI)
 M BODY = (B - GRAN FURY)(G - DIPLOMAT)(F - FIFTH AVENUE/NEWPORT)
 P BODY = (P - SUNDANCE)(D - SHADOW)
 Q BODY = (C27 - MASERATI)
 S BODY = (H - VOYAGER)(K - RAM VAN/ CARAVAN)

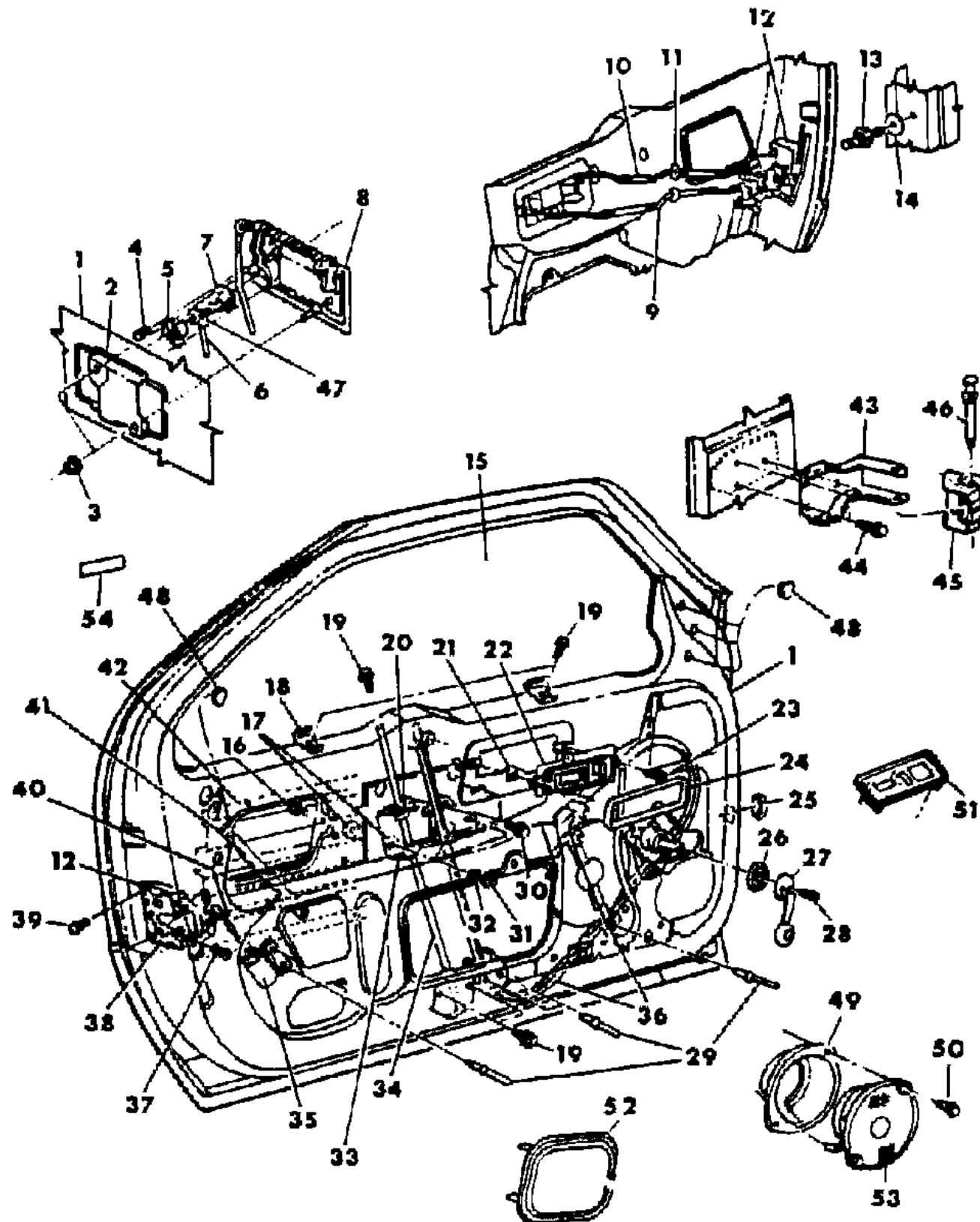
BODY STYLES

12-52 = FWD VAN & WAGON STD. W.B. 27 = 2-DOOR CONVERTIBLE
 13-53 = FWD VAN & WGN EXT W.B. 41 = 4-DOOR SEDAN
 21 = 2-DOOR SEDAN 44 = 4-DOOR HATCHBACK
 24 = 2-DOOR HATCHBACK 45 = 4-DOOR STATION WAGON

AR = Use as Required - = Non Illustrated Part P.A.R. = Paint as Required

DOOR, FRONT COMPLETE LESS WEATHERSTRIP AND RUN G BODY
Figure 23C-2900

8171 2900



ITEM	PART NUMBER	QTY	BODY	MODEL	DESCRIPTION
29	6031 115	AR			RIVET
30	6500 912	2			SCREW
31		6			NUT and WASHER (DNS)
32	6028 587	6			T-NUT
33	4198 676-7	1			PLATE, Glass Lift
	4280 711	2			PAD, Plate
34	4198 688-9	1			TRACK, Glass Guide
35	4396 015	2			SOLENOID, Power Door Lock
	4184 172	2			CLIP, Solenoid
36					REGULATOR, Window
	4445 080-1	1			Manual
	4336 444-5	1			Electric
	4467 214	2			GEAR PACKAGE, Regulator Flexrack
	4445 090-1	1			MOTOR and MECHANISM, Electric Regulator
	4184 410	2			BRACKET, Motor Mtg.
	4184 575	4			BUMPER, Regulator Downstop
	4396 502-3				SPRING, Manual Regulator Assist
37	6032 079	2			SCREW, Filler
38	4184 378-9	1			FILLER, Latch to Inner Panel
39		3			SCREW (DNS)
40	4415 951	2			LINK, Solenoid to Latch
41	5231 294	2			BUMPER and RETAINER, Impact Bar
42		2			REINFORCEMENT, Impact Bar, Serviced in Item #1
43					HINGE, Body Half
	4365 815	2			Upper
	4415 430	2			Lower
44	6500 300	AR			SCREW, Hinge
	4336 288	AR			SHIM, Hinge
45	4280 730	2			HINGE, Door Half, Upper
	4280 732	2			Lower
46	4280 727	4			PIN, Hinge
47	3760 131	1			CLIP, Door Latch Locking Lever to Key Cylinder Link, Right
	3760 130	1			Left
48	4184 688	AR			PLUG
49	4372 481	2			ADAPTOR PLATE, Speaker
50		4			SCREW (DNS)
51					BEZEL, Armrest Switch

MODEL CODES

C BODY = (D41 - DYNASTY)(C41 - NEW YORKER)
 E BODY = (J - CARAVELLE)(E - 600)(T - NEW YORKER TURBO)
 G BODY = (V24 - DAYTONA, PACIFICA & SHELBY)
 H BODY = (D44 - LANCER)(C44 - LEBARON GTS)
 J BODY = (C - LEBARON)
 K BODY = (P - RELIANT)(D - ARIES)(C - LEBARON/ TOWN & COUNTRY)

L BODY = (M - HORIZON)(Z-OMNI)
 M BODY = (B - GRAN FURY)(G - DIPLOMAT)(F - FIFTH AVENUE/NEWPORT)
 P BODY = (P - SUNDANCE)(D - SHADOW)
 Q BODY = (C27 - MASERATI)
 S BODY = (H - VOYAGER)(K - RAM VAN/ CARAVAN)

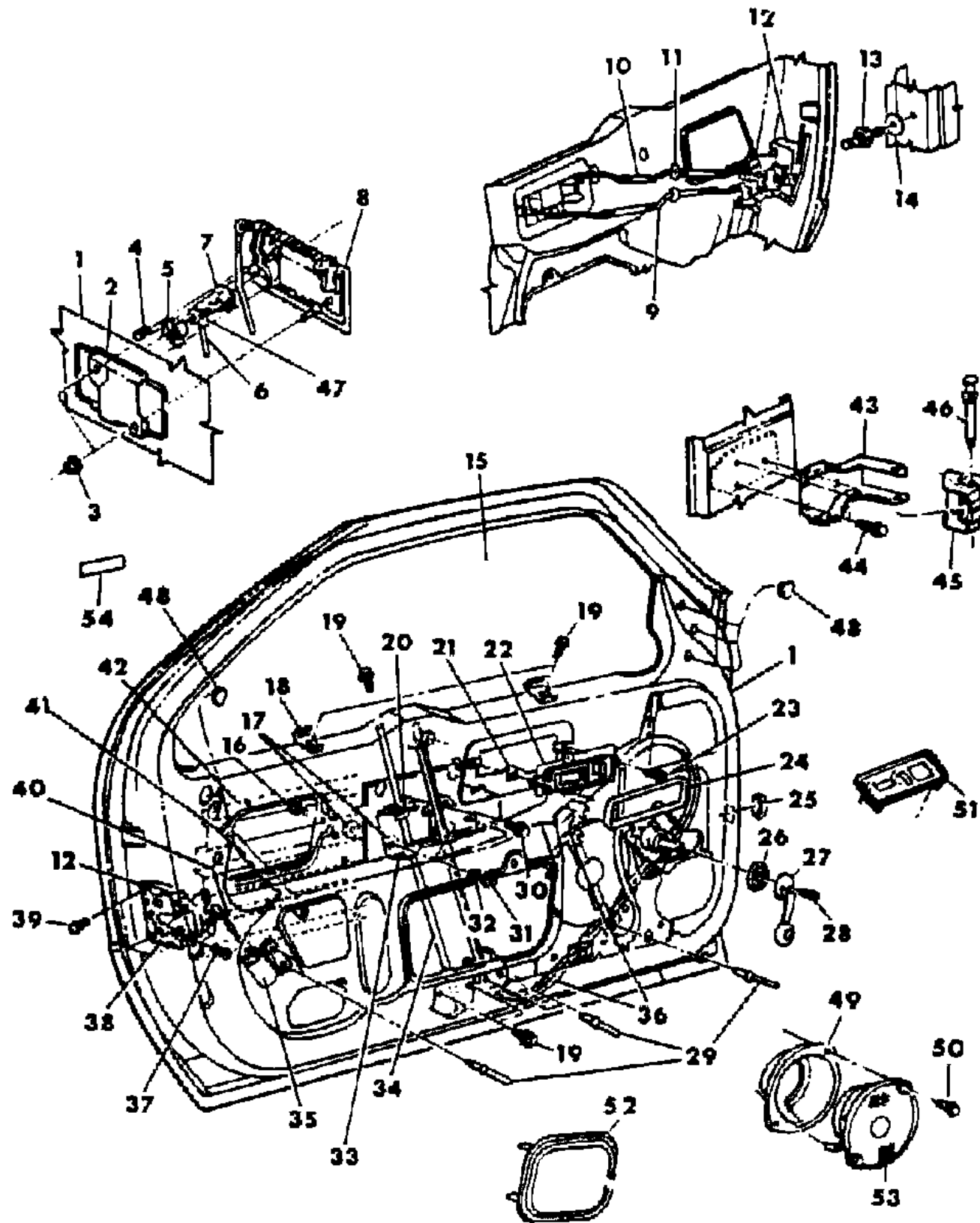
BODY STYLES

12-52 = FWD VAN & WAGON STD. W.B. 27 = 2-DOOR CONVERTIBLE
 13-53 = FWD VAN & WGN EXT W.B. 41 = 4-DOOR SEDAN
 21 = 2-DOOR SEDAN 44 = 4-DOOR HATCHBACK
 24 = 2-DOOR HATCHBACK 45 = 4-DOOR STATION WAGON

AR = Use as Required - = Non Illustrated Part P.A.R. = Paint as Required

DOOR, FRONT COMPLETE LESS WEATHERSTRIP AND RUN G BODY
Figure 23C-2900

8171 2900



ITEM	PART NUMBER	QTY	BODY	MODEL	DESCRIPTION
	4309 490	2			w/Door Locks
	4309 491	1			Left, w/Door Locks and Electric Mirrors
	4247 711	1			Left, w/Electric Mirrors
	4309 492	2			w/Door Locks and Manual Remote Control Mirror
	4247 709	2			w/Manual Remote Control Mirrors
	4283 842	2			w/o Openings
	4247 211	4			RETAINER, Armrest Switch Bezel
52					GRILLE, Speaker
	P481 GR8	2			Red
	P481 EX9	2			Black
	P481 GL7	2			Taupe
	P481 ES8	2			Charcoal
	P481 FC5	2			Blue
53					SPEAKER, Door
	4430 065	2			Standard
	4372 155	2			Premium
54	4365 683	1			DECAL, Seat Belt Safety

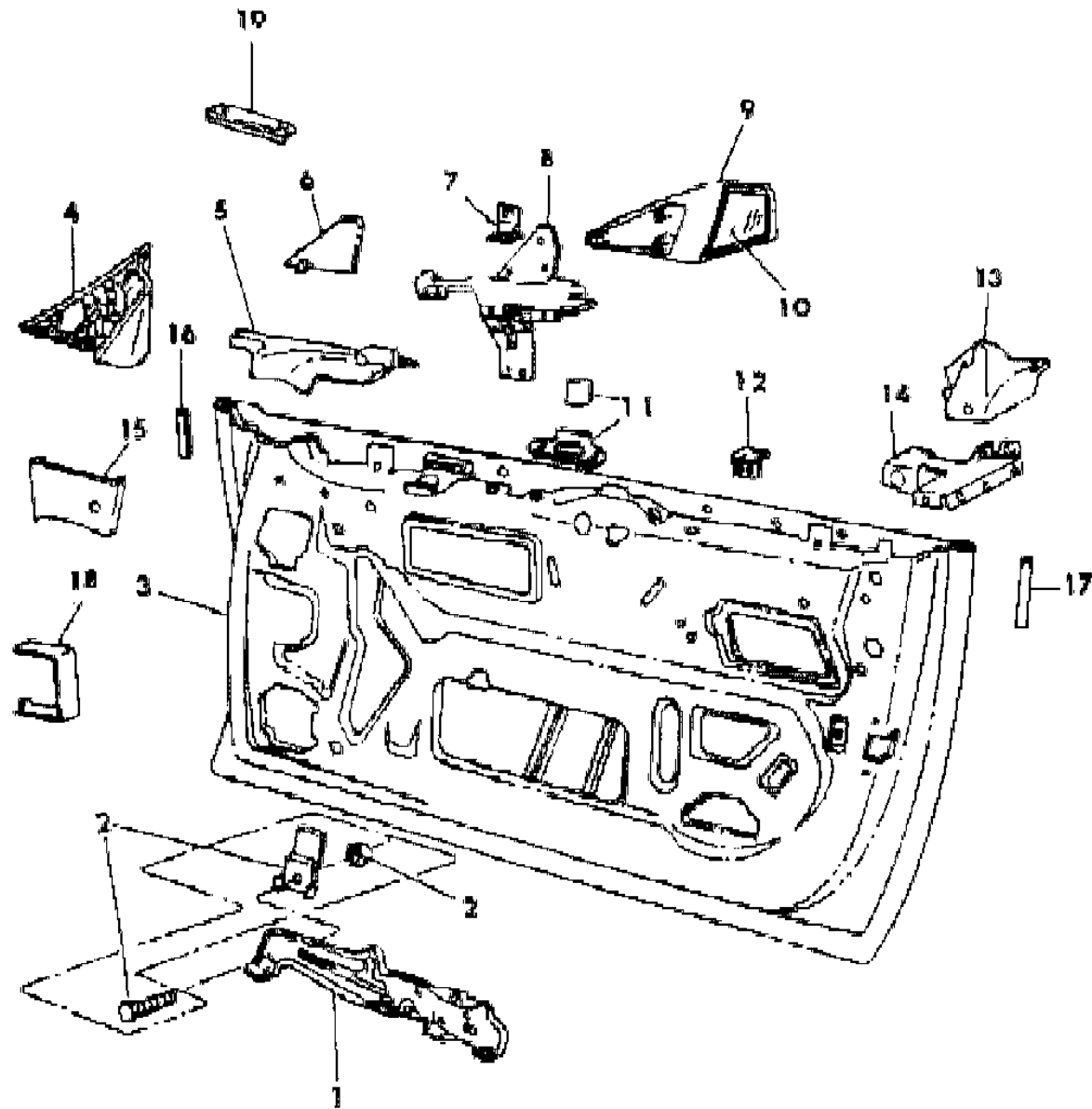
MODEL CODES
 C BODY = (D41 - DYNASTY)(C41 - NEW YORKER)
 E BODY = (J - CARAVELLE)(E - 600)(T - NEW YORKER TURBO)
 G BODY = (V24 - DAYTONA, PACIFICA & SHELBY)
 H BODY = (D44 - LANCER)(C44 - LEBARON GTS)
 J BODY = (C - LEBARON)
 K BODY = (P - RELIANT)(D - ARIES)(C - LEBARON/ TOWN & COUNTRY)
 L BODY = (M - HORIZON)(Z-OMNI)
 M BODY = (B - GRAN FURY)(G - DIPLOMAT)(F - FIFTH AVENUE/NEWPORT)
 P BODY = (P - SUNDANCE)(D - SHADOW)
 Q BODY = (C27 - MASERATI)
 S BODY = (H - VOYAGER)(K - RAM VAN/ CARAVAN)

BODY STYLES
 12-52 = FWD VAN & WAGON STD. W.B. 27 = 2-DOOR CONVERTIBLE
 13-53 = FWD VAN & WGN EXT W.B. 41 = 4-DOOR SEDAN
 21 = 2-DOOR SEDAN 44 = 4-DOOR HATCHBACK
 24 = 2-DOOR HATCHBACK 45 = 4-DOOR STATION WAGON

AR = Use as Required - = Non Illustrated Part P.A.R. = Paint as Required

DOOR, FRONT WITH T BAR ROOF G BODY
Figure 23C-3000

8171 3000



ITEM	PART NUMBER	QTY	BODY	MODEL	DESCRIPTION
1	4397 106-7	1			STOP ASSEMBLY
2	4397 104	1			STABILIZER PACKAGE, Window Liftplate
3	4397 164-5	1			DOOR SHELL
	4397 112-3	1			REPAIR PANEL PACKAGE, Door
4	4397 084-5	1			PANEL, "A" Pillar Lower Seal
5	4397 094-5	1			SEAL, Door Frame, Front
6	4397 066-7	1			BEZEL, Mirror, Outside
7	4397 018-9	1			REINFORCEMENT, Belt Moulding, Front
8	4397 068-9	1			BRACKET, Mirror Mtg.
9-10					MIRROR, Refer to Mirror Illustration
10					GLASS
11	4397 099	2			BRACKET, Adjusting
12	4397 105	2			BRACKET, Window Upstop
13	4397 196-7	1			SEAL, Door Frame, Rear
14	4397 102-3	1			REINFORCEMENT, Belt, Rear
15	4397 162-3	1			COVER, Inner Belt Moulding
16	4397 126-7	1			TAPE, Blackout, Belt Front
17	4397 128-9	1			TAPE, Blackout, Belt Rear
18	4397 124-5	1			REINFORCEMENT, Hinge
19	4397 118	2			RETAINER, Lower "A" Pillar Seal

MODEL CODES

C BODY = (D41 - DYNASTY)(C41 - NEW YORKER)	L BODY = (M - HORIZON)(Z-OMNI)
E BODY = (J - CARAVELLE)(E - 600)(T - NEW YORKER TURBO)	M BODY = (B - GRAN FURY)(G - DIPLOMAT)(F - FIFTH AVENUE/NEWPORT)
G BODY = (V24 - DAYTONA, PACIFICA & SHELBY)	P BODY = (P - SUNDANCE)(D - SHADOW)
H BODY = (D44 - LANCER)(C44 - LEBARON GTS)	Q BODY = (C27 - MASERATI)
J BODY = (C - LEBARON)	S BODY = (H - VOYAGER)(K - RAM VAN/ CARAVAN)
K BODY = (P - RELIANT)(D - ARIES)(C - LEBARON/ TOWN & COUNTRY)	

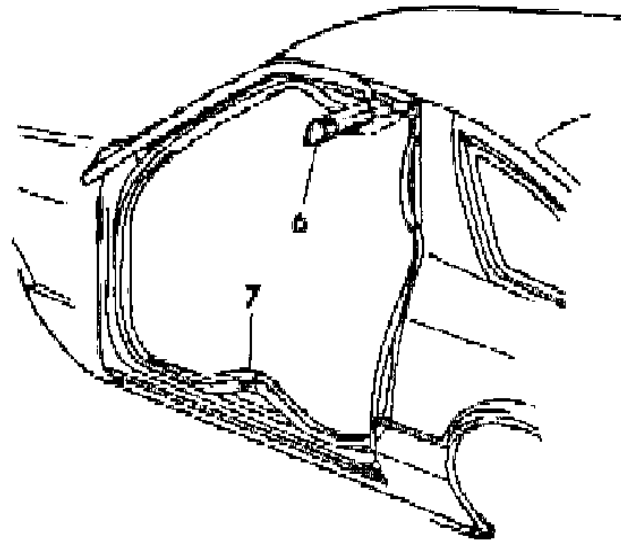
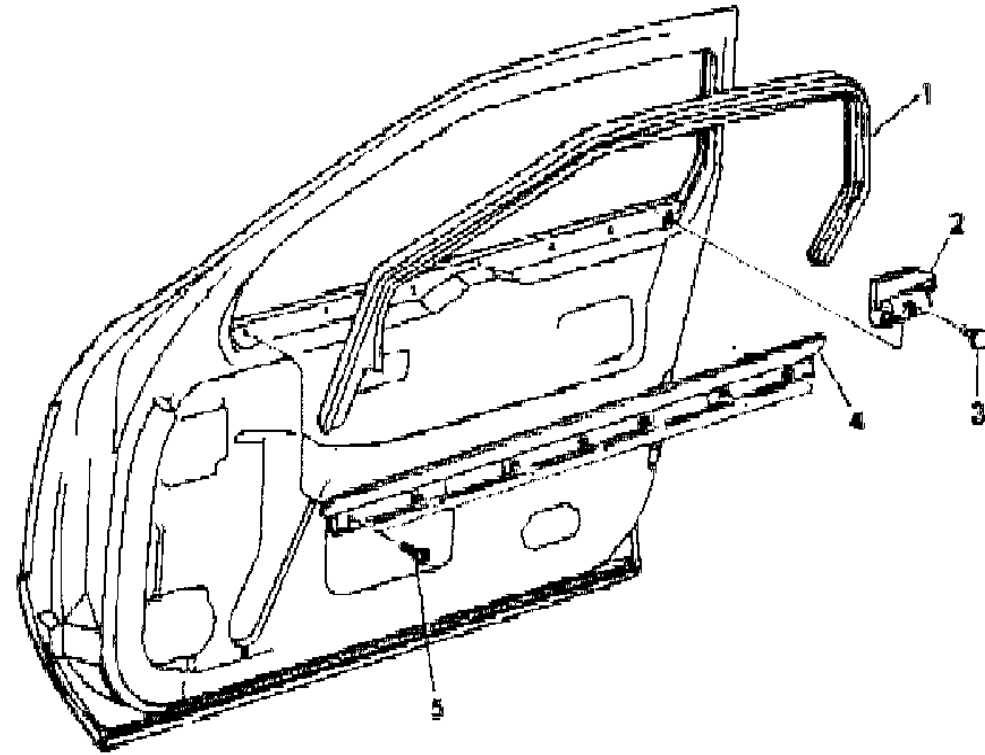
BODY STYLES

12-52 = FWD VAN & WAGON STD. W.B.	27 = 2-DOOR CONVERTIBLE
13-53 = FWD VAN & WGN EXT W.B.	41 = 4-DOOR SEDAN
21 = 2-DOOR SEDAN	44 = 4-DOOR HATCHBACK
24 = 2-DOOR HATCHBACK	45 = 4-DOOR STATION WAGON

AR = Use as Required - = Non Illustrated Part P.A.R. = Paint as Required

DOOR, FRONT WEATHERSTRIP AND RUN G BODY
Figure 23C-3100

8171 3100



ITEM	PART NUMBER	QTY	BODY	MODEL	DESCRIPTION
1					RUN, Door Glass
	4198 664-5	1			w/o Passive Restraint System
	4415 580-1	1			w/Passive Restraint System
2	4198 910-1	1			SEAL, Belt Weatherstrip, Rear
3	4280 811	2			RETAINER, Seal
4					WEATHERSTRIP, Belt
	4198 670-1	1			Outer
	4397 158-9	1			Outer, w/T-Bar Roof
	4248 492-3	1			Inner, w/Muppet
	4280 142-3	1			BRACKET, Weatherstrip Retainer, Lower Rear
	4280 152-3	1			RETAINER, Weatherstrip
5	6032 456	14			SCREW, Belt Weatherstrip
6	4480 025	2			WEATHERSTRIP, Door Opening Drip
7	4396 466-7	1			WEATHERSTRIP, Door Opening

MODEL CODES

C BODY = (D41 - DYNASTY)(C41 - NEW YORKER)
 E BODY = (J - CARAVELLE)(E - 600)(T - NEW YORKER TURBO)
 G BODY = (V24 - DAYTONA, PACIFICA & SHELBY)
 H BODY = (D44 - LANCER)(C44 - LEBARON GTS)
 J BODY = (C - LEBARON)
 K BODY = (P - RELIANT)(D - ARIES)(C - LEBARON/ TOWN & COUNTRY)

L BODY = (M - HORIZON)(Z-OMNI)
 M BODY = (B - GRAN FURY)(G - DIPLOMAT)(F - FIFTH AVENUE/NEWPORT)
 P BODY = (P - SUNDANCE)(D - SHADOW)
 Q BODY = (C27 - MASERATI)
 S BODY = (H - VOYAGER)(K - RAM VAN/ CARAVAN)

BODY STYLES

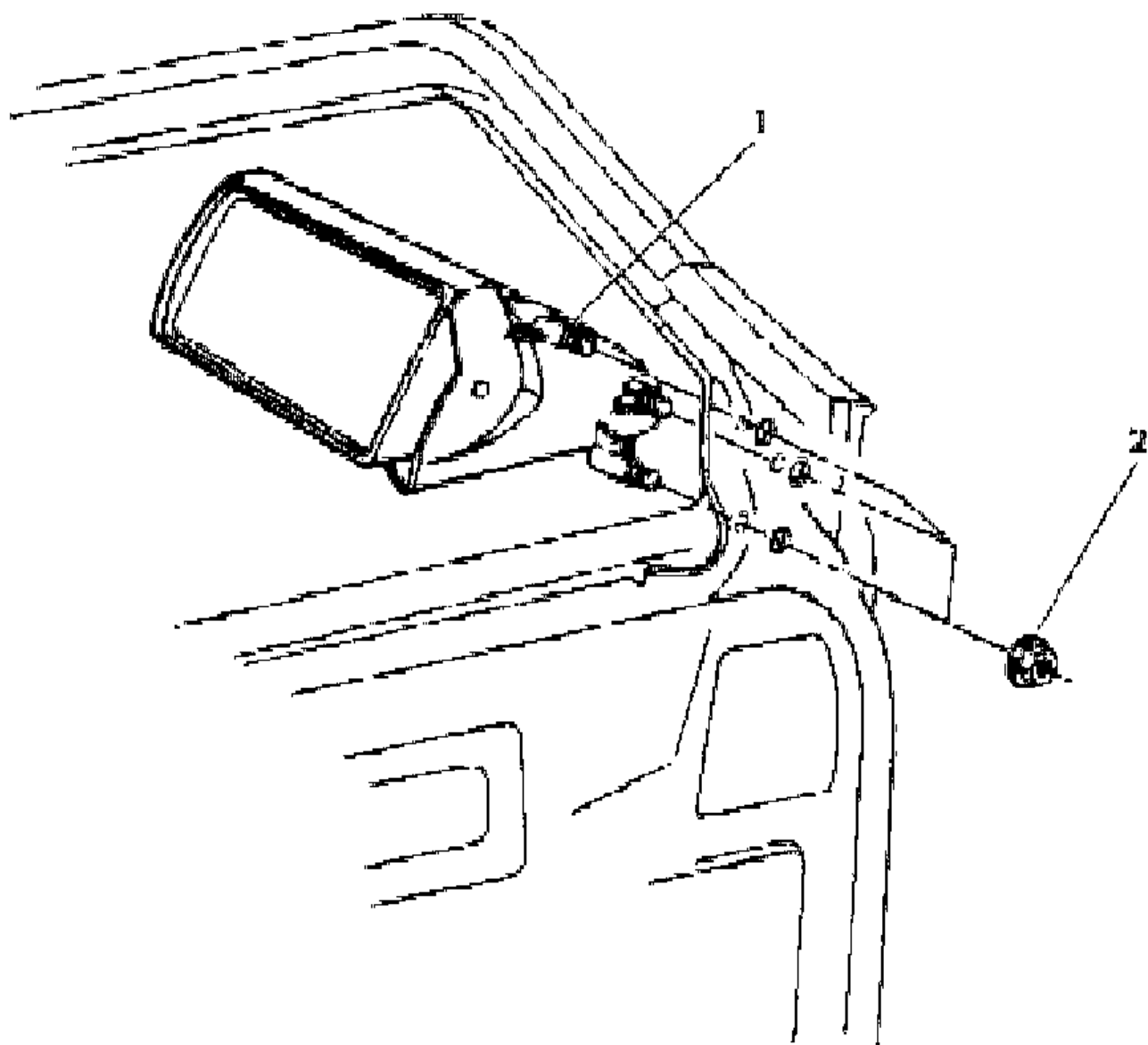
12-52 = FWD VAN & WAGON STD. W.B. 27 = 2-DOOR CONVERTIBLE
 13-53 = FWD VAN & WGN EXT W.B. 41 = 4-DOOR SEDAN
 21 = 2-DOOR SEDAN 44 = 4-DOOR HATCHBACK
 24 = 2-DOOR HATCHBACK 45 = 4-DOOR STATION WAGON

AR = Use as Required - = Non Illustrated Part P.A.R. = Paint as Required

MIRROR, EXTERIOR G BODY
Figure 23C-3200

8171 3200

ITEM	PART NUMBER	QTY	BODY	MODEL	DESCRIPTION
1					MIRROR PACKAGE
	4299 532-3	1			Prime, Remote Control
	4299 534-5	1			Prime, Electric, Heated
	4397 168-9	1			w/T Bar Roof
	4299 794-5	1			Electric (EUROPEAN)
	4419 082-3	1			GLASS REPLACEMENT PACKAGE, Mirror, w/o T-Bar Roof Electric
2	6100 044	AR			NUT, Mirror Att.
	4299 028	2			Remote Control Knob



MODEL CODES

C BODY = (D41 - DYNASTY)(C41 - NEW YORKER)
 E BODY = (J - CARAVELLE)(E - 600)(T - NEW YORKER TURBO)
 G BODY = (V24 - DAYTONA, PACIFICA & SHELBY)
 H BODY = (D44 - LANCER)(C44 - LEBARON GTS)
 J BODY = (C - LEBARON)
 K BODY = (P - RELIANT)(D - ARIES)(C - LEBARON/ TOWN & COUNTRY)
 L BODY = (M - HORIZON)(Z-OMNI)
 M BODY = (B - GRAN FURY)(G - DIPLOMAT)(F - FIFTH AVENUE/NEWPORT)
 P BODY = (P - SUNDANCE)(D - SHADOW)
 Q BODY = (C27 - MASERATI)
 S BODY = (H - VOYAGER)(K - RAM VAN/ CARAVAN)

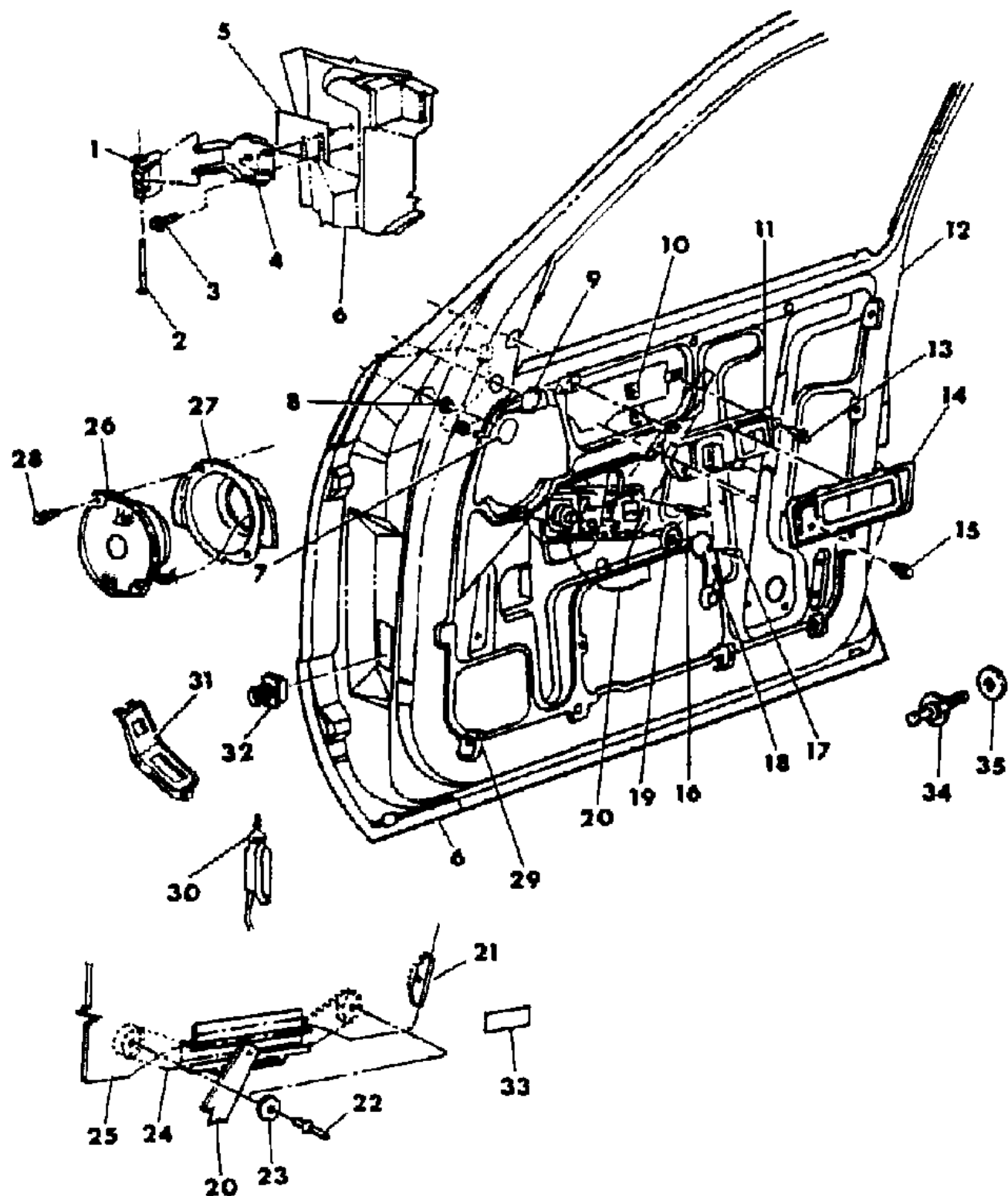
BODY STYLES

12-52 = FWD VAN & WAGON STD. W.B. 27 = 2-DOOR CONVERTIBLE
 13-53 = FWD VAN & WGN EXT W.B. 41 = 4-DOOR SEDAN
 21 = 2-DOOR SEDAN 44 = 4-DOOR HATCHBACK
 24 = 2-DOOR HATCHBACK 45 = 4-DOOR STATION WAGON

AR = Use as Required - = Non Illustrated Part P.A.R. = Paint as Required

DOOR, FRONT SHELL, HANDLE AND CONTROL H BODY
Figure 23C-3300

8171 3300



ITEM	PART NUMBER	QTY	BODY	MODEL	DESCRIPTION
1	4365 028	2			HINGE, Door Half, Upper
	4365 026	2			Lower
2	4280 727	2			PIN, Hinge
3	6500 354	6			SCREW, Hinge Att.
4	4365 815	2			HINGE, Body Half, Upper
	4365 813	2			Lower
5	4336 288	AR			SHIM, Hinge
6					PILLAR, Hinge, Refer to 23A
7	4299 334	2			PLUG, Trim Panel, Front
8		AR			NUT (DNS)
9	2860 332	2			PLUG
10		3			U-NUT (DNS)
11	4396 576-7				HOUSING, Remote Control
12	4411 958-9	1			DOOR SHELL
	4280 670-1	1			PANEL, Repair
13		3			SCREW (DNS)
14	4310 486-7	1			BEZEL, Remote Control
					APPLIQUE, Remote Control Bezel
	4336 093	1			Left, w/Electric Mirror
	4310 492	1			Right, w/Electric Mirror or w/o Mirror
	4310 490	2			w/Dual Remote Control Mirrors
15		2			SCREW, Bezel Att.(DNS)
16	6031 115	14			RIVET
17	6027 221	2			SCREW, Window Regulator Handle
18					HANDLE, Window Regulator
	4310 824	2			Up to 12-3-87
	4480 649	2			After 12-3-87
19	3882 768	2			SPACER, Window Regulator Handle
20					REGULATOR, Window
	4310 200-1	1			Manual
	4445 386-7	1			Electric
	4467 214	AR			GEAR PACKAGE, Regulator Flexrack
	4310 574	2			SLIDE, Electric Window Regulator
	6032 029	2			CLIP, Slide Retaining
	3508 121	2			SPRING, Manual Regulator Assist
21	4339 372	2			SLIDE PACKAGE, Glass Rear Edge
22-23	4365 679	2			ATTACHING PACKAGE, Glass to Lift Channel

MODEL CODES

C BODY = (D41 - DYNASTY)(C41 - NEW YORKER)	L BODY = (M - HORIZON)(Z-OMNI)
E BODY = (J - CARAVELLE)(E - 600)(T - NEW YORKER TURBO)	M BODY = (B - GRAN FURY)(G - DIPLOMAT)(F - FIFTH AVENUE/NEWPORT)
G BODY = (V24 - DAYTONA, PACIFICA & SHELBY)	P BODY = (P - SUNDANCE)(D - SHADOW)
H BODY = (D44 - LANCER)(C44 - LEBARON GTS)	Q BODY = (C27 - MASERATI)
J BODY = (C - LEBARON)	S BODY = (H - VOYAGER)(K - RAM VAN/ CARAVAN)
K BODY = (P - RELIANT)(D - ARIES)(C - LEBARON/ TOWN & COUNTRY)	

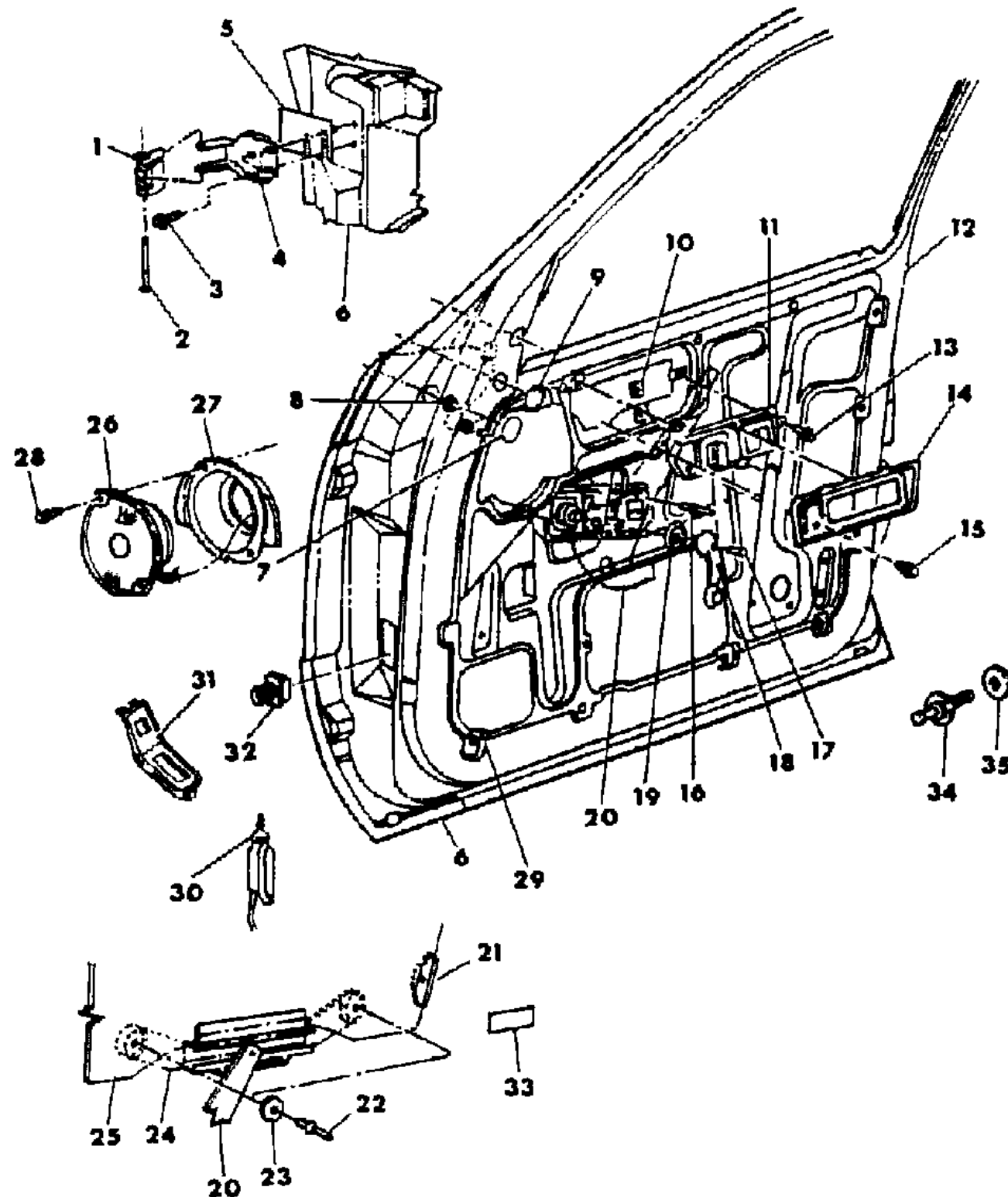
BODY STYLES

12-52 = FWD VAN & WAGON STD. W.B.	27 = 2-DOOR CONVERTIBLE
13-53 = FWD VAN & WGN EXT W.B.	41 = 4-DOOR SEDAN
21 = 2-DOOR SEDAN	44 = 4-DOOR HATCHBACK
24 = 2-DOOR HATCHBACK	45 = 4-DOOR STATION WAGON

AR = Use as Required - = Non Illustrated Part P.A.R. = Paint as Required

DOOR, FRONT SHELL, HANDLE AND CONTROL H BODY
Figure 23C-3300

8171 3300



ITEM	PART NUMBER	QTY	BODY	MODEL	DESCRIPTION
22		2			RIVET, Serviced in Package
23	4310 149	2			GASKET, Glass
24	4310 147	2			CHANNEL and WASHER, Glass Lift
25	4415 208-9	1			GLASS, Door
	4415 402-3	1			(EUROPEAN)
26					SPEAKER, Door
	4372 156	2			w/Infinity Sound System
	4430 067	2			w/Four Speaker System
	4372 156	2			w/Six Speaker System
	4453 432-3	1			GASKET, Speaker
27	4372 484-5	1			ADAPTOR, Speaker
28		4			SCREW, Speaker Att. (DNS)
29		2			CUP, Wiring, See Group 8
30	4396 016	2			SOLENOID, Power Door Lock
31					BEZEL and FINISH PLATE, Pocket Panel
	4283 385	1			w/Electric Windows and Door Locks, Left
	4283 386	1			w/Electric Windows and Door Locks, Right
32					GROMMET, Serviced in Wiring
33	4365 683	1			DECAL, Seat Belt Safety
34	4310 543	2			STRIKER, Latch
35	4184 105	AR			SPACER, Latch Striker

MODEL CODES

C BODY = (D41 - DYNASTY)(C41 - NEW YORKER)
 E BODY = (J - CARAVELLE)(E - 600)(T - NEW YORKER TURBO)
 G BODY = (V24 - DAYTONA, PACIFICA & SHELBY)
 H BODY = (D44 - LANCER)(C44 - LEBARON GTS)
 J BODY = (C - LEBARON)
 K BODY = (P - RELIANT)(D - ARIES)(C - LEBARON/ TOWN & COUNTRY)
 L BODY = (M - HORIZON)(Z-OMNI)
 M BODY = (B - GRAN FURY)(G - DIPLOMAT)(F - FIFTH AVENUE/NEWPORT)
 P BODY = (P - SUNDANCE)(D - SHADOW)
 Q BODY = (C27 - MASERATI)
 S BODY = (H - VOYAGER)(K - RAM VAN/ CARAVAN)

BODY STYLES

12-52 = FWD VAN & WAGON STD. W.B. 27 = 2-DOOR CONVERTIBLE
 13-53 = FWD VAN & WGN EXT W.B. 41 = 4-DOOR SEDAN
 21 = 2-DOOR SEDAN 44 = 4-DOOR HATCHBACK
 24 = 2-DOOR HATCHBACK 45 = 4-DOOR STATION WAGON

AR = Use as Required - = Non Illustrated Part P.A.R. = Paint as Required

DOOR, FRONT HANDLE AND REGULATOR H BODY
Figure 23C-3400

8171 3400

ITEM	PART NUMBER	QTY	BODY	MODEL	DESCRIPTION
1	4419 008-9	1			HANDLE, Exterior Door
	6031 029	4			NUT, Handle Att.
2	4280 890-1	1			LINK, Handle to Latch
3					CYLINDER, Lock, Refer to 23D
4	4280 894-5	1			LINK, Cylinder to Latch
5					LEVER, Cylinder to Latch, Serviced in Item #3
6		1			RETAINER, Lock Cylinder, Refer to 23D
7		2			SCREW (DNS)
8	6031 029	2			NUT
9	4336 200-1	1			BRACKET and INSULATOR, Exterior Handle
10	4280 904-5	1			LINK, Latch Locking
11	4280 908-9	1			LINK, Latch Locking
12					LATCH, Front Door
	4336 377	1			Left
	4336 378	1			Right
	6501 220	AR			SCREW, Latch Att.
13		AR			SCREW (DNS)
14	4280 924	2			LINK, Power Locking
15	4184 244	2			CLIP
16	4396 016	2			SOLENOID, Door Lock
17	4396 189	2			BUMPER, Glass Downstop
18	6031 115	AR			RIVET
19	4310 150-1	1			CHANNEL and BRACKET, Glass Run Front
20	4365 036-7	1			RETAINER and BRACKET, Glass Run Lower, Rear
	4310 768-9	1			RETAINER, Glass Run Upper Rear
	4206 246	2			BUMPER, Glass Run Rear Retainer Lower Support
21	4467 254-5	1			MOTOR and MECHANISM, Electric Window
	4310 572-3	1			BRACKET, Motor Mtg.

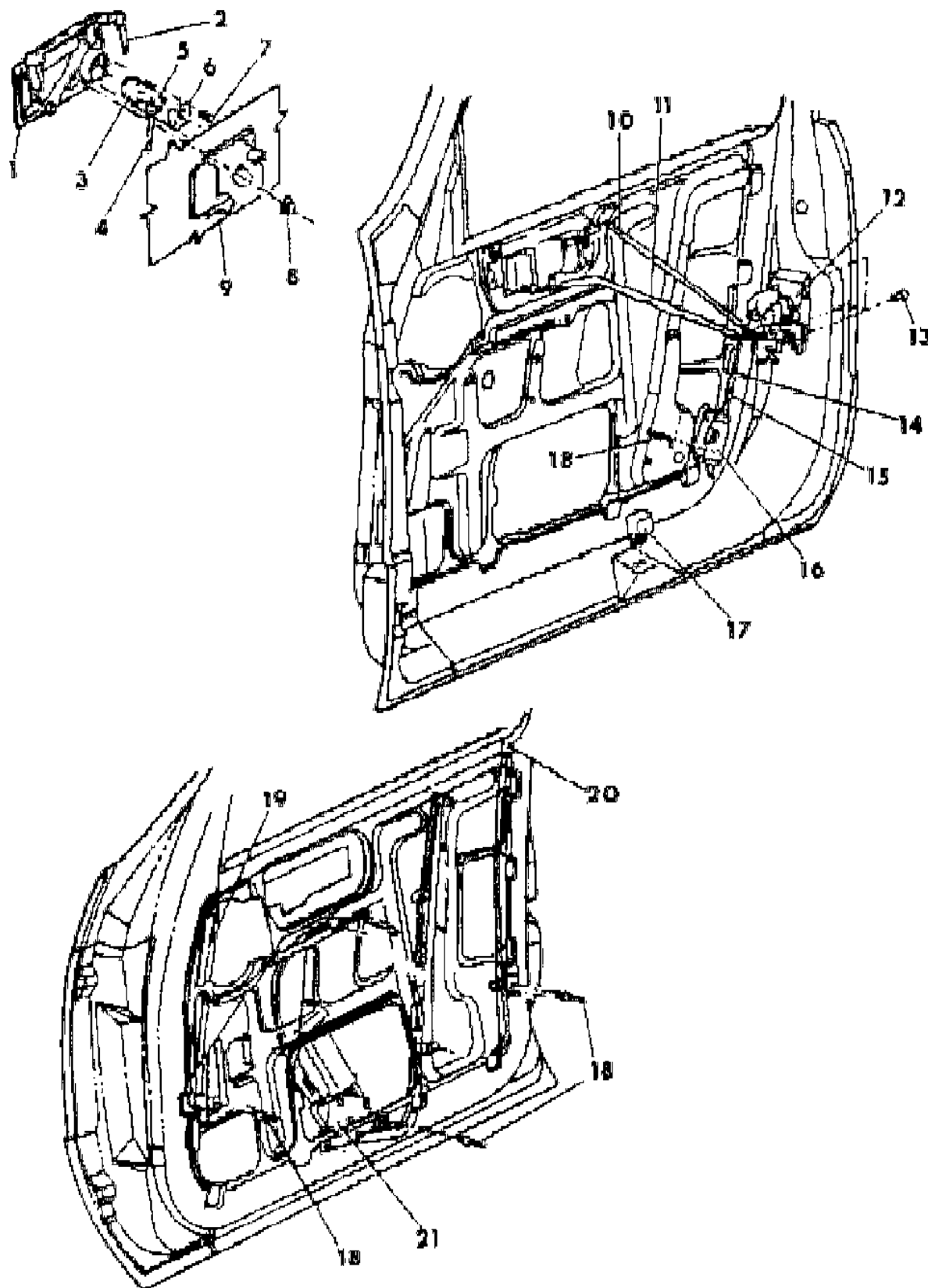
MODEL CODES

C BODY = (D41 - DYNASTY)(C41 - NEW YORKER)
 E BODY = (J - CARAVELLE)(E - 600)(T - NEW YORKER TURBO)
 G BODY = (V24 - DAYTONA, PACIFICA & SHELBY)
 H BODY = (D44 - LANCER)(C44 - LEBARON GTS)
 J BODY = (C - LEBARON)
 K BODY = (P - RELIANT)(D - ARIES)(C - LEBARON/ TOWN & COUNTRY)
 L BODY = (M - HORIZON)(Z-OMNI)
 M BODY = (B - GRAN FURY)(G - DIPLOMAT)(F - FIFTH AVENUE/NEWPORT)
 P BODY = (P - SUNDANCE)(D - SHADOW)
 Q BODY = (C27 - MASERATI)
 S BODY = (H - VOYAGER)(K - RAM VAN/ CARAVAN)

BODY STYLES

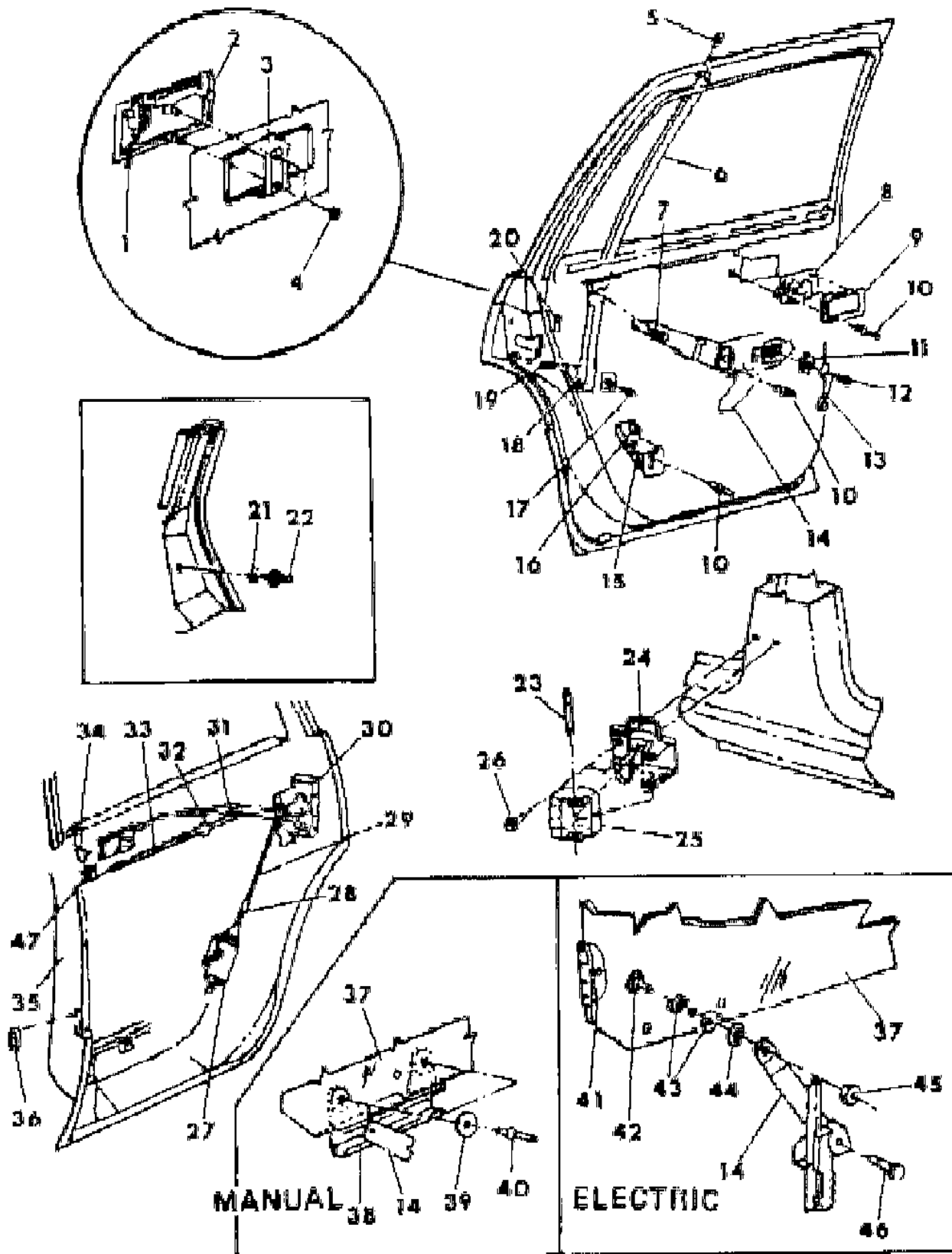
12-52 = FWD VAN & WAGON STD. W.B. 27 = 2-DOOR CONVERTIBLE
 13-53 = FWD VAN & WGN EXT W.B. 41 = 4-DOOR SEDAN
 21 = 2-DOOR SEDAN 44 = 4-DOOR HATCHBACK
 24 = 2-DOOR HATCHBACK 45 = 4-DOOR STATION WAGON

AR = Use as Required - = Non Illustrated Part P.A.R. = Paint as Required



DOOR, REAR SHELL, HANDLE, GLASS AND CONTROLS H BODY
Figure 23C-3500

8171 3500



ITEM	PART NUMBER	QTY	BODY	MODEL	DESCRIPTION
1	4280 900-1	1			LINK, Exterior Handle Latch
2	4419 010-1	1			HANDLE, Exterior
3		1			BRACKET and INSULATOR, Serviced in Item 2
4	6500 284	4			NUT, Exterior Handle Mtg.
5		2			SCREW (DNS)
6					CHANNEL and GLASS, Division
	4396 990-1	1			Up to 10-5-87
	4475 262-3	1			After 10-5-87
	4475 866-7	1			(EUROPEAN)
7	6100 566	2			SCREW
8	4310 798-9	1			HOUSING, Remote Control
9	4310 800	2			BEZEL, Remote Control
10	6031 115	AR			RIVET
11	3882 768	2			SPACER, Window Regulator Handle
12	6027 221	2			SCREW
13					HANDLE, Window Regulator
	4310 824	2			Up to 12-3-87
	4480 649	2			After 12-3-87
14					REGULATOR, Window
	4310 206	2			Manual
	4415 482-3	1			Electric
	4419 044-5	1			REGULATOR ASSEMBLY PACKAGE, Electric Windows
	4467 214	2			GEAR PACKAGE, Regulator Flexrack
	4415 456-7	1			ARM, Electric Window Regulator
	4467 254-5	1			MOTOR and MECHANISM, Electric Window
	4310 646-7	1			BRACKET, Motor and Track Mtg.
15	4310 588-9	1			BRACKET, Glass Downstop
16	4184 575	2			BUMPER, Glass Regulator Stop
17	6100 566	2			SCREW
18	4310 670-1	1			BRACKET, Division Bar Lower
19	6100 041	2			U-NUT
20	6501 013	2			SCREW
21	4184 105	AR			SPACER, Striker
22	4310 543	2			STRIKER, Latch
23	4280 727	2			PIN, Hinge
24	4310 182	2			HINGE, Body Half, Lower
	4310 933	2			Upper

MODEL CODES
 C BODY = (D41 - DYNASTY)(C41 - NEW YORKER)
 E BODY = (J - CARAVELLE)(E - 600)(T - NEW YORKER TURBO)
 G BODY = (V24 - DAYTONA, PACIFICA & SHELBY)
 H BODY = (D44 - LANCER)(C44 - LEBARON GTS)
 J BODY = (C - LEBARON)
 K BODY = (P - RELIANT)(D - ARIES)(C - LEBARON/ TOWN & COUNTRY)

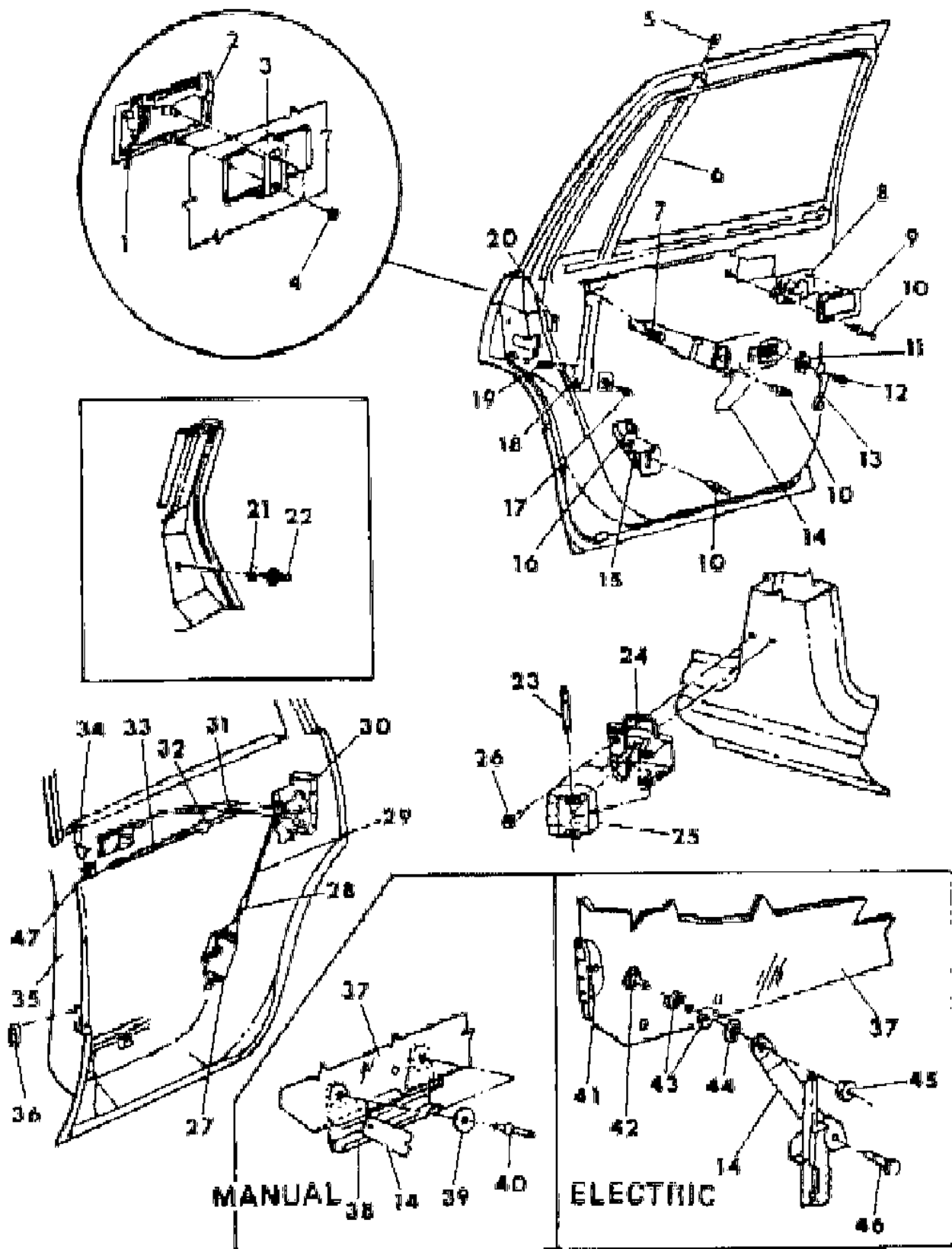
L BODY = (M - HORIZON)(Z-OMNI)
 M BODY = (B - GRAN FURY)(G - DIPLOMAT)(F - FIFTH AVENUE/NEWPORT)
 P BODY = (P - SUNDANCE)(D - SHADOW)
 Q BODY = (C27 - MASERATI)
 S BODY = (H - VOYAGER)(K - RAM VAN/ CARAVAN)

BODY STYLES
 12-52 = FWD VAN & WAGON STD. W.B. 27 = 2-DOOR CONVERTIBLE
 13-53 = FWD VAN & WGN EXT W.B. 41 = 4-DOOR SEDAN
 21 = 2-DOOR SEDAN 44 = 4-DOOR HATCHBACK
 24 = 2-DOOR HATCHBACK 45 = 4-DOOR STATION WAGON

AR = Use as Required - = Non Illustrated Part P.A.R. = Paint as Required

DOOR, REAR SHELL, HANDLE, GLASS AND CONTROLS H BODY
Figure 23C-3500

8171 3500



ITEM	PART NUMBER	QTY	BODY	MODEL	DESCRIPTION
25	4415 934	2			HINGE, Door Half, Upper
	4415 932	2			Lower
26	6500 354	2			SCREW, Hinge
27	4396 016	2			SOLENOID, Door Lock
28	4184 172	2			CLIP
29	4415 982	2			LINK, Electric Locking
30	4415 410-1	1			LATCH, Door
	6501 220	AR			SCREW, Latch Att.
31	4280 916-7	1			LINK, Remote Control Latch
32	4365 384-5	1			LINK, Latch Locking
33	3882 620	2			CLIP, Anti Rattle
34					KNOB, Locking
	D439 FC5	2			Blue
	D439 FS8	2			Charcoal
	D439 GL7	2			Taupe
	D439 GR8	2			Red
					BEZEL, Locking Knob
	D444 EC5	2			Blue
	D444 FS8	2			Charcoal
	D444 GL7	2			Taupe
	D444 GR8	2			Red
35	4397 482-3	1			SHELL, Door
	4280 674-5	1			PANEL, Repair
36	6031 488	2			PLUG
37	4280 686-7	1			GLASS, Movable
	4336 060-1	1			(EUROPEAN)
38	4310 216	2			CHANNEL, Glass Lift
39-40	4365 679	2			ATTACHING PACKAGE, Glass to Lift Channel
39	4310 149	2			GASKET
40		2			RIVET, Serviced in Package
41	4339 372	2			SLIDE PACKAGE, Glass Rear Edge
42	6032 124	2			WASHER and STUD
43	5231 769	2			GASKET, Glass Insulator
44	6028 587	2			T-NUT
45	6032 125	1			NUT, Sleeve
46	6500 617	1			BOLT
47	4336 824-5	1			LEVER, Latch Locking

MODEL CODES

C BODY = (D41 - DYNASTY)(C41 - NEW YORKER)
 E BODY = (J - CARAVELLE)(E - 600)(T - NEW YORKER TURBO)
 G BODY = (V24 - DAYTONA, PACIFICA & SHELBY)
 H BODY = (D44 - LANCER)(C44 - LEBARON GTS)
 J BODY = (C - LEBARON)
 K BODY = (P - RELIANT)(D - ARIES)(C - LEBARON/ TOWN & COUNTRY)
 L BODY = (M - HORIZON)(Z-OMNI)
 M BODY = (B - GRAN FURY)(G - DIPLOMAT)(F - FIFTH AVENUE/NEWPORT)
 P BODY = (P - SUNDANCE)(D - SHADOW)
 Q BODY = (C27 - MASERATI)
 S BODY = (H - VOYAGER)(K - RAM VAN/ CARAVAN)

BODY STYLES

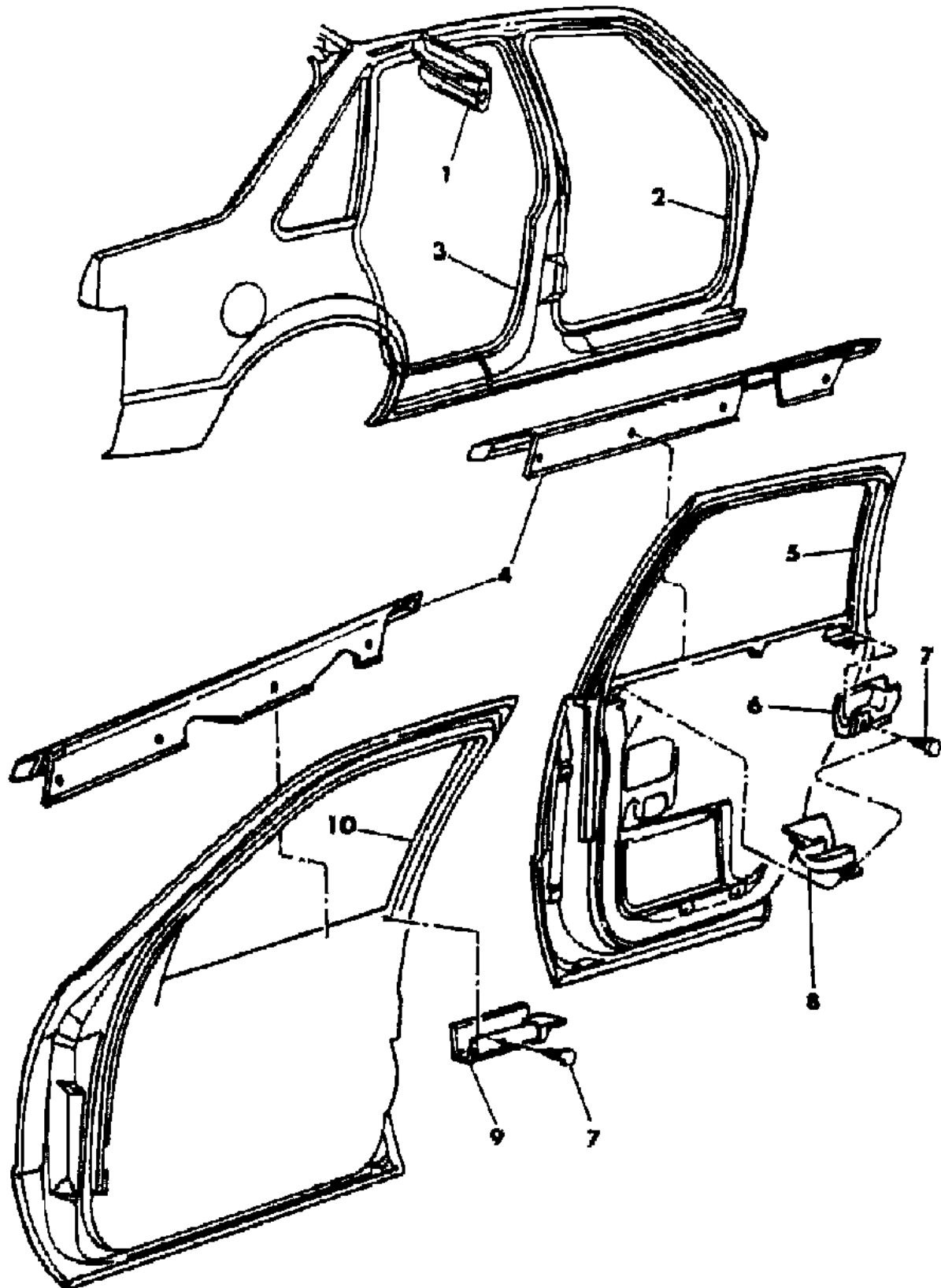
12-52 = FWD VAN & WAGON STD. W.B. 27 = 2-DOOR CONVERTIBLE
 13-53 = FWD VAN & WGN EXT W.B. 41 = 4-DOOR SEDAN
 21 = 2-DOOR SEDAN 44 = 4-DOOR HATCHBACK
 24 = 2-DOOR HATCHBACK 45 = 4-DOOR STATION WAGON

AR = Use as Required - = Non Illustrated Part P.A.R. = Paint as Required

DOOR, FRONT AND REAR WEATHERSTRIPS AND RUNS H BODY
Figure 23C-3600

8171 3600

ITEM	PART NUMBER	QTY	BODY	MODEL	DESCRIPTION
1	4396 940	2			WEATHERSTRIP, Front and Rear Door Opening, Drip
2	4310 924-5	1			WEATHERSTRIP, Front Door Opening
3	4310 926-7	1			WEATHERSTRIP, Rear Door Opening
4					MOULDING, Refer to Ext. Ornamentation
5	4310 134-5	1			RUN, Rear Door Glass
6	4310 142-3	1			SEAL, Rear Door Belt, Rear End
7	4280 811	4			RETAINER, Front and Rear Seal
8	4310 140-1	1			SEAL, Rear Door Belt, Front End
9	4310 126-7	1			SEAL, Front Door Belt, Rear End
	4310 124-5	1			Front End
10	4415 236-7				RUN, Front Door Glass



MODEL CODES

C BODY = (D41 - DYNASTY)(C41 - NEW YORKER)
 E BODY = (J - CARAVELLE)(E - 600)(T - NEW YORKER TURBO)
 G BODY = (V24 - DAYTONA, PACIFICA & SHELBY)
 H BODY = (D44 - LANCER)(C44 - LEBARON GTS)
 J BODY = (C - LEBARON)
 K BODY = (P - RELIANT)(D - ARIES)(C - LEBARON/ TOWN & COUNTRY)

L BODY = (M - HORIZON)(Z-OMNI)
 M BODY = (B - GRAN FURY)(G - DIPLOMAT)(F - FIFTH AVENUE/NEWPORT)
 P BODY = (P - SUNDANCE)(D - SHADOW)
 Q BODY = (C27 - MASERATI)
 S BODY = (H - VOYAGER)(K - RAM VAN/ CARAVAN)

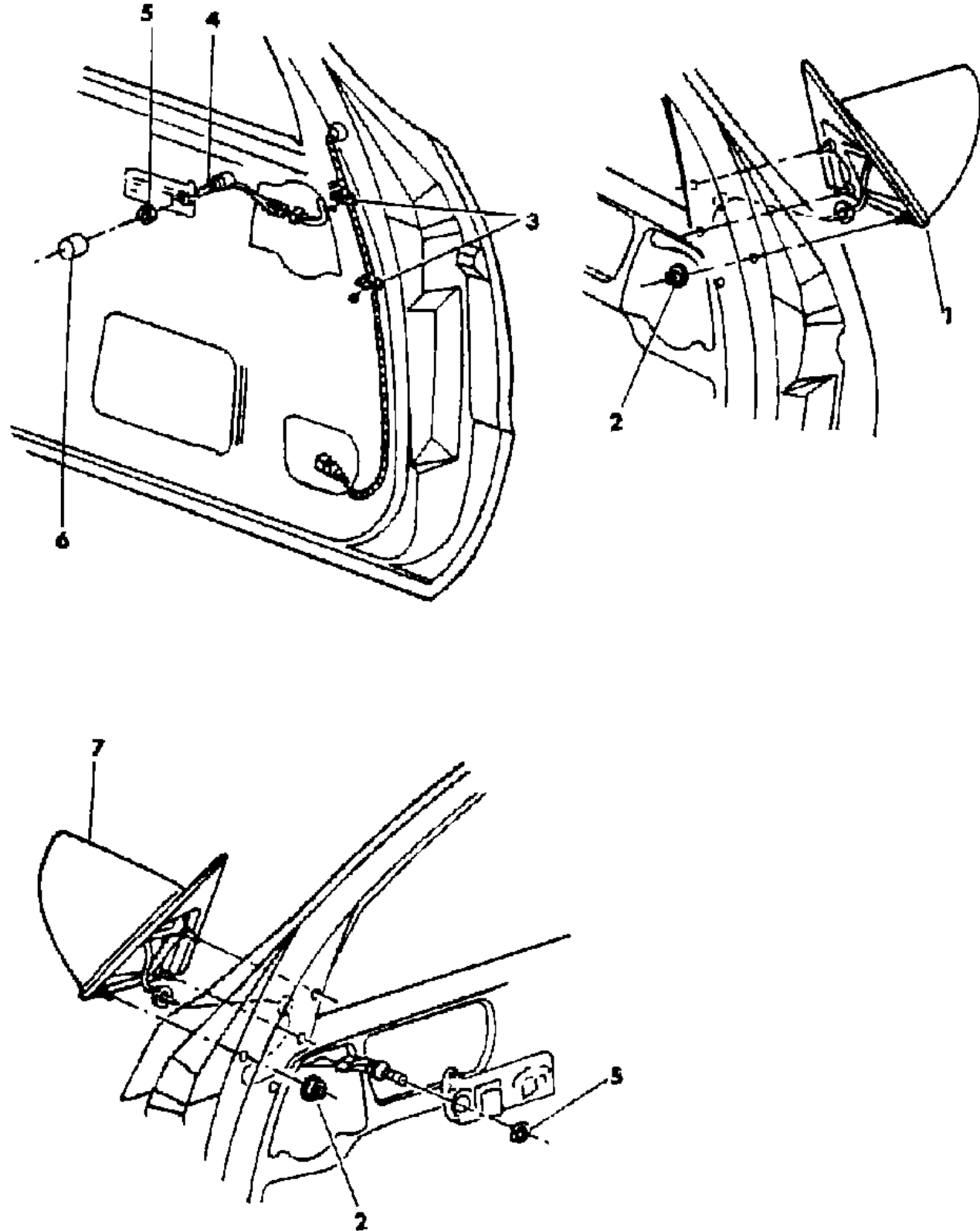
BODY STYLES

12-52 = FWD VAN & WAGON STD. W.B. 27 = 2-DOOR CONVERTIBLE
 13-53 = FWD VAN & WGN EXT W.B. 41 = 4-DOOR SEDAN
 21 = 2-DOOR SEDAN 44 = 4-DOOR HATCHBACK
 24 = 2-DOOR HATCHBACK 45 = 4-DOOR STATION WAGON

AR = Use as Required - = Non Illustrated Part P.A.R. = Paint as Required

MIRROR, EXTERIOR H BODY
Figure 23C-3700

8171 3700



ITEM	PART NUMBER	QTY	BODY	MODEL	DESCRIPTION
1	4299 744-5	1			MIRROR PACKAGE, Electric, Black
	4299 802-3	1			Electric (EUROPEAN)
	X124-5 GR5	1		D	Electric, Red
	X124-5 GW7	1		D	Electric, White
	4339 320-1	1			GLASS REPLACEMENT PACKAGE
2	6100 044	AR			NUT and WASHER, Mirror Att.
3	6016 123	4			CLIP, Electric Mirror Attaching
4					SWITCH, Electric Mirror, Refer to Group 8
5	4299 281	1			NUT
6	4221 622	1			KNOB, Electric Mirror Control
7	4299 638-9	1			MIRROR PACKAGE, Remote Control

MODEL CODES

C BODY = (D41 - DYNASTY)(C41 - NEW YORKER)
 E BODY = (J - CARAVELLE)(E - 600)(T - NEW YORKER TURBO)
 G BODY = (V24 - DAYTONA, PACIFICA & SHELBY)
 H BODY = (D44 - LANCER)(C44 - LEBARON GTS)
 J BODY = (C - LEBARON)
 K BODY = (P - RELIANT)(D - ARIES)(C - LEBARON/ TOWN & COUNTRY)
 L BODY = (M - HORIZON)(Z-OMNI)
 M BODY = (B - GRAN FURY)(G - DIPLOMAT)(F - FIFTH AVENUE/NEWPORT)
 P BODY = (P - SUNDANCE)(D - SHADOW)
 Q BODY = (C27 - MASERATI)
 S BODY = (H - VOYAGER)(K - RAM VAN/ CARAVAN)

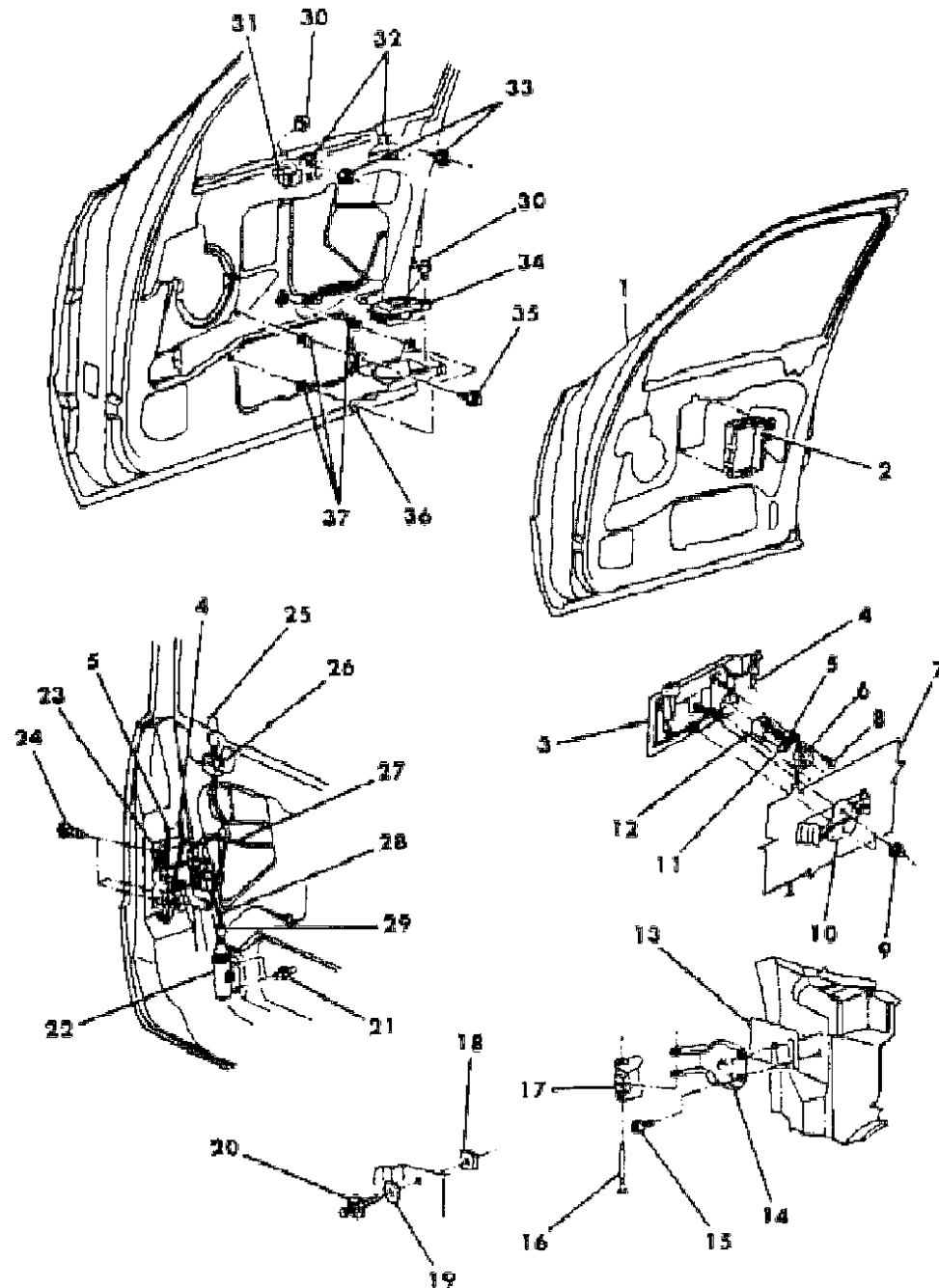
BODY STYLES

12-52 = FWD VAN & WAGON STD. W.B. 27 = 2-DOOR CONVERTIBLE
 13-53 = FWD VAN & WGN EXT W.B. 41 = 4-DOOR SEDAN
 21 = 2-DOOR SEDAN 44 = 4-DOOR HATCHBACK
 24 = 2-DOOR HATCHBACK 45 = 4-DOOR STATION WAGON

AR = Use as Required - = Non Illustrated Part P.A.R. = Paint as Required

DOOR, FRONT SHELL, HANDLES AND LOCKS C BODY
Figure 23C-3800

8171 3800



ITEM	PART NUMBER	QTY	BODY	MODEL	DESCRIPTION
1	4411 930-1	1			DOOR SHELL
2	4445 362-3	1			SHIELD, Power Seat Switch
3	4467 202-3	1			HANDLE, Exterior
4	4396 828-9	1			LINK, Handle to Latch
5	4396 830-1	1			LINK, Cylinder to Latch
	4336 136	2			CLIP, Cylinder to Latch Link
6	4184 684-5	1			RETAINER, Key Cylinder
7	4365 154-5	1			PANEL, Repair
8		2			SCREW (DNS)
9		5			NUT (DNS)
10		2			BRACKET, Handle, Serviced in Item 3
11		1			LEVER, Cylinder to Latch, Serviced in 12
12		1			CYLINDER, Lock, Refer to 23D
13	4336 288	AR			SHIM, Hinge
14					HINGE, Body Half
	4365 815	2			Upper
	4365 813	2			Lower
15	6500 354	6			SCREW
16	4280 727	2			PIN, Hinge
17					HINGE, Door Half, Serviced in Door Shell
18	4314 743	2			PLATE, Striker Att.
19	4184 105	2			SPACER
20	4310 543	2			STRIKER, Latch
21	6031 115	2			RIVET
22	4467 252	2			SOLENOID, Lock
23	4396 882-3	1			LATCH, Door
24	6501 220	3			SCREW
25					KNOB and ROD, Locking
	D680-1 GS8	1			Charcoal
	D680-1 GC5	1			Blue
	D680-1 GR8	1			Red
	D680-1 GL7	1			Taupe
					BEZEL, Locking Knob
	D368 GC5	2			Blue
	D368 GL7	2			Taupe
	D368 GR8	2			Red
	D368 GS8	2			Charcoal

MODEL CODES

C BODY = (D41 - DYNASTY)(C41 - NEW YORKER)
 E BODY = (J - CARAVELLE)(E - 600)(T - NEW YORKER TURBO)
 G BODY = (V24 - DAYTONA, PACIFICA & SHELBY)
 H BODY = (D44 - LANCER)(C44 - LEBARON GTS)
 J BODY = (C - LEBARON)
 K BODY = (P - RELIANT)(D - ARIES)(C - LEBARON/ TOWN & COUNTRY)

L BODY = (M - HORIZON)(Z-OMNI)
 M BODY = (B - GRAN FURY)(G - DIPLOMAT)(F - FIFTH AVENUE/NEWPORT)
 P BODY = (P - SUNDANCE)(D - SHADOW)
 Q BODY = (C27 - MASERATI)
 S BODY = (H - VOYAGER)(K - RAM VAN/ CARAVAN)

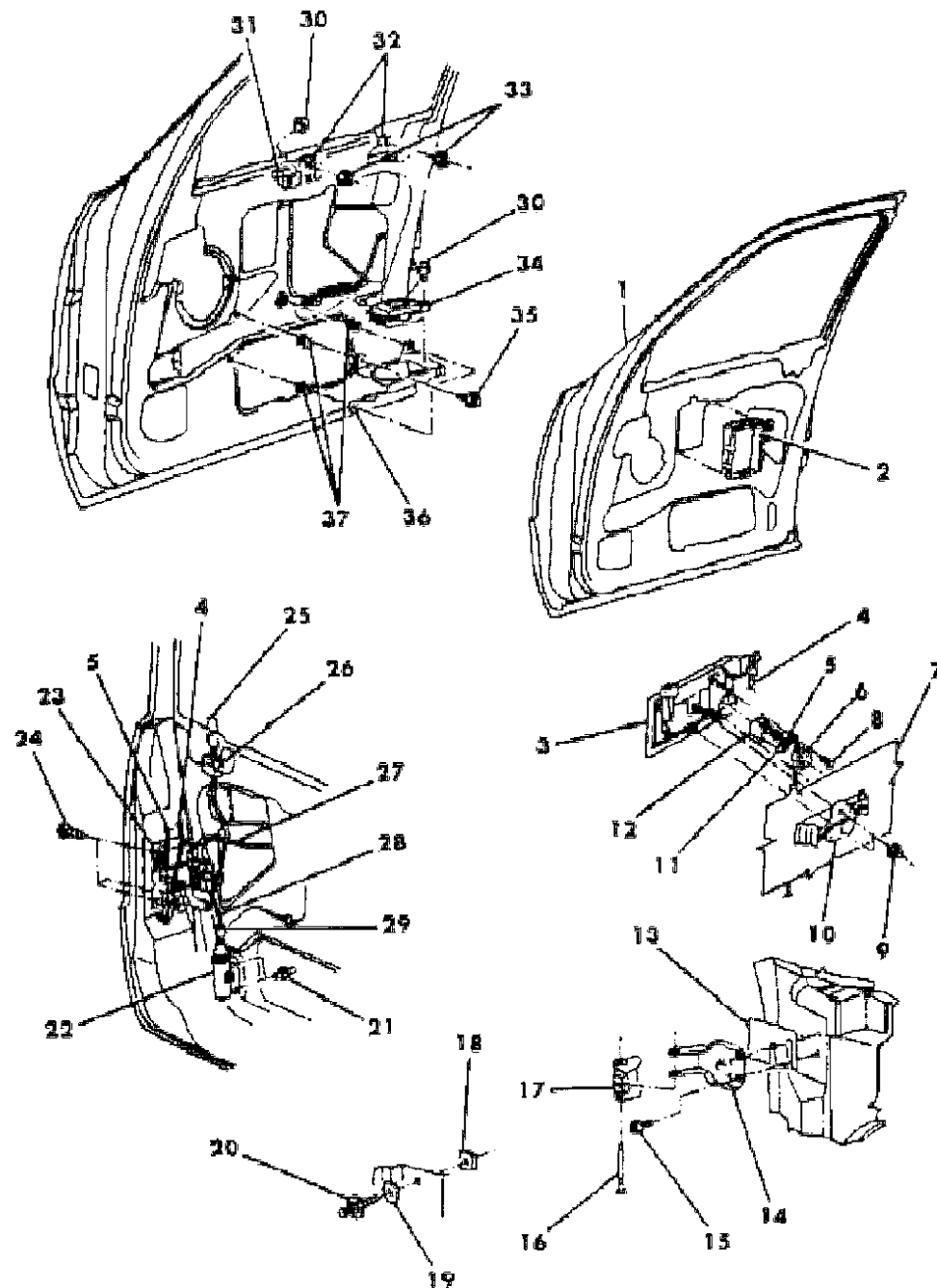
BODY STYLES

12-52 = FWD VAN & WAGON STD. W.B. 27 = 2-DOOR CONVERTIBLE
 13-53 = FWD VAN & WGN EXT W.B. 41 = 4-DOOR SEDAN
 21 = 2-DOOR SEDAN 44 = 4-DOOR HATCHBACK
 24 = 2-DOOR HATCHBACK 45 = 4-DOOR STATION WAGON

AR = Use as Required - = Non Illustrated Part P.A.R. = Paint as Required

DOOR, FRONT SHELL, HANDLES AND LOCKS C BODY
Figure 23C-3800

8171 3800



ITEM	PART NUMBER	QTY	BODY	MODEL	DESCRIPTION
26		2			SEAL, Serviced in 25
27	4396 866-7	1			LINK, Remote Control
	4415 480	2			CLIP, Anti Rattle
28	4396 962	2			LINK, Latch to Solenoid
29	4184 172	2			CLIP, Solenoid
30		AR			SCREW (DNS)
31	4396 628	2			STABILIZER, Glass
32	4396 642	2			UPSTOP, Glass
33		AR			SCREW (DNS)
34	4396 860-1	1			HOUSING, Remote Control
35		AR			SCREW (DNS)
36	4415 144-5	1			BRACKET, Handle Mtg.
37	6023 925	AR			NUT

MODEL CODES

C BODY = (D41 - DYNASTY)(C41 - NEW YORKER)
 E BODY = (J - CARAVELLE)(E - 600)(T - NEW YORKER TURBO)
 G BODY = (V24 - DAYTONA, PACIFICA & SHELBY)
 H BODY = (D44 - LANCER)(C44 - LEBARON GTS)
 J BODY = (C - LEBARON)
 K BODY = (P - RELIANT)(D - ARIES)(C - LEBARON/ TOWN & COUNTRY)
 L BODY = (M - HORIZON)(Z-OMNI)
 M BODY = (B - GRAN FURY)(G - DIPLOMAT)(F - FIFTH AVENUE/NEWPORT)
 P BODY = (P - SUNDANCE)(D - SHADOW)
 Q BODY = (C27 - MASERATI)
 S BODY = (H - VOYAGER)(K - RAM VAN/ CARAVAN)

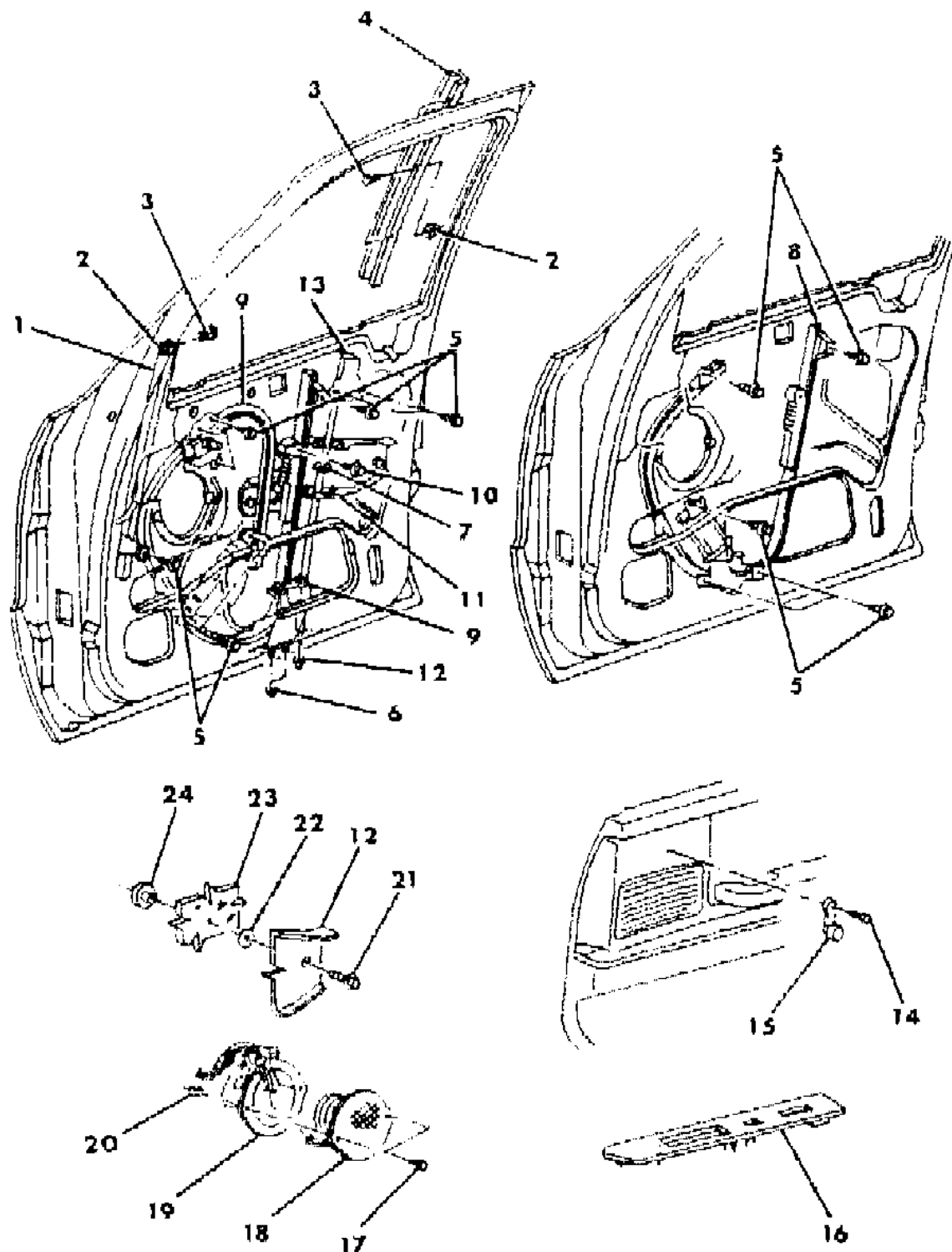
BODY STYLES

12-52 = FWD VAN & WAGON STD. W.B. 27 = 2-DOOR CONVERTIBLE
 13-53 = FWD VAN & WGN EXT W.B. 41 = 4-DOOR SEDAN
 21 = 2-DOOR SEDAN 44 = 4-DOOR HATCHBACK
 24 = 2-DOOR HATCHBACK 45 = 4-DOOR STATION WAGON

AR = Use as Required - = Non Illustrated Part P.A.R. = Paint as Required

DOOR, FRONT GLASS, REGULATOR AND SPEAKERS C BODY
Figure 23C-3900

8171 3900 A



ITEM	PART NUMBER	QTY	BODY	MODEL	DESCRIPTION
1	4480 468-9	1			CHANNEL and BRACKET, Glass
2	6033 184	2			GROMMET, Channel Att.
3	6032 456	4			SCREW
4	4415 310-1	1			CHANNEL, Glass Rear
5		AR			SCREW (DNS)
6		AR			NUT (DNS)
7	3788 079	2			SLEEVE, Glass Guide
8	4396 438-9	1			REGULATOR, Electric
	4396 432-3	1			MOTOR and MECHANISM, Electric
	4396 420	2			GEAR, Flexrack ***
	4467 214	2			GEAR, Flexrack, Replacement ***
	4396 436-7	1			BRACKET, Motor Mtg.
9	4445 102-3	1			REGULATOR, Manual
10	6501 902	2			SCREW, Liftplate to Regulator
11	4396 758-9	1			PLATE, Glass Lift
12		AR			NUT (DNS)
13	4396 754	2			TRACK, Glass Guide
14	6027 221	4			SCREW
15					HANDLE, Window Regulator
	4310 824	2			Up to 12-3-87
	4480 649	2			After 12-3-87
	4480 852	2			SPACER, Handle
16			CS		BEZEL, Trim Panel
	4309 928-9	1			w/Time Delay Door Locks, w/Electric Windows
	4381 944-5	1			w/Time Delay Door Locks, w/Electric Windows
	4381 948-9	1			w/o Door Locks, w/o Electric Windows
	4381 950-1	1			w/o Door Locks, w/Electric Windows
	4381 964-5	1			w/Time Delay Door Locks, w/o Electric Windows
17		AR			SCREW (DNS)
18					SPEAKER, Door
	4469 043	2			Standard
	4430 071	2			Premium
19	4469 034-5	1			ADAPTOR, Speaker
20	6031 964	4			NUT
21	6033 179	4			SCREW
22	4415 944	6			BUSHING, Glass to Lift Plate Att.
23	4365 160-1	1			GLASS, Door

MODEL CODES

C BODY = (D41 - DYNASTY)(C41 - NEW YORKER)
 E BODY = (J - CARAVELLE)(E - 600)(T - NEW YORKER TURBO)
 G BODY = (V24 - DAYTONA, PACIFICA & SHELBY)
 H BODY = (D44 - LANCER)(C44 - LEBARON GTS)
 J BODY = (C - LEBARON)
 K BODY = (P - RELIANT)(D - ARIES)(C - LEBARON/ TOWN & COUNTRY)

L BODY = (M - HORIZON)(Z-OMNI)
 M BODY = (B - GRAN FURY)(G - DIPLOMAT)(F - FIFTH AVENUE/NEWPORT)
 P BODY = (P - SUNDANCE)(D - SHADOW)
 Q BODY = (C27 - MASERATI)
 S BODY = (H - VOYAGER)(K - RAM VAN/ CARAVAN)

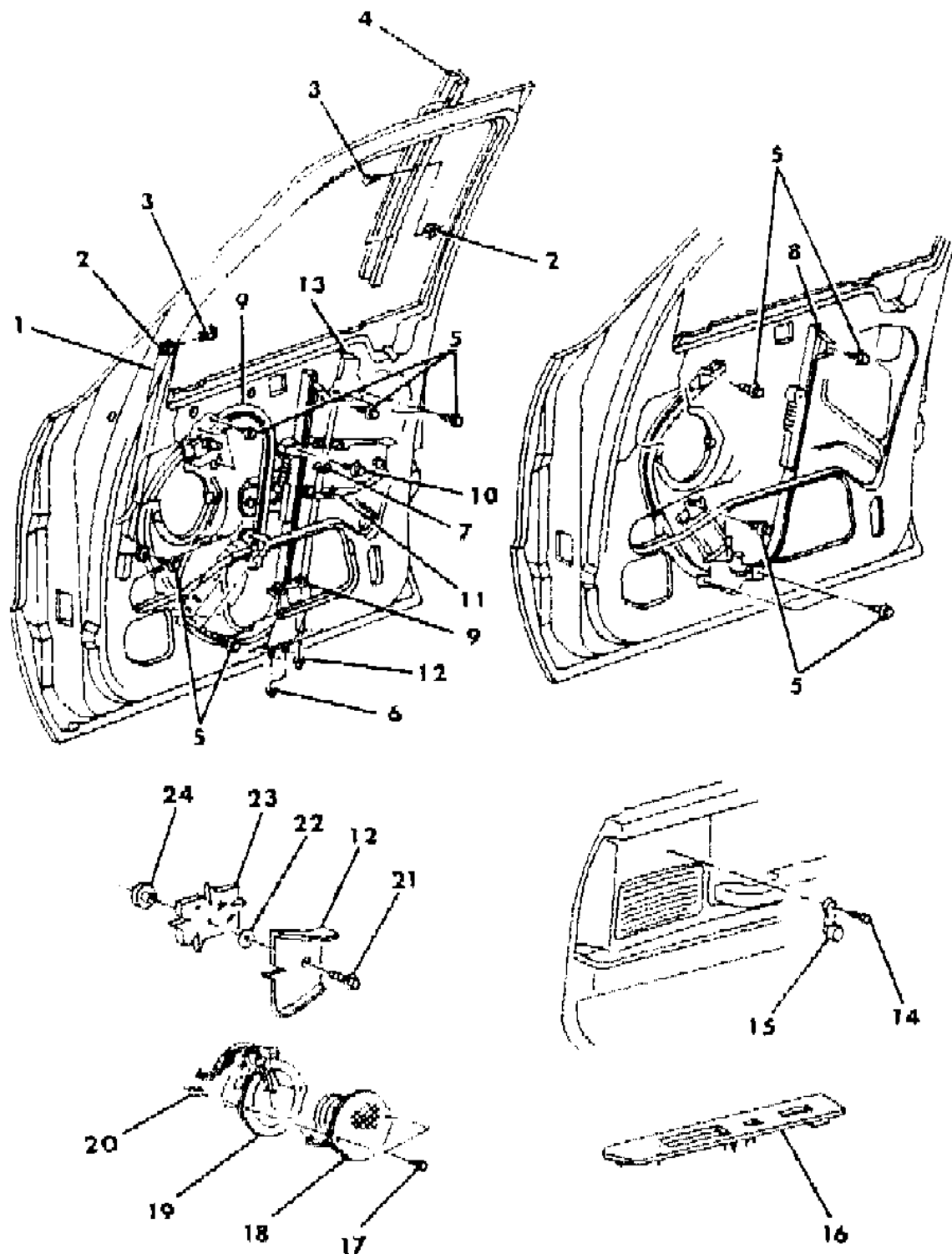
BODY STYLES

12-52 = FWD VAN & WAGON STD. W.B. 27 = 2-DOOR CONVERTIBLE
 13-53 = FWD VAN & WGN EXT W.B. 41 = 4-DOOR SEDAN
 21 = 2-DOOR SEDAN 44 = 4-DOOR HATCHBACK
 24 = 2-DOOR HATCHBACK 45 = 4-DOOR STATION WAGON

AR = Use as Required - = Non Illustrated Part P.A.R. = Paint as Required

DOOR, FRONT GLASS, REGULATOR AND SPEAKERS C BODY
Figure 23C-3900

8171 3900 A



ITEM	PART NUMBER	QTY	BODY	MODEL	DESCRIPTION
24	4415 943	6			RETAINER, Lift Plate to Glass

MODEL CODES

C BODY = (D41 - DYNASTY)(C41 - NEW YORKER)
 E BODY = (J - CARAVELLE)(E - 600)(T - NEW YORKER TURBO)
 G BODY = (V24 - DAYTONA, PACIFICA & SHELBY)
 H BODY = (D44 - LANCER)(C44 - LEBARON GTS)
 J BODY = (C - LEBARON)
 K BODY = (P - RELIANT)(D - ARIES)(C - LEBARON/ TOWN & COUNTRY)

L BODY = (M - HORIZON)(Z-OMNI)
 M BODY = (B - GRAN FURY)(G - DIPLOMAT)(F - FIFTH AVENUE/NEWPORT)
 P BODY = (P - SUNDANCE)(D - SHADOW)
 Q BODY = (C27 - MASERATI)
 S BODY = (H - VOYAGER)(K - RAM VAN/ CARAVAN)

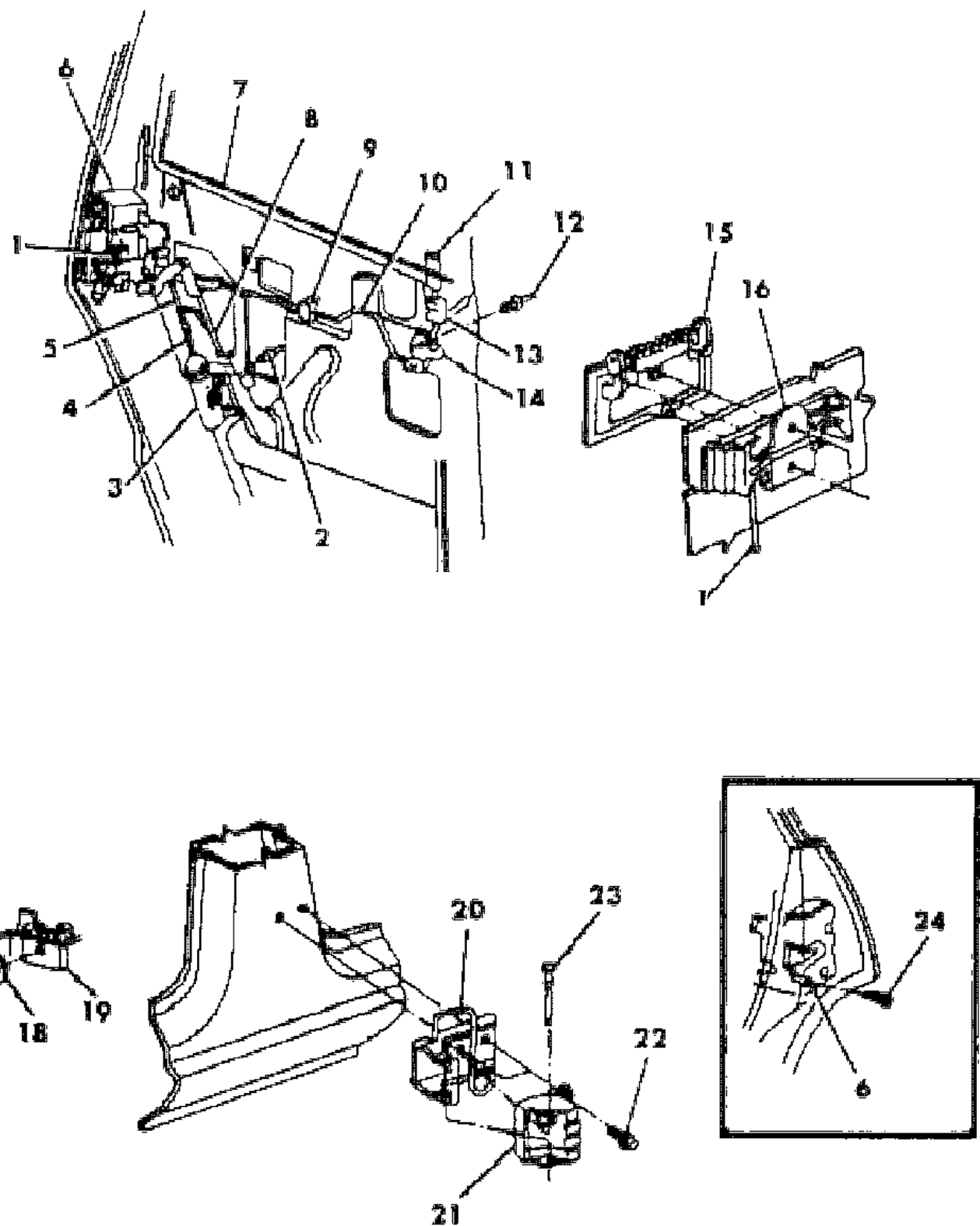
BODY STYLES

12-52 = FWD VAN & WAGON STD. W.B. 27 = 2-DOOR CONVERTIBLE
 13-53 = FWD VAN & WGN EXT W.B. 41 = 4-DOOR SEDAN
 21 = 2-DOOR SEDAN 44 = 4-DOOR HATCHBACK
 24 = 2-DOOR HATCHBACK 45 = 4-DOOR STATION WAGON

AR = Use as Required - = Non Illustrated Part P.A.R. = Paint as Required

DOOR, REAR SHELL, HANDLES AND LOCKS C BODY
Figure 23C-4000

8171 4000



ITEM	PART NUMBER	QTY	BODY	MODEL	DESCRIPTION
1	4480 172-3	1			LINK, Latch to Handle
2	6031 115	4			RIVET
3	4467 252	2			SOLENOID, Lock
4	4184 172	2			CLIP, Solenoid
5		2			LINK, Solenoid to Latch, Serviced in 6
6					LATCH, Door
	4396 890-1	1			w/o Door Locks
	4415 722-3	1			w/Door Locks
7	4411 932-3	1			DOOR SHELL
	4365 162-3	1			PANEL, Repair
8	4396 848-9	1			LINK, Remote Control to Latch
9	4415 480	2			CLIP, Anti Rattle
10	4396 856-7	1			LINK, Latch Locking Control
11					KNOB and PUSHROD, Latch Locking
	D682 GS8	2			Charcoal
	D682 GC5	2			Blue
	D682 GR8	2			Red
	D682 GL7	2			Taupe
					BEZEL, Locking Knob
	D368 GC5	2			Blue
	D368 GL7	2			Taupe
	D368 GR8	2			Red
	D368 GS8	2			Charcoal
12	6501 509	2			RIVET
13		2			SEAL, Serviced in 11
14	4415 514-5	1			LEVER, Latch Locking
15	4467 204-5	1			HANDLE, Exterior
16		2			BRACKET, Serviced in 15
17	4310 543	2			STRIKER, Latch
18	4184 105	AR			SPACER, Striker
19	4314 743	2			PLATE, Striker Tapping
20					HINGE, Body Half
	4310 933	2			Upper
	4310 182	2			Lower
21					HINGE, Door Half
	4415 934	2			Upper
	4415 932	2			Lower

MODEL CODES

C BODY = (D41 - DYNASTY)(C41 - NEW YORKER)	L BODY = (M - HORIZON)(Z-OMNI)
E BODY = (J - CARAVELLE)(E - 600)(T - NEW YORKER TURBO)	M BODY = (B - GRAN FURY)(G - DIPLOMAT)(F - FIFTH AVENUE/NEWPORT)
G BODY = (V24 - DAYTONA, PACIFICA & SHELBY)	P BODY = (P - SUNDANCE)(D - SHADOW)
H BODY = (D44 - LANCER)(C44 - LEBARON GTS)	Q BODY = (C27 - MASERATI)
J BODY = (C - LEBARON)	S BODY = (H - VOYAGER)(K - RAM VAN/ CARAVAN)
K BODY = (P - RELIANT)(D - ARIES)(C - LEBARON/ TOWN & COUNTRY)	

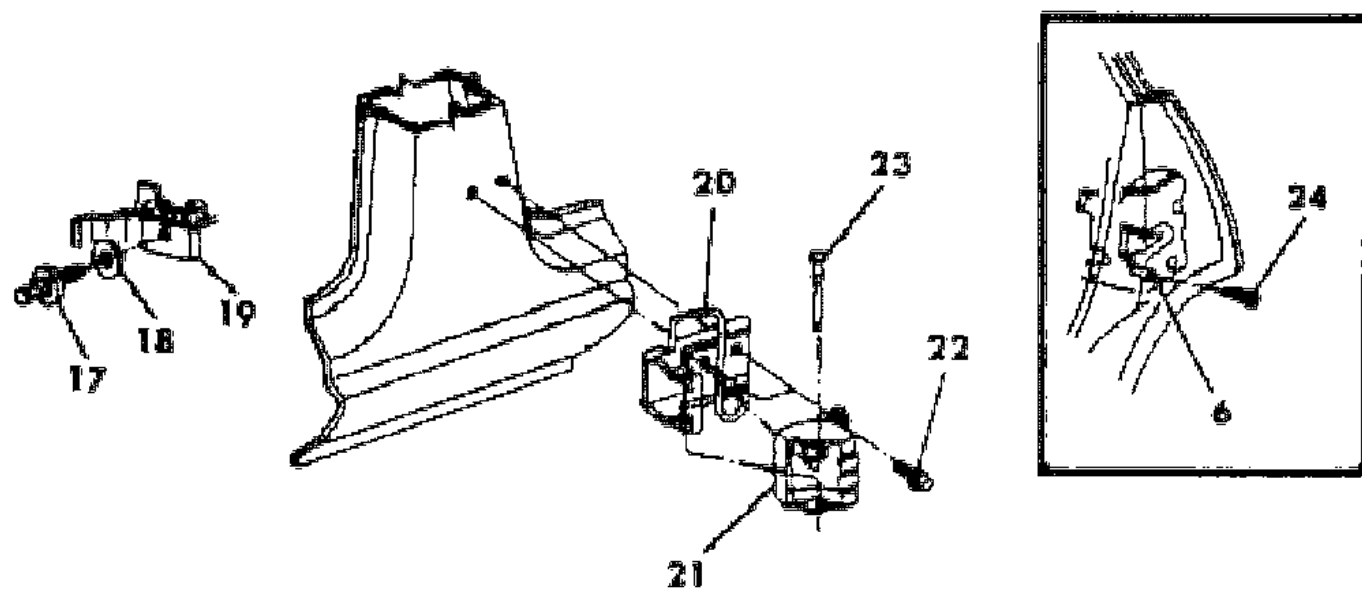
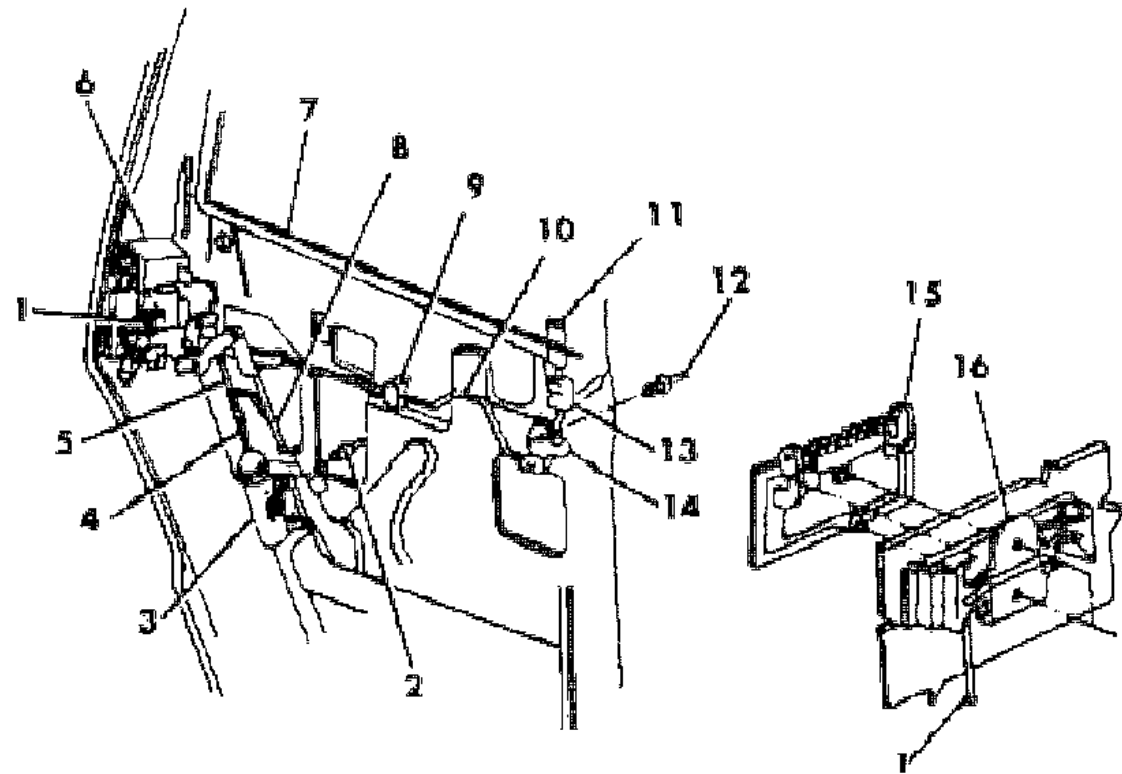
BODY STYLES

12-52 = FWD VAN & WAGON STD. W.B.	27 = 2-DOOR CONVERTIBLE
13-53 = FWD VAN & WGN EXT W.B.	41 = 4-DOOR SEDAN
21 = 2-DOOR SEDAN	44 = 4-DOOR HATCHBACK
24 = 2-DOOR HATCHBACK	45 = 4-DOOR STATION WAGON

AR = Use as Required - = Non Illustrated Part P.A.R. = Paint as Required

DOOR, REAR SHELL, HANDLES AND LOCKS C BODY
Figure 23C-4000

8171 4000



ITEM	PART NUMBER	QTY	BODY	MODEL	DESCRIPTION
22	6500 300	8			SCREW
23	4280 727	2			PIN, Hinge
24	6501 220	6			SCREW

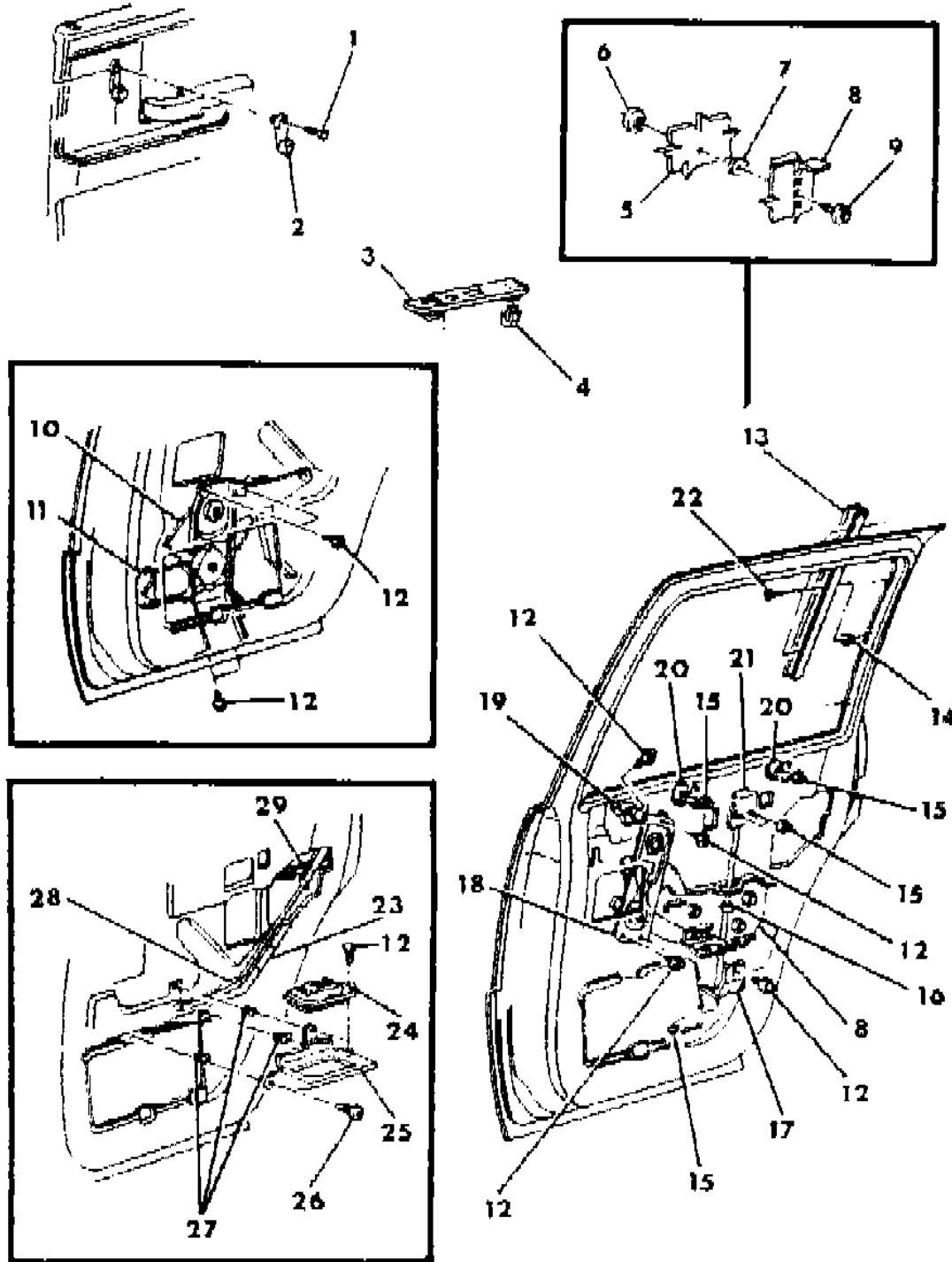
MODEL CODES
 C BODY = (D41 - DYNASTY)(C41 - NEW YORKER)
 E BODY = (J - CARAVELLE)(E - 600)(T - NEW YORKER TURBO)
 G BODY = (V24 - DAYTONA, PACIFICA & SHELBY)
 H BODY = (D44 - LANCER)(C44 - LEBARON GTS)
 J BODY = (C - LEBARON)
 K BODY = (P - RELIANT)(D - ARIES)(C - LEBARON/ TOWN & COUNTRY)
 L BODY = (M - HORIZON)(Z-OMNI)
 M BODY = (B - GRAN FURY)(G - DIPLOMAT)(F - FIFTH AVENUE/NEWPORT)
 P BODY = (P - SUNDANCE)(D - SHADOW)
 Q BODY = (C27 - MASERATI)
 S BODY = (H - VOYAGER)(K - RAM VAN/ CARAVAN)

BODY STYLES
 12-52 = FWD VAN & WAGON STD. W.B. 27 = 2-DOOR CONVERTIBLE
 13-53 = FWD VAN & WGN EXT W.B. 41 = 4-DOOR SEDAN
 21 = 2-DOOR SEDAN 44 = 4-DOOR HATCHBACK
 24 = 2-DOOR HATCHBACK 45 = 4-DOOR STATION WAGON

AR = Use as Required - = Non Illustrated Part P.A.R. = Paint as Required

DOOR, REAR GLASS, REGULATORS AND CONTROLS C BODY
Figure 23C-4200

8171 4200 A



ITEM	PART NUMBER	QTY	BODY	MODEL	DESCRIPTION
1	6027 221	2			SCREW, Regulator Handle
2	4310 824	2			HANDLE, Window Regulator
	4480 649	2			Up to 12-3-87
					After 12-3-87
3					BEZEL, Trim Panel
	4309 970-1	1		C-S	w/Electric Windows
	4381 958-9	1		DC-H,P	w/Electric Windows
	4381 962-3	1		D-H,P	w/o Electric Windows
4	6032 268	2			RETAINER, Bezel
5	4365 172-3	1			GLASS, Door
6	4415 943	AR			RETAINER, Lift Plate to Glass
7	4415 944	AR			BUSHING, Glass to Lift Plate
8	4396 630-1	1			LIFT PLATE, Glass
9		AR			SCREW (DNS)
10	4445 374-5	1			REGULATOR, Electric Window
	4445 378-9	1			BRACKET, Electric Regulator Downstop
	4445 380	2			BUMPER, Downstop
11	4445 194-5	1			MOTOR and MECHANISM, Regulator
	4467 350	2			GEAR and SEAL KIT, Motor
12		AR			SCREW (DNS)
13					CHANNEL, Glass, Rear
	4415 316-7	1		H,P	
	4415 312-3	1		S	
14	6033 184	AR			GROMMET, Channel Att.
15		AR			NUT (DNS)
16	3788 079	2			SLEEVE, Guide Post
17	4396 639	2			BRACKET, Guide Track Lower
18	4445 104-5	1			REGULATOR, Manual
	4396 749	2			SPRING, Regulator Assist
19	4396 628	2			STABILIZER, Glass
20	4396 642	2			UPSTOP, Glass
21	4415 194-5	1			TRACK, Guide
22		AR			SCREW (DNS)
23		2			PAD, Anti Rattle (DNS)
24	4396 860-1	1			HOUSING, Remote Control
25	4415 146-7	1			BRACKET, Remote Control
26	6033 179	AR			SCREW

MODEL CODES

C BODY = (D41 - DYNASTY)(C41 - NEW YORKER)
 E BODY = (J - CARAVELLE)(E - 600)(T - NEW YORKER TURBO)
 G BODY = (V24 - DAYTONA, PACIFICA & SHELBY)
 H BODY = (D44 - LANCER)(C44 - LEBARON GTS)
 J BODY = (C - LEBARON)
 K BODY = (P - RELIANT)(D - ARIES)(C - LEBARON/ TOWN & COUNTRY)

L BODY = (M - HORIZON)(Z-OMNI)
 M BODY = (B - GRAN FURY)(G - DIPLOMAT)(F - FIFTH AVENUE/NEWPORT)
 P BODY = (P - SUNDANCE)(D - SHADOW)
 Q BODY = (C27 - MASERATI)
 S BODY = (H - VOYAGER)(K - RAM VAN/ CARAVAN)

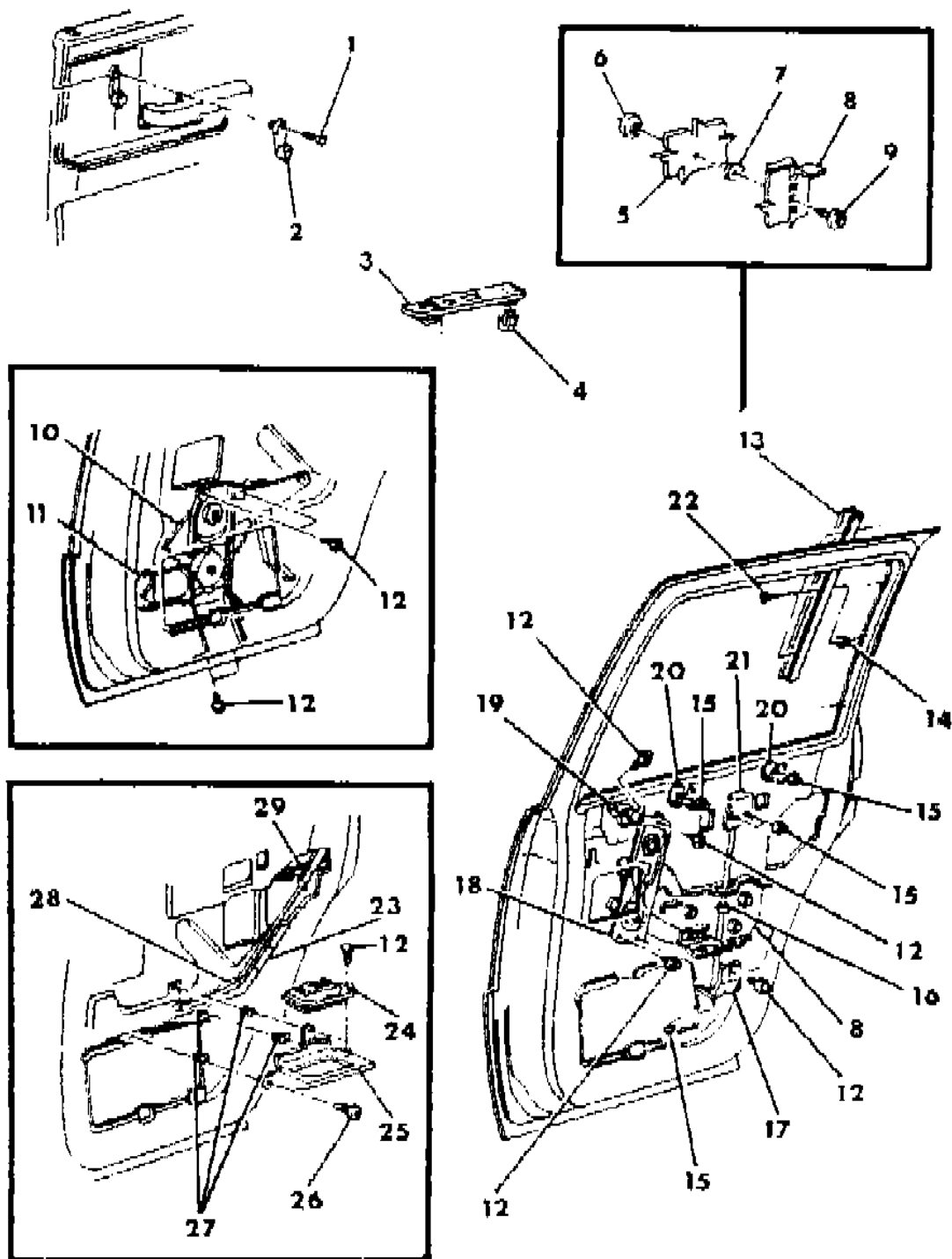
BODY STYLES

12-52 = FWD VAN & WAGON STD. W.B. 27 = 2-DOOR CONVERTIBLE
 13-53 = FWD VAN & WGN EXT W.B. 41 = 4-DOOR SEDAN
 21 = 2-DOOR SEDAN 44 = 4-DOOR HATCHBACK
 24 = 2-DOOR HATCHBACK 45 = 4-DOOR STATION WAGON

AR = Use as Required - = Non Illustrated Part P.A.R. = Paint as Required

DOOR, REAR GLASS, REGULATORS AND CONTROLS C BODY
Figure 23C-4200

8171 4200 A



ITEM	PART NUMBER	QTY	BODY	MODEL	DESCRIPTION
------	-------------	-----	------	-------	-------------

27	6023 925	AR			NUT
28	4396 848-9	1			LINK, Remote Control to Latch
29	4396 856-7	1			LINK, Latch Locking

MODEL CODES
 C BODY = (D41 - DYNASTY)(C41 - NEW YORKER)
 E BODY = (J - CARAVELLE)(E - 600)(T - NEW YORKER TURBO)
 G BODY = (V24 - DAYTONA, PACIFICA & SHELBY)
 H BODY = (D44 - LANCER)(C44 - LEBARON GTS)
 J BODY = (C - LEBARON)
 K BODY = (P - RELIANT)(D - ARIES)(C - LEBARON/ TOWN & COUNTRY)
 L BODY = (M - HORIZON)(Z-OMNI)
 M BODY = (B - GRAN FURY)(G - DIPLOMAT)(F - FIFTH AVENUE/NEWPORT)
 P BODY = (P - SUNDANCE)(D - SHADOW)
 Q BODY = (C27 - MASERATI)
 S BODY = (H - VOYAGER)(K - RAM VAN/ CARAVAN)

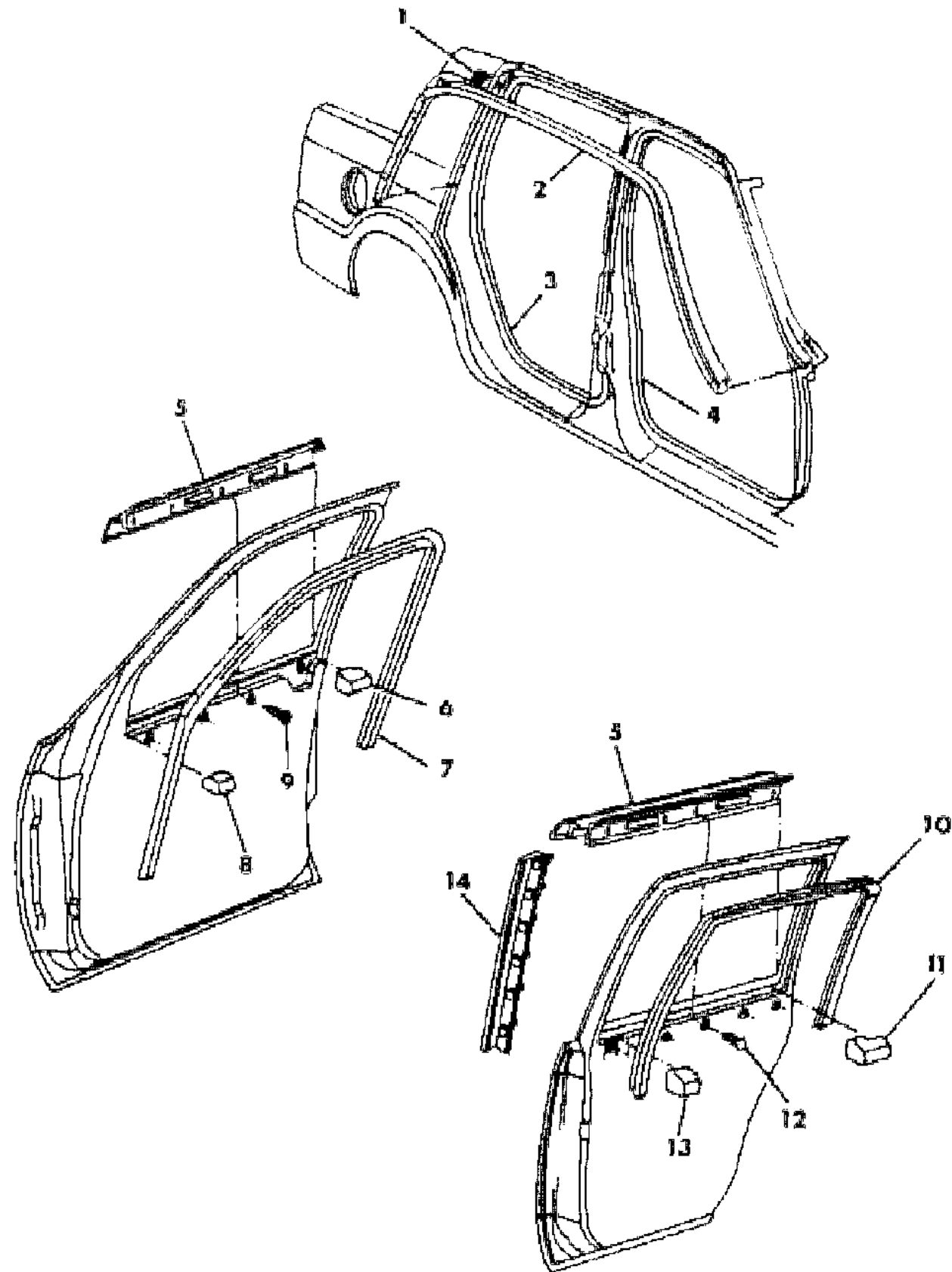
BODY STYLES
 12-52 = FWD VAN & WAGON STD. W.B. 27 = 2-DOOR CONVERTIBLE
 13-53 = FWD VAN & WGN EXT W.B. 41 = 4-DOOR SEDAN
 21 = 2-DOOR SEDAN 44 = 4-DOOR HATCHBACK
 24 = 2-DOOR HATCHBACK 45 = 4-DOOR STATION WAGON

AR = Use as Required - = Non Illustrated Part P.A.R. = Paint as Required

DOOR, FRONT AND REAR WEATHERSTRIPS, RUNS AND SEALS C BODY

Figure 23C-4300

8171 4300 A



ITEM	PART NUMBER	QTY	BODY	MODEL	DESCRIPTION
1	4057 555	2			RETAINER
2	4396 680-1	2		D,CH	WEATHERSTRIP, Front and Rear , Secondary Drip Up to 6-1-88
	4445 290-1	2		CS	Up to 6-1-88
	4396 690-1	1			Front, After 6-1-88
	4396 692-3	1			Rear, After 6-1-88
3	4445 456-7	1			WEATHERSTRIP, Rear Door Opening
4	4445 454-5	1			WEATHERSTRIP, Front Door Opening
5					MOULDING, Refer to 23 Exterior
6	4396 674-5	1			SEAL, Front Door Belt, Rear
7					RUN, Front Door Glass
	D876-7 GS8	1			Charcoal
	D876-7 GC5	1			Blue
	D876-7 GR8	1			Red
	D876-7 GL7	1			Taupe
8	4396 672	2			SEAL, Front Door, Front
9	6032 456	8			SCREW
10					RUN, Rear Door Glass
	D722-3 GS8	1			Charcoal
	D722-3 GC5	1			Blue
	D722-3 GR8	1			Red
	D722-3 GL7	1			Taupe
11	4396 678-9	1			SEAL, Rear Door Belt, Rear
12	6032 456	10			SCREW
13	4396 676	2			SEAL, Rear Door Front
14	4396 684-5	1			WEATHERSTRIP, Rear Door "B" Pillar

MODEL CODES

C BODY = (D41 - DYNASTY)(C41 - NEW YORKER)
 E BODY = (J - CARAVELLE)(E - 600)(T - NEW YORKER TURBO)
 G BODY = (V24 - DAYTONA, PACIFICA & SHELBY)
 H BODY = (D44 - LANCER)(C44 - LEBARON GTS)
 J BODY = (C - LEBARON)
 K BODY = (P - RELIANT)(D - ARIES)(C - LEBARON/ TOWN & COUNTRY)

L BODY = (M - HORIZON)(Z-OMNI)
 M BODY = (B - GRAN FURY)(G - DIPLOMAT)(F - FIFTH AVENUE/NEWPORT)
 P BODY = (P - SUNDANCE)(D - SHADOW)
 Q BODY = (C27 - MASERATI)
 S BODY = (H - VOYAGER)(K - RAM VAN/ CARAVAN)

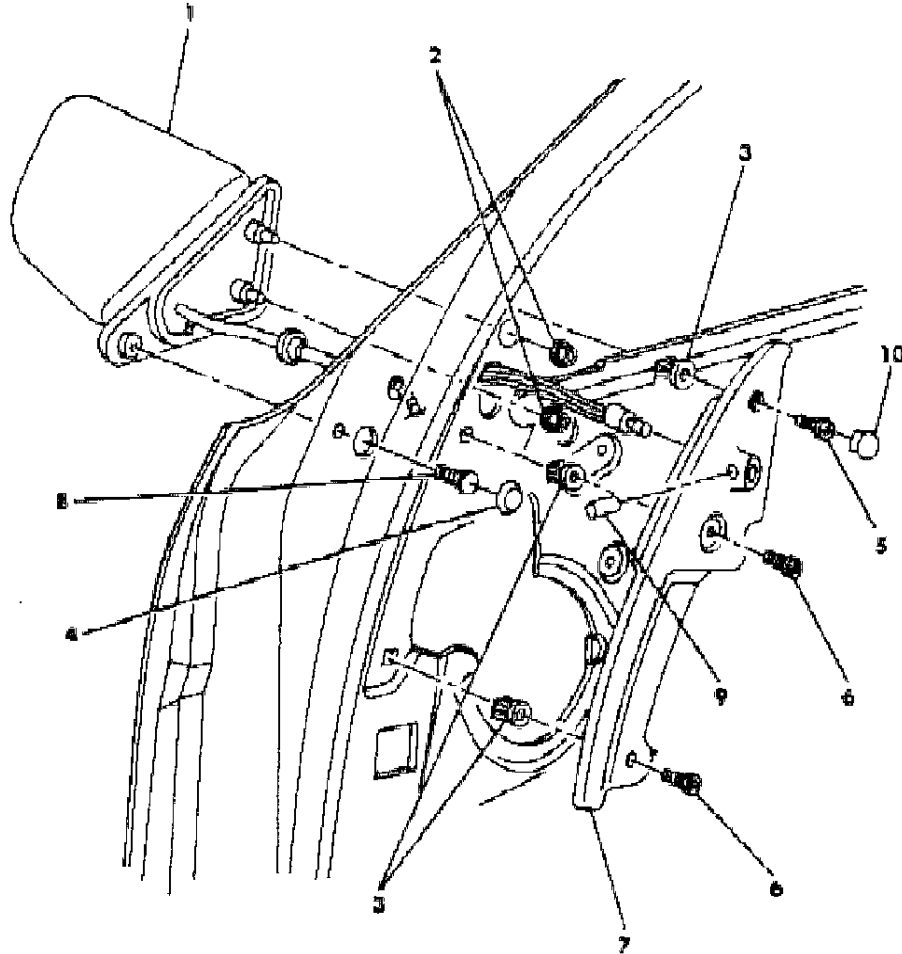
BODY STYLES

12-52 = FWD VAN & WAGON STD. W.B. 27 = 2-DOOR CONVERTIBLE
 13-53 = FWD VAN & WGN EXT W.B. 41 = 4-DOOR SEDAN
 21 = 2-DOOR SEDAN 44 = 4-DOOR HATCHBACK
 24 = 2-DOOR HATCHBACK 45 = 4-DOOR STATION WAGON

AR = Use as Required - = Non Illustrated Part P.A.R. = Paint as Required

MIRROR, EXTERIOR C BODY
Figure 23C-4400

8171 4400



ITEM	PART NUMBER	QTY	BODY	MODEL	DESCRIPTION
1					MIRROR PACKAGE
	4299 632-3	1		D	Remote Control
	4299 636-7	1		D	Electric
	4299 634-5	1		C	Electric
	4373 456	1			KNOB, Electric Mirror Control
	4299 582-3	1			SEAL, Mirror Base to Door
	4467 206-7	1			GLASS, Replacement w/Remote Control Mirrors
	4467 208-9	1			w/Electric Mirrors
2	6500 134	6			SCREW
3	6033 184	AR			GROMMET, Glass Channel Att.
4	4299 334	AR			PLUG
5	6032 456	4			SCREW
6		4			SCREW (DNS)
7					BEZEL, Inside w/Remote and Electric Mirror, Painted
	D842-3 GS8	1			Charcoal
	D842-3 GR8	1			Red
	D842-3 GC5	1			Blue
	D842-3 GL7	1			Taupe
					w/Electric Mirrors, Painted, Right
	D844 GS8	1			Charcoal
	D844 GR8	1			Red
	D844 GC5	1			Blue
	D844 GL7	1			Taupe
					w/Electric Mirrors, Flocked
	D846-7 GS8	1			Charcoal
	D846-7 GR8	1			Red
	D846-7 GC5	1			Blue
	D846-7 GL7	1			Taupe
	4299 488-9	1			SEAL, Bezel
8		1			SCREW (DNS)
9		1			SCREW, Set (DNS)
10					PLUG, Bezel Att.
	F324 GS8	AR			Charcoal
	F324 GR8	AR			Red
	F324 GC5	AR			Blue

MODEL CODES

C BODY = (D41 - DYNASTY)(C41 - NEW YORKER)
 E BODY = (J - CARAVELLE)(E - 600)(T - NEW YORKER TURBO)
 G BODY = (V24 - DAYTONA, PACIFICA & SHELBY)
 H BODY = (D44 - LANCER)(C44 - LEBARON GTS)
 J BODY = (C - LEBARON)
 K BODY = (P - RELIANT)(D - ARIES)(C - LEBARON/ TOWN & COUNTRY)
 L BODY = (M - HORIZON)(Z-OMNI)
 M BODY = (B - GRAN FURY)(G - DIPLOMAT)(F - FIFTH AVENUE/NEWPORT)
 P BODY = (P - SUNDANCE)(D - SHADOW)
 Q BODY = (C27 - MASERATI)
 S BODY = (H - VOYAGER)(K - RAM VAN/ CARAVAN)

BODY STYLES

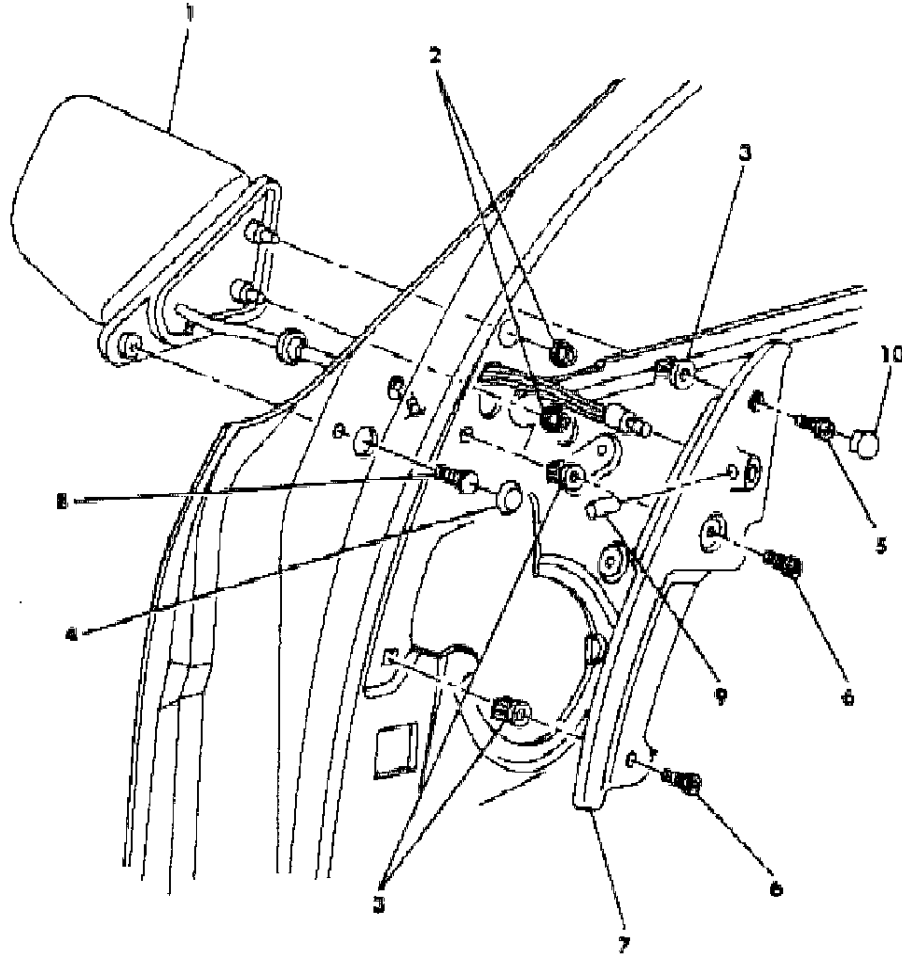
12-52 = FWD VAN & WAGON STD. W.B. 27 = 2-DOOR CONVERTIBLE
 13-53 = FWD VAN & WGN EXT W.B. 41 = 4-DOOR SEDAN
 21 = 2-DOOR SEDAN 44 = 4-DOOR HATCHBACK
 24 = 2-DOOR HATCHBACK 45 = 4-DOOR STATION WAGON

AR = Use as Required - = Non Illustrated Part P.A.R. = Paint as Required

MIRROR, EXTERIOR C BODY
Figure 23C-4400

8171 4400

ITEM	PART NUMBER	QTY	BODY	MODEL	DESCRIPTION
	F324 GL7	AR			Taupe



MODEL CODES

C BODY = (D41 - DYNASTY)(C41 - NEW YORKER)
 E BODY = (J - CARAVELLE)(E - 600)(T - NEW YORKER TURBO)
 G BODY = (V24 - DAYTONA, PACIFICA & SHELBY)
 H BODY = (D44 - LANCER)(C44 - LEBARON GTS)
 J BODY = (C - LEBARON)
 K BODY = (P - RELIANT)(D - ARIES)(C - LEBARON/ TOWN & COUNTRY)
 L BODY = (M - HORIZON)(Z-OMNI)
 M BODY = (B - GRAN FURY)(G - DIPLOMAT)(F - FIFTH AVENUE/NEWPORT)
 P BODY = (P - SUNDANCE)(D - SHADOW)
 Q BODY = (C27 - MASERATI)
 S BODY = (H - VOYAGER)(K - RAM VAN/ CARAVAN)

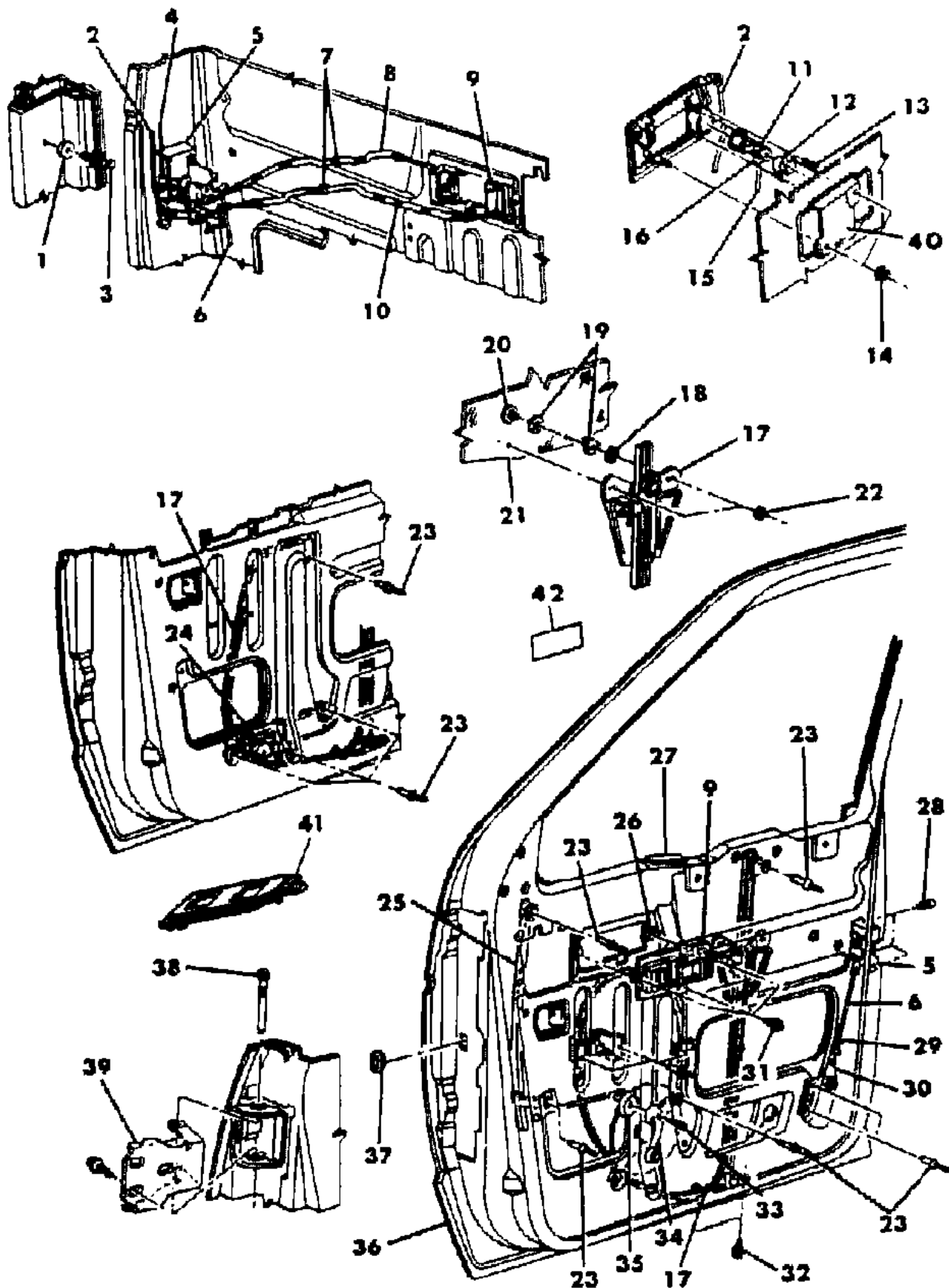
BODY STYLES

12-52 = FWD VAN & WAGON STD. W.B. 27 = 2-DOOR CONVERTIBLE
 13-53 = FWD VAN & WGN EXT W.B. 41 = 4-DOOR SEDAN
 21 = 2-DOOR SEDAN 44 = 4-DOOR HATCHBACK
 24 = 2-DOOR HATCHBACK 45 = 4-DOOR STATION WAGON

AR = Use as Required - = Non Illustrated Part P.A.R. = Paint as Required

DOOR, FRONT COMPLETE LESS WEATHERSTRIPS AND RUNS S BODY
Figure 23C-4500

8171 4500



ITEM	PART NUMBER	QTY	BODY	MODEL	DESCRIPTION
1	4184 105	AR			SPACER, Striker
2	4336 236-7	1			HANDLE, Exterior Door
	4336 222	2			STRAP, Exterior Handle Housing
	4280 506-7	1			LINK, Handle to Latch
3	4310 543	2			STRIKER, Door
4	4280 508-9	1			LINK, Key Cylinder to Latch
					LATCH, Door
	4336 378	1			Non Override, Right
	4336 377	1			Override, Left
6	6501 220	AR			SCREW, Latch Att.
	4280 332	2			LINK, Solenoid to Latch
	3882 620	4			CLIP, Anti Rattle
8	4365 388-9	1			LINK, Remote Control to Latch
	9	4396 574-5			HOUSING, Remote Control
4184 790		2			Black and Bright
	D405 CX9	2			Black
10	4365 392-3	1			LINK, Latch Locking
11		2			CYLINDER, Lock, Refer to 23D
12		2			RETAINER, Cylinder, Refer to 23D
13		4			SCREW (DNS)
14	6031 029	4			NUT
15	4280 508-9	1			LINK, Cylinder to Latch
16	3760 130-1	1			CLIP, Cylinder to Link
17					REGULATOR, Window
					Manual, Up to 4-1-88
					Manual, After 4-1-88
					Electric, Up to 4-1-88
					Electric, After 4-1-88
	4467 214	2			GEAR PACKAGE, Regulator Flexrack
	4396 504-5	1			SPRING, Manual Window Regulator
18	6028 587	4			TEE-NUT
19	5231 769	8			GASKET
20		4			WASHER (DNS)
21	4280 046-7	1			GLASS, Door
	4475 582-3	1			(EUROPEAN)
	4310 996-7	1			UPSTOP, Glass

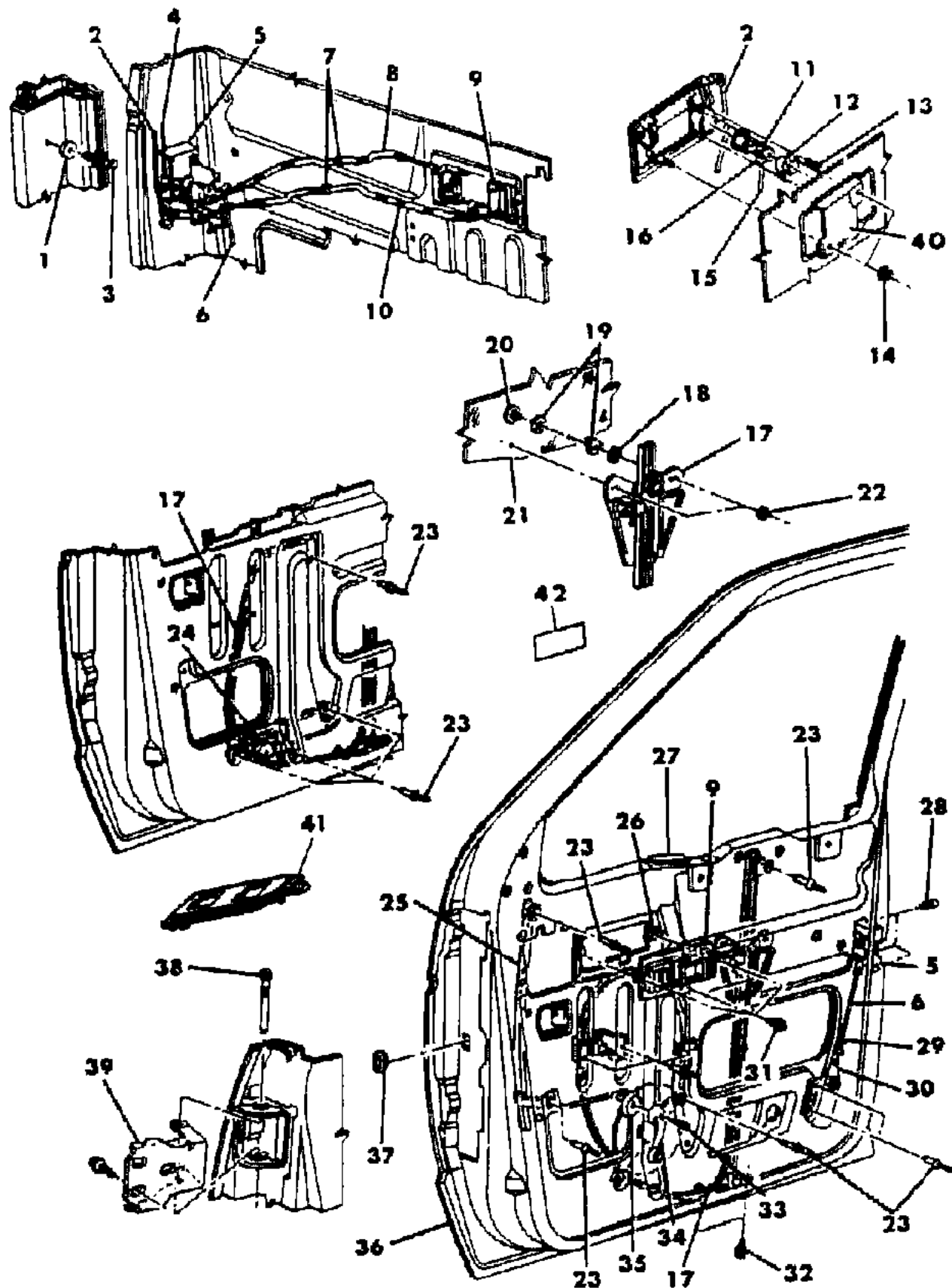
MODEL CODES
 C BODY = (D41 - DYNASTY)(C41 - NEW YORKER)
 E BODY = (J - CARAVELLE)(E - 600)(T - NEW YORKER TURBO)
 G BODY = (V24 - DAYTONA, PACIFICA & SHELBY)
 H BODY = (D44 - LANCER)(C44 - LEBARON GTS)
 J BODY = (C - LEBARON)
 K BODY = (P - RELIANT)(D - ARIES)(C - LEBARON/ TOWN & COUNTRY)
 L BODY = (M - HORIZON)(Z-OMNI)
 M BODY = (B - GRAN FURY)(G - DIPLOMAT)(F - FIFTH AVENUE/NEWPORT)
 P BODY = (P - SUNDANCE)(D - SHADOW)
 Q BODY = (C27 - MASERATI)
 S BODY = (H - VOYAGER)(K - RAM VAN/ CARAVAN)

BODY STYLES
 12-52 = FWD VAN & WAGON STD. W.B. 27 = 2-DOOR CONVERTIBLE
 13-53 = FWD VAN & WGN EXT W.B. 41 = 4-DOOR SEDAN
 21 = 2-DOOR SEDAN 44 = 4-DOOR HATCHBACK
 24 = 2-DOOR HATCHBACK 45 = 4-DOOR STATION WAGON

AR = Use as Required - = Non Illustrated Part P.A.R. = Paint as Required

DOOR, FRONT COMPLETE LESS WEATHERSTRIPS AND RUNS S BODY
Figure 23C-4500

8171 4500



ITEM	PART NUMBER	QTY	BODY	MODEL	DESCRIPTION
	3759 944	6			RETAINER, Upstop
22		4			NUT (DNS)
23	6031 115	AR			RIVET
24	4310 942-3	1			MOTOR and MECHANISM, Electric Window
25	4512 992-3	1			CHANNEL, w/Bracket
	6501 350	AR			SCREW, Channel Att.
26		6			U-NUT (DNS)
27	4336 076	2			BUMPER, Glass Anti Rattle
28		6			SCREW (DNS)
29	4184 244-5	1			CLIP, Electric Locking Link Att.
30	4445 400	2			SOLENOID, Door Lock
31		3			SCREW (DNS)
32	6100 566	4			SCREW
33	6031 644	2			SCREW, Window Regulator Handle
34					HANDLE, Window Regulator
	4310 824	2			Up to 12-3-87
	4480 649	2			After 12-3-87
35					SPACER, Window Regulator Handle
	3882 767	2			w/Carpeted Panel
	3882 768	2			w/o Carpeted Panel
36	4443 880-1	1			DOOR SHELL
	4310 986-7	1			PANEL, Repair
37	6031 488	2			PLUG
38	4280 727	4			PIN, Hinge
39					HINGE, Body Half
	4365 815	2			Upper
	4365 813	2			Lower
					HINGE, Door Half
	4280 730	2			Upper
	4280 720	2			Lower
	4336 288	AR			SHIM, Hinge
40	4336 536-7	1			BRACKET and INSULATOR, Exterior Handle
41	4283 868-9	1			BEZEL, Window Lift and Door Lock Switch
	4283 866-7	1			Door Lock
	4247 211	4			RETAINER, Armrest Switch Bezel
42	4365 683	1			DECAL, Seat Belt Safety

MODEL CODES

C BODY = (D41 - DYNASTY)(C41 - NEW YORKER)
 E BODY = (J - CARAVELLE)(E - 600)(T - NEW YORKER TURBO)
 G BODY = (V24 - DAYTONA, PACIFICA & SHELBY)
 H BODY = (D44 - LANCER)(C44 - LEBARON GTS)
 J BODY = (C - LEBARON)
 K BODY = (P - RELIANT)(D - ARIES)(C - LEBARON/ TOWN & COUNTRY)
 L BODY = (M - HORIZON)(Z-OMNI)
 M BODY = (B - GRAN FURY)(G - DIPLOMAT)(F - FIFTH AVENUE/NEWPORT)
 P BODY = (P - SUNDANCE)(D - SHADOW)
 Q BODY = (C27 - MASERATI)
 S BODY = (H - VOYAGER)(K - RAM VAN/ CARAVAN)

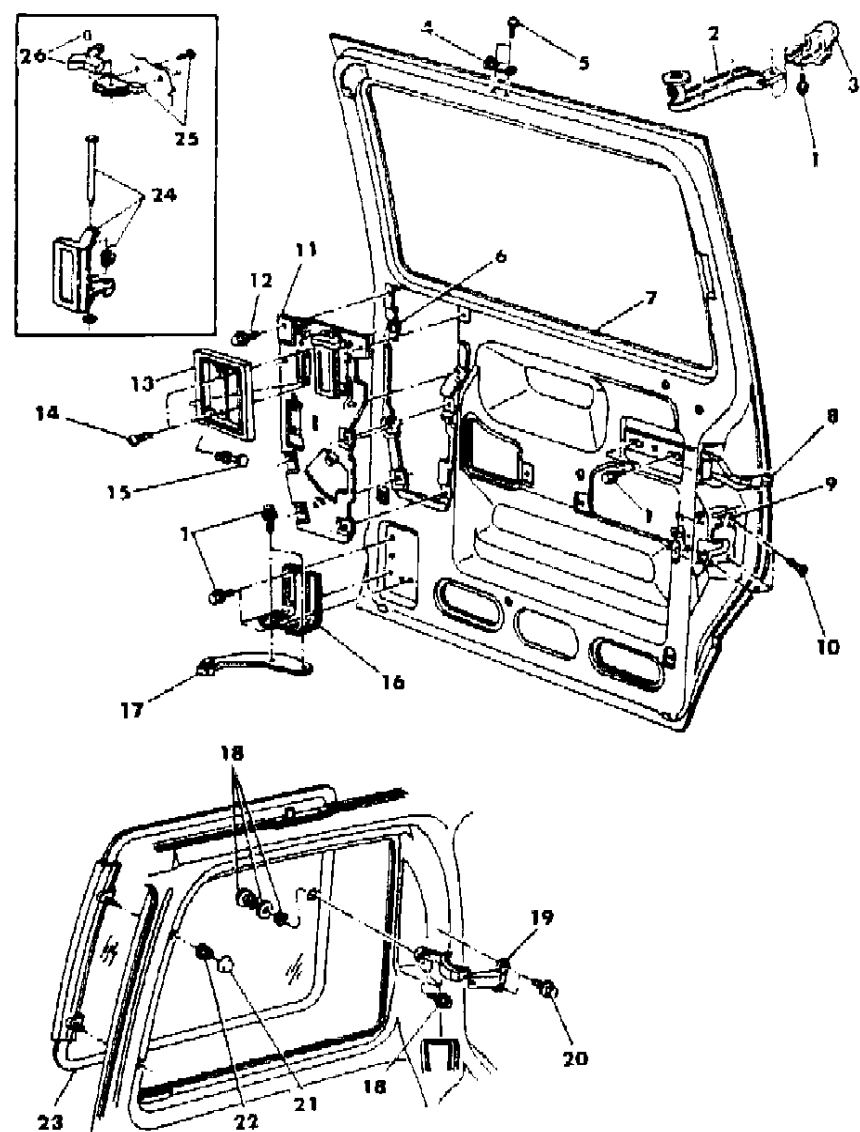
BODY STYLES

12-52 = FWD VAN & WAGON STD. W.B. 27 = 2-DOOR CONVERTIBLE
 13-53 = FWD VAN & WGN EXT W.B. 41 = 4-DOOR SEDAN
 21 = 2-DOOR SEDAN 44 = 4-DOOR HATCHBACK
 24 = 2-DOOR HATCHBACK 45 = 4-DOOR STATION WAGON

AR = Use as Required - = Non Illustrated Part P.A.R. = Paint as Required

DOOR, SLIDING SHELL, GLASS AND CONTROLS S BODY
Figure 23C-4600

8171 4600 A



ITEM	PART NUMBER	QTY	BODY	MODEL	DESCRIPTION
1	6100 275	3			SCREW
2	4415 999	1			ROLLER ASSEMBLY, Upper Hinge
3	4445 305	1			BRACKET, Upper Hinge
4	4445 982	1			WEDGE, Door Upper Center
	4445 981	1			Upper Rear
5		2			SCREW (DNS)
6	6101 308	8			U-NUT
7					DOOR SHELL
	4445 452	1			w/o Window
	4445 450	1			w/Window
	4365 362	1			PANEL, Repair w/o Window
	4365 360	1			w/Window
8	4415 649	1			HINGE, Center BUSHING, Center Hinge, Serviced in Item #8
9	4339 358	1			LATCH, Remote Control
	6501 220	AR			SCREW, Latch Att.
10		3			SCREW (DNS)
11	4365 701	1			CONTROL, Remote and Locking
	6026 625	4			SCREW, Adjusting
	4280 345	1			LINK, Remote Control Handle to Act. Lever
	4280 348	1			Locking Control Lever to Adj. Lever
	4184 244	1			CLIP, Stabilizer Adj. Lever
12	6100 276	8			SCREW
13	4280 631	1		L 12,13	BEZEL, Remote Control
	4280 632	1		L 52,53	
	4280 633	1		H,P	
14	0152 748	2			SCREW
15	F155 CX9	1			FASTENER, Remote Control Bezel
16	4445 040	1			SUPPORT, Door to Hinge Mtg.
17	4445 039	1			HINGE, Body Half, Lower
18	4339 313	1			ATTACHING PACKAGE, Vent and Stationary Glass
19	4365 799	1			LATCH, Vent Window
	4365 801	1			GASKET, Vent Window Latch
20		2			SCREW (DNS)
21	4184 688	2			PLUG

MODEL CODES

C BODY = (D41 - DYNASTY)(C41 - NEW YORKER)
 E BODY = (J - CARAVELLE)(E - 600)(T - NEW YORKER TURBO)
 G BODY = (V24 - DAYTONA, PACIFICA & SHELBY)
 H BODY = (D44 - LANCER)(C44 - LEBARON GTS)
 J BODY = (C - LEBARON)
 K BODY = (P - RELIANT)(D - ARIES)(C - LEBARON/ TOWN & COUNTRY)

L BODY = (M - HORIZON)(Z-OMNI)
 M BODY = (B - GRAN FURY)(G - DIPLOMAT)(F - FIFTH AVENUE/NEWPORT)
 P BODY = (P - SUNDANCE)(D - SHADOW)
 Q BODY = (C27 - MASERATI)
 S BODY = (H - VOYAGER)(K - RAM VAN/ CARAVAN)

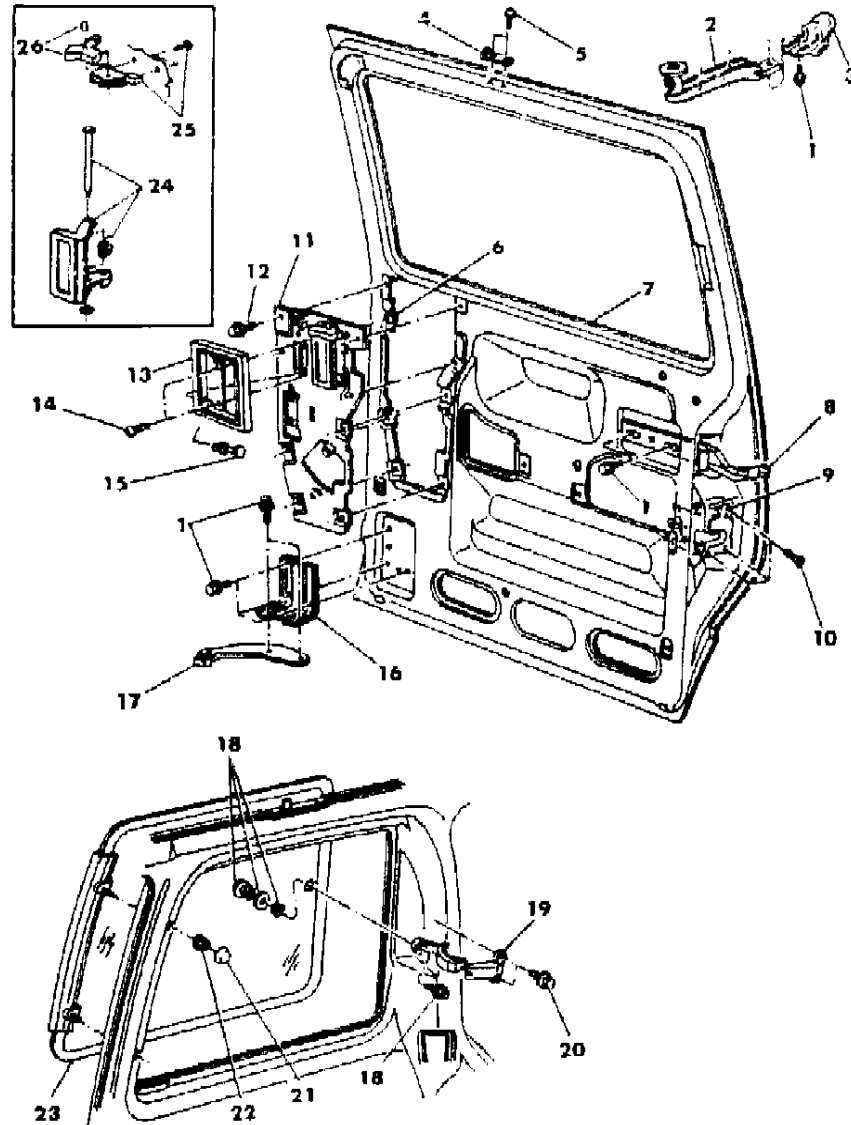
BODY STYLES

12-52 = FWD VAN & WAGON STD. W.B. 27 = 2-DOOR CONVERTIBLE
 13-53 = FWD VAN & WGN EXT W.B. 41 = 4-DOOR SEDAN
 21 = 2-DOOR SEDAN 44 = 4-DOOR HATCHBACK
 24 = 2-DOOR HATCHBACK 45 = 4-DOOR STATION WAGON

AR = Use as Required - = Non Illustrated Part P.A.R. = Paint as Required

DOOR, SLIDING SHELL, GLASS AND CONTROLS S BODY
Figure 23C-4600

8171 4600 A



ITEM	PART NUMBER	QTY	BODY	MODEL	DESCRIPTION
22		2			SCREW and WASHER (DNS)
23					GLASS, Hinge and Frame
	4336 404	1			Tinted
	4336 406	1			Sunscreen
	4475 604	1			(EUROPEAN)
	4280 961	2			REINFORCEMENT, Hinge and Frame
	4336 474	1			WEATHERSTRIP, Glass
24	4267 929	1			HANDLE PACKAGE, Inside
25	4267 930	1			BLOCK and SCREW PACKAGE, Locking Knob Mtg.
26	4267 928	1			KNOB, Locking

MODEL CODES

C BODY = (D41 - DYNASTY)(C41 - NEW YORKER)
 E BODY = (J - CARAVELLE)(E - 600)(T - NEW YORKER TURBO)
 G BODY = (V24 - DAYTONA, PACIFICA & SHELBY)
 H BODY = (D44 - LANCER)(C44 - LEBARON GTS)
 J BODY = (C - LEBARON)
 K BODY = (P - RELIANT)(D - ARIES)(C - LEBARON/ TOWN & COUNTRY)

L BODY = (M - HORIZON)(Z-OMNI)
 M BODY = (B - GRAN FURY)(G - DIPLOMAT)(F - FIFTH AVENUE/NEWPORT)
 P BODY = (P - SUNDANCE)(D - SHADOW)
 Q BODY = (C27 - MASERATI)
 S BODY = (H - VOYAGER)(K - RAM VAN/ CARAVAN)

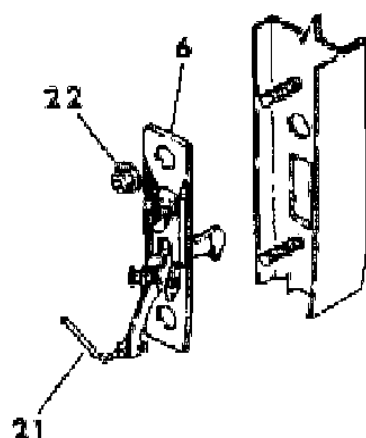
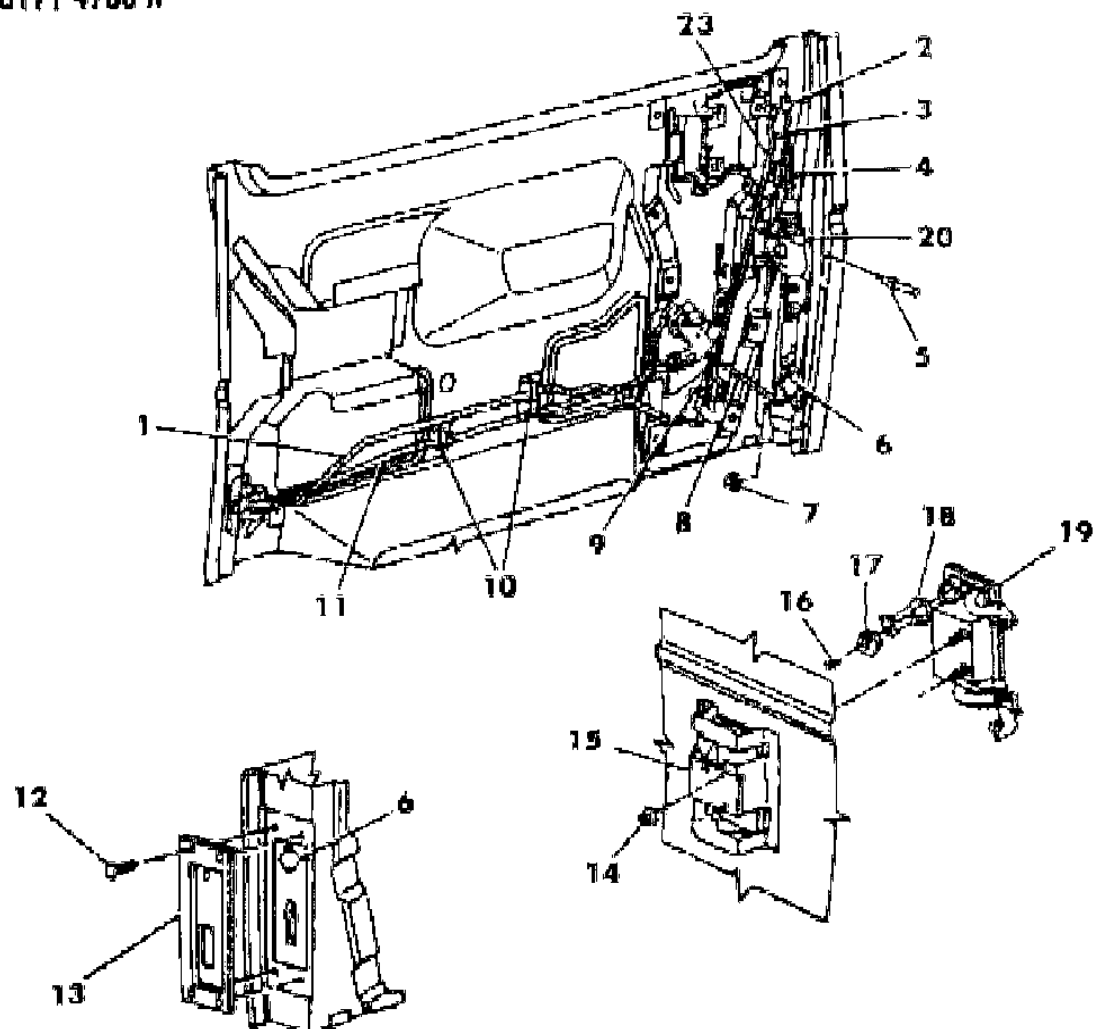
BODY STYLES

12-52 = FWD VAN & WAGON STD. W.B. 27 = 2-DOOR CONVERTIBLE
 13-53 = FWD VAN & WGN EXT W.B. 41 = 4-DOOR SEDAN
 21 = 2-DOOR SEDAN 44 = 4-DOOR HATCHBACK
 24 = 2-DOOR HATCHBACK 45 = 4-DOOR STATION WAGON

AR = Use as Required - = Non Illustrated Part P.A.R. = Paint as Required

DOOR, SLIDING HANDLE, CONTROL AND LOCK S BODY
Figure 23C-4700

8171 4700 A



ITEM	PART NUMBER	QTY	BODY	MODEL	DESCRIPTION
1	4365 616	1			LINK, Latch Locking
2	2945 108	1			CLIP
3	4310 948	1			LINK, Solenoid to Latch Locking Lever
4	2862 758	1			CLIP, Latch Locking Knob
5	6031 115	1			RIVET
6	4280 769	1			STABILIZER ASSEMBLY
	4280 593	1			BUMPER, Stabilizer Bracket
	4310 631	4			RETAINER, Stabilizer Seal Att.
	4280 782	1			SEAL, Stabilizer
7	6100 051	2			NUT
8	4336 798	1			LINK, Stabilizer
9	4365 267	1			LINK, Actuator to Lock Cylinder
10	3882 620	2			CLIP, Anti Rattle
11	4280 352	1			LINK and SLEEVE, Latch Release
12		4			RETAINER, Serviced in Item #13
13	4280 768	1			GUIDE, Stabilizer
14	6500 284	2			NUT
15	4280 661	1			PLATE, Exterior Handle
16		2			SCREW (DNS)
17		1			RETAINER, Lock Cylinder, Refer to 23D
18		1			CYLINDER, Lock, Refer to 23D
19					HANDLE, Exterior
	4280 646	1			w/o Key Cylinder
	4280 353	1			w/Key Cylinder
	4365 516	1			GASKET, Exterior Handle
	4280 660	1			BRACKET, Exterior Handle
20	4396 016	1			SOLENOID, Power Door Lock
21	4336 798	1			LINK, Stabilizer Att.
22	6501 291	2			NUT, Stabilizer Att.
23	4365 270	1			LINK, Latch Locking Control Lever to Adj. Lever

MODEL CODES

C BODY = (D41 - DYNASTY)(C41 - NEW YORKER)	L BODY = (M - HORIZON)(Z-OMNI)
E BODY = (J - CARAVELLE)(E - 600)(T - NEW YORKER TURBO)	M BODY = (B - GRAN FURY)(G - DIPLOMAT)(F - FIFTH AVENUE/NEWPORT)
G BODY = (V24 - DAYTONA, PACIFICA & SHELBY)	P BODY = (P - SUNDANCE)(D - SHADOW)
H BODY = (D44 - LANCER)(C44 - LEBARON GTS)	Q BODY = (C27 - MASERATI)
J BODY = (C - LEBARON)	S BODY = (H - VOYAGER)(K - RAM VAN/ CARAVAN)
K BODY = (P - RELIANT)(D - ARIES)(C - LEBARON/ TOWN & COUNTRY)	

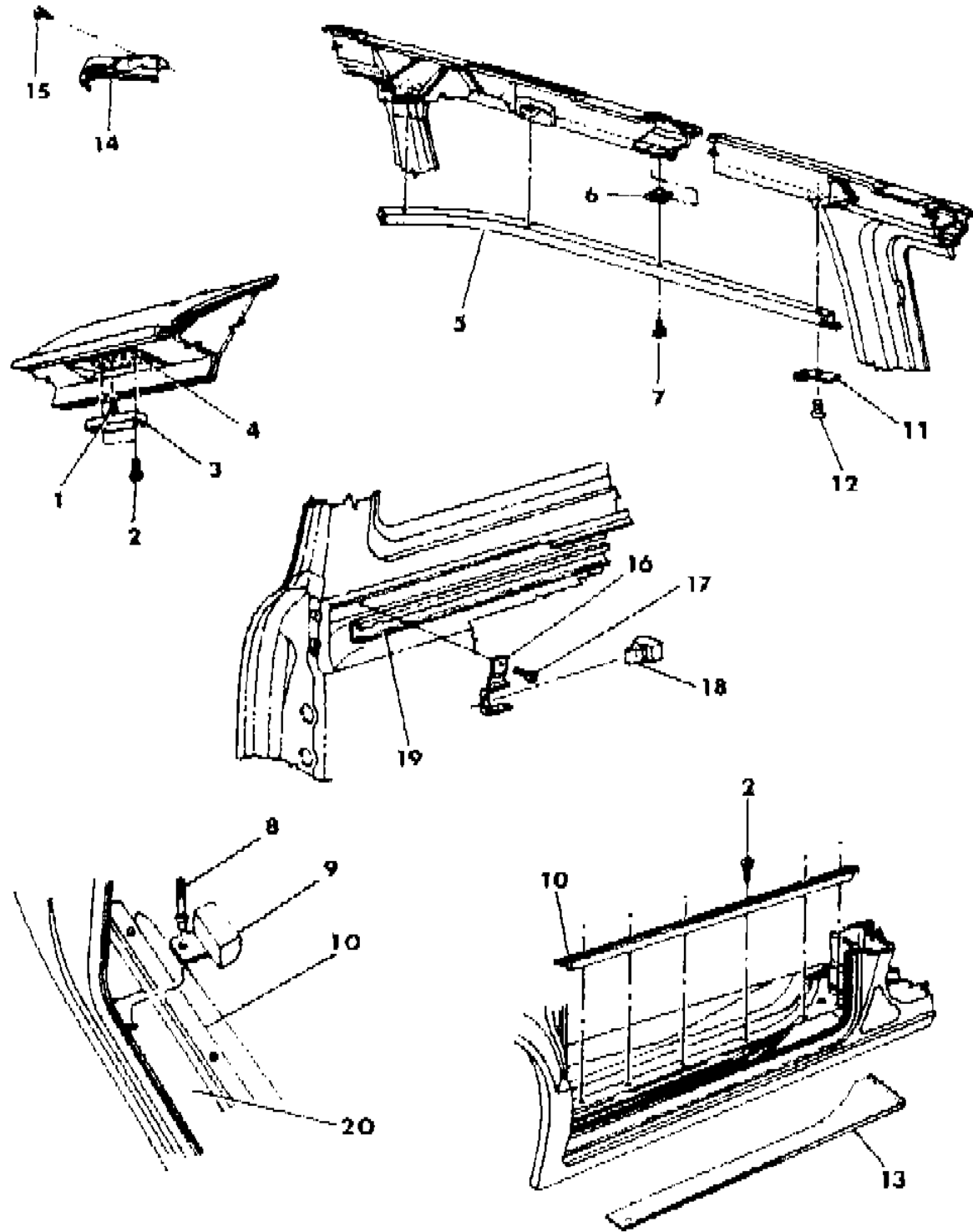
BODY STYLES

12-52 = FWD VAN & WAGON STD. W.B.	27 = 2-DOOR CONVERTIBLE
13-53 = FWD VAN & WGN EXT W.B.	41 = 4-DOOR SEDAN
21 = 2-DOOR SEDAN	44 = 4-DOOR HATCHBACK
24 = 2-DOOR HATCHBACK	45 = 4-DOOR STATION WAGON

AR = Use as Required - = Non Illustrated Part P.A.R. = Paint as Required

DOOR, SLIDING TRACK S BODY
Figure 23C-4800

8171 4800 B



ITEM	PART NUMBER	QTY	BODY	MODEL	DESCRIPTION
1	4310 631	1			RETAINER
2		2			SCREW (DNS)
3	4445 498	1			STRIKER, Stabilizer
4	4445 436	1			T-PLATE, Stabilizer Striker
5	4337 251				TRACK, Upper
6	6100 041	4			U-NUT
7		4			SCREW (DNS)
8		1			RIVET (DNS)
9	4280 964	1			STOP, Lower Hinge Arm
10	4278 762	1			REINFORCEMENT, Inner Panel
11	#4445 187	1			BRACKET, Upper Hinge Over Travel Stop
	4336 568	1			BUMPER, Upper Hinge Over Travel Stop Bracket
12		1			SCREW, Bumper (DNS)
13	4336 250	1			HINGE MAT
14	4337 404	1			SHIELD, Upper Track Front
15		AR			SCREW (DNS)
16	4385 088	1			BRACKET, Center Track Over Travel Stop
17		AR			SCREW (DNS)
18	4365 225	1			BUMPER, Over Travel Stop Bracket
19					PANEL, Track Cover
	4385 050	1			Long W.B.
	4385 094	1			Short W.B.
20	4396 061	2			STRIP, Edge Protector

MODEL CODES

C BODY = (D41 - DYNASTY)(C41 - NEW YORKER)
 E BODY = (J - CARAVELLE)(E - 600)(T - NEW YORKER TURBO)
 G BODY = (V24 - DAYTONA, PACIFICA & SHELBY)
 H BODY = (D44 - LANCER)(C44 - LEBARON GTS)
 J BODY = (C - LEBARON)
 K BODY = (P - RELIANT)(D - ARIES)(C - LEBARON/ TOWN & COUNTRY)

L BODY = (M - HORIZON)(Z-OMNI)
 M BODY = (B - GRAN FURY)(G - DIPLOMAT)(F - FIFTH AVENUE/NEWPORT)
 P BODY = (P - SUNDANCE)(D - SHADOW)
 Q BODY = (C27 - MASERATI)
 S BODY = (H - VOYAGER)(K - RAM VAN/ CARAVAN)

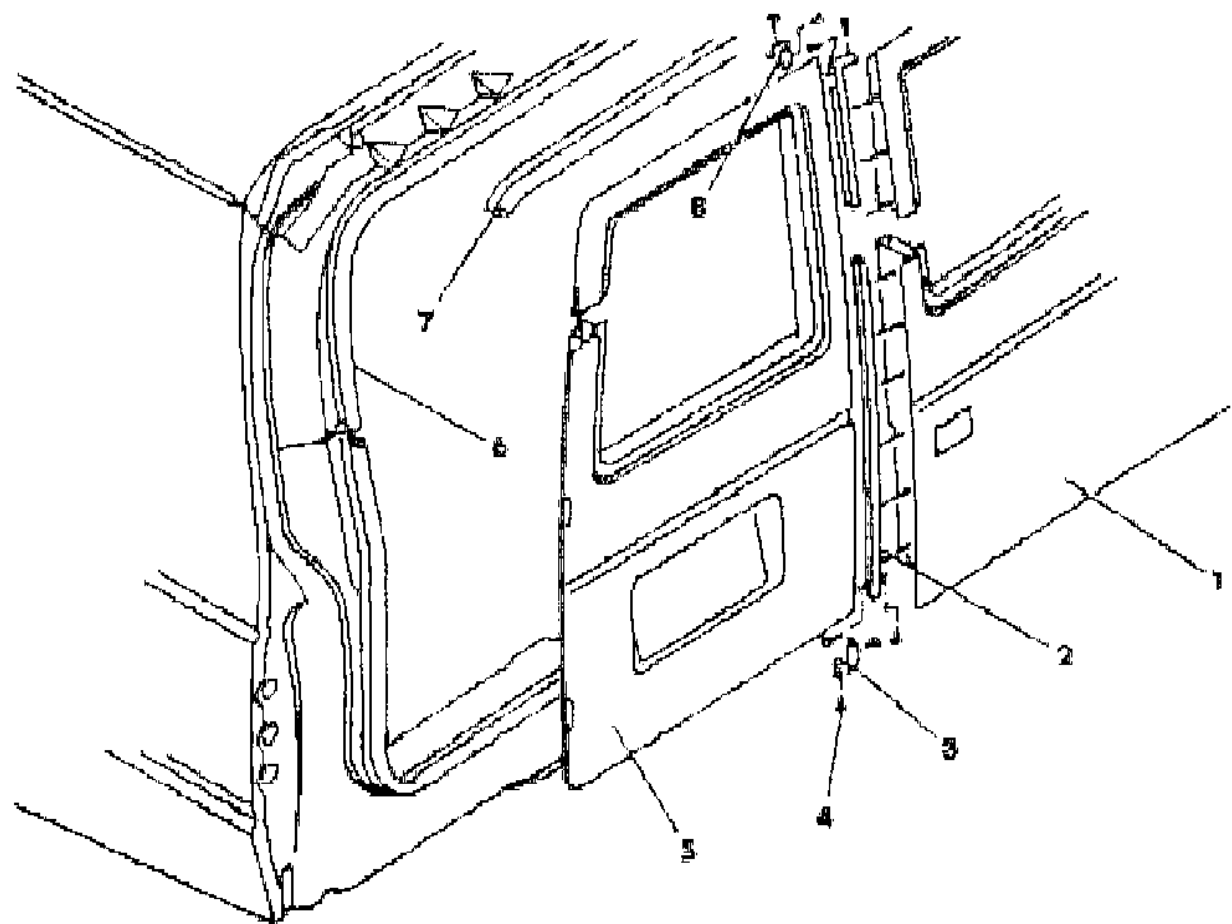
BODY STYLES

12-52 = FWD VAN & WAGON STD. W.B. 27 = 2-DOOR CONVERTIBLE
 13-53 = FWD VAN & WGN EXT W.B. 41 = 4-DOOR SEDAN
 21 = 2-DOOR SEDAN 44 = 4-DOOR HATCHBACK
 24 = 2-DOOR HATCHBACK 45 = 4-DOOR STATION WAGON

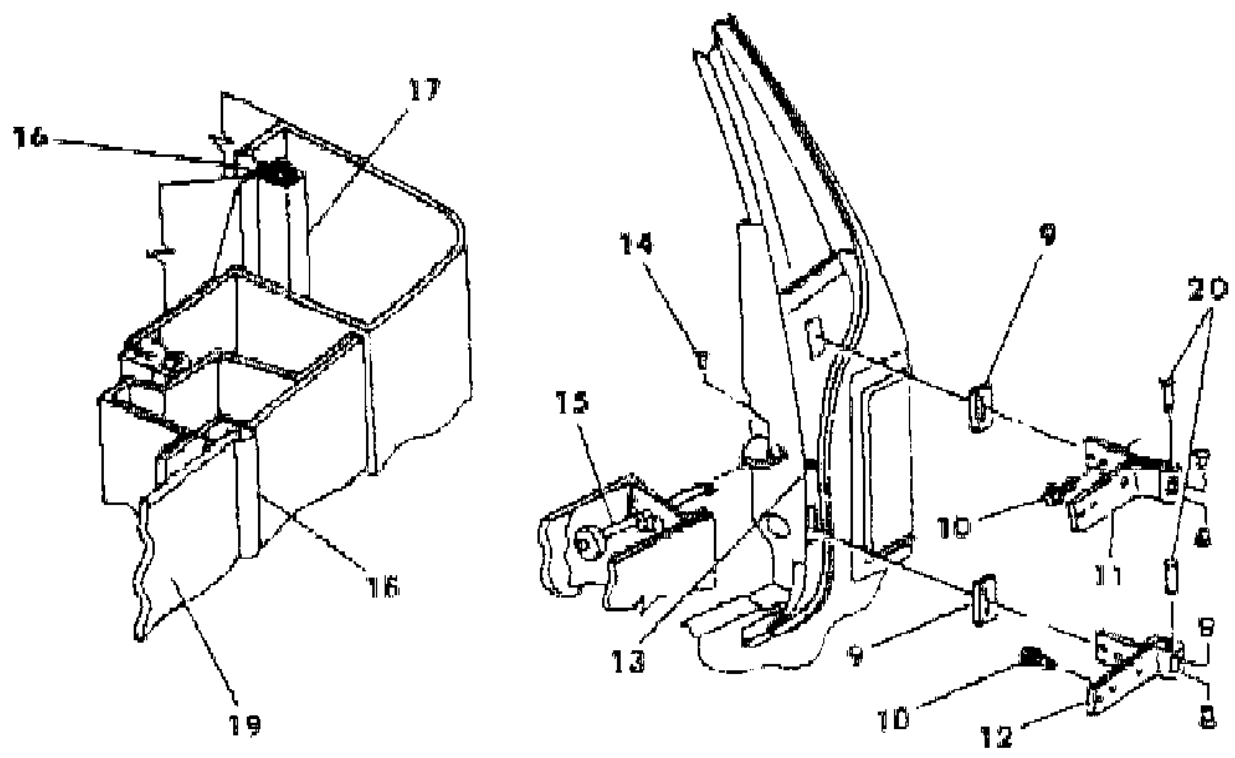
AR = Use as Required - = Non Illustrated Part P.A.R. = Paint as Required

DOOR, REAR CARGO HINGED SHELL, GLASS AND WEATHERSTRIP S BODY
Figure 23C-4900

8171 4900



ITEM	PART NUMBER	QTY	BODY	MODEL	DESCRIPTION
1					DOOR SHELL, Right
	4396 020	1			w/Glass
	4396 022	1			w/o Glass
2	4396 026	1			WEATHERSTRIP, Door
3	4396 899	1			SEAL, Left Door, Lower
4		AR			SCREW (DNS)
5					DOOR SHELL, Left
	4396 021	1			w/Glass
	4396 023	1			w/o Glass
6	4396 024	1			WEATHERSTRIP, Door Opening
7	4396 025	1			WEATHERSTRIP, Secondary
8	4396 898	1			SEAL, Left Door, Upper
9	4396 037	4			SEAL, Hinge to Body
10	6100 293	10			SCREW, Hinge
11	4396 048-9	1			HINGE, Upper
12	4415 980-1	1			HINGE, Lower
13		1			SWITCH, Cargo Lamp, Refer to Group 8
14		1			RIVET (DNS)
15	4396 043	2			CHECKARM, Door
16		AR			RIVET (DNS)
17	4396 045	AR			COVER, Pinch Weld
18	4396 030	2			MOULDING, Door Glass
19	4396 028-9	1			GLASS, Door
20		4			PIN, Hinge, Serviced in Hinge
		4			BUSHING, Hinge Pin, Serviced in Hinge



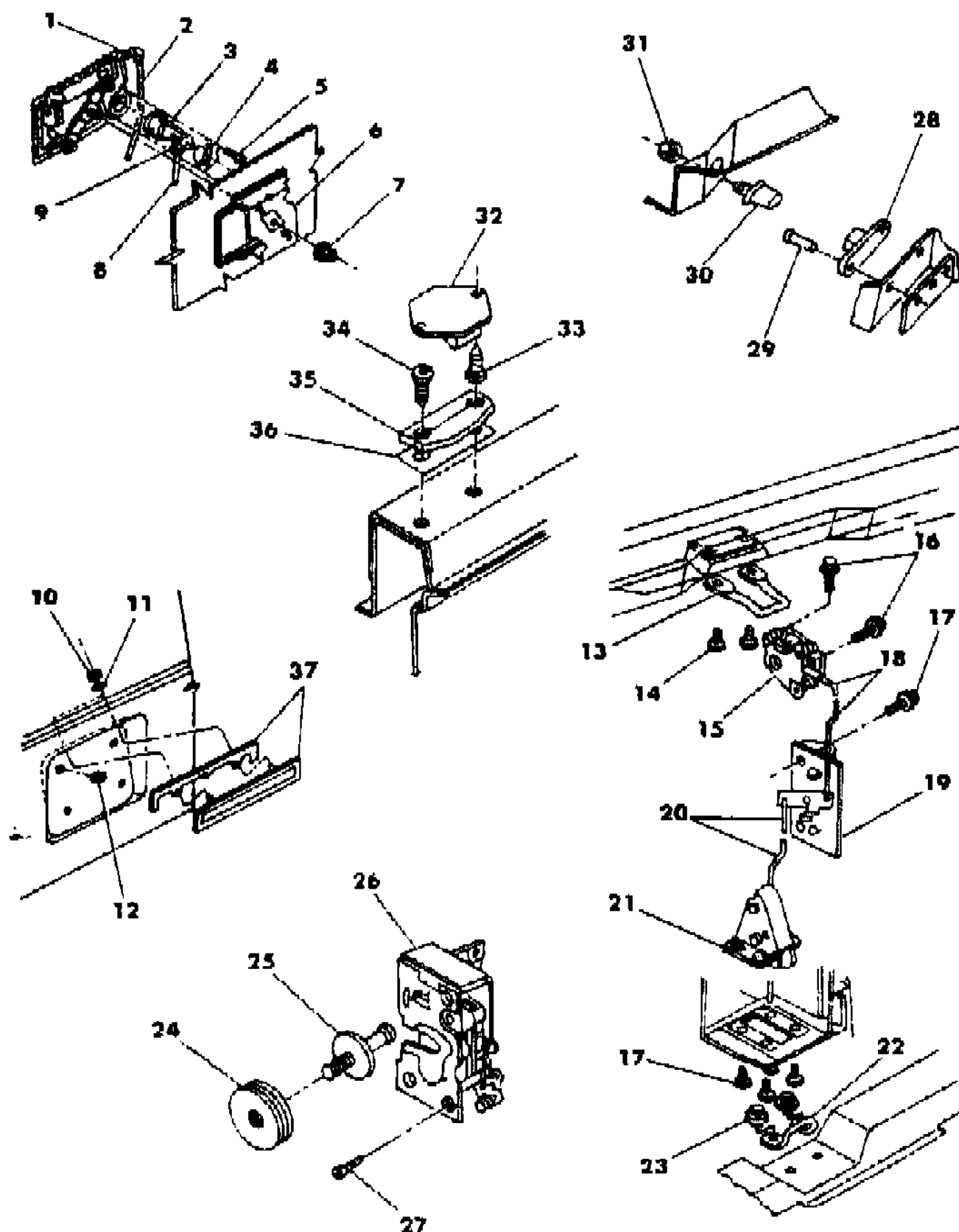
MODEL CODES
 C BODY = (D41 - DYNASTY)(C41 - NEW YORKER)
 E BODY = (J - CARAVELLE)(E - 600)(T - NEW YORKER TURBO)
 G BODY = (V24 - DAYTONA, PACIFICA & SHELBY)
 H BODY = (D44 - LANCER)(C44 - LEBARON GTS)
 J BODY = (C - LEBARON)
 K BODY = (P - RELIANT)(D - ARIES)(C - LEBARON/ TOWN & COUNTRY)
 L BODY = (M - HORIZON)(Z-OMNI)
 M BODY = (B - GRAN FURY)(G - DIPLOMAT)(F - FIFTH AVENUE/NEWPORT)
 P BODY = (P - SUNDANCE)(D - SHADOW)
 Q BODY = (C27 - MASERATI)
 S BODY = (H - VOYAGER)(K - RAM VAN/ CARAVAN)

BODY STYLES
 12-52 = FWD VAN & WAGON STD. W.B. 27 = 2-DOOR CONVERTIBLE
 13-53 = FWD VAN & WGN EXT W.B. 41 = 4-DOOR SEDAN
 21 = 2-DOOR SEDAN 44 = 4-DOOR HATCHBACK
 24 = 2-DOOR HATCHBACK 45 = 4-DOOR STATION WAGON

AR = Use as Required - = Non Illustrated Part P.A.R. = Paint as Required

DOOR, REAR CARGO HINGED HANDLE, CONTROLS AND LINKS S BODY
Figure 23C-5000

8171 5000 A



ITEM	PART NUMBER	QTY	BODY	MODEL	DESCRIPTION
1	4336 236	1			HANDLE, Exterior Door
2	4396 031	1			LINK, Handle to Latch
3		1			CYLINDER and KEY, Refer to 23D
4		1			RETAINER, Cylinder, Refer to 23D
5		2			SCREW (DNS)
6	4336 200	1			BRACKET, Exterior Handle
7	6031 029	AR			NUT
8	4396 032	1			LINK, Lock Cylinder to Latch
9	3760 130	1			CLIP, Link to Cylinder
10		2			NUT (DNS)
11		2			GASKET, Exterior Handle, Serviced in Item 1
12		4			NUT, License Plate (DNS)
13	4378 155	1			STRIKER, Upper Latch
14		2			SCREW (DNS)
15	4396 027	1			LATCH, Upper
16	6100 573	AR			SCREW
17	6100 557	6			SCREW
18	4396 039	1			LINK, Latch to Handle, Upper
19	4396 041	1			HANDLE, Latch Release
20	4396 040	1			LINK, Latch to Handle, Lower
21	4396 038	1			LATCH, Lower
22	4378 154	1			STRIKER, Lower Latch
23		4			SCREW (DNS)
24	4184 105	AR			SPACER, Latch Striker
25	4310 543	1			STRIKER, Latch
26	4336 378	1			LATCH, Right Door
27	6501 220	3			SCREW
28	4378 580	2			GUIDE, Stabilizer Pin
29		4			RIVET (DNS)
30	4378 579	2			PIN, Stabilizer
31		2			NUT (DNS)
32	4378 079	2			WEDGE
33	0152 383	4			SCREW
34		4			SCREW (DNS)
35	4378 086	2			STRIKER, Wedge
36	4378 218	AR			SHIM, Striker
	4378 219	AR			

MODEL CODES

C BODY = (D41 - DYNASTY)(C41 - NEW YORKER)
 E BODY = (J - CARAVELLE)(E - 600)(T - NEW YORKER TURBO)
 G BODY = (V24 - DAYTONA, PACIFICA & SHELBY)
 H BODY = (D44 - LANCER)(C44 - LEBARON GTS)
 J BODY = (C - LEBARON)
 K BODY = (P - RELIANT)(D - ARIES)(C - LEBARON/ TOWN & COUNTRY)

L BODY = (M - HORIZON)(Z-OMNI)
 M BODY = (B - GRAN FURY)(G - DIPLOMAT)(F - FIFTH AVENUE/NEWPORT)
 P BODY = (P - SUNDANCE)(D - SHADOW)
 Q BODY = (C27 - MASERATI)
 S BODY = (H - VOYAGER)(K - RAM VAN/ CARAVAN)

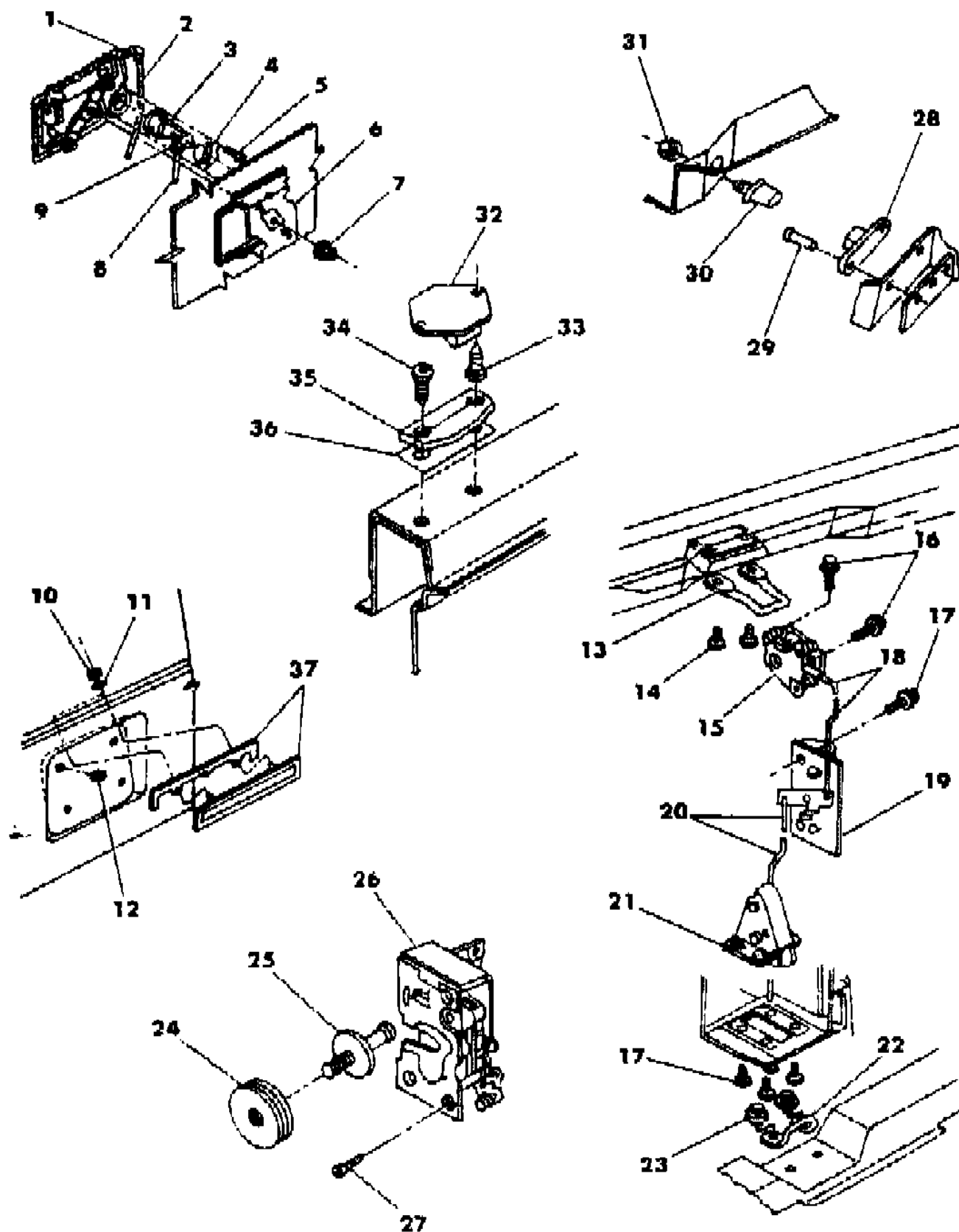
BODY STYLES

12-52 = FWD VAN & WAGON STD. W.B. 27 = 2-DOOR CONVERTIBLE
 13-53 = FWD VAN & WGN EXT W.B. 41 = 4-DOOR SEDAN
 21 = 2-DOOR SEDAN 44 = 4-DOOR HATCHBACK
 24 = 2-DOOR HATCHBACK 45 = 4-DOOR STATION WAGON

AR = Use as Required - = Non Illustrated Part P.A.R. = Paint as Required

DOOR, REAR CARGO HINGED HANDLE, CONTROLS AND LINKS S BODY
Figure 23C-5000

8171 5000 A



ITEM	PART NUMBER	QTY	BODY	MODEL	DESCRIPTION
37	4422 425	1			HANDLE, Assist

MODEL CODES

C BODY = (D41 - DYNASTY)(C41 - NEW YORKER)
 E BODY = (J - CARAVELLE)(E - 600)(T - NEW YORKER TURBO)
 G BODY = (V24 - DAYTONA, PACIFICA & SHELBY)
 H BODY = (D44 - LANCER)(C44 - LEBARON GTS)
 J BODY = (C - LEBARON)
 K BODY = (P - RELIANT)(D - ARIES)(C - LEBARON/ TOWN & COUNTRY)

L BODY = (M - HORIZON)(Z-OMNI)
 M BODY = (B - GRAN FURY)(G - DIPLOMAT)(F - FIFTH AVENUE/NEWPORT)
 P BODY = (P - SUNDANCE)(D - SHADOW)
 Q BODY = (C27 - MASERATI)
 S BODY = (H - VOYAGER)(K - RAM VAN/ CARAVAN)

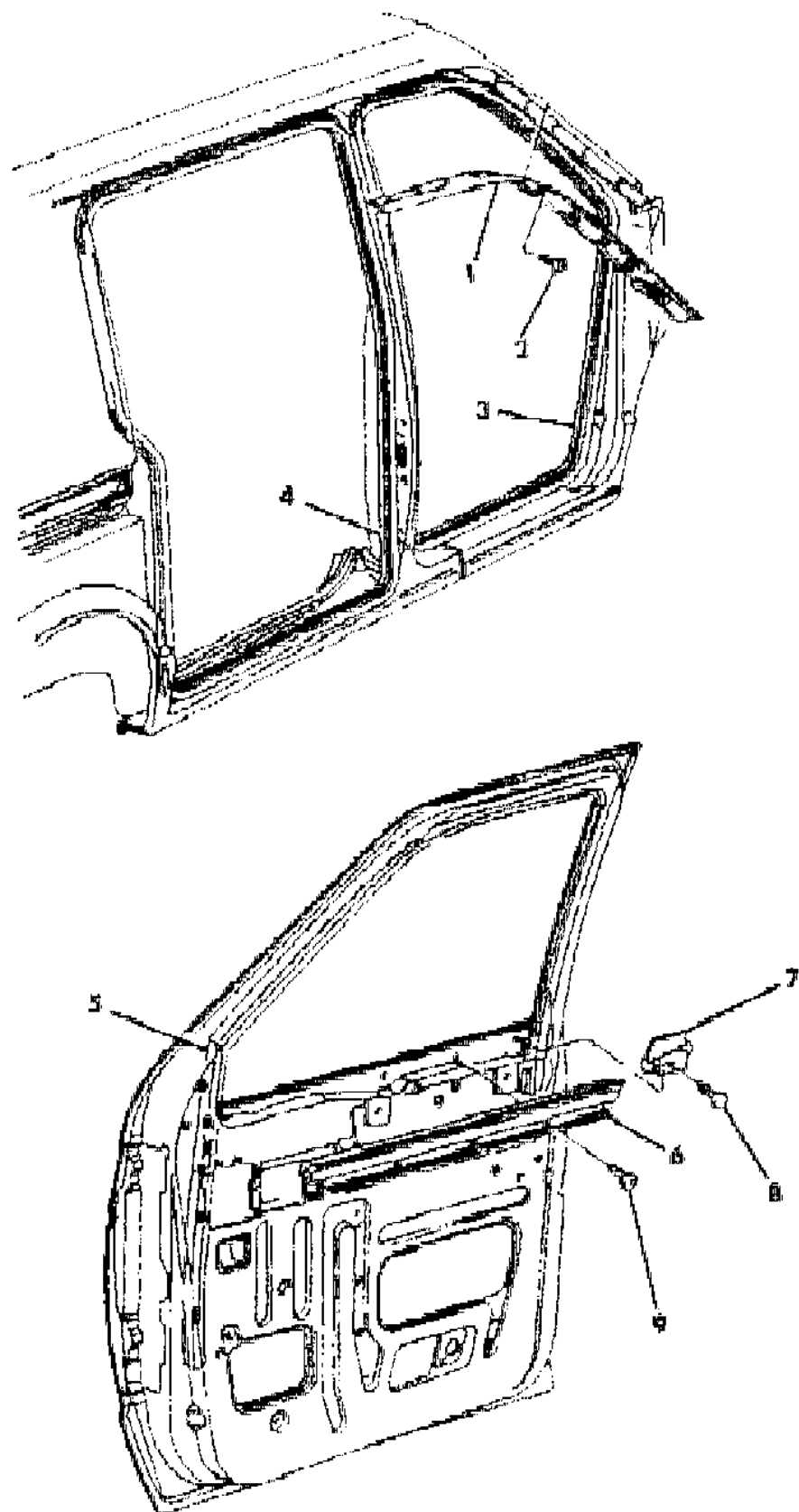
BODY STYLES

12-52 = FWD VAN & WAGON STD. W.B. 27 = 2-DOOR CONVERTIBLE
 13-53 = FWD VAN & WGN EXT W.B. 41 = 4-DOOR SEDAN
 21 = 2-DOOR SEDAN 44 = 4-DOOR HATCHBACK
 24 = 2-DOOR HATCHBACK 45 = 4-DOOR STATION WAGON

AR = Use as Required - = Non Illustrated Part P.A.R. = Paint as Required

DOOR, FRONT AND SIDE WEATHERSTRIPS S BODY
Figure 23C-5100

8171 5100



ITEM	PART NUMBER	QTY	BODY	MODEL	DESCRIPTION
1	4336 596-7	1			WEATHERSTRIP, Front Pillar to Front Door
2		AR			SCREW (DNS)
3	4336 470-1	1			WEATHERSTRIP, Front Door Opening
4	4365 831	1			WEATHERSTRIP, Sliding Door Opening
5	4475 298-9	1			RUN, Front Door Glass
6	4319 148-9	1			WEATHERSTRIP, Front Door Exterior Belt
7	4198 910-1	1			SEAL, Front Door Belt, Rear
	4445 341	2			Rear Flag Area
8	4280 811	2			RETAINER
9		10			SCREW, Belt Weatherstrip (DNS)

MODEL CODES

C BODY = (D41 - DYNASTY)(C41 - NEW YORKER)
 E BODY = (J - CARAVELLE)(E - 600)(T - NEW YORKER TURBO)
 G BODY = (V24 - DAYTONA, PACIFICA & SHELBY)
 H BODY = (D44 - LANCER)(C44 - LEBARON GTS)
 J BODY = (C - LEBARON)
 K BODY = (P - RELIANT)(D - ARIES)(C - LEBARON/ TOWN & COUNTRY)

L BODY = (M - HORIZON)(Z-OMNI)
 M BODY = (B - GRAN FURY)(G - DIPLOMAT)(F - FIFTH AVENUE/NEWPORT)
 P BODY = (P - SUNDANCE)(D - SHADOW)
 Q BODY = (C27 - MASERATI)
 S BODY = (H - VOYAGER)(K - RAM VAN/ CARAVAN)

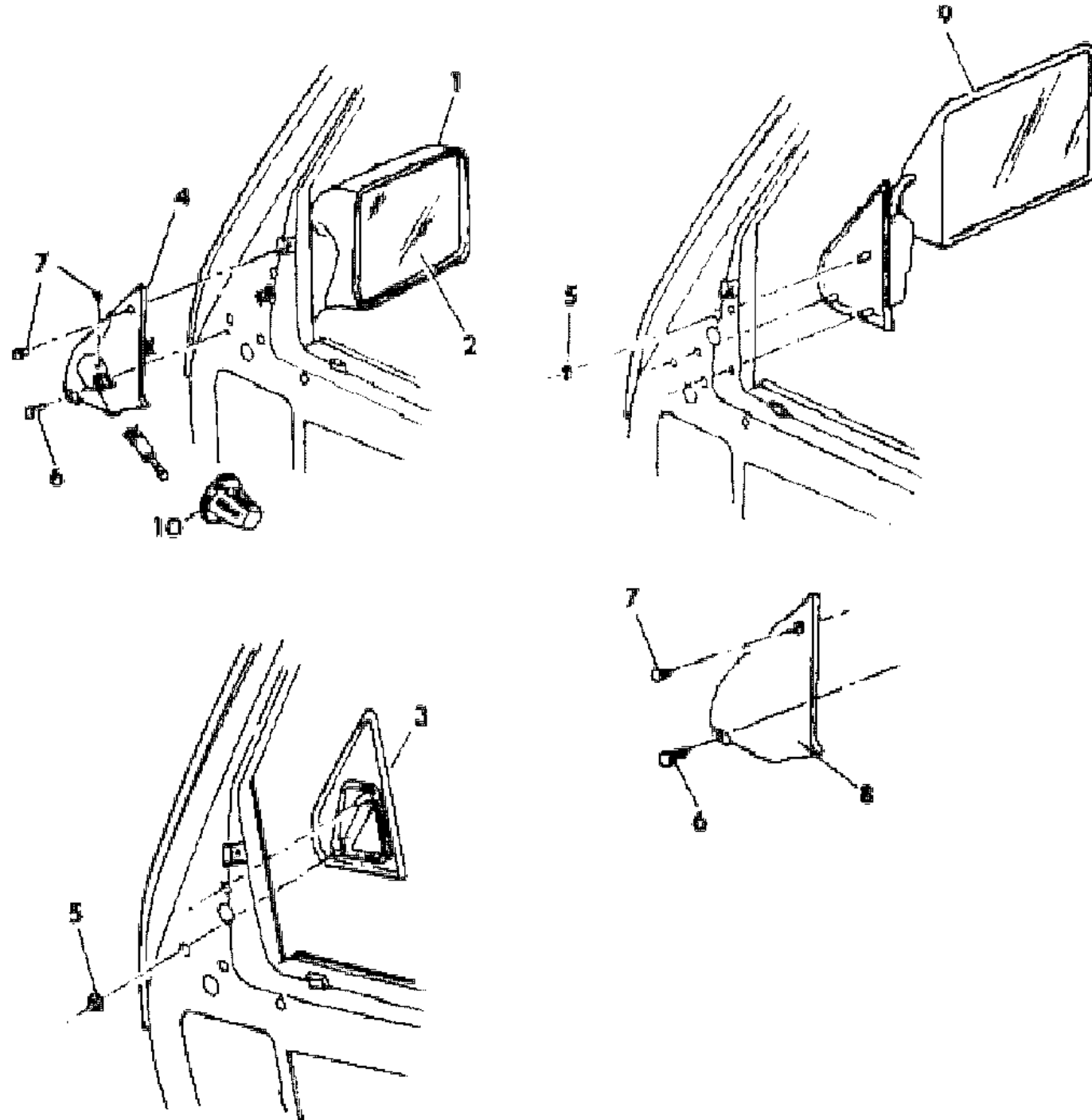
BODY STYLES

12-52 = FWD VAN & WAGON STD. W.B. 27 = 2-DOOR CONVERTIBLE
 13-53 = FWD VAN & WGN EXT W.B. 41 = 4-DOOR SEDAN
 21 = 2-DOOR SEDAN 44 = 4-DOOR HATCHBACK
 24 = 2-DOOR HATCHBACK 45 = 4-DOOR STATION WAGON

AR = Use as Required - = Non Illustrated Part P.A.R. = Paint as Required

MIRROR, EXTERIOR S BODY
Figure 23C-5200

8171 5200



ITEM	PART NUMBER	QTY	BODY	MODEL	DESCRIPTION
1					MIRROR PACKAGE
	4318 274-5	1			Remote Control
	4299 676-7	1			Electric
	4299 804-5	1			Electric (EUROPEAN)
	4299 016-7	1			SEAL, Mirror Flag to Door
2					GLASS, Replacement, Remote Mirror
	4267 932	1			Right
	4267 931	1			Left
3	4299 164	1			BEZEL, Outer Opening, w/o Mirror, Right
4	4299 326-7	1			BEZEL, Inside w/Remote Mirror
	4299 327	1			w/Electric Mirrors, Left
	4299 160	1			w/Electric Mirrors, Right
5	6100 044	1			NUT, Mirror Attaching
6		AR			SCREW (DNS)
7	F245 CA3	AR			PLUG
8	4299 328-9	1			BEZEL, Inside w/6x9 Mirrors
	4299 328	1			Inside, w/o Right Mirror
9	4318 292-3	1			MIRROR PACKAGE, 6x9 Foldaway, Black
					HEAD, w/6x9 Mirror
	4299 248	1			Left
	4299 767	1			Right
					GLASS REPLACEMENT PACKAGE, w/6x9 Mirror
	4339 307	1			Left
	4498 154	1			Right
	4299 246-7	1			COVER, Outside w/6x9 Mirror
10	4221 623	1			KNOB, w/Electric Mirrors

MODEL CODES

C BODY = (D41 - DYNASTY)(C41 - NEW YORKER)
 E BODY = (J - CARAVELLE)(E - 600)(T - NEW YORKER TURBO)
 G BODY = (V24 - DAYTONA, PACIFICA & SHELBY)
 H BODY = (D44 - LANCER)(C44 - LEBARON GTS)
 J BODY = (C - LEBARON)
 K BODY = (P - RELIANT)(D - ARIES)(C - LEBARON/ TOWN & COUNTRY)
 L BODY = (M - HORIZON)(Z-OMNI)
 M BODY = (B - GRAN FURY)(G - DIPLOMAT)(F - FIFTH AVENUE/NEWPORT)
 P BODY = (P - SUNDANCE)(D - SHADOW)
 Q BODY = (C27 - MASERATI)
 S BODY = (H - VOYAGER)(K - RAM VAN/ CARAVAN)

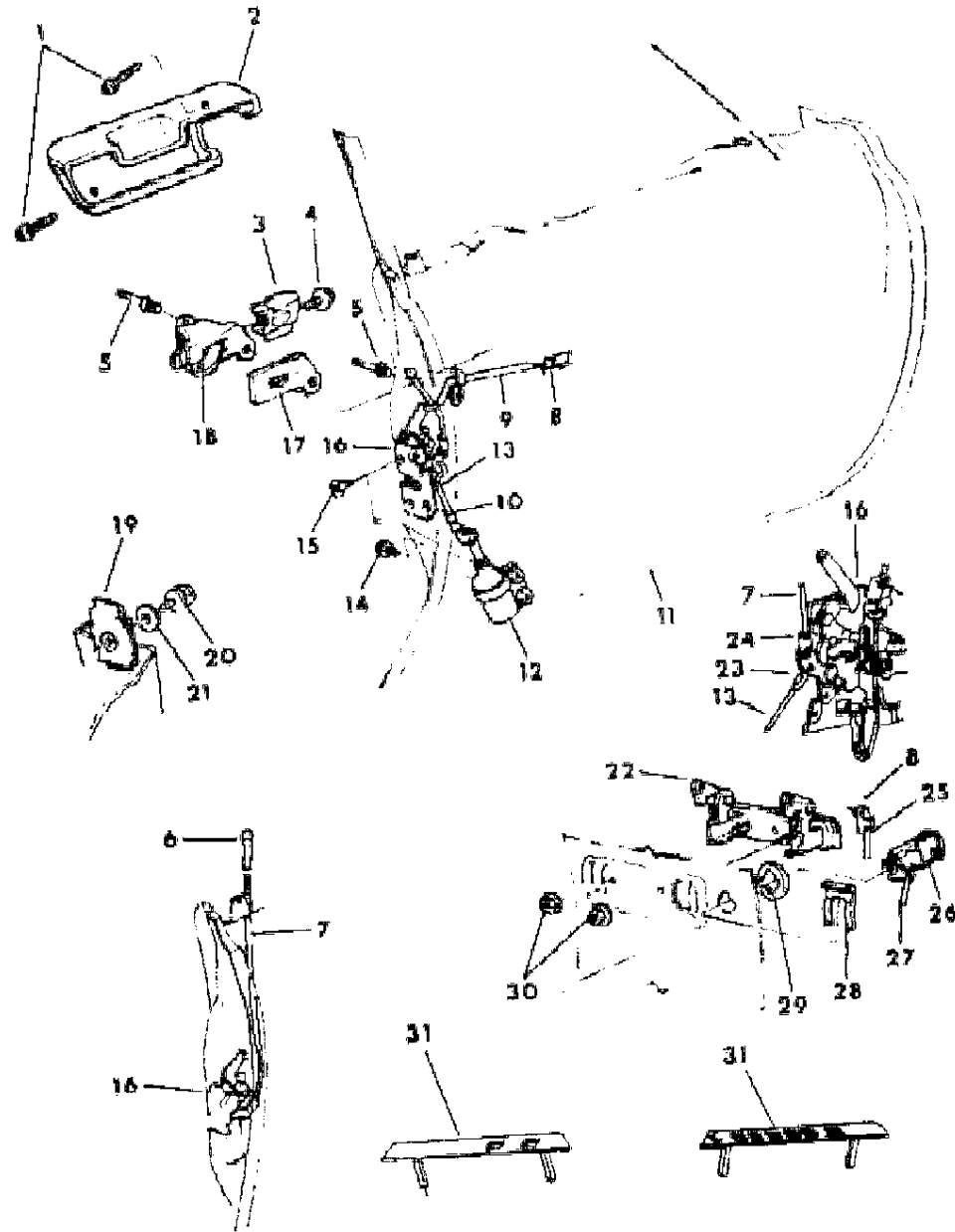
BODY STYLES

12-52 = FWD VAN & WAGON STD. W.B. 27 = 2-DOOR CONVERTIBLE
 13-53 = FWD VAN & WGN EXT W.B. 41 = 4-DOOR SEDAN
 21 = 2-DOOR SEDAN 44 = 4-DOOR HATCHBACK
 24 = 2-DOOR HATCHBACK 45 = 4-DOOR STATION WAGON

AR = Use as Required - = Non Illustrated Part P.A.R. = Paint as Required

DOOR, FRONT SHELL, HANDLE, LOCK AND CONTROLS M BODY
Figure 23C-5300

8171 5300



ITEM	PART NUMBER	QTY	BODY	MODEL	DESCRIPTION
1		AR			SCREW (DNS)
2					ARM REST, Refer to IT Section
3	4184 140-1	1			HANDLE, Remote Control
4	0181 063	AR			NUT and WASHER
5	6031 115	AR			RIVET
6	4049 609	2			KNOB PACKAGE, Latch Locking
	3510 447	2			GROMMET, Lock Knob
7	3882 414-5	1			ROD, Door Latch Locking Push
8					CLIP, Exterior Handle to Latch
	2945 109	AR			Right
	2945 108	AR			Left
9	3871 038-9	1			LINK, Remote Control to Latch
10					CLIP, Solenoid Link
	0629 792	AR			Right
	0612 492	AR			Left
11	4325 260-1	1			DOOR SHELL
	3875 010-1	1			PANEL, Repair
12	4396 015	2			SOLENOID, Door Lock
13	4184 161	2			LINK, Door Lock Latch to Solenoid
14		AR			SCREW (DNS)
15	0166 412	AR			SCREW
16					LATCH, Door
	4310 526	1			Right, Non Override
	4310 529	1			Left, Override
	3882 816-7	1			SHIELD, Latch
17	3871 322-3	1			SEAL, Remote Control Inside Panel
	4336 074-5	1			Inner Remote Control Handle
18	3871 274-5	1			REMOTE CONTROL, Door Latch
	3871 282-3	1			SPRING, Remote Control Door Latch
19	3752 366	2			REINFORCEMENT, Center Pillar Retainer
20	4184 222	2			STRIKER, Door
21	6026 361	AR			WASHER, Door Striker
22	3882 621	2			HANDLE, Exterior
	3454 572	4			GASKET, Exterior Handle
23	4184 244-5	1			CLIP, Lock Solenoid Link to Latch
24	4184 244	1			CLIP, Locking Push Rod to Latch
25	3871 140-1	1			LINK, Exterior Handle to Latch

MODEL CODES

C BODY = (D41 - DYNASTY)(C41 - NEW YORKER)	L BODY = (M - HORIZON)(Z-OMNI)
E BODY = (J - CARAVELLE)(E - 600)(T - NEW YORKER TURBO)	M BODY = (B - GRAN FURY)(G - DIPLOMAT)(F - FIFTH AVENUE/NEWPORT)
G BODY = (V24 - DAYTONA, PACIFICA & SHELBY)	P BODY = (P - SUNDANCE)(D - SHADOW)
H BODY = (D44 - LANCER)(C44 - LEBARON GTS)	Q BODY = (C27 - MASERATI)
J BODY = (C - LEBARON)	S BODY = (H - VOYAGER)(K - RAM VAN/ CARAVAN)
K BODY = (P - RELIANT)(D - ARIES)(C - LEBARON/ TOWN & COUNTRY)	

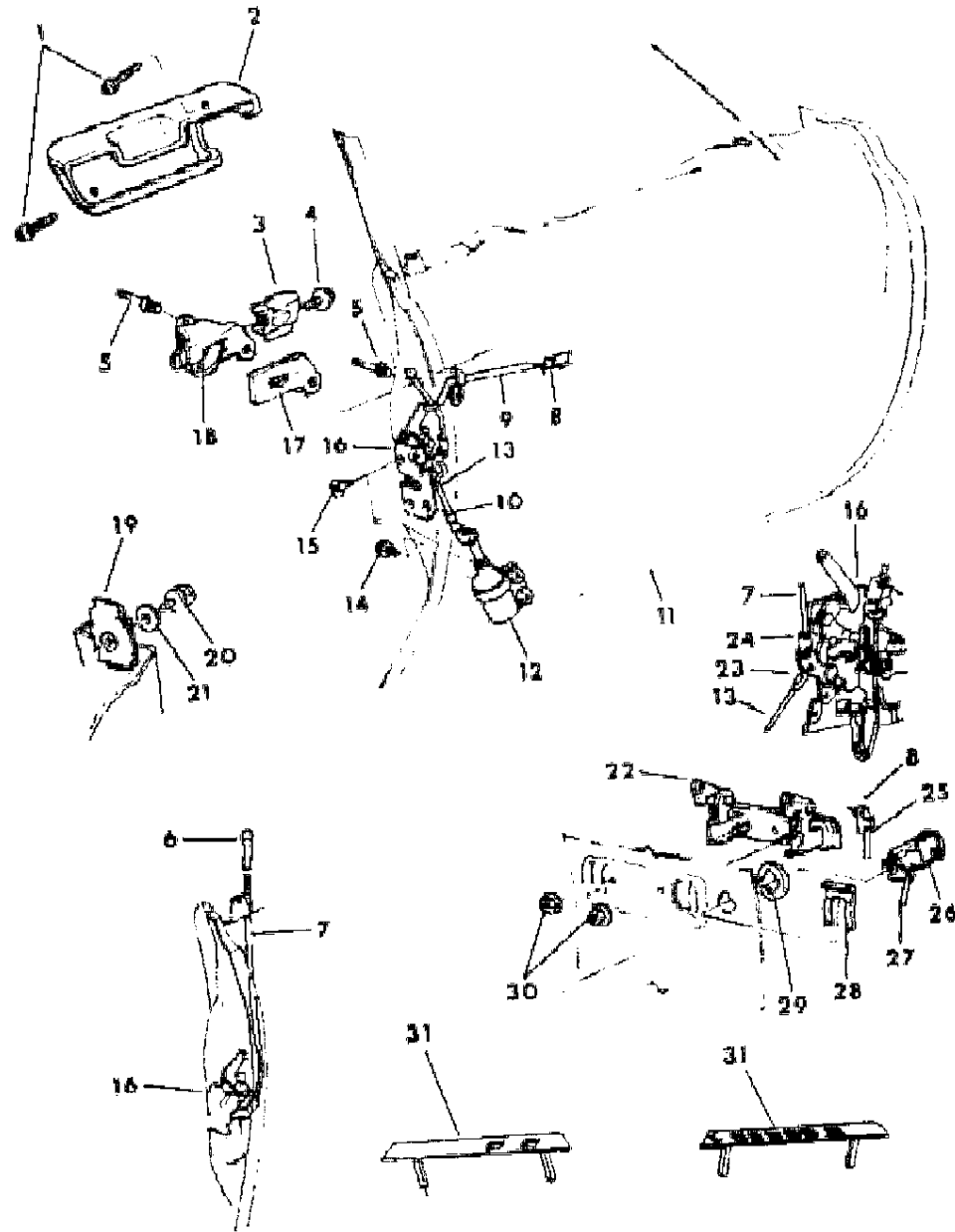
BODY STYLES

12-52 = FWD VAN & WAGON STD. W.B.	27 = 2-DOOR CONVERTIBLE
13-53 = FWD VAN & WGN EXT W.B.	41 = 4-DOOR SEDAN
21 = 2-DOOR SEDAN	44 = 4-DOOR HATCHBACK
24 = 2-DOOR HATCHBACK	45 = 4-DOOR STATION WAGON

AR = Use as Required - = Non Illustrated Part P.A.R. = Paint as Required

DOOR, FRONT SHELL, HANDLE, LOCK AND CONTROLS M BODY
Figure 23C-5300

8171 5300



ITEM	PART NUMBER	QTY	BODY	MODEL	DESCRIPTION
26					CYLINDER, Door, Refer to 23D
27	3871 030-1	1			LINK, Lock Cylinder
28					RETAINER, Lock Cylinder, Refer to 23D
29					GASKET, Lock Cylinder, Refer to 23D
30	6025 004	AR			NUT
31					BEZEL and FINISH PLATE, Armrest
	4078 346-7	1			w/o Electric Windows and Door Locks
	4078 352	1			w/Door Locks, Right
	4473 371	1			w/Electric Mirrors, Left
	4078 350	1			w/Electric Windows and Door Locks, Right
	4223 416	1		FS	w/Electric Windows, Door Locks, Right
	4473 533	1		FS	w/Electric Windows, Door Locks and Electric Mirrors, Left
	4473 365	1		FS	w/Electric Windows and Electric Mirrors, Left
	4473 367	1			w/Electric Mirrors and Door Locks, Left
	4473 369	1			w/Electric Mirrors, Electric Windows and Door Locks, Left

MODEL CODES

C BODY = (D41 - DYNASTY)(C41 - NEW YORKER)	L BODY = (M - HORIZON)(Z-OMNI)
E BODY = (J - CARAVELLE)(E - 600)(T - NEW YORKER TURBO)	M BODY = (B - GRAN FURY)(G - DIPLOMAT)(F - FIFTH AVENUE/NEWPORT)
G BODY = (V24 - DAYTONA, PACIFICA & SHELBY)	P BODY = (P - SUNDANCE)(D - SHADOW)
H BODY = (D44 - LANCER)(C44 - LEBARON GTS)	Q BODY = (C27 - MASERATI)
J BODY = (C - LEBARON)	S BODY = (H - VOYAGER)(K - RAM VAN/ CARAVAN)
K BODY = (P - RELIANT)(D - ARIES)(C - LEBARON/ TOWN & COUNTRY)	

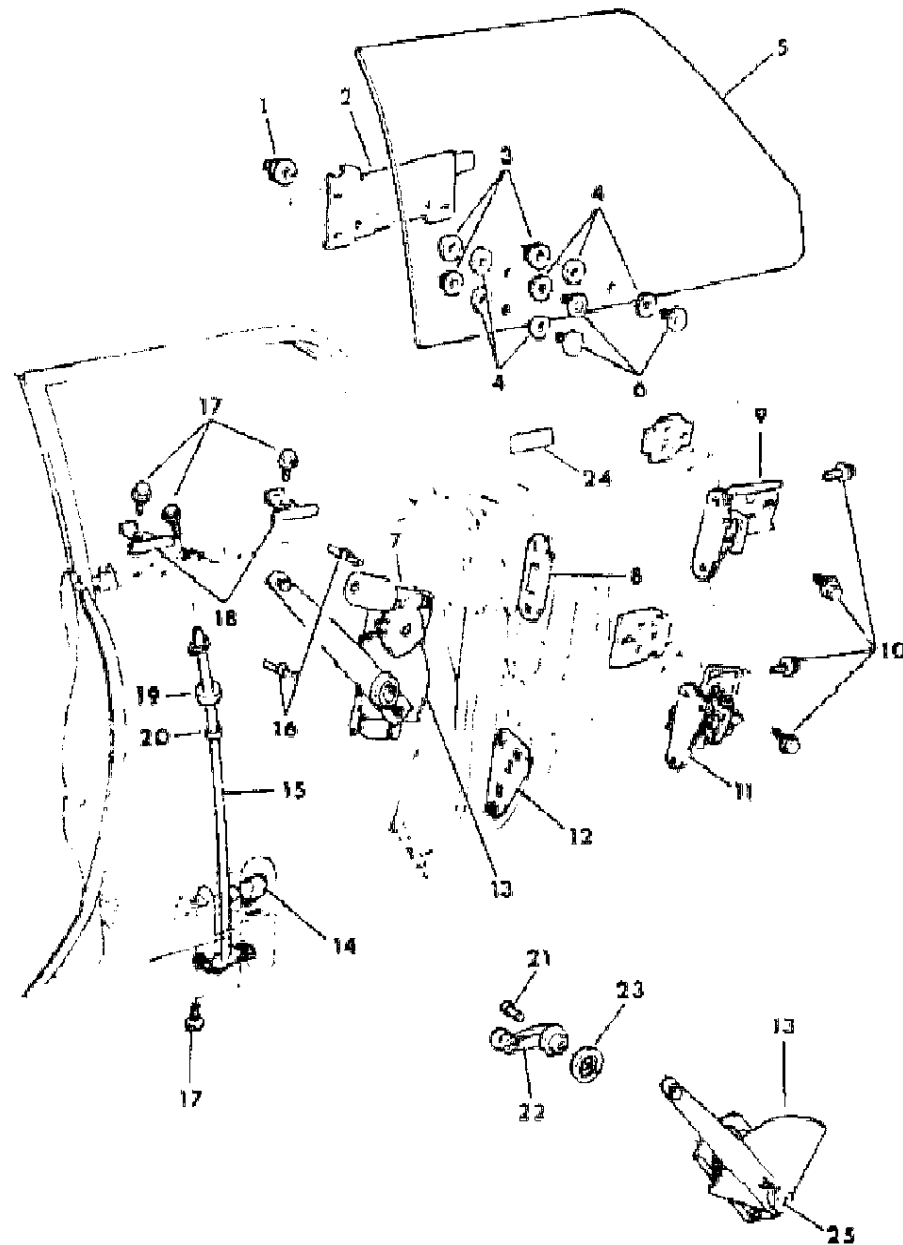
BODY STYLES

12-52 = FWD VAN & WAGON STD. W.B.	27 = 2-DOOR CONVERTIBLE
13-53 = FWD VAN & WGN EXT W.B.	41 = 4-DOOR SEDAN
21 = 2-DOOR SEDAN	44 = 4-DOOR HATCHBACK
24 = 2-DOOR HATCHBACK	45 = 4-DOOR STATION WAGON

AR = Use as Required - = Non Illustrated Part P.A.R. = Paint as Required

DOOR, FRONT GLASS AND REGULATOR M BODY
Figure 23C-5400

8171 5400



ITEM	PART NUMBER	QTY	BODY	MODEL	DESCRIPTION
1	6031 115	AR			RIVET
2	4310 430-1	1			PLATE and CHANNEL, Glass Guide
3	6028 587	AR			T-NUT
4	5231 769	AR			GASKET, Glass Guide Bracket to Glass
5	#4136 434-5	1			GLASS, Door
6	6029 998	AR			STUD and WASHER
7					MOTOR and MECHANISM, Electric Window
	4467 304	1			Right
	4467 305	1			Left
8					T-PLATE, Serviced in Door Shell
9	4336 636-7	1			HINGE, Upper
10	6031 069	AR			SCREW
11	4336 640-1	1			HINGE, Lower w/Check Arm
	3875 350-1	1			BAR, Lower Hinge Torsion
12					T-PLATE, Serviced in Door Shell
13					REGULATOR, Window
	3882 274-5	1			Manual
	4480 426-7	1			Electric
	9416 992	2			NUT, Electric Regulator Mechanism Set Screw
	4339 301	2			SLIDE PACKAGE, Regulator
	2999 467	2			SPACER, Electric Window Regulator Mechanism Locking
14	3875 974	2			BUMPER, Glass Downstop
15	4310 436-7	1			TRACK, Glass Guide Tube
16	6031 115	AR			RIVET
17	6030 649	AR			SCREW
18	4040 663	4			STABILIZER, Glass
19	3788 080	2			SLEEVE, Glass Track Tube
20	3788 273	2			GUIDE, Glass Lift, Lower
21	6027 221	AR			SCREW
22					HANDLE, Window Regulator
	4310 824	2			Up to 12-3-87
	4480 649	2			After 12-3-87
23	3882 768	2			SPACER, Window Regulator Handle
24	4365 683	1			DECAL, Seat Belt Safety
25	3875 678	2			SPRING, Manual Regulator Assist

MODEL CODES

C BODY = (D41 - DYNASTY)(C41 - NEW YORKER)	L BODY = (M - HORIZON)(Z-OMNI)
E BODY = (J - CARAVELLE)(E - 600)(T - NEW YORKER TURBO)	M BODY = (B - GRAN FURY)(G - DIPLOMAT)(F - FIFTH AVENUE/NEWPORT)
G BODY = (V24 - DAYTONA, PACIFICA & SHELBY)	P BODY = (P - SUNDANCE)(D - SHADOW)
H BODY = (D44 - LANCER)(C44 - LEBARON GTS)	Q BODY = (C27 - MASERATI)
J BODY = (C - LEBARON)	S BODY = (H - VOYAGER)(K - RAM VAN/ CARAVAN)
K BODY = (P - RELIANT)(D - ARIES)(C - LEBARON/ TOWN & COUNTRY)	

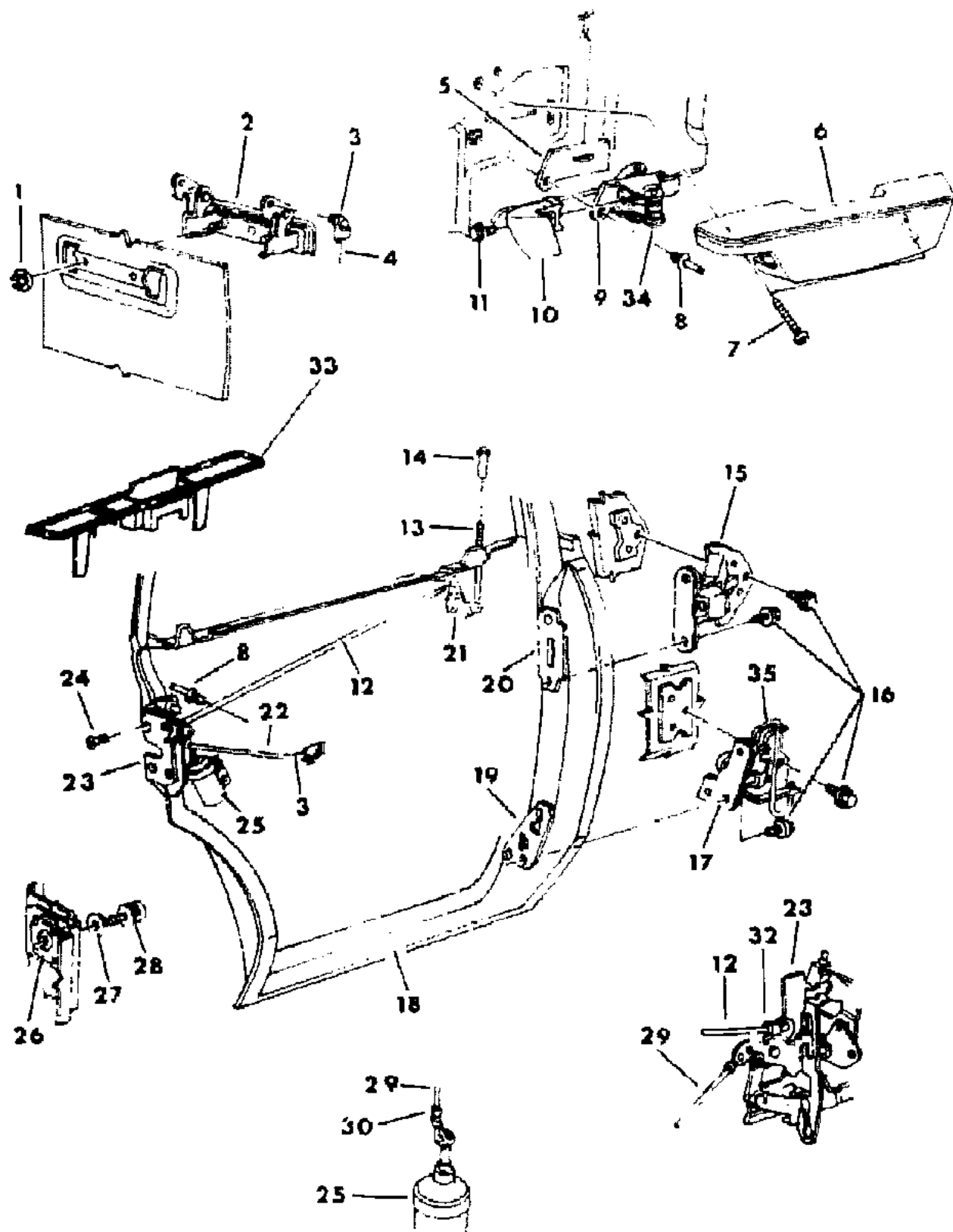
BODY STYLES

12-52 = FWD VAN & WAGON STD. W.B.	27 = 2-DOOR CONVERTIBLE
13-53 = FWD VAN & WGN EXT W.B.	41 = 4-DOOR SEDAN
21 = 2-DOOR SEDAN	44 = 4-DOOR HATCHBACK
24 = 2-DOOR HATCHBACK	45 = 4-DOOR STATION WAGON

AR = Use as Required - = Non Illustrated Part P.A.R. = Paint as Required

DOOR, REAR SHELL, HANDLE AND CONTROLS M BODY
Figure 23C-5500

8171 5500



ITEM	PART NUMBER	QTY	BODY	MODEL	DESCRIPTION
1	6025 004	AR			NUT
2	3882 621	2			HANDLE, Exterior
	3454 572	2			GASKET, Exterior Handle Base
3	2945 108-9	AR			CLIP, Remote Control Lever
4	3882 418-9	1			LINK, Latch to Exterior Handle
5	3871 322-3	1			SEAL, Remote Control Inside Panel
6					ARM REST, Refer to IT Section
7		AR			SCREW (DNS)
8	6031 115	AR			RIVET
9	3871 274-5	1			REMOTE CONTROL
10	4184 140-1	1			HANDLE, Remote Control
11	0181 063	AR			SCREW
12	3871 188	2			LINK, Latch Locking Control
13	3882 301	2			ROD, Latch Locking Control Push
14	4049 609	AR			KNOB PACKAGE, Latch Locking
	3510 447	2			GROMMET, Trim Panel Lock Knob
15	4336 638-9	1			HINGE, Upper
16	6031 069	AR			SCREW
17	4336 642-3	1			HINGE, Lower
18	4297 942-3	1			DOOR SHELL
	3875 044-5	1			PANEL, Repair
19					T-PLATE, Serviced in Door Shell
20					T-PLATE, Serviced in Door Shell
21	3871 044	2			LEVER, Latch Locking Control
22	3871 060-1	1			LINK, Latch Remote Control
23					LATCH, Door
	4310 530-1	1			w/o Door Locks
	4310 532-3	1			w/Door Locks
	3454 220-1	1			CLIP, Inside Release Lever Latch
24	0166 412	AR			SCREW
25	4396 015	2			SOLENOID, Door Lock
26	3445 952	2			T-PLATE, Body Lock Pillar Lock Striker
27	6026 361	AR			WASHER, Latch Striker
28	4184 222	2			STRIKER, Door Latch
29	4184 712	2			LINK, Solenoid to Latch
30	4184 172	2			CLIP, Locking Solenoid
32	4184 244-5	1			CLIP, Locking Link To Latch

MODEL CODES

C BODY = (D41 - DYNASTY)(C41 - NEW YORKER)	L BODY = (M - HORIZON)(Z-OMNI)
E BODY = (J - CARAVELLE)(E - 600)(T - NEW YORKER TURBO)	M BODY = (B - GRAN FURY)(G - DIPLOMAT)(F - FIFTH AVENUE/NEWPORT)
G BODY = (V24 - DAYTONA, PACIFICA & SHELBY)	P BODY = (P - SUNDANCE)(D - SHADOW)
H BODY = (D44 - LANCER)(C44 - LEBARON GTS)	Q BODY = (C27 - MASERATI)
J BODY = (C - LEBARON)	S BODY = (H - VOYAGER)(K - RAM VAN/ CARAVAN)
K BODY = (P - RELIANT)(D - ARIES)(C - LEBARON/ TOWN & COUNTRY)	

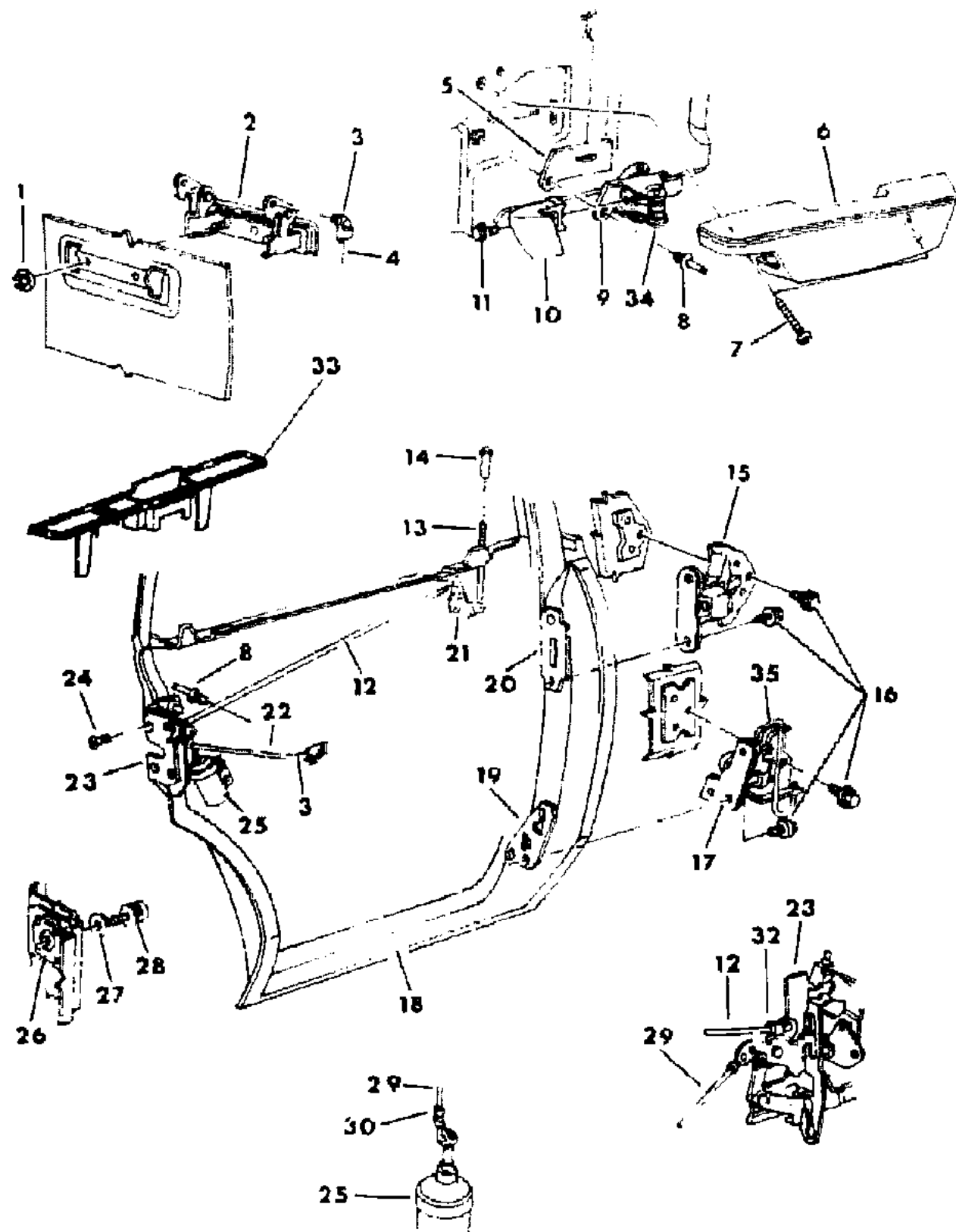
BODY STYLES

12-52 = FWD VAN & WAGON STD. W.B.	27 = 2-DOOR CONVERTIBLE
13-53 = FWD VAN & WGN EXT W.B.	41 = 4-DOOR SEDAN
21 = 2-DOOR SEDAN	44 = 4-DOOR HATCHBACK
24 = 2-DOOR HATCHBACK	45 = 4-DOOR STATION WAGON

AR = Use as Required - = Non Illustrated Part P.A.R. = Paint as Required

DOOR, REAR SHELL, HANDLE AND CONTROLS M BODY
Figure 23C-5500

8171 5500



ITEM	PART NUMBER	QTY	BODY	MODEL	DESCRIPTION
33					BEZEL and FINISH PLATE, Armrest
	4078 382-3	1			w/o Electric Windows, Bright
	4078 384-5	1			w/Electric Windows, Bright
	4223 426-7	1			w/Electric Windows, Woodgrain
	1639 961	2			BUMPER, Ash Receiver Lid
	9417 252	4			PIN, Ash Receiver Lid
34	3871 282-3	1			SPRING, Remote Control
35	3875 344-5	2			BAR, Lower Hinge Torsion

MODEL CODES

C BODY = (D41 - DYNASTY)(C41 - NEW YORKER)
 E BODY = (J - CARAVELLE)(E - 600)(T - NEW YORKER TURBO)
 G BODY = (V24 - DAYTONA, PACIFICA & SHELBY)
 H BODY = (D44 - LANCER)(C44 - LEBARON GTS)
 J BODY = (C - LEBARON)
 K BODY = (P - RELIANT)(D - ARIES)(C - LEBARON/ TOWN & COUNTRY)
 L BODY = (M - HORIZON)(Z-OMNI)
 M BODY = (B - GRAN FURY)(G - DIPLOMAT)(F - FIFTH AVENUE/NEWPORT)
 P BODY = (P - SUNDANCE)(D - SHADOW)
 Q BODY = (C27 - MASERATI)
 S BODY = (H - VOYAGER)(K - RAM VAN/ CARAVAN)

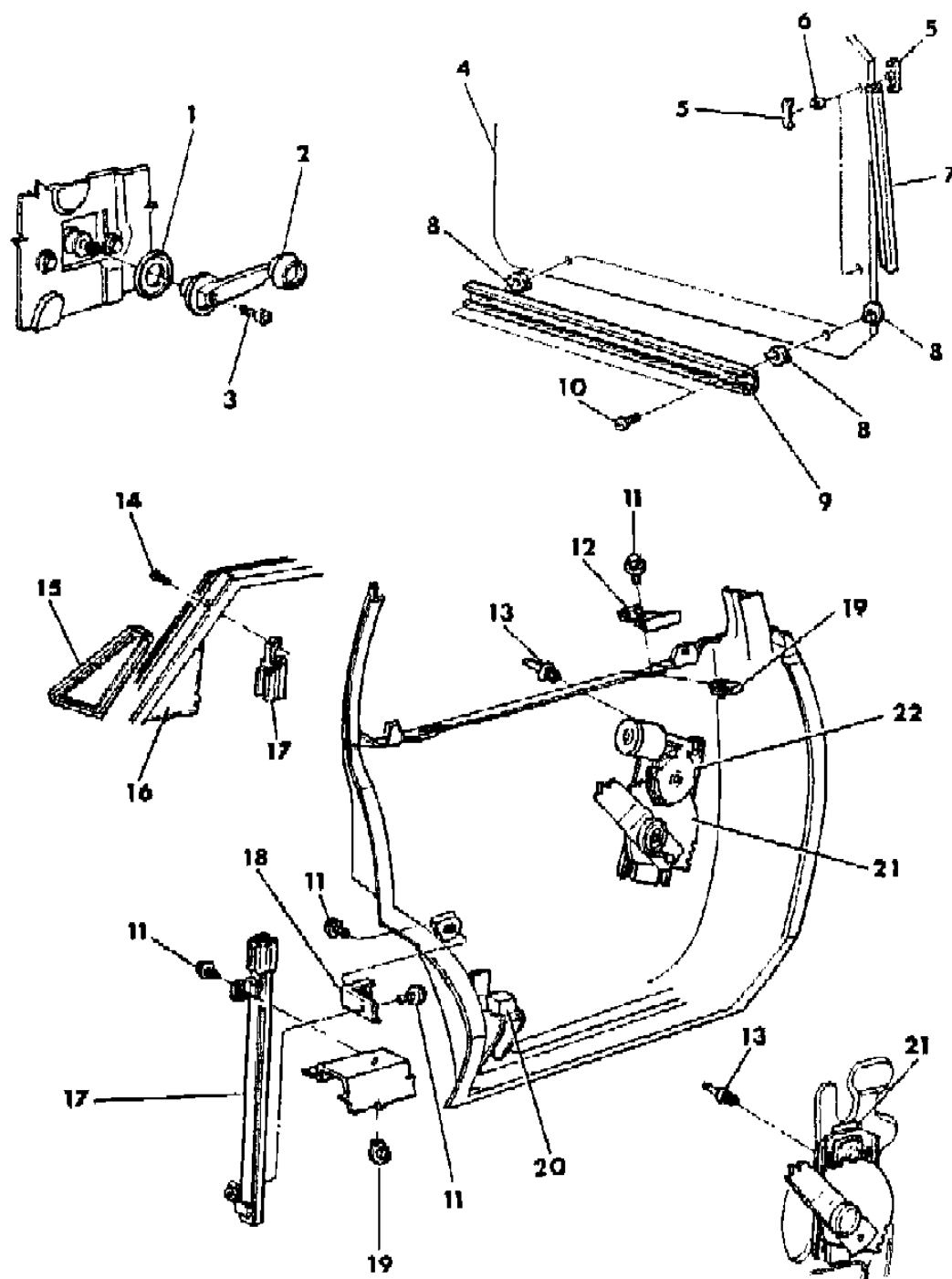
BODY STYLES

12-52 = FWD VAN & WAGON STD. W.B. 27 = 2-DOOR CONVERTIBLE
 13-53 = FWD VAN & WGN EXT W.B. 41 = 4-DOOR SEDAN
 21 = 2-DOOR SEDAN 44 = 4-DOOR HATCHBACK
 24 = 2-DOOR HATCHBACK 45 = 4-DOOR STATION WAGON

AR = Use as Required - = Non Illustrated Part P.A.R. = Paint as Required

DOOR, REAR GLASS AND REGULATOR M BODY
Figure 23C-5600

8171 5600



ITEM	PART NUMBER	QTY	BODY	MODEL	DESCRIPTION
1	3882 768	2			SPACER, Window Regulator Handle
2	4310 824	2			HANDLE, Window Regulator Up to 12-3-87
	4480 649	2			After 12-3-87
3	6027 221	AR			SCREW
4	#4136 332-3	1			GLASS, Door
5	3582 315	8			RETAINER, Glass Rear Edge
6	2861 744	4			PIN, Glass Rear Edge Slide
7	#4136 166	1			WEATHERSTRIP PACKAGE, On Rear Edge Of Glass
8	3744 734	1			FASTENER PACKAGE, w/Bushing, Glass Lift
9	3875 083	2			CHANNEL, Window Glass Lift
10	6030 182	AR			SCREW
11	6030 649	AR			SCREW
12	4040 663	2			STABILIZER, Glass
13	6031 115	AR			RIVET
14	0181 063	2			SCREW
15	#4136 160-1	1			WEATHERSTRIP, Stationary Glass
16					GLASS, Stationary Tinted
17	#4136 170-1	1			CHANNEL, Glass Division
	4198 848-9	1		F-S	
18	4310 896	2			BRACKET, Inside Panel to Division Channel
19	0152 454	AR			U-NUT
20	3440 270	2			BUMPER, Glass Downstop
21					REGULATOR, Window Manual Electric SPACER, Electric Regulator Mechanism Locking SLIDE PACKAGE, Regulator
22					MOTOR and MECHANISM, Electric Window Right Left

MODEL CODES

C BODY = (D41 - DYNASTY)(C41 - NEW YORKER)	L BODY = (M - HORIZON)(Z-OMNI)
E BODY = (J - CARAVELLE)(E - 600)(T - NEW YORKER TURBO)	M BODY = (B - GRAN FURY)(G - DIPLOMAT)(F - FIFTH AVENUE/NEWPORT)
G BODY = (V24 - DAYTONA, PACIFICA & SHELBY)	P BODY = (P - SUNDANCE)(D - SHADOW)
H BODY = (D44 - LANCER)(C44 - LEBARON GTS)	Q BODY = (C27 - MASERATI)
J BODY = (C - LEBARON)	S BODY = (H - VOYAGER)(K - RAM VAN/ CARAVAN)
K BODY = (P - RELIANT)(D - ARIES)(C - LEBARON/ TOWN & COUNTRY)	

BODY STYLES

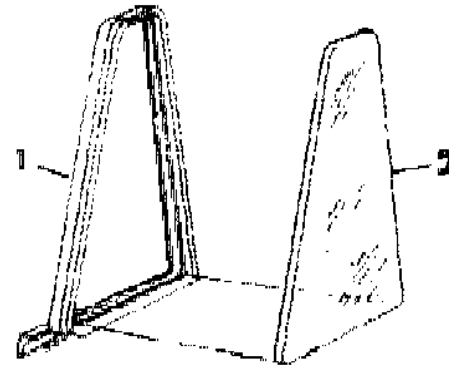
12-52 = FWD VAN & WAGON STD. W.B.	27 = 2-DOOR CONVERTIBLE
13-53 = FWD VAN & WGN EXT W.B.	41 = 4-DOOR SEDAN
21 = 2-DOOR SEDAN	44 = 4-DOOR HATCHBACK
24 = 2-DOOR HATCHBACK	45 = 4-DOOR STATION WAGON

AR = Use as Required - = Non Illustrated Part P.A.R. = Paint as Required

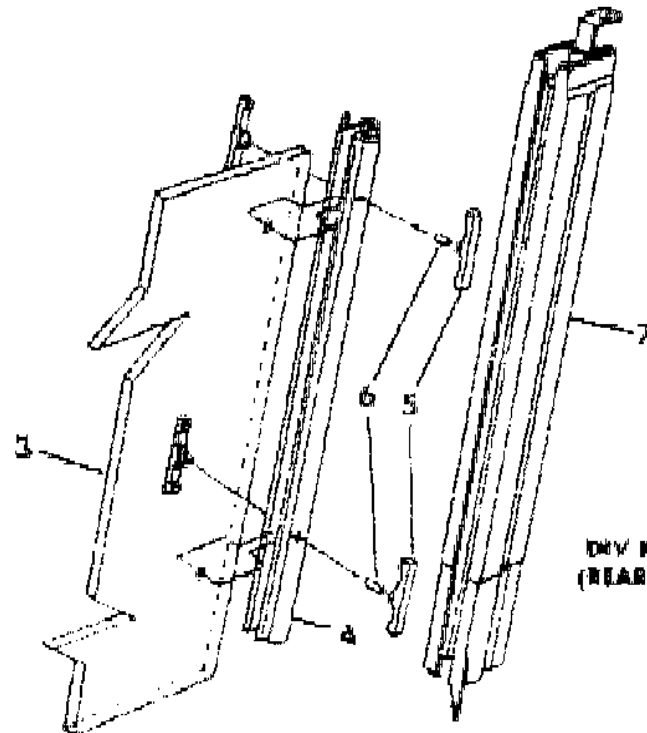
DOOR, REAR GLASS AND WEATHERSTRIPS M BODY
Figure 23C-5700

8171 5700

ITEM	PART NUMBER	QTY	BODY	MODEL	DESCRIPTION
1	#4136 160-1	1			WEATHERSTRIP, Stationary Glass
2	#4136 180-1	1			GLASS, Stationary
3	#4136 332-3	1			GLASS, Window
4-6	#4136 166	2			WEATHERSTRIP PACKAGE, On Rear Edge Of Glass
5	3582 315	8			RETAINER, Glass Rear Edge
6	2861 744	4			PIN, Glass Rear Edge Slide
7	#4136 170-1	1			CHANNEL, Division



**WEATHERSTRIP & GLASS
 REAR DOOR (STATIONARY)**



**REAR GLASS & GLASS
 (REAR DOOR WDC)**

MODEL CODES

C BODY = (D41 - DYNASTY)(C41 - NEW YORKER)	L BODY = (M - HORIZON)(Z-OMNI)
E BODY = (J - CARAVELLE)(E - 600)(T - NEW YORKER TURBO)	M BODY = (B - GRAN FURY)(G - DIPLOMAT)(F - FIFTH AVENUE/NEWPORT)
G BODY = (V24 - DAYTONA, PACIFICA & SHELBY)	P BODY = (P - SUNDANCE)(D - SHADOW)
H BODY = (D44 - LANCER)(C44 - LEBARON GTS)	Q BODY = (C27 - MASERATI)
J BODY = (C - LEBARON)	S BODY = (H - VOYAGER)(K - RAM VAN/ CARAVAN)
K BODY = (P - RELIANT)(D - ARIES)(C - LEBARON/ TOWN & COUNTRY)	

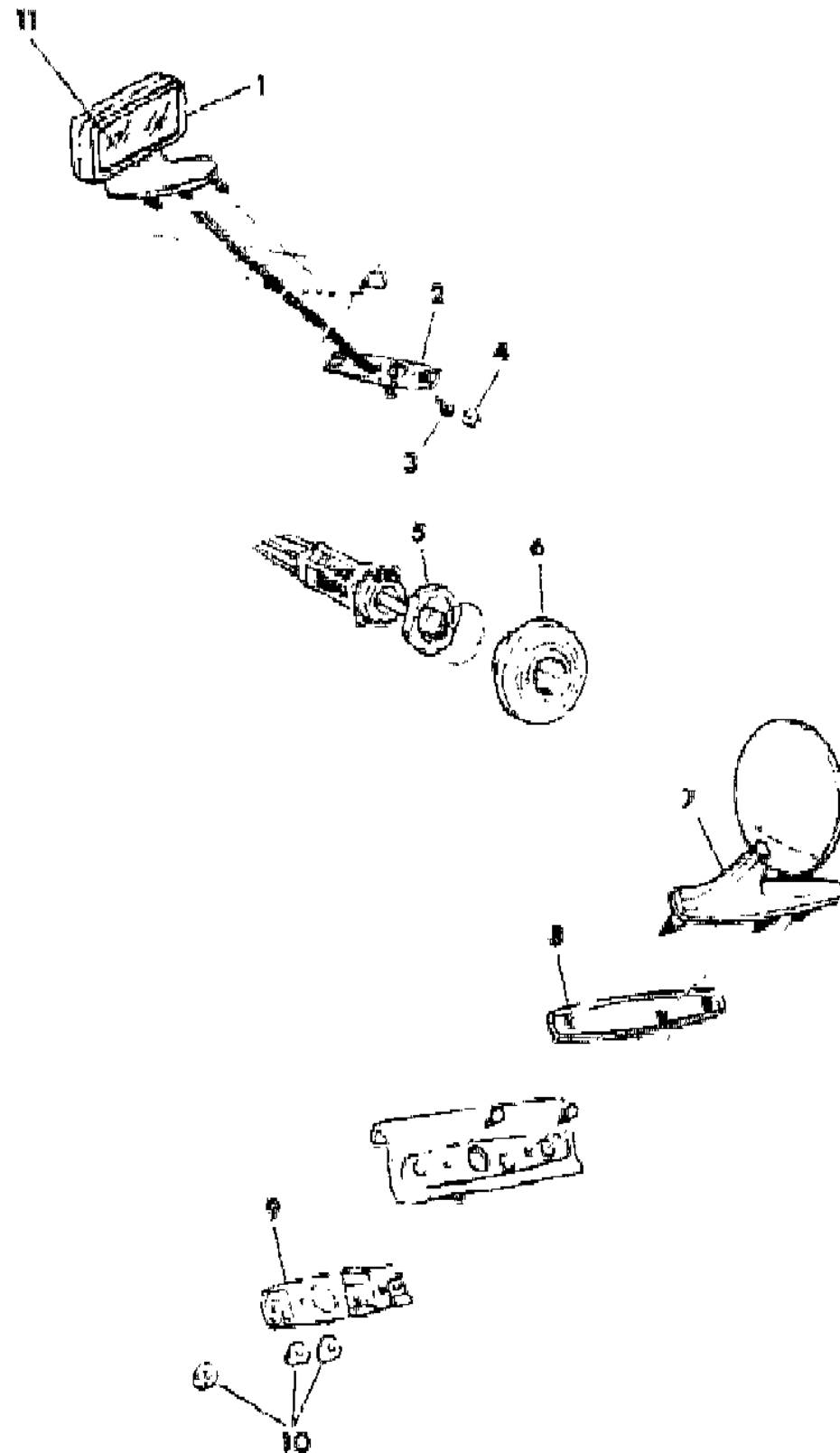
BODY STYLES

12-52 = FWD VAN & WAGON STD. W.B.	27 = 2-DOOR CONVERTIBLE
13-53 = FWD VAN & WGN EXT W.B.	41 = 4-DOOR SEDAN
21 = 2-DOOR SEDAN	44 = 4-DOOR HATCHBACK
24 = 2-DOOR HATCHBACK	45 = 4-DOOR STATION WAGON

AR = Use as Required - = Non Illustrated Part P.A.R. = Paint as Required

MIRROR, EXTERIOR M BODY
Figure 23C-5900

8171 5900



ITEM	PART NUMBER	QTY	BODY	MODEL	DESCRIPTION
1					MIRROR PACKAGE
	4299 234-5	1			Remote Control
	4299 742-3	1			Electric
	4373 457	1			KNOB, Electric Mirror Control
2	4299 126-7	1			REINFORCEMENT, Remote Control Mirror
3	3759 944	2			RETAINER, Mirror Mtg. Reinforcement
4	6025 001	AR			NUT
5	6030 356	2			NUT, Remote Control Mirror Index
6	3760 795	1			NUT, Remote Control Mirror, Left
					NUT (DNS)
7	4299 237	1			MIRROR PACKAGE, Manual Chrome, Left
8					GASKET, Mirror, Serviced in Mirror Package
	4054 149	1			GASKET, Remote Control Mirror, Right
9	3861 805	1			REINFORCEMENT, Mirror
10	6025 001	AR			NUT
11					GLASS REPLACEMENT PACKAGE, Mirror
	4267 874-5	1			Remote Control
	4267 883	1			Manual, Left

MODEL CODES

C BODY = (D41 - DYNASTY)(C41 - NEW YORKER)
 E BODY = (J - CARAVELLE)(E - 600)(T - NEW YORKER TURBO)
 G BODY = (V24 - DAYTONA, PACIFICA & SHELBY)
 H BODY = (D44 - LANCER)(C44 - LEBARON GTS)
 J BODY = (C - LEBARON)
 K BODY = (P - RELIANT)(D - ARIES)(C - LEBARON/ TOWN & COUNTRY)

L BODY = (M - HORIZON)(Z-OMNI)
 M BODY = (B - GRAN FURY)(G - DIPLOMAT)(F - FIFTH AVENUE/NEWPORT)
 P BODY = (P - SUNDANCE)(D - SHADOW)
 Q BODY = (C27 - MASERATI)
 S BODY = (H - VOYAGER)(K - RAM VAN/ CARAVAN)

BODY STYLES

12-52 = FWD VAN & WAGON STD. W.B. 27 = 2-DOOR CONVERTIBLE
 13-53 = FWD VAN & WGN EXT W.B. 41 = 4-DOOR SEDAN
 21 = 2-DOOR SEDAN 44 = 4-DOOR HATCHBACK
 24 = 2-DOOR HATCHBACK 45 = 4-DOOR STATION WAGON

AR = Use as Required - = Non Illustrated Part P.A.R. = Paint as Required

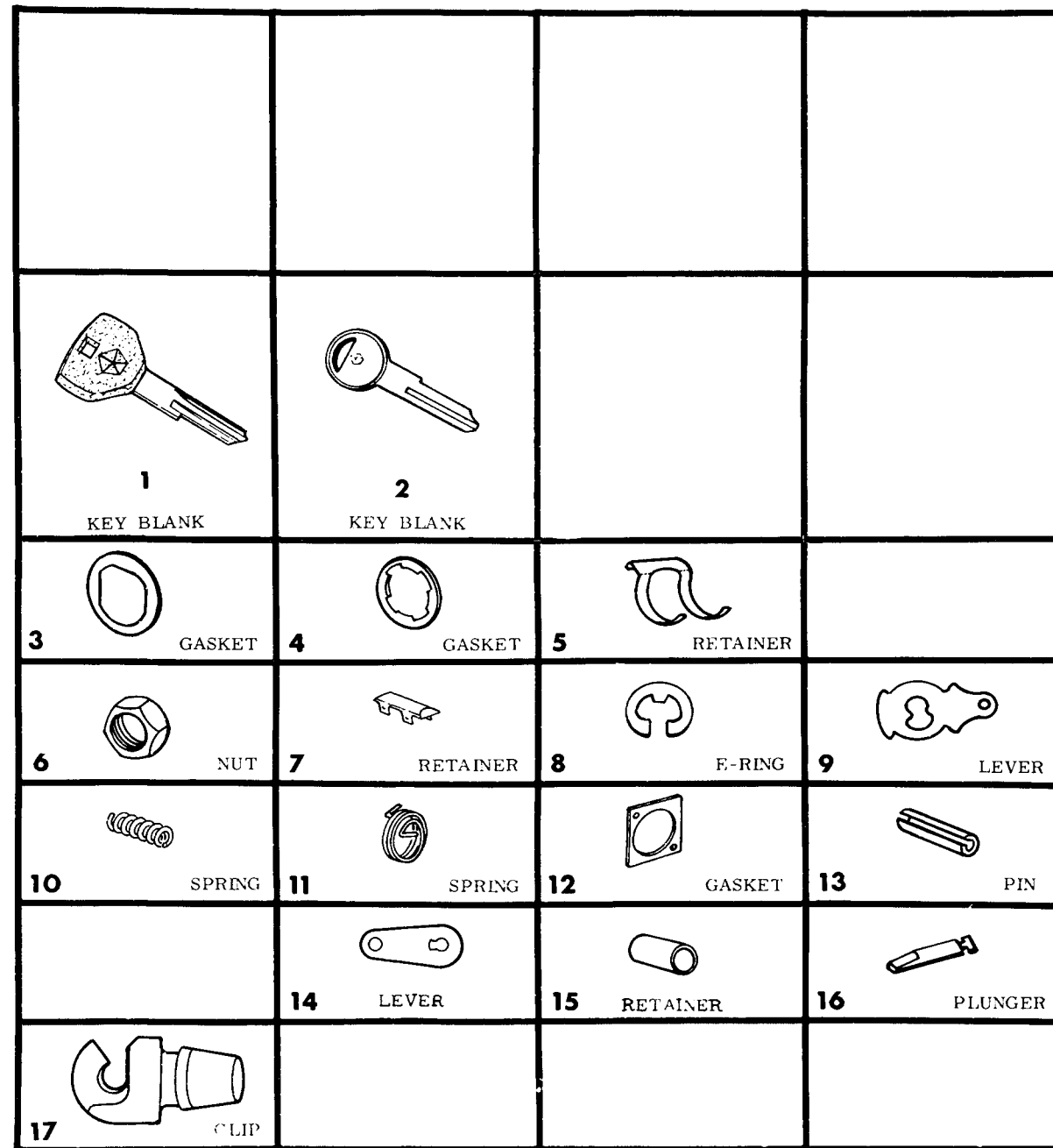
GROUP 23D - WIPER & WASHER AND CYLINDER & KEYS

ILLUSTRATION TITLE	GROUP-FIG. NO.
ALL MODELS	
LOCK CYLINDERS	Fig. 23D-100
L BODY	
WINDSHIELD WIPER SYSTEM L BODY	Fig. 23D-200
WINDSHIELD WASHER SYSTEM L BODY	Fig. 23D-300
LIFTGATE WIPER AND WASHER SYSTEM L BODY	Fig. 23D-400
P BODY	
WINDSHIELD WIPER AND WASHER SYSTEM P BODY	Fig. 23D-500
J BODY	
WINDSHIELD WIPER AND WASHER SYSTEM J BODY	Fig. 23D-600
K,E BODY	
WINDSHIELD WIPER AND WASHER SYSTEM K,E BODY	Fig. 23D-700
LIFTGATE WIPER AND WASHER SYSTEM K BODY	Fig. 23D-800
G BODY	
WINDSHIELD WIPER SYSTEM G BODY	Fig. 23D-900
WINDSHIELD WASHER SYSTEM G BODY	Fig. 23D-1000
LIFTGATE WIPER AND WASHER SYSTEM G BODY	Fig. 23D-1100
H BODY	
WINDSHIELD WIPER SYSTEM H BODY	Fig. 23D-1200
WINDSHIELD WASHER SYSTEM H BODY	Fig. 23D-1300
LIFTGATE WIPER AND WASHER SYSTEM H BODY	Fig. 23D-1400
C BODY	
WINDSHIELD WIPER AND WASHER SYSTEM C BODY	Fig. 23D-1500
S BODY	
WINDSHIELD WIPER SYSTEM S BODY	Fig. 23D-1600
WINDSHIELD WASHER SYSTEM S BODY	Fig. 23D-1700
LIFTGATE WIPER AND WASHER SYSTEM S BODY	Fig. 23D-1800
M BODY	
WINDSHIELD WIPER SYSTEM M BODY	Fig. 23D-1900
WINDSHIELD WASHER SYSTEM M BODY	Fig. 23D-2000

ILLUSTRATION NOT AVAILABLE AT TIME OF PUBLICATION

LOCK CYLINDERS
Figure 23D-100

8172 100A



ITEM	PART NUMBER	QTY	BODY	MODEL	DESCRIPTION
	4419 007	1			SERVICE and REPAIR PACKAGE, Cylinder
					L BODY -----
	4378 167	1			Ignition Lock
	4378 171	1			Door Lock
	4378 518	1			Liftgate
	4246 645	1			Glovebox
	4378 184	1			CYLINDER, Ignition
					P BODY -----
	4378 166	1			Ignition Lock
	4378 169	1			Ignition Lock, w/Tilt
	4378 173	1			Door Lock, Black
	4378 177	1			Liftgate, Black (Plate Assy. 4378512 European)
	4246 991	1			Lifgate, w/Bracket
	4378 185	1			CYLINDER, Ignition
					J BODY - ----
	4378 166	1			Ignition Lock
	4378 169	1			Ignition Lock, w/Tilt
	4378 173	1			Door Lock
	4378 278	1			Door Lock, w/Illuminated Entry
	4378 658	1			Deck Lid, w/Bracket
	4246 645	1			Glove Box
	4378 325	1			Rear Seat Back Latch Locking
	4378 291	1			Deck Lid
	4419 033	1			Deck Lid Cylinder Key and Shaft Pkg.
	4378 185	1			CYLINDER, Ignition
					K BODY - ----
	4378 167	1			Ignition Lock
	4378 168	1			Ignition Lock, w/Tilt
	4378 171	1			Door Lock
	4378 172	1			Door Lock, w/Illuminated Entry
	4378 175	1			Liftgate
	4054 081	1			Glove Box
	4246 793	1			Deck Lid and Glove Box
	4419 033	1			Deck Lid Cylinder Key and Shaft Pkg.
	4378 184	1			CYLINDER, Ignition
					G BODY - ----
	4378 166	1			Ignition Lock

MODEL CODES

C BODY = (D41 - DYNASTY)(C41 - NEW YORKER)
 E BODY = (J - CARAVELLE)(E - 600)(T - NEW YORKER TURBO)
 G BODY = (V24 - DAYTONA, PACIFICA & SHELBY)
 H BODY = (D44 - LANCER)(C44 - LEBARON GTS)
 J BODY = (C - LEBARON)
 K BODY = (P - RELIANT)(D - ARIES)(C - LEBARON/ TOWN & COUNTRY)

L BODY = (M - HORIZON)(Z-OMNI)
 M BODY = (B - GRAN FURY)(G - DIPLOMAT)(F - FIFTH AVENUE/NEWPORT)
 P BODY = (P - SUNDANCE)(D - SHADOW)
 Q BODY = (C27 - MASERATI)
 S BODY = (H - VOYAGER)(K - RAM VAN/ CARAVAN)

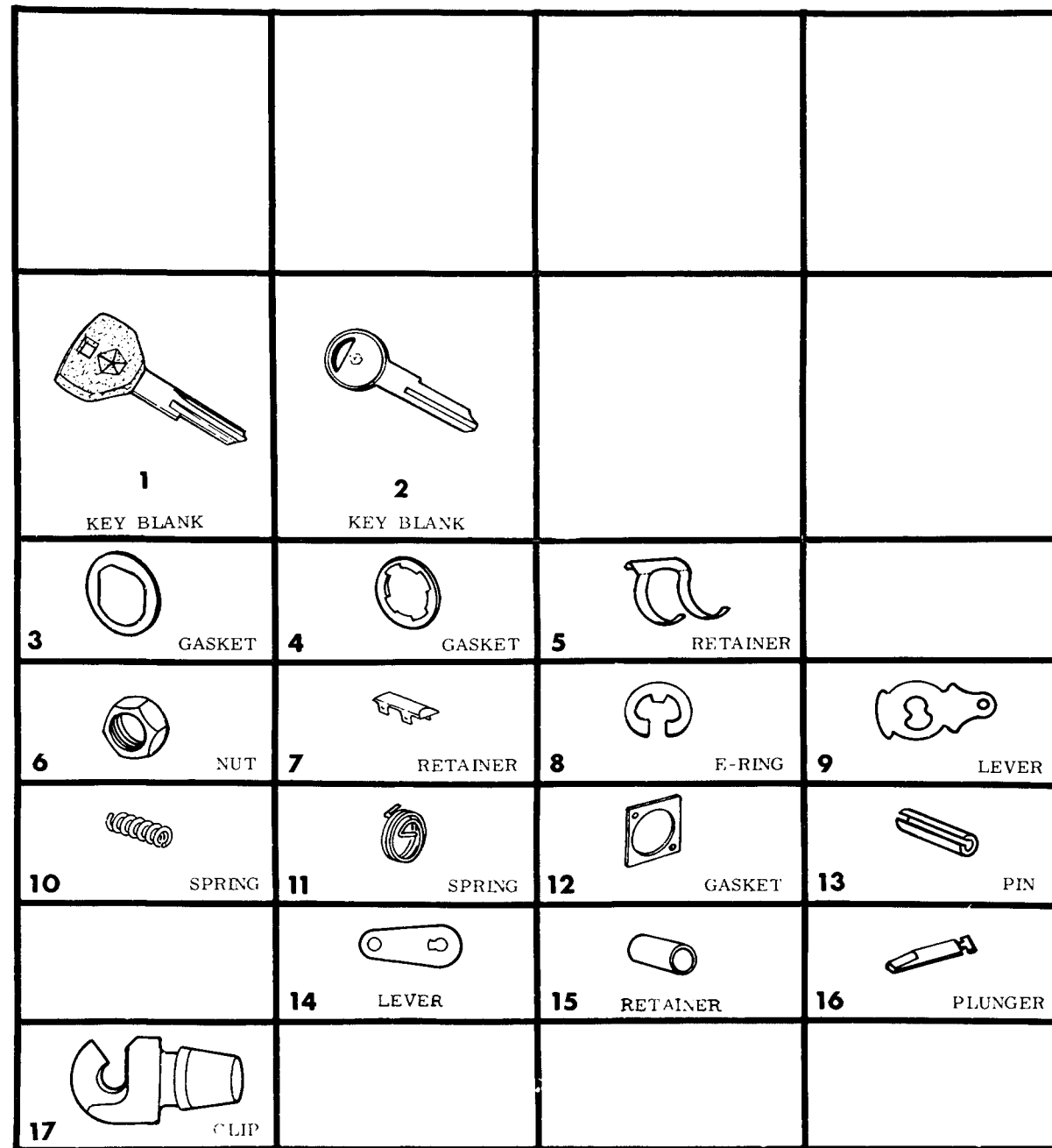
BODY STYLES

12-52 = FWD VAN & WAGON STD. W.B. 27 = 2-DOOR CONVERTIBLE
 13-53 = FWD VAN & WGN EXT W.B. 41 = 4-DOOR SEDAN
 21 = 2-DOOR SEDAN 44 = 4-DOOR HATCHBACK
 24 = 2-DOOR HATCHBACK 45 = 4-DOOR STATION WAGON

AR = Use as Required - = Non Illustrated Part P.A.R. = Paint as Required

LOCK CYLINDERS
Figure 23D-100

8172 100A



ITEM	PART NUMBER	QTY	BODY	MODEL	DESCRIPTION
	4378 169	1			Ignition Lock, w/Tilt
	4378 172	1			Door Lock, Bright, w/Illuminated Entry
	4378 173	1			Door Lock, Black
	4378 278	1			Door Lock, Black, w/Illuminated Entry
	4378 290	1			Lift Gate, Black
	4378 657	1			Lift Gate, w/Bracket
	4246 645	1			Glove Box
	4378 185	1			CYLINDER, Ignition E BODY - ----
	4378 167	1			Ignition Lock
	4378 168	1			Ignition Lock, w/Tilt
	4378 171	1			Door Lock
	4378 172	1			Door Lock, w/Illuminated Entry
	4372 710	1			Instrument Panel Console
	4054 081	1			Glove Box
	4246 793	1			Deck Lid and Glove Box
	4419 033	1			Deck Lid Cylinder Key and Shaft Pkg.
	4378 185	1			CYLINDER, Ignition H BODY - ----
	4378 167	1			Ignition Lock
	4378 166	1			Ignition Lock, Black
	4378 168	1			Ignition Lock, w/Tilt, Bright
	4378 169	1			Ignition Lock, w/Tilt, Black
	4378 173	1			Door Lock, Black
	4378 182	1			Glove Box and Console
	4246 892	1			Lift Gate and Glove Box CYLINDER, Ignition
	4378 184	1			Bright
	4378 185	1			Black
					C BODY - ----
	4378 167	1			Ignition Lock
	4378 168	1			Ignition Lock, w/Tilt
	4378 171	1			Door Lock
	4378 517	1			Door Lock, w/Illuminated Entry
	4378 518	1		D	Deck Lid
	4378 519	1		C	Deck Lid
	4378 182	1			Glove Box

MODEL CODES

C BODY = (D41 - DYNASTY)(C41 - NEW YORKER)
E BODY = (J - CARAVELLE)(E - 600)(T - NEW YORKER TURBO)
G BODY = (V24 - DAYTONA, PACIFICA & SHELBY)
H BODY = (D44 - LANCER)(C44 - LEBARON GTS)
J BODY = (C - LEBARON)
K BODY = (P - RELIANT)(D - ARIES)(C - LEBARON/ TOWN & COUNTRY)

L BODY = (M - HORIZON)(Z-OMNI)
M BODY = (B - GRAN FURY)(G - DIPLOMAT)(F - FIFTH AVENUE/NEWPORT)
P BODY = (P - SUNDANCE)(D - SHADOW)
Q BODY = (C27 - MASERATI)
S BODY = (H - VOYAGER)(K - RAM VAN/ CARAVAN)

BODY STYLES

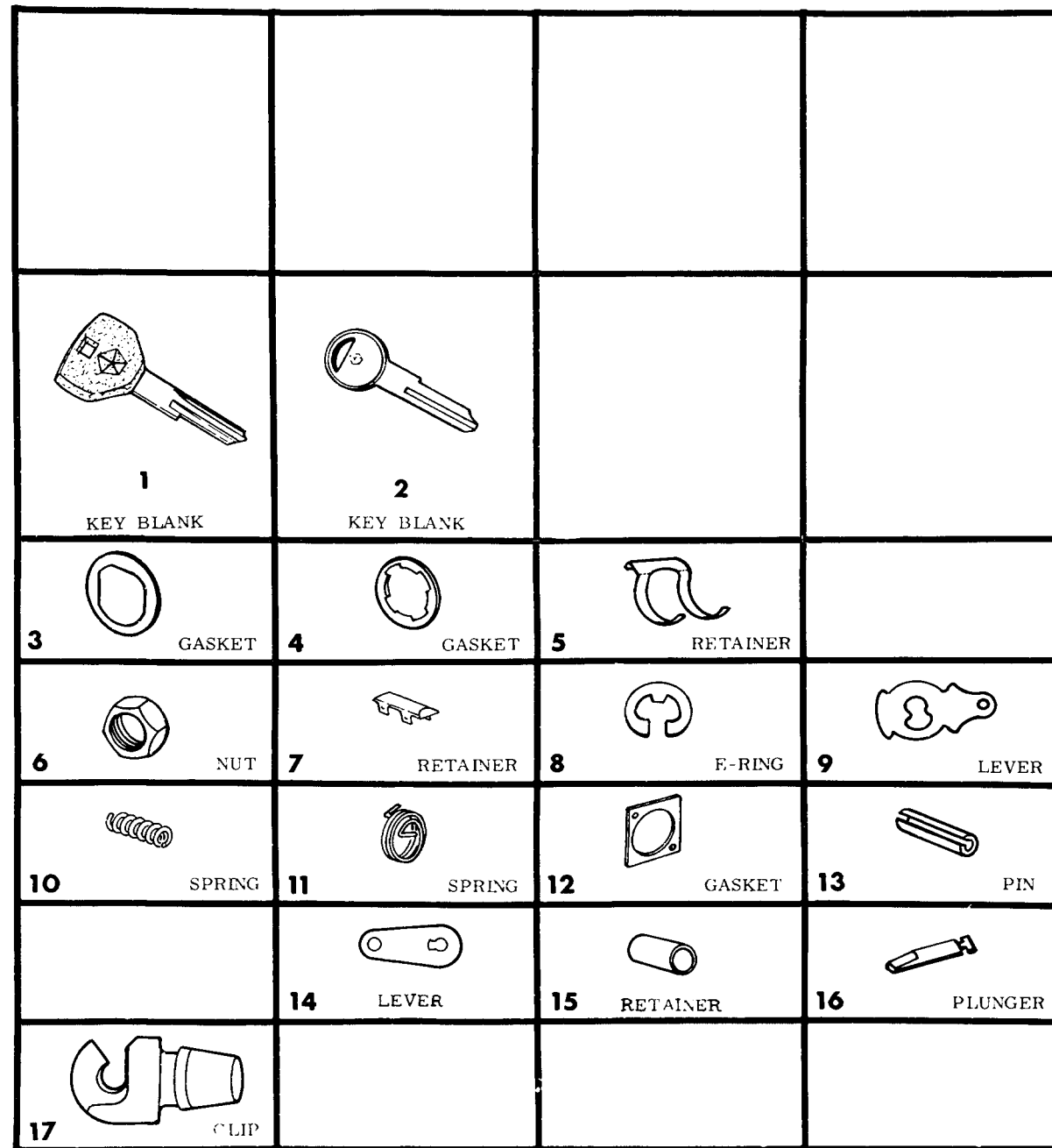
12-52 = FWD VAN & WAGON STD. W.B. 27 = 2-DOOR CONVERTIBLE
13-53 = FWD VAN & WGN EXT W.B. 41 = 4-DOOR SEDAN
21 = 2-DOOR SEDAN 44 = 4-DOOR HATCHBACK
24 = 2-DOOR HATCHBACK 45 = 4-DOOR STATION WAGON

AR = Use as Required - = Non Illustrated Part P.A.R. = Paint as Required

LOCK CYLINDERS

Figure 23D-100

8172 100A



ITEM	PART NUMBER	QTY	BODY	MODEL	DESCRIPTION
	4378 137	1		D	SHAFT, Deck Lid Cylinder Tail
					CYLINDER, Ignition S BODY - ----
	4378 167	1			Ignition Lock
	4378 168	1			Ignition Lock, w/Tilt
	4378 171	1			Door Lock
	4378 175	1			Liftgate, Bright
	4378 176	1			Liftgate, Black
	4378 519	1			Liftgate (Bright) w/Secondary Key
	4378 182	1			Glove Box and Console
	4246 855	1			Console, Seat Comp. and Lift Gate
	4246 926	1			Cargo Door, Lift Gate and Pass. Seat Comp.
	4378 184	1			CYLINDER, Ignition
	4378 171	1			CYLINDER, Hinged Cargo Door M BODY - ----
	4378 167	1			Ignition Lock
	4378 168	1			Ignition Lock, w/Tilt
	4378 171	1			Door Lock
	4378 172	1			Door Lock, w/Tilt
	4378 518	1			Deck Lid
	4054 081	1			Glove Box
	4267 850	1			Deck Lid and Glove Box
	4419 033	1			Deck Lid Cylinder Key and Shaft Pkg.
	4378 184	1			CYLINDER, Ignition
1	4246 904	1			KEY, Ignition and Door (Capsulated)
	4378 575	1	C		Crystal
	3454 493	3	KM		Door, Ignition w/Single and Universal Key
2	2999 041	1			KEY, Deck Lid, Liftgate and Glove Box
3	3695 321	1	KEM		GASKET, Deck Lid Lock Cylinder
	3695 321	1			Liftgate Lock Cylinder
4	2583 860	2			GASKET, Door Lock Cylinder
5	2583 377	2	LKEM		RETAINER, Door Lock Cylinder
	4184 686-7	1	JGC		
	4184 684-5	1	PJGHC		
	4415 724-5	1	S		
6	4054 202	1			NUT, Deck Lid and Liftgate Lock Cylinder Retainer
7	2765 069	2			RETAINER, Door Lock Cylinder Tumbler

MODEL CODES

C BODY = (D41 - DYNASTY)(C41 - NEW YORKER)
 E BODY = (J - CARAVELLE)(E - 600)(T - NEW YORKER TURBO)
 G BODY = (V24 - DAYTONA, PACIFICA & SHELBY)
 H BODY = (D44 - LANCER)(C44 - LEBARON GTS)
 J BODY = (C - LEBARON)
 K BODY = (P - RELIANT)(D - ARIES)(C - LEBARON/ TOWN & COUNTRY)

L BODY = (M - HORIZON)(Z-OMNI)
 M BODY = (B - GRAN FURY)(G - DIPLOMAT)(F - FIFTH AVENUE/NEWPORT)
 P BODY = (P - SUNDANCE)(D - SHADOW)
 Q BODY = (C27 - MASERATI)
 S BODY = (H - VOYAGER)(K - RAM VAN/ CARAVAN)

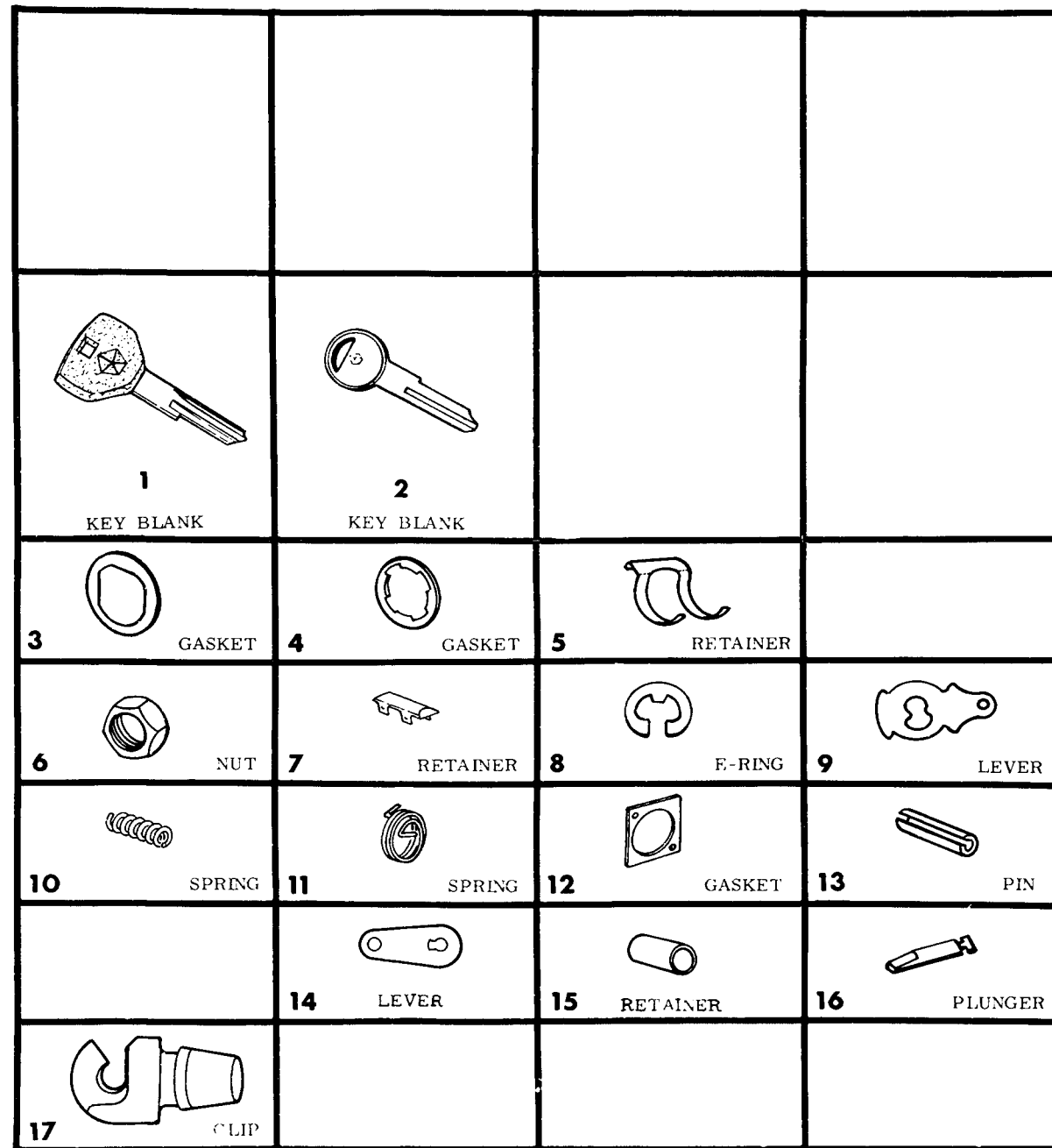
BODY STYLES

12-52 = FWD VAN & WAGON STD. W.B.	27 = 2-DOOR CONVERTIBLE
13-53 = FWD VAN & WGN EXT W.B.	41 = 4-DOOR SEDAN
21 = 2-DOOR SEDAN	44 = 4-DOOR HATCHBACK
24 = 2-DOOR HATCHBACK	45 = 4-DOOR STATION WAGON

AR = Use as Required - = Non Illustrated Part P.A.R. = Paint as Required

LOCK CYLINDERS
Figure 23D-100

8172 100A



ITEM	PART NUMBER	QTY	BODY	MODEL	DESCRIPTION
8	6026 125	2			RETAINER, Lock Cylinder Lever and Reverse Lever Pivot
	6026 125	1			Sliding Door Outside Handle Key Lever
	6026 125	1			Front Door Lock Cylinder Lever
	4280 659	1			Sliding Door Outside Handle Cylinder
	6032 107	1	K		CLIP, Liftgate Lock Cylinder Lever Retainer
9	2802 124	2			LEVER, Door Lock Cylinder
10	2765 073	AR			SPRING, Door, Deck Lid and Liftgate Lock Cylinder Tumbler
11	3861 746	1	JEM		SPRING, Deck Lid Lock Cylinder Shaft Retaining
12	4276 999	1	KEM		GASKET, Deck Lid Lock Cylinder Medallion
	4491 827	1	C		
13	9431 636	1			PIN, Ignition and Steering Column Lock Cylinder Buzzer Switch Actuating Arm
	9431 637	1			Ignition and Steering Column Lock Cylinder to Driver
14	4246 496	1	K		LEVER, Liftgate Lock Cylinder
	4378 015	1	G		Liftgate Lock Cylinder
	4246 815	1	S		Liftgate Lock Cylinder
	4378 161	1	S		Dual Rear Hinged Doors
	4246 790	1	H		Liftgate Lock Cylinder
	4378 509	1	P		Liftgate Lock Cylinder (EUROPEAN)
	4378 093	1	G		Cylinder Lock Shaft to Link
	4378 128	1	C	D	Deck Lid Cylinder
15	3454 517	1			RETAINER, Ignition and Steering Column Lock Cylinder Actuating Arm Spring
16	4019 548	1	KEM		PLUNGER, Lock Cylinder Retainer, w/o Tilt Steering
17	3760 130-1	1			CLIP, Door Lock Cylinder Retainer

MODEL CODES

C BODY = (D41 - DYNASTY)(C41 - NEW YORKER)	L BODY = (M - HORIZON)(Z-OMNI)
E BODY = (J - CARAVELLE)(E - 600)(T - NEW YORKER TURBO)	M BODY = (B - GRAN FURY)(G - DIPLOMAT)(F - FIFTH AVENUE/NEWPORT)
G BODY = (V24 - DAYTONA, PACIFICA & SHELBY)	P BODY = (P - SUNDANCE)(D - SHADOW)
H BODY = (D44 - LANCER)(C44 - LEBARON GTS)	Q BODY = (C27 - MASERATI)
J BODY = (C - LEBARON)	S BODY = (H - VOYAGER)(K - RAM VAN/ CARAVAN)
K BODY = (P - RELIANT)(D - ARIES)(C - LEBARON/ TOWN & COUNTRY)	

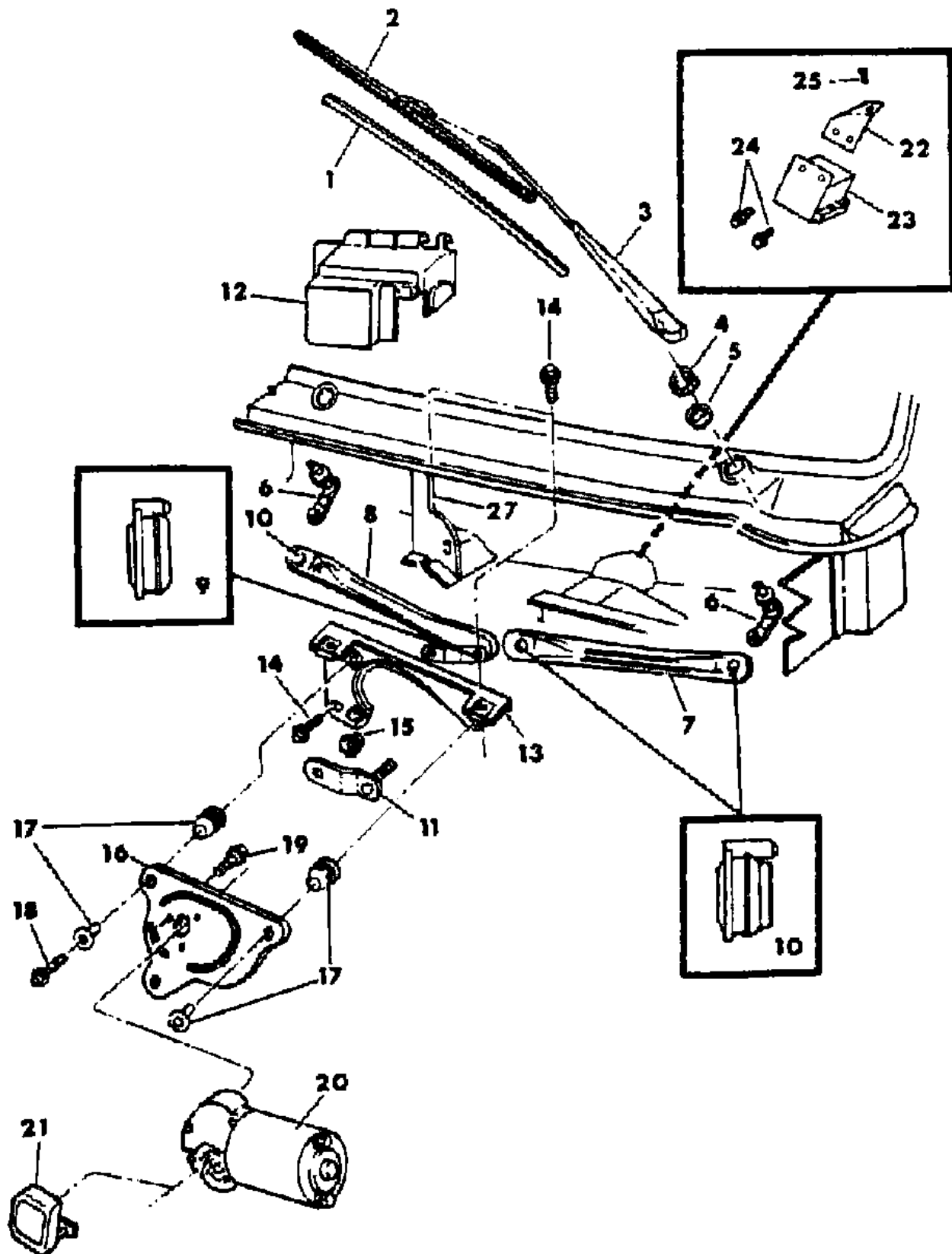
BODY STYLES

12-52 = FWD VAN & WAGON STD. W.B.	27 = 2-DOOR CONVERTIBLE
13-53 = FWD VAN & WGN EXT W.B.	41 = 4-DOOR SEDAN
21 = 2-DOOR SEDAN	44 = 4-DOOR HATCHBACK
24 = 2-DOOR HATCHBACK	45 = 4-DOOR STATION WAGON

AR = Use as Required - = Non Illustrated Part P.A.R. = Paint as Required

WINDSHIELD WIPER SYSTEM L BODY
Figure 23D-200

8172 200



ITEM	PART NUMBER	QTY	BODY	MODEL	DESCRIPTION
1					REFILL, Wiper Blade
	5211 129	2			Anco
	5211 132	2			Trico
2	5211 128	2			BLADE, Wiper
3	3799 861	2			ARM, Wiper
4	5211 098	2			NUT, Pivot Mtg.
5	5211 099	2			WASHER, Pivot Mtg.
6	5211 008-9	1			PIVOT, Wiper
7	5211 003	1			LINK, w/BUSHING, Wiper Drive, Left
8	5211 004	1			LINK and CRANK, Wiper Drive, Right
9	5211 015	1			BUSHING, Wiper Drive Link Crank
10	3799 089	3			BUSHING, Wiper Drive Link
11		1			CRANK, Wiper Drive, Serviced in Item #8
12	3799 867	1			COVER, Wiper Motor
13	4270 987	1			BRACKET and NUTS, Motor Mtg.
14	6500 254	3			SCREW
15	6031 096	1			NUT, Motor Crank Mtg.
16	4339 445	1			BRACKET, Motor Mtg.
17	4339 452	1			GROMMET and SPACER PACKAGE, Motor Mtg.
18	6501 154	3			SCREW
19		3			SCREW (DNS)
20	4467 258	1			MOTOR, Wiper
	4389 012	1			COVER, w/Capacitors, Motor
21	4311 855	1			SUPPRESSOR, Motor Radio Noise
22	4222 794	1			BRACKET, Intermittent Wipe Control
23	4222 060	1			CONTROL, Intermittent Wipe
24		2			SCREW (DNS)
25		1			SCREW (DNS)
27	4314 990	1			SUPPORT, Plenum to Cowl Top Panel

MODEL CODES

C BODY = (D41 - DYNASTY)(C41 - NEW YORKER)	L BODY = (M - HORIZON)(Z-OMNI)
E BODY = (J - CARAVELLE)(E - 600)(T - NEW YORKER TURBO)	M BODY = (B - GRAN FURY)(G - DIPLOMAT)(F - FIFTH AVENUE/NEWPORT)
G BODY = (V24 - DAYTONA, PACIFICA & SHELBY)	P BODY = (P - SUNDANCE)(D - SHADOW)
H BODY = (D44 - LANCER)(C44 - LEBARON GTS)	Q BODY = (C27 - MASERATI)
J BODY = (C - LEBARON)	S BODY = (H - VOYAGER)(K - RAM VAN/ CARAVAN)
K BODY = (P - RELIANT)(D - ARIES)(C - LEBARON/ TOWN & COUNTRY)	

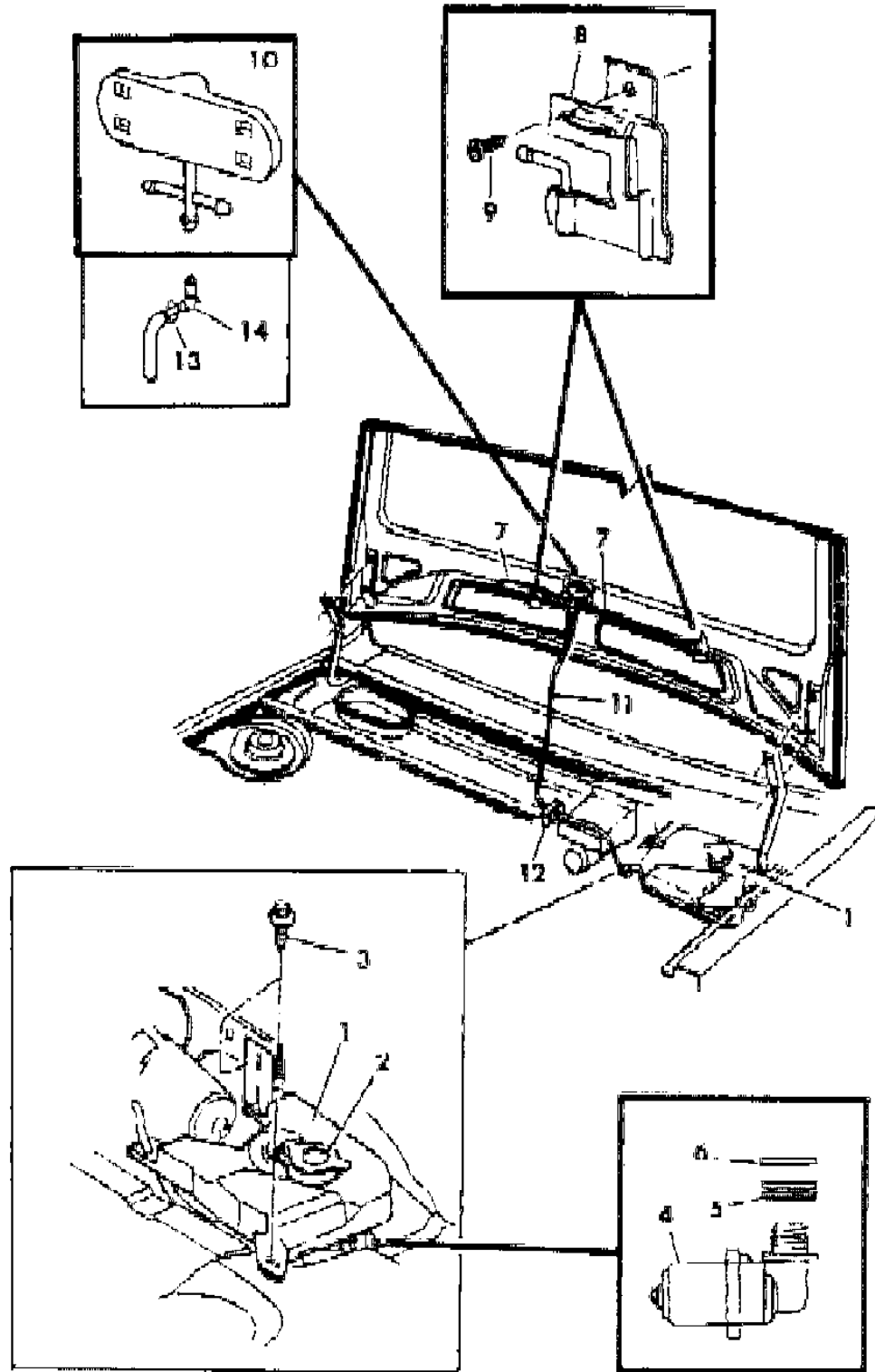
BODY STYLES

12-52 = FWD VAN & WAGON STD. W.B.	27 = 2-DOOR CONVERTIBLE
13-53 = FWD VAN & WGN EXT W.B.	41 = 4-DOOR SEDAN
21 = 2-DOOR SEDAN	44 = 4-DOOR HATCHBACK
24 = 2-DOOR HATCHBACK	45 = 4-DOOR STATION WAGON

AR = Use as Required - = Non Illustrated Part P.A.R. = Paint as Required

WINDSHIELD WASHER SYSTEM L BODY
Figure 23D-300

8172 300



ITEM	PART NUMBER	QTY	BODY	MODEL	DESCRIPTION
1	4334 190	1			RESERVOIR and CAP, Washer
2	3799 789	1			CAP, Reservoir
3	6031 951	2			SCREW
4	3799 090	1			PUMP, Washer
5		1			SEAL, Pump to Reservoir, Serviced in Items #1,4
6		1			WASHER (DNS)
7	3837 036	AR			HOSE, Washer
	4334 799	1			CONNECTOR, Hose
8	4176 769	2			NOZZLE and BRACKET, Washer
9		2			SCREW (DNS)
10	3799 790	1			TEE, Hose Connector
11	4203 421	AR			HOSE, Washer
12	6015 412	1			CLIP, Hose Routing
13	4334 799	1			CONNECTOR, Hose to Elbow
14	4213 774	1			ELBOW, Connector

MODEL CODES

C BODY = (D41 - DYNASTY)(C41 - NEW YORKER)
 E BODY = (J - CARAVELLE)(E - 600)(T - NEW YORKER TURBO)
 G BODY = (V24 - DAYTONA, PACIFICA & SHELBY)
 H BODY = (D44 - LANCER)(C44 - LEBARON GTS)
 J BODY = (C - LEBARON)
 K BODY = (P - RELIANT)(D - ARIES)(C - LEBARON/ TOWN & COUNTRY)

L BODY = (M - HORIZON)(Z-OMNI)
 M BODY = (B - GRAN FURY)(G - DIPLOMAT)(F - FIFTH AVENUE/NEWPORT)
 P BODY = (P - SUNDANCE)(D - SHADOW)
 Q BODY = (C27 - MASERATI)
 S BODY = (H - VOYAGER)(K - RAM VAN/ CARAVAN)

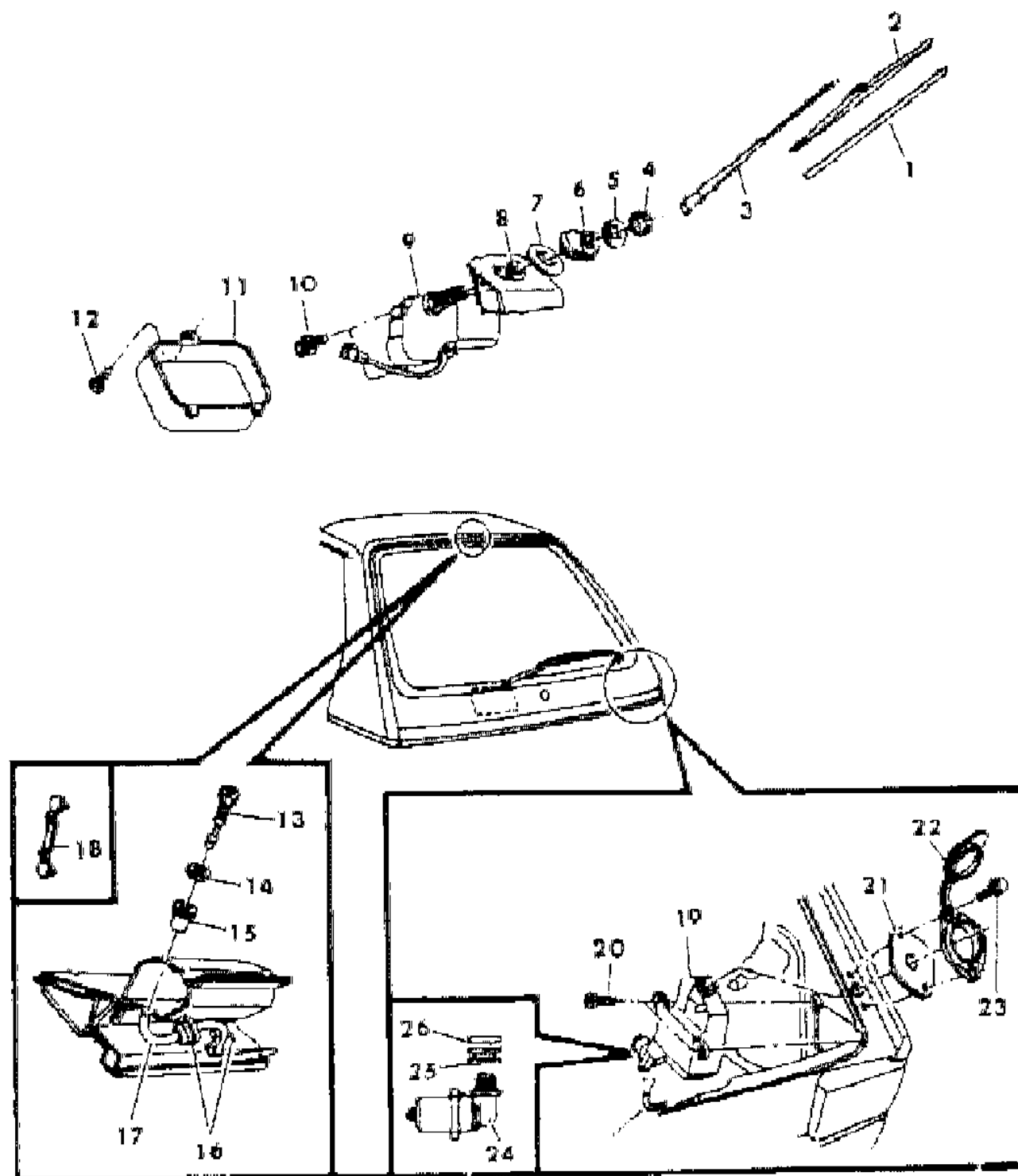
BODY STYLES

12-52 = FWD VAN & WAGON STD. W.B.	27 = 2-DOOR CONVERTIBLE
13-53 = FWD VAN & WGN EXT W.B.	41 = 4-DOOR SEDAN
21 = 2-DOOR SEDAN	44 = 4-DOOR HATCHBACK
24 = 2-DOOR HATCHBACK	45 = 4-DOOR STATION WAGON

AR = Use as Required - = Non Illustrated Part P.A.R. = Paint as Required

LIFTGATE WIPER AND WASHER SYSTEM L BODY
Figure 23D-400

8172 400



ITEM	PART NUMBER	QTY	BODY	MODEL	DESCRIPTION
1	4389 197	1			REFILL, Wiper Blade
2	4169 537	1			BLADE, Wiper
3	4334 724	1			ARM, Wiper
4	5211 098	1			NUT, Pivot Mtg.
5	5211 099	1			WASHER, Pivot Mtg.
6		1			ESCUTCHEON, Pivot, Serviced in Item 7
7	3799 757	1			SEAL and ESCUTCHEON, Pivot
8	6031 538	1			WASHER, Driveshaft Sealing
9	4240 492	1			MOTOR, Wiper
10		2			SCREW (DNS)
11	5208 536	1			COVER, Motor
12		1			SCREW (DNS)
13	3799 740	1			NOZZLE, Washer
14	6032 097	1			WASHER, Nozzle
15	6028 008	1			NUT, Nozzle
16	5211 041	2			GROMMET, Hose
17	3780 798	AR			HOSE, Washer
18	6015 544	1			STRAP, Hose to Header
19	5211 087	1			RESERVOIR, Washer
20	6031 951	2			SCREW
21		1			GASKET, Reservoir Cap, Serviced in Item #22
22	5211 105	1			CAP, Reservoir
23		2			SCREW (DNS)
24	4723 306	1			PUMP and SEAL PACKAGE, Washer
25		1			SEAL, Pump to Reservoir, Serviced in Item #19,24
26		1			WASHER, Pump (DNS)

MODEL CODES

C BODY = (D41 - DYNASTY)(C41 - NEW YORKER)
 E BODY = (J - CARAVELLE)(E - 600)(T - NEW YORKER TURBO)
 G BODY = (V24 - DAYTONA, PACIFICA & SHELBY)
 H BODY = (D44 - LANCER)(C44 - LEBARON GTS)
 J BODY = (C - LEBARON)
 K BODY = (P - RELIANT)(D - ARIES)(C - LEBARON/ TOWN & COUNTRY)

L BODY = (M - HORIZON)(Z-OMNI)
 M BODY = (B - GRAN FURY)(G - DIPLOMAT)(F - FIFTH AVENUE/NEWPORT)
 P BODY = (P - SUNDANCE)(D - SHADOW)
 Q BODY = (C27 - MASERATI)
 S BODY = (H - VOYAGER)(K - RAM VAN/ CARAVAN)

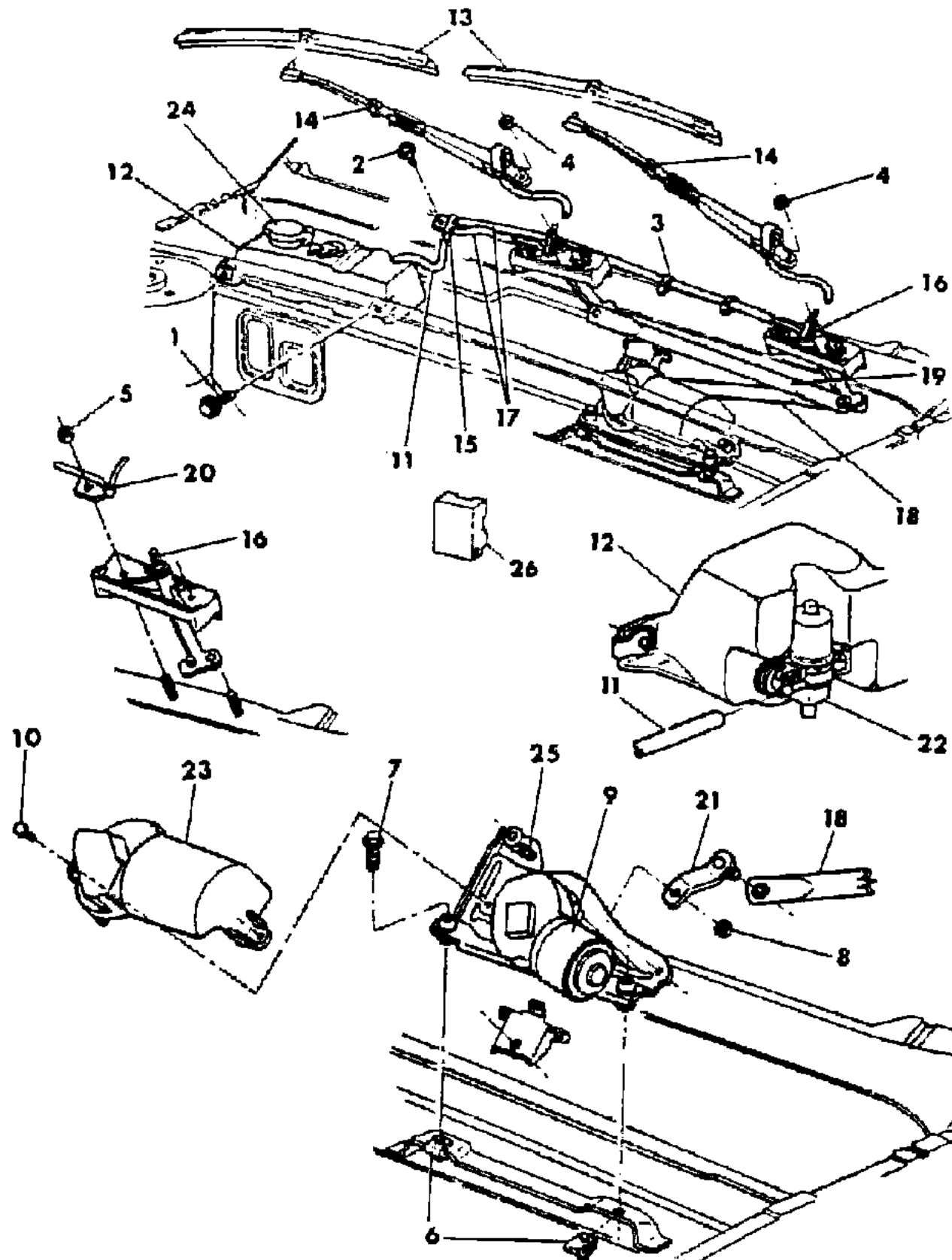
BODY STYLES

12-52 = FWD VAN & WAGON STD. W.B. 27 = 2-DOOR CONVERTIBLE
 13-53 = FWD VAN & WGN EXT W.B. 41 = 4-DOOR SEDAN
 21 = 2-DOOR SEDAN 44 = 4-DOOR HATCHBACK
 24 = 2-DOOR HATCHBACK 45 = 4-DOOR STATION WAGON

AR = Use as Required - = Non Illustrated Part P.A.R. = Paint as Required

WINDSHIELD WIPER AND WASHER SYSTEM P BODY
Figure 23D-500

8172 500



ITEM	PART NUMBER	QTY	BODY	MODEL	DESCRIPTION
1		2			SCREW (DNS)
2		1			SCREW (DNS)
3	6015 776	2			CLIP, Hose Retaining
4	6501 002	2			NUT, Wiper Arm Mtg.
5	6100 047	4			NUT, Pivot Mtg.
6	6101 283	2			NUT, Wiper Motor Bracket Mtg.
7	6501 160	3			SCREW, Motor Bracket Mtg.
8	#6031 096	1			NUT, Wiper Drive Crank Mtg.
9	4467 259	1			MOTOR, Wiper
	4270 881	1			SEAL, Motor
	4389 012	1			COVER, w/Capacitors, Motor
10	6031 951	2			SCREW, Motor Cover Mtg.
11	3780 798	AR			HOSE, Reservoir to Connector
12					RESERVOIR, Washer
	4334 562	1			w/o Sensor
	4334 564	1			w/Sensor
	4270 609	1			SENSOR, Fluid Level
13	4389 062	2			BLADE, Wiper
	4389 069	2			(EUROPEAN)
	3799 335	2			REFILL, Blade
14	4388 465	2			ARM, Wiper
	4334 956	2			NOZZLE, Washer
	4026 130	AR			HOSE, Washer
	4389 008	2			GUARD, Hose
	4334 111	2			COVER, Head
15	4334 274	1			CONNECTOR, Hose
16	4334 544-5	1			PIVOT, Wiper
17	3837 036	AR			HOSE, Washer
18	4334 542	1			LINK, Drive
19	4334 540	1			LINK, Connecting
	4389 013	AR			BUSHING, Black
20	4388 467	2			CONNECTOR, Hose
21	4334 550	1			CRANK and PIN, Drive
22	4334 569	1			PUMP, Washer
23	4334 566	1			COVER, Motor
	4270 869	1			COVER, Terminal
24	4334 707	1			CAP, Reservoir

MODEL CODES

C BODY = (D41 - DYNASTY)(C41 - NEW YORKER)	L BODY = (M - HORIZON)(Z-OMNI)
E BODY = (J - CARAVELLE)(E - 600)(T - NEW YORKER TURBO)	M BODY = (B - GRAN FURY)(G - DIPLOMAT)(F - FIFTH AVENUE/NEWPORT)
G BODY = (V24 - DAYTONA, PACIFICA & SHELBY)	P BODY = (P - SUNDANCE)(D - SHADOW)
H BODY = (D44 - LANCER)(C44 - LEBARON GTS)	Q BODY = (C27 - MASERATI)
J BODY = (C - LEBARON)	S BODY = (H - VOYAGER)(K - RAM VAN/ CARAVAN)
K BODY = (P - RELIANT)(D - ARIES)(C - LEBARON/ TOWN & COUNTRY)	

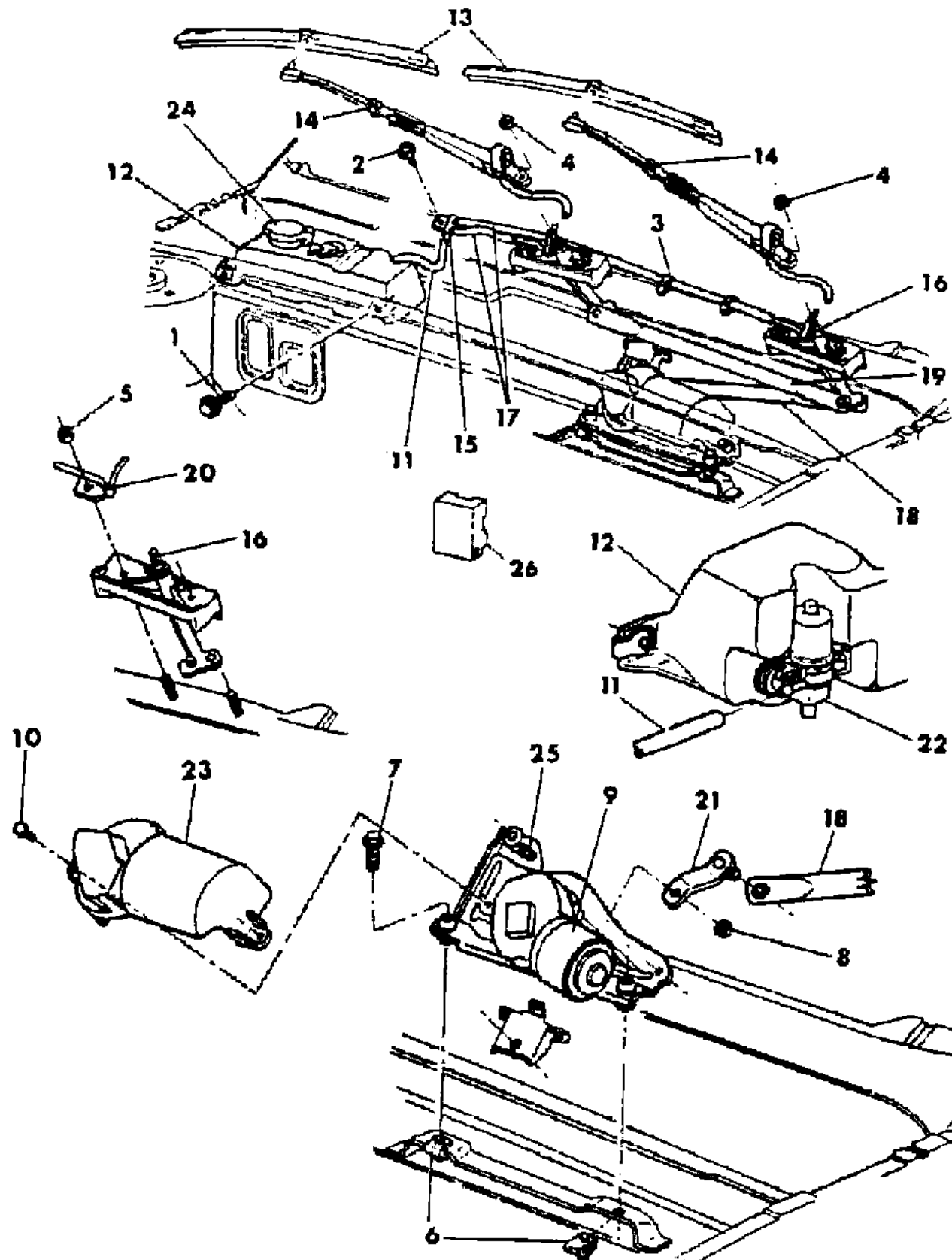
BODY STYLES

12-52 = FWD VAN & WAGON STD. W.B.	27 = 2-DOOR CONVERTIBLE
13-53 = FWD VAN & WGN EXT W.B.	41 = 4-DOOR SEDAN
21 = 2-DOOR SEDAN	44 = 4-DOOR HATCHBACK
24 = 2-DOOR HATCHBACK	45 = 4-DOOR STATION WAGON

AR = Use as Required - = Non Illustrated Part P.A.R. = Paint as Required

WINDSHIELD WIPER AND WASHER SYSTEM P BODY
Figure 23D-500

8172 500



ITEM	PART NUMBER	QTY	BODY	MODEL	DESCRIPTION
25	4389 302	1			BRACKET, Motor Mtg.
26	4312 002	1			CONTROL, Intermittent Wiper

MODEL CODES

C BODY = (D41 - DYNASTY)(C41 - NEW YORKER)	L BODY = (M - HORIZON)(Z-OMNI)
E BODY = (J - CARAVELLE)(E - 600)(T - NEW YORKER TURBO)	M BODY = (B - GRAN FURY)(G - DIPLOMAT)(F - FIFTH AVENUE/NEWPORT)
G BODY = (V24 - DAYTONA, PACIFICA & SHELBY)	P BODY = (P - SUNDANCE)(D - SHADOW)
H BODY = (D44 - LANCER)(C44 - LEBARON GTS)	Q BODY = (C27 - MASERATI)
J BODY = (C - LEBARON)	S BODY = (H - VOYAGER)(K - RAM VAN/ CARAVAN)
K BODY = (P - RELIANT)(D - ARIES)(C - LEBARON/ TOWN & COUNTRY)	

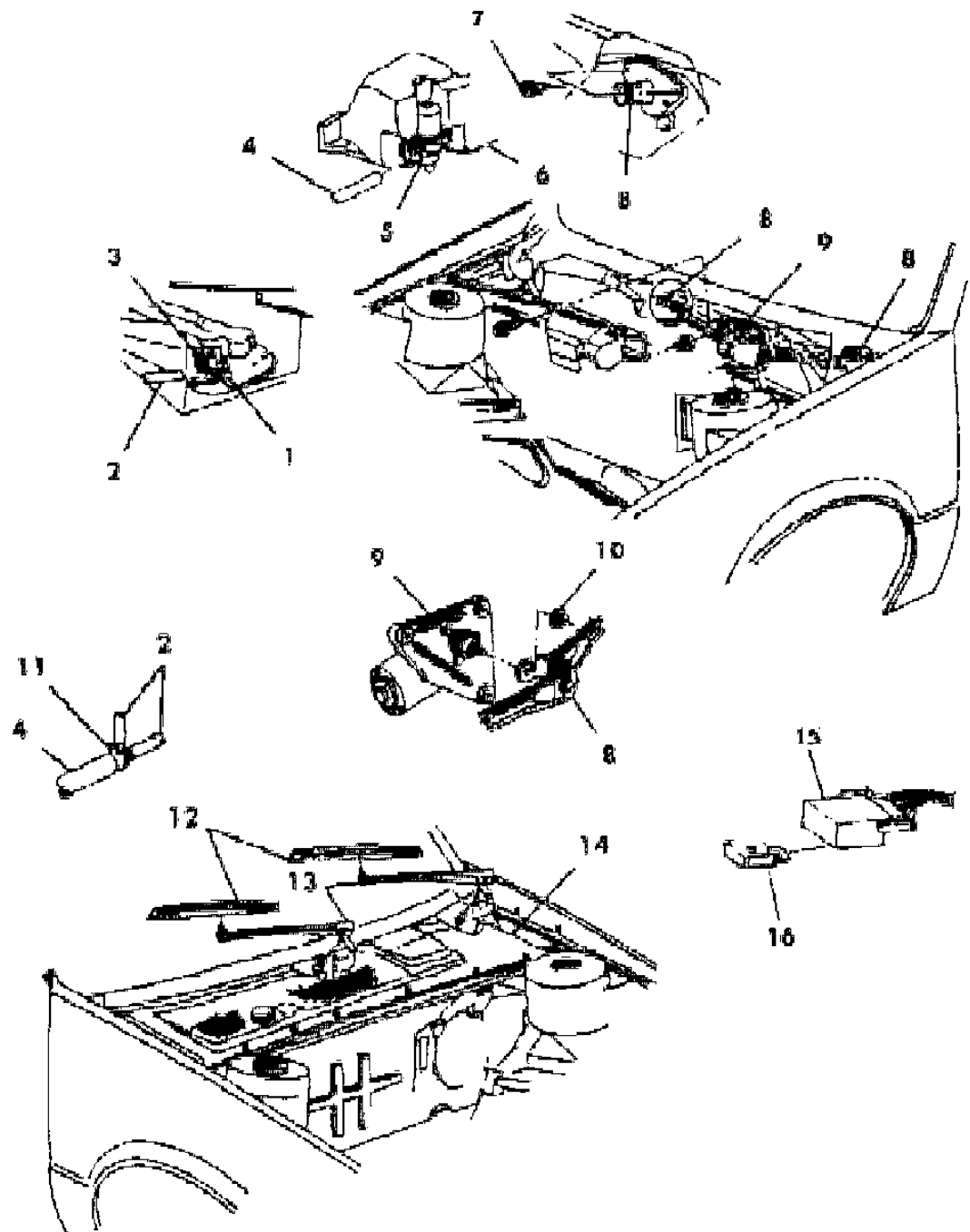
BODY STYLES

12-52 = FWD VAN & WAGON STD. W.B.	27 = 2-DOOR CONVERTIBLE
13-53 = FWD VAN & WGN EXT W.B.	41 = 4-DOOR SEDAN
21 = 2-DOOR SEDAN	44 = 4-DOOR HATCHBACK
24 = 2-DOOR HATCHBACK	45 = 4-DOOR STATION WAGON

AR = Use as Required - = Non Illustrated Part P.A.R. = Paint as Required

WINDSHIELD WIPER AND WASHER SYSTEM J BODY
Figure 23D-600

8172 600



ITEM	PART NUMBER	QTY	BODY	MODEL	DESCRIPTION
1	4334 574	2			CONNECTOR, Washer Hose Elbow
2	3837 036	AR			HOSE, Tee Connector to Connector
3	4389 006	2			CONNECTOR, Push Pin
4	3780 798	AR			HOSE, Reservoir to Tee Connector
5	4419 161	1			PUMP, Washer
6					RESERVOIR, Washer
	4334 562	1			w/o Sensor
	4334 564	1			w/Sensor
	4270 609	1			SENSOR, Reservoir
	4334 707	1			CAP, Reservoir
7	6031 754	4			SCREW, Pivot Mtg.
8					PIVOT, Wiper
	4240 511	1			Right
	4240 512	1			Left
	3799 597	1			CRANK and PIN, Wiper
					LINK and BUSHING, Wiper
	3799 595	1			Right
	3799 600	1			Left
9	4467 258	1			MOTOR, Wiper
	4339 448	1			BRACKET, Wiper Motor
	4389 012	1			COVER, w/Capacitors, Motor
10	#6031 096	1			NUT, Crank Arm Mtg.
11	4334 112	1			CONNECTOR, Washer Tee
12	4389 062	2			BLADE, Wiper
	4389 069	2			(EUROPEAN)
	3799 335	2			REFILL, Blade
13	4334 702	2			ARM, Wiper
	4334 705	2			NOZZLE, Washer
14					SCREEN, Water Deflector, Refer to 23A
15	4312 002	1			CONTROL, Intermittent Wiper
16	4437 181	1			BRACKET, Intermittent Wiper Control

MODEL CODES

C BODY = (D41 - DYNASTY)(C41 - NEW YORKER)	L BODY = (M - HORIZON)(Z-OMNI)
E BODY = (J - CARAVELLE)(E - 600)(T - NEW YORKER TURBO)	M BODY = (B - GRAN FURY)(G - DIPLOMAT)(F - FIFTH AVENUE/NEWPORT)
G BODY = (V24 - DAYTONA, PACIFICA & SHELBY)	P BODY = (P - SUNDANCE)(D - SHADOW)
H BODY = (D44 - LANCER)(C44 - LEBARON GTS)	Q BODY = (C27 - MASERATI)
J BODY = (C - LEBARON)	S BODY = (H - VOYAGER)(K - RAM VAN/ CARAVAN)
K BODY = (P - RELIANT)(D - ARIES)(C - LEBARON/ TOWN & COUNTRY)	

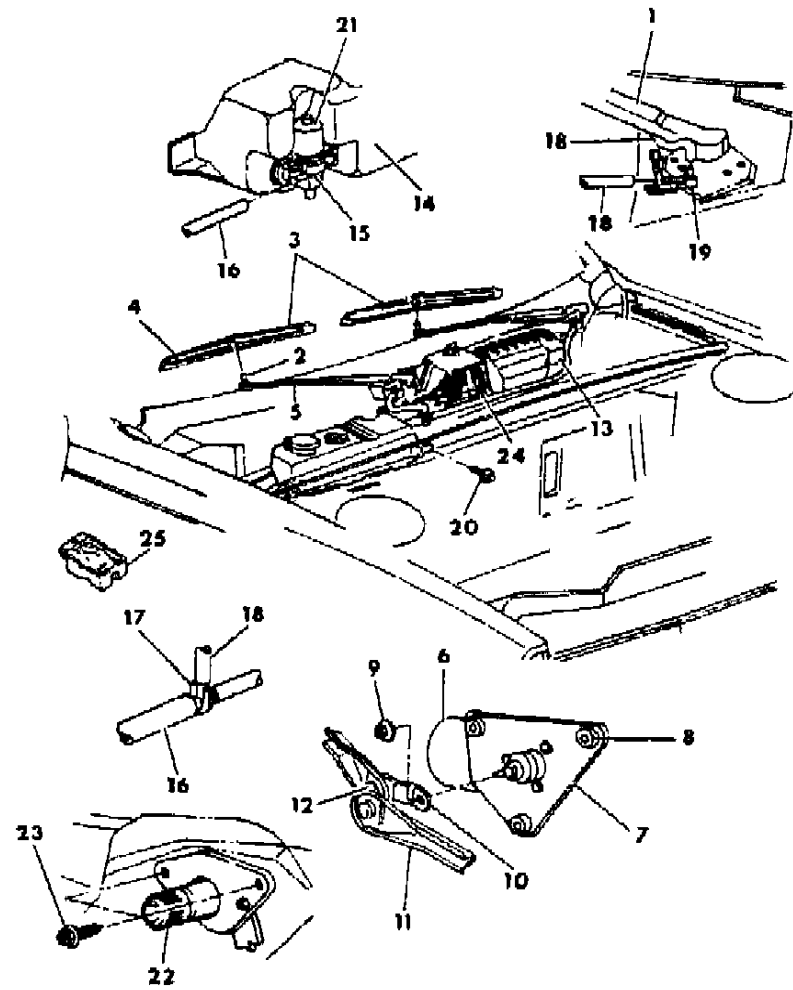
BODY STYLES

12-52 = FWD VAN & WAGON STD. W.B.	27 = 2-DOOR CONVERTIBLE
13-53 = FWD VAN & WGN EXT W.B.	41 = 4-DOOR SEDAN
21 = 2-DOOR SEDAN	44 = 4-DOOR HATCHBACK
24 = 2-DOOR HATCHBACK	45 = 4-DOOR STATION WAGON

AR = Use as Required - = Non Illustrated Part P.A.R. = Paint as Required

WINDSHIELD WIPER AND WASHER SYSTEM K,E BODY
Figure 23D-700

8172 700



ITEM	PART NUMBER	QTY	BODY	MODEL	DESCRIPTION
1					ARM, Wiper
	3799 694	2			w/o Nozzle
	3799 865	2			w/Nozzle
2	3799 695	2			NOZZLE, Wiper
3	4389 063	2			BLADE, Wiper
4	5211 078	2			REFILL, Wiper Blade
5	3799 697	2			GUARD, Hose
6	4467 258	1			MOTOR, Wiper
	4389 012	1			COVER, w/Capacitors, Motor
	6500 502	3			NUT, Motor Mtg.
7	4339 448	1			BRACKET, Motor Mtg.
8	4339 452	1			GROMMET and SPACER PACKAGE, Motor
9	#6031 096	1			NUT, Crank Mtg.
10	3799 597	1			CRANK and PIN, Drive
11					LINK, Wiper
	3799 600	1			Left
	3799 595	1			Right
12	5211 015	1			BUSHING, Drive Link Crank
	3799 089	1			Drive Link
13	3799 859	1			COVER and SEAL, Wiper
14					RESERVOIR, Washer
	4334 562	1			w/o Sensor
	4334 564	1			w/Sensor
	4334 707	1			CAP, Reservoir
15	4270 609	1			SENSOR, Fluid Level
16	3780 798	AR			HOSE, Reservoir to Tee
17	3799 721	1			CONNECTOR, Tee
18	4439 002	AR			HOSE, Tee to Connector
19	4334 574	2			CONNECTOR, Hose Elbow
20		2			SCREW (DNS)
21	4334 569	1			PUMP, Washer
22					PIVOT, Wiper
	4240 511	1			Right
	4240 512	1			Left
23	6031 754	4			SCREW
24		1			SCREEN, Cowl Plenum, Refer to 23A
25	4312 002	1			CONTROL, Intermittent Wiper

MODEL CODES

C BODY = (D41 - DYNASTY)(C41 - NEW YORKER)	L BODY = (M - HORIZON)(Z-OMNI)
E BODY = (J - CARAVELLE)(E - 600)(T - NEW YORKER TURBO)	M BODY = (B - GRAN FURY)(G - DIPLOMAT)(F - FIFTH AVENUE/NEWPORT)
G BODY = (V24 - DAYTONA, PACIFICA & SHELBY)	P BODY = (P - SUNDANCE)(D - SHADOW)
H BODY = (D44 - LANCER)(C44 - LEBARON GTS)	Q BODY = (C27 - MASERATI)
J BODY = (C - LEBARON)	S BODY = (H - VOYAGER)(K - RAM VAN/ CARAVAN)
K BODY = (P - RELIANT)(D - ARIES)(C - LEBARON/ TOWN & COUNTRY)	

BODY STYLES

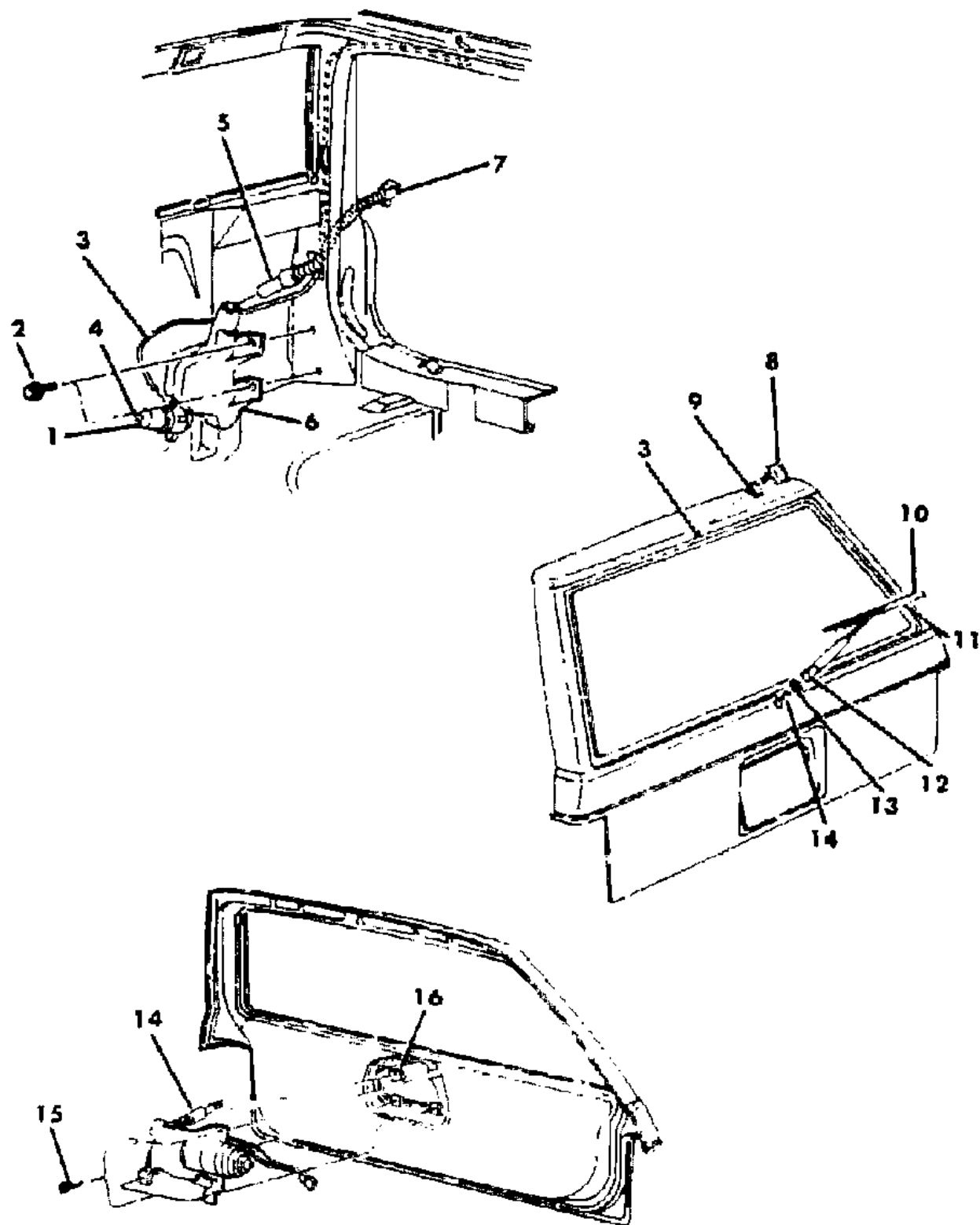
12-52 = FWD VAN & WAGON STD. W.B.	27 = 2-DOOR CONVERTIBLE
13-53 = FWD VAN & WGN EXT W.B.	41 = 4-DOOR SEDAN
21 = 2-DOOR SEDAN	44 = 4-DOOR HATCHBACK
24 = 2-DOOR HATCHBACK	45 = 4-DOOR STATION WAGON

AR = Use as Required - = Non Illustrated Part P.A.R. = Paint as Required

LIFTGATE WIPER AND WASHER SYSTEM K BODY
Figure 23D-800

8172 800

ITEM	PART NUMBER	QTY	BODY	MODEL	DESCRIPTION
1	3799 090	1			PUMP and SEAL PACKAGE, Reservoir
2	6031 951	2			SCREW
3	3780 798	AR			HOSE, Reservoir to Nozzle
4	5211 041	2			GROMMET, Hose to Nozzle
	3799 520	1			Hose to Reservoir
5	3799 679	1			TUBE, Reservoir Filler
6	3799 684	1			RESERVOIR, Washer
7	3799 726	1			CAP, Reservoir
8	3799 682	1			NOZZLE, Washer
9	3799 683	1			GROMMET, Nozzle
10	3799 792	1			BLADE, Wiper
	4389 196	1			Optional
11	3799 794	1			REFILL, Wiper Blade
12	3799 866	1			ARM, Wiper
13	3799 675	1			ESCUTCHEON, Pivot
14	4240 484	1			MOTOR and BRACKET, Wiper
	3799 673	AR			SEAL, Motor
15		4			SCREW (DNS)
16		4			NUT (DNS)



MODEL CODES

C BODY = (D41 - DYNASTY)(C41 - NEW YORKER)
 E BODY = (J - CARAVELLE)(E - 600)(T - NEW YORKER TURBO)
 G BODY = (V24 - DAYTONA, PACIFICA & SHELBY)
 H BODY = (D44 - LANCER)(C44 - LEBARON GTS)
 J BODY = (C - LEBARON)
 K BODY = (P - RELIANT)(D - ARIES)(C - LEBARON/ TOWN & COUNTRY)
 L BODY = (M - HORIZON)(Z-OMNI)
 M BODY = (B - GRAN FURY)(G - DIPLOMAT)(F - FIFTH AVENUE/NEWPORT)
 P BODY = (P - SUNDANCE)(D - SHADOW)
 Q BODY = (C27 - MASERATI)
 S BODY = (H - VOYAGER)(K - RAM VAN/ CARAVAN)

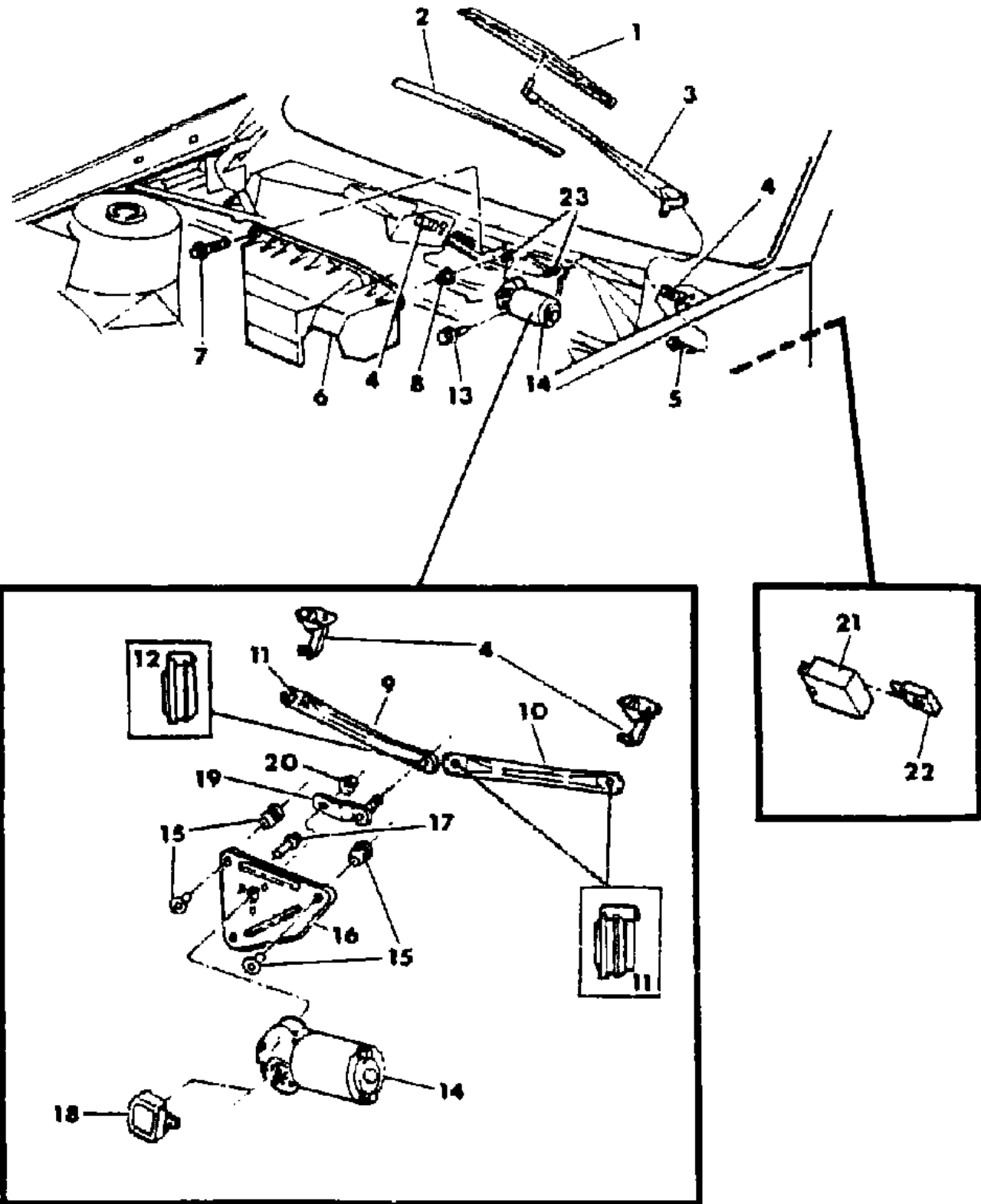
BODY STYLES

12-52 = FWD VAN & WAGON STD. W.B. 27 = 2-DOOR CONVERTIBLE
 13-53 = FWD VAN & WGN EXT W.B. 41 = 4-DOOR SEDAN
 21 = 2-DOOR SEDAN 44 = 4-DOOR HATCHBACK
 24 = 2-DOOR HATCHBACK 45 = 4-DOOR STATION WAGON

AR = Use as Required - = Non Illustrated Part P.A.R. = Paint as Required

WINDSHIELD WIPER SYSTEM G BODY
Figure 23D-900

8172 900



ITEM	PART NUMBER	QTY	BODY	MODEL	DESCRIPTION
1	4389 062	2			BLADE, Wiper
	4389 069	2			(EUROPEAN)
2	3799 335	2			REFILL, Wiper Blade
3	4334 704	2			ARM, Wiper w/o Nozzle
	4334 702	2			w/Nozzle
4	4240 511	1			PIVOT, Wiper Right
	4240 512	1			Left
5	6031 754	4			SCREW
6	3799 859	1			COVER and SEAL, Wiper Motor
7	6031 951	2			SCREW
8	6500 502	2			NUT
	6501 154	1			SCREW
9	3799 595	1			LINK, Wiper, Right
10	3799 600	1			LINK, Wiper, Left
11	3799 089	3			BUSHING, Wiper Link
12	5211 015	1			BUSHING, Wiper Link
13	6501 154	1			SCREW
14	4467 258	1			MOTOR, Wiper
	4389 012	1			COVER, w/Capacitors, Motor
15	4339 452	1			GROMMET and SPACER PACKAGE, Motor
16	4339 448	1			BRACKET, Motor Mtg.
17		AR			BOLT (DNS)
18	4342 226	1			SUPPRESSOR, Motor Radio Noise
19	3799 597	1			CRANK and PIN, Drive
20	#6031 096	1			NUT, Drive Crank
21	4312 002	1			CONTROL, Intermittent Wipe
22	4312 004	1			BRACKET, Intermittent Wipe Control
23	4371 696	1			REINFORCEMENT, Motor Mtg.

MODEL CODES

C BODY = (D41 - DYNASTY)(C41 - NEW YORKER)
 E BODY = (J - CARAVELLE)(E - 600)(T - NEW YORKER TURBO)
 G BODY = (V24 - DAYTONA, PACIFICA & SHELBY)
 H BODY = (D44 - LANCER)(C44 - LEBARON GTS)
 J BODY = (C - LEBARON)
 K BODY = (P - RELIANT)(D - ARIES)(C - LEBARON/ TOWN & COUNTRY)

L BODY = (M - HORIZON)(Z-OMNI)
 M BODY = (B - GRAN FURY)(G - DIPLOMAT)(F - FIFTH AVENUE/NEWPORT)
 P BODY = (P - SUNDANCE)(D - SHADOW)
 Q BODY = (C27 - MASERATI)
 S BODY = (H - VOYAGER)(K - RAM VAN/ CARAVAN)

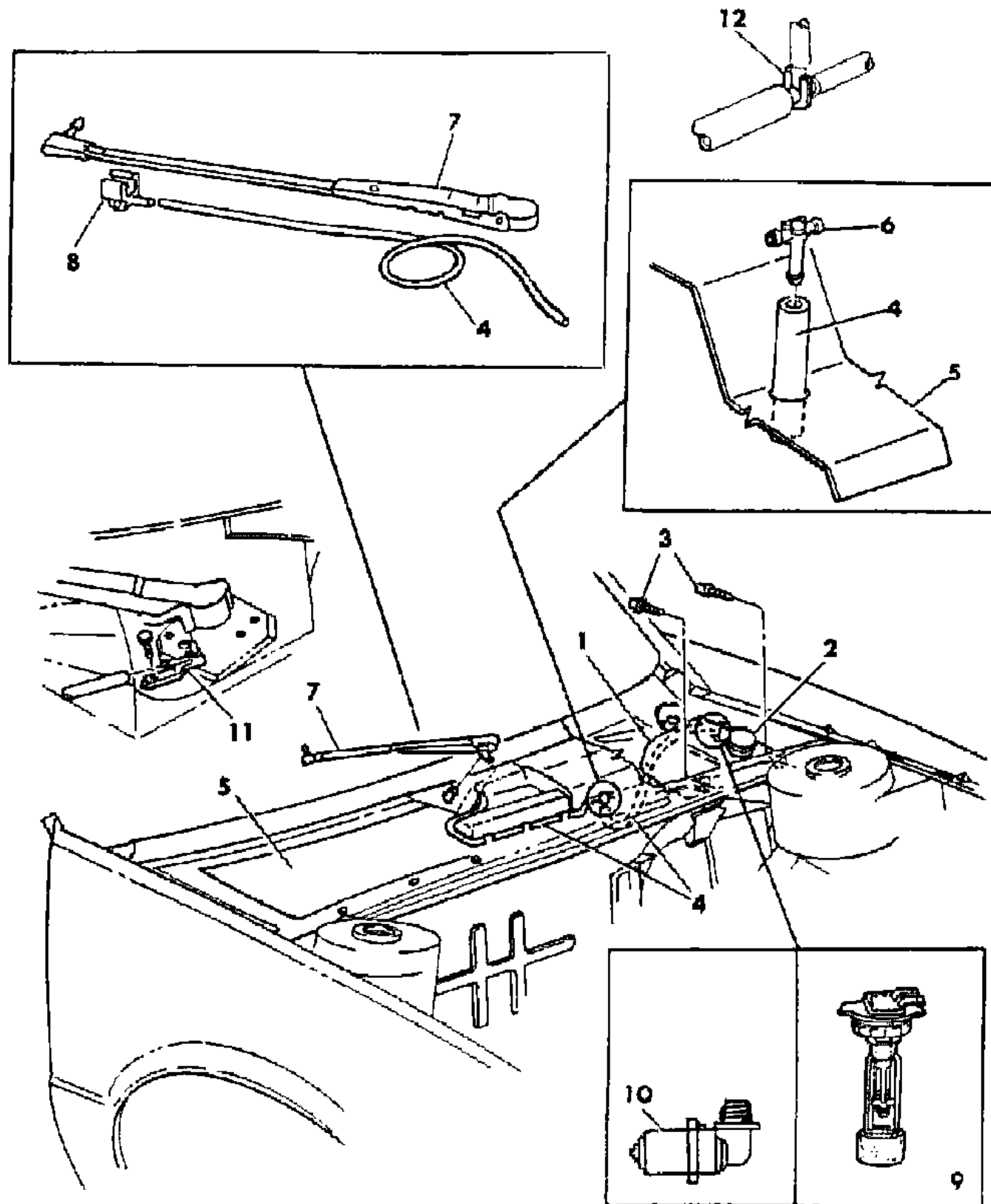
BODY STYLES

12-52 = FWD VAN & WAGON STD. W.B. 27 = 2-DOOR CONVERTIBLE
 13-53 = FWD VAN & WGN EXT W.B. 41 = 4-DOOR SEDAN
 21 = 2-DOOR SEDAN 44 = 4-DOOR HATCHBACK
 24 = 2-DOOR HATCHBACK 45 = 4-DOOR STATION WAGON

AR = Use as Required - = Non Illustrated Part P.A.R. = Paint as Required

WINDSHIELD WASHER SYSTEM G BODY
Figure 23D-1000

B172 1000 A



ITEM	PART NUMBER	QTY	BODY	MODEL	DESCRIPTION
1					RESERVOIR, Washer
	4334 562	1			w/o Sensor
	4334 564	1			w/Sensor
2	4334 707	1			CAP, Reservoir
3	6031 954	2			SCREW
4					HOSE, Washer
	4026 130	AR			3/32" I.D.
	3780 798	AR			5/32" I.D.
5	4371 838	1			SCREEN, Water Deflector
6	3799 721	1			CONNECTOR, Hose Tee
7					ARM, Wiper, Refer to Wiper Illus.
8	4334 705	2			NOZZLE, Washer
9	4270 609	1			SENSOR, Fluid Level
10	4419 161	1			PUMP, Washer
11	4334 574	2			CONNECTOR, Washer Hose Elbow
12	4334 112	1			CONNECTOR, Washer Tee

MODEL CODES

C BODY = (D41 - DYNASTY)(C41 - NEW YORKER)	L BODY = (M - HORIZON)(Z-OMNI)
E BODY = (J - CARAVELLE)(E - 600)(T - NEW YORKER TURBO)	M BODY = (B - GRAN FURY)(G - DIPLOMAT)(F - FIFTH AVENUE/NEWPORT)
G BODY = (V24 - DAYTONA, PACIFICA & SHELBY)	P BODY = (P - SUNDANCE)(D - SHADOW)
H BODY = (D44 - LANCER)(C44 - LEBARON GTS)	Q BODY = (C27 - MASERATI)
J BODY = (C - LEBARON)	S BODY = (H - VOYAGER)(K - RAM VAN/ CARAVAN)
K BODY = (P - RELIANT)(D - ARIES)(C - LEBARON/ TOWN & COUNTRY)	

BODY STYLES

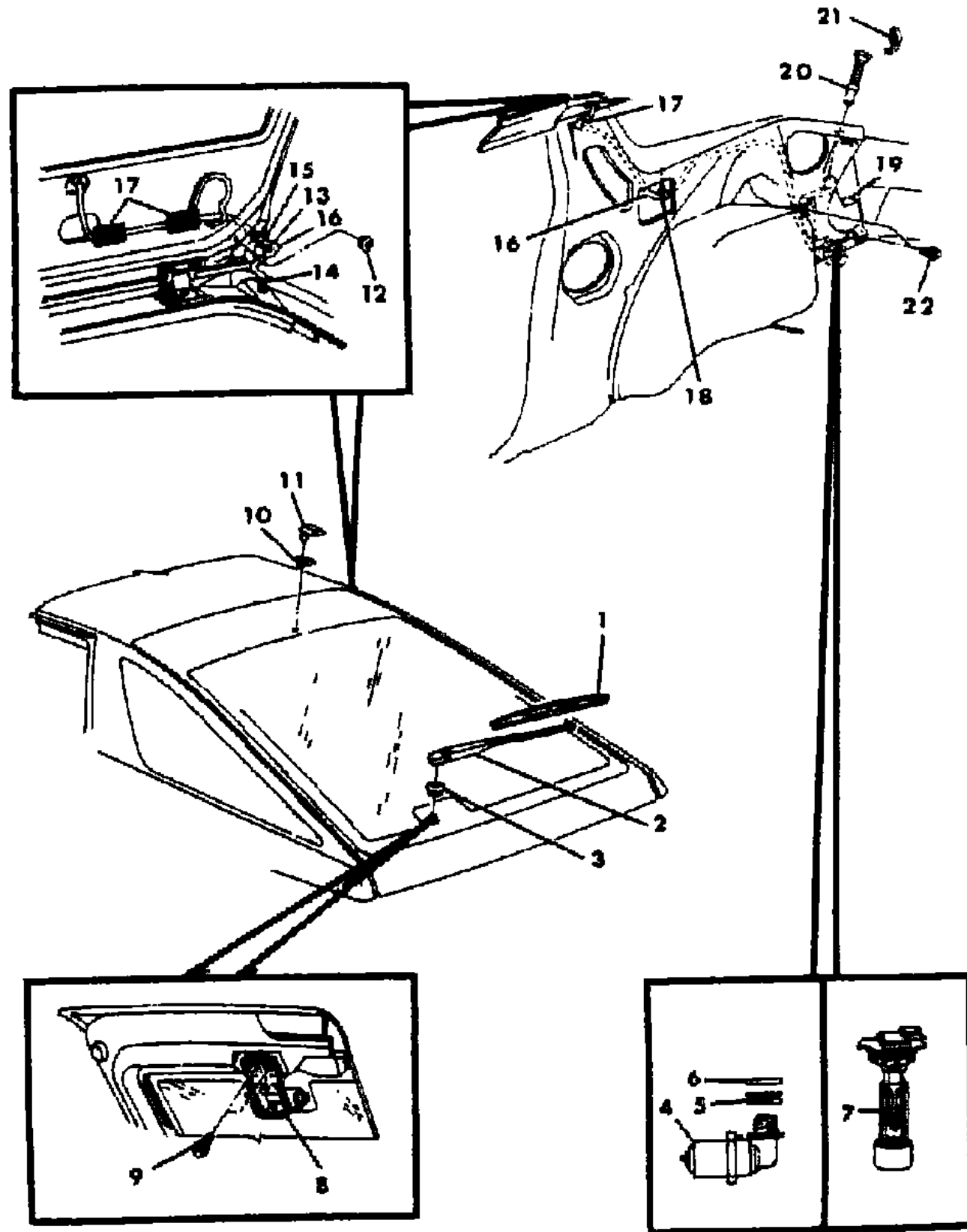
12-52 = FWD VAN & WAGON STD. W.B.	27 = 2-DOOR CONVERTIBLE
13-53 = FWD VAN & WGN EXT W.B.	41 = 4-DOOR SEDAN
21 = 2-DOOR SEDAN	44 = 4-DOOR HATCHBACK
24 = 2-DOOR HATCHBACK	45 = 4-DOOR STATION WAGON

AR = Use as Required - = Non Illustrated Part P.A.R. = Paint as Required

LIFTGATE WIPER AND WASHER SYSTEM G BODY

Figure 23D-1100

8172 1100



ITEM	PART NUMBER	QTY	BODY	MODEL	DESCRIPTION
1	4389 062	1			BLADE, Wiper
	3799 335	1			REFILL, Wiper Blade
2	3799 766	1			ARM, Wiper
3	3799 824	1			GROMMET, Driveshaft to Glass
4	4723 306	1			PUMP, Washer
5		1			SEAL, Pump, Serviced in Item #4
6		1			WASHER, Pump (DNS)
7	3746 813	1			SENSOR, Fluid Level
8	3799 837	1			MOTOR, Wiper
9		2			SCREW (DNS)
10	3799 772	1			GROMMET, Nozzle
11	3799 682	1			NOZZLE, Washer
12	6031 044	1			PLUG
13		1			CLIP, Hose Routing (DNS)
14	#3799 520	1			GROMMET, Hose to Body
15	5211 041	1			GROMMET, Hose to Liftgate
16	3780 798	AR			HOSE, Washer
17		AR			TAPE (DNS)
18	6015 776	1			CLIP, Hose Routing
19	4389 252	1			RESERVOIR, Washer
20	4389 010	1			TUBE, Filler
21	4389 011	1			CAP, Reservoir
22	6031 951	2			SCREW

MODEL CODES

C BODY = (D41 - DYNASTY)(C41 - NEW YORKER)
 E BODY = (J - CARAVELLE)(E - 600)(T - NEW YORKER TURBO)
 G BODY = (V24 - DAYTONA, PACIFICA & SHELBY)
 H BODY = (D44 - LANCER)(C44 - LEBARON GTS)
 J BODY = (C - LEBARON)
 K BODY = (P - RELIANT)(D - ARIES)(C - LEBARON/ TOWN & COUNTRY)

L BODY = (M - HORIZON)(Z-OMNI)
 M BODY = (B - GRAN FURY)(G - DIPLOMAT)(F - FIFTH AVENUE/NEWPORT)
 P BODY = (P - SUNDANCE)(D - SHADOW)
 Q BODY = (C27 - MASERATI)
 S BODY = (H - VOYAGER)(K - RAM VAN/ CARAVAN)

BODY STYLES

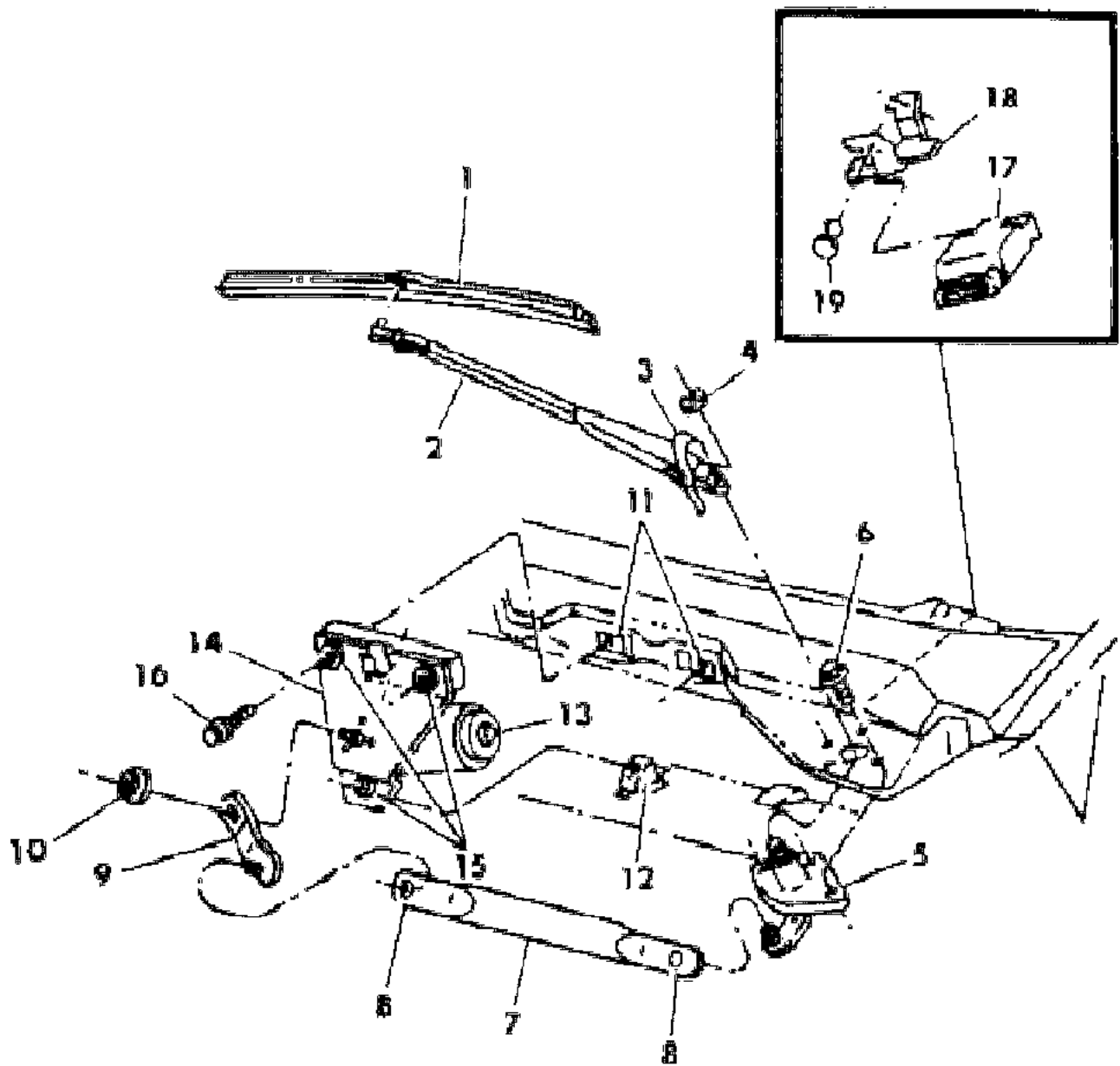
12-52 = FWD VAN & WAGON STD. W.B. 27 = 2-DOOR CONVERTIBLE
 13-53 = FWD VAN & WGN EXT W.B. 41 = 4-DOOR SEDAN
 21 = 2-DOOR SEDAN 44 = 4-DOOR HATCHBACK
 24 = 2-DOOR HATCHBACK 45 = 4-DOOR STATION WAGON

AR = Use as Required - = Non Illustrated Part P.A.R. = Paint as Required

WINSHIELD WIPER SYSTEM H BODY
Figure 23D-1200

8172 1200

ITEM	PART NUMBER	QTY	BODY	MODEL	DESCRIPTION
1	4334 667	2			BLADE, Wiper
	4389 069	2			(EUROPEAN)
	4334 803	2			REFILL, Wiper Blade
2					ARM, Wiper
	4389 053	2			w/o Nozzle
	4389 507	2			w/Nozzle
3	4334 111	2			COVER, Head
4	6501 002	2			NUT
5					PIVOT, Wiper
	4334 131	1			Left
	4334 132	1			Right
6	6031 754	6			SCREW
7					LINK, Wiper
	4270 976	1			Left
	4270 980	1			Right
8	3799 089	3			BUSHING, Drive Link
	5211 015	1			Drive Link Crank
9	4270 978	1			CRANK and PIN, Wiper
10	#6031 096	1			NUT
11	6101 283	2			NUT
12	4337 249	1			BRACKET, Plenum Panel Lower Motor Mtg.
13	4467 259	1			MOTOR, Wiper
	4389 012	1			COVER, w/Capacitors, Motor
	4270 881	1			SEAL, Motor
14	4339 444	1			BRACKET, Motor Mtg.
15	4339 452	1			GROMMET and SPACER, Motor Mtg.
16	6501 160	3			SCREW
17	4312 002	1			CONTROL, Intermittent Wipe
18	4147 361	1			BRACKET, Intermittent Wipe Control
19		2			RETAINER (DNS)



MODEL CODES

C BODY = (D41 - DYNASTY)(C41 - NEW YORKER)
 E BODY = (J - CARAVELLE)(E - 600)(T - NEW YORKER TURBO)
 G BODY = (V24 - DAYTONA, PACIFICA & SHELBY)
 H BODY = (D44 - LANCER)(C44 - LEBARON GTS)
 J BODY = (C - LEBARON)
 K BODY = (P - RELIANT)(D - ARIES)(C - LEBARON/ TOWN & COUNTRY)

L BODY = (M - HORIZON)(Z-OMNI)
 M BODY = (B - GRAN FURY)(G - DIPLOMAT)(F - FIFTH AVENUE/NEWPORT)
 P BODY = (P - SUNDANCE)(D - SHADOW)
 Q BODY = (C27 - MASERATI)
 S BODY = (H - VOYAGER)(K - RAM VAN/ CARAVAN)

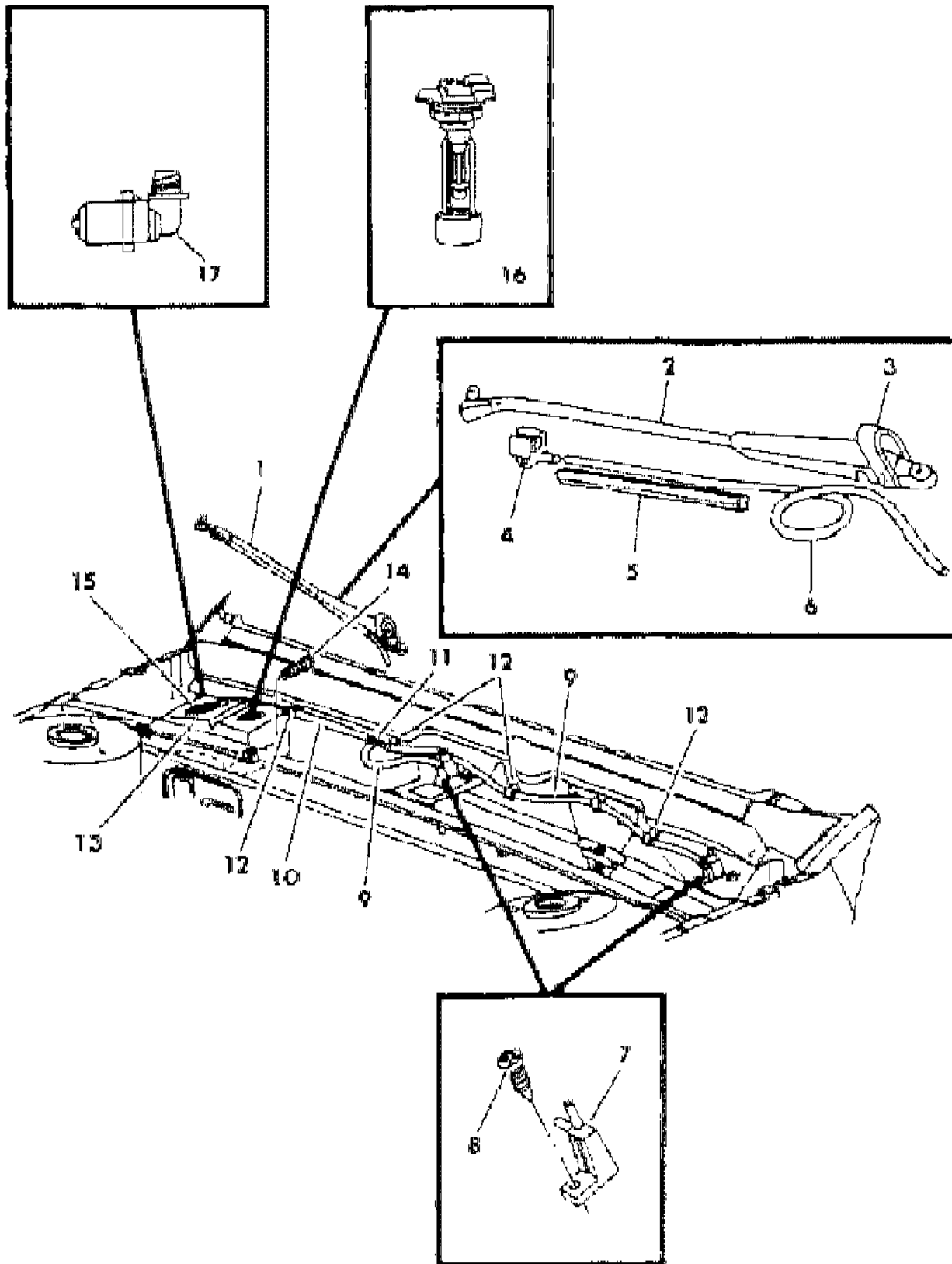
BODY STYLES

12-52 = FWD VAN & WAGON STD. W.B. 27 = 2-DOOR CONVERTIBLE
 13-53 = FWD VAN & WGN EXT W.B. 41 = 4-DOOR SEDAN
 21 = 2-DOOR SEDAN 44 = 4-DOOR HATCHBACK
 24 = 2-DOOR HATCHBACK 45 = 4-DOOR STATION WAGON

AR = Use as Required - = Non Illustrated Part P.A.R. = Paint as Required

WINDSHIELD WASHER SYSTEM H BODY
Figure 23D-1300

8172 1300



ITEM	PART NUMBER	QTY	BODY	MODEL	DESCRIPTION
1	4389 507	2			ARM and NOZZLE, Wiper
2	4389 053	2			ARM, Wiper
3	4334 111	2			COVER, Head
4	4334 956	2			NOZZLE, Washer
5	4334 958	2			GUARD, Hose
6	4026 130	AR			HOSE, Washer
7	4334 113	2			CONNECTOR, Elbow
8		2			SCREW (DNS)
9	4439 002	AR			HOSE, Washer
10	3780 798	AR			HOSE, Washer
11	4334 112	1			CONNECTOR, Tee
12	6015 776	1			CLIP, Hose
13	4334 564	1			RESERVOIR, Washer
14	6031 951	2			SCREW
15	4334 707	1			CAP, Reservoir
16	4270 609	1			SENSOR, Fluid Level
17	4334 569	1			PUMP, Washer

MODEL CODES

C BODY = (D41 - DYNASTY)(C41 - NEW YORKER)	L BODY = (M - HORIZON)(Z-OMNI)
E BODY = (J - CARAVELLE)(E - 600)(T - NEW YORKER TURBO)	M BODY = (B - GRAN FURY)(G - DIPLOMAT)(F - FIFTH AVENUE/NEWPORT)
G BODY = (V24 - DAYTONA, PACIFICA & SHELBY)	P BODY = (P - SUNDANCE)(D - SHADOW)
H BODY = (D44 - LANCER)(C44 - LEBARON GTS)	Q BODY = (C27 - MASERATI)
J BODY = (C - LEBARON)	S BODY = (H - VOYAGER)(K - RAM VAN/ CARAVAN)
K BODY = (P - RELIANT)(D - ARIES)(C - LEBARON/ TOWN & COUNTRY)	

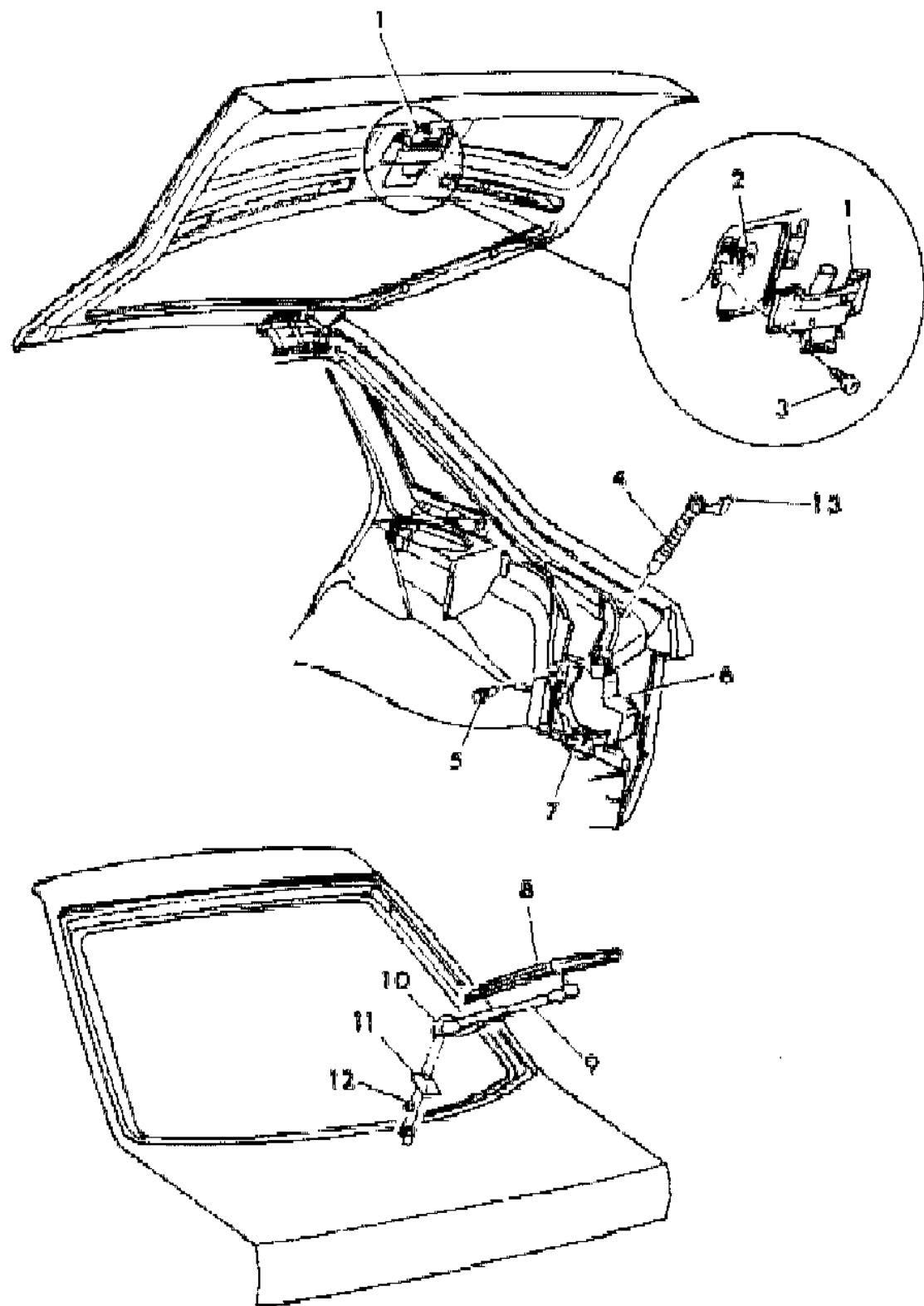
BODY STYLES

12-52 = FWD VAN & WAGON STD. W.B.	27 = 2-DOOR CONVERTIBLE
13-53 = FWD VAN & WGN EXT W.B.	41 = 4-DOOR SEDAN
21 = 2-DOOR SEDAN	44 = 4-DOOR HATCHBACK
24 = 2-DOOR HATCHBACK	45 = 4-DOOR STATION WAGON

AR = Use as Required - = Non Illustrated Part P.A.R. = Paint as Required

LIFTGATE WIPER AND WASHER SYSTEM H BODY
Figure 23D-1400

B172 1400



ITEM	PART NUMBER	QTY	BODY	MODEL	DESCRIPTION
1	4270 773	1			MOTOR, Wiper
2	6032 711	4			NUT, Motor Mtg.
3		4			SCREW (DNS)
4	3799 679	1			TUBE, Filler
	2889 843	1			PLUG, w/o Washer
5	6031 951	2			SCREW, Reservoir Mtg.
6	3799 795	1			RESERVOIR, Washer
	4723 306	1			PUMP, Washer
7	3780 798	AR			HOSE, Washer
	5211 041	1			GROMMET, Hose to Liftgate
	3799 520	1			Hose to Body
8	4334 667	1			BLADE, Wiper
	4334 803	1			REFILL, Wiper Blade
9	4334 576	1			ARM and NOZZLE, Wiper
	4334 956	1			NOZZLE, Washer
	4334 958	1			GUARD, Hose
	4026 130	AR			HOSE, Arm Washer
10	4169 571	1			GUARD, Hose
11	4270 992	1			ESCUTCHEON, Motor
12	4270 998	1			GROMMET, Motor Sleeve
13	3799 822	1			CAP, Reservoir

MODEL CODES

C BODY = (D41 - DYNASTY)(C41 - NEW YORKER)
 E BODY = (J - CARAVELLE)(E - 600)(T - NEW YORKER TURBO)
 G BODY = (V24 - DAYTONA, PACIFICA & SHELBY)
 H BODY = (D44 - LANCER)(C44 - LEBARON GTS)
 J BODY = (C - LEBARON)
 K BODY = (P - RELIANT)(D - ARIES)(C - LEBARON/ TOWN & COUNTRY)

L BODY = (M - HORIZON)(Z-OMNI)
 M BODY = (B - GRAN FURY)(G - DIPLOMAT)(F - FIFTH AVENUE/NEWPORT)
 P BODY = (P - SUNDANCE)(D - SHADOW)
 Q BODY = (C27 - MASERATI)
 S BODY = (H - VOYAGER)(K - RAM VAN/ CARAVAN)

BODY STYLES

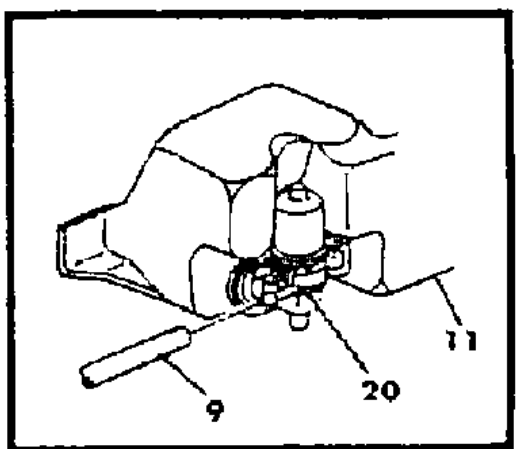
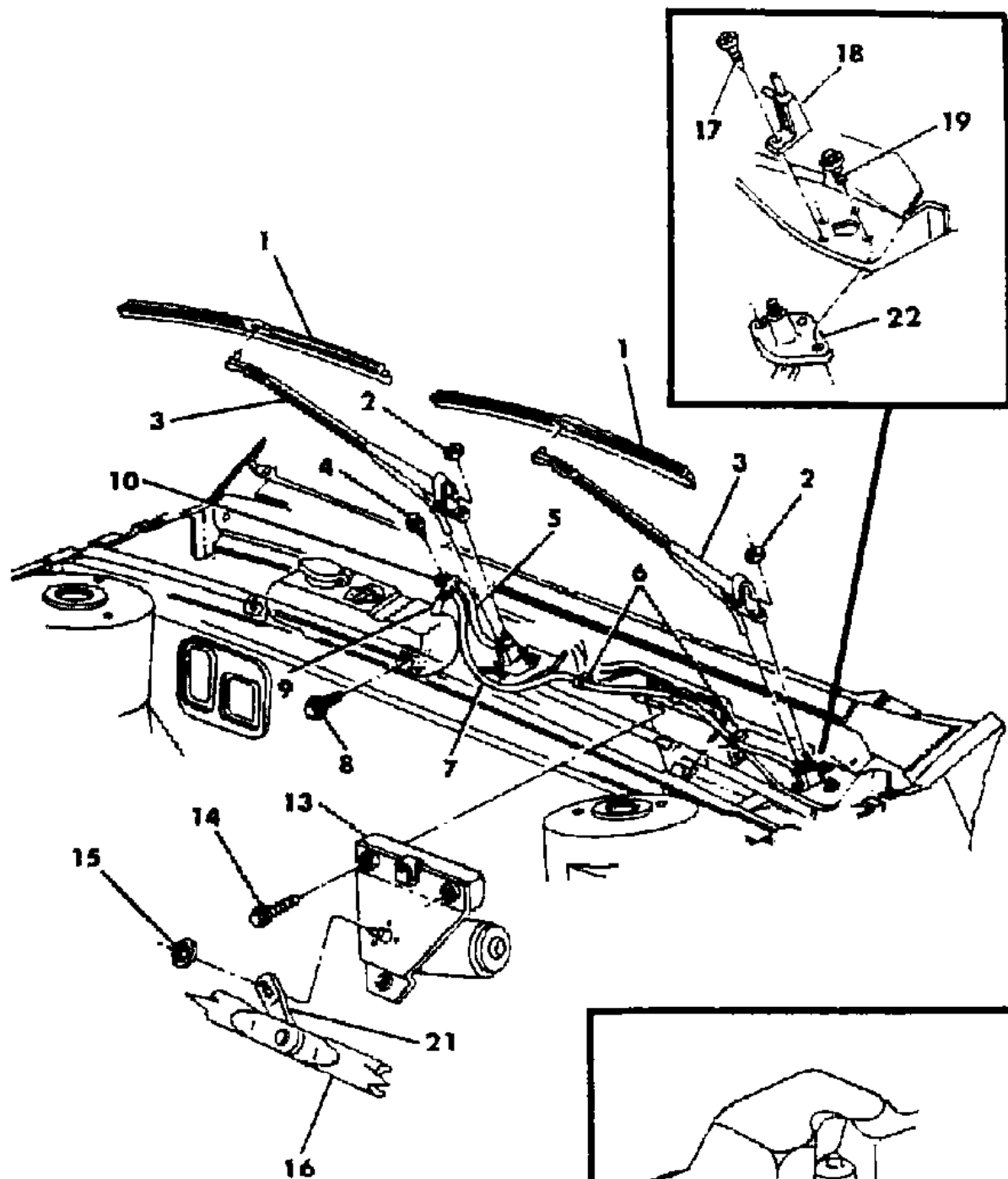
12-52 = FWD VAN & WAGON STD. W.B. 27 = 2-DOOR CONVERTIBLE
 13-53 = FWD VAN & WGN EXT W.B. 41 = 4-DOOR SEDAN
 21 = 2-DOOR SEDAN 44 = 4-DOOR HATCHBACK
 24 = 2-DOOR HATCHBACK 45 = 4-DOOR STATION WAGON

AR = Use as Required - = Non Illustrated Part P.A.R. = Paint as Required

WINDSHIELD WIPER AND WASHER SYSTEM C BODY
Figure 23D-1500

8172 1500 A

ITEM	PART NUMBER	QTY	BODY	MODEL	DESCRIPTION
1	4334 667	2			BLADE, Wiper
	4389 069	2			(EUROPEAN)
	4334 803	2			REFILL, Blade
2	6500 363	2			NUT, Arm Mtg.
3	4334 768	2			ARM, Wiper
	4334 958	2			GUARD, Hose
	4334 956	2			NOZZLE, Washer
4		1			SCREW (DNS)
5	3837 036	AR			HOSE
6		2			CLIP (DNS)
7	3837 036	AR			HOSE
8		2			SCREW (DNS)
9	3780 798	AR			HOSE
10	4334 274	1			CONNECTOR
11					RESERVOIR, Washer
	4389 095	1			w/o Sensor
	4389 096	1			w/Sensor
	4270 609	1			SENSOR, Reservoir
	4334 707	1			CAP, Reservoir
13	4467 259	1			MOTOR, Wiper
	4389 012	1			COVER, w/Capacitors, Motor
	4270 881	1			SEAL, Motor
	4339 444	1			BRACKET, Motor
14	6501 160	3			SCREW, Motor Mtg.
15	#6031 096	1			NUT, Crank Mtg.
16					LINK, Wiper
	4270 980	1			Right
	4270 976	1			Left
17		2			SCREW (DNS)
18	4334 113	2			CONNECTOR, Elbow
19	6031 754	4			SCREW, Pivot Mtg.
20	4419 161	1			PUMP, Washer
21	4270 978	1			CRANK and PIN, Wiper Drive
22					PIVOT, Wiper
	4334 132	1			Right
	4389 505	1			Left



MODEL CODES
 C BODY = (D41 - DYNASTY)(C41 - NEW YORKER)
 E BODY = (J - CARAVELLE)(E - 600)(T - NEW YORKER TURBO)
 G BODY = (V24 - DAYTONA, PACIFICA & SHELBY)
 H BODY = (D44 - LANCER)(C44 - LEBARON GTS)
 J BODY = (C - LEBARON)
 K BODY = (P - RELIANT)(D - ARIES)(C - LEBARON/ TOWN & COUNTRY)
 L BODY = (M - HORIZON)(Z-OMNI)
 M BODY = (B - GRAN FURY)(G - DIPLOMAT)(F - FIFTH AVENUE/NEWPORT)
 P BODY = (P - SUNDANCE)(D - SHADOW)
 Q BODY = (C27 - MASERATI)
 S BODY = (H - VOYAGER)(K - RAM VAN/ CARAVAN)

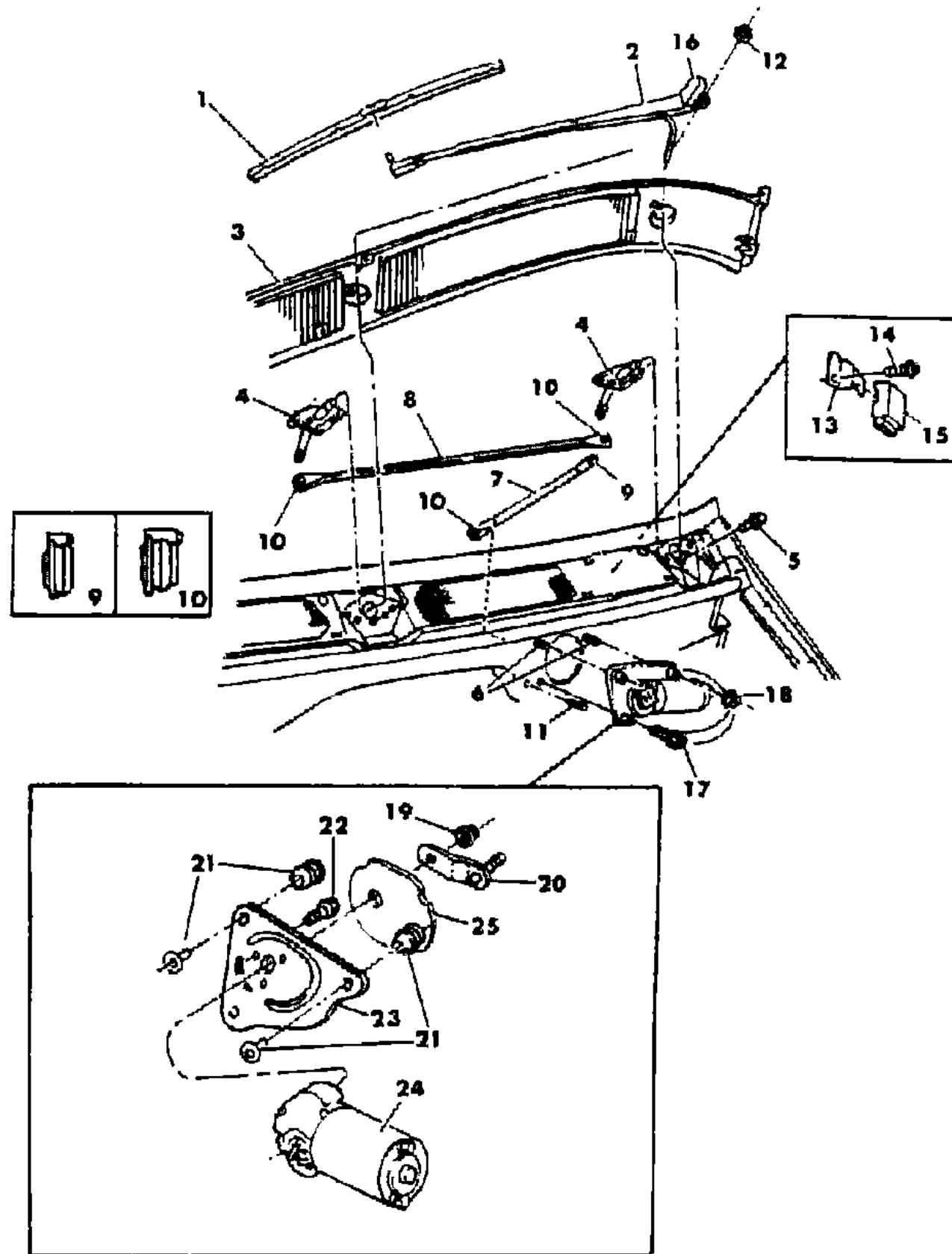
BODY STYLES
 12-52 = FWD VAN & WAGON STD. W.B. 27 = 2-DOOR CONVERTIBLE
 13-53 = FWD VAN & WGN EXT W.B. 41 = 4-DOOR SEDAN
 21 = 2-DOOR SEDAN 44 = 4-DOOR HATCHBACK
 24 = 2-DOOR HATCHBACK 45 = 4-DOOR STATION WAGON

AR = Use as Required - = Non Illustrated Part P.A.R. = Paint as Required

WINDSHIELD WIPER SYSTEM S BODY

Figure 23D-1600

8172 1600



ITEM	PART NUMBER	QTY	BODY	MODEL	DESCRIPTION
1	3799 875	2			BLADE, Wiper
	3799 876	2			REFILL, Wiper Blade
2	4334 959	2			ARM, Wiper w/o Nozzle
	4334 954	2			w/Nozzle
	4334 958	2			GUARD, Hose
3		1			PANEL, Cowl Plenum Grille, See Group 23A
4					PIVOT, Wiper Left
	3799 845	1			Right
5	6031 754	6			SCREW
6	4371 698	1			REINFORCEMENT, Cowl Lower Plenum Motor Mtg.
7	4270 445	1			LINK, Wiper Drive
8	4270 414	1			LINK, Wiper Connecting
9	5211 015	1			BUSHING, Drive Link Crank
10	3799 089	1			BUSHING, Wiper Link
11	6030 441	1			PLUG, Cowl Plenum Lower Motor Mtg. Nut
12	6501 002	2			NUT, Wiper Arm to Pivot
13	4312 005	1			BRACKET, Intermittent Wipe Control
14		1			SCREW (DNS)
15	4312 002	1			CONTROL, Intermittent Wipe
16	4334 111	2			COVER, Wiper Arm Head
17	6501 154	1			SCREW
18	6500 502	2			NUT
19	#6031 096	1			NUT
20	4270 418	1			CRANK and PIN, Motor Drive
21	4339 452	1			GROMMET and SPACER PACKAGE, Wiper Mtg.
22		3			SCREW (DNS)
23	4339 446	1			BRACKET, Motor Mtg.
24	4467 258	1			MOTOR, Wiper
	4389 012	1			COVER, w/Capacitors, Motor
	4270 881	1			SEAL, Motor
25	4270 855	1			SEAL, Motor Bracket to Body

MODEL CODES

C BODY = (D41 - DYNASTY)(C41 - NEW YORKER)	L BODY = (M - HORIZON)(Z-OMNI)
E BODY = (J - CARAVELLE)(E - 600)(T - NEW YORKER TURBO)	M BODY = (B - GRAN FURY)(G - DIPLOMAT)(F - FIFTH AVENUE/NEWPORT)
G BODY = (V24 - DAYTONA, PACIFICA & SHELBY)	P BODY = (P - SUNDANCE)(D - SHADOW)
H BODY = (D44 - LANCER)(C44 - LEBARON GTS)	Q BODY = (C27 - MASERATI)
J BODY = (C - LEBARON)	S BODY = (H - VOYAGER)(K - RAM VAN/ CARAVAN)
K BODY = (P - RELIANT)(D - ARIES)(C - LEBARON/ TOWN & COUNTRY)	

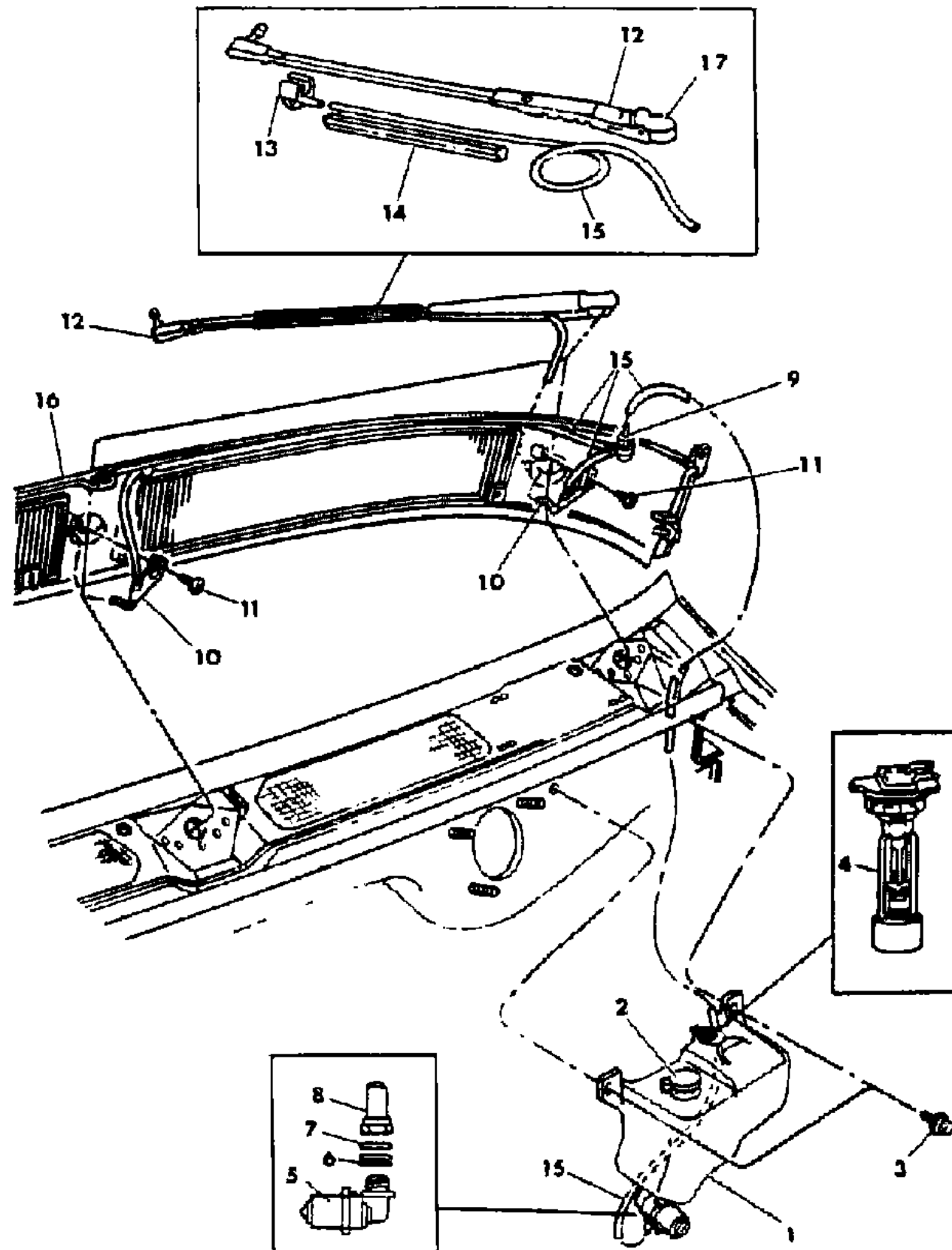
BODY STYLES

12-52 = FWD VAN & WAGON STD. W.B.	27 = 2-DOOR CONVERTIBLE
13-53 = FWD VAN & WGN EXT W.B.	41 = 4-DOOR SEDAN
21 = 2-DOOR SEDAN	44 = 4-DOOR HATCHBACK
24 = 2-DOOR HATCHBACK	45 = 4-DOOR STATION WAGON

AR = Use as Required - = Non Illustrated Part P.A.R. = Paint as Required

WINDSHIELD WASHER SYSTEM S BODY
Figure 23D-1700

8172 1700



ITEM	PART NUMBER	QTY	BODY	MODEL	DESCRIPTION
1					RESERVOIR, Washer
	4270 435	1			w/o Sensor
	4270 434	1			w/Sensor
2	4334 707	1			CAP, Reservoir
3	6032 473	2			SCREW
4	4373 489	1			SENSOR, Fluid
5	4723 306	1			PUMP, Washer
6		1			SEAL, Pump, Serviced in Item #5
7		1			WASHER, Pump (DNS)
8	3799 324	1			FILTER, Pump
9	4270 456	1			CONNECTOR, Turret
10	4270 455	2			CONNECTOR, Cowl Grille
11		2			SCREW (DNS)
12					ARM, Wiper
	4334 959	2			w/o Nozzle
	4334 954	2			w/Nozzle
13	4334 956	2			NOZZLE, Washer
14	4334 958	2			GUARD, Hose
15					HOSE, Washer
	4026 130	AR			3/32" I.D.
	3837 036	AR			1/8" I.D.
	3780 798	AR			5/32" I.D.
16	4278 057	1			PANEL, Plenum Grille
17	4334 111	2			COVER, Arm Head

MODEL CODES

C BODY = (D41 - DYNASTY)(C41 - NEW YORKER)	L BODY = (M - HORIZON)(Z-OMNI)
E BODY = (J - CARAVELLE)(E - 600)(T - NEW YORKER TURBO)	M BODY = (B - GRAN FURY)(G - DIPLOMAT)(F - FIFTH AVENUE/NEWPORT)
G BODY = (V24 - DAYTONA, PACIFICA & SHELBY)	P BODY = (P - SUNDANCE)(D - SHADOW)
H BODY = (D44 - LANCER)(C44 - LEBARON GTS)	Q BODY = (C27 - MASERATI)
J BODY = (C - LEBARON)	S BODY = (H - VOYAGER)(K - RAM VAN/ CARAVAN)
K BODY = (P - RELIANT)(D - ARIES)(C - LEBARON/ TOWN & COUNTRY)	

BODY STYLES

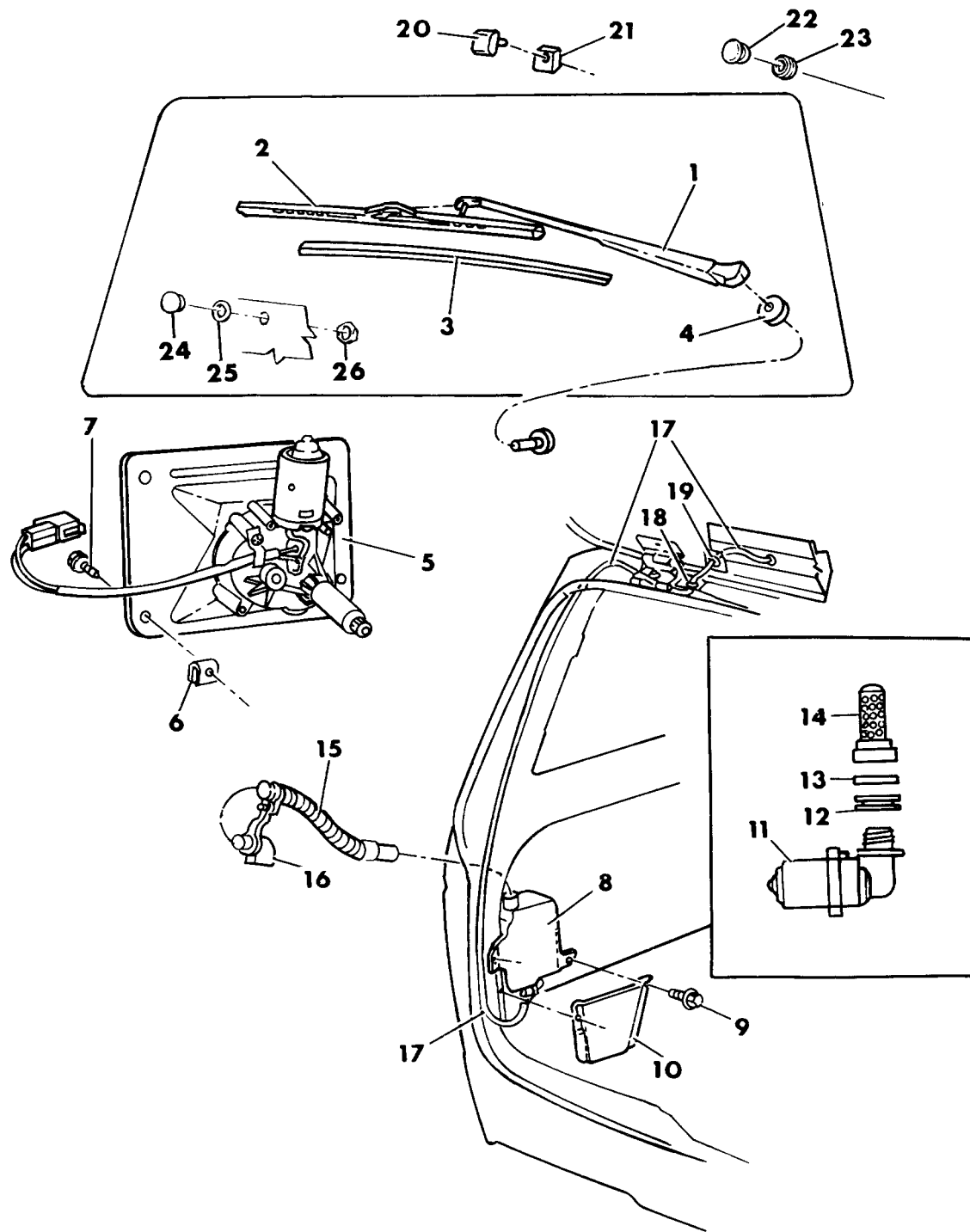
12-52 = FWD VAN & WAGON STD. W.B.	27 = 2-DOOR CONVERTIBLE
13-53 = FWD VAN & WGN EXT W.B.	41 = 4-DOOR SEDAN
21 = 2-DOOR SEDAN	44 = 4-DOOR HATCHBACK
24 = 2-DOOR HATCHBACK	45 = 4-DOOR STATION WAGON

AR = Use as Required - = Non Illustrated Part P.A.R. = Paint as Required

LIFTGATE WIPER AND WASHER SYSTEM S BODY

Figure 23D-1800

8172 1800A



ITEM	PART NUMBER	QTY	BODY	MODEL	DESCRIPTION
1	4270 441	1			ARM, Wiper
2	4389 063	2			BLADE, Wiper
	4270 468	2			Anco Trico
3					REFILL, Wiper Blade
	5211 078	1			Anco
	4270 471	1			Trico
4	4270 459	1			GROMMET, Wiper Drive
5	4270 437	1			MOTOR, Wiper
6		4			NUT (DNS)
7		4			SCREW (DNS)
8	4270 448	1			RESERVOIR, Washer
9	6031 951	3			SCREW
10	4270 799	1			COVER, Reservoir Pump
11	4723 306	1			PUMP, Washer
12		1			SEAL, Pump, Serviced in Item #11
13		1			WASHER (DNS)
14	3799 324	1			FILTER, Pump
15	3799 679	1			TUBE, Filler
16	3799 726	1			CAP, Reservoir
17	3780 798	AR			HOSE, Washer
18	#3799 520	1			GROMMET, Hose to Body
19	5211 041	1			GROMMET, Hose to Liftgate
20	3799 682	1			NOZZLE, Washer
21	4270 428	1			GROMMET, Nozzle
22	4378 408	1			PLUG
23	4378 409	1			GROMMET
24	4445 283	1			PLUG
25	4445 284	1			GASKET
26	6033 839	1			NUT

MODEL CODES

C BODY = (D41 - DYNASTY)(C41 - NEW YORKER)
 E BODY = (J - CARAVELLE)(E - 600)(T - NEW YORKER TURBO)
 G BODY = (V24 - DAYTONA, PACIFICA & SHELBY)
 H BODY = (D44 - LANCER)(C44 - LEBARON GTS)
 J BODY = (C - LEBARON)
 K BODY = (P - RELIANT)(D - ARIES)(C - LEBARON/ TOWN & COUNTRY)
 L BODY = (M - HORIZON)(Z-OMNI)
 M BODY = (B - GRAN FURY)(G - DIPLOMAT)(F - FIFTH AVENUE/NEWPORT)
 P BODY = (P - SUNDANCE)(D - SHADOW)
 Q BODY = (C27 - MASERATI)
 S BODY = (H - VOYAGER)(K - RAM VAN/ CARAVAN)

BODY STYLES

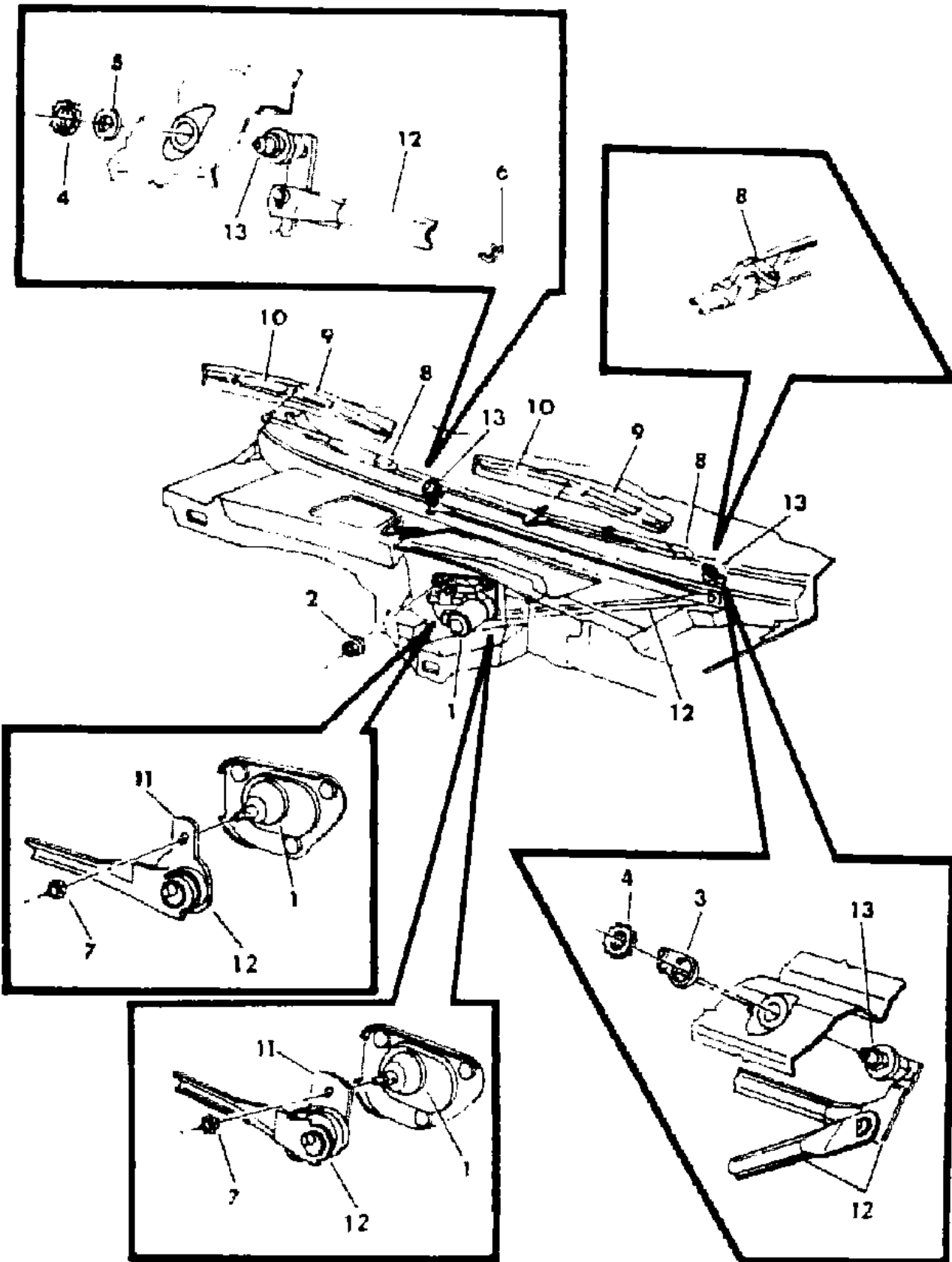
12-52 = FWD VAN & WAGON STD. W.B. 27 = 2-DOOR CONVERTIBLE
 13-53 = FWD VAN & WGN EXT W.B. 41 = 4-DOOR SEDAN
 21 = 2-DOOR SEDAN 44 = 4-DOOR HATCHBACK
 24 = 2-DOOR HATCHBACK 45 = 4-DOOR STATION WAGON

AR = Use as Required - = Non Illustrated Part P.A.R. = Paint as Required

WINDSHIELD WIPER SYSTEM M BODY

Figure 23D-1900

8172 1900



ITEM	PART NUMBER	QTY	BODY	MODEL	DESCRIPTION
1	4467 258	1			MOTOR, Wiper
	4389 012	1			COVER, w/Capacitors, Motor
	4339 452	1			GROMMET and SPACER PACKAGE, Motor Mtg.
	4270 855	1			SEAL, Motor Mtg.
	4339 447	1			BRACKET, Motor Mtg.
	4222 060	1			CONTROL, Intermittent Wipe
	4048 579	1			BRACKET, Intermittent Wipe Control
2	6025 413	3			NUT, Motor Mtg.
3	3799 827	1			PLATE, Pivot Mtg., Left
4	5211 098	2			NUT, Pivot Mtg.
5	5211 099	1			WASHER, Pivot Mtg.
6	3799 089	4			BUSHING, Wiper Linkage
7	#6031 096	1			NUT, Crank Mtg.
8	3799 862-3	1			ARM, Wiper
9	4334 667	2			BLADE, Wiper
10	3799 685	2			REFILL, Wiper Blade
11	3799 105	1			CRANK and PIN, Drive
12					LINK, Wiper
	3799 101	1			Pivot Connecting
	4334 106	1			Wiper Drive
13					PIVOT, Wiper
	4026 046	1			Right
	3799 479	1			Left

MODEL CODES

C BODY = (D41 - DYNASTY)(C41 - NEW YORKER)	L BODY = (M - HORIZON)(Z-OMNI)
E BODY = (J - CARAVELLE)(E - 600)(T - NEW YORKER TURBO)	M BODY = (B - GRAN FURY)(G - DIPLOMAT)(F - FIFTH AVENUE/NEWPORT)
G BODY = (V24 - DAYTONA, PACIFICA & SHELBY)	P BODY = (P - SUNDANCE)(D - SHADOW)
H BODY = (D44 - LANCER)(C44 - LEBARON GTS)	Q BODY = (C27 - MASERATI)
J BODY = (C - LEBARON)	S BODY = (H - VOYAGER)(K - RAM VAN/ CARAVAN)
K BODY = (P - RELIANT)(D - ARIES)(C - LEBARON/ TOWN & COUNTRY)	

BODY STYLES

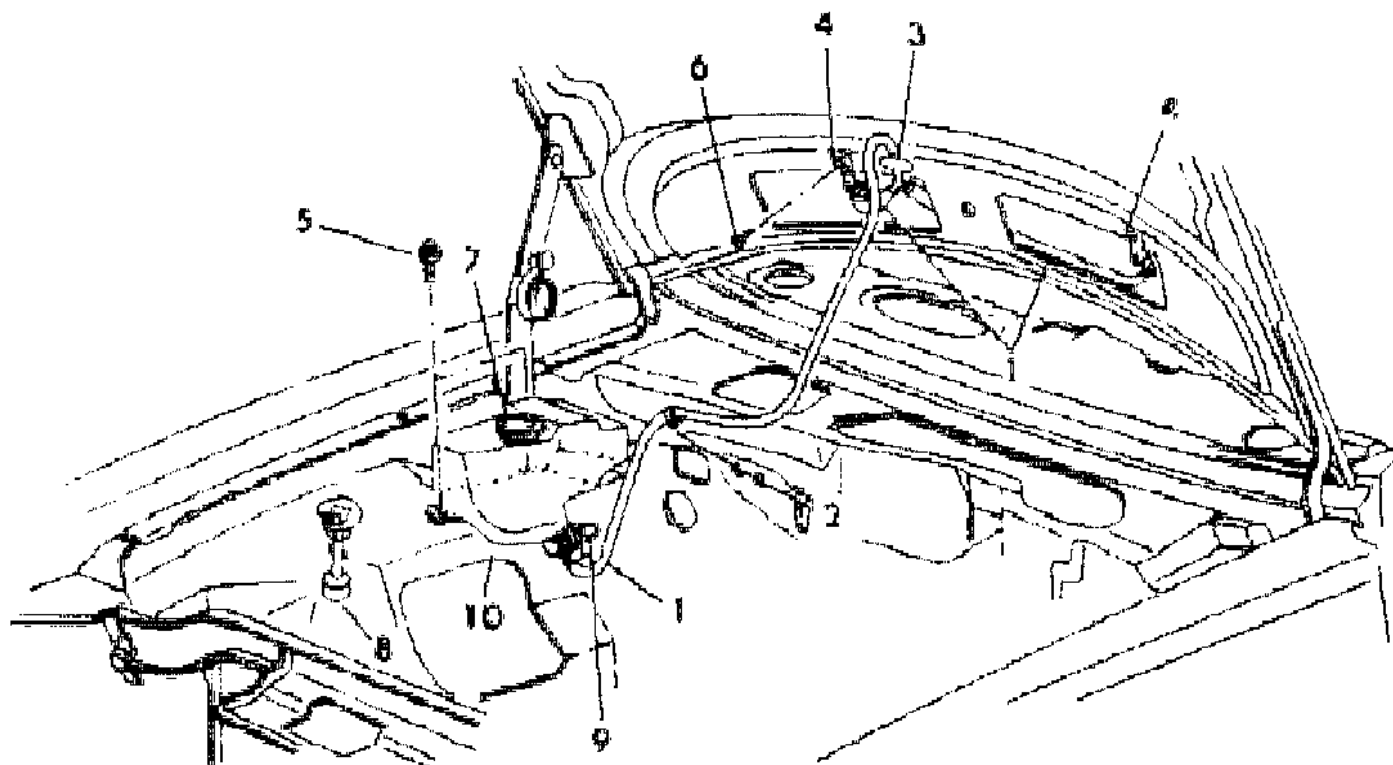
12-52 = FWD VAN & WAGON STD. W.B.	27 = 2-DOOR CONVERTIBLE
13-53 = FWD VAN & WGN EXT W.B.	41 = 4-DOOR SEDAN
21 = 2-DOOR SEDAN	44 = 4-DOOR HATCHBACK
24 = 2-DOOR HATCHBACK	45 = 4-DOOR STATION WAGON

AR = Use as Required - = Non Illustrated Part P.A.R. = Paint as Required

WINDSHIELD WASHER SYSTEM M BODY
Figure 23D-2000

0172 2000

ITEM	PART NUMBER	QTY	BODY	MODEL	DESCRIPTION
1					HOSE, Washer
	3780 798	AR			5/32" I.D.
	3837 036	AR			1/8" I.D.
2	6015 776	1			CLIP
3	5211 126	1			CONNECTOR, Hose
4	3799 133	2			NOZZLE, Washer
5	6031 951	2			SCREW
6		2			SCREW (DNS)
7	2497 500	1			CAP, Reservoir
8	3746 813	1			SENSOR, Fluid Level
9	4762 319	1			PUMP and SEAL PACKAGE, Washer
10	#3799 542	1			RESERVOIR, Washer



MODEL CODES

C BODY = (D41 - DYNASTY)(C41 - NEW YORKER)	L BODY = (M - HORIZON)(Z-OMNI)
E BODY = (J - CARAVELLE)(E - 600)(T - NEW YORKER TURBO)	M BODY = (B - GRAN FURY)(G - DIPLOMAT)(F - FIFTH AVENUE/NEWPORT)
G BODY = (V24 - DAYTONA, PACIFICA & SHELBY)	P BODY = (P - SUNDANCE)(D - SHADOW)
H BODY = (D44 - LANCER)(C44 - LEBARON GTS)	Q BODY = (C27 - MASERATI)
J BODY = (C - LEBARON)	S BODY = (H - VOYAGER)(K - RAM VAN/ CARAVAN)
K BODY = (P - RELIANT)(D - ARIES)(C - LEBARON/ TOWN & COUNTRY)	

BODY STYLES

12-52 = FWD VAN & WAGON STD. W.B.	27 = 2-DOOR CONVERTIBLE
13-53 = FWD VAN & WGN EXT W.B.	41 = 4-DOOR SEDAN
21 = 2-DOOR SEDAN	44 = 4-DOOR HATCHBACK
24 = 2-DOOR HATCHBACK	45 = 4-DOOR STATION WAGON

AR = Use as Required - = Non Illustrated Part P.A.R. = Paint as Required

GROUP 24 - HEATER AND AIR CONDITIONING

ILLUSTRATION TITLE	GROUP-FIG. NO.
HEATER CONTROLS	
CONTROLS, HEATER L,S,M BODY	Fig. 24-100
CONTROLS, HEATER P,J,K,G,E,H,C BODY	Fig. 24-200
HEATER UNIT	
HEATER UNIT L BODY	Fig. 24-300
HEATER UNIT P,J,G,H,C BODY	Fig. 24-400
HEATER UNIT K,E BODY	Fig. 24-500
HEATER UNIT S BODY	Fig. 24-600
HEATER UNIT, AUXILIARY S BODY 52 MODEL	Fig. 24-700
HEATER UNIT M BODY	Fig. 24-800
HEATER PLUMBING	
PLUMBING, HEATER L BODY	Fig. 24-900
PLUMBING, HEATER P BODY	Fig. 24-1000
PLUMBING, HEATER J BODY	Fig. 24-1200
PLUMBING, HEATER K,E BODY	Fig. 24-1300
PLUMBING, HEATER G BODY	Fig. 24-1400
PLUMBING, HEATER H BODY	Fig. 24-1500
PLUMBING, HEATER S BODY	Fig. 24-1600
PLUMBING HEATER, AUXILIARY UNDERBODY S BODY	Fig. 24-1700
PLUMBING, HEATER M BODY B,G	Fig. 24-1800
AIR CONDITIONER CONTROLS	
CONTROL, AIR CONDITIONER L,S,M BODY	Fig. 24-1900
CONTROL, AIR CONDITIONER P,H BODY	Fig. 24-2000
CONTROL, AIR CONDITIONER J,K,G,E,C BODY	Fig. 24-2100
CONTROL, A/C AND HEATER REAR S BODY	Fig. 24-2200
AIR CONDITIONING AND HEATER UNIT	
AIR CONDITIONING AND HEATER UNIT L BODY	Fig. 24-2300
AIR CONDITIONING AND HEATER UNIT P,H BODY	Fig. 24-2400
AIR CONDITIONING AND HEATER UNIT J,G BODY	Fig. 24-2500
AIR CONDITIONING AND HEATER UNIT C, BODY	Fig. 24-2600
AIR CONDITIONING AND HEATER UNIT K,E BODY	Fig. 24-2700
AIR CONDITIONING AND HEATER UNIT S BODY	Fig. 24-2800
REAR AIR CONDITIONING AND HEATER UNIT S BODY	Fig. 24-2900
AIR CONDITIONING AND HEATER UNIT M BODY	Fig. 24-3000

ILLUSTRATION NOT AVAILABLE AT TIME OF PUBLICATION

GROUP 24 - HEATER AND AIR CONDITIONING**GROUP 24 - HEATER AND AIR CONDITIONING****ILLUSTRATION TITLE** **GROUP-FIG. NO.****ILLUSTRATION TITLE** **GROUP-FIG. NO.****AIR CONDITIONING AND HEATER UNIT (Continued)**AIR CONDITIONING AND HEATER UNIT M BODY Fig. 24-3000
PLUMBING, AIR CONDITIONING AND HEATING L BODY Fig. 24-3100**AIR DUCTS, OUTLET AND LOUVER (Continued)**DEMISTER, HOSE, OUTLET, DUCT S BODY Fig. 24-5800
AIR DISTRIBUTION, DUCT, LOUVER M BODY Fig. 24-5900**PLUMBING AIR CONDITIONING AND HEATER**PLUMBING, AIR CONDITIONING AND HEATER J BODY 1 OF 2 ILLUSTRATIONS Fig. 24-3200
PLUMBING, AIR CONDITIONING AND HEATER J BODY 2 OF 2 ILLUSTRATIONS Fig. 24-3300
PLUMBING, AIR CONDITIONING AND HEATER P BODY Fig. 24-3400
PLUMBING, AIR CONDITIONING AND HEATER K,E BODY 1 OF 2 Fig. 24-3500
PLUMBING, AIR CONDITIONING AND HEATER K,E BODY 2 OF 2 Fig. 24-3600
PLUMBING, A/C AND HEATER G BODY 1 OF 2 ILLUSTRATIONS Fig. 24-3700
PLUMBING, A/C AND HEATER G BODY 2 OF 2 ILLUSTRATIONS Fig. 24-3800
PLUMBING, AIR CONDITIONING AND HEATER H BODY Fig. 24-3900
PLUMBING, AIR CONDITIONING AND HEATER C BODY 2.5 LITER ENGINE Fig. 24-3950
PLUMBING, AIR CONDITIONING AND HEATER C BODY 3.0 LITER ENGINE Fig. 24-4000
PLUMBING, AIR CONDITIONING AND HEATER S BODY 2.5 LITER ENGINE Fig. 24-4100
PLUMBING, AIR CONDITIONING AND HEATER S BODY 3.0 LITER ENGINE Fig. 24-4200
PLUMBING, AUXILIARY UNDERBODY AIR CONDITIONER S BODY Fig. 24-4225
PLUMBING, AIR CONDITIONING AND HEATER M BODY Fig. 24-4300**COMPRESSOR AND MOUNTING**AIR CONDITIONING COMPRESSOR Fig. 24-4400
AIR CONDITIONING COMPRESSOR MOUNTING EXC. M BODY Fig. 24-4500
AIR CONDITIONING COMPRESSOR MOUNTING M BODY (318 ENGINE) Fig. 24-4600**AIR DUCTS, OUTLET AND LOUVER**AIR DISTRIBUTION, DUCT, OUTLET, LOUVER L BODY Fig. 24-4700
AIR DISTRIBUTION DUCTS, LOUVER, GRILLE C BODY Fig. 24-4800
DEMISTER, HOSE ADAPTER C BODY Fig. 24-4900
AIR DISTRIBUTION, DUCT, OUTLET, VENT HSG. P BODY P,D 22,44 Fig. 24-5000
DEMISTER, HOSE, OUTLET, ADAPTER P BODY P,D 22,44 Fig. 24-5100
AIR DISTRIBUTION, DUCT, OUTLET, LOUVER, HOUSING K,E BODY Fig. 24-5200
AIR DISTRIBUTION DUCTS, OUTLETS J BODY, G BODY Fig. 24-5300
DEMISTER, HOSE, OUTLET, ADAPTER J BODY, G BODY Fig. 24-5400
AIR DISTRIBUTION DUCTS, OUTLET, LOUVER, VENT HSG. H BODY Fig. 24-5500
DEMISTER, HOSE, OUTLET, ADAPTOR H BODY Fig. 24-5600
AIR DISTRIBUTION DUCTS, OUTLETS, LOUVER S BODY Fig. 24-5700
DEMISTER, HOSE, OUTLET, DUCT S BODY Fig. 24-5800

CONTROLS, HEATER L,S,M BODY
Figure 24-100

8124 100

ITEM	PART NUMBER	QTY	BODY	MODEL	DESCRIPTION
1	3848 001	1	L		CONTROL, Base Heater
2					CABLE
	5210 362	1	L		Heater Control Mode
	3847 432	1	M		Heater Control Temperature
	5210 360	1	L		Heater Control Temp. w/o Upr. Level Vent.
	3848 319	1	S		Heater Control Temperature
3					KNOB
	3849 810	1	L		Heater Temperature Control and Mode (Chrome)
	3849 809	1	S		Heater Temperature Control & Mode
4					SWITCH
	3847 940	1			Heater Control Blower
	3848 645	1	S		Bi-Level Heater Control Blower
5	3849 739	1			CLIP, Heater Control Cable
6	6029 889	1			NUT
7	4443 134	1			SOCKET, Heater Control Lamp Cable
8					PIN
	3503 326	1	L		Heater Control Lever Pivot
	3503 317	1	S,M		Heater Control Lever Pivot
9					LEVER
	4443 106	1	L		Heater Control Temperature
	4443 109	1	S		Heater Control Temperature
	3847 014	1	M		Heater Control Temperature
-	4443 106	1	L		LEVER and KNOB PACKAGE, (Chrome) Heater Control Mode
-	4443 105	1	L		LEVER and KNOB PACKAGE, (Chrome) Htr. Temp. Control
-	4443 104	1	M		LEVER and KNOB PACKAGE, (Black) Heater Control
-	4443 106	1	L		Heater Control Mode
	4443 107	1	S		LEVER and KNOB PACKAGE, (Black) Htr. Temp. Control
10					CLIP
	2820 453	1	L,M		Heater Lever Return
	3849 122	1	S		Heater Lever Return
11					CONTROL
	3848 002	1	M		Base Htr. Bi-Level (use 3847658 Decal)
	4462 024	1	S		Base Htr. Bi-Level (4 Button)
12					CHECK VALVE
	3441 609	1	M		Htr. Vac. Hose, w/Upr. Level Vent.
	3441 609	1	S		Heater Vacuum Hose
13	4443 134	1			SOCKET and BULB PACKAGE, Heater Control Lamp

MODEL CODES

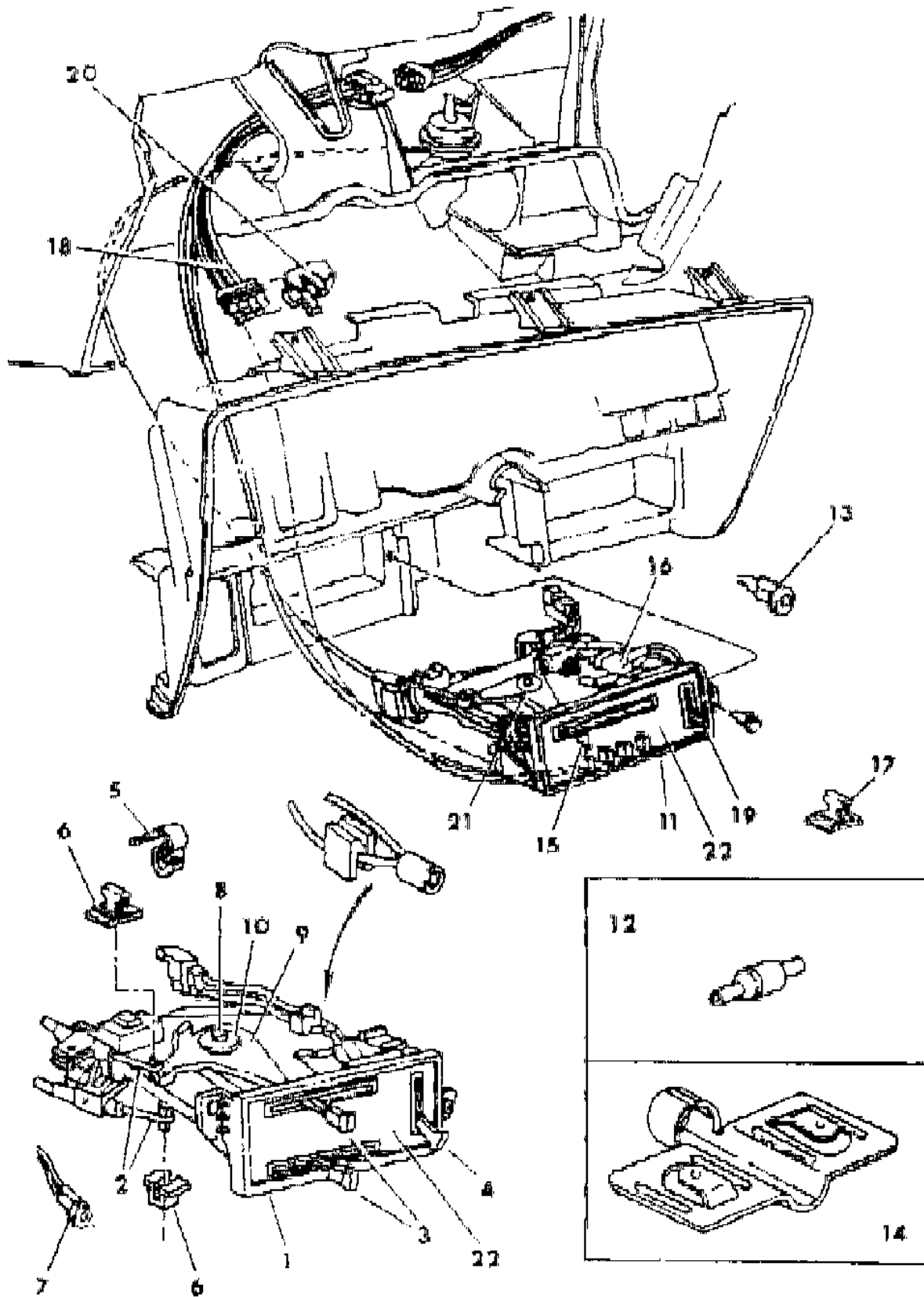
C BODY = (D41 - DYNASTY)(C41 - NEW YORKER)
 E BODY = (J - CARAVELLE)(E - 600)(T - NEW YORKER TURBO)
 G BODY = (V24 - DAYTONA, PACIFICA & SHELBY)
 H BODY = (D44 - LANCER)(C44 - LEBARON GTS)
 J BODY = (C - LEBARON)
 K BODY = (P - RELIANT)(D - ARIES)(C - LEBARON/ TOWN & COUNTRY)

L BODY = (M - HORIZON)(Z-OMNI)
 M BODY = (B - GRAN FURY)(G - DIPLOMAT)(F - FIFTH AVENUE/NEWPORT)
 P BODY = (P - SUNDANCE)(D - SHADOW)
 Q BODY = (C27 - MASERATI)
 S BODY = (H - VOYAGER)(K - RAM VAN/ CARAVAN)

BODY STYLES

12-52 = FWD VAN & WAGON STD. W.B. 27 = 2-DOOR CONVERTIBLE
 13-53 = FWD VAN & WGN EXT W.B. 41 = 4-DOOR SEDAN
 21 = 2-DOOR SEDAN 44 = 4-DOOR HATCHBACK
 24 = 2-DOOR HATCHBACK 45 = 4-DOOR STATION WAGON

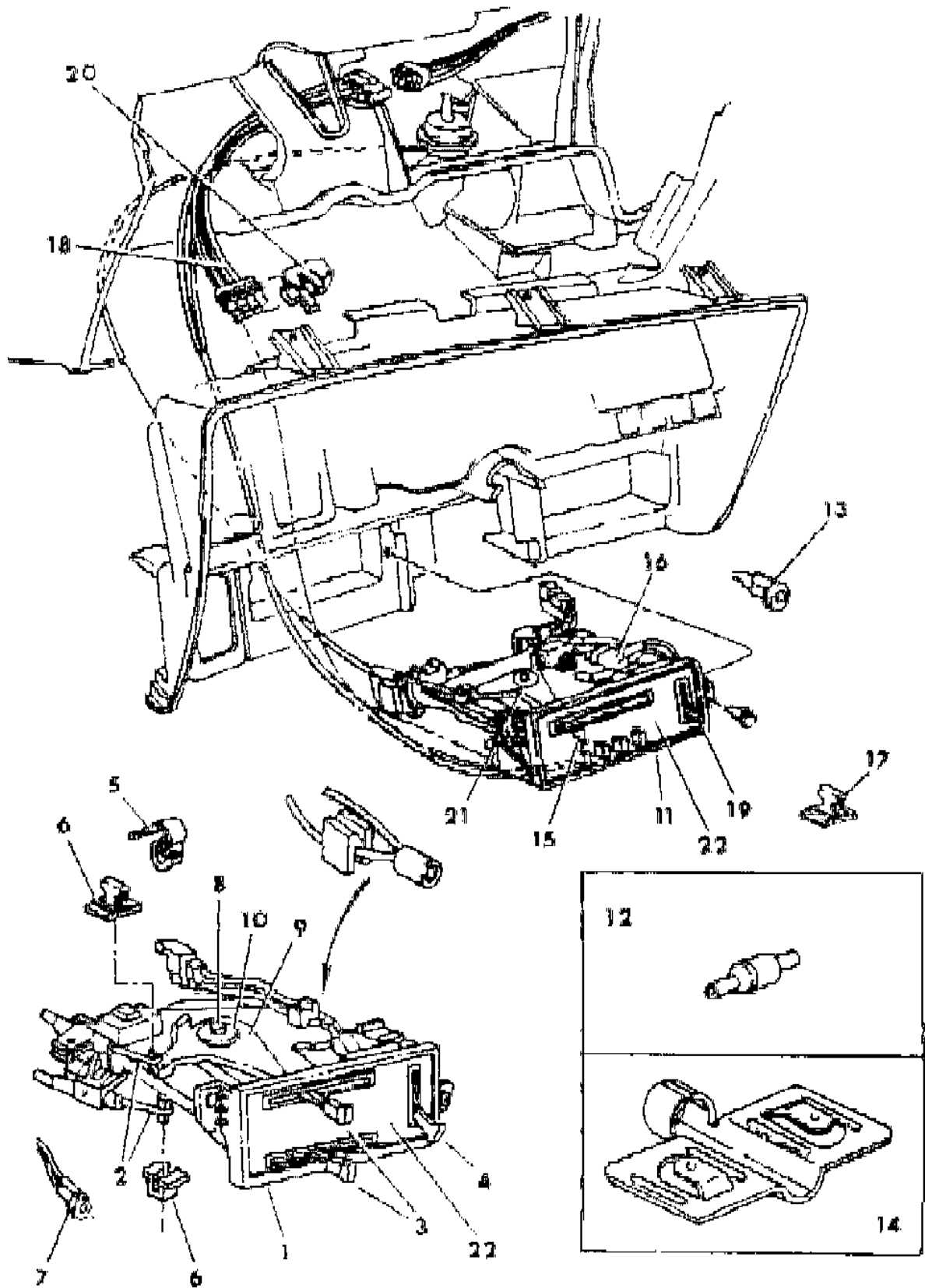
AR = Use as Required - = Non Illustrated Part P.A.R. = Paint as Required



CONTROLS, HEATER L,S,M BODY
Figure 24-100

8124 100

ITEM	PART NUMBER	QTY	BODY	MODEL	DESCRIPTION
14	6031 132	1			CLIP, Heater Control Temperature Adustment
15					KNOB
	3849 810	1	L		Heater Control Temperature Mode
	3849 809	1	S		Heater Control Temperature, Mode
	3849 810	1	M		Heater Control Temperature Mode
16	3846 895	1	M		SWITCH, Heater Control Vacuum w/Upr. Level Vent.
17	6029 889	1			NUT, Heater Control Temperature Cable Return
18	#3847 629	1			HOSE, Heater Control Vacuum Extension
19					SWITCH
	3847 510	1	M		Htr. Control 4 P/Button (H-Lo) w/Upr LevelVent
	3848 910	1	S		Heater Control 4 P/Button Bi-Level
	4373 119	1	S		Auxiliary Rear Heater Blower
	4373 255	1	S		Auxiliary Rear Heater A/C Blower (I/Pnl)
	4221 475	1	S		Bezel, Auxiliary Rear Heater Switch
	4221 612	1	S		Hood, Auxiliary Rear Heater Switch
20		1	M		CLIP, Htr. Cont. Hi/Lo Vac. Hose Conn Ret. (Not Serviced)
21	2820 453	1			CLIP, Lever Return
					HOSE
	3780 794	AR			Heater Control Vacuum (Roll Stock)
	3848 924	1	S		Heater Vacuum
	3847 622	1			Heater Control, Vacuum Extension
22					DECAL
	3848 635	1	L		Heater Control Lens
	3848 909	1	S		Heater Control Lens
	3848 636	1	M		Heater Control Bi-Level
	6015 778	1	S		CLIP, Heater Vacuum Hose Retaining
	6006 041	2	S,M		SCREW, Heater Control P/Button Switch Mounting



MODEL CODES

C BODY = (D41 - DYNASTY)(C41 - NEW YORKER)
 E BODY = (J - CARAVELLE)(E - 600)(T - NEW YORKER TURBO)
 G BODY = (V24 - DAYTONA, PACIFICA & SHELBY)
 H BODY = (D44 - LANCER)(C44 - LEBARON GTS)
 J BODY = (C - LEBARON)
 K BODY = (P - RELIANT)(D - ARIES)(C - LEBARON/ TOWN & COUNTRY)

L BODY = (M - HORIZON)(Z-OMNI)
 M BODY = (B - GRAN FURY)(G - DIPLOMAT)(F - FIFTH AVENUE/NEWPORT)
 P BODY = (P - SUNDANCE)(D - SHADOW)
 Q BODY = (C27 - MASERATI)
 S BODY = (H - VOYAGER)(K - RAM VAN/ CARAVAN)

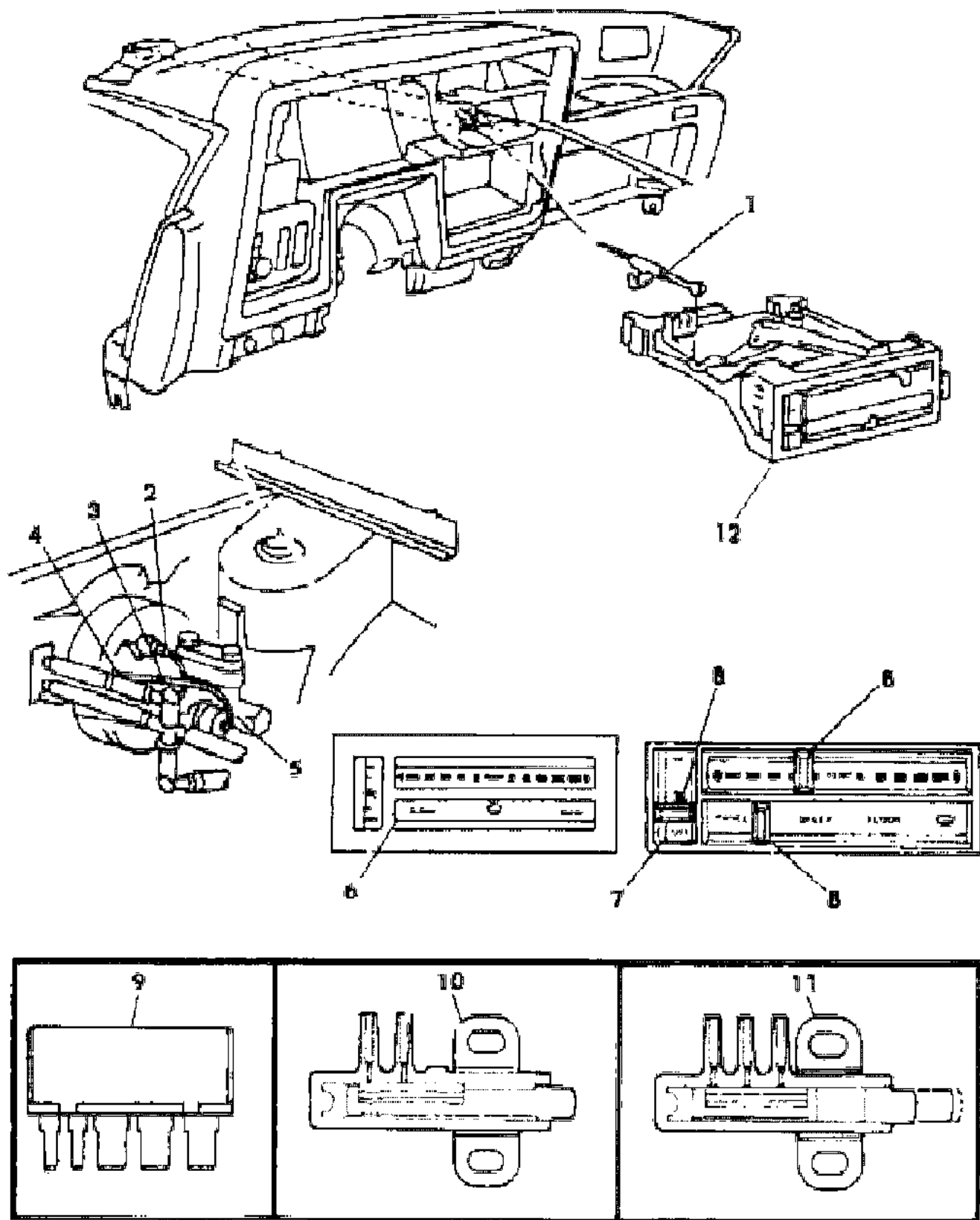
BODY STYLES

12-52 = FWD VAN & WAGON STD. W.B. 27 = 2-DOOR CONVERTIBLE
 13-53 = FWD VAN & WGN EXT W.B. 41 = 4-DOOR SEDAN
 21 = 2-DOOR SEDAN 44 = 4-DOOR HATCHBACK
 24 = 2-DOOR HATCHBACK 45 = 4-DOOR STATION WAGON

AR = Use as Required - = Non Illustrated Part P.A.R. = Paint as Required

CONTROLS, HEATER P,J,K,G,E,H,C BODY
Figure 24-200

8124 200



ITEM	PART NUMBER	QTY	BODY	MODEL	DESCRIPTION
1					CABLE
	3849 795	1			Heater Control Temperature
	3849 739	1			CLIP, Heater Control Temp. Cable (Adj.)
2	3848 714	1	P,H,C		CONNECTOR, Heater Vacuum Hose To Booster P/Brake
	3747 935	1	J,K,G,E		
3	2837 876	1			CONNECTOR, Vacuum Line Extension To Water Valve
4	6015 945	1			STRAP, Vacuum Harness
5	3780 508	AR			HOSE, Htr. Vac. Line Ext. (Serv. in Roll)
6	3849 164	1			PLATE and DECAL, Heater Control Face
7	3849 164	1			PLATE and DECAL, Htr. Cont. Bi-Level Face
8	3849 148	1			KNOB, Heater Control
9	3849 160	1			SWITCH, Heater Control Fan
10	3849 161	1	PJKGEHC		SWITCH, Heater Control Vacuum (2 Port) Mode Lever
-	3849 852	1	P,H,C		SWITCH, Heater Control Vacuum (2 Port) Temp. Lever
11	3849 162	1			SWITCH, Heater Control Vacuum (3 Port)
12	3849 158	1	J,K,G,E		HOUSING, w/LEVER, Heater Control
-	3849 851	1	P,H,C		HOUSING, w/Lever Heater Control
	3849 163	1			SOCKET, Heater Control Lamp
-	3849 853	1	P,H,C		HARNESS, Heater Control Vac.

MODEL CODES

C BODY = (D41 - DYNASTY)(C41 - NEW YORKER)	L BODY = (M - HORIZON)(Z-OMNI)
E BODY = (J - CARAVELLE)(E - 600)(T - NEW YORKER TURBO)	M BODY = (B - GRAN FURY)(G - DIPLOMAT)(F - FIFTH AVENUE/NEWPORT)
G BODY = (V24 - DAYTONA, PACIFICA & SHELBY)	P BODY = (P - SUNDANCE)(D - SHADOW)
H BODY = (D44 - LANCER)(C44 - LEBARON GTS)	Q BODY = (C27 - MASERATI)
J BODY = (C - LEBARON)	S BODY = (H - VOYAGER)(K - RAM VAN/ CARAVAN)
K BODY = (P - RELIANT)(D - ARIES)(C - LEBARON/ TOWN & COUNTRY)	

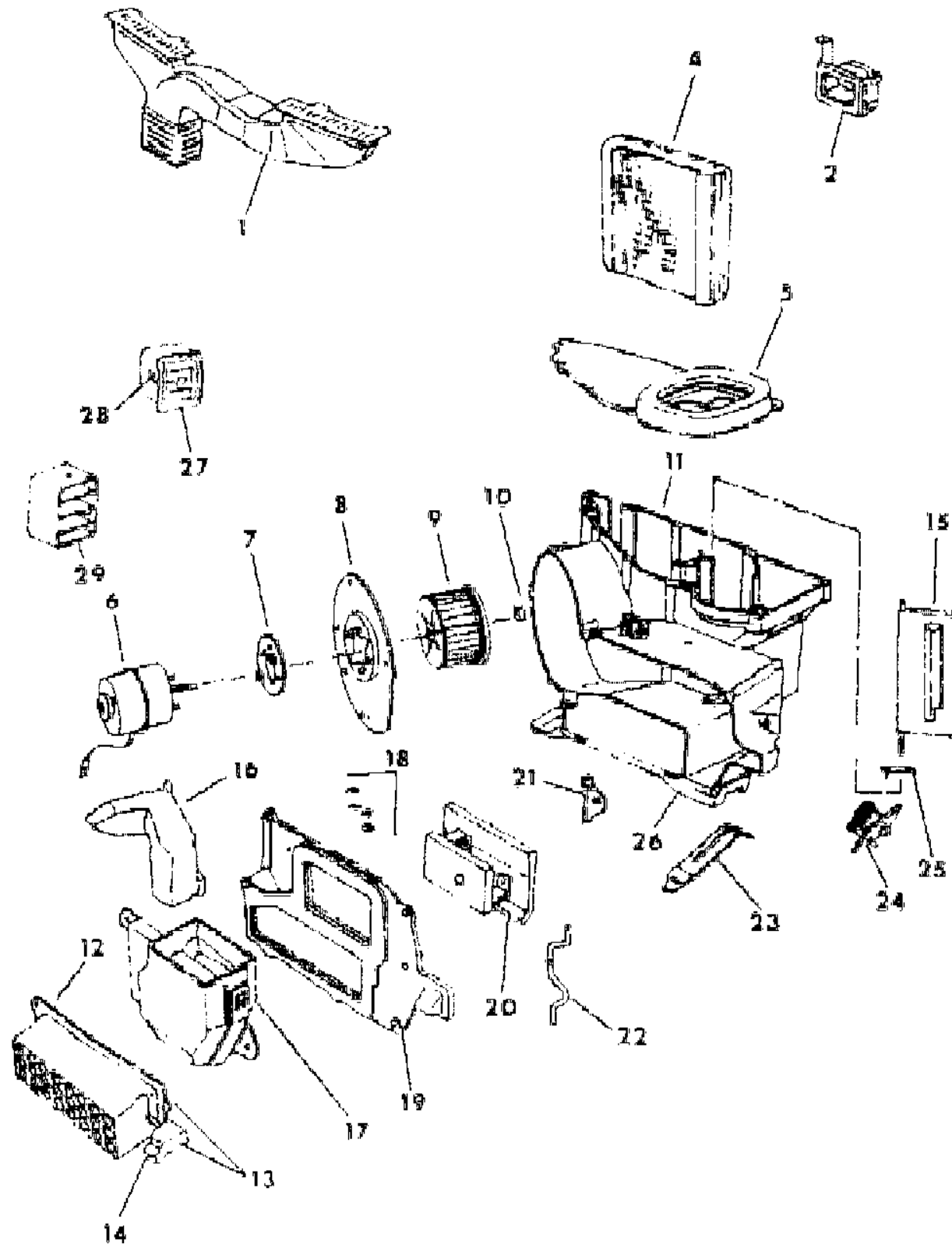
BODY STYLES

12-52 = FWD VAN & WAGON STD. W.B.	27 = 2-DOOR CONVERTIBLE
13-53 = FWD VAN & WGN EXT W.B.	41 = 4-DOOR SEDAN
21 = 2-DOOR SEDAN	44 = 4-DOOR HATCHBACK
24 = 2-DOOR HATCHBACK	45 = 4-DOOR STATION WAGON

AR = Use as Required - = Non Illustrated Part P.A.R. = Paint as Required

HEATER UNIT L BODY
Figure 24-300

8124 300



ITEM	PART NUMBER	QTY	BODY	MODEL	DESCRIPTION
1	3848 831	1			DUCT, Heater Defroster
2	5210 182-3	1			ADAPTER, Vent
4	4240 448	1			CORE and SEAL, Heater
5	5210 147	1			COVER, Heater Top
6	4057 933	1			MOTOR, Heater Blower
	4274 936	1			INSULATOR, Heater Motor
7	2485 429	1			GASKET, Heater Blower Motor Mounting
8	5210 152	1			PLATE, Back Heater Motor
9	5210 001	1			WHEEL, Heater Blower Motor Wheel
10	2837 680	1			CLAMP, Heater Blower Motor Wheel
11	5210 136	1			HOUSING, Heater
12	5210 169	1			DUCT, Heater Air Vent
13	5210 168	1			DUCT, KNOB and DOOR, Heater Air Vent
14	5210 188	1			KNOB, Heater Door Vent Control
15	5210 140	1			DOOR and SEAL, Heater Temperature
16	5210 251	1			DUCT, Heater Outlet Left
17	5210 040	1			ADAPTER, Heater Defroster Duct
18	6006 065	4			WASHER, Heater Blower Motor Mounting
19	5210 190	1			COVER, Heater Rear
20	5210 215	1			DOOR and VANE, Heater Mode
21	5210 316	1			CLAMP, Heater Mode Door
22		1			SHAFT, Heater Mode Door (Not Service)
23	5210 135	1			STRAP, Heater Support
24	5210 365	1			RESISTOR, Heater Blower Motor
25	5210 176	1			CRANK, Heater Temperature Door
26	5210 193	1			DUCT, Heater Distribution
27	5210 002-3	1			OUTLET, Heater Vent w/Door
28	5210 018	4			CLIP, Heater Vent Housing Mounting
29	3502 905	2			LOUVER, Vent Outlet

MODEL CODES

C BODY = (D41 - DYNASTY)(C41 - NEW YORKER)	L BODY = (M - HORIZON)(Z-OMNI)
E BODY = (J - CARAVELLE)(E - 600)(T - NEW YORKER TURBO)	M BODY = (B - GRAN FURY)(G - DIPLOMAT)(F - FIFTH AVENUE/NEWPORT)
G BODY = (V24 - DAYTONA, PACIFICA & SHELBY)	P BODY = (P - SUNDANCE)(D - SHADOW)
H BODY = (D44 - LANCER)(C44 - LEBARON GTS)	Q BODY = (C27 - MASERATI)
J BODY = (C - LEBARON)	S BODY = (H - VOYAGER)(K - RAM VAN/ CARAVAN)
K BODY = (P - RELIANT)(D - ARIES)(C - LEBARON/ TOWN & COUNTRY)	

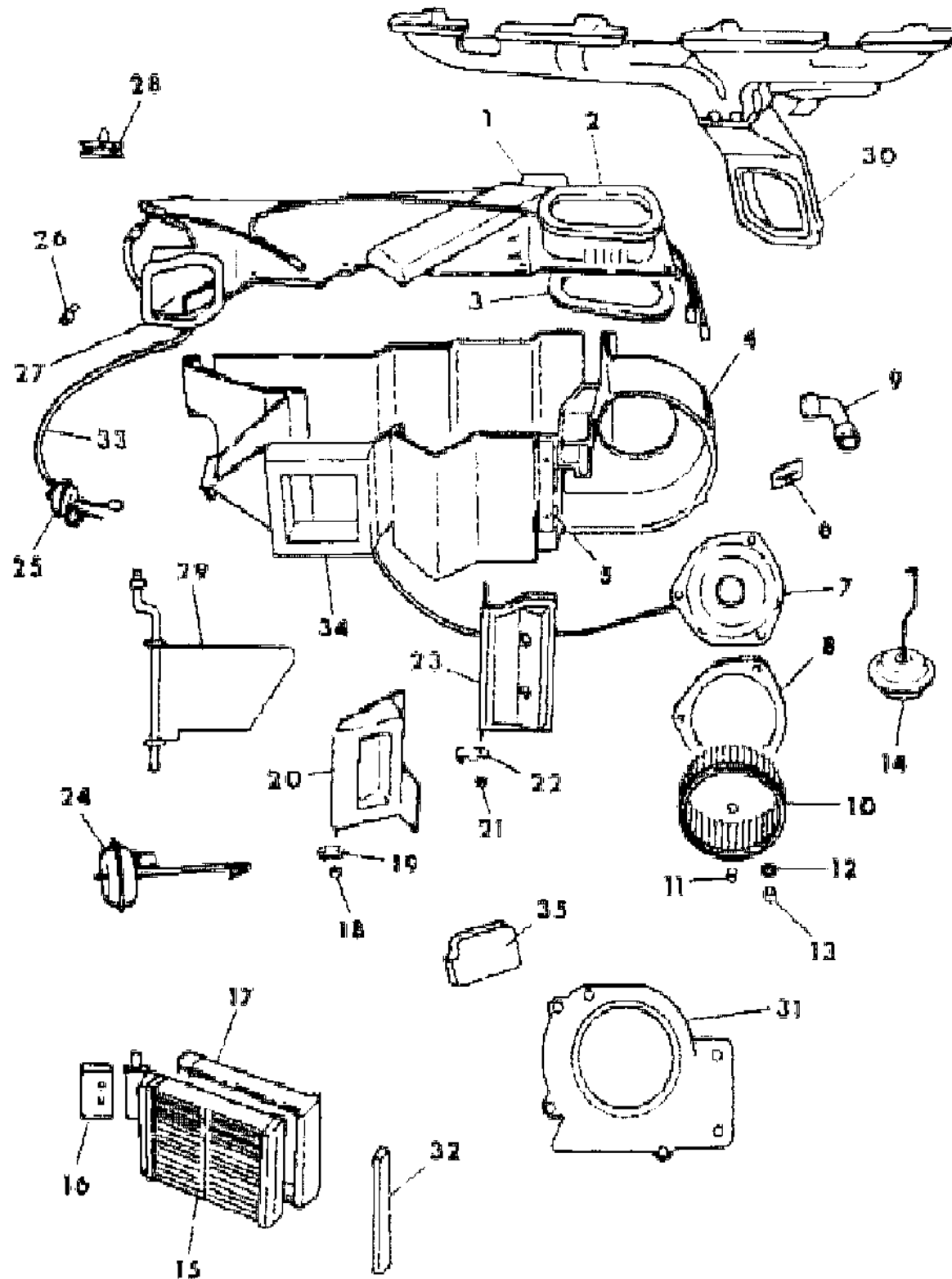
BODY STYLES

12-52 = FWD VAN & WAGON STD. W.B.	27 = 2-DOOR CONVERTIBLE
13-53 = FWD VAN & WGN EXT W.B.	41 = 4-DOOR SEDAN
21 = 2-DOOR SEDAN	44 = 4-DOOR HATCHBACK
24 = 2-DOOR HATCHBACK	45 = 4-DOOR STATION WAGON

AR = Use as Required - = Non Illustrated Part P.A.R. = Paint as Required

HEATER UNIT P,J,G,H,C BODY
Figure 24-400

8124 400



ITEM	PART NUMBER	QTY	BODY	MODEL	DESCRIPTION
1	3849 412	1			COVER, Heater Evaporator Housing
-	3847 721	1			SEAL, Heater Housing Cover, Left
-	3847 720	1			SEAL, Heater Housing Cover, Right
2	3849 552	1			SEAL, A/C. Heater Evaporator Cover To Plenum
3	3849 547	1			SEAL, Heater Evaporator Housing Mounting Center
4	3849 408	1			HOUSING, w/Stud Package Heater Evaporator Scroll
5	3848 238	1			BRACE, Heater Unit Mounting to Plenum Support
6	3849 567	1			RESISTOR, Heater Blower Motor
7	4443 132	1			MOTOR, Heater Blower
8	3847 476	1			SEAL, Heater Blower Motor Mounting To Scroll
9	5210 066	1			TUBE, Heater Blower Motor
10	3849 414	1			WHEEL, Heater Blower Motor
11	2837 680	1			CLAMP, Heater Blower Wheel Motor Mounting
12	#6500 376	1			NUT, Heater Blower Motor J Type
13	6031 694	1			SCREW, w/Washer Heater Blower Motor Mounting
14	5210 111	1			ACTUATOR, Heater Recirculate & Fresh Air door
15	3849 741	1			CORE, Heater
16	5210 109	1			SEAL, Heater Unit To Dash At Core Tubes
17	3848 093	1			SEAL, Heater Core
18	0219 462	1			NUT, Door Shaft Lever
19	3847 858	1			LEVER, Mode Door Shaft
20	3849 511	1			DOOR, Heater Mode
	3847 853	1			SPRING, Heater Mode Door
21	0219 462	1			NUT, Door Shaft Lever
22	5210 113	1			LEVER, Heater Blend Air Door
	6006 324	AR			NUT, Spring, Push On
23	5210 395	1			DOOR, Heater Blend Door
24	3847 849	1			ACTUATOR, Heater Mode Door
25	5210 068	1			ACTUATOR, Heater Defroster Door
	6031 147	1			NUT, Defroster Actuator Rod Retaining
26	2521 336	2			CLIP, Heater Evaporator Housing Cover Mounting
27	3847 606	1			SEAL, Heater Unit to Defroster Duct
28	6015 778	2			CLIP, Heater Vacuum Hose Retaining
29	5210 093	1			DOOR and SHAFT, Heater Defroster
30	3848 486	1	H		DUCT, Heater Defroster
	3849 174	1	P		
31	3849 428	1			HOUSING, Heater Inlet

MODEL CODES

C BODY = (D41 - DYNASTY)(C41 - NEW YORKER)
 E BODY = (J - CARAVELLE)(E - 600)(T - NEW YORKER TURBO)
 G BODY = (V24 - DAYTONA, PACIFICA & SHELBY)
 H BODY = (D44 - LANCER)(C44 - LEBARON GTS)
 J BODY = (C - LEBARON)
 K BODY = (P - RELIANT)(D - ARIES)(C - LEBARON/ TOWN & COUNTRY)

L BODY = (M - HORIZON)(Z-OMNI)
 M BODY = (B - GRAN FURY)(G - DIPLOMAT)(F - FIFTH AVENUE/NEWPORT)
 P BODY = (P - SUNDANCE)(D - SHADOW)
 Q BODY = (C27 - MASERATI)
 S BODY = (H - VOYAGER)(K - RAM VAN/ CARAVAN)

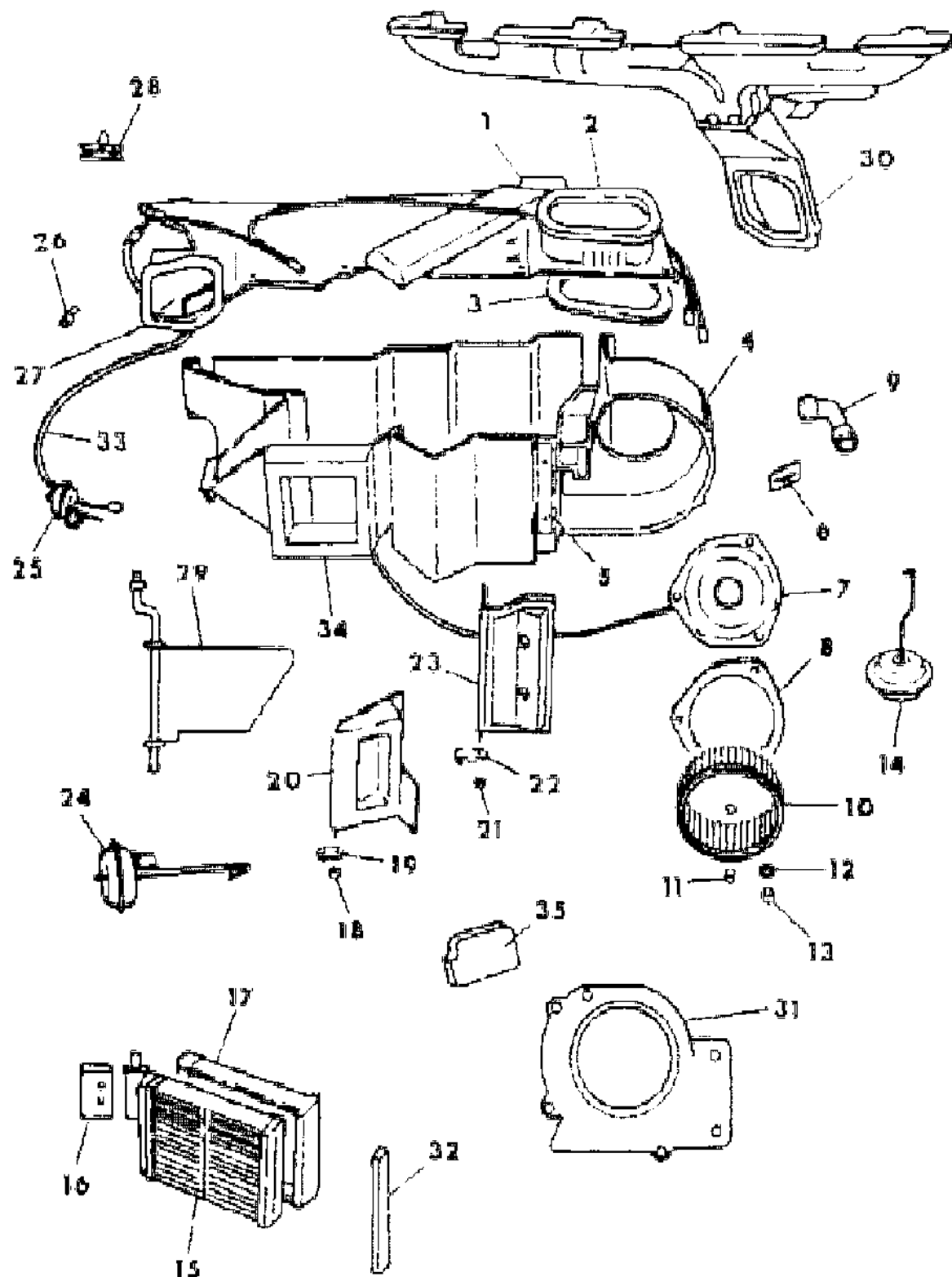
BODY STYLES

12-52 = FWD VAN & WAGON STD. W.B. 27 = 2-DOOR CONVERTIBLE
 13-53 = FWD VAN & WGN EXT W.B. 41 = 4-DOOR SEDAN
 21 = 2-DOOR SEDAN 44 = 4-DOOR HATCHBACK
 24 = 2-DOOR HATCHBACK 45 = 4-DOOR STATION WAGON

AR = Use as Required - = Non Illustrated Part P.A.R. = Paint as Required

HEATER UNIT P,J,G,H,C BODY
Figure 24-400

8124 400



ITEM	PART NUMBER	QTY	BODY	MODEL	DESCRIPTION
32	3847 681	1			SEAL, Heater Core End
33	3849 823	1			HARNESSE, Heater Vacuum
	3441 609	1			VALVE, Heater Vacuum Hose Check
34	5210 336	1			SEAL, Heater Center Air Distribution Duct
35	3848 880	1			SEAL, Heater to Dash (Evap Hole)
	4274 936	1			INSULATOR, Heater Blower Motor

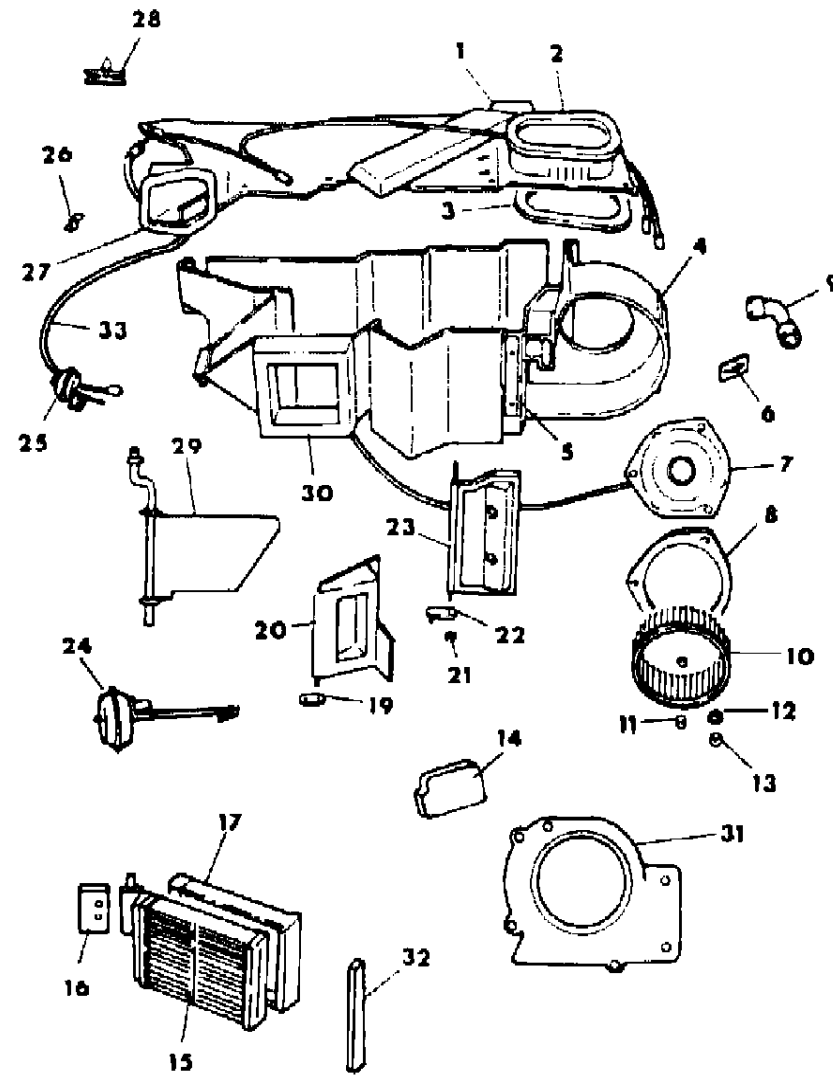
MODEL CODES
 C BODY = (D41 - DYNASTY)(C41 - NEW YORKER)
 E BODY = (J - CARAVELLE)(E - 600)(T - NEW YORKER TURBO)
 G BODY = (V24 - DAYTONA, PACIFICA & SHELBY)
 H BODY = (D44 - LANCER)(C44 - LEBARON GTS)
 J BODY = (C - LEBARON)
 K BODY = (P - RELIANT)(D - ARIES)(C - LEBARON/ TOWN & COUNTRY)
 L BODY = (M - HORIZON)(Z-OMNI)
 M BODY = (B - GRAN FURY)(G - DIPLOMAT)(F - FIFTH AVENUE/NEWPORT)
 P BODY = (P - SUNDANCE)(D - SHADOW)
 Q BODY = (C27 - MASERATI)
 S BODY = (H - VOYAGER)(K - RAM VAN/ CARAVAN)

BODY STYLES
 12-52 = FWD VAN & WAGON STD. W.B. 27 = 2-DOOR CONVERTIBLE
 13-53 = FWD VAN & WGN EXT W.B. 41 = 4-DOOR SEDAN
 21 = 2-DOOR SEDAN 44 = 4-DOOR HATCHBACK
 24 = 2-DOOR HATCHBACK 45 = 4-DOOR STATION WAGON

AR = Use as Required - = Non Illustrated Part P.A.R. = Paint as Required

HEATER UNIT K,E BODY
Figure 24-500

8124 500 A



ITEM	PART NUMBER	QTY	BODY	MODEL	DESCRIPTION
1	3849 369	1			COVER, Heater Housing
-	3847 721	1			SEAL, Heater Housing Cover, Left
-	3847 720	1			SEAL, Heater Housing Cover, Right
2	3847 605	1			SEAL, A/C., Heater Evaporator Cover To Plenum
3	3847 720	1			SEAL, Heater Evaporator Housing Mounting Center
4	3848 418	1			HOUSING, w/STUD, Heater Evaporator Scroll
5	3848 238	1			BRACE, Heater Unit Mounting To Plenum Support
6	3849 950	1			RESISTOR, Heater Blower Motor
7	4443 132	1			MOTOR, w/SEAL, Heater Blower
8	3847 476	1			SEAL, Heater Blower Motor Mounting
9	5210 066	1			TUBE, Heater Blower Motor
10	5210 234	1			WHEEL, Heater Blower Motor
11	2837 680	1			CLAMP, Heater Blower Wheel Motor Mounting
12	#6500 376	1			NUT, Heater Blower Motor J-Type
13	6031 694	1			SCREW, w/Washer Heater Blower Motor Mounting
14	3848 880	1			SEAL, Heater To Dash (Evap Hole)
15	3847 943	1			CORE, Heater
16	5210 109	1			SEAL, Heater Unit To Dash At Core Tubes
17	3848 093	1			SEAL, Heater Core
19	3847 858	1			LEVER, Mode Door Shaft
20	3849 511	1			DOOR, w/Seal Heater Mode
21	0219 462	1			NUT, Door Shaft Lever
22	5210 113	1			LEVER, Heater Blend Air Door
	6006 324	1			NUT, Spring Push On
23	5210 395	1			DOOR, Heater Blend Door
	0219 462	1			NUT, w/WASHER, Heater Blend Door Mounting
24	3847 849	1			ACTUATOR, Heater Mode Door
25	5210 068	1			ACTUATOR, Heater Defroster Door
	6031 147	1			NUT, Defroster Actuator Rod Retaining
26	2521 336	1			CLIP, Heater Evaporator Housing Cover Mounting
27	3847 606	1			SEAL, Heater Unit To Defroster Duct
28	6015 778	1			CLIP, Heater Vacuum Hose Retaining
29	5210 093	1			DOOR and SHAFT, Heater Defroster
30	5210 336	1			SEAL, Heater Center Air Distribution Duct
31	3849 288	1			HOUSING, Heater Air Inlet
32	3847 681	1			SEAL, Heater Core End
33	3849 127	1			VACUUM HARNESS, Heater

MODEL CODES

C BODY = (D41 - DYNASTY)(C41 - NEW YORKER)
 E BODY = (J - CARAVELLE)(E - 600)(T - NEW YORKER TURBO)
 G BODY = (V24 - DAYTONA, PACIFICA & SHELBY)
 H BODY = (D44 - LANCER)(C44 - LEBARON GTS)
 J BODY = (C - LEBARON)
 K BODY = (P - RELIANT)(D - ARIES)(C - LEBARON/ TOWN & COUNTRY)

L BODY = (M - HORIZON)(Z-OMNI)
 M BODY = (B - GRAN FURY)(G - DIPLOMAT)(F - FIFTH AVENUE/NEWPORT)
 P BODY = (P - SUNDANCE)(D - SHADOW)
 Q BODY = (C27 - MASERATI)
 S BODY = (H - VOYAGER)(K - RAM VAN/ CARAVAN)

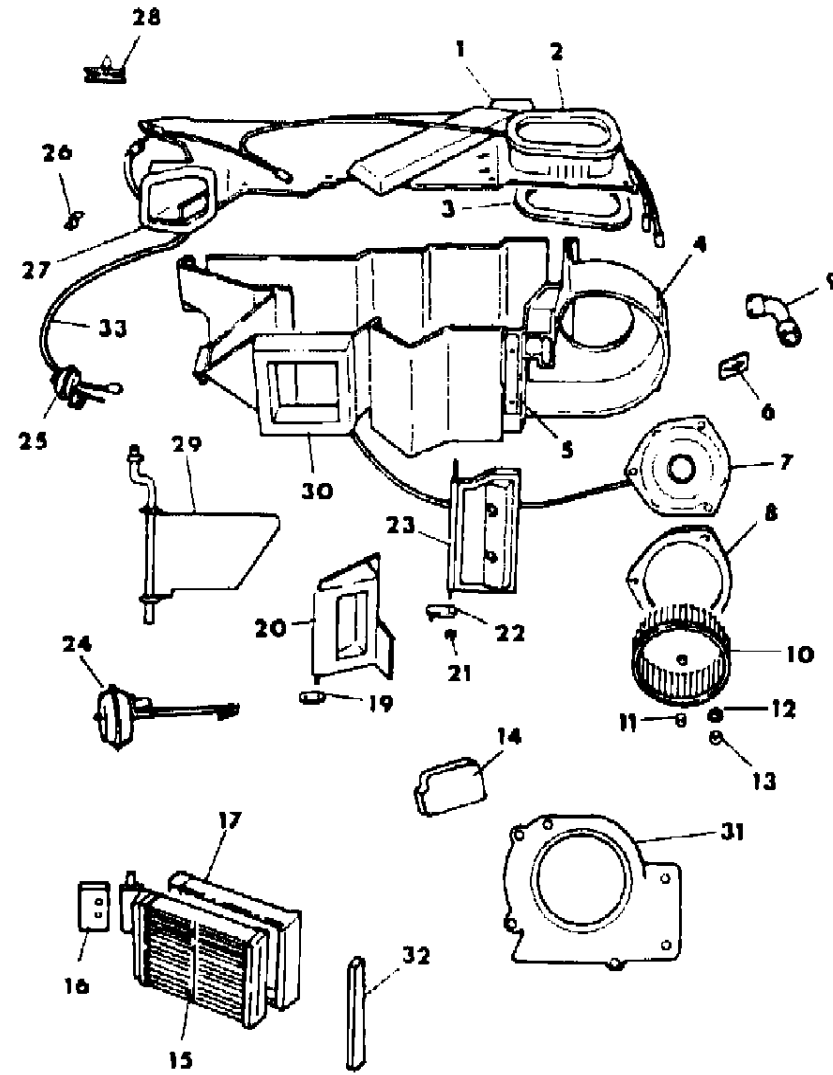
BODY STYLES

12-52 = FWD VAN & WAGON STD. W.B. 27 = 2-DOOR CONVERTIBLE
 13-53 = FWD VAN & WGN EXT W.B. 41 = 4-DOOR SEDAN
 21 = 2-DOOR SEDAN 44 = 4-DOOR HATCHBACK
 24 = 2-DOOR HATCHBACK 45 = 4-DOOR STATION WAGON

AR = Use as Required - = Non Illustrated Part P.A.R. = Paint as Required

HEATER UNIT K,E BODY
Figure 24-500

8124 500 A



ITEM	PART NUMBER	QTY	BODY	MODEL	DESCRIPTION
	3441 609	1			VALVE, Heater Vacuum Hose Check
	4274 936	1			INSULATOR, Heater Blower Motor

MODEL CODES

C BODY = (D41 - DYNASTY)(C41 - NEW YORKER)
 E BODY = (J - CARAVELLE)(E - 600)(T - NEW YORKER TURBO)
 G BODY = (V24 - DAYTONA, PACIFICA & SHELBY)
 H BODY = (D44 - LANCER)(C44 - LEBARON GTS)
 J BODY = (C - LEBARON)
 K BODY = (P - RELIANT)(D - ARIES)(C - LEBARON/ TOWN & COUNTRY)

L BODY = (M - HORIZON)(Z-OMNI)
 M BODY = (B - GRAN FURY)(G - DIPLOMAT)(F - FIFTH AVENUE/NEWPORT)
 P BODY = (P - SUNDANCE)(D - SHADOW)
 Q BODY = (C27 - MASERATI)
 S BODY = (H - VOYAGER)(K - RAM VAN/ CARAVAN)

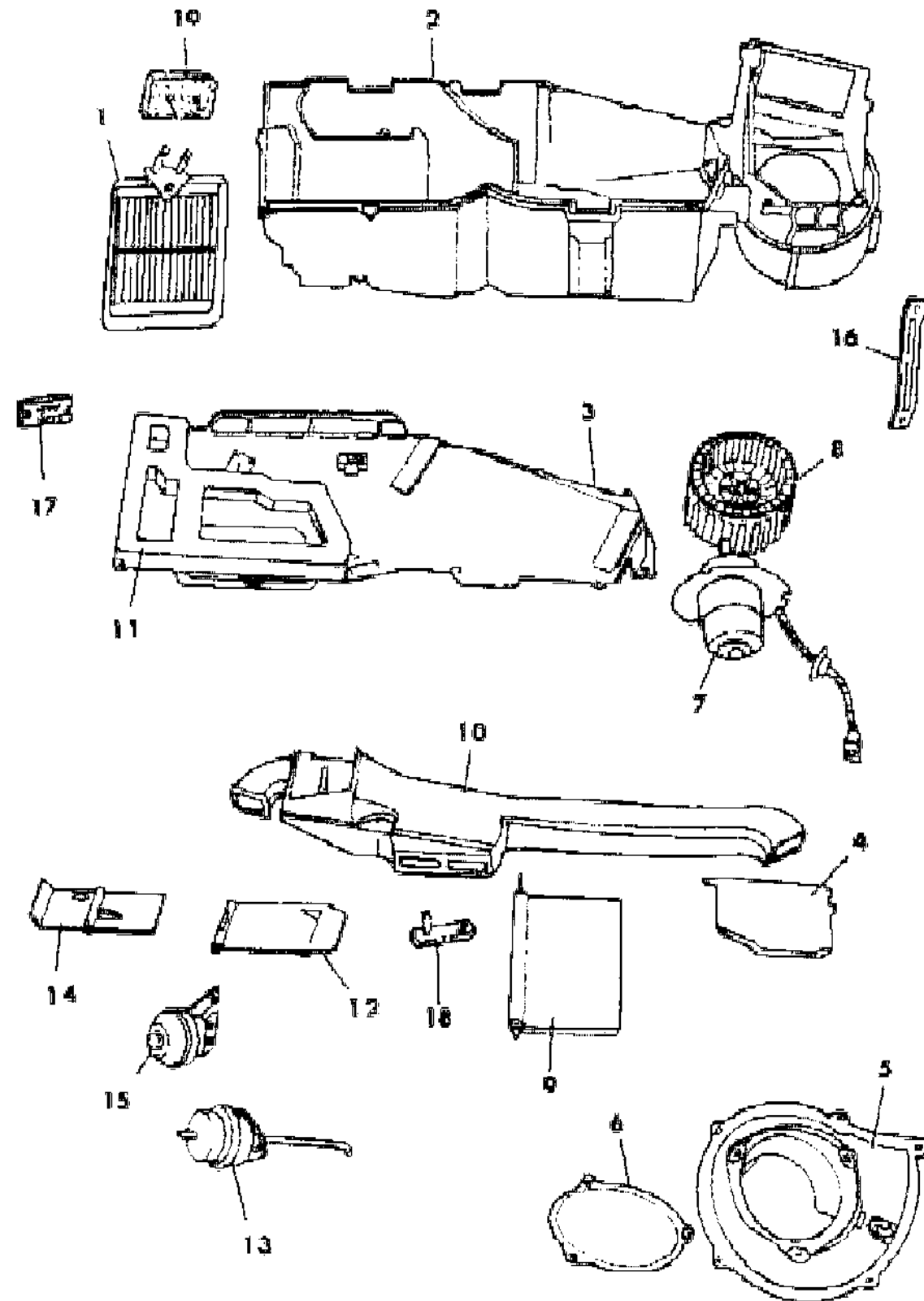
BODY STYLES

12-52 = FWD VAN & WAGON STD. W.B. 27 = 2-DOOR CONVERTIBLE
 13-53 = FWD VAN & WGN EXT W.B. 41 = 4-DOOR SEDAN
 21 = 2-DOOR SEDAN 44 = 4-DOOR HATCHBACK
 24 = 2-DOOR HATCHBACK 45 = 4-DOOR STATION WAGON

AR = Use as Required - = Non Illustrated Part P.A.R. = Paint as Required

HEATER UNIT S BODY
Figure 24-600

8124 600



ITEM	PART NUMBER	QTY	BODY	MODEL	DESCRIPTION
1	3848 300	1			CORE, Heater
2	3848 261	1			HOUSING, Heater
3	3848 263	1			COVER, Heater
4	3848 432	1			COVER, Heater Recirculate
5	3848 272	1			COVER ASSEMBLY, Heater Motor
6	3848 273	1			COVER, Heater Motor
7	3847 476	1			SEAL, Heater Blower Motor
8	4494 309	1			MOTOR, Heater Blower
9	2837 680	1			CLAMP, Heater Blower Motor Wheel Mounting
10	6031 694	1			SCREW, w/WASHER, Heater Blower Motor Mounting
11	3503 859	1			WHEEL, Heater Motor
12	3848 873	1			DOOR, w/SEAL, Heater Temperature
13	3849 219	1			DUCT, Heater Temperature Distribution
14	3848 266	1			SEAL, Heater Cover to Ducts
15	3849 476	1			DOOR, Heater Mode
16	6031 147	1			RETAINER, Heater Defroster Mode Door Shaft
17	3849 476	1			DOOR, Heater Mode
18	3848 259	1			ACTUATOR, Mode Door
19	3848 227	1			DOOR, Heater Defroster
20	4163 735	1			SHAFT, Heater Mode Door
21	4163 735	1			SHAFT, Heater Defroster Door
22	3848 260	1			ACTUATOR, Heater, Defroster Door
23	3848 251	1			BRACE, Unit Heater
24	3848 998	1			RESISTOR, Heater Blower
25	3848 878	1			LEVER, Heater Temperature Door
26	0219 462	1			NUT, Lever Mounting
27	3848 254	1			SEAL, Heater Core Tubes to Dash
28	3848 924	1			HOSE, Heater Vac.
29	3848 389	1			SEAL, Heater Header Opng. (to Dash)

MODEL CODES

C BODY = (D41 - DYNASTY)(C41 - NEW YORKER)
 E BODY = (J - CARAVELLE)(E - 600)(T - NEW YORKER TURBO)
 G BODY = (V24 - DAYTONA, PACIFICA & SHELBY)
 H BODY = (D44 - LANCER)(C44 - LEBARON GTS)
 J BODY = (C - LEBARON)
 K BODY = (P - RELIANT)(D - ARIES)(C - LEBARON/ TOWN & COUNTRY)
 L BODY = (M - HORIZON)(Z-OMNI)
 M BODY = (B - GRAN FURY)(G - DIPLOMAT)(F - FIFTH AVENUE/NEWPORT)
 P BODY = (P - SUNDANCE)(D - SHADOW)
 Q BODY = (C27 - MASERATI)
 S BODY = (H - VOYAGER)(K - RAM VAN/ CARAVAN)

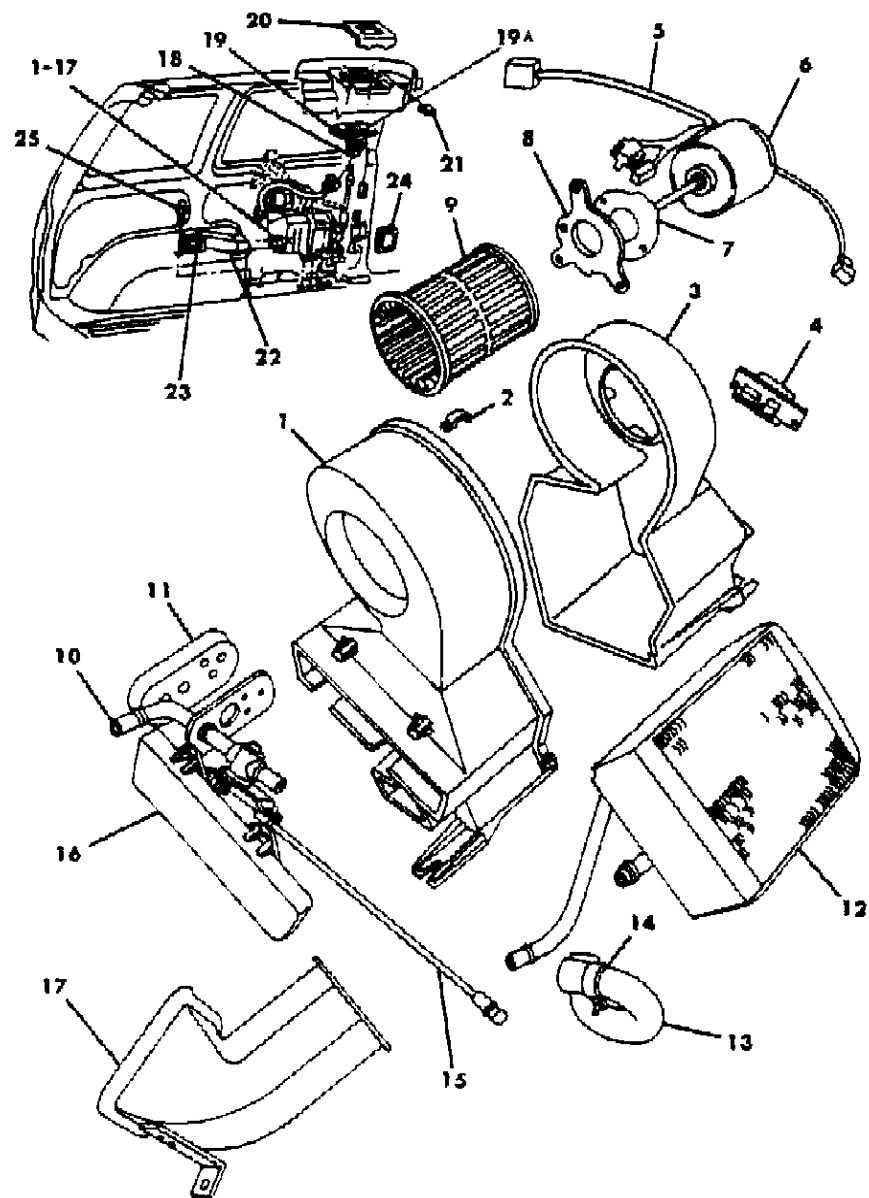
BODY STYLES

12-52 = FWD VAN & WAGON STD. W.B. 27 = 2-DOOR CONVERTIBLE
 13-53 = FWD VAN & WGN EXT W.B. 41 = 4-DOOR SEDAN
 21 = 2-DOOR SEDAN 44 = 4-DOOR HATCHBACK
 24 = 2-DOOR HATCHBACK 45 = 4-DOOR STATION WAGON

AR = Use as Required - = Non Illustrated Part P.A.R. = Paint as Required

HEATER UNIT, AUXILIARY S BODY 52 MODEL
Figure 24-700

8124 700 B



ITEM	PART NUMBER	QTY	BODY	MODEL	DESCRIPTION
1	3849 682	1			HOUSING, Aux. Heater Cover, Front
2	3849 683	AR			CLIP, Aux. Heater Housing
3	3849 681	1			HOUSING, Aux. Heater Blower, Rear
4	3849 459	1			RESISTOR, Aux. Heater Switch to Blower Motor
5	3849 543	1			HARNESS, Aux. Heater Blower Motor
6	3849 453	1			MOTOR, Aux. Heater Blower
7	3849 687	1			SEAL, Aux. Heater Blower Mounting Bracket
8	3849 686	1			BRACKET, Aux. Heater Blower Motor Mounting
9	3849 454	1			WHEEL, Aux. Heater Blower
10	3849 943	1			VALVE, Aux. Heater Water Control
11	3849 689	1			GASKET, Aux. Heater Core Tube
12	3849 942	1			CORE and SEAL, Aux. Heater
13	3849 456	1			HOSE, Aux. Heater Inlet
14	2448 770	AR			CLAMP, Hose
15	3849 465	1			CABLE, Aux. Heater, Water Valve Control
16	3849 684	1			COVER, Aux. Heater Core Case
17	3849 457	1			DUCT, Aux. Heater, Front
18	3849 464	1			SWITCH, Aux. Heater Blower Control
19	3849 690	1			KNOB, Aux. Heater Reg. Control
19A	3849 913	1			CONTROL, Aux. Heater (Complete)
20					BEZEL, Aux. Heater Control
	K668 FA3	1			Silver
	K668 FC5	1			Twilight Blue
	K668 GR8	1			Bordeaux Red
	K668 FK1	1			Almond
21	0152 490	1			CLIP, Aux. Heater Control
22	3849 458	1			DUCT, Aux. Heater, Air Outlet, Rear
23	4443 148	1			GRILLE, Aux. Heater, Air Outlet, Front
	4494 304	1			Rear
	4443 143	1			GRILLE, Aux. Heater Air Inlet
24	3849 710	1			SEAL, Aux. Heater, Air Outlet
25	6032 473	1			SCREW, Aux. Heater, Housing and Duct
	4373 255	1			SWITCH, Rear Blower (I/Pnl.)

MODEL CODES

C BODY = (D41 - DYNASTY)(C41 - NEW YORKER)
 E BODY = (J - CARAVELLE)(E - 600)(T - NEW YORKER TURBO)
 G BODY = (V24 - DAYTONA, PACIFICA & SHELBY)
 H BODY = (D44 - LANCER)(C44 - LEBARON GTS)
 J BODY = (C - LEBARON)
 K BODY = (P - RELIANT)(D - ARIES)(C - LEBARON/ TOWN & COUNTRY)
 L BODY = (M - HORIZON)(Z-OMNI)
 M BODY = (B - GRAN FURY)(G - DIPLOMAT)(F - FIFTH AVENUE/NEWPORT)
 P BODY = (P - SUNDANCE)(D - SHADOW)
 Q BODY = (C27 - MASERATI)
 S BODY = (H - VOYAGER)(K - RAM VAN/ CARAVAN)

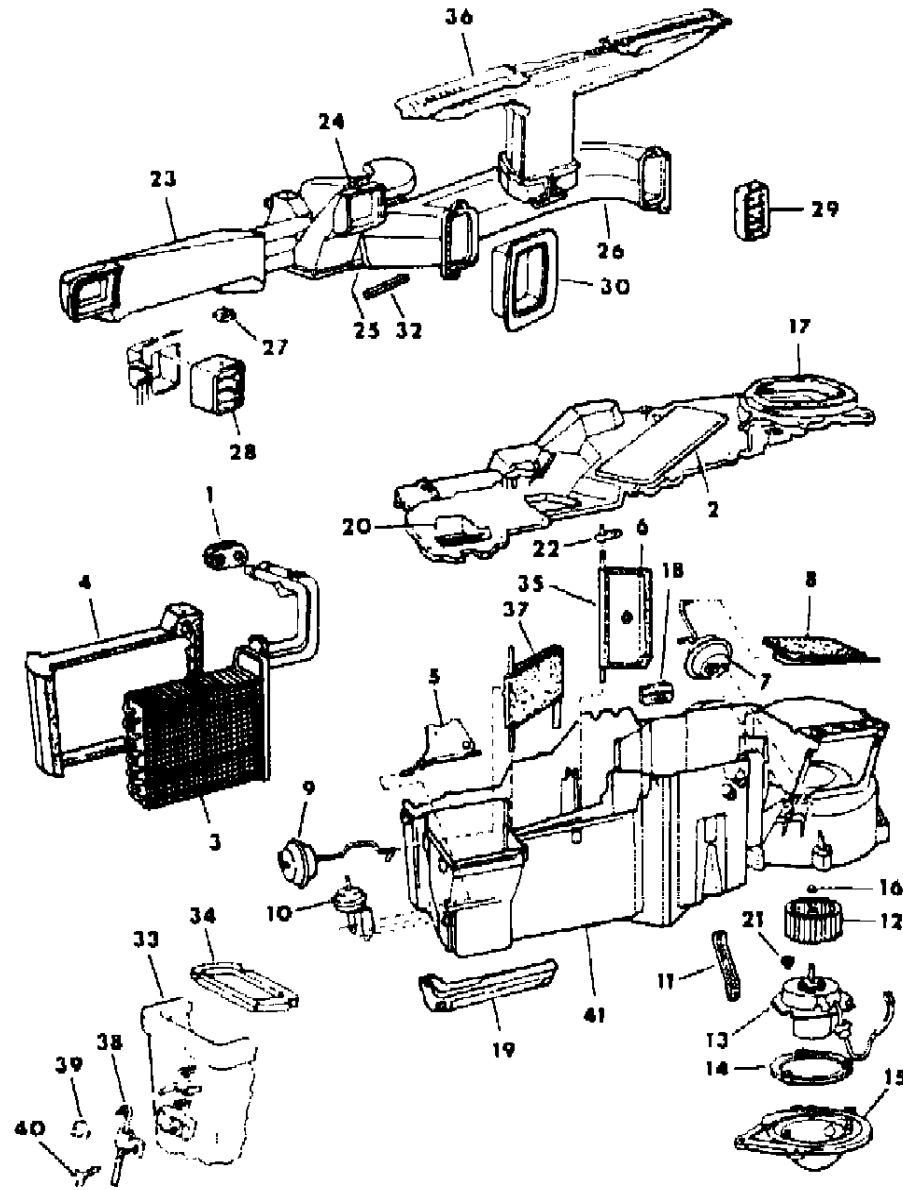
BODY STYLES

12-52 = FWD VAN & WAGON STD. W.B. 27 = 2-DOOR CONVERTIBLE
 13-53 = FWD VAN & WGN EXT W.B. 41 = 4-DOOR SEDAN
 21 = 2-DOOR SEDAN 44 = 4-DOOR HATCHBACK
 24 = 2-DOOR HATCHBACK 45 = 4-DOOR STATION WAGON

AR = Use as Required - = Non Illustrated Part P.A.R. = Paint as Required

HEATER UNIT M BODY
Figure 24-800

8124 800 A



ITEM	PART NUMBER	QTY	BODY	MODEL	DESCRIPTION
1	3846 740	1			SEAL, Heater To Dash At Heater Core Tubes
2	3849 097	1			COVER, Heater Housing
3	4339 438	1			CORE, Heater Complete
4	3849 100	1			SEAL, Heater Core To Housing
5	#3847 478	1			DOOR, Heater Defroster Door Complete
	1279 332	1			BUMPER, Heater Defroster Door
6	#3847 223	1			DOOR, Heater Temperature Complete Blend Air
7	#3847 216	1			ACTUATOR, Heater Shut off Door
8	#3847 217	1			DOOR, Heater Shut off Complete
9	#3847 230	1			ACTUATOR, Heater Mode Door, Upper
10	#3847 211	1			ACTUATOR, Heater, Deforster
11	#3847 202	1			BRACE, Heater Mounting Left (to Plenum)
12	3503 037	1			WHEEL, Heater Blower Motor Mounting
13	4419 318	1			MOTOR, Heater Blower
14	3847 476	1			SEAL, Heater Blower Motor (to Scroll)
15	#3847 207	1			COVER, Heater Blower Scroll
					SEAL
	3773 192	1			Heater Blower Scroll Cover To Housing
	3847 205	1			Heater Cover To Scroll
16	2837 680	1			CLAMP, Heater Blower Motor Wheel
17	#3847 243	1			SEAL, Heater Unit To Plenum
18	3848 996	1			RESISTOR, Heater Blower Motor
19	#3847 297	1			DUCT, Heater Distribution
20	3503 999	1			SEAL, Heater Cover to Defroster Duct
21	6031 694	AR			SCREW, w/WASHER, Heater Blower Motor Mounting
22	#3847 301	1			LEVER, w/PIN, Heater Temperature Control
	0219 462	1			NUT, w/WASHER, Htr. Blend Door Mtg.
23	3846 421	1			DUCT, Heater Air Outlet Left Spot Cooler Mounting, up to 5-16-88
	4462 555	1			after 5-16-88
24	#3847 401	1			DUCT, Heater Bi-Level Air Outlet Left Center, up to 5-16-88
	4462 552	1			after 5-16-88
25	#3847 404	1			DUCT, Heater Air Outlet Right Center
26	3846 418	1			DUCT, Heater Air Outlet Right Spot Cooler
27	0152 490	2			U-NUT
28	3502 905	2			LOUVER, Heater Air Outlet
29	4462 068	2			LOUVER, Heater Air Outlet
30					BEZEL, Heater Air Outlet (Serviced in Outlet)

MODEL CODES

C BODY = (D41 - DYNASTY)(C41 - NEW YORKER)
 E BODY = (J - CARAVELLE)(E - 600)(T - NEW YORKER TURBO)
 G BODY = (V24 - DAYTONA, PACIFICA & SHELBY)
 H BODY = (D44 - LANCER)(C44 - LEBARON GTS)
 J BODY = (C - LEBARON)
 K BODY = (P - RELIANT)(D - ARIES)(C - LEBARON/ TOWN & COUNTRY)

L BODY = (M - HORIZON)(Z-OMNI)
 M BODY = (B - GRAN FURY)(G - DIPLOMAT)(F - FIFTH AVENUE/NEWPORT)
 P BODY = (P - SUNDANCE)(D - SHADOW)
 Q BODY = (C27 - MASERATI)
 S BODY = (H - VOYAGER)(K - RAM VAN/ CARAVAN)

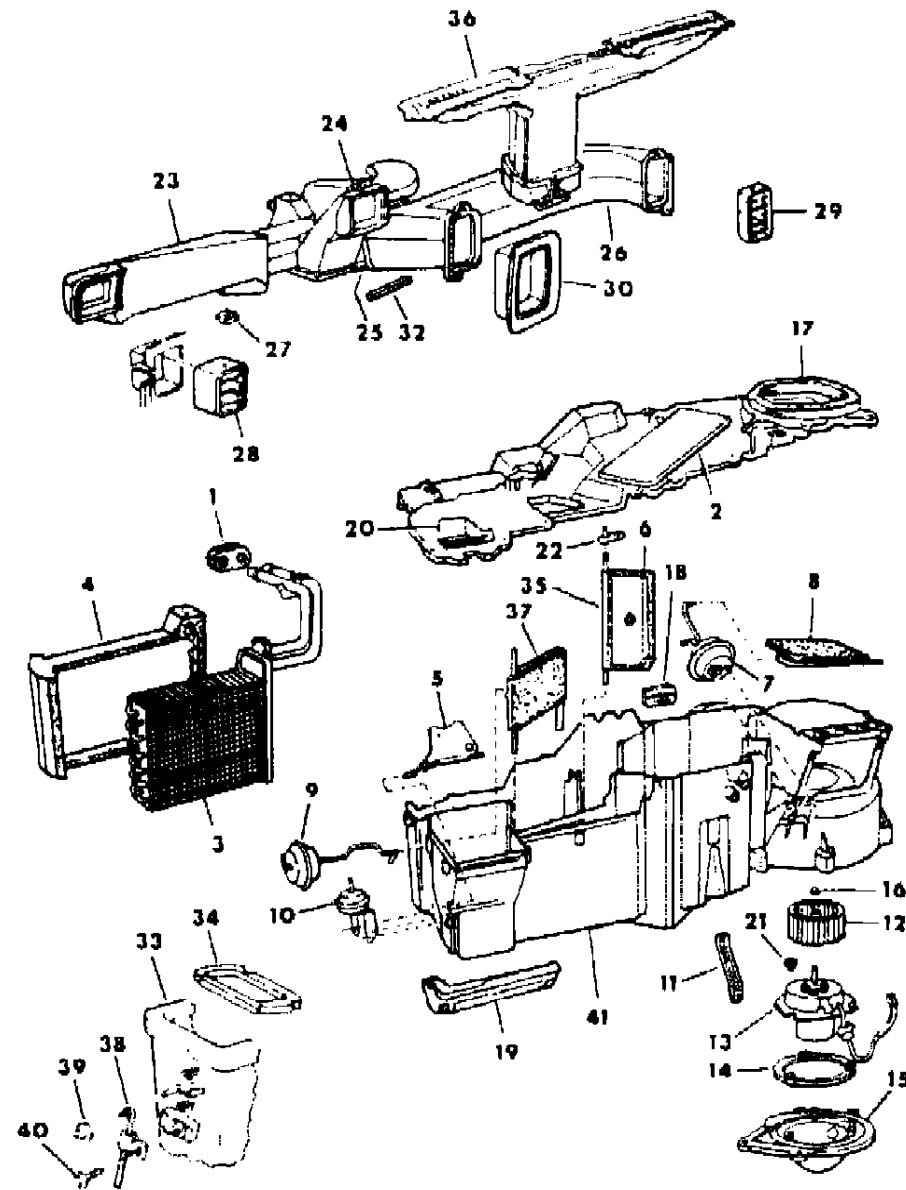
BODY STYLES

12-52 = FWD VAN & WAGON STD. W.B. 27 = 2-DOOR CONVERTIBLE
 13-53 = FWD VAN & WGN EXT W.B. 41 = 4-DOOR SEDAN
 21 = 2-DOOR SEDAN 44 = 4-DOOR HATCHBACK
 24 = 2-DOOR HATCHBACK 45 = 4-DOOR STATION WAGON

AR = Use as Required - = Non Illustrated Part P.A.R. = Paint as Required

HEATER UNIT M BODY Figure 24-800

8124 800 A



ITEM	PART NUMBER	QTY	BODY	MODEL	DESCRIPTION
32	3593 396	2			SEAL
33	3846 462	1			HOUSING, Vent Left Complete
34	3846 465	1			SEAL, Vent Housing Mounting Left
35	#3847 225	1			DEFLECTOR, Heater Temperature Door
36	3503 863	1			DUCT, Heater Defroster
37	#3847 420	1			DOOR, Heater Mode Complete
38	3846 071	1			CABLE, Left Vent Control to Heater, up to 5-16-88
	4462 411	1			after 5-16-88
39	2076 405	1			RETAINER, Vent Housing Door
40					SCREW (not serviced)
41	3849 095	1			HOUSING and STUD, Heater
	6015 778	1			CLIP, Heater Vacuum Harness Mounting
	4339 457	1			VALVE, Heater, Water

MODEL CODES

C BODY = (D41 - DYNASTY)(C41 - NEW YORKER)	L BODY = (M - HORIZON)(Z-OMNI)
E BODY = (J - CARAVELLE)(E - 600)(T - NEW YORKER TURBO)	M BODY = (B - GRAN FURY)(G - DIPLOMAT)(F - FIFTH AVENUE/NEWPORT)
G BODY = (V24 - DAYTONA, PACIFICA & SHELBY)	P BODY = (P - SUNDANCE)(D - SHADOW)
H BODY = (D44 - LANCER)(C44 - LEBARON GTS)	Q BODY = (C27 - MASERATI)
J BODY = (C - LEBARON)	S BODY = (H - VOYAGER)(K - RAM VAN/ CARAVAN)
K BODY = (P - RELIANT)(D - ARIES)(C - LEBARON/ TOWN & COUNTRY)	

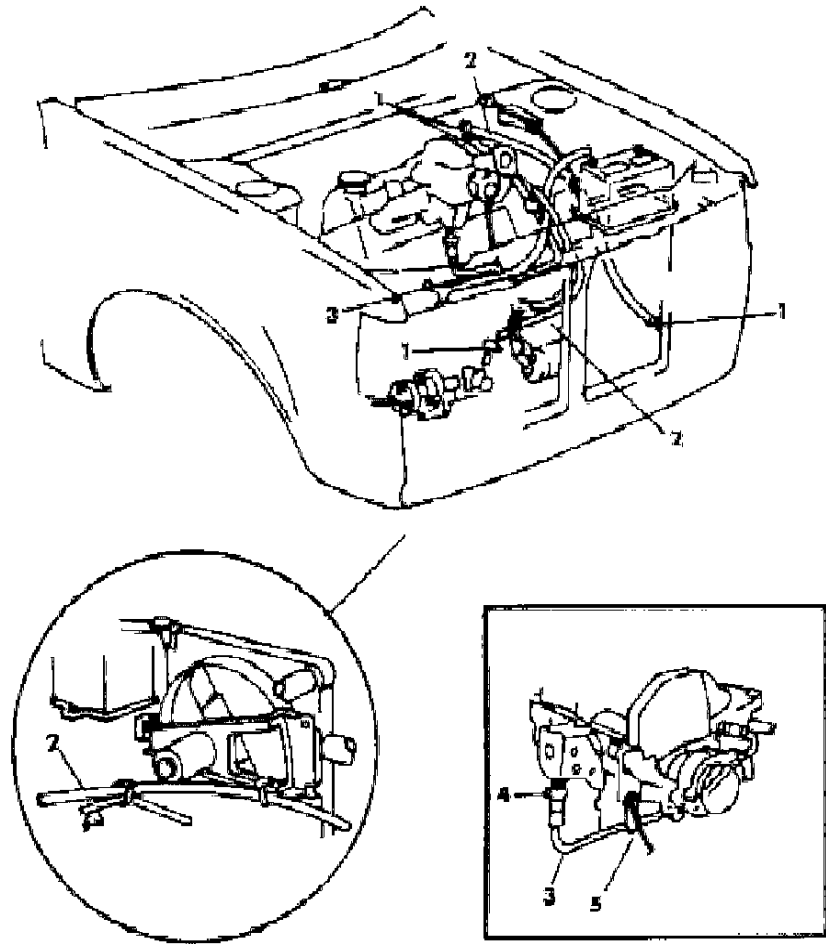
BODY STYLES

12-52 = FWD VAN & WAGON STD. W.B.	27 = 2-DOOR CONVERTIBLE
13-53 = FWD VAN & WGN EXT W.B.	41 = 4-DOOR SEDAN
21 = 2-DOOR SEDAN	44 = 4-DOOR HATCHBACK
24 = 2-DOOR HATCHBACK	45 = 4-DOOR STATION WAGON

AR = Use as Required - = Non Illustrated Part P.A.R. = Paint as Required

PLUMBING, HEATER L BODY
Figure 24-900

8124 900



ITEM	PART NUMBER	QTY	BODY	MODEL	DESCRIPTION
1	2448 770	AR			CLAMP, Heater Hose
2	2277 425	AR			HOSE, Heater Core To Radiator 5/8" I.D. (50 Ft. Roll)
	4273 488	1			HOSE, Heater Engine To Tube
	4273 486	1			TUBE, Thermo, Water By-Pass
	3849 334	1			HOSE, Heater Engine To Core
	3849 170	1			HOSE and TUBE, Htr. Eng. Core 2.2w/T.C.
3	4273 488	1			HOSE, Water By Pass Tube
4	0153 640	AR			CLAMP, Heater Hose
5	4448 750	1			BRACKET, Water By-Pass Tube

MODEL CODES

C BODY = (D41 - DYNASTY)(C41 - NEW YORKER)	L BODY = (M - HORIZON)(Z-OMNI)
E BODY = (J - CARAVELLE)(E - 600)(T - NEW YORKER TURBO)	M BODY = (B - GRAN FURY)(G - DIPLOMAT)(F - FIFTH AVENUE/NEWPORT)
G BODY = (V24 - DAYTONA, PACIFICA & SHELBY)	P BODY = (P - SUNDANCE)(D - SHADOW)
H BODY = (D44 - LANCER)(C44 - LEBARON GTS)	Q BODY = (C27 - MASERATI)
J BODY = (C - LEBARON)	S BODY = (H - VOYAGER)(K - RAM VAN/ CARAVAN)
K BODY = (P - RELIANT)(D - ARIES)(C - LEBARON/ TOWN & COUNTRY)	

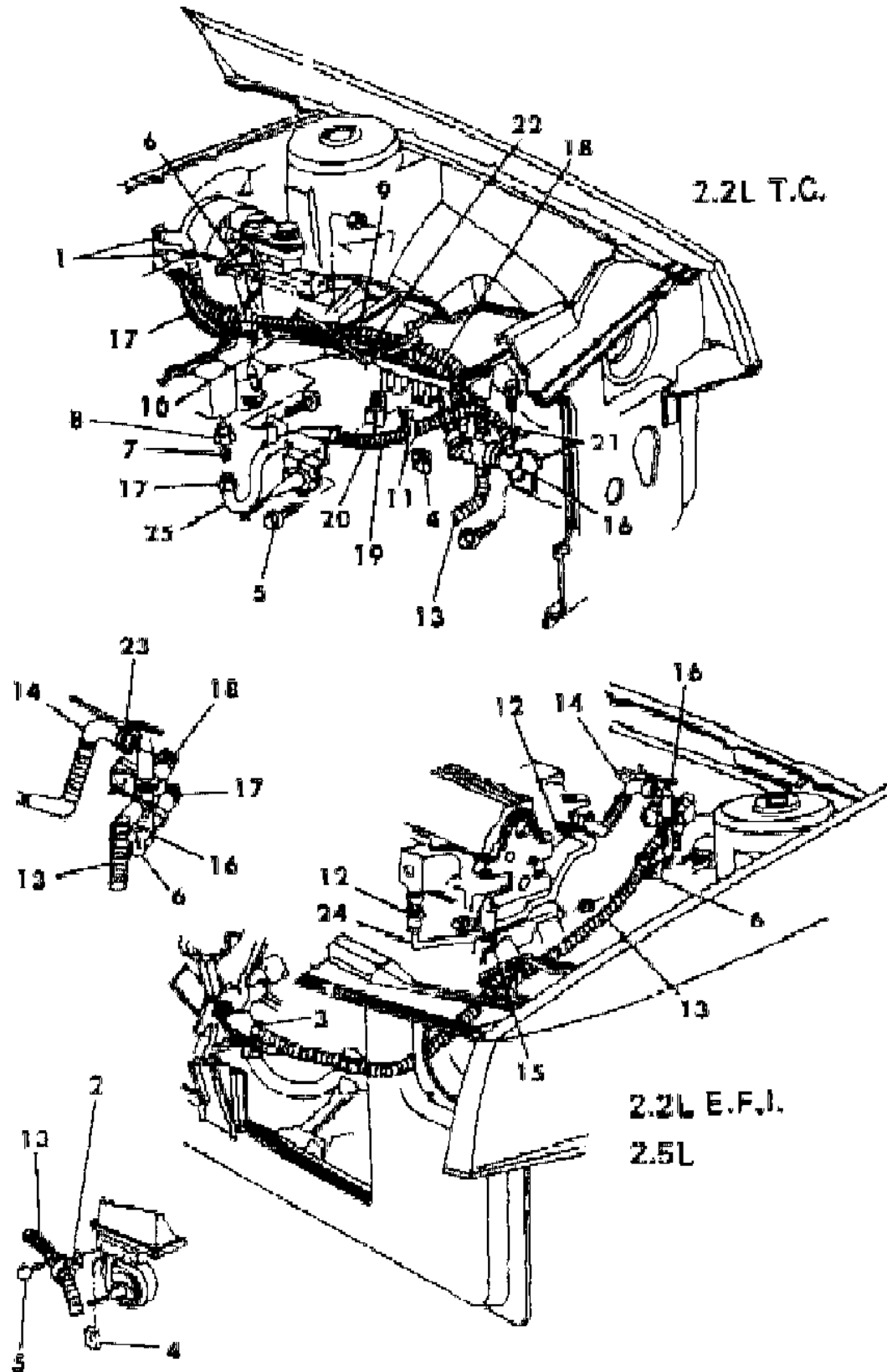
BODY STYLES

12-52 = FWD VAN & WAGON STD. W.B.	27 = 2-DOOR CONVERTIBLE
13-53 = FWD VAN & WGN EXT W.B.	41 = 4-DOOR SEDAN
21 = 2-DOOR SEDAN	44 = 4-DOOR HATCHBACK
24 = 2-DOOR HATCHBACK	45 = 4-DOOR STATION WAGON

AR = Use as Required - = Non Illustrated Part P.A.R. = Paint as Required

PLUMBING, HEATER P BODY
Figure 24-1000

8124 1000



ITEM	PART NUMBER	QTY	BODY	MODEL	DESCRIPTION
1	2448 770	AR			CLAMP
2	3849 709	1			CLIP, Heater Hose Mounting
3	2448 770	AR			CLAMP
4	6501 750	1			U-NUT, Heater Hose Clip Mounting
5	6100 288	1			SCREW and WASHER, Heater Hose Clip Mounting
6	4462 077	1			CLIP, Heater Dual Hose Mounting
	4462 083	1			BRACKET, Heater Dual Hose Mounting
7	3848 948	1			WASHER, Heater Tube Flare
8	6032 290	1			CONNECTOR, Inverted Flare Tube Thermostat Water By-Pass
9	6015 945	1			STRAP, Vacuum Line to Hose
10	2837 876	1			CONNECTOR, Vacuum Hose (In-Line)
11	6015 731	1			CLIP, Heater Hose Support
12	2448 770	AR			CLAMP
13	4462 084	1			HOSE, Sleeve Heater Valve to Pump
14	3849 202	1			HOSE, Heater, Engine to Valve
15	4273 487	1			BRACKET, Water By-Pass
16	3849 199	1			VALVE, Heater Water, (4 Port) w/2.2, 2.5 Eng.
	4462 090	1			w/2.2 Turbo
17	1315 466	AR			HOSE, Heater Core to Valve, 5/8" I.D. (50 Ft. Roll)
	4462 087	1			HOSE, Heater Core to Valve w/2.2 Turbo Eng.
18	1315 466	AR			HOSE, Heater Valve to Core, 5/8" I.D.50 Ft. Roll
	4462 089	1			HOSE, Heater Valve to Core w/2.2 Turbo
19	1315 466	AR			HOSE, Heater Tube to Valve
20	4462 106	1			BRACKET, Heater Hose Clip Mounting
	4462 378	1			BRACKET, Heater Hose Retaining, after 1-18-87
21	4462 092	1			BRACKET, Heater Water Valve Mounting
22	3780 508	AR			HOSE, Heater Vacuum Extension, 1/8", Serviced in Roll
23	3880 050	1			MUFFLER, Heater Hose, Engine to Valve
24	4273 486	1			TUBE, Thermostat Water By-Pass
	4273 488	1			HOSE, Water By-Pass Tube
25	3849 922	1			TUBE, Heater Engine to Hose

MODEL CODES

C BODY = (D41 - DYNASTY)(C41 - NEW YORKER)
 E BODY = (J - CARAVELLE)(E - 600)(T - NEW YORKER TURBO)
 G BODY = (V24 - DAYTONA, PACIFICA & SHELBY)
 H BODY = (D44 - LANCER)(C44 - LEBARON GTS)
 J BODY = (C - LEBARON)
 K BODY = (P - RELIANT)(D - ARIES)(C - LEBARON/ TOWN & COUNTRY)

L BODY = (M - HORIZON)(Z-OMNI)
 M BODY = (B - GRAN FURY)(G - DIPLOMAT)(F - FIFTH AVENUE/NEWPORT)
 P BODY = (P - SUNDANCE)(D - SHADOW)
 Q BODY = (C27 - MASERATI)
 S BODY = (H - VOYAGER)(K - RAM VAN/ CARAVAN)

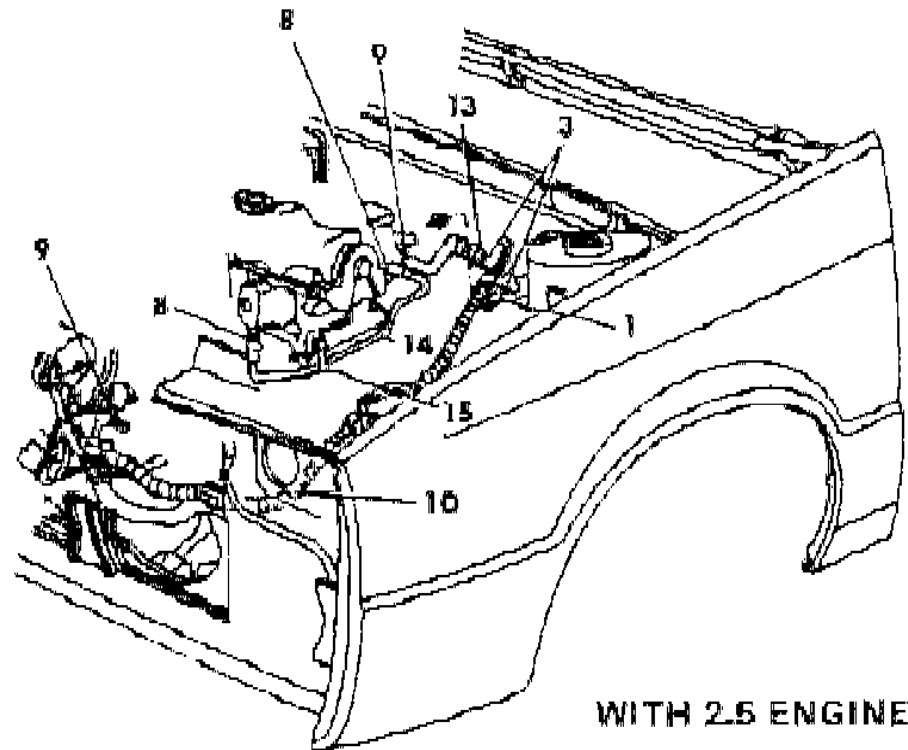
BODY STYLES

12-52 = FWD VAN & WAGON STD. W.B. 27 = 2-DOOR CONVERTIBLE
 13-53 = FWD VAN & WGN EXT W.B. 41 = 4-DOOR SEDAN
 21 = 2-DOOR SEDAN 44 = 4-DOOR HATCHBACK
 24 = 2-DOOR HATCHBACK 45 = 4-DOOR STATION WAGON

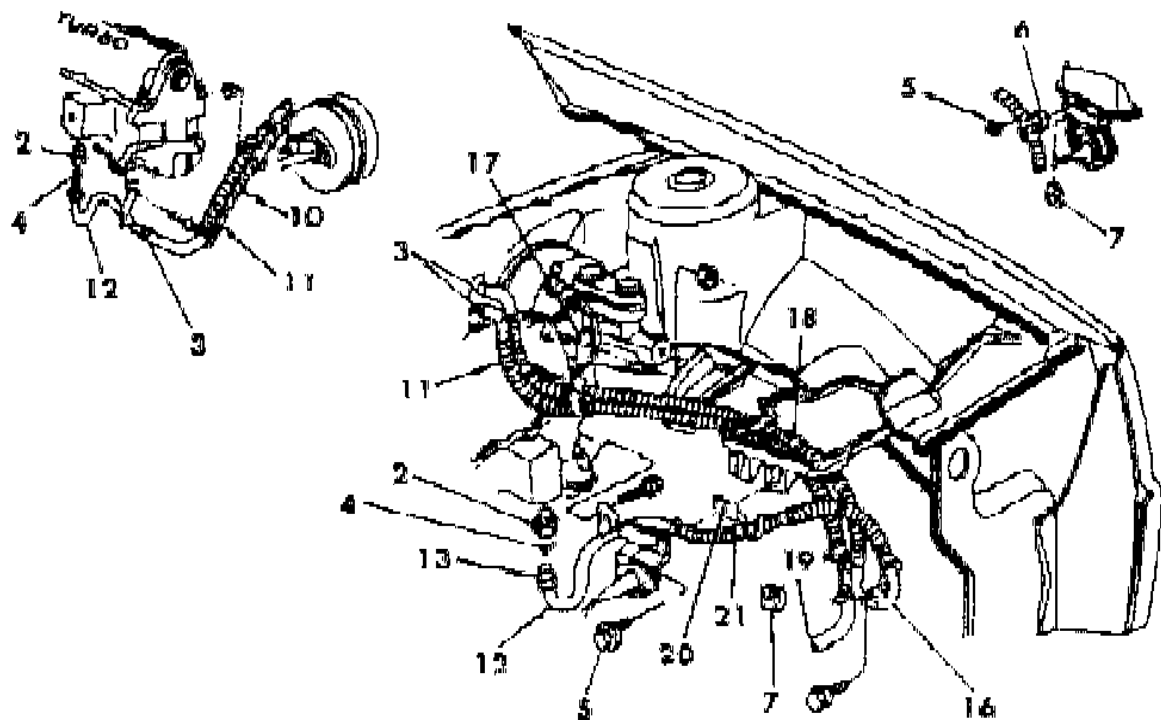
AR = Use as Required - = Non Illustrated Part P.A.R. = Paint as Required

PLUMBING, HEATER J BODY
Figure 24-1200

8124 1200



ITEM	PART NUMBER	QTY	BODY	MODEL	DESCRIPTION
1	3849 709	1			CLIP, Htr. Hose Mtg. w/2.5 Engine
2	6032 290	1			CONNECTOR, Inverted Thermostat Water By Pass
3	2448 770	AR			CLAMP
4	3848 948	1			WASHER, Htr. Tube Flare
5	6100 288	1			SCREW and WASHER, Htr. Hose Clip Mtg.
6	3849 709	1			CLIP, Htr. Hose Mtg. w/2.5 Engine
7	6500 681	1			J-NUT, Htr. Hose Clip Mtg.
8	0153 640	AR			CLAMP, Thermo, Hose
9	0153 640	AR			CLAMP,
10	3849 303	1			HOSE, Heater Core to Pump
11	4462 089	1			HOSE, Htr. Tube to Core
12	3849 922	1			TUBE, Htr. Engine to Hose
13	3849 334	1			HOSE, Heater Engine to Core
14	4273 486	1			TUBE, Thermostat Water By-Pass
	4273 488	1			HOSE, Water By-Pass Tube
15	4273 487	1			BRACKET, Water By-Pass
16	4462 093	1			TUBE, Htr. 4 Port, up to 1-4-88
	4462 401	1			after 1-4-88
17	4462 083	1			BRACKET, Htr. Hose Clip Mtg.
18	4462 087	1			HOSE, Htr. Core to Tube
19	4462 084	1			HOSE, Sleeve Heater Valve to Pump
20	3849 601	1			BRACKET, Htr. Hose Mounting
	4462 378	1			BRACKET, Htr. Hose Retaining, after 1-8-88
21	1315 466	AR			HOSE, Htr. Tube to Tube, 5/8" I.D. 50 Ft. Roll



WITH 2.2 ENGINE TURBO

MODEL CODES

C BODY = (D41 - DYNASTY)(C41 - NEW YORKER)
 E BODY = (J - CARAVELLE)(E - 600)(T - NEW YORKER TURBO)
 G BODY = (V24 - DAYTONA, PACIFICA & SHELBY)
 H BODY = (D44 - LANCER)(C44 - LEBARON GTS)
 J BODY = (C - LEBARON)
 K BODY = (P - RELIANT)(D - ARIES)(C - LEBARON/ TOWN & COUNTRY)

L BODY = (M - HORIZON)(Z-OMNI)
 M BODY = (B - GRAN FURY)(G - DIPLOMAT)(F - FIFTH AVENUE/NEWPORT)
 P BODY = (P - SUNDANCE)(D - SHADOW)
 Q BODY = (C27 - MASERATI)
 S BODY = (H - VOYAGER)(K - RAM VAN/ CARAVAN)

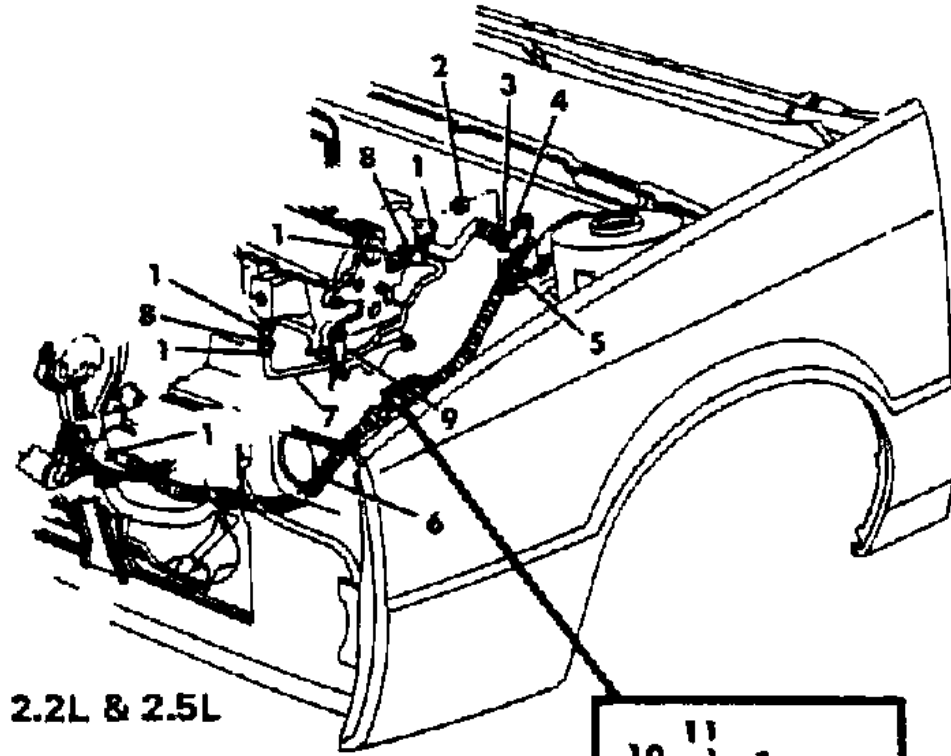
BODY STYLES

12-52 = FWD VAN & WAGON STD. W.B. 27 = 2-DOOR CONVERTIBLE
 13-53 = FWD VAN & WGN EXT W.B. 41 = 4-DOOR SEDAN
 21 = 2-DOOR SEDAN 44 = 4-DOOR HATCHBACK
 24 = 2-DOOR HATCHBACK 45 = 4-DOOR STATION WAGON

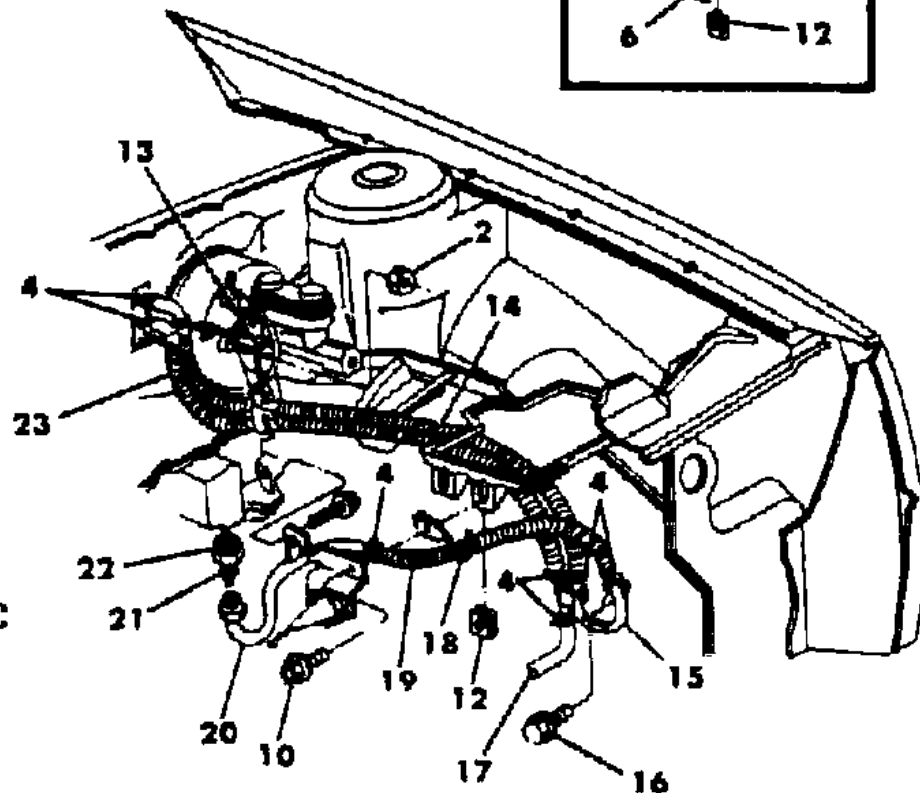
AR = Use as Required - = Non Illustrated Part P.A.R. = Paint as Required

PLUMBING, HEATER K,E BODY
Figure 24-1300

8124 1300



2.2L & 2.5L



2.2L TC

ITEM	PART NUMBER	QTY	BODY	MODEL	DESCRIPTION
1	0153 640	AR			CLAMP
2					NUT (Not Serviced)
3	3849 334	1			HOSE, Heater, Engine to Core
4	2448 770	AR			CLAMP
5	3849 243	1			CLIP, Heater Hose Mounting
6	3849 303	AR			HOSE, Heater, Core to Pump
7	4273 486	1			TUBE, Water By-Pass
8	4273 488	AR			HOSE, Water By-Pass Tube
9	4273 487	1			BRACKET, Water By-Pass Tube Attaching
10	6100 288	1			SCREW and WASHER
11	3849 709	1			CLIP, Heater Hose Mounting
12	6501 750	1			J-NUT, Heater Hose Clip Mounting
13	4462 083	1			BRACKET, Heater Hose Clip Mounting
14	4462 087	AR			HOSE, Heater Hose to Tube
15	4462 094	1			TUBE, Heater (4 Port) up to 1-4-88
	4462 402	1			after 1-4-88
16					SCREW (Not Serviced)
17	4462 084	AR			HOSE, Sleeve Heater Tube to Pump
18	4462 106	1			BRACKET, Heater Hose Clip Retaining
	4462 378	1			BRACKET, Htr. Hose Retaining, after 1-18-88
19	1315 466	AR			HOSE, Heater Tube to Tube, 5/8" I.D. 50 Ft. Roll
20	3849 922	1			TUBE, Heater, Engine to Hose
21	3848 948	1			WASHER, Heater Tube Flare
22	6032 290	1			CONNECTOR
23	4462 089	AR			HOSE, Heater, Tube to Core
	4397 809	AR			SLEEVE, Hose

MODEL CODES

C BODY = (D41 - DYNASTY)(C41 - NEW YORKER)
 E BODY = (J - CARAVELLE)(E - 600)(T - NEW YORKER TURBO)
 G BODY = (V24 - DAYTONA, PACIFICA & SHELBY)
 H BODY = (D44 - LANCER)(C44 - LEBARON GTS)
 J BODY = (C - LEBARON)
 K BODY = (P - RELIANT)(D - ARIES)(C - LEBARON/ TOWN & COUNTRY)

L BODY = (M - HORIZON)(Z-OMNI)
 M BODY = (B - GRAN FURY)(G - DIPLOMAT)(F - FIFTH AVENUE/NEWPORT)
 P BODY = (P - SUNDANCE)(D - SHADOW)
 Q BODY = (C27 - MASERATI)
 S BODY = (H - VOYAGER)(K - RAM VAN/ CARAVAN)

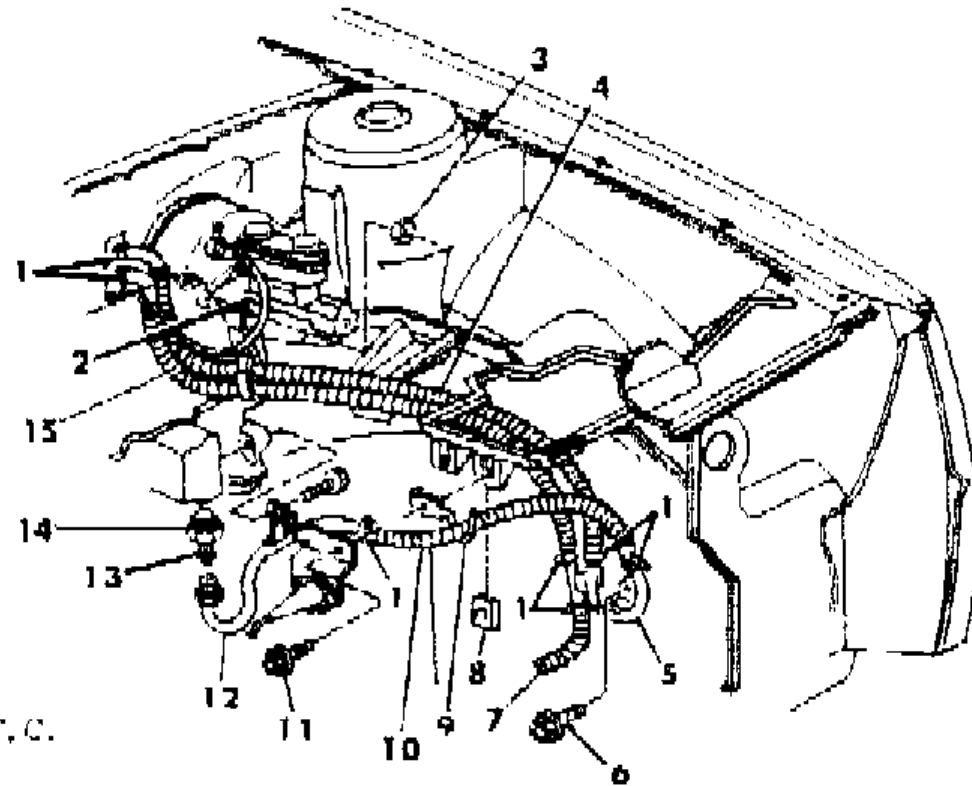
BODY STYLES

12-52 = FWD VAN & WAGON STD. W.B. 27 = 2-DOOR CONVERTIBLE
 13-53 = FWD VAN & WGN EXT W.B. 41 = 4-DOOR SEDAN
 21 = 2-DOOR SEDAN 44 = 4-DOOR HATCHBACK
 24 = 2-DOOR HATCHBACK 45 = 4-DOOR STATION WAGON

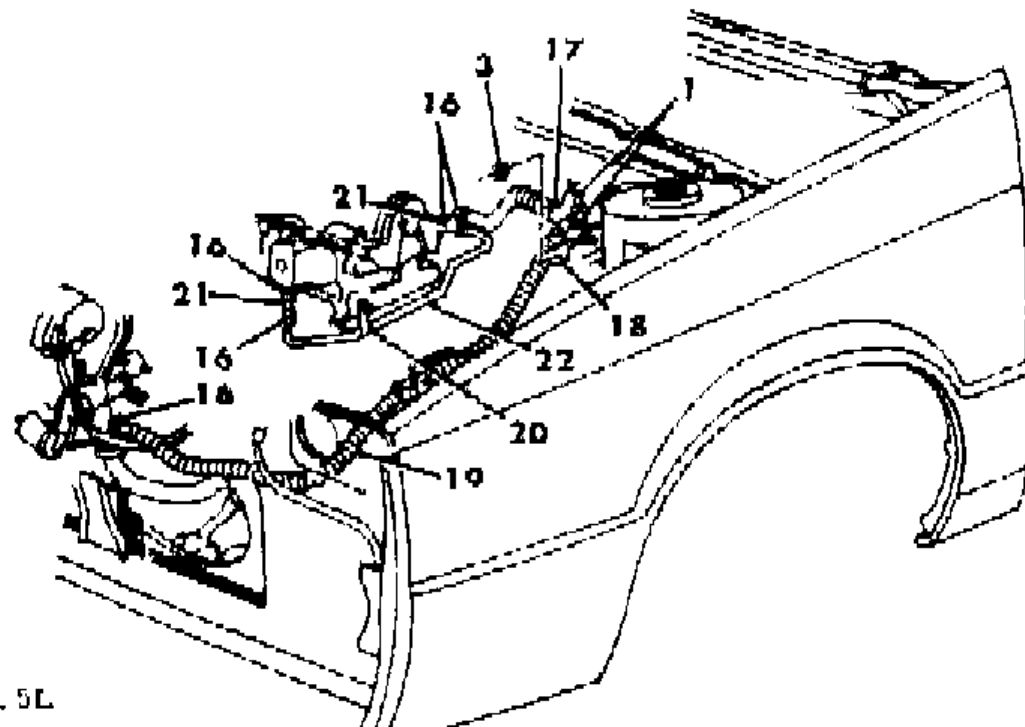
AR = Use as Required - = Non Illustrated Part P.A.R. = Paint as Required

PLUMBING, HEATER G BODY
Figure 24-1400

8124 1400 B



2, 2L T.C.



2 5L

ITEM	PART NUMBER	QTY	BODY	MODEL	DESCRIPTION
1	2448 770	AR			CLAMP
2	4462 083	1			BRACKET, Heater, Dual Hose Mounting
3					NUT (Not Serviced)
4	4462 087	AR			HOSE, Heater Core to Tube
5	4462 093	1			TUBE, Heater (4 Port) up to 1-4-88
	4462 401	1			after 1-4-88
6					SCREW (Not Serviced)
7	4462 084	AR			HOSE, Sleeve Htr. to Pump
8	6500 681	1			J-NUT, Heater Hose Clip Mounting
9	3849 601	1			BRACKET, Heater Hose Retaining
	4462 378	1			BRACKET, Heater Hose Retaining, after 1-8-88
10	1315 466	AR			HOSE, Heater Tube to Tube, 5/8" I.D. 50 Ft. Roll
11	6100 288	AR			SCREW and WASHER
12	3849 922	1			TUBE, Heater, Engine to Hose
13	3848 948	1			WASHER, Heater Tube Flare
14	6032 290	1			CONNECTOR
15	4462 089	AR			HOSE, Heater, Tube to Core
16	0153 640	AR			CLAMP
17	3849 334	AR			HOSE, Heater, Engine to Core
18	4462 077	1			CLIP, Heater, Dual Hose Mounting
19	3849 303	AR			HOSE, Heater, Core to Pump
20	4273 487	1			BRACKET, Water By-Pass Hose
21	4273 488	AR			HOSE, Water By-Pass Tube
22	4273 486	1			TUBE, Water By-Pass
	4397 809	AR			SLEEVE, Hose

MODEL CODES

C BODY = (D41 - DYNASTY)(C41 - NEW YORKER)
 E BODY = (J - CARAVELLE)(E - 600)(T - NEW YORKER TURBO)
 G BODY = (V24 - DAYTONA, PACIFICA & SHELBY)
 H BODY = (D44 - LANCER)(C44 - LEBARON GTS)
 J BODY = (C - LEBARON)
 K BODY = (P - RELIANT)(D - ARIES)(C - LEBARON/ TOWN & COUNTRY)

L BODY = (M - HORIZON)(Z-OMNI)
 M BODY = (B - GRAN FURY)(G - DIPLOMAT)(F - FIFTH AVENUE/NEWPORT)
 P BODY = (P - SUNDANCE)(D - SHADOW)
 Q BODY = (C27 - MASERATI)
 S BODY = (H - VOYAGER)(K - RAM VAN/ CARAVAN)

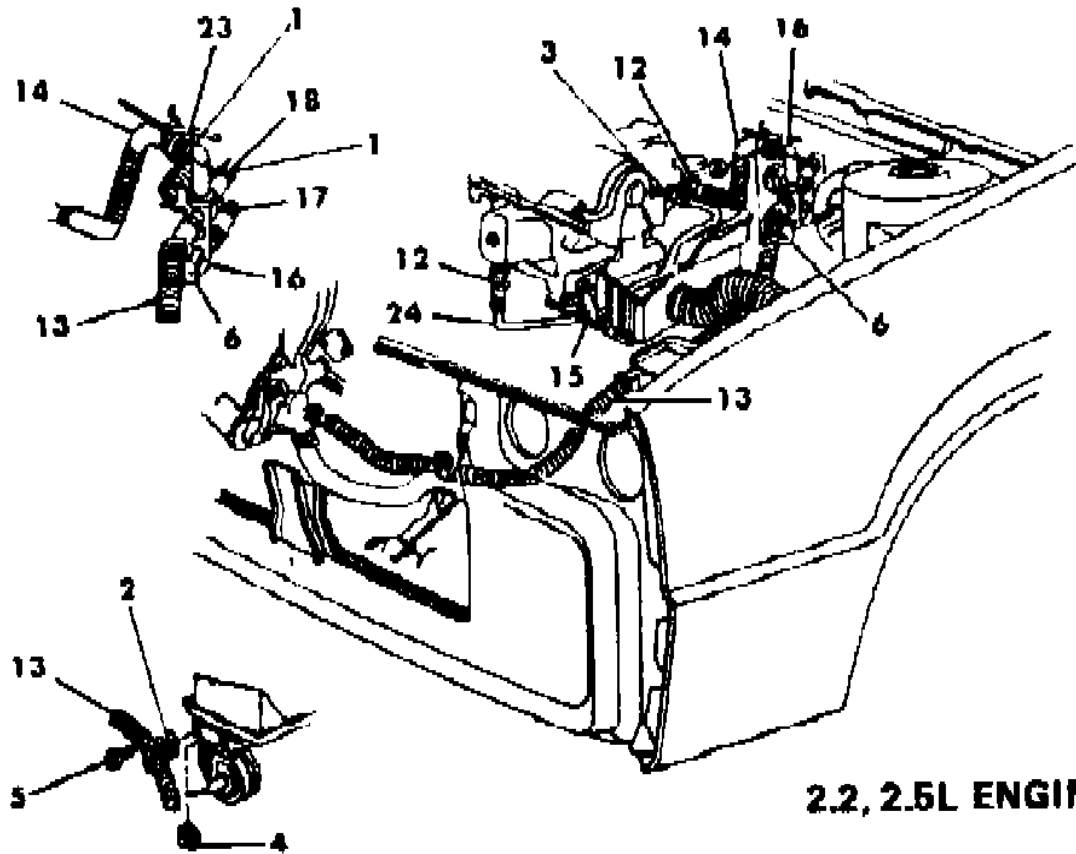
BODY STYLES

12-52 = FWD VAN & WAGON STD. W.B. 27 = 2-DOOR CONVERTIBLE
 13-53 = FWD VAN & WGN EXT W.B. 41 = 4-DOOR SEDAN
 21 = 2-DOOR SEDAN 44 = 4-DOOR HATCHBACK
 24 = 2-DOOR HATCHBACK 45 = 4-DOOR STATION WAGON

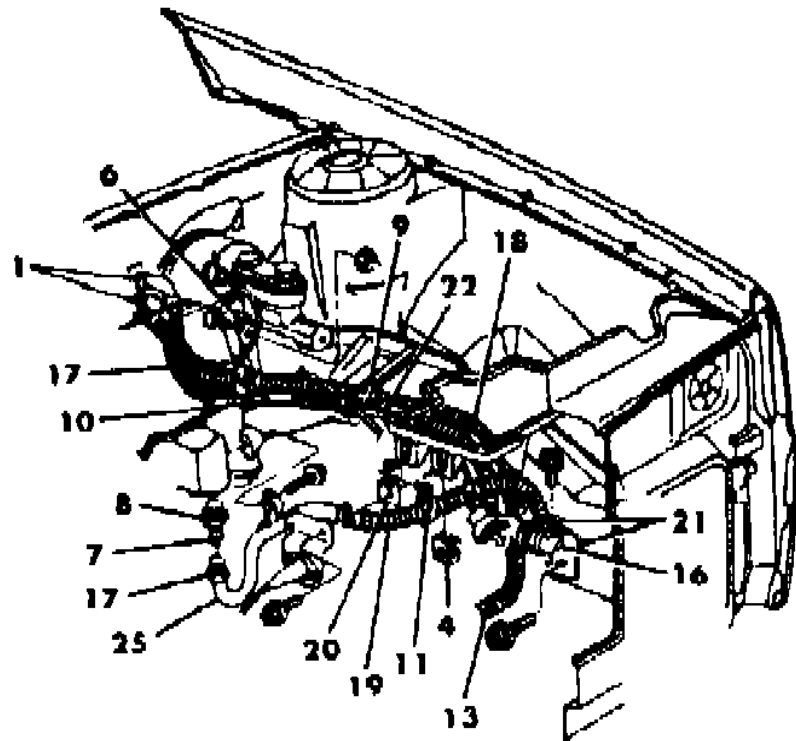
AR = Use as Required - = Non Illustrated Part P.A.R. = Paint as Required

PLUMBING, HEATER H BODY
Figure 24-1500

8124 1500 A



2.2, 2.5L ENGINE



2.2 T. C. I, 2.2 T. C. II L ENGINE

ITEM	PART NUMBER	QTY	BODY	MODEL	DESCRIPTION
1	2448 770	AR			CLAMP
2	3849 709	1			CLIP, Heater Hose Mounting
3	0153 640	AR			CLAMP
4	6501 750	1			U-NUT, Heater Hose, Clip Mounting
5	6100 288	1			SCREW and WASHER
6	4462 077	1			CLIP, Heater Dual Hose Mounting, w/2.2 & 2.5 Engine
	4462 083	1			BRACKET, w/2.2 Turbo Engine
7	3848 948	1			WASHER, Heater Tube Flare
8	6032 290	1			CONNECTOR, Inverted Flare Tube, Thermostat Water By-Pass
9	6015 945	1			STRAP, Vacuum Line to Hose
10	2837 876	1			CONNECTOR, Vacuum Hose (In-Line)
11	6015 731	1			CLIP, Heater Hose Support
12	0153 640	2			CLAMP
13	3849 303	AR			HOSE, Heater Valve to Pump, w/2.2 & 2.5 Engine
	4462 084	1			HOSE, Sleeve Heater Valve to Pump w/2.2 Turbo
14	3849 202	1			HOSE, Heater, Engine to Valve
15	4273 487	1			BRACKET, Water By-Pass Attaching
16	3849 199	1			VALVE, Heater Water (4 Port), w/2.2 & 2.5 Engine
	4462 090	1			w/2.2 Turbo
	4462 401	1			TUBE, Htr. (4 Port) w/2.2 Turbo II
17	1315 466	AR			HOSE, Heater Core to Valve, w/2.2 & 2.5 Engine, 5/8" I.D., 50 Ft.
					Roll
	4462 087	1			w/2.2 Turbo
18	1315 466	AR			HOSE, Heater Valve to Core, w/2.2 & 2.5 Engine, 5/8", 50 FT.
					Roll
	4462 089	1			w/2.2 Turbo
19	1315 466	AR			HOSE, Heater Tube to Valve, 5/8" I.D., 50 Ft. Roll
	4462 374	1			HOSE, A/C, Htr., Tube to Valve, w/2.2 Turbo II
20	4462 106	1			BRACKET, Heater Hose, Clip Mounting
	4462 378	1			BRACKET, Heater Hose Retaining
21	4462 092	2			BRACKET, Heater Water Valve Mounting
22	3780 508	AR			HOSE, Heater Vacuum Extension, .225 O.D., .97 I.D., 50 Ft. Roll
23	3880 050	1			MUFFLER, Heater Hose, Engine to Valve
24	4273 486	1			TUBE, Thermostat Water By-Pass
	4273 488	1			HOSE, Water By-Pass Tube
25	3849 922	1			TUBE, Heater Engine to Hose

MODEL CODES

C BODY = (D41 - DYNASTY)(C41 - NEW YORKER)
 E BODY = (J - CARAVELLE)(E - 600)(T - NEW YORKER TURBO)
 G BODY = (V24 - DAYTONA, PACIFICA & SHELBY)
 H BODY = (D44 - LANCER)(C44 - LEBARON GTS)
 J BODY = (C - LEBARON)
 K BODY = (P - RELIANT)(D - ARIES)(C - LEBARON/ TOWN & COUNTRY)

L BODY = (M - HORIZON)(Z-OMNI)
 M BODY = (B - GRAN FURY)(G - DIPLOMAT)(F - FIFTH AVENUE/NEWPORT)
 P BODY = (P - SUNDANCE)(D - SHADOW)
 Q BODY = (C27 - MASERATI)
 S BODY = (H - VOYAGER)(K - RAM VAN/ CARAVAN)

BODY STYLES

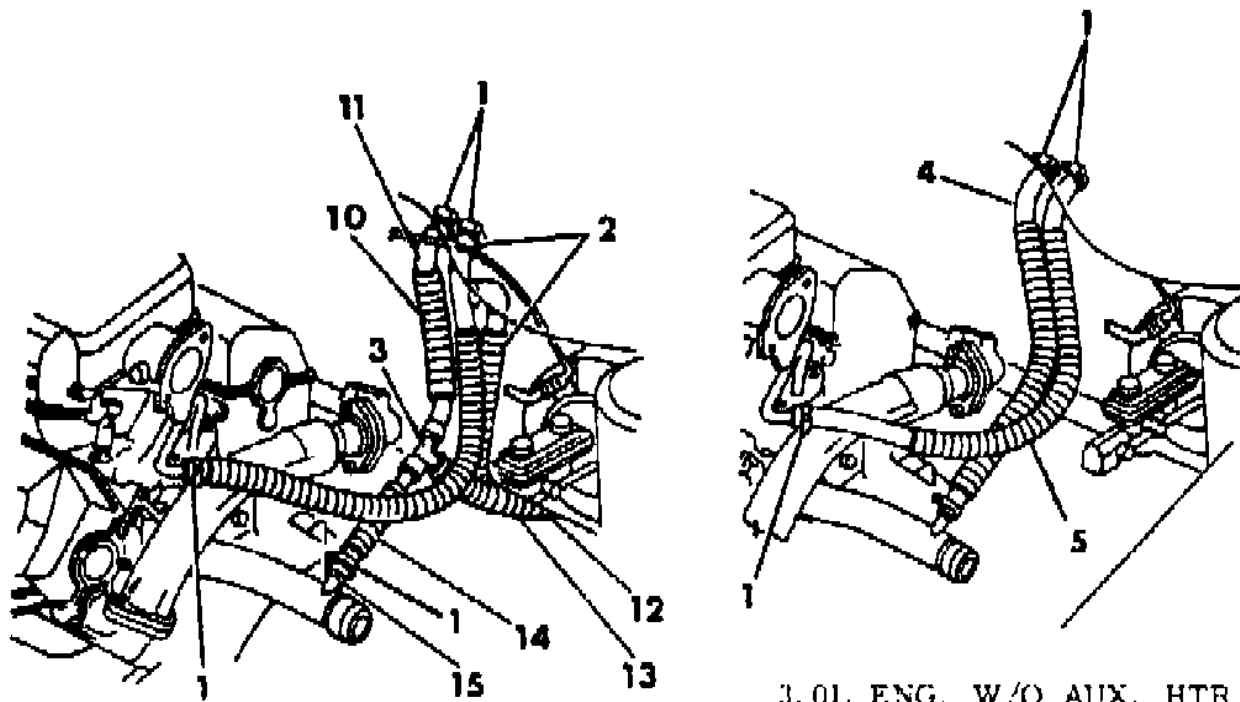
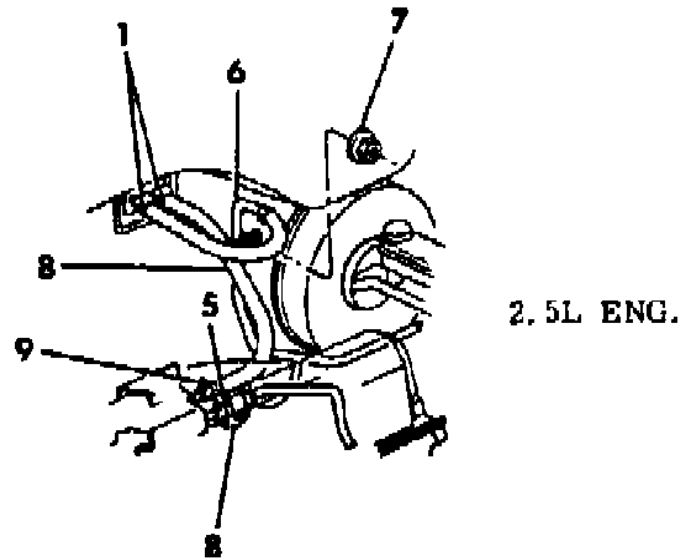
12-52 = FWD VAN & WAGON STD. W.B. 27 = 2-DOOR CONVERTIBLE
 13-53 = FWD VAN & WGN EXT W.B. 41 = 4-DOOR SEDAN
 21 = 2-DOOR SEDAN 44 = 4-DOOR HATCHBACK
 24 = 2-DOOR HATCHBACK 45 = 4-DOOR STATION WAGON

AR = Use as Required - = Non Illustrated Part P.A.R. = Paint as Required

PLUMBING, HEATER S BODY
Figure 24-1600

8124 1600 A

ITEM	PART NUMBER	QTY	BODY	MODEL	DESCRIPTION
1	2448 770	AR			CLAMP
2	4462 031	1			HOSE, Aux. Heater, Engine to Core and Rear Tube
3	4462 321	1			TEE, Aux. Heater Water Hose
4	1595 160	1			HOSE, A/C, Heater Core to Pump
5	1595 160	1			HOSE, Heater, Engine to Core
6	3849 063	1			HOSE, Tube, Heater Core to Hose
7	0219 462	1			NUT
8	3849 076	1			HOSE, Heater, Engine to Core
9	0153 640	AR			CLAMP
10	4397 809	1			SLEEVE
11	1315 466	AR			HOSE, 5/8" I.D. 50 ft. Roll
	6015 756	AR			STRAP, Tie
12	4397 809	1			SLEEVE
13	1315 466	AR			HOSE, 5/8" I.D. 50 ft. Roll
14	4397 809	1			SLEEVE
15	1595 160	1			HOSE



3.0L ENG. W/AUX. HTR.

MODEL CODES

C BODY = (D41 - DYNASTY)(C41 - NEW YORKER)	L BODY = (M - HORIZON)(Z-OMNI)
E BODY = (J - CARAVELLE)(E - 600)(T - NEW YORKER TURBO)	M BODY = (B - GRAN FURY)(G - DIPLOMAT)(F - FIFTH AVENUE/NEWPORT)
G BODY = (V24 - DAYTONA, PACIFICA & SHELBY)	P BODY = (P - SUNDANCE)(D - SHADOW)
H BODY = (D44 - LANCER)(C44 - LEBARON GTS)	Q BODY = (C27 - MASERATI)
J BODY = (C - LEBARON)	S BODY = (H - VOYAGER)(K - RAM VAN/ CARAVAN)
K BODY = (P - RELIANT)(D - ARIES)(C - LEBARON/ TOWN & COUNTRY)	

BODY STYLES

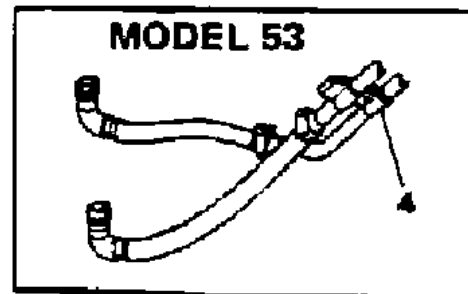
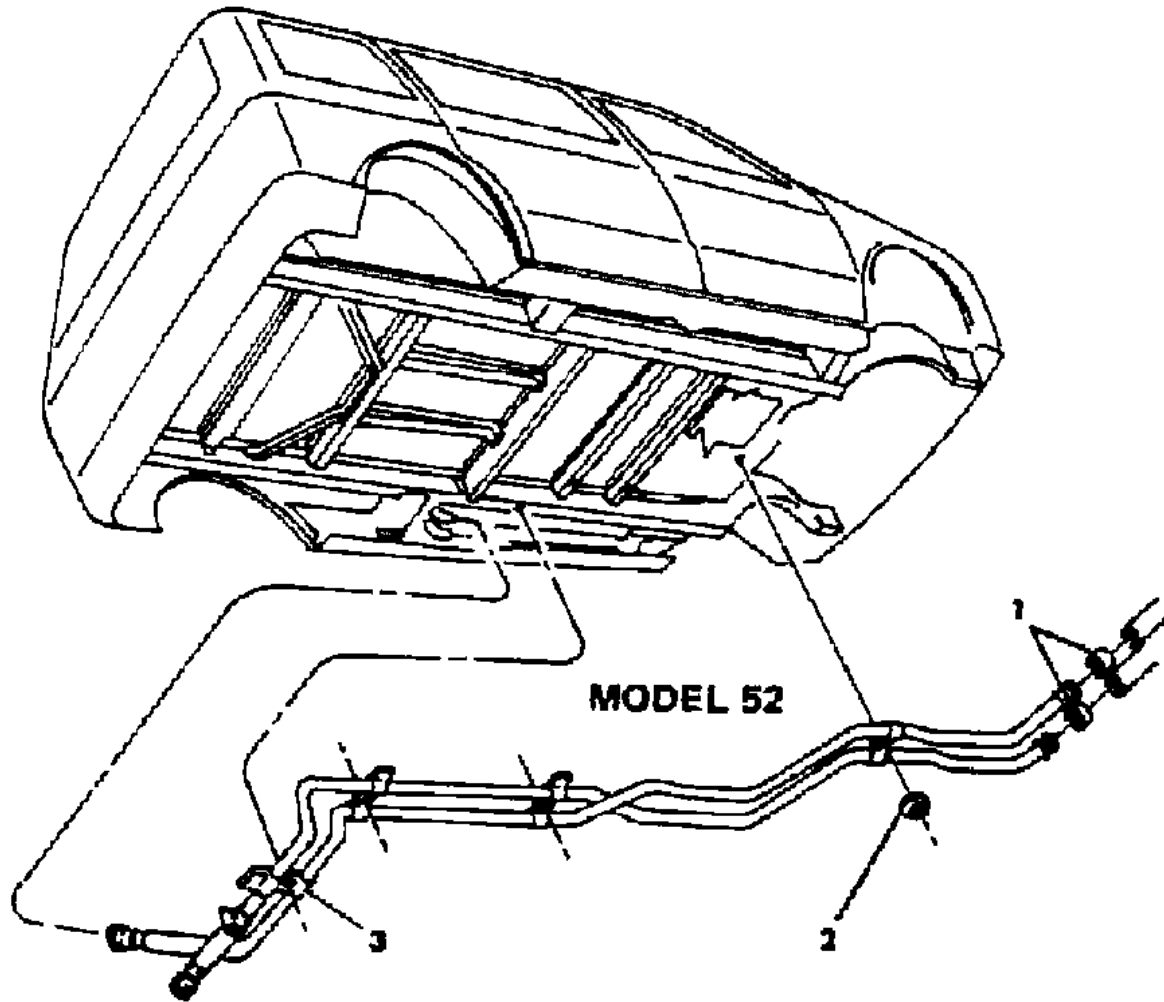
12-52 = FWD VAN & WAGON STD. W.B.	27 = 2-DOOR CONVERTIBLE
13-53 = FWD VAN & WGN EXT W.B.	41 = 4-DOOR SEDAN
21 = 2-DOOR SEDAN	44 = 4-DOOR HATCHBACK
24 = 2-DOOR HATCHBACK	45 = 4-DOOR STATION WAGON

AR = Use as Required - = Non Illustrated Part P.A.R. = Paint as Required

PLUMBING HEATER, AUXILIARY UNDERBODY S BODY
Figure 24-1700

8124 1700

ITEM	PART NUMBER	QTY	BODY	MODEL	DESCRIPTION
1	2448 770	AR			CLAMP
2	0219 462	1			NUT and WASHER
3	3849 847	1	S	52	HOSE, Aux. Heater, Water Underbody
4	3849 951	1	S	53	HOSE and TUBE, Aux. A/C, Heater, Front Hose to Heater Unit
	4462 255	1			HOSE, Aux A/C Htr Front to Heater Supply
	4462 256	1			HOSE, Aux A/C Heater Front to Htr Unit Return



MODEL CODES

C BODY = (D41 - DYNASTY)(C41 - NEW YORKER)	L BODY = (M - HORIZON)(Z-OMNI)
E BODY = (J - CARAVELLE)(E - 600)(T - NEW YORKER TURBO)	M BODY = (B - GRAN FURY)(G - DIPLOMAT)(F - FIFTH AVENUE/NEWPORT)
G BODY = (V24 - DAYTONA, PACIFICA & SHELBY)	P BODY = (P - SUNDANCE)(D - SHADOW)
H BODY = (D44 - LANCER)(C44 - LEBARON GTS)	Q BODY = (C27 - MASERATI)
J BODY = (C - LEBARON)	S BODY = (H - VOYAGER)(K - RAM VAN/ CARAVAN)
K BODY = (P - RELIANT)(D - ARIES)(C - LEBARON/ TOWN & COUNTRY)	

BODY STYLES

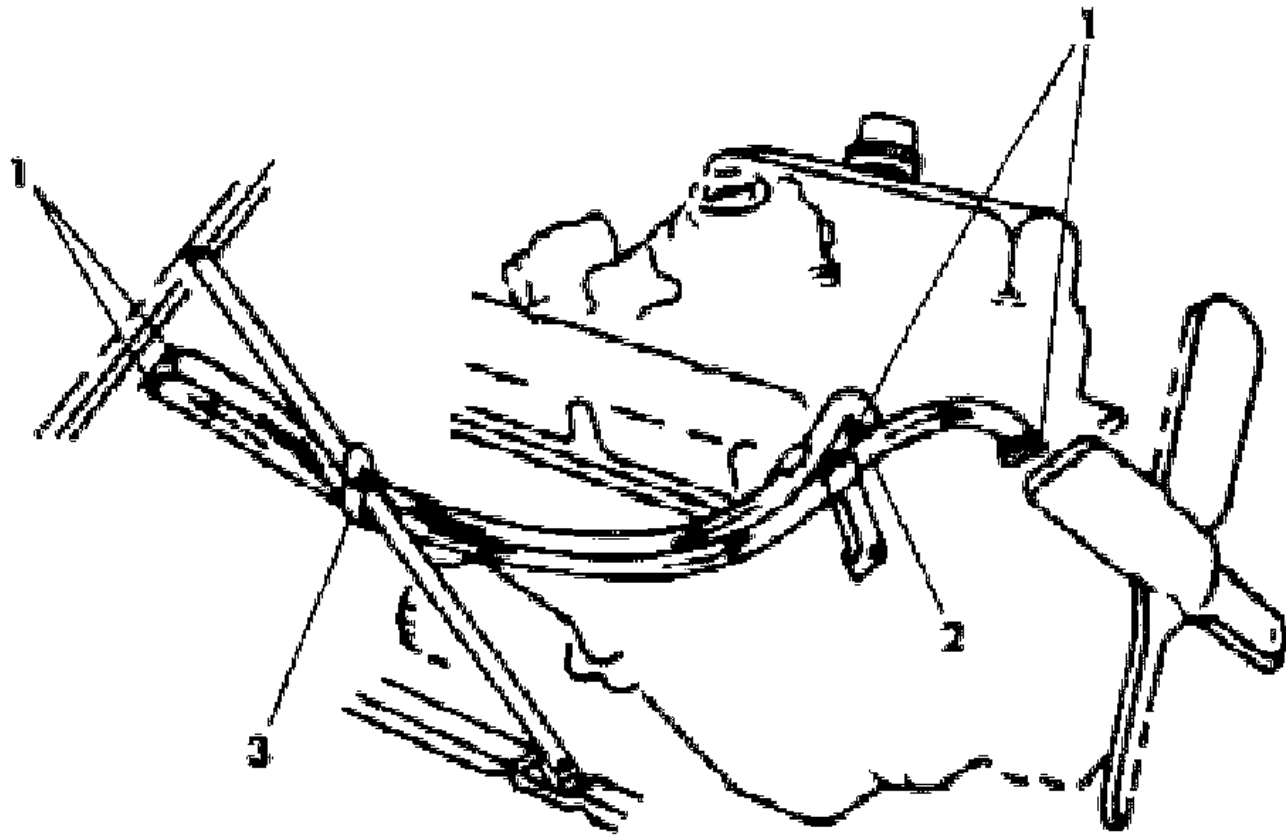
12-52 = FWD VAN & WAGON STD. W.B.	27 = 2-DOOR CONVERTIBLE
13-53 = FWD VAN & WGN EXT W.B.	41 = 4-DOOR SEDAN
21 = 2-DOOR SEDAN	44 = 4-DOOR HATCHBACK
24 = 2-DOOR HATCHBACK	45 = 4-DOOR STATION WAGON

AR = Use as Required - = Non Illustrated Part P.A.R. = Paint as Required

PLUMBING, HEATER M BODY B,G
Figure 24-1800

8124 1800

ITEM	PART NUMBER	QTY	BODY	MODEL	DESCRIPTION
1	2448 770	AR			CLAMP, Heater Hose 15/16" I.D.
	4041 604	AR			s/Steel Screw Type
2	1779 258	1			NIPPLE, Htr., Hose to Eng., 2" Lgh. 3/8 Thd.
3	6015 945	1			STRAP, Heater Vacuum Hose Support
	4339 457	1			VALVE, Heater Water w/Upr. Level Vent.



8 CYLINDER

MODEL CODES

C BODY = (D41 - DYNASTY)(C41 - NEW YORKER)
 E BODY = (J - CARAVELLE)(E - 600)(T - NEW YORKER TURBO)
 G BODY = (V24 - DAYTONA, PACIFICA & SHELBY)
 H BODY = (D44 - LANCER)(C44 - LEBARON GTS)
 J BODY = (C - LEBARON)
 K BODY = (P - RELIANT)(D - ARIES)(C - LEBARON/ TOWN & COUNTRY)

L BODY = (M - HORIZON)(Z-OMNI)
 M BODY = (B - GRAN FURY)(G - DIPLOMAT)(F - FIFTH AVENUE/NEWPORT)
 P BODY = (P - SUNDANCE)(D - SHADOW)
 Q BODY = (C27 - MASERATI)
 S BODY = (H - VOYAGER)(K - RAM VAN/ CARAVAN)

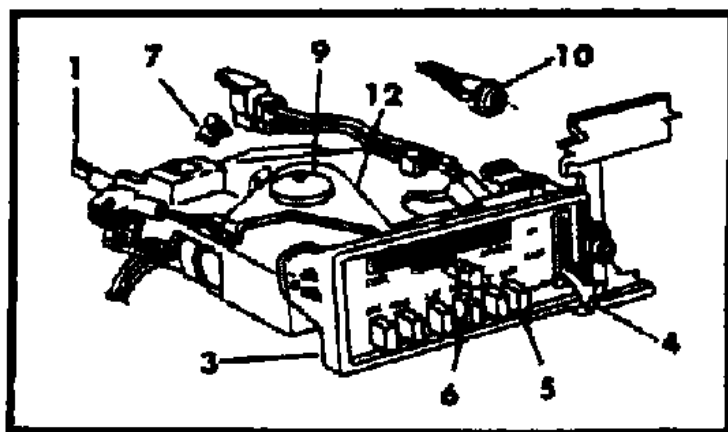
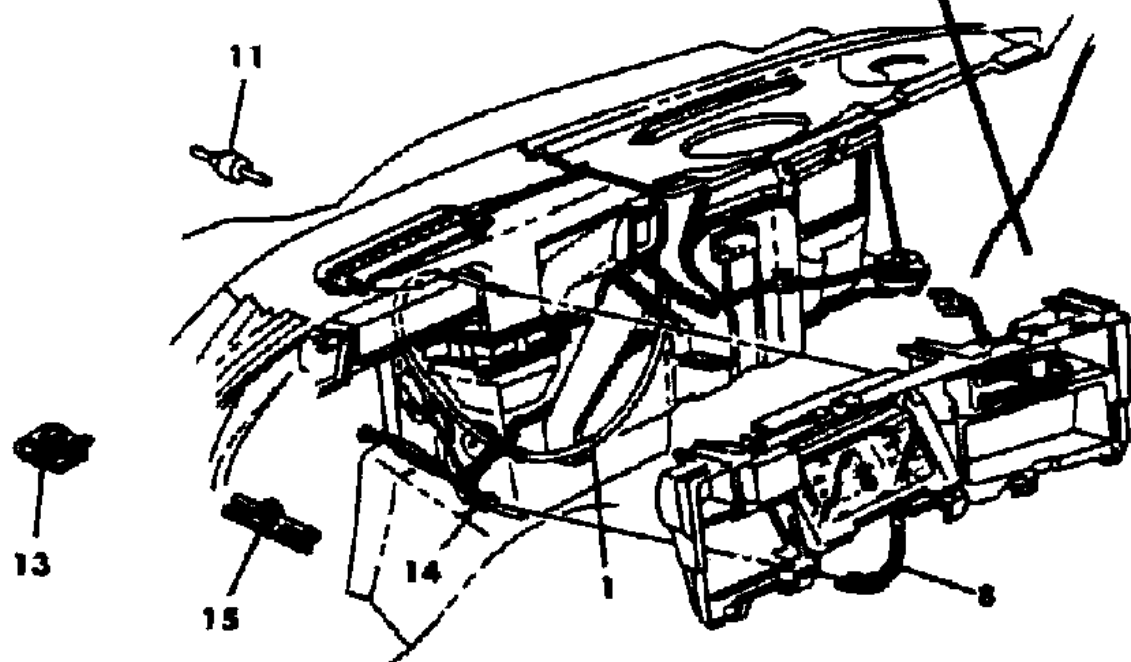
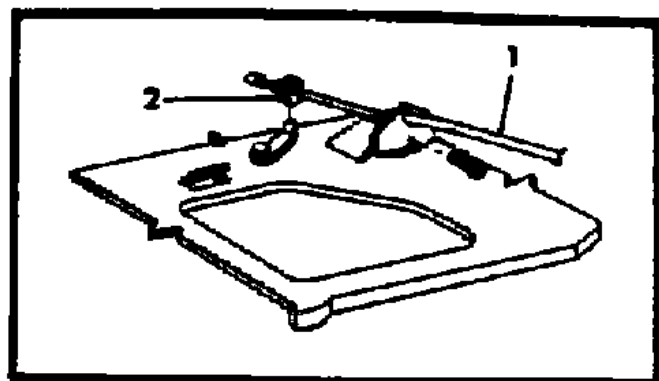
BODY STYLES

12-52 = FWD VAN & WAGON STD. W.B. 27 = 2-DOOR CONVERTIBLE
 13-53 = FWD VAN & WGN EXT W.B. 41 = 4-DOOR SEDAN
 21 = 2-DOOR SEDAN 44 = 4-DOOR HATCHBACK
 24 = 2-DOOR HATCHBACK 45 = 4-DOOR STATION WAGON

AR = Use as Required - = Non Illustrated Part P.A.R. = Paint as Required

CONTROL, AIR CONDITIONER L,S,M BODY
Figure 24-1900

8124 1900



ITEM	PART NUMBER	QTY	BODY	MODEL	DESCRIPTION
1	5210 360	1	L		CABLE, A/C. Temp. Control
	3848 319	1	S		CABLE, A/C. Temp. Control
2	3849 739	1			CLIP, A/C. Temp. Control Cable Adjusting
3	3848 002	1	S		BASE, A/C. Temp. Control
	3848 002	1	M		BASE, A/C. Temp. Control
	3848 637	1	S		DECAL, A/C. Control Bi-Level
	3848 002	1	L,M		BASE, A/C. Temp. Control Bi-Level
	3848 002	1	M		w/A.T.C.
	3848 634	1	M		DECAL, A/C. Control Bi-Level, A.T.C. (Black)
	3848 630	1	M		DECAL, A.T.C. Control Bi-Level (Silver)
	3848 633	1	L		DECAL, A/C. Control
4	3847 940	1	L,M		SWITCH, A/C. Blower Control
	3848 645	1	S		SWITCH, A/C Blower Control
5	#3847 512	1	L		SWITCH, A/C. Control Vacuum 6 P/Button
	3847 742	1	M		SWITCH, A/C. Control Vacuum 6 P/Button
	3848 654	1	S		SWITCH, A/C. Control Vacuum 6 P/Button
6	3849 810	1	L		KNOB, A/C. Temp. Control Lever
	3849 809	1	S		
	3849 810	1	M		
7	6029 889	1	Exc. S		NUT, A/C. Control Cable Retaining
8	#3847 622	1			HOSE, A/C. Vacuum Extension
9	2820 453	1	Exc. S		CLIP, A/C. Temp. Lever Retaining
	3849 122	1	S		
	3503 317	1			PIN, A/C. Control Lever Pivot
10	4443 134	1			SOCKET and BULB PACKAGE, A/C., Heater Control Lamp
11	3441 609	1			VALVE, Two Port Check Vacuum Hose
	2837 876	1	L		CONNECTOR, A/C. Vac. Hose (In Line)
12	3848 232	1	L		LEVER, A/C. Temp. Control
	4443 105	1	L		LEVER and KNOB PACKAGE, (Chrome)
	4443 109	1	S		LEVER and KNOB PACKAGE (Black)
	4443 107	1	M		LEVER and KNOB PACKAGE, A.T.C. (Black)
	4443 108	1	M		LEVER and KNOB PACKAGE, A.T.C. (Chrome)
13	6025 147	1	M		NUT, A/C. Control Cable Mtg.
14	3848 311	1	L		HOSE and CONNECTOR, A/C. Vacuum
	3847 627	1	M		HOSE and CONNECTOR, A/C. Vacuum
15	6015 778	AR			CLIP, A/C. Vacuum Hose Retaining
	3847 435	1	M		RHEOSTAT, A.T.C. (Hi-Lo) Sliding Diode

MODEL CODES

C BODY = (D41 - DYNASTY)(C41 - NEW YORKER)
 E BODY = (J - CARAVELLE)(E - 600)(T - NEW YORKER TURBO)
 G BODY = (V24 - DAYTONA, PACIFICA & SHELBY)
 H BODY = (D44 - LANCER)(C44 - LEBARON GTS)
 J BODY = (C - LEBARON)
 K BODY = (P - RELIANT)(D - ARIES)(C - LEBARON/ TOWN & COUNTRY)

L BODY = (M - HORIZON)(Z-OMNI)
 M BODY = (B - GRAN FURY)(G - DIPLOMAT)(F - FIFTH AVENUE/NEWPORT)
 P BODY = (P - SUNDANCE)(D - SHADOW)
 Q BODY = (C27 - MASERATI)
 S BODY = (H - VOYAGER)(K - RAM VAN/ CARAVAN)

BODY STYLES

12-52 = FWD VAN & WAGON STD. W.B. 27 = 2-DOOR CONVERTIBLE
 13-53 = FWD VAN & WGN EXT W.B. 41 = 4-DOOR SEDAN
 21 = 2-DOOR SEDAN 44 = 4-DOOR HATCHBACK
 24 = 2-DOOR HATCHBACK 45 = 4-DOOR STATION WAGON

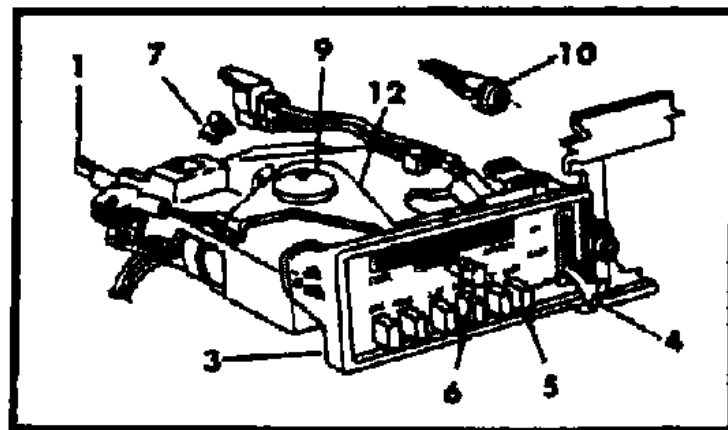
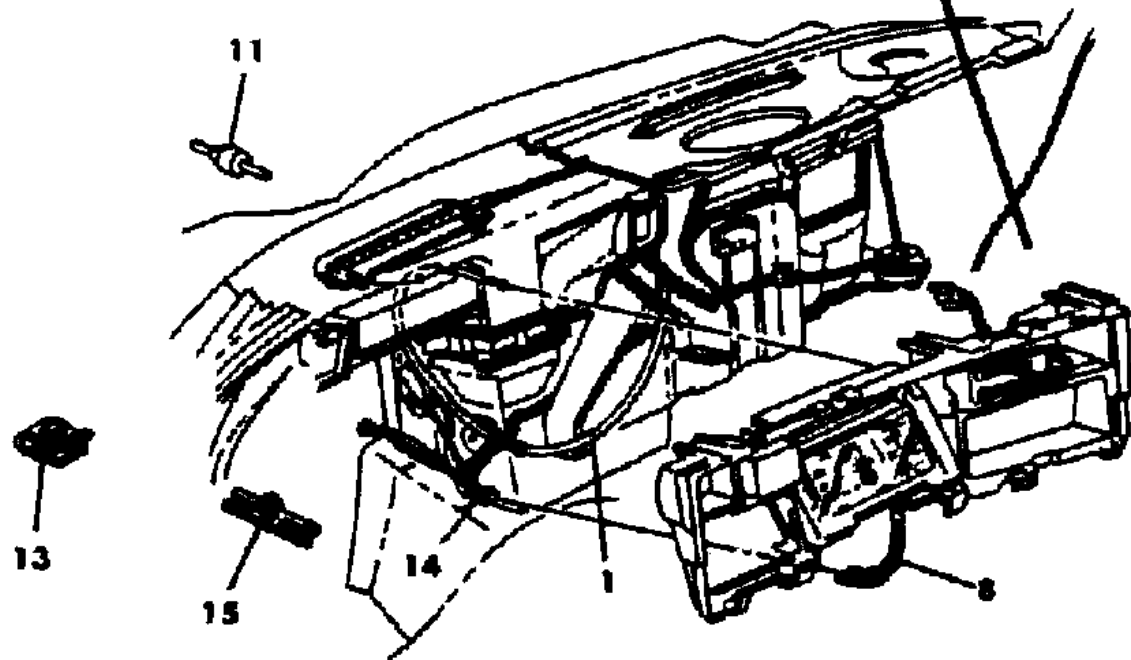
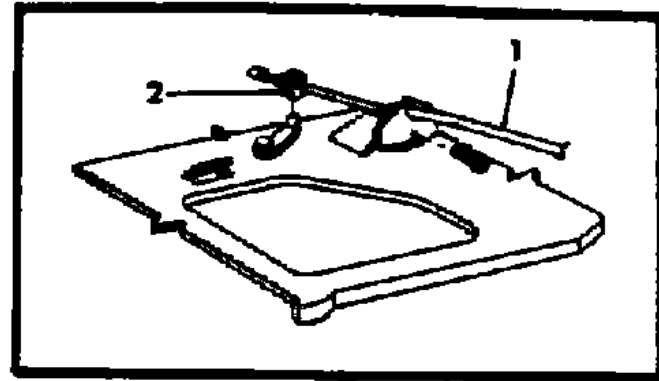
AR = Use as Required - = Non Illustrated Part P.A.R. = Paint as Required

CONTROL, AIR CONDITIONER L,S,M BODY
Figure 24-1900

8124 1900

ITEM	PART NUMBER	QTY	BODY	MODEL	DESCRIPTION
------	-------------	-----	------	-------	-------------

	3780 794	1			HOSE, A/C. Cont. Vac. .073/.081 I.D. 50 Ft. Roll
	4124 747	1	M		WIRING, A.T.C. Unit
	4373 255	1			SWITCH, Rear Blower (I/PNI.)



MODEL CODES

C BODY = (D41 - DYNASTY)(C41 - NEW YORKER)
 E BODY = (J - CARAVELLE)(E - 600)(T - NEW YORKER TURBO)
 G BODY = (V24 - DAYTONA, PACIFICA & SHELBY)
 H BODY = (D44 - LANCER)(C44 - LEBARON GTS)
 J BODY = (C - LEBARON)
 K BODY = (P - RELIANT)(D - ARIES)(C - LEBARON/ TOWN & COUNTRY)

L BODY = (M - HORIZON)(Z-OMNI)
 M BODY = (B - GRAN FURY)(G - DIPLOMAT)(F - FIFTH AVENUE/NEWPORT)
 P BODY = (P - SUNDANCE)(D - SHADOW)
 Q BODY = (C27 - MASERATI)
 S BODY = (H - VOYAGER)(K - RAM VAN/ CARAVAN)

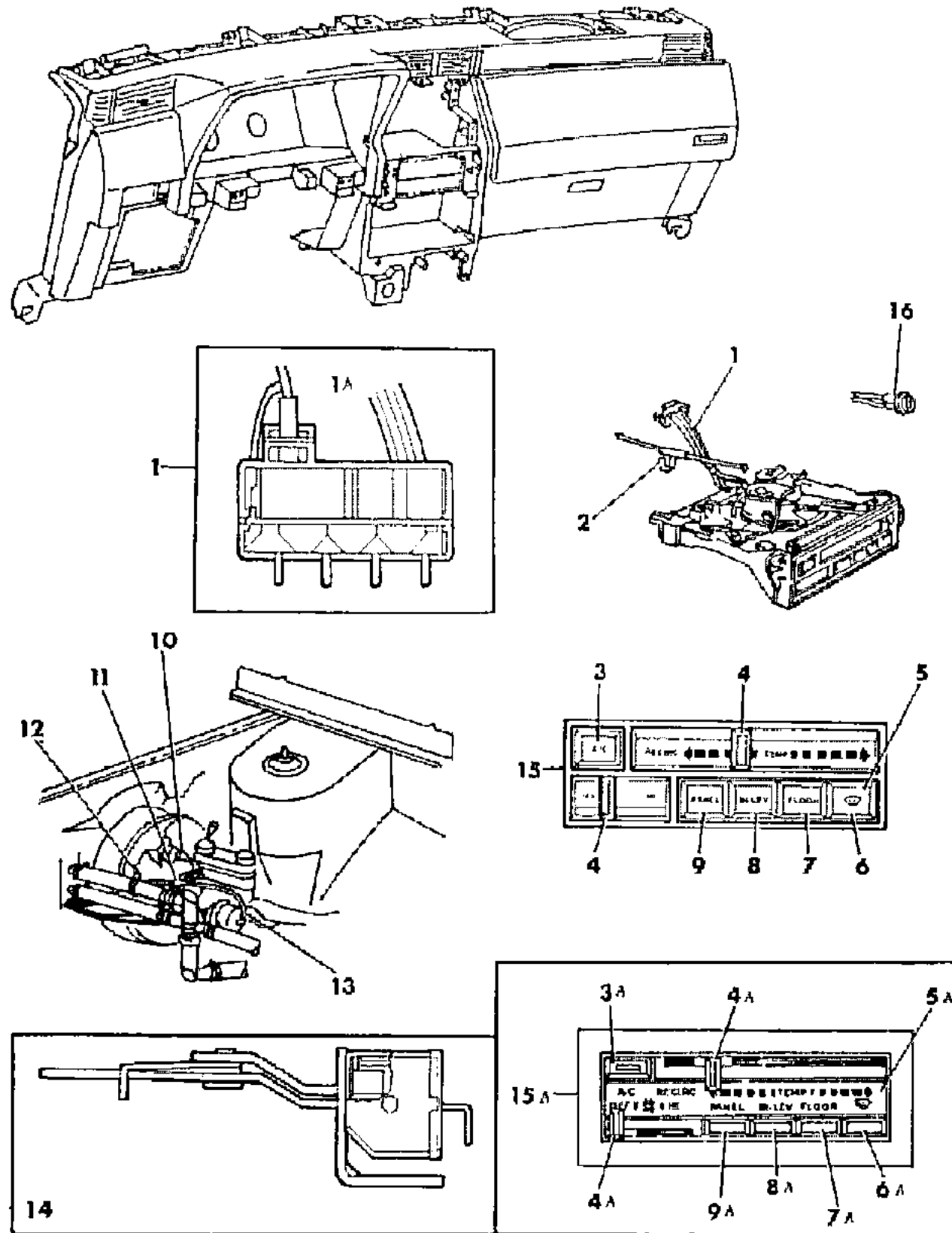
BODY STYLES

12-52 = FWD VAN & WAGON STD. W.B. 27 = 2-DOOR CONVERTIBLE
 13-53 = FWD VAN & WGN EXT W.B. 41 = 4-DOOR SEDAN
 21 = 2-DOOR SEDAN 44 = 4-DOOR HATCHBACK
 24 = 2-DOOR HATCHBACK 45 = 4-DOOR STATION WAGON

AR = Use as Required - = Non Illustrated Part P.A.R. = Paint as Required

CONTROL, AIR CONDITIONER P,H BODY
Figure 24-2000

8124 2000 A



ITEM	PART NUMBER	QTY	BODY	MODEL	DESCRIPTION
1	3849 140	1			SWITCH, Control and Vacuum Hose up to 9-30-87
1A	3849 881	1			after 9-30-87
2	3849 714	1			CABLE, Control Temp.
	3849 739	1			CLIP, Control Temp. Cable Self (Adj.)
3	3849 142	1			SWITCH, A/C. Control up to 9-30-87
3A	3849 859	1			after 9-30-87
4	3849 148	1			KNOB, A/C. Control up to 9-30-87
4A	3849 879	1			after 9-30-87
5	3849 143	1			FACE PLATE and DECAL, A/C. Control up to 9-30-87
5A	3849 856	1			after 9-30-87
6	3849 147	1			PUSH BUTTON, A/C. Control Defroster up to 9-30-87
6A	3849 862	1			after 9-30-87
7	3849 146	1			PUSH BUTTON, A/C. Control Floor up to 9-30-87
7A	3849 862	1			after 9-30-87
8	3849 145	1			PUSH BUTTON, A/C. Control Bi-Level up to 9-30-87
8A	3849 862	1			after 9-30-87
9	3849 144	1			PUSH BUTTON, A/C. Control Panel up to 9-30-87
9A	3849 862	1			after 9-30-87
10	3848 714	1			CONNECTOR, A/C. Vacuum Hose to Booster
11	2837 876	1			CONNECTOR, A/C. Vac. Line Ext. to Water Valve
12	6015 945	1			STRAP
13	3780 508	1			HOSE, Vacuum Extension (Serviced in Roll Stock)
14	3849 139	1			SWITCH, Control Fan up to 9-30-87 after 9-30-87 (Serviced in #15A)
15	3849 138	1			HOUSING and LEVER up to 9-30-87
15A	3849 882	1			HOUSING, Switch and Lever after 9-30-87
16	3849 141	1			LAMP, Socket A/C. Control

MODEL CODES

C BODY = (D41 - DYNASTY)(C41 - NEW YORKER)
 E BODY = (J - CARAVELLE)(E - 600)(T - NEW YORKER TURBO)
 G BODY = (V24 - DAYTONA, PACIFICA & SHELBY)
 H BODY = (D44 - LANCER)(C44 - LEBARON GTS)
 J BODY = (C - LEBARON)
 K BODY = (P - RELIANT)(D - ARIES)(C - LEBARON/ TOWN & COUNTRY)

L BODY = (M - HORIZON)(Z-OMNI)
 M BODY = (B - GRAN FURY)(G - DIPLOMAT)(F - FIFTH AVENUE/NEWPORT)
 P BODY = (P - SUNDANCE)(D - SHADOW)
 Q BODY = (C27 - MASERATI)
 S BODY = (H - VOYAGER)(K - RAM VAN/ CARAVAN)

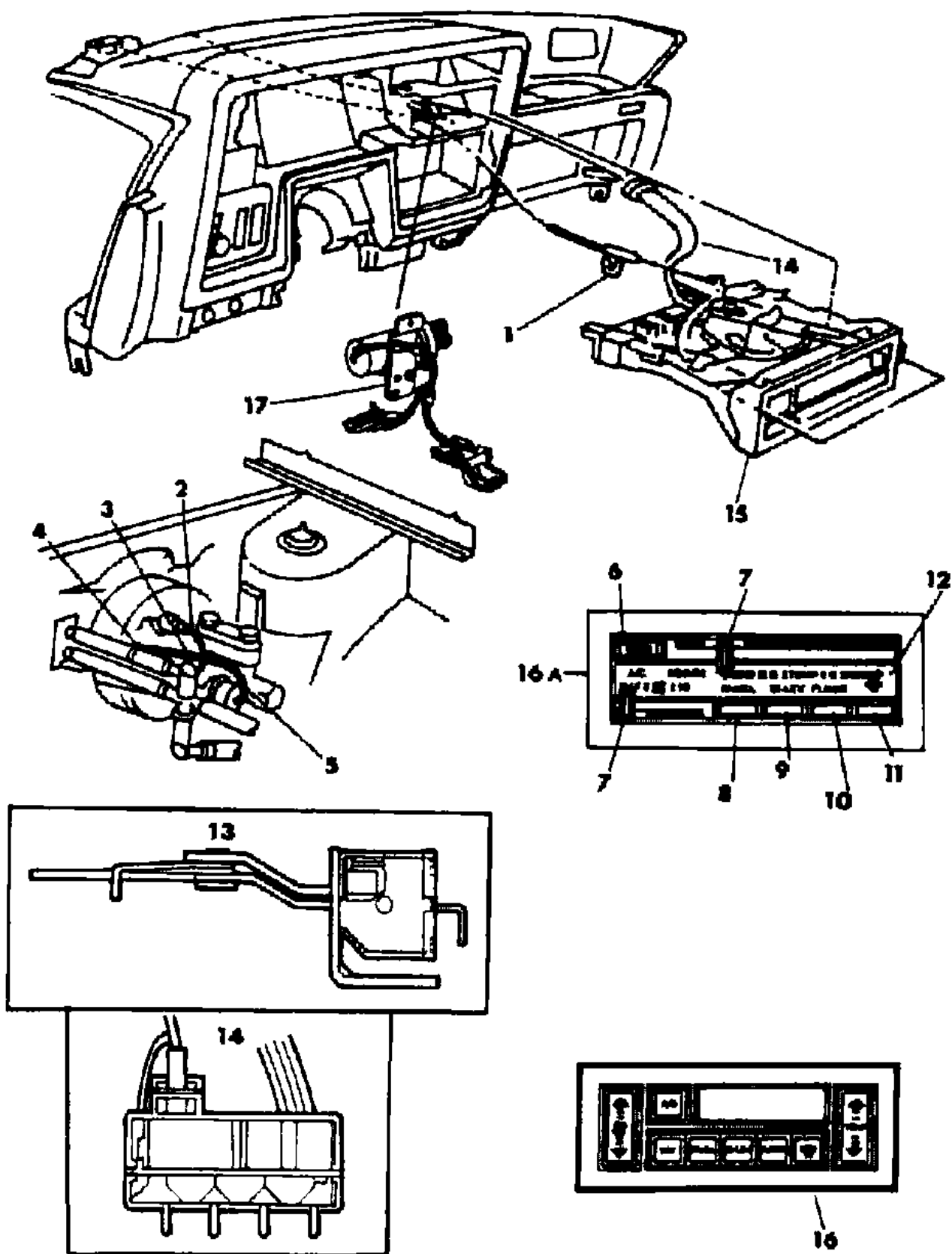
BODY STYLES

12-52 = FWD VAN & WAGON STD. W.B. 27 = 2-DOOR CONVERTIBLE
 13-53 = FWD VAN & WGN EXT W.B. 41 = 4-DOOR SEDAN
 21 = 2-DOOR SEDAN 44 = 4-DOOR HATCHBACK
 24 = 2-DOOR HATCHBACK 45 = 4-DOOR STATION WAGON

AR = Use as Required - = Non Illustrated Part P.A.R. = Paint as Required

CONTROL, AIR CONDITIONER J,K,G,E,C BODY
Figure 24-2100

8124 2100 D



ITEM	PART NUMBER	QTY	BODY	MODEL	DESCRIPTION
1	3849 714	1			CABLE, A/C. Temp. Control
	3849 739	1			CLIP, A/C. Temp. Control Cable Adjusting
2	3847 935	1			CONNECTOR, A/C. Vac. Hose to Booster P/Brake
3	2837 876	1			CONNECTOR, Vacuum Hose, In-Line
4	6015 945	1			CLIP, Strap
5	3780 508	AR			HOSE, Vacuum Ext. (Serv. in Roll Stock 1/8)
6		1			SWITCH, A/C Control (Black) (Serviced in #16A)
7	3849 878	AR	JKGEC		KNOB (Black)
	4462 340	AR	Q		KNOB (Black)
8	3849 863	1	JKGEC		PUSH BUTTON, A/C Control Panel (Black)
	4462 665	1	Q		PUSH BUTTON, A/C Control Panel (Black)
9	3849 863	1	JKGEC		PUSH BUTTON, A/C Bi-Level (Black)
	4462 339	1	Q		PUSH BUTTON, A/C Bi-Level (Black)
10	3849 863	1	JKGEC		PUSH BUTTON, A/C Control, Floor (Black)
	4462 339	1	Q		PUSH BUTTON, A/C Control, Floor (Black)
11	3849 863	1	JKGEC		PUSH BUTTON, A/C Control, Defroster (Black)
	4462 665	1	Q		PUSH BUTTON, A/C Control, Defroster (Black)
12	4462 338	1			FACE PLATE, w/Decal, A/C Control (Black)
13		1			SWITCH, Control Fan (Serviced in Item #16A)
14	3849 860	1			SWITCH, Control w/Vacuum Hose
15		1			HOUSING, Switch and Lever, A/C Control (Serviced in Item #16A)
16A	3849 765	1	JKGEC		CONTROL, Complete (Black)
	4462 337	1	Q		CONTROL, ATC Complete (Black)
16	3849 905	1	CJ		CONTROL, ATC Complete (Black)
	3849 906	1	C		CONTROL, ATC Complete (Black and Chrome)
17	3849 820	1	C		SENSOR, ATC in Car
	3849 376	1	C		HOSE, for Aspirator Tube
	3849 553	1	J		SENSOR, ATC in Car Complete, w/Air Bag, w/Passive,Active Restraint System
	3849 618	1	J		SENSOR, ATC in Car (Complete) w/Seat Belt

MODEL CODES
 C BODY = (D41 - DYNASTY)(C41 - NEW YORKER)
 E BODY = (J - CARAVELLE)(E - 600)(T - NEW YORKER TURBO)
 G BODY = (V24 - DAYTONA, PACIFICA & SHELBY)
 H BODY = (D44 - LANCER)(C44 - LEBARON GTS)
 J BODY = (C - LEBARON)
 K BODY = (P - RELIANT)(D - ARIES)(C - LEBARON/ TOWN & COUNTRY)
 L BODY = (M - HORIZON)(Z-OMNI)
 M BODY = (B - GRAN FURY)(G - DIPLOMAT)(F - FIFTH AVENUE/NEWPORT)
 P BODY = (P - SUNDANCE)(D - SHADOW)
 Q BODY = (C27 - MASERATI)
 S BODY = (H - VOYAGER)(K - RAM VAN/ CARAVAN)

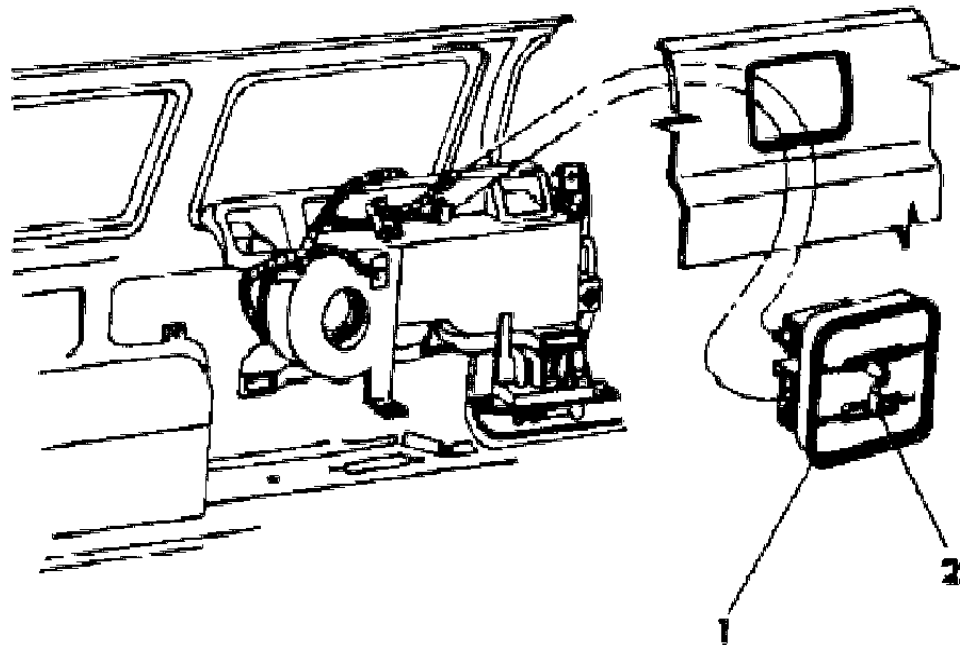
BODY STYLES
 12-52 = FWD VAN & WAGON STD. W.B. 27 = 2-DOOR CONVERTIBLE
 13-53 = FWD VAN & WGN EXT W.B. 41 = 4-DOOR SEDAN
 21 = 2-DOOR SEDAN 44 = 4-DOOR HATCHBACK
 24 = 2-DOOR HATCHBACK 45 = 4-DOOR STATION WAGON

AR = Use as Required - = Non Illustrated Part P.A.R. = Paint as Required

CONTROL, A/C AND HEATER REAR S BODY
Figure 24-2200

ITEM	PART NUMBER	QTY	BODY	MODEL	DESCRIPTION
1	3849 953	1			CONTROL, Aux. A/C Rear and Heater
2	3849 148	2			KNOB, Aux. A/C and Heater Control

8124 2200



MODEL CODES

C BODY = (D41 - DYNASTY)(C41 - NEW YORKER)	L BODY = (M - HORIZON)(Z-OMNI)
E BODY = (J - CARAVELLE)(E - 600)(T - NEW YORKER TURBO)	M BODY = (B - GRAN FURY)(G - DIPLOMAT)(F - FIFTH AVENUE/NEWPORT)
G BODY = (V24 - DAYTONA, PACIFICA & SHELBY)	P BODY = (P - SUNDANCE)(D - SHADOW)
H BODY = (D44 - LANCER)(C44 - LEBARON GTS)	Q BODY = (C27 - MASERATI)
J BODY = (C - LEBARON)	S BODY = (H - VOYAGER)(K - RAM VAN/ CARAVAN)
K BODY = (P - RELIANT)(D - ARIES)(C - LEBARON/ TOWN & COUNTRY)	

BODY STYLES

12-52 = FWD VAN & WAGON STD. W.B.	27 = 2-DOOR CONVERTIBLE
13-53 = FWD VAN & WGN EXT W.B.	41 = 4-DOOR SEDAN
21 = 2-DOOR SEDAN	44 = 4-DOOR HATCHBACK
24 = 2-DOOR HATCHBACK	45 = 4-DOOR STATION WAGON

AR = Use as Required - = Non Illustrated Part P.A.R. = Paint as Required

AIR CONDITIONING AND HEATER UNIT L BODY
Figure 24-2300

8124 2300

ITEM	PART NUMBER	QTY	BODY	MODEL	DESCRIPTION
1	3848 832	1			DUCT, w/Adapter, A/C., Defroster
	5210 282	1			ADAPTER, A/C., Defroster Duct
2	5210 051	1			BRACE, A/C. Unit Mounting To Plenum
3	5210 428	1			COVER, A/C. Evaporator Recirc. Housing
	3847 721	1			SEAL, A/C. Evaporator Housing, Left
	3847 720	1			SEAL, A/C. Evaporator Housing, Right
	3848 933	1			SEAL, A/C. Unit To Plenum F/Air Inlet
4	3849 066	1			SEAL, A/C. Unit To Dash at Coil Header
6	5210 109	1			SEAL, A/C. Unit To Dash at Core Tubes
7	2521 336	2			CLIP, A/C. Evaporator Housing Cover Mounting
8	3848 827	1			TUBE, A/C. Unit Drain
9	3847 943	1			CORE, A/C., Heater
	3848 093	1			SEAL, A/C. Heater Core To Housing
	3847 943	1			SEAL, A/C. Heater Core End
11	4339 422	1			COIL, A/C. Evaporator Complete
12	5210 073	2			SEAL, A/C. Evaporator Coil To Housing Bottom
13	3847 116	1			SEAL, A/C. Evaporator Coil Header End
14	5210 111	1			ACTUATOR, A/C. Recirc. & Fresh Air Door
15	6008 145	1			CLIP, A/C. Act. Shaft Return Fresh Air Door
17	3848 995	1			RESISTOR, A/C. Blower Motor
18	5210 066	1			TUBE, A/C. Blower Motor Cooling
19	6031 147	1			RETAINER, A/C. Defroster Door Vacuum Actuator
20	5210 068	1			ACTUATOR, A/C., Heater, Defroster
21	5210 055	1			DUCT, A/C., Heater Distribution
22	3847 476	1			SEAL, A/C. Blower Motor to Scroll
23	3848 311	1			HOSE and CONNECTOR, A/C Vacuum
	3780 508	1			HOSE, A/C. Vacuum (Serviced in Roll)
24	5210 110	1			ACTUATOR, A/C. Mode Door
25	5210 099	1			DOOR, w/Seal, A/C. Mode
26	5210 112	1			LEVER, A/C. Mode Door
27	6006 065	6			WASHER, A/C. Motor Mounting
28	5210 395	1			DOOR, A/C. Blend Air
29	5210 113	1			LEVER, A/C. Blend Air Door
	0219 462	1			NUT, w/Washer, A/C., Blend Door Lever Mtg.
30	4419 317	1			MOTOR, A/C. Blower
	4222 912	1			CAPACITOR, A/C. Blower Motor
	6031 694	1			SCREW, w/Washer A/C. Blower Motor Mounting

MODEL CODES

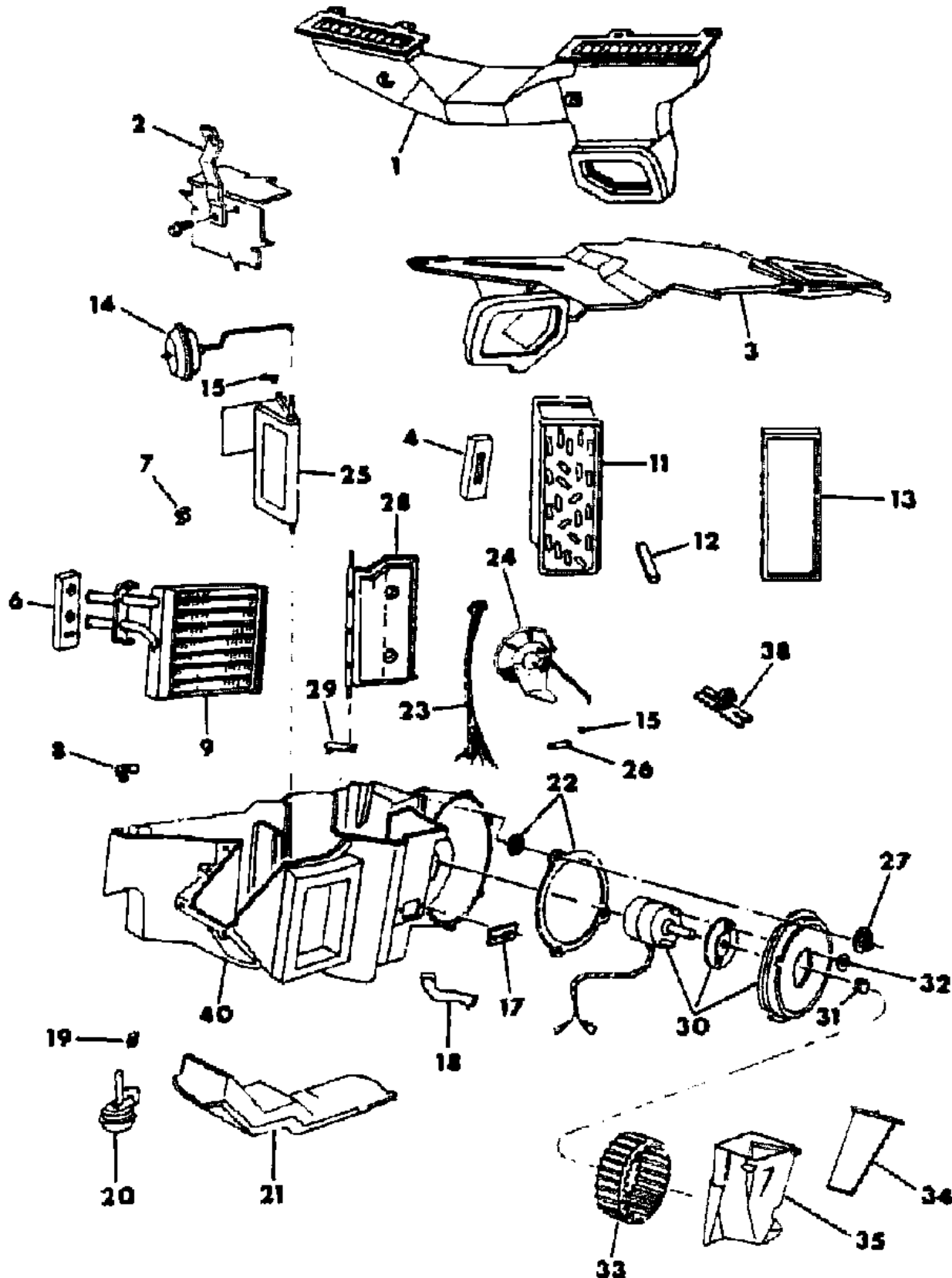
C BODY = (D41 - DYNASTY)(C41 - NEW YORKER)
 E BODY = (J - CARAVELLE)(E - 600)(T - NEW YORKER TURBO)
 G BODY = (V24 - DAYTONA, PACIFICA & SHELBY)
 H BODY = (D44 - LANCER)(C44 - LEBARON GTS)
 J BODY = (C - LEBARON)
 K BODY = (P - RELIANT)(D - ARIES)(C - LEBARON/ TOWN & COUNTRY)

L BODY = (M - HORIZON)(Z-OMNI)
 M BODY = (B - GRAN FURY)(G - DIPLOMAT)(F - FIFTH AVENUE/NEWPORT)
 P BODY = (P - SUNDANCE)(D - SHADOW)
 Q BODY = (C27 - MASERATI)
 S BODY = (H - VOYAGER)(K - RAM VAN/ CARAVAN)

BODY STYLES

12-52 = FWD VAN & WAGON STD. W.B. 27 = 2-DOOR CONVERTIBLE
 13-53 = FWD VAN & WGN EXT W.B. 41 = 4-DOOR SEDAN
 21 = 2-DOOR SEDAN 44 = 4-DOOR HATCHBACK
 24 = 2-DOOR HATCHBACK 45 = 4-DOOR STATION WAGON

AR = Use as Required - = Non Illustrated Part P.A.R. = Paint as Required

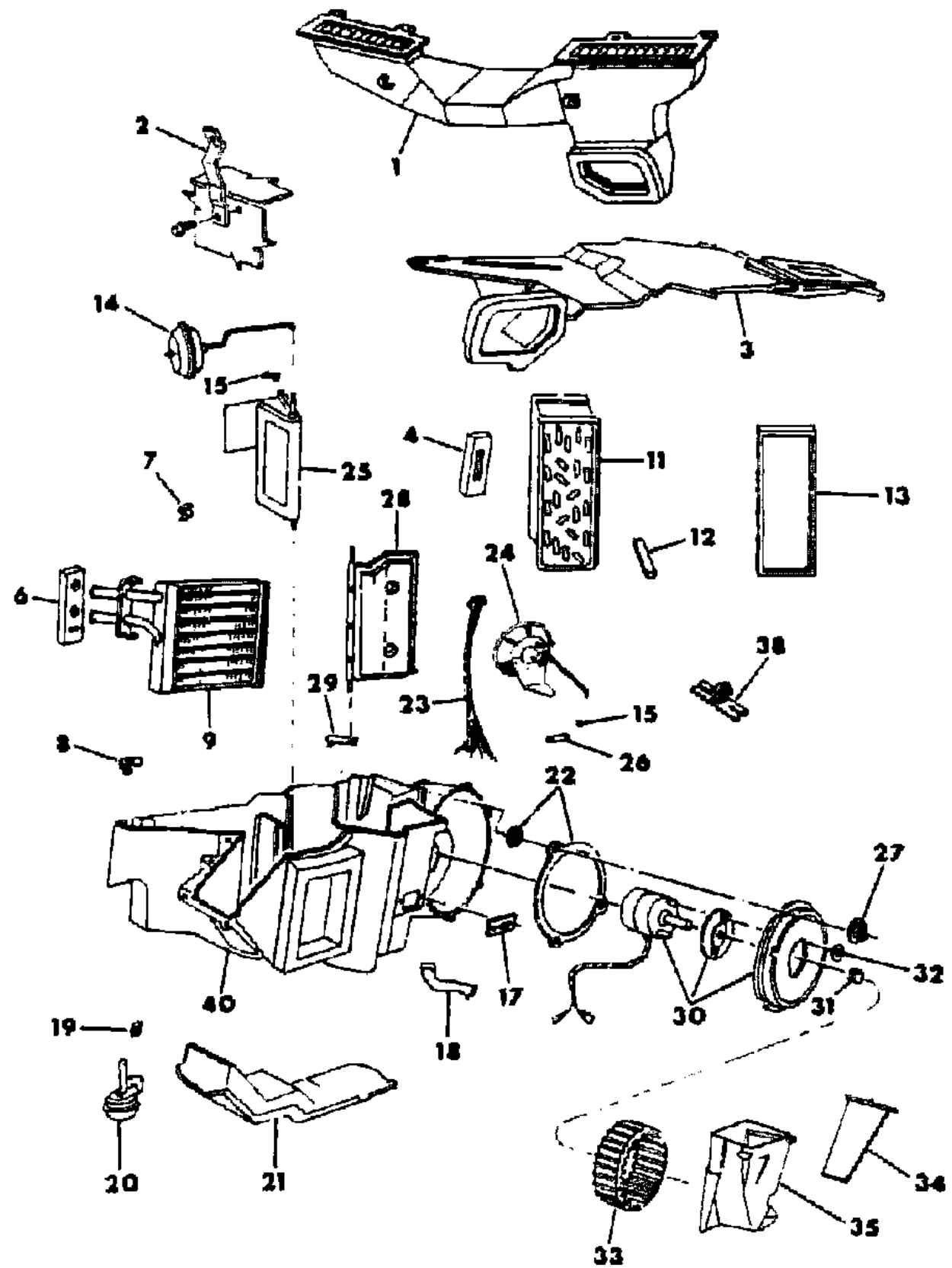


AIR CONDITIONING AND HEATER UNIT L BODY

Figure 24-2300

8124 2300

ITEM	PART NUMBER	QTY	BODY	MODEL	DESCRIPTION
31	2837 680	1			CLAMP, A/C. Blower Wheel Motor Mounting
32	#6500 376	1			NUT, A/C. Blower Motor U-Type
33	5210 234	1			WHEEL, A/C. Blower Motor
34	5210 056	1			DOOR, w/Seal, A/C. Recirc., Fresh Air
35	5210 070	1			HOUSING, A/C. Recirc.
38	6015 778	2			CLIP, A/C. Vacuum Hose Retaining
40	3848 418	1			HOUSING and STUD, A/C. Evaporator w/Scroll



MODEL CODES

C BODY = (D41 - DYNASTY)(C41 - NEW YORKER)	L BODY = (M - HORIZON)(Z-OMNI)
E BODY = (J - CARAVELLE)(E - 600)(T - NEW YORKER TURBO)	M BODY = (B - GRAN FURY)(G - DIPLOMAT)(F - FIFTH AVENUE/NEWPORT)
G BODY = (V24 - DAYTONA, PACIFICA & SHELBY)	P BODY = (P - SUNDANCE)(D - SHADOW)
H BODY = (D44 - LANCER)(C44 - LEBARON GTS)	Q BODY = (C27 - MASERATI)
J BODY = (C - LEBARON)	S BODY = (H - VOYAGER)(K - RAM VAN/ CARAVAN)
K BODY = (P - RELIANT)(D - ARIES)(C - LEBARON/ TOWN & COUNTRY)	

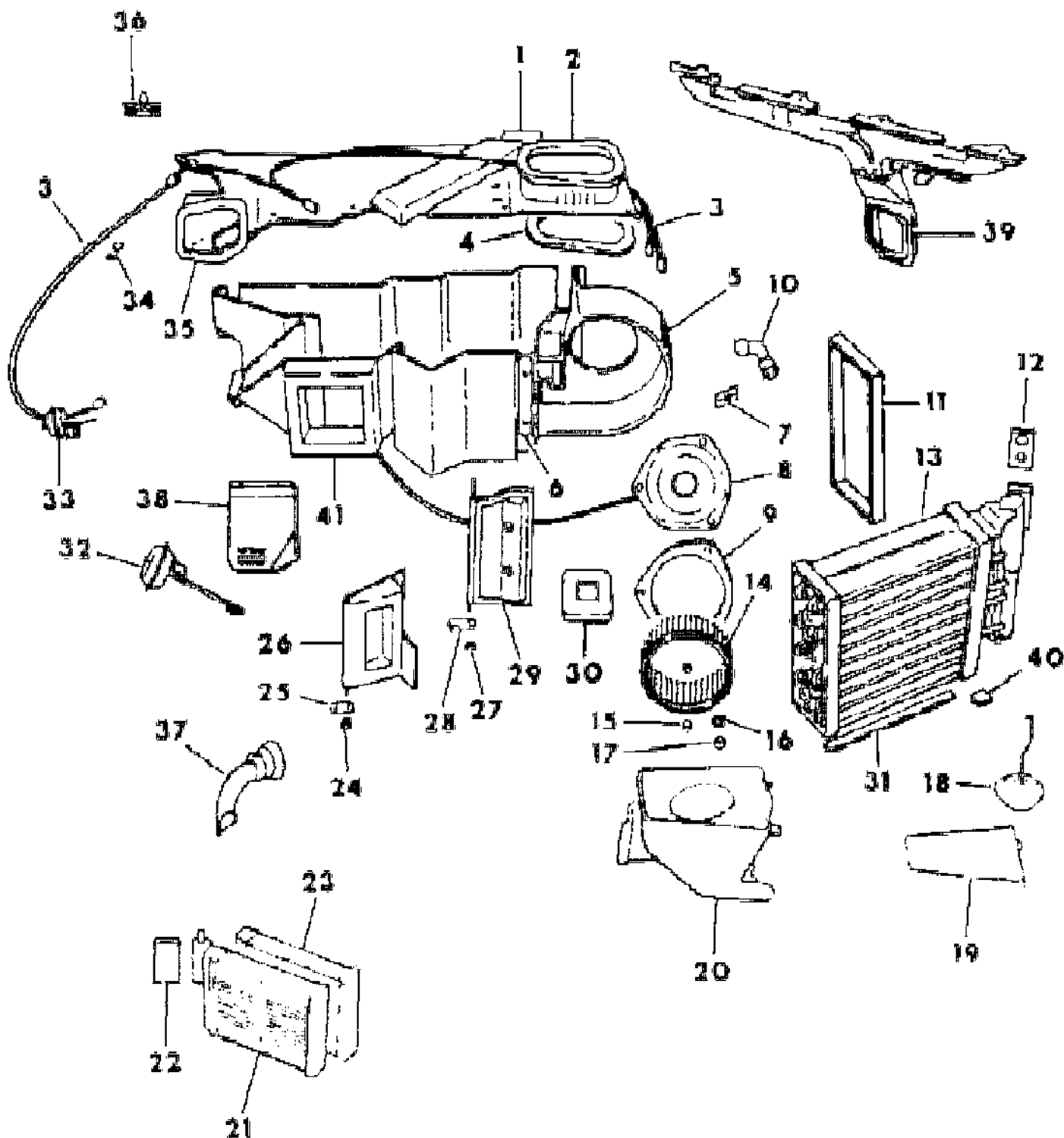
BODY STYLES

12-52 = FWD VAN & WAGON STD. W.B.	27 = 2-DOOR CONVERTIBLE
13-53 = FWD VAN & WGN EXT W.B.	41 = 4-DOOR SEDAN
21 = 2-DOOR SEDAN	44 = 4-DOOR HATCHBACK
24 = 2-DOOR HATCHBACK	45 = 4-DOOR STATION WAGON

AR = Use as Required - = Non Illustrated Part P.A.R. = Paint as Required

AIR CONDITIONING AND HEATER UNIT P,H BODY
Figure 24-2400

8124 2400



ITEM	PART NUMBER	QTY	BODY	MODEL	DESCRIPTION
1	3849 412	1			COVER, A/C. Evap. Housing
	2521 336	2			CLIP, Evaporator Housing Cover Mounting
2	3849 552	1			SEAL, A/C. Evap. Hsg. Cvr. (to Plenum)
3	3849 126	1			HOSE and CONNECTOR, A/C Vacuum
	3780 508	AR			HOSE, Vac. Ext. (serviced in roll)
	3441 609	1			VALVE, A/c. Two Port Check (Vac. Hose)
	2837 876	1			CONNECTOR, Vac. Hose
	6015 945	1			STRAP, A/C. Vac. Line to Htr. Hose
4	3849 548	1			SEAL, A/C. Evap. Hsg. Cvr. Mtg. Rt.
	3849 547	1			SEAL, A/C. Evap. Hsg. Mtg. Ctr.
	3847 721	1			SEAL, A/C. Evap. Hsg. Cover Mtg. Left
	3848 841	1			SEAL, A/C. Evap. Coil to Hsg. Hair Pin End
5	3849 408	1			HOUSING, w/Stud Pkg. A/C. Evap.
6	3848 238	1			BRACE, A/C. Unit Mtg. to Plenum Support
7	3849 567	1			RESISTOR, A/C. Blower Motor
8	4443 132	1			MOTOR, A/C. Blower with Insulator
	4274 936	1			INSULATOR, A/C. Blower
9	3847 476	1			SEAL, A/C. Blower Motor Mtg. to Scroll
10	5210 066	1			TUBE, A/C. Blower Motor
11	3847 116	1			SEAL, A/C. Evap. Coil Header End
12	3846 836	1			GASKET, A/C. Evap. Valve Mtg.
13	4339 423	1			COIL, A/C. Evap. Complete
14	3849 414	1			WHEEL, A/C. Blower Motor
15	2837 680	1			CLAMP, A/C. Blower Wheel Motor Mounting
16	#6500 376	1			NUT, A/C. Blower Mtr. J Type
	6031 694	1			SCREW and WASHER, A/C., Blower Mtr. Mtg.
17	6031 694	3			SCREW and WASHER, A/C. Blower Motor Mounting
18	5210 111	1			ACTUATOR, A/C. Recirc. & Fresh Air Door
	0116 000	2			NUT, A/C., Recirc. Door Actr. Mtg.
19	5210 056	1			DOOR, w/Seal A/C. Recirc. & Fresh Air
	3849 566	1			SEAL, A/C Rec. Housing Mounting
20	3849 410	1			HOUSING, A/C. Recirc.
21	3849 741	1			CORE, A/C., Heater
22	5210 109	1			SEAL, A/C. Unit to Dash at Core Tubes
	3847 681	1			SEAL, A/C., Htr. Core End
23	3848 093	1			SEAL, A/C., Htr. Core
24	0219 462	1			NUT, Door Shaft Lever

MODEL CODES

C BODY = (D41 - DYNASTY)(C41 - NEW YORKER)
 E BODY = (J - CARAVELLE)(E - 600)(T - NEW YORKER TURBO)
 G BODY = (V24 - DAYTONA, PACIFICA & SHELBY)
 H BODY = (D44 - LANCER)(C44 - LEBARON GTS)
 J BODY = (C - LEBARON)
 K BODY = (P - RELIANT)(D - ARIES)(C - LEBARON/ TOWN & COUNTRY)

L BODY = (M - HORIZON)(Z-OMNI)
 M BODY = (B - GRAN FURY)(G - DIPLOMAT)(F - FIFTH AVENUE/NEWPORT)
 P BODY = (P - SUNDANCE)(D - SHADOW)
 Q BODY = (C27 - MASERATI)
 S BODY = (H - VOYAGER)(K - RAM VAN/ CARAVAN)

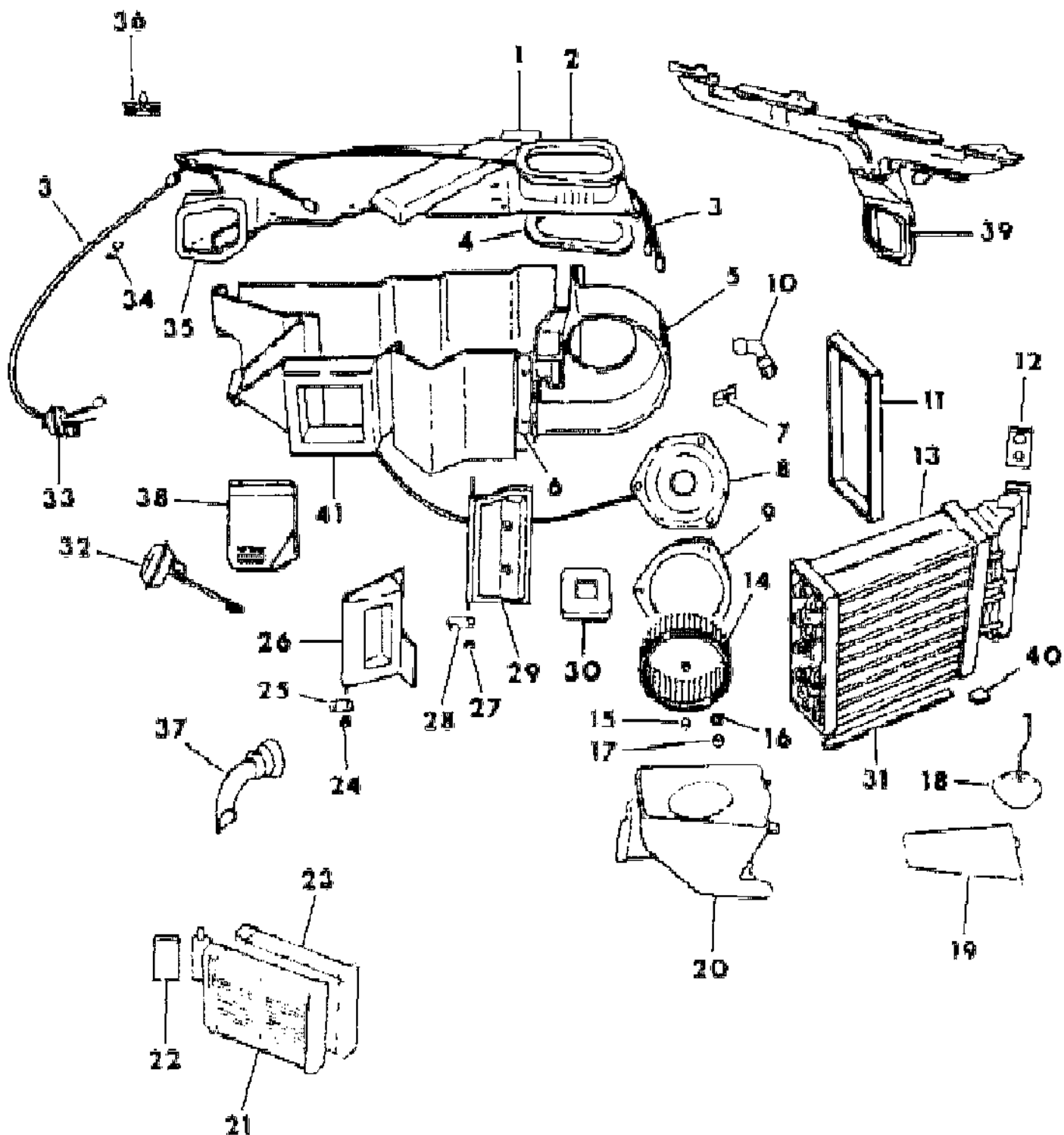
BODY STYLES

12-52 = FWD VAN & WAGON STD. W.B. 27 = 2-DOOR CONVERTIBLE
 13-53 = FWD VAN & WGN EXT W.B. 41 = 4-DOOR SEDAN
 21 = 2-DOOR SEDAN 44 = 4-DOOR HATCHBACK
 24 = 2-DOOR HATCHBACK 45 = 4-DOOR STATION WAGON

AR = Use as Required - = Non Illustrated Part P.A.R. = Paint as Required

AIR CONDITIONING AND HEATER UNIT P,H BODY
Figure 24-2400

8124 2400



ITEM	PART NUMBER	QTY	BODY	MODEL	DESCRIPTION
25	3847 858	1			LEVER, Mode Door Shaft
26	3849 511	1			DOOR, w/Seal A/C. Mode
27	0219 462	1			NUT, Door Shaft Lever
28	5210 113	1			LEVER, A/C. Blend Air Door
	0219 462	1			NUT, w/Washer A/c. Blend Air Door Lever Mtg.
	6006 324	1			NUT, Spring Push-on
29	5210 395	1			DOOR, A/C. Blend Air
30	3847 602	1			SEAL, A/C. Unit to Dash at Coil Header
31	5210 073	2			SEAL, A/C. Evap. Coil to Hsg. Bottom
32	3847 849	1			ACTUATOR, A/C. Mode Door
33	5210 068	1			ACTUATOR, A/C. Htr. & Defroster Door
	6031 147	1			NUT, A/C. Defr. Actr. Rod Rtnng.
34	2521 336	2			CLIP, A/C. Evap. Hsg. Cover Mtg.
35	3847 606	1			SEAL, A/C. Evap. Hsg. Cover Defroster Duct
36	6015 778	1			CLIP, A/C. Vac. Hose Retaining
37	3848 827	1			TUBE, A/C. Unit Drain
38	5210 093	1			DOOR, & Shaft A/C. Htr. Defroster
39	3848 486	1	H		DUCT, Defroster
	3849 174	1	P		
40	4192 019	1			BUMPER, A/C. Condenser
41	5210 336	1			SEAL, A/C. Ctr. Air Distr. Duct
	3849 551	4			SEAL, A/C Mounting Stud Silencer (to Dash)
	4430 169	1			CAPACITOR, A/C Blower Motor

MODEL CODES

C BODY = (D41 - DYNASTY)(C41 - NEW YORKER)	L BODY = (M - HORIZON)(Z-OMNI)
E BODY = (J - CARAVELLE)(E - 600)(T - NEW YORKER TURBO)	M BODY = (B - GRAN FURY)(G - DIPLOMAT)(F - FIFTH AVENUE/NEWPORT)
G BODY = (V24 - DAYTONA, PACIFICA & SHELBY)	P BODY = (P - SUNDANCE)(D - SHADOW)
H BODY = (D44 - LANCER)(C44 - LEBARON GTS)	Q BODY = (C27 - MASERATI)
J BODY = (C - LEBARON)	S BODY = (H - VOYAGER)(K - RAM VAN/ CARAVAN)
K BODY = (P - RELIANT)(D - ARIES)(C - LEBARON/ TOWN & COUNTRY)	

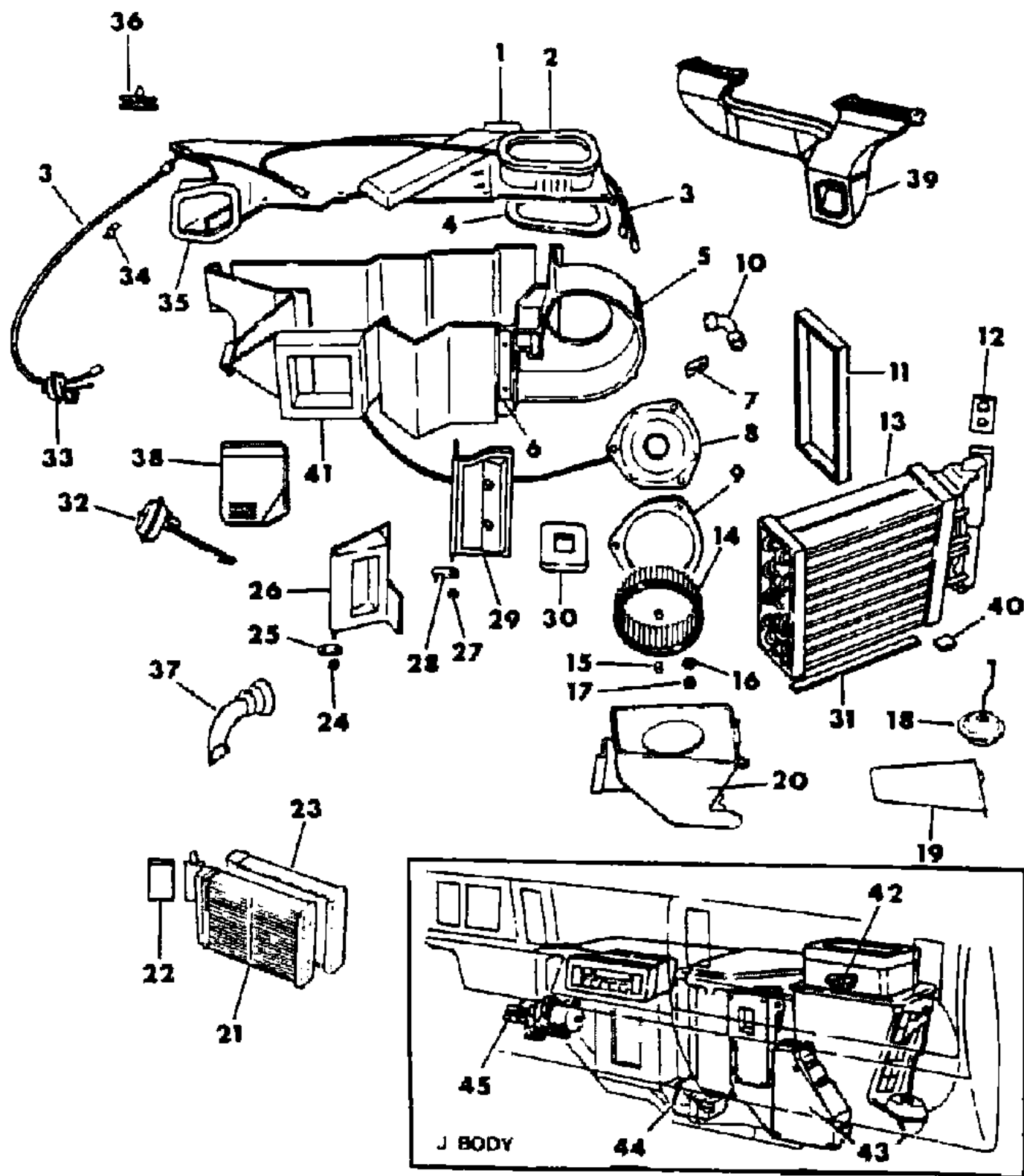
BODY STYLES

12-52 = FWD VAN & WAGON STD. W.B.	27 = 2-DOOR CONVERTIBLE
13-53 = FWD VAN & WGN EXT W.B.	41 = 4-DOOR SEDAN
21 = 2-DOOR SEDAN	44 = 4-DOOR HATCHBACK
24 = 2-DOOR HATCHBACK	45 = 4-DOOR STATION WAGON

AR = Use as Required - = Non Illustrated Part P.A.R. = Paint as Required

AIR CONDITIONING AND HEATER UNIT J,G BODY
Figure 24-2500

8124 2500



ITEM	PART NUMBER	QTY	BODY	MODEL	DESCRIPTION
1	3849 412	1			COVER, A/C. Evap. Housing
	3849 418	1	J		COVER, A/C. Evap. Housing with ATC
	2521 336	2			CLIP, Evaporator Housing, Cover Mounting
2	3849 552	1			SEAL, A/C. Evap. Hsg. Cvr. (to Plenum)
3	3849 126	1			HOSE and CONNECTOR, A/C Vacuum
	3780 508	AR			HOSE, Vac. Ext. (serviced in roll)
	3441 609	1			VALVE, A/C. Two Port Check (Vac. Hose)
	2837 876	1			CONNECTOR, Vac. Hose
	6015 945	1			STRAP, A/C. Vac. Line to Htr. Hose
4	3849 548	1			SEAL, A/C. Evap. Hsg. Cvr. Mtg. Rt.
	3849 547	1			SEAL, A/C. Evap. Hsg. Mtg. Ctr.
	3847 721	1			SEAL, A/C. Evap. Cover Mtg. Left
	3848 841	1			SEAL, A/C. Evap. Coil to Hsg. Hair Pin End
5	3849 408	1			HOUSING, w/Stud Pkg. A/C. Evap.
	3849 425	1	J		HOUSING, w/Stud Pkg. A/C. Evap. with ATC
6	3848 238	1			BRACE, A/C. Unit Mtg. to Plenum Support
7	3849 567	1			RESISTOR, A/C. Blower Motor
8	4443 132	1			MOTOR, A/C. Blower
	4430 170	1			CAPACITOR, A/C Blower Motor
	4266 419	1			INSULATOR, A/C. Blower
9	3847 476	1			SEAL, A/C. Blower Motor Mtg. to Scroll
10	5210 066	1			TUBE, A/C. Blower Motor
11	3847 116	1			SEAL, A/C. Evap. Coil Header End
12	3846 836	1			GASKET, A/C. Evap. Valve Mtg.
13	4339 423	1			COIL, A/C. Evap. Complete
14	3849 414	1			WHEEL, A/C. Blower Motor
15	2837 680	1			CLAMP, A/C. Blower Wheel Motor Mounting
16	#6500 376	1			NUT, A/C. Blower Mtr. J Type
	6031 694	3			SCREW and WASHER, A/C., Blower Mtr. Mtg.
17	6031 694	1			SCREW, Washer, A/C. Blower Motor Mounting
18	5210 111	1			ACTUATOR, A/C. Recirc. & Fresh Air Door
	0116 000	2			NUT, A/C., Recirc. Door Actr. Mtg.
19	5210 056	1			DOOR, w/Seal A/C. Recirc. & Fresh Air
20	3849 410	1			HOUSING, A/C. Recirc.
	3849 566	1			SEAL, A/C Recirc. Housing Mounting
21	3849 741	1			CORE, A/C., Heater
22	5210 109	1			SEAL, A/C. Unit to Dash at Core Tubes

MODEL CODES

C BODY = (D41 - DYNASTY)(C41 - NEW YORKER)
 E BODY = (J - CARAVELLE)(E - 600)(T - NEW YORKER TURBO)
 G BODY = (V24 - DAYTONA, PACIFICA & SHELBY)
 H BODY = (D44 - LANCER)(C44 - LEBARON GTS)
 J BODY = (C - LEBARON)
 K BODY = (P - RELIANT)(D - ARIES)(C - LEBARON/ TOWN & COUNTRY)

L BODY = (M - HORIZON)(Z-OMNI)
 M BODY = (B - GRAN FURY)(G - DIPLOMAT)(F - FIFTH AVENUE/NEWPORT)
 P BODY = (P - SUNDANCE)(D - SHADOW)
 Q BODY = (C27 - MASERATI)
 S BODY = (H - VOYAGER)(K - RAM VAN/ CARAVAN)

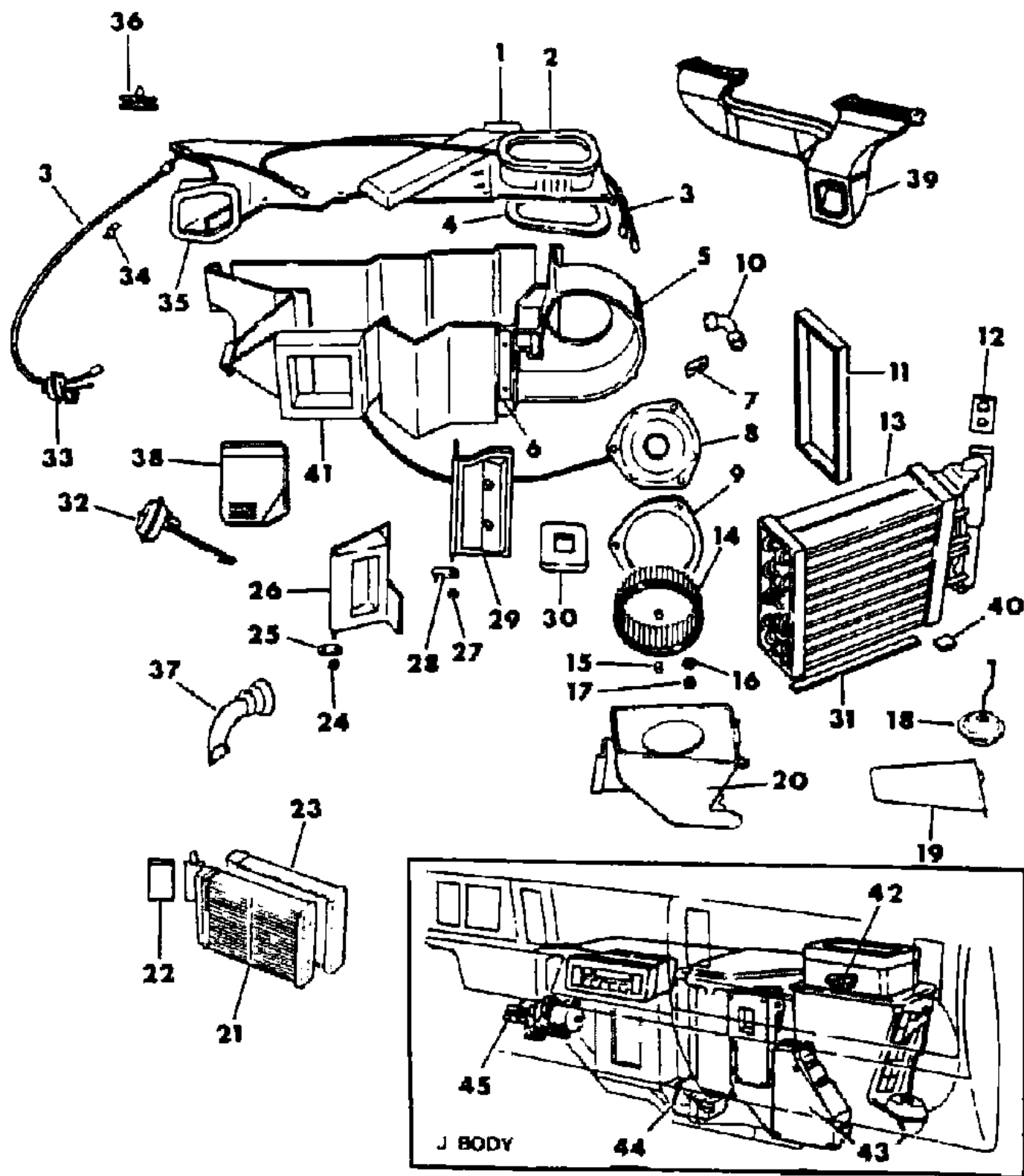
BODY STYLES

12-52 = FWD VAN & WAGON STD. W.B. 27 = 2-DOOR CONVERTIBLE
 13-53 = FWD VAN & WGN EXT W.B. 41 = 4-DOOR SEDAN
 21 = 2-DOOR SEDAN 44 = 4-DOOR HATCHBACK
 24 = 2-DOOR HATCHBACK 45 = 4-DOOR STATION WAGON

AR = Use as Required - = Non Illustrated Part P.A.R. = Paint as Required

AIR CONDITIONING AND HEATER UNIT J,G BODY
Figure 24-2500

8124 2500



ITEM	PART NUMBER	QTY	BODY	MODEL	DESCRIPTION
	3847 681	1			SEAL, A/C., Htr. Core End
23	3848 093	1			SEAL, A/C., Htr. Core
24	0219 462	1			NUT, Door Shaft Lever
25	3847 858	1			LEVER, Mode Door Shaft
26	3849 511	1			DOOR, w/Seal A/C. Mode
27	0219 462	1			NUT, Door Shaft Lever
28	5210 113	1			LEVER, A/C. Blend Air Door
	0219 462	1			NUT, w/Washer A/c. Blend Air Door Lever Mtg.
	6006 324	1			NUT, Spring Push-on
29	5210 395	1			DOOR, A/C. Blend Air
30	3847 602	1			SEAL, A/C. Unit to Dash at Coil Header
31	5210 073	2			SEAL, A/C. Evap. Coil to Hsg. Bottom
32	3847 849	1			ACTUATOR, A/C. Mode Door
33	5210 068	1			ACTUATOR, A/C. Htr. & Defroster Door
	6031 147	1			NUT, A/C. Defr. Actr. Rod Rtnng.
34	2521 336	2			CLIP, A/C. Evap. Hsg. Cover Mtg.
35	3847 606	1			SEAL, A/C. Evap. Hsg. Cover Defroster Duct
36	6015 778	1			CLIP, A/C. Vac. Hose Retaining
37	3848 827	1			TUBE, A/C. Unit Drain
38	5210 093	1			DOOR, & Shaft A/C. Htr. Defroster
39	3848 067	1			DUCT, Defroster
40	4192 019	1			BUMPER, A/C. Condenser
41	5210 336	1			SEAL, A/C. Ctr. Air Distr. Duct
	3849 551	4			SEAL, A/C Mounting Stud Silencer (to Dash)
42	3849 924	1	J		SENSOR, ATC Ambient
43	4443 135	1	J		MODULE, Power and Vacuum ATC
44	4462 156	1	J		MOTOR, ATC Blend Air Door
45	3849 618	1	J		SENSOR, ATC in Car (Complete) with Seat Belts
	3849 553	1			with Air Bags, with Active Passive Restraint System
	4414 447	1	J		BRACKET, ATC Insl. Mounting (Harness)
	3848 778	1	J		CAP, ATC Blend Air Door Shaft

MODEL CODES

C BODY = (D41 - DYNASTY)(C41 - NEW YORKER)	L BODY = (M - HORIZON)(Z-OMNI)
E BODY = (J - CARAVELLE)(E - 600)(T - NEW YORKER TURBO)	M BODY = (B - GRAN FURY)(G - DIPLOMAT)(F - FIFTH AVENUE/NEWPORT)
G BODY = (V24 - DAYTONA, PACIFICA & SHELBY)	P BODY = (P - SUNDANCE)(D - SHADOW)
H BODY = (D44 - LANCER)(C44 - LEBARON GTS)	Q BODY = (C27 - MASERATI)
J BODY = (C - LEBARON)	S BODY = (H - VOYAGER)(K - RAM VAN/ CARAVAN)
K BODY = (P - RELIANT)(D - ARIES)(C - LEBARON/ TOWN & COUNTRY)	

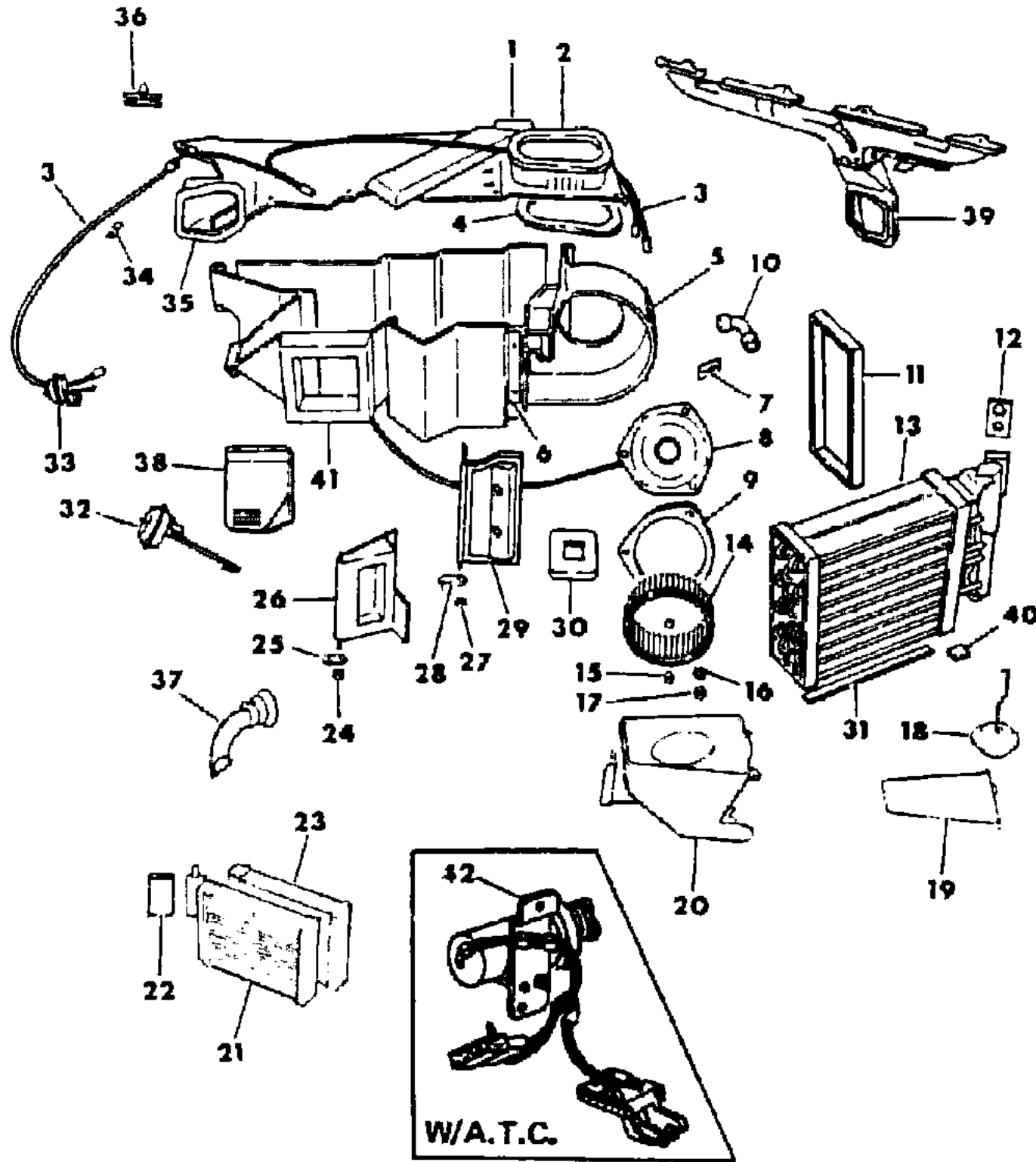
BODY STYLES

12-52 = FWD VAN & WAGON STD. W.B.	27 = 2-DOOR CONVERTIBLE
13-53 = FWD VAN & WGN EXT W.B.	41 = 4-DOOR SEDAN
21 = 2-DOOR SEDAN	44 = 4-DOOR HATCHBACK
24 = 2-DOOR HATCHBACK	45 = 4-DOOR STATION WAGON

AR = Use as Required - = Non Illustrated Part P.A.R. = Paint as Required

AIR CONDITIONING AND HEATER UNIT C, BODY
Figure 24-2600

8124 2600



ITEM	PART NUMBER	QTY	BODY	MODEL	DESCRIPTION
1	3849 412	1			COVER, A/C. Evap. Housing
	3849 418	1			COVER, A/C. Evap. Housing with ATC
	2521 336	2			CLIP, Evaporator Housing Cover Mounting
2	3849 552	1			SEAL, A/C. Evap. Hsg. Cvr. (to Plenum)
	3849 126	1			HOSE and CONNECTOR, A/C Vacuum
	3780 508	AR			HOSE, Vac. Ext. (serviced in roll)
3	3441 609	1			VALVE, A/C. Two Port Check (Vac. Hose)
	2837 876	1			CONNECTOR, Vac. Hose
	6015 945	1			STRAP, A/C. Vac. Line to Htr. Hose
	3849 548	1			SEAL, A/C. Evap. Hsg. Cvr. Mtg. Rt.
	3849 547	1			SEAL, A/C. Evap. Hsg. Mtg. Ctr.
4	3847 721	1			SEAL, A/C. Evap. Hsg. Cover Mtg. Left
	3848 841	1			SEAL, A/C. Evap. Coil to Hsg. Hair Pin End
	3849 408	1			HOUSING, w/Stud Pkg. A/C. Evap.
	3849 425	1			HOUSING, w/Stud Pkg. A/C. Evap. with ATC
5	3848 238	1			BRACE, A/C. Unit Mtg. to Plenum Support
6	3849 567	1			RESISTOR, A/C. Blower Motor
7	4443 132	1			MOTOR, A/C. Blower
	4469 032	1	C		CAPACITOR, A/C Blower Motor
8	3847 476	1			SEAL, A/C. Blower Motor Mtg. to Scroll
9	5210 066	1			TUBE, A/C. Blower Motor
10	3847 116	1			SEAL, A/C. Evap. Coil Header End
11	3846 836	1			GASKET, A/C. Evap. Valve Mtg.
12	4339 423	1			COIL, A/C. Evap. Complete
13	3849 414	1			WHEEL, A/C. Blower Motor
14	2837 680	1			CLAMP, A/C. Blower Wheel Motor Mounting
15	#6500 376	1			NUT, A/C. Blower Mtr. J Type
	3849 551	4			SEAL, A/C Mtg. Stud Silencer (to Dash)
	6031 694	3			SCREW and WASHER, A/C., Blower Mtr. Mtg.
16	6031 694	1			SCREW, Washer, A/C. Blower Motor Mounting
17	5210 111	1			ACTUATOR, A/C. Recirc. & Fresh Air Door
	0116 000	2			NUT, A/C., Recirc. Door Actr. Mtg.
18	5210 056	1			DOOR, w/Seal A/C. Recirc. & Fresh Air
19	3849 410	1			HOUSING, A/C. Recirc.
20	3849 741	1			CORE, A/C., Heater
21	5210 109	1			SEAL, A/C. Unit to Dash at Core Tubes
	3847 681	1			SEAL, A/C., Htr. Core End

MODEL CODES

C BODY = (D41 - DYNASTY)(C41 - NEW YORKER)
 E BODY = (J - CARAVELLE)(E - 600)(T - NEW YORKER TURBO)
 G BODY = (V24 - DAYTONA, PACIFICA & SHELBY)
 H BODY = (D44 - LANCER)(C44 - LEBARON GTS)
 J BODY = (C - LEBARON)
 K BODY = (P - RELIANT)(D - ARIES)(C - LEBARON/ TOWN & COUNTRY)

L BODY = (M - HORIZON)(Z-OMNI)
 M BODY = (B - GRAN FURY)(G - DIPLOMAT)(F - FIFTH AVENUE/NEWPORT)
 P BODY = (P - SUNDANCE)(D - SHADOW)
 Q BODY = (C27 - MASERATI)
 S BODY = (H - VOYAGER)(K - RAM VAN/ CARAVAN)

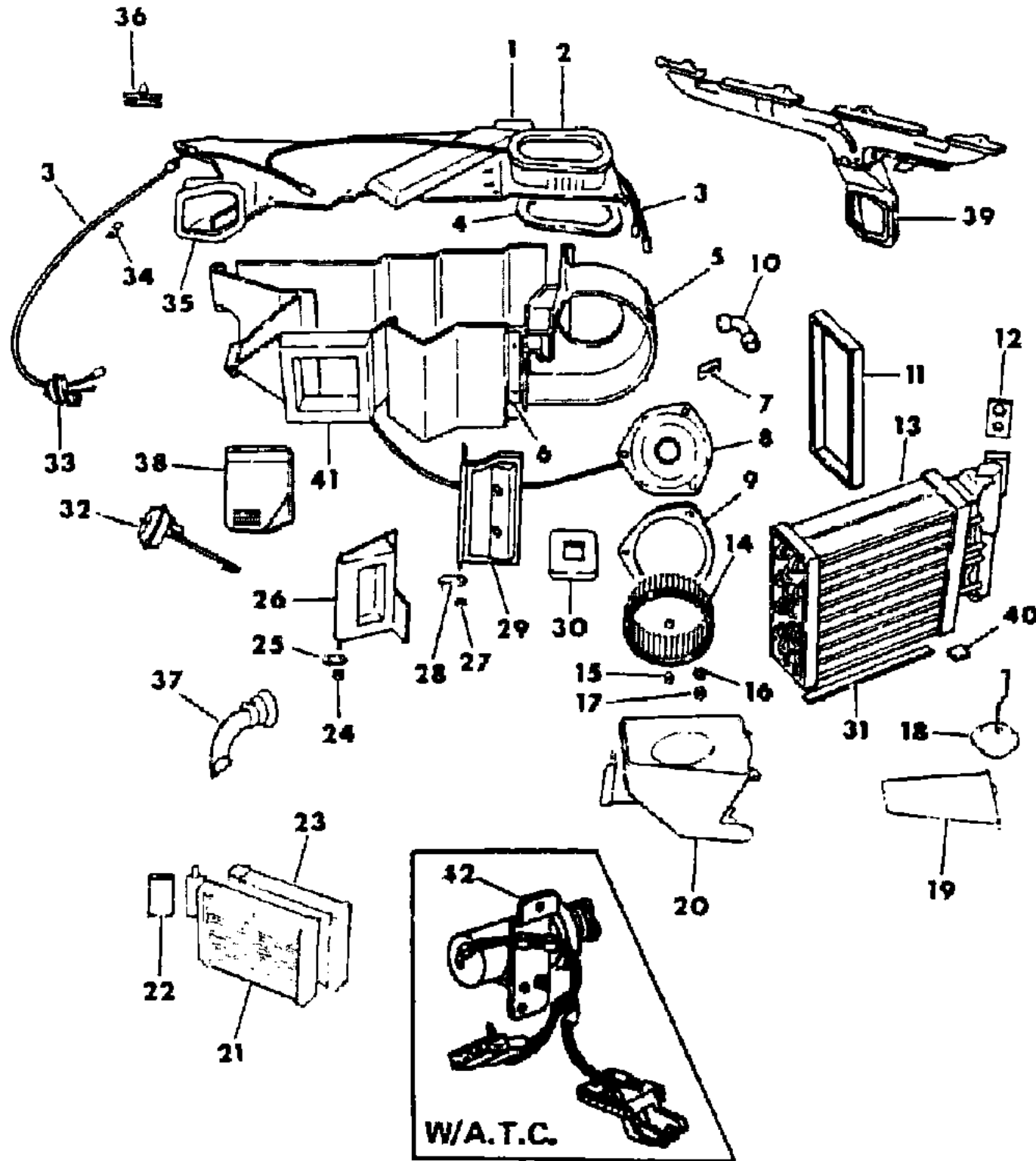
BODY STYLES

12-52 = FWD VAN & WAGON STD. W.B. 27 = 2-DOOR CONVERTIBLE
 13-53 = FWD VAN & WGN EXT W.B. 41 = 4-DOOR SEDAN
 21 = 2-DOOR SEDAN 44 = 4-DOOR HATCHBACK
 24 = 2-DOOR HATCHBACK 45 = 4-DOOR STATION WAGON

AR = Use as Required - = Non Illustrated Part P.A.R. = Paint as Required

AIR CONDITIONING AND HEATER UNIT C, BODY
Figure 24-2600

8124 2600



ITEM	PART NUMBER	QTY	BODY	MODEL	DESCRIPTION
23	3848 093	1			SEAL, A/C., Htr. Core
24	0219 462	1			NUT, Door Shaft Lever
25	3847 858	1			LEVER, Mode Door Shaft
26	3849 511	1			DOOR, w/Seal A/C. Mode
27	0219 462	1			NUT, Door Shaft Lever
28	5210 113	1			LEVER, A/C. Blend Air Door
	0219 462	1			NUT and WASHER, A/C. Blend Air Door Lever Mtg.
	6006 324	AR			NUT, Spring Push-on
29	5210 395	1			DOOR, A/C. Blend Air
30	3847 602	1			SEAL, A/C. Unit to Dash at Coil Header
31	5210 073	2			SEAL, A/C. Evap. Coil to Hsg. Bottom
32	3847 849	1			ACTUATOR, A/C. Mode Door
33	5210 068	1			ACTUATOR, A/C. Htr. & Defroster Door
	6031 147	1			NUT, A/C. Defr. Actr. Rod Rtnng.
34	2521 336	2			CLIP, A/C. Evap. Hsg. Cover Mtg.
35	3847 606	1			SEAL, A/C. Evap. Hsg. Cover Defroster Duct
36	6015 778	1			CLIP, A/C. Vac. Hose Retaining
37	3848 827	1			TUBE, A/C. Unit Drain
38	5210 093	1			DOOR, & Shaft A/C. Htr. Defroster
39	3848 486	1	C		DUCT, Defroster
	4463 379	1	Q		DUCT, Defroster
40	4192 019	1			BUMPER, A/C. Condenser
41	5210 336	1			SEAL, A/C. Ctr. Air Distr. Duct
42	3849 820	1	C		SENSOR, ATC in Car Power Aspirator, without Aspirator Hose
	3849 376	1	C		HOSE, Aspirator
	6501 646	1	C		CLIP, Aspirator, Hose Ret.
	6016 122	1	C		CLIP, ATC Harness to Aspirator Brkt.
	4443 135	1	C		MODULE, ATC Power and Vacuum
	4462 156	1	C		MOTOR, ATC Blend Air Door
	4414 447	1	C		BRACKET, ATC Insul. Mtg.
	3849 924	1	C		SENSOR, ATC Ambient
	3848 778	1	C		CAP, ATC Blend Air Door Shaft

MODEL CODES

C BODY = (D41 - DYNASTY)(C41 - NEW YORKER)
 E BODY = (J - CARAVELLE)(E - 600)(T - NEW YORKER TURBO)
 G BODY = (V24 - DAYTONA, PACIFICA & SHELBY)
 H BODY = (D44 - LANCER)(C44 - LEBARON GTS)
 J BODY = (C - LEBARON)
 K BODY = (P - RELIANT)(D - ARIES)(C - LEBARON/ TOWN & COUNTRY)

L BODY = (M - HORIZON)(Z-OMNI)
 M BODY = (B - GRAN FURY)(G - DIPLOMAT)(F - FIFTH AVENUE/NEWPORT)
 P BODY = (P - SUNDANCE)(D - SHADOW)
 Q BODY = (C27 - MASERATI)
 S BODY = (H - VOYAGER)(K - RAM VAN/ CARAVAN)

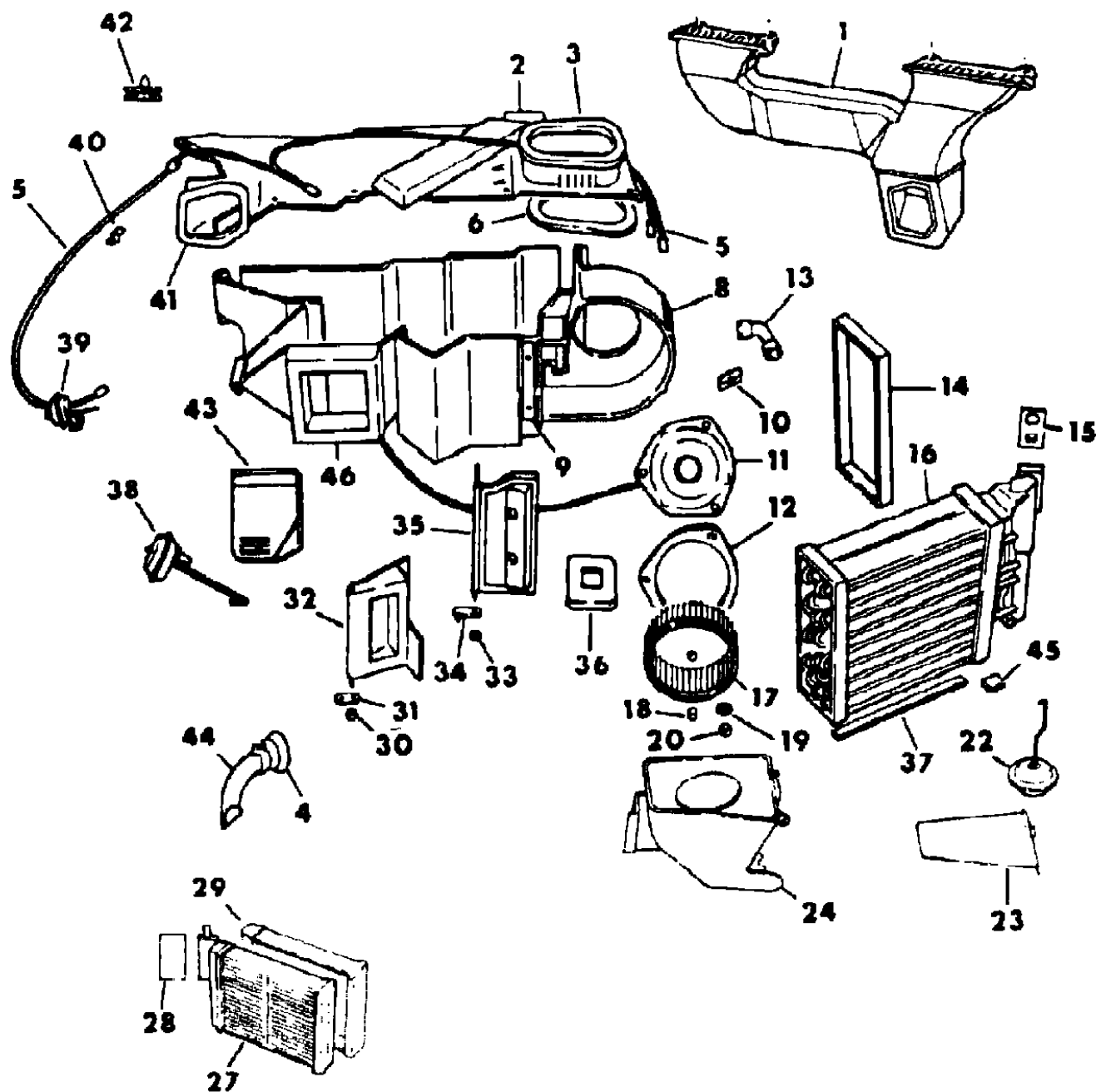
BODY STYLES

12-52 = FWD VAN & WAGON STD. W.B. 27 = 2-DOOR CONVERTIBLE
 13-53 = FWD VAN & WGN EXT W.B. 41 = 4-DOOR SEDAN
 21 = 2-DOOR SEDAN 44 = 4-DOOR HATCHBACK
 24 = 2-DOOR HATCHBACK 45 = 4-DOOR STATION WAGON

AR = Use as Required - = Non Illustrated Part P.A.R. = Paint as Required

AIR CONDITIONING AND HEATER UNIT K,E BODY
Figure 24-2700

8124 2700 A



ITEM	PART NUMBER	QTY	BODY	MODEL	DESCRIPTION
1	3848 734	1			DUCT, w/Adapter, A/C., Defroster
2	3849 369	1			COVER, A/C. Evaporator, Recirc. Housing
	3847 721	1			SEAL, A/C. Evaporator Housing Cover Mtg. Left
	3847 722	1			Right
	3847 720	1			SEAL, A/C. Evaporator Housing Cover Mtg. Right
3	3847 605	1			SEAL, A/C. Unit to Plenum
4	3848 827	1			RETAINER, A/C. Drain Tube
5	3849 126	1			HOSE, w/Connector, A/C. Vacuum
	3780 508	AR			HOSE, Vacuum Extension (Serviced in Roll)
6	3441 609	1			VALVE, A/C. Two Port Check (Vacuum Hose)
	3847 721	1			SEAL, A/C. Recirc. Housing Cover to Housing, Left
	3847 722	1			Right
	3847 720	1			SEAL, A/C. Evap. Housing Mtg. Center
8	3848 418	1			HOUSING and STUD, A/C Evaporator
9	3848 238	1			BRACE, A/C. Unit Mounting To Plenum Support
10	3849 950	1			RESISTOR, A/C. Blower Motor
11	4443 132	1			MOTOR, A/C. Blower
	4430 170	1			CAPACITOR, A/C., Blower Motor
	4140 427	1			INSULATOR, A/C. Bottom Mounting
	4430 170	1			CAPACITOR, A/C. Blower Motor
12	3847 476	1			SEAL, A/C. Blower Motor Mounting to Scroll
13	5210 066	1			TUBE, A/C. Blower Motor Cooling
	3847 116	1			SEAL, A/C. Evaporator Coil Header End
	3846 836	1			GASKET, A/C. Evaporator Valve Mounting
	4339 423	1			COIL, A/C. Evaporator Complete
17	5210 234	1			WHEEL, A/C. Blower Motor
18	2837 680	1			CLAMP, A/C. Blower Wheel Motor Mounting
19	#6500 376	1			NUT, A/C. Blower Motor U-Type
20	6031 694	3			SCREW and WASHER, A/C. Blower Motor Mounting
22	5210 111	1			ACTUATOR, A/C. Recirc. w/Fresh Air Door
23	5210 056	1			DOOR, w/Seal, A/C. Recirc. w/Fresh Air
	0116 000	AR			NUT, A/C., Recirc. Door Actr. Mtg. (F/Air)
24	5210 070	1			HOUSING, A/C. Recirc. Blower Wheel
27	3847 943	1			CORE, A/C., Heater
28	5210 109	1			SEAL, A/C. Unit To Dash at Core Tubes
29	3848 093	1			SEAL, A/C. Heater Core To Housing
	6031 132	1			CLIP, A/C. Temperature Control Cable Adjustment

MODEL CODES

C BODY = (D41 - DYNASTY)(C41 - NEW YORKER)
 E BODY = (J - CARAVELLE)(E - 600)(T - NEW YORKER TURBO)
 G BODY = (V24 - DAYTONA, PACIFICA & SHELBY)
 H BODY = (D44 - LANCER)(C44 - LEBARON GTS)
 J BODY = (C - LEBARON)
 K BODY = (P - RELIANT)(D - ARIES)(C - LEBARON/ TOWN & COUNTRY)

L BODY = (M - HORIZON)(Z-OMNI)
 M BODY = (B - GRAN FURY)(G - DIPLOMAT)(F - FIFTH AVENUE/NEWPORT)
 P BODY = (P - SUNDANCE)(D - SHADOW)
 Q BODY = (C27 - MASERATI)
 S BODY = (H - VOYAGER)(K - RAM VAN/ CARAVAN)

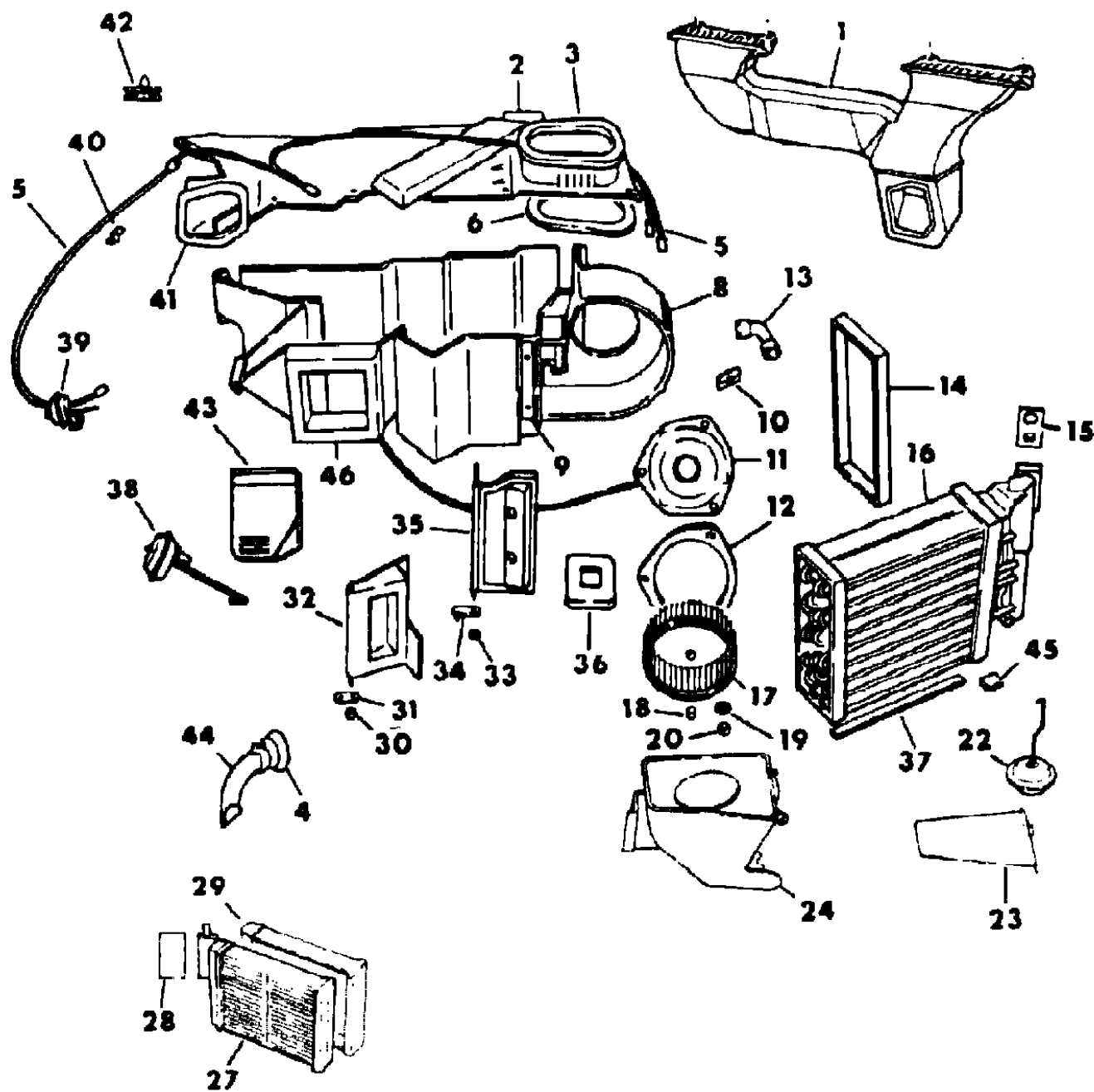
BODY STYLES

12-52 = FWD VAN & WAGON STD. W.B. 27 = 2-DOOR CONVERTIBLE
 13-53 = FWD VAN & WGN EXT W.B. 41 = 4-DOOR SEDAN
 21 = 2-DOOR SEDAN 44 = 4-DOOR HATCHBACK
 24 = 2-DOOR HATCHBACK 45 = 4-DOOR STATION WAGON

AR = Use as Required - = Non Illustrated Part P.A.R. = Paint as Required

AIR CONDITIONING AND HEATER UNIT K,E BODY
Figure 24-2700

8124 2700 A



ITEM	PART NUMBER	QTY	BODY	MODEL	DESCRIPTION
30					NUT, Door Shaft Lever (Do Not Serv.)
31	3847 858	1			LEVER, Mode Door Shaft
32	3849 511	1			DOOR, w/Seal, A/C. Mode
33	0219 462	1			NUT, Door Shaft Lever
34	5210 113	1			LEVER, A/C. Blend Air Door
	6006 324	1			NUT, Spring, Push-on
	0219 462	1			NUT, w/Washer A/C., Blend Door Lever Mtg.
35	5210 395	1			DOOR, A/C. Blend Air
36	3847 602	1			SEAL, A/C. Unit To Dash at Coil Header
37	5210 073	2			SEAL, A/C. Evaporator Coil To Housing Bottom
38	3847 849	1			ACTUATOR, A/C. Mode Door
39	5210 068	1			ACTUATOR, A/C. Heater, Defroster Door
	6031 147	1			NUT, A/C., Defroster Actuator Rod
40	2521 336	2			CLIP, A/C. Evaporator Housing Cover Mounting
41	3847 606	1			SEAL, A/C. Unit To Defroster Duct
42	6015 778	1			CLIP, A/C. Vacuum Hose Retaining
43	5210 093	1			DOOR and SHAFT, A/C., Defroster
44	3848 827	1			TUBE, A/C. Unit Drain
	3847 853	1			SPRING, A/C. Mode Door
45	4192 019	1			BUMPER, A/C., Defroster Door
46	5210 336	1			SEAL, A/C Center Air Distr. Duct
	3780 508	1			HOSE, A/C. Vacuum (service in roll)
	3847 681	1			SEAL, A/C. Heater Core End
	3848 841	1			SEAL, A/C. Evap. Coil to Hose Hair Pin End

MODEL CODES

C BODY = (D41 - DYNASTY)(C41 - NEW YORKER)	L BODY = (M - HORIZON)(Z-OMNI)
E BODY = (J - CARAVELLE)(E - 600)(T - NEW YORKER TURBO)	M BODY = (B - GRAN FURY)(G - DIPLOMAT)(F - FIFTH AVENUE/NEWPORT)
G BODY = (V24 - DAYTONA, PACIFICA & SHELBY)	P BODY = (P - SUNDANCE)(D - SHADOW)
H BODY = (D44 - LANCER)(C44 - LEBARON GTS)	Q BODY = (C27 - MASERATI)
J BODY = (C - LEBARON)	S BODY = (H - VOYAGER)(K - RAM VAN/ CARAVAN)
K BODY = (P - RELIANT)(D - ARIES)(C - LEBARON/ TOWN & COUNTRY)	

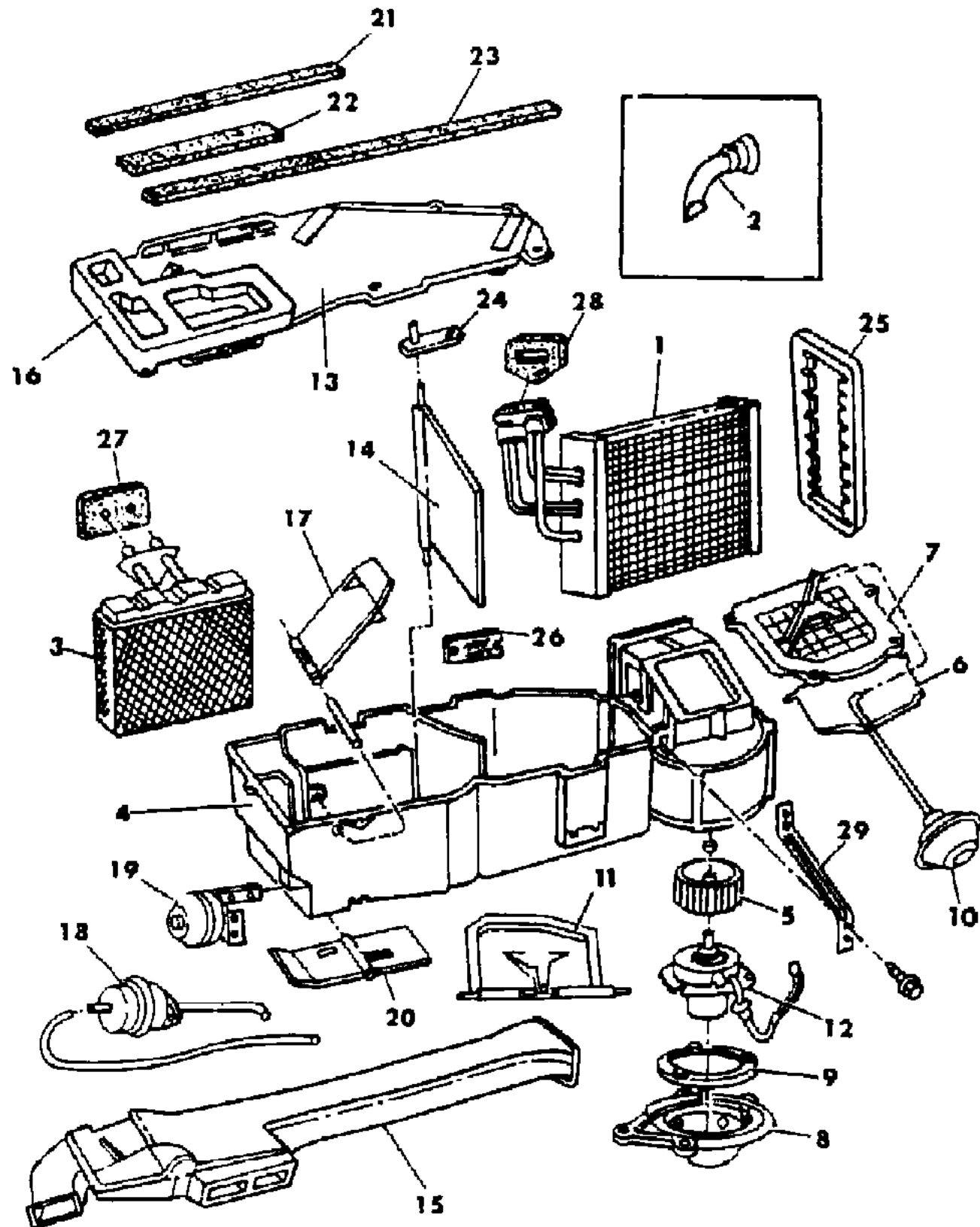
BODY STYLES

12-52 = FWD VAN & WAGON STD. W.B.	27 = 2-DOOR CONVERTIBLE
13-53 = FWD VAN & WGN EXT W.B.	41 = 4-DOOR SEDAN
21 = 2-DOOR SEDAN	44 = 4-DOOR HATCHBACK
24 = 2-DOOR HATCHBACK	45 = 4-DOOR STATION WAGON

AR = Use as Required - = Non Illustrated Part P.A.R. = Paint as Required

AIR CONDITIONING AND HEATER UNIT S BODY
Figure 24-2800

8124 2800



ITEM	PART NUMBER	QTY	BODY	MODEL	DESCRIPTION
1	3848 360	1			COIL, A/C. Evap. Coil Complete
2	3848 827	1			TUBE, A/C. Drain
3	3848 300	1			CORE, A/C.
4	3848 261	1			HOUSING, Stud A/C. Unit Evap.
5	3503 859	1			WHEEL, A/C. Motor
	2837 680	1			CLAMP, A/C., Blower Motor Wheel Mtg.
	6031 694	3			SCREW, w/Wash. A/C. Blower Mtr. Mtg.
6	3848 432	1			COVER, Heater
7	3848 267	1			COVER, A/C. Recirc.
8	3848 272	1			COVER, Assy. A/C. Motor
9	3847 476	1			SEAL, A/C. Blwr. Motor to Cover
10	3848 258	1			ACTUATOR, A/C. F/Air Door
	0116 000	2			NUT, F/Air Door Actr. Mtg.
11	3848 370	1			DOOR, A/C. F/Air w/o Seals
12	4494 309	1			MOTOR, A/C. Blower
	4430 168	1			CAPACITOR, A/C. Blower Motor
13	3848 263	1			COVER, A/C. Evap.
14	3848 873	1			DOOR, A/C. Temp. w/Seal
15	3849 219	1			DUCT, A/C. Heat Distr.
16	3848 266	1			SEAL, A/C. Evap. Cover to Ducts
17	3848 226	1			DOOR, A/C. Mode
	3849 476	1			DOOR, Assy. A/C. Mode, w/Seal
	4163 735	1			SHAFT, A/C. Defr. Mode Door
	6031 147	1			RETAINER, A/C. Mode Defr. Door Shaft
18	3848 259	1			ACTUATOR, A/C. Mode Door
19	3848 260	1			ACTUATOR, A/C. Defr. Door
20	3848 227	1			DOOR, Heater, Defroster
21	3846 756	1			SEAL, A/C. Evap. Coil Hsg. (Bottom)
22	3848 838	1			SEAL, A/C. Evap. Coil to Hdr. Tubes to Hsg.
23	3848 151	1			SEAL, A/C. Evap. Coil to Hsg. Hair Pin End
24	3848 878	1			LEVER, A/C. Temp. Door
25	3847 116	1			SEAL, Evap. Coil Header End
26	3848 997	1			RESISTOR, A/C. Blower Motor
27	3848 254	1			SEAL, A/C. Core Tubes to Dash
28	3848 255	1			SEAL, A/C. Header (to Dash)
29	3848 251	1			BRACE, A/C. Unit Support
	3848 737	1			HOSE, A/C. Vacuum

MODEL CODES

C BODY = (D41 - DYNASTY)(C41 - NEW YORKER)
 E BODY = (J - CARAVELLE)(E - 600)(T - NEW YORKER TURBO)
 G BODY = (V24 - DAYTONA, PACIFICA & SHELBY)
 H BODY = (D44 - LANCER)(C44 - LEBARON GTS)
 J BODY = (C - LEBARON)
 K BODY = (P - RELIANT)(D - ARIES)(C - LEBARON/ TOWN & COUNTRY)

L BODY = (M - HORIZON)(Z-OMNI)
 M BODY = (B - GRAN FURY)(G - DIPLOMAT)(F - FIFTH AVENUE/NEWPORT)
 P BODY = (P - SUNDANCE)(D - SHADOW)
 Q BODY = (C27 - MASERATI)
 S BODY = (H - VOYAGER)(K - RAM VAN/ CARAVAN)

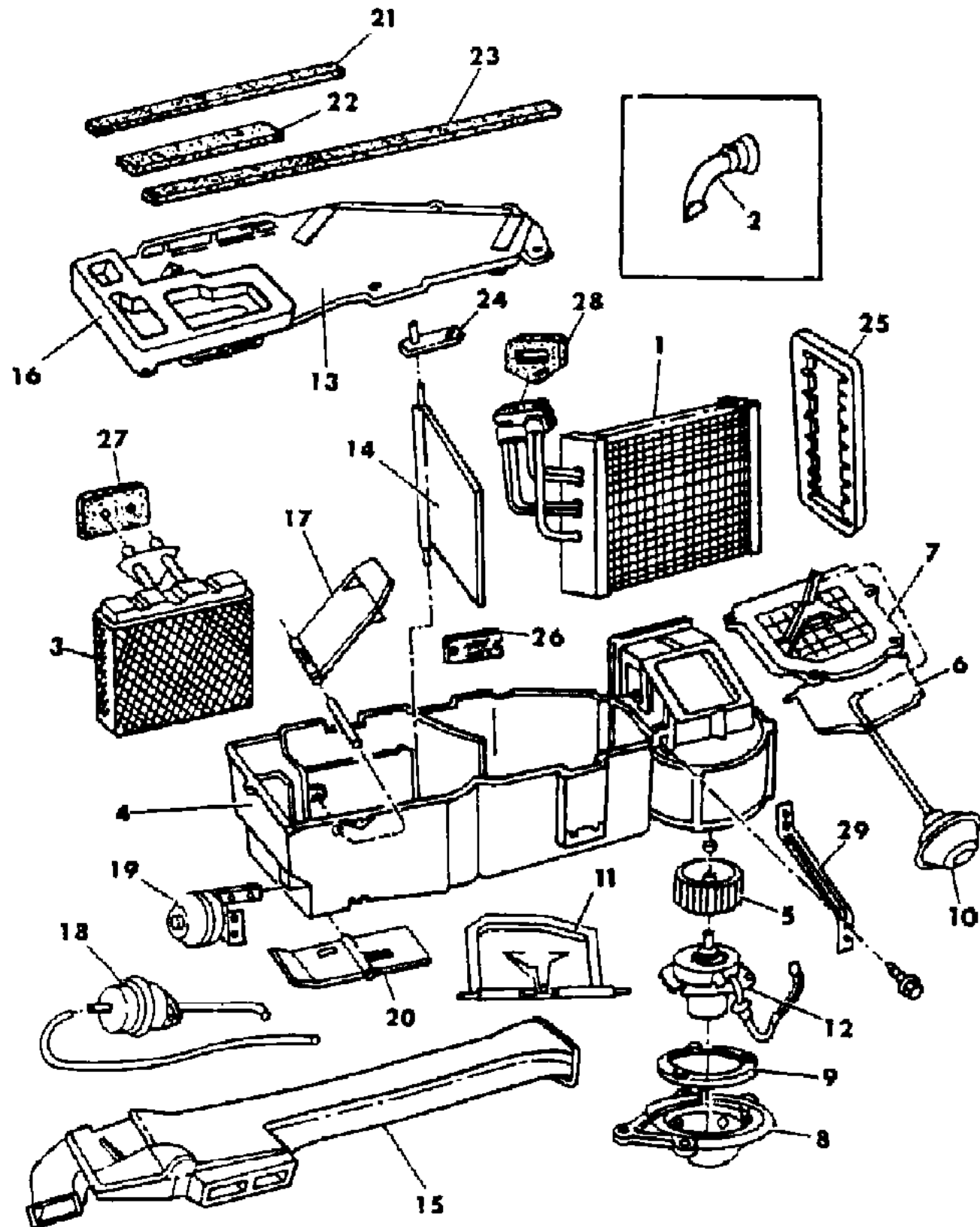
BODY STYLES

12-52 = FWD VAN & WAGON STD. W.B. 27 = 2-DOOR CONVERTIBLE
 13-53 = FWD VAN & WGN EXT W.B. 41 = 4-DOOR SEDAN
 21 = 2-DOOR SEDAN 44 = 4-DOOR HATCHBACK
 24 = 2-DOOR HATCHBACK 45 = 4-DOOR STATION WAGON

AR = Use as Required - = Non Illustrated Part P.A.R. = Paint as Required

AIR CONDITIONING AND HEATER UNIT S BODY
Figure 24-2800

8124 2800



ITEM	PART NUMBER	QTY	BODY	MODEL	DESCRIPTION
	3780 508	AR			HOSE, A/C. Vac. Ext. (serviced in roll)
	4140 427	1			ISOLATOR, A/C Cond. Bottom Mounting

MODEL CODES
 C BODY = (D41 - DYNASTY)(C41 - NEW YORKER)
 E BODY = (J - CARAVELLE)(E - 600)(T - NEW YORKER TURBO)
 G BODY = (V24 - DAYTONA, PACIFICA & SHELBY)
 H BODY = (D44 - LANCER)(C44 - LEBARON GTS)
 J BODY = (C - LEBARON)
 K BODY = (P - RELIANT)(D - ARIES)(C - LEBARON/ TOWN & COUNTRY)
 L BODY = (M - HORIZON)(Z-OMNI)
 M BODY = (B - GRAN FURY)(G - DIPLOMAT)(F - FIFTH AVENUE/NEWPORT)
 P BODY = (P - SUNDANCE)(D - SHADOW)
 Q BODY = (C27 - MASERATI)
 S BODY = (H - VOYAGER)(K - RAM VAN/ CARAVAN)

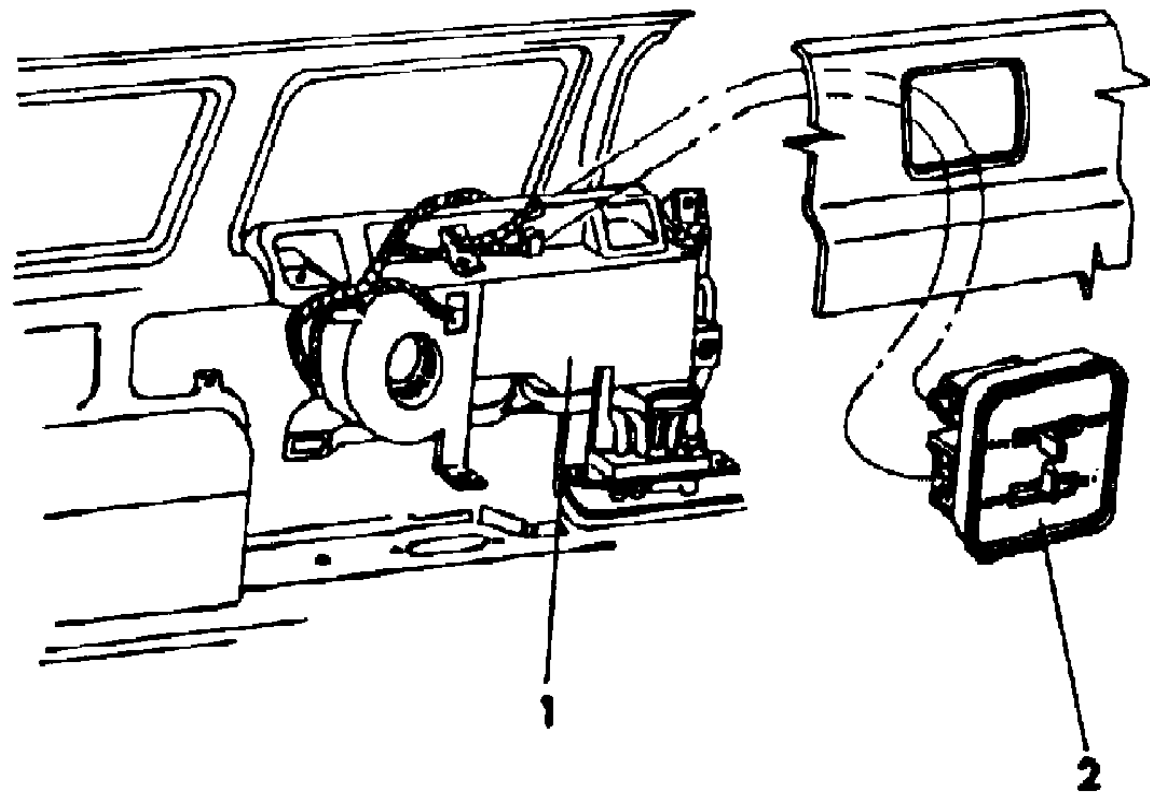
BODY STYLES
 12-52 = FWD VAN & WAGON STD. W.B. 27 = 2-DOOR CONVERTIBLE
 13-53 = FWD VAN & WGN EXT W.B. 41 = 4-DOOR SEDAN
 21 = 2-DOOR SEDAN 44 = 4-DOOR HATCHBACK
 24 = 2-DOOR HATCHBACK 45 = 4-DOOR STATION WAGON

AR = Use as Required - = Non Illustrated Part P.A.R. = Paint as Required

REAR AIR CONDITIONING AND HEATER UNIT S BODY

Figure 24-2900

8124 2900 A



ITEM	PART NUMBER	QTY	BODY	MODEL	DESCRIPTION
1					UNIT, Aux. A/C and Heater
					Consists of:
	4462 211	1			HOUSING
	4462 209	1			COVER, Aux. A/C and Heater Housing (Stamped 4192921)
	4462 210	1			COVER, Aux. A/C and Heater Housing Scroll
	4462 212	1			DUCT, A/C and Heater Distribution
	4462 251	1			SEAL, Duct to Panel
	4462 227	2			DUCT, Distribution
	4494 319	1			MOTOR, Blower
	5210 234	1			WHEEL, Blower Motor
	2837 680	1			CLAMP
	3847 476	1			SEAL, Blower Motor to Scroll Mounting
	4462 215	1			RESISTOR, Blower Motor
	4462 218	1			SERVO, Mode Door
	4462 219	1			DOOR, Mode
	4373 109	1			RELAY, Control
	4462 223	1			CORE, Heater and A/C
	4462 252	1			SEAL, Core
	4462 225	1			SEAL, Core, Front
	4462 224	1			SEAL, Core, Side
	4462 220	1			COIL, Evaporator
	3848 151	2			SEAL, Evaporator Coil End
	4462 228	1			VALVE, Expansion
	4462 229	1			EXTENSION, A/C Plumbing
	3846 834	1			GASKET, Plumbing Extension to Expansion Valve
	4462 234	1			TUBE, Hose Extension (In-Board)
	4462 233	1			TUBE, Hose Extension (Out-Board)
	4462 230	1			PLATE, Plumbing
	4462 231	1			SEAL, PLumbing Plate
	4462 217	1			WIRING
	4462 254	2			PAD, Isolator
	4462 226	2			PAD, Hose Isolator
	4462 253	1			BRACKET, Mounting
	3846 836	1			GASKET, Expansion Valve Mounting
2	3849 953	1			CONTROL
	3849 148	2			KNOB, Control
	4462 222	1			LAMP SOCKET, Aux. A/C and Heater Control

MODEL CODES

C BODY = (D41 - DYNASTY)(C41 - NEW YORKER)
 E BODY = (J - CARAVELLE)(E - 600)(T - NEW YORKER TURBO)
 G BODY = (V24 - DAYTONA, PACIFICA & SHELBY)
 H BODY = (D44 - LANCER)(C44 - LEBARON GTS)
 J BODY = (C - LEBARON)
 K BODY = (P - RELIANT)(D - ARIES)(C - LEBARON/ TOWN & COUNTRY)

L BODY = (M - HORIZON)(Z-OMNI)
 M BODY = (B - GRAN FURY)(G - DIPLOMAT)(F - FIFTH AVENUE/NEWPORT)
 P BODY = (P - SUNDANCE)(D - SHADOW)
 Q BODY = (C27 - MASERATI)
 S BODY = (H - VOYAGER)(K - RAM VAN/ CARAVAN)

BODY STYLES

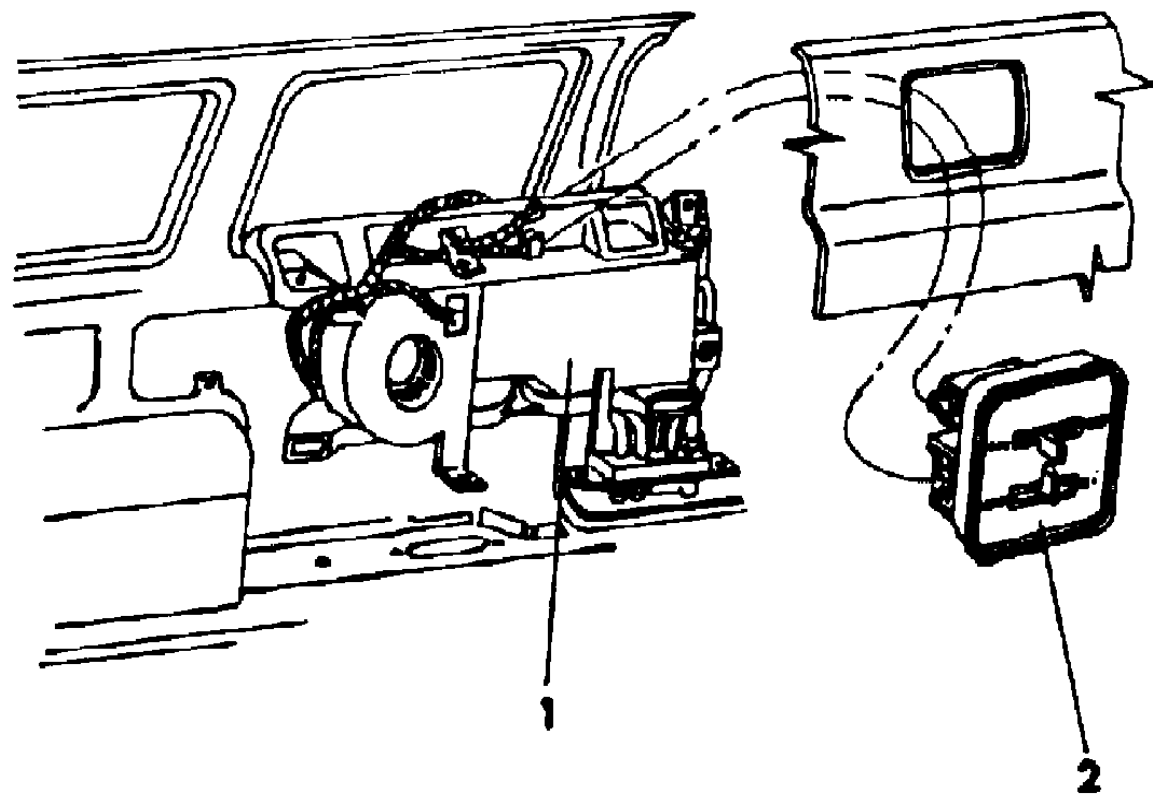
12-52 = FWD VAN & WAGON STD. W.B. 27 = 2-DOOR CONVERTIBLE
 13-53 = FWD VAN & WGN EXT W.B. 41 = 4-DOOR SEDAN
 21 = 2-DOOR SEDAN 44 = 4-DOOR HATCHBACK
 24 = 2-DOOR HATCHBACK 45 = 4-DOOR STATION WAGON

AR = Use as Required - = Non Illustrated Part P.A.R. = Paint as Required

REAR AIR CONDITIONING AND HEATER UNIT S BODY

Figure 24-2900

8124 2900 A



ITEM	PART NUMBER	QTY	BODY	MODEL	DESCRIPTION
	4373 255	1			SWITCH, Rear Blower (IPnl.)

MODEL CODES

C BODY = (D41 - DYNASTY)(C41 - NEW YORKER)
 E BODY = (J - CARAVELLE)(E - 600)(T - NEW YORKER TURBO)
 G BODY = (V24 - DAYTONA, PACIFICA & SHELBY)
 H BODY = (D44 - LANCER)(C44 - LEBARON GTS)
 J BODY = (C - LEBARON)
 K BODY = (P - RELIANT)(D - ARIES)(C - LEBARON/ TOWN & COUNTRY)

L BODY = (M - HORIZON)(Z-OMNI)
 M BODY = (B - GRAN FURY)(G - DIPLOMAT)(F - FIFTH AVENUE/NEWPORT)
 P BODY = (P - SUNDANCE)(D - SHADOW)
 Q BODY = (C27 - MASERATI)
 S BODY = (H - VOYAGER)(K - RAM VAN/ CARAVAN)

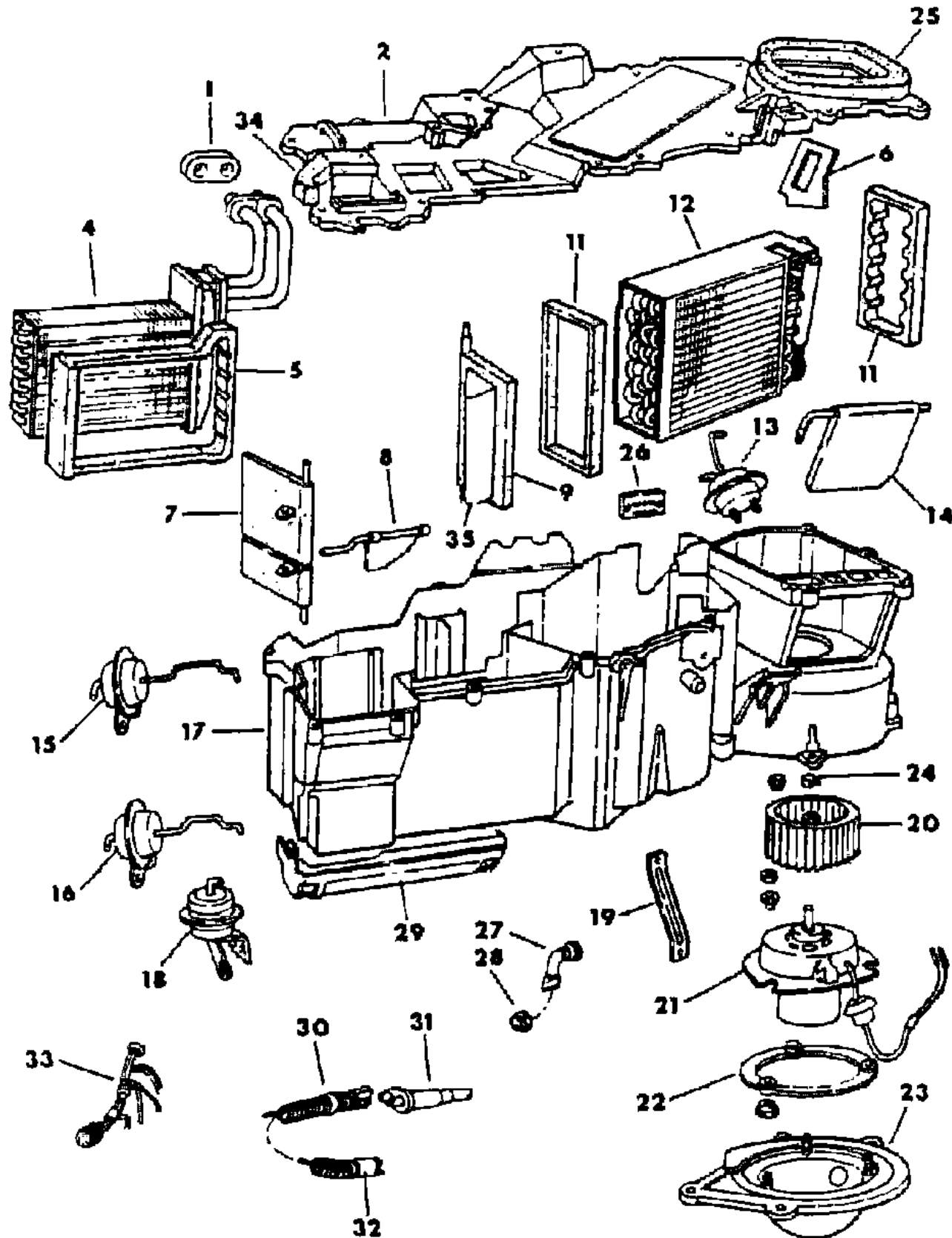
BODY STYLES

12-52 = FWD VAN & WAGON STD. W.B. 27 = 2-DOOR CONVERTIBLE
 13-53 = FWD VAN & WGN EXT W.B. 41 = 4-DOOR SEDAN
 21 = 2-DOOR SEDAN 44 = 4-DOOR HATCHBACK
 24 = 2-DOOR HATCHBACK 45 = 4-DOOR STATION WAGON

AR = Use as Required - = Non Illustrated Part P.A.R. = Paint as Required

AIR CONDITIONING AND HEATER UNIT M BODY
Figure 24-3000

8124 3000



ITEM	PART NUMBER	QTY	BODY	MODEL	DESCRIPTION
1	3846 740	1			SEAL, A/C. Heater Tubes To Dash
2	3849 097	1			COVER ASSEMBLY, A/C. Housing
4	4339 438	1			CORE, Assy. A/C. Heater Complete
	4240 440	1			TANK, A/C. Htr. Core or Heater
5	3849 100	1			SEAL, A/C. Core To Housing Mounting
6	#3847 304	1			SEAL, A/C. Unit to Dash at Coil
7	#3847 231	1			DOOR and SEAL, A/C. Mode Complete
	3847 420	1			DOOR, Heater Mode
8	#3847 478	1			DOOR, A/C., Defroster Complete
9	#3847 223	1			DOOR and SEAL, A/C. Blend Air Complete
	3847 913	1			PAD, A/C. Blend Air Door Servo Silencer w/A.T.C.
	3847 296	1			SERVO, A/C. Blend Air Door w/A.T.C.
11	3847 116	1			SEAL, A/C. Evap. Coil Heater End
	3847 790	1			SEAL, A/C. Evap. Coil Bottom 11.14" Lg.
12	#3847 256	1			COIL and SEAL, A/C. Evap. Complete
13	#3847 216	1			ACTUATOR, A/C. Fresh Air Door
14	#3847 217	1			DOOR and SEAL, A/C. Fresh Air
15	#3847 230	1			ACTUATOR, A/C. Mode Door, Upper
16	#3847 229	1			ACTUATOR, A/C. Mode Door, Lower
17	3849 092	1			HOUSING and STUD, A/C. Evap. & Recirc.
18	#3847 211	1			ACTUATOR, A/C. Defroster Door
19	#3847 202	1			BRACE, A/C. Unit to Plenum Mtg.
20	3503 037	1			WHEEL, A/C. Blower Motor
21	4419 318	1			MOTOR, A/C. Blower
	4222 912	1			CAPACITOR, A/C. Blower Motor
22	3847 476	1			SEAL, A/C. Blower Motor Mtg. Scroll
23	#3847 207	1			COVER and STUD, A/C. Blower Scroll
	3847 205	1			SEAL, A/C. Cover to Scroll
	3773 192	1			SEAL, A/C. Blower Scroll Cover to Hsg.
24	2837 680	1			CLAMP, A/C. Blower Mtr. Wheel Mtr. Mtg.
25	#3847 243	1			SEAL, A/C. Unit to Plenum
26	3848 996	1			RESISTOR, A/C. Blower Motor
27	3848 827	1			TUBE, A/C. Drain
28	6031 886	1			RETAINER, A/C. Drain Tube
29	#3847 297	1			DUCT, A/C. Heat Distribution
30	#3847 294	1			HOSE, A/C. Sensor to Aspirator w/A.T.C.
	4005 185	1			HOSE, A/C. Aspirator to Evaporator Hsg.

MODEL CODES

C BODY = (D41 - DYNASTY)(C41 - NEW YORKER)
 E BODY = (J - CARAVELLE)(E - 600)(T - NEW YORKER TURBO)
 G BODY = (V24 - DAYTONA, PACIFICA & SHELBY)
 H BODY = (D44 - LANCER)(C44 - LEBARON GTS)
 J BODY = (C - LEBARON)
 K BODY = (P - RELIANT)(D - ARIES)(C - LEBARON/ TOWN & COUNTRY)

L BODY = (M - HORIZON)(Z-OMNI)
 M BODY = (B - GRAN FURY)(G - DIPLOMAT)(F - FIFTH AVENUE/NEWPORT)
 P BODY = (P - SUNDANCE)(D - SHADOW)
 Q BODY = (C27 - MASERATI)
 S BODY = (H - VOYAGER)(K - RAM VAN/ CARAVAN)

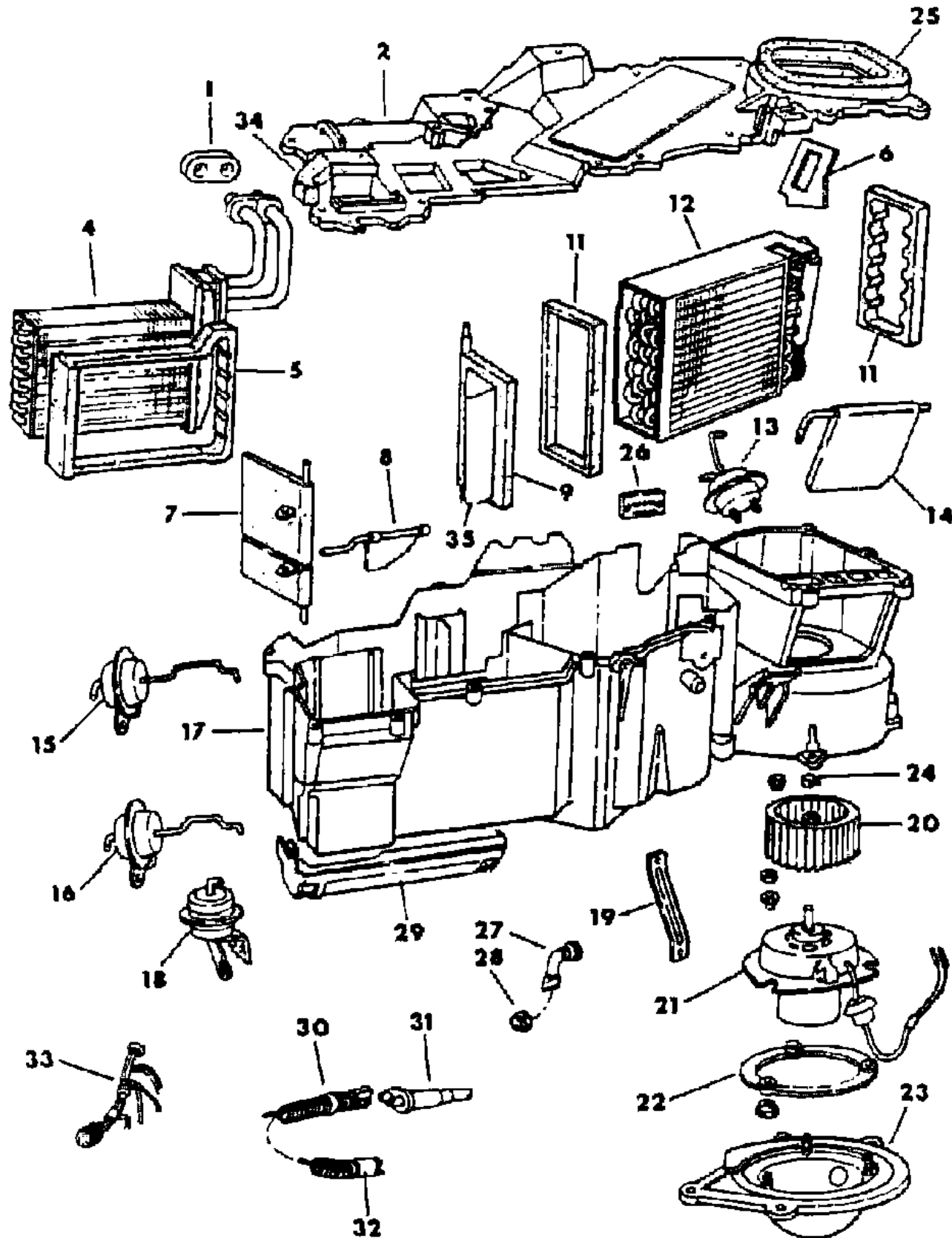
BODY STYLES

12-52 = FWD VAN & WAGON STD. W.B. 27 = 2-DOOR CONVERTIBLE
 13-53 = FWD VAN & WGN EXT W.B. 41 = 4-DOOR SEDAN
 21 = 2-DOOR SEDAN 44 = 4-DOOR HATCHBACK
 24 = 2-DOOR HATCHBACK 45 = 4-DOOR STATION WAGON

AR = Use as Required - = Non Illustrated Part P.A.R. = Paint as Required

AIR CONDITIONING AND HEATER UNIT M BODY
Figure 24-3000

8124 3000



ITEM	PART NUMBER	QTY	BODY	MODEL	DESCRIPTION
31	#3847 766	1			ASPIRATOR ASSEMBLY, A/C. w/A.T.C.
32	#3847 291	1			SENSOR ASSEMBLY, w/A.T.C.
	3843 601	2			TERMINAL, A.T.C. In Car Sensor
	3847 589	1			SENSOR, Ambient w/A.T.C.
33	#3847 627	1			HOSE and CONNECTOR, A/C. Vacuum
	6015 778	1			CLIP, A/C. Vacuum Hose Retaining
34	3503 999	1			SEAL, A/C. Cover to Defroster Duct
35	#3847 225	1			DEFLECTOR, A/C. Blend Air Door
	0116 000	1			NUT, A/C. F/Recirc. Mounting

MODEL CODES

C BODY = (D41 - DYNASTY)(C41 - NEW YORKER)
 E BODY = (J - CARAVELLE)(E - 600)(T - NEW YORKER TURBO)
 G BODY = (V24 - DAYTONA, PACIFICA & SHELBY)
 H BODY = (D44 - LANCER)(C44 - LEBARON GTS)
 J BODY = (C - LEBARON)
 K BODY = (P - RELIANT)(D - ARIES)(C - LEBARON/ TOWN & COUNTRY)

L BODY = (M - HORIZON)(Z-OMNI)
 M BODY = (B - GRAN FURY)(G - DIPLOMAT)(F - FIFTH AVENUE/NEWPORT)
 P BODY = (P - SUNDANCE)(D - SHADOW)
 Q BODY = (C27 - MASERATI)
 S BODY = (H - VOYAGER)(K - RAM VAN/ CARAVAN)

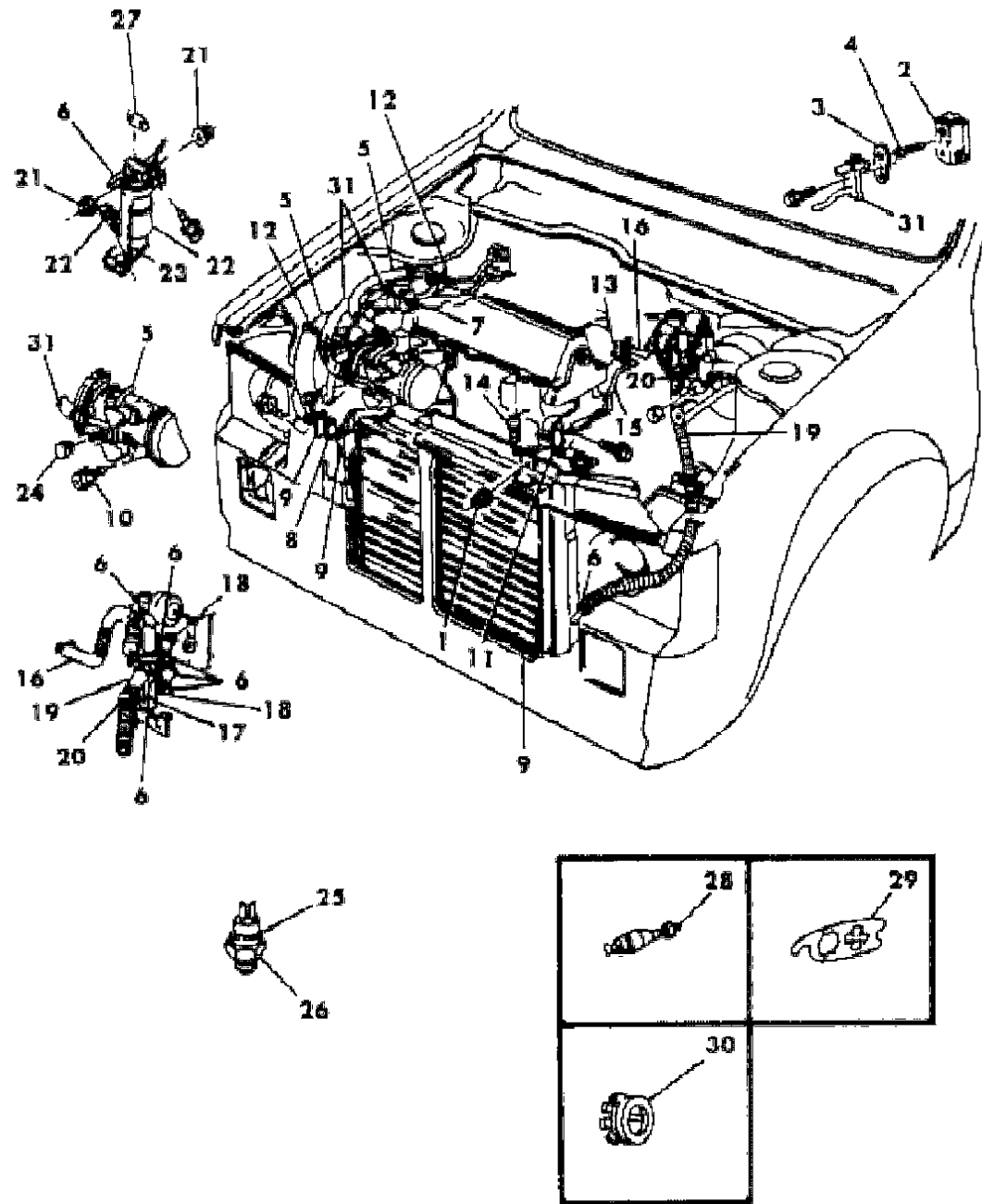
BODY STYLES

12-52 = FWD VAN & WAGON STD. W.B. 27 = 2-DOOR CONVERTIBLE
 13-53 = FWD VAN & WGN EXT W.B. 41 = 4-DOOR SEDAN
 21 = 2-DOOR SEDAN 44 = 4-DOOR HATCHBACK
 24 = 2-DOOR HATCHBACK 45 = 4-DOOR STATION WAGON

AR = Use as Required - = Non Illustrated Part P.A.R. = Paint as Required

PLUMBING, AIR CONDITIONING AND HEATING L BODY
Figure 24-3100

8124 3100



ITEM	PART NUMBER	QTY	BODY	MODEL	DESCRIPTION
1	6500 284	2			NUT and WASHER, Cond. Mtg.
2	4176 999	1			VALVE, A/C Expansion
	3848 208	1			PILOT, A/C., Expn. Valve Package
3	3846 834	1			GASKET, A/C Suction, Liq. Line Mtg. to H-Valve
4	6032 572	2			SCREW, Expansion
5	3848 941	1			LINE, Disch., Liq.
6	2448 770	AR			CLAMP
7	3848 585	1			CAP, A/C Disch., Liq. Line Check Valve
8	3846 835	1			GASKET, A/C Disch., Liq. Line Mtg. to Cond.
9	3849 594	1			CONDENSER
10	6500 517	AR			SCREW
11	4448 750	1			BRACKET, Water By-Pass
12	6016 155	1			STRAP, Hose
13	0153 640	AR			CLAMP
14	0153 640	AR			CLAMP
15	4273 486	1			TUBE, Thermo. Water By-Pass
	4273 488	1			HOSE, Water By-Pass Tube
16	4462 207	1			HOSE, A/C, Htr., Eng. to Valve
17	4462 409	1			VALVE, A/C, Htr. Water (4 Port)
18	1315 466	AR			HOSE, Core to Valve, 5/8" I.D., 50 Ft. Roll
19	4462 249	1			HOSE, Sleeve A/C., and Heater
20	4462 208	1			CLIP, A/C, Htr., Dual Hose Mtg.
21	6033 562	2			NUT and WASHER, Liq. Line to Drier
22	5210 438	1			FILTER DRIER
23	#5210 409	1			BRACKET, Filter Drier Mtg.
24	3848 021	1			CAP
25	5210 377	1			SWITCH, Low Pressure Cut-off
26	3441 105	1			SEAL, Rec. Drier, Low Pressure Cut-off
27	3847 083	1			GASKET, Suction and Liq. Line Mtg. to Drier
28	3849 468	1			VALVE, A/C Suction and Disch. Check Line
29	3847 081	1			GASKET, A/C Disch, Suction Ftg. Mtg. to Compr.
30	3847 147	1			PILOT, A/C Suction, Disch., Liq. Line Mtg.
31	3849 636	1			LINE, Suction, Liq
	4339 496	1			RELAY, A/C Clutch Cut-out
	4397 809	AR			SLEEVE, A/C Heater Hose
	4372 394	1			STRAP, Ground
	4419 360	1			SWITCH, A/C Temp. Sensing Suction Line

MODEL CODES

C BODY = (D41 - DYNASTY)(C41 - NEW YORKER)
 E BODY = (J - CARAVELLE)(E - 600)(T - NEW YORKER TURBO)
 G BODY = (V24 - DAYTONA, PACIFICA & SHELBY)
 H BODY = (D44 - LANCER)(C44 - LEBARON GTS)
 J BODY = (C - LEBARON)
 K BODY = (P - RELIANT)(D - ARIES)(C - LEBARON/ TOWN & COUNTRY)

L BODY = (M - HORIZON)(Z-OMNI)
 M BODY = (B - GRAN FURY)(G - DIPLOMAT)(F - FIFTH AVENUE/NEWPORT)
 P BODY = (P - SUNDANCE)(D - SHADOW)
 Q BODY = (C27 - MASERATI)
 S BODY = (H - VOYAGER)(K - RAM VAN/ CARAVAN)

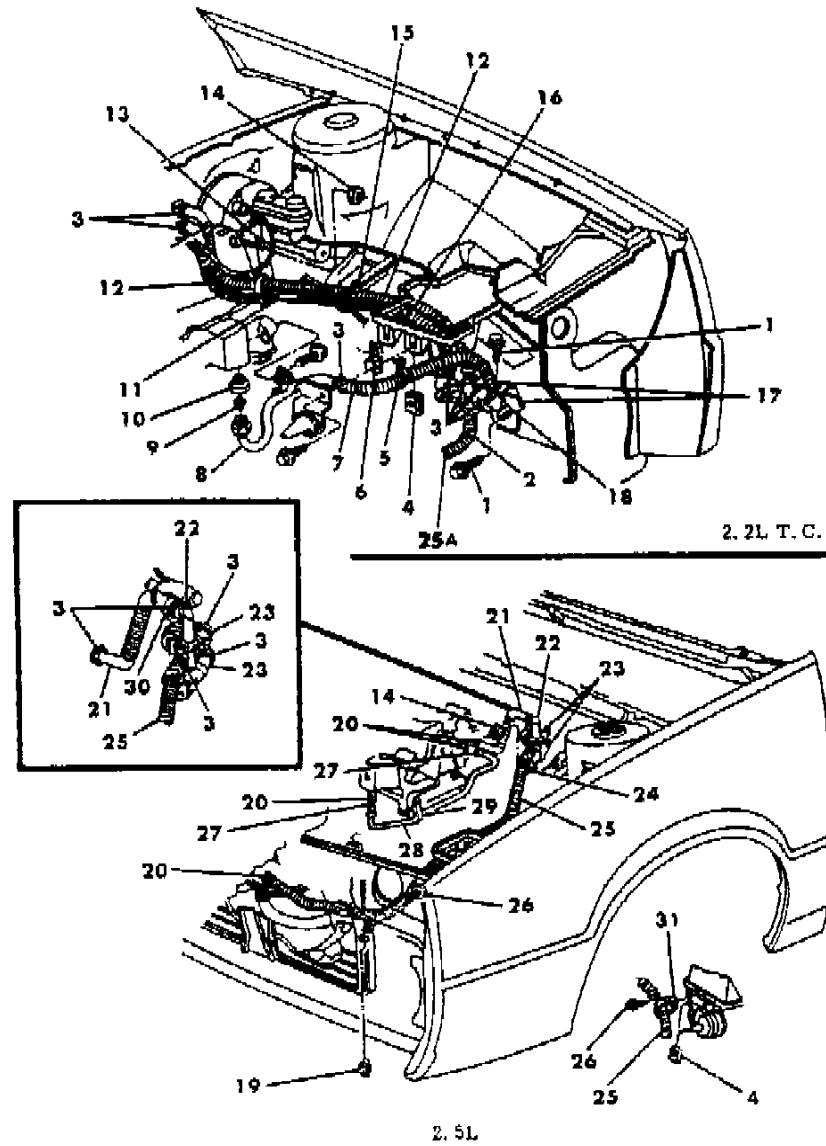
BODY STYLES

12-52 = FWD VAN & WAGON STD. W.B. 27 = 2-DOOR CONVERTIBLE
 13-53 = FWD VAN & WGN EXT W.B. 41 = 4-DOOR SEDAN
 21 = 2-DOOR SEDAN 44 = 4-DOOR HATCHBACK
 24 = 2-DOOR HATCHBACK 45 = 4-DOOR STATION WAGON

AR = Use as Required - = Non Illustrated Part P.A.R. = Paint as Required

PLUMBING, AIR CONDITIONING AND HEATER J BODY 1 OF 2 ILLUSTRATIONS
Figure 24-3200

8124 3200 A



ITEM	PART NUMBER	QTY	BODY	MODEL	DESCRIPTION
1					SCREW (Not Serviced)
2	4462 084	AR			HOSE, A/C, Heater Valve to Pump (w/Sleeve)
3	2448 770	AR			CLAMP
4	6501 750	AR			J-NUT
5	6015 731	1			CLIP, Hose Support
6	4462 106	1			BRACKET, Clip, Mtg.
	4462 378	1			BRACKET, A/C, Heater Hose Retaining, after 1-8-88
7	1315 466	AR			HOSE, 5/8 I.D. 50 Ft. Roll
8	3849 922	1			TUBE, A/C, Htr., Eng. to Hose
9	3848 948	1			WASHER, Flare, A/C, Heater Tube
10	6032 290	1			CONNECTOR, Water By-Pass
11	2837 876	1			CONNECTOR, A/C Vacuum Hose
12	4462 089	1			HOSE, A/C., Heater Core to Valve
	4462 087	1			HOSE, A/C., Heater Valve to Core
13	4462 083	1			BRACKET, A/C, Heater, Dual Hose Mounting
14					NUT (Not Serviced)
15	6015 945	AR			STRAP, A/C Vacuum
16	3780 508	AR			HOSE, A/C Vacuum Ext.
17	4462 091	1			BRACKET, Water Valve Mtg., up to 9-8-87
	4462 400	1			after 9-8-87
18	4462 082	1			VALVE, Water 4 Port, up to 1-18-88
	4462 377	1			after 1-18-88
19	6100 041	AR			U-NUT
20	0153 640	AR			CLAMP
21	3849 202	1			HOSE, Htr. Engine to Valve
22	3849 199	1			VALVE, Water 4 Port 2.5 Eng.
23	1315 466	AR			HOSE, 5/8 I.D. 50 Ft. Roll
24	4462 077	1			CLIP, A/C, Heatr, Dual Hose Mounting
25	3849 303	AR			HOSE, Heater Core to Pump
25A	4462 084	1			HOSE with SLEEVE, A/C, Heater Valve to Pump
26	6100 288	AR			SCREW
27	4273 488	AR			HOSE, Water By-Pass Tube
28	4273 486	1			TUBE, Water, By-Pass
29	4273 487	1			BRACKET, Water By-Pass Tube
30	3880 050	1			MUFFLER
31	3849 709	1			CLIP, A/C, Heater Hose Mounting

MODEL CODES

C BODY = (D41 - DYNASTY)(C41 - NEW YORKER)
 E BODY = (J - CARAVELLE)(E - 600)(T - NEW YORKER TURBO)
 G BODY = (V24 - DAYTONA, PACIFICA & SHELBY)
 H BODY = (D44 - LANCER)(C44 - LEBARON GTS)
 J BODY = (C - LEBARON)
 K BODY = (P - RELIANT)(D - ARIES)(C - LEBARON/ TOWN & COUNTRY)

L BODY = (M - HORIZON)(Z-OMNI)
 M BODY = (B - GRAN FURY)(G - DIPLOMAT)(F - FIFTH AVENUE/NEWPORT)
 P BODY = (P - SUNDANCE)(D - SHADOW)
 Q BODY = (C27 - MASERATI)
 S BODY = (H - VOYAGER)(K - RAM VAN/ CARAVAN)

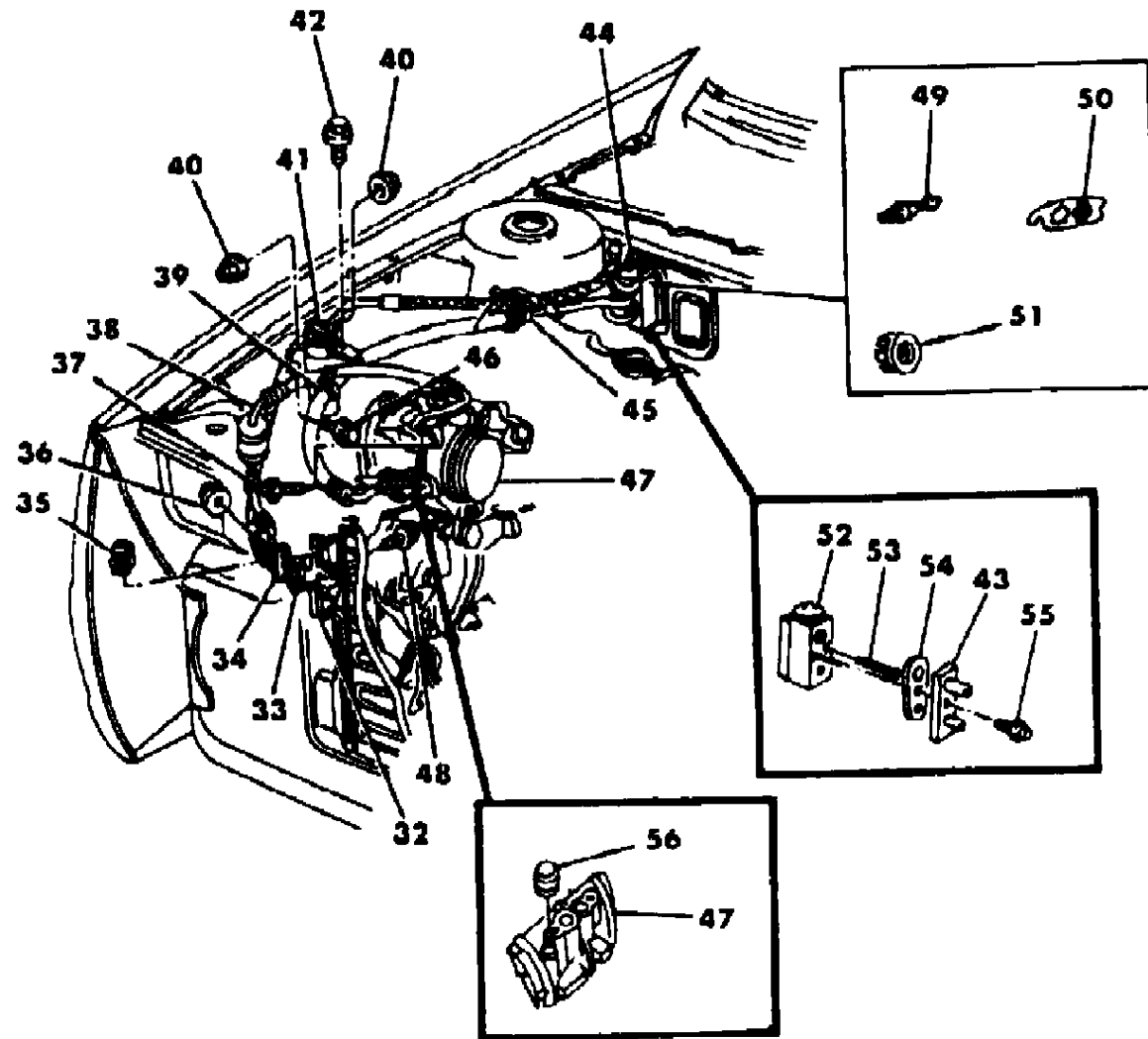
BODY STYLES

12-52 = FWD VAN & WAGON STD. W.B. 27 = 2-DOOR CONVERTIBLE
 13-53 = FWD VAN & WGN EXT W.B. 41 = 4-DOOR SEDAN
 21 = 2-DOOR SEDAN 44 = 4-DOOR HATCHBACK
 24 = 2-DOOR HATCHBACK 45 = 4-DOOR STATION WAGON

AR = Use as Required - = Non Illustrated Part P.A.R. = Paint as Required

PLUMBING, AIR CONDITIONING AND HEATER J BODY 2 OF 2 ILLUSTRATIONS
Figure 24-3300

8124 3300 A



ITEM	PART NUMBER	QTY	BODY	MODEL	DESCRIPTION
32	4443 136	1			CONDENSER
	4462 379	1			ISOLATOR, A/C Cond. Btn. Mtg.
33	3846 835	1			GASKET, A/C Disch. and Liq. Line to Cond.
34	3849 621	1			LINE, Disch. and Liq.
35	6100 041	AR			U-NUT
36	6100 051	AR			NUT
37	6500 517	AR			SCREW
38	3848 585	1			CAP, Check Valve
39	3848 522	1			CLIP, A/C Suction and Disch.
40	0118 614	AR			NUT and WASHER
41	4462 020	1			DRIER
	4462 013	1			BRACKET
42	9423 951	AR			SCREW
43	3849 928	1			LINE, Suction and Liq.
44	3849 406	1			SWITCH, A/C Damped C/C Clutch Pressure, O-Ring
45	6015 756	1			STRAP
46					SCREW (Not Serviced)
47	4443 131	1			COMPRESSOR
48	6100 288	AR			SCREW
49	3849 468	1			VALVE, A/C Disch. Line
50	3847 081	1			GASKET, A/C Disch. Fitting to Compressor
51	3847 147	1			PILOT, A/C Suction and Liquid Line Mounting
52	3849 240	1			VALVE, Expn. H-Type
53	6032 572	AR			SCREW
54	3846 834	1			GASKET, Suction and Liquid Line Mtg. to H Valve
55	6101 453	AR			SCREW
56	3848 021	1			CAP, A/C Compressor Check Valve Fitting

MODEL CODES

C BODY = (D41 - DYNASTY)(C41 - NEW YORKER)
 E BODY = (J - CARAVELLE)(E - 600)(T - NEW YORKER TURBO)
 G BODY = (V24 - DAYTONA, PACIFICA & SHELBY)
 H BODY = (D44 - LANCER)(C44 - LEBARON GTS)
 J BODY = (C - LEBARON)
 K BODY = (P - RELIANT)(D - ARIES)(C - LEBARON/ TOWN & COUNTRY)

L BODY = (M - HORIZON)(Z-OMNI)
 M BODY = (B - GRAN FURY)(G - DIPLOMAT)(F - FIFTH AVENUE/NEWPORT)
 P BODY = (P - SUNDANCE)(D - SHADOW)
 Q BODY = (C27 - MASERATI)
 S BODY = (H - VOYAGER)(K - RAM VAN/ CARAVAN)

BODY STYLES

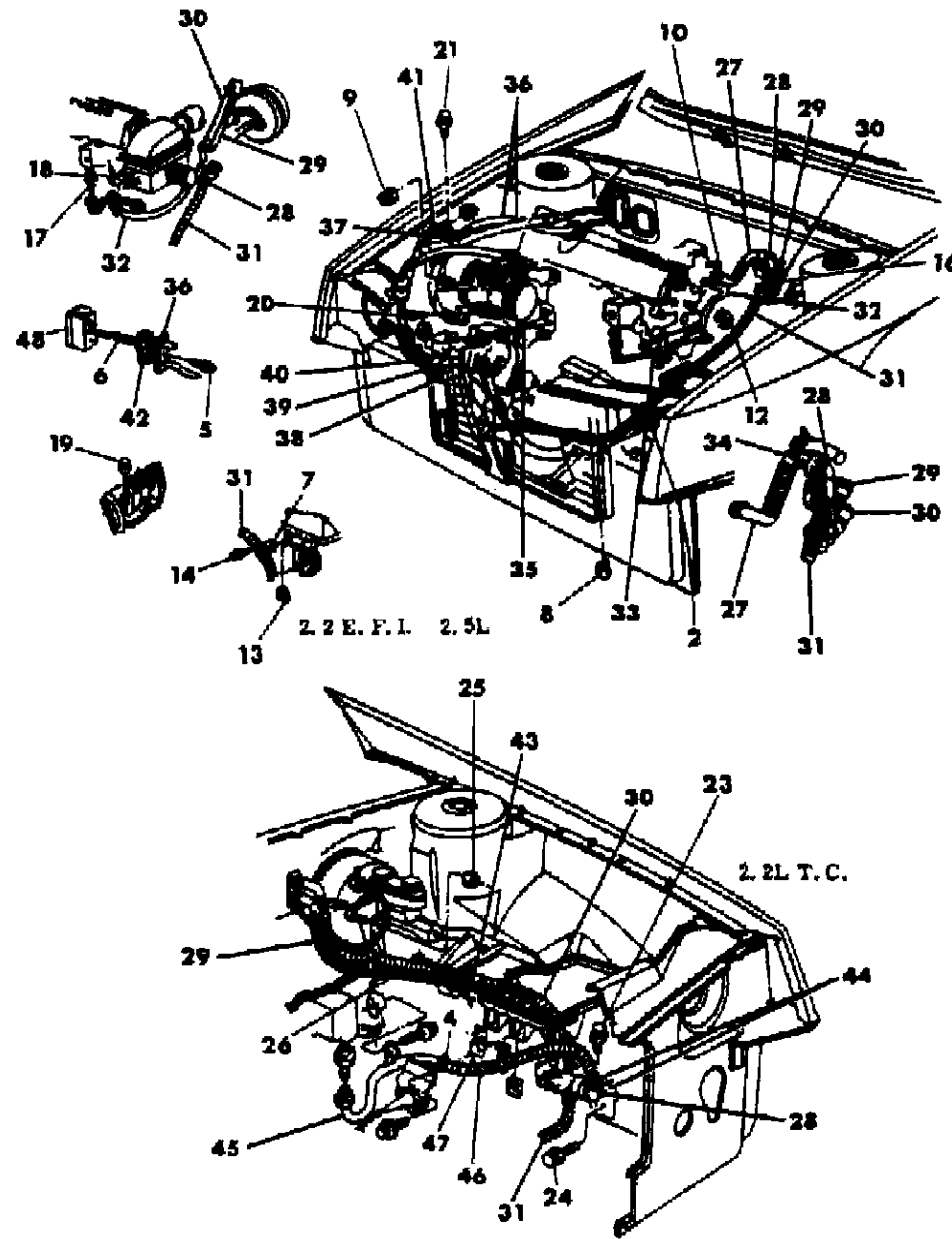
12-52 = FWD VAN & WAGON STD. W.B. 27 = 2-DOOR CONVERTIBLE
 13-53 = FWD VAN & WGN EXT W.B. 41 = 4-DOOR SEDAN
 21 = 2-DOOR SEDAN 44 = 4-DOOR HATCHBACK
 24 = 2-DOOR HATCHBACK 45 = 4-DOOR STATION WAGON

AR = Use as Required - = Non Illustrated Part P.A.R. = Paint as Required

PLUMBING, AIR CONDITIONING AND HEATER P BODY

Figure 24-3400

8124 3400 B



ITEM	PART NUMBER	QTY	BODY	MODEL	DESCRIPTION
1					SCREW, Filter Drier (Not Serviced)
2					SCREW and WASHER (Not Serviced)
3	6101 446	AR			NUT, Discharge and Liquid Line Mounting to Cond.
4	2448 770	AR			CLAMP
5	6101 453	1			SCREW, Suction and Liquid Line Mounting
6	6032 572	2			SCREW, Expansion Valve Mounting
7	3849 709	1			CLIP, A/C, Heater Hose Mounting
8	6101 442	2			U-NUT, Cond. Mounting
9	6033 562	2			NUT and WASHER, Liquid Line to Drier
10	0153 640	AR			CLAMP
11	0153 640	AR			CLAMP
12					NUT, Hose Clip Mounting (Not Serviced)
13	6500 681	1			J-NUT, Hose Clip Mounting
14	6100 288	1			SCREW and WASHER, Hose Clip Mounting
15	3848 585	1			CAP, Discharge and Liquid Line Check Valve
16	4462 077	1			CLIP, Dual Hose Mounting w/2.5, 2.2 E.F.I. Eng.
	4462 083	1			BRACKET, w/2.2 Turbo
17	3848 948	1			WASHER, Tube Flare
18	6032 290	1			CONNECTOR, Inverted Flare Tube
19	3848 021	1			CAP, A/C Compressor check Valve Fitting
20	6500 517	4			SCREW
21	9423 951	1			SCREW, A/C Suction Line Mounting
22	6015 731	1			CLIP, Hose Support
23					SCREW, Valve (Not Serviced)
24					SCREW, Valve Bracket Mounting (Not Serviced)
25	6015 945	1			STRAP, A/C Vacuum Line to Hose
26	2837 876	1			CONNECTOR, A/C Vacuum Hose (In Line)
27	3849 202	1			HOSE, Engine to Valve
28	3849 199	1			VALVE, Water w/2.5, 2.2 E.F.I. Engine (4 Port)
	4462 090	1			w/2.2 Turbo, up to 1-8-88
	4462 377	1			after 1-8-88
29	1315 466	AR			HOSE, A/C Core to Valve, 5/8" I.D., 50 FT. Roll
	4462 087	1			HOSE, A/C., Htr. Valve to Core with 2.2 Turbo
	4462 089	1			HOSE, A/C., Heater Core to Valve
30	1315 466	AR			HOSE, A/C Valve to Core, 5/8" I.D., 50 Ft. Roll, w/2.5, 2.2 E.F.I. Engine
	4462 089	1			w/2.2 Turbo

MODEL CODES

C BODY = (D41 - DYNASTY)(C41 - NEW YORKER)
 E BODY = (J - CARAVELLE)(E - 600)(T - NEW YORKER TURBO)
 G BODY = (V24 - DAYTONA, PACIFICA & SHELBY)
 H BODY = (D44 - LANCER)(C44 - LEBARON GTS)
 J BODY = (C - LEBARON)
 K BODY = (P - RELIANT)(D - ARIES)(C - LEBARON/ TOWN & COUNTRY)

L BODY = (M - HORIZON)(Z-OMNI)
 M BODY = (B - GRAN FURY)(G - DIPLOMAT)(F - FIFTH AVENUE/NEWPORT)
 P BODY = (P - SUNDANCE)(D - SHADOW)
 Q BODY = (C27 - MASERATI)
 S BODY = (H - VOYAGER)(K - RAM VAN/ CARAVAN)

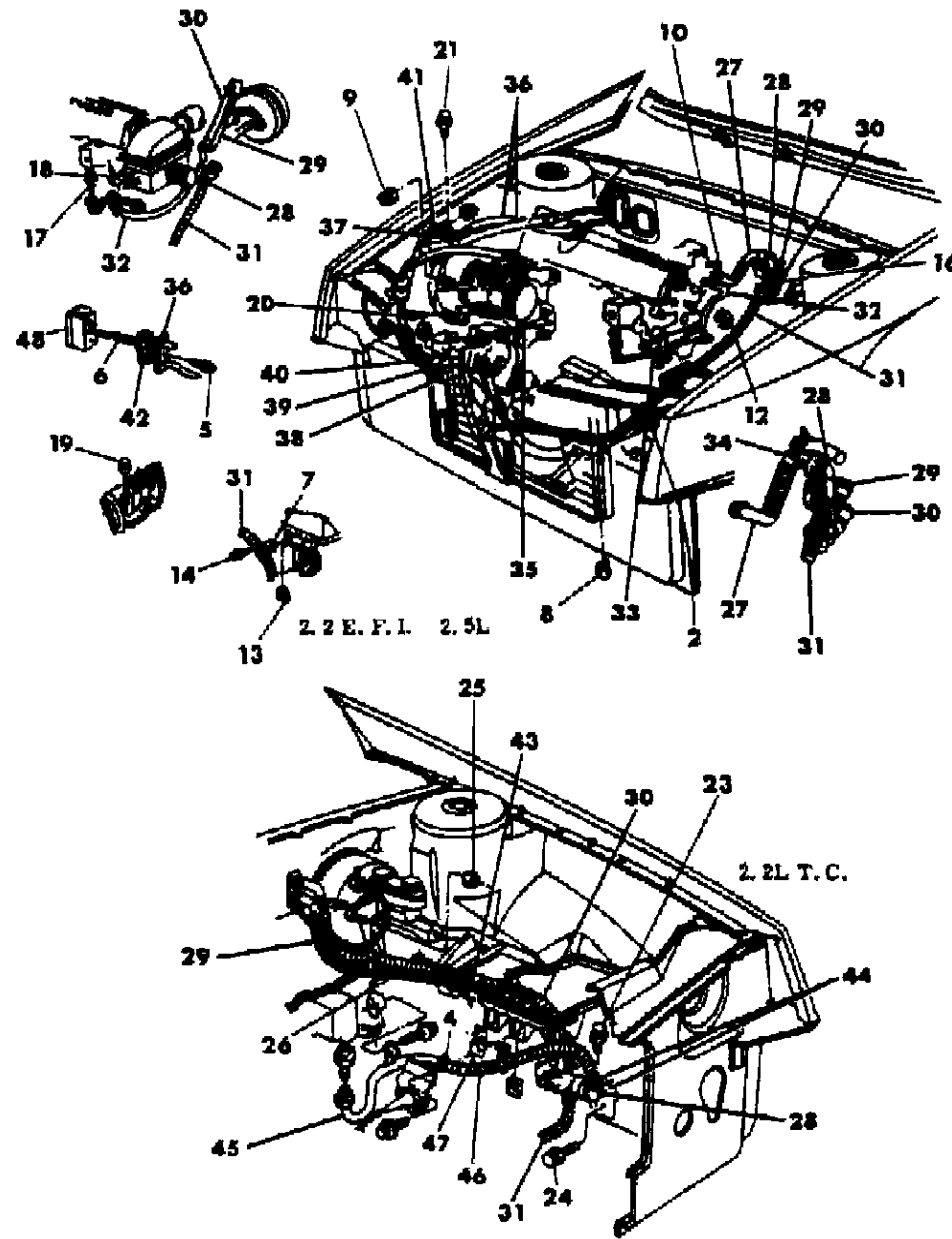
BODY STYLES

12-52 = FWD VAN & WAGON STD. W.B. 27 = 2-DOOR CONVERTIBLE
 13-53 = FWD VAN & WGN EXT W.B. 41 = 4-DOOR SEDAN
 21 = 2-DOOR SEDAN 44 = 4-DOOR HATCHBACK
 24 = 2-DOOR HATCHBACK 45 = 4-DOOR STATION WAGON

AR = Use as Required - = Non Illustrated Part P.A.R. = Paint as Required

PLUMBING, AIR CONDITIONING AND HEATER P BODY
Figure 24-3400

8124 3400 B



ITEM	PART NUMBER	QTY	BODY	MODEL	DESCRIPTION
	4462 087	1			HOSE, Valve to Core w/2.2 Turbo
31	3849 303	1			HOSE and SLEEVE, A/C, Heater Valve to Pump
	3875 658	1			HOSE, E.F.I. Eng.
	4462 084	1			SLEEVE, E.F.I. Eng. w/2.2 Turbo
32	4273 486	1			TUBE, Thermo. Water By-Pass
	4273 488	1			HOSE, Water By-Pass Tube
33	4273 487	1			BRACKET, Water By-Pass Attaching
34	3880 050	1			MUFFLER, A/C, Heater Hose, Engine to Valve
35	4443 131	1			COMPRESSOR
36	3849 928	1			LINE, A/C Suction and Liquid
	3847 083	1			GASKET, Suction, Discharge, Liquid Line Mounting to Drier
	3849 468	1			VALVE, Check, Discharge Line
	3849 406	1			SWITCH, A/C Damped Cycling Clutch Pressure and O-Ring
	3847 081	1			GASKET, A/C Suction, Discharge Ftg. Mounting to Compressor
	3847 147	2			PILOT, Suction, Discharge, Liquid Line Mounting
	4372 394	1			STRAP, Ground
37	3848 522	1			CLIP, A/C Suction and Discharge
38	4443 136	1			CONDENSER
	4462 379	1			ISOLATOR, A/C Cond. Btm. Mtg.
39	3846 835	1			GASKET, A/C Discharge, Liquid Mounting to Cond.
40	3849 621	1			LINE, A/C Discharge and Liquid
41	4462 020	1			FILTER DRIER, w/Bracket
	4462 013	1			BRACKET, Suction Line Support
42	3846 834	1			GASKET, Suction and Liquid Line to H-Valve
43	3780 508	AR			HOSE, A/C, Heater Vacuum Ext. 1/8" (Serviced in Roll)
44	4462 092	1			BRACKET, A/C, Water Valve Mounting, up to 11-18-87
	4462 400	1			after 11-18-87
45	3849 922	1			TUBE, Engine to Hose
46	1315 466	AR			HOSE, Tube to Valve, 5/8" I.D., 50 Ft. Roll
47	4462 106	1			BRACKET, A/C Heater Hose Clip Mounting
	4462 378	1			BRACKET, A/C Heater Hose Retg.
48	3849 240	1			VALVE, A/C Exp. (H-Type) (Stamped 3849241)

MODEL CODES

C BODY = (D41 - DYNASTY)(C41 - NEW YORKER)
 E BODY = (J - CARAVELLE)(E - 600)(T - NEW YORKER TURBO)
 G BODY = (V24 - DAYTONA, PACIFICA & SHELBY)
 H BODY = (D44 - LANCER)(C44 - LEBARON GTS)
 J BODY = (C - LEBARON)
 K BODY = (P - RELIANT)(D - ARIES)(C - LEBARON/ TOWN & COUNTRY)

L BODY = (M - HORIZON)(Z-OMNI)
 M BODY = (B - GRAN FURY)(G - DIPLOMAT)(F - FIFTH AVENUE/NEWPORT)
 P BODY = (P - SUNDANCE)(D - SHADOW)
 Q BODY = (C27 - MASERATI)
 S BODY = (H - VOYAGER)(K - RAM VAN/ CARAVAN)

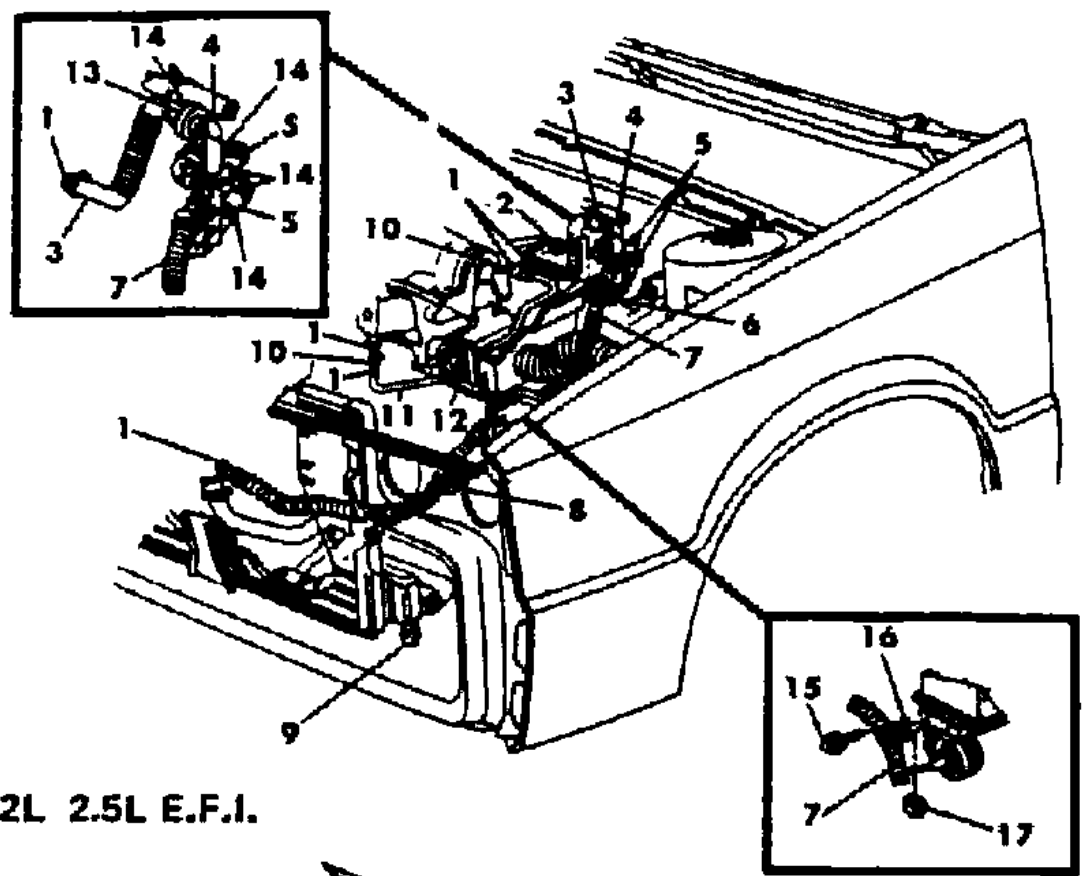
BODY STYLES

12-52 = FWD VAN & WAGON STD. W.B. 27 = 2-DOOR CONVERTIBLE
 13-53 = FWD VAN & WGN EXT W.B. 41 = 4-DOOR SEDAN
 21 = 2-DOOR SEDAN 44 = 4-DOOR HATCHBACK
 24 = 2-DOOR HATCHBACK 45 = 4-DOOR STATION WAGON

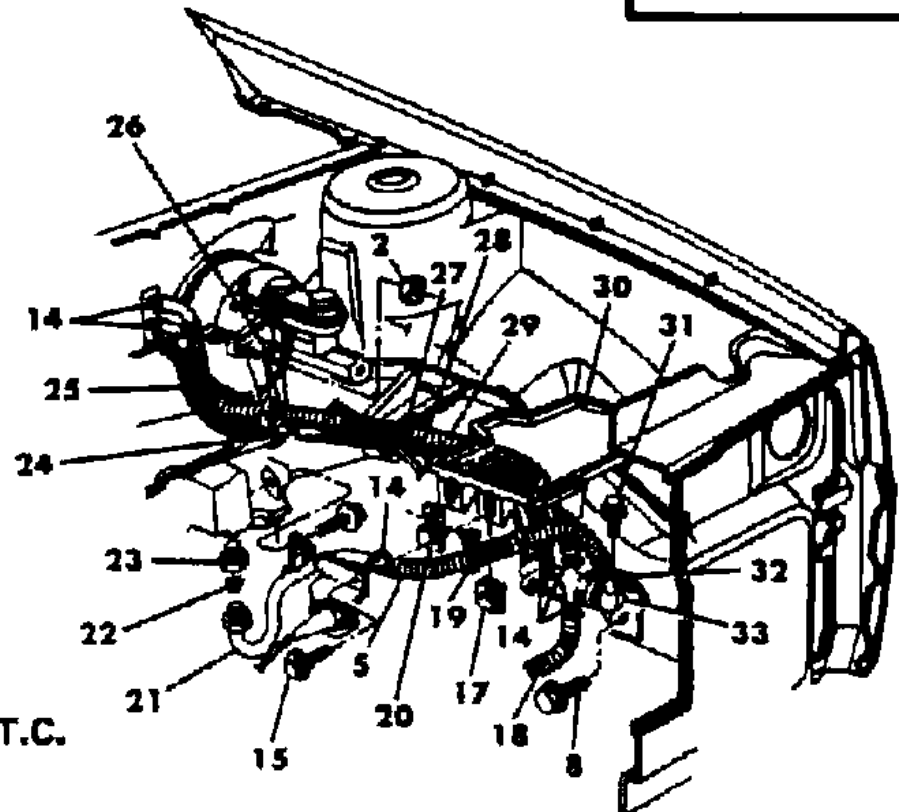
AR = Use as Required - = Non Illustrated Part P.A.R. = Paint as Required

PLUMBING, AIR CONDITIONING AND HEATER K,E BODY 1 OF 2
Figure 24-3500

8124 3500



2.2L 2.5L E.F.I.



2.2L T.C.

ITEM	PART NUMBER	QTY	BODY	MODEL	DESCRIPTION
1	0153 640	AR			CLAMP, Heater Hose
2					NUT (Not Serviced)
3	3849 202	AR			HOSE, A/C, Heater Dual Hose Mtg.
4	3849 199	1			VALVE, A/C, Heater, Water, 4 Port, 2.2, 2.5 Engine
5	1315 466	AR			HOSE, 5/8 I.D. 50 Ft. Roll
6	4462 077	1			CLIP, A/C, Heater Dual Hose Mtg.
7	4462 084	1			HOSE and SLEEVE, A/C, Htr., Valve to Pump
	3849 303	1			HOSE, Heater Core to Pump, w/2.2 EFI, 2.5 Engine
8					SCREW and WASHER (Not Serviced)
9	6101 442	AR			U-NUT
10	4273 488	AR			HOSE, Water By-Pass Tube
11	4273 486	1			TUBE, Water By-Pass
12	4273 487	1			BRACKET, Water By-Pass Tube
13	3880 050	1			MUFFLER, A/C, Htr. Hose, Eng. to Valve
14	2448 770	AR			CLAMP
15	6100 288	AR			SCREW
16	3849 709	1			CLIP, A/C, Heater Hose Mtg.
17	6500 681	AR			J-NUT
18	4462 084	AR			HOSE, Sleeve, A/C, Heater Valve to Pump
19	6015 731	1			CLIP, A/C, Heater Hose Support
20	4462 106	1			BRACKET, A/C, Heater Hose Clip Mtg.
21	3849 922	1			TUBE, A/C, Htr., Eng. to Hose
22	3848 948	1			WASHER, A/C, Htr. Tube Flare
23	6032 290	1			CONNECTOR, Thermostat Water By-Pass
24	2837 876	1			CONNECTOR, A/C Vacuum Hose (In Line)
25	4462 087	AR			HOSE, A/C Core to Valve
26	4462 083	1			BRACKET, A/C, Heater Dual Hose Mtg.
	4462 378	1			BRACKET, A/C, Heater Hose Retg.
27	6015 945	1			STRAP, A/C Vacuum Line to Hose
28	3780 508	AR			HOSE, A/C, Htr. Vacuum Ext., .225 O.D./0.097 I.D. 5 0 Ft. Roll
29	4462 089	1			HOSE, A/C, Heater Core to Valve
	4462 087	1			HOSE, A/C., Heater Valve to Core
30	4296 145	1			SHIELD, Battery Tray Bottom
31		AR			SCREW (Not Serviced)
32	4462 092	1			BRACKET, Valve Mtg., up to 11-18-87
	4462 400	1			after 11-18-87
33	4462 090	1			VALVE, A/C, Htr., Water, 4 Port, 2.2 Turbo, up to 1-18-88

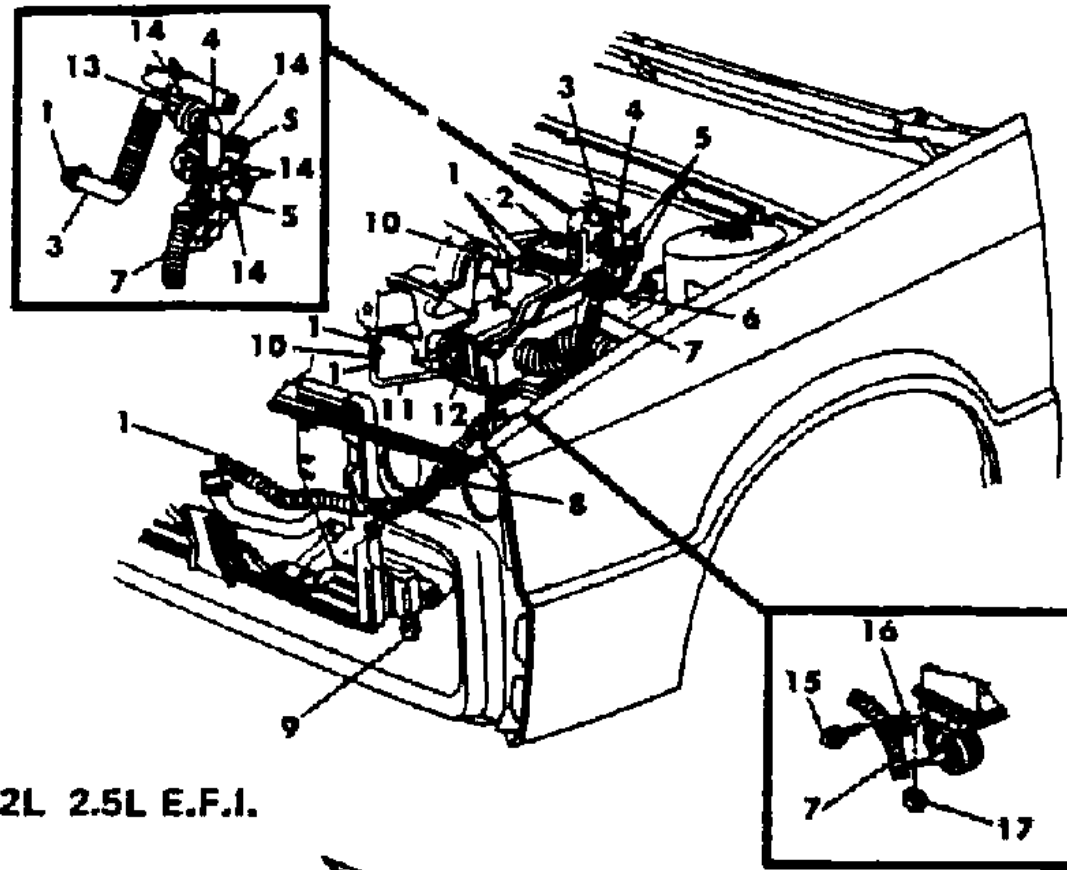
MODEL CODES
 C BODY = (D41 - DYNASTY)(C41 - NEW YORKER)
 E BODY = (J - CARAVELLE)(E - 600)(T - NEW YORKER TURBO)
 G BODY = (V24 - DAYTONA, PACIFICA & SHELBY)
 H BODY = (D44 - LANCER)(C44 - LEBARON GTS)
 J BODY = (C - LEBARON)
 K BODY = (P - RELIANT)(D - ARIES)(C - LEBARON/ TOWN & COUNTRY)
 L BODY = (M - HORIZON)(Z-OMNI)
 M BODY = (B - GRAN FURY)(G - DIPLOMAT)(F - FIFTH AVENUE/NEWPORT)
 P BODY = (P - SUNDANCE)(D - SHADOW)
 Q BODY = (C27 - MASERATI)
 S BODY = (H - VOYAGER)(K - RAM VAN/ CARAVAN)

BODY STYLES
 12-52 = FWD VAN & WAGON STD. W.B. 27 = 2-DOOR CONVERTIBLE
 13-53 = FWD VAN & WGN EXT W.B. 41 = 4-DOOR SEDAN
 21 = 2-DOOR SEDAN 44 = 4-DOOR HATCHBACK
 24 = 2-DOOR HATCHBACK 45 = 4-DOOR STATION WAGON

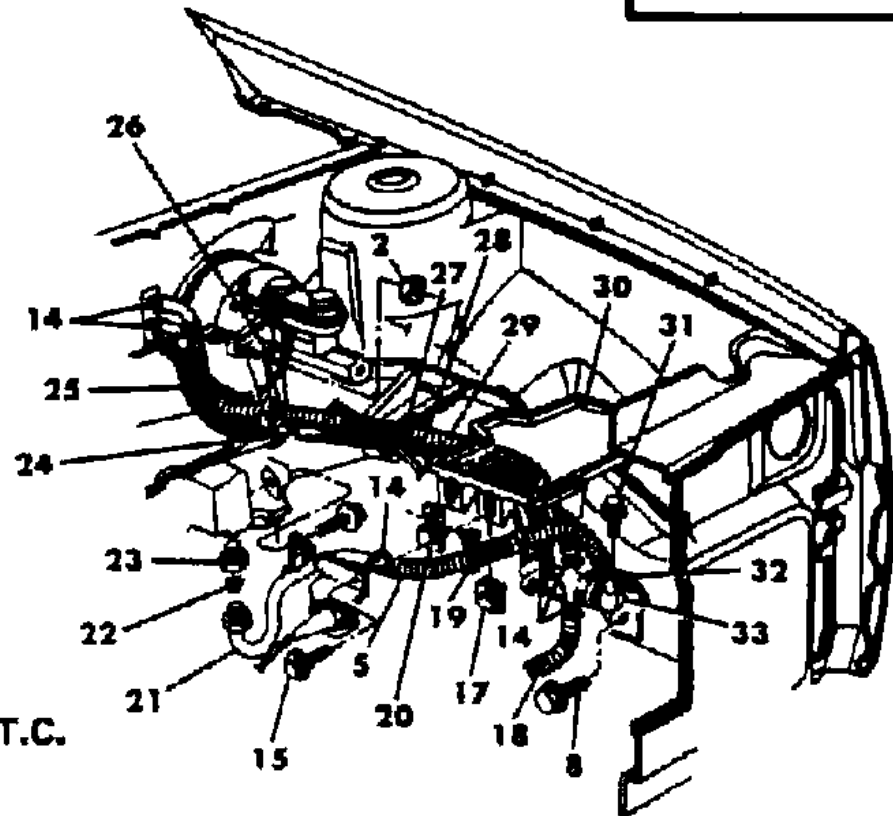
AR = Use as Required - = Non Illustrated Part P.A.R. = Paint as Required

PLUMBING, AIR CONDITIONING AND HEATER K,E BODY 1 OF 2
Figure 24-3500

8124 3500



2.2L 2.5L E.F.I.



2.2L T.C.

ITEM	PART NUMBER	QTY	BODY	MODEL	DESCRIPTION
	4462 377	1			after 1-18-88

MODEL CODES
 C BODY = (D41 - DYNASTY)(C41 - NEW YORKER)
 E BODY = (J - CARAVELLE)(E - 600)(T - NEW YORKER TURBO)
 G BODY = (V24 - DAYTONA, PACIFICA & SHELBY)
 H BODY = (D44 - LANCER)(C44 - LEBARON GTS)
 J BODY = (C - LEBARON)
 K BODY = (P - RELIANT)(D - ARIES)(C - LEBARON/ TOWN & COUNTRY)

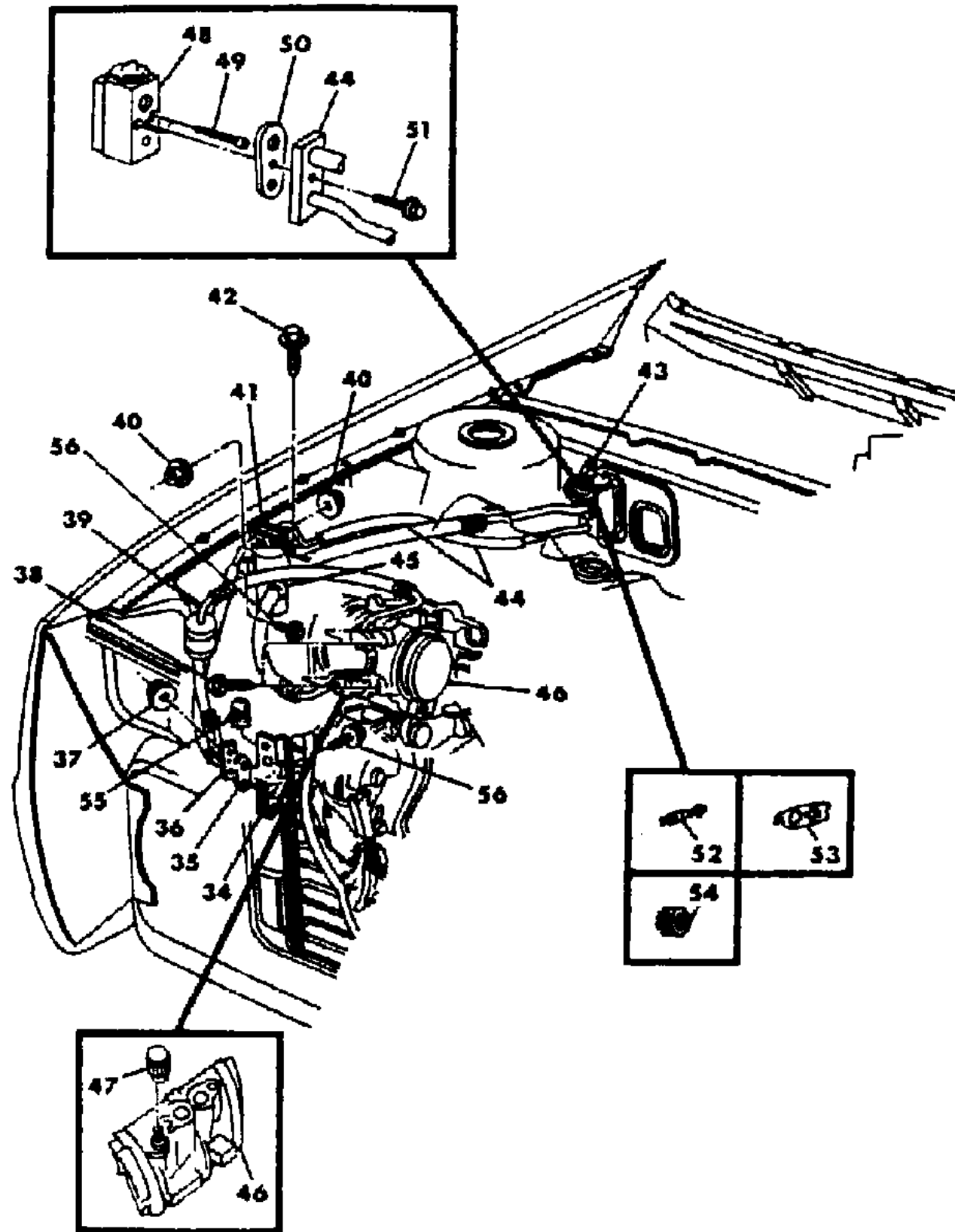
L BODY = (M - HORIZON)(Z-OMNI)
 M BODY = (B - GRAN FURY)(G - DIPLOMAT)(F - FIFTH AVENUE/NEWPORT)
 P BODY = (P - SUNDANCE)(D - SHADOW)
 Q BODY = (C27 - MASERATI)
 S BODY = (H - VOYAGER)(K - RAM VAN/ CARAVAN)

BODY STYLES
 12-52 = FWD VAN & WAGON STD. W.B. 27 = 2-DOOR CONVERTIBLE
 13-53 = FWD VAN & WGN EXT W.B. 41 = 4-DOOR SEDAN
 21 = 2-DOOR SEDAN 44 = 4-DOOR HATCHBACK
 24 = 2-DOOR HATCHBACK 45 = 4-DOOR STATION WAGON

AR = Use as Required - = Non Illustrated Part P.A.R. = Paint as Required

PLUMBING, AIR CONDITIONING AND HEATER K,E BODY 2 OF 2
Figure 24-3600

8124 3600



ITEM	PART NUMBER	QTY	BODY	MODEL	DESCRIPTION
34	4443 136	1			CONDENSER
35	3846 835	1			GASKET, Line Mtg. to Cond.
36	3849 621	1			LINE, A/C Disch. and Liquid Line
37	6101 446	AR			NUT
38	6500 517	AR			SCREW
39	3848 585	1			CAP, Check Valve
40	6033 562	AR			NUT and WASHER
41	4462 020	1			DRIER
	4462 013	1			BRACKET, Drier Mtg.
42	9423 951	1			SCREW
43	3849 406	1			SWITCH, w/O-Ring, A/C Pressure
44	3849 928	1			LINE, A/C, Suction and Liq.
45	3848 522	1			CLIP, A/C Suction and Disch.
46	4443 131	1			COMPRESSOR
47	3848 021	1			CAP, A/C Compressor Check Valve Fitting
48	3849 240	1			VALVE, Expn., H-Type
	3848 208	1			PILOT, A/C., Expn. Valve Package
49	6032 572	AR			SCREW, Expn. Valve
50	3846 834	1			GASKET, Line to Valve
51	6101 453	AR			SCREW
52	3849 468	1			VALVE, Check, A/C Disch. Line
53	3847 081	1			GASKET, A/C Disch. Fitting to Compressor
54	3847 147	2			PILOT, A/C Suction and Disch. Line Mtg.
55	6101 442	AR			U-NUT
56					SCREW and WASHER (Not Serviced)

MODEL CODES

C BODY = (D41 - DYNASTY)(C41 - NEW YORKER)
 E BODY = (J - CARAVELLE)(E - 600)(T - NEW YORKER TURBO)
 G BODY = (V24 - DAYTONA, PACIFICA & SHELBY)
 H BODY = (D44 - LANCER)(C44 - LEBARON GTS)
 J BODY = (C - LEBARON)
 K BODY = (P - RELIANT)(D - ARIES)(C - LEBARON/ TOWN & COUNTRY)

L BODY = (M - HORIZON)(Z-OMNI)
 M BODY = (B - GRAN FURY)(G - DIPLOMAT)(F - FIFTH AVENUE/NEWPORT)
 P BODY = (P - SUNDANCE)(D - SHADOW)
 Q BODY = (C27 - MASERATI)
 S BODY = (H - VOYAGER)(K - RAM VAN/ CARAVAN)

BODY STYLES

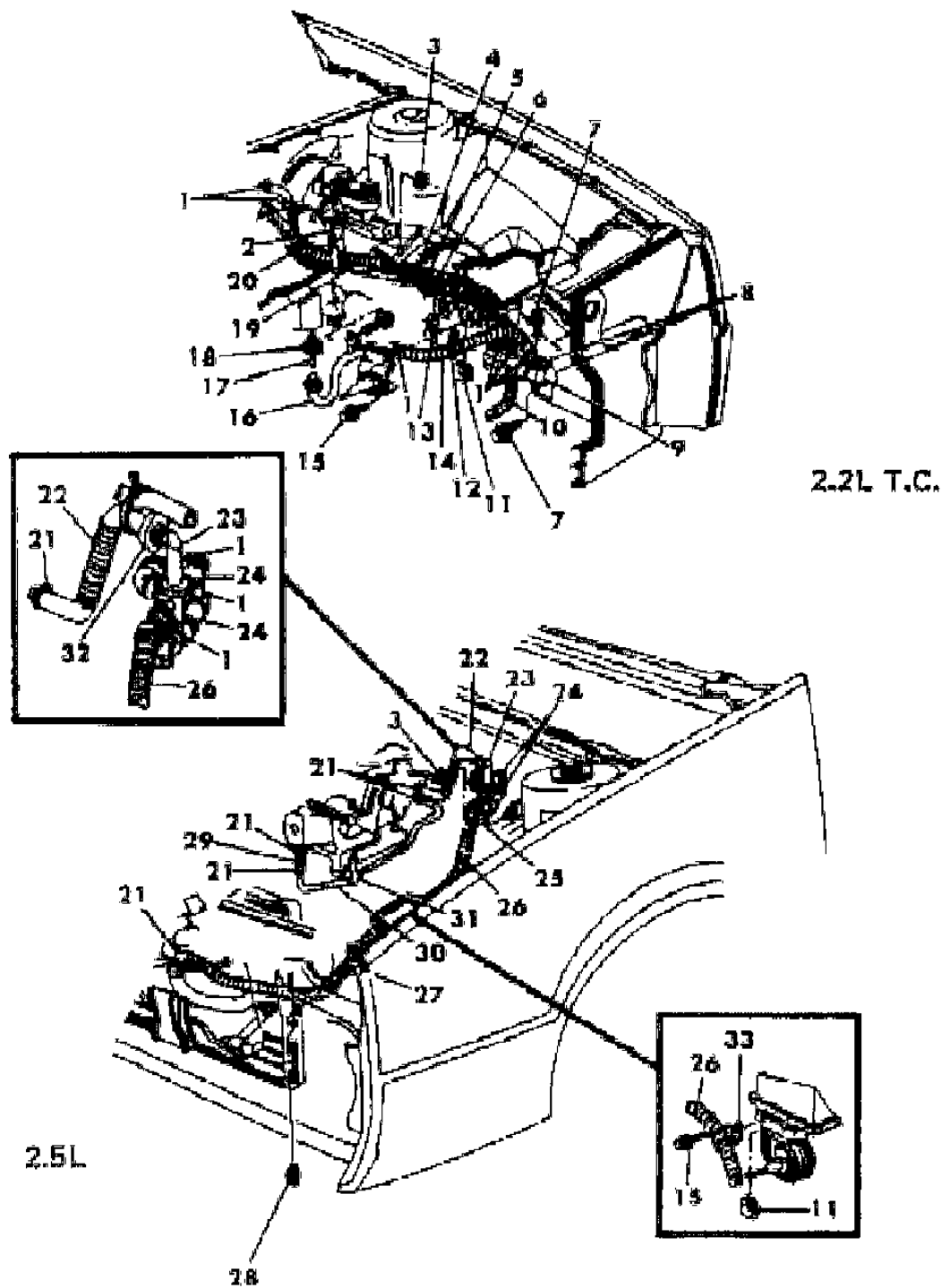
12-52 = FWD VAN & WAGON STD. W.B. 27 = 2-DOOR CONVERTIBLE
 13-53 = FWD VAN & WGN EXT W.B. 41 = 4-DOOR SEDAN
 21 = 2-DOOR SEDAN 44 = 4-DOOR HATCHBACK
 24 = 2-DOOR HATCHBACK 45 = 4-DOOR STATION WAGON

AR = Use as Required - = Non Illustrated Part P.A.R. = Paint as Required

PLUMBING, A/C AND HEATER G BODY 1 OF 2 ILLUSTRATIONS

Figure 24-3700

8124 3700



ITEM	PART NUMBER	QTY	BODY	MODEL	DESCRIPTION
1	2448 770	AR			CLAMP
2	4462 083	1			BRACKET, A/C, Htr., Dual Hose Mtg.
3					NUT (Not Serviced)
4	6015 945	1			STRAP
5	3780 508	AR			HOSE, A/C Vacuum Ext.
6	4462 089	AR			HOSE, A/C Heater Core to Valve
7					SCREW (Not Serviced)
8	4462 091	1			BRACKET, Water Valve Mtg., up to 9-8-87
	4462 400	1			after 9-8-87
9	4462 082	1			VALVE, Water (4 Port) w/2.2 TC, 2.2TC II, up to 1-18-88
	4462 375	1			after 1-18-88, w/2.2 T.C.
	4462 377	1			after 1-18-88, w/2.2 T.C. II
10	4462 084	AR			HOSE, with Sleeve , A/C, Htr., Valve to Pump
11	6500 681	AR			J-NUT
12	6015 731	1			CLIP, Htr. Hose Supt.
13	4462 106	1			BRACKET, A/C, Htr. Hose Clip Mtg.
	4462 378	1			BRACKET, A/C, Htr. Hose Retg.
14	1315 466	AR			HOSE, 5/8" I.D. 50 Ft. Roll
15	6100 288	AR			SCREW and WASHER
16	3849 922	1			TUBE, A/C, Htr., Eng. to Hose
17	3848 948	1			WASHER, A/C, Heater
18	6032 290	1			CONNECTOR, Thermostat Water By-Pass
19	2837 876	1			CONNECTOR, A/C Vacuum Hose (In-Line)
20	4462 087	1			HOSE, A/C., Heater Valve to Core
21	0153 640	AR			CLAMP
22	3849 202	AR			HOSE, Heater, Eng. to Valve
23	3849 199	1			VALVE, Water (4 Port) 2.5 Engine
24	1315 466	AR			HOSE, 5/8" I.D. 50 Ft. Roll
25	4462 077	1			CLIP, Dual Hose Mtg.
26	3849 303	AR			HOSE, Heater Core to Pump
27	6501 510	AR			GROMMET
28	6100 041	AR			U-NUT
29	4273 488	AR			HOSE, Water By-Pass Tube
30	4273 486	1			TUBE, Water By-Pass
31	4273 487	1			BRACKET, Water By-Pass Tube
32	3880 050	1			MUFFLER, A/C, Heater, Hose to Valve
33	3849 709	1			CLIP, A/C, Heater Hose Mtg.

MODEL CODES

C BODY = (D41 - DYNASTY)(C41 - NEW YORKER)
 E BODY = (J - CARAVELLE)(E - 600)(T - NEW YORKER TURBO)
 G BODY = (V24 - DAYTONA, PACIFICA & SHELBY)
 H BODY = (D44 - LANCER)(C44 - LEBARON GTS)
 J BODY = (C - LEBARON)
 K BODY = (P - RELIANT)(D - ARIES)(C - LEBARON/ TOWN & COUNTRY)

L BODY = (M - HORIZON)(Z-OMNI)
 M BODY = (B - GRAN FURY)(G - DIPLOMAT)(F - FIFTH AVENUE/NEWPORT)
 P BODY = (P - SUNDANCE)(D - SHADOW)
 Q BODY = (C27 - MASERATI)
 S BODY = (H - VOYAGER)(K - RAM VAN/ CARAVAN)

BODY STYLES

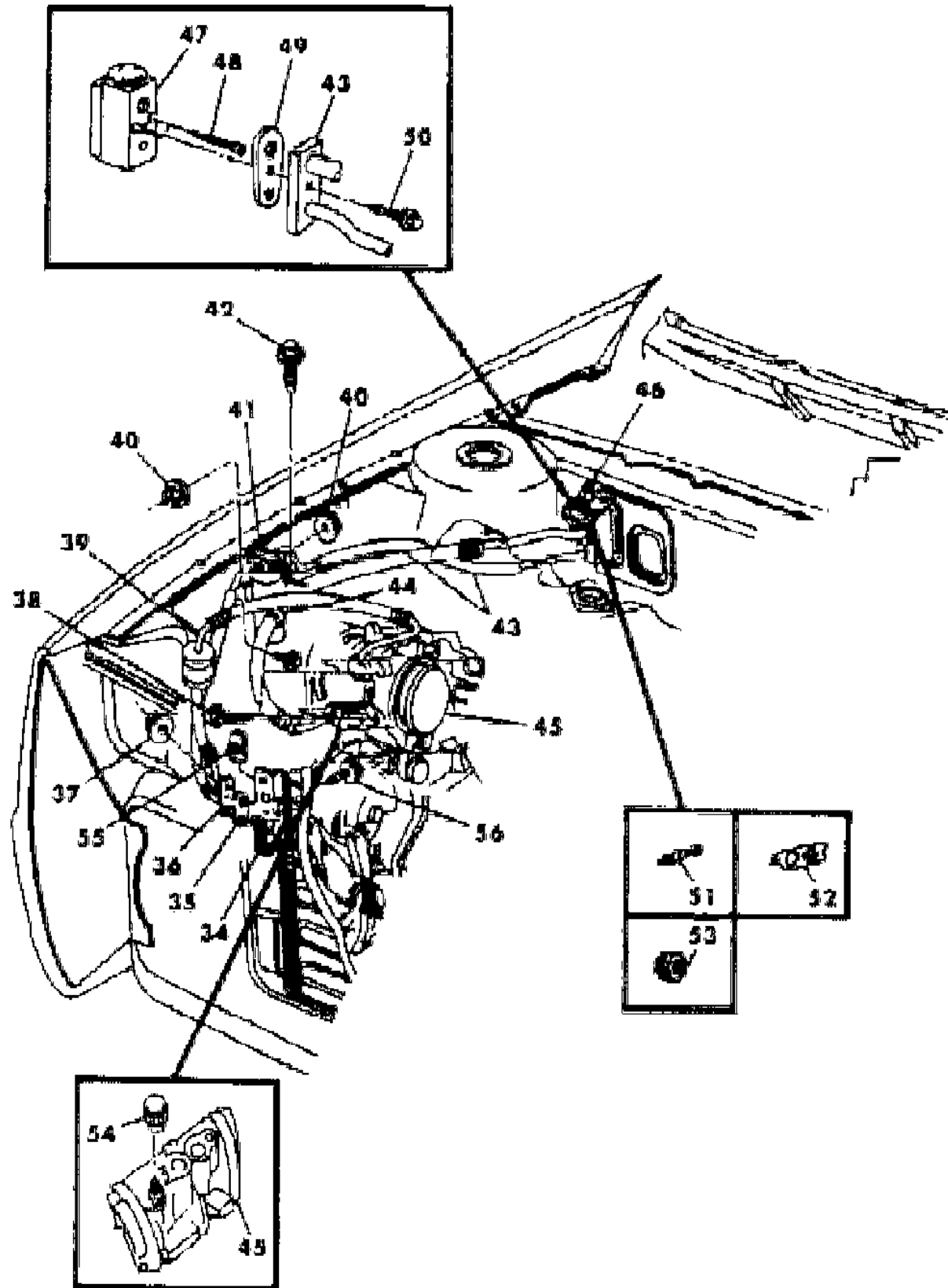
12-52 = FWD VAN & WAGON STD. W.B. 27 = 2-DOOR CONVERTIBLE
 13-53 = FWD VAN & WGN EXT W.B. 41 = 4-DOOR SEDAN
 21 = 2-DOOR SEDAN 44 = 4-DOOR HATCHBACK
 24 = 2-DOOR HATCHBACK 45 = 4-DOOR STATION WAGON

AR = Use as Required - = Non Illustrated Part P.A.R. = Paint as Required

PLUMBING, A/C AND HEATER G BODY 2 OF 2 ILLUSTRATIONS

Figure 24-3800

8124 3800



ITEM	PART NUMBER	QTY	BODY	MODEL	DESCRIPTION
34	4443 136	1			CONDENSER
35	3846 835	1			GASKET, A/C Disch., Liquid Line Mtg. to Cond.
36	3849 621	1			LINE, Discharge and Liquid
37	6100 051	AR			NUT
38	6500 517	AR			SCREW
39	3848 585	1			CAP, A/C Disch., Liquid Line Check Valve
40	0118 614	AR			NUT
41	4462 020	1			DRIER
	3847 083	1			GASKET, Line to Drier
-	4462 013	1			BRACKET, A/C Suction Line Support
42	9423 951	AR			SCREW
43	3849 928	1			LINE, Suction and Liquid
44	3848 522	1			CLIP, A/C Suction and Disch.
45	4443 131				COMPRESSOR
46	3849 406	1			SWITCH, w/O-Ring, Damped Pressure
47	3849 240	1			VALVE, Expansion H-Type
48	6032 572	AR			SCREW
49	3846 834	1			GASKET, A/C Suction and Liquid Line Mtg. to H-Valve
50	6500 827	AR			SCREW
51	3849 468	1			VALVE, Check, A/C Disch. Line
52	3847 081	1			GASKET, A/C Disch. Fitting to Compressor
53	3847 147	1			PILOT, A/C Suction and Liquid Line Mtg.
54	3848 021	1			CAP, A/C Compressor Check Valve Fitting
55	6100 041	AR			U-NUT
56	6501 510	AR			GROMMET

MODEL CODES

C BODY = (D41 - DYNASTY)(C41 - NEW YORKER)
 E BODY = (J - CARAVELLE)(E - 600)(T - NEW YORKER TURBO)
 G BODY = (V24 - DAYTONA, PACIFICA & SHELBY)
 H BODY = (D44 - LANCER)(C44 - LEBARON GTS)
 J BODY = (C - LEBARON)
 K BODY = (P - RELIANT)(D - ARIES)(C - LEBARON/ TOWN & COUNTRY)

L BODY = (M - HORIZON)(Z-OMNI)
 M BODY = (B - GRAN FURY)(G - DIPLOMAT)(F - FIFTH AVENUE/NEWPORT)
 P BODY = (P - SUNDANCE)(D - SHADOW)
 Q BODY = (C27 - MASERATI)
 S BODY = (H - VOYAGER)(K - RAM VAN/ CARAVAN)

BODY STYLES

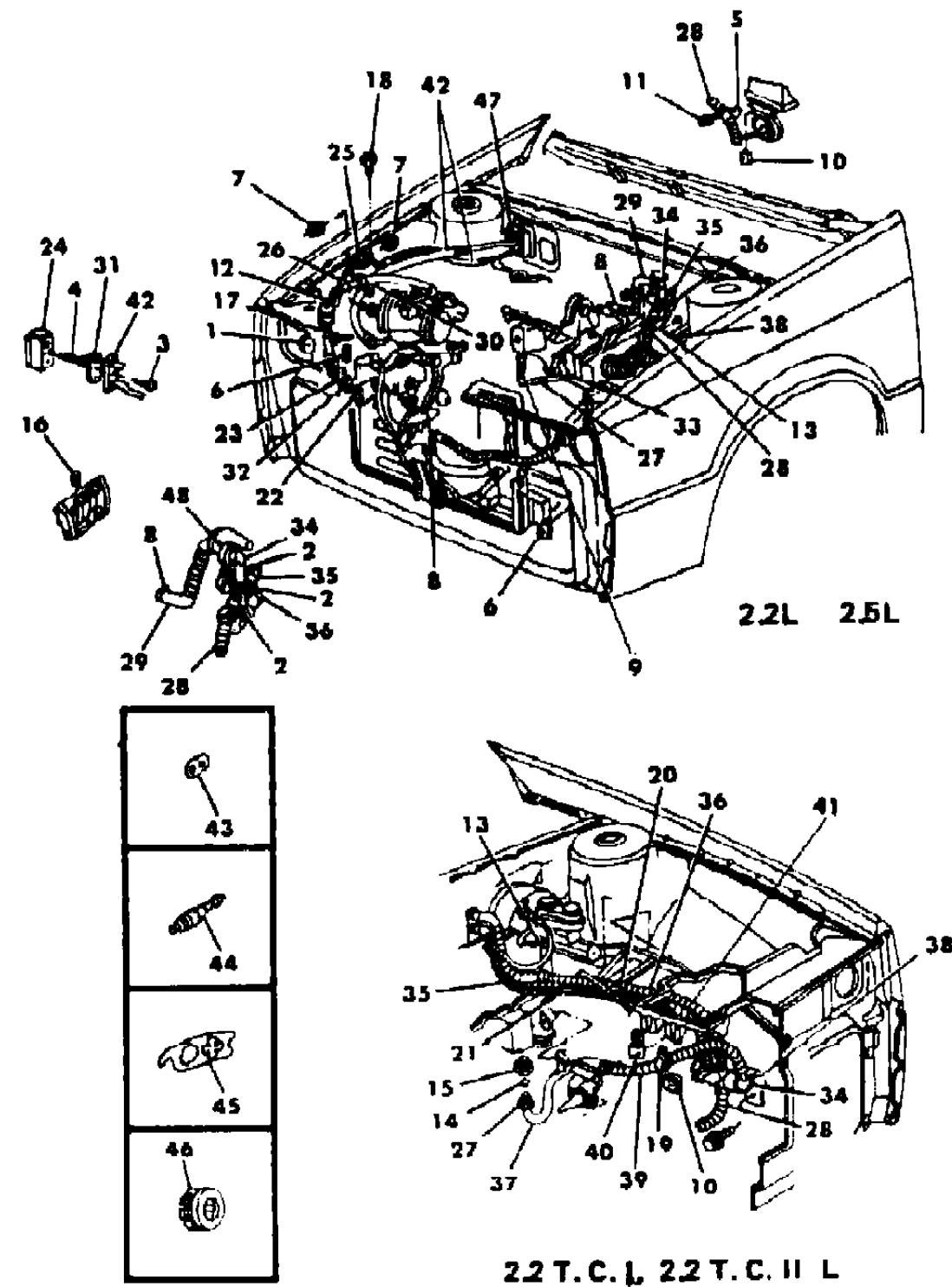
12-52 = FWD VAN & WAGON STD. W.B. 27 = 2-DOOR CONVERTIBLE
 13-53 = FWD VAN & WGN EXT W.B. 41 = 4-DOOR SEDAN
 21 = 2-DOOR SEDAN 44 = 4-DOOR HATCHBACK
 24 = 2-DOOR HATCHBACK 45 = 4-DOOR STATION WAGON

AR = Use as Required - = Non Illustrated Part P.A.R. = Paint as Required

PLUMBING, AIR CONDITIONING AND HEATER H BODY

Figure 24-3900

8124 3900 A



ITEM	PART NUMBER	QTY	BODY	MODEL	DESCRIPTION
1	6100 051	1			NUT, Discharge, Liquid Line Mtg. to Cond.
2	2448 770	AR			CLAMP
3	6101 453	1			SCREW, Suction and Liquid Line Mtg.
4	6032 572	2			SCREW, Exp. Valve Mtg.
5	3849 709	1			CLIP, A/C Htr. Hose Mtg.
6	6100 041	2			U-NUT, Cond. Mtg.
7	0118 614	2			NUT and WASHER, Liq. Line to Drier
8	0153 640	AR			CLAMP, Htr. Hose at Eng.
9	0153 640	2			CLAMP, Thermo. Hose By-Pass
10	6501 750	1			J-NUT, A/C, Htr. Hose, Clip Mtg.
11	6100 288	1			SCREW and WASHER, A/C, Htr. Hose, Clip Mtg.
12	3848 585	1			CAP, Discharge, Liquid Line Check Valve
13	4462 077	1			CLIP, A/C, Dual Hose Mtg., w/2.2, 2.5 Eng.
	4462 083	1			w/2.2 Turbo I, 2.2 Turbo II
14	3848 948	1			WASHER, A/C, Htr. Tube Flare
15	6032 290	1			CONNECTOR, Inverted Flare Tube, Thermostat Water By-Pass
16	3848 021	1			CAP, A/C Compressor Check Valve Fitting
17	6500 517	4			SCREW
18	9423 951	1			SCREW, A/C Suction Line Mtg.
19	6015 731	1			CLIP, A/C Hose Support
20	6015 945	1			STRAP, A/C Vac. Line Hose
21	2837 876	1			CONNECTOR, A/C Vac. Hose (In Line)
22	4443 136	1			CONDENSER, A/C Complete
-	4462 379	1			ISOLATOR, A/C Cond. Btm. Mtg.
23	3849 621	1			LINE, Discharge and Liquid
24	3849 240	1			VALVE, Expansion (H-Type)
25	4462 020	1			FILTER DRIER, w/Bracket
26	4462 013	1			BRACKET, A/C Suction Line Support
27	4273 486	1			TUBE, Thermo. Water By-Pass
-	4273 488	1			HOSE, Water By-Pass Tube
28	4462 084	1			HOSE, Sleeve, A/C, Htr. Valve to Pump, w/2.2 TC II, 2.2 EFI TC
-	4462 084	1			w/2.2 Turbo I, 2.2 Turbo II
29	3849 202	1			HOSE, A/C, Htr., Eng. to Valve
30	3848 522	1			CLIP, A/C Suction & Discharge Lines
31	3846 834	1			GASKET, A/C Suction & Liquid Line Mtg. to H-Valve
32	3846 835	1			GASKET, A/C Discharge, Liquid Line Mtg. to Cond.
33	4273 487	1			BRACKET, Water By-Pass

MODEL CODES

C BODY = (D41 - DYNASTY)(C41 - NEW YORKER)
 E BODY = (J - CARAVELLE)(E - 600)(T - NEW YORKER TURBO)
 G BODY = (V24 - DAYTONA, PACIFICA & SHELBY)
 H BODY = (D44 - LANCER)(C44 - LEBARON GTS)
 J BODY = (C - LEBARON)
 K BODY = (P - RELIANT)(D - ARIES)(C - LEBARON/ TOWN & COUNTRY)

L BODY = (M - HORIZON)(Z-OMNI)
 M BODY = (B - GRAN FURY)(G - DIPLOMAT)(F - FIFTH AVENUE/NEWPORT)
 P BODY = (P - SUNDANCE)(D - SHADOW)
 Q BODY = (C27 - MASERATI)
 S BODY = (H - VOYAGER)(K - RAM VAN/ CARAVAN)

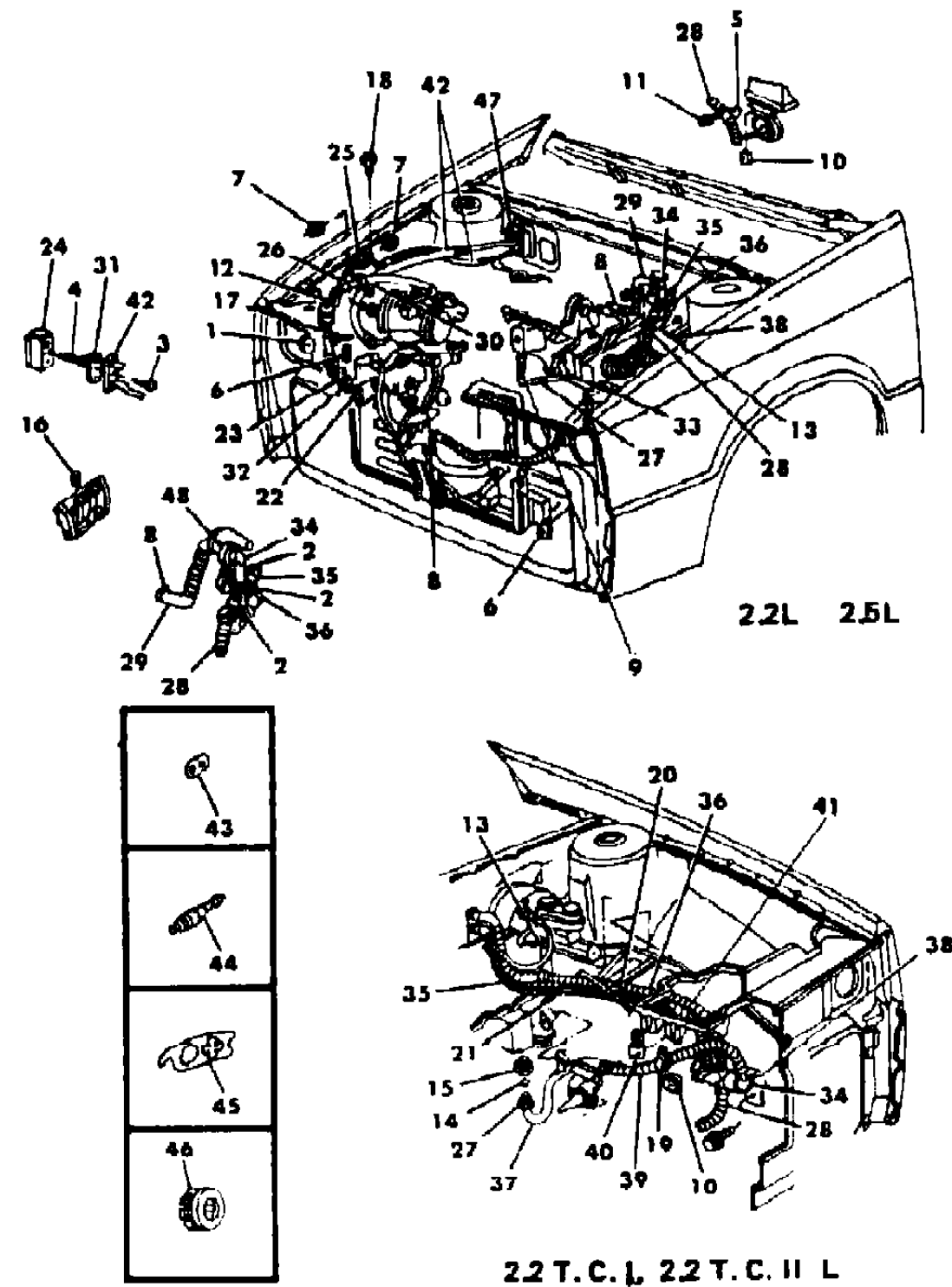
BODY STYLES

12-52 = FWD VAN & WAGON STD. W.B. 27 = 2-DOOR CONVERTIBLE
 13-53 = FWD VAN & WGN EXT W.B. 41 = 4-DOOR SEDAN
 21 = 2-DOOR SEDAN 44 = 4-DOOR HATCHBACK
 24 = 2-DOOR HATCHBACK 45 = 4-DOOR STATION WAGON

AR = Use as Required - = Non Illustrated Part P.A.R. = Paint as Required

PLUMBING, AIR CONDITIONING AND HEATER H BODY
Figure 24-3900

8124 3900 A



ITEM	PART NUMBER	QTY	BODY	MODEL	DESCRIPTION
34	3849 199	1			VALVE, A/C, Htr., Water (4 Port), w/2.2, 2.5 Eng.
	4462 090	1			w/2.2 Turbo I, up to 1-18-88
	4462 377	1			after 1-18-88
	4462 375	1			w/2.2 Turbo II
35	1315 466	AR			HOSE, A/C Core to Valve, 5/8" I.D., 50 FT. Roll, w/2.2, 2.5 Eng.
-	4462 087	1			HOSE, A/C., Htr. Valve to Core, with 2.2 Turbo
-	4462 089	1			HOSE, A/C., Htr. Core to Valve with 2.2 Turbo
36	1315 466	AR			HOSE, A/C Valve to Core 5/8" I.D., 50 Ft. Roll, w/2.2, 2.5 Eng.
-	4462 089	1			w/2.2 Turbo I, 2.2 Turbo II
37	3849 922	1			TUBE, A/C, Htr. Eng. to Hose
38	4462 092	1			BRACKET, A/C, Htr., Water Valve Mtg., up to 11-18-87
	4462 400	1			after 11-18-87
	4462 376	1			BRACKET, A/C, Htr., Water Valve Mtg., w/2.2 Turbo II
39	1315 466	AR			HOSE, A/C, Htr., Tube to Valve, 5/8" I.D., 50 Ft. Roll
-	4462 374	1			HOSE, A/C, Htr., Tube to Valve, w/2.2 Turbo II
40	4462 106	1			BRACKET, A/C, Htr., Hose Clip Mtg.
	4462 378	1			BRACKET, A/C, Htr. Hose Retg.
41	3780 508	AR			HOSE, A/C, Htr., Vacuum Ext., .225 O.D./0.097 I.D., 50 FT. Roll
42	3849 928	1			LINE, Suction, Liquid
-	4372 394	1			STRAP, Ground, Suction Line
43	3847 083	1			GASKET, A/C Suction, Discharge, Liquid Line Mtg. to Drier
44	3849 468	1			VALVE, Check
45	3847 081	1			GASKET, A/C Suction, Discharge, Ftg. Mtg. to Comp.
46	3847 147	2			PILOT, A/C Suction, Discharge, Liquid Line Mtg.
47	3849 406	1			SWITCH, A/C Damped Pressure and O-Ring
48	3880 050	1			MUFFLER, A/C, Htr. Hose, Eng. to Valve

MODEL CODES
 C BODY = (D41 - DYNASTY)(C41 - NEW YORKER)
 E BODY = (J - CARAVELLE)(E - 600)(T - NEW YORKER TURBO)
 G BODY = (V24 - DAYTONA, PACIFICA & SHELBY)
 H BODY = (D44 - LANCER)(C44 - LEBARON GTS)
 J BODY = (C - LEBARON)
 K BODY = (P - RELIANT)(D - ARIES)(C - LEBARON/ TOWN & COUNTRY)

L BODY = (M - HORIZON)(Z-OMNI)
 M BODY = (B - GRAN FURY)(G - DIPLOMAT)(F - FIFTH AVENUE/NEWPORT)
 P BODY = (P - SUNDANCE)(D - SHADOW)
 Q BODY = (C27 - MASERATI)
 S BODY = (H - VOYAGER)(K - RAM VAN/ CARAVAN)

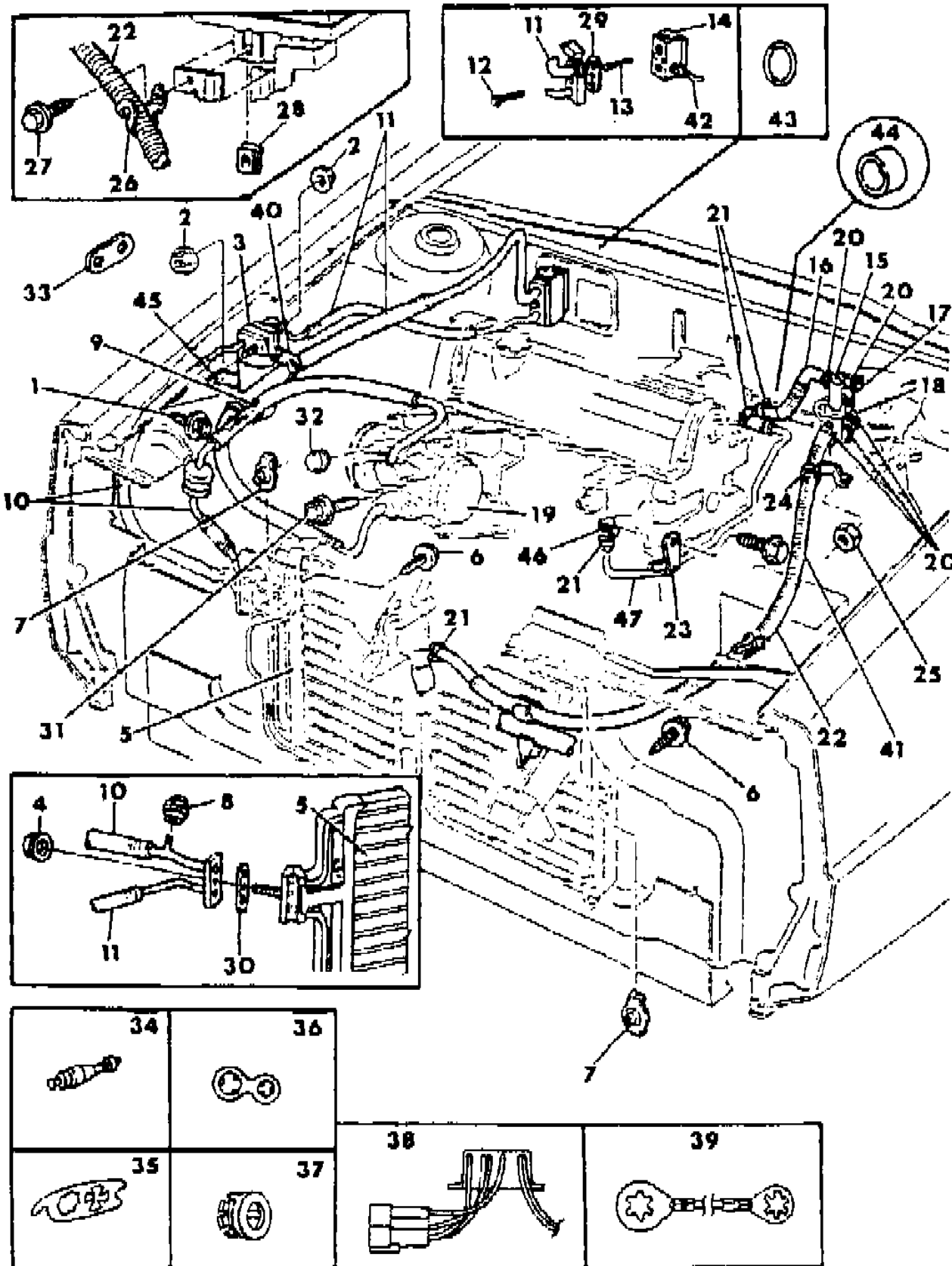
BODY STYLES
 12-52 = FWD VAN & WAGON STD. W.B. 27 = 2-DOOR CONVERTIBLE
 13-53 = FWD VAN & WGN EXT W.B. 41 = 4-DOOR SEDAN
 21 = 2-DOOR SEDAN 44 = 4-DOOR HATCHBACK
 24 = 2-DOOR HATCHBACK 45 = 4-DOOR STATION WAGON

AR = Use as Required - = Non Illustrated Part P.A.R. = Paint as Required

PLUMBING, AIR CONDITIONING AND HEATER C BODY 2.5 LITER ENGINE

Figure 24-3950

8124 3950 A



ITEM	PART NUMBER	QTY	BODY	MODEL	DESCRIPTION
1					SCREW, Filter Drier (Not Serviced)
2	0120 376	2			NUT and WASHER, Liquid Line Mtg. to Drier
3	4462 018	1			FILTER DRIER, with Bracket
4	6100 051	1			NUT, Discharge and Liquid Line Mtg. to Cond.
5	4443 136	1			CONDENSER
6					SCREW and WASHER, A/C Cond. Mtg. (Not Serviced)
7	6100 041	2			NUT, A/C Condenser Mounting
8	3848 585	1			CAP, A/C Discharge Liq. Line Check Valve
9	3848 522	1			CLIP, A/C Suction and Discharge
10	3849 771	1			DISCHARGE, Liquid Line
11	3849 941	1			SUCTION, Liquid Line
12	6500 827	1			SCREW and WASHER, Suction Mtg. to H Valve
13	6032 572	2			SCREW, A/C Expansion Valve Mtg.
14	4176 999	1			VALVE, A/C Expansion Switch, H Type
	5210 377	1			SWITCH, Low Pressure Cut Off
15	3849 199	1			VALVE, Water, 4 Port
16	3849 202	1			HOSE, Engine to Valve
17	1315 466	AR			HOSE, Valve to Core (5/8" I.D. x 50 FT. Roll)
18	1315 466	AR			HOSE, Core to Valve (5/8" I.D. x 50 Ft. Roll)
19	4443 131	1			COMPRESSOR
20	2448 770	AR			CLAMP
21	0153 640	AR			CLAMP
22	3849 303	1			HOSE, Valve to Pump
23	4273 487	1			BRACKET, Water By Pass Tube Att.
24	4462 077	1			CLIP, Heater Dual Hose Mounting
25					NUT, Heater Hose Clip Mtg. (Not Serviced)
26	3849 709	1			CLIP, Hose Mounting
27	6100 288	1			SCREW and WASHER, Hose Clip Mounting
28	6500 681	1			NUT, Hose Clip Mounting
29	3846 834	1			GASKET, Sucton Liq. Line Mtg. to H Valve
30	3846 835	1			GASKET, Discharge and Liq. Line Mtg. to Cond.
31	6500 517	4			SCREW
32	3848 021	1			CAP
33	3847 083	1			GASKET, A/C Suction, Discharge Line to Drier Mtg.
34	3849 468	1			VALVE, A/C Pressure Switch Fitting
35	3847 081	1			GASKET, A/C Suction, Discharge Mtg. to Compressor
36	3846 836	1			GASKET, A/C Expansion Valve Mtg.

MODEL CODES

C BODY = (D41 - DYNASTY)(C41 - NEW YORKER)
 E BODY = (J - CARAVELLE)(E - 600)(T - NEW YORKER TURBO)
 G BODY = (V24 - DAYTONA, PACIFICA & SHELBY)
 H BODY = (D44 - LANCER)(C44 - LEBARON GTS)
 J BODY = (C - LEBARON)
 K BODY = (P - RELIANT)(D - ARIES)(C - LEBARON/ TOWN & COUNTRY)

L BODY = (M - HORIZON)(Z-OMNI)
 M BODY = (B - GRAN FURY)(G - DIPLOMAT)(F - FIFTH AVENUE/NEWPORT)
 P BODY = (P - SUNDANCE)(D - SHADOW)
 Q BODY = (C27 - MASERATI)
 S BODY = (H - VOYAGER)(K - RAM VAN/ CARAVAN)

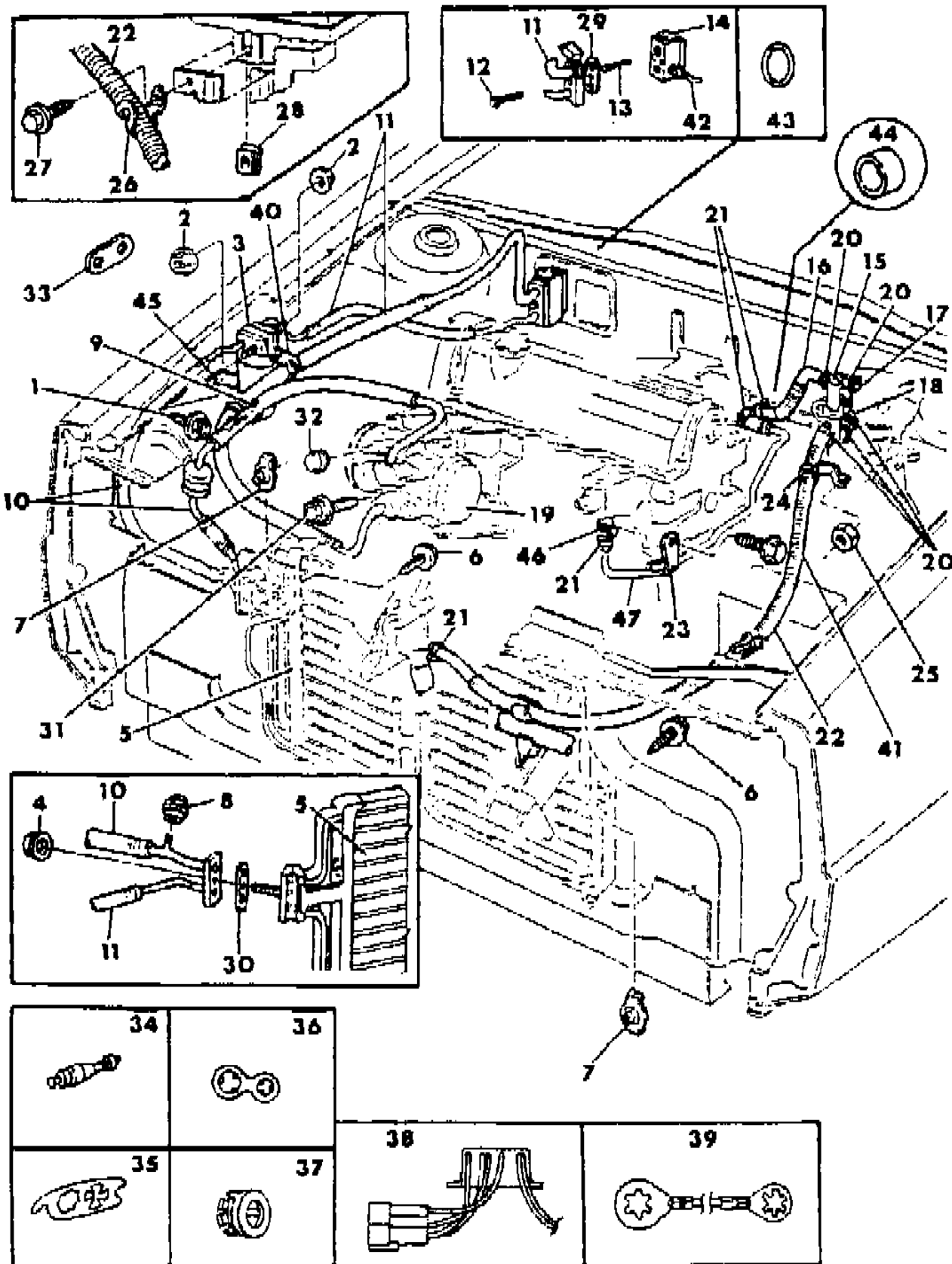
BODY STYLES

12-52 = FWD VAN & WAGON STD. W.B. 27 = 2-DOOR CONVERTIBLE
 13-53 = FWD VAN & WGN EXT W.B. 41 = 4-DOOR SEDAN
 21 = 2-DOOR SEDAN 44 = 4-DOOR HATCHBACK
 24 = 2-DOOR HATCHBACK 45 = 4-DOOR STATION WAGON

AR = Use as Required - = Non Illustrated Part P.A.R. = Paint as Required

PLUMBING, AIR CONDITIONING AND HEATER C BODY 2.5 LITER ENGINE
Figure 24-3950

8124 3950 A



ITEM	PART NUMBER	QTY	BODY	MODEL	DESCRIPTION
37	3847 147	1			PILOT, A/C Suction Liquid Line Mounting
38	4462 061	1			SWITCH, A/C Suction Temp. Sensing
39	4372 394	1			STRAP, Ground
40	4462 013	1			BRACKET, A/C Suction Line Support
41	4397 809	1			SLEEVE, A/C Heater Hose
42	5210 377	1			SWITCH, A/C Low Pressure Cut Off
43	3441 105	1			SEAL, A/C Pressure Cut Off Switch
44	3880 050	1			MUFFLER, A/C Heater Hose to Valve
45	4462 013	1			BRACKET, Filter Drier
46	4273 488	AR			HOSE, Water By Pass Tube
47	4273 486	1			TUBE, Water By Pass

MODEL CODES

C BODY = (D41 - DYNASTY)(C41 - NEW YORKER)
 E BODY = (J - CARAVELLE)(E - 600)(T - NEW YORKER TURBO)
 G BODY = (V24 - DAYTONA, PACIFICA & SHELBY)
 H BODY = (D44 - LANCER)(C44 - LEBARON GTS)
 J BODY = (C - LEBARON)
 K BODY = (P - RELIANT)(D - ARIES)(C - LEBARON/ TOWN & COUNTRY)
 L BODY = (M - HORIZON)(Z-OMNI)
 M BODY = (B - GRAN FURY)(G - DIPLOMAT)(F - FIFTH AVENUE/NEWPORT)
 P BODY = (P - SUNDANCE)(D - SHADOW)
 Q BODY = (C27 - MASERATI)
 S BODY = (H - VOYAGER)(K - RAM VAN/ CARAVAN)

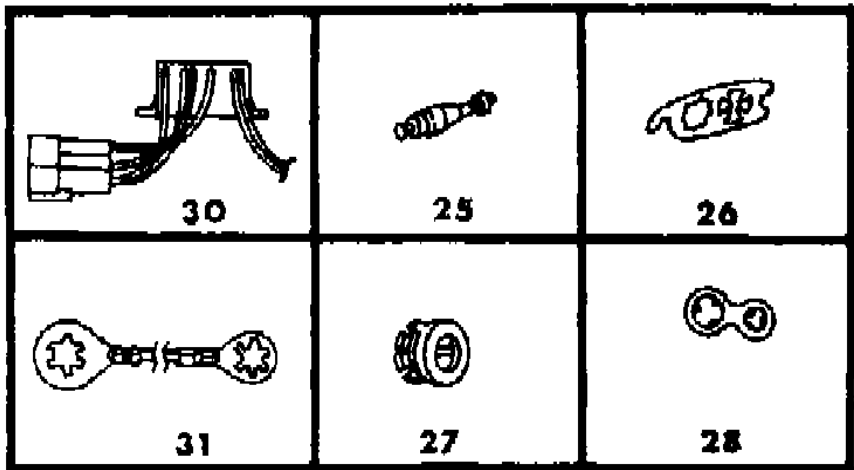
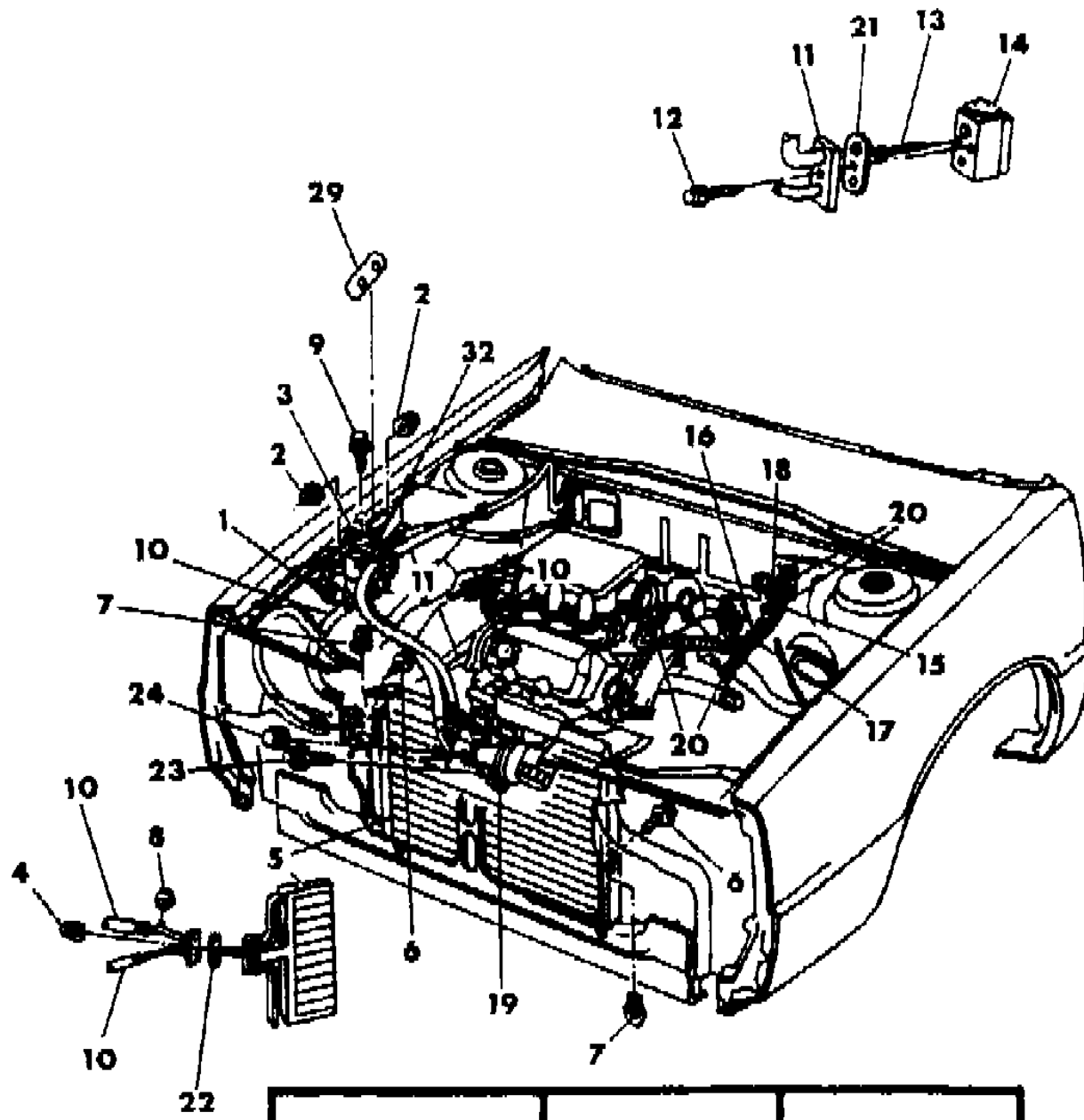
BODY STYLES

12-52 = FWD VAN & WAGON STD. W.B. 27 = 2-DOOR CONVERTIBLE
 13-53 = FWD VAN & WGN EXT W.B. 41 = 4-DOOR SEDAN
 21 = 2-DOOR SEDAN 44 = 4-DOOR HATCHBACK
 24 = 2-DOOR HATCHBACK 45 = 4-DOOR STATION WAGON

AR = Use as Required - = Non Illustrated Part P.A.R. = Paint as Required

PLUMBING, AIR CONDITIONING AND HEATER C BODY 3.0 LITER ENGINE
Figure 24-4000

8124 4000 8



ITEM	PART NUMBER	QTY	BODY	MODEL	DESCRIPTION
1					SCREW, Filter Drier Brkt. (Not Serviced)
2	0120 376	2			NUT and WASHER, Liquid Line Mtg.
3	4462 018	1			FILTER DRIER, w/Bracket
4	6100 051	1			NUT, A/C, Discharge and Liquid Line to Cond.
5	4443 136	1			CONDENSER, A/C Complete
-	4462 379	1			ISOLATOR, A/c Cond. Btm. Mtg.
6					SCREW and WASHER (Not Serviced)
7	6100 041	2			U-NUT, A/C Cond. Mtg.
8	3848 585	1			CAP, Disch. and Liq. Line Check Valve
9	9423 951	1			SCREW, Disch. Line Support Brkt.
10	4462 270	1			LINE, Disch. and Liq.
-	3848 522	1			CLIP, A/C., Suction and Discharge
11	3849 770	1			LINE, Suction and Liq.
12	6500 827	1			SCREW and WASHER, H-Valve Mtg.
13	6032 572	2			SCREW, Exp. Valve Mtg.
14	4176 999	1			VALVE, A/C Exp. Switch (H-Valve)
15	4339 457	1			VALVE, Water (2 Port)
16	1315 466	1			HOSE, Htr., Eng. to Valve, 5/8" I.D. 50 Ft. Roll
17	1315 466	AR			HOSE, Htr., Core to Pump, 5/8" I.D., 50 Ft. Roll
18	1315 466	AR			HOSE, A/C, Htr., Htr. Valve to Core, 5/8" I.D., 50 Ft. Roll
19	4443 131	1			COMPRESSOR
20	2448 770	6			CLAMP
21	3846 834	1			GASKET, Suction and Liq. Line Mtg. to H-Valve
22	3846 835	1			GASKET, Disch. and Liq. Line Mtg. to Cond.
23	6500 517	4			SCREW
24	3848 021	1			CAP
25	3849 468	1			VALVE, A/C Pressure Switch Fitting
26	3847 081	1			GASKET, A/C, Suct. Disch. Mtg. to Compr.
27	3847 147	1			PILOT, A/C, Suct., Liq. Line Mtg.
28	3846 836	1			GASKET, A/C, Exp. Valve Mtg.
29	3847 083	1			GASKET, A/C, Suct., Disch. Line to Drier Mtg.
30	4462 061	1			SWITCH, A/C, Suction Line, Temp. Sensor
31	4372 394	1			STRAP, Ground
32	4462 013	1			BRACKET, A/C Suct. Line Support
-	5210 377	1			SWITCH, Low Pressure Cut Off
-	3441 105	1			SEAL, A/C., Low Pressure Cut Off Switch
-	4397 809	1			SLEEVE, Heater Hose

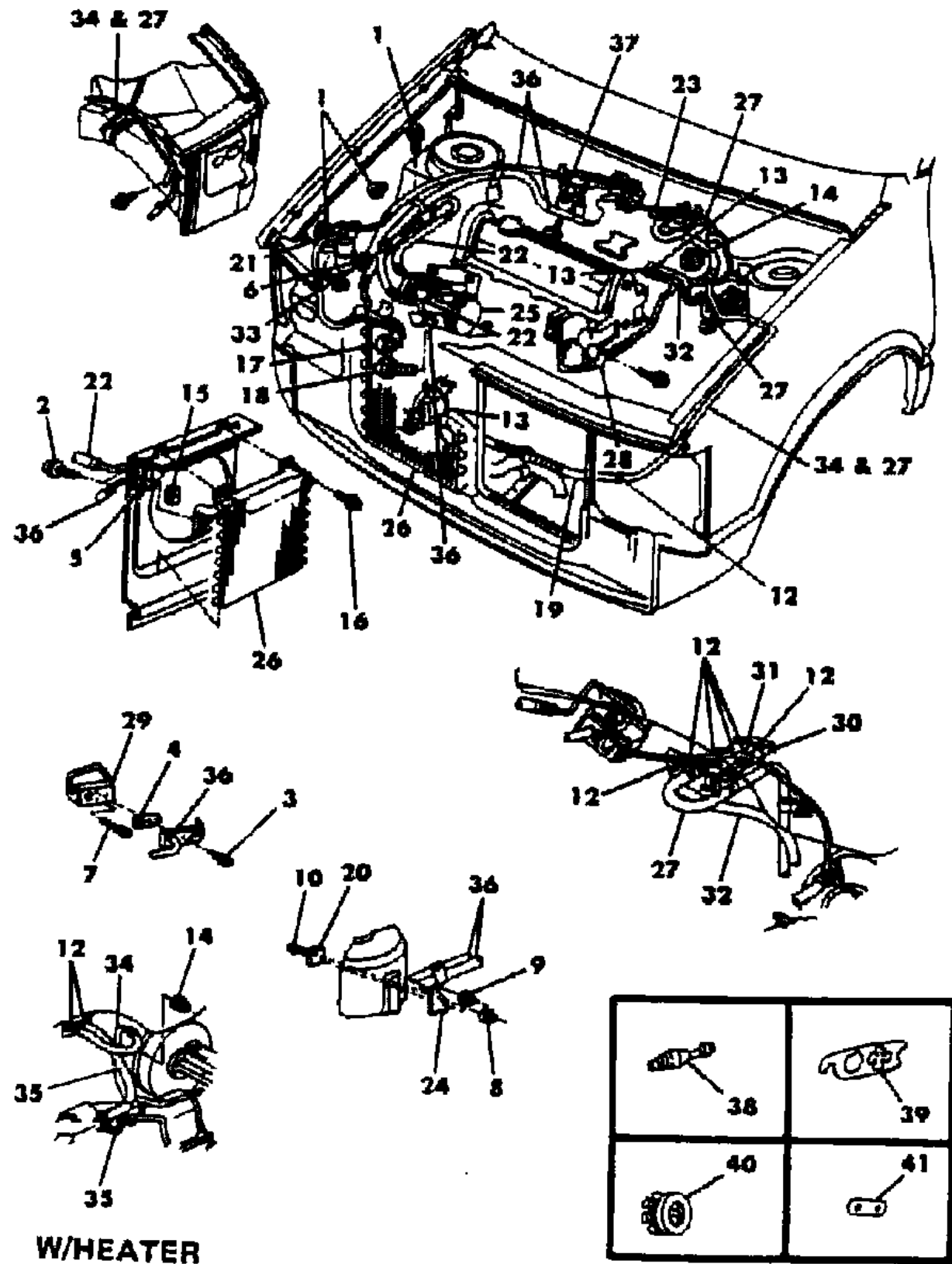
MODEL CODES
 C BODY = (D41 - DYNASTY)(C41 - NEW YORKER)
 E BODY = (J - CARAVELLE)(E - 600)(T - NEW YORKER TURBO)
 G BODY = (V24 - DAYTONA, PACIFICA & SHELBY)
 H BODY = (D44 - LANCER)(C44 - LEBARON GTS)
 J BODY = (C - LEBARON)
 K BODY = (P - RELIANT)(D - ARIES)(C - LEBARON/ TOWN & COUNTRY)
 L BODY = (M - HORIZON)(Z-OMNI)
 M BODY = (B - GRAN FURY)(G - DIPLOMAT)(F - FIFTH AVENUE/NEWPORT)
 P BODY = (P - SUNDANCE)(D - SHADOW)
 Q BODY = (C27 - MASERATI)
 S BODY = (H - VOYAGER)(K - RAM VAN/ CARAVAN)

BODY STYLES
 12-52 = FWD VAN & WAGON STD. W.B. 27 = 2-DOOR CONVERTIBLE
 13-53 = FWD VAN & WGN EXT W.B. 41 = 4-DOOR SEDAN
 21 = 2-DOOR SEDAN 44 = 4-DOOR HATCHBACK
 24 = 2-DOOR HATCHBACK 45 = 4-DOOR STATION WAGON

AR = Use as Required - = Non Illustrated Part P.A.R. = Paint as Required

PLUMBING, AIR CONDITIONING AND HEATER S BODY 2.5 LITER ENGINE
Figure 24-4100

8124 4100



W/HEATER

ITEM	PART NUMBER	QTY	BODY	MODEL	DESCRIPTION
1	0118 614	2			NUT and WASHER, Liq. Line to Drier
2	6101 453	1			SCREW and WASHER, Liq. Line Mtg. to Cond.
3	6500 827	1			SCREW and WASHER, Suction and Liq. Line Mtg. to H-Valve
4	3846 834	1			GASKET, H-Valve
5	3846 835	1			GASKET, Disch. and Liq. Line to Cond.
6	3848 585	1			CAP, Disch. and Liq. Line Check Valve
7	6032 572	2			SCREW, Expn. Valve Mtg.
8	6100 050	2			NUT and WASHER, Liq. Line Brkt. Mtg.
9	6101 444	1			NUT and WASHER, Suction Hose Clamp Mtg.
10	3759 944	1			RETAINER, Suction and Liq. Line Plate Mtg.
11	9423 951	1			SCREW, Disch. Line Supt. Brkt.
12	2448 770	AR			CLAMP
13	0153 640	AR			CLAMP
14	0219 462	AR			NUT
15	6100 041	2			U-NUT, A/C Cond. Mtg.
16	6100 288	2			SCREW and WASHER, A/C Cond. Mtg.
17	3848 021	1			CAP
18	6500 517	4			SCREW
19	3847 831	1			HOSE, Tube to Pump (Stamped 3849360)
20	4188 101	1			PLATE, Suction, Liq. Line Brkt. Mtg.
21	4462 018	1			FILTER DRIER, W/Brkt.
22	4462 045	1			LINE, Disch, Liq. up to 9-28-87
	4462 153	1			after 9-28-87
23	3848 729	1			VALVE, Water
24	3849 506	1			BRACKET, Line Supt.
25	4443 131	1			COMPRESSOR
26	3849 703	1			CONDENSER, up to 11-2-87
	4462 258	1			after 11-2-87
27	3849 062	1			HOSE, Tube, Htr. Valve to Hose
-	4462 079	1			HOSE, Tube, Return w/A/C
28	4273 487	1			BRACKET, Water By-Pass
29	3849 240	1			VALVE, Expn, H-Type
	4176 999	1			VALVE, Expn. w/Low Ppressure Switch
-	3848 208	1			PILOT, A/C., Expn. Valve Package
30	1315 466	AR			HOSE, Valve to Core, 50 Ft. Roll
31	1315 466	AR			HOSE, Core to Valve, 50 Ft. Roll
32	3848 456	1			HOSE, Eng. to Valve (Stamped 38490045)

MODEL CODES

C BODY = (D41 - DYNASTY)(C41 - NEW YORKER)
 E BODY = (J - CARAVELLE)(E - 600)(T - NEW YORKER TURBO)
 G BODY = (V24 - DAYTONA, PACIFICA & SHELBY)
 H BODY = (D44 - LANCER)(C44 - LEBARON GTS)
 J BODY = (C - LEBARON)
 K BODY = (P - RELIANT)(D - ARIES)(C - LEBARON/ TOWN & COUNTRY)

L BODY = (M - HORIZON)(Z-OMNI)
 M BODY = (B - GRAN FURY)(G - DIPLOMAT)(F - FIFTH AVENUE/NEWPORT)
 P BODY = (P - SUNDANCE)(D - SHADOW)
 Q BODY = (C27 - MASERATI)
 S BODY = (H - VOYAGER)(K - RAM VAN/ CARAVAN)

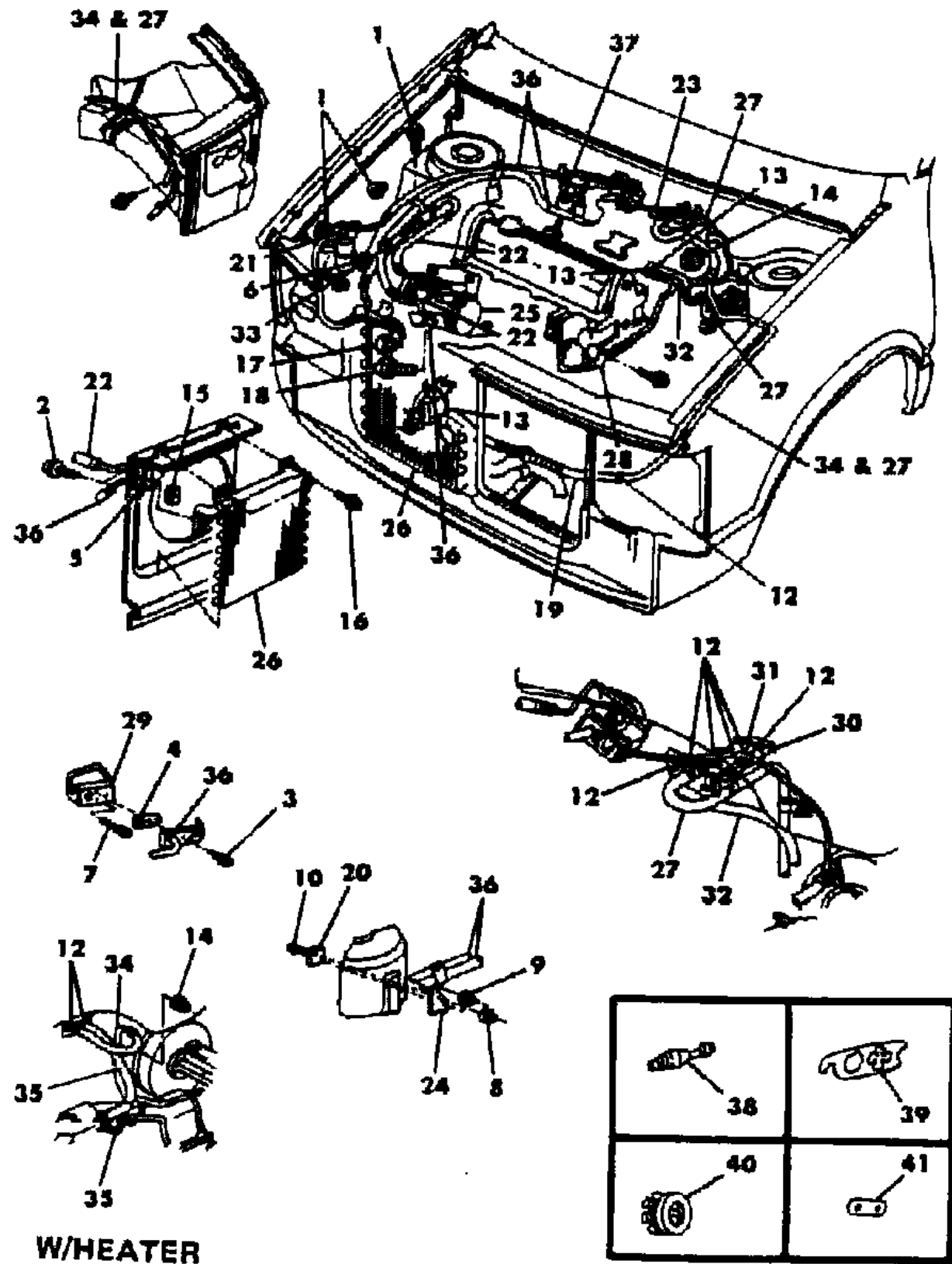
BODY STYLES

12-52 = FWD VAN & WAGON STD. W.B. 27 = 2-DOOR CONVERTIBLE
 13-53 = FWD VAN & WGN EXT W.B. 41 = 4-DOOR SEDAN
 21 = 2-DOOR SEDAN 44 = 4-DOOR HATCHBACK
 24 = 2-DOOR HATCHBACK 45 = 4-DOOR STATION WAGON

AR = Use as Required - = Non Illustrated Part P.A.R. = Paint as Required

PLUMBING, AIR CONDITIONING AND HEATER S BODY 2.5 LITER ENGINE
Figure 24-4100

8124 4100



W/HEATER

ITEM	PART NUMBER	QTY	BODY	MODEL	DESCRIPTION
-	3849 841	1			HOSE, Sleeve, Aux. Htr., Eng. to Valve
33	3848 522	1			CLIP, Suction and Disch. Line
34	3849 063	1			HOSE, Tube, Htr. Core to Hose
-	4462 078	1			HOSE, Tube, Aux. Htr. Return
35	3849 076	1			HOSE, Htr., Eng. to Core
-	4462 038	1			HOSE, Sleeve, Aux. Htr., Eng. to Core and Rr. Tube
36	3849 910	1			LINE, Suction, Liq. up to 9-28-87
	4462 152	1			after 9-28-87
	3849 780	1			LINE, Suction and Liquid, Aux. A/C
37	3849 406	1			SWITCH, A/C Damped Cycling Clutch Pressure
38	3849 468	1			VALVE, A/C Disch. Check Line
39	3847 081	1			GASKET, Compr., Suction and Disch.
40	3847 147	1			PILOT, Line Mtg.
41	3847 083	1			GASKET, Line to Drier
-	5210 377	1			SWITCH, Aux. A/C., Low Pressure Cut Off
-	3441 105	1			SEAL, Aux. A/C., Low Pressure Cut Off Switch
-	4462 061	1			SWITCH, Aux. A/C., Temp. Sensing
-	5233 162	1			RELAY, A/C Clutch Cutout W.O.T.

MODEL CODES

C BODY = (D41 - DYNASTY)(C41 - NEW YORKER)
 E BODY = (J - CARAVELLE)(E - 600)(T - NEW YORKER TURBO)
 G BODY = (V24 - DAYTONA, PACIFICA & SHELBY)
 H BODY = (D44 - LANCER)(C44 - LEBARON GTS)
 J BODY = (C - LEBARON)
 K BODY = (P - RELIANT)(D - ARIES)(C - LEBARON/ TOWN & COUNTRY)

L BODY = (M - HORIZON)(Z-OMNI)
 M BODY = (B - GRAN FURY)(G - DIPLOMAT)(F - FIFTH AVENUE/NEWPORT)
 P BODY = (P - SUNDANCE)(D - SHADOW)
 Q BODY = (C27 - MASERATI)
 S BODY = (H - VOYAGER)(K - RAM VAN/ CARAVAN)

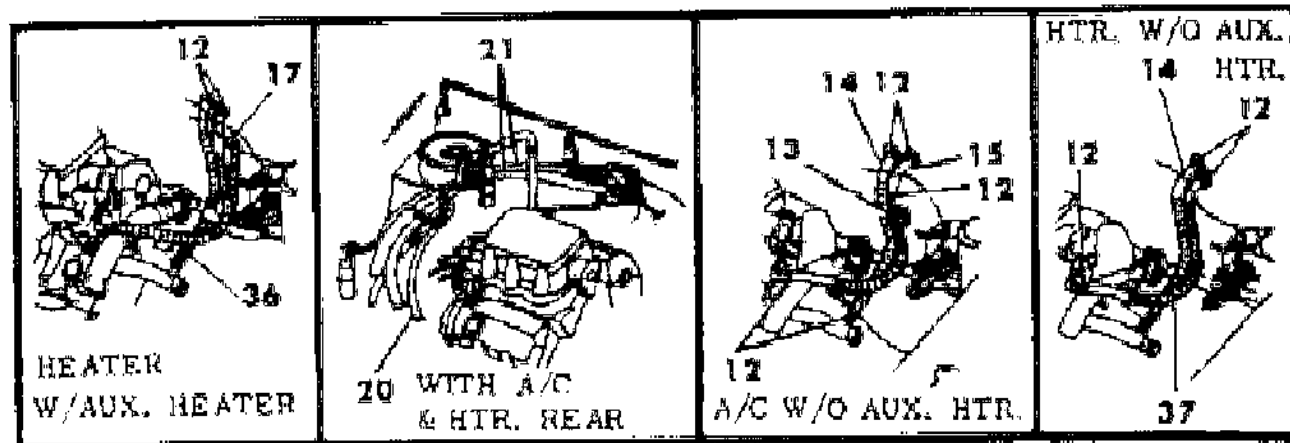
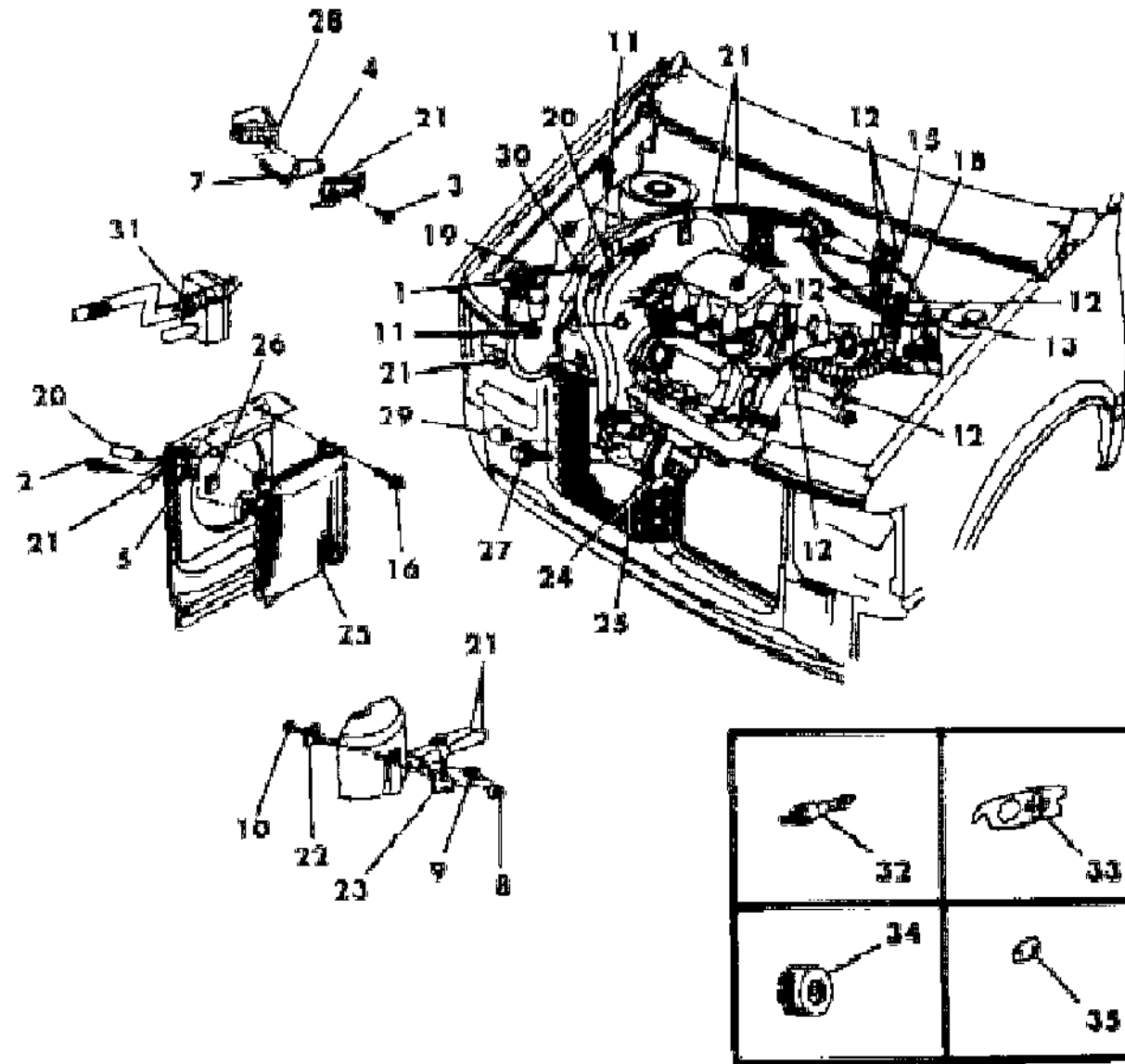
BODY STYLES

12-52 = FWD VAN & WAGON STD. W.B. 27 = 2-DOOR CONVERTIBLE
 13-53 = FWD VAN & WGN EXT W.B. 41 = 4-DOOR SEDAN
 21 = 2-DOOR SEDAN 44 = 4-DOOR HATCHBACK
 24 = 2-DOOR HATCHBACK 45 = 4-DOOR STATION WAGON

AR = Use as Required - = Non Illustrated Part P.A.R. = Paint as Required

PLUMBING, AIR CONDITIONING AND HEATER S BODY 3.0 LITER ENGINE
Figure 24-4200

8124 4200



ITEM	PART NUMBER	QTY	BODY	MODEL	DESCRIPTION
1	0118 614	3			NUT and WASHER
2	6101 453	1			SCREW and WASHER
3	6101 453	1			SCREW and WASHER
4	3846 834	1			GASKET, Suction and Liq. Line Mtg. to H-Valve
5	3846 835	1			GASKET, Disch. and Liq. Line Mtg. to Cond.
6	3848 585	1			CAP, Disch. and Liq. Line Check Valve
7	6032 572	2			SCREW, Expn. Valve Mtg.
8	6101 445	2			NUT and WASHER, Suction, Liq. Line Brkt. Mtg.
9	6101 444	1			NUT and WASHER, Suction Hose Clamp Mtg.
10	3759 944	1			RETAINER, Suction and Liq. Line Plate Mtg.
11	9423 951	1			SCREW, Disch. Line Supt. Brkt.
12	2448 770	AR			CLAMP
13	4339 457	1			VALVE, A/C, Htr. Water w/o Aux. Htr.
-	3849 321	1			VALVE, w/Aux. Htr.
14	1595 160	1			HOSE, A/C, Htr., Core to Pump
15	1595 160	1			HOSE, A/C, Htr., Valve to Core
16	6100 288	2			SCREW and WASHER, A/C Mtg.
17	4462 031	1			HOSE and SLEEVE, Aux. Htr. Eng to Core and Rear Tube
18	1315 466	1			HOSE, 5/8" I.D. x 50 Ft. Roll
19	4462 018	1			FILTER DRIER, w/Brkt.
20	4462 125	1			LINE, Disch., Liq. up to 9-28-87
	4462 150	1			after 9-28-87
21	4462 081	1			LINE, Suction, Liq. up to 9-28-87
-	4462 149	1			after 9-28-87
-	3849 782	1			LINE, Suction, Liq. w/A/C and Rear Htr. (Aux.)
-	4462 061	1			SWITCH, A/C Suction Line, Temp. Sensing w/A/C and Rear Htr.
-	4372 394	1			STRAP, Ground
22	4188 101	1			PLATE, Suction and Liq. Line Mtg. Brkt.
23	3849 506	1			BRACKET, Suction and Liq. Line Support
24	4443 131	1			COMPRESSOR
25	3849 703	1			CONDENSER, Complete up to 11-2-87
	4462 258	1			after 11-2-87
26	6100 041	2			U-NUT, A/C Cond. Mtg.
27	6500 517	4			SCREW
28	3849 240	1			VALVE, A/C, Expn. Sw. (H-Valve) Low Pressure (Stamped 3849241)
	4176 999	1			VALVE, A/C Expn. w/Low Pressure Switch

MODEL CODES

C BODY = (D41 - DYNASTY)(C41 - NEW YORKER)
 E BODY = (J - CARAVELLE)(E - 600)(T - NEW YORKER TURBO)
 G BODY = (V24 - DAYTONA, PACIFICA & SHELBY)
 H BODY = (D44 - LANCER)(C44 - LEBARON GTS)
 J BODY = (C - LEBARON)
 K BODY = (P - RELIANT)(D - ARIES)(C - LEBARON/ TOWN & COUNTRY)

L BODY = (M - HORIZON)(Z-OMNI)
 M BODY = (B - GRAN FURY)(G - DIPLOMAT)(F - FIFTH AVENUE/NEWPORT)
 P BODY = (P - SUNDANCE)(D - SHADOW)
 Q BODY = (C27 - MASERATI)
 S BODY = (H - VOYAGER)(K - RAM VAN/ CARAVAN)

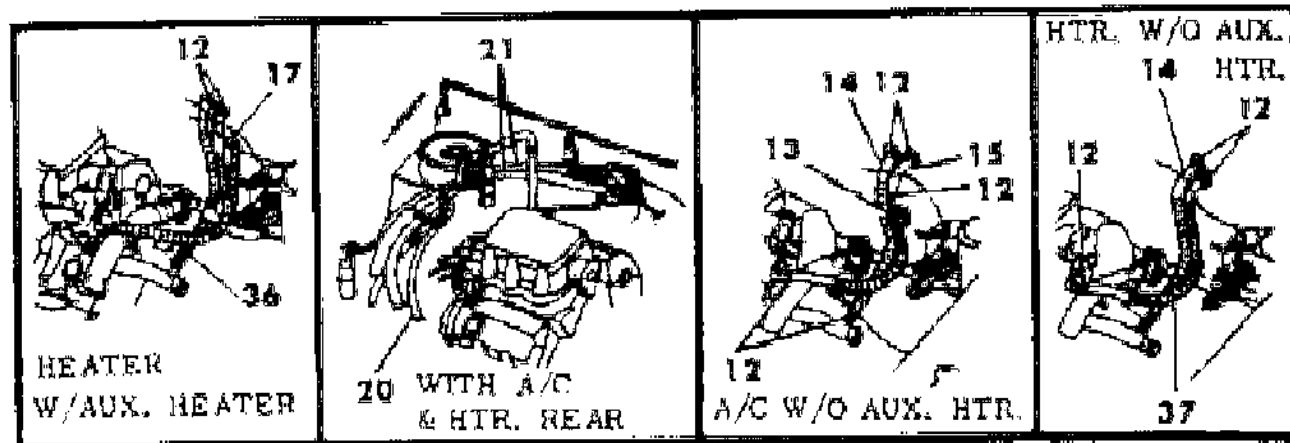
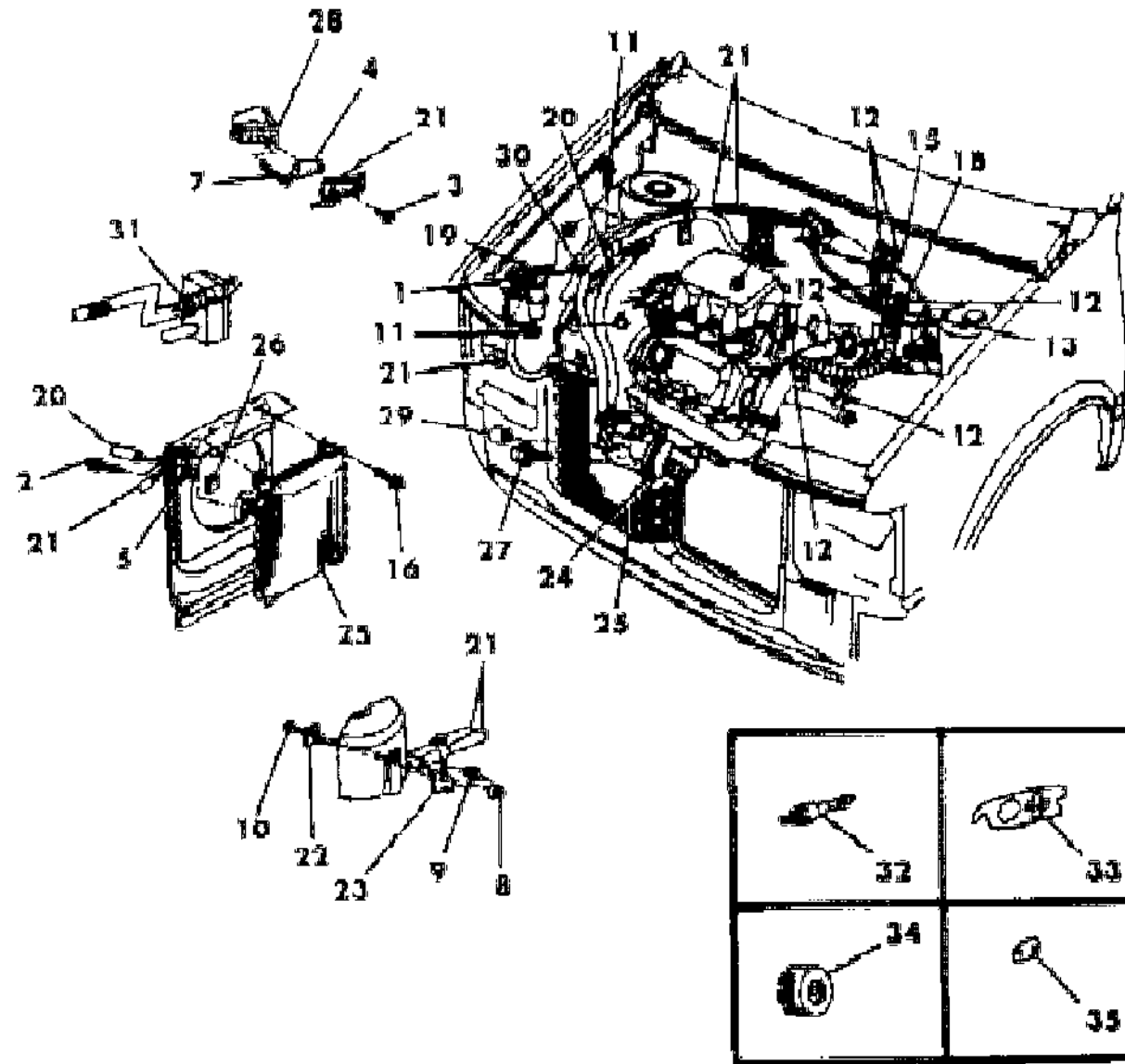
BODY STYLES

12-52 = FWD VAN & WAGON STD. W.B. 27 = 2-DOOR CONVERTIBLE
 13-53 = FWD VAN & WGN EXT W.B. 41 = 4-DOOR SEDAN
 21 = 2-DOOR SEDAN 44 = 4-DOOR HATCHBACK
 24 = 2-DOOR HATCHBACK 45 = 4-DOOR STATION WAGON

AR = Use as Required - = Non Illustrated Part P.A.R. = Paint as Required

PLUMBING, AIR CONDITIONING AND HEATER S BODY 3.0 LITER ENGINE
Figure 24-4200

8124 4200



ITEM	PART NUMBER	QTY	BODY	MODEL	DESCRIPTION
	3846 836	1			GASKET, Valve Mounting
-	3848 208	1			PILOT, A/C., Expn. Valve Package
29	3848 021	1			CAP
30	3848 522	1			CLIP, Suction and Disch.
31	3849 406	1			SWITCH, A/C Damped Pressure and O-Ring
32	3849 468	1			VALVE
33	3847 081	1			GASKET
34	3847 147	1			PILOT
35	3847 083	1			GASKET
36					HOSE, Tee, Aux. Htr.
37					HOSE, Htr., Eng. to Core
-	5210 377	1			SWITCH, Aux. A/C., Low Pressure Cut Off
-	3441 105	1			SEAL, Aux. A/C., Low Pressure Cut Off Switch
-	5233 162	1			RELAY, A/C Clutch Cutout W.O.T.

MODEL CODES

C BODY = (D41 - DYNASTY)(C41 - NEW YORKER)
 E BODY = (J - CARAVELLE)(E - 600)(T - NEW YORKER TURBO)
 G BODY = (V24 - DAYTONA, PACIFICA & SHELBY)
 H BODY = (D44 - LANCER)(C44 - LEBARON GTS)
 J BODY = (C - LEBARON)
 K BODY = (P - RELIANT)(D - ARIES)(C - LEBARON/ TOWN & COUNTRY)

L BODY = (M - HORIZON)(Z-OMNI)
 M BODY = (B - GRAN FURY)(G - DIPLOMAT)(F - FIFTH AVENUE/NEWPORT)
 P BODY = (P - SUNDANCE)(D - SHADOW)
 Q BODY = (C27 - MASERATI)
 S BODY = (H - VOYAGER)(K - RAM VAN/ CARAVAN)

BODY STYLES

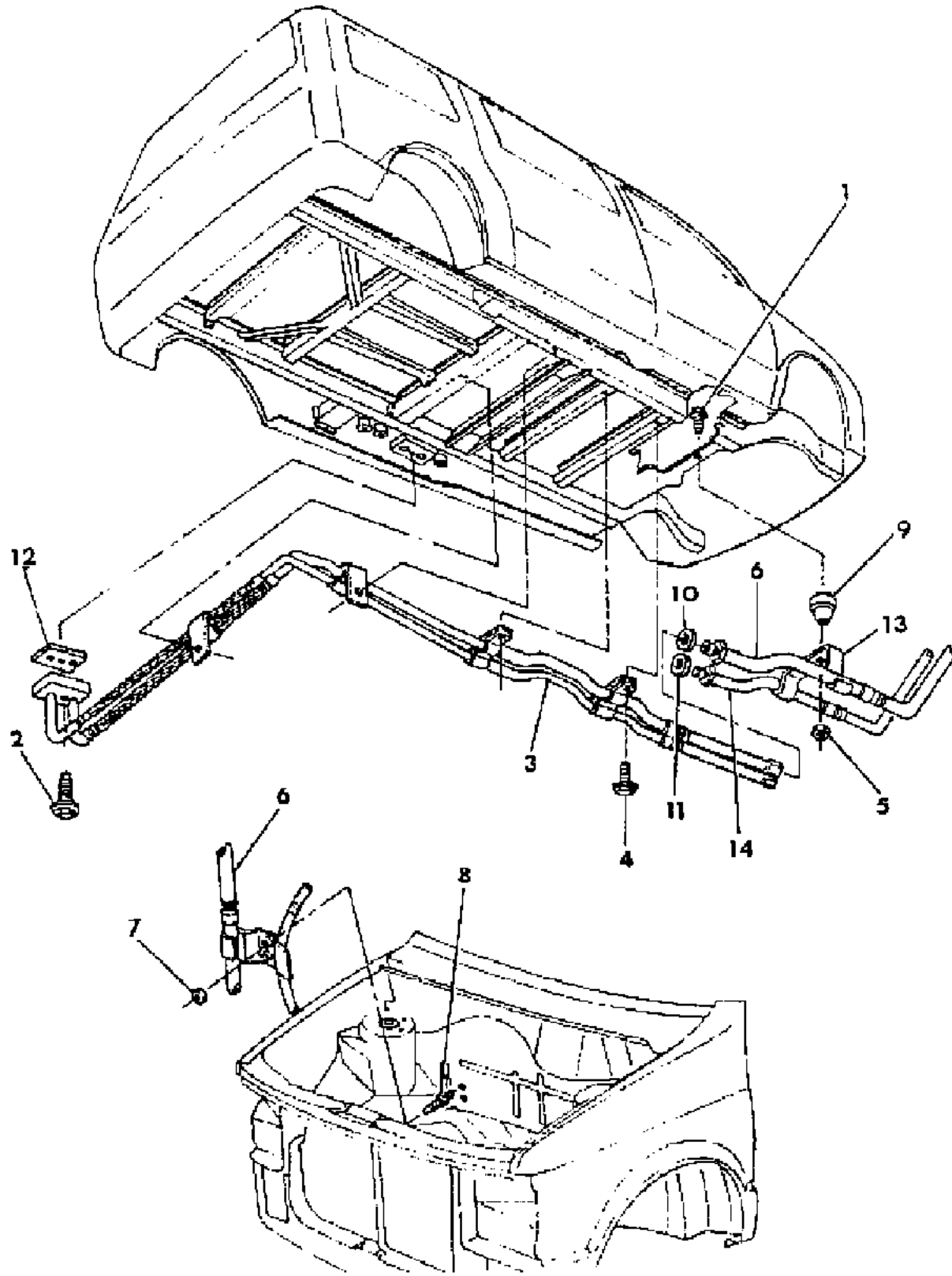
12-52 = FWD VAN & WAGON STD. W.B. 27 = 2-DOOR CONVERTIBLE
 13-53 = FWD VAN & WGN EXT W.B. 41 = 4-DOOR SEDAN
 21 = 2-DOOR SEDAN 44 = 4-DOOR HATCHBACK
 24 = 2-DOOR HATCHBACK 45 = 4-DOOR STATION WAGON

AR = Use as Required - = Non Illustrated Part P.A.R. = Paint as Required

PLUMBING, AUXILIARY UNDERBODY AIR CONDITIONER S BODY
Figure 24-4225

8124 4225

ITEM	PART NUMBER	QTY	BODY	MODEL	DESCRIPTION
1	6032 451	1			SCREW and WASHER
2	6101 453	1			SCREW and WASHER
3	3849 952	1			HOSE, Aux. A/C Suct and Liquid Rear
4					SCREW and WASHER (Not Serviced)
5	0219 462	1			NUT
6	4462 425	1			LINE, Aux. A/C Suction and Liquid
7	6029 694	2			NUT
8	6032 788	1			STUD, Aux A/C Line Mtg. to Dash
9	6030 647	1			GROMMET, Aux A/C Suction Line Mtg to u/Body
10	2219 385	2			O RING, Aux. A/C Suction
11	5210 380	1			O RING, Aux. A/C Liquid
12	3846 834	1			GASKET, Aux. A/C and Plumbing Ext. to Expan. Valve
13	4462 426	1			BRACKET, Aux. A/C Underbody
14	3849 780	1			LINE, Aux. A/C Suction and Liquid with 2.5 Engine
	3849 782	1			with 3.0 Engine



MODEL CODES

C BODY = (D41 - DYNASTY)(C41 - NEW YORKER)	L BODY = (M - HORIZON)(Z-OMNI)
E BODY = (J - CARAVELLE)(E - 600)(T - NEW YORKER TURBO)	M BODY = (B - GRAN FURY)(G - DIPLOMAT)(F - FIFTH AVENUE/NEWPORT)
G BODY = (V24 - DAYTONA, PACIFICA & SHELBY)	P BODY = (P - SUNDANCE)(D - SHADOW)
H BODY = (D44 - LANCER)(C44 - LEBARON GTS)	Q BODY = (C27 - MASERATI)
J BODY = (C - LEBARON)	S BODY = (H - VOYAGER)(K - RAM VAN/ CARAVAN)
K BODY = (P - RELIANT)(D - ARIES)(C - LEBARON/ TOWN & COUNTRY)	

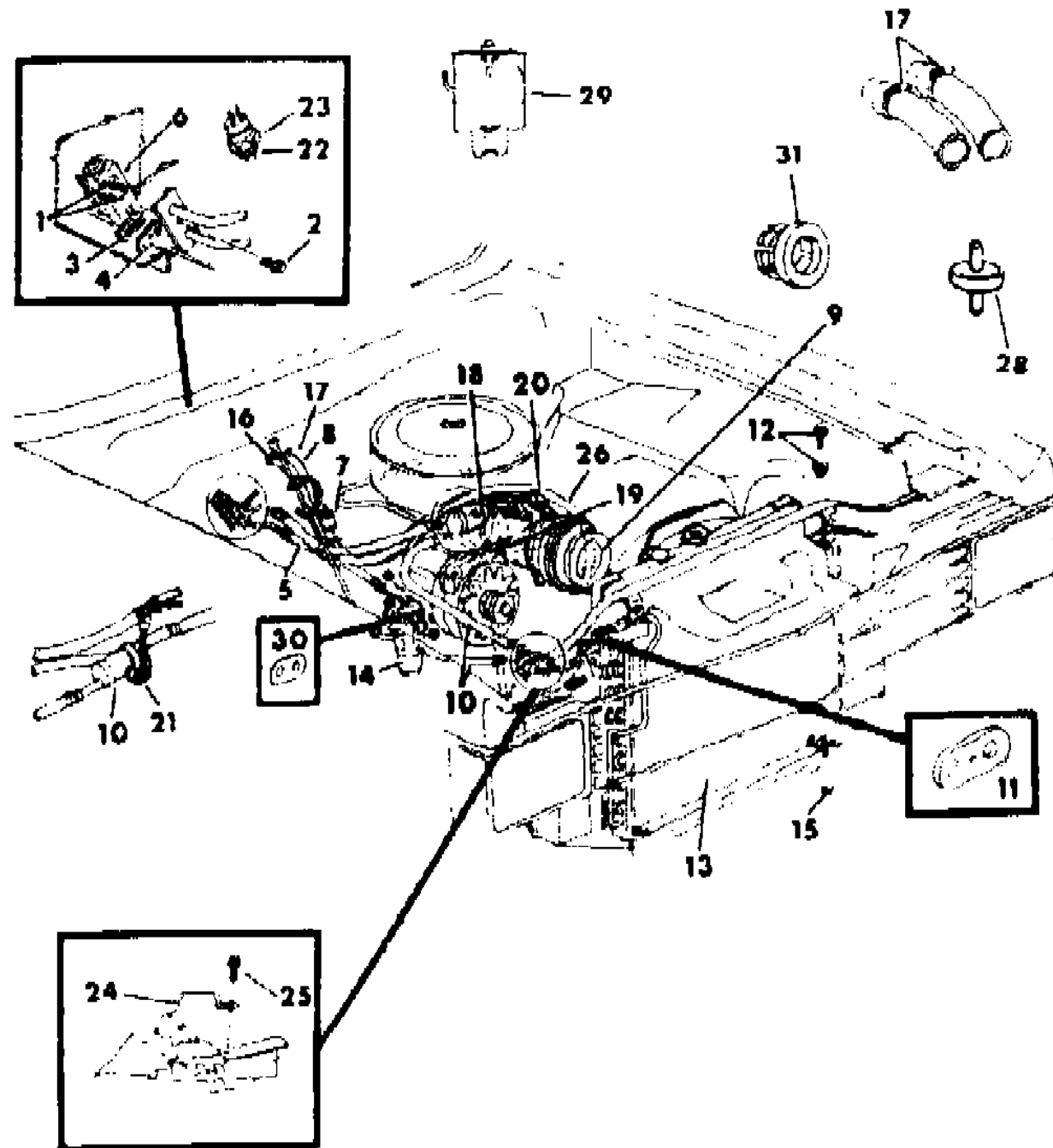
BODY STYLES

12-52 = FWD VAN & WAGON STD. W.B.	27 = 2-DOOR CONVERTIBLE
13-53 = FWD VAN & WGN EXT W.B.	41 = 4-DOOR SEDAN
21 = 2-DOOR SEDAN	44 = 4-DOOR HATCHBACK
24 = 2-DOOR HATCHBACK	45 = 4-DOOR STATION WAGON

AR = Use as Required - = Non Illustrated Part P.A.R. = Paint as Required

PLUMBING, AIR CONDITIONING AND HEATER M BODY
Figure 24-4300

8124 4300 A



ITEM	PART NUMBER	QTY	BODY	MODEL	DESCRIPTION
1	6032 572	2			SCREW, A/C. Expansion Valve Mtg.
2	6500 827	1			SCREW, A/C. Suction & Liquid Line Mtg.
3	3846 836	1			GASKET, A/C. Evaporator Valve Mtg. (Alumn.)
4	3846 834	1			GASKET, A/C. Suction & Liquid Line to H-Valve
5	3847 169	1			LINE, A/C. Suction & Liquid
-	3849 406	1			SWITCH and O-RING, Damped Pressure
	4462 205	1			SWITCH, A/C Suction Line Temp. Sensing
6	4176 999	1			VALVE, A/C. Expansion, H-Type
	3848 208	1			PILOT PACKAGE, H-Valve ***
7	4339 457	1			VALVE, A/C. or Heater Water
8	1315 466	AR			HOSE, A/C., Heater 5/8" I.D. 50Ft. Roll
9	4339 455	1			COMPRESSOR, A/C.
10	3848 694	1			LINE, A/C. Discharge & Liquid
11	3846 835	1			GASKET, A/C. Disch. & Liquid Line Plate to Condenser
12	3502 915	2			GROMMET and SPACER, A/C. Condenser Mtg.
13	#3847 789	1			CONDENSER, Complete A/C.
	3502 915	1			GROMMET and SPACER, A/C Cond. Mtg.
14	3847 830	1			FILTER DRIER, w/Bracket A/C.
15	0219 462	2			NUT and CONED WASHER, Condenser Mtg.
16	4041 604	AR			CLAMP, A/C., Heater Hose to Pump
17	2448 770	AR			CLAMP, A/C., Heater Hose
18	3848 585	1			CAP, A/C. Discharge Liquid Line Check Valve
19	1779 258	1			NIPPLE, A/C., Heater Hose Eng.
20	3847 081	1			GASKET, A/C. Discharge Line Flange Mtg.
21	3849 335	1			SWITCH, A/C. High Pressure Cut-Off
22	3441 105	1			SEAL, A/C. Receiver Drier Low Pressure Cut-Off
23	5210 377	1			SWITCH, A/C. Low Pressure Cut Off
24	3846 509	1			CLIP, A/C. Discharge & Liquid Line Mtg.
25		1			SCREW (not serviced)
26	3849 079	1			HOSE, A/C. Htr. Core to Pump
-	1315 466	1			HOSE, A/C., Heater 5/8" I.D. x 50Ft. Roll
-	4041 604	AR			CLAMP, A/C. or Heater Hose with Silicone Hose
27	1315 466	AR			HOSE, A/C., Heater Valve To Core, 5/8" I.D. x 50 Ft. Roll
-	3849 726	1			HOSE, A/C. or Htr. Eng. to Valve, Silicone with 4 Bbl.
-	3849 727	1			HOSE, A/C. or Htr. Eng. to Valve without Silicone all 4 Bbl.
-	4361 147	1			HOSE, A/C., Heater To Core 43" Long
-	1595 160	1			HOSE, Heater Eng. To Valve (Preformed)

MODEL CODES

C BODY = (D41 - DYNASTY)(C41 - NEW YORKER)
 E BODY = (J - CARAVELLE)(E - 600)(T - NEW YORKER TURBO)
 G BODY = (V24 - DAYTONA, PACIFICA & SHELBY)
 H BODY = (D44 - LANCER)(C44 - LEBARON GTS)
 J BODY = (C - LEBARON)
 K BODY = (P - RELIANT)(D - ARIES)(C - LEBARON/ TOWN & COUNTRY)

L BODY = (M - HORIZON)(Z-OMNI)
 M BODY = (B - GRAN FURY)(G - DIPLOMAT)(F - FIFTH AVENUE/NEWPORT)
 P BODY = (P - SUNDANCE)(D - SHADOW)
 Q BODY = (C27 - MASERATI)
 S BODY = (H - VOYAGER)(K - RAM VAN/ CARAVAN)

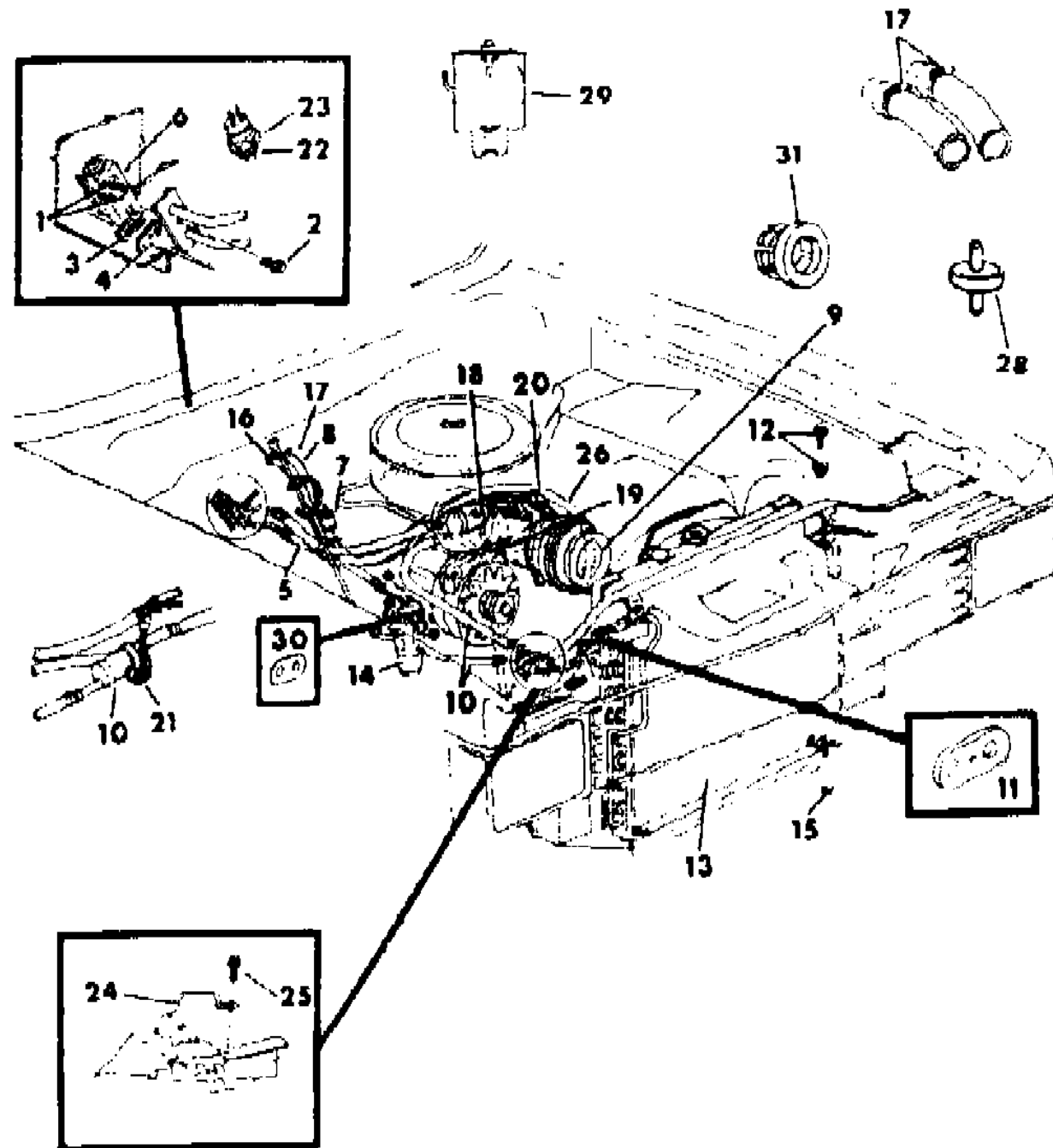
BODY STYLES

12-52 = FWD VAN & WAGON STD. W.B. 27 = 2-DOOR CONVERTIBLE
 13-53 = FWD VAN & WGN EXT W.B. 41 = 4-DOOR SEDAN
 21 = 2-DOOR SEDAN 44 = 4-DOOR HATCHBACK
 24 = 2-DOOR HATCHBACK 45 = 4-DOOR STATION WAGON

AR = Use as Required - = Non Illustrated Part P.A.R. = Paint as Required

PLUMBING, AIR CONDITIONING AND HEATER M BODY
Figure 24-4300

8124 4300 A



ITEM	PART NUMBER	QTY	BODY	MODEL	DESCRIPTION
-	4361 148	1			HOSE, Heater Eng. To Valve (90" Long)
-	3849 079	1			HOSE, A/C., Heater Core To Pump, Silicone 5/8 I.D. 46" Long
-	3849 077	1			HOSE, A/C., Heater Valve to Core, Silicone 5/8 I.D. 13" Long
-	4307 576	1			BRACKET, A/C., Htr. Hose Mouting
28	3846 304	2			MOUNT, A/C. Condenser Mtg.
29	4462 205	1			SWITCH, A/C. Suction Line Temp. Sensing or Cycling
30	3847 083	1			GASKET, A/C. Suction & Liquid Line Mtg. to Drier
	3847 083	1			A/C. Discharge & Liquid Line Mtg. to Drier
31	3847 147	1			PILOT, A/C. Suction Line Mtg. (Plastic)
-	3847 147	1			DISCHARGE, Line Mtg. (Plastic)
-	6015 756	1			STRAP, A/C. or A.T.C. Vacuum Hose Support
-	3780 794	AR			HOSE, Control Vacuum .073/.081 I.D. x 50Ft. Roll
-	4397 809	AR			SLEEVE, A/C., Heater Hose
-	4361 105	1			SLEEVE, A/C., Heater Hose Terminal

MODEL CODES

C BODY = (D41 - DYNASTY)(C41 - NEW YORKER)
 E BODY = (J - CARAVELLE)(E - 600)(T - NEW YORKER TURBO)
 G BODY = (V24 - DAYTONA, PACIFICA & SHELBY)
 H BODY = (D44 - LANCER)(C44 - LEBARON GTS)
 J BODY = (C - LEBARON)
 K BODY = (P - RELIANT)(D - ARIES)(C - LEBARON/ TOWN & COUNTRY)
 L BODY = (M - HORIZON)(Z-OMNI)
 M BODY = (B - GRAN FURY)(G - DIPLOMAT)(F - FIFTH AVENUE/NEWPORT)
 P BODY = (P - SUNDANCE)(D - SHADOW)
 Q BODY = (C27 - MASERATI)
 S BODY = (H - VOYAGER)(K - RAM VAN/ CARAVAN)

BODY STYLES

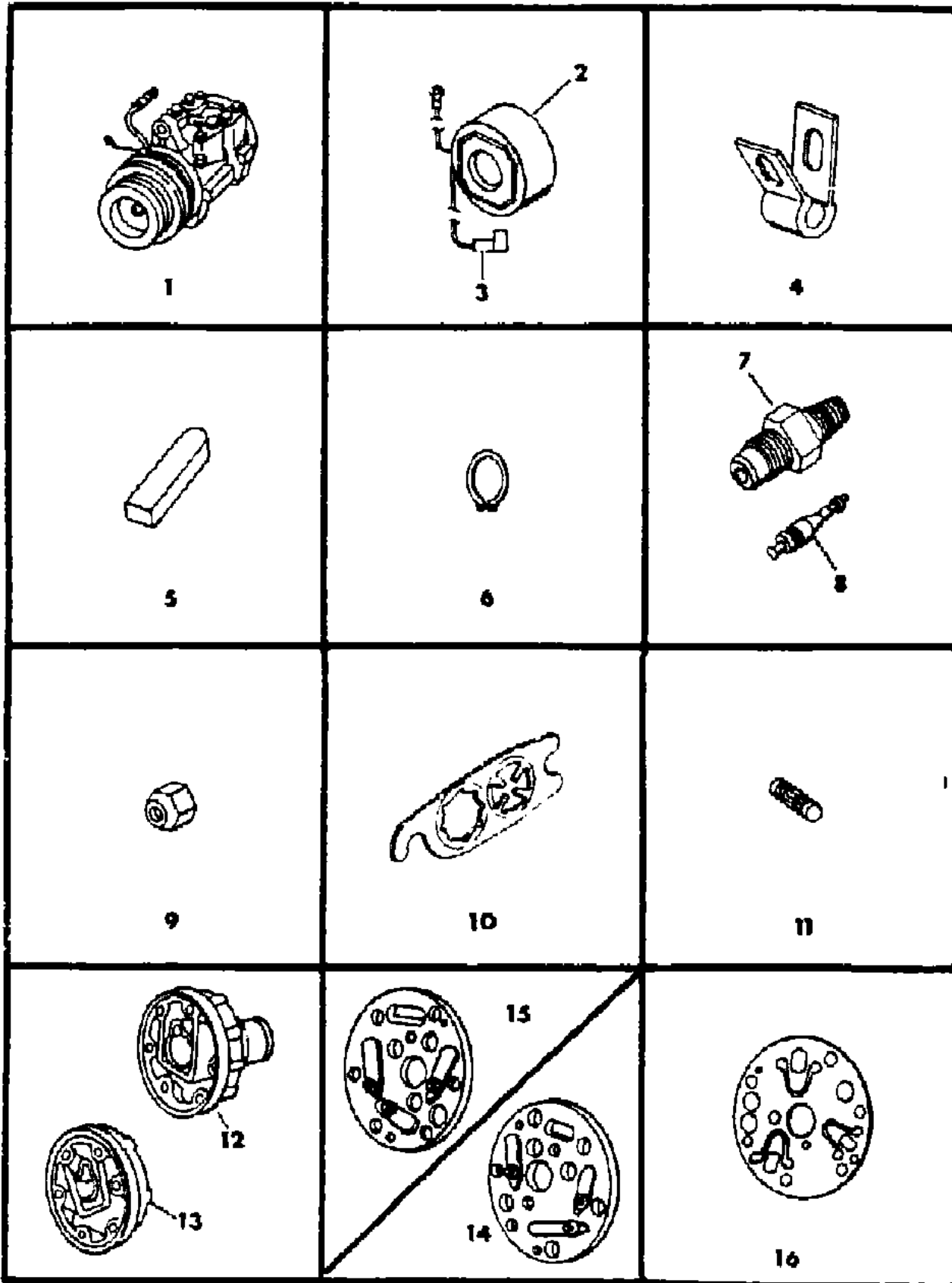
12-52 = FWD VAN & WAGON STD. W.B. 27 = 2-DOOR CONVERTIBLE
 13-53 = FWD VAN & WGN EXT W.B. 41 = 4-DOOR SEDAN
 21 = 2-DOOR SEDAN 44 = 4-DOOR HATCHBACK
 24 = 2-DOOR HATCHBACK 45 = 4-DOOR STATION WAGON

AR = Use as Required - = Non Illustrated Part P.A.R. = Paint as Required

AIR CONDITIONING COMPRESSOR

Figure 24-4400

8124 4400



ITEM	PART NUMBER	QTY	BODY	MODEL	DESCRIPTION
-	3848 979	1			GASKET PACKAGE, A/C. Compressor, Basic
-	3847 180	1			SHIM PACKAGE, A/C. Compressor Drive Clutch Consists Of: 5 ----- Shims
-	3848 981	1	M		PULLEY and ARMATURE PACKAGE, A/C. Compr. Drive Clutch 318 Eng. Consists Of: 1 ----- Pulley & Bearing 1 ----- Armature
	3848 982	1	Exc. M		PULLEY and ARMATURE PKG, A/C. Compr. Drive Clutch 2.2, 2.5, 3.0 Engine Consists Of: 1 ----- Pulley & Bearing Assy 1 ----- Armature Assy
1	4443 131	1			COMPRESSOR, A/C. Less (Clutch, Coil & Pulley) w/2.2,2.5,3.0 L Engine w/318 Engine
	4339 455	1			
2	4462 370	1			COIL, A/C. Compressor Drive Clutch Field
3	3843 386	1			TERMINAL, A/C. Field Coil Lead
-	4209 956	1			INSULATOR, A/C. Field Coil Lead Terminal
4	3848 690	1			CLIP, A/C. Compr. Clutch Field Coil Mtg.
5	3846 680	1			KEY, A/C. Compr. Drive Shaft
6	#6500 411	1			RING, A/C. Compr. Drive Clutch Coil Ext.
	6031 416	1			RING, A/C., Compressor Drive Clutch Pulley Ext.
7	3846 722	1			FITTING, A/C. Compr. Check Valve
8	3849 468	1			VALVE, A/C. or A.T.C. Discharge Line Check
9	3848 585	1			CAP, A/C. Compr. Check Valve
10	3847 081	1			GASKET, A/C. Suction Flange to Compr., Rubber Coated
11	3847 920	1			PIN, A/C. Compressor Clutch Coil Locating
-	3847 081	1			GASKET, A/C., Discharge Line Flange To Compressor
12	3847 986	1			COVER and PIN, A/C. Compressor, Front
13	3846 678	1			COVER, A/C. Compressor, Rear
14	3846 655	1			Rear
15	3846 654	1			PLATE ASSEMBLY, A/C. Compr. Discharge Valve, Front
16	3846 666	2			REED, A/C. Compressor Suction Valve
-	3847 916	1			SEAL, Compressor Shaft, Pkg.
-	6100 218	1			NUT, A/C. Compressor Drive Clutch Mtg.

MODEL CODES

C BODY = (D41 - DYNASTY)(C41 - NEW YORKER)
 E BODY = (J - CARAVELLE)(E - 600)(T - NEW YORKER TURBO)
 G BODY = (V24 - DAYTONA, PACIFICA & SHELBY)
 H BODY = (D44 - LANCER)(C44 - LEBARON GTS)
 J BODY = (C - LEBARON)
 K BODY = (P - RELIANT)(D - ARIES)(C - LEBARON/ TOWN & COUNTRY)

L BODY = (M - HORIZON)(Z-OMNI)
 M BODY = (B - GRAN FURY)(G - DIPLOMAT)(F - FIFTH AVENUE/NEWPORT)
 P BODY = (P - SUNDANCE)(D - SHADOW)
 Q BODY = (C27 - MASERATI)
 S BODY = (H - VOYAGER)(K - RAM VAN/ CARAVAN)

BODY STYLES

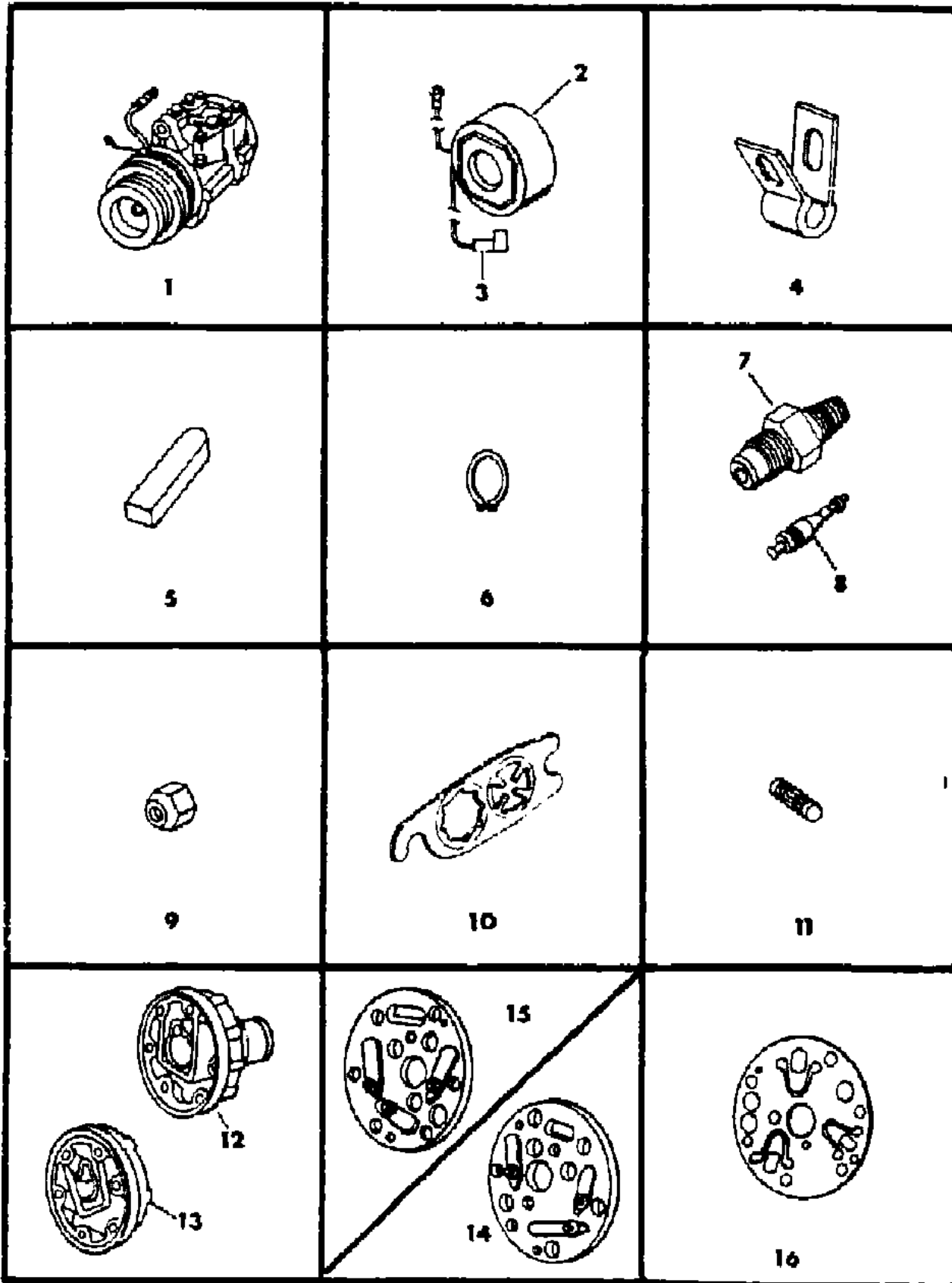
12-52 = FWD VAN & WAGON STD. W.B. 27 = 2-DOOR CONVERTIBLE
 13-53 = FWD VAN & WGN EXT W.B. 41 = 4-DOOR SEDAN
 21 = 2-DOOR SEDAN 44 = 4-DOOR HATCHBACK
 24 = 2-DOOR HATCHBACK 45 = 4-DOOR STATION WAGON

AR = Use as Required - = Non Illustrated Part P.A.R. = Paint as Required

AIR CONDITIONING COMPRESSOR

Figure 24-4400

8124 4400



ITEM	PART NUMBER	QTY	BODY	MODEL	DESCRIPTION
-	6100 141	1			LOCK WASHER, A/C. Compressor Drive Clutch Mtg.
-	4368 557	1	Exc. M		DIODE, A/C., Clutch, Mold (Repair)
-	4414 698	1	Ex LQCM		DIODE, A/C Clutch (Repair)
-	4222 599	1			DIODE, Bidirectional Zener
-	4439 008	1	C		RELAY, A/C Clutch Cutout, W.O.T.
-	3846 698	2			GASKET, A/C Compr. Valve w/Shell Mtg.

MODEL CODES

C BODY = (D41 - DYNASTY)(C41 - NEW YORKER)
 E BODY = (J - CARAVELLE)(E - 600)(T - NEW YORKER TURBO)
 G BODY = (V24 - DAYTONA, PACIFICA & SHELBY)
 H BODY = (D44 - LANCER)(C44 - LEBARON GTS)
 J BODY = (C - LEBARON)
 K BODY = (P - RELIANT)(D - ARIES)(C - LEBARON/ TOWN & COUNTRY)

L BODY = (M - HORIZON)(Z-OMNI)
 M BODY = (B - GRAN FURY)(G - DIPLOMAT)(F - FIFTH AVENUE/NEWPORT)
 P BODY = (P - SUNDANCE)(D - SHADOW)
 Q BODY = (C27 - MASERATI)
 S BODY = (H - VOYAGER)(K - RAM VAN/ CARAVAN)

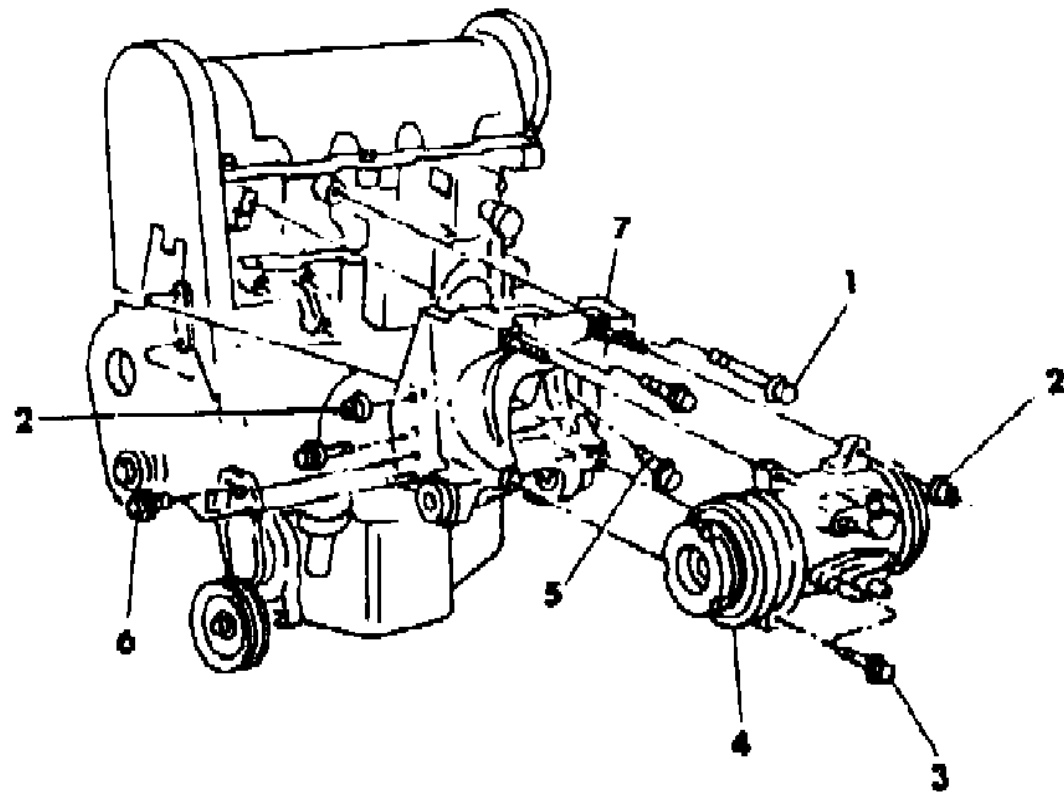
BODY STYLES

12-52 = FWD VAN & WAGON STD. W.B.	27 = 2-DOOR CONVERTIBLE
13-53 = FWD VAN & WGN EXT W.B.	41 = 4-DOOR SEDAN
21 = 2-DOOR SEDAN	44 = 4-DOOR HATCHBACK
24 = 2-DOOR HATCHBACK	45 = 4-DOOR STATION WAGON

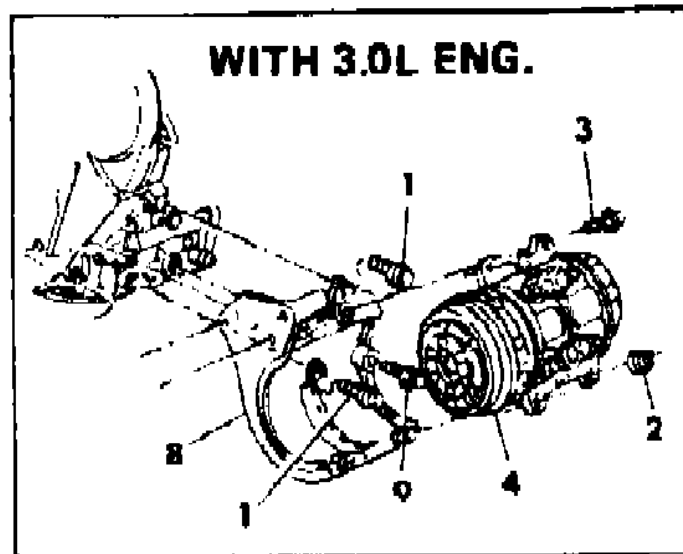
AR = Use as Required - = Non Illustrated Part P.A.R. = Paint as Required

AIR CONDITIONING COMPRESSOR MOUNTING EXC. M BODY
Figure 24-4500

8124 4500 A



WITH 2.2, 2.5L ENG.



WITH 3.0L ENG.

ITEM	PART NUMBER	QTY	BODY	MODEL	DESCRIPTION
1	6501 261	1			SCREW and WASHER, Adapter to Cylinder Head
2	6100 053	1			NUT, Lock
3	6101 054	1			SCREW and WASHER, Compressor to Adapter
4	4443 131	1			COMPRESSOR, A/C. with 2.2, 2.5, 3.0 Engine
5	6501 261	3			SCREW, Adapter to Block Cylinder Head
6	#6500 374	1			SCREW
7	4419 313	1			ADAPTER, Altr. and A/C. Compressor Mounting, 2.2, 2.5 Eng.
8	4343 899	1			BRACKET, A/C. Compr. Mtg. with 3.0 Engine
9	6101 012	AR			SCREW and WASHER

MODEL CODES

C BODY = (D41 - DYNASTY)(C41 - NEW YORKER)	L BODY = (M - HORIZON)(Z-OMNI)
E BODY = (J - CARAVELLE)(E - 600)(T - NEW YORKER TURBO)	M BODY = (B - GRAN FURY)(G - DIPLOMAT)(F - FIFTH AVENUE/NEWPORT)
G BODY = (V24 - DAYTONA, PACIFICA & SHELBY)	P BODY = (P - SUNDANCE)(D - SHADOW)
H BODY = (D44 - LANCER)(C44 - LEBARON GTS)	Q BODY = (C27 - MASERATI)
J BODY = (C - LEBARON)	S BODY = (H - VOYAGER)(K - RAM VAN/ CARAVAN)
K BODY = (P - RELIANT)(D - ARIES)(C - LEBARON/ TOWN & COUNTRY)	

BODY STYLES

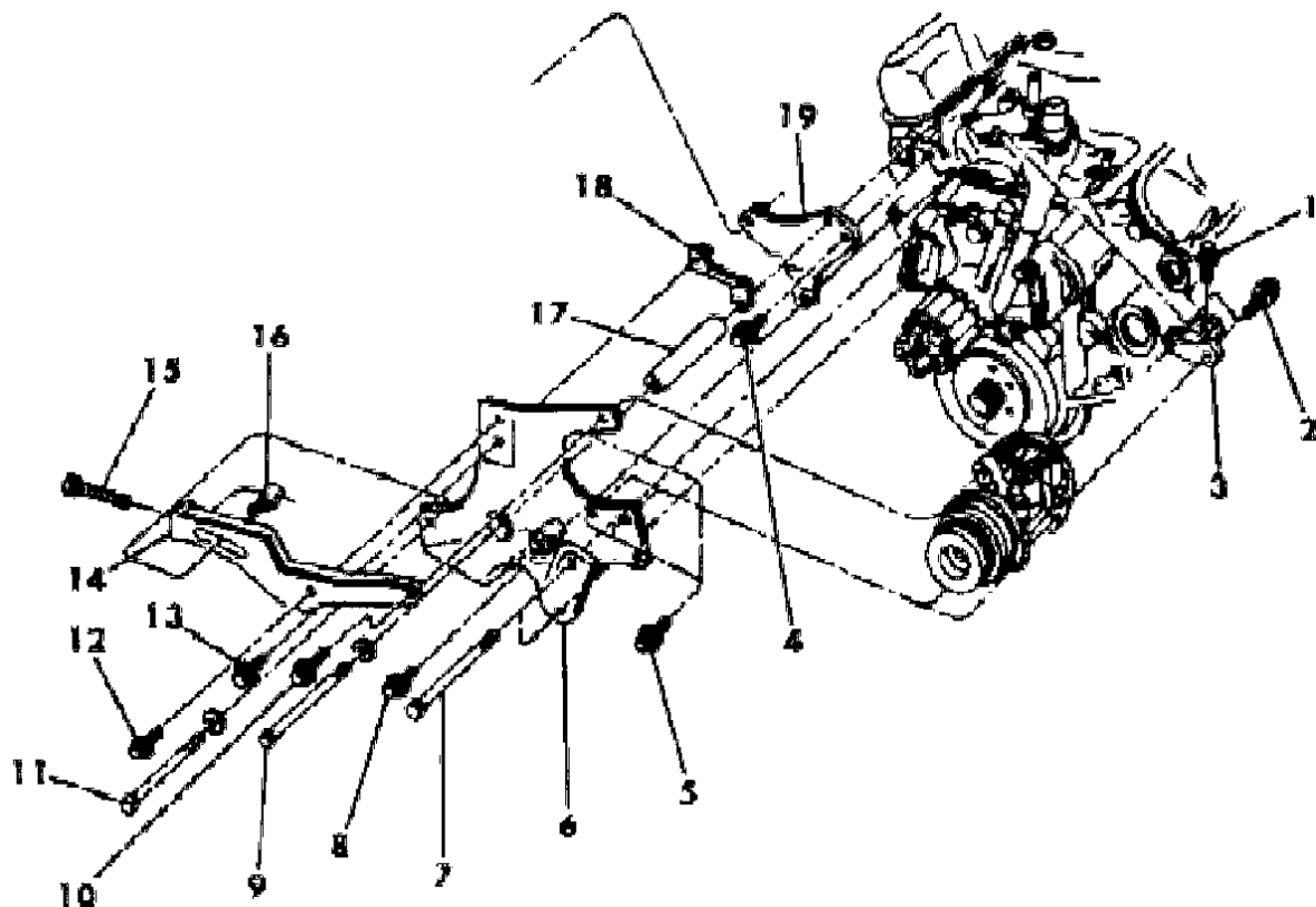
12-52 = FWD VAN & WAGON STD. W.B.	27 = 2-DOOR CONVERTIBLE
13-53 = FWD VAN & WGN EXT W.B.	41 = 4-DOOR SEDAN
21 = 2-DOOR SEDAN	44 = 4-DOOR HATCHBACK
24 = 2-DOOR HATCHBACK	45 = 4-DOOR STATION WAGON

AR = Use as Required - = Non Illustrated Part P.A.R. = Paint as Required

AIR CONDITIONING COMPRESSOR MOUNTING M BODY (318 ENGINE)

Figure 24-4600

8124 4600



ITEM	PART NUMBER	QTY	BODY	MODEL	DESCRIPTION
1	0180 122	1			SCREW and WASHER
2	6101 301	2			BOLT, A/C Compressor, Rear Mounting
3	4323 994	1			BRACKET, A/C. Compressor, Rear Mtg.
4	0180 122	1			SCREW and WASHER
5	#6500 365	1			SCREW and WASHER
6	4315 408	1			BRACKET, A/C Compressor Mounting and Alternator Pivot
7	6028 166	2			SCREW
8	6025 063	1			SCREW and WASHER
9					BOLT (Not Serviced)
10					BOLT (Not Serviced)
11					BOLT (Not Serviced)
12	0180 122	1			SCREW and WASHER
13	0180 122	1			SCREW and WASHER
14	4315 407	1			BRACKET, Alternator Adj. and Compressor Mounting
15	6501 761	1			BOLT
16	6501 659	1			BOLT
17	6031 433	1			SPACER
18	4100 604	1			SUPPORT, Front A/C Compressor Bracket to Alternator Bracket
19	4387 214	1			BRACKET, Alternator Mounting Rear

MODEL CODES

C BODY = (D41 - DYNASTY)(C41 - NEW YORKER)
 E BODY = (J - CARAVELLE)(E - 600)(T - NEW YORKER TURBO)
 G BODY = (V24 - DAYTONA, PACIFICA & SHELBY)
 H BODY = (D44 - LANCER)(C44 - LEBARON GTS)
 J BODY = (C - LEBARON)
 K BODY = (P - RELIANT)(D - ARIES)(C - LEBARON/ TOWN & COUNTRY)
 L BODY = (M - HORIZON)(Z-OMNI)
 M BODY = (B - GRAN FURY)(G - DIPLOMAT)(F - FIFTH AVENUE/NEWPORT)
 P BODY = (P - SUNDANCE)(D - SHADOW)
 Q BODY = (C27 - MASERATI)
 S BODY = (H - VOYAGER)(K - RAM VAN/ CARAVAN)

BODY STYLES

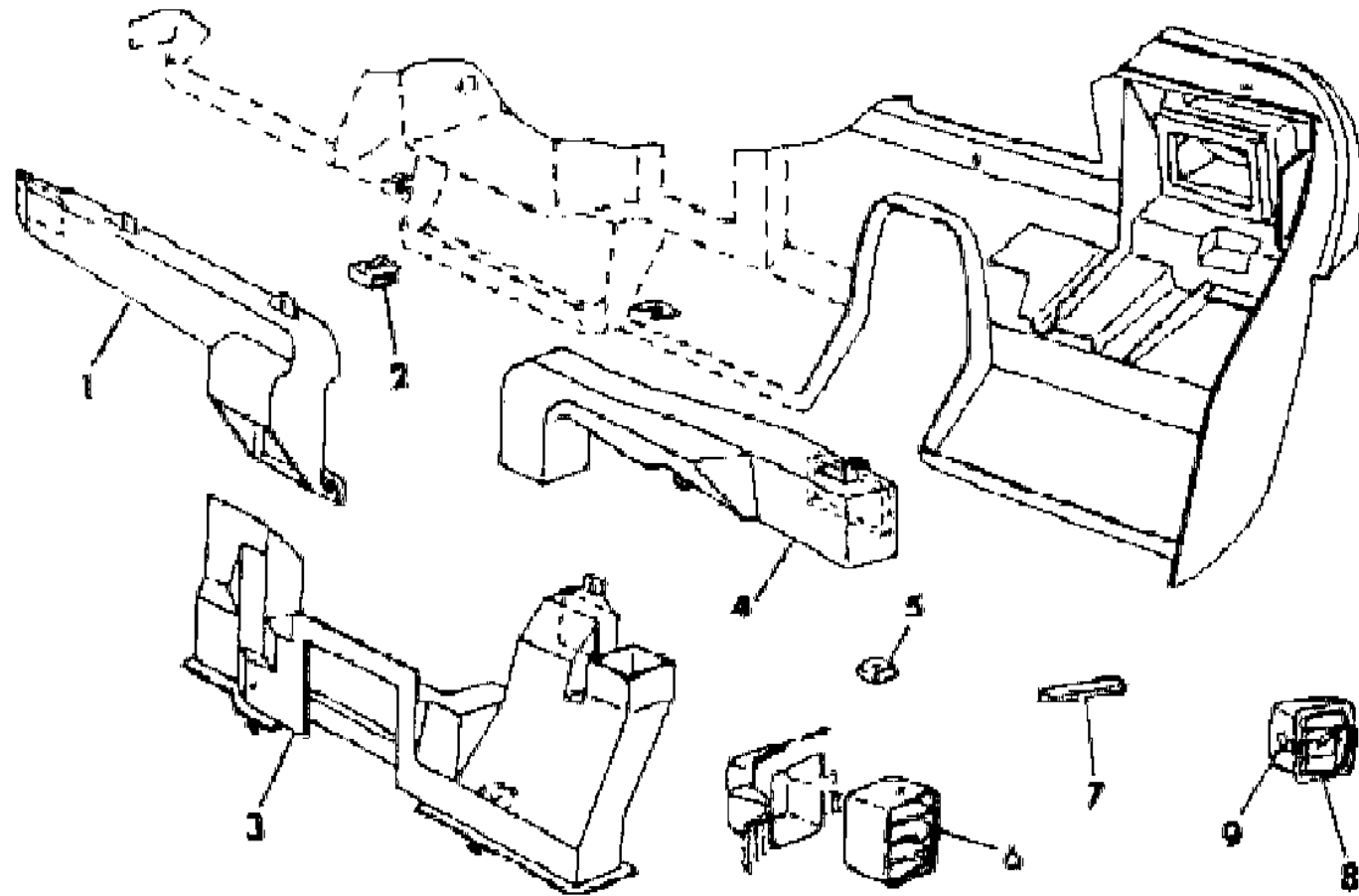
12-52 = FWD VAN & WAGON STD. W.B. 27 = 2-DOOR CONVERTIBLE
 13-53 = FWD VAN & WGN EXT W.B. 41 = 4-DOOR SEDAN
 21 = 2-DOOR SEDAN 44 = 4-DOOR HATCHBACK
 24 = 2-DOOR HATCHBACK 45 = 4-DOOR STATION WAGON

AR = Use as Required - = Non Illustrated Part P.A.R. = Paint as Required

AIR DISTRIBUTION, DUCT, OUTLET, LOUVER L BODY
Figure 24-4700

8124 4700

ITEM	PART NUMBER	QTY	BODY	MODEL	DESCRIPTION
1	5210 028	1			DUCT, A/C. Right Spot Cooler
2	0152 490	2			U-NUT
3	3848 786	1			DUCT, A/C. Center Air Distribution
-	5210 336	1			SEAL, A/C. Ctr. Air Distribution Duct
4	5210 029	1			DUCT, A/C. Left Spot Cooler
5	0152 490	1			U-NUT, Heater
6	3502 905	1			LOUVER, A/C., Heater Inst. Cluster Air Outlet
7	3593 396	1			SEAL, A/C. Outlet 10.30" Lg.
8	5210 196-7	1			OUTLET, A/C. Air Spot Cooler (with Bezel)
9	5210 018	1			CLIP, A/C. Air Spot Cooler Outlet Retaining



MODEL CODES

C BODY = (D41 - DYNASTY)(C41 - NEW YORKER)	L BODY = (M - HORIZON)(Z-OMNI)
E BODY = (J - CARAVELLE)(E - 600)(T - NEW YORKER TURBO)	M BODY = (B - GRAN FURY)(G - DIPLOMAT)(F - FIFTH AVENUE/NEWPORT)
G BODY = (V24 - DAYTONA, PACIFICA & SHELBY)	P BODY = (P - SUNDANCE)(D - SHADOW)
H BODY = (D44 - LANCER)(C44 - LEBARON GTS)	Q BODY = (C27 - MASERATI)
J BODY = (C - LEBARON)	S BODY = (H - VOYAGER)(K - RAM VAN/ CARAVAN)
K BODY = (P - RELIANT)(D - ARIES)(C - LEBARON/ TOWN & COUNTRY)	

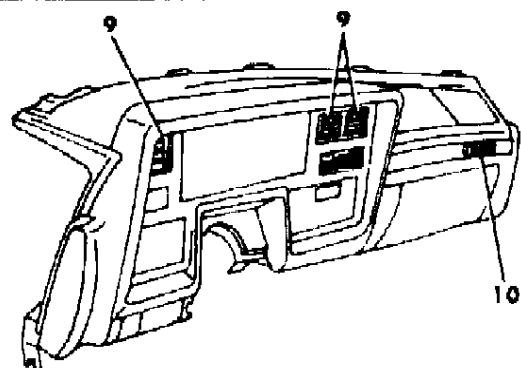
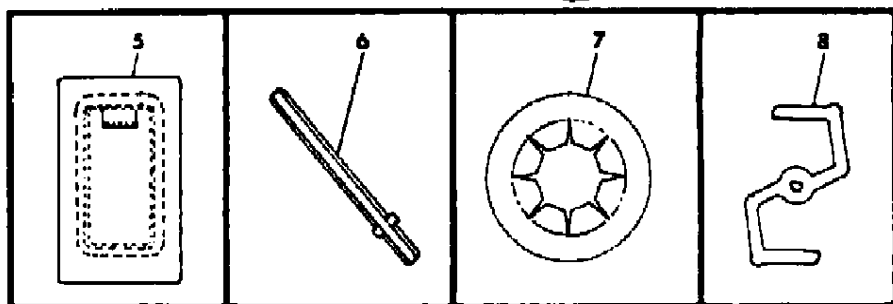
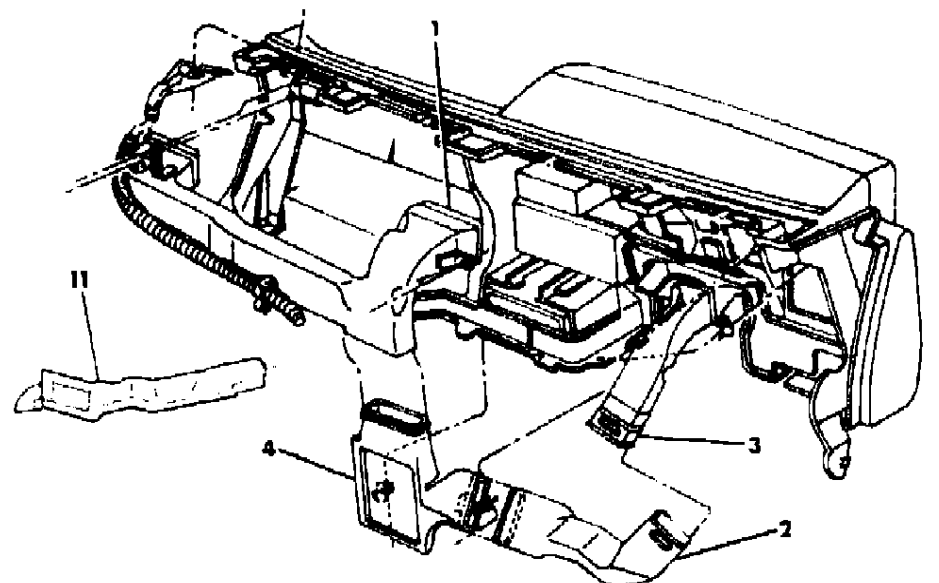
BODY STYLES

12-52 = FWD VAN & WAGON STD. W.B.	27 = 2-DOOR CONVERTIBLE
13-53 = FWD VAN & WGN EXT W.B.	41 = 4-DOOR SEDAN
21 = 2-DOOR SEDAN	44 = 4-DOOR HATCHBACK
24 = 2-DOOR HATCHBACK	45 = 4-DOOR STATION WAGON

AR = Use as Required - = Non Illustrated Part P.A.R. = Paint as Required

AIR DISTRIBUTION DUCTS, LOUVER, GRILLE C BODY
Figure 24-4800

8124 4800 A



ITEM	PART NUMBER	QTY	BODY	MODEL	DESCRIPTION
1	3849 385	1			DUCT, Air Outlet, Rt. Ctr.
	3849 387	1			SEAL, Air Outlet Rt/Ctr. Duct Right
	3849 546	1			BRACKET, Air Outlet Rt., Ctr., Duct Mtg. Ctr.
2	3848 478	1			DUCT, Air Outlet over Steering Col.
3	3849 388	1			DUCT, Air Outlet, Left
4	3849 383	1			DUCT, Air Outlet Distribution
-	3849 430	1			DUCT, Air Outlet Distribution with Vent
5	3849 528	2			DOOR, Air Outlet Distribution Duct, w/Seal
6	3849 530	1			SHAFT, Outlet Distribution Duct Door
7	6031 147	2			NUT
8	3849 766	1			KNOB, Vent (Right)
-	3849 529	1			KNOB, Vent (Left)
9	3849 536	3		S	LOUVER, Air Outlet, Left
-	3848 504	3		H,P	LOUVER, Air Outlet, Left
10	3849 355	1		H,P	LOUVER, Air Outlet (Right)
-	3849 540	1		S	LOUVER, Air Outlet (Right)
-	P493 GS8	1			GRILLE, ATC Sensor, Charcoal
	P493 GC5	1			Blue
	P493 GR8	1			Bordeaux Red
	P493 GL7	1			Taupe
11	3849 512	1			DUCT, A/C., Heat Distribution with Deflector
-	3849 513	1			DEFLECTOR, A/C., Heat Distribution Left Outlet

MODEL CODES

C BODY = (D41 - DYNASTY)(C41 - NEW YORKER)
 E BODY = (J - CARAVELLE)(E - 600)(T - NEW YORKER TURBO)
 G BODY = (V24 - DAYTONA, PACIFICA & SHELBY)
 H BODY = (D44 - LANCER)(C44 - LEBARON GTS)
 J BODY = (C - LEBARON)
 K BODY = (P - RELIANT)(D - ARIES)(C - LEBARON/ TOWN & COUNTRY)

L BODY = (M - HORIZON)(Z-OMNI)
 M BODY = (B - GRAN FURY)(G - DIPLOMAT)(F - FIFTH AVENUE/NEWPORT)
 P BODY = (P - SUNDANCE)(D - SHADOW)
 Q BODY = (C27 - MASERATI)
 S BODY = (H - VOYAGER)(K - RAM VAN/ CARAVAN)

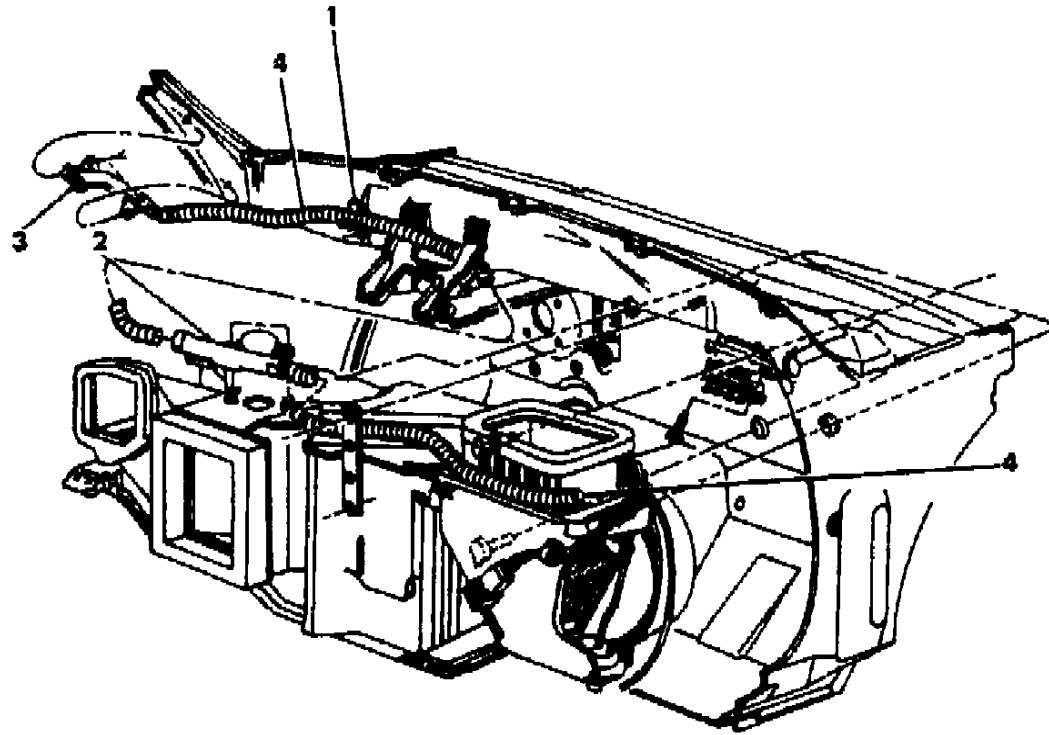
BODY STYLES

12-52 = FWD VAN & WAGON STD. W.B. 27 = 2-DOOR CONVERTIBLE
 13-53 = FWD VAN & WGN EXT W.B. 41 = 4-DOOR SEDAN
 21 = 2-DOOR SEDAN 44 = 4-DOOR HATCHBACK
 24 = 2-DOOR HATCHBACK 45 = 4-DOOR STATION WAGON

AR = Use as Required - = Non Illustrated Part P.A.R. = Paint as Required

DEMISTER, HOSE ADAPTER C BODY
Figure 24-4900

8124 4900 A



ITEM	PART NUMBER	QTY	BODY	MODEL	DESCRIPTION
1	6501 050	1			CLIP, Demister, Left
2	3849 381	1			ADAPTOR, Demister Inlet
3	3849 497	1			DUCT, Demister Outlet, Left
	3849 762	1			Right
4	3849 666	2			HOSE, Demister, Right and Left
-	4309 744	1			BRACKET, Outlet w/Hose (Right)
-	4309 745	1			Left

MODEL CODES

C BODY = (D41 - DYNASTY)(C41 - NEW YORKER)
 E BODY = (J - CARAVELLE)(E - 600)(T - NEW YORKER TURBO)
 G BODY = (V24 - DAYTONA, PACIFICA & SHELBY)
 H BODY = (D44 - LANCER)(C44 - LEBARON GTS)
 J BODY = (C - LEBARON)
 K BODY = (P - RELIANT)(D - ARIES)(C - LEBARON/ TOWN & COUNTRY)
 L BODY = (M - HORIZON)(Z-OMNI)
 M BODY = (B - GRAN FURY)(G - DIPLOMAT)(F - FIFTH AVENUE/NEWPORT)
 P BODY = (P - SUNDANCE)(D - SHADOW)
 Q BODY = (C27 - MASERATI)
 S BODY = (H - VOYAGER)(K - RAM VAN/ CARAVAN)

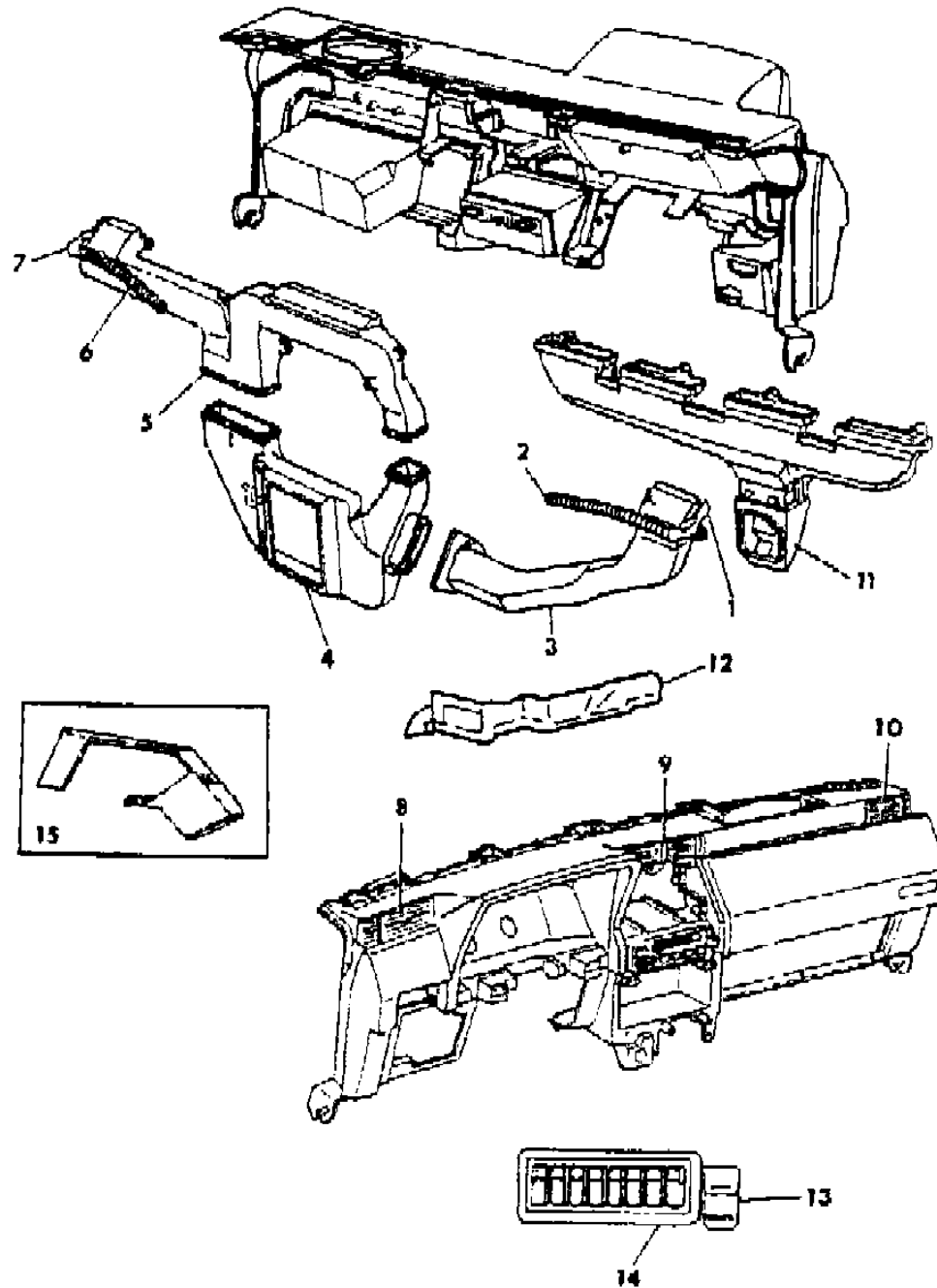
BODY STYLES

12-52 = FWD VAN & WAGON STD. W.B. 27 = 2-DOOR CONVERTIBLE
 13-53 = FWD VAN & WGN EXT W.B. 41 = 4-DOOR SEDAN
 21 = 2-DOOR SEDAN 44 = 4-DOOR HATCHBACK
 24 = 2-DOOR HATCHBACK 45 = 4-DOOR STATION WAGON

AR = Use as Required - = Non Illustrated Part P.A.R. = Paint as Required

AIR DISTRIBUTION, DUCT, OUTLET, VENT HSG. P BODY P,D 22,44
Figure 24-5000

8124 5000 A



ITEM	PART NUMBER	QTY	BODY	MODEL	DESCRIPTION
1	3848 890-1	1			ADAPTOR, Demister
2	3849 377	1			HOSE, Demister Left
3	3848 897	1			DUCT, Air Outlet Left
4	3848 899	1			DUCT, A/C. Air Outlet Dist., up to 5-9-88
	4462 056	1			after 5-9-88
	3849 888	1			DUCT, Heater Air Outlet Dist. up to 5-9-88
	4462 047	1			after 5-9-88
5	3848 895	1			DUCT, A/C. Air Outlet Ctr. Right
6	3849 376	1			HOSE, Demister Left
7	3848 890	1			ADAPTOR, Demister Right
8	3849 874	1			OUTLET, A/C. Air, Demister Left
9	3849 873	1			OUTLET, A/C. Air Center
10	3849 872	1			OUTLET, A/C. Air Demister Right
11	3849 174	1			DUCT, A/C. Defroster
12	3849 512	1			DUCT, A/C. Htr., Distr. with Deflector
13					DOOR, Vent Outlet, w/Open Vent, Right
	3849 646	1			up to 5-9-88
	4462 066	1			after 5-9-88
	3849 647	1			DOOR, Vent Outlet, w/Open Vent, Left
	4462 067	1			after 5-9-88
14					HOUSING, Forced Vent Outlet, Right
	3849 642	1			up to 5-9-88
	4462 064	1			after 5-9-88
					HOUSING, Forced Vent Outlet, Left
	3849 643	1			up to 5-9-88
	4462 065	1			after 5-9-88
15	3849 513	1			DEFLECTOR, A/C, Heat Distribution Left Outlet

MODEL CODES

C BODY = (D41 - DYNASTY)(C41 - NEW YORKER)
 E BODY = (J - CARAVELLE)(E - 600)(T - NEW YORKER TURBO)
 G BODY = (V24 - DAYTONA, PACIFICA & SHELBY)
 H BODY = (D44 - LANCER)(C44 - LEBARON GTS)
 J BODY = (C - LEBARON)
 K BODY = (P - RELIANT)(D - ARIES)(C - LEBARON/ TOWN & COUNTRY)

L BODY = (M - HORIZON)(Z-OMNI)
 M BODY = (B - GRAN FURY)(G - DIPLOMAT)(F - FIFTH AVENUE/NEWPORT)
 P BODY = (P - SUNDANCE)(D - SHADOW)
 Q BODY = (C27 - MASERATI)
 S BODY = (H - VOYAGER)(K - RAM VAN/ CARAVAN)

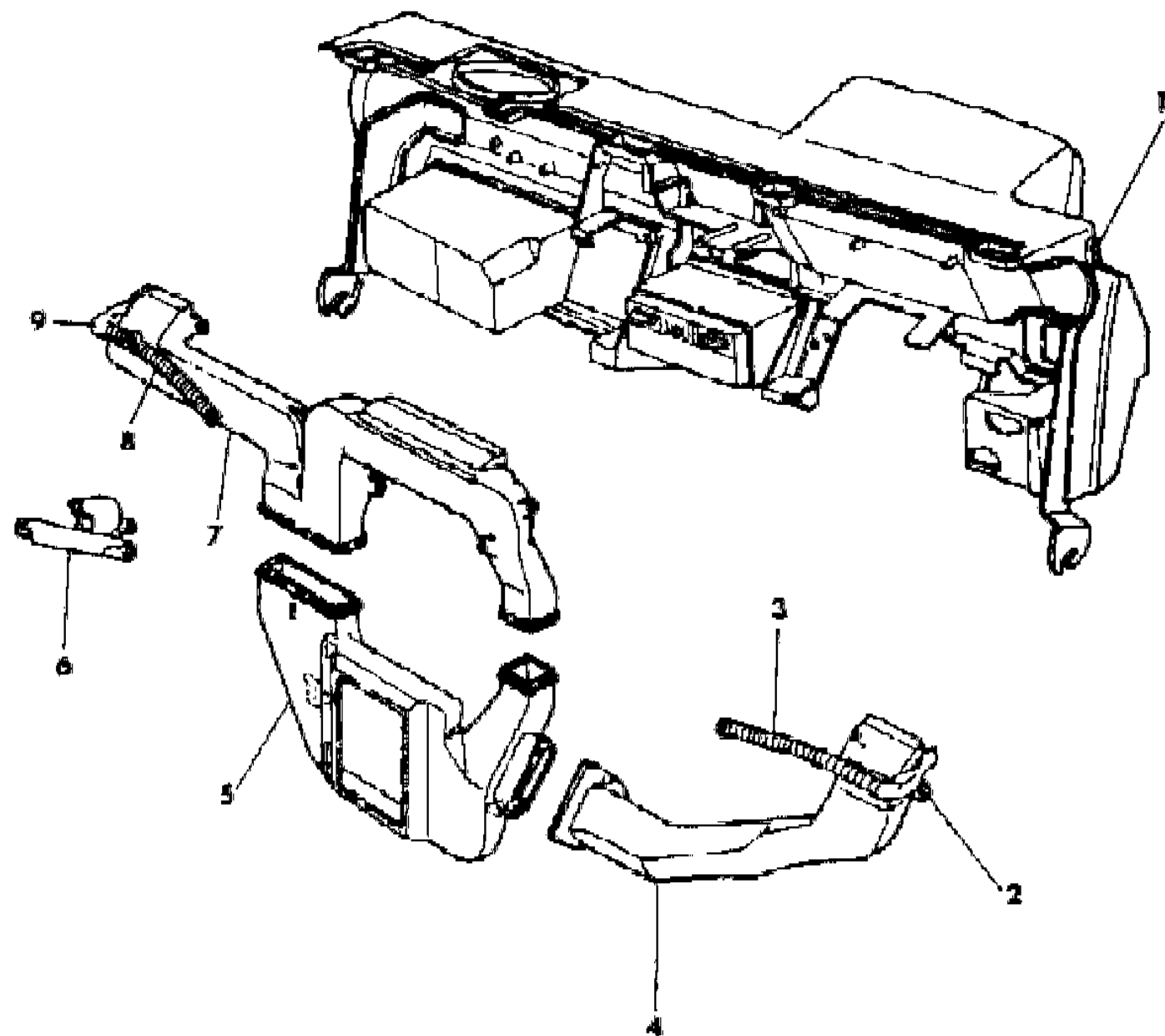
BODY STYLES

12-52 = FWD VAN & WAGON STD. W.B. 27 = 2-DOOR CONVERTIBLE
 13-53 = FWD VAN & WGN EXT W.B. 41 = 4-DOOR SEDAN
 21 = 2-DOOR SEDAN 44 = 4-DOOR HATCHBACK
 24 = 2-DOOR HATCHBACK 45 = 4-DOOR STATION WAGON

AR = Use as Required - = Non Illustrated Part P.A.R. = Paint as Required

DEMISTER, HOSE, OUTLET, ADAPTER P BODY P,D 22,44
Figure 24-5100

8124 5100



ITEM	PART NUMBER	QTY	BODY	MODEL	DESCRIPTION
1	3849 874	1			OUTLET, Air Demister Left
	3849 872	1			OUTLET, Air Demister Right
	3849 873	1			OUTLET, Air Center
2	3848 891	1			ADAPTOR, Demister Left
3	3849 377	1			HOSE, Demister Left
4	3848 897	1			DUCT, Air Outlet Left
5	3848 899	1			DUCT, A/C. Air Outlet Dist.
6	3849 381	1			ADAPTOR, Demister
7	3848 895	1			DUCT, A/C. Air Outlet Center Right
8	3849 376	1			HOSE, Demister Left
9	3848 890	1			ADAPTOR, Demister Right

MODEL CODES

C BODY = (D41 - DYNASTY)(C41 - NEW YORKER)
 E BODY = (J - CARAVELLE)(E - 600)(T - NEW YORKER TURBO)
 G BODY = (V24 - DAYTONA, PACIFICA & SHELBY)
 H BODY = (D44 - LANCER)(C44 - LEBARON GTS)
 J BODY = (C - LEBARON)
 K BODY = (P - RELIANT)(D - ARIES)(C - LEBARON/ TOWN & COUNTRY)
 L BODY = (M - HORIZON)(Z-OMNI)
 M BODY = (B - GRAN FURY)(G - DIPLOMAT)(F - FIFTH AVENUE/NEWPORT)
 P BODY = (P - SUNDANCE)(D - SHADOW)
 Q BODY = (C27 - MASERATI)
 S BODY = (H - VOYAGER)(K - RAM VAN/ CARAVAN)

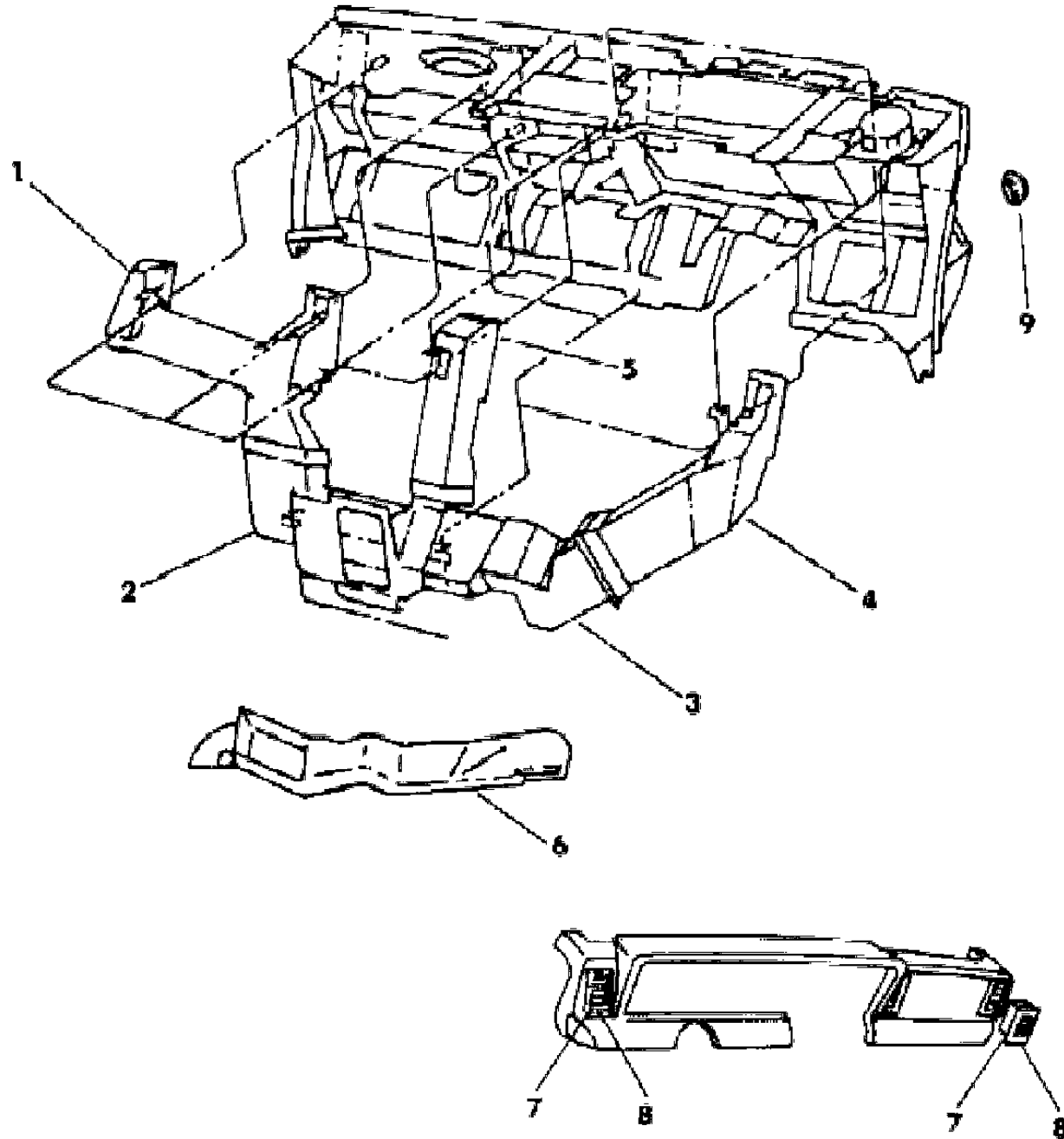
BODY STYLES

12-52 = FWD VAN & WAGON STD. W.B. 27 = 2-DOOR CONVERTIBLE
 13-53 = FWD VAN & WGN EXT W.B. 41 = 4-DOOR SEDAN
 21 = 2-DOOR SEDAN 44 = 4-DOOR HATCHBACK
 24 = 2-DOOR HATCHBACK 45 = 4-DOOR STATION WAGON

AR = Use as Required - = Non Illustrated Part P.A.R. = Paint as Required

AIR DISTRIBUTION, DUCT, OUTLET, LOUVER, HOUSING K,E BODY
Figure 24-5200

8124 5200



ITEM	PART NUMBER	QTY	BODY	MODEL	DESCRIPTION
1	3847 562	1			DUCT, Air Outlet, Right
2	3847 554	1			DUCT, A/C. Air Outlet Distribution
-	4220 828	1			SEAL, I/Pnl. A/C Air Duct
-	0152 490	2			CLIP, Center Air Distribution Duct To Inst. Panel
3	3847 574	1			DUCT, Heater, A/C. Vent Over Strg. Column
4	3847 569	1			DUCT, Air Outlet, Left
5	3847 563	1			DUCT, Air Outlet, Left Center
6	3849 451	1			DUCT, A/C. Heater Distribution
7	4364 886	1			OUTLET and LOUVER, A/C., Air, Charcoal
	4443 116	1			Blue Twilight
	4443 115	1			Almond
	4443 114	1			Cordovan
8	3847 950	2			LOUVER, A/C., Heater Air Outlet Bright
9	6501 429	1			PLUG, Cover Demister Opening
-	3847 575	2	P,D		LOUVER, A/C., Heater Air Outlet Black, Left

MODEL CODES

C BODY = (D41 - DYNASTY)(C41 - NEW YORKER)	L BODY = (M - HORIZON)(Z-OMNI)
E BODY = (J - CARAVELLE)(E - 600)(T - NEW YORKER TURBO)	M BODY = (B - GRAN FURY)(G - DIPLOMAT)(F - FIFTH AVENUE/NEWPORT)
G BODY = (V24 - DAYTONA, PACIFICA & SHELBY)	P BODY = (P - SUNDANCE)(D - SHADOW)
H BODY = (D44 - LANCER)(C44 - LEBARON GTS)	Q BODY = (C27 - MASERATI)
J BODY = (C - LEBARON)	S BODY = (H - VOYAGER)(K - RAM VAN/ CARAVAN)
K BODY = (P - RELIANT)(D - ARIES)(C - LEBARON/ TOWN & COUNTRY)	

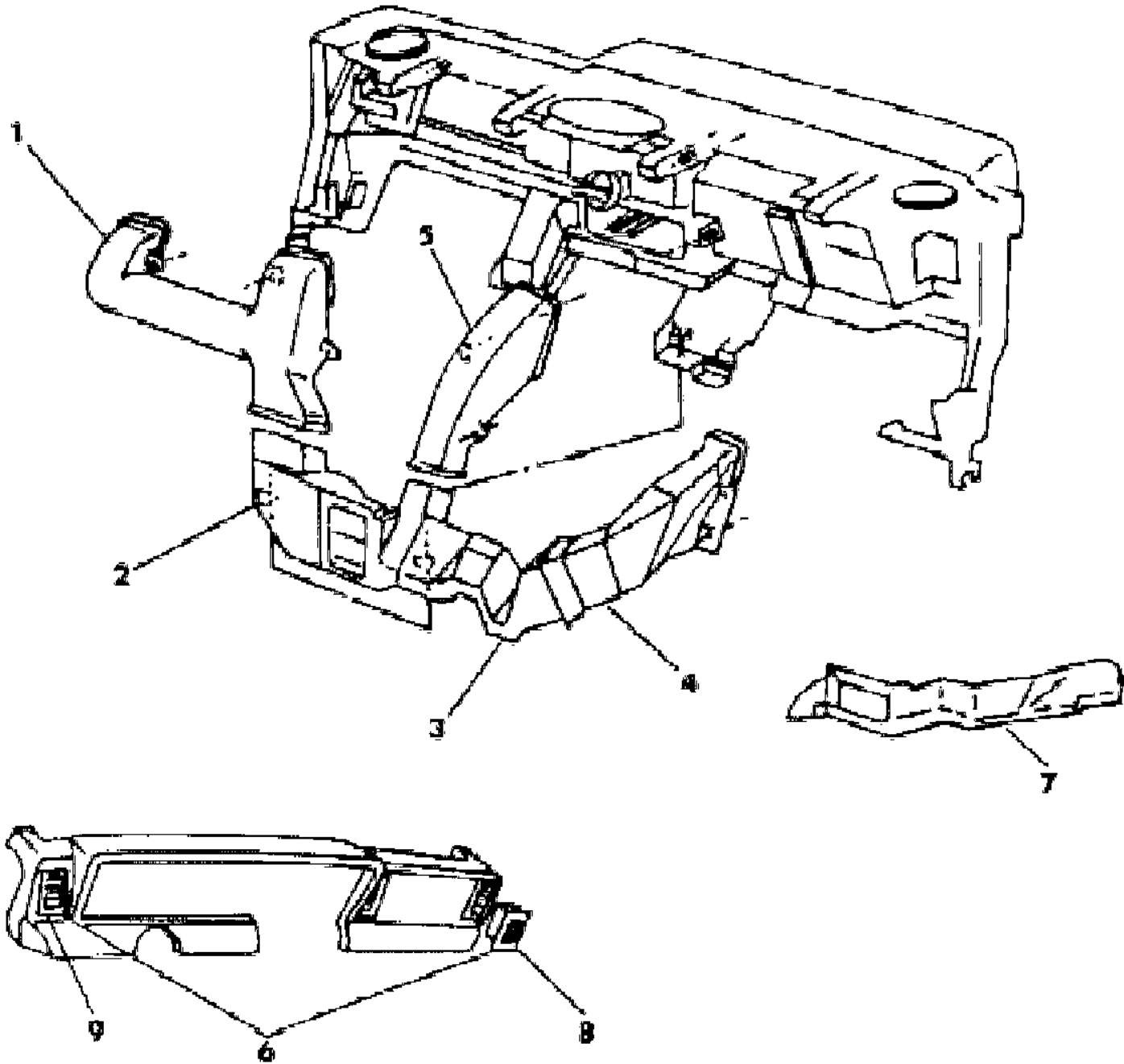
BODY STYLES

12-52 = FWD VAN & WAGON STD. W.B.	27 = 2-DOOR CONVERTIBLE
13-53 = FWD VAN & WGN EXT W.B.	41 = 4-DOOR SEDAN
21 = 2-DOOR SEDAN	44 = 4-DOOR HATCHBACK
24 = 2-DOOR HATCHBACK	45 = 4-DOOR STATION WAGON

AR = Use as Required - = Non Illustrated Part P.A.R. = Paint as Required

AIR DISTRIBUTION DUCTS, OUTLETS J BODY, G BODY
Figure 24-5300

8124 5300



ITEM	PART NUMBER	QTY	BODY	MODEL	DESCRIPTION
1	3848 088	1			DUCT, A/C., Heater Air, Right
2	3849 500	1			DUCT, A/C., Heater Air Distribution
3	3847 574	1			DUCT, A/C., Heater, Over Steering Column
4	3848 086	1			DUCT, A/C., Heater Air, Left
5	3848 083	1			DUCT, A/C., Heater Air, Left Center
6	4419 301	3			AIR, A/C. Outlet, Cordovan
	4419 302	3			AIR, Outlet, A/C., Light Almond
	4419 303	3			AIR, Outlet, A/C., Charcoal
	4419 304	3			AIR, Outlet, A/C., Black
	4443 130	3			AIR, Outlet, A/C., Twilight Blue
	4494 310	3			AIR, Outlet, A/C., Bordeaux Red
	4494 311	3			AIR, Outlet, A/C., Taupe
-	3848 095	AR			CLIP, A/C., Heater Outlet Bezel Mtg.
7	3849 512	1			DUCT, A/C. Htr. Distr. with Deflector
-	3849 513	1			DEFLECTOR, A/C., Heat Distribution Left Outlet
8	3847 950	1			LOUVER, A/C., Heater Air Outlet
9	3847 575	1			LOUVER, A/C, Htr., Air Outlet Lt.

MODEL CODES

C BODY = (D41 - DYNASTY)(C41 - NEW YORKER)	L BODY = (M - HORIZON)(Z-OMNI)
E BODY = (J - CARAVELLE)(E - 600)(T - NEW YORKER TURBO)	M BODY = (B - GRAN FURY)(G - DIPLOMAT)(F - FIFTH AVENUE/NEWPORT)
G BODY = (V24 - DAYTONA, PACIFICA & SHELBY)	P BODY = (P - SUNDANCE)(D - SHADOW)
H BODY = (D44 - LANCER)(C44 - LEBARON GTS)	Q BODY = (C27 - MASERATI)
J BODY = (C - LEBARON)	S BODY = (H - VOYAGER)(K - RAM VAN/ CARAVAN)
K BODY = (P - RELIANT)(D - ARIES)(C - LEBARON/ TOWN & COUNTRY)	

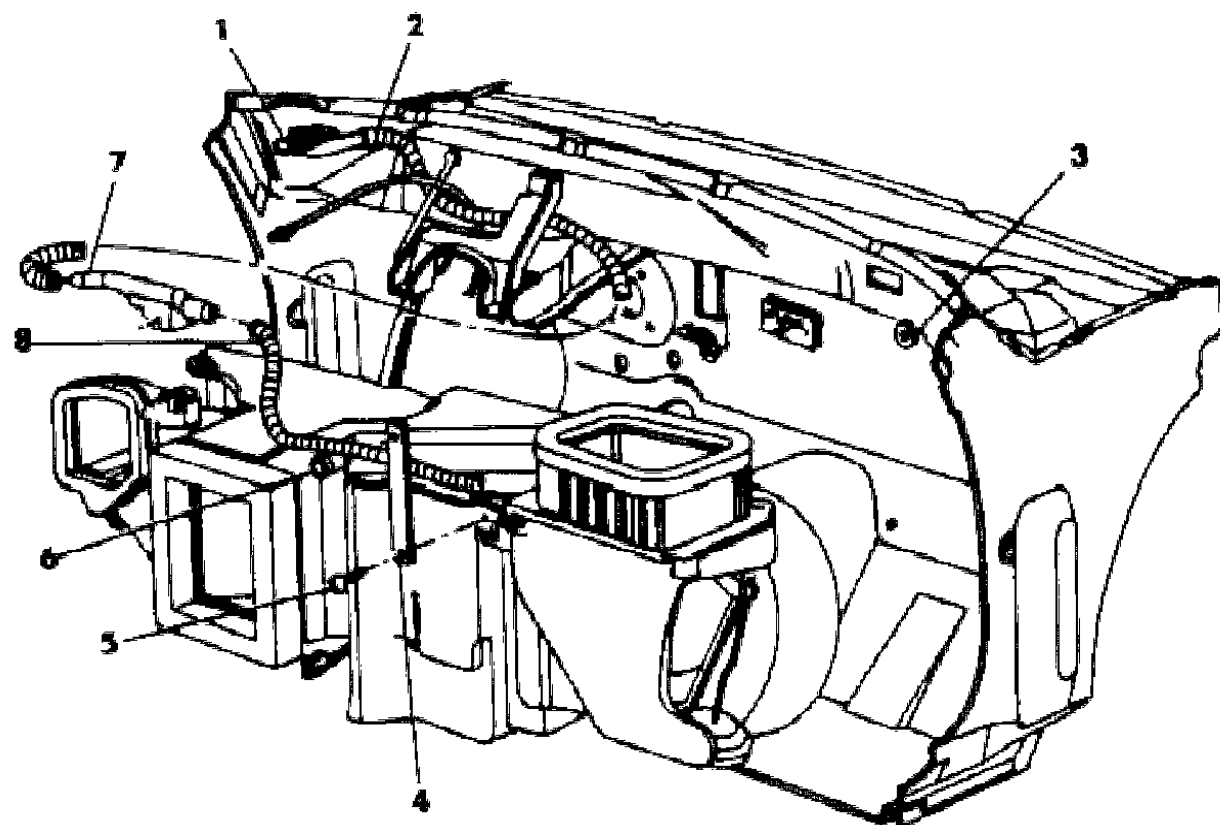
BODY STYLES

12-52 = FWD VAN & WAGON STD. W.B.	27 = 2-DOOR CONVERTIBLE
13-53 = FWD VAN & WGN EXT W.B.	41 = 4-DOOR SEDAN
21 = 2-DOOR SEDAN	44 = 4-DOOR HATCHBACK
24 = 2-DOOR HATCHBACK	45 = 4-DOOR STATION WAGON

AR = Use as Required - = Non Illustrated Part P.A.R. = Paint as Required

DEMISTER, HOSE, OUTLET, ADAPTER J BODY, G BODY
Figure 24-5400

8124 5400



WITH AIR CONDITIONING

ITEM	PART NUMBER	QTY	BODY	MODEL	DESCRIPTION
1	3848 617	1			OUTLET, A/C., Heater Demister, Left
	3848 616	1			OUTLET, A/C., Heater Demister, Right
2	3849 378	1			HOSE, A/C., Heater Demister, Left
	3849 378	1			HOSE, A/C., Heater Demister, Right
3	0219 462	4			NUT, Unit to Dash Mounting
4	3848 238	1			BRACE, Heater Support
-	3848 238	1			BRACE, A/C. Unit Mtg. to Plenum
5	9423 951	1			SCREW, Unit Brace Mtg. to Unit
6	6030 820	1			NUT
7	3849 381	1			ADAPTOR, Demister
8	3849 378	1			HOSE, Heater Demister, Left
	0152 490	1			U-NUT, A/C. Demister Outlet Mtg.
	6501 429		G		PLUG, Cur. Demister Opening

MODEL CODES

C BODY = (D41 - DYNASTY)(C41 - NEW YORKER)
 E BODY = (J - CARAVELLE)(E - 600)(T - NEW YORKER TURBO)
 G BODY = (V24 - DAYTONA, PACIFICA & SHELBY)
 H BODY = (D44 - LANCER)(C44 - LEBARON GTS)
 J BODY = (C - LEBARON)
 K BODY = (P - RELIANT)(D - ARIES)(C - LEBARON/ TOWN & COUNTRY)

L BODY = (M - HORIZON)(Z-OMNI)
 M BODY = (B - GRAN FURY)(G - DIPLOMAT)(F - FIFTH AVENUE/NEWPORT)
 P BODY = (P - SUNDANCE)(D - SHADOW)
 Q BODY = (C27 - MASERATI)
 S BODY = (H - VOYAGER)(K - RAM VAN/ CARAVAN)

BODY STYLES

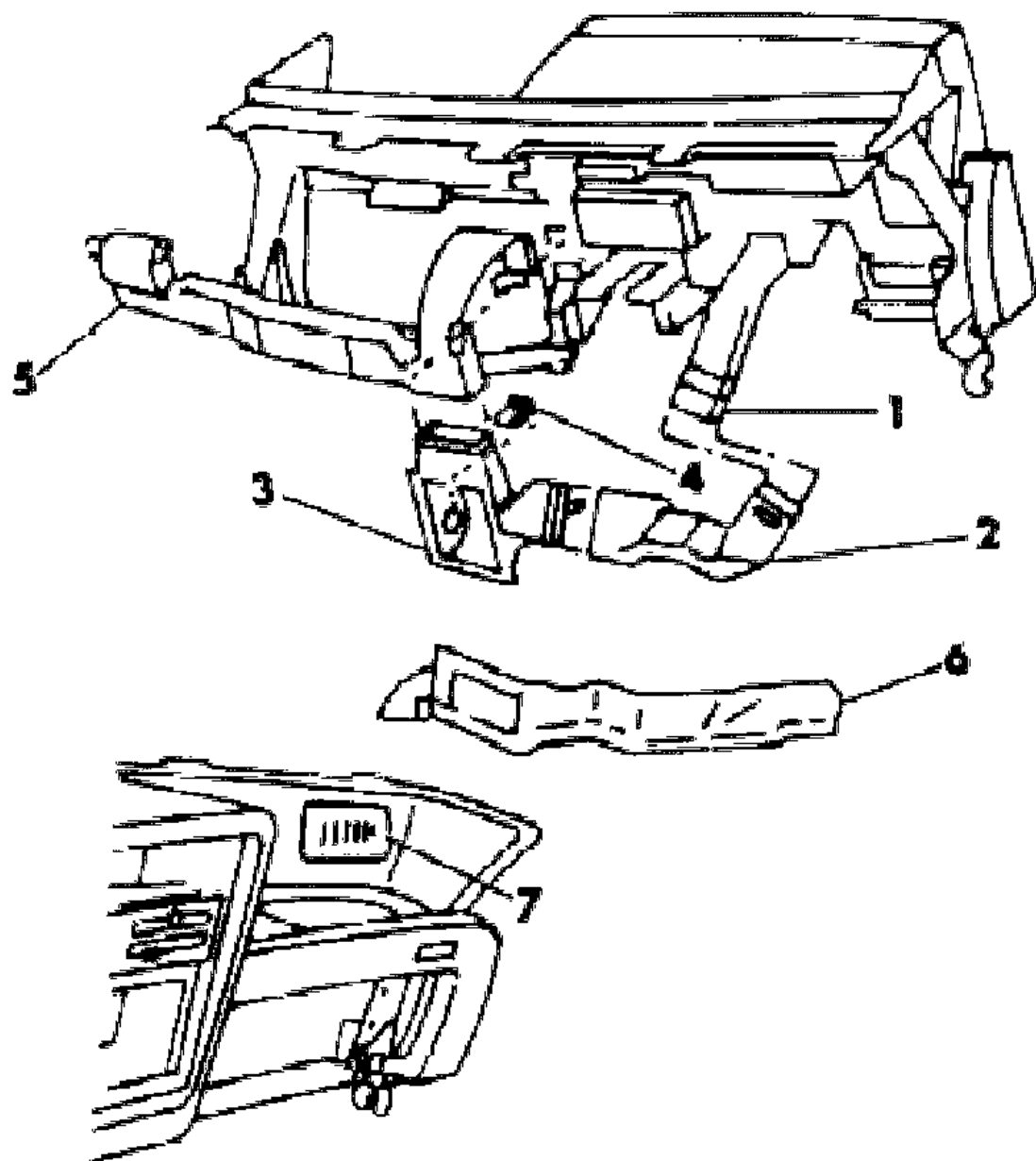
12-52 = FWD VAN & WAGON STD. W.B. 27 = 2-DOOR CONVERTIBLE
 13-53 = FWD VAN & WGN EXT W.B. 41 = 4-DOOR SEDAN
 21 = 2-DOOR SEDAN 44 = 4-DOOR HATCHBACK
 24 = 2-DOOR HATCHBACK 45 = 4-DOOR STATION WAGON

AR = Use as Required - = Non Illustrated Part P.A.R. = Paint as Required

AIR DISTRIBUTION DUCTS, OUTLET, LOUVER, VENT HSG. H BODY
Figure 24-5500

8124 5500

ITEM	PART NUMBER	QTY	BODY	MODEL	DESCRIPTION
1	3849 388	1			DUCT, Air Outlet, Left
2	3848 478	1			DUCT, Air Outlet Over Strg. Column
3	3848 472	1			DUCT, Air Outlet Distribution
-	3849 895	1			DUCT, Air Outlet with Vent
4	0152 490	AR			U-NUT, Air Outlet Distr. Duct Mtg.
5	3848 475	1			DUCT, Air Outlet, Right Center
6	3849 512	1			DUCT, A/C. Htr. Distr. with Deflector
-	3849 513	1			DEFLECTOR, A/C., Heat Distribution Left Outlet
7	4419 306	1			OUTLET, Air Right, Light Almond
	4339 478	1			Charcoal
	4419 366	1			Twilight Blue
	4339 480	1			Black
	4494 312	1			Bordeaux Red
	4494 313	1			Taupe
	3848 504	3			LOUVER, Air Outlet
-	3849 513	1			DEFLECTOR, A/C., Heat Distribution Left Outlet



MODEL CODES

C BODY = (D41 - DYNASTY)(C41 - NEW YORKER)	L BODY = (M - HORIZON)(Z-OMNI)
E BODY = (J - CARAVELLE)(E - 600)(T - NEW YORKER TURBO)	M BODY = (B - GRAN FURY)(G - DIPLOMAT)(F - FIFTH AVENUE/NEWPORT)
G BODY = (V24 - DAYTONA, PACIFICA & SHELBY)	P BODY = (P - SUNDANCE)(D - SHADOW)
H BODY = (D44 - LANCER)(C44 - LEBARON GTS)	Q BODY = (C27 - MASERATI)
J BODY = (C - LEBARON)	S BODY = (H - VOYAGER)(K - RAM VAN/ CARAVAN)
K BODY = (P - RELIANT)(D - ARIES)(C - LEBARON/ TOWN & COUNTRY)	

BODY STYLES

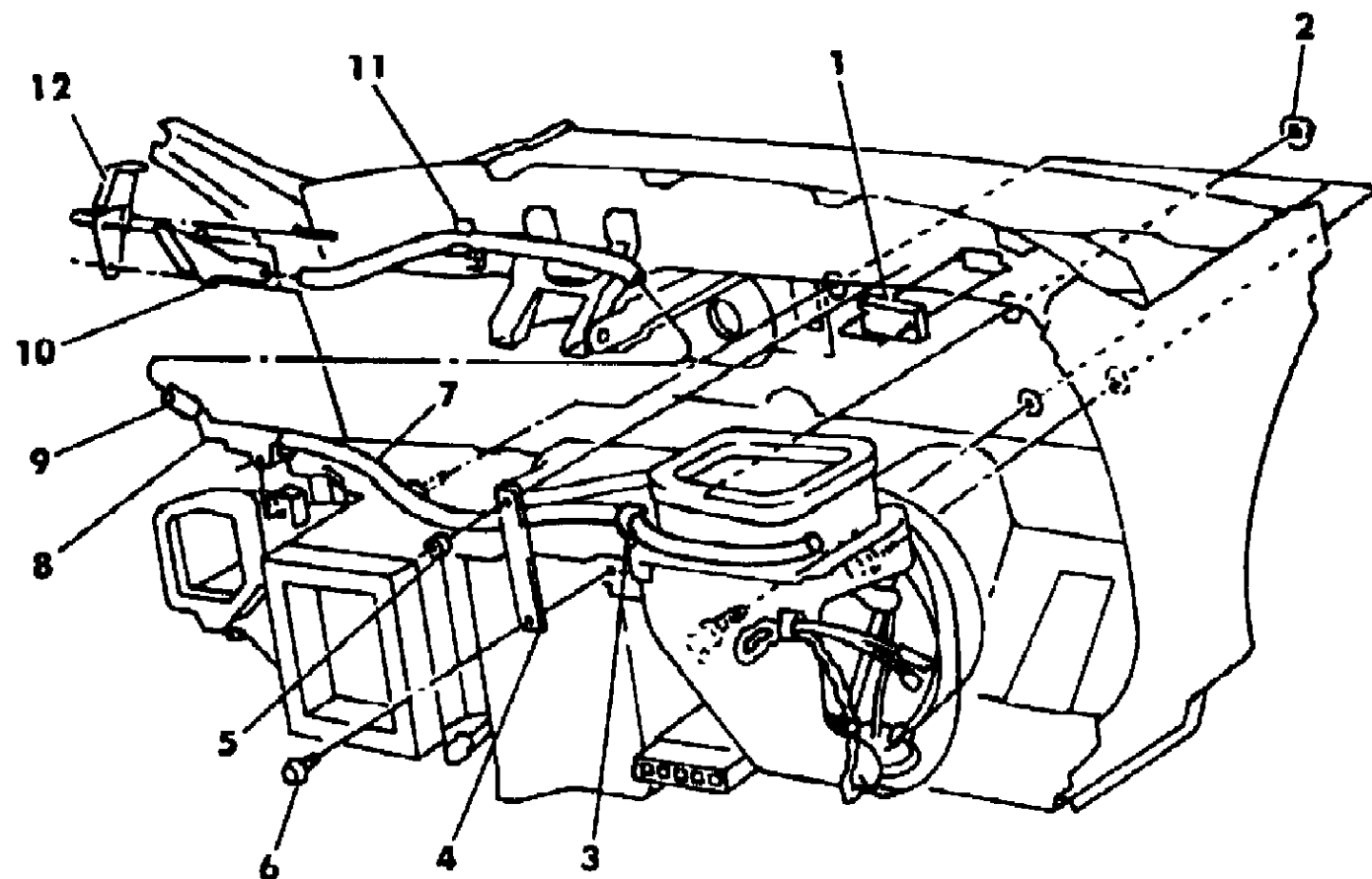
12-52 = FWD VAN & WAGON STD. W.B.	27 = 2-DOOR CONVERTIBLE
13-53 = FWD VAN & WGN EXT W.B.	41 = 4-DOOR SEDAN
21 = 2-DOOR SEDAN	44 = 4-DOOR HATCHBACK
24 = 2-DOOR HATCHBACK	45 = 4-DOOR STATION WAGON

AR = Use as Required - = Non Illustrated Part P.A.R. = Paint as Required

DEMISTER, HOSE, OUTLET, ADAPTOR H BODY
Figure 24-5600

8124 5600 A

ITEM	PART NUMBER	QTY	BODY	MODEL	DESCRIPTION
1	3849 567	1			RESISTOR, Blower Motor
2					NUT, Unit to Dash (Do Not Serv.)
3	6016 153	1			CLIP, Demister Right Hose to Unit Attaching
4	3848 238	1			BRACE, Unit Mtg. to Plenum
5	6030 820	1			NUT, Brace to Plenum Mtg.
6	9423 951	1			SCREW, Unit Brace Mtg. to Unit
7		1			HOSE (Serviced in Item #12)
8	3849 381	1			ADAPTOR, Demister
9		1			HOSE, Demister A/C., Heater, Left (Serviced in Item #12)
10	3848 886	1			OUTLET, Demister, Right w/Bracket
	3848 887	1			OUTLET, Demister, Left w/Bracket
11	6501 050	1			CLIP, Demister Lt. Hose to Strg. Col. Supt. Brkt.
12	4309 744-5	1			BRACKET, w/Shield Side Header Garn. Demister Outlet with Hose



MODEL CODES

C BODY = (D41 - DYNASTY)(C41 - NEW YORKER)
 E BODY = (J - CARAVELLE)(E - 600)(T - NEW YORKER TURBO)
 G BODY = (V24 - DAYTONA, PACIFICA & SHELBY)
 H BODY = (D44 - LANCER)(C44 - LEBARON GTS)
 J BODY = (C - LEBARON)
 K BODY = (P - RELIANT)(D - ARIES)(C - LEBARON/ TOWN & COUNTRY)
 L BODY = (M - HORIZON)(Z-OMNI)
 M BODY = (B - GRAN FURY)(G - DIPLOMAT)(F - FIFTH AVENUE/NEWPORT)
 P BODY = (P - SUNDANCE)(D - SHADOW)
 Q BODY = (C27 - MASERATI)
 S BODY = (H - VOYAGER)(K - RAM VAN/ CARAVAN)

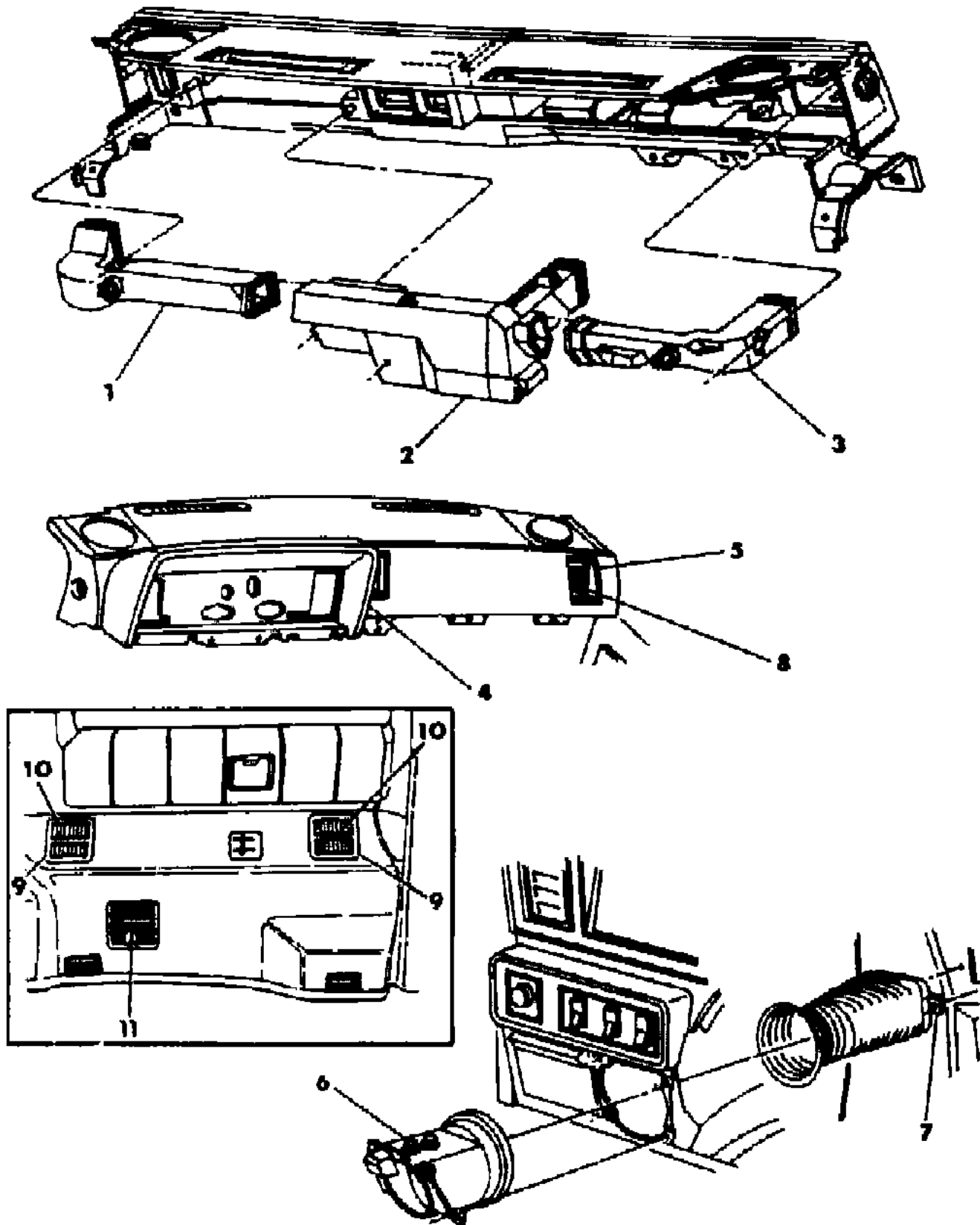
BODY STYLES

12-52 = FWD VAN & WAGON STD. W.B. 27 = 2-DOOR CONVERTIBLE
 13-53 = FWD VAN & WGN EXT W.B. 41 = 4-DOOR SEDAN
 21 = 2-DOOR SEDAN 44 = 4-DOOR HATCHBACK
 24 = 2-DOOR HATCHBACK 45 = 4-DOOR STATION WAGON

AR = Use as Required - = Non Illustrated Part P.A.R. = Paint as Required

AIR DISTRIBUTION DUCTS, OUTLETS, LOUVER S BODY
Figure 24-5700

8124 5700 A



ITEM	PART NUMBER	QTY	BODY	MODEL	DESCRIPTION
1	3848 289	1			DUCT, A/C., Heater, Right
2	3848 285	1			DUCT, A/C., Heater Distribution
3	3848 282	1			DUCT, A/C., Heater, Left
4					OUTLET, A/C., Heater Air, Right Center
	P663 CS8	1			Charcoal
	P663 EK1	1			Light Almond
	P663 GR8	1			Bordeaux Red
	P663 FC5	1			Blue Twilight
5					OUTLET, A/C., Heater Air
	P664 CS8	1			Charcoal
	P664 EK1	1			Light Almond
	P664 FC5	1			Blue Twilight
	P664 GR8	1			Bordeaux Red
6	3848 334	1			OUTLET, Left Vent
	3848 339	1			RETAINER, Left Vent Hsg. Shut-Off Door
	3848 334	1			OUTLET, Left Vent
7	3848 342	1			DUCT, Left Vent
8	3848 278	1			LOUVER, A/C., Heater Outlet, Right
9					OUTLET, Aux. A/C, Heater
	K720 GA3	2			Silver
	K720 GC5	2			Blue
	K720 GK1	2			Almond
	K720 GR8	2			Red
10	3847 575	2			LOUVER, Aux. A/C, Heater Air Outlet
11	K766 GK1	1			GRILL, Qtr. Trim Rear Htr., A/C Intake (Paint as Required) ***
	3849 569	1			GRILL, Aux. Htr. Air Outlet Front

MODEL CODES

C BODY = (D41 - DYNASTY)(C41 - NEW YORKER)
 E BODY = (J - CARAVELLE)(E - 600)(T - NEW YORKER TURBO)
 G BODY = (V24 - DAYTONA, PACIFICA & SHELBY)
 H BODY = (D44 - LANCER)(C44 - LEBARON GTS)
 J BODY = (C - LEBARON)
 K BODY = (P - RELIANT)(D - ARIES)(C - LEBARON/ TOWN & COUNTRY)

L BODY = (M - HORIZON)(Z-OMNI)
 M BODY = (B - GRAN FURY)(G - DIPLOMAT)(F - FIFTH AVENUE/NEWPORT)
 P BODY = (P - SUNDANCE)(D - SHADOW)
 Q BODY = (C27 - MASERATI)
 S BODY = (H - VOYAGER)(K - RAM VAN/ CARAVAN)

BODY STYLES

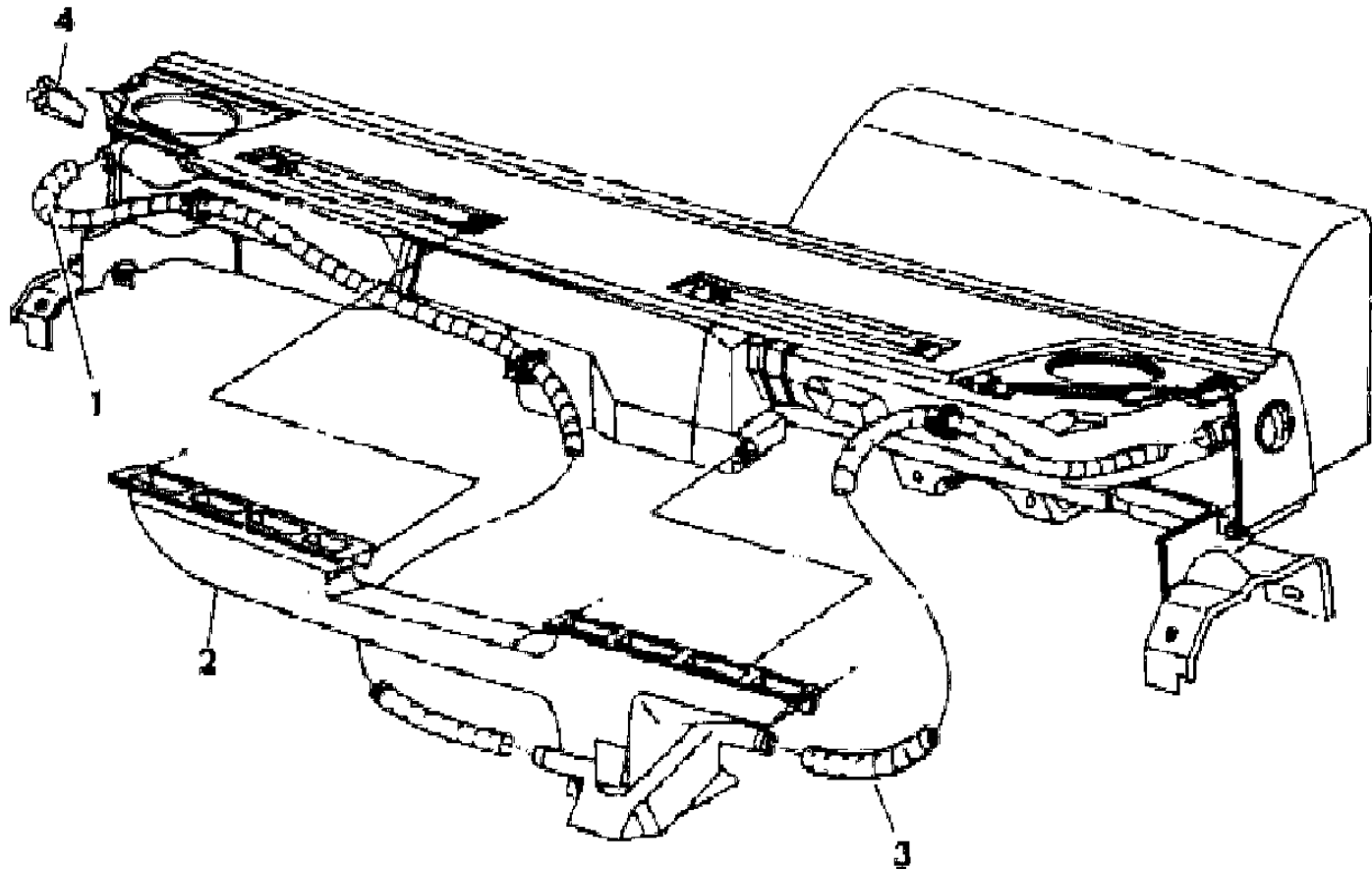
12-52 = FWD VAN & WAGON STD. W.B.	27 = 2-DOOR CONVERTIBLE
13-53 = FWD VAN & WGN EXT W.B.	41 = 4-DOOR SEDAN
21 = 2-DOOR SEDAN	44 = 4-DOOR HATCHBACK
24 = 2-DOOR HATCHBACK	45 = 4-DOOR STATION WAGON

AR = Use as Required - = Non Illustrated Part P.A.R. = Paint as Required

DEMISTER, HOSE, OUTLET, DUCT S BODY
Figure 24-5800

ITEM	PART NUMBER	QTY	BODY	MODEL	DESCRIPTION
1	3848 348	1			HOSE, Heater, A/C. Demister, Right
2	3848 345	1			DUCT, Heater, A/C. Defroster Demister Adaptor
3	3848 349	1			HOSE, Heater, A/C. Demister, Left
4	3848 313	2			OUTLET, Heater, A/C. Demister

8124 5800



MODEL CODES

C BODY = (D41 - DYNASTY)(C41 - NEW YORKER)
 E BODY = (J - CARAVELLE)(E - 600)(T - NEW YORKER TURBO)
 G BODY = (V24 - DAYTONA, PACIFICA & SHELBY)
 H BODY = (D44 - LANCER)(C44 - LEBARON GTS)
 J BODY = (C - LEBARON)
 K BODY = (P - RELIANT)(D - ARIES)(C - LEBARON/ TOWN & COUNTRY)
 L BODY = (M - HORIZON)(Z-OMNI)
 M BODY = (B - GRAN FURY)(G - DIPLOMAT)(F - FIFTH AVENUE/NEWPORT)
 P BODY = (P - SUNDANCE)(D - SHADOW)
 Q BODY = (C27 - MASERATI)
 S BODY = (H - VOYAGER)(K - RAM VAN/ CARAVAN)

BODY STYLES

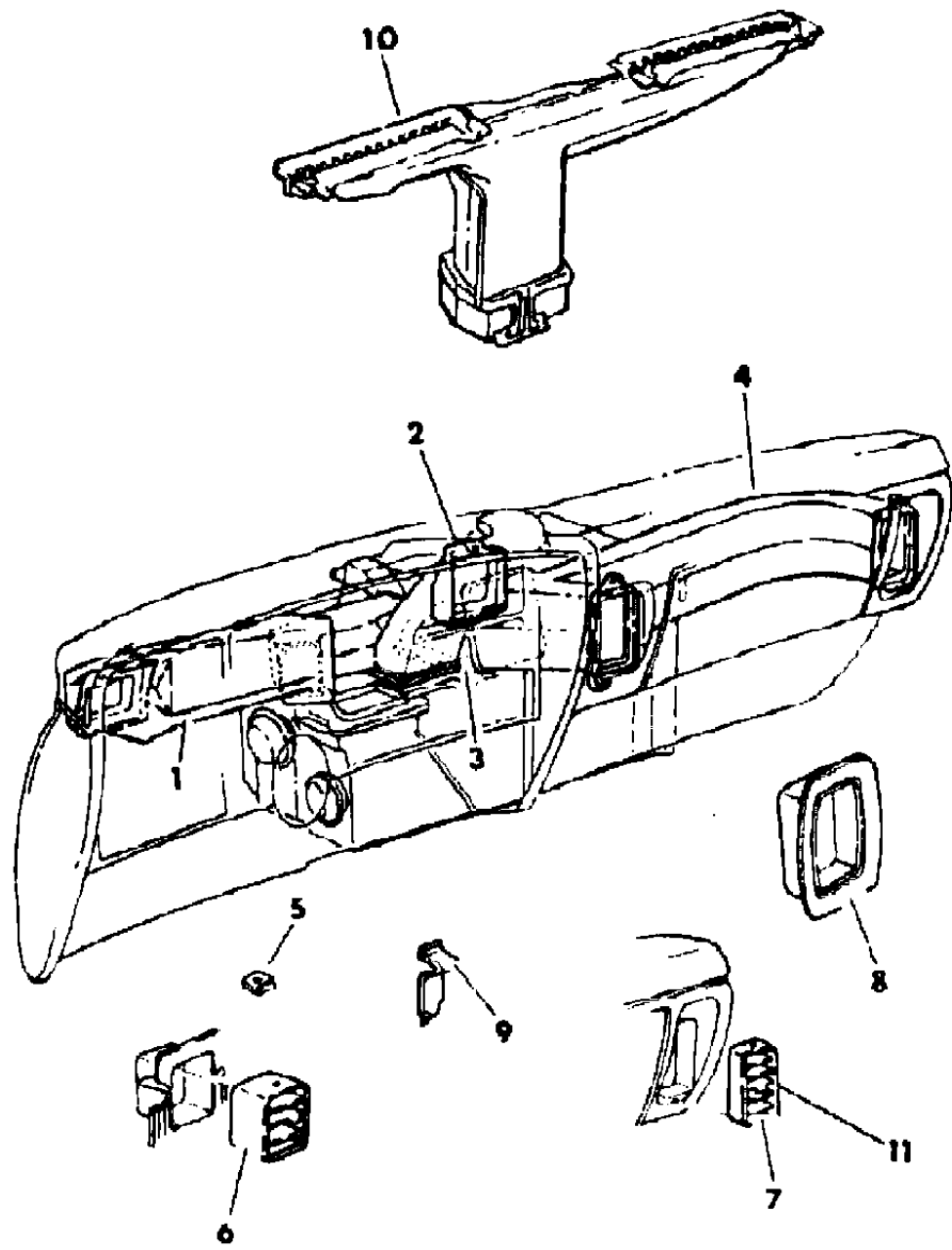
12-52 = FWD VAN & WAGON STD. W.B. 27 = 2-DOOR CONVERTIBLE
 13-53 = FWD VAN & WGN EXT W.B. 41 = 4-DOOR SEDAN
 21 = 2-DOOR SEDAN 44 = 4-DOOR HATCHBACK
 24 = 2-DOOR HATCHBACK 45 = 4-DOOR STATION WAGON

AR = Use as Required - = Non Illustrated Part P.A.R. = Paint as Required

AIR DISTRIBUTION, DUCT, LOUVER M BODY
Figure 24-5900

8124 5900 A

ITEM	PART NUMBER	QTY	BODY	MODEL	DESCRIPTION
1	3846 421	1			DUCT, A/C. Spot Cooler, Left up to 5-16-88
	4462 555	1			after 5-16-88
	4462 554	1			DUCT, Air Outlet Left Intermediate, after 5-16-88
2	#3847 401	1			DUCT, A/C., Left Center up to 5-16-88
	4462 552	1			after 5-16-88
3	#3847 404	1			DUCT, A/C., Right Center
4	3846 418	1			DUCT, A/C. Spot Cooler, Right
5	0152 490	2			U-NUT
6	3502 905	2			LOUVER, A/C. Inst. Cluster Air Outlet
7		2			LOUVER, A/C. Inst. Panel Air Outlet (Serviced in #11)
8		2			BEZEL, A/C. Inst. Panel Air Outlet, Serviced in #11
9	3846 412	4			CLIP, A/C. Inst. Panel Air Outlet Bezel Retaining
10	3503 863	1			DUCT, A/C. Defroster
11	P496 GA7	2			OUTLET, A/C., Silver Dark (Bezel in Outlet)
	P496 GC5	2			Twilight Blue
	P496 GL7	2			Taupe
	P496 GM6	2			Red, Medium



MODEL CODES
 C BODY = (D41 - DYNASTY)(C41 - NEW YORKER)
 E BODY = (J - CARAVELLE)(E - 600)(T - NEW YORKER TURBO)
 G BODY = (V24 - DAYTONA, PACIFICA & SHELBY)
 H BODY = (D44 - LANCER)(C44 - LEBARON GTS)
 J BODY = (C - LEBARON)
 K BODY = (P - RELIANT)(D - ARIES)(C - LEBARON/ TOWN & COUNTRY)
 L BODY = (M - HORIZON)(Z-OMNI)
 M BODY = (B - GRAN FURY)(G - DIPLOMAT)(F - FIFTH AVENUE/NEWPORT)
 P BODY = (P - SUNDANCE)(D - SHADOW)
 Q BODY = (C27 - MASERATI)
 S BODY = (H - VOYAGER)(K - RAM VAN/ CARAVAN)

BODY STYLES
 12-52 = FWD VAN & WAGON STD. W.B. 27 = 2-DOOR CONVERTIBLE
 13-53 = FWD VAN & WGN EXT W.B. 41 = 4-DOOR SEDAN
 21 = 2-DOOR SEDAN 44 = 4-DOOR HATCHBACK
 24 = 2-DOOR HATCHBACK 45 = 4-DOOR STATION WAGON

AR = Use as Required - = Non Illustrated Part P.A.R. = Paint as Required

GROUP 25 - EMISSION SYSTEMS

ILLUSTRATION TITLE	GROUP-FIG. NO.
AIR PUMPS AND AIR PUMP TUBING	
AIR PUMP 318 ENGINE	Fig. 25-100
AIR PUMP TUBING 318 ENGINE	Fig. 25-200
ASPIRATORS	
ASPIRATOR L BODY	Fig. 25-300
ASPIRATOR P,J,K,G,H BODY	Fig. 25-400
EGR SYSTEMS AND HOSE HARNESSSES	
EGR SYSTEM 2.2L ENGINE EXC. TURBO AND 2.5L ENGINE	Fig. 25-500
EMISSION HOSE HARNESS 2.2L ENGINE - EXC. CALIF. L BODY	Fig. 25-600
EMISSION HOSE HARNESS 2.2L ENGINE - CALIF. L BODY	Fig. 25-700
EMISSION HOSE HARNESS 2.2L ENGINE EXC. TURBO & 2.5L ENGINE - EXC. CALIF.P,J,K,G,E,H,C BODY	Fig. 25-800
EMISSION HOSE HARNESS 2.2L ENGINE EXC. TURBO & 2.5L ENGINE - CALIF. P,A,J,K,G,H BODY	Fig. 25-900
EGR HOSE HARNESS 2.5L ENGINE - EXC. CALIF. S BODY	Fig. 25-1000
EGR HOSE HARNESS 2.5L ENGINE - CALIF. S BODY	Fig. 25-1100
EGR SYSTEM 2.2L ENGINE TURBO	Fig. 25-1200
EGR HOSE HARNESS 2.2L ENGINE TURBO 1	Fig. 25-1300
P.A.R HOSE HARNESS 2.2L ENGINE TURBO 1	Fig. 25-1400
EMISSION HOSE HARNESS 2.2L ENGINE TURBO 2	Fig. 25-1500
EGR SYSTEM 3.0L ENGINE C BODY	Fig. 25-1600
EGR SYSTEM 3.0L ENGINE S BODY	Fig. 25-1700
EGR HOSE HARNESS 3.0L ENGINE - EXC. CALIF. C,S BODY	Fig. 25-1800
EGR HOSE HARNESS 3.0L ENGINE - CALIF. C BODY	Fig. 25-1900
EGR HOSE HARNESS 3.0L ENGINE - CALIF. S BODY	Fig. 25-2000
EGR SYSTEM 318 ENGINE 2BBL.	Fig. 25-2100
EGR HOSE HARNESS 318 ENGINE 2BBL.	Fig. 25-2200
EGR HOSE HARNESS 318 ENGINE 2 BBL.	Fig. 25-2300
EGR HOSE HARNESS 318 ENGINE 2BBL.	Fig. 25-2400
EGR SYSTEM 318 ENGINE 4BBL.	Fig. 25-2500
EGR HOSE HARNESS 318 ENGINE 4BBL.	Fig. 25-2600
VAPOR CANISTERS AND HOSE HARNESSSES	
VAPOR CANISTER L BODY	Fig. 25-2700
VAPOR CANISTER HOSE HARNESS L BODY	Fig. 25-2800
VAPOR CANISTER 2.2L ENGINE EFI AND 2.5L ENGINE P,J,K,G,E,H,C BODY	Fig. 25-2900
VAPOR CANISTER 2.2L ENGINE TURBO	Fig. 25-3000

ILLUSTRATION NOT AVAILABLE AT TIME OF PUBLICATION

GROUP 25 - EMISSION SYSTEMS

ILLUSTRATION TITLE

GROUP-FIG. NO.

VAPOR CANISTERS AND HOSE HARNESES (Continued)

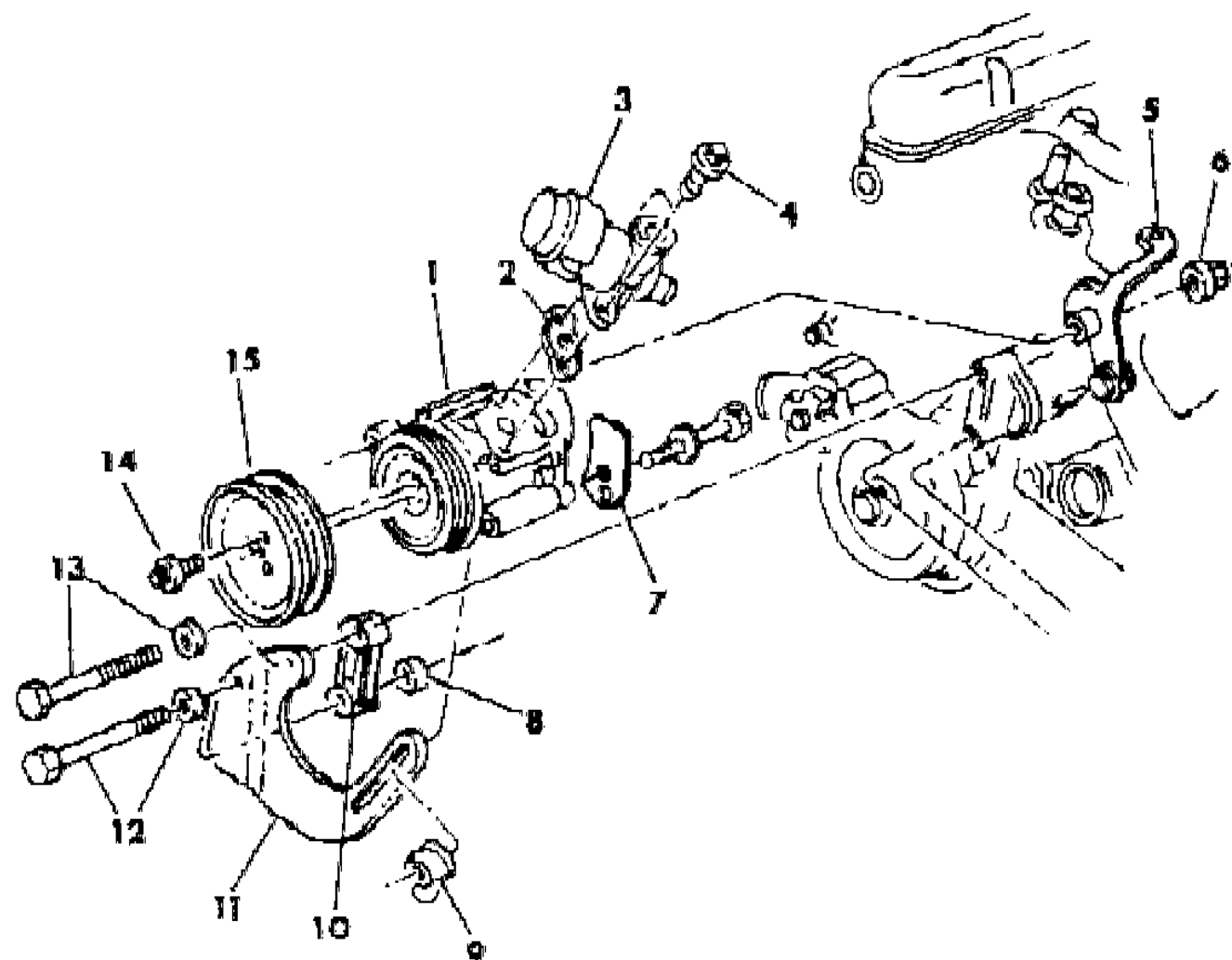
VAPOR CANISTER 2.2L ENGINE TURBO	Fig. 25-3000
VAPOR CANISTER 2.5L AND 3.0L ENGINE S BODY	Fig. 25-3100
VAPOR CANISTER HOSE HARNESS 2.5L ENGINE S BODY	Fig. 25-3200
VAPOR CANISTER HOSE HARNESS 3.0L ENGINE S BODY	Fig. 25-3300
VAPOR CANISTER 3.0L ENGINE C BODY	Fig. 25-3400
VAPOR CANISTER HOSE HARNESS 3.0L ENGINE - EXC. CALIF. C BODY	Fig. 25-3500
VAPOR CANISTER HOSE HARNESS 3.0L ENGINE - CALIF. C BODY	Fig. 25-3600
VAPOR CANISTER 318 ENGINE	Fig. 25-3700
VAPOR CANISTER HOSE HARNESS 318 ENGINE 2BBL.	Fig. 25-3800
VAPOR CANISTER HOSE HARNESS 318 ENGINE 4BBL.	Fig. 25-3900

OXYGEN SENSOR AND CHARGE TEMPERATURE SENSOR

OXYGEN SENSOR AND CHARGE TEMPERATURE SENSOR	Fig. 25-4000
EMISSION LABELS	Fig. 25-4100

AIR PUMP 318 ENGINE
Figure 25-100

8125 100



ITEM	PART NUMBER	QTY	BODY	MODEL	DESCRIPTION
1	4307 844	1			PUMP, Air
2	#4179 700	1			GASKET, Air Switch and Relief Valve
3					VALVE, Air Switch and Relief
	4227 670	1			2 Bbl.
	4227 672	1			4 Bbl.
4	#6500 423	2			BOLT
5					BRACKET, Air Pump Mounting - Rear
	4387 278	1			2 Bbl.
	4387 208	1			4 Bbl.
6	6100 518	1			NUT
7	4273 150	1			BRACKET, Air Pump Adjust
8		1			SPACER (not serviced)
9	6501 073	1			NUT, Stamped
10	#4179 440	1			SPACER, Air Pump Mounting
11	4323 844	1			BRACKET, Air Pump Mounting - Front
12	#6031 761	1			SCREW
		1			WASHER (not serviced)
13	6101 420	1			BOLT
		1			WASHER (not serviced)
14	6501 755	3			SCREW and WASHER
15	3870 088	1			PULLEY, Air Pump

MODEL CODES

C BODY = (D41 - DYNASTY)(C41 - NEW YORKER)	L BODY = (M - HORIZON)(Z-OMNI)
E BODY = (J - CARAVELLE)(E - 600)(T - NEW YORKER TURBO)	M BODY = (B - GRAN FURY)(G - DIPLOMAT)(F - FIFTH AVENUE/NEWPORT)
G BODY = (V24 - DAYTONA, PACIFICA & SHELBY)	P BODY = (P - SUNDANCE)(D - SHADOW)
H BODY = (D44 - LANCER)(C44 - LEBARON GTS)	Q BODY = (C27 - MASERATI)
J BODY = (C - LEBARON)	S BODY = (H - VOYAGER)(K - RAM VAN/ CARAVAN)
K BODY = (P - RELIANT)(D - ARIES)(C - LEBARON/ TOWN & COUNTRY)	

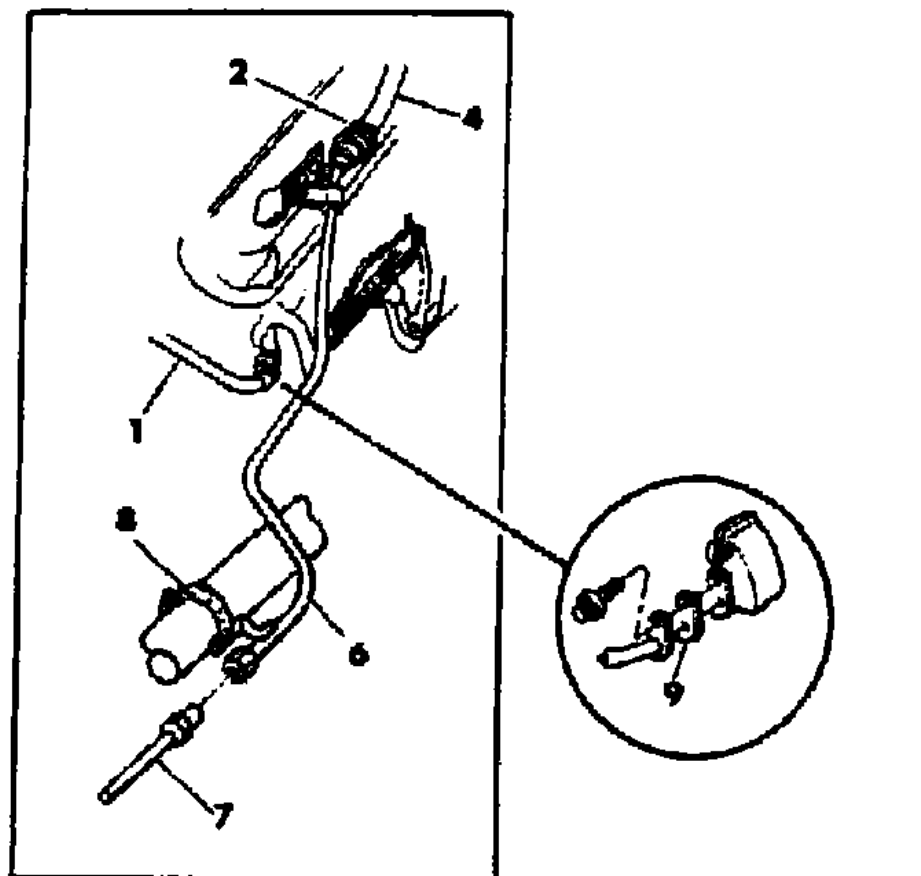
BODY STYLES

12-52 = FWD VAN & WAGON STD. W.B.	27 = 2-DOOR CONVERTIBLE
13-53 = FWD VAN & WGN EXT W.B.	41 = 4-DOOR SEDAN
21 = 2-DOOR SEDAN	44 = 4-DOOR HATCHBACK
24 = 2-DOOR HATCHBACK	45 = 4-DOOR STATION WAGON

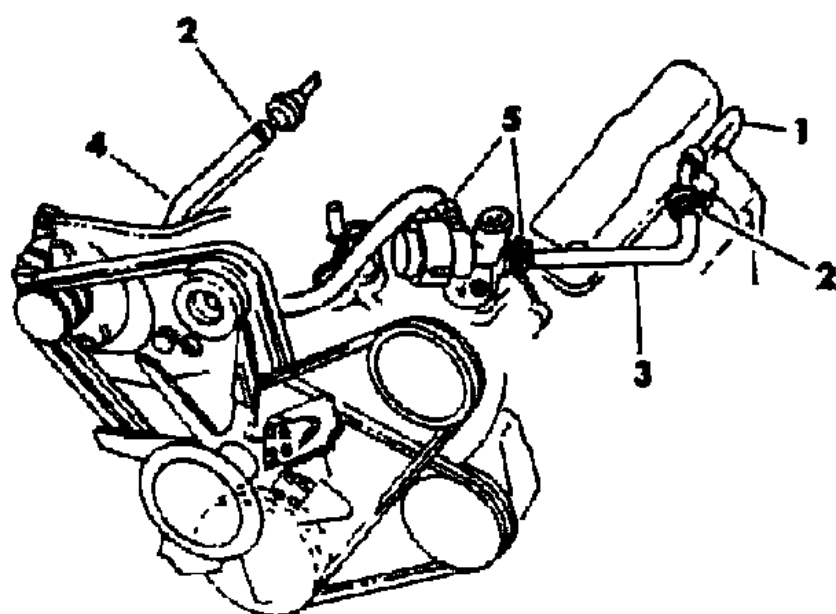
AR = Use as Required - = Non Illustrated Part P.A.R. = Paint as Required

AIR PUMP TUBING 318 ENGINE
Figure 25-200

8125 200



ITEM	PART NUMBER	QTY	BODY	MODEL	DESCRIPTION
1	#4179 893	1			VALVE, Crossover Air Injection and Exhaust Check
2	2448 761	AR			CLAMP
3	#4179 884	1			HOSE, Combination Valve to Air Injection Crossover
4	#4179 885	1			HOSE, Air Switch Valve to Air Injection Crossover
5	2448 762	AR			CLAMP
6					TUBE, Air Switch Valve to Catalyst Downstream
	4104 161	1			up to 4-1-88
	4287 113	1			after 4-1-88
7	4150 638	1			TUBE, Airline to Catalytic Converter
8	2448 763	1			CLAMP
9	4275 834	2			GASKET, Air Injection Tube



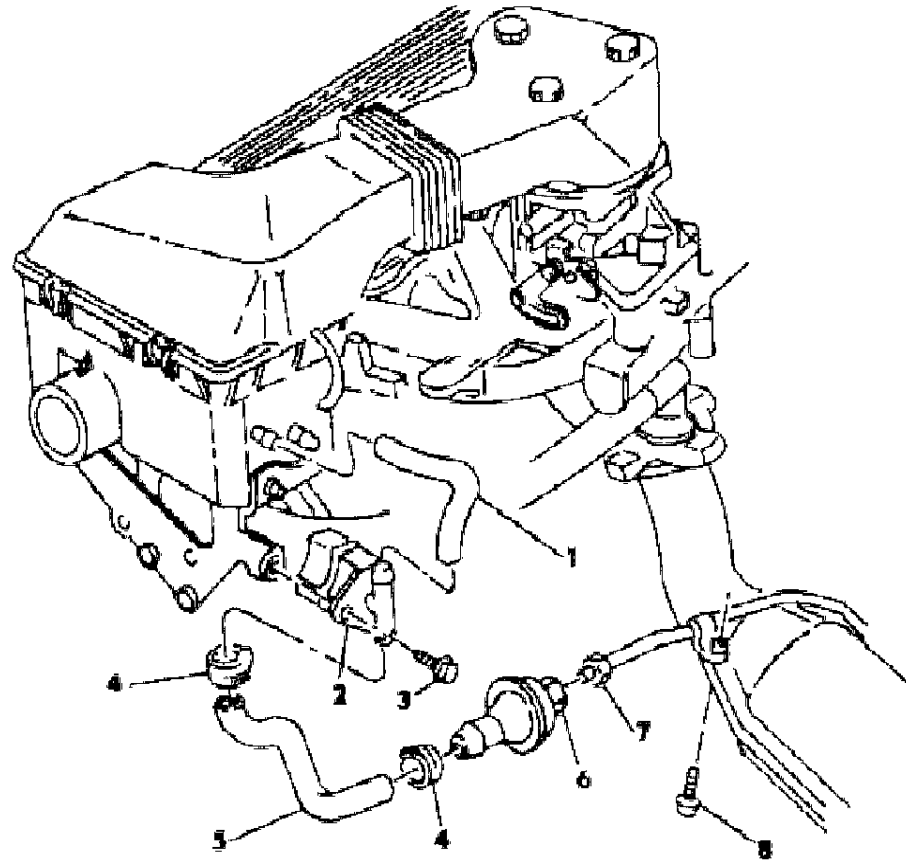
MODEL CODES
 C BODY = (D41 - DYNASTY)(C41 - NEW YORKER)
 E BODY = (J - CARAVELLE)(E - 600)(T - NEW YORKER TURBO)
 G BODY = (V24 - DAYTONA, PACIFICA & SHELBY)
 H BODY = (D44 - LANCER)(C44 - LEBARON GTS)
 J BODY = (C - LEBARON)
 K BODY = (P - RELIANT)(D - ARIES)(C - LEBARON/ TOWN & COUNTRY)
 L BODY = (M - HORIZON)(Z-OMNI)
 M BODY = (B - GRAN FURY)(G - DIPLOMAT)(F - FIFTH AVENUE/NEWPORT)
 P BODY = (P - SUNDANCE)(D - SHADOW)
 Q BODY = (C27 - MASERATI)
 S BODY = (H - VOYAGER)(K - RAM VAN/ CARAVAN)

BODY STYLES
 12-52 = FWD VAN & WAGON STD. W.B. 27 = 2-DOOR CONVERTIBLE
 13-53 = FWD VAN & WGN EXT W.B. 41 = 4-DOOR SEDAN
 21 = 2-DOOR SEDAN 44 = 4-DOOR HATCHBACK
 24 = 2-DOOR HATCHBACK 45 = 4-DOOR STATION WAGON

AR = Use as Required - = Non Illustrated Part P.A.R. = Paint as Required

ASPIRATOR L BODY
Figure 25-300

8125 300



ITEM	PART NUMBER	QTY	BODY	MODEL	DESCRIPTION
1	4458 152	1			HOSE, Air Cleaner to Silencer
2	4405 129	1			SILENCER, Aspirator
3		1			SCREW (not serviced)
4	2448 761	2			CLAMP
5	4458 151	1			HOSE, Aspirator to Silencer
6	4300 376	1			VALVE, Aspirator
7	4405 126	1			TUBE, Downstream Aspirator
8	6100 557	1			SCREW and WASHER

MODEL CODES

C BODY = (D41 - DYNASTY)(C41 - NEW YORKER)	L BODY = (M - HORIZON)(Z-OMNI)
E BODY = (J - CARAVELLE)(E - 600)(T - NEW YORKER TURBO)	M BODY = (B - GRAN FURY)(G - DIPLOMAT)(F - FIFTH AVENUE/NEWPORT)
G BODY = (V24 - DAYTONA, PACIFICA & SHELBY)	P BODY = (P - SUNDANCE)(D - SHADOW)
H BODY = (D44 - LANCER)(C44 - LEBARON GTS)	Q BODY = (C27 - MASERATI)
J BODY = (C - LEBARON)	S BODY = (H - VOYAGER)(K - RAM VAN/ CARAVAN)
K BODY = (P - RELIANT)(D - ARIES)(C - LEBARON/ TOWN & COUNTRY)	

BODY STYLES

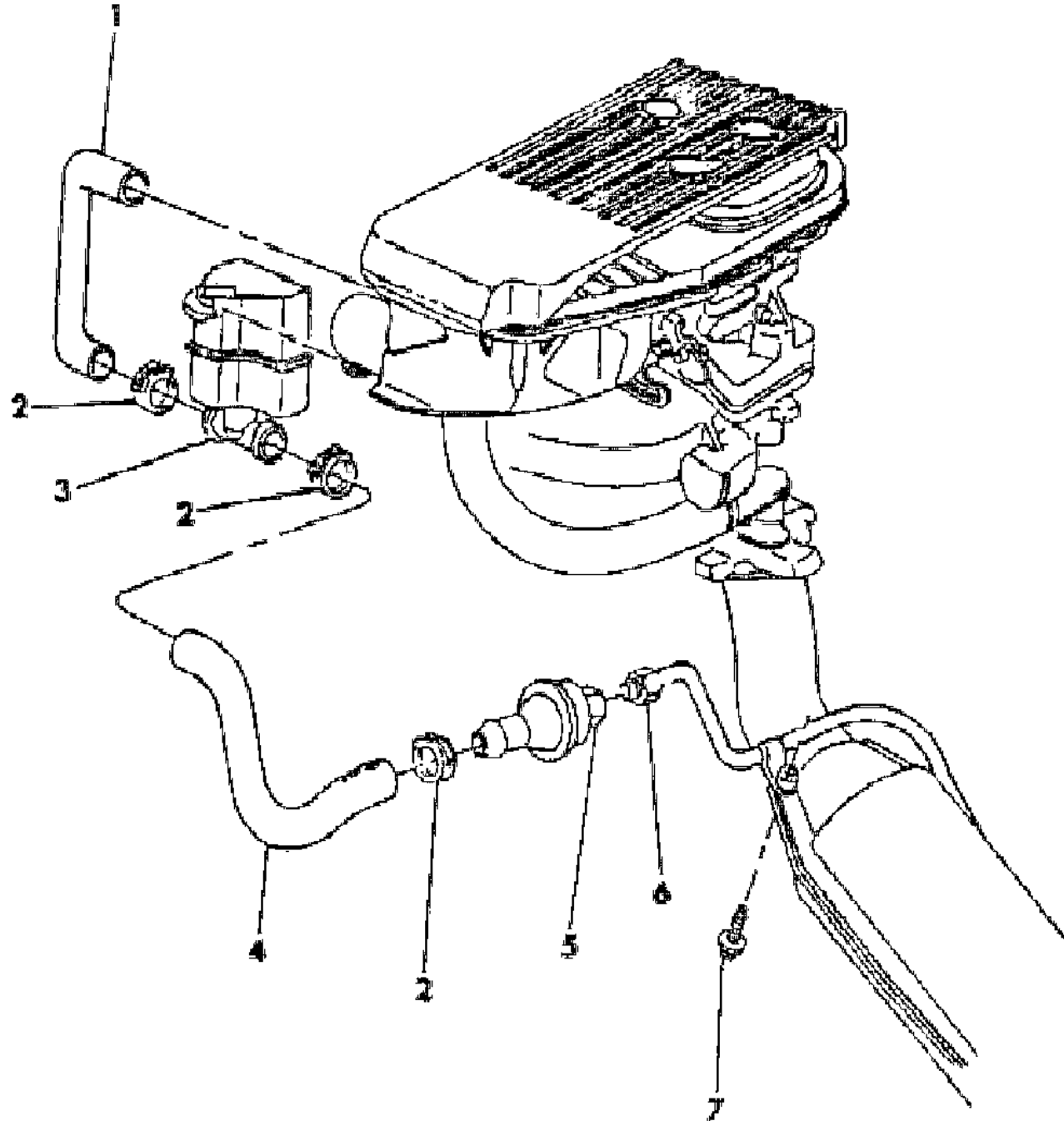
12-52 = FWD VAN & WAGON STD. W.B.	27 = 2-DOOR CONVERTIBLE
13-53 = FWD VAN & WGN EXT W.B.	41 = 4-DOOR SEDAN
21 = 2-DOOR SEDAN	44 = 4-DOOR HATCHBACK
24 = 2-DOOR HATCHBACK	45 = 4-DOOR STATION WAGON

AR = Use as Required - = Non Illustrated Part P.A.R. = Paint as Required

ASPIRATOR P,J,K,G,H BODY
Figure 25-400

8125 400

ITEM	PART NUMBER	QTY	BODY	MODEL	DESCRIPTION
1	4324 021	1			HOSE, Air Cleaner to Silencer
2	2448 761	3			CLAMP
3	4324 020	1			SILENCER, Aspirator
4	4324 019	1			HOSE, Silencer to Aspirator
5	4300 376	1			VALVE, Aspirator
6	4324 018	1			TUBE, Downstream Aspirator
7	6100 557	1			SCREW and WASHER



MODEL CODES

C BODY = (D41 - DYNASTY)(C41 - NEW YORKER)
 E BODY = (J - CARAVELLE)(E - 600)(T - NEW YORKER TURBO)
 G BODY = (V24 - DAYTONA, PACIFICA & SHELBY)
 H BODY = (D44 - LANCER)(C44 - LEBARON GTS)
 J BODY = (C - LEBARON)
 K BODY = (P - RELIANT)(D - ARIES)(C - LEBARON/ TOWN & COUNTRY)
 L BODY = (M - HORIZON)(Z-OMNI)
 M BODY = (B - GRAN FURY)(G - DIPLOMAT)(F - FIFTH AVENUE/NEWPORT)
 P BODY = (P - SUNDANCE)(D - SHADOW)
 Q BODY = (C27 - MASERATI)
 S BODY = (H - VOYAGER)(K - RAM VAN/ CARAVAN)

BODY STYLES

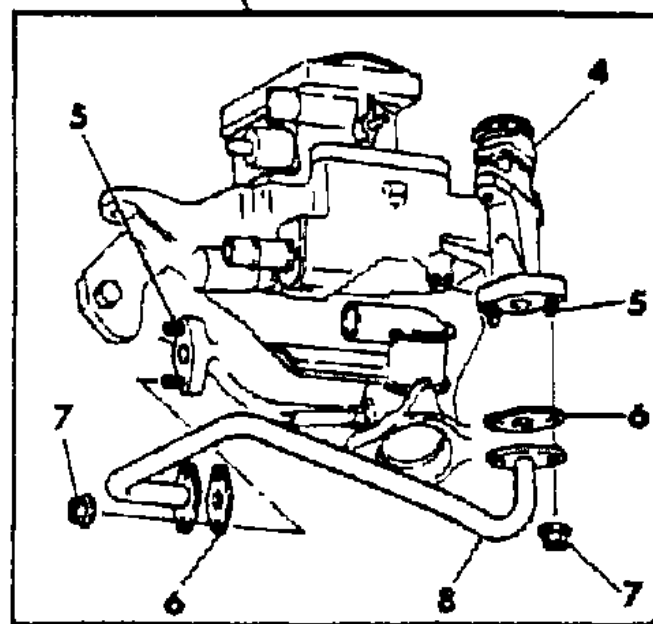
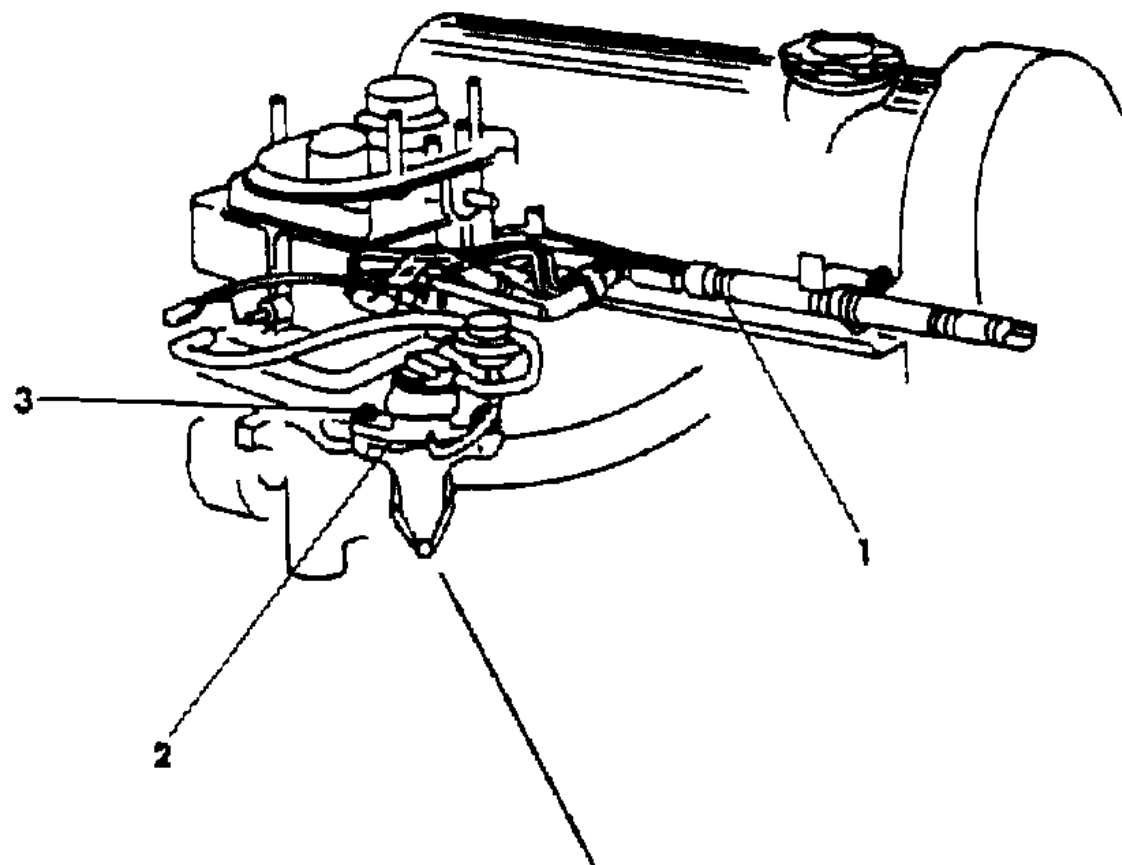
12-52 = FWD VAN & WAGON STD. W.B. 27 = 2-DOOR CONVERTIBLE
 13-53 = FWD VAN & WGN EXT W.B. 41 = 4-DOOR SEDAN
 21 = 2-DOOR SEDAN 44 = 4-DOOR HATCHBACK
 24 = 2-DOOR HATCHBACK 45 = 4-DOOR STATION WAGON

AR = Use as Required - = Non Illustrated Part P.A.R. = Paint as Required

EGR SYSTEM 2.2L ENGINE EXC. TURBO AND 2.5L ENGINE

Figure 25-500

8125 500 A



ITEM	PART NUMBER	QTY	BODY	MODEL	DESCRIPTION
1		1			HARNES, Hose (shown on illus. 600, 700, 800, 900, 1000, 1100)
2	4300 297	1			GASKET, EGR Valve Flange
3		2			BOLT (not serviced)
4					VALVE, EGR w/Transducer
	4287 173	1	E		2.2L Eng. - exc. Calif.
	4287 176	1	E		2.2L Eng. - Calif.
	4287 171	1	L,P,K,H		2.2L Eng. - exc. Calif. - Man. Trans.
	4287 173	1	L,P,K,H		2.2L Eng. - exc. Calif. - Auto. Trans.
	4287 174	1	L,P,K,H		2.2L Eng. - Calif. - Man. Trans.
	4287 176	1	L,P,K,H		2.2L Eng. - Calif. - Auto. Trans.
	4287 172	1	E,K,C		2.5L Eng. - exc. Calif.
	4287 175	1	E,K,C		2.5L Eng. - Calif.
	4287 171	1	PJGHS		2.5L Eng. - exc. Calif. - Man. Trans.
	4287 172	1	PJGHS		2.5L Eng. - exc. Calif. - Auto. Trans.
	4287 174	1	PJGHS		2.5L Eng. - Calif. - Man. Trans.
	4287 175	1	PJGHS		2.5L Eng. - Calif. - Auto. Trans.
5	6500 498	4			STUD
6	4324 185	2			GASKET, EGR Tube Flange
7	6500 182	4			NUT
8	4300 054	1			TUBE, EGR

MODEL CODES

C BODY = (D41 - DYNASTY)(C41 - NEW YORKER)
 E BODY = (J - CARAVELLE)(E - 600)(T - NEW YORKER TURBO)
 G BODY = (V24 - DAYTONA, PACIFICA & SHELBY)
 H BODY = (D44 - LANCER)(C44 - LEBARON GTS)
 J BODY = (C - LEBARON)
 K BODY = (P - RELIANT)(D - ARIES)(C - LEBARON/ TOWN & COUNTRY)

L BODY = (M - HORIZON)(Z-OMNI)
 M BODY = (B - GRAN FURY)(G - DIPLOMAT)(F - FIFTH AVENUE/NEWPORT)
 P BODY = (P - SUNDANCE)(D - SHADOW)
 Q BODY = (C27 - MASERATI)
 S BODY = (H - VOYAGER)(K - RAM VAN/ CARAVAN)

BODY STYLES

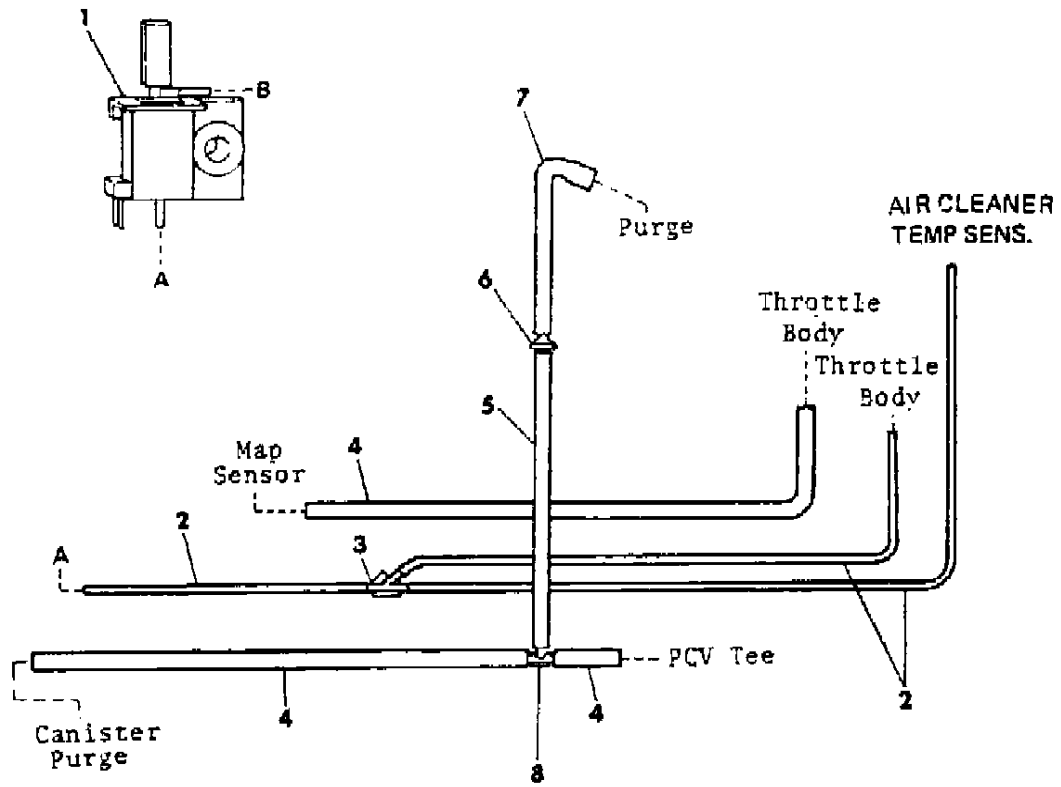
12-52 = FWD VAN & WAGON STD. W.B. 27 = 2-DOOR CONVERTIBLE
 13-53 = FWD VAN & WGN EXT W.B. 41 = 4-DOOR SEDAN
 21 = 2-DOOR SEDAN 44 = 4-DOOR HATCHBACK
 24 = 2-DOOR HATCHBACK 45 = 4-DOOR STATION WAGON

AR = Use as Required - = Non Illustrated Part P.A.R. = Paint as Required

EMISSION HOSE HARNESS 2.2L ENGINE - EXC. CALIF. L BODY

Figure 25-600

8125 600



ITEM	PART NUMBER	QTY	BODY	MODEL	DESCRIPTION
					HARNESS, Hose (tagged 4405875 - not serviced)
					TUBING, Convoluted (serv. in 10 ft. roll)
	4364 393	AR			1/4"
	4364 375	AR			3/8"
	4364 392	AR			5/8"
1	5227 169	1			SOLENOID, Vacuum
2	3780 508	AR			HOSE, Rubber 1/8" I.D. (serv. in 50 ft. roll)
3	4275 571	1			CONNECTOR, Y 3/16 x 3/16 x 3/16
4	4104 272	AR			HOSE, Rubber 1/4" I.D. (serv. in 50 ft. roll)
5	4405 017	1			TUBE, Formed Vapor
6	4306 923	1			VALVE, Check
7	4405 016	1			TUBE, Formed Vapor
8	4300 271	1			TEE 1/4 x 1/4 x 1/4

MODEL CODES

C BODY = (D41 - DYNASTY)(C41 - NEW YORKER)
 E BODY = (J - CARAVELLE)(E - 600)(T - NEW YORKER TURBO)
 G BODY = (V24 - DAYTONA, PACIFICA & SHELBY)
 H BODY = (D44 - LANCER)(C44 - LEBARON GTS)
 J BODY = (C - LEBARON)
 K BODY = (P - RELIANT)(D - ARIES)(C - LEBARON/ TOWN & COUNTRY)

L BODY = (M - HORIZON)(Z-OMNI)
 M BODY = (B - GRAN FURY)(G - DIPLOMAT)(F - FIFTH AVENUE/NEWPORT)
 P BODY = (P - SUNDANCE)(D - SHADOW)
 Q BODY = (C27 - MASERATI)
 S BODY = (H - VOYAGER)(K - RAM VAN/ CARAVAN)

BODY STYLES

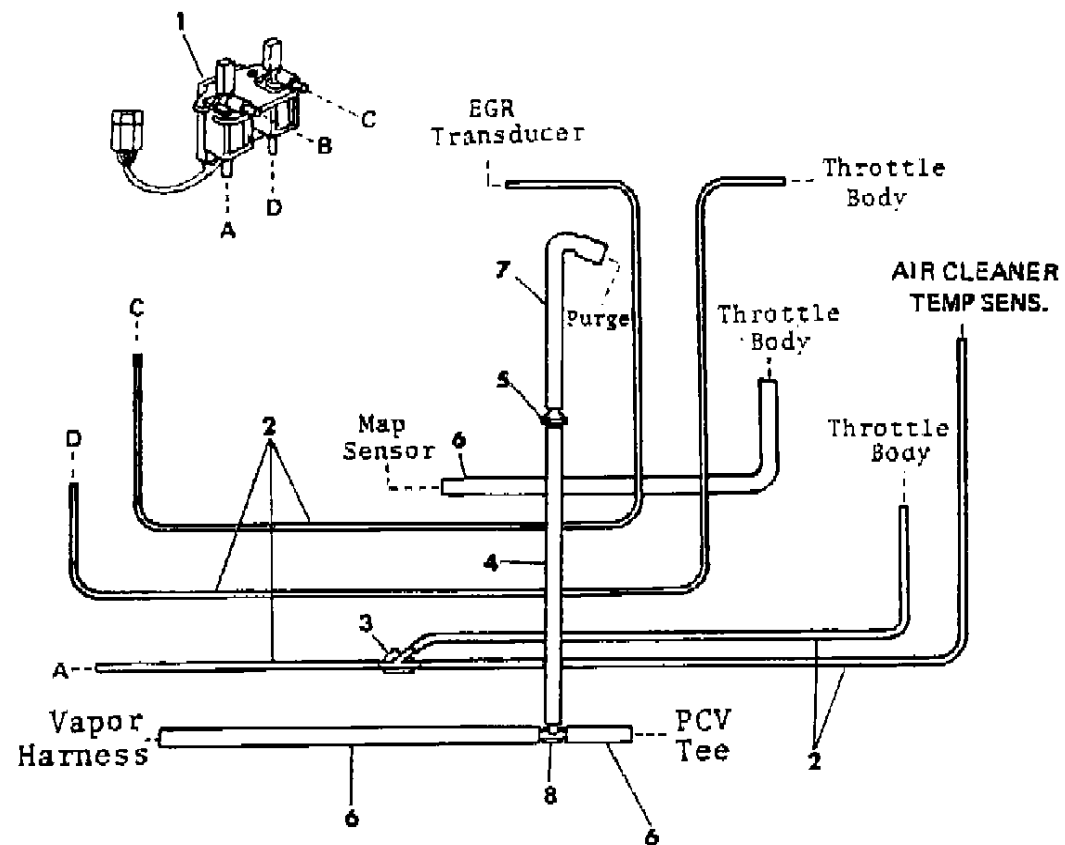
12-52 = FWD VAN & WAGON STD. W.B. 27 = 2-DOOR CONVERTIBLE
 13-53 = FWD VAN & WGN EXT W.B. 41 = 4-DOOR SEDAN
 21 = 2-DOOR SEDAN 44 = 4-DOOR HATCHBACK
 24 = 2-DOOR HATCHBACK 45 = 4-DOOR STATION WAGON

AR = Use as Required - = Non Illustrated Part P.A.R. = Paint as Required

EMISSION HOSE HARNESS 2.2L ENGINE - CALIF. L BODY

Figure 25-700

8125 700



ITEM	PART NUMBER	QTY	BODY	MODEL	DESCRIPTION
					HARNESS, Hose (tagged 4405876 - not serviced)
					TUBING, Convoluted (serv. in 10 ft. roll)
	4364 393	AR			1/4"
	4364 374	AR			1/2"
1	5227 911	1			SOLENOID, Dual Vacuum
2	3780 508	AR			HOSE, Rubber 1/8" I.D. (serv. in 50 ft. roll)
3	4275 571	1			CONNECTOR, Y 3/16 x 3/16 x 3/16
4	4405 017	1			TUBE, Formed Vapor
5	4306 923	1			VALVE, Check
6	4104 272	AR			HOSE, Rubber 1/4" I.D. (serv. in 50 ft. roll)
7	4405 016	1			TUBE, Formed Vapor
8	4300 271	1			TEE 1/4 x 1/4 x 1/4

MODEL CODES

C BODY = (D41 - DYNASTY)(C41 - NEW YORKER)
 E BODY = (J - CARAVELLE)(E - 600)(T - NEW YORKER TURBO)
 G BODY = (V24 - DAYTONA, PACIFICA & SHELBY)
 H BODY = (D44 - LANCER)(C44 - LEBARON GTS)
 J BODY = (C - LEBARON)
 K BODY = (P - RELIANT)(D - ARIES)(C - LEBARON/ TOWN & COUNTRY)

L BODY = (M - HORIZON)(Z-OMNI)
 M BODY = (B - GRAN FURY)(G - DIPLOMAT)(F - FIFTH AVENUE/NEWPORT)
 P BODY = (P - SUNDANCE)(D - SHADOW)
 Q BODY = (C27 - MASERATI)
 S BODY = (H - VOYAGER)(K - RAM VAN/ CARAVAN)

BODY STYLES

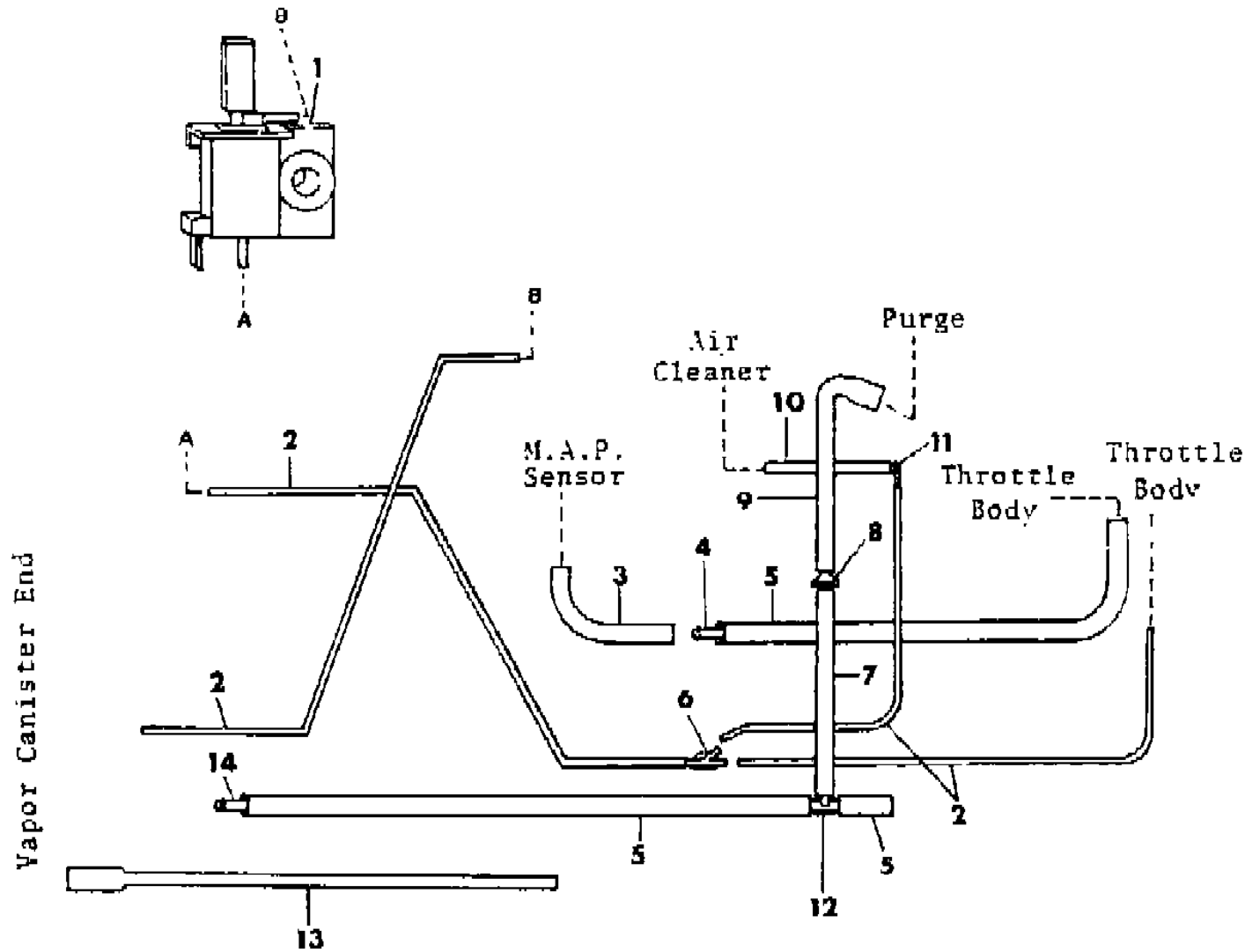
12-52 = FWD VAN & WAGON STD. W.B. 27 = 2-DOOR CONVERTIBLE
 13-53 = FWD VAN & WGN EXT W.B. 41 = 4-DOOR SEDAN
 21 = 2-DOOR SEDAN 44 = 4-DOOR HATCHBACK
 24 = 2-DOOR HATCHBACK 45 = 4-DOOR STATION WAGON

AR = Use as Required - = Non Illustrated Part P.A.R. = Paint as Required

EMISSION HOSE HARNESS 2.2L ENGINE EXC. TURBO & 2.5L ENGINE - EXC. CALIF.P,J,K,G,E,H,C BODY

Figure 25-800

8125 800



ITEM	PART NUMBER	QTY	BODY	MODEL	DESCRIPTION
					HARNESS, Hose (tagged 4405851, 4405861, 4405869 - not serviced)
					TUBING, Convoluted (serv. in 10 ft. roll)
	4364 375	AR			3/8"
	4364 374	AR			1/2"
	4364 392	AR			5/8"
1	5227 169	1			SOLENOID, Vacuum
2	3780 508	AR			HOSE, Rubber 1/8" I.D. (serv. in 50 ft. roll)
3	4405 119	1			TUBE, Formed Vapor
4	4201 275	1			CONNECTOR 1/4 x 1/4
5	4104 272	AR			HOSE, Rubber 1/4" I.D. (serv. in 50 ft. roll)
6	4275 571	1			CONNECTOR, Y 3/16 x 3/16 x 3/16
7	4405 017	1			TUBE, Formed Vapor
8	4306 923	1			VALVE, Check
9	4405 016	1			TUBE, Formed Vapor
10	4026 511	AR			HOSE, Rubber 3/16" I.D. (serv. in 50 ft. roll)
11	4104 997	1			ELBOW 3/16 x 1/8
12	4300 271	1			TEE 1/4 x 1/4 x 1/4
13	4210 989	1			TUBE, Expanded End
14	4179 643	1			CONNECTOR 1/4 x 5/16

MODEL CODES

C BODY = (D41 - DYNASTY)(C41 - NEW YORKER)
 E BODY = (J - CARAVELLE)(E - 600)(T - NEW YORKER TURBO)
 G BODY = (V24 - DAYTONA, PACIFICA & SHELBY)
 H BODY = (D44 - LANCER)(C44 - LEBARON GTS)
 J BODY = (C - LEBARON)
 K BODY = (P - RELIANT)(D - ARIES)(C - LEBARON/ TOWN & COUNTRY)
 L BODY = (M - HORIZON)(Z-OMNI)
 M BODY = (B - GRAN FURY)(G - DIPLOMAT)(F - FIFTH AVENUE/NEWPORT)
 P BODY = (P - SUNDANCE)(D - SHADOW)
 Q BODY = (C27 - MASERATI)
 S BODY = (H - VOYAGER)(K - RAM VAN/ CARAVAN)

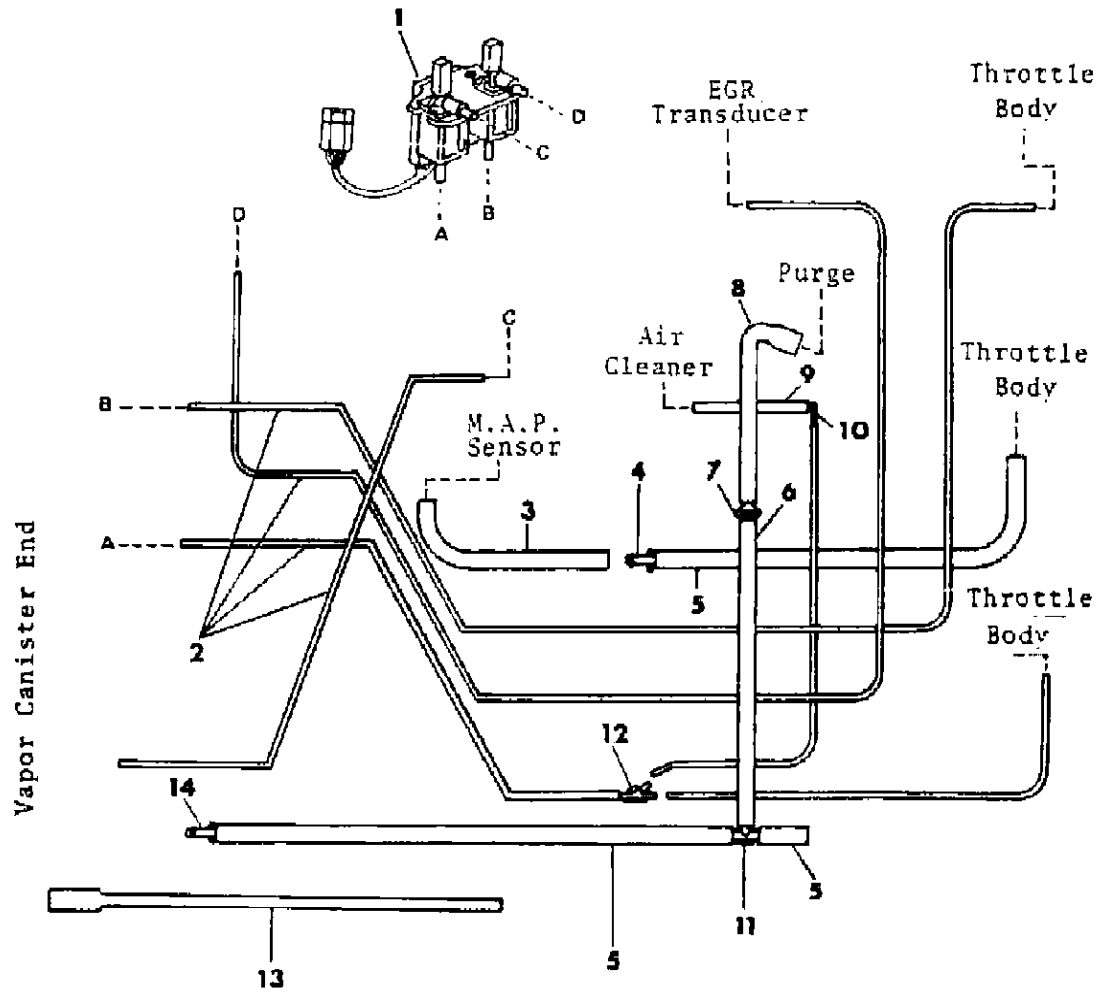
BODY STYLES

12-52 = FWD VAN & WAGON STD. W.B. 27 = 2-DOOR CONVERTIBLE
 13-53 = FWD VAN & WGN EXT W.B. 41 = 4-DOOR SEDAN
 21 = 2-DOOR SEDAN 44 = 4-DOOR HATCHBACK
 24 = 2-DOOR HATCHBACK 45 = 4-DOOR STATION WAGON

AR = Use as Required - = Non Illustrated Part P.A.R. = Paint as Required

EMISSION HOSE HARNESS 2.2L ENGINE EXC. TURBO & 2.5L ENGINE - CALIF. P,A,J,K,G,H BODY
Figure 25-900

8125 900



ITEM	PART NUMBER	QTY	BODY	MODEL	DESCRIPTION
					HARNESS, Hose (tagged 4405908 - not serviced)
					TUBING, Convoluted (serv. in 10 ft. roll)
	4364 375	AR			3/8"
	4364 374	AR			1/2"
	4364 392	AR			5/8"
1	5227 911	1			SOLENOID, Dual Vacuum
2	3780 508	AR			HOSE, Rubber 1/8" I.D. (serv. in 50 ft. roll)
3	4405 119	1			TUBE, Formed Vapor
4	4201 275	1			CONNECTOR 1/4 x 1/4
5	4104 272	AR			HOSE, Rubber 1/4" I.D. (serv. in 50 ft. roll)
6	4405 017	1			TUBE, Formed Vapor
7	4306 923	1			VALVE, Check
8	4405 016	1			TUBE, Formed Vapor
9	4026 511	AR			HOSE, Rubber 3/16" I.D. (serv. in 50 ft. roll)
10	4104 997	1			ELBOW 1/8 x 3/16
11	4300 271	1			TEE 1/4 x 1/4 x 1/4
12	4275 571	1			CONNECTOR, Y 3/16 x 3/16 x 3/16
13	4210 989	1			TUBE, Expanded End
14	4179 643	1			CONNECTOR 1/4 x 5/16

MODEL CODES

C BODY = (D41 - DYNASTY)(C41 - NEW YORKER)
 E BODY = (J - CARAVELLE)(E - 600)(T - NEW YORKER TURBO)
 G BODY = (V24 - DAYTONA, PACIFICA & SHELBY)
 H BODY = (D44 - LANCER)(C44 - LEBARON GTS)
 J BODY = (C - LEBARON)
 K BODY = (P - RELIANT)(D - ARIES)(C - LEBARON/ TOWN & COUNTRY)

L BODY = (M - HORIZON)(Z-OMNI)
 M BODY = (B - GRAN FURY)(G - DIPLOMAT)(F - FIFTH AVENUE/NEWPORT)
 P BODY = (P - SUNDANCE)(D - SHADOW)
 Q BODY = (C27 - MASERATI)
 S BODY = (H - VOYAGER)(K - RAM VAN/ CARAVAN)

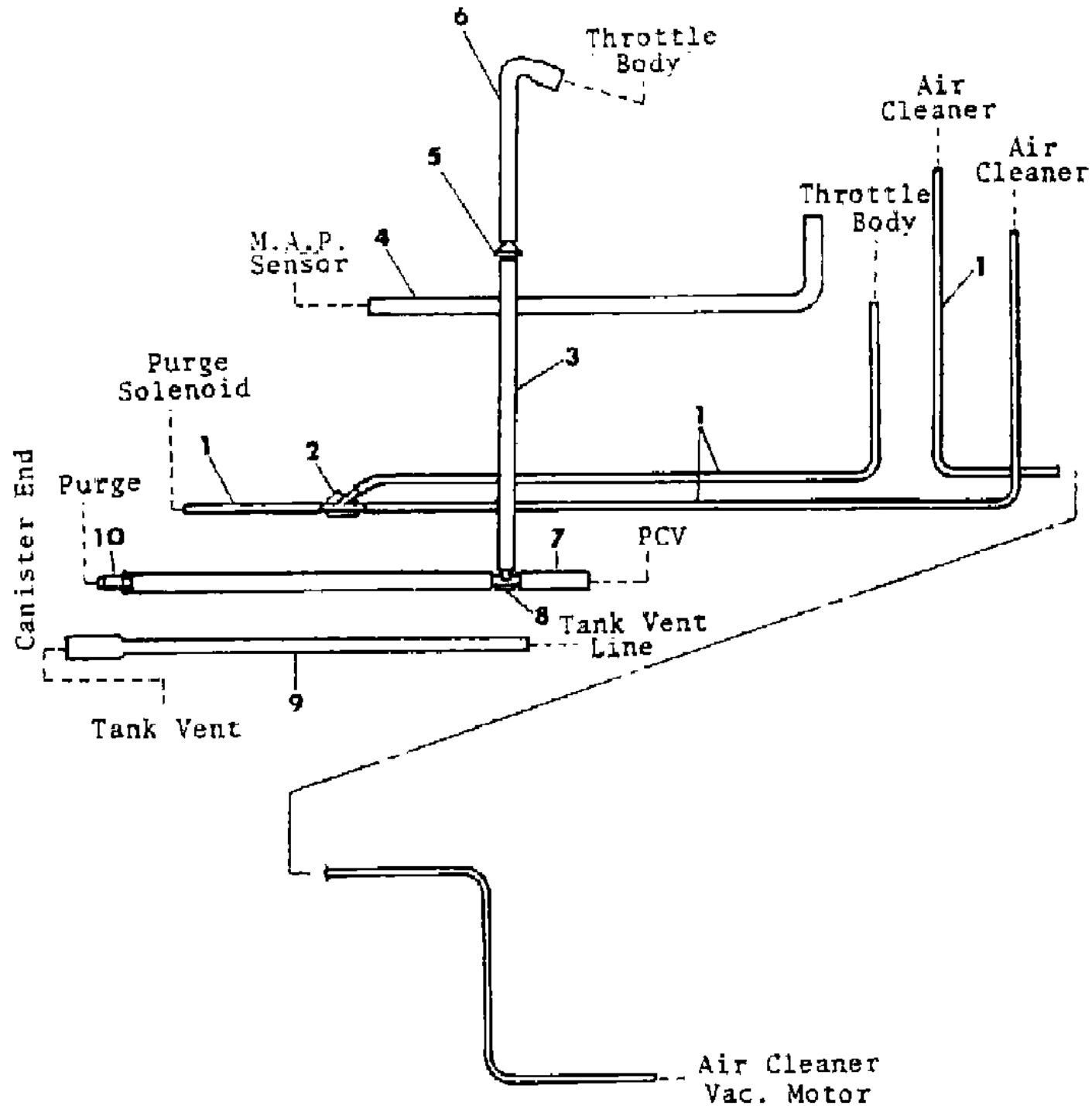
BODY STYLES

12-52 = FWD VAN & WAGON STD. W.B. 27 = 2-DOOR CONVERTIBLE
 13-53 = FWD VAN & WGN EXT W.B. 41 = 4-DOOR SEDAN
 21 = 2-DOOR SEDAN 44 = 4-DOOR HATCHBACK
 24 = 2-DOOR HATCHBACK 45 = 4-DOOR STATION WAGON

AR = Use as Required - = Non Illustrated Part P.A.R. = Paint as Required

EGR HOSE HARNESS 2.5L ENGINE - EXC. CALIF. S BODY
Figure 25-1000

8125 1000



ITEM	PART NUMBER	QTY	BODY	MODEL	DESCRIPTION
					HARNES, Hose (tagged 4405859 - not serviced)
					TUBING, Convoluted (serv. in 10 ft. roll)
	4364 393	AR			1/4"
	4364 375	AR			3/8"
1	3780 508	AR			HOSE, Rubber 1/8" I.D. (serv. in 50 ft. roll)
2	4275 571	1			CONNECTOR, Y 3/16 x 3/16 x 3/16
3	4405 017	1			TUBE, Formed Vapor
4	4405 119	1			TUBE, Formed Vapor
5	4306 923	1			VALVE, Check
6	4405 016	1			TUBE, Formed Vapor
7	4104 272	1			HOSE, Rubber 1/4" I.D. (serv. in 50 ft. roll)
8	4300 271	1			TEE 1/4 x 1/4 x 1/4
9	4210 989	1			TUBE, Expanded End
10	4179 643	1			CONNECTOR 1/4 x 5/16

MODEL CODES

C BODY = (D41 - DYNASTY)(C41 - NEW YORKER)
 E BODY = (J - CARAVELLE)(E - 600)(T - NEW YORKER TURBO)
 G BODY = (V24 - DAYTONA, PACIFICA & SHELBY)
 H BODY = (D44 - LANCER)(C44 - LEBARON GTS)
 J BODY = (C - LEBARON)
 K BODY = (P - RELIANT)(D - ARIES)(C - LEBARON/ TOWN & COUNTRY)

L BODY = (M - HORIZON)(Z-OMNI)
 M BODY = (B - GRAN FURY)(G - DIPLOMAT)(F - FIFTH AVENUE/NEWPORT)
 P BODY = (P - SUNDANCE)(D - SHADOW)
 Q BODY = (C27 - MASERATI)
 S BODY = (H - VOYAGER)(K - RAM VAN/ CARAVAN)

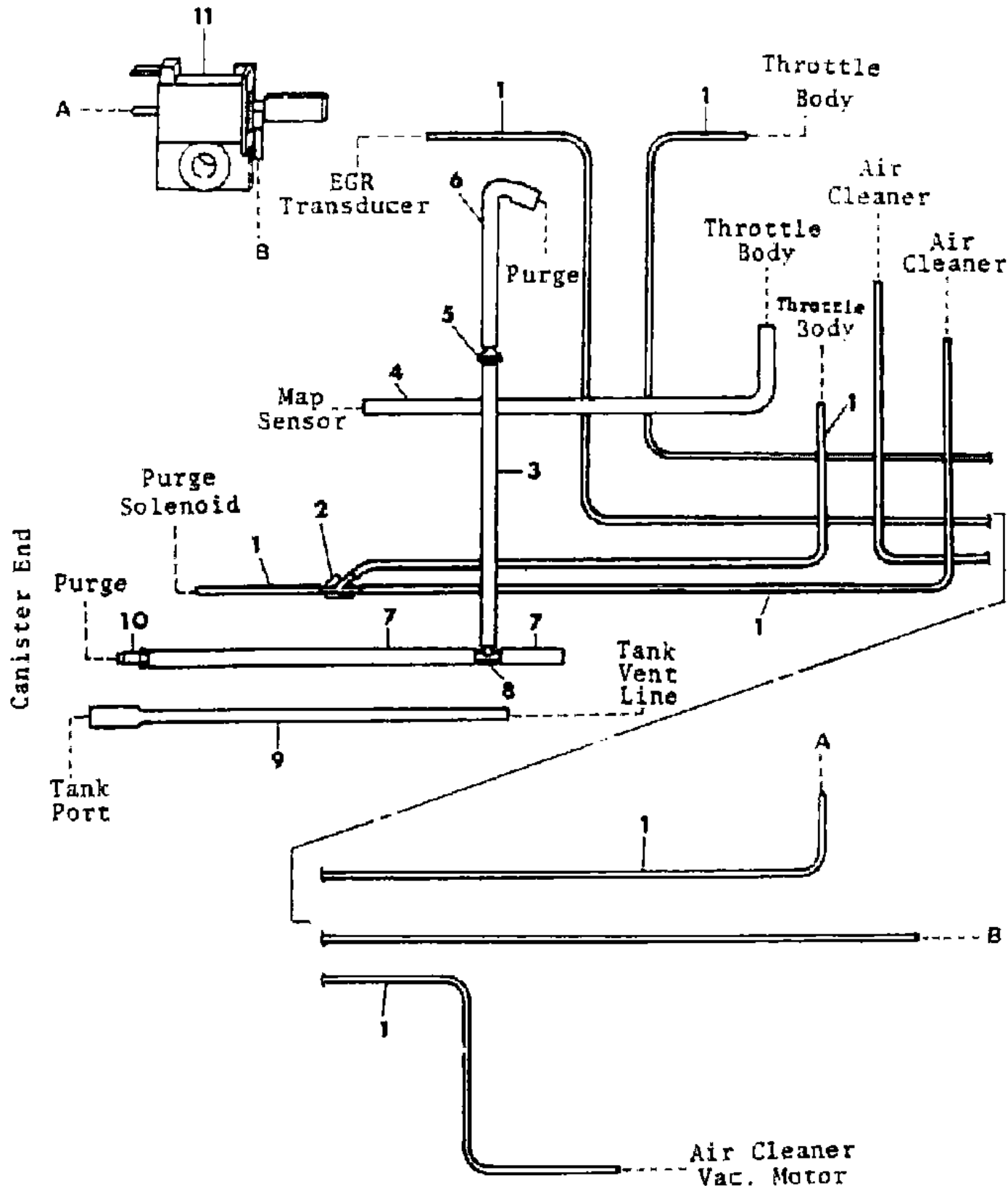
BODY STYLES

12-52 = FWD VAN & WAGON STD. W.B. 27 = 2-DOOR CONVERTIBLE
 13-53 = FWD VAN & WGN EXT W.B. 41 = 4-DOOR SEDAN
 21 = 2-DOOR SEDAN 44 = 4-DOOR HATCHBACK
 24 = 2-DOOR HATCHBACK 45 = 4-DOOR STATION WAGON

AR = Use as Required - = Non Illustrated Part P.A.R. = Paint as Required

EGR HOSE HARNESS 2.5L ENGINE - CALIF. S BODY
Figure 25-1100

8125 1100



ITEM	PART NUMBER	QTY	BODY	MODEL	DESCRIPTION
					HARNES, Hose (tagged 4405860, 4405880 - not serviced)
					TUBING, Convoluted (serv. in 10 ft. roll)
	4364 393	AR			1/4"
	4364 375	AR			3/8"
1	3780 508	AR			HOSE, Rubber 1/8" I.D. (serv. in 50 ft. roll)
2	4275 571	1			CONNECTOR, Y 3/16 x 3/16 x 3/16
3	4405 017	1			TUBE, Formed Vapor
4	4405 119	1			TUBE, Formed Vapor
5	4306 923	1			VALVE, Check
6	4405 016	1			TUBE, Formed Vapor
7	4104 272	AR			HOSE, Rubber 1/4" I.D. (serv. in 50 ft. roll)
8	4300 271	1			TEE 1/4 x 1/4 x 1/4
9	4210 989	1			TUBE, Expanded End
10	4179 643	1			CONNECTOR 1/4 x 5/16
11	4379 204	1			SOLENOID, Vacuum

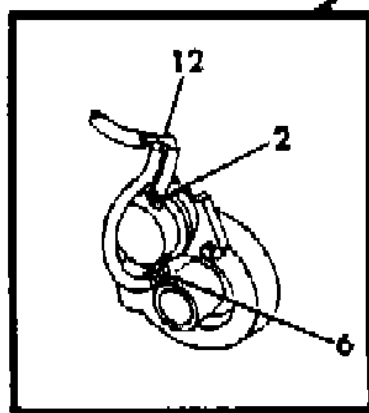
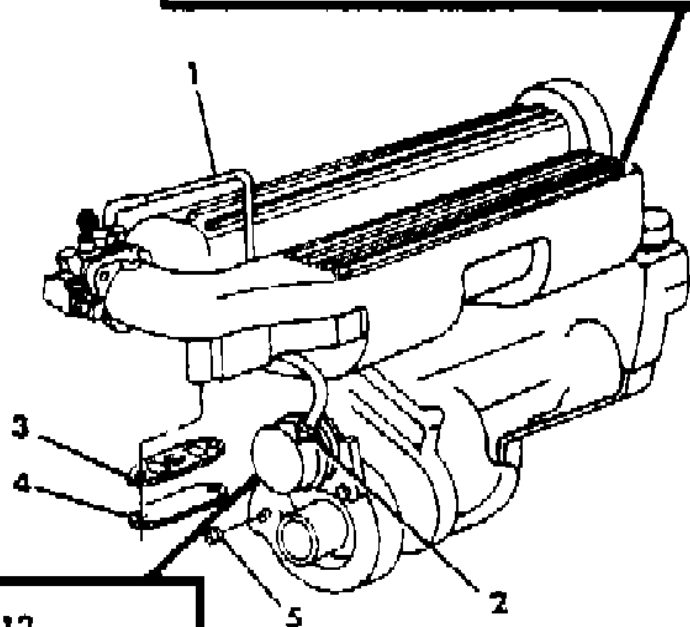
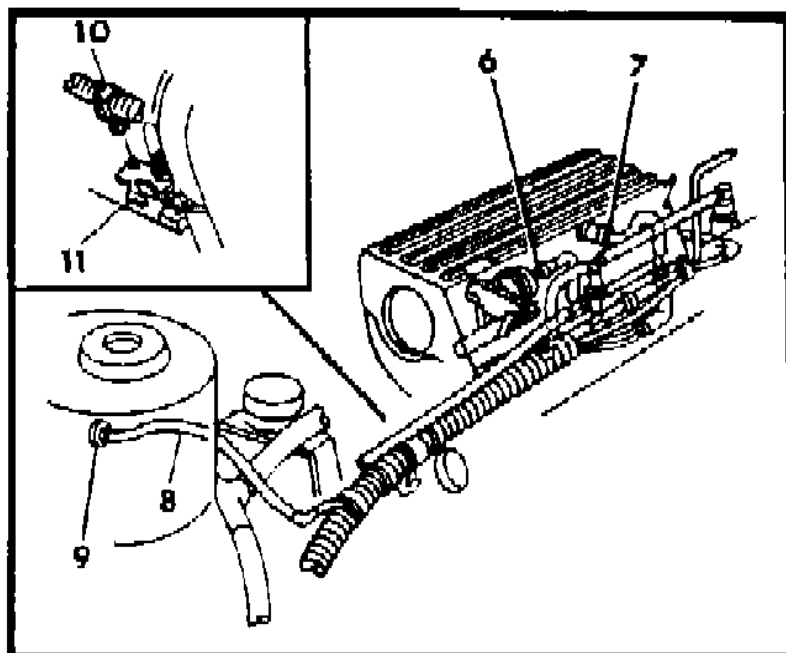
MODEL CODES
 C BODY = (D41 - DYNASTY)(C41 - NEW YORKER)
 E BODY = (J - CARAVELLE)(E - 600)(T - NEW YORKER TURBO)
 G BODY = (V24 - DAYTONA, PACIFICA & SHELBY)
 H BODY = (D44 - LANCER)(C44 - LEBARON GTS)
 J BODY = (C - LEBARON)
 K BODY = (P - RELIANT)(D - ARIES)(C - LEBARON/ TOWN & COUNTRY)
 L BODY = (M - HORIZON)(Z-OMNI)
 M BODY = (B - GRAN FURY)(G - DIPLOMAT)(F - FIFTH AVENUE/NEWPORT)
 P BODY = (P - SUNDANCE)(D - SHADOW)
 Q BODY = (C27 - MASERATI)
 S BODY = (H - VOYAGER)(K - RAM VAN/ CARAVAN)

BODY STYLES
 12-52 = FWD VAN & WAGON STD. W.B. 27 = 2-DOOR CONVERTIBLE
 13-53 = FWD VAN & WGN EXT W.B. 41 = 4-DOOR SEDAN
 21 = 2-DOOR SEDAN 44 = 4-DOOR HATCHBACK
 24 = 2-DOOR HATCHBACK 45 = 4-DOOR STATION WAGON

AR = Use as Required - = Non Illustrated Part P.A.R. = Paint as Required

EGR SYSTEM 2.2L ENGINE TURBO
Figure 25-1200

8125 1200 B



ITEM	PART NUMBER	QTY	BODY	MODEL	DESCRIPTION
1		1			HARNES, Hose (shown on illus. 1300 for Turbo 1 and 1500 for Turbo 2)
2	3683 823	1			CLAMP
3	4173 167	1			GASKET, EGR Valve to Flange
4	3671 447	1			COVER, EGR Valve Flange
5	#6500 362	1			PLUG, EGR Tube or Oxygen Sensor
6	6032 173	1			CLAMP
7	2448 761	1			CLAMP
8	4405 115	1			HOSE, Boost Gauge
9	3593 446	1			GROMMET, Boost Gauge Hose
10	6015 288	1			CLIP, Vacuum Harness
11	4324 182	1			BRACKET, Harness Support
12		1			HARNES, P.A.R. (shown on illus. 1400)

MODEL CODES

C BODY = (D41 - DYNASTY)(C41 - NEW YORKER)
 E BODY = (J - CARAVELLE)(E - 600)(T - NEW YORKER TURBO)
 G BODY = (V24 - DAYTONA, PACIFICA & SHELBY)
 H BODY = (D44 - LANCER)(C44 - LEBARON GTS)
 J BODY = (C - LEBARON)
 K BODY = (P - RELIANT)(D - ARIES)(C - LEBARON/ TOWN & COUNTRY)

L BODY = (M - HORIZON)(Z-OMNI)
 M BODY = (B - GRAN FURY)(G - DIPLOMAT)(F - FIFTH AVENUE/NEWPORT)
 P BODY = (P - SUNDANCE)(D - SHADOW)
 Q BODY = (C27 - MASERATI)
 S BODY = (H - VOYAGER)(K - RAM VAN/ CARAVAN)

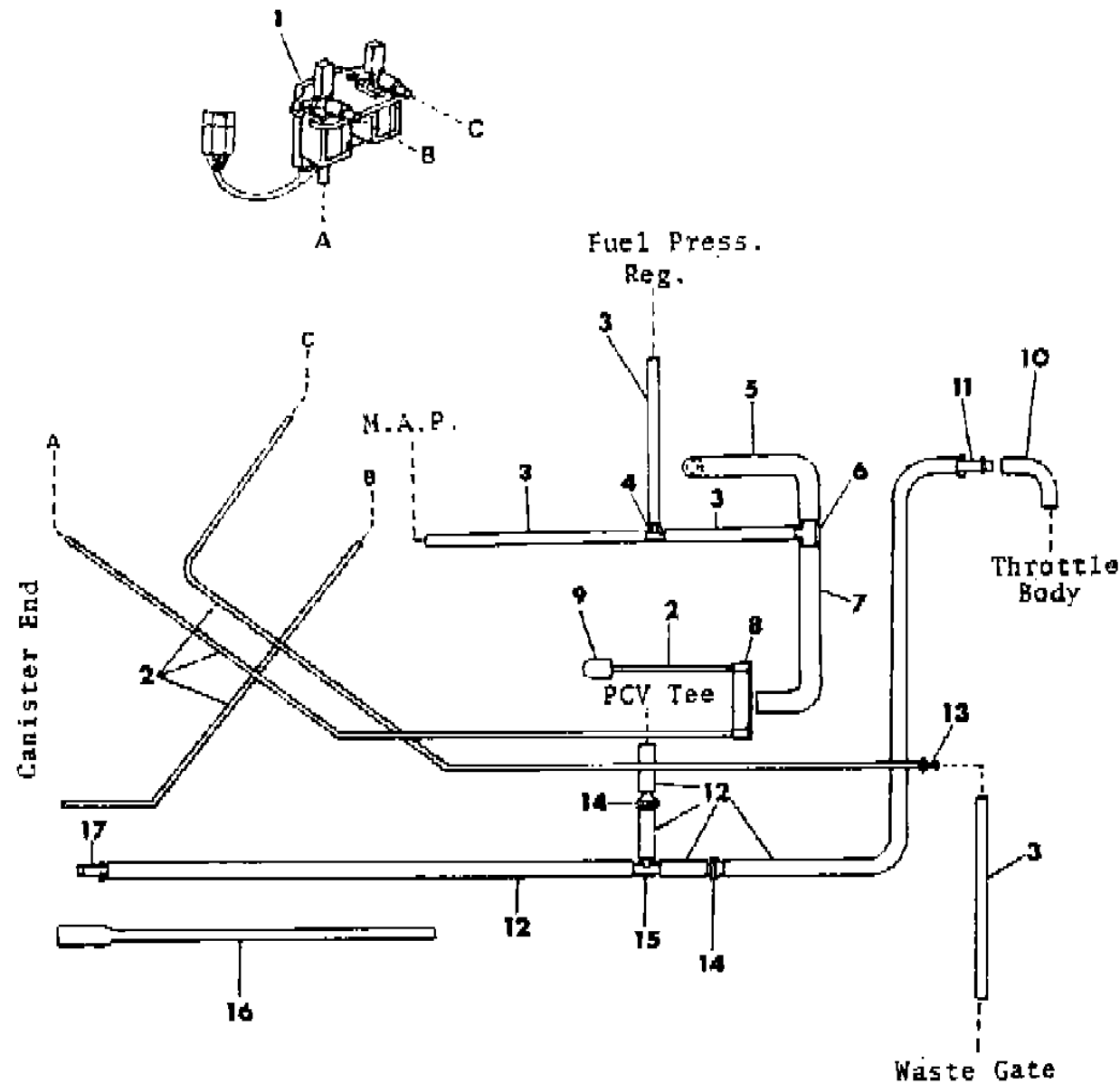
BODY STYLES

12-52 = FWD VAN & WAGON STD. W.B. 27 = 2-DOOR CONVERTIBLE
 13-53 = FWD VAN & WGN EXT W.B. 41 = 4-DOOR SEDAN
 21 = 2-DOOR SEDAN 44 = 4-DOOR HATCHBACK
 24 = 2-DOOR HATCHBACK 45 = 4-DOOR STATION WAGON

AR = Use as Required - = Non Illustrated Part P.A.R. = Paint as Required

EGR HOSE HARNESS 2.2L ENGINE TURBO 1
Figure 25-1300

8125 1300



ITEM	PART NUMBER	QTY	BODY	MODEL	DESCRIPTION
					HARNESS, Hose (tagged 4405877, 4405878 - not serviced)
	4364 375	AR			TUBING, Convoluted 3/8" (serv. in 10 ft. roll)
1	5227 980	1			SOLENOID, Dual Vacuum
2	3780 508	AR			HOSE, Rubber 1/8" I.D. (serv. in 50 ft. roll)
3	4026 511	AR			HOSE, Rubber 3/16" I.D. (serv. in 50 ft. roll)
4	3671 410	1			TEE 3/16 x 3/16 x 3/16
5	4458 124	1			TUBE, Formed
6	4458 126	1			TEE 3/8 x 3/16 x 3/8
7	4241 846	1			TUBE, Formed
8	4504 024	1			CONNECTOR, 3 Way
9	3580 170	1			CAP
10	4405 119	1			TUBE, Formed Vapor
11	4201 275	1			CONNECTOR 1/4 x 1/4
12	4104 272	AR			HOSE, Rubber 1/4" I.D. (serv. in 50 ft. roll)
13	4405 109	1			CONNECTOR 3/16 x 3/16
14	4306 923	2			VALVE, Check
15	4300 286	1			TEE 1/4 x 1/4 x 1/4
16	4210 989	1			TUBE, Expanded End
17	4179 643	1			CONNECTOR 1/4 x 5/16

MODEL CODES
 C BODY = (D41 - DYNASTY)(C41 - NEW YORKER)
 E BODY = (J - CARAVELLE)(E - 600)(T - NEW YORKER TURBO)
 G BODY = (V24 - DAYTONA, PACIFICA & SHELBY)
 H BODY = (D44 - LANCER)(C44 - LEBARON GTS)
 J BODY = (C - LEBARON)
 K BODY = (P - RELIANT)(D - ARIES)(C - LEBARON/ TOWN & COUNTRY)
 L BODY = (M - HORIZON)(Z-OMNI)
 M BODY = (B - GRAN FURY)(G - DIPLOMAT)(F - FIFTH AVENUE/NEWPORT)
 P BODY = (P - SUNDANCE)(D - SHADOW)
 Q BODY = (C27 - MASERATI)
 S BODY = (H - VOYAGER)(K - RAM VAN/ CARAVAN)

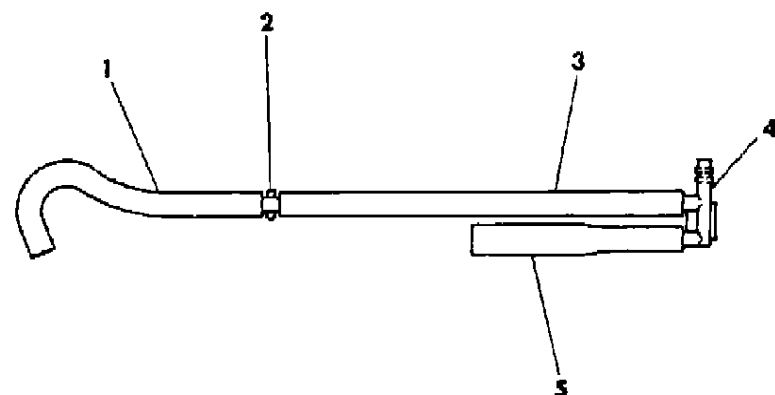
BODY STYLES
 12-52 = FWD VAN & WAGON STD. W.B. 27 = 2-DOOR CONVERTIBLE
 13-53 = FWD VAN & WGN EXT W.B. 41 = 4-DOOR SEDAN
 21 = 2-DOOR SEDAN 44 = 4-DOOR HATCHBACK
 24 = 2-DOOR HATCHBACK 45 = 4-DOOR STATION WAGON

AR = Use as Required - = Non Illustrated Part P.A.R. = Paint as Required

P.A.R HOSE HARNESS 2.2L ENGINE TURBO 1
Figure 25-1400

8125 1400

ITEM	PART NUMBER	QTY	BODY	MODEL	DESCRIPTION
HARNES, Hose (tagged 4287367 - not serviced)					
1	4287 145	1			HOSE, ESA Connection
2	4405 111	1			CONNECTOR 3/16 x 3/16
3	4026 511	AR			HOSE, Rubber 3/16" I.D. (serv. in 50 ft. roll)
4	4095 987	1			CONNECTOR, 3 Port
5	4201 264	1			TUBE, Expanded End



MODEL CODES

C BODY = (D41 - DYNASTY)(C41 - NEW YORKER)	L BODY = (M - HORIZON)(Z-OMNI)
E BODY = (J - CARAVELLE)(E - 600)(T - NEW YORKER TURBO)	M BODY = (B - GRAN FURY)(G - DIPLOMAT)(F - FIFTH AVENUE/NEWPORT)
G BODY = (V24 - DAYTONA, PACIFICA & SHELBY)	P BODY = (P - SUNDANCE)(D - SHADOW)
H BODY = (D44 - LANCER)(C44 - LEBARON GTS)	Q BODY = (C27 - MASERATI)
J BODY = (C - LEBARON)	S BODY = (H - VOYAGER)(K - RAM VAN/ CARAVAN)
K BODY = (P - RELIANT)(D - ARIES)(C - LEBARON/ TOWN & COUNTRY)	

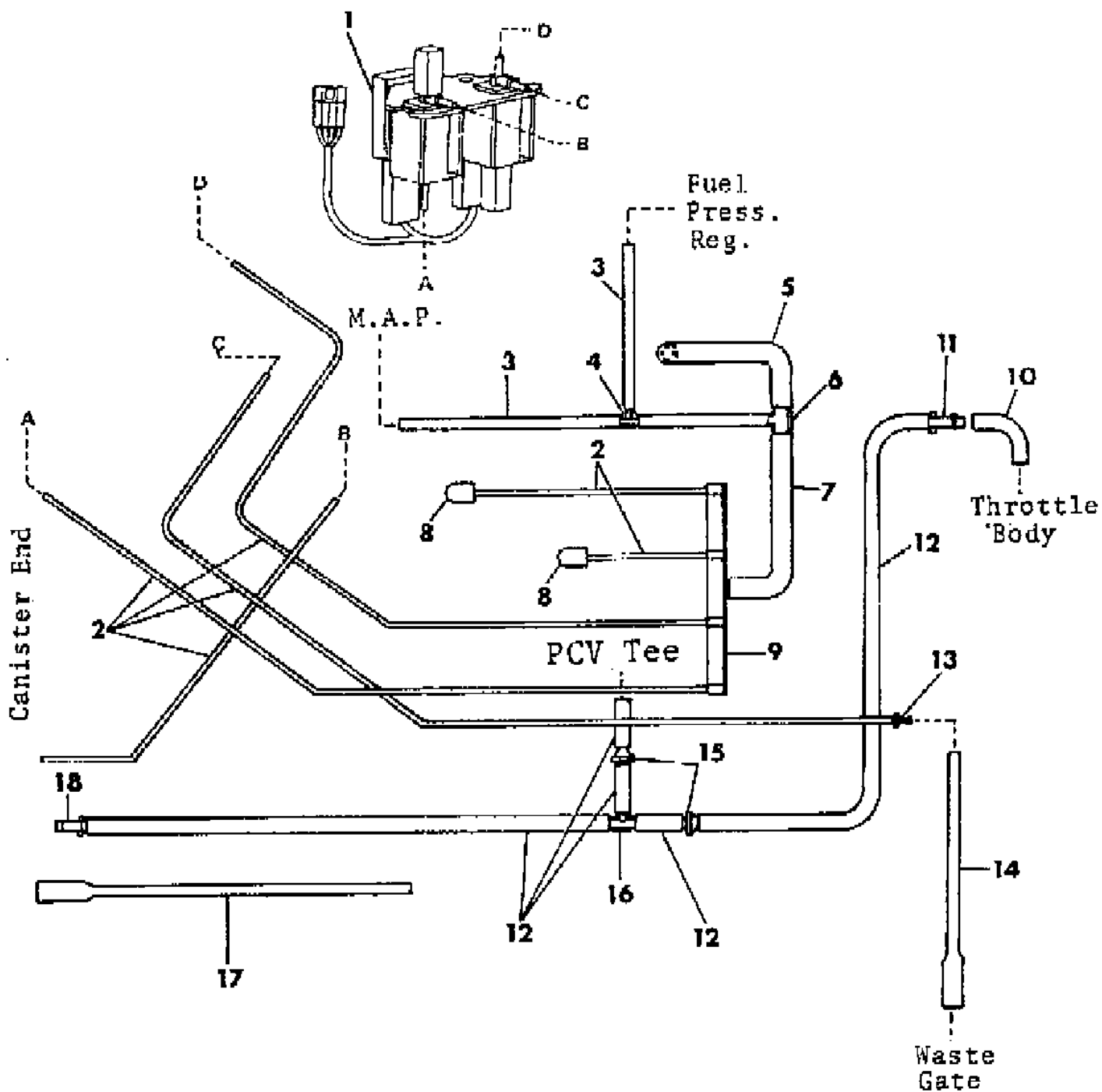
BODY STYLES

12-52 = FWD VAN & WAGON STD. W.B.	27 = 2-DOOR CONVERTIBLE
13-53 = FWD VAN & WGN EXT W.B.	41 = 4-DOOR SEDAN
21 = 2-DOOR SEDAN	44 = 4-DOOR HATCHBACK
24 = 2-DOOR HATCHBACK	45 = 4-DOOR STATION WAGON

AR = Use as Required - = Non Illustrated Part P.A.R. = Paint as Required

EMISSION HOSE HARNESS 2.2L ENGINE TURBO 2
Figure 25-1500

8125 1500



ITEM	PART NUMBER	QTY	BODY	MODEL	DESCRIPTION
					HARNESS, Hose (tagged 4405873 - not serviced)
1	4364 375	AR			TUBING, Convoluted 3/8" (serv. in 10 ft. roll)
2	5227 333	1			SOLENOID, Dual Vacuum
3	3780 508	AR			HOSE, Rubber 1/8" I.D. (serv. in 50 ft. roll)
4	4026 511	AR			HOSE, Rubber 3/16" I.D. (serv. in 50 ft. roll)
5	3671 410	1			TEE 3/16 x 3/16 x 3/16
6	4458 124	1			TUBE, Formed
7	4458 126	1			TEE 3/8 x 3/16 x 3/8
8	4241 846	1			TUBE, Formed
9	3580 171	2			CAP
10	4504 024	1			CONNECTOR
11	4405 119	1			TUBE, Formed Vapor
12	4201 275	1			CONNECTOR 1/4 x 1/4
13	4104 272	AR			HOSE, Rubber 1/4" I.D. (serv. in 50 ft. roll)
14	4275 607	1			CONNECTOR 3/16 x 3/16
15	4201 264	1			TUBE, Expanded End
16	4306 923	2			VALVE, Check
17	4300 286	1			TEE 1/4 x 1/4 x 1/4
18	4210 989	1			TUBE, Expanded End
19	4179 643	1			CONNECTOR 1/4 x 5/16

MODEL CODES

C BODY = (D41 - DYNASTY)(C41 - NEW YORKER)	L BODY = (M - HORIZON)(Z-OMNI)
E BODY = (J - CARAVELLE)(E - 600)(T - NEW YORKER TURBO)	M BODY = (B - GRAN FURY)(G - DIPLOMAT)(F - FIFTH AVENUE/NEWPORT)
G BODY = (V24 - DAYTONA, PACIFICA & SHELBY)	P BODY = (P - SUNDANCE)(D - SHADOW)
H BODY = (D44 - LANCER)(C44 - LEBARON GTS)	Q BODY = (C27 - MASERATI)
J BODY = (C - LEBARON)	S BODY = (H - VOYAGER)(K - RAM VAN/ CARAVAN)
K BODY = (P - RELIANT)(D - ARIES)(C - LEBARON/ TOWN & COUNTRY)	

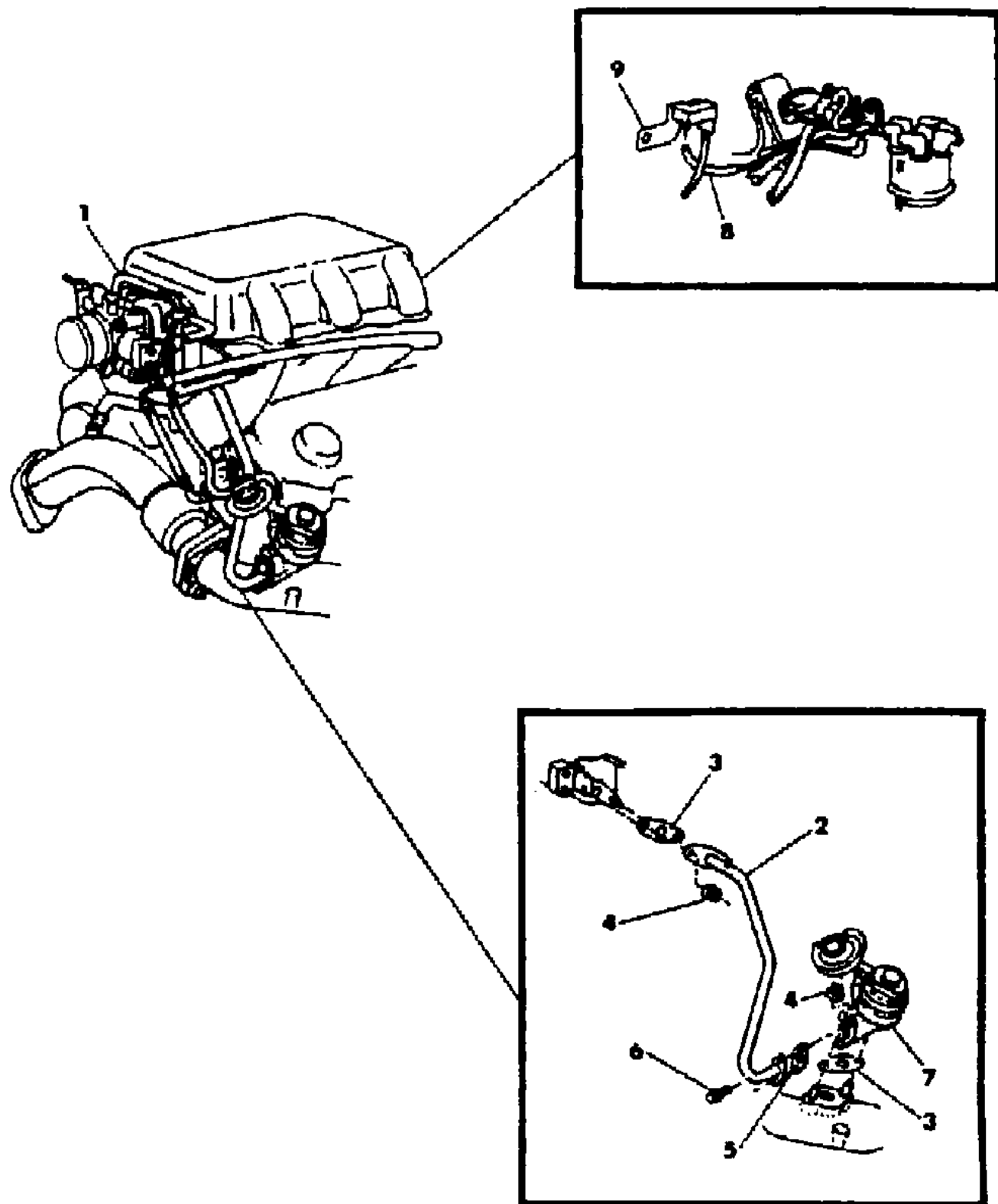
BODY STYLES

12-52 = FWD VAN & WAGON STD. W.B.	27 = 2-DOOR CONVERTIBLE
13-53 = FWD VAN & WGN EXT W.B.	41 = 4-DOOR SEDAN
21 = 2-DOOR SEDAN	44 = 4-DOOR HATCHBACK
24 = 2-DOOR HATCHBACK	45 = 4-DOOR STATION WAGON

AR = Use as Required - = Non Illustrated Part P.A.R. = Paint as Required

EGR SYSTEM 3.0L ENGINE C BODY
Figure 25-1600

8125 1600



ITEM	PART NUMBER	QTY	BODY	MODEL	DESCRIPTION
1		1			HARNESS, Hose (shown on illus. 1800, 1900)
2	4300 268	1			TUBE, EGR Valve
3	4300 056	2			GASKET, EGR Tube and Valve
4	6500 182	4			NUT
5	4201 384	1			GASKET, EGR Valve Flange
6	6500 464	2			SCREW
7	4287 814	1			VALVE, EGR
8	4104 272	AR			HOSE, MAP Sensor 1/4" I.D. (serv. in 50 ft. roll)
9		1			SENSOR, MAP (refer to grp. 8)

MODEL CODES

C BODY = (D41 - DYNASTY)(C41 - NEW YORKER)
 E BODY = (J - CARAVELLE)(E - 600)(T - NEW YORKER TURBO)
 G BODY = (V24 - DAYTONA, PACIFICA & SHELBY)
 H BODY = (D44 - LANCER)(C44 - LEBARON GTS)
 J BODY = (C - LEBARON)
 K BODY = (P - RELIANT)(D - ARIES)(C - LEBARON/ TOWN & COUNTRY)
 L BODY = (M - HORIZON)(Z-OMNI)
 M BODY = (B - GRAN FURY)(G - DIPLOMAT)(F - FIFTH AVENUE/NEWPORT)
 P BODY = (P - SUNDANCE)(D - SHADOW)
 Q BODY = (C27 - MASERATI)
 S BODY = (H - VOYAGER)(K - RAM VAN/ CARAVAN)

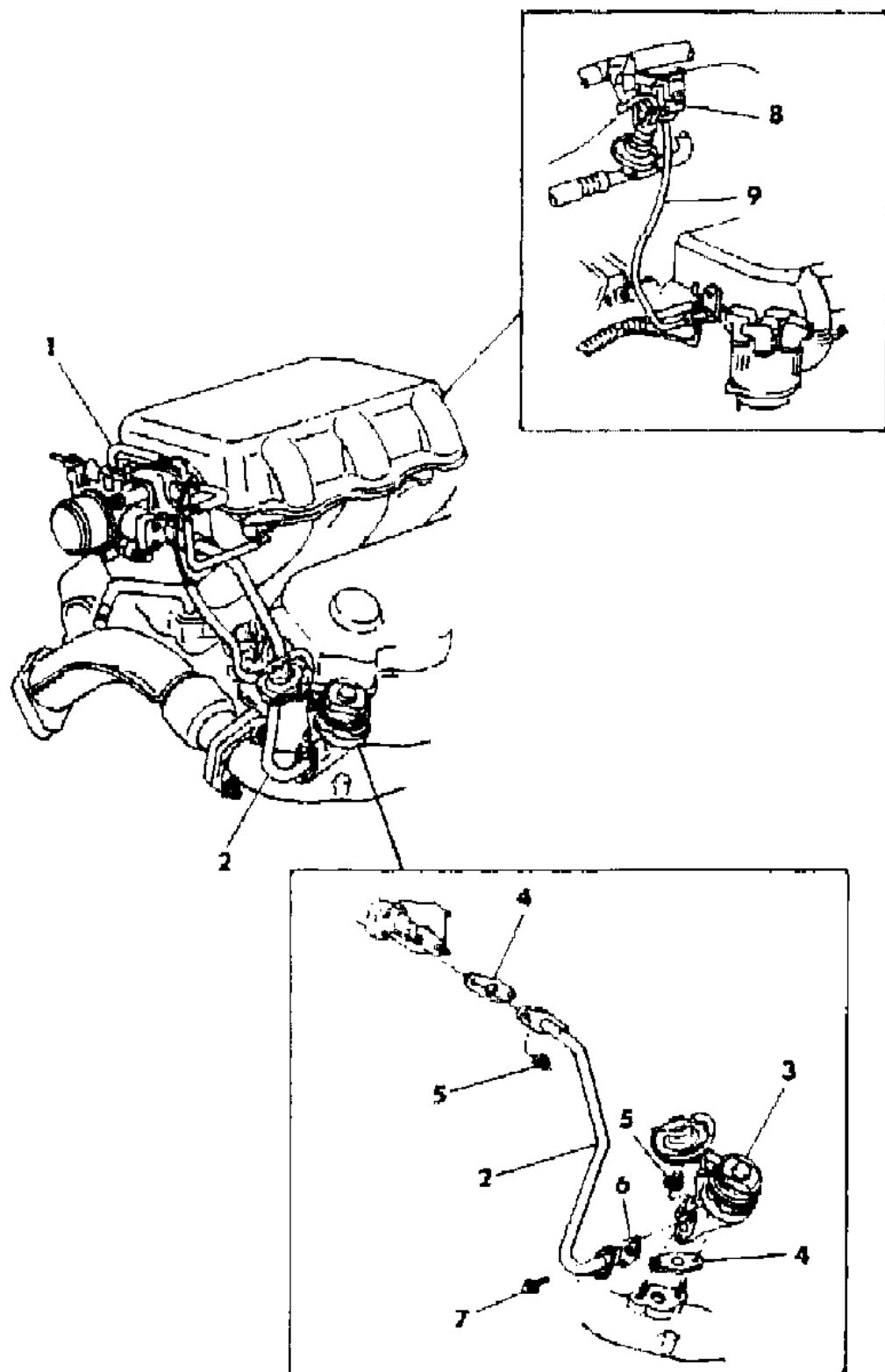
BODY STYLES

12-52 = FWD VAN & WAGON STD. W.B. 27 = 2-DOOR CONVERTIBLE
 13-53 = FWD VAN & WGN EXT W.B. 41 = 4-DOOR SEDAN
 21 = 2-DOOR SEDAN 44 = 4-DOOR HATCHBACK
 24 = 2-DOOR HATCHBACK 45 = 4-DOOR STATION WAGON

AR = Use as Required - = Non Illustrated Part P.A.R. = Paint as Required

EGR SYSTEM 3.0L ENGINE S BODY
Figure 25-1700

8125 1700



ITEM	PART NUMBER	QTY	BODY	MODEL	DESCRIPTION
1		1			HARNES, Hose (shown on illus. 1800, 2000)
2	4300 268	1			TUBE, EGR Valve
3	4287 815	1			VALVE, EGR
4	4300 056	2			GASKET, EGR Valve and Tube
5	6500 182	4			NUT
6	4201 384	1			GASKET, EGR Valve Flange
7	6500 464	2			SCREW
8		1			SENSOR, Map (refer to grp. 8)
9	4287 398	1			HOSE, Map Sensor

MODEL CODES
 C BODY = (D41 - DYNASTY)(C41 - NEW YORKER)
 E BODY = (J - CARAVELLE)(E - 600)(T - NEW YORKER TURBO)
 G BODY = (V24 - DAYTONA, PACIFICA & SHELBY)
 H BODY = (D44 - LANCER)(C44 - LEBARON GTS)
 J BODY = (C - LEBARON)
 K BODY = (P - RELIANT)(D - ARIES)(C - LEBARON/ TOWN & COUNTRY)
 L BODY = (M - HORIZON)(Z-OMNI)
 M BODY = (B - GRAN FURY)(G - DIPLOMAT)(F - FIFTH AVENUE/NEWPORT)
 P BODY = (P - SUNDANCE)(D - SHADOW)
 Q BODY = (C27 - MASERATI)
 S BODY = (H - VOYAGER)(K - RAM VAN/ CARAVAN)

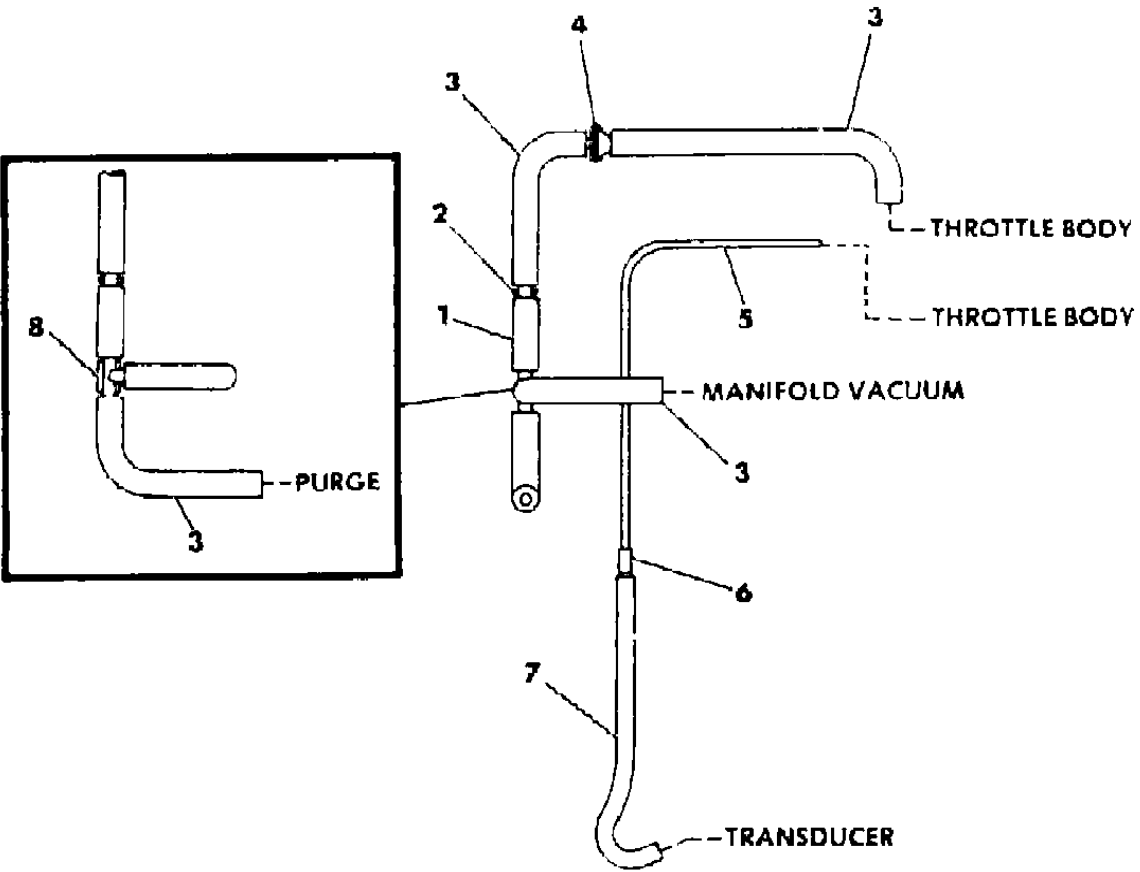
BODY STYLES
 12-52 = FWD VAN & WAGON STD. W.B. 27 = 2-DOOR CONVERTIBLE
 13-53 = FWD VAN & WGN EXT W.B. 41 = 4-DOOR SEDAN
 21 = 2-DOOR SEDAN 44 = 4-DOOR HATCHBACK
 24 = 2-DOOR HATCHBACK 45 = 4-DOOR STATION WAGON

AR = Use as Required - = Non Illustrated Part P.A.R. = Paint as Required

EGR HOSE HARNESS 3.0L ENGINE - EXC. CALIF. C,S BODY
Figure 25-1800

ITEM	PART NUMBER	QTY	BODY	MODEL	DESCRIPTION
HARNES, Hose (tagged 4405603 - not serviced)					
1	4104 272	AR			HOSE, Rubber 1/4" I.D (serv. in 50 ft. roll)
2	4307 328	1			CONNECTOR 1/4 x 1/4
3	4405 119	1			TUBE, Formed Vapor
4	4306 923	1			VALVE, Check
5	3780 508	AR			HOSE, Rubber 1/8" I.D. (serv. in 50 ft. roll)
6	4104 998	1			CONNECTOR 3/16 x 3/16
7	4287 145	1			HOSE, Molded End
8	4300 286	1			TEE 1/4 x 1/4 x 1/4

8125 1800 A



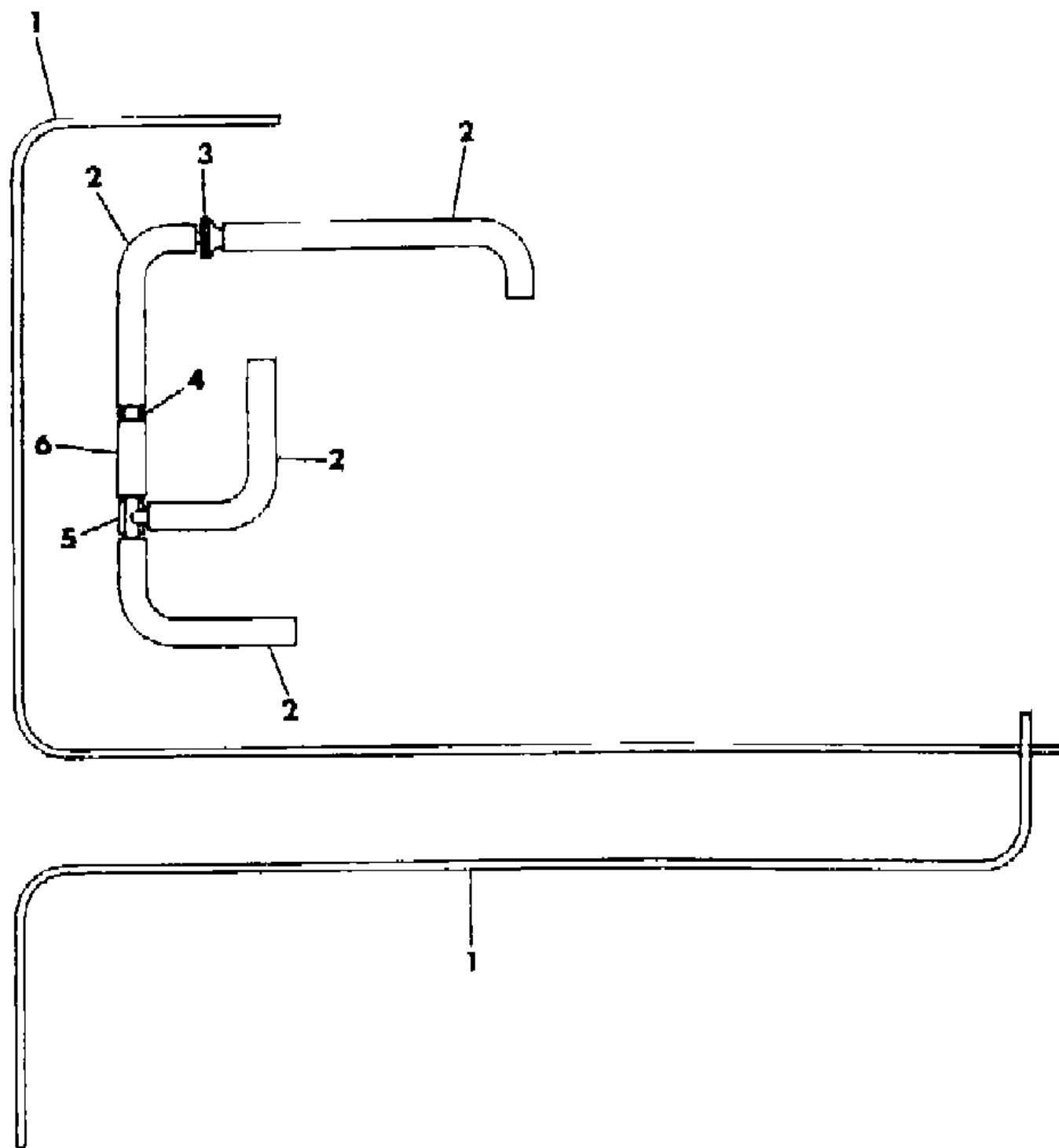
MODEL CODES
 C BODY = (D41 - DYNASTY)(C41 - NEW YORKER)
 E BODY = (J - CARAVELLE)(E - 600)(T - NEW YORKER TURBO)
 G BODY = (V24 - DAYTONA, PACIFICA & SHELBY)
 H BODY = (D44 - LANCER)(C44 - LEBARON GTS)
 J BODY = (C - LEBARON)
 K BODY = (P - RELIANT)(D - ARIES)(C - LEBARON/ TOWN & COUNTRY)
 L BODY = (M - HORIZON)(Z-OMNI)
 M BODY = (B - GRAN FURY)(G - DIPLOMAT)(F - FIFTH AVENUE/NEWPORT)
 P BODY = (P - SUNDANCE)(D - SHADOW)
 Q BODY = (C27 - MASERATI)
 S BODY = (H - VOYAGER)(K - RAM VAN/ CARAVAN)

BODY STYLES
 12-52 = FWD VAN & WAGON STD. W.B. 27 = 2-DOOR CONVERTIBLE
 13-53 = FWD VAN & WGN EXT W.B. 41 = 4-DOOR SEDAN
 21 = 2-DOOR SEDAN 44 = 4-DOOR HATCHBACK
 24 = 2-DOOR HATCHBACK 45 = 4-DOOR STATION WAGON

AR = Use as Required - = Non Illustrated Part P.A.R. = Paint as Required

EGR HOSE HARNESS 3.0L ENGINE - CALIF. C BODY
Figure 25-1900

8125 1900 B



ITEM	PART NUMBER	QTY	BODY	MODEL	DESCRIPTION
					HARNES, Hose (tagged 4405855 - not serviced)
					TUBING, Convolutd (serv. in 10 ft. roll)
	4364 393	AR			1/4"
	4364 375	AR			3/8"
1	3780 508	AR			HOSE, Rubber 1/8" I.D. (serv. in 50 ft. roll)
2	4405 119	4			TUBE, Formed Vapor
3	4306 923	1			VALVE, Check
4	4307 328	1			CONNECTOR 1/4 x 1/4
5	4306 286	1			TEE 1/4 x 1/4 x 1/4
6	4104 272	AR			HOSE, Rubber 1/4" I.D. (serv. in 50 ft. roll)

MODEL CODES

C BODY = (D41 - DYNASTY)(C41 - NEW YORKER)	L BODY = (M - HORIZON)(Z-OMNI)
E BODY = (J - CARAVELLE)(E - 600)(T - NEW YORKER TURBO)	M BODY = (B - GRAN FURY)(G - DIPLOMAT)(F - FIFTH AVENUE/NEWPORT)
G BODY = (V24 - DAYTONA, PACIFICA & SHELBY)	P BODY = (P - SUNDANCE)(D - SHADOW)
H BODY = (D44 - LANCER)(C44 - LEBARON GTS)	Q BODY = (C27 - MASERATI)
J BODY = (C - LEBARON)	S BODY = (H - VOYAGER)(K - RAM VAN/ CARAVAN)
K BODY = (P - RELIANT)(D - ARIES)(C - LEBARON/ TOWN & COUNTRY)	

BODY STYLES

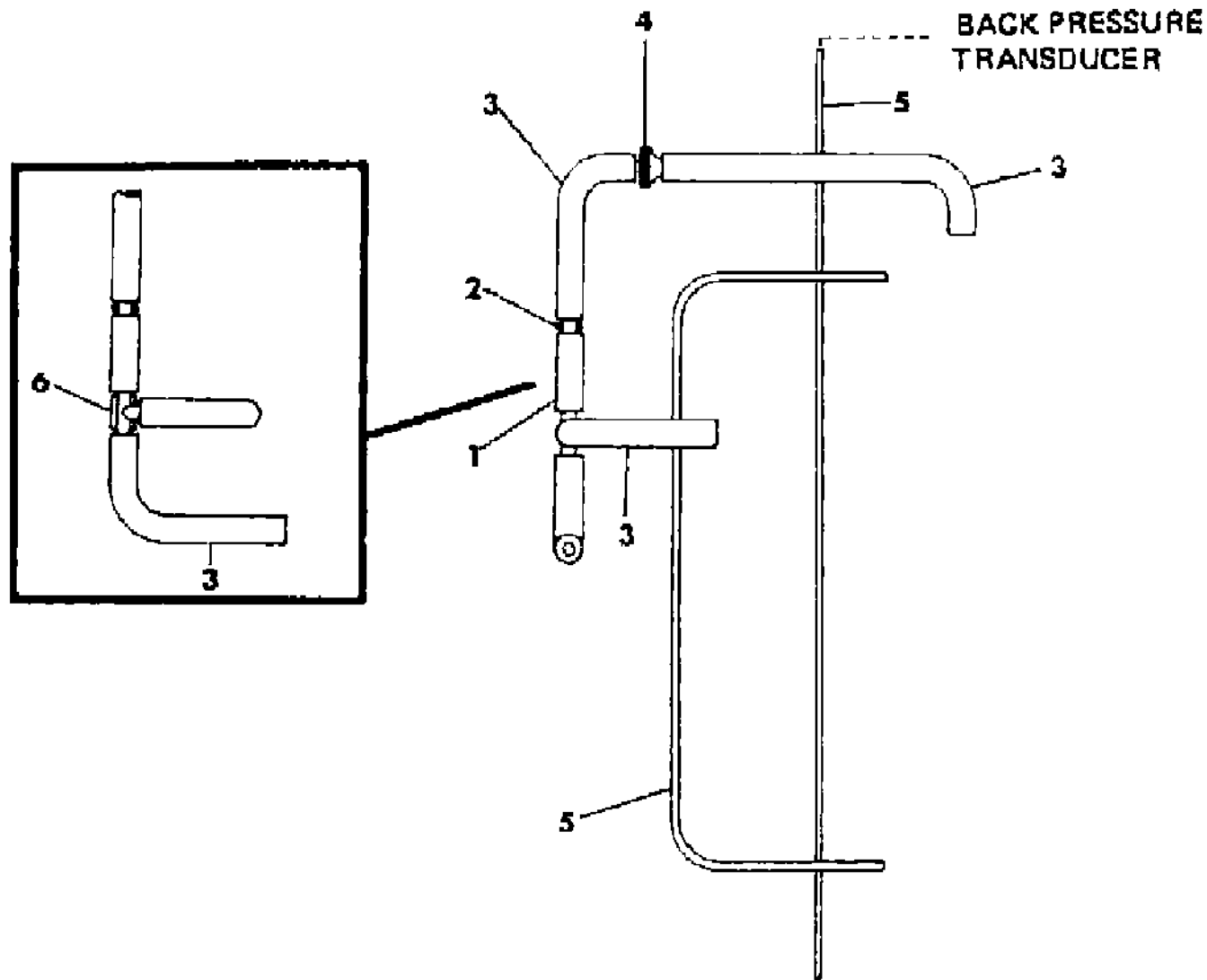
12-52 = FWD VAN & WAGON STD. W.B.	27 = 2-DOOR CONVERTIBLE
13-53 = FWD VAN & WGN EXT W.B.	41 = 4-DOOR SEDAN
21 = 2-DOOR SEDAN	44 = 4-DOOR HATCHBACK
24 = 2-DOOR HATCHBACK	45 = 4-DOOR STATION WAGON

AR = Use as Required - = Non Illustrated Part P.A.R. = Paint as Required

EGR HOSE HARNESS 3.0L ENGINE - CALIF. S BODY
Figure 25-2000

8125 2000

ITEM	PART NUMBER	QTY	BODY	MODEL	DESCRIPTION
					HARNESS, Hose (tagged 4405858 - not serviced)
					TUBING, Convoluted (serv. in 10 ft. roll)
	4364 393	AR			1/4"
	4364 375	AR			3/8"
1	4104 272	AR			HOSE, Rubber 1/4" I.D. (serv. in 50 ft. roll)
2	4307 328	1			CONNECTOR 1/4 x 1/4
3	4405 119	4			TUBE, Formed Vapor
4	4306 923	1			VALVE, Check
5	3780 508	AR			HOSE, Rubber 1/8" I.D. (serv. in 50 ft. roll)
6	4300 286	1			TEE 1/4 x 1/4 x 1/4



MODEL CODES

C BODY = (D41 - DYNASTY)(C41 - NEW YORKER)	L BODY = (M - HORIZON)(Z-OMNI)
E BODY = (J - CARAVELLE)(E - 600)(T - NEW YORKER TURBO)	M BODY = (B - GRAN FURY)(G - DIPLOMAT)(F - FIFTH AVENUE/NEWPORT)
G BODY = (V24 - DAYTONA, PACIFICA & SHELBY)	P BODY = (P - SUNDANCE)(D - SHADOW)
H BODY = (D44 - LANCER)(C44 - LEBARON GTS)	Q BODY = (C27 - MASERATI)
J BODY = (C - LEBARON)	S BODY = (H - VOYAGER)(K - RAM VAN/ CARAVAN)
K BODY = (P - RELIANT)(D - ARIES)(C - LEBARON/ TOWN & COUNTRY)	

BODY STYLES

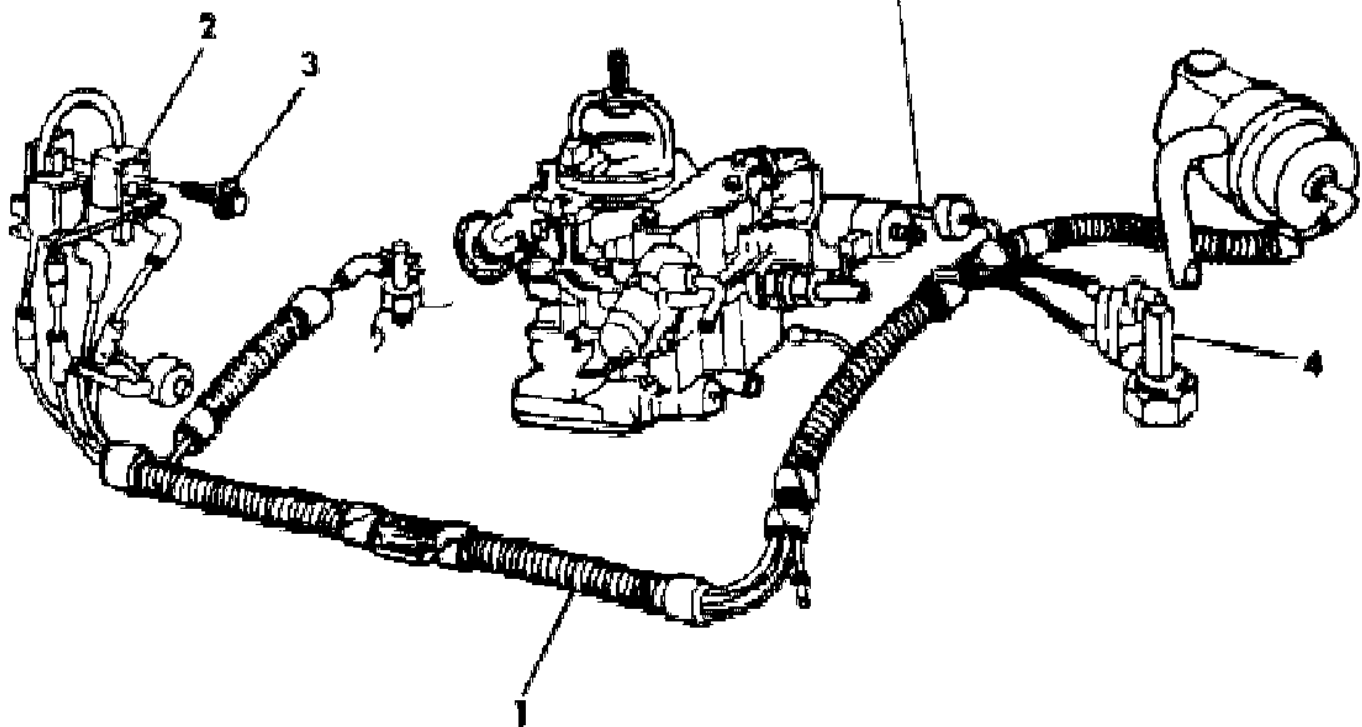
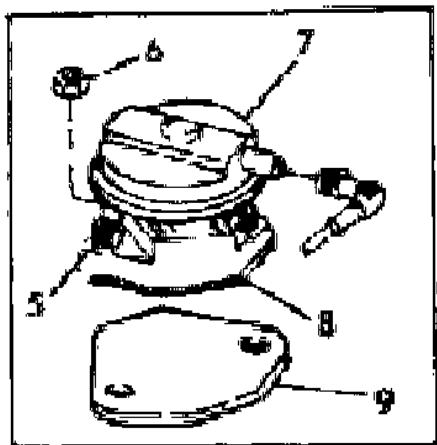
12-52 = FWD VAN & WAGON STD. W.B.	27 = 2-DOOR CONVERTIBLE
13-53 = FWD VAN & WGN EXT W.B.	41 = 4-DOOR SEDAN
21 = 2-DOOR SEDAN	44 = 4-DOOR HATCHBACK
24 = 2-DOOR HATCHBACK	45 = 4-DOOR STATION WAGON

AR = Use as Required - = Non Illustrated Part P.A.R. = Paint as Required

EGR SYSTEM 318 ENGINE 2BBL.

Figure 25-2100

8125 2100



ITEM	PART NUMBER	QTY	BODY	MODEL	DESCRIPTION
1		1			HARNES, Hose (shown on illus. 2200, 2300, 2400)
2	4289 087	1			SOLENOID, Dual Vacuum
3	6032 473	1			SCREW and WASHER
4	4049 277	1			SWITCH, CVSCC
5	6031 943	2			STUD, EGR Valve Attach
6	#0115 729	2			NUT
7					VALVE, EGR
	4287 659	1			stamped 4287659
	4287 688	1			stamped 4287688
	4287 667	1			stamped 4287667
8	4287 938	1			GASKET, EGR Valve
9	3671 448	1			COVER, EGR Valve Flange

MODEL CODES

C BODY = (D41 - DYNASTY)(C41 - NEW YORKER)
 E BODY = (J - CARAVELLE)(E - 600)(T - NEW YORKER TURBO)
 G BODY = (V24 - DAYTONA, PACIFICA & SHELBY)
 H BODY = (D44 - LANCER)(C44 - LEBARON GTS)
 J BODY = (C - LEBARON)
 K BODY = (P - RELIANT)(D - ARIES)(C - LEBARON/ TOWN & COUNTRY)
 L BODY = (M - HORIZON)(Z-OMNI)
 M BODY = (B - GRAN FURY)(G - DIPLOMAT)(F - FIFTH AVENUE/NEWPORT)
 P BODY = (P - SUNDANCE)(D - SHADOW)
 Q BODY = (C27 - MASERATI)
 S BODY = (H - VOYAGER)(K - RAM VAN/ CARAVAN)

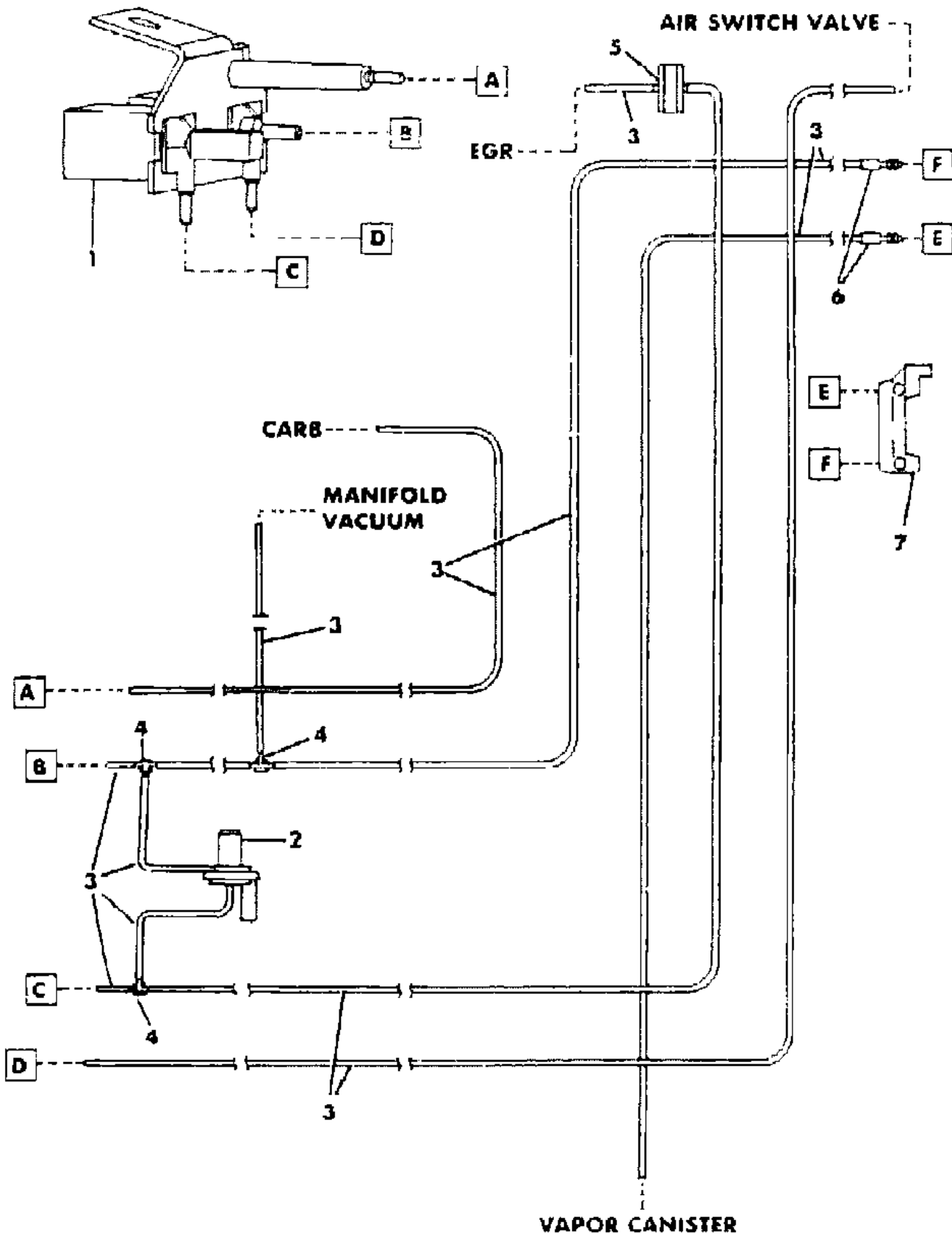
BODY STYLES

12-52 = FWD VAN & WAGON STD. W.B. 27 = 2-DOOR CONVERTIBLE
 13-53 = FWD VAN & WGN EXT W.B. 41 = 4-DOOR SEDAN
 21 = 2-DOOR SEDAN 44 = 4-DOOR HATCHBACK
 24 = 2-DOOR HATCHBACK 45 = 4-DOOR STATION WAGON

AR = Use as Required - = Non Illustrated Part P.A.R. = Paint as Required

EGR HOSE HARNESS 318 ENGINE 2BBL.
Figure 25-2200

8125 2200 A



ITEM	PART NUMBER	QTY	BODY	MODEL	DESCRIPTION
					HARNESS, Hose (tagged 4405688, 4405831 - not serviced)
					TUBING, Convoluted (serv. in 10 ft. roll)
	4364 393	AR			1/4"
	4364 375	AR			3/8"
	4364 374	AR			1/2"
1	4289 087	1			SOLENOID, Dual Vacuum
2	4307 797	1			SWITCH, Vacuum
3	3780 508	AR			HOSE, Rubber 1/8" I.D. (serv. in 50 ft. roll)
4	3744 498	1			TEE 1/8 x 1/8 x 1/8
5	4443 192	1			VALVE, Delay
6	4268 662	2			CONNECTOR 1/8
7	4179 093	1			CONNECTOR, CVSCC Switch

MODEL CODES

C BODY = (D41 - DYNASTY)(C41 - NEW YORKER)
 E BODY = (J - CARAVELLE)(E - 600)(T - NEW YORKER TURBO)
 G BODY = (V24 - DAYTONA, PACIFICA & SHELBY)
 H BODY = (D44 - LANCER)(C44 - LEBARON GTS)
 J BODY = (C - LEBARON)
 K BODY = (P - RELIANT)(D - ARIES)(C - LEBARON/ TOWN & COUNTRY)

L BODY = (M - HORIZON)(Z-OMNI)
 M BODY = (B - GRAN FURY)(G - DIPLOMAT)(F - FIFTH AVENUE/NEWPORT)
 P BODY = (P - SUNDANCE)(D - SHADOW)
 Q BODY = (C27 - MASERATI)
 S BODY = (H - VOYAGER)(K - RAM VAN/ CARAVAN)

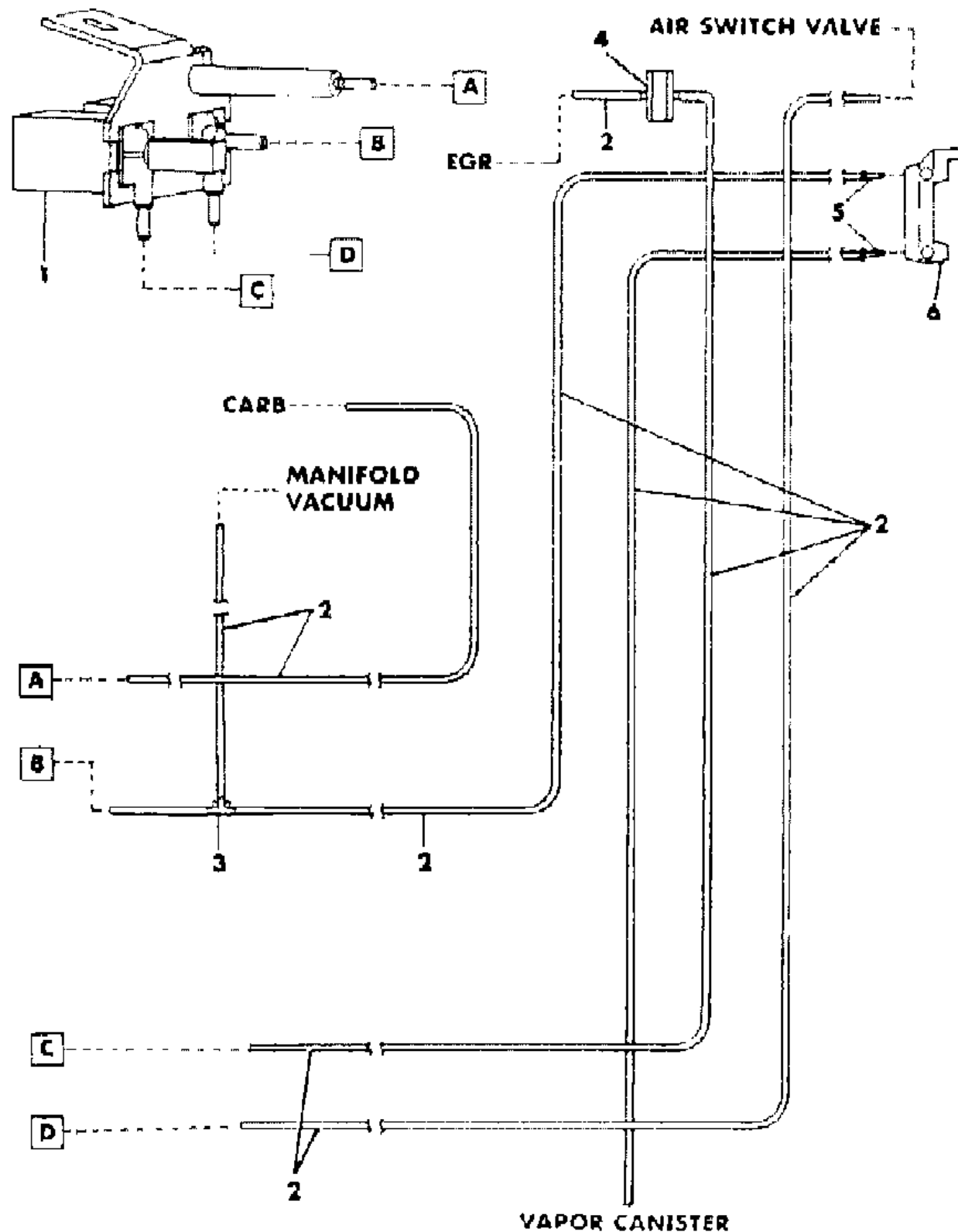
BODY STYLES

12-52 = FWD VAN & WAGON STD. W.B. 27 = 2-DOOR CONVERTIBLE
 13-53 = FWD VAN & WGN EXT W.B. 41 = 4-DOOR SEDAN
 21 = 2-DOOR SEDAN 44 = 4-DOOR HATCHBACK
 24 = 2-DOOR HATCHBACK 45 = 4-DOOR STATION WAGON

AR = Use as Required - = Non Illustrated Part P.A.R. = Paint as Required

**EGR HOSE HARNESS 318 ENGINE 2 BBL.
Figure 25-2300**

8125 2300



ITEM	PART NUMBER	QTY	BODY	MODEL	DESCRIPTION
					HARNESS, Hose (tagged 4405832 - not serviced)
					TUBING, Convoluted (serv. in 10 ft. roll)
	4364 393	AR			1/4"
	4364 375	AR			3/8"
	4364 374	AR			1/2"
1	4289 087	1			SOLENOID, Dual Vacuum
2	3780 508	AR			HOSE, Rubber 1/4" I.D. (serv. in 50 ft. roll)
3	3744 498	1			TEE 1/8 x 1/8 x 1/8
4	4397 769	1			VALVE, Delay
5	4268 662	2			CONNECTOR 1/8
6	4179 093	1			CONNECTOR, CVSCO

MODEL CODES

C BODY = (D41 - DYNASTY)(C41 - NEW YORKER)	L BODY = (M - HORIZON)(Z-OMNI)
E BODY = (J - CARAVELLE)(E - 600)(T - NEW YORKER TURBO)	M BODY = (B - GRAN FURY)(G - DIPLOMAT)(F - FIFTH AVENUE/NEWPORT)
G BODY = (V24 - DAYTONA, PACIFICA & SHELBY)	P BODY = (P - SUNDANCE)(D - SHADOW)
H BODY = (D44 - LANCER)(C44 - LEBARON GTS)	Q BODY = (C27 - MASERATI)
J BODY = (C - LEBARON)	S BODY = (H - VOYAGER)(K - RAM VAN/ CARAVAN)
K BODY = (P - RELIANT)(D - ARIES)(C - LEBARON/ TOWN & COUNTRY)	

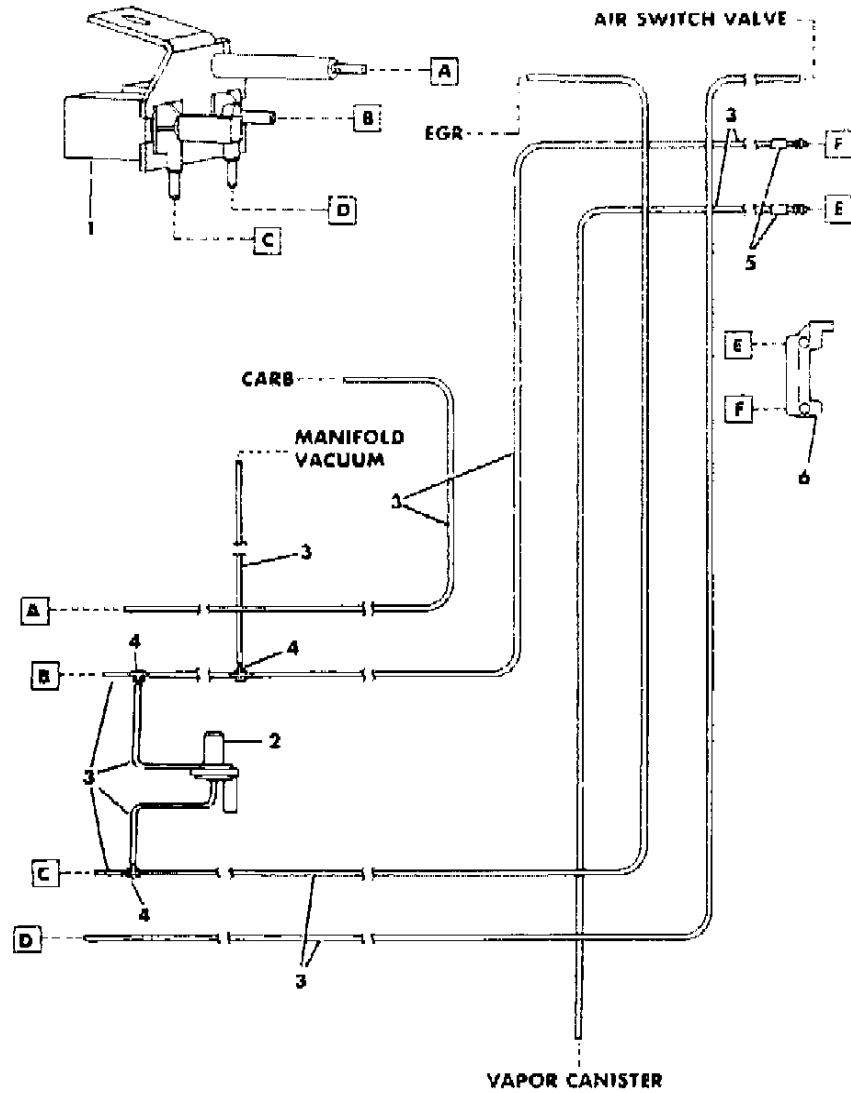
BODY STYLES

12-52 = FWD VAN & WAGON STD. W.B.	27 = 2-DOOR CONVERTIBLE
13-53 = FWD VAN & WGN EXT W.B.	41 = 4-DOOR SEDAN
21 = 2-DOOR SEDAN	44 = 4-DOOR HATCHBACK
24 = 2-DOOR HATCHBACK	45 = 4-DOOR STATION WAGON

AR = Use as Required - = Non Illustrated Part P.A.R. = Paint as Required

EGR HOSE HARNESS 318 ENGINE 2BBL.
Figure 25-2200

8125 2400 A



ITEM	PART NUMBER	QTY	BODY	MODEL	DESCRIPTION
					HARNESS, Hose (tagged 4307745 - not serviced)
					TUBING, Convoluted (serv. in 10 ft. roll)
	4364 393	AR			1/4"
	4364 375	AR			3/8"
	4364 374	AR			1/2"
1	4289 087	1			SOLENOID, Dual Vacuum
2	4307 797	1			SWITCH, Vacuum
3	3780 508	AR			HOSE, Rubber 1/8" I.D. (serv. in 50 ft. roll)
4	3744 498	1			TEE 1/8 x 1/8 x 1/8
5	4268 662	2			CONNECTOR 1/8
6	4179 093	1			CONNECTOR, CVSCC Switch

MODEL CODES

C BODY = (D41 - DYNASTY)(C41 - NEW YORKER)	L BODY = (M - HORIZON)(Z-OMNI)
E BODY = (J - CARAVELLE)(E - 600)(T - NEW YORKER TURBO)	M BODY = (B - GRAN FURY)(G - DIPLOMAT)(F - FIFTH AVENUE/NEWPORT)
G BODY = (V24 - DAYTONA, PACIFICA & SHELBY)	P BODY = (P - SUNDANCE)(D - SHADOW)
H BODY = (D44 - LANCER)(C44 - LEBARON GTS)	Q BODY = (C27 - MASERATI)
J BODY = (C - LEBARON)	S BODY = (H - VOYAGER)(K - RAM VAN/ CARAVAN)
K BODY = (P - RELIANT)(D - ARIES)(C - LEBARON/ TOWN & COUNTRY)	

BODY STYLES

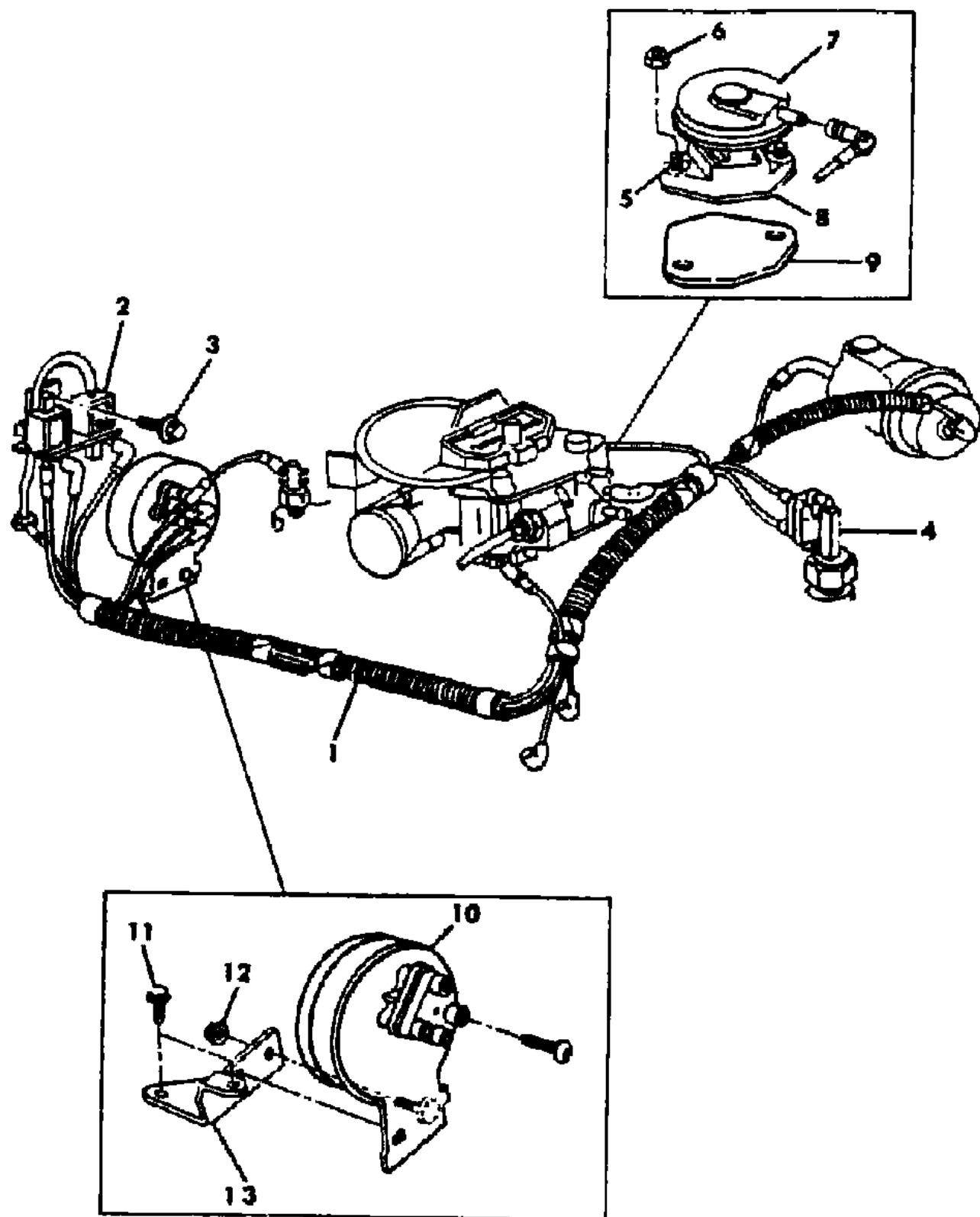
12-52 = FWD VAN & WAGON STD. W.B.	27 = 2-DOOR CONVERTIBLE
13-53 = FWD VAN & WGN EXT W.B.	41 = 4-DOOR SEDAN
21 = 2-DOOR SEDAN	44 = 4-DOOR HATCHBACK
24 = 2-DOOR HATCHBACK	45 = 4-DOOR STATION WAGON

AR = Use as Required - = Non Illustrated Part P.A.R. = Paint as Required

EGR SYSTEM 318 ENGINE 4BBL.

Figure 25-2500

8125 2500



ITEM	PART NUMBER	QTY	BODY	MODEL	DESCRIPTION
1		1			HARNES, Hose (shown on illus. 2600)
2	4289 087	1			SOLENOID, Dual Vacuum
3	6032 473	1			SCREW and WASHER
4	3879 736	1			SWITCH, CVSCC
5	6031 943	2			STUD, EGR Valve Attach
6	#0115 729	2			NUT
7					VALVE, EGR
	4287 678	1			stamped 4287678
	4287 688	1			stamped 4287688
8	4287 938	1			GASKET, EGR Valve
9	3671 448	1			COVER, EGR Valve Flange
10	4041 737	1			AMPLIFIER, Vacuum
11	6026 726	2			SCREW and WASHER
12	6033 560	1			NUT
13	4241 191	1			BRACKET, Amplifier Mounting

MODEL CODES

C BODY = (D41 - DYNASTY)(C41 - NEW YORKER)	L BODY = (M - HORIZON)(Z-OMNI)
E BODY = (J - CARAVELLE)(E - 600)(T - NEW YORKER TURBO)	M BODY = (B - GRAN FURY)(G - DIPLOMAT)(F - FIFTH AVENUE/NEWPORT)
G BODY = (V24 - DAYTONA, PACIFICA & SHELBY)	P BODY = (P - SUNDANCE)(D - SHADOW)
H BODY = (D44 - LANCER)(C44 - LEBARON GTS)	Q BODY = (C27 - MASERATI)
J BODY = (C - LEBARON)	S BODY = (H - VOYAGER)(K - RAM VAN/ CARAVAN)
K BODY = (P - RELIANT)(D - ARIES)(C - LEBARON/ TOWN & COUNTRY)	

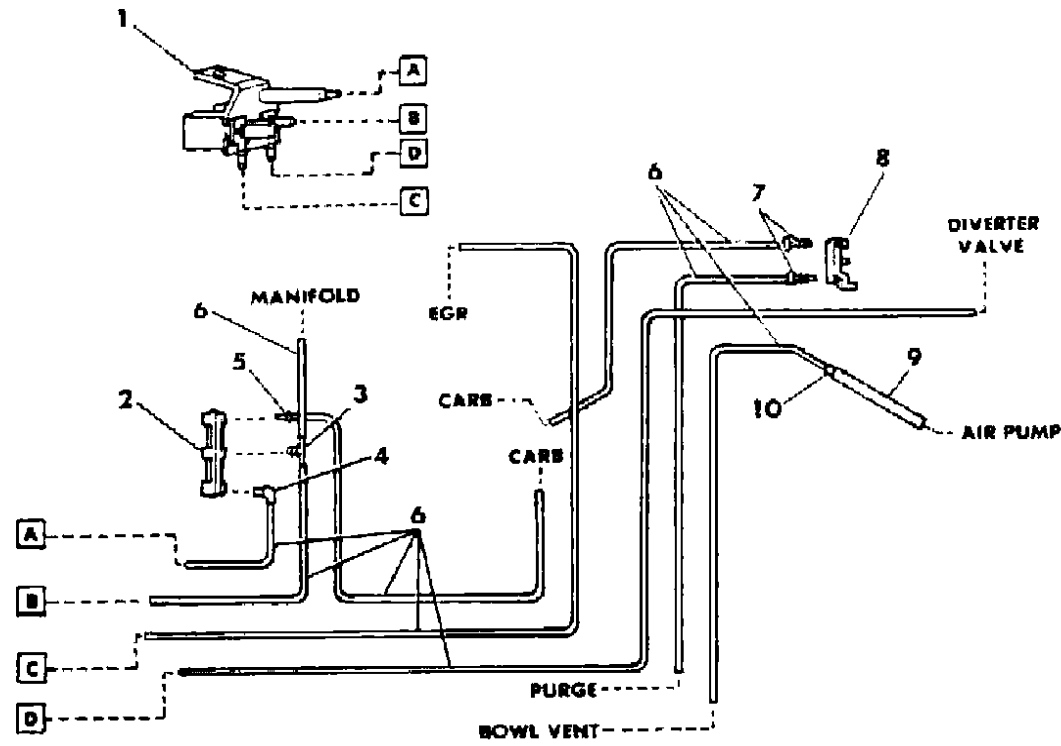
BODY STYLES

12-52 = FWD VAN & WAGON STD. W.B.	27 = 2-DOOR CONVERTIBLE
13-53 = FWD VAN & WGN EXT W.B.	41 = 4-DOOR SEDAN
21 = 2-DOOR SEDAN	44 = 4-DOOR HATCHBACK
24 = 2-DOOR HATCHBACK	45 = 4-DOOR STATION WAGON

AR = Use as Required - = Non Illustrated Part P.A.R. = Paint as Required

EGR HOSE HARNESS 318 ENGINE 4BBL.
Figure 25-2600

8125 2600 A



ITEM	PART NUMBER	QTY	BODY	MODEL	DESCRIPTION
					HARNESS, Hose (tagged 4307767 - not serviced)
					TUBING, Convoluted (serv. in 10 ft. roll)
	4364 375	AR			3/8"
	4364 374	AR			1/2"
1	4289 087	1			SOLENOID, Dual Vacuum
2	4275 580	1			CONNECTOR, Vacuum
3	3799 721	1			TEE 1/8 x 3/16 x 1/8
4	4104 997	1			ELBOW 3/16 x 1/8
5	4241 296	1			CONNECTOR 1/8 x 3/16
6	3780 508	AR			HOSE, Rubber 1/8" I.D. (serv. in 50 ft. roll)
7	4268 662	2			CONNECTOR 1/8
8	4179 093	1			CONNECTOR, CVSCC Switch
9	4026 511	AR			HOSE, Rubber 3/16" I.D. (serv. in 50 ft. roll)
10	4241 296	1			CONNECTOR 1/8 x 3/16

MODEL CODES

C BODY = (D41 - DYNASTY)(C41 - NEW YORKER)
 E BODY = (J - CARAVELLE)(E - 600)(T - NEW YORKER TURBO)
 G BODY = (V24 - DAYTONA, PACIFICA & SHELBY)
 H BODY = (D44 - LANCER)(C44 - LEBARON GTS)
 J BODY = (C - LEBARON)
 K BODY = (P - RELIANT)(D - ARIES)(C - LEBARON/ TOWN & COUNTRY)

L BODY = (M - HORIZON)(Z-OMNI)
 M BODY = (B - GRAN FURY)(G - DIPLOMAT)(F - FIFTH AVENUE/NEWPORT)
 P BODY = (P - SUNDANCE)(D - SHADOW)
 Q BODY = (C27 - MASERATI)
 S BODY = (H - VOYAGER)(K - RAM VAN/ CARAVAN)

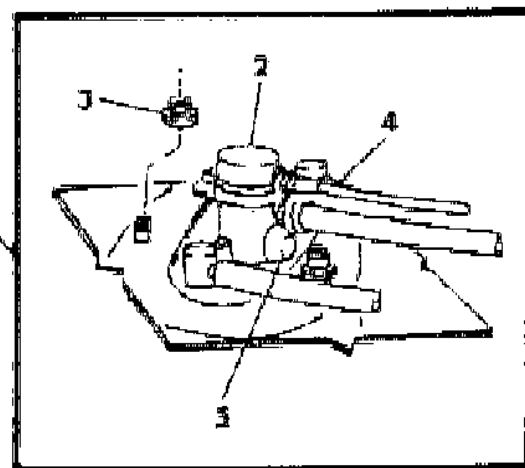
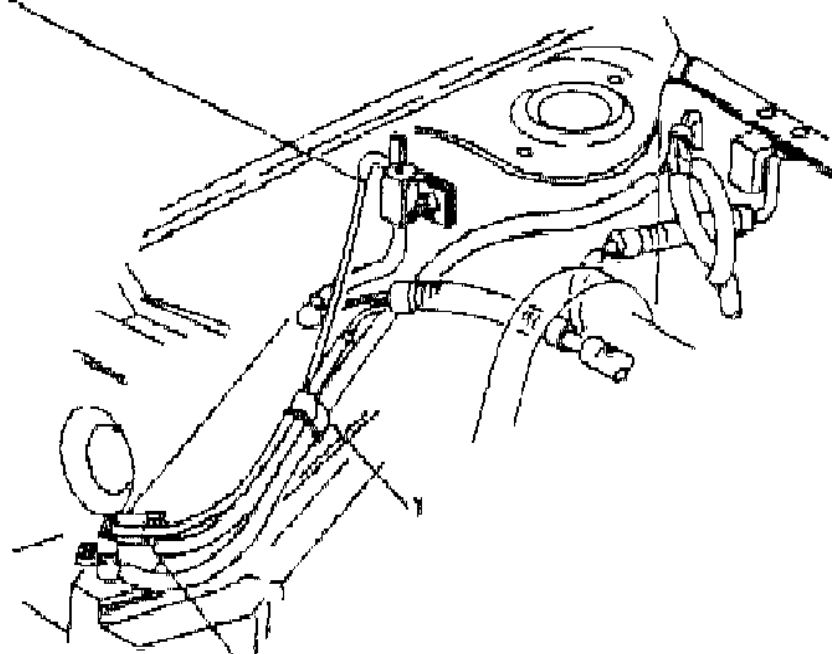
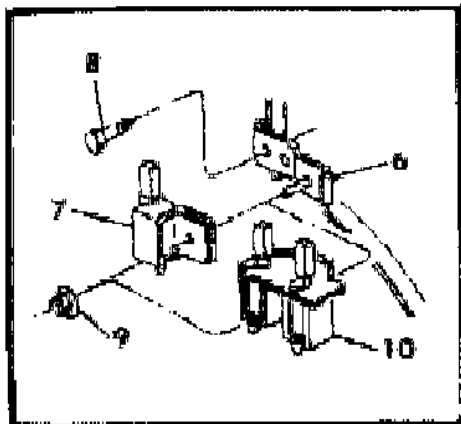
BODY STYLES

12-52 = FWD VAN & WAGON STD. W.B. 27 = 2-DOOR CONVERTIBLE
 13-53 = FWD VAN & WGN EXT W.B. 41 = 4-DOOR SEDAN
 21 = 2-DOOR SEDAN 44 = 4-DOOR HATCHBACK
 24 = 2-DOOR HATCHBACK 45 = 4-DOOR STATION WAGON

AR = Use as Required - = Non Illustrated Part P.A.R. = Paint as Required

VAPOR CANISTER L BODY
Figure 25-2700

8125 2700



ITEM	PART NUMBER	QTY	BODY	MODEL	DESCRIPTION
1		1			HARNESS, Hose (shown on illus. 2800)
2	4241 838	1			CANISTER, Vapor - stamped 4227006
3	6033 561	3			NUT and WASHER
4	3733 285	1			CAP, Bowl Vent Nipple
5	4192 074	1			CAP, Dust
6	5226 337	1			BRACKET, Vacuum Solenoid Valve
7	5227 169	1			SOLENOID, Vacuum - exc. Calif.
8	0152 344	1			SCREW
9	6100 047	1			NUT and WASHER
10	5227 911	1			SOLENOID, Dual Vacuum - Calif.

MODEL CODES

C BODY = (D41 - DYNASTY)(C41 - NEW YORKER)	L BODY = (M - HORIZON)(Z-OMNI)
E BODY = (J - CARAVELLE)(E - 600)(T - NEW YORKER TURBO)	M BODY = (B - GRAN FURY)(G - DIPLOMAT)(F - FIFTH AVENUE/NEWPORT)
G BODY = (V24 - DAYTONA, PACIFICA & SHELBY)	P BODY = (P - SUNDANCE)(D - SHADOW)
H BODY = (D44 - LANCER)(C44 - LEBARON GTS)	Q BODY = (C27 - MASERATI)
J BODY = (C - LEBARON)	S BODY = (H - VOYAGER)(K - RAM VAN/ CARAVAN)
K BODY = (P - RELIANT)(D - ARIES)(C - LEBARON/ TOWN & COUNTRY)	

BODY STYLES

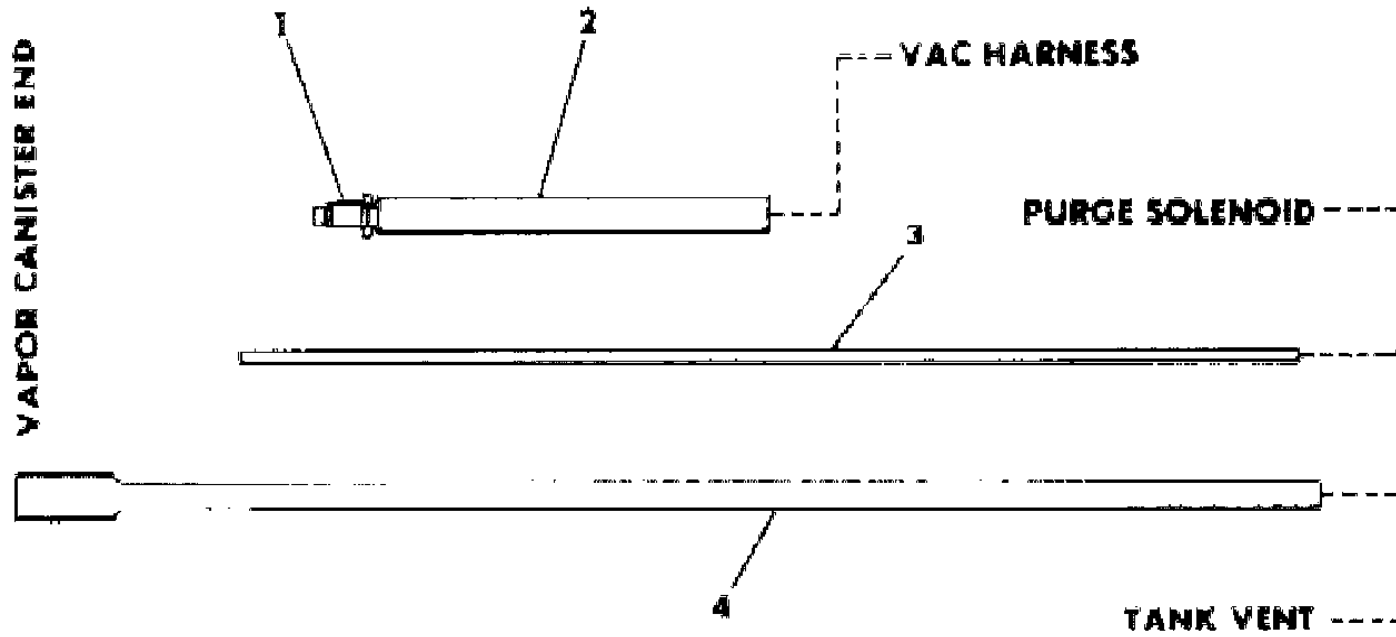
12-52 = FWD VAN & WAGON STD. W.B.	27 = 2-DOOR CONVERTIBLE
13-53 = FWD VAN & WGN EXT W.B.	41 = 4-DOOR SEDAN
21 = 2-DOOR SEDAN	44 = 4-DOOR HATCHBACK
24 = 2-DOOR HATCHBACK	45 = 4-DOOR STATION WAGON

AR = Use as Required - = Non Illustrated Part P.A.R. = Paint as Required

VAPOR CANISTER HOSE HARNESS L BODY
Figure 25-2800

ITEM	PART NUMBER	QTY	BODY	MODEL	DESCRIPTION
					HARNESS, Hose (tagged 4324491 - not serviced)
1	4179 643	1			CONNECTOR 1/4 x 5/16
2	4104 272	AR			HOSE, Rubber 1/4" I.D. (serv. in 50 ft. roll)
3	3780 508	AR			HOSE, Rubber 1/8" I.D. (serv. in 50 ft. roll)
4	4210 989	1			TUBE, Expanded End

8125 2800



MODEL CODES

C BODY = (D41 - DYNASTY)(C41 - NEW YORKER)
 E BODY = (J - CARAVELLE)(E - 600)(T - NEW YORKER TURBO)
 G BODY = (V24 - DAYTONA, PACIFICA & SHELBY)
 H BODY = (D44 - LANCER)(C44 - LEBARON GTS)
 J BODY = (C - LEBARON)
 K BODY = (P - RELIANT)(D - ARIES)(C - LEBARON/ TOWN & COUNTRY)

L BODY = (M - HORIZON)(Z-OMNI)
 M BODY = (B - GRAN FURY)(G - DIPLOMAT)(F - FIFTH AVENUE/NEWPORT)
 P BODY = (P - SUNDANCE)(D - SHADOW)
 Q BODY = (C27 - MASERATI)
 S BODY = (H - VOYAGER)(K - RAM VAN/ CARAVAN)

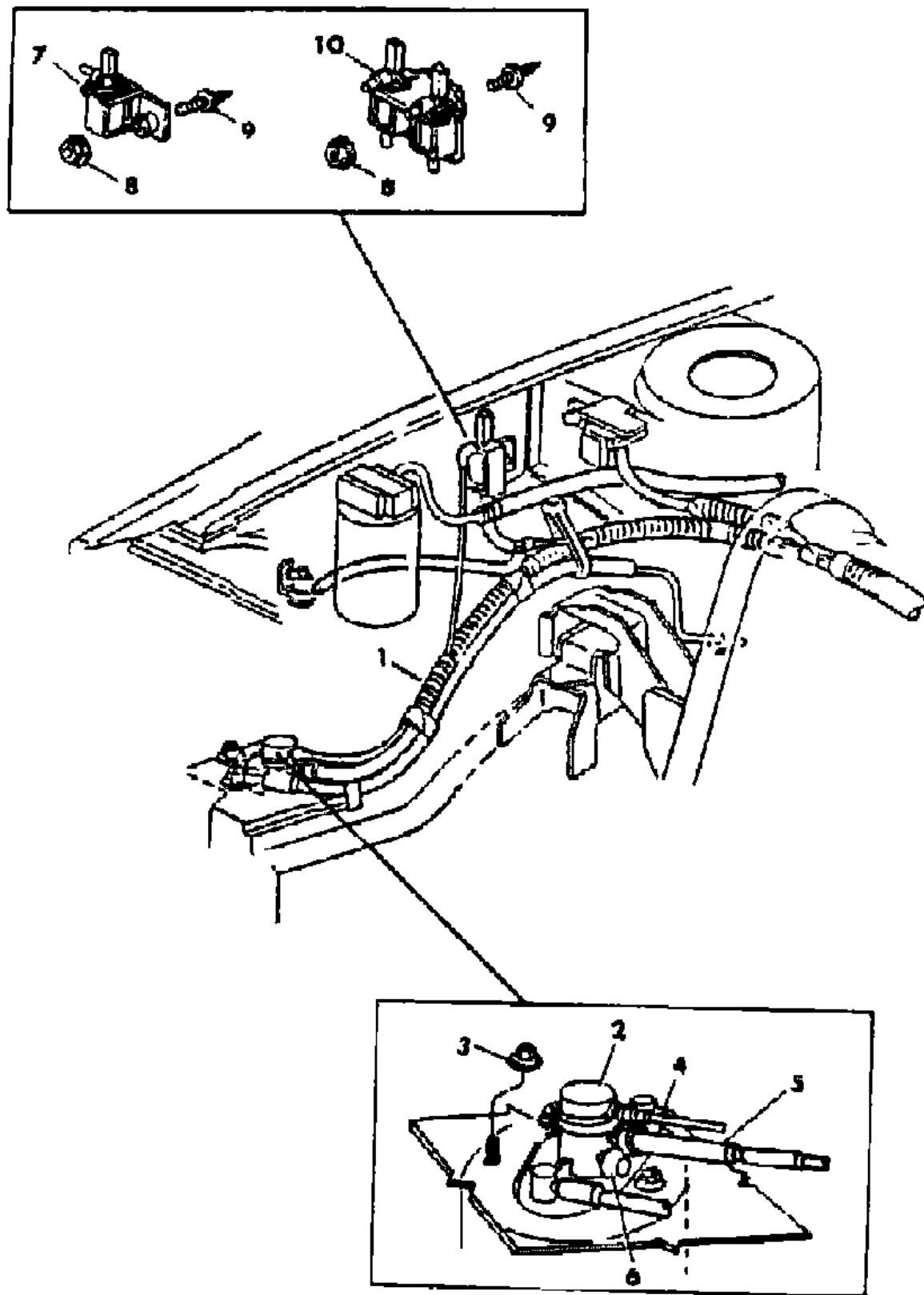
BODY STYLES

12-52 = FWD VAN & WAGON STD. W.B. 27 = 2-DOOR CONVERTIBLE
 13-53 = FWD VAN & WGN EXT W.B. 41 = 4-DOOR SEDAN
 21 = 2-DOOR SEDAN 44 = 4-DOOR HATCHBACK
 24 = 2-DOOR HATCHBACK 45 = 4-DOOR STATION WAGON

AR = Use as Required - = Non Illustrated Part P.A.R. = Paint as Required

VAPOR CANISTER 2.2L ENGINE EFI AND 2.5L ENGINE P,J,K,G,E,H,C BODY
Figure 25-2900

8125 2900



ITEM	PART NUMBER	QTY	BODY	MODEL	DESCRIPTION
1		1			HARNES, Hose (shown on illus. 600, 700, 800, 900)
2	4241 838	1			CANISTER, Vapor - stamped 4227006
3	6033 561	3			NUT and WASHER
4	3733 285	1			CAP, Bowl Vent Nipple
5	#4203 316	AR			HOSE, Purge Nipple 5/16" I.D. (serv. in 50 ft. roll)
6	4192 074	1			CAP, Dust
7	5227 169	1			SOLENOID, Vacuum - exc. Calif.
8	6033 560	1			NUT and WASHER
9		1			STUD (serv. w/Solenoid)
10	5227 911	1			SOLENOID, Dual Vacuum - Calif.

MODEL CODES

C BODY = (D41 - DYNASTY)(C41 - NEW YORKER)
 E BODY = (J - CARAVELLE)(E - 600)(T - NEW YORKER TURBO)
 G BODY = (V24 - DAYTONA, PACIFICA & SHELBY)
 H BODY = (D44 - LANCER)(C44 - LEBARON GTS)
 J BODY = (C - LEBARON)
 K BODY = (P - RELIANT)(D - ARIES)(C - LEBARON/ TOWN & COUNTRY)
 L BODY = (M - HORIZON)(Z-OMNI)
 M BODY = (B - GRAN FURY)(G - DIPLOMAT)(F - FIFTH AVENUE/NEWPORT)
 P BODY = (P - SUNDANCE)(D - SHADOW)
 Q BODY = (C27 - MASERATI)
 S BODY = (H - VOYAGER)(K - RAM VAN/ CARAVAN)

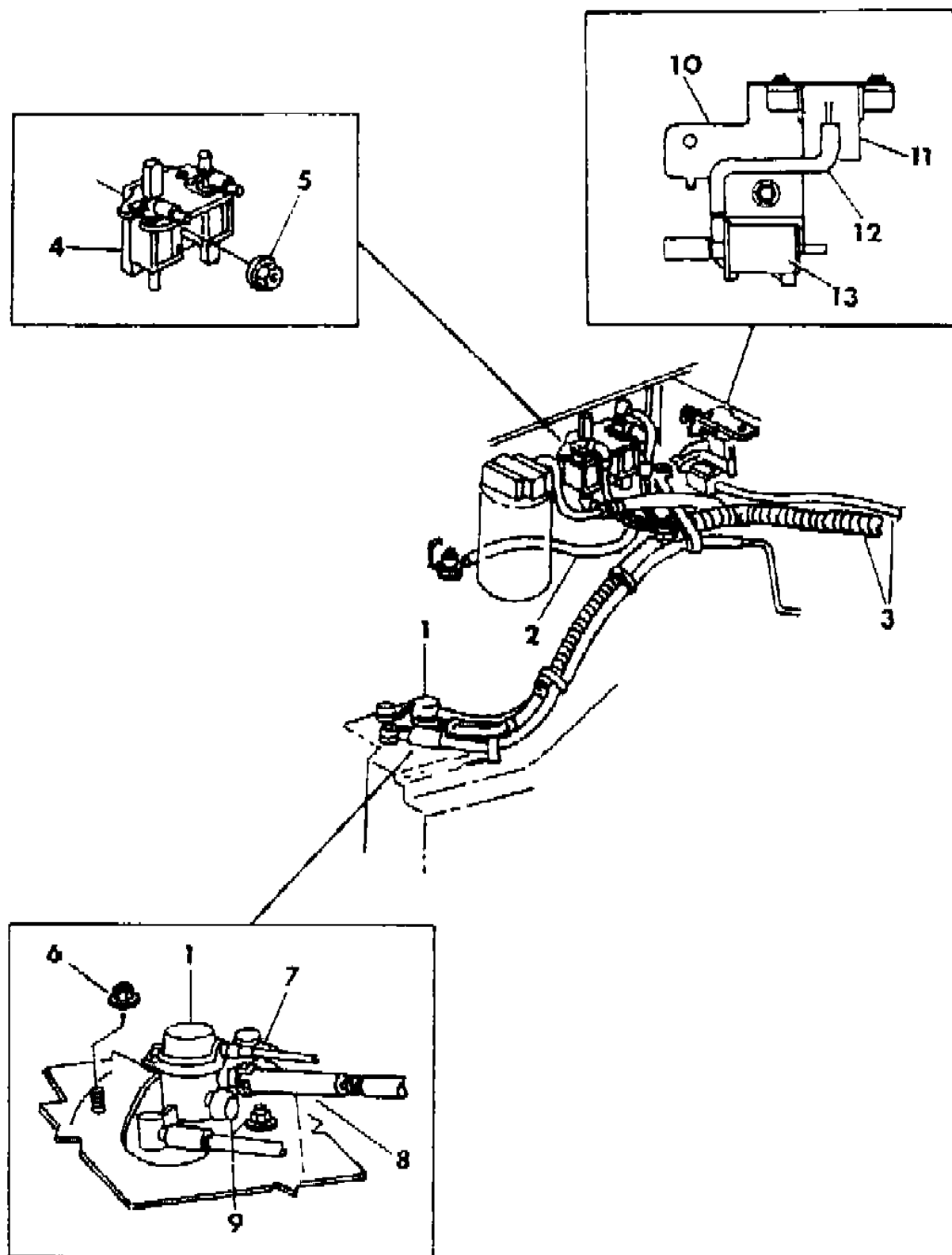
BODY STYLES

12-52 = FWD VAN & WAGON STD. W.B. 27 = 2-DOOR CONVERTIBLE
 13-53 = FWD VAN & WGN EXT W.B. 41 = 4-DOOR SEDAN
 21 = 2-DOOR SEDAN 44 = 4-DOOR HATCHBACK
 24 = 2-DOOR HATCHBACK 45 = 4-DOOR STATION WAGON

AR = Use as Required - = Non Illustrated Part P.A.R. = Paint as Required

VAPOR CANISTER 2.2L ENGINE TURBO
Figure 25-3000

8125 3000A



ITEM	PART NUMBER	QTY	BODY	MODEL	DESCRIPTION
1	4241 838	1			CANISTER, Vapor - stamped 4227006
2	4026 511	1			HOSE, Rubber 3/16" I.D. (serv. in 50 ft. roll)
3		1			HARNES, Hose (shown on illus. 1300 for Turbo 1 and illus. 1500 for Turbo 2)
4					SOLENOID, Dual Vacuum - Waste Gate and EGR Purge
	5227 980	1			Turbo 1
	5227 333	1			Turbo 2
5	6033 560	1			NUT
6	6033 561	3			NUT and WASHER
7	3733 285	1			CAP, Bowl Vent Nipple
8	#4203 316	AR			HOSE, Rubber 5/16" I.D. (serv. in 50 ft. roll)
9	4192 074	1			CAP, Dust
10	5227 287	1			BRACKET, M.A.P. Sensor and Solenoid Mounting
11		1			SENSOR, M.A.P. (refer to grp. 8)
12	5227 289	1			HOSE, M.A.P. Sensor to Solenoid
13	5227 466	1			SOLENOID, Vacuum

MODEL CODES

C BODY = (D41 - DYNASTY)(C41 - NEW YORKER)
 E BODY = (J - CARAVELLE)(E - 600)(T - NEW YORKER TURBO)
 G BODY = (V24 - DAYTONA, PACIFICA & SHELBY)
 H BODY = (D44 - LANCER)(C44 - LEBARON GTS)
 J BODY = (C - LEBARON)
 K BODY = (P - RELIANT)(D - ARIES)(C - LEBARON/ TOWN & COUNTRY)
 L BODY = (M - HORIZON)(Z-OMNI)
 M BODY = (B - GRAN FURY)(G - DIPLOMAT)(F - FIFTH AVENUE/NEWPORT)
 P BODY = (P - SUNDANCE)(D - SHADOW)
 Q BODY = (C27 - MASERATI)
 S BODY = (H - VOYAGER)(K - RAM VAN/ CARAVAN)

BODY STYLES

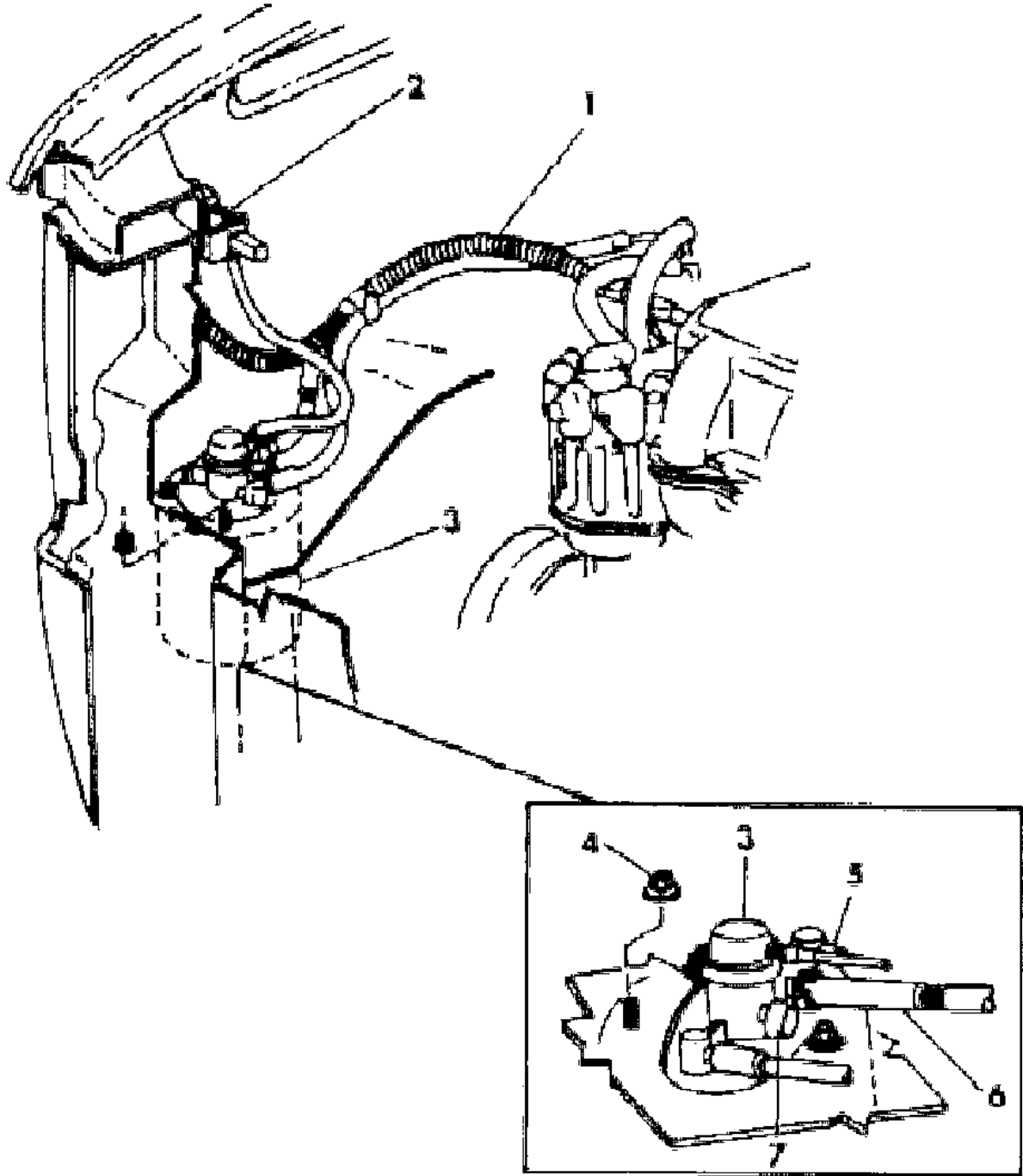
12-52 = FWD VAN & WAGON STD. W.B. 27 = 2-DOOR CONVERTIBLE
 13-53 = FWD VAN & WGN EXT W.B. 41 = 4-DOOR SEDAN
 21 = 2-DOOR SEDAN 44 = 4-DOOR HATCHBACK
 24 = 2-DOOR HATCHBACK 45 = 4-DOOR STATION WAGON

AR = Use as Required - = Non Illustrated Part P.A.R. = Paint as Required

VAPOR CANISTER 2.5L AND 3.0L ENGINE S BODY
Figure 25-3100

8125 3100

ITEM	PART NUMBER	QTY	BODY	MODEL	DESCRIPTION
1		1			HARNES, Hose (shown on illus. 3200, 3300)
2	5226 360	1			SOLENOID, Purge Control
3	4241 839	1			CANISTER, Vapor
4	6033 561	3			NUT and WASHER
5	3733 285	1			CAP, Bowl Vent Nipple
6	#4203 316	AR			HOSE, Purge Nipple 5/16" I.D. (serv. in 50 ft. roll)
7	4192 074	1			CAP, Dust



MODEL CODES

C BODY = (D41 - DYNASTY)(C41 - NEW YORKER)
 E BODY = (J - CARAVELLE)(E - 600)(T - NEW YORKER TURBO)
 G BODY = (V24 - DAYTONA, PACIFICA & SHELBY)
 H BODY = (D44 - LANCER)(C44 - LEBARON GTS)
 J BODY = (C - LEBARON)
 K BODY = (P - RELIANT)(D - ARIES)(C - LEBARON/ TOWN & COUNTRY)

L BODY = (M - HORIZON)(Z-OMNI)
 M BODY = (B - GRAN FURY)(G - DIPLOMAT)(F - FIFTH AVENUE/NEWPORT)
 P BODY = (P - SUNDANCE)(D - SHADOW)
 Q BODY = (C27 - MASERATI)
 S BODY = (H - VOYAGER)(K - RAM VAN/ CARAVAN)

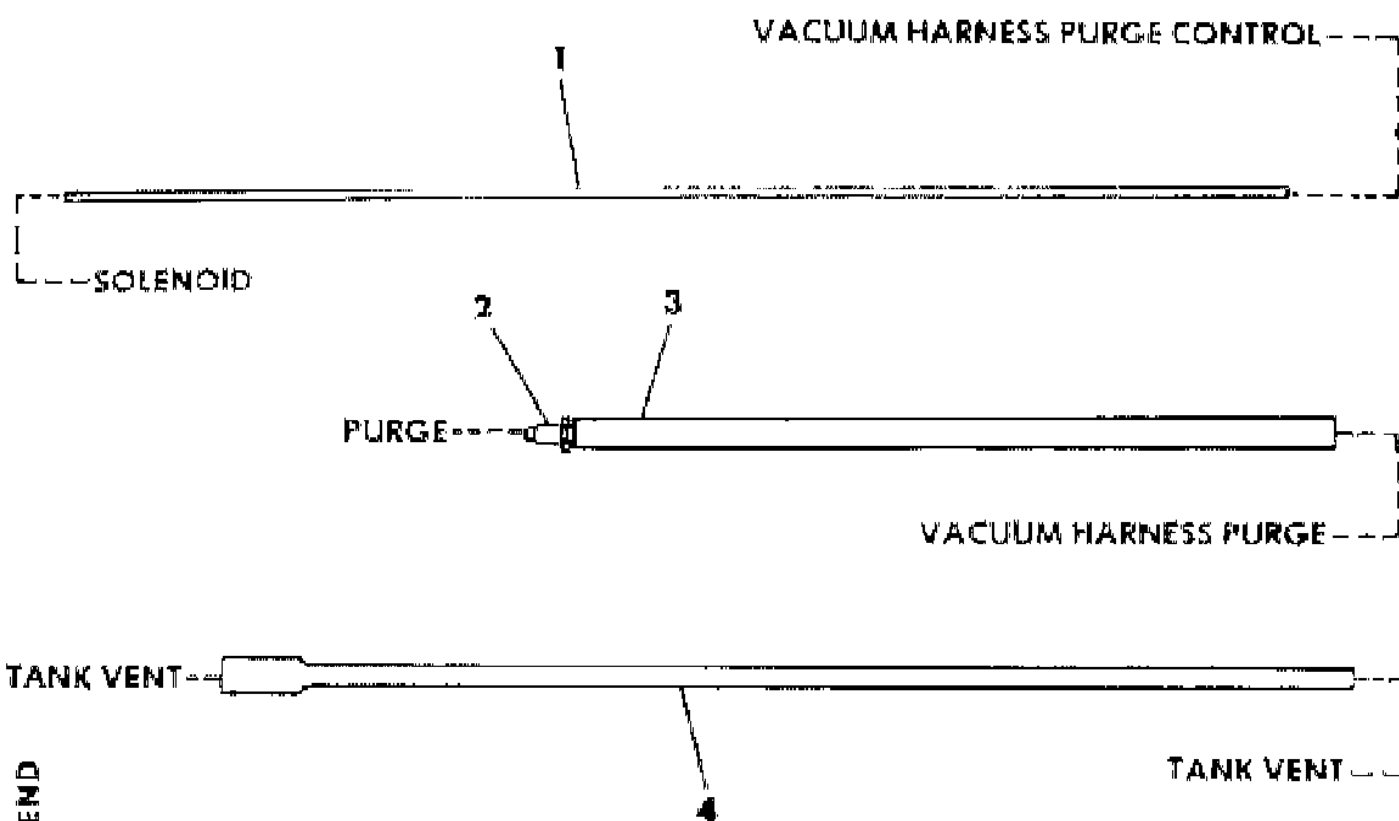
BODY STYLES

12-52 = FWD VAN & WAGON STD. W.B. 27 = 2-DOOR CONVERTIBLE
 13-53 = FWD VAN & WGN EXT W.B. 41 = 4-DOOR SEDAN
 21 = 2-DOOR SEDAN 44 = 4-DOOR HATCHBACK
 24 = 2-DOOR HATCHBACK 45 = 4-DOOR STATION WAGON

AR = Use as Required - = Non Illustrated Part P.A.R. = Paint as Required

VAPOR CANISTER HOSE HARNESS 2.5L ENGINE S BODY
Figure 25-3200

8125 3200 A



ITEM	PART NUMBER	QTY	BODY	MODEL	DESCRIPTION
					HARNESS, Hose (tagged 4405464 - not serviced)
					TUBING, Convoluted (serv. in 10 ft. roll)
	4364 393	AR			1/4"
	4364 375	AR			3/8"
1	3780 508	AR			HOSE, Rubber 1/8" I.D. (serv. in 50 ft. roll)
2	4179 643	1			CONNECTOR 1/4 x 5/16
3	#4203 211	AR			HOSE, Rubber 1/4" I.D. (serv. in 50 ft. roll)
4	4210 989	1			TUBE, Expanded End

CANISTER END

MODEL CODES

C BODY = (D41 - DYNASTY)(C41 - NEW YORKER)
 E BODY = (J - CARAVELLE)(E - 600)(T - NEW YORKER TURBO)
 G BODY = (V24 - DAYTONA, PACIFICA & SHELBY)
 H BODY = (D44 - LANCER)(C44 - LEBARON GTS)
 J BODY = (C - LEBARON)
 K BODY = (P - RELIANT)(D - ARIES)(C - LEBARON/ TOWN & COUNTRY)
 L BODY = (M - HORIZON)(Z-OMNI)
 M BODY = (B - GRAN FURY)(G - DIPLOMAT)(F - FIFTH AVENUE/NEWPORT)
 P BODY = (P - SUNDANCE)(D - SHADOW)
 Q BODY = (C27 - MASERATI)
 S BODY = (H - VOYAGER)(K - RAM VAN/ CARAVAN)

BODY STYLES

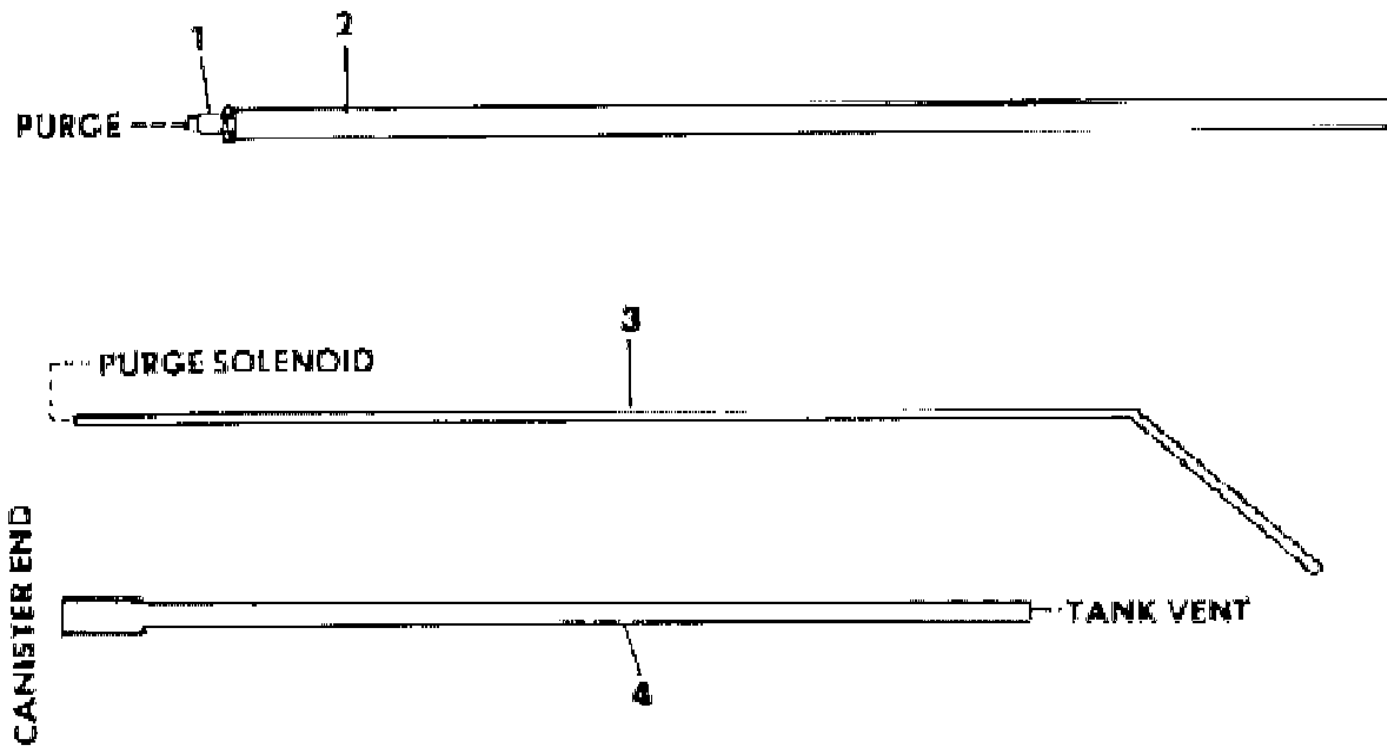
12-52 = FWD VAN & WAGON STD. W.B. 27 = 2-DOOR CONVERTIBLE
 13-53 = FWD VAN & WGN EXT W.B. 41 = 4-DOOR SEDAN
 21 = 2-DOOR SEDAN 44 = 4-DOOR HATCHBACK
 24 = 2-DOOR HATCHBACK 45 = 4-DOOR STATION WAGON

AR = Use as Required - = Non Illustrated Part P.A.R. = Paint as Required

VAPOR CANISTER HOSE HARNESS 3.0L ENGINE S BODY
Figure 25-3300

8125 3300

ITEM	PART NUMBER	QTY	BODY	MODEL	DESCRIPTION
					HARNESS, Hose (tagged 4324207 - not serviced)
					TUBING, Convoluted (serv. in 10 ft. roll)
	4364 393	AR			1/4"
	4364 375	AR			3/8"
1	4179 643	1			CONNECTOR 1/4 x 5/16
2	4104 272	AR			HOSE, Rubber 1/4" I.D. (serv. in 50 ft. roll)
3	3780 508	AR			HOSE, Rubber 1/8" I.D. (serv. in 50 ft. roll)
4	4210 989	1			TUBE, Expanded End



MODEL CODES

C BODY = (D41 - DYNASTY)(C41 - NEW YORKER)
 E BODY = (J - CARAVELLE)(E - 600)(T - NEW YORKER TURBO)
 G BODY = (V24 - DAYTONA, PACIFICA & SHELBY)
 H BODY = (D44 - LANCER)(C44 - LEBARON GTS)
 J BODY = (C - LEBARON)
 K BODY = (P - RELIANT)(D - ARIES)(C - LEBARON/ TOWN & COUNTRY)
 L BODY = (M - HORIZON)(Z-OMNI)
 M BODY = (B - GRAN FURY)(G - DIPLOMAT)(F - FIFTH AVENUE/NEWPORT)
 P BODY = (P - SUNDANCE)(D - SHADOW)
 Q BODY = (C27 - MASERATI)
 S BODY = (H - VOYAGER)(K - RAM VAN/ CARAVAN)

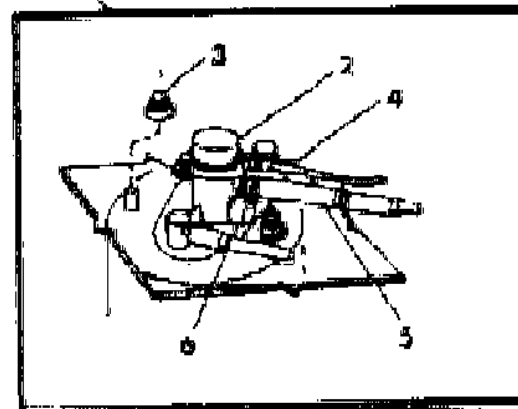
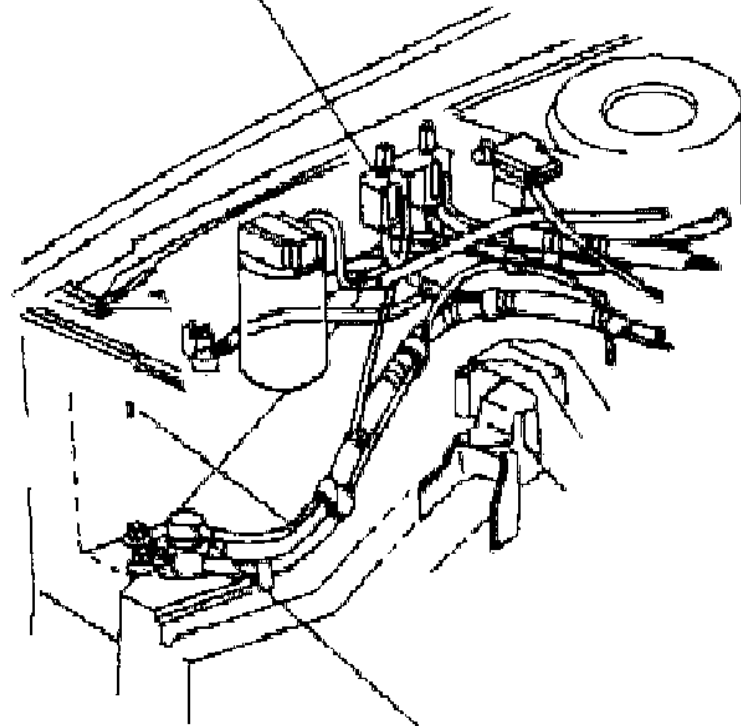
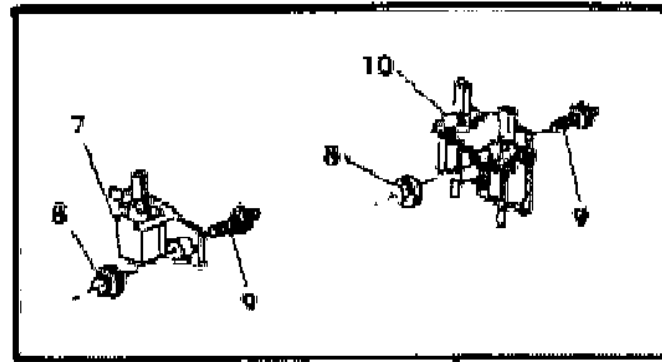
BODY STYLES

12-52 = FWD VAN & WAGON STD. W.B. 27 = 2-DOOR CONVERTIBLE
 13-53 = FWD VAN & WGN EXT W.B. 41 = 4-DOOR SEDAN
 21 = 2-DOOR SEDAN 44 = 4-DOOR HATCHBACK
 24 = 2-DOOR HATCHBACK 45 = 4-DOOR STATION WAGON

AR = Use as Required - = Non Illustrated Part P.A.R. = Paint as Required

VAPOR CANISTER 3.0L ENGINE C BODY
Figure 25-3400

8125 3400



ITEM	PART NUMBER	QTY	BODY	MODEL	DESCRIPTION
1		1			HARNES, Hose (shown on illus. 3500, 3600)
2	4241 838	1			CANISTER, Vapor - stamped 4227006
3	6033 561	3			NUT and WASHER
4	3733 285	1			CAP, Bowl Vent Nipple
5	#4203 316	AR			HOSE, Purge Nipple 5/16" I.D. (serv. in 50 ft. roll)
6	4192 074	1			CAP, Dust
7	5227 169	1			SOLENOID, Vacuum - exc. Calif.
8	6033 560	1			NUT and WASHER
9		1			STUD (serv. w/Solenoid)
10	5227 911	1			SOLENOID, Dual Vacuum - Calif.

MODEL CODES

C BODY = (D41 - DYNASTY)(C41 - NEW YORKER)
 E BODY = (J - CARAVELLE)(E - 600)(T - NEW YORKER TURBO)
 G BODY = (V24 - DAYTONA, PACIFICA & SHELBY)
 H BODY = (D44 - LANCER)(C44 - LEBARON GTS)
 J BODY = (C - LEBARON)
 K BODY = (P - RELIANT)(D - ARIES)(C - LEBARON/ TOWN & COUNTRY)
 L BODY = (M - HORIZON)(Z-OMNI)
 M BODY = (B - GRAN FURY)(G - DIPLOMAT)(F - FIFTH AVENUE/NEWPORT)
 P BODY = (P - SUNDANCE)(D - SHADOW)
 Q BODY = (C27 - MASERATI)
 S BODY = (H - VOYAGER)(K - RAM VAN/ CARAVAN)

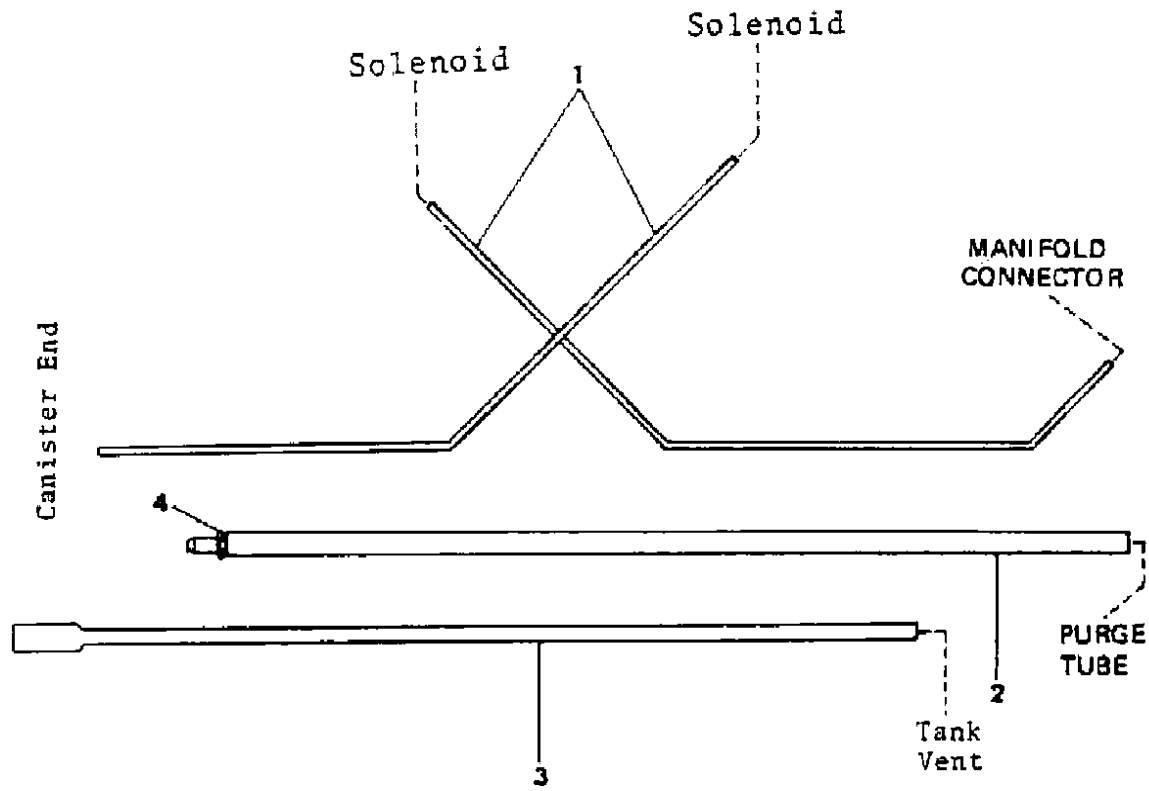
BODY STYLES

12-52 = FWD VAN & WAGON STD. W.B. 27 = 2-DOOR CONVERTIBLE
 13-53 = FWD VAN & WGN EXT W.B. 41 = 4-DOOR SEDAN
 21 = 2-DOOR SEDAN 44 = 4-DOOR HATCHBACK
 24 = 2-DOOR HATCHBACK 45 = 4-DOOR STATION WAGON

AR = Use as Required - = Non Illustrated Part P.A.R. = Paint as Required

VAPOR CANISTER HOSE HARNESS 3.0L ENGINE - EXC. CALIF. C BODY
Figure 25-3500

8125 3500



ITEM	PART NUMBER	QTY	BODY	MODEL	DESCRIPTION
					HARNESS, Hose (tagged 4324208 - not serviced)
	4364 375	AR			TUBING, Convoluted 3/8" (serv. in 10 ft. roll)
1	3780 508	AR			HOSE, Rubber 1/8" I.D. (serv. in 50 ft. roll)
2	4104 272	AR			HOSE, Rubber 1/4" I.D. (serv. in 50 ft. roll)
3	4210 989	1			TUBE, Expanded End
4	4179 643	1			CONNECTOR 1/4 x 5/16

MODEL CODES

C BODY = (D41 - DYNASTY)(C41 - NEW YORKER)
 E BODY = (J - CARAVELLE)(E - 600)(T - NEW YORKER TURBO)
 G BODY = (V24 - DAYTONA, PACIFICA & SHELBY)
 H BODY = (D44 - LANCER)(C44 - LEBARON GTS)
 J BODY = (C - LEBARON)
 K BODY = (P - RELIANT)(D - ARIES)(C - LEBARON/ TOWN & COUNTRY)

L BODY = (M - HORIZON)(Z-OMNI)
 M BODY = (B - GRAN FURY)(G - DIPLOMAT)(F - FIFTH AVENUE/NEWPORT)
 P BODY = (P - SUNDANCE)(D - SHADOW)
 Q BODY = (C27 - MASERATI)
 S BODY = (H - VOYAGER)(K - RAM VAN/ CARAVAN)

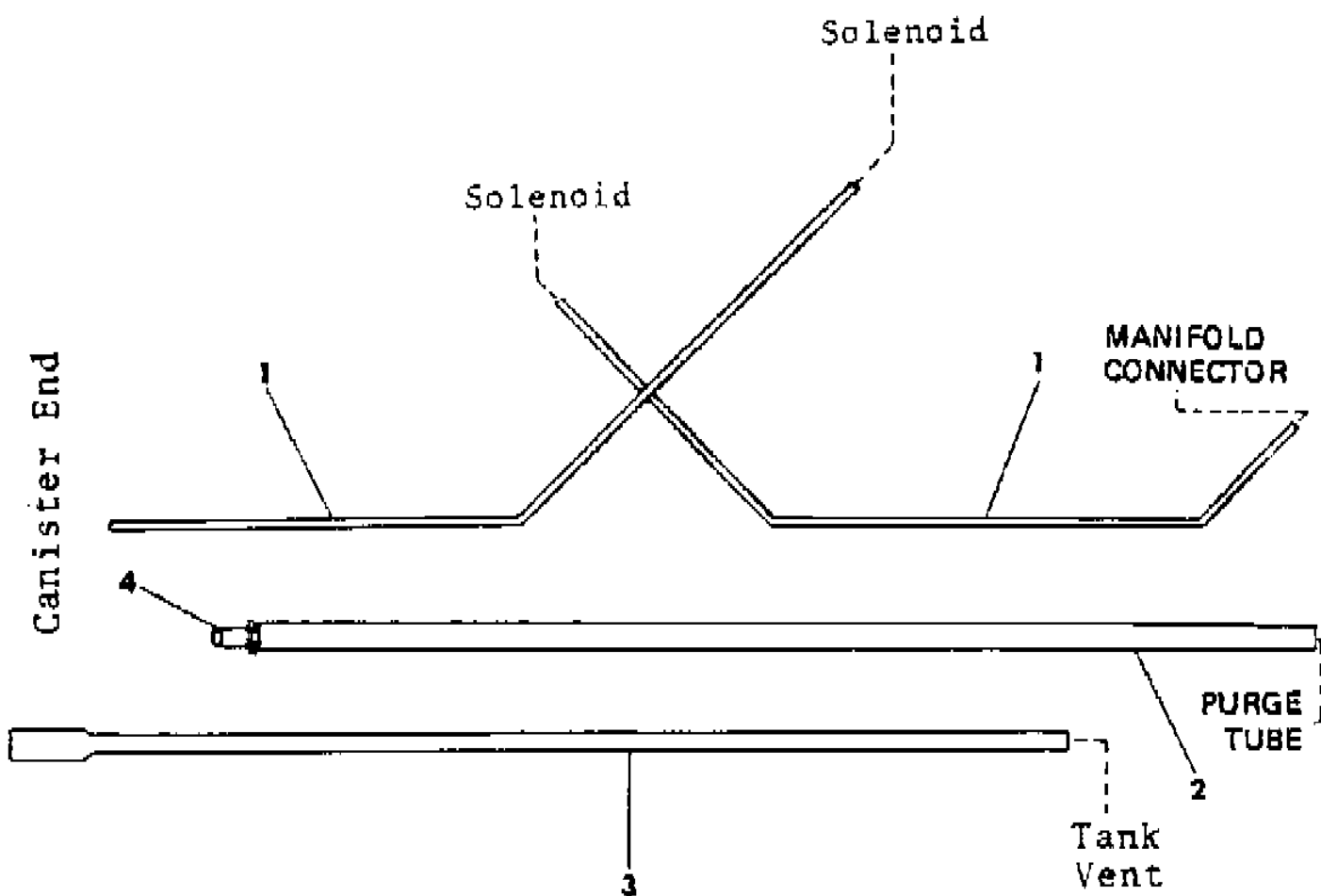
BODY STYLES

12-52 = FWD VAN & WAGON STD. W.B. 27 = 2-DOOR CONVERTIBLE
 13-53 = FWD VAN & WGN EXT W.B. 41 = 4-DOOR SEDAN
 21 = 2-DOOR SEDAN 44 = 4-DOOR HATCHBACK
 24 = 2-DOOR HATCHBACK 45 = 4-DOOR STATION WAGON

AR = Use as Required - = Non Illustrated Part P.A.R. = Paint as Required

VAPOR CANISTER HOSE HARNESS 3.0L ENGINE - CALIF. C BODY
Figure 25-3600

8125 3600



ITEM	PART NUMBER	QTY	BODY	MODEL	DESCRIPTION
					HARNESS, Hose (tagged 4324206 - not serviced)
	4364 375	AR			TUBING, Convoluted 3/8" (serv. in 10 ft. roll)
1	3780 508	AR			HOSE, Rubber 1/8" I.D. (serv. in 50 ft. roll)
2	4104 272	AR			HOSE, Rubber 1/4" I.D. (serv. in 50 ft. roll)
3	4210 989	1			TUBE, Expanded End
4	4179 643	1			CONNECTOR 1/4 x 5/16

MODEL CODES

C BODY = (D41 - DYNASTY)(C41 - NEW YORKER)
 E BODY = (J - CARAVELLE)(E - 600)(T - NEW YORKER TURBO)
 G BODY = (V24 - DAYTONA, PACIFICA & SHELBY)
 H BODY = (D44 - LANCER)(C44 - LEBARON GTS)
 J BODY = (C - LEBARON)
 K BODY = (P - RELIANT)(D - ARIES)(C - LEBARON/ TOWN & COUNTRY)
 L BODY = (M - HORIZON)(Z-OMNI)
 M BODY = (B - GRAN FURY)(G - DIPLOMAT)(F - FIFTH AVENUE/NEWPORT)
 P BODY = (P - SUNDANCE)(D - SHADOW)
 Q BODY = (C27 - MASERATI)
 S BODY = (H - VOYAGER)(K - RAM VAN/ CARAVAN)

BODY STYLES

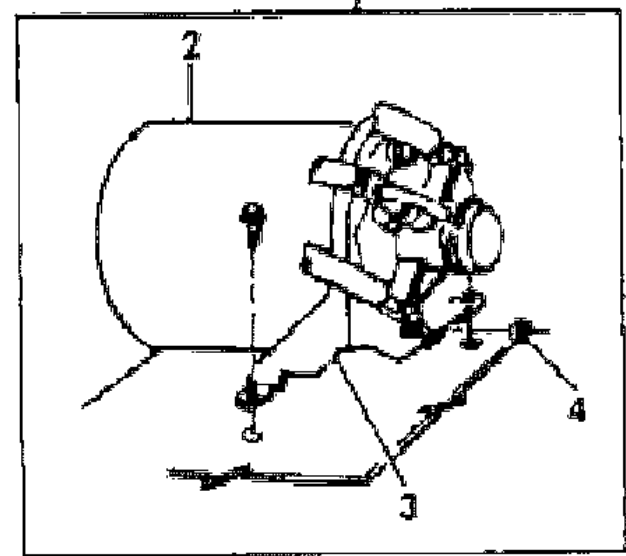
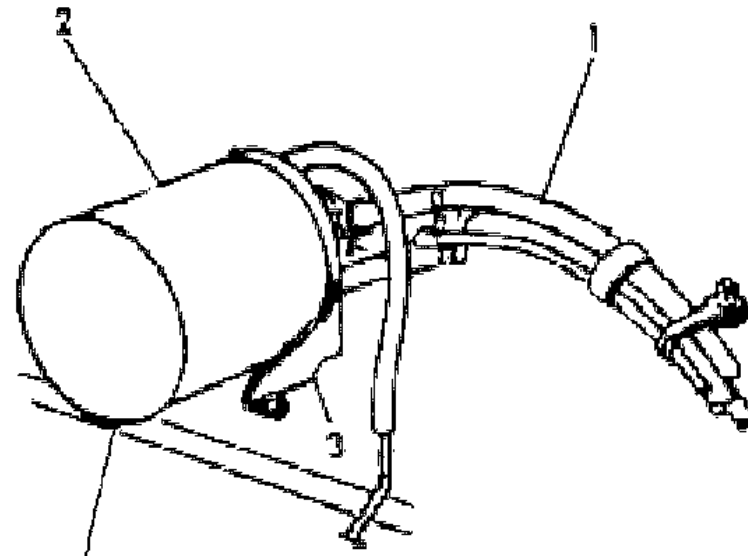
12-52 = FWD VAN & WAGON STD. W.B. 27 = 2-DOOR CONVERTIBLE
 13-53 = FWD VAN & WGN EXT W.B. 41 = 4-DOOR SEDAN
 21 = 2-DOOR SEDAN 44 = 4-DOOR HATCHBACK
 24 = 2-DOOR HATCHBACK 45 = 4-DOOR STATION WAGON

AR = Use as Required - = Non Illustrated Part P.A.R. = Paint as Required

VAPOR CANISTER 318 ENGINE
Figure 25-3700

8125 3700

ITEM	PART NUMBER	QTY	BODY	MODEL	DESCRIPTION
1		1			HARNES, Hose (shown on illus. 3800, 3900)
2	4241 839				CANISTER, Vapor - stamped 4227010
3	4241 251	1			BRACKET, Canister Mounting
4	6033 561	3			NUT and WASHER



MODEL CODES
 C BODY = (D41 - DYNASTY)(C41 - NEW YORKER)
 E BODY = (J - CARAVELLE)(E - 600)(T - NEW YORKER TURBO)
 G BODY = (V24 - DAYTONA, PACIFICA & SHELBY)
 H BODY = (D44 - LANCER)(C44 - LEBARON GTS)
 J BODY = (C - LEBARON)
 K BODY = (P - RELIANT)(D - ARIES)(C - LEBARON/ TOWN & COUNTRY)
 L BODY = (M - HORIZON)(Z-OMNI)
 M BODY = (B - GRAN FURY)(G - DIPLOMAT)(F - FIFTH AVENUE/NEWPORT)
 P BODY = (P - SUNDANCE)(D - SHADOW)
 Q BODY = (C27 - MASERATI)
 S BODY = (H - VOYAGER)(K - RAM VAN/ CARAVAN)

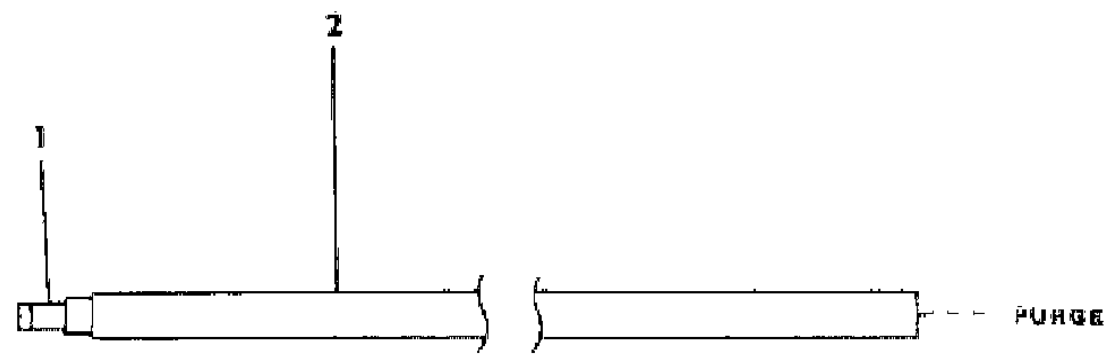
BODY STYLES
 12-52 = FWD VAN & WAGON STD. W.B. 27 = 2-DOOR CONVERTIBLE
 13-53 = FWD VAN & WGN EXT W.B. 41 = 4-DOOR SEDAN
 21 = 2-DOOR SEDAN 44 = 4-DOOR HATCHBACK
 24 = 2-DOOR HATCHBACK 45 = 4-DOOR STATION WAGON

AR = Use as Required - = Non Illustrated Part P.A.R. = Paint as Required

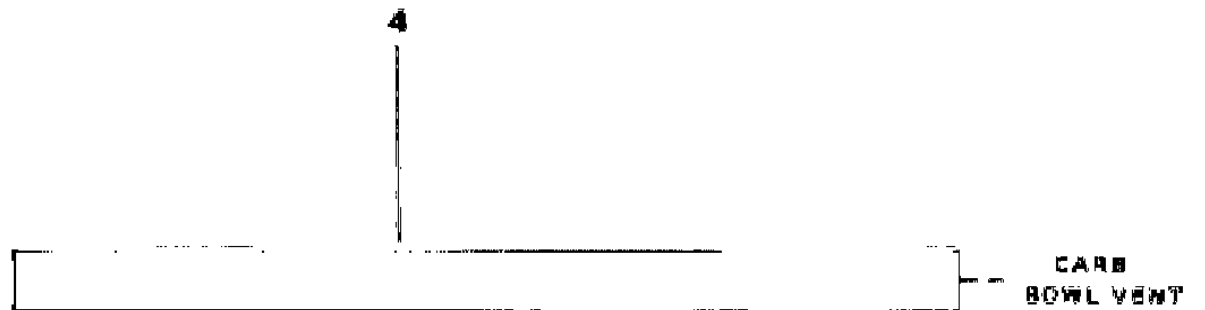
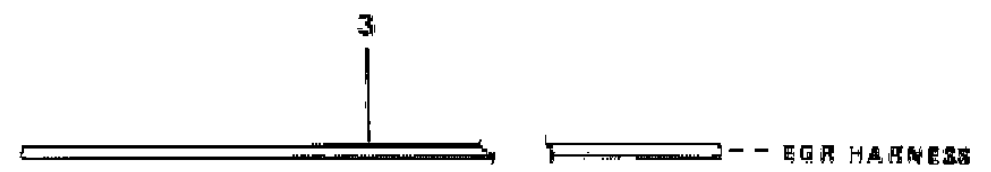
VAPOR CANISTER HOSE HARNESS 318 ENGINE 2BBL.
Figure 25-3800

ITEM	PART NUMBER	QTY	BODY	MODEL	DESCRIPTION
HARNES, Hose (tagged 4300741 - not serviced)					
1	#4179 981	1			CONNECTOR 5/16 x 5/16
2	4443 176	AR			HOSE, Rubber 5/16" I.D. (serv. in 50 ft. roll)
3	3780 508	AR			HOSE, Rubber 1/8" I.D. (serv. in 50 ft. roll)
4	4203 421	AR			HOSE, Rubber 3/8" I.D. (serv. in 50 ft. roll)

B125 3800 A



CANISTER END



MODEL CODES
 C BODY = (D41 - DYNASTY)(C41 - NEW YORKER)
 E BODY = (J - CARAVELLE)(E - 600)(T - NEW YORKER TURBO)
 G BODY = (V24 - DAYTONA, PACIFICA & SHELBY)
 H BODY = (D44 - LANCER)(C44 - LEBARON GTS)
 J BODY = (C - LEBARON)
 K BODY = (P - RELIANT)(D - ARIES)(C - LEBARON/ TOWN & COUNTRY)
 L BODY = (M - HORIZON)(Z-OMNI)
 M BODY = (B - GRAN FURY)(G - DIPLOMAT)(F - FIFTH AVENUE/NEWPORT)
 P BODY = (P - SUNDANCE)(D - SHADOW)
 Q BODY = (C27 - MASERATI)
 S BODY = (H - VOYAGER)(K - RAM VAN/ CARAVAN)

BODY STYLES
 12-52 = FWD VAN & WAGON STD. W.B. 27 = 2-DOOR CONVERTIBLE
 13-53 = FWD VAN & WGN EXT W.B. 41 = 4-DOOR SEDAN
 21 = 2-DOOR SEDAN 44 = 4-DOOR HATCHBACK
 24 = 2-DOOR HATCHBACK 45 = 4-DOOR STATION WAGON

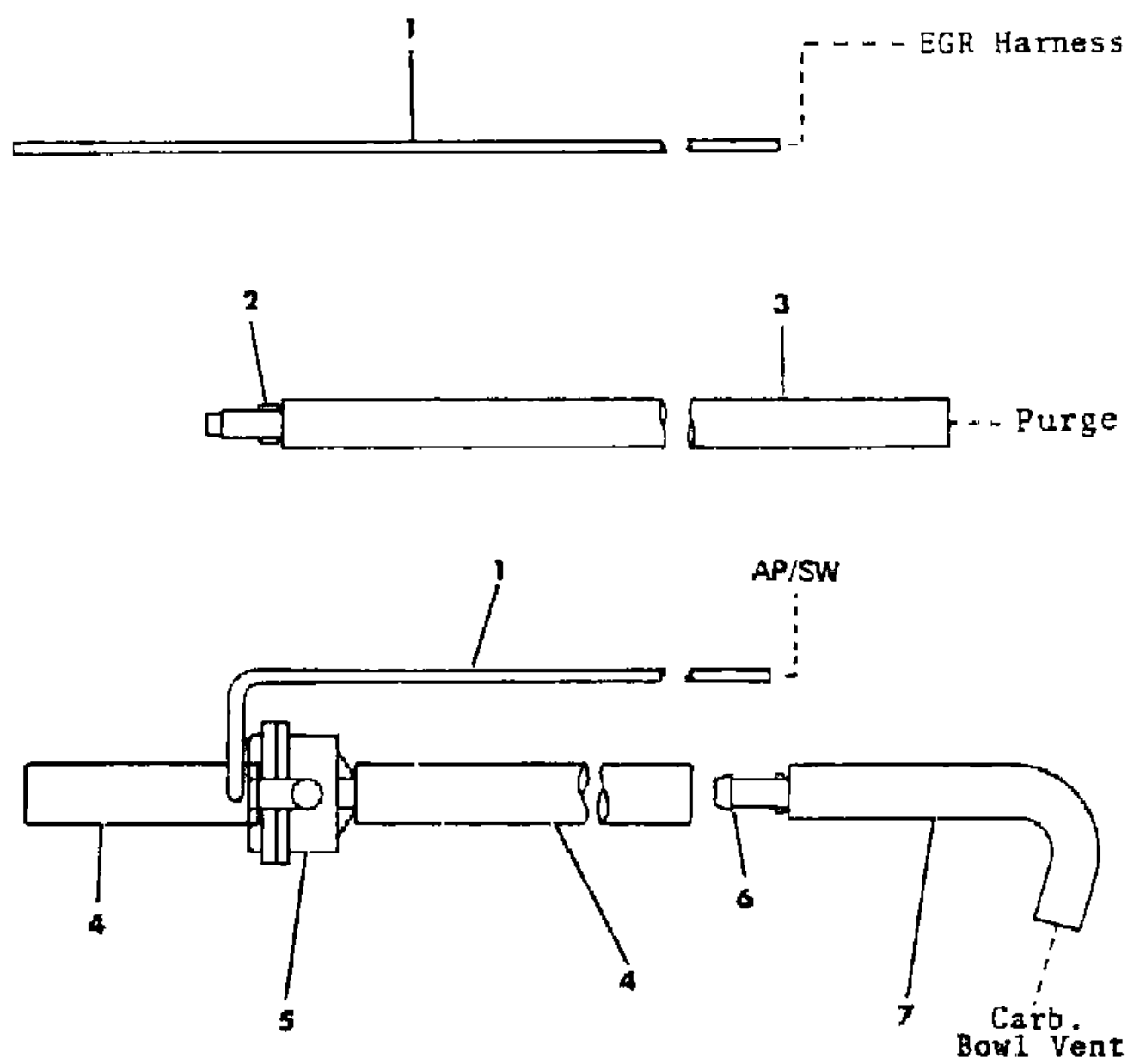
AR = Use as Required - = Non Illustrated Part P.A.R. = Paint as Required

VAPOR CANISTER HOSE HARNESS 318 ENGINE 4BBL.
Figure 25-3900

8125 3900 A

ITEM	PART NUMBER	QTY	BODY	MODEL	DESCRIPTION
HARNES, Hose (tagged 4300743 - not serviced)					
1	3780 508	AR			HOSE, Rubber 1/8" I.D. (serv. in 50 ft. roll)
2	4300 946	1			CONNECTOR 5/16 x 5/16
3	4443 176	AR			HOSE, Rubber 5/16" I.D. (serv. in 50 ft. roll)
4	4443 178	AR			HOSE, Rubber 3/8" I.D. (serv. in 50 ft. roll)
5	5214 336	1			VALVE, Bowl Vent
6	#4201 198	1			CONNECTOR 3/8 x 3/8
7	4241 846	1			TUBE, Formed

Canister End



MODEL CODES
 C BODY = (D41 - DYNASTY)(C41 - NEW YORKER)
 E BODY = (J - CARAVELLE)(E - 600)(T - NEW YORKER TURBO)
 G BODY = (V24 - DAYTONA, PACIFICA & SHELBY)
 H BODY = (D44 - LANCER)(C44 - LEBARON GTS)
 J BODY = (C - LEBARON)
 K BODY = (P - RELIANT)(D - ARIES)(C - LEBARON/ TOWN & COUNTRY)
 L BODY = (M - HORIZON)(Z-OMNI)
 M BODY = (B - GRAN FURY)(G - DIPLOMAT)(F - FIFTH AVENUE/NEWPORT)
 P BODY = (P - SUNDANCE)(D - SHADOW)
 Q BODY = (C27 - MASERATI)
 S BODY = (H - VOYAGER)(K - RAM VAN/ CARAVAN)

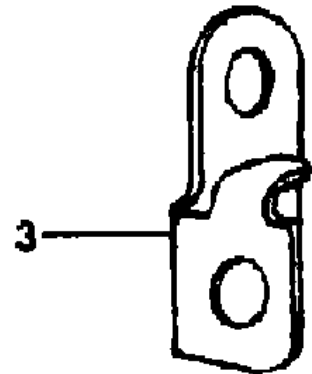
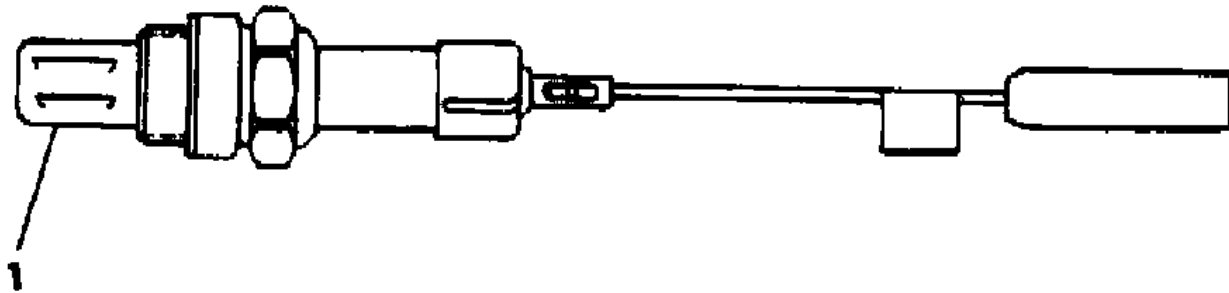
BODY STYLES
 12-52 = FWD VAN & WAGON STD. W.B. 27 = 2-DOOR CONVERTIBLE
 13-53 = FWD VAN & WGN EXT W.B. 41 = 4-DOOR SEDAN
 21 = 2-DOOR SEDAN 44 = 4-DOOR HATCHBACK
 24 = 2-DOOR HATCHBACK 45 = 4-DOOR STATION WAGON

AR = Use as Required - = Non Illustrated Part P.A.R. = Paint as Required

OXYGEN SENSOR AND CHARGE TEMPERATURE SENSOR
Figure 25-4000

8125 4000A

ITEM	PART NUMBER	QTY	BODY	MODEL	DESCRIPTION
1	5227 368	1		exc. B,F,G	SENSOR, Oxygen
2	4301 375	1		B,F,G	
2	5227 805	1			SENSOR, Charge Temperature - 2.2L Eng. Turbo 2 and 3.0L Eng.
3	5233 609	1			BRACKET, Oxygen Sensor Harness Support - 2.2L Eng Turbo 1



MODEL CODES

C BODY = (D41 - DYNASTY)(C41 - NEW YORKER)	L BODY = (M - HORIZON)(Z-OMNI)
E BODY = (J - CARAVELLE)(E - 600)(T - NEW YORKER TURBO)	M BODY = (B - GRAN FURY)(G - DIPLOMAT)(F - FIFTH AVENUE/NEWPORT)
G BODY = (V24 - DAYTONA, PACIFICA & SHELBY)	P BODY = (P - SUNDANCE)(D - SHADOW)
H BODY = (D44 - LANCER)(C44 - LEBARON GTS)	Q BODY = (C27 - MASERATI)
J BODY = (C - LEBARON)	S BODY = (H - VOYAGER)(K - RAM VAN/ CARAVAN)
K BODY = (P - RELIANT)(D - ARIES)(C - LEBARON/ TOWN & COUNTRY)	

BODY STYLES

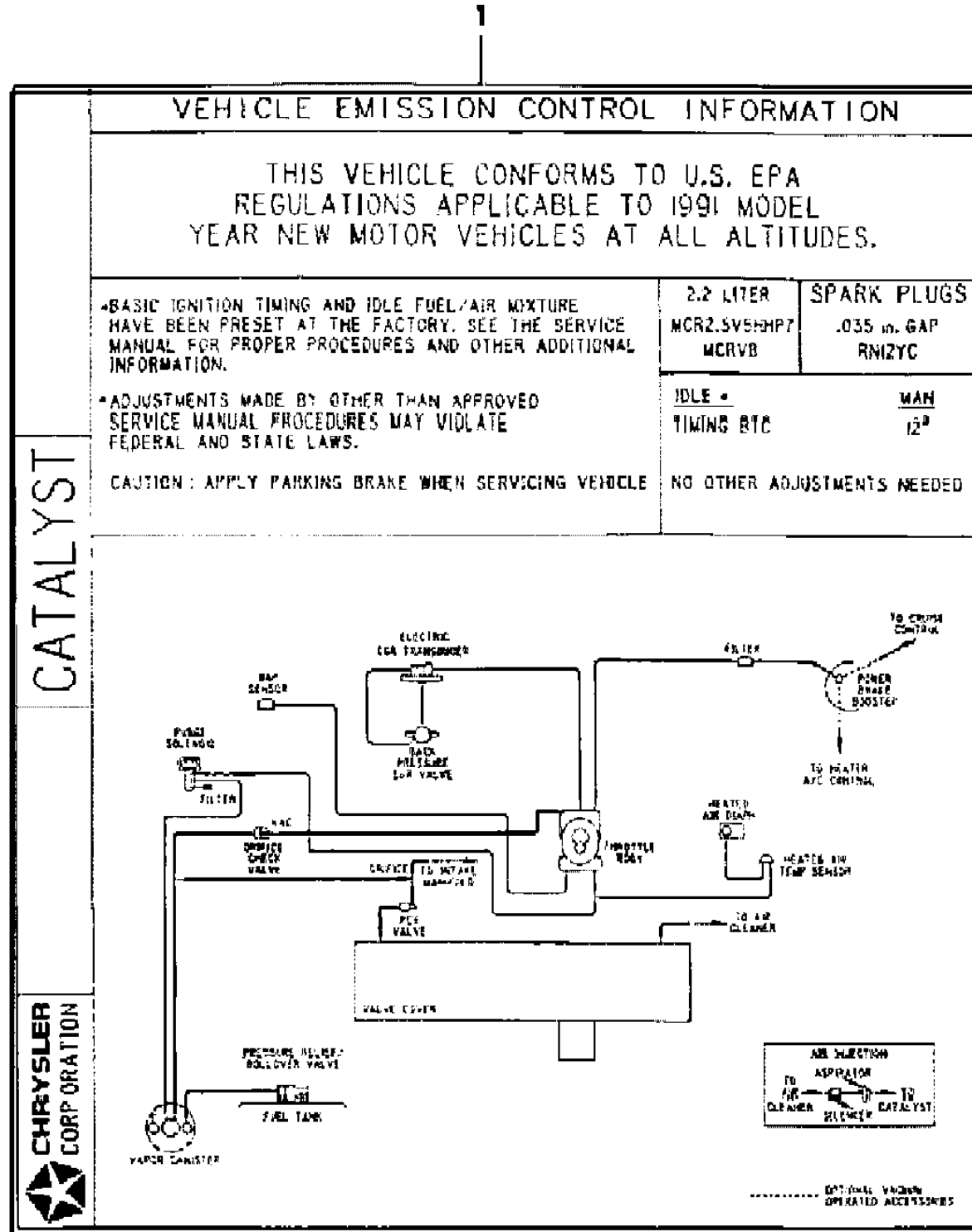
12-52 = FWD VAN & WAGON STD. W.B.	27 = 2-DOOR CONVERTIBLE
13-53 = FWD VAN & WGN EXT W.B.	41 = 4-DOOR SEDAN
21 = 2-DOOR SEDAN	44 = 4-DOOR HATCHBACK
24 = 2-DOOR HATCHBACK	45 = 4-DOOR STATION WAGON

AR = Use as Required - = Non Illustrated Part P.A.R. = Paint as Required

EMISSION LABELS
Figure 25-4100

8125 4100

ITEM	PART NUMBER	QTY	BODY	MODEL	DESCRIPTION
1					LABEL, Emission, Adjustments and Routing
	4300 652	1			2.2L Engine, Federal, High Alt., Manual Trans.
	4300 664	1			2.2L Engine, Federal, High Alt., Auto. Trans.
	4300 670	1	S		2.2L Engine, Calif.
	4300 658	1	G,H		2.2L Engine(EDR), Federal, High Alt.
	4300 674	1	G,H		2.2L Engine(EDR), Calif.
	4306 737	1	Q		2.2L Engine(EDR), Federal, High Alt.
	4306 734	1	Q		2.2L Engine(EDR), Calif.
	4300 657	1			2.2L Engine(EDG), Federal, High Alt.
	4300 673	1			2.2L Engine(EDG), Calif.
	4300 653	1	Exc. S		2.5L Engine, Federal, High Alt., Manual Trans.
	4405 758	1	Exc. S		2.5L Engine, Federal, High Alt., Auto. Trans.
	4300 654	1	S		2.5L Engine, Federal, High Alt.
	4300 671	1	Exc. S		2.5L Engine, Calif.
	4300 678	1	S		2.5L Engine, Calif.
	4300 656	1	S		3.0L Engine, Federal, High Alt.
	4300 679	1	S		3.0L Engine, Calif.
	4300 695	1	C		3.0L Engine, Federal, High Alt., w/Anti-Lock Brakes
	4300 655	1	C		3.0L Engine, Federal, High Alt.
	4300 696	1	C		3.0L Engine, Calif., w/Anti-Lock Brakes
	4300 672	1	C		3.0L Engine, Calif., w/o Anti-Lock Brakes
	4300 698	1	M		318 Engine, 2 bbl., w/A999 Trans., Federal, High Alt.
	4300 659	1	M		318 Engine, 2 bbl., Calif.
	4405 762	1	M		318 Engine, 2 bbl., Heavy Duty, w/A727 Trans., Federal
	4300 663	1	M		318 Engine, 4 bbl., Federal, High Alt.



MODEL CODES
C BODY = (D41 - DYNASTY)(C41 - NEW YORKER)
E BODY = (J - CARAVELLE)(E - 600)(T - NEW YORKER TURBO)
G BODY = (V24 - DAYTONA, PACIFICA & SHELBY)
H BODY = (D44 - LANCER)(C44 - LEBARON GTS)
J BODY = (C - LEBARON)
K BODY = (P - RELIANT)(D - ARIES)(C - LEBARON/ TOWN & COUNTRY)

L BODY = (M - HORIZON)(Z-OMNI)
M BODY = (B - GRAN FURY)(G - DIPLOMAT)(F - FIFTH AVENUE/NEWPORT)
P BODY = (P - SUNDANCE)(D - SHADOW)
Q BODY = (C27 - MASERATI)
S BODY = (H - VOYAGER)(K - RAM VAN/ CARAVAN)

BODY STYLES
12-52 = FWD VAN & WAGON STD. W.B. 27 = 2-DOOR CONVERTIBLE
13-53 = FWD VAN & WGN EXT W.B. 41 = 4-DOOR SEDAN
21 = 2-DOOR SEDAN 44 = 4-DOOR HATCHBACK
24 = 2-DOOR HATCHBACK 45 = 4-DOOR STATION WAGON

AR = Use as Required - = Non Illustrated Part P.A.R. = Paint as Required

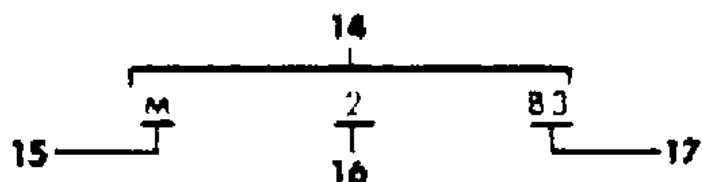
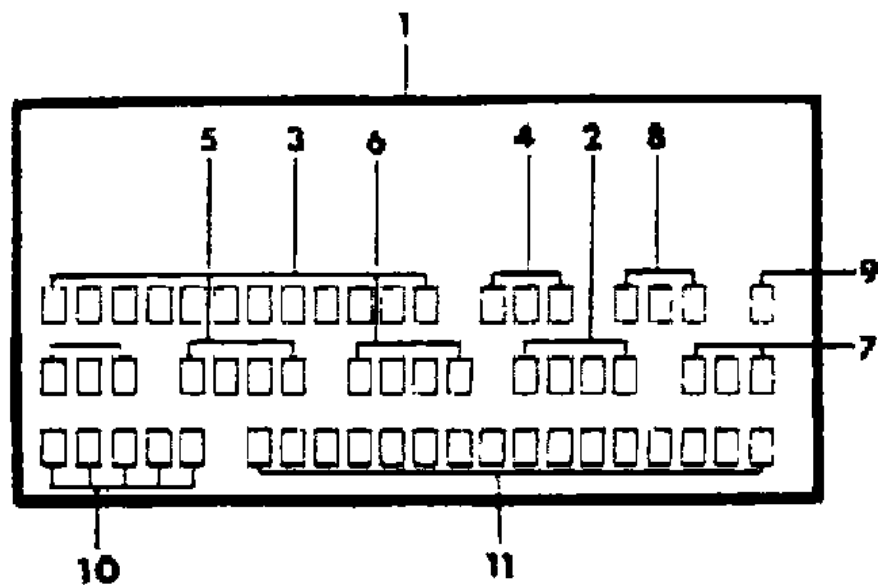
GROUP INF - INTERIOR TRIM

ILLUSTRATION TITLE	GROUP-FIG. NO.
TRIM CODE DEFINED	Fig. INF-100
TRIM INFORMATION	Fig. INF-200

ILLUSTRATION NOT AVAILABLE AT TIME OF PUBLICATION

TRIM CODE DEFINED
Figure INF-100

8229 100



18

SALES CODE	CBA	CBR	CAD	CAC	CBC	CBD
CLOTH	1	3	7	5	9	F
VINYL	2	4	8	6	X	V
LEATHER	N	G	L	J	Y	P

19, 20, 21, 22

ITEM	PART NUMBER	QTY	BODY	MODEL	DESCRIPTION
------	-------------	-----	------	-------	-------------

-1- BODY CODE PLATE s group.

. The Body Code plate includes the Trim Code, Paint Codes, Vinyl Roof code, Build Date, etc.. The plate is located under the hood on the left front fender side shield or wheel housing or the radiator support.

NOTE: For additional detailed information not listed below, see illustrated text inf. section front fender side shield or wheel housing or the radiator support.

- 2- = Trim Code front fender side shield or wheel housing or the radiator support.
- 3- = Vehicle Order Number front fender side shield or wheel housing or the radiator support.
- 4- = Vinyl Roof Code/Door Combo Code (Pillette) front fender side shield or wheel housing or the radiator support.
- 5- = Body Paint, Primary front fender side shield or wheel housing or the radiator support.
- 6- = Body Paint, Secondary front fender side shield or wheel housing or the radiator support.
- 7- = Engine code front fender side shield or wheel housing or the radiator support.
- 8- = Transmission code front fender side shield or wheel housing or the radiator support.
- 9- = Order: U = U.S.; C = Canada; I = International front fender side shield or wheel housing or the radiator support.
- 10_ = Model (includes Shell, Car Line, Price Class, Body Type) front fender side shield or wheel housing or the radiator support.
- 11- = Vin (Vehicle Identification Number) front fender side shield or wheel housing or the radiator support.
- ***** front fender side shield or wheel housing or the radiator support.
- 14- = TRIM CODE (typical) defined front fender side shield or wheel housing or the radiator support.
- 15- = Series (1st element) front fender side shield or wheel housing or the radiator support.
- 16- = Type & Material (see Chart #16 for application) front fender side shield or wheel housing or the radiator support.
- 17- = Color & Shade (see Figure IT-30 for definition) front fender side shield or wheel housing or the radiator support.
- ***** front fender side shield or wheel housing or the radiator support.
- 18- = Type & Material defined (2nd character of Trim Code) front fender side shield or wheel housing or the radiator support.
- 19- = Seat Sales codes front fender side shield or wheel housing or the radiator support.
- CBA = Straight Bench, Front w/solid fixed back front fender side shield or wheel housing or the radiator support.
- CBB = Straight Bench, Front w/split hinged back front fender side shield or wheel housing or the radiator support.
- CAC = Bucket, Front - Low Back front fender side shield or wheel housing or the radiator support.
- CAD = Bucket, Front - High Back front fender side shield or wheel housing or the radiator support.
- CBC = 60/40 Split Bench, Front - w/passenger side recliner front fender side shield or wheel housing or the radiator support.
- CBD = 50/50 Split w/Dual Arm Rest front fender side shield or wheel housing or the radiator support.
- 20- = Cloth material codes front fender side shield or wheel housing or the radiator support.
- 21- = All Vinyl material codes front fender side shield or wheel housing or the radiator support.
- 22- = Leather material codes front fender side shield or wheel housing or the radiator support.

MODEL CODES

- C BODY = (D41 - DYNASTY)(C41 - NEW YORKER)
- E BODY = (J - CARAVELLE)(E - 600)(T - NEW YORKER TURBO)
- G BODY = (V24 - DAYTONA, PACIFICA & SHELBY)
- H BODY = (D44 - LANCER)(C44 - LEBARON GTS)
- J BODY = (C - LEBARON)
- K BODY = (P - RELIANT)(D - ARIES)(C - LEBARON/ TOWN & COUNTRY)
- L BODY = (M - HORIZON)(Z-OMNI)
- M BODY = (B - GRAN FURY)(G - DIPLOMAT)(F - FIFTH AVENUE/NEWPORT)
- P BODY = (P - SUNDANCE)(D - SHADOW)
- Q BODY = (C27 - MASERATI)
- S BODY = (H - VOYAGER)(K - RAM VAN/ CARAVAN)

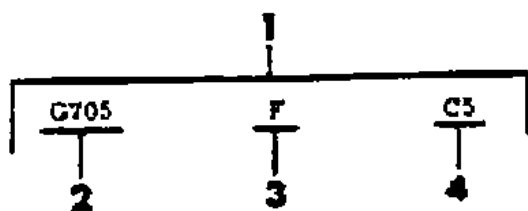
BODY STYLES

- 12-52 = FWD VAN & WAGON STD. W.B.
- 13-53 = FWD VAN & WGN EXT W.B.
- 21 = 2-DOOR SEDAN
- 24 = 2-DOOR HATCHBACK
- 27 = 2-DOOR CONVERTIBLE
- 41 = 4-DOOR SEDAN
- 44 = 4-DOOR HATCHBACK
- 45 = 4-DOOR STATION WAGON

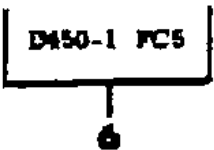
AR = Use as Required - = Non Illustrated Part P.A.R. = Paint as Required

TRIM INFORMATION
Figure INF-200

8229 200



		BODY											
		L	P	J	Q	K	G	E	H	C	S	M	A
		M Z	P D	C		P D C	V	J E T	D C		H K Y	B F G	P D
A3	Silver	X						X				X	
AS	Silver and Charcoal					X		X			X		
B5	Cobalt Blue	X											
C5	Twilight Blue		X	X	X	X	X	X	X	X	X	X	X
E8	Cordovan					X		X					
K1	Light Almond					X					X		
5-KY	Almond and Cream					X							
L7	Taupe		X	X	X		X		X	X		X	X
M6	Crimson Red	X										X	
R8	Bordeaux Red		X	X	X		X		X	X	X		X
S8	Charcoal		X	X	X	X	X	X	X	X			X
SA	Charcoal and Silver												
T5	Ginger												
X7	Black				X								



ITEM	PART NUMBER	QTY	BODY	MODEL	DESCRIPTION
------	-------------	-----	------	-------	-------------

- 1- = COLOR CODED PART NUMBER defined: front fender side shield or wheel housing or the radiator support.
- 2- = First element: Basic part number (1 alpha + 3 numerics) front fender side shield or wheel housing or the radiator support.
- 3- = Second element: Series/1st model year color mastered (1 alpha) front fender side shield or wheel housing or the radiator support.
- 4- = Third element: Color & shade suffix (usually 1 alpha + 1 numeric) front fender side shield or wheel housing or the radiator support.
- ALPHA: front fender side shield or wheel housing or the radiator support.
- A = Silver front fender side shield or wheel housing or the radiator support.
- AS = Silver and Charcoal front fender side shield or wheel housing or the radiator support.
- B = Medium Blue front fender side shield or wheel housing or the radiator support.
- C5 = Twilight Blue front fender side shield or wheel housing or the radiator support.
- E8 = Cordovan front fender side shield or wheel housing or the radiator support.
- K1 = Light Almond front fender side shield or wheel housing or the radiator support.
- KY = Almond and Cream front fender side shield or wheel housing or the radiator support.
- L7 = Taupe front fender side shield or wheel housing or the radiator support.
- M6 = Red front fender side shield or wheel housing or the radiator support.
- R8 = Bordeaux Red front fender side shield or wheel housing or the radiator support.
- S8 = Charcoal front fender side shield or wheel housing or the radiator support.
- SA = Charcoal and Silver front fender side shield or wheel housing or the radiator support.
- T5 = Ginger front fender side shield or wheel housing or the radiator support.
- X7 = Black front fender side shield or wheel housing or the radiator support.
- NUMERIC (on a scale from 1-9: 1= lightest shade; 9= darkest shade) front fender side shield or wheel housing or the radiator support.
- 1 = very Light front fender side shield or wheel housing or the radiator support.
- 2 = Light front fender side shield or wheel housing or the radiator support.
- 3 = front fender side shield or wheel housing or the radiator support.
- 4 = front fender side shield or wheel housing or the radiator support.
- 5 = Medium front fender side shield or wheel housing or the radiator support.
- 6 = Medium dark front fender side shield or wheel housing or the radiator support.
- 7 = front fender side shield or wheel housing or the radiator support.
- 8 = Dark front fender side shield or wheel housing or the radiator support.
- 9 = very Dark front fender side shield or wheel housing or the radiator support.
- 5- = COLOR APPLICATION CHART (identifies vehicle usage) front fender side shield or wheel housing or the radiator support.
- 6- = COMBINED Part Number defined front fender side shield or wheel housing or the radiator support.
- Right & Left part numbers are frequently combined on 1 line and are interpreted as: front fender side shield or wheel housing or the radiator support.

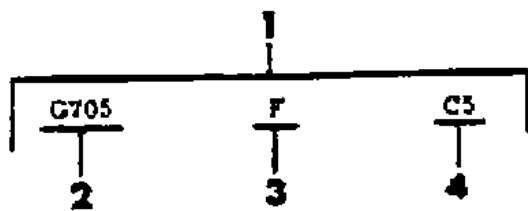
MODEL CODES
 C BODY = (D41 - DYNASTY)(C41 - NEW YORKER)
 E BODY = (J - CARAVELLE)(E - 600)(T - NEW YORKER TURBO)
 G BODY = (V24 - DAYTONA, PACIFICA & SHELBY)
 H BODY = (D44 - LANCER)(C44 - LEBARON GTS)
 J BODY = (C - LEBARON)
 K BODY = (P - RELIANT)(D - ARIES)(C - LEBARON/ TOWN & COUNTRY)

L BODY = (M - HORIZON)(Z-OMNI)
 M BODY = (B - GRAN FURY)(G - DIPLOMAT)(F - FIFTH AVENUE/NEWPORT)
 P BODY = (P - SUNDANCE)(D - SHADOW)
 Q BODY = (C27 - MASERATI)
 S BODY = (H - VOYAGER)(K - RAM VAN/ CARAVAN)

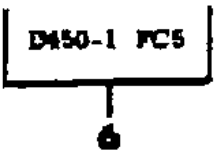
BODY STYLES
 12-52 = FWD VAN & WAGON STD. W.B. 27 = 2-DOOR CONVERTIBLE
 13-53 = FWD VAN & WGN EXT W.B. 41 = 4-DOOR SEDAN
 21 = 2-DOOR SEDAN 44 = 4-DOOR HATCHBACK
 24 = 2-DOOR HATCHBACK 45 = 4-DOOR STATION WAGON

AR = Use as Required - = Non Illustrated Part P.A.R. = Paint as Required

8229 200



		BODY											
		L	P	J	Q	K	G	E	H	C	S	M	A
		M Z	P D	C		P D C	V	J E T	D C		H K Y	B F G	P D
A3	Silver	X						X				X	
AS	Silver and Charcoal					X		X			X		
B9	Cobalt Blue	X											
C5	Twilight Blue		X	X	X	X	X	X	X	X	X	X	X
E8	Cordovan					X		X					
K1	Light Almond					X					X		
5- KY	Almond and Cream					X							
L7	Taupe		X	X	X		X		X	X		X	X
M6	Crimson Red	X										X	
R8	Bordeaux Red		X	X	X		X		X	X	X		X
S8	Charcoal		X	X	X	X	X	X	X	X			X
SA	Charcoal and Silver												
T5	Ginger												
X7	Black				X								



TRIM INFORMATION
Figure INF-200

ITEM	PART NUMBER	QTY	BODY	MODEL	DESCRIPTION
------	-------------	-----	------	-------	-------------

. D450PA4 = Right side application; D451PA4 = Left side application. front fender side shield or wheel housing or the radiator support.

. Right & Left sides are always determined by their relationship to the driver when normally seated and looking forward. front fender side shield or wheel housing or the radiator support.

* * * * * HOW TO ORDER ROLL GOODS front fender side shield or wheel housing or the radiator support.

VINYL & CLOTH: Requirements must be ordered in the number of linear inches desired; e.g.: when 10 running inches of a particular part number is req'd., the order should specify a quantity of 10.

HIDE or LEATHER: Requirements must be ordered in the number of square feet desired; e.g.: when 2 square feet of a particular part number is req'd., the order should specify a quantity of 2.

* * * * * CAUTION - SEAT COVERS vs ASSEMBLIES e order should specify a quantity of 2.

Extreme care must be exercised when ordering Seat Covers to insure it is ONLY the Cover and NOT a complete Cushion or Back. Complete Cushions and Backs ARE NOT RETURNABLE.

MODEL CODES
 C BODY = (D41 - DYNASTY)(C41 - NEW YORKER)
 E BODY = (J - CARAVELLE)(E - 600)(T - NEW YORKER TURBO)
 G BODY = (V24 - DAYTONA, PACIFICA & SHELBY)
 H BODY = (D44 - LANCER)(C44 - LEBARON GTS)
 J BODY = (C - LEBARON)
 K BODY = (P - RELIANT)(D - ARIES)(C - LEBARON/ TOWN & COUNTRY)
 L BODY = (M - HORIZON)(Z-OMNI)
 M BODY = (B - GRAN FURY)(G - DIPLOMAT)(F - FIFTH AVENUE/NEWPORT)
 P BODY = (P - SUNDANCE)(D - SHADOW)
 Q BODY = (C27 - MASERATI)
 S BODY = (H - VOYAGER)(K - RAM VAN/ CARAVAN)

BODY STYLES
 12-52 = FWD VAN & WAGON STD. W.B. 27 = 2-DOOR CONVERTIBLE
 13-53 = FWD VAN & WGN EXT W.B. 41 = 4-DOOR SEDAN
 21 = 2-DOOR SEDAN 44 = 4-DOOR HATCHBACK
 24 = 2-DOOR HATCHBACK 45 = 4-DOOR STATION WAGON

AR = Use as Required - = Non Illustrated Part P.A.R. = Paint as Required

GROUP ITL - L BODY

ILLUSTRATION TITLE	GROUP-FIG. NO.
COWL PANEL AND SILENCERS L BODY	Fig. ITL-100
HEADLINER AND VISOR L BODY	Fig. ITL-200
MOULDING--GARNISH L BODY	Fig. ITL-300
B-PILLAR TRIM L BODY	Fig. ITL-400
PANEL--QUARTER TRIM L BODY	Fig. ITL-500
CARPET L BODY	Fig. ITL-600
MATS--SILENCERS--INSULATION L BODY	Fig. ITL-700
SCUFF PLATES--BODY SIDE SILL AND DOOR L BODY	Fig. ITL-800
DOOR TRIM PANEL L BODY TRIM CODES A7-F5	Fig. ITL-900
SEAT FRONT L BODY--TRIM CODES F5	Fig. ITL-1000
SEAT FRONT L BODY--TRIM CODES A7	Fig. ITL-1100
BELT--FRONT SEAT L BODY	Fig. ITL-1200
RECLINING FRONT SEAT--W/O INERTIA L BODY	Fig. ITL-1300
RECLINING FRONT SEAT--W/ INERTIA L BODY	Fig. ITL-1400
ADJUSTER--MANUAL L BODY	Fig. ITL-1500
SEAT--REAR L BODY--TRIM CODE F5	Fig. ITL-1600
SEAT--REAR L BODY--TRIM CODES A7	Fig. ITL-1700
BELT--REAR SEAT LAP L BODY	Fig. ITL-1800
SEAT--REAR FOLD DOWN L BODY	Fig. ITL-1900

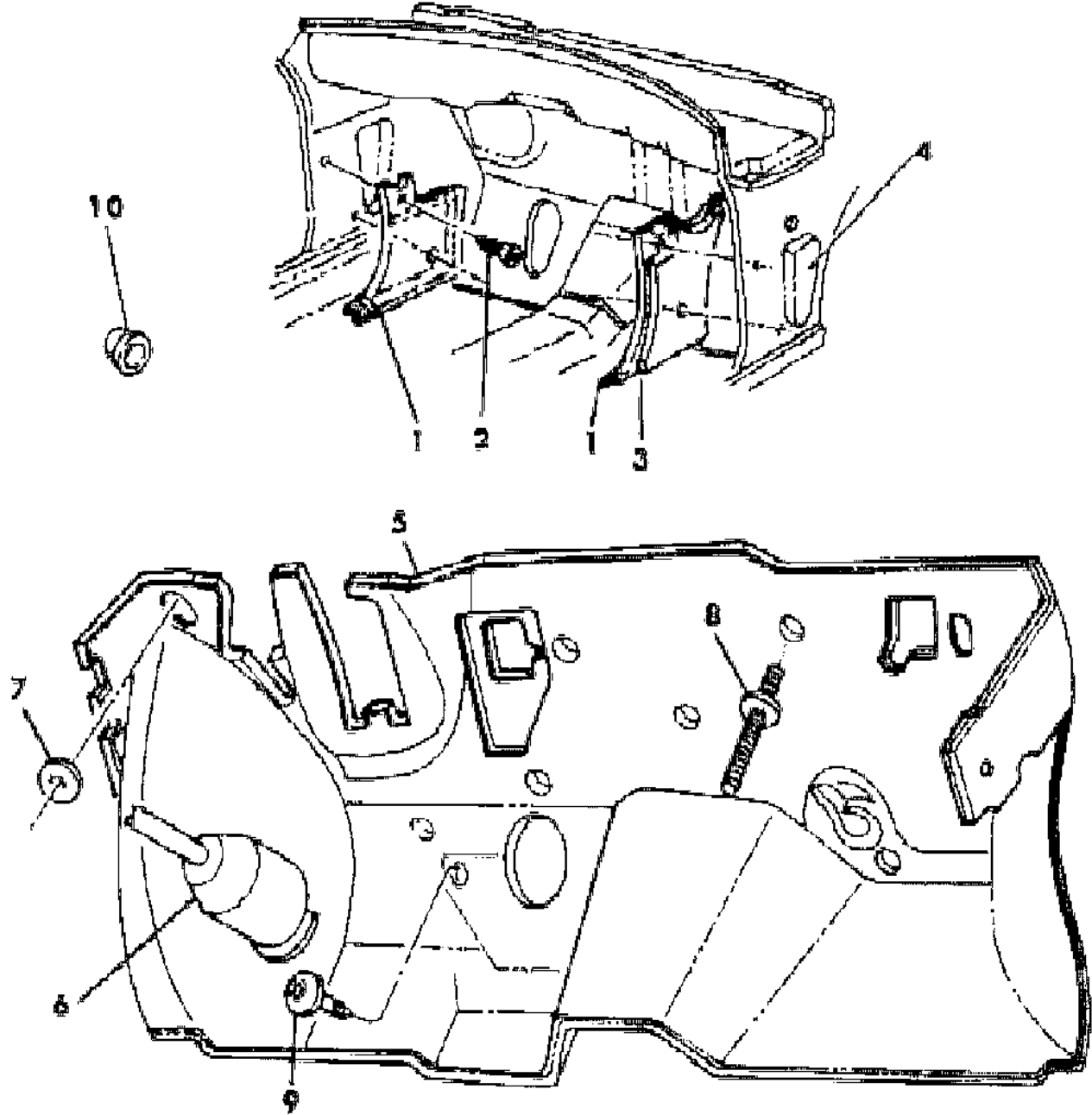
ILLUSTRATION NOT AVAILABLE AT TIME OF PUBLICATION

COWL PANEL AND SILENCERS L BODY
Figure ITL-100

8230 100

ITEM	PART NUMBER	QTY	BODY	MODEL	DESCRIPTION
1	F266-7 RX9	1			PANEL, Cowl Side Trim, w/o Turbo (P.A.R)
2		AR			SCREW, (8-18x1 3/4), (Not Serv.)
3	3837 683	1			SILENCER, Cowl Panel, w/ or w/o Air
4					COWL, Side Panel
5	4337 657	1			LINER, Dash w/ or w/o Air
6	4147 156	1			LINER, Steering Column Cover
7	4206 545	4			RETAINER, Dash and Cowl
8		AR			SCREW and WASHER, (18x.75) (Not Serv.)
9		AR			SCREW, w/Washer and Seal, (8-18x.75) (Not Serv.)
10	6032 185	5			CAPLUG

NOTE: (P.A.R.) = Paint As Required



MODEL CODES
 C BODY = (D41 - DYNASTY)(C41 - NEW YORKER)
 E BODY = (J - CARAVELLE)(E - 600)(T - NEW YORKER TURBO)
 G BODY = (V24 - DAYTONA, PACIFICA & SHELBY)
 H BODY = (D44 - LANCER)(C44 - LEBARON GTS)
 J BODY = (C - LEBARON)
 K BODY = (P - RELIANT)(D - ARIES)(C - LEBARON/ TOWN & COUNTRY)
 L BODY = (M - HORIZON)(Z-OMNI)
 M BODY = (B - GRAN FURY)(G - DIPLOMAT)(F - FIFTH AVENUE/NEWPORT)
 P BODY = (P - SUNDANCE)(D - SHADOW)
 Q BODY = (C27 - MASERATI)
 S BODY = (H - VOYAGER)(K - RAM VAN/ CARAVAN)

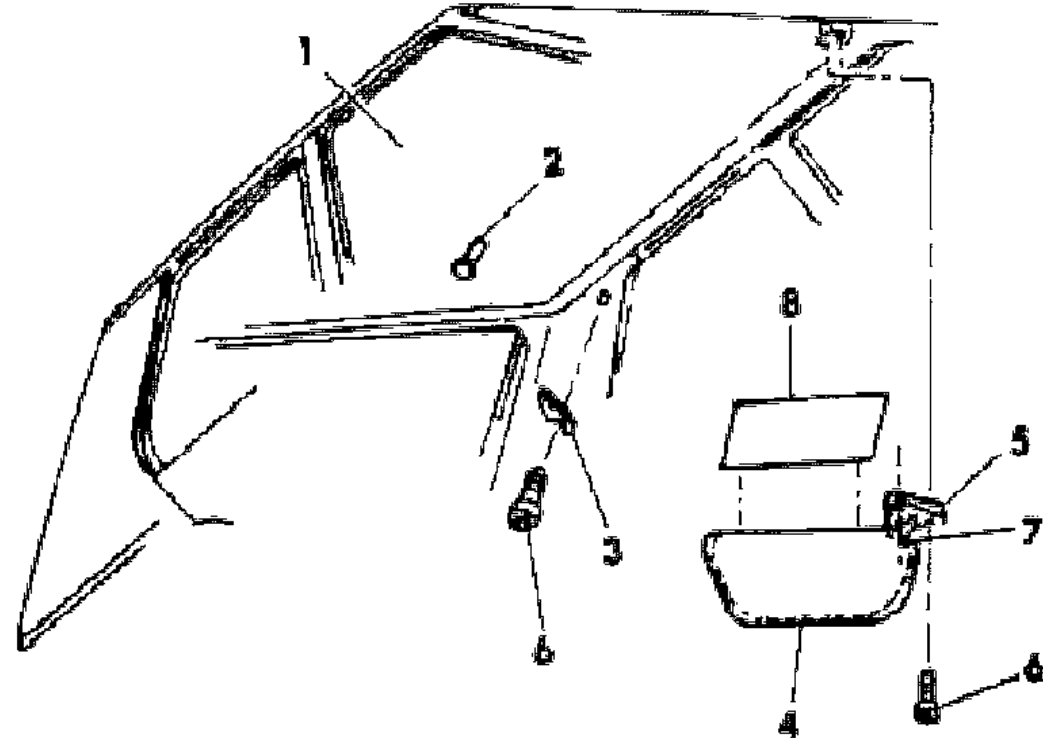
BODY STYLES
 12-52 = FWD VAN & WAGON STD. W.B. 27 = 2-DOOR CONVERTIBLE
 13-53 = FWD VAN & WGN EXT W.B. 41 = 4-DOOR SEDAN
 21 = 2-DOOR SEDAN 44 = 4-DOOR HATCHBACK
 24 = 2-DOOR HATCHBACK 45 = 4-DOOR STATION WAGON

AR = Use as Required - = Non Illustrated Part P.A.R. = Paint as Required

HEADLINER AND VISOR L BODY

Figure ITL-200

8230 200



ITEM	PART NUMBER	QTY	BODY	MODEL	DESCRIPTION
1					HEADLINER
	H828 AA3	1			CLOTH Silver
	H828 BB5	1			Blue
	H828 TM6	1			Red
2					FASTENER, Headliner Panel CENTER
	H452 AA3	1			Silver
	H452 BB5	1			Blue
	H452 TM6	1			Red
	H452 CS8	1			Charcoal REAR, Plug
	H446 RX9	1			Black, (P.A.R.)
3	3685 992	2			HOOK, Coat
4					VISOR, w/o, Mirror (Vinyl)
	H301 DA2	2			Silver
	H301 DB5	2			Blue
	H301 DM6	2			Red
	H301 DS8	2			Charcoal
5	5208 714				ARM and BRACKET, Visor
6		AR			SCREW, (10-16x3/4) (Not Serv.)
7	1490 983				CLIP, Visor Panel End
8		1			MIRROR, Visor Vanity, Rt.
	H322 CA3	1			Silver
	H322 DB5	1			Blue
	H322 CM6	1			Red
	H322 DS8	1			Charcoal
9	4049 603	AR			SILENCER, Roof Panel, (36"x72"x1 1/2 Slab)
10	3762 861	AR			SILENCER, Roof Panel (60"x72" Cut to Fit)

NOTE: (P.A.R.) = Paint As Required

MODEL CODES

C BODY = (D41 - DYNASTY)(C41 - NEW YORKER)	L BODY = (M - HORIZON)(Z-OMNI)
E BODY = (J - CARAVELLE)(E - 600)(T - NEW YORKER TURBO)	M BODY = (B - GRAN FURY)(G - DIPLOMAT)(F - FIFTH AVENUE/NEWPORT)
G BODY = (V24 - DAYTONA, PACIFICA & SHELBY)	P BODY = (P - SUNDANCE)(D - SHADOW)
H BODY = (D44 - LANCER)(C44 - LEBARON GTS)	Q BODY = (C27 - MASERATI)
J BODY = (C - LEBARON)	S BODY = (H - VOYAGER)(K - RAM VAN/ CARAVAN)
K BODY = (P - RELIANT)(D - ARIES)(C - LEBARON/ TOWN & COUNTRY)	

BODY STYLES

12-52 = FWD VAN & WAGON STD. W.B.	27 = 2-DOOR CONVERTIBLE
13-53 = FWD VAN & WGN EXT W.B.	41 = 4-DOOR SEDAN
21 = 2-DOOR SEDAN	44 = 4-DOOR HATCHBACK
24 = 2-DOOR HATCHBACK	45 = 4-DOOR STATION WAGON

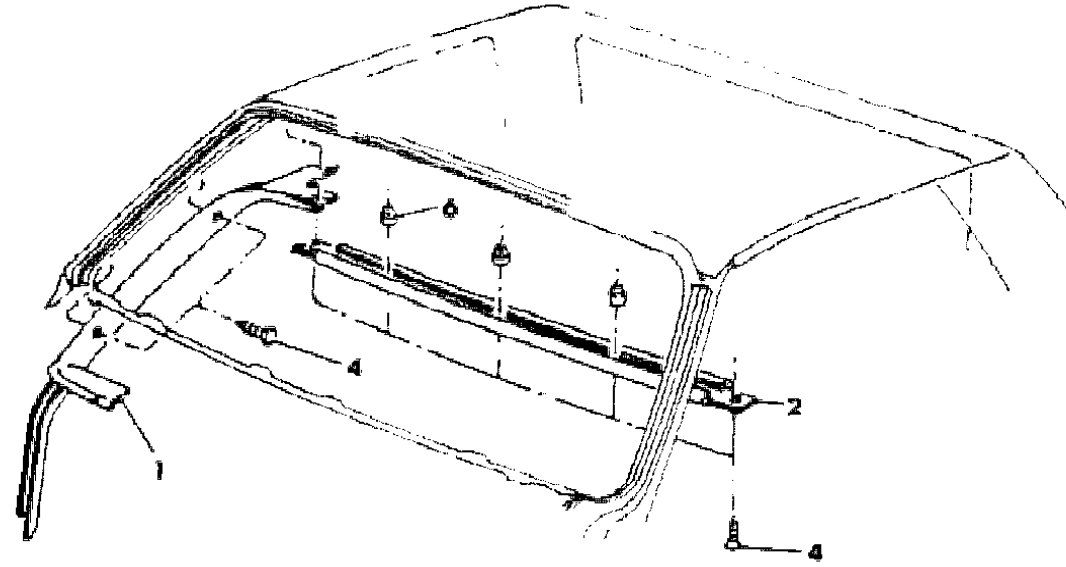
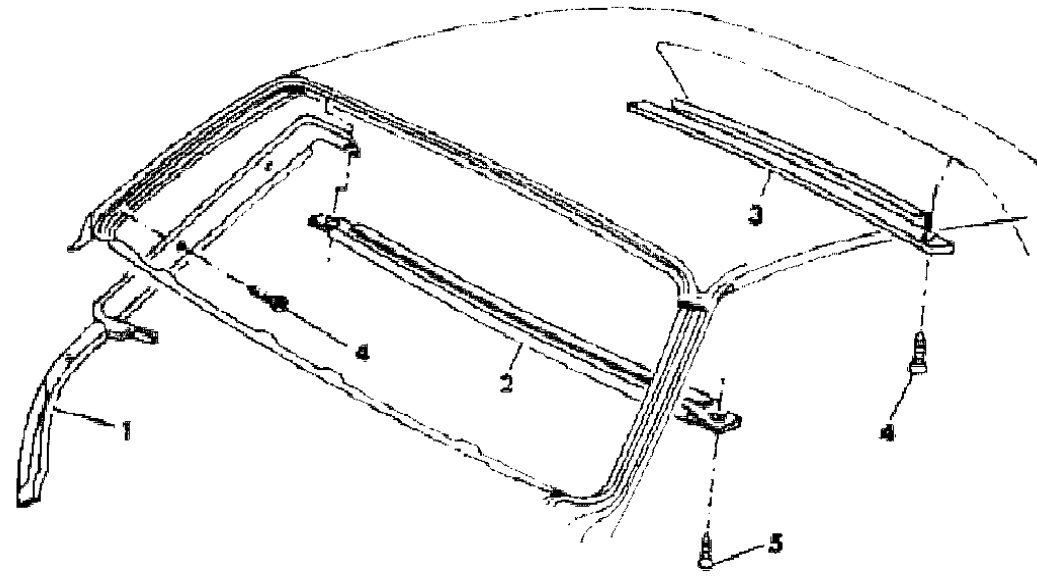
AR = Use as Required - = Non Illustrated Part P.A.R. = Paint as Required

MOULDING--GARNISH L BODY
Figure ITL-300

8230 300

ITEM	PART NUMBER	QTY	BODY	MODEL	DESCRIPTION
1					MOULDING, Windshield Side (P.A.R.)
	F260-1 AA3	1			Silver
2					MOULDING, Windshield Upper (P.A.R.)
	5208 508	1			
3	5208 522	1			MOULDING, Roof Liftgate Upper (P.A.R.)
4		AR			SCREW, (8-18x3/4) (Not Serv.)
5	9420 486	AR			SCREW
6	0152 861	AR			NUT, Spacer

NOTE: (P.A.R.) = Paint As Required



MODEL CODES

C BODY = (D41 - DYNASTY)(C41 - NEW YORKER)	L BODY = (M - HORIZON)(Z-OMNI)
E BODY = (J - CARAVELLE)(E - 600)(T - NEW YORKER TURBO)	M BODY = (B - GRAN FURY)(G - DIPLOMAT)(F - FIFTH AVENUE/NEWPORT)
G BODY = (V24 - DAYTONA, PACIFICA & SHELBY)	P BODY = (P - SUNDANCE)(D - SHADOW)
H BODY = (D44 - LANCER)(C44 - LEBARON GTS)	Q BODY = (C27 - MASERATI)
J BODY = (C - LEBARON)	S BODY = (H - VOYAGER)(K - RAM VAN/ CARAVAN)
K BODY = (P - RELIANT)(D - ARIES)(C - LEBARON/ TOWN & COUNTRY)	

BODY STYLES

12-52 = FWD VAN & WAGON STD. W.B.	27 = 2-DOOR CONVERTIBLE
13-53 = FWD VAN & WGN EXT W.B.	41 = 4-DOOR SEDAN
21 = 2-DOOR SEDAN	44 = 4-DOOR HATCHBACK
24 = 2-DOOR HATCHBACK	45 = 4-DOOR STATION WAGON

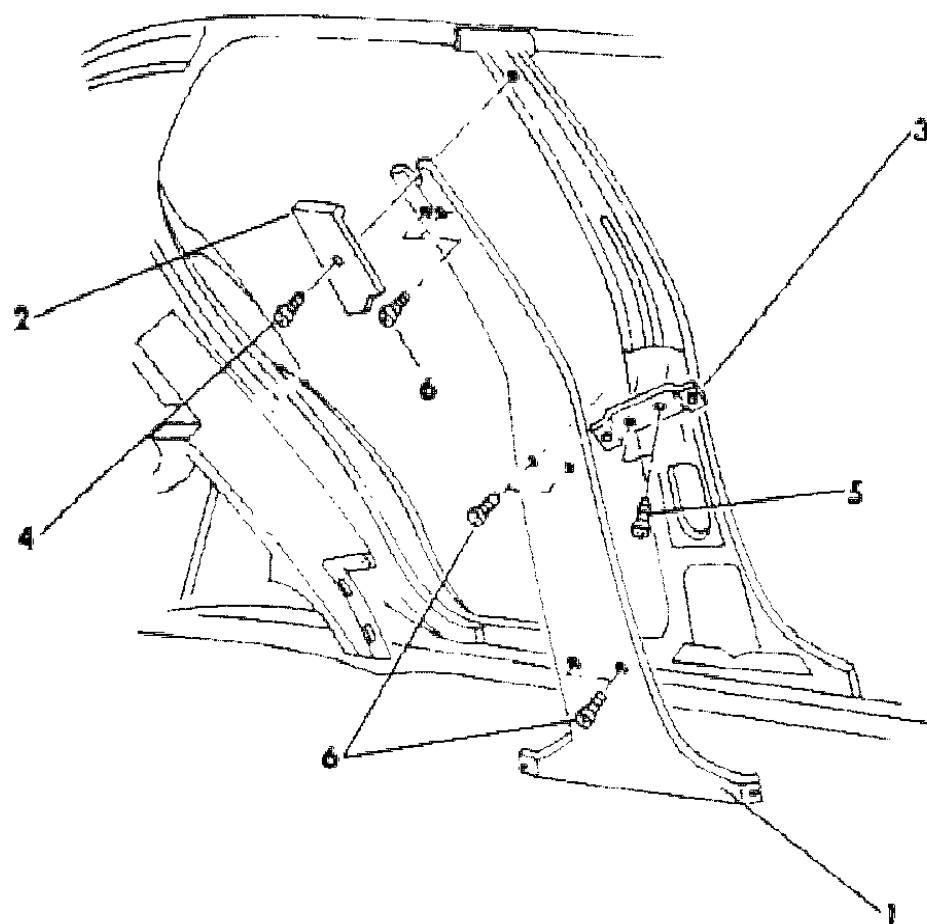
AR = Use as Required - = Non Illustrated Part P.A.R. = Paint as Required

B-PILLAR TRIM L BODY
Figure ITL-400

8230 400

ITEM	PART NUMBER	QTY	BODY	MODEL	DESCRIPTION
1	F202-3 AA3	1			COVER, Center Pillar Trim, B Lower, (P.A.R.)
2	F172-3 AA3	1			COVER, Center Pillar Trim B Upper, (P.A.R.)
3	5208 733	2			BRACKET, Center Pillar Trim Cover Attaching
4		AR			SCREW, (8-18x1 1/4) (Not Serv.)
5	6032 456	4			SCREW
6		AR			SCREW, (8-18x1/2) (Not Serv.)

NOTE: (P.A.R.) = Paint As Required



MODEL CODES

C BODY = (D41 - DYNASTY)(C41 - NEW YORKER)	L BODY = (M - HORIZON)(Z-OMNI)
E BODY = (J - CARAVELLE)(E - 600)(T - NEW YORKER TURBO)	M BODY = (B - GRAN FURY)(G - DIPLOMAT)(F - FIFTH AVENUE/NEWPORT)
G BODY = (V24 - DAYTONA, PACIFICA & SHELBY)	P BODY = (P - SUNDANCE)(D - SHADOW)
H BODY = (D44 - LANCER)(C44 - LEBARON GTS)	Q BODY = (C27 - MASERATI)
J BODY = (C - LEBARON)	S BODY = (H - VOYAGER)(K - RAM VAN/ CARAVAN)
K BODY = (P - RELIANT)(D - ARIES)(C - LEBARON/ TOWN & COUNTRY)	

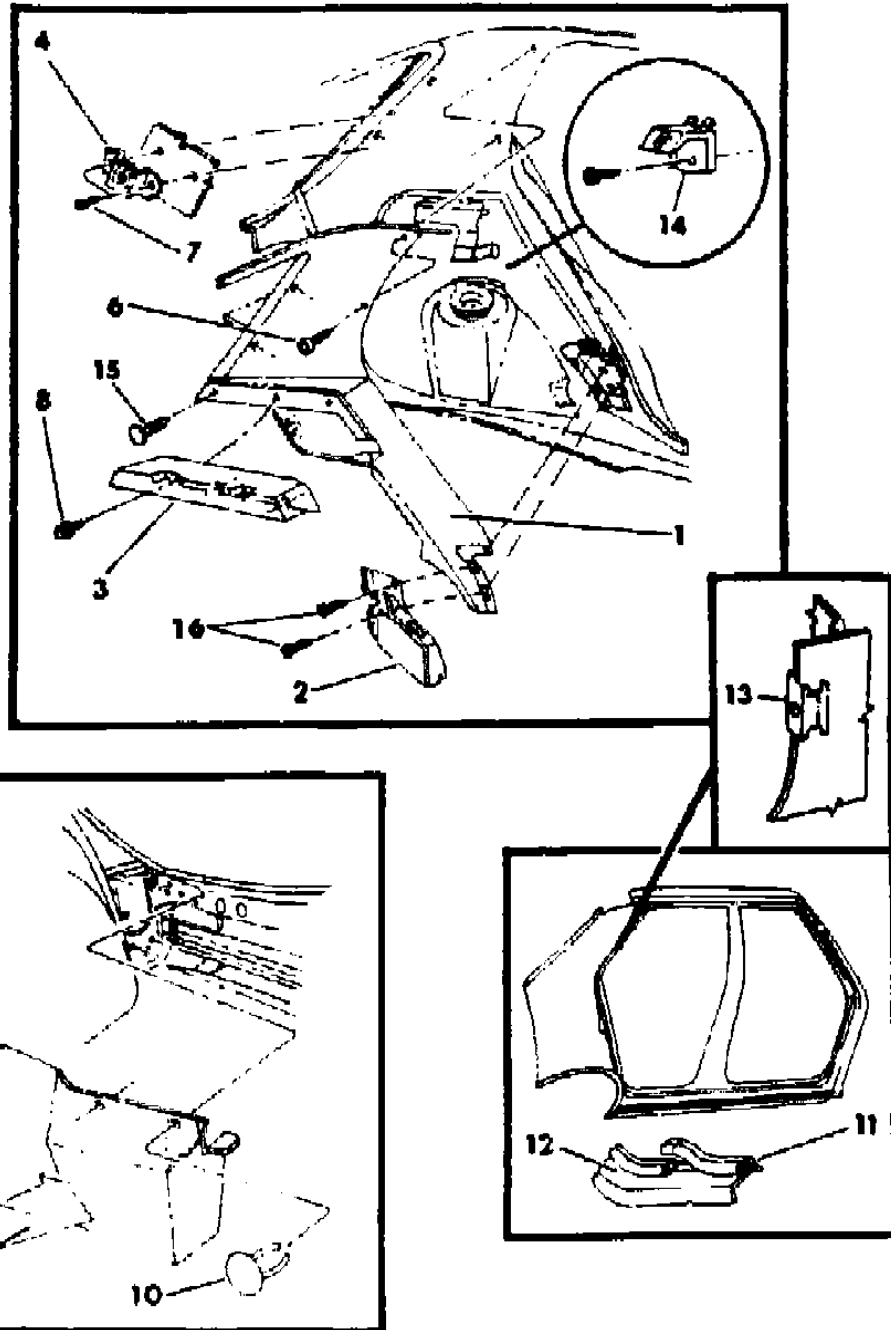
BODY STYLES

12-52 = FWD VAN & WAGON STD. W.B.	27 = 2-DOOR CONVERTIBLE
13-53 = FWD VAN & WGN EXT W.B.	41 = 4-DOOR SEDAN
21 = 2-DOOR SEDAN	44 = 4-DOOR HATCHBACK
24 = 2-DOOR HATCHBACK	45 = 4-DOOR STATION WAGON

AR = Use as Required - = Non Illustrated Part P.A.R. = Paint as Required

PANEL--QUARTER TRIM L BODY
Figure ITL-500

8230 500



ITEM	PART NUMBER	QTY	BODY	MODEL	DESCRIPTION
1	H538-9 EA3	1			PANEL, Upper Quarter Wheelhouse Trim (P.A.R)
2	V270-1 EA3	1			COVER, Quarter Trim Panel Lower (P.A.R.)
3	H208-9 TX9	1			EXTENSION, Shelf Panel w/o Speakers (P.A.R.)
4	5208 863	2			BRACKET, Aperture Quarter Trim Attaching
6		AR			SCREW, (8-18x1) (Not Serv.)
7	6032 456	4			SCREW
8	6100 567	AR			SCREW
9	5208 846-7	1			PANEL, Side Cargo
10	6003 683	4			FASTENER, Cargo Side Panel
11					PINCHWELD, w/Weatherstrip, Frt. Door
	F026-7 AA3	1			Silver
	F026-7 BB5				Blue
	F026-7 AM6	1			Red
12					PINCHWELD, w/Weatherstrip, Rear Door
	F024-5 AA3	1			Silver
	F024-5 BB5	1			Blue
	F024-5 TM6	1			Red
13	5208 891	2			CLIP, Rear Door Weatherstrip
14	5216 518-9	1			BRACKET, Quarter Upper Trim Panel Attaching
15	H446 RX9	AR			PLUG
16		AR			SCREW, (8-18x3/4) (Not Serv.)

NOTE: (P.A.R.) = Paint As Required

MODEL CODES

C BODY = (D41 - DYNASTY)(C41 - NEW YORKER)
 E BODY = (J - CARAVELLE)(E - 600)(T - NEW YORKER TURBO)
 G BODY = (V24 - DAYTONA, PACIFICA & SHELBY)
 H BODY = (D44 - LANCER)(C44 - LEBARON GTS)
 J BODY = (C - LEBARON)
 K BODY = (P - RELIANT)(D - ARIES)(C - LEBARON/ TOWN & COUNTRY)

L BODY = (M - HORIZON)(Z-OMNI)
 M BODY = (B - GRAN FURY)(G - DIPLOMAT)(F - FIFTH AVENUE/NEWPORT)
 P BODY = (P - SUNDANCE)(D - SHADOW)
 Q BODY = (C27 - MASERATI)
 S BODY = (H - VOYAGER)(K - RAM VAN/ CARAVAN)

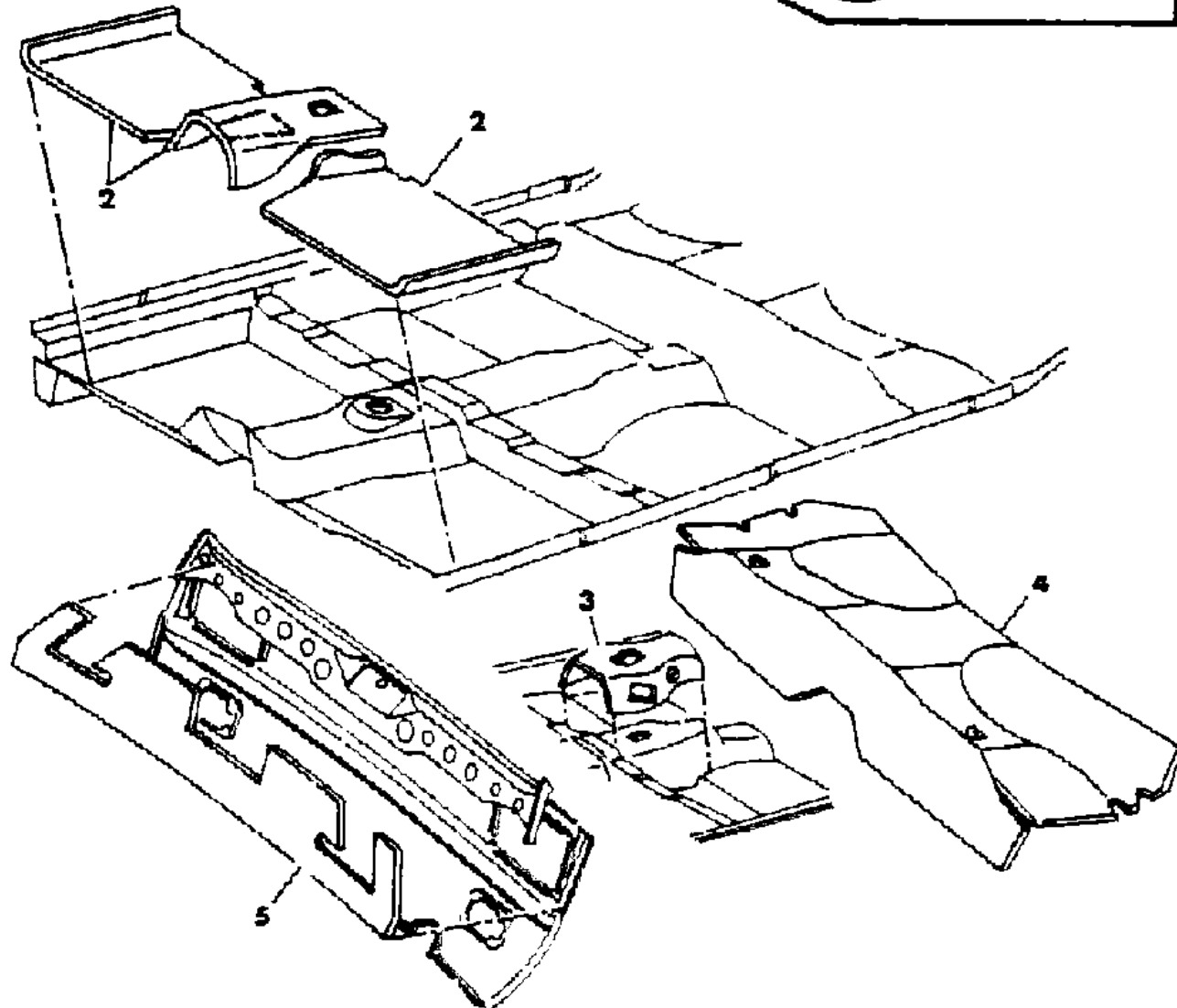
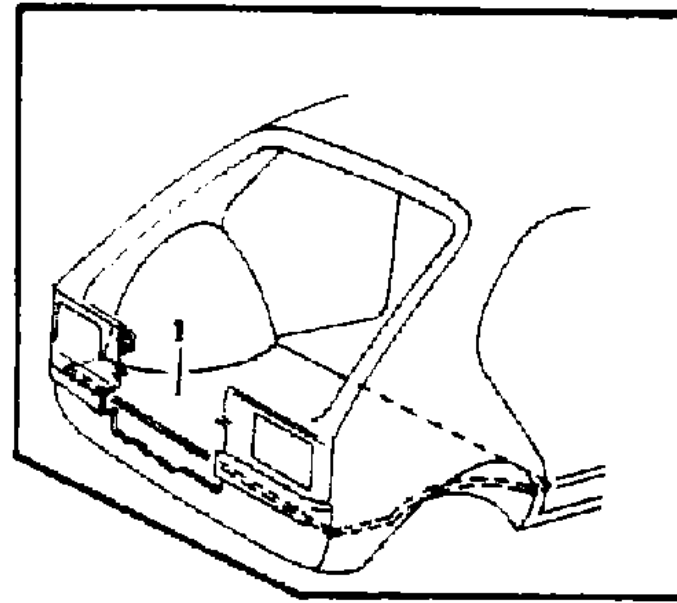
BODY STYLES

12-52 = FWD VAN & WAGON STD. W.B. 27 = 2-DOOR CONVERTIBLE
 13-53 = FWD VAN & WGN EXT W.B. 41 = 4-DOOR SEDAN
 21 = 2-DOOR SEDAN 44 = 4-DOOR HATCHBACK
 24 = 2-DOOR HATCHBACK 45 = 4-DOOR STATION WAGON

AR = Use as Required - = Non Illustrated Part P.A.R. = Paint as Required

MATS--SILENCERS--INSULATION L BODY
Figure ITL-700

8230 700



ITEM	PART NUMBER	QTY	BODY	MODEL	DESCRIPTION
1	5208 595	1			MAT, Luggage Compartment, Felt w/Latex Back (Cancelled Use 4611295)
2	4186 901	1			SILENCER, Floor (36"x72" Cut To Fit)
3	3762 861	1			INSULATION, Rear Floor, Center (36"x72" Cut To Fit)
4	3762 862	1			SILENCER, Under Second Seat (36"x72" Cut To Fit)
5	3837 683	1			SILENCER, Lower Hatch Panel (24"x48"x1/2" Cut To Fit)

MODEL CODES

C BODY = (D41 - DYNASTY)(C41 - NEW YORKER)
 E BODY = (J - CARAVELLE)(E - 600)(T - NEW YORKER TURBO)
 G BODY = (V24 - DAYTONA, PACIFICA & SHELBY)
 H BODY = (D44 - LANCER)(C44 - LEBARON GTS)
 J BODY = (C - LEBARON)
 K BODY = (P - RELIANT)(D - ARIES)(C - LEBARON/ TOWN & COUNTRY)

L BODY = (M - HORIZON)(Z-OMNI)
 M BODY = (B - GRAN FURY)(G - DIPLOMAT)(F - FIFTH AVENUE/NEWPORT)
 P BODY = (P - SUNDANCE)(D - SHADOW)
 Q BODY = (C27 - MASERATI)
 S BODY = (H - VOYAGER)(K - RAM VAN/ CARAVAN)

BODY STYLES

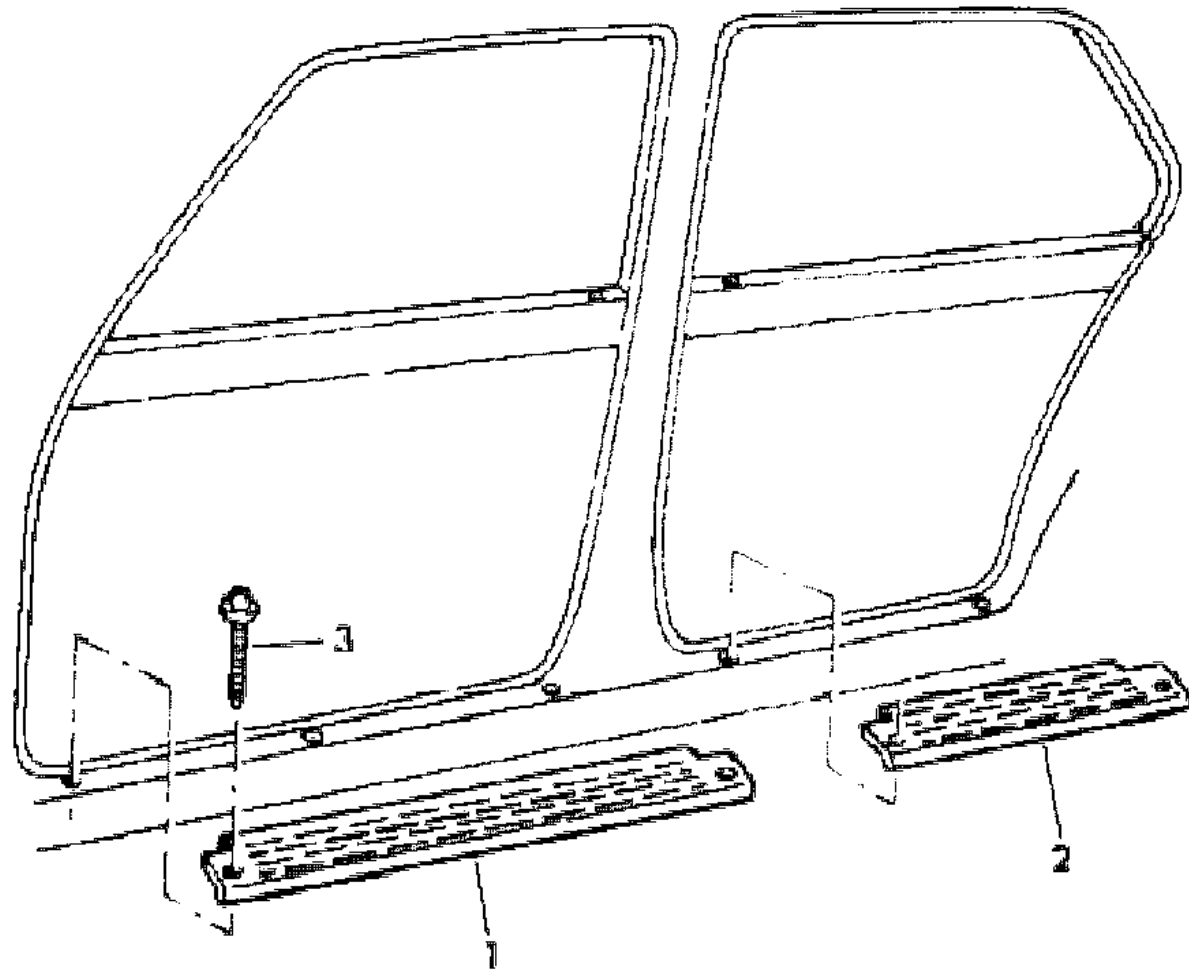
12-52 = FWD VAN & WAGON STD. W.B. 27 = 2-DOOR CONVERTIBLE
 13-53 = FWD VAN & WGN EXT W.B. 41 = 4-DOOR SEDAN
 21 = 2-DOOR SEDAN 44 = 4-DOOR HATCHBACK
 24 = 2-DOOR HATCHBACK 45 = 4-DOOR STATION WAGON

AR = Use as Required - = Non Illustrated Part P.A.R. = Paint as Required

SCUFF PLATES--BODY SIDE SILL AND DOOR L BODY
Figure ITL-800

8230 800

ITEM	PART NUMBER	QTY	BODY	MODEL	DESCRIPTION
1	5208 526	2			MOULDING, Sill Garnish Front
2	5208 527	2			MOULDING, Sill Garnish Rear
3		AR			SCREW, (8-18x1 1/4) (Not Serv.)



MODEL CODES

C BODY = (D41 - DYNASTY)(C41 - NEW YORKER)	L BODY = (M - HORIZON)(Z-OMNI)
E BODY = (J - CARAVELLE)(E - 600)(T - NEW YORKER TURBO)	M BODY = (B - GRAN FURY)(G - DIPLOMAT)(F - FIFTH AVENUE/NEWPORT)
G BODY = (V24 - DAYTONA, PACIFICA & SHELBY)	P BODY = (P - SUNDANCE)(D - SHADOW)
H BODY = (D44 - LANCER)(C44 - LEBARON GTS)	Q BODY = (C27 - MASERATI)
J BODY = (C - LEBARON)	S BODY = (H - VOYAGER)(K - RAM VAN/ CARAVAN)
K BODY = (P - RELIANT)(D - ARIES)(C - LEBARON/ TOWN & COUNTRY)	

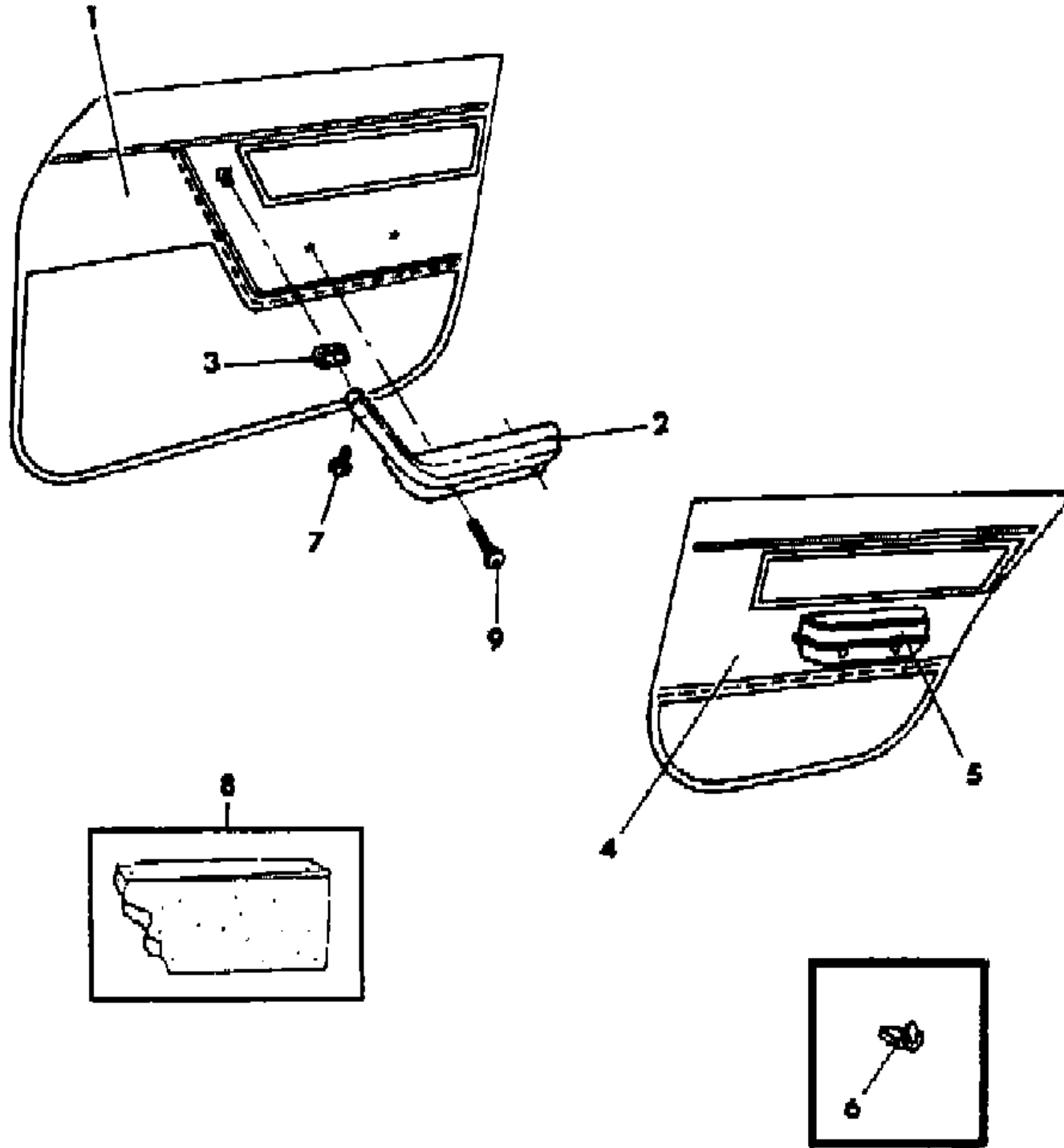
BODY STYLES

12-52 = FWD VAN & WAGON STD. W.B.	27 = 2-DOOR CONVERTIBLE
13-53 = FWD VAN & WGN EXT W.B.	41 = 4-DOOR SEDAN
21 = 2-DOOR SEDAN	44 = 4-DOOR HATCHBACK
24 = 2-DOOR HATCHBACK	45 = 4-DOOR STATION WAGON

AR = Use as Required - = Non Illustrated Part P.A.R. = Paint as Required

DOOR TRIM PANEL L BODY TRIM CODES A7-F5
Figure ITL-900

8230 900



ITEM	PART NUMBER	QTY	BODY	MODEL	DESCRIPTION
1	J822-3 FA2				PANEL and CARPET, Door Trim Silver, (A7A-F5A)
	J822-3 FB5				Blue, (A7B-F5B)
	J822-3 FM6				Red, (A7M-F5M)
2	D484-5 CA2				ARMREST, w/Pull Handle Silver, (A7A-F5A)
	D484-5 CB5				Blue, (A7B-F5B)
	D484-5 CM6				Red, (A7M-F5M)
3	4282 435				BEZEL, Front Door Armrest
4	J638-9 FA2				PANEL and CARPET, Rear Door Trim Panel Silver, (A7A-F5A)
	J638-9 FB5				Blue, (A7B-F5B)
	J638-9 FM6				Red, (A7M-F5M)
5	D447 AA3	2			PAD and PLATE, Rear Door Armrest Silver, (A7A-F5A)
	D447 BB5	2			Blue, (A7B-F5B)
	D447 TM6	2			Red, (A7M-F5M)
6	4114 785	AR			FASTENER, Door Trim Panel Attaching
7	6031 171	8			SCREW, Bezel Attaching (1/4-14x1.75)
8	4049 602				SILENCER, Door (36"x36"x1/2")
9		AR			SCREW, (10-16x1/2) (Not Serv.)

MODEL CODES

C BODY = (D41 - DYNASTY)(C41 - NEW YORKER)
 E BODY = (J - CARAVELLE)(E - 600)(T - NEW YORKER TURBO)
 G BODY = (V24 - DAYTONA, PACIFICA & SHELBY)
 H BODY = (D44 - LANCER)(C44 - LEBARON GTS)
 J BODY = (C - LEBARON)
 K BODY = (P - RELIANT)(D - ARIES)(C - LEBARON/ TOWN & COUNTRY)

L BODY = (M - HORIZON)(Z-OMNI)
 M BODY = (B - GRAN FURY)(G - DIPLOMAT)(F - FIFTH AVENUE/NEWPORT)
 P BODY = (P - SUNDANCE)(D - SHADOW)
 Q BODY = (C27 - MASERATI)
 S BODY = (H - VOYAGER)(K - RAM VAN/ CARAVAN)

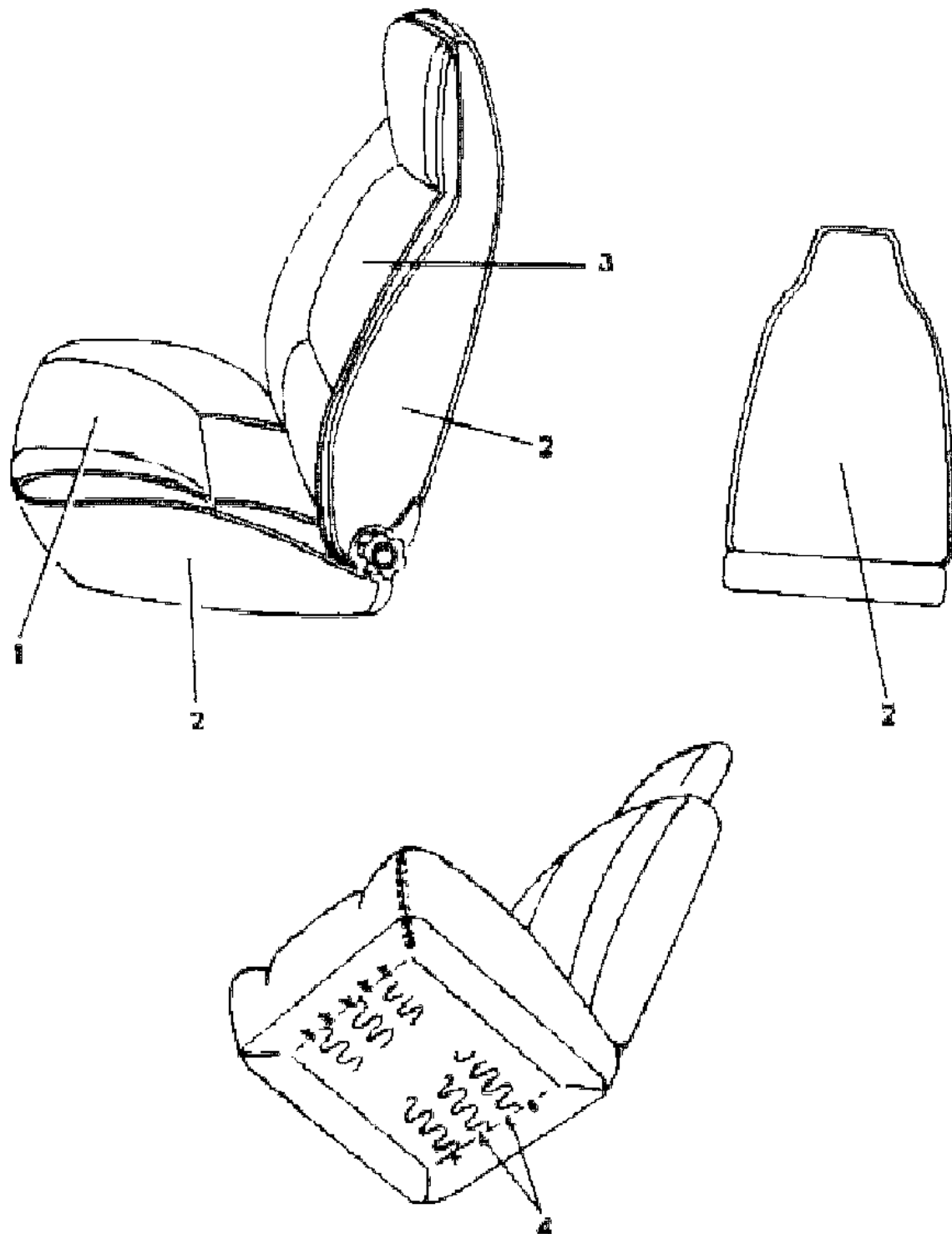
BODY STYLES

12-52 = FWD VAN & WAGON STD. W.B. 27 = 2-DOOR CONVERTIBLE
 13-53 = FWD VAN & WGN EXT W.B. 41 = 4-DOOR SEDAN
 21 = 2-DOOR SEDAN 44 = 4-DOOR HATCHBACK
 24 = 2-DOOR HATCHBACK 45 = 4-DOOR STATION WAGON

AR = Use as Required - = Non Illustrated Part P.A.R. = Paint as Required

SEAT FRONT L BODY--TRIM CODES F5
Figure ITL-1000

8230 1000



ITEM	PART NUMBER	QTY	BODY	MODEL	DESCRIPTION
1-2					CUSHION, w/Spring and Frame, Pad & Cover
	N194-5 G5A	1			CLOTH Silver, (F5A)
	N194-5 G5B	1			Blue, (F5B)
	N194-5 G5M	1			Red, (F5M)
	N190 G5A	2			COVER, Cushion CLOTH Silver, (F5A) (Use Up To 6-6-88)
	N190 G5B	2			Blue, (F5B) (Use Up To 7-1-88)
	N190 G5M	2			Red, (F5M) (Use Up To 6-6-88)
	N588 G5A	2			Silver, (F5A) (Use After 6-6-88)
	N588 G5B	2			Blue, (F5B) (Use After 7-1-88)
	N588 G5M	2			Red, (F5M) (Use After 6-6-88)
2	R616 AA2	AR			ROLL STOCK, Vinyl (Order By The Inch) Silver, 64" Wide
	R616 BB5	AR			Blue, 64" Wide
	R616 VM6	AR			Red, 64" Wide
2-3					BACK, w/Spring/Frame, Pad and Cover Cloth
	N200-1 G5A	1			CLOTH Silver, (F5A)
	N200-1 G5B	1			Blue, (F5B)
	N200-1 G5M	1			Red, (F5M)
3					COVER, Back
	N188-9 G5A	1			CLOTH Silver, (F5A)
	N188-9 G5B	1			Blue, (F5B)
	N188-9 G5M	1			Red, (F5M)
4	6008 076	AR			HOG RING

MODEL CODES

C BODY = (D41 - DYNASTY)(C41 - NEW YORKER)
E BODY = (J - CARAVELLE)(E - 600)(T - NEW YORKER TURBO)
G BODY = (V24 - DAYTONA, PACIFICA & SHELBY)
H BODY = (D44 - LANCER)(C44 - LEBARON GTS)
J BODY = (C - LEBARON)
K BODY = (P - RELIANT)(D - ARIES)(C - LEBARON/ TOWN & COUNTRY)

L BODY = (M - HORIZON)(Z-OMNI)
M BODY = (B - GRAN FURY)(G - DIPLOMAT)(F - FIFTH AVENUE/NEWPORT)
P BODY = (P - SUNDANCE)(D - SHADOW)
Q BODY = (C27 - MASERATI)
S BODY = (H - VOYAGER)(K - RAM VAN/ CARAVAN)

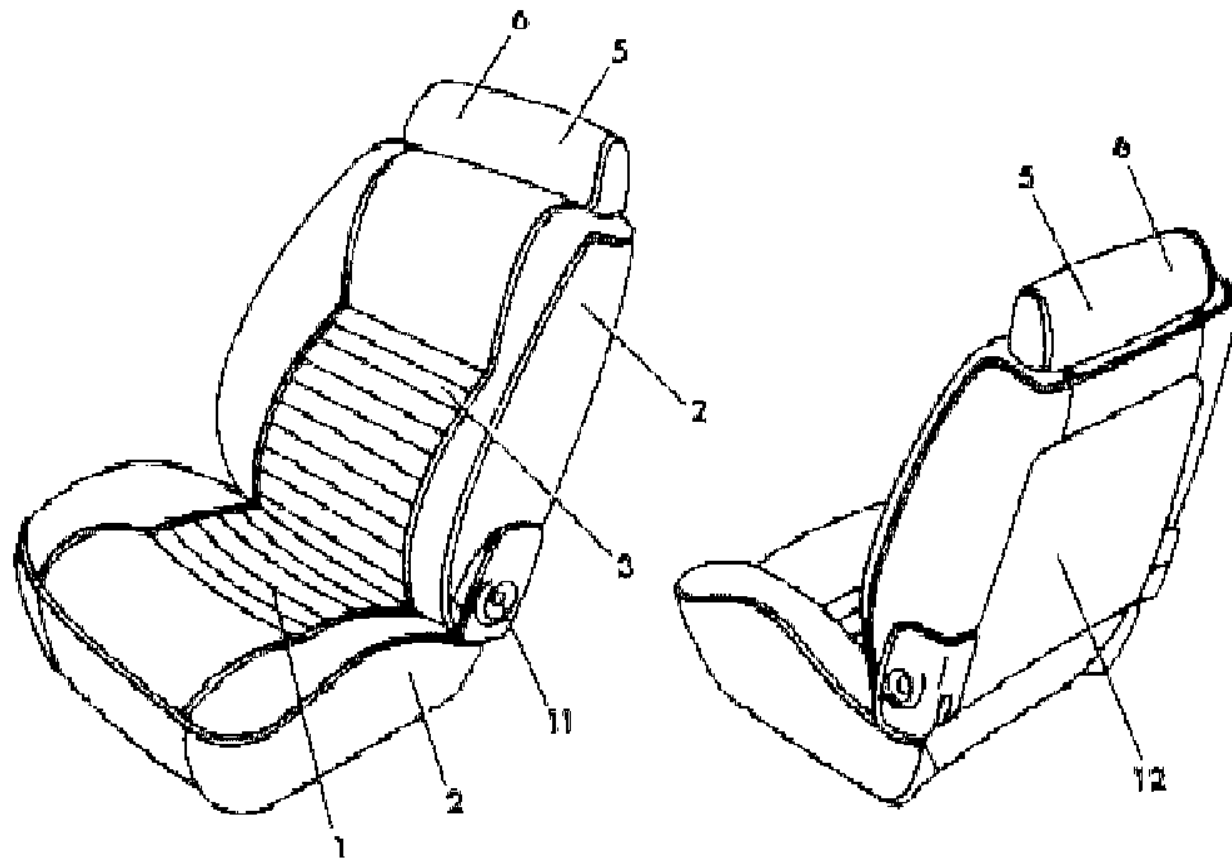
BODY STYLES

12-52 = FWD VAN & WAGON STD. W.B. 27 = 2-DOOR CONVERTIBLE
13-53 = FWD VAN & WGN EXT W.B. 41 = 4-DOOR SEDAN
21 = 2-DOOR SEDAN 44 = 4-DOOR HATCHBACK
24 = 2-DOOR HATCHBACK 45 = 4-DOOR STATION WAGON

AR = Use as Required - = Non Illustrated Part P.A.R. = Paint as Required

SEAT FRONT L BODY--TRIM CODES A7
Figure ITL-1100

8230 1100



ITEM	PART NUMBER	QTY	BODY	MODEL	DESCRIPTION
1-2					CUSHION, w/Spring/Frame, Pad and Cover
	N862-3 C7A	1			CLOTH Charcoal / Silver, (A7A)
	N862-3 C7B	1			Blue, (A7B)
	N862-3 C7M	1			Red, (A7M)
1					COVER, Cushion
	N420 C7A	2			CLOTH Charcoal / Silver, (A7A)
	N420 C7B	2			Blue, (A7B)
	N420 C7M	2			Red, (A7M)
2					ROLL STOCK, Vinyl Order By The Inch
	R616 AA2	AR			Silver, 64" Wide
	R616 BB5	AR			Blue, 64" Wide
	R616 VM6	AR			Red, 64" Wide
2-3					BACK, w/Spring,Frame, Pad and Cover
	N866-7 C7A	1			CLOTH Charcoal / Silver, (A7A)
	N866-7 C7B	1			Blue, (A7B)
	N866-7 C7M	1			Red, (A7M)
3					COVER, Back
	N421 C7A	2			CLOTH Charcoal / Silver, (A7A)
	N421 C7B	2			Blue, (A7B)
	N421 C7M	2			Red, (A7M)
4	6008 076	AR			
5					HEADREST and COVER
	N567 CA3	2			Silver,(A7A)
	N567 CB5	2			Blue, (A7B)
	N567 CM6				Red, (A7M)
6					COVER, Headrest
	N347 CA3	2			Silver, (A7A)
	N347 CB5	2			Blue, (A7B)
	N347 CM6	2			Red, (A7M)
7	4018 808	2			COVER, Headrest Finish
8		AR			SCREW, (8-18x1) (Not Serv.)
9					SLEEVE, Headrest
	S690 AA3	4			Silver

MODEL CODES

C BODY = (D41 - DYNASTY)(C41 - NEW YORKER)	L BODY = (M - HORIZON)(Z-OMNI)
E BODY = (J - CARAVELLE)(E - 600)(T - NEW YORKER TURBO)	M BODY = (B - GRAN FURY)(G - DIPLOMAT)(F - FIFTH AVENUE/NEWPORT)
G BODY = (V24 - DAYTONA, PACIFICA & SHELBY)	P BODY = (P - SUNDANCE)(D - SHADOW)
H BODY = (D44 - LANCER)(C44 - LEBARON GTS)	Q BODY = (C27 - MASERATI)
J BODY = (C - LEBARON)	S BODY = (H - VOYAGER)(K - RAM VAN/ CARAVAN)
K BODY = (P - RELIANT)(D - ARIES)(C - LEBARON/ TOWN & COUNTRY)	

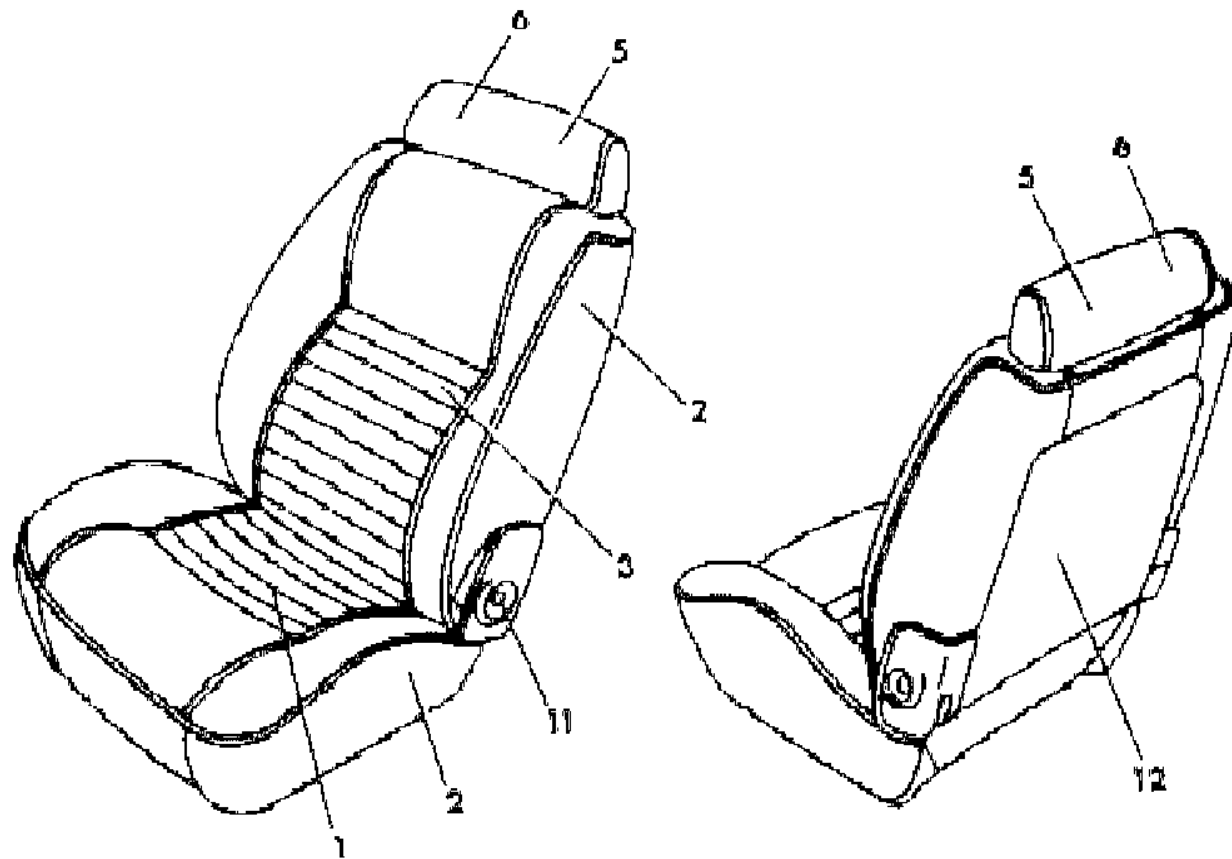
BODY STYLES

12-52 = FWD VAN & WAGON STD. W.B.	27 = 2-DOOR CONVERTIBLE
13-53 = FWD VAN & WGN EXT W.B.	41 = 4-DOOR SEDAN
21 = 2-DOOR SEDAN	44 = 4-DOOR HATCHBACK
24 = 2-DOOR HATCHBACK	45 = 4-DOOR STATION WAGON

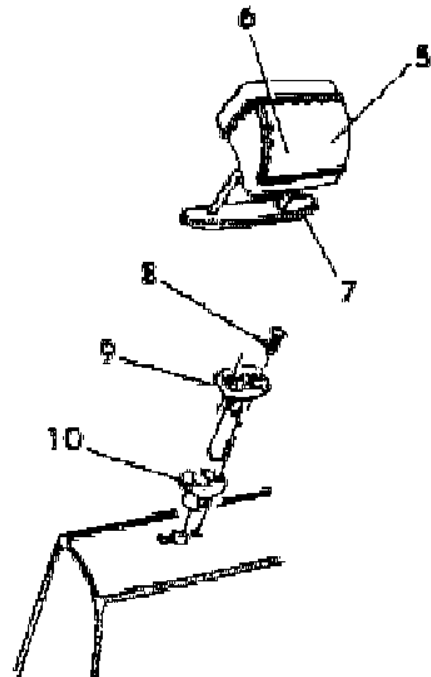
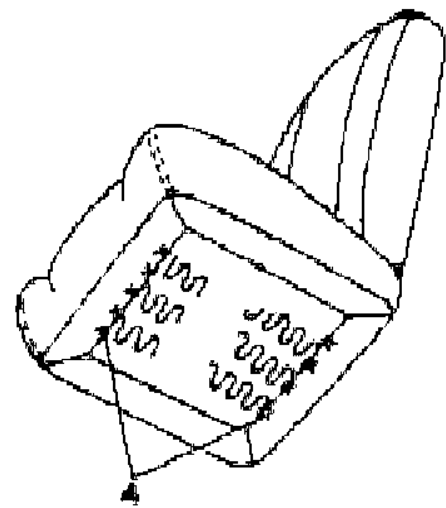
AR = Use as Required - = Non Illustrated Part P.A.R. = Paint as Required

SEAT FRONT L BODY--TRIM CODES A7
Figure ITL-1100

8230 1100



ITEM	PART NUMBER	QTY	BODY	MODEL	DESCRIPTION
	S690 BB5	4			Blue
	S690 TM6	4			Red
10	4098 965	4			CATCH, Headrest Post
11					COVER, Hinge Arm (P.A.R.) OUTBOARD
	S810 RX9				Passenger
	S811 DT3	1			Driver INBOARD
	S876 EK1	1			Passenger
	S877 EK1	1			Driver
12					PANEL, Back of Front Back Charcoal / Silver, (A7A, H7SA)
	S731 AA2	2			Blue, (A7B,H7B)
	S731 BB5				Red, (A7M,H7M)
	S731 VM6	2			NOTE: (P.A.R.) = Paint As Required



MODEL CODES

C BODY = (D41 - DYNASTY)(C41 - NEW YORKER)
 E BODY = (J - CARAVELLE)(E - 600)(T - NEW YORKER TURBO)
 G BODY = (V24 - DAYTONA, PACIFICA & SHELBY)
 H BODY = (D44 - LANCER)(C44 - LEBARON GTS)
 J BODY = (C - LEBARON)
 K BODY = (P - RELIANT)(D - ARIES)(C - LEBARON/ TOWN & COUNTRY)

L BODY = (M - HORIZON)(Z-OMNI)
 M BODY = (B - GRAN FURY)(G - DIPLOMAT)(F - FIFTH AVENUE/NEWPORT)
 P BODY = (P - SUNDANCE)(D - SHADOW)
 Q BODY = (C27 - MASERATI)
 S BODY = (H - VOYAGER)(K - RAM VAN/ CARAVAN)

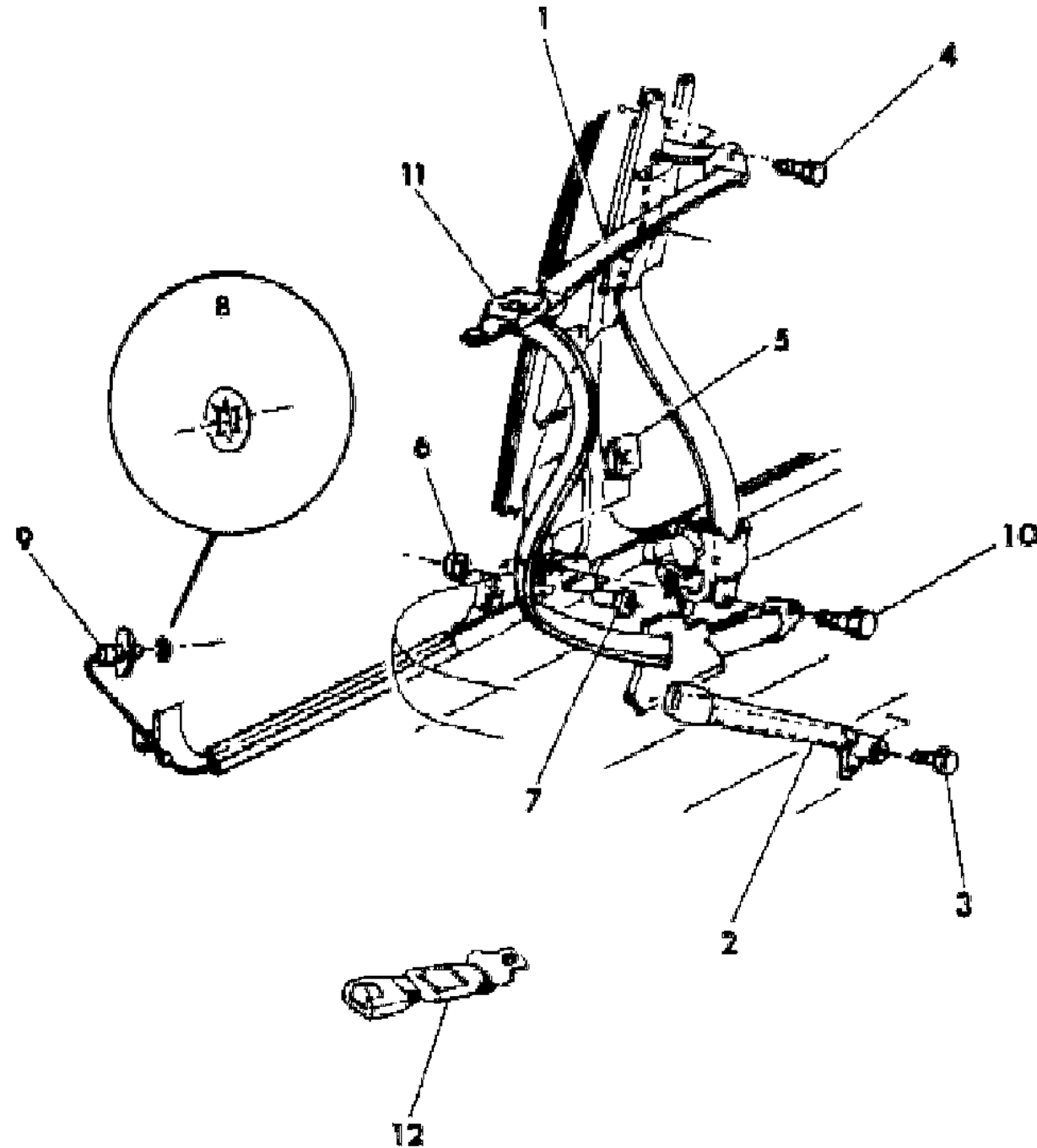
BODY STYLES

12-52 = FWD VAN & WAGON STD. W.B. 27 = 2-DOOR CONVERTIBLE
 13-53 = FWD VAN & WGN EXT W.B. 41 = 4-DOOR SEDAN
 21 = 2-DOOR SEDAN 44 = 4-DOOR HATCHBACK
 24 = 2-DOOR HATCHBACK 45 = 4-DOOR STATION WAGON

AR = Use as Required - = Non Illustrated Part P.A.R. = Paint as Required

BELT--FRONT SEAT L BODY
Figure ITL-1200

8230 1200



ITEM	PART NUMBER	QTY	BODY	MODEL	DESCRIPTION
1					BELT, Lap and Shoulder, Outer Label Number 4327098-9
	F742-3 BA3	1			Silver
	F742-3 BB5	1			Blue
	F742-3 BM6	1			Red
2					BELT, Lap Buckle Half Inner Label Number 4316116-7
	F674-5 BA3	1			Silver
	F674-5 BB5	1			Blue
	F674-5 BM6	1			Red
3		AR			BOLT, 7/16-20-1.375x3/16 Hex Head (Not Serv.)
4	6031 216	2			BOLT
5	6031 448	2			U-NUT
6	4327 076	2			RETAINER, Tension Release Button
7	4290 789	2			CYLINDER, Tension Release Button
8	6025 160	2			RETAINER, Inertia Retractor Pedulum Shaft
9		1			CABLE, Retractor Tension Reliver (Serviced in Belt Assy)
10	6031 484	AR			BOLT
11	4316 773	1			COVER, Tip Half (P.A.R.)
12	4364 849	AR			EXTENDER

NOTE: (P.A.R.) = Paint As Required

MODEL CODES

C BODY = (D41 - DYNASTY)(C41 - NEW YORKER)	L BODY = (M - HORIZON)(Z-OMNI)
E BODY = (J - CARAVELLE)(E - 600)(T - NEW YORKER TURBO)	M BODY = (B - GRAN FURY)(G - DIPLOMAT)(F - FIFTH AVENUE/NEWPORT)
G BODY = (V24 - DAYTONA, PACIFICA & SHELBY)	P BODY = (P - SUNDANCE)(D - SHADOW)
H BODY = (D44 - LANCER)(C44 - LEBARON GTS)	Q BODY = (C27 - MASERATI)
J BODY = (C - LEBARON)	S BODY = (H - VOYAGER)(K - RAM VAN/ CARAVAN)
K BODY = (P - RELIANT)(D - ARIES)(C - LEBARON/ TOWN & COUNTRY)	

BODY STYLES

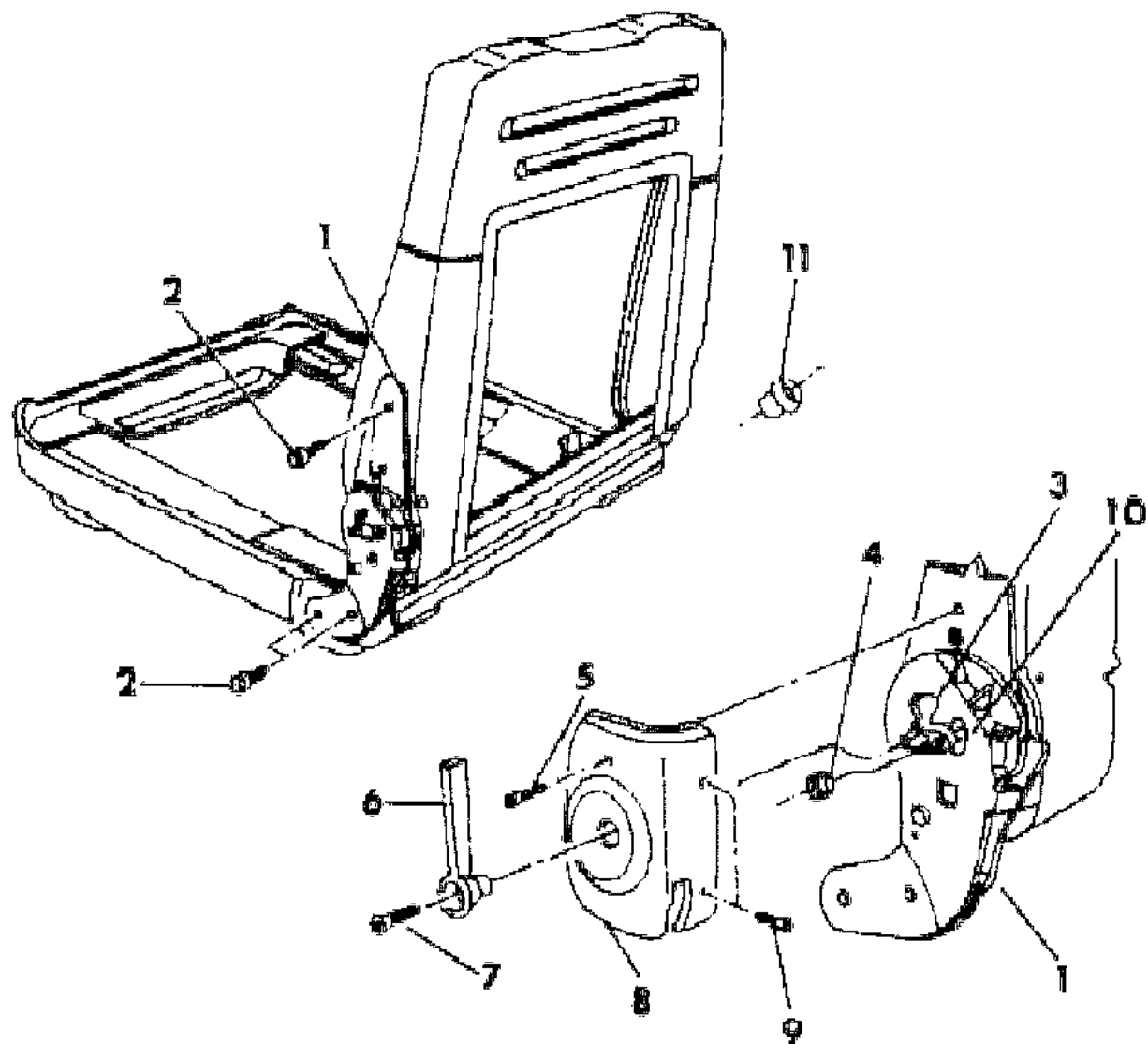
12-52 = FWD VAN & WAGON STD. W.B.	27 = 2-DOOR CONVERTIBLE
13-53 = FWD VAN & WGN EXT W.B.	41 = 4-DOOR SEDAN
21 = 2-DOOR SEDAN	44 = 4-DOOR HATCHBACK
24 = 2-DOOR HATCHBACK	45 = 4-DOOR STATION WAGON

AR = Use as Required - = Non Illustrated Part P.A.R. = Paint as Required

RECLINING FRONT SEAT--W/O INERTIA L BODY
Figure ITL-1300

8230 1300

ITEM	PART NUMBER	QTY	BODY	MODEL	DESCRIPTION
1	4190 968-9	1		44	RECLINER
2	9422 041	8			SCREW and WASHER, w/Low Back Buckets
3	4029 871	1			ADAPTER, Actuator Handle
4	0120 622	1			NUT, Lock
5	6032 072	AR			SCREW
6	4018 911	2			HANDLE, Seat Recliner
7		AR			SCREW, (8-32x1/2), (Not Serv.)
8					COVER, (See Seat Illus.)
9		AR			SCREW, (8-18x1) (Not Serv.)
10	4190 248-9	1			SPRING, Front Seat Back Reclining Release Cam
11	4029 846	1			BUSHING, Inner Pivot, Rt. Only



MODEL CODES

C BODY = (D41 - DYNASTY)(C41 - NEW YORKER)	L BODY = (M - HORIZON)(Z-OMNI)
E BODY = (J - CARAVELLE)(E - 600)(T - NEW YORKER TURBO)	M BODY = (B - GRAN FURY)(G - DIPLOMAT)(F - FIFTH AVENUE/NEWPORT)
G BODY = (V24 - DAYTONA, PACIFICA & SHELBY)	P BODY = (P - SUNDANCE)(D - SHADOW)
H BODY = (D44 - LANCER)(C44 - LEBARON GTS)	Q BODY = (C27 - MASERATI)
J BODY = (C - LEBARON)	S BODY = (H - VOYAGER)(K - RAM VAN/ CARAVAN)
K BODY = (P - RELIANT)(D - ARIES)(C - LEBARON/ TOWN & COUNTRY)	

BODY STYLES

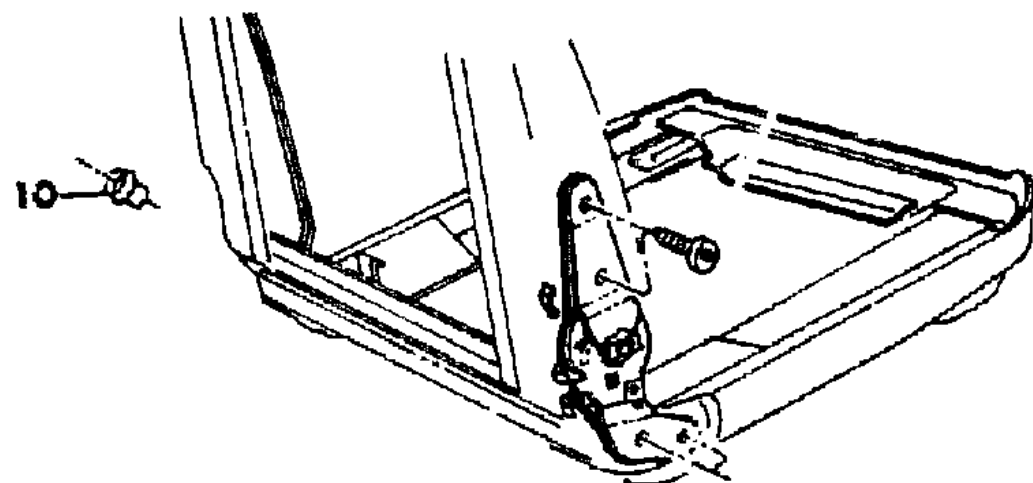
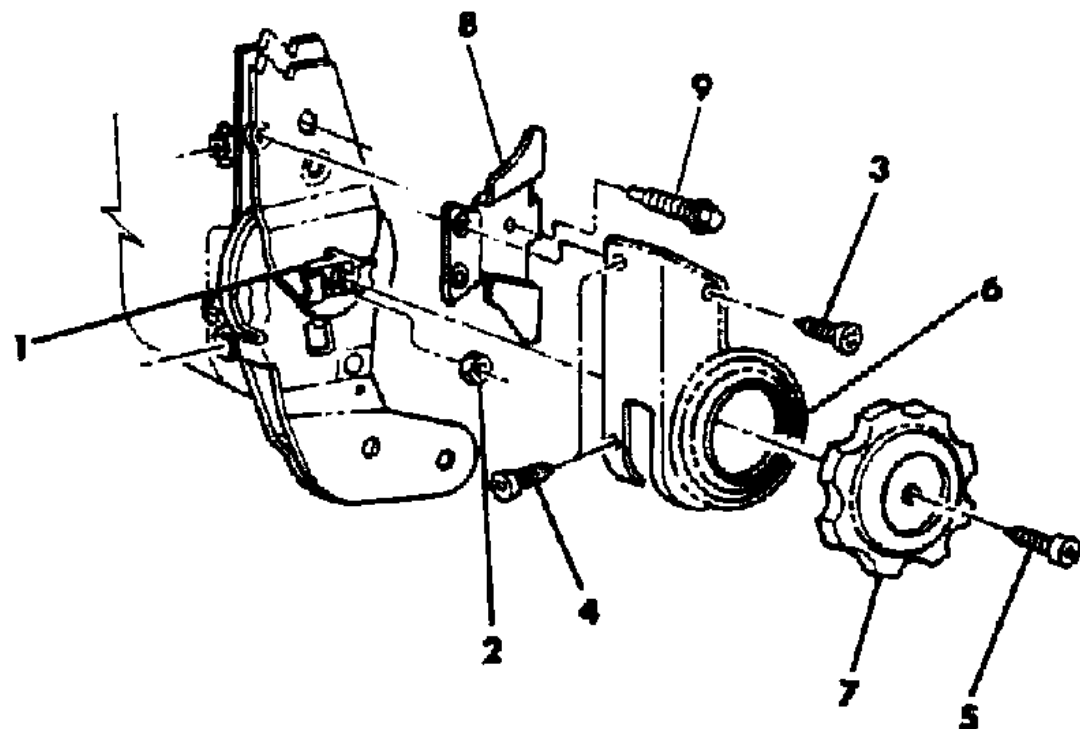
12-52 = FWD VAN & WAGON STD. W.B.	27 = 2-DOOR CONVERTIBLE
13-53 = FWD VAN & WGN EXT W.B.	41 = 4-DOOR SEDAN
21 = 2-DOOR SEDAN	44 = 4-DOOR HATCHBACK
24 = 2-DOOR HATCHBACK	45 = 4-DOOR STATION WAGON

AR = Use as Required - = Non Illustrated Part P.A.R. = Paint as Required

RECLINING FRONT SEAT--W/ INERTIA L BODY
Figure ITL-1400

8230 1400

ITEM	PART NUMBER	QTY	BODY	MODEL	DESCRIPTION
1	4277 946	1			ACTUATOR, Release
	4190 968-9	1			RECLINER
2	0120 622	2			NUT
3		AR			SCREW, (8-18x1), (Not Serv.)
4	0118 614	AR			SCREW
5	6032 456	2			SCREW
6					SHIELD, Chrome
	4239 542				OUTBOARD
	4239 543	1			Passenger
					Driver
	4239 570	1			Passenger
	4239 571	1			Driver
7	4239 546	2			KNOB, Recliner Release
8	4290 711	2			BRACKET, Side Shield Mounting
9	9422 041	1			SCREW
10	4029 846	1			BUSHING, Inner Pivot, Rt. Only



MODEL CODES

C BODY = (D41 - DYNASTY)(C41 - NEW YORKER)
 E BODY = (J - CARAVELLE)(E - 600)(T - NEW YORKER TURBO)
 G BODY = (V24 - DAYTONA, PACIFICA & SHELBY)
 H BODY = (D44 - LANCER)(C44 - LEBARON GTS)
 J BODY = (C - LEBARON)
 K BODY = (P - RELIANT)(D - ARIES)(C - LEBARON/ TOWN & COUNTRY)

L BODY = (M - HORIZON)(Z-OMNI)
 M BODY = (B - GRAN FURY)(G - DIPLOMAT)(F - FIFTH AVENUE/NEWPORT)
 P BODY = (P - SUNDANCE)(D - SHADOW)
 Q BODY = (C27 - MASERATI)
 S BODY = (H - VOYAGER)(K - RAM VAN/ CARAVAN)

BODY STYLES

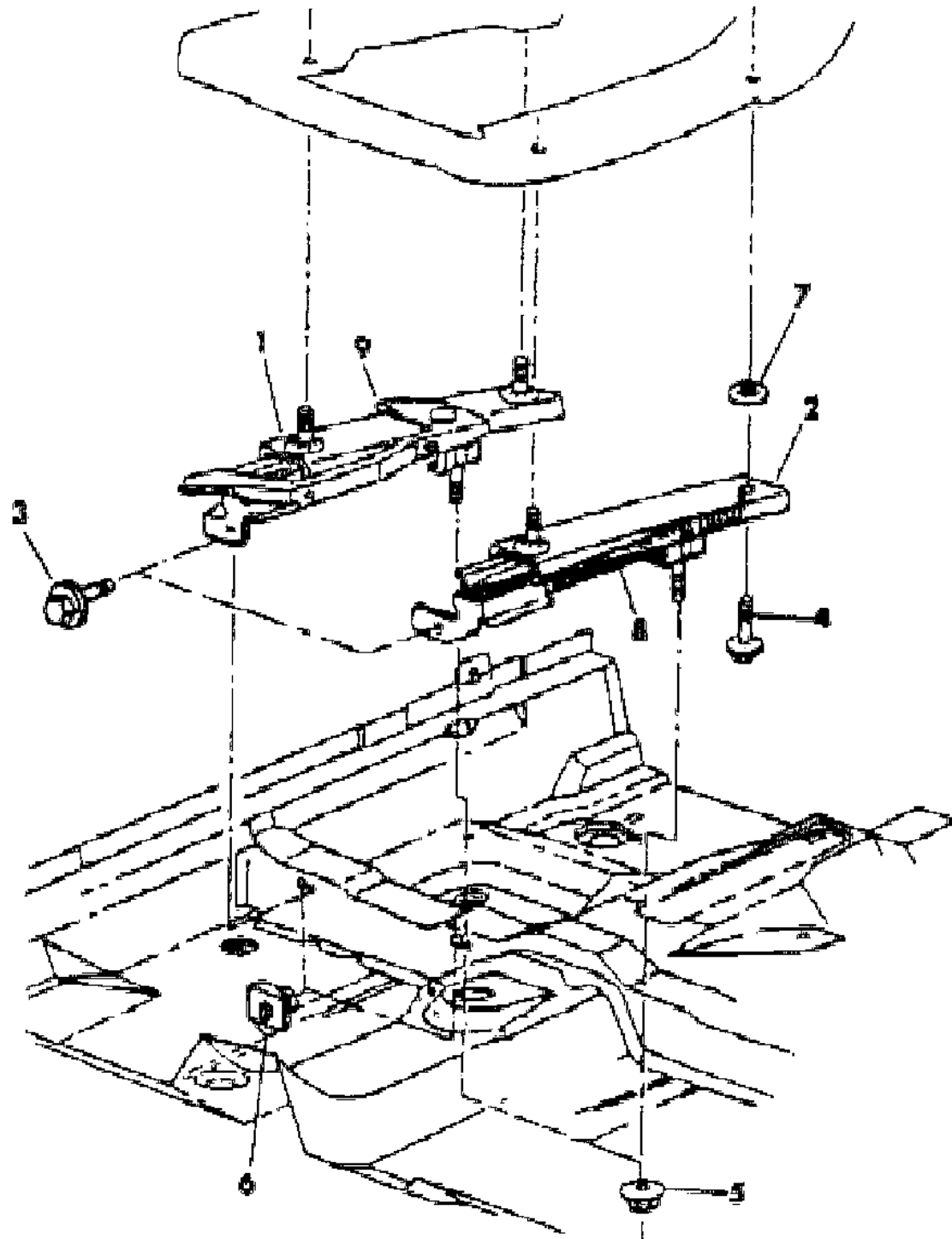
12-52 = FWD VAN & WAGON STD. W.B.	27 = 2-DOOR CONVERTIBLE
13-53 = FWD VAN & WGN EXT W.B.	41 = 4-DOOR SEDAN
21 = 2-DOOR SEDAN	44 = 4-DOOR HATCHBACK
24 = 2-DOOR HATCHBACK	45 = 4-DOOR STATION WAGON

AR = Use as Required - = Non Illustrated Part P.A.R. = Paint as Required

ADJUSTER--MANUAL L BODY
Figure ITL-1500

8230 1500

ITEM	PART NUMBER	QTY	BODY	MODEL	DESCRIPTION
1					ADJUSTER, Outboard
	4277 474	1			Passenger
	4277 475	1			Driver
2					ADJUSTER, Inboard
	5232 146	1			Passenger
	5232 147	1			Driver
3	6100 592	4			SCREW and WASHER
4	6100 592	8			SCREW and WASHER
5	6100 051	4			NUT and WASHER
6	6101 283	4			U-NUT
7	6028 040	8			RETAINER
8	4277 504	AR			SPRING, Manual Adjuster Release Lever Return
9	0104 918	AR			BALL, Front Seat Manual Adjuster



MODEL CODES

C BODY = (D41 - DYNASTY)(C41 - NEW YORKER)
 E BODY = (J - CARAVELLE)(E - 600)(T - NEW YORKER TURBO)
 G BODY = (V24 - DAYTONA, PACIFICA & SHELBY)
 H BODY = (D44 - LANCER)(C44 - LEBARON GTS)
 J BODY = (C - LEBARON)
 K BODY = (P - RELIANT)(D - ARIES)(C - LEBARON/ TOWN & COUNTRY)

L BODY = (M - HORIZON)(Z-OMNI)
 M BODY = (B - GRAN FURY)(G - DIPLOMAT)(F - FIFTH AVENUE/NEWPORT)
 P BODY = (P - SUNDANCE)(D - SHADOW)
 Q BODY = (C27 - MASERATI)
 S BODY = (H - VOYAGER)(K - RAM VAN/ CARAVAN)

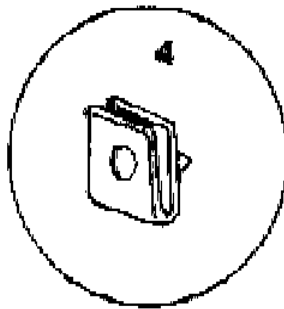
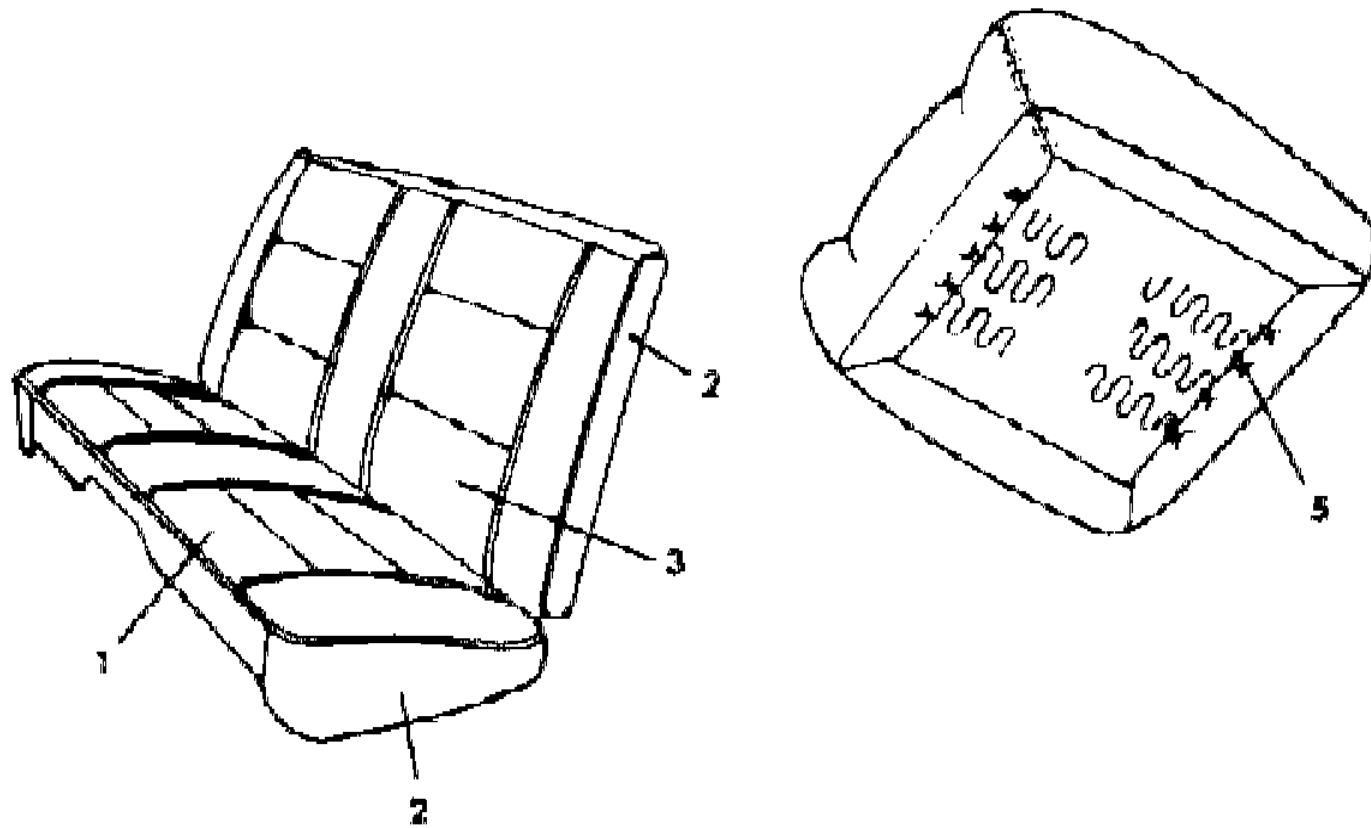
BODY STYLES

12-52 = FWD VAN & WAGON STD. W.B. 27 = 2-DOOR CONVERTIBLE
 13-53 = FWD VAN & WGN EXT W.B. 41 = 4-DOOR SEDAN
 21 = 2-DOOR SEDAN 44 = 4-DOOR HATCHBACK
 24 = 2-DOOR HATCHBACK 45 = 4-DOOR STATION WAGON

AR = Use as Required - = Non Illustrated Part P.A.R. = Paint as Required

SEAT--REAR L BODY--TRIM CODE F5
Figure ITL-1600

8230 1600



ITEM	PART NUMBER	QTY	BODY	MODEL	DESCRIPTION
1-2					CUSHION, w/Spring, Frame, Pad and Cover
	N204 G5A	1			CLOTH Silver, (F5A)
	N204 G5B	1			Blue, (F5B)
	N204 G5M	1			Red, (F5M)
1					COVER, Cushion
	N187 G5A	1			CLOTH Silver, (F5A)
	N187 G5B	1			Blue, (F5B)
	N187 G5M	1			Red, (F5M)
2					ROLL STOCK, Vinyl, (Order By The Inch)
	R616 AA2	AR			Silver, 64" Wide
	R616 BB5	AR			Blue, 64" Wide
	R616 VM6	AR			Red, 64" Wide
2-3					BACK, w/Panel, Protectors, Pad and Cover
	N205 G5A	1			CLOTH Silver, (F5A)
	N205 G5B	1			Blue, (F5B)
	N205 G5M	1			Red, (F5M)
3					COVER, Back
	N191 G5A	1			CLOTH Silver, (F5A)
	N191 G5B	1			Blue, (F5B)
	N191 G5M	1			Red, (F5M)
4	6500 296	2			CLIP, Cushion Retainer
5	6008 076	AR			HOG RING

MODEL CODES

C BODY = (D41 - DYNASTY)(C41 - NEW YORKER)
 E BODY = (J - CARAVELLE)(E - 600)(T - NEW YORKER TURBO)
 G BODY = (V24 - DAYTONA, PACIFICA & SHELBY)
 H BODY = (D44 - LANCER)(C44 - LEBARON GTS)
 J BODY = (C - LEBARON)
 K BODY = (P - RELIANT)(D - ARIES)(C - LEBARON/ TOWN & COUNTRY)

L BODY = (M - HORIZON)(Z-OMNI)
 M BODY = (B - GRAN FURY)(G - DIPLOMAT)(F - FIFTH AVENUE/NEWPORT)
 P BODY = (P - SUNDANCE)(D - SHADOW)
 Q BODY = (C27 - MASERATI)
 S BODY = (H - VOYAGER)(K - RAM VAN/ CARAVAN)

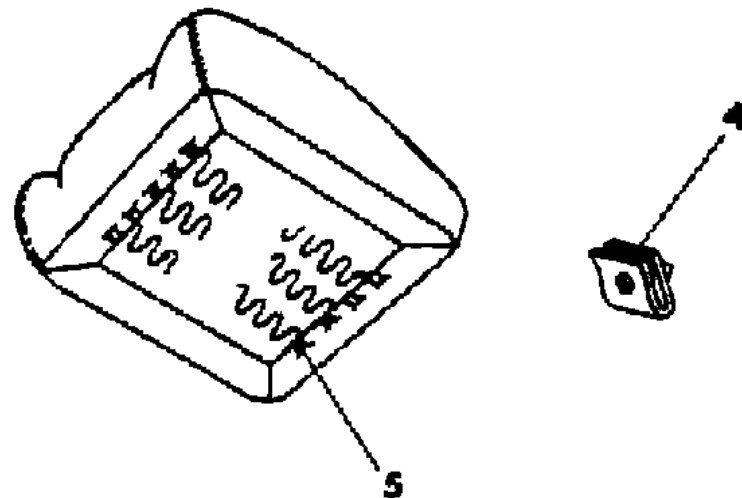
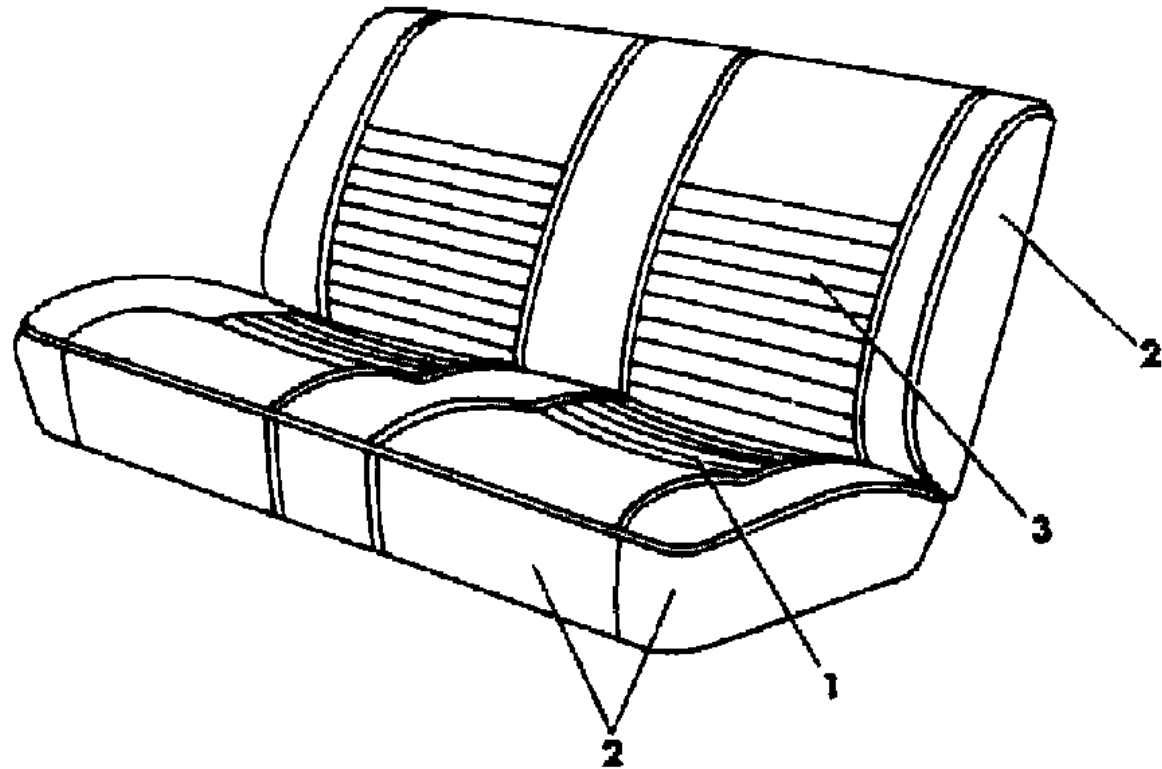
BODY STYLES

12-52 = FWD VAN & WAGON STD. W.B. 27 = 2-DOOR CONVERTIBLE
 13-53 = FWD VAN & WGN EXT W.B. 41 = 4-DOOR SEDAN
 21 = 2-DOOR SEDAN 44 = 4-DOOR HATCHBACK
 24 = 2-DOOR HATCHBACK 45 = 4-DOOR STATION WAGON

AR = Use as Required - = Non Illustrated Part P.A.R. = Paint as Required

SEAT--REAR L BODY--TRIM CODES A7
Figure ITL-1700

8230 1700



ITEM	PART NUMBER	QTY	BODY	MODEL	DESCRIPTION
1-2					CUSHION, w/Spring/Frame, Pad and Cover
	N871 C7A	1			CLOTH Silver, (A7A)
	N871 C7B	1			Blue, (A7B)
	N871 C7M	1			Red, (A7M)
1					COVER, Cushion
	N423 C7A	1			Silver, (A7A)
	N423 C7B	1			Blue, (A7B)
	N423 C7M	1			Red, (A7M)
2					ROLL STOCK, Vinyl Order by the Inch
	R616 AA2	AR			Silver, 64" Wide
	R616 BB5	AR			Blue, 64" Wide
	R616 VM6	AR			Red, 64" Wide
2-3					BACK, w/Panel, Protectors, Pad and Cover
					CLOTH
	N873 C7A	1			Silver, (A7A)
	N873 C7B	1			Blue, (A7B)
	N873 C7M	1			Red, (A7M)
3					COVER, Back
					CLOTH
	N425 C7A	1			Silver, (A7A)
	N425 C7B	1			Blue, (A7B)
	N425 C7M	1			Red, (A7M)
4	6500 296	AR			CLIP, Rear Cushion Retainer
5	6008 076	AR			CLIP, Hog Ring

MODEL CODES

C BODY = (D41 - DYNASTY)(C41 - NEW YORKER)
 E BODY = (J - CARAVELLE)(E - 600)(T - NEW YORKER TURBO)
 G BODY = (V24 - DAYTONA, PACIFICA & SHELBY)
 H BODY = (D44 - LANCER)(C44 - LEBARON GTS)
 J BODY = (C - LEBARON)
 K BODY = (P - RELIANT)(D - ARIES)(C - LEBARON/ TOWN & COUNTRY)

L BODY = (M - HORIZON)(Z-OMNI)
 M BODY = (B - GRAN FURY)(G - DIPLOMAT)(F - FIFTH AVENUE/NEWPORT)
 P BODY = (P - SUNDANCE)(D - SHADOW)
 Q BODY = (C27 - MASERATI)
 S BODY = (H - VOYAGER)(K - RAM VAN/ CARAVAN)

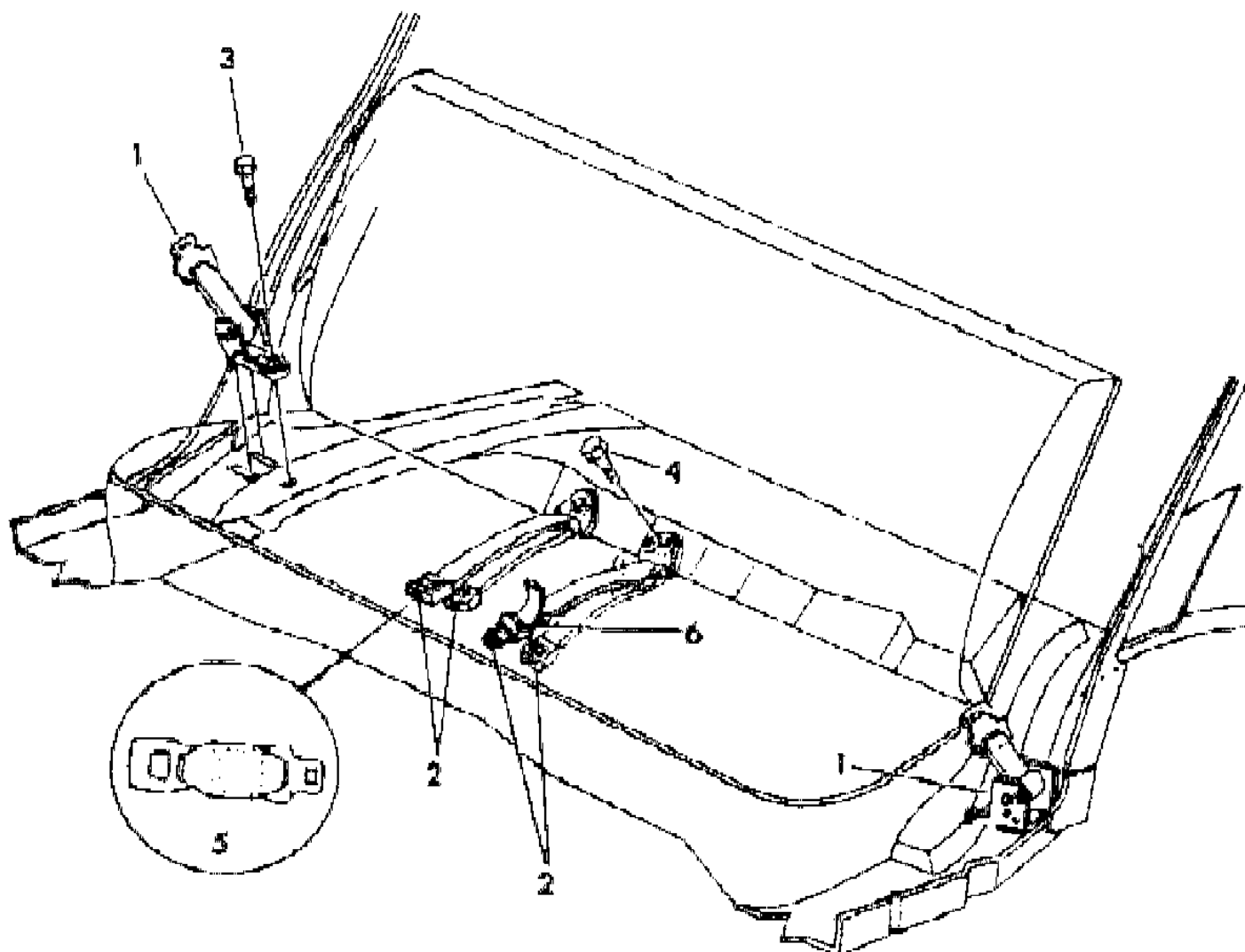
BODY STYLES

12-52 = FWD VAN & WAGON STD. W.B. 27 = 2-DOOR CONVERTIBLE
 13-53 = FWD VAN & WGN EXT W.B. 41 = 4-DOOR SEDAN
 21 = 2-DOOR SEDAN 44 = 4-DOOR HATCHBACK
 24 = 2-DOOR HATCHBACK 45 = 4-DOOR STATION WAGON

AR = Use as Required - = Non Illustrated Part P.A.R. = Paint as Required

BELT--REAR SEAT LAP L BODY
Figure ITL-1800

8230 1800



ITEM	PART NUMBER	QTY	BODY	MODEL	DESCRIPTION
1					BELT, Rear Seat Lap Outboard Tip Half
					LABEL NUMBER 4316222 or 4237196
	F673 BA3	2			Silver
	F673 BB5	2			Blue
	F673 BM6	2			Red
2					BELT, Rear Seat Lap Buckle Inner, Rt.
					Label Number 4316756
	F712 BA3	1			Silver
	F712 BB5	1			Blue
	F712 BM6	1			Red
					Buckle and Tip, Lt.
					Label Number 4136755
	F711 BA3	1			Silver
	F711 BB5	1			Blue
	F711 BM6	1			Red
3	6031 484	2			BOLT
4	6031 298	1			BOLT
5	4364 849	1			EXTENSION, Seat Belt
6	4316 773	1			COVER, Tip Half, (P.A.R.)
-	4519 080	1			TETHER, Anchor Pkg. (Outer) ***
-	4519 081	1			TETHER, Anchor Pkg. (Center) ***

NOTE: (P.A.R.) = Paint As Required

MODEL CODES

C BODY = (D41 - DYNASTY)(C41 - NEW YORKER)	L BODY = (M - HORIZON)(Z-OMNI)
E BODY = (J - CARAVELLE)(E - 600)(T - NEW YORKER TURBO)	M BODY = (B - GRAN FURY)(G - DIPLOMAT)(F - FIFTH AVENUE/NEWPORT)
G BODY = (V24 - DAYTONA, PACIFICA & SHELBY)	P BODY = (P - SUNDANCE)(D - SHADOW)
H BODY = (D44 - LANCER)(C44 - LEBARON GTS)	Q BODY = (C27 - MASERATI)
J BODY = (C - LEBARON)	S BODY = (H - VOYAGER)(K - RAM VAN/ CARAVAN)
K BODY = (P - RELIANT)(D - ARIES)(C - LEBARON/ TOWN & COUNTRY)	

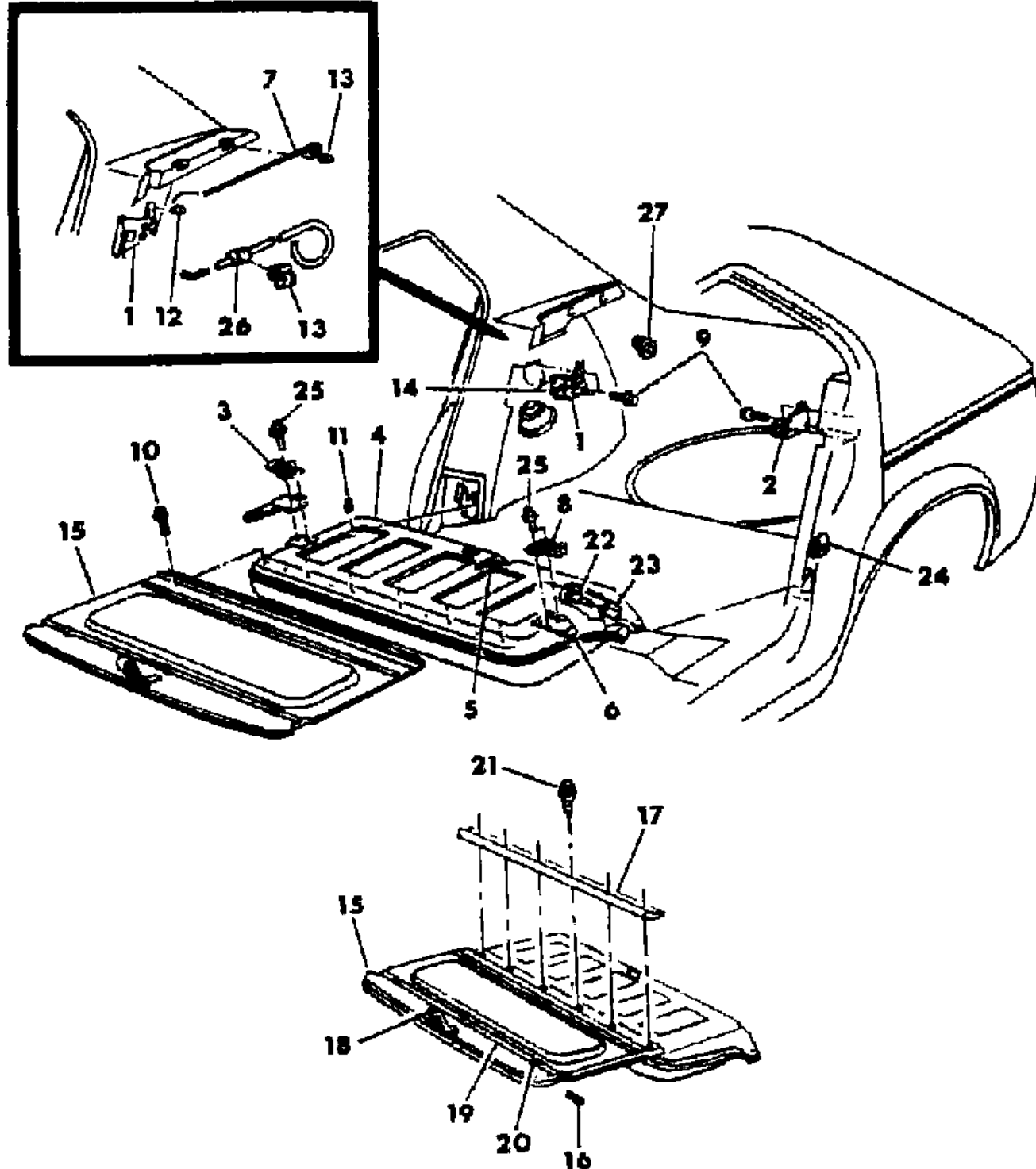
BODY STYLES

12-52 = FWD VAN & WAGON STD. W.B.	27 = 2-DOOR CONVERTIBLE
13-53 = FWD VAN & WGN EXT W.B.	41 = 4-DOOR SEDAN
21 = 2-DOOR SEDAN	44 = 4-DOOR HATCHBACK
24 = 2-DOOR HATCHBACK	45 = 4-DOOR STATION WAGON

AR = Use as Required - = Non Illustrated Part P.A.R. = Paint as Required

SEAT--REAR FOLD DOWN L BODY
Figure ITL-1900

8230 1900



ITEM	PART NUMBER	QTY	BODY	MODEL	DESCRIPTION
1	5207 008	2			LATCH, Folding Rear Seat Back
2	5207 208	1			BRACKET and CLIP, Support, Lt.
3	5207 059	1			STRIKER, Folding Seat Back Latch
4	5230 363	1			PANEL, Seat Back
5	#5230 365	1			PROTECTOR, Inner
6	S535 RX9	1			PROTECTOR, Upper
7	5207 082	1			ROD, Latch Release
8	5207 272	1			STRIKER, Left Side
9	6101 276	AR			SCREW and WASHER
10		AR			SCREW, (8-18x5/8) (Not Serv.)
11	6023 878	1			RING, Retainer
12	2945 109	1			CLIP, Latch to Rod
13	6015 640	AR			CLIP
14	5207 189	1			BUMPER, Folding Rear Seat Back Support
15					PANEL, Rear Shelf
	H207 CS8	1			Charcoal
	H207 BC7	1			Blue
	H207 VM6	1			Red
16	5230 427	1			CORD, Shelf Panel
17	5200 315	1			RETAINER, Shelf Panel Carpet
18	5200 383	1			STRAP, Shelf Panel Lift
19	5200 306	1			ROD, Shelf Panel Support
20	5200 309	3			RETAINER, Shelf Panel Support Rod
21		AR			SCREW, (8-18x5/8) (Not Serv.)
22	6500 713	2			SCREW, Folding Rear Seat Back Pivot
23	5230 351	2			BUSHING, Folding Rear Seat Back Pivot Screw
24	6101 283	2			U-NUT
25	6501 070	4			SCREW
26	4057 555	AR			RETAINER
27	6031 340	1			NUT, Seat Back Latch Bumper

MODEL CODES

C BODY = (D41 - DYNASTY)(C41 - NEW YORKER)
 E BODY = (J - CARAVELLE)(E - 600)(T - NEW YORKER TURBO)
 G BODY = (V24 - DAYTONA, PACIFICA & SHELBY)
 H BODY = (D44 - LANCER)(C44 - LEBARON GTS)
 J BODY = (C - LEBARON)
 K BODY = (P - RELIANT)(D - ARIES)(C - LEBARON/ TOWN & COUNTRY)

L BODY = (M - HORIZON)(Z-OMNI)
 M BODY = (B - GRAN FURY)(G - DIPLOMAT)(F - FIFTH AVENUE/NEWPORT)
 P BODY = (P - SUNDANCE)(D - SHADOW)
 Q BODY = (C27 - MASERATI)
 S BODY = (H - VOYAGER)(K - RAM VAN/ CARAVAN)

BODY STYLES

12-52 = FWD VAN & WAGON STD. W.B. 27 = 2-DOOR CONVERTIBLE
 13-53 = FWD VAN & WGN EXT W.B. 41 = 4-DOOR SEDAN
 21 = 2-DOOR SEDAN 44 = 4-DOOR HATCHBACK
 24 = 2-DOOR HATCHBACK 45 = 4-DOOR STATION WAGON

AR = Use as Required - = Non Illustrated Part P.A.R. = Paint as Required

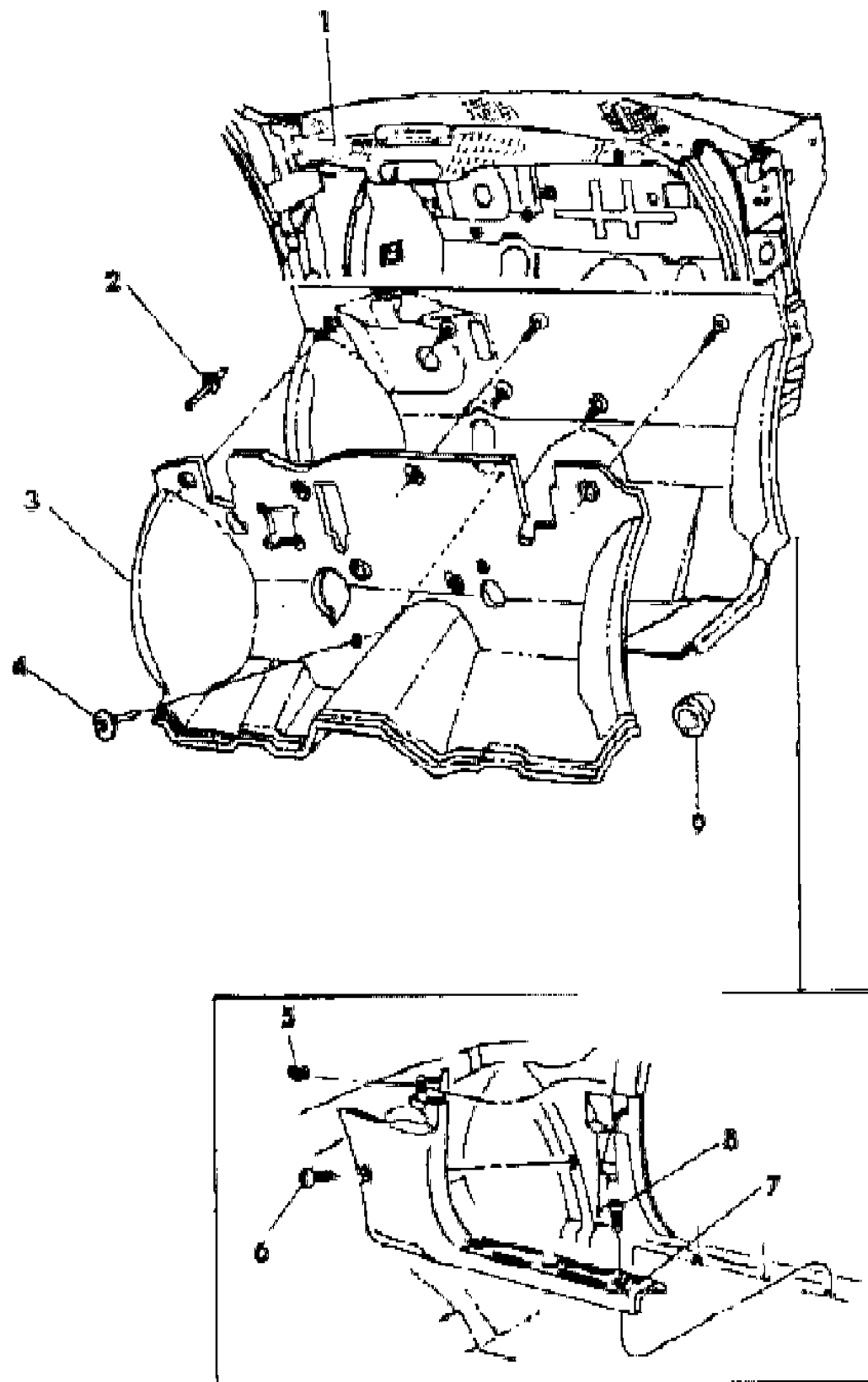
GROUP ITP - P BODY

ILLUSTRATION TITLE	GROUP-FIG. NO.
COWL PANEL AND SILENCERS P BODY	Fig. ITP-100
HEADLINER-VISOR AND SHELF TRIM P BODY	Fig. ITP-200
MOULDING--GARNISH P BODY	Fig. ITP-300
B-PILLAR TRIM P BODY	Fig. ITP-400
PANEL--QUARTER TRIM P BODY	Fig. ITP-500
LIFT GATE TRIM P BODY	Fig. ITP-600
CARPET P BODY	Fig. ITP-700
SCUFF PLATES P BODY	Fig. ITP-800
DOOR TRIM PANEL P BODY--24	Fig. ITP-900
DOOR TRIM PANEL--FRONT P BODY--44	Fig. ITP-1000
DOOR TRIM PANEL--REAR P BODY--44	Fig. ITP-1100
SEAT FRONT P BODY TRIM CODE L7	Fig. ITP-1200
SEAT FRONT P BODY TRIM CODE H7	Fig. ITP-1300
SEAT FRONT P BODY TRIM CODE R7-G7	Fig. ITP-1400
BELT FRONT SEAT - MANUAL P BODY	Fig. ITP-1500
BELT PASSIVE RESTRAINT - MOTORIZED P BODY	Fig. ITP-1550
SEAT-RECLINING P BODY	Fig. ITP-1600
ADJUSTER--MANUAL AND COVERS P BODY	Fig. ITP-1700
SEAT--REAR P BODY TRIM CODES H7-R7-G7	Fig. ITP-1800
BELT--REAR SEAT P BODY	Fig. ITP-1900
SEAT--REAR FOLD DOWN P BODY	Fig. ITP-2000

ILLUSTRATION NOT AVAILABLE AT TIME OF PUBLICATION

COWL PANEL AND SILENCERS P BODY
Figure ITP-100

8232 100



ITEM	PART NUMBER	QTY	BODY	MODEL	DESCRIPTION
1		1			SILENCER, Cowl Plenum (Not Serv.)
2	6032 020	6			STUD
3	4416 202	1			LINER, Dash
4		1			SCREW, w/Seal and Washer (8-18x.75) (Not Serv.)
5	6031 967	2			S-CLIP
6		2			SCREW, (10-16x1) (Not Serv.)
7					COWL and SCUFF PLATE
					RIGHT
	V354 GS8	1	24		Charcoal
	V354 FC5	1	24		Blue
	V354 GR8	1	24		Red
	V354 GL7	1	24		Taupe
					LEFT
	V479 GS8	1	24		Charcoal
	V479 FC5	1	24		Blue
	V479 GR8	1	24		Red
	V479 GL7	1	24		Taupe
					RIGHT
	V352 GS8	1	44		Charcoal
	V352 FC5	1	44		Blue
	V352 GR8	1	44		Red
	V352 GL7	1	44		Taupe
					LEFT
	V477 GS8	1	44		Charcoal
	V477 FC5	1	44		Blue
	V477 GR8	1	44		Red
	V477 GL7	1	44		Taupe
8		6			SCREW, (10-16x2) (Not Serv.)
9	6032 185	6			CAPLUG

MODEL CODES

C BODY = (D41 - DYNASTY)(C41 - NEW YORKER)	L BODY = (M - HORIZON)(Z-OMNI)
E BODY = (J - CARAVELLE)(E - 600)(T - NEW YORKER TURBO)	M BODY = (B - GRAN FURY)(G - DIPLOMAT)(F - FIFTH AVENUE/NEWPORT)
G BODY = (V24 - DAYTONA, PACIFICA & SHELBY)	P BODY = (P - SUNDANCE)(D - SHADOW)
H BODY = (D44 - LANCER)(C44 - LEBARON GTS)	Q BODY = (C27 - MASERATI)
J BODY = (C - LEBARON)	S BODY = (H - VOYAGER)(K - RAM VAN/ CARAVAN)
K BODY = (P - RELIANT)(D - ARIES)(C - LEBARON/ TOWN & COUNTRY)	

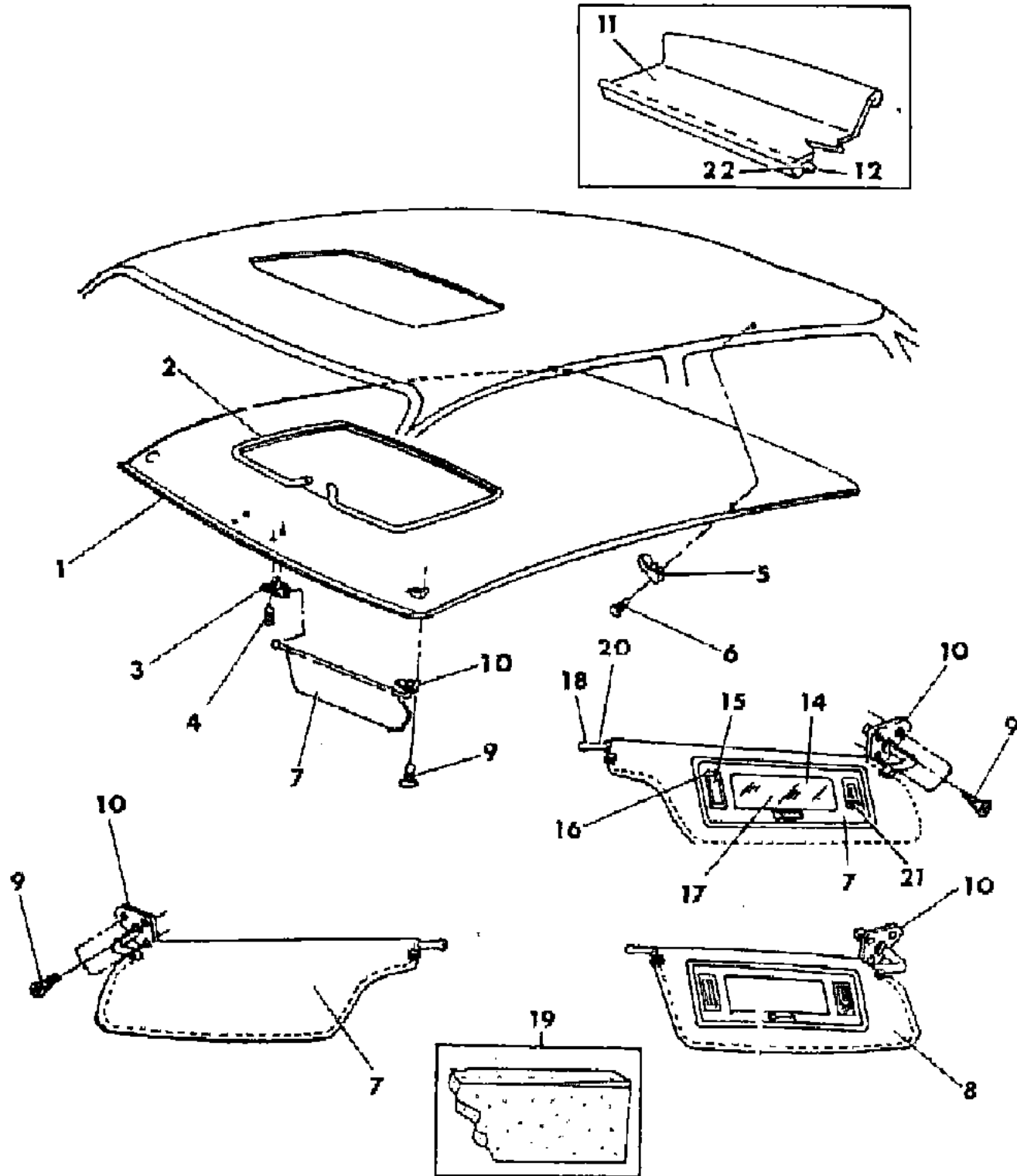
BODY STYLES

12-52 = FWD VAN & WAGON STD. W.B.	27 = 2-DOOR CONVERTIBLE
13-53 = FWD VAN & WGN EXT W.B.	41 = 4-DOOR SEDAN
21 = 2-DOOR SEDAN	44 = 4-DOOR HATCHBACK
24 = 2-DOOR HATCHBACK	45 = 4-DOOR STATION WAGON

AR = Use as Required - = Non Illustrated Part P.A.R. = Paint as Required

HEADLINER-VISOR AND SHELF TRIM P BODY
Figure ITP-200

8232 200



ITEM	PART NUMBER	QTY	BODY	MODEL	DESCRIPTION
1					HEADLINER
					w/o SUN ROOF
	H770 GS8	1			Charcoal
	H770 GC5	1			Blue
	H770 GR8	1			Red
	H770 GL7	1			Taupe
					w/ SUN ROOF
	H771 GS8	1			Charcoal
	H771 GC5	1			Blue
	H771 GR8	1			Red
	H771 GL7	1			Taupe
					w/PASSIVE RESTRAINT
					w/o Sun Roof
	H560 GS8	1	24		Charcoal
	H560 GC5	1	24		Blue
	H560 GR8	1	24		Red
	H560 GL7	1	24		Taupe
	H562 GS8	1	44		Charcoal
	H562 GC5	1	44		Blue
	H562 GR8	1	44		Red
	H562 GL7	1	44		Taupe
					w/Sun Roof
	H561 GS8	1	24		Charcoal
	H561 GC5	1	24		Blue
	H561 GR8	1	24		Red
	H561 GL7	1	24		Taupe
	H563 GS8	1	44		Charcoal
	H563 GC5	1	44		Blue
	H563 GR8	1	44		Red
	H563 GL7	1	44		Taupe
2					WELT, Headliner, w/Sun Roof
	H178 GS8	1			Charcoal
	H178 FC5	1			Blue
	H178 GR8	1			Red
	H178 GL7	1			Taupe
3					CLIP, Visor Retaining
	H335 FS8	1			Charcoal

MODEL CODES

C BODY = (D41 - DYNASTY)(C41 - NEW YORKER)
 E BODY = (J - CARAVELLE)(E - 600)(T - NEW YORKER TURBO)
 G BODY = (V24 - DAYTONA, PACIFICA & SHELBY)
 H BODY = (D44 - LANCER)(C44 - LEBARON GTS)
 J BODY = (C - LEBARON)
 K BODY = (P - RELIANT)(D - ARIES)(C - LEBARON/ TOWN & COUNTRY)

L BODY = (M - HORIZON)(Z-OMNI)
 M BODY = (B - GRAN FURY)(G - DIPLOMAT)(F - FIFTH AVENUE/NEWPORT)
 P BODY = (P - SUNDANCE)(D - SHADOW)
 Q BODY = (C27 - MASERATI)
 S BODY = (H - VOYAGER)(K - RAM VAN/ CARAVAN)

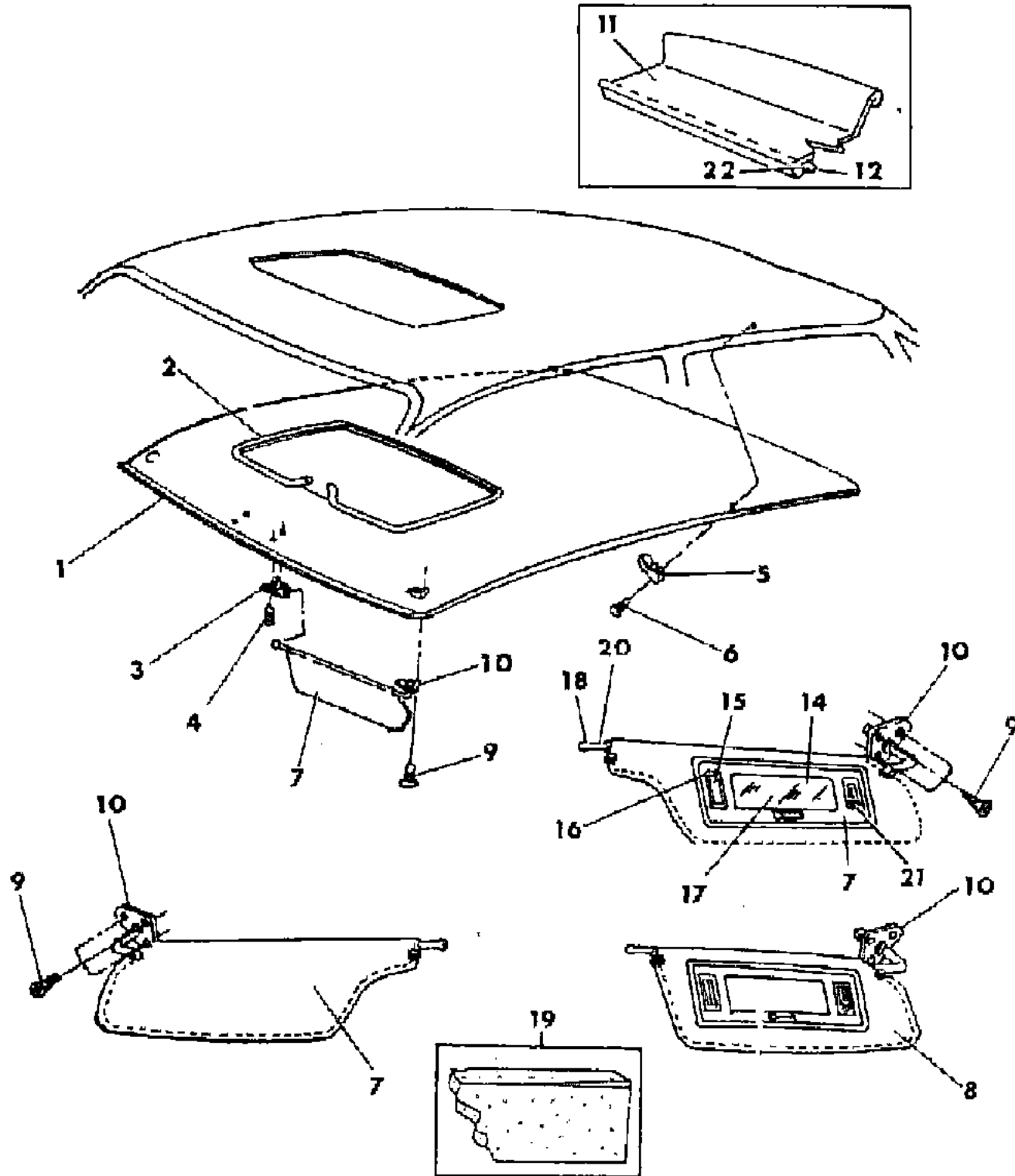
BODY STYLES

12-52 = FWD VAN & WAGON STD. W.B. 27 = 2-DOOR CONVERTIBLE
 13-53 = FWD VAN & WGN EXT W.B. 41 = 4-DOOR SEDAN
 21 = 2-DOOR SEDAN 44 = 4-DOOR HATCHBACK
 24 = 2-DOOR HATCHBACK 45 = 4-DOOR STATION WAGON

AR = Use as Required - = Non Illustrated Part P.A.R. = Paint as Required

HEADLINER-VISOR AND SHELF TRIM P BODY
Figure ITP-200

8232 200



ITEM	PART NUMBER	QTY	BODY	MODEL	DESCRIPTION
	H335 EC5	1			Blue
	H335 GR8	1			Red
	H335 GL7	1			Taupe
4		2			SCREW, (8-18x3/4) (Not Serv.)
5	H503 EA3	2			HOOK, Coat (P.A.R.)
6		2			SCREW, (8-18x7/8) (Not Serv.)
7					VISOR, w/o Map Pocket w/Mirror
					RIGHT
	H554 GS8	1			Charcoal
	H554 GC5	1			Blue
	H554 GR8	1			Red
	H554 GL7	1			Taupe
					LEFT, w/Map Pocket w/Mirror
	H555 GS8	1			Charcoal
	H555 GC5	1			Blue
	H555 GR8	1			Red
	H555 GL7	1			Taupe
8					VISOR, w/Mirror Non Illuminated and Map Light
					RIGHT
	H632 GC5	1			Blue
	H632 GR8	1			Red
	H632 GL7	1			Taupe
	H632 GS8	1			Charcoal
					Visor, Sub Assy., w/Arm and Bracket Less Vanity Mirror and Map Light
	H426 GS8	1			Charcoal
	H426 EC5	1			Blue
	H426 GR8	1			Red
	H426 GL7	1			Taupe
9	6032 584	AR			SCREW
10	4247 868-9	1			ARM and BRACKET, Visor w/o Illum. Mirror
11					PANEL, Shelf Trim
	H519 GS8	1			Charcoal
	H519 EC5	1			Blue
	H519 GR8	1			Red
	H519 GL7	1			Taupe
12	4282 641	2			PIN, Pivot

MODEL CODES

C BODY = (D41 - DYNASTY)(C41 - NEW YORKER)
 E BODY = (J - CARAVELLE)(E - 600)(T - NEW YORKER TURBO)
 G BODY = (V24 - DAYTONA, PACIFICA & SHELBY)
 H BODY = (D44 - LANCER)(C44 - LEBARON GTS)
 J BODY = (C - LEBARON)
 K BODY = (P - RELIANT)(D - ARIES)(C - LEBARON/ TOWN & COUNTRY)

L BODY = (M - HORIZON)(Z-OMNI)
 M BODY = (B - GRAN FURY)(G - DIPLOMAT)(F - FIFTH AVENUE/NEWPORT)
 P BODY = (P - SUNDANCE)(D - SHADOW)
 Q BODY = (C27 - MASERATI)
 S BODY = (H - VOYAGER)(K - RAM VAN/ CARAVAN)

BODY STYLES

12-52 = FWD VAN & WAGON STD. W.B. 27 = 2-DOOR CONVERTIBLE
 13-53 = FWD VAN & WGN EXT W.B. 41 = 4-DOOR SEDAN
 21 = 2-DOOR SEDAN 44 = 4-DOOR HATCHBACK
 24 = 2-DOOR HATCHBACK 45 = 4-DOOR STATION WAGON

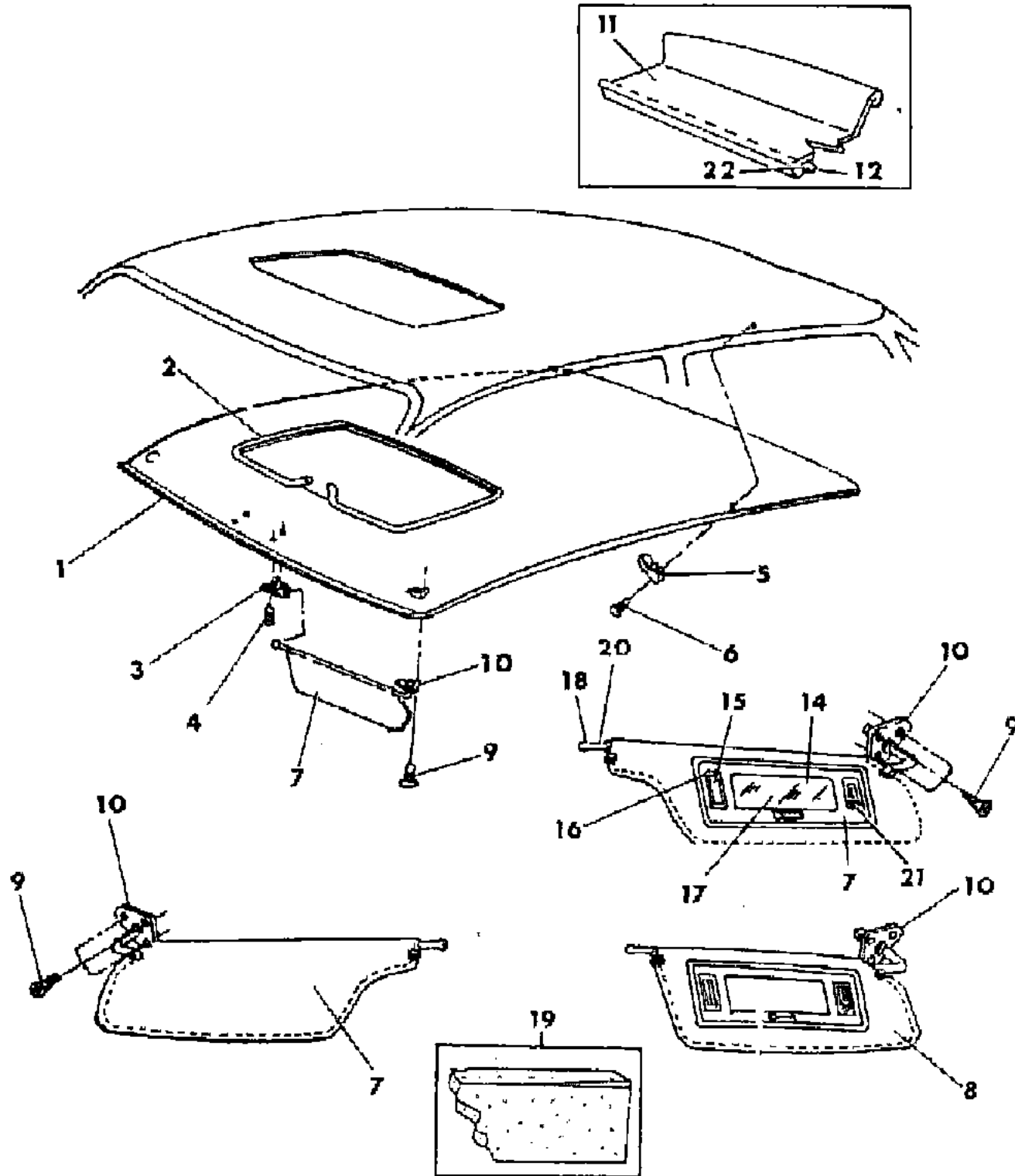
AR = Use as Required - = Non Illustrated Part P.A.R. = Paint as Required

HEADLINER-VISOR AND SHELF TRIM P BODY
Figure ITP-200

8232 200

ITEM	PART NUMBER	QTY	BODY	MODEL	DESCRIPTION
14	4309 022	1			MIRROR and BACK
15	4309 023	1			LENS, Map Light
16					BEZEL, Vanity Map Light (Serv. in Assy.)
17					FRAME, Mirror (Serv. In Assy.)
18					TIP, Visor Support
	H315 FS8	2			Charcoal
	H315 EC5	2			Blue
	H315 GR8	2			Red
	H315 GL7	2			Taupe
19	3837 683	1			SILENCER, w/ or w/o Sun Roof
20	4282 339	2			SUPPORT, Visor Inner
21	9425 542	1			BULB
22	2789 037	2			TIP, Pivot Pin

NOTE: (P.A.R.) = Paint As Required



MODEL CODES

C BODY = (D41 - DYNASTY)(C41 - NEW YORKER)
 E BODY = (J - CARAVELLE)(E - 600)(T - NEW YORKER TURBO)
 G BODY = (V24 - DAYTONA, PACIFICA & SHELBY)
 H BODY = (D44 - LANCER)(C44 - LEBARON GTS)
 J BODY = (C - LEBARON)
 K BODY = (P - RELIANT)(D - ARIES)(C - LEBARON/ TOWN & COUNTRY)

L BODY = (M - HORIZON)(Z-OMNI)
 M BODY = (B - GRAN FURY)(G - DIPLOMAT)(F - FIFTH AVENUE/NEWPORT)
 P BODY = (P - SUNDANCE)(D - SHADOW)
 Q BODY = (C27 - MASERATI)
 S BODY = (H - VOYAGER)(K - RAM VAN/ CARAVAN)

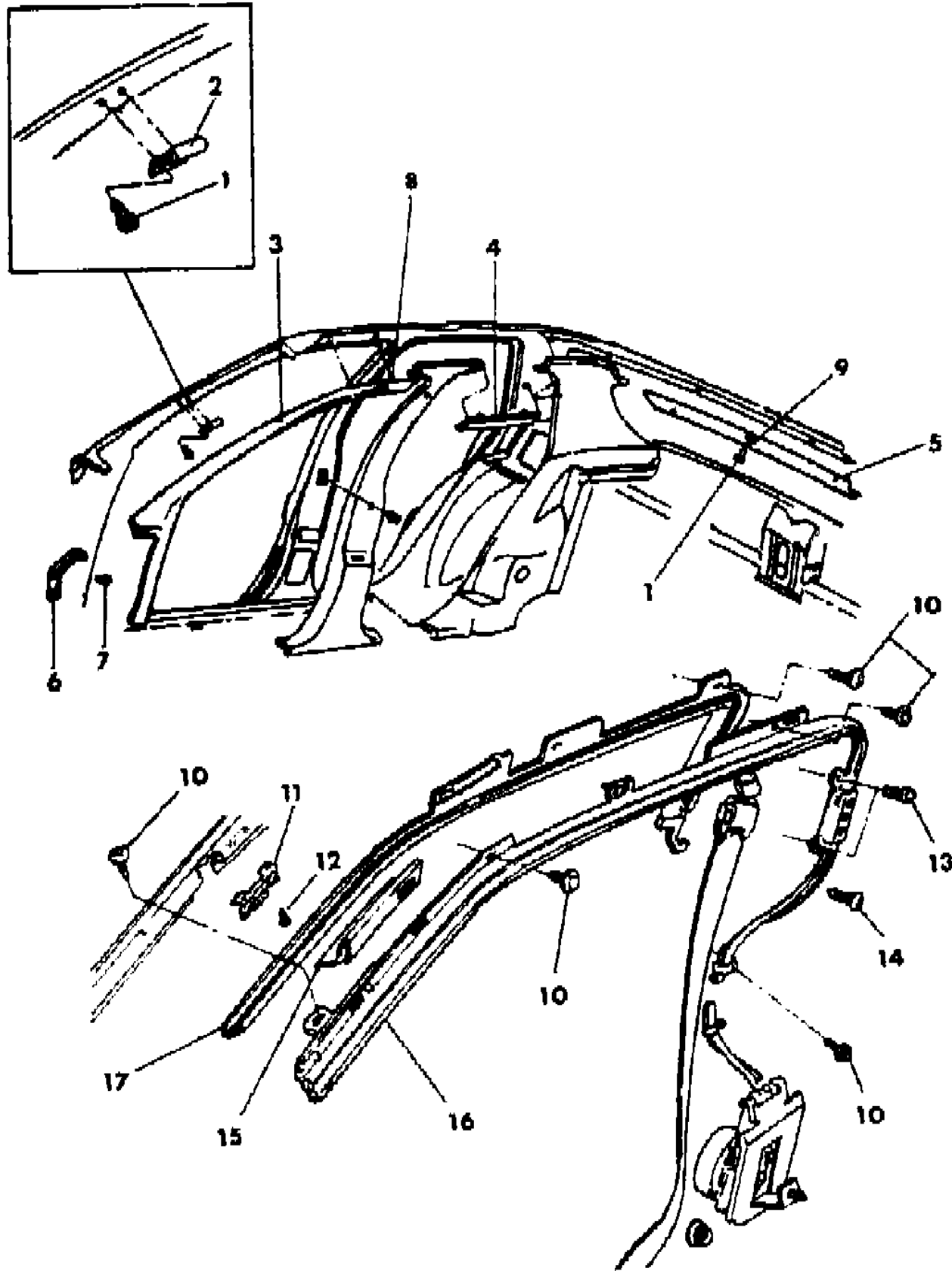
BODY STYLES

12-52 = FWD VAN & WAGON STD. W.B. 27 = 2-DOOR CONVERTIBLE
 13-53 = FWD VAN & WGN EXT W.B. 41 = 4-DOOR SEDAN
 21 = 2-DOOR SEDAN 44 = 4-DOOR HATCHBACK
 24 = 2-DOOR HATCHBACK 45 = 4-DOOR STATION WAGON

AR = Use as Required - = Non Illustrated Part P.A.R. = Paint as Required

MOULDING--GARNISH P BODY
Figure ITP-300

8232 300A



ITEM	PART NUMBER	QTY	BODY	MODEL	DESCRIPTION
1		AR			SCREW, (8-1/2x32) (Not serv.)
2	4381 077	2			BRACKET, Windshield Side Trim Upper
3					MOULDING, Windshield Side and Roof Rail (Use Up To 5-9-88)
	F068-9 GS8	1		24	Charcoal
	F068-9 EC5	1		24	Blue
	F068-9 GR8	1		24	Red
	F068-9 GL7	1		24	Taupe
	F362-3 GS8	1		44	Charcoal
	F362-3 EC5	1		44	Blue
	F362-3 GR8	1		44	Red
	F362-3 GL7	1		44	Taupe (Use After 5-9-88)
	V764-5 GL7	1		24	w/Motorized Passive Restraint (P.A.R.)
	V762-3 GL7	1		44	(P.A.R.)
	4453 519	AR			Retainer w/Shield Attaching
4					MOULDING, Rear Door Rail
	F364-5 GS8	1			Charcoal
	F364-5 EC5	1			Blue
	F364-5 EE8	1			Cordovan
	F364-5 EK1	1			Almond
5	4410 487	1			MOULDING, Liftgate Opening Upper
6	4453 886-7	1			BRACKET, Windshield Side Trim Lower
7		4			SCREW, (10-16x1) (Not Serviced)
8	6501 351	AR			CLIP
9	6033 056	4			WASHER, Liftgate and Rear Header Garnish
10					SCREW, (Not Serv.)
11	4453 518	2			RETAINER
12					SCREW, (Not Serv.)
13					BOLT, (Not Serv.)
14	3759 944	8			RETAINER
15	4521 678-9	1			SHIELD, (A-Pillar Sight) (Use Up To 5-11-88)
	4521 920-1	1			SHIELD - A/Pillar (Use After 5-11-88)
16					TRACK and DRIVE ASSY
	4476 574-5	1			2-Door
	4476 580-1	1			4-Door

MODEL CODES

C BODY = (D41 - DYNASTY)(C41 - NEW YORKER)
 E BODY = (J - CARAVELLE)(E - 600)(T - NEW YORKER TURBO)
 G BODY = (V24 - DAYTONA, PACIFICA & SHELBY)
 H BODY = (D44 - LANCER)(C44 - LEBARON GTS)
 J BODY = (C - LEBARON)
 K BODY = (P - RELIANT)(D - ARIES)(C - LEBARON/ TOWN & COUNTRY)

L BODY = (M - HORIZON)(Z-OMNI)
 M BODY = (B - GRAN FURY)(G - DIPLOMAT)(F - FIFTH AVENUE/NEWPORT)
 P BODY = (P - SUNDANCE)(D - SHADOW)
 Q BODY = (C27 - MASERATI)
 S BODY = (H - VOYAGER)(K - RAM VAN/ CARAVAN)

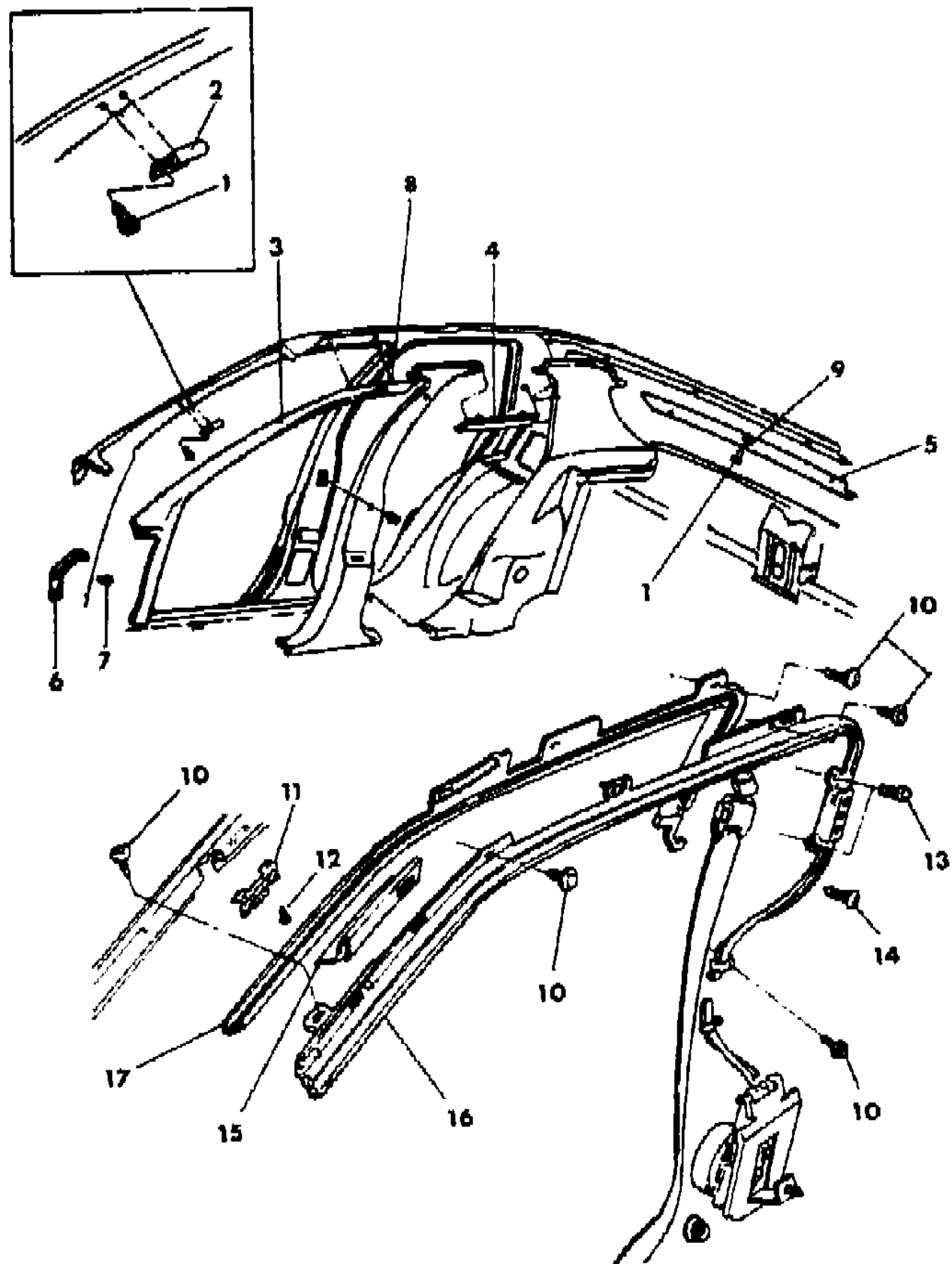
BODY STYLES

12-52 = FWD VAN & WAGON STD. W.B. 27 = 2-DOOR CONVERTIBLE
 13-53 = FWD VAN & WGN EXT W.B. 41 = 4-DOOR SEDAN
 21 = 2-DOOR SEDAN 44 = 4-DOOR HATCHBACK
 24 = 2-DOOR HATCHBACK 45 = 4-DOOR STATION WAGON

AR = Use as Required - = Non Illustrated Part P.A.R. = Paint as Required

MOULDING--GARNISH P BODY
Figure ITP-300

8232 300A



ITEM	PART NUMBER	QTY	BODY	MODEL	DESCRIPTION
17					MOULDING, Upper Garnish
	V384-5 GL7	1			2-Door, (P.A.R.)
	V386-7 GL7	1			4-Door, (P.A.R.)
					NOTE: (P.A.R.) = Paint As Required

MODEL CODES

C BODY = (D41 - DYNASTY)(C41 - NEW YORKER)
 E BODY = (J - CARAVELLE)(E - 600)(T - NEW YORKER TURBO)
 G BODY = (V24 - DAYTONA, PACIFICA & SHELBY)
 H BODY = (D44 - LANCER)(C44 - LEBARON GTS)
 J BODY = (C - LEBARON)
 K BODY = (P - RELIANT)(D - ARIES)(C - LEBARON/ TOWN & COUNTRY)

L BODY = (M - HORIZON)(Z-OMNI)
 M BODY = (B - GRAN FURY)(G - DIPLOMAT)(F - FIFTH AVENUE/NEWPORT)
 P BODY = (P - SUNDANCE)(D - SHADOW)
 Q BODY = (C27 - MASERATI)
 S BODY = (H - VOYAGER)(K - RAM VAN/ CARAVAN)

BODY STYLES

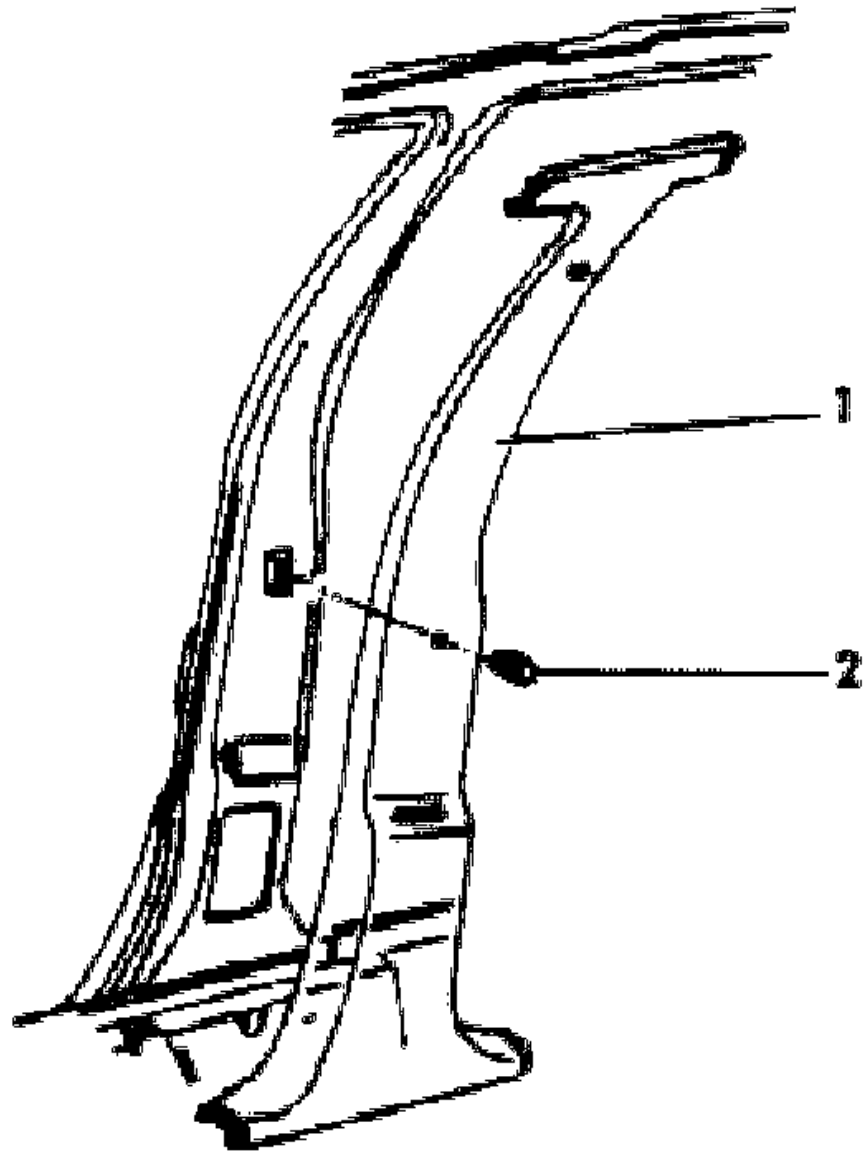
12-52 = FWD VAN & WAGON STD. W.B. 27 = 2-DOOR CONVERTIBLE
 13-53 = FWD VAN & WGN EXT W.B. 41 = 4-DOOR SEDAN
 21 = 2-DOOR SEDAN 44 = 4-DOOR HATCHBACK
 24 = 2-DOOR HATCHBACK 45 = 4-DOOR STATION WAGON

AR = Use as Required - = Non Illustrated Part P.A.R. = Paint as Required

B-PILLAR TRIM P BODY
Figure ITP-400

8232 400

ITEM	PART NUMBER	QTY	BODY	MODEL	DESCRIPTION
1	V598-9 GL7	1			COVER, Center Pillar (B) Trim (P.A.R.) (Use Up To 5-9-88)
	V620-1 GL7	1			COVER, Center Pillar (B) Trim (P.A.R.) (Use After 5-9-88)
	V378-9 GL7	1			COVER, Center Pillar (B) Trim (P.A.R.) w/Passive Restraint
2					FASTENER
	F155 CS8	AR			Charcoal
	F155 EC5	AR			Blue
	F155 GR8	AR			Red
	F155 GR8	AR			Taupe
NOTE: (P.A.R.) = Paint As Required					



MODEL CODES

C BODY = (D41 - DYNASTY)(C41 - NEW YORKER)	L BODY = (M - HORIZON)(Z-OMNI)
E BODY = (J - CARAVELLE)(E - 600)(T - NEW YORKER TURBO)	M BODY = (B - GRAN FURY)(G - DIPLOMAT)(F - FIFTH AVENUE/NEWPORT)
G BODY = (V24 - DAYTONA, PACIFICA & SHELBY)	P BODY = (P - SUNDANCE)(D - SHADOW)
H BODY = (D44 - LANCER)(C44 - LEBARON GTS)	Q BODY = (C27 - MASERATI)
J BODY = (C - LEBARON)	S BODY = (H - VOYAGER)(K - RAM VAN/ CARAVAN)
K BODY = (P - RELIANT)(D - ARIES)(C - LEBARON/ TOWN & COUNTRY)	

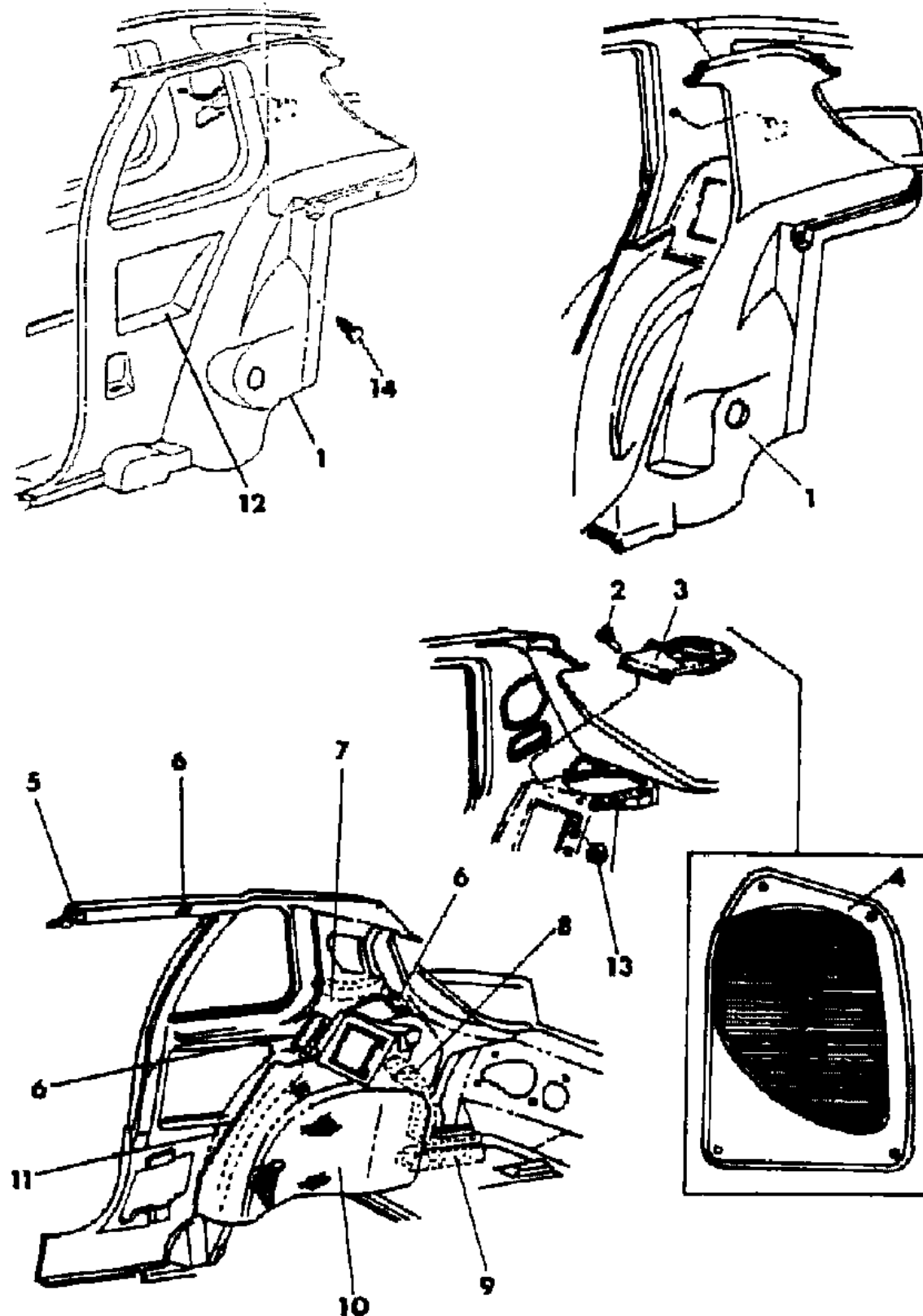
BODY STYLES

12-52 = FWD VAN & WAGON STD. W.B.	27 = 2-DOOR CONVERTIBLE
13-53 = FWD VAN & WGN EXT W.B.	41 = 4-DOOR SEDAN
21 = 2-DOOR SEDAN	44 = 4-DOOR HATCHBACK
24 = 2-DOOR HATCHBACK	45 = 4-DOOR STATION WAGON

AR = Use as Required - = Non Illustrated Part P.A.R. = Paint as Required

PANEL--QUARTER TRIM P BODY
Figure ITP-500

8232 500



ITEM	PART NUMBER	QTY	BODY	MODEL	DESCRIPTION
1					PANEL, Quarter Trim (P.A.R.)
	K502-3 EK1	1	24		(Use Up To 1/4/88)
	K770-1 GL7	1	24		(Use After 1/4/88)
	K548-9 EK1	1	44		(Use Up To 4/1/88)
	K768-9 GL7	1	44		(Use After 4/1/88)
	K740-1 GL7	1	24		w/Passive Restraint
2		8			SCREW, (10-16x.625) (Not Serv.)
3	4430 192-3	1			PLATE, Mounting, w/or w/o Speaker
4	4364 738-9	1			GRILLE, Speaker (P.A.R.)
5	4278 178	2			TAPE, Roof Rail Inner
6		2			TAPE, (Not Serv.)
7		AR			SILENCER, (Not Serv.)
8	4386 473	2			SILENCER
9	4386 474	2			SILENCER
10	4186 901	2			SILENCER
11	4386 472	2			SILENCER
12					ARMREST
	K550-1 GS8	1	24		Charcoal
	K550-1 EC5	1	24		Blue
	K550-1 GR8	1	24		Red
	K550-1 GL7	1	24		Taupe
13	9420 278	8			NUT, Used w,Speaker
14					FASTENER, Panel To Bracket
	H448 FC5	AR			Blue
	H448 GR8	AR			Red
	H448 GL7	AR			Taupe
	H448 CS8	AR			Charcoal
					NOTE: For Carpeted Pieces See Carpet Illustration
					NOTE: (P.A.R.) Paint As Required

MODEL CODES

C BODY = (D41 - DYNASTY)(C41 - NEW YORKER)
 E BODY = (J - CARAVELLE)(E - 600)(T - NEW YORKER TURBO)
 G BODY = (V24 - DAYTONA, PACIFICA & SHELBY)
 H BODY = (D44 - LANCER)(C44 - LEBARON GTS)
 J BODY = (C - LEBARON)
 K BODY = (P - RELIANT)(D - ARIES)(C - LEBARON/ TOWN & COUNTRY)

L BODY = (M - HORIZON)(Z-OMNI)
 M BODY = (B - GRAN FURY)(G - DIPLOMAT)(F - FIFTH AVENUE/NEWPORT)
 P BODY = (P - SUNDANCE)(D - SHADOW)
 Q BODY = (C27 - MASERATI)
 S BODY = (H - VOYAGER)(K - RAM VAN/ CARAVAN)

BODY STYLES

12-52 = FWD VAN & WAGON STD. W.B. 27 = 2-DOOR CONVERTIBLE
 13-53 = FWD VAN & WGN EXT W.B. 41 = 4-DOOR SEDAN
 21 = 2-DOOR SEDAN 44 = 4-DOOR HATCHBACK
 24 = 2-DOOR HATCHBACK 45 = 4-DOOR STATION WAGON

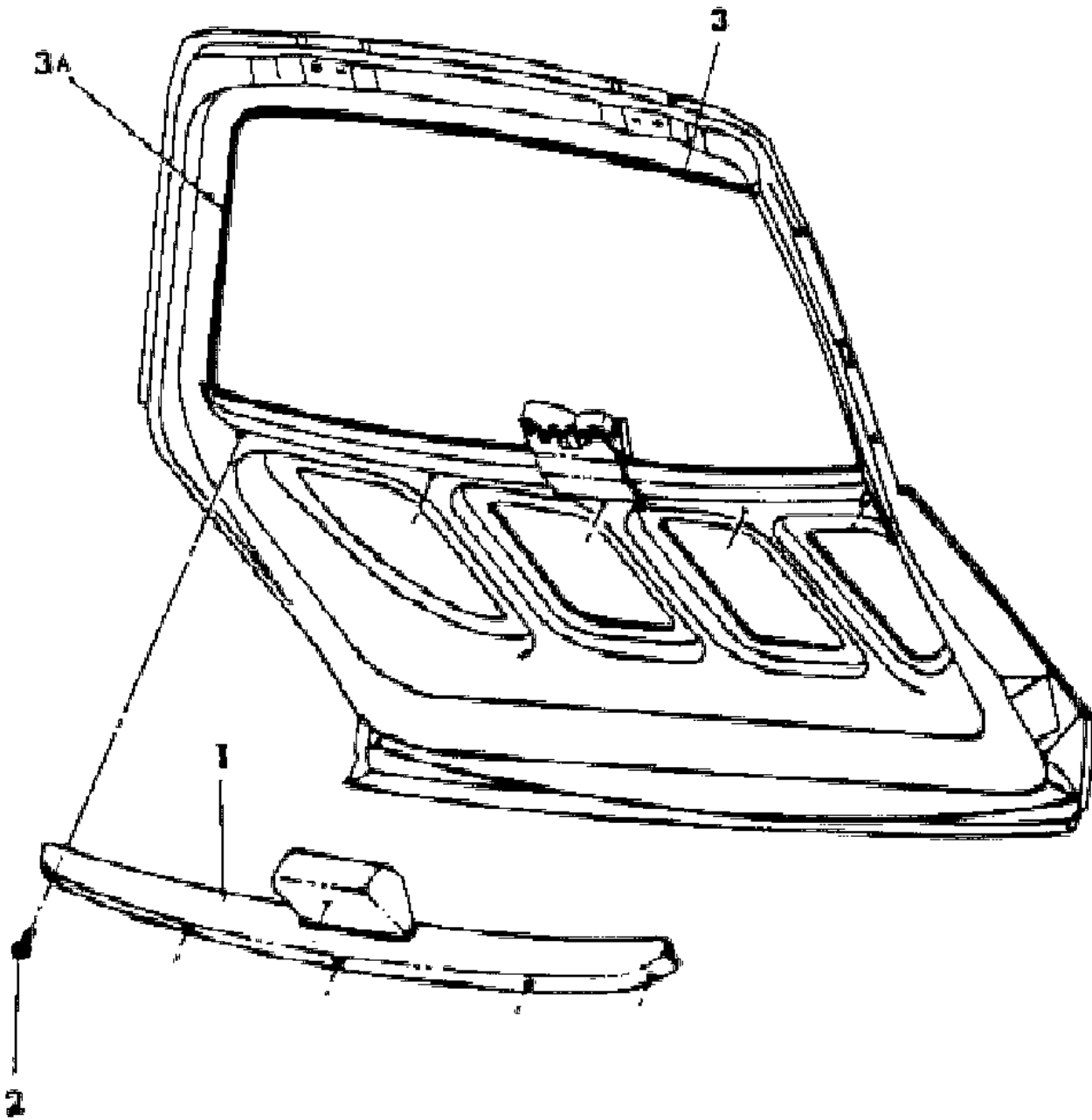
AR = Use as Required - = Non Illustrated Part P.A.R. = Paint as Required

LIFT GATE TRIM P BODY
Figure ITP-600

8232 600

ITEM	PART NUMBER	QTY	BODY	MODEL	DESCRIPTION
1	H300 GL7	1		H	PANEL, Liftgate Trim (P.A.R.)
	H846 GL7	1		L	PANEL, Liftgate (P.A.R.)
2	6032 986	6			SCREW
3					MOULDING, Pinchweld
	H702 GS8	1			Charcoal
	H702 EC7	1			Blue
	H702 GR8	1			Red
	H702 GL7	1			Taupe
3A					TAPE, (2 Sides--1 Top)
	T159 ES8	1			Charcoal
	T159 EC9	1			Blue
	T159 GR8	1			Red
	T159 GL7	1			Taupe

NOTE: (P.A.R.) = Paint As Required



MODEL CODES

C BODY = (D41 - DYNASTY)(C41 - NEW YORKER)
 E BODY = (J - CARAVELLE)(E - 600)(T - NEW YORKER TURBO)
 G BODY = (V24 - DAYTONA, PACIFICA & SHELBY)
 H BODY = (D44 - LANCER)(C44 - LEBARON GTS)
 J BODY = (C - LEBARON)
 K BODY = (P - RELIANT)(D - ARIES)(C - LEBARON/ TOWN & COUNTRY)

L BODY = (M - HORIZON)(Z-OMNI)
 M BODY = (B - GRAN FURY)(G - DIPLOMAT)(F - FIFTH AVENUE/NEWPORT)
 P BODY = (P - SUNDANCE)(D - SHADOW)
 Q BODY = (C27 - MASERATI)
 S BODY = (H - VOYAGER)(K - RAM VAN/ CARAVAN)

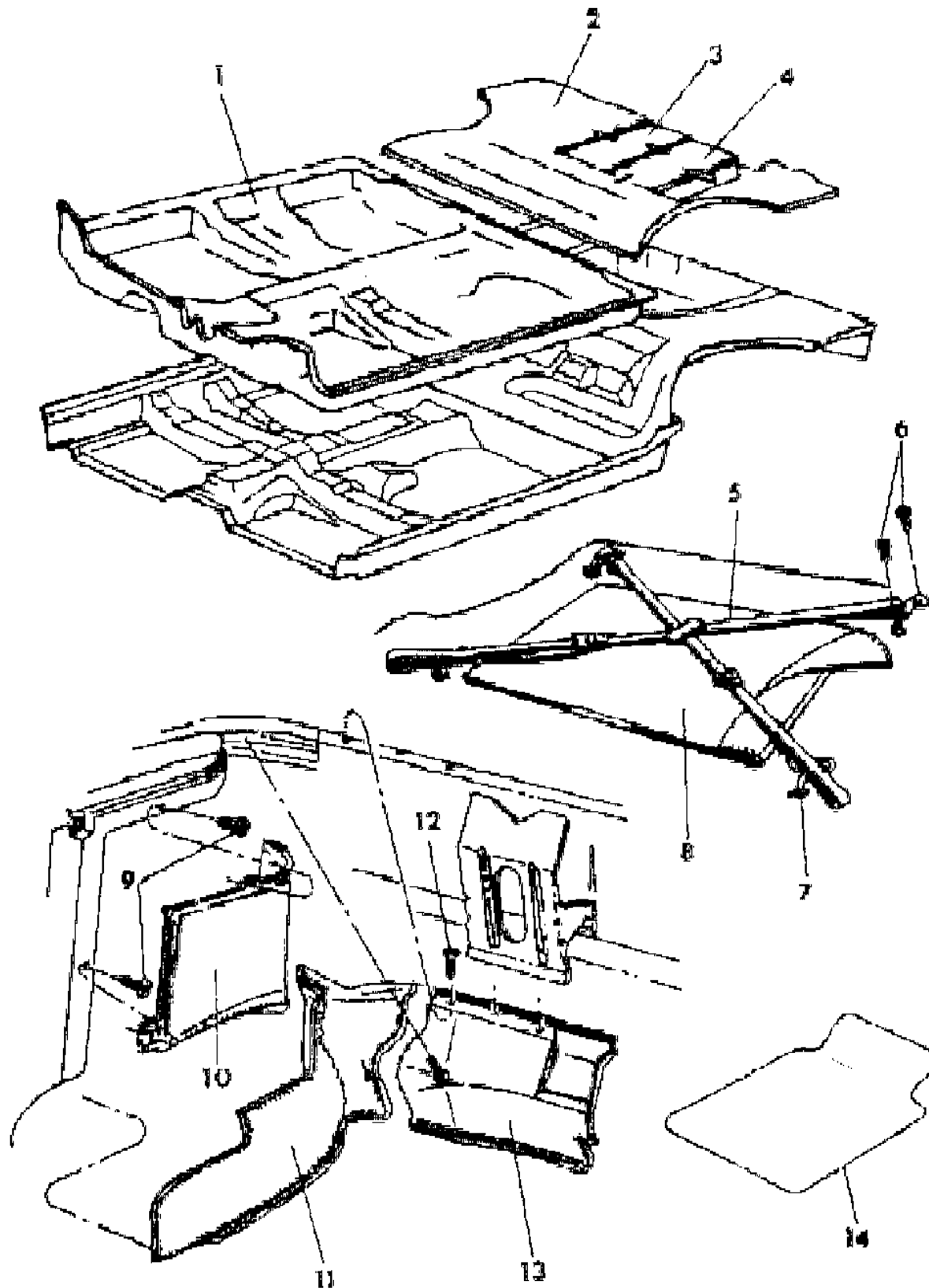
BODY STYLES

12-52 = FWD VAN & WAGON STD. W.B. 27 = 2-DOOR CONVERTIBLE
 13-53 = FWD VAN & WGN EXT W.B. 41 = 4-DOOR SEDAN
 21 = 2-DOOR SEDAN 44 = 4-DOOR HATCHBACK
 24 = 2-DOOR HATCHBACK 45 = 4-DOOR STATION WAGON

AR = Use as Required - = Non Illustrated Part P.A.R. = Paint as Required

CARPET P BODY
Figure ITP-700

8232 700



ITEM	PART NUMBER	QTY	BODY	MODEL	DESCRIPTION
1					CARPET, Front and Rear
					w/Manual Active Seat Belts (Use Up To 5-9-88)
	M687 GS8	1			Charcoal
	M687 GC5	1			Blue
	M696 GR8	1			Red
	M687 GL7	1			Taupe (Use After 5-9-88)
	M696 GS8	1			Charcoal
	M696 GC5	1			Blue
	M696 GR8	1			Red
	M696 GL7	1			Taupe
					w/Passive Restraint Seat Belts
	M693 GS8	1			Charcoal
	M693 GC5	1			Blue
	M693 GR8	1			Red
	M693 GL7	1			Taupe
2	4309 563	1			CARPET, Cargo Floor w/o Slots
3					SILENCER, (Not Serv.)
4	4309 141	1			SILENCER, Cargo Floor
5	H349 CX9	2			STRAP, Convenience Tie Down
6		8			SCREW, (8-18x3/4) (Not Serv.)
7	4248 818	4			FOOT, Convenience Tie Down
8	H609 DX7	1			BAG, Sunroof Storage
9		AR			SCREW, (8-18x5/8) (Not Serv.)
10					PANEL, Cargo Side Trim (Carpeted-Black/Charcoal Only)
	4410 262	1			Right
	4453 781	1			Left
11	4309 776-7	1			CARPET, Wheelhouse
12	6032 986	6			SCREW
13	4409 618	1			CARPET, Lower Deck Opening
14					CARPETED FLOOR MATS, (Set Of Two)
					FRONT
	M074 FS8	1			Charcoal
	M048 FC5	1			Blue
	M074 GR8	1			Red
	M074 GL7	1			Taupe

MODEL CODES

C BODY = (D41 - DYNASTY)(C41 - NEW YORKER)
 E BODY = (J - CARAVELLE)(E - 600)(T - NEW YORKER TURBO)
 G BODY = (V24 - DAYTONA, PACIFICA & SHELBY)
 H BODY = (D44 - LANCER)(C44 - LEBARON GTS)
 J BODY = (C - LEBARON)
 K BODY = (P - RELIANT)(D - ARIES)(C - LEBARON/ TOWN & COUNTRY)

L BODY = (M - HORIZON)(Z-OMNI)
 M BODY = (B - GRAN FURY)(G - DIPLOMAT)(F - FIFTH AVENUE/NEWPORT)
 P BODY = (P - SUNDANCE)(D - SHADOW)
 Q BODY = (C27 - MASERATI)
 S BODY = (H - VOYAGER)(K - RAM VAN/ CARAVAN)

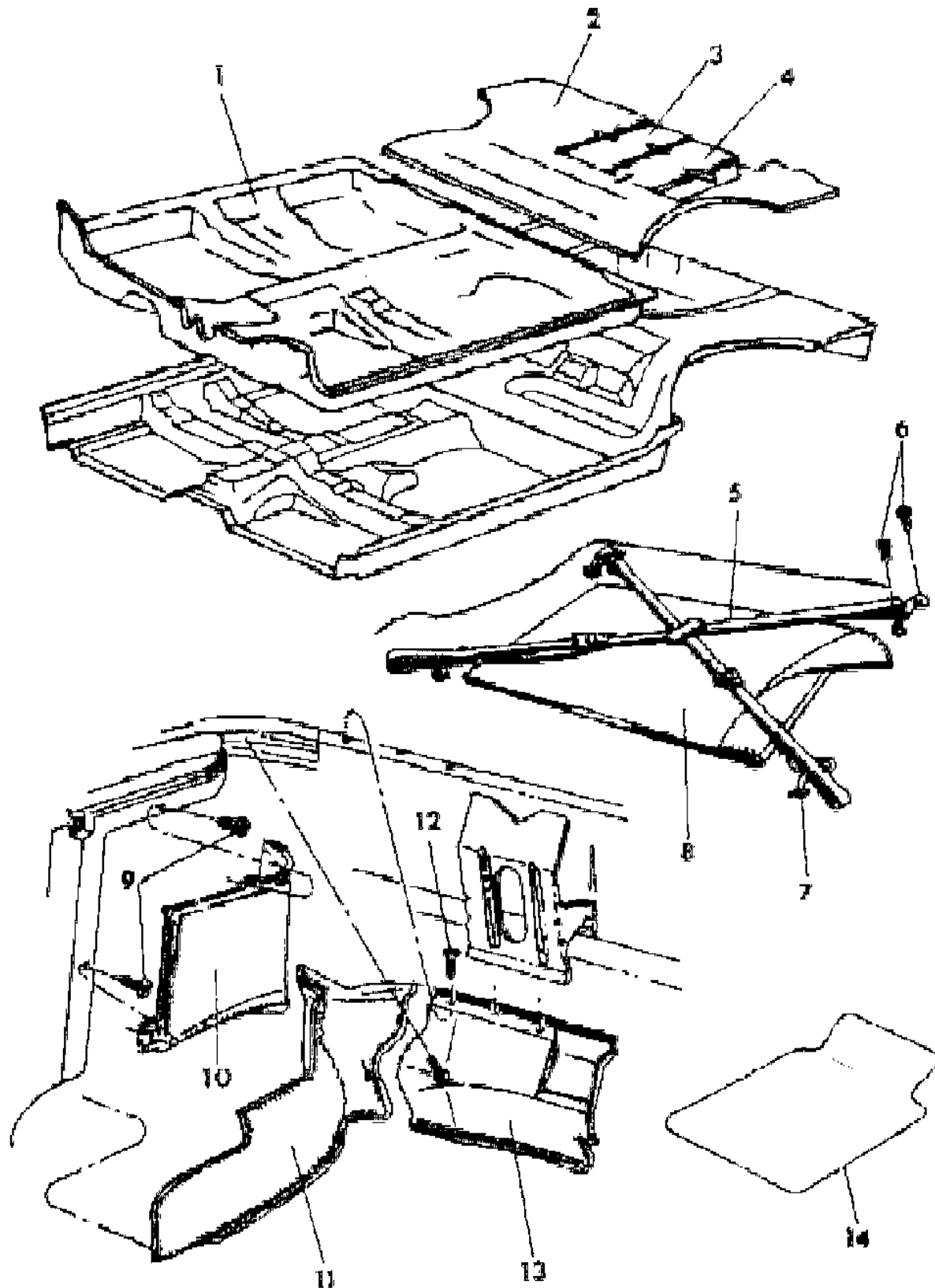
BODY STYLES

12-52 = FWD VAN & WAGON STD. W.B. 27 = 2-DOOR CONVERTIBLE
 13-53 = FWD VAN & WGN EXT W.B. 41 = 4-DOOR SEDAN
 21 = 2-DOOR SEDAN 44 = 4-DOOR HATCHBACK
 24 = 2-DOOR HATCHBACK 45 = 4-DOOR STATION WAGON

AR = Use as Required - = Non Illustrated Part P.A.R. = Paint as Required

CARPET P BODY
Figure ITP-700

8232 700



ITEM	PART NUMBER	QTY	BODY	MODEL	DESCRIPTION
					REAR
	M049 FS8	1			Charcoal
	M049 FC5	1			Blue
	M049 GR8	1			Red
	M049 GL7	1			Taupe
	4467 890	1			MATS, Shelby CSX-T "Thrifty" Charcoal, w/Black Shelby Logo (Front Right)
	4467 891	1			Charcoal, w/Black Shelby Logo (Front Left)
	4467 892	1			Charcoal, w/Black Shelby Logo (Rear)

MODEL CODES

C BODY = (D41 - DYNASTY)(C41 - NEW YORKER)
 E BODY = (J - CARAVELLE)(E - 600)(T - NEW YORKER TURBO)
 G BODY = (V24 - DAYTONA, PACIFICA & SHELBY)
 H BODY = (D44 - LANCER)(C44 - LEBARON GTS)
 J BODY = (C - LEBARON)
 K BODY = (P - RELIANT)(D - ARIES)(C - LEBARON/ TOWN & COUNTRY)

L BODY = (M - HORIZON)(Z-OMNI)
 M BODY = (B - GRAN FURY)(G - DIPLOMAT)(F - FIFTH AVENUE/NEWPORT)
 P BODY = (P - SUNDANCE)(D - SHADOW)
 Q BODY = (C27 - MASERATI)
 S BODY = (H - VOYAGER)(K - RAM VAN/ CARAVAN)

BODY STYLES

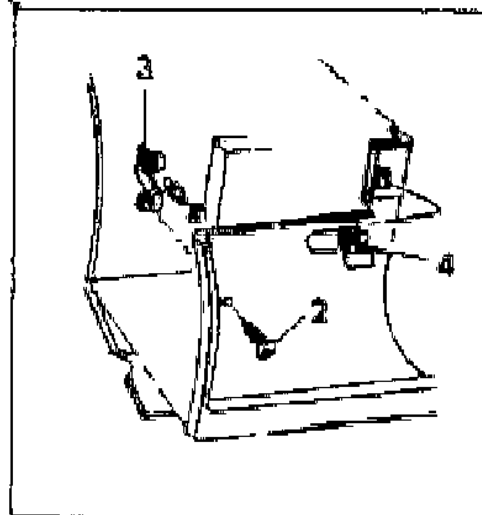
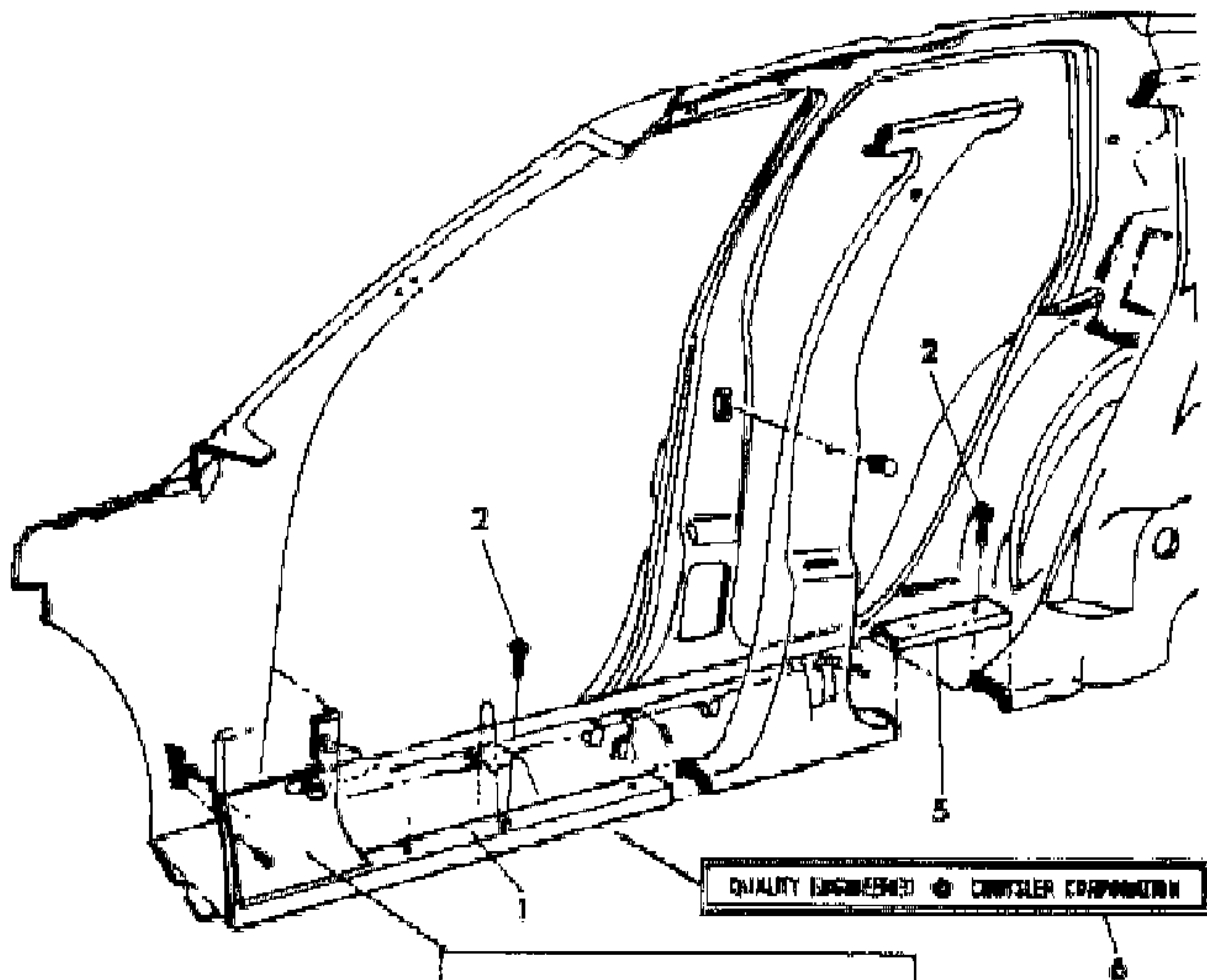
12-52 = FWD VAN & WAGON STD. W.B. 27 = 2-DOOR CONVERTIBLE
 13-53 = FWD VAN & WGN EXT W.B. 41 = 4-DOOR SEDAN
 21 = 2-DOOR SEDAN 44 = 4-DOOR HATCHBACK
 24 = 2-DOOR HATCHBACK 45 = 4-DOOR STATION WAGON

AR = Use as Required - = Non Illustrated Part P.A.R. = Paint as Required

SCUFF PLATES P BODY
Figure ITP-800

8232 800

ITEM	PART NUMBER	QTY	BODY	MODEL	DESCRIPTION
1					SCUFF PLATE and COWL
					RIGHT
					(Use Up To 5/9/88)
	V354 GS8	1		24	Charcoal
	V354 FC5	1		24	Blue
	V354 GR8	1		24	Red
	V354 GL7	1		24	Taupe
					(Use After 5/9/88)
	V264 GL7	1		24	Taupe, (P.A.R.)
					LEFT
	V479 GS8	1		24	Charcoal
	V479 FC5	1		24	Blue
	V479 GR8	1		24	Red
	V479 GL7	1		24	Taupe
					RIGHT
					(Use Up To 5/9/88)
	V352 GS8	1		44	Charcoal
	V352 FC5	1		44	Blue
	V352 GR8	1		44	Red
	V352 GL7	1		44	Taupe
					(Use After 5/9/88)
	V262 GL7	1		44	Taupe, (P.A.R.)
					LEFT
	V477 GS8	1		44	Charcoal
	V477 FC5	1		44	Blue
	V477 GR8	1		44	Red
	V477 GL7	1		44	Taupe
2		AR			SCREW, (10-16x2) (Not Serv.)
3	4282 434	1			BRACKET, Right Side Only
4	6031 967	2			S-CLIP
5					SCUFF PLATE, Rear
	M948 GS8	2			Charcoal
	M948 FC5	2			Blue
	M948 GR8	2			Red
	M948 GL7	2			Taupe
6	4078 456	1			NAME PLATE
					NOTE: (P.A.R.) = Paint As Required



MODEL CODES

C BODY = (D41 - DYNASTY)(C41 - NEW YORKER)	L BODY = (M - HORIZON)(Z-OMNI)
E BODY = (J - CARAVELLE)(E - 600)(T - NEW YORKER TURBO)	M BODY = (B - GRAN FURY)(G - DIPLOMAT)(F - FIFTH AVENUE/NEWPORT)
G BODY = (V24 - DAYTONA, PACIFICA & SHELBY)	P BODY = (P - SUNDANCE)(D - SHADOW)
H BODY = (D44 - LANCER)(C44 - LEBARON GTS)	Q BODY = (C27 - MASERATI)
J BODY = (C - LEBARON)	S BODY = (H - VOYAGER)(K - RAM VAN/ CARAVAN)
K BODY = (P - RELIANT)(D - ARIES)(C - LEBARON/ TOWN & COUNTRY)	

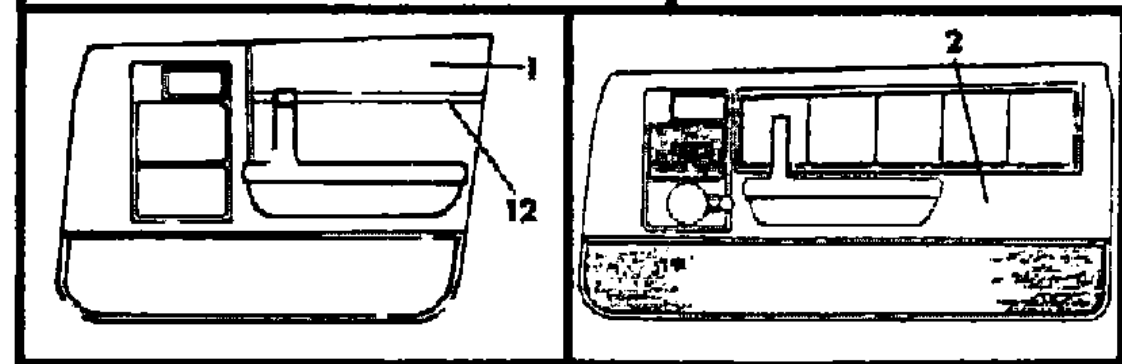
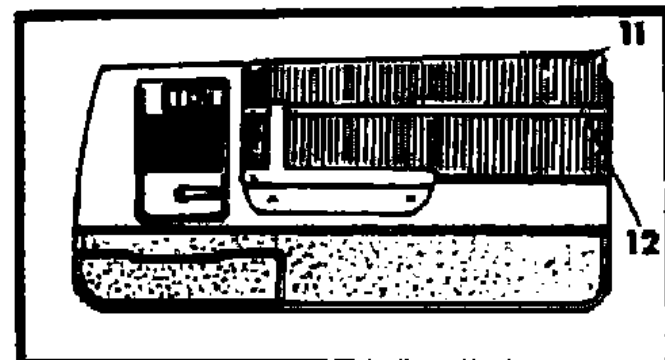
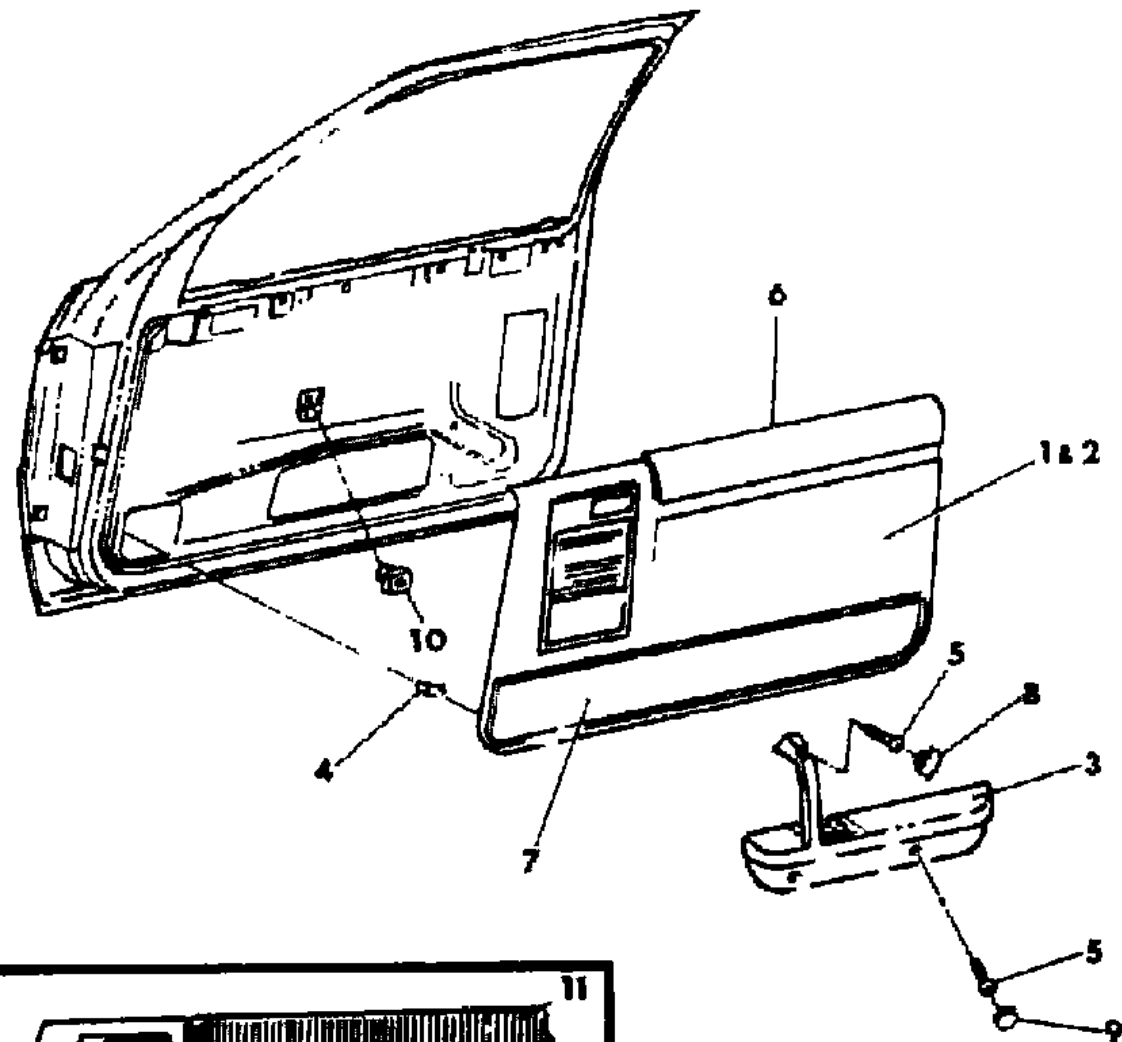
BODY STYLES

12-52 = FWD VAN & WAGON STD. W.B.	27 = 2-DOOR CONVERTIBLE
13-53 = FWD VAN & WGN EXT W.B.	41 = 4-DOOR SEDAN
21 = 2-DOOR SEDAN	44 = 4-DOOR HATCHBACK
24 = 2-DOOR HATCHBACK	45 = 4-DOOR STATION WAGON

AR = Use as Required - = Non Illustrated Part P.A.R. = Paint as Required

DOOR TRIM PANEL P BODY--24
Figure ITP-900

8232 900



ITEM	PART NUMBER	QTY	BODY	MODEL	DESCRIPTION
1					PANEL, Door
	J312-3 GS8	1			CLOTH Charcoal, (R7S)
	J312-3 GC5	1			Blue, (R7C)
	J312-3 GR8	1			Red, (R7R)
	J312-3 GL7	1			Taupe, (R7L)
2					PANEL, Door
	J904-5 GS8	1			CLOTH Charcoal, (L7S)
	J904-5 GC5	1			Blue, (L7C)
	J904-5 GR8	1			Red, (L7R)
	J904-5 GL7	1			Taupe, (L7S)
	J204-5 GS8	1			Charcoal, (H7S)
	J204-5 GC5	1			Blue, (H7C)
	J204-5 GR8	1			Red, (H7R)
	J204-5 GL7	1			Taupe, (H7L)
3					ARMREST
	D240-1 GS8	1			W/SWITCH Charcoal
	D240-1 EC5	1			Blue
	D240-1 GR8	1			Red
	D240-1 GL7	1			Taupe W/O SWITCH
	D222-3 GS8	1			Charcoal
	D222-3 EC5	1			Blue
	D222-3 GR8	1			Red
	D222-3 GL7	1			Taupe
4	1623 945	16			FASTENER
5		AR			SCREW, (1/4-14x1.75) (Not Serv.)
6	4309 232-3	1			WEATHERSTRIP
7					CARPET, (Serv. In Door Trim Panel)
8					PLUG
	D224 GS8	2			Charcoal
	D224 EC5	2			Blue
	D224 GR8	2			Red
	D224 GL7	2			Taupe
9					PLUG

MODEL CODES

C BODY = (D41 - DYNASTY)(C41 - NEW YORKER)
 E BODY = (J - CARAVELLE)(E - 600)(T - NEW YORKER TURBO)
 G BODY = (V24 - DAYTONA, PACIFICA & SHELBY)
 H BODY = (D44 - LANCER)(C44 - LEBARON GTS)
 J BODY = (C - LEBARON)
 K BODY = (P - RELIANT)(D - ARIES)(C - LEBARON/ TOWN & COUNTRY)

L BODY = (M - HORIZON)(Z-OMNI)
 M BODY = (B - GRAN FURY)(G - DIPLOMAT)(F - FIFTH AVENUE/NEWPORT)
 P BODY = (P - SUNDANCE)(D - SHADOW)
 Q BODY = (C27 - MASERATI)
 S BODY = (H - VOYAGER)(K - RAM VAN/ CARAVAN)

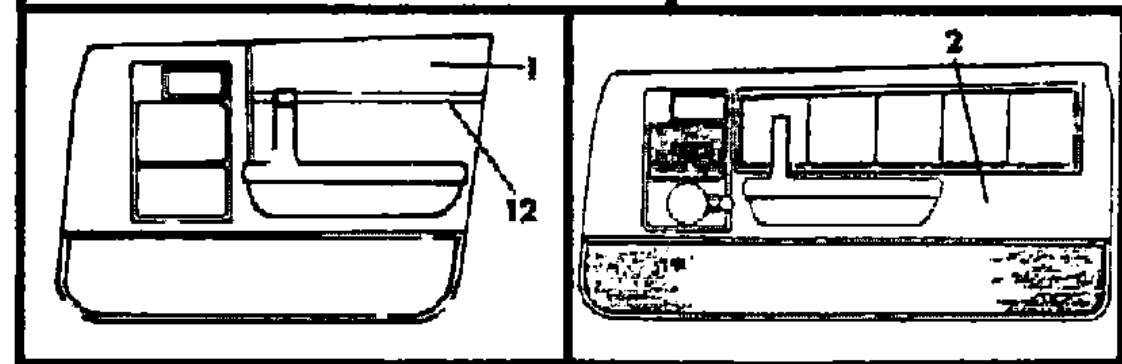
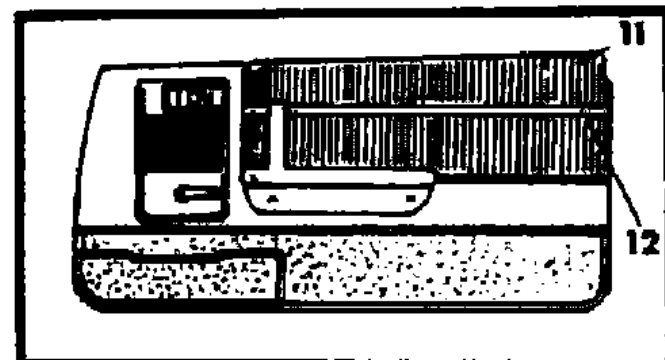
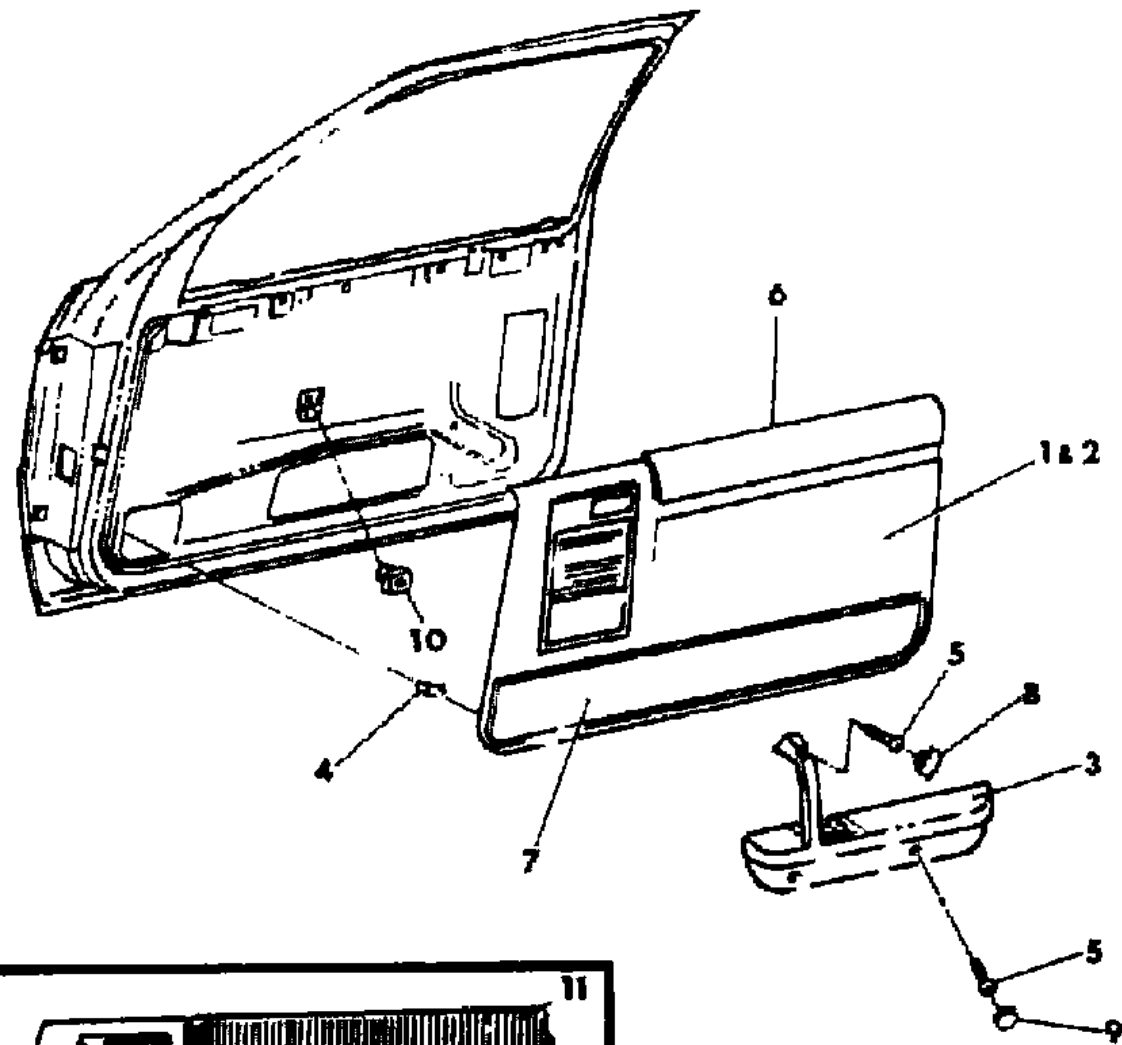
BODY STYLES

12-52 = FWD VAN & WAGON STD. W.B. 27 = 2-DOOR CONVERTIBLE
 13-53 = FWD VAN & WGN EXT W.B. 41 = 4-DOOR SEDAN
 21 = 2-DOOR SEDAN 44 = 4-DOOR HATCHBACK
 24 = 2-DOOR HATCHBACK 45 = 4-DOOR STATION WAGON

AR = Use as Required - = Non Illustrated Part P.A.R. = Paint as Required

DOOR TRIM PANEL P BODY--24
Figure ITP-900

8232 900



ITEM	PART NUMBER	QTY	BODY	MODEL	DESCRIPTION
	D457 GS8	4			Charcoal
	D457 EC5	4			Blue
	D457 GR8	4			Red
	D457 GL7	4			Taupe
10	4453 429	6			NUT, Armrest Attaching
11					PANEL, Door CLOTH Blue, (G7C) Taupe, (G7L)
	J310-1 GCC	1			Blue, (G7C)
	J310-1 GLL	1			Taupe, (G7L)
	J310-1 GSS	1			Charcoal, (G7S)
12	4453 135	2			MOULDING

MODEL CODES

C BODY = (D41 - DYNASTY)(C41 - NEW YORKER)
E BODY = (J - CARAVELLE)(E - 600)(T - NEW YORKER TURBO)
G BODY = (V24 - DAYTONA, PACIFICA & SHELBY)
H BODY = (D44 - LANCER)(C44 - LEBARON GTS)
J BODY = (C - LEBARON)
K BODY = (P - RELIANT)(D - ARIES)(C - LEBARON/ TOWN & COUNTRY)

L BODY = (M - HORIZON)(Z-OMNI)
M BODY = (B - GRAN FURY)(G - DIPLOMAT)(F - FIFTH AVENUE/NEWPORT)
P BODY = (P - SUNDANCE)(D - SHADOW)
Q BODY = (C27 - MASERATI)
S BODY = (H - VOYAGER)(K - RAM VAN/ CARAVAN)

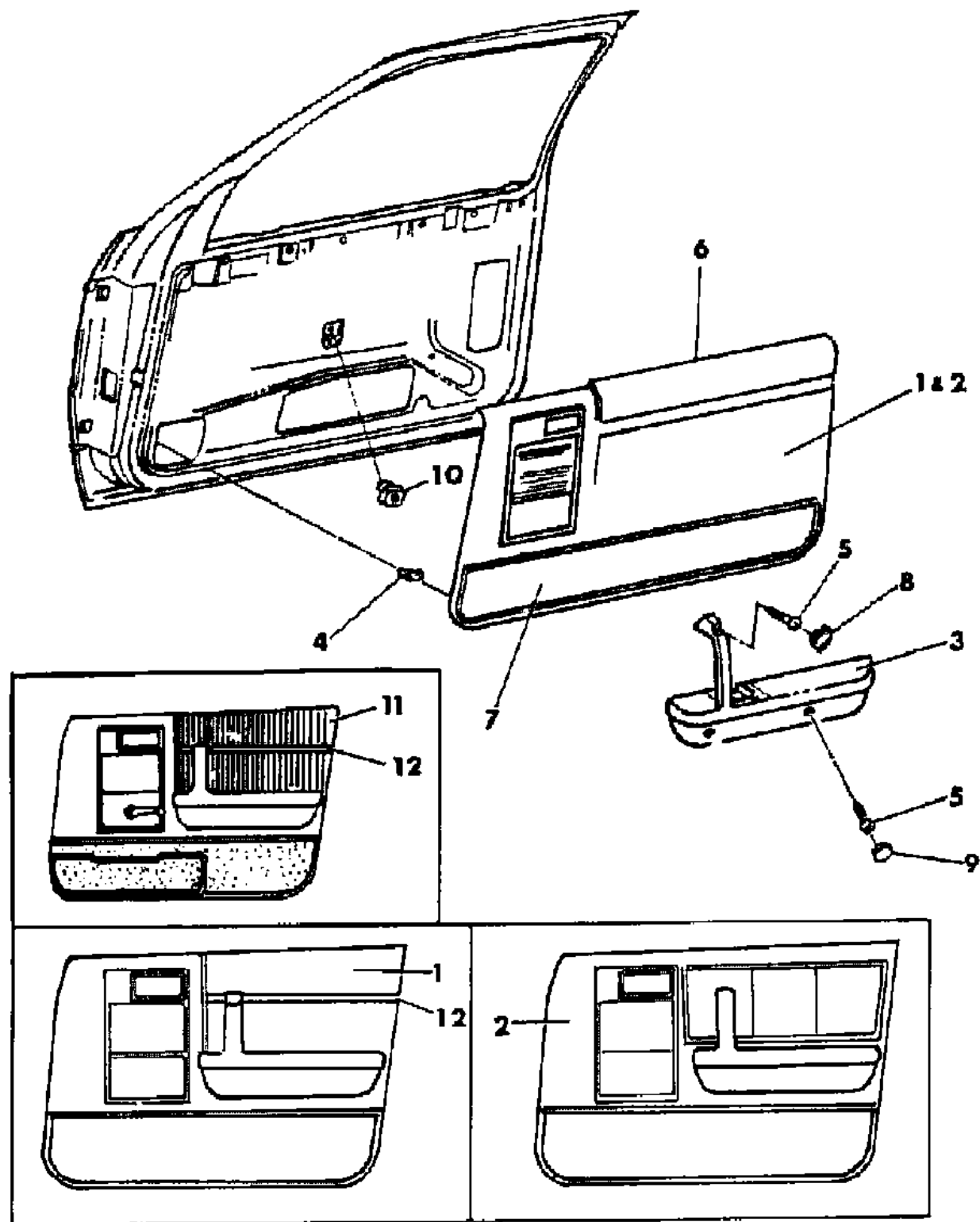
BODY STYLES

12-52 = FWD VAN & WAGON STD. W.B. 27 = 2-DOOR CONVERTIBLE
13-53 = FWD VAN & WGN EXT W.B. 41 = 4-DOOR SEDAN
21 = 2-DOOR SEDAN 44 = 4-DOOR HATCHBACK
24 = 2-DOOR HATCHBACK 45 = 4-DOOR STATION WAGON

AR = Use as Required - = Non Illustrated Part P.A.R. = Paint as Required

DOOR TRIM PANEL--FRONT P BODY--44
Figure ITP-1000

8232 1000 A



ITEM	PART NUMBER	QTY	BODY	MODEL	DESCRIPTION
1					PANEL, Door
	J202-3 GS8	1			CLOTH Charcoal, (R7S)
	J202-3 GC5	1			Blue, (R7C)
	J202-3 GR8	1			Red, (R7R)
	J202-3 GL7	1			Taupe, (R7L)
2					PANEL, Door
	J870-1 GS8	1			CLOTH Charcoal, (L7S)
	J870-1 GC5	1			Blue, (L7C)
	J870-1 GR8	1			Red, (L7R)
	J870-1 GL7	1			Taupe, (L7L)
	J832-3 GS8	1			Charcoal, (H7S)
	J832-3 FC5	1			Blue, (H7C)
	J832-3 GR8	1			Red, (H7R)
	J832-3 GL7	1			Taupe, (H7L)
3					ARMREST
					w/Switch
	D240-1 GS8	1			Charcoal
	D240-1 EC5	1			Blue
	D240-1 GR8	1			Red
	D240-1 GL7	1			Taupe
					w/o Switch
	D222-3 GS8	1			Charcoal
	D222-3 EC5	1			Blue
	D222-3 GR8	1			Red
	D222-3 GL7	1			Taupe
4	1623 945	16			RETAINER
5		AR			SCREW, (1/4-14x1.75) (Not Serv.)
6	4283 134-5	1			WEATHERSTRIP
7					CARPET, (Serviced in Door Trim Panel)
8					PLUG
	D224 GS8	2			Charcoal
	D224 EC5	2			Blue
	D224 GR8	2			Red
	D224 GL7	2			Taupe
9					PLUG

MODEL CODES

C BODY = (D41 - DYNASTY)(C41 - NEW YORKER)
 E BODY = (J - CARAVELLE)(E - 600)(T - NEW YORKER TURBO)
 G BODY = (V24 - DAYTONA, PACIFICA & SHELBY)
 H BODY = (D44 - LANCER)(C44 - LEBARON GTS)
 J BODY = (C - LEBARON)
 K BODY = (P - RELIANT)(D - ARIES)(C - LEBARON/ TOWN & COUNTRY)
 L BODY = (M - HORIZON)(Z-OMNI)
 M BODY = (B - GRAN FURY)(G - DIPLOMAT)(F - FIFTH AVENUE/NEWPORT)
 P BODY = (P - SUNDANCE)(D - SHADOW)
 Q BODY = (C27 - MASERATI)
 S BODY = (H - VOYAGER)(K - RAM VAN/ CARAVAN)

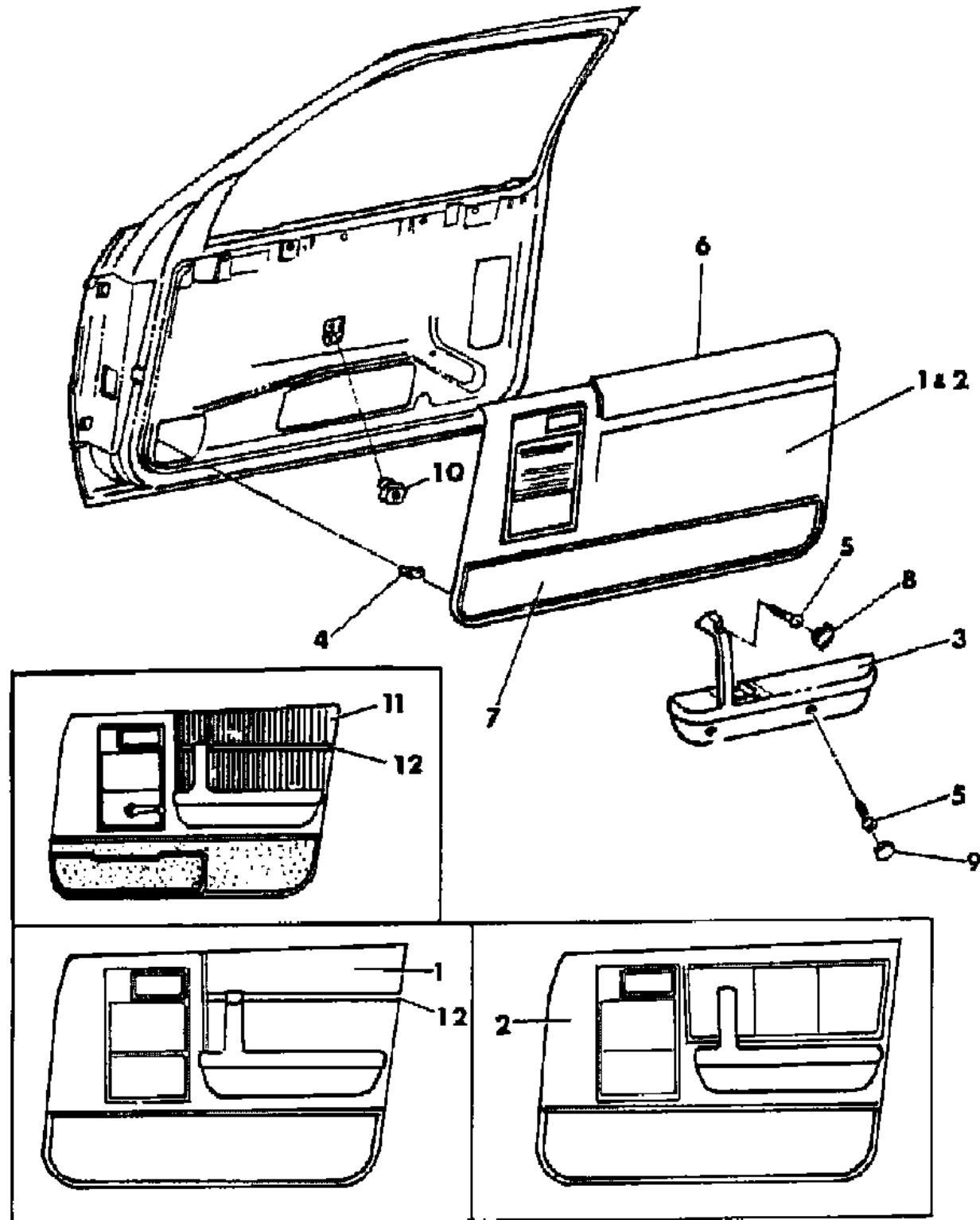
BODY STYLES

12-52 = FWD VAN & WAGON STD. W.B. 27 = 2-DOOR CONVERTIBLE
 13-53 = FWD VAN & WGN EXT W.B. 41 = 4-DOOR SEDAN
 21 = 2-DOOR SEDAN 44 = 4-DOOR HATCHBACK
 24 = 2-DOOR HATCHBACK 45 = 4-DOOR STATION WAGON

AR = Use as Required - = Non Illustrated Part P.A.R. = Paint as Required

DOOR TRIM PANEL--FRONT P BODY--44
Figure ITP-1000

8232 1000 A



ITEM	PART NUMBER	QTY	BODY	MODEL	DESCRIPTION
	D457 GS8	4			Charcoal
	D457 EC5	4			Blue
	D457 GR8	4			Red
	D457 GL7	4			Taupe
10	6023 925	6			NUT, Armest Attaching
11					PANEL, Door CLOTH
	J198-9 GCC	1			Blue, (G7C)
	J198-9 GLL	1			Taupe, (G7L)
	J198-9 GSS	1			Charcoal, (G7S)
12	4453 138	2			MOULDING

MODEL CODES

C BODY = (D41 - DYNASTY)(C41 - NEW YORKER)
 E BODY = (J - CARAVELLE)(E - 600)(T - NEW YORKER TURBO)
 G BODY = (V24 - DAYTONA, PACIFICA & SHELBY)
 H BODY = (D44 - LANCER)(C44 - LEBARON GTS)
 J BODY = (C - LEBARON)
 K BODY = (P - RELIANT)(D - ARIES)(C - LEBARON/ TOWN & COUNTRY)
 L BODY = (M - HORIZON)(Z-OMNI)
 M BODY = (B - GRAN FURY)(G - DIPLOMAT)(F - FIFTH AVENUE/NEWPORT)
 P BODY = (P - SUNDANCE)(D - SHADOW)
 Q BODY = (C27 - MASERATI)
 S BODY = (H - VOYAGER)(K - RAM VAN/ CARAVAN)

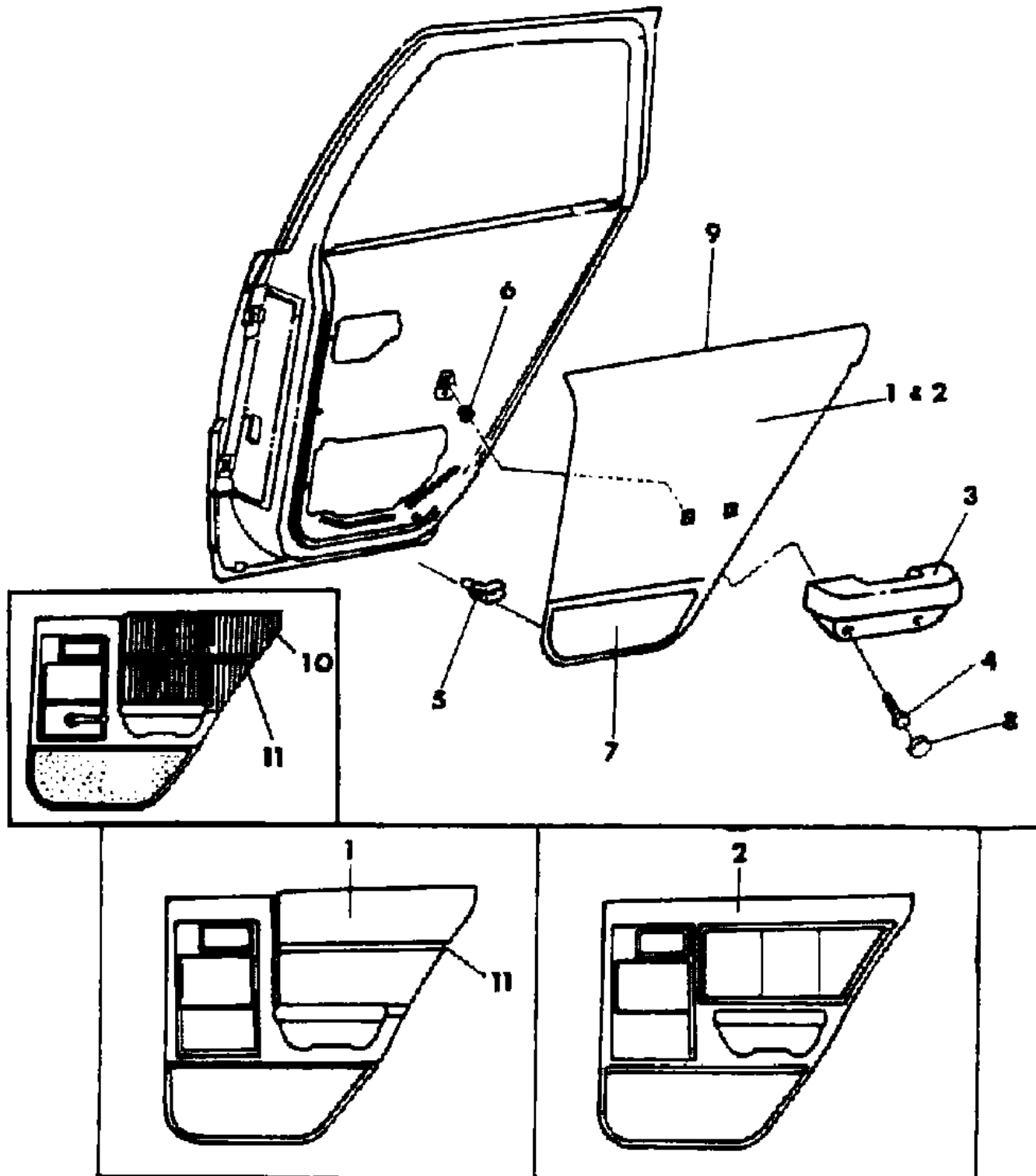
BODY STYLES

12-52 = FWD VAN & WAGON STD. W.B. 27 = 2-DOOR CONVERTIBLE
 13-53 = FWD VAN & WGN EXT W.B. 41 = 4-DOOR SEDAN
 21 = 2-DOOR SEDAN 44 = 4-DOOR HATCHBACK
 24 = 2-DOOR HATCHBACK 45 = 4-DOOR STATION WAGON

AR = Use as Required - = Non Illustrated Part P.A.R. = Paint as Required

DOOR TRIM PANEL--REAR P BODY--44
Figure ITP-1100

8232 1100



ITEM	PART NUMBER	QTY	BODY	MODEL	DESCRIPTION
1					PANEL, Door
	J646-7 GS8	1			CLOTH Charcoal, (R7S)
	J646-7 GC5	1			Blue, (R7C)
	J646-7 GR8	1			Red, (R7R)
	J646-7 GL7	1			Taupe, (R7L)
2					PANEL, Door
	J648-9 GS8	1			CLOTH Charcoal, (L7S)
	J648-9 FC5	1			Blue, (L7C)
	J648-9 GR8	1			Cordovan, (L7R)
	J648-9 GL7	1			Taupe, (L7L)
	J644-5 GS8	1			Charcoal, (H7S)
	J644-5 FC5	1			Blue, (H7C)
	J644-5 GR8	1			Red, (H7R)
	J644-5 GL7	1			Taupe, (H7L)
3					ARMREST
					(Use Up To 7-1-88)
	D220 GS8	2			Charcoal
	D220 EC5	2			Blue
	D220 GR8	2			Red
	D220 GL7	2			Taupe
					(Use After 7-1-88)
	D388 GS8	2			Charcoal
	D388 GC5	2			Blue
	D388 GR8	2			Red
	D388 GL7	2			Taupe
4		4			SCREW, (1/4-14x1.75) (Not Serv.)
5	1623 945	AR			FASTENER
6	4453 429	4			NUT
7					CARPET, (Serv. in Door Trim Panel)
8					PLUG
	D457 GS8	4			Charcoal
	D457 EC5	4			Blue
	D457 GR8	4			Red
	D457 GL7	4			Taupe
9	4283 142-3	1			WEATHERSTRIP

MODEL CODES

C BODY = (D41 - DYNASTY)(C41 - NEW YORKER)
 E BODY = (J - CARAVELLE)(E - 600)(T - NEW YORKER TURBO)
 G BODY = (V24 - DAYTONA, PACIFICA & SHELBY)
 H BODY = (D44 - LANCER)(C44 - LEBARON GTS)
 J BODY = (C - LEBARON)
 K BODY = (P - RELIANT)(D - ARIES)(C - LEBARON/ TOWN & COUNTRY)

L BODY = (M - HORIZON)(Z-OMNI)
 M BODY = (B - GRAN FURY)(G - DIPLOMAT)(F - FIFTH AVENUE/NEWPORT)
 P BODY = (P - SUNDANCE)(D - SHADOW)
 Q BODY = (C27 - MASERATI)
 S BODY = (H - VOYAGER)(K - RAM VAN/ CARAVAN)

BODY STYLES

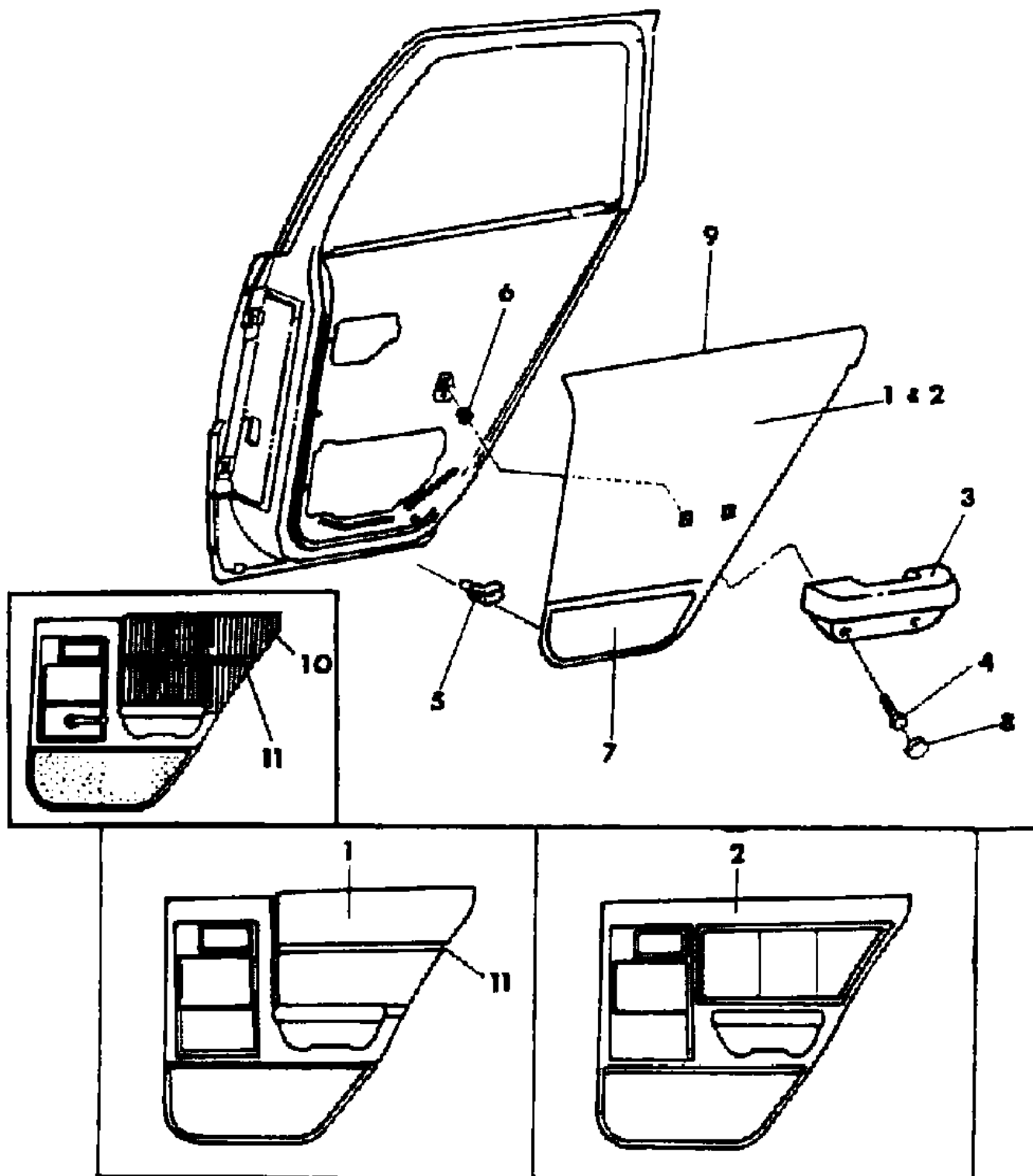
12-52 = FWD VAN & WAGON STD. W.B. 27 = 2-DOOR CONVERTIBLE
 13-53 = FWD VAN & WGN EXT W.B. 41 = 4-DOOR SEDAN
 21 = 2-DOOR SEDAN 44 = 4-DOOR HATCHBACK
 24 = 2-DOOR HATCHBACK 45 = 4-DOOR STATION WAGON

AR = Use as Required - = Non Illustrated Part P.A.R. = Paint as Required

DOOR TRIM PANEL--REAR P BODY--44
Figure ITP-1100

8232 1100

ITEM	PART NUMBER	QTY	BODY	MODEL	DESCRIPTION
10					PANEL, Door
	J694-5 GCC	1			CLOTH Blue, (G7C)
	J694-5 GLL	1			Taupe, (G7L)
	J694-5 GSS	1			Charcoal, (G7S)
11	4453 142-3	1			MOULDING



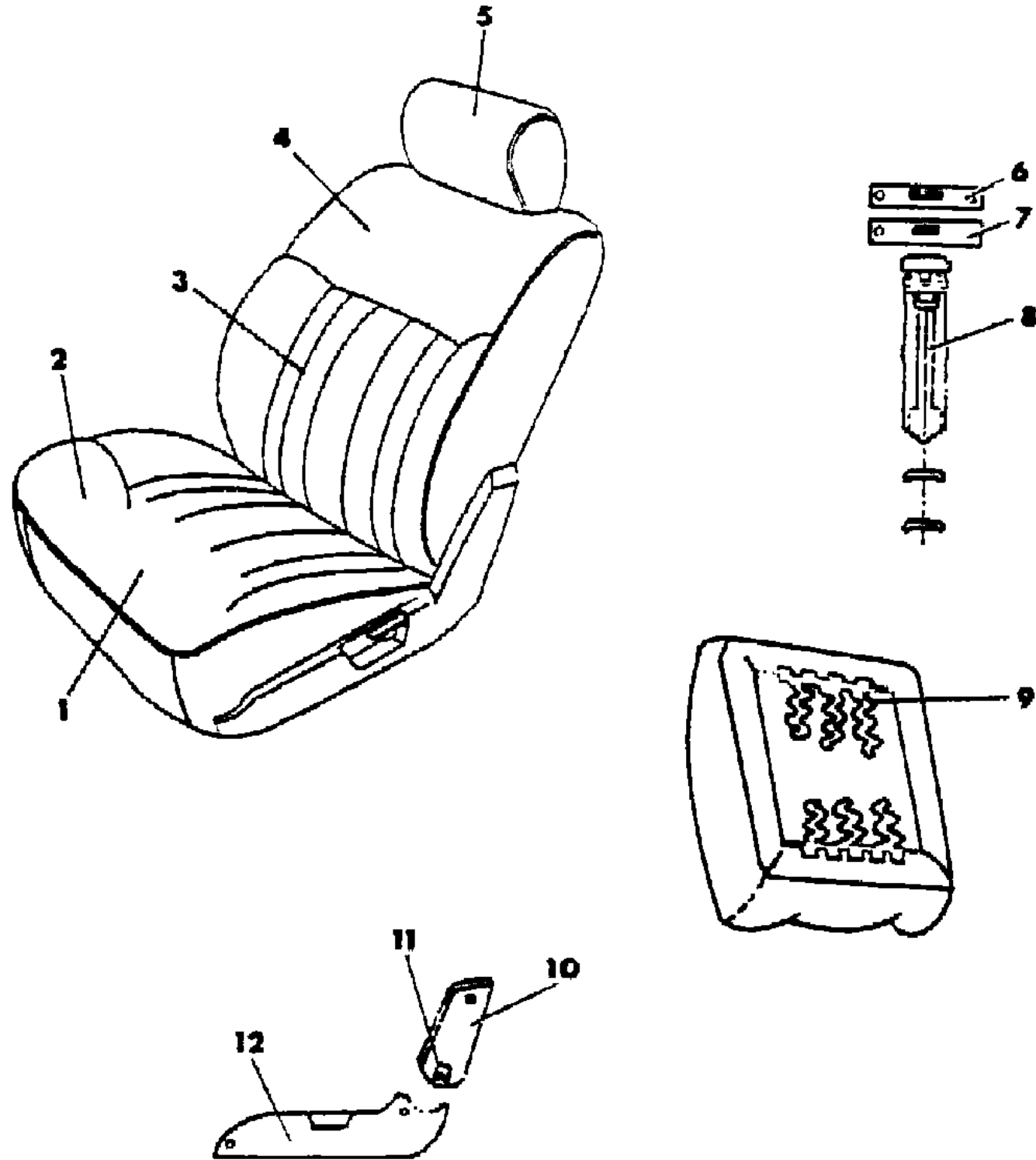
MODEL CODES
 C BODY = (D41 - DYNASTY)(C41 - NEW YORKER)
 E BODY = (J - CARAVELLE)(E - 600)(T - NEW YORKER TURBO)
 G BODY = (V24 - DAYTONA, PACIFICA & SHELBY)
 H BODY = (D44 - LANCER)(C44 - LEBARON GTS)
 J BODY = (C - LEBARON)
 K BODY = (P - RELIANT)(D - ARIES)(C - LEBARON/ TOWN & COUNTRY)
 L BODY = (M - HORIZON)(Z-OMNI)
 M BODY = (B - GRAN FURY)(G - DIPLOMAT)(F - FIFTH AVENUE/NEWPORT)
 P BODY = (P - SUNDANCE)(D - SHADOW)
 Q BODY = (C27 - MASERATI)
 S BODY = (H - VOYAGER)(K - RAM VAN/ CARAVAN)

BODY STYLES
 12-52 = FWD VAN & WAGON STD. W.B. 27 = 2-DOOR CONVERTIBLE
 13-53 = FWD VAN & WGN EXT W.B. 41 = 4-DOOR SEDAN
 21 = 2-DOOR SEDAN 44 = 4-DOOR HATCHBACK
 24 = 2-DOOR HATCHBACK 45 = 4-DOOR STATION WAGON

AR = Use as Required - = Non Illustrated Part P.A.R. = Paint as Required

SEAT FRONT P BODY TRIM CODE L7
Figure ITP-1200

8232 1200



ITEM	PART NUMBER	QTY	BODY	MODEL	DESCRIPTION
1-2					CUSHION, w/Spring/Frame, Pad and Cover
	N326-7 G7S	1			CLOTH Charcoal, (L7S)
	N326-7 G7C	1			Blue, L7L
	N326-7 G7R	1			Red, (L7R)
	N326-7 G7L	1			Taupe, (L7L)
2					COVER, Cushion
	N600-1 G7S	1			CLOTH Charcoal, (L7S)
	N600-1 G7C	1			Blue, (L7C)
	N600-1 G7R	1			Red, (L7R)
	N600-1 G7L	1			Taupe, (L7L)
3-4					BACK, w/Spring/Frame, Pad and Cover
	N804-5 G7S	1			CLOTH Charcoal, (L7S)
	N804-5 E7C	1			Blue, (L7C)
	N804-5 G7R	1			Red, (L7R)
	N804-5 G7L	1			Taupe, (L7K)
4					COVER, Back
	N067 G7S	2			CLOTH Charcoal, (L7S)
	N067 F7C	2			Blue, (L7C)
	N067 G7R	2			Red, (L7R)
	N067 G7L	2			Taupe, (L7L)
5					HEADREST
	S790 GS8	2			Charcoal, (L7S)
	S790 FC5	1			Blue, (L7C)
	S790 GR8	2			Red, (L7R)
	S790 GL7	2			Taupe, (L7L)
6	4190 388				COVER, Headrest Finish
7	4190 387	2			SUPPORT, Headrest
8					SLEEVE, Headrest
	S786 CS8	2			Charcoal
	S786 EC5	2			Blue
	S786 GR8	2			Red
	S786 EK1	2			Almond
9	6008 076	AR			HOG RING

MODEL CODES

C BODY = (D41 - DYNASTY)(C41 - NEW YORKER)
 E BODY = (J - CARAVELLE)(E - 600)(T - NEW YORKER TURBO)
 G BODY = (V24 - DAYTONA, PACIFICA & SHELBY)
 H BODY = (D44 - LANCER)(C44 - LEBARON GTS)
 J BODY = (C - LEBARON)
 K BODY = (P - RELIANT)(D - ARIES)(C - LEBARON/ TOWN & COUNTRY)

L BODY = (M - HORIZON)(Z-OMNI)
 M BODY = (B - GRAN FURY)(G - DIPLOMAT)(F - FIFTH AVENUE/NEWPORT)
 P BODY = (P - SUNDANCE)(D - SHADOW)
 Q BODY = (C27 - MASERATI)
 S BODY = (H - VOYAGER)(K - RAM VAN/ CARAVAN)

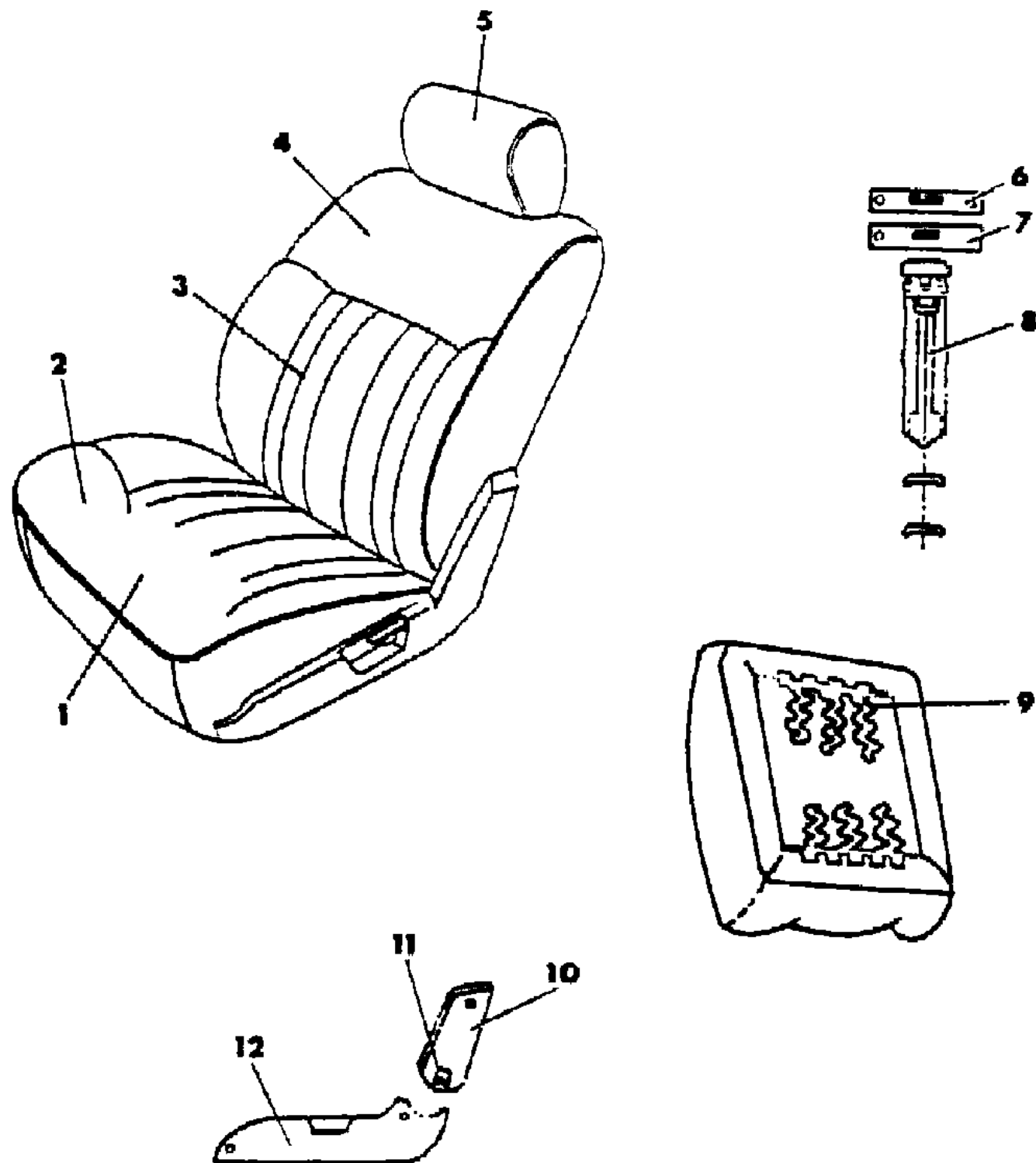
BODY STYLES

12-52 = FWD VAN & WAGON STD. W.B. 27 = 2-DOOR CONVERTIBLE
 13-53 = FWD VAN & WGN EXT W.B. 41 = 4-DOOR SEDAN
 21 = 2-DOOR SEDAN 44 = 4-DOOR HATCHBACK
 24 = 2-DOOR HATCHBACK 45 = 4-DOOR STATION WAGON

AR = Use as Required - = Non Illustrated Part P.A.R. = Paint as Required

SEAT FRONT P BODY TRIM CODE L7
Figure ITP-1200

8232 1200



ITEM	PART NUMBER	QTY	BODY	MODEL	DESCRIPTION
10					SHIELD, Back (P.A.R.)
					OUTER
	S604 GK1	1	24		Passenger Seat
	S605 GK1	1	24		Driver Seat
	S610 GK1	1	44		Passenger Seat
	S611 GK1	1	44		Driver Seat
					INNER
	S605 GK1	1	24		Passenger Seat
	S604 GK1	1	24		Driver Seat
	S611 GK1	1	44		Passenger Seat
	S610 GK1	1	44		Driver Seat
11	4317 800	AR			CLIP
12					SHIELD, Cushion (P.A.R.)
					OUTER
	S764 GK1	1			Passenger Seat
	S765 GK1	1			Driver Seat
					INNER
	S765 GK1	1			Passenger Seat
	S764 GK1	1			Driver Seat

NOTE: (P.A.R.) = Paint As Required

MODEL CODES

C BODY = (D41 - DYNASTY)(C41 - NEW YORKER)
 E BODY = (J - CARAVELLE)(E - 600)(T - NEW YORKER TURBO)
 G BODY = (V24 - DAYTONA, PACIFICA & SHELBY)
 H BODY = (D44 - LANCER)(C44 - LEBARON GTS)
 J BODY = (C - LEBARON)
 K BODY = (P - RELIANT)(D - ARIES)(C - LEBARON/ TOWN & COUNTRY)

L BODY = (M - HORIZON)(Z-OMNI)
 M BODY = (B - GRAN FURY)(G - DIPLOMAT)(F - FIFTH AVENUE/NEWPORT)
 P BODY = (P - SUNDANCE)(D - SHADOW)
 Q BODY = (C27 - MASERATI)
 S BODY = (H - VOYAGER)(K - RAM VAN/ CARAVAN)

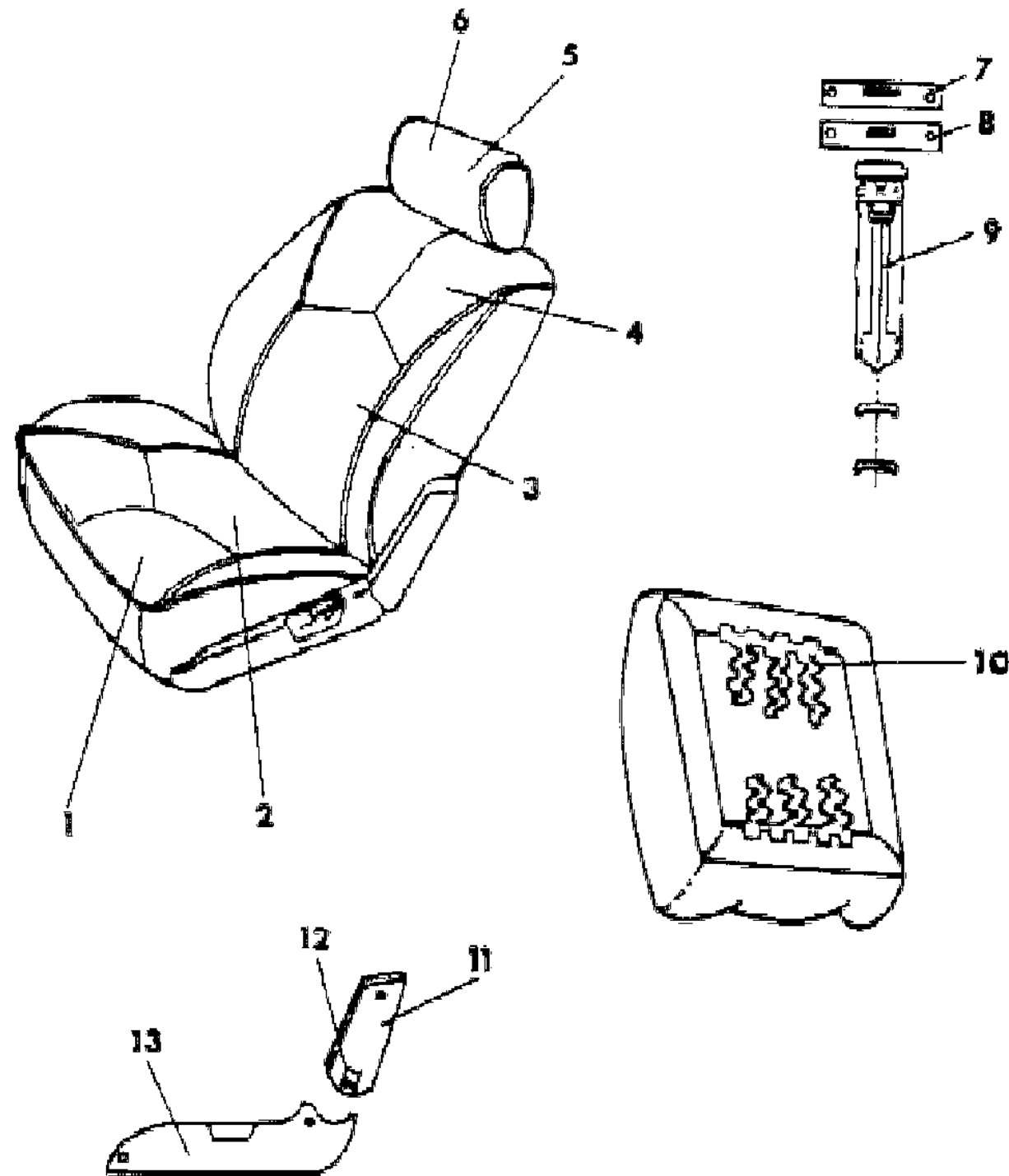
BODY STYLES

12-52 = FWD VAN & WAGON STD. W.B. 27 = 2-DOOR CONVERTIBLE
 13-53 = FWD VAN & WGN EXT W.B. 41 = 4-DOOR SEDAN
 21 = 2-DOOR SEDAN 44 = 4-DOOR HATCHBACK
 24 = 2-DOOR HATCHBACK 45 = 4-DOOR STATION WAGON

AR = Use as Required - = Non Illustrated Part P.A.R. = Paint as Required

SEAT FRONT P BODY TRIM CODE H7
Figure ITP-1300

8232 1300



ITEM	PART NUMBER	QTY	BODY	MODEL	DESCRIPTION
1-2					CUSHION, w/Spring/Frame, Pad and Cover
					CLOTH
	N328-9 G7S	1			Charcoal, (H7S)
	N328-9 G7C	1			Blue, (H7C)
	N328-9 G7R	1			Red, (H7R)
	N328-9 G7L	1			Taupe, (H7L)
2					COVER, Cushion
					CLOTH
	N594-5 G7S	1			Charcoal, (H7S)
	N594-5 G7C	1			Blue, (H7C)
	N594-5 G7R	1			Red, (H7R)
	N594-5 G7L	1			Taupe, (H7L)
3-4					BACK, w/Spring/Frame, Pad and Cover
					CLOTH
					(Use Up To 2-15-88)
	N808-9 G7S	1			Charcoal, (H7S)
	N808-9 E7C	1			Blue, (H7C)
	N808-9 G7R	1			Red, (H7R)
	N808-9 G7L	1			Taupe, (H7L)
					(Use From 2-15-88 To 5-9-88)
	N268-9 G7S	1			Charcoal, (H7S)
	N268-9 G7C	1			Blue, (H7C)
	N268-9 G7R	1			Red, (H7R)
	N268-9 G7L	1			Taupe, (H7L)
					(Use After 5-9-88)
	N174-5 G7S	1			Charcoal, (H7S)
	N174-5 G7C	1			Blue, (H7C)
	N174-5 G7R	1			Red, (H7R)
	N174-5 G7L	1			Taupe, (H7L)
4					COVER, Back
					CLOTH
					(Use Up To 5-9-88)
	N066 G7S	2			Charcoal, (H7S)
	N066 E7C	2			Blue, (H7C)
	N066 G7R	2			Red, (H7R)
	N066 G7L	2			Taupe, (H7L)
					(Use After 5-9-88)

MODEL CODES

C BODY = (D41 - DYNASTY)(C41 - NEW YORKER)
 E BODY = (J - CARAVELLE)(E - 600)(T - NEW YORKER TURBO)
 G BODY = (V24 - DAYTONA, PACIFICA & SHELBY)
 H BODY = (D44 - LANCER)(C44 - LEBARON GTS)
 J BODY = (C - LEBARON)
 K BODY = (P - RELIANT)(D - ARIES)(C - LEBARON/ TOWN & COUNTRY)

L BODY = (M - HORIZON)(Z-OMNI)
 M BODY = (B - GRAN FURY)(G - DIPLOMAT)(F - FIFTH AVENUE/NEWPORT)
 P BODY = (P - SUNDANCE)(D - SHADOW)
 Q BODY = (C27 - MASERATI)
 S BODY = (H - VOYAGER)(K - RAM VAN/ CARAVAN)

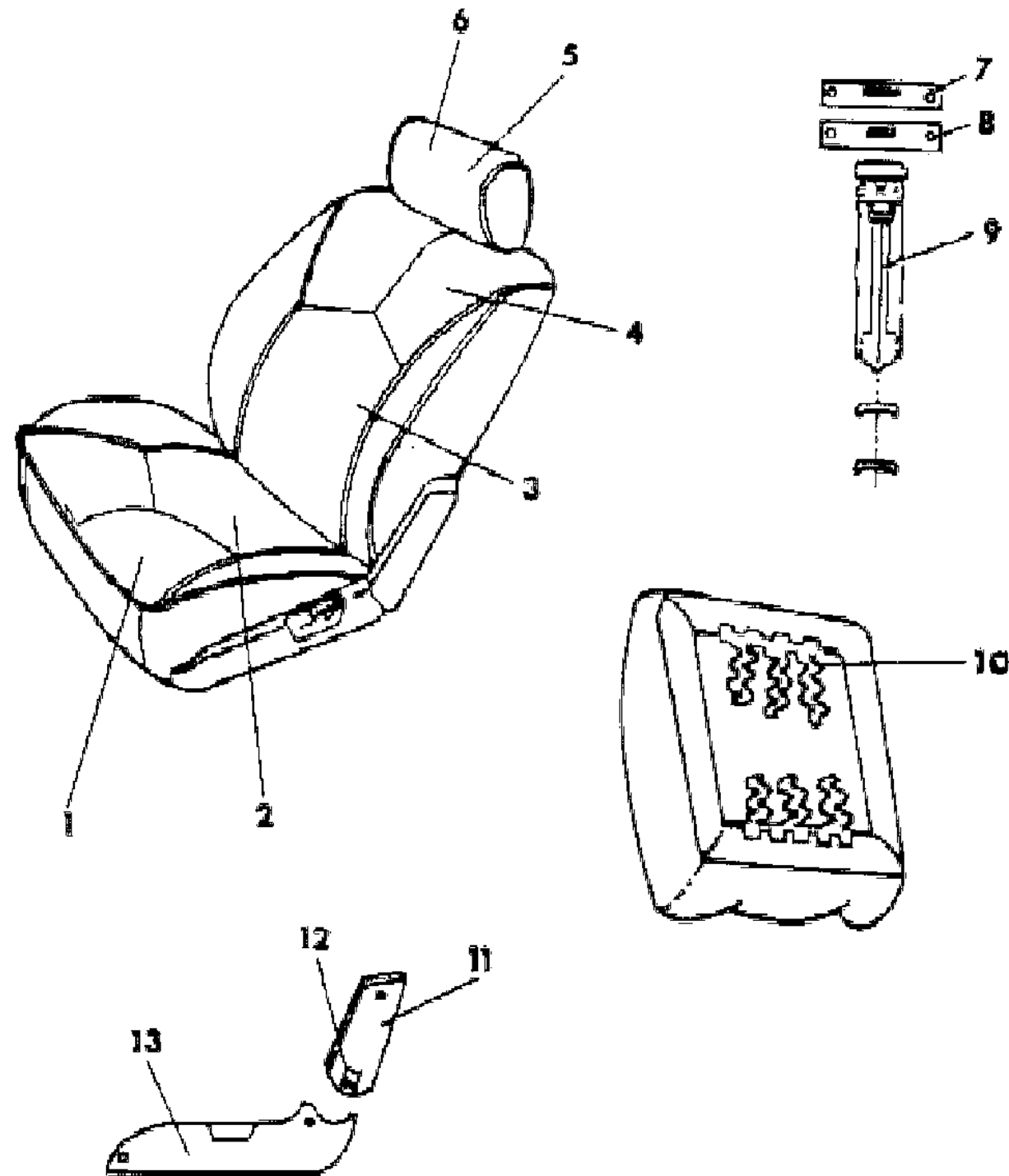
BODY STYLES

12-52 = FWD VAN & WAGON STD. W.B. 27 = 2-DOOR CONVERTIBLE
 13-53 = FWD VAN & WGN EXT W.B. 41 = 4-DOOR SEDAN
 21 = 2-DOOR SEDAN 44 = 4-DOOR HATCHBACK
 24 = 2-DOOR HATCHBACK 45 = 4-DOOR STATION WAGON

AR = Use as Required - = Non Illustrated Part P.A.R. = Paint as Required

SEAT FRONT P BODY TRIM CODE H7
Figure ITP-1300

8232 1300



ITEM	PART NUMBER	QTY	BODY	MODEL	DESCRIPTION
	B210-1 G7S	1			Charcoal, (H7S)
	B210-1 G7C	1			Blue, (H7C)
	B210-1 G7R	1			Red, (H7R)
	B210-1 G7L	1			Taupe, (H7L)
5-6					HEADREST and COVER
	N812 GS8	2			Charcoal, (H7S)
	N812 EC5	2			Blue, (H7C)
	N812 GR8	2			Red, (H7R)
	N812 GL7	2			Taupe, (H7L)
6					COVER, Headrest
	N031 GS8	2			Charcoal, (H7S)
	N031 EC5	2			Blue, (H7C)
	N031 GR8	2			Red, (H7R)
	N031 GL7	2			Taupe, (H7L)
7	4190 388	2			COVER, Headrest Finish
8	4190 387	2			SUPPORT, Headrest
9					SLEEVE, Headrest
	S786 CS8	2			Charcoal
	S786 EC5	2			Blue
	S786 GR8	2			Red
	S786 GL7	2			Taupe
10	6008 076	AR			HOG RING
11					SHIELD, Back (P.A.R.) OUTER
	S604 GK1	1		24	Passenger Seat
	S605 GK1	1		24	Driver Seat
	S610 GK1	1		44	Passenger Seat
	S611 GK1	1		44	Driver Seat
					INNER
	S605 GK1	1		24	Passenger Seat
	S604 GK1	1		24	Driver Seat
	S611 GK1	1		44	Passenger Seat
	S610 GK1	1		44	Driver Seat
12	4317 800	AR			CLIP
13					SHIELD, Cushion (P.A.R.) OUTER
	S764 GK1	1			Passenger Seat

MODEL CODES

C BODY = (D41 - DYNASTY)(C41 - NEW YORKER)
 E BODY = (J - CARAVELLE)(E - 600)(T - NEW YORKER TURBO)
 G BODY = (V24 - DAYTONA, PACIFICA & SHELBY)
 H BODY = (D44 - LANCER)(C44 - LEBARON GTS)
 J BODY = (C - LEBARON)
 K BODY = (P - RELIANT)(D - ARIES)(C - LEBARON/ TOWN & COUNTRY)

L BODY = (M - HORIZON)(Z-OMNI)
 M BODY = (B - GRAN FURY)(G - DIPLOMAT)(F - FIFTH AVENUE/NEWPORT)
 P BODY = (P - SUNDANCE)(D - SHADOW)
 Q BODY = (C27 - MASERATI)
 S BODY = (H - VOYAGER)(K - RAM VAN/ CARAVAN)

BODY STYLES

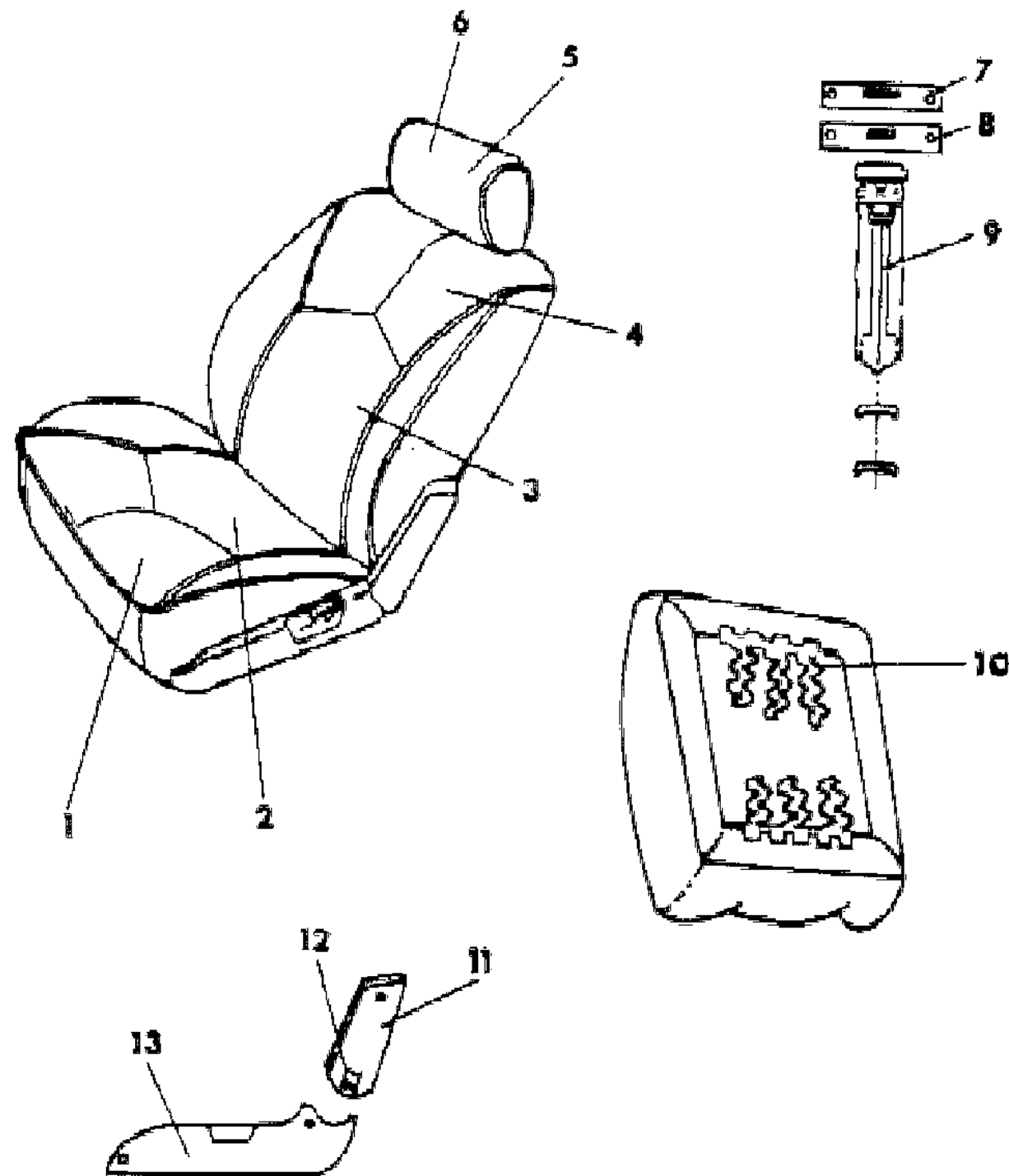
12-52 = FWD VAN & WAGON STD. W.B. 27 = 2-DOOR CONVERTIBLE
 13-53 = FWD VAN & WGN EXT W.B. 41 = 4-DOOR SEDAN
 21 = 2-DOOR SEDAN 44 = 4-DOOR HATCHBACK
 24 = 2-DOOR HATCHBACK 45 = 4-DOOR STATION WAGON

AR = Use as Required - = Non Illustrated Part P.A.R. = Paint as Required

SEAT FRONT P BODY TRIM CODE H7
Figure ITP-1300

8232 1300

ITEM	PART NUMBER	QTY	BODY	MODEL	DESCRIPTION
	S765 GK1	1			Driver Seat
					INNER
	S765 GK1	1			Passenger Seat
	S764 GK1	1			Driver Seat
					NOTE: (P.A.R.) = Paint As Required



MODEL CODES

C BODY = (D41 - DYNASTY)(C41 - NEW YORKER)
 E BODY = (J - CARAVELLE)(E - 600)(T - NEW YORKER TURBO)
 G BODY = (V24 - DAYTONA, PACIFICA & SHELBY)
 H BODY = (D44 - LANCER)(C44 - LEBARON GTS)
 J BODY = (C - LEBARON)
 K BODY = (P - RELIANT)(D - ARIES)(C - LEBARON/ TOWN & COUNTRY)

L BODY = (M - HORIZON)(Z-OMNI)
 M BODY = (B - GRAN FURY)(G - DIPLOMAT)(F - FIFTH AVENUE/NEWPORT)
 P BODY = (P - SUNDANCE)(D - SHADOW)
 Q BODY = (C27 - MASERATI)
 S BODY = (H - VOYAGER)(K - RAM VAN/ CARAVAN)

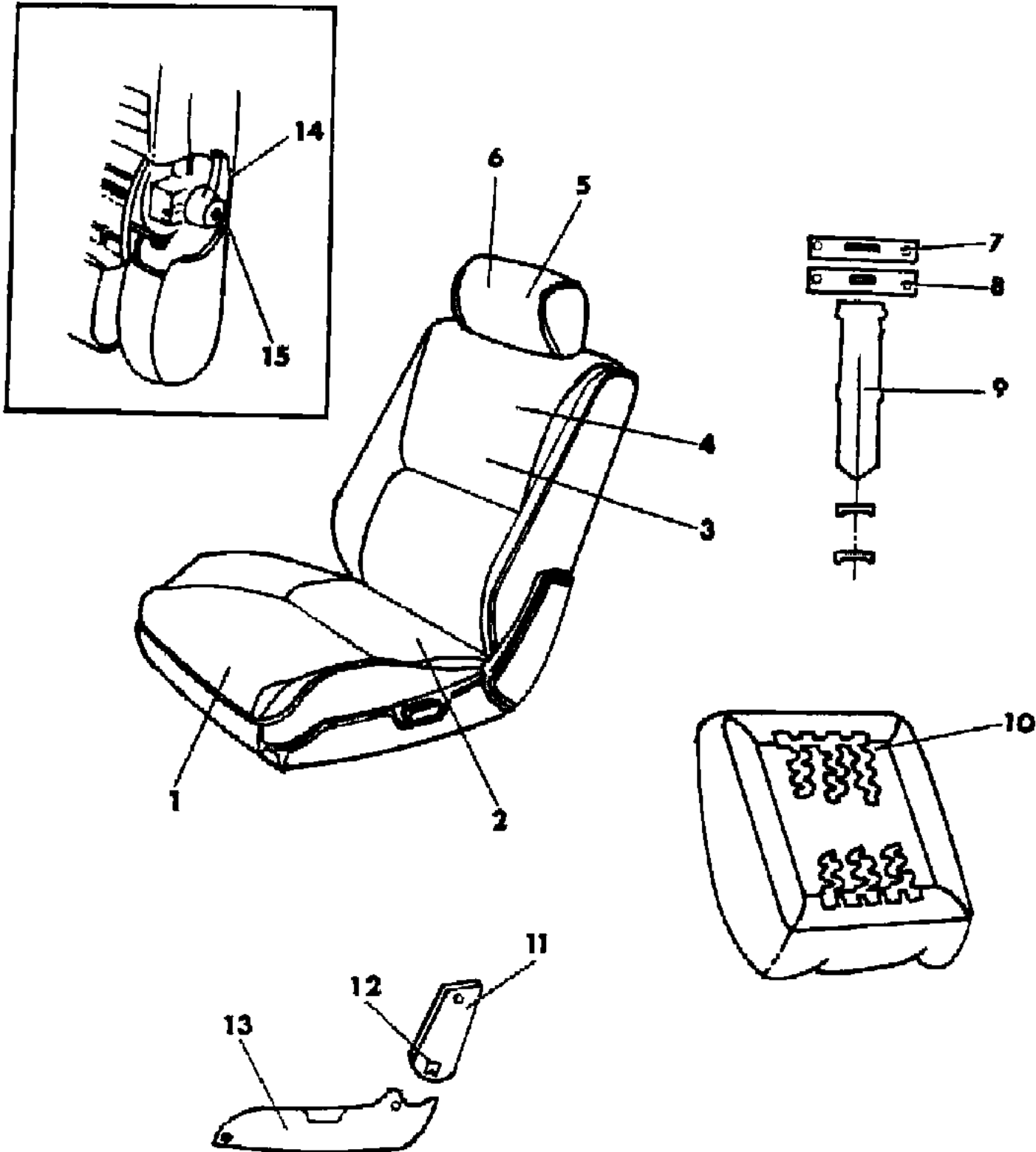
BODY STYLES

12-52 = FWD VAN & WAGON STD. W.B. 27 = 2-DOOR CONVERTIBLE
 13-53 = FWD VAN & WGN EXT W.B. 41 = 4-DOOR SEDAN
 21 = 2-DOOR SEDAN 44 = 4-DOOR HATCHBACK
 24 = 2-DOOR HATCHBACK 45 = 4-DOOR STATION WAGON

AR = Use as Required - = Non Illustrated Part P.A.R. = Paint as Required

SEAT FRONT P BODY TRIM CODE R7-G7
Figure ITP-1400

8232 1400 A



ITEM	PART NUMBER	QTY	BODY	MODEL	DESCRIPTION
1-2					CUSHION, w/Spring, Frame, Pad and Cover
					CLOTH
	N330-1 G7S	1			Charcoal, (R7S)
	N330-1 G7C	1			Blue, (R7C)
	N330-1 G7R	1			Red, (R7R)
	N330-1 G7L	1			Taupe, (R7L)
	N638-9 G7S	1			Charcoal, (G7S)
	N638-9 G7C	1			Blue, (G7C)
	N638-9 G7L	1			Taupe, (G7L)
2					COVER, Cushion
					CLOTH
	N352-3 G7S	1			Charcoal, (R7S)
	N352-3 G7C	1			Blue, (R7C)
	N352-3 G7R	1			Red, (R7R)
	N352-3 G7L	1			Taupe, (R7L)
	N828-9 G7S	1			Charcoal, (G7S)
	N828-9 G7C	1			Blue, (G7C)
	N828-9 G7L	1			Taupe, (G7L)
3-4					BACK, w/Spring, Frame, Pad and Cover
					CLOTH
					(Use Up To 5-9-88)
	N634-5 G7S	1			Charcoal, (R7S)
	N634-5 G7C	1			Blue, (R7C)
	N634-5 G7R	1			Red, (R7R)
	N634-5 G7L	1			Taupe, (R7L)
					(Use After 5-9-88)
	N178-9 G7S	1			Charcoal, (R7S)
	N178-9 G7C	1			Blue, (R7C)
	N178-9 G7L	1			Taupe, (R7L)
	N178-9 G7R	1			Red, (R7R)
					(Use Up To 3-1-88)
	N726-7 G7S	1			Charcoal, (G7S)
	N726-7 G7C	1			Blue, (G7C)
	N726-7 G7L	1			Taupe, (G7L)
					(Use After 3-1-88)
	N182-3 G7S	1			Charcoal, (G7S)
	N182-3 G7C	1			Blue, (G7C)

MODEL CODES

C BODY = (D41 - DYNASTY)(C41 - NEW YORKER)
 E BODY = (J - CARAVELLE)(E - 600)(T - NEW YORKER TURBO)
 G BODY = (V24 - DAYTONA, PACIFICA & SHELBY)
 H BODY = (D44 - LANCER)(C44 - LEBARON GTS)
 J BODY = (C - LEBARON)
 K BODY = (P - RELIANT)(D - ARIES)(C - LEBARON/ TOWN & COUNTRY)

L BODY = (M - HORIZON)(Z-OMNI)
 M BODY = (B - GRAN FURY)(G - DIPLOMAT)(F - FIFTH AVENUE/NEWPORT)
 P BODY = (P - SUNDANCE)(D - SHADOW)
 Q BODY = (C27 - MASERATI)
 S BODY = (H - VOYAGER)(K - RAM VAN/ CARAVAN)

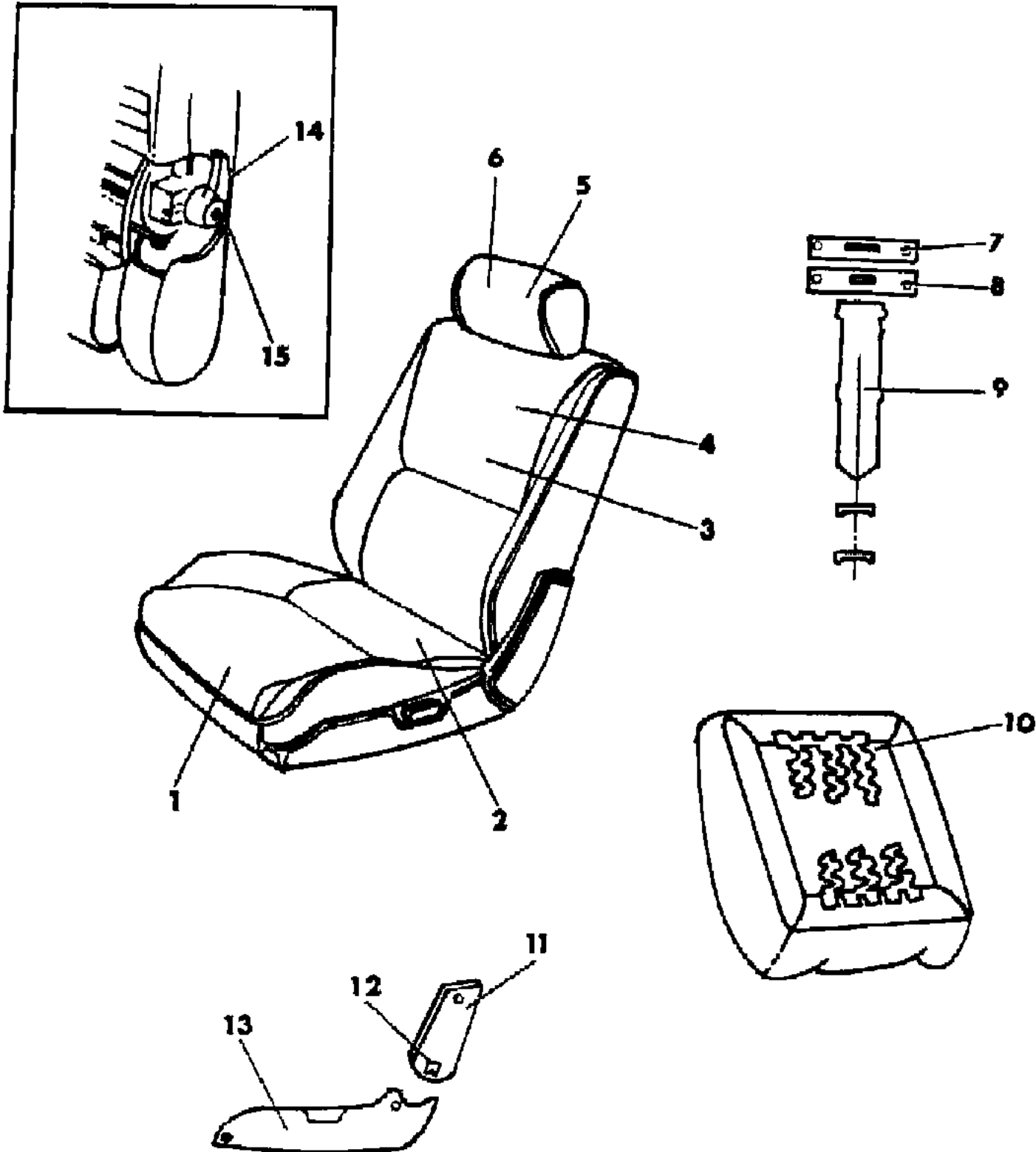
BODY STYLES

12-52 = FWD VAN & WAGON STD. W.B. 27 = 2-DOOR CONVERTIBLE
 13-53 = FWD VAN & WGN EXT W.B. 41 = 4-DOOR SEDAN
 21 = 2-DOOR SEDAN 44 = 4-DOOR HATCHBACK
 24 = 2-DOOR HATCHBACK 45 = 4-DOOR STATION WAGON

AR = Use as Required - = Non Illustrated Part P.A.R. = Paint as Required

SEAT FRONT P BODY TRIM CODE R7-G7
Figure ITP-1400

8232 1400 A



ITEM	PART NUMBER	QTY	BODY	MODEL	DESCRIPTION
	N182-3 G7L	1			Taupe, (G7L)
4					COVER, Back CLOTH (Use Up To 5-9-88)
	N350 G7S	2			Charcoal, (R7S)
	N350 G7C	2			Blue, (R7C)
	N350 G7R	2			Red, (R7R)
	N350 G7L	2			Taupe, (R7L) (Use After 5-9-88)
	B208-9 G7S	1			Charcoal, (R7S)
	B208-9 G7C	1			Blue, (R7C)
	B208-9 G7R	1			Red, (R7R)
	B208-9 G7L	1			Taupe, (R7L) (Use Up To 5-9-88)
	N826-7 G7S	1			Charcoal, (G7S)
	N826-7 G7C	1			Blue, (G7C)
	N826-7 G7L	1			Taupe, (G7L) (Use After 5-9-88)
	B214-5 G7S	1			Charcoal, (G7S)
	B214-5 G7C	1			Blue, (G7C)
	B214-5 G7L	1			Taupe, (G7L)
5					HEADREST and COVER
	N994 G7S	2			Charcoal, (R7S)
	N994 G7C	2			Blue, (R7C)
	N994 G7R	2			Red, (R7R)
	N994 G7L	2			Taupe, (R7L)
	N995 G7S	2			Charcoal, (G7S)
	N995 G7C	2			Blue, (G7C)
	N995 G7L	2			Taupe, (G7L)
6					COVER, Headrest
	N345 GSS	2			Charcoal, (R7S)
	N345 GCC	2			Blue, (R7C)
	N345 GRR	2			Red, (R7E)
	N345 GLL	2			Taupe, (R7L)
	N942 GSS	2			Charcoal, (G7S)
	N942 GCC	2			Blue, (G7C)
	N942 GLL	2			Taupe, (G7L)

MODEL CODES

C BODY = (D41 - DYNASTY)(C41 - NEW YORKER)
 E BODY = (J - CARAVELLE)(E - 600)(T - NEW YORKER TURBO)
 G BODY = (V24 - DAYTONA, PACIFICA & SHELBY)
 H BODY = (D44 - LANCER)(C44 - LEBARON GTS)
 J BODY = (C - LEBARON)
 K BODY = (P - RELIANT)(D - ARIES)(C - LEBARON/ TOWN & COUNTRY)

L BODY = (M - HORIZON)(Z-OMNI)
 M BODY = (B - GRAN FURY)(G - DIPLOMAT)(F - FIFTH AVENUE/NEWPORT)
 P BODY = (P - SUNDANCE)(D - SHADOW)
 Q BODY = (C27 - MASERATI)
 S BODY = (H - VOYAGER)(K - RAM VAN/ CARAVAN)

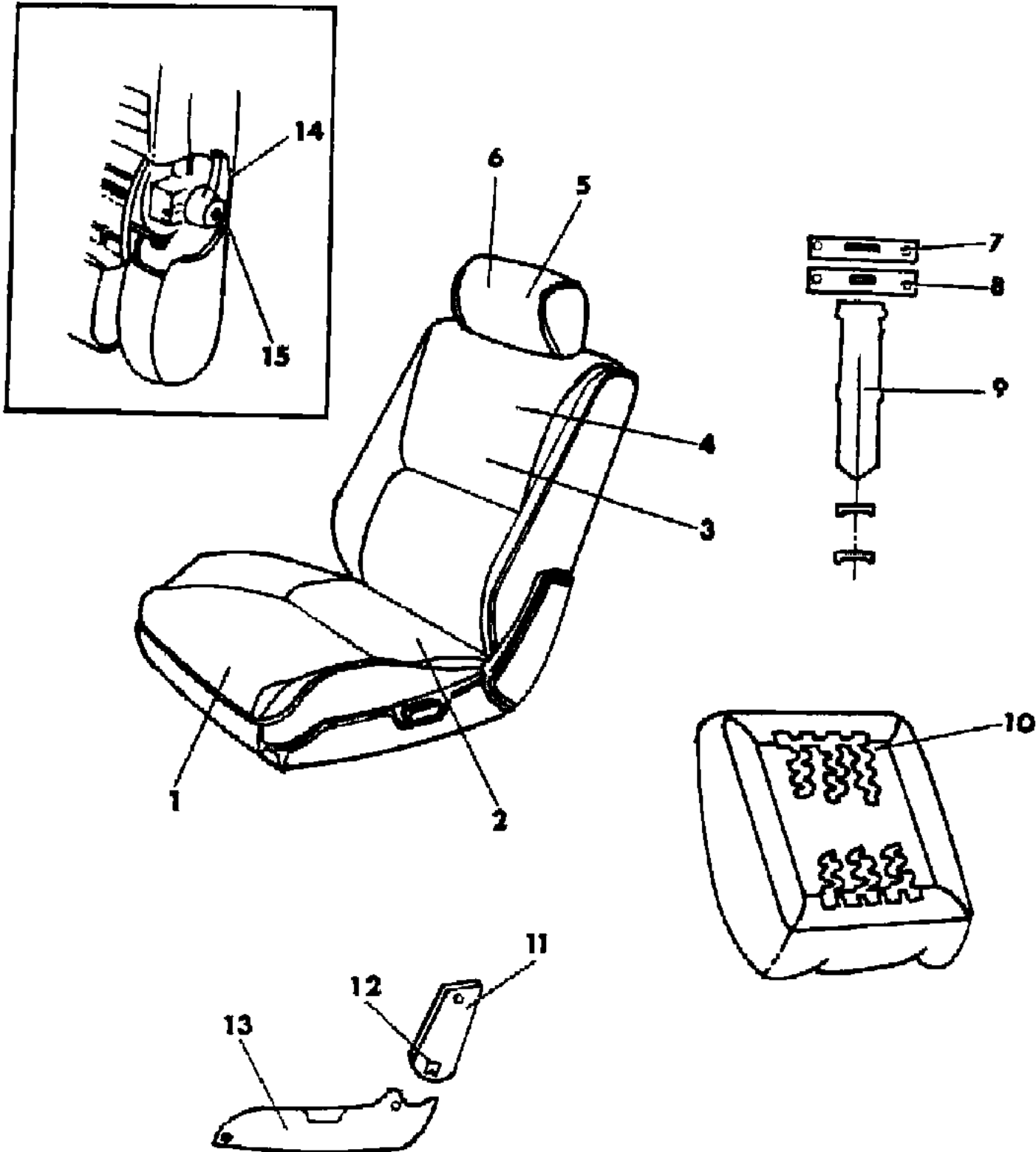
BODY STYLES

12-52 = FWD VAN & WAGON STD. W.B. 27 = 2-DOOR CONVERTIBLE
 13-53 = FWD VAN & WGN EXT W.B. 41 = 4-DOOR SEDAN
 21 = 2-DOOR SEDAN 44 = 4-DOOR HATCHBACK
 24 = 2-DOOR HATCHBACK 45 = 4-DOOR STATION WAGON

AR = Use as Required - = Non Illustrated Part P.A.R. = Paint as Required

SEAT FRONT P BODY TRIM CODE R7-G7
Figure ITP-1400

8232 1400 A



ITEM	PART NUMBER	QTY	BODY	MODEL	DESCRIPTION
7	4190 388	2			COVER, Headrest Finish
8	4190 387	2			SUPPORT, Headrest
9					SLEEVE, Headrest
	S786 CS8	2			Charcoal
	S786 EC5	2			Blue
	S786 GR8	2			Red
	S786 GL7	2			Taupe
	S283 GS8	2			Charcoal, (G7S)
	S283 GC5	2			Blue, (G7S)
	S283 GL7	2			Taupe, (G7L)
10	6008 076	AR			HOG RING
11					SHIELD, Back (P.A.R.) OUTER
	S604 GC5	1		24	Passenger Seat
	S605 GC5	1		24	Driver Seat
	S612 GC5	1		24	Passenger Seat, (G7C)
	S613 GC5	1		24	Driver Seat, (G7C)
	S610 GK1	1		44	Passenger Seat
	S611 GK1	1		44	Driver Seat
	S762 GL7	1		44	Passenger Seat, (G7L)
	S763 GL7	1		44	Drivers Seat, (G7L)
					INNER
	S605 GC5	1		24	Passenger Seat
	S604 GC5	1		24	Driver Seat
	S611 GK1	1		44	Passenger Seat
	S610 GK1	1		44	Driver Seat
12	4317 800	AR			CLIP
13					SHIELD, Cushion (P.A.R.) OUTER
	S764 GK1	1			Passenger Seat
	S765 GK1	1			Driver Seat
					INNER
	S765 GK1	1			Passenger Seat
	S764 GK1	1			Driver Seat
14	4402 957	1			HANDLE, Lumbar
15	6501 576	1			SCREW, Lumbar Handle

NOTE: (P.A.R.) = Paint As Required

MODEL CODES

C BODY = (D41 - DYNASTY)(C41 - NEW YORKER)
 E BODY = (J - CARAVELLE)(E - 600)(T - NEW YORKER TURBO)
 G BODY = (V24 - DAYTONA, PACIFICA & SHELBY)
 H BODY = (D44 - LANCER)(C44 - LEBARON GTS)
 J BODY = (C - LEBARON)
 K BODY = (P - RELIANT)(D - ARIES)(C - LEBARON/ TOWN & COUNTRY)

L BODY = (M - HORIZON)(Z-OMNI)
 M BODY = (B - GRAN FURY)(G - DIPLOMAT)(F - FIFTH AVENUE/NEWPORT)
 P BODY = (P - SUNDANCE)(D - SHADOW)
 Q BODY = (C27 - MASERATI)
 S BODY = (H - VOYAGER)(K - RAM VAN/ CARAVAN)

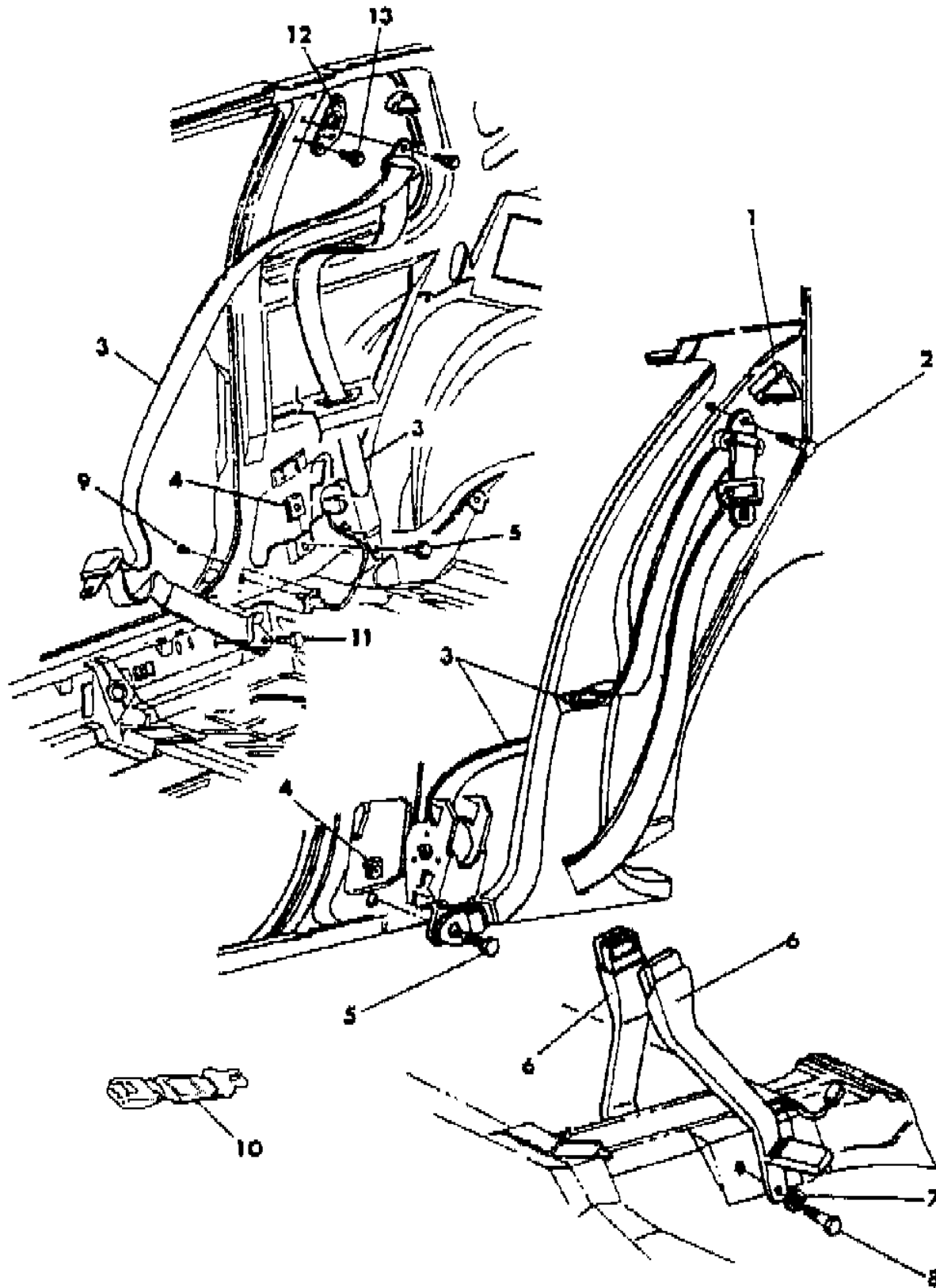
BODY STYLES

12-52 = FWD VAN & WAGON STD. W.B. 27 = 2-DOOR CONVERTIBLE
 13-53 = FWD VAN & WGN EXT W.B. 41 = 4-DOOR SEDAN
 21 = 2-DOOR SEDAN 44 = 4-DOOR HATCHBACK
 24 = 2-DOOR HATCHBACK 45 = 4-DOOR STATION WAGON

AR = Use as Required - = Non Illustrated Part P.A.R. = Paint as Required

BELT FRONT SEAT - MANUAL P BODY
Figure ITP-1500

8232 1500 A



ITEM	PART NUMBER	QTY	BODY	MODEL	DESCRIPTION
1					COVER, Turning Loop
	F700 FS8	2			Charcoal
	F700 EC5	2			Blue
	F700 GR8	2			Red
	F700 GL7	2			Taupe
2	6031 216	1			BOLT, (Add 4490660-1 Brkt. Seat Belt Mounting - See Item 12)
3					BELT, Lap and Shoulder Tip Outer
					Label Number 4476186, Right
	F986 GS8	1	24		Charcoal
	F986 FC5	1	24		Blue
	F592 HR8	1	24		Red
	F986 GL7	1	24		Taupe
					Label Number 4476187, Left
	F987 GS8	1	24		Charcoal
	F987 FC5	1	24		Blue
	F593 HR8	1	24		Red
	F987 GL7	1	24		Taupe
					Label Number 4477630-1
	F822-3 GS8	1	44		Charcoal
	F822-3 GC5	1	44		Blue
	F822-3 GR8	1	44		Red
	F822-3 GL7		44		Taupe
					PLUG, Qtr. Panel Lap Belt Slot (EUROPEAN)
	K996-7 GS8	1	24		Charcoal
	K996-7 GC5	1	24		Blue
	K996-7 GR8	1	24		Red
	K996-7 GL7	1	24		Taupe
4	6032 353	2			NUT and RETAINER
5	6031 484	2			BOLT, Retractor
6					BELT, Buckle Inner
					Label Number 4402158-9
	F868-9 GS8	1			Charcoal
	F868-9 GC5	1			Blue
	F868-9 GR8	1			Red
	F868-9 GL7	1			Taupe
					BELT, Inner Front (EUROPEAN)
	4477 154	1			Right

MODEL CODES

C BODY = (D41 - DYNASTY)(C41 - NEW YORKER)	L BODY = (M - HORIZON)(Z-OMNI)
E BODY = (J - CARAVELLE)(E - 600)(T - NEW YORKER TURBO)	M BODY = (B - GRAN FURY)(G - DIPLOMAT)(F - FIFTH AVENUE/NEWPORT)
G BODY = (V24 - DAYTONA, PACIFICA & SHELBY)	P BODY = (P - SUNDANCE)(D - SHADOW)
H BODY = (D44 - LANCER)(C44 - LEBARON GTS)	Q BODY = (C27 - MASERATI)
J BODY = (C - LEBARON)	S BODY = (H - VOYAGER)(K - RAM VAN/ CARAVAN)
K BODY = (P - RELIANT)(D - ARIES)(C - LEBARON/ TOWN & COUNTRY)	

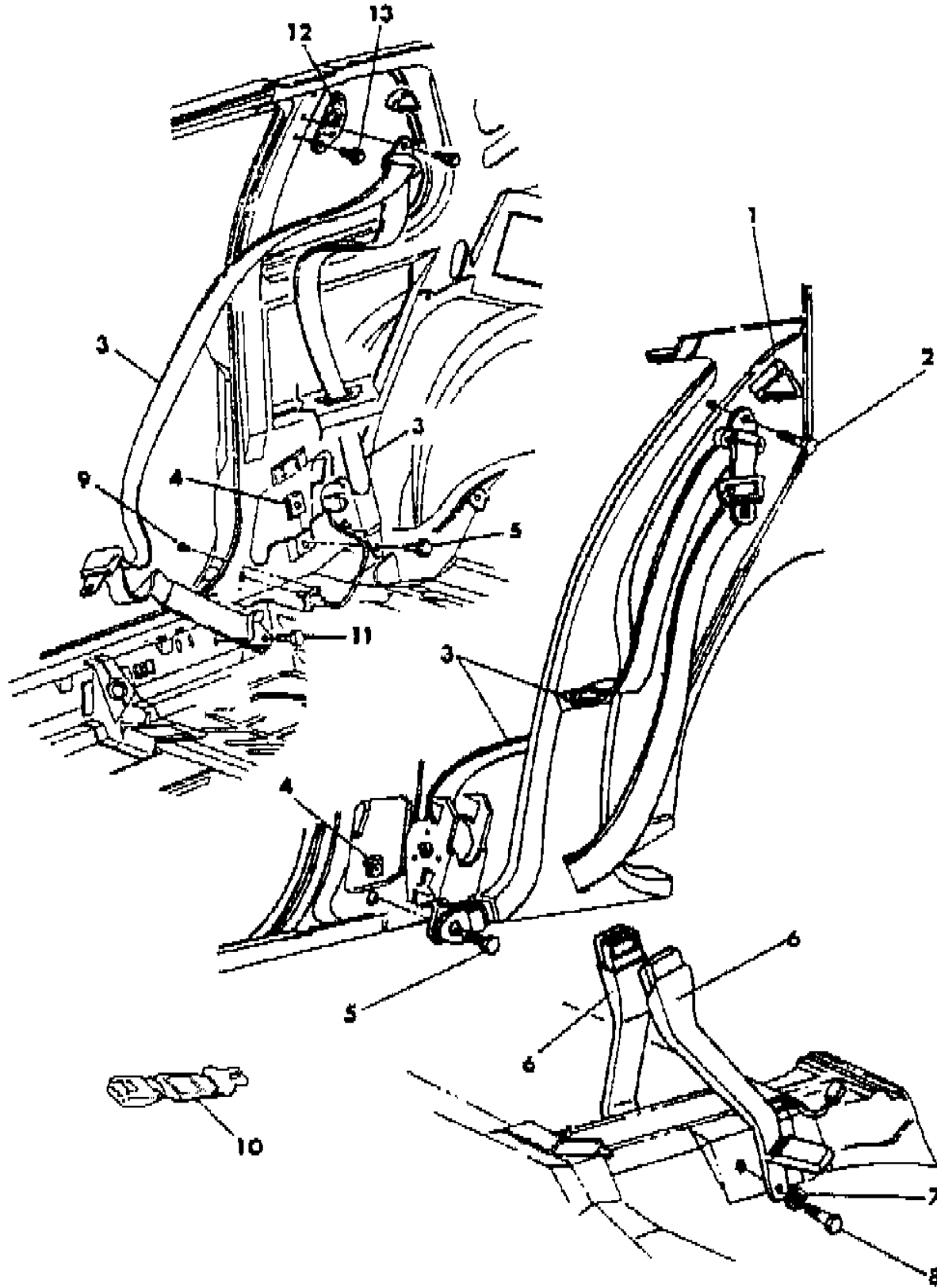
BODY STYLES

12-52 = FWD VAN & WAGON STD. W.B.	27 = 2-DOOR CONVERTIBLE
13-53 = FWD VAN & WGN EXT W.B.	41 = 4-DOOR SEDAN
21 = 2-DOOR SEDAN	44 = 4-DOOR HATCHBACK
24 = 2-DOOR HATCHBACK	45 = 4-DOOR STATION WAGON

AR = Use as Required - = Non Illustrated Part P.A.R. = Paint as Required

BELT FRONT SEAT - MANUAL P BODY
Figure ITP-1500

8232 1500 A



ITEM	PART NUMBER	QTY	BODY	MODEL	DESCRIPTION
	4477 155	1			Left
7		2			WASHER, (Not Serv.)
8	6031 298	2			BOLT
9					SCREW, (10-16x3/4) (Not Serv.)
10	4402 887	AR			EXTENDER
11	6031 484	AR			BOLT
12	4490 660-1	1			BRACKET, Shoulder Belt Anchor Upper
13	6031 216	2			SCREW and WASHER

MODEL CODES

C BODY = (D41 - DYNASTY)(C41 - NEW YORKER)	L BODY = (M - HORIZON)(Z-OMNI)
E BODY = (J - CARAVELLE)(E - 600)(T - NEW YORKER TURBO)	M BODY = (B - GRAN FURY)(G - DIPLOMAT)(F - FIFTH AVENUE/NEWPORT)
G BODY = (V24 - DAYTONA, PACIFICA & SHELBY)	P BODY = (P - SUNDANCE)(D - SHADOW)
H BODY = (D44 - LANCER)(C44 - LEBARON GTS)	Q BODY = (C27 - MASERATI)
J BODY = (C - LEBARON)	S BODY = (H - VOYAGER)(K - RAM VAN/ CARAVAN)
K BODY = (P - RELIANT)(D - ARIES)(C - LEBARON/ TOWN & COUNTRY)	

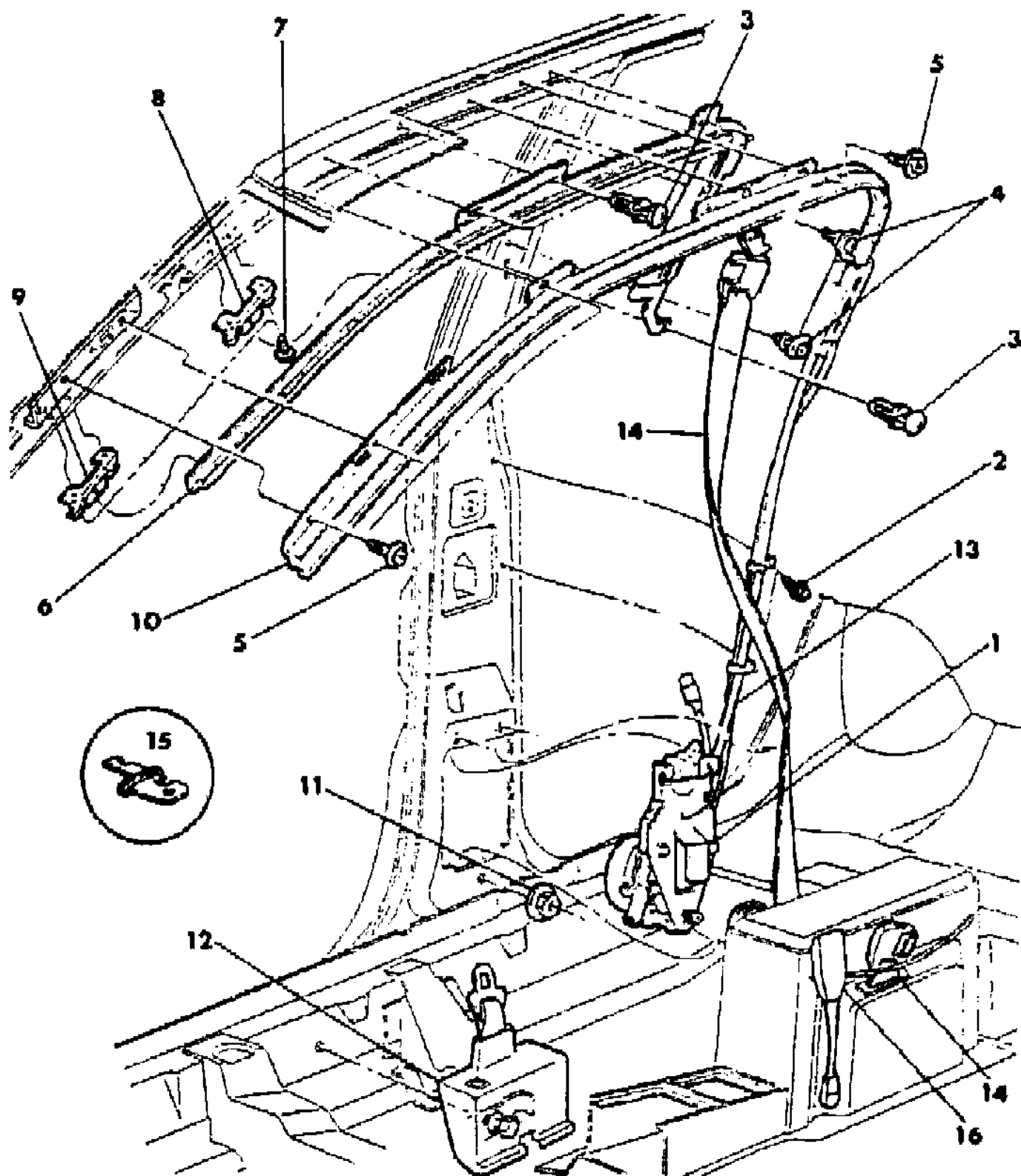
BODY STYLES

12-52 = FWD VAN & WAGON STD. W.B.	27 = 2-DOOR CONVERTIBLE
13-53 = FWD VAN & WGN EXT W.B.	41 = 4-DOOR SEDAN
21 = 2-DOOR SEDAN	44 = 4-DOOR HATCHBACK
24 = 2-DOOR HATCHBACK	45 = 4-DOOR STATION WAGON

AR = Use as Required - = Non Illustrated Part P.A.R. = Paint as Required

BELT PASSIVE RESTRAINT - MOTORIZED P BODY
Figure ITP-1550

8232 1550A



ITEM	PART NUMBER	QTY	BODY	MODEL	DESCRIPTION
1					RAIL and DRIVE ASSEMBLY
	4476 574-5	1		24	
	4476 580-1	1		44	
2		2			SCREW, (Not Serv.)
3	6027 479	8			FASTENER, Upper Garnish Moulding
4		AR			SCREW, Low Head Socket Cap (Not Serv.)
5		4			SCREW, Rail To Roof (Not Serv.)
6					MOULDING, Door Opening Upper Garnish (P.A.R.)
	V384-5 GL7	1		24	
	V386-7 GL7	1		44	(P.A.R.)
7		AR			SCREW, (Not Serv.)
8	4453 518	2			RETAINER, Upper Garnish To Upper Pillar
9	4453 986	2			RETAINER, Upper Garnish To Lower Pillar
10					RAIL, Drive Assy (Serviced In Item 1)
11	6100 518	2			NUT, Drive Motor Attaching
12					RETRACTOR, Front Seat Lap Belt Outer Label Number 4476570-1
	F652-3 GS8	1			Charcoal
	F652-3 GC5	1			Blue
	F652-3 GR8	1			Red
	F652-3 GL7	1			Taupe
13	4364 393	1			CONVOLUTE
14					BELT, Front Seat Shoulder - w/Bezel (Comes With Switch)
	F818-9 GS8	1			Charcoal
	F818-9 GC5	1			Blue
	F818-9 GR8	1			Red
	F818-9 GL7	1			Taupe
15	4476 569	2			TIP, Front Seat Belt Auxiliary
16					LAP BUCKLE, Front Console Mounting
	F820-1 GS8	1			Charcoal
	F820-1 GC5	1			Blue
	F820-1 GR8	1			Red
	F820-1 GL7	1			Taupe

NOTE: (P.A.R.) = Paint As Required

MODEL CODES

C BODY = (D41 - DYNASTY)(C41 - NEW YORKER)	L BODY = (M - HORIZON)(Z-OMNI)
E BODY = (J - CARAVELLE)(E - 600)(T - NEW YORKER TURBO)	M BODY = (B - GRAN FURY)(G - DIPLOMAT)(F - FIFTH AVENUE/NEWPORT)
G BODY = (V24 - DAYTONA, PACIFICA & SHELBY)	P BODY = (P - SUNDANCE)(D - SHADOW)
H BODY = (D44 - LANCER)(C44 - LEBARON GTS)	Q BODY = (C27 - MASERATI)
J BODY = (C - LEBARON)	S BODY = (H - VOYAGER)(K - RAM VAN/ CARAVAN)
K BODY = (P - RELIANT)(D - ARIES)(C - LEBARON/ TOWN & COUNTRY)	

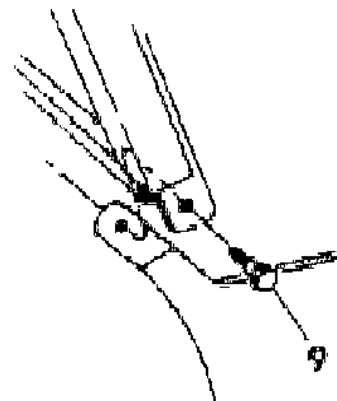
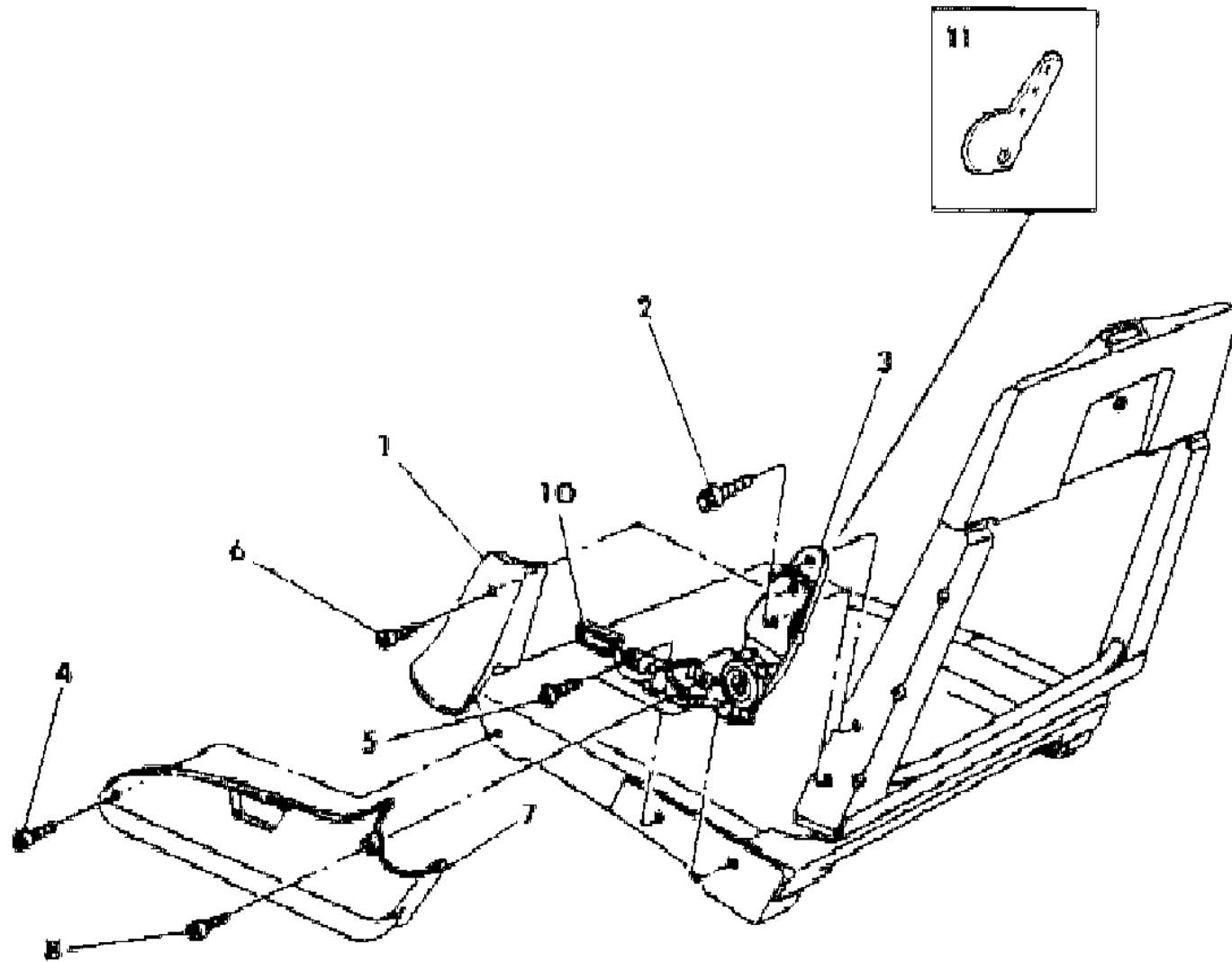
BODY STYLES

12-52 = FWD VAN & WAGON STD. W.B.	27 = 2-DOOR CONVERTIBLE
13-53 = FWD VAN & WGN EXT W.B.	41 = 4-DOOR SEDAN
21 = 2-DOOR SEDAN	44 = 4-DOOR HATCHBACK
24 = 2-DOOR HATCHBACK	45 = 4-DOOR STATION WAGON

AR = Use as Required - = Non Illustrated Part P.A.R. = Paint as Required

SEAT-RECLINING P BODY
Figure ITP-1600

8232 1600



ITEM	PART NUMBER	QTY	BODY	MODEL	DESCRIPTION
1					SHIELD, Back (P.A.R.)
	S604-5 GK1	1		24	
	S610-1 GK1	1		44	
2	6501 222	AR			SCREW
3					RECLINER
	4402 188	1		24	Passenger Seat
	4402 189	1		24	Driver Seat
	4402 890	1		24	Passenger Seat, (G7)
	4402 891	1		24	Driver Seat, (G7)
	4402 190	1		44	Passenger Seat
	4402 191	1		44	Driver Seat
	4477 364-5	1			RECLINER, Thin (EUROPEAN)
4		AR			SCREW, (8-18x1.00) (Not Serv.)
5	6500 558	AR			SCREW
6		AR			SCREW, (8-18x1.75) (Not Serv.)
7	S764-5 GK1	1			SHIELD, Cushion (P.A.R.)
8	6032 456	AR			SCREW
9	6501 346	2			BOLT
10					LEVER, Recliner Release, (Serv. In Item 3)
11	4327 671	2			PROTECTOR

NOTE: (P.A.R.) = Paint As Required

MODEL CODES

C BODY = (D41 - DYNASTY)(C41 - NEW YORKER)	L BODY = (M - HORIZON)(Z-OMNI)
E BODY = (J - CARAVELLE)(E - 600)(T - NEW YORKER TURBO)	M BODY = (B - GRAN FURY)(G - DIPLOMAT)(F - FIFTH AVENUE/NEWPORT)
G BODY = (V24 - DAYTONA, PACIFICA & SHELBY)	P BODY = (P - SUNDANCE)(D - SHADOW)
H BODY = (D44 - LANCER)(C44 - LEBARON GTS)	Q BODY = (C27 - MASERATI)
J BODY = (C - LEBARON)	S BODY = (H - VOYAGER)(K - RAM VAN/ CARAVAN)
K BODY = (P - RELIANT)(D - ARIES)(C - LEBARON/ TOWN & COUNTRY)	

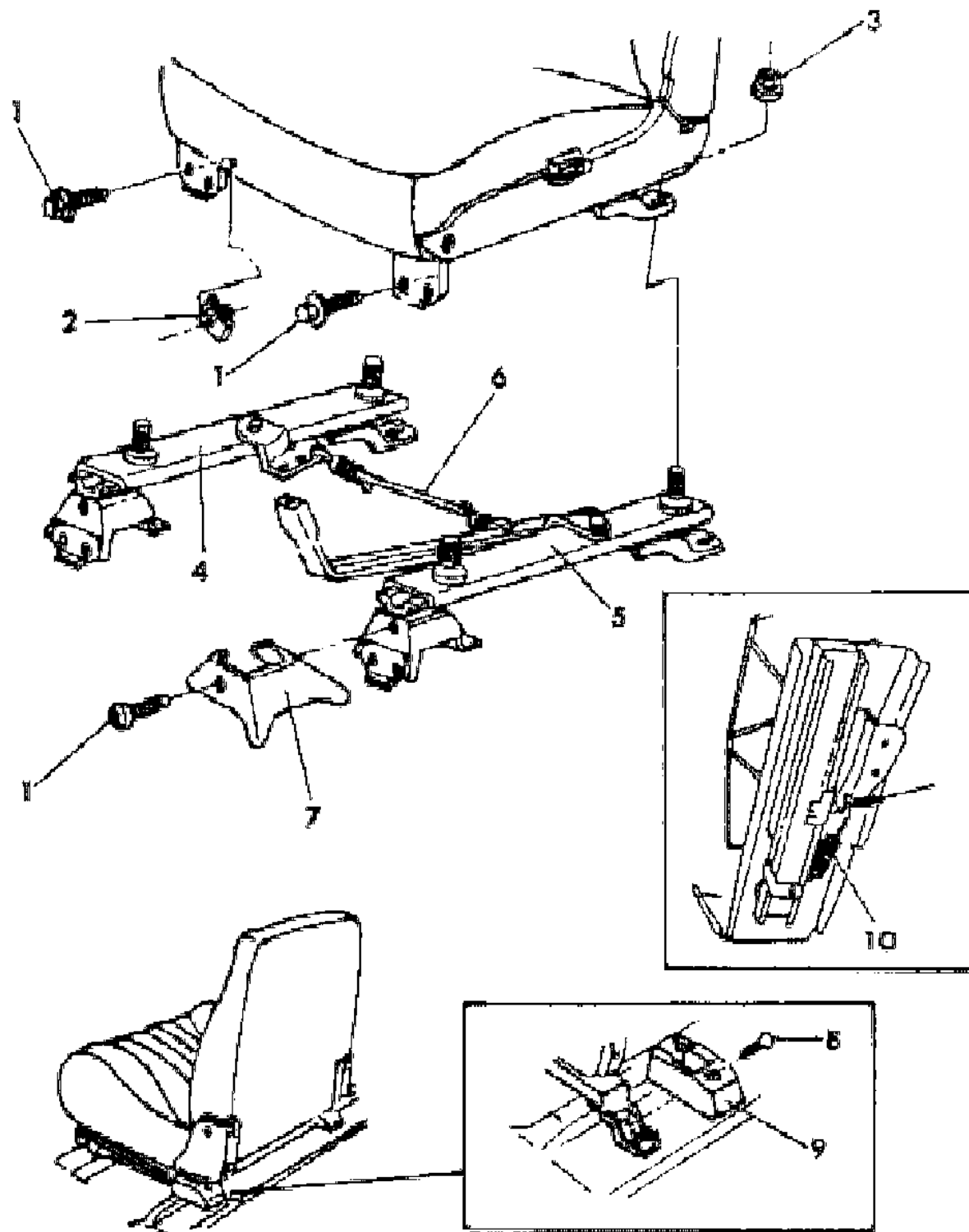
BODY STYLES

12-52 = FWD VAN & WAGON STD. W.B.	27 = 2-DOOR CONVERTIBLE
13-53 = FWD VAN & WGN EXT W.B.	41 = 4-DOOR SEDAN
21 = 2-DOOR SEDAN	44 = 4-DOOR HATCHBACK
24 = 2-DOOR HATCHBACK	45 = 4-DOOR STATION WAGON

AR = Use as Required - = Non Illustrated Part P.A.R. = Paint as Required

ADJUSTER--MANUAL AND COVERS P BODY
Figure ITP-1700

8232 1700



ITEM	PART NUMBER	QTY	BODY	MODEL	DESCRIPTION
1		AR			SCREW and WASHER, (m8-1.25x30) (Not Serv.)
2	6101 283	AR			U-NUT
3	6501 279	AR			NUT
4					ADJUSTER, Inner
	4380 330	1			Passenger
	4380 331	1			Driver
5					ADJUSTER, Outer
	4380 328	1			Passenger
	4380 329	1			Driver
6	4380 285	1			WIRE, Adjuster
7					COVER, Front Outer
	S982-3 GS8	1			Charcoal
	S982-3 GC5	1			Blue
	S982-3 GR8	1			Red
	S982-3 GL7	1			Taupe
8		AR			SCREW, (8-18x3/4) (Not Serv.)
9					COVER, Rear Outer
					Passenger & Driver
	S636 GS8	1			Charcoal
	S636 GC5	1			Blue
	S636 GR8	1			Red
	S636 GL7	1			Taupe
10					SPRING, Latch Return
	4402 213	2			Outboard
	4402 216	2			Inboard

MODEL CODES

C BODY = (D41 - DYNASTY)(C41 - NEW YORKER)	L BODY = (M - HORIZON)(Z-OMNI)
E BODY = (J - CARAVELLE)(E - 600)(T - NEW YORKER TURBO)	M BODY = (B - GRAN FURY)(G - DIPLOMAT)(F - FIFTH AVENUE/NEWPORT)
G BODY = (V24 - DAYTONA, PACIFICA & SHELBY)	P BODY = (P - SUNDANCE)(D - SHADOW)
H BODY = (D44 - LANCER)(C44 - LEBARON GTS)	Q BODY = (C27 - MASERATI)
J BODY = (C - LEBARON)	S BODY = (H - VOYAGER)(K - RAM VAN/ CARAVAN)
K BODY = (P - RELIANT)(D - ARIES)(C - LEBARON/ TOWN & COUNTRY)	

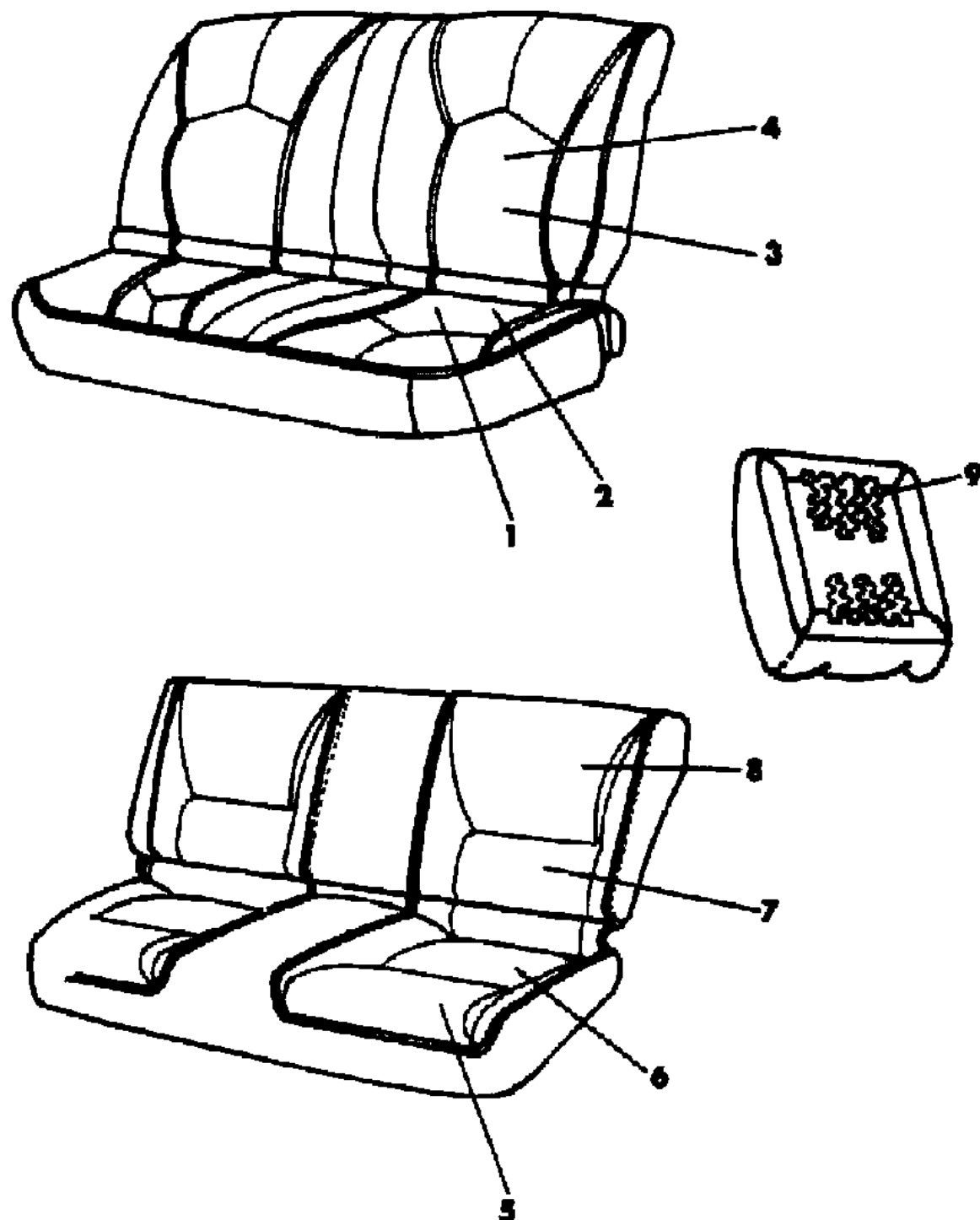
BODY STYLES

12-52 = FWD VAN & WAGON STD. W.B.	27 = 2-DOOR CONVERTIBLE
13-53 = FWD VAN & WGN EXT W.B.	41 = 4-DOOR SEDAN
21 = 2-DOOR SEDAN	44 = 4-DOOR HATCHBACK
24 = 2-DOOR HATCHBACK	45 = 4-DOOR STATION WAGON

AR = Use as Required - = Non Illustrated Part P.A.R. = Paint as Required

SEAT--REAR P BODY TRIM CODES H7-R7-G7
Figure ITP-1800

8232 1800 B



ITEM	PART NUMBER	QTY	BODY	MODEL	DESCRIPTION
1-2					CUSHION, w/Spring, Frame, Pad and Cover
	N524 G7S	1			CLOTH Charcoal, (H7S)
	N524 E7C	1			Blue, (H7C)
	N524 G7R	1			Red, (H7R)
	N524 G7L	1			Taupe, (H7L)
2					COVER, Cushion
	N018 G7S	1			CLOTH Charcoal, (H7S)
	N018 E7C	1			Blue, (H7C)
	N018 G7R	1			Red, (H7R)
	N018 G7L	1			Taupe, (H7L)
3-4					BACK, w/Spring/Frame, Pad and Cover
	N525 G7S	1			CLOTH (Use Up To 3-28-88) Charcoal, (H7S)
	N525 E7C	1			Blue, (H7C)
	N525 G7R	1			Red, (H7R)
	N525 G7L	1			Taupe, (H7L) (Use After 3-28-88)
	N611 G7S	1			Charcoal, (H7S)
	N611 E7C	1			Blue, (H7C)
	N611 G7R	1			Red, (H7R)
	N611 G7L	1			Taupe, (H7L)
4					COVER, Back
	N017 G7S	1			CLOTH Charcoal, (H7S)
	N017 E7C	1			Blue, (H7C)
	N017 G7R	1			Red, (H7R)
	N017 G7L	1			Taupe, (H7L)
5-6					CUSHION, w/Spring/Frame, Pad and Cover
	N332 G7S	1			CLOTH Charcoal, (R7S)
	N332 G7C	1			Blue, (R7C)
	N332 G7R	1			Red, (R7R)
	N332 G7L	1			Taupe, (R7L)
	N610 G7S	1			Charcoal, (G7S)

MODEL CODES

C BODY = (D41 - DYNASTY)(C41 - NEW YORKER)
E BODY = (J - CARAVELLE)(E - 600)(T - NEW YORKER TURBO)
G BODY = (V24 - DAYTONA, PACIFICA & SHELBY)
H BODY = (D44 - LANCER)(C44 - LEBARON GTS)
J BODY = (C - LEBARON)
K BODY = (P - RELIANT)(D - ARIES)(C - LEBARON/ TOWN & COUNTRY)

L BODY = (M - HORIZON)(Z-OMNI)
M BODY = (B - GRAN FURY)(G - DIPLOMAT)(F - FIFTH AVENUE/NEWPORT)
P BODY = (P - SUNDANCE)(D - SHADOW)
Q BODY = (C27 - MASERATI)
S BODY = (H - VOYAGER)(K - RAM VAN/ CARAVAN)

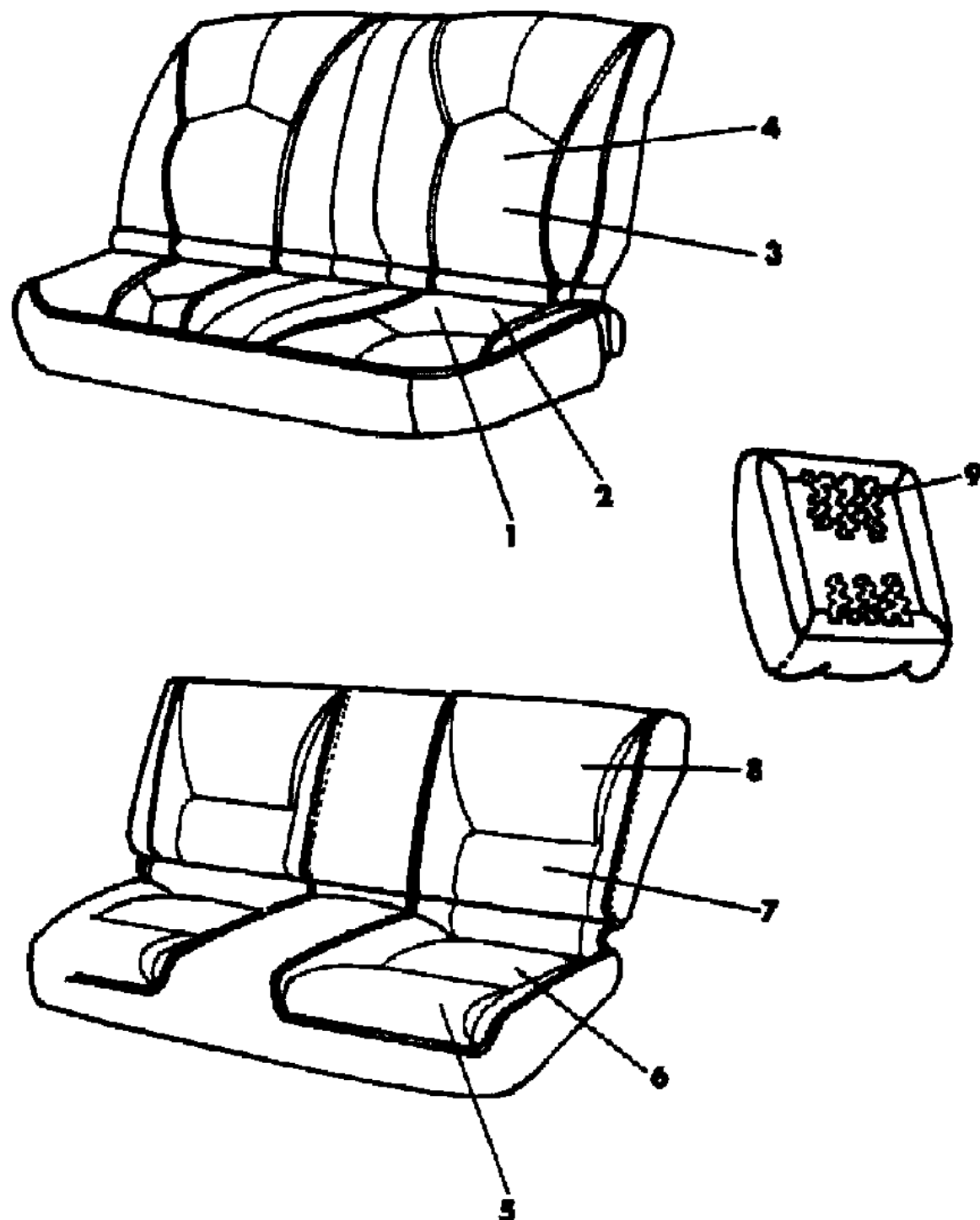
BODY STYLES

12-52 = FWD VAN & WAGON STD. W.B. 27 = 2-DOOR CONVERTIBLE
13-53 = FWD VAN & WGN EXT W.B. 41 = 4-DOOR SEDAN
21 = 2-DOOR SEDAN 44 = 4-DOOR HATCHBACK
24 = 2-DOOR HATCHBACK 45 = 4-DOOR STATION WAGON

AR = Use as Required - = Non Illustrated Part P.A.R. = Paint as Required

SEAT--REAR P BODY TRIM CODES H7-R7-G7
Figure ITP-1800

8232 1800 B



ITEM	PART NUMBER	QTY	BODY	MODEL	DESCRIPTION
6	N610 G7C	1			Blue, (G7C)
	N610 G7L	1			Taupe, (G7L)
					COVER, Cushion CLOTH
	N354 G7S	1			Charcoal, (R7S)
	N354 G7C	1			Blue, (R7C)
	N354 G7R	1			Red, (R7R)
7-8	N354 G7L	1			Taupe, (R7L)
	N392 G7S	1			Charcoal, (G7S)
	N392 G7C	1			Blue, (G7C)
	N392 G7L	1			Taupe, (G7L)
					BACK, w/Spring/Frame, Pad and Cover CLOTH
					(Use UP To 3-28-88)
	N232-3 G7S	1			Charcoal, (R7S)
	N232-3 G7C	1			Blue, (R7C)
	N232-3 G7R	1			Red, (R7R)
	N232-3 G7L	1			Taupe, (R7L)
					(Use After 3-28-88)
	N856-7 G7S	1			Charcoal, (R7S)
	N856-7 G7C	1			Blue, (R7C)
	N856-7 G7R	1			Red, (R7R)
	N856-7 G7L	1			Taupe, (R7L)
					(Use Up To 3-1-88)
8	N234-5 G7S	1			Charcoal, (G7S)
	N234-5 G7C	1			Blue, (G7C)
	N234-5 G7L	1			Taupe, (G7L)
					(Use After 3-1-88)
	N884-5 G7S	1			Charcoal, (G7S)
	N884-5 G7C	1			Blue, (G7C)
	N884-5 G7L	1			Taupe, (G7L)
					COVER, Back CLOTH
	N228-9 G7S	1			Charcoal, (R7S)
	N228-9 G7C	1			Blue, (R7C)
	N228-9 G7R	1			Red, (R7R)
	N228-9 G7L	1			Taupe, (R7L)

MODEL CODES

C BODY = (D41 - DYNASTY)(C41 - NEW YORKER)
 E BODY = (J - CARAVELLE)(E - 600)(T - NEW YORKER TURBO)
 G BODY = (V24 - DAYTONA, PACIFICA & SHELBY)
 H BODY = (D44 - LANCER)(C44 - LEBARON GTS)
 J BODY = (C - LEBARON)
 K BODY = (P - RELIANT)(D - ARIES)(C - LEBARON/ TOWN & COUNTRY)

L BODY = (M - HORIZON)(Z-OMNI)
 M BODY = (B - GRAN FURY)(G - DIPLOMAT)(F - FIFTH AVENUE/NEWPORT)
 P BODY = (P - SUNDANCE)(D - SHADOW)
 Q BODY = (C27 - MASERATI)
 S BODY = (H - VOYAGER)(K - RAM VAN/ CARAVAN)

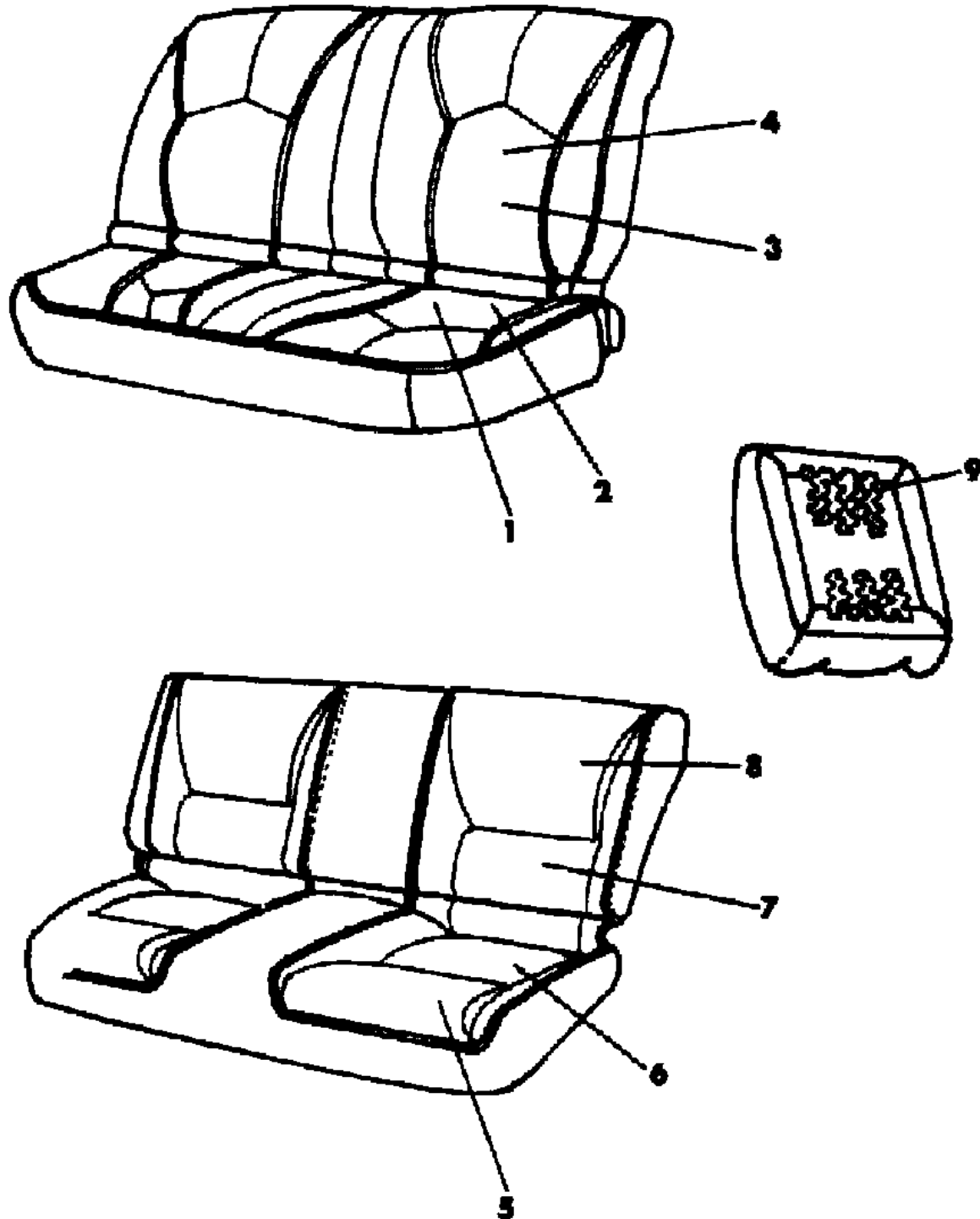
BODY STYLES

12-52 = FWD VAN & WAGON STD. W.B. 27 = 2-DOOR CONVERTIBLE
 13-53 = FWD VAN & WGN EXT W.B. 41 = 4-DOOR SEDAN
 21 = 2-DOOR SEDAN 44 = 4-DOOR HATCHBACK
 24 = 2-DOOR HATCHBACK 45 = 4-DOOR STATION WAGON

AR = Use as Required - = Non Illustrated Part P.A.R. = Paint as Required

SEAT--REAR P BODY TRIM CODES H7-R7-G7
Figure ITP-1800

8232 1800 B



ITEM	PART NUMBER	QTY	BODY	MODEL	DESCRIPTION
					(Use Up To 3-1-88)
	N490-1 G7S	1			Charcoal, (G7S)
	N490-1 G7C	1			Blue, (G7C)
	N490-1 G7L	1			Taupe, (G7L)
					(Use After 3-1-88)
	N340-1 G7S	1			Charcoal, (G7S)
	N340-1 G7C	1			Blue, (G7C)
	N340-1 G7L	1			Taupe, (G7L)
9	6008 076	AR			HOG RING

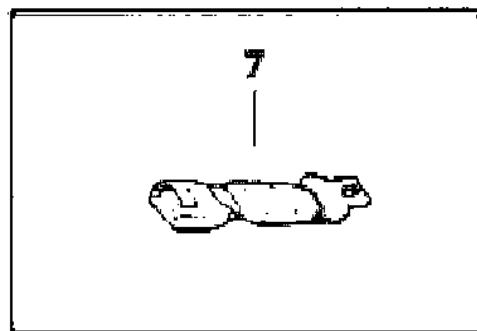
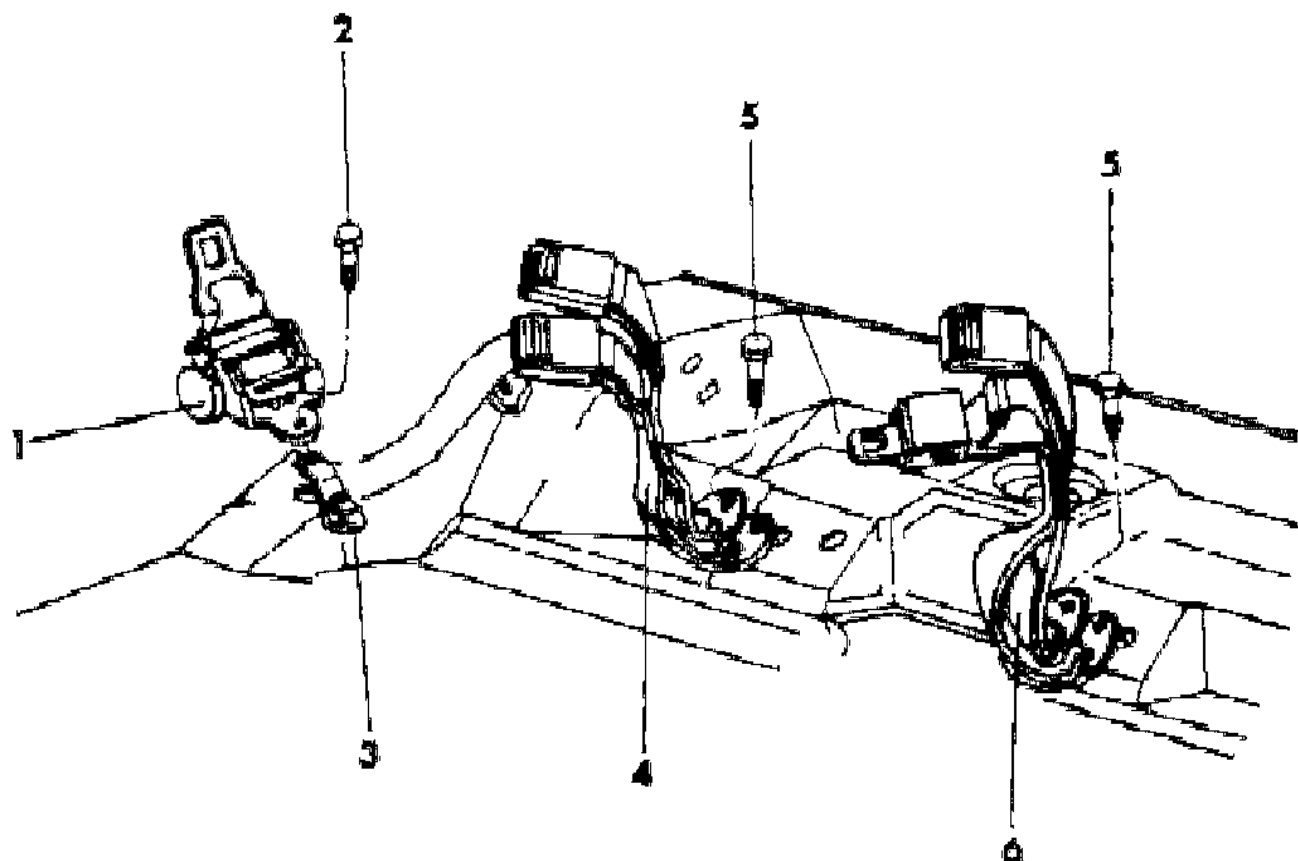
MODEL CODES
 C BODY = (D41 - DYNASTY)(C41 - NEW YORKER)
 E BODY = (J - CARAVELLE)(E - 600)(T - NEW YORKER TURBO)
 G BODY = (V24 - DAYTONA, PACIFICA & SHELBY)
 H BODY = (D44 - LANCER)(C44 - LEBARON GTS)
 J BODY = (C - LEBARON)
 K BODY = (P - RELIANT)(D - ARIES)(C - LEBARON/ TOWN & COUNTRY)
 L BODY = (M - HORIZON)(Z-OMNI)
 M BODY = (B - GRAN FURY)(G - DIPLOMAT)(F - FIFTH AVENUE/NEWPORT)
 P BODY = (P - SUNDANCE)(D - SHADOW)
 Q BODY = (C27 - MASERATI)
 S BODY = (H - VOYAGER)(K - RAM VAN/ CARAVAN)

BODY STYLES
 12-52 = FWD VAN & WAGON STD. W.B. 27 = 2-DOOR CONVERTIBLE
 13-53 = FWD VAN & WGN EXT W.B. 41 = 4-DOOR SEDAN
 21 = 2-DOOR SEDAN 44 = 4-DOOR HATCHBACK
 24 = 2-DOOR HATCHBACK 45 = 4-DOOR STATION WAGON

AR = Use as Required - = Non Illustrated Part P.A.R. = Paint as Required

BELT--REAR SEAT P BODY
Figure ITP-1900

8232 1900



ITEM	PART NUMBER	QTY	BODY	MODEL	DESCRIPTION
1					BELT, Outboard Tip Half
					Label Number 4327248
	F830 GS8	2			Charcoal
	F830 EC5	2			Blue
	F830 GR8	2			Red
	F830 GL7	2			Taupe
					BELT, Rear Outer (EUROPEAN)
	4477 194	1			Right
	4477 195	1			Left
2	6031 484				BOLT
3					CLIP, Wiring (Not Serv.)
4					BELT, Inner Lap Inner Buckle Half
					Label Number 4420476
	F956 GS8	1			Charcoal
	F956 EC5	1			Blue
	F956 GR8	1			Red
	F956 GL7	1			Taupe
5	6031 298	2			BOLT
					ANCHOR, Belt Shoulder Swivel (EUROPEAN)
	4490 618	1			Right
	4490 619	1			Left
					ANCHOR, Belt Shoulder Retractor (EUROPEAN)
	4490 628	1			Right
	4490 629	1			Left
6					BELT, Lap Buckle and Tip
					Label Number 4402477
	F957 GS8	1			Charcoal
	F957 EC5	1			Blue
	F957 GR8	1			Red
	F957 GL7	1			Taupe
7	4402 887	1			EXTENSION, Seat Belt
-	4519 292	1			TETHER, Anchor Pkg. ***

MODEL CODES

C BODY = (D41 - DYNASTY)(C41 - NEW YORKER)	L BODY = (M - HORIZON)(Z-OMNI)
E BODY = (J - CARAVELLE)(E - 600)(T - NEW YORKER TURBO)	M BODY = (B - GRAN FURY)(G - DIPLOMAT)(F - FIFTH AVENUE/NEWPORT)
G BODY = (V24 - DAYTONA, PACIFICA & SHELBY)	P BODY = (P - SUNDANCE)(D - SHADOW)
H BODY = (D44 - LANCER)(C44 - LEBARON GTS)	Q BODY = (C27 - MASERATI)
J BODY = (C - LEBARON)	S BODY = (H - VOYAGER)(K - RAM VAN/ CARAVAN)
K BODY = (P - RELIANT)(D - ARIES)(C - LEBARON/ TOWN & COUNTRY)	

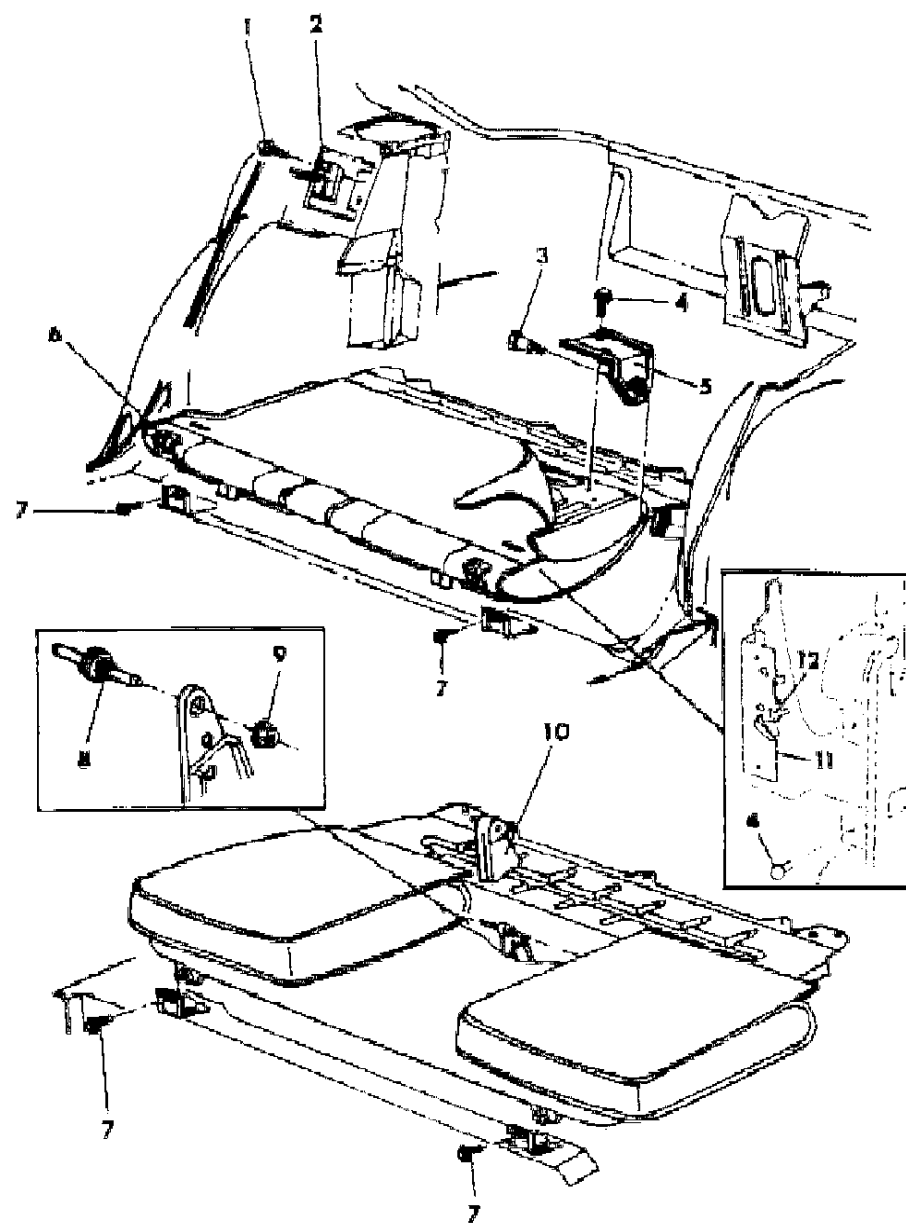
BODY STYLES

12-52 = FWD VAN & WAGON STD. W.B.	27 = 2-DOOR CONVERTIBLE
13-53 = FWD VAN & WGN EXT W.B.	41 = 4-DOOR SEDAN
21 = 2-DOOR SEDAN	44 = 4-DOOR HATCHBACK
24 = 2-DOOR HATCHBACK	45 = 4-DOOR STATION WAGON

AR = Use as Required - = Non Illustrated Part P.A.R. = Paint as Required

SEAT--REAR FOLD DOWN P BODY
Figure ITP-2000

8232 2000



ITEM	PART NUMBER	QTY	BODY	MODEL	DESCRIPTION
1	6501 373	4			SCREW and WASHER
2	4327 554	2			STRIKER
3	6500 534	2			BOLT, Shoulder
4	6501 188	AR			SCREW and WASHER
5	4380 362-3	1			HINGE
6	S970 GL7				HANDLE, Latch Release (P.A.R.)
7		2			SCREW, (1/4-20x7/8) (Not Serv.)
8	6501 485	1			PIN, Pivot Bracket
9	6501 058	1			NUT
10	4317 855	1			COVER, Pivot
11	4376 036-7	1			LATCH, Rear Seat Back
12	2945 108-9	1			CLIP, Latch Rod To Lever

NOTE: (P.A.R.) = Paint As Required

MODEL CODES

C BODY = (D41 - DYNASTY)(C41 - NEW YORKER)
 E BODY = (J - CARAVELLE)(E - 600)(T - NEW YORKER TURBO)
 G BODY = (V24 - DAYTONA, PACIFICA & SHELBY)
 H BODY = (D44 - LANCER)(C44 - LEBARON GTS)
 J BODY = (C - LEBARON)
 K BODY = (P - RELIANT)(D - ARIES)(C - LEBARON/ TOWN & COUNTRY)
 L BODY = (M - HORIZON)(Z-OMNI)
 M BODY = (B - GRAN FURY)(G - DIPLOMAT)(F - FIFTH AVENUE/NEWPORT)
 P BODY = (P - SUNDANCE)(D - SHADOW)
 Q BODY = (C27 - MASERATI)
 S BODY = (H - VOYAGER)(K - RAM VAN/ CARAVAN)

BODY STYLES

12-52 = FWD VAN & WAGON STD. W.B. 27 = 2-DOOR CONVERTIBLE
 13-53 = FWD VAN & WGN EXT W.B. 41 = 4-DOOR SEDAN
 21 = 2-DOOR SEDAN 44 = 4-DOOR HATCHBACK
 24 = 2-DOOR HATCHBACK 45 = 4-DOOR STATION WAGON

AR = Use as Required - = Non Illustrated Part P.A.R. = Paint as Required

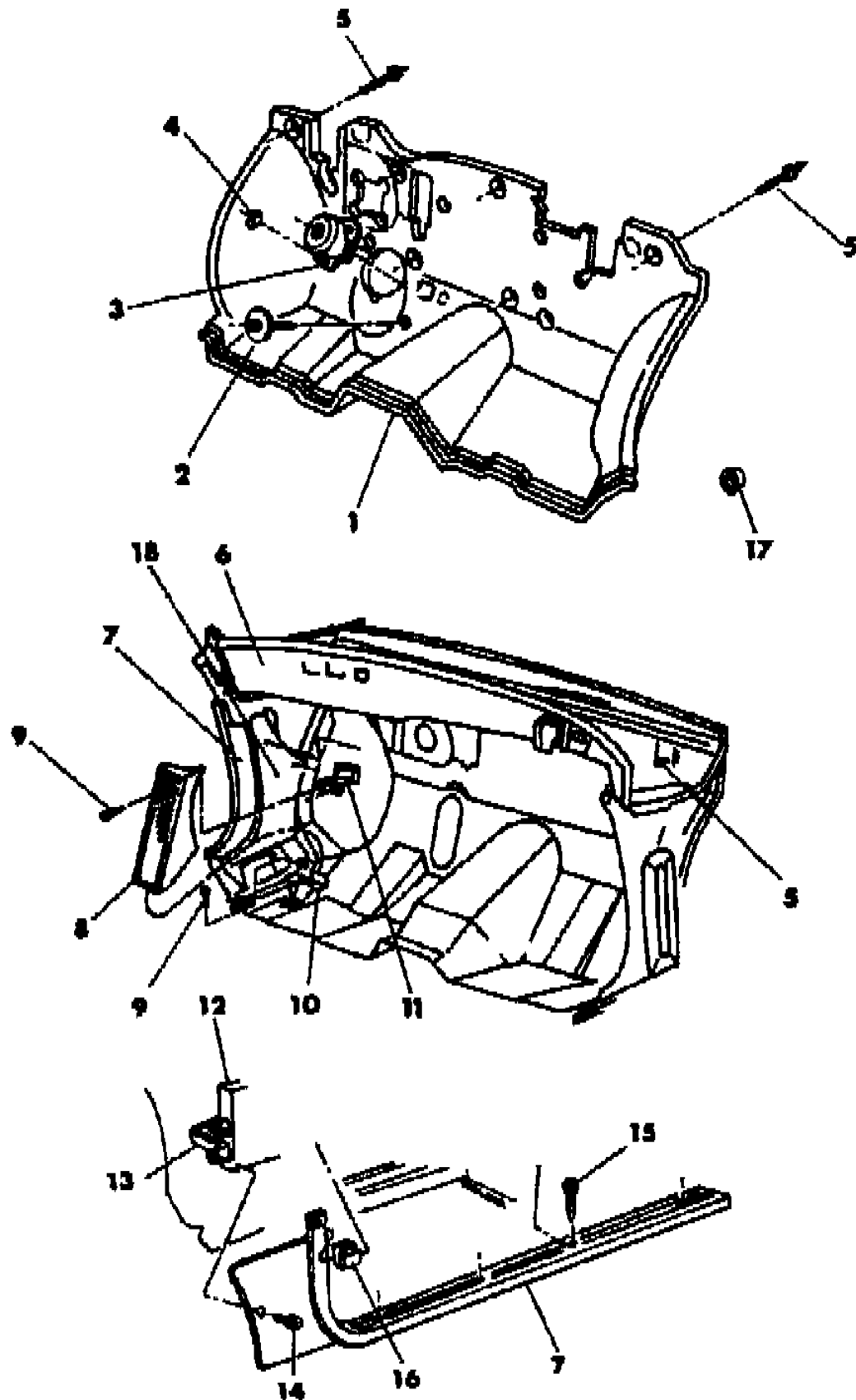
GROUP ITJ - J BODY

ILLUSTRATION TITLE	GROUP-FIG. NO.
COWL PANEL AND SILENCERS J BODY	Fig. ITJ-100
HEADLINER AND VISOR J BODY	Fig. ITJ-200
SHELF PANEL AND RELATED PARTS J BODY	Fig. ITJ-300
MOULDINGS--GARNISH J BODY	Fig. ITJ-400
PANEL--QUARTER TRIM J BODY 21	Fig. ITJ-500
PANEL--QUARTER TRIM J BODY 27	Fig. ITJ-600
CARPET AND SILENCERS J BODY	Fig. ITJ-700
SILENCERS--REAR COMPARTMENT J BODY	Fig. ITJ-800
SCUFF PLATE J BODY	Fig. ITJ-900
PANEL--DOOR TRIM J BODY	Fig. ITJ-1000
SEAT--FRONT J BODY TRIM CODE A7	Fig. ITJ-1100
SEAT--FRONT J BODY TRIM CODE A8	Fig. ITJ-1200
SEAT--FRONT J BODY TRIM CODE P7	Fig. ITJ-1300
SEAT--FRONT J BODY TRIM CODE PL	Fig. ITJ-1400
BELT--FRONT SEAT J BODY MANUAL-ACTIVE SYSTEM	Fig. ITJ-1500
BELT--FRONT SEAT J BODY PASSIVE SYSTEM	Fig. ITJ-1600
SEAT--RECLINING J BODY	Fig. ITJ-1700
ADJUSTER--MANUAL J BODY	Fig. ITJ-1800
COVERS--MANUAL SEAT ADJUSTER J BODY	Fig. ITJ-1900
ADJUSTER--ELECTRIC J BODY	Fig. ITJ-2000
COVERS ELECTRIC SEAT ADJUSTER J BODY	Fig. ITJ-2100
SEAT--REAR J BODY 21	Fig. ITJ-2200
SEAT--REAR J BODY 27	Fig. ITJ-2300
BELT--REAR SEAT J BODY	Fig. ITJ-2400
SEAT--REAR FOLD DOWN J BODY 21	Fig. ITJ-2500
SEAT--REAR ATTACHMENTS AND SLINGWELL RETAINER J BODY 27	Fig. ITJ-2600

ILLUSTRATION NOT AVAILABLE AT TIME OF PUBLICATION

COWL PANEL AND SILENCERS J BODY
Figure ITJ-100

8233 100 A



ITEM	PART NUMBER	QTY	BODY	MODEL	DESCRIPTION
1	4416 745	1			LINER, Dash
2					SCREW, (8-18x.75) (Not Serv.)
3	4188 868	1			COVER, w/Silencer Steering Column
4					PUSH NUT, (Not Serv.)
5	6032 020	6			STUD, Collar
6					SILENCER, Cowl (Not Serv.)
7					PANEL, Cowl Side and Scuff Plate
					Manual/Active Seat Belt System (Right)
	F248 FC5	1			Blue
	F248 GR8	1			Red
	F248 GL7	1			Taupe
	F248 FS8	1			Charcoal
					Passive Seat Belt System, Rt. Side Only
	F342 FC5	1			Blue
	F342 GR8	1			Red
	F342 GL7	1			Taupe
	F342 FS8	1			Charcoal
					LEFT, (For Passive and Manual Systems)
	F101 FC5	1			Blue
	F101 GR8	1			Red
	F101 GL7	1			Taupe
	F101 FS8	1			Charcoal
8	4248 717	1			FOOTREST, Lt. Side Only
9					SCREW, (10-16x3/4) (Not Serv.)
10	4410 560	1			BRACKET, Footrest Lower
11	4410 559	1			BRACKET, Footrest Upper
12					LOGIC MODULE, (See Group 8)
13	4247 832	1			BRACKET, Cowl Side Trim Panel, w/E.F.I.
14					SCREW, (8-18x1) (Not Serv.)
15					SCREW, (8-18x1 1/2) (Not Serv.)
16	6033 343	2			CLIP, "S"
17	6032 185	AR			CAPLUG, Dash Liner
18	4512 006-7	1			SILENCER, Panel Cowl

MODEL CODES

C BODY = (D41 - DYNASTY)(C41 - NEW YORKER)	L BODY = (M - HORIZON)(Z-OMNI)
E BODY = (J - CARAVELLE)(E - 600)(T - NEW YORKER TURBO)	M BODY = (B - GRAN FURY)(G - DIPLOMAT)(F - FIFTH AVENUE/NEWPORT)
G BODY = (V24 - DAYTONA, PACIFICA & SHELBY)	P BODY = (P - SUNDANCE)(D - SHADOW)
H BODY = (D44 - LANCER)(C44 - LEBARON GTS)	Q BODY = (C27 - MASERATI)
J BODY = (C - LEBARON)	S BODY = (H - VOYAGER)(K - RAM VAN/ CARAVAN)
K BODY = (P - RELIANT)(D - ARIES)(C - LEBARON/ TOWN & COUNTRY)	

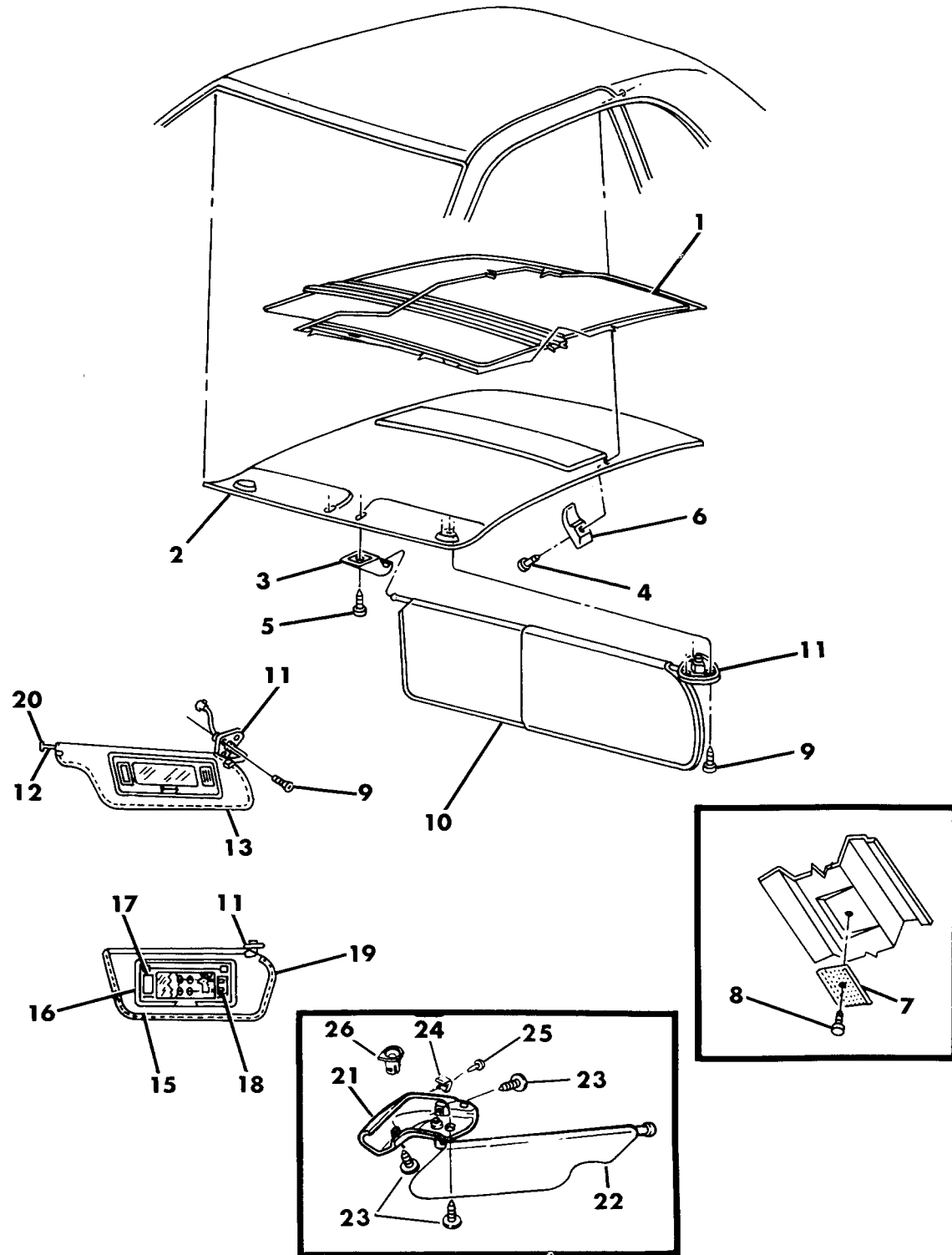
BODY STYLES

12-52 = FWD VAN & WAGON STD. W.B.	27 = 2-DOOR CONVERTIBLE
13-53 = FWD VAN & WGN EXT W.B.	41 = 4-DOOR SEDAN
21 = 2-DOOR SEDAN	44 = 4-DOOR HATCHBACK
24 = 2-DOOR HATCHBACK	45 = 4-DOOR STATION WAGON

AR = Use as Required - = Non Illustrated Part P.A.R. = Paint as Required

HEADLINER AND VISOR J BODY
Figure ITJ-200

8233 200 C



ITEM	PART NUMBER	QTY	BODY	MODEL	DESCRIPTION
1	4342 496	AR			SILENCER, Roof Front and Rear
2					HEADLINER
					W/O SUNROOF
	H086 FC5	1			Blue
	H086 GR8	1			Red
	H086 GL7	1			Taupe
	H086 FS8	1			Charcoal
					W/SUNROOF
	H087 FC5	1			Blue
	H087 GR8	1			Red
	H087 GL7	1			Taupe
	H087 FS8	1			Charcoal
					W/OVERHEAD CONSOLE
	H086 FC5	1			Blue
	H086 GR8	1			Red
	H086 GL7	1			Taupe
	H086 FS8	1			Charcoal
					W/CONVERTABLE TOP
	H883 FC5	1	27		Blue
	H883 GR8	1	27		Red
	H883 GL7	1	27		Taupe
	H883 FS8	1	27		Charcoal
	4114 785	AR	27		FASTENER, For Headliner
3					CLIP, Visor Retaining
	H335 EC5	2			Blue
	H335 GR8	2			Red
	H335 GL7	2			Taupe
	H335 FS8	2			Charcoal
4					SCREW, (8-18x7/8) (Not Serv.)
5		2			SCREW, (8-18x3/4) (Not Serv.)
6	H503 EA3	2			HOOK, Coat (P.A.R.)
7	4247 874	3			HOOK, Velcro
8					SCREW, (8-18x1/2) (Not Serv.)
9	6032 584	6			SCREW
10					VISOR, (Serv. Item 13 or 15)
11	4247 868-9	1			ARM and BRACKET
12					TIP, Visor Support

MODEL CODES

C BODY = (D41 - DYNASTY)(C41 - NEW YORKER)
 E BODY = (J - CARAVELLE)(E - 600)(T - NEW YORKER TURBO)
 G BODY = (V24 - DAYTONA, PACIFICA & SHELBY)
 H BODY = (D44 - LANCER)(C44 - LEBARON GTS)
 J BODY = (C - LEBARON)
 K BODY = (P - RELIANT)(D - ARIES)(C - LEBARON/ TOWN & COUNTRY)

L BODY = (M - HORIZON)(Z-OMNI)
 M BODY = (B - GRAN FURY)(G - DIPLOMAT)(F - FIFTH AVENUE/NEWPORT)
 P BODY = (P - SUNDANCE)(D - SHADOW)
 Q BODY = (C27 - MASERATI)
 S BODY = (H - VOYAGER)(K - RAM VAN/ CARAVAN)

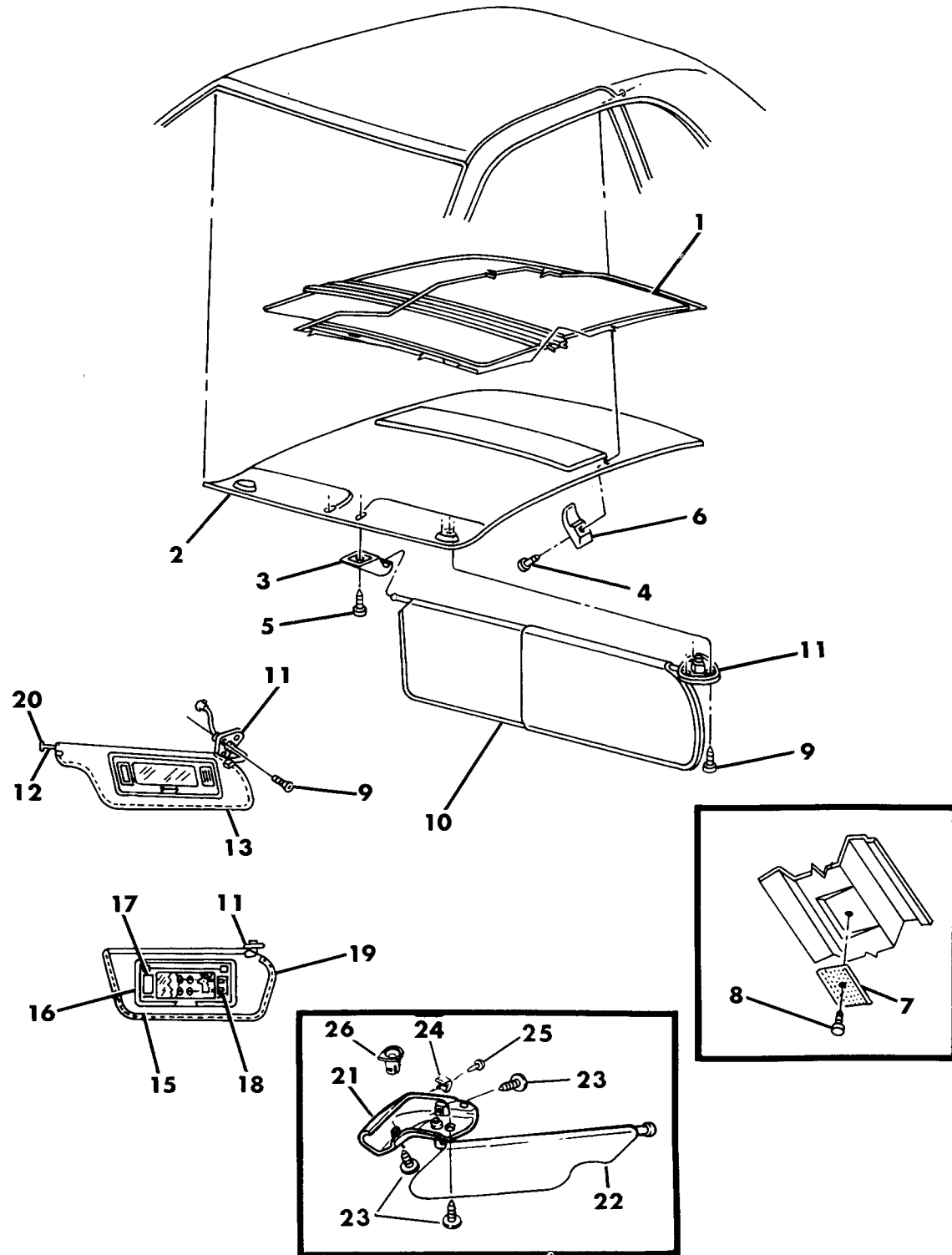
BODY STYLES

12-52 = FWD VAN & WAGON STD. W.B. 27 = 2-DOOR CONVERTIBLE
 13-53 = FWD VAN & WGN EXT W.B. 41 = 4-DOOR SEDAN
 21 = 2-DOOR SEDAN 44 = 4-DOOR HATCHBACK
 24 = 2-DOOR HATCHBACK 45 = 4-DOOR STATION WAGON

AR = Use as Required - = Non Illustrated Part P.A.R. = Paint as Required

HEADLINER AND VISOR J BODY
Figure ITJ-200

8233 200 C



ITEM	PART NUMBER	QTY	BODY	MODEL	DESCRIPTION
	H315 EC5	2			Blue
	H315 GR8	2			Red
	H315 GL7	2			Taupe
	H315 FS8	2			Charcoal
13				21	VISOR, w/Mirror w/o Map Pocket
					RIGHT
	H554 GC5	1			Blue
	H554 GR8	1			Red
	H554 GL7	1			Taupe
	H554 GS8	1			Charcoal
					LEFT, w/Map Pocket w/Mirror
	H555 GC5	1			Blue
	H555 GR8	1			Red
	H555 GL7	1			Taupe
	H555 GS8	1			Charcoal
14					MIRROR, (Not Serv.)
15				21	VISOR, w/Illum. Mirror
					RIGHT
	H574 FC5	1			Blue
	H574 GR8	1			Red
	H574 GL7	1			Taupe
	H574 FS8	1			Charcoal
					LEFT, W/MIRROR (Use Up To 4-25-88)
	H575 FC5	1			Blue
	H575 GR8	1			Red
	H575 GL7	1			Taupe
	H575 FS8	1			Charcoal
					(Use After 4-25-88)
	H187 GC5	1			Blue
	H187 GR8	1			Red
	H187 GL7	1			Taupe
	H187 GS8	1			Charcoal
					SUB-ASSEMBLY (Use Up To 4-25-88)
	H764-5 FC5	1			Blue
	H764-5 GR8	1			Red

MODEL CODES

C BODY = (D41 - DYNASTY)(C41 - NEW YORKER)
 E BODY = (J - CARAVELLE)(E - 600)(T - NEW YORKER TURBO)
 G BODY = (V24 - DAYTONA, PACIFICA & SHELBY)
 H BODY = (D44 - LANCER)(C44 - LEBARON GTS)
 J BODY = (C - LEBARON)
 K BODY = (P - RELIANT)(D - ARIES)(C - LEBARON/ TOWN & COUNTRY)

L BODY = (M - HORIZON)(Z-OMNI)
 M BODY = (B - GRAN FURY)(G - DIPLOMAT)(F - FIFTH AVENUE/NEWPORT)
 P BODY = (P - SUNDANCE)(D - SHADOW)
 Q BODY = (C27 - MASERATI)
 S BODY = (H - VOYAGER)(K - RAM VAN/ CARAVAN)

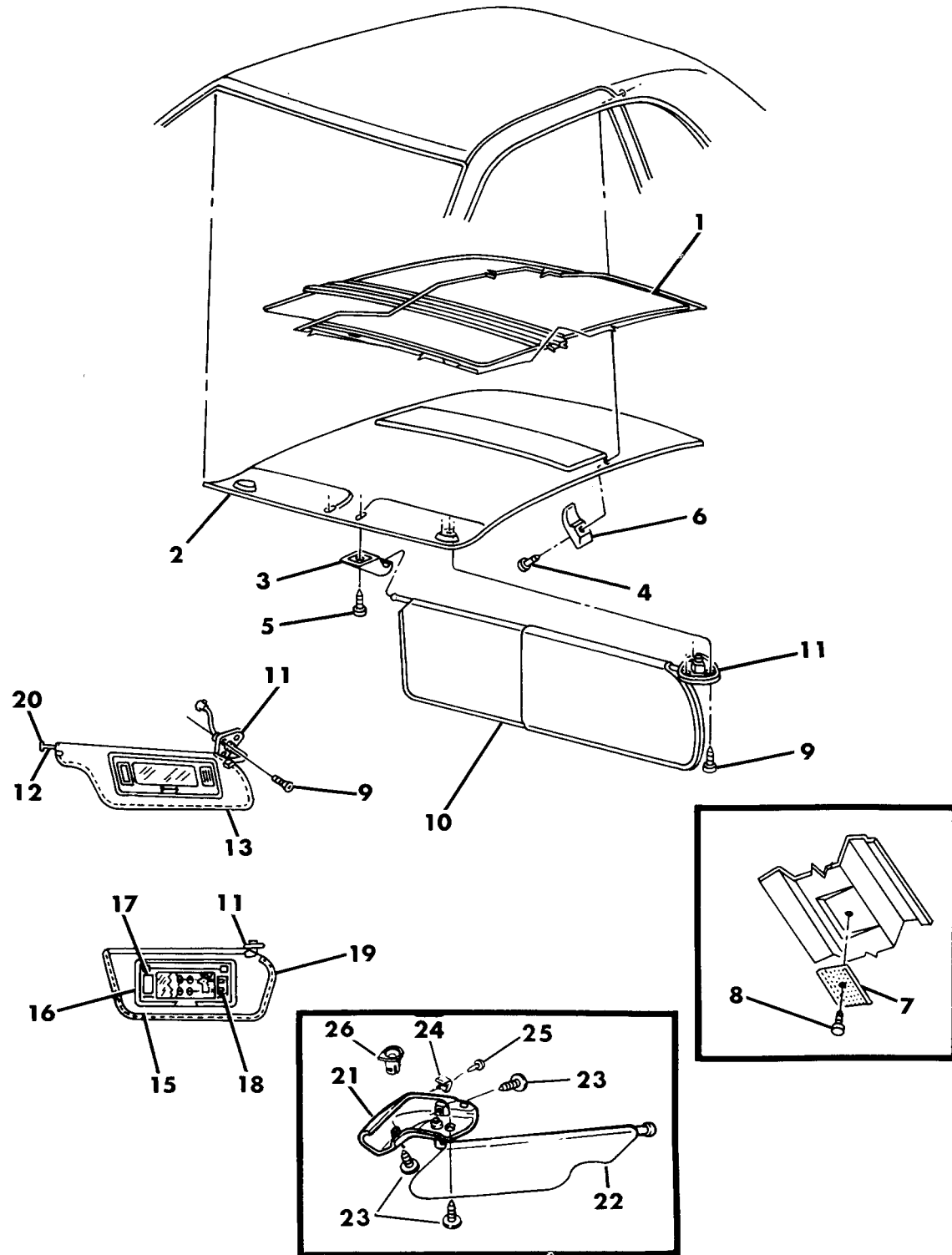
BODY STYLES

12-52 = FWD VAN & WAGON STD. W.B. 27 = 2-DOOR CONVERTIBLE
 13-53 = FWD VAN & WGN EXT W.B. 41 = 4-DOOR SEDAN
 21 = 2-DOOR SEDAN 44 = 4-DOOR HATCHBACK
 24 = 2-DOOR HATCHBACK 45 = 4-DOOR STATION WAGON

AR = Use as Required - = Non Illustrated Part P.A.R. = Paint as Required

HEADLINER AND VISOR J BODY
Figure ITJ-200

8233 200 C



ITEM	PART NUMBER	QTY	BODY	MODEL	DESCRIPTION
	H764-5 GL7	1			Taupe
	H764-5 FS8	1			Charcoal (Use After 4-25-88) LEFT, (Only)
	H189 GC5	1			Blue
	H189 GR8	1			Red
	H189 GL7	1			Taupe
	H189 GS8	1			Charcoal
16					VANITY Illuminated Sub Assembly, w/Cloth Cover
	H640 FC5	2	21		Blue
	H640 GR8	2	21		Red
	H640 GL7	2	21		Taupe
	H640 FS8	2	21		Charcoal
					W/VINYL COVER
	4504 546	2	27		Taupe
	4504 547	2	27		Blue
	4504 548	2	27		Charcoal
	H596 GR8	2	27		Red
17	4410 693	AR			LENS
18	9436 790	AR			BULB
19	4248 427	7	27		CLIP, Visor End
20					SUPPORT, Visor
	4282 339	2	21		Inner
	4356 395	2	27		Inner
21					VISOR and CORNER CAP, Vinyl (Illuminated Mirror Sericed In Item 16)
	H474-5 FC5	1	27		Blue
	H474-5 GR8	1	27		Red
	H474-5 GL7	1	27		Taupe
	H474-5 FS8	1	27		Charcoal CORNER CAP, w/Arm ***
	H754-5 FC5	1	27		Blue
	H754-5 GR8	1	27		Red
	H754-5 GL7	1	27		Taupe
	H754-5 FS8	1	27		Charcoal
22					VISOR, (Only) w/Map Pocket w/o Illuminated Mirror RIGHT

MODEL CODES

C BODY = (D41 - DYNASTY)(C41 - NEW YORKER)
 E BODY = (J - CARAVELLE)(E - 600)(T - NEW YORKER TURBO)
 G BODY = (V24 - DAYTONA, PACIFICA & SHELBY)
 H BODY = (D44 - LANCER)(C44 - LEBARON GTS)
 J BODY = (C - LEBARON)
 K BODY = (P - RELIANT)(D - ARIES)(C - LEBARON/ TOWN & COUNTRY)

L BODY = (M - HORIZON)(Z-OMNI)
 M BODY = (B - GRAN FURY)(G - DIPLOMAT)(F - FIFTH AVENUE/NEWPORT)
 P BODY = (P - SUNDANCE)(D - SHADOW)
 Q BODY = (C27 - MASERATI)
 S BODY = (H - VOYAGER)(K - RAM VAN/ CARAVAN)

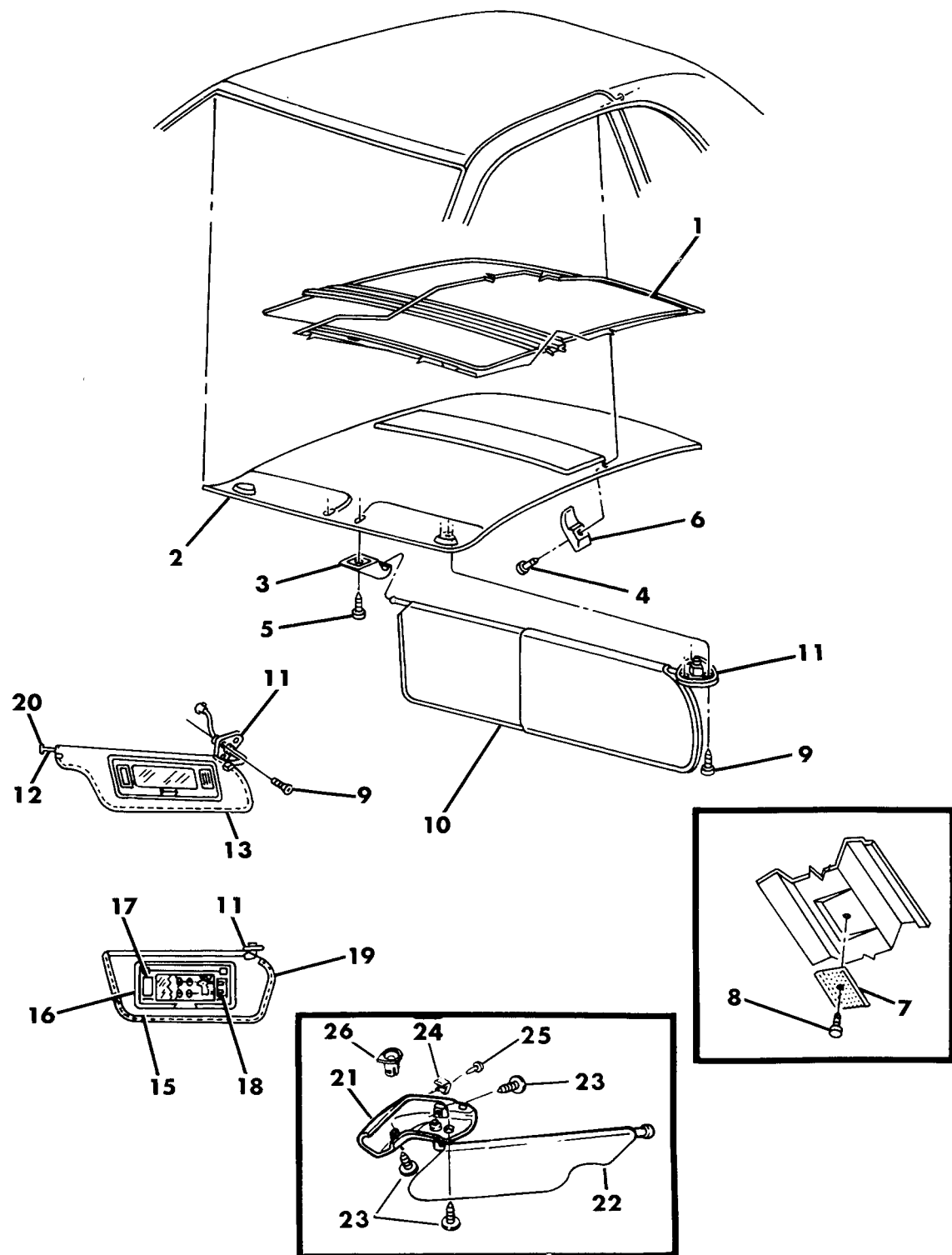
BODY STYLES

12-52 = FWD VAN & WAGON STD. W.B. 27 = 2-DOOR CONVERTIBLE
 13-53 = FWD VAN & WGN EXT W.B. 41 = 4-DOOR SEDAN
 21 = 2-DOOR SEDAN 44 = 4-DOOR HATCHBACK
 24 = 2-DOOR HATCHBACK 45 = 4-DOOR STATION WAGON

AR = Use as Required - = Non Illustrated Part P.A.R. = Paint as Required

HEADLINER AND VISOR J BODY
Figure ITJ-200

8233 200 C



ITEM	PART NUMBER	QTY	BODY	MODEL	DESCRIPTION
	H756 FC5	1		27	Blue
	H756 GR8	1		27	Red
	H756 GL7	1		27	Taupe
	H756 FS8	1		27	Charcoal
					LEFT
	H971 FC5	1		27	Blue
	H971 GR8	1		27	Red
	H971 GL7	1		27	Taupe
	H971 FS8	1		27	Charcoal
23		AR			SCREW, (10-24x1) (Not Serv.)
24	4410 250	2		27	CLIP, J-Hook Attaching
25		2			SCREW, (Not Serv.)
26	4410 254	2		27	GUIDE, Convertible Roof Pin

NOTE: (P.A.R.) = Paint As Required

MODEL CODES

C BODY = (D41 - DYNASTY)(C41 - NEW YORKER)
 E BODY = (J - CARAVELLE)(E - 600)(T - NEW YORKER TURBO)
 G BODY = (V24 - DAYTONA, PACIFICA & SHELBY)
 H BODY = (D44 - LANCER)(C44 - LEBARON GTS)
 J BODY = (C - LEBARON)
 K BODY = (P - RELIANT)(D - ARIES)(C - LEBARON/ TOWN & COUNTRY)

L BODY = (M - HORIZON)(Z-OMNI)
 M BODY = (B - GRAN FURY)(G - DIPLOMAT)(F - FIFTH AVENUE/NEWPORT)
 P BODY = (P - SUNDANCE)(D - SHADOW)
 Q BODY = (C27 - MASERATI)
 S BODY = (H - VOYAGER)(K - RAM VAN/ CARAVAN)

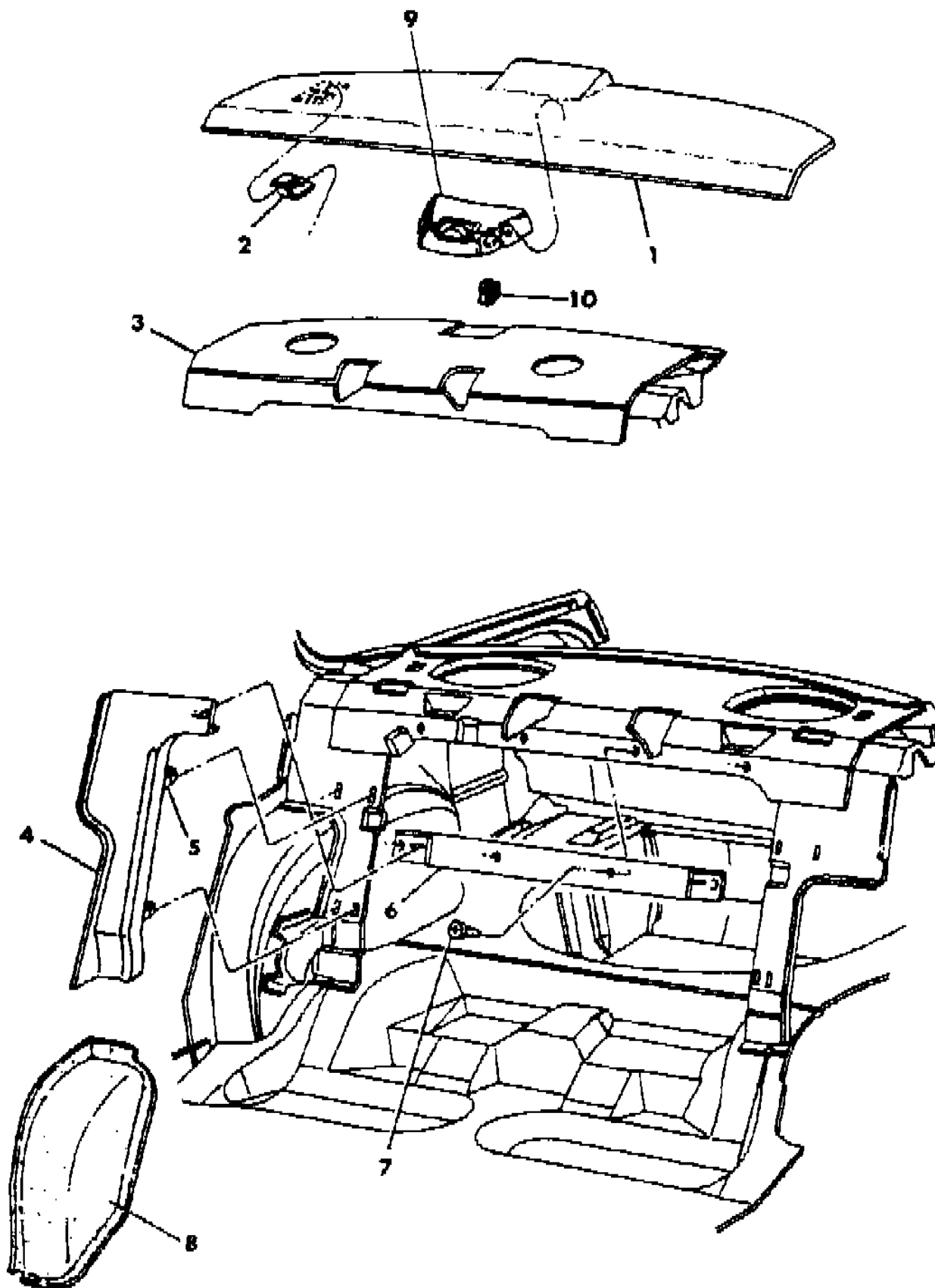
BODY STYLES

12-52 = FWD VAN & WAGON STD. W.B. 27 = 2-DOOR CONVERTIBLE
 13-53 = FWD VAN & WGN EXT W.B. 41 = 4-DOOR SEDAN
 21 = 2-DOOR SEDAN 44 = 4-DOOR HATCHBACK
 24 = 2-DOOR HATCHBACK 45 = 4-DOOR STATION WAGON

AR = Use as Required - = Non Illustrated Part P.A.R. = Paint as Required

SHELF PANEL AND RELATED PARTS J BODY
Figure ITJ-300

8233 300 B



ITEM	PART NUMBER	QTY	BODY	MODEL	DESCRIPTION
1					PANEL, Shelf Trim
	H884 GC5	1	H		Blue
	H884 GR8	1	H		Red
	H884 GL7	1	H		Taupe
	H884 GS8	1	H		Charcoal
	H885 GC5	1	P		Blue
	H885 GR8	1	P		Taupe
	H885 GL7	1	P		Taupe
	H885 GS8	1	P		Charcoal
2	6031 536	2			CLIP
3	4186 901	1			SILENCER
4	V470-1 GL7	1			MOULDING , Shelf Trim Side (P.A.R.)
5	6032 268	8			RETAINER
6					MOULDING, Shelf Trim Center (P.A.R.)
	F105 FK1	1			(Use Up To 11-25-87)
	V609 GL7	1			(Use After 11-25-87)
7		4			SCREW, (8-18x5/8) (Not Serv.)
8	4410 952-3	1			SILENCER, Rear Wheel House
9					MODULE, Rear Head Phone
	H504 GS8	1			Charcoal
	H504 GR8	1			Red
	H504 GC5	1			Blue
	H504 GL7	1			Taupe
10	6501 636	2			CLIP, Mounting Module

NOTE: (P.A.R.) = Paint As Required

MODEL CODES

C BODY = (D41 - DYNASTY)(C41 - NEW YORKER)
 E BODY = (J - CARAVELLE)(E - 600)(T - NEW YORKER TURBO)
 G BODY = (V24 - DAYTONA, PACIFICA & SHELBY)
 H BODY = (D44 - LANCER)(C44 - LEBARON GTS)
 J BODY = (C - LEBARON)
 K BODY = (P - RELIANT)(D - ARIES)(C - LEBARON/ TOWN & COUNTRY)

L BODY = (M - HORIZON)(Z-OMNI)
 M BODY = (B - GRAN FURY)(G - DIPLOMAT)(F - FIFTH AVENUE/NEWPORT)
 P BODY = (P - SUNDANCE)(D - SHADOW)
 Q BODY = (C27 - MASERATI)
 S BODY = (H - VOYAGER)(K - RAM VAN/ CARAVAN)

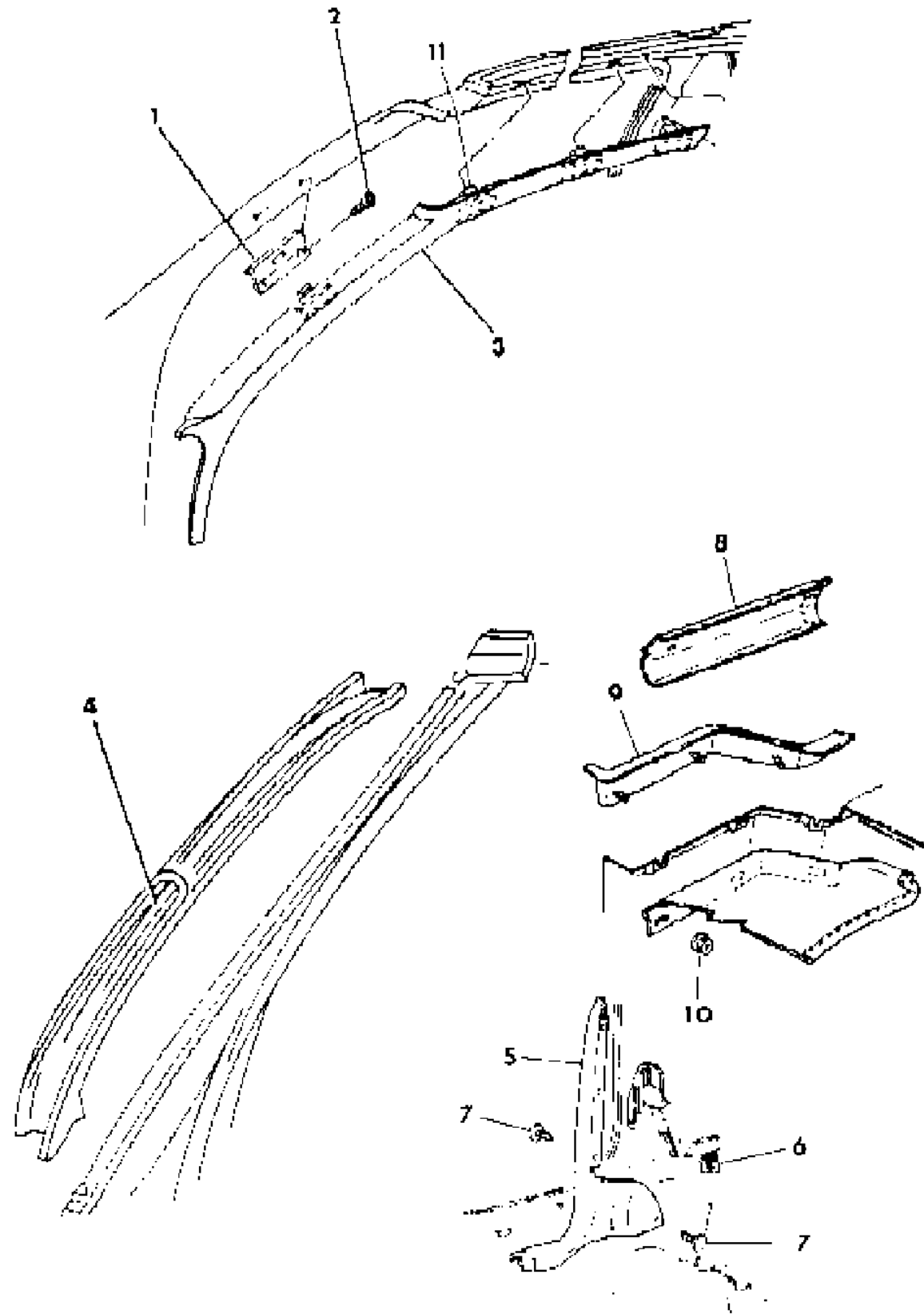
BODY STYLES

12-52 = FWD VAN & WAGON STD. W.B. 27 = 2-DOOR CONVERTIBLE
 13-53 = FWD VAN & WGN EXT W.B. 41 = 4-DOOR SEDAN
 21 = 2-DOOR SEDAN 44 = 4-DOOR HATCHBACK
 24 = 2-DOOR HATCHBACK 45 = 4-DOOR STATION WAGON

AR = Use as Required - = Non Illustrated Part P.A.R. = Paint as Required

MOULDINGS--GARNISH J BODY
Figure ITJ-400

8233 400



ITEM	PART NUMBER	QTY	BODY	MODEL	DESCRIPTION
1	4381 887	2		21	BRACKET
2		4			SCREW, (8-32x1/2) (Not Serv.)
3					MOULDING , Windshield Side and Rail
	F098-9 FC5	1		21	Blue
	F098-9 GR8	1		21	Red
	F098-9 GL7	1		21	Taupe
	F098-9 FS8	1		21	Charcoal
4					MOULDING, Windshield Side
	F176-7 FC5	1		27	Blue, (Use Up To 9/25/87)
	V624-5 FC5	1		27	Blue, (Use After 9/25/87)
	F176-7 GR8	1		27	Red, (Use Up To 11/5/87)
	V624-5 GR8	1		27	Red, (Use After 11/5/87)
	F176-7 GL7	1		27	Taupe, (Use Up To 10/16/87)
	V624-5 GL7	1		27	Taupe, (Use After 10/16/87)
	F176-7 FS8	1		27	Charcoal, (Use Up To 9/22/87)
	V624-5 FS8	1		27	Charcoal, (Use After 9/22/87)
5	K566-7 FK1	1		27	PANEL, Lock Pillar (P.A.R.)
6	0152 490	AR		27	U-NUT, B Pillar Attaching
7		AR		27	SCREW, (8-18x5/8) (Not Serv.)
8					MOULDING, Windshield Header
	V530 GC5	1		27	Blue
	V530 GR8	1		27	Red
	V530 GL7	1		27	Taupe
	V530 GS8	1		27	Charcoal
9	4381 634-5	1		27	MOULDING
10	6025 002	6		27	U-NUT
11	6501 351	8		21	CLIP

NOTE: (P.A.R.) = Paint As Required

MODEL CODES

C BODY = (D41 - DYNASTY)(C41 - NEW YORKER)	L BODY = (M - HORIZON)(Z-OMNI)
E BODY = (J - CARAVELLE)(E - 600)(T - NEW YORKER TURBO)	M BODY = (B - GRAN FURY)(G - DIPLOMAT)(F - FIFTH AVENUE/NEWPORT)
G BODY = (V24 - DAYTONA, PACIFICA & SHELBY)	P BODY = (P - SUNDANCE)(D - SHADOW)
H BODY = (D44 - LANCER)(C44 - LEBARON GTS)	Q BODY = (C27 - MASERATI)
J BODY = (C - LEBARON)	S BODY = (H - VOYAGER)(K - RAM VAN/ CARAVAN)
K BODY = (P - RELIANT)(D - ARIES)(C - LEBARON/ TOWN & COUNTRY)	

BODY STYLES

12-52 = FWD VAN & WAGON STD. W.B.	27 = 2-DOOR CONVERTIBLE
13-53 = FWD VAN & WGN EXT W.B.	41 = 4-DOOR SEDAN
21 = 2-DOOR SEDAN	44 = 4-DOOR HATCHBACK
24 = 2-DOOR HATCHBACK	45 = 4-DOOR STATION WAGON

AR = Use as Required - = Non Illustrated Part P.A.R. = Paint as Required

PANEL--QUARTER TRIM J BODY 21
Figure ITJ-500

8233 500

ITEM	PART NUMBER	QTY	BODY	MODEL	DESCRIPTION
1					PANEL, Quarter Trim
					w/Manual Active Seat Belt System
	K676-7 GC5	1			Blue
	K676-7 GR8	1			Red
	K676-7 GL7	1			Taupe
	K676-7 GS8	1			Charcoal
					w/Passive Seat Belt System
	K684-5 GC5	1			Blue
	K684-5 GR8	1			Red
	K684-5 GL7	1			Taupe
	K684-5 GS8	1			Charcoal
2	4453 467	4			FASTENER
3	6032 456	AR			SCREW
4					BOLSTER
					(Use Up To 4-25-88)
	K584-5 FC5	1			Blue, (PLC)
	K584-5 GR8	1			Red, (PLR)
	K584-5 GL7	1			Taupe, (PLL)
	K584-5 FS8	1			Charcoal, (PLS)
					(Use After 4-25-88)
	K584-5 GC5	1			Blue, (PLC)
	K584-5 GR8	1			Red, (PLR)
	K584-5 GL7	1			Taupe, (PLL)
	K584-5 GS8	1			Charcoal, (PLS)
	K582-3 FC5	1			Blue, (P7C)
	K582-3 GR8	1			Red, (P7R)
	K582-3 GL7	1			Taupe, (P7L)
	K582-3 FS8	1			Charcoal, (P7S)
5		2			SCREW, (8-18x3/4) (Not Serv.)
6					PANEL, Quarter Trim Lower Extension
	K860-1 FC5	1			Blue
	K860-1 GR8	1			Red
	K860-1 GL7	1			Taupe
	K860-1 FS8	1			Charcoal
7					BEZEL, Seat Belt (Serv. w/Belt)
8	6032 833	10			NUT, Bolster Support

MODEL CODES

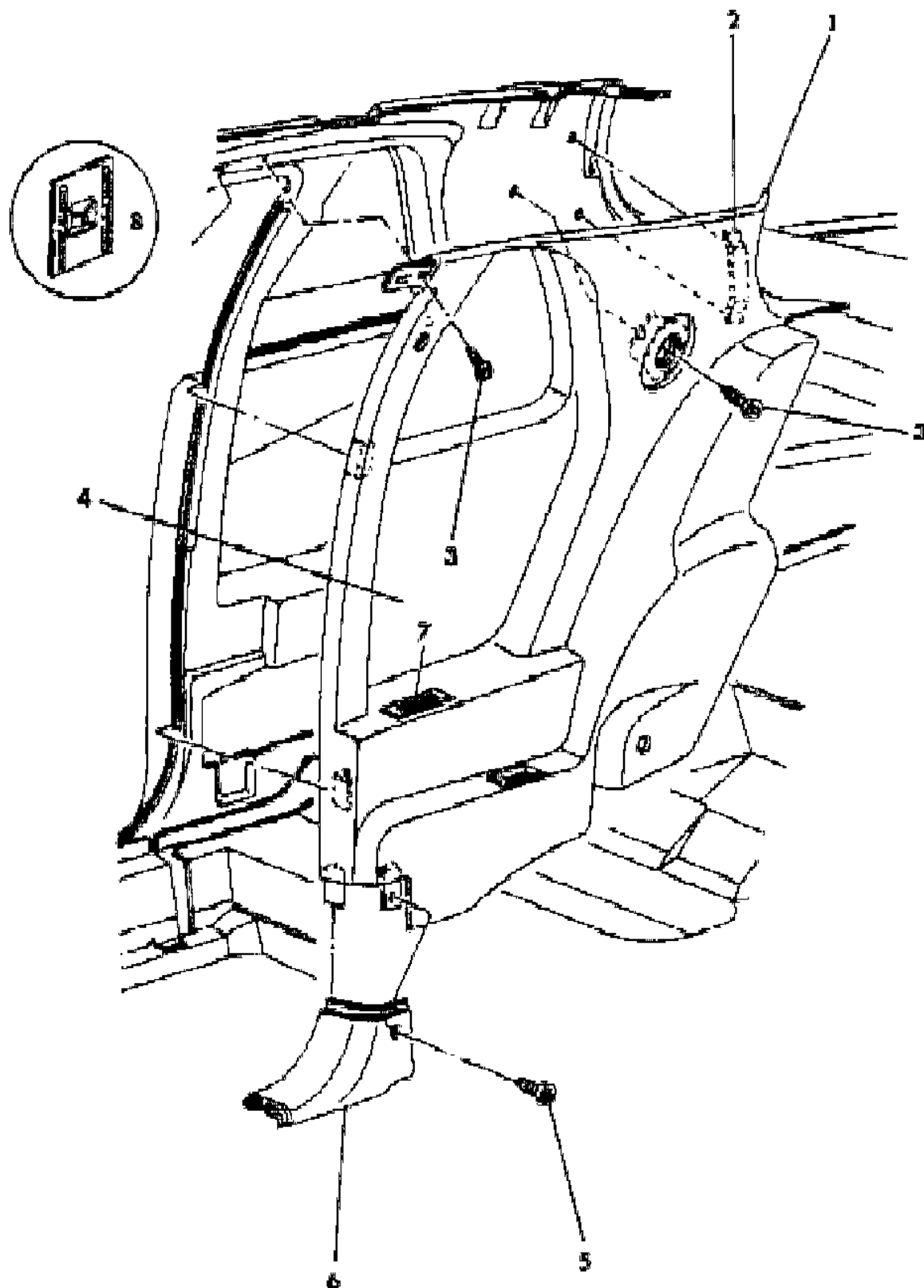
C BODY = (D41 - DYNASTY)(C41 - NEW YORKER)
 E BODY = (J - CARAVELLE)(E - 600)(T - NEW YORKER TURBO)
 G BODY = (V24 - DAYTONA, PACIFICA & SHELBY)
 H BODY = (D44 - LANCER)(C44 - LEBARON GTS)
 J BODY = (C - LEBARON)
 K BODY = (P - RELIANT)(D - ARIES)(C - LEBARON/ TOWN & COUNTRY)

L BODY = (M - HORIZON)(Z-OMNI)
 M BODY = (B - GRAN FURY)(G - DIPLOMAT)(F - FIFTH AVENUE/NEWPORT)
 P BODY = (P - SUNDANCE)(D - SHADOW)
 Q BODY = (C27 - MASERATI)
 S BODY = (H - VOYAGER)(K - RAM VAN/ CARAVAN)

BODY STYLES

12-52 = FWD VAN & WAGON STD. W.B. 27 = 2-DOOR CONVERTIBLE
 13-53 = FWD VAN & WGN EXT W.B. 41 = 4-DOOR SEDAN
 21 = 2-DOOR SEDAN 44 = 4-DOOR HATCHBACK
 24 = 2-DOOR HATCHBACK 45 = 4-DOOR STATION WAGON

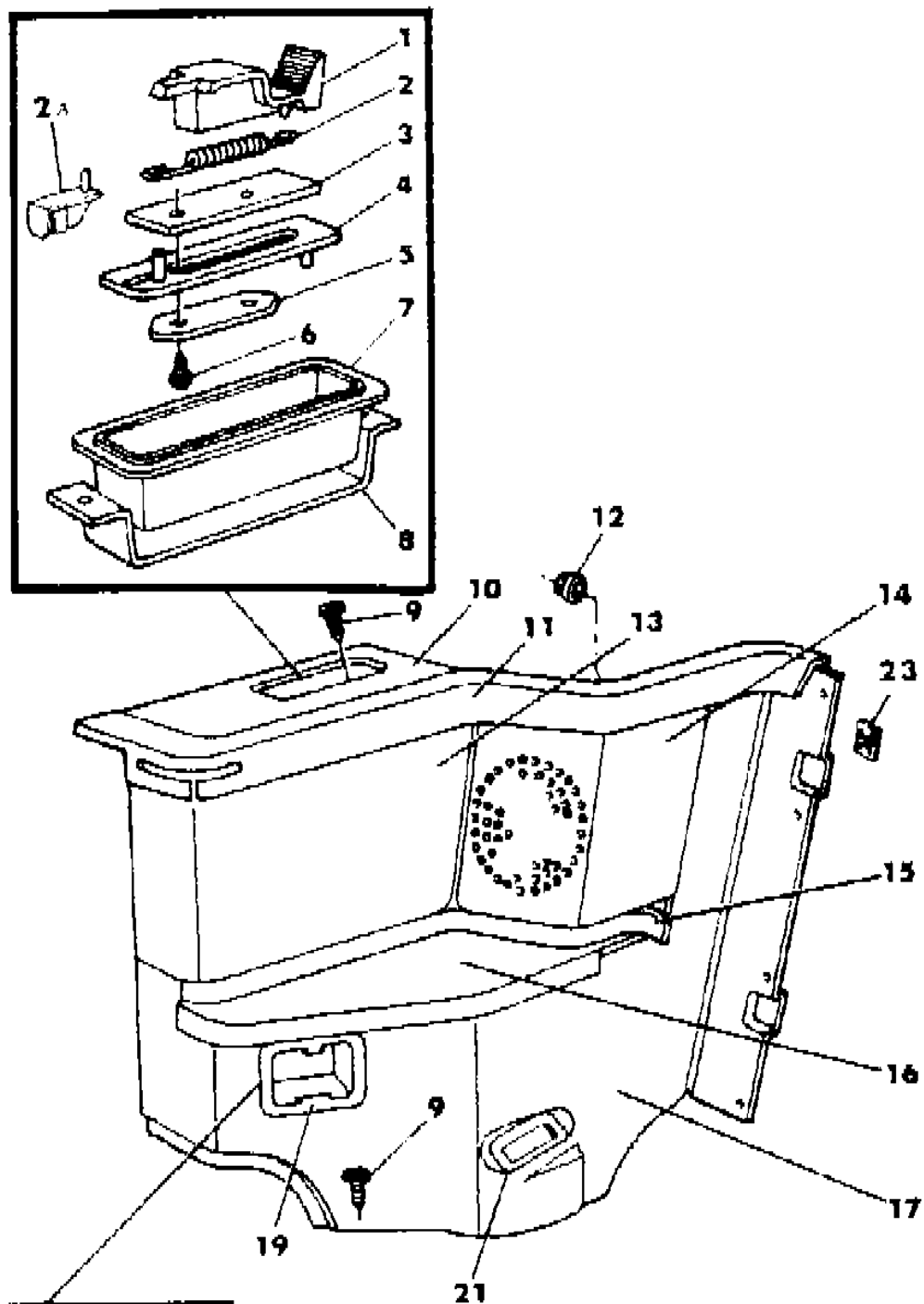
AR = Use as Required - = Non Illustrated Part P.A.R. = Paint as Required



PANEL--QUARTER TRIM J BODY 27
Figure ITJ-600

8233 600 A

ITEM	PART NUMBER	QTY	BODY	MODEL	DESCRIPTION
1	4422 266	2			LATCH, Folding Top Boot
2	4422 271	1			SPRING, Folding Top Boot Latch
2A	4454 342	2			RETAINER, Spring
3	4422 268	1			PLATE, Folding Top Boot Latch
4	4422 290-1				BASE, Folding Top Boot Latch
5	4422 269	1			RETAINER, Folding Top Boot Latch
6		AR			SCREW, (m4-14 Self Tapping) (Not Serv.)
7	4422 265	2			HOUSING, Folding Top Boot Latch
8	4422 292-3	1			BRACKET, Folding Top Boot Latch
9		AR			SCREW, (Not Serv.)
10					BOLSTER, Quarter Trim Upper (Use Up To 3-31-88)
	K580-1 FC5	1			Blue
	K580-1 GR8	1			Red
	K580-1 GL7	1			Taupe
	K580-1 FS8	1			Charcoal (Use After 3-31-88)
	K656-7 GC5	1			Blue
	K656-7 GR8	1			Red
	K656-7 GL7	1			Taupe
	K656-7 GS8	1			Charcoal
11	4381 634-5	1			MOULDING, Quarter Panel
12	6025 002	AR			NUT
13					BOLSTER, Quarter Trim Lower
	K588-9 FC5	1			Blue
	K588-9 GR8	1			Red
	K588-9 GL7	1			Taupe
	K588-9 FS8	1			Charcoal
14					GRILLE, Rear Speaker
	H670-1 FC5	1			Blue
	H670-1 GR8	1			Red
	H670-1 GL7	1			Taupe
	H670-1 FS8	1			Charcoal
15					MOULDING, Quarter Trim Lower
	K606-7 FC5	1			Blue
	K606-7 GR8	1			Red
	K606-7 GL7	1			Taupe



MODEL CODES

C BODY = (D41 - DYNASTY)(C41 - NEW YORKER)
 E BODY = (J - CARAVELLE)(E - 600)(T - NEW YORKER TURBO)
 G BODY = (V24 - DAYTONA, PACIFICA & SHELBY)
 H BODY = (D44 - LANCER)(C44 - LEBARON GTS)
 J BODY = (C - LEBARON)
 K BODY = (P - RELIANT)(D - ARIES)(C - LEBARON/ TOWN & COUNTRY)
 L BODY = (M - HORIZON)(Z-OMNI)
 M BODY = (B - GRAN FURY)(G - DIPLOMAT)(F - FIFTH AVENUE/NEWPORT)
 P BODY = (P - SUNDANCE)(D - SHADOW)
 Q BODY = (C27 - MASERATI)
 S BODY = (H - VOYAGER)(K - RAM VAN/ CARAVAN)

BODY STYLES

12-52 = FWD VAN & WAGON STD. W.B. 27 = 2-DOOR CONVERTIBLE
 13-53 = FWD VAN & WGN EXT W.B. 41 = 4-DOOR SEDAN
 21 = 2-DOOR SEDAN 44 = 4-DOOR HATCHBACK
 24 = 2-DOOR HATCHBACK 45 = 4-DOOR STATION WAGON

AR = Use as Required - = Non Illustrated Part P.A.R. = Paint as Required

PANEL--QUARTER TRIM J BODY 27
Figure ITJ-600

8233 600 A

ITEM	PART NUMBER	QTY	BODY	MODEL	DESCRIPTION
	K606-7 FS8	1			Charcoal
16					ARMREST
	K568-9 FC5	1			Blue
	K568-9 GR8	1			Red
	K568-9 GL7	1			Taupe
17	K568-9 FS8	1			Charcoal
					PANEL, Quarter Trim Assembly (Use Up To 3-31-88)
	K574-5 FC5	1			Blue
	K574-5 GR8	1			Red
	K574-5 GL7	1			Taupe
	K574-5 FS8	1			Charcoal (Use After 3-31-88)
	K524-5 GC5	1			Blue
	K524-5 GR8	1			Red
	K524-5 GL7	1			Taupe
	K524-5 GS8	1			Charcoal
18	6032 431	10			NUT, Bolster Support
19	K608 FK1	2			HOUSING, Ash Receiver (P.A.R.)
20					ASH RECEIVER
	K626 FC5	2			Blue
	K626 GR8	1			Red
	K626 GL7	2			Taupe
	K626 FS8	2			Charcoal
21					BEZEL, Seat Belt Opening
	K670 FC5	2			Blue
	K670 GR8	2			Red
	K670 GL7	2			Taupe
	K670 FS8	2			Charcoal
22	4248 803	2			SNUFFER, Ash Receiver
23	6032 833	AR			RETAINER, Lower Moulding Attaching NOTE: (P.A.R.) = Paint As Required

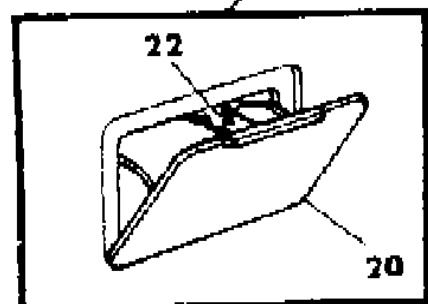
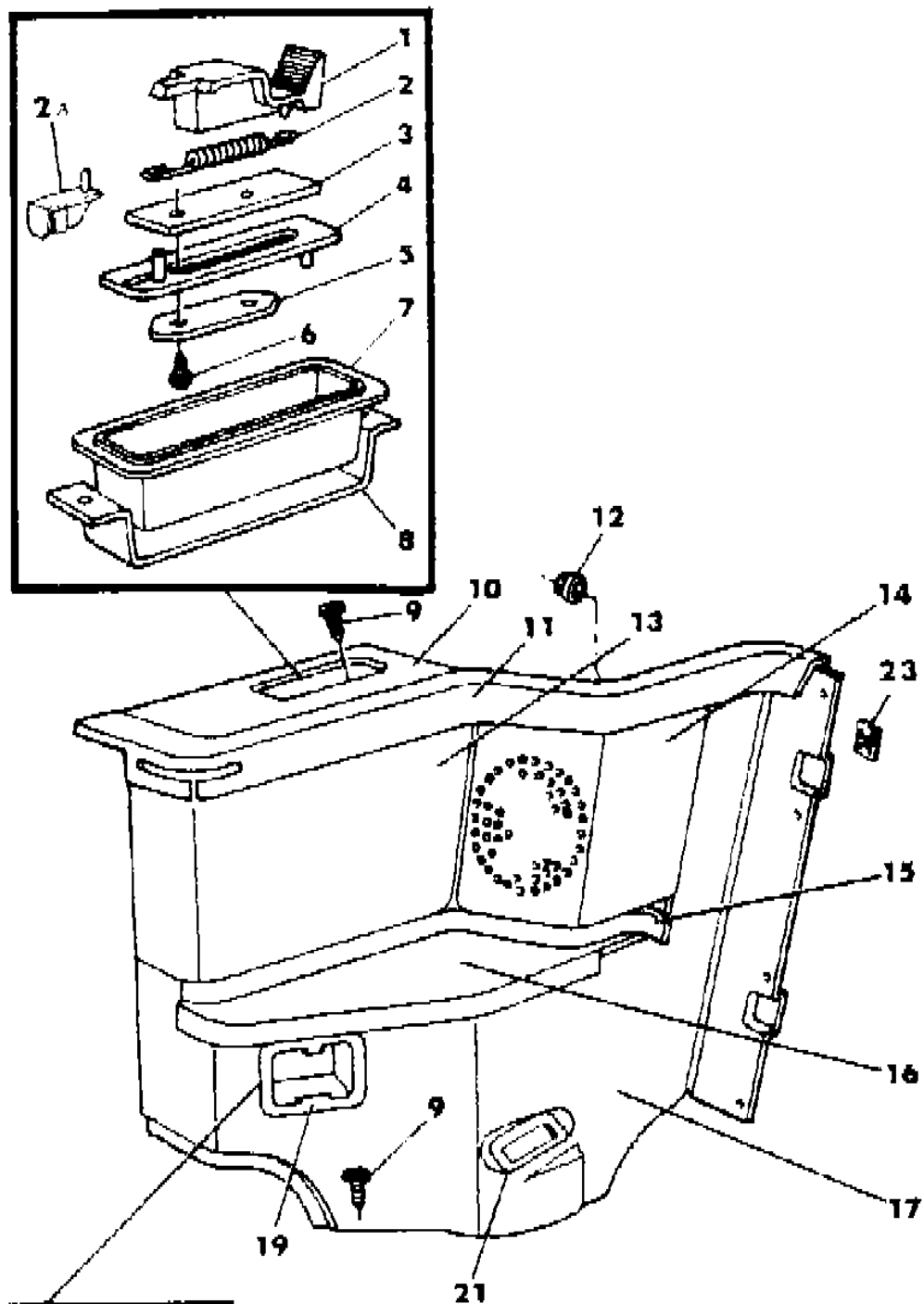
MODEL CODES

C BODY = (D41 - DYNASTY)(C41 - NEW YORKER)
 E BODY = (J - CARAVELLE)(E - 600)(T - NEW YORKER TURBO)
 G BODY = (V24 - DAYTONA, PACIFICA & SHELBY)
 H BODY = (D44 - LANCER)(C44 - LEBARON GTS)
 J BODY = (C - LEBARON)
 K BODY = (P - RELIANT)(D - ARIES)(C - LEBARON/ TOWN & COUNTRY)
 L BODY = (M - HORIZON)(Z-OMNI)
 M BODY = (B - GRAN FURY)(G - DIPLOMAT)(F - FIFTH AVENUE/NEWPORT)
 P BODY = (P - SUNDANCE)(D - SHADOW)
 Q BODY = (C27 - MASERATI)
 S BODY = (H - VOYAGER)(K - RAM VAN/ CARAVAN)

BODY STYLES

12-52 = FWD VAN & WAGON STD. W.B. 27 = 2-DOOR CONVERTIBLE
 13-53 = FWD VAN & WGN EXT W.B. 41 = 4-DOOR SEDAN
 21 = 2-DOOR SEDAN 44 = 4-DOOR HATCHBACK
 24 = 2-DOOR HATCHBACK 45 = 4-DOOR STATION WAGON

AR = Use as Required - = Non Illustrated Part P.A.R. = Paint as Required



CARPET AND SILENCERS J BODY
Figure ITJ-700

8233 700 A

ITEM	PART NUMBER	QTY	BODY	MODEL	DESCRIPTION
1					CARPET (Use Up To 4/25/88)
	M613 GC5	1	21		Blue
	M697 GR8	1	21		Red
	M697 GL7	1	21		Taupe
	M613 GS8	1	21		Charcoal (Use After 4/25/88)
	M697 GC5	1	21		Blue
	M697 GR8	1	21		Red
	AD90 HL7	1	21		Taupe
	M697 GS8	1	21		Charcoal (Use Up To 4-25-88)
	M758 FC5	1	27		Blue
	M758 GR8	1	27		Red
	M758 GL7	1	27		Taupe
	M758 FS8	1	27		Charcoal (Use After 4-25-88)
	M614 GC5	1	27		Blue
	AD45 HR8	1	27		Red
	AD45 HL7	1	27		Taupe
	AD45 HS8	1	27		Charcoal
1a					SILENCER, Floor Pan
	4410 976	1			Front
	4507 157	1			Rear
2	4381 647	1	21		CARPET, Luggage Compartment Floor
3					CARPET, Luggage Compartment Floor
	4381 607	1	27		
	4309 822	1	21		
4	4410 097	1	21		PANEL, Deck Lid Trim
5	6501 532	1	21		PLUG, Deck Lid Inner Trim
6	6030 441	AR			RETAINER
7	4473 283	1			PANEL, Deck Lid Opening
8	6030 441	AR	27		RETAINER
9	4223 983	1			FASTENER, Jack Trim Cover
10	4409 617	1			COVER, Moulded Jack Stowage
	4521 259	1		21-27	COVER, Mini Spare
11	4473 284-5	1		21	PANEL, Side Trim

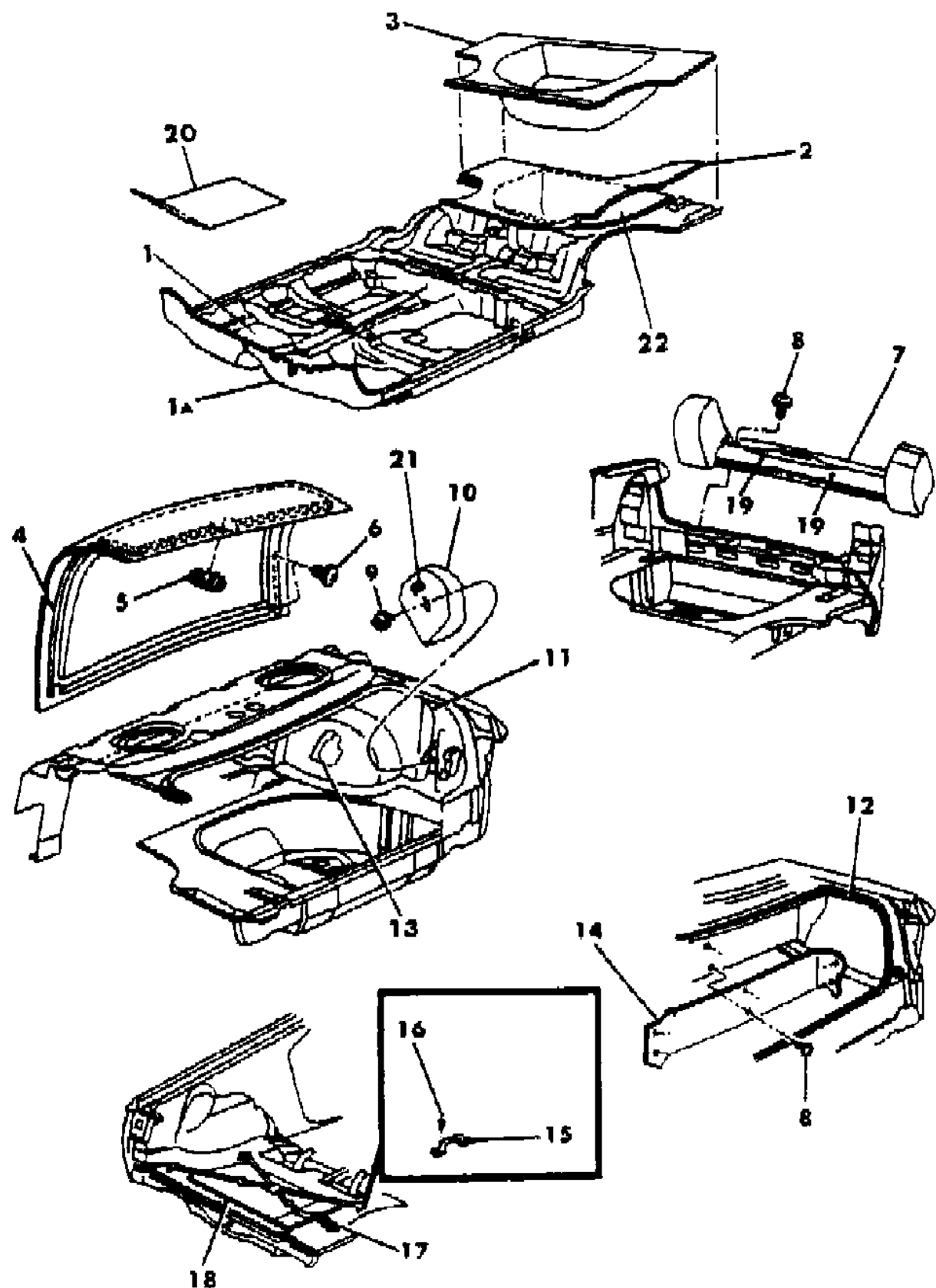
MODEL CODES

C BODY = (D41 - DYNASTY)(C41 - NEW YORKER)	L BODY = (M - HORIZON)(Z-OMNI)
E BODY = (J - CARAVELLE)(E - 600)(T - NEW YORKER TURBO)	M BODY = (B - GRAN FURY)(G - DIPLOMAT)(F - FIFTH AVENUE/NEWPORT)
G BODY = (V24 - DAYTONA, PACIFICA & SHELBY)	P BODY = (P - SUNDANCE)(D - SHADOW)
H BODY = (D44 - LANCER)(C44 - LEBARON GTS)	Q BODY = (C27 - MASERATI)
J BODY = (C - LEBARON)	S BODY = (H - VOYAGER)(K - RAM VAN/ CARAVAN)
K BODY = (P - RELIANT)(D - ARIES)(C - LEBARON/ TOWN & COUNTRY)	

BODY STYLES

12-52 = FWD VAN & WAGON STD. W.B.	27 = 2-DOOR CONVERTIBLE
13-53 = FWD VAN & WGN EXT W.B.	41 = 4-DOOR SEDAN
21 = 2-DOOR SEDAN	44 = 4-DOOR HATCHBACK
24 = 2-DOOR HATCHBACK	45 = 4-DOOR STATION WAGON

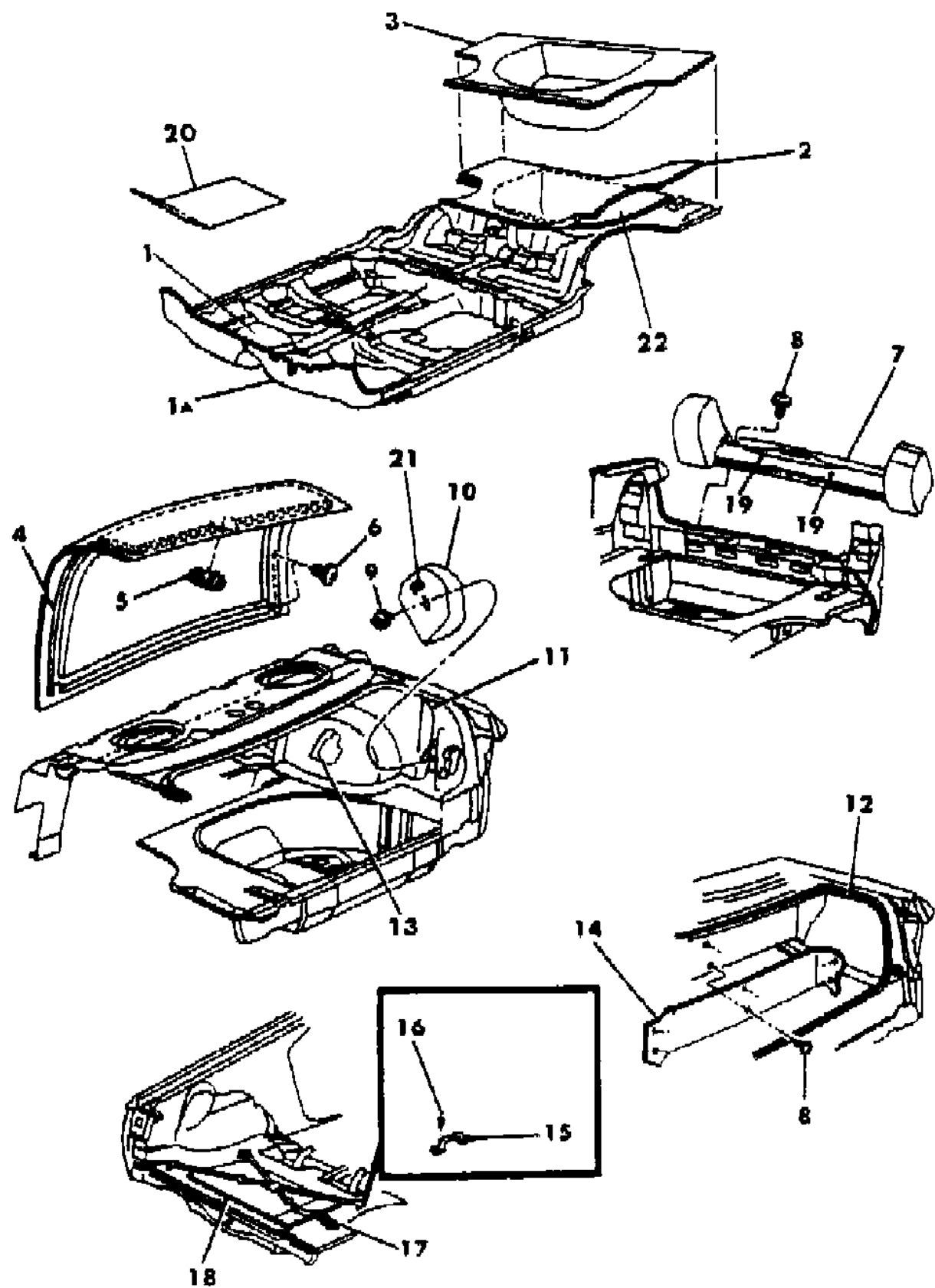
AR = Use as Required - = Non Illustrated Part P.A.R. = Paint as Required



CARPET AND SILENCERS J BODY
Figure ITJ-700

8233 700 A

ITEM	PART NUMBER	QTY	BODY	MODEL	DESCRIPTION
12					PANEL,Side Trim
	4453 042	1		27	Right
	4410 317	1		27	Left
13	4186 901	AR		21-27	SILENCER
14	4507 125	1		27	PANEL, Bulkhead Trim
15	4248 818	4			FOOT, Tie Down Anchor
16					SCREW, (8-18x3/4) (Not Serv.)
17	H349 CX9	2			STRAP, Tie Down Black
18	H609 DX7	1			BAG, Sunroof Storage
19	4381 395	2		21	FASTENER
20					FLOOR MATS, Carpet, Set of Two
					FRONT
	M074 FC5	1			Blue
	M074 GR8	1			Red
	M074 GL7	1			Taupe
	M074 FS8	1			Charcoal
					REAR
	M049 FC5	1			Blue
	M049 GR8	1			Red
	M049 GL7	1			Taupe
	M049 FS8	1			Charcoal
21	4440 866	1			LABEL, Jack Cover Stowage
22	4409 902	1			COVER, Spare Tire (Hardboard)



MODEL CODES

C BODY = (D41 - DYNASTY)(C41 - NEW YORKER)	L BODY = (M - HORIZON)(Z-OMNI)
E BODY = (J - CARAVELLE)(E - 600)(T - NEW YORKER TURBO)	M BODY = (B - GRAN FURY)(G - DIPLOMAT)(F - FIFTH AVENUE/NEWPORT)
G BODY = (V24 - DAYTONA, PACIFICA & SHELBY)	P BODY = (P - SUNDANCE)(D - SHADOW)
H BODY = (D44 - LANCER)(C44 - LEBARON GTS)	Q BODY = (C27 - MASERATI)
J BODY = (C - LEBARON)	S BODY = (H - VOYAGER)(K - RAM VAN/ CARAVAN)
K BODY = (P - RELIANT)(D - ARIES)(C - LEBARON/ TOWN & COUNTRY)	

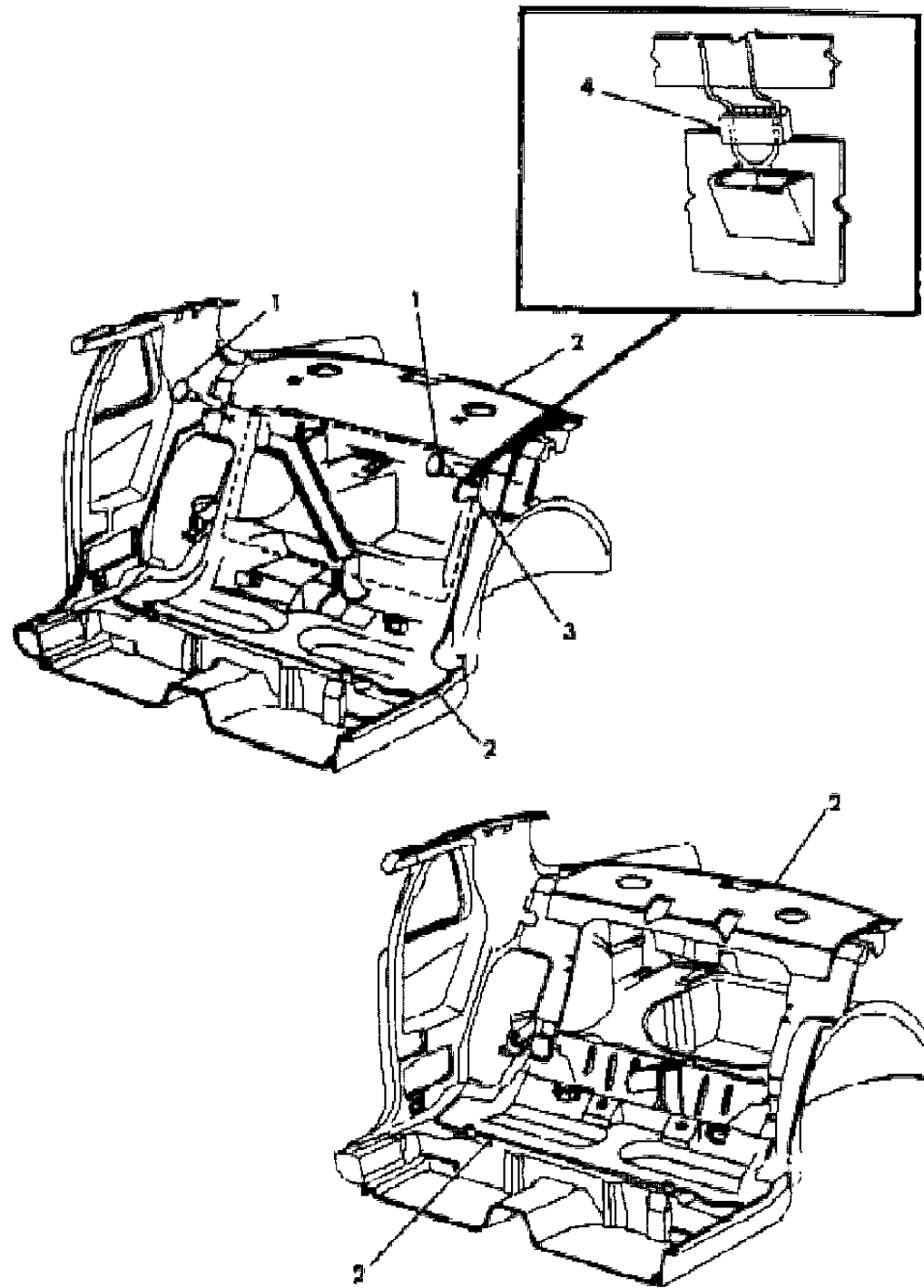
BODY STYLES

12-52 = FWD VAN & WAGON STD. W.B.	27 = 2-DOOR CONVERTIBLE
13-53 = FWD VAN & WGN EXT W.B.	41 = 4-DOOR SEDAN
21 = 2-DOOR SEDAN	44 = 4-DOOR HATCHBACK
24 = 2-DOOR HATCHBACK	45 = 4-DOOR STATION WAGON

AR = Use as Required - = Non Illustrated Part P.A.R. = Paint as Required

SILENCERS--REAR COMPARTMENT J BODY
Figure ITJ-800

8233 800



ITEM	PART NUMBER	QTY	BODY	MODEL	DESCRIPTION
1	4381 395	4		21	FASTENER
2	4186 901	AR		21	SILENCER
3	4381 329	1		21	PANEL, Luggage Compartment Board
4	4239 182	2			SEAL, Rear Seat Back to Shelf Panel

MODEL CODES

C BODY = (D41 - DYNASTY)(C41 - NEW YORKER)	L BODY = (M - HORIZON)(Z-OMNI)
E BODY = (J - CARAVELLE)(E - 600)(T - NEW YORKER TURBO)	M BODY = (B - GRAN FURY)(G - DIPLOMAT)(F - FIFTH AVENUE/NEWPORT)
G BODY = (V24 - DAYTONA, PACIFICA & SHELBY)	P BODY = (P - SUNDANCE)(D - SHADOW)
H BODY = (D44 - LANCER)(C44 - LEBARON GTS)	Q BODY = (C27 - MASERATI)
J BODY = (C - LEBARON)	S BODY = (H - VOYAGER)(K - RAM VAN/ CARAVAN)
K BODY = (P - RELIANT)(D - ARIES)(C - LEBARON/ TOWN & COUNTRY)	

BODY STYLES

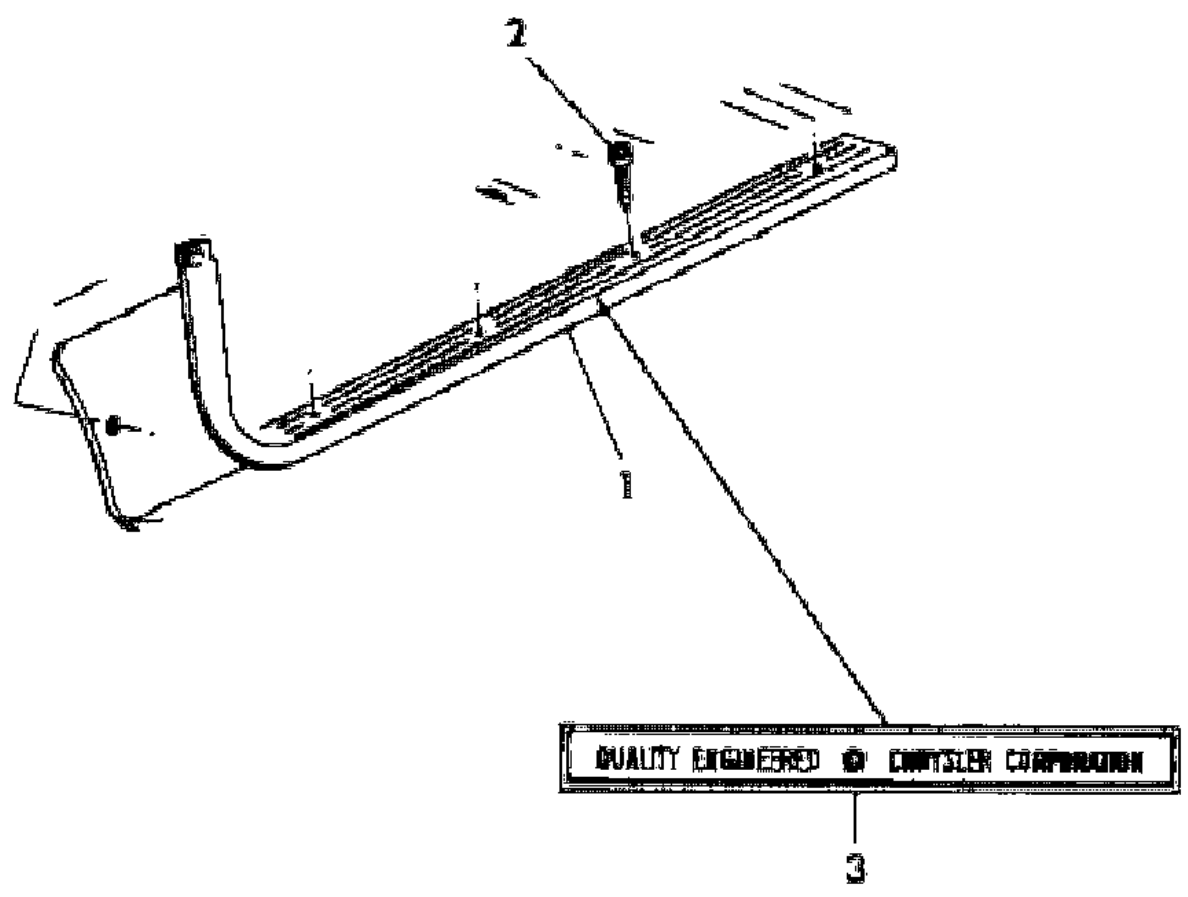
12-52 = FWD VAN & WAGON STD. W.B.	27 = 2-DOOR CONVERTIBLE
13-53 = FWD VAN & WGN EXT W.B.	41 = 4-DOOR SEDAN
21 = 2-DOOR SEDAN	44 = 4-DOOR HATCHBACK
24 = 2-DOOR HATCHBACK	45 = 4-DOOR STATION WAGON

AR = Use as Required - = Non Illustrated Part P.A.R. = Paint as Required

SCUFF PLATE J BODY
Figure ITJ-900

8233 900

ITEM	PART NUMBER	QTY	BODY	MODEL	DESCRIPTION
1					SCUFF PLATE, Panel Cowl Side
					w/Manual Active Seat Belt System
					Right
	F248 FC5	1			Blue
	F248 GR8	1			Red
	F248 GL7	1			Taupe
	F248 FS8	1			Charcoal
					Left
	F101 FC5	1			Blue
	F101 GR8	1			Red
	F101 GL7	1			Taupe
	F101 FS8	1			Charcoal
					w/ Passive Seat Belt System, Rt. Only
	F342 FC5	1			Blue
	F342 GR8	1			Red
	F342 GL7	1			Taupe
	F342 FS8	1			Charcoal
2		AR			SCREW, (8-18x1 1/2) (Not Serv.)
3	4078 456	1			NAME PLATE



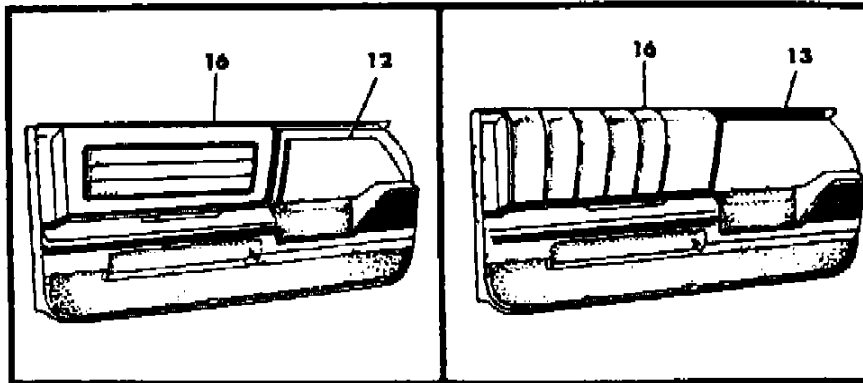
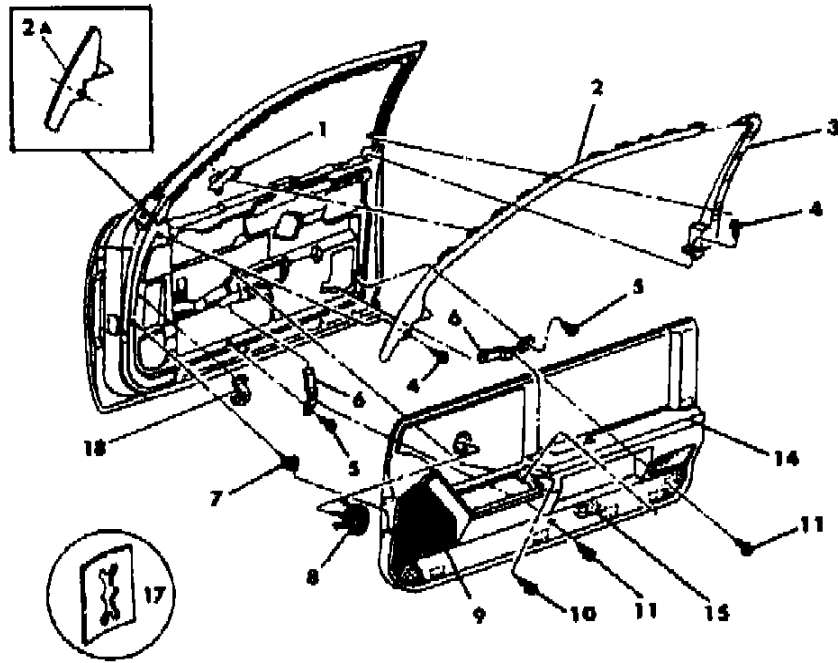
MODEL CODES
 C BODY = (D41 - DYNASTY)(C41 - NEW YORKER)
 E BODY = (J - CARAVELLE)(E - 600)(T - NEW YORKER TURBO)
 G BODY = (V24 - DAYTONA, PACIFICA & SHELBY)
 H BODY = (D44 - LANCER)(C44 - LEBARON GTS)
 J BODY = (C - LEBARON)
 K BODY = (P - RELIANT)(D - ARIES)(C - LEBARON/ TOWN & COUNTRY)
 L BODY = (M - HORIZON)(Z-OMNI)
 M BODY = (B - GRAN FURY)(G - DIPLOMAT)(F - FIFTH AVENUE/NEWPORT)
 P BODY = (P - SUNDANCE)(D - SHADOW)
 Q BODY = (C27 - MASERATI)
 S BODY = (H - VOYAGER)(K - RAM VAN/ CARAVAN)

BODY STYLES
 12-52 = FWD VAN & WAGON STD. W.B. 27 = 2-DOOR CONVERTIBLE
 13-53 = FWD VAN & WGN EXT W.B. 41 = 4-DOOR SEDAN
 21 = 2-DOOR SEDAN 44 = 4-DOOR HATCHBACK
 24 = 2-DOOR HATCHBACK 45 = 4-DOOR STATION WAGON

AR = Use as Required - = Non Illustrated Part P.A.R. = Paint as Required

PANEL--DOOR TRIM J BODY
Figure ITJ-1000

8233 1000 B



ITEM	PART NUMBER	QTY	BODY	MODEL	DESCRIPTION
1	4381 862	20			RETAINER
2	4473 634-5	1			MOULDING, Upper Frame Garnish (Use Up To 8-21-87)
2A	4496 326-7	1			COVER, Door Flag Trim Garnish (Use After 8-21-87) (See Group 23C For Weather Strip and Glass Run
3					MOULDING, Rear Frame Garnish
	4381 494-5	1			w/Manual Active System
	4381 482-3	1			w/Passive Belt System
4					SCREW, (8-15x1/2) (Not Serv.)
5					SCREW, (10-16x5/8) (Not Serv.)
6	4381 818	4			BRACKET
7	4114 785	14			FASTENER
8	4473 690	2			MEDALLION, Plug Window Handle
9	D708-9 GL7	1			GRILLE, Speaker (P.A.R.)
10	6032 456	2			SCREW
11					SCREW, (10-16x3/4) (Not Serv.)
12					PANEL, Door Trim
					CLOTH
	J566-7 FC5	1			Blue, (A7C)
	J566-7 GR8	1			Red, (A7R)
	J566-7 GL7	1			Taupe, (A7L)
	J566-7 FS8	1			Charcoal, (A7S)
					VINYL
	J440-1 FC5	1			Blue, (A8C)
	J440-1 GR8	1			Red, (A8R)
	J440-1 GL7	1			Taupe, (A8L)
	J440-1 FS8	1			Charcoal, (A8S)
13					PANEL, Door Trim w/Bolster
					CLOTH
	J562-3 FC5	1			Blue, (P7C)
	J562-3 GR8	1			Red, (P7R)
	J562-3 GL7	1			Taupe, (P7L)
	J562-3 FS8	1			Charcoal, (P7S)
					ULTRA HIDE
	J564-5 GC5	1			Blue, (PLC)
	J564-5 GR8	1			Red, (PLR)
	J564-5 GL7	1			Taupe, (PLL)
	J564-5 GS8	1			Charcoal, (PLS)

MODEL CODES

C BODY = (D41 - DYNASTY)(C41 - NEW YORKER)
 E BODY = (J - CARAVELLE)(E - 600)(T - NEW YORKER TURBO)
 G BODY = (V24 - DAYTONA, PACIFICA & SHELBY)
 H BODY = (D44 - LANCER)(C44 - LEBARON GTS)
 J BODY = (C - LEBARON)
 K BODY = (P - RELIANT)(D - ARIES)(C - LEBARON/ TOWN & COUNTRY)

L BODY = (M - HORIZON)(Z-OMNI)
 M BODY = (B - GRAN FURY)(G - DIPLOMAT)(F - FIFTH AVENUE/NEWPORT)
 P BODY = (P - SUNDANCE)(D - SHADOW)
 Q BODY = (C27 - MASERATI)
 S BODY = (H - VOYAGER)(K - RAM VAN/ CARAVAN)

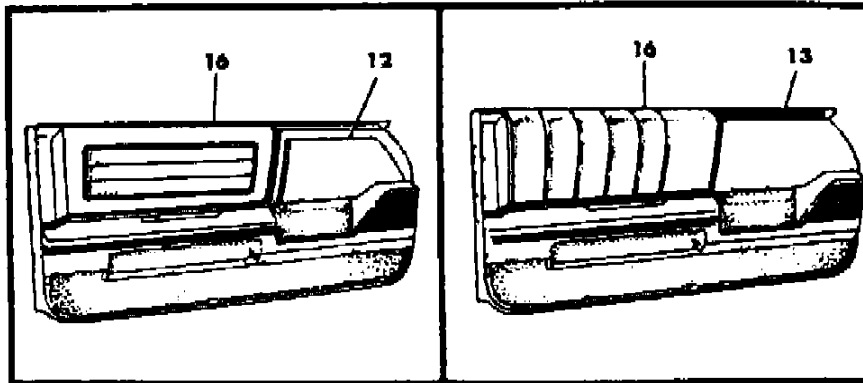
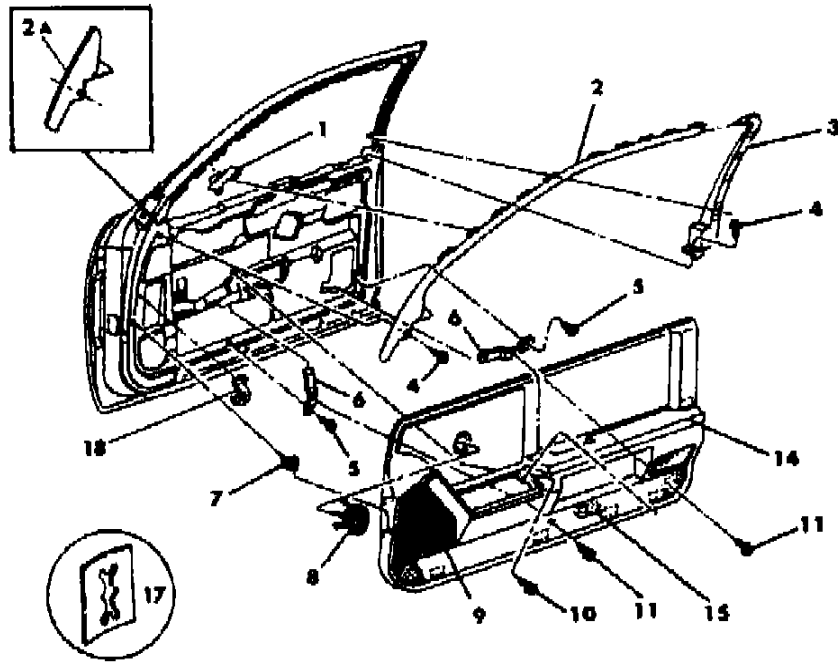
BODY STYLES

12-52 = FWD VAN & WAGON STD. W.B. 27 = 2-DOOR CONVERTIBLE
 13-53 = FWD VAN & WGN EXT W.B. 41 = 4-DOOR SEDAN
 21 = 2-DOOR SEDAN 44 = 4-DOOR HATCHBACK
 24 = 2-DOOR HATCHBACK 45 = 4-DOOR STATION WAGON

AR = Use as Required - = Non Illustrated Part P.A.R. = Paint as Required

PANEL--DOOR TRIM J BODY
Figure ITJ-1000

8233 1000 B



ITEM	PART NUMBER	QTY	BODY	MODEL	DESCRIPTION
	J438-9 GC5	1		27	Blue, (PLC)
	J438-9 GR8	1		27	Red, (PLR)
	J438-9 GL7	1		27	Taupe, (PLL)
	J438-9 GS8	1		27	Charcoal, (PLS)
14					ARMREST
	D710-1 FC5	1			Blue
	D710-1 GR8	1			Red
	D710-1 GL7	1			Taupe
	D710-1 FS8	1			Charcoal
15					PANEL, Pocket
	D108-9 FC5	1			Blue
	D108-9 GR8	1			Red
	D108-9 GL7	1			Taupe
	D108-9 FS8	1			Charcoal
16					WEATHERSTRIP, Belt Inner
	4381 504-5	1		21	
	4381 654-5	1		27	
17	6501 354	26			FASTENER
18					BRACKET , Door Trim Panel To Inner Panel
	4496 240-1	1			Front
	4496 242-3	1			Rear

NOTE: (P.A.R.) = Paint As Required

MODEL CODES

C BODY = (D41 - DYNASTY)(C41 - NEW YORKER)
 E BODY = (J - CARAVELLE)(E - 600)(T - NEW YORKER TURBO)
 G BODY = (V24 - DAYTONA, PACIFICA & SHELBY)
 H BODY = (D44 - LANCER)(C44 - LEBARON GTS)
 J BODY = (C - LEBARON)
 K BODY = (P - RELIANT)(D - ARIES)(C - LEBARON/ TOWN & COUNTRY)

L BODY = (M - HORIZON)(Z-OMNI)
 M BODY = (B - GRAN FURY)(G - DIPLOMAT)(F - FIFTH AVENUE/NEWPORT)
 P BODY = (P - SUNDANCE)(D - SHADOW)
 Q BODY = (C27 - MASERATI)
 S BODY = (H - VOYAGER)(K - RAM VAN/ CARAVAN)

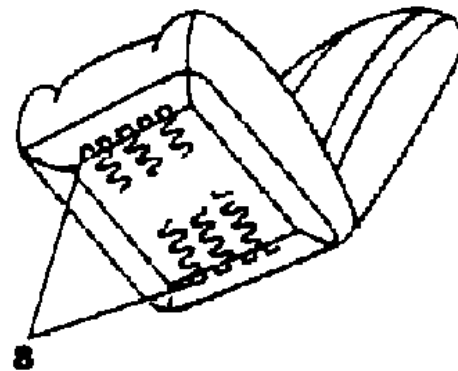
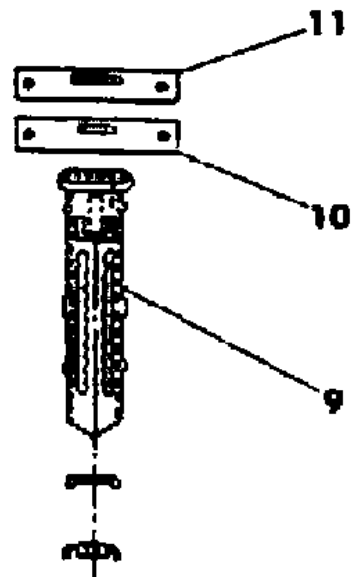
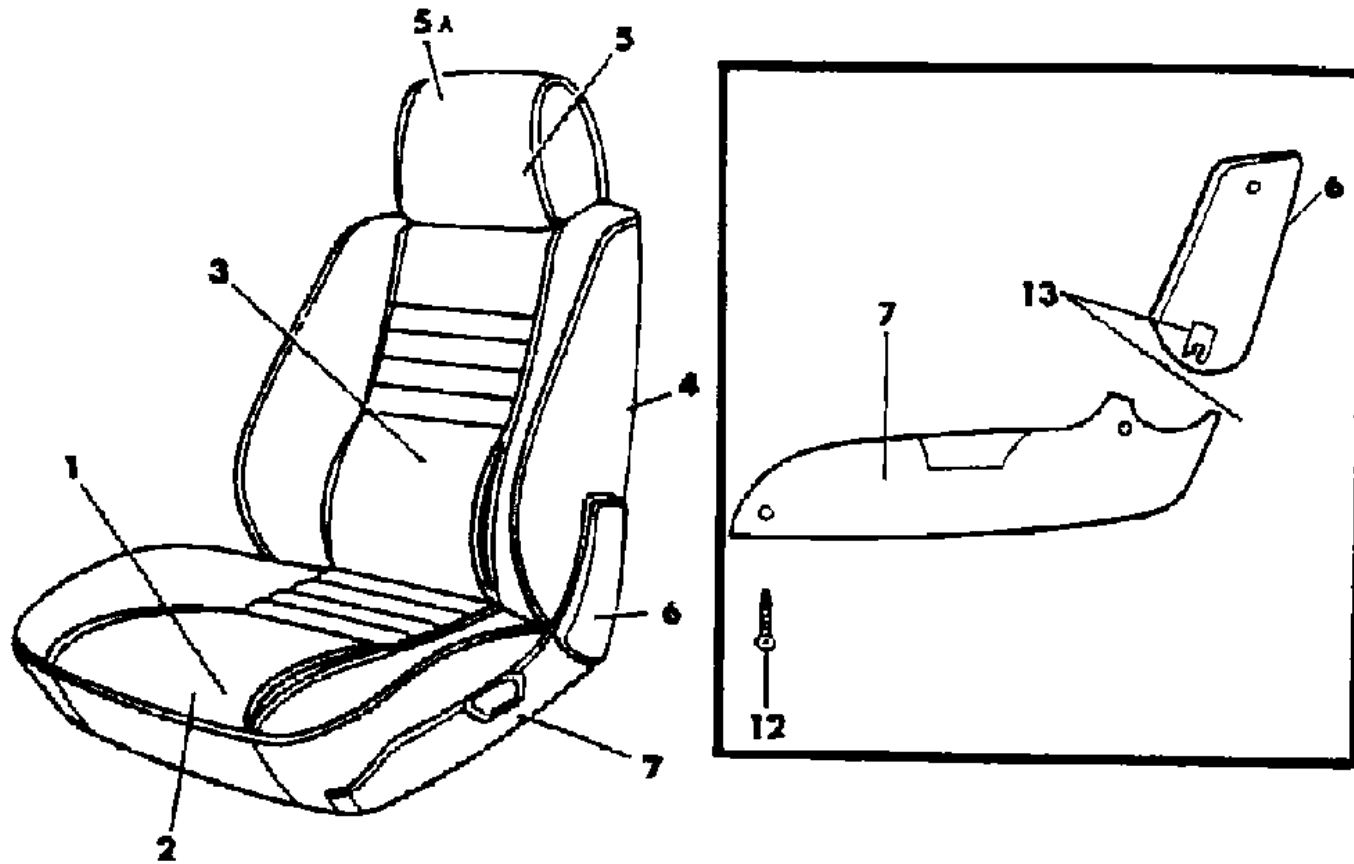
BODY STYLES

12-52 = FWD VAN & WAGON STD. W.B. 27 = 2-DOOR CONVERTIBLE
 13-53 = FWD VAN & WGN EXT W.B. 41 = 4-DOOR SEDAN
 21 = 2-DOOR SEDAN 44 = 4-DOOR HATCHBACK
 24 = 2-DOOR HATCHBACK 45 = 4-DOOR STATION WAGON

AR = Use as Required - = Non Illustrated Part P.A.R. = Paint as Required

SEAT--FRONT J BODY TRIM CODE A7
Figure ITJ-1100

8233 1100



ITEM	PART NUMBER	QTY	BODY	MODEL	DESCRIPTION
1-2					CUSHION, w/Spring/Frame, Pad and Cover
					CLOTH
					Manual
	B792-3 F7C	1			Blue, (A7C)
	B792-3 G7R	1			Red, (A7R)
	B792-3 G7L	1			Taupe, (A7L)
	B792-3 F7S	1			Charcoal, (A7S)
					Electric
	B795 F7C	1			Blue, (A7C)
	B795 G7R	1			Red, (A7R)
	B795 G7L	1			Taupe, (A7L)
	B795 F7S	1			Charcoal, (A7S)
2					COVER, Cushion
					CLOTH
	N482-3 F7C	1			Blue, (A7C)
	N482-3 G7R	1			Red, (A7R)
	N482-3 G7L	1			Taupe, (A7L)
	N482-3 F7S	1			Charcoal, (A7S)
3					BACK, w/Spring/Frame, Pad and Cover (Use Up To 2-15-88) LEFT ONLY
					CLOTH
	B628-9 G7C	1			Blue, (A7C)
	B628-9 G7R	1			Red, (A7R)
	B628-9 G7L	1			Taupe, (A7L)
	B628-9 G7S	1			Charcoal, (A7S)
					(Use From 2-15-88 To 4-25-88) LEFT ONLY
	B961 G7C	1			Blue, (A7C)
	B961 G7R	1			Red, (A7R)
	B961 G7L	1			Taupe, (A7L)
	B961 G7S	1			Charcoal, (A7S)
					(Use After 4-25-88) LEFT ONLY
	B961 G7C	1			Blue, (A7C)
	B961 G7R	1			Red, (A7R)
	B961 G7L	1			Taupe, (A7L)
	B961 G7S	1			Charcoal, (A7S)
4					COVER, Back CLOTH and VINYL

MODEL CODES

C BODY = (D41 - DYNASTY)(C41 - NEW YORKER)
E BODY = (J - CARAVELLE)(E - 600)(T - NEW YORKER TURBO)
G BODY = (V24 - DAYTONA, PACIFICA & SHELBY)
H BODY = (D44 - LANCER)(C44 - LEBARON GTS)
J BODY = (C - LEBARON)
K BODY = (P - RELIANT)(D - ARIES)(C - LEBARON/ TOWN & COUNTRY)

L BODY = (M - HORIZON)(Z-OMNI)
M BODY = (B - GRAN FURY)(G - DIPLOMAT)(F - FIFTH AVENUE/NEWPORT)
P BODY = (P - SUNDANCE)(D - SHADOW)
Q BODY = (C27 - MASERATI)
S BODY = (H - VOYAGER)(K - RAM VAN/ CARAVAN)

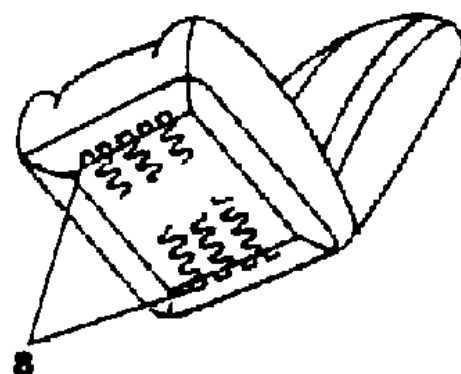
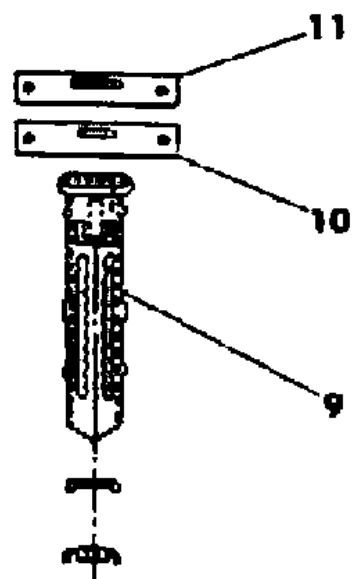
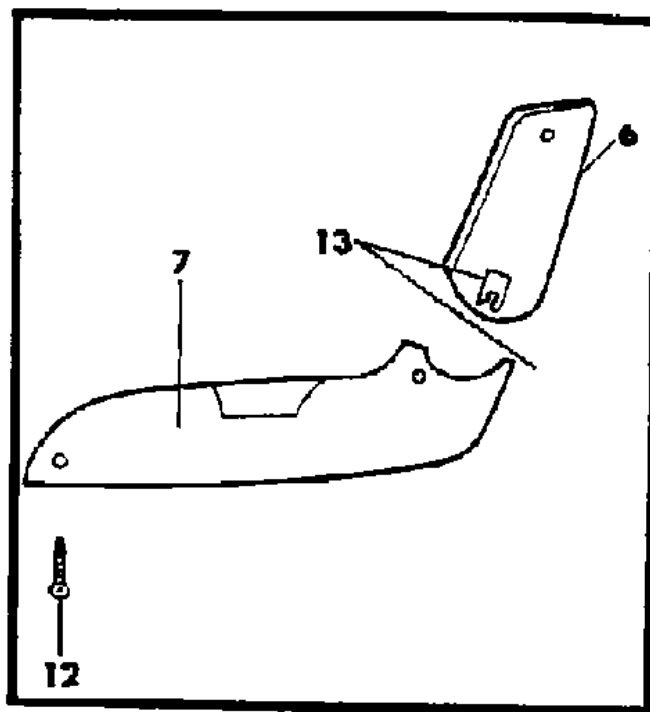
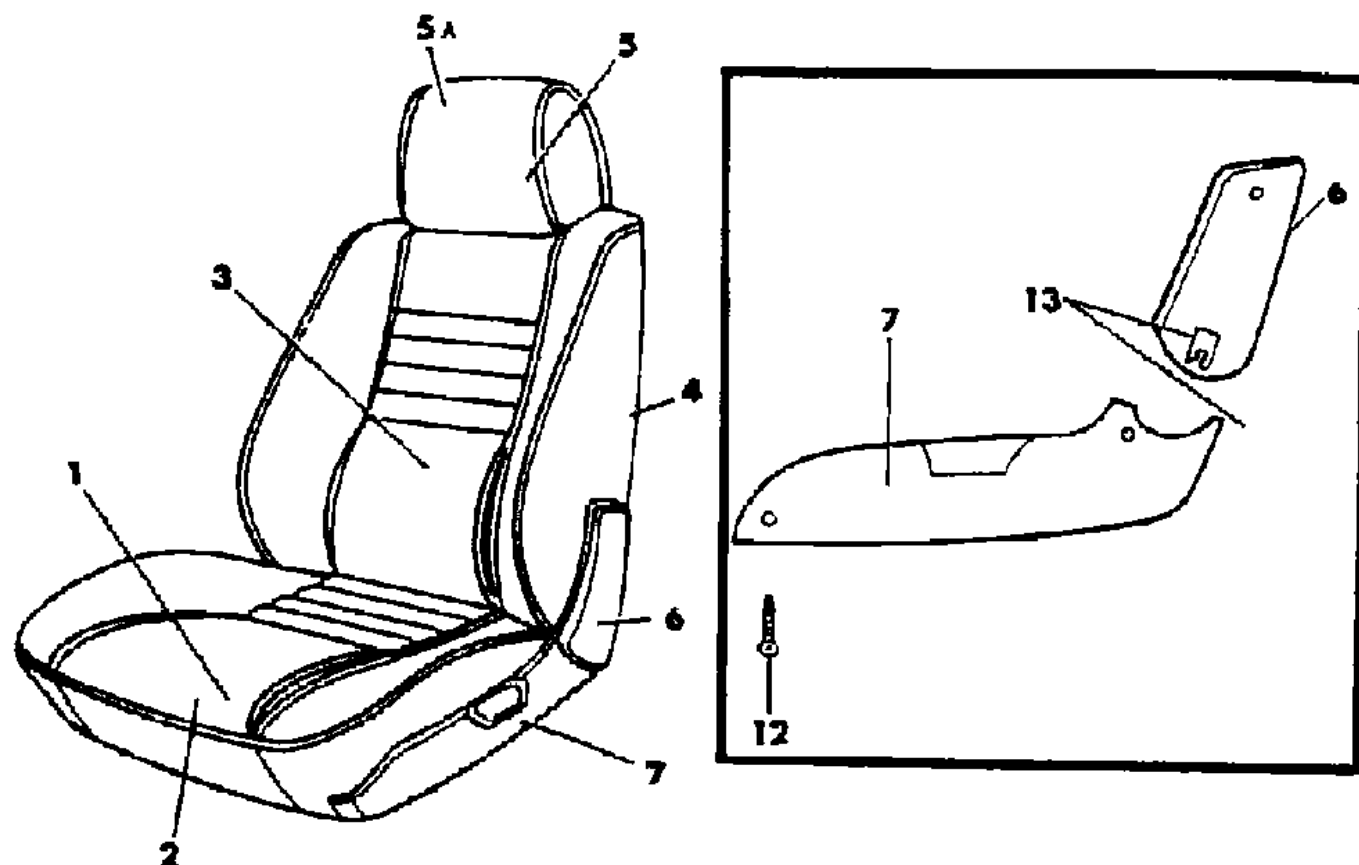
BODY STYLES

12-52 = FWD VAN & WAGON STD. W.B. 27 = 2-DOOR CONVERTIBLE
13-53 = FWD VAN & WGN EXT W.B. 41 = 4-DOOR SEDAN
21 = 2-DOOR SEDAN 44 = 4-DOOR HATCHBACK
24 = 2-DOOR HATCHBACK 45 = 4-DOOR STATION WAGON

AR = Use as Required - = Non Illustrated Part P.A.R. = Paint as Required

SEAT--FRONT J BODY TRIM CODE A7
Figure ITJ-1100

8233 1100



ITEM	PART NUMBER	QTY	BODY	MODEL	DESCRIPTION
	N484-5 F7C	1			Blue, (A7C)
	N484-5 G7R	1			Red, (A7R)
	N484-5 G7L	1			Taupe, (A7L)
	N484-5 F7S	1			Charcoal, (A7S)
5					HEADREST and COVER
					CLOTH
	N492 FC5	2			Blue, (A7C)
	N492 GR8	2			Red, (A7R)
	N492 GL7	2			Taupe, (A7L)
	N492 FS8	2			Charcoal
5A					COVER, Headrest
					CLOTH
	B581 FC5	2			Blue, (A7C)
	B581 GR8	2			Red, (A7R)
	B581 GL7	2			Taupe, (A7L)
	B581 FS8	2			Charcoal, (A7S)
6					SHIELD, Back (P.A.R.)
					OUTER
	S604 GK1	1			Passenger Seat
	S605 GK1	1			Driver Seat
					INNER
	S605 GK1	1			Passenger Seat
	S604 GK1	1			Driver Seat
7					SHIELD, Cushion (P.A.R.)
					OUTER
	S764 GK1	1			Passenger Seat
	S765 GK1	1			Driver Seat
					INNER
	S765 GK1	1			Passenger Seat
	S764 GK1	1			Driver Seat
8	6008 076	AR			HOG RING
9					SLEEVE, Headrest
	S786 EC5	2			Blue
	S786 GR8	2			Red
	S786 GL7	2			Taupe
	S786 CS8	2			Charcoal
10	4190 387	2			SUPPORT, Headrest

MODEL CODES

C BODY = (D41 - DYNASTY)(C41 - NEW YORKER)
 E BODY = (J - CARAVELLE)(E - 600)(T - NEW YORKER TURBO)
 G BODY = (V24 - DAYTONA, PACIFICA & SHELBY)
 H BODY = (D44 - LANCER)(C44 - LEBARON GTS)
 J BODY = (C - LEBARON)
 K BODY = (P - RELIANT)(D - ARIES)(C - LEBARON/ TOWN & COUNTRY)

L BODY = (M - HORIZON)(Z-OMNI)
 M BODY = (B - GRAN FURY)(G - DIPLOMAT)(F - FIFTH AVENUE/NEWPORT)
 P BODY = (P - SUNDANCE)(D - SHADOW)
 Q BODY = (C27 - MASERATI)
 S BODY = (H - VOYAGER)(K - RAM VAN/ CARAVAN)

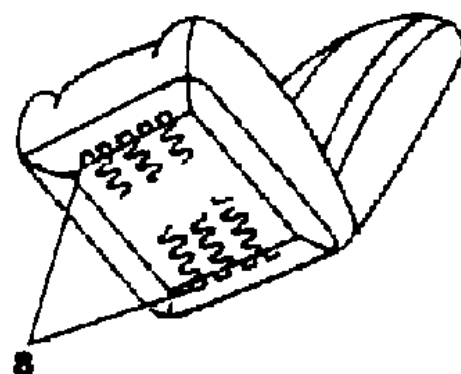
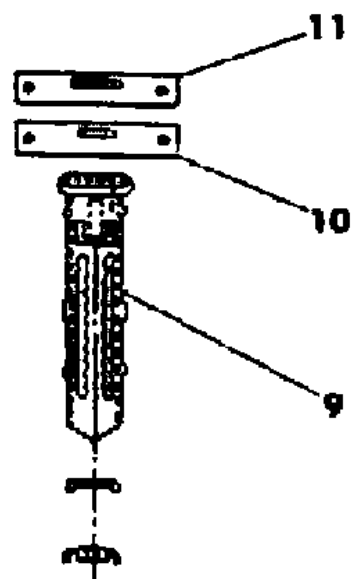
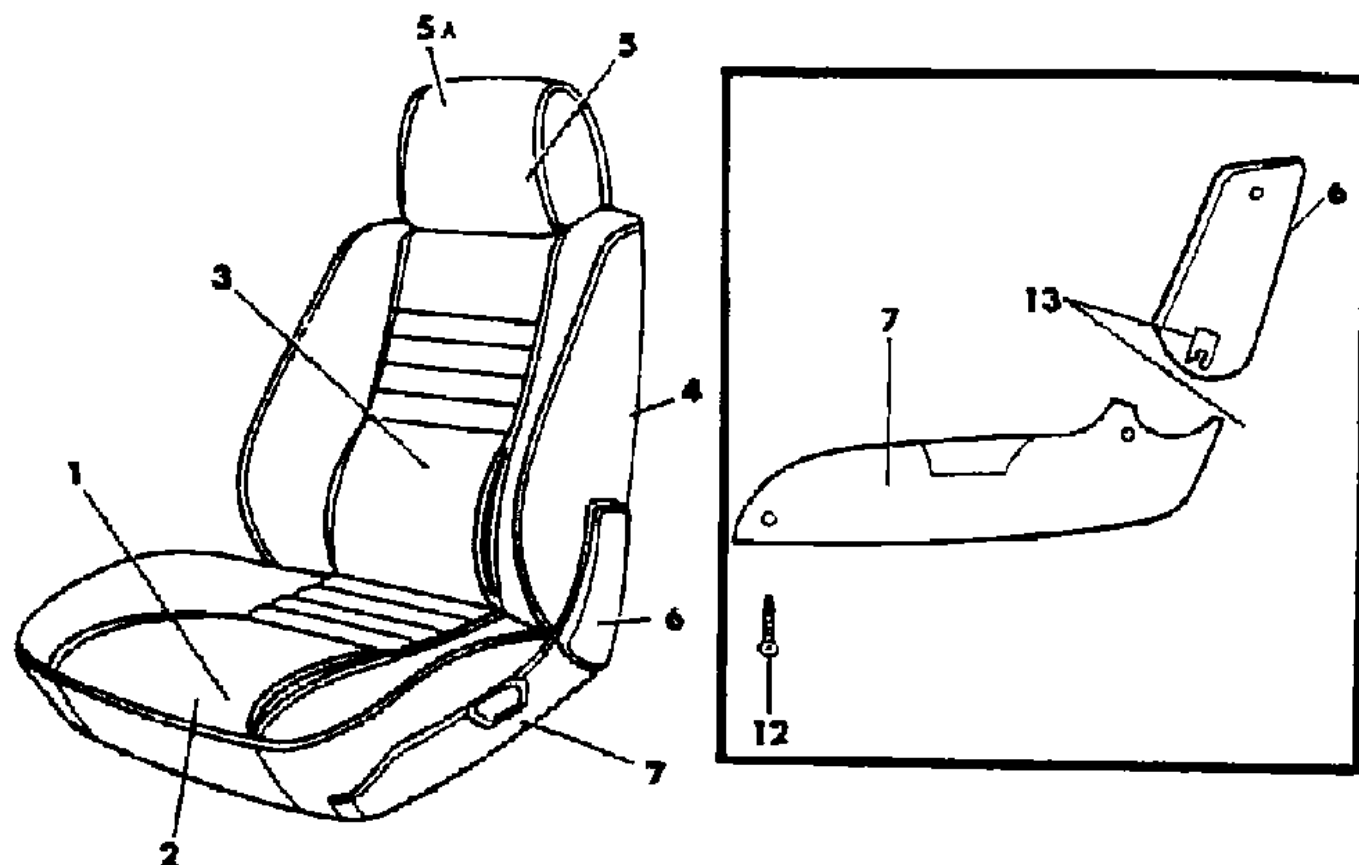
BODY STYLES

12-52 = FWD VAN & WAGON STD. W.B. 27 = 2-DOOR CONVERTIBLE
 13-53 = FWD VAN & WGN EXT W.B. 41 = 4-DOOR SEDAN
 21 = 2-DOOR SEDAN 44 = 4-DOOR HATCHBACK
 24 = 2-DOOR HATCHBACK 45 = 4-DOOR STATION WAGON

AR = Use as Required - = Non Illustrated Part P.A.R. = Paint as Required

SEAT--FRONT J BODY TRIM CODE A7
Figure ITJ-1100

8233 1100



ITEM	PART NUMBER	QTY	BODY	MODEL	DESCRIPTION
11	4327 688	2			COVER, Headrest Finish
12		AR			SCREW, Side Shield Attaching (8-18x.75) (Not Serv.)
13	4317 800	AR			CLIP

NOTE: (P.A.R.) = Paint As Required

MODEL CODES

C BODY = (D41 - DYNASTY)(C41 - NEW YORKER)
 E BODY = (J - CARAVELLE)(E - 600)(T - NEW YORKER TURBO)
 G BODY = (V24 - DAYTONA, PACIFICA & SHELBY)
 H BODY = (D44 - LANCER)(C44 - LEBARON GTS)
 J BODY = (C - LEBARON)
 K BODY = (P - RELIANT)(D - ARIES)(C - LEBARON/ TOWN & COUNTRY)

L BODY = (M - HORIZON)(Z-OMNI)
 M BODY = (B - GRAN FURY)(G - DIPLOMAT)(F - FIFTH AVENUE/NEWPORT)
 P BODY = (P - SUNDANCE)(D - SHADOW)
 Q BODY = (C27 - MASERATI)
 S BODY = (H - VOYAGER)(K - RAM VAN/ CARAVAN)

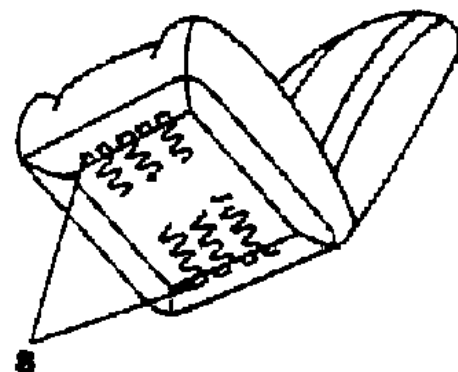
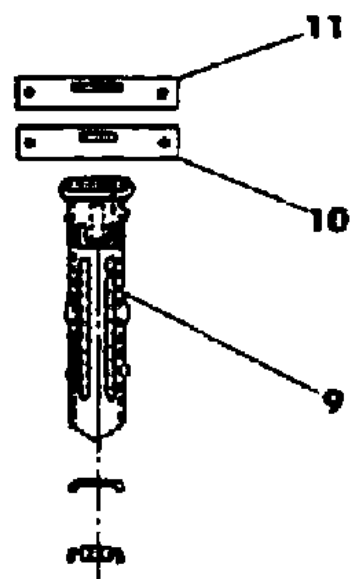
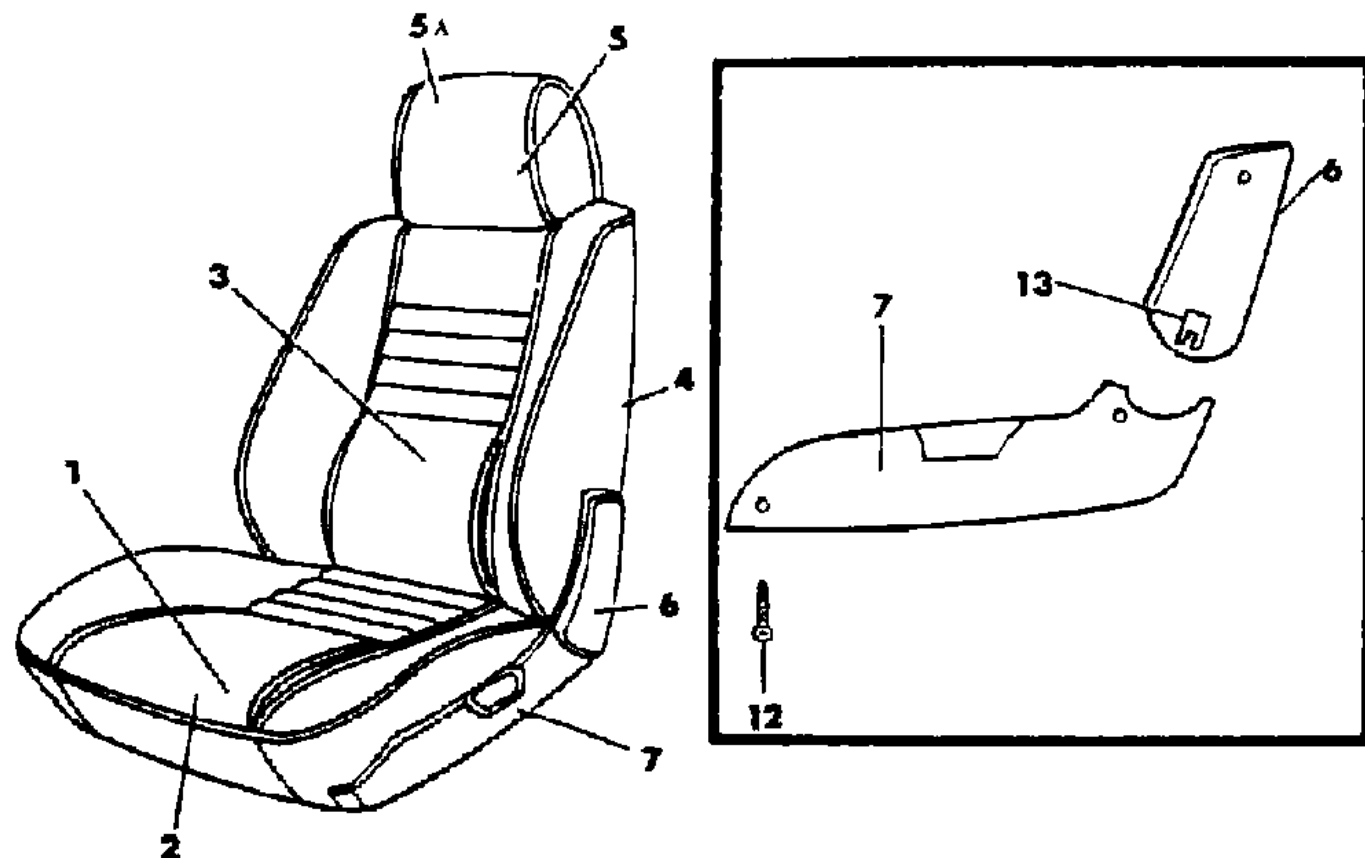
BODY STYLES

12-52 = FWD VAN & WAGON STD. W.B. 27 = 2-DOOR CONVERTIBLE
 13-53 = FWD VAN & WGN EXT W.B. 41 = 4-DOOR SEDAN
 21 = 2-DOOR SEDAN 44 = 4-DOOR HATCHBACK
 24 = 2-DOOR HATCHBACK 45 = 4-DOOR STATION WAGON

AR = Use as Required - = Non Illustrated Part P.A.R. = Paint as Required

SEAT--FRONT J BODY TRIM CODE A8
Figure ITJ-1200

8233 1200



ITEM	PART NUMBER	QTY	BODY	MODEL	DESCRIPTION
1-2					CUSHION, w/Spring/Frame, Pad and Cover
					VINYL
					MANUAL
	N888-9 F8C	1			Blue, (A8C)
	N888-9 G8R	1			Red, (A8R)
	N888-9 G8L	1			Taupe, (A8L)
	N888-9 F8S	1			Charcoal, (A8S)
					ELECTRIC
	N891 F8C	1			Blue, (A8C)
	N891 G8R	1			Red, (A8R)
	N891 G8L	1			Taupe, (A8L)
	N891 F8S	1			Charcoal, (A8S)
2					COVER, Cushion
					VINYL
	N486-7 F8C	1			Blue, (A8C)
	N486-7 G8R	1			Red, (A8R)
	N486-7 G8L	1			Taupe, (A8L)
	N486-7 F8S	1			Charcoal, (A8S)
3					BACK, w/Spring/Frame, Pad and Cover
					VINYL
	N364-5 G8C	1			Blue, (A8C)
	N364-5 G8R	1			Red, (A8R)
	N364-5 G8L	1			Taupe, (A8L)
	N364-5 G8S	1			Charcoal, (A8S)
4					COVER, Back
					VINYL
	N488-9 F8C	1			Blue, (A8C)
	N488-9 G8R	1			Red, (A8R)
	N488-9 G8L	1			Taupe, (A8L)
	N488-9 F8S	1			Charcoal, (A8S)
5					HEADREST and COVER
					VINYL
	N937 FC5	2			Blue, (A8C)
	N937 GR8	2			Red, (A8R)
	N937 GL7	2			Taupe, (A8L)
	N937 FS8	2			Charcoal, (A8S)
5A					COVER, Headrest

MODEL CODES

C BODY = (D41 - DYNASTY)(C41 - NEW YORKER)
 E BODY = (J - CARAVELLE)(E - 600)(T - NEW YORKER TURBO)
 G BODY = (V24 - DAYTONA, PACIFICA & SHELBY)
 H BODY = (D44 - LANCER)(C44 - LEBARON GTS)
 J BODY = (C - LEBARON)
 K BODY = (P - RELIANT)(D - ARIES)(C - LEBARON/ TOWN & COUNTRY)
 L BODY = (M - HORIZON)(Z-OMNI)
 M BODY = (B - GRAN FURY)(G - DIPLOMAT)(F - FIFTH AVENUE/NEWPORT)
 P BODY = (P - SUNDANCE)(D - SHADOW)
 Q BODY = (C27 - MASERATI)
 S BODY = (H - VOYAGER)(K - RAM VAN/ CARAVAN)

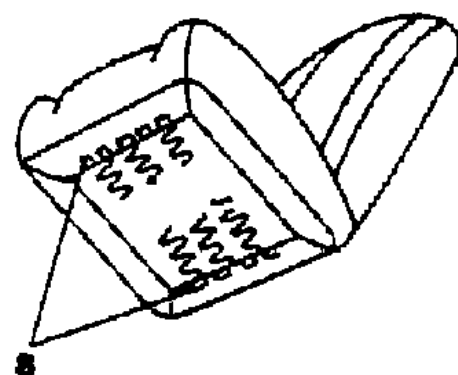
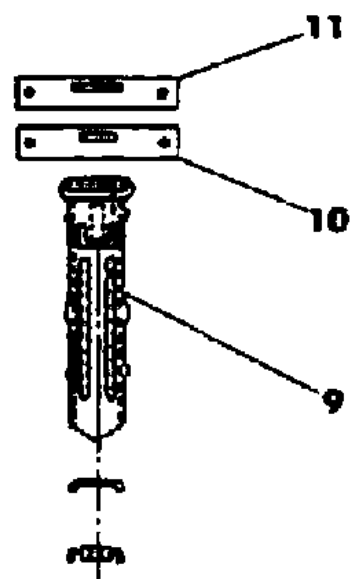
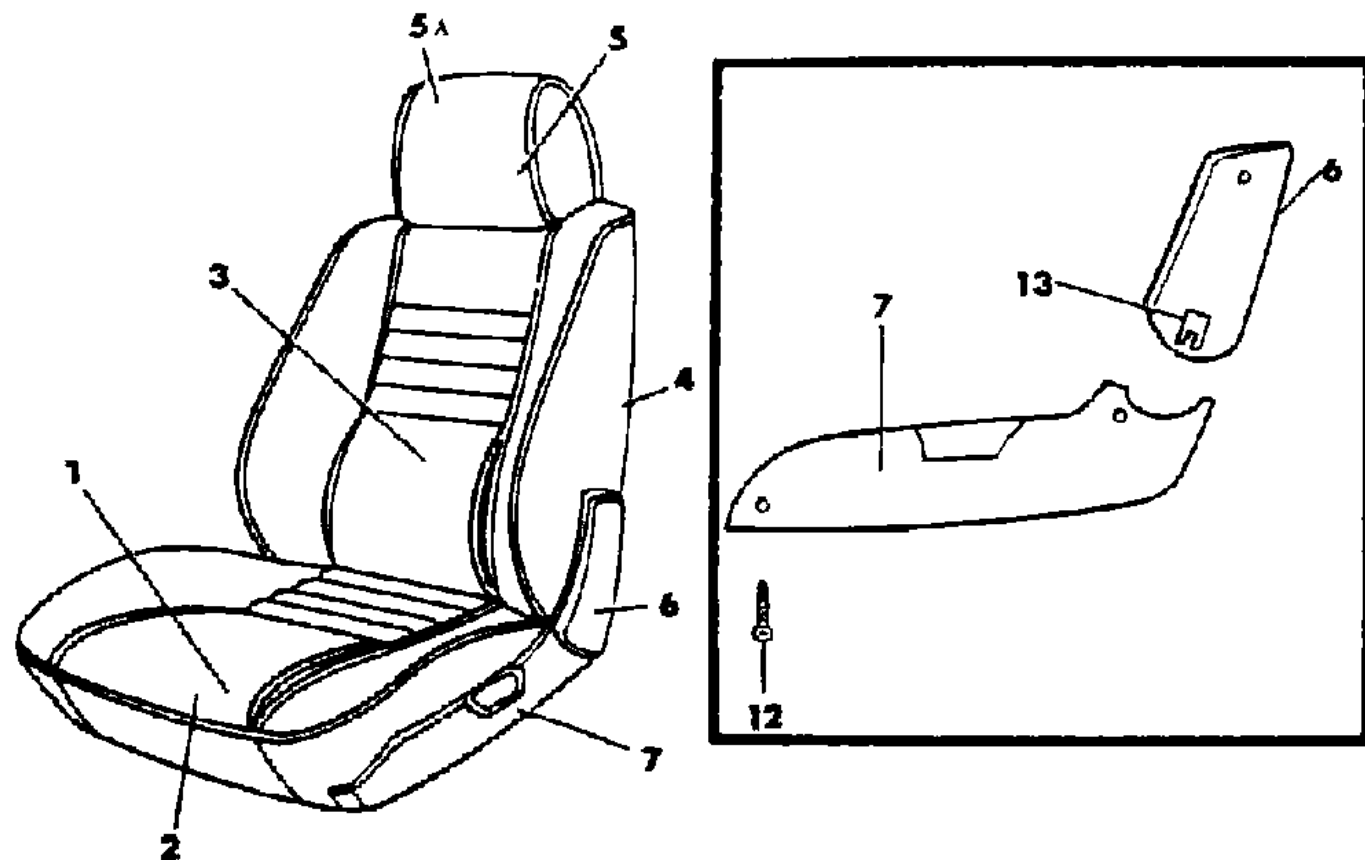
BODY STYLES

12-52 = FWD VAN & WAGON STD. W.B. 27 = 2-DOOR CONVERTIBLE
 13-53 = FWD VAN & WGN EXT W.B. 41 = 4-DOOR SEDAN
 21 = 2-DOOR SEDAN 44 = 4-DOOR HATCHBACK
 24 = 2-DOOR HATCHBACK 45 = 4-DOOR STATION WAGON

AR = Use as Required - = Non Illustrated Part P.A.R. = Paint as Required

SEAT--FRONT J BODY TRIM CODE A8
Figure ITJ-1200

8233 1200



ITEM	PART NUMBER	QTY	BODY	MODEL	DESCRIPTION
					VINYL
	N980 FC5	2			Blue, (A8C)
	N980 GR8	2			Red, (A8R)
	N980 GL7	2			Taupe, (A8L)
	N980 FS8	2			Charcoal, (A8S)
6					SHIELD, Back (P.A.R.) OUTER Passenger Seat Driver Seat
	S604 GK1	1			INNER Passenger Seat
	S605 GK1	1			Driver Seat
7					SHIELD, Cushion (P.A.R.) OUTER Passenger Seat Driver Seat
	S764 GK1	1			INNER Passenger Seat
	S765 GK1	1			Driver Seat
8					HOG RING
9					SLEEVE, Headrest
	S786 EC5	2			Blue
	S786 GR8	2			Red
	S786 GL7	2			Taupe
	S786 CS8	2			Charcoal
10	4190 387	2			SUPPORT, Headrest
11	4327 688	2			COVER, Headrest Finish
12		AR			SCREW, Side Shield Attaching (8-18x.75) (Not Serv.)
13	4317 800	AR			CLIP

NOTE: (P.A.R.) = Paint As Required

MODEL CODES

C BODY = (D41 - DYNASTY)(C41 - NEW YORKER)
 E BODY = (J - CARAVELLE)(E - 600)(T - NEW YORKER TURBO)
 G BODY = (V24 - DAYTONA, PACIFICA & SHELBY)
 H BODY = (D44 - LANCER)(C44 - LEBARON GTS)
 J BODY = (C - LEBARON)
 K BODY = (P - RELIANT)(D - ARIES)(C - LEBARON/ TOWN & COUNTRY)
 L BODY = (M - HORIZON)(Z-OMNI)
 M BODY = (B - GRAN FURY)(G - DIPLOMAT)(F - FIFTH AVENUE/NEWPORT)
 P BODY = (P - SUNDANCE)(D - SHADOW)
 Q BODY = (C27 - MASERATI)
 S BODY = (H - VOYAGER)(K - RAM VAN/ CARAVAN)

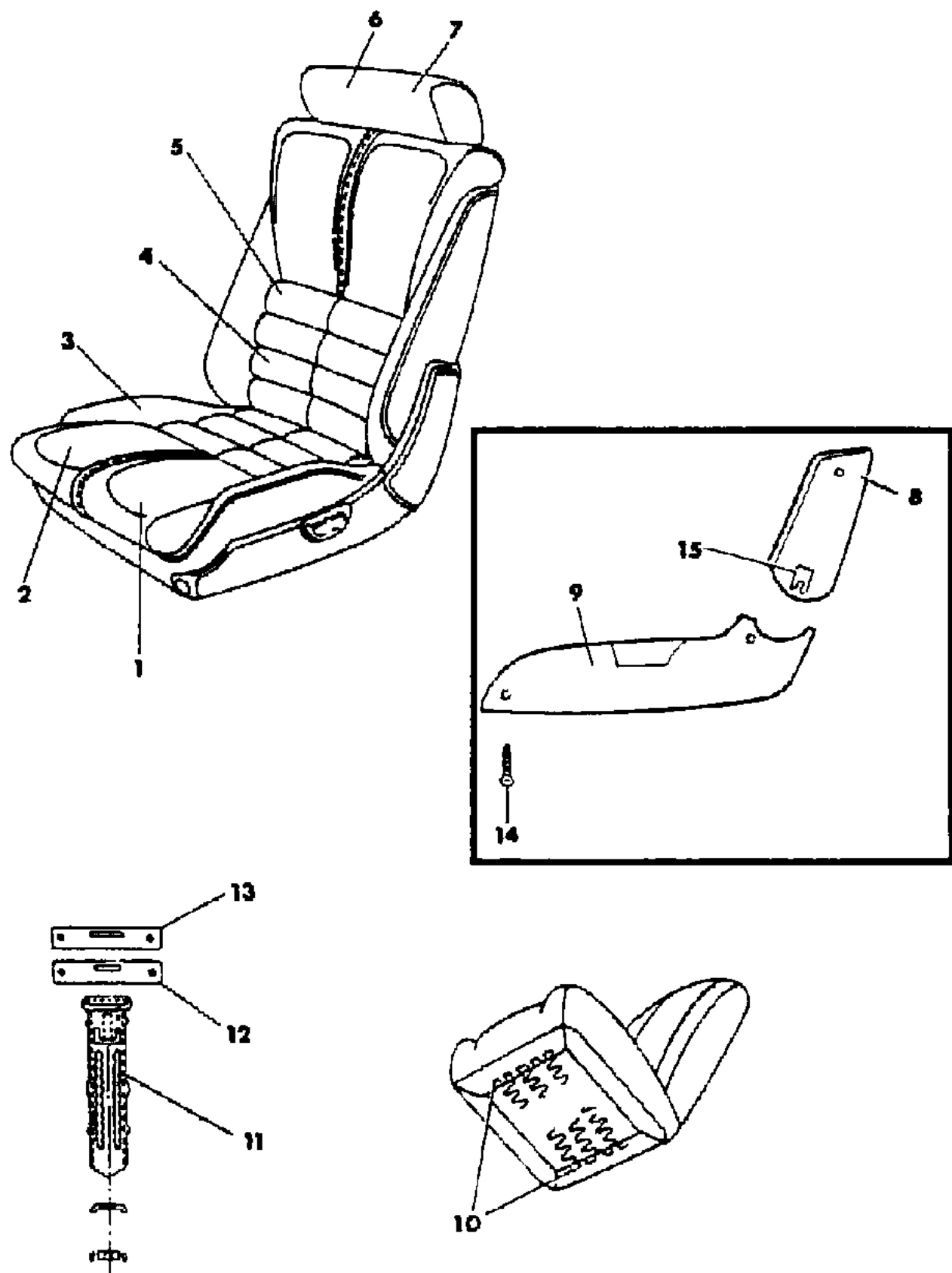
BODY STYLES

12-52 = FWD VAN & WAGON STD. W.B. 27 = 2-DOOR CONVERTIBLE
 13-53 = FWD VAN & WGN EXT W.B. 41 = 4-DOOR SEDAN
 21 = 2-DOOR SEDAN 44 = 4-DOOR HATCHBACK
 24 = 2-DOOR HATCHBACK 45 = 4-DOOR STATION WAGON

AR = Use as Required - = Non Illustrated Part P.A.R. = Paint as Required

SEAT--FRONT J BODY TRIM CODE P7
Figure ITJ-1300

8233 1300



ITEM	PART NUMBER	QTY	BODY	MODEL	DESCRIPTION
1					CUSHION, w/Spring, Frame, Pad and Cover
					CLOTH
					Manual
	N894-5 F7C	1			Blue, (P7C)
	N894-5 G7R	1			Red, (P7R)
	N894-5 G7L	1			Taupe, (P7L)
	N894-5 F7S	1			Charcoal, (P7S)
					CLOTH
					ELECTRIC, Left
	N897 F7C	1			Blue, (P7C)
	N897 G7R	1			Red, (P7R)
	N897 G7L	1			Taupe, (P7L)
	N897 F7S	1			Charcoal, (P7S)
2					COVER, Cushion Center
					CLOTH
					Passenger and Driver
	N386 F7C	2			Blue, (P7C)
	N386 G7R	2			Red, (P7R)
	N386 G7L	2			Taupe, (P7L)
	N386 F7S	2			Charcoal, (P7S)
3					COVER, Cushion Wings
					OUTBOARD
					Passenger Seat
	N388 F7C	1			Blue, (P7C)
	N388 G7R	1			Red, (P7R)
	N388 G7L	1			Taupe, (P7L)
	N388 F7S	1			Charcoal, (P7S)
					Driver Seat
	N389 F7C	1			Blue, (P7C)
	N389 G7R	1			Red, (P7R)
	N389 G7L	1			Taupe, (P7L)
	N389 F7S	1			Charcoal, (F7S)
					INBOARD
					Passenger Seat
	N389 F7C	1			Blue, (P7C)
	N389 G7R	1			Red, (P7R)
	N389 G7L	1			Taupe, (P7L)

MODEL CODES

C BODY = (D41 - DYNASTY)(C41 - NEW YORKER)
 E BODY = (J - CARAVELLE)(E - 600)(T - NEW YORKER TURBO)
 G BODY = (V24 - DAYTONA, PACIFICA & SHELBY)
 H BODY = (D44 - LANCER)(C44 - LEBARON GTS)
 J BODY = (C - LEBARON)
 K BODY = (P - RELIANT)(D - ARIES)(C - LEBARON/ TOWN & COUNTRY)
 L BODY = (M - HORIZON)(Z-OMNI)
 M BODY = (B - GRAN FURY)(G - DIPLOMAT)(F - FIFTH AVENUE/NEWPORT)
 P BODY = (P - SUNDANCE)(D - SHADOW)
 Q BODY = (C27 - MASERATI)
 S BODY = (H - VOYAGER)(K - RAM VAN/ CARAVAN)

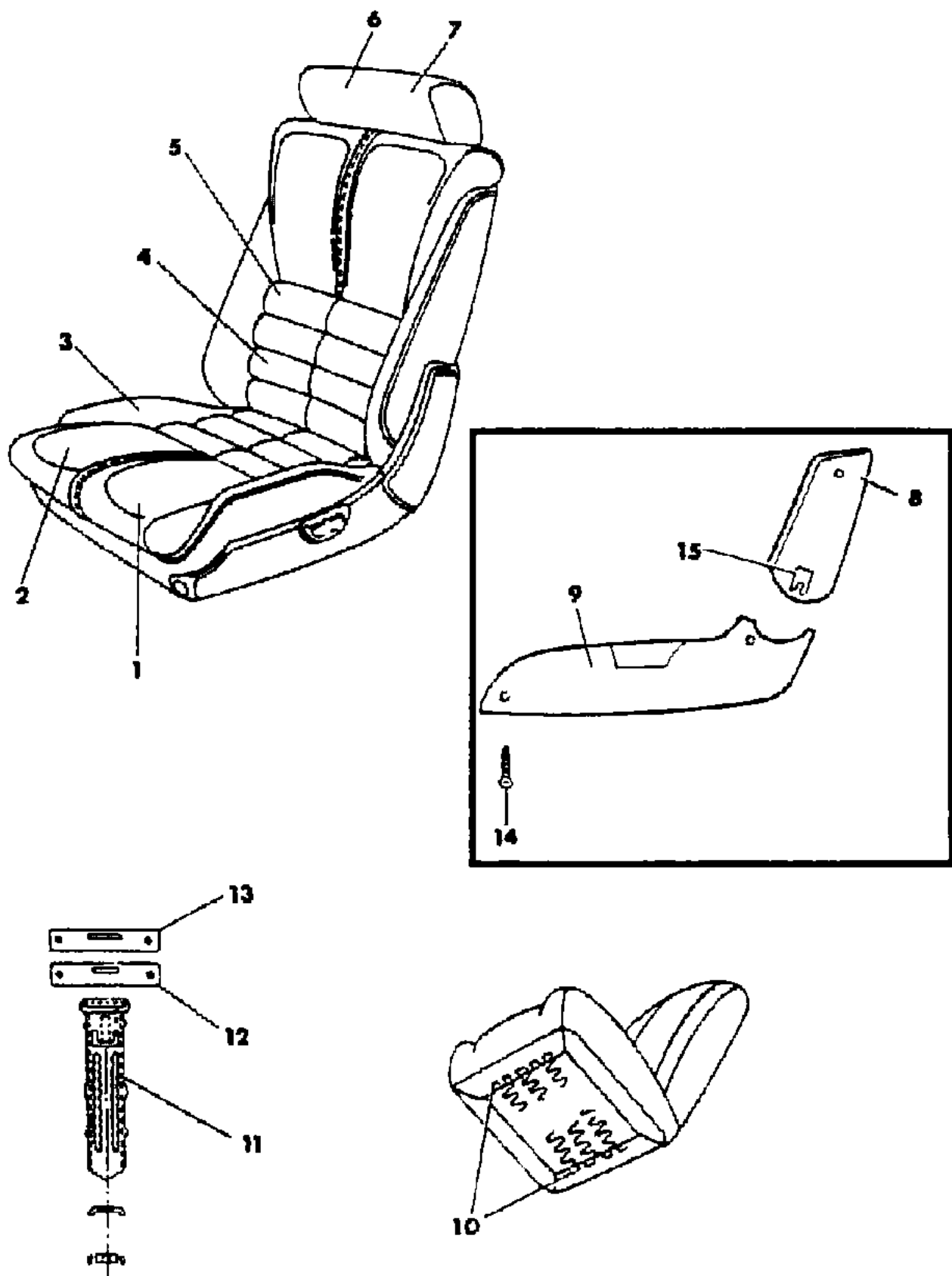
BODY STYLES

12-52 = FWD VAN & WAGON STD. W.B. 27 = 2-DOOR CONVERTIBLE
 13-53 = FWD VAN & WGN EXT W.B. 41 = 4-DOOR SEDAN
 21 = 2-DOOR SEDAN 44 = 4-DOOR HATCHBACK
 24 = 2-DOOR HATCHBACK 45 = 4-DOOR STATION WAGON

AR = Use as Required - = Non Illustrated Part P.A.R. = Paint as Required

SEAT--FRONT J BODY TRIM CODE P7
Figure ITJ-1300

8233 1300



ITEM	PART NUMBER	QTY	BODY	MODEL	DESCRIPTION
	N389 F7S	1			Charcoal, (P7S)
					Driver Seat
	N388 F7C	1			Blue, (P7C)
	N388 G7R	1			Red, (P7R)
	N388 G7L	1			Taupe, (P7L)
4-5	N388 F7S	1			Charcoal, (P7S)
					BACK, w/Spring, Frame, Pad and Cover CLOTH (Use Up To 4-25-88) LEFT ONLY
	N366-7 G7C	1			Blue, (P7C)
	N366-7 G7R	1			Red, (P7R)
	N366-7 G7L	1			Taupe, (P7L)
	N366-7 G7S	1			Charcoal, (P7S)
					(Use After 4-25-88) LEFT ONLY
	N961 G7C	1			Blue, (P7C)
	N961 G7R	1			Red, (P7R)
	N961 G7L	1			Taupe, (P7L)
	N961 G7S	1			Charcoal, (P7S)
5					COVER, Back CLOTH
	N466-7 F7C	1			Blue, (P7C)
	N466-7 G7R	1			Red, (P7R)
	N466-7 G7L	1			Taupe, (P7L)
	N466-7 F7S	1			Charcoal, (P7S)
6					HEADREST and COVER
	N904 FCC	2			Blue, (PC7)
	N904 GRR	2			Red, (P7R)
	N904 GLL	2			Taupe, (P7L)
	N904 FAS	2			Charcoal, (P7S)
7					COVER, Headrest
	N468 FCC	2			Blue, (P7C)
	N468 GRR	2			Red, (P7R)
	N468 GLL	2			Taupe, (P7L)
	N468 FAS	2			Charcoal, (P7S)
8					SHIELD, Back (P.A.R.) OUTER
	S604 GK1	1			Passenger Seat

MODEL CODES

C BODY = (D41 - DYNASTY)(C41 - NEW YORKER)
 E BODY = (J - CARAVELLE)(E - 600)(T - NEW YORKER TURBO)
 G BODY = (V24 - DAYTONA, PACIFICA & SHELBY)
 H BODY = (D44 - LANCER)(C44 - LEBARON GTS)
 J BODY = (C - LEBARON)
 K BODY = (P - RELIANT)(D - ARIES)(C - LEBARON/ TOWN & COUNTRY)

L BODY = (M - HORIZON)(Z-OMNI)
 M BODY = (B - GRAN FURY)(G - DIPLOMAT)(F - FIFTH AVENUE/NEWPORT)
 P BODY = (P - SUNDANCE)(D - SHADOW)
 Q BODY = (C27 - MASERATI)
 S BODY = (H - VOYAGER)(K - RAM VAN/ CARAVAN)

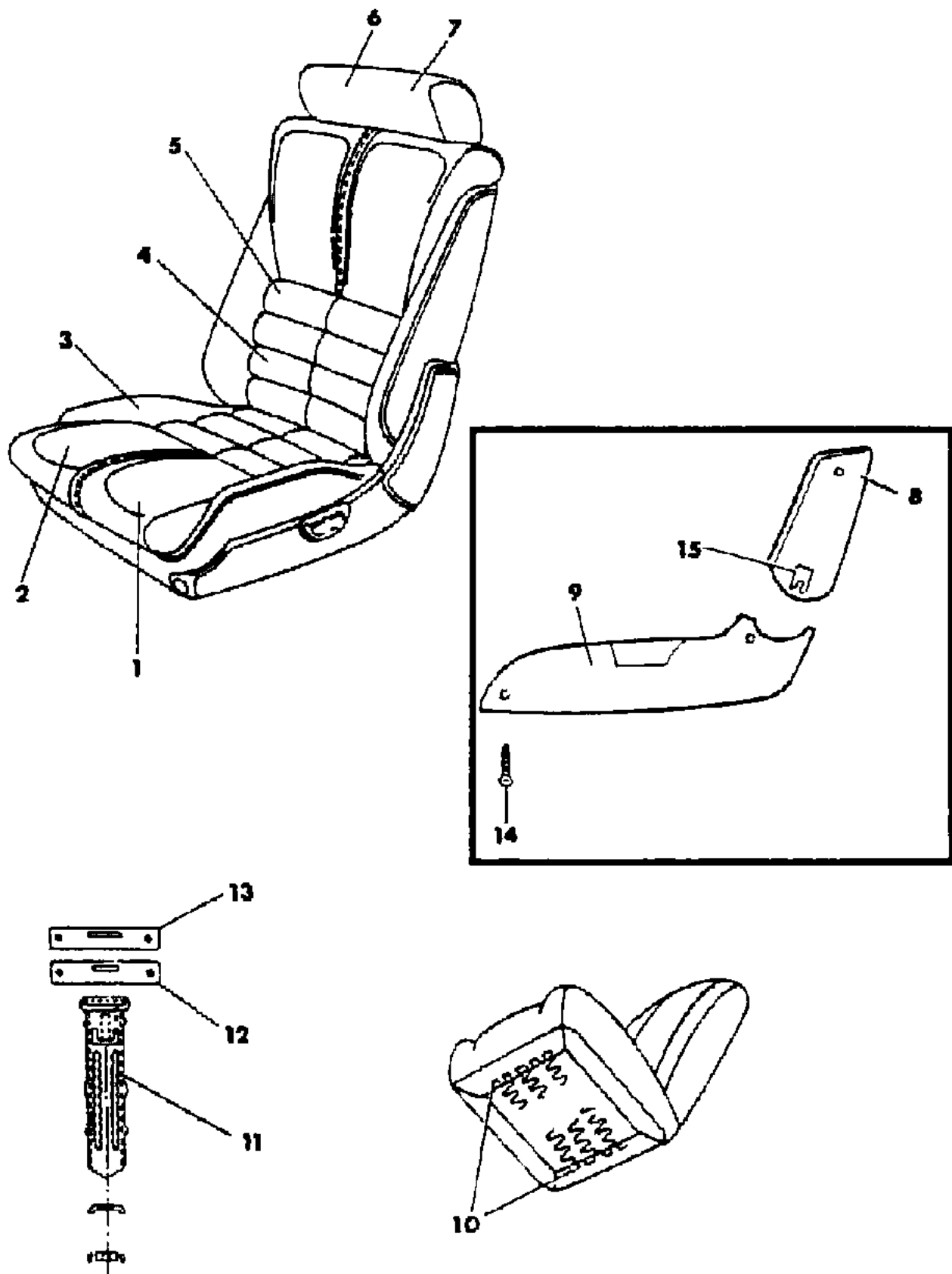
BODY STYLES

12-52 = FWD VAN & WAGON STD. W.B. 27 = 2-DOOR CONVERTIBLE
 13-53 = FWD VAN & WGN EXT W.B. 41 = 4-DOOR SEDAN
 21 = 2-DOOR SEDAN 44 = 4-DOOR HATCHBACK
 24 = 2-DOOR HATCHBACK 45 = 4-DOOR STATION WAGON

AR = Use as Required - = Non Illustrated Part P.A.R. = Paint as Required

SEAT--FRONT J BODY TRIM CODE P7
Figure ITJ-1300

8233 1300



ITEM	PART NUMBER	QTY	BODY	MODEL	DESCRIPTION
	S605 GK1	1			Driver Seat
					INNER
	S605 GK1	1			Passenger Seat
	S604 GK1	1			Driver Seat
9					SHIELD, Cushion (P.A.R.)
					OUTER
	S764 GK1	1			Passenger Seat
	S765 GK1	1			Driver Seat
					INNER
	S765 GK1	1			Passenger Seat
	S764 GK1	1			Driver Seat
10	6008 076	AR			HOG RING
11					SLEEVE, Headrest
	S786 EC5	2			Blue
	S786 GR8	2			Red
	S786 GL7	2			Taupe
	S786 CS8	2			Charcoal
12	4190 387	2			SUPPORT, Headrest
13	4327 688	2			COVER, Headrest Finish
14		AR			SCREW, Side Shields Attach. (8-18x1.75) (Not Serv.)
15	4317 800	AR			CLIP

NOTE: (P.A.R.) = Paint As Required

MODEL CODES

C BODY = (D41 - DYNASTY)(C41 - NEW YORKER)
 E BODY = (J - CARAVELLE)(E - 600)(T - NEW YORKER TURBO)
 G BODY = (V24 - DAYTONA, PACIFICA & SHELBY)
 H BODY = (D44 - LANCER)(C44 - LEBARON GTS)
 J BODY = (C - LEBARON)
 K BODY = (P - RELIANT)(D - ARIES)(C - LEBARON/ TOWN & COUNTRY)

L BODY = (M - HORIZON)(Z-OMNI)
 M BODY = (B - GRAN FURY)(G - DIPLOMAT)(F - FIFTH AVENUE/NEWPORT)
 P BODY = (P - SUNDANCE)(D - SHADOW)
 Q BODY = (C27 - MASERATI)
 S BODY = (H - VOYAGER)(K - RAM VAN/ CARAVAN)

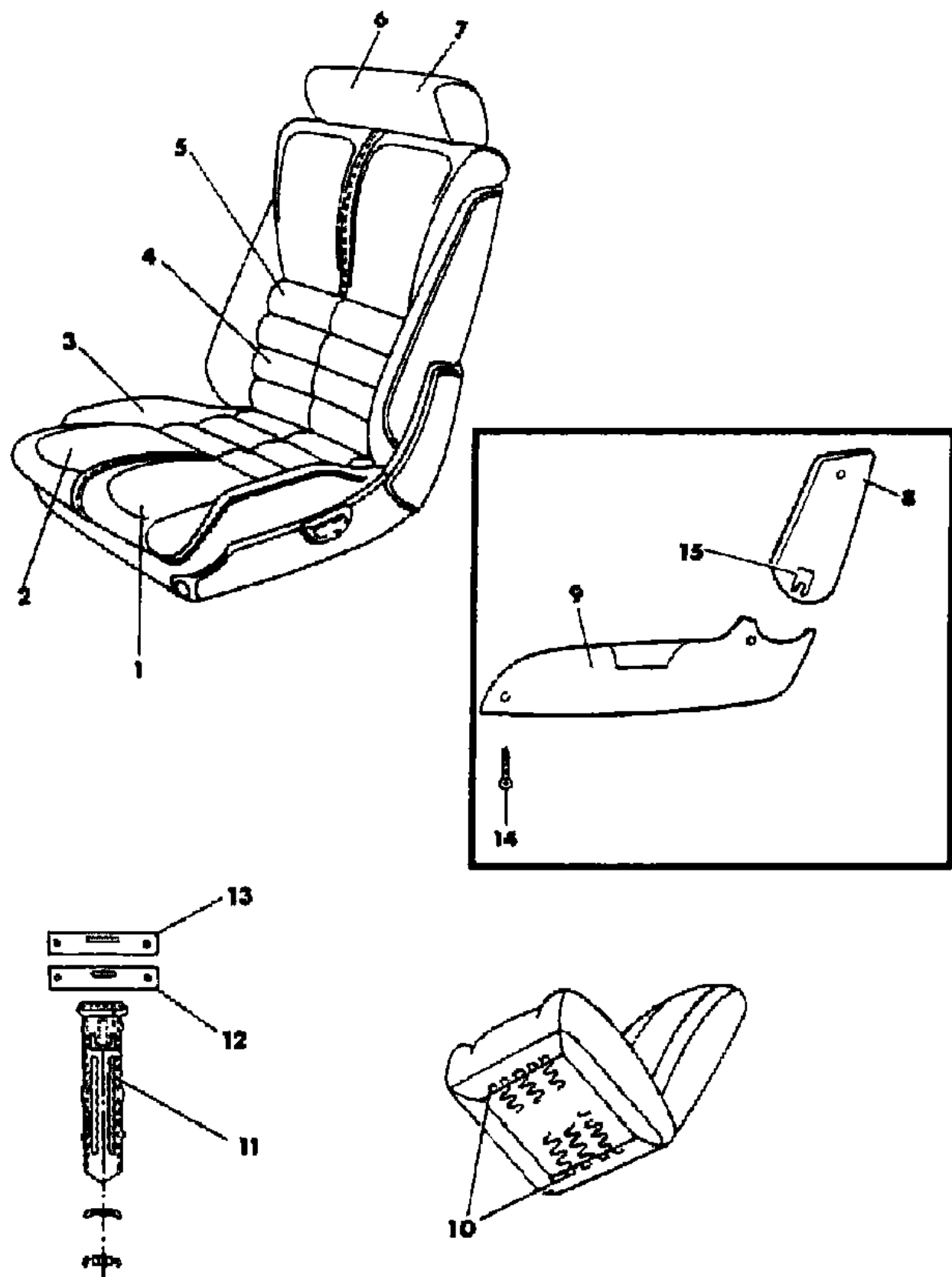
BODY STYLES

12-52 = FWD VAN & WAGON STD. W.B. 27 = 2-DOOR CONVERTIBLE
 13-53 = FWD VAN & WGN EXT W.B. 41 = 4-DOOR SEDAN
 21 = 2-DOOR SEDAN 44 = 4-DOOR HATCHBACK
 24 = 2-DOOR HATCHBACK 45 = 4-DOOR STATION WAGON

AR = Use as Required - = Non Illustrated Part P.A.R. = Paint as Required

SEAT--FRONT J BODY TRIM CODE PL
Figure ITJ-1400

8233 1400



ITEM	PART NUMBER	QTY	BODY	MODEL	DESCRIPTION
1-3					CUSHION, w/Spring/Frame, Pad and Cover
					MANUAL, Right
					Leather
	N944 FLC	1			Blue, (PLC)
	N944 GLR	1			Red, (PLR)
	N944 GLL	1			Taupe, (PLL)
	N944 FLS	1			Charcoal, (PLS)
					ELECTRIC, Left
	N947 FLC	1			Blue, (PLC)
	N947 GLR	1			Red, (PLR)
	N947 GLL	1			Taupe, (PLL)
	N947 FLS	1			Charcoal, PLS
2					COVER, Cushion Center
					PASSENGER and DRIVER
					LEATHER
	N387 FLC	2			Blue, (PLC)
	N387 GLR	2			Red, (PLR)
	N387 GLL	2			Taupe, (PLL)
	N387 FLS	2			Charcoal, (PLS)
3					COVER, Cushion Wings
					LEATHER
					OUTBOARD
					Passenger Seat
	N390 FLC	1			Blue, (PLC)
	N390 GLR	1			Red, (PLR)
	N390 GLL	1			Taupe, (PLL)
	N390 FLS	1			Charcoal, (PLS)
					DRIVER SEAT
	N391 FLC	1			Blue, (PLC)
	N391 GLR	1			Red, (PLR)
	N391 GLL	1			Taupe, (PLL)
	N391 FLS	1			Charcoal, (PLS)
					INBOARD
					PASSENGER SEAT
	N391 FLC	1			Blue, (PLC)
	N391 GLR	1			Red, (PLR)
	N391 GLL	1			Taupe, (PLL)

MODEL CODES

C BODY = (D41 - DYNASTY)(C41 - NEW YORKER)
E BODY = (J - CARAVELLE)(E - 600)(T - NEW YORKER TURBO)
G BODY = (V24 - DAYTONA, PACIFICA & SHELBY)
H BODY = (D44 - LANCER)(C44 - LEBARON GTS)
J BODY = (C - LEBARON)
K BODY = (P - RELIANT)(D - ARIES)(C - LEBARON/ TOWN & COUNTRY)
L BODY = (M - HORIZON)(Z-OMNI)
M BODY = (B - GRAN FURY)(G - DIPLOMAT)(F - FIFTH AVENUE/NEWPORT)
P BODY = (P - SUNDANCE)(D - SHADOW)
Q BODY = (C27 - MASERATI)
S BODY = (H - VOYAGER)(K - RAM VAN/ CARAVAN)

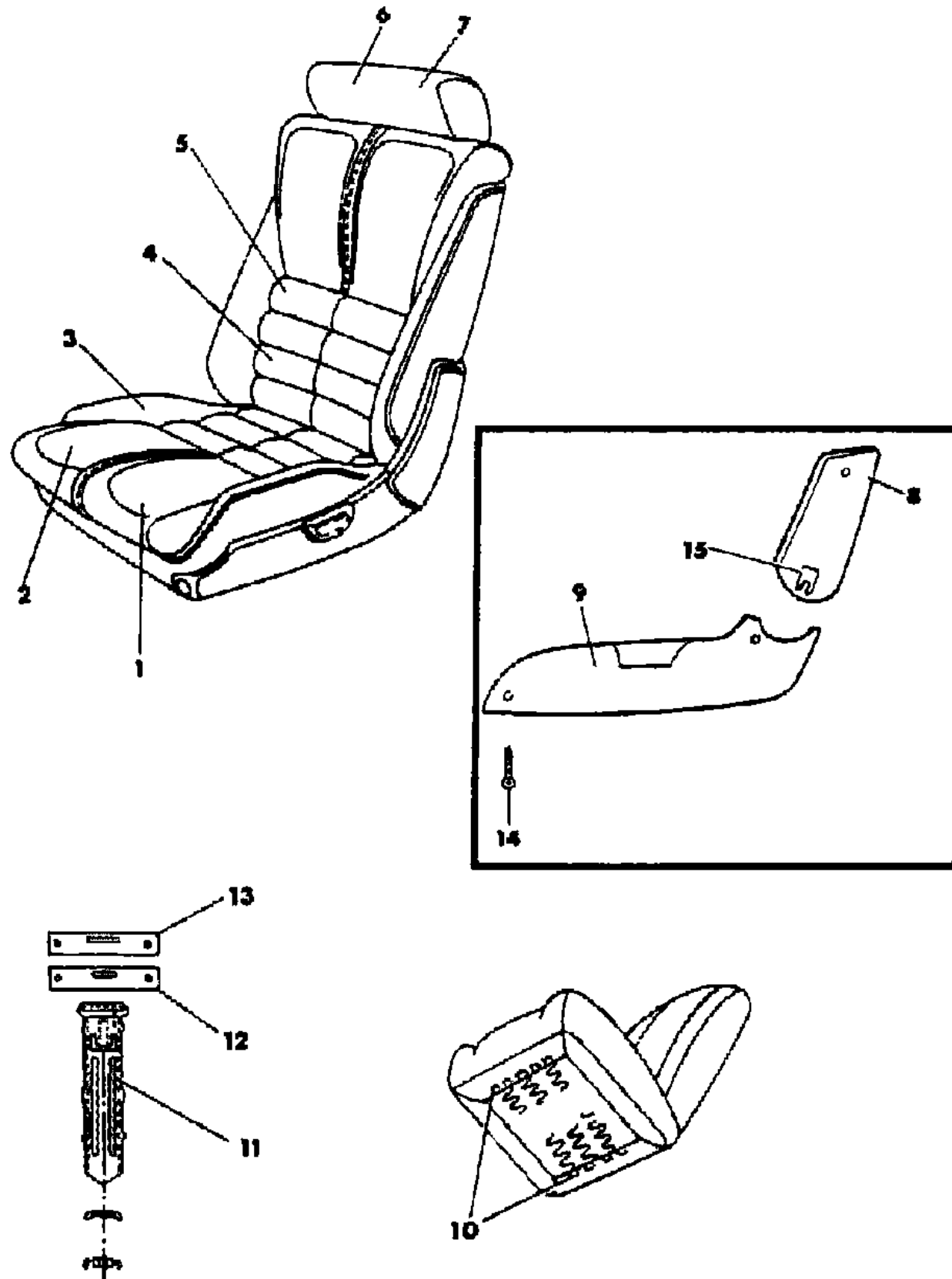
BODY STYLES

12-52 = FWD VAN & WAGON STD. W.B. 27 = 2-DOOR CONVERTIBLE
13-53 = FWD VAN & WGN EXT W.B. 41 = 4-DOOR SEDAN
21 = 2-DOOR SEDAN 44 = 4-DOOR HATCHBACK
24 = 2-DOOR HATCHBACK 45 = 4-DOOR STATION WAGON

AR = Use as Required - = Non Illustrated Part P.A.R. = Paint as Required

SEAT--FRONT J BODY TRIM CODE PL
Figure ITJ-1400

8233 1400



ITEM	PART NUMBER	QTY	BODY	MODEL	DESCRIPTION
	N391 FLS	1			Charcoal DRIVER SEAT
	N390 FLC	1			Blue, (PLC)
	N390 GLR	1			Red, (PLR)
	N390 GLL	1			Taupe, (PLL)
4-5	N390 FLS	1			Charcoal, (PLS) BACK,w/Spring/Frame, Pad and Cover LEATHER
	N368-9 GLC	1			Blue, (PLC)
	N368-9 GLR	1			Red, (PLR)
	N368-9 GLL	1			Taupe, (PLL)
	N368-9 GLS	1			Charcoal, (PLS)
	N394-5 GLC	1		27	Blue, (PLC)
	N394-5 GLR	1		27	Red, (GLR)
	N394-5 GLL	1		27	Taupe, (PLL)
	N394-5 GLS	1		27	Charcoal, (PLS)
5					COVER, Back LEATHER
	N472-3 FLC	1			Blue, (PLC)
	N472-3 GLR	1			Red, (PLR)
	N472-3 GLL	1			Taupe, (PLL)
	N472-3 FLS	1			Charcoal, (PLS) HEADREST and COVER LEATHER
6	B736 FC5	2			Blue, (PLC)
	B852 GR8	2			Red, (PLR)
	B736 GL7	2			Taupe, (PLL)
	B736 FS8	2			Charcoal, (PLS)
7					COVER, Headrest LEATHER
	N474 FC5	2			Blue, (PLC)
	N530 GR8	2			Red, (PLR)
	N530 GL7	2			Taupe, (PLL)
	N474 FS8	2			Charcoal, (PLS)
8					SHIELD, Back (P.A.R.) OUTER
	S604 GK1	1			Passenger Seat

MODEL CODES

C BODY = (D41 - DYNASTY)(C41 - NEW YORKER)
E BODY = (J - CARAVELLE)(E - 600)(T - NEW YORKER TURBO)
G BODY = (V24 - DAYTONA, PACIFICA & SHELBY)
H BODY = (D44 - LANCER)(C44 - LEBARON GTS)
J BODY = (C - LEBARON)
K BODY = (P - RELIANT)(D - ARIES)(C - LEBARON/ TOWN & COUNTRY)

L BODY = (M - HORIZON)(Z-OMNI)
M BODY = (B - GRAN FURY)(G - DIPLOMAT)(F - FIFTH AVENUE/NEWPORT)
P BODY = (P - SUNDANCE)(D - SHADOW)
Q BODY = (C27 - MASERATI)
S BODY = (H - VOYAGER)(K - RAM VAN/ CARAVAN)

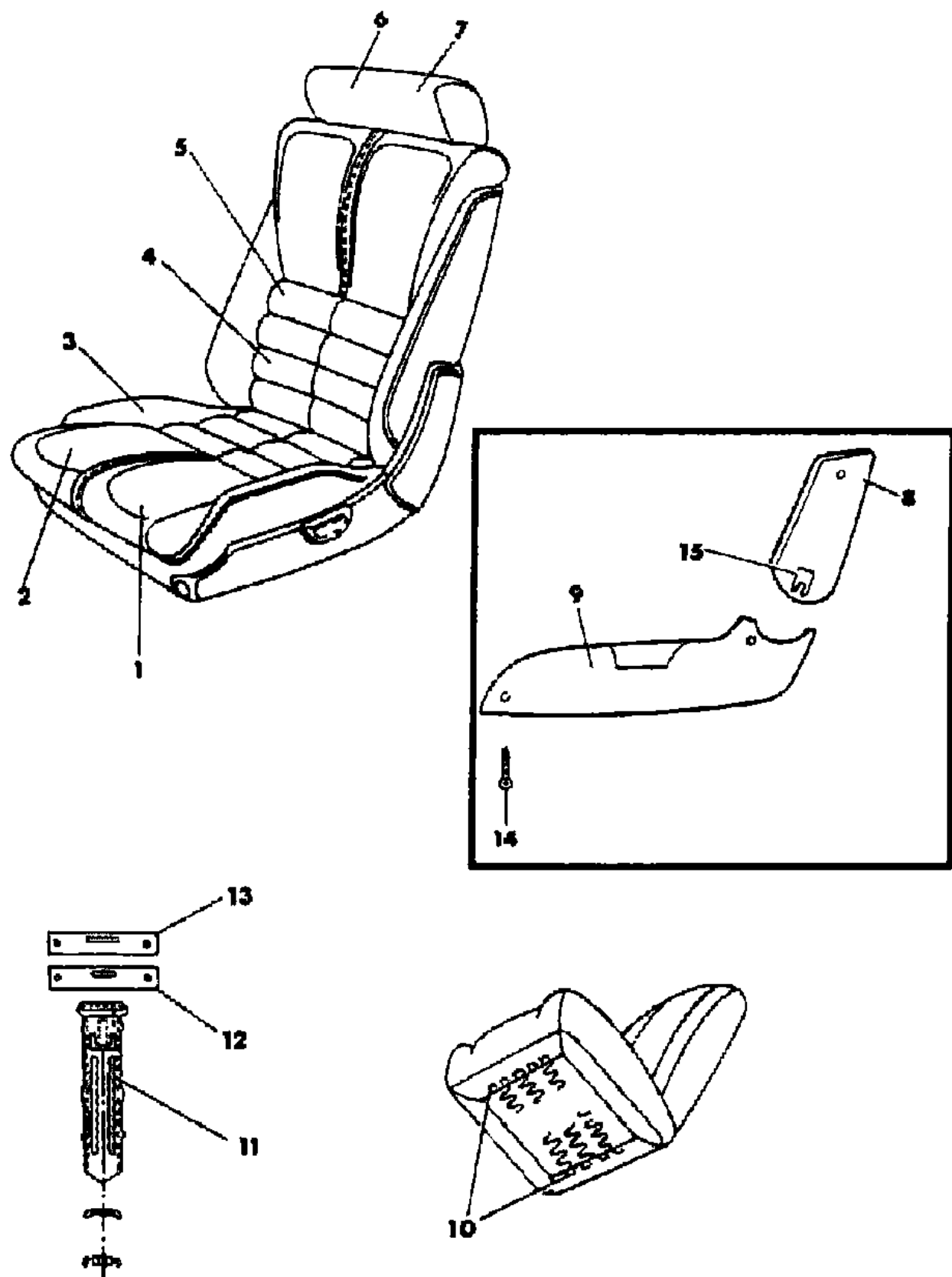
BODY STYLES

12-52 = FWD VAN & WAGON STD. W.B. 27 = 2-DOOR CONVERTIBLE
13-53 = FWD VAN & WGN EXT W.B. 41 = 4-DOOR SEDAN
21 = 2-DOOR SEDAN 44 = 4-DOOR HATCHBACK
24 = 2-DOOR HATCHBACK 45 = 4-DOOR STATION WAGON

AR = Use as Required - = Non Illustrated Part P.A.R. = Paint as Required

SEAT--FRONT J BODY TRIM CODE PL
Figure ITJ-1400

8233 1400



ITEM	PART NUMBER	QTY	BODY	MODEL	DESCRIPTION
	S605 GK1	1			Driver Seat
					INNER
	S605 GK1	1			Passenger Seat
	S604 GK1	1			Driver Seat
9					SHIELD, Cushion (P.A.R.)
					OUTER
	S764 GK1	1			Passenger Seat
	S765 GK1	1			Driver Seat
					INNER
	S765 GK1	1			Passenger Seat
	S764 GK1	1			Driver Seat
10		AR			HOG RING
11					SLEEVE, Headrest
	S786 EC5	2			Blue
	S786 GR8	2			Red
	S786 GL7	2			Taupe
	S786 CS8	2			Charcoal
12	4190 387				SUPPORT, Headrest
13	4327 688	2			COVER, Headrest Finish
14					SCREW, Side Shield Attaching (8-18x1.75) (Not Serv.)
15	4317 800	AR			CLIP

NOTE: (P.A.R.) = Paint As Required

MODEL CODES

C BODY = (D41 - DYNASTY)(C41 - NEW YORKER)
 E BODY = (J - CARAVELLE)(E - 600)(T - NEW YORKER TURBO)
 G BODY = (V24 - DAYTONA, PACIFICA & SHELBY)
 H BODY = (D44 - LANCER)(C44 - LEBARON GTS)
 J BODY = (C - LEBARON)
 K BODY = (P - RELIANT)(D - ARIES)(C - LEBARON/ TOWN & COUNTRY)

L BODY = (M - HORIZON)(Z-OMNI)
 M BODY = (B - GRAN FURY)(G - DIPLOMAT)(F - FIFTH AVENUE/NEWPORT)
 P BODY = (P - SUNDANCE)(D - SHADOW)
 Q BODY = (C27 - MASERATI)
 S BODY = (H - VOYAGER)(K - RAM VAN/ CARAVAN)

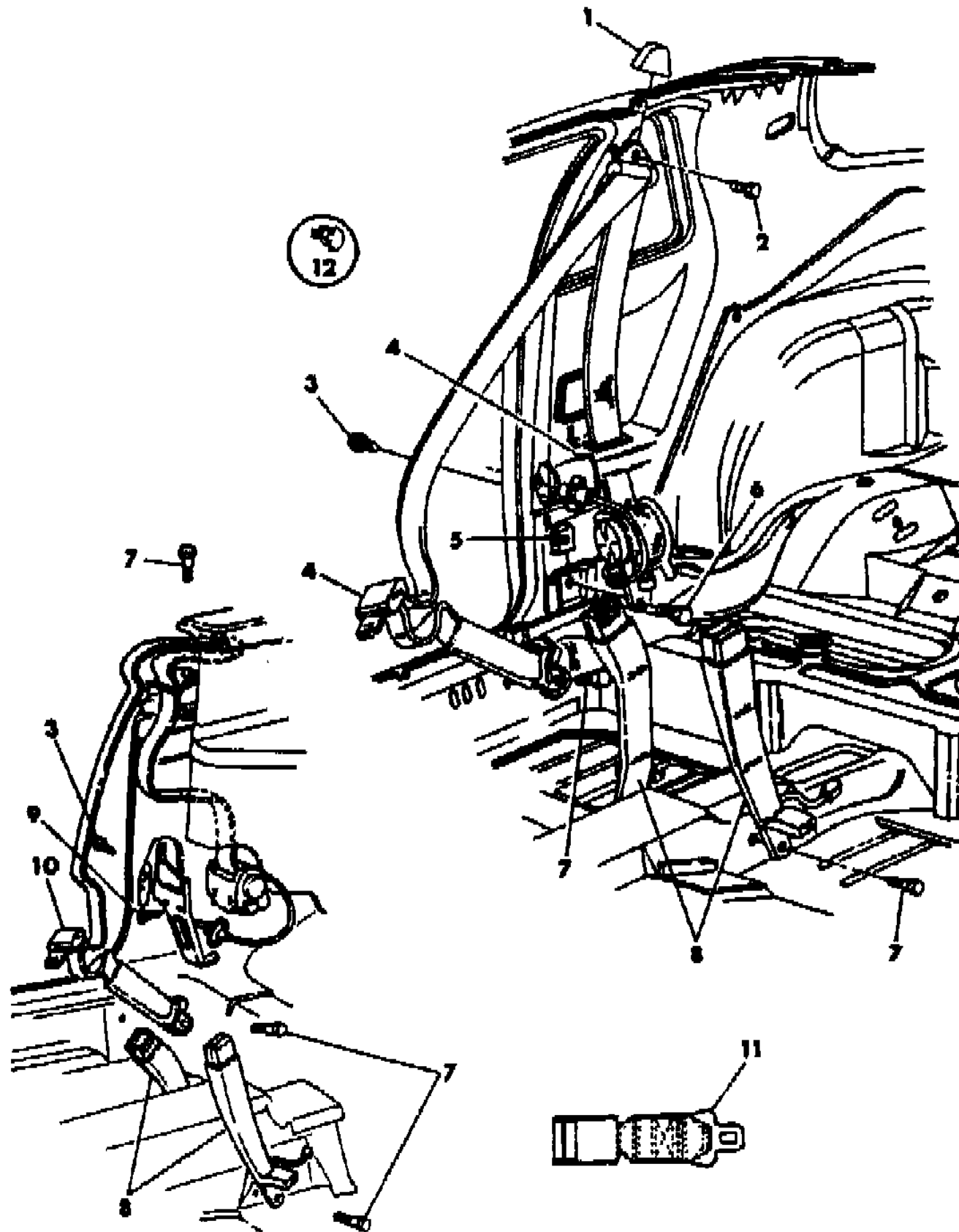
BODY STYLES

12-52 = FWD VAN & WAGON STD. W.B. 27 = 2-DOOR CONVERTIBLE
 13-53 = FWD VAN & WGN EXT W.B. 41 = 4-DOOR SEDAN
 21 = 2-DOOR SEDAN 44 = 4-DOOR HATCHBACK
 24 = 2-DOOR HATCHBACK 45 = 4-DOOR STATION WAGON

AR = Use as Required - = Non Illustrated Part P.A.R. = Paint as Required

BELT--FRONT SEAT J BODY MANUAL-ACTIVE SYSTEM
Figure ITJ-1500

8233 1500 A



ITEM	PART NUMBER	QTY	BODY	MODEL	DESCRIPTION
1					COVER, Turning Loop
	F700 EC5	2			Blue
	F700 GR8	2			Red
	F700 GL7	2			Taupe
	F700 FS8	2			Charcoal
2	6031 217	2			BOLT ANCHOR, Belt Shoulder (EUROPEAN)
	4490 678	1			Right
	4490 679	1			Left
	4521 376-7	1			BRACKET, Front Seat Shoulder Belt Cover (European)
3					SCREW, (10-16x3/4) (Not Serv.)
4					BELT, Outer Label Number 4476182-3
	F982-3 FC5	1			Blue
	F982-3 GR8	1			Red
	F982-3 GL7	1			Taupe
	F982-3 FS8	1			Charcoal
					BELT, Front Outer (EUROPEAN)
	4477 156	1			Right
	4477 157	1			Left
5	6032 353	2			U-NUT
6	6031 484	2			BOLT
7	6031 298	2			BOLT
8					BELT, Inner Label Number 4380004-5
	F608-9 FC5	1			Blue
	F608-9 GR8	1			Red
	F608-9 GL7	1			Taupe
	F608-9 FS8	1			Charcoal
					PLUG, Qtr. Trim Panel Lap Belt Slot (EUROPEAN)
	K788-9 GC5	1			Blue
	K788-9 GR8	1			Red
	K788-9 GL7	1			Taupe
	K788-9 GS8	1			Charcoal
					BELT, Front Inner (EUROPEAN)
	4477 150	1			Right
	4477 151	1			Left

MODEL CODES

C BODY = (D41 - DYNASTY)(C41 - NEW YORKER)
 E BODY = (J - CARAVELLE)(E - 600)(T - NEW YORKER TURBO)
 G BODY = (V24 - DAYTONA, PACIFICA & SHELBY)
 H BODY = (D44 - LANCER)(C44 - LEBARON GTS)
 J BODY = (C - LEBARON)
 K BODY = (P - RELIANT)(D - ARIES)(C - LEBARON/ TOWN & COUNTRY)

L BODY = (M - HORIZON)(Z-OMNI)
 M BODY = (B - GRAN FURY)(G - DIPLOMAT)(F - FIFTH AVENUE/NEWPORT)
 P BODY = (P - SUNDANCE)(D - SHADOW)
 Q BODY = (C27 - MASERATI)
 S BODY = (H - VOYAGER)(K - RAM VAN/ CARAVAN)

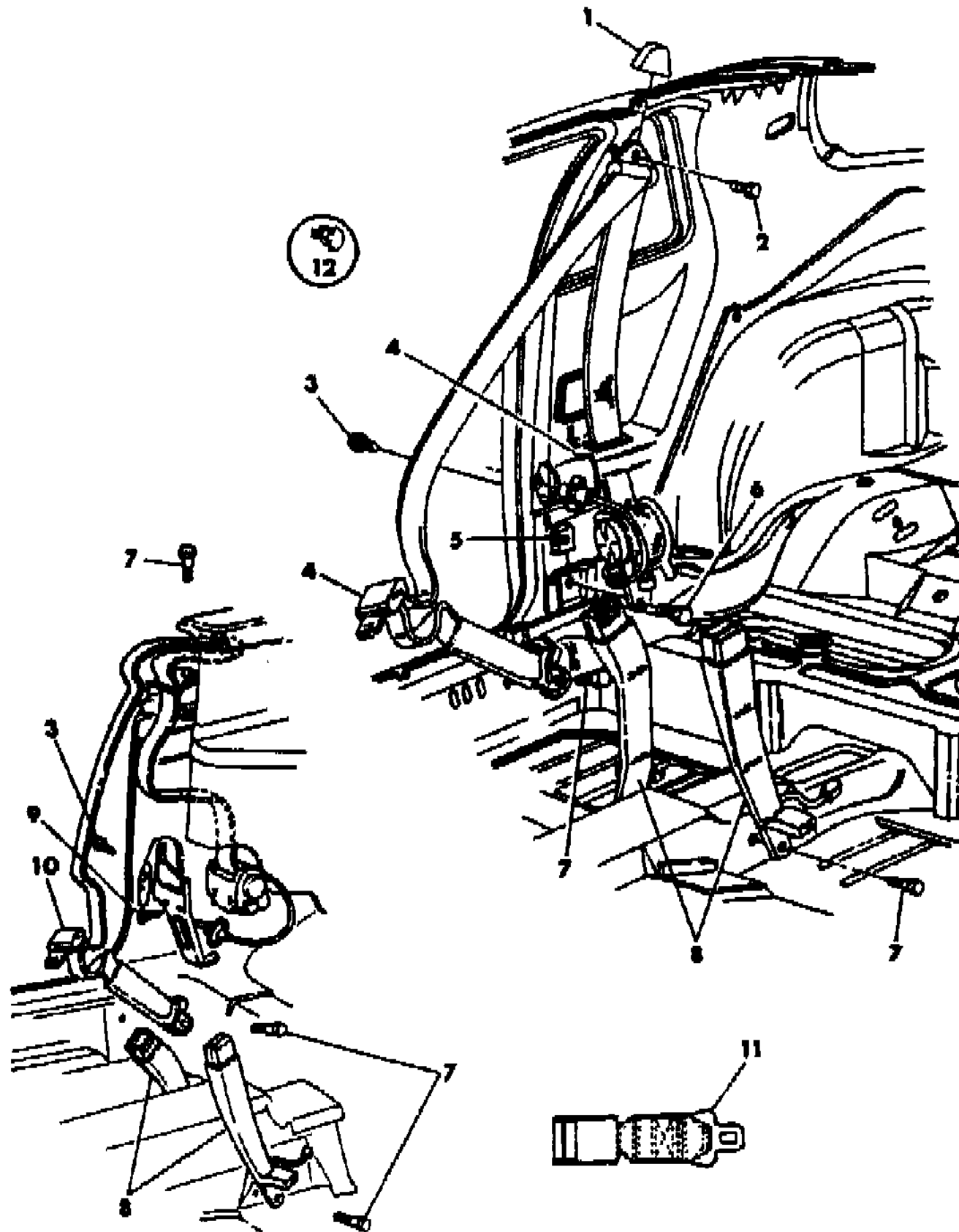
BODY STYLES

12-52 = FWD VAN & WAGON STD. W.B.	27 = 2-DOOR CONVERTIBLE
13-53 = FWD VAN & WGN EXT W.B.	41 = 4-DOOR SEDAN
21 = 2-DOOR SEDAN	44 = 4-DOOR HATCHBACK
24 = 2-DOOR HATCHBACK	45 = 4-DOOR STATION WAGON

AR = Use as Required - = Non Illustrated Part P.A.R. = Paint as Required

BELT--FRONT SEAT J BODY MANUAL-ACTIVE SYSTEM
Figure ITJ-1500

8233 1500 A



ITEM	PART NUMBER	QTY	BODY	MODEL	DESCRIPTION
9		4			BOLT, (m8-1.25x25) (Not Serv.)
10					BELT, Outer (4402369 Plug Tension Reliever Button Mtg. Hole) LABEL NUMBER 4476184-5
	F984-5 FC5	1			Blue
	F984-5 GR8	1			Red
	F984-5 GL7	1			Taupe
	F984-5 FS8	1			Charcoal
11	4402 887	AR			EXTENDER
12	6033 793	6			CLIP, Seat Belt Access Hole Attaching (After 6-20-88)

MODEL CODES

C BODY = (D41 - DYNASTY)(C41 - NEW YORKER)
 E BODY = (J - CARAVELLE)(E - 600)(T - NEW YORKER TURBO)
 G BODY = (V24 - DAYTONA, PACIFICA & SHELBY)
 H BODY = (D44 - LANCER)(C44 - LEBARON GTS)
 J BODY = (C - LEBARON)
 K BODY = (P - RELIANT)(D - ARIES)(C - LEBARON/ TOWN & COUNTRY)

L BODY = (M - HORIZON)(Z-OMNI)
 M BODY = (B - GRAN FURY)(G - DIPLOMAT)(F - FIFTH AVENUE/NEWPORT)
 P BODY = (P - SUNDANCE)(D - SHADOW)
 Q BODY = (C27 - MASERATI)
 S BODY = (H - VOYAGER)(K - RAM VAN/ CARAVAN)

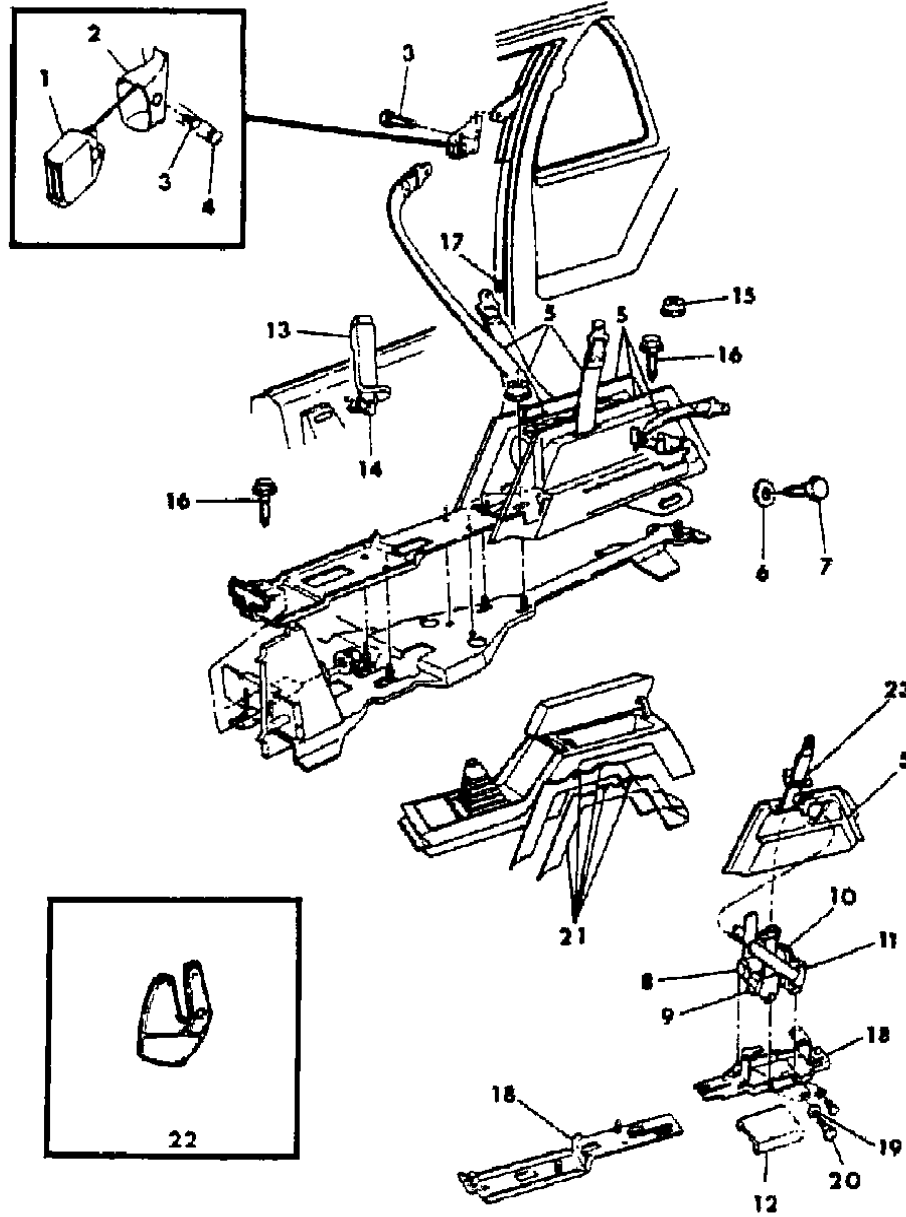
BODY STYLES

12-52 = FWD VAN & WAGON STD. W.B.	27 = 2-DOOR CONVERTIBLE
13-53 = FWD VAN & WGN EXT W.B.	41 = 4-DOOR SEDAN
21 = 2-DOOR SEDAN	44 = 4-DOOR HATCHBACK
24 = 2-DOOR HATCHBACK	45 = 4-DOOR STATION WAGON

AR = Use as Required - = Non Illustrated Part P.A.R. = Paint as Required

BELT--FRONT SEAT J BODY PASSIVE SYSTEM
Figure ITJ-1600

8233 1600 A



ITEM	PART NUMBER	QTY	BODY	MODEL	DESCRIPTION
1	4402 206-7	2			BUCKLE , Shoulder Belt Door Attach.
2					COVER, Shoulder Belt Buckle to Door Attach. (Serv. in Item #1)
3	6033 244	2			BOLT
4	4402 764	2			PLUG
5					COVER, Retractor Carpet
	F952-3 FC5	1			Blue
	F952-3 GR8	1			Red
	F952-3 GL7	1			Taupe
	F952-3 FS8	1			Charcoal
6					WASHER, (Not Serv.)
7	6031 218	2			BOLT
8					RETRACTOR, Shoulder Rt. (w/Belt)
					LABEL NUMBER 4477026-7
	F834 GC5	1			Blue
	F834 GR8	1			Red
	F834 GL7	1			Taupe
	F834 GS8	1			Charcoal
9					RETRACTOR, Shoulder Lt. (w/Belt)
					LABEL NUMBER 4477026-7
	F835 GC5	1			Blue
	F835 GR8	1			Red
	F835 GL7	1			Taupe
	F835 GS8	1			Charcoal
10					BELT and RETRACTOR ASSEMBLY, w/Bracket
					LABEL NUMBER 4477024
					RETRACTOR, Lap (w/Belt)
	F832 GC5	2			Blue
	F832 GR8	2			Red
	F832 GL7	2			Taupe
	F832 GS8	2			Charcoal
					RETRACTOR, Shoulder (w/Belt)
					LABEL NUMBER 4477026
	F834-5 GC5	1			Blue
	F834-5 GR8	1			Red
	F834-5 GL7	1			Taupe
	F834-5 GS8	1			Charcoal
11					BELT and RETRACTOR ASSEMBLY, w/Bracket

MODEL CODES

C BODY = (D41 - DYNASTY)(C41 - NEW YORKER)	L BODY = (M - HORIZON)(Z-OMNI)
E BODY = (J - CARAVELLE)(E - 600)(T - NEW YORKER TURBO)	M BODY = (B - GRAN FURY)(G - DIPLOMAT)(F - FIFTH AVENUE/NEWPORT)
G BODY = (V24 - DAYTONA, PACIFICA & SHELBY)	P BODY = (P - SUNDANCE)(D - SHADOW)
H BODY = (D44 - LANCER)(C44 - LEBARON GTS)	Q BODY = (C27 - MASERATI)
J BODY = (C - LEBARON)	S BODY = (H - VOYAGER)(K - RAM VAN/ CARAVAN)
K BODY = (P - RELIANT)(D - ARIES)(C - LEBARON/ TOWN & COUNTRY)	

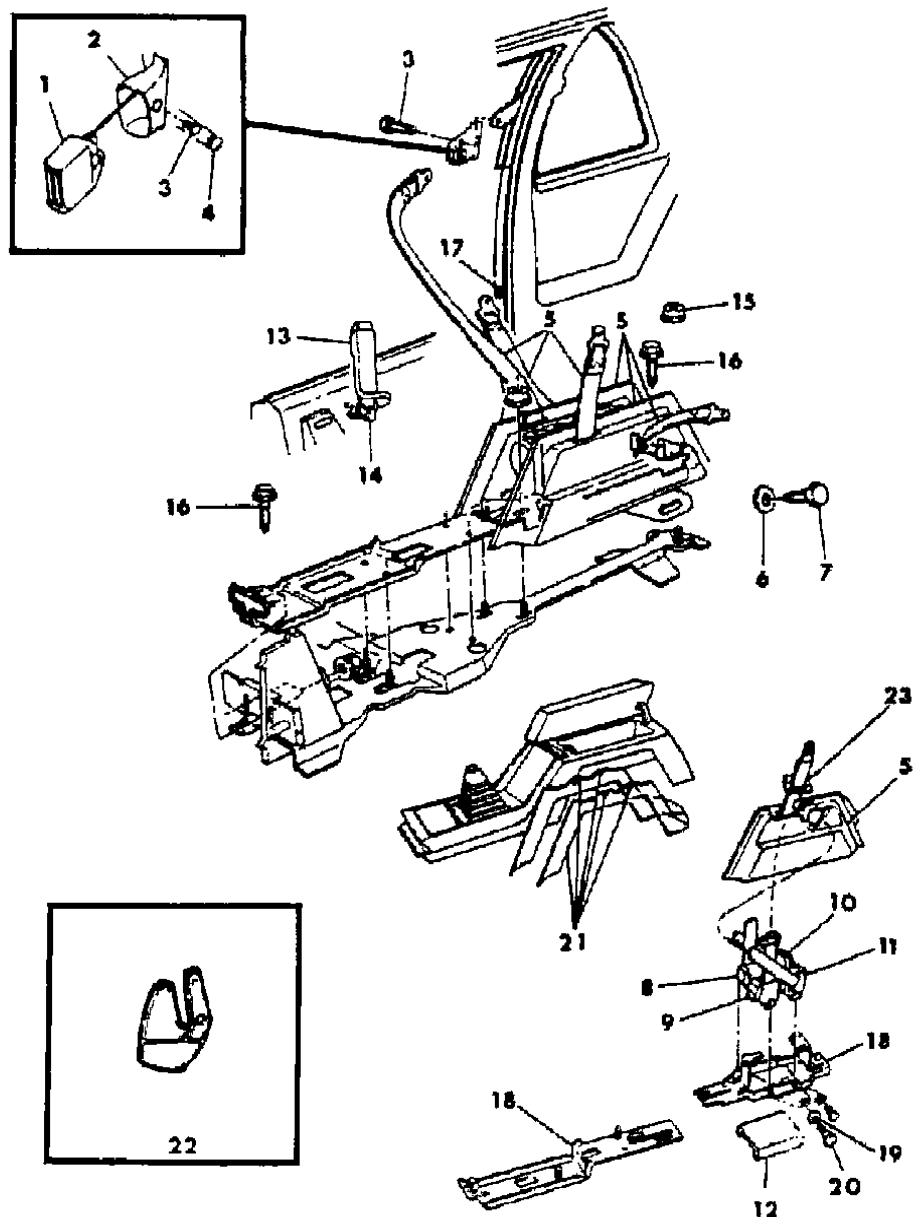
BODY STYLES

12-52 = FWD VAN & WAGON STD. W.B.	27 = 2-DOOR CONVERTIBLE
13-53 = FWD VAN & WGN EXT W.B.	41 = 4-DOOR SEDAN
21 = 2-DOOR SEDAN	44 = 4-DOOR HATCHBACK
24 = 2-DOOR HATCHBACK	45 = 4-DOOR STATION WAGON

AR = Use as Required - = Non Illustrated Part P.A.R. = Paint as Required

BELT--FRONT SEAT J BODY PASSIVE SYSTEM
Figure ITJ-1600

8233 1600 A



ITEM	PART NUMBER	QTY	BODY	MODEL	DESCRIPTION
					LABEL NUMBER 4420938 (Use Up To 4-25-88)
	F980 GC5	1			Blue
	F980 GR8	1			Red
	F980 GL7	1			Taupe
	F980 GS8	1			Charcoal
					LABEL NUMBER 4477024 (Use After 4-25-88)
					RETRACTOR, Lap (w/Belt)
	F832 GC5	2			Blue
	F832 GR8	2			Red
	F832 GL7	2			Taupe
	F832 GS8	2			Charcoal
					RETRACTOR, Shoulder (w/Belt)
					LABEL NUMBER 4477026
	F834-5 GC5	1			Blue
	F834-5 GR8	1			Red
	F834-5 GL7	1			Taupe
	F834-5 GS8	1			Charcoal
12					PAD, Insulator (Not Required)
13					BELT, Outboard Lap Buckle Half
					Label Number 4402210-1
	F916-7 FC5	1			Blue
	F916-7 GR8	1			Red
	F916-7 GL7	1			Taupe
	F916-7 FS8	1			Charcoal
					BELT, Front Outer (EUROPEAN)
	4477 158	1		27	Right
	4477 159	1		27	Left
14	6031 298	2			BOLT, Outer Belt to Floor Attach.
15	6101 444	5			NUT and WASHER
16		5			SCREW, (Not Serv.)
17	4402 369	2			PLUG, Tension Reliever Mounting Hole
18	4420 809	1			BRACKET, Retractor to Floor Attach.
19		AR			WASHER, (Not Serv.)
20	6031 218	AR			BOLT
21					CARPET, Rear Floor Console, Rt. and Lt.

MODEL CODES

C BODY = (D41 - DYNASTY)(C41 - NEW YORKER)
 E BODY = (J - CARAVELLE)(E - 600)(T - NEW YORKER TURBO)
 G BODY = (V24 - DAYTONA, PACIFICA & SHELBY)
 H BODY = (D44 - LANCER)(C44 - LEBARON GTS)
 J BODY = (C - LEBARON)
 K BODY = (P - RELIANT)(D - ARIES)(C - LEBARON/ TOWN & COUNTRY)

L BODY = (M - HORIZON)(Z-OMNI)
 M BODY = (B - GRAN FURY)(G - DIPLOMAT)(F - FIFTH AVENUE/NEWPORT)
 P BODY = (P - SUNDANCE)(D - SHADOW)
 Q BODY = (C27 - MASERATI)
 S BODY = (H - VOYAGER)(K - RAM VAN/ CARAVAN)

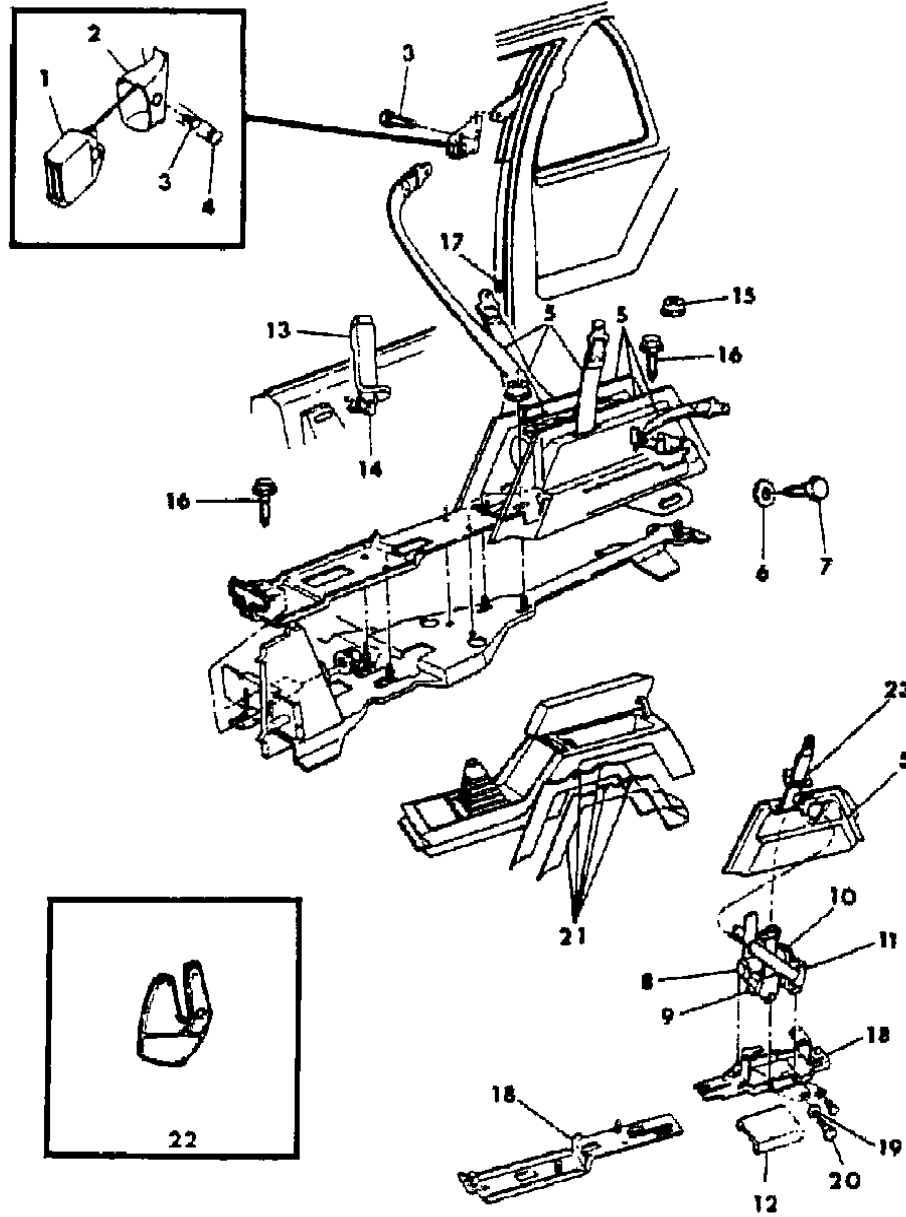
BODY STYLES

12-52 = FWD VAN & WAGON STD. W.B. 27 = 2-DOOR CONVERTIBLE
 13-53 = FWD VAN & WGN EXT W.B. 41 = 4-DOOR SEDAN
 21 = 2-DOOR SEDAN 44 = 4-DOOR HATCHBACK
 24 = 2-DOOR HATCHBACK 45 = 4-DOOR STATION WAGON

AR = Use as Required - = Non Illustrated Part P.A.R. = Paint as Required

BELT--FRONT SEAT J BODY PASSIVE SYSTEM
Figure ITJ-1600

8233 1600 A



ITEM	PART NUMBER	QTY	BODY	MODEL	DESCRIPTION
					(Use Up TO 4-25-88)
	F298 FC5	1			Blue
	F298 GR8	1			Red
	F298 GL7	2			Taupe
	F298 FS8	1			Charcoal
					(Use After 4-25-88)
	V586 GC5	1			Blue
	V586 GR8	1			Red
	V586 GL7	1			Taupe
	V586 GS8	1			Charcoal
22	4420 800	2			GUIDE, Front Seat Passive Belt
23					BEZEL, Front Seat Inner Passive Belt
	F410 FC5	2			Blue
	F410 GR8	2			Red
	F410 GL7	2			Taupe
	F410 FS8	2			Charcoal

MODEL CODES

C BODY = (D41 - DYNASTY)(C41 - NEW YORKER)	L BODY = (M - HORIZON)(Z-OMNI)
E BODY = (J - CARAVELLE)(E - 600)(T - NEW YORKER TURBO)	M BODY = (B - GRAN FURY)(G - DIPLOMAT)(F - FIFTH AVENUE/NEWPORT)
G BODY = (V24 - DAYTONA, PACIFICA & SHELBY)	P BODY = (P - SUNDANCE)(D - SHADOW)
H BODY = (D44 - LANCER)(C44 - LEBARON GTS)	Q BODY = (C27 - MASERATI)
J BODY = (C - LEBARON)	S BODY = (H - VOYAGER)(K - RAM VAN/ CARAVAN)
K BODY = (P - RELIANT)(D - ARIES)(C - LEBARON/ TOWN & COUNTRY)	

BODY STYLES

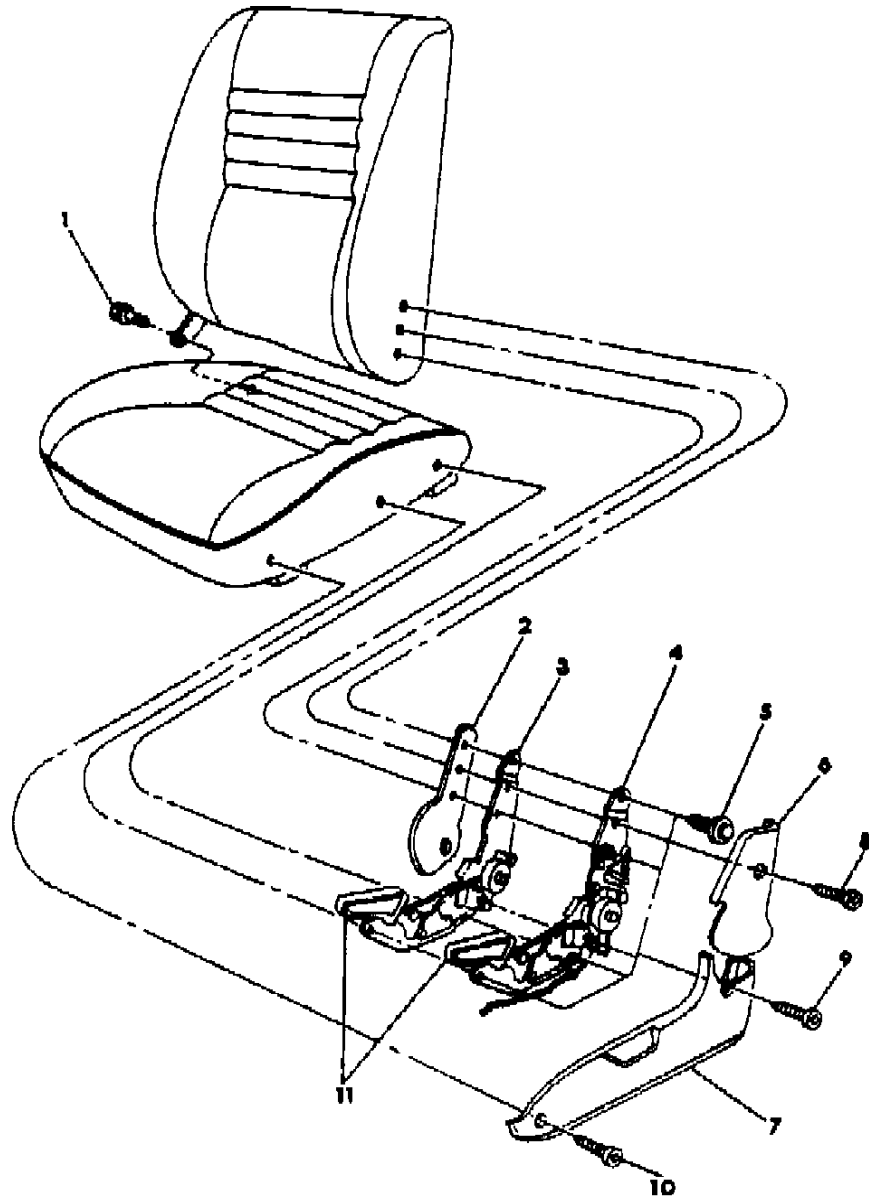
12-52 = FWD VAN & WAGON STD. W.B.	27 = 2-DOOR CONVERTIBLE
13-53 = FWD VAN & WGN EXT W.B.	41 = 4-DOOR SEDAN
21 = 2-DOOR SEDAN	44 = 4-DOOR HATCHBACK
24 = 2-DOOR HATCHBACK	45 = 4-DOOR STATION WAGON

AR = Use as Required - = Non Illustrated Part P.A.R. = Paint as Required

SEAT--RECLINING J BODY
Figure ITJ-1700

8233 1700 B

ITEM	PART NUMBER	QTY	BODY	MODEL	DESCRIPTION
1	6501 346	1			BOLT, Inner Pivot
2	4327 671	1			PROTECTOR
3	4402 189	1			RECLINER, Left
4	4402 326	1			RECLINER, w/Easy Entry Manual, Right
	4477 366	1			RECLINER, Front Seat Right (EUROPEAN)
5	6501 222	AR			SCREW
6	S604-5 GK1	1			SHIELD, Back (w/Release Button) (P.A.R.)
7	S764-5 GK1	1			SHIELD, Cushion (P.A.R.)
8		AR			SCREW, (8-18x1 3/4) (Not Serv.)
9	6032 456	AR			SCREW
10		AR			SCREW, (8-18x1) (Not Serv.)
11					HANDLE, (Serv. In Item 3-4)
NOTE: (P.A.R.) = Paint As Required					



MODEL CODES

C BODY = (D41 - DYNASTY)(C41 - NEW YORKER)
 E BODY = (J - CARAVELLE)(E - 600)(T - NEW YORKER TURBO)
 G BODY = (V24 - DAYTONA, PACIFICA & SHELBY)
 H BODY = (D44 - LANCER)(C44 - LEBARON GTS)
 J BODY = (C - LEBARON)
 K BODY = (P - RELIANT)(D - ARIES)(C - LEBARON/ TOWN & COUNTRY)

L BODY = (M - HORIZON)(Z-OMNI)
 M BODY = (B - GRAN FURY)(G - DIPLOMAT)(F - FIFTH AVENUE/NEWPORT)
 P BODY = (P - SUNDANCE)(D - SHADOW)
 Q BODY = (C27 - MASERATI)
 S BODY = (H - VOYAGER)(K - RAM VAN/ CARAVAN)

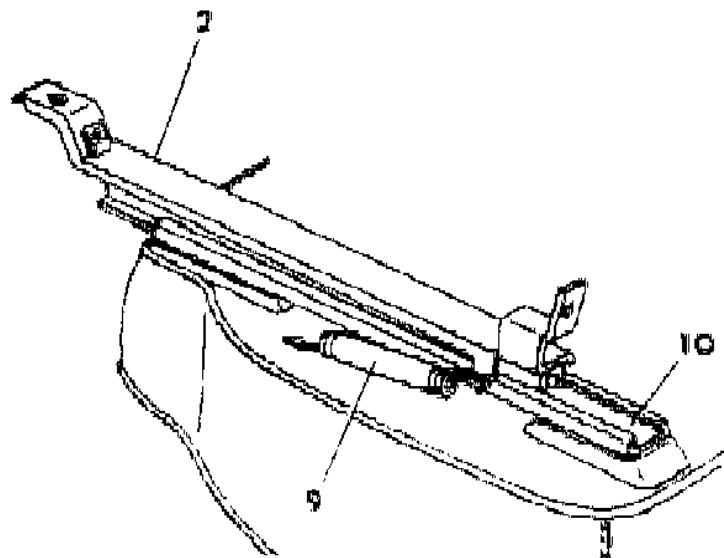
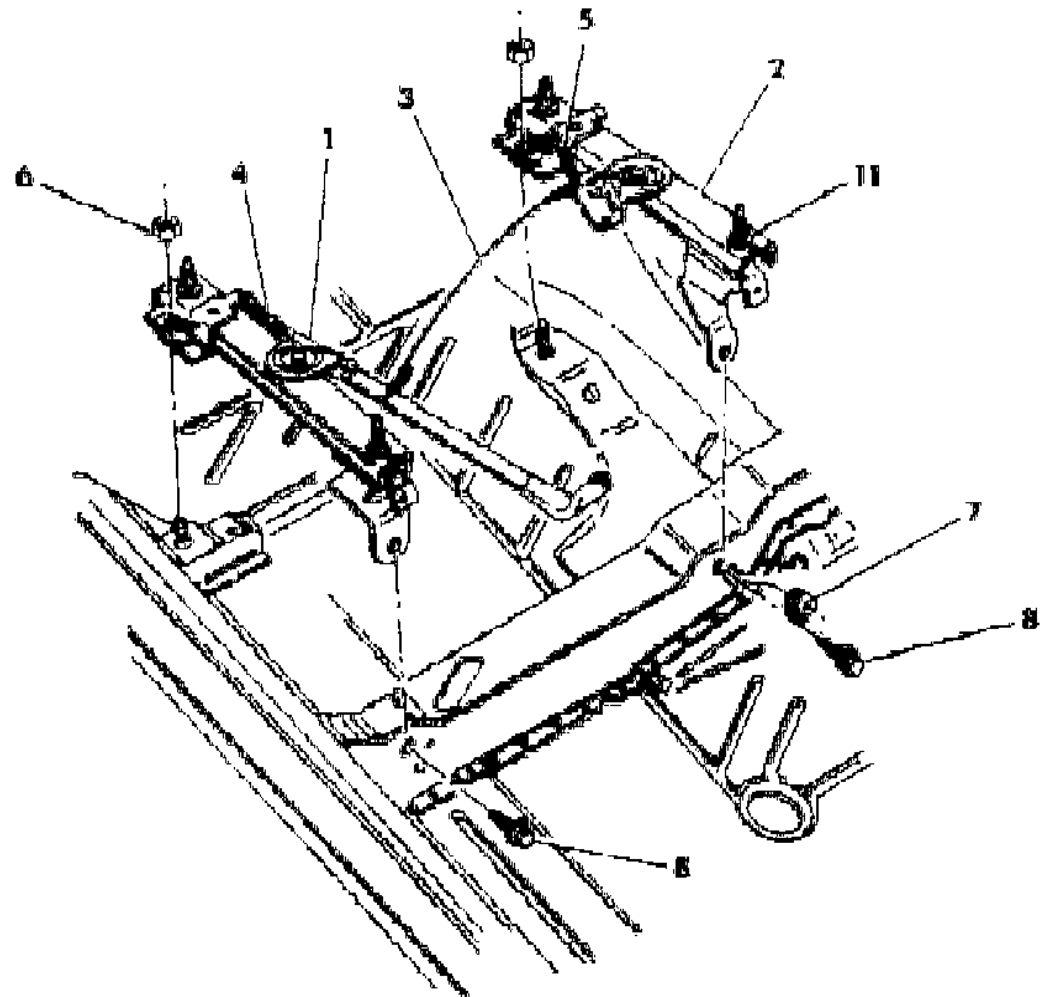
BODY STYLES

12-52 = FWD VAN & WAGON STD. W.B. 27 = 2-DOOR CONVERTIBLE
 13-53 = FWD VAN & WGN EXT W.B. 41 = 4-DOOR SEDAN
 21 = 2-DOOR SEDAN 44 = 4-DOOR HATCHBACK
 24 = 2-DOOR HATCHBACK 45 = 4-DOOR STATION WAGON

AR = Use as Required - = Non Illustrated Part P.A.R. = Paint as Required

ADJUSTER--MANUAL J BODY
Figure ITJ-1800

8233 1800



ITEM	PART NUMBER	QTY	BODY	MODEL	DESCRIPTION
1					ADJUSTER, Outer
	4380 026	1			Passenger Seat w/Easy Entry
	4380 289	1			Driver Seat
2					ADJUSTER, Inner
	4380 024	1			Passenger Seat w/Easy Entry
	4380 291	1			Driver Side
3	4380 285	1			WIRE, Adjuster Release
4	4327 235	1			SPRING, Lever Return
5	4402 215	1			SPRING, Latch Return Inboard
6		AR			NUT, Hexagon Flange (m8x1.25-6H) (Not Serv.)
7	6101 283	1			U-NUT
8		AR			SCREW and WASHER, (Hex Head (m8-1.25x30) (Not Serv.)
9	4290 990	1			SPRING, Inner Adjuster Assist
10	4316 938-9	1			TRACK, Lower
11	6028 040	2			RETAINER, Push On

MODEL CODES

C BODY = (D41 - DYNASTY)(C41 - NEW YORKER)	L BODY = (M - HORIZON)(Z-OMNI)
E BODY = (J - CARAVELLE)(E - 600)(T - NEW YORKER TURBO)	M BODY = (B - GRAN FURY)(G - DIPLOMAT)(F - FIFTH AVENUE/NEWPORT)
G BODY = (V24 - DAYTONA, PACIFICA & SHELBY)	P BODY = (P - SUNDANCE)(D - SHADOW)
H BODY = (D44 - LANCER)(C44 - LEBARON GTS)	Q BODY = (C27 - MASERATI)
J BODY = (C - LEBARON)	S BODY = (H - VOYAGER)(K - RAM VAN/ CARAVAN)
K BODY = (P - RELIANT)(D - ARIES)(C - LEBARON/ TOWN & COUNTRY)	

BODY STYLES

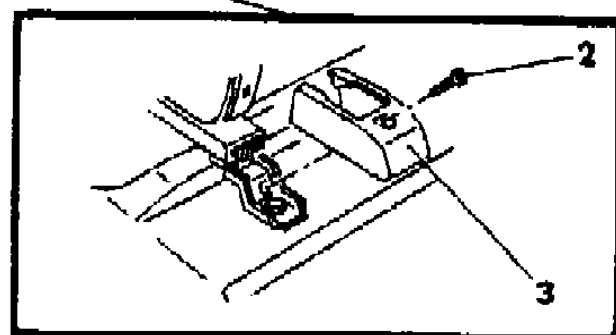
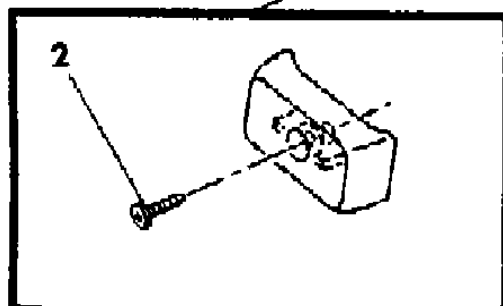
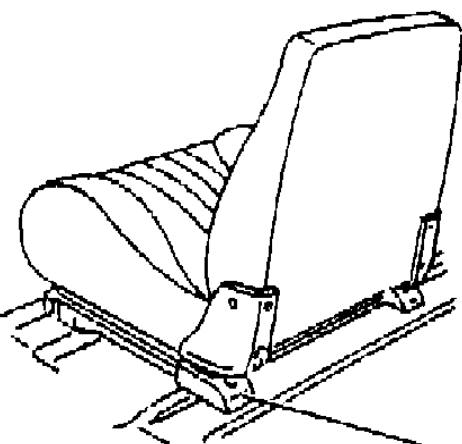
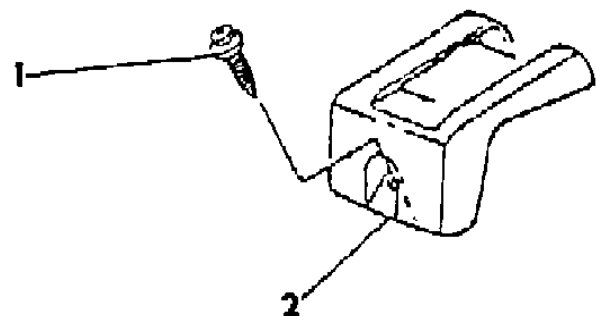
12-52 = FWD VAN & WAGON STD. W.B.	27 = 2-DOOR CONVERTIBLE
13-53 = FWD VAN & WGN EXT W.B.	41 = 4-DOOR SEDAN
21 = 2-DOOR SEDAN	44 = 4-DOOR HATCHBACK
24 = 2-DOOR HATCHBACK	45 = 4-DOOR STATION WAGON

AR = Use as Required - = Non Illustrated Part P.A.R. = Paint as Required

COVERS--MANUAL SEAT ADJUSTER J BODY
Figure ITJ-1900

8233 1900 B

ITEM	PART NUMBER	QTY	BODY	MODEL	DESCRIPTION
1					COVER, Manual Adjuster, Outer
	S968 FC5	1			Blue
	S968 GR8	1			Red
	S968 GL7	1			Taupe
	S968 FS8	1			Charcoal
2		AR			SCREW, (8-18x3/4) (Not Serv.)
3					COVER, Inner Rear
	S966 FC5	2			Blue
	S966 GR8	2			Red
	S966 GL7	2			Taupe
	S966 FS8	2			Charcoal



MODEL CODES

C BODY = (D41 - DYNASTY)(C41 - NEW YORKER)	L BODY = (M - HORIZON)(Z-OMNI)
E BODY = (J - CARAVELLE)(E - 600)(T - NEW YORKER TURBO)	M BODY = (B - GRAN FURY)(G - DIPLOMAT)(F - FIFTH AVENUE/NEWPORT)
G BODY = (V24 - DAYTONA, PACIFICA & SHELBY)	P BODY = (P - SUNDANCE)(D - SHADOW)
H BODY = (D44 - LANCER)(C44 - LEBARON GTS)	Q BODY = (C27 - MASERATI)
J BODY = (C - LEBARON)	S BODY = (H - VOYAGER)(K - RAM VAN/ CARAVAN)
K BODY = (P - RELIANT)(D - ARIES)(C - LEBARON/ TOWN & COUNTRY)	

BODY STYLES

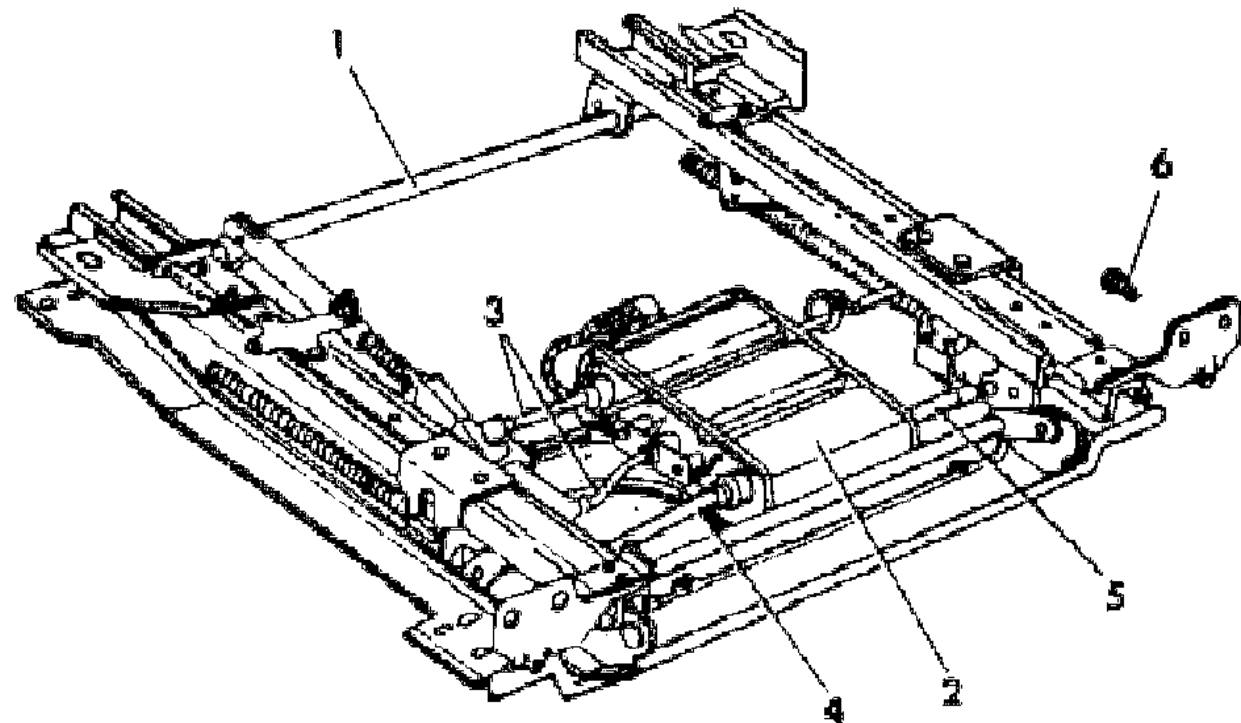
12-52 = FWD VAN & WAGON STD. W.B.	27 = 2-DOOR CONVERTIBLE
13-53 = FWD VAN & WGN EXT W.B.	41 = 4-DOOR SEDAN
21 = 2-DOOR SEDAN	44 = 4-DOOR HATCHBACK
24 = 2-DOOR HATCHBACK	45 = 4-DOOR STATION WAGON

AR = Use as Required - = Non Illustrated Part P.A.R. = Paint as Required

ADJUSTER--ELECTRIC J BODY
Figure ITJ-2000

8233 2000

ITEM	PART NUMBER	QTY	BODY	MODEL	DESCRIPTION
1	4402 229	1			ADJUSTER, Less Motor
2	4402 323	1			MOTOR, w/Tube Assembly
3	4327 282	2			SHAFT, Flexible (4.005")
4	4402 275	1			CABLE, Outer (5.68")
5	4402 267	1			CABLE, Inner (2.06")
6	6033 077	4			SCREW, Adjuster to Seat



MODEL CODES

C BODY = (D41 - DYNASTY)(C41 - NEW YORKER)	L BODY = (M - HORIZON)(Z-OMNI)
E BODY = (J - CARAVELLE)(E - 600)(T - NEW YORKER TURBO)	M BODY = (B - GRAN FURY)(G - DIPLOMAT)(F - FIFTH AVENUE/NEWPORT)
G BODY = (V24 - DAYTONA, PACIFICA & SHELBY)	P BODY = (P - SUNDANCE)(D - SHADOW)
H BODY = (D44 - LANCER)(C44 - LEBARON GTS)	Q BODY = (C27 - MASERATI)
J BODY = (C - LEBARON)	S BODY = (H - VOYAGER)(K - RAM VAN/ CARAVAN)
K BODY = (P - RELIANT)(D - ARIES)(C - LEBARON/ TOWN & COUNTRY)	

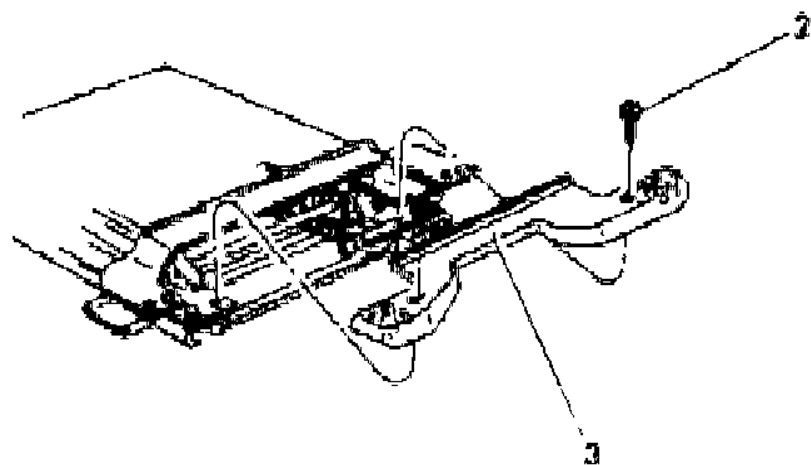
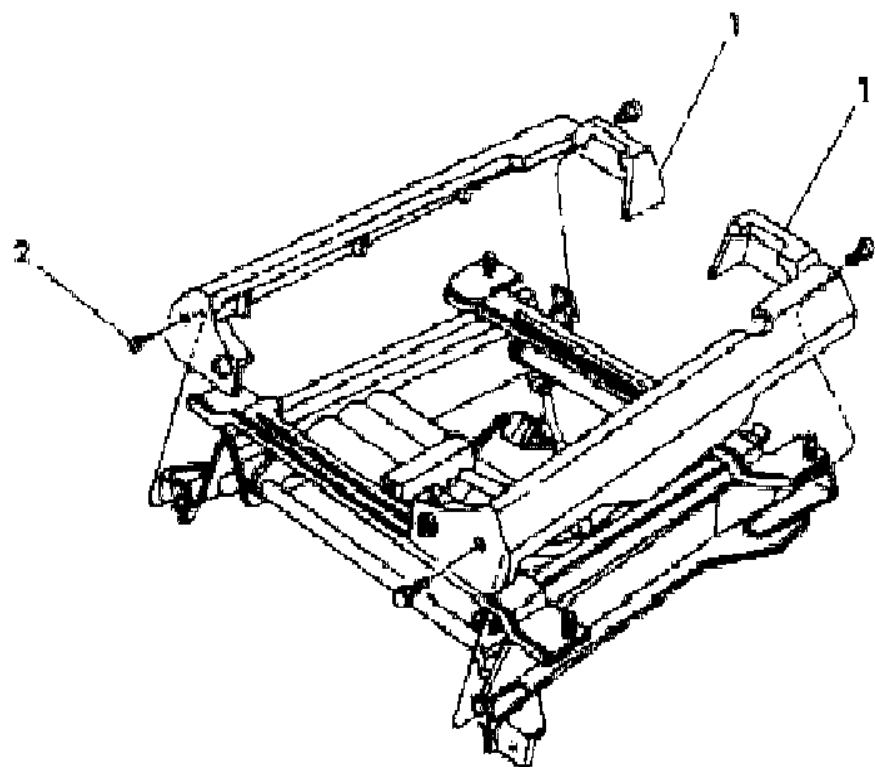
BODY STYLES

12-52 = FWD VAN & WAGON STD. W.B.	27 = 2-DOOR CONVERTIBLE
13-53 = FWD VAN & WGN EXT W.B.	41 = 4-DOOR SEDAN
21 = 2-DOOR SEDAN	44 = 4-DOOR HATCHBACK
24 = 2-DOOR HATCHBACK	45 = 4-DOOR STATION WAGON

AR = Use as Required - = Non Illustrated Part P.A.R. = Paint as Required

COVERS ELECTRIC SEAT ADJUSTER J BODY
Figure ITJ-2100

8233 2100



ITEM	PART NUMBER	QTY	BODY	MODEL	DESCRIPTION
1					COVER, Electric Seat Adjuster w/Bucket Seats
					INNER
	S978 GC5	1			Blue
	S978 GR8	1			Red
	S978 GL7	1			Taupe
	S978 GS8	1			Charcoal
					OUTER
	S897 FC5	1			Blue
	S897 GR8	1			Red
	S897 GL7	1			Taupe
	S897 FS8	1			Charcoal
2		AR			SCREW, (8-18x3/4) (Not Serv.)
3					COVER, Electric Adjuster, Rear
	S901 FC5	1			Blue
	S901 GR8	1			Red
	S901 GL7	1			Taupe
	S901 FS8	1			Charcoal

MODEL CODES

C BODY = (D41 - DYNASTY)(C41 - NEW YORKER)	L BODY = (M - HORIZON)(Z-OMNI)
E BODY = (J - CARAVELLE)(E - 600)(T - NEW YORKER TURBO)	M BODY = (B - GRAN FURY)(G - DIPLOMAT)(F - FIFTH AVENUE/NEWPORT)
G BODY = (V24 - DAYTONA, PACIFICA & SHELBY)	P BODY = (P - SUNDANCE)(D - SHADOW)
H BODY = (D44 - LANCER)(C44 - LEBARON GTS)	Q BODY = (C27 - MASERATI)
J BODY = (C - LEBARON)	S BODY = (H - VOYAGER)(K - RAM VAN/ CARAVAN)
K BODY = (P - RELIANT)(D - ARIES)(C - LEBARON/ TOWN & COUNTRY)	

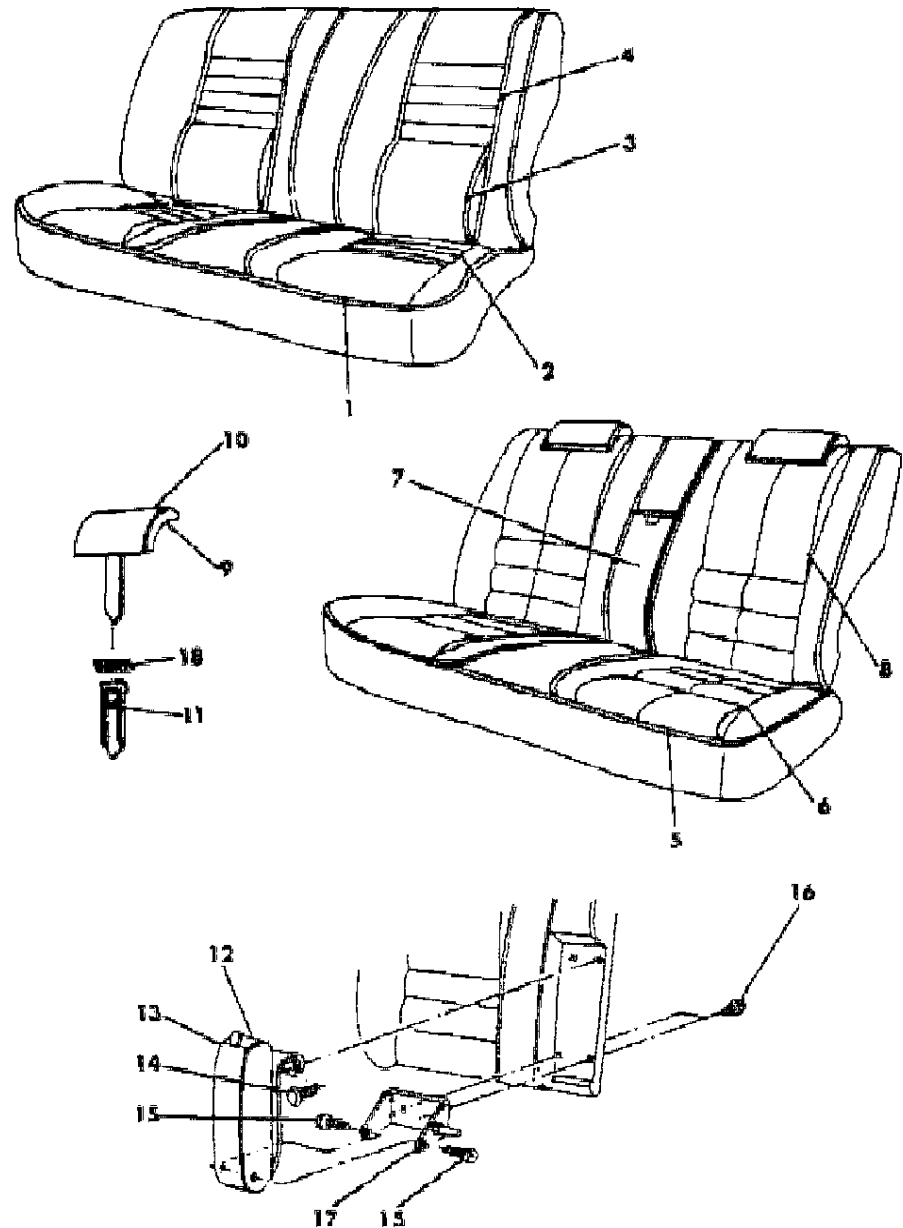
BODY STYLES

12-52 = FWD VAN & WAGON STD. W.B.	27 = 2-DOOR CONVERTIBLE
13-53 = FWD VAN & WGN EXT W.B.	41 = 4-DOOR SEDAN
21 = 2-DOOR SEDAN	44 = 4-DOOR HATCHBACK
24 = 2-DOOR HATCHBACK	45 = 4-DOOR STATION WAGON

AR = Use as Required - = Non Illustrated Part P.A.R. = Paint as Required

SEAT--REAR J BODY 21
Figure ITJ-2200

ITJ-2200



ITEM	PART NUMBER	QTY	BODY	MODEL	DESCRIPTION
1-2					CUSHION, w/Spring, Frame, Pad and Cover
	N905 F7C	1			CLOTH Blue, (AC7)
	N905 G7R	1			Red, (A7R)
	N905 G7L	1			Taupe, (A7L)
	N905 F7S	1			Charcoal, (A7S)
2					COVER, Cushion
	N976 F7C	1			CLOTH Blue, (A7C)
	N976 G7R	1			Red, (A7R)
	N976 G7L	1			Taupe, (A7L)
	N976 F7S	1			Charcoal, (A7S)
3-4					BACK, w/Spring, Frame, Pad and Cover
	N902 F7C	1			CLOTH Blue, (A7C)
	N902 G7R	1			Red, (A7R)
	N902 G7L	1			Taupe, (A7L)
	N902 F7S	1			Charcoal, (A7S)
4					COVER, Back
	N977 F7C	1			CLOTH Blue, (A7C)
	N977 G7R	1			Red, (A7R)
	N977 G7L	1			Taupe, (A7L)
	N977 F7S	1			Charcoal, (A7S)
5					CUSHION, w/Spring, Frame, Pad and Cover
	N922 F7C	1			CLOTH Blue, (P7C)
	N922 G7R	1			Red, (P7R)
	N922 G7L	1			Taupe, (P7L)
	N922 F7S	1			Charcoal, (P7S)
	N933 FLC	1			LEATHER Blue, (PLC)
	N933 GLR	1			Red, (PLR)
	N933 GLL	1			Taupe, (PLL)
	N933 FLS	1			Charcoal, (PLS)
6					COVER, Cushion
					CLOTH

MODEL CODES

C BODY = (D41 - DYNASTY)(C41 - NEW YORKER)
 E BODY = (J - CARAVELLE)(E - 600)(T - NEW YORKER TURBO)
 G BODY = (V24 - DAYTONA, PACIFICA & SHELBY)
 H BODY = (D44 - LANCER)(C44 - LEBARON GTS)
 J BODY = (C - LEBARON)
 K BODY = (P - RELIANT)(D - ARIES)(C - LEBARON/ TOWN & COUNTRY)

L BODY = (M - HORIZON)(Z-OMNI)
 M BODY = (B - GRAN FURY)(G - DIPLOMAT)(F - FIFTH AVENUE/NEWPORT)
 P BODY = (P - SUNDANCE)(D - SHADOW)
 Q BODY = (C27 - MASERATI)
 S BODY = (H - VOYAGER)(K - RAM VAN/ CARAVAN)

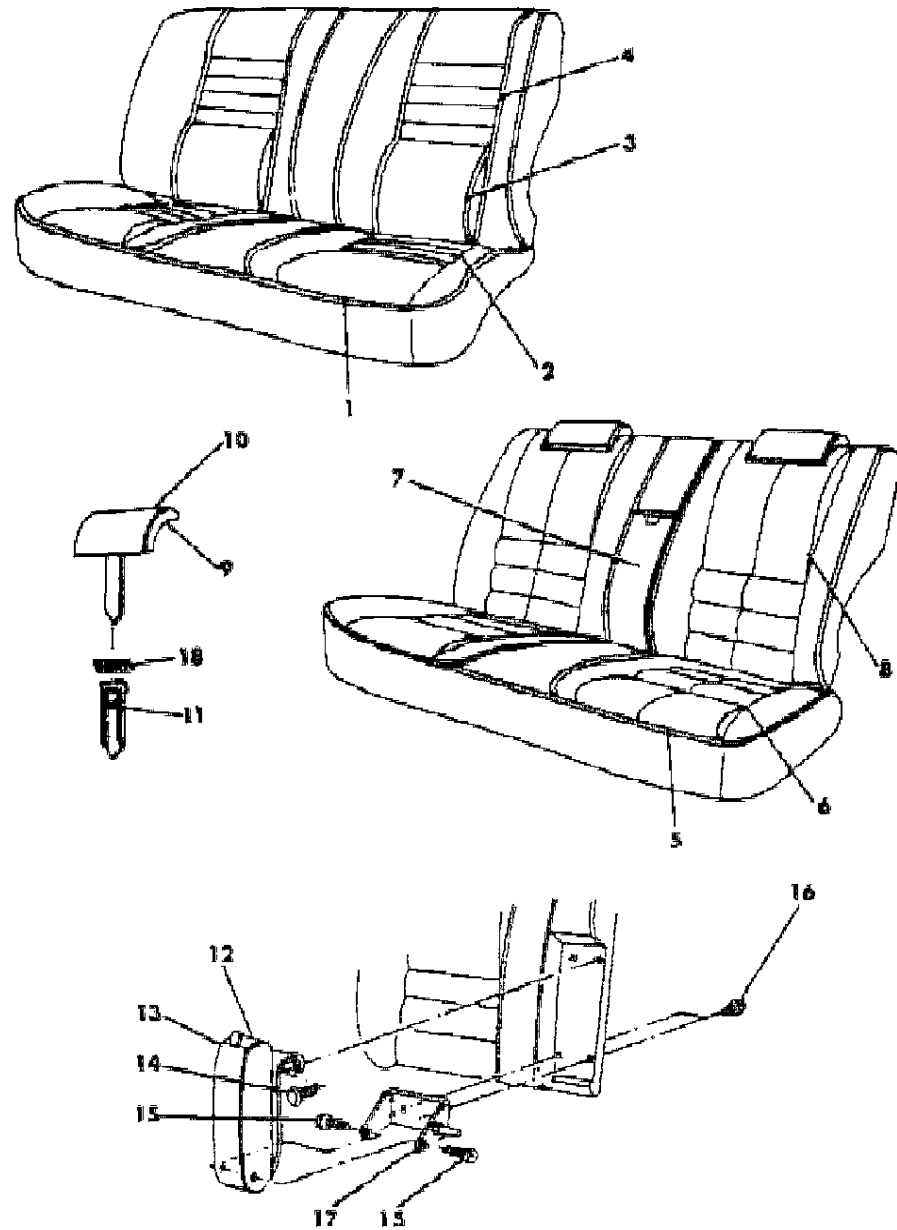
BODY STYLES

12-52 = FWD VAN & WAGON STD. W.B. 27 = 2-DOOR CONVERTIBLE
 13-53 = FWD VAN & WGN EXT W.B. 41 = 4-DOOR SEDAN
 21 = 2-DOOR SEDAN 44 = 4-DOOR HATCHBACK
 24 = 2-DOOR HATCHBACK 45 = 4-DOOR STATION WAGON

AR = Use as Required - = Non Illustrated Part P.A.R. = Paint as Required

SEAT--REAR J BODY 21
Figure ITJ-2200

ITJ-2200



ITEM	PART NUMBER	QTY	BODY	MODEL	DESCRIPTION
	N968 F7C	1			Blue, (P7C)
	N968 G7R	1			Red, (P7R)
	N968 G7L	1			Taupe, (P7L)
	N968 F7S	1			Charcoal, (P7S) LEATHER
	N969 FLC	1			Blue, (PLC)
	N969 GLR	1			Red, (PLR)
	N969 GLL	1			Taupe, (PLL)
	N969 FLS	1			Charcoal, (PLS)
7-8					BACK, w/Spring/Frame, Pad and Cover CLOTH
	N842-3 F7C	1			Blue, (P7C)
	N842-3 G7R	1			Red, (P7R)
	N842-3 G7L	1			Taupe, (P7L)
	N842-3 F7S	1			Charcoal, (P7S) LEATHER
	N840-1 FLC	1			Blue, (PLC)
	N840-1 GLR	1			Red, (PLR)
	N840-1 GLL	1			Taupe, (PLL)
	N840-1 FLS	1			Charcoal, (PLS)
8					COVER, Back CLOTH
	N970-1 F7C	1			Blue, (P7C)
	N970-1 G7R	1			Red, (P7R)
	N970-1 G7L	1			Taupe, (P7L)
	N970-1 F7S	1			Charcoal, (P7S) LEATHER
	N972-3 FLC	1			Blue, (PLC)
	N972-3 GLR	1			Red, (PLR)
	N972-3 GLL	1			Taupe, (PLL)
	N972-3 FLS	1			Charcoal, (PLS)
9					HEADREST and COVER CLOTH
	N939 FCC	2			Blue, (P7C)
	N939 GRR	2			Red, (P7R)
	N939 GLL	2			Taupe, (P7L)
	N939 FAS	2			Charcoal, (P7S)

MODEL CODES

C BODY = (D41 - DYNASTY)(C41 - NEW YORKER)
 E BODY = (J - CARAVELLE)(E - 600)(T - NEW YORKER TURBO)
 G BODY = (V24 - DAYTONA, PACIFICA & SHELBY)
 H BODY = (D44 - LANCER)(C44 - LEBARON GTS)
 J BODY = (C - LEBARON)
 K BODY = (P - RELIANT)(D - ARIES)(C - LEBARON/ TOWN & COUNTRY)

L BODY = (M - HORIZON)(Z-OMNI)
 M BODY = (B - GRAN FURY)(G - DIPLOMAT)(F - FIFTH AVENUE/NEWPORT)
 P BODY = (P - SUNDANCE)(D - SHADOW)
 Q BODY = (C27 - MASERATI)
 S BODY = (H - VOYAGER)(K - RAM VAN/ CARAVAN)

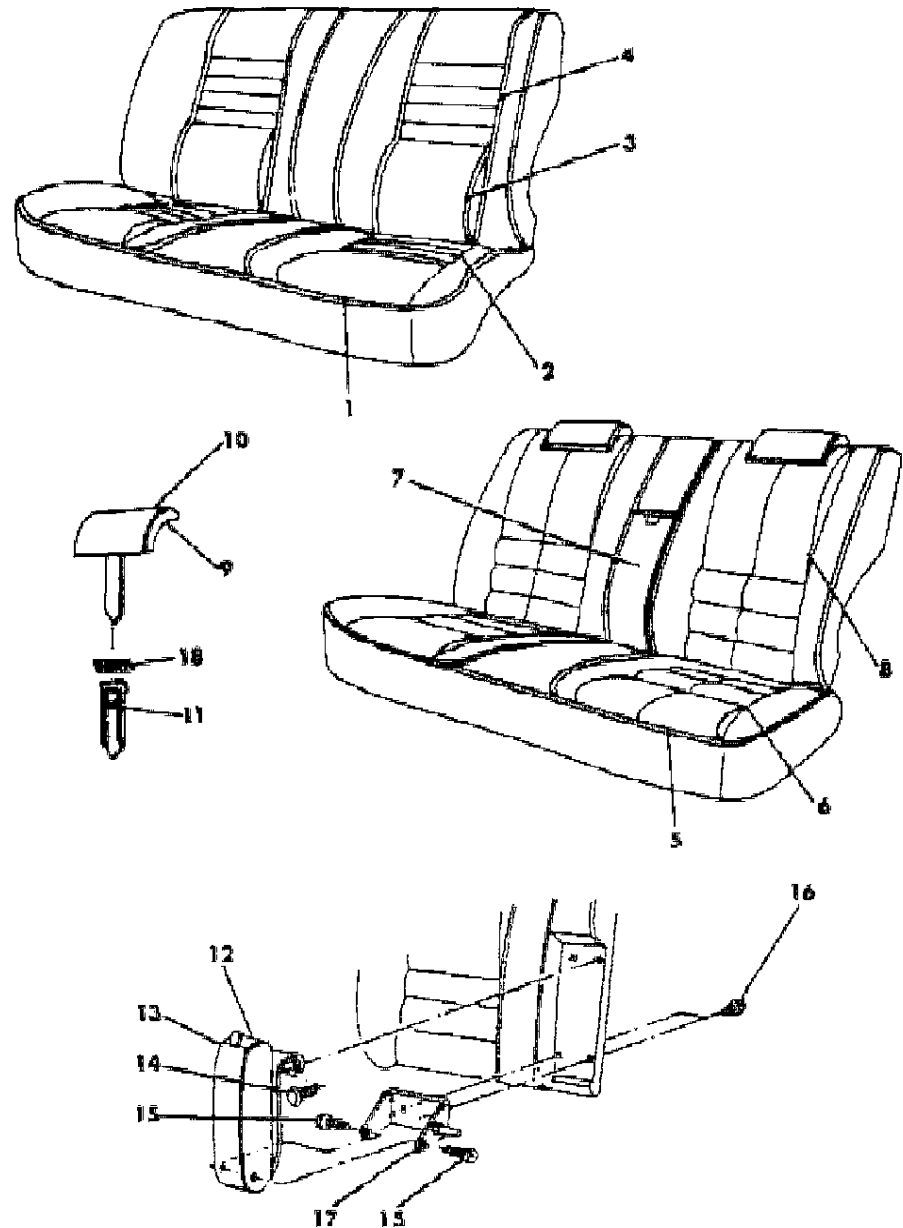
BODY STYLES

12-52 = FWD VAN & WAGON STD. W.B. 27 = 2-DOOR CONVERTIBLE
 13-53 = FWD VAN & WGN EXT W.B. 41 = 4-DOOR SEDAN
 21 = 2-DOOR SEDAN 44 = 4-DOOR HATCHBACK
 24 = 2-DOOR HATCHBACK 45 = 4-DOOR STATION WAGON

AR = Use as Required - = Non Illustrated Part P.A.R. = Paint as Required

SEAT--REAR J BODY 21
Figure ITJ-2200

ITJ-2200



ITEM	PART NUMBER	QTY	BODY	MODEL	DESCRIPTION
					LEATHER
	N938 FC5	2			Blue, (PLC)
	N966 GR8	2			Red, (PLR)
	N966 GL7	2			Taupe, (PLL)
	N938 FS8	2			Charcoal, (PLS)
10					COVER, Headrest
					CLOTH
	N494 FCC	2			Blue, (P7C)
	N494 GRR	2			Red, (P7R)
	N494 GLL	2			Taupe, (P7L)
	N494 FAS	2			Charcoal, (P7S)
					LEATHER
	N495 FC5	2			Blue, (PLC)
	N531 GR8	2			Red, (PLR)
	N531 GL7	2			Taupe, (PLL)
	N495 FS8	2			Charcoal, (PLS)
11					SLEEVE, Headrest
	S818 FC5	2			Blue
	S818 GR8	2			Red
	S818 GL7	2			Taupe
	S818 FS8	2			Charcoal
12					ARMREST and COVER
					CLOTH
	N896 FC5	1			Blue, (P7C)
	N896 GR8	1			Red, (P7R)
	N896 GL7	1			Taupe, (P7L)
	N896 FS8	1			Charcoal, (P7S)
					LEATHER
	N914 FC5	1			Blue, (PLC)
	N914 GR8	1			Red, (PLR)
	N914 GL7	1			Taupe, (PLL)
	N914 FS8	1			Charcoal, (PLS)
13					COVER, Armrest
					CLOTH
	N496 FC5	1			Blue, (P7C)
	N496 GR8	1			Red, (P7R)
	N496 GL7	1			Taupe, (P7L)

MODEL CODES

C BODY = (D41 - DYNASTY)(C41 - NEW YORKER)
 E BODY = (J - CARAVELLE)(E - 600)(T - NEW YORKER TURBO)
 G BODY = (V24 - DAYTONA, PACIFICA & SHELBY)
 H BODY = (D44 - LANCER)(C44 - LEBARON GTS)
 J BODY = (C - LEBARON)
 K BODY = (P - RELIANT)(D - ARIES)(C - LEBARON/ TOWN & COUNTRY)

L BODY = (M - HORIZON)(Z-OMNI)
 M BODY = (B - GRAN FURY)(G - DIPLOMAT)(F - FIFTH AVENUE/NEWPORT)
 P BODY = (P - SUNDANCE)(D - SHADOW)
 Q BODY = (C27 - MASERATI)
 S BODY = (H - VOYAGER)(K - RAM VAN/ CARAVAN)

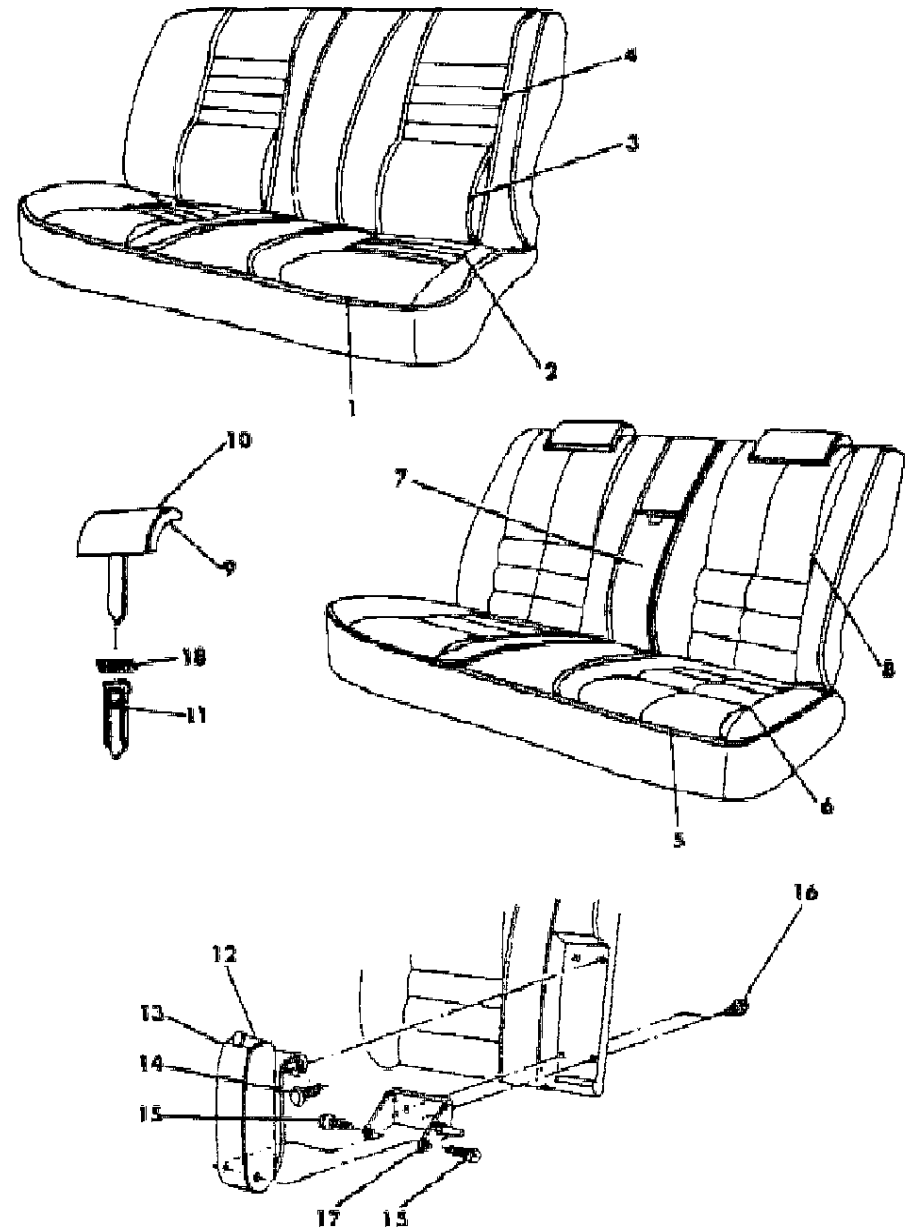
BODY STYLES

12-52 = FWD VAN & WAGON STD. W.B. 27 = 2-DOOR CONVERTIBLE
 13-53 = FWD VAN & WGN EXT W.B. 41 = 4-DOOR SEDAN
 21 = 2-DOOR SEDAN 44 = 4-DOOR HATCHBACK
 24 = 2-DOOR HATCHBACK 45 = 4-DOOR STATION WAGON

AR = Use as Required - = Non Illustrated Part P.A.R. = Paint as Required

SEAT--REAR J BODY 21
Figure ITJ-2200

6233 2200



ITEM	PART NUMBER	QTY	BODY	MODEL	DESCRIPTION
	N496 FS8	1			Charcoal, (P7S)
					LEATHER
	N497 FC5	1			Blue, (PLC)
	N497 GR8	1			Red, (PLR)
	N497 GL7	1			Taupe, (PLL)
	N497 FS8	1			Charcoal, (PLS)
14	6033 082	AR			FASTENER
15	6032 567	AR			SCREW
16	6501 476	AR			SCREW
17	4380 610	1			BRACKET
18	4327 688	2			COVER, Headrest Finish

MODEL CODES

C BODY = (D41 - DYNASTY)(C41 - NEW YORKER)
 E BODY = (J - CARAVELLE)(E - 600)(T - NEW YORKER TURBO)
 G BODY = (V24 - DAYTONA, PACIFICA & SHELBY)
 H BODY = (D44 - LANCER)(C44 - LEBARON GTS)
 J BODY = (C - LEBARON)
 K BODY = (P - RELIANT)(D - ARIES)(C - LEBARON/ TOWN & COUNTRY)

L BODY = (M - HORIZON)(Z-OMNI)
 M BODY = (B - GRAN FURY)(G - DIPLOMAT)(F - FIFTH AVENUE/NEWPORT)
 P BODY = (P - SUNDANCE)(D - SHADOW)
 Q BODY = (C27 - MASERATI)
 S BODY = (H - VOYAGER)(K - RAM VAN/ CARAVAN)

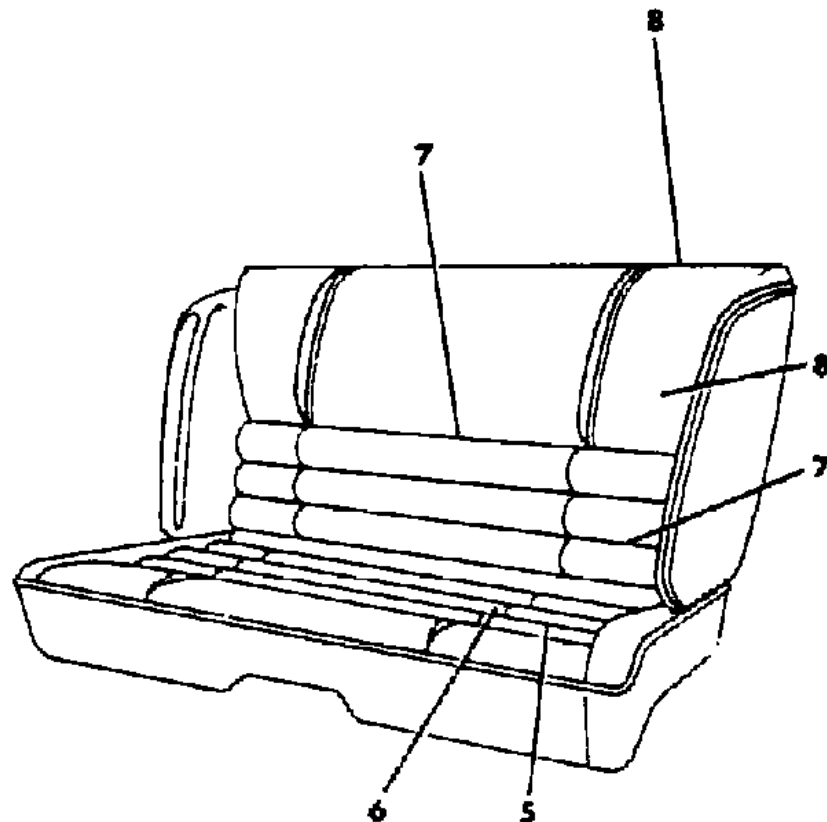
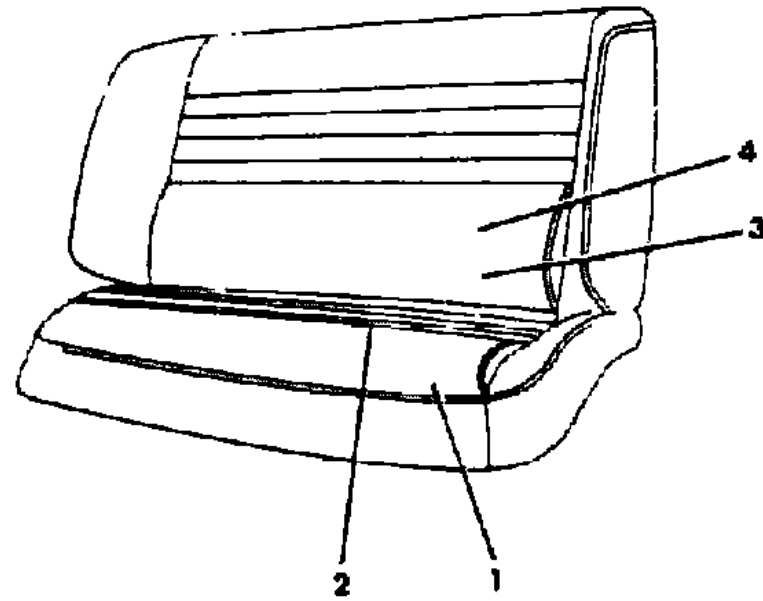
BODY STYLES

12-52 = FWD VAN & WAGON STD. W.B. 27 = 2-DOOR CONVERTIBLE
 13-53 = FWD VAN & WGN EXT W.B. 41 = 4-DOOR SEDAN
 21 = 2-DOOR SEDAN 44 = 4-DOOR HATCHBACK
 24 = 2-DOOR HATCHBACK 45 = 4-DOOR STATION WAGON

AR = Use as Required - = Non Illustrated Part P.A.R. = Paint as Required

SEAT--REAR J BODY 27
Figure ITJ-2300

8233 2300



ITEM	PART NUMBER	QTY	BODY	MODEL	DESCRIPTION
1					CUSHION, w/Spring/Frame, Pad and Cover
	N911 F8C	1			VINYL Blue, (A8C)
	N911 G8R	1			Red, (A8R)
	N911 G8L	1			Taupe, (A8L)
	N911 F8S	1			Charcoal, (A8S)
2					COVER
	N974 F8C	1			VINYL Blue, (A8C)
	N974 G8R	1			Red, (A8R)
	N974 G8L	1			Taupe, (A8L)
	N974 F8S	1			Charcoal, (A8S)
3					BACK, w/Spring/Frame, Pad and Cover
	N910 F8C	1			VINYL (Use Up To 4-6-88) Blue, (A8C)
	N910 G8R	1			Red, (A8R)
	N910 G8L	1			Taupe, (A8L)
	N910 F8S	1			Charcoal, (A8S) (Use After 4-6-88)
	N784 G8C	1			Blue, (A8C)
	N784 G8R	1			Red, (A8R)
	N784 G8L	1			Taupe, (A8L)
	N784 G8S	1			Charcoal, (A8S)
4					COVER, Back
	N975 F8C	1			VINYL Blue, (A8C)
	N975 G8R	1			Red, (A8R)
	N975 G8L	1			Taupe, (A8L)
	N975 F8S	1			Charcoal, (A8S)
5					CUSHION, w/Spring/Frame, Pad and Cover
	N917 FLC	1			LEATHER Blue, (PLC)
	N917 GLR	1			Red, (PLR)
	N917 GLL	1			Taupe, (PLL)
	N917 FLS	1			Charcoal, (PLS)
6					COVER, Cushion

MODEL CODES

C BODY = (D41 - DYNASTY)(C41 - NEW YORKER)
 E BODY = (J - CARAVELLE)(E - 600)(T - NEW YORKER TURBO)
 G BODY = (V24 - DAYTONA, PACIFICA & SHELBY)
 H BODY = (D44 - LANCER)(C44 - LEBARON GTS)
 J BODY = (C - LEBARON)
 K BODY = (P - RELIANT)(D - ARIES)(C - LEBARON/ TOWN & COUNTRY)

L BODY = (M - HORIZON)(Z-OMNI)
 M BODY = (B - GRAN FURY)(G - DIPLOMAT)(F - FIFTH AVENUE/NEWPORT)
 P BODY = (P - SUNDANCE)(D - SHADOW)
 Q BODY = (C27 - MASERATI)
 S BODY = (H - VOYAGER)(K - RAM VAN/ CARAVAN)

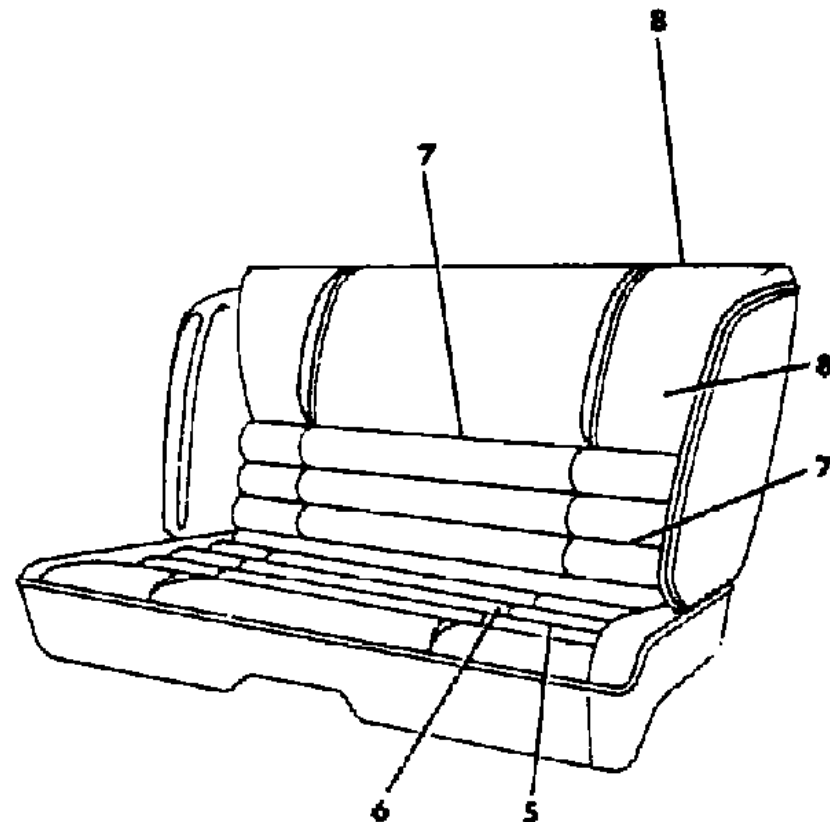
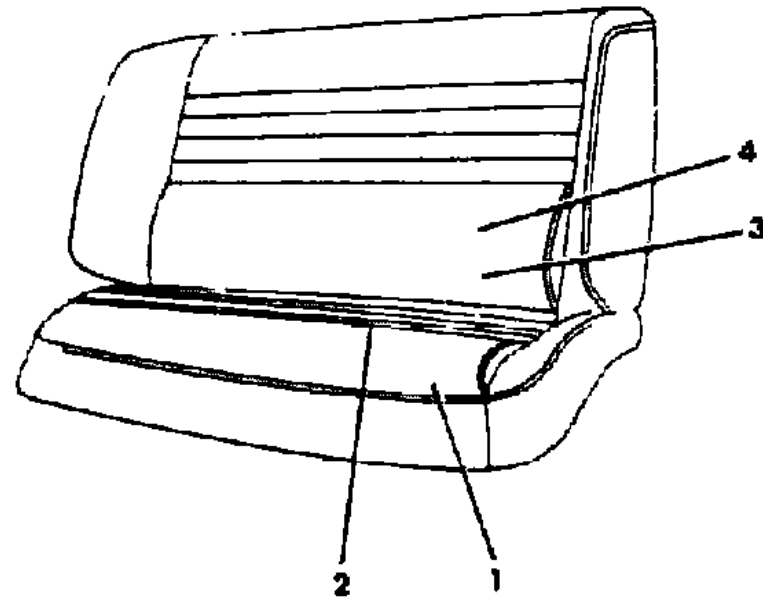
BODY STYLES

12-52 = FWD VAN & WAGON STD. W.B. 27 = 2-DOOR CONVERTIBLE
 13-53 = FWD VAN & WGN EXT W.B. 41 = 4-DOOR SEDAN
 21 = 2-DOOR SEDAN 44 = 4-DOOR HATCHBACK
 24 = 2-DOOR HATCHBACK 45 = 4-DOOR STATION WAGON

AR = Use as Required - = Non Illustrated Part P.A.R. = Paint as Required

SEAT--REAR J BODY 27
Figure ITJ-2300

8233 2300



ITEM	PART NUMBER	QTY	BODY	MODEL	DESCRIPTION
					LEATHER
	N978 FLC	1			Blue, (PLC)
	N978 GLR	1			Red, (PLR)
	N978 GLL	1			Taupe, (PLL)
	N978 FLS	1			Charcoal, (PLS)
7					BACK, w/Spring/Frame, Pad and Cover
					LEATHER (Use Up To 4-6-88)
	N916 FLC	1			Blue, (PLC)
	N916 GLR	1			Red, (PLR)
	N916 GLL	1			Taupe, (PLL)
	N916 FLS	1			Charcoal, (PLS) (Use After 4-6-88)
	N785 GLC	1			Blue, (PLC)
	N785 GLR	1			Red, (PLR)
	N785 GLL	1			Taupe, (PLL)
	N785 GLS	1			Charcoal, (PLS)
8					COVER, Back
					LEATHER
	N979 FLC	1			Blue, (PLC)
	N979 GLR	1			Red, (PLR)
	N979 GLL	1			Taupe, (PLL)
	N979 FLS	1			Charcoal, (PLS)

MODEL CODES

C BODY = (D41 - DYNASTY)(C41 - NEW YORKER)
 E BODY = (J - CARAVELLE)(E - 600)(T - NEW YORKER TURBO)
 G BODY = (V24 - DAYTONA, PACIFICA & SHELBY)
 H BODY = (D44 - LANCER)(C44 - LEBARON GTS)
 J BODY = (C - LEBARON)
 K BODY = (P - RELIANT)(D - ARIES)(C - LEBARON/ TOWN & COUNTRY)

L BODY = (M - HORIZON)(Z-OMNI)
 M BODY = (B - GRAN FURY)(G - DIPLOMAT)(F - FIFTH AVENUE/NEWPORT)
 P BODY = (P - SUNDANCE)(D - SHADOW)
 Q BODY = (C27 - MASERATI)
 S BODY = (H - VOYAGER)(K - RAM VAN/ CARAVAN)

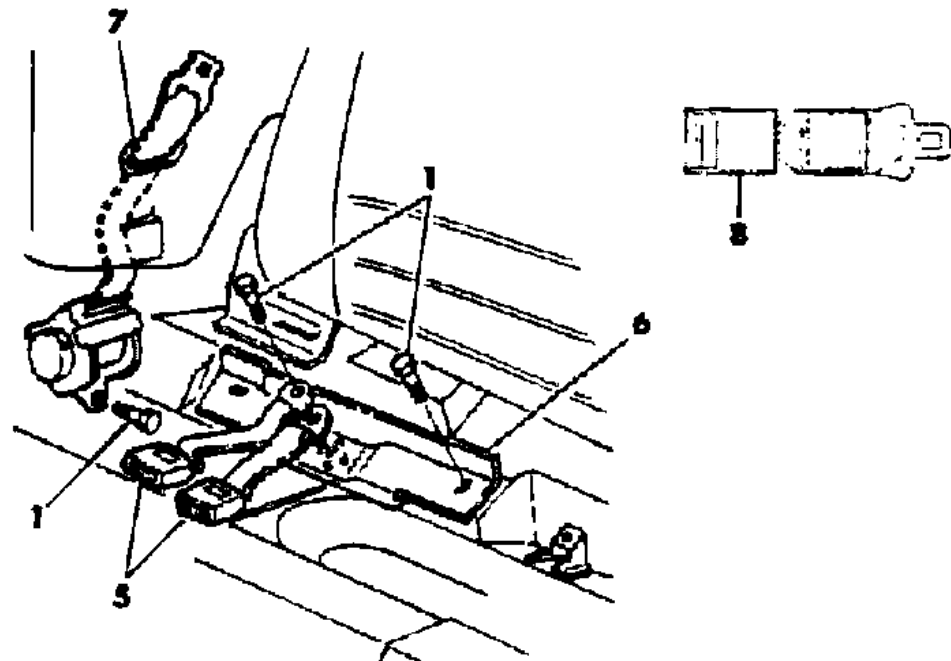
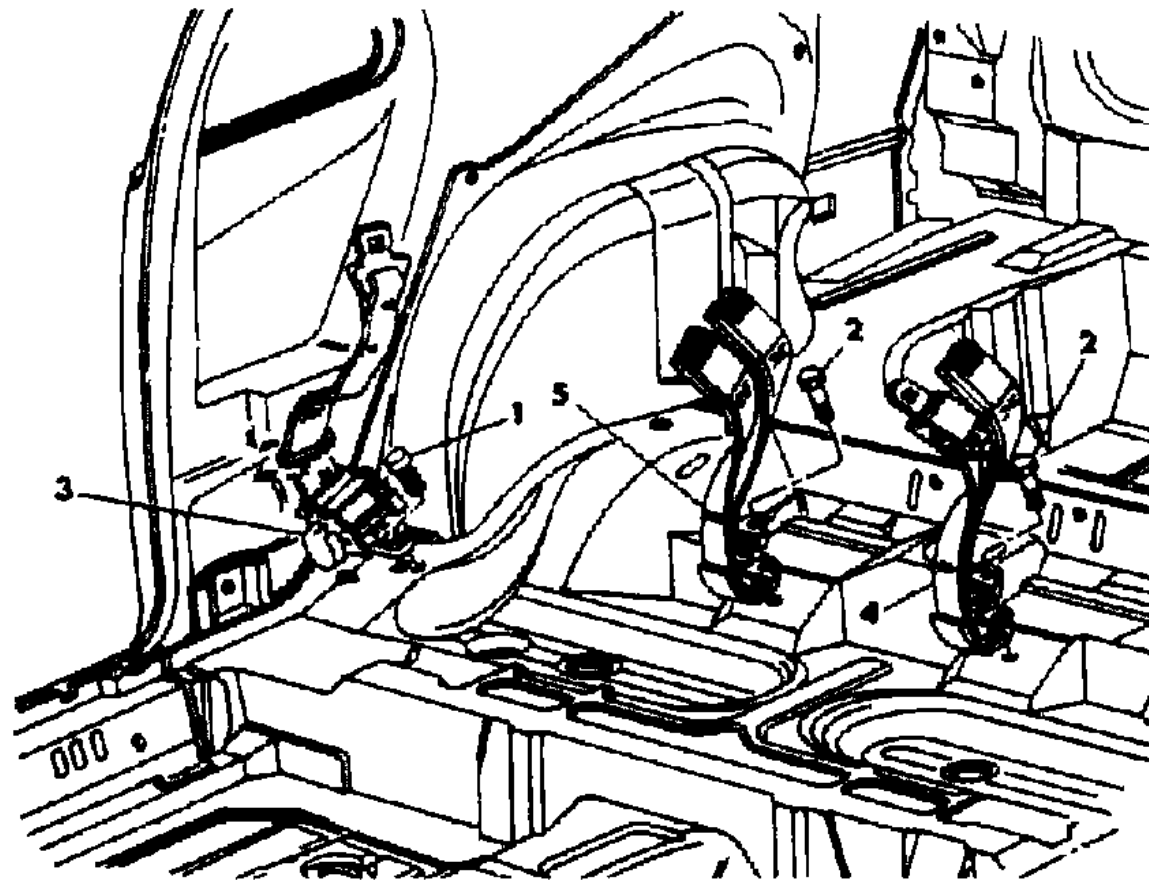
BODY STYLES

12-52 = FWD VAN & WAGON STD. W.B. 27 = 2-DOOR CONVERTIBLE
 13-53 = FWD VAN & WGN EXT W.B. 41 = 4-DOOR SEDAN
 21 = 2-DOOR SEDAN 44 = 4-DOOR HATCHBACK
 24 = 2-DOOR HATCHBACK 45 = 4-DOOR STATION WAGON

AR = Use as Required - = Non Illustrated Part P.A.R. = Paint as Required

BELT--REAR SEAT J BODY
Figure ITJ-2400

8233 2400



ITEM	PART NUMBER	QTY	BODY	MODEL	DESCRIPTION
1	6031 484	2			BOLT
2	6031 298	2			BOLT
	4490 624	1			ANCHOR, Belt Shoulder Swivel (EUROPEAN) Right
	4490 625	1			Left
	4490 626	1			ANCHOR, Belt Shoulder Retractor (EUROPEAN) Right
	4490 627	1			Left
3					BELT, Outer Label Number 4380426-7
	F610-1 FC5	1			Blue
	F610-1 GR8	1			Red
	F610-1 GL7	1			Taupe
	F610-1 FS8	1			Charcoal
	K790-1 GC5	1			COVER, Shoulder Belt Retractor (EUROPEAN) Blue
	K790-1 GR8	1			Red
	K790-1 GL7	1			Taupe
	K790-1 GS8	1			Charcoal
4					BELT, Inner Label Number 4420479
	F961 FC5	1	21		Blue
	F961 GR8	1	21		Red
	F961 GL7	1	21		Taupe
	F961 FS8	1	21		Charcoal
	4477 181	1			BELT, Rear Outer (EUROPEAN) Left
	4477 182	1			Right
5					BELT, Inner Label Number 4420478
	F960 FC5	1			Blue
	F960 GR8	1			Red
	F960 GL7	1			Taupe
	F960 FS8	1			Charcoal
	4477 196	1			BELT, Rear Inner (EUROPEAN) Right
	4477 197	1			Left

MODEL CODES

C BODY = (D41 - DYNASTY)(C41 - NEW YORKER)	L BODY = (M - HORIZON)(Z-OMNI)
E BODY = (J - CARAVELLE)(E - 600)(T - NEW YORKER TURBO)	M BODY = (B - GRAN FURY)(G - DIPLOMAT)(F - FIFTH AVENUE/NEWPORT)
G BODY = (V24 - DAYTONA, PACIFICA & SHELBY)	P BODY = (P - SUNDANCE)(D - SHADOW)
H BODY = (D44 - LANCER)(C44 - LEBARON GTS)	Q BODY = (C27 - MASERATI)
J BODY = (C - LEBARON)	S BODY = (H - VOYAGER)(K - RAM VAN/ CARAVAN)
K BODY = (P - RELIANT)(D - ARIES)(C - LEBARON/ TOWN & COUNTRY)	

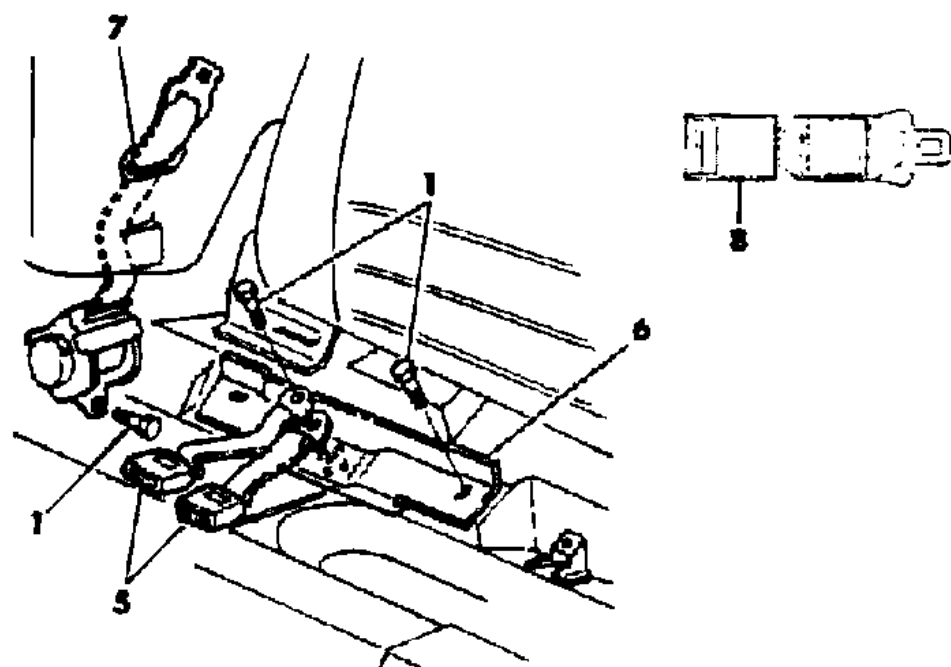
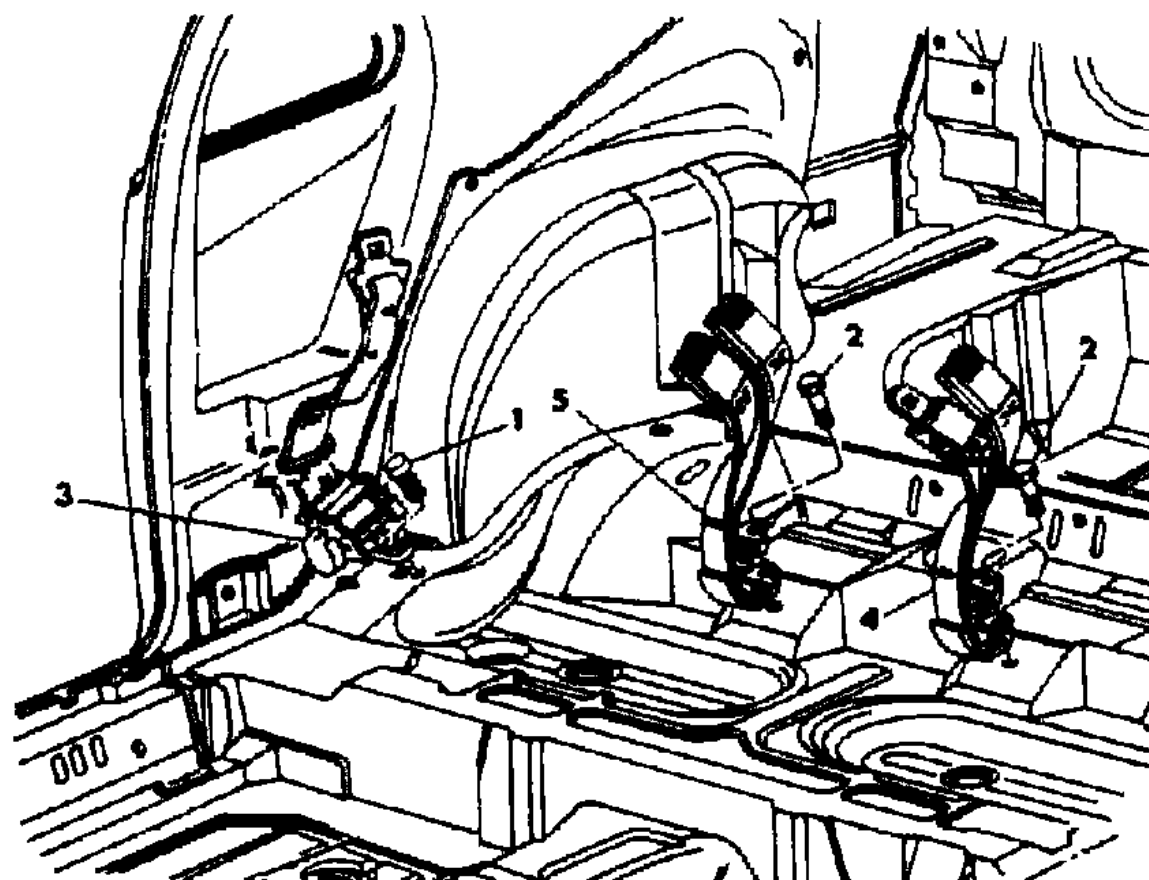
BODY STYLES

12-52 = FWD VAN & WAGON STD. W.B.	27 = 2-DOOR CONVERTIBLE
13-53 = FWD VAN & WGN EXT W.B.	41 = 4-DOOR SEDAN
21 = 2-DOOR SEDAN	44 = 4-DOOR HATCHBACK
24 = 2-DOOR HATCHBACK	45 = 4-DOOR STATION WAGON

AR = Use as Required - = Non Illustrated Part P.A.R. = Paint as Required

BELT--REAR SEAT J BODY
Figure ITJ-2400

8233 2400



ITEM	PART NUMBER	QTY	BODY	MODEL	DESCRIPTION
6	4371 728	1		27	PLATE, Seat Belt Inner Attach.
7					BELT, Outer Label Number 4380011
	F603 FC5	2		27	Blue
	F603 GR8	2		27	Red
	F603 GL7	2		27	Taupe
	F603 FS8	2		27	Charcoal
					BELT, Outer Rear (EUROPEAN)
	4477 183	1		27	Left
	4519 066	1		27	Right
					BRACKET, Belt Retractor Attaching (EUROPEAN)
	4490 630	1			Right
	4490 631	1			Left
8	4402 887	AR			EXTENDER
	4519 077	AR		21	ANCHOR PACKAGE, Teather, Child Restraint ***

MODEL CODES

C BODY = (D41 - DYNASTY)(C41 - NEW YORKER)	L BODY = (M - HORIZON)(Z-OMNI)
E BODY = (J - CARAVELLE)(E - 600)(T - NEW YORKER TURBO)	M BODY = (B - GRAN FURY)(G - DIPLOMAT)(F - FIFTH AVENUE/NEWPORT)
G BODY = (V24 - DAYTONA, PACIFICA & SHELBY)	P BODY = (P - SUNDANCE)(D - SHADOW)
H BODY = (D44 - LANCER)(C44 - LEBARON GTS)	Q BODY = (C27 - MASERATI)
J BODY = (C - LEBARON)	S BODY = (H - VOYAGER)(K - RAM VAN/ CARAVAN)
K BODY = (P - RELIANT)(D - ARIES)(C - LEBARON/ TOWN & COUNTRY)	

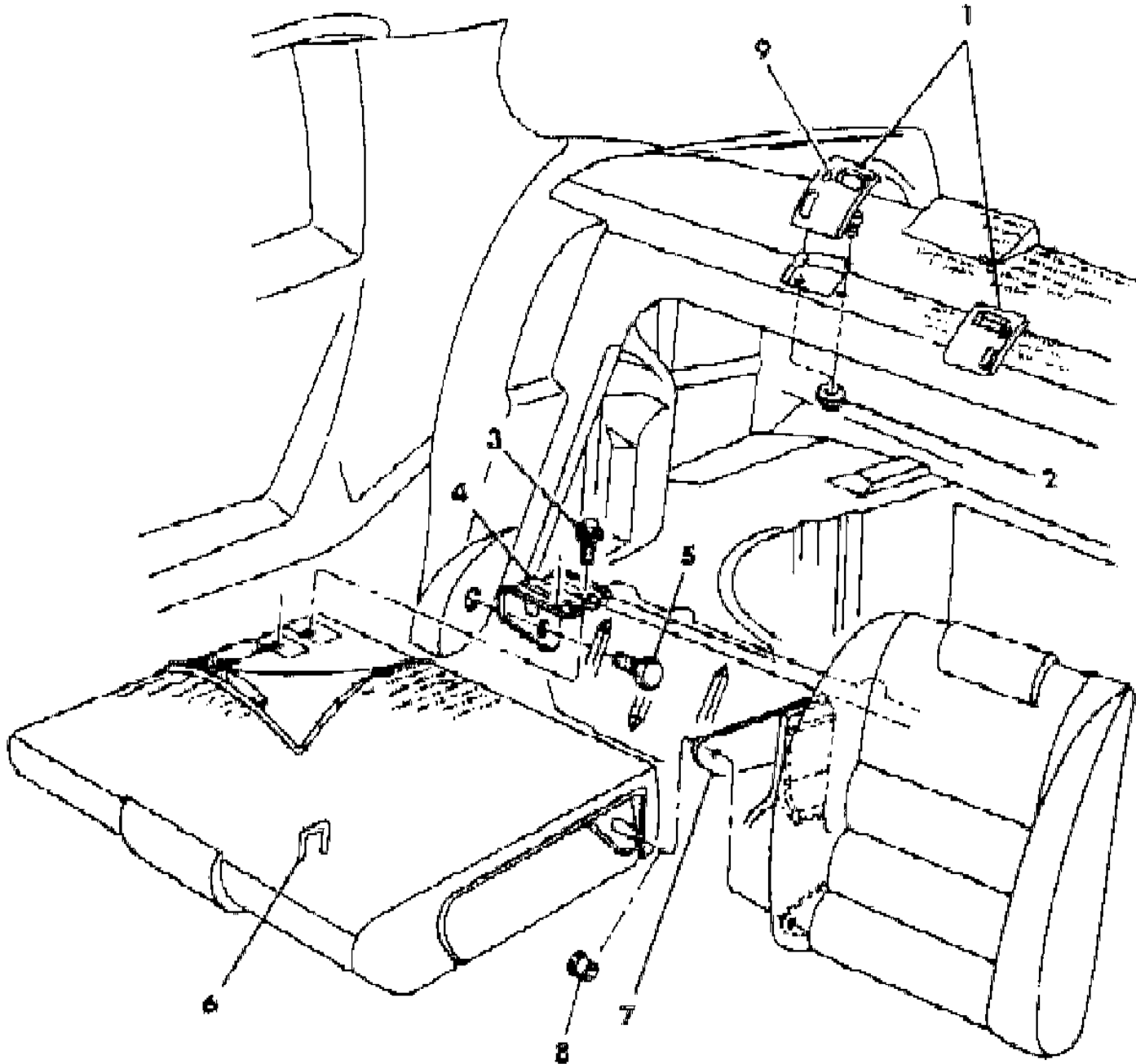
BODY STYLES

12-52 = FWD VAN & WAGON STD. W.B.	27 = 2-DOOR CONVERTIBLE
13-53 = FWD VAN & WGN EXT W.B.	41 = 4-DOOR SEDAN
21 = 2-DOOR SEDAN	44 = 4-DOOR HATCHBACK
24 = 2-DOOR HATCHBACK	45 = 4-DOOR STATION WAGON

AR = Use as Required - = Non Illustrated Part P.A.R. = Paint as Required

**SEAT--REAR FOLD DOWN J BODY 21
Figure ITJ-2500**

8233 2500



ITEM	PART NUMBER	QTY	BODY	MODEL	DESCRIPTION
1					LATCH, Handle and Bezel Complete
	S566-7 FC5	1			Blue
	S566-7 GR8	1			Red
	S566-7 GL7	1			Taupe
	S566-7 FS8	1			Charcoal
2	6500 274	4			NUT
3	6501 188	4			SCREW and WASHER
4	4380 608-9	1			BRACKET, Pivot Outboard
5	6501 199	2			BOLT, Shoulder
6	4380 072	2			STRIKER
7	4402 221	1			BRACKET, Pivot Inboard
8	4380 112	1			BUSHING, Pivot Inboard, Lt.
9					CYLINDER, Locking (Refer to 23D)

MODEL CODES

C BODY = (D41 - DYNASTY)(C41 - NEW YORKER)
 E BODY = (J - CARAVELLE)(E - 600)(T - NEW YORKER TURBO)
 G BODY = (V24 - DAYTONA, PACIFICA & SHELBY)
 H BODY = (D44 - LANCER)(C44 - LEBARON GTS)
 J BODY = (C - LEBARON)
 K BODY = (P - RELIANT)(D - ARIES)(C - LEBARON/ TOWN & COUNTRY)

L BODY = (M - HORIZON)(Z-OMNI)
 M BODY = (B - GRAN FURY)(G - DIPLOMAT)(F - FIFTH AVENUE/NEWPORT)
 P BODY = (P - SUNDANCE)(D - SHADOW)
 Q BODY = (C27 - MASERATI)
 S BODY = (H - VOYAGER)(K - RAM VAN/ CARAVAN)

BODY STYLES

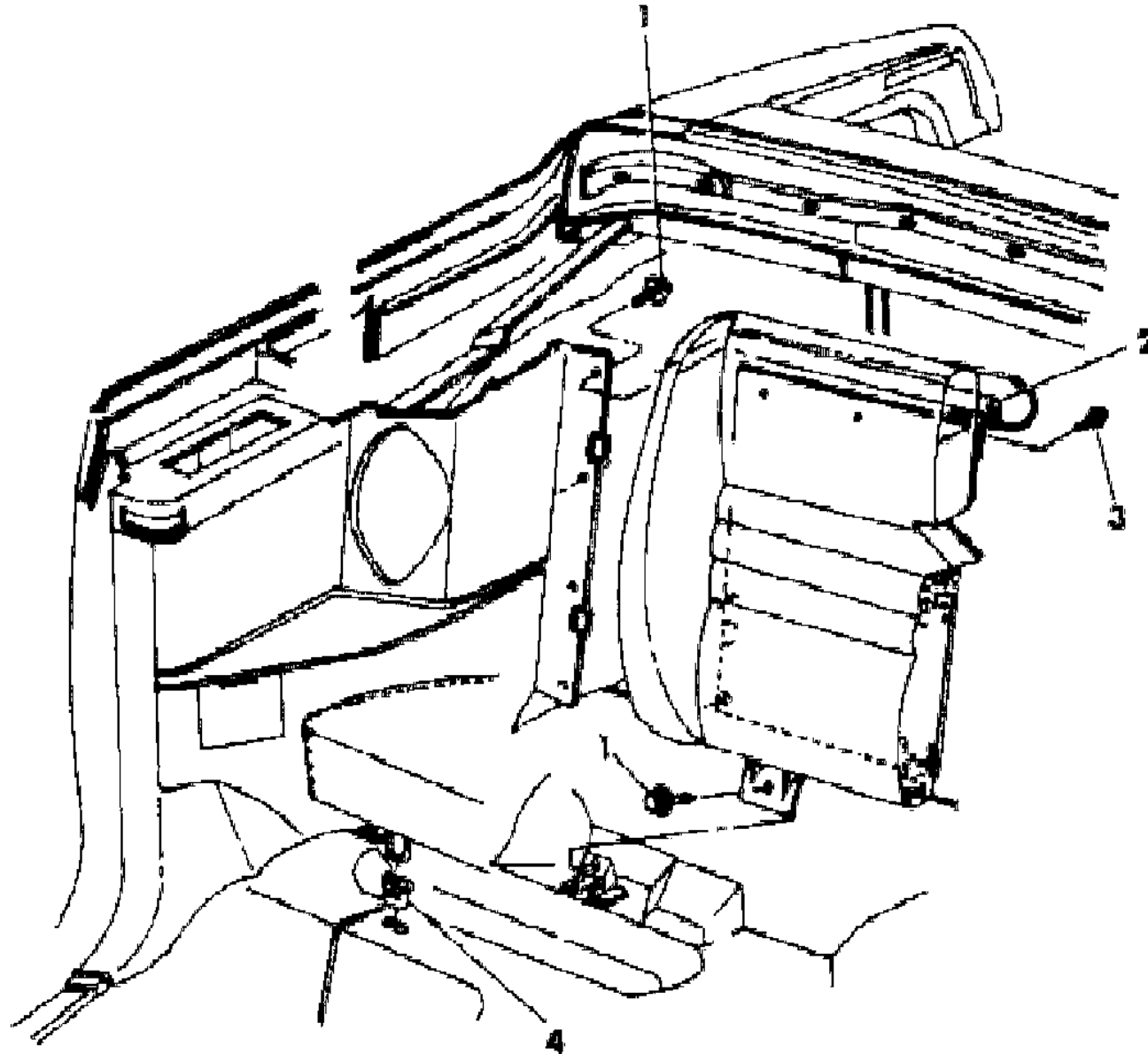
12-52 = FWD VAN & WAGON STD. W.B.	27 = 2-DOOR CONVERTIBLE
13-53 = FWD VAN & WGN EXT W.B.	41 = 4-DOOR SEDAN
21 = 2-DOOR SEDAN	44 = 4-DOOR HATCHBACK
24 = 2-DOOR HATCHBACK	45 = 4-DOOR STATION WAGON

AR = Use as Required - = Non Illustrated Part P.A.R. = Paint as Required

SEAT--REAR ATTACHMENTS AND SLINGWELL RETAINER J BODY 27
Figure ITJ-2600

8233 2600

ITEM	PART NUMBER	QTY	BODY	MODEL	DESCRIPTION
1		10			SCREW and WASHER, (M6-1.00x25) (Not Serv.)
2	4398 436	1			RETAINER, Slingwell
3	6033 347	7			SCREW
4	4380 750	2			RETAINER, Cushion to Floor Pan



MODEL CODES
 C BODY = (D41 - DYNASTY)(C41 - NEW YORKER)
 E BODY = (J - CARAVELLE)(E - 600)(T - NEW YORKER TURBO)
 G BODY = (V24 - DAYTONA, PACIFICA & SHELBY)
 H BODY = (D44 - LANCER)(C44 - LEBARON GTS)
 J BODY = (C - LEBARON)
 K BODY = (P - RELIANT)(D - ARIES)(C - LEBARON/ TOWN & COUNTRY)
 L BODY = (M - HORIZON)(Z-OMNI)
 M BODY = (B - GRAN FURY)(G - DIPLOMAT)(F - FIFTH AVENUE/NEWPORT)
 P BODY = (P - SUNDANCE)(D - SHADOW)
 Q BODY = (C27 - MASERATI)
 S BODY = (H - VOYAGER)(K - RAM VAN/ CARAVAN)

BODY STYLES
 12-52 = FWD VAN & WAGON STD. W.B. 27 = 2-DOOR CONVERTIBLE
 13-53 = FWD VAN & WGN EXT W.B. 41 = 4-DOOR SEDAN
 21 = 2-DOOR SEDAN 44 = 4-DOOR HATCHBACK
 24 = 2-DOOR HATCHBACK 45 = 4-DOOR STATION WAGON

AR = Use as Required - = Non Illustrated Part P.A.R. = Paint as Required

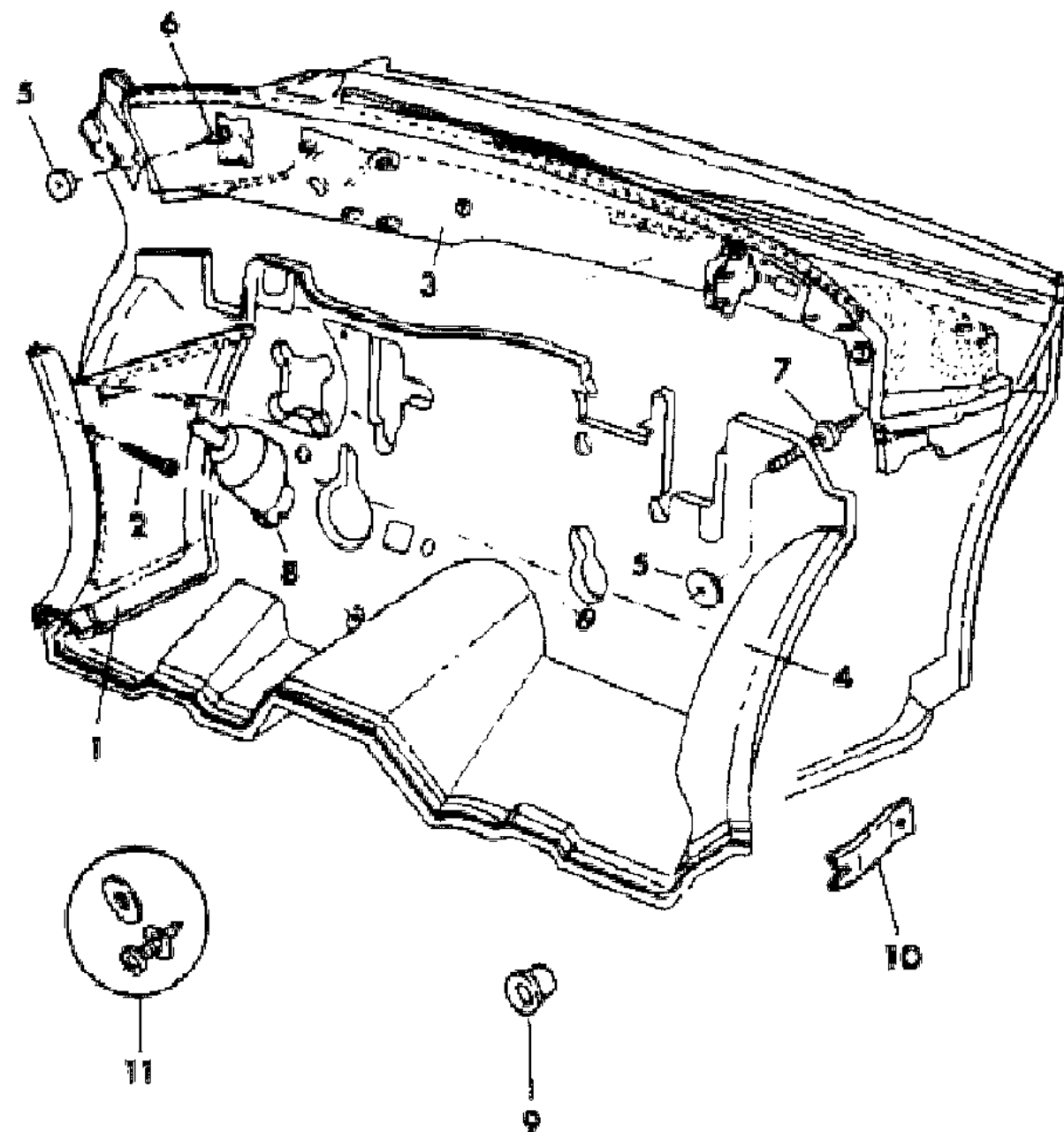
GROUP ITK - K BODY

ILLUSTRATION TITLE	GROUP-FIG. NO.
COWL PANEL AND SILENCERS K BODY	Fig. ITK-100
HEADLINER VISOR AND SHELF PANEL K BODY	Fig. ITK-200
TONNEAU COVER K BODY	Fig. ITK-300
MOULDING--GARNISH K BODY	Fig. ITK-400
B-PILLAR TRIM K BODY 41-45	Fig. ITK-500
PANEL--QUARTER TRIM K BODY P-D 21	Fig. ITK-600
PANEL--QUARTER TRIM K BODY 41	Fig. ITK-700
PANEL--QUARTER TRIM K BODY 45	Fig. ITK-800
LIFT GATE TRIM K BODY 45	Fig. ITK-900
CARPET K BODY	Fig. ITK-1000
SILENCERS--REAR COMPARTMENT K BODY 21-41	Fig. ITK-1100
PANEL--CARGO K BODY 45	Fig. ITK-1200
CARPET--CARGO AREA K BODY 45	Fig. ITK-1300
SCUFF PLATES--BODY SIDE SILL AND DOOR K BODY	Fig. ITK-1400
PANEL--DOOR TRIM K BODY P-D 21	Fig. ITK-1500
PANEL--DOOR TRIM K BODY P-D 41-45	Fig. ITK-1600
PANEL--DOOR TRIM-FRONT K BODY C 41-45	Fig. ITK-1700
PANEL--DOOR TRIM-REAR K BODY C 41-45	Fig. ITK-1800
SEAT--FRONT K BODY 21-41-45 TRIM CODE H3	Fig. ITK-1900
SEAT--FRONT K BODY TRIM CODES M3	Fig. ITK-2000
SEAT--FRONT K BODY TRIM CODES H7	Fig. ITK-2200
SEAT--FRONT K BODY TRIM CODE V8	Fig. ITK-2300
SEAT--FRONT K BODY TRIM CODE M5	Fig. ITK-2400
SEAT--FRONT K BODY TRIM CODE JP	Fig. ITK-2600
BELT--FRONT LAP AND SHOULDER K BODY	Fig. ITK-2700
BELT--FRONT SEAT INBOARD K BODY	Fig. ITK-2800
RELEASE--FRONT BENCH SEAT K BODY	Fig. ITK-2900
RECLINING BUCKET AND 50/50 SEAT K BODY	Fig. ITK-3000
ADJUSTER--MANUAL K BODY	Fig. ITK-3100
COVERS--MANUAL SEAT ADJUSTERS K BODY	Fig. ITK-3200
ADJUSTER--ELECTRIC K BODY	Fig. ITK-3300
COVERS--ELECTRIC SEAT ADJUSTER K BODY	Fig. ITK-3400
SEAT--REAR K BODY TRIM CODES M3,M5	Fig. ITK-3500
SEAT--REAR K BODY 45 TRIM CODES V8	Fig. ITK-3600
SEAT--REAR K BODY TRIM CODE JP	Fig. ITK-3700
SEAT--REAR K BODY TRIM CODES H3,H7	Fig. ITK-3800
BELT--REAR SEAT LAP K BODY	Fig. ITK-4000
SEAT--REAR FOLD DOWN K BODY 45	Fig. ITK-4100

ILLUSTRATION NOT AVAILABLE AT TIME OF PUBLICATION

COWL PANEL AND SILENCERS K BODY
Figure ITK-100

8234 100



ITEM	PART NUMBER	QTY	BODY	MODEL	DESCRIPTION
1					PANEL, Cowl Side Trim
					RIGHT
	V362 FA3	1		P,D	Silver
	V362 FC5	1		P,D	Blue
	V362 FE8	1		P,D	Cordovan
					LEFT
	F207 AA3	1		P,D	Silver
	F207 FC5	1		P,D	Blue
	F207 EE8	1		P,D	Cordovan
					RIGHT
	V364 FC5	1		C	Blue
	V364 FE8	1		C	Cordovan
	V364 FK1	1		C	Almond
	V364 FS8	1		C	Charcoal
					LEFT
	F211 FC5	1		C	Blue
	F211 EE8	1		C	Cordovan
	F211 EK1	1		C	Almond
	F211 CS8	1		C	Charcoal
2		AR			SCREW, (8-18x3/4) (Not Serv.)
3					SILENCER, Cowl Panel (Not Serv.)
4	4416 745	1			LINER, Dash
5	4206 545	AR			RETAINER
6		1			SCREW and WASHER, (18x.75) (Not Serv.)
7	#6031 630	4			STUD
8	4188 868	1			COVER and SILENCER, Steering Column
9	6032 185	6			CAPLUG, Dash Liner
10	4473 372	1			BRACKET, Cowl Side Trim, Right
11	4278 955	1			PARTS PACKAGE, Liner Attaching

MODEL CODES

C BODY = (D41 - DYNASTY)(C41 - NEW YORKER)	L BODY = (M - HORIZON)(Z-OMNI)
E BODY = (J - CARAVELLE)(E - 600)(T - NEW YORKER TURBO)	M BODY = (B - GRAN FURY)(G - DIPLOMAT)(F - FIFTH AVENUE/NEWPORT)
G BODY = (V24 - DAYTONA, PACIFICA & SHELBY)	P BODY = (P - SUNDANCE)(D - SHADOW)
H BODY = (D44 - LANCER)(C44 - LEBARON GTS)	Q BODY = (C27 - MASERATI)
J BODY = (C - LEBARON)	S BODY = (H - VOYAGER)(K - RAM VAN/ CARAVAN)
K BODY = (P - RELIANT)(D - ARIES)(C - LEBARON/ TOWN & COUNTRY)	

BODY STYLES

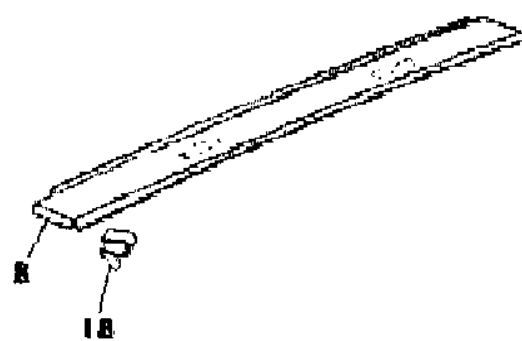
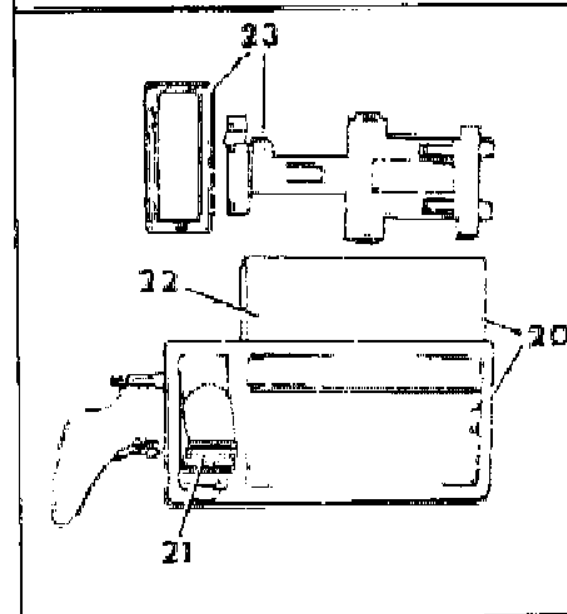
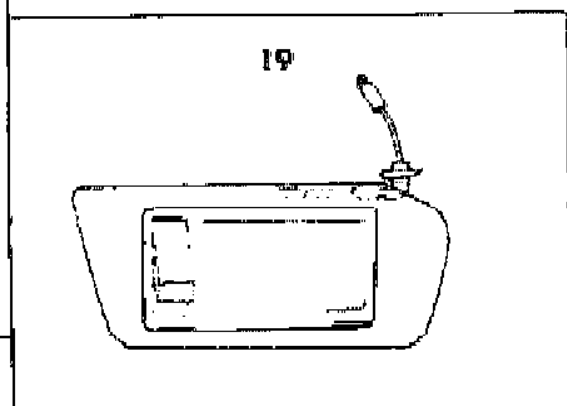
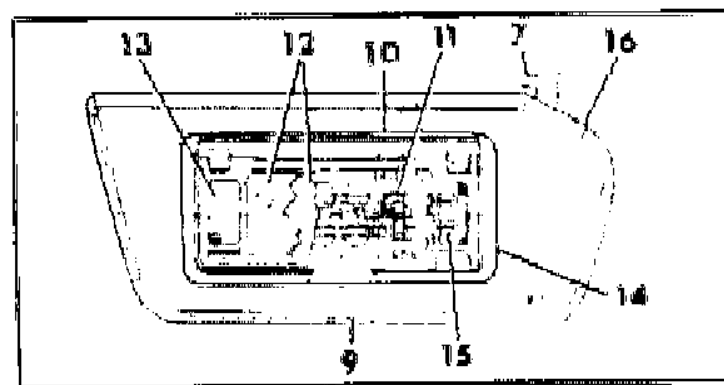
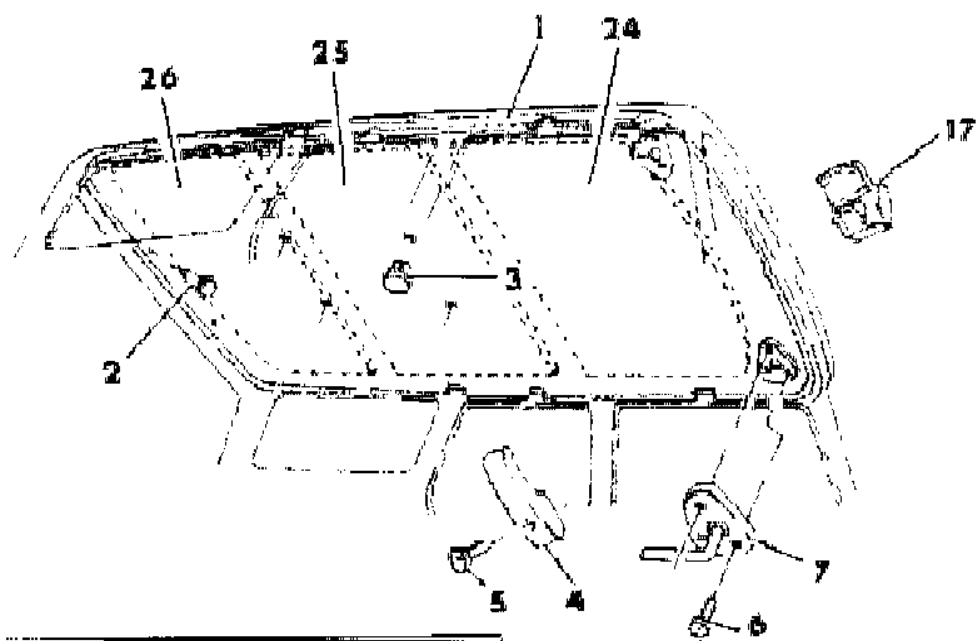
12-52 = FWD VAN & WAGON STD. W.B.	27 = 2-DOOR CONVERTIBLE
13-53 = FWD VAN & WGN EXT W.B.	41 = 4-DOOR SEDAN
21 = 2-DOOR SEDAN	44 = 4-DOOR HATCHBACK
24 = 2-DOOR HATCHBACK	45 = 4-DOOR STATION WAGON

AR = Use as Required - = Non Illustrated Part P.A.R. = Paint as Required

HEADLINER VISOR AND SHELF PANEL K BODY

Figure ITK-200

8234 200



ITEM	PART NUMBER	QTY	BODY	MODEL	DESCRIPTION
1					HEADLINER, Cloth
	H837 AA3	1	21		Silver
	H837 FC5	1	21		Blue, Medium
	H837 EE8	1	21		Cordovan
	H837 EK1	1	21		Almond
	H834 AA3	1	41		Silver
	H834 FC5	1	41		Blue, Medium
	H834 EE8	1	41		Cordovan
	H834 EK1	1	41		Almond
	H834 CS8	1	41		Charcoal
	H850 AA3	1	45		Silver
	H850 EE8	1	45		Cordovan
	H850 GC5	1	45		Blue
2	6003 587	1	45		FASTENER, Roof Headliner Rear Attach.
3					FASTENER, Roof Headliner
	H452 AA3	4	45		Silver
	H452 EE8	4	45		Cordovan
	H452 EK1	4	45		Almond
	H452 CS8	4	45		Charcoal
4	3685 992	2			HOOK, Coat
5		2			SCREW, (8-18x7/8) (Not Serv.)
6	6032 584	6			SCREW, Visor Arm
7	4247 862-3	1			ARM and BRACKET, w/o Mirror
8					PANEL
	H346 EA3	1			Silver
	H346 FC5	1			Blue, Medium
	H346 EE8	1			Cordovan
	H346 ES8	1			Charcoal
9					VISOR, Padded Cloth w/o Mirror
	H456 FC5	2			Blue, Medium
	H456 FE8	2			Cordovan
	H456 FK1	2			Almond
	H456 FS8	2			Charcoal
	H456 FA3	2			Silver
					w/Arm and Illuminated Vanity Mirror
					RIGHT
	H262 FC5	1		C	Blue

MODEL CODES
 C BODY = (D41 - DYNASTY)(C41 - NEW YORKER)
 E BODY = (J - CARAVELLE)(E - 600)(T - NEW YORKER TURBO)
 G BODY = (V24 - DAYTONA, PACIFICA & SHELBY)
 H BODY = (D44 - LANCER)(C44 - LEBARON GTS)
 J BODY = (C - LEBARON)
 K BODY = (P - RELIANT)(D - ARIES)(C - LEBARON/ TOWN & COUNTRY)

L BODY = (M - HORIZON)(Z-OMNI)
 M BODY = (B - GRAN FURY)(G - DIPLOMAT)(F - FIFTH AVENUE/NEWPORT)
 P BODY = (P - SUNDANCE)(D - SHADOW)
 Q BODY = (C27 - MASERATI)
 S BODY = (H - VOYAGER)(K - RAM VAN/ CARAVAN)

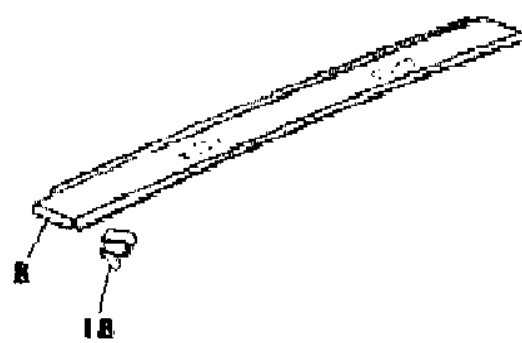
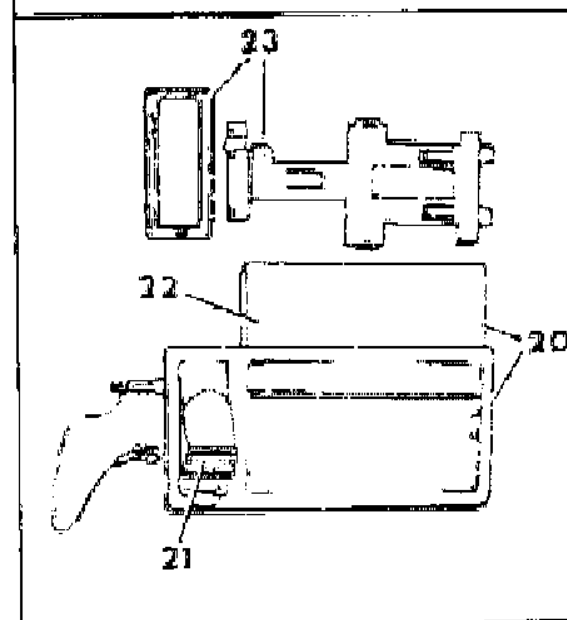
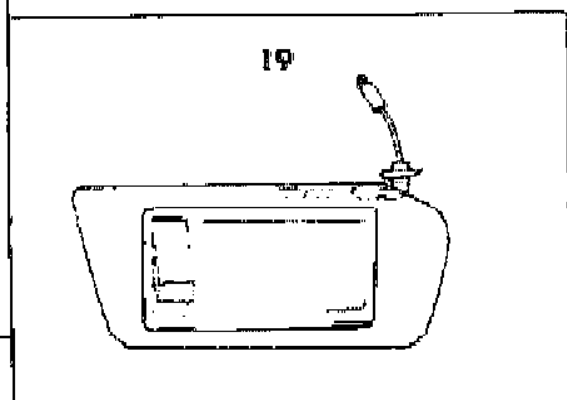
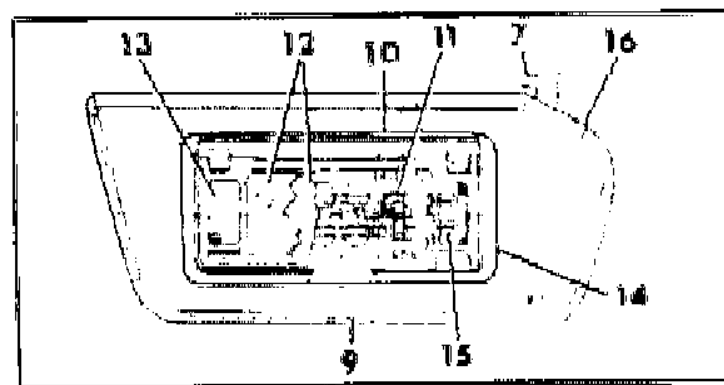
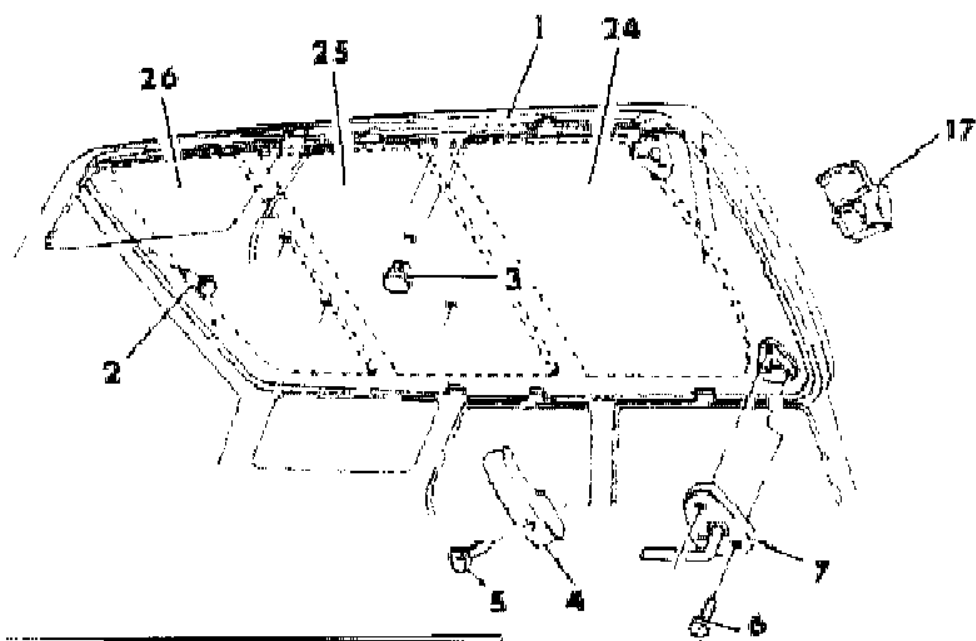
BODY STYLES
 12-52 = FWD VAN & WAGON STD. W.B. 27 = 2-DOOR CONVERTIBLE
 13-53 = FWD VAN & WGN EXT W.B. 41 = 4-DOOR SEDAN
 21 = 2-DOOR SEDAN 44 = 4-DOOR HATCHBACK
 24 = 2-DOOR HATCHBACK 45 = 4-DOOR STATION WAGON

AR = Use as Required - = Non Illustrated Part P.A.R. = Paint as Required

HEADLINER VISOR AND SHELF PANEL K BODY

Figure ITK-200

8234 200



ITEM	PART NUMBER	QTY	BODY	MODEL	DESCRIPTION
	H262 FE8	1	C		Cordovan
	H262 FK1	1	C		Almond
	H262 FS8	1	C		Charcoal
	H263 FC5	1	C		Blue
	H263 FE8	1	C		Cordovan
	H263 FK1	1	C		Almond
	H263 FS8	1	C		Charcoal
					Sub Assy. w/Lighted Mirror
					RIGHT
	H762 FC5	1	C		Blue
	H762 FE8	1	C		Cordovan
	H762 FK1	1	C		Almond
	H762 FS8	1	C		Charcoal
					LEFT
	H763 FC5	1	C		Blue
	H763 FE8	1	C		Cordovan
	H763 FK1	1	C		Almond
	H763 FS8	1	C		Charcoal
10					VANITY, Illuminated Mirror
	H640 FC5	1			Blue
	H640 FE8	1			Cordovan
	H640 FK1	1			Almond
	H640 FS8	1			Charcoal
11	3832 873	1			COMPONENT BOARD, (Not Serv.) See Item 9
12		1			MIRROR and BACK, Vanity Mirror, (Serv In Visor Only) See Item 9
13	4410 693	2			LENS, Vanity Mirror
14	#4166 976	2			HINGE SPRING, Vanity Mirror
15	9421 330	4			BULB
16	1490 983	2			CLIP, Visor Panel End
17		AR			RETAINER, Headliner and Garnish Moulding (Serv. w/ Moulding)
18	6003 640	AR			FASTENER, Shelf Trim Panel
19					VISOR, w/Mirror, Map Light, Arm and Bracket
					RIGHT
	H618 FA3	1			Silver
	H618 FC5	1			Blue

MODEL CODES
 C BODY = (D41 - DYNASTY)(C41 - NEW YORKER)
 E BODY = (J - CARAVELLE)(E - 600)(T - NEW YORKER TURBO)
 G BODY = (V24 - DAYTONA, PACIFICA & SHELBY)
 H BODY = (D44 - LANCER)(C44 - LEBARON GTS)
 J BODY = (C - LEBARON)
 K BODY = (P - RELIANT)(D - ARIES)(C - LEBARON/ TOWN & COUNTRY)

L BODY = (M - HORIZON)(Z-OMNI)
 M BODY = (B - GRAN FURY)(G - DIPLOMAT)(F - FIFTH AVENUE/NEWPORT)
 P BODY = (P - SUNDANCE)(D - SHADOW)
 Q BODY = (C27 - MASERATI)
 S BODY = (H - VOYAGER)(K - RAM VAN/ CARAVAN)

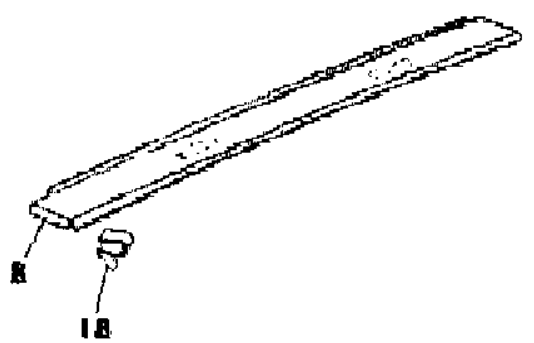
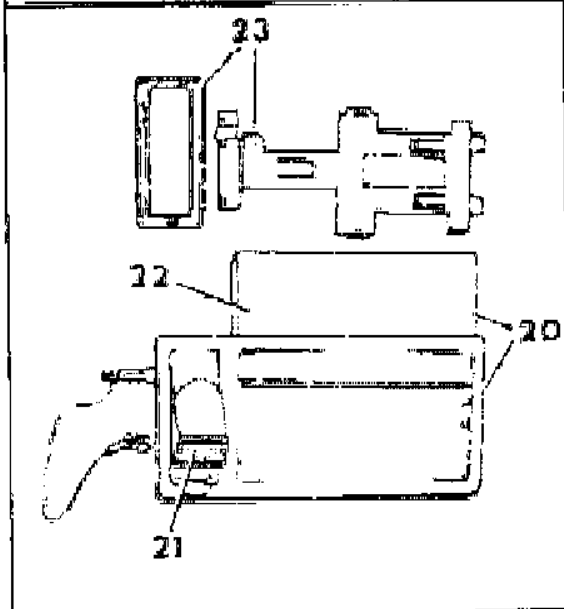
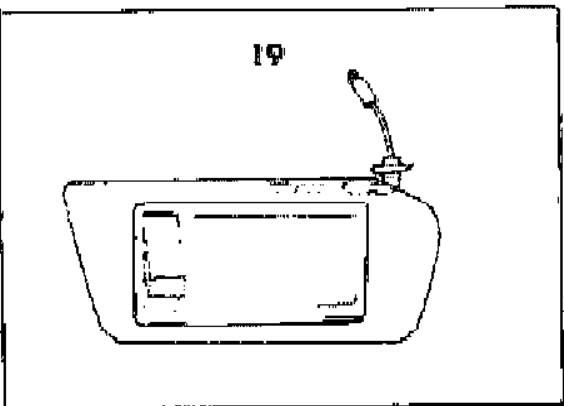
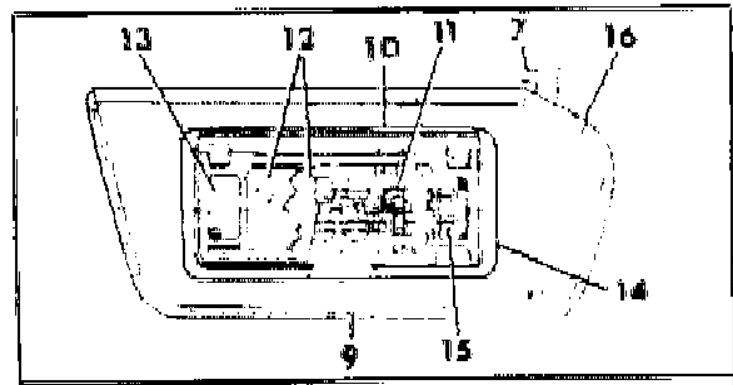
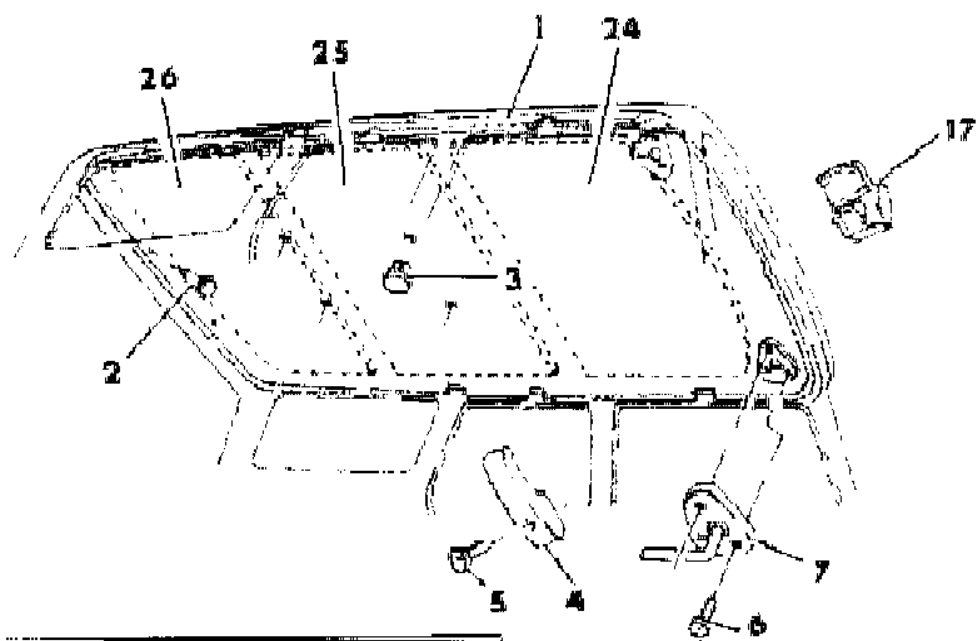
BODY STYLES
 12-52 = FWD VAN & WAGON STD. W.B. 27 = 2-DOOR CONVERTIBLE
 13-53 = FWD VAN & WGN EXT W.B. 41 = 4-DOOR SEDAN
 21 = 2-DOOR SEDAN 44 = 4-DOOR HATCHBACK
 24 = 2-DOOR HATCHBACK 45 = 4-DOOR STATION WAGON

AR = Use as Required - = Non Illustrated Part P.A.R. = Paint as Required

HEADLINER VISOR AND SHELF PANEL K BODY

Figure ITK-200

8234 200



ITEM	PART NUMBER	QTY	BODY	MODEL	DESCRIPTION
	H618 FE8	1			Cordovan
20	H641 FA3	1			VISOR, Sub Assy.
	H641 FC5	1			Silver
	H641 FE8	1			Blue
					Cordovan
21	4309 023	1			LENS, Map Cover
22	4309 022	1			MIRROR and BACK
23					(Serv. in Item 19)
24	4078 582	AR			SILENCER, Roof Panel Front
25	4078 583	AR			SILENCER, Roof Panel Center
26	4078 584	AR			SILENCER, Roof Panel Rear

MODEL CODES
 C BODY = (D41 - DYNASTY)(C41 - NEW YORKER)
 E BODY = (J - CARAVELLE)(E - 600)(T - NEW YORKER TURBO)
 G BODY = (V24 - DAYTONA, PACIFICA & SHELBY)
 H BODY = (D44 - LANCER)(C44 - LEBARON GTS)
 J BODY = (C - LEBARON)
 K BODY = (P - RELIANT)(D - ARIES)(C - LEBARON/ TOWN & COUNTRY)

L BODY = (M - HORIZON)(Z-OMNI)
 M BODY = (B - GRAN FURY)(G - DIPLOMAT)(F - FIFTH AVENUE/NEWPORT)
 P BODY = (P - SUNDANCE)(D - SHADOW)
 Q BODY = (C27 - MASERATI)
 S BODY = (H - VOYAGER)(K - RAM VAN/ CARAVAN)

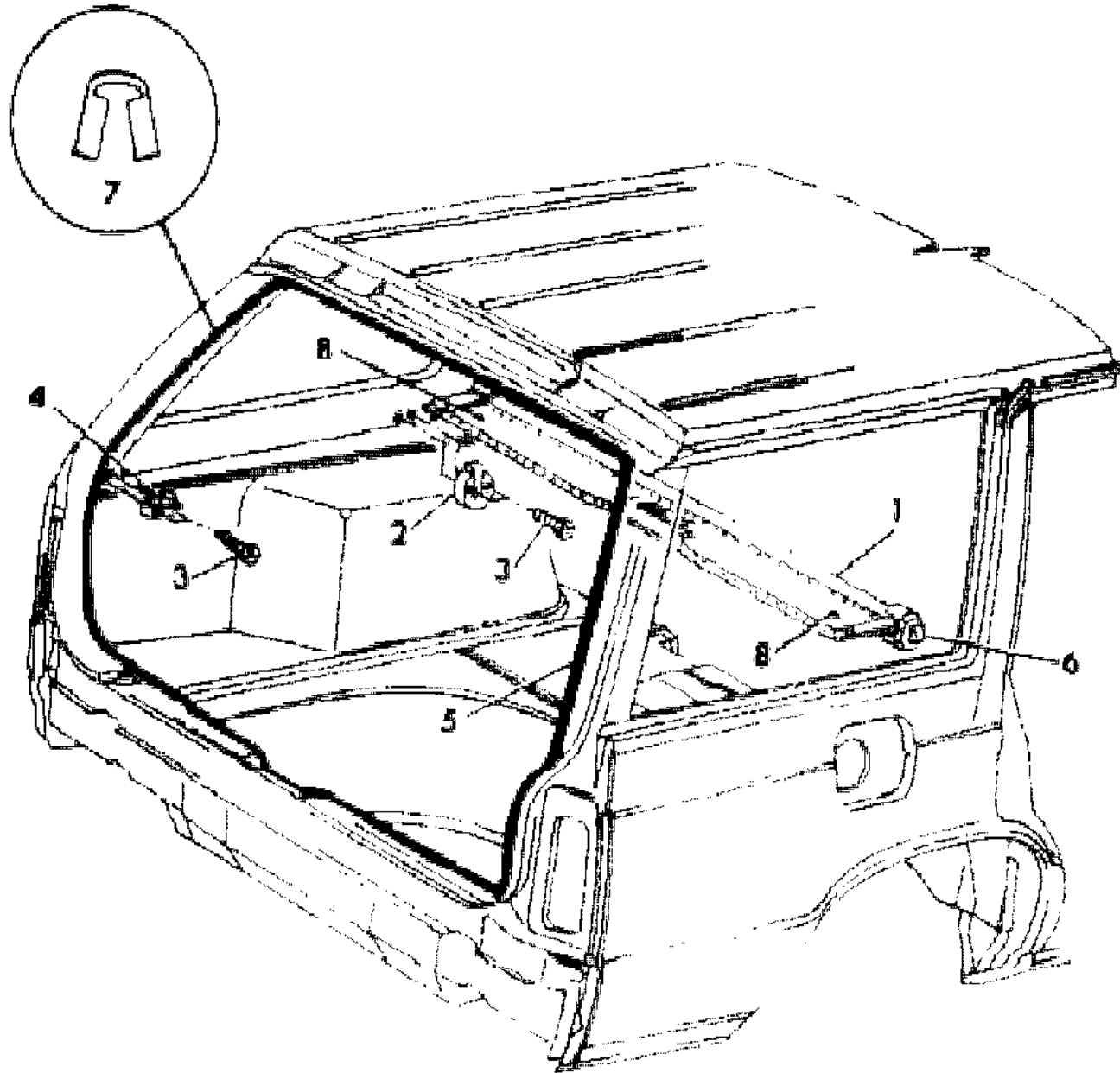
BODY STYLES
 12-52 = FWD VAN & WAGON STD. W.B. 27 = 2-DOOR CONVERTIBLE
 13-53 = FWD VAN & WGN EXT W.B. 41 = 4-DOOR SEDAN
 21 = 2-DOOR SEDAN 44 = 4-DOOR HATCHBACK
 24 = 2-DOOR HATCHBACK 45 = 4-DOOR STATION WAGON

AR = Use as Required - = Non Illustrated Part P.A.R. = Paint as Required

TONNEAU COVER K BODY
Figure ITK-300

8234 300

ITEM	PART NUMBER	QTY	BODY	MODEL	DESCRIPTION
1					COVER, Rear Compartment
	4271 098	1			Silver
	4271 095	1			Cordovan
	4467 070	1			Blue
2					COVER, Support
	W234 CA3	1			Silver
	W234 EE8	1			Cordovan
	W234 GC5	1			Blue
3		AR			SCREW, (8-18x1) (Not Serv.)
4					COVER, Hook
	W236-7 CA3	2			Silver
	W236-7 EE8	2			Cordovan
	W236-7 GC5	2			Blue
5					WELT, Liftgate Opening
	W267 CA3	1			Silver
	W267 GC5	1			Blue
	W267 EK1	1			Almond
6	4271 047	1			END CAP
7	4078 958	2			END CAP, Liftgate Opening Welt
8					GROMMET, Tonneau Cover
	H544 DA3	2			Silver
	H544 EE8	2			Cordovan
	H544 DS8	2			Charcoal



MODEL CODES

C BODY = (D41 - DYNASTY)(C41 - NEW YORKER)	L BODY = (M - HORIZON)(Z-OMNI)
E BODY = (J - CARAVELLE)(E - 600)(T - NEW YORKER TURBO)	M BODY = (B - GRAN FURY)(G - DIPLOMAT)(F - FIFTH AVENUE/NEWPORT)
G BODY = (V24 - DAYTONA, PACIFICA & SHELBY)	P BODY = (P - SUNDANCE)(D - SHADOW)
H BODY = (D44 - LANCER)(C44 - LEBARON GTS)	Q BODY = (C27 - MASERATI)
J BODY = (C - LEBARON)	S BODY = (H - VOYAGER)(K - RAM VAN/ CARAVAN)
K BODY = (P - RELIANT)(D - ARIES)(C - LEBARON/ TOWN & COUNTRY)	

BODY STYLES

12-52 = FWD VAN & WAGON STD. W.B.	27 = 2-DOOR CONVERTIBLE
13-53 = FWD VAN & WGN EXT W.B.	41 = 4-DOOR SEDAN
21 = 2-DOOR SEDAN	44 = 4-DOOR HATCHBACK
24 = 2-DOOR HATCHBACK	45 = 4-DOOR STATION WAGON

AR = Use as Required - = Non Illustrated Part P.A.R. = Paint as Required

MOULDING--GARNISH K BODY
Figure ITK-400

8234 400

ITEM	PART NUMBER	QTY	BODY	MODEL	DESCRIPTION
1	F458-9 EK1	1			MOULDING, Retainer and Seal, Windshield (P.A.R.)
2	9414 753	AR			SCREW
3	F249 DA3	1			MOULDING, Windshield Upper (P.A.R.)
4	F052-3 DA3	1		21	MOULDING and RETAINER, Roof Rail (P.A.R.) Silver
	F006-7 EK1	1		41	Almond
5	6032 456	2			SCREW
6	4077 542	1		21	MOULDING, Rear Window Header (P.A.R.)
	4077 541	1		41	
7	F008-9 EK1	1		45	MOULDING and RETAINER, Roof Rail (P.A.R.)
8	F294-5 EK1	1		45	MOULDING, Quarter Window Rail (P.A.R.)
9	H543 CA3	1		45	MOULDING, Liftgate Header Opening Silver
	H543 EE8	1		45	Cordovan
	H543 GC5	1		45	Blue
10	4247 758	4			BRACKET, Liftgate Opening Header Moulding Attaching
11					RETAINER, Moulding (Serv. w/ Moulding)
12	F030 CA3	2			BUMPER, Roof Rail Moulding Silver
	F030 EE8	2			Cordovan
	F030 EK1	2			Almond
	F030 CS8	2			Charcoal
NOTE: (P.A.R.) = Paint As Required					

MODEL CODES

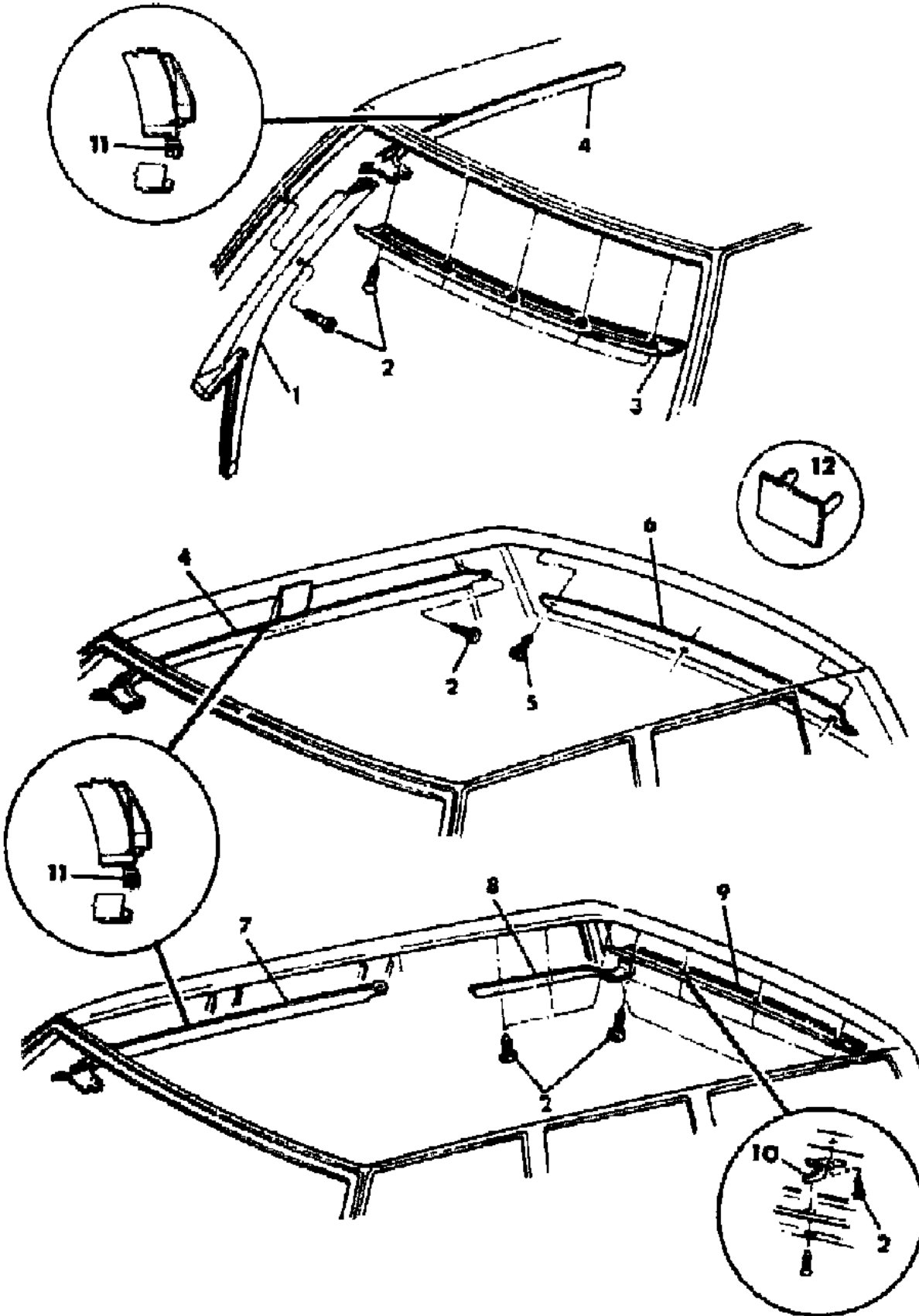
C BODY = (D41 - DYNASTY)(C41 - NEW YORKER)
 E BODY = (J - CARAVELLE)(E - 600)(T - NEW YORKER TURBO)
 G BODY = (V24 - DAYTONA, PACIFICA & SHELBY)
 H BODY = (D44 - LANCER)(C44 - LEBARON GTS)
 J BODY = (C - LEBARON)
 K BODY = (P - RELIANT)(D - ARIES)(C - LEBARON/ TOWN & COUNTRY)

L BODY = (M - HORIZON)(Z-OMNI)
 M BODY = (B - GRAN FURY)(G - DIPLOMAT)(F - FIFTH AVENUE/NEWPORT)
 P BODY = (P - SUNDANCE)(D - SHADOW)
 Q BODY = (C27 - MASERATI)
 S BODY = (H - VOYAGER)(K - RAM VAN/ CARAVAN)

BODY STYLES

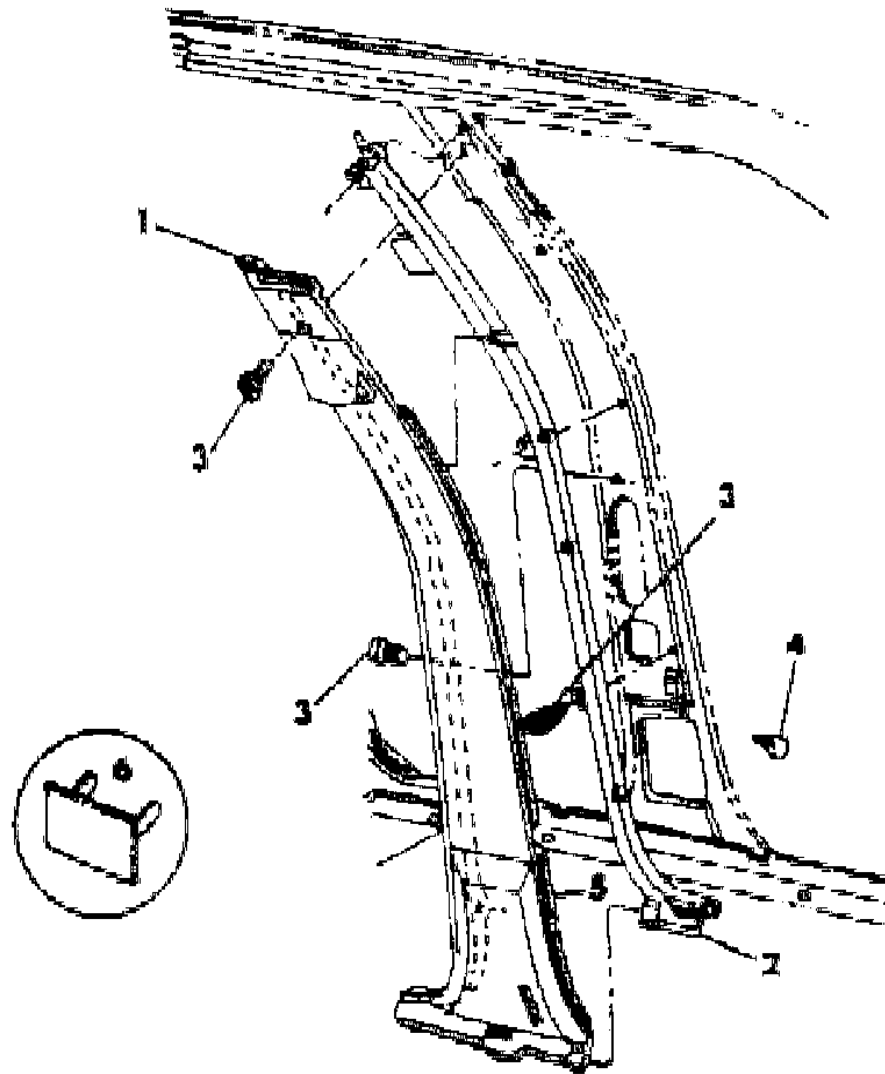
12-52 = FWD VAN & WAGON STD. W.B. 27 = 2-DOOR CONVERTIBLE
 13-53 = FWD VAN & WGN EXT W.B. 41 = 4-DOOR SEDAN
 21 = 2-DOOR SEDAN 44 = 4-DOOR HATCHBACK
 24 = 2-DOOR HATCHBACK 45 = 4-DOOR STATION WAGON

AR = Use as Required - = Non Illustrated Part P.A.R. = Paint as Required



B-PILLAR TRIM K BODY 41-45
Figure ITK-500

8234 500



ITEM	PART NUMBER	QTY	BODY	MODEL	DESCRIPTION
1	F214-5 CA3	1			COVER, Center Pillar "B" Rear Silver
	F214-5 FC5	1			Blue
	F214-5 EE8	1			Cordovan
	F214-5 EK1	1			Almond
	F214-5 CS8	1			Charcoal
2	V162-3 EA3	1			COVER, Center Pillar "B" Front, w/Bumper Silver
	V162-3 FC5	1			Blue
	V162-3 EE8	1			Cordovan
	V162-3 EK1	1			Almond
	V162-3 ES8	1			Charcoal
3	9420 486	AR			SCREW
4	6030 441	8			FASTENER, Center Pillar Silencer Attach.
5	4337 840-1	1			SILENCER, Center Pillar
6	F030 CA3	2			BUMPER Silver
	F030 FC5	2			Blue
	F030 EE8	2			Cordovan
	F030 EK1	2			Almond
	F030 CS8	2			Charcoal

MODEL CODES

C BODY = (D41 - DYNASTY)(C41 - NEW YORKER)	L BODY = (M - HORIZON)(Z-OMNI)
E BODY = (J - CARAVELLE)(E - 600)(T - NEW YORKER TURBO)	M BODY = (B - GRAN FURY)(G - DIPLOMAT)(F - FIFTH AVENUE/NEWPORT)
G BODY = (V24 - DAYTONA, PACIFICA & SHELBY)	P BODY = (P - SUNDANCE)(D - SHADOW)
H BODY = (D44 - LANCER)(C44 - LEBARON GTS)	Q BODY = (C27 - MASERATI)
J BODY = (C - LEBARON)	S BODY = (H - VOYAGER)(K - RAM VAN/ CARAVAN)
K BODY = (P - RELIANT)(D - ARIES)(C - LEBARON/ TOWN & COUNTRY)	

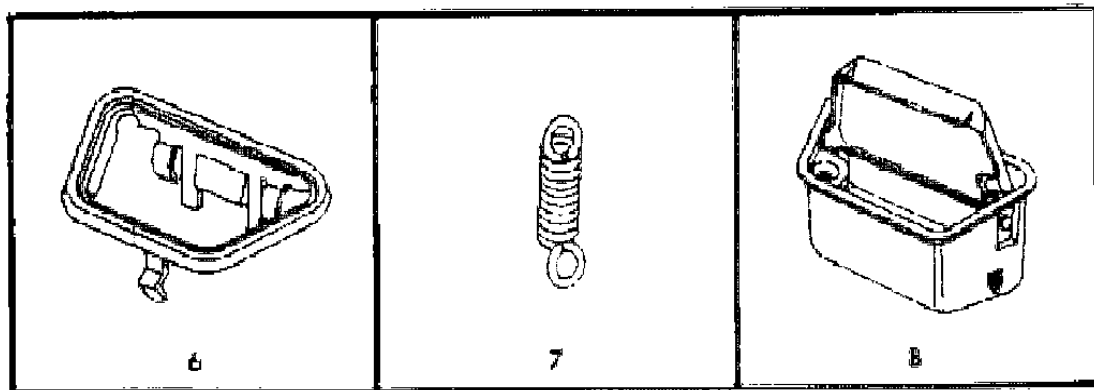
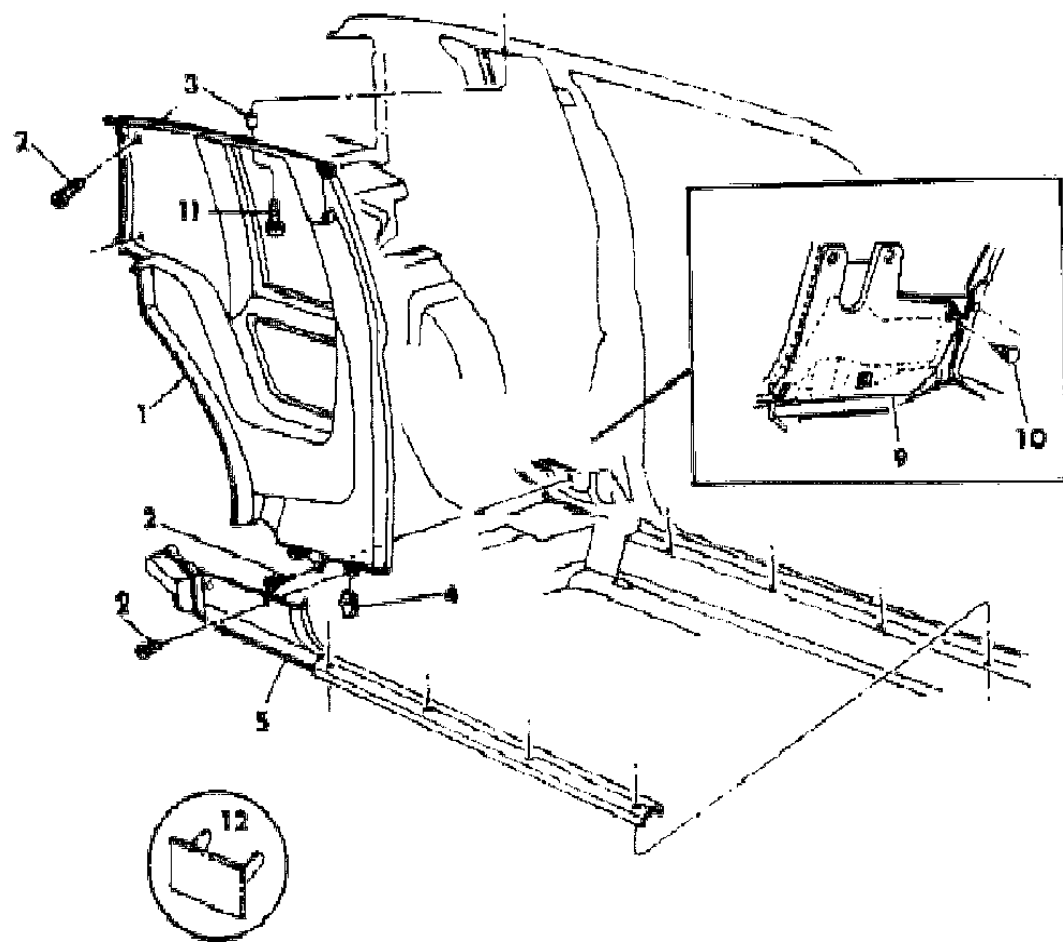
BODY STYLES

12-52 = FWD VAN & WAGON STD. W.B.	27 = 2-DOOR CONVERTIBLE
13-53 = FWD VAN & WGN EXT W.B.	41 = 4-DOOR SEDAN
21 = 2-DOOR SEDAN	44 = 4-DOOR HATCHBACK
24 = 2-DOOR HATCHBACK	45 = 4-DOOR STATION WAGON

AR = Use as Required - = Non Illustrated Part P.A.R. = Paint as Required

PANEL--QUARTER TRIM K BODY P-D 21
Figure ITK-600

8234 600



ITEM	PART NUMBER	QTY	BODY	MODEL	DESCRIPTION
1	H400-1 DA3	2			PANEL, Quarter Upper (P.A.R.)
2		AR			SCREW, (8-18x1) (Not Serv.)
3	0152 863	AR			NUT, Spacer
4	#6031 803	4			U-NUT
5					PLATE, See Scuff Plate Ill. Group 23-Trim
6	2879 652	2			BEZEL, Ash Receiver
7	2292 503	2			SPRING, Ash Receiver Lid
8	2589 587	2			RECEIVER, Ash
9	3762 862	AR			SILENCER, (36"x72" Cut To Fit)
10	6003 423	AR			FASTENER
11		AR			SCREW, (8-18x1.25) (Not Serv.)
12					BUMPER
	F030 CA3	2			Silver
	F030 CB5	2			Blue
	F030 EE8	2			Cordovan
	F030 EK1	2			Almond
	F030 CS8	2			Charcoal

NOTE: (P.A.R.) = Paint As Required

MODEL CODES

C BODY = (D41 - DYNASTY)(C41 - NEW YORKER)
 E BODY = (J - CARAVELLE)(E - 600)(T - NEW YORKER TURBO)
 G BODY = (V24 - DAYTONA, PACIFICA & SHELBY)
 H BODY = (D44 - LANCER)(C44 - LEBARON GTS)
 J BODY = (C - LEBARON)
 K BODY = (P - RELIANT)(D - ARIES)(C - LEBARON/ TOWN & COUNTRY)
 L BODY = (M - HORIZON)(Z-OMNI)
 M BODY = (B - GRAN FURY)(G - DIPLOMAT)(F - FIFTH AVENUE/NEWPORT)
 P BODY = (P - SUNDANCE)(D - SHADOW)
 Q BODY = (C27 - MASERATI)
 S BODY = (H - VOYAGER)(K - RAM VAN/ CARAVAN)

BODY STYLES

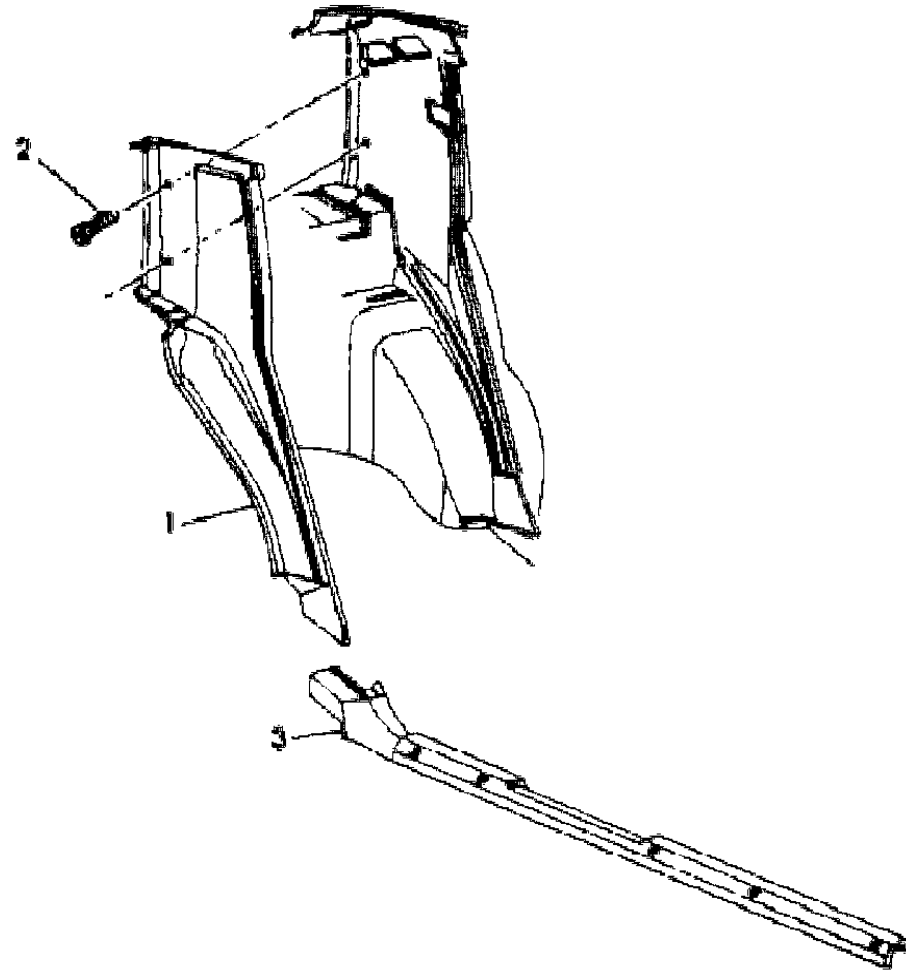
12-52 = FWD VAN & WAGON STD. W.B. 27 = 2-DOOR CONVERTIBLE
 13-53 = FWD VAN & WGN EXT W.B. 41 = 4-DOOR SEDAN
 21 = 2-DOOR SEDAN 44 = 4-DOOR HATCHBACK
 24 = 2-DOOR HATCHBACK 45 = 4-DOOR STATION WAGON

AR = Use as Required - = Non Illustrated Part P.A.R. = Paint as Required

PANEL--QUARTER TRIM K BODY 41
Figure ITK-700

8234 700

ITEM	PART NUMBER	QTY	BODY	MODEL	DESCRIPTION
1	F152-3 EK1	1			PANEL, Quarter Trim (P.A.R.)
2		AR			SCREW, (8-18x1 1/4) (Not Serv.)
3					PLATE, See Scuff Plate Ill. Group 23-Trim NOTE, (P.A.R.) = Paint As Required



MODEL CODES

C BODY = (D41 - DYNASTY)(C41 - NEW YORKER)
 E BODY = (J - CARAVELLE)(E - 600)(T - NEW YORKER TURBO)
 G BODY = (V24 - DAYTONA, PACIFICA & SHELBY)
 H BODY = (D44 - LANCER)(C44 - LEBARON GTS)
 J BODY = (C - LEBARON)
 K BODY = (P - RELIANT)(D - ARIES)(C - LEBARON/ TOWN & COUNTRY)

L BODY = (M - HORIZON)(Z-OMNI)
 M BODY = (B - GRAN FURY)(G - DIPLOMAT)(F - FIFTH AVENUE/NEWPORT)
 P BODY = (P - SUNDANCE)(D - SHADOW)
 Q BODY = (C27 - MASERATI)
 S BODY = (H - VOYAGER)(K - RAM VAN/ CARAVAN)

BODY STYLES

12-52 = FWD VAN & WAGON STD. W.B. 27 = 2-DOOR CONVERTIBLE
 13-53 = FWD VAN & WGN EXT W.B. 41 = 4-DOOR SEDAN
 21 = 2-DOOR SEDAN 44 = 4-DOOR HATCHBACK
 24 = 2-DOOR HATCHBACK 45 = 4-DOOR STATION WAGON

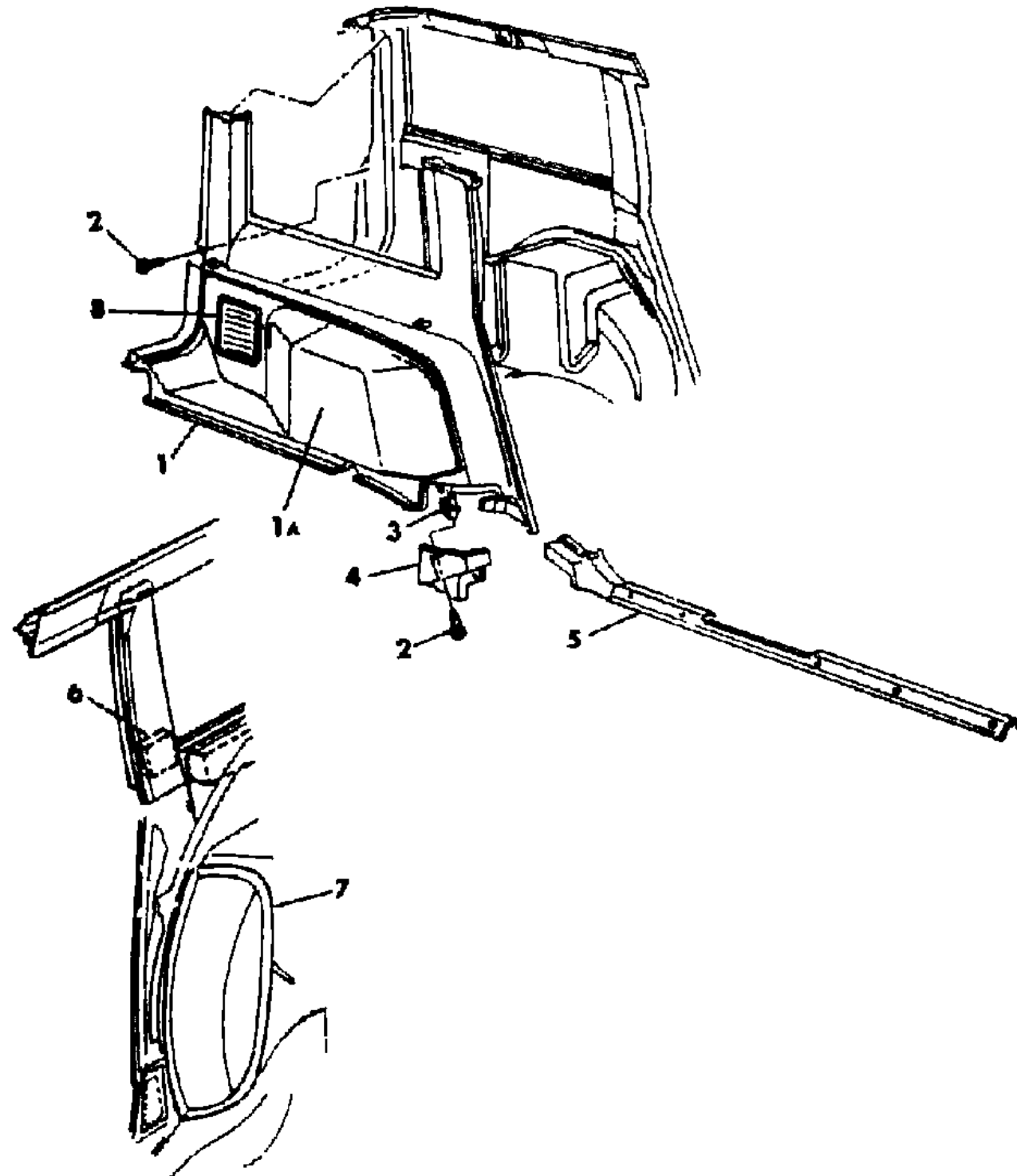
AR = Use as Required - = Non Illustrated Part P.A.R. = Paint as Required

PANEL--QUARTER TRIM K BODY 45
Figure ITK-800

8234 800

ITEM	PART NUMBER	QTY	BODY	MODEL	DESCRIPTION
1					PANEL, Quarter Trim (P.A.R.)
	W276-7 EK1	1		P,D	
	W274-5 EE8	1		C	Cordovan
	W274-5 EK1	1		C	Almond
	W274-5 ES8	1		C	Charcoal
1A					CARPET, Quarter Trim Panel
	W572-3 EE8	1		C	Cordovan
	W572-3 EK1	1		C	Almond
	W572-3 ES8	1		C	Charcoal
2	6032 456	AR			SCREW
3	#6031 803	4			U-NUT
4	W240-1 EK1	2			PLATE, Seat Adjuster Access Hole Cover (P.A.R.)
5					PLATE, See Scuff Plate Ill. Group 23-Trim
6	#4136 546	2			PAD, Lock Pillar, Upper Silencer
7	4247 226-7	1			SILENCER, Wheelhouse Cover, Molded
8	W235 EK1	2			GRILLE, Rear Speaker (P.A.R.)

NOTE: (P.A.R.) = Paint As Required



MODEL CODES

C BODY = (D41 - DYNASTY)(C41 - NEW YORKER)
 E BODY = (J - CARAVELLE)(E - 600)(T - NEW YORKER TURBO)
 G BODY = (V24 - DAYTONA, PACIFICA & SHELBY)
 H BODY = (D44 - LANCER)(C44 - LEBARON GTS)
 J BODY = (C - LEBARON)
 K BODY = (P - RELIANT)(D - ARIES)(C - LEBARON/ TOWN & COUNTRY)
 L BODY = (M - HORIZON)(Z-OMNI)
 M BODY = (B - GRAN FURY)(G - DIPLOMAT)(F - FIFTH AVENUE/NEWPORT)
 P BODY = (P - SUNDANCE)(D - SHADOW)
 Q BODY = (C27 - MASERATI)
 S BODY = (H - VOYAGER)(K - RAM VAN/ CARAVAN)

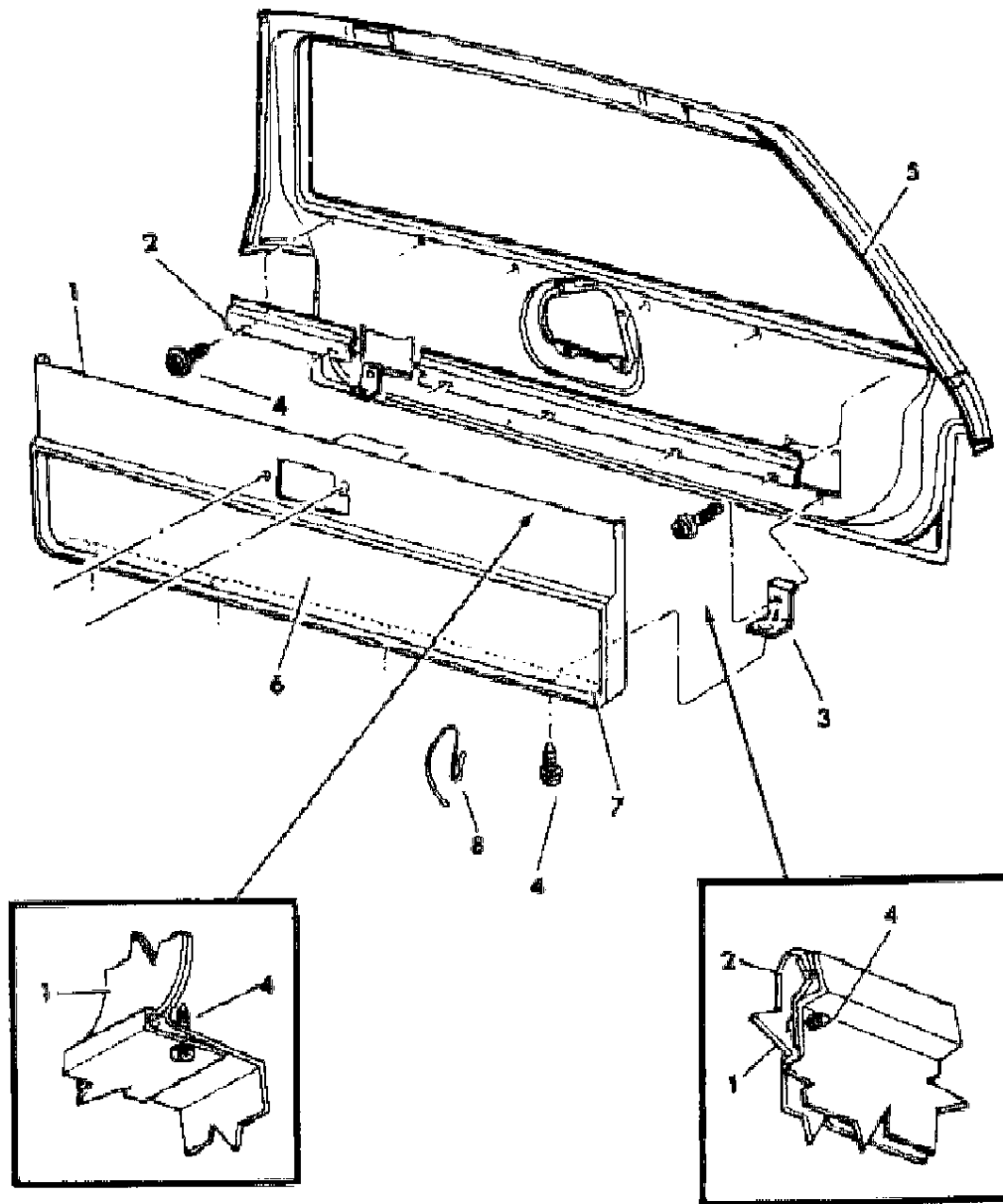
BODY STYLES

12-52 = FWD VAN & WAGON STD. W.B. 27 = 2-DOOR CONVERTIBLE
 13-53 = FWD VAN & WGN EXT W.B. 41 = 4-DOOR SEDAN
 21 = 2-DOOR SEDAN 44 = 4-DOOR HATCHBACK
 24 = 2-DOOR HATCHBACK 45 = 4-DOOR STATION WAGON

AR = Use as Required - = Non Illustrated Part P.A.R. = Paint as Required

LIFT GATE TRIM K BODY 45
Figure ITK-900

8234 900



ITEM	PART NUMBER	QTY	BODY	MODEL	DESCRIPTION
1	H232 EA3	1		P-D	PANEL, Liftgate (P.A.R.)
	H231 EE8	1		C	Cordovan
	H231 EK1	1		C	Almond
	H231 ES8	1		C	Charcoal
2	4381 099	AR			RETAINER
3	4078 713	2			BRACKET, Trim to Inner Panel Attaching
4	9420 486	12			SCREW
5	4078 959	AR			WELT or WEATHERSTRIP
6		AR			SILENCER, Liftgate Trim Panel (P.A.R.)
7					CARPET, Trim Panel
	W664 EE8	1		C	Cordovan
	W664 EK1	1		C	Almond
	W664 ES8	1		C	Charcoal
8	4247 884	1			CLIP
					NOTE: (P.A.R.) = Paint As Required

MODEL CODES

C BODY = (D41 - DYNASTY)(C41 - NEW YORKER)
 E BODY = (J - CARAVELLE)(E - 600)(T - NEW YORKER TURBO)
 G BODY = (V24 - DAYTONA, PACIFICA & SHELBY)
 H BODY = (D44 - LANCER)(C44 - LEBARON GTS)
 J BODY = (C - LEBARON)
 K BODY = (P - RELIANT)(D - ARIES)(C - LEBARON/ TOWN & COUNTRY)

L BODY = (M - HORIZON)(Z-OMNI)
 M BODY = (B - GRAN FURY)(G - DIPLOMAT)(F - FIFTH AVENUE/NEWPORT)
 P BODY = (P - SUNDANCE)(D - SHADOW)
 Q BODY = (C27 - MASERATI)
 S BODY = (H - VOYAGER)(K - RAM VAN/ CARAVAN)

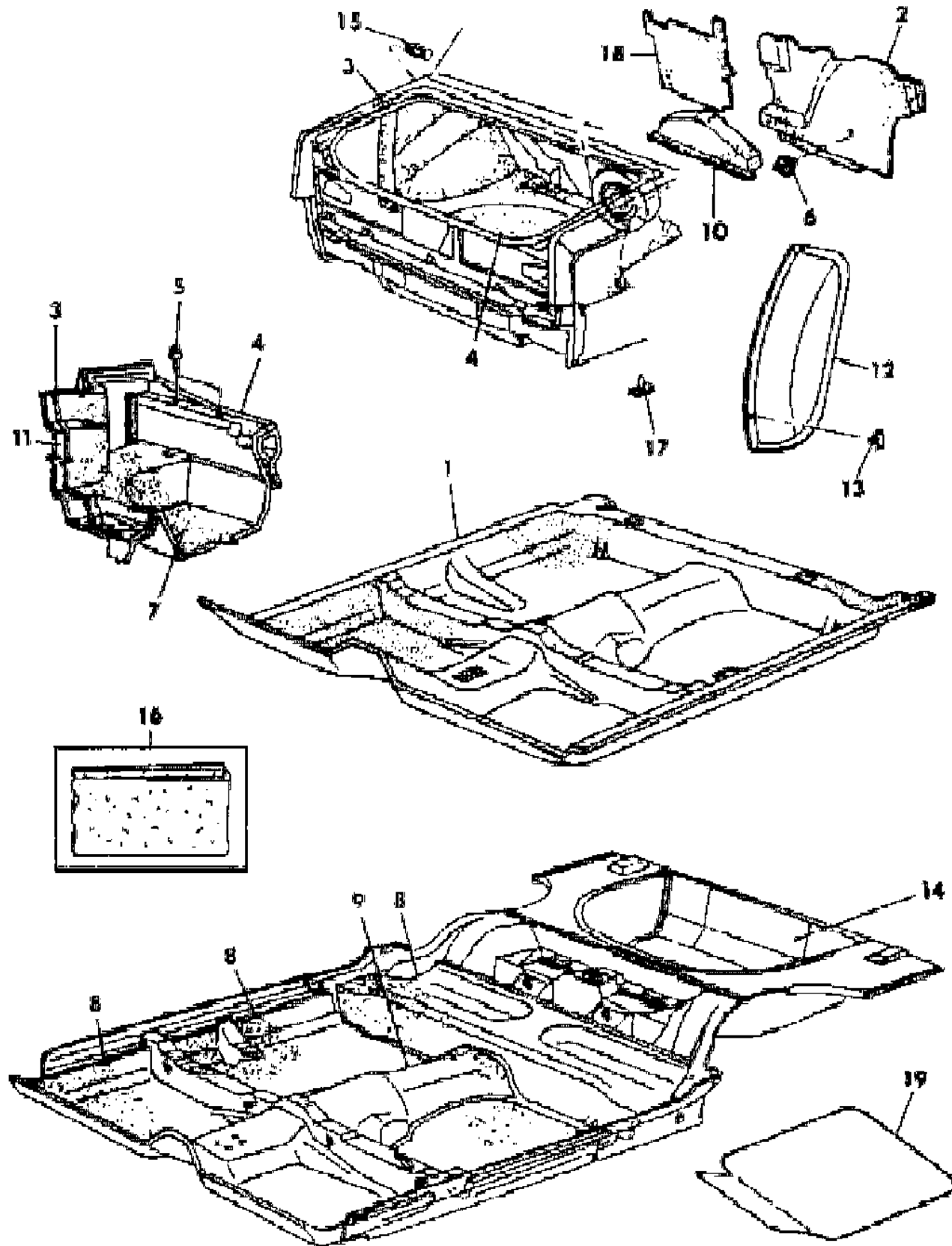
BODY STYLES

12-52 = FWD VAN & WAGON STD. W.B. 27 = 2-DOOR CONVERTIBLE
 13-53 = FWD VAN & WGN EXT W.B. 41 = 4-DOOR SEDAN
 21 = 2-DOOR SEDAN 44 = 4-DOOR HATCHBACK
 24 = 2-DOOR HATCHBACK 45 = 4-DOOR STATION WAGON

AR = Use as Required - = Non Illustrated Part P.A.R. = Paint as Required

CARPET K BODY
Figure ITK-1000

B234 1000



ITEM	PART NUMBER	QTY	BODY	MODEL	DESCRIPTION
1	M656 FC5	1		41,45	CARPET, Front and Rear Blue
	M656 EE8	1		41,45	Cordovan
	M656 EK3	1		41,45	Almond
	M656 DS8	1		41,45	Charcoal
	M590 FC5	1		21	Blue
	M591 EE8	1		21	Cordovan
	M591 DS8	1		21	Charcoal
2	4473 205	1		21,41	PANEL, Molded Front Trim Mini Tire
	4410 130	1		21,41	Full Tire
3	4410 106-7	1		21,41	CARPET, Wheelhouse
4					PANEL, Deck Lower Panel w/Trunk Dress Up
	4381 898	1		21,41	
5	6032 650	AR		21,41	SCREW
6	4223 983	1		21,41	FASTENER, Spare Tire Cover Attach.
7	4410 128	1		21,41	CARPET, Flat Floor
	4410 126	1		21,41	Molded Floor
8	4186 901	AR			SILENCER
9	4186 901	AR			SILENCER
10	4282 551	1			COVER, Jack
11	3762 862	AR			SILENCER, Wheelhouse (36"x72" Cut To Fit)
12	4247 226-7	AR	C		SILENCER, Wheelhouse Inner (36"x72" Cut To Fit)
13	6003 683	1			FASTENER, Wheelhouse Carpet (Left)
14	3762 862	AR			SILENCER, (36"x72" Cut To Fit)
15	6003 683	AR			FASTENER, Wheelhouse Carpet Attach.
16	3762 862	AR			SILENCER, (36"x72" Cut To Fit)
17	6003 351	AR			FASTENER, Silencer Attach. Left
18	4410 130	1			PANEL, Truck Flat Trim Front
19					CARPETED FLOOR MATS, (Set Of Two)
					FRONT
	M047 FS8	1			Charcoal
	M047 FC5	1			Blue, Dark
	M047 FE8	1			Cordovan
	M047 FK3	1			Almond
					REAR
	M049 FS8	1			Charcoal
	M049 FC5	1			Blue, Dark

MODEL CODES

C BODY = (D41 - DYNASTY)(C41 - NEW YORKER)
 E BODY = (J - CARAVELLE)(E - 600)(T - NEW YORKER TURBO)
 G BODY = (V24 - DAYTONA, PACIFICA & SHELBY)
 H BODY = (D44 - LANCER)(C44 - LEBARON GTS)
 J BODY = (C - LEBARON)
 K BODY = (P - RELIANT)(D - ARIES)(C - LEBARON/ TOWN & COUNTRY)

L BODY = (M - HORIZON)(Z-OMNI)
 M BODY = (B - GRAN FURY)(G - DIPLOMAT)(F - FIFTH AVENUE/NEWPORT)
 P BODY = (P - SUNDANCE)(D - SHADOW)
 Q BODY = (C27 - MASERATI)
 S BODY = (H - VOYAGER)(K - RAM VAN/ CARAVAN)

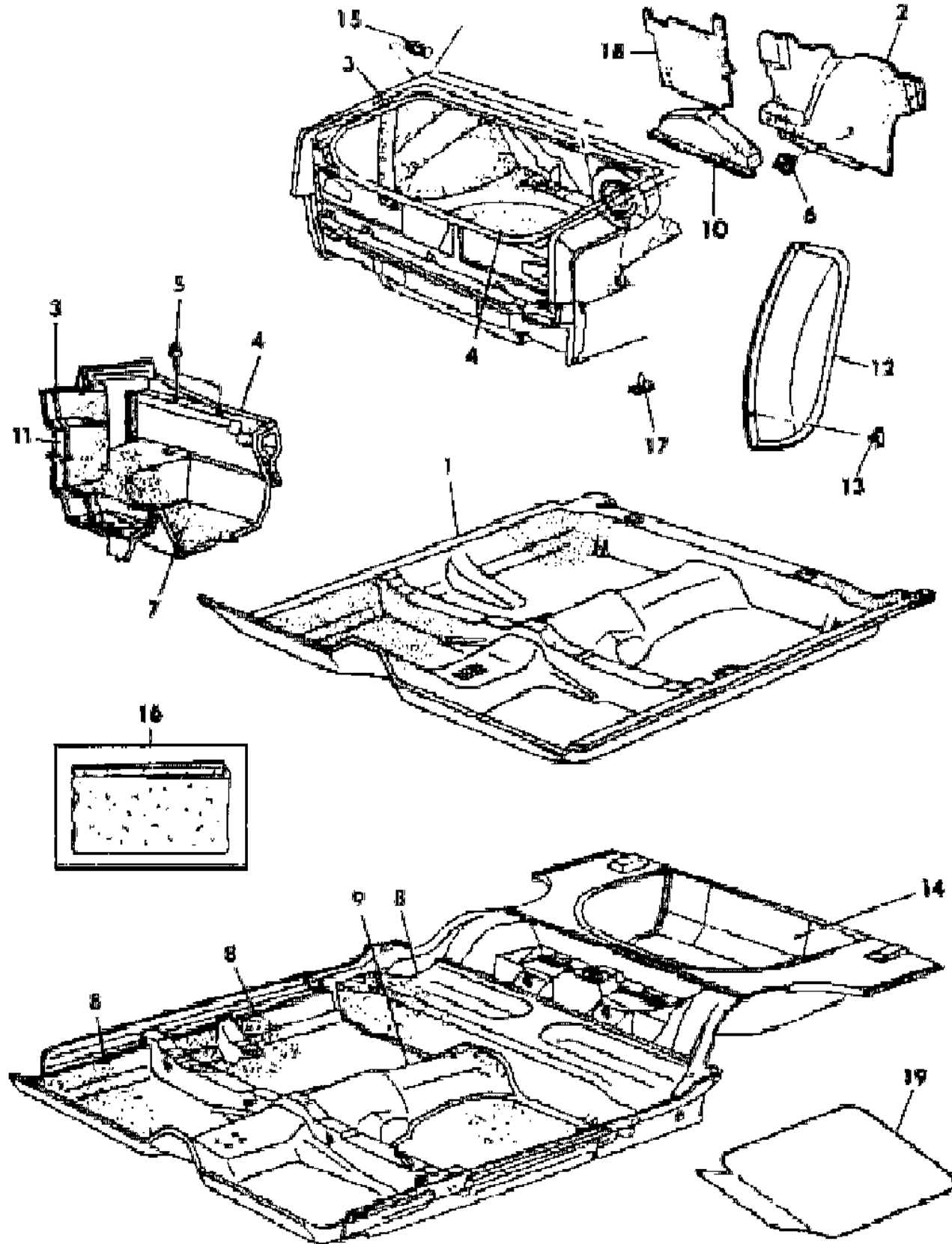
BODY STYLES

12-52 = FWD VAN & WAGON STD. W.B. 27 = 2-DOOR CONVERTIBLE
 13-53 = FWD VAN & WGN EXT W.B. 41 = 4-DOOR SEDAN
 21 = 2-DOOR SEDAN 44 = 4-DOOR HATCHBACK
 24 = 2-DOOR HATCHBACK 45 = 4-DOOR STATION WAGON

AR = Use as Required - = Non Illustrated Part P.A.R. = Paint as Required

CARPET K BODY
Figure ITK-1000

B234 1000



ITEM	PART NUMBER	QTY	BODY	MODEL	DESCRIPTION
------	-------------	-----	------	-------	-------------

	M049 FE8	1			Cordovan
	M049 FK3	1			Almond

MODEL CODES

C BODY = (D41 - DYNASTY)(C41 - NEW YORKER)
 E BODY = (J - CARAVELLE)(E - 600)(T - NEW YORKER TURBO)
 G BODY = (V24 - DAYTONA, PACIFICA & SHELBY)
 H BODY = (D44 - LANCER)(C44 - LEBARON GTS)
 J BODY = (C - LEBARON)
 K BODY = (P - RELIANT)(D - ARIES)(C - LEBARON/ TOWN & COUNTRY)

L BODY = (M - HORIZON)(Z-OMNI)
 M BODY = (B - GRAN FURY)(G - DIPLOMAT)(F - FIFTH AVENUE/NEWPORT)
 P BODY = (P - SUNDANCE)(D - SHADOW)
 Q BODY = (C27 - MASERATI)
 S BODY = (H - VOYAGER)(K - RAM VAN/ CARAVAN)

BODY STYLES

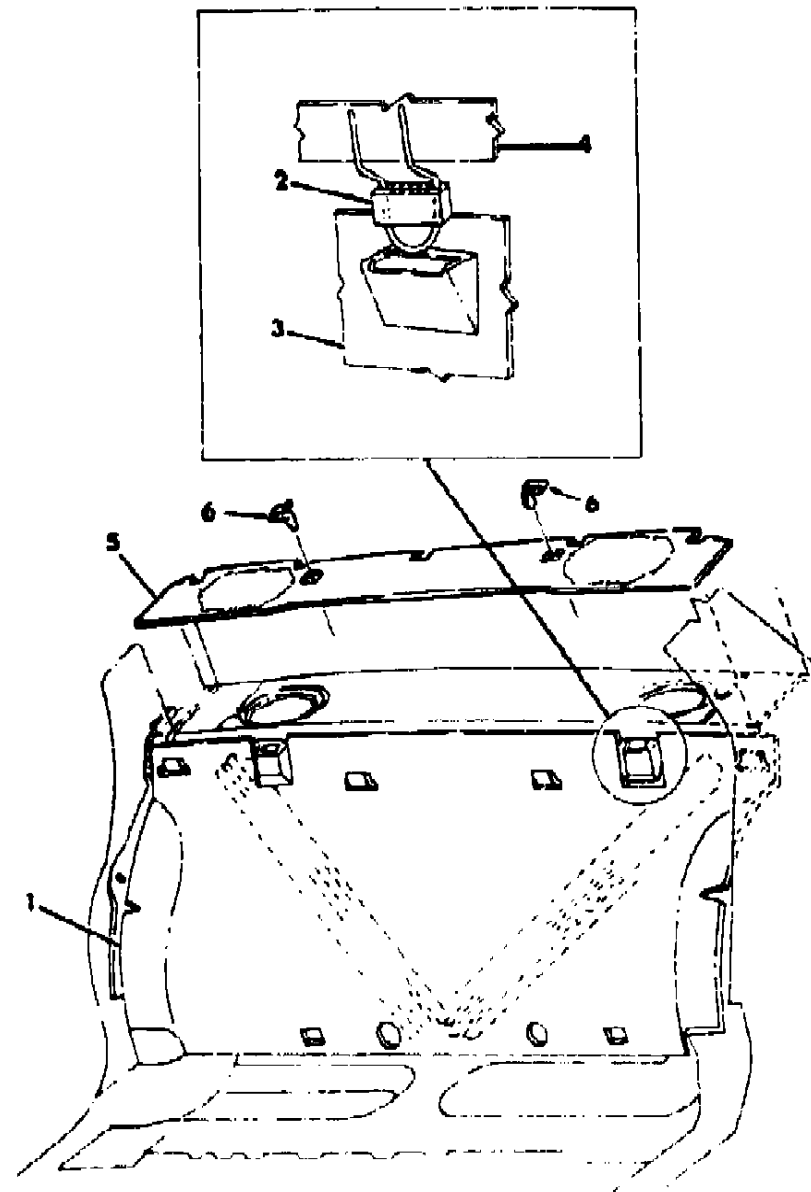
12-52 = FWD VAN & WAGON STD. W.B. 27 = 2-DOOR CONVERTIBLE
 13-53 = FWD VAN & WGN EXT W.B. 41 = 4-DOOR SEDAN
 21 = 2-DOOR SEDAN 44 = 4-DOOR HATCHBACK
 24 = 2-DOOR HATCHBACK 45 = 4-DOOR STATION WAGON

AR = Use as Required - = Non Illustrated Part P.A.R. = Paint as Required

SILENCERS--REAR COMPARTMENT K BODY 21-41

Figure ITK-1100

8234 1100



ITEM	PART NUMBER	QTY	BODY	MODEL	DESCRIPTION
1	4507 718	1			SILENCER, Luggage Compartment Front Liner
2	4239 182	1			SEAL, Rear Seat Back to Shelf Panel
3					PANEL, Shelf
4					SPRING, Rear Seat Back
5	4223 571	1			SILENCER, Sound Barrier
6	6003 640	1			FASTENER

MODEL CODES

C BODY = (D41 - DYNASTY)(C41 - NEW YORKER)
 E BODY = (J - CARAVELLE)(E - 600)(T - NEW YORKER TURBO)
 G BODY = (V24 - DAYTONA, PACIFICA & SHELBY)
 H BODY = (D44 - LANCER)(C44 - LEBARON GTS)
 J BODY = (C - LEBARON)
 K BODY = (P - RELIANT)(D - ARIES)(C - LEBARON/ TOWN & COUNTRY)

L BODY = (M - HORIZON)(Z-OMNI)
 M BODY = (B - GRAN FURY)(G - DIPLOMAT)(F - FIFTH AVENUE/NEWPORT)
 P BODY = (P - SUNDANCE)(D - SHADOW)
 Q BODY = (C27 - MASERATI)
 S BODY = (H - VOYAGER)(K - RAM VAN/ CARAVAN)

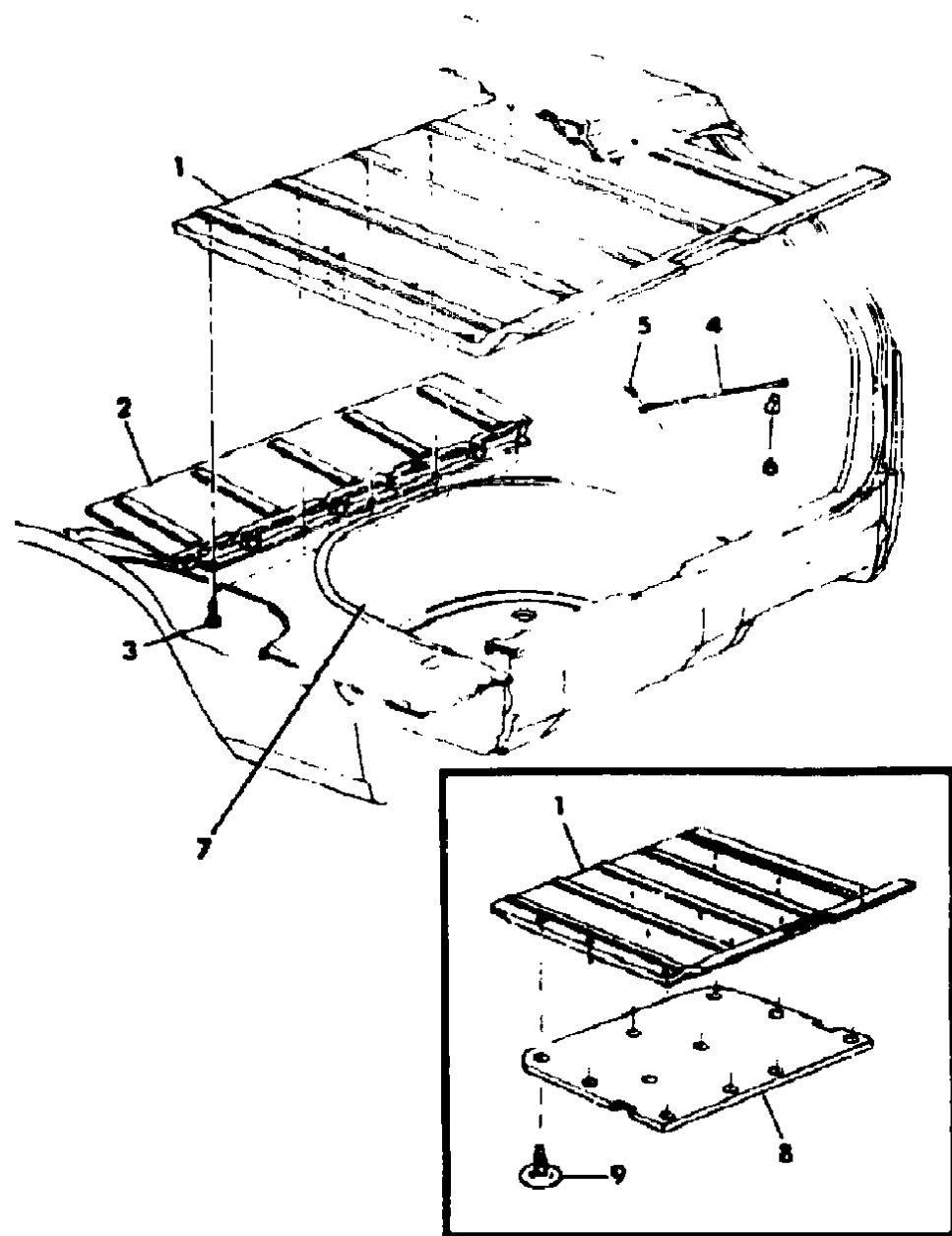
BODY STYLES

12-52 = FWD VAN & WAGON STD. W.B. 27 = 2-DOOR CONVERTIBLE
 13-53 = FWD VAN & WGN EXT W.B. 41 = 4-DOOR SEDAN
 21 = 2-DOOR SEDAN 44 = 4-DOOR HATCHBACK
 24 = 2-DOOR HATCHBACK 45 = 4-DOOR STATION WAGON

AR = Use as Required - = Non Illustrated Part P.A.R. = Paint as Required

PANEL--CARGO K BODY 45
Figure ITK-1200

8234 1200



ITEM	PART NUMBER	QTY	BODY	MODEL	DESCRIPTION
1					PANEL, Rear Cargo Cover
	W233 CA3	1			Silver
	W233 EE8	1			Cordovan
	W233 EK1	1			Almond
	W233 ES8	1			Charcoal
	W233 GC5	1			Blue
2					PANEL, (See Seat Rear Fold Down-Wagon Illus.)
3					SCREW, (10-16x1/2) (Not Serv.)
4	3861 821	1			CABLE, Cargo Floor Panel Support
5	6031 401	1			SCREW, Cable Attaching
6	6016 080	1			CLIP, Cable Attaching
7	3762 862				SILENCER, Spare Tire Well
8	4078 960	AR			SILENCER
9	6032 363	AR			FASTENER

MODEL CODES

C BODY = (D41 - DYNASTY)(C41 - NEW YORKER)
 E BODY = (J - CARAVELLE)(E - 600)(T - NEW YORKER TURBO)
 G BODY = (V24 - DAYTONA, PACIFICA & SHELBY)
 H BODY = (D44 - LANCER)(C44 - LEBARON GTS)
 J BODY = (C - LEBARON)
 K BODY = (P - RELIANT)(D - ARIES)(C - LEBARON/ TOWN & COUNTRY)

L BODY = (M - HORIZON)(Z-OMNI)
 M BODY = (B - GRAN FURY)(G - DIPLOMAT)(F - FIFTH AVENUE/NEWPORT)
 P BODY = (P - SUNDANCE)(D - SHADOW)
 Q BODY = (C27 - MASERATI)
 S BODY = (H - VOYAGER)(K - RAM VAN/ CARAVAN)

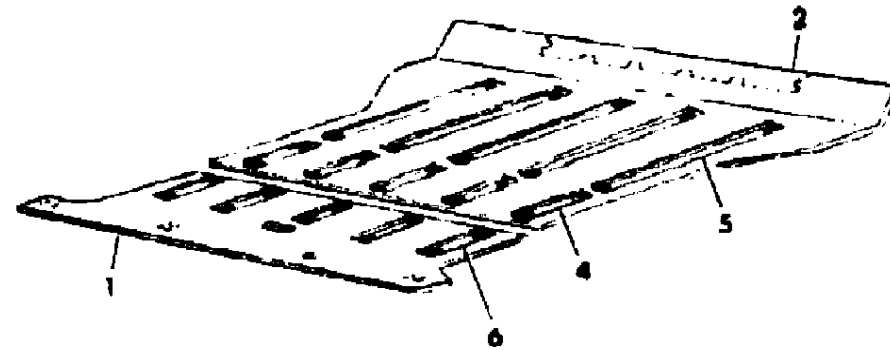
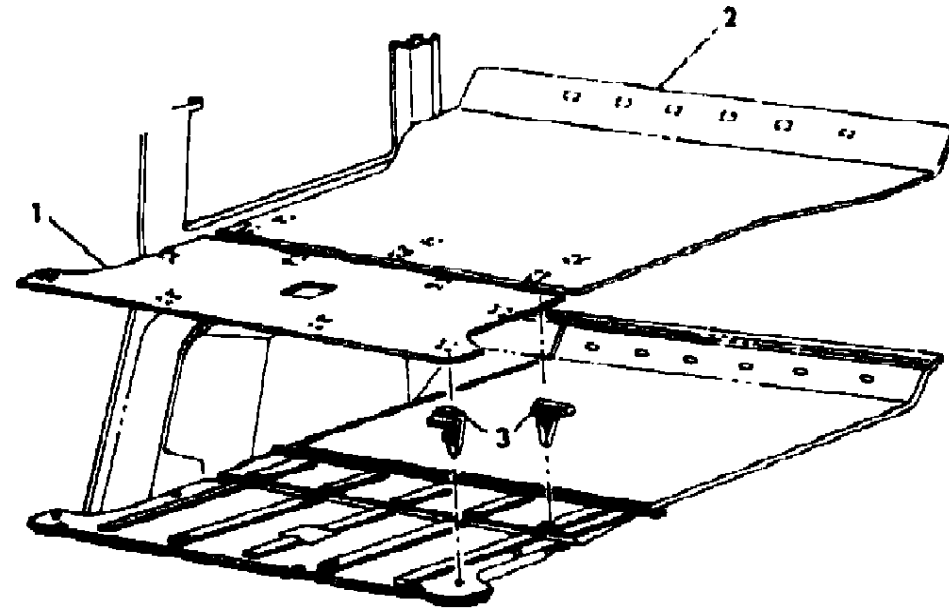
BODY STYLES

12-52 = FWD VAN & WAGON STD. W.B. 27 = 2-DOOR CONVERTIBLE
 13-53 = FWD VAN & WGN EXT W.B. 41 = 4-DOOR SEDAN
 21 = 2-DOOR SEDAN 44 = 4-DOOR HATCHBACK
 24 = 2-DOOR HATCHBACK 45 = 4-DOOR STATION WAGON

AR = Use as Required - = Non Illustrated Part P.A.R. = Paint as Required

CARPET--CARGO AREA K BODY 45
Figure ITK-1300

8234 1300



ITEM	PART NUMBER	QTY	BODY	MODEL	DESCRIPTION
1					CARPET, Rear Seat Back
	M662 CA3	1		P,D	Silver
	M662 EE8	1		P,D	Cordovan
	M662 GC5	1		P,D	Blue
	W270 EE8	1		C	Cordovan
	W270 EK1	1		C	Almond
	W270 ES8	1		C	Charcoal
2					CARPET, Cargo Floor
	M672 CA3	1		P,D	Silver
	M672 EE8	1		P,D	Cordovan
	M672 GC5	1		P,D	Blue
	W271 EE8	1		C	Cordovan
	W271 EK1	1		C	Almond
	W271 ES8	1		C	Charcoal
3	4114 785	AR			FASTENER, Carpet
4	4247 142	5		C	MOULDING, Rear Seat Back Filler (Skid Strips)
5	4247 143	5		C	MOULDING, Cargo Floor (Skid Strips)
6	2086 533	5		C-P	MOULDING, Rear Seat Back Carpet

MODEL CODES

C BODY = (D41 - DYNASTY)(C41 - NEW YORKER)	L BODY = (M - HORIZON)(Z-OMNI)
E BODY = (J - CARAVELLE)(E - 600)(T - NEW YORKER TURBO)	M BODY = (B - GRAN FURY)(G - DIPLOMAT)(F - FIFTH AVENUE/NEWPORT)
G BODY = (V24 - DAYTONA, PACIFICA & SHELBY)	P BODY = (P - SUNDANCE)(D - SHADOW)
H BODY = (D44 - LANCER)(C44 - LEBARON GTS)	Q BODY = (C27 - MASERATI)
J BODY = (C - LEBARON)	S BODY = (H - VOYAGER)(K - RAM VAN/ CARAVAN)
K BODY = (P - RELIANT)(D - ARIES)(C - LEBARON/ TOWN & COUNTRY)	

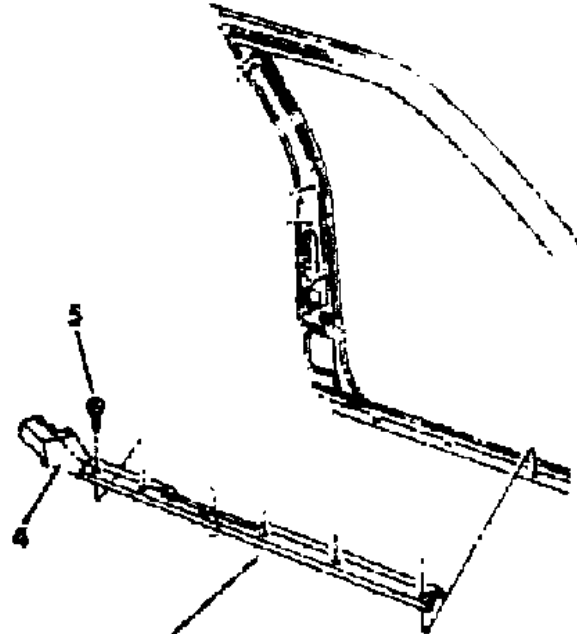
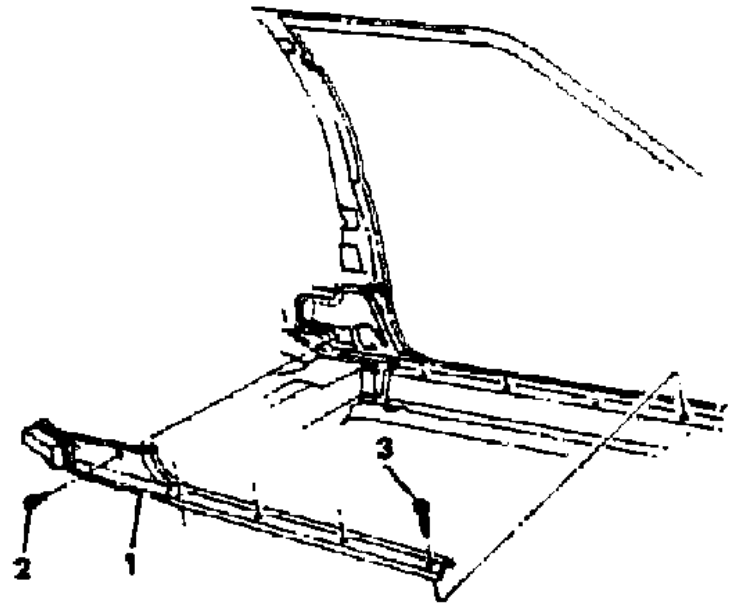
BODY STYLES

12-52 = FWD VAN & WAGON STD. W.B.	27 = 2-DOOR CONVERTIBLE
13-53 = FWD VAN & WGN EXT W.B.	41 = 4-DOOR SEDAN
21 = 2-DOOR SEDAN	44 = 4-DOOR HATCHBACK
24 = 2-DOOR HATCHBACK	45 = 4-DOOR STATION WAGON

AR = Use as Required - = Non Illustrated Part P.A.R. = Paint as Required

SCUFF PLATES--BODY SIDE SILL AND DOOR K BODY
Figure ITK-1400

8234 1400



QUALITY ENGINEERED BY CHRYSLER CORPORATION

ITEM	PART NUMBER	QTY	BODY	MODEL	DESCRIPTION
1					PLATE, Door Sill Scuff Lower (P.A.R.)
	M922 EK1	1		21	Right
	M935 DA3	1		21	Left
2		4		21	SCREW, (8-18x1 1/4) (Not Serv.)
3	6032 456	8		21	SCREW
4					PLATE, Front and Rear Door Sill (P.A.R.)
	M912 EK1	1		41,45	Right
	M945 EK1	1		41,45	Left
5		10		41,45	SCREW, (8-18x1 1/4) (Not Serv.)
6	4078 456	1			NAME PLATE

NOTE: (P.A.R.) = Paint As Required

MODEL CODES

C BODY = (D41 - DYNASTY)(C41 - NEW YORKER)	L BODY = (M - HORIZON)(Z-OMNI)
E BODY = (J - CARAVELLE)(E - 600)(T - NEW YORKER TURBO)	M BODY = (B - GRAN FURY)(G - DIPLOMAT)(F - FIFTH AVENUE/NEWPORT)
G BODY = (V24 - DAYTONA, PACIFICA & SHELBY)	P BODY = (P - SUNDANCE)(D - SHADOW)
H BODY = (D44 - LANCER)(C44 - LEBARON GTS)	Q BODY = (C27 - MASERATI)
J BODY = (C - LEBARON)	S BODY = (H - VOYAGER)(K - RAM VAN/ CARAVAN)
K BODY = (P - RELIANT)(D - ARIES)(C - LEBARON/ TOWN & COUNTRY)	

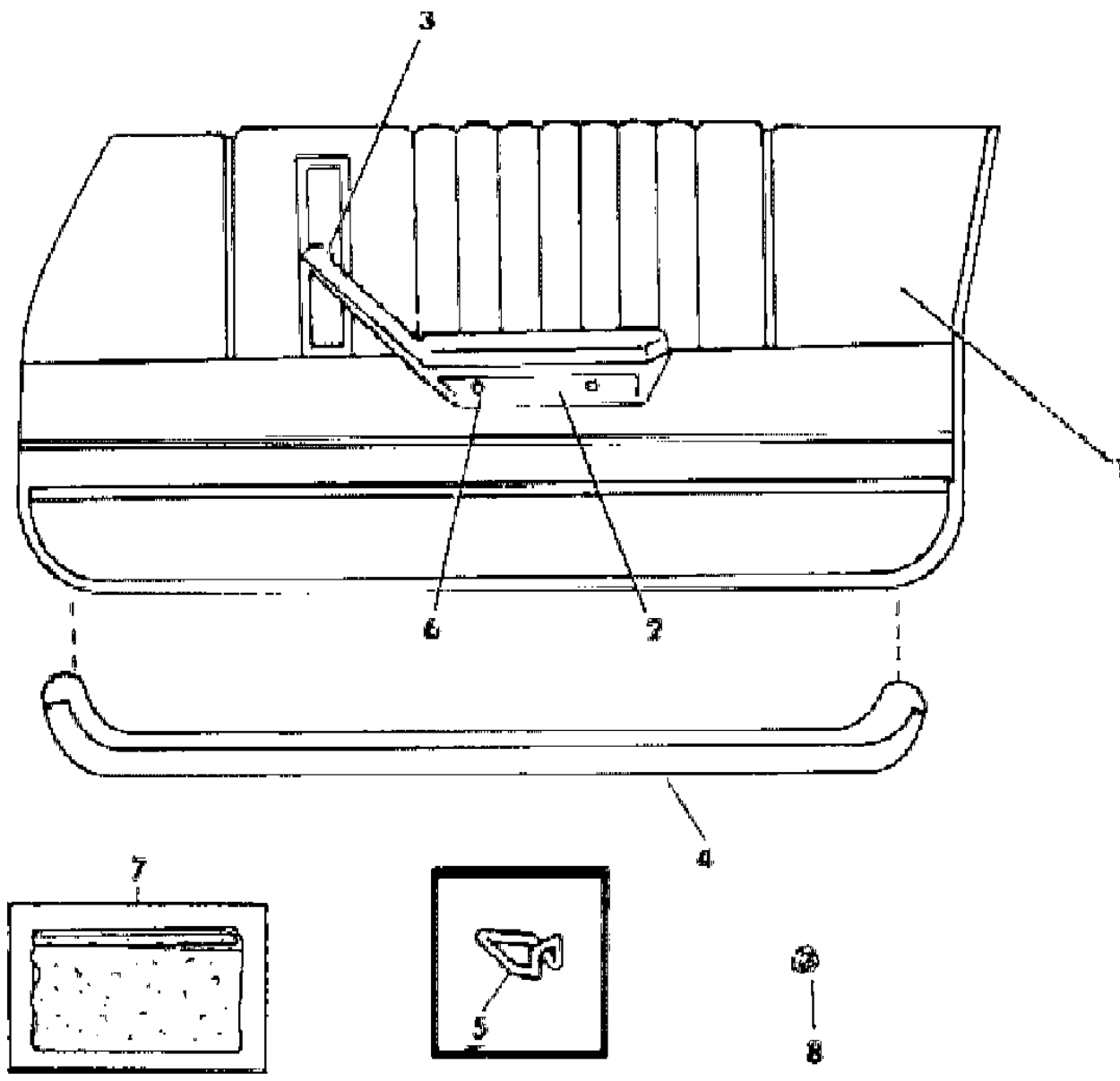
BODY STYLES

12-52 = FWD VAN & WAGON STD. W.B.	27 = 2-DOOR CONVERTIBLE
13-53 = FWD VAN & WGN EXT W.B.	41 = 4-DOOR SEDAN
21 = 2-DOOR SEDAN	44 = 4-DOOR HATCHBACK
24 = 2-DOOR HATCHBACK	45 = 4-DOOR STATION WAGON

AR = Use as Required - = Non Illustrated Part P.A.R. = Paint as Required

PANEL--DOOR TRIM K BODY P-D 21
Figure ITK-1500

8234 1500



ITEM	PART NUMBER	QTY	BODY	MODEL	DESCRIPTION
1					PANEL, Door w/Carpet and Plaque
	J040-1 EA3	1			CLOTH Silver / Charcoal, (H3AS, H7AS)
	J040-1 FC5	1			Blue, (H3C, H7C)
	J040-1 FE9	1			Cordovan, (H3E, H7E)
	J040-1 EK1	1			Almond, (H3K, H7K)
2					ARMREST
	D498-9 AA3	1			Silver
	D498-9 FC5	1			Blue
	D498-9 EE8	1			Cordovan
	D498-9 EK1	1			Almond
3	4223 630-1	1			BEZEL, Armrest
4	4247 229	2			SEAL, Secondary
5	4114 785	AR			FASTENER, Door Panel
6	6033 420				SCREW, Armrest Attach.
7	4049 602	AR			SILENCER, Door (36"x36"x1/2")
8	6032 133	AR			NUT

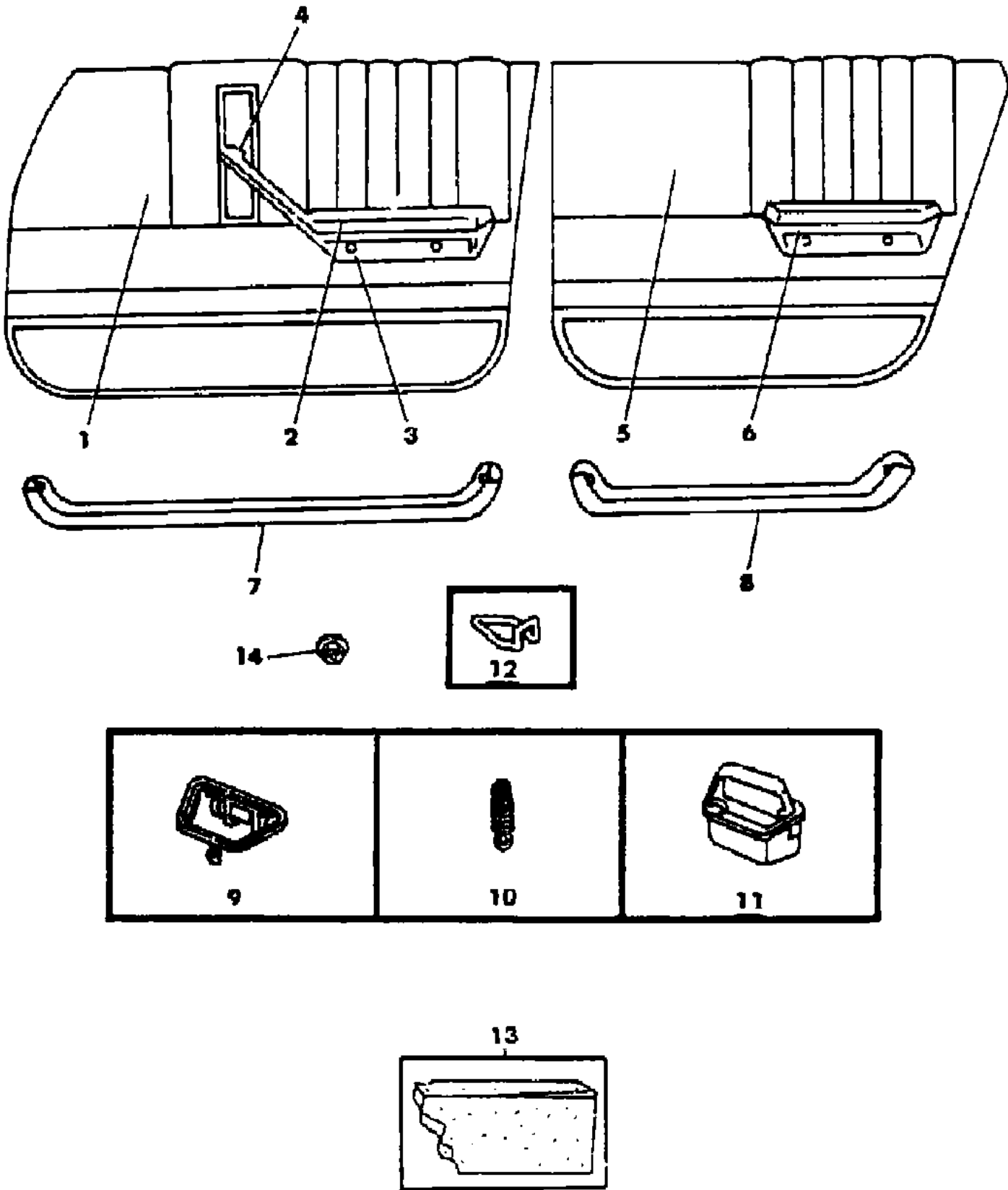
MODEL CODES
 C BODY = (D41 - DYNASTY)(C41 - NEW YORKER)
 E BODY = (J - CARAVELLE)(E - 600)(T - NEW YORKER TURBO)
 G BODY = (V24 - DAYTONA, PACIFICA & SHELBY)
 H BODY = (D44 - LANCER)(C44 - LEBARON GTS)
 J BODY = (C - LEBARON)
 K BODY = (P - RELIANT)(D - ARIES)(C - LEBARON/ TOWN & COUNTRY)
 L BODY = (M - HORIZON)(Z-OMNI)
 M BODY = (B - GRAN FURY)(G - DIPLOMAT)(F - FIFTH AVENUE/NEWPORT)
 P BODY = (P - SUNDANCE)(D - SHADOW)
 Q BODY = (C27 - MASERATI)
 S BODY = (H - VOYAGER)(K - RAM VAN/ CARAVAN)

BODY STYLES
 12-52 = FWD VAN & WAGON STD. W.B. 27 = 2-DOOR CONVERTIBLE
 13-53 = FWD VAN & WGN EXT W.B. 41 = 4-DOOR SEDAN
 21 = 2-DOOR SEDAN 44 = 4-DOOR HATCHBACK
 24 = 2-DOOR HATCHBACK 45 = 4-DOOR STATION WAGON

AR = Use as Required - = Non Illustrated Part P.A.R. = Paint as Required

PANEL--DOOR TRIM K BODY P-D 41-45
Figure ITK-1600

8234 1600



ITEM	PART NUMBER	QTY	BODY	MODEL	DESCRIPTION
1					PANEL, Door w/Carpet and Plaque
	J044-5 EA3	1			CLOTH Sliver, (H3AS, H7AS)
	J044-5 FC5	1			Blue, (H3C, H7C)
	J044-5 FE9	1			Cordovan, (H3E, H7E)
	J044-5 EK1	1			Almond, (H3K, H4K)
2					ARMREST, Front
	D498-9 AA3	1			Silver
	D498-9 FC5	1			Blue, Medium
	D498-9 EE8	1			Cordovan
3	6033 420				SCREW, Armrest Attaching
4	4381 374-5	1			BEZEL, Armrest
5					PANEL, Door Rear
	J592-3 EA3	1			CLOTH Silver, (H3AS, H7AS)
	J592-3 FC5	1			Blue, (H3C) (H7C)
	J592-3 FE9	1			Cordovan, (H3E, H7E)
	J592-3 EK1	1			Almond, (H3K, H7K)
6					ARMREST, Rear
	D426-7 AA3	1			Silver
	D426-7 FC5	1			Blue, Medium
	D426-7 EE8	1			Cordovan
7	4247 230	2			SEAL, Secondary Sound Front
8	4247 231	2			SEAL, Secondary Sound Rear
9	2788 701	2			BEZEL, Ash Receiver
10	2292 503	2			SPRING, Ash Receiver
11	2788 032	2			RECEIVER, Ash
12	6003 640	AR			FASTENER
13	4049 602	AR			SILENCER, Door (36"x36"x1/2" material)
14	9420 865	AR			NUT

MODEL CODES

C BODY = (D41 - DYNASTY)(C41 - NEW YORKER)
 E BODY = (J - CARAVELLE)(E - 600)(T - NEW YORKER TURBO)
 G BODY = (V24 - DAYTONA, PACIFICA & SHELBY)
 H BODY = (D44 - LANCER)(C44 - LEBARON GTS)
 J BODY = (C - LEBARON)
 K BODY = (P - RELIANT)(D - ARIES)(C - LEBARON/ TOWN & COUNTRY)

L BODY = (M - HORIZON)(Z-OMNI)
 M BODY = (B - GRAN FURY)(G - DIPLOMAT)(F - FIFTH AVENUE/NEWPORT)
 P BODY = (P - SUNDANCE)(D - SHADOW)
 Q BODY = (C27 - MASERATI)
 S BODY = (H - VOYAGER)(K - RAM VAN/ CARAVAN)

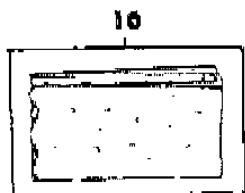
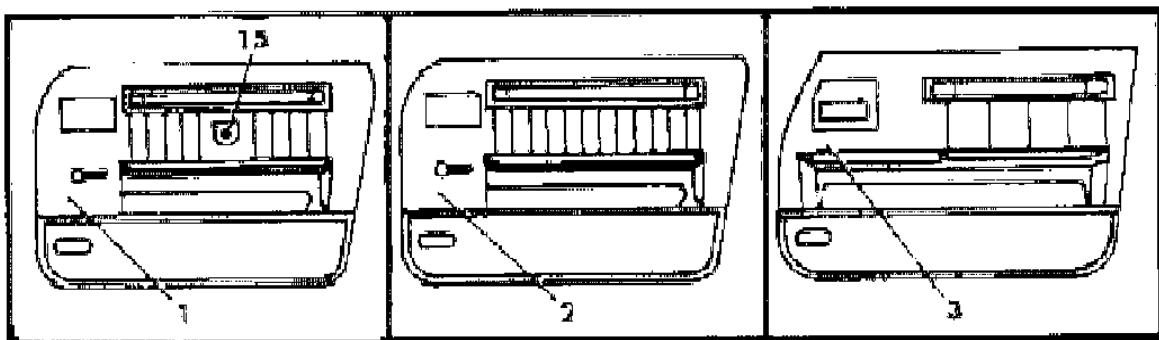
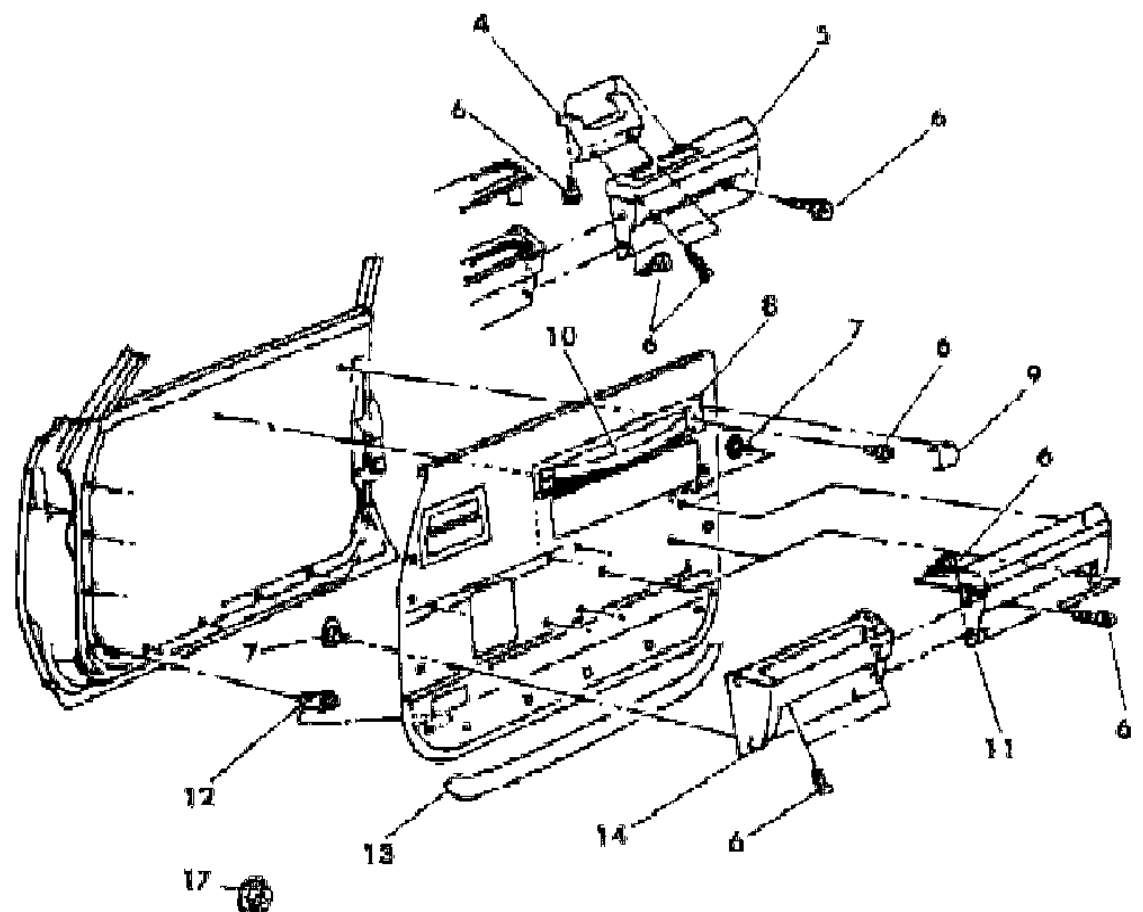
BODY STYLES

12-52 = FWD VAN & WAGON STD. W.B. 27 = 2-DOOR CONVERTIBLE
 13-53 = FWD VAN & WGN EXT W.B. 41 = 4-DOOR SEDAN
 21 = 2-DOOR SEDAN 44 = 4-DOOR HATCHBACK
 24 = 2-DOOR HATCHBACK 45 = 4-DOOR STATION WAGON

AR = Use as Required - = Non Illustrated Part P.A.R. = Paint as Required

PANEL--DOOR TRIM-FRONT K BODY C 41-45
Figure ITK-1700

8234 1700



ITEM	PART NUMBER	QTY	BODY	MODEL	DESCRIPTION
1					PANEL, Door VINYL
	J358-9 EKY	1			Almond and Cream, (JPKY)
2					PANEL, Door VINYL
	J354-5 EE8	1			Cordovan, (V8E)
	J354-5 EK1	1			Almond, (V8K)
3					PANEL, Door CLOTH
	J356-7 FCF	1			Blue, (M3C, M5C)
	J356-7 EEE	1			Cordovan, (M3E, M5E)
	J356-7 EKK	1			Almond, (M3K, M5K)
	J356-7 EAS	1			Silver and Charcoal, (M3S, M5S)
4	4248 449	2			BRACKET, Remote Mirror Bezel to Armrest
5					PAD, Armrest w/Power Door Locks VINYL
	D530-1 FC5	1			Blue
	D530-1 EE8	1			Cordovan
	D530-1 EK1	1			Almond
	D530-1 CS8	1			Charcoal
					w/o Power Door Locks CLOTH
	D506-7 FC5	1			Blue
	D506-7 EE8	1			Cordovan
	D506-7 EK1	1			Almond
	D506-7 CS8	1			Charcoal
6					SCREW, (Not Serv.)
7					SCREW and WASHER, (Not serv.)
8	4248 930	2			PLATE, Finish
9	4248 932	2			END CAP, Finish Plate
10					HANDLE, Dood Pull w/Saddle Grain Finish
	D930 FC5	2			Blue
	D930 EE8	2			Cordovan
	D930 EK1	2			Almond
	D930 CS8	2			Charcoal

MODEL CODES

C BODY = (D41 - DYNASTY)(C41 - NEW YORKER)
E BODY = (J - CARAVELLE)(E - 600)(T - NEW YORKER TURBO)
G BODY = (V24 - DAYTONA, PACIFICA & SHELBY)
H BODY = (D44 - LANCER)(C44 - LEBARON GTS)
J BODY = (C - LEBARON)
K BODY = (P - RELIANT)(D - ARIES)(C - LEBARON/ TOWN & COUNTRY)

L BODY = (M - HORIZON)(Z-OMNI)
M BODY = (B - GRAN FURY)(G - DIPLOMAT)(F - FIFTH AVENUE/NEWPORT)
P BODY = (P - SUNDANCE)(D - SHADOW)
Q BODY = (C27 - MASERATI)
S BODY = (H - VOYAGER)(K - RAM VAN/ CARAVAN)

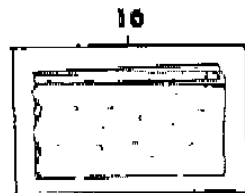
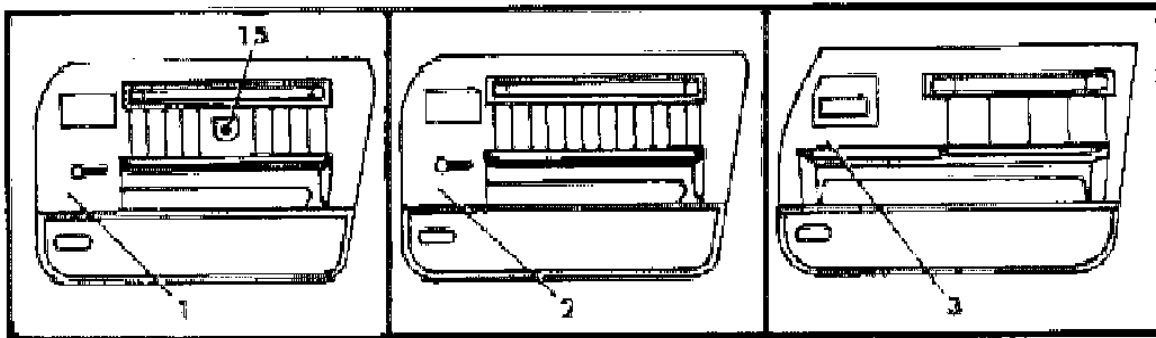
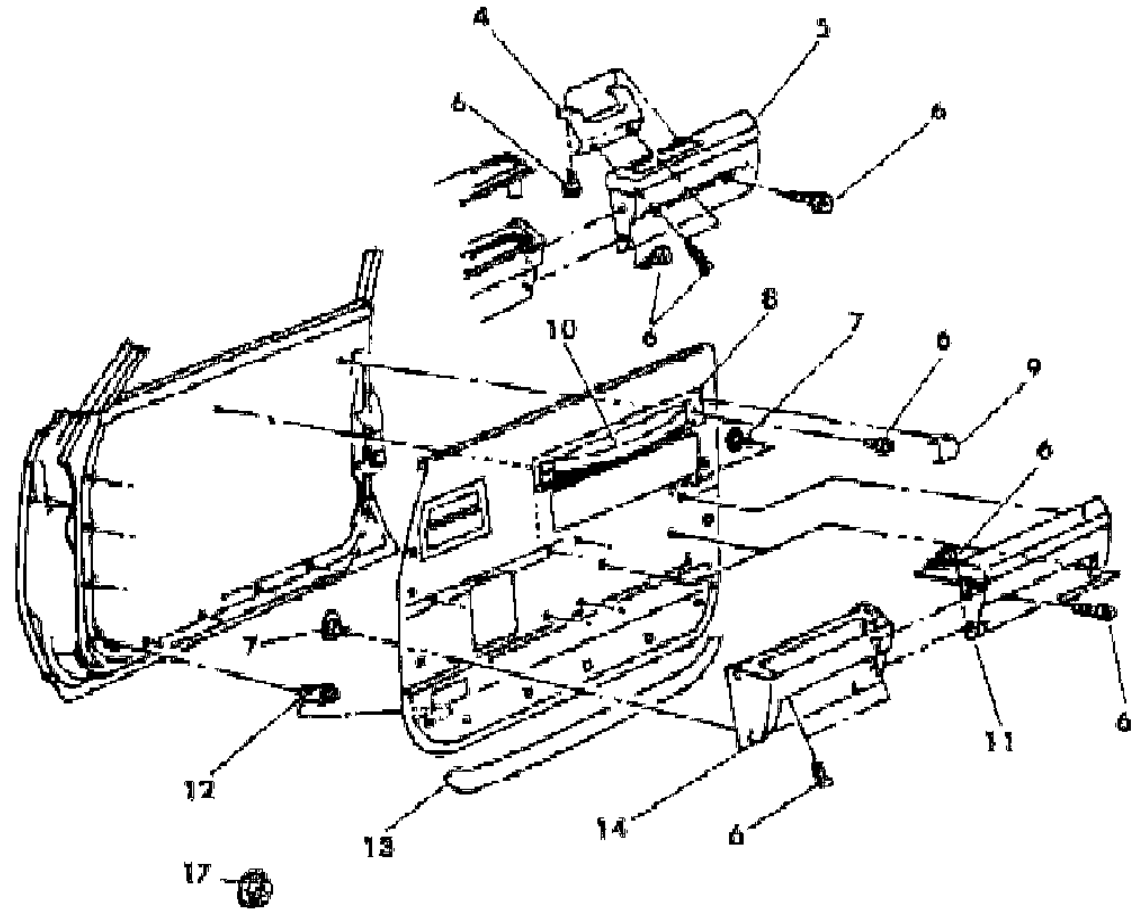
BODY STYLES

12-52 = FWD VAN & WAGON STD. W.B. 27 = 2-DOOR CONVERTIBLE
13-53 = FWD VAN & WGN EXT W.B. 41 = 4-DOOR SEDAN
21 = 2-DOOR SEDAN 44 = 4-DOOR HATCHBACK
24 = 2-DOOR HATCHBACK 45 = 4-DOOR STATION WAGON

AR = Use as Required - = Non Illustrated Part P.A.R. = Paint as Required

PANEL--DOOR TRIM-FRONT K BODY C 41-45
Figure ITK-1700

8234 1700



ITEM	PART NUMBER	QTY	BODY	MODEL	DESCRIPTION
11	D538-9 EK1	1			BASE, Armest (P.A.R.) w/Power Door Locks
	D508-9 AA3	1			w/o Power Door Locks
12	6003 640	AR			FASTENER
13	4247 230	2			SEAL, Secondary Sound
14	D636-7 EW1	1			BASE, Armrest w/Power Windows (P.A.R.)
15	4247 692	2			MEDALLION
16	4049 602	2			SILENCER, Door (36"x36"x1/2" Material Cut to Fit)
17	9420 865	6			NUT

NOTE: (P.A.R.) = Paint As Required

MODEL CODES

C BODY = (D41 - DYNASTY)(C41 - NEW YORKER)
E BODY = (J - CARAVELLE)(E - 600)(T - NEW YORKER TURBO)
G BODY = (V24 - DAYTONA, PACIFICA & SHELBY)
H BODY = (D44 - LANCER)(C44 - LEBARON GTS)
J BODY = (C - LEBARON)
K BODY = (P - RELIANT)(D - ARIES)(C - LEBARON/ TOWN & COUNTRY)

L BODY = (M - HORIZON)(Z-OMNI)
M BODY = (B - GRAN FURY)(G - DIPLOMAT)(F - FIFTH AVENUE/NEWPORT)
P BODY = (P - SUNDANCE)(D - SHADOW)
Q BODY = (C27 - MASERATI)
S BODY = (H - VOYAGER)(K - RAM VAN/ CARAVAN)

BODY STYLES

12-52 = FWD VAN & WAGON STD. W.B. 27 = 2-DOOR CONVERTIBLE
13-53 = FWD VAN & WGN EXT W.B. 41 = 4-DOOR SEDAN
21 = 2-DOOR SEDAN 44 = 4-DOOR HATCHBACK
24 = 2-DOOR HATCHBACK 45 = 4-DOOR STATION WAGON

AR = Use as Required - = Non Illustrated Part P.A.R. = Paint as Required

PANEL--DOOR TRIM-REAR K BODY C 41-45
Figure ITK-1800

8234 1800

ITEM	PART NUMBER	QTY	BODY	MODEL	DESCRIPTION
1					PANEL, Door
	J554-5 FKY	1			VINYL Almond and Cream, (JPKY)
	J550-1 FE8	1			Cordovan, (V8E)
	J550-1 FK1	1			Almond, (V8K)
2					PANEL, Door
					CLOTH
	J552-3 FCF	1			Blue, (M3C, M5C)
	J552-3 FEE	1			Cordovan, (M3E, M5E)
	J552-3 FKK	1			Almond, (M3K, M5K)
	J552-3 FAS	1			Silver / Charcoal, (M3S, M5S)
3	4365 710-1	1			INSERT, (VC)
4					COVER, Door Quarter Inner
	F290-1 FC5	1	41		Blue, (VCC)
	F290-1 EE8	1	41		Cordovan, (VCE)
	F290-1 ES8	1	41		Charcoal / Silver, (VCS, VCSA)
5	4114 785	8			FASTENER
6	4248 931	2			PLATE, Finish
					HANDLE, Door Pull w/Saddle Grain Finish
7					D931 FC5
					Blue
					D931 EE8
					Cordovan
				D931 EK1	
				Almond	
				D931 CS8	
				Charcoal	
8	6032 141	AR			SCREW
9	4248 932	2			END CAP
10	2292 503	2			SPRING, Ash Receiver Lid
11	2589 587	2			ASH RECEIVER
12	2657 877	2			BEZEL, Ash Receiver
13	6003 640	AR			FASTENER
14		AR			SCREW, (8-18x.562) (Not Serv.)
15	D518-9 AA3	1			BASE, Armest w/Power Windows (P.A.R.)
16	D516-7 EK1	1			BASE, Armest (P.A.R.)
17	4247 231	2			SEAL, Secondary Sound
18					PAD, Armest
	D514-5 FC5	1			Blue
	D514-5 EE8	1			Cordovan

MODEL CODES

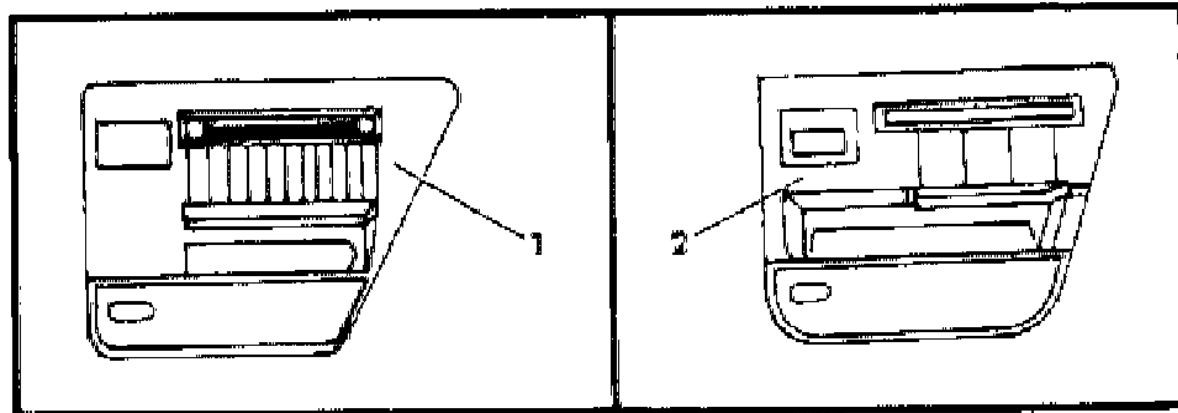
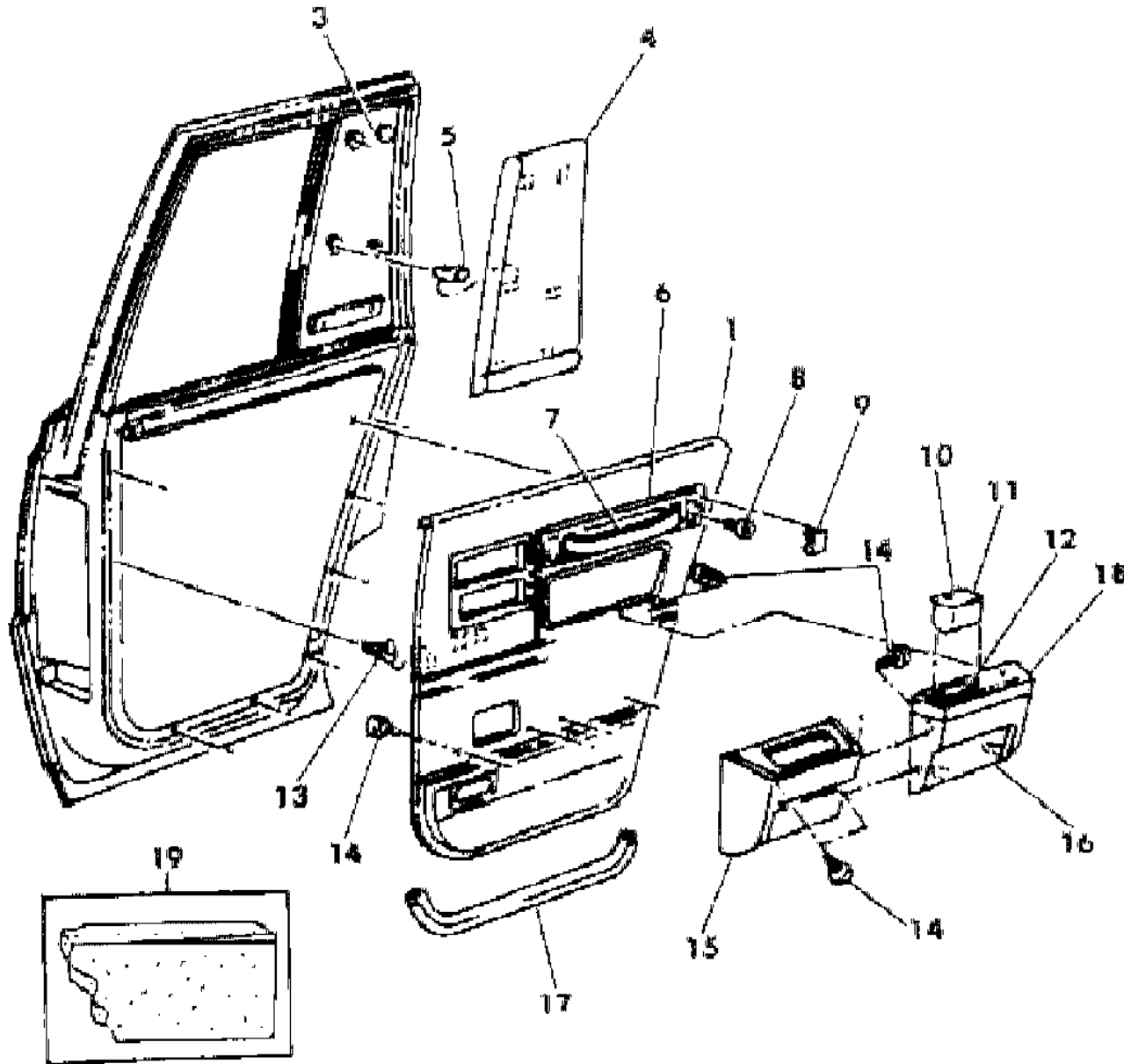
C BODY = (D41 - DYNASTY)(C41 - NEW YORKER)
E BODY = (J - CARAVELLE)(E - 600)(T - NEW YORKER TURBO)
G BODY = (V24 - DAYTONA, PACIFICA & SHELBY)
H BODY = (D44 - LANCER)(C44 - LEBARON GTS)
J BODY = (C - LEBARON)
K BODY = (P - RELIANT)(D - ARIES)(C - LEBARON/ TOWN & COUNTRY)

L BODY = (M - HORIZON)(Z-OMNI)
M BODY = (B - GRAN FURY)(G - DIPLOMAT)(F - FIFTH AVENUE/NEWPORT)
P BODY = (P - SUNDANCE)(D - SHADOW)
Q BODY = (C27 - MASERATI)
S BODY = (H - VOYAGER)(K - RAM VAN/ CARAVAN)

BODY STYLES

12-52 = FWD VAN & WAGON STD. W.B. 27 = 2-DOOR CONVERTIBLE
13-53 = FWD VAN & WGN EXT W.B. 41 = 4-DOOR SEDAN
21 = 2-DOOR SEDAN 44 = 4-DOOR HATCHBACK
24 = 2-DOOR HATCHBACK 45 = 4-DOOR STATION WAGON

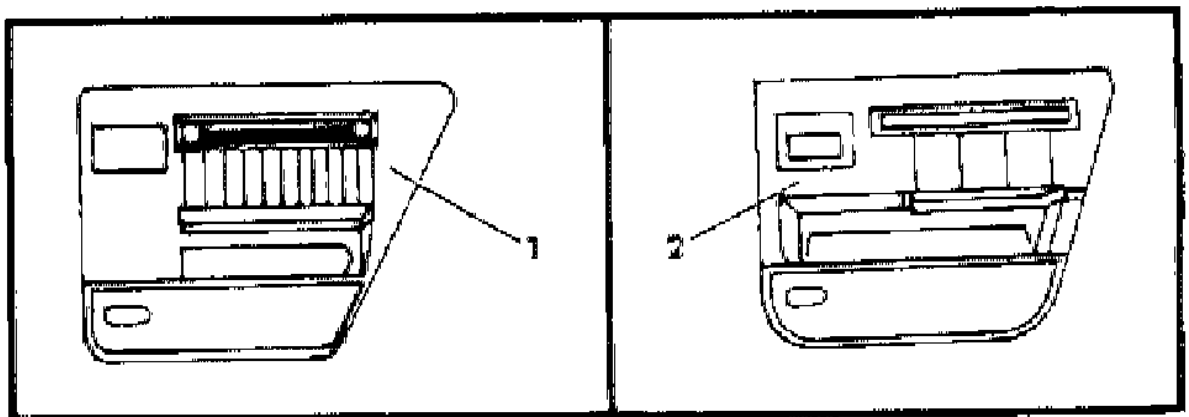
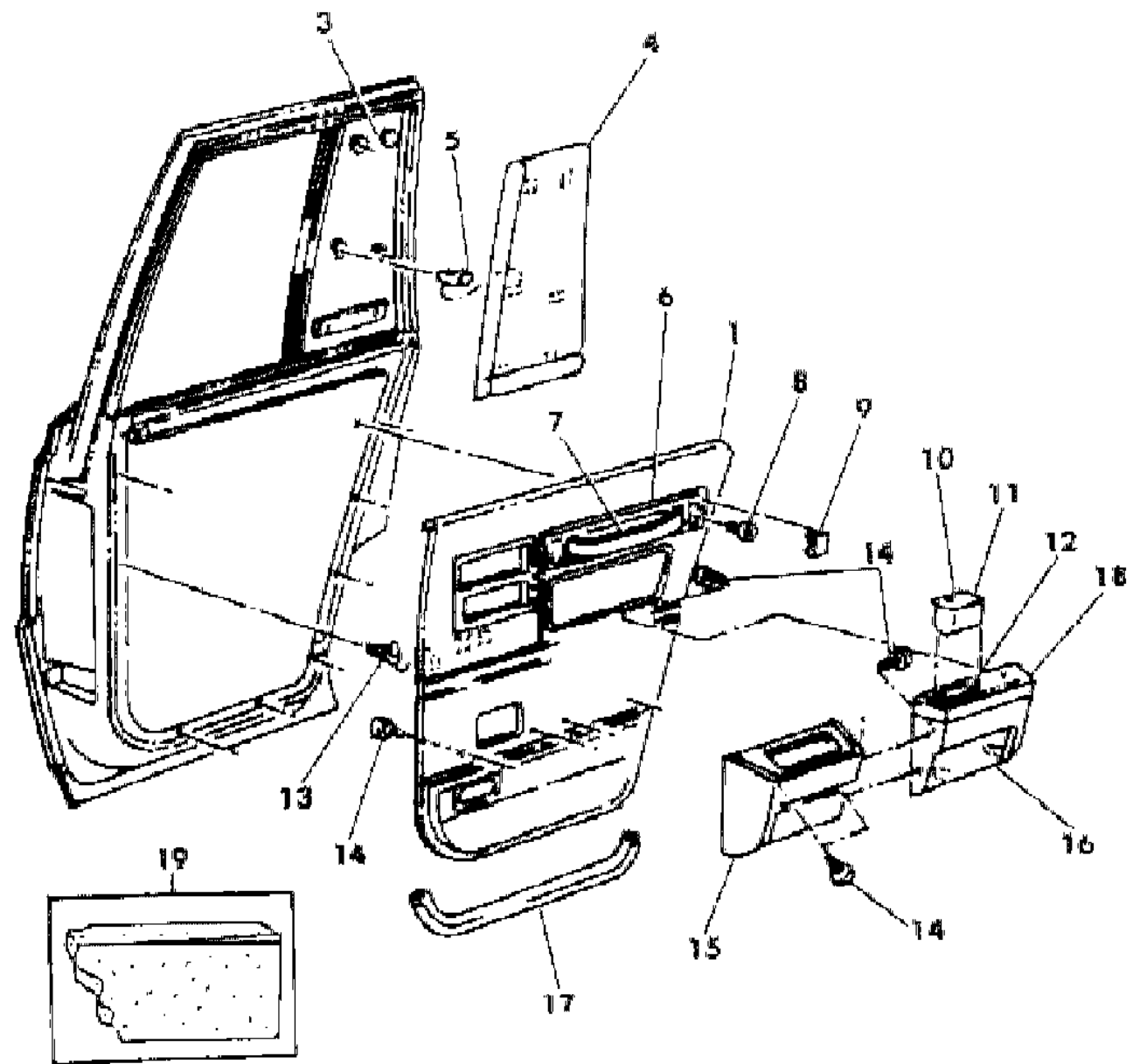
AR = Use as Required - = Non Illustrated Part P.A.R. = Paint as Required



PANEL--DOOR TRIM-REAR K BODY C 41-45
Figure ITK-1800

8234 1800

ITEM	PART NUMBER	QTY	BODY	MODEL	DESCRIPTION
	D514-5 EK1	1			Almond
	D514-5 CS8	1			Charcoal
19	4049 602	2			SILENCER, Door (36"x36"x1/2 material cut to fit) NOTE: (P.A.R.) = Paint As Required



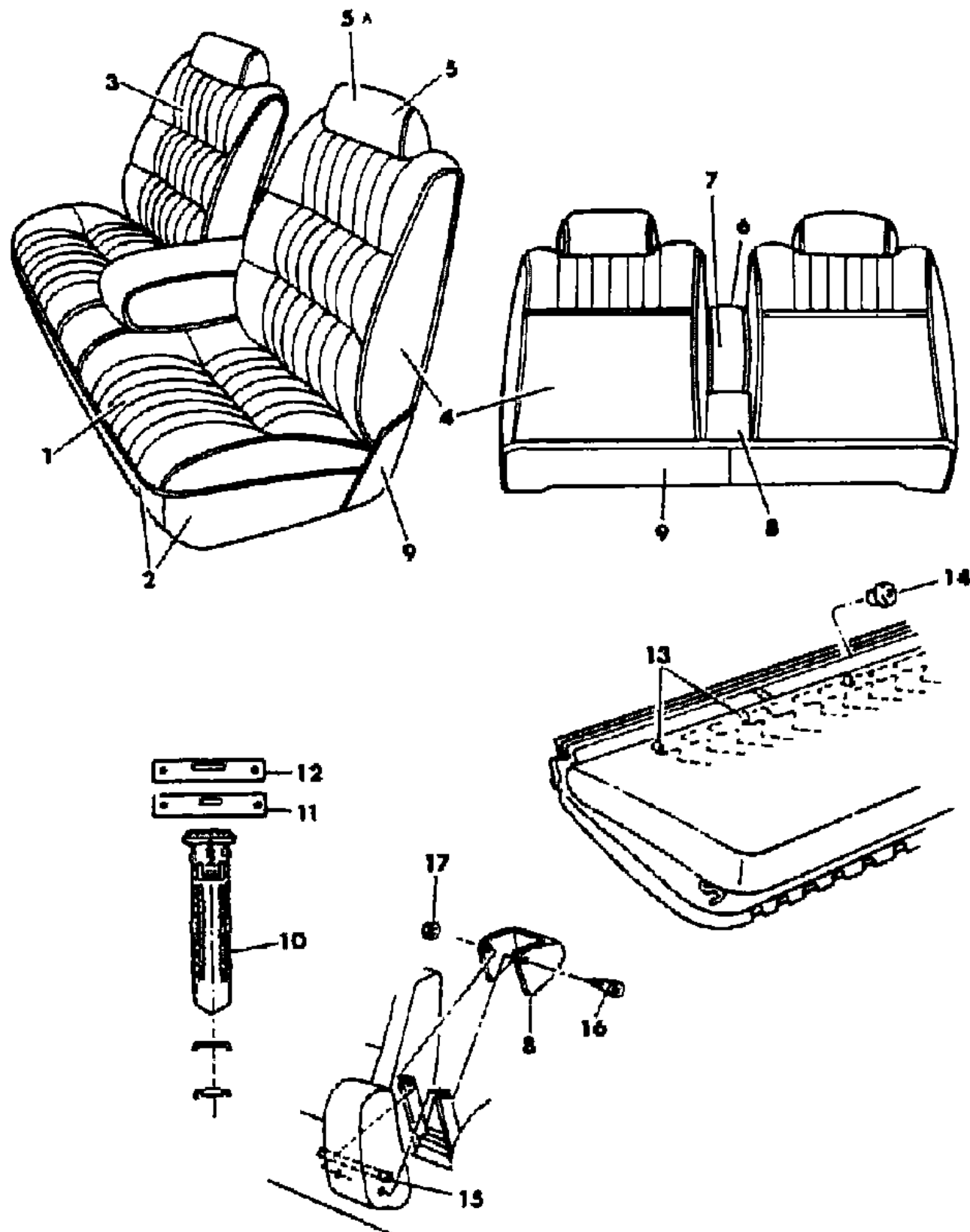
MODEL CODES
 C BODY = (D41 - DYNASTY)(C41 - NEW YORKER)
 E BODY = (J - CARAVELLE)(E - 600)(T - NEW YORKER TURBO)
 G BODY = (V24 - DAYTONA, PACIFICA & SHELBY)
 H BODY = (D44 - LANCER)(C44 - LEBARON GTS)
 J BODY = (C - LEBARON)
 K BODY = (P - RELIANT)(D - ARIES)(C - LEBARON/ TOWN & COUNTRY)
 L BODY = (M - HORIZON)(Z-OMNI)
 M BODY = (B - GRAN FURY)(G - DIPLOMAT)(F - FIFTH AVENUE/NEWPORT)
 P BODY = (P - SUNDANCE)(D - SHADOW)
 Q BODY = (C27 - MASERATI)
 S BODY = (H - VOYAGER)(K - RAM VAN/ CARAVAN)

BODY STYLES
 12-52 = FWD VAN & WAGON STD. W.B. 27 = 2-DOOR CONVERTIBLE
 13-53 = FWD VAN & WGN EXT W.B. 41 = 4-DOOR SEDAN
 21 = 2-DOOR SEDAN 44 = 4-DOOR HATCHBACK
 24 = 2-DOOR HATCHBACK 45 = 4-DOOR STATION WAGON

AR = Use as Required - = Non Illustrated Part P.A.R. = Paint as Required

SEAT--FRONT K BODY 21-41-45 TRIM CODE H3
Figure ITK-1900

8234 1900



ITEM	PART NUMBER	QTY	BODY	MODEL	DESCRIPTION
1-2					CUSHION, w/Spring/Frame, Pad and Cover
	C432 G3A	1			CLOTH Silver / Charcoal, (H3AS)
	C432 G3C	1			Blue, (H3C)
	C432 G3E	1			Cordovan, (H3E)
1					COVER, Cushion
	C523 D3A	1			CLOTH Silver / Charcoal, (H3SA)
	C523 F3C	1			Blue, (H3C)
	C523 F3E	1			Cordovan, (H3E)
2					ROLL STOCK, Order By The Inch.
	R024 FC5	AR			Blue, 58" Wide
	R024 FE9	AR			Cordovan, 58" Wide
	R024 CA3	AR			Charcoal, 58" Wide
3-4					BACK, w/Spring/Frame, Pad and Cover
	C220-1 G3A	1			CLOTH Silver / Charcoal, (H3AS)
	C220-1 G3C	1			Blue, (H3C)
	C220-1 G3E	1			Cordovan, (H3E)
3					COVER, Back
	C524-5 D3A	1			CLOTH Silver / Charcoal, (H3AS)
	C524-5 F3C	1			Blue, (H3C)
	C524-5 F3E	1			Cordovan, (H3E)
4					ROLL STOCK, Cloth 58" Wide Order By The Inch
	R024 CA3	AR			Silver / Charcoal, (h3AS)
	RO24 FC5	AR			Blue, (H3C)
	R024 EE8	AR			Cordovan, (H3E)
5					HEADREST and COVER
	C741 DA3	2			Silver / Charcoal, (H3AS)
	C741 FC5	2			Blue, (H3C)
	C741 FE9	2			Cordovan, (H3E)
5A					COVER, Headrest
	C527 DA3	2			Silver / Charcoal, (H3AS)
	C527 FC5	2			Blue, (H3C)
	C527 FE9	2			Cordovan, (H3E)
6					ARMREST and COVER

MODEL CODES

C BODY = (D41 - DYNASTY)(C41 - NEW YORKER)
 E BODY = (J - CARAVELLE)(E - 600)(T - NEW YORKER TURBO)
 G BODY = (V24 - DAYTONA, PACIFICA & SHELBY)
 H BODY = (D44 - LANCER)(C44 - LEBARON GTS)
 J BODY = (C - LEBARON)
 K BODY = (P - RELIANT)(D - ARIES)(C - LEBARON/ TOWN & COUNTRY)

L BODY = (M - HORIZON)(Z-OMNI)
 M BODY = (B - GRAN FURY)(G - DIPLOMAT)(F - FIFTH AVENUE/NEWPORT)
 P BODY = (P - SUNDANCE)(D - SHADOW)
 Q BODY = (C27 - MASERATI)
 S BODY = (H - VOYAGER)(K - RAM VAN/ CARAVAN)

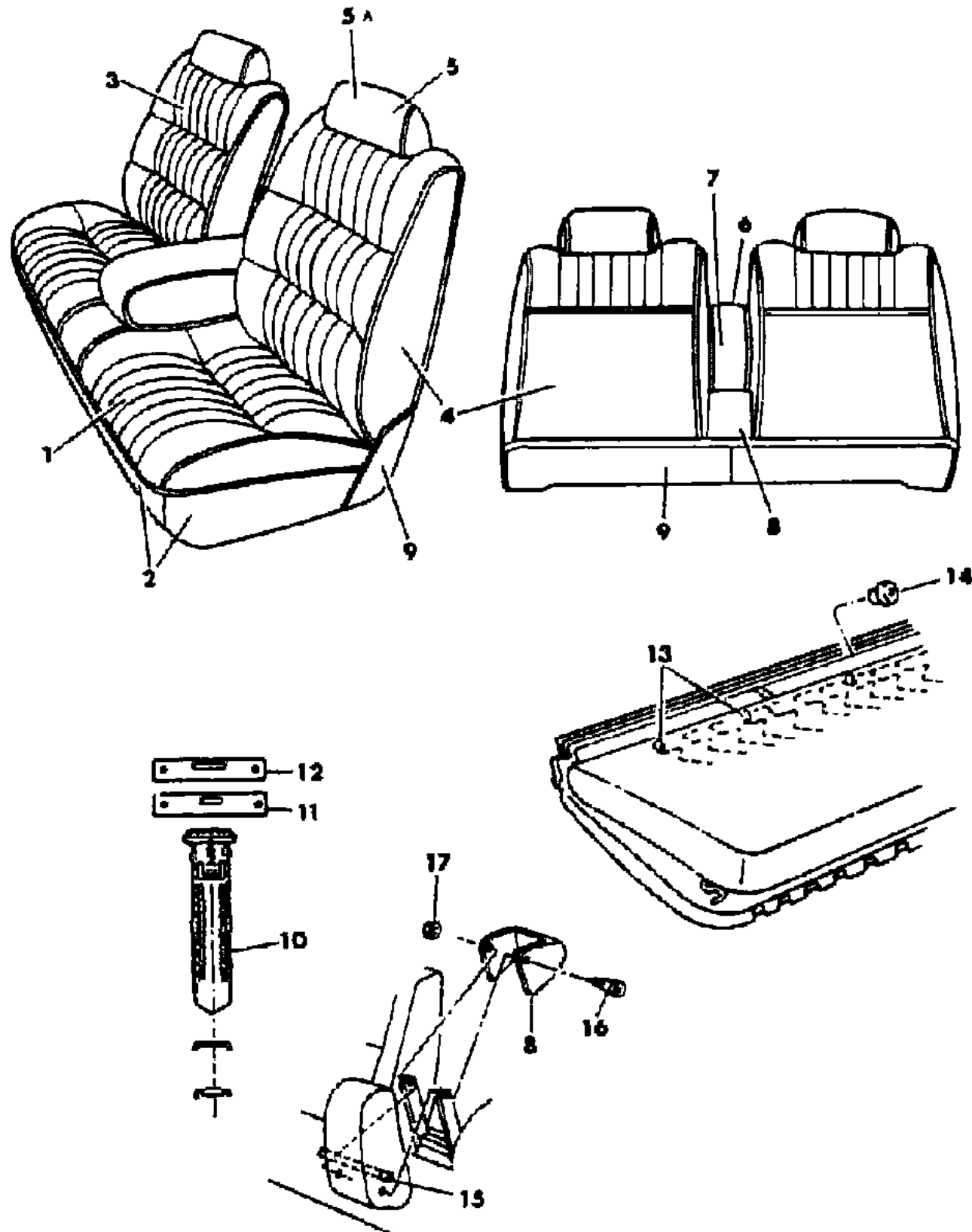
BODY STYLES

12-52 = FWD VAN & WAGON STD. W.B. 27 = 2-DOOR CONVERTIBLE
 13-53 = FWD VAN & WGN EXT W.B. 41 = 4-DOOR SEDAN
 21 = 2-DOOR SEDAN 44 = 4-DOOR HATCHBACK
 24 = 2-DOOR HATCHBACK 45 = 4-DOOR STATION WAGON

AR = Use as Required - = Non Illustrated Part P.A.R. = Paint as Required

SEAT--FRONT K BODY 21-41-45 TRIM CODE H3
Figure ITK-1900

8234 1900



ITEM	PART NUMBER	QTY	BODY	MODEL	DESCRIPTION
					CLOTH
	C852 DS8	1			Silver / Charcoal, (H3AS)
	C852 FC5	1			Blue, (H3C)
	C852 EE8	1			Cordovan, (H3K)
7					COVER, Armrest
					CLOTH
	C514 DS8	1			Silver / Charcoal, (H3AS)
	C514 FC5	1			Blue, (H3C)
	C855 GE8	1			Cordovan, (H3E)
8					COVER, Center Armrest
	S581 CS8	1			Charcoal
	S581 FC5	1			Blue
	S581 EE8	1			Cordovan
9					SHIELD, Front Cushion Rear Rail
	S780-1 CS8	1		21	Charcoal
	S780-1 FC5	1		21	Blue
	S780-1 EE8	1		21	Cordovan
	S780-1 EK1	1		21	Almond
	S678-9 CS8	1		41-45	Charcoal
	S678-9 FC5	1		41-45	Blue
	S678-9 EE8	1		41-45	Cordovan
	S678-9 EK1	1		41-45	Almond
10	S914 GK1	2			SLEEVE, Headrest (P.A.R.)
11	4190 387	2			SUPPORT, Headrest
12	4190 388	2			COVER, Headrest Finish
13	6008 076	AR			HOG RING
14	4380 112	AR			BUSHING, Pivot Bracket
15	4239 076	1			ROD, Armrest, Lock
16	6030 082	2			SCREW, Armrest to Stanchion
17	6006 324	1			NUT, Armrest Lock Rod

NOTE: (P.A.R.) = Paint As Required

MODEL CODES

C BODY = (D41 - DYNASTY)(C41 - NEW YORKER)
 E BODY = (J - CARAVELLE)(E - 600)(T - NEW YORKER TURBO)
 G BODY = (V24 - DAYTONA, PACIFICA & SHELBY)
 H BODY = (D44 - LANCER)(C44 - LEBARON GTS)
 J BODY = (C - LEBARON)
 K BODY = (P - RELIANT)(D - ARIES)(C - LEBARON/ TOWN & COUNTRY)
 L BODY = (M - HORIZON)(Z-OMNI)
 M BODY = (B - GRAN FURY)(G - DIPLOMAT)(F - FIFTH AVENUE/NEWPORT)
 P BODY = (P - SUNDANCE)(D - SHADOW)
 Q BODY = (C27 - MASERATI)
 S BODY = (H - VOYAGER)(K - RAM VAN/ CARAVAN)

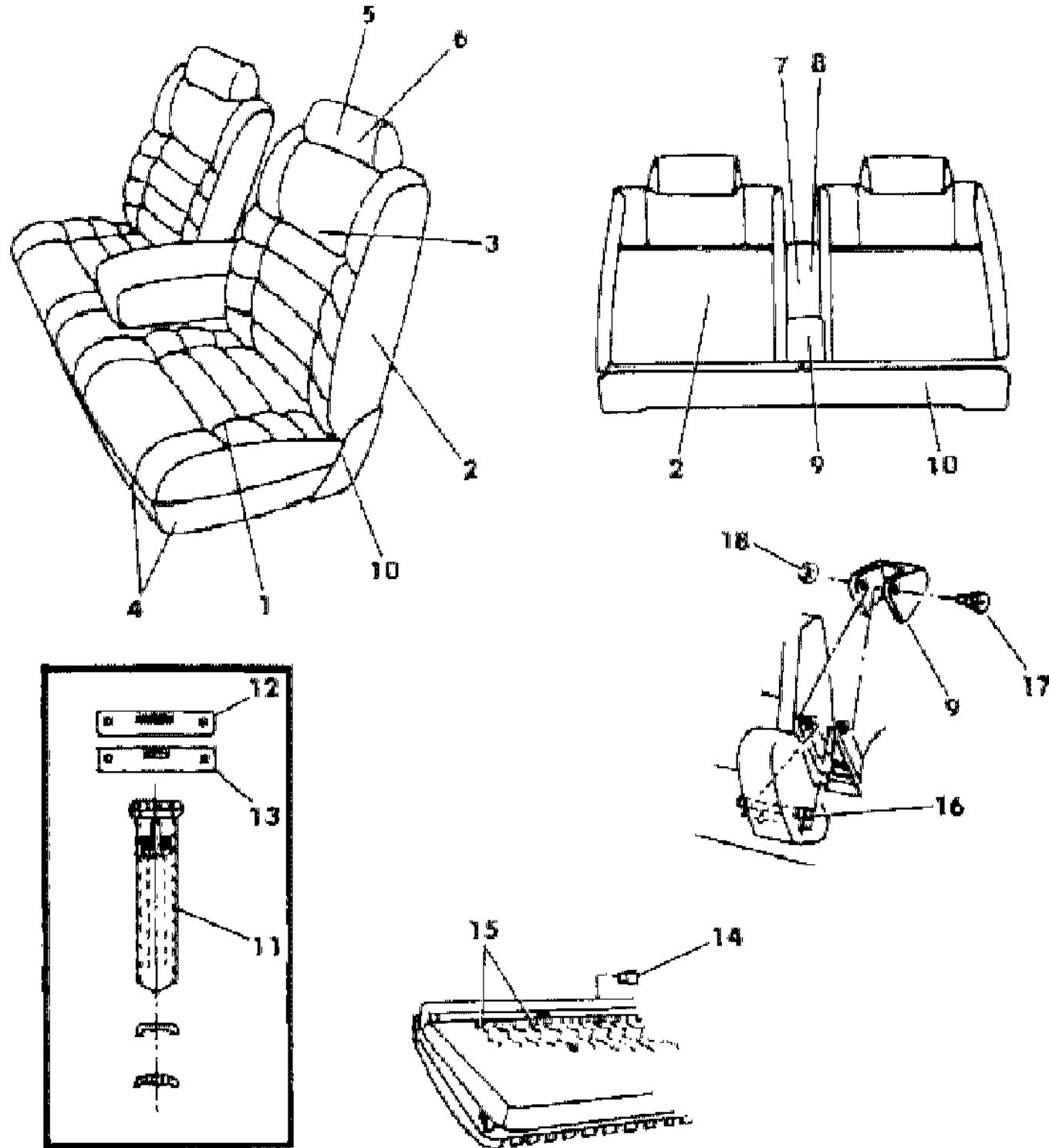
BODY STYLES

12-52 = FWD VAN & WAGON STD. W.B. 27 = 2-DOOR CONVERTIBLE
 13-53 = FWD VAN & WGN EXT W.B. 41 = 4-DOOR SEDAN
 21 = 2-DOOR SEDAN 44 = 4-DOOR HATCHBACK
 24 = 2-DOOR HATCHBACK 45 = 4-DOOR STATION WAGON

AR = Use as Required - = Non Illustrated Part P.A.R. = Paint as Required

SEAT--FRONT K BODY TRIM CODES M3
Figure ITK-2000

8234 2000



ITEM	PART NUMBER	QTY	BODY	MODEL	DESCRIPTION
1-2					CUSHION, w/Spring/Frame, Pad and Cover
	C847 F3C	1			CLOTH Blue, (M3C)
	C847 E3E	1			Cordovan, (M3E)
	C847 E3K	1			Almond, (M3K)
	C847 D3S	1			Charcoal, (M3S)
1					COVER, Cushion
	C511 F3C	1			CLOTH Blue, (M3C)
	C511 E3E	1			Cordovan, (M3E)
	C511 E3K	1			Almond, (M3K)
	C511 D3S	1			Charcoal, (M3S)
2					ROLL STOCK, Cloth 59" Wide Order BY The Inch
	R026 EC5	AR			Blue, (M3C)
	R026 EE8	AR			Cordovan, (M3E)
	R026 EK1	AR			Almond, (M3K)
	R026 DS8	AR			Charcoal, (M3S)
2-3					BACK, w/Spring/Frame, Pad and Cover
	C850-1 F3C	1			CLOTH Blue, (M3C)
	C850-1 E3E	1			Cordovan, (M3E)
	C850-1 E3K	1			Almond, (M3K)
	C850-1 D3S	1			Charcoal, (M3S)
3					COVER, Back
	C512-3 F3C	1			CLOTH Blue, (M3C)
	C512-3 E3E	1			Cordovan, (M3E)
	C512-3 E3K	1			Almond, (M3K)
	C512-3 D3S	1			Charcoal, (M3S)
4					ROLL STOCK, Vinyl Order By The Inch
	R616 FC5	AR			Blue 64" Wide, (M3C)
	R600 EE8	AR			Cordovan, 54" Wide (M3E)
	R600 EK1	AR			Almond, 54" Wide (M3S)
	R609 CS8	AR			Charcoal, 58" Wide
5					HEADREST and COVER
	A822 FC5	2			Blue, (M3C)
	A822 EE8	2			Cordovan, (M3E)

MODEL CODES

C BODY = (D41 - DYNASTY)(C41 - NEW YORKER)
E BODY = (J - CARAVELLE)(E - 600)(T - NEW YORKER TURBO)
G BODY = (V24 - DAYTONA, PACIFICA & SHELBY)
H BODY = (D44 - LANCER)(C44 - LEBARON GTS)
J BODY = (C - LEBARON)
K BODY = (P - RELIANT)(D - ARIES)(C - LEBARON/ TOWN & COUNTRY)

L BODY = (M - HORIZON)(Z-OMNI)
M BODY = (B - GRAN FURY)(G - DIPLOMAT)(F - FIFTH AVENUE/NEWPORT)
P BODY = (P - SUNDANCE)(D - SHADOW)
Q BODY = (C27 - MASERATI)
S BODY = (H - VOYAGER)(K - RAM VAN/ CARAVAN)

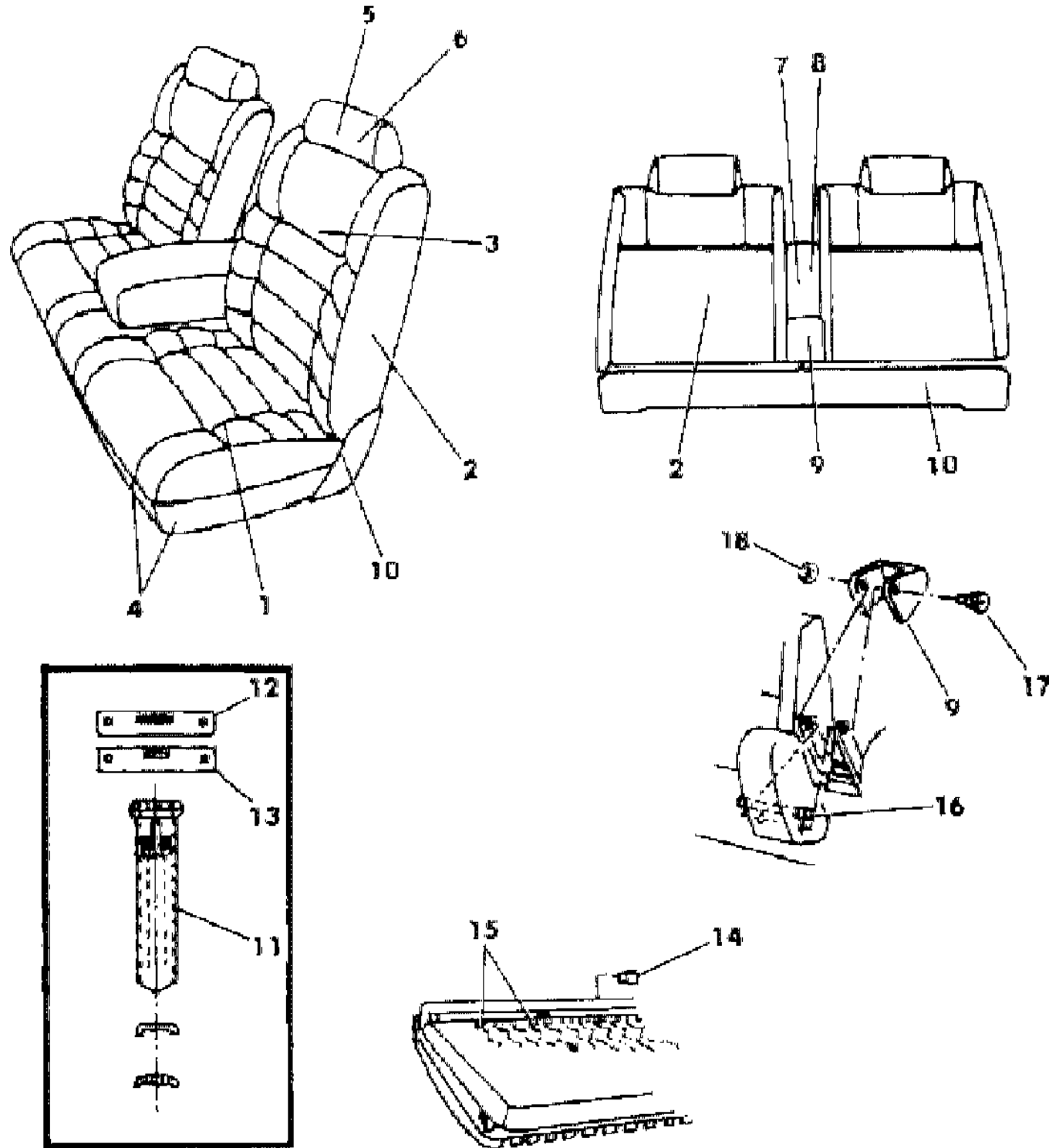
BODY STYLES

12-52 = FWD VAN & WAGON STD. W.B. 27 = 2-DOOR CONVERTIBLE
13-53 = FWD VAN & WGN EXT W.B. 41 = 4-DOOR SEDAN
21 = 2-DOOR SEDAN 44 = 4-DOOR HATCHBACK
24 = 2-DOOR HATCHBACK 45 = 4-DOOR STATION WAGON

AR = Use as Required - = Non Illustrated Part P.A.R. = Paint as Required

SEAT--FRONT K BODY TRIM CODES M3
Figure ITK-2000

8234 2000



ITEM	PART NUMBER	QTY	BODY	MODEL	DESCRIPTION
	A822 EK1	2			Almond, (M3K)
	A822 DS8	2			Charcoal, (M3S)
6	A539 FC5	2			COVER, Headrest Blue, M3C
	A539 EE8	2			Cordovan, (M3E)
	A539 EK1	2			Almond, (M3K)
	A539 DS8	2			Charcoal, (M3S)
7	C852 FC5	1			ARMREST and COVER Blue, (M3C)
	C852 EE8	1			Cordovan, (M3E)
	C852 EK1	1			Almond, (M3K)
	C852 DS8	1			Charcoal, (M3S)
8	C514 FC5	1			COVER, Armrest Blue, (M3C)
	C855 GE8	1			Cordovan, (M3E)
	C514 EK1	1			Almond, (M3K)
	C514 DS8	1			Charcoal, (M3S)
9	S581 FC5	1			SHIELD, Armrest Blue, (M3C)
	S581 EE8	1			Cordovan, (M3E)
	S581 EK1	1			Almond, (M3K)
	S581 CS8	1			Charcoal, (M3S)
10	S678-9 FC5	1			SHIELD, Rear Rail Blue, (M3C)
	S678-9 EE8	1			Cordovan, (M3E)
	S678-9 EK1	1			Almond, (M3K)
	S678-9 CS8	1			Charcoal, (M3S)
11	S786 EC5	2			SLEEVE, Headrest Blue, (M3C)
	S786 EE8	1			Cordovan, (M3E)
	S786 CS8	1			Charcoal, (M3S)
12	4190 388	2			COVER, Headrest Finish
13	4190 387	2			SUPPORT, Headrest Trim Cover
14	4380 112	2			BUSHING, Cushion Pivot Bracket
15	6008 076	AR			HOG RING
16	4239 076	1			ROD, Armrest Lock
17	6030 082	2			SCREW, Armrest To Stanchion

MODEL CODES

C BODY = (D41 - DYNASTY)(C41 - NEW YORKER)
 E BODY = (J - CARAVELLE)(E - 600)(T - NEW YORKER TURBO)
 G BODY = (V24 - DAYTONA, PACIFICA & SHELBY)
 H BODY = (D44 - LANCER)(C44 - LEBARON GTS)
 J BODY = (C - LEBARON)
 K BODY = (P - RELIANT)(D - ARIES)(C - LEBARON/ TOWN & COUNTRY)

L BODY = (M - HORIZON)(Z-OMNI)
 M BODY = (B - GRAN FURY)(G - DIPLOMAT)(F - FIFTH AVENUE/NEWPORT)
 P BODY = (P - SUNDANCE)(D - SHADOW)
 Q BODY = (C27 - MASERATI)
 S BODY = (H - VOYAGER)(K - RAM VAN/ CARAVAN)

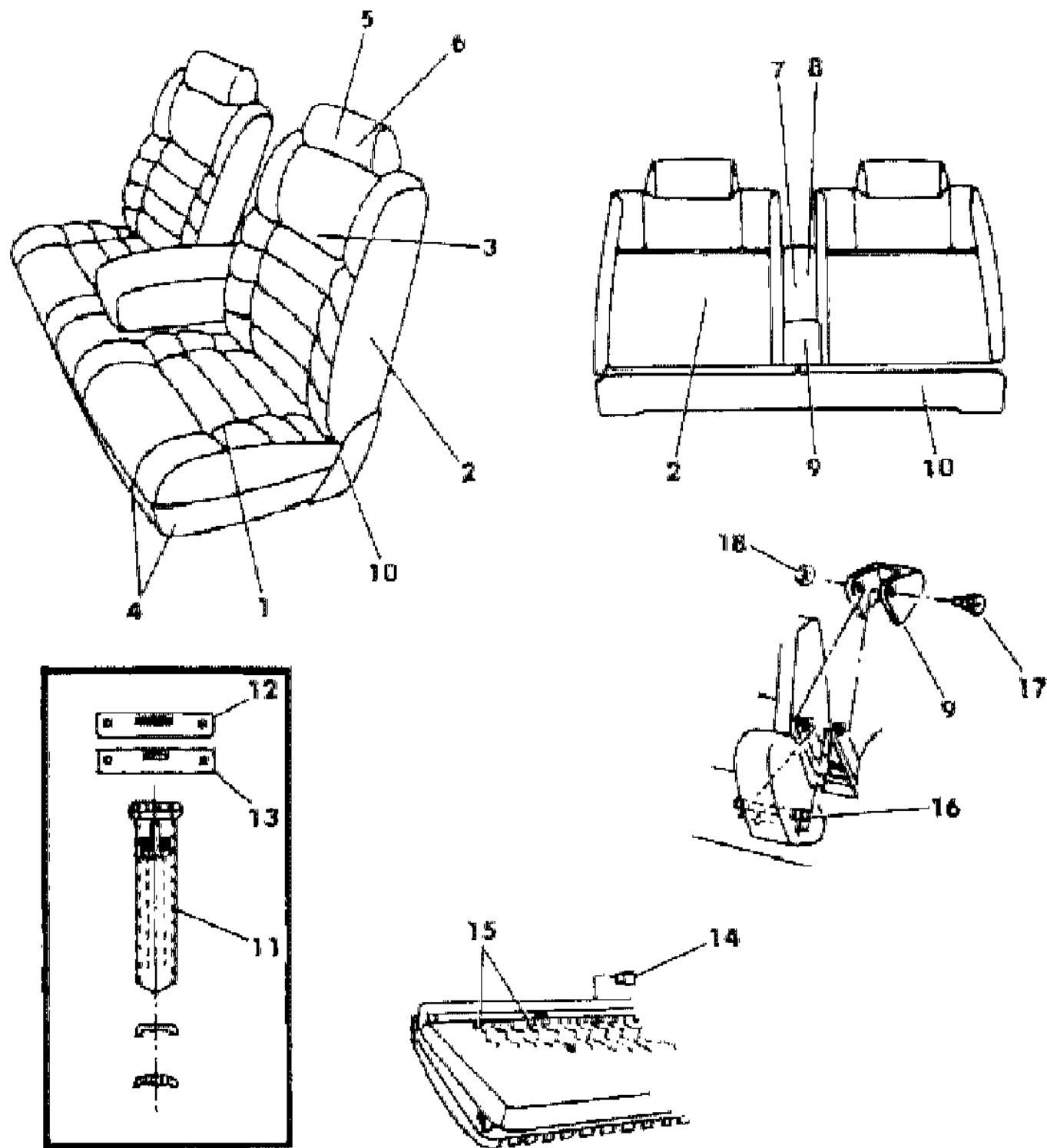
BODY STYLES

12-52 = FWD VAN & WAGON STD. W.B. 27 = 2-DOOR CONVERTIBLE
 13-53 = FWD VAN & WGN EXT W.B. 41 = 4-DOOR SEDAN
 21 = 2-DOOR SEDAN 44 = 4-DOOR HATCHBACK
 24 = 2-DOOR HATCHBACK 45 = 4-DOOR STATION WAGON

AR = Use as Required - = Non Illustrated Part P.A.R. = Paint as Required

SEAT--FRONT K BODY TRIM CODES M3
Figure ITK-2000

8234 2000



ITEM	PART NUMBER	QTY	BODY	MODEL	DESCRIPTION
18	6006 324	1			NUT, Armrest Lock Rod

MODEL CODES
 C BODY = (D41 - DYNASTY)(C41 - NEW YORKER)
 E BODY = (J - CARAVELLE)(E - 600)(T - NEW YORKER TURBO)
 G BODY = (V24 - DAYTONA, PACIFICA & SHELBY)
 H BODY = (D44 - LANCER)(C44 - LEBARON GTS)
 J BODY = (C - LEBARON)
 K BODY = (P - RELIANT)(D - ARIES)(C - LEBARON/ TOWN & COUNTRY)

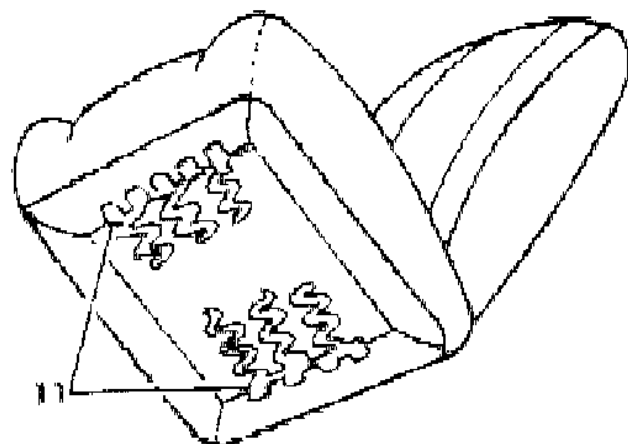
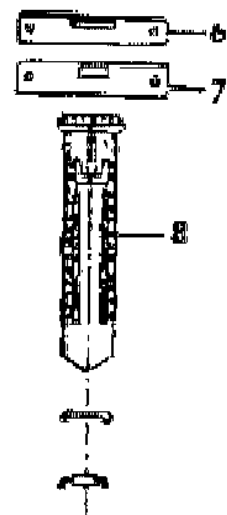
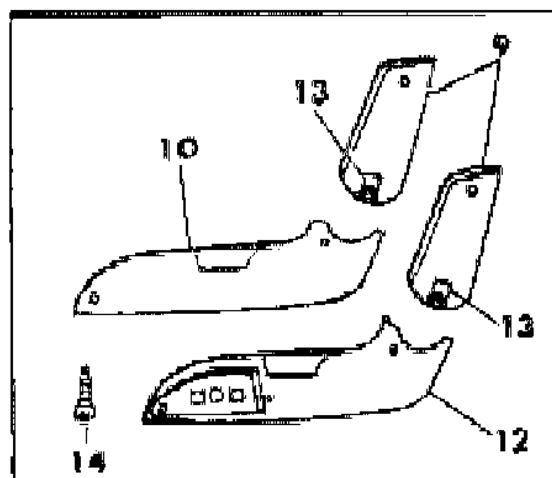
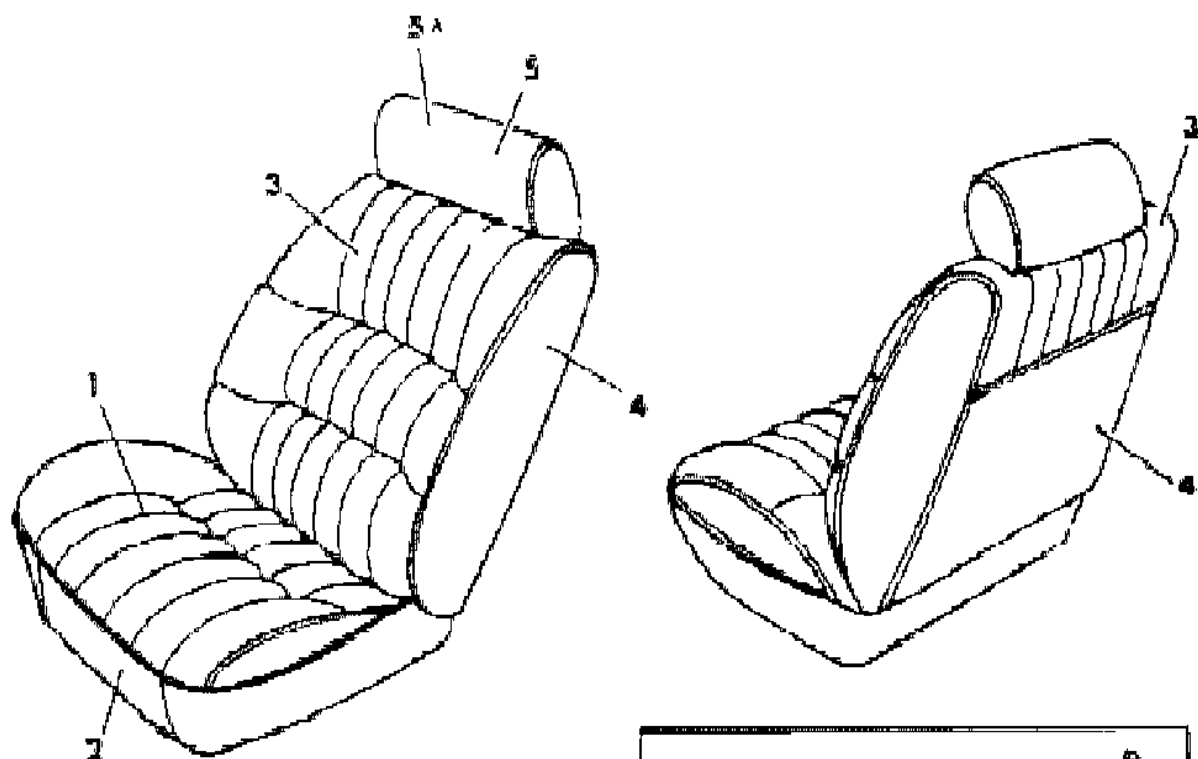
L BODY = (M - HORIZON)(Z-OMNI)
 M BODY = (B - GRAN FURY)(G - DIPLOMAT)(F - FIFTH AVENUE/NEWPORT)
 P BODY = (P - SUNDANCE)(D - SHADOW)
 Q BODY = (C27 - MASERATI)
 S BODY = (H - VOYAGER)(K - RAM VAN/ CARAVAN)

BODY STYLES
 12-52 = FWD VAN & WAGON STD. W.B. 27 = 2-DOOR CONVERTIBLE
 13-53 = FWD VAN & WGN EXT W.B. 41 = 4-DOOR SEDAN
 21 = 2-DOOR SEDAN 44 = 4-DOOR HATCHBACK
 24 = 2-DOOR HATCHBACK 45 = 4-DOOR STATION WAGON

AR = Use as Required - = Non Illustrated Part P.A.R. = Paint as Required

SEAT--FRONT K BODY TRIM CODES H7
Figure ITK-2200

8234 2200



ITEM	PART NUMBER	QTY	BODY	MODEL	DESCRIPTION
1-2					CUSHION, w/Spring/Frame, Pad and Cover
					CLOTH
	C746-7 D7A	1			Silver / Charcoal, (H7AS)
	C746-7 F7C	1			Blue, (H7C)
	C746-7 F7E	1			Cordovan, (H7E)
1					COVER, Cushion
					CLOTH
	C532-3 D7A	1			Silver / Charcoal, (H7AS)
	C532-3 F7C	1			Blue, (H7C)
	C532-3 F7E	1			Cordovan, (H7E)
2					ROLL STOCK, Order By The Inch
	R024 FC5	AR			Blue, 58" Wide
	R024 FE9	AR			Cordovan, 58" Wide
	R024 CA3	AR			Silver, 58" Wide
3-4					BACK, w/Spring/Frame, Pad and Cover
					CLOTH
	C752-3 D7A	1			Silver / Charcoal, (H7AS)
	C752-3 F7C	1			Blue, (H7C)
	C752-3 F7E	1			Cordovan, (H7E)
3					COVER, Back
					CLOTH
	C534 D7A	2			Silver / Charcoal, (H7AS)
	C534 F7C	2			Blue, (H7C)
	C534 F7E	2			Cordovan, (H7E)
4					ROLL STOCK, 59" Wide Order By The Inch
	R026 EC5	AR			Blue
	R026 EE8	AR			Cordovan
	R026 DS8	AR			Charcoal
5					HEADREST and COVER
	C741 DA3	2			Silver
	C741 FC5	2			Blue
	C741 FE9	2			Cordovan
5A					COVER, Headrest
	C527 DA3	2			Silver
	C527 FC5	2			Blue
	C527 FE9	2			Cordovan
6	4190 388	2			COVER, Headrest Support

MODEL CODES

C BODY = (D41 - DYNASTY)(C41 - NEW YORKER)
 E BODY = (J - CARAVELLE)(E - 600)(T - NEW YORKER TURBO)
 G BODY = (V24 - DAYTONA, PACIFICA & SHELBY)
 H BODY = (D44 - LANCER)(C44 - LEBARON GTS)
 J BODY = (C - LEBARON)
 K BODY = (P - RELIANT)(D - ARIES)(C - LEBARON/ TOWN & COUNTRY)
 L BODY = (M - HORIZON)(Z-OMNI)
 M BODY = (B - GRAN FURY)(G - DIPLOMAT)(F - FIFTH AVENUE/NEWPORT)
 P BODY = (P - SUNDANCE)(D - SHADOW)
 Q BODY = (C27 - MASERATI)
 S BODY = (H - VOYAGER)(K - RAM VAN/ CARAVAN)

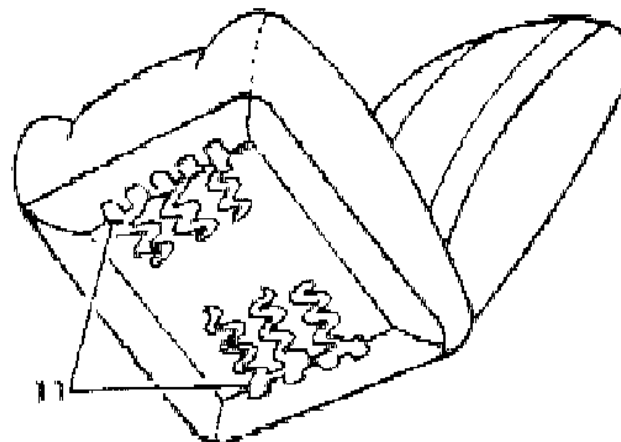
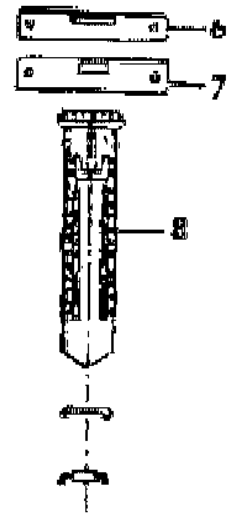
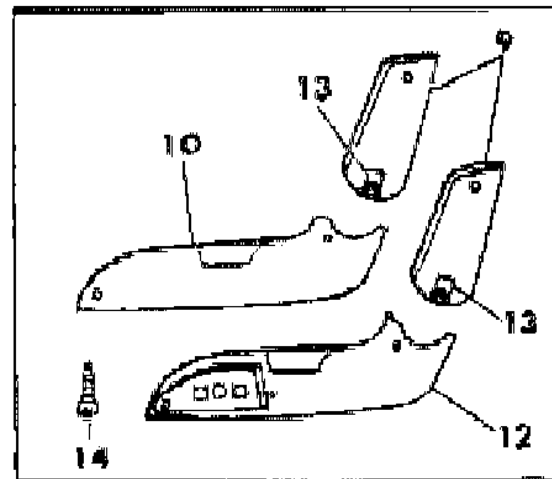
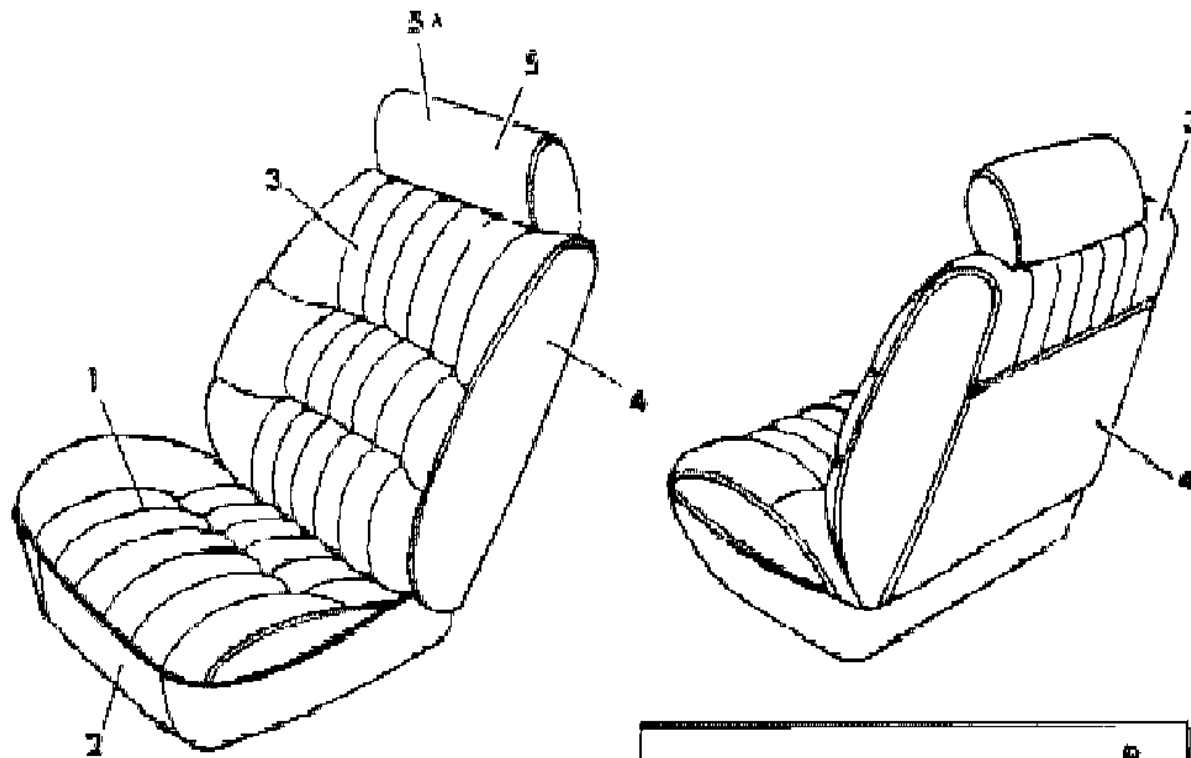
BODY STYLES

12-52 = FWD VAN & WAGON STD. W.B. 27 = 2-DOOR CONVERTIBLE
 13-53 = FWD VAN & WGN EXT W.B. 41 = 4-DOOR SEDAN
 21 = 2-DOOR SEDAN 44 = 4-DOOR HATCHBACK
 24 = 2-DOOR HATCHBACK 45 = 4-DOOR STATION WAGON

AR = Use as Required - = Non Illustrated Part P.A.R. = Paint as Required

SEAT--FRONT K BODY TRIM CODES H7
Figure ITK-2200

8234 2200



ITEM	PART NUMBER	QTY	BODY	MODEL	DESCRIPTION
7	4190 387	2			SUPPORT, Headrest
8	S914 GK1	2			SLEEVE, Headrest (P.A.R.)
9					SHIELD, Back (P.A.R.) OUTER Passenger Seat
	S960 DW1	1		21	Driver Seat
	S996 FK1	1		41-45	
	S961 DW1	1		21	INNER Passenger Seat
	S997 FK1	1		41-45	
	S961 DW1	1		21	Driver Seat
	S997 FK1	1		41-45	
	S960 DW1	1		21	SHIELD, Cushion OUTER Passenger Seat
	S996 FK1	1		41-45	
10					SHIELD, Cushion INNER Passenger Seat
	S764 GK1				Driver Seat
	S765 GK1				INNER Passenger Seat
	S764 GK1				Driver Seat
11	6008 076	AR			HOG RING
12	S265 FK1				SHIELD, Cushion Electric, (P.A.R.)
13	4317 800	AR			CLIP, Shield Attaching
14		AR			SCREW, Side Shield Attaching (8-18x1.75) (Not Serv.) NOTE: (P.A.R.) = Paint As Required

MODEL CODES

C BODY = (D41 - DYNASTY)(C41 - NEW YORKER)
E BODY = (J - CARAVELLE)(E - 600)(T - NEW YORKER TURBO)
G BODY = (V24 - DAYTONA, PACIFICA & SHELBY)
H BODY = (D44 - LANCER)(C44 - LEBARON GTS)
J BODY = (C - LEBARON)
K BODY = (P - RELIANT)(D - ARIES)(C - LEBARON/ TOWN & COUNTRY)

L BODY = (M - HORIZON)(Z-OMNI)
M BODY = (B - GRAN FURY)(G - DIPLOMAT)(F - FIFTH AVENUE/NEWPORT)
P BODY = (P - SUNDANCE)(D - SHADOW)
Q BODY = (C27 - MASERATI)
S BODY = (H - VOYAGER)(K - RAM VAN/ CARAVAN)

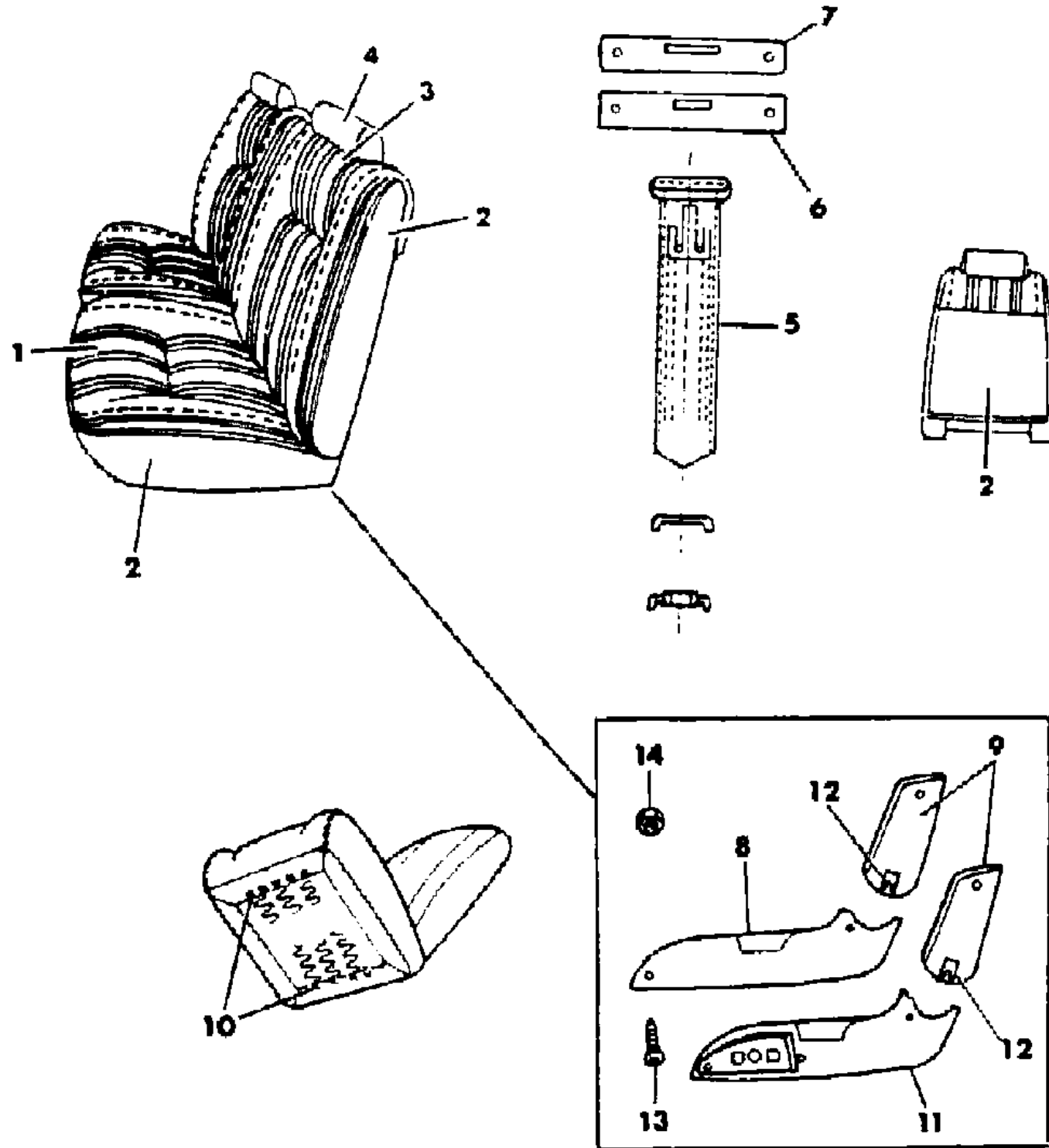
BODY STYLES

12-52 = FWD VAN & WAGON STD. W.B. 27 = 2-DOOR CONVERTIBLE
13-53 = FWD VAN & WGN EXT W.B. 41 = 4-DOOR SEDAN
21 = 2-DOOR SEDAN 44 = 4-DOOR HATCHBACK
24 = 2-DOOR HATCHBACK 45 = 4-DOOR STATION WAGON

AR = Use as Required - = Non Illustrated Part P.A.R. = Paint as Required

SEAT--FRONT K BODY TRIM CODE V8
Figure ITK-2300

8234 2300



ITEM	PART NUMBER	QTY	BODY	MODEL	DESCRIPTION
1-2					CUSHION, w/Spring, Frame, Pad and Cover
					VINYL
					RIGHT
	B904 E8E	1			Cordovan, (V8E)
	B904 E8K	1			Almond, (V8K)
					LEFT
	B955 E8E	1			Cordovan, (V8E)
	B955 E8K	1			Almond, (V8K)
1					COVER, Cushion
					VINYL
	C416-7 E8E	1			Cordovan, (V8E)
	C416-7 E8K	1			Almond, (V8K)
2					ROLL STOCK, Vinyl 54" Wide Order By The Inch
	R600 EE8	AR			Cordovan
	R600 EK1	AR			Almond
2-3					BACK, w/Spring/Frame, Pad and Cover
					VINYL
					RIGHT
	B906 E8E	1			Cordovan, (V8E)
	B906 E8K	1			Almond, (V8K)
					LEFT
	B959 E8E	1			Cordovan, (V8E)
	B959 E8K	1			Almond, (V8K)
3					COVER, Back
					VINYL
	C490 E8E	2			Cordovan, (V8E)
	C490 E8K	2			Almond, (V8K)
4					HEADREST and COVER
	S790 EE8	2			Cordovan, (V8E)
	S790 EK1	2			Almond, (V8K)
5					SLEEVE, Headrest
	S786 EE8	2			Cordovan, (V8E)
	S786 EK1	2			Almond, (V8K)
6	4190 387	2			SUPPORT, Headrest Trim Cover
7	4190 388	2			COVER, Headrest Finish
8		1			SHIELD, Cushion (P.A.R.) OUTER

MODEL CODES

C BODY = (D41 - DYNASTY)(C41 - NEW YORKER)
E BODY = (J - CARAVELLE)(E - 600)(T - NEW YORKER TURBO)
G BODY = (V24 - DAYTONA, PACIFICA & SHELBY)
H BODY = (D44 - LANCER)(C44 - LEBARON GTS)
J BODY = (C - LEBARON)
K BODY = (P - RELIANT)(D - ARIES)(C - LEBARON/ TOWN & COUNTRY)

L BODY = (M - HORIZON)(Z-OMNI)
M BODY = (B - GRAN FURY)(G - DIPLOMAT)(F - FIFTH AVENUE/NEWPORT)
P BODY = (P - SUNDANCE)(D - SHADOW)
Q BODY = (C27 - MASERATI)
S BODY = (H - VOYAGER)(K - RAM VAN/ CARAVAN)

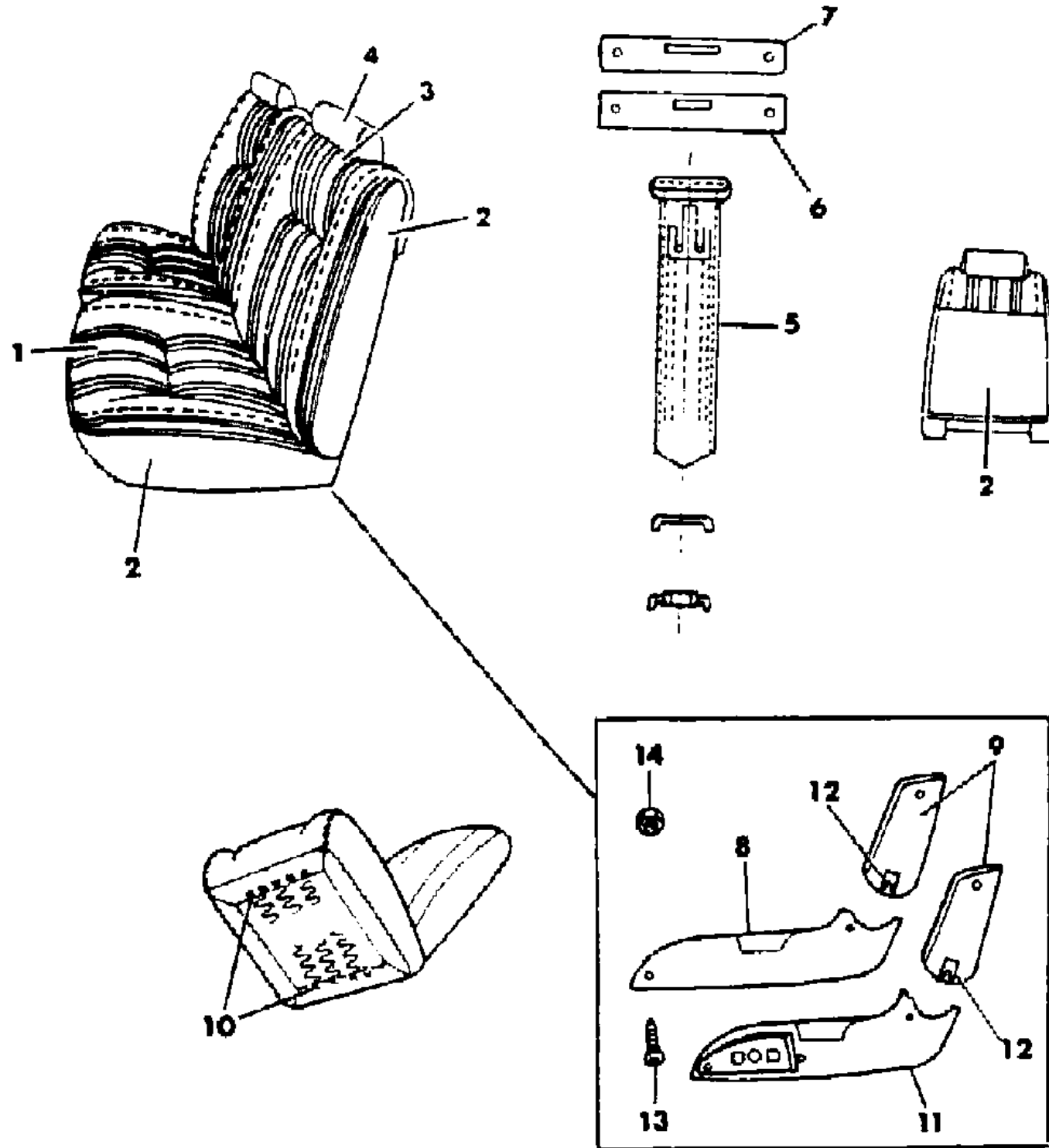
BODY STYLES

12-52 = FWD VAN & WAGON STD. W.B. 27 = 2-DOOR CONVERTIBLE
13-53 = FWD VAN & WGN EXT W.B. 41 = 4-DOOR SEDAN
21 = 2-DOOR SEDAN 44 = 4-DOOR HATCHBACK
24 = 2-DOOR HATCHBACK 45 = 4-DOOR STATION WAGON

AR = Use as Required - = Non Illustrated Part P.A.R. = Paint as Required

SEAT--FRONT K BODY TRIM CODE V8
Figure ITK-2300

8234 2300



ITEM	PART NUMBER	QTY	BODY	MODEL	DESCRIPTION
					Passenger Seat
	S764 GK1	1			Almond
	S765 GK1	1			Driver Seat
					Almond
					INNER
	S765 GK1	1			Passenger Seat
					Almond
					Driver Seat
	S764 GK1	1			Almond
9					SHIELD, Back (P.A.R.)
					OUTER
					Passenger Seat
	S996 FK1	1			Almond
	S997 FK1	1			Driver Seat
					Almond
					INNER
					Passenger Seat
	S997 FK1	1			Almond
					Driver Seat
	S996 FK1	1			Almond
10	6008 076	AR			HOG RING
11					SHIELD, Cushion Electric (P.A.R.)
	S265 FK1	1			Almond
12	4317 800	AR			CLIP, Shield Attaching
13		AR			SCREW, Side Shield Attaching (8-18x1.75) (Not Serv.)
14	6031 147	AR			NUT

NOTE: (P.A.R.) = Paint As Required

MODEL CODES

C BODY = (D41 - DYNASTY)(C41 - NEW YORKER)
 E BODY = (J - CARAVELLE)(E - 600)(T - NEW YORKER TURBO)
 G BODY = (V24 - DAYTONA, PACIFICA & SHELBY)
 H BODY = (D44 - LANCER)(C44 - LEBARON GTS)
 J BODY = (C - LEBARON)
 K BODY = (P - RELIANT)(D - ARIES)(C - LEBARON/ TOWN & COUNTRY)

L BODY = (M - HORIZON)(Z-OMNI)
 M BODY = (B - GRAN FURY)(G - DIPLOMAT)(F - FIFTH AVENUE/NEWPORT)
 P BODY = (P - SUNDANCE)(D - SHADOW)
 Q BODY = (C27 - MASERATI)
 S BODY = (H - VOYAGER)(K - RAM VAN/ CARAVAN)

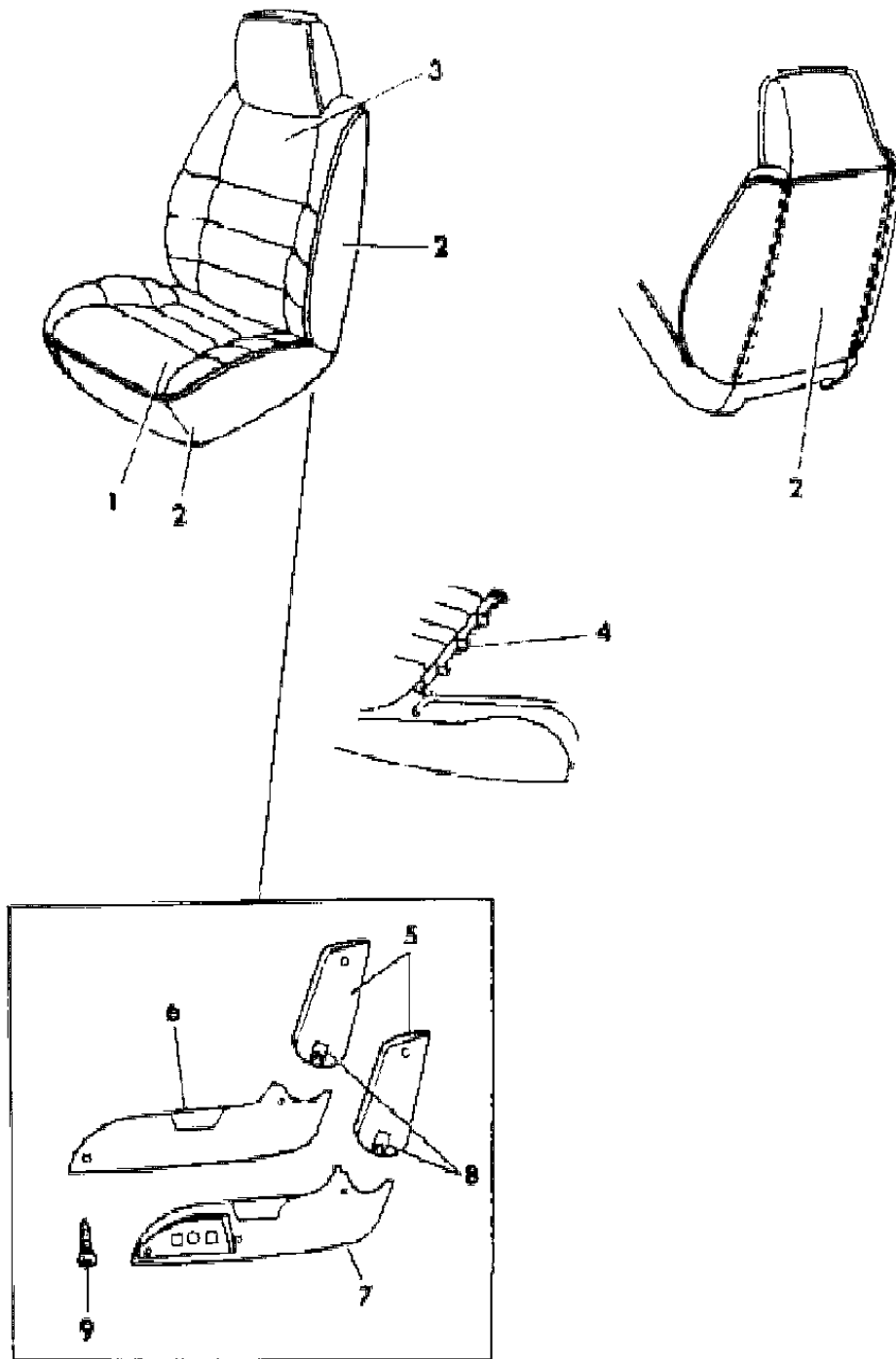
BODY STYLES

12-52 = FWD VAN & WAGON STD. W.B. 27 = 2-DOOR CONVERTIBLE
 13-53 = FWD VAN & WGN EXT W.B. 41 = 4-DOOR SEDAN
 21 = 2-DOOR SEDAN 44 = 4-DOOR HATCHBACK
 24 = 2-DOOR HATCHBACK 45 = 4-DOOR STATION WAGON

AR = Use as Required - = Non Illustrated Part P.A.R. = Paint as Required

SEAT--FRONT K BODY TRIM CODE M5
Figure ITK-2400

8234 2400



ITEM	PART NUMBER	QTY	BODY	MODEL	DESCRIPTION
1-2					CUSHION, w/Spring, Frame, Pad and Cover
	C786-7 F5C	1			CLOTH Blue, (M5C)
	C786-7 E5E	1			Cordovan, (E5E)
	C786-7 E5K	1			Almond, (M5K)
	C786-7 D5S	1			Silver, (M5S)
1					COVER, Cushion
	C516-7 F5C	1			CLOTH Blue, (M5C)
	C516-7 E5E	1			Cordovan, (M5E)
	C516-7 E5K	1			Almond, (M5K)
	C516-7 D5S	1			Silver, (M5S)
2					ROLL STOCK, Cloth, 59" Wide Order By The Inch
	R026 EC5	AR			Blue, (M5C)
	R026 EE8	AR			Cordovan, (M5E)
	R026 EK1	AR			Almond, (M5K)
	R026 DS8	AR			Silver, (M5S)
2-3					BACK, w/Spring, Frame, Pad and Cover
	C790-1 F5C	1			CLOTH Blue, (M5C)
	C790-1 E5E	1			Cordovan, (M5E)
	C790-1 E5K	1			Almond, (M5K)
	C790-1 D5S	1			Silver, (M5S)
3					COVER, Back
	C518 F5C	2			CLOTH Blue, (M5C)
	C518 E5E	2			Cordovan, (M5E)
	C518 E5K	2			Almond, (M5K)
	C518 D5S	2			Silver, (M5S)
4	6008 076	AR			HOG RING
5					SHIELD, Back (P.A.R.)
	S996 FK1	1		41,45	OUTER Passenger Seat
	S997 FK1	1		41,45	Drivers Seat
	S997 FK1	1		41,45	INNER Passenger Seat
	S996 FK1	1		41,45	Drivers Seat

MODEL CODES

C BODY = (D41 - DYNASTY)(C41 - NEW YORKER)
 E BODY = (J - CARAVELLE)(E - 600)(T - NEW YORKER TURBO)
 G BODY = (V24 - DAYTONA, PACIFICA & SHELBY)
 H BODY = (D44 - LANCER)(C44 - LEBARON GTS)
 J BODY = (C - LEBARON)
 K BODY = (P - RELIANT)(D - ARIES)(C - LEBARON/ TOWN & COUNTRY)

L BODY = (M - HORIZON)(Z-OMNI)
 M BODY = (B - GRAN FURY)(G - DIPLOMAT)(F - FIFTH AVENUE/NEWPORT)
 P BODY = (P - SUNDANCE)(D - SHADOW)
 Q BODY = (C27 - MASERATI)
 S BODY = (H - VOYAGER)(K - RAM VAN/ CARAVAN)

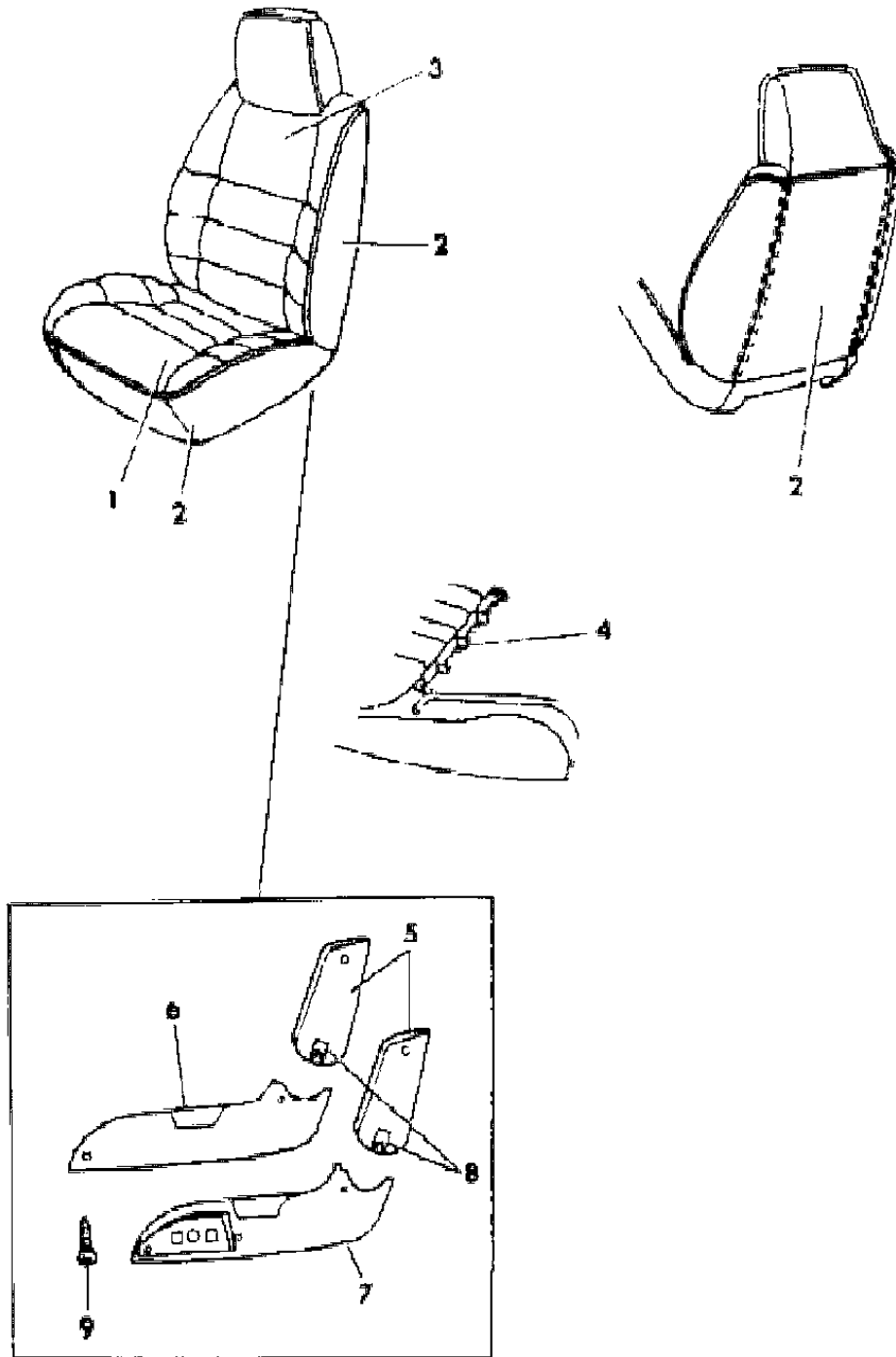
BODY STYLES

12-52 = FWD VAN & WAGON STD. W.B. 27 = 2-DOOR CONVERTIBLE
 13-53 = FWD VAN & WGN EXT W.B. 41 = 4-DOOR SEDAN
 21 = 2-DOOR SEDAN 44 = 4-DOOR HATCHBACK
 24 = 2-DOOR HATCHBACK 45 = 4-DOOR STATION WAGON

AR = Use as Required - = Non Illustrated Part P.A.R. = Paint as Required

SEAT--FRONT K BODY TRIM CODE M5
Figure ITK-2400

8234 2400



ITEM	PART NUMBER	QTY	BODY	MODEL	DESCRIPTION
6					SHIELD, Cushion (P.A.R.)
					OUTER
	S764 GK1	1			Passenger Seat
	S765 GK1	1			Driver Seat
					INNER
	S765 GK1	1			Passenger Seat
	S764 GK1	1			Drivers Seat
7	S265 FK1	1			SHIELD, Cushion Elec. (P.A.R.)
8	4317 800	AR			CLIP, Shield Attach.
9		AR			SCREW, Side Shields Attach. (8-18x1.75) (Not Serv.)
					NOTE: P.A.R.) = Paint As Required

MODEL CODES

C BODY = (D41 - DYNASTY)(C41 - NEW YORKER)
 E BODY = (J - CARAVELLE)(E - 600)(T - NEW YORKER TURBO)
 G BODY = (V24 - DAYTONA, PACIFICA & SHELBY)
 H BODY = (D44 - LANCER)(C44 - LEBARON GTS)
 J BODY = (C - LEBARON)
 K BODY = (P - RELIANT)(D - ARIES)(C - LEBARON/ TOWN & COUNTRY)

L BODY = (M - HORIZON)(Z-OMNI)
 M BODY = (B - GRAN FURY)(G - DIPLOMAT)(F - FIFTH AVENUE/NEWPORT)
 P BODY = (P - SUNDANCE)(D - SHADOW)
 Q BODY = (C27 - MASERATI)
 S BODY = (H - VOYAGER)(K - RAM VAN/ CARAVAN)

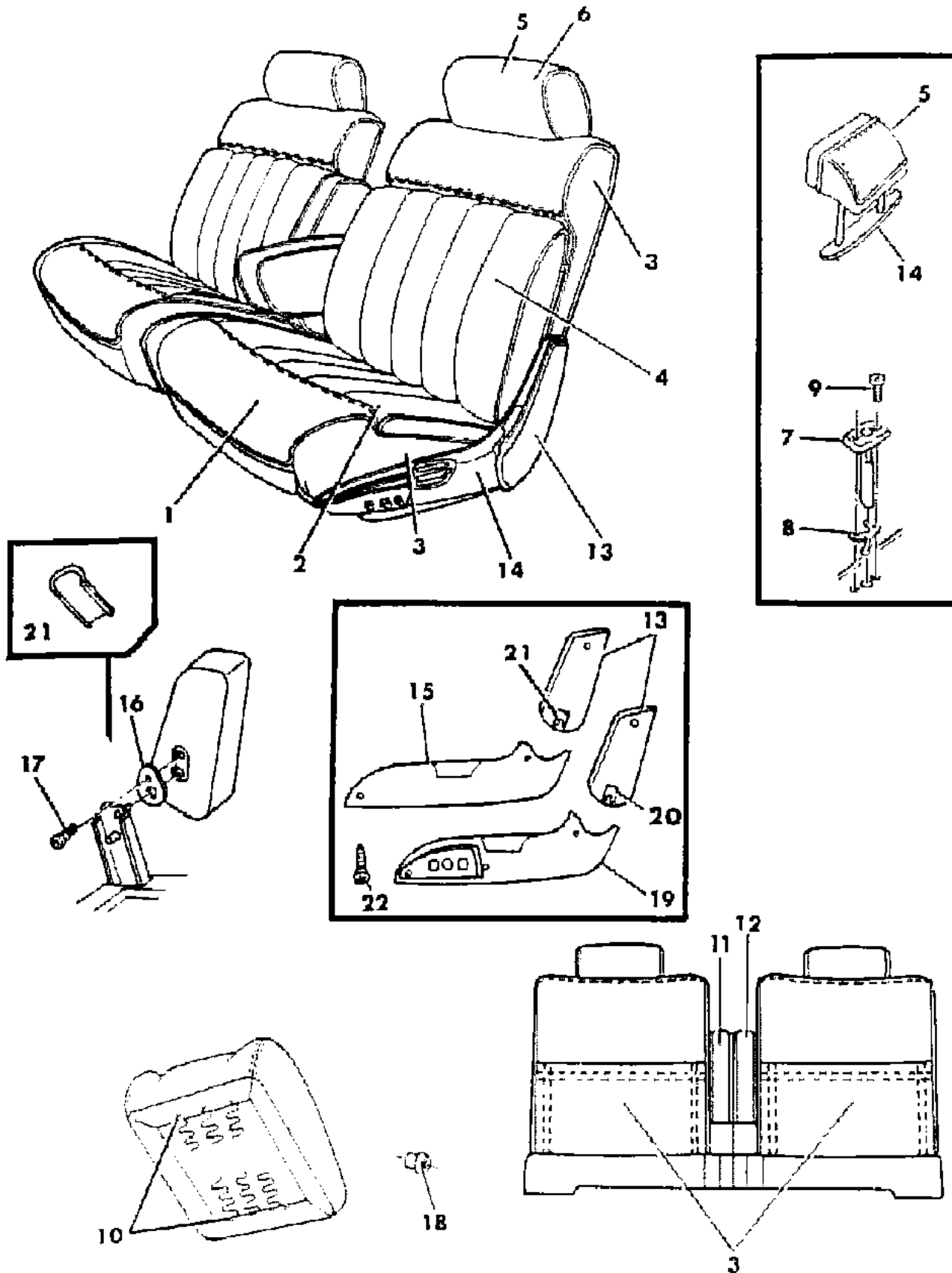
BODY STYLES

12-52 = FWD VAN & WAGON STD. W.B. 27 = 2-DOOR CONVERTIBLE
 13-53 = FWD VAN & WGN EXT W.B. 41 = 4-DOOR SEDAN
 21 = 2-DOOR SEDAN 44 = 4-DOOR HATCHBACK
 24 = 2-DOOR HATCHBACK 45 = 4-DOOR STATION WAGON

AR = Use as Required - = Non Illustrated Part P.A.R. = Paint as Required

SEAT--FRONT K BODY TRIM CODE JP
Figure ITK-2600

8234 2600 A



ITEM	PART NUMBER	QTY	BODY	MODEL	DESCRIPTION
1-3					CUSHION, w/Spring/Frame, Pad and Cover
	A952-3 FPK	1			LEATHER Almond/Cream, (JPKY)
2					COVER, Cushion
	A944-5 FPK	1			LEATHER Almond/Cream, (JPKY)
3	R627 EK1	AR			ROLL STOCK, Vinyl 54" Wide Order By The Inch Almond, (JPKY)
3-4					BACK, w/Spring/Frame, Pad and Cover
	C942-3 EPK	1			LEATHER Almond/ Cream, (JPKY)
4					COVER, Back w/Pocket
	C474-5 EPK	1			LEATHER Almond/Cream ,(JPKY)
5	C945 EY1	2			HEADREST and COVER
6	C477 EY1	2			Almond, (JPKY)
7	S690 EK1	4			SLEEVE, Headrest
8	4098 965	4			Almond, (JPKY)
9		4			CATCH, Headrest Post
10	6008 076	AR			SCREW, (8-18x1) (Not Serv.)
11					HOG RING
	C944 EK1	2			ARMREST and COVER, (Passenger and Drivers Seat)
12	C476 EK1	2			Almond, (JPKY)
13					COVER, Armrest (Passenger and Driver Seat)
	S996 FK1	1			Almond, (JPKY)
	S997 FK1	1			SHIELD, Back (P.A.R.)
					OUTER
					Passenger Seat
					Almond
					Driver Seat
					Almond
					INNER
					Passenger Seat
					Almond
					Driver Seat

MODEL CODES

C BODY = (D41 - DYNASTY)(C41 - NEW YORKER)
 E BODY = (J - CARAVELLE)(E - 600)(T - NEW YORKER TURBO)
 G BODY = (V24 - DAYTONA, PACIFICA & SHELBY)
 H BODY = (D44 - LANCER)(C44 - LEBARON GTS)
 J BODY = (C - LEBARON)
 K BODY = (P - RELIANT)(D - ARIES)(C - LEBARON/ TOWN & COUNTRY)

L BODY = (M - HORIZON)(Z-OMNI)
 M BODY = (B - GRAN FURY)(G - DIPLOMAT)(F - FIFTH AVENUE/NEWPORT)
 P BODY = (P - SUNDANCE)(D - SHADOW)
 Q BODY = (C27 - MASERATI)
 S BODY = (H - VOYAGER)(K - RAM VAN/ CARAVAN)

BODY STYLES

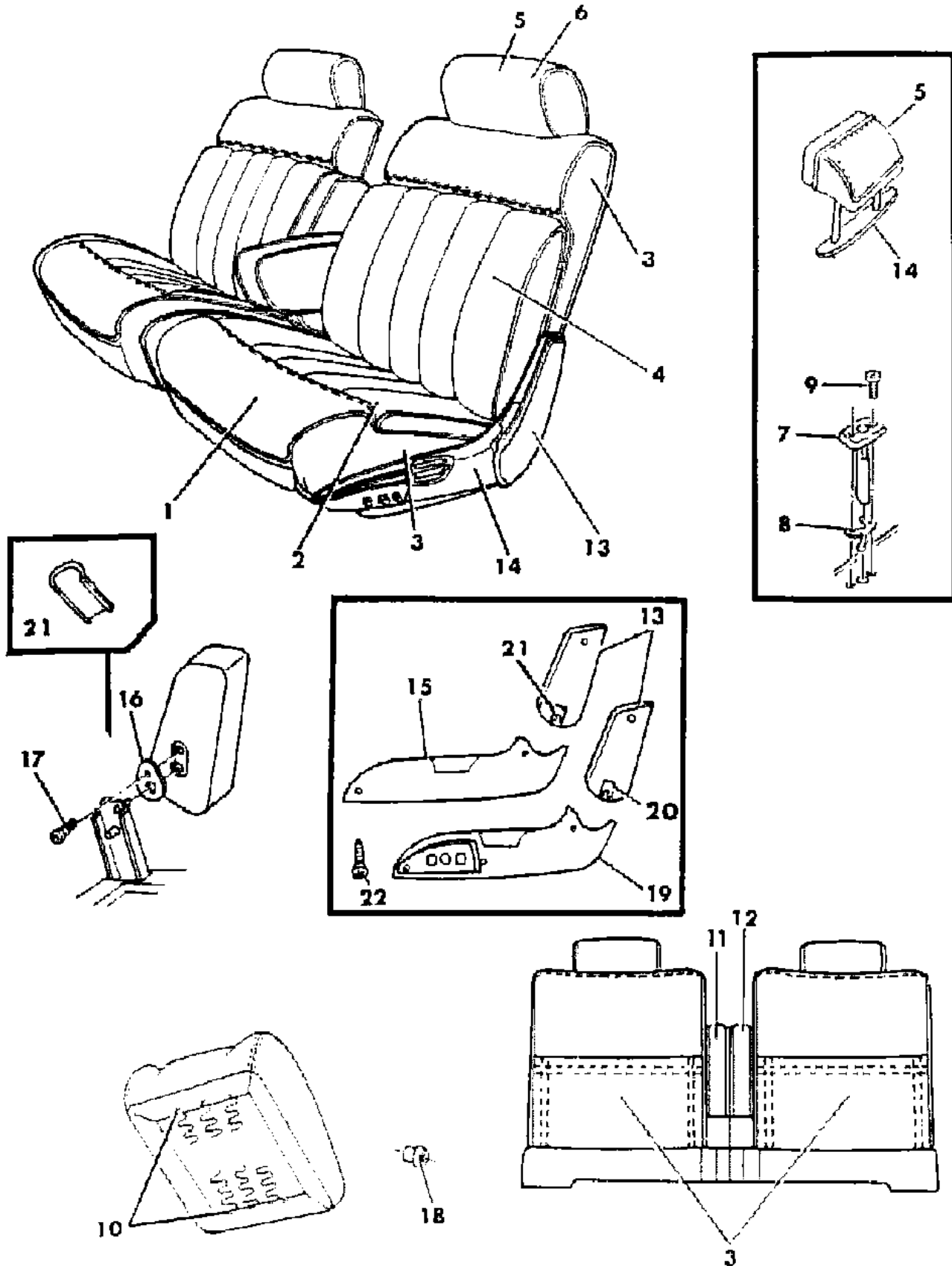
12-52 = FWD VAN & WAGON STD. W.B. 27 = 2-DOOR CONVERTIBLE
 13-53 = FWD VAN & WGN EXT W.B. 41 = 4-DOOR SEDAN
 21 = 2-DOOR SEDAN 44 = 4-DOOR HATCHBACK
 24 = 2-DOOR HATCHBACK 45 = 4-DOOR STATION WAGON

AR = Use as Required - = Non Illustrated Part P.A.R. = Paint as Required

SEAT--FRONT K BODY TRIM CODE JP

Figure ITK-2600

8234 2600 A



ITEM	PART NUMBER	QTY	BODY	MODEL	DESCRIPTION
	S996 FK1	1			Almond
14	4018 808	2			COVER, Headrest Finish
15					SHIELD, Cushion (P.A.R.) OUTER
	S764 GK1				Passenger Seat
	S765 GK1				Driver Seat
					INNER
	S765 GK1				Passenger Seat
	S764 GK1				Driver Seat
16					SPACER, Armrest to Stanchion (Use Up To 3-8-88) (Use After 3-8-88)
	4290 871	AR			
	4477 624	AR			
17	6032 567	AR			BOLT, Shoulder
18		1			BUSHING, Inner Pivot Pin Right Only (Not Serv.)
19	#4190 488				SHIELD, Electric (P.A.R.)
	S265 FK1	1			Almond
20	4317 800	AR			CLIP, Shield Attaching
21					COVER, Stanchion
	S526-7 EK1	1			Almond
	S526-7 ES8	1			Charcoal
22		AR			SCREW, (8-18x1.75) (Not Serv.)

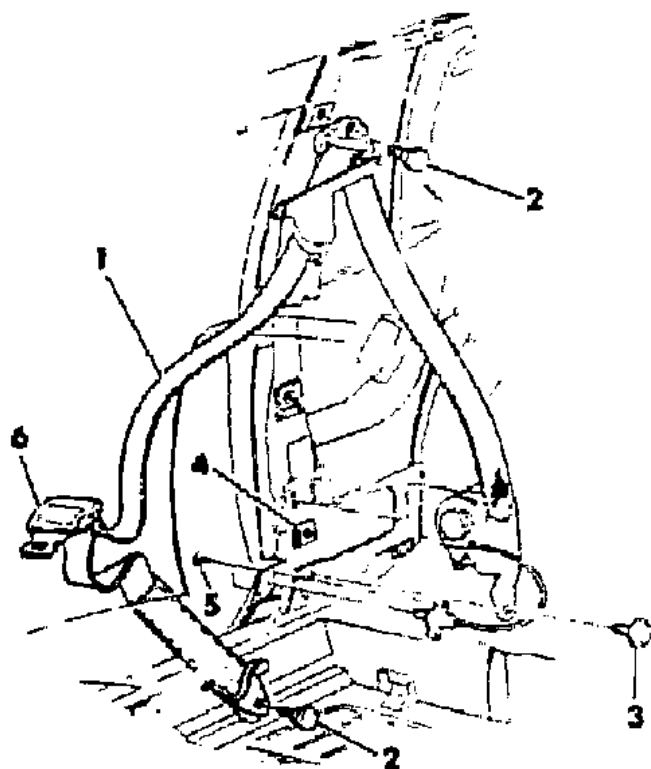
MODEL CODES
 C BODY = (D41 - DYNASTY)(C41 - NEW YORKER)
 E BODY = (J - CARAVELLE)(E - 600)(T - NEW YORKER TURBO)
 G BODY = (V24 - DAYTONA, PACIFICA & SHELBY)
 H BODY = (D44 - LANCER)(C44 - LEBARON GTS)
 J BODY = (C - LEBARON)
 K BODY = (P - RELIANT)(D - ARIES)(C - LEBARON/ TOWN & COUNTRY)
 L BODY = (M - HORIZON)(Z-OMNI)
 M BODY = (B - GRAN FURY)(G - DIPLOMAT)(F - FIFTH AVENUE/NEWPORT)
 P BODY = (P - SUNDANCE)(D - SHADOW)
 Q BODY = (C27 - MASERATI)
 S BODY = (H - VOYAGER)(K - RAM VAN/ CARAVAN)

BODY STYLES
 12-52 = FWD VAN & WAGON STD. W.B. 27 = 2-DOOR CONVERTIBLE
 13-53 = FWD VAN & WGN EXT W.B. 41 = 4-DOOR SEDAN
 21 = 2-DOOR SEDAN 44 = 4-DOOR HATCHBACK
 24 = 2-DOOR HATCHBACK 45 = 4-DOOR STATION WAGON

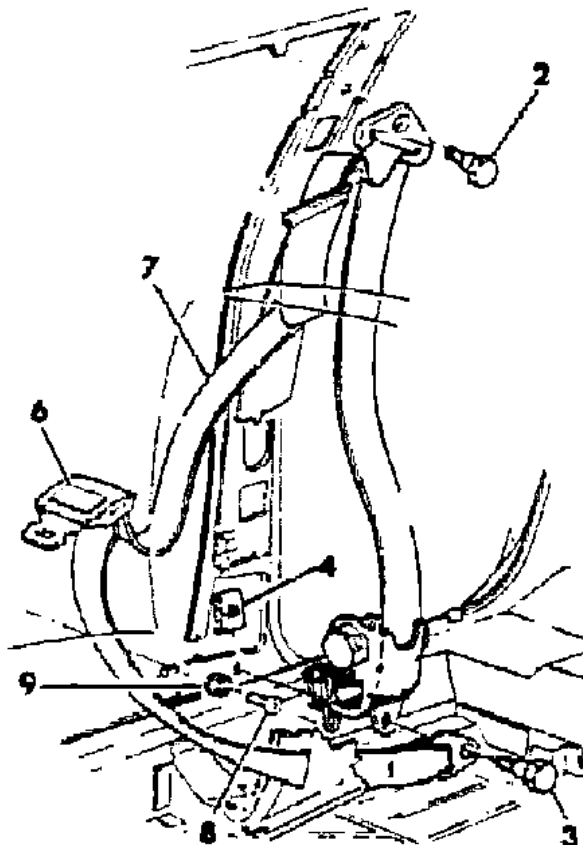
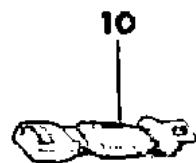
AR = Use as Required - = Non Illustrated Part P.A.R. = Paint as Required

BELT--FRONT LAP AND SHOULDER K BODY
Figure ITK-2700

8234 2700



ITEM	PART NUMBER	QTY	BODY	MODEL	DESCRIPTION
1					BELT, Front Seat Lap and Shoulder, Outer
					Label Number 4327112-3
	F746-7 DA3	1	21		Silver
	F746-7 FC5	1	21		Blue
	F746-7 EE8	1	21		Cordovan
	F746-7 EK1	1	21		Almond
	F746-7 DS8	1	21		Charcoal
2	6031 298	2			BOLT, Shoulder
3	6031 484	2			BOLT
4	6031 448	2			U-NUT
5		AR			SCREW, (10-16x3/4) (Not Serv.)
6	4316 773	2			SUPPORT, Cover
7					BELT, Front Seat Lap and Shoulder, Outer
					Label Number 4476964-5
	F882-3 FA3	1	41,45		Silver
	F882-3 FC5	1	41,45		Blue
	F882-3 FE8	1	41,45		Cordovan
	F882-3 FK1	1	41,45		Almond
	F882-3 FS8	1	41,45		Charcoal
8	4380 604	2			BUTTON, Tension Reliever
9	4380 606	2			RETAINER, Seat Belt Tension Reliever Button
10	4364 849				EXTENDER



MODEL CODES

C BODY = (D41 - DYNASTY)(C41 - NEW YORKER)	L BODY = (M - HORIZON)(Z-OMNI)
E BODY = (J - CARAVELLE)(E - 600)(T - NEW YORKER TURBO)	M BODY = (B - GRAN FURY)(G - DIPLOMAT)(F - FIFTH AVENUE/NEWPORT)
G BODY = (V24 - DAYTONA, PACIFICA & SHELBY)	P BODY = (P - SUNDANCE)(D - SHADOW)
H BODY = (D44 - LANCER)(C44 - LEBARON GTS)	Q BODY = (C27 - MASERATI)
J BODY = (C - LEBARON)	S BODY = (H - VOYAGER)(K - RAM VAN/ CARAVAN)
K BODY = (P - RELIANT)(D - ARIES)(C - LEBARON/ TOWN & COUNTRY)	

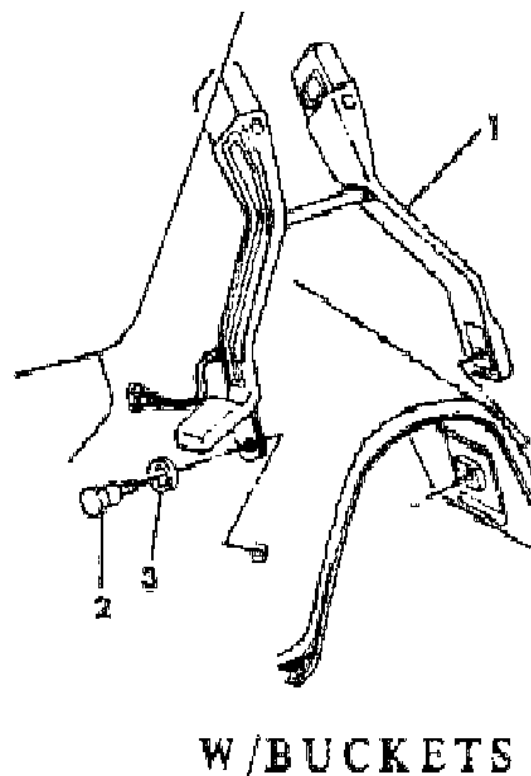
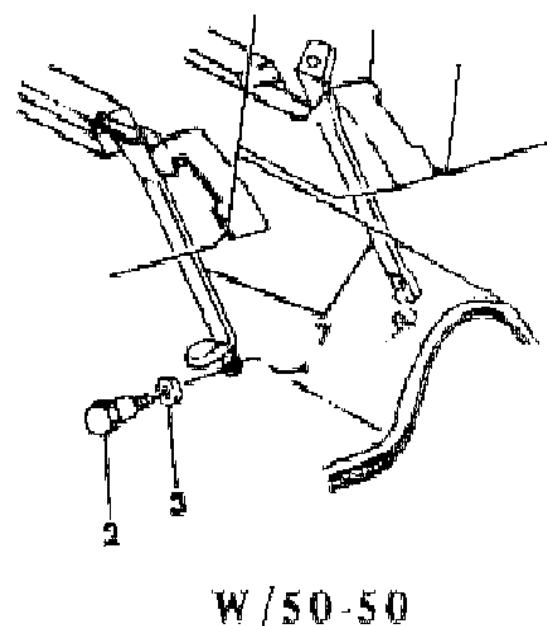
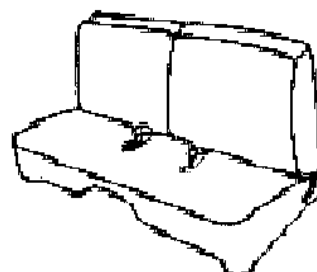
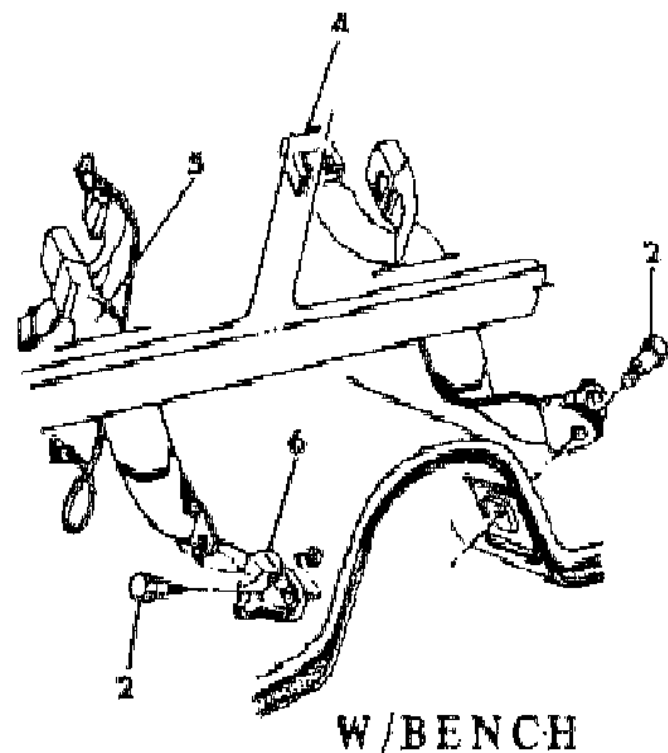
BODY STYLES

12-52 = FWD VAN & WAGON STD. W.B.	27 = 2-DOOR CONVERTIBLE
13-53 = FWD VAN & WGN EXT W.B.	41 = 4-DOOR SEDAN
21 = 2-DOOR SEDAN	44 = 4-DOOR HATCHBACK
24 = 2-DOOR HATCHBACK	45 = 4-DOOR STATION WAGON

AR = Use as Required - = Non Illustrated Part P.A.R. = Paint as Required

BELT--FRONT SEAT INBOARD K BODY
Figure ITK-2800

8234 2800



ITEM	PART NUMBER	QTY	BODY	MODEL	DESCRIPTION
1					BELT, Front Seat Lap, Inner
					Label Number 4316892
	F698 CA3	1			Silver
	F698 FC5	1			Blue
	F698 EE8	1			Cordovan
	F698 EK1	1			Almond
	F698 CS8	1			Charcoal
2	6031 298	AR			BOLT
3					WASHER, (Not Serv.)
4					BELT, Front Seat Lap Inboard, Right
					Label Number 4316750
	F706 BA3	1			Silver
	F706 FC5	1			Blue
	F706 EE8	1			Cordovan
	F706 EK1	1			Almond
	F706 CS8	1			Charcoal
5					BELT, Front Seat Lap Inboard, Left
					Label Number 4316751
	F707 BA3	1			Silver
	F707 FC5	1			Blue
	F707 EE8	1			Cordovan
	F707 EK1	1			Almond
	F707 CS8	1			Charcoal
6	F814 JX9	2			COVER, Anchor Bolt
7					BELT, Inner Buckle
					Label Number 4402332-3
	F644-5 FA3	1			Silver
	F644-5 FC5	1			Blue
	F644-5 FE8	1			Cordovan
	F644-5 FK1	1			Almond
	F644-5 FS8	1			Charcoal

MODEL CODES

C BODY = (D41 - DYNASTY)(C41 - NEW YORKER)	L BODY = (M - HORIZON)(Z-OMNI)
E BODY = (J - CARAVELLE)(E - 600)(T - NEW YORKER TURBO)	M BODY = (B - GRAN FURY)(G - DIPLOMAT)(F - FIFTH AVENUE/NEWPORT)
G BODY = (V24 - DAYTONA, PACIFICA & SHELBY)	P BODY = (P - SUNDANCE)(D - SHADOW)
H BODY = (D44 - LANCER)(C44 - LEBARON GTS)	Q BODY = (C27 - MASERATI)
J BODY = (C - LEBARON)	S BODY = (H - VOYAGER)(K - RAM VAN/ CARAVAN)
K BODY = (P - RELIANT)(D - ARIES)(C - LEBARON/ TOWN & COUNTRY)	

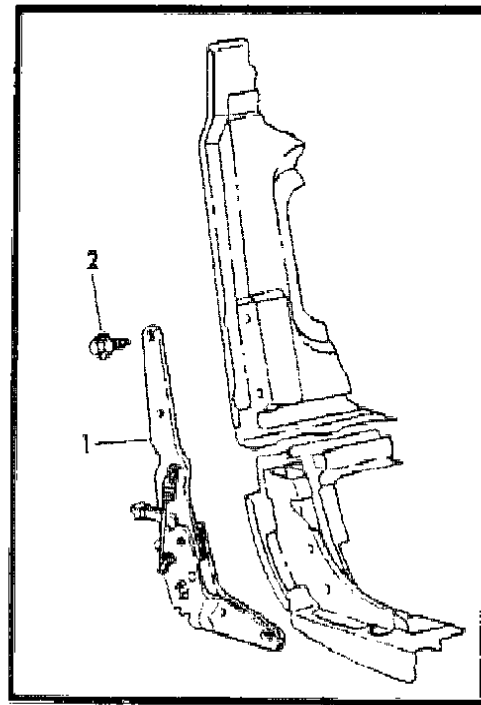
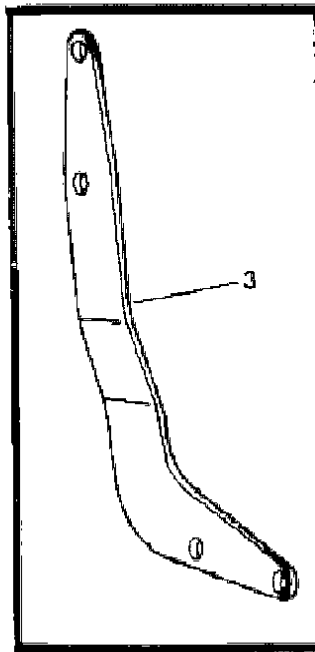
BODY STYLES

12-52 = FWD VAN & WAGON STD. W.B.	27 = 2-DOOR CONVERTIBLE
13-53 = FWD VAN & WGN EXT W.B.	41 = 4-DOOR SEDAN
21 = 2-DOOR SEDAN	44 = 4-DOOR HATCHBACK
24 = 2-DOOR HATCHBACK	45 = 4-DOOR STATION WAGON

AR = Use as Required - = Non Illustrated Part P.A.R. = Paint as Required

RELEASE--FRONT BENCH SEAT K BODY
Figure ITK-2900

8234 2900



ITEM	PART NUMBER	QTY	BODY	MODEL	DESCRIPTION
1	4190 664-5	1		21	LATCH, Front Seat Inertia, w/Bench and w/Split Back Bench
2	6100 576	AR		21	SCREW, Back to Cushion Attaching
3	4345 368-9	1			ARM, Seat Back to Cushion

MODEL CODES

C BODY = (D41 - DYNASTY)(C41 - NEW YORKER)
 E BODY = (J - CARAVELLE)(E - 600)(T - NEW YORKER TURBO)
 G BODY = (V24 - DAYTONA, PACIFICA & SHELBY)
 H BODY = (D44 - LANCER)(C44 - LEBARON GTS)
 J BODY = (C - LEBARON)
 K BODY = (P - RELIANT)(D - ARIES)(C - LEBARON/ TOWN & COUNTRY)

L BODY = (M - HORIZON)(Z-OMNI)
 M BODY = (B - GRAN FURY)(G - DIPLOMAT)(F - FIFTH AVENUE/NEWPORT)
 P BODY = (P - SUNDANCE)(D - SHADOW)
 Q BODY = (C27 - MASERATI)
 S BODY = (H - VOYAGER)(K - RAM VAN/ CARAVAN)

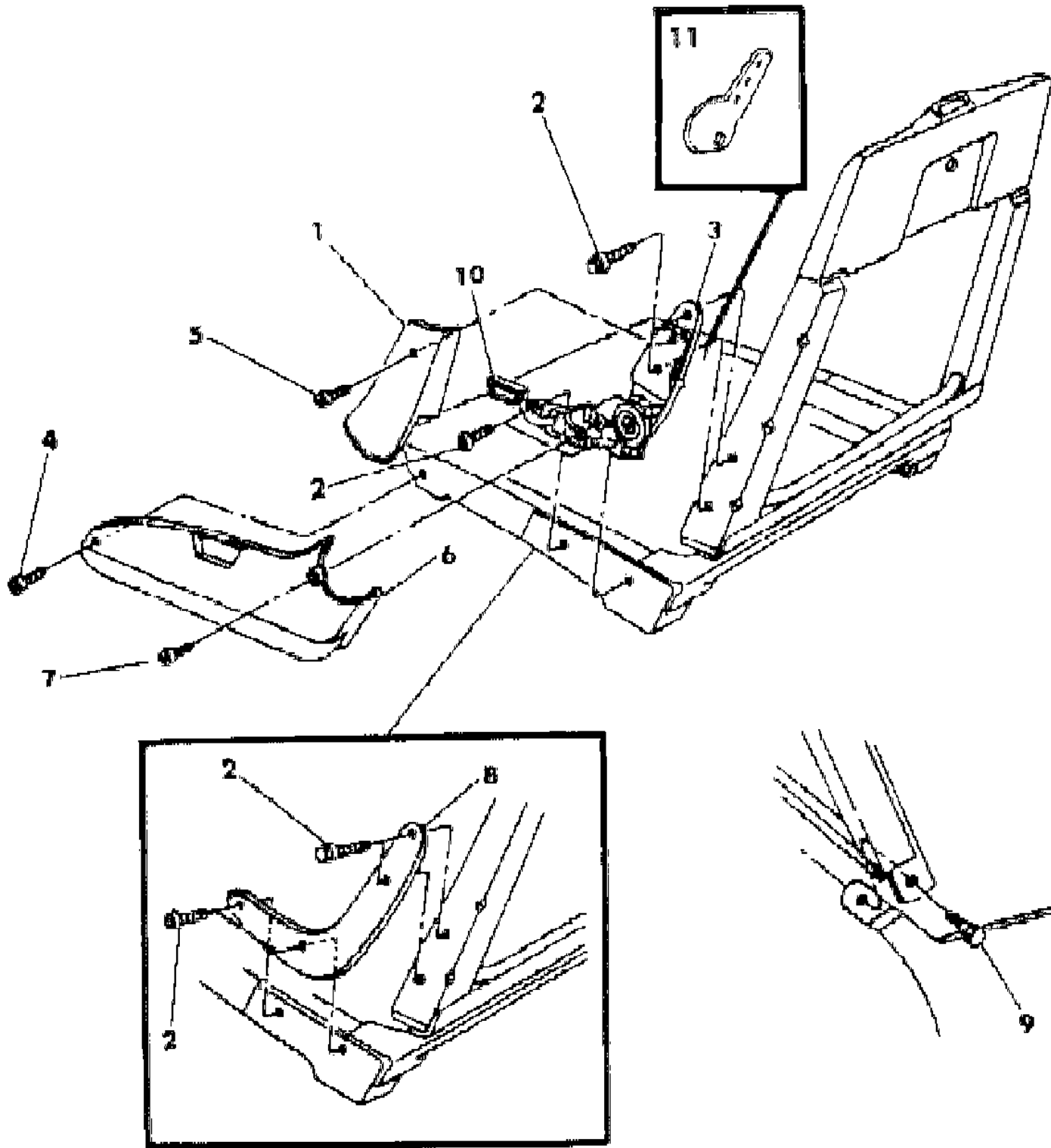
BODY STYLES

12-52 = FWD VAN & WAGON STD. W.B. 27 = 2-DOOR CONVERTIBLE
 13-53 = FWD VAN & WGN EXT W.B. 41 = 4-DOOR SEDAN
 21 = 2-DOOR SEDAN 44 = 4-DOOR HATCHBACK
 24 = 2-DOOR HATCHBACK 45 = 4-DOOR STATION WAGON

AR = Use as Required - = Non Illustrated Part P.A.R. = Paint as Required

RECLINING BUCKET AND 50/50 SEAT K BODY
Figure ITK-3000

8234 3000



ITEM	PART NUMBER	QTY	BODY	MODEL	DESCRIPTION
1	S604-5 GC5	1		21	SHIELD, Back (P.A.R.)
	S996-7 FK1	1		41-45	w/Release Button
2	6501 221	AR			SCREW
3					RECLINER, (P.A.R.)
	4402 188	1		21	Passenger Seat
	4402 189	1		21	Driver Seat
	4380 148	1		41-45	Passenger Seat
	4380 149	1		41-45	Driver Seat
4					SCREW, (8-18x1.00) (Not Serv.)
5		AR			SCREW, (8-18x1.75) (Not Serv.)
6	S764-5 GK1				SHIELD, Cushion (P.A.R.)
7	6032 456	AR			SCREW
8	4327 508	2			ARM, Cushion to Back (Non Reclining)
9	6501 346	2			BOLT, (10x1.5x39)
10	S936-7 FA3	1			LEVER, Recliner Release (P.A.R.)
11	4327 671	2			PROTECTOR, Seat Trim

NOTE: (P.A.R.) = Paint As Required

MODEL CODES

C BODY = (D41 - DYNASTY)(C41 - NEW YORKER)	L BODY = (M - HORIZON)(Z-OMNI)
E BODY = (J - CARAVELLE)(E - 600)(T - NEW YORKER TURBO)	M BODY = (B - GRAN FURY)(G - DIPLOMAT)(F - FIFTH AVENUE/NEWPORT)
G BODY = (V24 - DAYTONA, PACIFICA & SHELBY)	P BODY = (P - SUNDANCE)(D - SHADOW)
H BODY = (D44 - LANCER)(C44 - LEBARON GTS)	Q BODY = (C27 - MASERATI)
J BODY = (C - LEBARON)	S BODY = (H - VOYAGER)(K - RAM VAN/ CARAVAN)
K BODY = (P - RELIANT)(D - ARIES)(C - LEBARON/ TOWN & COUNTRY)	

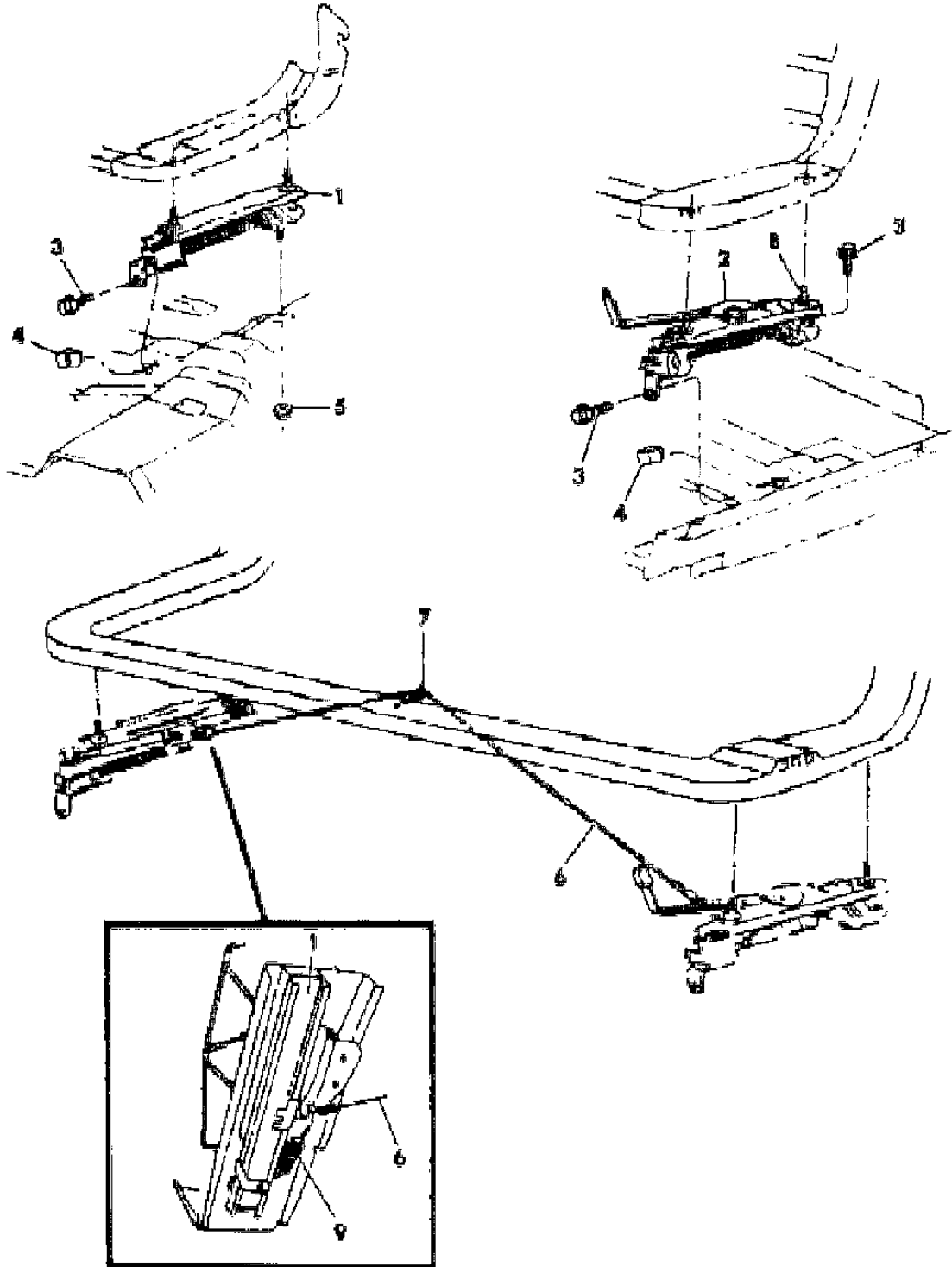
BODY STYLES

12-52 = FWD VAN & WAGON STD. W.B.	27 = 2-DOOR CONVERTIBLE
13-53 = FWD VAN & WGN EXT W.B.	41 = 4-DOOR SEDAN
21 = 2-DOOR SEDAN	44 = 4-DOOR HATCHBACK
24 = 2-DOOR HATCHBACK	45 = 4-DOOR STATION WAGON

AR = Use as Required - = Non Illustrated Part P.A.R. = Paint as Required

ADJUSTER--MANUAL K BODY
Figure ITK-3100

8234 3100



ITEM	PART NUMBER	QTY	BODY	MODEL	DESCRIPTION
1					ADJUSTER, Inner
	4327 174-5	1			Bucket and 50/50 Seat
2					ADJUSTER, Outer
	4327 172-3	1			Bucket and 50/50 Seat
	4327 178-9	1			w/Bench Seat
3					SCREW and WASHER,(m8-1.25x30) (Not Serv.)
4	6101 283	AR			U-NUT
5		AR			NUT and WASHER, (Not Serv.)
6					WIRE, Release Lever Connector
	4239 933	1			w/Bench Seat
	4239 942	1			w/Bucket Seat
7	4380 094	1			HOOK, Guide Wire
8					SCREW and WASHER, (Serv. in Item 1 & 2)
9					SPRING
	4402 216	1			Latch Assist, W/Bucket & Bench
	4316 006	1			Lever Assist, (15 Coils) w/Bucket and 50/50
	4316 008	1			Lever Assist, (15 Coils) w/Bench
	4316 009	1			Adjustor Assist, (29 Coils) w/Bench

MODEL CODES

C BODY = (D41 - DYNASTY)(C41 - NEW YORKER)
 E BODY = (J - CARAVELLE)(E - 600)(T - NEW YORKER TURBO)
 G BODY = (V24 - DAYTONA, PACIFICA & SHELBY)
 H BODY = (D44 - LANCER)(C44 - LEBARON GTS)
 J BODY = (C - LEBARON)
 K BODY = (P - RELIANT)(D - ARIES)(C - LEBARON/ TOWN & COUNTRY)

L BODY = (M - HORIZON)(Z-OMNI)
 M BODY = (B - GRAN FURY)(G - DIPLOMAT)(F - FIFTH AVENUE/NEWPORT)
 P BODY = (P - SUNDANCE)(D - SHADOW)
 Q BODY = (C27 - MASERATI)
 S BODY = (H - VOYAGER)(K - RAM VAN/ CARAVAN)

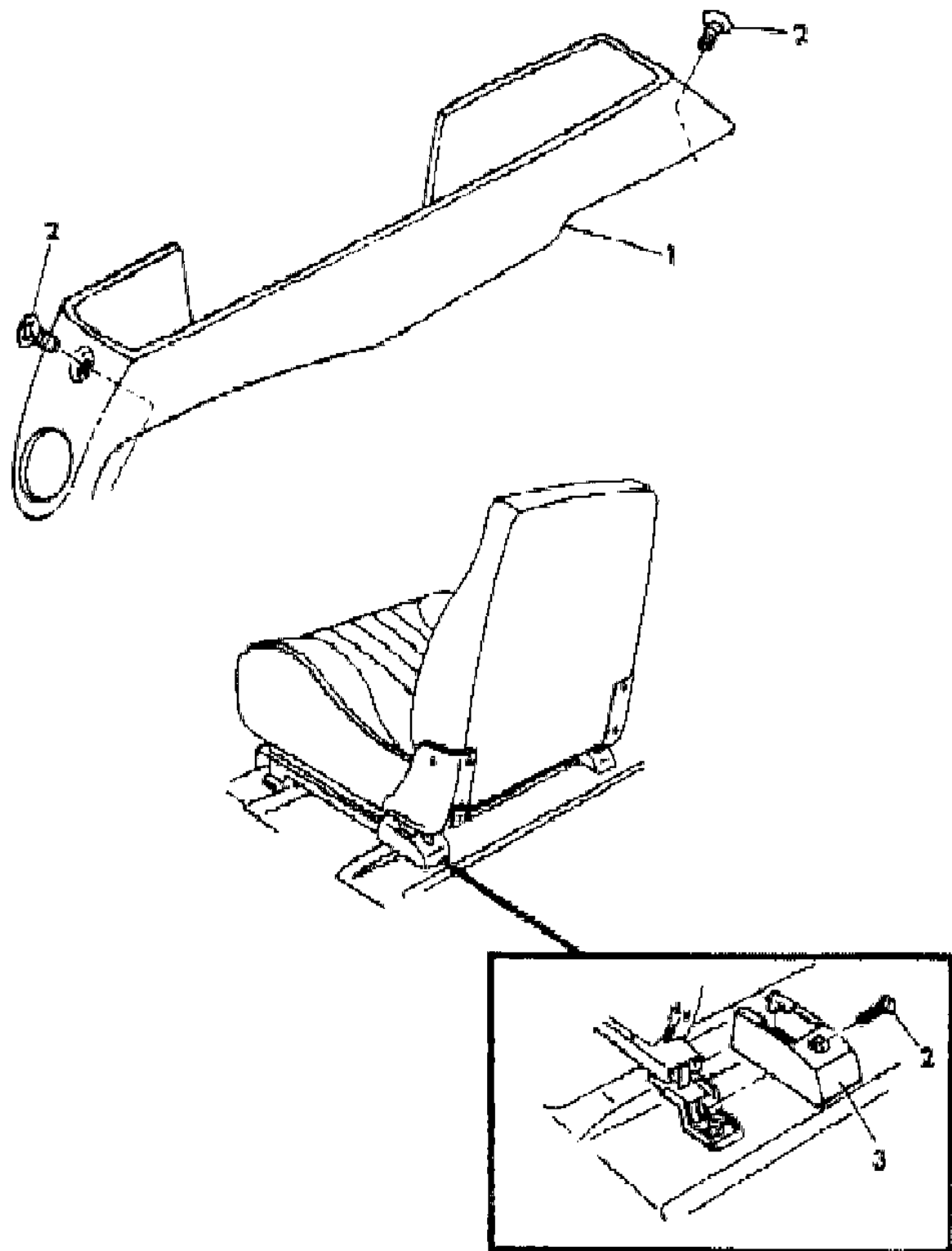
BODY STYLES

12-52 = FWD VAN & WAGON STD. W.B. 27 = 2-DOOR CONVERTIBLE
 13-53 = FWD VAN & WGN EXT W.B. 41 = 4-DOOR SEDAN
 21 = 2-DOOR SEDAN 44 = 4-DOOR HATCHBACK
 24 = 2-DOOR HATCHBACK 45 = 4-DOOR STATION WAGON

AR = Use as Required - = Non Illustrated Part P.A.R. = Paint as Required

COVERS--MANUAL SEAT ADJUSTERS K BODY
Figure ITK-3200

8234 3200



ITEM	PART NUMBER	QTY	BODY	MODEL	DESCRIPTION
1					COVER, Bench and Bucket, Outer
	S952-3 FC5	1			Blue
	S952-3 EE8	1			Cordovan
	S952-3 EK1	1			Almond
	S952-3 CS8	1			Charcoal
2					SCREW, (8-18x3/4) (Not Serv.)
3					COVER, Inboard Rear, w/Buckets
	S902 FC5	2			Blue
	S902 EE8	2			Cordovan
	S902 EK1	2			Almond
	S902 CS8	2			Charcoal

MODEL CODES

C BODY = (D41 - DYNASTY)(C41 - NEW YORKER)	L BODY = (M - HORIZON)(Z-OMNI)
E BODY = (J - CARAVELLE)(E - 600)(T - NEW YORKER TURBO)	M BODY = (B - GRAN FURY)(G - DIPLOMAT)(F - FIFTH AVENUE/NEWPORT)
G BODY = (V24 - DAYTONA, PACIFICA & SHELBY)	P BODY = (P - SUNDANCE)(D - SHADOW)
H BODY = (D44 - LANCER)(C44 - LEBARON GTS)	Q BODY = (C27 - MASERATI)
J BODY = (C - LEBARON)	S BODY = (H - VOYAGER)(K - RAM VAN/ CARAVAN)
K BODY = (P - RELIANT)(D - ARIES)(C - LEBARON/ TOWN & COUNTRY)	

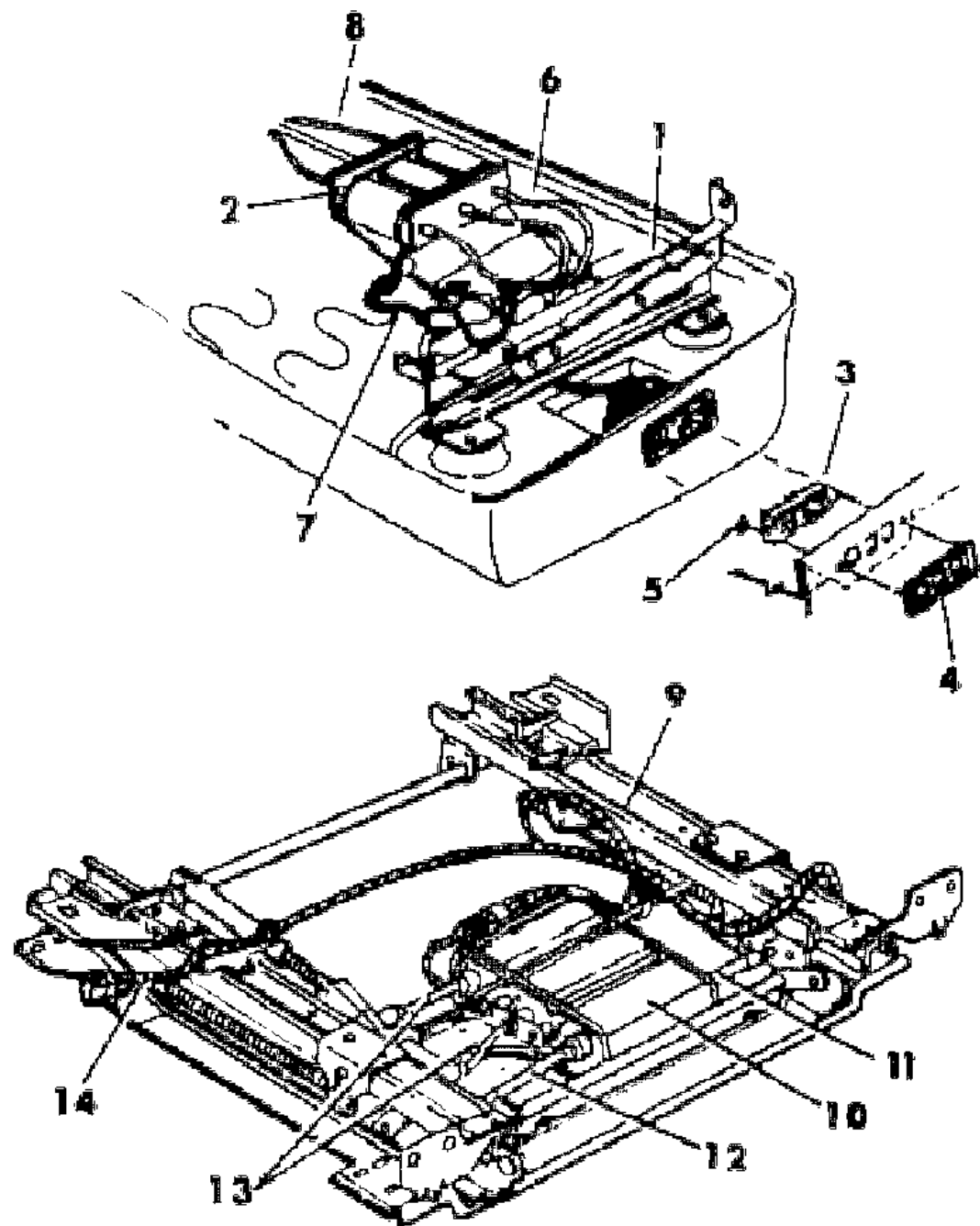
BODY STYLES

12-52 = FWD VAN & WAGON STD. W.B.	27 = 2-DOOR CONVERTIBLE
13-53 = FWD VAN & WGN EXT W.B.	41 = 4-DOOR SEDAN
21 = 2-DOOR SEDAN	44 = 4-DOOR HATCHBACK
24 = 2-DOOR HATCHBACK	45 = 4-DOOR STATION WAGON

AR = Use as Required - = Non Illustrated Part P.A.R. = Paint as Required

ADJUSTER--ELECTRIC K BODY
Figure ITK-3300

8234 3300



ITEM	PART NUMBER	QTY	BODY	MODEL	DESCRIPTION
NOTE: The Following Parts Are For Replacement Only.					
1	4327 182-3	1			ADJUSTER, Bench Seat
2	4327 045	1			MOTOR, w/Bench Seat
3	#3747 740				SWITCH, w/Bench and Split Bench Seat
	3747 924	1			w/Bucket Seats
4	3746 967	1			BEZEL, Switch w/Bench Seat
5	6025 002	AR			NUT and CONE WASHER
6					CABLE
	4376 631	3			w/Bench (12.19") (Cable and Housing)
7	4304 162	1			WIRING, Seat Adjuster
8	4376 630	1			CABLE and HOUSING, w/Bench (31.86")
	4376 632				(35.63")
9	4402 532	1			ADJUSTER, Less Motor
10	4402 323	1			MOTOR, w/Tube Assembly
11	4327 280	1			CABLE, Inner (2.68")
12	4327 281	1			CABLE, Outer (5.68")
13	4327 282	2			SHAFT, Flexible (4.005")
14	4304 956	1			WIRING

NOTE: Items #1 Thru 14 Are For Replacement Only

MODEL CODES

C BODY = (D41 - DYNASTY)(C41 - NEW YORKER)	L BODY = (M - HORIZON)(Z-OMNI)
E BODY = (J - CARAVELLE)(E - 600)(T - NEW YORKER TURBO)	M BODY = (B - GRAN FURY)(G - DIPLOMAT)(F - FIFTH AVENUE/NEWPORT)
G BODY = (V24 - DAYTONA, PACIFICA & SHELBY)	P BODY = (P - SUNDANCE)(D - SHADOW)
H BODY = (D44 - LANCER)(C44 - LEBARON GTS)	Q BODY = (C27 - MASERATI)
J BODY = (C - LEBARON)	S BODY = (H - VOYAGER)(K - RAM VAN/ CARAVAN)
K BODY = (P - RELIANT)(D - ARIES)(C - LEBARON/ TOWN & COUNTRY)	

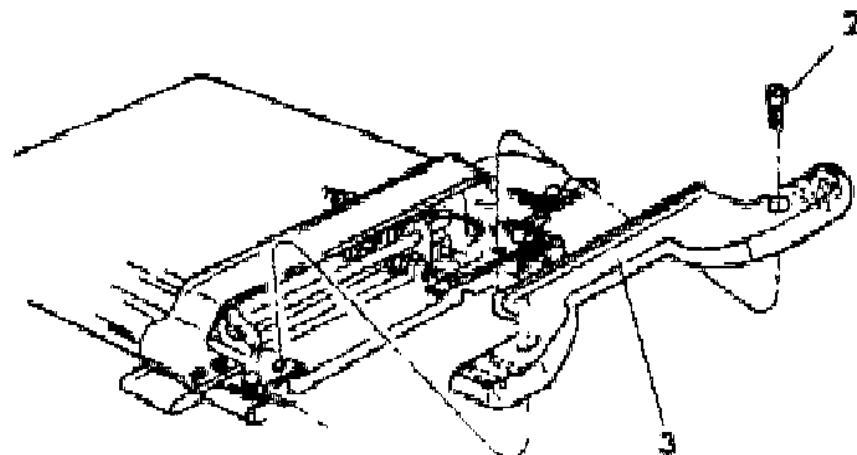
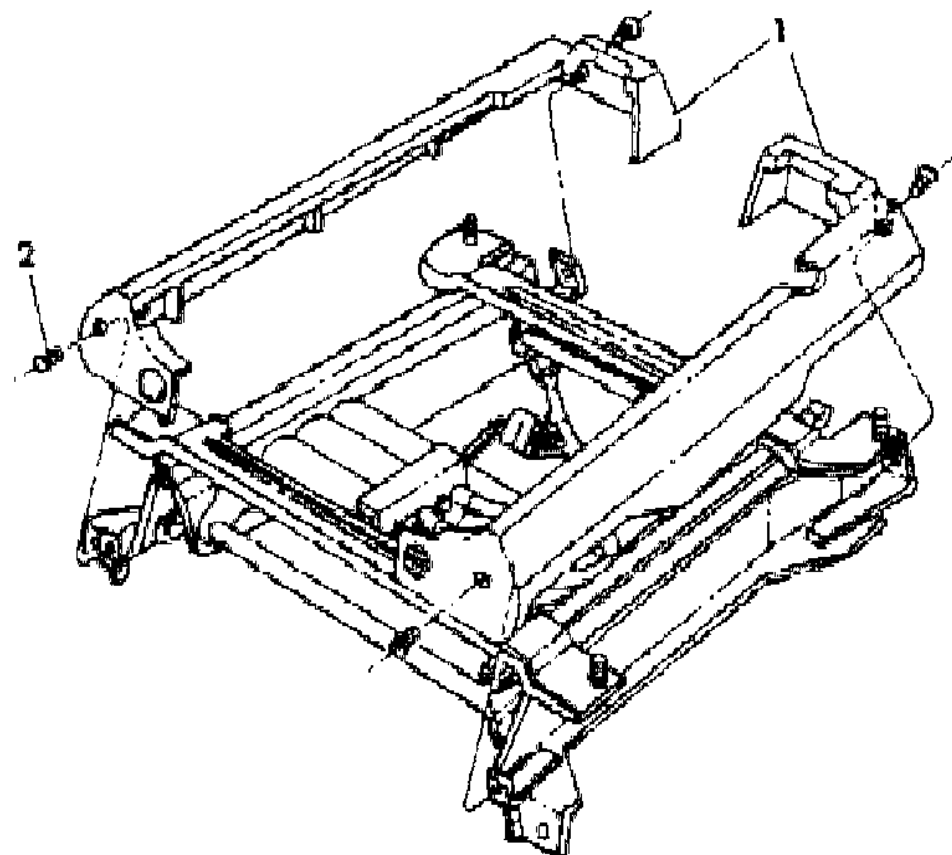
BODY STYLES

12-52 = FWD VAN & WAGON STD. W.B.	27 = 2-DOOR CONVERTIBLE
13-53 = FWD VAN & WGN EXT W.B.	41 = 4-DOOR SEDAN
21 = 2-DOOR SEDAN	44 = 4-DOOR HATCHBACK
24 = 2-DOOR HATCHBACK	45 = 4-DOOR STATION WAGON

AR = Use as Required - = Non Illustrated Part P.A.R. = Paint as Required

COVERS--ELECTRIC SEAT ADJUSTER K BODY
Figure ITK-3400

8234 3400



ITEM	PART NUMBER	QTY	BODY	MODEL	DESCRIPTION
1					COVER, w/Bench Seat
	S606-7 FC5	1			Blue
	S606-7 EE8	1			Cordovan
	S606-7 EK1	1			Almond
	S606-7 CS8	1			Charcoal
					w/Buckets and 50/50 Seat Inner Left
	S674 FC5	1			Blue
	S674 EE8	1			Cordovan
	S674 EK1	1			Almond
	S674 CS8	1			Charcoal
					w/Buckets and 50/50 Seat Outer
	S675 FC5	1			Blue
	S675 EE8	1			Cordovan
	S675 EK1	1			Almond
	S675 CS8	1			Charcoal
2					SCREW, (8-18x3/4) (Not Serv.)
3					COVER, Electric Adjusters, Rear w/Bucket
	S660 FC5	1			Blue
	S660 EE8	1			Cordovan
	S660 EK1	1			Almond
	S660 CS8	1			Charcoal

MODEL CODES

C BODY = (D41 - DYNASTY)(C41 - NEW YORKER)	L BODY = (M - HORIZON)(Z-OMNI)
E BODY = (J - CARAVELLE)(E - 600)(T - NEW YORKER TURBO)	M BODY = (B - GRAN FURY)(G - DIPLOMAT)(F - FIFTH AVENUE/NEWPORT)
G BODY = (V24 - DAYTONA, PACIFICA & SHELBY)	P BODY = (P - SUNDANCE)(D - SHADOW)
H BODY = (D44 - LANCER)(C44 - LEBARON GTS)	Q BODY = (C27 - MASERATI)
J BODY = (C - LEBARON)	S BODY = (H - VOYAGER)(K - RAM VAN/ CARAVAN)
K BODY = (P - RELIANT)(D - ARIES)(C - LEBARON/ TOWN & COUNTRY)	

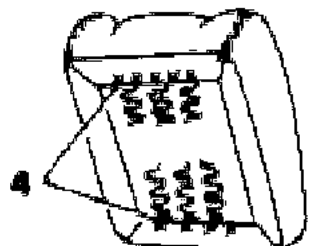
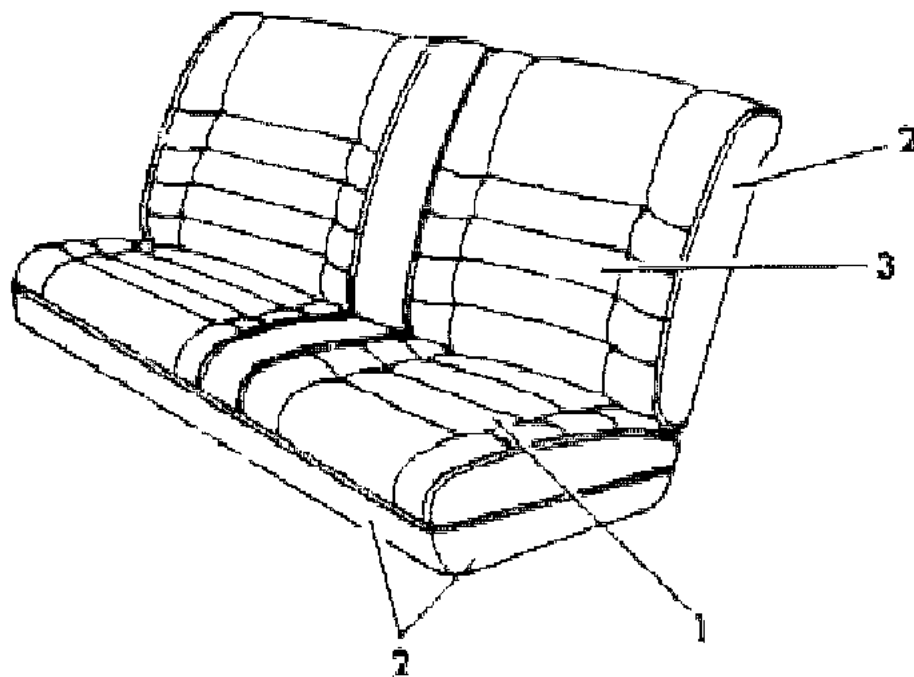
BODY STYLES

12-52 = FWD VAN & WAGON STD. W.B.	27 = 2-DOOR CONVERTIBLE
13-53 = FWD VAN & WGN EXT W.B.	41 = 4-DOOR SEDAN
21 = 2-DOOR SEDAN	44 = 4-DOOR HATCHBACK
24 = 2-DOOR HATCHBACK	45 = 4-DOOR STATION WAGON

AR = Use as Required - = Non Illustrated Part P.A.R. = Paint as Required

SEAT--REAR K BODY TRIM CODES M3,M5
Figure ITK-3500

8234 3500



ITEM	PART NUMBER	QTY	BODY	MODEL	DESCRIPTION
1-2					CUSHION, w/Spring/Frame, Pad and Cover
					CLOTH
	C796 F5C	1	41		Blue, (M3C, M5C)
	C796 E5E	1	41		Cordovan, (M3E, M5S)
	C796 E5K	1	41		Almond, (M3K, M5K)
	C796 D5S	1	41		Charcoal, (M3S, M5S)
	C798 E5E	1	45		Cordovan, (M3E, M5E)
	C798 E5K	1	45		Almond, (M3K, M5K)
	C798 E5S	1	45		Charcoal, (M3S, M5S)
1					COVER, Cushion
	C519 F5C	1	41		Blue, (M3C, M5C)
	C519 E5E	1	41		Cordovan, (M3E, M5E)
	C519 E5K	1	41		Almond, (M3K,M5K)
	C519 D5S	1	41		Charcoal, (M3S, M5S)
	C521 E5E	1	45		Cordovan, (M3E, M5E)
	C521 E5K	1	45		Almond, (M3K, M5K)
	C521 E5S	1	45		Charcoal, (M3S, M5S)
2					ROLL STOCK, Cloth 59" Wide, Order By The Inch
	R026 EC5	AR			Blue
	R026 EE8	AR			Cordovan
	R026 EK1	1			Almond
	R026 DS8	1			Charcoal
3-4					BACK, w/Spring/Frame, Pad and Cover
					CLOTH
	C797 F5C	1	41		Blue, (M3C, M5C)
	C797 E5E	1	41		Cordovan, (M3E, M5E)
	C797 E5K	1	41		Almond, (M3K, M5K)
	C797 D5S	1	41		Charcoal, (M3S, M5S)
	C799 E5E	1	45		Cordovan, M3E, M5E)
	C799 E5K	1	45		Almond, (M3K, M5K)
	C799 E5S	1	45		Charcoal, (M3S, M5S)
3					COVER, Back
					CLOTH
	C520 F5C	1	41		Blue, (M3C, M5C)
	C520 E5E	1	41		Cordovan, M3E, M5E)
	C520 E5K	1	41		Almond, (M3K, M5K)
	C520 D5S	1	41		Charcoal, (M3S, M5S)

MODEL CODES

C BODY = (D41 - DYNASTY)(C41 - NEW YORKER)
 E BODY = (J - CARAVELLE)(E - 600)(T - NEW YORKER TURBO)
 G BODY = (V24 - DAYTONA, PACIFICA & SHELBY)
 H BODY = (D44 - LANCER)(C44 - LEBARON GTS)
 J BODY = (C - LEBARON)
 K BODY = (P - RELIANT)(D - ARIES)(C - LEBARON/ TOWN & COUNTRY)
 L BODY = (M - HORIZON)(Z-OMNI)
 M BODY = (B - GRAN FURY)(G - DIPLOMAT)(F - FIFTH AVENUE/NEWPORT)
 P BODY = (P - SUNDANCE)(D - SHADOW)
 Q BODY = (C27 - MASERATI)
 S BODY = (H - VOYAGER)(K - RAM VAN/ CARAVAN)

BODY STYLES

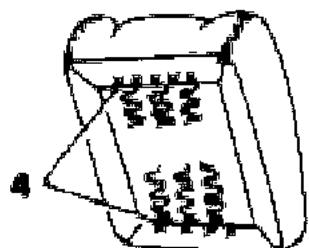
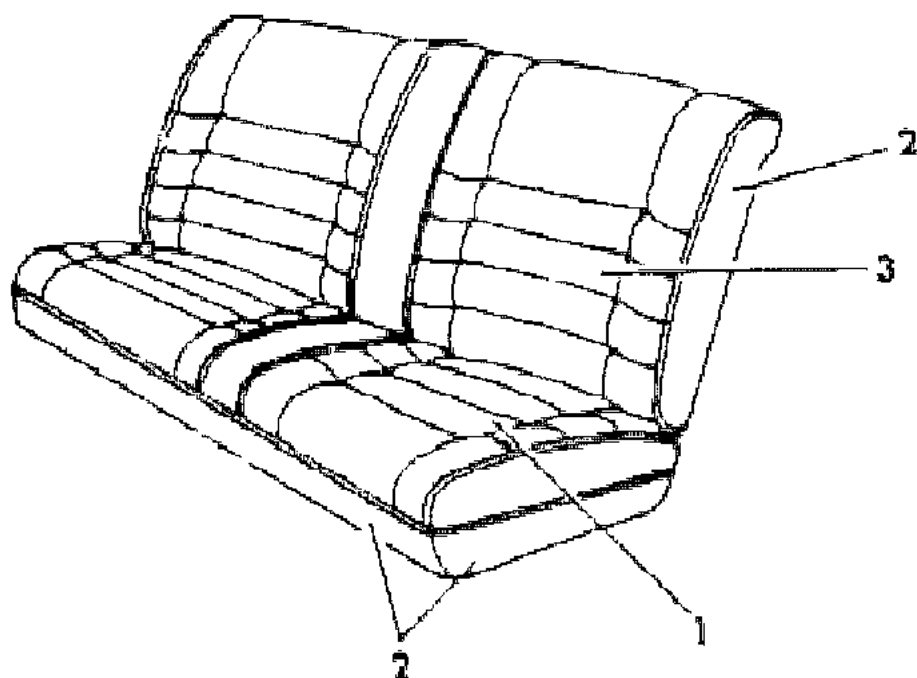
12-52 = FWD VAN & WAGON STD. W.B. 27 = 2-DOOR CONVERTIBLE
 13-53 = FWD VAN & WGN EXT W.B. 41 = 4-DOOR SEDAN
 21 = 2-DOOR SEDAN 44 = 4-DOOR HATCHBACK
 24 = 2-DOOR HATCHBACK 45 = 4-DOOR STATION WAGON

AR = Use as Required - = Non Illustrated Part P.A.R. = Paint as Required

SEAT--REAR K BODY TRIM CODES M3,M5
Figure ITK-3500

8234 3500

ITEM	PART NUMBER	QTY	BODY	MODEL	DESCRIPTION
	C522 E5E	1		45	Cordovan, (M3E, M5E)
	C522 E5K	1		45	Almond, (M3K, M5K)
	C522 E5S	1		45	Charcoal, (M3S, M5S)
4	6008 076	AR			HOG RING



MODEL CODES

C BODY = (D41 - DYNASTY)(C41 - NEW YORKER)
 E BODY = (J - CARAVELLE)(E - 600)(T - NEW YORKER TURBO)
 G BODY = (V24 - DAYTONA, PACIFICA & SHELBY)
 H BODY = (D44 - LANCER)(C44 - LEBARON GTS)
 J BODY = (C - LEBARON)
 K BODY = (P - RELIANT)(D - ARIES)(C - LEBARON/ TOWN & COUNTRY)

L BODY = (M - HORIZON)(Z-OMNI)
 M BODY = (B - GRAN FURY)(G - DIPLOMAT)(F - FIFTH AVENUE/NEWPORT)
 P BODY = (P - SUNDANCE)(D - SHADOW)
 Q BODY = (C27 - MASERATI)
 S BODY = (H - VOYAGER)(K - RAM VAN/ CARAVAN)

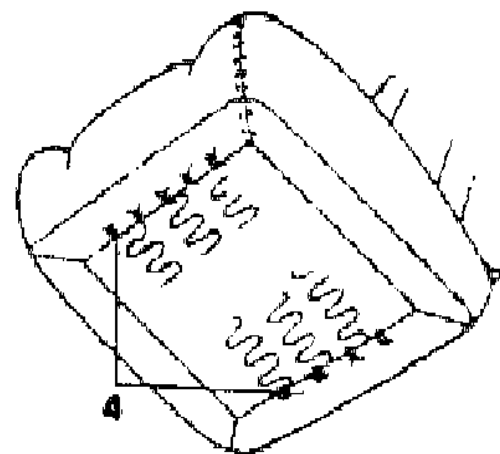
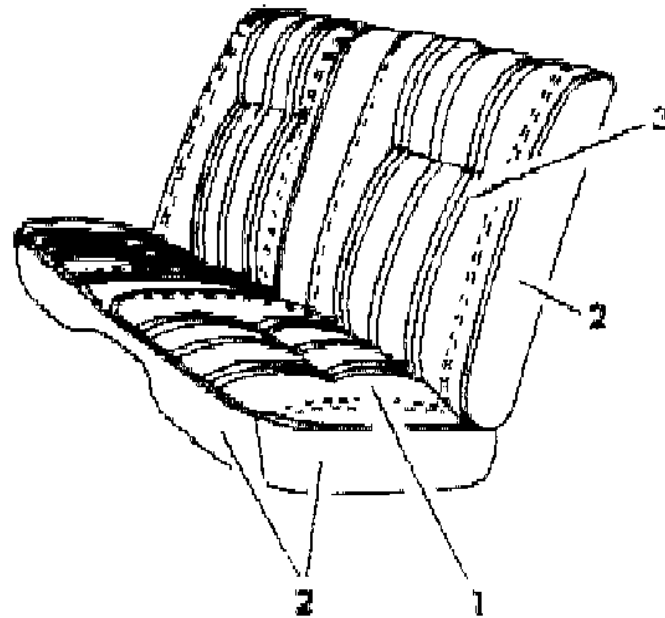
BODY STYLES

12-52 = FWD VAN & WAGON STD. W.B. 27 = 2-DOOR CONVERTIBLE
 13-53 = FWD VAN & WGN EXT W.B. 41 = 4-DOOR SEDAN
 21 = 2-DOOR SEDAN 44 = 4-DOOR HATCHBACK
 24 = 2-DOOR HATCHBACK 45 = 4-DOOR STATION WAGON

AR = Use as Required - = Non Illustrated Part P.A.R. = Paint as Required

SEAT--REAR K BODY 45 TRIM CODES V8
Figure ITK-3600

8234 3600



ITEM	PART NUMBER	QTY	BODY	MODEL	DESCRIPTION
1-2					CUSHION, w/Spring, Frame, Pad and Cover
	B905 E8E	1			VINYL Cordovan
	B905 E8K	1			Almond
1					COVER, Cushion
	C468 E8E	1			VINYL Cordovan
	C468 E8K	1			Almond
2					ROLL STOCK, Vinyl, 54" Wide, Order By The Inch
	R600 EE8	AR			Cordovan
	R600 EK1	1			Almond
2-3					BACK, w/Spring, Frame, Pad and Cover
	C766 E8E	1			VINYL Cordovan
	C766 E8K	1			Almond
3					COVER, Back
	C383 E8E	1			VINYL Cordovan
	C383 E8K	1			Almond
4	6008 076	AR			HOG RING

MODEL CODES

C BODY = (D41 - DYNASTY)(C41 - NEW YORKER)
 E BODY = (J - CARAVELLE)(E - 600)(T - NEW YORKER TURBO)
 G BODY = (V24 - DAYTONA, PACIFICA & SHELBY)
 H BODY = (D44 - LANCER)(C44 - LEBARON GTS)
 J BODY = (C - LEBARON)
 K BODY = (P - RELIANT)(D - ARIES)(C - LEBARON/ TOWN & COUNTRY)

L BODY = (M - HORIZON)(Z-OMNI)
 M BODY = (B - GRAN FURY)(G - DIPLOMAT)(F - FIFTH AVENUE/NEWPORT)
 P BODY = (P - SUNDANCE)(D - SHADOW)
 Q BODY = (C27 - MASERATI)
 S BODY = (H - VOYAGER)(K - RAM VAN/ CARAVAN)

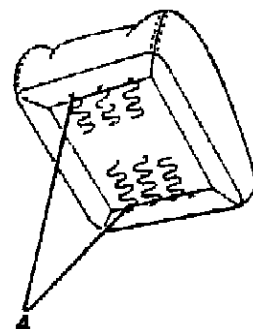
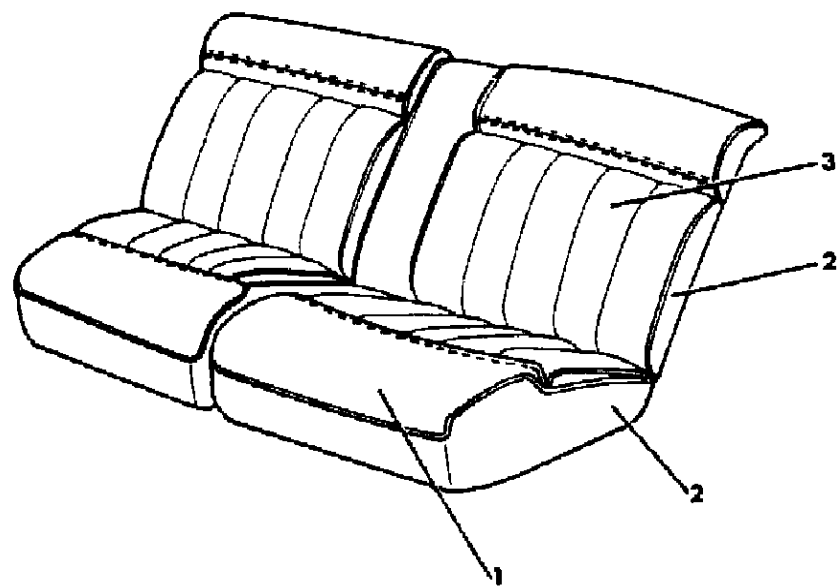
BODY STYLES

12-52 = FWD VAN & WAGON STD. W.B. 27 = 2-DOOR CONVERTIBLE
 13-53 = FWD VAN & WGN EXT W.B. 41 = 4-DOOR SEDAN
 21 = 2-DOOR SEDAN 44 = 4-DOOR HATCHBACK
 24 = 2-DOOR HATCHBACK 45 = 4-DOOR STATION WAGON

AR = Use as Required - = Non Illustrated Part P.A.R. = Paint as Required

SEAT--REAR K BODY TRIM CODE JP
Figure ITK-3700

8234 3700



ITEM	PART NUMBER	QTY	BODY	MODEL	DESCRIPTION
1-2					CUSHION, w/Spring/Frame, Pad and Cover
					LEATHER
					Almond/Cream, (JPKY)
1	C952 EPK	1	45		COVER, Cushion
					LEATHER
					Almond/Cream, (JPKY)
2	C480 EPK	1	45		ROLL STOCK, Vinyl Order By The Inch
					Almond, 54" Wide
2-3	R600 EK1	AR			BACK, w/Spring/Frame, Pad and Cover
					LEATHER
					Almond/Cream, (JPKY)
3	C953 EPK	1	45		COVER, Back
					LEATHER
					Almond/Cream, (JPKY)
4	C481 EPK 6008 076	1	45		HOG RING

MODEL CODES

C BODY = (D41 - DYNASTY)(C41 - NEW YORKER)
 E BODY = (J - CARAVELLE)(E - 600)(T - NEW YORKER TURBO)
 G BODY = (V24 - DAYTONA, PACIFICA & SHELBY)
 H BODY = (D44 - LANCER)(C44 - LEBARON GTS)
 J BODY = (C - LEBARON)
 K BODY = (P - RELIANT)(D - ARIES)(C - LEBARON/ TOWN & COUNTRY)

L BODY = (M - HORIZON)(Z-OMNI)
 M BODY = (B - GRAN FURY)(G - DIPLOMAT)(F - FIFTH AVENUE/NEWPORT)
 P BODY = (P - SUNDANCE)(D - SHADOW)
 Q BODY = (C27 - MASERATI)
 S BODY = (H - VOYAGER)(K - RAM VAN/ CARAVAN)

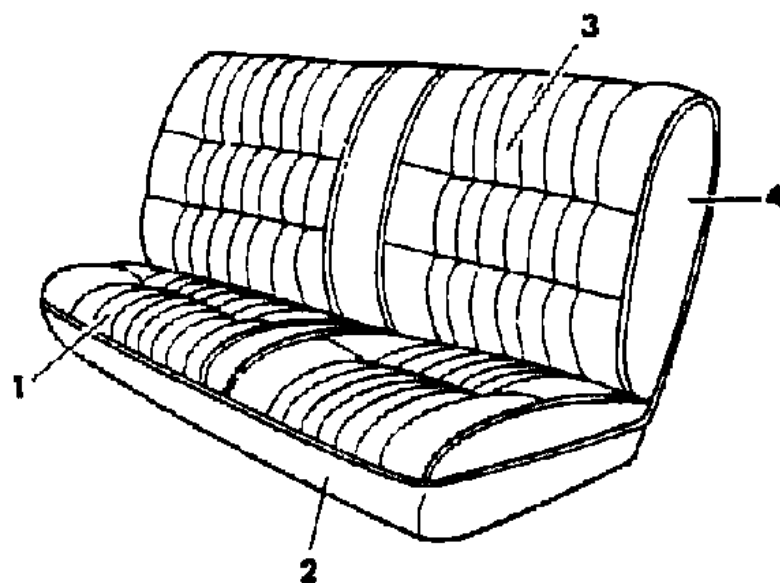
BODY STYLES

12-52 = FWD VAN & WAGON STD. W.B. 27 = 2-DOOR CONVERTIBLE
 13-53 = FWD VAN & WGN EXT W.B. 41 = 4-DOOR SEDAN
 21 = 2-DOOR SEDAN 44 = 4-DOOR HATCHBACK
 24 = 2-DOOR HATCHBACK 45 = 4-DOOR STATION WAGON

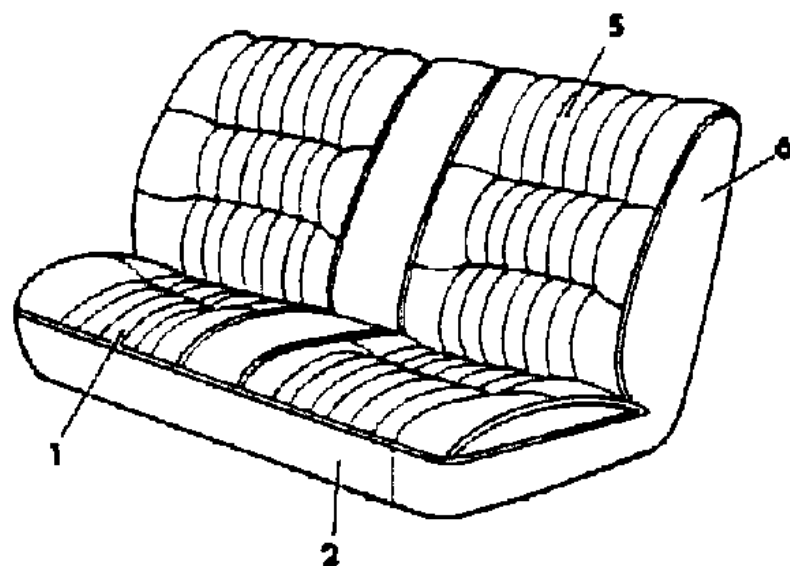
AR = Use as Required - = Non Illustrated Part P.A.R. = Paint as Required

SEAT--REAR K BODY TRIM CODES H3,H7
Figure ITK-3800

8234 3800



MDL. 21,41



MDL. 45

ITEM	PART NUMBER	QTY	BODY	MODEL	DESCRIPTION
1-2					CUSHION, w/Spring/Frame, Pad and Cover
	C743 D7A	1			Charcoal and Silver, (H7AS,H3AS)
	C743 F3C	1			Blue, (H3C, H7C)
	C743 F3E	1			Cordovan, (H3E, H7E)
1					COVER, Cushion
					CLOTH
	C528 D7A	1			Silver and Charcoal, (H7AS,H3AS)
	C528 F3C	1			Blue, (H3C, H7C)
	C528 F3E	1			Cordovan, (H3E, H7E)
2					ROLL STOCK, Order By The Inch
	R024 FC5	AR			Blue, 58" Wide
	R024 FE9	AR			Cordovan, 58" Wide
	R024 CA3	AR			Charcoal, 58" Wide
3-4					BACK, w/Spring/Frame, Pad and Cover
					CLOTH
	C744 D7A	1		21-41	Silver and Charcoal, (H7AS,H3AS)
	C744 F3C	1		21-41	Blue, (H3C, H7C)
	C744 F3E	1		21-41	Cordovan, (H3E, H7E)
3					COVER, Back
					CLOTH
	C529 D7A	1		21-41	Silver and Charcoal, (H7AS,H3AS)
	C529 F3C	1		21-41	Blue, (H3C, H7C)
	C529 F3E	1		21-41	Cordovan, (H3E, H7E)
4					ROLL STOCK, 58" Wide Order By The Inch
	R024 FC5	AR			Blue
	R024 FE9	AR			Cordovan
	R024 CA3	AR			Charcoal
5-6					BACK, w/Spring/Frame, Pad and Cover
					CLOTH
	C745 E3A	1		45	Silver / Charcoal, (H3AS, H7AS)
	C745 F3E	1		45	Cordovan, (H3E, H7E)
	C745 G3C	1		45	Blue, (H3C, H7C)
5					COVER, Back
					CLOTH
	C530 E3A	1		45	Silver / Charcoal, (H3AS, H7AS)
	C530 F3E	1		45	Cordovan, (H3E, H7E)
	C530 G3C	1		45	Blue, (H3C, H7C)

MODEL CODES

C BODY = (D41 - DYNASTY)(C41 - NEW YORKER)	L BODY = (M - HORIZON)(Z-OMNI)
E BODY = (J - CARAVELLE)(E - 600)(T - NEW YORKER TURBO)	M BODY = (B - GRAN FURY)(G - DIPLOMAT)(F - FIFTH AVENUE/NEWPORT)
G BODY = (V24 - DAYTONA, PACIFICA & SHELBY)	P BODY = (P - SUNDANCE)(D - SHADOW)
H BODY = (D44 - LANCER)(C44 - LEBARON GTS)	Q BODY = (C27 - MASERATI)
J BODY = (C - LEBARON)	S BODY = (H - VOYAGER)(K - RAM VAN/ CARAVAN)
K BODY = (P - RELIANT)(D - ARIES)(C - LEBARON/ TOWN & COUNTRY)	

BODY STYLES

12-52 = FWD VAN & WAGON STD. W.B.	27 = 2-DOOR CONVERTIBLE
13-53 = FWD VAN & WGN EXT W.B.	41 = 4-DOOR SEDAN
21 = 2-DOOR SEDAN	44 = 4-DOOR HATCHBACK
24 = 2-DOOR HATCHBACK	45 = 4-DOOR STATION WAGON

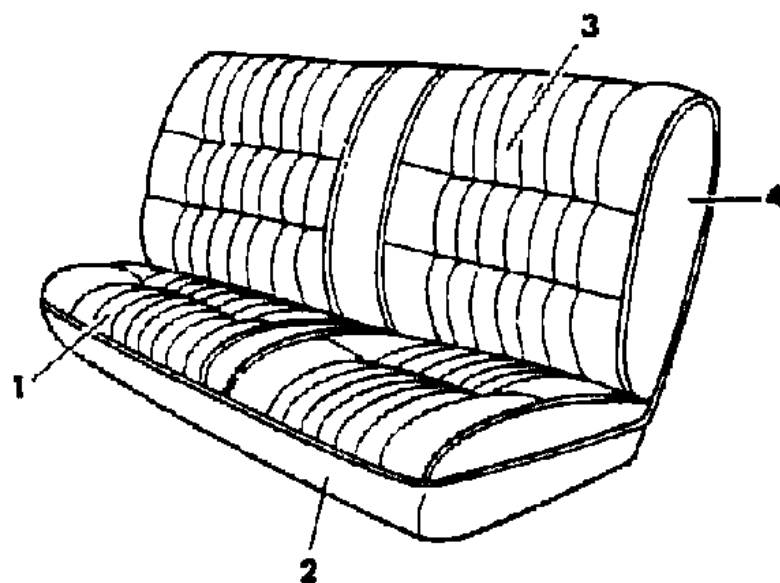
AR = Use as Required - = Non Illustrated Part P.A.R. = Paint as Required

SEAT--REAR K BODY TRIM CODES H3,H7
Figure ITK-3800

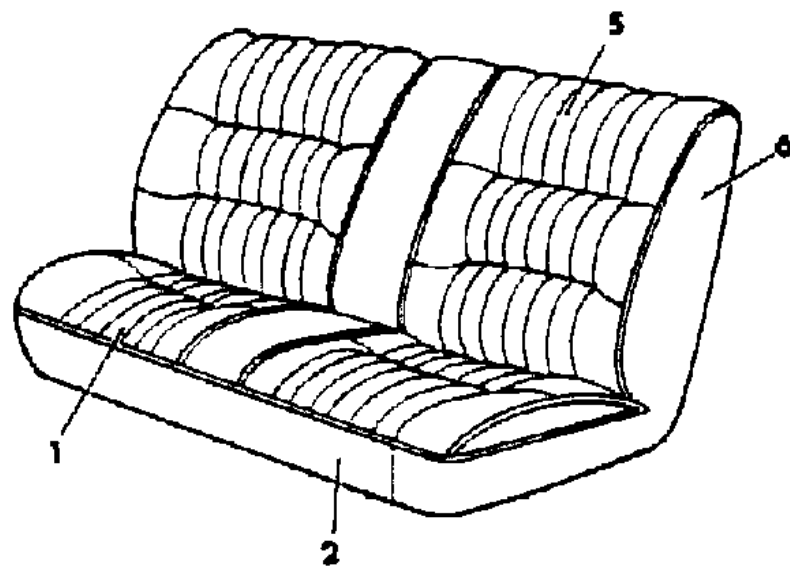
8234 3800

ITEM	PART NUMBER	QTY	BODY	MODEL	DESCRIPTION
------	-------------	-----	------	-------	-------------

6					ROLL STOCK, Carpet 54" Wide Order By The Inch
	R118 CA3	AR			Silver
	R118 EE8	AR			Cordovan
	R118 GC5	AR			Blue



MDL. 21,41



MDL. 45

MODEL CODES

C BODY = (D41 - DYNASTY)(C41 - NEW YORKER)	L BODY = (M - HORIZON)(Z-OMNI)
E BODY = (J - CARAVELLE)(E - 600)(T - NEW YORKER TURBO)	M BODY = (B - GRAN FURY)(G - DIPLOMAT)(F - FIFTH AVENUE/NEWPORT)
G BODY = (V24 - DAYTONA, PACIFICA & SHELBY)	P BODY = (P - SUNDANCE)(D - SHADOW)
H BODY = (D44 - LANCER)(C44 - LEBARON GTS)	Q BODY = (C27 - MASERATI)
J BODY = (C - LEBARON)	S BODY = (H - VOYAGER)(K - RAM VAN/ CARAVAN)
K BODY = (P - RELIANT)(D - ARIES)(C - LEBARON/ TOWN & COUNTRY)	

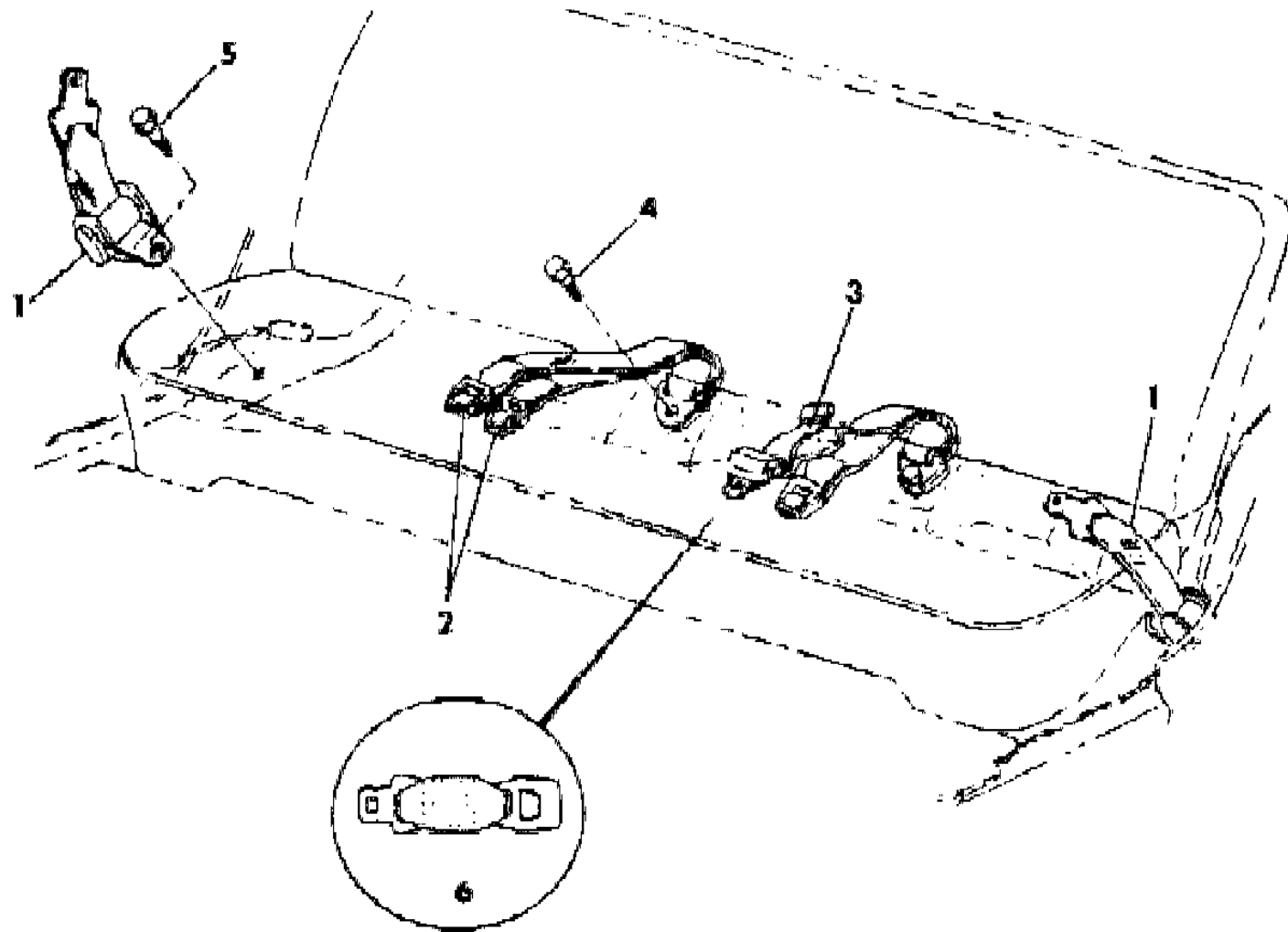
BODY STYLES

12-52 = FWD VAN & WAGON STD. W.B.	27 = 2-DOOR CONVERTIBLE
13-53 = FWD VAN & WGN EXT W.B.	41 = 4-DOOR SEDAN
21 = 2-DOOR SEDAN	44 = 4-DOOR HATCHBACK
24 = 2-DOOR HATCHBACK	45 = 4-DOOR STATION WAGON

AR = Use as Required - = Non Illustrated Part P.A.R. = Paint as Required

BELT--REAR SEAT LAP K BODY
Figure ITK-4000

8234 4000



ITEM	PART NUMBER	QTY	BODY	MODEL	DESCRIPTION
1					BELT, Rear Seat Lap Outboard Tip Half
	F861 AA3	2			Label Number 4277885 Silver
	F861 FC5	2			Blue
	F861 EE8	2			Cordovan
	F724 DA3	2			Label Number 4317069 Silver
	F724 FC5	2			Blue
	F724 EE8	2			Cordovan
	F724 EK1	2			Almond
	F724 DS8	2			Charcoal
2					BELT, Rear Seat Lap Buckle Inner, Right
	F710 BA3	2			Label Number 4316754 Silver
	F710 FC5	2			Blue
	F710 EE8	2			Cordovan
	F710 EK1	2			Almond
	F710 CS8	2			Charcoal
3					BELT, Rear Seat Lap Buckle and Tip, Left
	F717 BA3	1			Label Number 4316767 Silver
	F717 FC5	1			Blue
	F717 EE8	1			Cordovan
	F717 EK1	1			Almond
	F717 CS8	1			Charcoal
4	6031 298	2			BOLT
5	6031 484	2			BOLT
6	4364 849	1			EXTENSION, Rear Seat Belt
	4519 077	AR			TEATHER ANCHOR PACKAGE, Child Restraint ***

MODEL CODES

C BODY = (D41 - DYNASTY)(C41 - NEW YORKER)
 E BODY = (J - CARAVELLE)(E - 600)(T - NEW YORKER TURBO)
 G BODY = (V24 - DAYTONA, PACIFICA & SHELBY)
 H BODY = (D44 - LANCER)(C44 - LEBARON GTS)
 J BODY = (C - LEBARON)
 K BODY = (P - RELIANT)(D - ARIES)(C - LEBARON/ TOWN & COUNTRY)

L BODY = (M - HORIZON)(Z-OMNI)
 M BODY = (B - GRAN FURY)(G - DIPLOMAT)(F - FIFTH AVENUE/NEWPORT)
 P BODY = (P - SUNDANCE)(D - SHADOW)
 Q BODY = (C27 - MASERATI)
 S BODY = (H - VOYAGER)(K - RAM VAN/ CARAVAN)

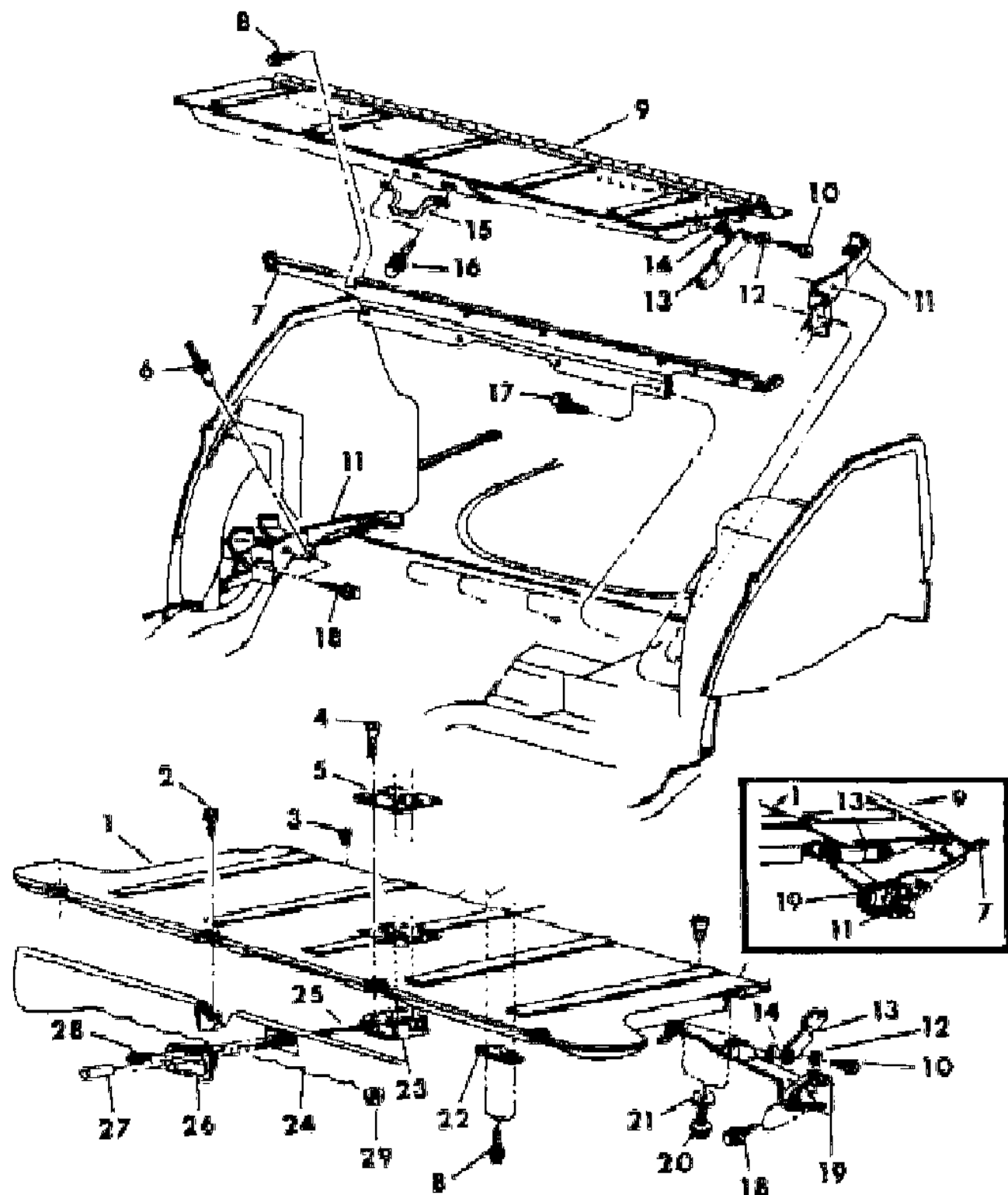
BODY STYLES

12-52 = FWD VAN & WAGON STD. W.B. 27 = 2-DOOR CONVERTIBLE
 13-53 = FWD VAN & WGN EXT W.B. 41 = 4-DOOR SEDAN
 21 = 2-DOOR SEDAN 44 = 4-DOOR HATCHBACK
 24 = 2-DOOR HATCHBACK 45 = 4-DOOR STATION WAGON

AR = Use as Required - = Non Illustrated Part P.A.R. = Paint as Required

SEAT--REAR FOLD DOWN K BODY 45
Figure ITK-4100

8234 4100



ITEM	PART NUMBER	QTY	BODY	MODEL	DESCRIPTION
1					PANEL, Seat Back
	W232 CA3	1			Silver
	W232 EE8	1			Cordovan
	W232 EK1	1			Almond
	W232 ES8	1			Charcoal
	W232 GC5	1			Blue
2		4			SCREW, (10-16x3/4) (Not Serv.)
3	4206 315	1			BUMPER, Seat Back
4	6100 897	3			SCREW
5	4206 082	1			ESCUTCHEON, Seat Back Latch
6	6031 115	4			RIVET
7	4206 092	1			FRAME, Filler Support Center
8		AR			SCREW, (10x.625) (Not Serv.)
9	4206 269	1			PANEL, Filler
10	6500 554	4			SCREW, Shoulder
11	4278 424-5	1			FRAME, w/Push Nut Side Filler Support
12	0869 770	4			WASHER, Spring
13	4206 369	2			LINK, Filler Panel To Seat Back
14					WASHER, (Not Serv.)
15	4206 214	1			STRIKER, Filler Panel
16	0181 063	2			SCREW, Striker
17	6500 557	AR			SCREW
18	6501 501	AR			SCREW
19	4206 318-9	1			HINGE, Seat Back
20	6501 501	4			SCREW and WASHER
21					WASHER, Serv. In Item #20)
22	4206 983	1			BRACKET, Seat Back Center Retainer
23	4172 139	1			LATCH, Seat Back
24					SEAT BACK, (See Seat Illus.)
25	4172 723	1			ROD, Latch Release
26	W246 CA3	1			BEZEL, Latch Release Knob (P.A.R.)
27	3861 859	1			KNOB, Release Latch Rod
28					SCREW, (8-18x3/4) (Not Serv.)
29	6100 041	3			NUT, Latch Attach.

NOTE: (P.A.R.) = Paint As Required

MODEL CODES

C BODY = (D41 - DYNASTY)(C41 - NEW YORKER)
 E BODY = (J - CARAVELLE)(E - 600)(T - NEW YORKER TURBO)
 G BODY = (V24 - DAYTONA, PACIFICA & SHELBY)
 H BODY = (D44 - LANCER)(C44 - LEBARON GTS)
 J BODY = (C - LEBARON)
 K BODY = (P - RELIANT)(D - ARIES)(C - LEBARON/ TOWN & COUNTRY)

L BODY = (M - HORIZON)(Z-OMNI)
 M BODY = (B - GRAN FURY)(G - DIPLOMAT)(F - FIFTH AVENUE/NEWPORT)
 P BODY = (P - SUNDANCE)(D - SHADOW)
 Q BODY = (C27 - MASERATI)
 S BODY = (H - VOYAGER)(K - RAM VAN/ CARAVAN)

BODY STYLES

12-52 = FWD VAN & WAGON STD. W.B. 27 = 2-DOOR CONVERTIBLE
 13-53 = FWD VAN & WGN EXT W.B. 41 = 4-DOOR SEDAN
 21 = 2-DOOR SEDAN 44 = 4-DOOR HATCHBACK
 24 = 2-DOOR HATCHBACK 45 = 4-DOOR STATION WAGON

AR = Use as Required - = Non Illustrated Part P.A.R. = Paint as Required

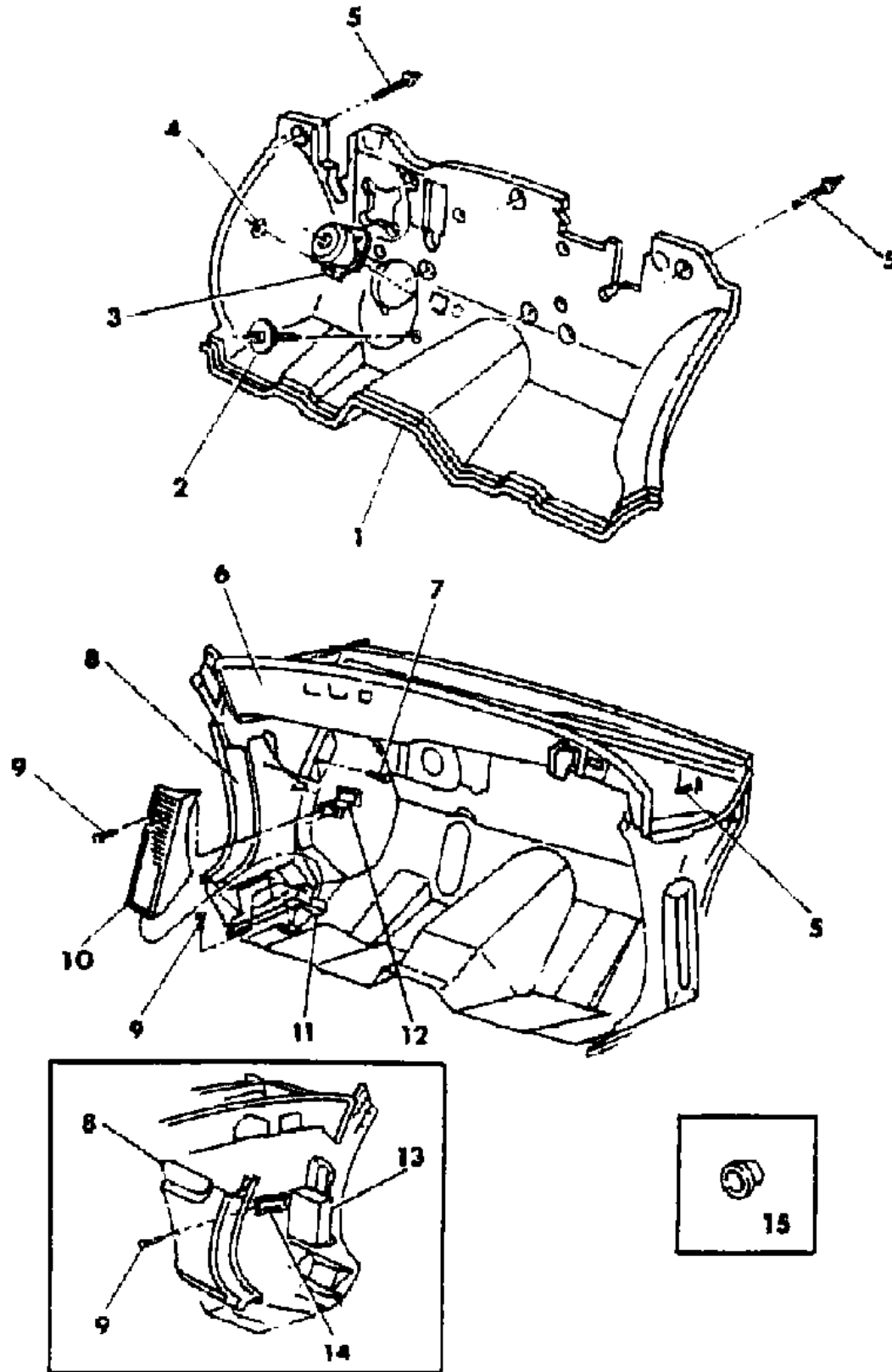
GROUP ITG - G BODY

ILLUSTRATION TITLE	GROUP-FIG. NO.
COWL PANEL AND SILENCERS G BODY	Fig. ITG-100
HEADLINING AND VISOR FRONT G BODY	Fig. ITG-200
TONNEAU COVER G BODY	Fig. ITG-300
MOULDING--GARNISH G BODY	Fig. ITG-400
PANEL--QUARTER TRIM & LOWER DECK OPENING G BODY	Fig. ITG-500
PANEL--LIFTGATE TRIM AND VISOR G BODY	Fig. ITG-600
CARPET AND SILENCERS G BODY	Fig. ITG-700
SCUFF PLATE G BODY	Fig. ITG-800
PANEL--DOOR TRIM G BODY	Fig. ITG-900
SEAT--FRONT G BODY TRIM CODE A7	Fig. ITG-1000
SEAT--FRONT G BODY TRIM CODE F7	Fig. ITG-1100
SEAT--FRONT G BODY TRIM CODE S7	Fig. ITG-1200
SEAT--FRONT G BODY TRIM CODE SL	Fig. ITG-1300
BELT--FRONT SEAT LAP AND SHOULDER G BODY MANUAL-ACTIVE SYSTEM	Fig. ITG-1400
BELT--FRONT SEAT G BODY PASSIVE SYSTEM	Fig. ITG-1500
LUMBAR AND THIGH SUPPORT --MANUAL G BODY TRIM CODE S7	Fig. ITG-1600
LUMBAR AND THIGH SUPPORT --ELECTRIC G BODY TRIM CODE SL	Fig. ITG-1700
RECLINING SEAT--FRONT G BODY	Fig. ITG-1800
ADJUSTER--MANUAL G BODY	Fig. ITG-1900
COVERS--MANUAL SEAT ADJUSTER G BODY	Fig. ITG-2000
ADJUSTER--ELECTRIC G BODY	Fig. ITG-2100
COVERS--ELECTRIC SEAT ADJUSTER G BODY	Fig. ITG-2200
SEAT--REAR G BODY TRIM CODE A7	Fig. ITG-2300
SEAT--REAR G BODY TRIM CODE F7	Fig. ITG-2400
SEAT--REAR G BODY TRIM CODE S7-SL	Fig. ITG-2500
BELT--REAR SEAT G BODY	Fig. ITG-2600
SEAT--REAR FOLD DOWN G BODY	Fig. ITG-2700

ILLUSTRATION NOT AVAILABLE AT TIME OF PUBLICATION

COWL PANEL AND SILENCERS G BODY
Figure ITG-100

8236 100



ITEM	PART NUMBER	QTY	BODY	MODEL	DESCRIPTION
1	4416 202	1			LINER, Dash
2					SCREW, (8-18x3/4) (Not Serv.)
3	4188 868	1			COVER and SILENCER, Steering Column
4	6032 020				NUT, Push-On
5	6032 020	6			STUD, Collar Special
6					SILENCER, Cowl (Not Serv.)
7					SCREW, (8-18x1 3/4) (Not Serv.)
8					PANEL, Cowl Side Trim
					w/Uni-Belt Manual/Active System
					RIGHT
	V356 FC5	1			Blue
	V356 GR8	1			Red
	V356 GL7	1			Taupe
	V356 FS8	1			Charcoal
					LEFT
	F175 FC5	1			Blue
	F175 GR8	1			Red
	F175 GL7	1			Taupe
	F175 CS8	1			Charcoal
					w/Passive Restraint System (Right Only)
	F330 FC5	1			Blue
	F330 GR8	1			Red
	F330 GL7	1			Taupe
	F330 FS8	1			Charcoal
9		AR			SCREW, (8-18x1 3/4) (Not Serv.)
10	4248 717	1			FOOTREST, Left Only
11	4410 560	1			BRACKET, Footrest, Lower
12	4410 559	1			BRACKET, Footrest, Upper
13					LOGIC MODULE, (See Group 8)
14	4473 372	1			BRACKET, Cowl Side Trim Attach w/E.F.I.
15	6032 185	6			CAPLUG, Dash Liner

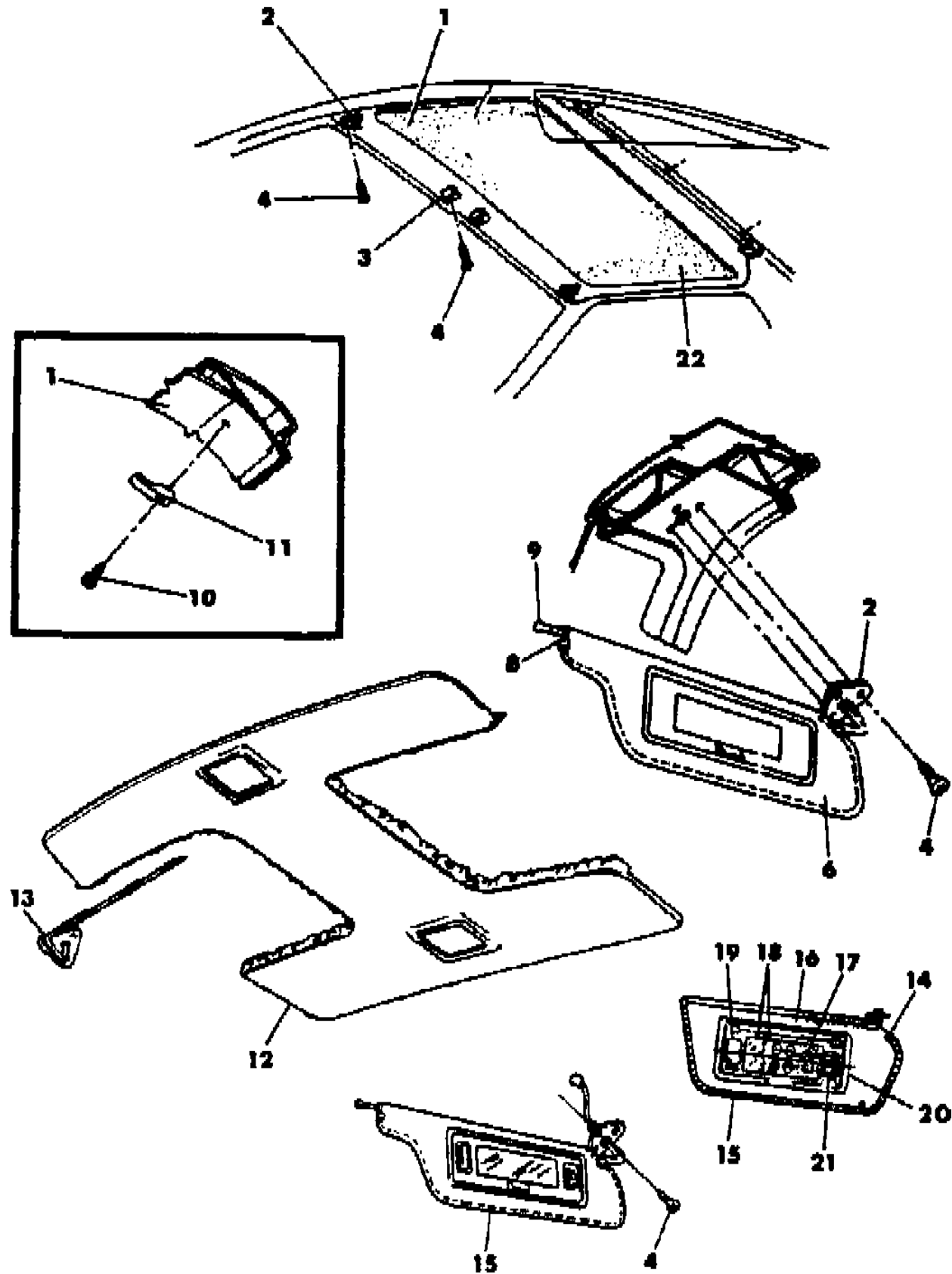
MODEL CODES
 C BODY = (D41 - DYNASTY)(C41 - NEW YORKER)
 E BODY = (J - CARAVELLE)(E - 600)(T - NEW YORKER TURBO)
 G BODY = (V24 - DAYTONA, PACIFICA & SHELBY)
 H BODY = (D44 - LANCER)(C44 - LEBARON GTS)
 J BODY = (C - LEBARON)
 K BODY = (P - RELIANT)(D - ARIES)(C - LEBARON/ TOWN & COUNTRY)
 L BODY = (M - HORIZON)(Z-OMNI)
 M BODY = (B - GRAN FURY)(G - DIPLOMAT)(F - FIFTH AVENUE/NEWPORT)
 P BODY = (P - SUNDANCE)(D - SHADOW)
 Q BODY = (C27 - MASERATI)
 S BODY = (H - VOYAGER)(K - RAM VAN/ CARAVAN)

BODY STYLES
 12-52 = FWD VAN & WAGON STD. W.B. 27 = 2-DOOR CONVERTIBLE
 13-53 = FWD VAN & WGN EXT W.B. 41 = 4-DOOR SEDAN
 21 = 2-DOOR SEDAN 44 = 4-DOOR HATCHBACK
 24 = 2-DOOR HATCHBACK 45 = 4-DOOR STATION WAGON

AR = Use as Required - = Non Illustrated Part P.A.R. = Paint as Required

HEADLINING AND VISOR FRONT G BODY Figure ITG-200

8236 200 A



ITEM	PART NUMBER	QTY	BODY	MODEL	DESCRIPTION
1					HEADLINER
					w/o Sunroof
	H908 FC5	1			Blue
	H908 GR8	1			Red
	H908 GL7	1			Taupe
	H908 FS8	1			Charcoal
					w/Sunroof
	H810 FC5	1			Blue
	H810 GR8	1			Red
	H810 GL7	1			Taupe
	H810 FS8	1			Charcoal
2	4247 868-9	1			ARM and BRACKET, Visor (w/o T/Bar)
3					CLIP, Visor Retainer
	H335 EC5	2			Blue
	H335 GR8	2			Red
	H335 GL7	2			Taupe
	H335 FS8	2			Charcoal
4	6032 584	6			SCREW
6					VISOR, w/Mirror, w/o Map Pocket
					Right
	H554 GC5	1			Blue
	H554 GR8	1			Red
	H554 GL7	1			Taupe
	H554 GS8	1			Charcoal
	H554 GA3	1			Silver
					Left, w/Map Pocket, w/Mirror
	H555 GC5	1			Blue
	H555 GR8	1			Red
	H555 GL7	1			Taupe
	H555 GS8	1			Charcoal
	H555 GA3	1			Silver
7					MIRROR, (Not Serv.)
8	4356 395	2			SUPPORT, Visor Inner
9					TIP, Visor Support
	H315 EC5	2			Blue
	H315 GR8	2			Red
	H315 GL7	2			Taupe

MODEL CODES

C BODY = (D41 - DYNASTY)(C41 - NEW YORKER)
 E BODY = (J - CARAVELLE)(E - 600)(T - NEW YORKER TURBO)
 G BODY = (V24 - DAYTONA, PACIFICA & SHELBY)
 H BODY = (D44 - LANCER)(C44 - LEBARON GTS)
 J BODY = (C - LEBARON)
 K BODY = (P - RELIANT)(D - ARIES)(C - LEBARON/ TOWN & COUNTRY)
 L BODY = (M - HORIZON)(Z-OMNI)
 M BODY = (B - GRAN FURY)(G - DIPLOMAT)(F - FIFTH AVENUE/NEWPORT)
 P BODY = (P - SUNDANCE)(D - SHADOW)
 Q BODY = (C27 - MASERATI)
 S BODY = (H - VOYAGER)(K - RAM VAN/ CARAVAN)

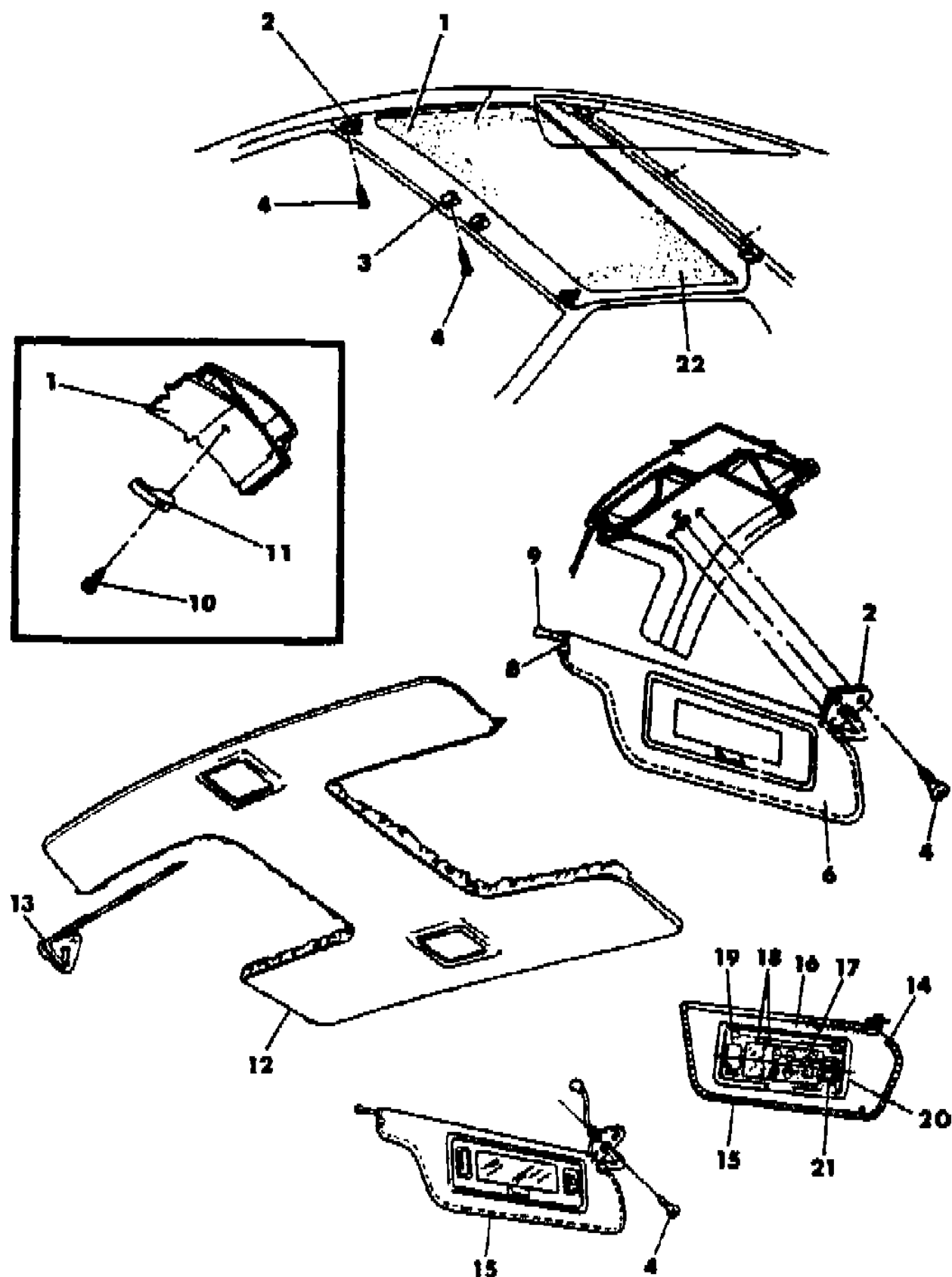
BODY STYLES

12-52 = FWD VAN & WAGON STD. W.B. 27 = 2-DOOR CONVERTIBLE
 13-53 = FWD VAN & WGN EXT W.B. 41 = 4-DOOR SEDAN
 21 = 2-DOOR SEDAN 44 = 4-DOOR HATCHBACK
 24 = 2-DOOR HATCHBACK 45 = 4-DOOR STATION WAGON

AR = Use as Required - = Non Illustrated Part P.A.R. = Paint as Required

HEADLINING AND VISOR FRONT G BODY Figure ITG-200

8236 200 A



ITEM	PART NUMBER	QTY	BODY	MODEL	DESCRIPTION
	H315 FS8	2			Charcoal
10					SCREW, (8-18x1) (Not Serv.)
11	3685 992	2			HOOK, Coat
12					HEADLINER, w/T-Bar Roof
	4397 184	1			Blue
	4467 520	1			Red
	4467 521	1			Taupe
	4397 185	1			Charcoal
13	4397 012-3	1			ARM and BRACKET, Visor w/T-Bar Roof
14	4248 427	4			CLIP
15					VISOR, w/Illuminated Mirror (Use Up To 4-25-88)
	H574-5 FC5	1			Blue
	H574-5 GR8	1			Red
	H574-5 GL7	1			Taupe
	H574-5 FS8	1			Charcoal (Use After 4-25-88)
					LEFT, (Only)
	H187 GC5	1			Blue
	H187 GR8	1			Red
	H187 GL7	1			Taupe
	H187 GS8	1			Charcoal Sub Assembly Illuminated Mirror Right
	H576 FC5	1			Blue
	H764 GR8	1			Red
	H764 GL7	1			Taupe
	H765 FS8	1			Charcoal Left
					(Use Up To 4-25-88)
	H765 FC5	1			Blue
	H765 GR8	1			Red
	H765 GL7	1			Taupe
	H765 FS8	1			Charcoal (Use After 4-25-88)
	H189 GC5	1			Blue
	H189 GR8	1			Red

MODEL CODES

C BODY = (D41 - DYNASTY)(C41 - NEW YORKER)
 E BODY = (J - CARAVELLE)(E - 600)(T - NEW YORKER TURBO)
 G BODY = (V24 - DAYTONA, PACIFICA & SHELBY)
 H BODY = (D44 - LANCER)(C44 - LEBARON GTS)
 J BODY = (C - LEBARON)
 K BODY = (P - RELIANT)(D - ARIES)(C - LEBARON/ TOWN & COUNTRY)
 L BODY = (M - HORIZON)(Z-OMNI)
 M BODY = (B - GRAN FURY)(G - DIPLOMAT)(F - FIFTH AVENUE/NEWPORT)
 P BODY = (P - SUNDANCE)(D - SHADOW)
 Q BODY = (C27 - MASERATI)
 S BODY = (H - VOYAGER)(K - RAM VAN/ CARAVAN)

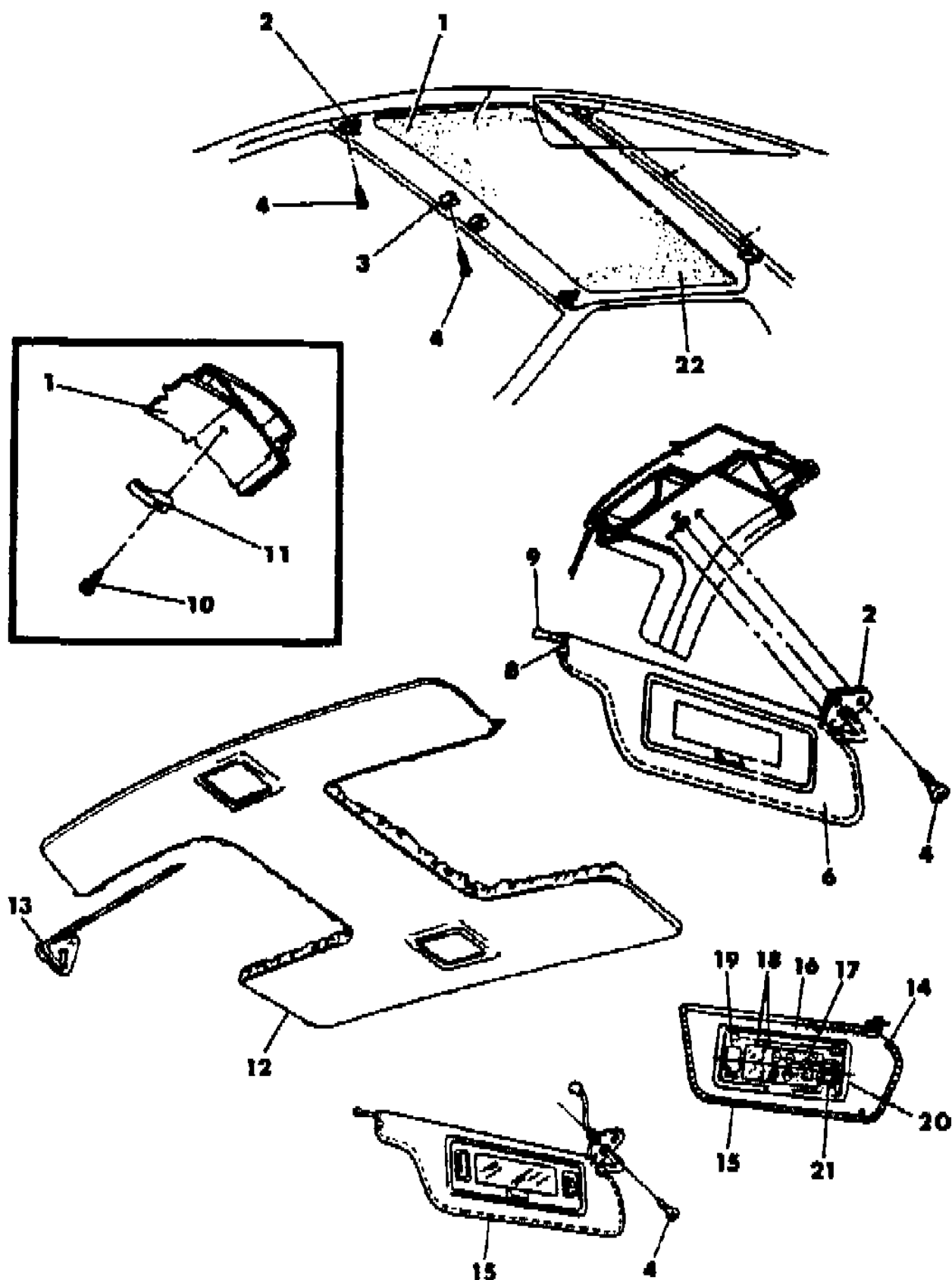
BODY STYLES

12-52 = FWD VAN & WAGON STD. W.B. 27 = 2-DOOR CONVERTIBLE
 13-53 = FWD VAN & WGN EXT W.B. 41 = 4-DOOR SEDAN
 21 = 2-DOOR SEDAN 44 = 4-DOOR HATCHBACK
 24 = 2-DOOR HATCHBACK 45 = 4-DOOR STATION WAGON

AR = Use as Required - = Non Illustrated Part P.A.R. = Paint as Required

HEADLINING AND VISOR FRONT G BODY Figure ITG-200

8236 200 A



ITEM	PART NUMBER	QTY	BODY	MODEL	DESCRIPTION
	H189 GL7	1			Taupe
	H189 GS8	1			Charcoal w/T Bar Roof
	4467 502-3	1			Blue
	4467 516-7	1			Red
	4467 518-9	1			Taupe
	4467 508-9	1			Charcoal w/Passive Restraint w/T Bar Roof
	4467 522-3	1			Blue
	4467 526-7	1			Red
	4467 528-9	1			Taupe
	4467 524-5	1			Charcoal
16					VANITY, Illuminated Mirror
	H640 FC5	1			Blue
	H640 GR8	1			Red
	H640 GL7	1			Taupe
	H640 FS8	1			Charcoal
17	3832 873				COMPONENT BOARD, Lighted Mirror (Not Serv.)
18	#4077 693	1			MIRROR and BACK, (Not Serv.)
19	4410 693	2			LENS
20	#4166 976	2			HINGE, Spring (Not Serv.)
21	9421 330	4			BULB
22	4342 496	2			SILENCER, Roof

MODEL CODES

C BODY = (D41 - DYNASTY)(C41 - NEW YORKER)
 E BODY = (J - CARAVELLE)(E - 600)(T - NEW YORKER TURBO)
 G BODY = (V24 - DAYTONA, PACIFICA & SHELBY)
 H BODY = (D44 - LANCER)(C44 - LEBARON GTS)
 J BODY = (C - LEBARON)
 K BODY = (P - RELIANT)(D - ARIES)(C - LEBARON/ TOWN & COUNTRY)

L BODY = (M - HORIZON)(Z-OMNI)
 M BODY = (B - GRAN FURY)(G - DIPLOMAT)(F - FIFTH AVENUE/NEWPORT)
 P BODY = (P - SUNDANCE)(D - SHADOW)
 Q BODY = (C27 - MASERATI)
 S BODY = (H - VOYAGER)(K - RAM VAN/ CARAVAN)

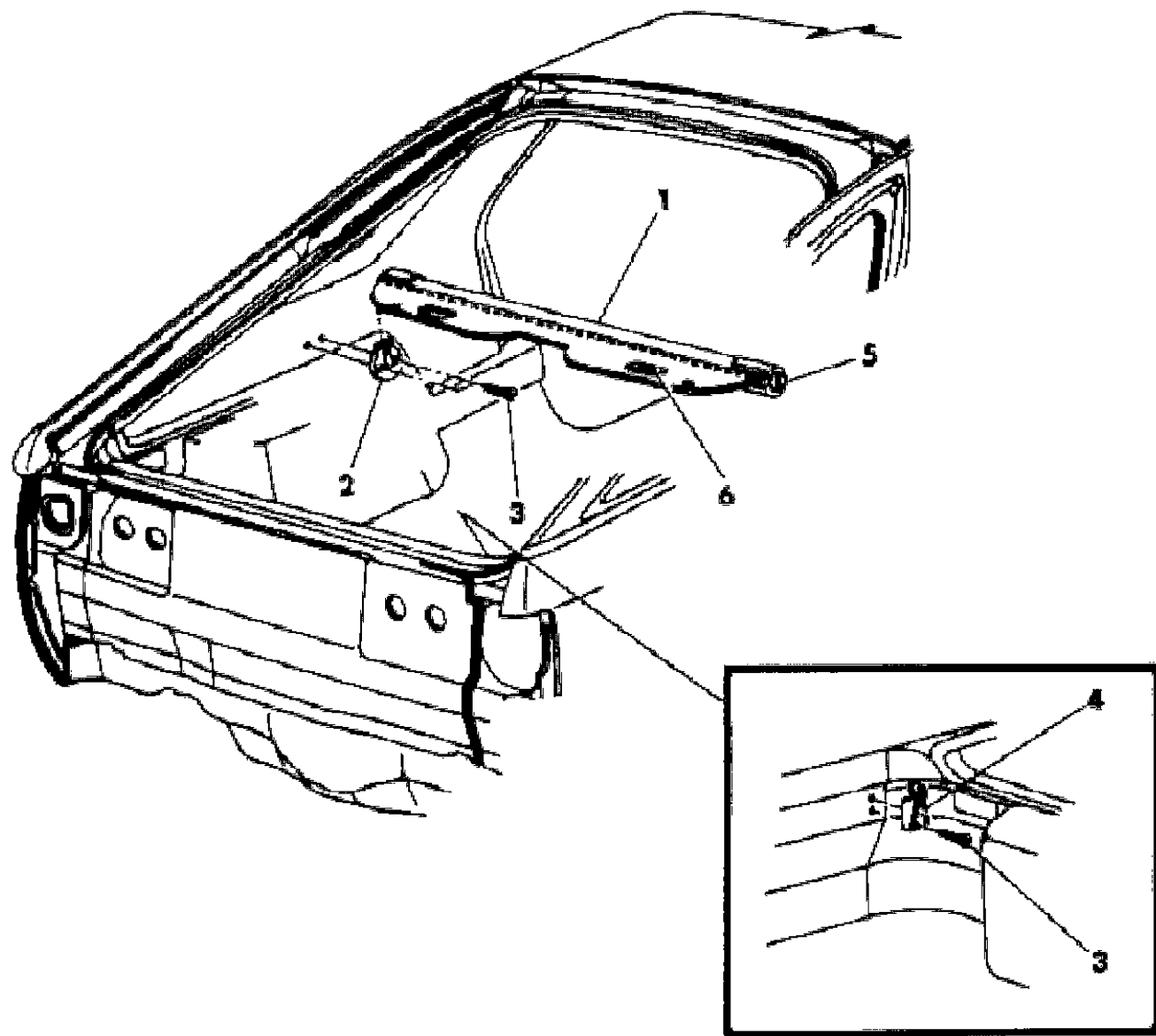
BODY STYLES

12-52 = FWD VAN & WAGON STD. W.B. 27 = 2-DOOR CONVERTIBLE
 13-53 = FWD VAN & WGN EXT W.B. 41 = 4-DOOR SEDAN
 21 = 2-DOOR SEDAN 44 = 4-DOOR HATCHBACK
 24 = 2-DOOR HATCHBACK 45 = 4-DOOR STATION WAGON

AR = Use as Required - = Non Illustrated Part P.A.R. = Paint as Required

TONNEAU COVER G BODY
Figure ITG-300

8236 300



ITEM	PART NUMBER	QTY	BODY	MODEL	DESCRIPTION
1					COVER, Rear Compartment
	4397 961	1			Blue
	4467 057	1			Red
	4467 056	1			Taupe
	4271 078	1			Charcoal
2					SUPPORT, Rear Compartment
	H482 FC5	2			Blue
	H482 GR8	2			Red
	H482 GL7	2			Taupe
	H482 FS8	2			Charcoal
3					SCREW, (8-1x1 1/4) (Not Serv.)
4					HOOK, Rear Compartment
	H464 FC5	2			Blue
	H464 GR8	2			Red
	H464 GL7	2			Taupe
	H464 CS8	2			Charcoal
5					END CAP PACKAGE
6					GROMMET, Tonneau Cover
	H544 FC5	2			Blue
	H544 GR8	2			Red
	H544 GL7	2			Taupe
	H544 DS8	2			Charcoal

MODEL CODES

C BODY = (D41 - DYNASTY)(C41 - NEW YORKER)
 E BODY = (J - CARAVELLE)(E - 600)(T - NEW YORKER TURBO)
 G BODY = (V24 - DAYTONA, PACIFICA & SHELBY)
 H BODY = (D44 - LANCER)(C44 - LEBARON GTS)
 J BODY = (C - LEBARON)
 K BODY = (P - RELIANT)(D - ARIES)(C - LEBARON/ TOWN & COUNTRY)
 L BODY = (M - HORIZON)(Z-OMNI)
 M BODY = (B - GRAN FURY)(G - DIPLOMAT)(F - FIFTH AVENUE/NEWPORT)
 P BODY = (P - SUNDANCE)(D - SHADOW)
 Q BODY = (C27 - MASERATI)
 S BODY = (H - VOYAGER)(K - RAM VAN/ CARAVAN)

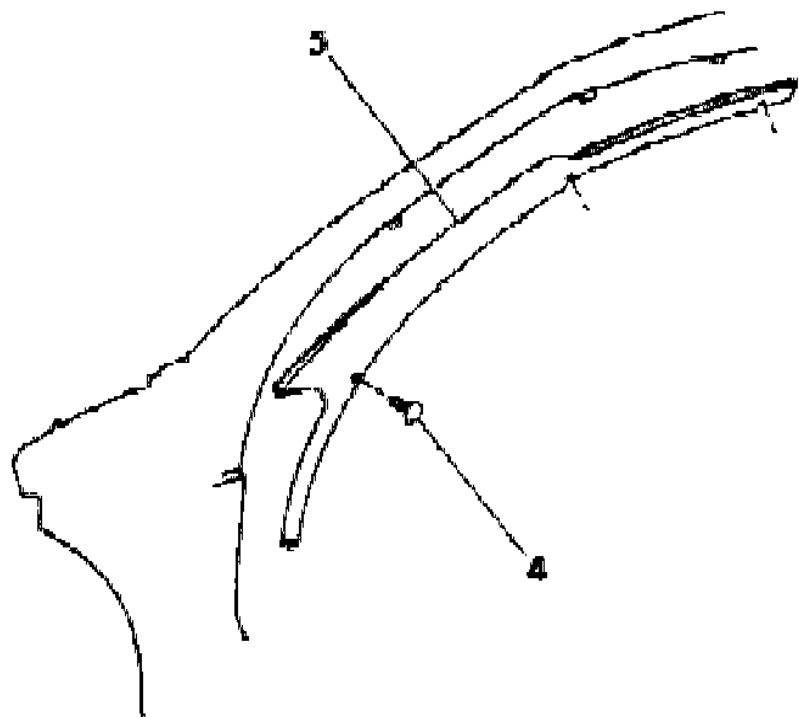
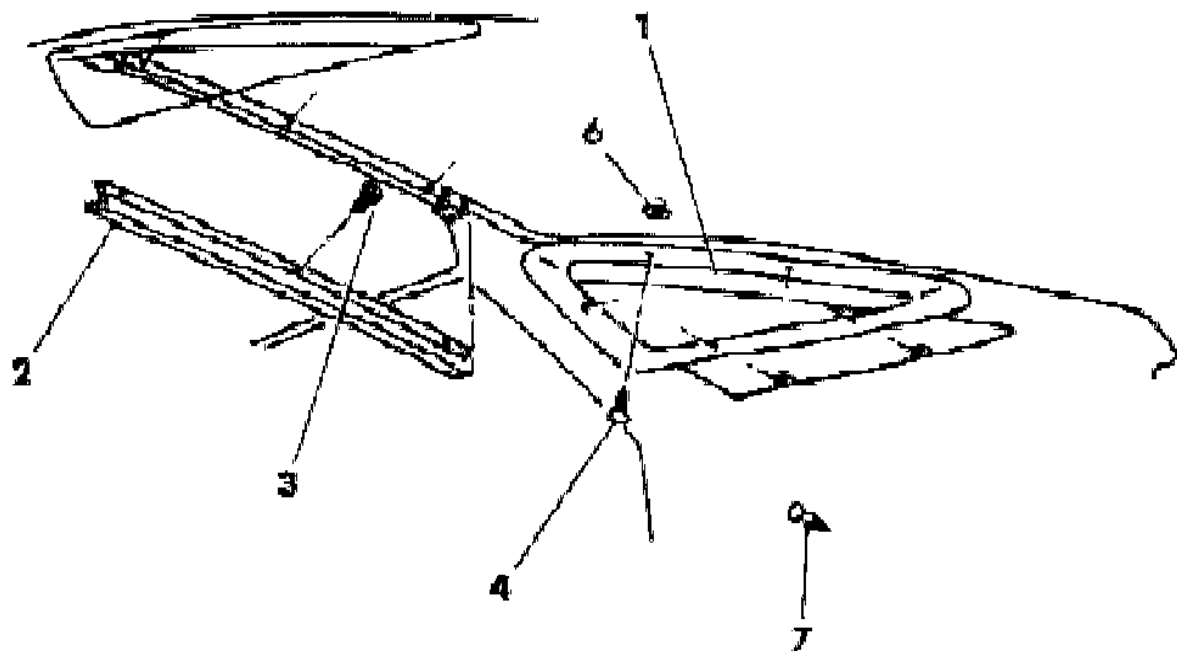
BODY STYLES

12-52 = FWD VAN & WAGON STD. W.B. 27 = 2-DOOR CONVERTIBLE
 13-53 = FWD VAN & WGN EXT W.B. 41 = 4-DOOR SEDAN
 21 = 2-DOOR SEDAN 44 = 4-DOOR HATCHBACK
 24 = 2-DOOR HATCHBACK 45 = 4-DOOR STATION WAGON

AR = Use as Required - = Non Illustrated Part P.A.R. = Paint as Required

MOULDING--GARNISH G BODY
Figure ITG-400

8236 400



ITEM	PART NUMBER	QTY	BODY	MODEL	DESCRIPTION
1	H132-3 EK1	1			MOULDING, Quarter Window Garnish (P.A.R.)
2	F432 GL7	1			MOULDING, Rear Header (P.A.R.)
3					SCREW, (8-18x5/8) (Not Serv.)
4					PLUG, Garnish Attaching
	H448 FC5	AR			Blue
	H448 GR8	AR			Red
	H448 GL7	AR			Taupe
	H448 CS8	AR			Charcoal
5					MOULDING, Windshield Side Garnish
	H194-5 FC5	1			Blue
	H194-5 GR8	1			Red
	H194-5 GL7	1			Taupe
	H194-5 FS8	1			Charcoal
6	6032 827	4			NUT, Quarter Garnish Moulding Attach.
7					FASTENER, Garnish Attach.
	F155 EC5	AR			Blue
	F155 GR8	AR			Red
	F155 GL7	AR			Taupe
	F155 CS8	AR			Charcoal

NOTE: (P.A.R. = Paint as Required)

MODEL CODES

C BODY = (D41 - DYNASTY)(C41 - NEW YORKER)	L BODY = (M - HORIZON)(Z-OMNI)
E BODY = (J - CARAVELLE)(E - 600)(T - NEW YORKER TURBO)	M BODY = (B - GRAN FURY)(G - DIPLOMAT)(F - FIFTH AVENUE/NEWPORT)
G BODY = (V24 - DAYTONA, PACIFICA & SHELBY)	P BODY = (P - SUNDANCE)(D - SHADOW)
H BODY = (D44 - LANCER)(C44 - LEBARON GTS)	Q BODY = (C27 - MASERATI)
J BODY = (C - LEBARON)	S BODY = (H - VOYAGER)(K - RAM VAN/ CARAVAN)
K BODY = (P - RELIANT)(D - ARIES)(C - LEBARON/ TOWN & COUNTRY)	

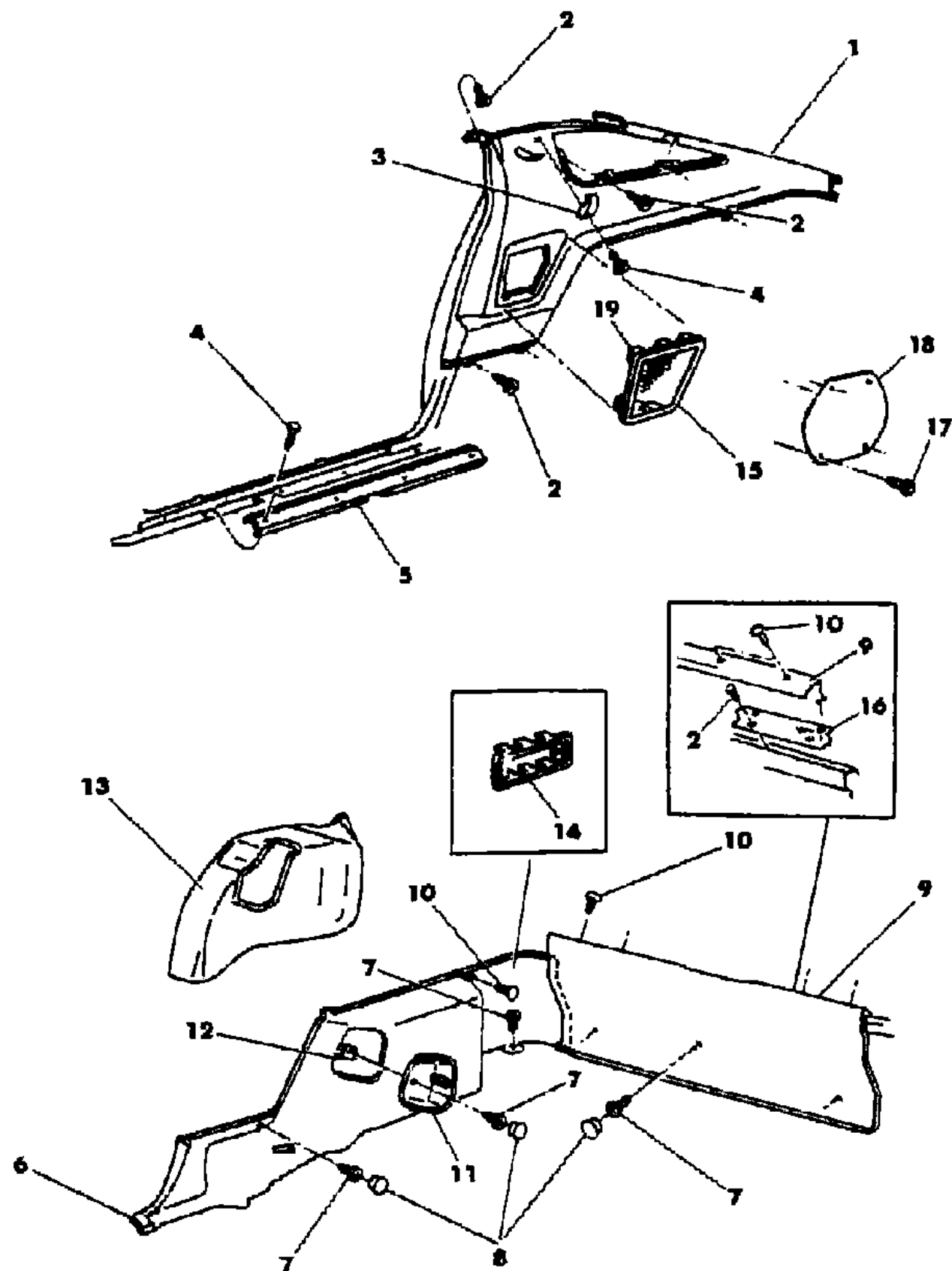
BODY STYLES

12-52 = FWD VAN & WAGON STD. W.B.	27 = 2-DOOR CONVERTIBLE
13-53 = FWD VAN & WGN EXT W.B.	41 = 4-DOOR SEDAN
21 = 2-DOOR SEDAN	44 = 4-DOOR HATCHBACK
24 = 2-DOOR HATCHBACK	45 = 4-DOOR STATION WAGON

AR = Use as Required - = Non Illustrated Part P.A.R. = Paint as Required

PANEL--QUARTER TRIM & LOWER DECK OPENING G BODY
Figure ITG-500

8236 500



ITEM	PART NUMBER	QTY	BODY	MODEL	DESCRIPTION
1					PANEL, Qtr. Upper Trim (Use Up To 4-25-88) w/Uni-Belt Manual/Active System (P.A.R.) w/Passive Restraint System (P.A.R.) (Use After 4-25-88)
	K728-9 GL7	1			
	K726-7 GL7	1			
	K868-9 GL7	1			w/Uni-Belt Manual/Active System (P.A.R.)
	K866-7 GL7	1			w/Passive Restraint System (P.A.R.)
	K784-5 GL7	1			ARMREST, w/Passive Restraint System (P.A.R.)
2					SCREW, Panel Attach. (8-18x1/2) (Not Serv.)
3	3685 992	2			HOOK, Coat
4					SCREW, (Not Serv.) (8-18x1 1/4)
5					PLATE, Door Sill Scuff (See Scuff Plate Illus.)
6					PANEL, Qtr. Lwr. Trim w/o Carpet (P.A.R.)
	K530-1 GL7	1			w/Carpet
	K532-3 FC5	1			Blue
	K532-3 GR8	1			Red
	K532-3 GL7	1			Taupe
	K532-3 DS8	1			Charcoal
7					SCREW, (Not Serv.) (8-18x5/8) (Not Serv.)
8	F245 CA3	AR			PLUG, Trim (P.A.R.)
9	H478 GL7	1			PANEL, Liftgate Opening Lower Trim, w/o Carpet (P.A.R.)
	H479 FC5				w/Carpet Blue
	H479 GR8	1			Red
	H479 GL7	1			Taupe
	H479 FS8	1			Charcoal
10					FASTENER
	F155 EC5	AR			Blue
	F155 GR8	AR			Red
	F155 GL7	AR			Taupe
	F155 CS8	AR			Charcoal
11	F416-7 CS8	1			COVER, Seat Latch (P.A.R.)
12	#6031 803	2			J-NUT
13	4186 901	AR			SILENCER, Wheelhouse
14	3591 126	1			BRACKET, Cargo Lamp Painted
15					GRILLE, Rear Speakers

MODEL CODES

C BODY = (D41 - DYNASTY)(C41 - NEW YORKER)
E BODY = (J - CARAVELLE)(E - 600)(T - NEW YORKER TURBO)
G BODY = (V24 - DAYTONA, PACIFICA & SHELBY)
H BODY = (D44 - LANCER)(C44 - LEBARON GTS)
J BODY = (C - LEBARON)
K BODY = (P - RELIANT)(D - ARIES)(C - LEBARON/ TOWN & COUNTRY)

L BODY = (M - HORIZON)(Z-OMNI)
M BODY = (B - GRAN FURY)(G - DIPLOMAT)(F - FIFTH AVENUE/NEWPORT)
P BODY = (P - SUNDANCE)(D - SHADOW)
Q BODY = (C27 - MASERATI)
S BODY = (H - VOYAGER)(K - RAM VAN/ CARAVAN)

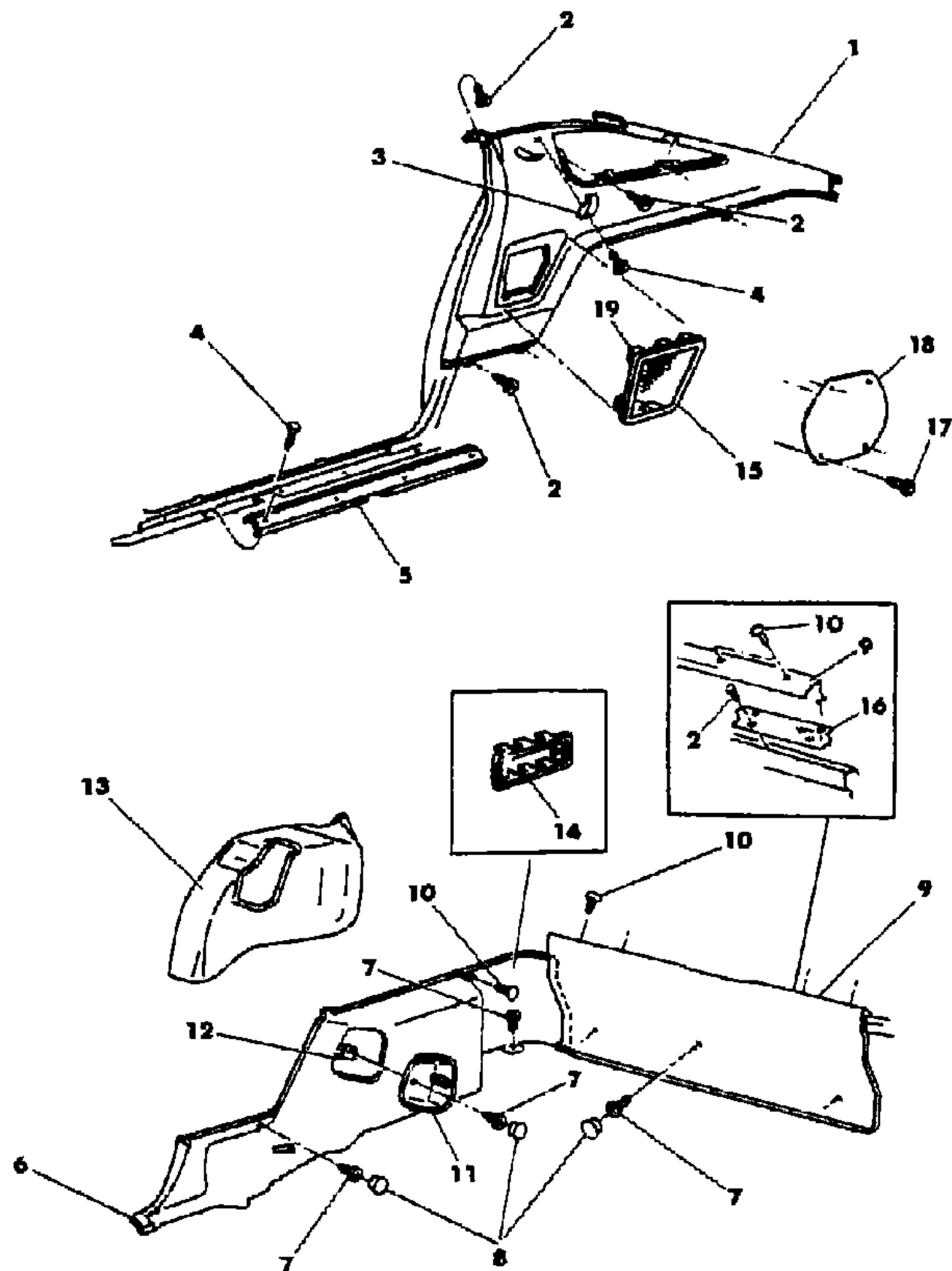
BODY STYLES

12-52 = FWD VAN & WAGON STD. W.B. 27 = 2-DOOR CONVERTIBLE
13-53 = FWD VAN & WGN EXT W.B. 41 = 4-DOOR SEDAN
21 = 2-DOOR SEDAN 44 = 4-DOOR HATCHBACK
24 = 2-DOOR HATCHBACK 45 = 4-DOOR STATION WAGON

AR = Use as Required - = Non Illustrated Part P.A.R. = Paint as Required

PANEL--QUARTER TRIM & LOWER DECK OPENING G BODY
Figure ITG-500

8236 500



ITEM	PART NUMBER	QTY	BODY	MODEL	DESCRIPTION
	H668-9 FC5	1			Blue
	H668-9 GR8	1			Red
	H668-9 GL7	1			Taupe
	H668-9 FS8	1			Charcoal
16	4247 885	2			BRACKET, Liftgate Lower Trim Panel Attach.
17		AR			SCREW, (8-18x5/8) (Not Serv.)
18		2			COVER, Rear Compartment Speaker w/o Radio (Not Serv.)
19	6032 268	5			RETAINER, Grille Attach.

NOTE: (P.A.R.) = Paint as Required

MODEL CODES

C BODY = (D41 - DYNASTY)(C41 - NEW YORKER)
 E BODY = (J - CARAVELLE)(E - 600)(T - NEW YORKER TURBO)
 G BODY = (V24 - DAYTONA, PACIFICA & SHELBY)
 H BODY = (D44 - LANCER)(C44 - LEBARON GTS)
 J BODY = (C - LEBARON)
 K BODY = (P - RELIANT)(D - ARIES)(C - LEBARON/ TOWN & COUNTRY)
 L BODY = (M - HORIZON)(Z-OMNI)
 M BODY = (B - GRAN FURY)(G - DIPLOMAT)(F - FIFTH AVENUE/NEWPORT)
 P BODY = (P - SUNDANCE)(D - SHADOW)
 Q BODY = (C27 - MASERATI)
 S BODY = (H - VOYAGER)(K - RAM VAN/ CARAVAN)

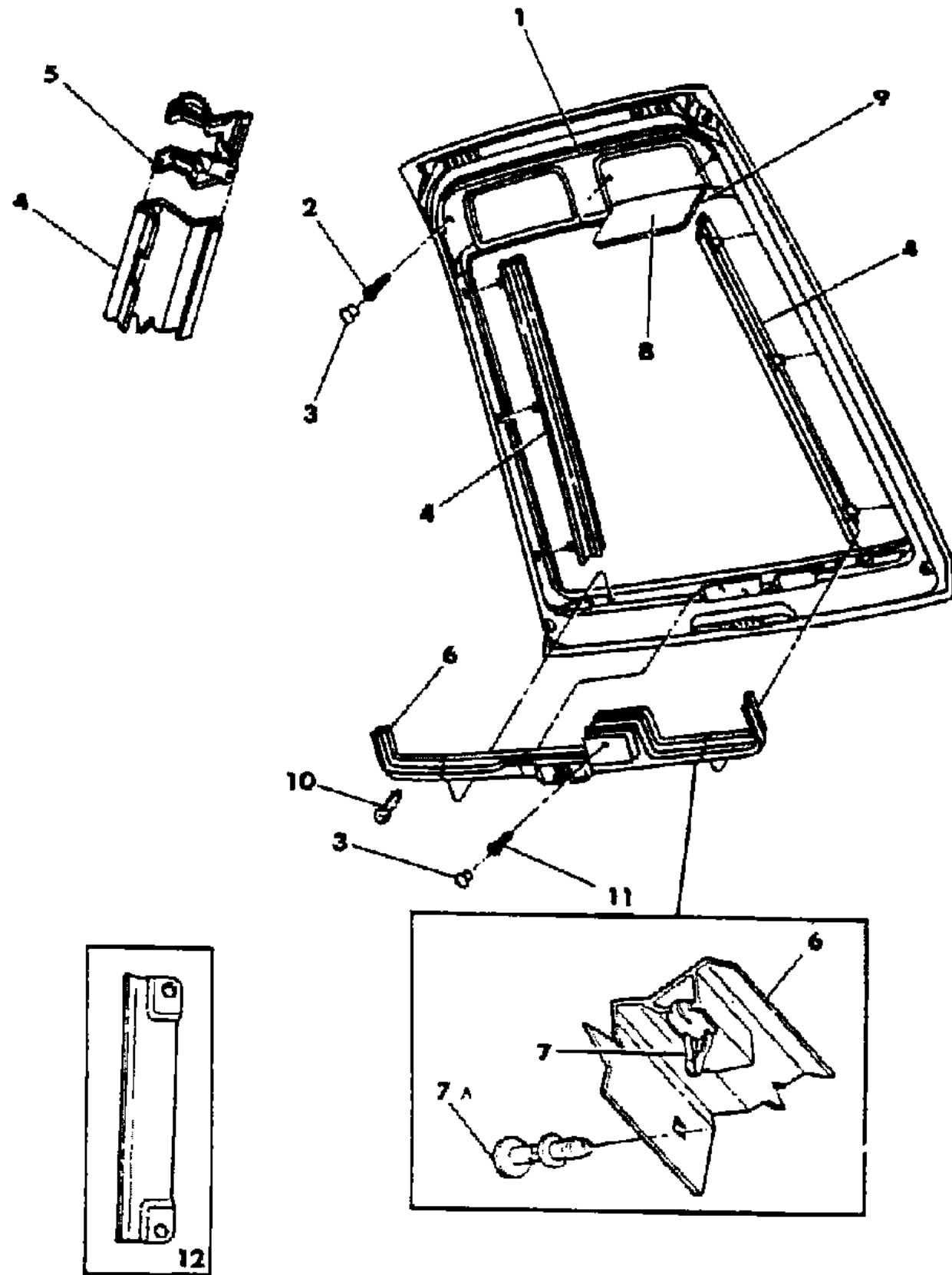
BODY STYLES

12-52 = FWD VAN & WAGON STD. W.B. 27 = 2-DOOR CONVERTIBLE
 13-53 = FWD VAN & WGN EXT W.B. 41 = 4-DOOR SEDAN
 21 = 2-DOOR SEDAN 44 = 4-DOOR HATCHBACK
 24 = 2-DOOR HATCHBACK 45 = 4-DOOR STATION WAGON

AR = Use as Required - = Non Illustrated Part P.A.R. = Paint as Required

PANEL--LIFTGATE TRIM AND VISOR G BODY
Figure ITG-600

8236 600



ITEM	PART NUMBER	QTY	BODY	MODEL	DESCRIPTION
1	H312 EK1	1			PANEL, Liftgate Upper Trim w/Rear Visor (P.A.R.)
	H311 EK1	1			w/o Rear Visor, (P.A.R.)
2					SCREW, (8-18x3/4) (Not Serv.)
3	F245 CA3	5			PLUG, Trim (P.A.R.)
4	4309 082-3	2			PANEL, Liftgate Side Trim (P.A.R.)
5	4247 729	6			RETAINER, Side Trim Attach
6					PANEL, Liftgate Lower w/Seal (P.A.R.)
	H175 EK1	1			w/Rear Wiper
	H180 EK1	1			w/o Rear Wipers
7	4114 785	3			CLIP, Lower Trim Panel w/Rear Wipers
7A					FASTENER, w/o Rear Wiper
	F155 EC5	4			Blue
	F155 GR8	4			Red
	F155 GL7	4			Taupe
	F155 CS8	4			Charcoal
8					VISOR, Rear (Vinyl)
	H704-5 FC5	1			Blue
	H704-5 GR8	1			Red
	H704-5 GL7	1			Taupe
	H704-5 FS8	1			Charcoal
9	4248 427	4			CLIP, Visor Panel End
10					SCREW, (8-15x13/32) (Not Serv.)
11					SCREW, (8-15x1) (Not Serv.)
12	4247 724	2			BRACKET, Visor Mounting

NOTE: (P.A.R.)= Paint As Required

MODEL CODES

C BODY = (D41 - DYNASTY)(C41 - NEW YORKER)
 E BODY = (J - CARAVELLE)(E - 600)(T - NEW YORKER TURBO)
 G BODY = (V24 - DAYTONA, PACIFICA & SHELBY)
 H BODY = (D44 - LANCER)(C44 - LEBARON GTS)
 J BODY = (C - LEBARON)
 K BODY = (P - RELIANT)(D - ARIES)(C - LEBARON/ TOWN & COUNTRY)

L BODY = (M - HORIZON)(Z-OMNI)
 M BODY = (B - GRAN FURY)(G - DIPLOMAT)(F - FIFTH AVENUE/NEWPORT)
 P BODY = (P - SUNDANCE)(D - SHADOW)
 Q BODY = (C27 - MASERATI)
 S BODY = (H - VOYAGER)(K - RAM VAN/ CARAVAN)

BODY STYLES

12-52 = FWD VAN & WAGON STD. W.B. 27 = 2-DOOR CONVERTIBLE
 13-53 = FWD VAN & WGN EXT W.B. 41 = 4-DOOR SEDAN
 21 = 2-DOOR SEDAN 44 = 4-DOOR HATCHBACK
 24 = 2-DOOR HATCHBACK 45 = 4-DOOR STATION WAGON

AR = Use as Required - = Non Illustrated Part P.A.R. = Paint as Required

CARPET AND SILENCERS G BODY
Figure ITG-700

8236 700

ITEM	PART NUMBER	QTY	BODY	MODEL	DESCRIPTION
1					CARPET, Floor (Use Up To 4/25/88)
	M698 GC5	1			Blue
	M717 GR8	1			Red
	M717 GL7	1			Taupe
	M717 FS8	1			Charcoal (Use After 4/25/88)
	M698 GC5	1			Blue
	M698 GR8	1			Red
	M698 GL7	1			Taupe
	M698 GS8	1			Charcoal
2	4186 901	AR			SILENCER, Floor (36"x72" Cut To Fit)
3	4186 901	AR			SILENCER, Under Rear Seat (36"x72" Cut To Fit)
4	4248 818	4			FOOT, Tie Down Anchor
5					SCREW, (8-18x3/4) (Not Serv.)
6					CARPET, Cargo Area w/o Slits
	M628 FC5	1			Blue
	M628 GR8	1			Red
	M628 GL7	1			Taupe
	M628 CS8	1			Charcoal
7	H349 CX9	2			STRAP, Tie Down, Black
8	H608 CX7	1			BAG, Sunroof Storage
9	4397 109	1			STRAP, T-Bar Roof Hatch Storage
10	4397 108	1			BAG, T-Bar Roof Hatch Storage
11	3762 862	AR			SILENCER, Cargo Compartment (36"x72" Cut To Fit)
12					CARPETED FLOOR MATS, Set Of Two
					FRONT
	M048 FC5	1			Blue
	M074 GR8	1			Red
	M074 GL7	1			Taupe
	M074 FS8	1			Charcoal
					REAR
	M049 FC5	1			Blue
	M049 GR8	1			Red
	M049 GL7	1			Taupe
	M049 FS8	1			Charcoal

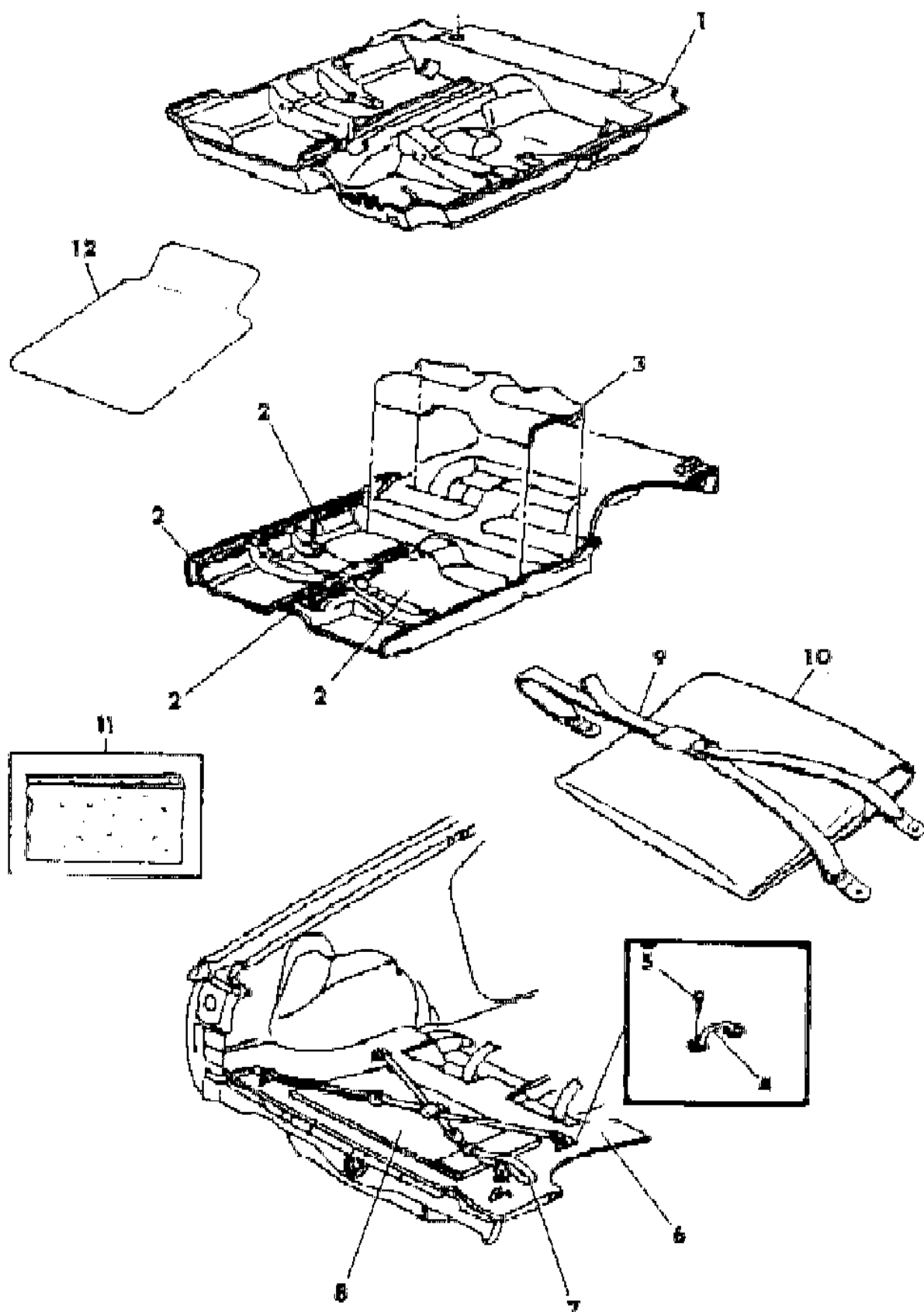
MODEL CODES

C BODY = (D41 - DYNASTY)(C41 - NEW YORKER)	L BODY = (M - HORIZON)(Z-OMNI)
E BODY = (J - CARAVELLE)(E - 600)(T - NEW YORKER TURBO)	M BODY = (B - GRAN FURY)(G - DIPLOMAT)(F - FIFTH AVENUE/NEWPORT)
G BODY = (V24 - DAYTONA, PACIFICA & SHELBY)	P BODY = (P - SUNDANCE)(D - SHADOW)
H BODY = (D44 - LANCER)(C44 - LEBARON GTS)	Q BODY = (C27 - MASERATI)
J BODY = (C - LEBARON)	S BODY = (H - VOYAGER)(K - RAM VAN/ CARAVAN)
K BODY = (P - RELIANT)(D - ARIES)(C - LEBARON/ TOWN & COUNTRY)	

BODY STYLES

12-52 = FWD VAN & WAGON STD. W.B.	27 = 2-DOOR CONVERTIBLE
13-53 = FWD VAN & WGN EXT W.B.	41 = 4-DOOR SEDAN
21 = 2-DOOR SEDAN	44 = 4-DOOR HATCHBACK
24 = 2-DOOR HATCHBACK	45 = 4-DOOR STATION WAGON

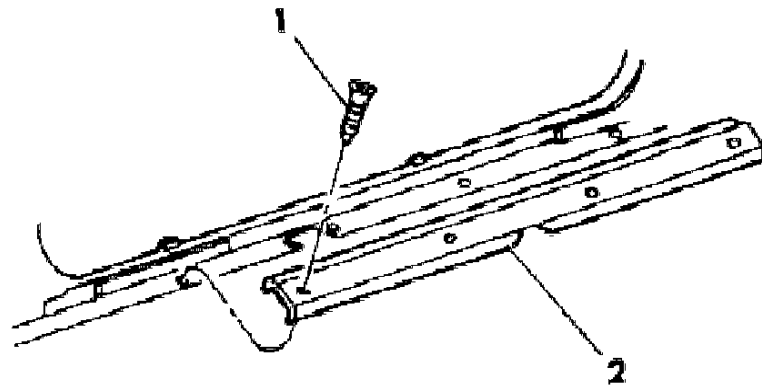
AR = Use as Required - = Non Illustrated Part P.A.R. = Paint as Required



SCUFF PLATE G BODY
Figure ITG-800

ITEM	PART NUMBER	QTY	BODY	MODEL	DESCRIPTION
1		AR			SCREW, (8-18x1 1/4) (Not Serv.)
2	M910 GL7	2			PLATE, Door Sill Scuff (Use Up To 7-11-88) (P.A.R.)
	M990 GL7	2			PLATE, Door Sill Scuff (Use After 7-77-88) (P.A.R.)
NOTE: (P.A.R.) = Paint as Required					

8236 800



MODEL CODES

C BODY = (D41 - DYNASTY)(C41 - NEW YORKER)	L BODY = (M - HORIZON)(Z-OMNI)
E BODY = (J - CARAVELLE)(E - 600)(T - NEW YORKER TURBO)	M BODY = (B - GRAN FURY)(G - DIPLOMAT)(F - FIFTH AVENUE/NEWPORT)
G BODY = (V24 - DAYTONA, PACIFICA & SHELBY)	P BODY = (P - SUNDANCE)(D - SHADOW)
H BODY = (D44 - LANCER)(C44 - LEBARON GTS)	Q BODY = (C27 - MASERATI)
J BODY = (C - LEBARON)	S BODY = (H - VOYAGER)(K - RAM VAN/ CARAVAN)
K BODY = (P - RELIANT)(D - ARIES)(C - LEBARON/ TOWN & COUNTRY)	

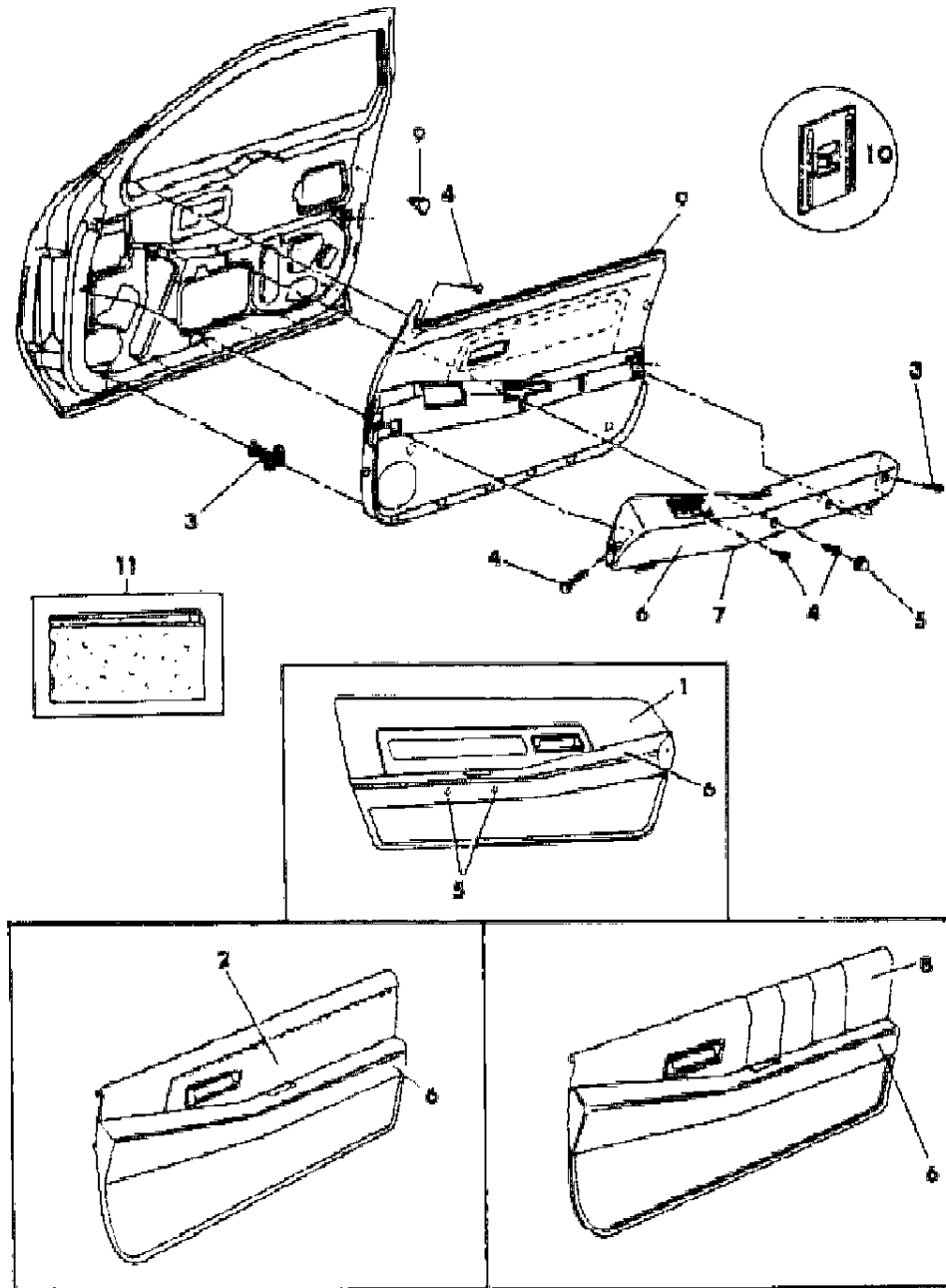
BODY STYLES

12-52 = FWD VAN & WAGON STD. W.B.	27 = 2-DOOR CONVERTIBLE
13-53 = FWD VAN & WGN EXT W.B.	41 = 4-DOOR SEDAN
21 = 2-DOOR SEDAN	44 = 4-DOOR HATCHBACK
24 = 2-DOOR HATCHBACK	45 = 4-DOOR STATION WAGON

AR = Use as Required - = Non Illustrated Part P.A.R. = Paint as Required

PANEL--DOOR TRIM G BODY
Figure ITG-900

8236 900



ITEM	PART NUMBER	QTY	BODY	MODEL	DESCRIPTION
1					PANEL, Door Trim
	J170-1 FC5	1			Cloth Blue, (A7C)
	J170-1 GR8	1			Red, (A7R)
	J170-1 GL7	1			Taupe, (A7L)
	J170-1 FS8	1			Charcoal, (A7S)
2					PANEL, Door Trim
	J172-3 FC5	1			Cloth Blue, (F7C)
	J172-3 GR8	1			Red, (F7R)
	J172-3 GL7	1			Taupe, (F7L)
	J172-3 FS8	1			Charcoal, (F7S)
3	4114 785				FASTENER, Door Trim Panel Attach.
4		AR			SCREW, (8-18x1 1/4) (Not Serv.)
5					PLUG, Armrest
	D563 FC5	2			Blue
	D563 GR8	2			Red
	D563 GL7	2			Taupe
	D563 FS8	2			Charcoal
6					ARMREST, Door
	D242-3 FC5	1			Blue
	D242-3 GR8	1			Red
	D242-3 GL7	1			Taupe
	D242-3 ES8	1			Charcoal
7					PLATE, Door Armrest Backing (Serv. in #6)
8					PANEL, Door Trim w/Upper Trim Panel
	J174-5 FCC	1			Cloth Blue, (S7C)
	J174-5 GRR	1			Red, (S7R)
	J174-5 GLL	1			Taupe, (S7L)
	J174-5 FAS	1			Charcoal, (S7S)
	J176-7 GC5	1			Leather Blue, (SLC)
	J176-7 GR8	1			Red, (SLR)
	J176-7 GL7	1			Taupe, (SLL)
	J176-7 GS8	1			Charcoal, (SLS)
9	6016 144	4			FASTENER, Liner Attaching

MODEL CODES

C BODY = (D41 - DYNASTY)(C41 - NEW YORKER)
 E BODY = (J - CARAVELLE)(E - 600)(T - NEW YORKER TURBO)
 G BODY = (V24 - DAYTONA, PACIFICA & SHELBY)
 H BODY = (D44 - LANCER)(C44 - LEBARON GTS)
 J BODY = (C - LEBARON)
 K BODY = (P - RELIANT)(D - ARIES)(C - LEBARON/ TOWN & COUNTRY)

L BODY = (M - HORIZON)(Z-OMNI)
 M BODY = (B - GRAN FURY)(G - DIPLOMAT)(F - FIFTH AVENUE/NEWPORT)
 P BODY = (P - SUNDANCE)(D - SHADOW)
 Q BODY = (C27 - MASERATI)
 S BODY = (H - VOYAGER)(K - RAM VAN/ CARAVAN)

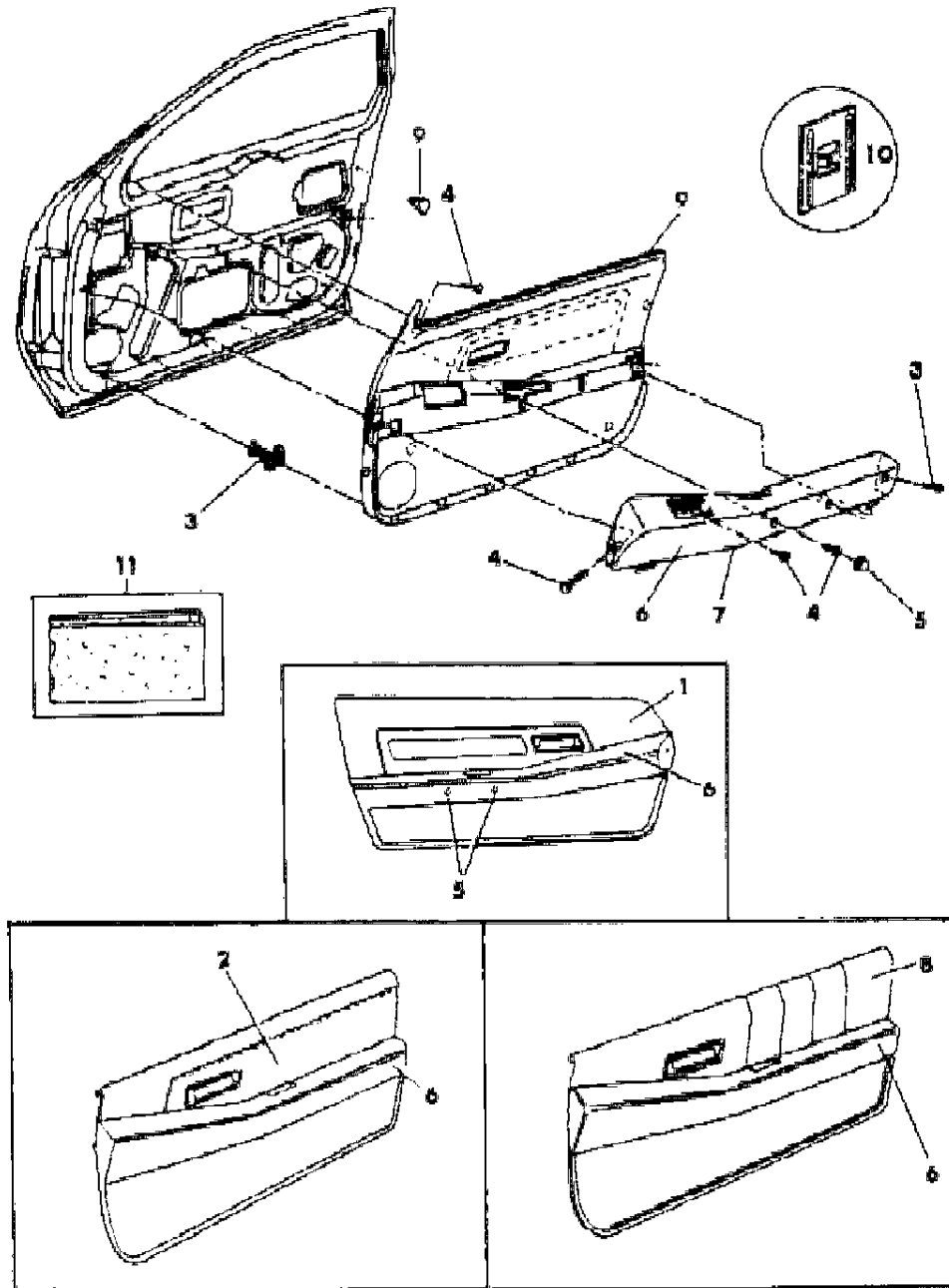
BODY STYLES

12-52 = FWD VAN & WAGON STD. W.B. 27 = 2-DOOR CONVERTIBLE
 13-53 = FWD VAN & WGN EXT W.B. 41 = 4-DOOR SEDAN
 21 = 2-DOOR SEDAN 44 = 4-DOOR HATCHBACK
 24 = 2-DOOR HATCHBACK 45 = 4-DOOR STATION WAGON

AR = Use as Required - = Non Illustrated Part P.A.R. = Paint as Required

PANEL--DOOR TRIM G BODY
Figure ITG-900

8236 900



ITEM	PART NUMBER	QTY	BODY	MODEL	DESCRIPTION
10	6032 431	AR			FASTENER, Bolster Attach.
11	4049 602	AR			SILENCER, (36"x36" Cut To Fit)

MODEL CODES

C BODY = (D41 - DYNASTY)(C41 - NEW YORKER)
 E BODY = (J - CARAVELLE)(E - 600)(T - NEW YORKER TURBO)
 G BODY = (V24 - DAYTONA, PACIFICA & SHELBY)
 H BODY = (D44 - LANCER)(C44 - LEBARON GTS)
 J BODY = (C - LEBARON)
 K BODY = (P - RELIANT)(D - ARIES)(C - LEBARON/ TOWN & COUNTRY)

L BODY = (M - HORIZON)(Z-OMNI)
 M BODY = (B - GRAN FURY)(G - DIPLOMAT)(F - FIFTH AVENUE/NEWPORT)
 P BODY = (P - SUNDANCE)(D - SHADOW)
 Q BODY = (C27 - MASERATI)
 S BODY = (H - VOYAGER)(K - RAM VAN/ CARAVAN)

BODY STYLES

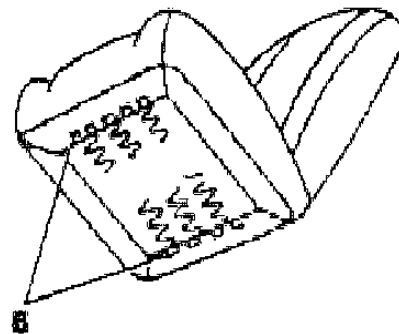
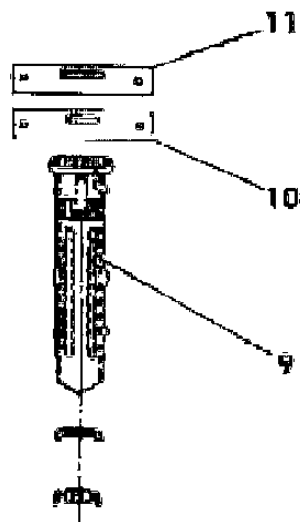
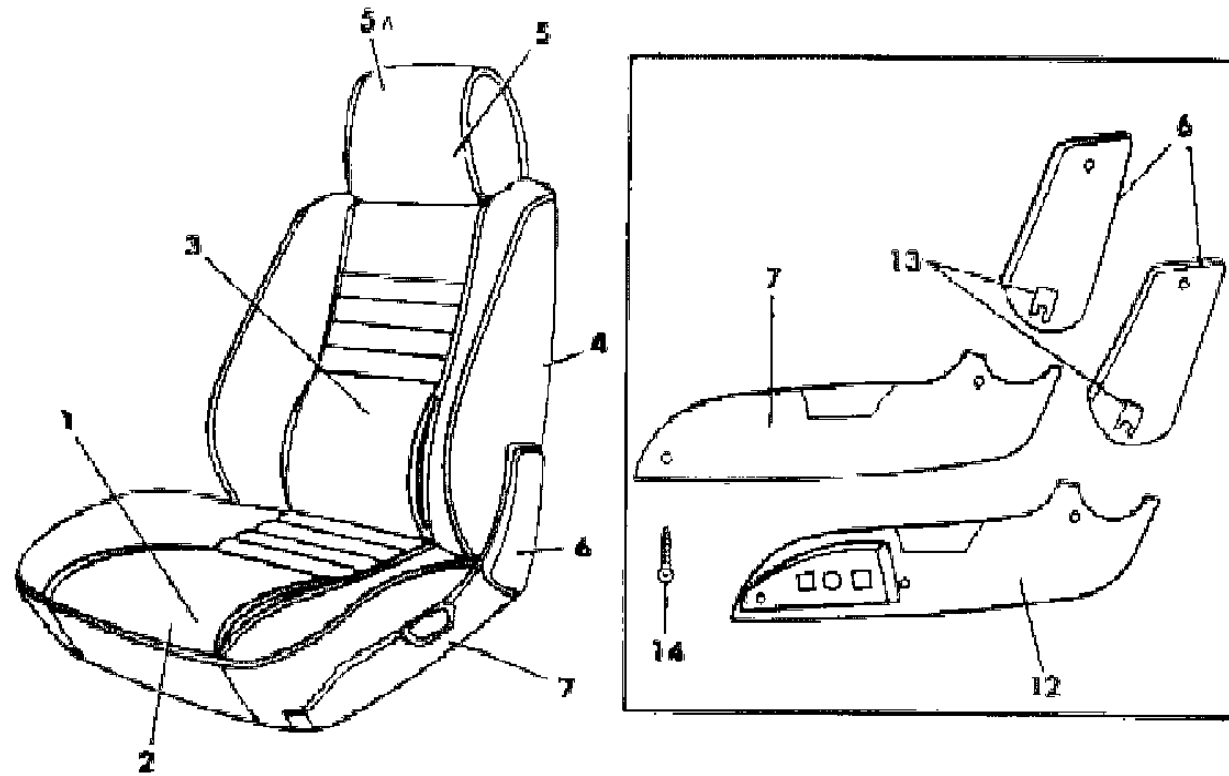
12-52 = FWD VAN & WAGON STD. W.B. 27 = 2-DOOR CONVERTIBLE
 13-53 = FWD VAN & WGN EXT W.B. 41 = 4-DOOR SEDAN
 21 = 2-DOOR SEDAN 44 = 4-DOOR HATCHBACK
 24 = 2-DOOR HATCHBACK 45 = 4-DOOR STATION WAGON

AR = Use as Required - = Non Illustrated Part P.A.R. = Paint as Required

SEAT--FRONT G BODY TRIM CODE A7

Figure ITG-1000

8236 1000



ITEM	PART NUMBER	QTY	BODY	MODEL	DESCRIPTION
1-2					CUSHION, w/Spring/Frame, Pad and Cover
					MANUAL
					Cloth
	B792-3 F7C	1			Blue
	B792-3 G7R	1			Red
	B792-3 G7L	1			Taupe
	B792-3 F7S	1			Charcoal
2					COVER, Cushion
					CLOTH
	N482-3 F7C	1			Blue
	N482-3 G7R	1			Red
	N482-3 G7L	1			Taupe
	N482-3 F7S	1			Charcoal
3					BACK, w/Spring/Frame, Pad and Cover
					(Use Up To 2-15-88) LEFT ONLY
					CLOTH
	B628-9 G7C	1			Blue
	B628-9 G7R	1			Red
	B628-9 G7L	1			Taupe
	B628-9 G7S	1			Charcoal
					(Use After 2-15-88) LEFT ONLY
	B961 G7C	1			Blue
	B961 G7R	1			Red
	B961 G7L	1			Taupe
	B961 G7S	1			Charcoal
4					COVER, Back
					CLOTH and VINYL
	N484-5 F7C	1			Blue
	N484-5 G7R	1			Red
	N484-5 G7L	1			Taupe
	N484-5 F7S	1			Charcoal
5					HEADREST and COVER
					CLOTH
	B794 FC5	2			Blue
	B794 GR8	2			Red
	B794 GL7	2			Taupe
	B794 FS8	2			Charcoal

MODEL CODES

C BODY = (D41 - DYNASTY)(C41 - NEW YORKER)
 E BODY = (J - CARAVELLE)(E - 600)(T - NEW YORKER TURBO)
 G BODY = (V24 - DAYTONA, PACIFICA & SHELBY)
 H BODY = (D44 - LANCER)(C44 - LEBARON GTS)
 J BODY = (C - LEBARON)
 K BODY = (P - RELIANT)(D - ARIES)(C - LEBARON/ TOWN & COUNTRY)

L BODY = (M - HORIZON)(Z-OMNI)
 M BODY = (B - GRAN FURY)(G - DIPLOMAT)(F - FIFTH AVENUE/NEWPORT)
 P BODY = (P - SUNDANCE)(D - SHADOW)
 Q BODY = (C27 - MASERATI)
 S BODY = (H - VOYAGER)(K - RAM VAN/ CARAVAN)

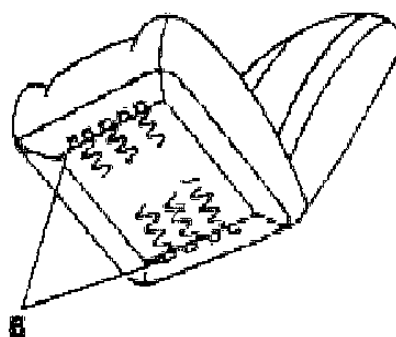
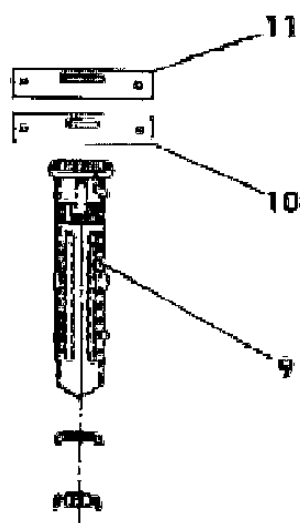
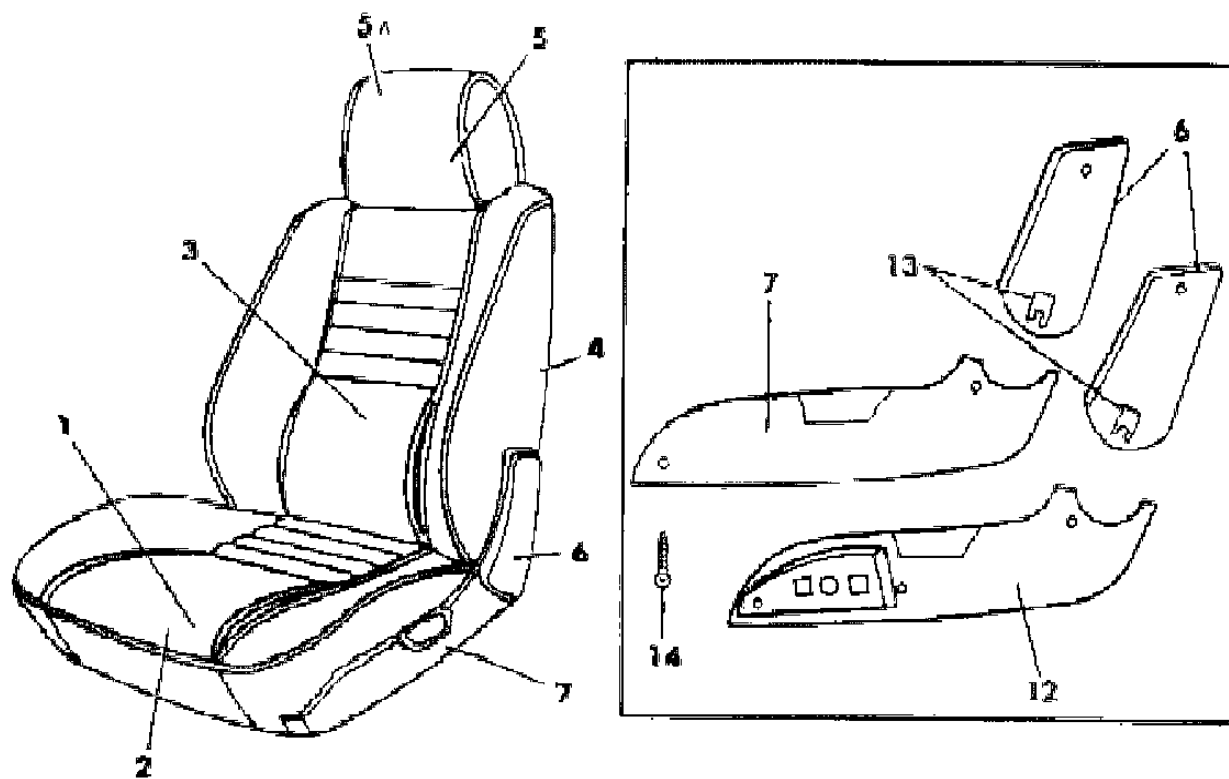
BODY STYLES

12-52 = FWD VAN & WAGON STD. W.B. 27 = 2-DOOR CONVERTIBLE
 13-53 = FWD VAN & WGN EXT W.B. 41 = 4-DOOR SEDAN
 21 = 2-DOOR SEDAN 44 = 4-DOOR HATCHBACK
 24 = 2-DOOR HATCHBACK 45 = 4-DOOR STATION WAGON

AR = Use as Required - = Non Illustrated Part P.A.R. = Paint as Required

SEAT--FRONT G BODY TRIM CODE A7
Figure ITG-1000

8236 1000



ITEM	PART NUMBER	QTY	BODY	MODEL	DESCRIPTION
5A					COVER, Headrest
					CLOTH
	B429 FC5	2			Blue
	B429 GR8	2			Red
	B429 GL7	2			Taupe
	B429 FS8	2			Charcoal
6					SHIELD, Back (P.A.R.)
					OUTER
	S604 GK1	1			Passenger Seat
	S605 GK1	1			Driver Seat
					INNER
	S605 GK1	1			Passenger Seat
	S604 GK1	1			Driver Seat
7					SHIELD, Cushion (P.A.R.)
					OUTER
	S764 GK1	1			Passenger Seat
	S765 GK1	1			Driver Seat
					INNER
	S765 GK1	1			Passenger Seat
	S764 GK1	1			Driver Seat
8	6008 076	AR			HOG RING
9					SLEEVE, Headrest
	S786 EC5	2			Blue
	S786 GR8	2			Red
	S786 GL7	2			Taupe
	S786 CS8	2			Charcoal
10	4190 387	2			SUPPORT, Headrest
11	4190 388	2			COVER, Headrest Finish
12	S265 FK1	1			SHIELD, Electric (P.A.R.)
13	4317 800	AR			CLIP
14		AR			SCREW, Side Shield Attaching (8-18x1.75) (Not Serv.)

NOTE: (P.A.R.) = Paint As Required

MODEL CODES

C BODY = (D41 - DYNASTY)(C41 - NEW YORKER)
 E BODY = (J - CARAVELLE)(E - 600)(T - NEW YORKER TURBO)
 G BODY = (V24 - DAYTONA, PACIFICA & SHELBY)
 H BODY = (D44 - LANCER)(C44 - LEBARON GTS)
 J BODY = (C - LEBARON)
 K BODY = (P - RELIANT)(D - ARIES)(C - LEBARON/ TOWN & COUNTRY)

L BODY = (M - HORIZON)(Z-OMNI)
 M BODY = (B - GRAN FURY)(G - DIPLOMAT)(F - FIFTH AVENUE/NEWPORT)
 P BODY = (P - SUNDANCE)(D - SHADOW)
 Q BODY = (C27 - MASERATI)
 S BODY = (H - VOYAGER)(K - RAM VAN/ CARAVAN)

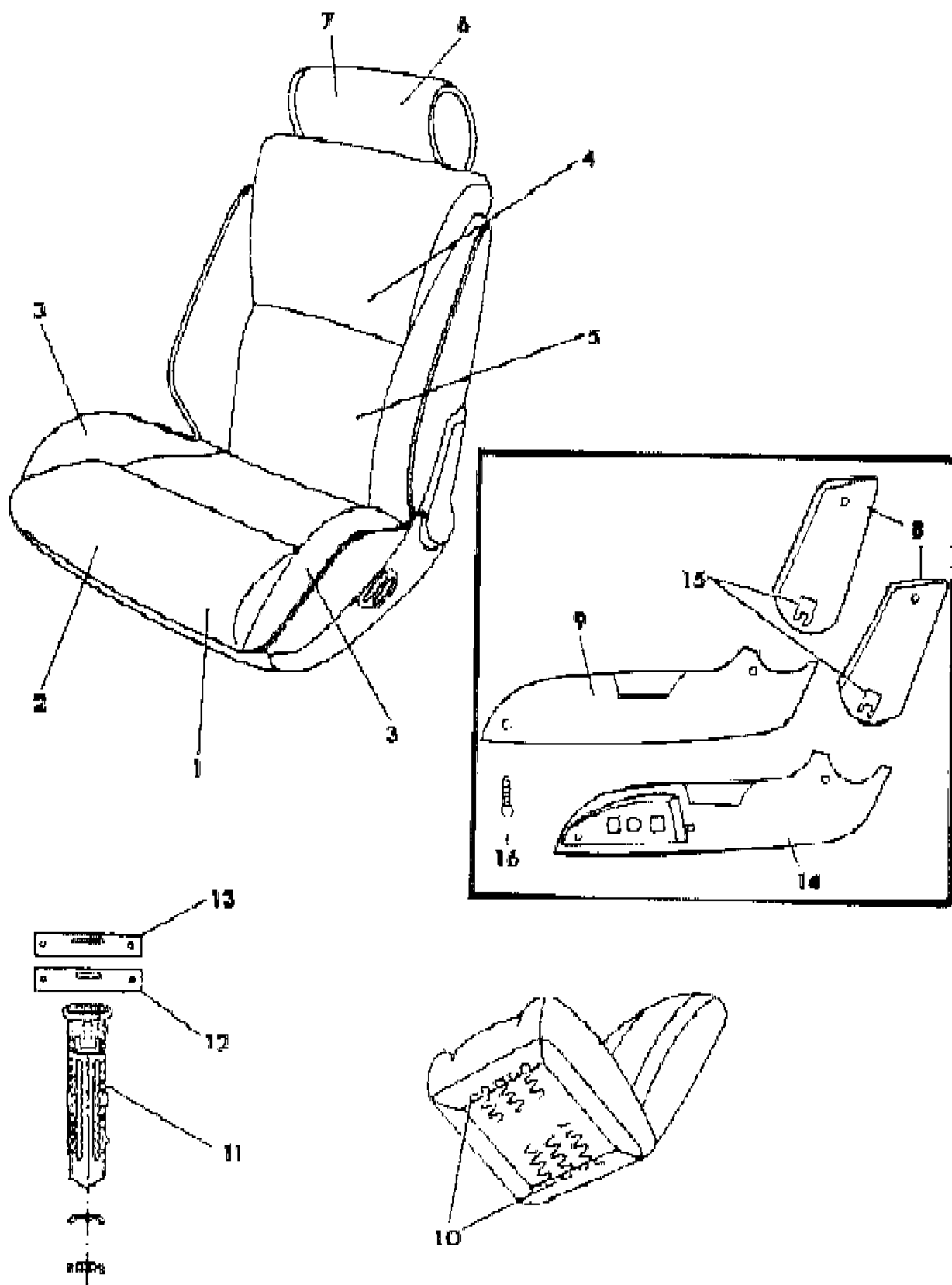
BODY STYLES

12-52 = FWD VAN & WAGON STD. W.B. 27 = 2-DOOR CONVERTIBLE
 13-53 = FWD VAN & WGN EXT W.B. 41 = 4-DOOR SEDAN
 21 = 2-DOOR SEDAN 44 = 4-DOOR HATCHBACK
 24 = 2-DOOR HATCHBACK 45 = 4-DOOR STATION WAGON

AR = Use as Required - = Non Illustrated Part P.A.R. = Paint as Required

SEAT--FRONT G BODY TRIM CODE F7
Figure ITG-1100

8236 1100



ITEM	PART NUMBER	QTY	BODY	MODEL	DESCRIPTION
1					CUSHION, w/Spring/Frame, Pad and Cover MANUAL Cloth
	B762-3 G7R	1			Red, (F7R)
	B762-3 F7K	1			Almond, (F7K)
	B762-3 F7S	1			Charcoal, (F7S)
2					COVER, Cushion Center PASSENGER and DRIVER Cloth
	B585 G7R	2			Red, (F7R)
	B585 G7L	2			Taupe, (F7L)
	B585 F7S	2			Charcoal, (F7S)
3					COVER, Cushion Wings OUTBOARD
	B588 G7R	1			Passenger Seat Red, (F7R)
	B588 G7L	1			Taupe, (F7L)
	B588 F7S	1			Charcoal, (F7S) Driver Seat
	B589 G7R	1			Red, (F7R)
	B589 G7L	1			Taupe, (F7L)
	B589 F7S	1			Charcoal, (F7S) INBOARD
	B589 G7R	1			Passenger Seat Red, (F7R)
	B589 G7L	1			Taupe, (F7L)
	B589 F7S	1			Charcoal, (F7S) Driver Seat
	B588 G7R	1			Red, (F7R)
	B588 G7L	1			Taupe, (F7L)
	B588 F7S	1			Charcoal, (F7S)
4-5					BACK, w/Spring/Frame, Pad and Cover CLOTH
	B630-1 G7R	1			(Use Up To 2-15-88) LEFT ONLY Red, (F7R)
	B630-1 G7L	1			Taupe, (F7L)
	B630-1 G7S	1			Charcoal

MODEL CODES

C BODY = (D41 - DYNASTY)(C41 - NEW YORKER)
E BODY = (J - CARAVELLE)(E - 600)(T - NEW YORKER TURBO)
G BODY = (V24 - DAYTONA, PACIFICA & SHELBY)
H BODY = (D44 - LANCER)(C44 - LEBARON GTS)
J BODY = (C - LEBARON)
K BODY = (P - RELIANT)(D - ARIES)(C - LEBARON/ TOWN & COUNTRY)

L BODY = (M - HORIZON)(Z-OMNI)
M BODY = (B - GRAN FURY)(G - DIPLOMAT)(F - FIFTH AVENUE/NEWPORT)
P BODY = (P - SUNDANCE)(D - SHADOW)
Q BODY = (C27 - MASERATI)
S BODY = (H - VOYAGER)(K - RAM VAN/ CARAVAN)

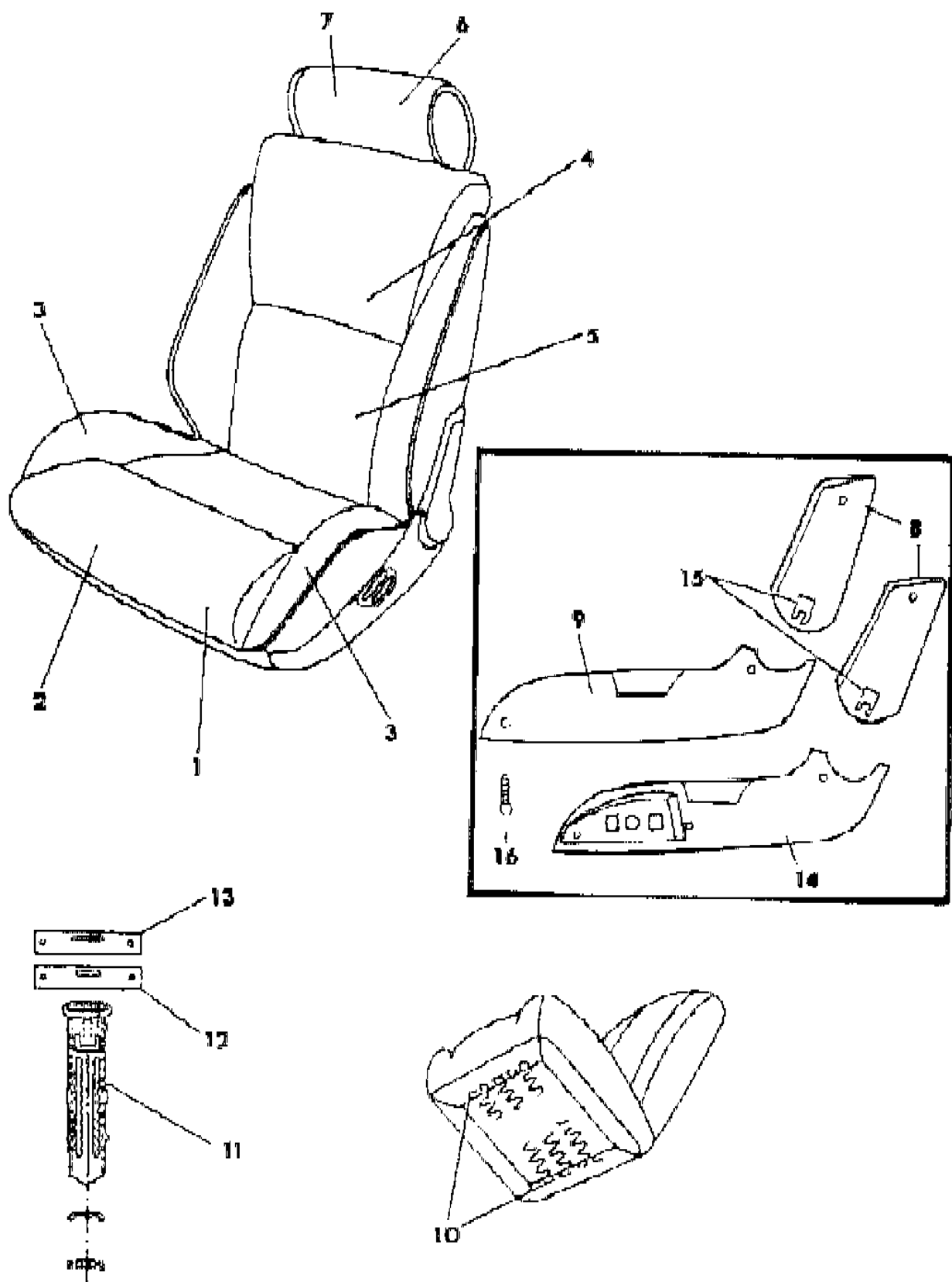
BODY STYLES

12-52 = FWD VAN & WAGON STD. W.B. 27 = 2-DOOR CONVERTIBLE
13-53 = FWD VAN & WGN EXT W.B. 41 = 4-DOOR SEDAN
21 = 2-DOOR SEDAN 44 = 4-DOOR HATCHBACK
24 = 2-DOOR HATCHBACK 45 = 4-DOOR STATION WAGON

AR = Use as Required - = Non Illustrated Part P.A.R. = Paint as Required

SEAT--FRONT G BODY TRIM CODE F7
Figure ITG-1100

8236 1100



ITEM	PART NUMBER	QTY	BODY	MODEL	DESCRIPTION
					(Use After 2-15-88) LEFT ONLY
	B989 G7R	1			Red, (F7R)
	B989 G7L	1			Taupe, (F7L)
	B989 G7S	1			Charcoal, (F7S)
5					COVER, Back
					CLOTH
	B452-3 G7R	1			Red, (F7R)
	B452-3 G7L	1			Taupe, (E7L)
	B452-3 F7S	1			Charcoal, (F7S)
6					HEADREST and COVER
	B764 GR8	2			Red, (F7R)
	B764 GL7	2			Taupe, (F7L)
	B764 FS8	2			Charcoal, (F7S)
7					COVER, Headrest
	B580 GR8	2			Red, (F7R)
	B580 GL7	2			Taupe, (F7L)
	B580 FS8	2			Charcoal, (F7S)
8					SHIELD, Back (P.A.R.)
					OUTER
	S604 GK1	1			Passenger Seat
	S605 GK1	1			Driver Seat
					INNER
	S605 GK1	1			Passenger Seat
	S604 GK1	1			Driver Seat
9					SHIELD, Cushion (P.A.R.)
					OUTER
	S764 GK1	1			Passenger Seat
	S765 GK1	1			Driver Seat
					INNER
	S765 GK1	1			Passenger Seat
	S764 GK1	1			Driver Seat
10	6008 076	AR			HOG RING
11					SLEEVE, Headrest
	S786 EC5	2			Blue
	S786 GR8	2			Red
	S786 EK1	2			Almond
	S786 CS8	2			Charcoal

MODEL CODES

C BODY = (D41 - DYNASTY)(C41 - NEW YORKER)
 E BODY = (J - CARAVELLE)(E - 600)(T - NEW YORKER TURBO)
 G BODY = (V24 - DAYTONA, PACIFICA & SHELBY)
 H BODY = (D44 - LANCER)(C44 - LEBARON GTS)
 J BODY = (C - LEBARON)
 K BODY = (P - RELIANT)(D - ARIES)(C - LEBARON/ TOWN & COUNTRY)
 L BODY = (M - HORIZON)(Z-OMNI)
 M BODY = (B - GRAN FURY)(G - DIPLOMAT)(F - FIFTH AVENUE/NEWPORT)
 P BODY = (P - SUNDANCE)(D - SHADOW)
 Q BODY = (C27 - MASERATI)
 S BODY = (H - VOYAGER)(K - RAM VAN/ CARAVAN)

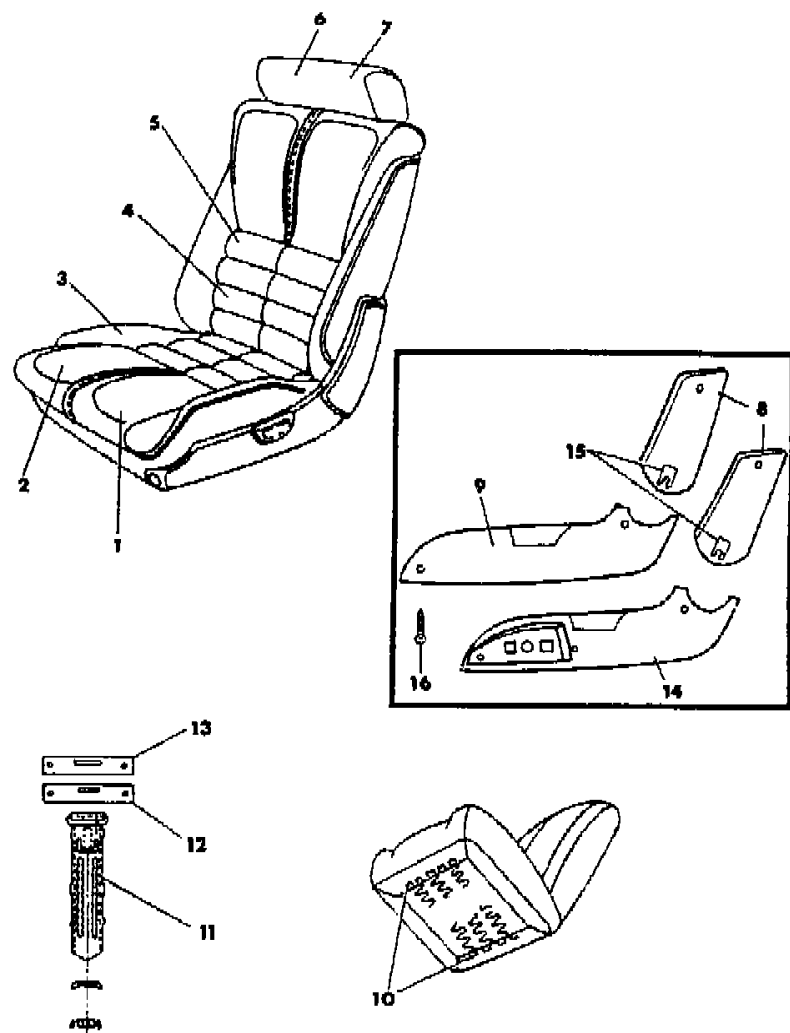
BODY STYLES

12-52 = FWD VAN & WAGON STD. W.B. 27 = 2-DOOR CONVERTIBLE
 13-53 = FWD VAN & WGN EXT W.B. 41 = 4-DOOR SEDAN
 21 = 2-DOOR SEDAN 44 = 4-DOOR HATCHBACK
 24 = 2-DOOR HATCHBACK 45 = 4-DOOR STATION WAGON

AR = Use as Required - = Non Illustrated Part P.A.R. = Paint as Required

SEAT--FRONT G BODY TRIM CODE S7
Figure ITG-1200

8236 1200



ITEM	PART NUMBER	QTY	BODY	MODEL	DESCRIPTION
1-3					CUSHION, w/Spring/Frame, Pad and Cover
					MANUAL, Right
					Cloth
	B748 F7C	1			Blue
	B748 G7R	1			Red
	B748 G7L	1			Taupe
	B748 F7S	1			Charcoal
					ELECTRIC, Left
					Cloth
	B751 F7C	1			Blue
	B289 G7R	1			Red
	B751 G7L	1			Taupe
	B751 F7S	1			Charcoal
2					COVER, Cushion Center PASSENGER and Driver Seat
					Cloth
	B558 F7C	2			Blue
	B558 G7R	2			Red
	B558 G7L	2			Taupe
	B558 F7S	2			Charcoal
3					COVER, Cushion Wings
					CLOTH
					Outboard
					Passenger Seat
	B560 F7C	1			Blue
	B560 G7R	1			Red
	B560 G7L	1			Taupe
	B560 F7S	1			Charcoal
					DRIVER SEAT
	B561 F7C	1			Blue
	B561 G7R	1			Red
	B561 G7L	1			Taupe
	B561 F7S	1			Charcoal
					INBOARD
					Passenger
	B561 F7C	1			Blue
	B561 G7R	1			Red

MODEL CODES

C BODY = (D41 - DYNASTY)(C41 - NEW YORKER)	L BODY = (M - HORIZON)(Z-OMNI)
E BODY = (J - CARAVELLE)(E - 600)(T - NEW YORKER TURBO)	M BODY = (B - GRAN FURY)(G - DIPLOMAT)(F - FIFTH AVENUE/NEWPORT)
G BODY = (V24 - DAYTONA, PACIFICA & SHELBY)	P BODY = (P - SUNDANCE)(D - SHADOW)
H BODY = (D44 - LANCER)(C44 - LEBARON GTS)	Q BODY = (C27 - MASERATI)
J BODY = (C - LEBARON)	S BODY = (H - VOYAGER)(K - RAM VAN/ CARAVAN)
K BODY = (P - RELIANT)(D - ARIES)(C - LEBARON/ TOWN & COUNTRY)	

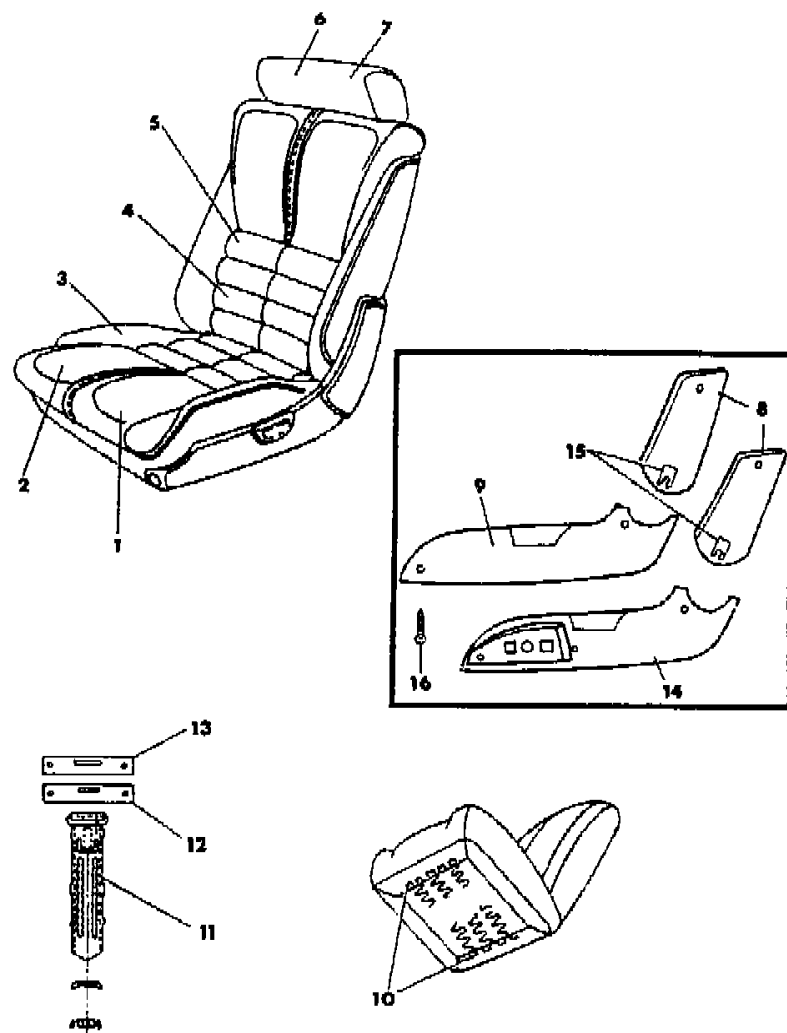
BODY STYLES

12-52 = FWD VAN & WAGON STD. W.B.	27 = 2-DOOR CONVERTIBLE
13-53 = FWD VAN & WGN EXT W.B.	41 = 4-DOOR SEDAN
21 = 2-DOOR SEDAN	44 = 4-DOOR HATCHBACK
24 = 2-DOOR HATCHBACK	45 = 4-DOOR STATION WAGON

AR = Use as Required - = Non Illustrated Part P.A.R. = Paint as Required

SEAT--FRONT G BODY TRIM CODE S7
Figure ITG-1200

8236 1200



ITEM	PART NUMBER	QTY	BODY	MODEL	DESCRIPTION
	B561 G7L	1			Taupe
	B561 F7S	1			Charcoal
	B560 F7C	1			Blue
	B560 G7R	1			Red
	B560 G7L	1			Taupe
	B560 F7S	1			Charcoal
4-5					BACK, w/Spring/Frame, Pad and Cover CLOTH
					(Use Up To 2-15-88) LEFT ONLY
	B632-3 G7C	1			Blue
	B632-3 G7R	1			Red
	B632-3 G7L	1			Taupe
	B632-3 G7S	1			Charcoal
					(Use After 2-15-88) Left Only
	B979 G7C	1			Blue
	B979 G7R	1			Red
	B979 G7L	1			Taupe
	B979 G7S	1			Charcoal
5					COVER, Back CLOTH
	B574-5 F7C	1			Blue
	B574-5 G7R	1			Red
	B574-5 G7L	1			Taupe
	B574-5 F7S	1			Charcoal
6					HEADREST and COVER CLOTH
	N904 FCC	2			Blue
	N904 GRR	2			Red
	N904 GLL	2			Taupe
	N904 FAS	2			Charcoal
7					COVER, Headrest CLOTH
	N468 FCC	2			Blue
	N468 GRR	2			Red
	N468 GLL	2			Taupe
	N468 FAS	2			Charcoal

MODEL CODES

C BODY = (D41 - DYNASTY)(C41 - NEW YORKER)
 E BODY = (J - CARAVELLE)(E - 600)(T - NEW YORKER TURBO)
 G BODY = (V24 - DAYTONA, PACIFICA & SHELBY)
 H BODY = (D44 - LANCER)(C44 - LEBARON GTS)
 J BODY = (C - LEBARON)
 K BODY = (P - RELIANT)(D - ARIES)(C - LEBARON/ TOWN & COUNTRY)
 L BODY = (M - HORIZON)(Z-OMNI)
 M BODY = (B - GRAN FURY)(G - DIPLOMAT)(F - FIFTH AVENUE/NEWPORT)
 P BODY = (P - SUNDANCE)(D - SHADOW)
 Q BODY = (C27 - MASERATI)
 S BODY = (H - VOYAGER)(K - RAM VAN/ CARAVAN)

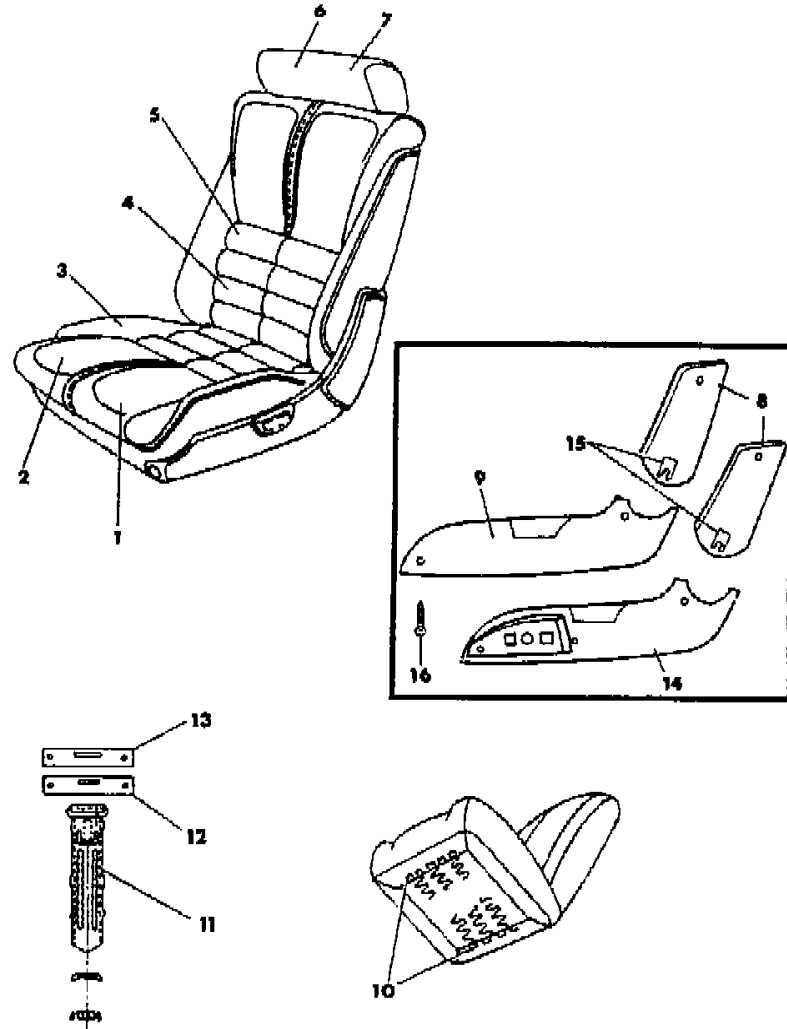
BODY STYLES

12-52 = FWD VAN & WAGON STD. W.B. 27 = 2-DOOR CONVERTIBLE
 13-53 = FWD VAN & WGN EXT W.B. 41 = 4-DOOR SEDAN
 21 = 2-DOOR SEDAN 44 = 4-DOOR HATCHBACK
 24 = 2-DOOR HATCHBACK 45 = 4-DOOR STATION WAGON

AR = Use as Required - = Non Illustrated Part P.A.R. = Paint as Required

SEAT--FRONT G BODY TRIM CODE S7
Figure ITG-1200

8236 1200



ITEM	PART NUMBER	QTY	BODY	MODEL	DESCRIPTION
8					SHIELD, Back (P.A.R.)
					OUTER
	S604 GK1	1			Passenger Seat
	S605 GK1	1			Driver Seat
					INNER
	S605 GK1	1			Passenger Seat
	S604 GK1	1			Driver Seat
9					SHIELD, Cushion (P.A.R.)
					OUTER
	S764 GK1	1			Passenger Seat
	S765 GK1	1			Driver Seat
					INNER
	S765 GK1	1			Passenger Seat
	S764 GK1	1			Driver Seat
10	6008 076	AR			HOG RING
11					SLEEVE, Headrest
	S786 EC5	2			Blue
	S786 GR8	2			Red
	S786 GL7	2			Taupe
	S786 CS8	2			Charcoal
12	4190 387	2			SUPPORT, Headrest
13	4327 688	2			COVER, Headrest Finish
14	S265 FK1	1			SHIELD, Electric (P.A.R.)
15	4317 800	AR			CLIP
16					SCREW, Side Shield Attaching (8-18x1.75) (Not Serv.)
NOTE: (P.A.R.) = Paint As Required					

MODEL CODES

C BODY = (D41 - DYNASTY)(C41 - NEW YORKER)
 E BODY = (J - CARAVELLE)(E - 600)(T - NEW YORKER TURBO)
 G BODY = (V24 - DAYTONA, PACIFICA & SHELBY)
 H BODY = (D44 - LANCER)(C44 - LEBARON GTS)
 J BODY = (C - LEBARON)
 K BODY = (P - RELIANT)(D - ARIES)(C - LEBARON/ TOWN & COUNTRY)

L BODY = (M - HORIZON)(Z-OMNI)
 M BODY = (B - GRAN FURY)(G - DIPLOMAT)(F - FIFTH AVENUE/NEWPORT)
 P BODY = (P - SUNDANCE)(D - SHADOW)
 Q BODY = (C27 - MASERATI)
 S BODY = (H - VOYAGER)(K - RAM VAN/ CARAVAN)

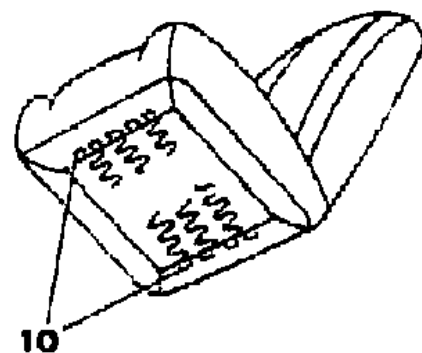
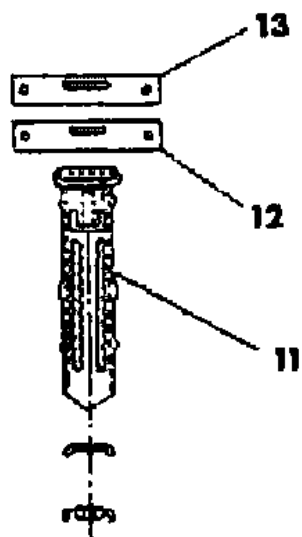
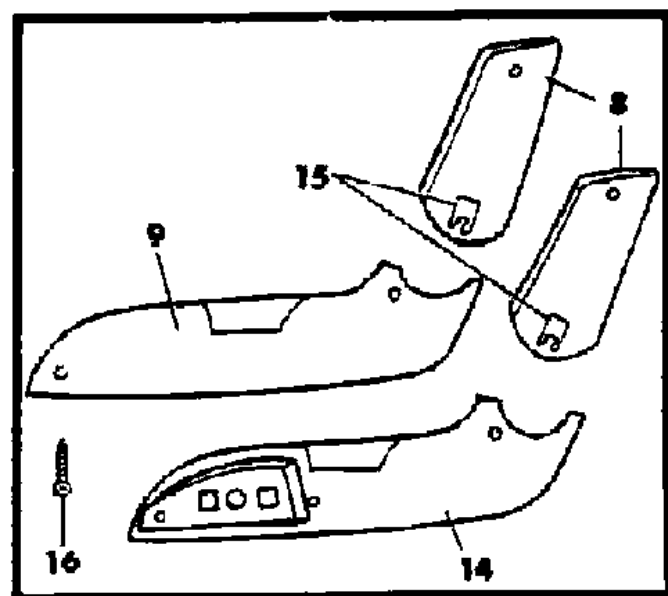
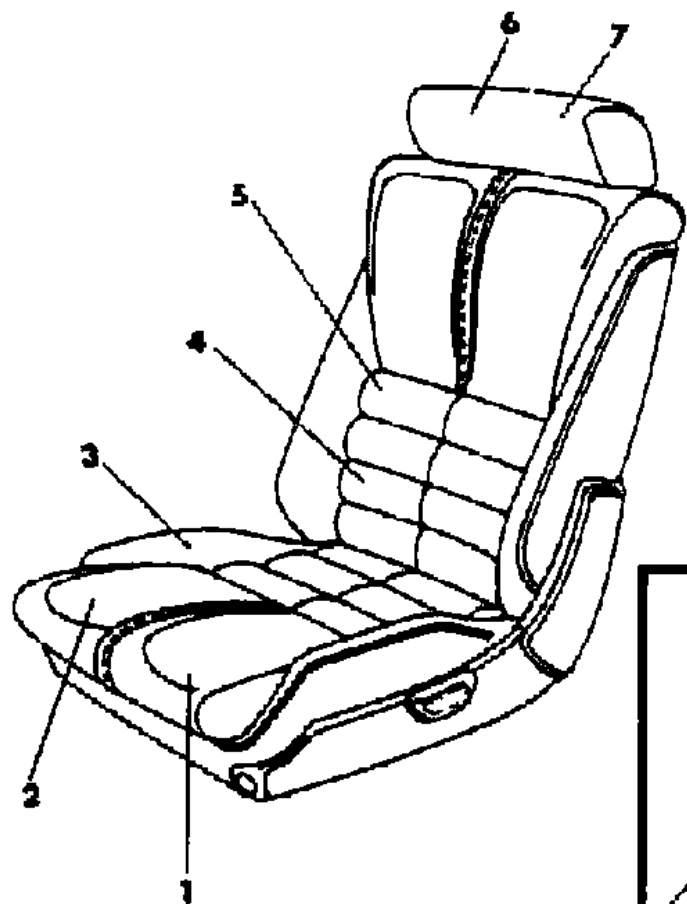
BODY STYLES

12-52 = FWD VAN & WAGON STD. W.B. 27 = 2-DOOR CONVERTIBLE
 13-53 = FWD VAN & WGN EXT W.B. 41 = 4-DOOR SEDAN
 21 = 2-DOOR SEDAN 44 = 4-DOOR HATCHBACK
 24 = 2-DOOR HATCHBACK 45 = 4-DOOR STATION WAGON

AR = Use as Required - = Non Illustrated Part P.A.R. = Paint as Required

SEAT--FRONT G BODY TRIM CODE SL
Figure ITG-1300

8236 1300



ITEM	PART NUMBER	QTY	BODY	MODEL	DESCRIPTION
1-3					CUSHION, w/Spring/Frame, Pad and Cover
					MANUAL RIGHT
					Leather
	B732 FLC	1			Blue
	B732 GLR	1			Red
	B290 GLL	1			Taupe
	B732 FLS	1			Charcoal
					ELECTRIC LEFT
	B739 FLC	1			Blue
	B739 GLR	1			Red
	B739 GLL	1			Taupe
	B739 FLS	1			Charcoal
2					COVER, Cushion Center
					PASSENGER and DRIVER
					Leather
	B559 FLC	2			Blue
	B559 GLR	2			Red
	B559 GLL	2			Almond
	B559 FLS	2			Charcoal
3					COVER, Cushion Wings
					LEATHER
					Outboard
					Passenger Seat
	B582 FLC	1			Blue
	B582 GLR	1			Red
	B582 GLL	1			Taupe
	B582 FLS	1			Charcoal
					DRIVER SEAT
	B583 FLC	1			Blue
	B583 GLR	1			Red
	B583 GLL	1			Taupe
	B583 FLS	1			Charcoal
					INBOARD
					Passenger Seat
	B583 FLC	1			Blue
	B583 GLR	1			Red
	B583 GLL	1			Taupe

MODEL CODES

C BODY = (D41 - DYNASTY)(C41 - NEW YORKER)
 E BODY = (J - CARAVELLE)(E - 600)(T - NEW YORKER TURBO)
 G BODY = (V24 - DAYTONA, PACIFICA & SHELBY)
 H BODY = (D44 - LANCER)(C44 - LEBARON GTS)
 J BODY = (C - LEBARON)
 K BODY = (P - RELIANT)(D - ARIES)(C - LEBARON/ TOWN & COUNTRY)

L BODY = (M - HORIZON)(Z-OMNI)
 M BODY = (B - GRAN FURY)(G - DIPLOMAT)(F - FIFTH AVENUE/NEWPORT)
 P BODY = (P - SUNDANCE)(D - SHADOW)
 Q BODY = (C27 - MASERATI)
 S BODY = (H - VOYAGER)(K - RAM VAN/ CARAVAN)

BODY STYLES

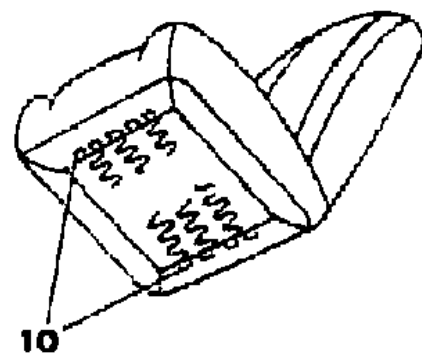
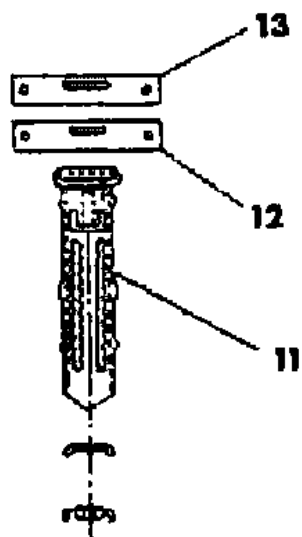
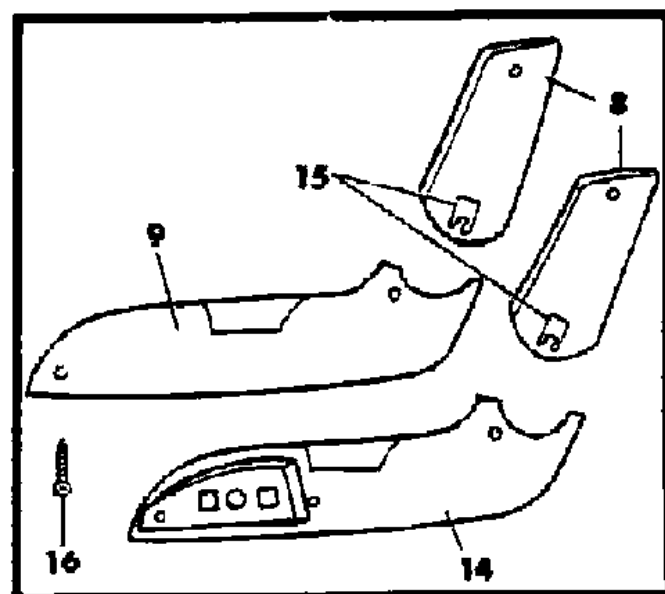
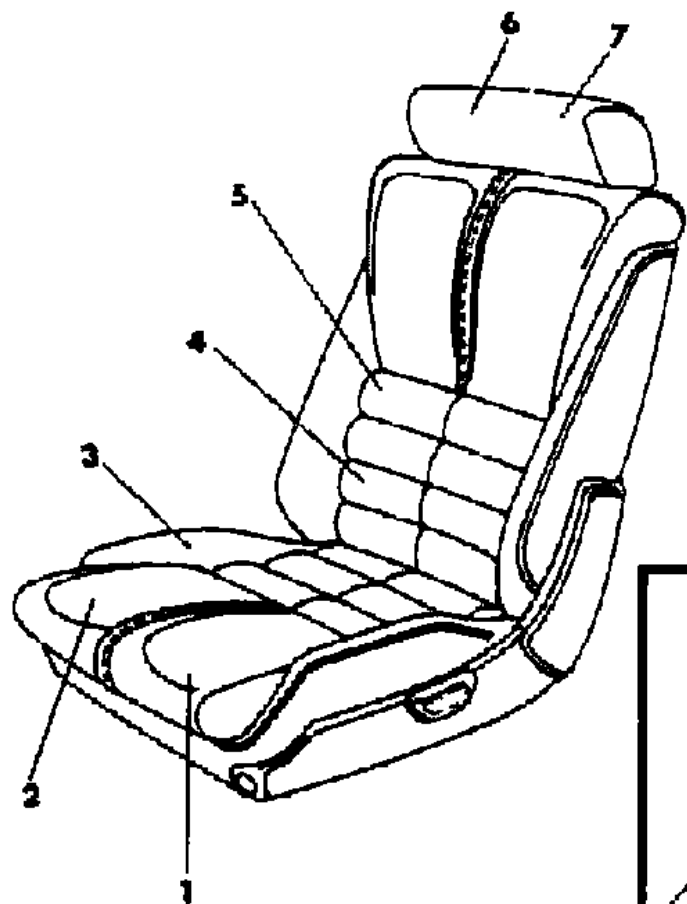
12-52 = FWD VAN & WAGON STD. W.B. 27 = 2-DOOR CONVERTIBLE
 13-53 = FWD VAN & WGN EXT W.B. 41 = 4-DOOR SEDAN
 21 = 2-DOOR SEDAN 44 = 4-DOOR HATCHBACK
 24 = 2-DOOR HATCHBACK 45 = 4-DOOR STATION WAGON

AR = Use as Required - = Non Illustrated Part P.A.R. = Paint as Required

SEAT--FRONT G BODY TRIM CODE SL

Figure ITG-1300

8236 1300



ITEM	PART NUMBER	QTY	BODY	MODEL	DESCRIPTION
	B583 FLS	1			Charcoal DRIVER SEAT
	B582 FLC	1			Blue
	B582 GLR	1			Red
	B582 GLL	1			Taupe
4-5	B582 FLS	1			Charcoal BACK, w/Spring/Frame, Pad and Cover LEATHER (Use Up To 2-15-88) LEFT ONLY
	B634-5 GLC	1			Blue
	B634-5 GLR	1			Red
	B634-5 GLL	1			Taupe
	B634-5 GLS	1			Charcoal (Use After 2-15-88) LEFT ONLY
	B983 GLC	1			Blue
	B983 GLR	1			Red
	B983 GLL	1			Taupe
5	B983 GLS	1			Charcoal COVER, Back LEATHER
	B566-7 FLC	1			Blue
	B566-7 GLR	1			Red
	B566-7 GLL	1			Taupe
6	B566-7 FLS	1			Charcoal HEADREST and COVER LEATHER
	B736 FC5	2			Blue
	B852 GR8	2			Red
	B736 GL7	2			Taupe
7	B736 FS8	2			Charcoal COVER, Headrest LEATHER
	N474 FC5	2			Blue
	N530 GR8	2			Red
	N530 GL7	2			Taupe
8	N474 FS8	2			Charcoal SHIELD, Back (P.A.R.)

MODEL CODES

C BODY = (D41 - DYNASTY)(C41 - NEW YORKER)
 E BODY = (J - CARAVELLE)(E - 600)(T - NEW YORKER TURBO)
 G BODY = (V24 - DAYTONA, PACIFICA & SHELBY)
 H BODY = (D44 - LANCER)(C44 - LEBARON GTS)
 J BODY = (C - LEBARON)
 K BODY = (P - RELIANT)(D - ARIES)(C - LEBARON/ TOWN & COUNTRY)

L BODY = (M - HORIZON)(Z-OMNI)
 M BODY = (B - GRAN FURY)(G - DIPLOMAT)(F - FIFTH AVENUE/NEWPORT)
 P BODY = (P - SUNDANCE)(D - SHADOW)
 Q BODY = (C27 - MASERATI)
 S BODY = (H - VOYAGER)(K - RAM VAN/ CARAVAN)

BODY STYLES

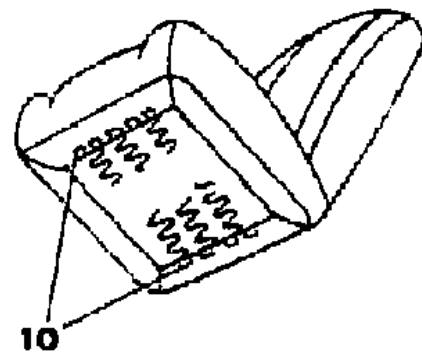
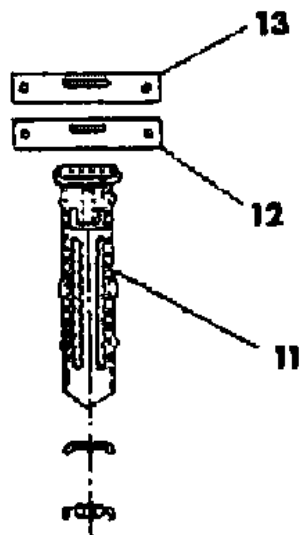
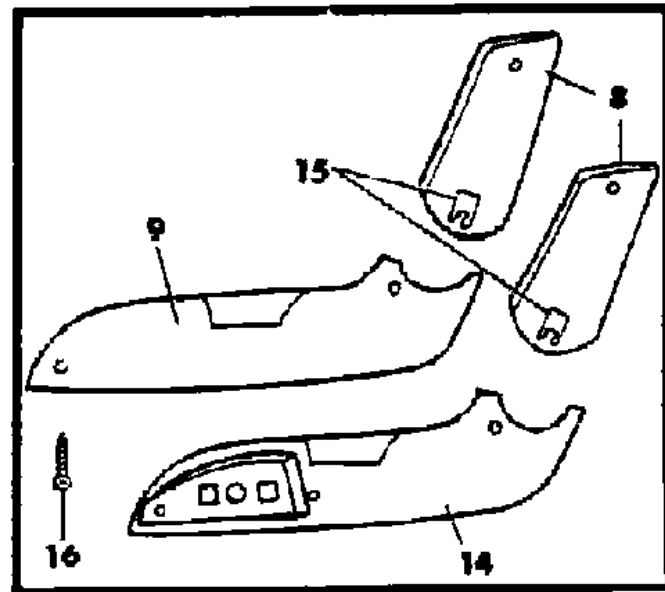
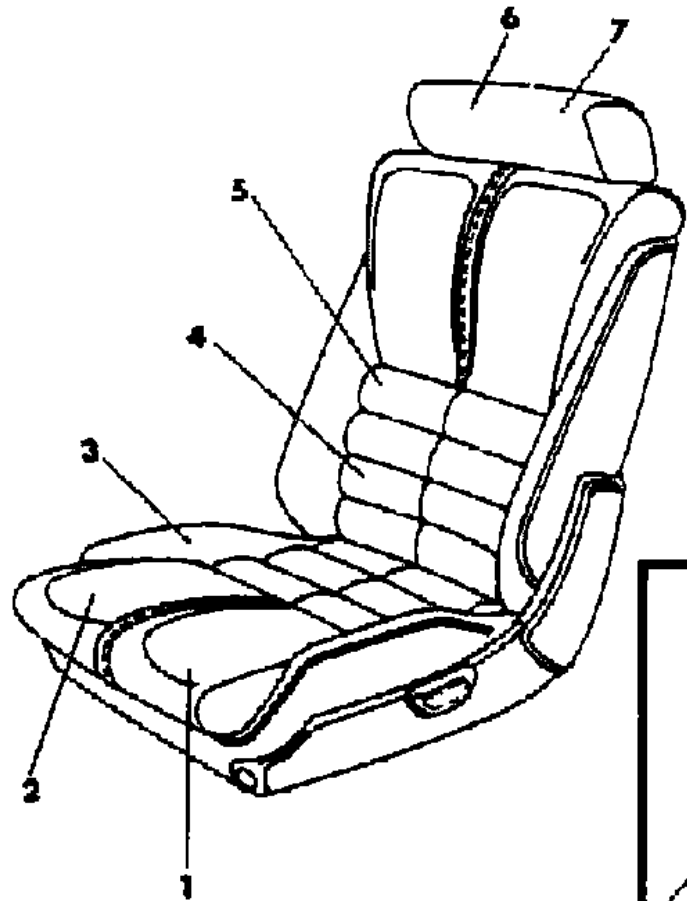
12-52 = FWD VAN & WAGON STD. W.B. 27 = 2-DOOR CONVERTIBLE
 13-53 = FWD VAN & WGN EXT W.B. 41 = 4-DOOR SEDAN
 21 = 2-DOOR SEDAN 44 = 4-DOOR HATCHBACK
 24 = 2-DOOR HATCHBACK 45 = 4-DOOR STATION WAGON

AR = Use as Required - = Non Illustrated Part P.A.R. = Paint as Required

SEAT--FRONT G BODY TRIM CODE SL

Figure ITG-1300

8236 1300



ITEM	PART NUMBER	QTY	BODY	MODEL	DESCRIPTION
					OUTER
	S604 GK1	1			Passenger Seat
	S605 GK1	1			Driver Seat
					INNER
	S605 GK1	1			Passenger Seat
	S604 GK1	1			Driver Seat
9					SHIELD, Cushion (P.A.R.)
					OUTER
	S764 GK1	1			Passenger Seat
	S765 GK1	1			Driver Seat
					INNER
	S765 GK1	1			Passenger Seat
	S764 GK1	1			Driver Seat
10	6008 076	AR			HOG RING
11					SLEEVE, Headrest
	S786 EC5	2			Blue
	S786 GR8	2			Red
	S786 GL7	2			Taupe
	S786 CS8	2			Charcoal
12	4190 387	2			SUPPORT, Headrest
13	4327 688	2			COVER, Headrest Finish
14	S265 FK1	1			SHIELD, Electric (P.A.R.)
15	4317 800	AR			CLIP
16					SCREW, Side Shield Attaching (8-18x1.75) (Not Serv.)

NOTE: (P.A.R.) = Paint As Required

MODEL CODES

C BODY = (D41 - DYNASTY)(C41 - NEW YORKER)
 E BODY = (J - CARAVELLE)(E - 600)(T - NEW YORKER TURBO)
 G BODY = (V24 - DAYTONA, PACIFICA & SHELBY)
 H BODY = (D44 - LANCER)(C44 - LEBARON GTS)
 J BODY = (C - LEBARON)
 K BODY = (P - RELIANT)(D - ARIES)(C - LEBARON/ TOWN & COUNTRY)

L BODY = (M - HORIZON)(Z-OMNI)
 M BODY = (B - GRAN FURY)(G - DIPLOMAT)(F - FIFTH AVENUE/NEWPORT)
 P BODY = (P - SUNDANCE)(D - SHADOW)
 Q BODY = (C27 - MASERATI)
 S BODY = (H - VOYAGER)(K - RAM VAN/ CARAVAN)

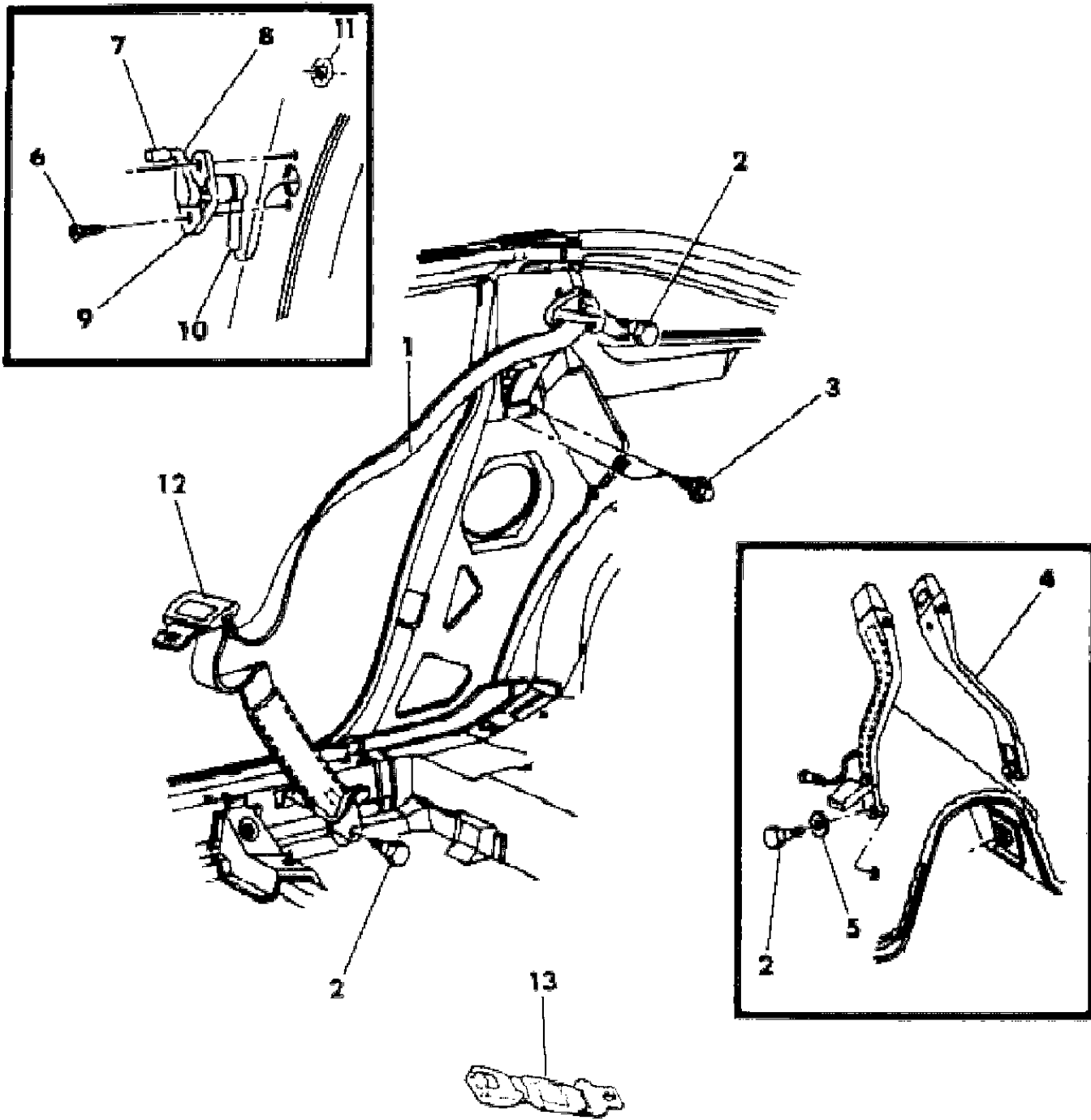
BODY STYLES

12-52 = FWD VAN & WAGON STD. W.B. 27 = 2-DOOR CONVERTIBLE
 13-53 = FWD VAN & WGN EXT W.B. 41 = 4-DOOR SEDAN
 21 = 2-DOOR SEDAN 44 = 4-DOOR HATCHBACK
 24 = 2-DOOR HATCHBACK 45 = 4-DOOR STATION WAGON

AR = Use as Required - = Non Illustrated Part P.A.R. = Paint as Required

BELT--FRONT SEAT LAP AND SHOULDER G BODY MANUAL-ACTIVE SYSTEM
Figure ITG-1400

8236 1400



ITEM	PART NUMBER	QTY	BODY	MODEL	DESCRIPTION
1					BELT, Outboard Lap and Shoulder
					LABEL NUMBER 4327216-7
	F764-5 FC5	1			Blue
	F764-5 GR8	1			Red
	F764-5 GL7	1			Taupe
	F764-5 FS8	1			Charcoal
2	6031 298	2			BOLT, Shoulder
3		AR			BOLT, (m8-1.25x25) (Not Serv.)
4					BELT, Front Seat Buckle Half
					LABEL NUMBER 4380690-1
	F528-9 FC5	1			Blue
	F528-9 GR8	1			Red
	F528-9 GL7	1			Taupe
	F528-9 FS8	1			Charcoal
5					WASHER, (Not Serv.)
6					SCREW, (10-16x1/2) (Not Serv.)
7-10	4327 332-3	1			ACTUATOR, Complete
	4476 746	AR			Plug, w/o Actuator
8		1			CRANK, w/Actuator, Housing and Spring
9		1			HOUSING, Retractor Actuator
10		2			ACTUATOR, Retractor
11	6025 160	2			RETAINER, Inertia Retractor Pendulum Shaft
12	4316 773	1			COVER, Tip Half (P.A.R.)
13	4364 849	AR			EXTENDER

NOTE: (P.A.R.)= Paint As Required

MODEL CODES

C BODY = (D41 - DYNASTY)(C41 - NEW YORKER)	L BODY = (M - HORIZON)(Z-OMNI)
E BODY = (J - CARAVELLE)(E - 600)(T - NEW YORKER TURBO)	M BODY = (B - GRAN FURY)(G - DIPLOMAT)(F - FIFTH AVENUE/NEWPORT)
G BODY = (V24 - DAYTONA, PACIFICA & SHELBY)	P BODY = (P - SUNDANCE)(D - SHADOW)
H BODY = (D44 - LANCER)(C44 - LEBARON GTS)	Q BODY = (C27 - MASERATI)
J BODY = (C - LEBARON)	S BODY = (H - VOYAGER)(K - RAM VAN/ CARAVAN)
K BODY = (P - RELIANT)(D - ARIES)(C - LEBARON/ TOWN & COUNTRY)	

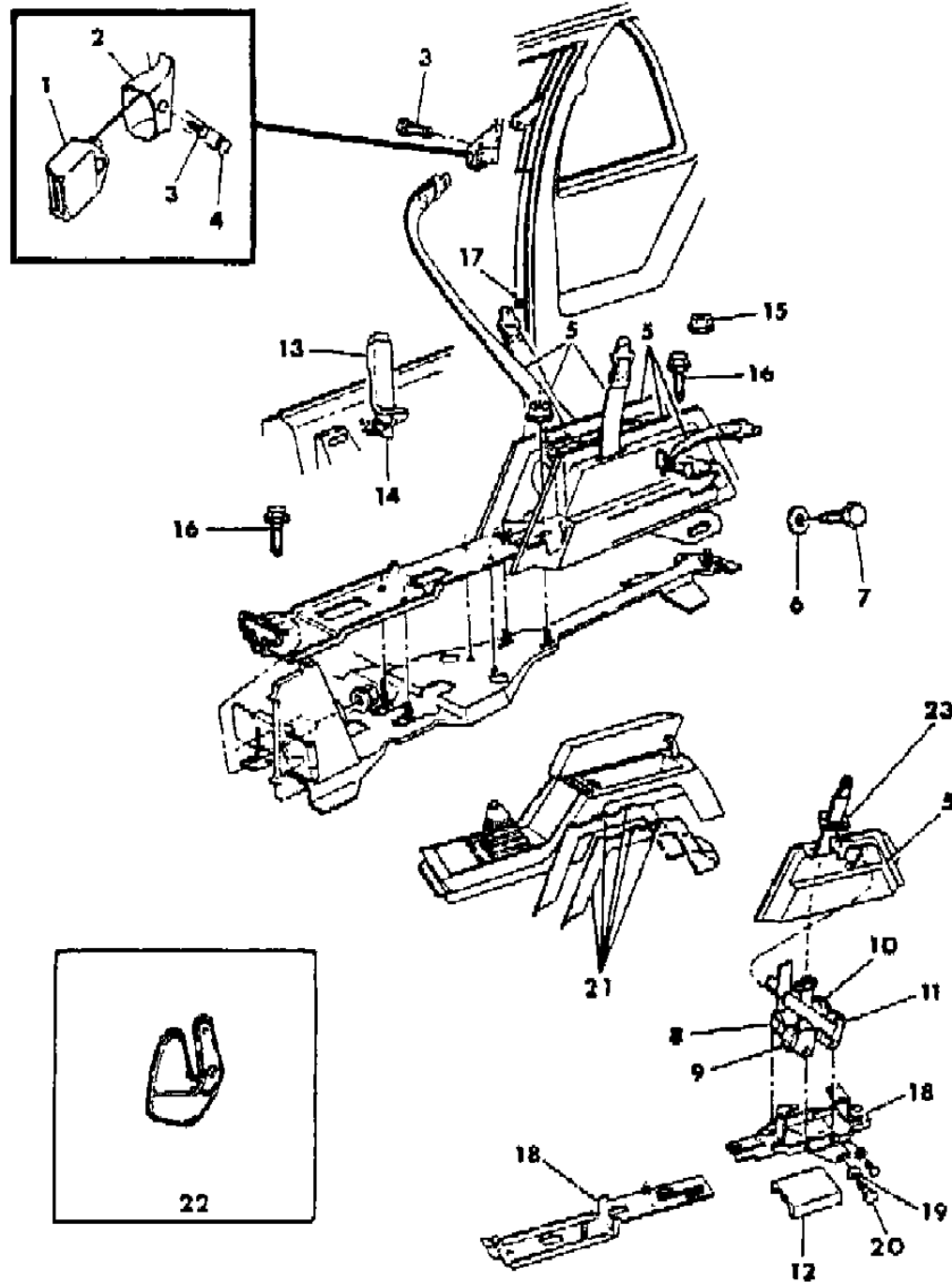
BODY STYLES

12-52 = FWD VAN & WAGON STD. W.B.	27 = 2-DOOR CONVERTIBLE
13-53 = FWD VAN & WGN EXT W.B.	41 = 4-DOOR SEDAN
21 = 2-DOOR SEDAN	44 = 4-DOOR HATCHBACK
24 = 2-DOOR HATCHBACK	45 = 4-DOOR STATION WAGON

AR = Use as Required - = Non Illustrated Part P.A.R. = Paint as Required

BELT--FRONT SEAT G BODY PASSIVE SYSTEM
Figure ITG-1500

8236 1500 A



ITEM	PART NUMBER	QTY	BODY	MODEL	DESCRIPTION
1	4402 204	2			BUCKLE ASSEMBLY, Shoulder Belt Door Attaching
2					COVER, Shoulder Belt Buckle to Door Attaching (Served in item 1)
3	6033 244	2			BOLT
4	4402 764	2			PLUG
5					COVER, Retractor Carpet
	F952-3 FC5	1			Blue
	F952-3 GR8	1			Red
	F952-3 GL7	1			Taupe
	F952-3 FS8	1			Charcoal
6					WASHER, (Not Serv.)
7	6031 218	2			BOLT
8					RETRACTOR, Shoulder Right (w/Belt)
					LABEL NUMBER, 4477026
	F834 GC5	1			Blue
	F834 GR8	1			Red
	F834 GL7	1			Taupe
	F834 GS8	1			Charcoal
9					RETRACTOR, Shoulder Left (w/Belt)
					LABEL NUMBER, 4477027
	F835 GC5	1			Blue
	F835 GR8	1			Red
	F835 GL7	1			Taupe
	F835 GS8	1			Charcoal
					LABEL NUMBER 4477024
					(Use After 4-25-88)
10					RETRACTOR, Lap (w/Belt) ***
					LABEL NUMBER 4477024
	F832 GC5	2			Blue
	F832 GR8	2			Red
	F832 GL7	2			Taupe
	F832 GS8	2			Charcoal
					RETRACTOR, Shoulder (w/Belt) ***
					LABEL NUMBER 4477026
	F834-5 GC5	1			Blue
	F834-5 GR8	1			Red
	F834-5 GL7	1			Taupe

MODEL CODES

C BODY = (D41 - DYNASTY)(C41 - NEW YORKER)
 E BODY = (J - CARAVELLE)(E - 600)(T - NEW YORKER TURBO)
 G BODY = (V24 - DAYTONA, PACIFICA & SHELBY)
 H BODY = (D44 - LANCER)(C44 - LEBARON GTS)
 J BODY = (C - LEBARON)
 K BODY = (P - RELIANT)(D - ARIES)(C - LEBARON/ TOWN & COUNTRY)

L BODY = (M - HORIZON)(Z-OMNI)
 M BODY = (B - GRAN FURY)(G - DIPLOMAT)(F - FIFTH AVENUE/NEWPORT)
 P BODY = (P - SUNDANCE)(D - SHADOW)
 Q BODY = (C27 - MASERATI)
 S BODY = (H - VOYAGER)(K - RAM VAN/ CARAVAN)

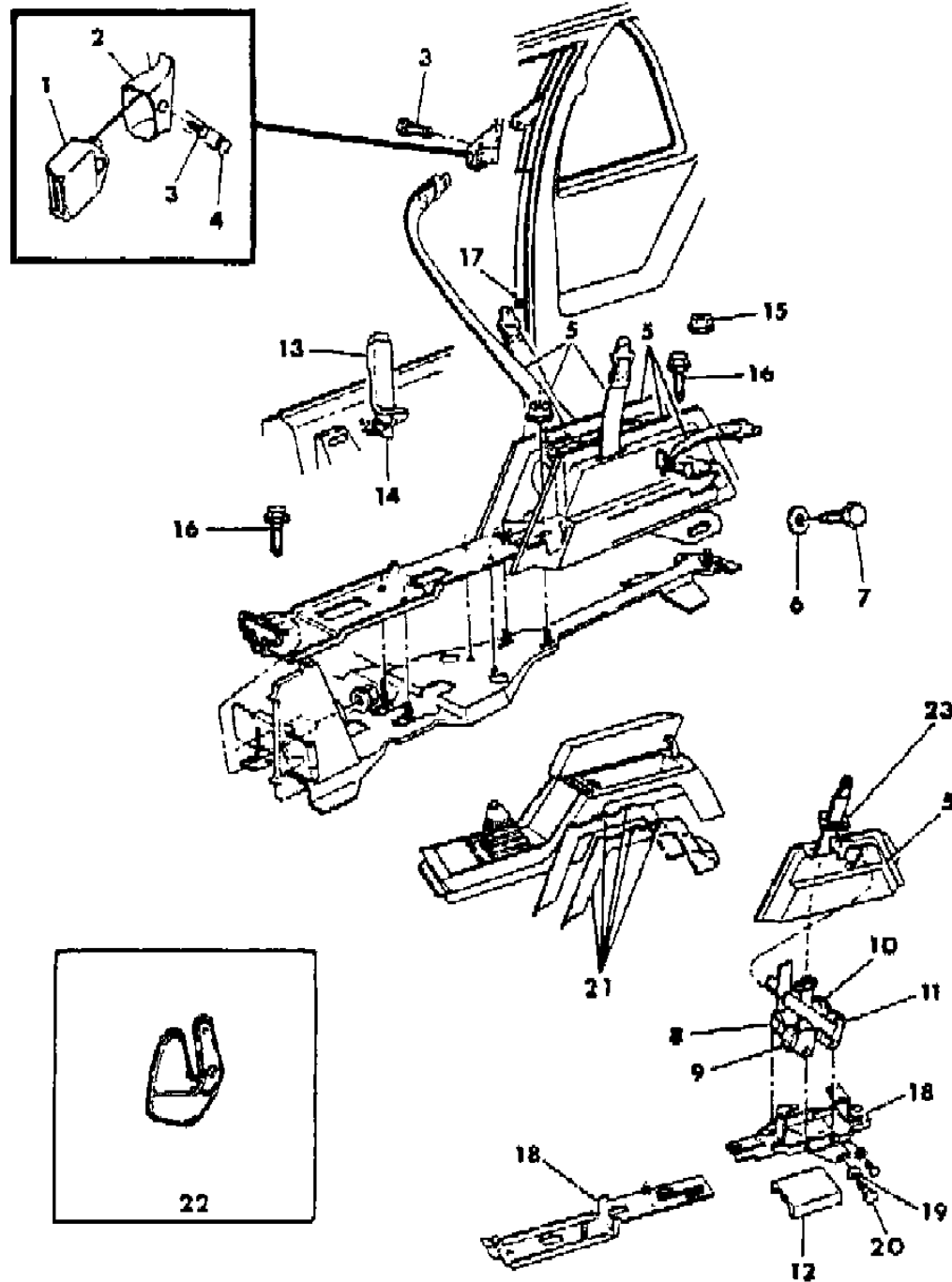
BODY STYLES

12-52 = FWD VAN & WAGON STD. W.B. 27 = 2-DOOR CONVERTIBLE
 13-53 = FWD VAN & WGN EXT W.B. 41 = 4-DOOR SEDAN
 21 = 2-DOOR SEDAN 44 = 4-DOOR HATCHBACK
 24 = 2-DOOR HATCHBACK 45 = 4-DOOR STATION WAGON

AR = Use as Required - = Non Illustrated Part P.A.R. = Paint as Required

BELT--FRONT SEAT G BODY PASSIVE SYSTEM
Figure ITG-1500

8236 1500 A



ITEM	PART NUMBER	QTY	BODY	MODEL	DESCRIPTION
	F834-5 GS8	1			Charcoal
11					RETRACTOR, Lap (w/Belt) *** LABEL NUMBER 4477024
	F832 GC5	2			Blue
	F832 GR8	2			Red
	F832 GL7	2			Taupe
	F832 GS8	2			Charcoal
					RETRACTOR, Shoulder (w/Belt) *** LABEL NUMBER 4477026
	F834-5 GC5	1			Blue
	F834-5 GR8	1			Red
	F834-5 GL7	1			Taupe
	F834-5 GS8	1			Charcoal
12					PAD, Insulator (Not Required)
13					BELT, Outboard Lap Buckle Half LABEL NUMBER, 4402210-1
	F916-7 FC5	1			Blue
	F916-7 GR8	1			Red
	F916-7 GL7	1			Taupe
	F916-7 FS8	1			Charcoal
14	6031 298	2			BOLT, Outer Belt To Floor Attaching
15	6101 444	5			NUT and WASHER
16		5			SCREW, (Not Serv.)
17	4402 369	2			PLUG, Tension Reliever Mounting Hole
18	4420 809	1			BRACKET, Retractor To Floor Attaching
19					WASHER, (Not Serv.)
20	6031 218	AR			BOLT
21					CARPET, Rear Floor Console Right and Left (Use Up To 4-25-88)
	F298 FC5	1			Blue
	F298 GR8	1			Red
	F298 GL7	1			Taupe
	F298 FS8	1			Charcoal
					(Use After 4-25-88)
	V586 GC5	1			Blue
	V586 GR8	1			Red
	V586 GL7	1			Taupe

MODEL CODES

C BODY = (D41 - DYNASTY)(C41 - NEW YORKER)
 E BODY = (J - CARAVELLE)(E - 600)(T - NEW YORKER TURBO)
 G BODY = (V24 - DAYTONA, PACIFICA & SHELBY)
 H BODY = (D44 - LANCER)(C44 - LEBARON GTS)
 J BODY = (C - LEBARON)
 K BODY = (P - RELIANT)(D - ARIES)(C - LEBARON/ TOWN & COUNTRY)

L BODY = (M - HORIZON)(Z-OMNI)
 M BODY = (B - GRAN FURY)(G - DIPLOMAT)(F - FIFTH AVENUE/NEWPORT)
 P BODY = (P - SUNDANCE)(D - SHADOW)
 Q BODY = (C27 - MASERATI)
 S BODY = (H - VOYAGER)(K - RAM VAN/ CARAVAN)

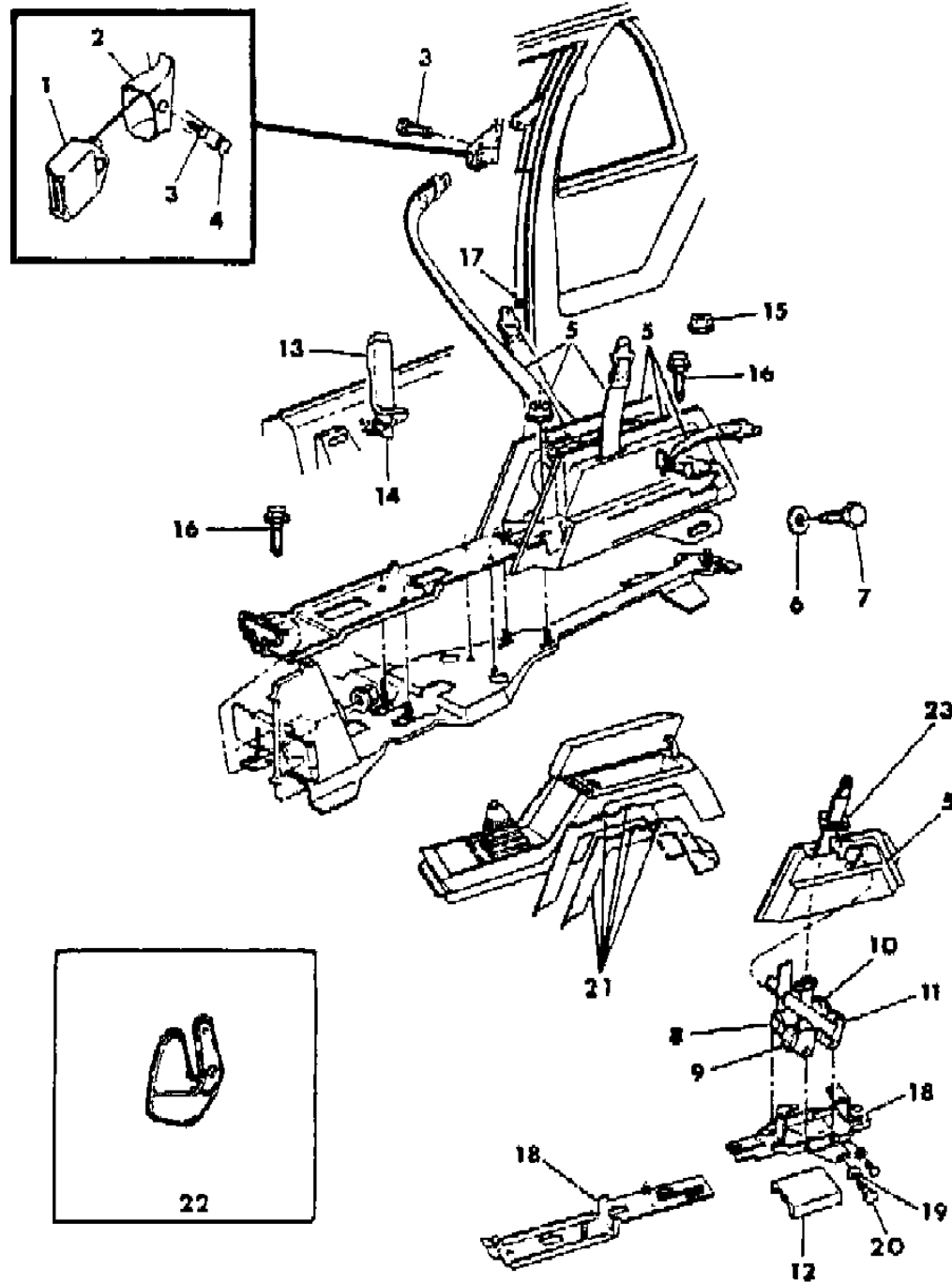
BODY STYLES

12-52 = FWD VAN & WAGON STD. W.B. 27 = 2-DOOR CONVERTIBLE
 13-53 = FWD VAN & WGN EXT W.B. 41 = 4-DOOR SEDAN
 21 = 2-DOOR SEDAN 44 = 4-DOOR HATCHBACK
 24 = 2-DOOR HATCHBACK 45 = 4-DOOR STATION WAGON

AR = Use as Required - = Non Illustrated Part P.A.R. = Paint as Required

BELT--FRONT SEAT G BODY PASSIVE SYSTEM
Figure ITG-1500

8236 1500 A



ITEM	PART NUMBER	QTY	BODY	MODEL	DESCRIPTION
	V586 GS8	1			Charcoal
22	4420 800	2			GUIDE, Passive Belts
23					BEZEL, Front Seat Inner Passive Belt
	F410 FC5	2			Blue
	F410 GR8	2			Red
	F410 GL7	2			Taupe
	F410 FS8	2			Charcoal

MODEL CODES

C BODY = (D41 - DYNASTY)(C41 - NEW YORKER)
 E BODY = (J - CARAVELLE)(E - 600)(T - NEW YORKER TURBO)
 G BODY = (V24 - DAYTONA, PACIFICA & SHELBY)
 H BODY = (D44 - LANCER)(C44 - LEBARON GTS)
 J BODY = (C - LEBARON)
 K BODY = (P - RELIANT)(D - ARIES)(C - LEBARON/ TOWN & COUNTRY)

L BODY = (M - HORIZON)(Z-OMNI)
 M BODY = (B - GRAN FURY)(G - DIPLOMAT)(F - FIFTH AVENUE/NEWPORT)
 P BODY = (P - SUNDANCE)(D - SHADOW)
 Q BODY = (C27 - MASERATI)
 S BODY = (H - VOYAGER)(K - RAM VAN/ CARAVAN)

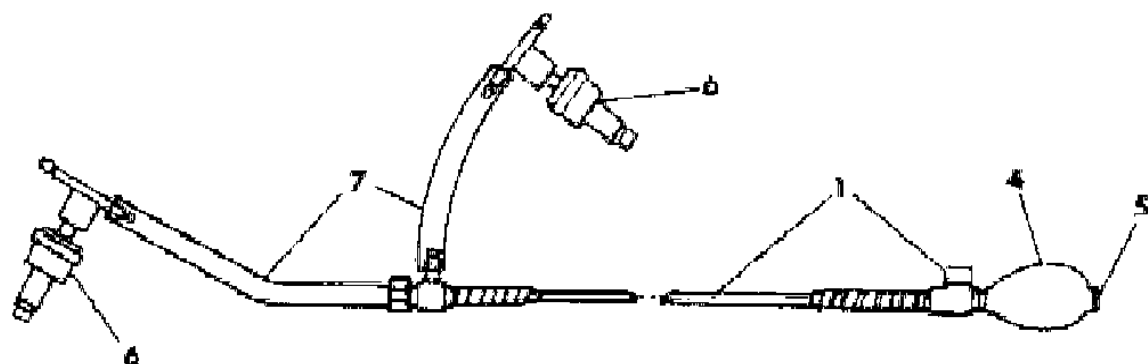
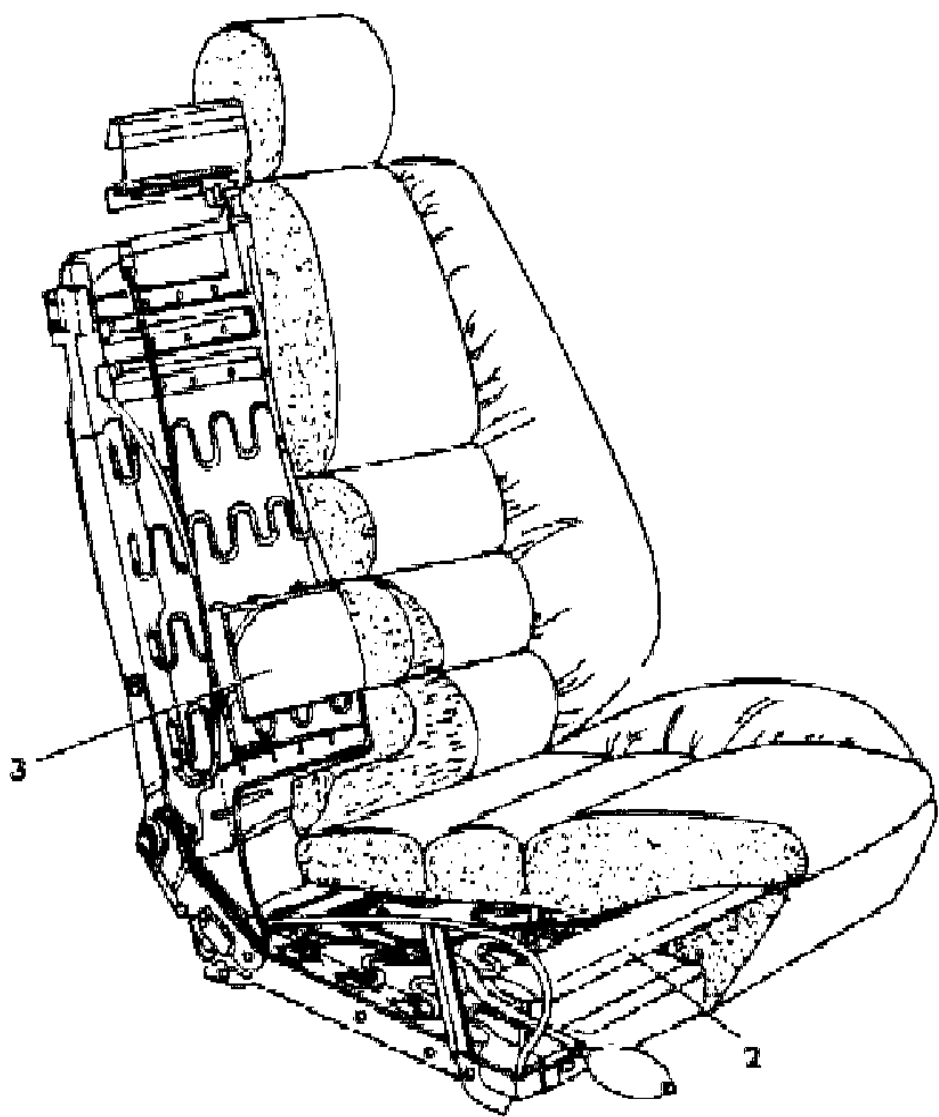
BODY STYLES

12-52 = FWD VAN & WAGON STD. W.B. 27 = 2-DOOR CONVERTIBLE
 13-53 = FWD VAN & WGN EXT W.B. 41 = 4-DOOR SEDAN
 21 = 2-DOOR SEDAN 44 = 4-DOOR HATCHBACK
 24 = 2-DOOR HATCHBACK 45 = 4-DOOR STATION WAGON

AR = Use as Required - = Non Illustrated Part P.A.R. = Paint as Required

LUMBAR AND THIGH SUPPORT --MANUAL G BODY TRIM CODE S7
Figure ITG-1600

8236 1600



ITEM	PART NUMBER	QTY	BODY	MODEL	DESCRIPTION
1	4327 620	1			VALVE, Dual Control
2	4402 888	1			BLADDER, Cushion Thigh Support
3	4327 426	1			BLADDER, Back Lumbar Support
4	4327 428	1			BULB, Pump Molded Rubber Support
5	4327 429	1			VALVE, Pump Bulb Check Support
6	4327 430	1			VALVE, Pressure Relief Support
7	4402 446	2			TUBING, PVC (12" Length)

MODEL CODES

- C BODY = (D41 - DYNASTY)(C41 - NEW YORKER)
- E BODY = (J - CARAVELLE)(E - 600)(T - NEW YORKER TURBO)
- G BODY = (V24 - DAYTONA, PACIFICA & SHELBY)
- H BODY = (D44 - LANCER)(C44 - LEBARON GTS)
- J BODY = (C - LEBARON)
- K BODY = (P - RELIANT)(D - ARIES)(C - LEBARON/ TOWN & COUNTRY)
- L BODY = (M - HORIZON)(Z-OMNI)
- M BODY = (B - GRAN FURY)(G - DIPLOMAT)(F - FIFTH AVENUE/NEWPORT)
- P BODY = (P - SUNDANCE)(D - SHADOW)
- Q BODY = (C27 - MASERATI)
- S BODY = (H - VOYAGER)(K - RAM VAN/ CARAVAN)

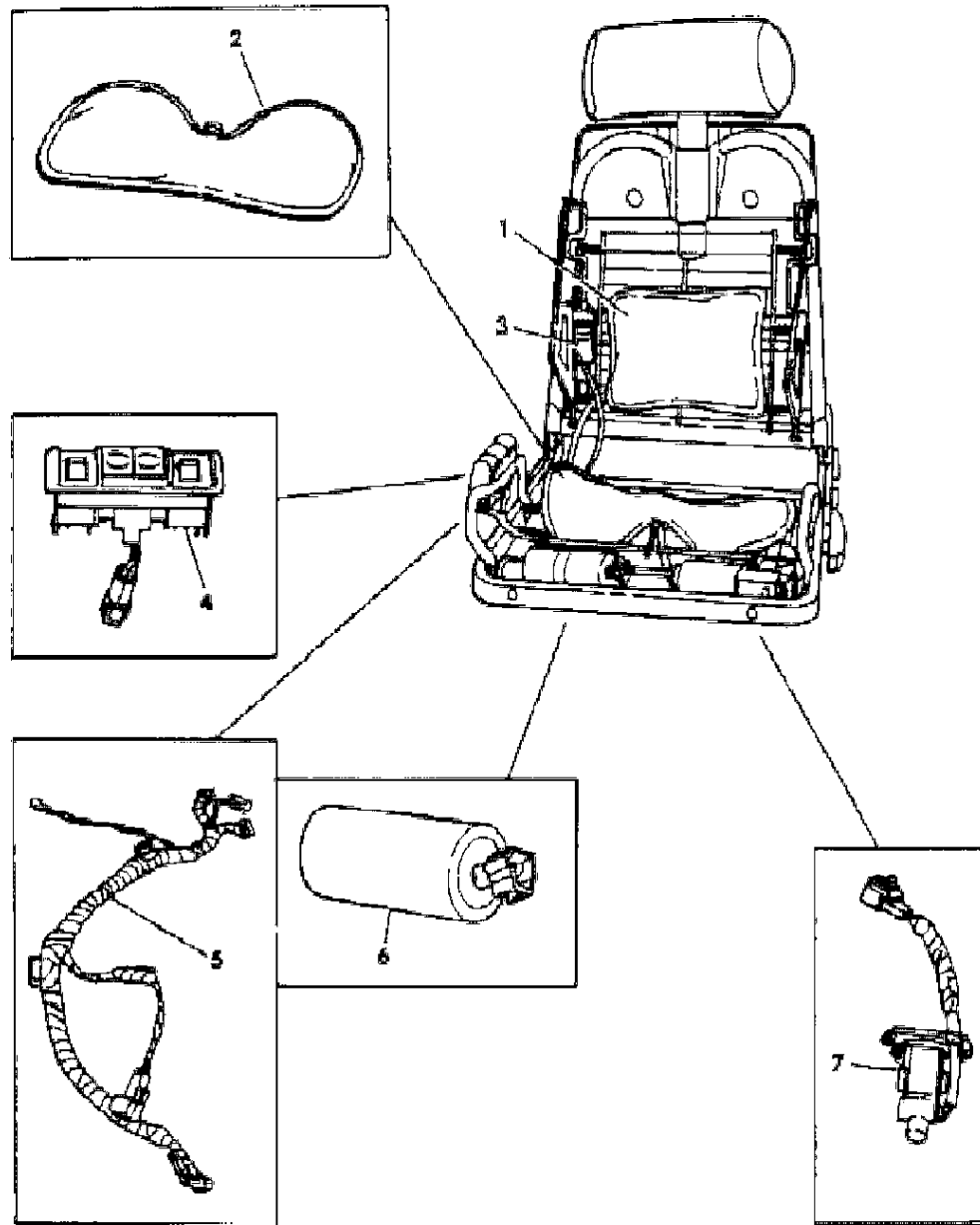
BODY STYLES

- 12-52 = FWD VAN & WAGON STD. W.B.
- 13-53 = FWD VAN & WGN EXT W.B.
- 21 = 2-DOOR SEDAN
- 24 = 2-DOOR HATCHBACK
- 27 = 2-DOOR CONVERTIBLE
- 41 = 4-DOOR SEDAN
- 44 = 4-DOOR HATCHBACK
- 45 = 4-DOOR STATION WAGON

AR = Use as Required - = Non Illustrated Part P.A.R. = Paint as Required

LUMBAR AND THIGH SUPPORT --ELECTRIC G BODY TRIM CODE SL
Figure ITG-1700

8236 1700



ITEM	PART NUMBER	QTY	BODY	MODEL	DESCRIPTION
1	4327 426	1			BLADDER, Lumbar Support
2	4402 888	1			BLADDER, Thigh Support
3	4376 627	1			MOTOR, Gear Box, Back Wing
4	4221 751	1			SWITCH, Elec. Lambar and Thigh
5	4376 623	1			WIRING HARNESS
6	4376 626	1			MOTOR and PUMP
7	4376 628	1			MOTOR, Gear Box, Cushion Wing

MODEL CODES

C BODY = (D41 - DYNASTY)(C41 - NEW YORKER)
 E BODY = (J - CARAVELLE)(E - 600)(T - NEW YORKER TURBO)
 G BODY = (V24 - DAYTONA, PACIFICA & SHELBY)
 H BODY = (D44 - LANCER)(C44 - LEBARON GTS)
 J BODY = (C - LEBARON)
 K BODY = (P - RELIANT)(D - ARIES)(C - LEBARON/ TOWN & COUNTRY)
 L BODY = (M - HORIZON)(Z-OMNI)
 M BODY = (B - GRAN FURY)(G - DIPLOMAT)(F - FIFTH AVENUE/NEWPORT)
 P BODY = (P - SUNDANCE)(D - SHADOW)
 Q BODY = (C27 - MASERATI)
 S BODY = (H - VOYAGER)(K - RAM VAN/ CARAVAN)

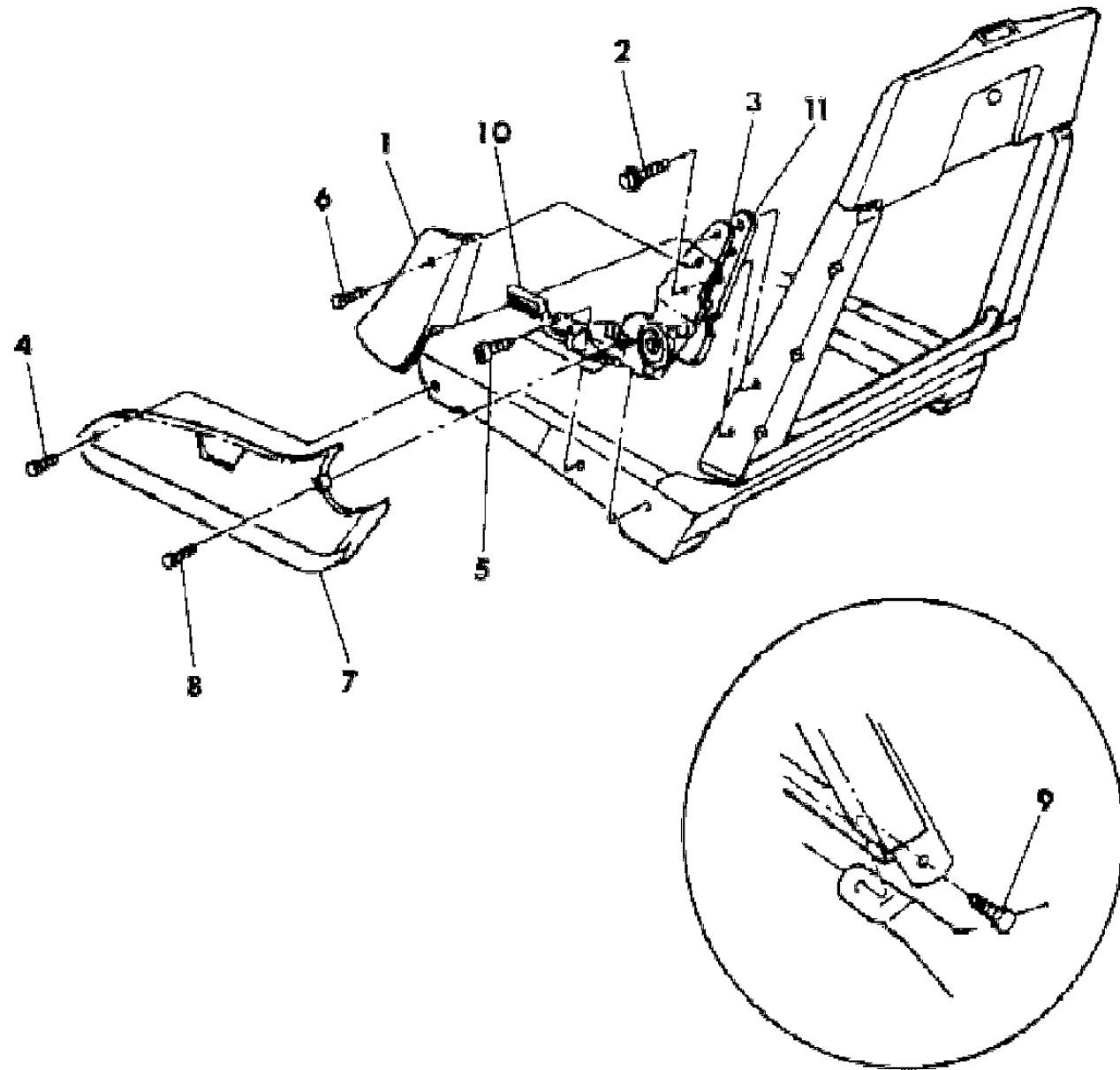
BODY STYLES

12-52 = FWD VAN & WAGON STD. W.B. 27 = 2-DOOR CONVERTIBLE
 13-53 = FWD VAN & WGN EXT W.B. 41 = 4-DOOR SEDAN
 21 = 2-DOOR SEDAN 44 = 4-DOOR HATCHBACK
 24 = 2-DOOR HATCHBACK 45 = 4-DOOR STATION WAGON

AR = Use as Required - = Non Illustrated Part P.A.R. = Paint as Required

RECLINING SEAT--FRONT G BODY
Figure ITG-1800

8236 1800



ITEM	PART NUMBER	QTY	BODY	MODEL	DESCRIPTION
1	S604-5 GK1	1			SHIELD, w/Release Button (P.A.R.)
2	6501 222	AR			SCREW
3					RECLINER
	4402 188	1			Passenger Seat
	4402 189	1			Driver Seat
4		AR			SCREW, (8-18x1.00) (Not Serv.)
5	6500 558	AR			SCREW
6	6501 221	AR			SCREW, Arm to Cushion
7	S764-5 GK1	1			SHIELD, Cushion (P.A.R.)
8	6032 456	AR			SCREW
9	6501 346	2			BOLT, (10-1.5x39)
10	S936-7 FA3				LEVER, Recliner Release (P.A.R.)
11	4327 671	1			PROTECTOR, Seat Trim

NOTE: (P.A.R.) = Paint as Required

MODEL CODES

C BODY = (D41 - DYNASTY)(C41 - NEW YORKER)
 E BODY = (J - CARAVELLE)(E - 600)(T - NEW YORKER TURBO)
 G BODY = (V24 - DAYTONA, PACIFICA & SHELBY)
 H BODY = (D44 - LANCER)(C44 - LEBARON GTS)
 J BODY = (C - LEBARON)
 K BODY = (P - RELIANT)(D - ARIES)(C - LEBARON/ TOWN & COUNTRY)

L BODY = (M - HORIZON)(Z-OMNI)
 M BODY = (B - GRAN FURY)(G - DIPLOMAT)(F - FIFTH AVENUE/NEWPORT)
 P BODY = (P - SUNDANCE)(D - SHADOW)
 Q BODY = (C27 - MASERATI)
 S BODY = (H - VOYAGER)(K - RAM VAN/ CARAVAN)

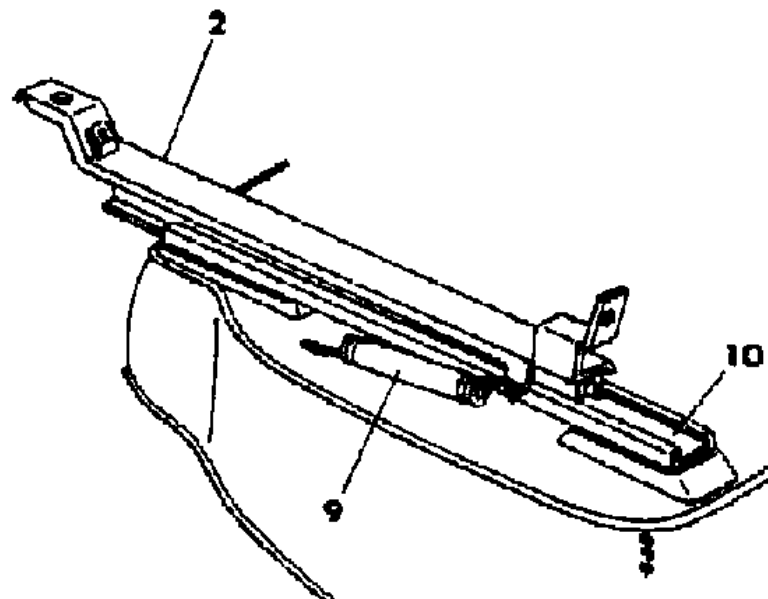
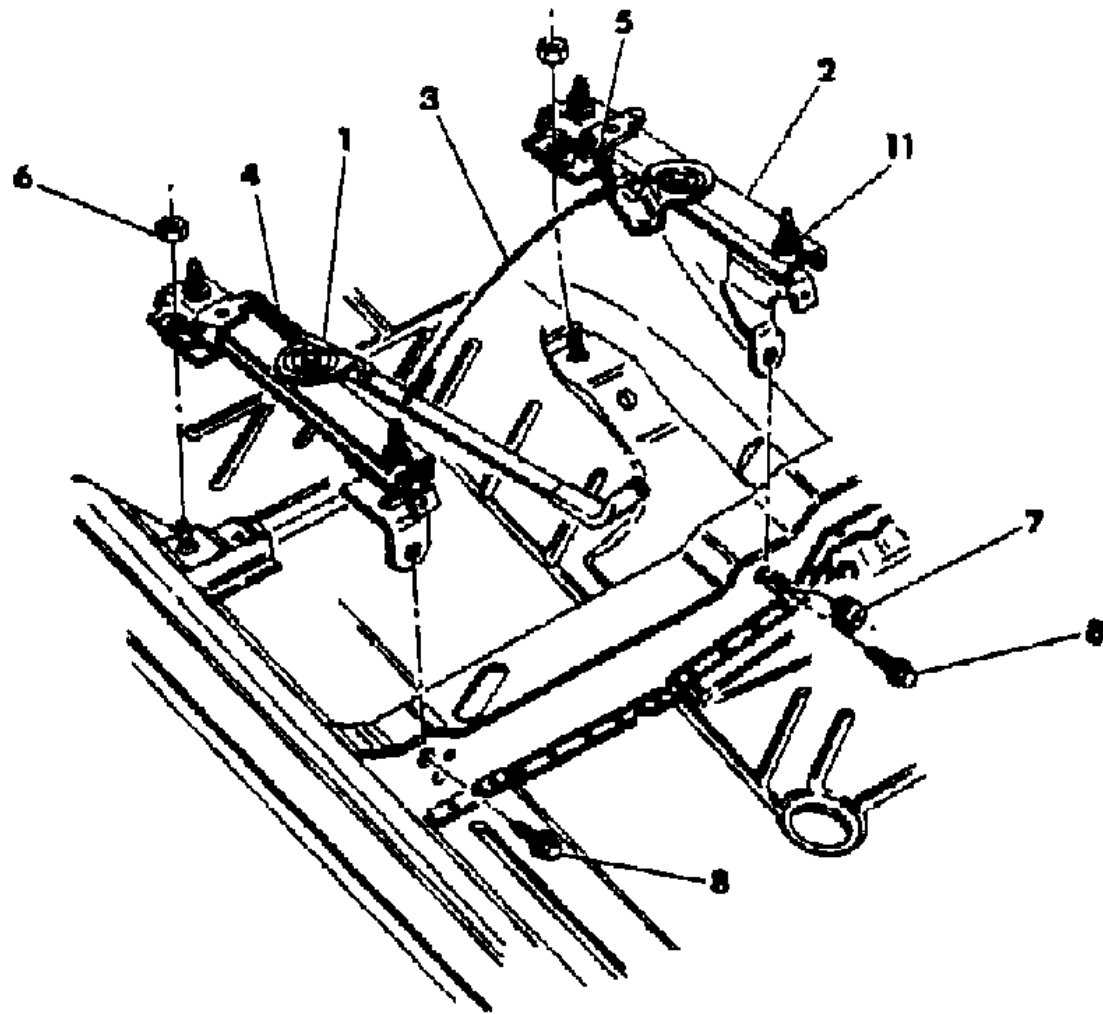
BODY STYLES

12-52 = FWD VAN & WAGON STD. W.B. 27 = 2-DOOR CONVERTIBLE
 13-53 = FWD VAN & WGN EXT W.B. 41 = 4-DOOR SEDAN
 21 = 2-DOOR SEDAN 44 = 4-DOOR HATCHBACK
 24 = 2-DOOR HATCHBACK 45 = 4-DOOR STATION WAGON

AR = Use as Required - = Non Illustrated Part P.A.R. = Paint as Required

ADJUSTER--MANUAL G BODY
Figure ITG-1900

8236 1900



ITEM	PART NUMBER	QTY	BODY	MODEL	DESCRIPTION
1					ADJUSTER, Manual
	4380 288	1			Passenger Seat
	4380 289	1			Driver Seat
2					ADJUSTER, Inner
	4380 290	1			Passenger Seat
	4380 291	1			Driver Seat
3	4380 285	1			WIRE, Adjuster Release
4	4327 235	1			SPRING, Lever Return
5	4402 215	1			SPRING, Latch Return Inboard
6		AR			NUT, Hex Flange (m8x1.25h) (Not Serv.)
7	6101 283	1			U-NUT
8		AR			SCREW and WASHER, Hex Head (m8x1.25x30) (Not Serv.)
9	4290 990	1			SPRING, Inner Seat Assist
10	4316 938-9	1			TRACK, Lower
11	6028 040	2			RETAINER, Push-On

MODEL CODES

C BODY = (D41 - DYNASTY)(C41 - NEW YORKER)
 E BODY = (J - CARAVELLE)(E - 600)(T - NEW YORKER TURBO)
 G BODY = (V24 - DAYTONA, PACIFICA & SHELBY)
 H BODY = (D44 - LANCER)(C44 - LEBARON GTS)
 J BODY = (C - LEBARON)
 K BODY = (P - RELIANT)(D - ARIES)(C - LEBARON/ TOWN & COUNTRY)

L BODY = (M - HORIZON)(Z-OMNI)
 M BODY = (B - GRAN FURY)(G - DIPLOMAT)(F - FIFTH AVENUE/NEWPORT)
 P BODY = (P - SUNDANCE)(D - SHADOW)
 Q BODY = (C27 - MASERATI)
 S BODY = (H - VOYAGER)(K - RAM VAN/ CARAVAN)

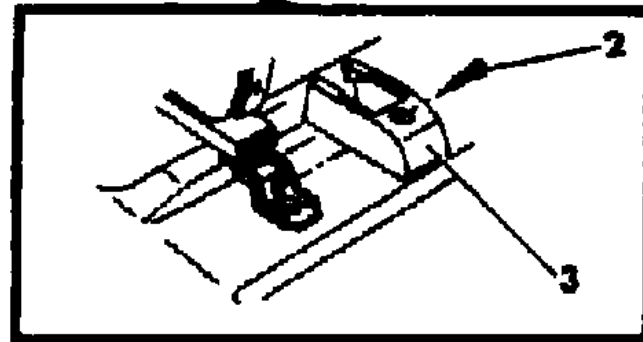
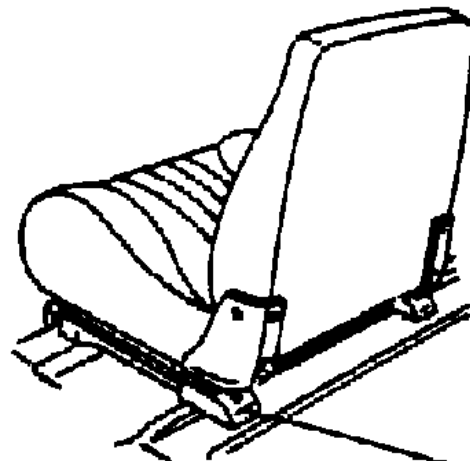
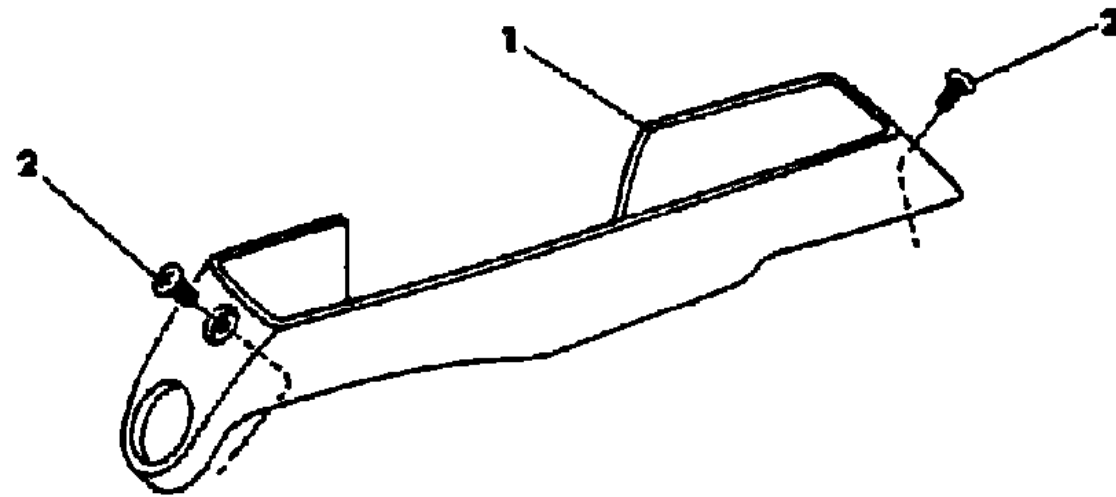
BODY STYLES

12-52 = FWD VAN & WAGON STD. W.B.	27 = 2-DOOR CONVERTIBLE
13-53 = FWD VAN & WGN EXT W.B.	41 = 4-DOOR SEDAN
21 = 2-DOOR SEDAN	44 = 4-DOOR HATCHBACK
24 = 2-DOOR HATCHBACK	45 = 4-DOOR STATION WAGON

AR = Use as Required - = Non Illustrated Part P.A.R. = Paint as Required

COVERS--MANUAL SEAT ADJUSTER G BODY
Figure ITG-2000

8236 2000 ■



ITEM	PART NUMBER	QTY	BODY	MODEL	DESCRIPTION
1	COVER, Manual Adjuster, Outer				
	S968 FC5	1			Blue
	S968 GR8	1			Red
	S968 GL7	1			Taupe
	S968 FS8	1			Charcoal
2		AR			SCREW, (8-18x3/4) (Not Serv.)
3	COVER, Inner Rear				
	S966 FC5	2			Blue
	S966 GR8	2			Red
	S966 GL7	2			Taupe
	S966 FS8	2			Charcoal

MODEL CODES

C BODY = (D41 - DYNASTY)(C41 - NEW YORKER)	L BODY = (M - HORIZON)(Z-OMNI)
E BODY = (J - CARAVELLE)(E - 600)(T - NEW YORKER TURBO)	M BODY = (B - GRAN FURY)(G - DIPLOMAT)(F - FIFTH AVENUE/NEWPORT)
G BODY = (V24 - DAYTONA, PACIFICA & SHELBY)	P BODY = (P - SUNDANCE)(D - SHADOW)
H BODY = (D44 - LANCER)(C44 - LEBARON GTS)	Q BODY = (C27 - MASERATI)
J BODY = (C - LEBARON)	S BODY = (H - VOYAGER)(K - RAM VAN/ CARAVAN)
K BODY = (P - RELIANT)(D - ARIES)(C - LEBARON/ TOWN & COUNTRY)	

BODY STYLES

12-52 = FWD VAN & WAGON STD. W.B.	27 = 2-DOOR CONVERTIBLE
13-53 = FWD VAN & WGN EXT W.B.	41 = 4-DOOR SEDAN
21 = 2-DOOR SEDAN	44 = 4-DOOR HATCHBACK
24 = 2-DOOR HATCHBACK	45 = 4-DOOR STATION WAGON

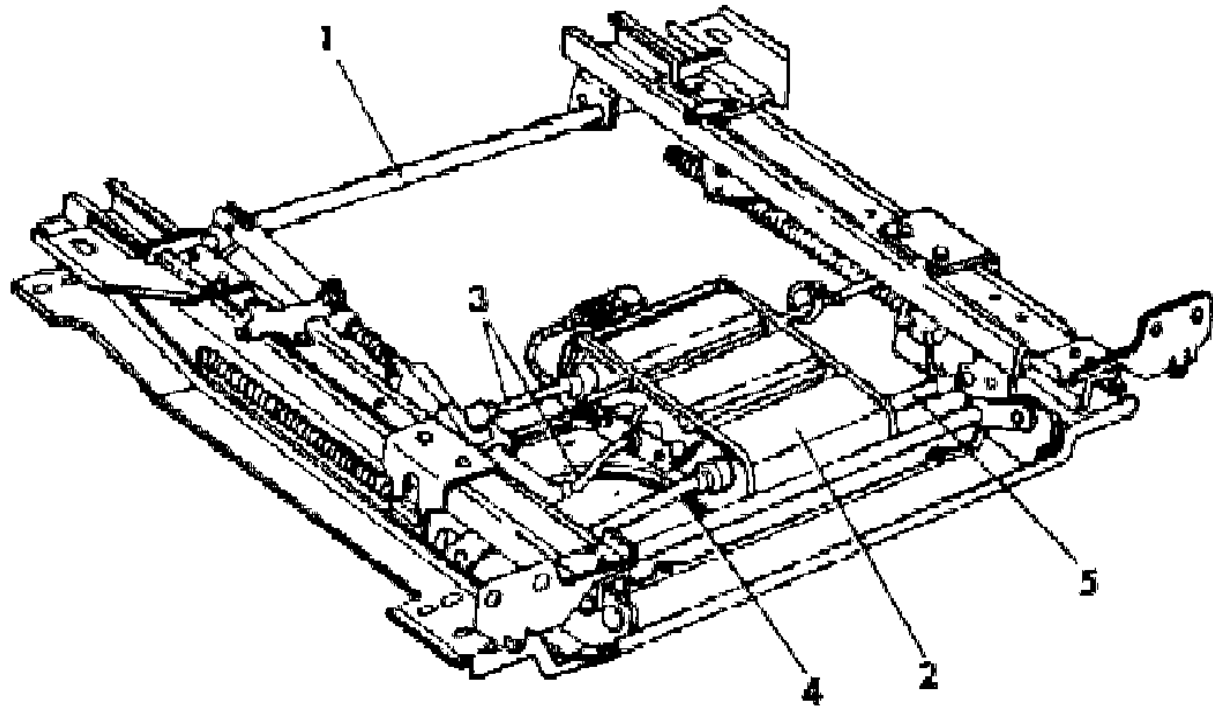
AR = Use as Required - = Non Illustrated Part P.A.R. = Paint as Required

ADJUSTER--ELECTRIC G BODY
Figure ITG-2100

8236 2100

ITEM	PART NUMBER	QTY	BODY	MODEL	DESCRIPTION
1	4402 229	1			ADJUSTER, Less Motor
-	6033 077	4			SCREW, Adjuster to Seat
2	4402 323	1			MOTOR, w/Tube Assembly
3	4327 282	2			SHAFT, Flexible (4.005")
4	4402 275	1			CABLE, Outer (5.68")
5	4402 267	1			CABLE, Inner (2.06")

NOTE: Items #1 Thru 5 Are For Replacement Only.



MODEL CODES

C BODY = (D41 - DYNASTY)(C41 - NEW YORKER)	L BODY = (M - HORIZON)(Z-OMNI)
E BODY = (J - CARAVELLE)(E - 600)(T - NEW YORKER TURBO)	M BODY = (B - GRAN FURY)(G - DIPLOMAT)(F - FIFTH AVENUE/NEWPORT)
G BODY = (V24 - DAYTONA, PACIFICA & SHELBY)	P BODY = (P - SUNDANCE)(D - SHADOW)
H BODY = (D44 - LANCER)(C44 - LEBARON GTS)	Q BODY = (C27 - MASERATI)
J BODY = (C - LEBARON)	S BODY = (H - VOYAGER)(K - RAM VAN/ CARAVAN)
K BODY = (P - RELIANT)(D - ARIES)(C - LEBARON/ TOWN & COUNTRY)	

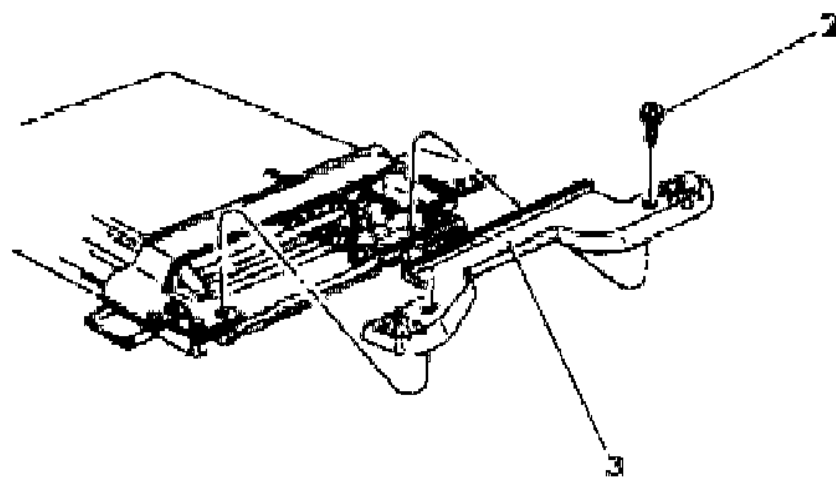
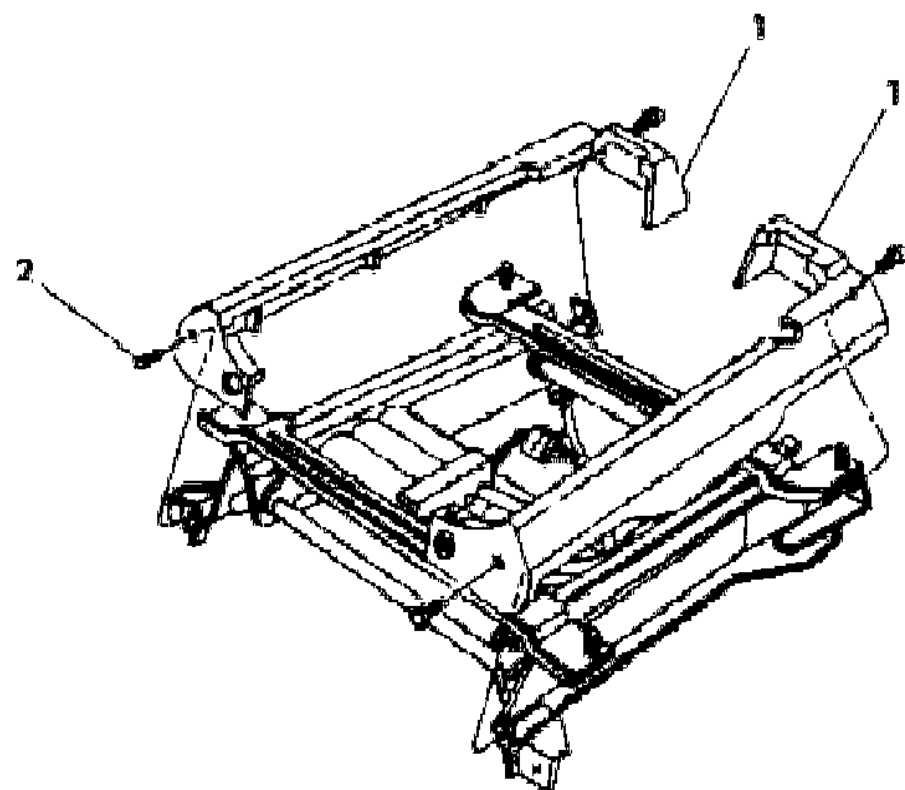
BODY STYLES

12-52 = FWD VAN & WAGON STD. W.B.	27 = 2-DOOR CONVERTIBLE
13-53 = FWD VAN & WGN EXT W.B.	41 = 4-DOOR SEDAN
21 = 2-DOOR SEDAN	44 = 4-DOOR HATCHBACK
24 = 2-DOOR HATCHBACK	45 = 4-DOOR STATION WAGON

AR = Use as Required - = Non Illustrated Part P.A.R. = Paint as Required

COVERS--ELECTRIC SEAT ADJUSTER G BODY
Figure ITG-2200

8236 2200



ITEM	PART NUMBER	QTY	BODY	MODEL	DESCRIPTION
1					COVER, Electric Seat Adjuster w/Bucket Seats
					INNER
	S978 GC5	1			Blue
	S978 GR8	1			Red
	S978 GL7	1			Taupe
	S978 GS8	1			Charcoal
					OUTER
	S897 FC5	1			Blue
	S897 GR8	1			Red
	S897 GL7	1			Taupe
	S897 FS8	1			Charcoal
2		AR			SCREW, (8-18x3/4) (Not Serv.)
3					COVER, Electric Adjuster, Rear
	S901 FC5	1			Blue
	S901 GR8	1			Red
	S901 GL7	1			Taupe
	S901 FS8	1			Charcoal

MODEL CODES

C BODY = (D41 - DYNASTY)(C41 - NEW YORKER)	L BODY = (M - HORIZON)(Z-OMNI)
E BODY = (J - CARAVELLE)(E - 600)(T - NEW YORKER TURBO)	M BODY = (B - GRAN FURY)(G - DIPLOMAT)(F - FIFTH AVENUE/NEWPORT)
G BODY = (V24 - DAYTONA, PACIFICA & SHELBY)	P BODY = (P - SUNDANCE)(D - SHADOW)
H BODY = (D44 - LANCER)(C44 - LEBARON GTS)	Q BODY = (C27 - MASERATI)
J BODY = (C - LEBARON)	S BODY = (H - VOYAGER)(K - RAM VAN/ CARAVAN)
K BODY = (P - RELIANT)(D - ARIES)(C - LEBARON/ TOWN & COUNTRY)	

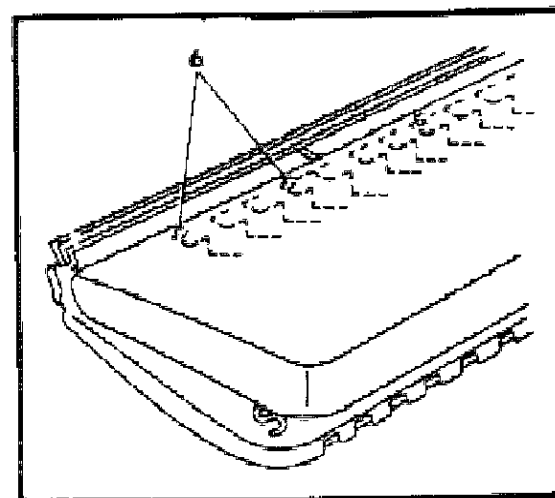
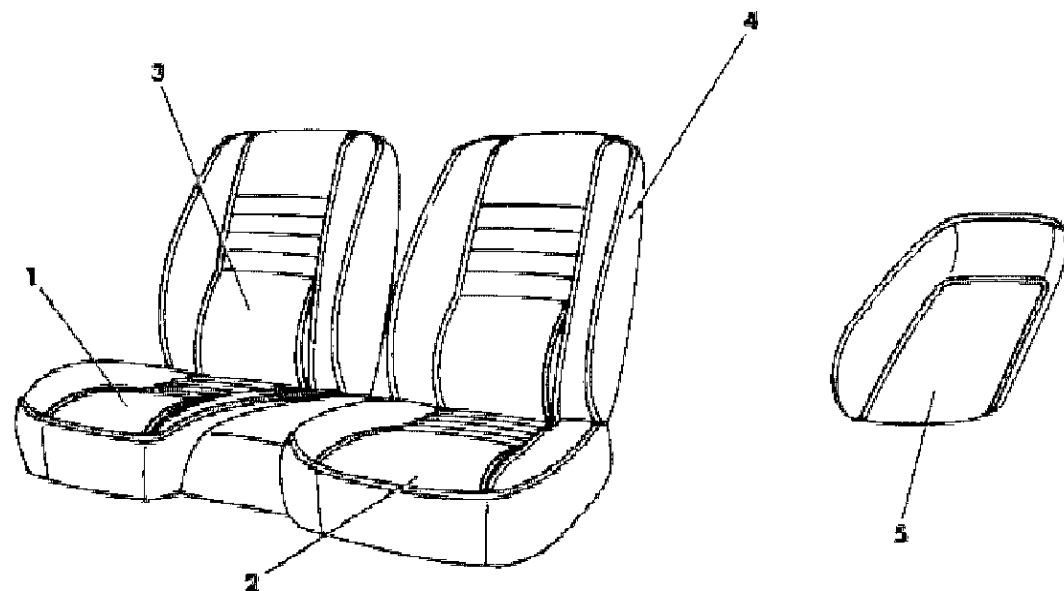
BODY STYLES

12-52 = FWD VAN & WAGON STD. W.B.	27 = 2-DOOR CONVERTIBLE
13-53 = FWD VAN & WGN EXT W.B.	41 = 4-DOOR SEDAN
21 = 2-DOOR SEDAN	44 = 4-DOOR HATCHBACK
24 = 2-DOOR HATCHBACK	45 = 4-DOOR STATION WAGON

AR = Use as Required - = Non Illustrated Part P.A.R. = Paint as Required

SEAT--REAR G BODY TRIM CODE A7
Figure ITG-2300

8236 2300



ITEM	PART NUMBER	QTY	BODY	MODEL	DESCRIPTION
1					CUSHION, w/Spring, Frame, Pad and Cover
	B800 F7C	1			CLOTH Blue
	B800 G7R	1			Red
	B800 G7L	1			Taupe
	B800 F7S	1			Charcoal
2					COVER, Cushion
	B485 F7C	1			CLOTH Blue
	B485 G7R	1			Red
	B485 G7L	1			Taupe
	B485 F7S	1			Charcoal
3					BACK, w/Spring, Frame, Pad and Cover
	B798-9 F7C	1			CLOTH Blue
	B798-9 G7R	1			Red
	B798-9 G7L	1			Taupe
	B798-9 F7S	1			Charcoal
4					COVER, Back
	B486-7 F7C	1			CLOTH Blue
	B486-7 G7R	1			Red
	B486-7 G7L	1			Taupe
	B486-7 F7S	1			Charcoal
5					PANEL, Seat Back w/Carpet
	S730 FC5	2			Blue
	S730 GR8	2			Red
	S730 GL7	2			Taupe
	S730 CS8	2			Charcoal
6	6008 076	AR			HOG RING

MODEL CODES

C BODY = (D41 - DYNASTY)(C41 - NEW YORKER)	L BODY = (M - HORIZON)(Z-OMNI)
E BODY = (J - CARAVELLE)(E - 600)(T - NEW YORKER TURBO)	M BODY = (B - GRAN FURY)(G - DIPLOMAT)(F - FIFTH AVENUE/NEWPORT)
G BODY = (V24 - DAYTONA, PACIFICA & SHELBY)	P BODY = (P - SUNDANCE)(D - SHADOW)
H BODY = (D44 - LANCER)(C44 - LEBARON GTS)	Q BODY = (C27 - MASERATI)
J BODY = (C - LEBARON)	S BODY = (H - VOYAGER)(K - RAM VAN/ CARAVAN)
K BODY = (P - RELIANT)(D - ARIES)(C - LEBARON/ TOWN & COUNTRY)	

BODY STYLES

12-52 = FWD VAN & WAGON STD. W.B.	27 = 2-DOOR CONVERTIBLE
13-53 = FWD VAN & WGN EXT W.B.	41 = 4-DOOR SEDAN
21 = 2-DOOR SEDAN	44 = 4-DOOR HATCHBACK
24 = 2-DOOR HATCHBACK	45 = 4-DOOR STATION WAGON

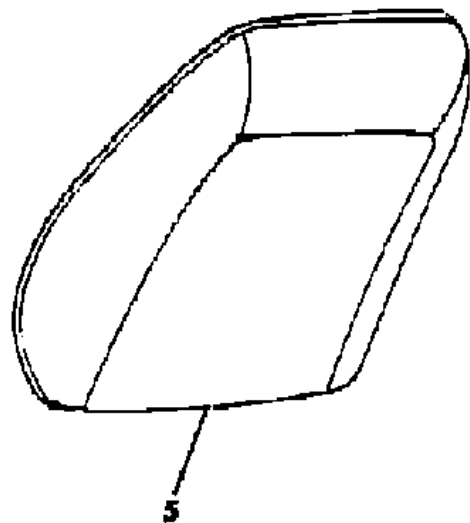
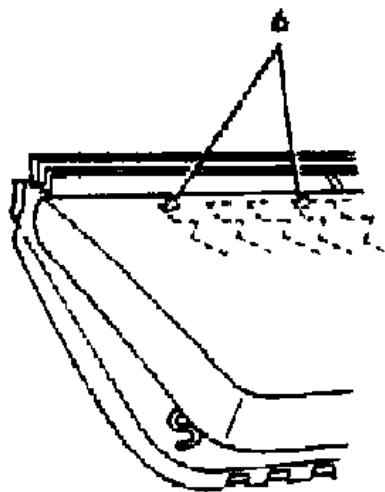
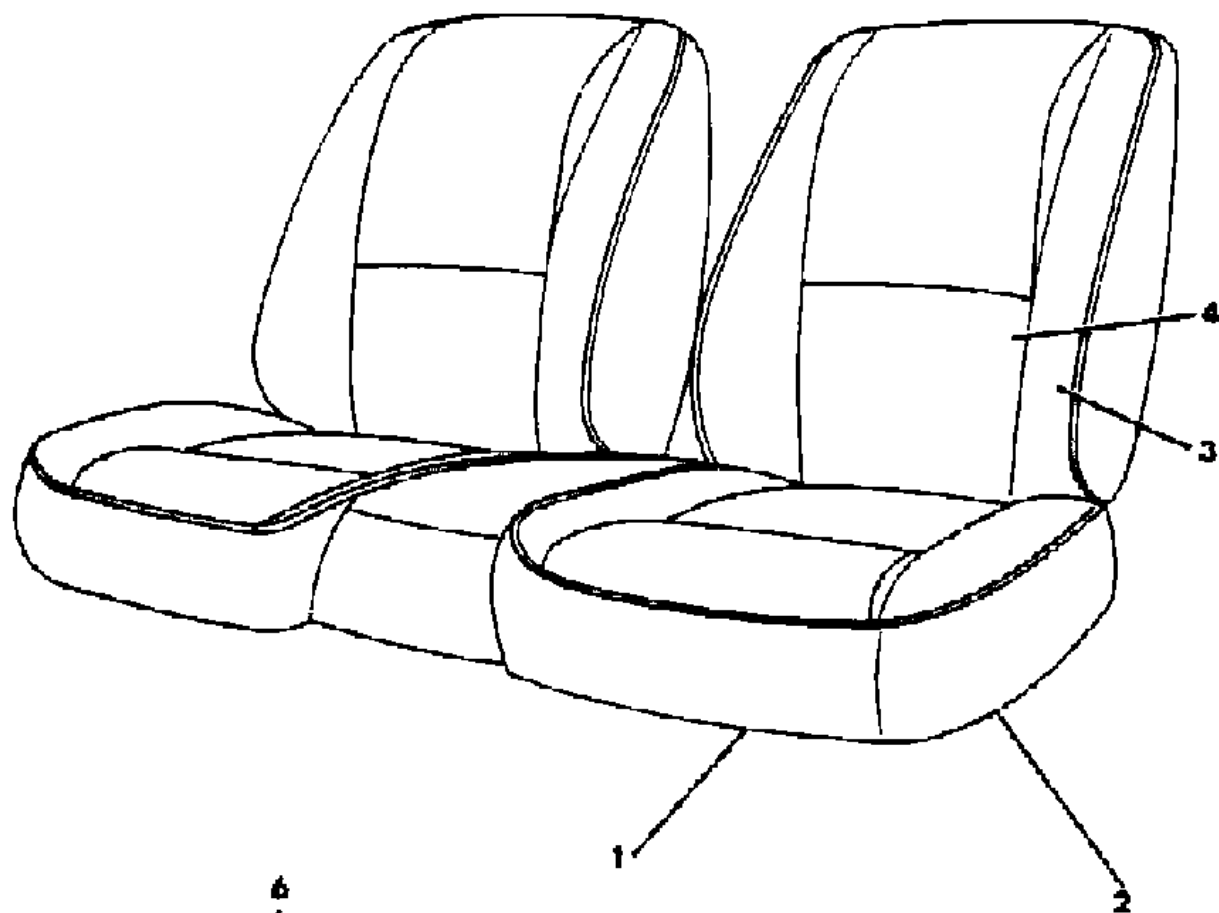
AR = Use as Required - = Non Illustrated Part P.A.R. = Paint as Required

SEAT--REAR G BODY TRIM CODE F7

Figure ITG-2400

8236 2400

ITEM	PART NUMBER	QTY	BODY	MODEL	DESCRIPTION
1					CUSHION, w/Spring, Frame, Pad and Cover
	B770 F7C	1			CLOTH Blue, (F7C)
	B770 G7R	1			Red, (F7R)
	B770 G7L	1			Taupe, (F7L)
	B770 F7S	1			Charcoal, (F7S)
2					COVER, Cushion
	B455 F7C	1			CLOTH Blue, (F7C)
	B455 G7R	1			Red, (F7R)
	B455 G7L	1			Taupe, (F7L)
	B455 F7S	1			Charcoal, (F7S)
3					BACK, w/Spring, Frame, Pad and Cover
	B768-9 F7C	1			CLOTH Blue, (F7C)
	B768-9 G7R	1			Red, (F7R)
	B768-9 G7L	1			Taupe, (F7L)
	B768-9 F7S	1			Charcoal, (F7S)
4					COVER, Back
	B456-7 F7C	1			CLOTH Blue, (F7C)
	B456-7 G7R	1			Red, (F7R)
	B456-7 G7L	1			Taupe, (F7L)
	B456-7 F7S	1			Charcoal, (F7S)
5					PANEL, Seat Back w/Carpet
	S730 FC5	2			Blue, (F7C)
	S730 GR8	2			Red, (F7R)
	S730 GL7	2			Taupe, (F7L)
	S730 CS8	2			Charcoal, (F7S)
6	6008 076	AR			HOG RING



MODEL CODES

C BODY = (D41 - DYNASTY)(C41 - NEW YORKER)
 E BODY = (J - CARAVELLE)(E - 600)(T - NEW YORKER TURBO)
 G BODY = (V24 - DAYTONA, PACIFICA & SHELBY)
 H BODY = (D44 - LANCER)(C44 - LEBARON GTS)
 J BODY = (C - LEBARON)
 K BODY = (P - RELIANT)(D - ARIES)(C - LEBARON/ TOWN & COUNTRY)
 L BODY = (M - HORIZON)(Z-OMNI)
 M BODY = (B - GRAN FURY)(G - DIPLOMAT)(F - FIFTH AVENUE/NEWPORT)
 P BODY = (P - SUNDANCE)(D - SHADOW)
 Q BODY = (C27 - MASERATI)
 S BODY = (H - VOYAGER)(K - RAM VAN/ CARAVAN)

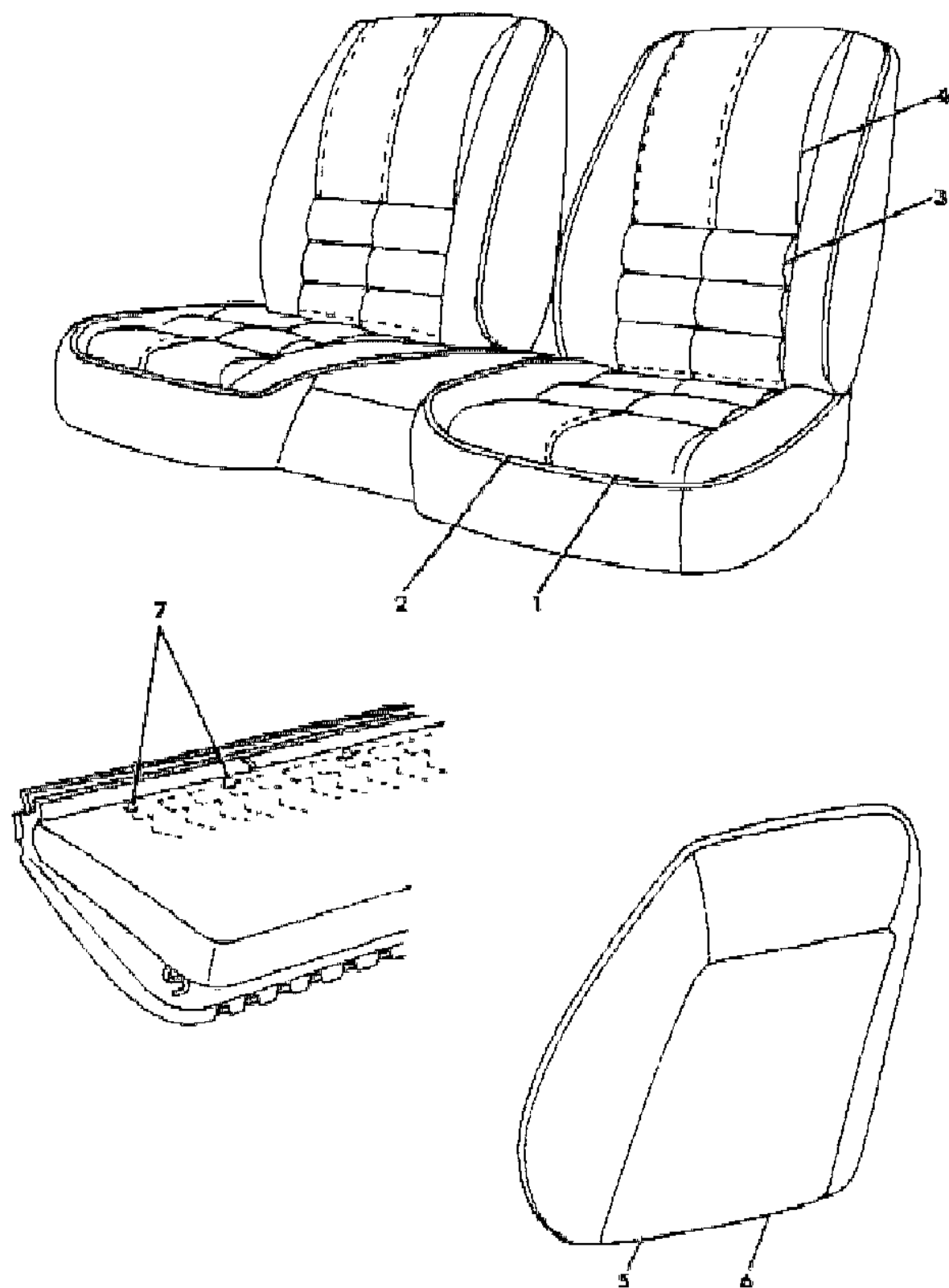
BODY STYLES

12-52 = FWD VAN & WAGON STD. W.B. 27 = 2-DOOR CONVERTIBLE
 13-53 = FWD VAN & WGN EXT W.B. 41 = 4-DOOR SEDAN
 21 = 2-DOOR SEDAN 44 = 4-DOOR HATCHBACK
 24 = 2-DOOR HATCHBACK 45 = 4-DOOR STATION WAGON

AR = Use as Required - = Non Illustrated Part P.A.R. = Paint as Required

SEAT--REAR G BODY TRIM CODE S7-SL
Figure ITG-2500

8236 2500



ITEM	PART NUMBER	QTY	BODY	MODEL	DESCRIPTION
1					CUSHION, w/Spring, Frame, Pad and Cover
	B756 F7C	1			CLOTH Blue, (S7C)
	B756 G7R	1			Red, (S7R)
	B756 G7L	1			Taupe, (S7L)
	B756 F7S	1			Charcoal, (S7S)
	B742 FLC	1			LEATHER Blue, (SLC)
	B742 GLR	1			Red, (SLR)
	B742 GLL	1			Taupe, (SLL)
	B742 FLS	1			Charcoal, (SLS)
2					COVER, Cushion
	B576 F7C	1			CLOTH Blue, (S7C)
	B576 G7R	1			Red, (S7R)
	B576 G7L	1			Taupe, (S7L)
	B576 F7S	1			Charcoal, (S7S)
	B568 FLC	1			LEATHER Blue, (SLC)
	B568 GLR	1			Red, (SLR)
	B568 GLL	1			Taupe, (SLL)
	B568 FLS	1			Charcoal, (SLS)
3					BACK, w/Spring, Frame, Pad and Cover
	B754-5 F7C	1			CLOTH Blue, (S7C)
	B754-5 G7R	1			Red, (S7R)
	B754-5 G7L	1			Taupe, (S7L)
	B754-5 F7S	1			Charcoal, (S7S)
	B740-1 FLC	1			LEATHER Blue, (SLC)
	B740-1 GLR	1			Red, (SLR)
	B740-1 GLL	1			Taupe, (SLL)
	B740-1 FLS	1			Charcoal, (SLS)
4					COVER, Back
	B570-1 F7C	1			CLOTH Blue, (S7C)
	B570-1 G7R	1			Red, (S7R)

MODEL CODES

C BODY = (D41 - DYNASTY)(C41 - NEW YORKER)
 E BODY = (J - CARAVELLE)(E - 600)(T - NEW YORKER TURBO)
 G BODY = (V24 - DAYTONA, PACIFICA & SHELBY)
 H BODY = (D44 - LANCER)(C44 - LEBARON GTS)
 J BODY = (C - LEBARON)
 K BODY = (P - RELIANT)(D - ARIES)(C - LEBARON/ TOWN & COUNTRY)

L BODY = (M - HORIZON)(Z-OMNI)
 M BODY = (B - GRAN FURY)(G - DIPLOMAT)(F - FIFTH AVENUE/NEWPORT)
 P BODY = (P - SUNDANCE)(D - SHADOW)
 Q BODY = (C27 - MASERATI)
 S BODY = (H - VOYAGER)(K - RAM VAN/ CARAVAN)

BODY STYLES

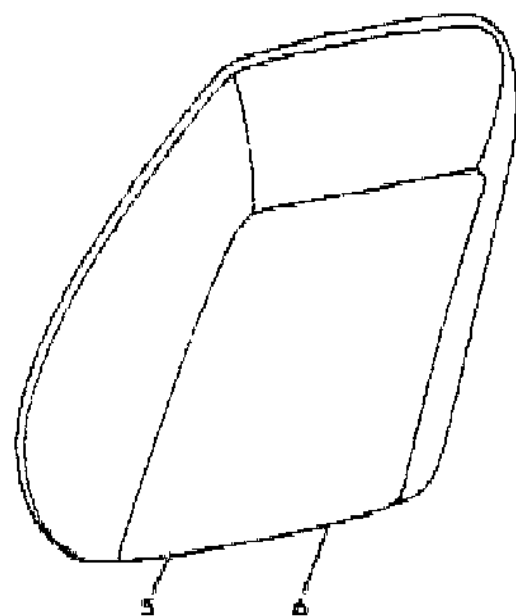
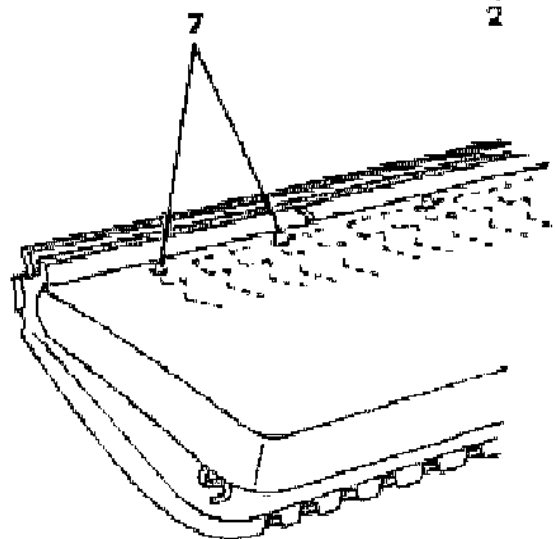
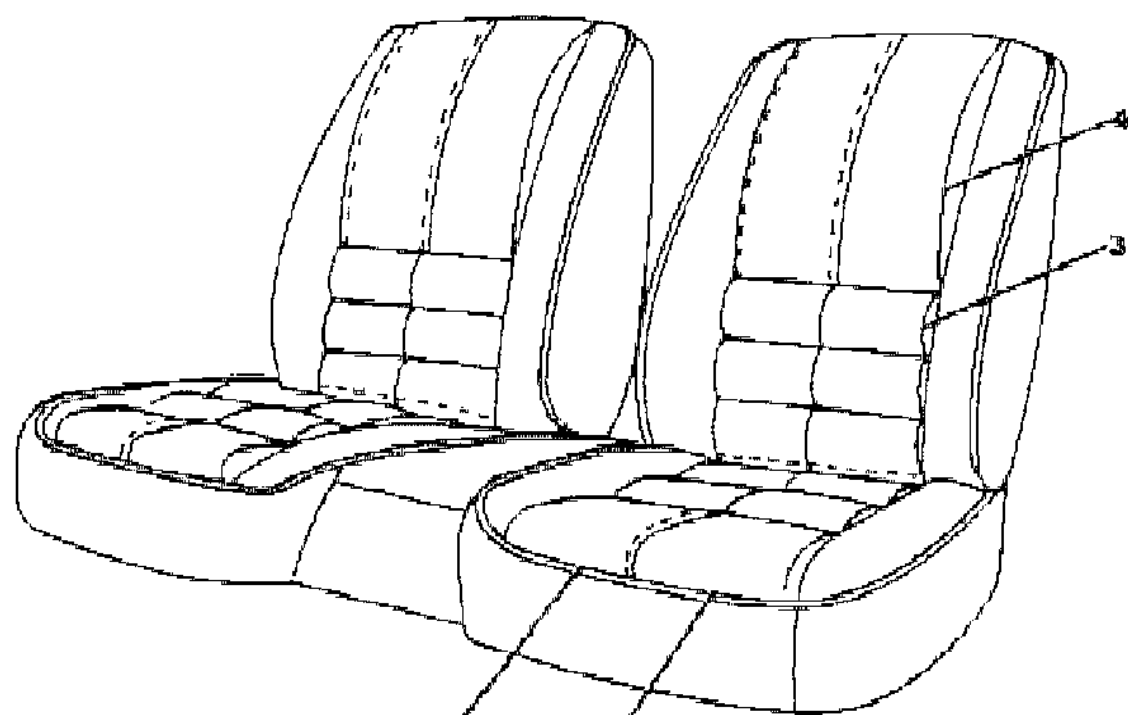
12-52 = FWD VAN & WAGON STD. W.B. 27 = 2-DOOR CONVERTIBLE
 13-53 = FWD VAN & WGN EXT W.B. 41 = 4-DOOR SEDAN
 21 = 2-DOOR SEDAN 44 = 4-DOOR HATCHBACK
 24 = 2-DOOR HATCHBACK 45 = 4-DOOR STATION WAGON

AR = Use as Required - = Non Illustrated Part P.A.R. = Paint as Required

SEAT--REAR G BODY TRIM CODE S7-SL
Figure ITG-2500

8236 2500

ITEM	PART NUMBER	QTY	BODY	MODEL	DESCRIPTION
	B570-1 G7L	1			Taupe, (S7L)
	B570-1 F7S	1			Charcoal, (S7S) LEATHER
	B578-9 FLC	1			Blue, (SLC)
	B578-9 GLR	1			Red, (SLR)
	B578-9 GLL	1			Taupe, (SLL)
	B578-9 FLS	1			Charcoal, (SLS)
5		AR			ROLL STOCK, Carpet, (Order by The Inch)
	R122 EC5	AR			Blue
	R122 EE8	AR			Cordovan
	R122 EK1	AR			Almond
	R122 CS8	AR			Charcoal
6					PANEL, Seat Back w/Carpet
	S730 FC5	2			Blue
	S730 GR8	2			Red
	S730 GL7	2			Taupe
	S730 CS8	2			Charcoal
7	6008 076	AR			HOG RING



MODEL CODES

C BODY = (D41 - DYNASTY)(C41 - NEW YORKER)
 E BODY = (J - CARAVELLE)(E - 600)(T - NEW YORKER TURBO)
 G BODY = (V24 - DAYTONA, PACIFICA & SHELBY)
 H BODY = (D44 - LANCER)(C44 - LEBARON GTS)
 J BODY = (C - LEBARON)
 K BODY = (P - RELIANT)(D - ARIES)(C - LEBARON/ TOWN & COUNTRY)

L BODY = (M - HORIZON)(Z-OMNI)
 M BODY = (B - GRAN FURY)(G - DIPLOMAT)(F - FIFTH AVENUE/NEWPORT)
 P BODY = (P - SUNDANCE)(D - SHADOW)
 Q BODY = (C27 - MASERATI)
 S BODY = (H - VOYAGER)(K - RAM VAN/ CARAVAN)

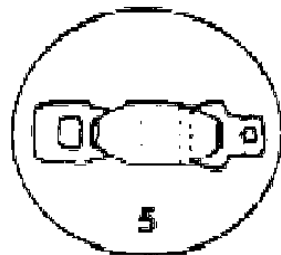
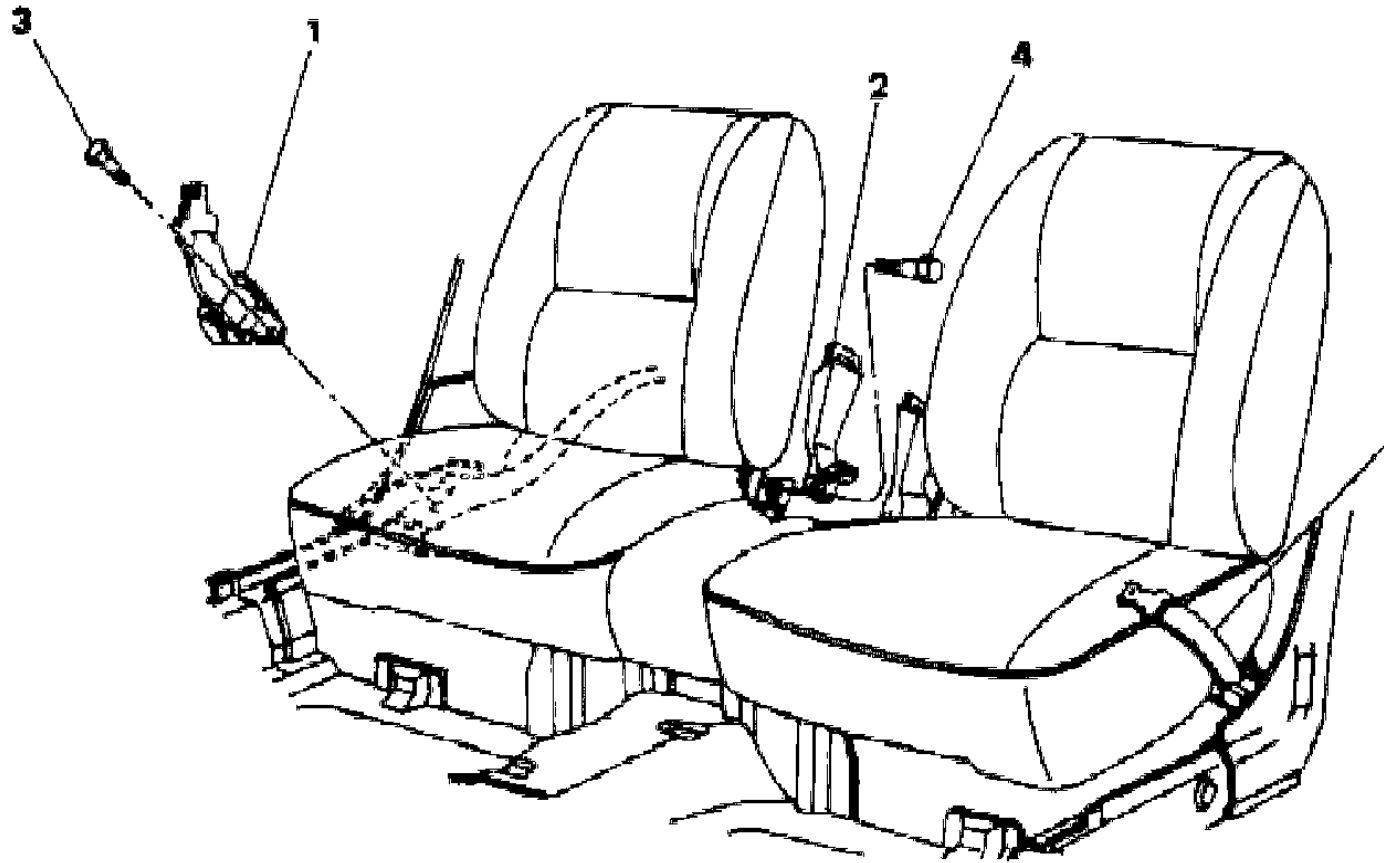
BODY STYLES

12-52 = FWD VAN & WAGON STD. W.B. 27 = 2-DOOR CONVERTIBLE
 13-53 = FWD VAN & WGN EXT W.B. 41 = 4-DOOR SEDAN
 21 = 2-DOOR SEDAN 44 = 4-DOOR HATCHBACK
 24 = 2-DOOR HATCHBACK 45 = 4-DOOR STATION WAGON

AR = Use as Required - = Non Illustrated Part P.A.R. = Paint as Required

BELT--REAR SEAT G BODY
Figure ITG-2600

8236 2600



ITEM	PART NUMBER	QTY	BODY	MODEL	DESCRIPTION
1					BELT, Rear Lap Outboard Tip, Right
					LABEL NUMBER 4290853
	F688 FC5	1			Blue
	F688 GR8	1			Red
	F688 GL7	1			Taupe
	F688 FS8	1			Charcoal
					Outboard Tip, Left
					LABEL NUMBER 4327891
	F741 FC5	1			Blue
	F741 GR8	1			Red
	F741 GL7	1			Taupe
	F741 FS8	1			Charcoal
2					BELT, Rear Inner Buckle
					LABEL NUMBER 4290854
	F689 FC5	2			Blue
	F689 GR8	2			Red
	F689 GL7	2			Taupe
	F689 DS8	2			Charcoal
3	6031 484	2			BOLT, Outboard Belt Attaching
4	6032 039	2			BOLT, Inboard Buckle Attaching
5	4364 849	AR			EXTENDER, Seat Belt
	4519 075	AR			ANCHOR PACKAGE, Teather, Child Restraint ***

MODEL CODES

C BODY = (D41 - DYNASTY)(C41 - NEW YORKER)	L BODY = (M - HORIZON)(Z-OMNI)
E BODY = (J - CARAVELLE)(E - 600)(T - NEW YORKER TURBO)	M BODY = (B - GRAN FURY)(G - DIPLOMAT)(F - FIFTH AVENUE/NEWPORT)
G BODY = (V24 - DAYTONA, PACIFICA & SHELBY)	P BODY = (P - SUNDANCE)(D - SHADOW)
H BODY = (D44 - LANCER)(C44 - LEBARON GTS)	Q BODY = (C27 - MASERATI)
J BODY = (C - LEBARON)	S BODY = (H - VOYAGER)(K - RAM VAN/ CARAVAN)
K BODY = (P - RELIANT)(D - ARIES)(C - LEBARON/ TOWN & COUNTRY)	

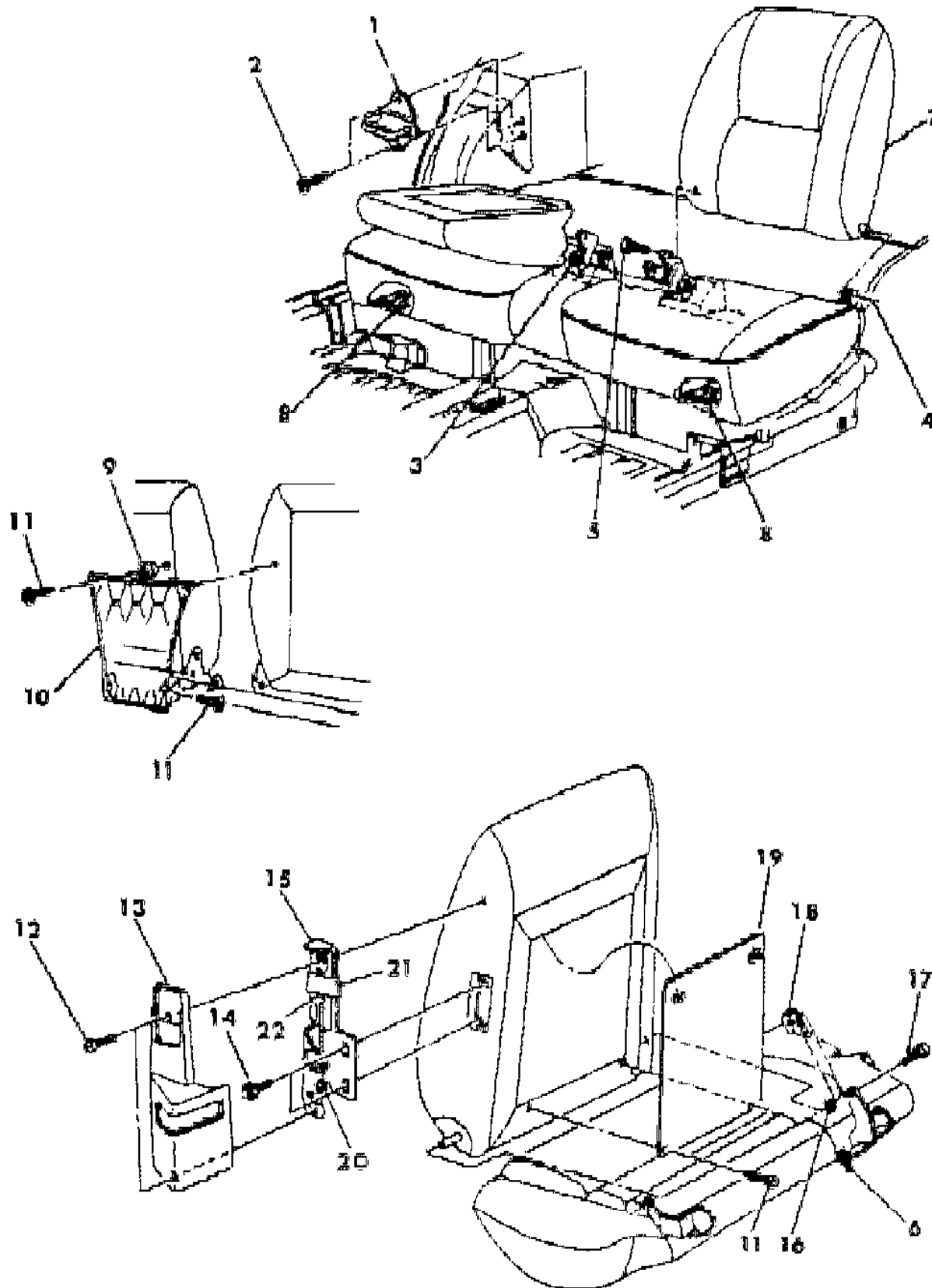
BODY STYLES

12-52 = FWD VAN & WAGON STD. W.B.	27 = 2-DOOR CONVERTIBLE
13-53 = FWD VAN & WGN EXT W.B.	41 = 4-DOOR SEDAN
21 = 2-DOOR SEDAN	44 = 4-DOOR HATCHBACK
24 = 2-DOOR HATCHBACK	45 = 4-DOOR STATION WAGON

AR = Use as Required - = Non Illustrated Part P.A.R. = Paint as Required

SEAT--REAR FOLD DOWN G BODY
Figure ITG-2700

8236 2700



ITEM	PART NUMBER	QTY	BODY	MODEL	DESCRIPTION
1	4277 934	2			STRIKER, Seat Back Latch
2	6501 186	4			SCREW, w/Washer Striker Attaching
3					BRACKET, Inner Seat Back Hinge, (Serv. in Seat Cushion)
4					BRACKET, Outer Seat Back Hinge, (Serv. in Seat Cushion)
5	6500 534	2			BOLT, Cushion to Seat Back
6	6031 218	2			BOLT, Cushion to Floor
7	4277 360-1	1			FRAME, Seat Back
8	6026 647	2			RETAINER, Cushion to Floor Attaching
9	4290 936	2			BUTTON, Cargo net Attaching
10	4277 210	1			NET, Cargo, Rear Seat Back
11					SCREW, (8-18x1/2) (Not Serv.)
12		AR			SCREW, (5/16x18x.028) (Not Serv.)
13	S822 CS8	1			COVER, Seat Back Latch (P.A.R.) (Use S823CS8 For Left Cover)
14	6100 557	2			SCREW, Latch Attaching, (M6x20)
15	4277 618-9	1			LATCH, Seat Back Release
16					WASHER, (Not Serv.)
17	6501 199	AR			BOLT
18					COVER, Rear Seat Cushion Inner Hinge
	S602-3 FC5	1			Blue
	S602-3 GR8	1			Red
	S602-3 GL7	1			Taupe
	S602-3 CS8	1			Charcoal
19					PANEL, Back w/Carpet
	S730 FC5	2			Blue
	S730 GR8	2			Red
	S730 GL7	2			Taupe
	S730 CS8	2			Charcoal
20	2945 108-9	1			CLIP, Rod to Latch Release Lever
21	H436 GL7	AR			BUTTON, Folding Seat Back Release, (P.A.R.)
22	6031 485	1			CLIP, Release Rod to Button

NOTE: (P.A.R. = Paint As Required)

MODEL CODES

C BODY = (D41 - DYNASTY)(C41 - NEW YORKER)	L BODY = (M - HORIZON)(Z-OMNI)
E BODY = (J - CARAVELLE)(E - 600)(T - NEW YORKER TURBO)	M BODY = (B - GRAN FURY)(G - DIPLOMAT)(F - FIFTH AVENUE/NEWPORT)
G BODY = (V24 - DAYTONA, PACIFICA & SHELBY)	P BODY = (P - SUNDANCE)(D - SHADOW)
H BODY = (D44 - LANCER)(C44 - LEBARON GTS)	Q BODY = (C27 - MASERATI)
J BODY = (C - LEBARON)	S BODY = (H - VOYAGER)(K - RAM VAN/ CARAVAN)
K BODY = (P - RELIANT)(D - ARIES)(C - LEBARON/ TOWN & COUNTRY)	

BODY STYLES

12-52 = FWD VAN & WAGON STD. W.B.	27 = 2-DOOR CONVERTIBLE
13-53 = FWD VAN & WGN EXT W.B.	41 = 4-DOOR SEDAN
21 = 2-DOOR SEDAN	44 = 4-DOOR HATCHBACK
24 = 2-DOOR HATCHBACK	45 = 4-DOOR STATION WAGON

AR = Use as Required - = Non Illustrated Part P.A.R. = Paint as Required

GROUP ITE - E BODY

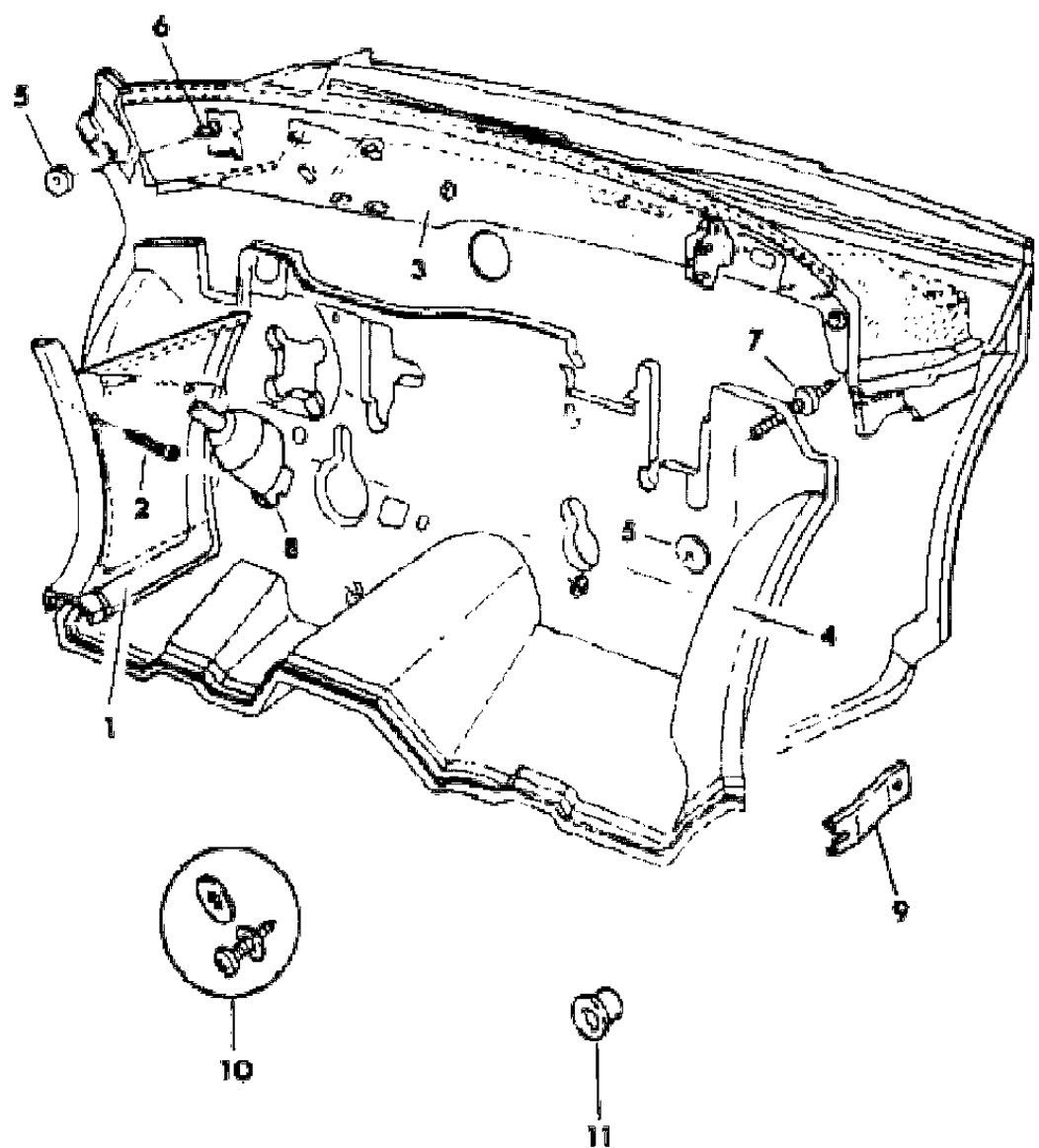
ILLUSTRATION TITLE	GROUP-FIG. NO.
COWL PANEL AND SILENCERS E BODY	Fig. ITE-100
HEADLINER VISOR AND SHELF PANEL E BODY	Fig. ITE-200
MOULDING--GARNISH E BODY	Fig. ITE-300
B PILLAR TRIM E BODY	Fig. ITE-400
PANEL--QUARTER TRIM E BODY	Fig. ITE-500
CARPET E BODY	Fig. ITE-600
SILENCERS REAR COMPARTMENT E BODY	Fig. ITE-700
SCUFF PLATES BODY SILL AND DOORS E BODY	Fig. ITE-800
PANEL--DOOR TRIM FRONT E BODY	Fig. ITE-900
PANEL--DOOR TRIM REAR E BODY	Fig. ITE-1000
SEAT--FRONT E BODY TRIM CODE M3	Fig. ITE-1100
SEAT--FRONT E BODY TRIM CODE H3	Fig. ITE-1200
SEAT--FRONT E BODY TRIM CODE FF	Fig. ITE-1300
SEAT--FRONT E BODY TRIM CODE LP	Fig. ITE-1400
SEAT--FRONT E BODY TRIM CODE LF	Fig. ITE-1500
BELT--FRONT SEAT E BODY	Fig. ITE-1600
BELT--FRONT SEAT INBOARD E BODY	Fig. ITE-1700
SEAT--RECLINING 50/50 E BODY	Fig. ITE-1800
ADJUSTER--MANUAL E BODY	Fig. ITE-1900
ADJUSTER--ELECTRIC E BODY	Fig. ITE-2000
SEAT--REAR E BODY TRIM CODES H3-M3	Fig. ITE-2100
SEAT--REAR E BODY TRIM CODE FF	Fig. ITE-2200
SEAT--REAR E BODY TRIM CODES LF-LP	Fig. ITE-2300
BELT--REAR SEAT E BODY	Fig. ITE-2400

ILLUSTRATION NOT AVAILABLE AT TIME OF PUBLICATION

ILLUSTRATION NOT AVAILABLE AT TIME OF PUBLICATION

COWL PANEL AND SILENCERS E BODY
Figure ITE-100

8238 100



ITEM	PART NUMBER	QTY	BODY	MODEL	DESCRIPTION
1					PANEL, Cowl Side Trim
	V364 FA3	1			RIGHT Silver
	V364 FC5	1			Blue
	V364 FE8	1			Cordovan
	V364 FS8	1			Charcoal
	F211 CA3	1			LEFT Silver
	F211 FC5	1			Blue
	F211 EE8	1			Cordovan
	F211 CS8	1			Charcoal
2		AR			SCREW, (8-18x1 3/4) (Not Serv.)
3					SILENCER, Cowl Panel (Not Serv.)
4	4416 202	1			LINER, Dash
5	4206 545	AR			RETAINER
6		1			SCREW and WASHER, (18x.75) (Not Serv.)
7	#6031 630	4			STUD
8	4188 868	1			COVER and SILENCER, Steering Column
9	4473 372	1			BRACKET, Cowl Side Trim, Right
10	4278 955	1			LINER, Attaching Package
11	6032 185	6			CAPLUG, Dash Liner

MODEL CODES
 C BODY = (D41 - DYNASTY)(C41 - NEW YORKER)
 E BODY = (J - CARAVELLE)(E - 600)(T - NEW YORKER TURBO)
 G BODY = (V24 - DAYTONA, PACIFICA & SHELBY)
 H BODY = (D44 - LANCER)(C44 - LEBARON GTS)
 J BODY = (C - LEBARON)
 K BODY = (P - RELIANT)(D - ARIES)(C - LEBARON/ TOWN & COUNTRY)
 L BODY = (M - HORIZON)(Z-OMNI)
 M BODY = (B - GRAN FURY)(G - DIPLOMAT)(F - FIFTH AVENUE/NEWPORT)
 P BODY = (P - SUNDANCE)(D - SHADOW)
 Q BODY = (C27 - MASERATI)
 S BODY = (H - VOYAGER)(K - RAM VAN/ CARAVAN)

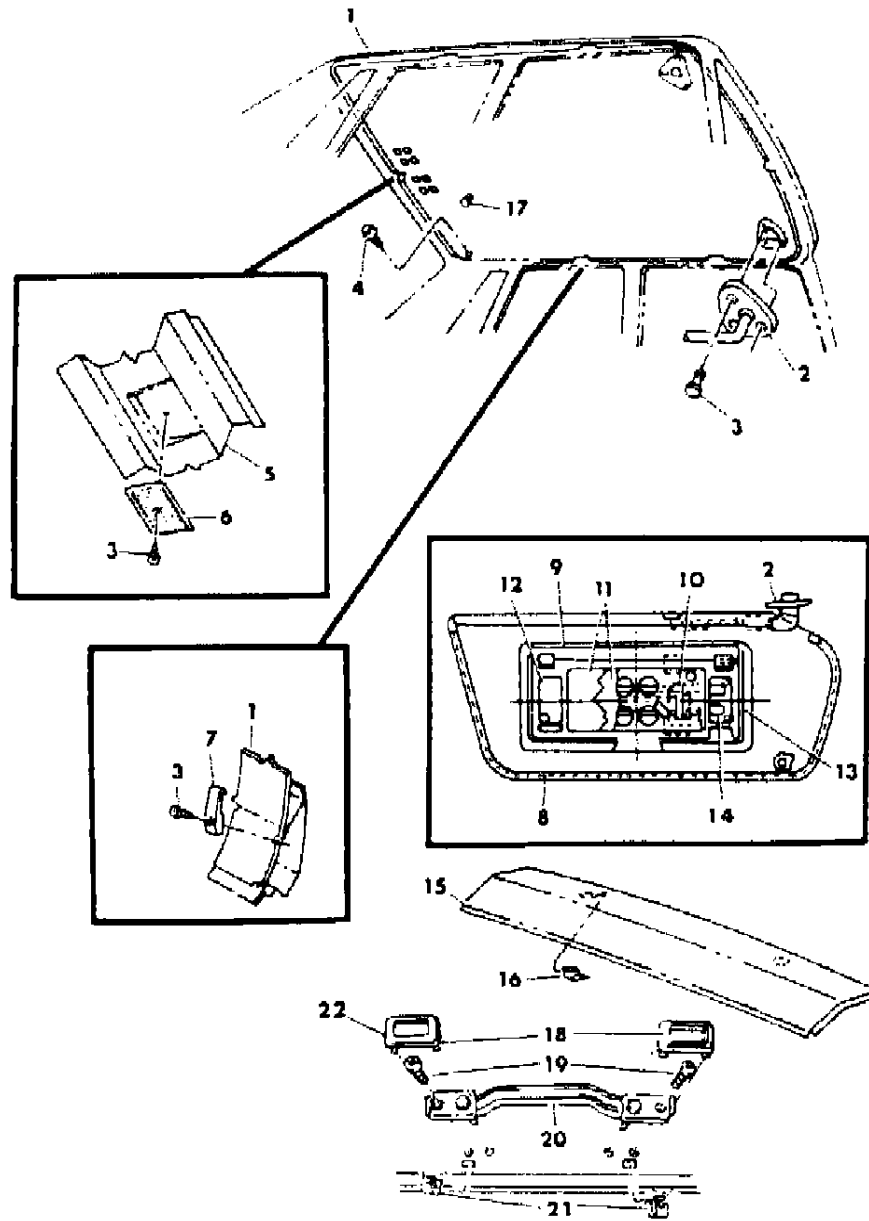
BODY STYLES
 12-52 = FWD VAN & WAGON STD. W.B. 27 = 2-DOOR CONVERTIBLE
 13-53 = FWD VAN & WGN EXT W.B. 41 = 4-DOOR SEDAN
 21 = 2-DOOR SEDAN 44 = 4-DOOR HATCHBACK
 24 = 2-DOOR HATCHBACK 45 = 4-DOOR STATION WAGON

AR = Use as Required - = Non Illustrated Part P.A.R. = Paint as Required

HEADLINER VISOR AND SHELF PANEL E BODY

Figure ITE-200

8238 200 A



ITEM	PART NUMBER	QTY	BODY	MODEL	DESCRIPTION
1					HEADLINER
	H843 FA3	1		Exc. T-P	Silver
	H843 FC5	1		Exc. T-P	Blue
	H843 FE8	1		Exc. T-P	Cordovan
	H860 FC5	1		T-P	Blue
	H860 EE8	1		T-P	Cordovan
	H860 EK1	1		T-P	Almond
	H860 CS8	1		T-P	Charcoal
2	4247 862-3	1			ARM and BRACKET, w/Non-Illum. Mirror
3	6032 584	6			SCREW, Visor Bracket Attach.
4	6003 587	2			FASTENER
5					FRAME, Rear Window Opening, Upper
6	4247 874	2			HOOK, Headliner (Velcro)
7	3685 992	2			HOOK, Coat
8					VISOR, Padded Cloth w/o Mirror
	H456 FA3	2			Silver
	H456 FC5	2			Blue
	H456 FE8	2			Cordovan
	H456 FS8	2			Charcoal
					w/Arm and Illum. Mirror
					RIGHT
	H262 FC5	1			Blue
	H262 FE8	1			Cordovan
	H262 FK1	1			Almond
	H262 FS8	1			Charcoal
					LEFT, w/Mirror
	H263 FC5	1			Blue
	H263 FE8	1			Cordovan
	H263 FS8	1			Charcoal
					SUB-ASSY., w/Illum. Mirror
					RIGHT
	H762 FC5	1			Blue
	H762 FE8	1			Cordovan
	H762 FS8	1			Charcoal
					LEFT
	H763 FA3	1			Silver
	H763 FC5	1			Blue

MODEL CODES

C BODY = (D41 - DYNASTY)(C41 - NEW YORKER)
 E BODY = (J - CARAVELLE)(E - 600)(T - NEW YORKER TURBO)
 G BODY = (V24 - DAYTONA, PACIFICA & SHELBY)
 H BODY = (D44 - LANCER)(C44 - LEBARON GTS)
 J BODY = (C - LEBARON)
 K BODY = (P - RELIANT)(D - ARIES)(C - LEBARON/ TOWN & COUNTRY)

L BODY = (M - HORIZON)(Z-OMNI)
 M BODY = (B - GRAN FURY)(G - DIPLOMAT)(F - FIFTH AVENUE/NEWPORT)
 P BODY = (P - SUNDANCE)(D - SHADOW)
 Q BODY = (C27 - MASERATI)
 S BODY = (H - VOYAGER)(K - RAM VAN/ CARAVAN)

BODY STYLES

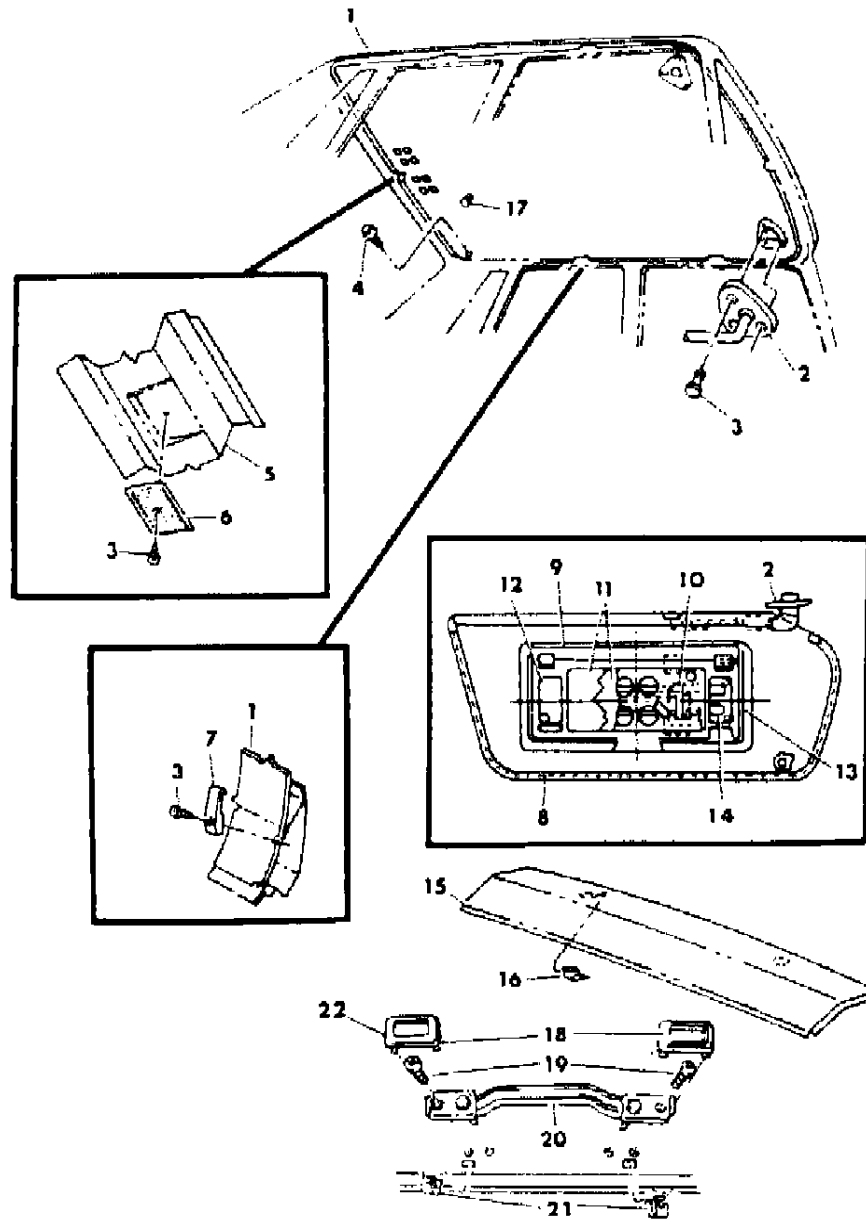
12-52 = FWD VAN & WAGON STD. W.B. 27 = 2-DOOR CONVERTIBLE
 13-53 = FWD VAN & WGN EXT W.B. 41 = 4-DOOR SEDAN
 21 = 2-DOOR SEDAN 44 = 4-DOOR HATCHBACK
 24 = 2-DOOR HATCHBACK 45 = 4-DOOR STATION WAGON

AR = Use as Required - = Non Illustrated Part P.A.R. = Paint as Required

HEADLINER VISOR AND SHELF PANEL E BODY

Figure ITE-200

8238 200 A



ITEM	PART NUMBER	QTY	BODY	MODEL	DESCRIPTION
	H763 FE8	1			Cordovan
	H763 FS8	1			Charcoal
9					VANITY, Illum. Mirror
	H640 FC5	1			Blue
	H640 FE8	1			Cordovan
	H640 FS8	1			Charcoal
10		1			COMPONENT BOARD, Mirror (Not Serv.)
11		1			MIRROR, (Mirror Serviced in Visor Only, See Item 8)
12	4410 693	2			LENS, Vanity Mirror
13	#4166 976	2			HINGE SPRING, Vanity Mirror (Not Serv.)
14	9421 330	4			BULB
15					PANEL, Shelf Trim
	H279 EA3	1			Silver
	H950 HC5	1			Blue
	H279 EE8	1			Cordovan
	H279 ES8	1			Charcoal
16	6031 536	3			CLIP, Shelf Trim Attaching
17					FASTENER
	H452 AA3	2			Silver
	H452 EC5	2			Blue
	H452 EE8	2			Cordovan
18	4223 941	AR			COVER, Roof Panel Grab Handle
19		AR			SCREW, (8-18x7/8) (Not Serv.)
20					HANDLE, Roof Grab Front
	H430 FC5	1			Blue
	H430 EE8	1			Cordovan
	H430 CS8	1			Charcoal
					REAR, w/Coat Hook
	H435 FC5	2			Blue
	H435 EE8	2			Cordovan
	H435 CS8	2			Charcoal
21	6031 160	AR			RETAINER
22	4010 348	AR			CAP, Handle End

MODEL CODES

C BODY = (D41 - DYNASTY)(C41 - NEW YORKER)
 E BODY = (J - CARAVELLE)(E - 600)(T - NEW YORKER TURBO)
 G BODY = (V24 - DAYTONA, PACIFICA & SHELBY)
 H BODY = (D44 - LANCER)(C44 - LEBARON GTS)
 J BODY = (C - LEBARON)
 K BODY = (P - RELIANT)(D - ARIES)(C - LEBARON/ TOWN & COUNTRY)

L BODY = (M - HORIZON)(Z-OMNI)
 M BODY = (B - GRAN FURY)(G - DIPLOMAT)(F - FIFTH AVENUE/NEWPORT)
 P BODY = (P - SUNDANCE)(D - SHADOW)
 Q BODY = (C27 - MASERATI)
 S BODY = (H - VOYAGER)(K - RAM VAN/ CARAVAN)

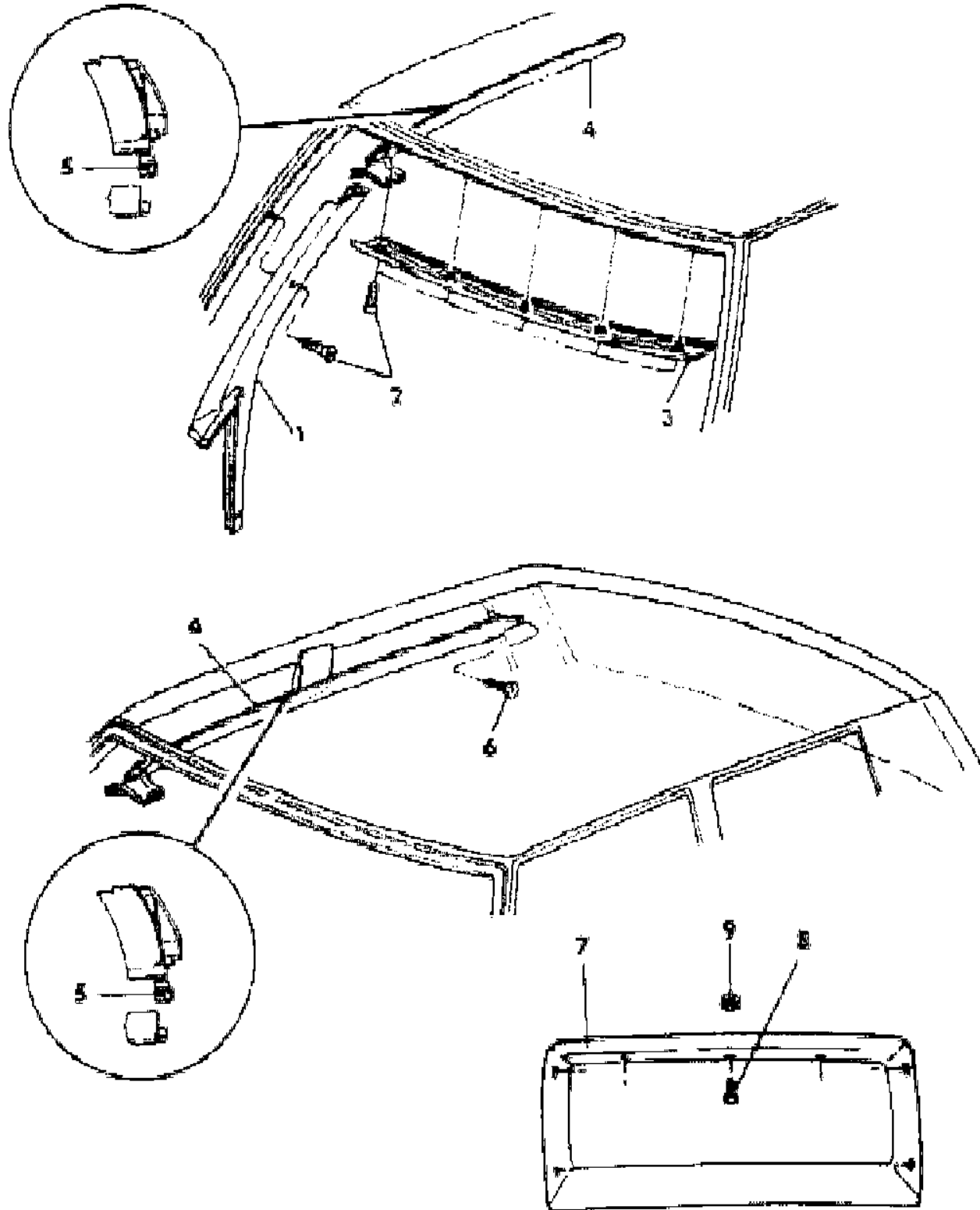
BODY STYLES

12-52 = FWD VAN & WAGON STD. W.B. 27 = 2-DOOR CONVERTIBLE
 13-53 = FWD VAN & WGN EXT W.B. 41 = 4-DOOR SEDAN
 21 = 2-DOOR SEDAN 44 = 4-DOOR HATCHBACK
 24 = 2-DOOR HATCHBACK 45 = 4-DOOR STATION WAGON

AR = Use as Required - = Non Illustrated Part P.A.R. = Paint as Required

MOULDING--GARNISH E BODY
Figure ITE-300

8238 300



ITEM	PART NUMBER	QTY	BODY	MODEL	DESCRIPTION
1	F458-9 EK1	1			MOULDING, Windshield Side, Garnish, (P.A.R.) w/FABRIC COVER
	F138-9 FC5	1			Blue
	F138-9 EE8	1			Cordovan
	F138-9 CS8	1			Charcoal
2	0153 704	9			SCREW
3	F249 DA3	1			MOULDING, Windshield Header, Upper Garnish, (P.A.R.) w/FABRIC COVER
	F255 FC5	1			Blue
	F255 EE8	1			Cordovan
	F255 DS8	1			Charcoal
4	F012-3 EK1	1			MOULDING and RETAINER, Roof Rail Garnish, (P.A.R.) w/FABRIC COVER
	F014-5 FC5	1			Blue
	F014-5 EE8	1			Cordovan
	F014-5 ES8	1			Charcoal
5		6			RETAINER, Roof Rail Side Moulding, (Serv. in #4)
6	0153 704	AR			SCREW
7					PANEL, Rear Window Trim w/FABRIC COVER
	F297 FC5	1			Blue
	F297 EE8	1			Cordovan
	F297 EK1	1			Almond
	F297 ES8	1			Charcoal
8		AR			SCREW, (8-18x1) (Not Serv.)
9	6033 186	2			NUT, Rear Window Trim Panel NOTE: (P.A.R. = Paint As Required)

MODEL CODES

C BODY = (D41 - DYNASTY)(C41 - NEW YORKER)	L BODY = (M - HORIZON)(Z-OMNI)
E BODY = (J - CARAVELLE)(E - 600)(T - NEW YORKER TURBO)	M BODY = (B - GRAN FURY)(G - DIPLOMAT)(F - FIFTH AVENUE/NEWPORT)
G BODY = (V24 - DAYTONA, PACIFICA & SHELBY)	P BODY = (P - SUNDANCE)(D - SHADOW)
H BODY = (D44 - LANCER)(C44 - LEBARON GTS)	Q BODY = (C27 - MASERATI)
J BODY = (C - LEBARON)	S BODY = (H - VOYAGER)(K - RAM VAN/ CARAVAN)
K BODY = (P - RELIANT)(D - ARIES)(C - LEBARON/ TOWN & COUNTRY)	

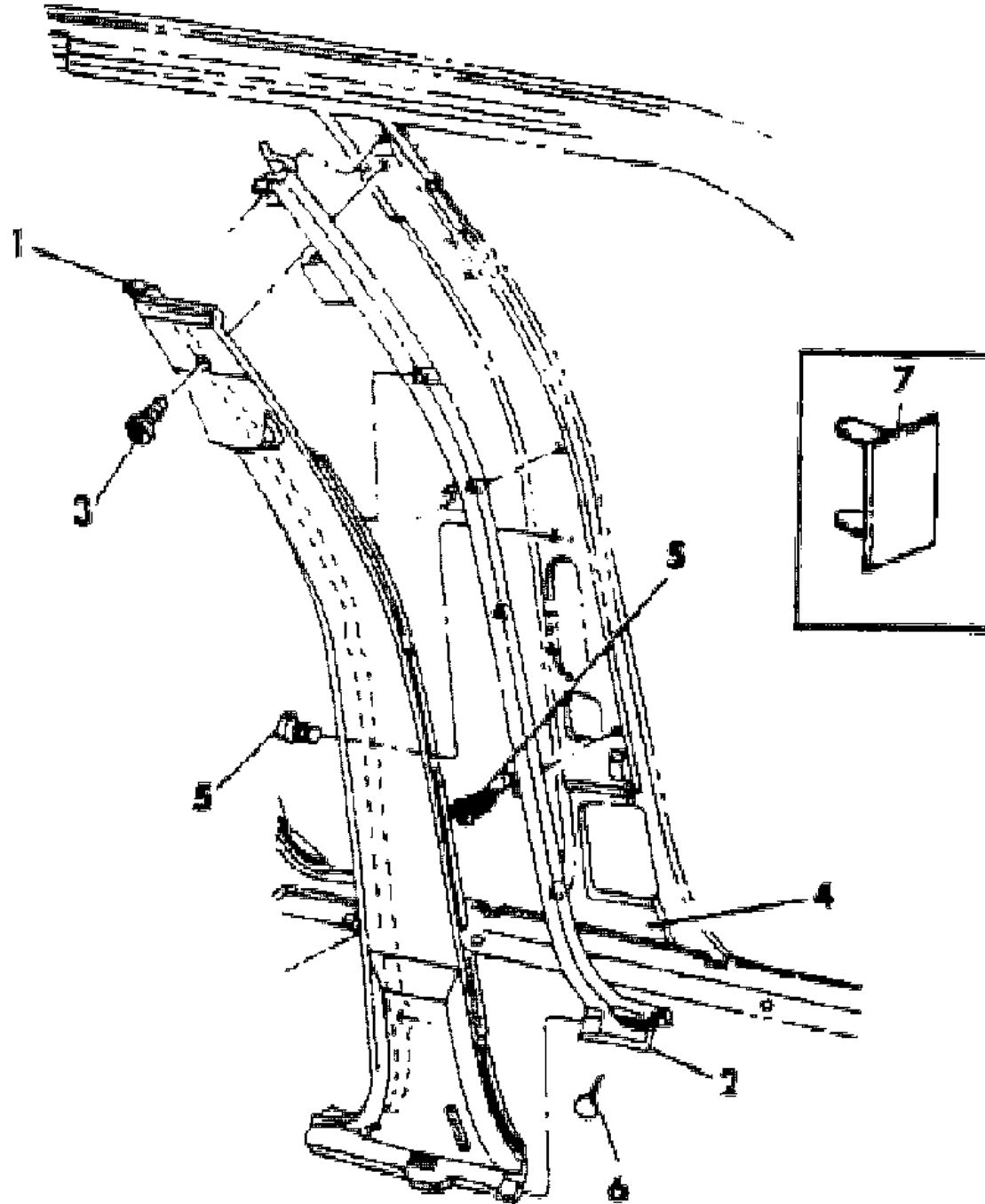
BODY STYLES

12-52 = FWD VAN & WAGON STD. W.B.	27 = 2-DOOR CONVERTIBLE
13-53 = FWD VAN & WGN EXT W.B.	41 = 4-DOOR SEDAN
21 = 2-DOOR SEDAN	44 = 4-DOOR HATCHBACK
24 = 2-DOOR HATCHBACK	45 = 4-DOOR STATION WAGON

AR = Use as Required - = Non Illustrated Part P.A.R. = Paint as Required

B PILLAR TRIM E BODY
Figure ITE-400

8238 400



ITEM	PART NUMBER	QTY	BODY	MODEL	DESCRIPTION
1					COVER, Center (B)) Pillar Trim, Rear w/o Fabric Cover
	F214-5 CA3	1			Silver
	F214-5 FC5	1			Blue
	F214-5 EE8	1			Cordovan
					w/FABRIC COVER
	F250-1 FC5	1			Blue
2					COVER, Center (B) Pillar Trim, Front w/o Fabric Cover
	F250-1 EE8	1			Cordovan
	F250-1 CS8	1			Charcoal
					w/Fabric Cover
	V162-3 EA3	1			Silver
	V162-3 FC5	1			Blue
3					SCREW, (8-18x1) (Not Serv.)
	V162-3 EE8	1			Cordovan
	V162-3 ES8	1			Charcoal
					w/Fabric Cover
	V160-1 FC5	1			Blue
	V160-1 EE8	1			Cordovan
4					SCREW
	4337 840-1	AR			SILENCER, Body Side Aperture, Lower Center Pillar
5	9420 486	AR			SCREW
6	6003 423	8			FASTENER, Silencer Attaching
7					BUMPER
	F030 CA3	2			Silver
	F030 FC5	2			Blue
	F030 EE8	2			Cordovan
	F030 CS8	2			Charcoal

MODEL CODES

C BODY = (D41 - DYNASTY)(C41 - NEW YORKER)	L BODY = (M - HORIZON)(Z-OMNI)
E BODY = (J - CARAVELLE)(E - 600)(T - NEW YORKER TURBO)	M BODY = (B - GRAN FURY)(G - DIPLOMAT)(F - FIFTH AVENUE/NEWPORT)
G BODY = (V24 - DAYTONA, PACIFICA & SHELBY)	P BODY = (P - SUNDANCE)(D - SHADOW)
H BODY = (D44 - LANCER)(C44 - LEBARON GTS)	Q BODY = (C27 - MASERATI)
J BODY = (C - LEBARON)	S BODY = (H - VOYAGER)(K - RAM VAN/ CARAVAN)
K BODY = (P - RELIANT)(D - ARIES)(C - LEBARON/ TOWN & COUNTRY)	

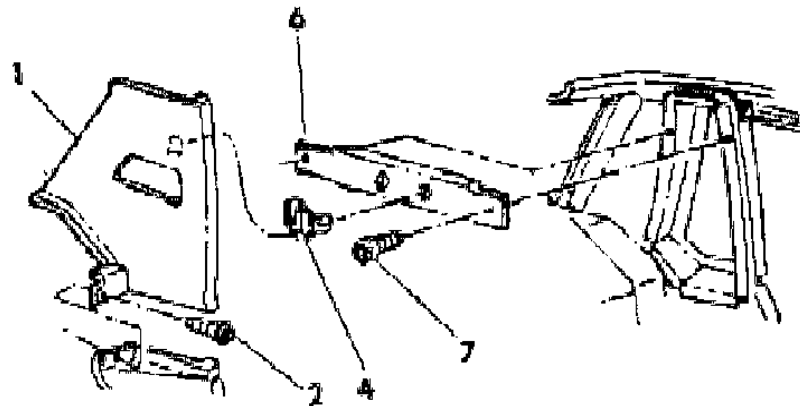
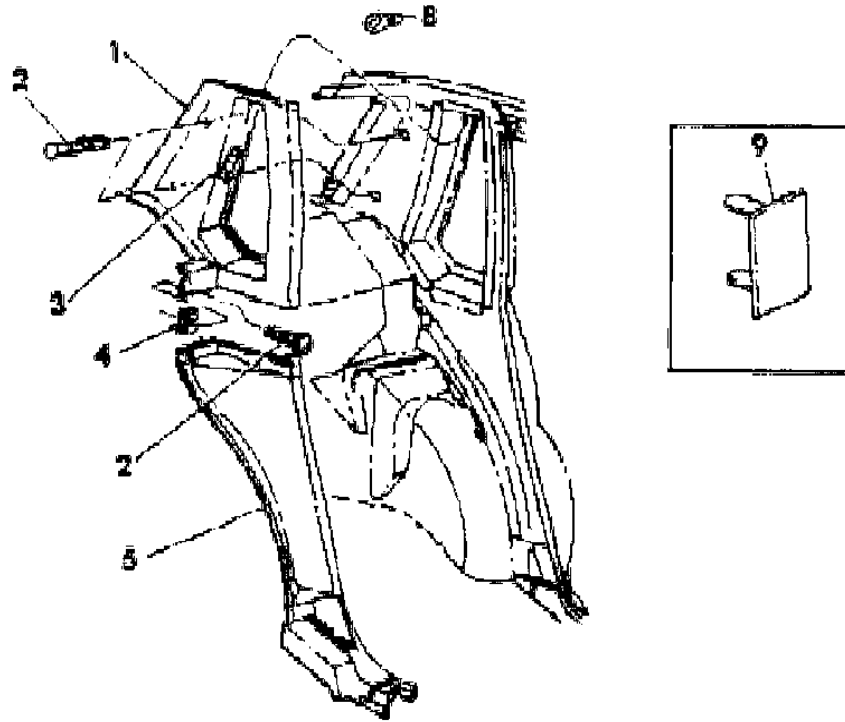
BODY STYLES

12-52 = FWD VAN & WAGON STD. W.B.	27 = 2-DOOR CONVERTIBLE
13-53 = FWD VAN & WGN EXT W.B.	41 = 4-DOOR SEDAN
21 = 2-DOOR SEDAN	44 = 4-DOOR HATCHBACK
24 = 2-DOOR HATCHBACK	45 = 4-DOOR STATION WAGON

AR = Use as Required - = Non Illustrated Part P.A.R. = Paint as Required

PANEL--QUARTER TRIM E BODY
Figure ITE-500

8238 500



ITEM	PART NUMBER	QTY	BODY	MODEL	DESCRIPTION
1	K514-5 EK1	1			PANEL, Quarter Trim Upper (P.A.R.)
					w/FABRIC COVER
	K534-5 FC5	1			Blue
	K534-5 EE8	1			Cordovan
2	K534-5 CS8	1			Charcoal
	F155 BA3	4			FASTENER, Upper Quarter Trim Panel
	F155 EC5	4			Silver
3	F155 EE8	4			Blue
					Cordovan
					SCREW, (8-18x1/2) (Not Serv.)
4	1199 301	2			J-NUT
5	K518-9 EK1	1			PANEL, Quarter Trim, Lower (P.A.R.)
					w/FABRIC COVER
	K520-1 FC5	1			Blue
	K520-1 EE8	1			Cordovan
6	K520-1 DS8	1			Charcoal
	4247 931	2			BRACKET, Quarter Trim
					SCREW, (8-18x5/8) (Not Serv.)
7		AR			
8	4114 785	2			FASTENER
					BUMPER, Quarter Panel
9	F030 CA3	2			Silver
	F030 FC5	2			Blue
	F030 EE8	2			Cordovan
	F030 EK1	2			Almond
	F030 CS8	2			Charcoal

NOTE: (P.A.R.) = Paint As Required

MODEL CODES

C BODY = (D41 - DYNASTY)(C41 - NEW YORKER)
 E BODY = (J - CARAVELLE)(E - 600)(T - NEW YORKER TURBO)
 G BODY = (V24 - DAYTONA, PACIFICA & SHELBY)
 H BODY = (D44 - LANCER)(C44 - LEBARON GTS)
 J BODY = (C - LEBARON)
 K BODY = (P - RELIANT)(D - ARIES)(C - LEBARON/ TOWN & COUNTRY)
 L BODY = (M - HORIZON)(Z-OMNI)
 M BODY = (B - GRAN FURY)(G - DIPLOMAT)(F - FIFTH AVENUE/NEWPORT)
 P BODY = (P - SUNDANCE)(D - SHADOW)
 Q BODY = (C27 - MASERATI)
 S BODY = (H - VOYAGER)(K - RAM VAN/ CARAVAN)

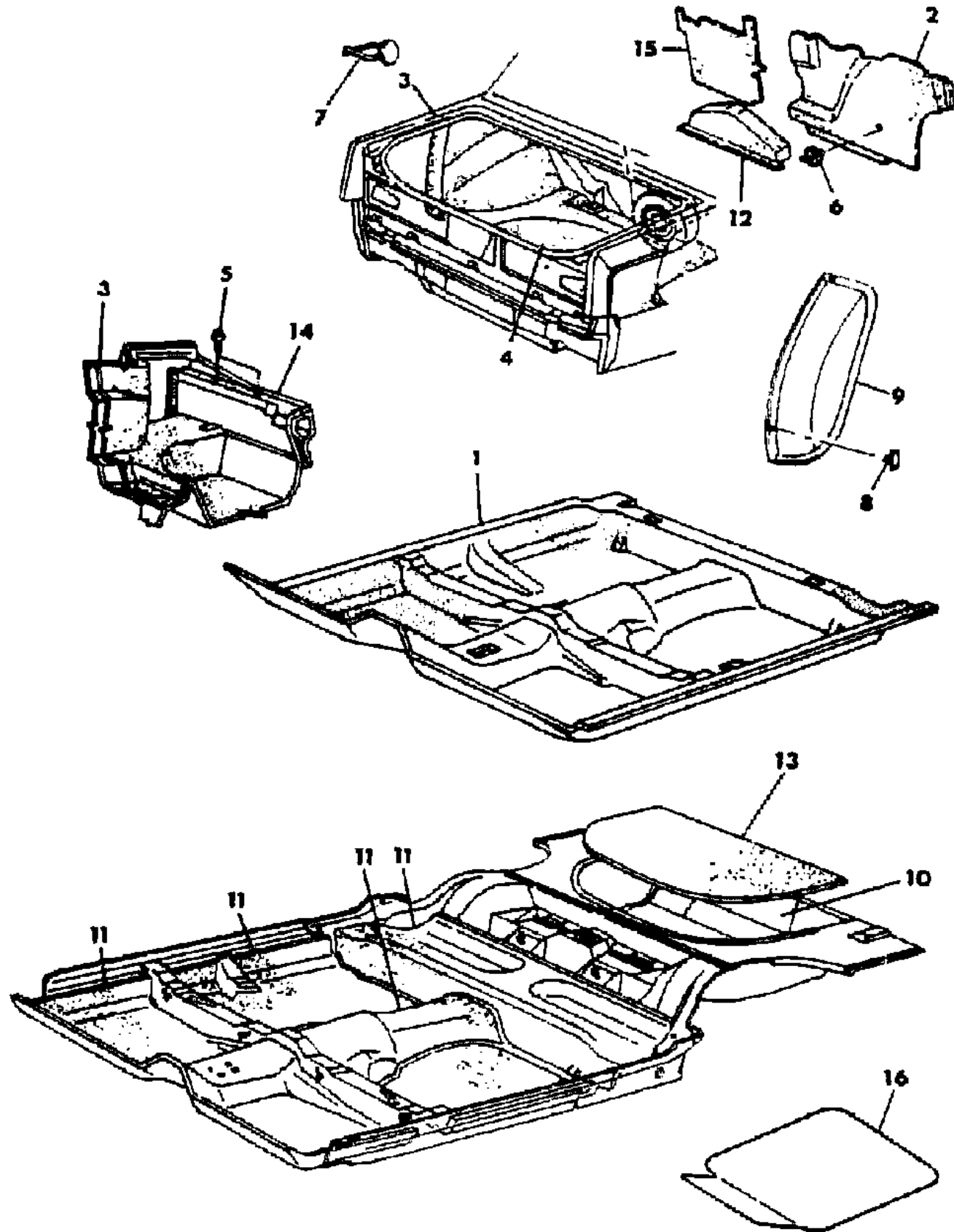
BODY STYLES

12-52 = FWD VAN & WAGON STD. W.B. 27 = 2-DOOR CONVERTIBLE
 13-53 = FWD VAN & WGN EXT W.B. 41 = 4-DOOR SEDAN
 21 = 2-DOOR SEDAN 44 = 4-DOOR HATCHBACK
 24 = 2-DOOR HATCHBACK 45 = 4-DOOR STATION WAGON

AR = Use as Required - = Non Illustrated Part P.A.R. = Paint as Required

CARPET E BODY
Figure ITE-600

8238 600



ITEM	PART NUMBER	QTY	BODY	MODEL	DESCRIPTION
1					CARPET (Use Up To 5-12-88) Blue Cordovan Charcoal
	M665 FC5	1			
	M665 EE8	1			
	M665 DS8	1			
					(Use After 5-12-88)
	M720 GC5	1			Blue
	M720 GE8	1			Cordovan
	M720 GS8	1			Charcoal
2	4473 206	1			PANEL, Trunk Moulding Trim Front
3	4410 108	1			CARPET, Wheelhouse and Quarter Trim Panel Right
	4410 109	1			Left
	6032 363	AR			Fastener
4	4410 129	1			CARPET, Trunk Flat Floor
	4410 127	1			Moulded Floor
5	6032 650	AR			SCREW
6	4223 983	1			FASTENER, Spare Tire Trim Cover
7	6003 683	AR			CLIP, Wheelhouse and Quarter Trim Attaching
8	6030 441	4			CLIP, Wheelhouse Inner Silencer
9	4247 226-7	1			SILENCER, Wheelhouse Cover
10	3762 862	AR			SILENCER, Spare Tire Floor Pan (36"x72") Cut To Fit
11	4186 901	AR			SILENCER,(36"x75") Cut To Fit
12	4282 551	1			COVER, Jack
13					COVER, Spare Tire (refer to Group 22)
14	4381 898	1			PANEL, Deck Opening Trim Lower
15	4410 130	1			PANEL, Trunk Flat Trim Front
16					CARPETED FLOOR MATS, Set of Two FRONT
	M047 FC5	1			Blue
	M047 FE8	1			Cordovan
	M047 FS8	1			Charcoal
					REAR
	M049 FC5	1			Blue
	M049 FE8	1			Cordovan
	M049 FS8	1			Charcoal

MODEL CODES

C BODY = (D41 - DYNASTY)(C41 - NEW YORKER)
E BODY = (J - CARAVELLE)(E - 600)(T - NEW YORKER TURBO)
G BODY = (V24 - DAYTONA, PACIFICA & SHELBY)
H BODY = (D44 - LANCER)(C44 - LEBARON GTS)
J BODY = (C - LEBARON)
K BODY = (P - RELIANT)(D - ARIES)(C - LEBARON/ TOWN & COUNTRY)

L BODY = (M - HORIZON)(Z-OMNI)
M BODY = (B - GRAN FURY)(G - DIPLOMAT)(F - FIFTH AVENUE/NEWPORT)
P BODY = (P - SUNDANCE)(D - SHADOW)
Q BODY = (C27 - MASERATI)
S BODY = (H - VOYAGER)(K - RAM VAN/ CARAVAN)

BODY STYLES

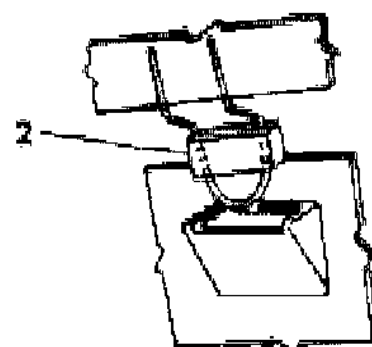
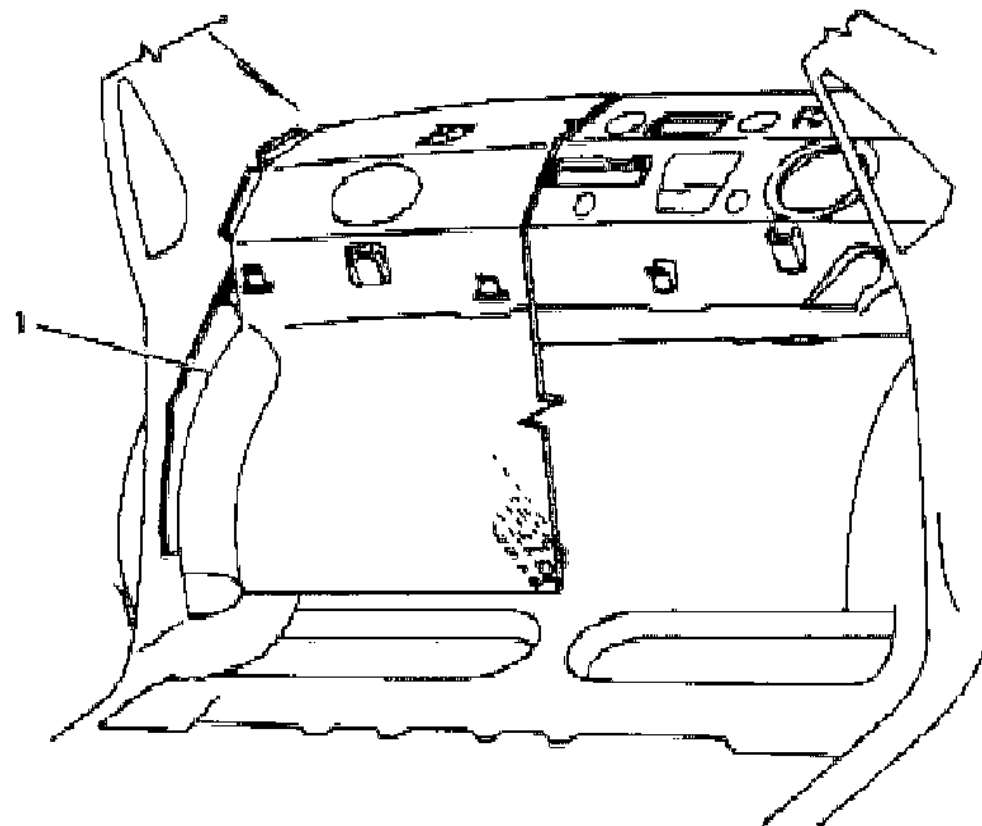
12-52 = FWD VAN & WAGON STD. W.B. 27 = 2-DOOR CONVERTIBLE
13-53 = FWD VAN & WGN EXT W.B. 41 = 4-DOOR SEDAN
21 = 2-DOOR SEDAN 44 = 4-DOOR HATCHBACK
24 = 2-DOOR HATCHBACK 45 = 4-DOOR STATION WAGON

AR = Use as Required - = Non Illustrated Part P.A.R. = Paint as Required

SILENCERS REAR COMPARTMENT E BODY
Figure ITE-700

8238 700

ITEM	PART NUMBER	QTY	BODY	MODEL	DESCRIPTION
1	4309 631	1			SILENCER, Luggage Compartment, Front Liner and Shelf Trim
2	4239 182	2			SEAL, Rear Back Spring Shelf Panel



MODEL CODES

C BODY = (D41 - DYNASTY)(C41 - NEW YORKER)	L BODY = (M - HORIZON)(Z-OMNI)
E BODY = (J - CARAVELLE)(E - 600)(T - NEW YORKER TURBO)	M BODY = (B - GRAN FURY)(G - DIPLOMAT)(F - FIFTH AVENUE/NEWPORT)
G BODY = (V24 - DAYTONA, PACIFICA & SHELBY)	P BODY = (P - SUNDANCE)(D - SHADOW)
H BODY = (D44 - LANCER)(C44 - LEBARON GTS)	Q BODY = (C27 - MASERATI)
J BODY = (C - LEBARON)	S BODY = (H - VOYAGER)(K - RAM VAN/ CARAVAN)
K BODY = (P - RELIANT)(D - ARIES)(C - LEBARON/ TOWN & COUNTRY)	

BODY STYLES

12-52 = FWD VAN & WAGON STD. W.B.	27 = 2-DOOR CONVERTIBLE
13-53 = FWD VAN & WGN EXT W.B.	41 = 4-DOOR SEDAN
21 = 2-DOOR SEDAN	44 = 4-DOOR HATCHBACK
24 = 2-DOOR HATCHBACK	45 = 4-DOOR STATION WAGON

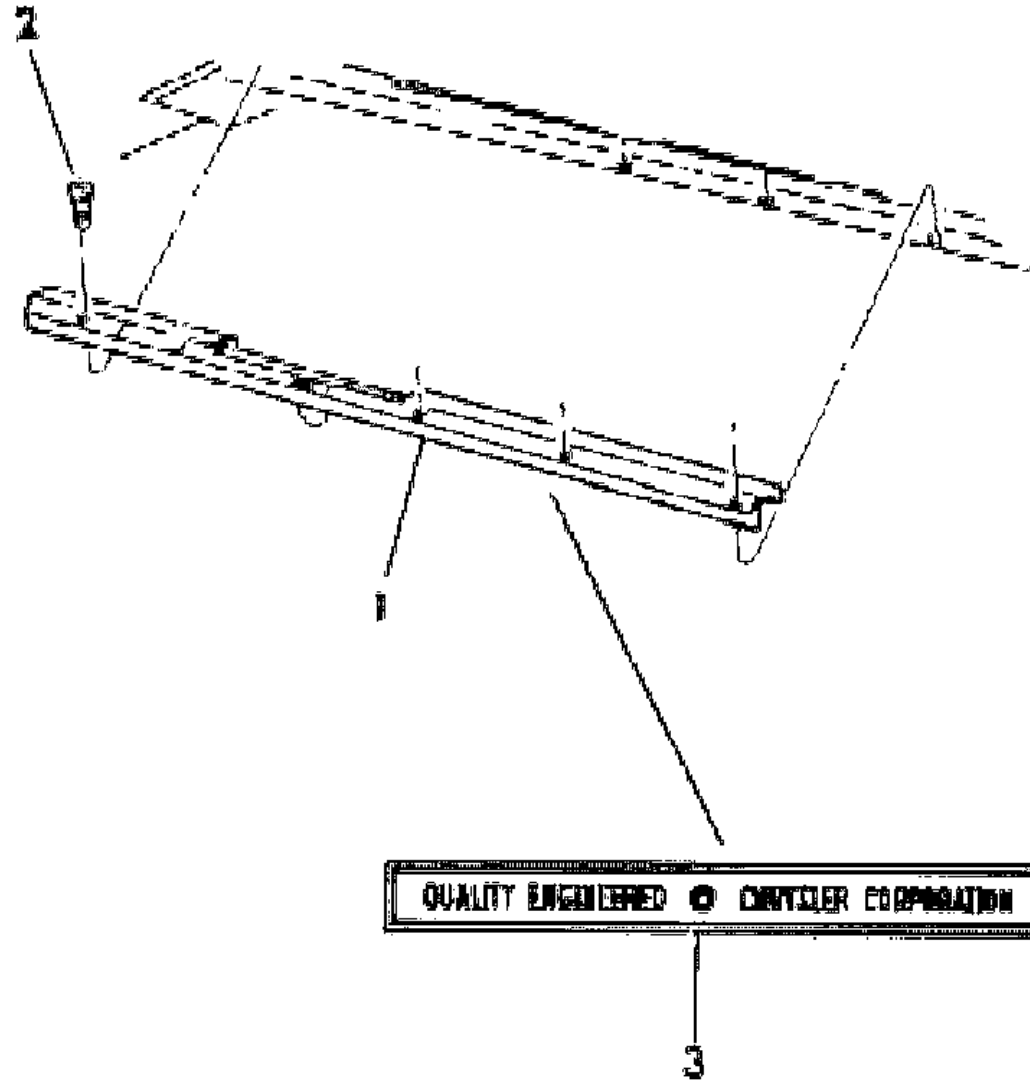
AR = Use as Required - = Non Illustrated Part P.A.R. = Paint as Required

SCUFF PLATES BODY SILL AND DOORS E BODY
Figure ITE-800

8238 800

ITEM	PART NUMBER	QTY	BODY	MODEL	DESCRIPTION
1					PLATE, Door Sill Scuff Front and Rear (P.A.R.)
	M902 EK1	1			Right
	M949 EK1	1			Left
2		AR			SCREW, (8-18x1 1/4) (Not Serv.)
3	4078 456	1			NAME PLATE

NOTE: (P.A.R.) = Paint As Required



MODEL CODES

C BODY = (D41 - DYNASTY)(C41 - NEW YORKER)
 E BODY = (J - CARAVELLE)(E - 600)(T - NEW YORKER TURBO)
 G BODY = (V24 - DAYTONA, PACIFICA & SHELBY)
 H BODY = (D44 - LANCER)(C44 - LEBARON GTS)
 J BODY = (C - LEBARON)
 K BODY = (P - RELIANT)(D - ARIES)(C - LEBARON/ TOWN & COUNTRY)

L BODY = (M - HORIZON)(Z-OMNI)
 M BODY = (B - GRAN FURY)(G - DIPLOMAT)(F - FIFTH AVENUE/NEWPORT)
 P BODY = (P - SUNDANCE)(D - SHADOW)
 Q BODY = (C27 - MASERATI)
 S BODY = (H - VOYAGER)(K - RAM VAN/ CARAVAN)

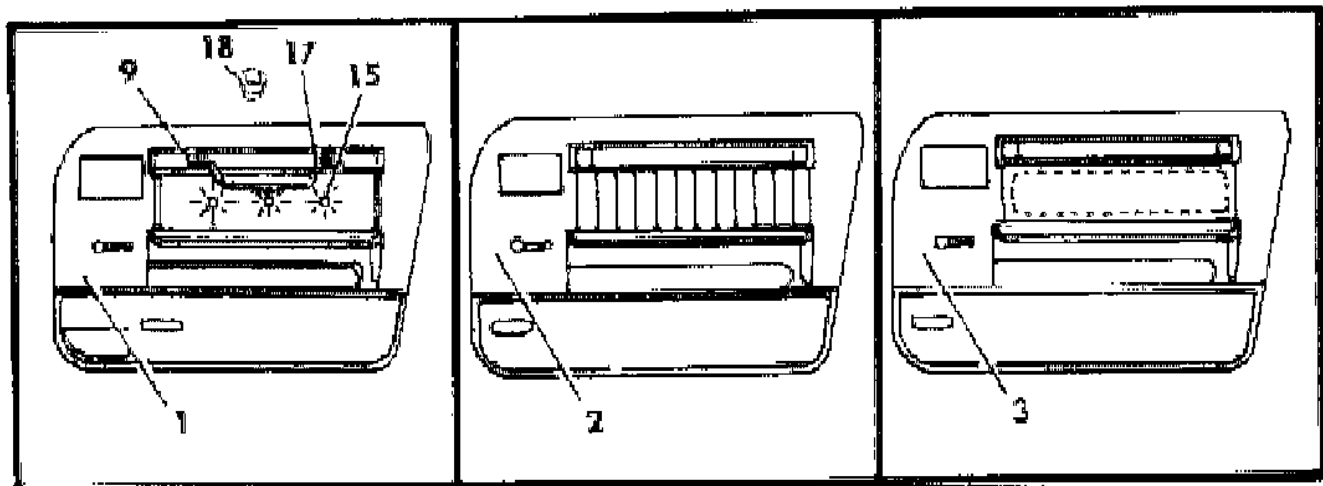
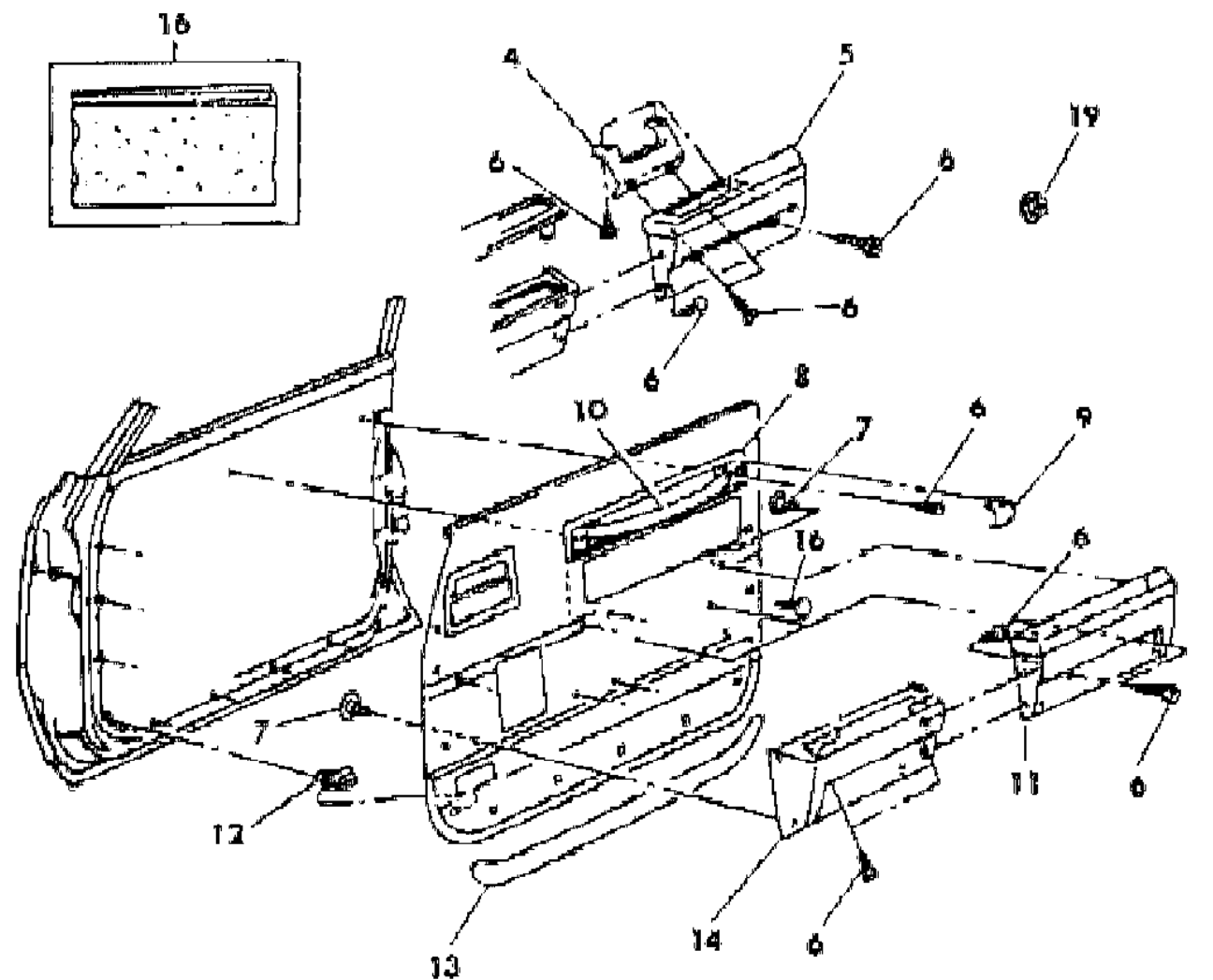
BODY STYLES

12-52 = FWD VAN & WAGON STD. W.B.	27 = 2-DOOR CONVERTIBLE
13-53 = FWD VAN & WGN EXT W.B.	41 = 4-DOOR SEDAN
21 = 2-DOOR SEDAN	44 = 4-DOOR HATCHBACK
24 = 2-DOOR HATCHBACK	45 = 4-DOOR STATION WAGON

AR = Use as Required - = Non Illustrated Part P.A.R. = Paint as Required

PANEL--DOOR TRIM FRONT E BODY
Figure ITE-900

8238 900



ITEM	PART NUMBER	QTY	BODY	MODEL	DESCRIPTION
1					PANEL, Door Trim
	J002-3 FC5	1			VINYL Blue, (LPC)
	J002-3 EE8	1			Cordovan, (LPE)
	J002-3 ES8	1			Charcoal, (LPS)
	J004-5 FC5	1			CLOTH Blue, (LFC)
	J004-5 FE9	1			Cordovan, (LFE)
	J004-5 ES8	1			Charcoal, (LFS)
2					PANEL, Door Trim
	J338-9 EA4	1			CLOTH Silver, (FFA)
	J338-9 FC5	1			Blue, (FFC)
	J338-9 EE8	1			Cordovan, (FFE)
3					PANEL, Door Trim
	J316-7 EA3	1			CLOTH Silver, (H3A, M3A)
	J316-7 FC5	1			Blue, (H3C, M3C)
	J316-7 EE8	1			Cordovan, (H3E, M3E)
4	4248 449	2			BRACKET, Mirror Bezel to Armrest Base
5					PAD, Armrest
	D530-1 BA3	1			w/POWER Silver
	D530-1 FC5	1			Blue
	D530-1 EE8	1			Cordovan
	D530-1 CS8	1			Charcoal w/o POWER
	D506-7 AA3	1			Silver
	D506-7 FC5	1			Blue
	D506-7 EE8	1			Cordovan
	D506-7 CS8	1			Charcoal
6					SCREW, (8-18x5/8) (Not Serv.)
7					SCREW, (8-18x.562) (Not Serv.)
8	4248 930	2		Exc. T-P	PLATE, Finish
	4248 603	2		T-P	
9	4248 932	4		Exc. T-P	END CAP, Finish Plate
	4077 196-7	2		T-P	

MODEL CODES

C BODY = (D41 - DYNASTY)(C41 - NEW YORKER)
 E BODY = (J - CARAVELLE)(E - 600)(T - NEW YORKER TURBO)
 G BODY = (V24 - DAYTONA, PACIFICA & SHELBY)
 H BODY = (D44 - LANCER)(C44 - LEBARON GTS)
 J BODY = (C - LEBARON)
 K BODY = (P - RELIANT)(D - ARIES)(C - LEBARON/ TOWN & COUNTRY)

L BODY = (M - HORIZON)(Z-OMNI)
 M BODY = (B - GRAN FURY)(G - DIPLOMAT)(F - FIFTH AVENUE/NEWPORT)
 P BODY = (P - SUNDANCE)(D - SHADOW)
 Q BODY = (C27 - MASERATI)
 S BODY = (H - VOYAGER)(K - RAM VAN/ CARAVAN)

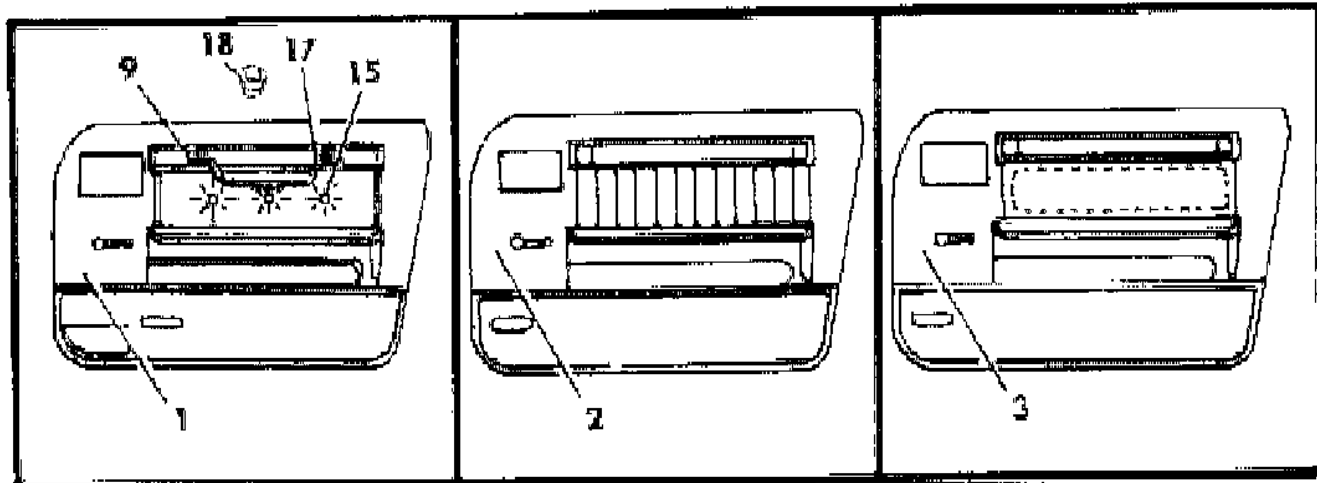
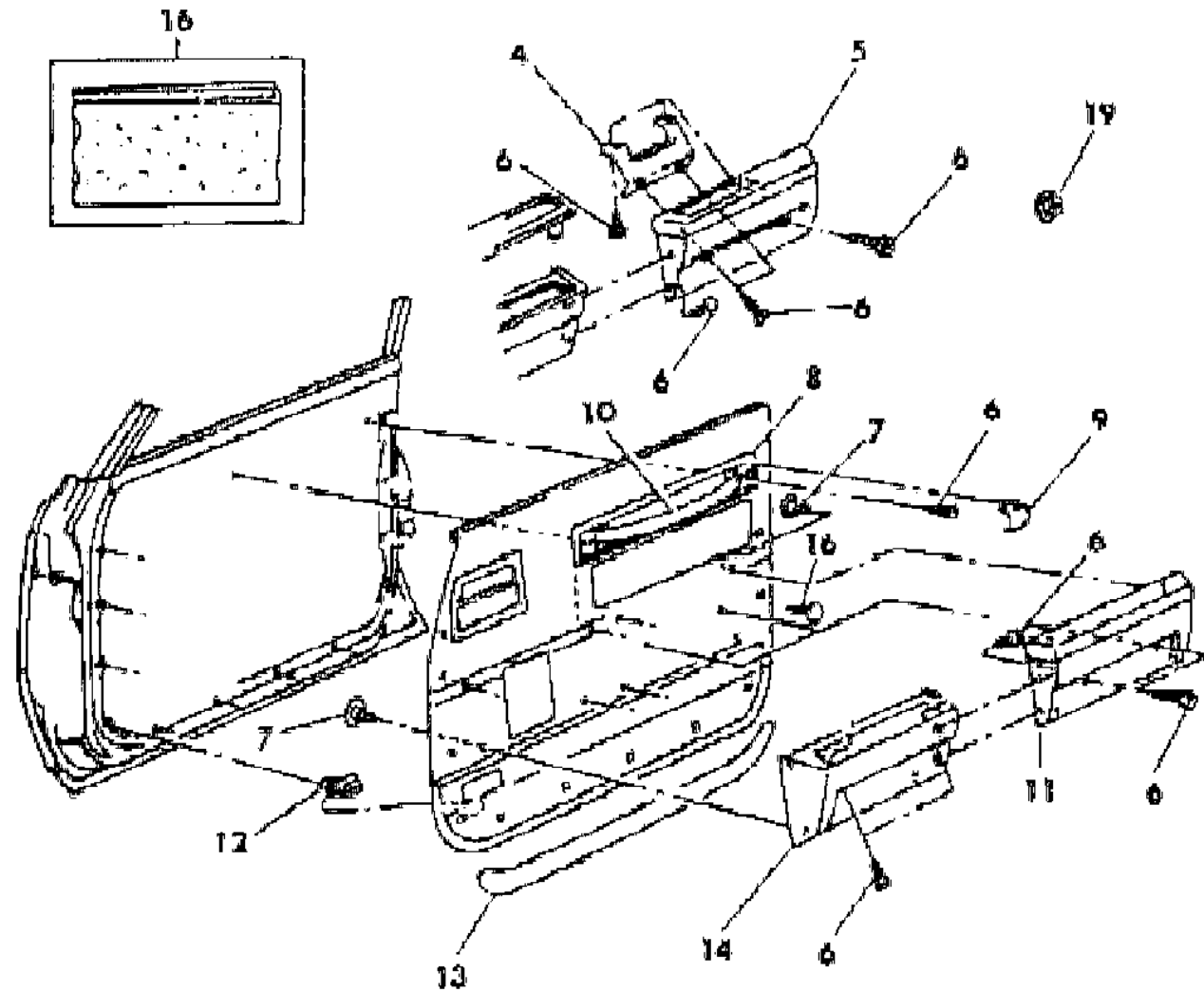
BODY STYLES

12-52 = FWD VAN & WAGON STD. W.B. 27 = 2-DOOR CONVERTIBLE
 13-53 = FWD VAN & WGN EXT W.B. 41 = 4-DOOR SEDAN
 21 = 2-DOOR SEDAN 44 = 4-DOOR HATCHBACK
 24 = 2-DOOR HATCHBACK 45 = 4-DOOR STATION WAGON

AR = Use as Required - = Non Illustrated Part P.A.R. = Paint as Required

PANEL--DOOR TRIM FRONT E BODY
Figure ITE-900

8238 900



ITEM	PART NUMBER	QTY	BODY	MODEL	DESCRIPTION
10					HANDLE, Pull
	D930 AA2	2			w/SADDLE GRAIN Silver
	D930 FC5	2			Blue
	D930 EE8	2			Cordovan
	D930 CS8	2			Charcoal
	4248 870	2			w/ Dark Butterfly Walnut Grain
11					BASE, Armrest (P.A.R.)
	D538-9 EK1	1			w/Power Door Locks
	D508-9 AA3	1			w/o Power Door Locks
12	4114 785	AR			FASTENER
13	4247 230	2			SEAL, Secondary Sound
14	D636-7 EK1	1			BASE, Armrest w/Power Windows (P.A.R.)
15					BUTTON, Door Trim Panel Bolster
					w/CLOTH COVER
	S721 FC5	6			Blue
	S721 EE8	6			Cordovan
	S721 CS8	6			Charcoal
					w/VINYL COVER
	S722 FC5	6			Blue
	S722 EE8	6			Cordovan
	S722 CS8	6			Charcoal
16	4049 602	AR			SILENCER, Door (36"x36"x1/2) Cut To Fit
17	0455 734	4			SPRING PIN, Door Pull Handle
18	#6031 667	4			WASHER, Door Pull Handle Attaching
19	6032 133	6			NUT

NOTE: (P.A.R.) = Paint As Required

MODEL CODES

C BODY = (D41 - DYNASTY)(C41 - NEW YORKER)
 E BODY = (J - CARAVELLE)(E - 600)(T - NEW YORKER TURBO)
 G BODY = (V24 - DAYTONA, PACIFICA & SHELBY)
 H BODY = (D44 - LANCER)(C44 - LEBARON GTS)
 J BODY = (C - LEBARON)
 K BODY = (P - RELIANT)(D - ARIES)(C - LEBARON/ TOWN & COUNTRY)
 L BODY = (M - HORIZON)(Z-OMNI)
 M BODY = (B - GRAN FURY)(G - DIPLOMAT)(F - FIFTH AVENUE/NEWPORT)
 P BODY = (P - SUNDANCE)(D - SHADOW)
 Q BODY = (C27 - MASERATI)
 S BODY = (H - VOYAGER)(K - RAM VAN/ CARAVAN)

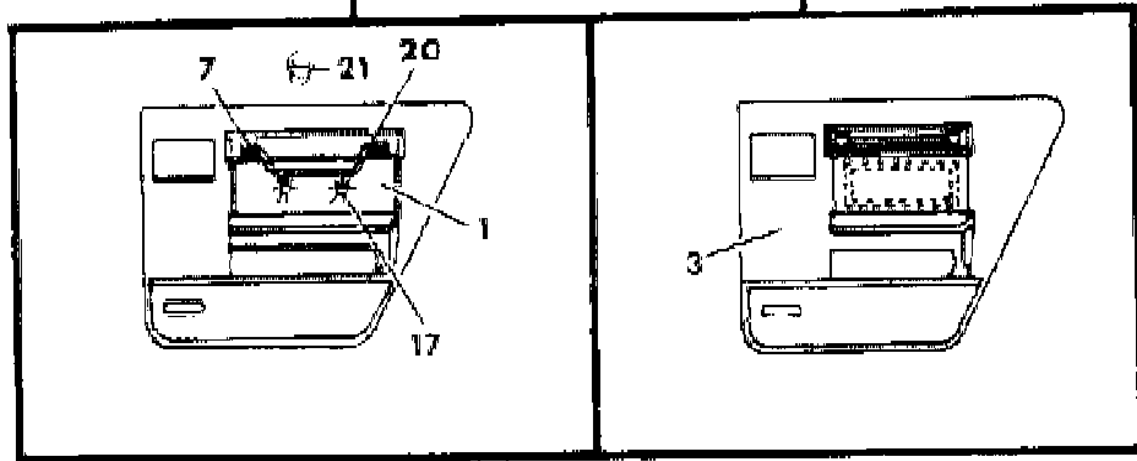
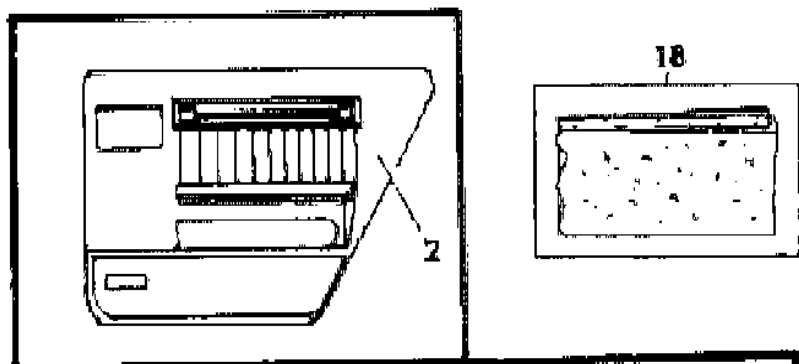
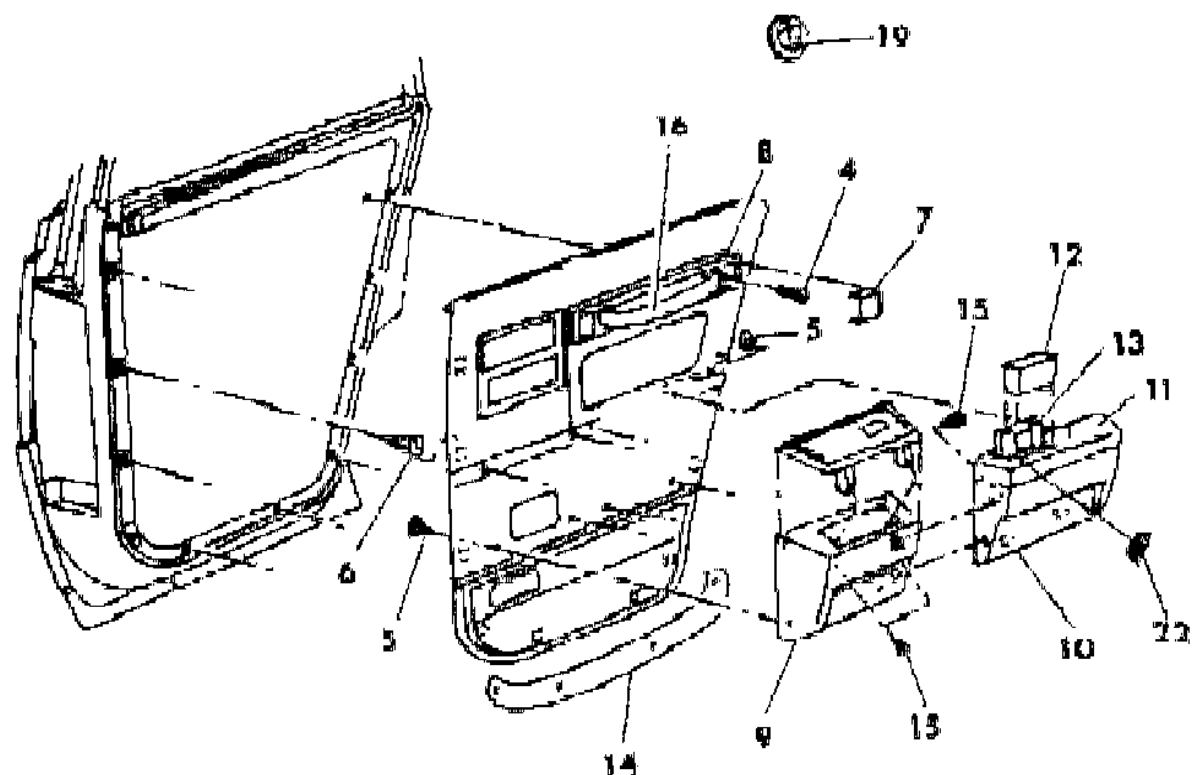
BODY STYLES

12-52 = FWD VAN & WAGON STD. W.B. 27 = 2-DOOR CONVERTIBLE
 13-53 = FWD VAN & WGN EXT W.B. 41 = 4-DOOR SEDAN
 21 = 2-DOOR SEDAN 44 = 4-DOOR HATCHBACK
 24 = 2-DOOR HATCHBACK 45 = 4-DOOR STATION WAGON

AR = Use as Required - = Non Illustrated Part P.A.R. = Paint as Required

PANEL--DOOR TRIM REAR E BODY
Figure ITE-1000

8238 1000



ITEM	PART NUMBER	QTY	BODY	MODEL	DESCRIPTION
1					PANEL, Door Trim
					VINYL
		J570-1 FC5	1		Blue, (LPC)
		J570-1 EE8	1		Cordovan, (LPE)
		J570-1 ES8	1		Charcoal, (LPS)
					CLOTH
		J572-3 FC5	1		Blue, (LFC)
		J572-3 FE9	1		Cordovan, (LFE)
		J572-3 ES8	1		Charcoal, (LFS)
2					PANEL, Door Trim
					CLOTH
		J558-9 FA4	1		Silver, (FFA)
	J558-9 FC5	1		Blue, (FFC)	
	J558-9 FE8	1		Cordovan, (FFE)	
3					PANEL, Door Trim
					CLOTH
		J556-7 FA3	1		Silver, (H3A, M3A)
		J556-7 FC5	1		Blue, (H3C, M3C)
	J556-7 FE8	1		Cordovan, (H3E, M3E)	
4	6032 141	AR			SCREW
5		AR			SCREW and WASHER, (8-18x.562) (Not Serv.)
6	4114 785	AR			FASTENER
7	4248 932	4		Exc. T-P	END CAP
	4077 196-7	2		T-P	
8	4248 931	2		Exc. T-P	PLATE, Finish
	4248 604	2		T-P	
9	D518-9 AA3	1			BASE, Armrest w/Power Windows
10	D390-1 EK1	1			BASE, Armrest
11					PAD, Armrest
		D422-3 BA3	1		Silver
		D422-3 FC5	1		Blue
		D422-3 EE8	1		Cordovan
		D422-3 CS8	1		Charcoal
12	3832 955	2			RECEPTACLE, Ash Receiver
13					RECEPTACLE, Complete
		D438 BA3	2		Silver
		D438 FC5	2		Blue

MODEL CODES

C BODY = (D41 - DYNASTY)(C41 - NEW YORKER)
 E BODY = (J - CARAVELLE)(E - 600)(T - NEW YORKER TURBO)
 G BODY = (V24 - DAYTONA, PACIFICA & SHELBY)
 H BODY = (D44 - LANCER)(C44 - LEBARON GTS)
 J BODY = (C - LEBARON)
 K BODY = (P - RELIANT)(D - ARIES)(C - LEBARON/ TOWN & COUNTRY)

L BODY = (M - HORIZON)(Z-OMNI)
 M BODY = (B - GRAN FURY)(G - DIPLOMAT)(F - FIFTH AVENUE/NEWPORT)
 P BODY = (P - SUNDANCE)(D - SHADOW)
 Q BODY = (C27 - MASERATI)
 S BODY = (H - VOYAGER)(K - RAM VAN/ CARAVAN)

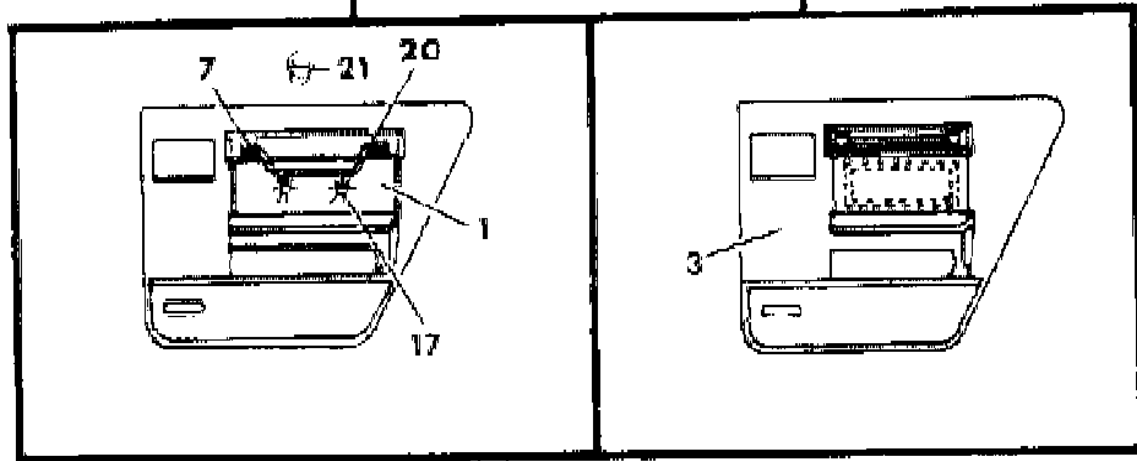
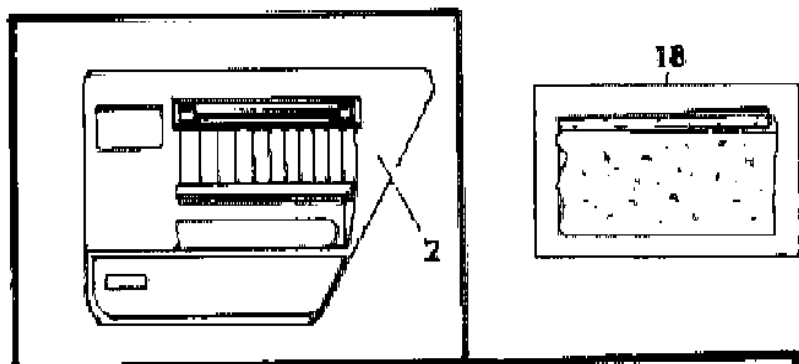
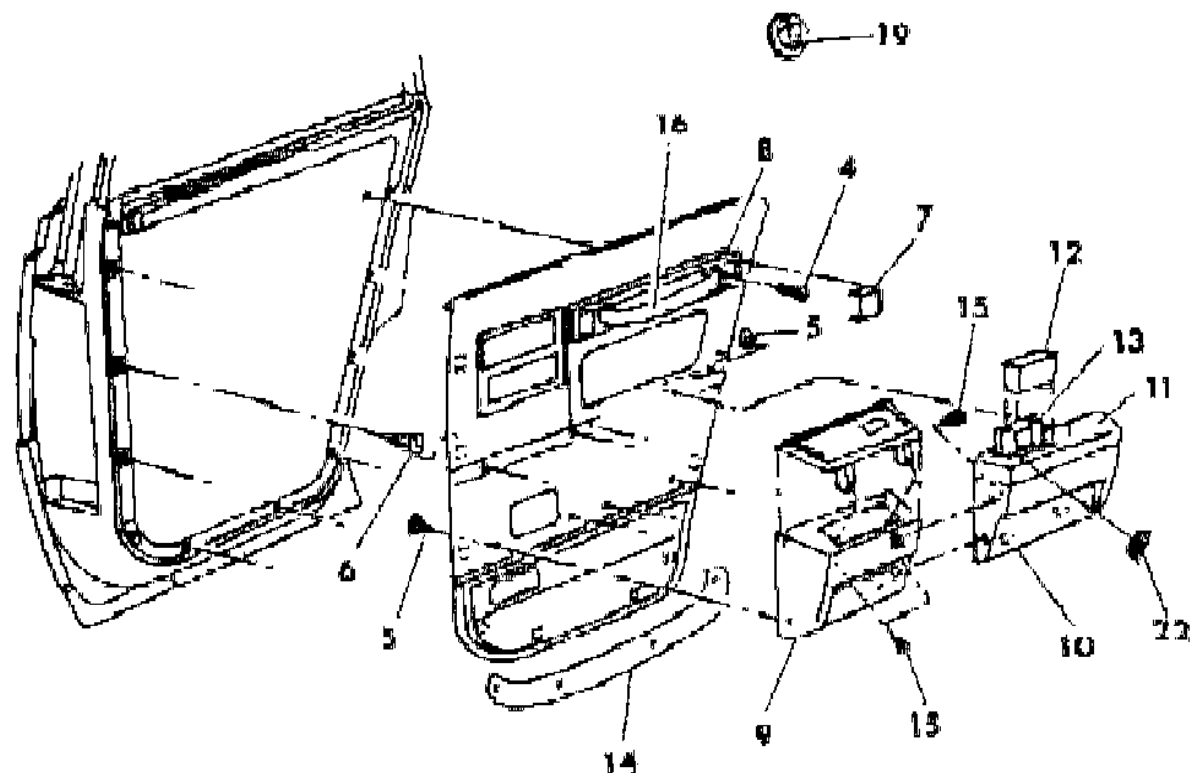
BODY STYLES

12-52 = FWD VAN & WAGON STD. W.B. 27 = 2-DOOR CONVERTIBLE
 13-53 = FWD VAN & WGN EXT W.B. 41 = 4-DOOR SEDAN
 21 = 2-DOOR SEDAN 44 = 4-DOOR HATCHBACK
 24 = 2-DOOR HATCHBACK 45 = 4-DOOR STATION WAGON

AR = Use as Required - = Non Illustrated Part P.A.R. = Paint as Required

PANEL--DOOR TRIM REAR E BODY
Figure ITE-1000

8238 1000



ITEM	PART NUMBER	QTY	BODY	MODEL	DESCRIPTION
	D438 EE8	2			Cordovan
	D438 CS8	2			Charcoal
14	4247 372	2			SEAL, Secondary
15		AR			SCREW, (8-18x.562) (Not Serv.)
16					HANDLE, Door Pull
					w/SADDLE GRAIN
	D931 AA2	2			Silver
	D931 FC5	2			Blue
	D931 EE8	2			Cordovan
17	4248 870	2			w/Dark Butterfly Walnut Grain BUTTON, Door Trim Panel Bolster w/CLOTH COVER
	S721 FC5	4			Blue
	S721 EE8	4			Cordovan
	S721 CS8	4			Charcoal w/VINYL COVER
	S722 FC5	4			Blue
	S722 EE8	4			Cordovan
	S722 CS8	4			Charcoal
18	4049 602	AR			SILENCER, Door (36"x36"x1/2") Cut To Fit
19	9420 865	6			NUT, Finish Plate
20	0455 734	4			SPRING PIN, Door Pull Handle
21	#6031 667	4			WASHER, Door Pull Handle Attaching
22	0274 306	2			PIN, Ash Receiver Lid Attaching

MODEL CODES

C BODY = (D41 - DYNASTY)(C41 - NEW YORKER)
 E BODY = (J - CARAVELLE)(E - 600)(T - NEW YORKER TURBO)
 G BODY = (V24 - DAYTONA, PACIFICA & SHELBY)
 H BODY = (D44 - LANCER)(C44 - LEBARON GTS)
 J BODY = (C - LEBARON)
 K BODY = (P - RELIANT)(D - ARIES)(C - LEBARON/ TOWN & COUNTRY)

L BODY = (M - HORIZON)(Z-OMNI)
 M BODY = (B - GRAN FURY)(G - DIPLOMAT)(F - FIFTH AVENUE/NEWPORT)
 P BODY = (P - SUNDANCE)(D - SHADOW)
 Q BODY = (C27 - MASERATI)
 S BODY = (H - VOYAGER)(K - RAM VAN/ CARAVAN)

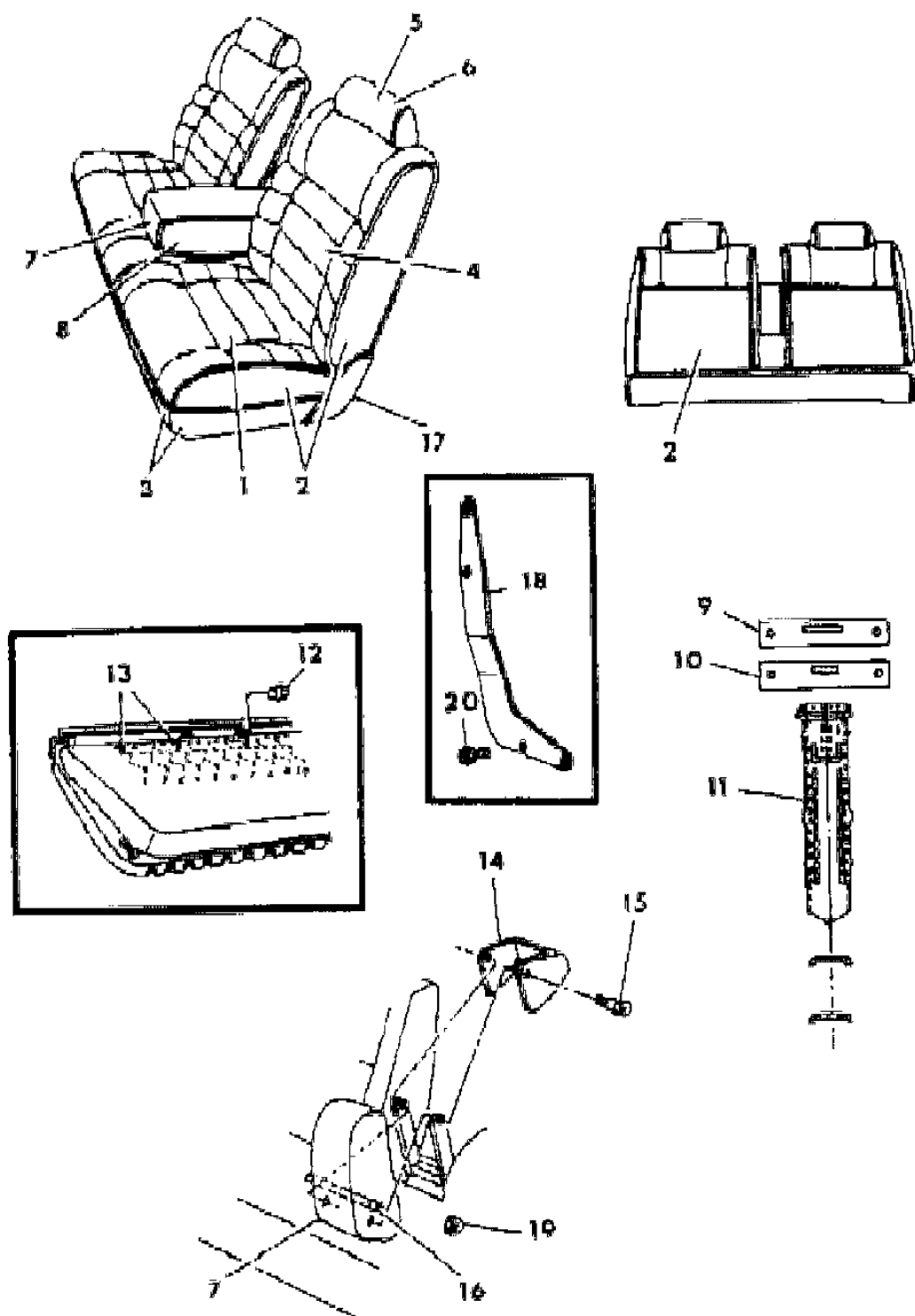
BODY STYLES

12-52 = FWD VAN & WAGON STD. W.B. 27 = 2-DOOR CONVERTIBLE
 13-53 = FWD VAN & WGN EXT W.B. 41 = 4-DOOR SEDAN
 21 = 2-DOOR SEDAN 44 = 4-DOOR HATCHBACK
 24 = 2-DOOR HATCHBACK 45 = 4-DOOR STATION WAGON

AR = Use as Required - = Non Illustrated Part P.A.R. = Paint as Required

SEAT--FRONT E BODY TRIM CODE M3
Figure ITE-1100

8238 1100



ITEM	PART NUMBER	QTY	BODY	MODEL	DESCRIPTION
1-3					CUSHION, w/Spring/Frame, Pad and Cover
	C847 D3S	1			CLOTH Silver / Charcoal (M3AS)
	C847 F3C	1			Blue
	C847 E3E	1			Cordovan
1					COVER, Cushion
	C511 D3S	1			CLOTH Silver / Charcoal (M3AS)
	C511 F3C	1			Blue
	C511 E3E	1			Cordovan
2					ROLL STOCK, Cloth 59" Wide Order By The Inch
	R026 DS8	AR			Charcoal (M3AS)
	R026 EC5	AR			Blue
	R026 EE8	AR			Cordovan
3					ROLL STOCK, Vinyl Order By The Inch
	R609 CS8	AR			Charcoal, 58" Wide
	R600 EC5	AR			Blue, 64" Wide
	R600 EE8	AR			Cordovan, 54" Wide
2-4					BACK, w/Spring/Frame, Pad and Cover
	C850-1 D3S	1			CLOTH Silver / Charcoal, (M3AS)
	C850-1 F3C	1			Blue
	C850-1 E3E	1			Cordovan
4					COVER, Back
	C512-3 D3S	1			CLOTH Silver / Charcoal, (M3AS)
	C512-3 F3C	1			Blue
	C512-3 E3E	1			Cordovan
5					HEADREST and COVER
	A822 DS8	2			Silver / Charcoal, (M3AS)
	A822 FC5	2			Blue
	A822 EE8	2			Cordovan
6					COVER, Headrest
	A539 DS8	2			Silver / Charcoal, (M3AS)
	A539 FC5	2			Blue
	A539 EE8	2			Cordovan
7					ARMREST and COVER

MODEL CODES

C BODY = (D41 - DYNASTY)(C41 - NEW YORKER)	L BODY = (M - HORIZON)(Z-OMNI)
E BODY = (J - CARAVELLE)(E - 600)(T - NEW YORKER TURBO)	M BODY = (B - GRAN FURY)(G - DIPLOMAT)(F - FIFTH AVENUE/NEWPORT)
G BODY = (V24 - DAYTONA, PACIFICA & SHELBY)	P BODY = (P - SUNDANCE)(D - SHADOW)
H BODY = (D44 - LANCER)(C44 - LEBARON GTS)	Q BODY = (C27 - MASERATI)
J BODY = (C - LEBARON)	S BODY = (H - VOYAGER)(K - RAM VAN/ CARAVAN)
K BODY = (P - RELIANT)(D - ARIES)(C - LEBARON/ TOWN & COUNTRY)	

BODY STYLES

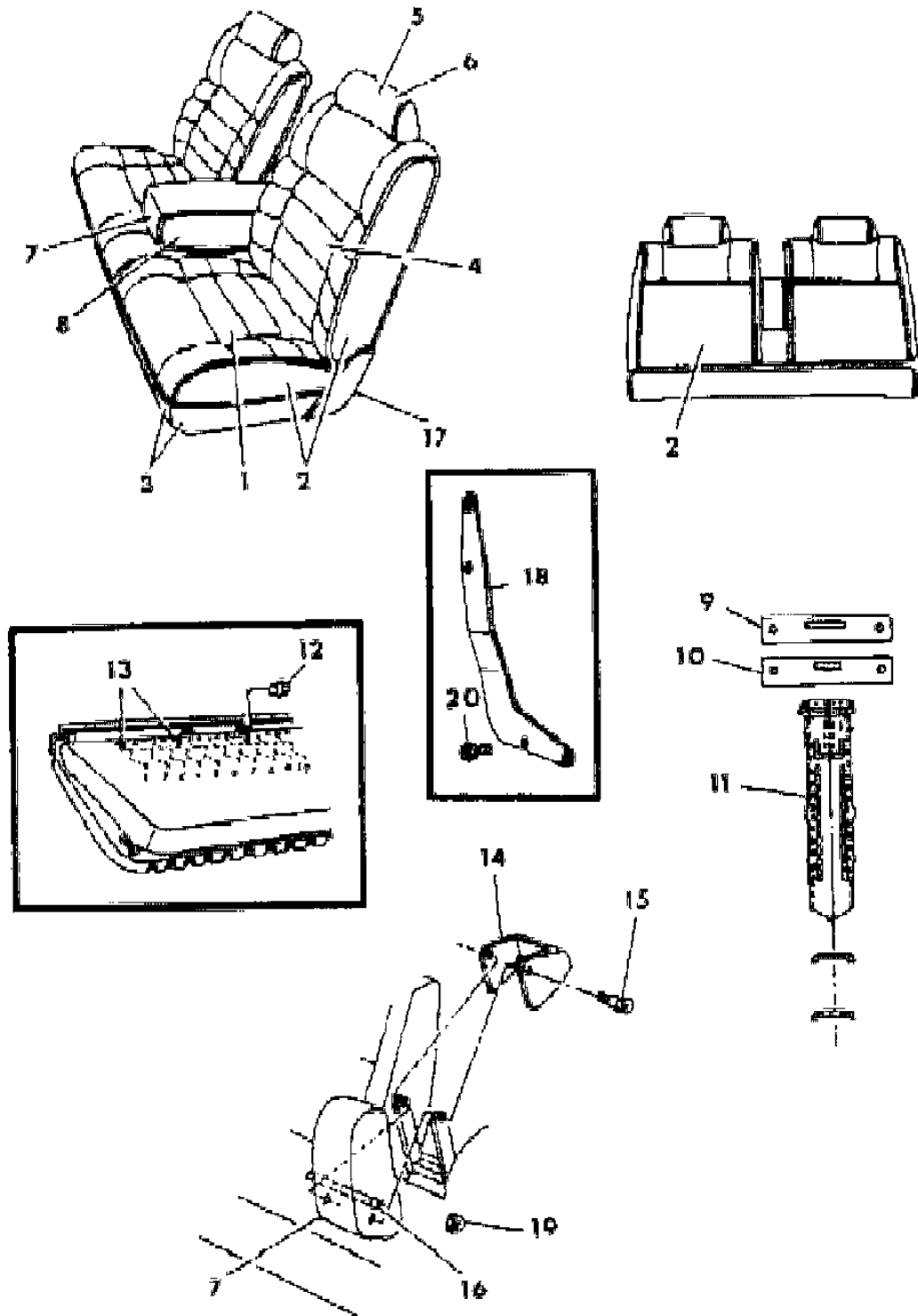
12-52 = FWD VAN & WAGON STD. W.B.	27 = 2-DOOR CONVERTIBLE
13-53 = FWD VAN & WGN EXT W.B.	41 = 4-DOOR SEDAN
21 = 2-DOOR SEDAN	44 = 4-DOOR HATCHBACK
24 = 2-DOOR HATCHBACK	45 = 4-DOOR STATION WAGON

AR = Use as Required - = Non Illustrated Part P.A.R. = Paint as Required

SEAT--FRONT E BODY TRIM CODE M3

Figure ITE-1100

8238 1100



ITEM	PART NUMBER	QTY	BODY	MODEL	DESCRIPTION
	C852 DS8	1			Silver / Charcoal, (M3AS)
	C852 FC5	1			Blue
	C852 EE8	1			Cordovan
8	C514 DS8	1			COVER, Armrest Blue
	C514 FC5	1			Blue
	C855 GE8	1			Cordovan
9	4190 388	2			COVER, Headrest Finish
10	4190 387	2			SUPPORT, Headrest Trim Cover
11	S786 CS8	2			SLEEVE, Headrest Silver / Charcoal, (M3AS)
	S786 EC5	2			Blue
	S786 EE8	2			Cordovan
12	4380 112	2			BUSHING, Cushion Pivot Bracket
13	6008 076	AR			HOG RING
14	S581 CS8	1			COVER, Armrest Finish Silver / Charcoal, (M3AS)
	S581 FC5	1			Blue
	S581 EE8	1			Cordovan
15	6030 082	2			SCREW, Armrest to Stanchion
16	4138 891	1			ROD, Armrest Lock
17	S678-9 CS8	1			SHIELD, Rear Rail Silver / Charcoal, (M3AS)
	S678-9 FC5	1			Blue
	S678-9 EE8	1			Cordovan
18	4345 368-9	1			ARM, Front Back to Cushion (Split Back Bench w/Center Arm Rest)
19	6006 324	AR			NUT, Armrest Lock Rod
20	6100 585	4			SCREW and WASHER

MODEL CODES

C BODY = (D41 - DYNASTY)(C41 - NEW YORKER)
 E BODY = (J - CARAVELLE)(E - 600)(T - NEW YORKER TURBO)
 G BODY = (V24 - DAYTONA, PACIFICA & SHELBY)
 H BODY = (D44 - LANCER)(C44 - LEBARON GTS)
 J BODY = (C - LEBARON)
 K BODY = (P - RELIANT)(D - ARIES)(C - LEBARON/ TOWN & COUNTRY)

L BODY = (M - HORIZON)(Z-OMNI)
 M BODY = (B - GRAN FURY)(G - DIPLOMAT)(F - FIFTH AVENUE/NEWPORT)
 P BODY = (P - SUNDANCE)(D - SHADOW)
 Q BODY = (C27 - MASERATI)
 S BODY = (H - VOYAGER)(K - RAM VAN/ CARAVAN)

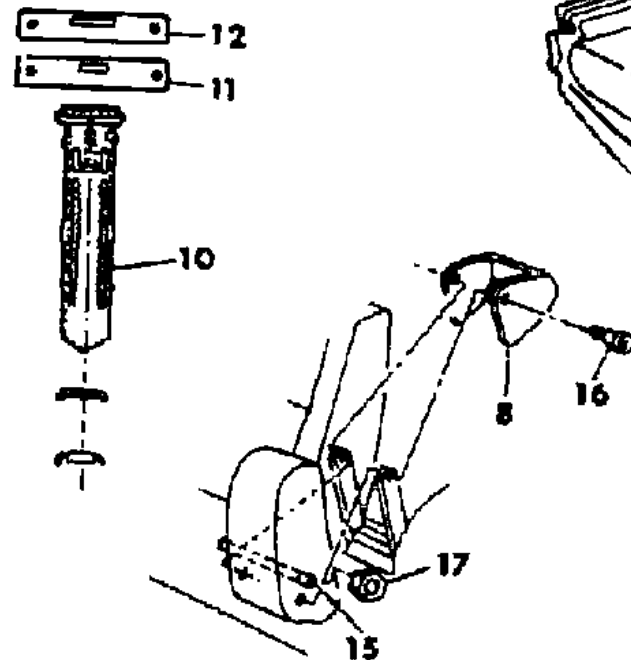
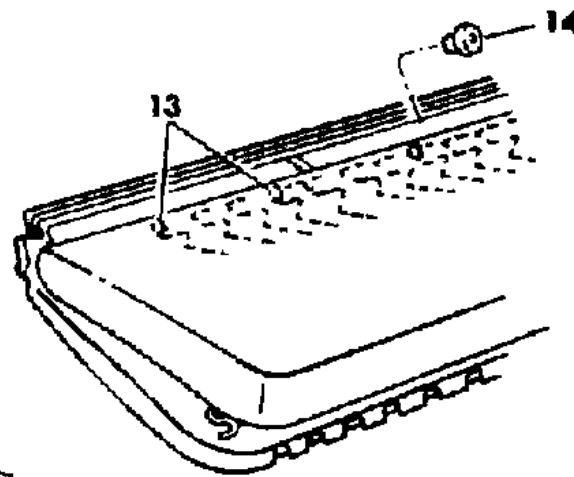
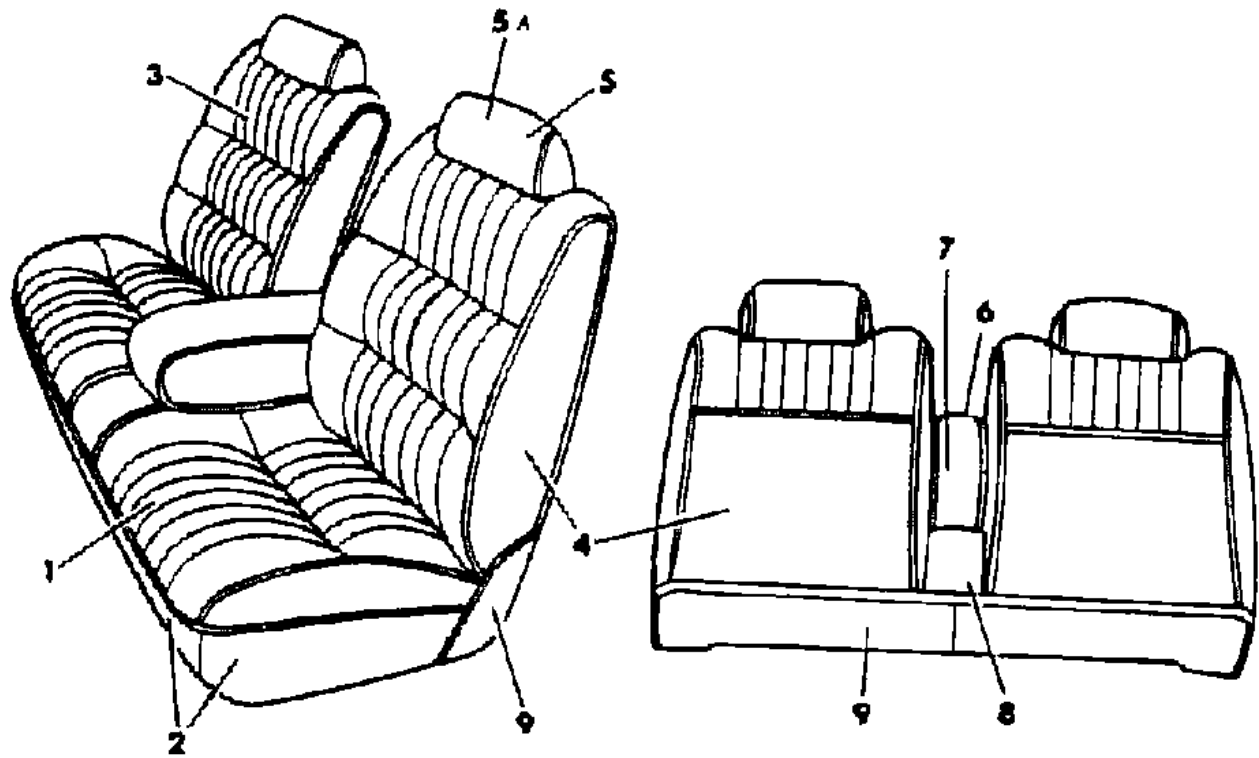
BODY STYLES

12-52 = FWD VAN & WAGON STD. W.B. 27 = 2-DOOR CONVERTIBLE
 13-53 = FWD VAN & WGN EXT W.B. 41 = 4-DOOR SEDAN
 21 = 2-DOOR SEDAN 44 = 4-DOOR HATCHBACK
 24 = 2-DOOR HATCHBACK 45 = 4-DOOR STATION WAGON

AR = Use as Required - = Non Illustrated Part P.A.R. = Paint as Required

SEAT--FRONT E BODY TRIM CODE H3
Figure ITE-1200

8238 1200



ITEM	PART NUMBER	QTY	BODY	MODEL	DESCRIPTION
1-2					CUSHION, w/Spring/Frame, Pad and Cover
	C432 G3S	1			CLOTH Silver
	C432 G3C	1			Blue
	C432 G3E	1			Cordovan
1					COVER, Cushion
	C523 D3S	1			CLOTH Silver
	C523 F3C	1			Blue
	C523 F3E	1			Cordovan
2					ROLL STOCK, Order By The Inch
	R024 CA3	AR			Silver, 58" Wide
	R024 FC5	AR			Blue, 58" Wide
	R024 FE9	AR			Cordovan, 58" Wide
2-3					BACK, w/Spring/Frame, Pad and Cover
	C220-1 G3S	1			CLOTH Silver
	C220-1 G3C	1			Blue
	C220-1 G3E	1			Cordovan
3					COVER, Back
	C524-5 D3A	1			CLOTH Silver
	C524-5 F3C	1			Blue
	C524-5 F3E	1			Cordovan
4					ROLL STOCK, Cloth 58" Wide, Order By The Inch
	R024 CA3	AR			Silver
	R024 FC5	AR			Blue
	R024 FE9	AR			Cordovan
5					HEADREST and COVER
	C741 DAP	2			Silver
	C741 FC5	2			Blue
	C741 FE9	2			Cordovan
5A					COVER, Headrest
	C527 DA3	2			Silver
	C527 FC5	2			Blue
	C527 FE9	2			Cordovan
6					ARMREST and COVER

MODEL CODES

C BODY = (D41 - DYNASTY)(C41 - NEW YORKER)
E BODY = (J - CARAVELLE)(E - 600)(T - NEW YORKER TURBO)
G BODY = (V24 - DAYTONA, PACIFICA & SHELBY)
H BODY = (D44 - LANCER)(C44 - LEBARON GTS)
J BODY = (C - LEBARON)
K BODY = (P - RELIANT)(D - ARIES)(C - LEBARON/ TOWN & COUNTRY)

L BODY = (M - HORIZON)(Z-OMNI)
M BODY = (B - GRAN FURY)(G - DIPLOMAT)(F - FIFTH AVENUE/NEWPORT)
P BODY = (P - SUNDANCE)(D - SHADOW)
Q BODY = (C27 - MASERATI)
S BODY = (H - VOYAGER)(K - RAM VAN/ CARAVAN)

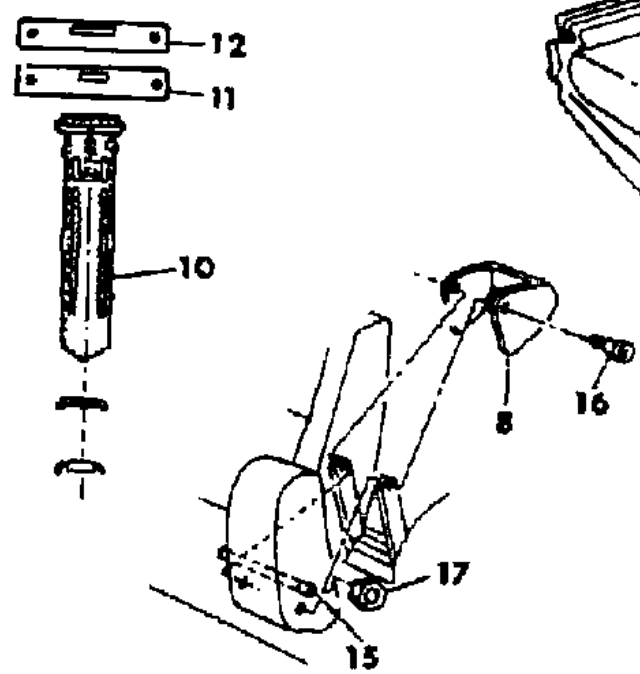
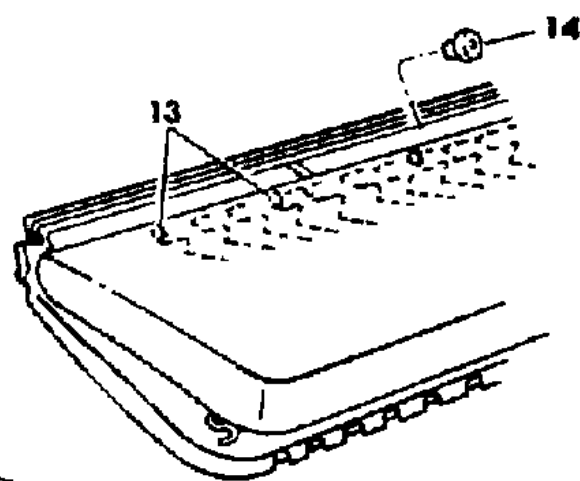
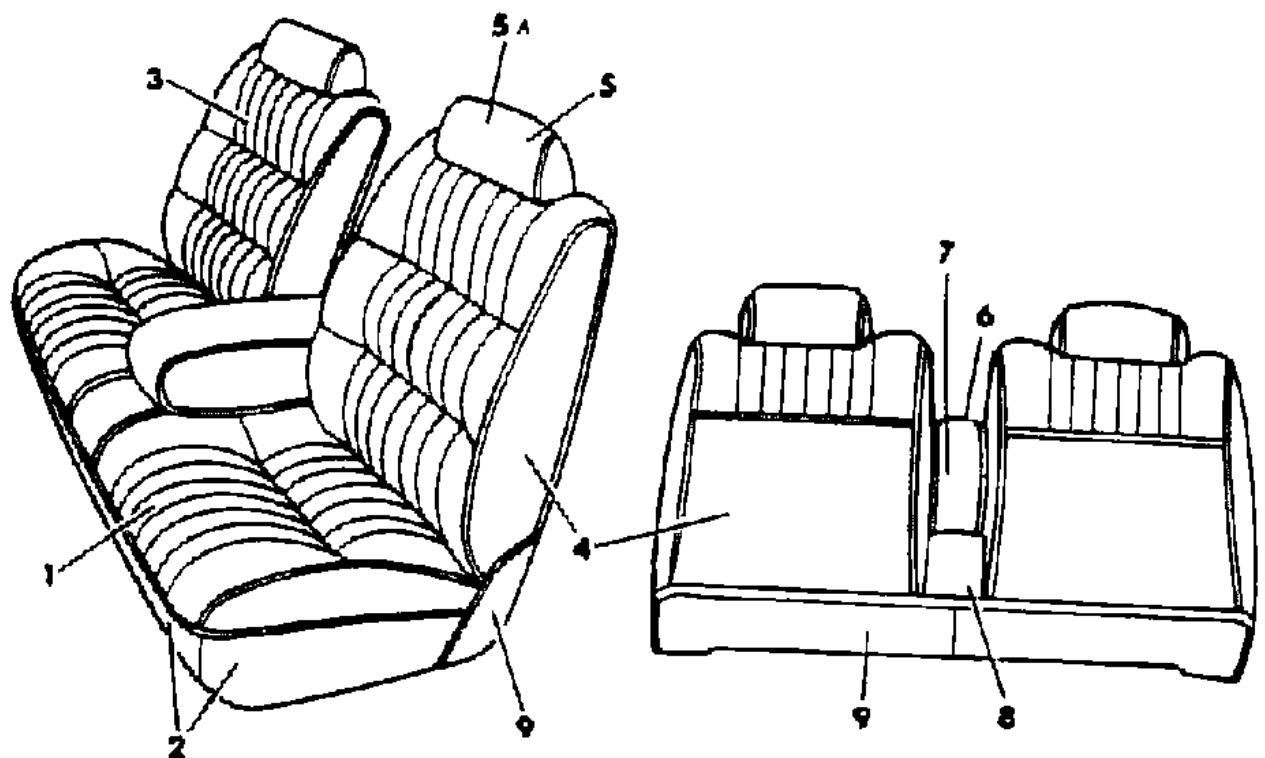
BODY STYLES

12-52 = FWD VAN & WAGON STD. W.B. 27 = 2-DOOR CONVERTIBLE
13-53 = FWD VAN & WGN EXT W.B. 41 = 4-DOOR SEDAN
21 = 2-DOOR SEDAN 44 = 4-DOOR HATCHBACK
24 = 2-DOOR HATCHBACK 45 = 4-DOOR STATION WAGON

AR = Use as Required - = Non Illustrated Part P.A.R. = Paint as Required

SEAT--FRONT E BODY TRIM CODE H3
Figure ITE-1200

8238 1200



ITEM	PART NUMBER	QTY	BODY	MODEL	DESCRIPTION
	C509 GA3	1			Silver
	C852 FC5	1			Blue
	C852 EE8	1			Cordovan
7	C855 GA3	1			COVER, Armrest Silver
	C514 FC5	1			Blue
	C855 GE8	1			Cordovan
8	S581 CS8	1			COVER, Armrest Finish Silver
	S581 FC5	1			Blue
	S581 EE8	1			Cordovan
9	S678-9 CS8	1			SHIELD, Cushion Rear Rail Silver
	S678-9 FC5	1			Blue
	S678-9 EE8	1			Cordovan
10	S914 GK1	2			SLEEVE, Headrest (P.A.R.)
11	4190 387	2			SUPPORT, Headrest
12	4190 388	2			COVER, Headrest Finish
13	6008 076	AR			HOG RING
14	4380 112	1			BUSHING, Pivot
15	4239 076	1			ROD, Armrest Lock
16	6030 082	2			SCREW, Armrest to Stanchion
17	6006 324	1			NUT, ASrmrest Lock Rod

NOTE: (P.A.R.) = Paint As Required

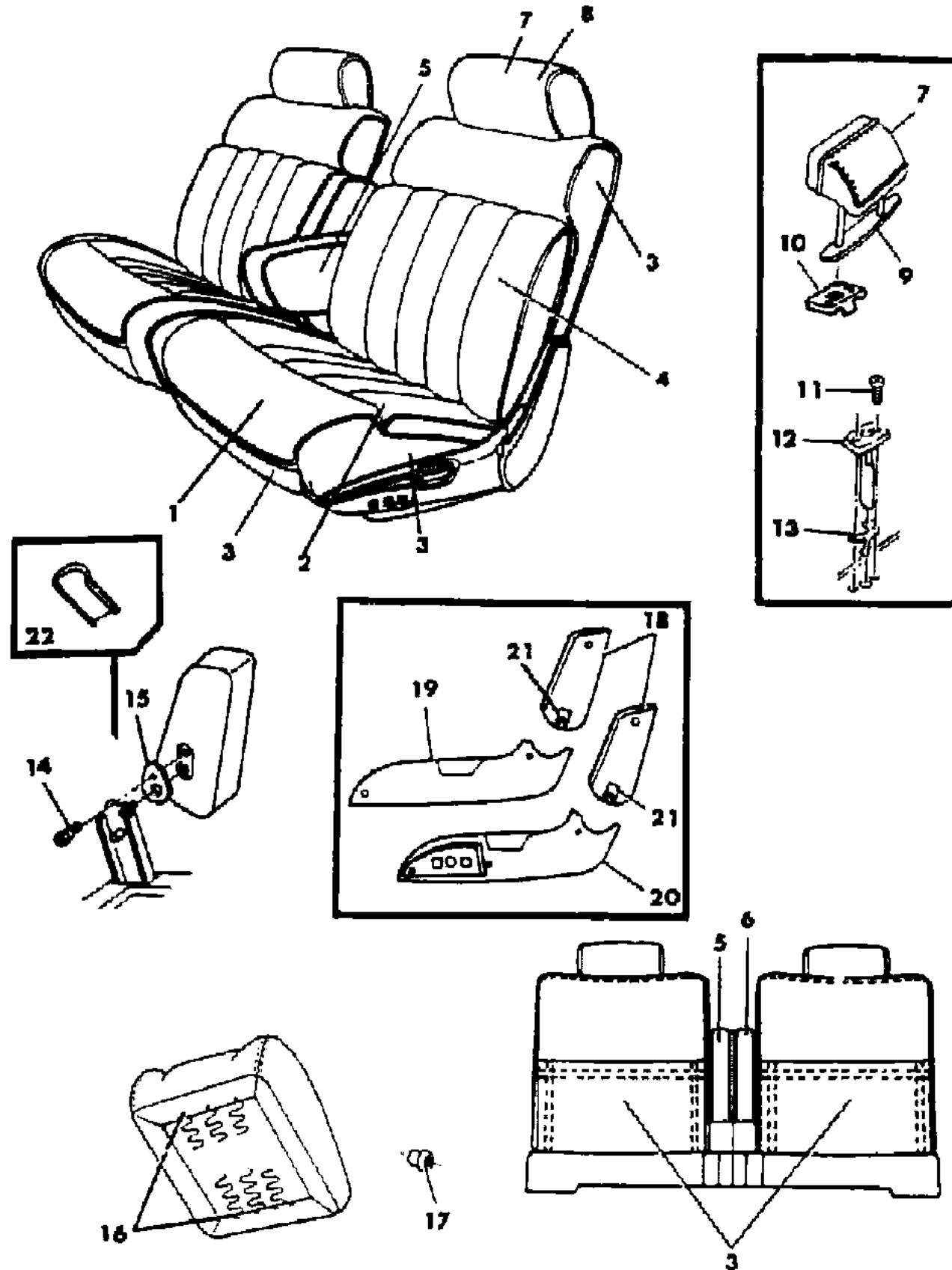
MODEL CODES
 C BODY = (D41 - DYNASTY)(C41 - NEW YORKER)
 E BODY = (J - CARAVELLE)(E - 600)(T - NEW YORKER TURBO)
 G BODY = (V24 - DAYTONA, PACIFICA & SHELBY)
 H BODY = (D44 - LANCER)(C44 - LEBARON GTS)
 J BODY = (C - LEBARON)
 K BODY = (P - RELIANT)(D - ARIES)(C - LEBARON/ TOWN & COUNTRY)
 L BODY = (M - HORIZON)(Z-OMNI)
 M BODY = (B - GRAN FURY)(G - DIPLOMAT)(F - FIFTH AVENUE/NEWPORT)
 P BODY = (P - SUNDANCE)(D - SHADOW)
 Q BODY = (C27 - MASERATI)
 S BODY = (H - VOYAGER)(K - RAM VAN/ CARAVAN)

BODY STYLES
 12-52 = FWD VAN & WAGON STD. W.B. 27 = 2-DOOR CONVERTIBLE
 13-53 = FWD VAN & WGN EXT W.B. 41 = 4-DOOR SEDAN
 21 = 2-DOOR SEDAN 44 = 4-DOOR HATCHBACK
 24 = 2-DOOR HATCHBACK 45 = 4-DOOR STATION WAGON

AR = Use as Required - = Non Illustrated Part P.A.R. = Paint as Required

SEAT--FRONT E BODY TRIM CODE FF
Figure ITE-1300

8238 1300



ITEM	PART NUMBER	QTY	BODY	MODEL	DESCRIPTION
1-2					CUSHION, w/Spring/Frame, Pad and Cover
	C916-7 EFA	1			CLOTH Silver
	C916-7 FFC	1			Blue
	C916-7 FFE	1			Cordovan
2					COVER and CARPET, Cushion
	C536-7 EFA	1			CLOTH Silver
	C536-7 FFC	1			Blue
	C536-7 FFE	1			Cordovan
3					ROLL STOCK, Cloth 54" Wide, Order By The Inch
	R021 DA4	AR			Silver
	R021 FC5	AR			Blue
	R021 EE8	AR			Cordovan
3-4					BACK, w/Spring/Frame, Pad and Cover
	C920-1 EFA	1			CLOTH Silver
	C920-1 FFC	1			Blue
	C920-1 FFE	1			Cordovan
4					COVER, Back
	C538-9 EFA	1			CLOTH Silver
	C538-9 FFC	1			Blue
	C538-9 FFE	1			Cordovan
5					ARMREST and COVER, (Passenger and Drivers Seat)
	C922 EA4	2			Silver
	C922 FC5	2			Blue
	C922 EE8	2			Cordovan
6					COVER, Armrest (Passenger and Driver Seat)
	C540 EA4	2			Silver
	C540 FC5	2			Blue
	C540 EE8	2			Cordovan
7					HEADREST and COVER
	C923 EA4	2			Silver
	C923 FC5	2			Blue
	C923 EE8	2			Cordovan
8					COVER, Headrest

MODEL CODES

C BODY = (D41 - DYNASTY)(C41 - NEW YORKER)
 E BODY = (J - CARAVELLE)(E - 600)(T - NEW YORKER TURBO)
 G BODY = (V24 - DAYTONA, PACIFICA & SHELBY)
 H BODY = (D44 - LANCER)(C44 - LEBARON GTS)
 J BODY = (C - LEBARON)
 K BODY = (P - RELIANT)(D - ARIES)(C - LEBARON/ TOWN & COUNTRY)

L BODY = (M - HORIZON)(Z-OMNI)
 M BODY = (B - GRAN FURY)(G - DIPLOMAT)(F - FIFTH AVENUE/NEWPORT)
 P BODY = (P - SUNDANCE)(D - SHADOW)
 Q BODY = (C27 - MASERATI)
 S BODY = (H - VOYAGER)(K - RAM VAN/ CARAVAN)

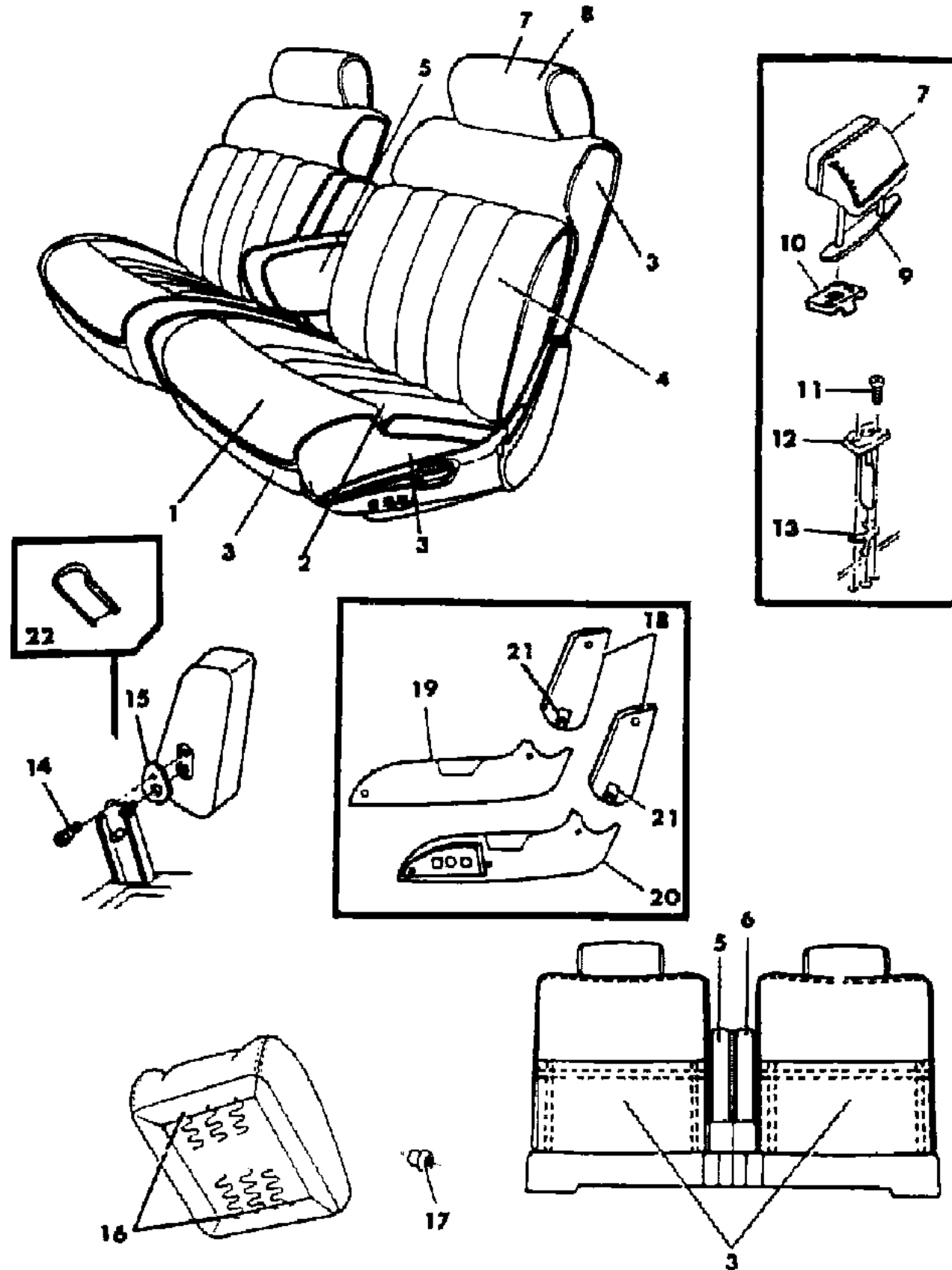
BODY STYLES

12-52 = FWD VAN & WAGON STD. W.B. 27 = 2-DOOR CONVERTIBLE
 13-53 = FWD VAN & WGN EXT W.B. 41 = 4-DOOR SEDAN
 21 = 2-DOOR SEDAN 44 = 4-DOOR HATCHBACK
 24 = 2-DOOR HATCHBACK 45 = 4-DOOR STATION WAGON

AR = Use as Required - = Non Illustrated Part P.A.R. = Paint as Required

SEAT--FRONT E BODY TRIM CODE FF
Figure ITE-1300

8238 1300



ITEM	PART NUMBER	QTY	BODY	MODEL	DESCRIPTION
	C541 EA4	2			Silver
	C541 FC5	2			Blue
	C541 EE8	2			Cordovan
9	4018 808	2			COVER, Headrest Finish
10	4138 140	4			SPACER, Headrest
11					SCREW, (8-18x1) (Not Serv.)
12					SLEEVE, Headrest
	S786 AA3	4			Silver
	S786 EC5	4			Blue
	S786 EE8	4			Cordovan
13	4098 965	4			CATCH, Headrest Post
14	6032 567	AR			BOLT, Shoulder
15					SPACER, Armrest
	4290 871	AR			(Use Up To 3-8-88)
	4477 624	1			(Use After 3-8-88)
16	6008 076	AR			HOG RING
17	#4190 488	1			BUSHING, Inner Pivot Pin Right Only
18					SHIELD, Back (P.A.R.)
					OUTER
	S610 GK1	1			Passenger Seat
	S611 GK1	1			Driver Seat
					INNER
	S611 GK1	1			Passenger Seat
	S610 GK1	1			Driver Seat
19					SHIELD, Cushion (P.A.R.)
					OUTER
	S764 GK1	1			Passenger Seat
	S765 GK1	1			Driver Seat
					INNER
	S765 GK1	1			Passenger Seat
	S764 GK1	1			Driver Seat
20					SHIELD, Cushion Electric (P.A.R.)
	S264 FK1	1			Passenger Seat
	S265 FK1	1			Driver Seat
21	4317 800	AR			CLIP
22					COVER, Stanchion
	S526-7 FC5	1			Blue

MODEL CODES

C BODY = (D41 - DYNASTY)(C41 - NEW YORKER)
 E BODY = (J - CARAVELLE)(E - 600)(T - NEW YORKER TURBO)
 G BODY = (V24 - DAYTONA, PACIFICA & SHELBY)
 H BODY = (D44 - LANCER)(C44 - LEBARON GTS)
 J BODY = (C - LEBARON)
 K BODY = (P - RELIANT)(D - ARIES)(C - LEBARON/ TOWN & COUNTRY)

L BODY = (M - HORIZON)(Z-OMNI)
 M BODY = (B - GRAN FURY)(G - DIPLOMAT)(F - FIFTH AVENUE/NEWPORT)
 P BODY = (P - SUNDANCE)(D - SHADOW)
 Q BODY = (C27 - MASERATI)
 S BODY = (H - VOYAGER)(K - RAM VAN/ CARAVAN)

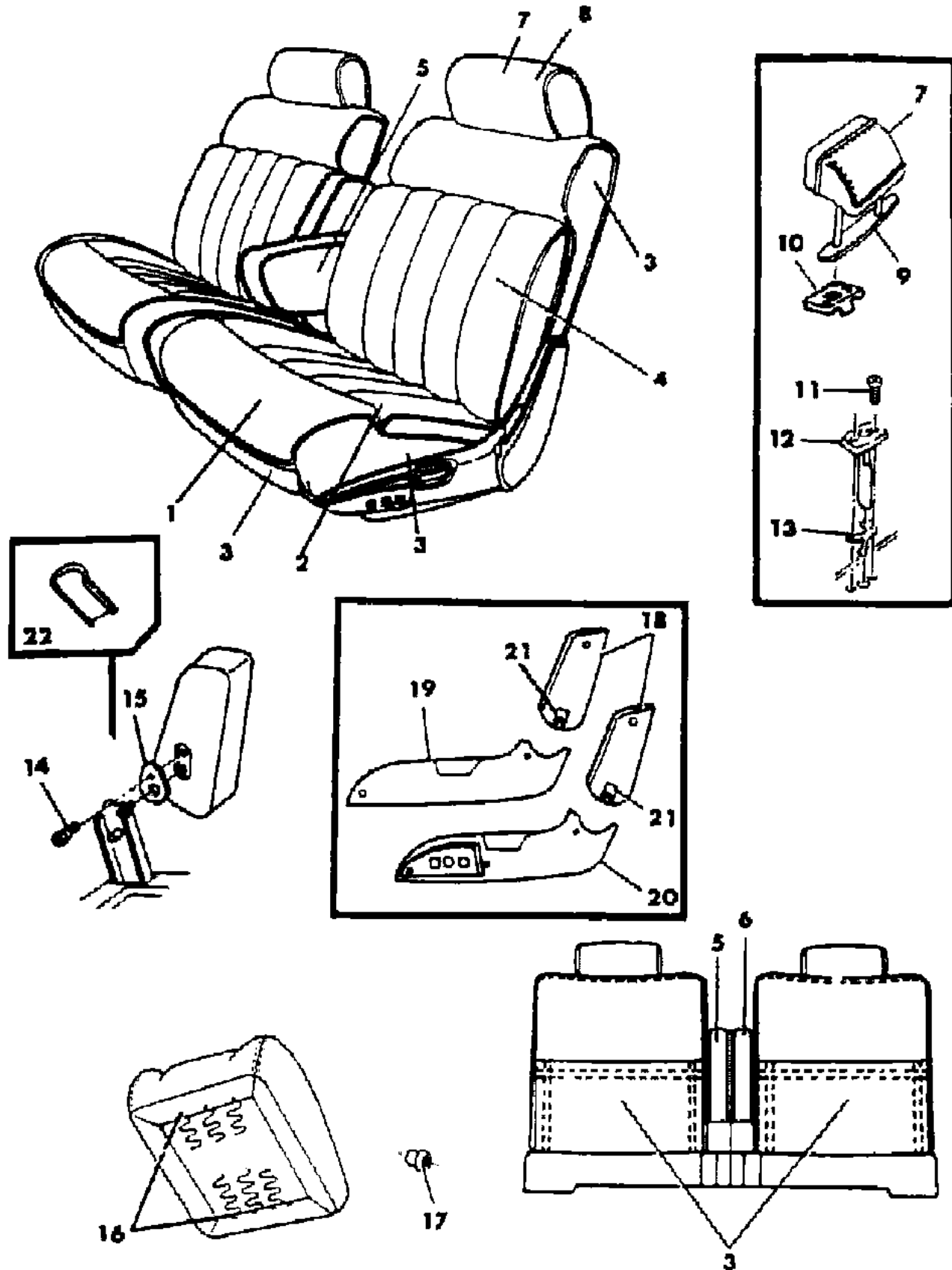
BODY STYLES

12-52 = FWD VAN & WAGON STD. W.B. 27 = 2-DOOR CONVERTIBLE
 13-53 = FWD VAN & WGN EXT W.B. 41 = 4-DOOR SEDAN
 21 = 2-DOOR SEDAN 44 = 4-DOOR HATCHBACK
 24 = 2-DOOR HATCHBACK 45 = 4-DOOR STATION WAGON

AR = Use as Required - = Non Illustrated Part P.A.R. = Paint as Required

SEAT--FRONT E BODY TRIM CODE FF
Figure ITE-1300

8238 1300



ITEM	PART NUMBER	QTY	BODY	MODEL	DESCRIPTION
------	-------------	-----	------	-------	-------------

	S526-7 EE8	1			Cordovan
	S526-7 ES8	1			Charcoal
					NOTE: (P.A.R.)= Paint As Required

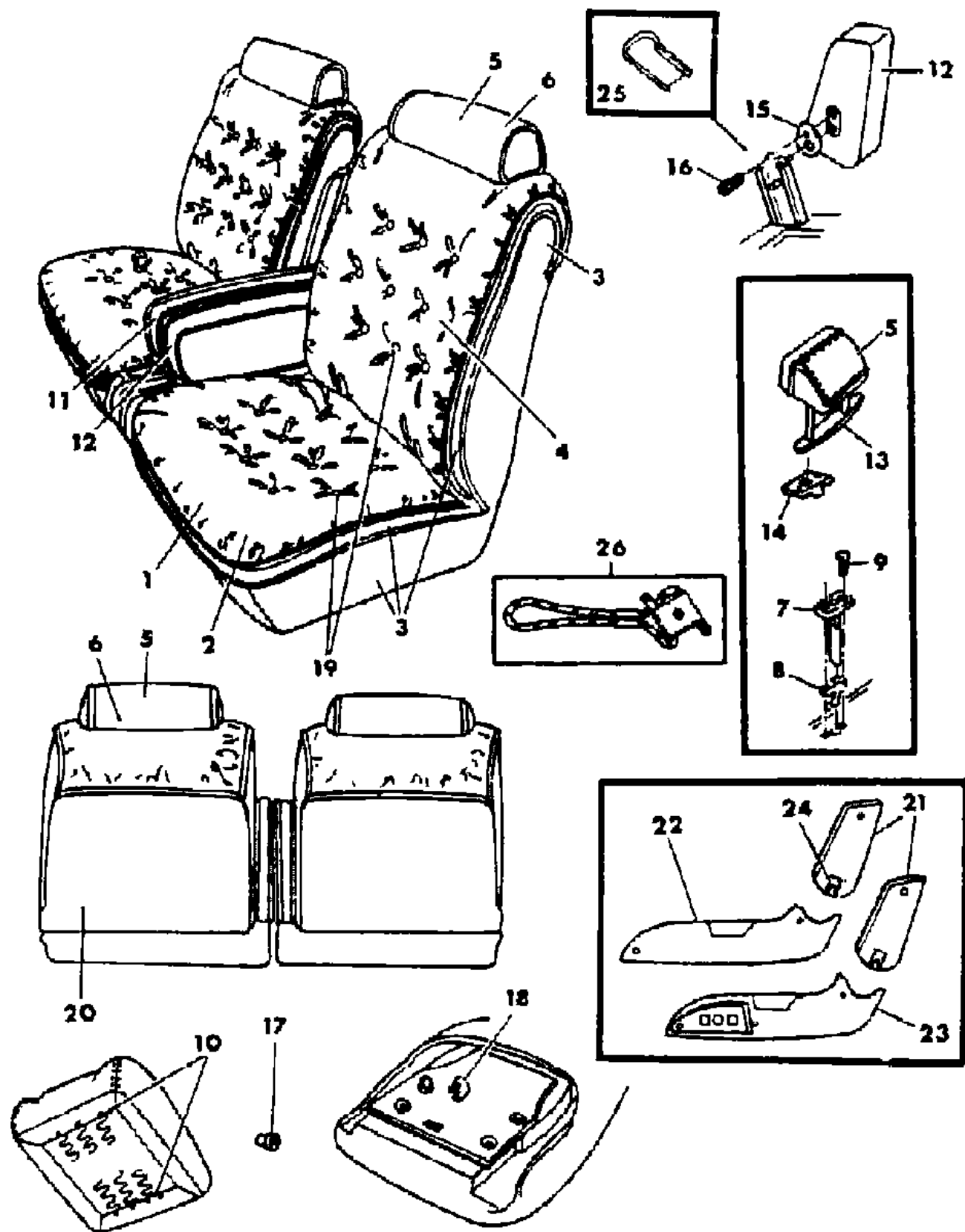
MODEL CODES
 C BODY = (D41 - DYNASTY)(C41 - NEW YORKER)
 E BODY = (J - CARAVELLE)(E - 600)(T - NEW YORKER TURBO)
 G BODY = (V24 - DAYTONA, PACIFICA & SHELBY)
 H BODY = (D44 - LANCER)(C44 - LEBARON GTS)
 J BODY = (C - LEBARON)
 K BODY = (P - RELIANT)(D - ARIES)(C - LEBARON/ TOWN & COUNTRY)
 L BODY = (M - HORIZON)(Z-OMNI)
 M BODY = (B - GRAN FURY)(G - DIPLOMAT)(F - FIFTH AVENUE/NEWPORT)
 P BODY = (P - SUNDANCE)(D - SHADOW)
 Q BODY = (C27 - MASERATI)
 S BODY = (H - VOYAGER)(K - RAM VAN/ CARAVAN)

BODY STYLES
 12-52 = FWD VAN & WAGON STD. W.B. 27 = 2-DOOR CONVERTIBLE
 13-53 = FWD VAN & WGN EXT W.B. 41 = 4-DOOR SEDAN
 21 = 2-DOOR SEDAN 44 = 4-DOOR HATCHBACK
 24 = 2-DOOR HATCHBACK 45 = 4-DOOR STATION WAGON

AR = Use as Required - = Non Illustrated Part P.A.R. = Paint as Required

SEAT--FRONT E BODY TRIM CODE LP
Figure ITE-1400

8238 1400



ITEM	PART NUMBER	QTY	BODY	MODEL	DESCRIPTION
1-3					CUSHION, w/Spring/Frame, Pad and Cover
	A566-7 FPC	1			LEATHER Blue
	A566-7 FPE	1			Cordovan
	A566-7 FPS	1			Charcoal
2					COVER, Cushion
	A556-7 FPC	1			LEATHER Blue
	A556-7 FPE	1			Cordovan
	A556-7 FPS	1			Charcoal
3					ROLL STOCK, Vinyl 54" Wide, Order By The Inch
	R627 FC5	AR			Blue
	R627 EE8	AR			Cordovan
	R627 CS8	AR			Charcoal
3-4					BACK, w/Spring/Frame, Pad and Cover
	C992-3 FPC	1			LEATHER Blue
	C992-3 EPE	1			Cordovan
	C992-3 EPS	1			Charcoal
4					COVER, Back w/Pocket
	C564 FPC	2			LEATHER Blue
	C564 EPE	2			Cordovan
	C564 EPS	2			Charcoal
5					HEADREST and COVER
	C948 FC5	2			Blue
	C948 FE8	2			Cordovan
	C948 FS8	2			Charcoal
6					COVER, Headrest
	C575 FC5	2			Blue
	C575 FE8	2			Cordovan
	C575 FS8	2			Charcoal
7					SLEEVE, Headrest
	S786 EC5	4			Blue
	S786 EE8	2			Cordovan
	S786 CS8	4			Charcoal
8	4098 965	4			CATCH, Headrest Post

MODEL CODES

C BODY = (D41 - DYNASTY)(C41 - NEW YORKER)
 E BODY = (J - CARAVELLE)(E - 600)(T - NEW YORKER TURBO)
 G BODY = (V24 - DAYTONA, PACIFICA & SHELBY)
 H BODY = (D44 - LANCER)(C44 - LEBARON GTS)
 J BODY = (C - LEBARON)
 K BODY = (P - RELIANT)(D - ARIES)(C - LEBARON/ TOWN & COUNTRY)

L BODY = (M - HORIZON)(Z-OMNI)
 M BODY = (B - GRAN FURY)(G - DIPLOMAT)(F - FIFTH AVENUE/NEWPORT)
 P BODY = (P - SUNDANCE)(D - SHADOW)
 Q BODY = (C27 - MASERATI)
 S BODY = (H - VOYAGER)(K - RAM VAN/ CARAVAN)

BODY STYLES

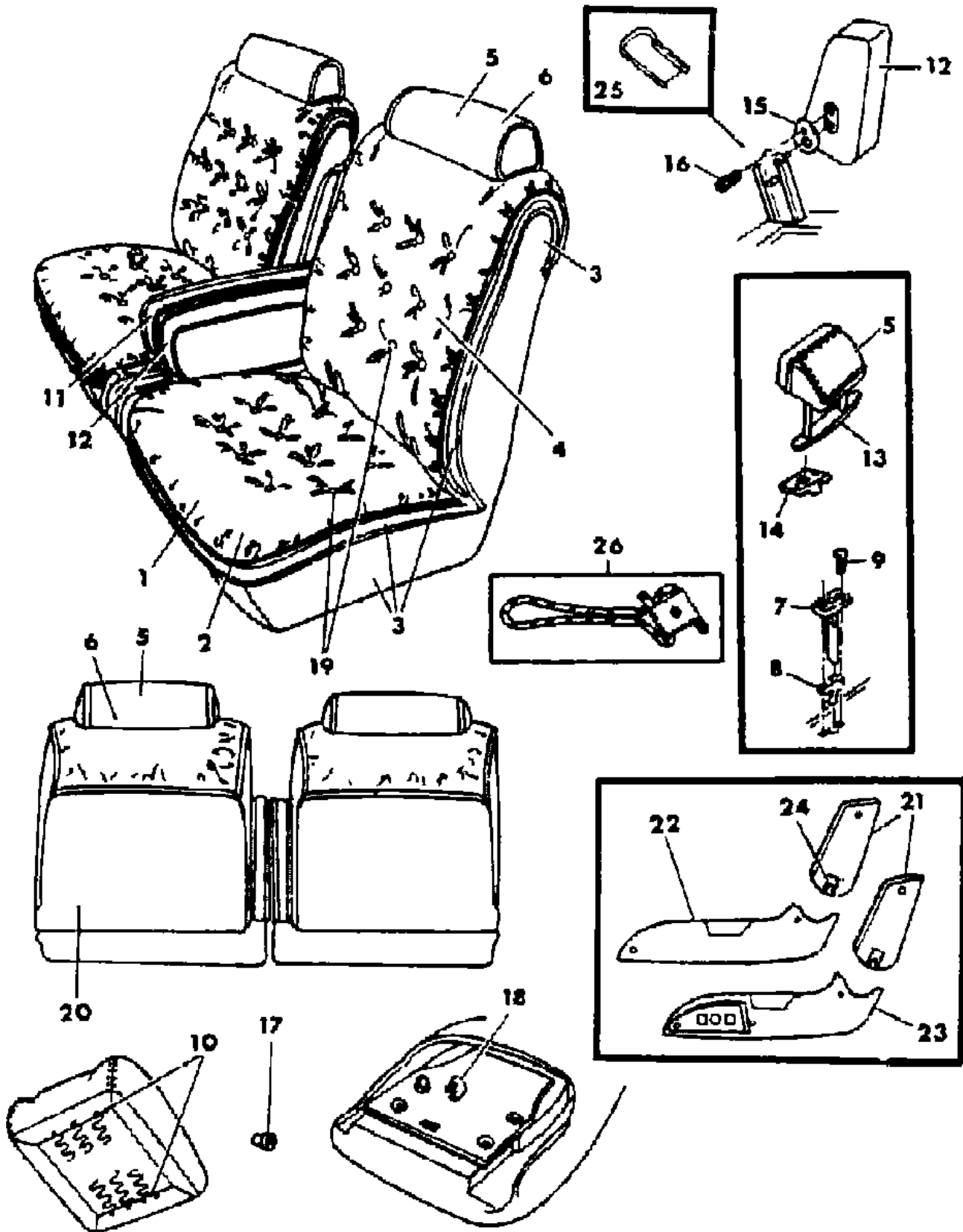
12-52 = FWD VAN & WAGON STD. W.B. 27 = 2-DOOR CONVERTIBLE
 13-53 = FWD VAN & WGN EXT W.B. 41 = 4-DOOR SEDAN
 21 = 2-DOOR SEDAN 44 = 4-DOOR HATCHBACK
 24 = 2-DOOR HATCHBACK 45 = 4-DOOR STATION WAGON

AR = Use as Required - = Non Illustrated Part P.A.R. = Paint as Required

SEAT--FRONT E BODY TRIM CODE LP

Figure ITE-1400

8238 1400



ITEM	PART NUMBER	QTY	BODY	MODEL	DESCRIPTION
9					SCREW, (8-18x1) (Not Serv.)
10	6008 076	AR			HOG RING
11	C944 FC5	2			ARMREST and COVER, (Passenger and Driver Seat)
	C944 EE8	2			Blue
	C944 ES8	2			Cordovan
12	C476 FC5	2			COVER, Armrest (Passenger and Driver Seat)
	C476 EE8	2			Blue
	C476 ES8	2			Cordovan
13	4018 808	2			COVER, Headrest Finish
14	4138 140	4			SPACER, Headrest
15					SPACER, Armrest to Stanchion
	4290 871	AR			(Use Up To 3-8-88)
	4477 624	AR			(Use After 3-8-88)
16	6032 567	AR			BOLT, Shoulder
17	#4190 488	1			BUSHING, Inner Pivot Pin Right Only
18	4018 167				WASHER, Button
19	S845 FC5	AR			BUTTON, Cushion and Back
	S845 EE8	AR			Blue
	S845 CS8	AR			Cordovan
20	R616 FC5	AR			ROLL STOCK, Vinyl, Order By The Inch
	R600 EE8	AR			Blue, 64" Wide
	R609 CS8	AR			Cordovan, 54" Wide
21	S610 GK1	1			SHIELD, Back (P.A.R.)
	S611 GK1	1			OUTER
	S611 GK1	1			Passenger Seat
	S610 GK1	1			Driver Seat
	S611 GK1	1			INNER
	S610 GK1	1			Passenger Seat
	S610 GK1	1			Driver Seat
22	S764 GK1	1			SHIELD, Cushion (P.A.R.)
	S765 GK1	1			OUTER
	S764 GK1	1			Passenger Seat
	S765 GK1	1			Driver Seat

MODEL CODES

C BODY = (D41 - DYNASTY)(C41 - NEW YORKER)
 E BODY = (J - CARAVELLE)(E - 600)(T - NEW YORKER TURBO)
 G BODY = (V24 - DAYTONA, PACIFICA & SHELBY)
 H BODY = (D44 - LANCER)(C44 - LEBARON GTS)
 J BODY = (C - LEBARON)
 K BODY = (P - RELIANT)(D - ARIES)(C - LEBARON/ TOWN & COUNTRY)

L BODY = (M - HORIZON)(Z-OMNI)
 M BODY = (B - GRAN FURY)(G - DIPLOMAT)(F - FIFTH AVENUE/NEWPORT)
 P BODY = (P - SUNDANCE)(D - SHADOW)
 Q BODY = (C27 - MASERATI)
 S BODY = (H - VOYAGER)(K - RAM VAN/ CARAVAN)

BODY STYLES

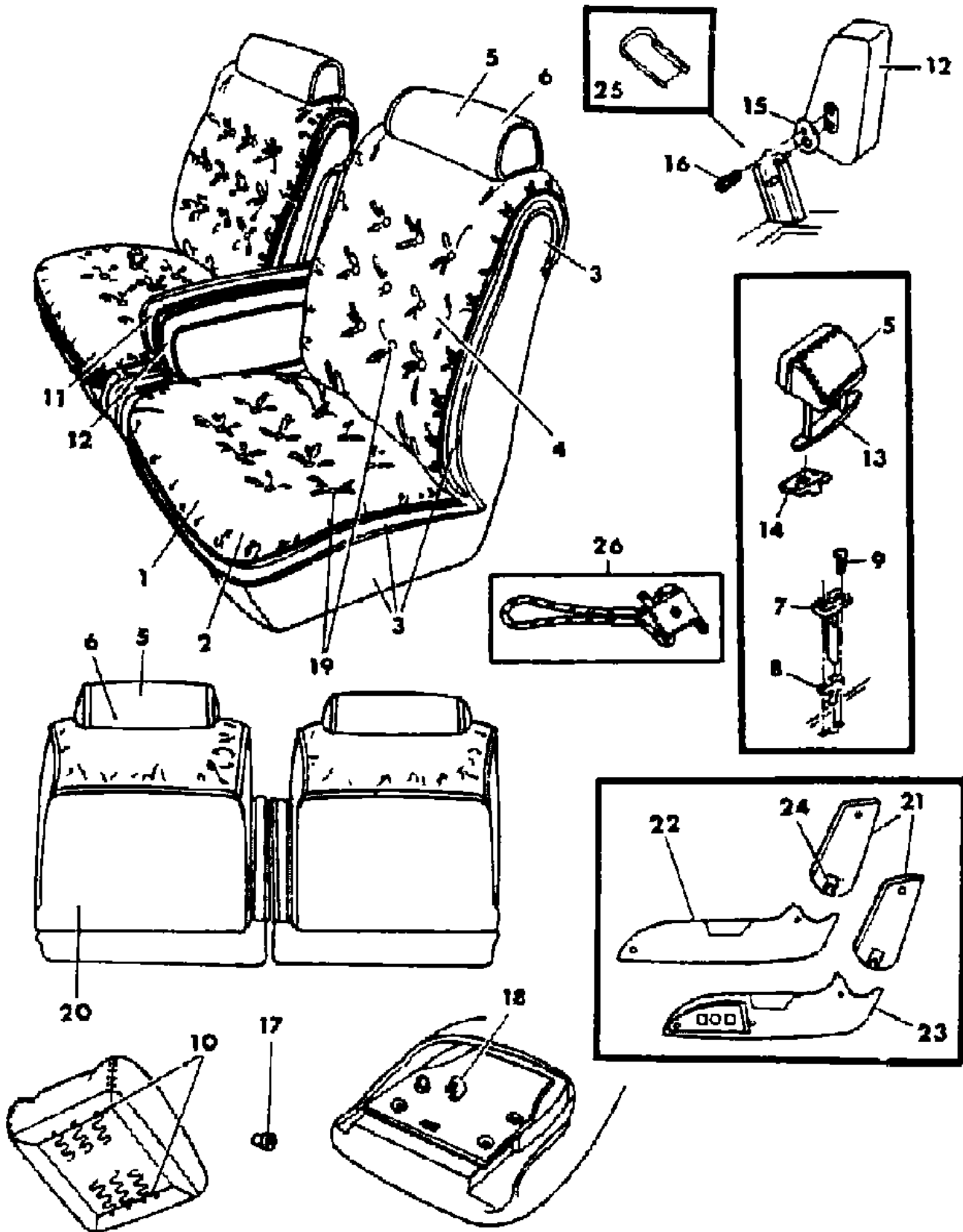
12-52 = FWD VAN & WAGON STD. W.B. 27 = 2-DOOR CONVERTIBLE
 13-53 = FWD VAN & WGN EXT W.B. 41 = 4-DOOR SEDAN
 21 = 2-DOOR SEDAN 44 = 4-DOOR HATCHBACK
 24 = 2-DOOR HATCHBACK 45 = 4-DOOR STATION WAGON

AR = Use as Required - = Non Illustrated Part P.A.R. = Paint as Required

SEAT--FRONT E BODY TRIM CODE LP

Figure ITE-1400

8238 1400



ITEM	PART NUMBER	QTY	BODY	MODEL	DESCRIPTION
INNER					
23	S765 GK1	1			Passenger Seat
	S764 GK1	1			Driver Seat
24	S264 FK1	1			SHIELD, Cushion Electric (P.A.R.) Passenger Seat
	S265 FK1	1			Driver Seat
25	4317 800	AR			CLIP
	S526-7 FC5	1			COVER, Stanchion Blue
26	S526-7 EE8	1			Cordovan
	S526-7 ES8	1			Charcoal
	4376 944	AR			RETAINER, Button Cushion, Small
	4376 956	AR			Back (.75 Loop Length)
	4376 957	AR			(1.38 Loop Length)
NOTE: (P.A.R.)= Paint As Required					

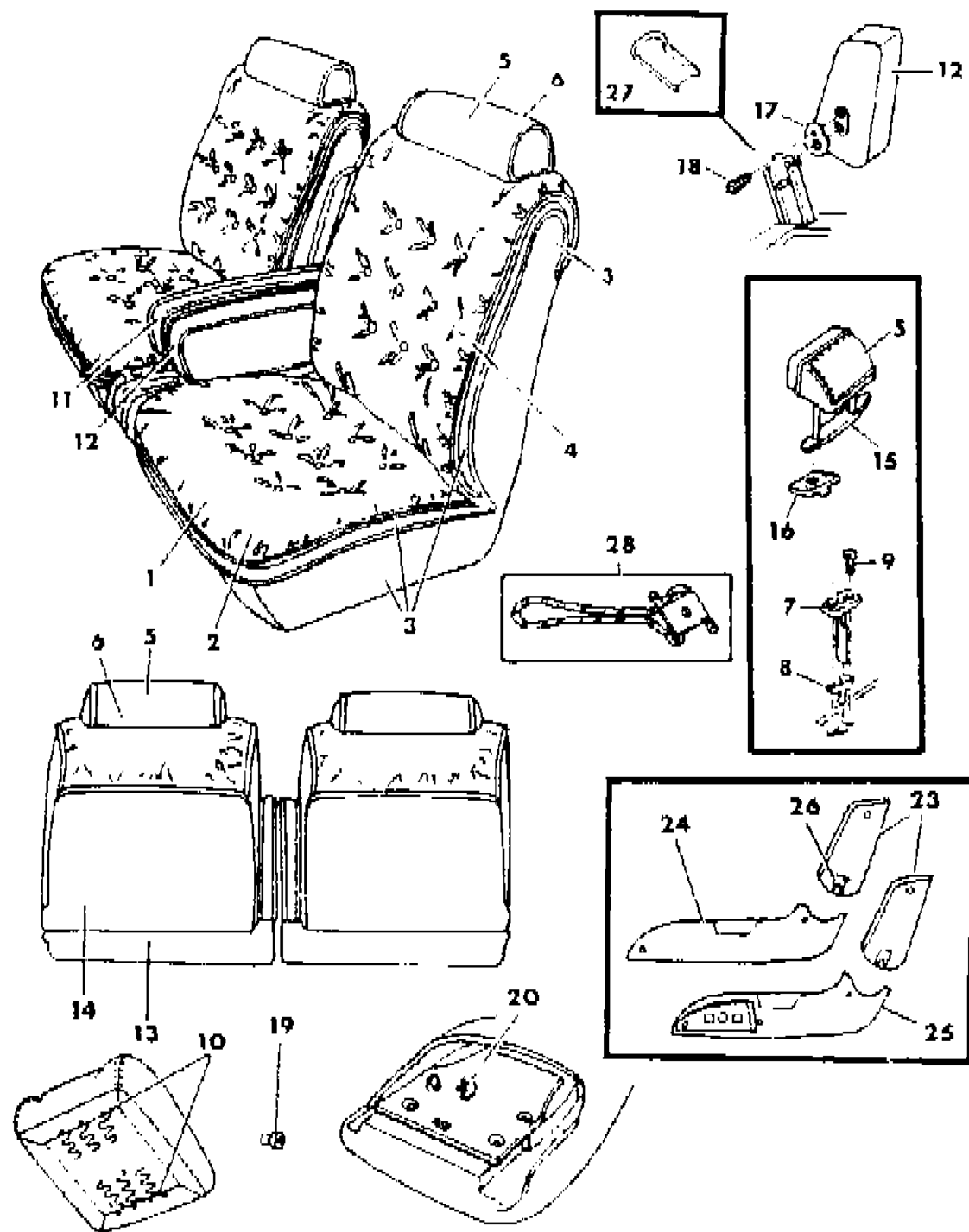
MODEL CODES
 C BODY = (D41 - DYNASTY)(C41 - NEW YORKER)
 E BODY = (J - CARAVELLE)(E - 600)(T - NEW YORKER TURBO)
 G BODY = (V24 - DAYTONA, PACIFICA & SHELBY)
 H BODY = (D44 - LANCER)(C44 - LEBARON GTS)
 J BODY = (C - LEBARON)
 K BODY = (P - RELIANT)(D - ARIES)(C - LEBARON/ TOWN & COUNTRY)
 L BODY = (M - HORIZON)(Z-OMNI)
 M BODY = (B - GRAN FURY)(G - DIPLOMAT)(F - FIFTH AVENUE/NEWPORT)
 P BODY = (P - SUNDANCE)(D - SHADOW)
 Q BODY = (C27 - MASERATI)
 S BODY = (H - VOYAGER)(K - RAM VAN/ CARAVAN)

BODY STYLES
 12-52 = FWD VAN & WAGON STD. W.B. 27 = 2-DOOR CONVERTIBLE
 13-53 = FWD VAN & WGN EXT W.B. 41 = 4-DOOR SEDAN
 21 = 2-DOOR SEDAN 44 = 4-DOOR HATCHBACK
 24 = 2-DOOR HATCHBACK 45 = 4-DOOR STATION WAGON

AR = Use as Required - = Non Illustrated Part P.A.R. = Paint as Required

SEAT--FRONT E BODY TRIM CODE LF
Figure ITE-1500

8238 1500 B



ITEM	PART NUMBER	QTY	BODY	MODEL	DESCRIPTION
1-3					CUSHION, w/Spring/Frame, Pad and Cover
	A580-1 FFC	1			CLOTH Blue
	A580-1 FFE	1			Cordovan
	A580-1 FFS	1			Charcoal
2					COVER, Cushion
	A568-9 FFC	1			CLOTH Blue
	A568-9 FFE	1			Cordovan
	A568-9 FFS	1			Charcoal
3					ROLL STOCK, Cloth 62" Wide, Order By The Inch
	R035 FC5	AR			Blue
	R035 EE8	AR			Cordovan
	R035 ES8	AR			Charcoal
3-4					BACK, w/Spring/Frame, Pad and Cover
	C842-3 FFC	1			CLOTH Blue
	C842-3 FFE	1			Cordovan
	C842-3 FFS	1			Charcoal
4					COVER, Back w/Pocket
	C552 FFC	2			CLOTH Blue
	C552 FFE	2			Cordovan
	C552 FFS	2			Charcoal
5					HEADREST and COVER
	C902 FC5	2			Blue
	C902 FE9	2			Cordovan
	C902 ES8	2			Charcoal
6					COVER, Headrest
	C559 FC5	2			Blue
	C559 FE9	2			Cordovan
	C559 ES8	2			Charcoal
7					SLEEVE, Headrest
	S786 EC5	4			Blue
	S786 EE8	4			Cordovan
	S786 CS8	4			Charcoal
8	4098 965	4			CATCH, Headrest Post

MODEL CODES

C BODY = (D41 - DYNASTY)(C41 - NEW YORKER)
E BODY = (J - CARAVELLE)(E - 600)(T - NEW YORKER TURBO)
G BODY = (V24 - DAYTONA, PACIFICA & SHELBY)
H BODY = (D44 - LANCER)(C44 - LEBARON GTS)
J BODY = (C - LEBARON)
K BODY = (P - RELIANT)(D - ARIES)(C - LEBARON/ TOWN & COUNTRY)

L BODY = (M - HORIZON)(Z-OMNI)
M BODY = (B - GRAN FURY)(G - DIPLOMAT)(F - FIFTH AVENUE/NEWPORT)
P BODY = (P - SUNDANCE)(D - SHADOW)
Q BODY = (C27 - MASERATI)
S BODY = (H - VOYAGER)(K - RAM VAN/ CARAVAN)

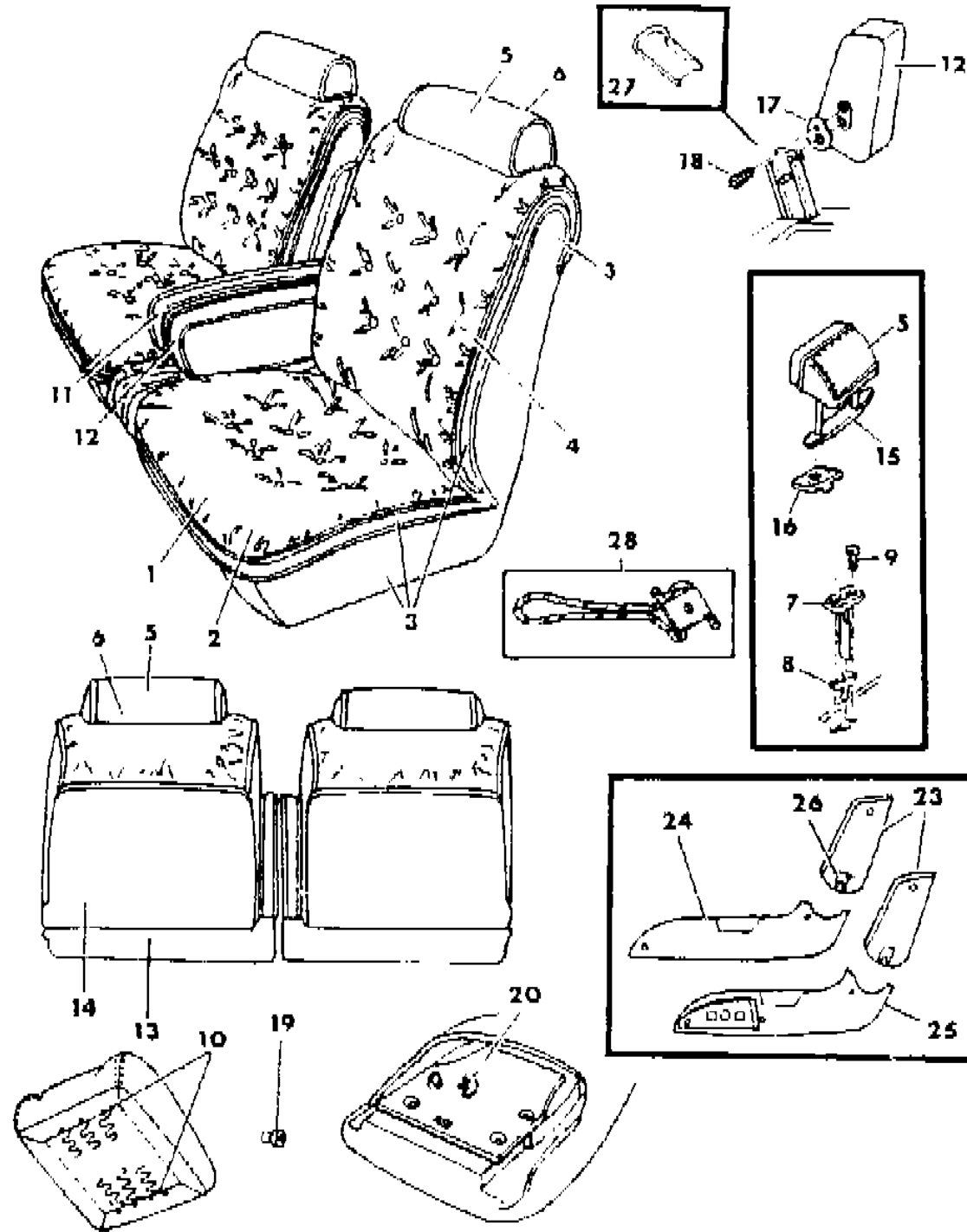
BODY STYLES

12-52 = FWD VAN & WAGON STD. W.B. 27 = 2-DOOR CONVERTIBLE
13-53 = FWD VAN & WGN EXT W.B. 41 = 4-DOOR SEDAN
21 = 2-DOOR SEDAN 44 = 4-DOOR HATCHBACK
24 = 2-DOOR HATCHBACK 45 = 4-DOOR STATION WAGON

AR = Use as Required - = Non Illustrated Part P.A.R. = Paint as Required

SEAT--FRONT E BODY TRIM CODE LF
Figure ITE-1500

8238 1500 B



ITEM	PART NUMBER	QTY	BODY	MODEL	DESCRIPTION
9		AR			SCREW, (8-18x1) (Not Serv.)
10	6008 076	AR			HOG RING
11					ARMREST and COVER, (Passenger and Driver Seat)
	C886 FC5	2			Blue
	C886 FE9	2			Cordovan
	C886 ES8	2			Charcoal
12					COVER, Armrest, (Passenger and Driver Seat)
	C560 FC5	2			Blue
	C560 FE9	2			Cordovan
	C560 ES8	2			Charcoal
13					CARPET, (Served In Item 2)
14					ROLL STOCK, Vinyl, Order By The Inch
	R600 EC5	AR			Blue, 64" Wide
	R600 EE8	AR			Cordovan, 54" Wide
	R609 CS8	AR			Charcoal, 58" Wide
15	4018 808	2			COVER, Headrest Finish
16	4138 140	4			SPACER, Headrest
17					SPACER, Armrest To Stanchion
	4290 871	AR			(Use Up To 3-8-88)
	4477 624	AR			(Use After 3-8-88)
18	6032 567	AR			BOLT, Shoulder
19	#4190 488	1			BUSHING, Inner Pivot Pin, Right Only
20	4018 167	AR			WASHER, Button
23					SHIELD, Back (P.A.R.)
					OUTER
	S610 GK1	1			Passenger Seat
	S611 GK1	1			Driver Seat
					INNER
	S611 GK1	1			Passenger Seat
	S610 GK1	1			Driver Seat
24					SHIELD, Cushion (P.A.R.)
					OUTER
	S764 GK1	1			Passenger Seat
	S765 GK1	1			Driver Seat
					INNER
	S765 GK1	1			Passenger Seat
	S764 GK1	1			Driver Seat

MODEL CODES

C BODY = (D41 - DYNASTY)(C41 - NEW YORKER)
 E BODY = (J - CARAVELLE)(E - 600)(T - NEW YORKER TURBO)
 G BODY = (V24 - DAYTONA, PACIFICA & SHELBY)
 H BODY = (D44 - LANCER)(C44 - LEBARON GTS)
 J BODY = (C - LEBARON)
 K BODY = (P - RELIANT)(D - ARIES)(C - LEBARON/ TOWN & COUNTRY)

L BODY = (M - HORIZON)(Z-OMNI)
 M BODY = (B - GRAN FURY)(G - DIPLOMAT)(F - FIFTH AVENUE/NEWPORT)
 P BODY = (P - SUNDANCE)(D - SHADOW)
 Q BODY = (C27 - MASERATI)
 S BODY = (H - VOYAGER)(K - RAM VAN/ CARAVAN)

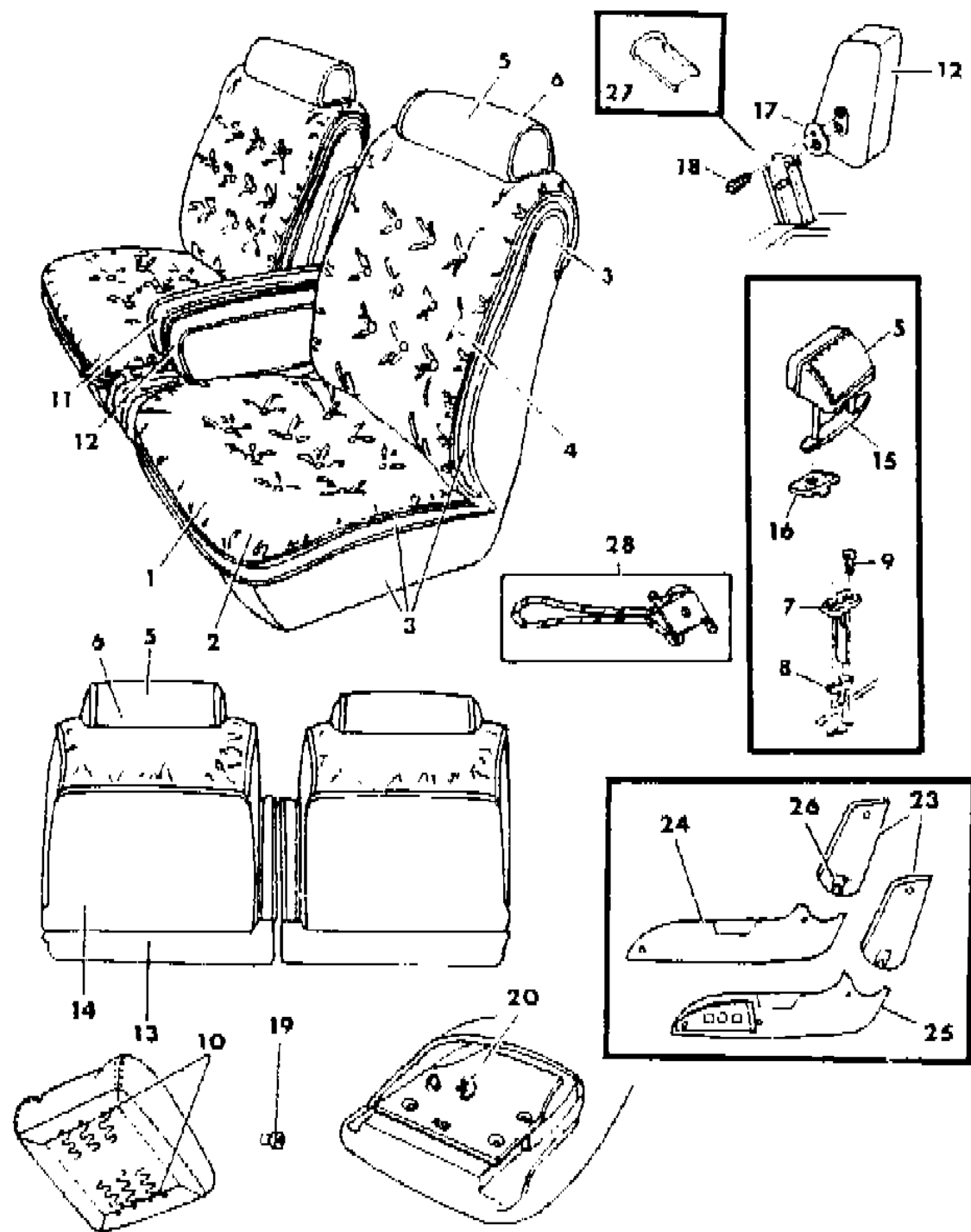
BODY STYLES

12-52 = FWD VAN & WAGON STD. W.B. 27 = 2-DOOR CONVERTIBLE
 13-53 = FWD VAN & WGN EXT W.B. 41 = 4-DOOR SEDAN
 21 = 2-DOOR SEDAN 44 = 4-DOOR HATCHBACK
 24 = 2-DOOR HATCHBACK 45 = 4-DOOR STATION WAGON

AR = Use as Required - = Non Illustrated Part P.A.R. = Paint as Required

SEAT--FRONT E BODY TRIM CODE LF
Figure ITE-1500

8238 1500 B



ITEM	PART NUMBER	QTY	BODY	MODEL	DESCRIPTION
25					SHIELD, Cushion Electric (P.A.R.)
	S264 FK1	1			Passenger Seat
	S265 FK1	1			Driver Seat
26	4317 800	AR			CLIP
27					COVER, Stanchion
	S526-7 FC5	1			Blue
	S526-7 EE8	1			Cordovan
	S526-7 ES8	1			Charcoal
28					RETAINER, Button
	4376 944	AR			Cushion, Small
	4376 956	AR			BACK
	4376 957	AR			(.75 Loop Length)
					(1.38 Loop Length)

NOTE: (P.A.R.) = Paint As Required

MODEL CODES
 C BODY = (D41 - DYNASTY)(C41 - NEW YORKER)
 E BODY = (J - CARAVELLE)(E - 600)(T - NEW YORKER TURBO)
 G BODY = (V24 - DAYTONA, PACIFICA & SHELBY)
 H BODY = (D44 - LANCER)(C44 - LEBARON GTS)
 J BODY = (C - LEBARON)
 K BODY = (P - RELIANT)(D - ARIES)(C - LEBARON/ TOWN & COUNTRY)
 L BODY = (M - HORIZON)(Z-OMNI)
 M BODY = (B - GRAN FURY)(G - DIPLOMAT)(F - FIFTH AVENUE/NEWPORT)
 P BODY = (P - SUNDANCE)(D - SHADOW)
 Q BODY = (C27 - MASERATI)
 S BODY = (H - VOYAGER)(K - RAM VAN/ CARAVAN)

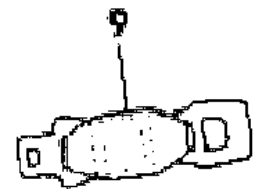
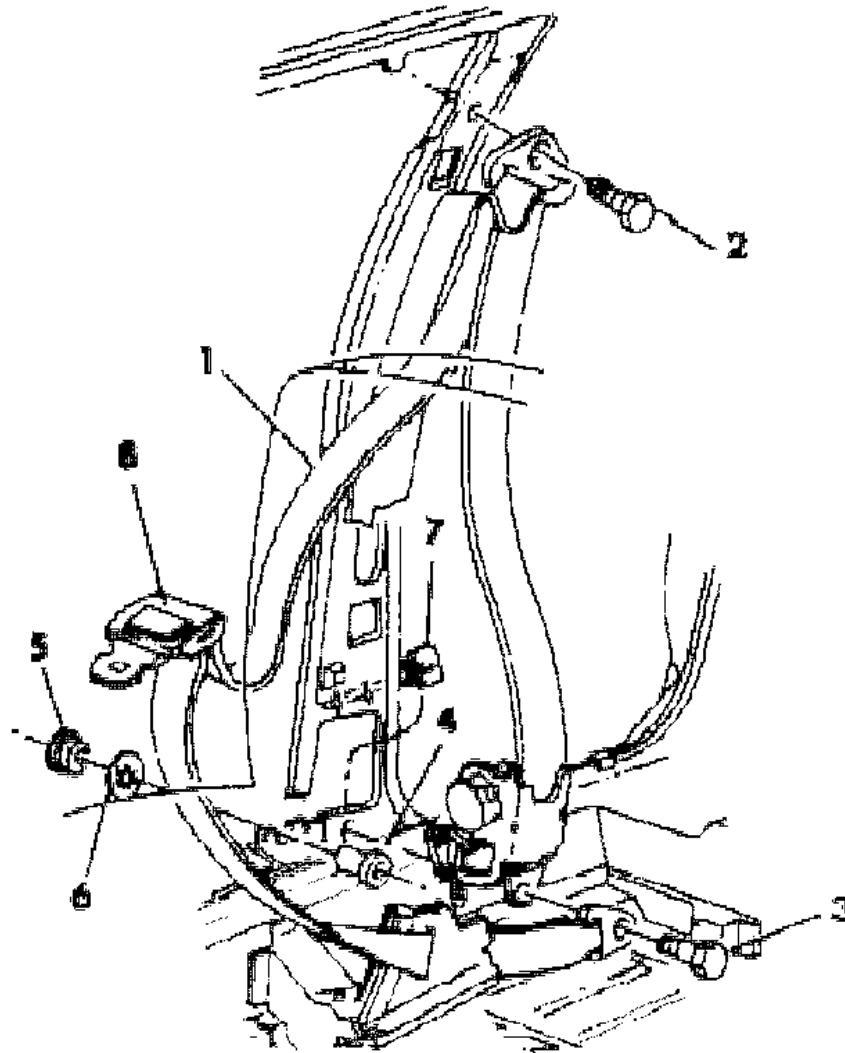
BODY STYLES
 12-52 = FWD VAN & WAGON STD. W.B. 27 = 2-DOOR CONVERTIBLE
 13-53 = FWD VAN & WGN EXT W.B. 41 = 4-DOOR SEDAN
 21 = 2-DOOR SEDAN 44 = 4-DOOR HATCHBACK
 24 = 2-DOOR HATCHBACK 45 = 4-DOOR STATION WAGON

AR = Use as Required - = Non Illustrated Part P.A.R. = Paint as Required

BELT--FRONT SEAT E BODY
Figure ITE-1600

8238 1600

ITEM	PART NUMBER	QTY	BODY	MODEL	DESCRIPTION
1					BELT, Lap and Shoulder, Outer
					LABEL NUMBER 4476964-5
	F882-3 FA3	1			Silver
	F882-3 FC5	1			Blue
	F882-3 FE8	1			Cordovan
	F882-3 FS8	1			Charcoal
2	6031 298	2			BOLT, Shoulder
3	6031 484	2			BOLT
	4290 789	2			w/Bumper
4	4380 604	2			BUTTON, Tension Reliever
5	4380 606	2			RETAINER, Tension Reliever Button
6	6025 160	2			RETAINER, Inertia Retractor Pendulum Shaft
7	6031 448	2			U-NUT
8	4316 773	1			COVER, Tip-Half, (P.A.R)
9	4364 849	AR			EXTENDER
					NOTE: (P.A.R. = Paint As Required)



MODEL CODES

C BODY = (D41 - DYNASTY)(C41 - NEW YORKER)	L BODY = (M - HORIZON)(Z-OMNI)
E BODY = (J - CARAVELLE)(E - 600)(T - NEW YORKER TURBO)	M BODY = (B - GRAN FURY)(G - DIPLOMAT)(F - FIFTH AVENUE/NEWPORT)
G BODY = (V24 - DAYTONA, PACIFICA & SHELBY)	P BODY = (P - SUNDANCE)(D - SHADOW)
H BODY = (D44 - LANCER)(C44 - LEBARON GTS)	Q BODY = (C27 - MASERATI)
J BODY = (C - LEBARON)	S BODY = (H - VOYAGER)(K - RAM VAN/ CARAVAN)
K BODY = (P - RELIANT)(D - ARIES)(C - LEBARON/ TOWN & COUNTRY)	

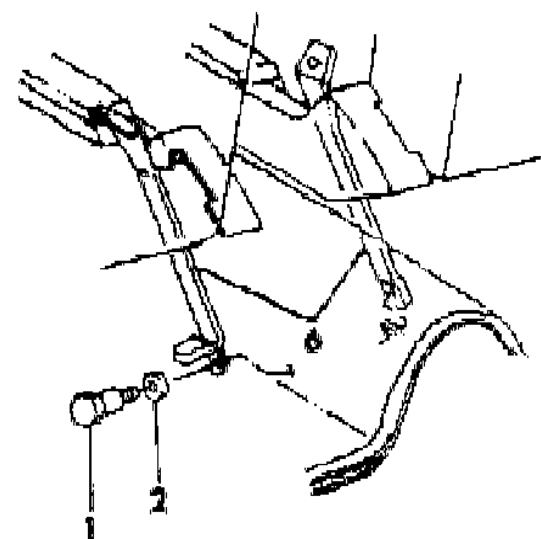
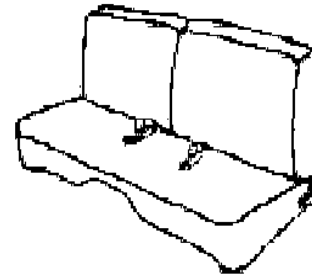
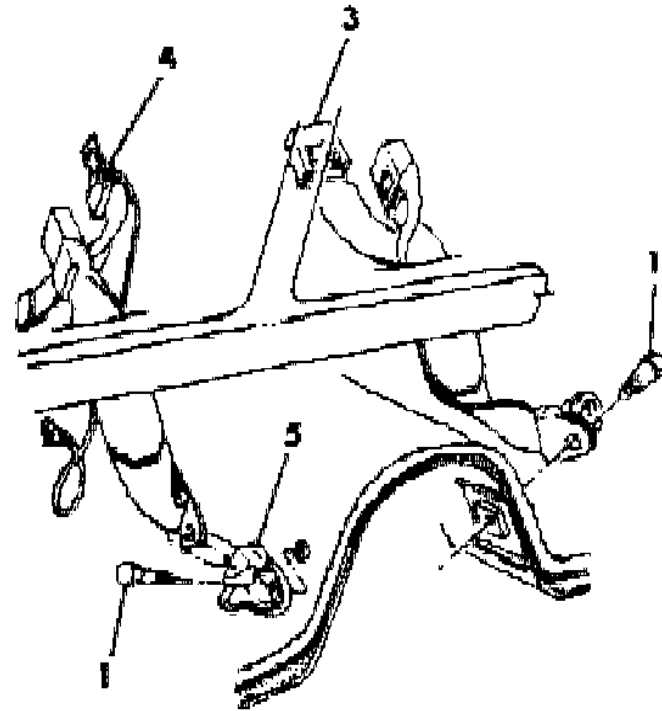
BODY STYLES

12-52 = FWD VAN & WAGON STD. W.B.	27 = 2-DOOR CONVERTIBLE
13-53 = FWD VAN & WGN EXT W.B.	41 = 4-DOOR SEDAN
21 = 2-DOOR SEDAN	44 = 4-DOOR HATCHBACK
24 = 2-DOOR HATCHBACK	45 = 4-DOOR STATION WAGON

AR = Use as Required - = Non Illustrated Part P.A.R. = Paint as Required

BELT--FRONT SEAT INBOARD E BODY
Figure ITE-1700

8238 1700



ITEM	PART NUMBER	QTY	BODY	MODEL	DESCRIPTION
1	6031 298	AR			BOLT
2		AR			WASHER, (Not Serv.)
3					BELT, Inboard Right LABEL NUMBER 4316750
	F706 BA3	1			Silver
	F706 FC5	1			Blue
	F706 EE8	1			Cordovan
4					BELT, Lap Inboard Left LABEL NUMBER 4316751
	F707 BA3	1			Silver
	F707 FC5	1			Blue
	F707 EE8	1			Cordovan
5	F814 JX9	2			COVER, Anchor Bolt, (P.A.R.)
6					BELT, Inner Buckle LABEL NUMBER 4402332-3
	F644-5 FA3	1			Silver
	F644-5 FC5	1			Blue
	F644-5 FE8	1			Cordovan
	F644-5 FS8	1			Charcoal
					NOTE: (P.A.R. = Paint As Required)

MODEL CODES

C BODY = (D41 - DYNASTY)(C41 - NEW YORKER)	L BODY = (M - HORIZON)(Z-OMNI)
E BODY = (J - CARAVELLE)(E - 600)(T - NEW YORKER TURBO)	M BODY = (B - GRAN FURY)(G - DIPLOMAT)(F - FIFTH AVENUE/NEWPORT)
G BODY = (V24 - DAYTONA, PACIFICA & SHELBY)	P BODY = (P - SUNDANCE)(D - SHADOW)
H BODY = (D44 - LANCER)(C44 - LEBARON GTS)	Q BODY = (C27 - MASERATI)
J BODY = (C - LEBARON)	S BODY = (H - VOYAGER)(K - RAM VAN/ CARAVAN)
K BODY = (P - RELIANT)(D - ARIES)(C - LEBARON/ TOWN & COUNTRY)	

BODY STYLES

12-52 = FWD VAN & WAGON STD. W.B.	27 = 2-DOOR CONVERTIBLE
13-53 = FWD VAN & WGN EXT W.B.	41 = 4-DOOR SEDAN
21 = 2-DOOR SEDAN	44 = 4-DOOR HATCHBACK
24 = 2-DOOR HATCHBACK	45 = 4-DOOR STATION WAGON

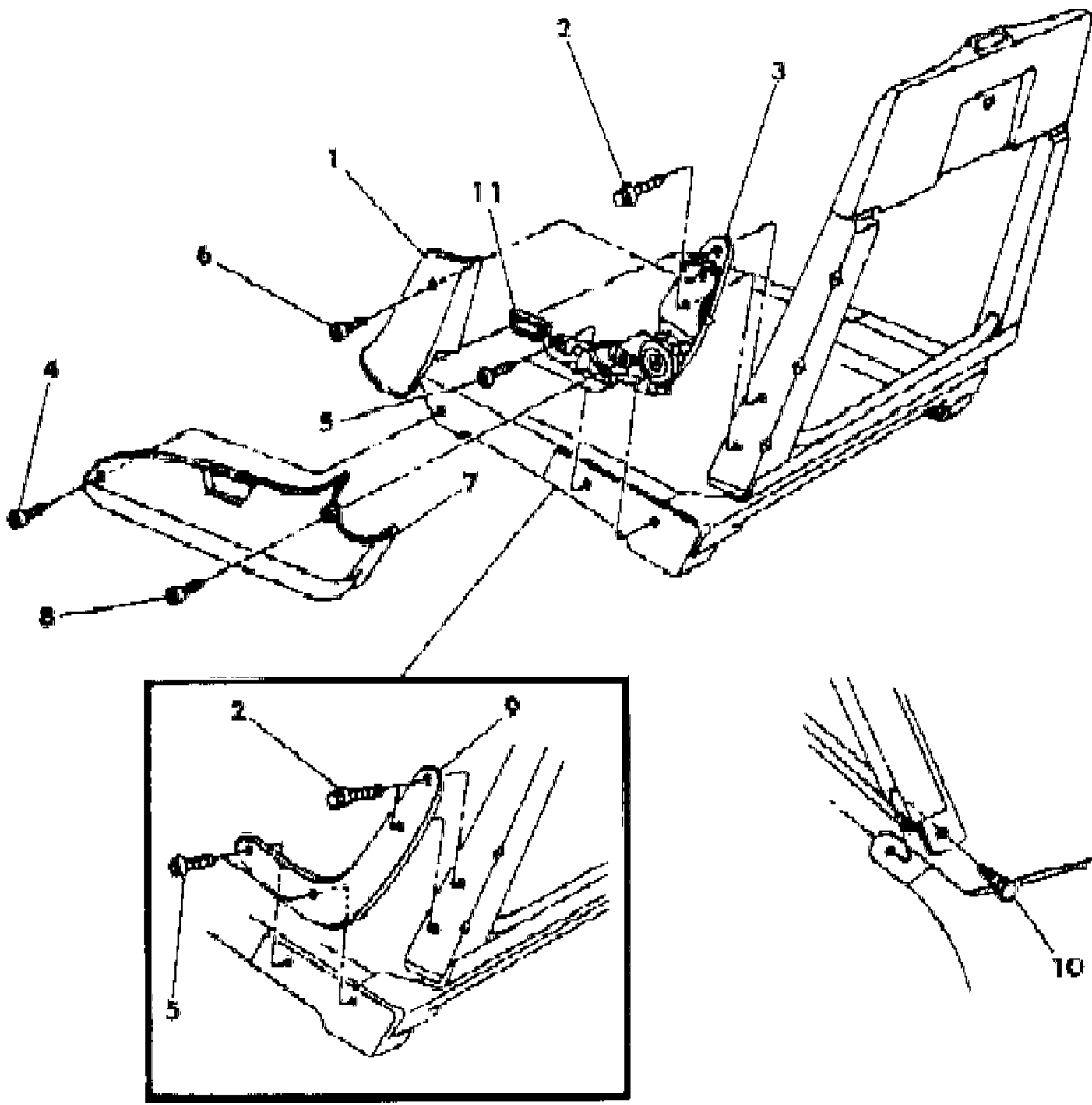
AR = Use as Required - = Non Illustrated Part P.A.R. = Paint as Required

SEAT--RECLINING 50/50 E BODY
Figure ITE-1800

8238 1800

ITEM	PART NUMBER	QTY	BODY	MODEL	DESCRIPTION
1	S610-1 GK1	1			SHIELD, Back, (P.A.R.)
2	6501 221	AR			SCREW
3					RECLINER, (P.A.R.)
	4380 148	1			Passenger Seat
	4380 149	1			Drivers Seat
4		AR			SCREW, (8-18x1.00) (Not Serv.)
5	6500 558	AR			SCREW
6		AR			SCREW, (8-18x1.75) (Not Serv.)
7	S262-3 FK1	1			SHIELD, Cushion, (P.A.R.)
8	6032 456	AR			SCREW
9	4327 508	2			ARM, Cushion Back
10	6501 346	2			BOLT, (10x1.5x39)
11	S936-7 FA3	2			LEVER, Recliner Release, (P.A.R.)

NOTE: (P.A.R. = Paint As Required)



MODEL CODES

C BODY = (D41 - DYNASTY)(C41 - NEW YORKER)
 E BODY = (J - CARAVELLE)(E - 600)(T - NEW YORKER TURBO)
 G BODY = (V24 - DAYTONA, PACIFICA & SHELBY)
 H BODY = (D44 - LANCER)(C44 - LEBARON GTS)
 J BODY = (C - LEBARON)
 K BODY = (P - RELIANT)(D - ARIES)(C - LEBARON/ TOWN & COUNTRY)

L BODY = (M - HORIZON)(Z-OMNI)
 M BODY = (B - GRAN FURY)(G - DIPLOMAT)(F - FIFTH AVENUE/NEWPORT)
 P BODY = (P - SUNDANCE)(D - SHADOW)
 Q BODY = (C27 - MASERATI)
 S BODY = (H - VOYAGER)(K - RAM VAN/ CARAVAN)

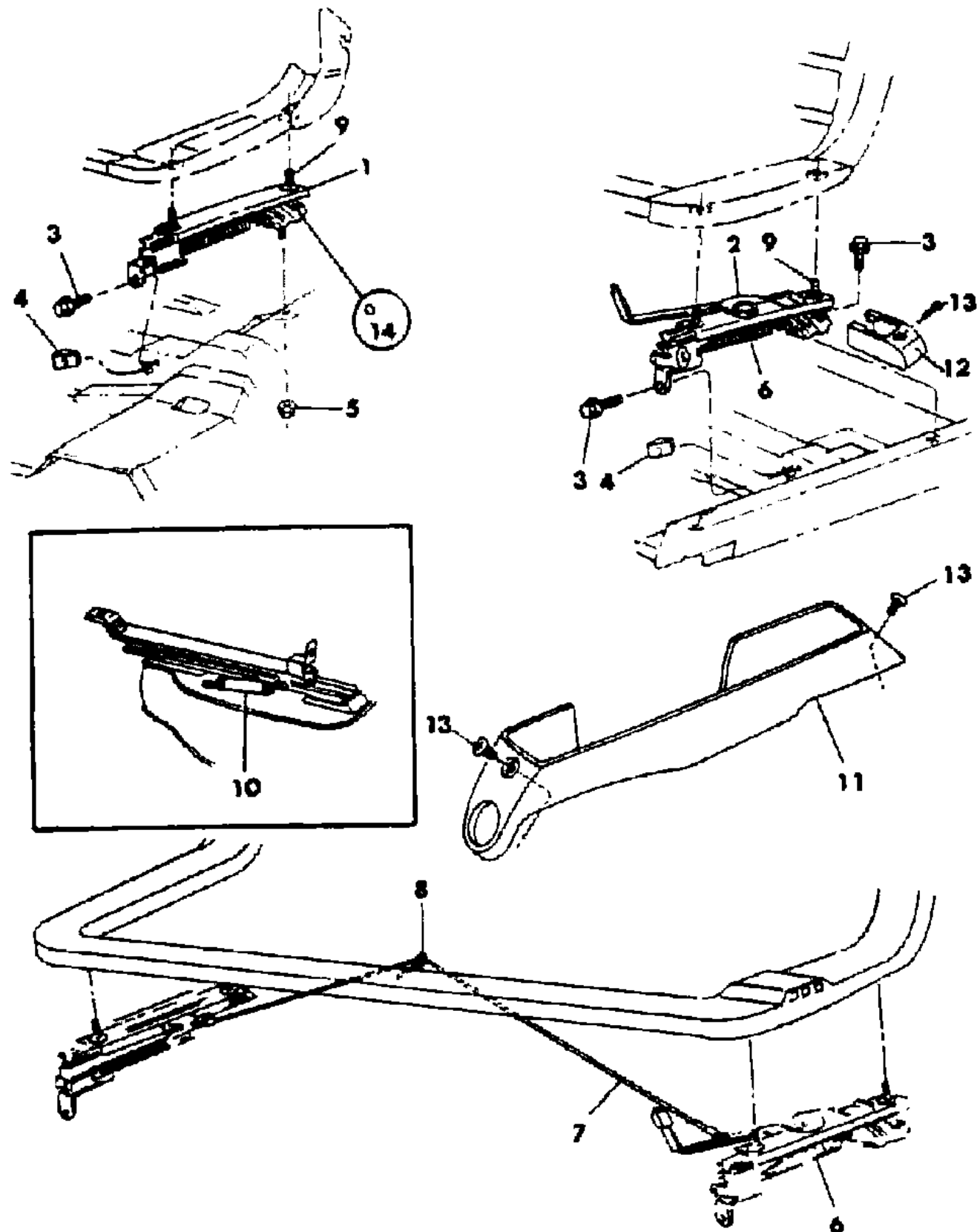
BODY STYLES

12-52 = FWD VAN & WAGON STD. W.B. 27 = 2-DOOR CONVERTIBLE
 13-53 = FWD VAN & WGN EXT W.B. 41 = 4-DOOR SEDAN
 21 = 2-DOOR SEDAN 44 = 4-DOOR HATCHBACK
 24 = 2-DOOR HATCHBACK 45 = 4-DOOR STATION WAGON

AR = Use as Required - = Non Illustrated Part P.A.R. = Paint as Required

ADJUSTER--MANUAL E BODY
Figure ITE-1900

8238 1900



ITEM	PART NUMBER	QTY	BODY	MODEL	DESCRIPTION
1					ADJUSTER, Inner
	4327 174-5	1			w/50/50 Split
2					ADJUSTER, Outer
	4327 178-9	1			w/Bench Seat
	4327 172-3	1			w/50/50 Split
3		AR			SCREW and WASHER, (m8-1.25x30) (Not Serv.)
4	6101 283	AR			U-NUT
5	6501 279	AR			NUT and WASHER
6					SPRING, Adjuster Release Lever
	4316 006	1			w/Bucket Seat (15 Coils)
	4316 008	1			w/Bench Seat, (15 Coils)
7					WIRE, Release Lever Connector
	4239 933	1			w/Bench Seat
	4239 942	1			w/50/50 Split
8	4380 094	1			HOOK, Guide Wire
9		AR			SCREW and WASHER, (Serv. in #1-#2)
10	4316 009	1			SPRING, Adjuster Assist, (w/29.25 Coils)
	4402 216	1			Adjuster Release Latch
11					COVER, Adjuster
					w/BENCH SEAT
	S952-3 FC5	1			Blue
	S952-3 EE8	1			Cordovan
	S952-3 CS8	1			Charcoal
12					COVER, Manual Adjuster w/50/50 Seats Inner Rear
	S902 FC5	2			Blue
	S902 EE8	2			Cordovan
	S902 CS8	2			Charcoal
13		AR			SCREW, (8-18x3/4) (Not Serv.)
14	0104 918	AR			BALL, Adjuster w/50/50 Split Seats

MODEL CODES

C BODY = (D41 - DYNASTY)(C41 - NEW YORKER)
 E BODY = (J - CARAVELLE)(E - 600)(T - NEW YORKER TURBO)
 G BODY = (V24 - DAYTONA, PACIFICA & SHELBY)
 H BODY = (D44 - LANCER)(C44 - LEBARON GTS)
 J BODY = (C - LEBARON)
 K BODY = (P - RELIANT)(D - ARIES)(C - LEBARON/ TOWN & COUNTRY)

L BODY = (M - HORIZON)(Z-OMNI)
 M BODY = (B - GRAN FURY)(G - DIPLOMAT)(F - FIFTH AVENUE/NEWPORT)
 P BODY = (P - SUNDANCE)(D - SHADOW)
 Q BODY = (C27 - MASERATI)
 S BODY = (H - VOYAGER)(K - RAM VAN/ CARAVAN)

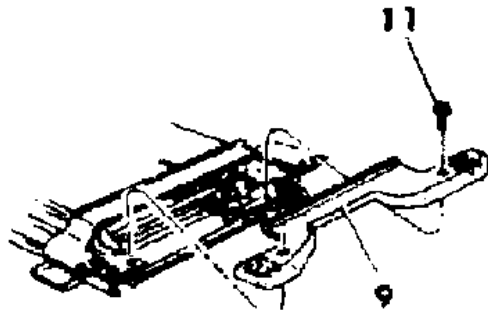
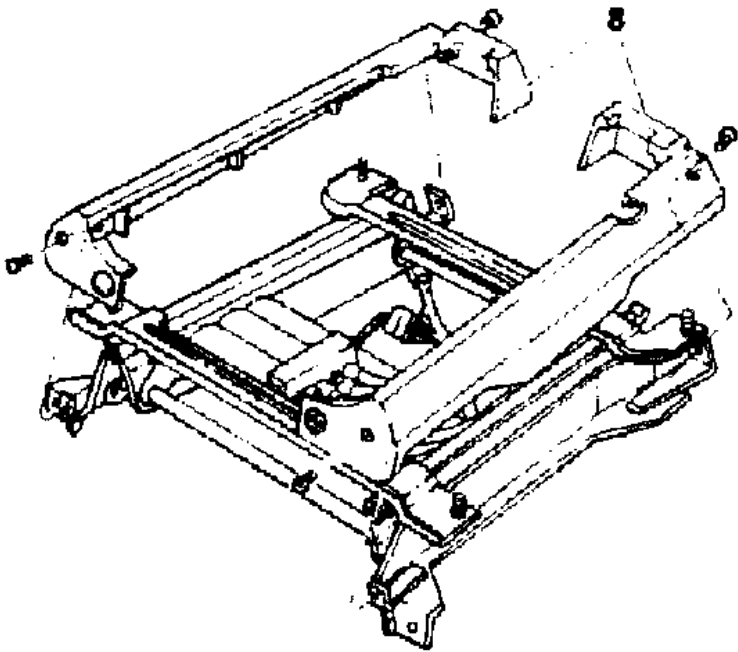
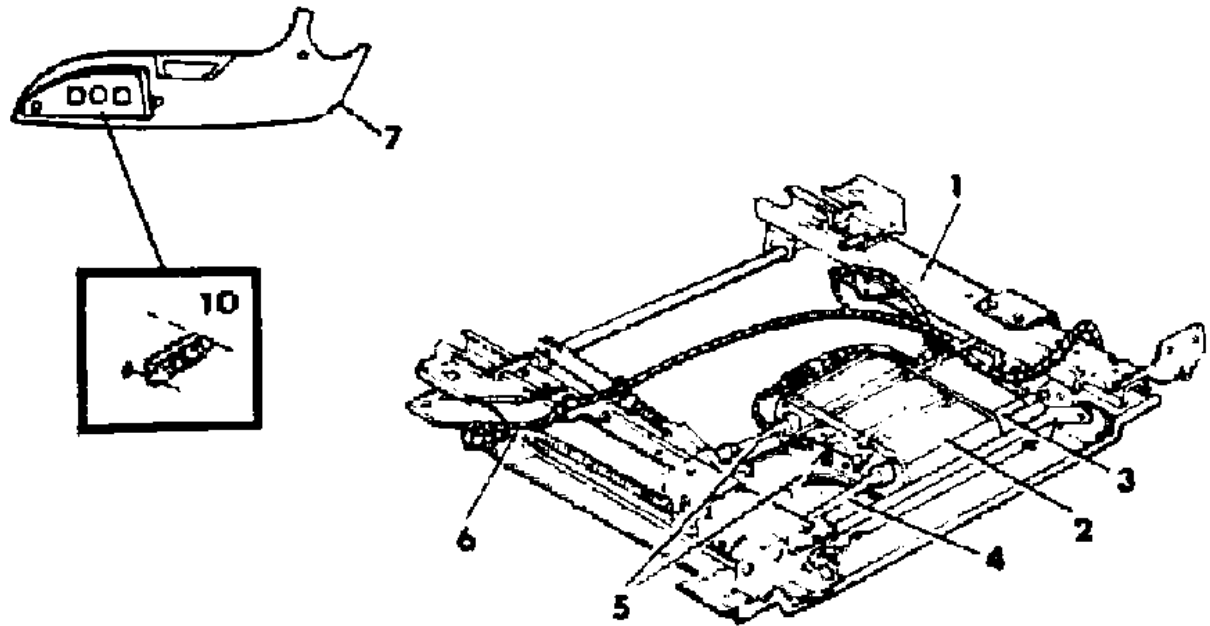
BODY STYLES

12-52 = FWD VAN & WAGON STD. W.B. 27 = 2-DOOR CONVERTIBLE
 13-53 = FWD VAN & WGN EXT W.B. 41 = 4-DOOR SEDAN
 21 = 2-DOOR SEDAN 44 = 4-DOOR HATCHBACK
 24 = 2-DOOR HATCHBACK 45 = 4-DOOR STATION WAGON

AR = Use as Required - = Non Illustrated Part P.A.R. = Paint as Required

ADJUSTER--ELECTRIC E BODY
Figure ITE-2000

8238 2000



ITEM	PART NUMBER	QTY	BODY	MODEL	DESCRIPTION
1	4402 532	1			ADJUSTER, w/50/50 Split, (Passenger or Drivers Seat) (Hancock) Less Motor
2	4402 323	1			MOTOR, w/Tube Assembly
3	4327 280	1			CABLE, Inner w/50/50 Split
4	4327 281	1			CABLE, Outer w/50/50 Split
5	4327 282				SHAFT, Flexible w/50/50 Split
6	4304 778	1			WIRING
7					SHIELD, Cushion Electric
	S264 FK1	1			Passenger Seat
	S265 FK1	1			Driver Seat
8					COVER, Drivers Seat Outer
	S675 FC5	1			Blue
	S675 EE8	1			Cordovan
	S675 CS8	1			Charcoal
					Drivers Seat Inner, Passenger Seat Outer
	S674 FC5	1			Blue
	S674 EE8	1			Cordovan
	S674 CS8	1			Charcoal
					Passenger Seat Inner
	S686 FC5	1			Blue
	S686 EE8	1			Cordovan
	S686 DS8	1			Charcoal
9					COVER, Rear Passenger and Driver
	S660 FC5	2			Blue
	S660 EE8	2			Cordovan
	S660 CS8	2			Charcoal
10	3747 924	2			SWITCH
11		AR			SCREW, (8-18x3/4) (Not Serv.)

NOTE: Items # 1 Thru 11 Are For Replacement Only

MODEL CODES

C BODY = (D41 - DYNASTY)(C41 - NEW YORKER)
 E BODY = (J - CARAVELLE)(E - 600)(T - NEW YORKER TURBO)
 G BODY = (V24 - DAYTONA, PACIFICA & SHELBY)
 H BODY = (D44 - LANCER)(C44 - LEBARON GTS)
 J BODY = (C - LEBARON)
 K BODY = (P - RELIANT)(D - ARIES)(C - LEBARON/ TOWN & COUNTRY)

L BODY = (M - HORIZON)(Z-OMNI)
 M BODY = (B - GRAN FURY)(G - DIPLOMAT)(F - FIFTH AVENUE/NEWPORT)
 P BODY = (P - SUNDANCE)(D - SHADOW)
 Q BODY = (C27 - MASERATI)
 S BODY = (H - VOYAGER)(K - RAM VAN/ CARAVAN)

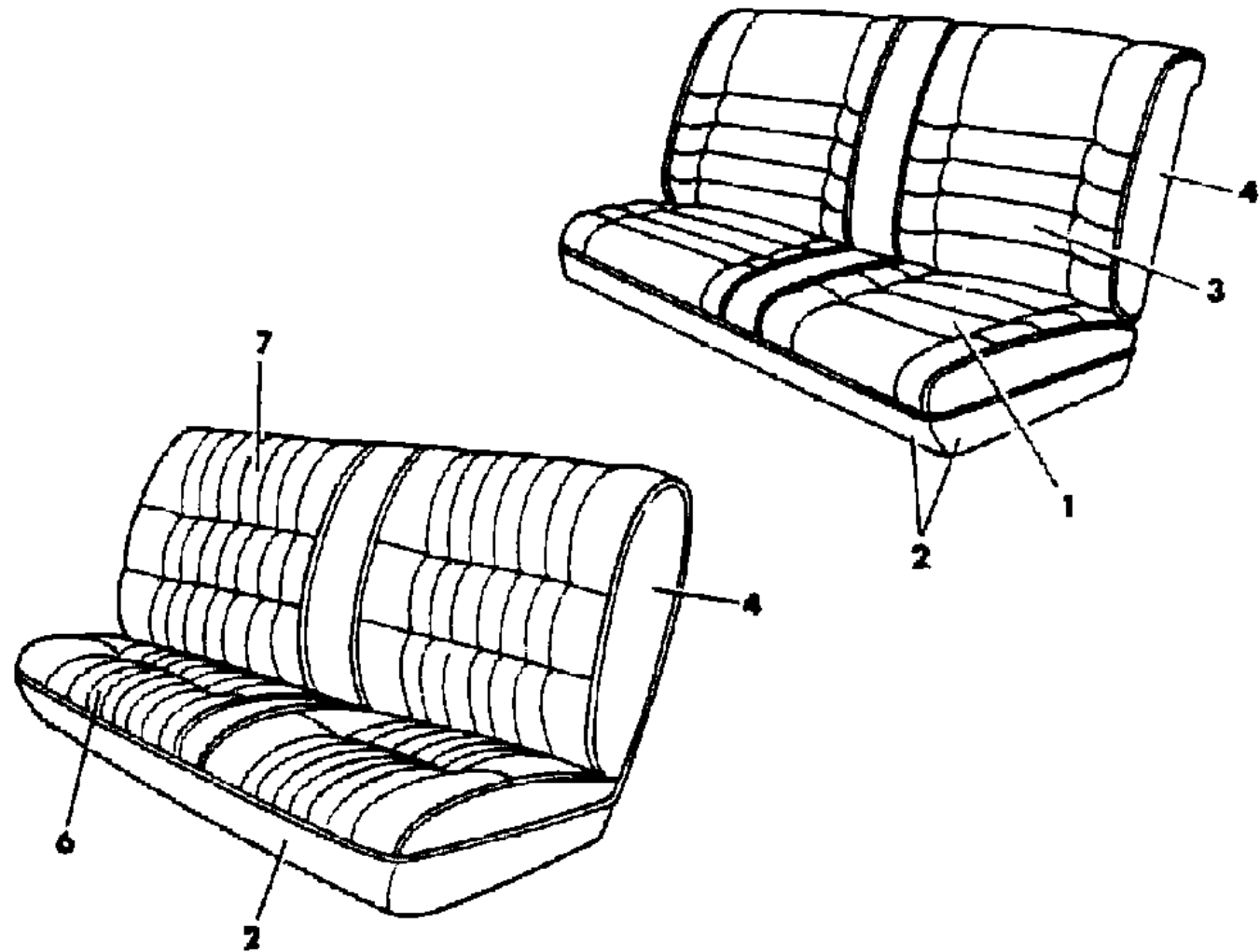
BODY STYLES

12-52 = FWD VAN & WAGON STD. W.B.	27 = 2-DOOR CONVERTIBLE
13-53 = FWD VAN & WGN EXT W.B.	41 = 4-DOOR SEDAN
21 = 2-DOOR SEDAN	44 = 4-DOOR HATCHBACK
24 = 2-DOOR HATCHBACK	45 = 4-DOOR STATION WAGON

AR = Use as Required - = Non Illustrated Part P.A.R. = Paint as Required

SEAT--REAR E BODY TRIM CODES H3-M3
Figure ITE-2100

8238 2100



ITEM	PART NUMBER	QTY	BODY	MODEL	DESCRIPTION
1-2					CUSHION, w/Spring, Frame, Pad and Cover
	C796 D5S	1			CLOTH Silver / Charcoal, (M3AS)
	C796 F5C	1			Blue, (M3C)
	C796 E5E	1			Cordovan, (M3E)
1					COVER, Cushion
	C519 D5S	1			CLOTH Silver / Charcoal, (M3AS)
	C519 F5C	1			Blue, (M3C)
	C519 E5E	1			Cordovan, (M3E)
2					ROLL STOCK, Vinyl, (Order By The Inch)
	R609 CS8	AR			Charcoal, 58" Wide (M3A3)
	R616 AA2	AR			Silver, 64" Wide, (H3A)
	R616 FC5	AR			Blue, 64" Wide, (H3C,M3C)
	R600 EE8	AR			Cordovan, 54" Wide, (H3E,M3E)
3-4					BACK, w/Spring, Frame, Pad and Cover
					CLOTH
	C797 D5S	1			Silver / Charcoal, (M3AS)
	C797 F5C	1			Blue, (M3C)
	C797 E5E	1			Cordovan, (M3S)
3					COVER, Back
					CLOTH
	C520 D5S	1			Silver / Charcoal, (M3AS)
	C520 F5C	1			Blue, (M3C)
	C520 E5E	1			Cordovan, (M3E)
4					ROLL STOCK, Cloth 59" Wide (Order By The Inch)
	R026 DS8	AR			Silver / Charcoal, (M3AS)
	R026 BA3	AR			Silver, (H3A)
	R026 EC5	AR			Blue, (H3C,M3C)
	R026 EE8	AR			Cordovan, (H3E,M3E)
5	6008 076	AR			HOG RING
6&2					CUSHION, w/Spring, Frame Pad and Cover
					CLOTH
	C743 D3S	1			Silver, (H3A)
	C743 F3C	1			Blue, (H3C)
	C743 F3E	1			Cordovan, (H3E)
6					COVER, Cushion



MODEL CODES

C BODY = (D41 - DYNASTY)(C41 - NEW YORKER)
 E BODY = (J - CARAVELLE)(E - 600)(T - NEW YORKER TURBO)
 G BODY = (V24 - DAYTONA, PACIFICA & SHELBY)
 H BODY = (D44 - LANCER)(C44 - LEBARON GTS)
 J BODY = (C - LEBARON)
 K BODY = (P - RELIANT)(D - ARIES)(C - LEBARON/ TOWN & COUNTRY)

L BODY = (M - HORIZON)(Z-OMNI)
 M BODY = (B - GRAN FURY)(G - DIPLOMAT)(F - FIFTH AVENUE/NEWPORT)
 P BODY = (P - SUNDANCE)(D - SHADOW)
 Q BODY = (C27 - MASERATI)
 S BODY = (H - VOYAGER)(K - RAM VAN/ CARAVAN)

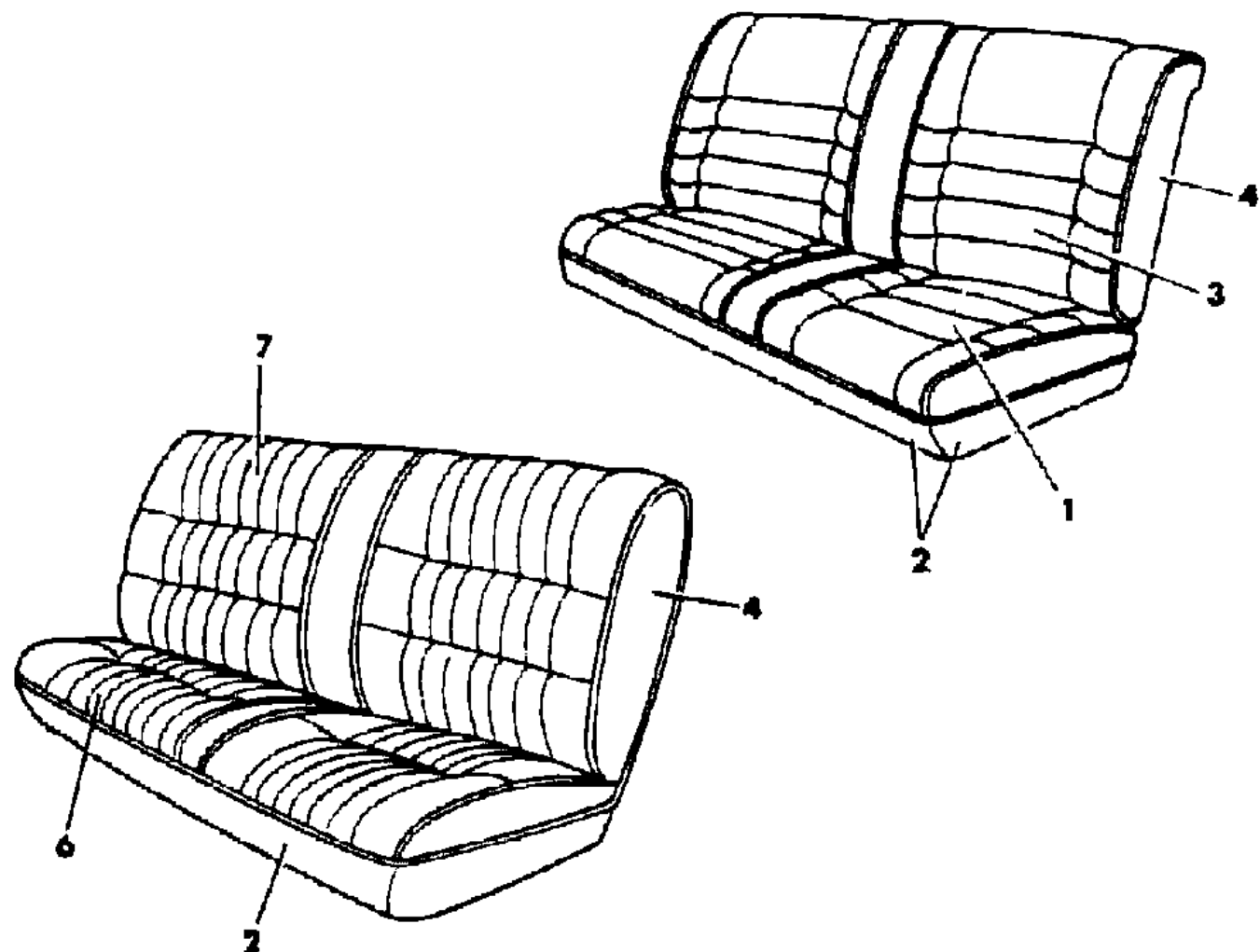
BODY STYLES

12-52 = FWD VAN & WAGON STD. W.B. 27 = 2-DOOR CONVERTIBLE
 13-53 = FWD VAN & WGN EXT W.B. 41 = 4-DOOR SEDAN
 21 = 2-DOOR SEDAN 44 = 4-DOOR HATCHBACK
 24 = 2-DOOR HATCHBACK 45 = 4-DOOR STATION WAGON

AR = Use as Required - = Non Illustrated Part P.A.R. = Paint as Required

SEAT--REAR E BODY TRIM CODES H3-M3
Figure ITE-2100

8238 2100



ITEM	PART NUMBER	QTY	BODY	MODEL	DESCRIPTION
					CLOTH
	C528 D3S	1			Silver, (H3A)
	C528 F3C	1			Blue, (H3C)
	C528 F3E	1			Cordovan, (H3E)
7&4					BACK, w/Spring, Frame, Pad and Cover
					CLOTH
	C744 D3S	1			Silver, (H3A)
	C744 F3C	1			Blue, (H3C)
	C744 F3E	1			Cordovan, (H3E)
7					COVER, Back
					CLOTH
	C529 D3S	1			Silver, (H3A)
	C529 F3C	1			Blue, (H3C)
	C529 F3E	1			Cordovan, (H3E)



MODEL CODES

C BODY = (D41 - DYNASTY)(C41 - NEW YORKER)
 E BODY = (J - CARAVELLE)(E - 600)(T - NEW YORKER TURBO)
 G BODY = (V24 - DAYTONA, PACIFICA & SHELBY)
 H BODY = (D44 - LANCER)(C44 - LEBARON GTS)
 J BODY = (C - LEBARON)
 K BODY = (P - RELIANT)(D - ARIES)(C - LEBARON/ TOWN & COUNTRY)
 L BODY = (M - HORIZON)(Z-OMNI)
 M BODY = (B - GRAN FURY)(G - DIPLOMAT)(F - FIFTH AVENUE/NEWPORT)
 P BODY = (P - SUNDANCE)(D - SHADOW)
 Q BODY = (C27 - MASERATI)
 S BODY = (H - VOYAGER)(K - RAM VAN/ CARAVAN)

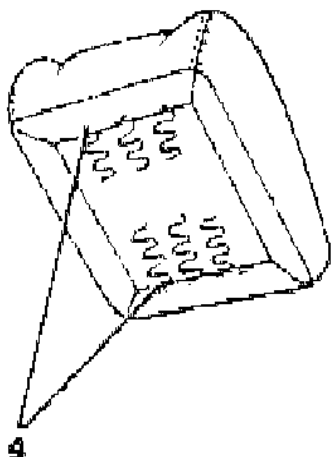
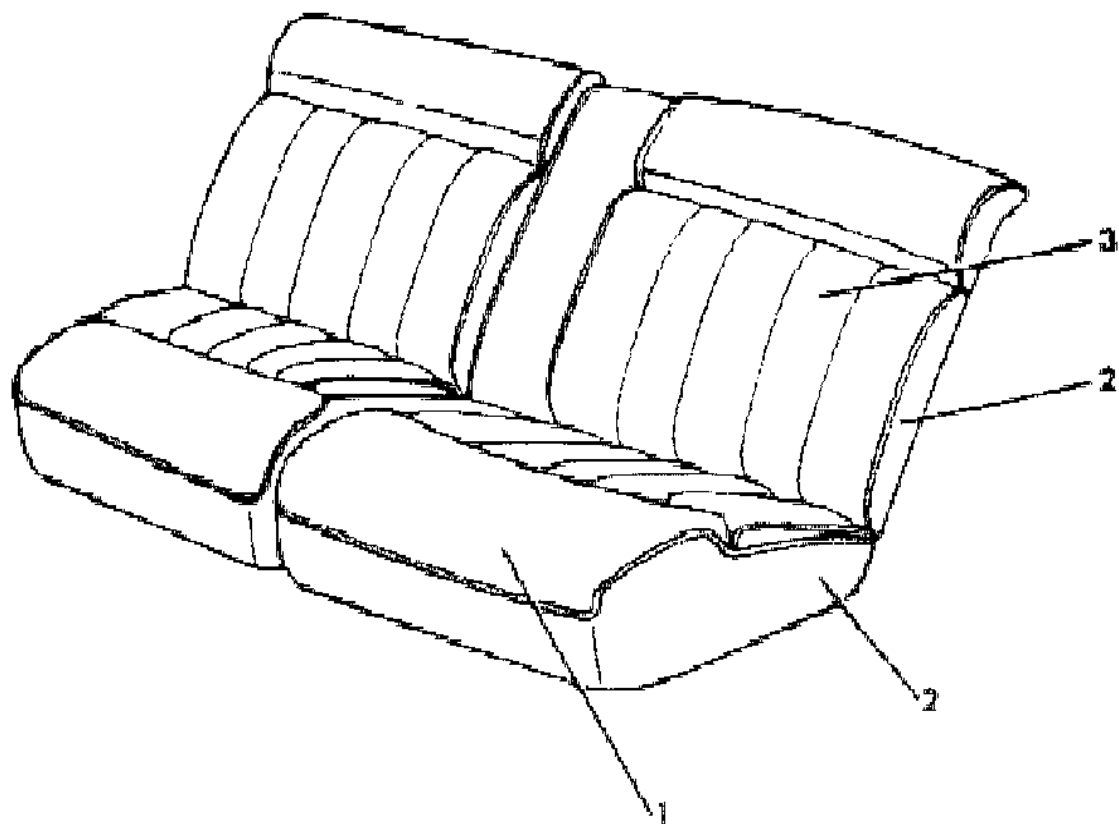
BODY STYLES

12-52 = FWD VAN & WAGON STD. W.B. 27 = 2-DOOR CONVERTIBLE
 13-53 = FWD VAN & WGN EXT W.B. 41 = 4-DOOR SEDAN
 21 = 2-DOOR SEDAN 44 = 4-DOOR HATCHBACK
 24 = 2-DOOR HATCHBACK 45 = 4-DOOR STATION WAGON

AR = Use as Required - = Non Illustrated Part P.A.R. = Paint as Required

SEAT--REAR E BODY TRIM CODE FF
Figure ITE-2200

8238 2200



ITEM	PART NUMBER	QTY	BODY	MODEL	DESCRIPTION
1-2					CUSHION, w/Spring, Frame, Pad and Cover
	C932 EFA	1			CLOTH Silver
	C932 FFC	1			Blue
	C932 FFE	1			Cordovan
1					COVER, Cushion
	C544 EFA	1			CLOTH Silver
	C544 FFC	1			Blue
	C544 FFE	1			Cordovan
2					ROLL STOCK, Cloth, 54" Order By The Inch
	R021 DA4	AR			Silver
	R021 FC5	AR			Blue
	R021 EE8	AR			Cordovan
2-3					BACK, w/Spring, Frame, Pad and Cover
	C929 EFA	1			CLOTH Silver
	C929 FFC	1			Blue
	C929 FFE	1			Cordovan
3					COVER, Back
	C543 EFA	1			CLOTH Silver
	C543 FFC	1			Blue
	C543 EFE	1			Cordovan
4	6008 076	AR			HOG RING

MODEL CODES

C BODY = (D41 - DYNASTY)(C41 - NEW YORKER)
 E BODY = (J - CARAVELLE)(E - 600)(T - NEW YORKER TURBO)
 G BODY = (V24 - DAYTONA, PACIFICA & SHELBY)
 H BODY = (D44 - LANCER)(C44 - LEBARON GTS)
 J BODY = (C - LEBARON)
 K BODY = (P - RELIANT)(D - ARIES)(C - LEBARON/ TOWN & COUNTRY)

L BODY = (M - HORIZON)(Z-OMNI)
 M BODY = (B - GRAN FURY)(G - DIPLOMAT)(F - FIFTH AVENUE/NEWPORT)
 P BODY = (P - SUNDANCE)(D - SHADOW)
 Q BODY = (C27 - MASERATI)
 S BODY = (H - VOYAGER)(K - RAM VAN/ CARAVAN)

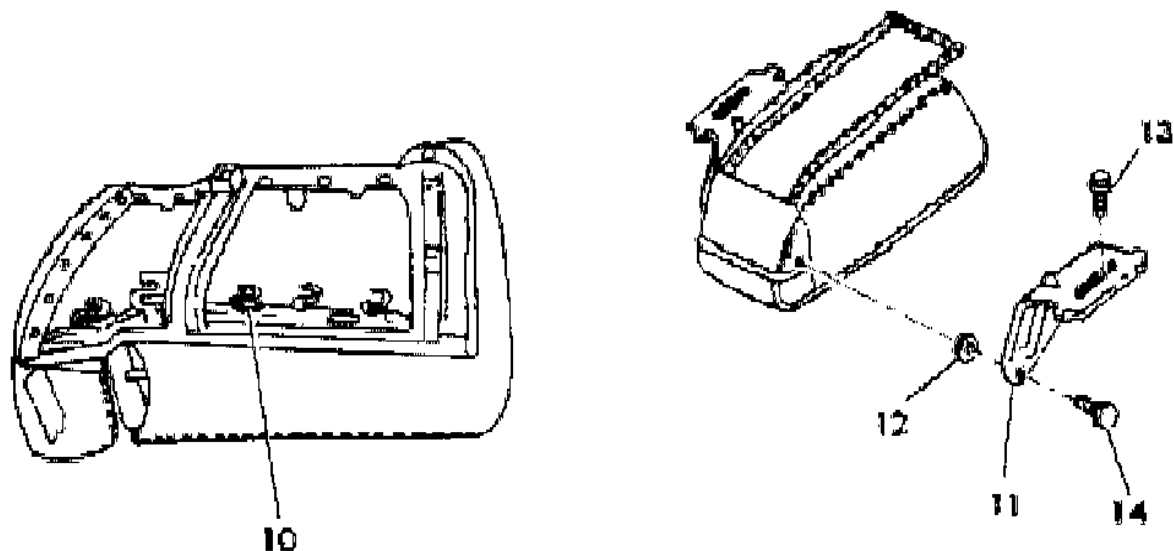
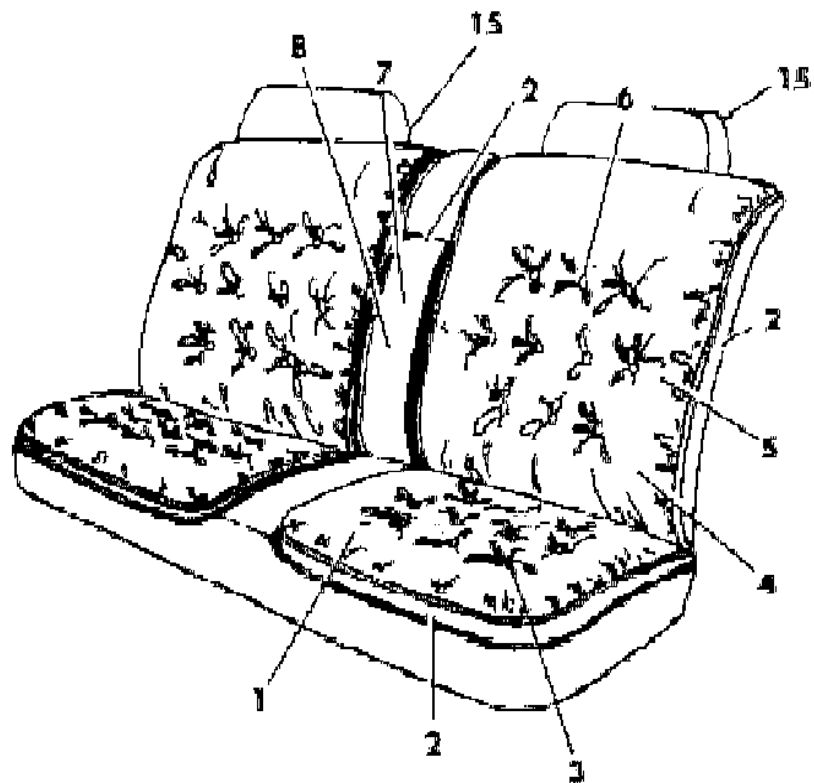
BODY STYLES

12-52 = FWD VAN & WAGON STD. W.B. 27 = 2-DOOR CONVERTIBLE
 13-53 = FWD VAN & WGN EXT W.B. 41 = 4-DOOR SEDAN
 21 = 2-DOOR SEDAN 44 = 4-DOOR HATCHBACK
 24 = 2-DOOR HATCHBACK 45 = 4-DOOR STATION WAGON

AR = Use as Required - = Non Illustrated Part P.A.R. = Paint as Required

SEAT--REAR E BODY TRIM CODES LF-LP
Figure ITE-2300

8238 2300



ITEM	PART NUMBER	QTY	BODY	MODEL	DESCRIPTION
1-3					CUSHION, w/Spring, Frame, Pad and Cover
	C972 FPC	1			LEATHER Blue, (LPC)
	C972 EPE	1			Cordovan, (LPE)
	C972 EPS	1			Charcoal, (LPS)
	C908 FFC	1			CLOTH Blue, (LFC)
	C908 FFE	1			Cordovan, (LFE)
	C908 FFS	1			Charcoal, (LFS)
1					COVER, Cushion
	C574 FPC	1			LEATHER Blue, (LPC)
	C574 EPE	1			Cordovan, (LPE)
	C574 EPS	1			Charcoal, (LPS)
	C553 FFC	1			CLOTH Blue, (LFC)
	C553 FFE	1			Cordovan, (LFE)
	C553 FFS	1			Charcoal, (LFS)
2					ROLL STOCK, Vinyl, 54" Order By The Inch
	R627 FC5	AR			Blue, (LPC)
	R627 EE8	AR			Cordovan, (LPE)
	R627 CS8	AR			Charcoal, (LPS)
	R035 FC5	AR			ROLL STOCK, Cloth, 62" Order By The Inch Blue, (LFC)
	R035 FE9	AR			Cordovan, (LFE)
	R035 ES8	AR			Charcoal, (LFS)
3					BUTTON, Cushion
	S845 FC5	AR			Blue, (LPC)
	S845 EE8	AR			Cordovan, (LPE)
	S845 CS8	AR			Charcoal, (LPS)
	G378 AC7	AR			Blue, (LFC)
	G378 EE8	AR			Cordovan, (LFE)
	G378 CS8	AR			Charcoal, (LFS)
4-6					BACK, w/Spring, Frame, Pad and Cover
	A717 FPC	1			LEATHER Blue, (LPC)
	A717 EPE	1			Cordovan, (LPE)

MODEL CODES

C BODY = (D41 - DYNASTY)(C41 - NEW YORKER)
E BODY = (J - CARAVELLE)(E - 600)(T - NEW YORKER TURBO)
G BODY = (V24 - DAYTONA, PACIFICA & SHELBY)
H BODY = (D44 - LANCER)(C44 - LEBARON GTS)
J BODY = (C - LEBARON)
K BODY = (P - RELIANT)(D - ARIES)(C - LEBARON/ TOWN & COUNTRY)

L BODY = (M - HORIZON)(Z-OMNI)
M BODY = (B - GRAN FURY)(G - DIPLOMAT)(F - FIFTH AVENUE/NEWPORT)
P BODY = (P - SUNDANCE)(D - SHADOW)
Q BODY = (C27 - MASERATI)
S BODY = (H - VOYAGER)(K - RAM VAN/ CARAVAN)

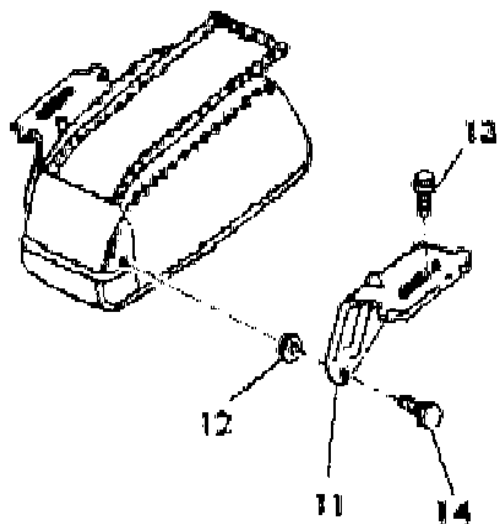
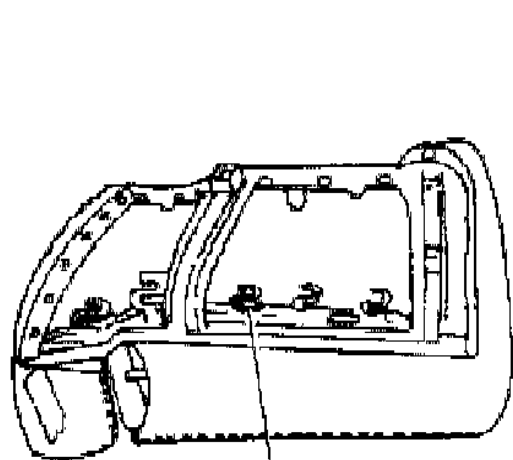
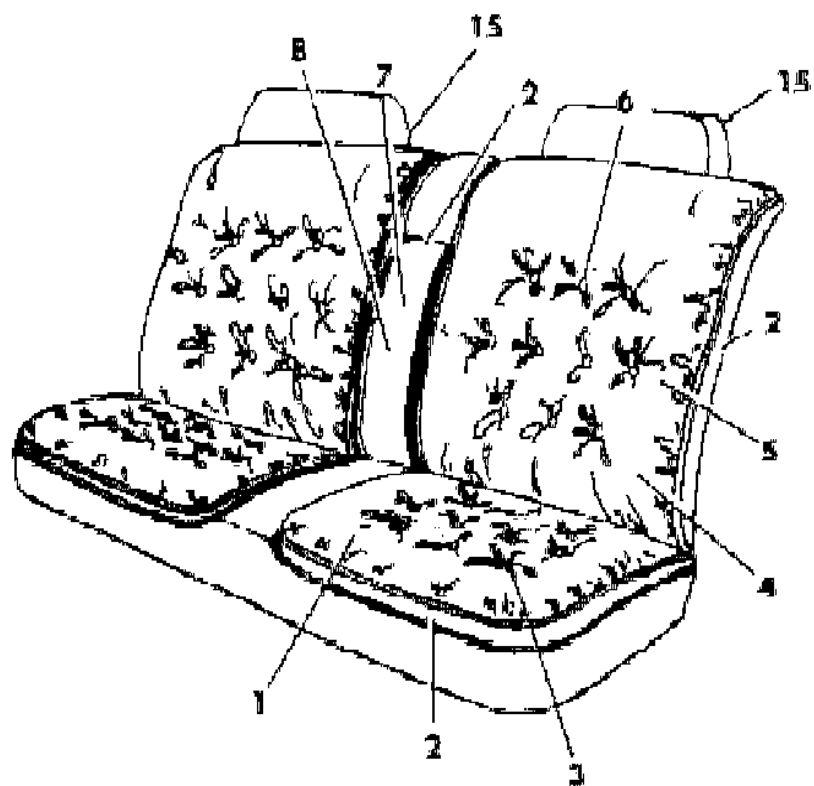
BODY STYLES

12-52 = FWD VAN & WAGON STD. W.B. 27 = 2-DOOR CONVERTIBLE
13-53 = FWD VAN & WGN EXT W.B. 41 = 4-DOOR SEDAN
21 = 2-DOOR SEDAN 44 = 4-DOOR HATCHBACK
24 = 2-DOOR HATCHBACK 45 = 4-DOOR STATION WAGON

AR = Use as Required - = Non Illustrated Part P.A.R. = Paint as Required

SEAT--REAR E BODY TRIM CODES LF-LP
Figure ITE-2300

8238 2300



ITEM	PART NUMBER	QTY	BODY	MODEL	DESCRIPTION
	A717 DPS	1			Charcoal, (LPS) CLOTH
	C909 FFC	1			Blue, (LFC)
	C909 FFE	1			Cordovan, (LFE)
	C909 FFS	1			Charcoal, (LFS)
5					COVER, Back LEATHER
	A419 FPC	1			Blue, (LPC)
	A419 EPE	1			Cordovan, (LPE)
	A419 DPS	1			Charcoal, (LPS) CLOTH
	C554 FFC	1			Blue, (LFC)
	C554 FFE	1			Cordovan, (LFE)
	C554 FFS	1			Charcoal, (LFS)
6					BUTTON, Back
	S845 FC5	AR			Blue, (LPC)
	S845 EE8	AR			Cordovan, (LPE)
	S845 CS8	AR			Charcoal, (LPS)
	G378 AC7	AR			Blue, (LFC)
	G378 EE8	AR			Cordovan, (LFE)
	G378 CS8	AR			Charcoal, (LFS)
7					ARMREST
	A515 FC5	1			Blue, (LPC)
	A515 EE8	1			Cordovan, (LPE)
	A515 DS8	1			Charcoal, (LPS)
	A514 FC5	1			Blue, (LFC)
	A514 EE8	1			Cordovan, (LFE)
	A514 DS8	1			Charcoal, (LFS)
8					COVER, Armrest
	A507 FPC	1			Blue, (LPC)
	A507 EPE	1			Cordovan, (LPE)
	A507 DPS	1			Charcoal, (LPS)
	A506 FFC	1			Blue, (LFC)
	A506 FFE	1			Cordovan, (LFE)
	A506 DFS	1			Charcoal, (LFS)
9	4029 901	AR			WASHER, Button Stud
10	6008 076	AR			HOG RING

MODEL CODES

C BODY = (D41 - DYNASTY)(C41 - NEW YORKER)
 E BODY = (J - CARAVELLE)(E - 600)(T - NEW YORKER TURBO)
 G BODY = (V24 - DAYTONA, PACIFICA & SHELBY)
 H BODY = (D44 - LANCER)(C44 - LEBARON GTS)
 J BODY = (C - LEBARON)
 K BODY = (P - RELIANT)(D - ARIES)(C - LEBARON/ TOWN & COUNTRY)

L BODY = (M - HORIZON)(Z-OMNI)
 M BODY = (B - GRAN FURY)(G - DIPLOMAT)(F - FIFTH AVENUE/NEWPORT)
 P BODY = (P - SUNDANCE)(D - SHADOW)
 Q BODY = (C27 - MASERATI)
 S BODY = (H - VOYAGER)(K - RAM VAN/ CARAVAN)

BODY STYLES

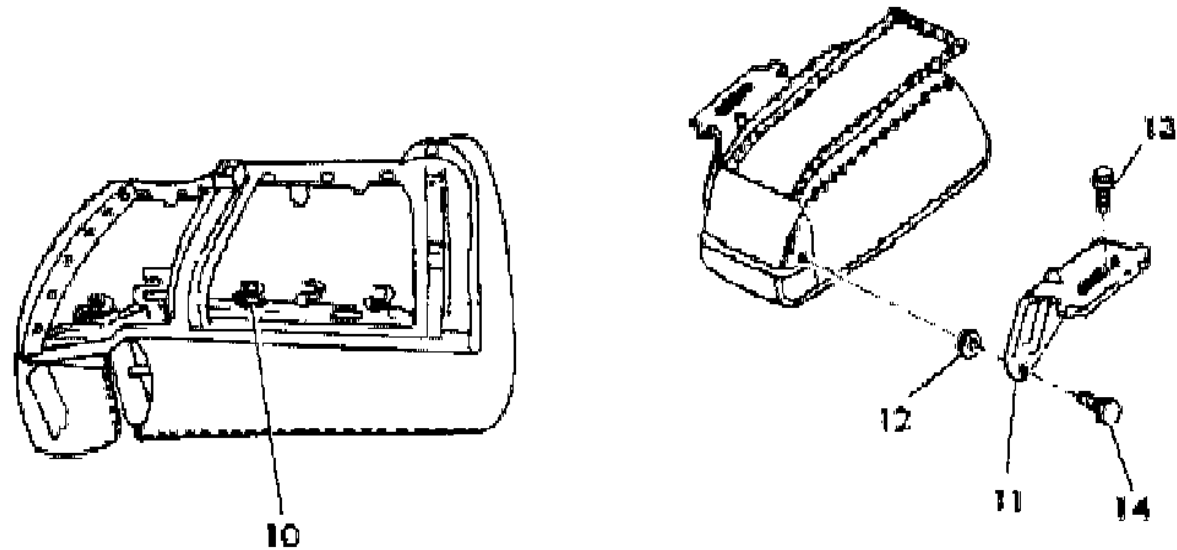
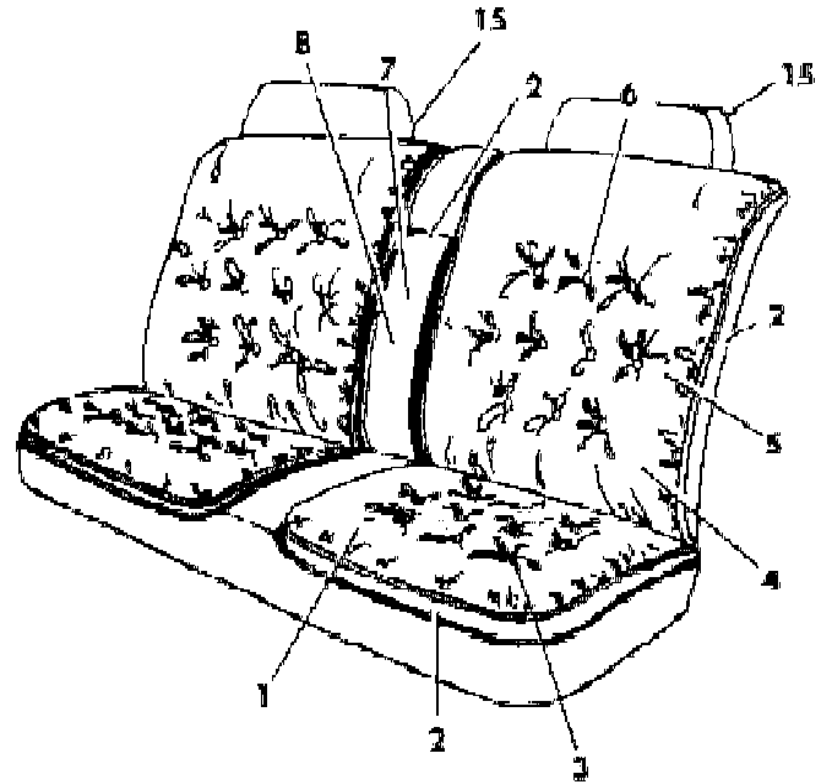
12-52 = FWD VAN & WAGON STD. W.B. 27 = 2-DOOR CONVERTIBLE
 13-53 = FWD VAN & WGN EXT W.B. 41 = 4-DOOR SEDAN
 21 = 2-DOOR SEDAN 44 = 4-DOOR HATCHBACK
 24 = 2-DOOR HATCHBACK 45 = 4-DOOR STATION WAGON

AR = Use as Required - = Non Illustrated Part P.A.R. = Paint as Required

SEAT--REAR E BODY TRIM CODES LF-LP
Figure ITE-2300

8238 2300

ITEM	PART NUMBER	QTY	BODY	MODEL	DESCRIPTION
11	4098 764-5	1			HINGE, Armrest
12	6031 537	2			WASHER
13	0181 063	2			SCREW
14	6026 584	2			SCREW, (Shoulder Type)
15					HEADREST, (Serv. w/Back)



MODEL CODES

C BODY = (D41 - DYNASTY)(C41 - NEW YORKER)
 E BODY = (J - CARAVELLE)(E - 600)(T - NEW YORKER TURBO)
 G BODY = (V24 - DAYTONA, PACIFICA & SHELBY)
 H BODY = (D44 - LANCER)(C44 - LEBARON GTS)
 J BODY = (C - LEBARON)
 K BODY = (P - RELIANT)(D - ARIES)(C - LEBARON/ TOWN & COUNTRY)

L BODY = (M - HORIZON)(Z-OMNI)
 M BODY = (B - GRAN FURY)(G - DIPLOMAT)(F - FIFTH AVENUE/NEWPORT)
 P BODY = (P - SUNDANCE)(D - SHADOW)
 Q BODY = (C27 - MASERATI)
 S BODY = (H - VOYAGER)(K - RAM VAN/ CARAVAN)

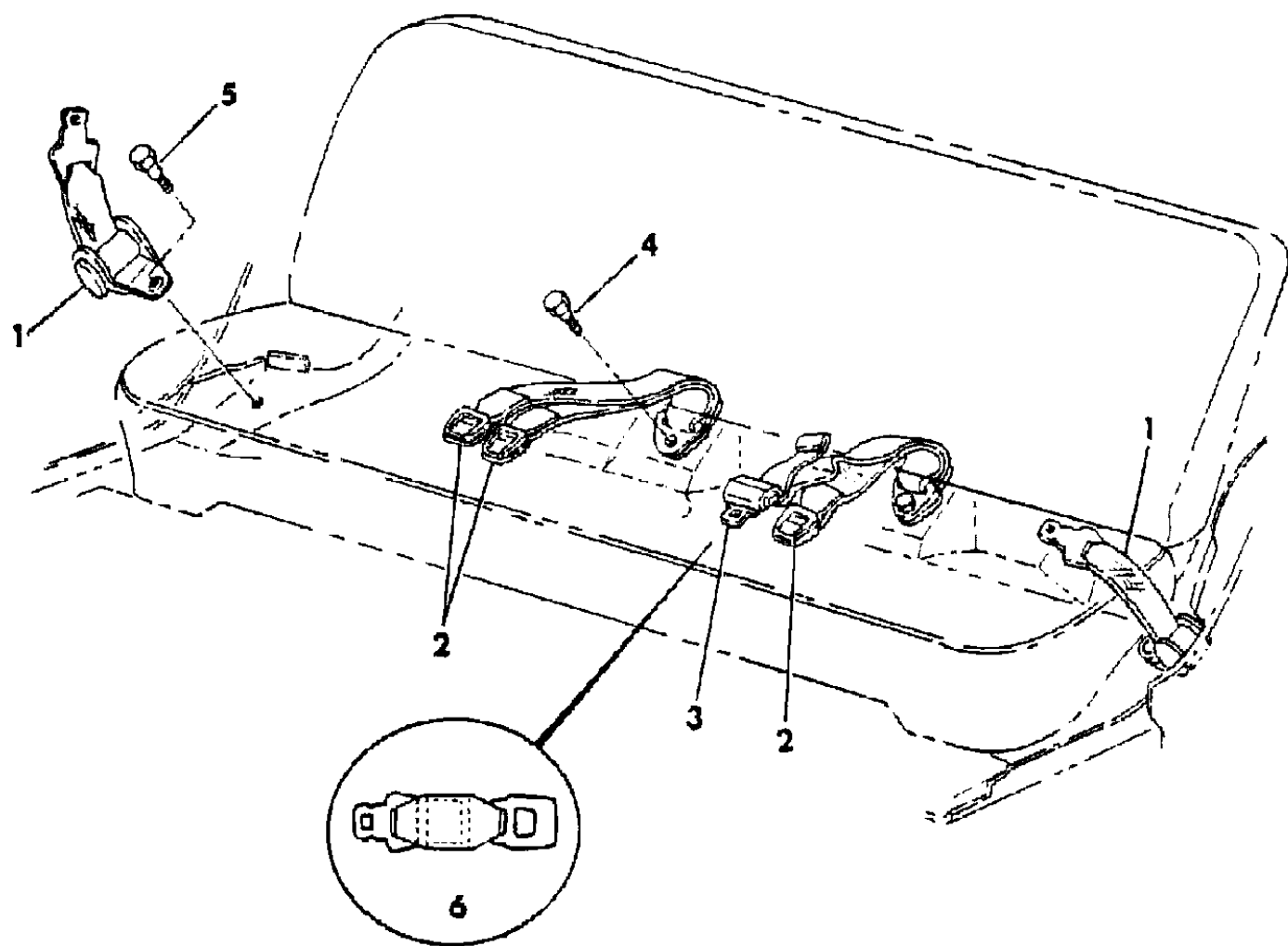
BODY STYLES

12-52 = FWD VAN & WAGON STD. W.B. 27 = 2-DOOR CONVERTIBLE
 13-53 = FWD VAN & WGN EXT W.B. 41 = 4-DOOR SEDAN
 21 = 2-DOOR SEDAN 44 = 4-DOOR HATCHBACK
 24 = 2-DOOR HATCHBACK 45 = 4-DOOR STATION WAGON

AR = Use as Required - = Non Illustrated Part P.A.R. = Paint as Required

BELT--REAR SEAT E BODY
Figure ITE-2400

8238 2400



ITEM	PART NUMBER	QTY	BODY	MODEL	DESCRIPTION
1					BELT, Outboard Tip Half
					LABEL NUMBER 4317069
	F724 DA3	2			Silver
	F724 FC5	2			Blue
	F724 EE8	2			Cordovan
	F724 DS8	2			Charcoal
2					BELT, Buckle Inner, Right
					LABEL NUMBER 4316754
	F710 BA3	1			Silver
	F710 FC5	1			Blue
	F710 EE8	1			Cordovan
	F710 CS8	1			Charcoal
3					BELT, Buckle and Tip, Left
					LABEL NUMBER 4316767
	F717 BA3	1			Silver
	F717 FC5	1			Blue
	F717 EE8	1			Cordovan
	F717 CS8	1			Charcoal
4	6031 298	2			BOLT
5	6031 484	2			BOLT
6	4364 849	1			EXTENSION, Rear Seat Belt
	4519 077	AR			ANCHOR PACKAGE, Taether, Child Restraint ***

MODEL CODES

C BODY = (D41 - DYNASTY)(C41 - NEW YORKER)	L BODY = (M - HORIZON)(Z-OMNI)
E BODY = (J - CARAVELLE)(E - 600)(T - NEW YORKER TURBO)	M BODY = (B - GRAN FURY)(G - DIPLOMAT)(F - FIFTH AVENUE/NEWPORT)
G BODY = (V24 - DAYTONA, PACIFICA & SHELBY)	P BODY = (P - SUNDANCE)(D - SHADOW)
H BODY = (D44 - LANCER)(C44 - LEBARON GTS)	Q BODY = (C27 - MASERATI)
J BODY = (C - LEBARON)	S BODY = (H - VOYAGER)(K - RAM VAN/ CARAVAN)
K BODY = (P - RELIANT)(D - ARIES)(C - LEBARON/ TOWN & COUNTRY)	

BODY STYLES

12-52 = FWD VAN & WAGON STD. W.B.	27 = 2-DOOR CONVERTIBLE
13-53 = FWD VAN & WGN EXT W.B.	41 = 4-DOOR SEDAN
21 = 2-DOOR SEDAN	44 = 4-DOOR HATCHBACK
24 = 2-DOOR HATCHBACK	45 = 4-DOOR STATION WAGON

AR = Use as Required - = Non Illustrated Part P.A.R. = Paint as Required

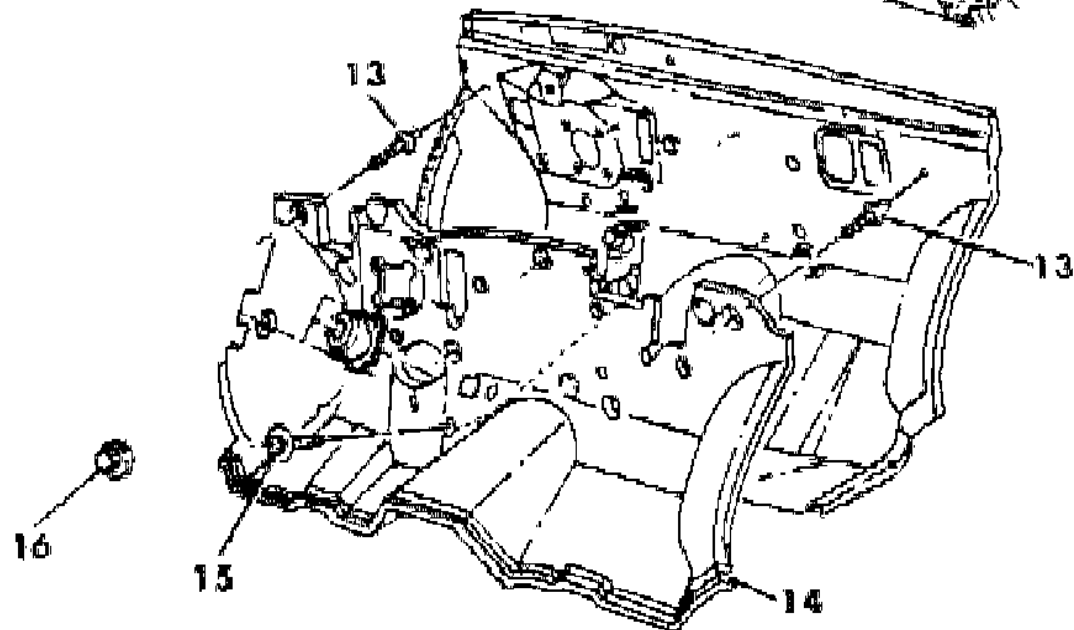
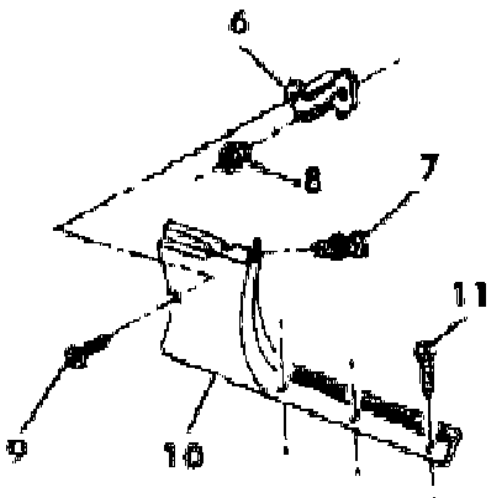
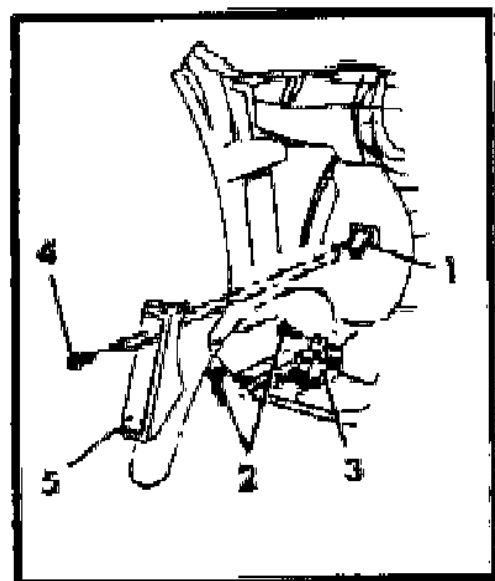
GROUP ITH - H BODY

ILLUSTRATION TITLE	GROUP-FIG. NO.
COWL PANEL AND SILENCERS H BODY	Fig. ITH-100
HEADLINER VISOR AND SHELF PANEL H BODY	Fig. ITH-200
MOULDING--GARNISH H BODY	Fig. ITH-300
B PILLAR TRIM H BODY	Fig. ITH-400
PANEL QUARTER AND LIFT GATE TRIM LOWER H BODY	Fig. ITH-500
LIFT GATE TRIM H BODY	Fig. ITH-600
CARPET AND SILENCERS H BODY	Fig. ITH-700
SCUFF PLATES H BODY	Fig. ITH-800
DOOR TRIM--FRONT H BODY	Fig. ITH-900
DOOR TRIM PANEL--REAR H BODY	Fig. ITH-1000
SEAT--FRONT H BODY TRIM CODE M7	Fig. ITH-1100
SEAT--FRONT H BODY TRIM CODE E7	Fig. ITH-1200
SEAT--FRONT H BODY TRIM CODE C7	Fig. ITH-1300
SEAT--FRONT H BODY TRIM CODE HL	Fig. ITH-1400
BELT--FRONT SEAT H BODY	Fig. ITH-1500
SEAT--RECLINING H BODY	Fig. ITH-1600
ADJUSTER--MANUAL H BODY	Fig. ITH-1700
COVERS--ADJUSTER MANUAL H BODY	Fig. ITH-1800
ADJUSTER--ELECTRIC H BODY	Fig. ITH-1900
COVERS--ADJUSTER ELECTRIC H BODY	Fig. ITH-2000
SEAT--REAR H BODY TRIM CODES M7-E7	Fig. ITH-2100
SEAT--REAR H BODY TRIM CODES C7-HL	Fig. ITH-2200
BELT--REAR SEAT H BODY	Fig. ITH-2300
SEAT--REAR FOLD DOWN H BODY	Fig. ITH-2400
LOCKING SYSTEM--REAR SEAT FOLD DOWN H BODY	Fig. ITH-2500

ILLUSTRATION NOT AVAILABLE AT TIME OF PUBLICATION

COWL PANEL AND SILENCERS H BODY
Figure ITH-100

8240 100



ITEM	PART NUMBER	QTY	BODY	MODEL	DESCRIPTION
1	4410 559	1			BRACKET, Footrest Support Upper
2		AR			SCREW, (10-16x3/4) (Not Serv.)
3	4410 560	1			BRACKET, Footrest Lower
4		AR			SCREW, (8-18x3/4) (Not Srev.)
5	4248 717	1			FOOTREST
6	4282 434	1			BRACKET, Cowl Right Side
7					FASTENER
	F155 EC5	AR			Blue
	F155 GR8	AR			Red
	F155 GL7	AR			Taupe
	F155 CS8	AR			Charcoal
8					NUT and WASHER, (See Group 8)
9					SCREW, (8-18x3/4) (Not Serv.)
10					COWL and SCUFF PLATE
					RIGHT
	V360 FC5	1			Blue
	V360 GR8	1			Red
	V360 GL7	1			Taupe
	V360 FS8	1			Charcoal
					LEFT
	F301 FC5	1			Blue
	F301 EE8	1			Red
	F301 GL7	1			Taupe
	F301 FS8	1			Charcoal
11		AR			SCREW, (8-18x1) (Not Serv.)
12	4186 901	1			SILENCER, (36"x72" Cut To Fit)
13	6032 020	6			STUD
14	4416 202	1			LINER, Dash w/ or w/o A/C
15		AR			SCREW and WASHER, (8-18x.75) (Not Serv.)
16	6032 185	6			CAPLUG

MODEL CODES

C BODY = (D41 - DYNASTY)(C41 - NEW YORKER)
 E BODY = (J - CARAVELLE)(E - 600)(T - NEW YORKER TURBO)
 G BODY = (V24 - DAYTONA, PACIFICA & SHELBY)
 H BODY = (D44 - LANCER)(C44 - LEBARON GTS)
 J BODY = (C - LEBARON)
 K BODY = (P - RELIANT)(D - ARIES)(C - LEBARON/ TOWN & COUNTRY)

L BODY = (M - HORIZON)(Z-OMNI)
 M BODY = (B - GRAN FURY)(G - DIPLOMAT)(F - FIFTH AVENUE/NEWPORT)
 P BODY = (P - SUNDANCE)(D - SHADOW)
 Q BODY = (C27 - MASERATI)
 S BODY = (H - VOYAGER)(K - RAM VAN/ CARAVAN)

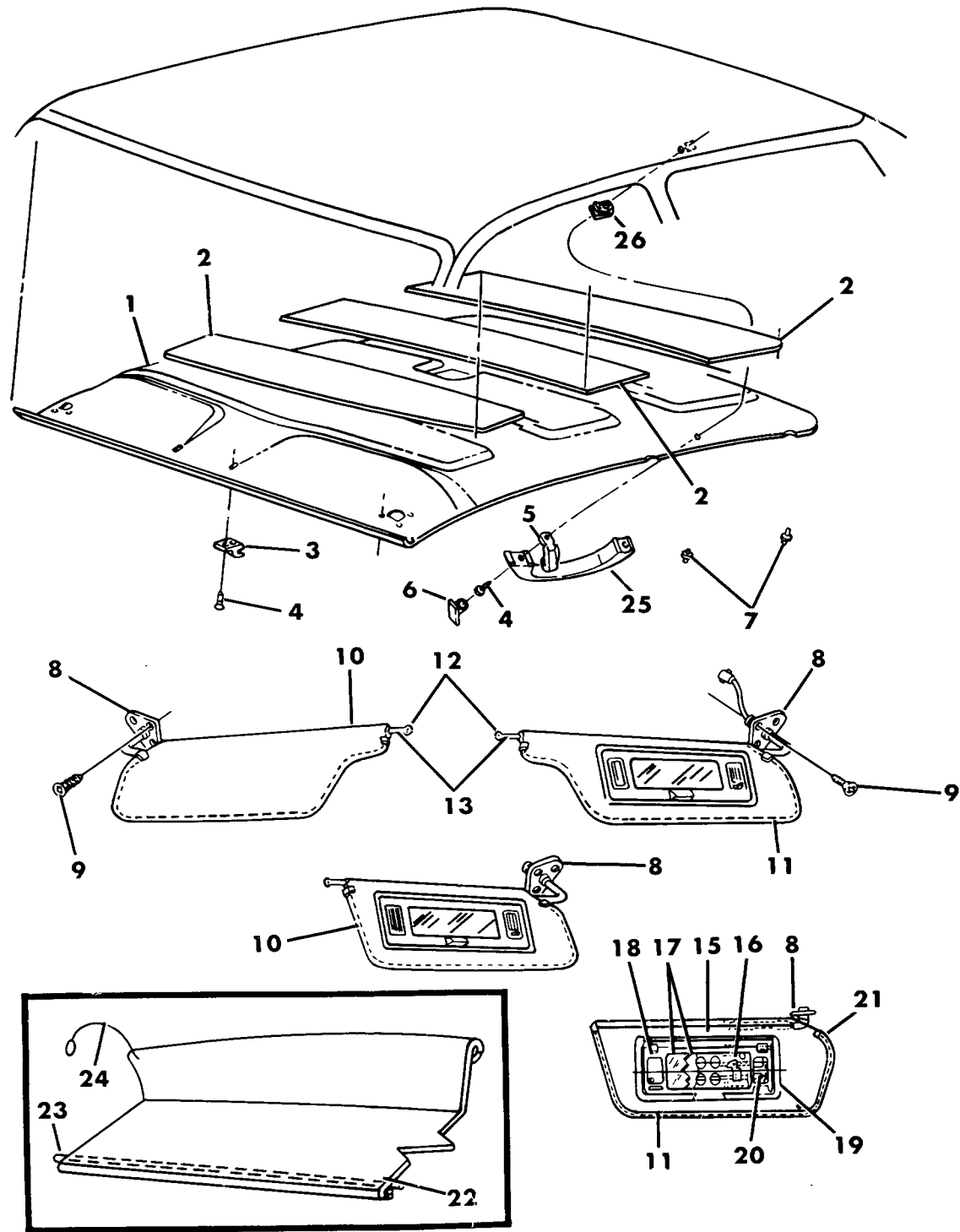
BODY STYLES

12-52 = FWD VAN & WAGON STD. W.B. 27 = 2-DOOR CONVERTIBLE
 13-53 = FWD VAN & WGN EXT W.B. 41 = 4-DOOR SEDAN
 21 = 2-DOOR SEDAN 44 = 4-DOOR HATCHBACK
 24 = 2-DOOR HATCHBACK 45 = 4-DOOR STATION WAGON

AR = Use as Required - = Non Illustrated Part P.A.R. = Paint as Required

HEADLINER VISOR AND SHELF PANEL H BODY
Figure ITH-200

8240 200A



ITEM	PART NUMBER	QTY	BODY	MODEL	DESCRIPTION
1					HEADLINER w/MANUAL SUNROOF w/ or w/o Sun Roof, (Cut To Fit)
	H527 FC5	1			Blue
	H527 GR8	1			Red
	H527 GL7	1			Taupe
	H527 FS8	1			Charcoal
2	4342 496	AR			SILENCER, Roof
3					CLIP, Visor
	H335 EC5	1			Blue
	H335 GR8	1			Red
	H335 GL7	1			Taupe
	H335 FS8	1			Charcoal
4					SCREW, (8-18x3/4) (Not Serv.)
5					HOOK, Coat
	H525 FC5	2			Blue
	H525 GR8	2			Red
	H525 GL7	2			Taupe
	H525 FS8	2			Charcoal
6					PLUG, Roof Grab Handle
	H526 FC5	6			Blue
	H526 GR8	6			Red
	H526 GL7	6			Taupe
	H526 FS8	6			Charcoal
7					FASTENER, Headliner
	H452 EC5	AR			Blue
	H452 GR8	AR			Red
	H452 EK1	AR			Taupe
	H452 CS8	AR			Charcoal
8	4247 868-9	1			ARM and BRACKET, w/non Illuminated Mirror
9	6032 584	6			SCREW, Visor Attaching
10					VISOR, w/Mirror w/o Map Pocket RIGHT
	H554 GC5	1			Blue
	H554 GR8	1			Red
	H554 GL7	1			Taupe
	H554 GS8	1			Charcoal

MODEL CODES

C BODY = (D41 - DYNASTY)(C41 - NEW YORKER)
E BODY = (J - CARAVELLE)(E - 600)(T - NEW YORKER TURBO)
G BODY = (V24 - DAYTONA, PACIFICA & SHELBY)
H BODY = (D44 - LANCER)(C44 - LEBARON GTS)
J BODY = (C - LEBARON)
K BODY = (P - RELIANT)(D - ARIES)(C - LEBARON/ TOWN & COUNTRY)

L BODY = (M - HORIZON)(Z-OMNI)
M BODY = (B - GRAN FURY)(G - DIPLOMAT)(F - FIFTH AVENUE/NEWPORT)
P BODY = (P - SUNDANCE)(D - SHADOW)
Q BODY = (C27 - MASERATI)
S BODY = (H - VOYAGER)(K - RAM VAN/ CARAVAN)

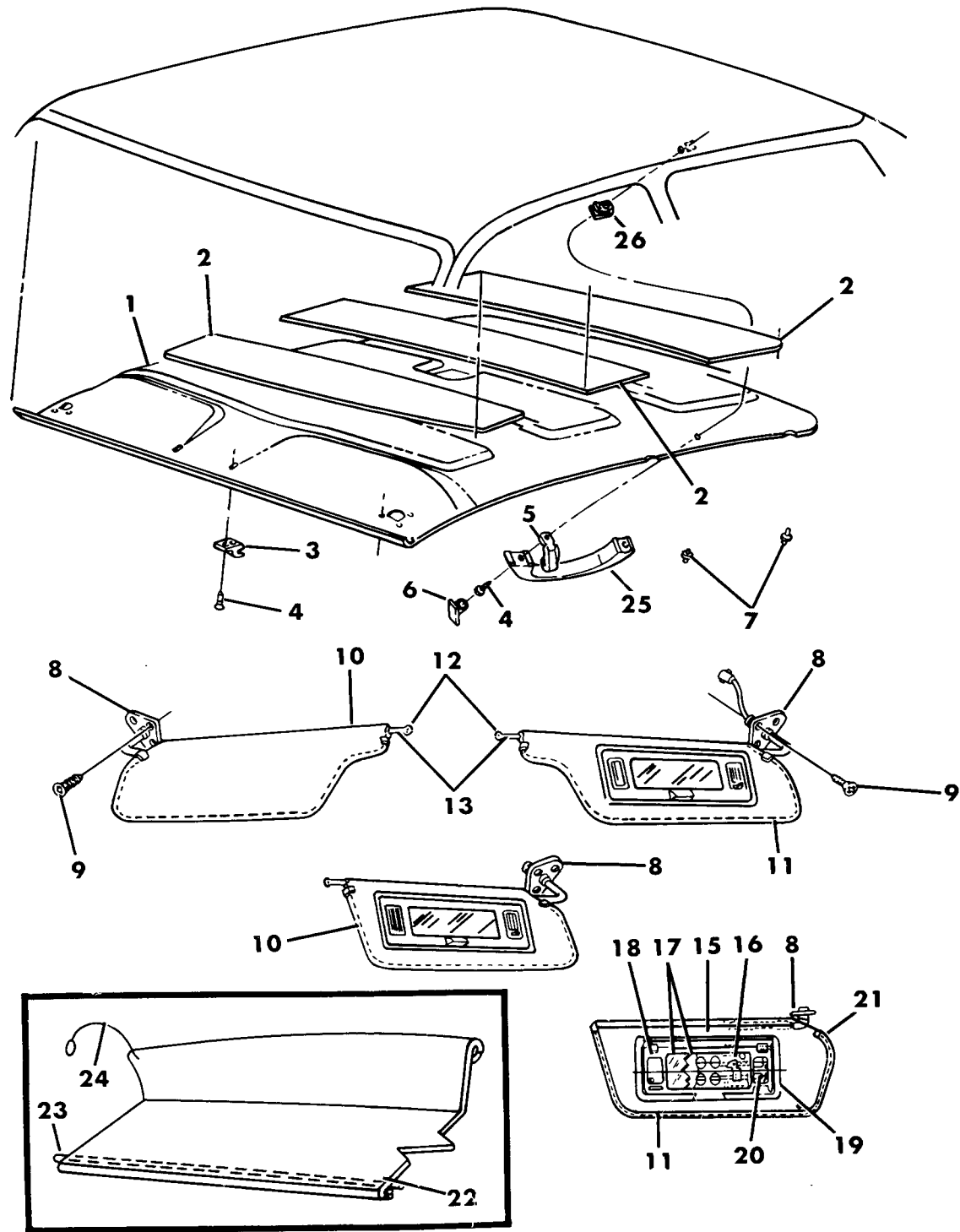
BODY STYLES

12-52 = FWD VAN & WAGON STD. W.B. 27 = 2-DOOR CONVERTIBLE
13-53 = FWD VAN & WGN EXT W.B. 41 = 4-DOOR SEDAN
21 = 2-DOOR SEDAN 44 = 4-DOOR HATCHBACK
24 = 2-DOOR HATCHBACK 45 = 4-DOOR STATION WAGON

AR = Use as Required - = Non Illustrated Part P.A.R. = Paint as Required

HEADLINER VISOR AND SHELF PANEL H BODY
Figure ITH-200

8240 200A



ITEM	PART NUMBER	QTY	BODY	MODEL	DESCRIPTION
					w/Mirror and Map Pocket
					LEFT
	H555 GC5	1			Blue
	H555 GR8	1			Red
	H555 GL7	1			Taupe
	H555 GS8	1			Charcoal
11					VISOR, w/Illuminated Mirror, Right
	H574 FC5	1			Blue
	H574 GR8	1			Red
	H574 GL7	1			Taupe
	H574 FS8	1			Charcoal
					w/Illuminated Mirror, Left
	H575 FC5	1			Blue
	H575 GR8	1			Red
	H575 GL7	1			Taupe
	H575 FS8	1			Charcoal
					Sub Assy. Illuminated Mirror
					RIGHT
	H576 FC5	1			Blue
	H764 GR8	1			Red
	H764 GL7	1			Taupe
	H765 FS8	1			Charcoal
					LEFT
	H765 FC5	1			Blue
	H765 GR8	1			Red
	H765 FK1	1			Almond
	H765 FS8	1			Charcoal
12	4282 339				SUPPORT, Visor Inner
13					TIP, Visor Support
	H315 EC5	2			Blue
	H315 GR8	2			Red
	H315 GL7	2			Taupe
	H315 FS8	2			Charcoal
15					VANITY, Illuminated Mirror
	H640 FC5	1			Blue
	H640 GR8	1			Red
	H640 GL7	1			Taupe

MODEL CODES

C BODY = (D41 - DYNASTY)(C41 - NEW YORKER)
 E BODY = (J - CARAVELLE)(E - 600)(T - NEW YORKER TURBO)
 G BODY = (V24 - DAYTONA, PACIFICA & SHELBY)
 H BODY = (D44 - LANCER)(C44 - LEBARON GTS)
 J BODY = (C - LEBARON)
 K BODY = (P - RELIANT)(D - ARIES)(C - LEBARON/ TOWN & COUNTRY)

L BODY = (M - HORIZON)(Z-OMNI)
 M BODY = (B - GRAN FURY)(G - DIPLOMAT)(F - FIFTH AVENUE/NEWPORT)
 P BODY = (P - SUNDANCE)(D - SHADOW)
 Q BODY = (C27 - MASERATI)
 S BODY = (H - VOYAGER)(K - RAM VAN/ CARAVAN)

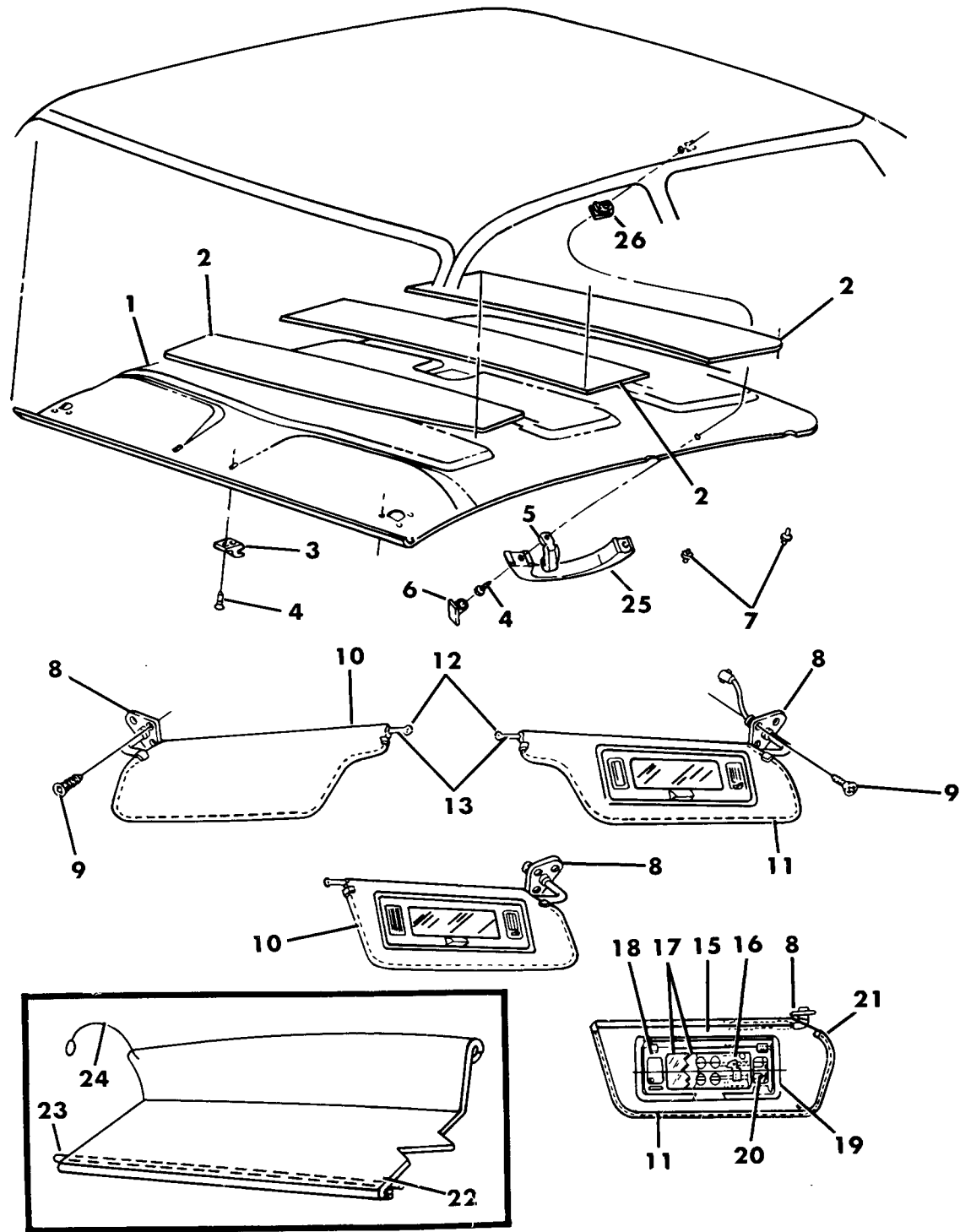
BODY STYLES

12-52 = FWD VAN & WAGON STD. W.B. 27 = 2-DOOR CONVERTIBLE
 13-53 = FWD VAN & WGN EXT W.B. 41 = 4-DOOR SEDAN
 21 = 2-DOOR SEDAN 44 = 4-DOOR HATCHBACK
 24 = 2-DOOR HATCHBACK 45 = 4-DOOR STATION WAGON

AR = Use as Required - = Non Illustrated Part P.A.R. = Paint as Required

HEADLINER VISOR AND SHELF PANEL H BODY
Figure ITH-200

8240 200A



ITEM	PART NUMBER	QTY	BODY	MODEL	DESCRIPTION
	H640 FS8	1			Charcoal
16		1			COMPONENT BOARD, Light Mirror, (Not Serv.)
17		1			MIRROR and BACK, (Not Serv.)
18	4410 693	1			LENS
19	#4166 976	2			HINGE, Spring
20	9421 330	4			BULB
21	1490 983	2			CLIP, Visor Panel End
22					PANEL, Shelf Trim
	H156 FC5	1			Blue
	H156 GR8	1			Red
	H156 GL7	1			Taupe
	H156 FS8	1			Charcoal
23	2789 037	2			TIP, Shelf Trim Panel Pivot
-	4282 641	2			PIN, Shelf Panel Pivot
24	4381 135	1			CORD, Shelf Panel
25					HANDLE, Roof Grab
	H784 FC5	3			Blue
	H784 GR8	3			Red
	H784 GL7	3			Taupe
	H784 FS8	3			Charcoal
26	6031 160	6			U-NUT

MODEL CODES

C BODY = (D41 - DYNASTY)(C41 - NEW YORKER)
 E BODY = (J - CARAVELLE)(E - 600)(T - NEW YORKER TURBO)
 G BODY = (V24 - DAYTONA, PACIFICA & SHELBY)
 H BODY = (D44 - LANCER)(C44 - LEBARON GTS)
 J BODY = (C - LEBARON)
 K BODY = (P - RELIANT)(D - ARIES)(C - LEBARON/ TOWN & COUNTRY)

L BODY = (M - HORIZON)(Z-OMNI)
 M BODY = (B - GRAN FURY)(G - DIPLOMAT)(F - FIFTH AVENUE/NEWPORT)
 P BODY = (P - SUNDANCE)(D - SHADOW)
 Q BODY = (C27 - MASERATI)
 S BODY = (H - VOYAGER)(K - RAM VAN/ CARAVAN)

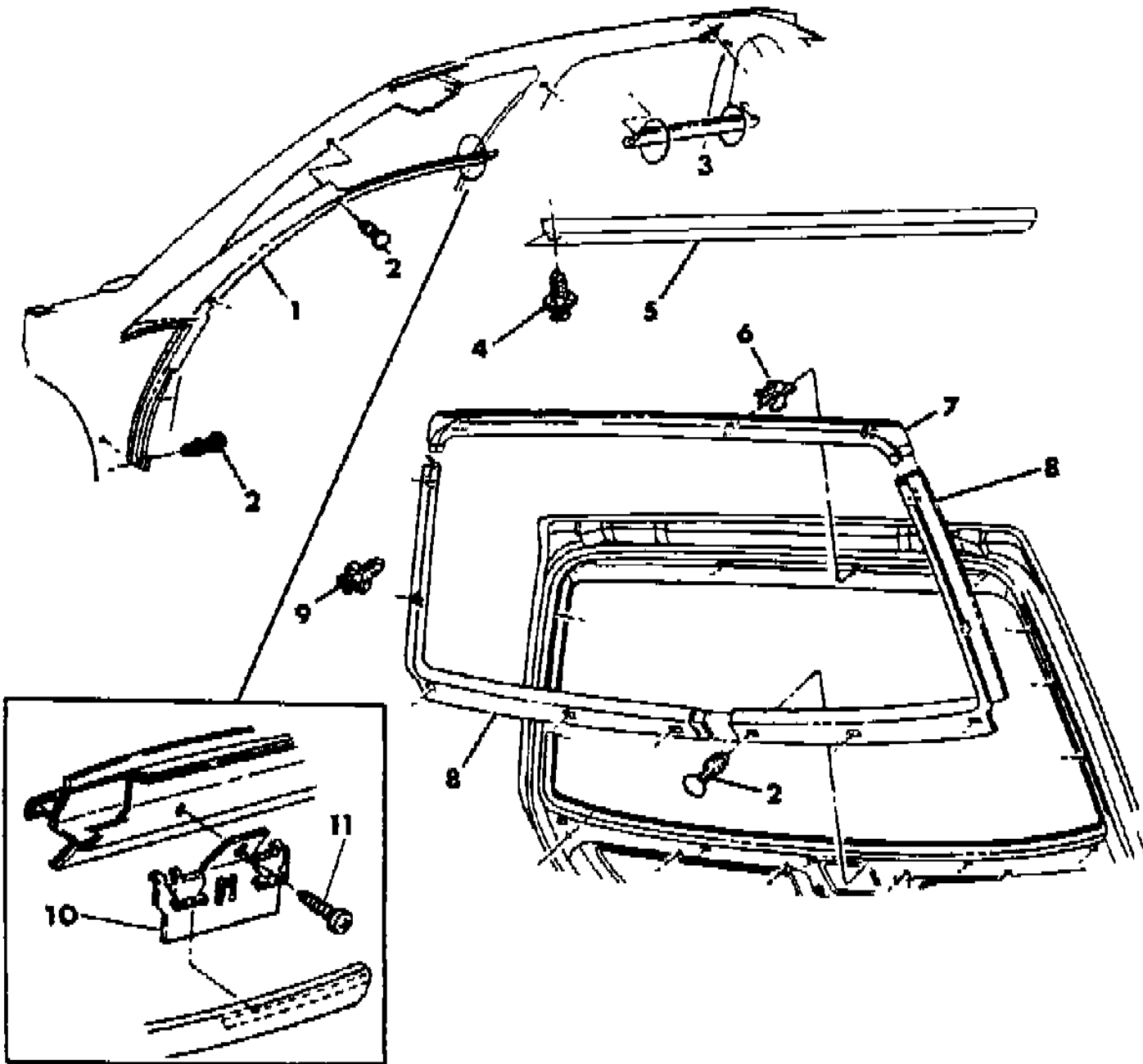
BODY STYLES

12-52 = FWD VAN & WAGON STD. W.B. 27 = 2-DOOR CONVERTIBLE
 13-53 = FWD VAN & WGN EXT W.B. 41 = 4-DOOR SEDAN
 21 = 2-DOOR SEDAN 44 = 4-DOOR HATCHBACK
 24 = 2-DOOR HATCHBACK 45 = 4-DOOR STATION WAGON

AR = Use as Required - = Non Illustrated Part P.A.R. = Paint as Required

MOULDING--GARNISH H BODY
Figure ITH-300

8240 300



ITEM	PART NUMBER	QTY	BODY	MODEL	DESCRIPTION
1	V346-7 GL7				PANEL, Windshield Side and Front Garnish Moulding w/Demister Louvers, (P.A.R.)
2	F155 EC5	AR			FASTENER Blue
	F155 GR8	AR			Red
	F155 GL7	AR			Taupe
	F155 CS8	AR			Charcoal
3	F132-3 FC5	1			MOULDING, Rear Door Roof Rail Blue
	F132-3 GR8	1			Red
	F132-3 GL7	1			Taupe
	F132-3 FS8	1			Charcoal
4	6032 456	AR			SCREW
5	4282 662	1			MOULDING, Liftgate Header (P.A.R.)
6	6501 292	AR			CLIP, Liftgate Moulding Attaching
7	H212 FC5	1			MOULDING, Liftgate Upper Trim Blue
	H212 GR8	1			Red
	H212 GL7	1			Taupe
	H212 FS8	1			Charcoal
8	H460-1 GL7	1			MOULDING, Liftgate Side and Lower w/o Heated Rear Window (P.A.R.)
	H160-1 GL7	1			w/Heated Rear Window, (P.A.R.) (Use Up To 5-1-88)
	H466-7 GL7	1			w/Heated Rear Window (P.A.R.) (Use After 5-1-88)
9	H285 EK3	2			HANGER, Shelf Panel Cord Attaching (P.A.R.)
10	4283 515	6			RETAINER, Roof Rail Moulding
11					SCREW, (8-18x1/2) (Not Serv.)

NOTE: (P.A.R.) = Paint As Required

MODEL CODES

C BODY = (D41 - DYNASTY)(C41 - NEW YORKER)
 E BODY = (J - CARAVELLE)(E - 600)(T - NEW YORKER TURBO)
 G BODY = (V24 - DAYTONA, PACIFICA & SHELBY)
 H BODY = (D44 - LANCER)(C44 - LEBARON GTS)
 J BODY = (C - LEBARON)
 K BODY = (P - RELIANT)(D - ARIES)(C - LEBARON/ TOWN & COUNTRY)

L BODY = (M - HORIZON)(Z-OMNI)
 M BODY = (B - GRAN FURY)(G - DIPLOMAT)(F - FIFTH AVENUE/NEWPORT)
 P BODY = (P - SUNDANCE)(D - SHADOW)
 Q BODY = (C27 - MASERATI)
 S BODY = (H - VOYAGER)(K - RAM VAN/ CARAVAN)

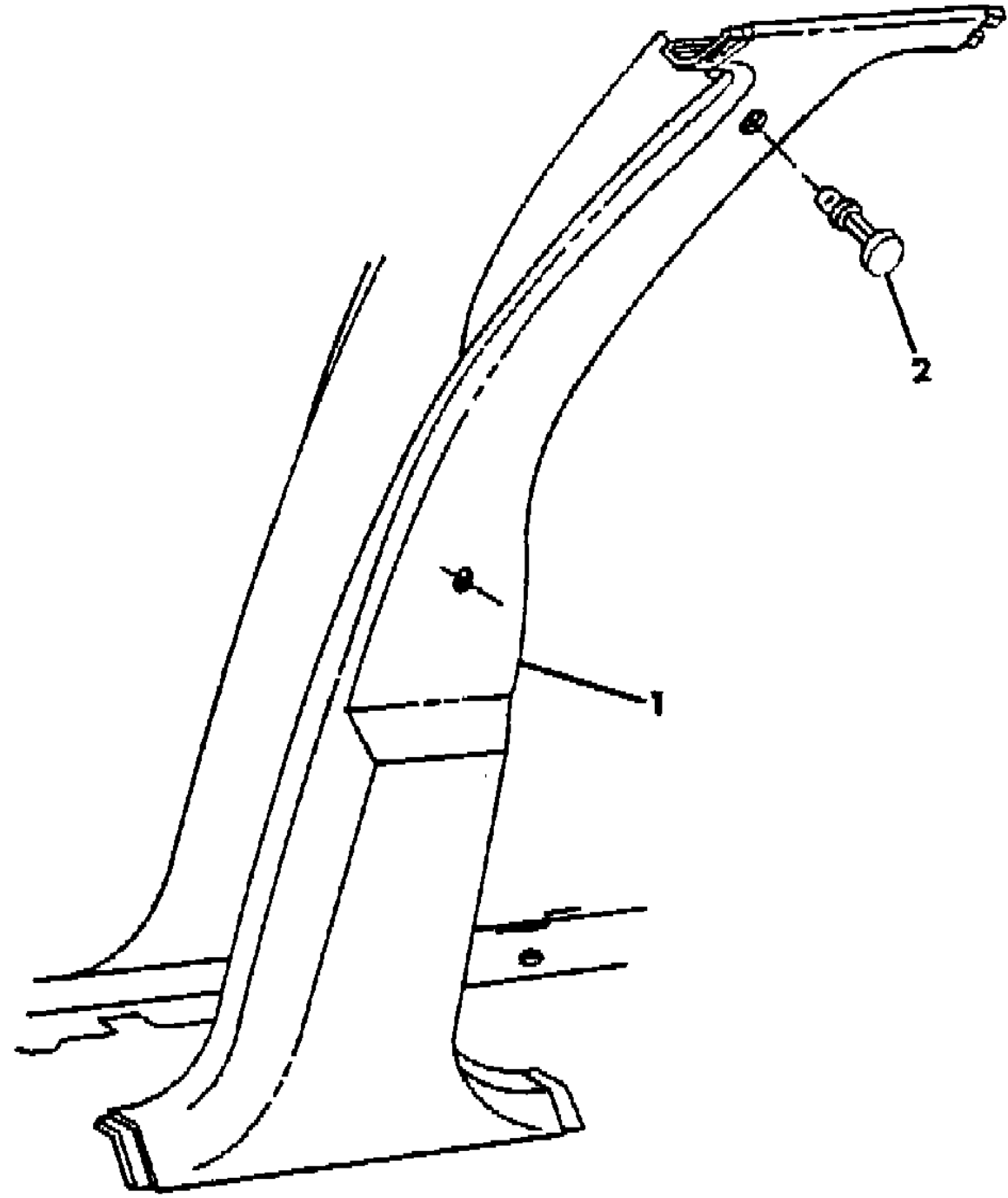
BODY STYLES

12-52 = FWD VAN & WAGON STD. W.B. 27 = 2-DOOR CONVERTIBLE
 13-53 = FWD VAN & WGN EXT W.B. 41 = 4-DOOR SEDAN
 21 = 2-DOOR SEDAN 44 = 4-DOOR HATCHBACK
 24 = 2-DOOR HATCHBACK 45 = 4-DOOR STATION WAGON

AR = Use as Required - = Non Illustrated Part P.A.R. = Paint as Required

B PILLAR TRIM H BODY
Figure ITH-400

8240 400



ITEM	PART NUMBER	QTY	BODY	MODEL	DESCRIPTION
1	V596-7 GL7	1			PANEL, Center Pillar Cover (P.A.R.)
2					FASTENER
	F155 EC5	AR			Blue
	F155 GR8	AR			Red
	F155 GL7	AR			Taupe
	F155 CS8	AR			Charcoal
NOTE: (P.A.R.) = Paint As Required					

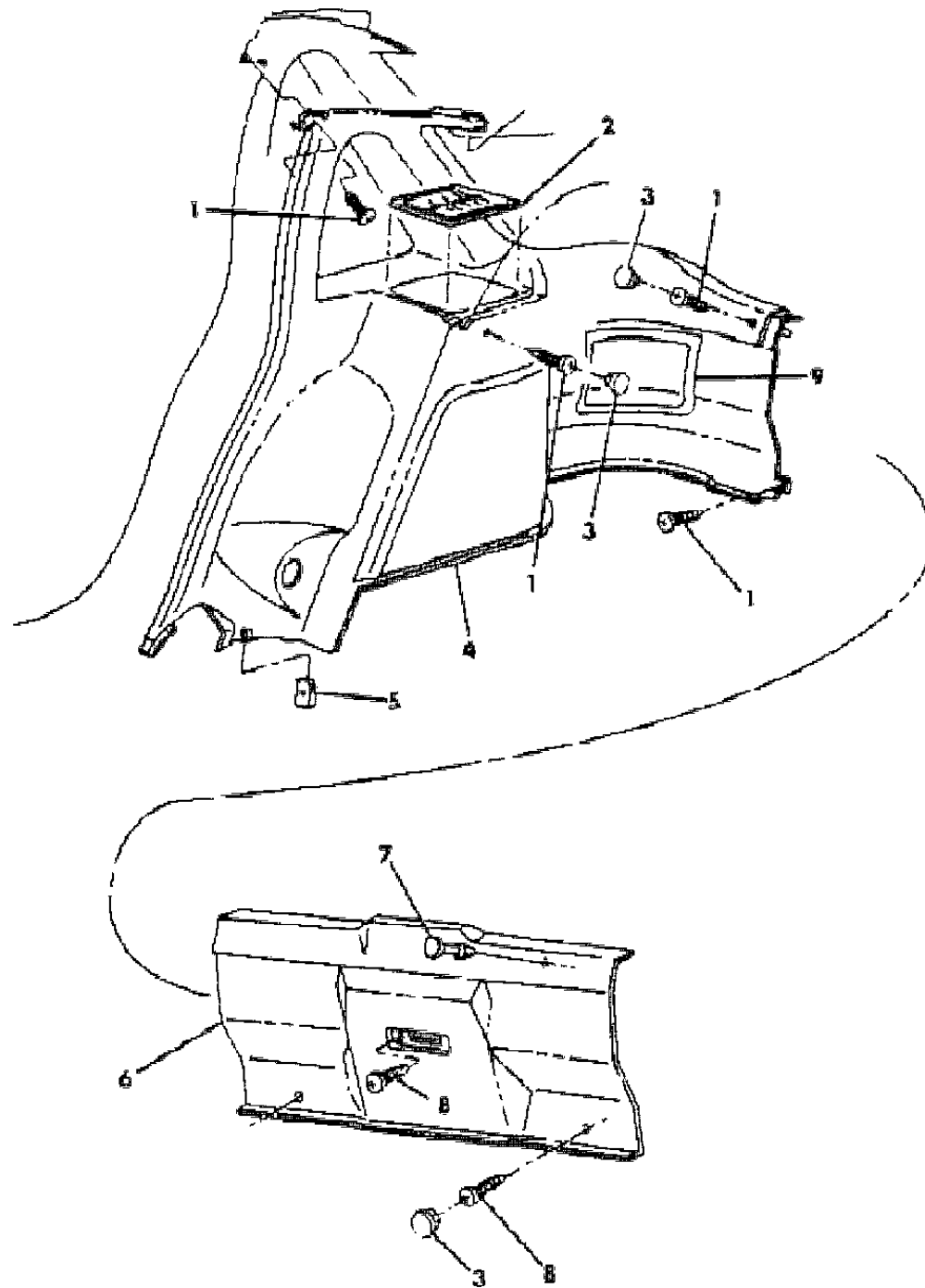
MODEL CODES
 C BODY = (D41 - DYNASTY)(C41 - NEW YORKER)
 E BODY = (J - CARAVELLE)(E - 600)(T - NEW YORKER TURBO)
 G BODY = (V24 - DAYTONA, PACIFICA & SHELBY)
 H BODY = (D44 - LANCER)(C44 - LEBARON GTS)
 J BODY = (C - LEBARON)
 K BODY = (P - RELIANT)(D - ARIES)(C - LEBARON/ TOWN & COUNTRY)
 L BODY = (M - HORIZON)(Z-OMNI)
 M BODY = (B - GRAN FURY)(G - DIPLOMAT)(F - FIFTH AVENUE/NEWPORT)
 P BODY = (P - SUNDANCE)(D - SHADOW)
 Q BODY = (C27 - MASERATI)
 S BODY = (H - VOYAGER)(K - RAM VAN/ CARAVAN)

BODY STYLES
 12-52 = FWD VAN & WAGON STD. W.B. 27 = 2-DOOR CONVERTIBLE
 13-53 = FWD VAN & WGN EXT W.B. 41 = 4-DOOR SEDAN
 21 = 2-DOOR SEDAN 44 = 4-DOOR HATCHBACK
 24 = 2-DOOR HATCHBACK 45 = 4-DOOR STATION WAGON

AR = Use as Required - = Non Illustrated Part P.A.R. = Paint as Required

PANEL QUARTER AND LIFT GATE TRIM LOWER H BODY
Figure ITH-500

8240 500



ITEM	PART NUMBER	QTY	BODY	MODEL	DESCRIPTION
1					SCREW, (8-15x1/2) (Not Serv.)
2	H420-1 EK1	1			GRILLE, Rear Compartment Speaker (P.A.R.)
3	F245 CA3	AR			PLUG, (P.A.R.)
4	K602-3 GL7	1			PANEL, Quarter Trim (P.A.R.)
5	0152 490	2			U-NUT
6	H177 EK1	1			PANEL, Liftgate Opening Lower (P.A.R.)
7					FASTENER
	F155 EC5	AR			Blue
	F155 GR8	AR			Red
	F155 GL7	AR			Taupe
	F155 CS8	AR			Charcoal
8		AR			SCREW, (8-15x1) (Not Serv.)
9	F062-3 EK1	1			DOOR, Quarter Panel Access (P.A.R.)

NOTE: (P.A.R.) = Paint As Required

MODEL CODES

C BODY = (D41 - DYNASTY)(C41 - NEW YORKER)
 E BODY = (J - CARAVELLE)(E - 600)(T - NEW YORKER TURBO)
 G BODY = (V24 - DAYTONA, PACIFICA & SHELBY)
 H BODY = (D44 - LANCER)(C44 - LEBARON GTS)
 J BODY = (C - LEBARON)
 K BODY = (P - RELIANT)(D - ARIES)(C - LEBARON/ TOWN & COUNTRY)
 L BODY = (M - HORIZON)(Z-OMNI)
 M BODY = (B - GRAN FURY)(G - DIPLOMAT)(F - FIFTH AVENUE/NEWPORT)
 P BODY = (P - SUNDANCE)(D - SHADOW)
 Q BODY = (C27 - MASERATI)
 S BODY = (H - VOYAGER)(K - RAM VAN/ CARAVAN)

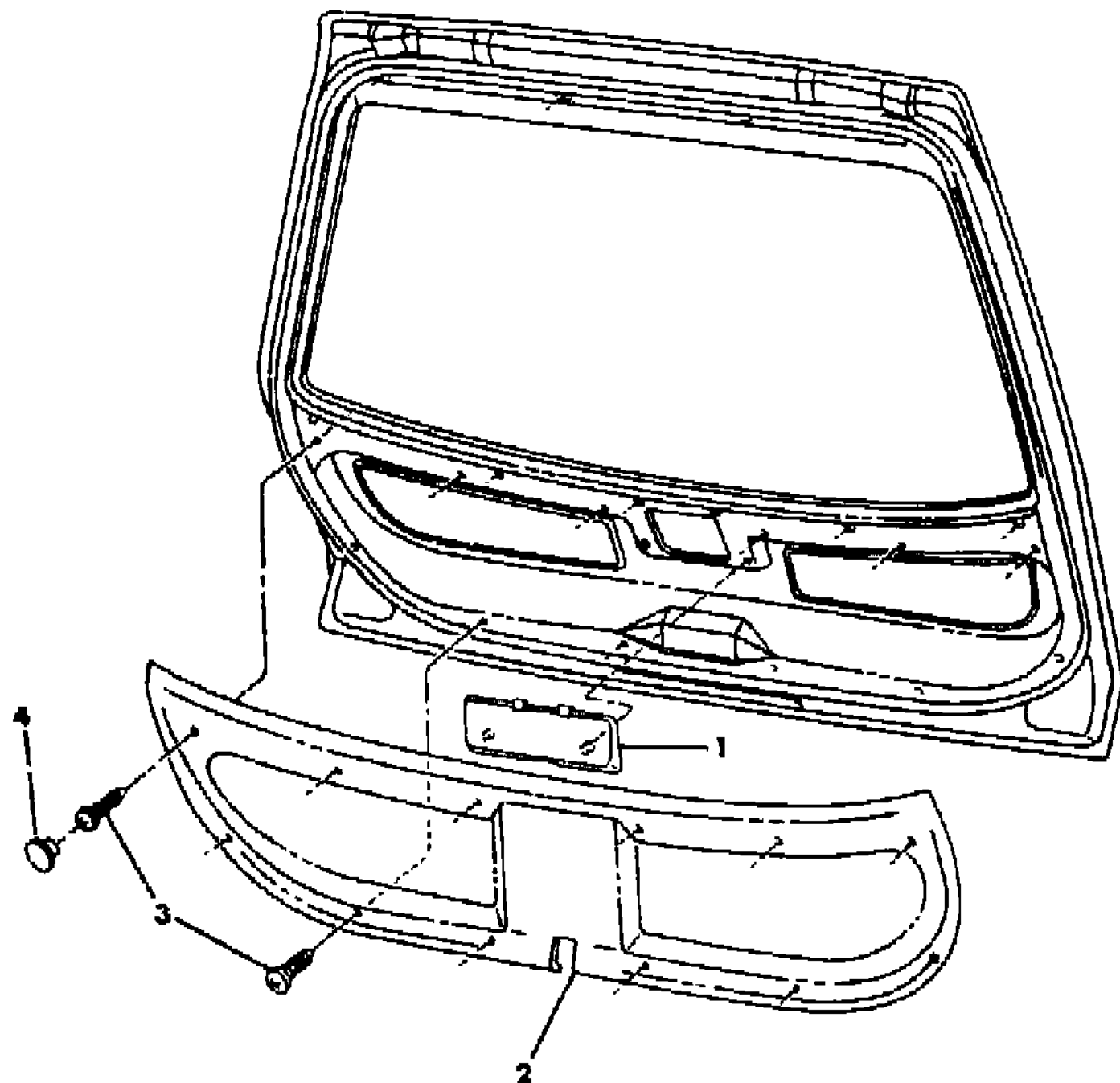
BODY STYLES

12-52 = FWD VAN & WAGON STD. W.B. 27 = 2-DOOR CONVERTIBLE
 13-53 = FWD VAN & WGN EXT W.B. 41 = 4-DOOR SEDAN
 21 = 2-DOOR SEDAN 44 = 4-DOOR HATCHBACK
 24 = 2-DOOR HATCHBACK 45 = 4-DOOR STATION WAGON

AR = Use as Required - = Non Illustrated Part P.A.R. = Paint as Required

LIFT GATE TRIM H BODY
Figure ITH-600

8240 600



ITEM	PART NUMBER	QTY	BODY	MODEL	DESCRIPTION
1	H169 EK3	1			COVER, w/o Wiper Arm, w/Rear Light (P.A.R.)
2	H171 GL7	1			PANEL, Lower Trim (P.A.R.) (Use Up To 5-1-88)
	H284 GL7	1			(Use After 5-1-88)
3					SCREW, (8-15x1/2) (Not Serv.)
4	F245 CA3	AR			PLUG, (P.A.R.) NOTE: (P.A.R.) = Paint As Required

MODEL CODES

C BODY = (D41 - DYNASTY)(C41 - NEW YORKER)
 E BODY = (J - CARAVELLE)(E - 600)(T - NEW YORKER TURBO)
 G BODY = (V24 - DAYTONA, PACIFICA & SHELBY)
 H BODY = (D44 - LANCER)(C44 - LEBARON GTS)
 J BODY = (C - LEBARON)
 K BODY = (P - RELIANT)(D - ARIES)(C - LEBARON/ TOWN & COUNTRY)
 L BODY = (M - HORIZON)(Z-OMNI)
 M BODY = (B - GRAN FURY)(G - DIPLOMAT)(F - FIFTH AVENUE/NEWPORT)
 P BODY = (P - SUNDANCE)(D - SHADOW)
 Q BODY = (C27 - MASERATI)
 S BODY = (H - VOYAGER)(K - RAM VAN/ CARAVAN)

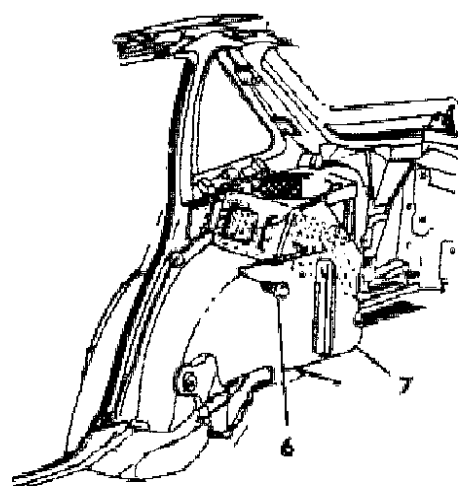
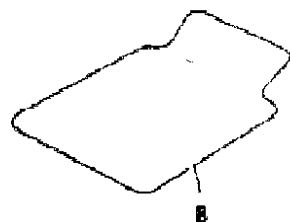
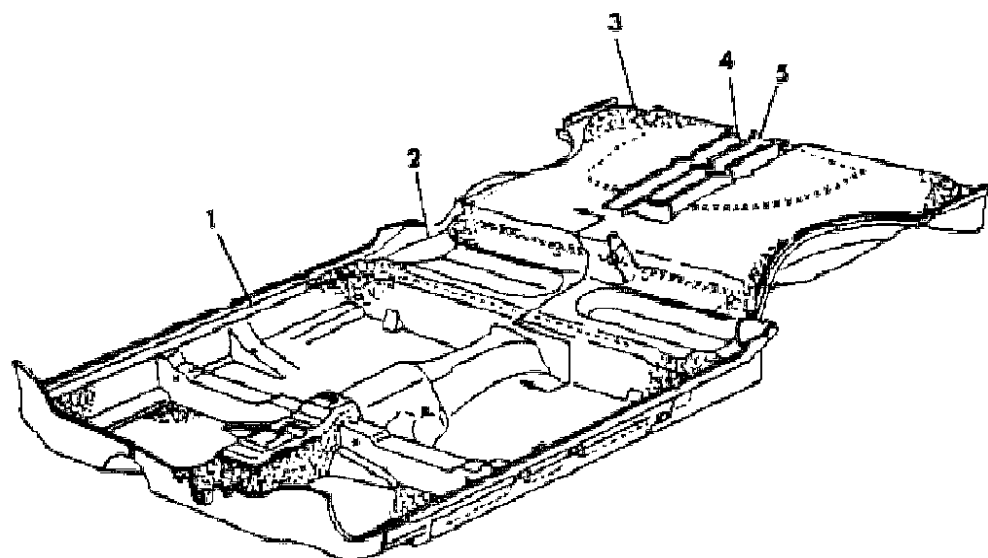
BODY STYLES

12-52 = FWD VAN & WAGON STD. W.B. 27 = 2-DOOR CONVERTIBLE
 13-53 = FWD VAN & WGN EXT W.B. 41 = 4-DOOR SEDAN
 21 = 2-DOOR SEDAN 44 = 4-DOOR HATCHBACK
 24 = 2-DOOR HATCHBACK 45 = 4-DOOR STATION WAGON

AR = Use as Required - = Non Illustrated Part P.A.R. = Paint as Required

CARPET AND SILENCERS H BODY
Figure ITH-700

8240 700



ITEM	PART NUMBER	QTY	BODY	MODEL	DESCRIPTION
1					CARPET, Front and Rear
	M690 GC5	1			Blue
	M690 GR8	1			Red
	M690 GL7	1			Taupe
	M779 GS8	1			Charcoal
2					SILENCER, Under Rear Seat (Not Serv.)
3					CARPET, Cargo Floor
	M600 FC5	1			Blue
	M600 GR8	1			Red
	M600 GL7	1			Almond
	M600 DS8	1			Charcoal
4	3762 862	AR			SILENCER, Cargo Floor (36"x72") Cut To Fit
5	4248 912	1			COVER, Spare Tire Well
6	6003 423	2			FASTENER
7	4186 901	AR			SILENCER, Quarter Panel and Wheelhouse (36"x72") Cut To Fit
8					CARPETED FLOOR MATS, Set of Two
					FRONT
	M048 FC5	1			Blue
	M074 GR8	1			Red
	M074 GL7	1			Taupe
	M074 FS8	1			Charcoal
					REAR
	M049 FC5	1			Blue
	M049 GR8	1			Red
	M049 GL7	1			Taupe
	M049 FS8	1			Charcoal

MODEL CODES

C BODY = (D41 - DYNASTY)(C41 - NEW YORKER)	L BODY = (M - HORIZON)(Z-OMNI)
E BODY = (J - CARAVELLE)(E - 600)(T - NEW YORKER TURBO)	M BODY = (B - GRAN FURY)(G - DIPLOMAT)(F - FIFTH AVENUE/NEWPORT)
G BODY = (V24 - DAYTONA, PACIFICA & SHELBY)	P BODY = (P - SUNDANCE)(D - SHADOW)
H BODY = (D44 - LANCER)(C44 - LEBARON GTS)	Q BODY = (C27 - MASERATI)
J BODY = (C - LEBARON)	S BODY = (H - VOYAGER)(K - RAM VAN/ CARAVAN)
K BODY = (P - RELIANT)(D - ARIES)(C - LEBARON/ TOWN & COUNTRY)	

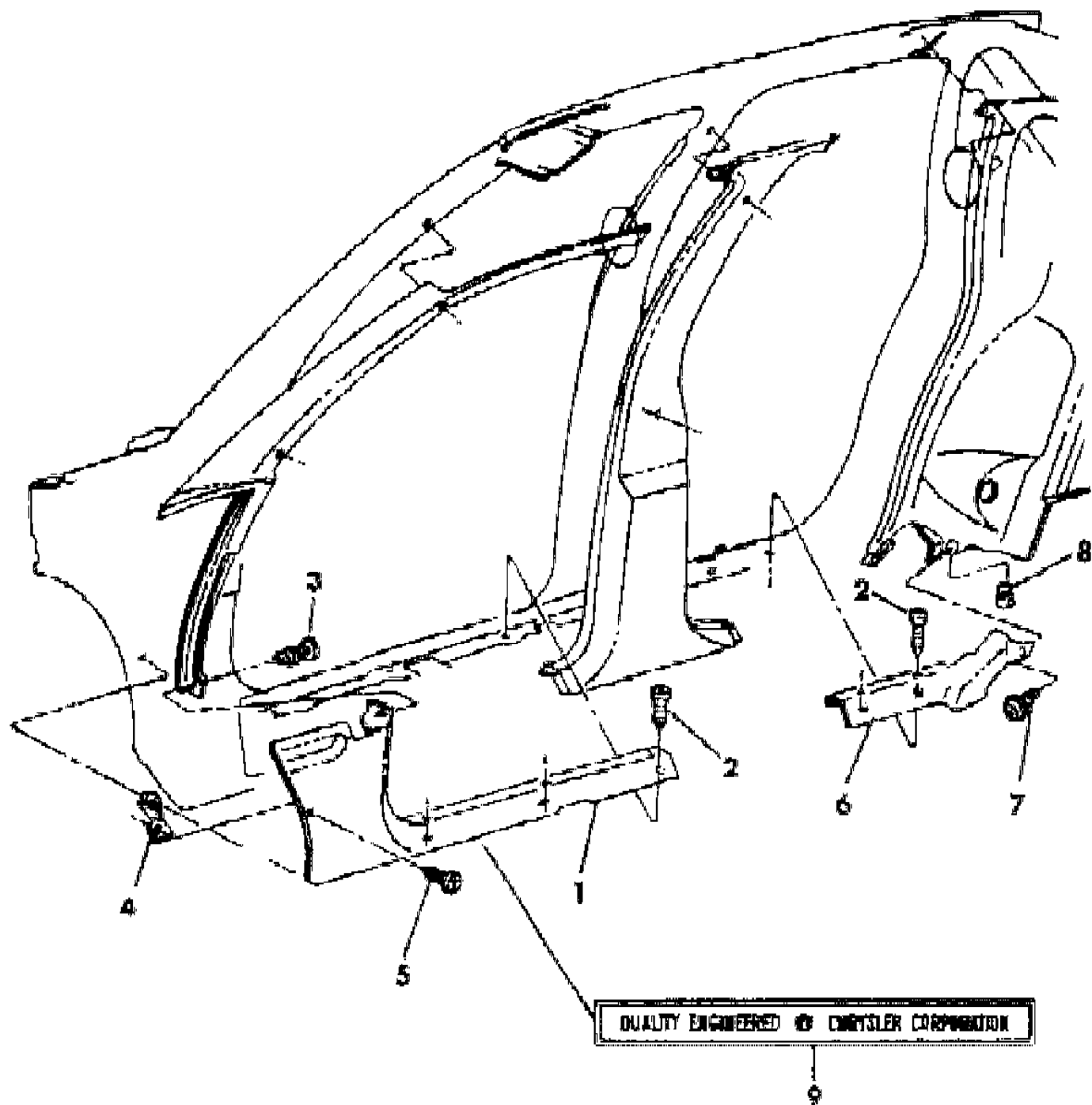
BODY STYLES

12-52 = FWD VAN & WAGON STD. W.B.	27 = 2-DOOR CONVERTIBLE
13-53 = FWD VAN & WGN EXT W.B.	41 = 4-DOOR SEDAN
21 = 2-DOOR SEDAN	44 = 4-DOOR HATCHBACK
24 = 2-DOOR HATCHBACK	45 = 4-DOOR STATION WAGON

AR = Use as Required - = Non Illustrated Part P.A.R. = Paint as Required

SCUFF PLATES H BODY
Figure ITH-800

8240 800



ITEM	PART NUMBER	QTY	BODY	MODEL	DESCRIPTION
1					SCUFF PLATE and COWL
					RIGHT
	V360 FC5	1			Blue
	V360 GR8	1			Red
	V360 GL7	1			Taupe
	V360 FS8	1			Charcoal
					LEFT
	F301 FC5	1			Blue
	F301 GR8	1			Red
	F301 GL7	1			Almond
	F301 FS8	1			Charcoal
2					SCREW, (8-18x1/4) (Not Serv.)
3					FASTENER
	F155 EC5	AR			Blue
	F155 GR8	AR			Red
	F155 GL7	AR			Taupe
	F155 CS8	AR			Charcoal
4	4282 434	1			BRACKET, Right Side Only
5		AR			SCREW, (Not Serv.)
					RIGHT, (8-18x1)
					LEFT, (10-16x2)
6					PLATE, Rear Still Scuff
	M918-9 FC5	1			Blue (Use Up To 6-8-88)
	M962-3 GC5	1			Blue, (Use After 6-8-88)
	M918-9 GR8	1			Red, (Use Up To 5-16-88)
	M962-3 GR8	1			Red, (Use After 5-16-88)
	M918-9 GL7	1			Taupe, (Use Up To 6-29-88)
	M962-3 GL7	1			Taupe, (Use After 6-29-88)
	M918-9 FS8	1			Charcoal, (Use Up To 6-15-88)
	M962-3 GS8	1			Charcoal, (Use After 6-15-88)
7					SCREW, (8-18x3/4) (Not Serv.)
8	0152 490	AR			U-NUT
9	4078 456	1			NAME PLATE

MODEL CODES

C BODY = (D41 - DYNASTY)(C41 - NEW YORKER)
 E BODY = (J - CARAVELLE)(E - 600)(T - NEW YORKER TURBO)
 G BODY = (V24 - DAYTONA, PACIFICA & SHELBY)
 H BODY = (D44 - LANCER)(C44 - LEBARON GTS)
 J BODY = (C - LEBARON)
 K BODY = (P - RELIANT)(D - ARIES)(C - LEBARON/ TOWN & COUNTRY)

L BODY = (M - HORIZON)(Z-OMNI)
 M BODY = (B - GRAN FURY)(G - DIPLOMAT)(F - FIFTH AVENUE/NEWPORT)
 P BODY = (P - SUNDANCE)(D - SHADOW)
 Q BODY = (C27 - MASERATI)
 S BODY = (H - VOYAGER)(K - RAM VAN/ CARAVAN)

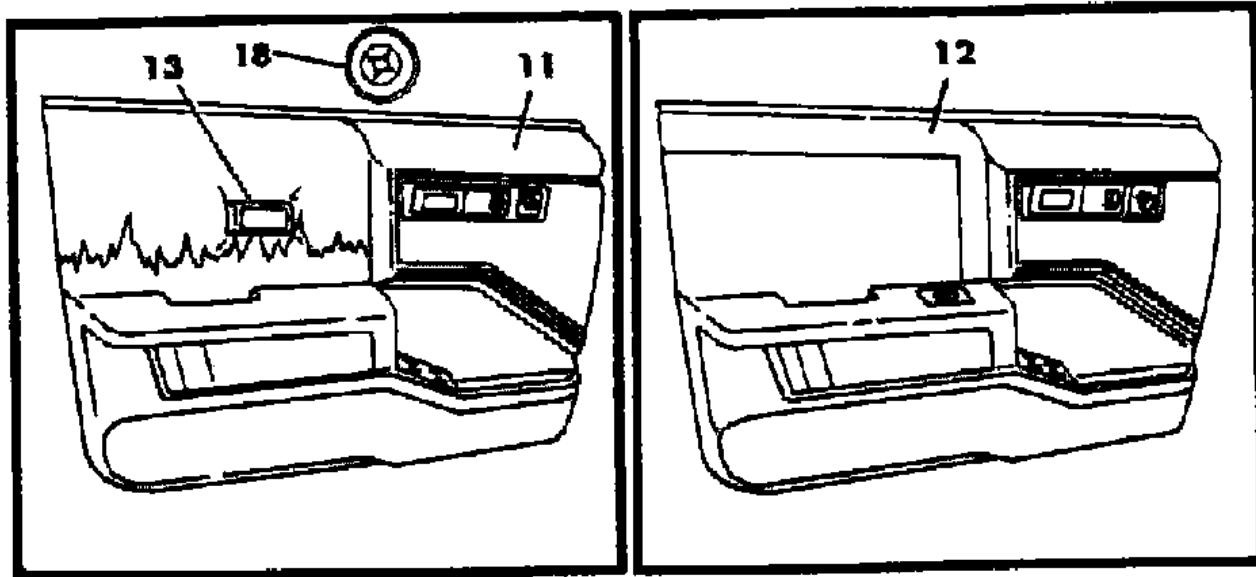
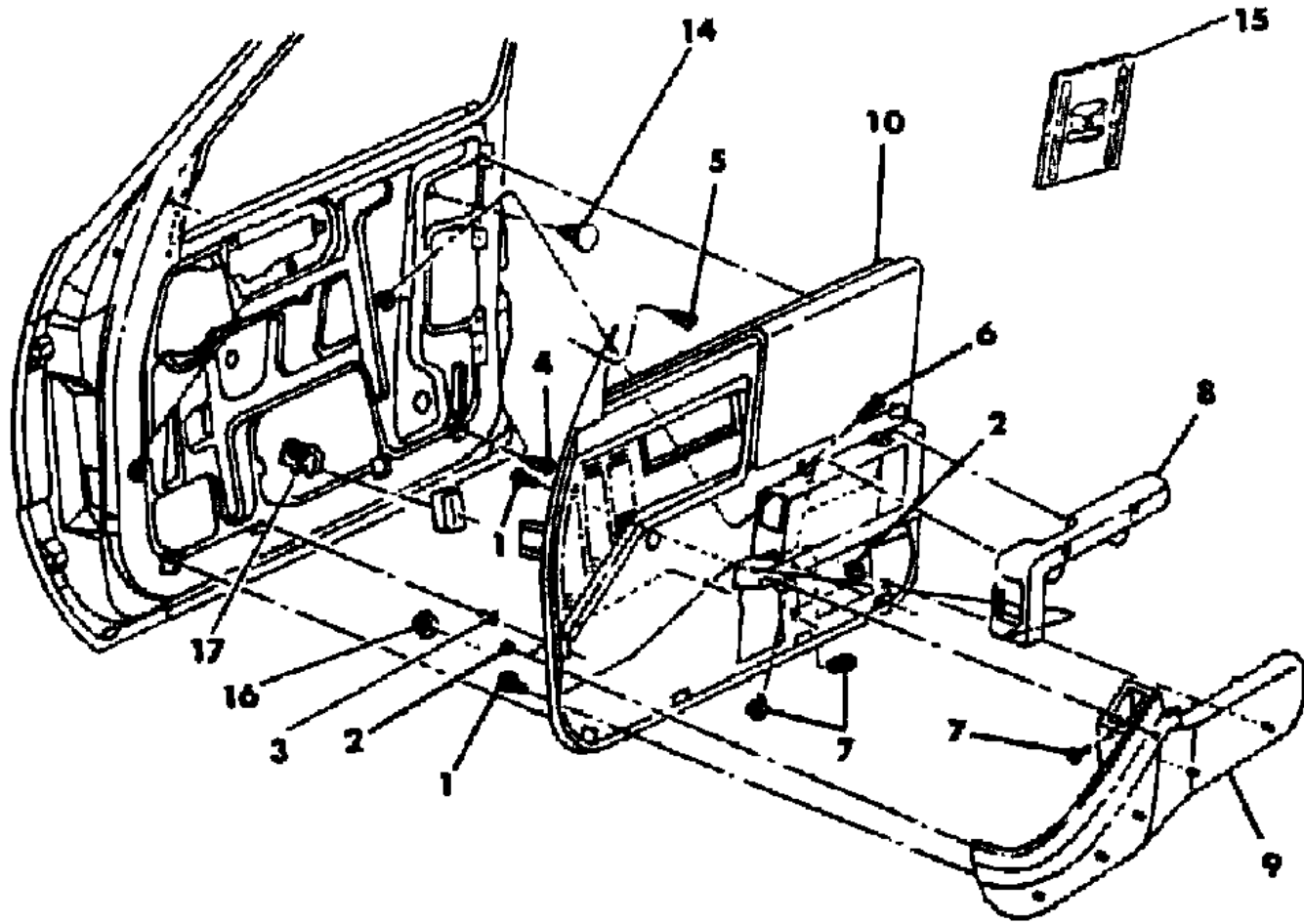
BODY STYLES

12-52 = FWD VAN & WAGON STD. W.B. 27 = 2-DOOR CONVERTIBLE
 13-53 = FWD VAN & WGN EXT W.B. 41 = 4-DOOR SEDAN
 21 = 2-DOOR SEDAN 44 = 4-DOOR HATCHBACK
 24 = 2-DOOR HATCHBACK 45 = 4-DOOR STATION WAGON

AR = Use as Required - = Non Illustrated Part P.A.R. = Paint as Required

DOOR TRIM--FRONT H BODY
Figure ITH-900

8240 900



ITEM	PART NUMBER	QTY	BODY	MODEL	DESCRIPTION
1		AR			SCREW, (8-18x.562) (Not Serv.)
2	6501 353	AR			NUT, Spring Push On
3	6501 352	14			FASTENER
4	4114 785	AR			FASTENER
5		AR			SCREW, (8-18x13/32) (Not Serv.)
6		AR			SCREW, Self Piercing (10-16x1) (Not Serv.)
7					SCREW, (8-18x1) (Not Serv.)
8					ARMREST w/o ELECTRIC SWITCH
	D526-7 FC5	1			Blue
	D526-7 GR8	1			Red
	D526-7 GL7	1			Taupe
	D526-7 FS8	1			Charcoal
					w/ELECTRIC SWITCH
	D548-9 FC5	1			Blue
	D548-9 GR8	1			Red
	D548-9 GL7	1			Taupe
	D548-9 FS8	1			Charcoal
9					PANEL, Trim Pocket w/o POWER WINDOWS
	D112-3 FC5	1			Blue
	D112-3 GR8	1			Red
	D112-3 GL7	1			Taupe
	D112-3 FS8	1			Charcoal
					w/POWER WINDOWS
	D114-5 FC5	1			Blue
	D114-5 GR8	1			Red
	D114-5 GL7	1			Taupe
	D114-5 FS8	1			Charcoal
10	4282 464-5	1			WEATHERSTRIP
11					PANEL, Door Trim w/Speaker Grille LEATHER (Use Up To 12-10-87)
	J798-9 GC5	1			Blue, (HLC)
	J798-9 GR8	1			Red, (HLR)
	J798-9 GL7	1			Taupe, (HLL)
	J798-9 GS8	1			Charcoal, (HLS)

MODEL CODES

C BODY = (D41 - DYNASTY)(C41 - NEW YORKER)
 E BODY = (J - CARAVELLE)(E - 600)(T - NEW YORKER TURBO)
 G BODY = (V24 - DAYTONA, PACIFICA & SHELBY)
 H BODY = (D44 - LANCER)(C44 - LEBARON GTS)
 J BODY = (C - LEBARON)
 K BODY = (P - RELIANT)(D - ARIES)(C - LEBARON/ TOWN & COUNTRY)
 L BODY = (M - HORIZON)(Z-OMNI)
 M BODY = (B - GRAN FURY)(G - DIPLOMAT)(F - FIFTH AVENUE/NEWPORT)
 P BODY = (P - SUNDANCE)(D - SHADOW)
 Q BODY = (C27 - MASERATI)
 S BODY = (H - VOYAGER)(K - RAM VAN/ CARAVAN)

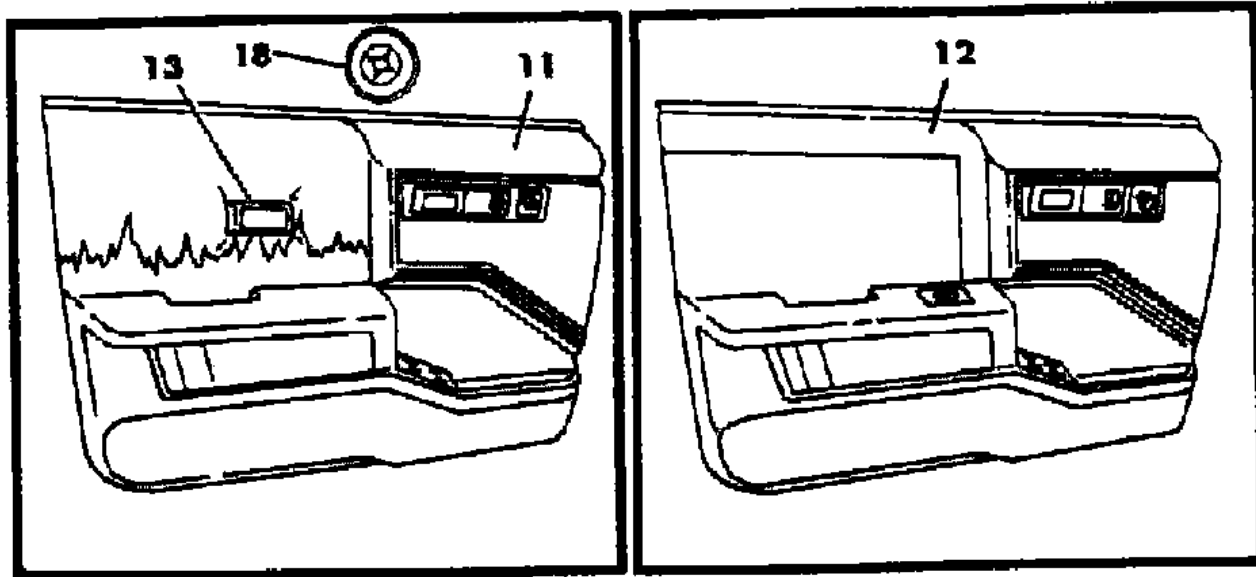
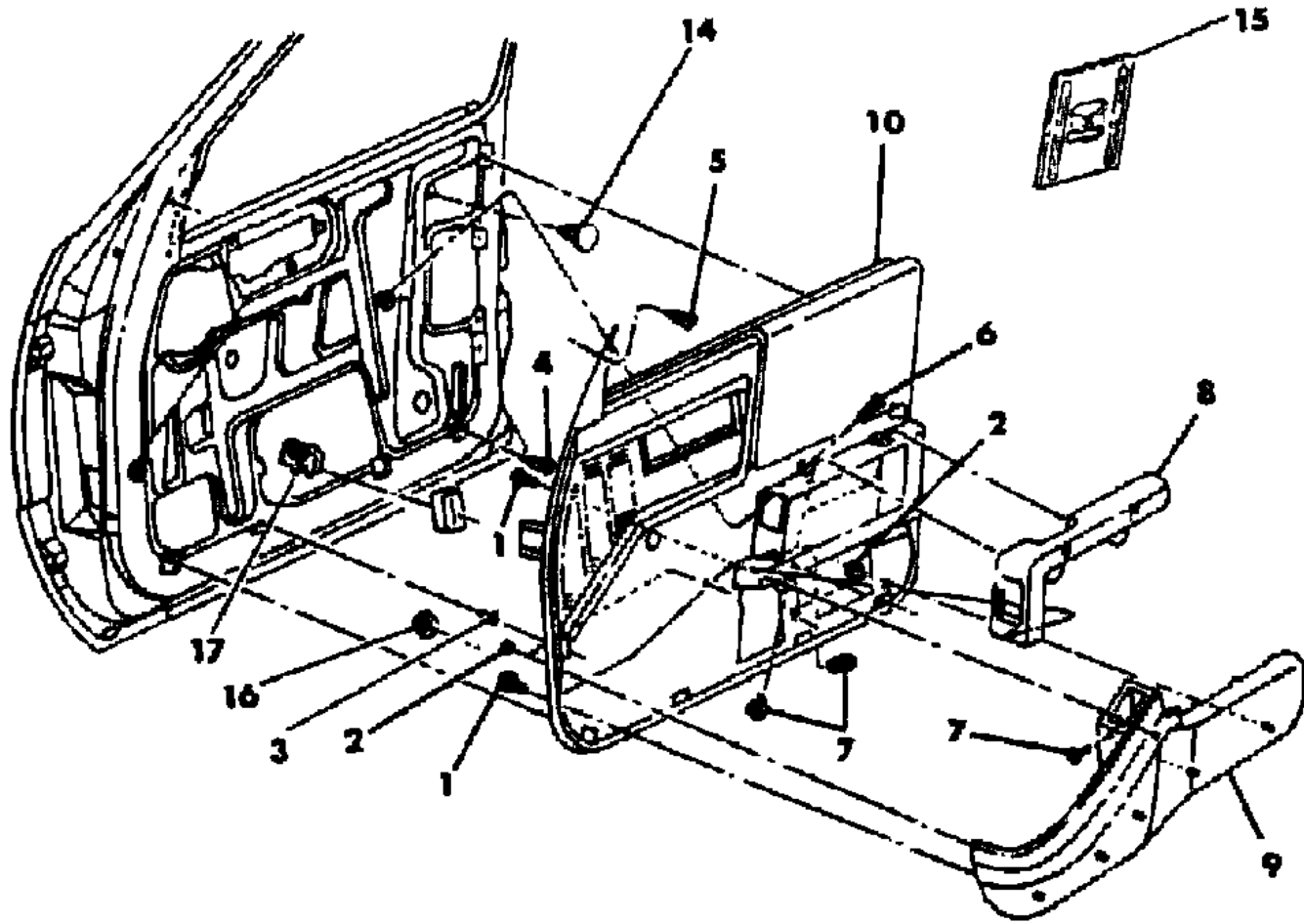
BODY STYLES

12-52 = FWD VAN & WAGON STD. W.B. 27 = 2-DOOR CONVERTIBLE
 13-53 = FWD VAN & WGN EXT W.B. 41 = 4-DOOR SEDAN
 21 = 2-DOOR SEDAN 44 = 4-DOOR HATCHBACK
 24 = 2-DOOR HATCHBACK 45 = 4-DOOR STATION WAGON

AR = Use as Required - = Non Illustrated Part P.A.R. = Paint as Required

DOOR TRIM--FRONT H BODY
Figure ITH-900

8240 900



ITEM	PART NUMBER	QTY	BODY	MODEL	DESCRIPTION
					(Use After 12-10-87)
	J518-9 GC5	1			Blue, (HLC)
	J518-9 GR8	1			Red, (HLR)
	J518-9 GL7	1			Taupe, (HLL)
	J518-9 GS8	1			Charcoal, (HLS)
					CLOTH
					(Use Up To 12-10-87)
	J826-7 GC5	1			Blue, (C7C)
	J826-7 GR8	1			Red, (C7R)
	J826-7 GL7	1			Taupe, (C7L)
	J826-7 GS8	1			Charcoal, (C7S)
					(Use After 12-10-87)
	J486-7 GC5	1			Blue, (C7C)
	J486-7 GR8	1			Red, (C7R)
	J486-7 GL7	1			Taupe, (C7L)
	J486-7 GS8	1			Charcoal, (C7S)
12					PANEL, Door Trim w/Speaker Grille
					CLOTH
	J792-3 FC5	1			Blue, (M7C)
	J792-3 GR8	1			Red, (M7R)
	J792-3 GL7	1			Taupe, (M7L)
	J792-3 FS8	1			Charcoal, (M7S)
					CLOTH
					(Use Up To 12-10-87)
	J824-5 GCC	1			Blue, (E7C)
	J824-5 GRR	1			Red, (E7R)
	J824-5 GLL	1			Taupe, (E7L)
	J824-5 GAS	1			Charcoal, (E7S)
					(Use After 12-10-87)
	J484-5 GCC	1			Blue, (E7C)
	J484-5 GRR	1			Red, (E7R)
	J484-5 GLL	1			Taupe, (E7L)
	J484-5 GAS	1			Charcoal, (E7S)
13					BUTTON, Bolster
	D612 FC5	1			Blue, (HLC)
	D612 GR8	1			Red, (HLR)
	D612 GL7	1			Taupe, (HLL)

MODEL CODES

C BODY = (D41 - DYNASTY)(C41 - NEW YORKER)
 E BODY = (J - CARAVELLE)(E - 600)(T - NEW YORKER TURBO)
 G BODY = (V24 - DAYTONA, PACIFICA & SHELBY)
 H BODY = (D44 - LANCER)(C44 - LEBARON GTS)
 J BODY = (C - LEBARON)
 K BODY = (P - RELIANT)(D - ARIES)(C - LEBARON/ TOWN & COUNTRY)

L BODY = (M - HORIZON)(Z-OMNI)
 M BODY = (B - GRAN FURY)(G - DIPLOMAT)(F - FIFTH AVENUE/NEWPORT)
 P BODY = (P - SUNDANCE)(D - SHADOW)
 Q BODY = (C27 - MASERATI)
 S BODY = (H - VOYAGER)(K - RAM VAN/ CARAVAN)

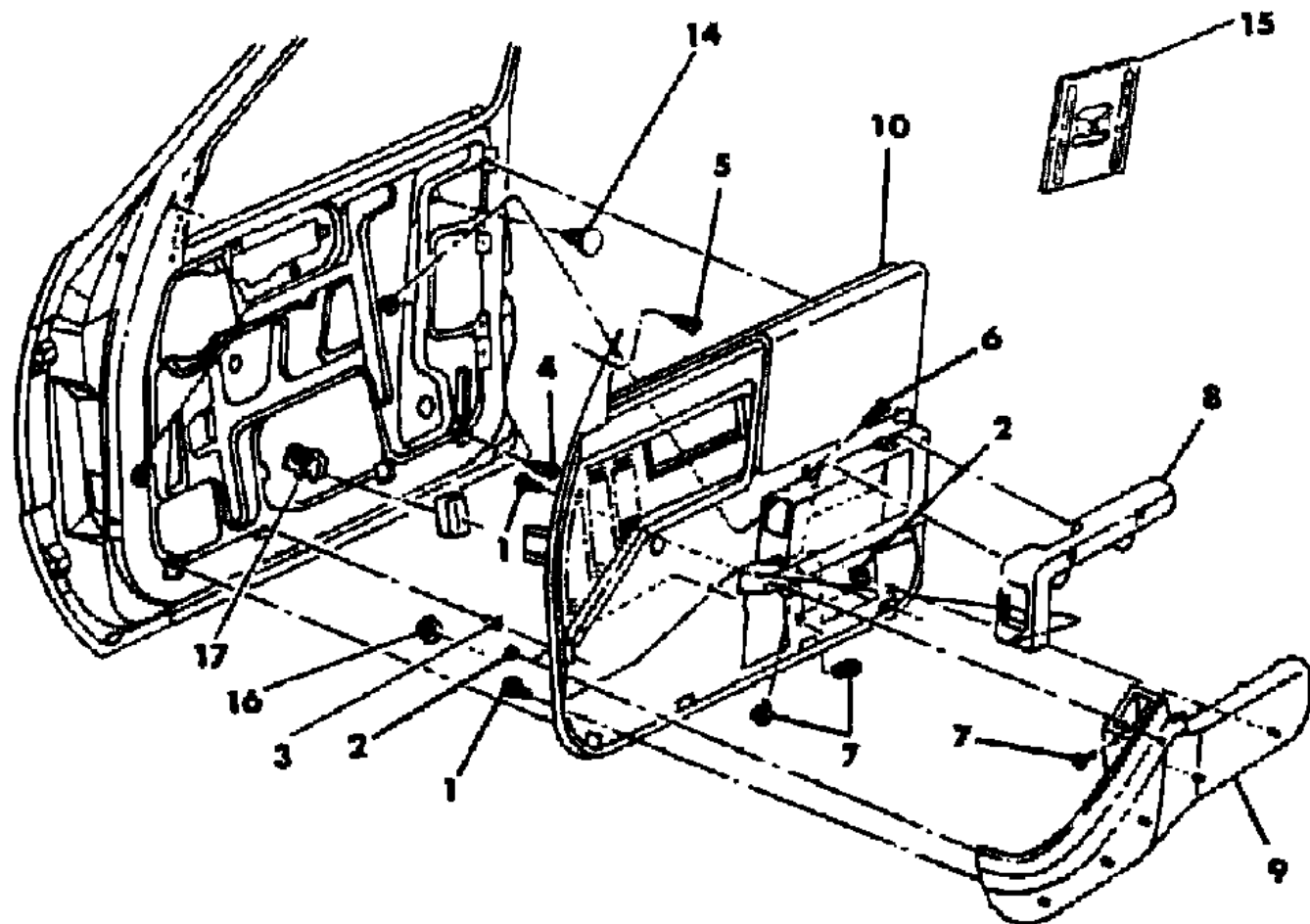
BODY STYLES

12-52 = FWD VAN & WAGON STD. W.B. 27 = 2-DOOR CONVERTIBLE
 13-53 = FWD VAN & WGN EXT W.B. 41 = 4-DOOR SEDAN
 21 = 2-DOOR SEDAN 44 = 4-DOOR HATCHBACK
 24 = 2-DOOR HATCHBACK 45 = 4-DOOR STATION WAGON

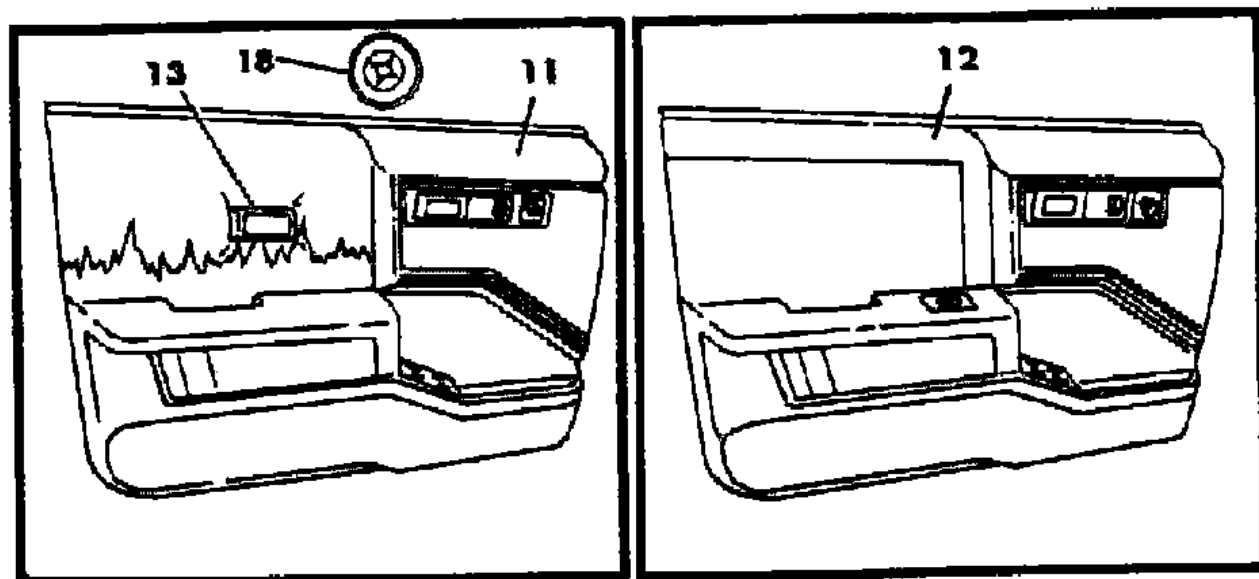
AR = Use as Required - = Non Illustrated Part P.A.R. = Paint as Required

DOOR TRIM--FRONT H BODY
Figure ITH-900

8240 900



ITEM	PART NUMBER	QTY	BODY	MODEL	DESCRIPTION
	D612 FS8	1			Charcoal, (HLS)
14	6016 144	4			FASTENER, Liner Attaching
15	6032 431	AR			FASTENER, Bolster Mounting
16	6501 353	AR			NUT, Pocket Panel
17	6501 292	4			CLIP, Panel Retaining Lower
18	2821 994	AR			RETAINER, Button



MODEL CODES

C BODY = (D41 - DYNASTY)(C41 - NEW YORKER)
 E BODY = (J - CARAVELLE)(E - 600)(T - NEW YORKER TURBO)
 G BODY = (V24 - DAYTONA, PACIFICA & SHELBY)
 H BODY = (D44 - LANCER)(C44 - LEBARON GTS)
 J BODY = (C - LEBARON)
 K BODY = (P - RELIANT)(D - ARIES)(C - LEBARON/ TOWN & COUNTRY)
 L BODY = (M - HORIZON)(Z-OMNI)
 M BODY = (B - GRAN FURY)(G - DIPLOMAT)(F - FIFTH AVENUE/NEWPORT)
 P BODY = (P - SUNDANCE)(D - SHADOW)
 Q BODY = (C27 - MASERATI)
 S BODY = (H - VOYAGER)(K - RAM VAN/ CARAVAN)

BODY STYLES

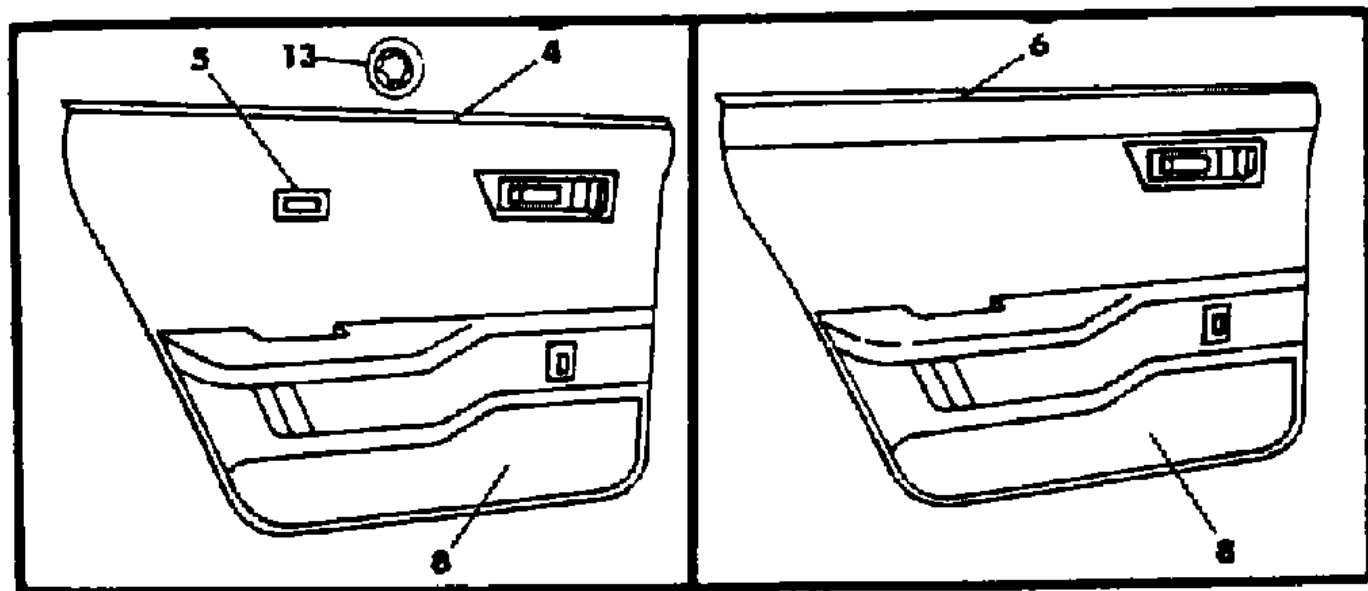
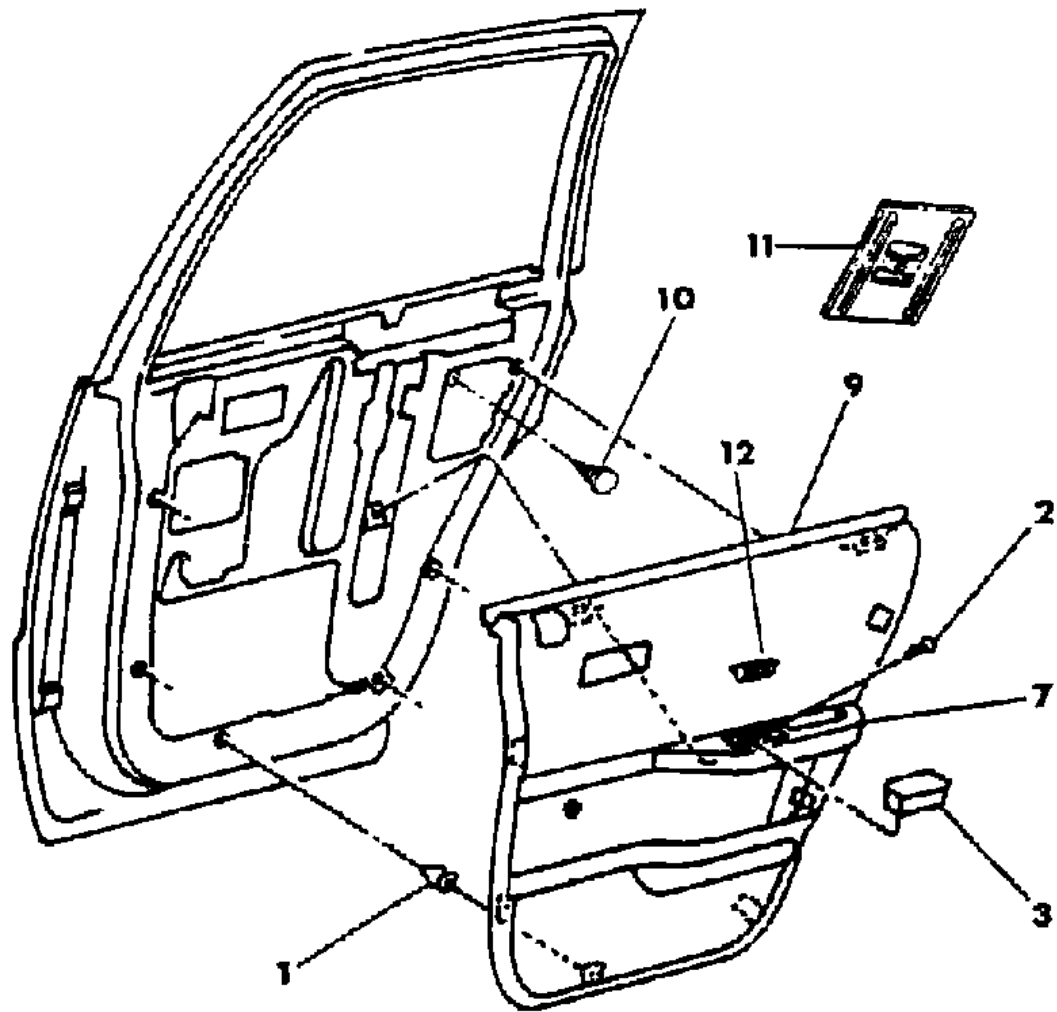
12-52 = FWD VAN & WAGON STD. W.B. 27 = 2-DOOR CONVERTIBLE
 13-53 = FWD VAN & WGN EXT W.B. 41 = 4-DOOR SEDAN
 21 = 2-DOOR SEDAN 44 = 4-DOOR HATCHBACK
 24 = 2-DOOR HATCHBACK 45 = 4-DOOR STATION WAGON

AR = Use as Required - = Non Illustrated Part P.A.R. = Paint as Required

DOOR TRIM PANEL--REAR H BODY

Figure ITH-1000

8240 1000



ITEM	PART NUMBER	QTY	BODY	MODEL	DESCRIPTION
1	6501 352	12			FASTENER
2					SCREW, (10-16x3/4) (Not Serv.)
3					ASH RECEIVER
	D221 FC5	2			Blue
	D221 GR8	2			Red
	D221 GL7	2			Taupe
	D221 FS8	2			Charcoal
4					PANEL, Door Trim LEATHER
					(Use Up To 12-10-87)
	J594-5 GC5	1			Blue, (HLC)
	J594-5 GR8	1			Red, (HLR)
	J594-5 GL7	1			Taupe, (HLL)
	J594-5 GS8	1			Charcoal, (HLS) (Use After 12-10-87)
	J524-5 GC5	1			Blue, (HLC)
	J524-5 GR8	1			Red, (HLR)
	J524-5 GL7	1			Taupe, (HLL)
	J524-5 GS8	1			Charcoal, (HLS) CLOTH (Use Up To 12-10-87)
	J642-3 GC5	1			Blue, (C7C)
	J642-3 GR8	1			Red, (C7R)
	J642-3 GL7	1			Taupe, (C7L)
	J642-3 GS8	1			Charcoal, (C7S) (Use After 12-10-87)
	J522-3 GC5	1			Blue
	J522-3 GR8	1			Red, (C7R)
	J522-3 GL7	1			Taupe, (C7L)
	J522-3 GS8	1			Charcoal, (C7S)
5					BUTTON, Bolster
	D612 FC5	1			Blue, (HLC)
	D612 GR8	1			Red, (HLR)
	D612 GL7	1			Taupe, (HLL)
	D612 FS8	1			Charcoal, (HLS)
6					PANEL, Door Trim CLOTH

MODEL CODES

C BODY = (D41 - DYNASTY)(C41 - NEW YORKER)
 E BODY = (J - CARAVELLE)(E - 600)(T - NEW YORKER TURBO)
 G BODY = (V24 - DAYTONA, PACIFICA & SHELBY)
 H BODY = (D44 - LANCER)(C44 - LEBARON GTS)
 J BODY = (C - LEBARON)
 K BODY = (P - RELIANT)(D - ARIES)(C - LEBARON/ TOWN & COUNTRY)

L BODY = (M - HORIZON)(Z-OMNI)
 M BODY = (B - GRAN FURY)(G - DIPLOMAT)(F - FIFTH AVENUE/NEWPORT)
 P BODY = (P - SUNDANCE)(D - SHADOW)
 Q BODY = (C27 - MASERATI)
 S BODY = (H - VOYAGER)(K - RAM VAN/ CARAVAN)

BODY STYLES

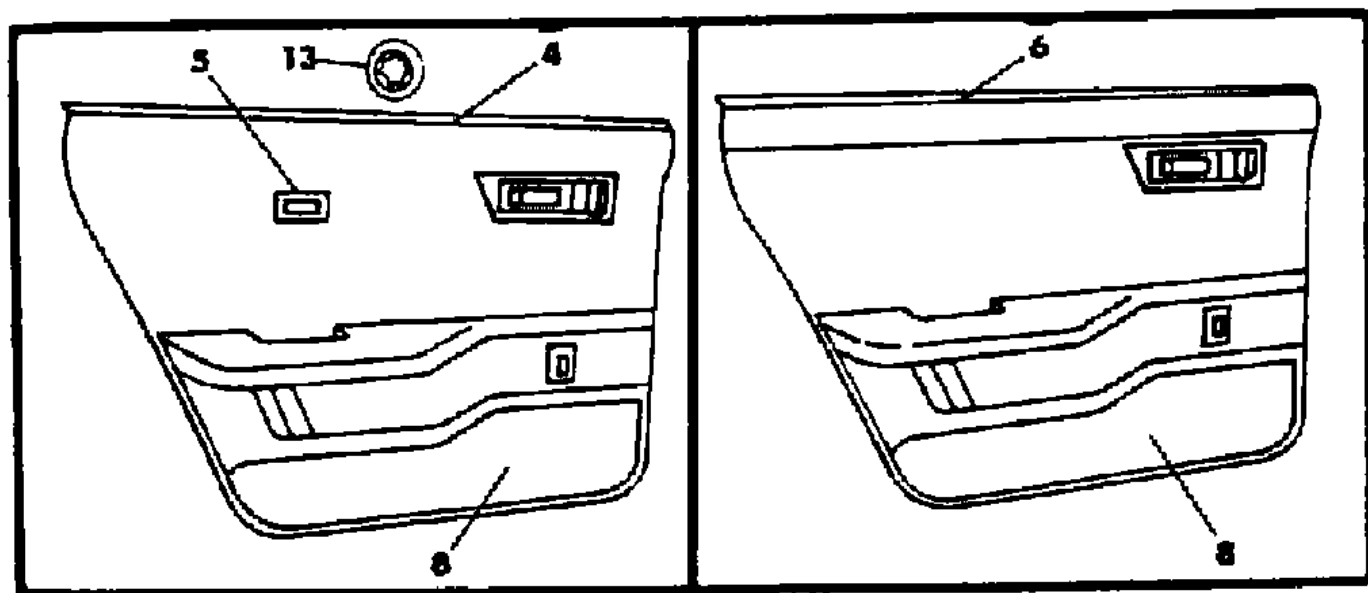
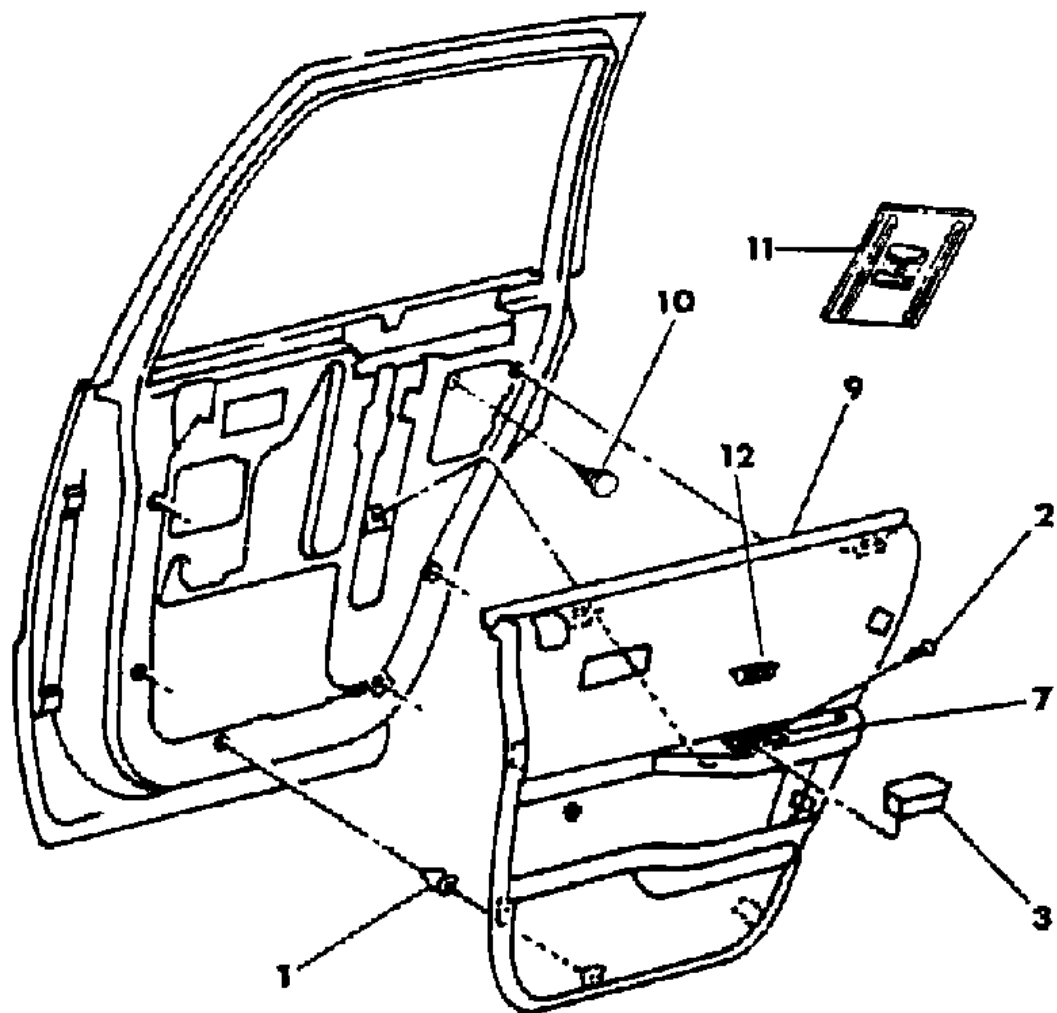
12-52 = FWD VAN & WAGON STD. W.B. 27 = 2-DOOR CONVERTIBLE
 13-53 = FWD VAN & WGN EXT W.B. 41 = 4-DOOR SEDAN
 21 = 2-DOOR SEDAN 44 = 4-DOOR HATCHBACK
 24 = 2-DOOR HATCHBACK 45 = 4-DOOR STATION WAGON

AR = Use as Required - = Non Illustrated Part P.A.R. = Paint as Required

DOOR TRIM PANEL--REAR H BODY

Figure ITH-1000

8240 1000



ITEM	PART NUMBER	QTY	BODY	MODEL	DESCRIPTION
	J600-1 FC5	1			Blue, (M7C)
	J600-1 GR8	1			Red, (M7R)
	J600-1 GL7	1			Taupe, (M7L)
	J600-1 FS8	1			Charcoal, (M7S)
					CLOTH
					(Use Up To 12-10-87)
	J640-1 GCC	1			Blue, (E7C)
	J640-1 GRR	1			Red, (E7R)
	J640-1 GLL	1			Taupe, (E7L)
	J640-1 GAS	1			Charcoal, (E7S)
					(Use After 12-10-87)
	J520-1 GCC	1			Blue, (E7C)
	J520-1 GRR	1			Red, (E7R)
	J520-1 GLL	1			Taupe, (E7L)
	J520-1 GAS	1			Charcoal, (E7S)
7					ARMREST, w/Ash Receiver
	D524-5 FC5	1			Blue
	D524-5 GR8	1			Red
	D524-5 GL7	1			Taupe
	D524-5 FS8	1			Charcoal
8					CARPET
	D380-1 FC5	1			Blue
	D380-1 GR8	1			Red
	D380-1 GL7	1			Taupe
	D380-1 FS8	1			Charcoal
9	4282 472-3	1			WEATHERSTRIP
10	6016 144	4			FASTENER, Liner
11	6032 431	AR			FASTENER, Bolster Attaching
12	4410 144	2			SPRING, Cover Ash Receiver
13	2821 994	2			RETAINER, Button

MODEL CODES

C BODY = (D41 - DYNASTY)(C41 - NEW YORKER)
 E BODY = (J - CARAVELLE)(E - 600)(T - NEW YORKER TURBO)
 G BODY = (V24 - DAYTONA, PACIFICA & SHELBY)
 H BODY = (D44 - LANCER)(C44 - LEBARON GTS)
 J BODY = (C - LEBARON)
 K BODY = (P - RELIANT)(D - ARIES)(C - LEBARON/ TOWN & COUNTRY)
 L BODY = (M - HORIZON)(Z-OMNI)
 M BODY = (B - GRAN FURY)(G - DIPLOMAT)(F - FIFTH AVENUE/NEWPORT)
 P BODY = (P - SUNDANCE)(D - SHADOW)
 Q BODY = (C27 - MASERATI)
 S BODY = (H - VOYAGER)(K - RAM VAN/ CARAVAN)

BODY STYLES

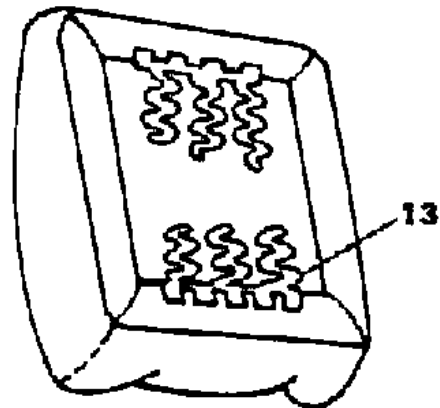
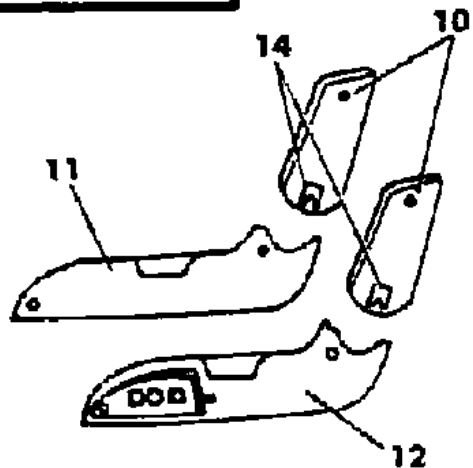
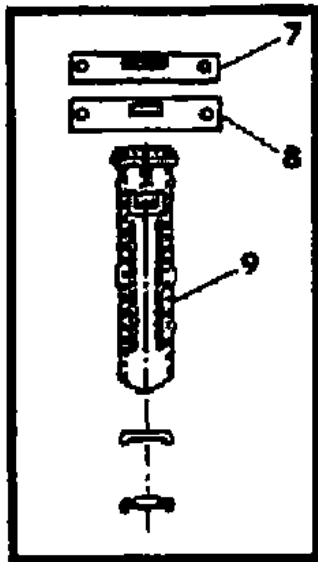
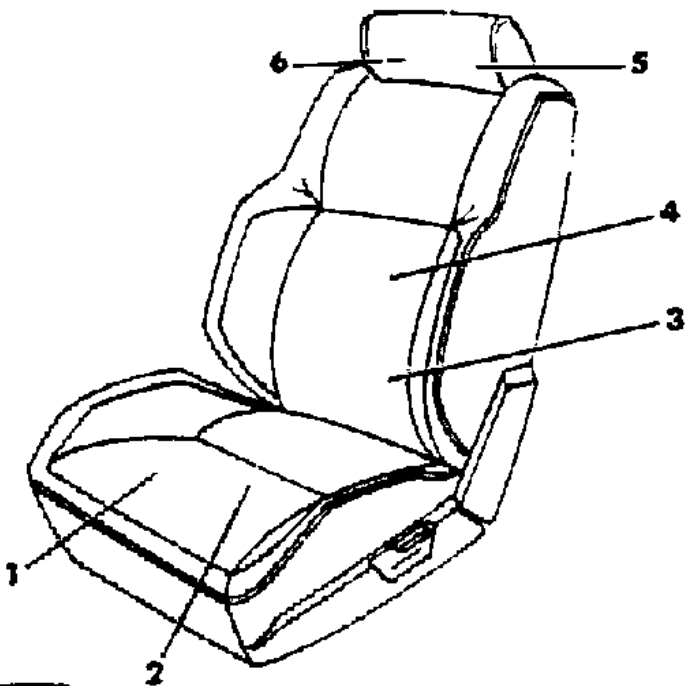
12-52 = FWD VAN & WAGON STD. W.B. 27 = 2-DOOR CONVERTIBLE
 13-53 = FWD VAN & WGN EXT W.B. 41 = 4-DOOR SEDAN
 21 = 2-DOOR SEDAN 44 = 4-DOOR HATCHBACK
 24 = 2-DOOR HATCHBACK 45 = 4-DOOR STATION WAGON

AR = Use as Required - = Non Illustrated Part P.A.R. = Paint as Required

SEAT--FRONT H BODY TRIM CODE M7

Figure ITH-1100

8240 1100



ITEM	PART NUMBER	QTY	BODY	MODEL	DESCRIPTION
1-2					CUSHION, w/Spring/Frame, Pad and Cover
	E632-3 G7C	1			CLOTH Blue, (M7C)
	E632-3 G7R	1			Red, (M7R)
	E632-3 G7L	1			Taupe, (M7L)
	E632-3 G7S	1			Charcoal, (M7S)
2					COVER, Cushion
	E934-5 G7C	1			CLOTH Blue, (M7C)
	E934-5 G7R	1			Red, (M7R)
	E934-5 G7L	1			Taupe, (M7L)
	E934-5 G7S	1			Charcoal, (M7S)
3-4					BACK, w/Spring/frame, Pad and Cover
	E634-5 G7C	1			CLOTH Blue, (M7C)
	E634-5 G7R	1			Red, (M7R)
	E634-5 G7L	1			Taupe, (M7L)
	E634-5 G7S	1			Charcoal, (M7S)
4					COVER, Back
	E932-3 G7C	1			CLOTH Blue, (M7C)
	E932-3 G7R	1			Red, (M7R)
	E932-3 G7L	1			Taupe, (M7L)
	E932-3 G7S	1			Charcoal, (M7S)
5-6					HEADREST and COVER
	E928 GCC	2			BLUE, (M7C)
	E928 GRR	2			Red, (M7R)
	E928 GLL	2			Taupe, (M7L)
	E928 GSS	2			Charcoal, (M7S)
6					COVER, Headrest
	E277 GCC	2			Blue, (M7C)
	E277 GRR	2			Red, (M7R)
	E277 GLL	2			Taupe, (M7L)
	E277 GSS	2			Charcoal, (M7S)
7	4327 688	2			COVER, Headrest Finish
8	4190 387	2			SUPPORT, Headrest
9					SLEEVE, Headrest

MODEL CODES

C BODY = (D41 - DYNASTY)(C41 - NEW YORKER)
 E BODY = (J - CARAVELLE)(E - 600)(T - NEW YORKER TURBO)
 G BODY = (V24 - DAYTONA, PACIFICA & SHELBY)
 H BODY = (D44 - LANCER)(C44 - LEBARON GTS)
 J BODY = (C - LEBARON)
 K BODY = (P - RELIANT)(D - ARIES)(C - LEBARON/ TOWN & COUNTRY)

L BODY = (M - HORIZON)(Z-OMNI)
 M BODY = (B - GRAN FURY)(G - DIPLOMAT)(F - FIFTH AVENUE/NEWPORT)
 P BODY = (P - SUNDANCE)(D - SHADOW)
 Q BODY = (C27 - MASERATI)
 S BODY = (H - VOYAGER)(K - RAM VAN/ CARAVAN)

BODY STYLES

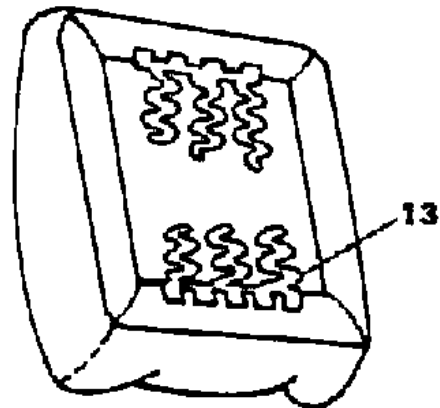
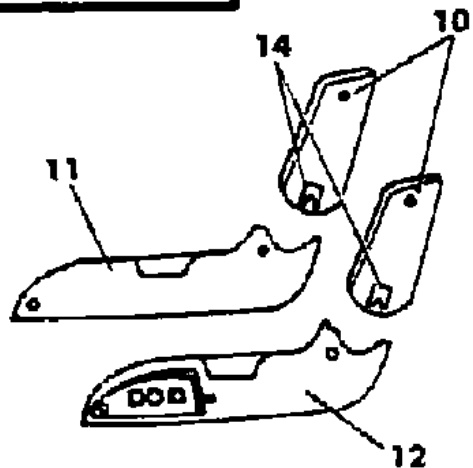
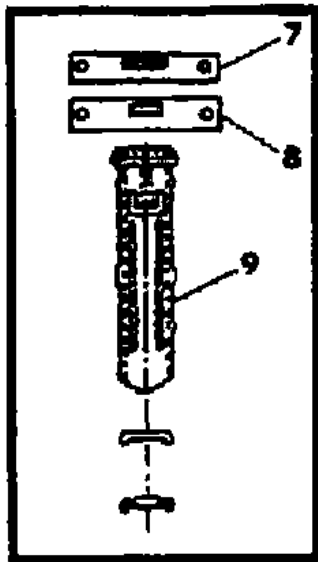
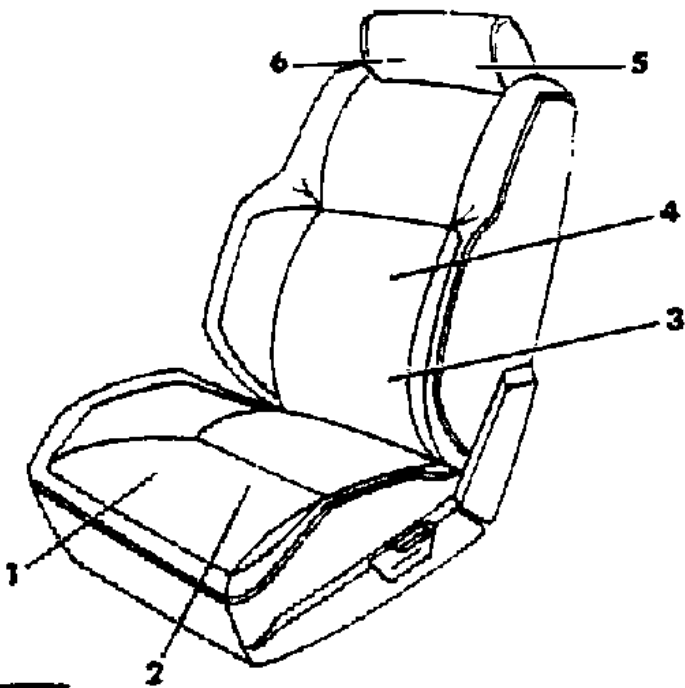
12-52 = FWD VAN & WAGON STD. W.B. 27 = 2-DOOR CONVERTIBLE
 13-53 = FWD VAN & WGN EXT W.B. 41 = 4-DOOR SEDAN
 21 = 2-DOOR SEDAN 44 = 4-DOOR HATCHBACK
 24 = 2-DOOR HATCHBACK 45 = 4-DOOR STATION WAGON

AR = Use as Required - = Non Illustrated Part P.A.R. = Paint as Required

SEAT--FRONT H BODY TRIM CODE M7

Figure ITH-1100

8240 1100



ITEM	PART NUMBER	QTY	BODY	MODEL	DESCRIPTION
	S786 EC5	2			Blue, (M7C)
	S786 GR8	2			Red, (M7E)
	S786 GL7	2			Taupe, (M7L)
	S786 CS8	2			Charcoal, (D7S)
10					SHIELD, Back (P.A.R.)
					PASSENGER
	S610 GK1	1			Outboard
	S611 GK1	1			Inboard
					DRIVER
	S611 GK1	1			Outboard
	S610 GK1	1			Inboard
11					SHIELD, Cushion (P.A.R.)
					PASSENGER
	S764 GK1	1			Outboard
	S765 GK1	1			Inboard
					DRIVER
	S765 GK1	1			Outboard
	S764 GK1	1			Inboard
12	S767 GC5	1			SHIELD, Cushion Outboard Electric
13	6008 076	AR			HOG RING
14	4317 800	AR			CLIP, Shield Attaching

NOTE: (P.A.R.) = Paint As Required

MODEL CODES

C BODY = (D41 - DYNASTY)(C41 - NEW YORKER)
 E BODY = (J - CARAVELLE)(E - 600)(T - NEW YORKER TURBO)
 G BODY = (V24 - DAYTONA, PACIFICA & SHELBY)
 H BODY = (D44 - LANCER)(C44 - LEBARON GTS)
 J BODY = (C - LEBARON)
 K BODY = (P - RELIANT)(D - ARIES)(C - LEBARON/ TOWN & COUNTRY)
 L BODY = (M - HORIZON)(Z-OMNI)
 M BODY = (B - GRAN FURY)(G - DIPLOMAT)(F - FIFTH AVENUE/NEWPORT)
 P BODY = (P - SUNDANCE)(D - SHADOW)
 Q BODY = (C27 - MASERATI)
 S BODY = (H - VOYAGER)(K - RAM VAN/ CARAVAN)

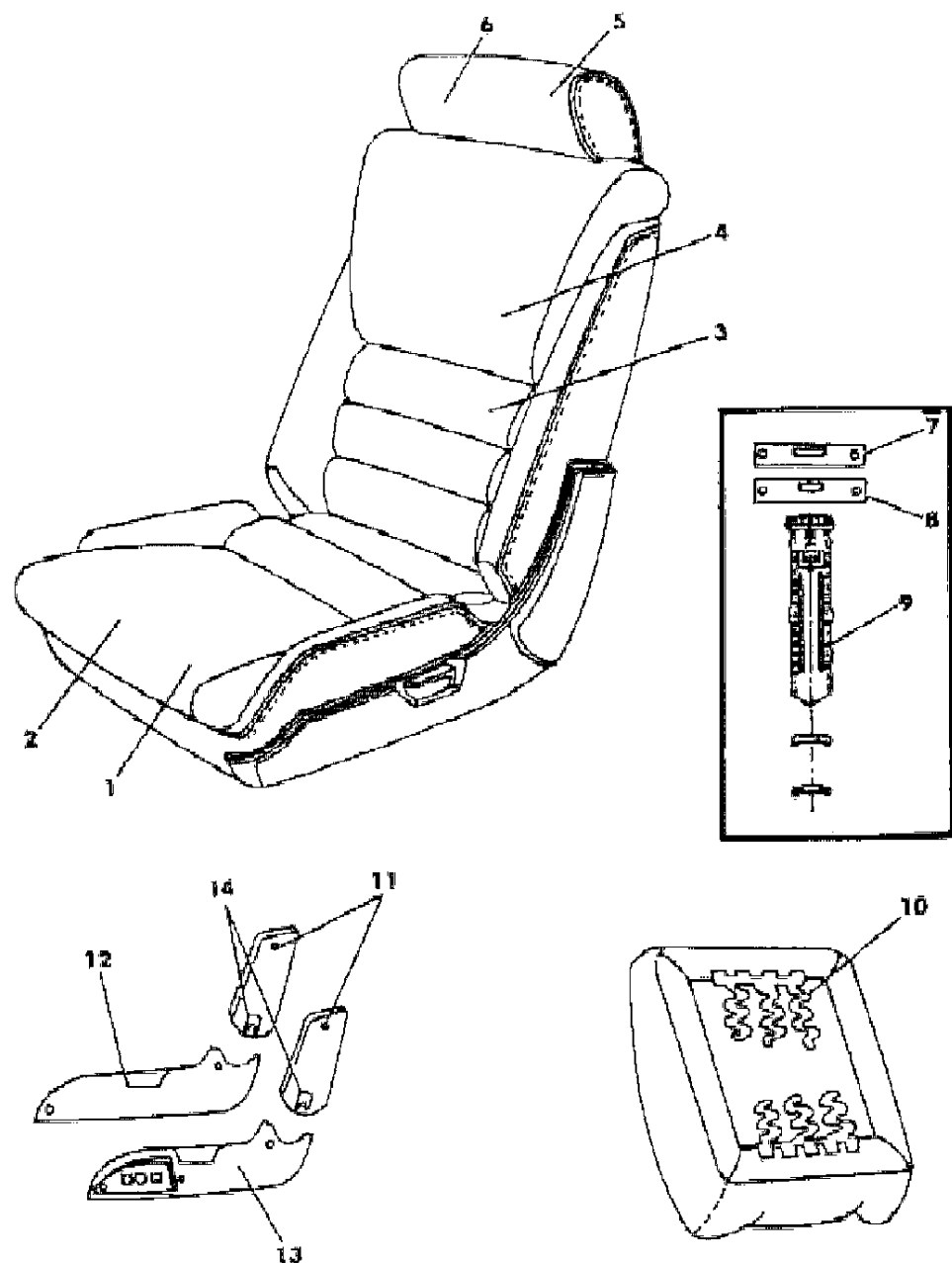
BODY STYLES

12-52 = FWD VAN & WAGON STD. W.B. 27 = 2-DOOR CONVERTIBLE
 13-53 = FWD VAN & WGN EXT W.B. 41 = 4-DOOR SEDAN
 21 = 2-DOOR SEDAN 44 = 4-DOOR HATCHBACK
 24 = 2-DOOR HATCHBACK 45 = 4-DOOR STATION WAGON

AR = Use as Required - = Non Illustrated Part P.A.R. = Paint as Required

SEAT--FRONT H BODY TRIM CODE E7
Figure ITH-1200

8240 1200



ITEM	PART NUMBER	QTY	BODY	MODEL	DESCRIPTION
1-2					CUSHION, w/Spring/Frame, Pad and Cover
					CLOTH
					Right
	E636 G7C	1			Blue, (E7C)
	E636 G7R	1			Red, (E7R)
	E636 G7L	1			Taupe, (E7L)
	E636 G7S	1			Charcoal, (E7S)
					Left
					Manual
	E637 G7C	1			Blue, (E7C)
	E637 G7R	1			Red, (E7R)
	E637 G7L	1			Taupe, (E7L)
	E637 G7S	1			Charcoal, (E7S)
2					COVER and PAD
					CLOTH
					Right
	E936 G7C	1			Blue, (E7C)
	E936 G7R	1			Red, (E7R)
	E936 G7L	1			Taupe, (E7L)
	E936 G7S	1			Charcoal, (E7S)
					Left
	E937 G7C	1			Blue, (E7C)
	E937 G7R	1			Red, (E7R)
	E937 G7L	1			Taupe, (E7L)
	E937 G7S	1			Charcoal, (E7S)
3-4					BACK, w/Spring/Frame, Pad and Cover
					CLOTH
					Right
	E638 G7C	1			Blue, (E7C)
	E638 G7R	1			Red, (E7R)
	E638 G7L	1			Taupe, (E7L)
	E638 G7S	1			Charcoal, (E7S)
					Left
	E639 G7C	1			Blue, (E7C)
	E639 G7R	1			Red, (E7R)
	E639 G7L	1			Taupe, (E7L)
	E639 G7S	1			Charcoal, (E7S)

MODEL CODES

C BODY = (D41 - DYNASTY)(C41 - NEW YORKER)
 E BODY = (J - CARAVELLE)(E - 600)(T - NEW YORKER TURBO)
 G BODY = (V24 - DAYTONA, PACIFICA & SHELBY)
 H BODY = (D44 - LANCER)(C44 - LEBARON GTS)
 J BODY = (C - LEBARON)
 K BODY = (P - RELIANT)(D - ARIES)(C - LEBARON/ TOWN & COUNTRY)

L BODY = (M - HORIZON)(Z-OMNI)
 M BODY = (B - GRAN FURY)(G - DIPLOMAT)(F - FIFTH AVENUE/NEWPORT)
 P BODY = (P - SUNDANCE)(D - SHADOW)
 Q BODY = (C27 - MASERATI)
 S BODY = (H - VOYAGER)(K - RAM VAN/ CARAVAN)

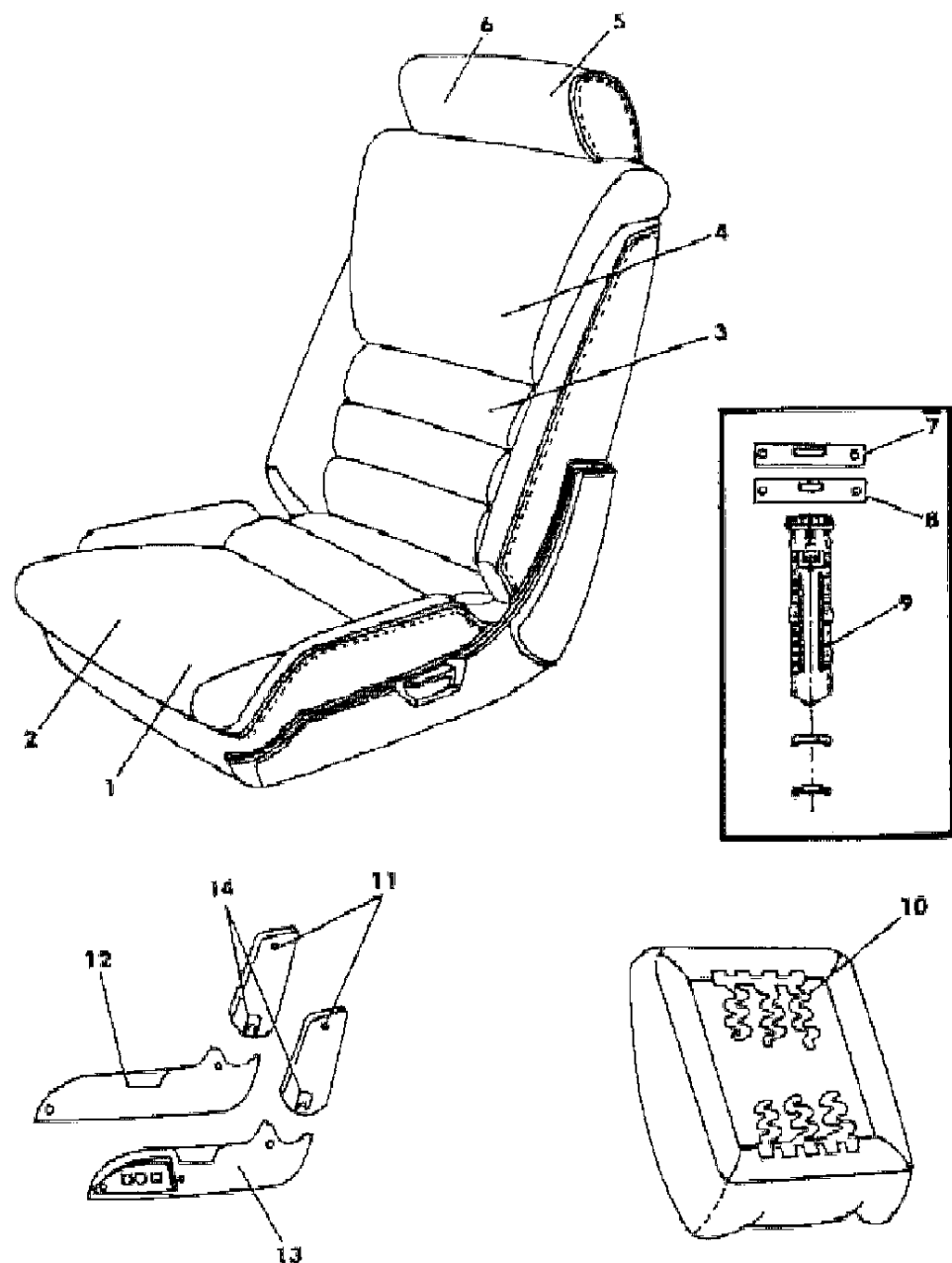
BODY STYLES

12-52 = FWD VAN & WAGON STD. W.B. 27 = 2-DOOR CONVERTIBLE
 13-53 = FWD VAN & WGN EXT W.B. 41 = 4-DOOR SEDAN
 21 = 2-DOOR SEDAN 44 = 4-DOOR HATCHBACK
 24 = 2-DOOR HATCHBACK 45 = 4-DOOR STATION WAGON

AR = Use as Required - = Non Illustrated Part P.A.R. = Paint as Required

SEAT--FRONT H BODY TRIM CODE E7
Figure ITH-1200

8240 1200



ITEM	PART NUMBER	QTY	BODY	MODEL	DESCRIPTION
4					COVER and PAD, Back
	E946-7 G7C	1			CLOTH Blue, (E7C)
	E946-7 G7R	1			Red, (E7R)
	E946-7 G7L	1			Taupe, (E7L)
	E946-7 G7S	1			Charcoal, (E7S)
5					HEADREST and COVER
	E929 GCC	2			Blue, (E7C)
	E929 GRR	2			Red, (E7R)
	E929 GLL	2			Taupe, (E7L)
	E929 GAS	2			Charcoal, (E7S)
6					COVER, Headrest
	E278 GCC	2			Blue, (E7C)
	E278 GRR	2			Red, (E7R)
	E278 GLL	2			Taupe, (E7L)
	E278 GAS	2			Charcoal, (E7S)
7	4327 688	2			COVER, Headrest Finish
8	4190 387	2			SUPPORT, Headrest
9					SLEEVE, Headrest
	S786 EC5	2			Blue, (E7C)
	S786 GR8	2			Red, (E7R)
	S786 GL7	2			Taupe, (E7L)
	S786 CS8	2			Charcoal, (E7S)
10	6008 076	AR			HOG RING
11					SHIELD, Back (P.A.R.)
					PASSENGER
	S610 GK1	1			Outboard
	S611 GK1	1			Inboard
					DRIVER
	S611 GK1	1			Outboard
	S610 GK1	1			Inboard
12					SHIELD, Cushion (P.A.R.)
					PASSENGER
	S764 GK1	1			Outboard
	S765 GK1	1			Inboard
					DRIVER
	S765 GK1	1			Outboard

MODEL CODES

C BODY = (D41 - DYNASTY)(C41 - NEW YORKER)
 E BODY = (J - CARAVELLE)(E - 600)(T - NEW YORKER TURBO)
 G BODY = (V24 - DAYTONA, PACIFICA & SHELBY)
 H BODY = (D44 - LANCER)(C44 - LEBARON GTS)
 J BODY = (C - LEBARON)
 K BODY = (P - RELIANT)(D - ARIES)(C - LEBARON/ TOWN & COUNTRY)

L BODY = (M - HORIZON)(Z-OMNI)
 M BODY = (B - GRAN FURY)(G - DIPLOMAT)(F - FIFTH AVENUE/NEWPORT)
 P BODY = (P - SUNDANCE)(D - SHADOW)
 Q BODY = (C27 - MASERATI)
 S BODY = (H - VOYAGER)(K - RAM VAN/ CARAVAN)

BODY STYLES

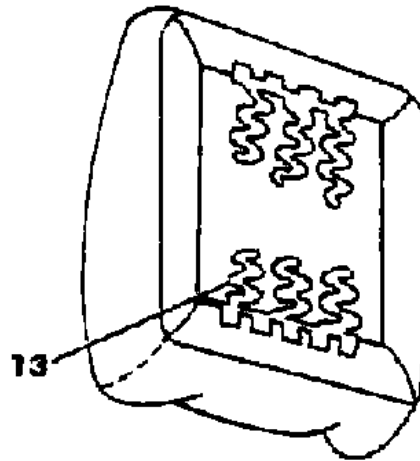
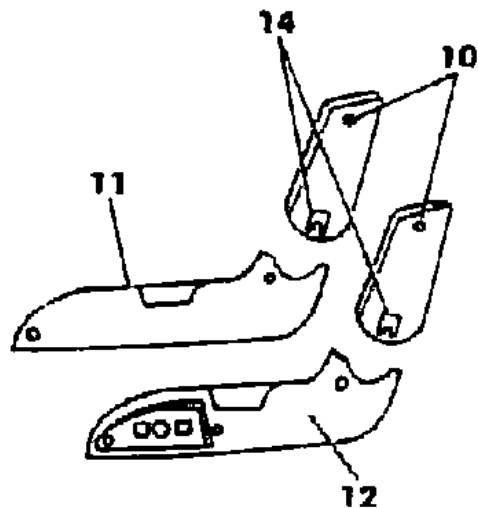
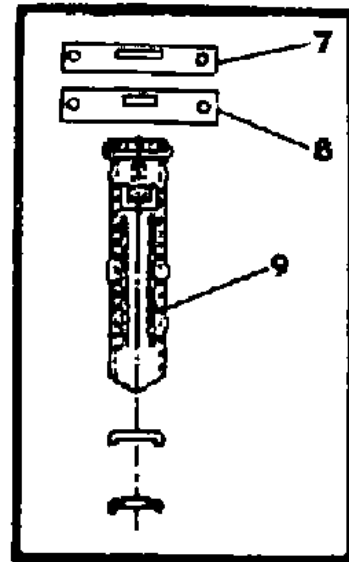
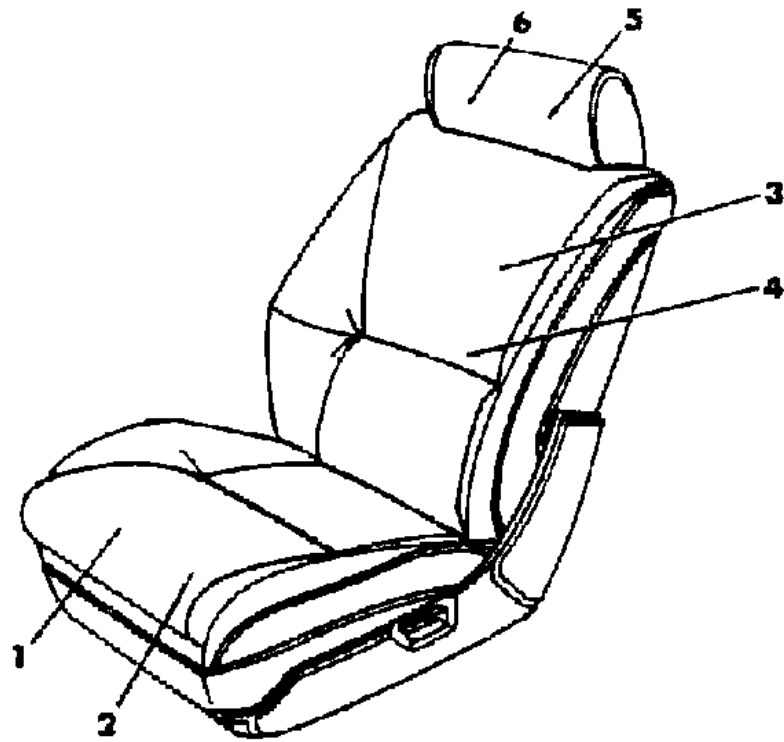
12-52 = FWD VAN & WAGON STD. W.B. 27 = 2-DOOR CONVERTIBLE
 13-53 = FWD VAN & WGN EXT W.B. 41 = 4-DOOR SEDAN
 21 = 2-DOOR SEDAN 44 = 4-DOOR HATCHBACK
 24 = 2-DOOR HATCHBACK 45 = 4-DOOR STATION WAGON

AR = Use as Required - = Non Illustrated Part P.A.R. = Paint as Required

SEAT--FRONT H BODY TRIM CODE C7

Figure ITH-1300

8240 1300



ITEM	PART NUMBER	QTY	BODY	MODEL	DESCRIPTION
1-2					CUSHION, w/Spring/Frame, Pad and Cover
					CLOTH
	E644-5 G7C	1			Blue, (C7C)
	E644-5 G7R	1			Red, (C7R)
	E644-5 G7L	1			Taupe, (C7L)
	E644-5 G7S	1			Charcoal, (C7S)
2					COVER, Cushion
					CLOTH
	E940-1 G7C	1			Blue, (C7C)
	E940-1 G7R	1			Red, (C7R)
	E940-1 G7L	1			Taupe, (C7L)
	E940-1 G7S	1			Charcoal, (C7S)
3-4					BACK, w/Spring/Frame, Pad and Cover
					CLOTH
	E688-9 G7C	1			Blue, (C7C)
	E688-9 G7R	1			Red, (C7R)
	E688-9 G7L	1			Taupe, (C7L)
	E688-9 G7S	1			Charcoal, (C7S)
4					COVER, Back
					CLOTH
	E938-9 G7C	1			Blue, (C7C)
	E938-9 G7R	1			Red, (C7R)
	E938-9 G7L	1			Taupe, (E7L)
	E938-9 G7S	1			Charcoal, (C7S)
5					HEADREST and COVER
	E930 GC5	2			Blue, (C7C)
	E930 GR8	2			Red, (C7R)
	E930 GL7	2			Taupe, (C7L)
	E930 GS8	2			Charcoal, (C7S)
6					COVER, Headrest
	E276 GC5	2			Blue, (C7C)
	E276 GR8	2			Red, (C7R)
	E276 GL7	2			Taupe, (C7L)
	E276 GS8	2			Charcoal, (C7S)
7	4327 688	2			COVER, Headrest Finish
8	4190 387	2			SUPPORT, Headrest
9					SLEEVE, Headrest

MODEL CODES

C BODY = (D41 - DYNASTY)(C41 - NEW YORKER)
 E BODY = (J - CARAVELLE)(E - 600)(T - NEW YORKER TURBO)
 G BODY = (V24 - DAYTONA, PACIFICA & SHELBY)
 H BODY = (D44 - LANCER)(C44 - LEBARON GTS)
 J BODY = (C - LEBARON)
 K BODY = (P - RELIANT)(D - ARIES)(C - LEBARON/ TOWN & COUNTRY)

L BODY = (M - HORIZON)(Z-OMNI)
 M BODY = (B - GRAN FURY)(G - DIPLOMAT)(F - FIFTH AVENUE/NEWPORT)
 P BODY = (P - SUNDANCE)(D - SHADOW)
 Q BODY = (C27 - MASERATI)
 S BODY = (H - VOYAGER)(K - RAM VAN/ CARAVAN)

BODY STYLES

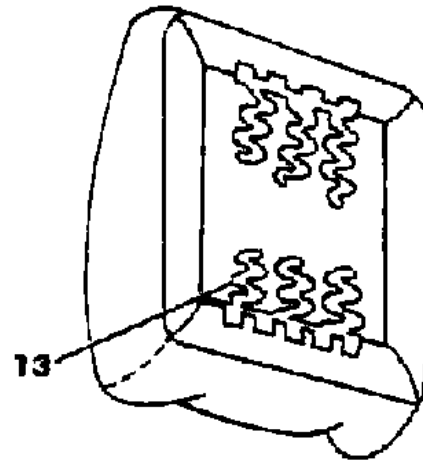
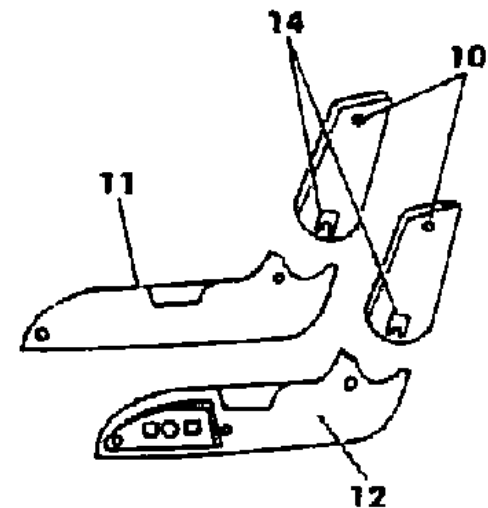
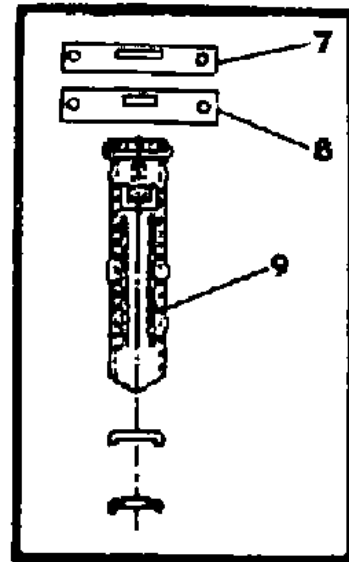
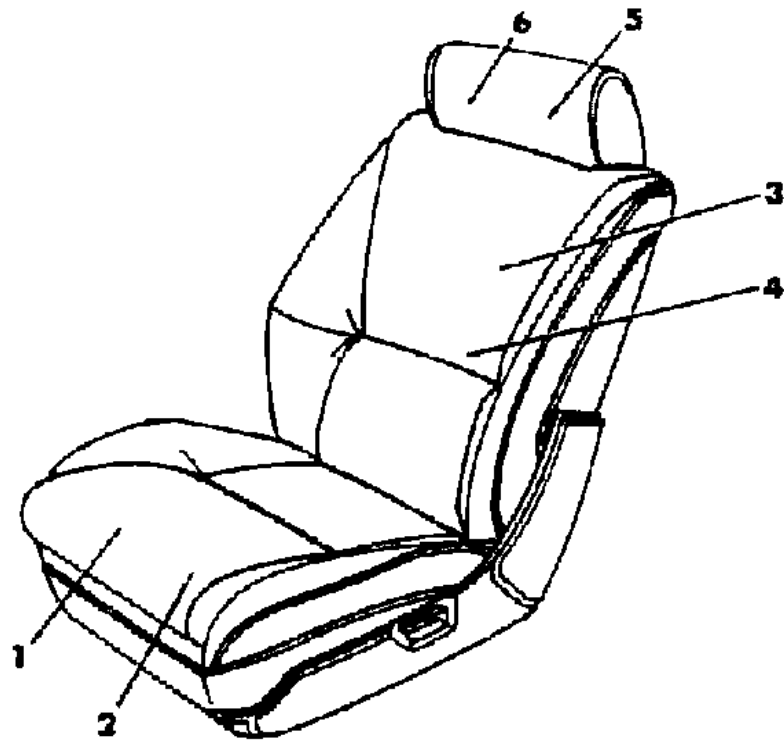
12-52 = FWD VAN & WAGON STD. W.B. 27 = 2-DOOR CONVERTIBLE
 13-53 = FWD VAN & WGN EXT W.B. 41 = 4-DOOR SEDAN
 21 = 2-DOOR SEDAN 44 = 4-DOOR HATCHBACK
 24 = 2-DOOR HATCHBACK 45 = 4-DOOR STATION WAGON

AR = Use as Required - = Non Illustrated Part P.A.R. = Paint as Required

SEAT--FRONT H BODY TRIM CODE C7

Figure ITH-1300

8240 1300



ITEM	PART NUMBER	QTY	BODY	MODEL	DESCRIPTION
	S786 EC5	2			Blue, (C7C)
	S786 GR8	2			Red, (C7R)
	S786 GL7	2			Taupe, (C7L)
	S786 CS8	2			Charcoal, (C7S)
10					SHIELD, Back (P.A.R.)
					PASSENGER
	S610 GK1	1			Outboard
	S611 GK1	1			Inboard
					DRIVER
	S611 GK1	1			Outboard
	S610 GK1	1			Inboard
11					SHIELD, Cushion (P.A.R.)
					PASSENGER
	S764 GK1	1			Outboard
	S765 GK1	1			Inboard
					DRIVER
	S765 GK1	1			Outboard
	S764 GK1	1			Inboard
12	S767 GC5	1			SHIELD, Cushion Electric (P.A.R.)
13	6008 076	AR			HOG RING
14	4317 800	AR			CLIP, Shield Attaching

NOTE: (P.A.R.) = Paint As Required

MODEL CODES

C BODY = (D41 - DYNASTY)(C41 - NEW YORKER)
 E BODY = (J - CARAVELLE)(E - 600)(T - NEW YORKER TURBO)
 G BODY = (V24 - DAYTONA, PACIFICA & SHELBY)
 H BODY = (D44 - LANCER)(C44 - LEBARON GTS)
 J BODY = (C - LEBARON)
 K BODY = (P - RELIANT)(D - ARIES)(C - LEBARON/ TOWN & COUNTRY)

L BODY = (M - HORIZON)(Z-OMNI)
 M BODY = (B - GRAN FURY)(G - DIPLOMAT)(F - FIFTH AVENUE/NEWPORT)
 P BODY = (P - SUNDANCE)(D - SHADOW)
 Q BODY = (C27 - MASERATI)
 S BODY = (H - VOYAGER)(K - RAM VAN/ CARAVAN)

BODY STYLES

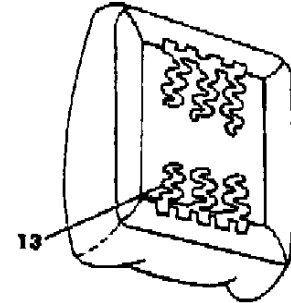
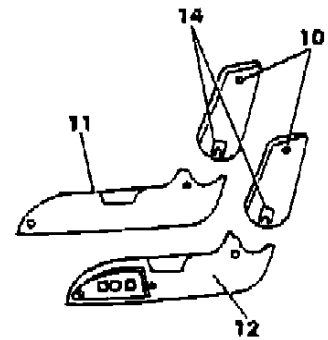
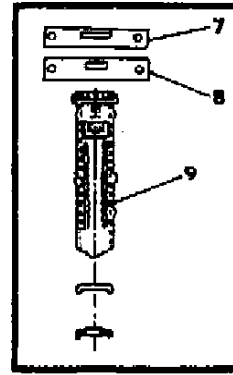
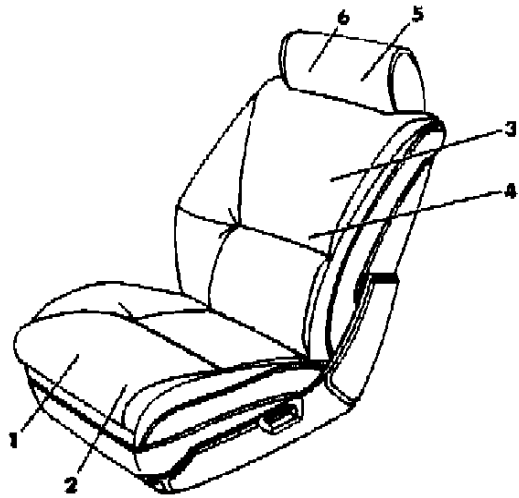
12-52 = FWD VAN & WAGON STD. W.B. 27 = 2-DOOR CONVERTIBLE
 13-53 = FWD VAN & WGN EXT W.B. 41 = 4-DOOR SEDAN
 21 = 2-DOOR SEDAN 44 = 4-DOOR HATCHBACK
 24 = 2-DOOR HATCHBACK 45 = 4-DOOR STATION WAGON

AR = Use as Required - = Non Illustrated Part P.A.R. = Paint as Required

SEAT--FRONT H BODY TRIM CODE HL

Figure ITH-1400

8240 1400



ITEM	PART NUMBER	QTY	BODY	MODEL	DESCRIPTION
1-2					CUSHION, w/Spring/Frame, Pad and Cover
	E694-5 GLC	1			LEATHER Blue, (HLC)
	E694-5 GLR	1			Red, (HLR)
	E694-5 GLL	1			Taupe, (HLL)
	E694-5 GLS	1			Charcoal, (HLS)
2					COVER, Cushion
	E274-5 GLC	1			LEATHER Blue, (HLC)
	E274-5 GLR	1			Red, (HLR)
	E274-5 GLL	1			Taupe, (HLL)
	E274-5 GLS	1			Charcoal, (HLS)
3-4					BACK, w/Spring/Frame, Pad and Cover
	E806-7 FLC	1			LEATHER Blue, (HLC)
	E806-7 GLR	1			Red, (HLR)
	E806-7 GLL	1			Taupe, (HLL)
	E806-7 FLS	1			Charcoal, (HLS)
4					COVER, Less Pad Back
	E210-1 FLC	1			LEATHER Blue, (HLC)
	E210-1 GLR	1			Red, (HLR)
	E210-1 GLL	1			Taupe, (HLL)
	E210-1 FLS	1			Charcoal, (HLS)
5-6					HEADREST and COVER
	E772 FC5	2			Blue, (HLC)
	E984 GR8	2			Red, (HLR)
	E984 GL7	2			Taupe, (HLL)
	E772 FS8	2			Charcoal, (HLS)
6					COVER, Headrest
	E262 FC5	2			Blue, (HLC)
	E297 GR8	2			Red, (HLR)
	E262 GL7	2			Taupe, (HLL)
	E262 FS8	2			Charcoal, (HLS)
7	4327 688	2			COVER, Headrest Finish
8	4190 387	2			SUPPORT, Headrest
9					SLEEVE, Headrest

MODEL CODES

C BODY = (D41 - DYNASTY)(C41 - NEW YORKER)
 E BODY = (J - CARAVELLE)(E - 600)(T - NEW YORKER TURBO)
 G BODY = (V24 - DAYTONA, PACIFICA & SHELBY)
 H BODY = (D44 - LANCER)(C44 - LEBARON GTS)
 J BODY = (C - LEBARON)
 K BODY = (P - RELIANT)(D - ARIES)(C - LEBARON/ TOWN & COUNTRY)

L BODY = (M - HORIZON)(Z-OMNI)
 M BODY = (B - GRAN FURY)(G - DIPLOMAT)(F - FIFTH AVENUE/NEWPORT)
 P BODY = (P - SUNDANCE)(D - SHADOW)
 Q BODY = (C27 - MASERATI)
 S BODY = (H - VOYAGER)(K - RAM VAN/ CARAVAN)

BODY STYLES

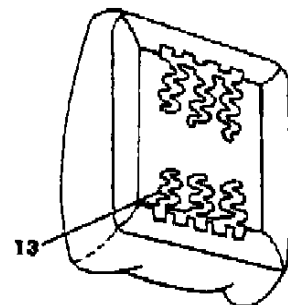
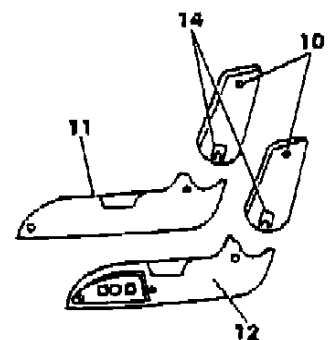
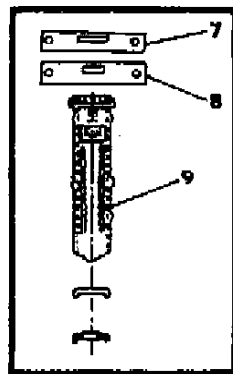
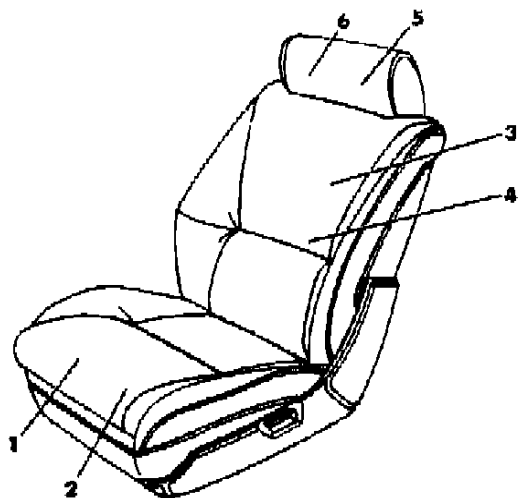
12-52 = FWD VAN & WAGON STD. W.B. 27 = 2-DOOR CONVERTIBLE
 13-53 = FWD VAN & WGN EXT W.B. 41 = 4-DOOR SEDAN
 21 = 2-DOOR SEDAN 44 = 4-DOOR HATCHBACK
 24 = 2-DOOR HATCHBACK 45 = 4-DOOR STATION WAGON

AR = Use as Required - = Non Illustrated Part P.A.R. = Paint as Required

SEAT--FRONT H BODY TRIM CODE HL

Figure ITH-1400

8240 1400



ITEM	PART NUMBER	QTY	BODY	MODEL	DESCRIPTION
	S786 EC5	2			Blue, (HLC)
	S786 GR8	2			Red, (HLR)
	S786 GL7	2			Taupe, (HLL)
	S786 CS8	2			Charcoal, (HLS)
10	6008 076	AR			HOG RING
11					SHIELD, Back (P.A.R.) PASSENGER Outboard Inboard
	S610 GK1	1			Outboard
	S611 GK1	1			Inboard
	S611 GK1	1			DRIVER Outboard
	S610 GK1	1			Inboard
12					SHIELD, Cushion (P.A.R.) PASSENGER Outboard Inboard
	S764 GK1	1			Outboard
	S765 GK1	1			Inboard
	S765 GK1	1			DRIVER Outboard
	S764 GK1	1			Inboard
13	S767 GC5	1			SHIELD, Cushion Electric (P.A.R.)
14	4317 800	AR			CLIP, Shield Attaching

NOTE: (P.A.R.) = Paint As Required

MODEL CODES

C BODY = (D41 - DYNASTY)(C41 - NEW YORKER)
 E BODY = (J - CARAVELLE)(E - 600)(T - NEW YORKER TURBO)
 G BODY = (V24 - DAYTONA, PACIFICA & SHELBY)
 H BODY = (D44 - LANCER)(C44 - LEBARON GTS)
 J BODY = (C - LEBARON)
 K BODY = (P - RELIANT)(D - ARIES)(C - LEBARON/ TOWN & COUNTRY)
 L BODY = (M - HORIZON)(Z-OMNI)
 M BODY = (B - GRAN FURY)(G - DIPLOMAT)(F - FIFTH AVENUE/NEWPORT)
 P BODY = (P - SUNDANCE)(D - SHADOW)
 Q BODY = (C27 - MASERATI)
 S BODY = (H - VOYAGER)(K - RAM VAN/ CARAVAN)

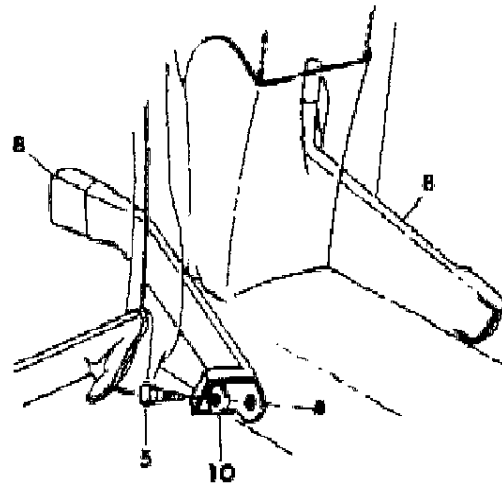
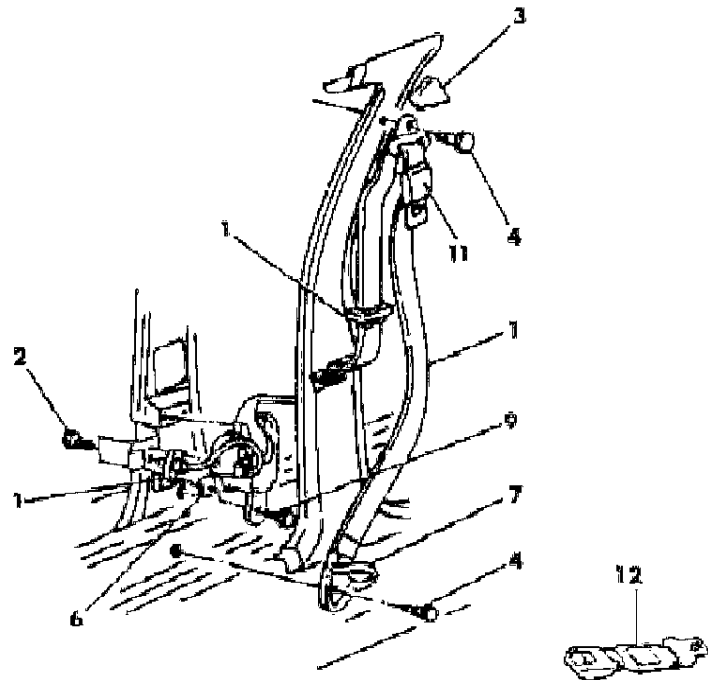
BODY STYLES

12-52 = FWD VAN & WAGON STD. W.B. 27 = 2-DOOR CONVERTIBLE
 13-53 = FWD VAN & WGN EXT W.B. 41 = 4-DOOR SEDAN
 21 = 2-DOOR SEDAN 44 = 4-DOOR HATCHBACK
 24 = 2-DOOR HATCHBACK 45 = 4-DOOR STATION WAGON

AR = Use as Required - = Non Illustrated Part P.A.R. = Paint as Required

BELT--FRONT SEAT H BODY
Figure ITH-1500

8240 1500



ITEM	PART NUMBER	QTY	BODY	MODEL	DESCRIPTION
1					BELT, Outer
					LABEL NUMBER 4402744-5
	F940-1 GC5	1			Blue
	F940-1 GR8	1			Red
	F940-1 GL7	1			Taupe
	F940-1 GS8	1			Charcoal
					BELT, Front Outer (EUROPEAN)
	4477 152	1			Right
	4477 153	1			Left
2					SCREW, (10-16x3/4) (Not Serv.)
3					COVER, Turning Loop
	F700 EC5	2			Blue
	F700 GR8	2			Red
	F700 GL7	2			Taupe
	F700 FS8	2			Charcoal
4	6031 216	2			BOLT
	4476 249	2			SHOULDER, Belt Mounting (EUROPEAN)
	4476 249	2			SHOULDER , Belt Reinforcement Mounting Brkt. (EUROPEAN)
	4308 840	2			PLATE, Retractor Mounting Backing (EUROPEAN)
5	6031 298	6			BOLT
6	6031 448	2			U-NUT
7					COVER, Swivel Plate (Serviced In Item 1)
8					BELT, Inner
					LABEL NUMBER 4402158-9
	F868-9 GC5	1			Blue
	F868-9 GR8	1			Red
	F868-9 GL7	1			Taupe
	F868-9 GS8	1			Charcoal
					BELT, Front Inner (EUROPEAN)
	4477 154	1			Right
	4477 155	1			Left
9	6031 484	4			BOLT
10		AR			WASHER, (Not Serv.)
11					COVER, (Serviced In Item 1)
12	4402 887	AR			EXTENDER
					NOTE: (P.A.R.) = Paint As Required

MODEL CODES

C BODY = (D41 - DYNASTY)(C41 - NEW YORKER)
 E BODY = (J - CARAVELLE)(E - 600)(T - NEW YORKER TURBO)
 G BODY = (V24 - DAYTONA, PACIFICA & SHELBY)
 H BODY = (D44 - LANCER)(C44 - LEBARON GTS)
 J BODY = (C - LEBARON)
 K BODY = (P - RELIANT)(D - ARIES)(C - LEBARON/ TOWN & COUNTRY)

L BODY = (M - HORIZON)(Z-OMNI)
 M BODY = (B - GRAN FURY)(G - DIPLOMAT)(F - FIFTH AVENUE/NEWPORT)
 P BODY = (P - SUNDANCE)(D - SHADOW)
 Q BODY = (C27 - MASERATI)
 S BODY = (H - VOYAGER)(K - RAM VAN/ CARAVAN)

BODY STYLES

12-52 = FWD VAN & WAGON STD. W.B. 27 = 2-DOOR CONVERTIBLE
 13-53 = FWD VAN & WGN EXT W.B. 41 = 4-DOOR SEDAN
 21 = 2-DOOR SEDAN 44 = 4-DOOR HATCHBACK
 24 = 2-DOOR HATCHBACK 45 = 4-DOOR STATION WAGON

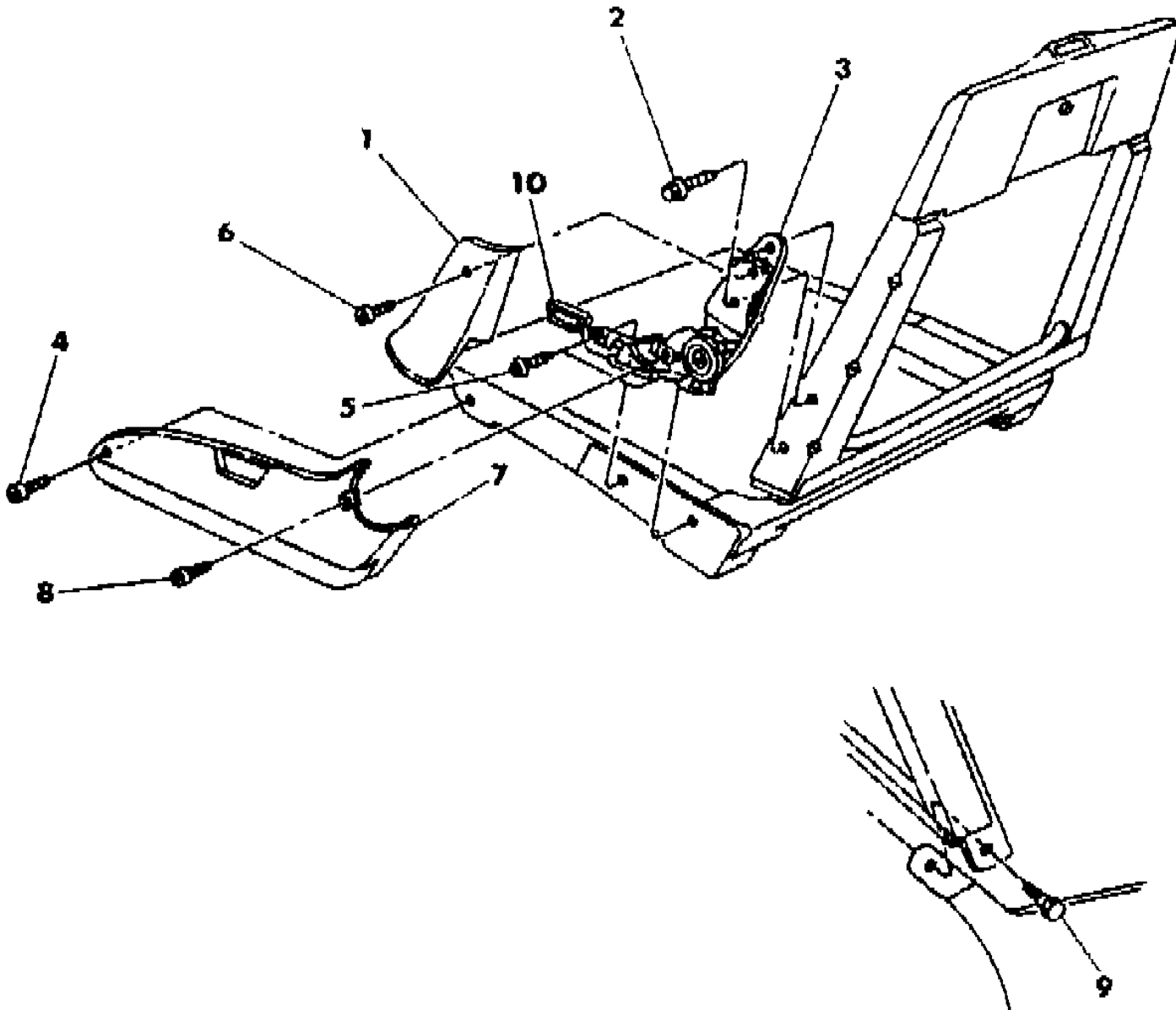
AR = Use as Required - = Non Illustrated Part P.A.R. = Paint as Required

SEAT--RECLINING H BODY
Figure ITH-1600

8240 1600

ITEM	PART NUMBER	QTY	BODY	MODEL	DESCRIPTION
1	S610-1 GK1	1			SHIELD, Back (P.A.R.)
2	6501 221	AR			SCREW
3					RECLINER
	4402 190	1			Passenger Seat
	4402 191	1			Driver Seat
4		AR			SCREW, (8-18x1.00) (Not Serv.)
5	6500 558	AR			SCREW
6		AR			SCREW, (-18x1.75) (Not Serv.)
7	S764-5 GK1	1			SHIELD, Cushion (P.A.R.)
8	6032 456	AR			SCREW
9	6501 346	2			BOLT, (10x1.5x39)
10	S936-7 FA3	1			LEVER, Recliner Release (P.A.R.)

NOTE: (P.A.R.) = Paint As Required



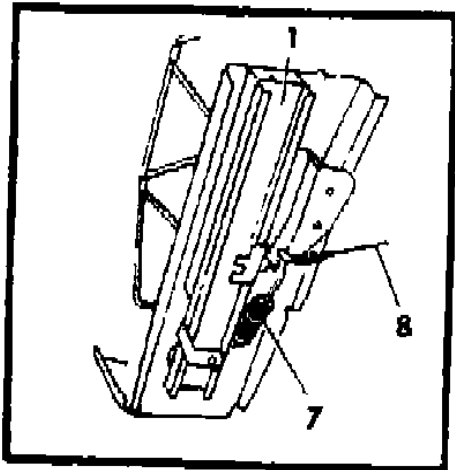
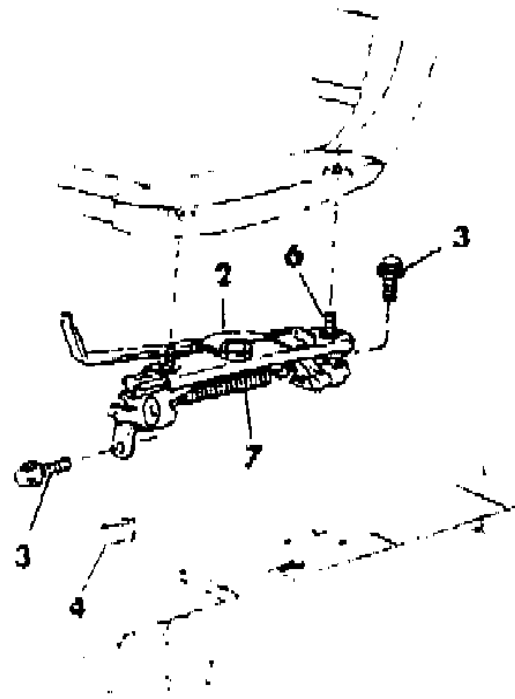
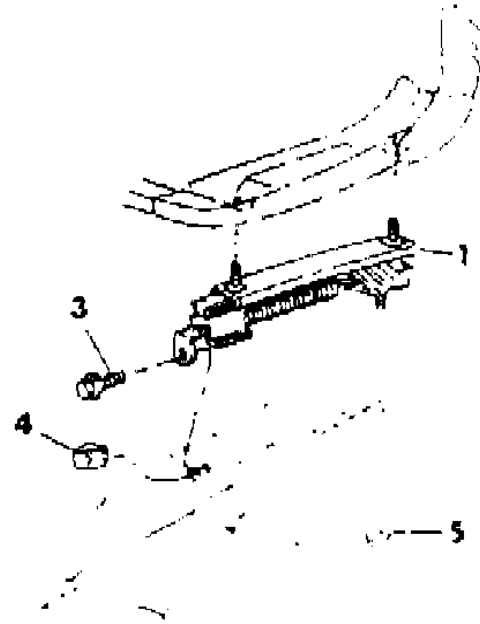
MODEL CODES
 C BODY = (D41 - DYNASTY)(C41 - NEW YORKER)
 E BODY = (J - CARAVELLE)(E - 600)(T - NEW YORKER TURBO)
 G BODY = (V24 - DAYTONA, PACIFICA & SHELBY)
 H BODY = (D44 - LANCER)(C44 - LEBARON GTS)
 J BODY = (C - LEBARON)
 K BODY = (P - RELIANT)(D - ARIES)(C - LEBARON/ TOWN & COUNTRY)
 L BODY = (M - HORIZON)(Z-OMNI)
 M BODY = (B - GRAN FURY)(G - DIPLOMAT)(F - FIFTH AVENUE/NEWPORT)
 P BODY = (P - SUNDANCE)(D - SHADOW)
 Q BODY = (C27 - MASERATI)
 S BODY = (H - VOYAGER)(K - RAM VAN/ CARAVAN)

BODY STYLES
 12-52 = FWD VAN & WAGON STD. W.B. 27 = 2-DOOR CONVERTIBLE
 13-53 = FWD VAN & WGN EXT W.B. 41 = 4-DOOR SEDAN
 21 = 2-DOOR SEDAN 44 = 4-DOOR HATCHBACK
 24 = 2-DOOR HATCHBACK 45 = 4-DOOR STATION WAGON

AR = Use as Required - = Non Illustrated Part P.A.R. = Paint as Required

ADJUSTER--MANUAL H BODY
Figure ITH-1700

8240 1700 A



ITEM	PART NUMBER	QTY	BODY	MODEL	DESCRIPTION
1	4380 422	1			ADJUSTER, Inner Passenger
	4380 423	1			Driver
2	4380 420	1			ADJUSTER, Outer Passenger
	4380 421	1			Driver
3		AR			SCREW, (m8-1.25x30) (Not Serv.)
4	6101 283	AR			U-NUT
5	6501 279	AR			NUT and WASHER
6					SCREW and WASHER, (Serv. In Item 1 & 2)
7					SPRING
	4316 006	1			Lever Assist (15 Coils)
	4402 216	1			Latch Assist
8	4239 942	2			WIRE, Release Lever Connector

MODEL CODES

C BODY = (D41 - DYNASTY)(C41 - NEW YORKER)
 E BODY = (J - CARAVELLE)(E - 600)(T - NEW YORKER TURBO)
 G BODY = (V24 - DAYTONA, PACIFICA & SHELBY)
 H BODY = (D44 - LANCER)(C44 - LEBARON GTS)
 J BODY = (C - LEBARON)
 K BODY = (P - RELIANT)(D - ARIES)(C - LEBARON/ TOWN & COUNTRY)

L BODY = (M - HORIZON)(Z-OMNI)
 M BODY = (B - GRAN FURY)(G - DIPLOMAT)(F - FIFTH AVENUE/NEWPORT)
 P BODY = (P - SUNDANCE)(D - SHADOW)
 Q BODY = (C27 - MASERATI)
 S BODY = (H - VOYAGER)(K - RAM VAN/ CARAVAN)

BODY STYLES

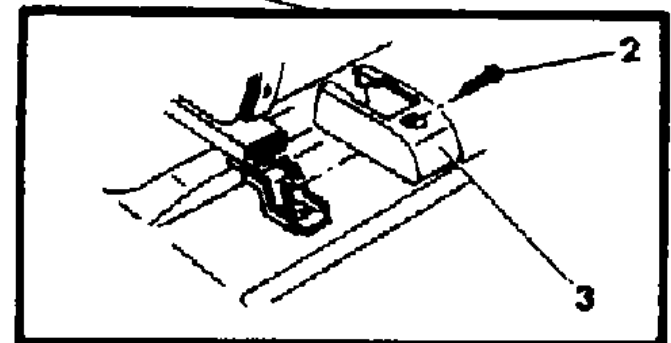
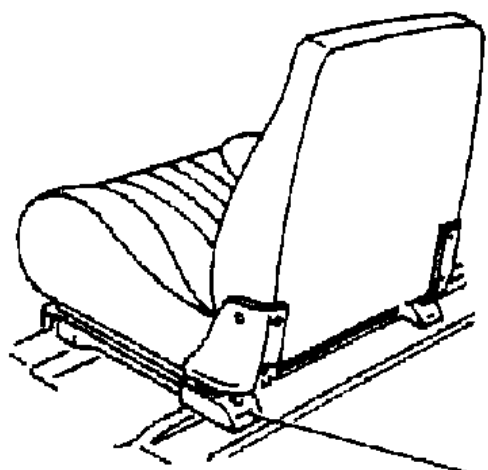
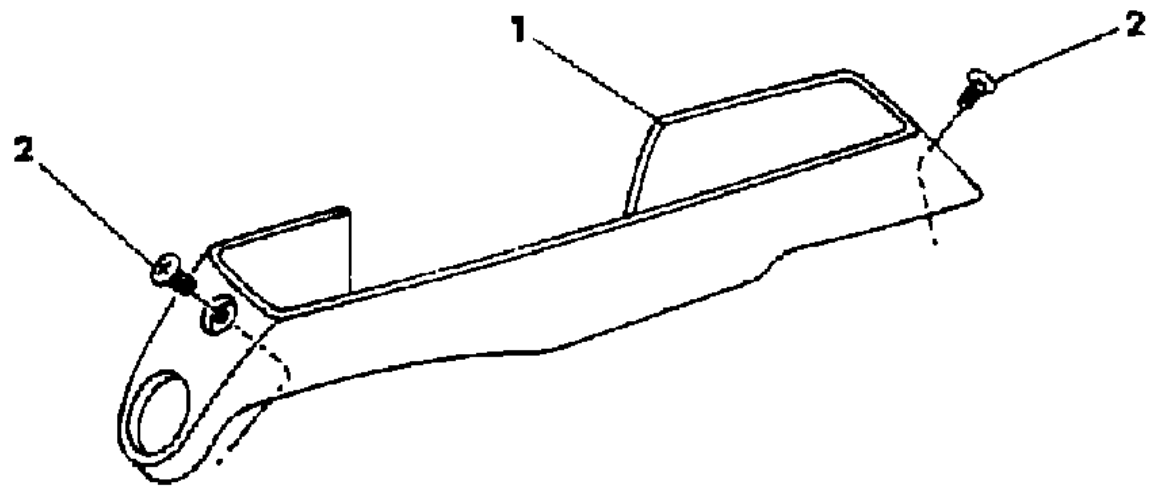
12-52 = FWD VAN & WAGON STD. W.B.	27 = 2-DOOR CONVERTIBLE
13-53 = FWD VAN & WGN EXT W.B.	41 = 4-DOOR SEDAN
21 = 2-DOOR SEDAN	44 = 4-DOOR HATCHBACK
24 = 2-DOOR HATCHBACK	45 = 4-DOOR STATION WAGON

AR = Use as Required - = Non Illustrated Part P.A.R. = Paint as Required

COVERS--ADJUSTER MANUAL H BODY
Figure ITH-1800

8240 1800

ITEM	PART NUMBER	QTY	BODY	MODEL	DESCRIPTION
1					COVER, Outer
	S464-5 GC5	1			Blue
	S464-5 GR8	1			Red
	S464-5 GL7	1			Taupe
	S464-5 GS8	1			Charcoal
2		AR			SCREW, (8-18x3/4) (Not Serv.)
3					COVER, Inner
	S636 GC5	1			Blue
	S636 GR8	1			Red
	S636 GL7	1			Taupe
	S636 GS8	1			Charcoal



MODEL CODES
 C BODY = (D41 - DYNASTY)(C41 - NEW YORKER)
 E BODY = (J - CARAVELLE)(E - 600)(T - NEW YORKER TURBO)
 G BODY = (V24 - DAYTONA, PACIFICA & SHELBY)
 H BODY = (D44 - LANCER)(C44 - LEBARON GTS)
 J BODY = (C - LEBARON)
 K BODY = (P - RELIANT)(D - ARIES)(C - LEBARON/ TOWN & COUNTRY)
 L BODY = (M - HORIZON)(Z-OMNI)
 M BODY = (B - GRAN FURY)(G - DIPLOMAT)(F - FIFTH AVENUE/NEWPORT)
 P BODY = (P - SUNDANCE)(D - SHADOW)
 Q BODY = (C27 - MASERATI)
 S BODY = (H - VOYAGER)(K - RAM VAN/ CARAVAN)

BODY STYLES
 12-52 = FWD VAN & WAGON STD. W.B. 27 = 2-DOOR CONVERTIBLE
 13-53 = FWD VAN & WGN EXT W.B. 41 = 4-DOOR SEDAN
 21 = 2-DOOR SEDAN 44 = 4-DOOR HATCHBACK
 24 = 2-DOOR HATCHBACK 45 = 4-DOOR STATION WAGON

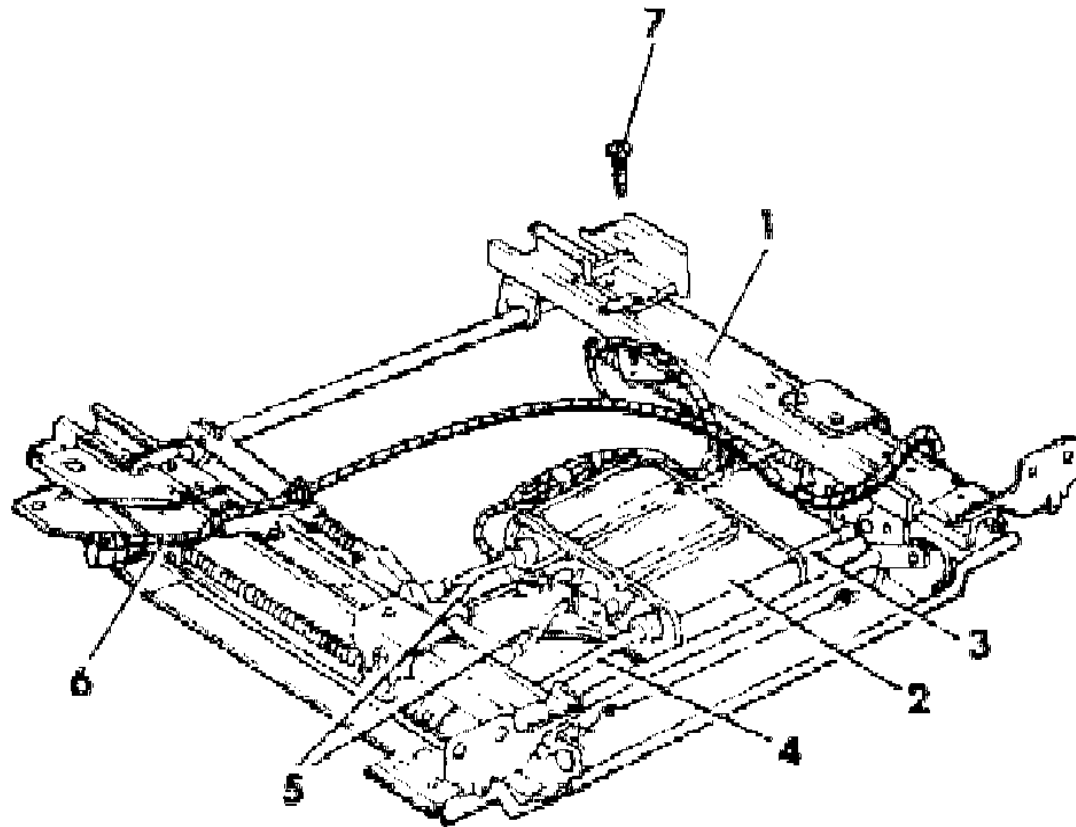
AR = Use as Required - = Non Illustrated Part P.A.R. = Paint as Required

ADJUSTER--ELECTRIC H BODY
Figure ITH-1900

8240 1900

ITEM	PART NUMBER	QTY	BODY	MODEL	DESCRIPTION
1	4402 713	1			ADJUSTER, Less Motor
2	4402 323	1			MOTOR, w/Tube Assembly
3	4402 267	1			CABLE, Inner (2.06")
4	4402 275	1			CABLE, Outer (5.350")
5	4327 282	1			SHAFT, Flexible (4.005")
6	4304 956	1			WIRING
7	6033 077	4			SCREW, Adjuster To Seat

NOTE: Items 1 thru 7 Are For Replacement Only



MODEL CODES

C BODY = (D41 - DYNASTY)(C41 - NEW YORKER)	L BODY = (M - HORIZON)(Z-OMNI)
E BODY = (J - CARAVELLE)(E - 600)(T - NEW YORKER TURBO)	M BODY = (B - GRAN FURY)(G - DIPLOMAT)(F - FIFTH AVENUE/NEWPORT)
G BODY = (V24 - DAYTONA, PACIFICA & SHELBY)	P BODY = (P - SUNDANCE)(D - SHADOW)
H BODY = (D44 - LANCER)(C44 - LEBARON GTS)	Q BODY = (C27 - MASERATI)
J BODY = (C - LEBARON)	S BODY = (H - VOYAGER)(K - RAM VAN/ CARAVAN)
K BODY = (P - RELIANT)(D - ARIES)(C - LEBARON/ TOWN & COUNTRY)	

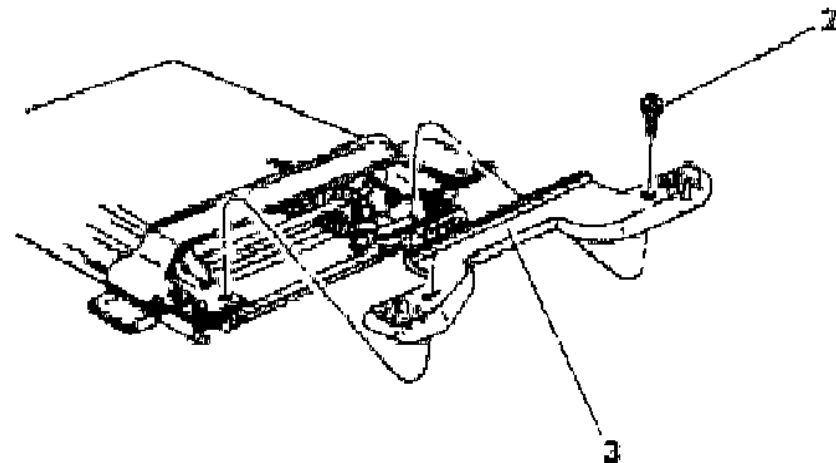
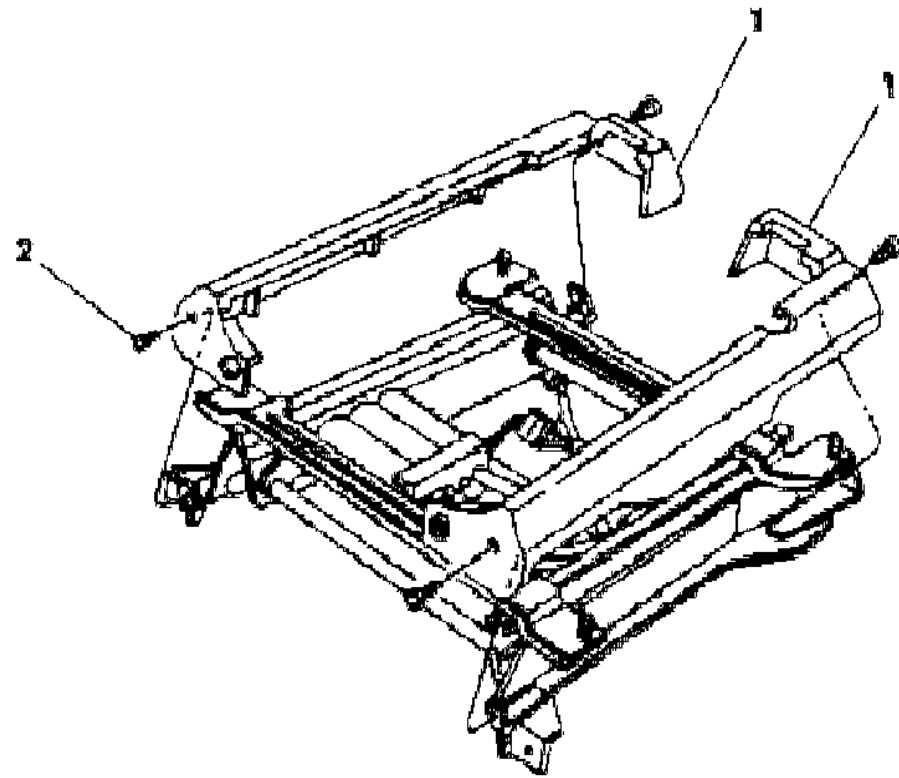
BODY STYLES

12-52 = FWD VAN & WAGON STD. W.B.	27 = 2-DOOR CONVERTIBLE
13-53 = FWD VAN & WGN EXT W.B.	41 = 4-DOOR SEDAN
21 = 2-DOOR SEDAN	44 = 4-DOOR HATCHBACK
24 = 2-DOOR HATCHBACK	45 = 4-DOOR STATION WAGON

AR = Use as Required - = Non Illustrated Part P.A.R. = Paint as Required

COVERS--ADJUSTER ELECTRIC H BODY
Figure ITH-2000

8240 2000



ITEM	PART NUMBER	QTY	BODY	MODEL	DESCRIPTION
1					COVER
	S978 GC5	1			Inner Blue
	S978 GR8	1			Red
	S978 GL7	1			Taupe
	S978 GS8	1			Charcoal Outer
	S977 GC5	1			Blue
	S977 GR8	1			Red
	S977 GL7	1			Taupe
	S977 GS8	1			Charcoal
2		AR			SCREW, (8-18x3/4) (Not Serv.)
3					COVER, Rear
	S901 FC5	1			Blue
	S901 GR8	1			Cordovan
	S901 GL7	1			Taupe
	S901 FS8	1			Charcoal

MODEL CODES

C BODY = (D41 - DYNASTY)(C41 - NEW YORKER)	L BODY = (M - HORIZON)(Z-OMNI)
E BODY = (J - CARAVELLE)(E - 600)(T - NEW YORKER TURBO)	M BODY = (B - GRAN FURY)(G - DIPLOMAT)(F - FIFTH AVENUE/NEWPORT)
G BODY = (V24 - DAYTONA, PACIFICA & SHELBY)	P BODY = (P - SUNDANCE)(D - SHADOW)
H BODY = (D44 - LANCER)(C44 - LEBARON GTS)	Q BODY = (C27 - MASERATI)
J BODY = (C - LEBARON)	S BODY = (H - VOYAGER)(K - RAM VAN/ CARAVAN)
K BODY = (P - RELIANT)(D - ARIES)(C - LEBARON/ TOWN & COUNTRY)	

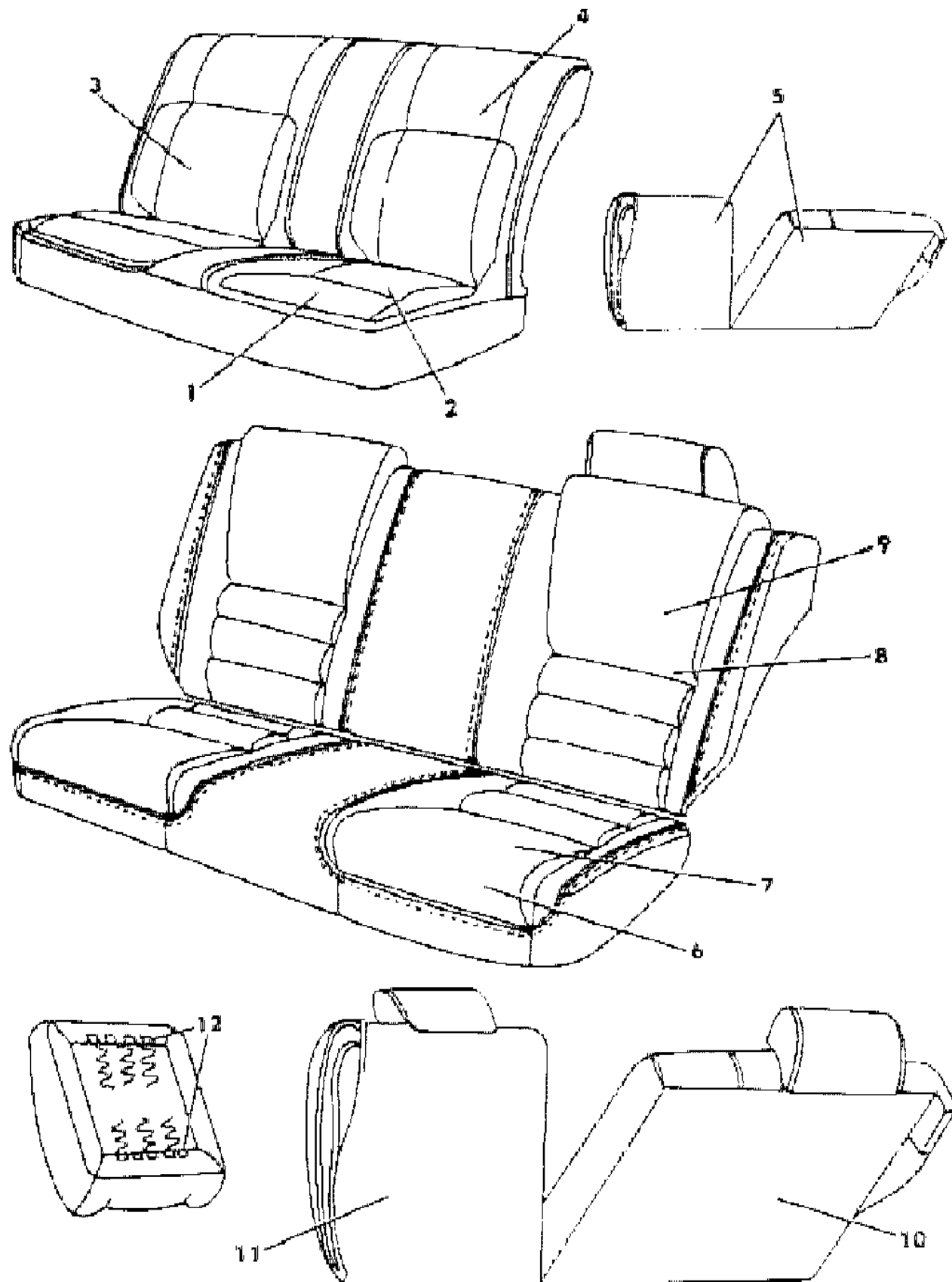
BODY STYLES

12-52 = FWD VAN & WAGON STD. W.B.	27 = 2-DOOR CONVERTIBLE
13-53 = FWD VAN & WGN EXT W.B.	41 = 4-DOOR SEDAN
21 = 2-DOOR SEDAN	44 = 4-DOOR HATCHBACK
24 = 2-DOOR HATCHBACK	45 = 4-DOOR STATION WAGON

AR = Use as Required - = Non Illustrated Part P.A.R. = Paint as Required

SEAT--REAR H BODY TRIM CODES M7-E7
Figure ITH-2100

8240 2100



ITEM	PART NUMBER	QTY	BODY	MODEL	DESCRIPTION
1-2					CUSHION, w/Spring/Frame, Pad and Cover
	E670 G7C	1			CLOTH Blue, (M7C)
	E670 G7R	1			Red, (M7E)
	E670 G7L	1			Taupe, (M7L)
	E670 G7S	1			Charcoal, (M7S)
2					COVER, Cushion
	E776 G7C	1			CLOTH Blue, (M7C)
	E776 G7R	1			Red, (M7R)
	E776 G7L	1			Taupe, (M7L)
	E776 G7S	1			Charcoal, (M7S)
3-4					BACK, w/Spring/Frame, Pad and Cover
	E668-9 G7C	1			CLOTH Blue, (M7C)
	E668-9 G7R	1			Red, (M7R)
	E668-9 G7L	1			Taupe, (M7L)
	E668-9 G7S	1			Charcoal, (M7S)
4					COVER, Back
	E774-5 G7C	1			CLOTH Blue, (M7C)
	E774-5 G7R	1			Red, (M7R)
	E774-5 G7L	1			Taupe, (M7L)
	E774-5 G7S	1			Charcoal, (M7S)
5					PANEL, Rear Back (Split) (Serv. In Seat Back)
6-7					CUSHION, w/Spring/Frame, Pad and Cover
	E640 G7C	1			CLOTH Blue, (E7C)
	E640 G7R	1			Red, (E7R)
	E640 G7L	1			Taupe, (E7L)
	E640 G7S	1			Charcoal, (E7S)
7					COVER, Cushion
	E950 G7C	1			CLOTH Blue, (E7C)
	E950 G7R	1			Red, (E7R)
	E950 G7L	1			Taupe, (E7L)
	E950 G7S	1			Charcoal, (E7S)

MODEL CODES

C BODY = (D41 - DYNASTY)(C41 - NEW YORKER)
 E BODY = (J - CARAVELLE)(E - 600)(T - NEW YORKER TURBO)
 G BODY = (V24 - DAYTONA, PACIFICA & SHELBY)
 H BODY = (D44 - LANCER)(C44 - LEBARON GTS)
 J BODY = (C - LEBARON)
 K BODY = (P - RELIANT)(D - ARIES)(C - LEBARON/ TOWN & COUNTRY)

L BODY = (M - HORIZON)(Z-OMNI)
 M BODY = (B - GRAN FURY)(G - DIPLOMAT)(F - FIFTH AVENUE/NEWPORT)
 P BODY = (P - SUNDANCE)(D - SHADOW)
 Q BODY = (C27 - MASERATI)
 S BODY = (H - VOYAGER)(K - RAM VAN/ CARAVAN)

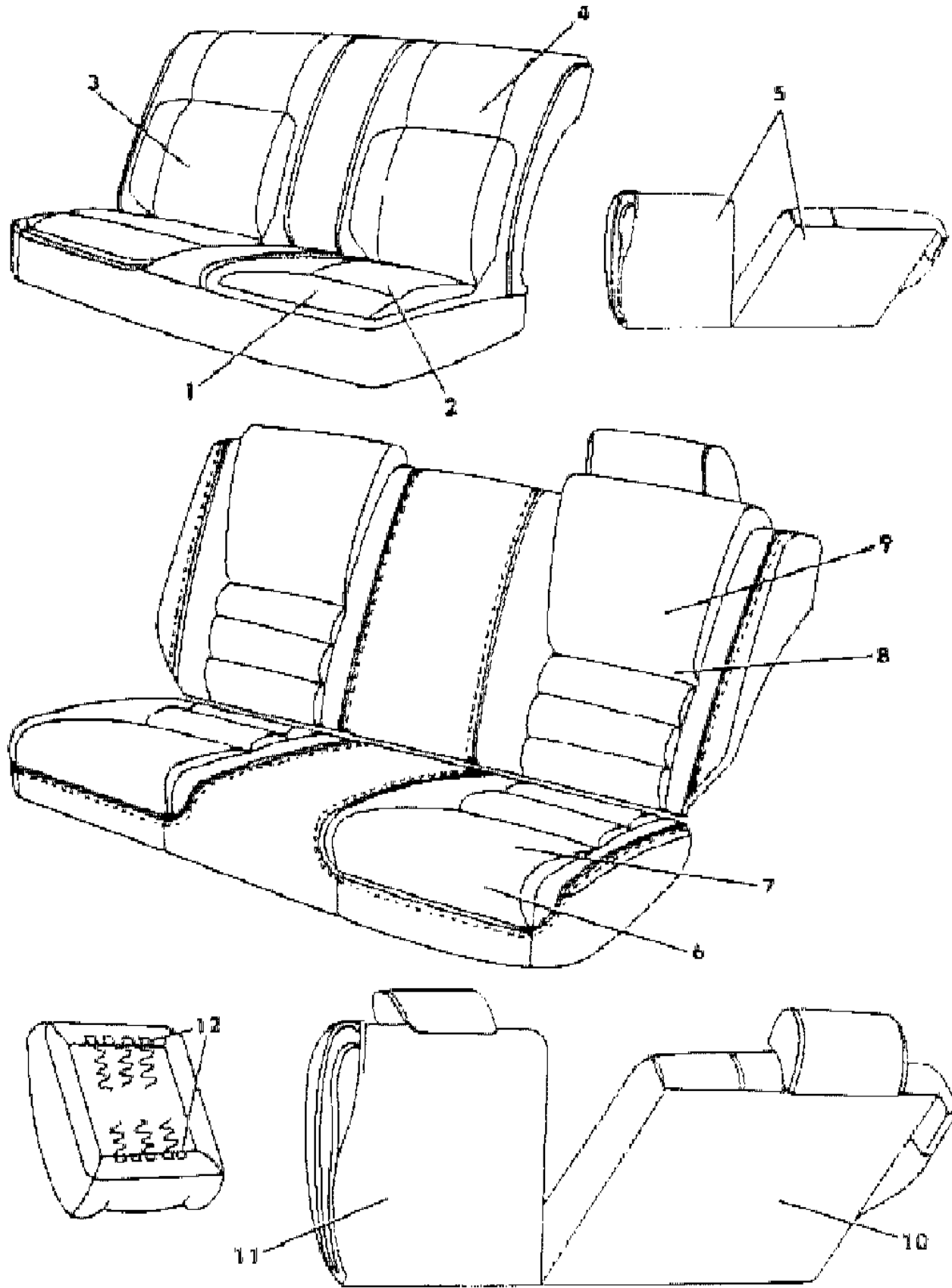
BODY STYLES

12-52 = FWD VAN & WAGON STD. W.B. 27 = 2-DOOR CONVERTIBLE
 13-53 = FWD VAN & WGN EXT W.B. 41 = 4-DOOR SEDAN
 21 = 2-DOOR SEDAN 44 = 4-DOOR HATCHBACK
 24 = 2-DOOR HATCHBACK 45 = 4-DOOR STATION WAGON

AR = Use as Required - = Non Illustrated Part P.A.R. = Paint as Required

SEAT--REAR H BODY TRIM CODES M7-E7
Figure ITH-2100

8240 2100



ITEM	PART NUMBER	QTY	BODY	MODEL	DESCRIPTION
8-9					BACK, w/Spring/Frame, Pad and Cover
	E642-3 G7C	1			CLOTH Blue, (E7C)
	E642-3 G7R	1			Red, (E7R)
	E642-3 G7L	1			Taupe, (E7L)
	E642-3 G7S	1			Charcoal, (E7S)
9					COVER, Back
	E952-3 G7C	1			CLOTH Blue, (E7C)
	E952-3 G7R	1			Red, (E7R)
	E952-3 G7L	1			Taupe, (E7L)
	E952-3 G7S	1			Charcoal, (E7S)
10					PANEL, Rear Back Right Side (Serv. In Seat Back)
11					PANEL, Rear Back Left Side (Serv. In Seat Back)
12	6008 076	AR			HOG RING

MODEL CODES

C BODY = (D41 - DYNASTY)(C41 - NEW YORKER)
E BODY = (J - CARAVELLE)(E - 600)(T - NEW YORKER TURBO)
G BODY = (V24 - DAYTONA, PACIFICA & SHELBY)
H BODY = (D44 - LANCER)(C44 - LEBARON GTS)
J BODY = (C - LEBARON)
K BODY = (P - RELIANT)(D - ARIES)(C - LEBARON/ TOWN & COUNTRY)

L BODY = (M - HORIZON)(Z-OMNI)
M BODY = (B - GRAN FURY)(G - DIPLOMAT)(F - FIFTH AVENUE/NEWPORT)
P BODY = (P - SUNDANCE)(D - SHADOW)
Q BODY = (C27 - MASERATI)
S BODY = (H - VOYAGER)(K - RAM VAN/ CARAVAN)

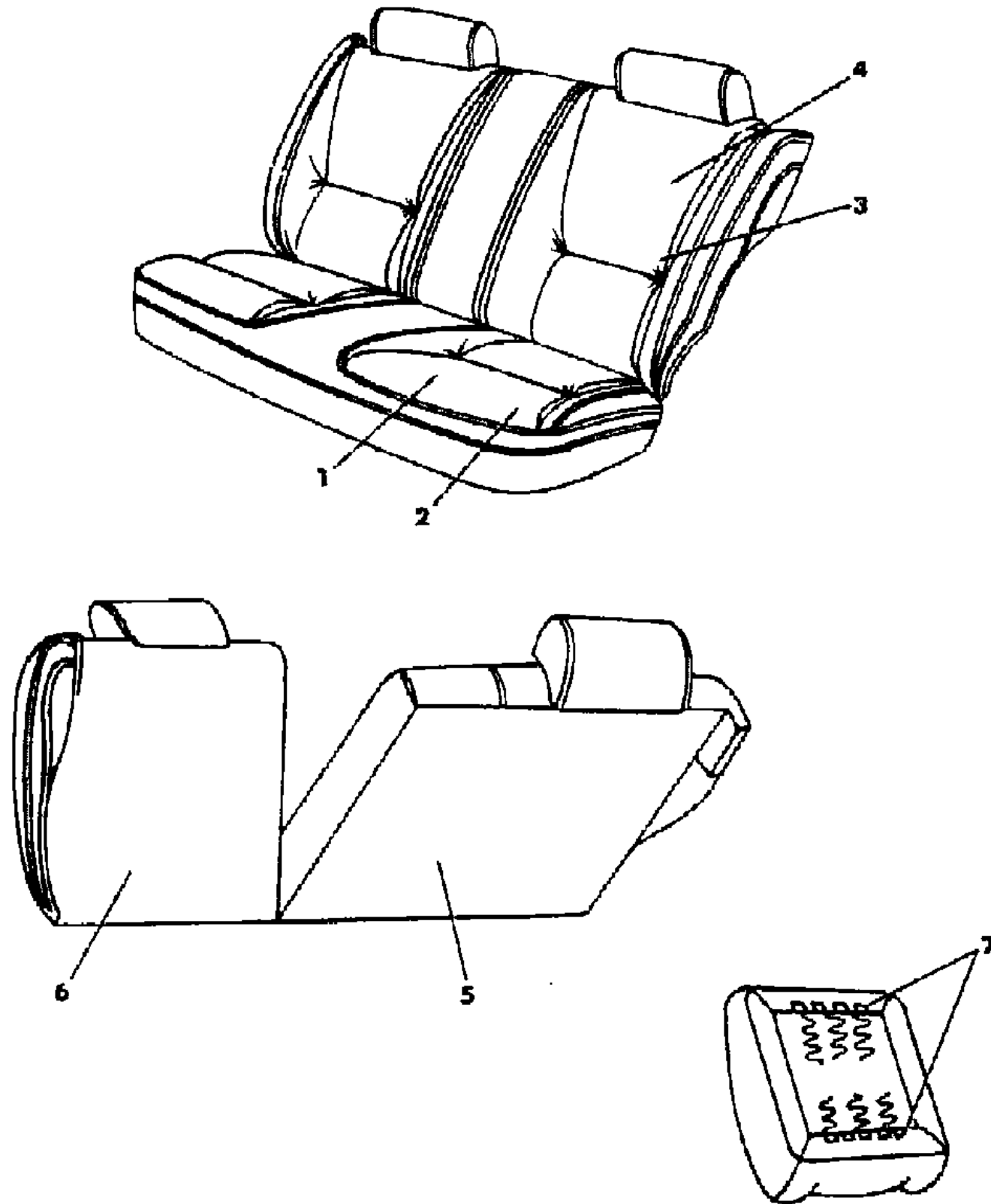
BODY STYLES

12-52 = FWD VAN & WAGON STD. W.B. 27 = 2-DOOR CONVERTIBLE
13-53 = FWD VAN & WGN EXT W.B. 41 = 4-DOOR SEDAN
21 = 2-DOOR SEDAN 44 = 4-DOOR HATCHBACK
24 = 2-DOOR HATCHBACK 45 = 4-DOOR STATION WAGON

AR = Use as Required - = Non Illustrated Part P.A.R. = Paint as Required

SEAT--REAR H BODY TRIM CODES C7-HL
Figure ITH-2200

8240 2200



ITEM	PART NUMBER	QTY	BODY	MODEL	DESCRIPTION
1-2					CUSHION, w/Spring/Frame, Pad and Cover
	E690 G7C	1			CLOTH Blue, (C7C)
	E690 G7R	1			Red, (C7R)
	E690 G7L	1			Taupe, (C7L)
	E690 G7S	1			Charcoal, (C7S)
	E684 FLC	1			LEATHER Blue, (HLC)
	E684 GLR	1			Red, (HLR)
	E684 GLL	1			Taupe, (HLL)
	E684 FLS	1			Charcoal, (HLS)
2					COVER, Cushion CLOTH
	E942 G7C	1			Blue, (C7C)
	E942 G7R	1			Red, (C7R)
	E942 G7L	1			Taupe, (C7L)
	E942 G7S	1			Charcoal, (C7S)
	E214 FLC	1			LEATHER Blue, (HLC)
	E214 GLR	1			Red, (HLR)
	E214 GLL	1			Taupe, (HLL)
	E214 FLS	1			Charcoal, (HLS)
3-4					BACK, w/Spring/Frame, Pad and Cover CLOTH
	E692-3 G7C	1			Blue, (C7C)
	E692-3 G7R	1			Red, (C7R)
	E692-3 G7L	1			Taupe, (C7L)
	E692-3 G7S	1			Charcoal, (C7S)
	E762-3 FLC	1			LEATHER Blue, (HLC)
	E982-3 GLR	1			Red, (HLR)
	E982-3 GLL	1			Taupe, (HLL)
	E762-3 FLS	1			Charcoal, (HLS)
4					COVER, Back CLOTH
	E944-5 G7C	1			Blue, (C7C)
	E944-5 G7R	1			Red, (C7R)

MODEL CODES

C BODY = (D41 - DYNASTY)(C41 - NEW YORKER)
E BODY = (J - CARAVELLE)(E - 600)(T - NEW YORKER TURBO)
G BODY = (V24 - DAYTONA, PACIFICA & SHELBY)
H BODY = (D44 - LANCER)(C44 - LEBARON GTS)
J BODY = (C - LEBARON)
K BODY = (P - RELIANT)(D - ARIES)(C - LEBARON/ TOWN & COUNTRY)

L BODY = (M - HORIZON)(Z-OMNI)
M BODY = (B - GRAN FURY)(G - DIPLOMAT)(F - FIFTH AVENUE/NEWPORT)
P BODY = (P - SUNDANCE)(D - SHADOW)
Q BODY = (C27 - MASERATI)
S BODY = (H - VOYAGER)(K - RAM VAN/ CARAVAN)

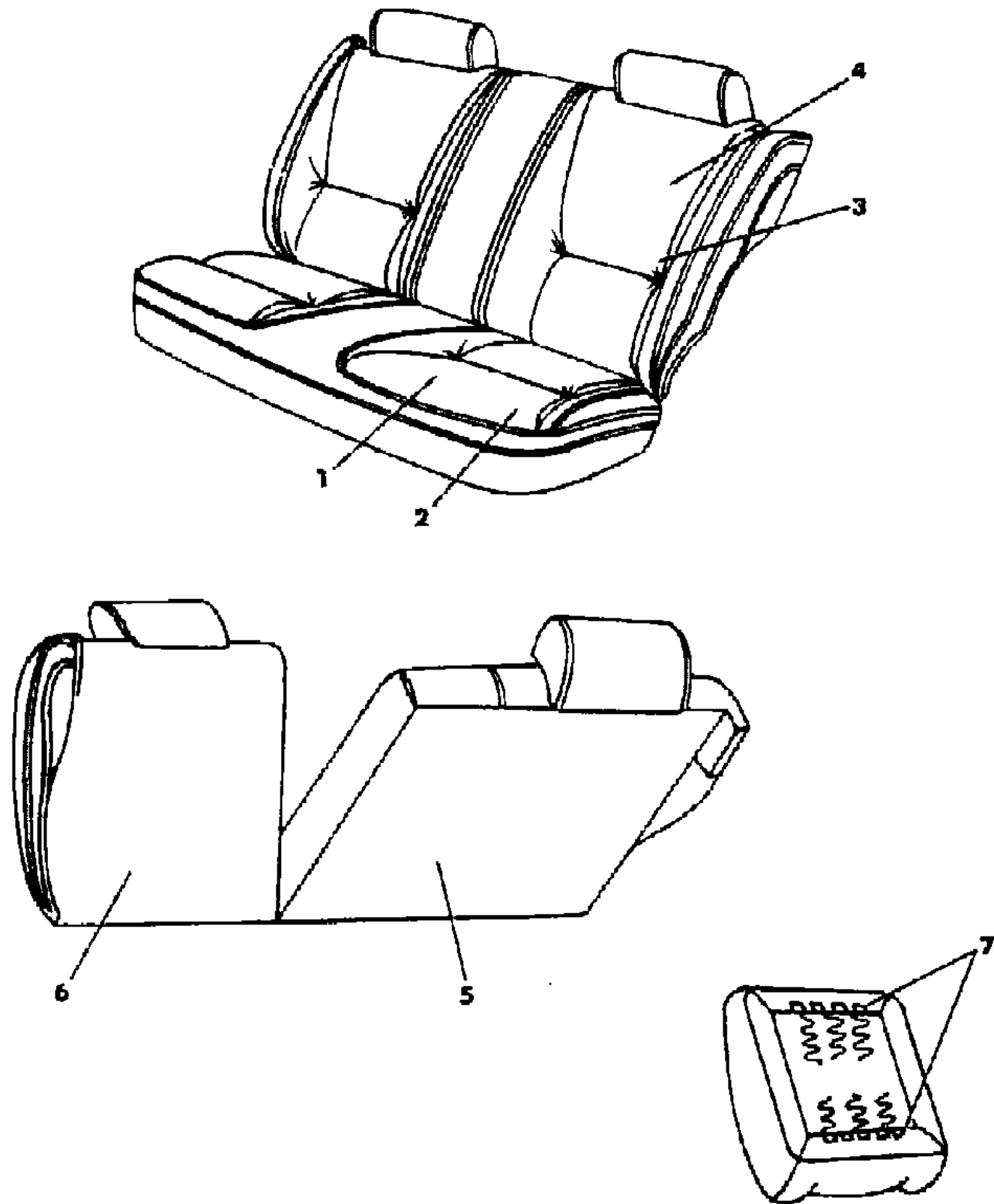
BODY STYLES

12-52 = FWD VAN & WAGON STD. W.B. 27 = 2-DOOR CONVERTIBLE
13-53 = FWD VAN & WGN EXT W.B. 41 = 4-DOOR SEDAN
21 = 2-DOOR SEDAN 44 = 4-DOOR HATCHBACK
24 = 2-DOOR HATCHBACK 45 = 4-DOOR STATION WAGON

AR = Use as Required - = Non Illustrated Part P.A.R. = Paint as Required

SEAT--REAR H BODY TRIM CODES C7-HL
Figure ITH-2200

8240 2200



ITEM	PART NUMBER	QTY	BODY	MODEL	DESCRIPTION
	E944-5 G7L	1			Taupe, (C7L)
	E944-5 G7S	1			Charcoal, (C7S)
	E298-9 GLC	1			LEATHER Blue, (HLC)
	E298-9 GLR	1			Red, (HLR)
	E298-9 GLL	1			Taupe, (HLL)
	E298-9 GLS	1			Charcoal, (HLS)
5					PANEL, Rear Back Right Side (Serv. In Seat Back)
6					PANEL, Rear Back Left Side (Serv. In Seat Back)
7	6008 076	AR			HOG RING

MODEL CODES

C BODY = (D41 - DYNASTY)(C41 - NEW YORKER)	L BODY = (M - HORIZON)(Z-OMNI)
E BODY = (J - CARAVELLE)(E - 600)(T - NEW YORKER TURBO)	M BODY = (B - GRAN FURY)(G - DIPLOMAT)(F - FIFTH AVENUE/NEWPORT)
G BODY = (V24 - DAYTONA, PACIFICA & SHELBY)	P BODY = (P - SUNDANCE)(D - SHADOW)
H BODY = (D44 - LANCER)(C44 - LEBARON GTS)	Q BODY = (C27 - MASERATI)
J BODY = (C - LEBARON)	S BODY = (H - VOYAGER)(K - RAM VAN/ CARAVAN)
K BODY = (P - RELIANT)(D - ARIES)(C - LEBARON/ TOWN & COUNTRY)	

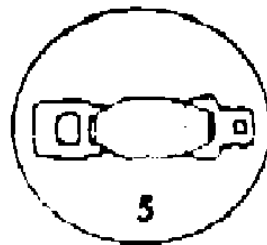
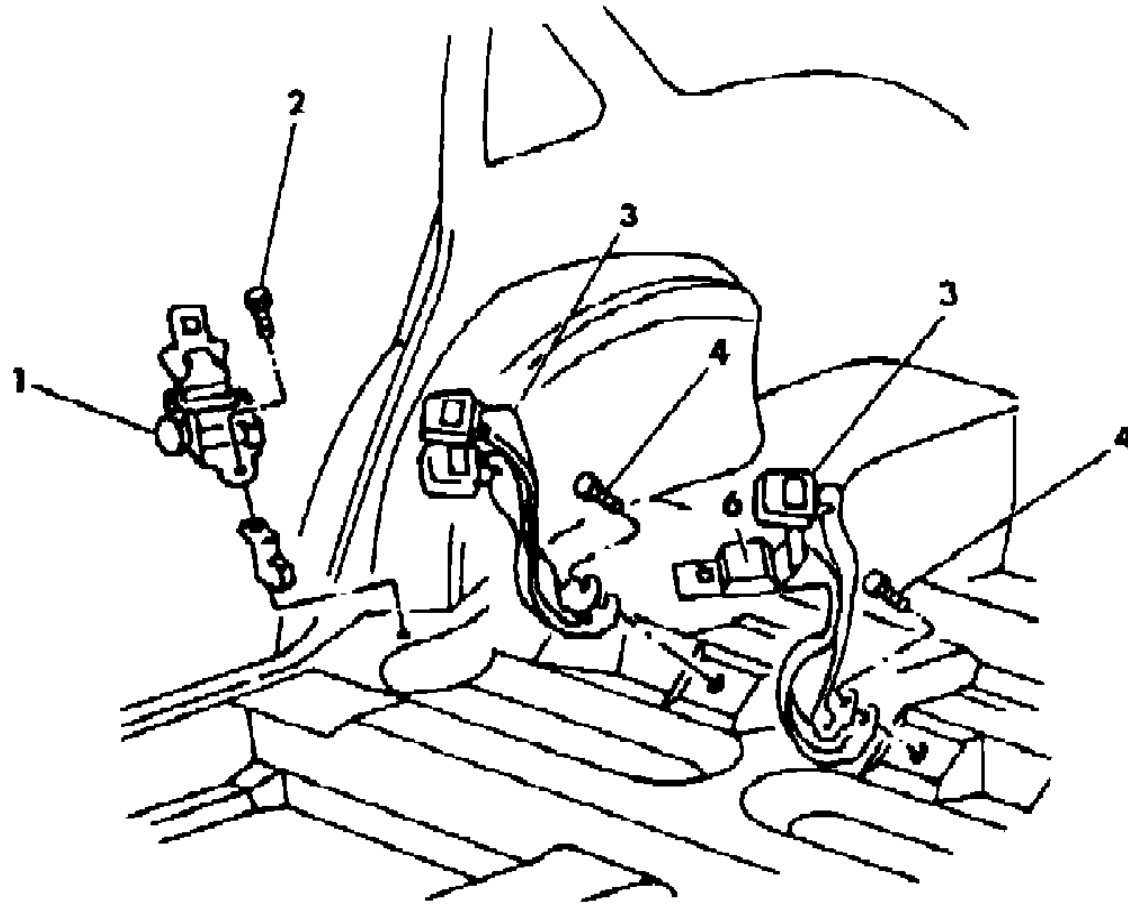
BODY STYLES

12-52 = FWD VAN & WAGON STD. W.B.	27 = 2-DOOR CONVERTIBLE
13-53 = FWD VAN & WGN EXT W.B.	41 = 4-DOOR SEDAN
21 = 2-DOOR SEDAN	44 = 4-DOOR HATCHBACK
24 = 2-DOOR HATCHBACK	45 = 4-DOOR STATION WAGON

AR = Use as Required - = Non Illustrated Part P.A.R. = Paint as Required

BELT--REAR SEAT H BODY
Figure ITH-2300

8240 2300 A



ITEM	PART NUMBER	QTY	BODY	MODEL	DESCRIPTION
1					BELT, Buckle Half LABEL NUMBER 4227248
	F830 EC5	2			Blue
	F830 GR8	2			Red
	F830 GL7	2			Taupe
	F830 GS8	2			Charcoal
2	6031 484	2			BOLT
3					BELT, Buckle Inner LABEL NUMBER 4420476-7
	F956-7 EC5	1			Blue
	F956-7 GR8	1			Red
	F956-7 GL7	1			Taupe
	F956-7 GS8	1			Charcoal
	4477 176	1			BELT, Rear Outer (EUROPEAN) Right
	4477 178	1			Left
	4477 180	1			BELT, Rear Inner (EUROPEAN) Right
	4477 179	1			Left
4	6031 216	2			BOLT
5	4402 887	AR			EXTENDER, Seat Belt
6	4316 773	1			COVER, Tip Half (P.A.R.)
-	4519 075	1			TETHER, Anchor Pkg. *** Outer
	4519 076	1			Center

NOTE: (P.A.R.) = Paint As Required

MODEL CODES

C BODY = (D41 - DYNASTY)(C41 - NEW YORKER)	L BODY = (M - HORIZON)(Z-OMNI)
E BODY = (J - CARAVELLE)(E - 600)(T - NEW YORKER TURBO)	M BODY = (B - GRAN FURY)(G - DIPLOMAT)(F - FIFTH AVENUE/NEWPORT)
G BODY = (V24 - DAYTONA, PACIFICA & SHELBY)	P BODY = (P - SUNDANCE)(D - SHADOW)
H BODY = (D44 - LANCER)(C44 - LEBARON GTS)	Q BODY = (C27 - MASERATI)
J BODY = (C - LEBARON)	S BODY = (H - VOYAGER)(K - RAM VAN/ CARAVAN)
K BODY = (P - RELIANT)(D - ARIES)(C - LEBARON/ TOWN & COUNTRY)	

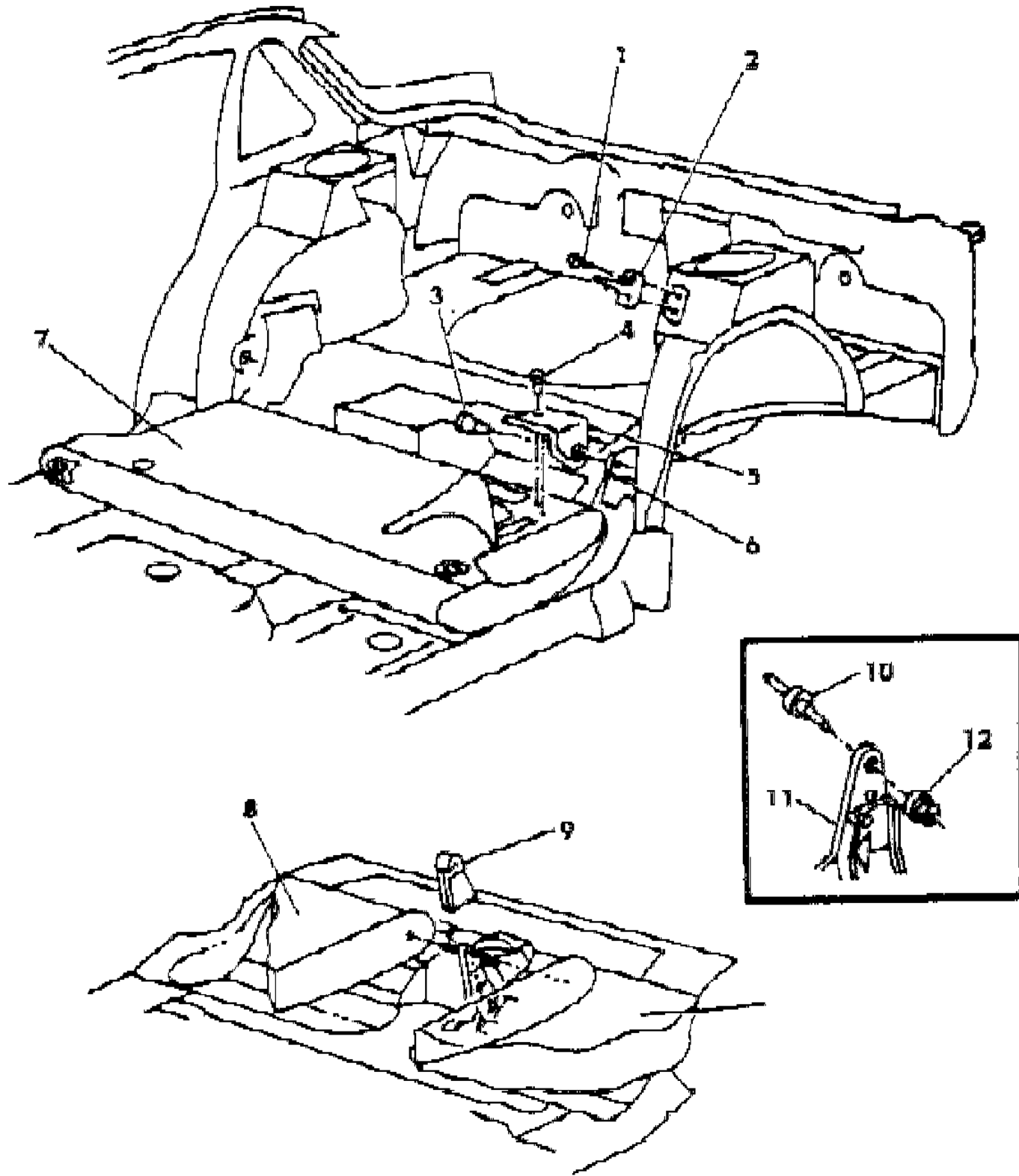
BODY STYLES

12-52 = FWD VAN & WAGON STD. W.B.	27 = 2-DOOR CONVERTIBLE
13-53 = FWD VAN & WGN EXT W.B.	41 = 4-DOOR SEDAN
21 = 2-DOOR SEDAN	44 = 4-DOOR HATCHBACK
24 = 2-DOOR HATCHBACK	45 = 4-DOOR STATION WAGON

AR = Use as Required - = Non Illustrated Part P.A.R. = Paint as Required

SEAT--REAR FOLD DOWN H BODY
Figure ITH-2400

8240 2400



ITEM	PART NUMBER	QTY	BODY	MODEL	DESCRIPTION
1	6501 373	4			SCREW and WASHER
2	4327 554	2			STRIKER, Rear Seat Back
3	6500 534	2			BOLT, Shoulder
4	6100 286	4			SCREW
5	4476 788-9	1			ARM, Hinge
6					GUSSET, (See Group 23A)
7					PANEL, Back Full (Serv. In Seat Back)
8					PANEL, Back (Serv. In Seat Back)
9	4317 855	1			COVER, Pivot (Black Plastic)
10	6501 485	1			PIN
11	4337 106	1			BRACKET
12	6501 058	1			NUT

MODEL CODES

C BODY = (D41 - DYNASTY)(C41 - NEW YORKER)
 E BODY = (J - CARAVELLE)(E - 600)(T - NEW YORKER TURBO)
 G BODY = (V24 - DAYTONA, PACIFICA & SHELBY)
 H BODY = (D44 - LANCER)(C44 - LEBARON GTS)
 J BODY = (C - LEBARON)
 K BODY = (P - RELIANT)(D - ARIES)(C - LEBARON/ TOWN & COUNTRY)

L BODY = (M - HORIZON)(Z-OMNI)
 M BODY = (B - GRAN FURY)(G - DIPLOMAT)(F - FIFTH AVENUE/NEWPORT)
 P BODY = (P - SUNDANCE)(D - SHADOW)
 Q BODY = (C27 - MASERATI)
 S BODY = (H - VOYAGER)(K - RAM VAN/ CARAVAN)

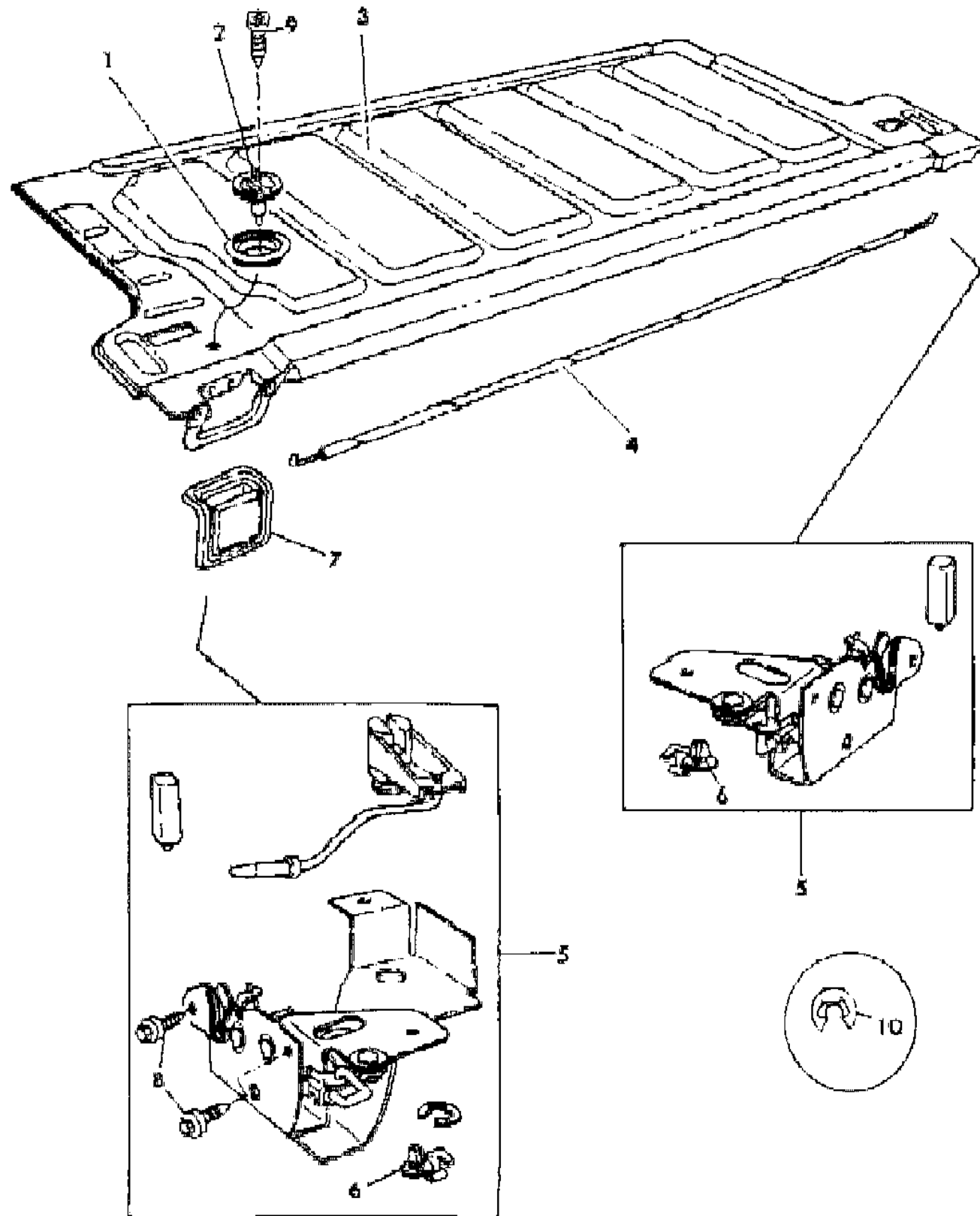
BODY STYLES

12-52 = FWD VAN & WAGON STD. W.B. 27 = 2-DOOR CONVERTIBLE
 13-53 = FWD VAN & WGN EXT W.B. 41 = 4-DOOR SEDAN
 21 = 2-DOOR SEDAN 44 = 4-DOOR HATCHBACK
 24 = 2-DOOR HATCHBACK 45 = 4-DOOR STATION WAGON

AR = Use as Required - = Non Illustrated Part P.A.R. = Paint as Required

LOCKING SYSTEM--REAR SEAT FOLD DOWN H BODY
Figure ITH-2500

8240 2500



ITEM	PART NUMBER	QTY	BODY	MODEL	DESCRIPTION
1	S608-9 FC5	AR			ESCUTCHEON Blue
	S608-9 GR8	AR			Red
	S608-9 GL7	AR			Taupe
	S608-9 DS8	AR			Charcoal
2	S644 DT5	AR			KNOB, Locking Bolt (P.A.R.)
	6032 684	1			Nut, Tubular (Knob Attaching)
3					PANEL, Back (Serv. In Seat Back)
4					ROD, Center w/Bench Seat (Serv. In Seat Back)
5					LATCH
	4327 554	2			Bench Seat
	4327 522-3	1			60/40 Split Bench
6	2945 108-9	1			CLIP, Latch Release Rod to Lever w/Bench Seat
7	S970 GL7	AR			HANDLE, Latch Release, (P.A.R.)
8	6501 188	AR			SCREW, Latch to Seat Back
9	9421 526	2			SCREW
10	6032 685	AR			RETAINER, Latch Activator Pivot Pin

NOTE: (P.A.R.) = Paint As Required

MODEL CODES

C BODY = (D41 - DYNASTY)(C41 - NEW YORKER)	L BODY = (M - HORIZON)(Z-OMNI)
E BODY = (J - CARAVELLE)(E - 600)(T - NEW YORKER TURBO)	M BODY = (B - GRAN FURY)(G - DIPLOMAT)(F - FIFTH AVENUE/NEWPORT)
G BODY = (V24 - DAYTONA, PACIFICA & SHELBY)	P BODY = (P - SUNDANCE)(D - SHADOW)
H BODY = (D44 - LANCER)(C44 - LEBARON GTS)	Q BODY = (C27 - MASERATI)
J BODY = (C - LEBARON)	S BODY = (H - VOYAGER)(K - RAM VAN/ CARAVAN)
K BODY = (P - RELIANT)(D - ARIES)(C - LEBARON/ TOWN & COUNTRY)	

BODY STYLES

12-52 = FWD VAN & WAGON STD. W.B.	27 = 2-DOOR CONVERTIBLE
13-53 = FWD VAN & WGN EXT W.B.	41 = 4-DOOR SEDAN
21 = 2-DOOR SEDAN	44 = 4-DOOR HATCHBACK
24 = 2-DOOR HATCHBACK	45 = 4-DOOR STATION WAGON

AR = Use as Required - = Non Illustrated Part P.A.R. = Paint as Required

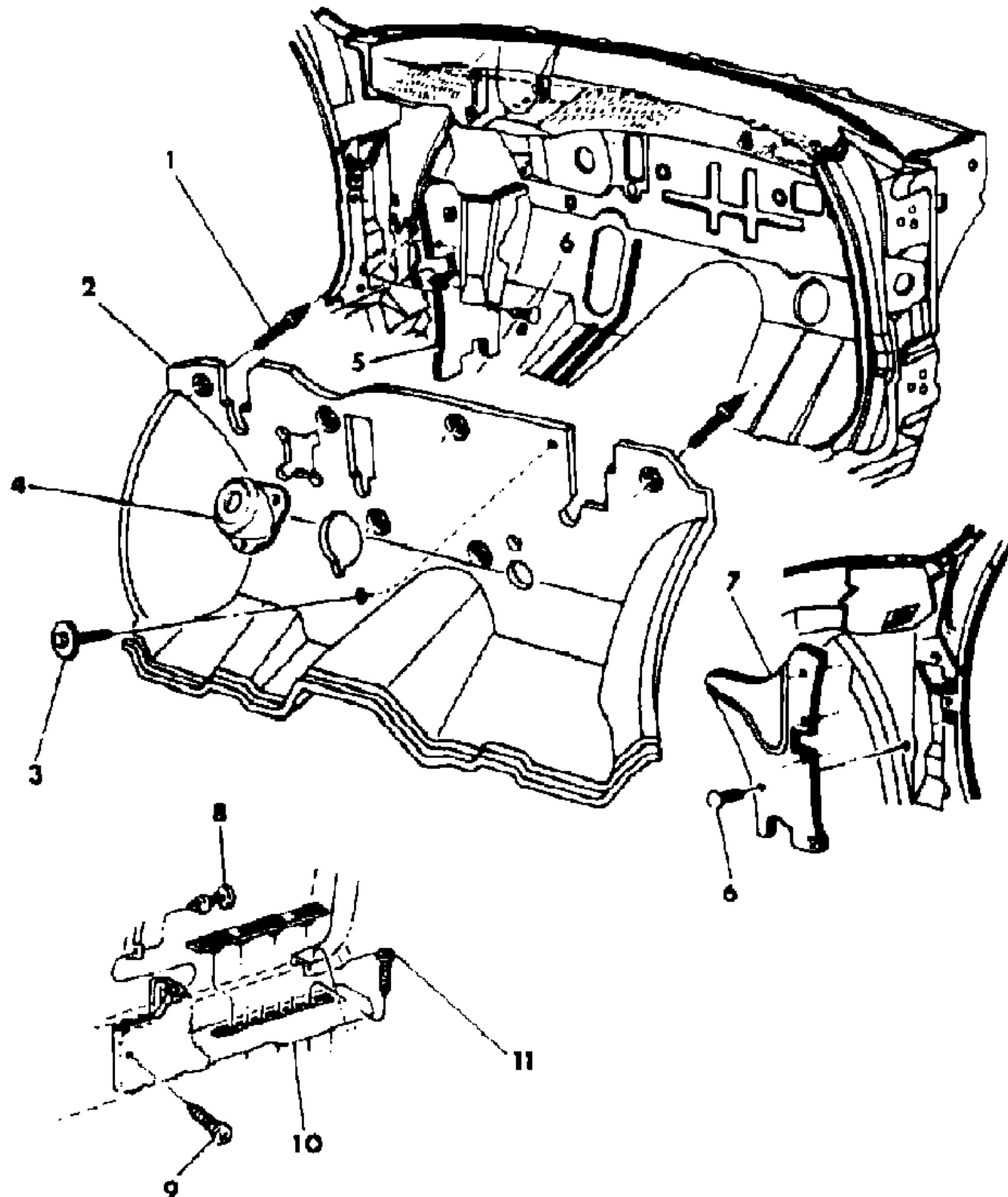
GROUP ITC - C BODY

ILLUSTRATION TITLE	GROUP-FIG. NO.
COWL PANEL AND SILENCERS C BODY	Fig. ITC-100
HEADLINER--VISOR--SILENCERS C BODY	Fig. ITC-200
MOULDINGS--GARNISH C BODY	Fig. ITC-300
B-PILLAR TRIM C BODY	Fig. ITC-400
PANEL--QUARTER TRIM C BODY	Fig. ITC-500
CARPET AND SCUFF PLATES C BODY	Fig. ITC-600
CARPET--TRUNK C BODY	Fig. ITC-700
DOOR TRIM PANEL--FRONT C BODY	Fig. ITC-800
DOOR TRIM PANEL--REAR C BODY	Fig. ITC-900
SEAT--FRONT C BODY TRIM CODE D3	Fig. ITC-1000
SEAT--FRONT C BODY TRIM CODE EF	Fig. ITC-1100
SEAT--FRONT C BODY TRIM CODES HF-HP	Fig. ITC-1200
SEAT--FRONT C BODY TRIM CODES SF-SP	Fig. ITC-1300
BELT--FRONT SEAT C BODY	Fig. ITC-1400
SEAT--RECLINING C BODY	Fig. ITC-1500
ADJUSTERS AND COVERS MANUAL AND ELECTRIC C BODY	Fig. ITC-1600
SEAT--REAR C BODY TRIM CODES D3-EF	Fig. ITC-1700
SEAT--REAR C BODY TRIM CODES HF-HP-SF-SP	Fig. ITC-1800
BELT--REAR SEAT C BODY	Fig. ITC-1900

ILLUSTRATION NOT AVAILABLE AT TIME OF PUBLICATION

COWL PANEL AND SILENCERS C BODY
Figure ITC-100

8241 100



ITEM	PART NUMBER	QTY	BODY	MODEL	DESCRIPTION
1	6032 020	6			STUD, Collar (Special)
2	4416 745	1			LINER, Dash
3		AR			SCREW and WASHER, (Not Serv.)
4	4188 868	1			COVER and SILENCER
5		1			SILENCER, Cowl Left (Not Serv.)
6		AR			RETAINER (Not Serv.)
7		1			SILENCER, Cowl Right (Not Serv.)
8					FASTENER
	F155 EC5	AR			Blue
	F155 GR8	AR			Red
	F155 GL7	AR			Taupe
	F155 CS8	AR			Charcoal
9	#9414 726	2			SCREW
10					PANEL, Cowl and Scuff Plate
	M932-3 GC5	1			Blue
	M932-3 GR8	1			Red
	M932-3 GL7	1			Taupe
	M932-3 GS8	1			Charcoal
11		AR			SCREW

MODEL CODES

C BODY = (D41 - DYNASTY)(C41 - NEW YORKER)	L BODY = (M - HORIZON)(Z-OMNI)
E BODY = (J - CARAVELLE)(E - 600)(T - NEW YORKER TURBO)	M BODY = (B - GRAN FURY)(G - DIPLOMAT)(F - FIFTH AVENUE/NEWPORT)
G BODY = (V24 - DAYTONA, PACIFICA & SHELBY)	P BODY = (P - SUNDANCE)(D - SHADOW)
H BODY = (D44 - LANCER)(C44 - LEBARON GTS)	Q BODY = (C27 - MASERATI)
J BODY = (C - LEBARON)	S BODY = (H - VOYAGER)(K - RAM VAN/ CARAVAN)
K BODY = (P - RELIANT)(D - ARIES)(C - LEBARON/ TOWN & COUNTRY)	

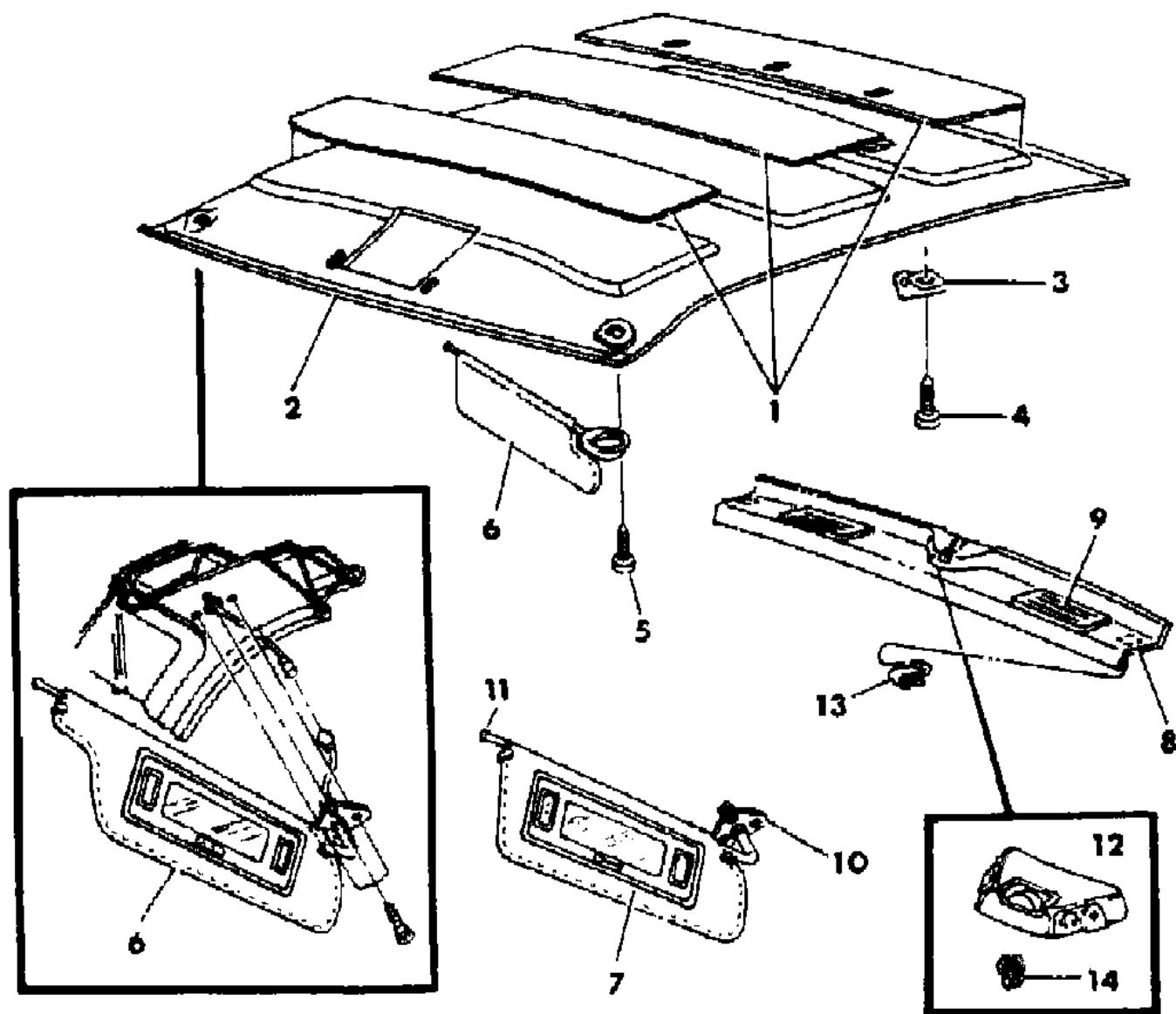
BODY STYLES

12-52 = FWD VAN & WAGON STD. W.B.	27 = 2-DOOR CONVERTIBLE
13-53 = FWD VAN & WGN EXT W.B.	41 = 4-DOOR SEDAN
21 = 2-DOOR SEDAN	44 = 4-DOOR HATCHBACK
24 = 2-DOOR HATCHBACK	45 = 4-DOOR STATION WAGON

AR = Use as Required - = Non Illustrated Part P.A.R. = Paint as Required

HEADLINER--VISOR--SILENCERS C BODY
Figure ITC-200

8241 200 C



ITEM	PART NUMBER	QTY	BODY	MODEL	DESCRIPTION
1	4342 496	AR			SILENCER, (Cut to Fit)
2					HEADLINER w/o Sun Roof
	H244 GC5	1			Blue
	H244 GR8	1			Red
	H244 GL7	1			Taupe
	H244 GS8	1			Charcoal
					w/ Sun Roof
	H245 GC5	1			Blue
	H245 GR8	1			Red
	H836 GL7	1			Taupe
	H245 GS8	1			Charcoal
3	3685 992	2			HOOK, Coat
4		AR			SCREW, (Not Serv.)
5	6032 584	6			SCREW
6					VISOR, w/Illuminated Mirror
	H574-5 FC5	1			Blue
	H574-5 GR8	1			Red
	H574-5 GL7	1			Taupe
	H574-5 FS8	1			Charcoal
					VISOR, Sub Assy w/Illuminated Vanity Mirror
	H576-7 FC5	1			Blue
	H576-7 FS8	1			Charcoal
	H764-5 GL7	1			Taupe
	H764-5 GR8	1			Red
					VANITY, w/Illuminated Mirror (Sub Assembly)
	H640 FC5	2			Blue
	H640 FS8	2			Charcoal
	H640 GL7	2			Taupe
	H640 GR8	2			Red
7					VISOR, w/Mirror w/o Map Pocket
					Right
	H554 GC5	1			Blue
	H554 GR8	1			Red
	H554 GL7	1			Taupe
	H554 GS8	1			Charcoal
					Left, w/Mirror and Map Pocket

MODEL CODES

C BODY = (D41 - DYNASTY)(C41 - NEW YORKER)
 E BODY = (J - CARAVELLE)(E - 600)(T - NEW YORKER TURBO)
 G BODY = (V24 - DAYTONA, PACIFICA & SHELBY)
 H BODY = (D44 - LANCER)(C44 - LEBARON GTS)
 J BODY = (C - LEBARON)
 K BODY = (P - RELIANT)(D - ARIES)(C - LEBARON/ TOWN & COUNTRY)

L BODY = (M - HORIZON)(Z-OMNI)
 M BODY = (B - GRAN FURY)(G - DIPLOMAT)(F - FIFTH AVENUE/NEWPORT)
 P BODY = (P - SUNDANCE)(D - SHADOW)
 Q BODY = (C27 - MASERATI)
 S BODY = (H - VOYAGER)(K - RAM VAN/ CARAVAN)

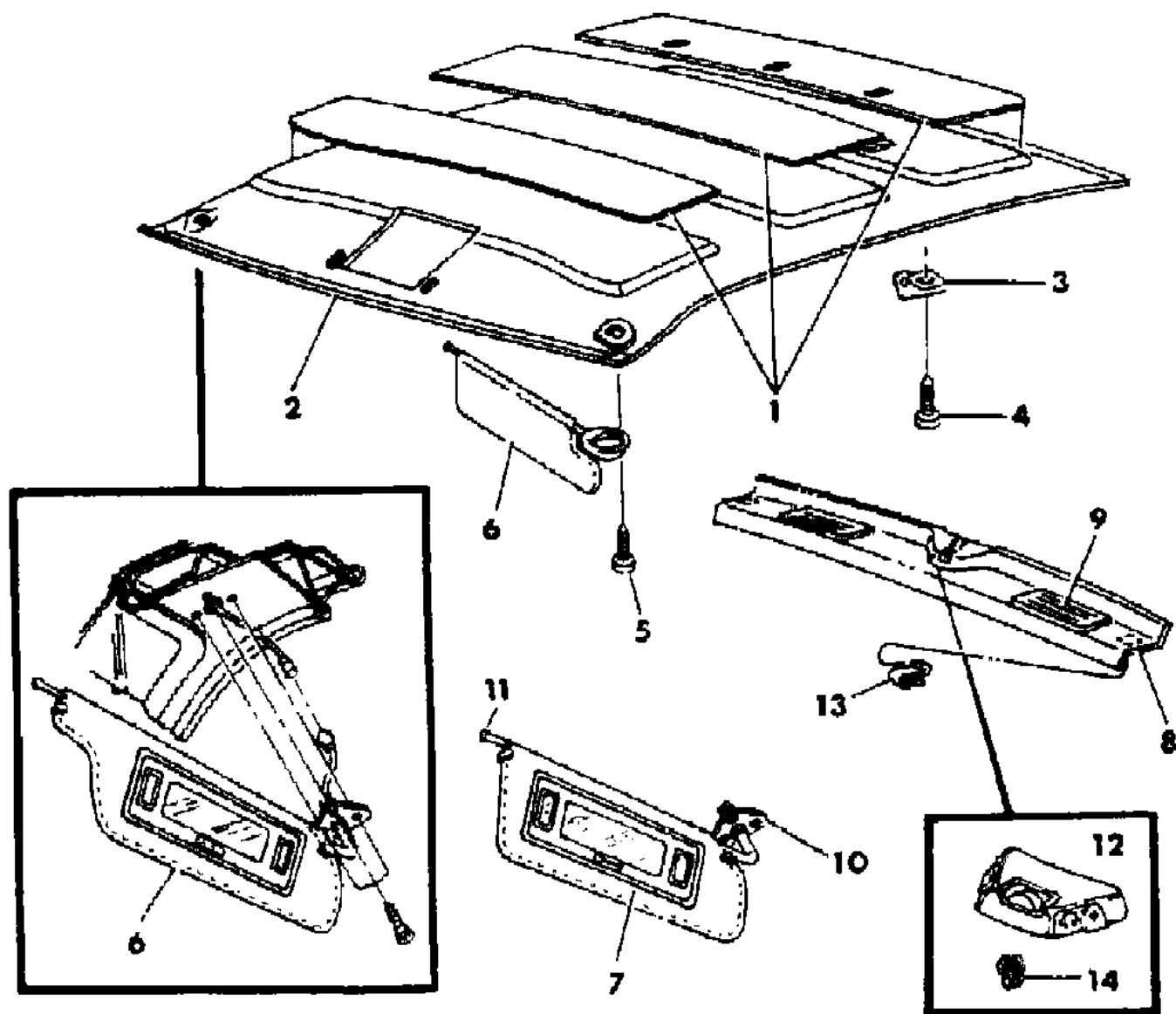
BODY STYLES

12-52 = FWD VAN & WAGON STD. W.B. 27 = 2-DOOR CONVERTIBLE
 13-53 = FWD VAN & WGN EXT W.B. 41 = 4-DOOR SEDAN
 21 = 2-DOOR SEDAN 44 = 4-DOOR HATCHBACK
 24 = 2-DOOR HATCHBACK 45 = 4-DOOR STATION WAGON

AR = Use as Required - = Non Illustrated Part P.A.R. = Paint as Required

HEADLINER--VISOR--SILENCERS C BODY
Figure ITC-200

8241 200 C



ITEM	PART NUMBER	QTY	BODY	MODEL	DESCRIPTION
	H555 GC5	1			Blue
	H555 GR8	1			Red
	H555 GL7	1			Taupe
	H555 GS8	1			Charcoal
8					PANEL, Shelf Trim (Stereo Four Speaker System)
	H275 GC5	1	H-P		Blue
	H275 GR8	1	H-P		Red
	H275 GL7	1	H-P		Taupe
	H275 GS8	1	H-P		Charcoal
	H276 GC5	1	S		Blue
	H276 GR8	1	S		Red
	H276 GL7	1	S		Taupe
	H276 GS8	1	S		Charcoal
					Infinity Sound System
	H965 HC5	1	H-P		Blue
	H963 GR8	1	H-P		Red
	H963 GL7	1	H-P		Taupe
	H963 GS8	1	H-P		Charcoal
	H614 GC5	1	S		Blue
	H964 GR8	1	S		Red
	H614 GL7	1	S		Taupe
	H614 GS8	1	S		Charcoal
9					GRILLE, Rear Shelf Speakers
	H840-1 GC5	1			Blue
	H840-1 GR8	1			Red
	H840-1 GL7	1			Taupe
	H840-1 GS8	1			Charcoal
10	4247 868-9	1			ARM and BRACKET, Front Visor
11	4282 339	2			SUPPORT, Visor Inner (Mounting Support For Visor is With O/ Head Console)
12					MODULE, Rear Head Phone
	H485 GS8	1			Charcoal
	H485 GR8	1			Red
	H485 GC5	1			Blue
	H485 GL7	1			Taupe
13	6501 351	3			CLIP, (S) Shelf Trim Panel Attaching
14	6501 636	2			CLIP, Mounting Module

MODEL CODES

C BODY = (D41 - DYNASTY)(C41 - NEW YORKER)
 E BODY = (J - CARAVELLE)(E - 600)(T - NEW YORKER TURBO)
 G BODY = (V24 - DAYTONA, PACIFICA & SHELBY)
 H BODY = (D44 - LANCER)(C44 - LEBARON GTS)
 J BODY = (C - LEBARON)
 K BODY = (P - RELIANT)(D - ARIES)(C - LEBARON/ TOWN & COUNTRY)

L BODY = (M - HORIZON)(Z-OMNI)
 M BODY = (B - GRAN FURY)(G - DIPLOMAT)(F - FIFTH AVENUE/NEWPORT)
 P BODY = (P - SUNDANCE)(D - SHADOW)
 Q BODY = (C27 - MASERATI)
 S BODY = (H - VOYAGER)(K - RAM VAN/ CARAVAN)

BODY STYLES

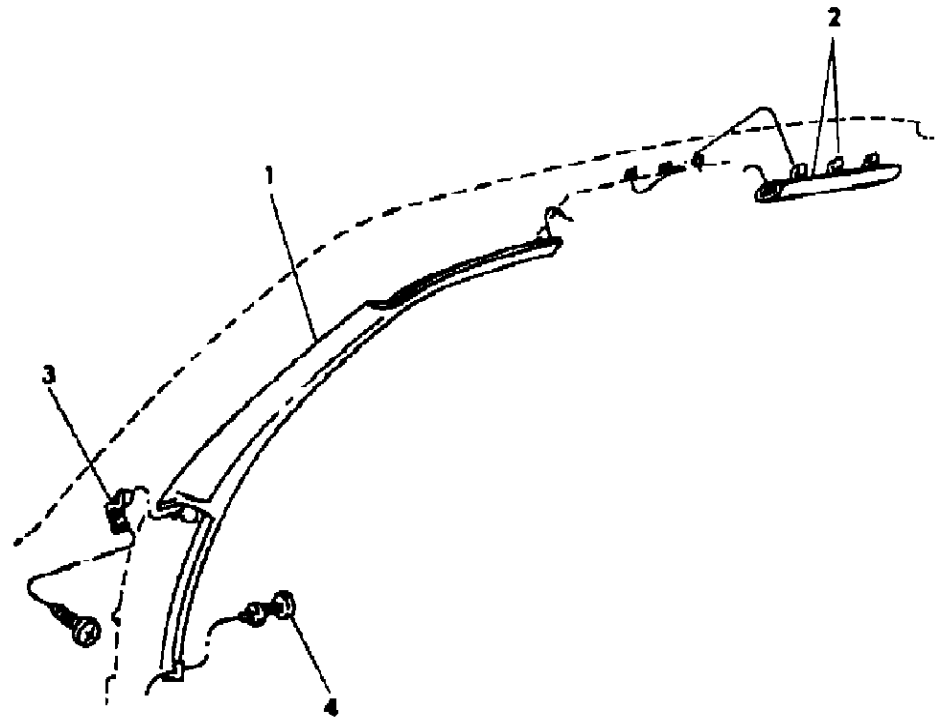
12-52 = FWD VAN & WAGON STD. W.B. 27 = 2-DOOR CONVERTIBLE
 13-53 = FWD VAN & WGN EXT W.B. 41 = 4-DOOR SEDAN
 21 = 2-DOOR SEDAN 44 = 4-DOOR HATCHBACK
 24 = 2-DOOR HATCHBACK 45 = 4-DOOR STATION WAGON

AR = Use as Required - = Non Illustrated Part P.A.R. = Paint as Required

MOULDINGS--GARNISH C BODY
Figure ITC-300

8241 300

ITEM	PART NUMBER	QTY	BODY	MODEL	DESCRIPTION
1					MOULDING, Windshield & Roof Rail
	F076-7 GL7	1			Unflocked, (P.A.R.)
					Flocked
	V708-9 GC5	1			Blue
	V708-9 GR8	1			Red
	V708-9 GL7	1			Taupe
	V708-9 GS8	1			Charcoal
2	6501 351	AR			CLIP
					MOULDING, Rear Door Rail
	F242-3 GL7	1			Unflocked, (P.A.R.)
					Flocked
	F240-1 GC5	1			Blue
	F240-1 GR8	1			Red
	F240-1 GL7	1			Taupe
3	F240-1 GS8	1			Charcoal
					BRACKET
	4409 716	1			Right
4	4410 743	1			Left
					FASTENER
	F155 EC5	AR			Blue
	F155 GR8	AR			Red
	F155 GL7	AR			Taupe
	F155 CS8	AR			Charcoal
					NOTE: P.A.R. = Paint As Required



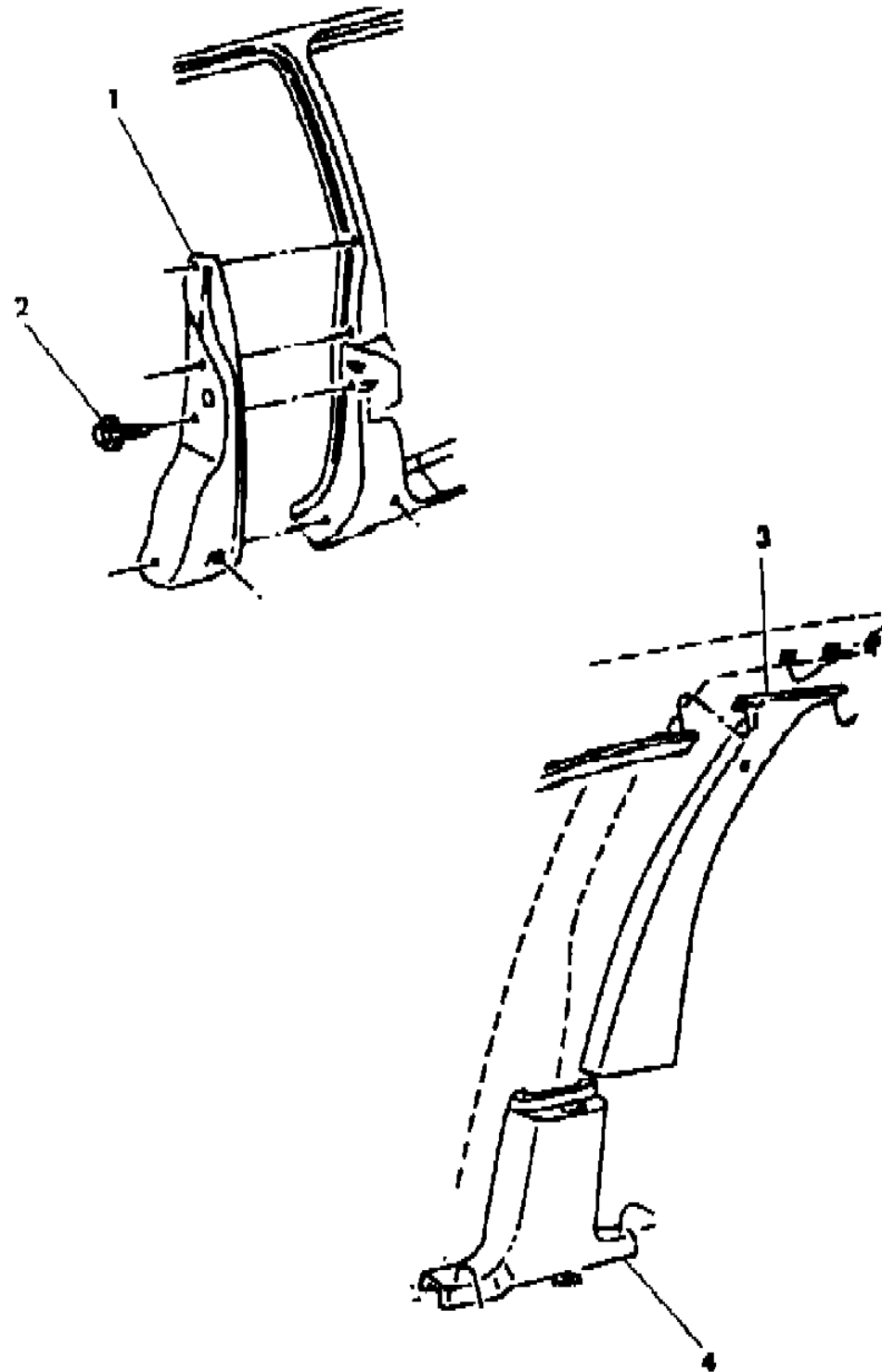
MODEL CODES
C BODY = (D41 - DYNASTY)(C41 - NEW YORKER)
E BODY = (J - CARAVELLE)(E - 600)(T - NEW YORKER TURBO)
G BODY = (V24 - DAYTONA, PACIFICA & SHELBY)
H BODY = (D44 - LANCER)(C44 - LEBARON GTS)
J BODY = (C - LEBARON)
K BODY = (P - RELIANT)(D - ARIES)(C - LEBARON/ TOWN & COUNTRY)
L BODY = (M - HORIZON)(Z-OMNI)
M BODY = (B - GRAN FURY)(G - DIPLOMAT)(F - FIFTH AVENUE/NEWPORT)
P BODY = (P - SUNDANCE)(D - SHADOW)
Q BODY = (C27 - MASERATI)
S BODY = (H - VOYAGER)(K - RAM VAN/ CARAVAN)

BODY STYLES
12-52 = FWD VAN & WAGON STD. W.B. 27 = 2-DOOR CONVERTIBLE
13-53 = FWD VAN & WGN EXT W.B. 41 = 4-DOOR SEDAN
21 = 2-DOOR SEDAN 44 = 4-DOOR HATCHBACK
24 = 2-DOOR HATCHBACK 45 = 4-DOOR STATION WAGON

AR = Use as Required - = Non Illustrated Part P.A.R. = Paint as Required

B-PILLAR TRIM C BODY
Figure ITC-400

8241 400



ITEM	PART NUMBER	QTY	BODY	MODEL	DESCRIPTION	
1					COVER, Center Pillar Outer	
	X508-9 GA1	1			Silver	
	X508-9 GB1	1			Ice Blue	
	X508-9 GC7	1			Twilight Blue	
	X508-9 GG7	1			Dark Forest Green	
	X508-9 GL2	1			Light Pewter	
	X508-9 GL8	1			Dark Pewter	
	X508-9 GM4	1			Claret Red	
	X508-9 GM9	1			Black Cherry	
	X508-9 GS8	1			Charcoal	
	X508-9 GW7	1			White	
	2		10			SCREW, (Not Serv.)
	3					PANEL, Upper Center Pillar
		F078-9 GL7	1		H-P-S	Unflocked, (P.A.R.)
					Flocked	
F268-9 GC5		1		S	Blue	
F268-9 GR8		1		S	Red	
F268-9 GL7		1		S	Taupe	
F268-9 GS8		1		S	Charcoal	
4		F080-1 GL7	1			PANEL, Lower Center Pillar (P.A.R.)
						NOTE: (P.A.R. = Paint As Required)

MODEL CODES

C BODY = (D41 - DYNASTY)(C41 - NEW YORKER)	L BODY = (M - HORIZON)(Z-OMNI)
E BODY = (J - CARAVELLE)(E - 600)(T - NEW YORKER TURBO)	M BODY = (B - GRAN FURY)(G - DIPLOMAT)(F - FIFTH AVENUE/NEWPORT)
G BODY = (V24 - DAYTONA, PACIFICA & SHELBY)	P BODY = (P - SUNDANCE)(D - SHADOW)
H BODY = (D44 - LANCER)(C44 - LEBARON GTS)	Q BODY = (C27 - MASERATI)
J BODY = (C - LEBARON)	S BODY = (H - VOYAGER)(K - RAM VAN/ CARAVAN)
K BODY = (P - RELIANT)(D - ARIES)(C - LEBARON/ TOWN & COUNTRY)	

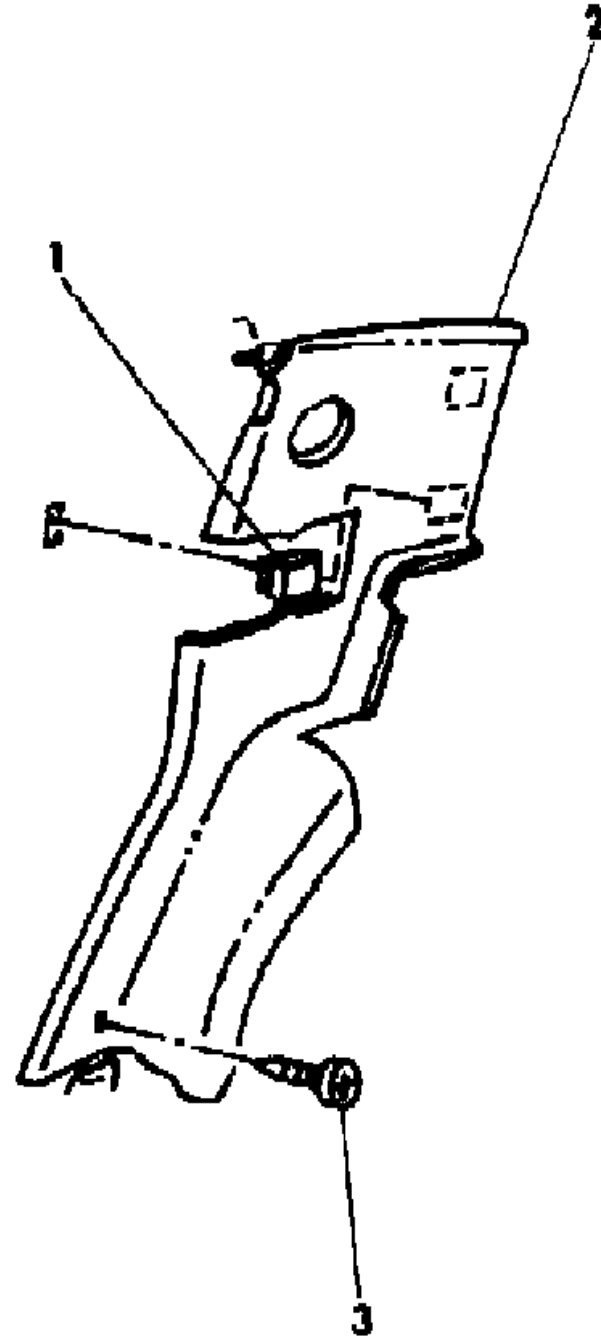
BODY STYLES

12-52 = FWD VAN & WAGON STD. W.B.	27 = 2-DOOR CONVERTIBLE
13-53 = FWD VAN & WGN EXT W.B.	41 = 4-DOOR SEDAN
21 = 2-DOOR SEDAN	44 = 4-DOOR HATCHBACK
24 = 2-DOOR HATCHBACK	45 = 4-DOOR STATION WAGON

AR = Use as Required - = Non Illustrated Part P.A.R. = Paint as Required

PANEL--QUARTER TRIM C BODY
Figure ITC-500

8241 500



ITEM	PART NUMBER	QTY	BODY	MODEL	DESCRIPTION
1	4473 136	AR			FASTENER, (Use Up To 1-6-88)
	4453 467	AR			FASTENER, (Use After 1-6-88)
2	K464-5 GL7	1			PANEL, Quarter Trim Unflocked, (P.A.R.) Flocked
	K546-7 GC5	1		S	Blue
	K546-7 GR8	1		S	Red
	K546-7 GL7	1		S	Taupe
	K546-7 GS8	1		S	Charcoal
3	0153 704	2			SCREW NOTE: (P.A.R.) = Paint As Required

MODEL CODES

C BODY = (D41 - DYNASTY)(C41 - NEW YORKER)
 E BODY = (J - CARAVELLE)(E - 600)(T - NEW YORKER TURBO)
 G BODY = (V24 - DAYTONA, PACIFICA & SHELBY)
 H BODY = (D44 - LANCER)(C44 - LEBARON GTS)
 J BODY = (C - LEBARON)
 K BODY = (P - RELIANT)(D - ARIES)(C - LEBARON/ TOWN & COUNTRY)
 L BODY = (M - HORIZON)(Z-OMNI)
 M BODY = (B - GRAN FURY)(G - DIPLOMAT)(F - FIFTH AVENUE/NEWPORT)
 P BODY = (P - SUNDANCE)(D - SHADOW)
 Q BODY = (C27 - MASERATI)
 S BODY = (H - VOYAGER)(K - RAM VAN/ CARAVAN)

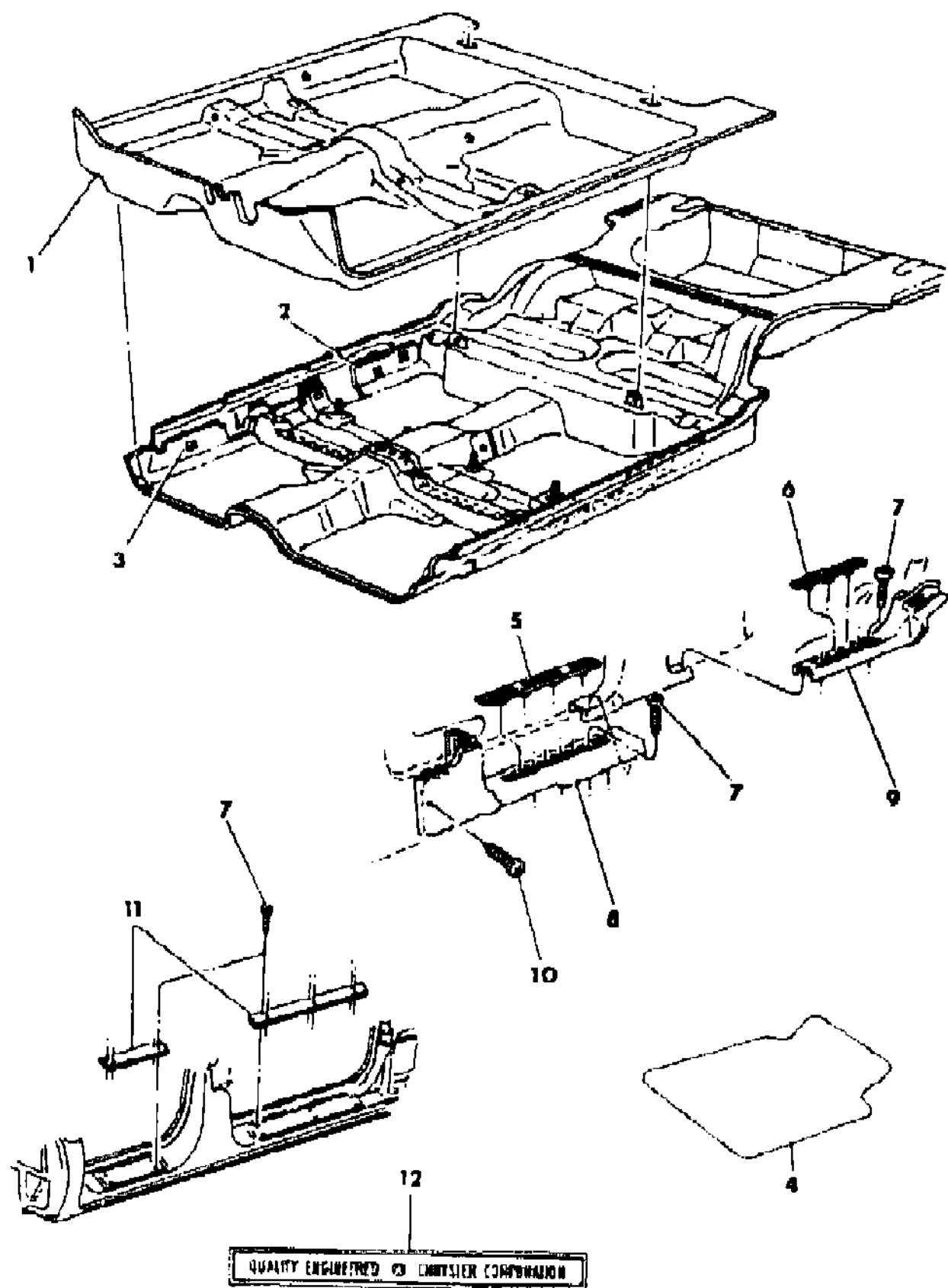
BODY STYLES

12-52 = FWD VAN & WAGON STD. W.B. 27 = 2-DOOR CONVERTIBLE
 13-53 = FWD VAN & WGN EXT W.B. 41 = 4-DOOR SEDAN
 21 = 2-DOOR SEDAN 44 = 4-DOOR HATCHBACK
 24 = 2-DOOR HATCHBACK 45 = 4-DOOR STATION WAGON

AR = Use as Required - = Non Illustrated Part P.A.R. = Paint as Required

CARPET AND SCUFF PLATES C BODY
Figure ITC-600

8241 600



ITEM	PART NUMBER	QTY	BODY	MODEL	DESCRIPTION
1	M762 GC5	1			CARPET Blue
	M762 GR8	1			Red
	M762 GL7	1			Taupe
	M762 GS8	1			Charcoal
2	4507 087	1			SILENCER, Rear Floor Pan Moulded
3	4496 311	1			SILENCER, Front Floor Moulded
4					FLOOR MATS, Carpeted (Set of 2) Front
	M018 GC5	1			Blue
	M018 GR8	1			Red
	M018 GL7	1			Taupe
	M018 GS8	1			Charcoal
					Rear
	M019 GC5	1			Blue
	M019 GR8	1			Red
	M019 GL7	1			Taupe
	M019 GS8	1			Charcoal
5	4381 934	2			INSERT, Scuff Plate
6	4410 585	2			INSERT, Scuff Plate
7		AR			SCREW, (Not Serv.)
8					SCUFF PLATE and COWL
	M932-3 GC5	1			Blue
	M932-3 GR8	1			Red
	M932-3 GL7	1			Taupe
	M932-3 GS8	1			Charcoal
9	M930-1 GL7	1			SCUFF PLATE, Rear (P.A.R.)
10	#9414 726	2			SCREW
11					MOULDING, Sill Inner
	4443 818	2			Front, Sill
	4443 819	2			Rear, Sill
12	4078 456	2			NAME PLATE

NOTE: (P.A.R.) = Paint As Required

MODEL CODES

C BODY = (D41 - DYNASTY)(C41 - NEW YORKER)
 E BODY = (J - CARAVELLE)(E - 600)(T - NEW YORKER TURBO)
 G BODY = (V24 - DAYTONA, PACIFICA & SHELBY)
 H BODY = (D44 - LANCER)(C44 - LEBARON GTS)
 J BODY = (C - LEBARON)
 K BODY = (P - RELIANT)(D - ARIES)(C - LEBARON/ TOWN & COUNTRY)

L BODY = (M - HORIZON)(Z-OMNI)
 M BODY = (B - GRAN FURY)(G - DIPLOMAT)(F - FIFTH AVENUE/NEWPORT)
 P BODY = (P - SUNDANCE)(D - SHADOW)
 Q BODY = (C27 - MASERATI)
 S BODY = (H - VOYAGER)(K - RAM VAN/ CARAVAN)

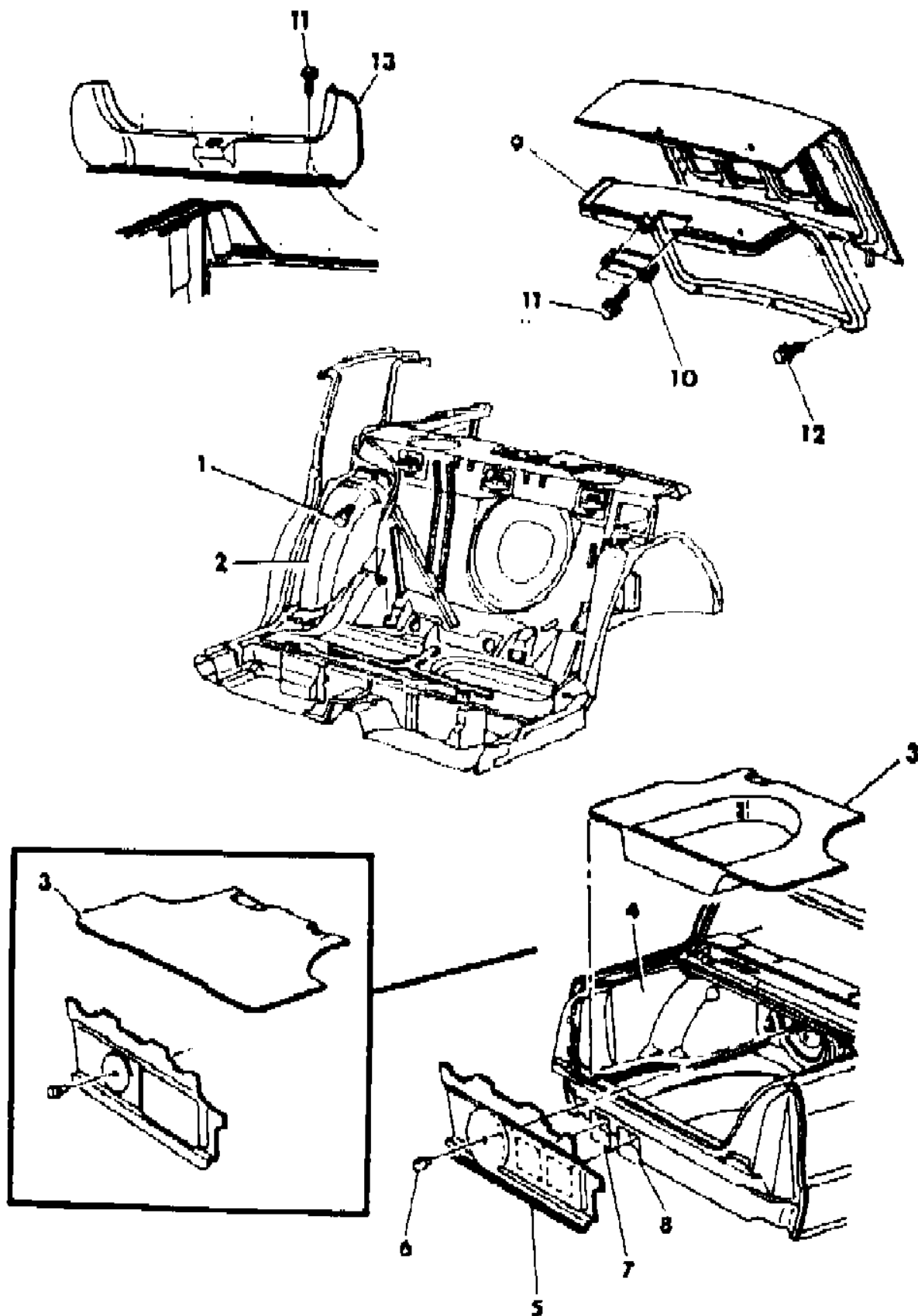
BODY STYLES

12-52 = FWD VAN & WAGON STD. W.B.	27 = 2-DOOR CONVERTIBLE
13-53 = FWD VAN & WGN EXT W.B.	41 = 4-DOOR SEDAN
21 = 2-DOOR SEDAN	44 = 4-DOOR HATCHBACK
24 = 2-DOOR HATCHBACK	45 = 4-DOOR STATION WAGON

AR = Use as Required - = Non Illustrated Part P.A.R. = Paint as Required

CARPET--TRUNK C BODY
Figure ITC-700

8241 700



ITEM	PART NUMBER	QTY	BODY	MODEL	DESCRIPTION
1	4381 395	AR			RETAINER
2	4381 902-3	1			SILENCER, Wheelhouse
3	4309 996	1			CARPET, Luggage Compartment
	4309 999	1			CARPET, Luggage Floor Conventional Spare
4	4309 994-5	1			CARPET, Side
5	4507 372	1			CARPET, Bulkhead w/Conventional Spare
	4409 769	1			w/Mini Spare, (Use Up To 1-11-88)
	4507 988	1			w/Mini Spare, (Use After 1-11-88)
6	4223 983	1			FASTENER
7	4440 132	1			LABEL, Jack & Tire Stowage
8		1			LABEL, Wheel Cover Removal (Not Serv.)
9	4381 980	1			CARPET, Deck Lid Upper
10	4473 013	1			CARPET, Latch Cover w/Automatic Pull Down
	4473 014	1			w/o Automatic Pull Down
11	6032 650	AR			SCREW
12		AR			PIN, (Not Serv.)
13					CARPET, Deck Opening LOWER
	4309 997	1			Chrysler w/Power Pull Down
	4409 763	1			w/o Power Pull Down Dodge
	4507 624	1			w/Power Pull Down
	4409 767	1			w/o Power Pull Down

MODEL CODES

C BODY = (D41 - DYNASTY)(C41 - NEW YORKER)	L BODY = (M - HORIZON)(Z-OMNI)
E BODY = (J - CARAVELLE)(E - 600)(T - NEW YORKER TURBO)	M BODY = (B - GRAN FURY)(G - DIPLOMAT)(F - FIFTH AVENUE/NEWPORT)
G BODY = (V24 - DAYTONA, PACIFICA & SHELBY)	P BODY = (P - SUNDANCE)(D - SHADOW)
H BODY = (D44 - LANCER)(C44 - LEBARON GTS)	Q BODY = (C27 - MASERATI)
J BODY = (C - LEBARON)	S BODY = (H - VOYAGER)(K - RAM VAN/ CARAVAN)
K BODY = (P - RELIANT)(D - ARIES)(C - LEBARON/ TOWN & COUNTRY)	

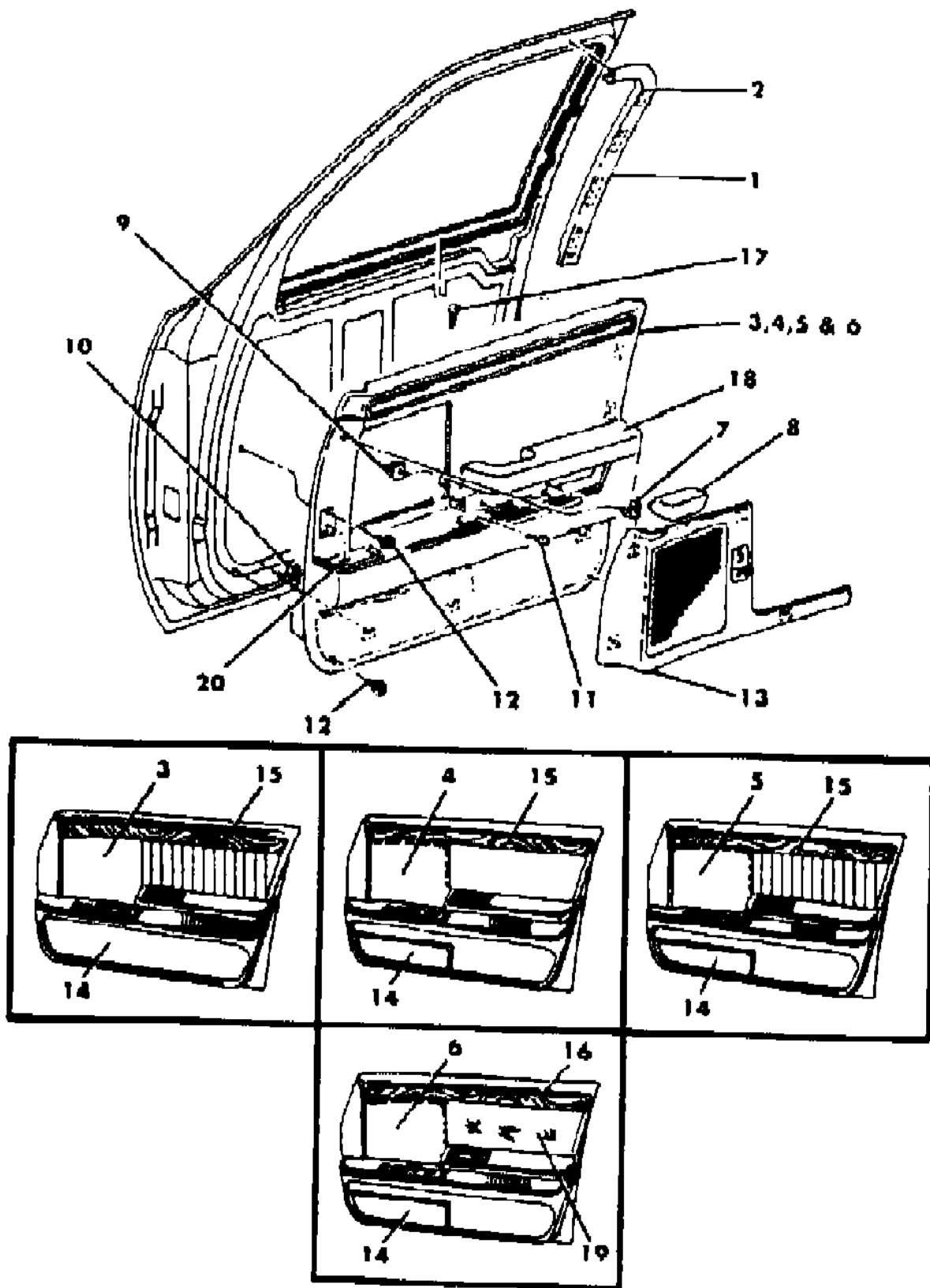
BODY STYLES

12-52 = FWD VAN & WAGON STD. W.B.	27 = 2-DOOR CONVERTIBLE
13-53 = FWD VAN & WGN EXT W.B.	41 = 4-DOOR SEDAN
21 = 2-DOOR SEDAN	44 = 4-DOOR HATCHBACK
24 = 2-DOOR HATCHBACK	45 = 4-DOOR STATION WAGON

AR = Use as Required - = Non Illustrated Part P.A.R. = Paint as Required

DOOR TRIM PANEL--FRONT C BODY
Figure ITC-800

8241 800



ITEM	PART NUMBER	QTY	BODY	MODEL	DESCRIPTION
1					MOULDING, Door Frame
	F020-1 GL7	1		H-P	Unflocked, (P.A.R.)
					Flocked
	V256-7 GC5	1		S	Blue
	V256-7 GR8	1		S	Red
	V256-7 GL7	1		S	Taupe
	V256-7 GS8	1		S	Charcoal
	2	4409 562	AR		RETAINER, Moulding Upper
	3				PANEL, Door Trim
					CLOTH
	J272-3 GC5	1			Blue, (D3C)
	J272-3 GR8	1			Red, (D3R)
	J272-3 GL7	1			Taupe, (D3L)
4	J272-3 GS8	1			Charcoal, (D3S)
					PANEL, Door Trim
					CLOTH
	J286-7 GCC	1			Blue, (EFC)
	J286-7 GRR	1			Red, (EFR)
	J286-7 GLL	1			Taupe, (EFL)
	J286-7 GSS	1			Charcoal, (EFS)
	5				PANEL, Door Trim
					CLOTH
	J264-5 GC5	1			Blue, (HFC)
	J264-5 GR8	1			Red, (HFR)
	J264-5 GL7	1			Taupe, (HFL)
	J264-5 GS8	1			Charcoal, (HFS)
					LEATHER
	J268-9 GC5	1			Blue, (HPC)
	J268-9 GR8	1			Red, (HPR)
	J268-9 GL7	1			Taupe, (HPL)
	J268-9 GS8	1			Charcoal, (HPS)
	6				PANEL, Door Trim
J256-7 GC5		1			Blue, (SFC)
J256-7 GR8		1			Red, (SFR)
J256-7 GL7		1			Taupe, (SFL)
	J256-7 GS8	1			Charcoal, (SFS)

MODEL CODES

C BODY = (D41 - DYNASTY)(C41 - NEW YORKER)
 E BODY = (J - CARAVELLE)(E - 600)(T - NEW YORKER TURBO)
 G BODY = (V24 - DAYTONA, PACIFICA & SHELBY)
 H BODY = (D44 - LANCER)(C44 - LEBARON GTS)
 J BODY = (C - LEBARON)
 K BODY = (P - RELIANT)(D - ARIES)(C - LEBARON/ TOWN & COUNTRY)
 L BODY = (M - HORIZON)(Z-OMNI)
 M BODY = (B - GRAN FURY)(G - DIPLOMAT)(F - FIFTH AVENUE/NEWPORT)
 P BODY = (P - SUNDANCE)(D - SHADOW)
 Q BODY = (C27 - MASERATI)
 S BODY = (H - VOYAGER)(K - RAM VAN/ CARAVAN)

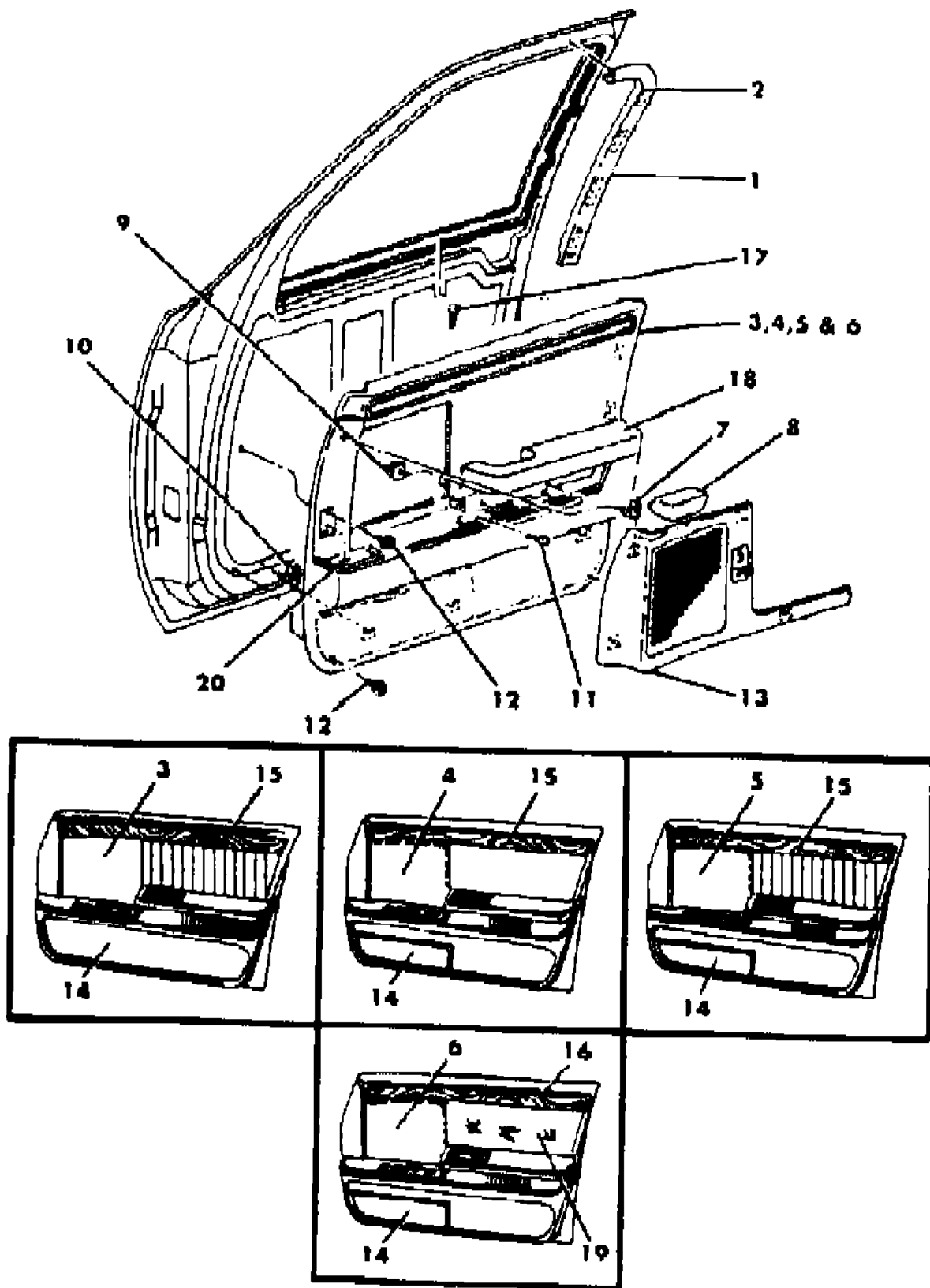
BODY STYLES

12-52 = FWD VAN & WAGON STD. W.B. 27 = 2-DOOR CONVERTIBLE
 13-53 = FWD VAN & WGN EXT W.B. 41 = 4-DOOR SEDAN
 21 = 2-DOOR SEDAN 44 = 4-DOOR HATCHBACK
 24 = 2-DOOR HATCHBACK 45 = 4-DOOR STATION WAGON

AR = Use as Required - = Non Illustrated Part P.A.R. = Paint as Required

DOOR TRIM PANEL--FRONT C BODY
Figure ITC-800

8241 800



ITEM	PART NUMBER	QTY	BODY	MODEL	DESCRIPTION
					LEATHER
	J260-1 GC5	1			Blue, (SPC)
	J260-1 GR8	1			Red, (SPR)
	J260-1 GL7	1			Taupe, (SPL)
	J260-1 GS8	1			Charcoal, (SPS)
7	6003 323	AR			CLIP
8	4374 624-5	1			LENS, Courtsey Lamp
9	4453 429	4			NUT, Armrest
10	6501 769	4			FASTENER
11	6033 179	AR			SCREW
12		AR			SCREW and WASHER, (Not Serv.)
13					GRILLE, Speaker
	D264-5 GL7	1			w/Manual Windows (P.A.R)
					w/Power Seats
	D262-3 GC5	1			Blue
	D262-3 GR8	1			Red
	D262-3 GL7	1			Taupe
	D262-3 GS8	1			Charcoal
					w/Power Windows w/o Power Seats
	D270-1 GC5	1			Blue
	D270-1 GR8	1			Red
	D270-1 GL7	1			Taupe
	D270-1 GS8	1			Charcoal
14					MAP POCKET
	D258-9 GC5	1			Blue
	D258-9 GR8	1			Red
	D258-9 GL7	1			Taupe
	D258-9 GS8	1			Charcoal
15	4410 306-7	1		H-P	MOULDING, Wood Grain II
16	4410 302-3	1		S	MOULDING, Wood Grain I
17	H448 CS8	4			RETAINER, Bolster
18					ARMREST
	D260-1 GC5	1			Blue
	D260-1 GR8	1			Red
	D260-1 GL7	1			Taupe
	D260-1 GS8	1			Charcoal
19					BUTTON, Bolster

MODEL CODES

C BODY = (D41 - DYNASTY)(C41 - NEW YORKER)
 E BODY = (J - CARAVELLE)(E - 600)(T - NEW YORKER TURBO)
 G BODY = (V24 - DAYTONA, PACIFICA & SHELBY)
 H BODY = (D44 - LANCER)(C44 - LEBARON GTS)
 J BODY = (C - LEBARON)
 K BODY = (P - RELIANT)(D - ARIES)(C - LEBARON/ TOWN & COUNTRY)

L BODY = (M - HORIZON)(Z-OMNI)
 M BODY = (B - GRAN FURY)(G - DIPLOMAT)(F - FIFTH AVENUE/NEWPORT)
 P BODY = (P - SUNDANCE)(D - SHADOW)
 Q BODY = (C27 - MASERATI)
 S BODY = (H - VOYAGER)(K - RAM VAN/ CARAVAN)

BODY STYLES

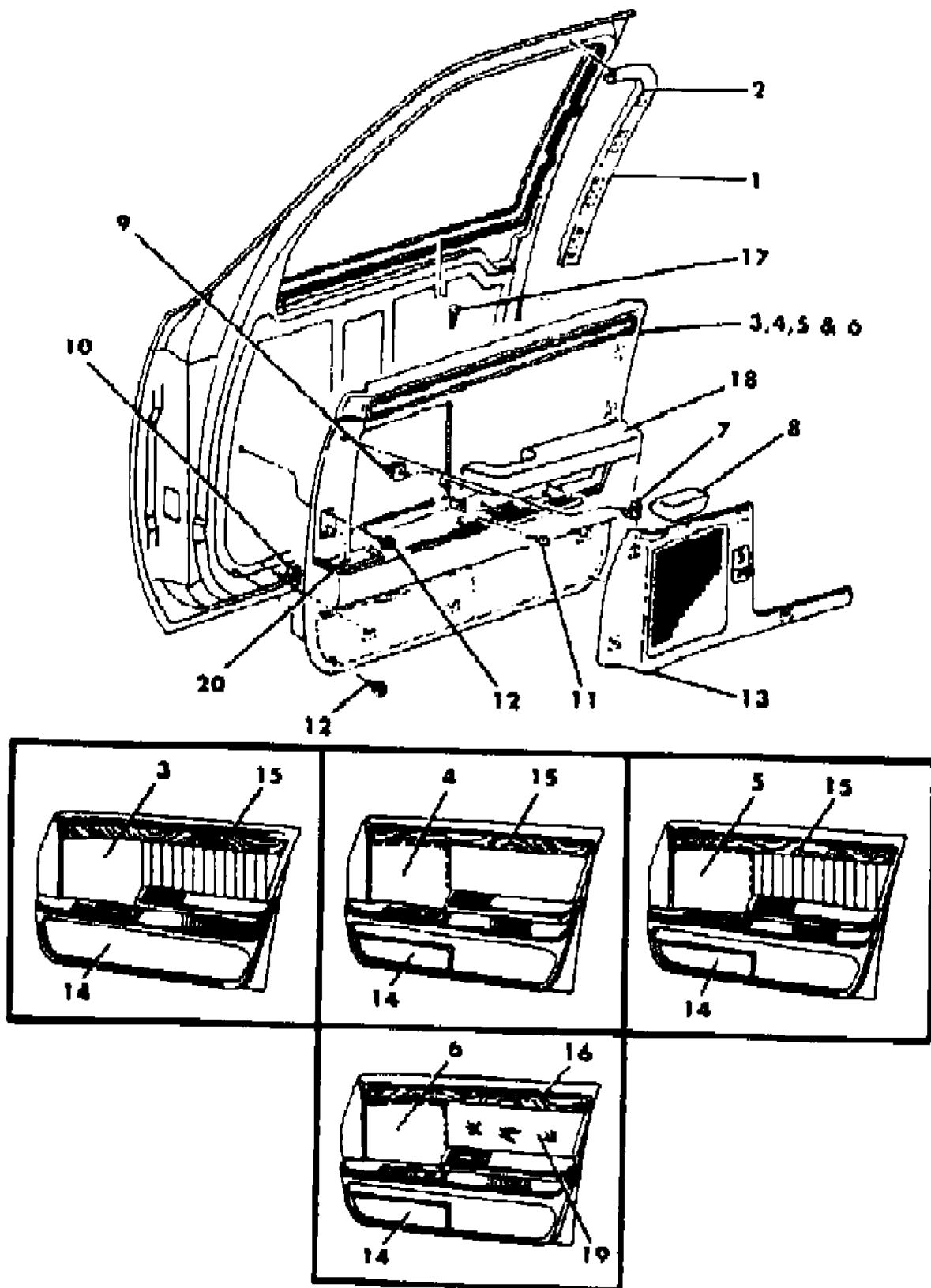
12-52 = FWD VAN & WAGON STD. W.B. 27 = 2-DOOR CONVERTIBLE
 13-53 = FWD VAN & WGN EXT W.B. 41 = 4-DOOR SEDAN
 21 = 2-DOOR SEDAN 44 = 4-DOOR HATCHBACK
 24 = 2-DOOR HATCHBACK 45 = 4-DOOR STATION WAGON

AR = Use as Required - = Non Illustrated Part P.A.R. = Paint as Required

DOOR TRIM PANEL--FRONT C BODY
Figure ITC-800

8241 800

ITEM	PART NUMBER	QTY	BODY	MODEL	DESCRIPTION
					CLOTH
	S721 FC5	6			Blue
	S721 GR8	6			Red
	S721 GL7	6			Taupe
	S721 CS8	6			Charcoal
					LEATHER
	S722 FC5	6			Blue
	S722 GR8	6			Red
	S722 GL7	6			Taupe
	S722 CS8	6			Charcoal
20	4410 280-1	1			FRAME, Finish Plate
					NOTE: (P.A.R.) = Paint As Required



MODEL CODES

C BODY = (D41 - DYNASTY)(C41 - NEW YORKER)
 E BODY = (J - CARAVELLE)(E - 600)(T - NEW YORKER TURBO)
 G BODY = (V24 - DAYTONA, PACIFICA & SHELBY)
 H BODY = (D44 - LANCER)(C44 - LEBARON GTS)
 J BODY = (C - LEBARON)
 K BODY = (P - RELIANT)(D - ARIES)(C - LEBARON/ TOWN & COUNTRY)
 L BODY = (M - HORIZON)(Z-OMNI)
 M BODY = (B - GRAN FURY)(G - DIPLOMAT)(F - FIFTH AVENUE/NEWPORT)
 P BODY = (P - SUNDANCE)(D - SHADOW)
 Q BODY = (C27 - MASERATI)
 S BODY = (H - VOYAGER)(K - RAM VAN/ CARAVAN)

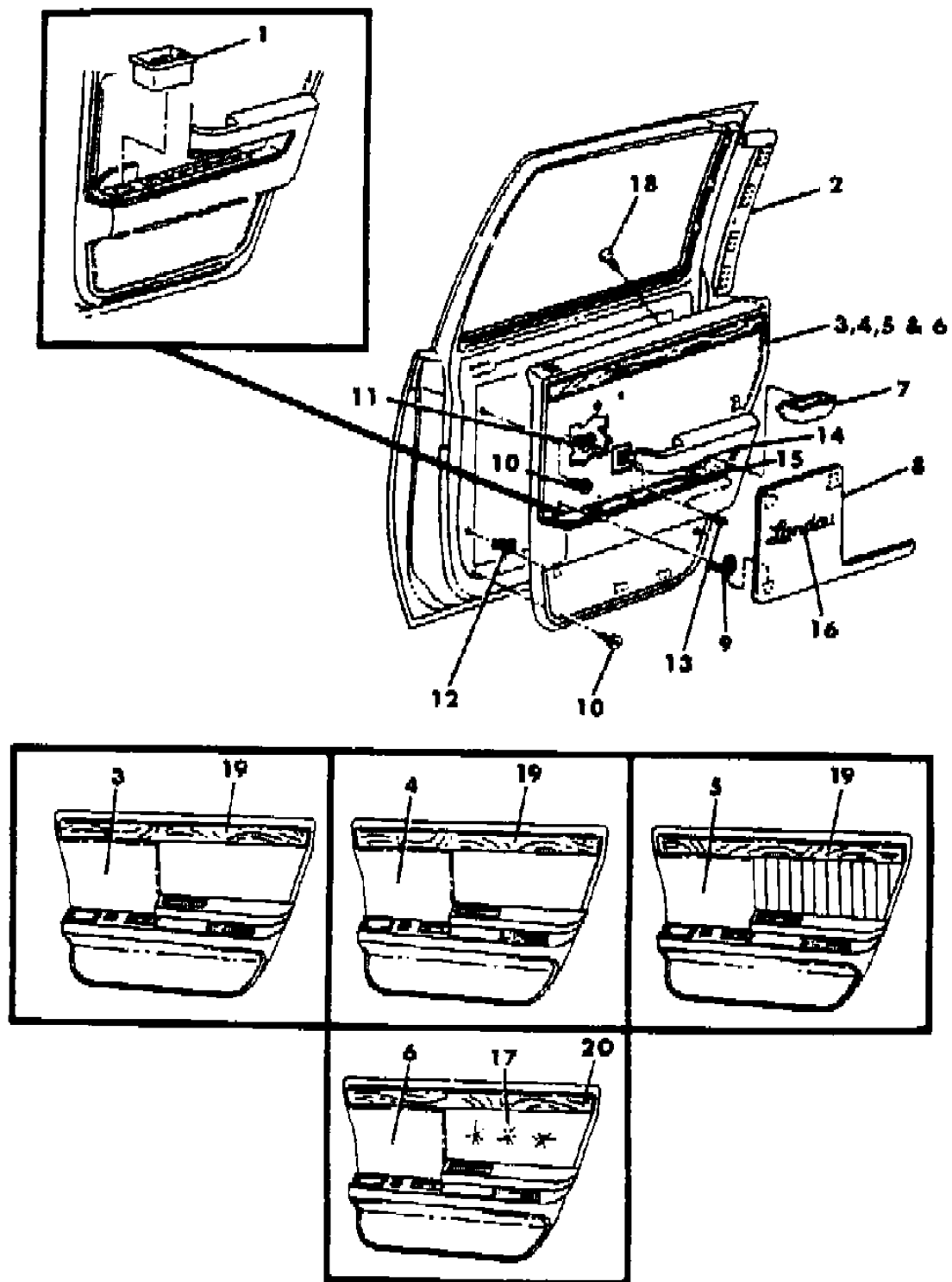
BODY STYLES

12-52 = FWD VAN & WAGON STD. W.B. 27 = 2-DOOR CONVERTIBLE
 13-53 = FWD VAN & WGN EXT W.B. 41 = 4-DOOR SEDAN
 21 = 2-DOOR SEDAN 44 = 4-DOOR HATCHBACK
 24 = 2-DOOR HATCHBACK 45 = 4-DOOR STATION WAGON

AR = Use as Required - = Non Illustrated Part P.A.R. = Paint as Required

DOOR TRIM PANEL--REAR C BODY
Figure ITC-900

8241 900 A



ITEM	PART NUMBER	QTY	BODY	MODEL	DESCRIPTION
1	4409 718	1			ASH RECEIVER, (For Cover See 23C)
2	F072-3 GL7	1		H-P	MOULDING, Frame (P.A.R.)
	V258-9 GC5	1		S	Blue
	V258-9 GR8	1		S	Red
	V258-9 GL7	1		S	Taupe
	V258-9 GS8	1		S	Charcoal
3					PANEL, Door Trim CLOTH
	J432-3 GC5	1			Blue, (D3C)
	J432-3 GR8	1			Red, (D3R)
	J432-3 GL7	1			Taupe, (D3L)
	J432-3 GS8	1			Charcoal, (D3S)
4					PANEL, Door Trim CLOTH
	J436-7 GCC	1			Blue, (EFC)
	J436-7 GRR	1			Red, (EFR)
	J436-7 GLL	1			Taupe, (EFL)
	J436-7 GSS	1			Charcoal, (EFS)
5					PANEL, Door Trim CLOTH
	J416-7 GC5	1			Blue, (HFC)
	J416-7 GR8	1			Red, (HFR)
	J416-7 GL7	1			Taupe, (HFL)
	J416-7 GS8	1			Charcoal, (HFS)
					LEATHER
	J420-1 GC5	1			Blue, (HPC)
	J420-1 GR8	1			Red, (HPR)
	J420-1 GL7	1			Taupe, (HPL)
	J420-1 GS8	1			Charcoal, (HPS)
6					PANEL, Door Trim CLOTH
	J400-1 GC5	1			Blue, (SFC)
	J400-1 GR8	1			Red, (SFR)
	J400-1 GL7	1			Taupe, (SFL)
	J400-1 GS8	1			Charcoal, (SFS)
					LEATHER
	J412-3 GC5	1			Blue, (SPC)

MODEL CODES

C BODY = (D41 - DYNASTY)(C41 - NEW YORKER)
 E BODY = (J - CARAVELLE)(E - 600)(T - NEW YORKER TURBO)
 G BODY = (V24 - DAYTONA, PACIFICA & SHELBY)
 H BODY = (D44 - LANCER)(C44 - LEBARON GTS)
 J BODY = (C - LEBARON)
 K BODY = (P - RELIANT)(D - ARIES)(C - LEBARON/ TOWN & COUNTRY)

L BODY = (M - HORIZON)(Z-OMNI)
 M BODY = (B - GRAN FURY)(G - DIPLOMAT)(F - FIFTH AVENUE/NEWPORT)
 P BODY = (P - SUNDANCE)(D - SHADOW)
 Q BODY = (C27 - MASERATI)
 S BODY = (H - VOYAGER)(K - RAM VAN/ CARAVAN)

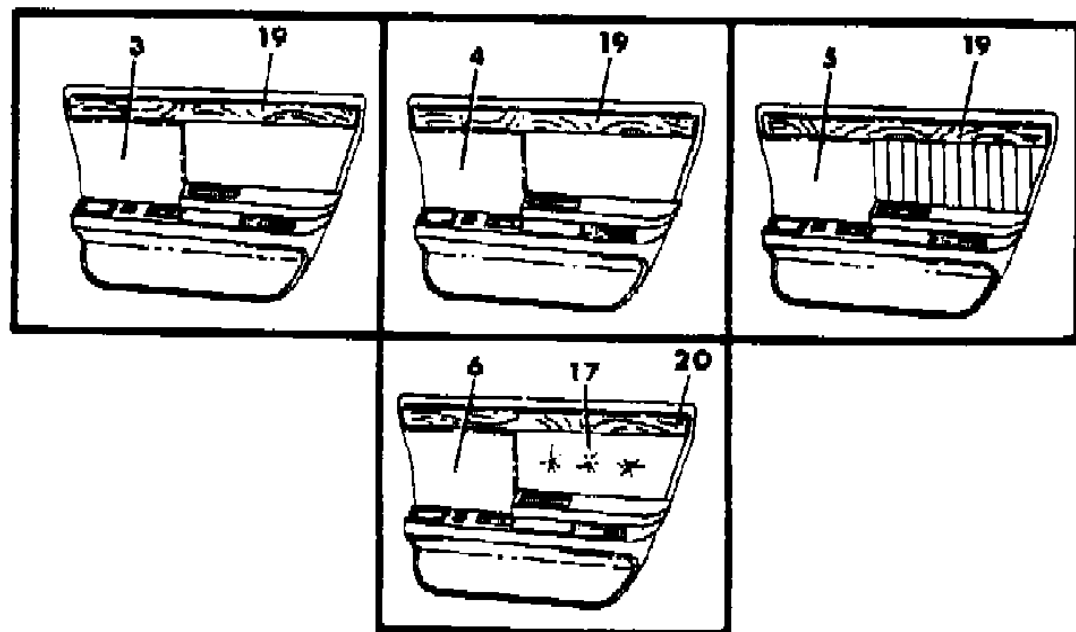
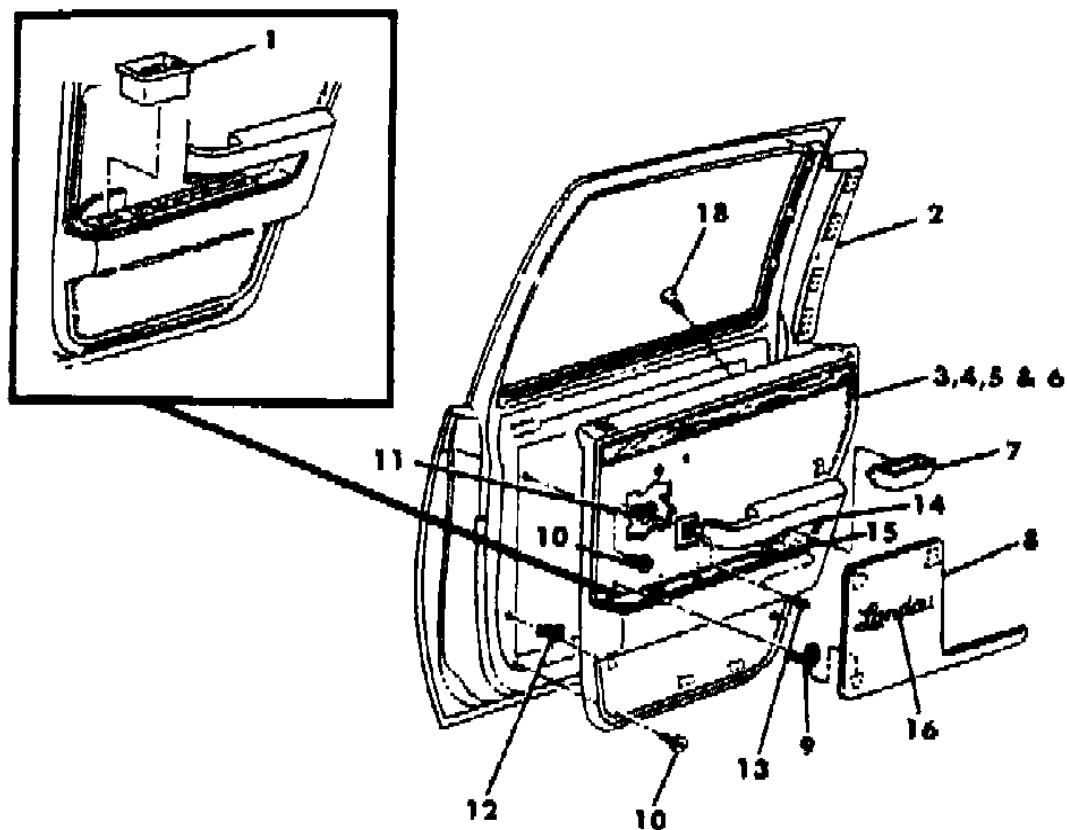
BODY STYLES

12-52 = FWD VAN & WAGON STD. W.B. 27 = 2-DOOR CONVERTIBLE
 13-53 = FWD VAN & WGN EXT W.B. 41 = 4-DOOR SEDAN
 21 = 2-DOOR SEDAN 44 = 4-DOOR HATCHBACK
 24 = 2-DOOR HATCHBACK 45 = 4-DOOR STATION WAGON

AR = Use as Required - = Non Illustrated Part P.A.R. = Paint as Required

DOOR TRIM PANEL--REAR C BODY
Figure ITC-900

8241 900 A



ITEM	PART NUMBER	QTY	BODY	MODEL	DESCRIPTION
	J412-3 GR8	1			Red, (SPR)
	J412-3 GL7	1			Taupe, (SPL)
	J412-3 GS8	1			Charcoal, (SPS)
7	4374 624-5	1			LENS, Courtesy Lamp
8					PANEL, Name Plate
	D372-3 GC5	1		C-S	Blue
	D372-3 GR8	1		C-S	Red
	D372-3 GL7	1		C-S	Taupe
	D372-3 GS8	1		C-S	Charcoal
	D870-1 GC5	1		C-H	Blue
	D870-1 GR8	1		C-H	Red
	D870-1 GL7	1		C-H	Taupe
	D870-1 GS8	1		C-H	Charcoal
					w/Power Windows
	D870-1 GC5	1		D	Blue
	D870-1 GR8	1		D	Red
	D870-1 GL7	1		D	Taupe
	D870-1 GS8	1		D	Charcoal
					w/o Power Windows
	D872-3 GC5	1		D	Blue
	D872-3 GR8	1		D	Red
	D872-3 GL7	1		D	Taupe
	D872-3 GS8	1		D	Charcoal
9	6003 323	AR			FASTENER
10		AR			SCREW and WASHER, (Not Serv.)
11	4453 429	AR			NUT, Armrest Attaching
12	6501 769	AR			FASTENER, Door Trim Panel
13	6033 179	AR			SCREW
14					ARMREST
	D266-7 GC5	1			Blue
	D266-7 GR8	1			Red
	D266-7 GL7	1			Taupe
	D266-7 GS8	1			Charcoal
15	4410 282-3	1			FRAME, Finish Plate
16	4473 955	2			NAME PLATE
17					BUTTON, Bolster
					CLOTH

MODEL CODES

C BODY = (D41 - DYNASTY)(C41 - NEW YORKER)
 E BODY = (J - CARAVELLE)(E - 600)(T - NEW YORKER TURBO)
 G BODY = (V24 - DAYTONA, PACIFICA & SHELBY)
 H BODY = (D44 - LANCER)(C44 - LEBARON GTS)
 J BODY = (C - LEBARON)
 K BODY = (P - RELIANT)(D - ARIES)(C - LEBARON/ TOWN & COUNTRY)

L BODY = (M - HORIZON)(Z-OMNI)
 M BODY = (B - GRAN FURY)(G - DIPLOMAT)(F - FIFTH AVENUE/NEWPORT)
 P BODY = (P - SUNDANCE)(D - SHADOW)
 Q BODY = (C27 - MASERATI)
 S BODY = (H - VOYAGER)(K - RAM VAN/ CARAVAN)

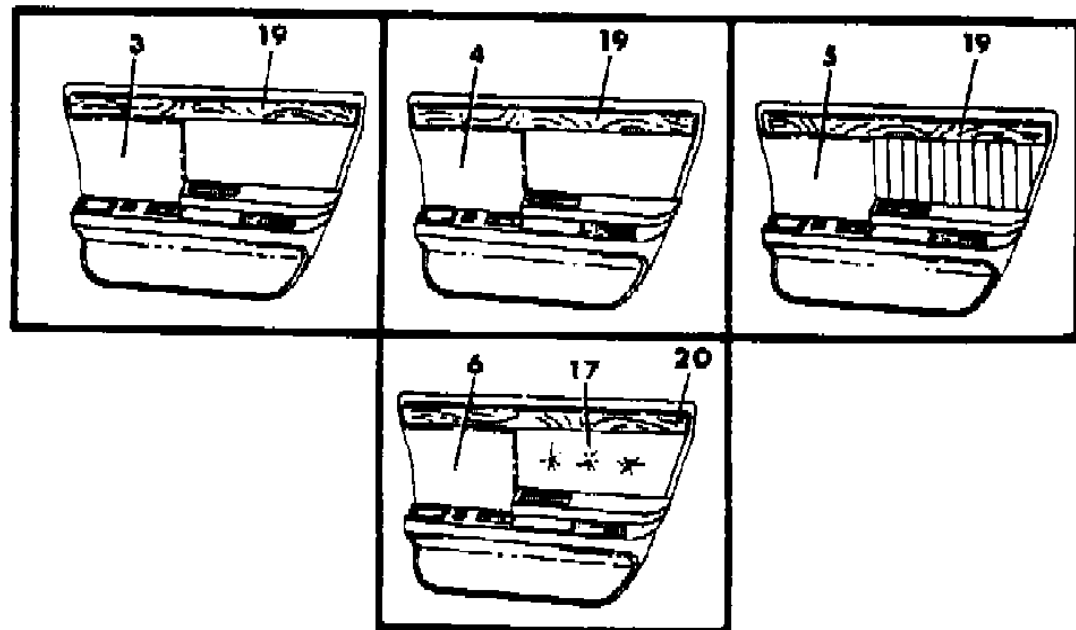
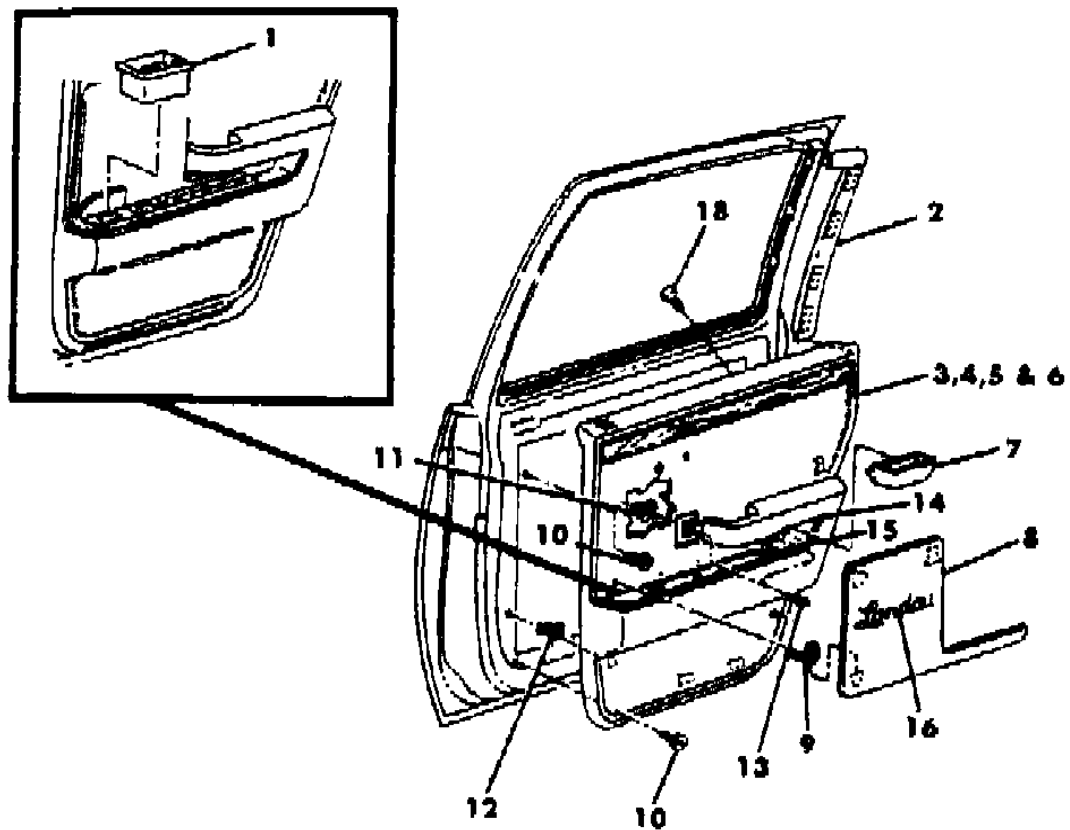
BODY STYLES

12-52 = FWD VAN & WAGON STD. W.B. 27 = 2-DOOR CONVERTIBLE
 13-53 = FWD VAN & WGN EXT W.B. 41 = 4-DOOR SEDAN
 21 = 2-DOOR SEDAN 44 = 4-DOOR HATCHBACK
 24 = 2-DOOR HATCHBACK 45 = 4-DOOR STATION WAGON

AR = Use as Required - = Non Illustrated Part P.A.R. = Paint as Required

DOOR TRIM PANEL--REAR C BODY
Figure ITC-900

8241 900 A



ITEM	PART NUMBER	QTY	BODY	MODEL	DESCRIPTION
	S721 FC5	AR			Blue
	S721 GR8	AR			Red
	S721 GL7	AR			Taupe
	S721 CS8	AR			Charcoal
					LEATHER
	S722 FC5	AR			Blue
	S722 GR8	AR			Red
	S722 GL7	AR			Taupe
	S722 CS8	AR			Charcoal
18	H448 CS8	AR			RETAINER, Bolster
19	4410 508-9	1		H-P	MOULDING, Wood Grain II
20	4410 506-7	1		S	MOULDING, Wood Grain I

MODEL CODES

C BODY = (D41 - DYNASTY)(C41 - NEW YORKER)	L BODY = (M - HORIZON)(Z-OMNI)
E BODY = (J - CARAVELLE)(E - 600)(T - NEW YORKER TURBO)	M BODY = (B - GRAN FURY)(G - DIPLOMAT)(F - FIFTH AVENUE/NEWPORT)
G BODY = (V24 - DAYTONA, PACIFICA & SHELBY)	P BODY = (P - SUNDANCE)(D - SHADOW)
H BODY = (D44 - LANCER)(C44 - LEBARON GTS)	Q BODY = (C27 - MASERATI)
J BODY = (C - LEBARON)	S BODY = (H - VOYAGER)(K - RAM VAN/ CARAVAN)
K BODY = (P - RELIANT)(D - ARIES)(C - LEBARON/ TOWN & COUNTRY)	

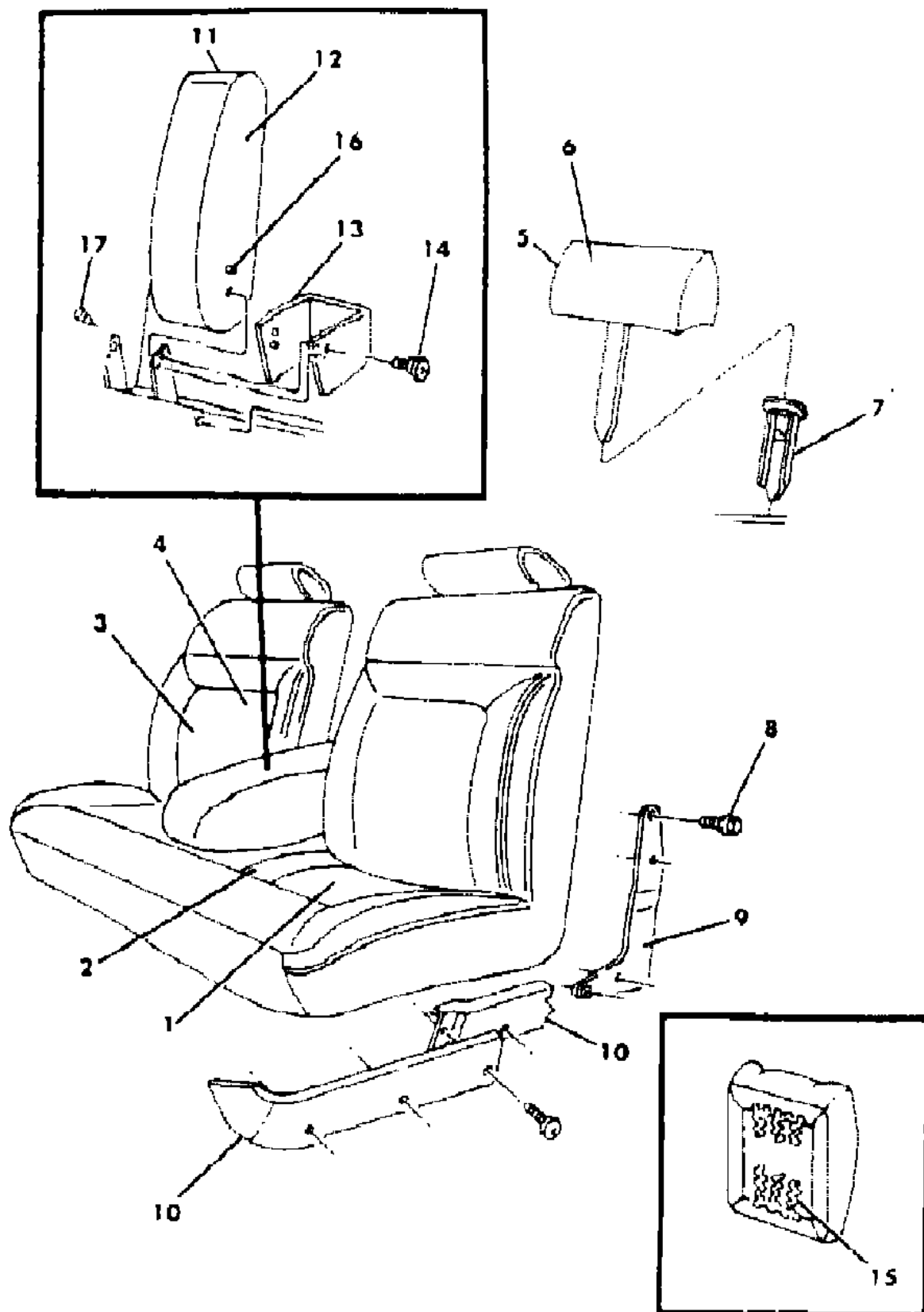
BODY STYLES

12-52 = FWD VAN & WAGON STD. W.B.	27 = 2-DOOR CONVERTIBLE
13-53 = FWD VAN & WGN EXT W.B.	41 = 4-DOOR SEDAN
21 = 2-DOOR SEDAN	44 = 4-DOOR HATCHBACK
24 = 2-DOOR HATCHBACK	45 = 4-DOOR STATION WAGON

AR = Use as Required - = Non Illustrated Part P.A.R. = Paint as Required

SEAT--FRONT C BODY TRIM CODE D3
Figure ITC-1000

8241 1000



ITEM	PART NUMBER	QTY	BODY	MODEL	DESCRIPTION
1					CUSHION, w/Spring/Frame, Pad and Cover
	C279 G3C	1			CLOTH Blue, (D3C)
	C279 G3R	1			Red, (D3R)
	C279 G3L	1			Taupe, (D3L)
	C279 G3S	1			Charcoal, (D3S)
2					COVER, Cushion
	C280 G3C	1			Blue, (D3C)
	C280 G3R	1			Red, (D3R)
	C280 G3L	1			Taupe, (G3L)
	C280 G3S	1			Charcoal, (G3S)
3					BACK, w/Spring/Frame,Pad and Cover
	C686-7 G3C	1			Blue, (D3C)
	C686-7 G3R	1			Red, (D3R)
	C686-7 G3L	1			Taupe, (D3L)
	C686-7 G3S	1			Charcoal, (D3S)
4					COVER, Back w/Map Pocket
	C092-3 G3C	1			Blue, (D3C)
	C092-3 G3R	1			Red, (D3R)
	C092-3 G3L	1			Taupe, (D3L)
	C092-3 G3S	1			Charcoal, (D3S)
5					HEADREST and COVER
	C649 GC5	2			Blue, (D3C)
	C649 GR8	2			Red, (D3R)
	C649 GL7	2			Taupe, (D3L)
	C649 GS8	2			Charcoal, (D3S)
6					COVER, Headrest
	C582 GC5	2			Blue, (D3C)
	C582 GR8	2			Red, (D3R)
	C582 GL7	2			Taupe, (D3L)
	C582 GS8	2			Charcoal, (D3S)
7					SLEEVE, Headrest
	S786 EC5	2			Blue
	S786 GR8	2			Red
	S786 GL7	2			Taupe
	S786 CS8	2			Charcoal
-	4420 528	1			SUPPORT

MODEL CODES

C BODY = (D41 - DYNASTY)(C41 - NEW YORKER)
 E BODY = (J - CARAVELLE)(E - 600)(T - NEW YORKER TURBO)
 G BODY = (V24 - DAYTONA, PACIFICA & SHELBY)
 H BODY = (D44 - LANCER)(C44 - LEBARON GTS)
 J BODY = (C - LEBARON)
 K BODY = (P - RELIANT)(D - ARIES)(C - LEBARON/ TOWN & COUNTRY)

L BODY = (M - HORIZON)(Z-OMNI)
 M BODY = (B - GRAN FURY)(G - DIPLOMAT)(F - FIFTH AVENUE/NEWPORT)
 P BODY = (P - SUNDANCE)(D - SHADOW)
 Q BODY = (C27 - MASERATI)
 S BODY = (H - VOYAGER)(K - RAM VAN/ CARAVAN)

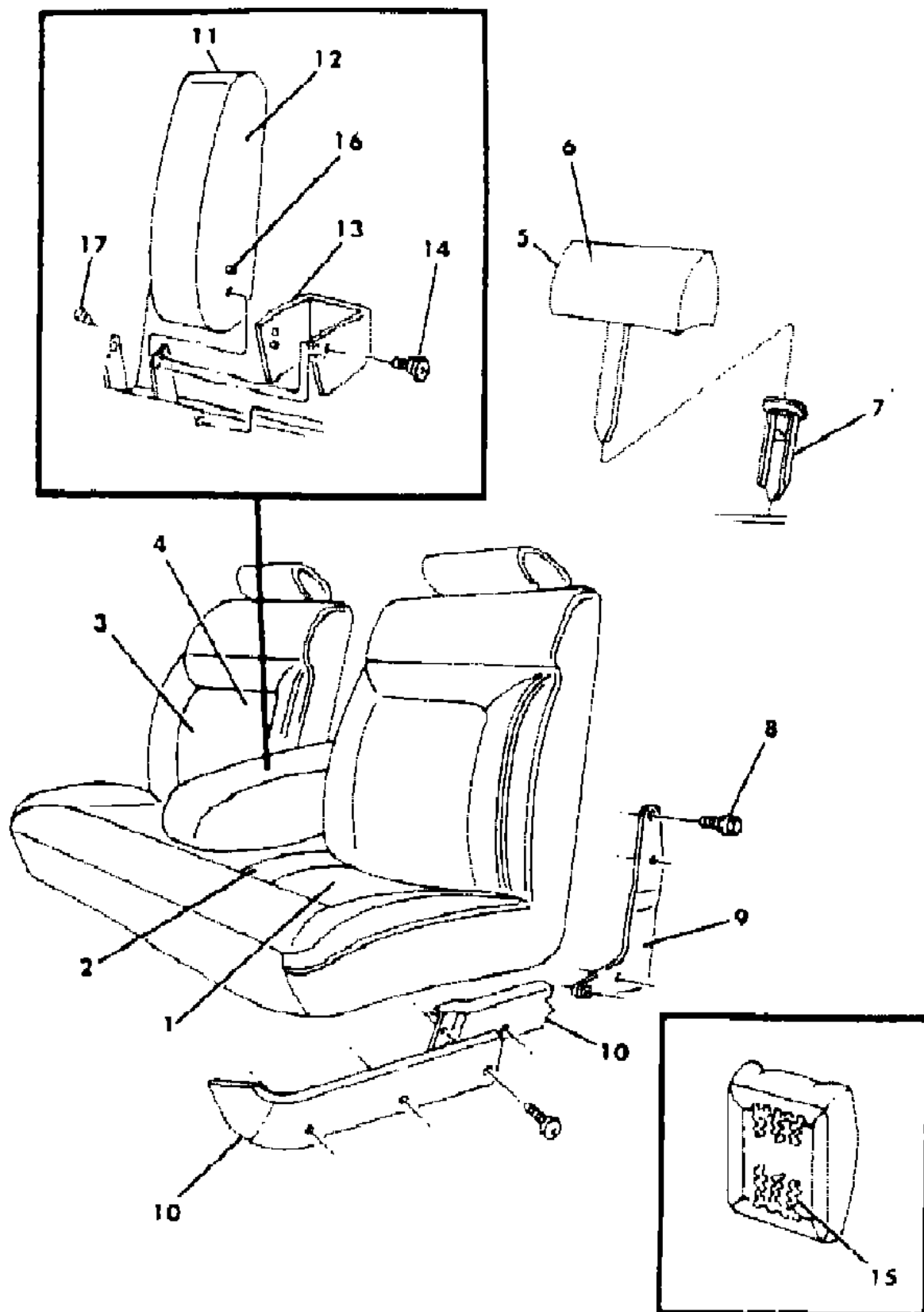
BODY STYLES

12-52 = FWD VAN & WAGON STD. W.B. 27 = 2-DOOR CONVERTIBLE
 13-53 = FWD VAN & WGN EXT W.B. 41 = 4-DOOR SEDAN
 21 = 2-DOOR SEDAN 44 = 4-DOOR HATCHBACK
 24 = 2-DOOR HATCHBACK 45 = 4-DOOR STATION WAGON

AR = Use as Required - = Non Illustrated Part P.A.R. = Paint as Required

SEAT--FRONT C BODY TRIM CODE D3
Figure ITC-1000

8241 1000



ITEM	PART NUMBER	QTY	BODY	MODEL	DESCRIPTION
8	6100 576	1			SCREW and WASHER, Arm Attaching
9	4345 368-9	1			ARM, Cushion To Back
10					SHIELD, Cushion Rear Rail
	S678-9 FC5	1			Blue
	S678-9 GR8	1			Red
	S678-9 GL7	1			Taupe
	S678-9 CS8	1			Charcoal
11					ARMREST
	C656 GC5	1			Blue, (D3C)
	C656 GR8	1			Red, (D3R)
	C656 GL7	1			Taupe, (D3L)
	C656 GS8	1			Charcoal, (D3S)
12					ARMREST, Cover
	C841 GC5	1			Blue, (D3C)
	C841 GR8	1			Red, (D3R)
	C841 GL7	1			Taupe, (D3L)
	C841 GS8	1			Charcoal, (D3S)
13					COVER, Back Center Armrest
	S581 FC5	1			Blue
	S581 GR8	1			Red
	S581 GL7	1			Taupe
	S581 CS8	1			Charcoal
14	6030 082	AR			SCREW, Front Seat To Stanchion
15	6008 076	1			HOG RING
16	4239 076	1			ROD, Center Arm Rest Locking
17	4380 112	2			BUSHING, Pivot

MODEL CODES

C BODY = (D41 - DYNASTY)(C41 - NEW YORKER)	L BODY = (M - HORIZON)(Z-OMNI)
E BODY = (J - CARAVELLE)(E - 600)(T - NEW YORKER TURBO)	M BODY = (B - GRAN FURY)(G - DIPLOMAT)(F - FIFTH AVENUE/NEWPORT)
G BODY = (V24 - DAYTONA, PACIFICA & SHELBY)	P BODY = (P - SUNDANCE)(D - SHADOW)
H BODY = (D44 - LANCER)(C44 - LEBARON GTS)	Q BODY = (C27 - MASERATI)
J BODY = (C - LEBARON)	S BODY = (H - VOYAGER)(K - RAM VAN/ CARAVAN)
K BODY = (P - RELIANT)(D - ARIES)(C - LEBARON/ TOWN & COUNTRY)	

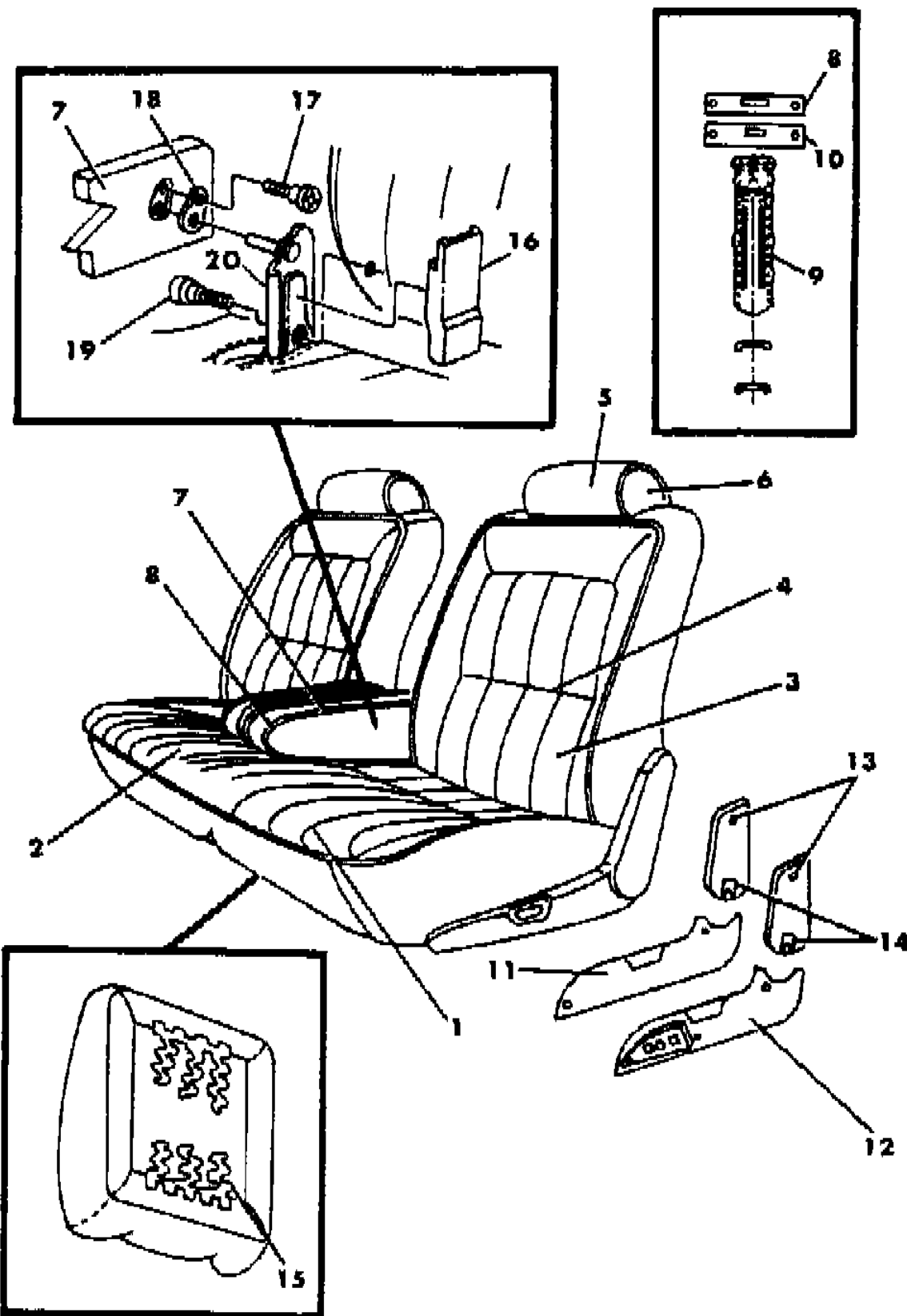
BODY STYLES

12-52 = FWD VAN & WAGON STD. W.B.	27 = 2-DOOR CONVERTIBLE
13-53 = FWD VAN & WGN EXT W.B.	41 = 4-DOOR SEDAN
21 = 2-DOOR SEDAN	44 = 4-DOOR HATCHBACK
24 = 2-DOOR HATCHBACK	45 = 4-DOOR STATION WAGON

AR = Use as Required - = Non Illustrated Part P.A.R. = Paint as Required

SEAT--FRONT C BODY TRIM CODE EF
Figure ITC-1100

8241 1100 A



ITEM	PART NUMBER	QTY	BODY	MODEL	DESCRIPTION
1					CUSHION, w/Spring/Frame, Pad and Cover
	C662-3 GFC	1			CLOTH Blue, (EFC)
	C662-3 GFR	1			Red, (EFR)
	C662-3 GFL	1			Taupe, (EFL)
	C662-3 GFS	1			Charcoal, (EFS)
2					COVER, Cushion
	C588-9 GFC	1			CLOTH Blue, (EFC)
	C588-9 GFR	1			Red, (EFR)
	C588-9 GFL	1			Taupe, (EFL)
	C588-9 GFS	1			Charcoal, (EFS)
3					BACK, w/Spring/Frame, Pad and Cover
	C666-7 GFC	1			CLOTH Blue, (EFC)
	C666-7 GFR	1			Red, (EFR)
	C666-7 GFL	1			Taupe, (EFL)
	C666-7 GFS	1			Charcoal, (EFS)
4					COVER, Back w/o Map Pocket
	C082 GFC	2			CLOTH Blue, (EFC)
	C082 GFR	2			Red, (EFR)
	C082 GFL	2			Taupe, (EFL)
	C082 GFS	2			Charcoal, (EFS)
5					HEADREST and COVER
	C651 GC5	2			CLOTH Blue, (EFC)
	C651 GR8	2			Red, (EFR)
	C651 GL7	2			Taupe, (EFL)
	C651 GS8	2			Charcoal, (EFS)
6					COVER, Headrest
	C584 GC5	2			CLOTH Blue, (EFC)
	C584 GR8	2			Red, (EFR)
	C584 GL7	2			Taupe, (EFL)
	C584 GS8	2			Charcoal, (EFS)
7					ARMREST and COVER, Passenger and Driver Seat

MODEL CODES

C BODY = (D41 - DYNASTY)(C41 - NEW YORKER)
 E BODY = (J - CARAVELLE)(E - 600)(T - NEW YORKER TURBO)
 G BODY = (V24 - DAYTONA, PACIFICA & SHELBY)
 H BODY = (D44 - LANCER)(C44 - LEBARON GTS)
 J BODY = (C - LEBARON)
 K BODY = (P - RELIANT)(D - ARIES)(C - LEBARON/ TOWN & COUNTRY)

L BODY = (M - HORIZON)(Z-OMNI)
 M BODY = (B - GRAN FURY)(G - DIPLOMAT)(F - FIFTH AVENUE/NEWPORT)
 P BODY = (P - SUNDANCE)(D - SHADOW)
 Q BODY = (C27 - MASERATI)
 S BODY = (H - VOYAGER)(K - RAM VAN/ CARAVAN)

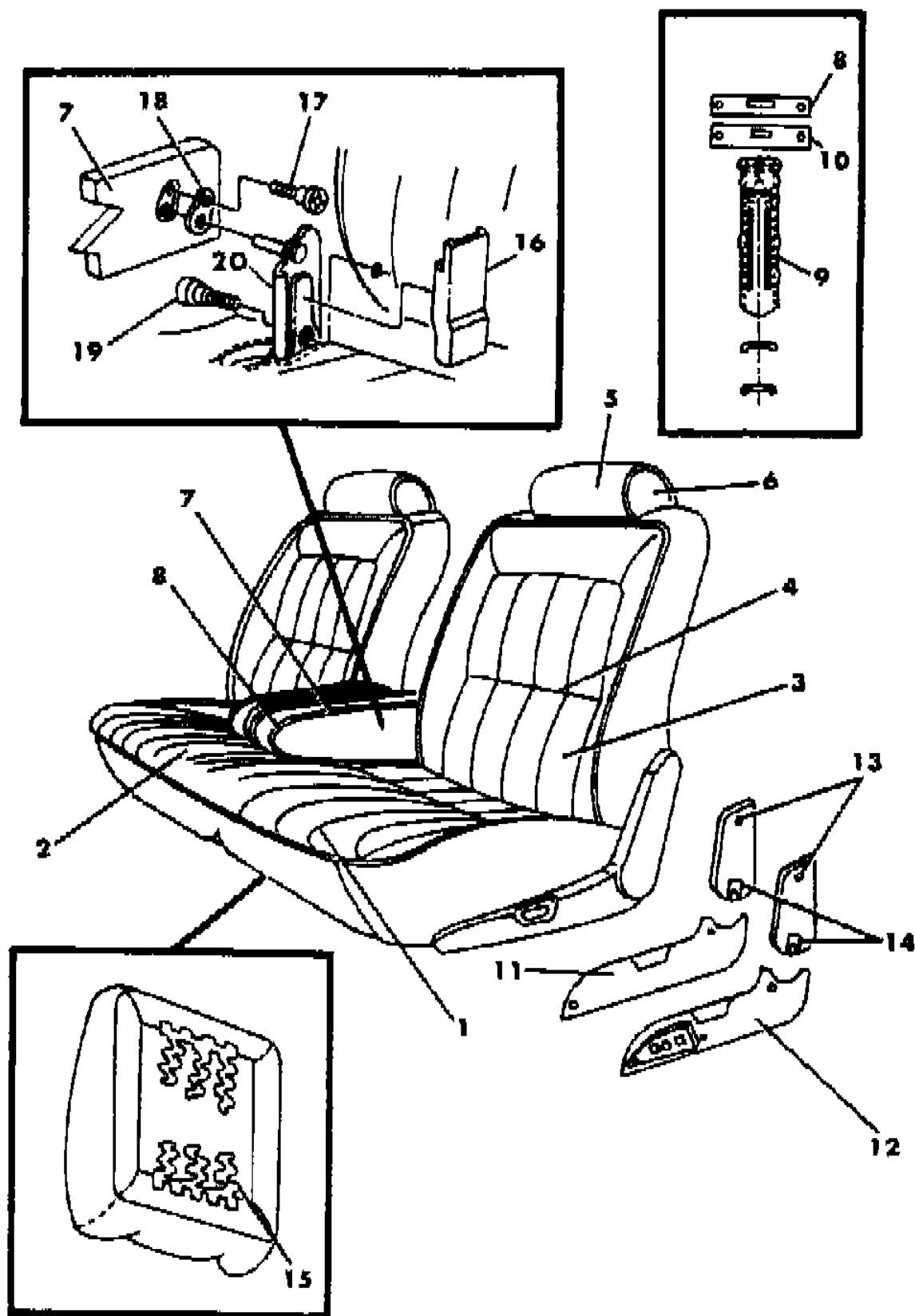
BODY STYLES

12-52 = FWD VAN & WAGON STD. W.B. 27 = 2-DOOR CONVERTIBLE
 13-53 = FWD VAN & WGN EXT W.B. 41 = 4-DOOR SEDAN
 21 = 2-DOOR SEDAN 44 = 4-DOOR HATCHBACK
 24 = 2-DOOR HATCHBACK 45 = 4-DOOR STATION WAGON

AR = Use as Required - = Non Illustrated Part P.A.R. = Paint as Required

SEAT--FRONT C BODY TRIM CODE EF
Figure ITC-1100

8241 1100 A



ITEM	PART NUMBER	QTY	BODY	MODEL	DESCRIPTION
					CLOTH
	C626 GC5	2			Blue, (EFC)
	C626 GR8	2			Red, (EFR)
	C626 GL7	2			Taupe, (EFL)
	C626 GS8	2			Charcoal, (EFS)
8					COVER, Armrest
					CLOTH
	C585 GC5	2			Blue, (EFC)
	C585 GR8	2			Red, (EFR)
	C585 GL7	2			Taupe, (EFL)
	C585 GS8	2			Charcoal, (EFS)
9					SLEEVE, Headrest
					CLOTH
	S786 EC5	2			Blue
	S786 GR8	2			Red
	S786 GL7	2			Taupe
	S786 CS8	2			Charcoal
10	4190 388	2			COVER, Headrest Finish
11					SHIELD, Cushion (P.A.R.)
					PASSENGER
	S764 GK1	1			Outboard
	S765 GK1	1			Inboard
					DRIVER
	S765 GK1	1			Outboard
	S764 GK1	1			Inboard
12	S764-5 GK1				SHIELD, Cushion Electric (P.A.R.)
13					SHIELD, Back (P.A.R.)
					PASSENGER
	S762 GL7	1			Outboard
	S763 GL7	1			Inboard
					DRIVER
	S763 GL7	1			Outboard
	S762 GL7	1			Inboard
14	4317 800	1			CLIP, Shield Attaching
15	6008 076	AR			HOG RING
16					COVER, Stanchion
	S706-7 GC5	1			Blue

MODEL CODES

C BODY = (D41 - DYNASTY)(C41 - NEW YORKER)
 E BODY = (J - CARAVELLE)(E - 600)(T - NEW YORKER TURBO)
 G BODY = (V24 - DAYTONA, PACIFICA & SHELBY)
 H BODY = (D44 - LANCER)(C44 - LEBARON GTS)
 J BODY = (C - LEBARON)
 K BODY = (P - RELIANT)(D - ARIES)(C - LEBARON/ TOWN & COUNTRY)

L BODY = (M - HORIZON)(Z-OMNI)
 M BODY = (B - GRAN FURY)(G - DIPLOMAT)(F - FIFTH AVENUE/NEWPORT)
 P BODY = (P - SUNDANCE)(D - SHADOW)
 Q BODY = (C27 - MASERATI)
 S BODY = (H - VOYAGER)(K - RAM VAN/ CARAVAN)

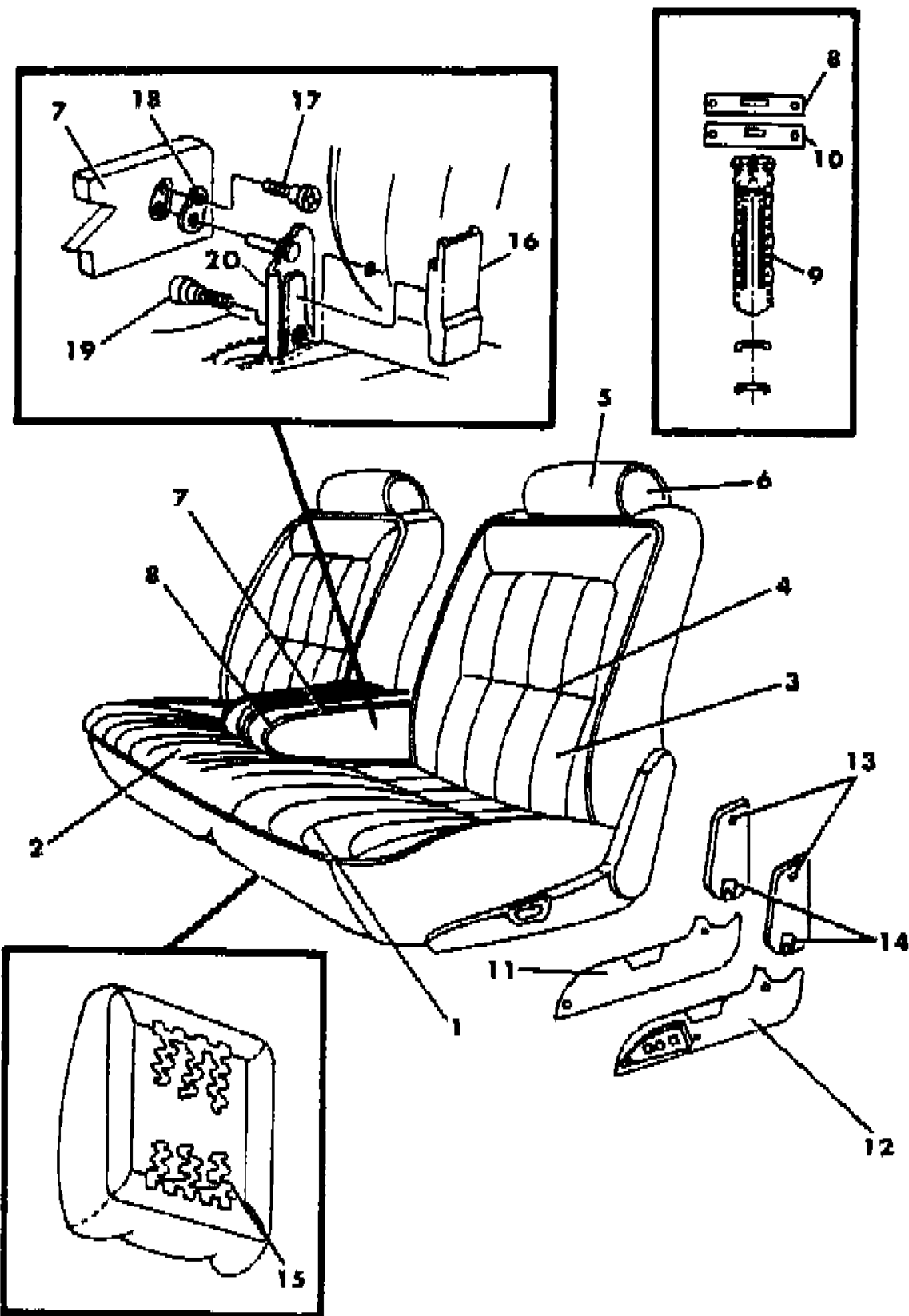
BODY STYLES

12-52 = FWD VAN & WAGON STD. W.B. 27 = 2-DOOR CONVERTIBLE
 13-53 = FWD VAN & WGN EXT W.B. 41 = 4-DOOR SEDAN
 21 = 2-DOOR SEDAN 44 = 4-DOOR HATCHBACK
 24 = 2-DOOR HATCHBACK 45 = 4-DOOR STATION WAGON

AR = Use as Required - = Non Illustrated Part P.A.R. = Paint as Required

SEAT--FRONT C BODY TRIM CODE EF
Figure ITC-1100

8241 1100 A



ITEM	PART NUMBER	QTY	BODY	MODEL	DESCRIPTION
	S706-7 GR8	1			Red
	S706-7 GL7	1			Taupe
	S706-7 GS8	1			Charcoal
17	6032 567	AR			SCREW, Armrest
18					SPACER
	4290 871	AR			(Use Up To 3-8-88)
	4477 624	AR			(Use After 3-8-88)
19	6501 346	AR			SCREW
20					BRACKET, (Serviced In Cushion Assy)

MODEL CODES

C BODY = (D41 - DYNASTY)(C41 - NEW YORKER)
 E BODY = (J - CARAVELLE)(E - 600)(T - NEW YORKER TURBO)
 G BODY = (V24 - DAYTONA, PACIFICA & SHELBY)
 H BODY = (D44 - LANCER)(C44 - LEBARON GTS)
 J BODY = (C - LEBARON)
 K BODY = (P - RELIANT)(D - ARIES)(C - LEBARON/ TOWN & COUNTRY)
 L BODY = (M - HORIZON)(Z-OMNI)
 M BODY = (B - GRAN FURY)(G - DIPLOMAT)(F - FIFTH AVENUE/NEWPORT)
 P BODY = (P - SUNDANCE)(D - SHADOW)
 Q BODY = (C27 - MASERATI)
 S BODY = (H - VOYAGER)(K - RAM VAN/ CARAVAN)

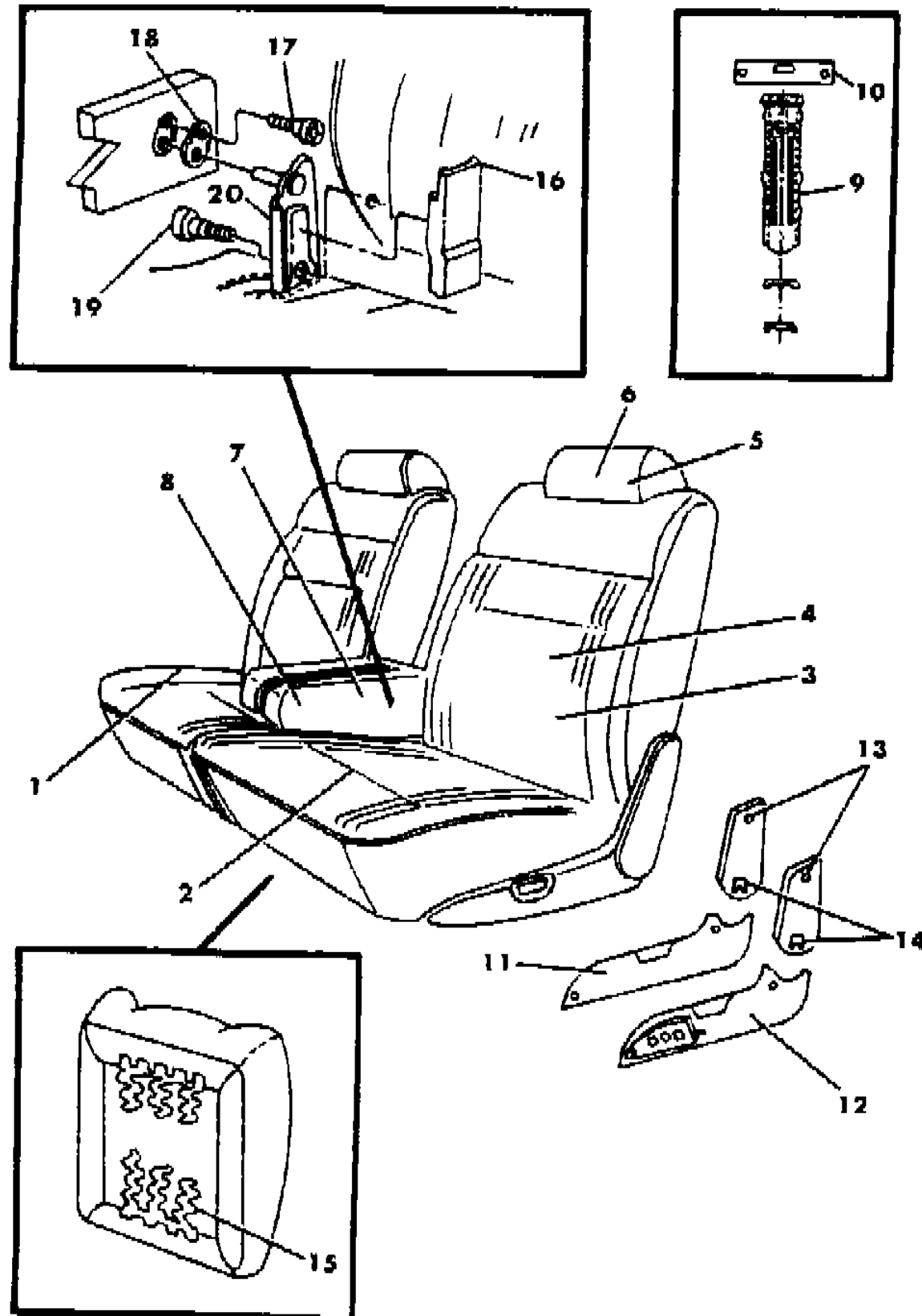
BODY STYLES

12-52 = FWD VAN & WAGON STD. W.B. 27 = 2-DOOR CONVERTIBLE
 13-53 = FWD VAN & WGN EXT W.B. 41 = 4-DOOR SEDAN
 21 = 2-DOOR SEDAN 44 = 4-DOOR HATCHBACK
 24 = 2-DOOR HATCHBACK 45 = 4-DOOR STATION WAGON

AR = Use as Required - = Non Illustrated Part P.A.R. = Paint as Required

SEAT--FRONT C BODY TRIM CODES HF-HP
Figure ITC-1200

8241 1200 A



ITEM	PART NUMBER	QTY	BODY	MODEL	DESCRIPTION
1					CUSHION, w/Spring/Frame, Pad and Cover
					CLOTH
	C602-3 GFC	1			Blue, (HFC)
	C602-3 GFR	1			Red, (HFR)
	C602-3 GFL	1			Taupe, (HFL)
	C602-3 GFS	1			Charcoal, (HFS)
					LEATHER
	C700-1 GPC	1			Blue, (HPC)
	C700-1 GPR	1			Red, (HPR)
	C700-1 GPL	1			Taupe, (HPL)
	C700-1 GPS	1			Charcoal, (HPS)
2					COVER, Cushion
					CLOTH
	C060-1 GFC	1			Blue, (HFC)
	C060-1 GFR	1			Red,(HFR)
	C060-1 GFL	1			Taupe, (HFL)
	C060-1 GFS	1			Charcoal, (HFS)
					LEATHER
	C132-3 GPC	1			Blue, (HPC)
	C132-3 GPR	1			Red, (HPR)
	C132-3 GPL	1			Taupe, (HPL)
	C132-3 GPS	1			Charcoal, (HPS)
3					BACK, w/Spring/Frame, Pad and Cover
					CLOTH
	C606-7 GFC	1			Blue, (HFC)
	C606-7 GFR	1			Red, (HFR)
	C606-7 GFL	1			Taupe, (HFL)
	C606-7 GFS	1			Charcoal, (HFS)
					LEATHER
	C704-5 GPC	1			Blue, (HPC)
	C704-5 GPR	1			Red, (HPR)
	C704-5 GPL	1			Taupe, (HPL)
	C704-5 GPS	1			Charcoal, (HPS)
4					COVER, Back w/Map Pocket
					CLOTH
	C062-3 GFC	1			Blue, (HFC)
	C062-3 GFR	1			Red, (HFR)

MODEL CODES

C BODY = (D41 - DYNASTY)(C41 - NEW YORKER)
 E BODY = (J - CARAVELLE)(E - 600)(T - NEW YORKER TURBO)
 G BODY = (V24 - DAYTONA, PACIFICA & SHELBY)
 H BODY = (D44 - LANCER)(C44 - LEBARON GTS)
 J BODY = (C - LEBARON)
 K BODY = (P - RELIANT)(D - ARIES)(C - LEBARON/ TOWN & COUNTRY)

L BODY = (M - HORIZON)(Z-OMNI)
 M BODY = (B - GRAN FURY)(G - DIPLOMAT)(F - FIFTH AVENUE/NEWPORT)
 P BODY = (P - SUNDANCE)(D - SHADOW)
 Q BODY = (C27 - MASERATI)
 S BODY = (H - VOYAGER)(K - RAM VAN/ CARAVAN)

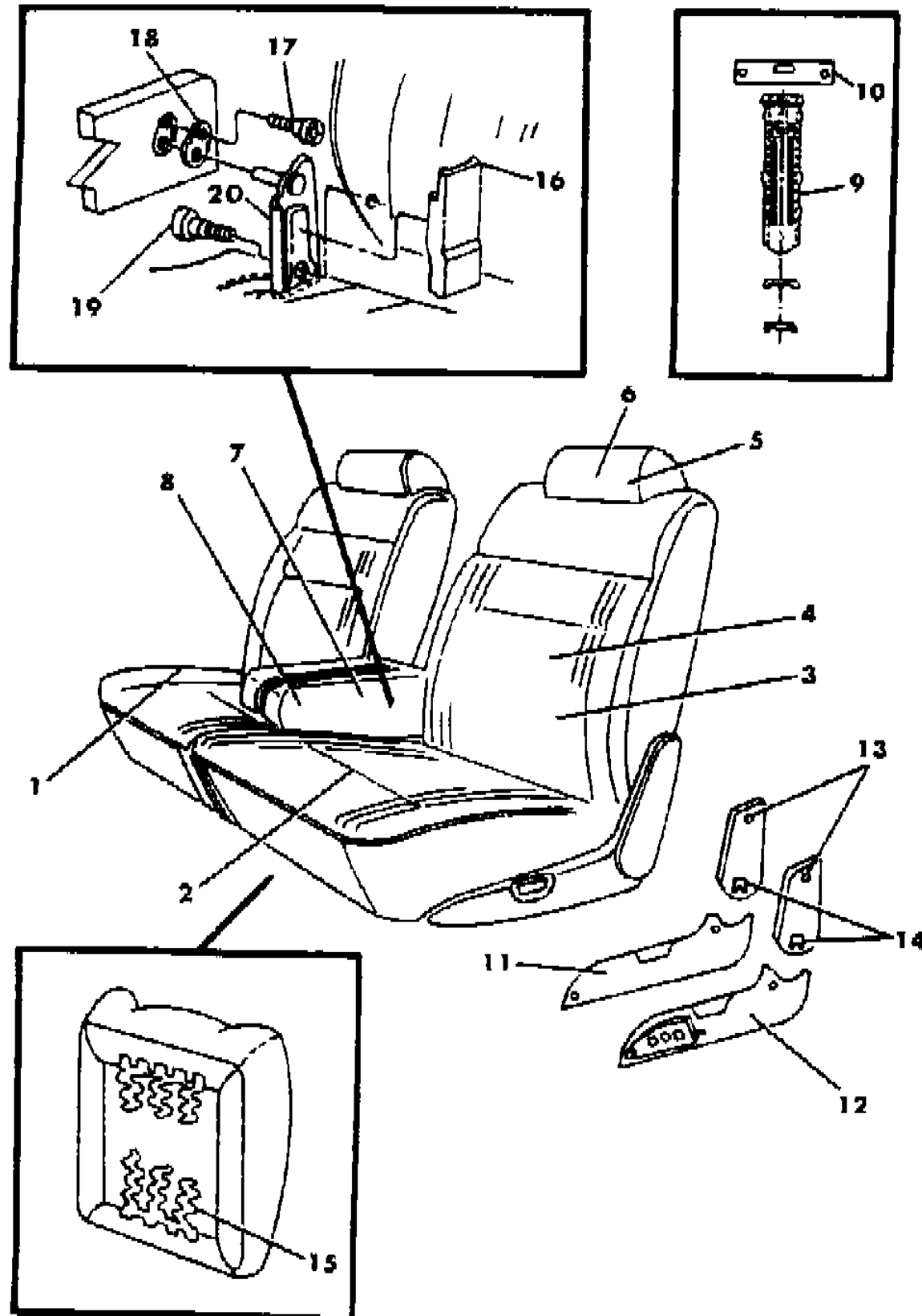
BODY STYLES

12-52 = FWD VAN & WAGON STD. W.B. 27 = 2-DOOR CONVERTIBLE
 13-53 = FWD VAN & WGN EXT W.B. 41 = 4-DOOR SEDAN
 21 = 2-DOOR SEDAN 44 = 4-DOOR HATCHBACK
 24 = 2-DOOR HATCHBACK 45 = 4-DOOR STATION WAGON

AR = Use as Required - = Non Illustrated Part P.A.R. = Paint as Required

SEAT--FRONT C BODY TRIM CODES HF-HP
Figure ITC-1200

8241 1200 A



ITEM	PART NUMBER	QTY	BODY	MODEL	DESCRIPTION
	C062-3 GFL	1			Taupe, (HFL)
	C062-3 GFS	1			Charcoal, (HFS)
	C072-3 GPC	1			LEATHER Blue, (HPC)
	C072-3 GPR	1			Red, (HPR)
	C072-3 GPL	1			Taupe, (HPL)
5	C072-3 GPS	1			Charcoal, (HPS)
					HEADREST and COVER CLOTH
	C652 GC5	2			Blue, (HFC)
	C652 GR8	2			Red, (HFR)
	C652 GL7	2			Taupe, (HFL)
	C652 GS8	2			Charcoal, (HFS)
					LEATHER
	C546 GC5	2			Blue, HPC)
	C546 GR8	2			Red, (HPR)
	C546 GL7	2			Taupe, (HPL)
6	C546 GS8	2			Charcoal, (HPS)
					COVER, Headrest
	C586 GC5	2			Blue, (HFC)
	C586 GR8	2			Red, (HFR)
	C586 GL7	2			Taupe, (HFL)
	C586 GS8	2			Charcoal, (HFS)
					LEATHER
	C454 GC5	2			Blue, (HPC)
	C454 GR8	2			Red, (HPR)
	C454 GL7	2			Taupe, (HPL)
	C454 GS8	2			Charcoal, (HPS)
7					ARMREST and COVER
					CLOTH
	C650 GC5	2			Blue, (HFC)
	C650 GR8	2			Red, (HFR)
	C650 GL7	2			Taupe, (HFL)
	C650 GS8	2			Charcoal, (HFS)
					LEATHER
	C535 GC5	2			Blue, (HPC)
	C535 GR8	2			Red, (HPR)

MODEL CODES

C BODY = (D41 - DYNASTY)(C41 - NEW YORKER)
 E BODY = (J - CARAVELLE)(E - 600)(T - NEW YORKER TURBO)
 G BODY = (V24 - DAYTONA, PACIFICA & SHELBY)
 H BODY = (D44 - LANCER)(C44 - LEBARON GTS)
 J BODY = (C - LEBARON)
 K BODY = (P - RELIANT)(D - ARIES)(C - LEBARON/ TOWN & COUNTRY)

L BODY = (M - HORIZON)(Z-OMNI)
 M BODY = (B - GRAN FURY)(G - DIPLOMAT)(F - FIFTH AVENUE/NEWPORT)
 P BODY = (P - SUNDANCE)(D - SHADOW)
 Q BODY = (C27 - MASERATI)
 S BODY = (H - VOYAGER)(K - RAM VAN/ CARAVAN)

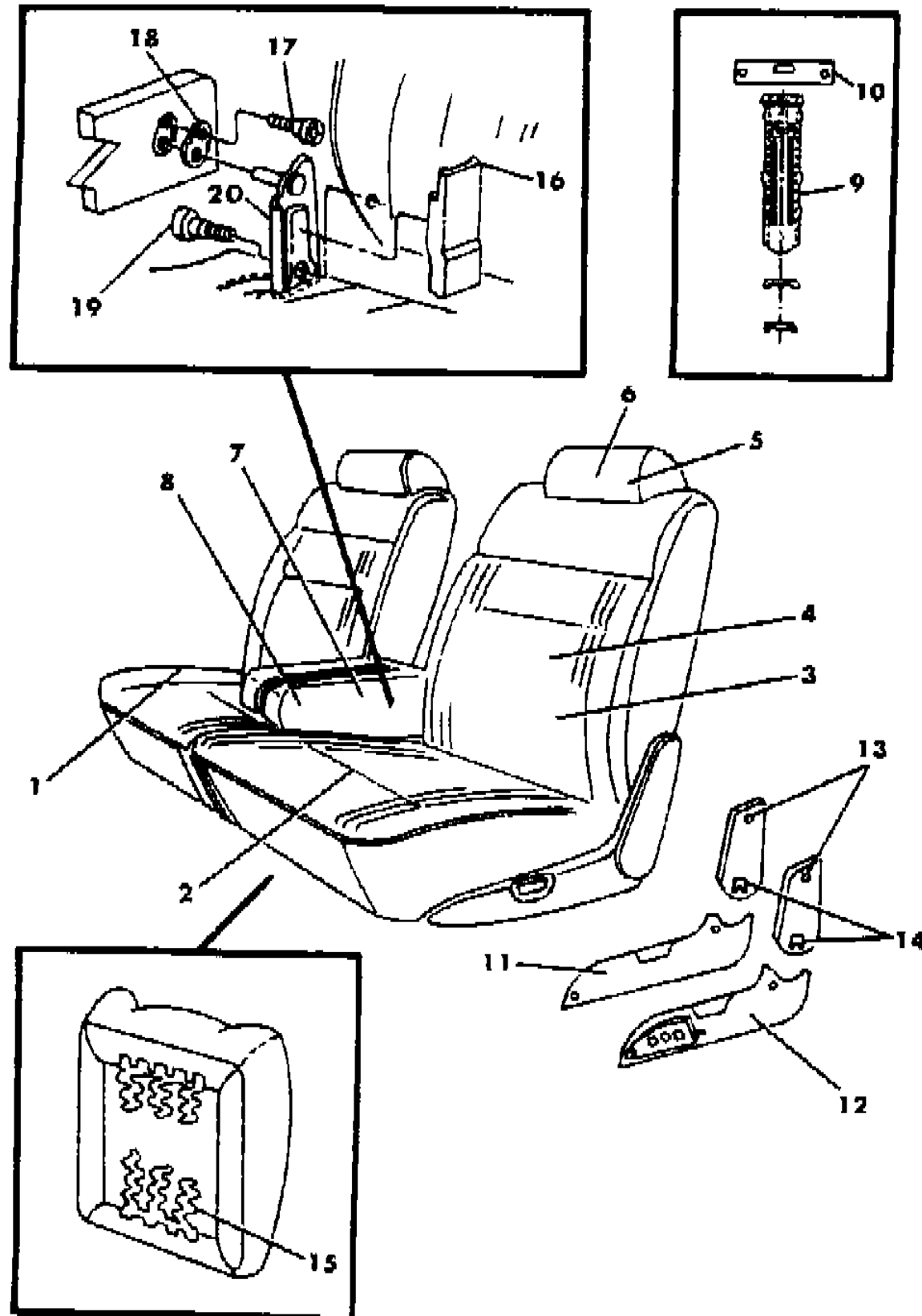
BODY STYLES

12-52 = FWD VAN & WAGON STD. W.B. 27 = 2-DOOR CONVERTIBLE
 13-53 = FWD VAN & WGN EXT W.B. 41 = 4-DOOR SEDAN
 21 = 2-DOOR SEDAN 44 = 4-DOOR HATCHBACK
 24 = 2-DOOR HATCHBACK 45 = 4-DOOR STATION WAGON

AR = Use as Required - = Non Illustrated Part P.A.R. = Paint as Required

SEAT--FRONT C BODY TRIM CODES HF-HP
Figure ITC-1200

8241 1200 A



ITEM	PART NUMBER	QTY	BODY	MODEL	DESCRIPTION
	C535 GL7	2			Taupe, (HPL)
	C535 GS8	2			Charcoal, (HPS)
8					COVER, Armrest CLOTH
	C101 GC5	2			Blue, (HFC)
	C101 GR8	2			Red, (HFR)
	C101 GL7	2			Taupe, (HFL)
	C101 GS8	2			Charcoal, (HFS)
					LEATHER
	C180 GC5	2			Blue, (HPC)
	C180 GR8	2			Red, (HPR)
	C180 GL7	2			Taupe, (HPL)
	C180 GS8	2			Charcoal, (HPS)
9					SLEEVE, Headrest CLOTH
	S786 EC5	2			Blue
	S786 GR8	2			Red
	S786 GL7	2			Taupe
	S786 CS8	2			Charcoal
10	4190 388	2			COVER, Headrest Finish
11					SHIELD, Cushion (P.A.R.)
					PASSENGER
	S764 GK1	1			Outboard
	S765 GK1	1			Inboard
					DRIVER
	S765 GK1	1			Outboard
	S764 GK1	1			Inboard
12	S764-5 GK1	1			SHIELD, Cushion Electric (P.A.R.)
13					SHIELD, Back
					PASSENGER
	S762 GL7	1			Outboard
	S763 GL7	1			Inboard
					DRIVER
	S763 GL7	1			Outboard
	S762 GL7	1			Inboard
14	4317 800	1			CLIP, Shield Attaching
15	6008 076	AR			HOG RING

MODEL CODES

C BODY = (D41 - DYNASTY)(C41 - NEW YORKER)
E BODY = (J - CARAVELLE)(E - 600)(T - NEW YORKER TURBO)
G BODY = (V24 - DAYTONA, PACIFICA & SHELBY)
H BODY = (D44 - LANCER)(C44 - LEBARON GTS)
J BODY = (C - LEBARON)
K BODY = (P - RELIANT)(D - ARIES)(C - LEBARON/ TOWN & COUNTRY)

L BODY = (M - HORIZON)(Z-OMNI)
M BODY = (B - GRAN FURY)(G - DIPLOMAT)(F - FIFTH AVENUE/NEWPORT)
P BODY = (P - SUNDANCE)(D - SHADOW)
Q BODY = (C27 - MASERATI)
S BODY = (H - VOYAGER)(K - RAM VAN/ CARAVAN)

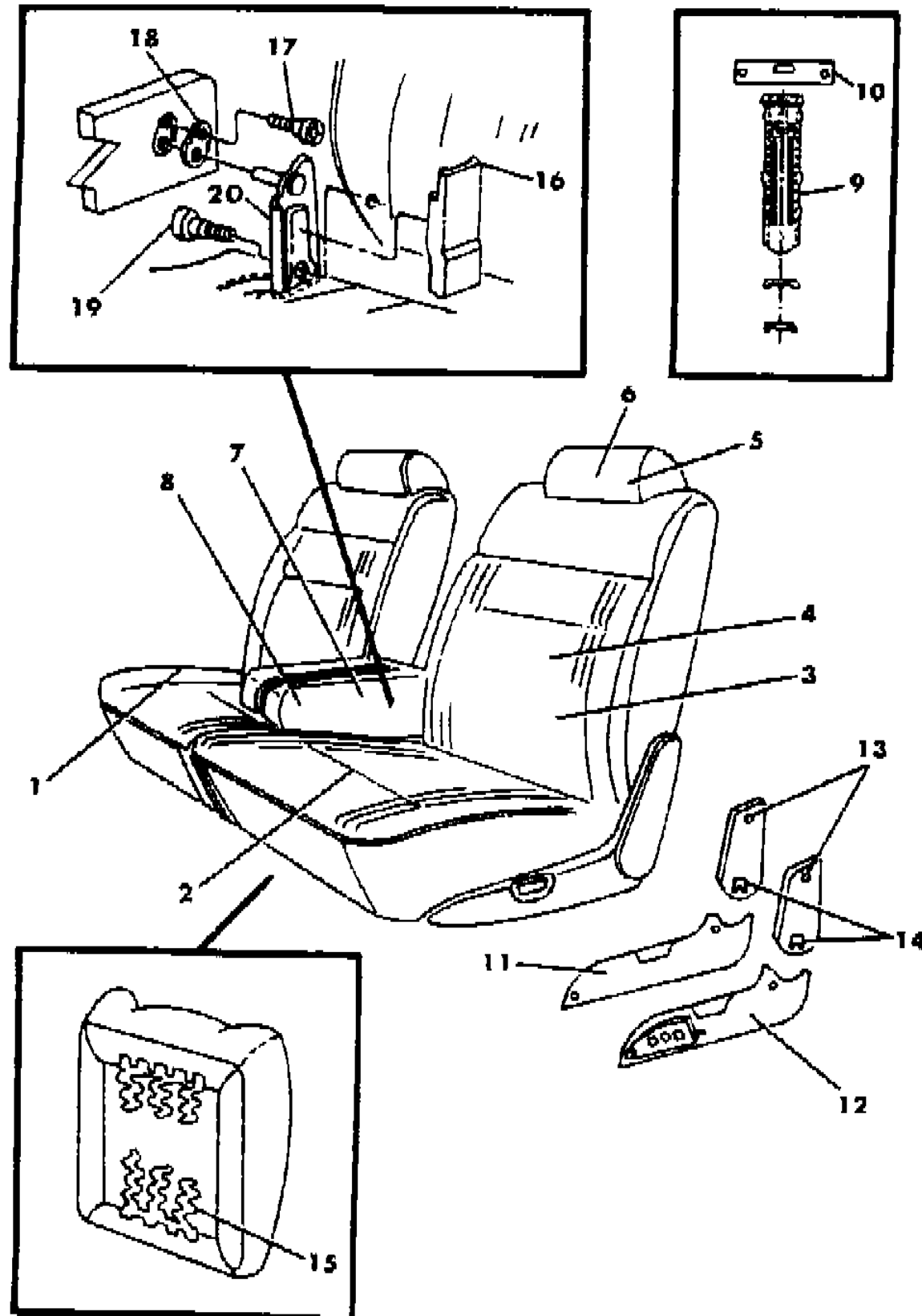
BODY STYLES

12-52 = FWD VAN & WAGON STD. W.B. 27 = 2-DOOR CONVERTIBLE
13-53 = FWD VAN & WGN EXT W.B. 41 = 4-DOOR SEDAN
21 = 2-DOOR SEDAN 44 = 4-DOOR HATCHBACK
24 = 2-DOOR HATCHBACK 45 = 4-DOOR STATION WAGON

AR = Use as Required - = Non Illustrated Part P.A.R. = Paint as Required

SEAT--FRONT C BODY TRIM CODES HF-HP
Figure ITC-1200

8241 1200 A



ITEM	PART NUMBER	QTY	BODY	MODEL	DESCRIPTION
16					COVER, Stanchion
	S706-7 GC5	1			Blue
	S706-7 GR8	1			Red
	S706-7 GL7	1			Taupe
	S706-7 GS8	1			Charcoal
17	6032 567	AR			SCREW, Armrest
18					SPACER
	4290 871	AR			(Use Up To 3-8-88)
	4477 624	AR			(Use After 3-8-88)
19	6501 346	AR			SCREW
20					BRACKET, (Served In Cushion Assy)

MODEL CODES

C BODY = (D41 - DYNASTY)(C41 - NEW YORKER)
 E BODY = (J - CARAVELLE)(E - 600)(T - NEW YORKER TURBO)
 G BODY = (V24 - DAYTONA, PACIFICA & SHELBY)
 H BODY = (D44 - LANCER)(C44 - LEBARON GTS)
 J BODY = (C - LEBARON)
 K BODY = (P - RELIANT)(D - ARIES)(C - LEBARON/ TOWN & COUNTRY)

L BODY = (M - HORIZON)(Z-OMNI)
 M BODY = (B - GRAN FURY)(G - DIPLOMAT)(F - FIFTH AVENUE/NEWPORT)
 P BODY = (P - SUNDANCE)(D - SHADOW)
 Q BODY = (C27 - MASERATI)
 S BODY = (H - VOYAGER)(K - RAM VAN/ CARAVAN)

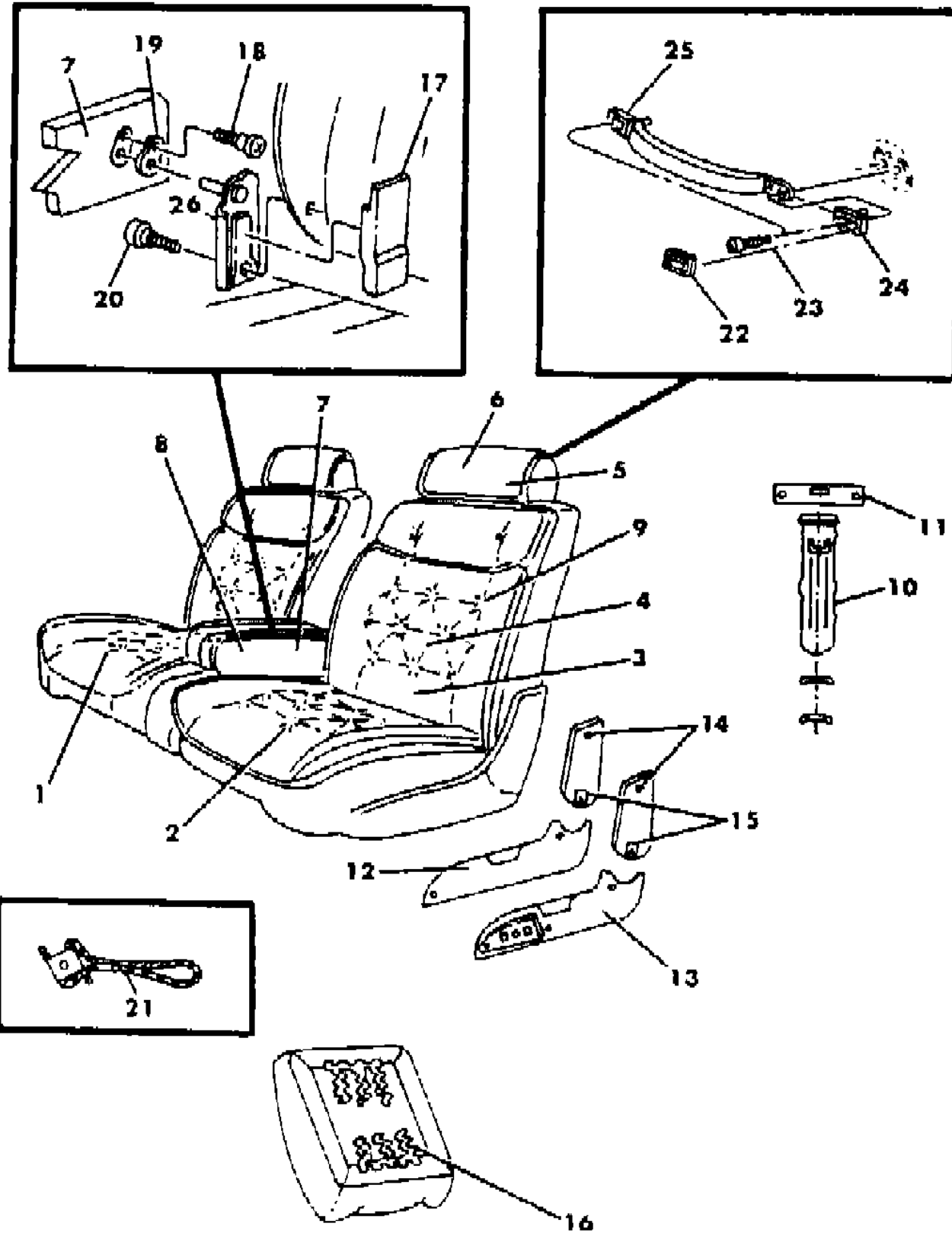
BODY STYLES

12-52 = FWD VAN & WAGON STD. W.B. 27 = 2-DOOR CONVERTIBLE
 13-53 = FWD VAN & WGN EXT W.B. 41 = 4-DOOR SEDAN
 21 = 2-DOOR SEDAN 44 = 4-DOOR HATCHBACK
 24 = 2-DOOR HATCHBACK 45 = 4-DOOR STATION WAGON

AR = Use as Required - = Non Illustrated Part P.A.R. = Paint as Required

SEAT--FRONT C BODY TRIM CODES SF-SP
Figure ITC-1300

8241 1300 A



ITEM	PART NUMBER	QTY	BODY	MODEL	DESCRIPTION
1					CUSHION, w/Spring/Frame, Pad and Cover
					CLOTH
		C712-3 GFC	1		Blue, (SFC)
		C712-3 GFR	1		Red, (SFR)
		C712-3 GFL	1		Taupe, (SFL)
		C712-3 GFS	1		Charcoal, (SFS)
					LEATHER
		C614-5 GPC	1		Blue, (SPC)
		C614-5 GPR	1		Red, (SPR)
		C614-5 GPL	1		Taupe, (SPL)
	C614-5 GPS	1		Charcoal, (SPS)	
2					COVER, Cushion
					CLOTH
		C096-7 GFC	1		Blue, (SFC)
		C096-7 GFR	1		Red, (SFR)
		C096-7 GFL	1		Taupe, (SFL)
		C096-7 GFS	1		Charcoal, (SFS)
					LEATHER
		C106-7 GPC	1		Blue, (SPC)
		C106-7 GPR	1		Red, (SPR)
		C106-7 GPL	1		Taupe, (SPL)
	C106-7 GPS	1		Charcoal, (SPS)	
3					BACK, w/Spring/Frame, Pad and Cover
					CLOTH
		C716-7 GFC	1		Blue, (SFC)
		C716-7 GFR	1		Red, (SFR)
		C716-7 GFL	1		Taupe, (SFL)
		C716-7 GFS	1		Charcoal, (SFS)
					LEATHER
		C618-9 GPC	1		Blue, (SPC)
		C618-9 GPR	1		Red, (SPR)
		C618-9 GPL	1		Taupe, (SPL)
	C618-9 GPS	1		Charcoal, (SPS)	
4					COVER, Back w/Map Pocket
					CLOTH
		C469 GFC	2		Blue, (SFC)
	C469 GFR	2		Red, (SFR)	

MODEL CODES

C BODY = (D41 - DYNASTY)(C41 - NEW YORKER)
 E BODY = (J - CARAVELLE)(E - 600)(T - NEW YORKER TURBO)
 G BODY = (V24 - DAYTONA, PACIFICA & SHELBY)
 H BODY = (D44 - LANCER)(C44 - LEBARON GTS)
 J BODY = (C - LEBARON)
 K BODY = (P - RELIANT)(D - ARIES)(C - LEBARON/ TOWN & COUNTRY)

L BODY = (M - HORIZON)(Z-OMNI)
 M BODY = (B - GRAN FURY)(G - DIPLOMAT)(F - FIFTH AVENUE/NEWPORT)
 P BODY = (P - SUNDANCE)(D - SHADOW)
 Q BODY = (C27 - MASERATI)
 S BODY = (H - VOYAGER)(K - RAM VAN/ CARAVAN)

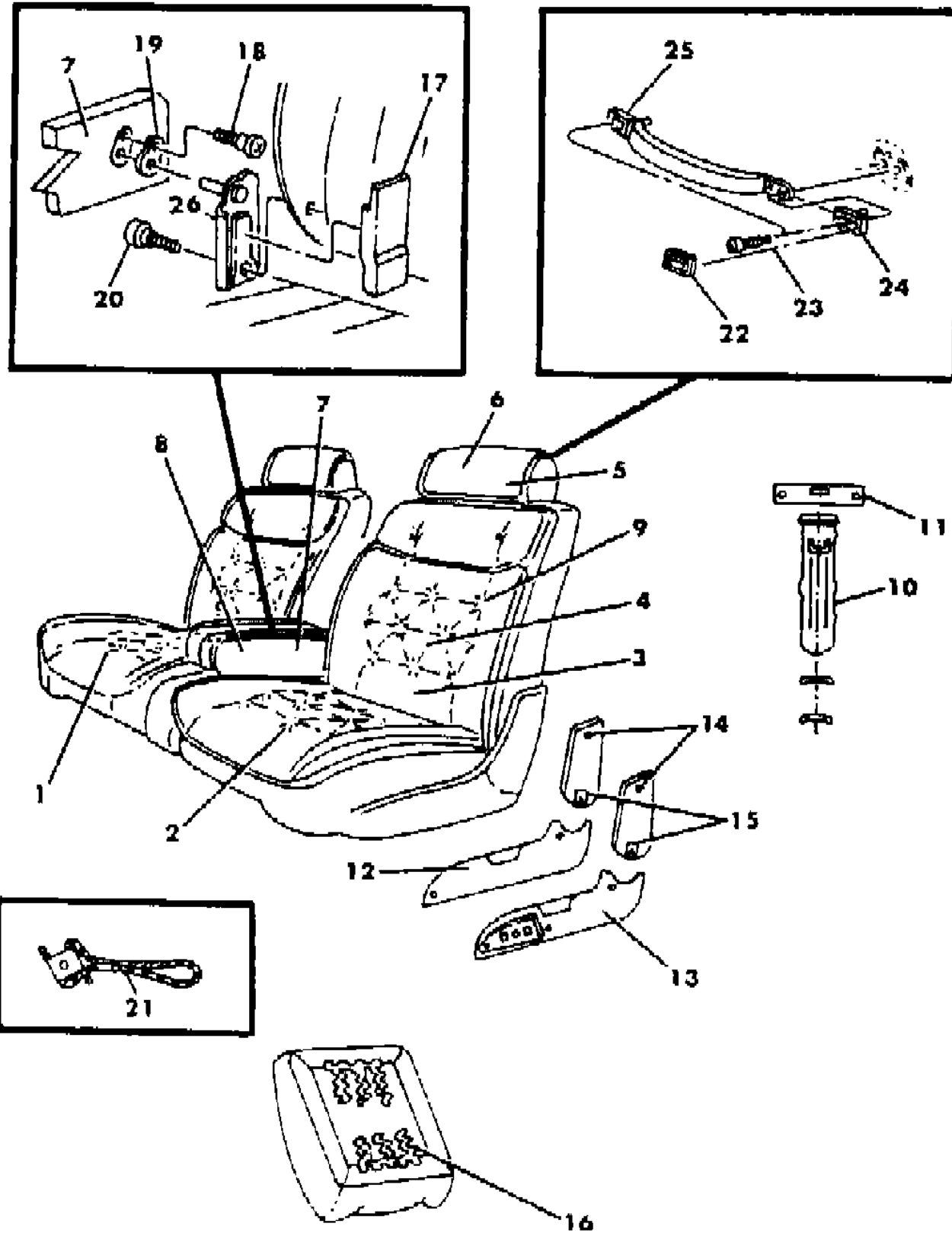
BODY STYLES

12-52 = FWD VAN & WAGON STD. W.B. 27 = 2-DOOR CONVERTIBLE
 13-53 = FWD VAN & WGN EXT W.B. 41 = 4-DOOR SEDAN
 21 = 2-DOOR SEDAN 44 = 4-DOOR HATCHBACK
 24 = 2-DOOR HATCHBACK 45 = 4-DOOR STATION WAGON

AR = Use as Required - = Non Illustrated Part P.A.R. = Paint as Required

SEAT--FRONT C BODY TRIM CODES SF-SP
Figure ITC-1300

8241 1300 A



ITEM	PART NUMBER	QTY	BODY	MODEL	DESCRIPTION
	C469 GFL	2			Taupe, (SFL)
	C469 GFS	2			Charcoal, (SFS) LEATHER
	C470 GPC	2			Blue, (SPC)
	C470 GPR	2			Red, (SPR)
	C470 GPL	2			Taupe, (SPL)
	C470 GPS	2			Charcoal, (SPS)
5					HEADREST and COVER CLOTH
	C655 GC5	2			Blue, (SFC)
	C655 GR8	2			Red, (SFR)
	C655 GL7	2			Taupe, (SFL)
	C655 GS8	2			Charcoal,(SFS) LEATHER
	C654 GC5	2			Blue, (SPC)
	C654 GR8	2			Red, (SPR)
	C654 GL7	2			Taupe, (SPL)
	C654 GS8	2			CHARCOAL, (SPS)
6					COVER, Headrest CLOTH
	C116 GC5	2			Blue, (SFC)
	C116 GR8	2			Red, (SFR)
	C116 GL7	2			Taupe, (SFL)
	C116 GS8	2			Charcoal, (SFS) LEATHER
	C105 GC5	2			Blue, (SPC)
	C105 GR8	2			Red, (SPR)
	C105 GL7	2			Taupe, (SPL)
	C105 GS8	2			Charcoal, (SPS)
7					ARMREST and COVER CLOTH
	C650 GC5	2			Blue, (SFC)
	C650 GR8	2			Red, (SFR)
	C650 GL7	2			Taupe, (SFL)
	C650 GS8	2			Charcoal, (SFS) LEATHER
	C535 GC5	2			Blue, (SPC)

MODEL CODES

C BODY = (D41 - DYNASTY)(C41 - NEW YORKER)
 E BODY = (J - CARAVELLE)(E - 600)(T - NEW YORKER TURBO)
 G BODY = (V24 - DAYTONA, PACIFICA & SHELBY)
 H BODY = (D44 - LANCER)(C44 - LEBARON GTS)
 J BODY = (C - LEBARON)
 K BODY = (P - RELIANT)(D - ARIES)(C - LEBARON/ TOWN & COUNTRY)

L BODY = (M - HORIZON)(Z-OMNI)
 M BODY = (B - GRAN FURY)(G - DIPLOMAT)(F - FIFTH AVENUE/NEWPORT)
 P BODY = (P - SUNDANCE)(D - SHADOW)
 Q BODY = (C27 - MASERATI)
 S BODY = (H - VOYAGER)(K - RAM VAN/ CARAVAN)

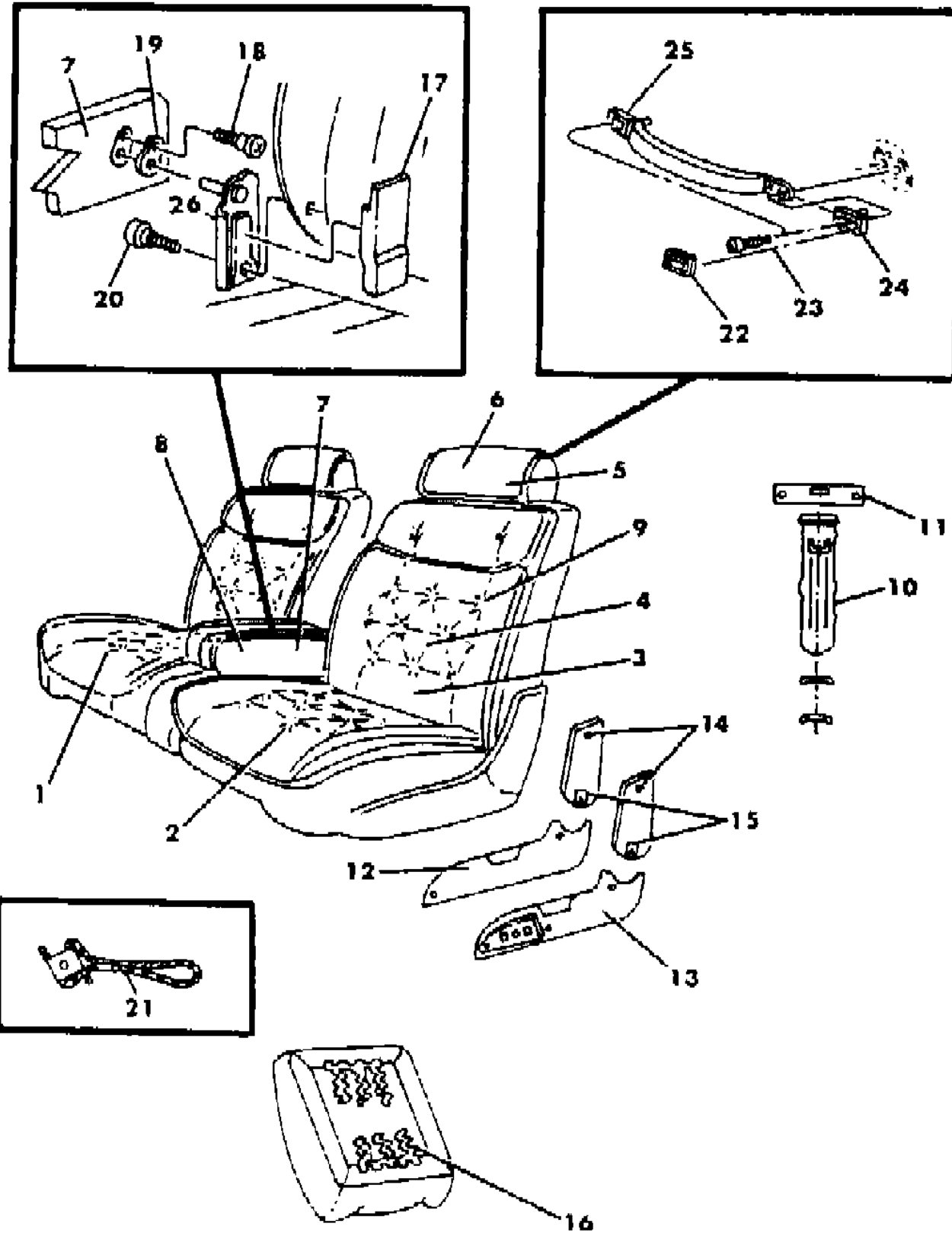
BODY STYLES

12-52 = FWD VAN & WAGON STD. W.B. 27 = 2-DOOR CONVERTIBLE
 13-53 = FWD VAN & WGN EXT W.B. 41 = 4-DOOR SEDAN
 21 = 2-DOOR SEDAN 44 = 4-DOOR HATCHBACK
 24 = 2-DOOR HATCHBACK 45 = 4-DOOR STATION WAGON

AR = Use as Required - = Non Illustrated Part P.A.R. = Paint as Required

SEAT--FRONT C BODY TRIM CODES SF-SP
Figure ITC-1300

8241 1300 A



ITEM	PART NUMBER	QTY	BODY	MODEL	DESCRIPTION
	C535 GR8	2			Red, (SPR)
	C535 GL7	2			Taupe, (SPL)
	C535 GS8	2			Charcoal, (SPS)
8					COVER, Armrest CLOTH
	C101 GC5	2			Blue, (SFC)
	C101 GR8	2			Red, (SFR)
	C101 GL7	2			Taupe, (SFL)
	C101 GS8	2			Charcoal, (SFS)
					LEATHER
	C180 GC5	2			Blue, (SPC)
	C180 GR8	2			Red, (SPR)
	C180 GL7	2			Taupe, (SPL)
	C180 GS8	2			Charcoal, (SPS)
9					BUTTON, Cushion and Back LEATHER
	S845 FC5	2			Blue
	S845 GR8	2			Red
	S845 GL7	2			Taupe
	S845 CS8	2			Charcoal
10					SLEEVE, Headrest
					CLOTH
	S786 EC5	2			Blue
	S786 GR8	2			Red
	S786 GL7	2			Taupe
	S786 CS8	2			Charcoal
11	4190 388	2			COVER, Headrest Finish
12					SHIELD, Cushion (P.A.R.) PASSENGER
	S764 GK1	1			Outboard
	S765 GK1	1			Inboard
					DRIVER
	S765 GK1	1			Outboard
	S764 GK1	1			Inboard
13	S764-5 GK1	1			SHIELD, Cushion Electric
14					SHIELD, Back PASSENGER

MODEL CODES

C BODY = (D41 - DYNASTY)(C41 - NEW YORKER)
 E BODY = (J - CARAVELLE)(E - 600)(T - NEW YORKER TURBO)
 G BODY = (V24 - DAYTONA, PACIFICA & SHELBY)
 H BODY = (D44 - LANCER)(C44 - LEBARON GTS)
 J BODY = (C - LEBARON)
 K BODY = (P - RELIANT)(D - ARIES)(C - LEBARON/ TOWN & COUNTRY)

L BODY = (M - HORIZON)(Z-OMNI)
 M BODY = (B - GRAN FURY)(G - DIPLOMAT)(F - FIFTH AVENUE/NEWPORT)
 P BODY = (P - SUNDANCE)(D - SHADOW)
 Q BODY = (C27 - MASERATI)
 S BODY = (H - VOYAGER)(K - RAM VAN/ CARAVAN)

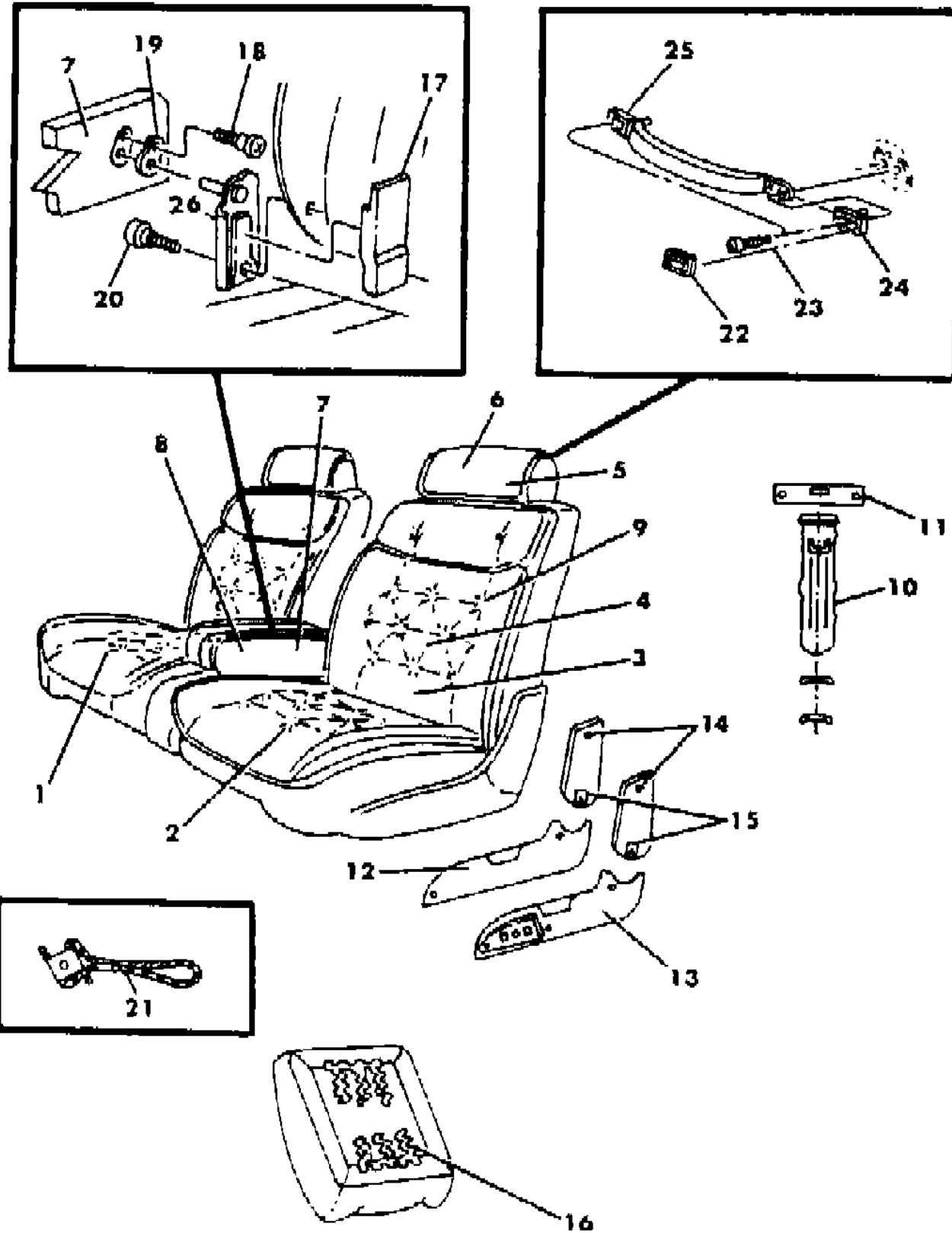
BODY STYLES

12-52 = FWD VAN & WAGON STD. W.B. 27 = 2-DOOR CONVERTIBLE
 13-53 = FWD VAN & WGN EXT W.B. 41 = 4-DOOR SEDAN
 21 = 2-DOOR SEDAN 44 = 4-DOOR HATCHBACK
 24 = 2-DOOR HATCHBACK 45 = 4-DOOR STATION WAGON

AR = Use as Required - = Non Illustrated Part P.A.R. = Paint as Required

SEAT--FRONT C BODY TRIM CODES SF-SP
Figure ITC-1300

8241 1300 A



ITEM	PART NUMBER	QTY	BODY	MODEL	DESCRIPTION
	S762 GL7	1			Outboard
	S763 GL7	1			Inboard
	S763 GL7	1			DRIVER
	S762 GL7	1			Outboard
	S762 GL7	1			Inboard
15	4317 800	AR			CLIP, Shield Attaching
16	6008 076	AR			HOG RING
17					COVER, Stanchion
	S706-7 GC5	1			Blue
	S706-7 GR8	1			Red
	S706-7 GL7	1			Taupe
	S706-7 GS8	1			Charcoal
18	6032 567	AR			SCREW, Armrest
19					SPACER
	4290 871	AR			(Use Up To 3-8-88)
	4477 624	AR			(Use After 3-8-88)
20	6501 346	AR			SCREW
21					RETAINER
	4376 956	AR			.75 LOOP
	4376 957	AR			1.38 LOOP
22	4380 432	2			COVER, Assist Handle
23	6501 518	2			SCREW
24	4010 348	2			CAP, Assist Handle
25					HANDLE, Assist
					CLOTH
	S662 GC5	1			Blue, (SFC)
	S662 GR8	1			Red, (SFR)
	S662 GL7	1			Taupe, (SFL)
	S662 GS8	1			Charcoal, (SFS)
					LEATHER
	S663 GC5	1			Blue, (SPC)
	S663 GR8	1			Red, (SPR)
	S663 GL7	1			Taupe, (SPL)
	S663 GS8	1			Charcoal, (SPS)
26					BRACKET, (Serviced In Cushion Assy)
					NOTE: (P.A.R.) = Paint As Required

MODEL CODES

C BODY = (D41 - DYNASTY)(C41 - NEW YORKER)
 E BODY = (J - CARAVELLE)(E - 600)(T - NEW YORKER TURBO)
 G BODY = (V24 - DAYTONA, PACIFICA & SHELBY)
 H BODY = (D44 - LANCER)(C44 - LEBARON GTS)
 J BODY = (C - LEBARON)
 K BODY = (P - RELIANT)(D - ARIES)(C - LEBARON/ TOWN & COUNTRY)

L BODY = (M - HORIZON)(Z-OMNI)
 M BODY = (B - GRAN FURY)(G - DIPLOMAT)(F - FIFTH AVENUE/NEWPORT)
 P BODY = (P - SUNDANCE)(D - SHADOW)
 Q BODY = (C27 - MASERATI)
 S BODY = (H - VOYAGER)(K - RAM VAN/ CARAVAN)

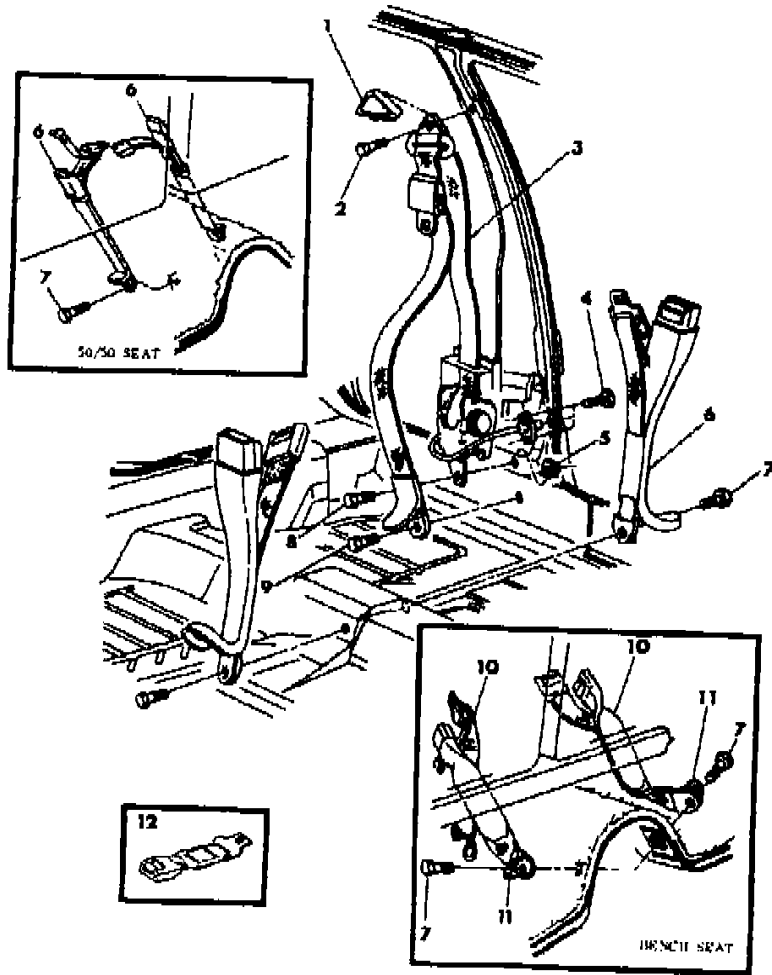
BODY STYLES

12-52 = FWD VAN & WAGON STD. W.B. 27 = 2-DOOR CONVERTIBLE
 13-53 = FWD VAN & WGN EXT W.B. 41 = 4-DOOR SEDAN
 21 = 2-DOOR SEDAN 44 = 4-DOOR HATCHBACK
 24 = 2-DOOR HATCHBACK 45 = 4-DOOR STATION WAGON

AR = Use as Required - = Non Illustrated Part P.A.R. = Paint as Required

BELT--FRONT SEAT C BODY
Figure ITC-1400

8241 1400 A



ITEM	PART NUMBER	QTY	BODY	MODEL	DESCRIPTION
1					COVER
	F700 EC5	2			Blue
	F700 GR8	2			Red
	F700 GL7	2			Taupe
	F700 FS8	2			Charcoal
2	6031 216	2			BOLT
3					BELT, Outer
					LABEL NUMBER 4477020-1
	F800-1 GC5	1			Blue
	F800-1 GR8	1			Red
	F800-1 GL7	1			Taupe
	F800-1 GS8	1			Charcoal
4					SCREW, (Not Serv.)
5	6031 448	2			U-NUT
6					BELT, Inner
					LABEL NUMBER 4477062-3
	F744-5 GC5	1			Blue
	F744-5 GR8	1			Red
	F744-5 GL7	1			Taupe
	F744-5 GS8	1			Charcoal
7	6031 298	2			BOLT
8	6031 484	2			BOLT
9	6031 298	2			BOLT
10					BELT, Inner
					LABEL NUMBER 4380930-1
	F626-7 GC5	1			Blue
	F626-7 GR8	1			Red
	F626-7 GL7	1			Taupe
	F626-7 GS8	1			Charcoal
11	F814 FC5	1			COVER, Bolt (P.A.R.)
12	4402 887	AR			EXTENDER
					NOTE: (P.A.R.) = Paint As Required

MODEL CODES

C BODY = (D41 - DYNASTY)(C41 - NEW YORKER)
 E BODY = (J - CARAVELLE)(E - 600)(T - NEW YORKER TURBO)
 G BODY = (V24 - DAYTONA, PACIFICA & SHELBY)
 H BODY = (D44 - LANCER)(C44 - LEBARON GTS)
 J BODY = (C - LEBARON)
 K BODY = (P - RELIANT)(D - ARIES)(C - LEBARON/ TOWN & COUNTRY)

L BODY = (M - HORIZON)(Z-OMNI)
 M BODY = (B - GRAN FURY)(G - DIPLOMAT)(F - FIFTH AVENUE/NEWPORT)
 P BODY = (P - SUNDANCE)(D - SHADOW)
 Q BODY = (C27 - MASERATI)
 S BODY = (H - VOYAGER)(K - RAM VAN/ CARAVAN)

BODY STYLES

12-52 = FWD VAN & WAGON STD. W.B. 27 = 2-DOOR CONVERTIBLE
 13-53 = FWD VAN & WGN EXT W.B. 41 = 4-DOOR SEDAN
 21 = 2-DOOR SEDAN 44 = 4-DOOR HATCHBACK
 24 = 2-DOOR HATCHBACK 45 = 4-DOOR STATION WAGON

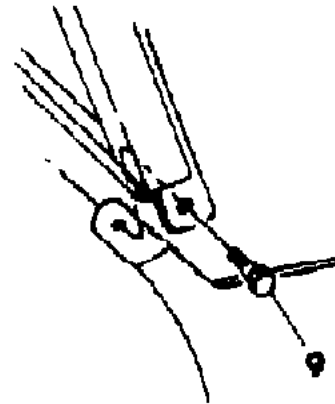
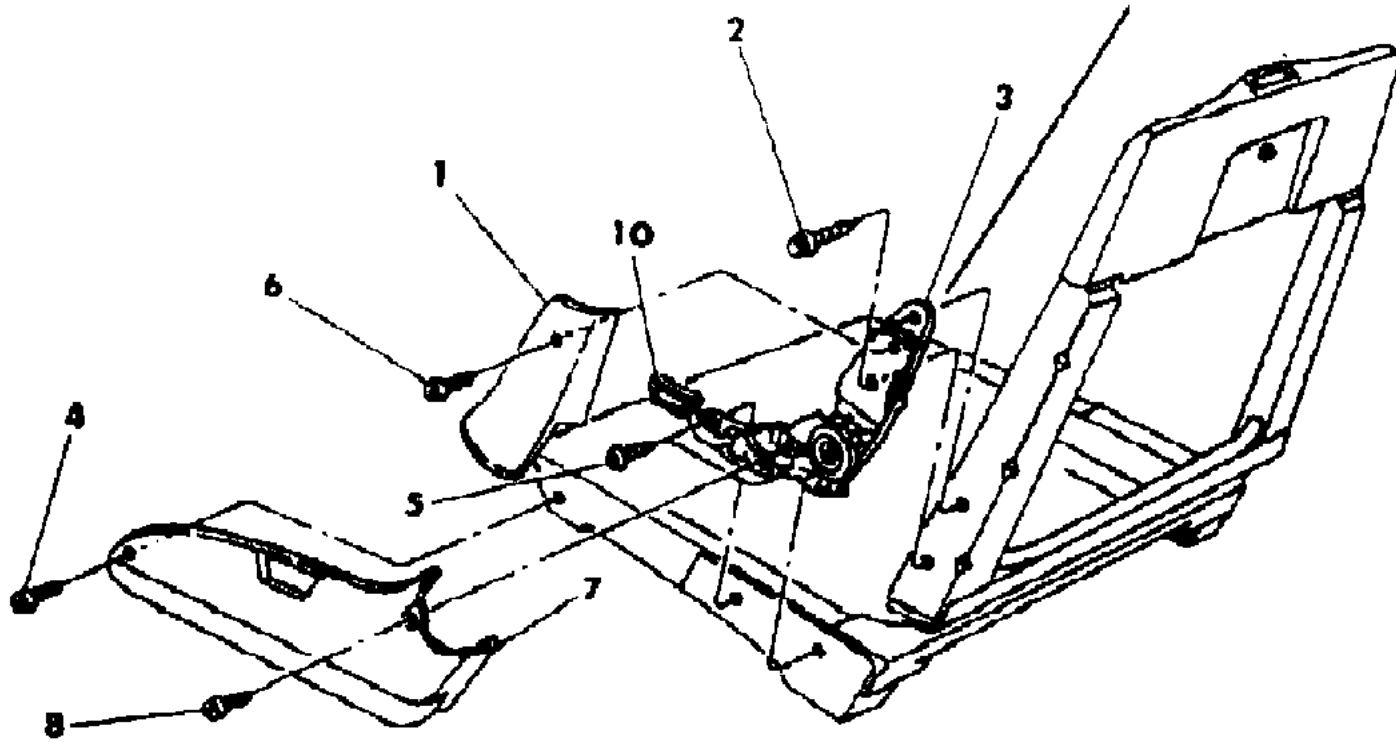
AR = Use as Required - = Non Illustrated Part P.A.R. = Paint as Required

SEAT--RECLINING C BODY
Figure ITC-1500

8241 1500

ITEM	PART NUMBER	QTY	BODY	MODEL	DESCRIPTION
1	S762-3 GL7	1			SHIELD, Back (P.A.R.)
2	6501 222	AR			SCREW
3					RECLINER
	4402 190	1			Passenger Seat
	4402 191	1			Driver Seat
4		AR			SCREW, (8-18x1.00) (Not Serv.)
5	6500 558	AR			SCREW
6					SCREW, (8-18x1.75) (Not Serv.)
7	S764-5 GK1	1			SHIELD, Cushion (P.A.R.)
8	6032 456	AR			SCREW
9	6501 774	2			BOLT
	6024 223	AR			Washer
10					LEVER, Recliner Release (Serv. In Item 3)

NOTE: (P.A.R.) = Paint As Required



MODEL CODES

C BODY = (D41 - DYNASTY)(C41 - NEW YORKER)
 E BODY = (J - CARAVELLE)(E - 600)(T - NEW YORKER TURBO)
 G BODY = (V24 - DAYTONA, PACIFICA & SHELBY)
 H BODY = (D44 - LANCER)(C44 - LEBARON GTS)
 J BODY = (C - LEBARON)
 K BODY = (P - RELIANT)(D - ARIES)(C - LEBARON/ TOWN & COUNTRY)

L BODY = (M - HORIZON)(Z-OMNI)
 M BODY = (B - GRAN FURY)(G - DIPLOMAT)(F - FIFTH AVENUE/NEWPORT)
 P BODY = (P - SUNDANCE)(D - SHADOW)
 Q BODY = (C27 - MASERATI)
 S BODY = (H - VOYAGER)(K - RAM VAN/ CARAVAN)

BODY STYLES

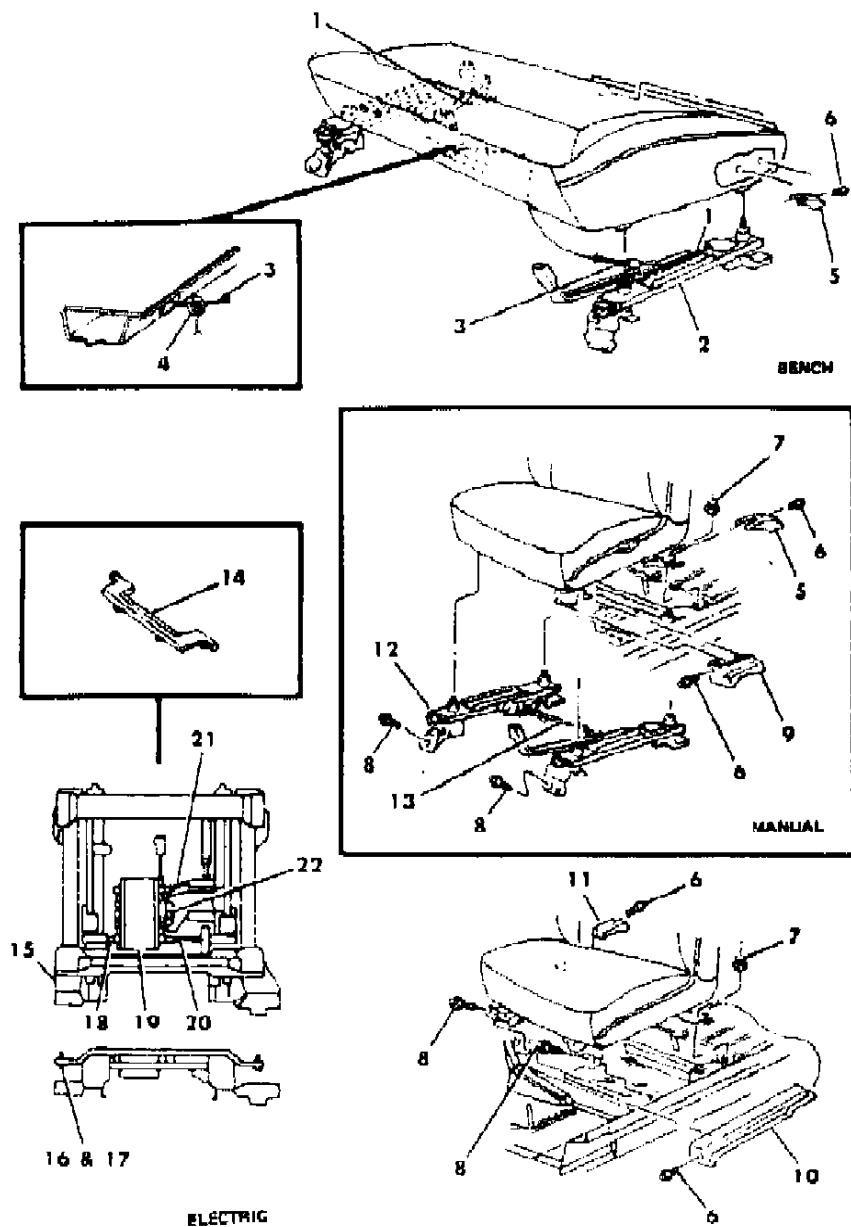
12-52 = FWD VAN & WAGON STD. W.B. 27 = 2-DOOR CONVERTIBLE
 13-53 = FWD VAN & WGN EXT W.B. 41 = 4-DOOR SEDAN
 21 = 2-DOOR SEDAN 44 = 4-DOOR HATCHBACK
 24 = 2-DOOR HATCHBACK 45 = 4-DOOR STATION WAGON

AR = Use as Required - = Non Illustrated Part P.A.R. = Paint as Required

ADJUSTERS AND COVERS MANUAL AND ELECTRIC C BODY

Figure ITC-1600

8241 1600



ITEM	PART NUMBER	QTY	BODY	MODEL	DESCRIPTION
1	4316 008-9	1			SPRING, Lever
2	4380 752-3	1			ADJUSTER, Seat Bench
3	4420 604	1			WIRE, Release Lever
4	4380 094	1			HOOK, Guide Wire
5					COVER, Adjusters Rear
					MANUAL
	S474 GC5	2			Blue
	S474 GR8	2			Red
	S474 GL7	2			Taupe
	S474 GS8	2			Charcoal
6		AR			SCREW, (Not Serv.)
7	6501 279	2			NUT
8		AR			SCREW, (Not Serv.)
9					COVER, Manual Adjuster
					OUTBOARD
					Passenger Seat
	S464 GC5	1			Blue
	S464 GR8	1			Red
	S464 GL7	1			Taupe
	S464 GS8	1			Charcoal
					Driver Seat
	S465 GC5	1			Blue
	S465 GR8	1			Red
	S465 GL7	1			Taupe
	S465 GS8	1			Charcoal
10					COVER, Electric Adjuster
					OUTBOARD
					Passenger Seat
	S976 GC5	1			Blue
	S976 GR8	1			Red
	S976 GL7	1			Taupe
	S976 GS8	1			Charcoal
					Driver Seat
	S977 GC5	1			Blue
	S977 GR8	1			Red
	S977 GL7	1			Taupe
	S977 GS8	1			Charcoal

MODEL CODES

C BODY = (D41 - DYNASTY)(C41 - NEW YORKER)
 E BODY = (J - CARAVELLE)(E - 600)(T - NEW YORKER TURBO)
 G BODY = (V24 - DAYTONA, PACIFICA & SHELBY)
 H BODY = (D44 - LANCER)(C44 - LEBARON GTS)
 J BODY = (C - LEBARON)
 K BODY = (P - RELIANT)(D - ARIES)(C - LEBARON/ TOWN & COUNTRY)
 L BODY = (M - HORIZON)(Z-OMNI)
 M BODY = (B - GRAN FURY)(G - DIPLOMAT)(F - FIFTH AVENUE/NEWPORT)
 P BODY = (P - SUNDANCE)(D - SHADOW)
 Q BODY = (C27 - MASERATI)
 S BODY = (H - VOYAGER)(K - RAM VAN/ CARAVAN)

BODY STYLES

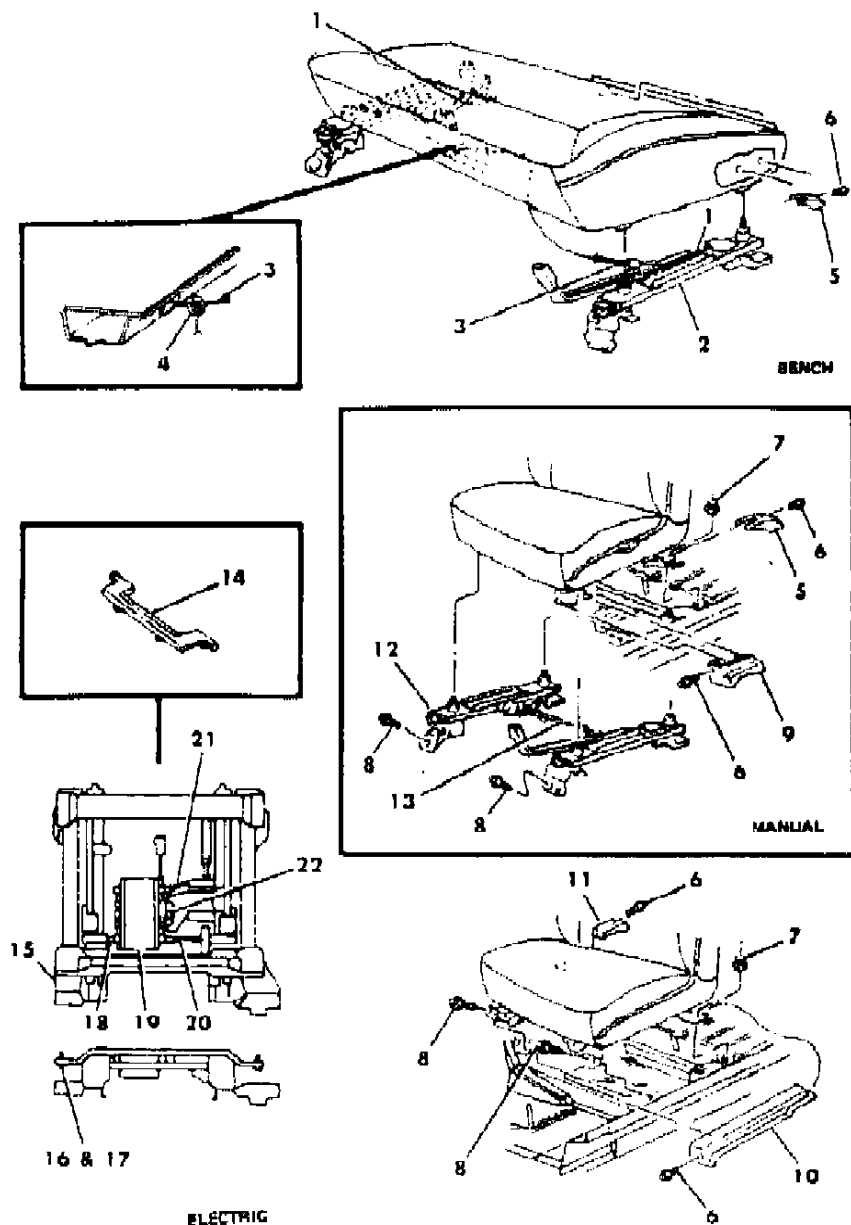
12-52 = FWD VAN & WAGON STD. W.B. 27 = 2-DOOR CONVERTIBLE
 13-53 = FWD VAN & WGN EXT W.B. 41 = 4-DOOR SEDAN
 21 = 2-DOOR SEDAN 44 = 4-DOOR HATCHBACK
 24 = 2-DOOR HATCHBACK 45 = 4-DOOR STATION WAGON

AR = Use as Required - = Non Illustrated Part P.A.R. = Paint as Required

ADJUSTERS AND COVERS MANUAL AND ELECTRIC C BODY

Figure ITC-1600

8241 1600



ITEM	PART NUMBER	QTY	BODY	MODEL	DESCRIPTION
11					COVER, Electric Adjuster
	S978 GC5	1			INBOARD Blue
	S978 GR8	1			Red
	S978 GL7	1			Taupe
	S978 GS8	1			Charcoal
12					ADJUSTER, Manual PASSENGER SEAT
	4380 422	1			Inboard
	4380 420	1			Outboard DRIVER SEAT
	4380 423	1			Inboard
	4380 421	1			Outboard
13	4380 285	2			WIRE, Guide
14					COVER, Electric Adjuster REAR
	S901 FC5	1			Blue
	S901 GR8	1			Red
	S901 GL7	1			Taupe
	S901 FS8	1			Charcoal
15	4402 712-3	1			ADJUSTER, Less Motor
16	6033 077	4			SCREW, Adjuster To Seat
17	6028 040	4			RETAINER
18	4402 267	1			CABLE, (2.06")
19	4402 323	1			MOTOR and TUBE
20	4402 275	1			CABLE
21	4327 282	1			SHAFT, Flexible
22	4402 997	1			SHAFT, Flexible

MODEL CODES

C BODY = (D41 - DYNASTY)(C41 - NEW YORKER)	L BODY = (M - HORIZON)(Z-OMNI)
E BODY = (J - CARAVELLE)(E - 600)(T - NEW YORKER TURBO)	M BODY = (B - GRAN FURY)(G - DIPLOMAT)(F - FIFTH AVENUE/NEWPORT)
G BODY = (V24 - DAYTONA, PACIFICA & SHELBY)	P BODY = (P - SUNDANCE)(D - SHADOW)
H BODY = (D44 - LANCER)(C44 - LEBARON GTS)	Q BODY = (C27 - MASERATI)
J BODY = (C - LEBARON)	S BODY = (H - VOYAGER)(K - RAM VAN/ CARAVAN)
K BODY = (P - RELIANT)(D - ARIES)(C - LEBARON/ TOWN & COUNTRY)	

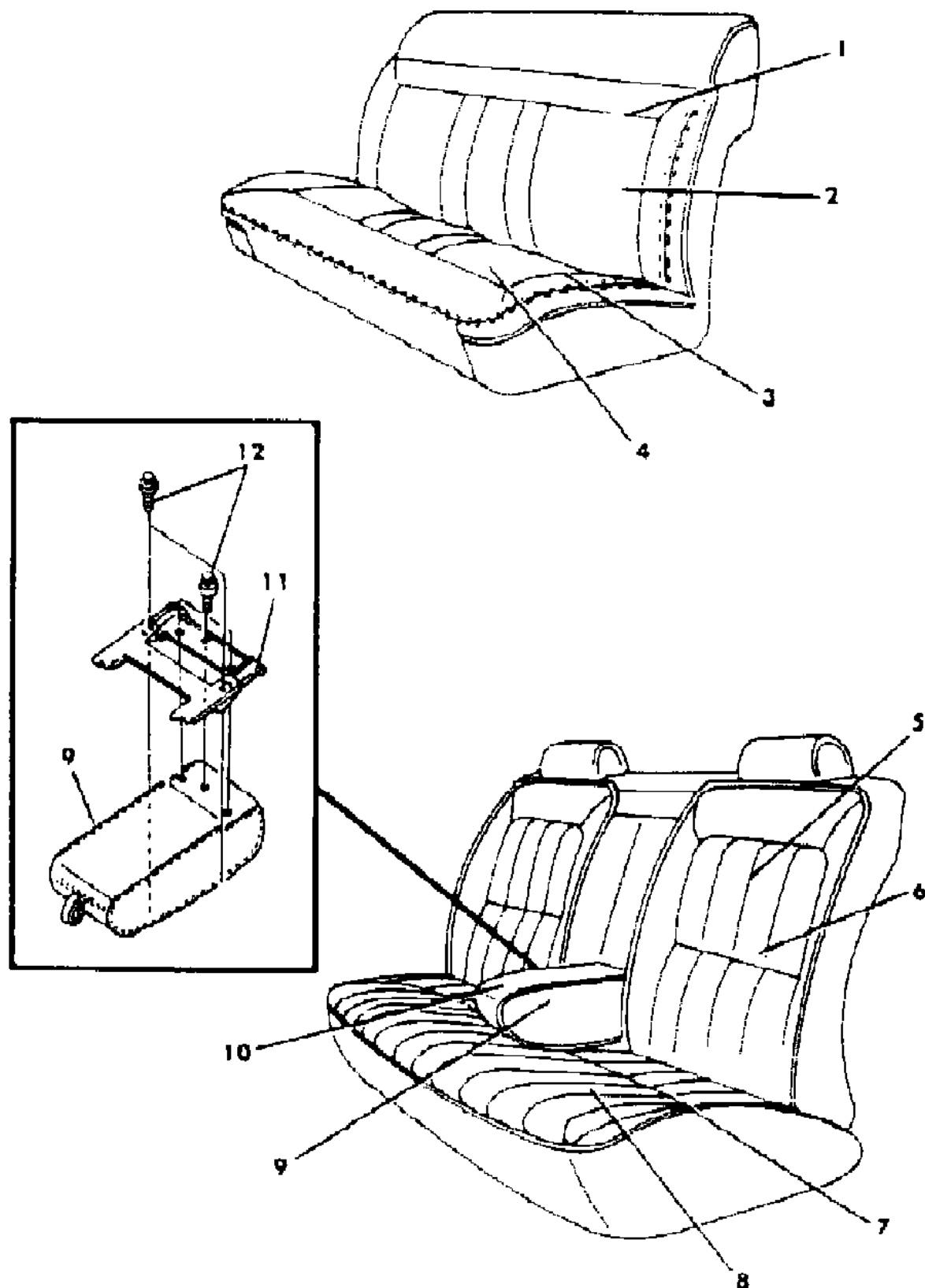
BODY STYLES

12-52 = FWD VAN & WAGON STD. W.B.	27 = 2-DOOR CONVERTIBLE
13-53 = FWD VAN & WGN EXT W.B.	41 = 4-DOOR SEDAN
21 = 2-DOOR SEDAN	44 = 4-DOOR HATCHBACK
24 = 2-DOOR HATCHBACK	45 = 4-DOOR STATION WAGON

AR = Use as Required - = Non Illustrated Part P.A.R. = Paint as Required

SEAT--REAR C BODY TRIM CODES D3-EF
Figure ITC-1700

8241 1700



ITEM	PART NUMBER	QTY	BODY	MODEL	DESCRIPTION
1					BACK, w/Spring/Frame, Pad and Cover
	C640 G3C	1			CLOTH Blue, (D3C)
	C640 G3R	1			Red, (D3R)
	C640 G3L	1			Taupe, (D3L)
	C640 G3S	1			Charcoal, (D3S)
2					COVER, Back
	C095 G3C	1			CLOTH Blue, (D3C)
	C095 G3R	1			Red, (D3R)
	C095 G3L	1			Taupe, (D3L)
	C095 G3S	1			Charcoal, (D3S)
3					CUSHION, w/Spring/Frame, Pad and Cover
	C641 G3C	1			CLOTH Blue, (D3C)
	C641 G3R	1			Red, (D3R)
	C641 G3L	1			Taupe, (D3L)
	C641 G3S	1			Charcoal, (D3S)
4					COVER, Cushion
	C094 G3C	1			CLOTH Blue, (D3C)
	C094 G3R	1			Red, (D3R)
	C094 G3L	1			Taupe, (D3L)
	C094 G3S	1			Charcoal, (D3S)
5					BACK, w/Spring/Frame, Pad and Cover
	C695 GFC	1			CLOTH Blue, (EFC)
	C695 GFR	1			Red, (EFR)
	C695 GFL	1			Taupe, (EFL)
	C695 GFS	1			Charcoal, (EFS)
6					COVER, Back
	C087 GFC	1			CLOTH Blue, (EFC)
	C087 GFR	1			Red, (EFR)
	C087 GFL	1			Taupe, (EFL)
	C087 GFS	1			Charcoal, (EFS)
7					CUSHION, w/Spring/Frame, Pad and Cover

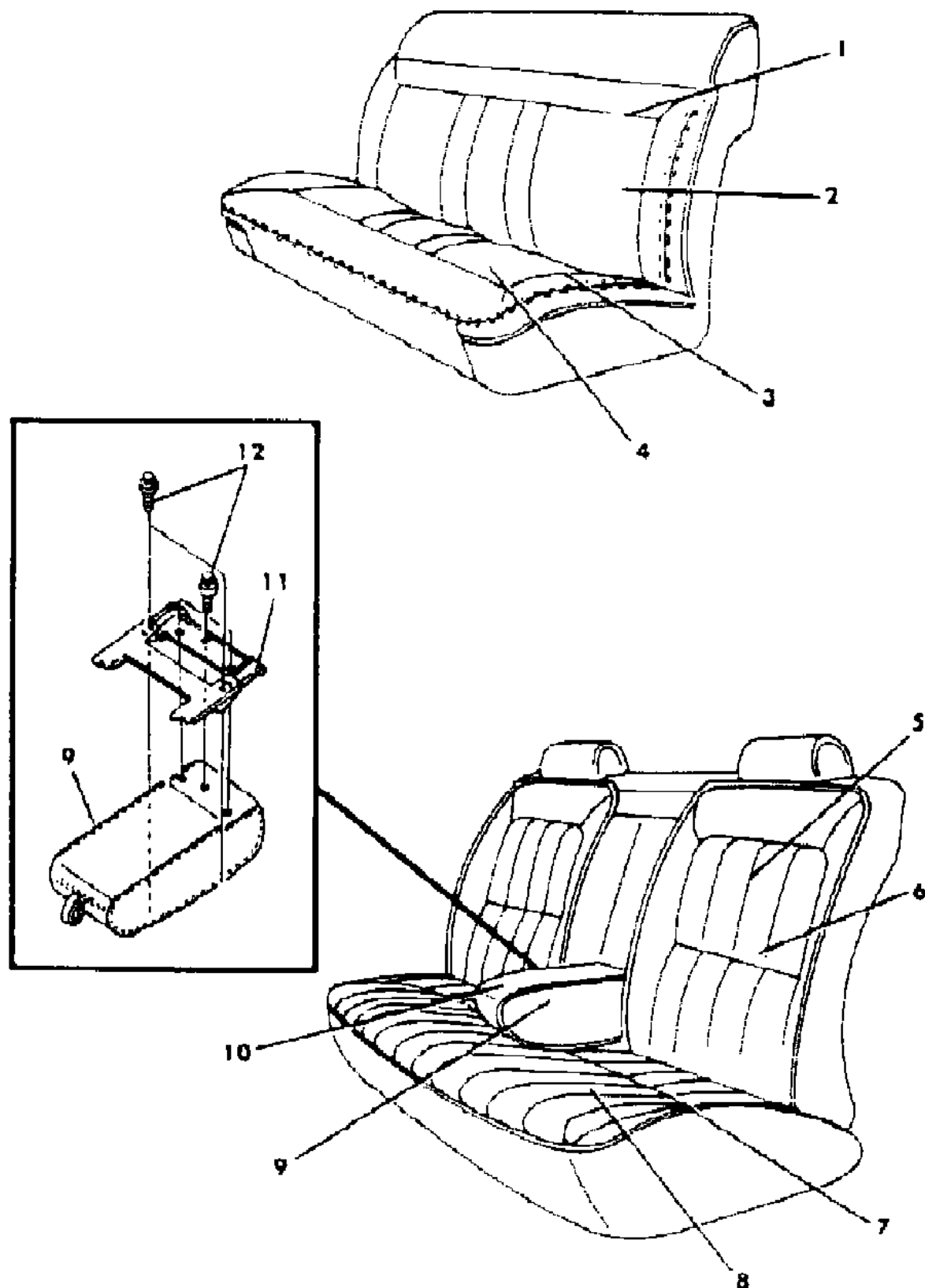
MODEL CODES
C BODY = (D41 - DYNASTY)(C41 - NEW YORKER)
E BODY = (J - CARAVELLE)(E - 600)(T - NEW YORKER TURBO)
G BODY = (V24 - DAYTONA, PACIFICA & SHELBY)
H BODY = (D44 - LANCER)(C44 - LEBARON GTS)
J BODY = (C - LEBARON)
K BODY = (P - RELIANT)(D - ARIES)(C - LEBARON/ TOWN & COUNTRY)
L BODY = (M - HORIZON)(Z-OMNI)
M BODY = (B - GRAN FURY)(G - DIPLOMAT)(F - FIFTH AVENUE/NEWPORT)
P BODY = (P - SUNDANCE)(D - SHADOW)
Q BODY = (C27 - MASERATI)
S BODY = (H - VOYAGER)(K - RAM VAN/ CARAVAN)

BODY STYLES
12-52 = FWD VAN & WAGON STD. W.B. 27 = 2-DOOR CONVERTIBLE
13-53 = FWD VAN & WGN EXT W.B. 41 = 4-DOOR SEDAN
21 = 2-DOOR SEDAN 44 = 4-DOOR HATCHBACK
24 = 2-DOOR HATCHBACK 45 = 4-DOOR STATION WAGON

AR = Use as Required - = Non Illustrated Part P.A.R. = Paint as Required

SEAT--REAR C BODY TRIM CODES D3-EF
Figure ITC-1700

8241 1700



ITEM	PART NUMBER	QTY	BODY	MODEL	DESCRIPTION
					CLOTH
	C673 GFC	1			Blue, (EFC)
	C673 GFR	1			Red, (EFR)
	C673 GFL	1			Taupe, (EFL)
	C673 GFS	1			Charcoal, (EFS)
8					COVER, Cushion
					CLOTH
	C085 GFC	1			Blue, (EFC)
	C085 GFR	1			Red, (EFR)
	C085 GFL	1			Taupe, (EFL)
	C085 GFS	1			Charcoal, (EFS)
9					ARMREST and COVER
	C674 GC5	1			Blue, (EFC)
	C674 GC5	1			Red, (EFR)
	C674 GL7	1			Taupe, (EFL)
	C674 GS8	1			Charcoal, (EFS)
10					COVER, Armrest
	C081 GC5	1			Blue, (EFC)
	C081 GR8	1			Red, (EFR)
	C081 GL7	1			Taupe, (EFL)
	C081 GS8	1			Charcoal, (EFS)
11		1			HINGE, Arm Rest (Serv. In Armrest)
12	6501 230	AR			SCREW

MODEL CODES

C BODY = (D41 - DYNASTY)(C41 - NEW YORKER)
 E BODY = (J - CARAVELLE)(E - 600)(T - NEW YORKER TURBO)
 G BODY = (V24 - DAYTONA, PACIFICA & SHELBY)
 H BODY = (D44 - LANCER)(C44 - LEBARON GTS)
 J BODY = (C - LEBARON)
 K BODY = (P - RELIANT)(D - ARIES)(C - LEBARON/ TOWN & COUNTRY)
 L BODY = (M - HORIZON)(Z-OMNI)
 M BODY = (B - GRAN FURY)(G - DIPLOMAT)(F - FIFTH AVENUE/NEWPORT)
 P BODY = (P - SUNDANCE)(D - SHADOW)
 Q BODY = (C27 - MASERATI)
 S BODY = (H - VOYAGER)(K - RAM VAN/ CARAVAN)

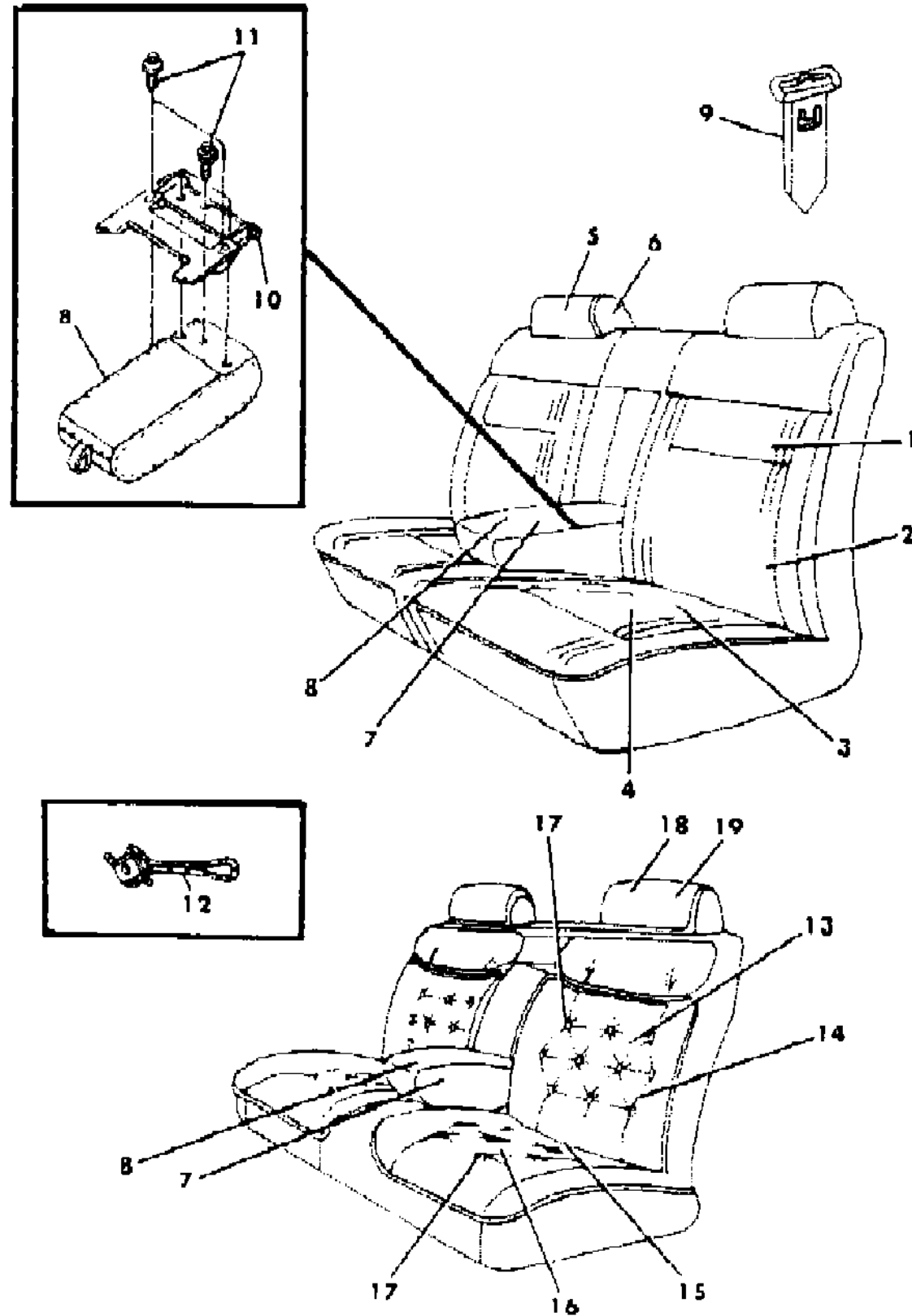
BODY STYLES

12-52 = FWD VAN & WAGON STD. W.B. 27 = 2-DOOR CONVERTIBLE
 13-53 = FWD VAN & WGN EXT W.B. 41 = 4-DOOR SEDAN
 21 = 2-DOOR SEDAN 44 = 4-DOOR HATCHBACK
 24 = 2-DOOR HATCHBACK 45 = 4-DOOR STATION WAGON

AR = Use as Required - = Non Illustrated Part P.A.R. = Paint as Required

SEAT--REAR C BODY TRIM CODES HF-HP-SF-SP
Figure ITC-1800

8241 1800



ITEM	PART NUMBER	QTY	BODY	MODEL	DESCRIPTION
1					BACK, w/Spring/Frame, Pad and Cover
					CLOTH
		C694 GFC	1		Blue, (HFC)
		C694 GFR	1		Red, (HFR)
		C694 GFL	1		Taupe, (HFL)
		C694 GFS	1		Charcoal, (HFS)
					LEATHER
		C696 GPC	1		Blue, (HPC)
		C696 GPR	1		Red, (HPR)
		C696 GPL	1		Taupe, (HPL)
	C696 GPS	1		Charcoal, (HPS)	
2					COVER, Back
					CLOTH
		C066 GFC	1		Blue, (HFC)
		C066 GFR	1		Red, (HFR)
		C066 GFL	1		Taupe, (HFL)
		C066 GFS	1		Charcoal, (HFS)
					LEATHER
		C077 GPC	1		Blue, (HPC)
		C077 GPR	1		Red, (HPR)
		C077 GPL	1		Taupe, (HPL)
	C077 GPS	1		Charcoal, (HPS)	
3					CUSHION, w/Spring/Frame, Pad and Cover
					CLOTH
		C613 GFC	1		Blue, (HFC)
		C613 GFR	1		Red, (HFR)
		C613 GFL	1		Taupe, (HFL)
		C613 GFS			Charcoal, (HFS)
					LEATHER
		C711 GPC	1		Blue, (HPC)
		C711 GPR	1		Red, (HPR)
		C711 GPL	1		Taupe, (HPL)
	C711 GPS	1		Charcoal, (HPS)	
4					COVER, Cushion
					CLOTH
		C064 GFC	1		Blue, (HFC)
	C064 GFR	1		Red, (HFR)	

MODEL CODES

C BODY = (D41 - DYNASTY)(C41 - NEW YORKER)
 E BODY = (J - CARAVELLE)(E - 600)(T - NEW YORKER TURBO)
 G BODY = (V24 - DAYTONA, PACIFICA & SHELBY)
 H BODY = (D44 - LANCER)(C44 - LEBARON GTS)
 J BODY = (C - LEBARON)
 K BODY = (P - RELIANT)(D - ARIES)(C - LEBARON/ TOWN & COUNTRY)

L BODY = (M - HORIZON)(Z-OMNI)
 M BODY = (B - GRAN FURY)(G - DIPLOMAT)(F - FIFTH AVENUE/NEWPORT)
 P BODY = (P - SUNDANCE)(D - SHADOW)
 Q BODY = (C27 - MASERATI)
 S BODY = (H - VOYAGER)(K - RAM VAN/ CARAVAN)

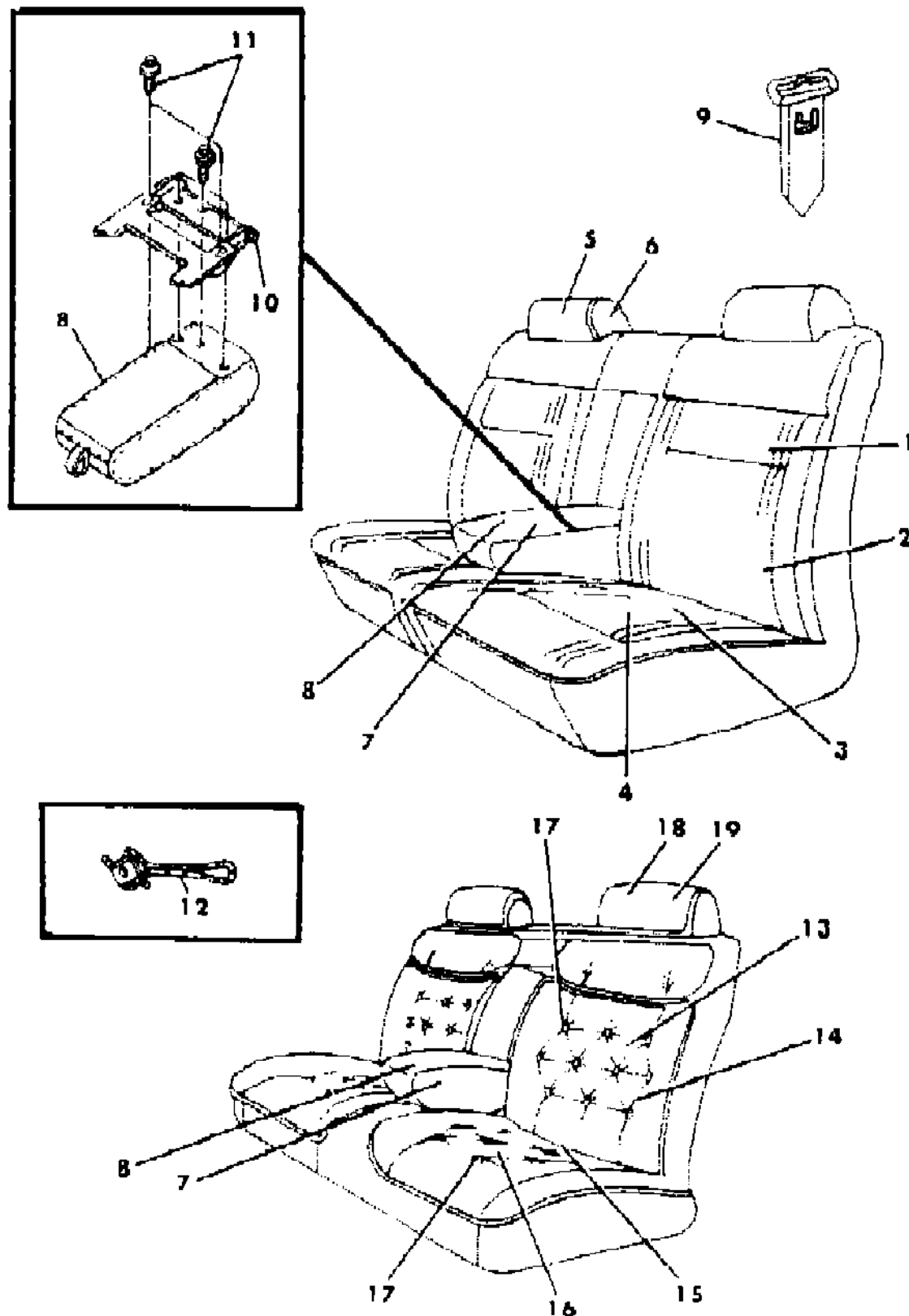
BODY STYLES

12-52 = FWD VAN & WAGON STD. W.B. 27 = 2-DOOR CONVERTIBLE
 13-53 = FWD VAN & WGN EXT W.B. 41 = 4-DOOR SEDAN
 21 = 2-DOOR SEDAN 44 = 4-DOOR HATCHBACK
 24 = 2-DOOR HATCHBACK 45 = 4-DOOR STATION WAGON

AR = Use as Required - = Non Illustrated Part P.A.R. = Paint as Required

SEAT--REAR C BODY TRIM CODES HF-HP-SF-SP
Figure ITC-1800

8241 1800



ITEM	PART NUMBER	QTY	BODY	MODEL	DESCRIPTION
	C064 GFL	1			Taupe, (HFL)
	C064 GFS	1			Charcoal, (HFS)
	C075 GPC	1			LEATHER Blue, (HPC)
	C075 GPR	1			Red, (HPR)
	C075 GPL	1			Taupe, (HPL)
	C075 GPS	1			Charcoal, (HPS)
5					HEADREST and COVER, (Serv. In Item 1)
6					COVER, Headrest (Serv. In Item 2)
7					ARMREST and COVER CLOTH
	C660 GC5	1			Blue, (HFC, SFC)
	C660 GR8	1			Red, (HFR, SFR)
	C660 GL7	1			Taupe, (HFL, SFL)
	C660 GS8	1			Charcoal, (HFS, SFS)
	C659 GC5	1			LEATHER Blue, (HPC, SPC)
	C659 GR8	1			Red, (HPR, SPR)
	C659 GL7	1			Taupe, (HPL, SPL)
	C659 GS8	1			Charcoal, (HPS, SPS)
8					COVER, Armrest CLOTH
	C058 GC5	1			Blue, (HFC, SFC)
	C058 GR8	1			Red, (HFR, SFR)
	C058 GL7	1			Taupe, (HFL, SFL)
	C058 GS8	1			Charcoal, (HFS, SFS)
	C059 GC5	1			LEATHER Blue, (HPC, SPC)
	C059 GR8	1			Red, (HPR, SPR)
	C059 GL7	1			Taupe, (HPL, SPL)
	C059 GS8	1			Charcoal, (HPS, SPS)
9					SLEEVE, Headrest
	S281 GC5	2			Blue
	S281 GR8	2			Red
	S281 GL7	2			Taupe
	S281 GS8	2			Charcoal
10					HINGE, Armrest (Serviced In Seat Back)

MODEL CODES

C BODY = (D41 - DYNASTY)(C41 - NEW YORKER)
 E BODY = (J - CARAVELLE)(E - 600)(T - NEW YORKER TURBO)
 G BODY = (V24 - DAYTONA, PACIFICA & SHELBY)
 H BODY = (D44 - LANCER)(C44 - LEBARON GTS)
 J BODY = (C - LEBARON)
 K BODY = (P - RELIANT)(D - ARIES)(C - LEBARON/ TOWN & COUNTRY)

L BODY = (M - HORIZON)(Z-OMNI)
 M BODY = (B - GRAN FURY)(G - DIPLOMAT)(F - FIFTH AVENUE/NEWPORT)
 P BODY = (P - SUNDANCE)(D - SHADOW)
 Q BODY = (C27 - MASERATI)
 S BODY = (H - VOYAGER)(K - RAM VAN/ CARAVAN)

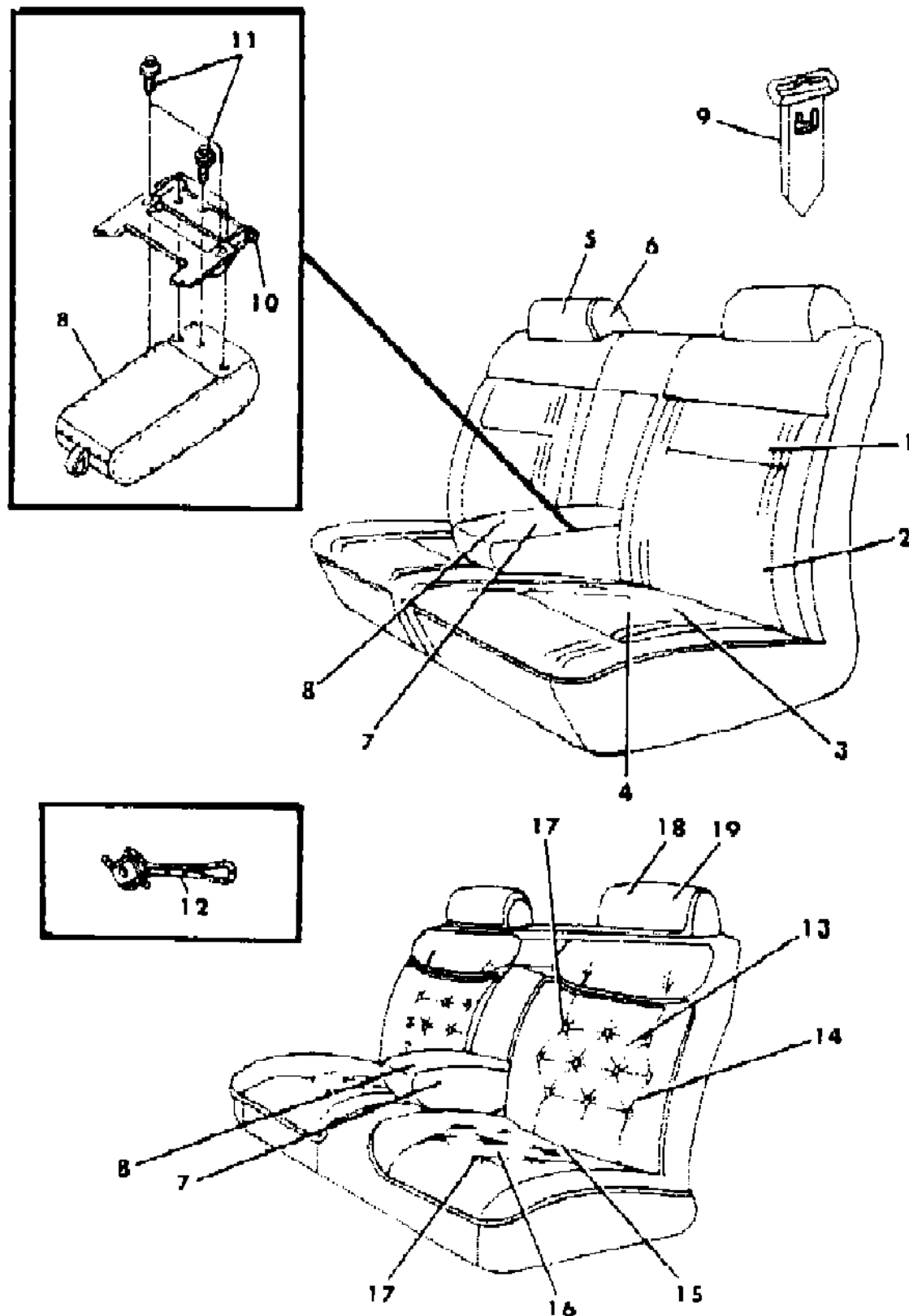
BODY STYLES

12-52 = FWD VAN & WAGON STD. W.B. 27 = 2-DOOR CONVERTIBLE
 13-53 = FWD VAN & WGN EXT W.B. 41 = 4-DOOR SEDAN
 21 = 2-DOOR SEDAN 44 = 4-DOOR HATCHBACK
 24 = 2-DOOR HATCHBACK 45 = 4-DOOR STATION WAGON

AR = Use as Required - = Non Illustrated Part P.A.R. = Paint as Required

SEAT--REAR C BODY TRIM CODES HF-HP-SF-SP
Figure ITC-1800

8241 1800



ITEM	PART NUMBER	QTY	BODY	MODEL	DESCRIPTION
11	6501 230	AR			SCREW
12					RETAINER, Button
	4376 956	AR			.75 Loop
	4376 957	AR			1.38 Loop
13					BACK, w/Spring/Frame, Pad and Cover
					CLOTH
	C697 GFC	1			Blue, (SFC)
	C697 GFR	1			Red, (SFR)
	C697 GFL	1			Taupe, (SFL)
	C697 GFS	1			Charcoal, (SFS)
					LEATHER
	C698 GPC	1			Blue, (SPC)
	C698 GPR	1			Red, (SPR)
	C698 GPL	1			Taupe, (SPL)
C698 GPS	1			Charcoal, (SPS)	
14					COVER, Back
					CLOTH
	C104 GFC	1			Blue, (SFC)
	C104 GFR	1			Red, (SFR)
	C104 GFL	1			Taupe, (SFL)
	C104 GFS	1			Charcoal, (SFS)
					LEATHER
	C115 GPC	1			Blue, (SPC)
	C115 GPR	1			Red, (SPR)
	C115 GPL	1			Taupe, (SPL)
C115 GPS	1			Charcoal, (SPS)	
15					CUSHION, w/Spring/Frame, Pad and Cover
					CLOTH
	C723 GFC	1			Blue, (SFC)
	C723 GFR	1			Red, (SFR)
	C723 GFL	1			Taupe, (SFL)
	C723 GFS	1			Charcoal, (SFS)
					LEATHER
	C731 GPC	1			Blue, (SPC)
	C731 GPR	1			Red, (SPR)
	C731 GPL	1			Taupe, (SPL)
C731 GPS	1			Charcoal, (SPS)	

MODEL CODES

C BODY = (D41 - DYNASTY)(C41 - NEW YORKER)
 E BODY = (J - CARAVELLE)(E - 600)(T - NEW YORKER TURBO)
 G BODY = (V24 - DAYTONA, PACIFICA & SHELBY)
 H BODY = (D44 - LANCER)(C44 - LEBARON GTS)
 J BODY = (C - LEBARON)
 K BODY = (P - RELIANT)(D - ARIES)(C - LEBARON/ TOWN & COUNTRY)

L BODY = (M - HORIZON)(Z-OMNI)
 M BODY = (B - GRAN FURY)(G - DIPLOMAT)(F - FIFTH AVENUE/NEWPORT)
 P BODY = (P - SUNDANCE)(D - SHADOW)
 Q BODY = (C27 - MASERATI)
 S BODY = (H - VOYAGER)(K - RAM VAN/ CARAVAN)

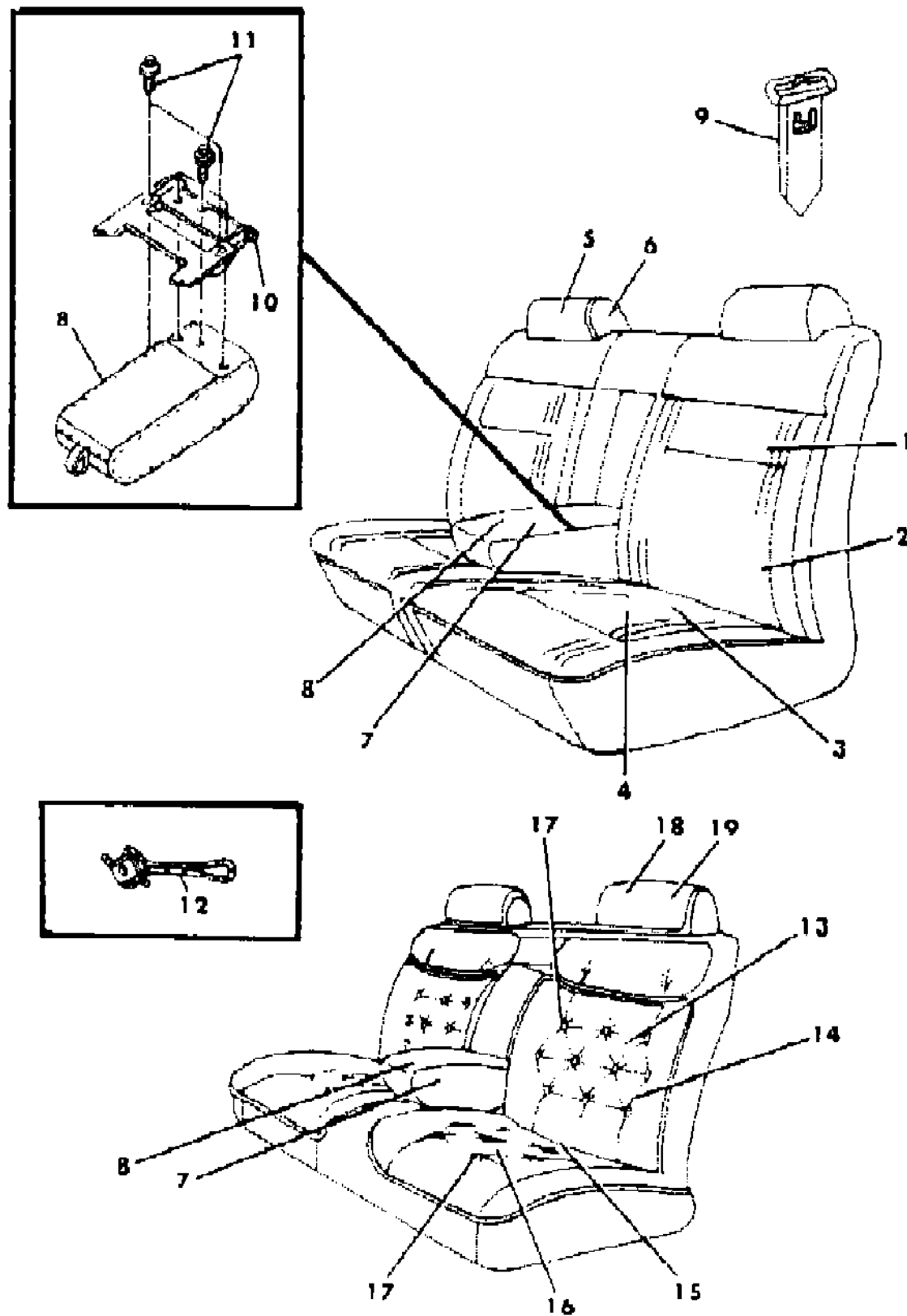
BODY STYLES

12-52 = FWD VAN & WAGON STD. W.B. 27 = 2-DOOR CONVERTIBLE
 13-53 = FWD VAN & WGN EXT W.B. 41 = 4-DOOR SEDAN
 21 = 2-DOOR SEDAN 44 = 4-DOOR HATCHBACK
 24 = 2-DOOR HATCHBACK 45 = 4-DOOR STATION WAGON

AR = Use as Required - = Non Illustrated Part P.A.R. = Paint as Required

SEAT--REAR C BODY TRIM CODES HF-HP-SF-SP
Figure ITC-1800

8241 1800



ITEM	PART NUMBER	QTY	BODY	MODEL	DESCRIPTION
16					COVER, Cushion
					CLOTH
	C102 GFC	1			Blue, (SFC)
	C102 GFR	1			Red, (SFR)
	C102 GFL	1			Taupe, (SFL)
	C102 GFS	1			Charcoal, (SFS)
					LEATHER
	C113 GPC	1			Blue, (SPC)
	C113 GPR	1			Red, (SPR)
	C113 GPL	1			Taupe, (SPL)
	C113 GPS	1			Charcoal, (SPS)
17					BUTTON, Cushion and Back
					CLOTH, (Trim Code SF Serv. In Item 16)
					LEATHER
	S845 FC5	AR			Blue, (SPC)
	S845 GR8	AR			Red, (SPR)
	S845 GL7	AR			Taupe, (SPL)
	S845 CS8	AR			Charcoal, (SPS)
18					HEADREST and COVER
					CLOTH
	C657 GC5	1			Blue, (SFC)
	C657 GR8	1			Red, (SFR)
	C657 GL7	1			Taupe, (SFL)
	C657 GS8	1			Charcoal, (SFS)
					LEATHER
	C658 GC5	1			Blue, (SPC)
	C658 GR8	1			Red, (SPR)
	C658 GL7	1			Taupe, (SPL)
	C658 GS8	1			Charcoal, (SPS)
19					COVER, Headrest (Serv. In Item 18)

MODEL CODES

C BODY = (D41 - DYNASTY)(C41 - NEW YORKER)	L BODY = (M - HORIZON)(Z-OMNI)
E BODY = (J - CARAVELLE)(E - 600)(T - NEW YORKER TURBO)	M BODY = (B - GRAN FURY)(G - DIPLOMAT)(F - FIFTH AVENUE/NEWPORT)
G BODY = (V24 - DAYTONA, PACIFICA & SHELBY)	P BODY = (P - SUNDANCE)(D - SHADOW)
H BODY = (D44 - LANCER)(C44 - LEBARON GTS)	Q BODY = (C27 - MASERATI)
J BODY = (C - LEBARON)	S BODY = (H - VOYAGER)(K - RAM VAN/ CARAVAN)
K BODY = (P - RELIANT)(D - ARIES)(C - LEBARON/ TOWN & COUNTRY)	

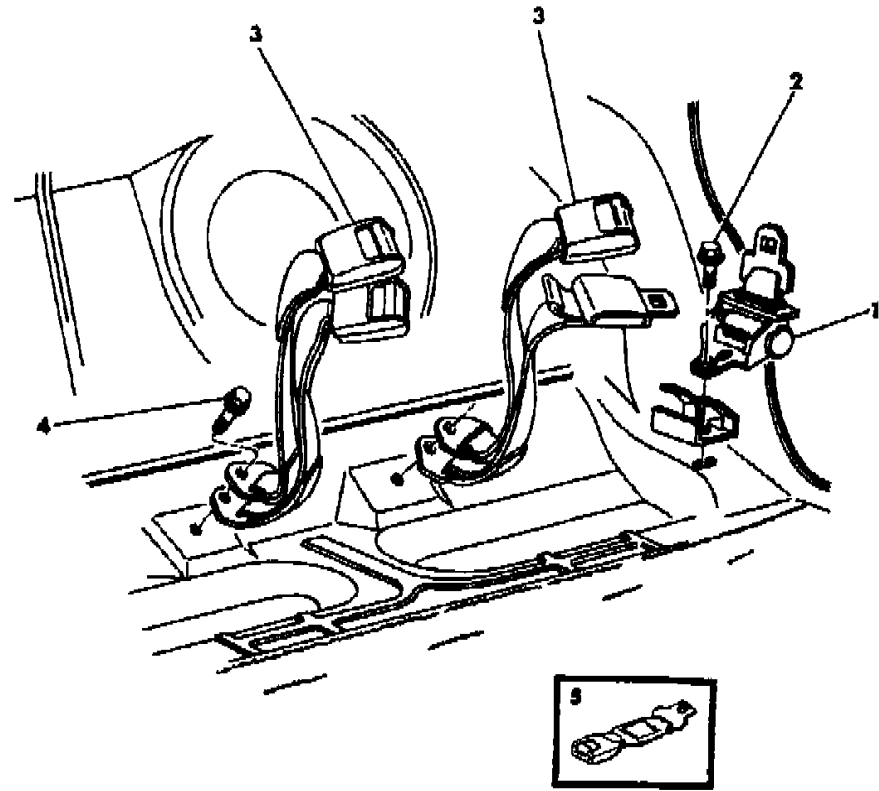
BODY STYLES

12-52 = FWD VAN & WAGON STD. W.B.	27 = 2-DOOR CONVERTIBLE
13-53 = FWD VAN & WGN EXT W.B.	41 = 4-DOOR SEDAN
21 = 2-DOOR SEDAN	44 = 4-DOOR HATCHBACK
24 = 2-DOOR HATCHBACK	45 = 4-DOOR STATION WAGON

AR = Use as Required - = Non Illustrated Part P.A.R. = Paint as Required

BELT--REAR SEAT C BODY
Figure ITC-1900

8241 1900 A



ITEM	PART NUMBER	QTY	BODY	MODEL	DESCRIPTION
1					BELT, Outer
	F628 GC5	2			LABEL #4380934 Blue
	F628 GR8	2			Red
	F628 GL7	2			Taupe
	F628 GS8	2			Charcoal
2	6031 484	2			BOLT
3					BELT, Inner
					LABEL #4380932-3
	F630-1 GC5	1			Blue
	F630-1 GR8	1			Red
	F630-1 GL7	1			Taupe
	F630-1 GS8	1			Charcoal
4	6031 298	2			BOLT
5	4402 887	AR			EXTENDER

MODEL CODES

C BODY = (D41 - DYNASTY)(C41 - NEW YORKER)	L BODY = (M - HORIZON)(Z-OMNI)
E BODY = (J - CARAVELLE)(E - 600)(T - NEW YORKER TURBO)	M BODY = (B - GRAN FURY)(G - DIPLOMAT)(F - FIFTH AVENUE/NEWPORT)
G BODY = (V24 - DAYTONA, PACIFICA & SHELBY)	P BODY = (P - SUNDANCE)(D - SHADOW)
H BODY = (D44 - LANCER)(C44 - LEBARON GTS)	Q BODY = (C27 - MASERATI)
J BODY = (C - LEBARON)	S BODY = (H - VOYAGER)(K - RAM VAN/ CARAVAN)
K BODY = (P - RELIANT)(D - ARIES)(C - LEBARON/ TOWN & COUNTRY)	

BODY STYLES

12-52 = FWD VAN & WAGON STD. W.B.	27 = 2-DOOR CONVERTIBLE
13-53 = FWD VAN & WGN EXT W.B.	41 = 4-DOOR SEDAN
21 = 2-DOOR SEDAN	44 = 4-DOOR HATCHBACK
24 = 2-DOOR HATCHBACK	45 = 4-DOOR STATION WAGON

AR = Use as Required - = Non Illustrated Part P.A.R. = Paint as Required

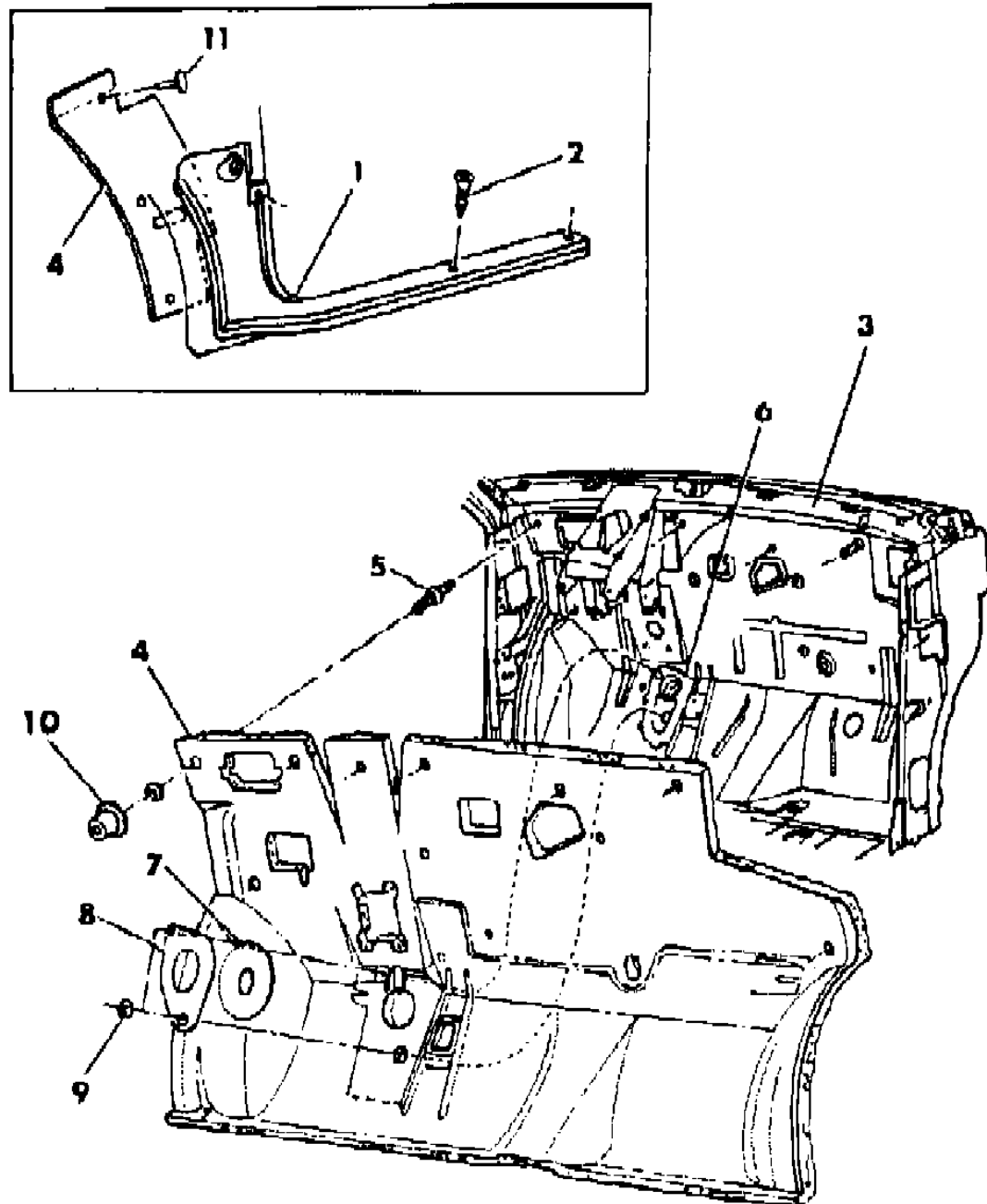
GROUP ITS - S BODY

ILLUSTRATION TITLE	GROUP-FIG. NO.
COWL PANEL AND SILENCERS S BODY	Fig. ITS-100
HEADLINER AND VISOR S BODY	Fig. ITS-200
MOULDING--GARNISH S BODY	Fig. ITS-300
B PILLAR TRIM S BODY	Fig. ITS-400
PANEL--QUARTER TRIM S BODY W/112" WHEELBASE	Fig. ITS-500
PANEL--QUARTER TRIM S BODY W/119" WHEELBASE	Fig. ITS-600
LIFT GATE TRIM S BODY	Fig. ITS-700
CARPET S BODY	Fig. ITS-800
SCUFF PLATES S BODY	Fig. ITS-900
PANEL--DOOR TRIM FRONT S BODY	Fig. ITS-1000
PANEL--DOOR TRIM SLIDING S BODY	Fig. ITS-1100
SEAT--FRONT S BODY TRIM CODES D9	Fig. ITS-1200
SEAT--FRONT S BODY TRIM CODE A8	Fig. ITS-1300
SEAT--FRONT S BODY TRIM CODES C7, C8	Fig. ITS-1400
SEAT--FRONT S BODY TRIM CODE D5, M5	Fig. ITS-1500
SEAT--FRONT S BODY TRIM CODE J6	Fig. ITS-1600
SEAT--FRONT S BODY TRIM CODES J5, S5	Fig. ITS-1700
BELT--FRONT SEAT S BODY	Fig. ITS-1800
RISER--RIGHT BUCKET SEAT AND STORAGE BOX S BODY	Fig. ITS-1900
SEAT--RECLINING AND NON-RECLINING--ARMREST AND ATTACHING PARTS S BODY	Fig. ITS-2000
ADJUSTER--MANUAL S BODY	Fig. ITS-2100
ADJUSTER--ELECTRIC AND LEFT RISER S BODY	Fig. ITS-2200
SEAT--REAR S BODY TRIM CODE J6	Fig. ITS-2300
SEAT--REAR S BODY TRIM CODE J5	Fig. ITS-2400
SEAT--REAR S BODY TRIM CODES C7,C8,D5,D9,M5	Fig. ITS-2500
CONVERTABED CUSHIONS, ARM RESTS AND SEAT BELTS S BODY TRIM CODES C7,D5,D9,J5	Fig. ITS-2600
CONVERTABED FRAMES AND ACTUATING SYSTEM S BODY	Fig. ITS-2700
BELT--REAR SEAT S BODY	Fig. ITS-2800
SEAT--REAR ATTACHMENTS FLOOR PAN S BODY	Fig. ITS-2900
RISERS--SEAT REAR S BODY	Fig. ITS-3000
SEAT--REAR FOLD DOWN S BODY	Fig. ITS-3100

ILLUSTRATION NOT AVAILABLE AT TIME OF PUBLICATION

COWL PANEL AND SILENCERS S BODY
Figure ITS-100

8242 100 A



ITEM	PART NUMBER	QTY	BODY	MODEL	DESCRIPTION
1	F354-5 EK1				COWL and SCUFF PLATE, (P.A.R.)
2		6			SCREW, (10-16x3/4) (Not Serv.)
3	3762 862	1			SILENCER, Cowl (36"x72" Cut To Fit)
4	3837 683	1			SILENCER, Dash Panel (24"x48"x1/4 Cut To Fit)
5	6032 020	AR			STUD, Dash Panel
6	4147 355	1			COVER, Seal
7	4188 994	1			SEAL, Dash
8	4188 993	AR			RETAINER, Liner and Seal
9	6031 147	AR			NUT, Push On
10	6032 185	AR			CAPLUG
11	6026 430	8			RETAINER, Silencer

MODEL CODES

C BODY = (D41 - DYNASTY)(C41 - NEW YORKER)	L BODY = (M - HORIZON)(Z-OMNI)
E BODY = (J - CARAVELLE)(E - 600)(T - NEW YORKER TURBO)	M BODY = (B - GRAN FURY)(G - DIPLOMAT)(F - FIFTH AVENUE/NEWPORT)
G BODY = (V24 - DAYTONA, PACIFICA & SHELBY)	P BODY = (P - SUNDANCE)(D - SHADOW)
H BODY = (D44 - LANCER)(C44 - LEBARON GTS)	Q BODY = (C27 - MASERATI)
J BODY = (C - LEBARON)	S BODY = (H - VOYAGER)(K - RAM VAN/ CARAVAN)
K BODY = (P - RELIANT)(D - ARIES)(C - LEBARON/ TOWN & COUNTRY)	

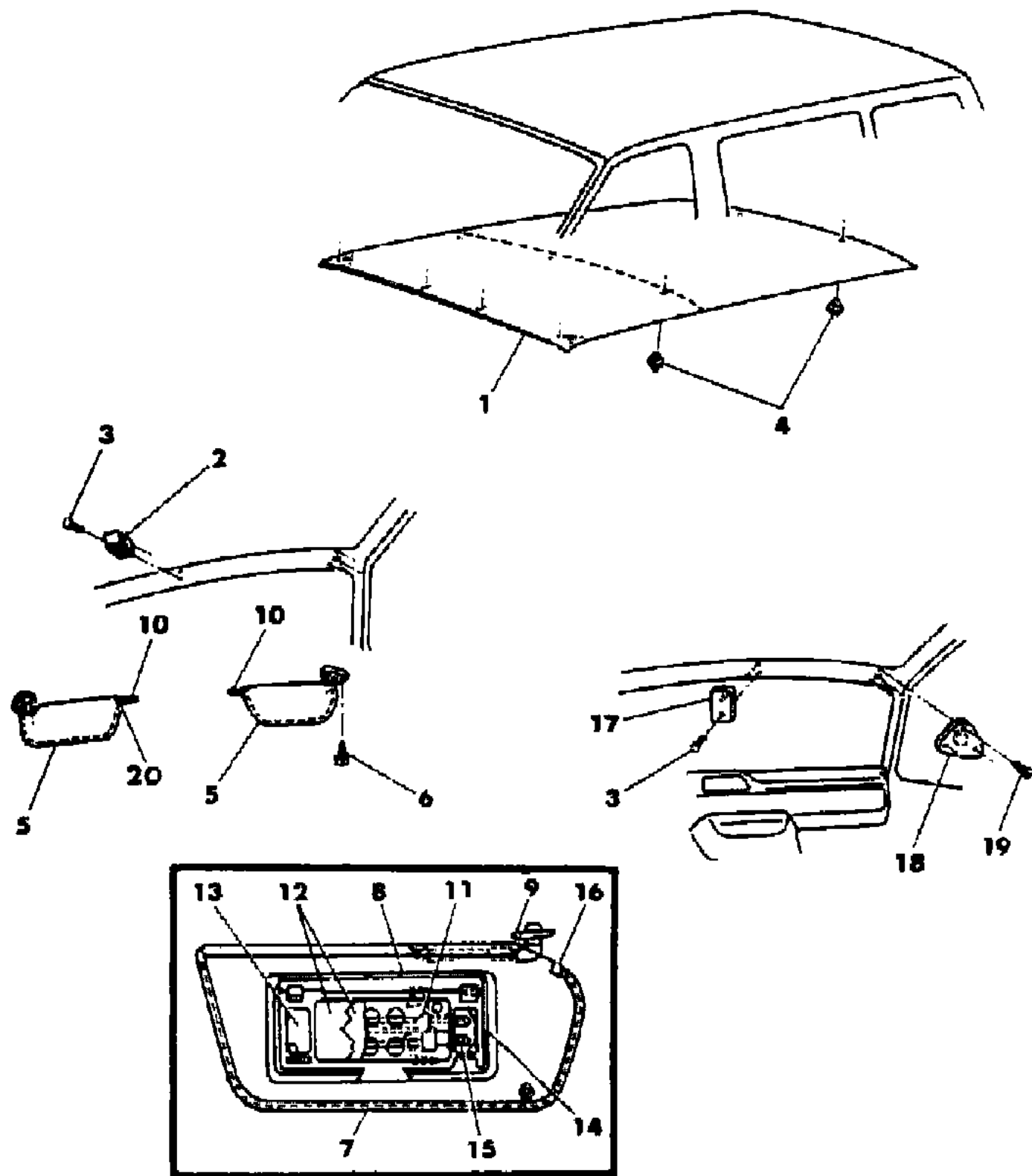
BODY STYLES

12-52 = FWD VAN & WAGON STD. W.B.	27 = 2-DOOR CONVERTIBLE
13-53 = FWD VAN & WGN EXT W.B.	41 = 4-DOOR SEDAN
21 = 2-DOOR SEDAN	44 = 4-DOOR HATCHBACK
24 = 2-DOOR HATCHBACK	45 = 4-DOOR STATION WAGON

AR = Use as Required - = Non Illustrated Part P.A.R. = Paint as Required

HEADLINER AND VISOR S BODY
Figure ITS-200

8242 200 C



ITEM	PART NUMBER	QTY	BODY	MODEL	DESCRIPTION
1					HEADLINER, Full (Cloth)
	H863 DA3	1			w/112" Wheelbase Silver
	H863 FC5	1			Blue
	H863 GR8	1			Red
	H863 EK1	1			Almond
	H864 DA3	1			FRONT, (Cloth) Silver
	H864 GR8	1			Red
	H864 EK1	1			Almond
	H746 FA3	1			FRONT, Cloth w/119" Wheelbase Silver
	H746 FC5	1			Blue
	H746 GR8	1			Red
	H746 FK1	1			Almond
	H745 FA3	1			REAR, Cloth w/119" Wheelbase Silver
	H745 FC5	1			Blue
	H745 GR8	1			Red
	H745 FK1	1			Almond
	4473 717				FRONT, (Softboard) w/112" Wheelbase
	4248 839				w/119" Wheelbase
2					CLIP, Windshield Visor Retainer
	H335 CA3	2			Silver
	H335 EC5	2			Blue
	H335 GR8	2			Red
	H335 EK1	2			Almond
3		AR			SCREW, (8-18x3/4) (Not Serv.)
4					FASTENER, Headliner
	H452 AA3	AR			Silver
	H452 EC5	AR			Blue
	H452 GR8	1			Red
	H452 EK1	AR			Almond
5					VISOR
	H556-7 GA3	1			w/Mirror Silver

MODEL CODES

C BODY = (D41 - DYNASTY)(C41 - NEW YORKER)	L BODY = (M - HORIZON)(Z-OMNI)
E BODY = (J - CARAVELLE)(E - 600)(T - NEW YORKER TURBO)	M BODY = (B - GRAN FURY)(G - DIPLOMAT)(F - FIFTH AVENUE/NEWPORT)
G BODY = (V24 - DAYTONA, PACIFICA & SHELBY)	P BODY = (P - SUNDANCE)(D - SHADOW)
H BODY = (D44 - LANCER)(C44 - LEBARON GTS)	Q BODY = (C27 - MASERATI)
J BODY = (C - LEBARON)	S BODY = (H - VOYAGER)(K - RAM VAN/ CARAVAN)
K BODY = (P - RELIANT)(D - ARIES)(C - LEBARON/ TOWN & COUNTRY)	

BODY STYLES

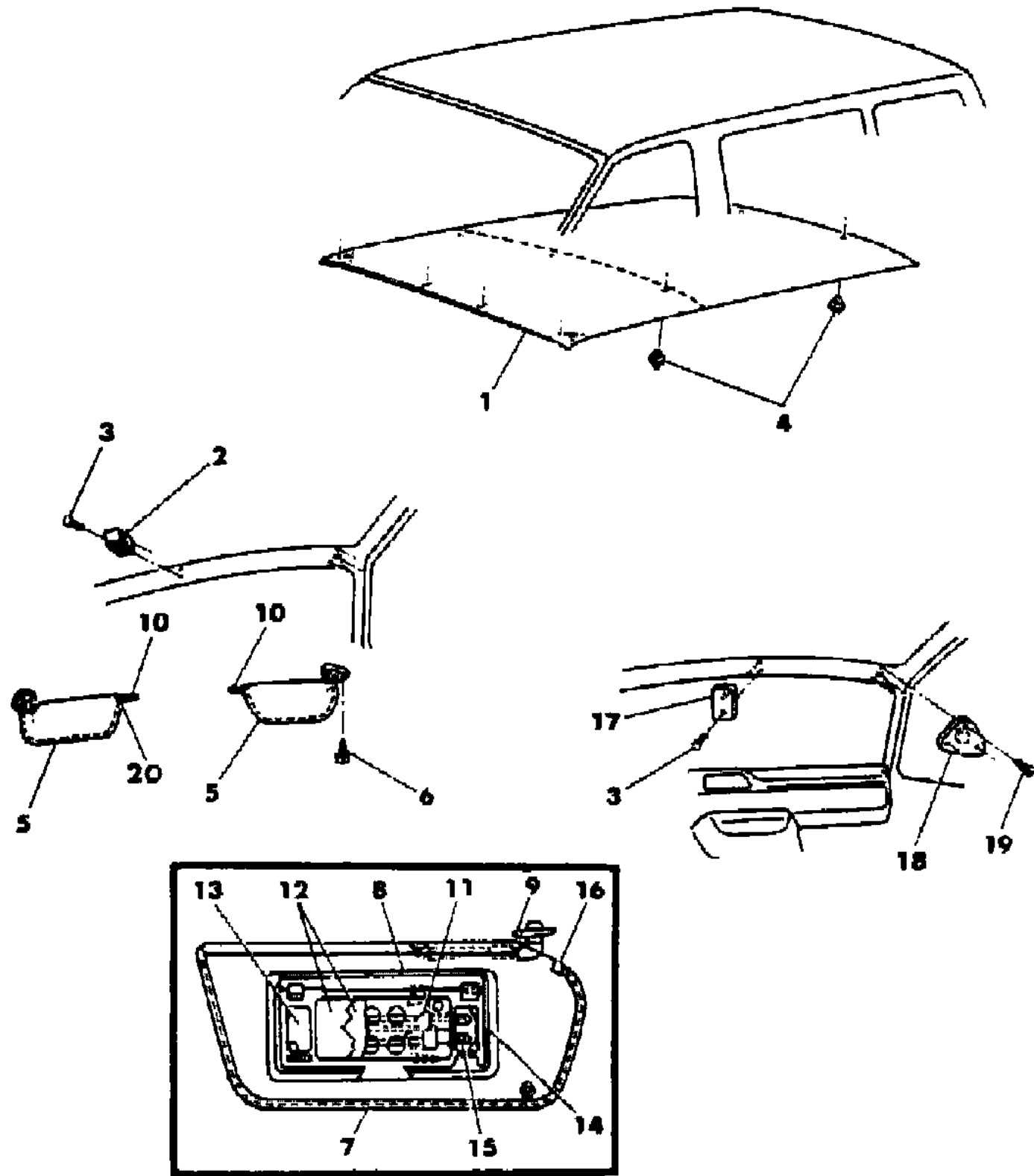
12-52 = FWD VAN & WAGON STD. W.B.	27 = 2-DOOR CONVERTIBLE
13-53 = FWD VAN & WGN EXT W.B.	41 = 4-DOOR SEDAN
21 = 2-DOOR SEDAN	44 = 4-DOOR HATCHBACK
24 = 2-DOOR HATCHBACK	45 = 4-DOOR STATION WAGON

AR = Use as Required - = Non Illustrated Part P.A.R. = Paint as Required

HEADLINER AND VISOR S BODY

Figure ITS-200

8242 200 C



ITEM	PART NUMBER	QTY	BODY	MODEL	DESCRIPTION
	H556-7 GC5	1			Blue
	H556-7 GR8	1			Red
	H556-7 GK1	1			Almond
	H558 GA2	1			w/o Mirror Silver
	H558 GK1	1			Almond
6	6032 584	AR			SCREW
7					VISOR, w/Illuminated Vanity Mirror RIGHT
	H406 FA3	1			Silver
	H406 FC5	1			Blue
	H406 GR8	1			Red
	H406 FK1	1			Almond
	H407 FA3	1			LEFT Silver
	H407 FC5	1			Blue
	H407 GR8	1			Red
	H407 FK1	1			Almond VISOR, Sub Assy. for Illuminated Vanity Mirror Right
	H638 FA3	1			Silver
	H638 FC5	1			Blue
	H638 GR8	1			Red
	H638 FK1	1			Almond Left
	H639 FA3	1			Silver
	H639 FC5	1			Blue
	H639 GR8	1			Red
	H639 FK1	1			Almond
8					VANITY, w/Illuminated Mirror
	H640 FAA	1			Silver
	H640 FC5	1			Blue
	H640 GR8	1			Red
	H640 FK1	1			Almond
9					ARM and BRACKET w/o Mirror
	4282 336-7	1			
10	2789 037	2			TIP, Visor Panel Inner Support w/o Mirror

MODEL CODES

C BODY = (D41 - DYNASTY)(C41 - NEW YORKER)	L BODY = (M - HORIZON)(Z-OMNI)
E BODY = (J - CARAVELLE)(E - 600)(T - NEW YORKER TURBO)	M BODY = (B - GRAN FURY)(G - DIPLOMAT)(F - FIFTH AVENUE/NEWPORT)
G BODY = (V24 - DAYTONA, PACIFICA & SHELBY)	P BODY = (P - SUNDANCE)(D - SHADOW)
H BODY = (D44 - LANCER)(C44 - LEBARON GTS)	Q BODY = (C27 - MASERATI)
J BODY = (C - LEBARON)	S BODY = (H - VOYAGER)(K - RAM VAN/ CARAVAN)
K BODY = (P - RELIANT)(D - ARIES)(C - LEBARON/ TOWN & COUNTRY)	

BODY STYLES

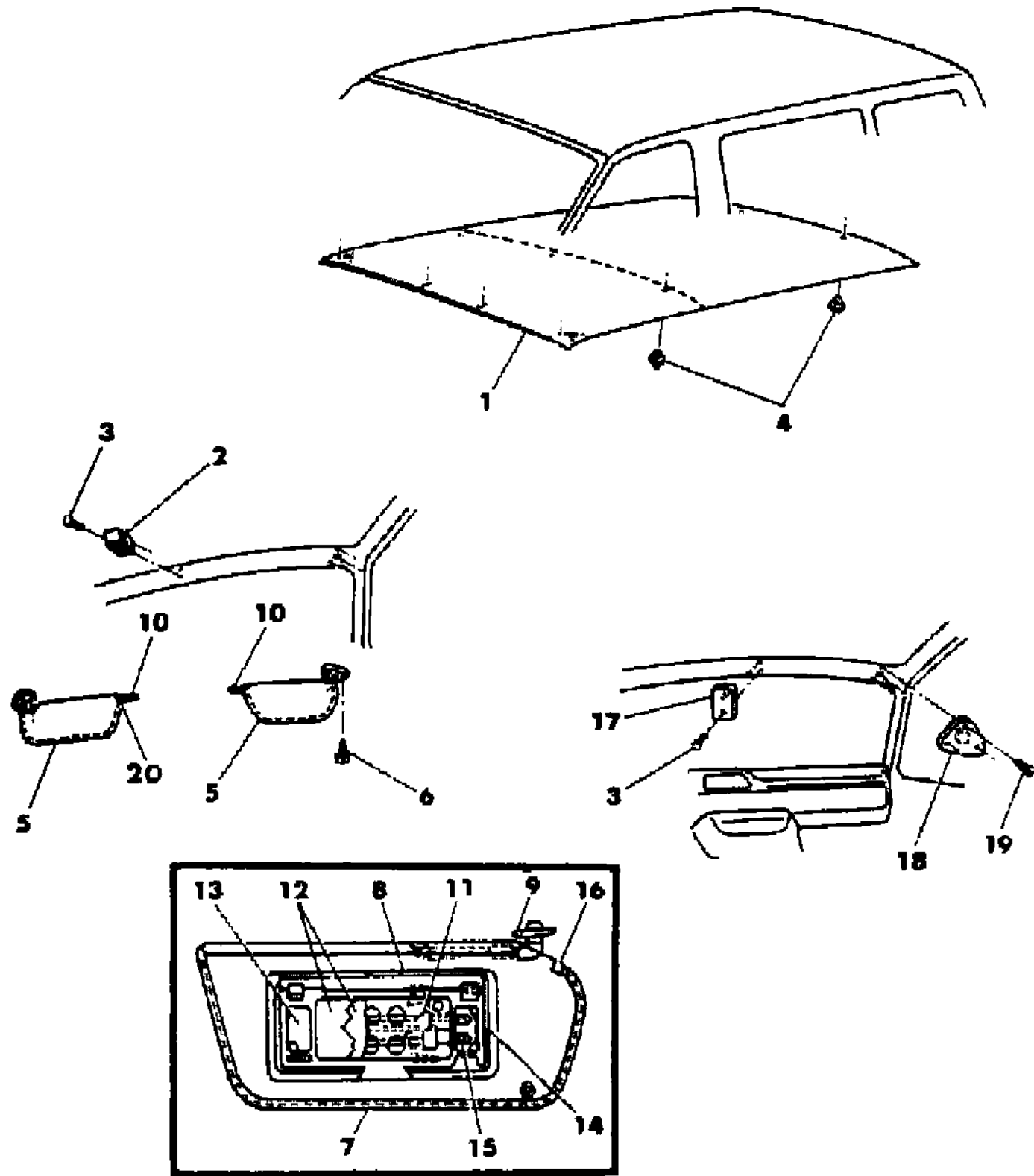
12-52 = FWD VAN & WAGON STD. W.B.	27 = 2-DOOR CONVERTIBLE
13-53 = FWD VAN & WGN EXT W.B.	41 = 4-DOOR SEDAN
21 = 2-DOOR SEDAN	44 = 4-DOOR HATCHBACK
24 = 2-DOOR HATCHBACK	45 = 4-DOOR STATION WAGON

AR = Use as Required - = Non Illustrated Part P.A.R. = Paint as Required

HEADLINER AND VISOR S BODY

Figure ITS-200

8242 200 C



ITEM	PART NUMBER	QTY	BODY	MODEL	DESCRIPTION
					w/Mirror
	H315 CA3	1			Silver
	H315 EC5	1			Blue
	H315 GR8	1			Red
	H315 EK1	1			Almond
11	3832 873	1			COMPONENT BOARD, Mirror (Not Serv.)
12					MIRROR and BACK, (Serv. In Assy)
13	4410 693	1			LENS, Mirror
14	#4166 976	2			HINGE, Spring
15	9436 790	4			BULB
16	1490 983	AR			CLIP
17	H457 DA1	1			PLUG, Support Right
18	4282 388	1			BRACKET, Plate w/o Visor Right
19	6032 584	AR			SCREW
20	4282 339	AR			SUPPORT, Inner

MODEL CODES

C BODY = (D41 - DYNASTY)(C41 - NEW YORKER)
 E BODY = (J - CARAVELLE)(E - 600)(T - NEW YORKER TURBO)
 G BODY = (V24 - DAYTONA, PACIFICA & SHELBY)
 H BODY = (D44 - LANCER)(C44 - LEBARON GTS)
 J BODY = (C - LEBARON)
 K BODY = (P - RELIANT)(D - ARIES)(C - LEBARON/ TOWN & COUNTRY)
 L BODY = (M - HORIZON)(Z-OMNI)
 M BODY = (B - GRAN FURY)(G - DIPLOMAT)(F - FIFTH AVENUE/NEWPORT)
 P BODY = (P - SUNDANCE)(D - SHADOW)
 Q BODY = (C27 - MASERATI)
 S BODY = (H - VOYAGER)(K - RAM VAN/ CARAVAN)

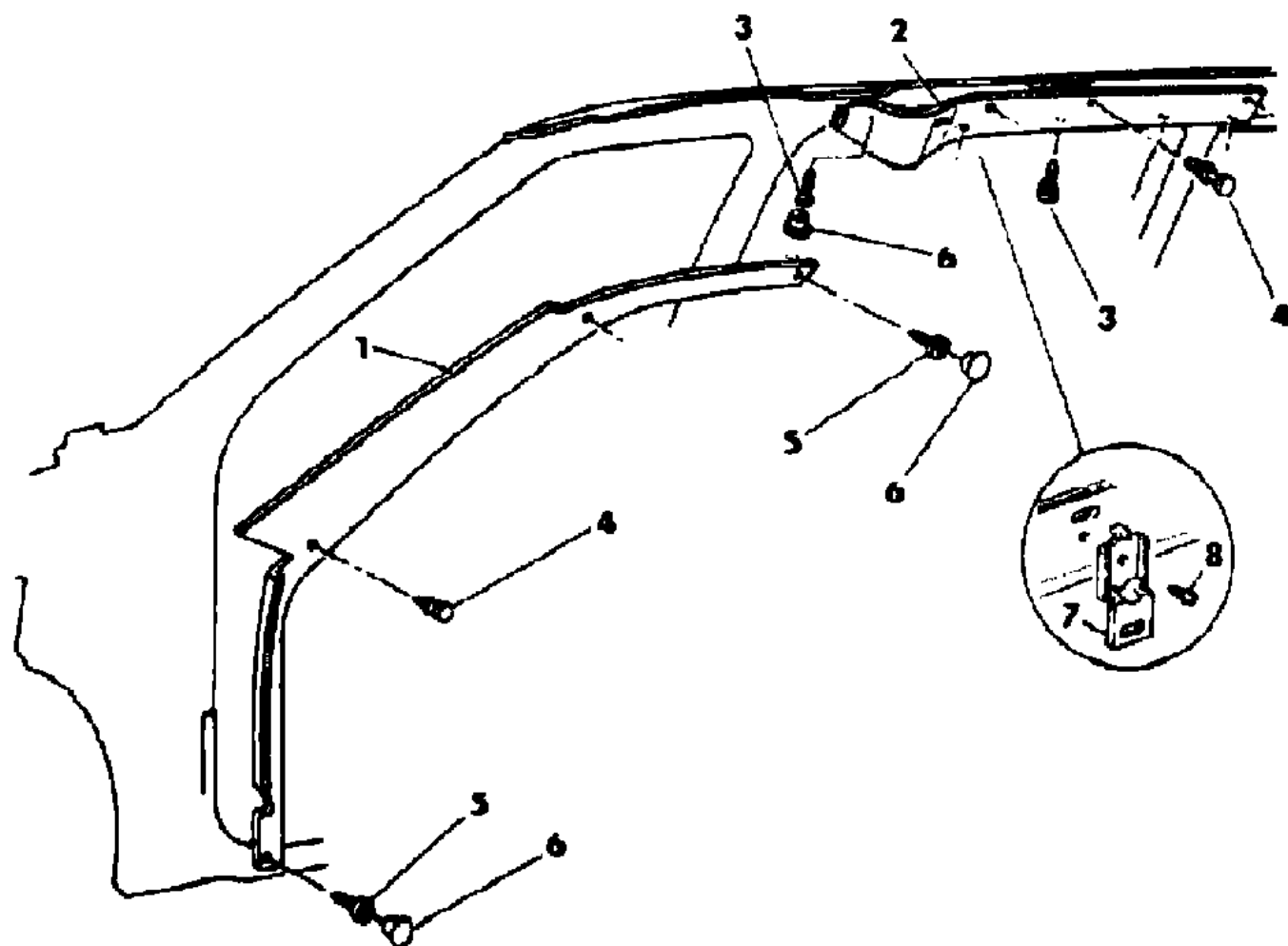
BODY STYLES

12-52 = FWD VAN & WAGON STD. W.B. 27 = 2-DOOR CONVERTIBLE
 13-53 = FWD VAN & WGN EXT W.B. 41 = 4-DOOR SEDAN
 21 = 2-DOOR SEDAN 44 = 4-DOOR HATCHBACK
 24 = 2-DOOR HATCHBACK 45 = 4-DOOR STATION WAGON

AR = Use as Required - = Non Illustrated Part P.A.R. = Paint as Required

MOULDING--GARNISH S BODY
Figure ITS-300

8242 300



ITEM	PART NUMBER	QTY	BODY	MODEL	DESCRIPTION
1					MOULDING, Windshield Side
	H330-1 EA3	1			Silver
	H330-1 FC5	1			Blue
	H330-1 GR8	1			Red
	H330-1 EK1	1			Almond
2	V260 FK1	1			COVER, Sliding Door Upper Track (P.A.R.) w/112", 119" Wheelbase
3		7			SCREW, (8-18x5/8) (Not Serv.)
4					FASTENER
	F155 BA3	11			Silver
	F155 EC5	11			Blue
	F155 GR8	11			Red
	F155 EK1	11			Almond
5	6032 456	2			SCREW
6	F245 CA3	4			PLUG, Trim (P.A.R.)
7	4309 149	1			BRACKET, Cover Attaching
8	6032 456	AR			SCREW

NOTE: (P.A.R.) = Paint As Required

MODEL CODES

C BODY = (D41 - DYNASTY)(C41 - NEW YORKER)	L BODY = (M - HORIZON)(Z-OMNI)
E BODY = (J - CARAVELLE)(E - 600)(T - NEW YORKER TURBO)	M BODY = (B - GRAN FURY)(G - DIPLOMAT)(F - FIFTH AVENUE/NEWPORT)
G BODY = (V24 - DAYTONA, PACIFICA & SHELBY)	P BODY = (P - SUNDANCE)(D - SHADOW)
H BODY = (D44 - LANCER)(C44 - LEBARON GTS)	Q BODY = (C27 - MASERATI)
J BODY = (C - LEBARON)	S BODY = (H - VOYAGER)(K - RAM VAN/ CARAVAN)
K BODY = (P - RELIANT)(D - ARIES)(C - LEBARON/ TOWN & COUNTRY)	

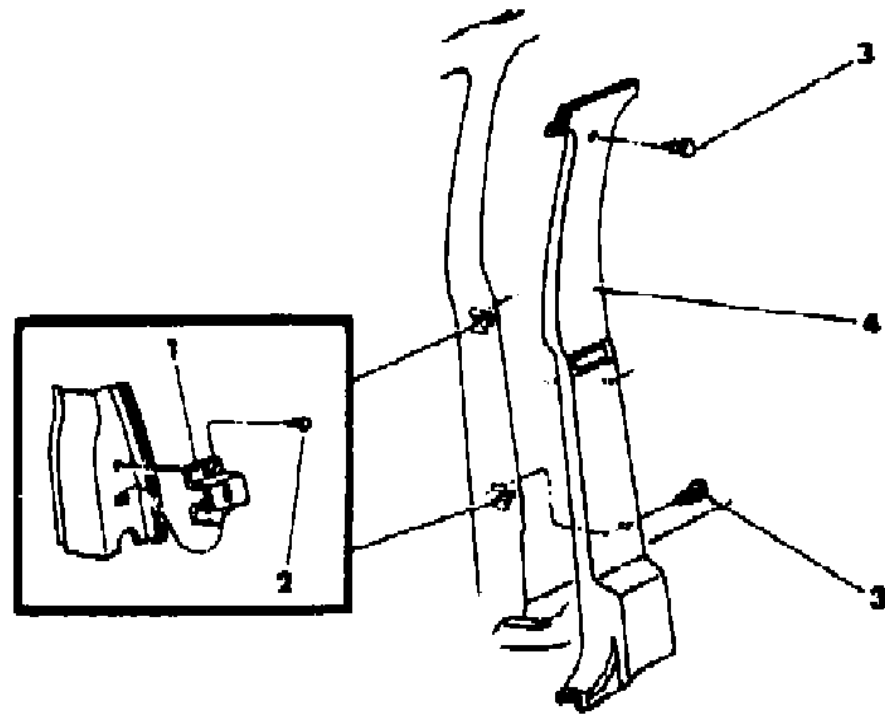
BODY STYLES

12-52 = FWD VAN & WAGON STD. W.B.	27 = 2-DOOR CONVERTIBLE
13-53 = FWD VAN & WGN EXT W.B.	41 = 4-DOOR SEDAN
21 = 2-DOOR SEDAN	44 = 4-DOOR HATCHBACK
24 = 2-DOOR HATCHBACK	45 = 4-DOOR STATION WAGON

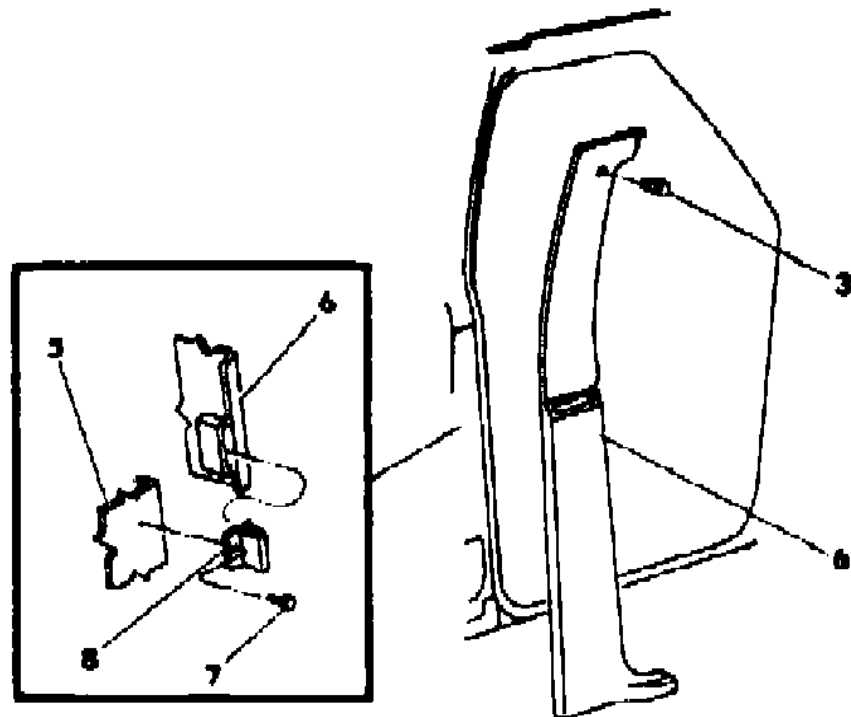
AR = Use as Required - = Non Illustrated Part P.A.R. = Paint as Required

B PILLAR TRIM S BODY
Figure ITS-400

8242 400



RIGHT SIDE



LEFT SIDE

ITEM	PART NUMBER	QTY	BODY	MODEL	DESCRIPTION
1					BRACKET, Trim Cover Attaching
	4381 032	1			Upper
	4381 033	1			Lower
2		AR			SCREW, (8-18x5/8) (Not Serv.)
3					FASTENER
	F155 BA3	AR			Silver
	F155 EC5	AR			Blue
	F155 GR8	AR			Red
	F155 EK1	AR			Almond
4					COVER, B Pillar RIGHT w/112", 119" Wheelbase
	F281 DA3	1			Silver
	F281 FC5	1			Blue
	F281 GR8	1			Red
	F281 EK1	1			Almond
5					PANEL, Quarter Inner Wheelhouse (Reference)
6					COVER, B Pillar LEFT
	F275 CA3	1			Silver
	F275 FC5	1			Blue
	F275 GR8	1			Red
	F275 EK1	1			Almond
7		AR			SCREW, (8-18x1/2) (Not Serv.)
8	4248 349	2			BRACKET, Trim Cover Attaching

MODEL CODES

C BODY = (D41 - DYNASTY)(C41 - NEW YORKER)	L BODY = (M - HORIZON)(Z-OMNI)
E BODY = (J - CARAVELLE)(E - 600)(T - NEW YORKER TURBO)	M BODY = (B - GRAN FURY)(G - DIPLOMAT)(F - FIFTH AVENUE/NEWPORT)
G BODY = (V24 - DAYTONA, PACIFICA & SHELBY)	P BODY = (P - SUNDANCE)(D - SHADOW)
H BODY = (D44 - LANCER)(C44 - LEBARON GTS)	Q BODY = (C27 - MASERATI)
J BODY = (C - LEBARON)	S BODY = (H - VOYAGER)(K - RAM VAN/ CARAVAN)
K BODY = (P - RELIANT)(D - ARIES)(C - LEBARON/ TOWN & COUNTRY)	

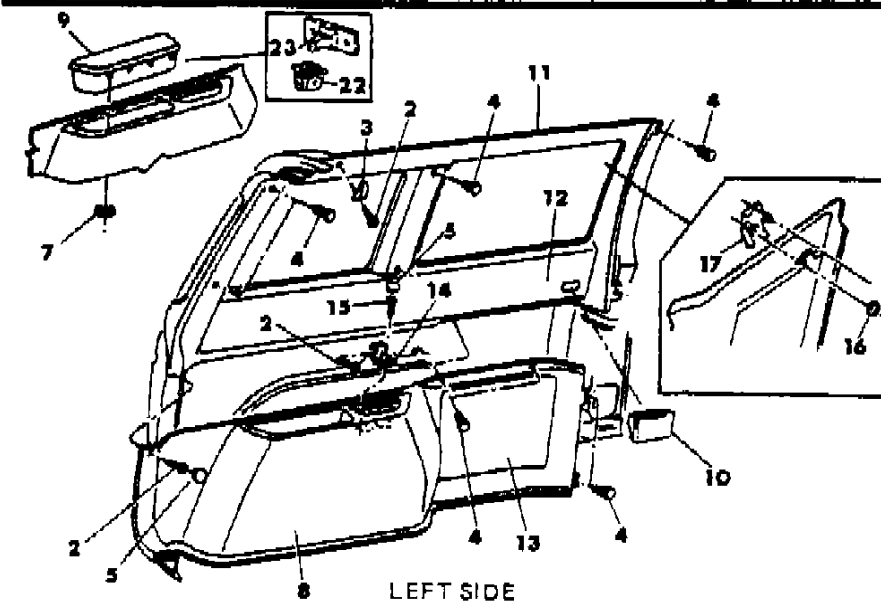
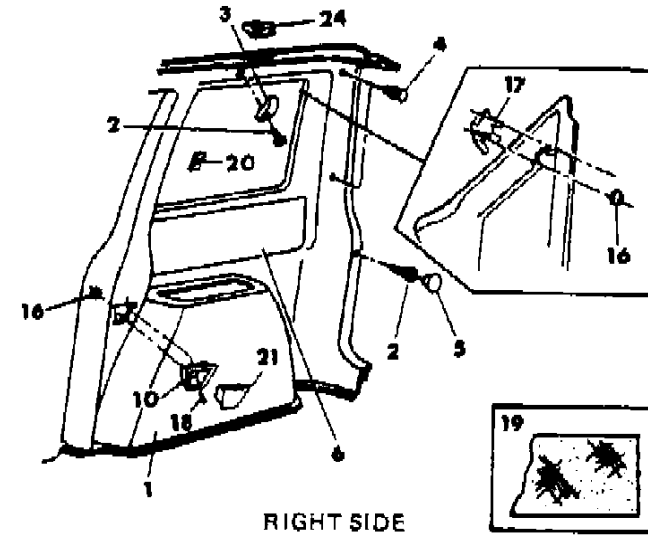
BODY STYLES

12-52 = FWD VAN & WAGON STD. W.B.	27 = 2-DOOR CONVERTIBLE
13-53 = FWD VAN & WGN EXT W.B.	41 = 4-DOOR SEDAN
21 = 2-DOOR SEDAN	44 = 4-DOOR HATCHBACK
24 = 2-DOOR HATCHBACK	45 = 4-DOOR STATION WAGON

AR = Use as Required - = Non Illustrated Part P.A.R. = Paint as Required

PANEL--QUARTER TRIM S BODY W/112" WHEELBASE
Figure ITS-500

8242 500A



ITEM	PART NUMBER	QTY	BODY	MODEL	DESCRIPTION
1					PANEL, Quarter Trim Rear Pkg. (P.A.R.)
	4419 390	1			w/o Articulated Arm
	4419 391	1			w/Articulated Arm
2		AR			SCREW, (8-18x3/4) (Not Serv.)
3					HOOK, Coat
	H505 CA3	3			Silver
	H505 FC5	3			Blue
	H505 GR8	3			Red
	H505 EK1	3			Almond
4					FASTENER
	F155 BA3	2			Silver
	F155 EC5	2			Blue
	F155 GR8	2			Red
	F155 EK1	2			Almond
5	F245 CA3	1			PLUG, (P.A.R.)
6					BOLSTER, Quarter Trim
					CLOTH
	K638 FAS	1			Silver / Charcoal, (J5AS)
	K638 GRR	1			Red, (J5R)
	K638 FKK	1			Almond, (J5K)
	K638 GCC	1			Blue, (J5C)
	K634 FA3	1			Silver / Charcoal, (D5AS, D9AS) (For Trim D5R Use K634gr8)
	K634 FC5	1			Blue, (D5C)
	K634 FE8	1			Cordovan, (D5E, D9R)
	K634 FK1	1			Almond, (D5K, D9K)
					VINYL
	K636 FA2	1			Silver, (J6AS)
	K636 FC5	1			Blue, (J6C)
	K636 GR8	1			Red, (J6R)
	K636 FK1	1			Almond, (J6K)
7	6026 898	AR			RETAINER
8	H345 EK1	1			PANEL, Quarter Trim Lower Left (P.A.R.)
	K667 FK1	1			w/Aux Heater
9					BIN and ARMREST
	D562 CA3	2			Silver
	D562 FC5	2			Blue
	D562 GR8	2			Red

MODEL CODES

C BODY = (D41 - DYNASTY)(C41 - NEW YORKER)	L BODY = (M - HORIZON)(Z-OMNI)
E BODY = (J - CARAVELLE)(E - 600)(T - NEW YORKER TURBO)	M BODY = (B - GRAN FURY)(G - DIPLOMAT)(F - FIFTH AVENUE/NEWPORT)
G BODY = (V24 - DAYTONA, PACIFICA & SHELBY)	P BODY = (P - SUNDANCE)(D - SHADOW)
H BODY = (D44 - LANCER)(C44 - LEBARON GTS)	Q BODY = (C27 - MASERATI)
J BODY = (C - LEBARON)	S BODY = (H - VOYAGER)(K - RAM VAN/ CARAVAN)
K BODY = (P - RELIANT)(D - ARIES)(C - LEBARON/ TOWN & COUNTRY)	

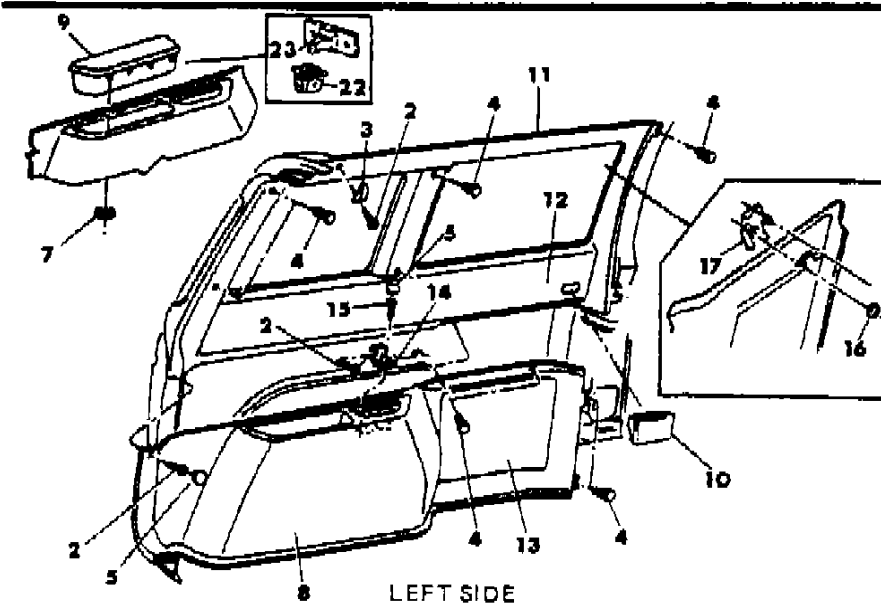
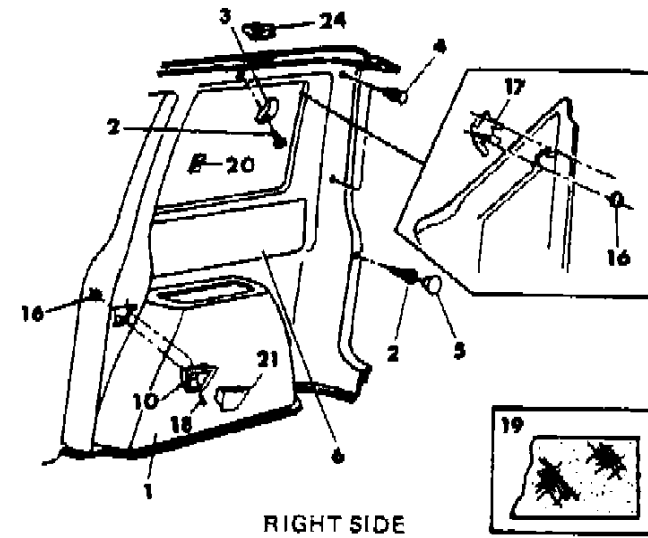
BODY STYLES

12-52 = FWD VAN & WAGON STD. W.B.	27 = 2-DOOR CONVERTIBLE
13-53 = FWD VAN & WGN EXT W.B.	41 = 4-DOOR SEDAN
21 = 2-DOOR SEDAN	44 = 4-DOOR HATCHBACK
24 = 2-DOOR HATCHBACK	45 = 4-DOOR STATION WAGON

AR = Use as Required - = Non Illustrated Part P.A.R. = Paint as Required

PANEL--QUARTER TRIM S BODY W/112" WHEELBASE
Figure ITS-500

8242 500A



ITEM	PART NUMBER	QTY	BODY	MODEL	DESCRIPTION
	D562 EK1	2			Almond
10	D440-1 DA3	1			ASH RECEIVER, (Qtr. Lower Trim Panel)
	D440-1 FC5	1			Silver
	D440-1 EE8	1			Blue
	D440-1 EK1	1			Cordovan
11	D440-1 EK1	1			Almond
	K647 EK1	1	L		PANEL, Quarter Trim Upper Left (P.A.R.)
	K697 FK1	1	H-P		w/o Holes
12					BOLSTER, Quarter Trim Panel
	K639 FAS	1			CLOTH
	K639 GRR	1			Silver / Charcoal, (J5AS)
	K639 FKK	1			Red, (J5R)
	K639 GCC	1			Almond, (J5K)
	K635 FA3	1			Blue, (J5C)
	K635 FC5	1			Silver / Charcoal, (D5AS, M5AS)
	K635 GR8	1			Blue, (D5C, M5C)
	K635 FK1	1			Red, (D5R, M5R)
	K637 FA2	1			Almond, (D5K, M5K)
	K637 FC5	1			VINYL
	K637 GR8	1			Silver / Charcoal, (J6AS)
13					Blue, (J6C)
	H404 FC5	1			Red, (J6R)
	H404 GR8	1			CARPET
	H404 EK1	1			Blue
	H404 CS8	1			Red
14					Almond
	4381 023	1			Charcoal
	4521 665	1			BRACKET, Lower Panel Attaching
15	6032 456	AR			w/112" Wheelbase
16	6026 898	AR			(EUROPEAN)
17	V128-9 DA3	1			SCREW
18	6032 456	AR			RETAINER
19	4186 901	AR			BEZEL, Remote Window Latch (P.A.R.)
20	6032 833	7			SCREW
					SILENCER, (36"x72" Cut To Fit)
					FASTENER

MODEL CODES

C BODY = (D41 - DYNASTY)(C41 - NEW YORKER)
E BODY = (J - CARAVELLE)(E - 600)(T - NEW YORKER TURBO)
G BODY = (V24 - DAYTONA, PACIFICA & SHELBY)
H BODY = (D44 - LANCER)(C44 - LEBARON GTS)
J BODY = (C - LEBARON)
K BODY = (P - RELIANT)(D - ARIES)(C - LEBARON/ TOWN & COUNTRY)

L BODY = (M - HORIZON)(Z-OMNI)
M BODY = (B - GRAN FURY)(G - DIPLOMAT)(F - FIFTH AVENUE/NEWPORT)
P BODY = (P - SUNDANCE)(D - SHADOW)
Q BODY = (C27 - MASERATI)
S BODY = (H - VOYAGER)(K - RAM VAN/ CARAVAN)

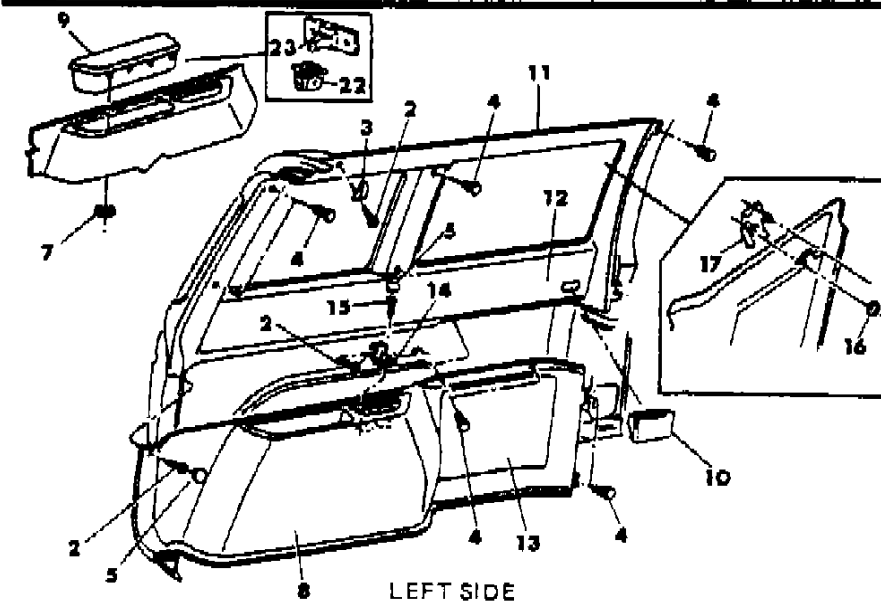
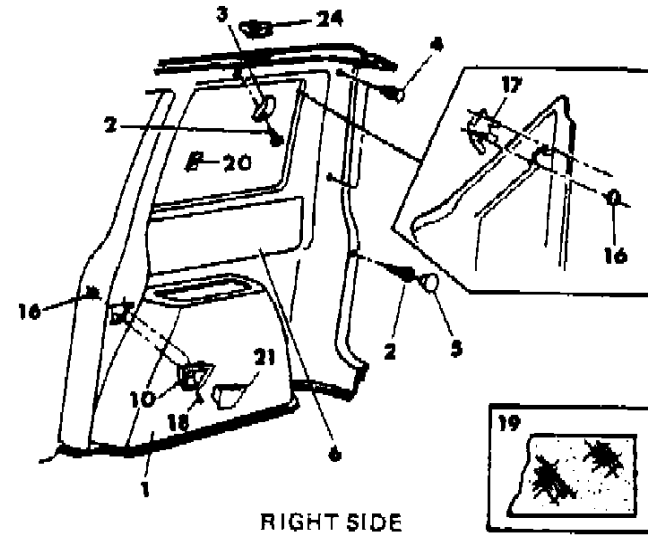
BODY STYLES

12-52 = FWD VAN & WAGON STD. W.B. 27 = 2-DOOR CONVERTIBLE
13-53 = FWD VAN & WGN EXT W.B. 41 = 4-DOOR SEDAN
21 = 2-DOOR SEDAN 44 = 4-DOOR HATCHBACK
24 = 2-DOOR HATCHBACK 45 = 4-DOOR STATION WAGON

AR = Use as Required - = Non Illustrated Part P.A.R. = Paint as Required

PANEL--QUARTER TRIM S BODY W/112" WHEELBASE
Figure ITS-500

8242 500A



ITEM	PART NUMBER	QTY	BODY	MODEL	DESCRIPTION
21	4248 803	AR			SNUFFER, Ash Receiver
22	4247 211	2			CATCH, Storage Bin
23	4248 720	1			STRIKER, Storage Bin
24	6032 061	3			NUT, Snap

NOTE: (P.A.R. = Paint As Required)
NOTE: Openings must be cut in right quarter panel to install storage bin and ash receiver

MODEL CODES

C BODY = (D41 - DYNASTY)(C41 - NEW YORKER)
E BODY = (J - CARAVELLE)(E - 600)(T - NEW YORKER TURBO)
G BODY = (V24 - DAYTONA, PACIFICA & SHELBY)
H BODY = (D44 - LANCER)(C44 - LEBARON GTS)
J BODY = (C - LEBARON)
K BODY = (P - RELIANT)(D - ARIES)(C - LEBARON/ TOWN & COUNTRY)
L BODY = (M - HORIZON)(Z-OMNI)
M BODY = (B - GRAN FURY)(G - DIPLOMAT)(F - FIFTH AVENUE/NEWPORT)
P BODY = (P - SUNDANCE)(D - SHADOW)
Q BODY = (C27 - MASERATI)
S BODY = (H - VOYAGER)(K - RAM VAN/ CARAVAN)

BODY STYLES

12-52 = FWD VAN & WAGON STD. W.B. 27 = 2-DOOR CONVERTIBLE
13-53 = FWD VAN & WGN EXT W.B. 41 = 4-DOOR SEDAN
21 = 2-DOOR SEDAN 44 = 4-DOOR HATCHBACK
24 = 2-DOOR HATCHBACK 45 = 4-DOOR STATION WAGON

AR = Use as Required - = Non Illustrated Part P.A.R. = Paint as Required

PANEL--QUARTER TRIM S BODY W/119" WHEELBASE
Figure ITS-600

8242 600A

ITEM	PART NUMBER	QTY	BODY	MODEL	DESCRIPTION
1	K598 FK1	1			PANEL, Quarter Trim Rear (P.A.R.)
2	4385 066	1			BRACKET, Front Attaching
3	6032 456	AR			SCREW
4	H505 CA3	3			HOOK, Coat Silver
	H505 FC5	3			Blue
	H505 GR8	3			Red
	H505 EK1	3			Almond
5					SCREW, (8-18x3/4) (Not Serv.)
6	4385 068	1			BRACKET, Rear Attaching
7					FASTENER
	F155 BA3	2			Silver
	F155 EC5	2			Blue
	F155 GR8	2			Red
	F155 EK1	2			Almond
8	F245 CA3	1			PLUG, (P.A.R.)
9					BOLSTER, Quarter Trim
					CLOTH
	D684 FAS	1			Silver / Charcoal, (J5AS)
	D684 GRR	1			Red, (J5R)
	D684 FKK	1			Almond, (J5K)
	D684 GCC	1			Blue, (J5C)
	D306 FA3	1			Silver / Charcoal, (D5AS, D9AS)
	D306 FC5	1			Blue, (D5C)
	D306 GR8	1			Red, (D5R, D9R)
	D306 FK1	1			Almond, (D5K, D9K) (Use Up To 2-20-89)
	K460 HR8	1			Red, (LJR)
	K460 HK1	1			Almond, (LJK) (Use After 2-20-89)
	AR44 HR8	1			Red, (LJR)
	AR44 HK1	1			Almond, (LJK)
					VINYL
	D686 FA2	1			Silver / Charcoal, (J6AS)
	D686 FC5	1			Blue, (J6C)
	D686 FE8	1			Cordovan, (J6R)
	D686 FK1	1			Almond, (J6K)

MODEL CODES

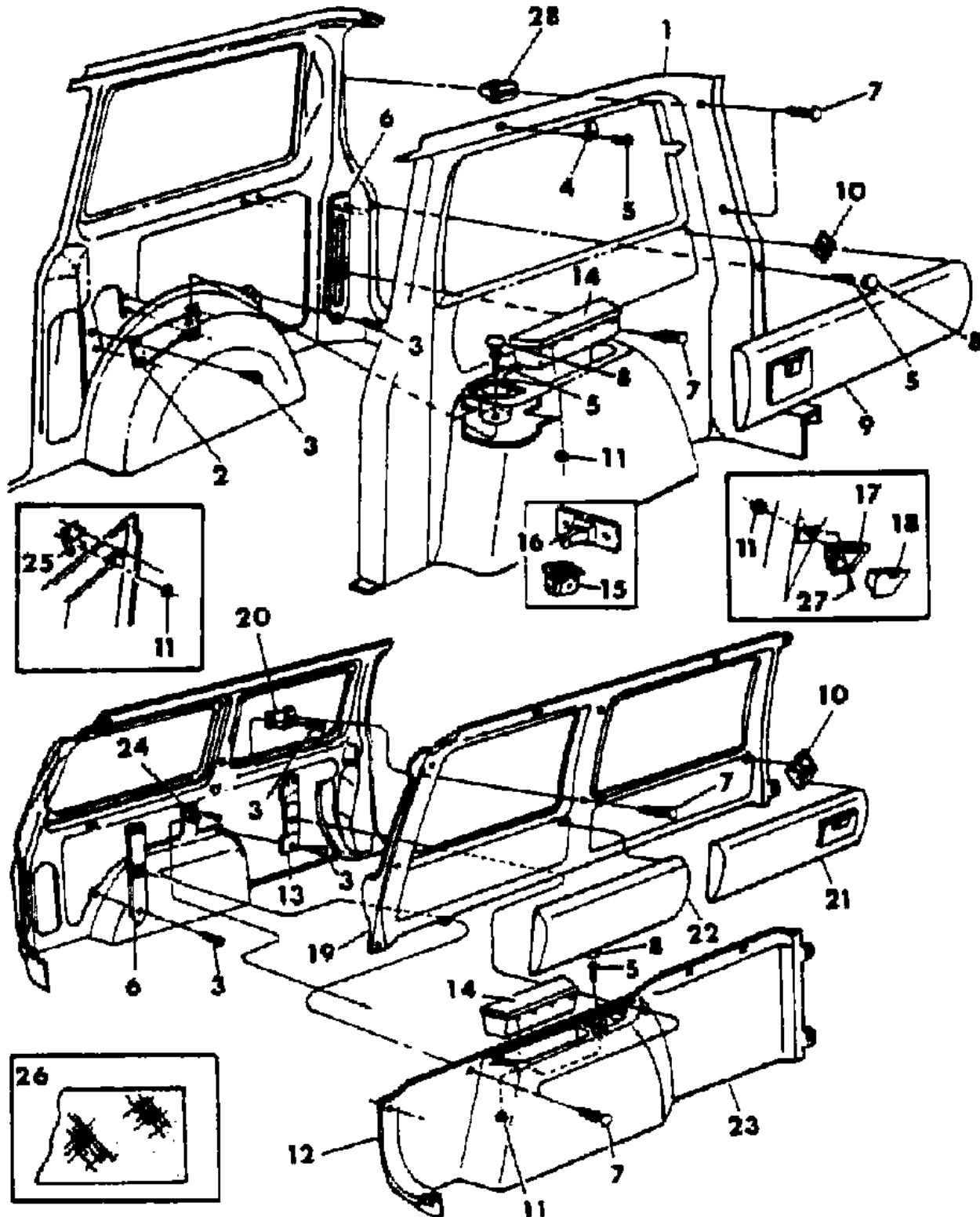
C BODY = (D41 - DYNASTY)(C41 - NEW YORKER)
E BODY = (J - CARAVELLE)(E - 600)(T - NEW YORKER TURBO)
G BODY = (V24 - DAYTONA, PACIFICA & SHELBY)
H BODY = (D44 - LANCER)(C44 - LEBARON GTS)
J BODY = (C - LEBARON)
K BODY = (P - RELIANT)(D - ARIES)(C - LEBARON/ TOWN & COUNTRY)

L BODY = (M - HORIZON)(Z-OMNI)
M BODY = (B - GRAN FURY)(G - DIPLOMAT)(F - FIFTH AVENUE/NEWPORT)
P BODY = (P - SUNDANCE)(D - SHADOW)
Q BODY = (C27 - MASERATI)
S BODY = (H - VOYAGER)(K - RAM VAN/ CARAVAN)

BODY STYLES

12-52 = FWD VAN & WAGON STD. W.B. 27 = 2-DOOR CONVERTIBLE
13-53 = FWD VAN & WGN EXT W.B. 41 = 4-DOOR SEDAN
21 = 2-DOOR SEDAN 44 = 4-DOOR HATCHBACK
24 = 2-DOOR HATCHBACK 45 = 4-DOOR STATION WAGON

AR = Use as Required - = Non Illustrated Part P.A.R. = Paint as Required



PANEL--QUARTER TRIM S BODY W/119" WHEELBASE
Figure ITS-600

8242 600A

ITEM	PART NUMBER	QTY	BODY	MODEL	DESCRIPTION
10	6032 833	7			FASTENER, Bolster Attaching
11	6032 083	AR			RETAINER
12	K709 GK1	1			PANEL, Quarter Trim Lower Left w/Rear Heater, w/Air Cond. (119' Wheelbase) (w/o Aux Htr. 119" Wheelbase)
	K601 FA3	1			Silver / Charcoal
	K601 FC5	1			Blue
	K601 GR8	1			Cordovan
	K601 FK1	1			Almond
13	4385 067	1			BRACKET, Front Attaching
14	D562 CA3	2			Silver
	D562 FC5	2			Blue
	D562 GR8	2			Red
	D562 EK1	2			Almond
15	4247 211	2			CATCH, Storage Bin
16	4248 720	1			STRIKER, Storage Bin
17	D440 DA3	1			Silver
	D440 FC5	1			Blue
	D440 GR8	1			Red
	D440 EK1	1			Almond
	D441 DA3	1			Silver
	D441 FC5	1			Blue
	D441 GR8	1			Red
	D441 EK1	1			Almond
18	4248 803	AR			SNUFFER, Ash Receiver
19	K595 FK1	1			PANEL, Quarter Trim Upper Left (P.A.R.)
20	4381 033	1			BRACKET
21					BOLSTER, Quarter Trim Panel CLOTH
	D685 FAS	1			Silver / Charcoal, (J5AS)
	D685 GRR	1			Red, (J5R)
	D685 FKK	1			Almond, (J5K)
	D685 GCC	1			Blue, (J5C)
	D303 FA3	1			Silver / Charcoal, (D5AS, D9AS)

MODEL CODES

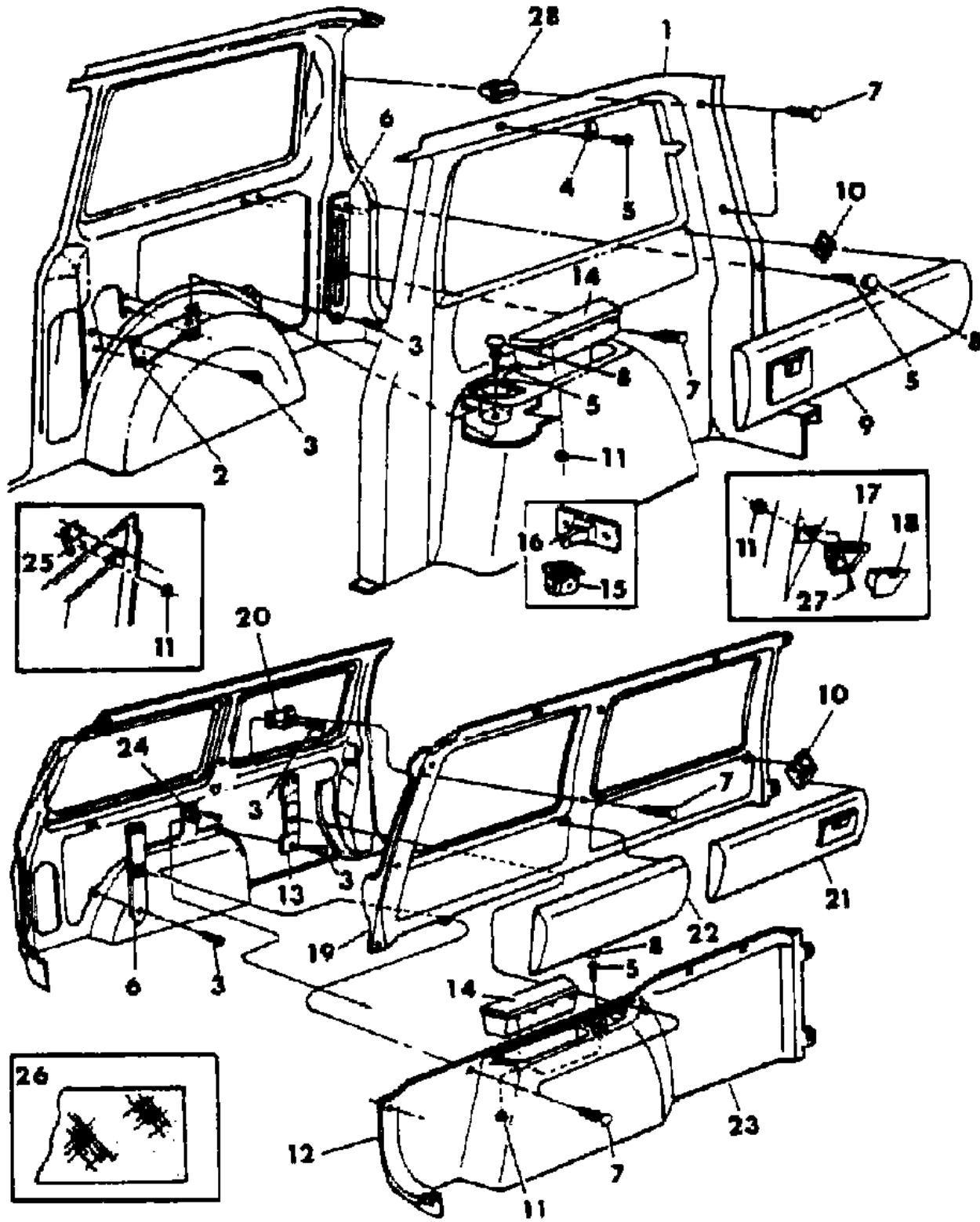
C BODY = (D41 - DYNASTY)(C41 - NEW YORKER)
E BODY = (J - CARAVELLE)(E - 600)(T - NEW YORKER TURBO)
G BODY = (V24 - DAYTONA, PACIFICA & SHELBY)
H BODY = (D44 - LANCER)(C44 - LEBARON GTS)
J BODY = (C - LEBARON)
K BODY = (P - RELIANT)(D - ARIES)(C - LEBARON/ TOWN & COUNTRY)

L BODY = (M - HORIZON)(Z-OMNI)
M BODY = (B - GRAN FURY)(G - DIPLOMAT)(F - FIFTH AVENUE/NEWPORT)
P BODY = (P - SUNDANCE)(D - SHADOW)
Q BODY = (C27 - MASERATI)
S BODY = (H - VOYAGER)(K - RAM VAN/ CARAVAN)

BODY STYLES

12-52 = FWD VAN & WAGON STD. W.B. 27 = 2-DOOR CONVERTIBLE
13-53 = FWD VAN & WGN EXT W.B. 41 = 4-DOOR SEDAN
21 = 2-DOOR SEDAN 44 = 4-DOOR HATCHBACK
24 = 2-DOOR HATCHBACK 45 = 4-DOOR STATION WAGON

AR = Use as Required - = Non Illustrated Part P.A.R. = Paint as Required



PANEL--QUARTER TRIM S BODY W/119" WHEELBASE
Figure ITS-600

8242 600A

ITEM	PART NUMBER	QTY	BODY	MODEL	DESCRIPTION
	D303 FC5	1			Blue, (D5C)
	D303 GR8	1			Red, (D5R, D9R)
	D303 FK1	1			Almond, (D5K, D9K)
	D687 FA2	1			VINYL Silver / Charcoal, (J6AS)
	D687 FC5	1			Blue, (J6C)
	D687 GR8	1			Red, (J6R)
	D687 FK1	1			Almond, (J6K)
22					BOLSTER, Quarter Trim Panel, Rear
					CLOTH
	D689 FAS	1			Silver / Charcoal, (J5AS)
	D689 GRR	1			Red, (J5R)
	D689 FKK	1			Almond, (J5K)
	D689 GCC	1			Blue, (J5C)
	D305 FA3	1			Silver / Charcoal, (D5AS, D9AS)
	D305 FC5	1			Blue, (D5C)
	D305 GR8	1			Red, (D5R, D9R)
	D305 FK1	1			Almond, (D5K, D9K)
					VINYL
	D683 FA2	1			Silver / Charcoal, (J6AS)
	D683 FC5	1			Blue, (J6C)
	D683 GR8	1			Red, (J6R)
	D683 FK1	1			Almond, (J6K)
23					CARPET
	M669 FC5	1			Blue
	M669 GR8	1			Red
	M669 FK1	1			Almond
	M669 FS8	1			Charcoal
24	4381 023	1			BRACKET, Lower Panel Attaching
25	V128-9 DA3	1			BEZEL, Remote Window Latch (P.A.R.)
26	4186 901	AR			SILENCER, (36"72" Cut To Fit)
27	6032 456	AR			SCREW
28	6032 061	3			NUT, Snap

NOTE: (P.A.R.) = Paint As Required

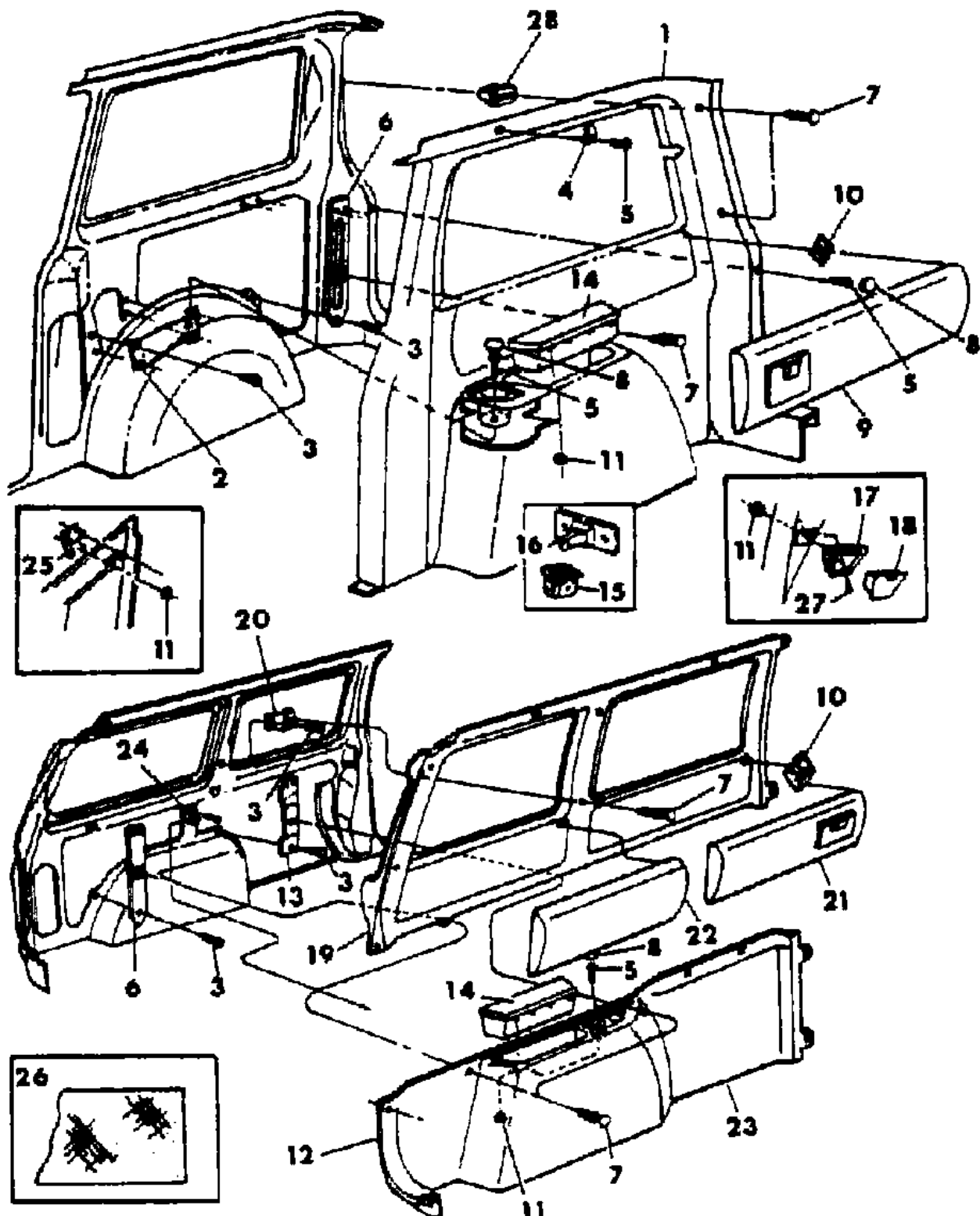
MODEL CODES

C BODY = (D41 - DYNASTY)(C41 - NEW YORKER)
 E BODY = (J - CARAVELLE)(E - 600)(T - NEW YORKER TURBO)
 G BODY = (V24 - DAYTONA, PACIFICA & SHELBY)
 H BODY = (D44 - LANCER)(C44 - LEBARON GTS)
 J BODY = (C - LEBARON)
 K BODY = (P - RELIANT)(D - ARIES)(C - LEBARON/ TOWN & COUNTRY)
 L BODY = (M - HORIZON)(Z-OMNI)
 M BODY = (B - GRAN FURY)(G - DIPLOMAT)(F - FIFTH AVENUE/NEWPORT)
 P BODY = (P - SUNDANCE)(D - SHADOW)
 Q BODY = (C27 - MASERATI)
 S BODY = (H - VOYAGER)(K - RAM VAN/ CARAVAN)

BODY STYLES

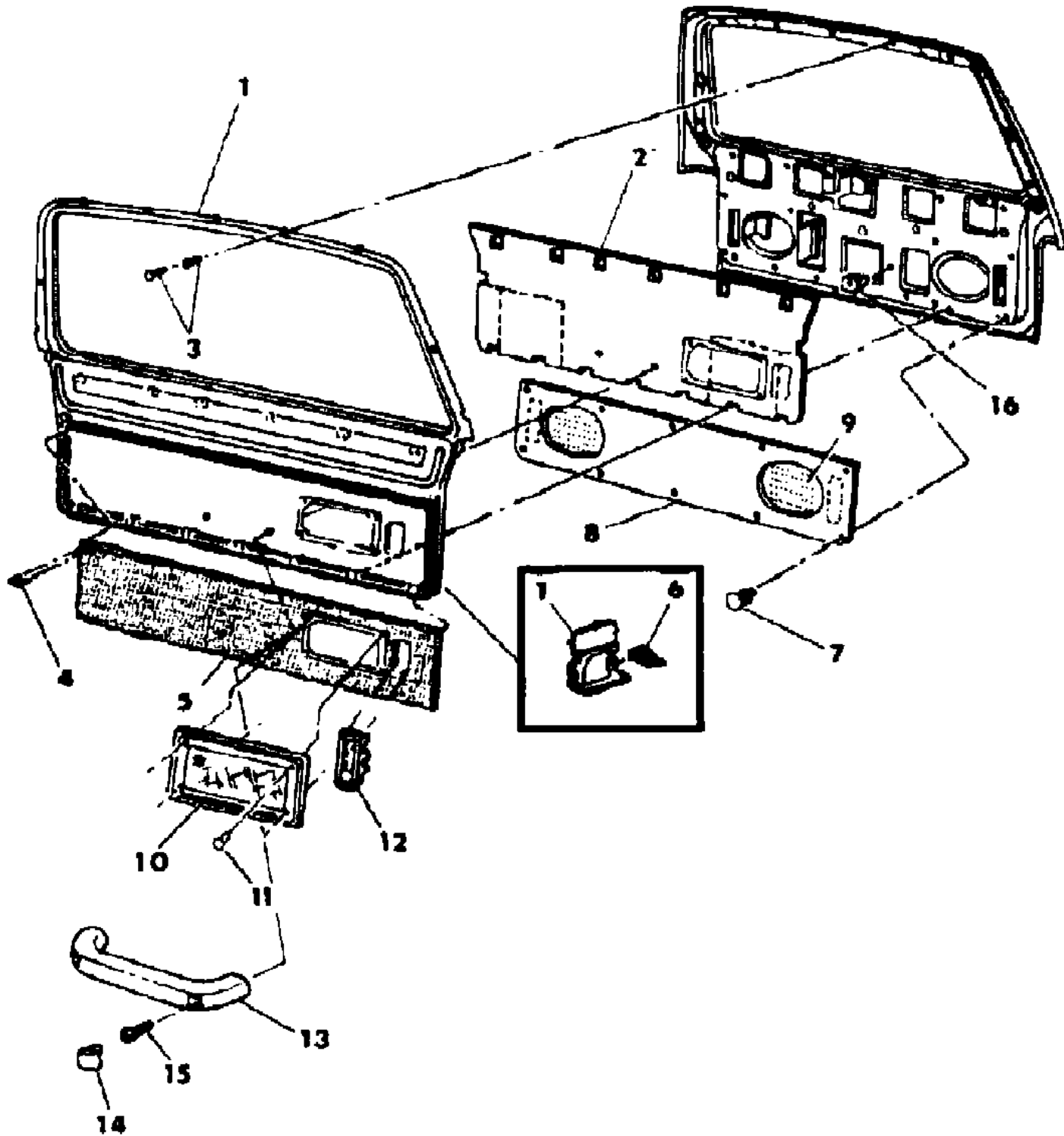
12-52 = FWD VAN & WAGON STD. W.B. 27 = 2-DOOR CONVERTIBLE
 13-53 = FWD VAN & WGN EXT W.B. 41 = 4-DOOR SEDAN
 21 = 2-DOOR SEDAN 44 = 4-DOOR HATCHBACK
 24 = 2-DOOR HATCHBACK 45 = 4-DOOR STATION WAGON

AR = Use as Required - = Non Illustrated Part P.A.R. = Paint as Required



LIFT GATE TRIM S BODY
Figure ITS-700

8242 700



ITEM	PART NUMBER	QTY	BODY	MODEL	DESCRIPTION
1					PANEL, Liftgate (P.A.R.)
	H880 GK1	1			(Use Up To 12-21-87)
	H944 GK1	1			(Use After 12-21-87)
2	4248 598	1			SILENCER
3	6500 787	5			RIVET, Dual Hard Drive
4		AR			STAPLE, (Not Serv.)
5					CARPET
	H154 GC5	1			Blue
	H154 GR8	1			Red
	H154 GK1	1			Almond
	H154 GS8	1			Charcoal
6	6501 352	17			FASTENER
7	6501 301	10			FASTENER
8	4248 351	1			PANEL, Liftgate Inner Trim
9					SPEAKER, Rear Compartment (See Group 8A)
10	P490 FC5	2			GRILLE, Rear Compartment Speaker (P.A.R.)
11					FASTENER
	F155 BA3	AR			Silver
	F155 EC5	AR			Blue
	F155 EE8	AR			Red
	F155 EK1	AR			Almond
12	3591 126	2			BRACKET, Flood Lamp
13					PULL STRAP, Lift Gate
	H882 GC5	1			Blue
	H882 GR8	1			Red
	H882 GA3	1			Silver
	H882 GK1	1			Almond
14					PLUG
	H526 FC5	1			Blue
	H526 GR8	1			Red
	H526 EA3	1			Silver
	H526 EK1	1			Almond
15		2			SCREW, (Not Serv.)
16	4453 429	2			NUT

MODEL CODES

C BODY = (D41 - DYNASTY)(C41 - NEW YORKER)
 E BODY = (J - CARAVELLE)(E - 600)(T - NEW YORKER TURBO)
 G BODY = (V24 - DAYTONA, PACIFICA & SHELBY)
 H BODY = (D44 - LANCER)(C44 - LEBARON GTS)
 J BODY = (C - LEBARON)
 K BODY = (P - RELIANT)(D - ARIES)(C - LEBARON/ TOWN & COUNTRY)
 L BODY = (M - HORIZON)(Z-OMNI)
 M BODY = (B - GRAN FURY)(G - DIPLOMAT)(F - FIFTH AVENUE/NEWPORT)
 P BODY = (P - SUNDANCE)(D - SHADOW)
 Q BODY = (C27 - MASERATI)
 S BODY = (H - VOYAGER)(K - RAM VAN/ CARAVAN)

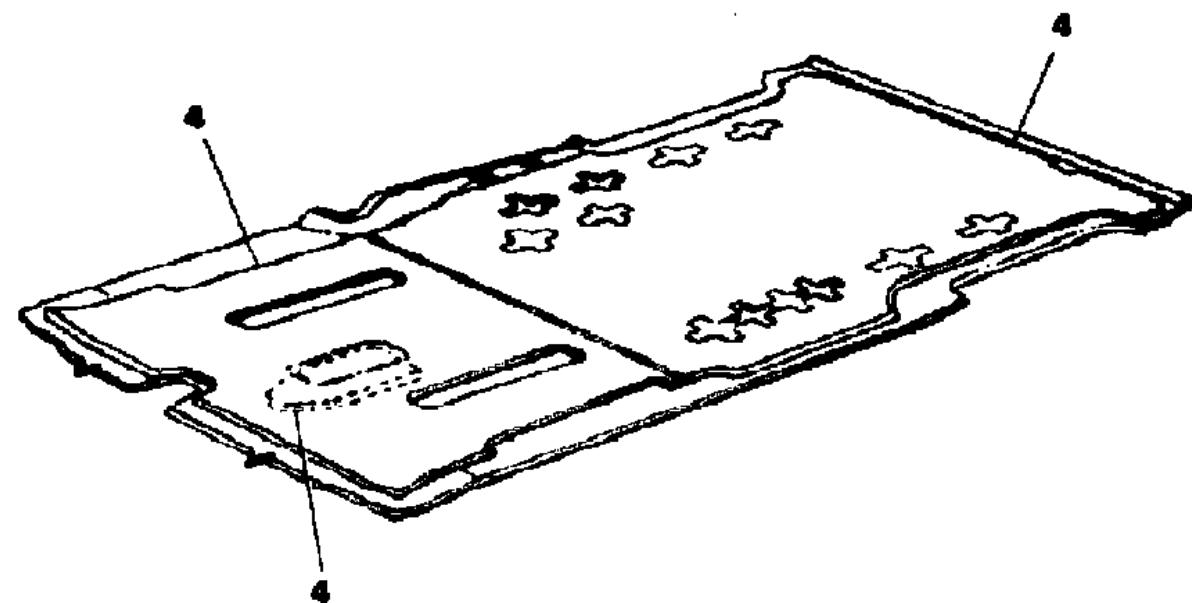
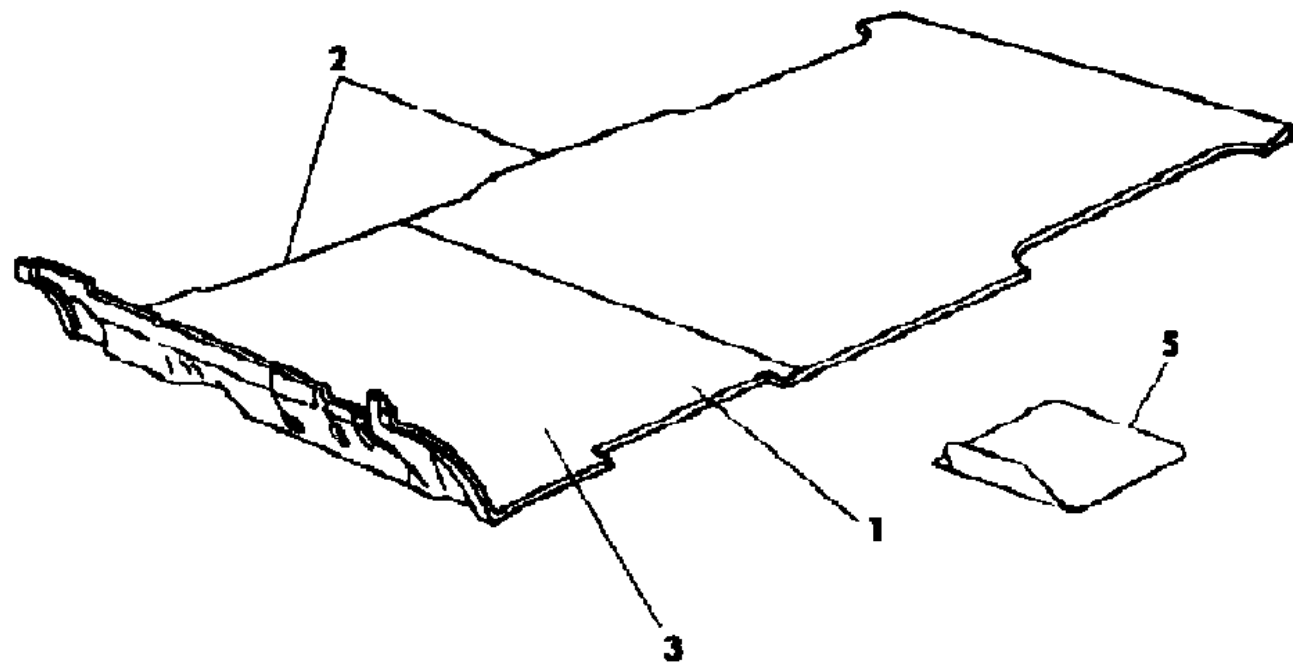
BODY STYLES

12-52 = FWD VAN & WAGON STD. W.B. 27 = 2-DOOR CONVERTIBLE
 13-53 = FWD VAN & WGN EXT W.B. 41 = 4-DOOR SEDAN
 21 = 2-DOOR SEDAN 44 = 4-DOOR HATCHBACK
 24 = 2-DOOR HATCHBACK 45 = 4-DOOR STATION WAGON

AR = Use as Required - = Non Illustrated Part P.A.R. = Paint as Required

CARPET S BODY
Figure ITS-800

8242 800



ITEM	PART NUMBER	QTY	BODY	MODEL	DESCRIPTION	
1	M674 GR8	1			CARPET, Front Only	
	M674 FK3	1			Red	
	M674 FS8	1			Almond	
2					CARPET, Front and Rear	
					w/112" Wheelbase	
					5 Passenger	
	4397 981	1			Blue	
	4397 985	1			Red	
	4397 983	1			Almond	
	4397 980	1			Charcoal	
					7 Passenger	
	4397 981	1			Blue	
	4397 985	1			Red	
	4397 983	1			Almond	
	4397 980	1			Charcoal	
3					w/119 Wheelbase	
					5 and 7 Passenger	
	M670 FC5	1			Blue	
	M670 GR8	1			Red	
	M670 FK3	1			Almond	
	M670 FS8	1			Charcoal	
	4381 347	1			MAT, Front Floor	
	4186 901	AR			SILENCER, (71" x 36 1/2")	
	5					CARPETED FLOOR MATS, Set of Two
						FRONT
M054 FC5		1			Blue	
M054 GR8		1			Red	
M054 FK3		1			Almond	
M054 FS8		1			Charcoal	
					REAR	
M055 FC5		1	52		Blue	
M055 GR8		1	52		Red	
M055 FK3		1	52		Almond	
M055 FS8		1	52		Charcoal	
					REAR	

(5 Passenger uses 1 Set; 7 Passenger uses 2 Sets)

MODEL CODES

C BODY = (D41 - DYNASTY)(C41 - NEW YORKER)	L BODY = (M - HORIZON)(Z-OMNI)
E BODY = (J - CARAVELLE)(E - 600)(T - NEW YORKER TURBO)	M BODY = (B - GRAN FURY)(G - DIPLOMAT)(F - FIFTH AVENUE/NEWPORT)
G BODY = (V24 - DAYTONA, PACIFICA & SHELBY)	P BODY = (P - SUNDANCE)(D - SHADOW)
H BODY = (D44 - LANCER)(C44 - LEBARON GTS)	Q BODY = (C27 - MASERATI)
J BODY = (C - LEBARON)	S BODY = (H - VOYAGER)(K - RAM VAN/ CARAVAN)
K BODY = (P - RELIANT)(D - ARIES)(C - LEBARON/ TOWN & COUNTRY)	

BODY STYLES

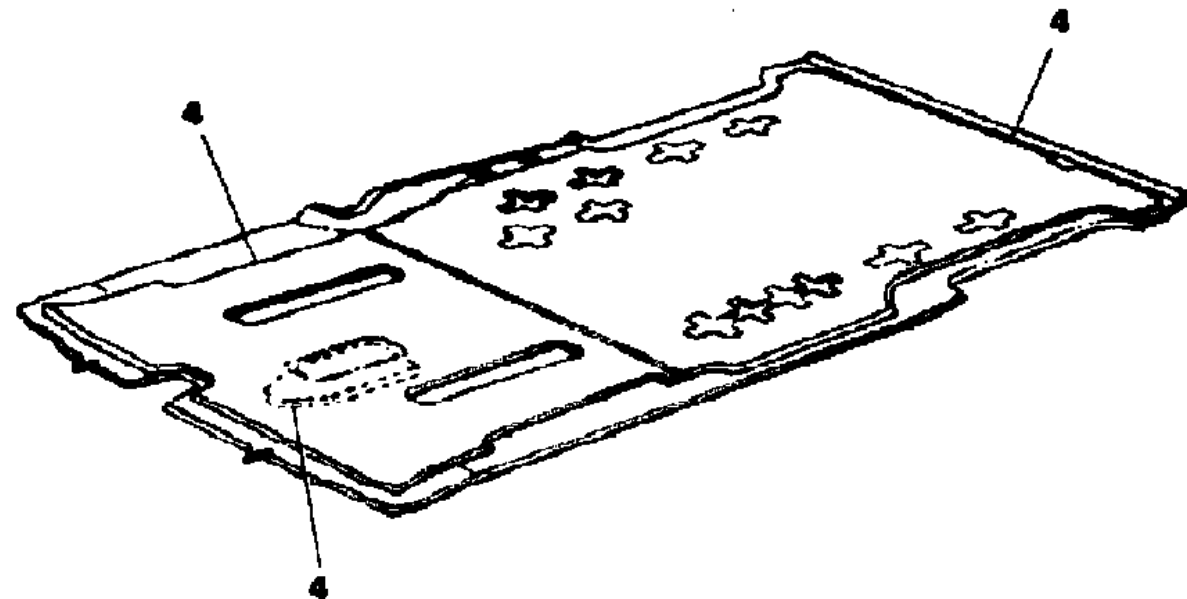
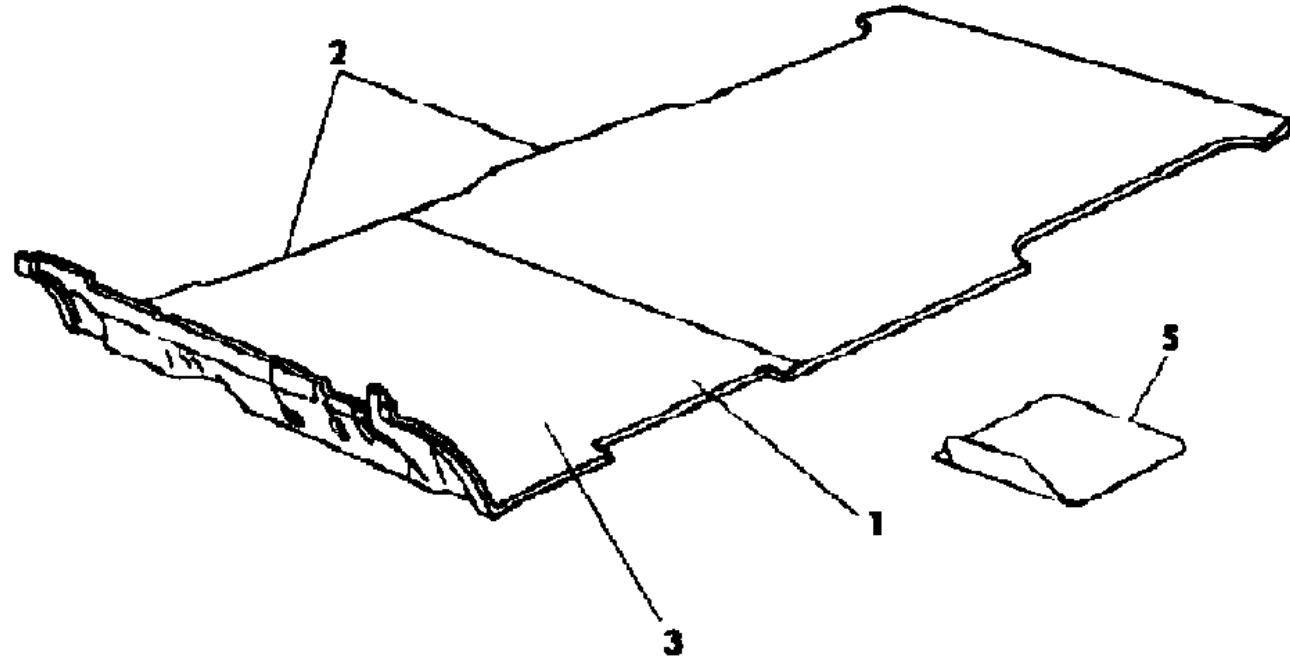
12-52 = FWD VAN & WAGON STD. W.B.	27 = 2-DOOR CONVERTIBLE
13-53 = FWD VAN & WGN EXT W.B.	41 = 4-DOOR SEDAN
21 = 2-DOOR SEDAN	44 = 4-DOOR HATCHBACK
24 = 2-DOOR HATCHBACK	45 = 4-DOOR STATION WAGON

AR = Use as Required - = Non Illustrated Part P.A.R. = Paint as Required

CARPET S BODY
Figure ITS-800

8242 800

ITEM	PART NUMBER	QTY	BODY	MODEL	DESCRIPTION
	M061 FC5	1		53	Blue
	M061 GR8	1		53	Red
	M061 FK3	1		53	Almond
	M061 FS8	1		53	Charcoal



MODEL CODES

C BODY = (D41 - DYNASTY)(C41 - NEW YORKER)
 E BODY = (J - CARAVELLE)(E - 600)(T - NEW YORKER TURBO)
 G BODY = (V24 - DAYTONA, PACIFICA & SHELBY)
 H BODY = (D44 - LANCER)(C44 - LEBARON GTS)
 J BODY = (C - LEBARON)
 K BODY = (P - RELIANT)(D - ARIES)(C - LEBARON/ TOWN & COUNTRY)
 L BODY = (M - HORIZON)(Z-OMNI)
 M BODY = (B - GRAN FURY)(G - DIPLOMAT)(F - FIFTH AVENUE/NEWPORT)
 P BODY = (P - SUNDANCE)(D - SHADOW)
 Q BODY = (C27 - MASERATI)
 S BODY = (H - VOYAGER)(K - RAM VAN/ CARAVAN)

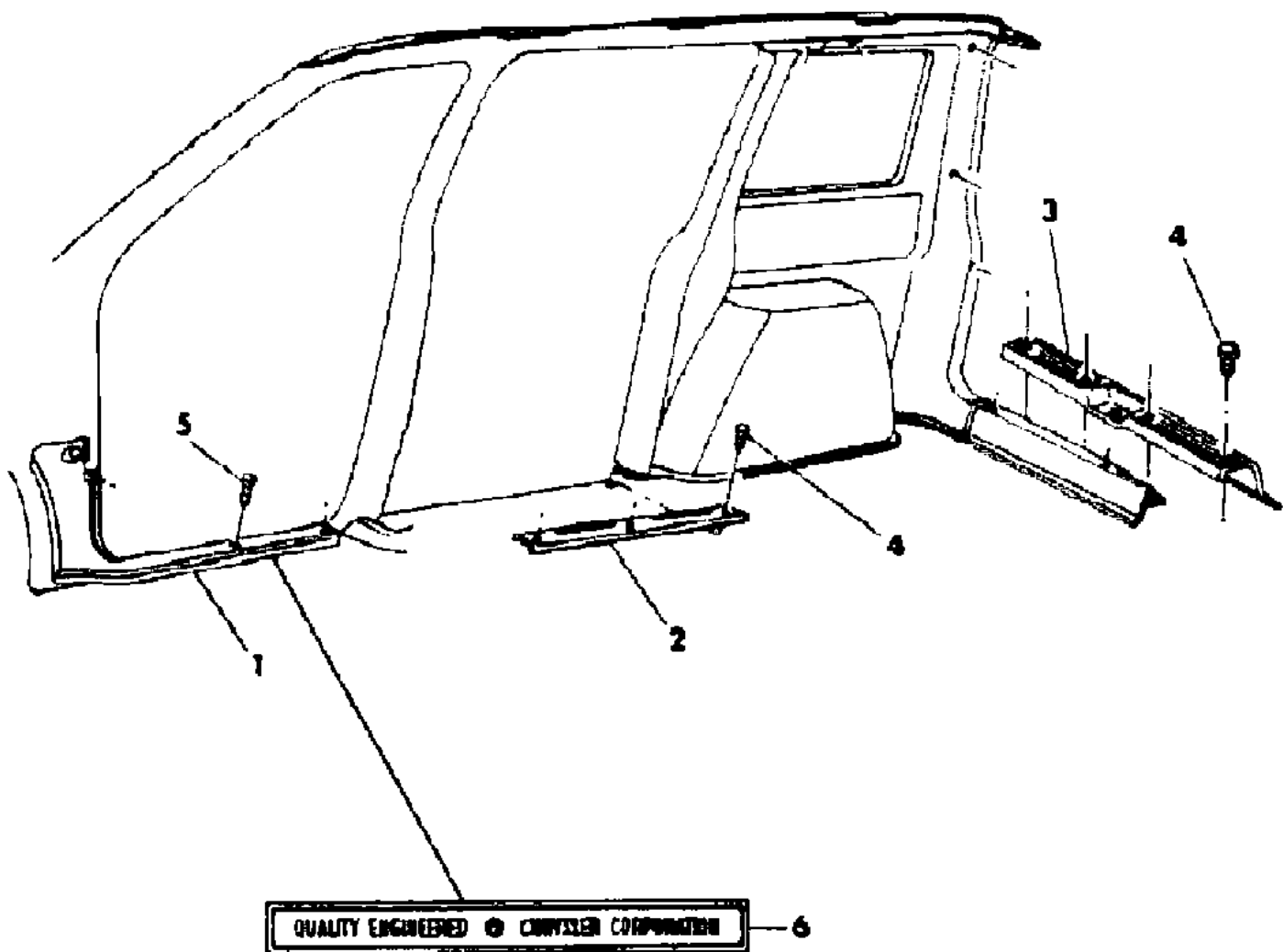
BODY STYLES

12-52 = FWD VAN & WAGON STD. W.B. 27 = 2-DOOR CONVERTIBLE
 13-53 = FWD VAN & WGN EXT W.B. 41 = 4-DOOR SEDAN
 21 = 2-DOOR SEDAN 44 = 4-DOOR HATCHBACK
 24 = 2-DOOR HATCHBACK 45 = 4-DOOR STATION WAGON

AR = Use as Required - = Non Illustrated Part P.A.R. = Paint as Required

SCUFF PLATES S BODY
Figure ITS-900

8242 900



ITEM	PART NUMBER	QTY	BODY	MODEL	DESCRIPTION
1					SCUFF PLATE and COWL
	F354-5 EK1	1			Almond, (P.A.R.)
2					PLATE, Sliding Door Scuff
	M917 FC5	1			Blue
	M917 GR8	1			Red
	M917 EK1	1			Almond
	M917 CS8	1			Charcoal
3					PLATE, Liftgate Rear Sill Scuff w/112" Wheelbase
	M916 FC5	1			Blue
	M916 GR8	1			Red
	M916 EK1	1			Almond
	M916 CA3	1			Silver
					w/119" Wheelbase
	H744 FC5	1			Blue
	H744 GR8	1			Red
	H744 FK1	1			Almond
	H744 FA3	1			Silver
4		AR			SCREW, (10-16x3/4) (Not Serv.)
5		AR			SCREW, (8-18x3/4) (Not Serv.)
6	4078 456	1			NAME PLATE

NOTE: (P.A.R.) = Paint As Required

MODEL CODES

C BODY = (D41 - DYNASTY)(C41 - NEW YORKER)	L BODY = (M - HORIZON)(Z-OMNI)
E BODY = (J - CARAVELLE)(E - 600)(T - NEW YORKER TURBO)	M BODY = (B - GRAN FURY)(G - DIPLOMAT)(F - FIFTH AVENUE/NEWPORT)
G BODY = (V24 - DAYTONA, PACIFICA & SHELBY)	P BODY = (P - SUNDANCE)(D - SHADOW)
H BODY = (D44 - LANCER)(C44 - LEBARON GTS)	Q BODY = (C27 - MASERATI)
J BODY = (C - LEBARON)	S BODY = (H - VOYAGER)(K - RAM VAN/ CARAVAN)
K BODY = (P - RELIANT)(D - ARIES)(C - LEBARON/ TOWN & COUNTRY)	

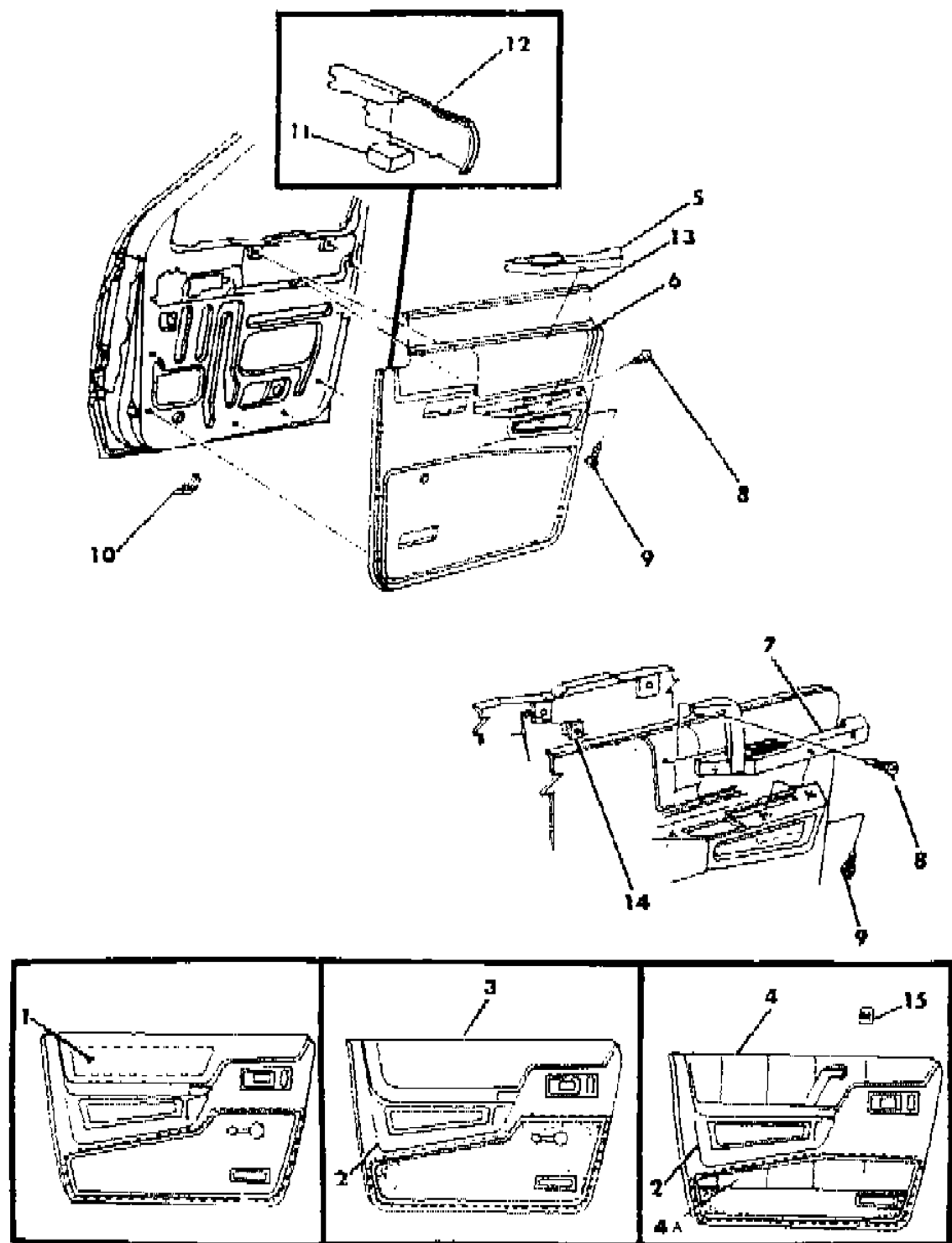
BODY STYLES

12-52 = FWD VAN & WAGON STD. W.B.	27 = 2-DOOR CONVERTIBLE
13-53 = FWD VAN & WGN EXT W.B.	41 = 4-DOOR SEDAN
21 = 2-DOOR SEDAN	44 = 4-DOOR HATCHBACK
24 = 2-DOOR HATCHBACK	45 = 4-DOOR STATION WAGON

AR = Use as Required - = Non Illustrated Part P.A.R. = Paint as Required

PANEL--DOOR TRIM FRONT S BODY
Figure ITS-1000

8242 1000 A



ITEM	PART NUMBER	QTY	BODY	MODEL	DESCRIPTION	
1					PANEL, Door Full	
	J280-1 CA3	1			VINYL Silver / Charcoal, (A8AS,C7AS,C8AS,ZZAS)	
	J280-1 GR8	1			Red, (C7R,C8R)	
	J280-1 EK1	1			Almond, (A8K,C7K,C8K,ZZK)	
2					PANEL and CARPET, Less Bolster	
	J866-7 GA3	1	P		Silver / Charcoal, D5AS,D9AS,J6AS,J5AS,S5AS,ZZAS)	
	J866-7 GC5	1	P		Blue, (D5C,J6C,J5C)	
	J866-7 GR8	1	P		Red, (D5R,D9R,J5R,J6R,S5R,ZZR)	
	J866-7 GK1	1	P		Almond, (D5K,D9K,J5K,J6K,S5K,ZZK)	
	J868-9 GA3	1	E-H-L		Silver / Charcoal, (D5AS,D9AS,J6AS,J5AS,S5AS,ZZAS)	
	J868-9 GC5	1	E-H-L		Blue, (D5C,J6C,J5C)	
	J868-9 GR8	1	E-H-L		Red, (D5R,D9R,J5R,J6R,S5R,ZZR)	
	J868-9 GK1	1	E-H-L		Almond, (D5K,D9K,J5K,J6K,S5K,ZZK)	
3					BOLSTER CLOTH	
	D198-9 FA3	1			Silver / Charcoal, (D5AS,D9AS,M5AS)	
	D198-9 FC5	1			Blue, (D5C,M5C)	
	D198-9 GR8	1			Red, (D5R,D9R,M5R)	
	D198-9 FK1	1			Almond, (D5K,D9K,M5K)	
4					BOLSTER, Upper	
					VINYL	
	D196-7 FA2	1			Silver / Charcoal, (J6AS,S5AS,ZZAS)	
	D196-7 FC5	1			Blue, (J6C)	
	D196-7 GR8	1			Red, (J6R,S5R,ZZR)	
		D196-7 FK1	1			Almond, (J6K,S5K,ZZK)
						CLOTH
	D698-9 FAS	1			Silver / Charcoal, (J5AS)	
	D698-9 GRR	1			Red, (J5R)	
	D698-9 FKK	1			Almond, (J5K)	
	D698-9 GCC	1			Blue, (J5C)	
4A					BOLSTER, w/o Pocket (Lower)	
	D994-5 GAS	1			Silver / Charcoal, (J5AS)	
	D994-5 GCC	1			Blue, (J5C)	
	D994-5 GKK	1			Almond, (J5K)	
	D994-5 GRR	1			Red, (J5R)	
5					PAD, Armrest	

MODEL CODES

C BODY = (D41 - DYNASTY)(C41 - NEW YORKER)
E BODY = (J - CARAVELLE)(E - 600)(T - NEW YORKER TURBO)
G BODY = (V24 - DAYTONA, PACIFICA & SHELBY)
H BODY = (D44 - LANCER)(C44 - LEBARON GTS)
J BODY = (C - LEBARON)
K BODY = (P - RELIANT)(D - ARIES)(C - LEBARON/ TOWN & COUNTRY)

L BODY = (M - HORIZON)(Z-OMNI)
M BODY = (B - GRAN FURY)(G - DIPLOMAT)(F - FIFTH AVENUE/NEWPORT)
P BODY = (P - SUNDANCE)(D - SHADOW)
Q BODY = (C27 - MASERATI)
S BODY = (H - VOYAGER)(K - RAM VAN/ CARAVAN)

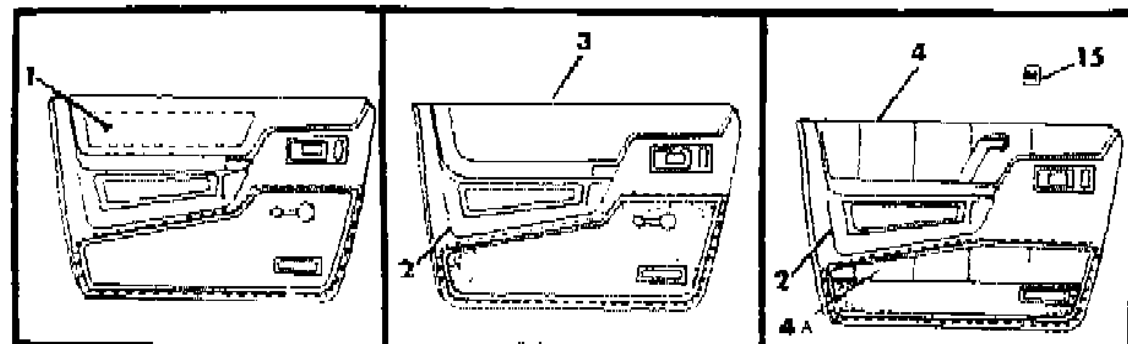
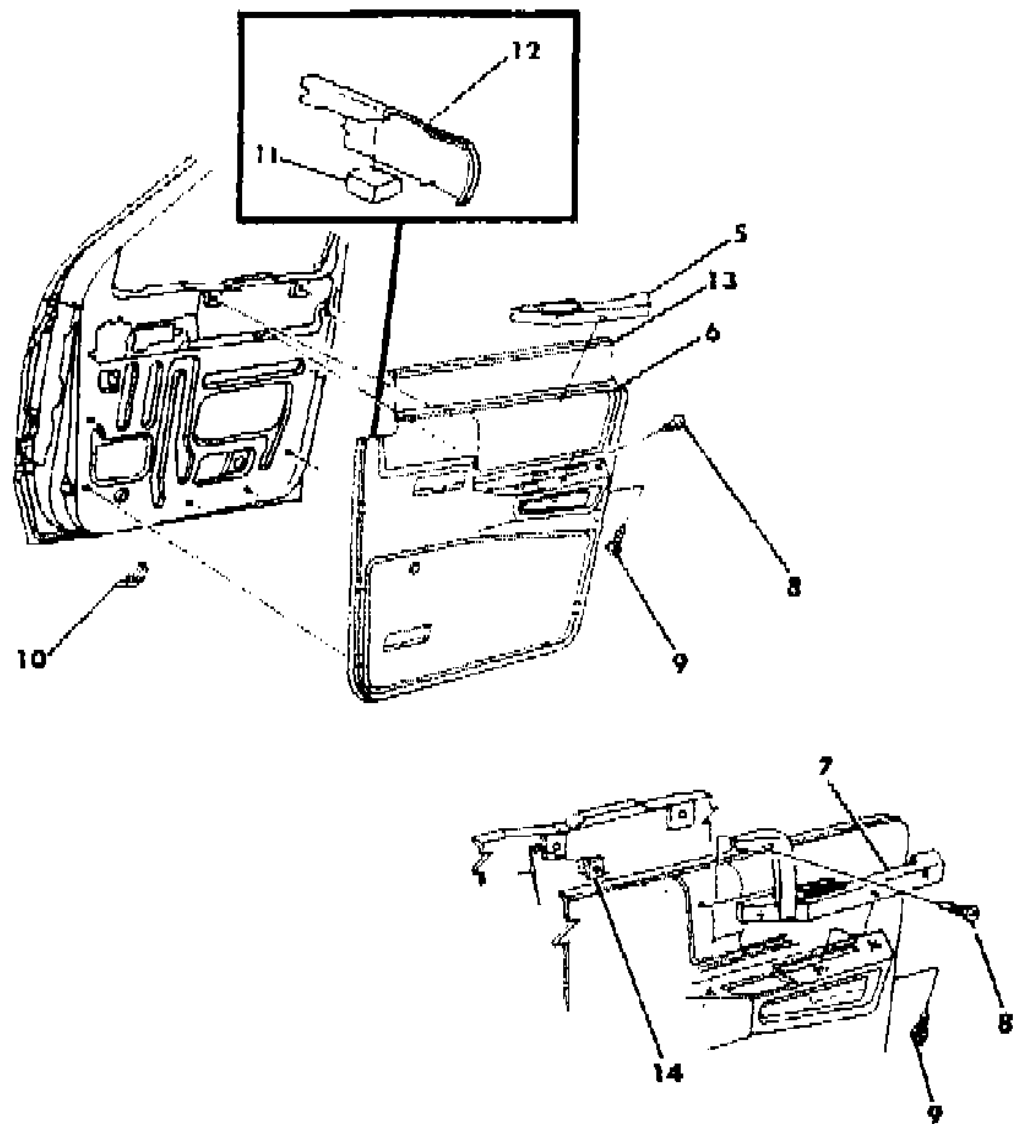
BODY STYLES

12-52 = FWD VAN & WAGON STD. W.B.	27 = 2-DOOR CONVERTIBLE
13-53 = FWD VAN & WGN EXT W.B.	41 = 4-DOOR SEDAN
21 = 2-DOOR SEDAN	44 = 4-DOOR HATCHBACK
24 = 2-DOOR HATCHBACK	45 = 4-DOOR STATION WAGON

AR = Use as Required - = Non Illustrated Part P.A.R. = Paint as Required

PANEL--DOOR TRIM FRONT S BODY
Figure ITS-1000

8242 1000 A



ITEM	PART NUMBER	QTY	BODY	MODEL	DESCRIPTION
					w/o Power Windows and Door Locks
	D464-5 CA3	1			Silver
	D464-5 GR8	1			Red
	D464-5 EK1	1			Almond
					w/Power Windows and Door Locks
	D466-7 CA3	1			Silver
	D466-7 GR8	1			Red
	D466-7 EK1	1			Almond
6	4198 910-1	1			SEAL, Belt Rear
7					ARMREST
					w/o Switches
	D480-1 FA3	1			Silver
	D480-1 FC5	1			Blue
	D480-1 GR8	1			Red
	D480-1 FK1	1			Almond
					w/Switches
	D482-3 FA3	1			Silver
	D482-3 FC5	1			Blue
	D482-3 GR8	1			Red
	D482-3 FK1	1			Almond
8					SCREW, (10-16x1 1/2) (Not Serv.)
9					SCREW, (8-18x3/4) (Not Serv.)
10	1623 945	18			FASTENER
11	4336 247	2			SEAL, Belt Front
12					PANEL, Door Trim (reference)
13	4248 710-1	1			WEATHERSTRIP
14	6000 943	2			NUT
15	6032 833	20			NUT, Bolster Retaining

MODEL CODES

C BODY = (D41 - DYNASTY)(C41 - NEW YORKER)
 E BODY = (J - CARAVELLE)(E - 600)(T - NEW YORKER TURBO)
 G BODY = (V24 - DAYTONA, PACIFICA & SHELBY)
 H BODY = (D44 - LANCER)(C44 - LEBARON GTS)
 J BODY = (C - LEBARON)
 K BODY = (P - RELIANT)(D - ARIES)(C - LEBARON/ TOWN & COUNTRY)

L BODY = (M - HORIZON)(Z-OMNI)
 M BODY = (B - GRAN FURY)(G - DIPLOMAT)(F - FIFTH AVENUE/NEWPORT)
 P BODY = (P - SUNDANCE)(D - SHADOW)
 Q BODY = (C27 - MASERATI)
 S BODY = (H - VOYAGER)(K - RAM VAN/ CARAVAN)

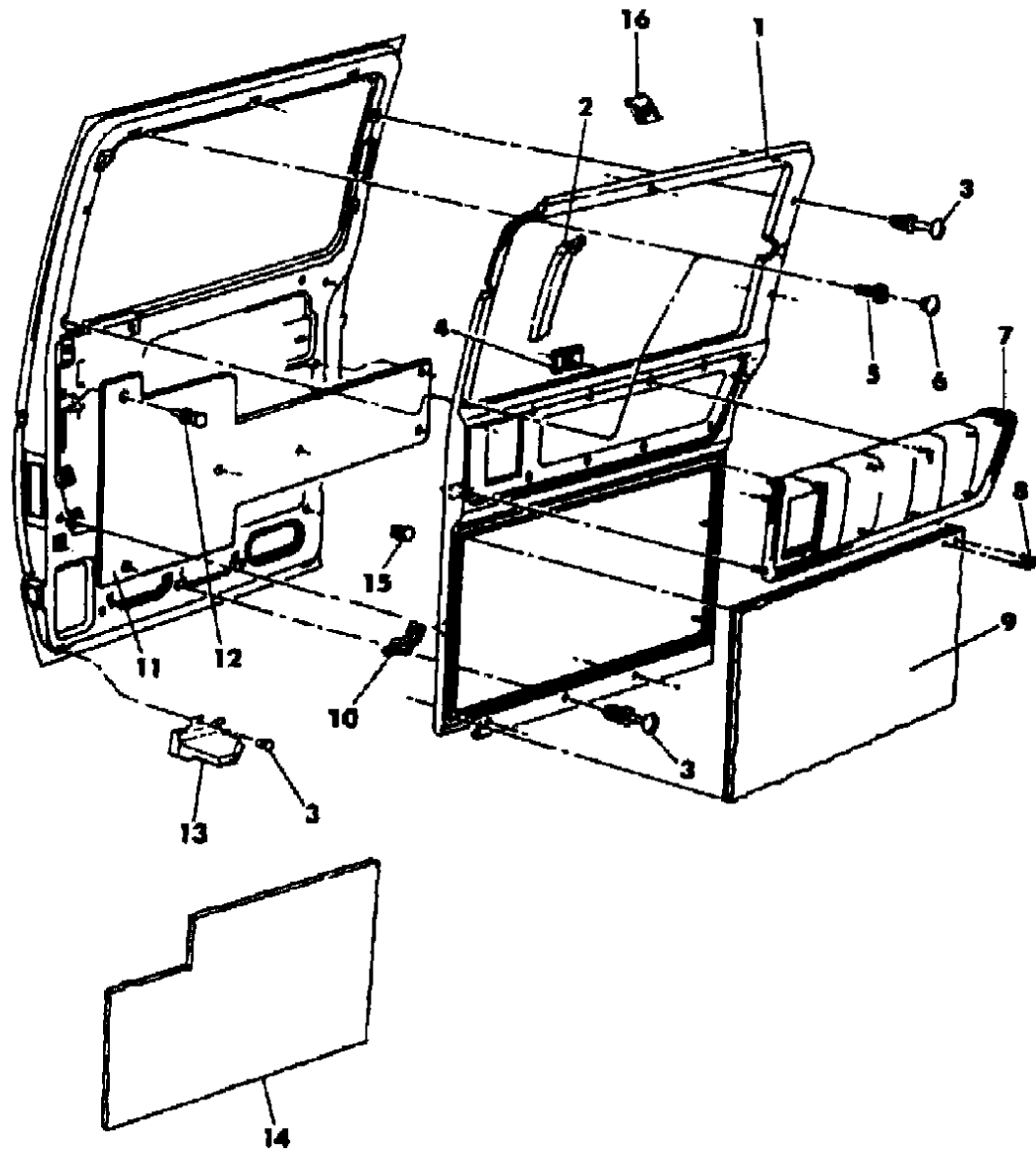
BODY STYLES

12-52 = FWD VAN & WAGON STD. W.B. 27 = 2-DOOR CONVERTIBLE
 13-53 = FWD VAN & WGN EXT W.B. 41 = 4-DOOR SEDAN
 21 = 2-DOOR SEDAN 44 = 4-DOOR HATCHBACK
 24 = 2-DOOR HATCHBACK 45 = 4-DOOR STATION WAGON

AR = Use as Required - = Non Illustrated Part P.A.R. = Paint as Required

PANEL--DOOR TRIM SLIDING S BODY
Figure ITS-1100

8242 1100 A



ITEM	PART NUMBER	QTY	BODY	MODEL	DESCRIPTION
1					PANEL, Sliding Door w/Carpet
	4504 504	1			w/112", 119" Wheelbase w/o Carpet, (P.A.R.) w/Carpet (Use Up To 12-14-87)
	J508 GC5	1			Blue
	J508 GR8	1			Red
	J508 GK1	1			Almond
	J508 GA3	1			Silver
					(Use After 12-14-87)
	J508 GC5	1			Blue
	J508 GR8	1			Red
	J508 GK1	1			Almond
	J508 GA3	1			Silver
2					COVER, Upper Arm Trim w/112", 119" Wheelbase
	F352 FA3	1			Silver
	F352 FC5	1			Blue
	F352 GR8	1			Red
	F352 FK1	1			Almond
3					FASTENER
	F155 BA3	7			Silver
	F155 EC5	7			Blue
	F155 GR8	7			Red
	F155 EK1	7			Almond
4	6032 431	11			NUT
5	6032 456	3			SCREW
6	F245 CA3	3			PLUG, (P.A.R.)
7					BOLSTER
					VINYL
	K644 FA2	1			Silver / Charcoal, (J6AS)
	K644 FC5	1			Blue, (J6C)
	K644 GR8	1			Red, (J6R)
	K644 FK1	1			Almond, (J6K)
					CLOTH
	K642 FAS	1			Silver / Charcoal, (J5AS)
	K642 GRR	1			Red, (J5R)

MODEL CODES

C BODY = (D41 - DYNASTY)(C41 - NEW YORKER)
 E BODY = (J - CARAVELLE)(E - 600)(T - NEW YORKER TURBO)
 G BODY = (V24 - DAYTONA, PACIFICA & SHELBY)
 H BODY = (D44 - LANCER)(C44 - LEBARON GTS)
 J BODY = (C - LEBARON)
 K BODY = (P - RELIANT)(D - ARIES)(C - LEBARON/ TOWN & COUNTRY)
 L BODY = (M - HORIZON)(Z-OMNI)
 M BODY = (B - GRAN FURY)(G - DIPLOMAT)(F - FIFTH AVENUE/NEWPORT)
 P BODY = (P - SUNDANCE)(D - SHADOW)
 Q BODY = (C27 - MASERATI)
 S BODY = (H - VOYAGER)(K - RAM VAN/ CARAVAN)

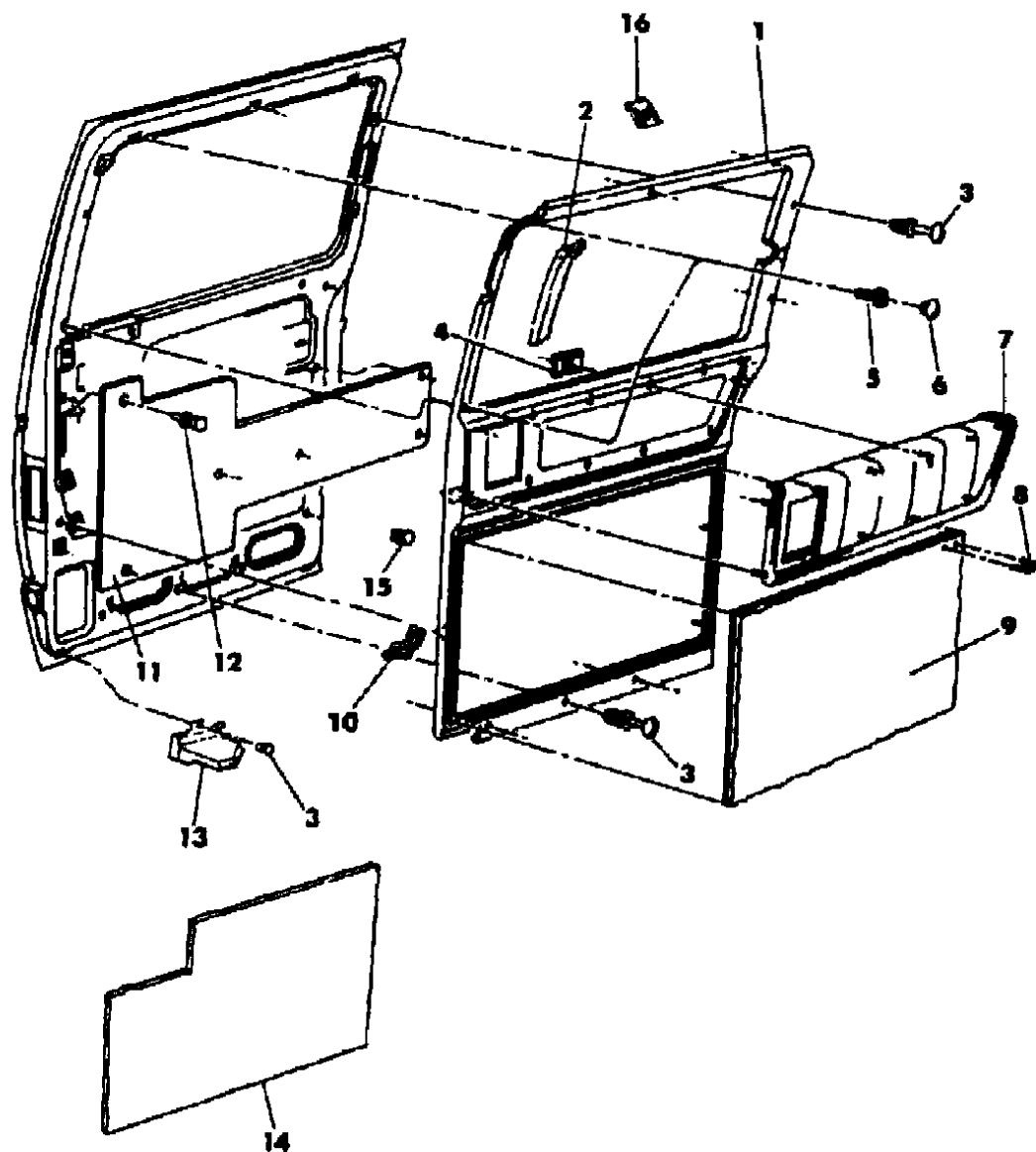
BODY STYLES

12-52 = FWD VAN & WAGON STD. W.B. 27 = 2-DOOR CONVERTIBLE
 13-53 = FWD VAN & WGN EXT W.B. 41 = 4-DOOR SEDAN
 21 = 2-DOOR SEDAN 44 = 4-DOOR HATCHBACK
 24 = 2-DOOR HATCHBACK 45 = 4-DOOR STATION WAGON

AR = Use as Required - = Non Illustrated Part P.A.R. = Paint as Required

PANEL--DOOR TRIM SLIDING S BODY
Figure ITS-1100

8242 1100 A



ITEM	PART NUMBER	QTY	BODY	MODEL	DESCRIPTION
	K642 FKK	1			Almond, (J5K)
	K642 GCC	1			Blue, (J5C)
	K640 FA3	1			Silver / Charcoal, (D5AS,D9AS,M5AS)
	K640 FC5	1			Blue, (D5C,M5C)
	K640 GR8	1			Red, (D5R,D9R,M5AS)
	K640 FK1	1			Almond, (D5K,D9K,M5AS)
8		AR			STAPLE, (Not Serv.)
9					CARPET, Sliding Door, (Service In Door Panel)
10	1623 945	5			FASTENER
11	4282 780	1			COVER, Sliding Door Inner Panel
12	6501 301	AR			FASTENER
13					COVER, Lower Roller Bracket
	H354 GA3	1			Silver
	H354 GC5	1			Blue
	H354 GR8	1			Red
	H354 GK1	1			Almond
14	4409 783	1			SILENCER, Door
15	6501 352	AR			FASTENER
16	6032 833	AR			FASTENER

NOTE: (P.A.R.) = Paint As Required

MODEL CODES

C BODY = (D41 - DYNASTY)(C41 - NEW YORKER)
 E BODY = (J - CARAVELLE)(E - 600)(T - NEW YORKER TURBO)
 G BODY = (V24 - DAYTONA, PACIFICA & SHELBY)
 H BODY = (D44 - LANCER)(C44 - LEBARON GTS)
 J BODY = (C - LEBARON)
 K BODY = (P - RELIANT)(D - ARIES)(C - LEBARON/ TOWN & COUNTRY)
 L BODY = (M - HORIZON)(Z-OMNI)
 M BODY = (B - GRAN FURY)(G - DIPLOMAT)(F - FIFTH AVENUE/NEWPORT)
 P BODY = (P - SUNDANCE)(D - SHADOW)
 Q BODY = (C27 - MASERATI)
 S BODY = (H - VOYAGER)(K - RAM VAN/ CARAVAN)

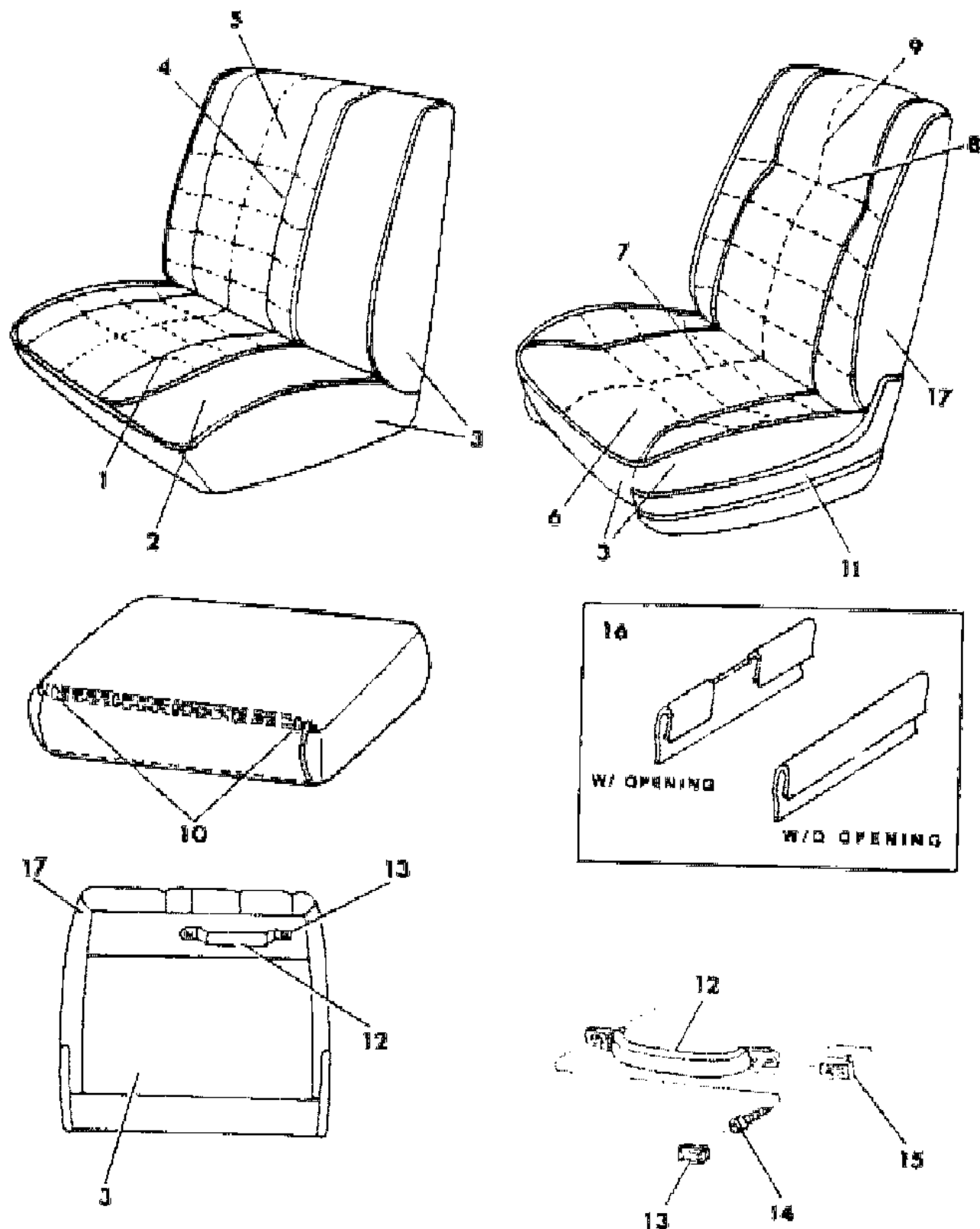
BODY STYLES

12-52 = FWD VAN & WAGON STD. W.B. 27 = 2-DOOR CONVERTIBLE
 13-53 = FWD VAN & WGN EXT W.B. 41 = 4-DOOR SEDAN
 21 = 2-DOOR SEDAN 44 = 4-DOOR HATCHBACK
 24 = 2-DOOR HATCHBACK 45 = 4-DOOR STATION WAGON

AR = Use as Required - = Non Illustrated Part P.A.R. = Paint as Required

SEAT--FRONT S BODY TRIM CODES D9
Figure ITS-1200

8242 1200 A



ITEM	PART NUMBER	QTY	BODY	MODEL	DESCRIPTION
1					CUSHION, w/Spring/Frame, Pad and Cover Right
	G700 F7A	1			CLOTH Silver / Charcoal, (D9AS)
	G700 G7R	1			Red, (D9R)
	G700 F7K	1			Almond, (D9K)
2					COVER, Cushion Right
	G004 F7A	1			CLOTH Silver / Charcoal, (D9AS)
	G004 G7R	1			Red, (D9R)
	G004 F7K	1			Almond, (D9K)
3					ROLL STOCK, Vinyl Order By The Inch
	R600 EE8	AR			Red, 54" Wide
	R600 EK1	AR			Almond, 54" Wide
	R609 CS8	1			Charcoal, 58" Wide
4					BACK, w/Spring/Frame, Pad and Cover Right
	G692 F7A	1			CLOTH Silver / Charcoal, (D9AS)
	G692 G7R	1			Red, (D9R)
	G692 F7K	1			Almond, (D9K)
5					COVER, Back Right
	G006 F7A	1			CLOTH Silver / Charcoal, (D9AS)
	G006 G7R	1			Red, (D9R)
	G006 F7K	1			Almond, (D9K)
6					CUSHION, w/Spring/Frame, Pad and Cover Left
	A328 G7A	1			CLOTH Silver / Charcoal, (D9AS)
	A328 G7R	1			Red, (D9R)
	A328 G7K	1			Almond, (D9K,)
7					COVER, Cushion Left
	G002 F7A	1			CLOTH Silver / Charcoal, (D9AS)
	G002 G7R	1			Red, (D9R)
	G002 F7K	1			Almond, (D9K)
8					BACK, w/Spring/Frame, Pad and Cover Left
	G620 F7A	1			CLOTH Silver / Charcoal, (D9AS)

MODEL CODES

C BODY = (D41 - DYNASTY)(C41 - NEW YORKER)
 E BODY = (J - CARAVELLE)(E - 600)(T - NEW YORKER TURBO)
 G BODY = (V24 - DAYTONA, PACIFICA & SHELBY)
 H BODY = (D44 - LANCER)(C44 - LEBARON GTS)
 J BODY = (C - LEBARON)
 K BODY = (P - RELIANT)(D - ARIES)(C - LEBARON/ TOWN & COUNTRY)

L BODY = (M - HORIZON)(Z-OMNI)
 M BODY = (B - GRAN FURY)(G - DIPLOMAT)(F - FIFTH AVENUE/NEWPORT)
 P BODY = (P - SUNDANCE)(D - SHADOW)
 Q BODY = (C27 - MASERATI)
 S BODY = (H - VOYAGER)(K - RAM VAN/ CARAVAN)

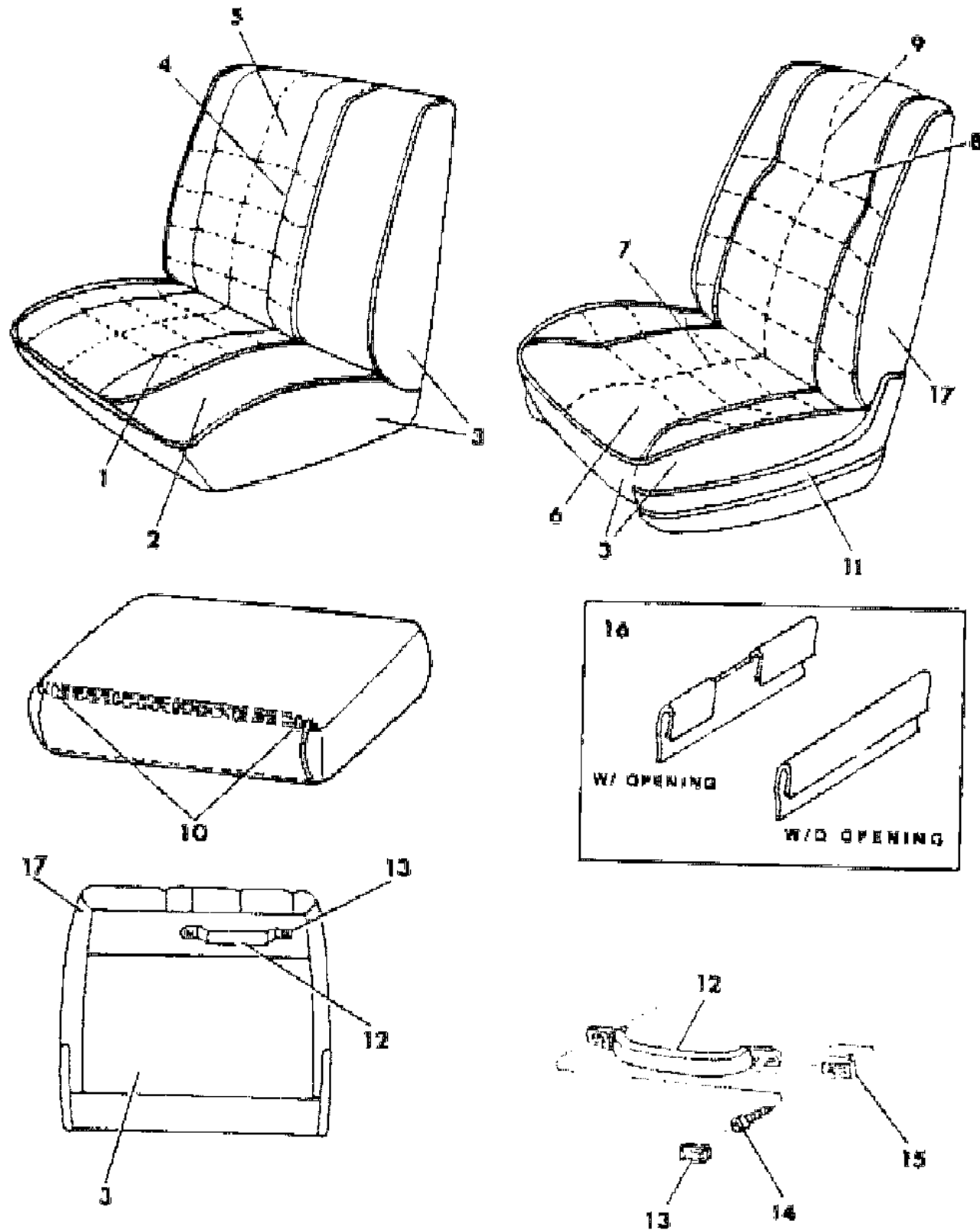
BODY STYLES

12-52 = FWD VAN & WAGON STD. W.B. 27 = 2-DOOR CONVERTIBLE
 13-53 = FWD VAN & WGN EXT W.B. 41 = 4-DOOR SEDAN
 21 = 2-DOOR SEDAN 44 = 4-DOOR HATCHBACK
 24 = 2-DOOR HATCHBACK 45 = 4-DOOR STATION WAGON

AR = Use as Required - = Non Illustrated Part P.A.R. = Paint as Required

SEAT--FRONT S BODY TRIM CODES D9
Figure ITS-1200

8242 1200 A



ITEM	PART NUMBER	QTY	BODY	MODEL	DESCRIPTION
	G620 G7R	1			Red, (D9R)
	G620 F7K	1			Almond, (D9K)
9					COVER, Back Left CLOTH
	G032 F7A	1			Silver / Charcoal, (D9AS)
	G032 G7R	1			Red, (D9R)
	G032 F7K	1			Almond, (D9K)
10	6008 076	AR			HOG RING
11					SHIELD, Cushion and Back
	S760 FK1	1			Passenger Outboard
	S268 FK1	1			Driver Outboard
12					HANDLE
	D254 CS8	1			Silver, (D9AS)
	D254 GR8	1			Red, (D9R)
	D254 EK1	1			Almond, (D9K)
13	4380 432	2			COVER, Handle
14	6501 518	AR			SCREW
15	4010 348	2			CAP, Handle End
16					RETAINER, Trim OUTSIDE
	4376 405	1			Rear
	4376 401	1			Side
	4376 403	1			Front INSIDE
	4376 404	1			Front
	4376 402	1			Side
	4376 406	1			Rear
17					ROLL STOCK, Vinyl Order By The Inch
	R635 CS8	AR			Charcoal, 54" Wide
	R635 GR8	AR			Red, 54" Wide
	R635 EK1	AR			Almond, 54" Wide

MODEL CODES

C BODY = (D41 - DYNASTY)(C41 - NEW YORKER)
 E BODY = (J - CARAVELLE)(E - 600)(T - NEW YORKER TURBO)
 G BODY = (V24 - DAYTONA, PACIFICA & SHELBY)
 H BODY = (D44 - LANCER)(C44 - LEBARON GTS)
 J BODY = (C - LEBARON)
 K BODY = (P - RELIANT)(D - ARIES)(C - LEBARON/ TOWN & COUNTRY)

L BODY = (M - HORIZON)(Z-OMNI)
 M BODY = (B - GRAN FURY)(G - DIPLOMAT)(F - FIFTH AVENUE/NEWPORT)
 P BODY = (P - SUNDANCE)(D - SHADOW)
 Q BODY = (C27 - MASERATI)
 S BODY = (H - VOYAGER)(K - RAM VAN/ CARAVAN)

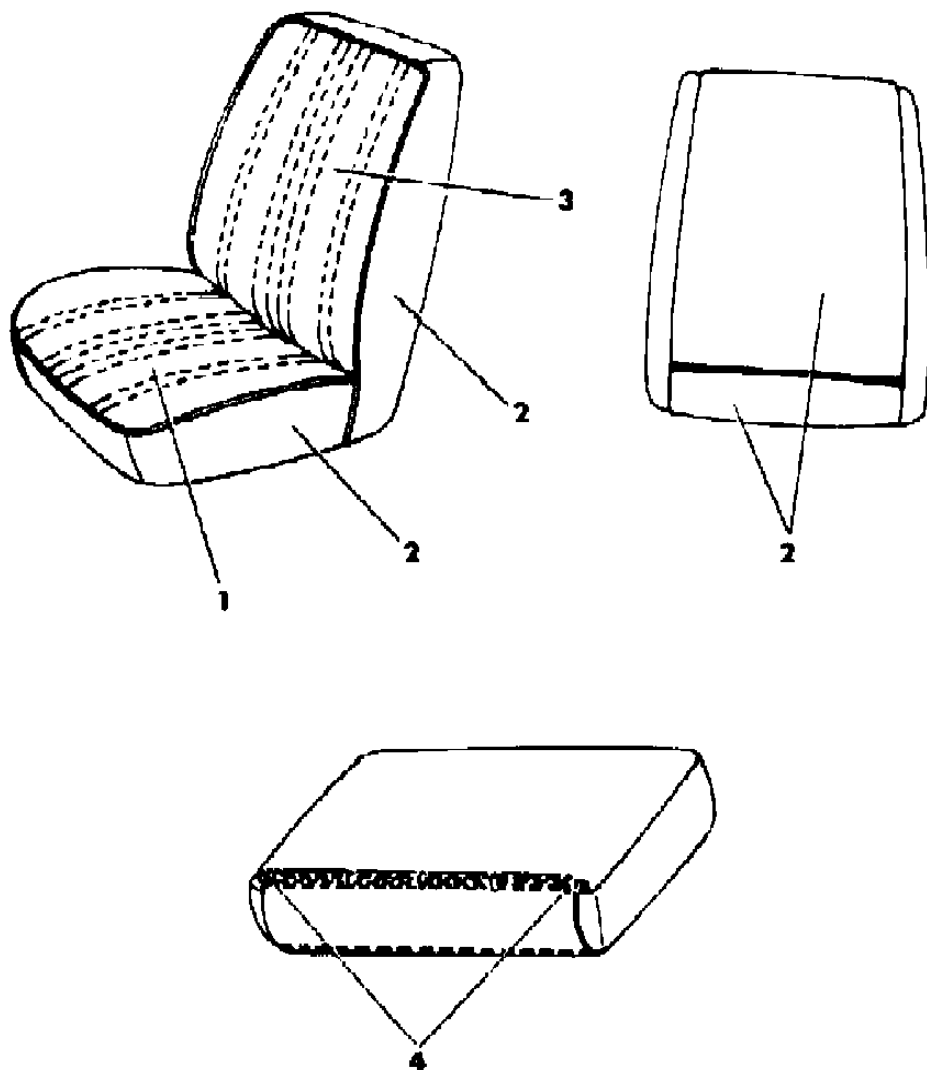
BODY STYLES

12-52 = FWD VAN & WAGON STD. W.B. 27 = 2-DOOR CONVERTIBLE
 13-53 = FWD VAN & WGN EXT W.B. 41 = 4-DOOR SEDAN
 21 = 2-DOOR SEDAN 44 = 4-DOOR HATCHBACK
 24 = 2-DOOR HATCHBACK 45 = 4-DOOR STATION WAGON

AR = Use as Required - = Non Illustrated Part P.A.R. = Paint as Required

SEAT--FRONT S BODY TRIM CODE A8
Figure ITS-1300

8242 1300



ITEM	PART NUMBER	QTY	BODY	MODEL	DESCRIPTION
1-2					CUSHION, w/Spring/Frame, Pad and Cover
	G812-3 D8A	1			VINYL Silver / Charcoal, (A8AS)
	G812-3 E8K	1			Almond, (A8K)
1					COVER, Cushion
	G444-5 D8A	1			VINYL Silver / Charcoal, (A8AS)
	G444-5 E8K	1			Almond, (A8K)
2					ROLL STOCK, Vinyl 54" Wide, Order By The Inch
	R632 EK1	AR			Almond
	R632 CS8	AR			Charcoal
2-3					BACK, w/Spring/Frame, Pad and Cover
	G906 F8A	1			VINYL Silver / Charcoal, (A8AS)
	G906 F8K	1			Almond, (A8K)
3					COVER, Back
	G440 F8A	2			VINYL Silver / Charcoal, (A8AS)
	G440 F8K	2			Almond, (A8K)
4	6008 076	AR			HOG RING

MODEL CODES

C BODY = (D41 - DYNASTY)(C41 - NEW YORKER)	L BODY = (M - HORIZON)(Z-OMNI)
E BODY = (J - CARAVELLE)(E - 600)(T - NEW YORKER TURBO)	M BODY = (B - GRAN FURY)(G - DIPLOMAT)(F - FIFTH AVENUE/NEWPORT)
G BODY = (V24 - DAYTONA, PACIFICA & SHELBY)	P BODY = (P - SUNDANCE)(D - SHADOW)
H BODY = (D44 - LANCER)(C44 - LEBARON GTS)	Q BODY = (C27 - MASERATI)
J BODY = (C - LEBARON)	S BODY = (H - VOYAGER)(K - RAM VAN/ CARAVAN)
K BODY = (P - RELIANT)(D - ARIES)(C - LEBARON/ TOWN & COUNTRY)	

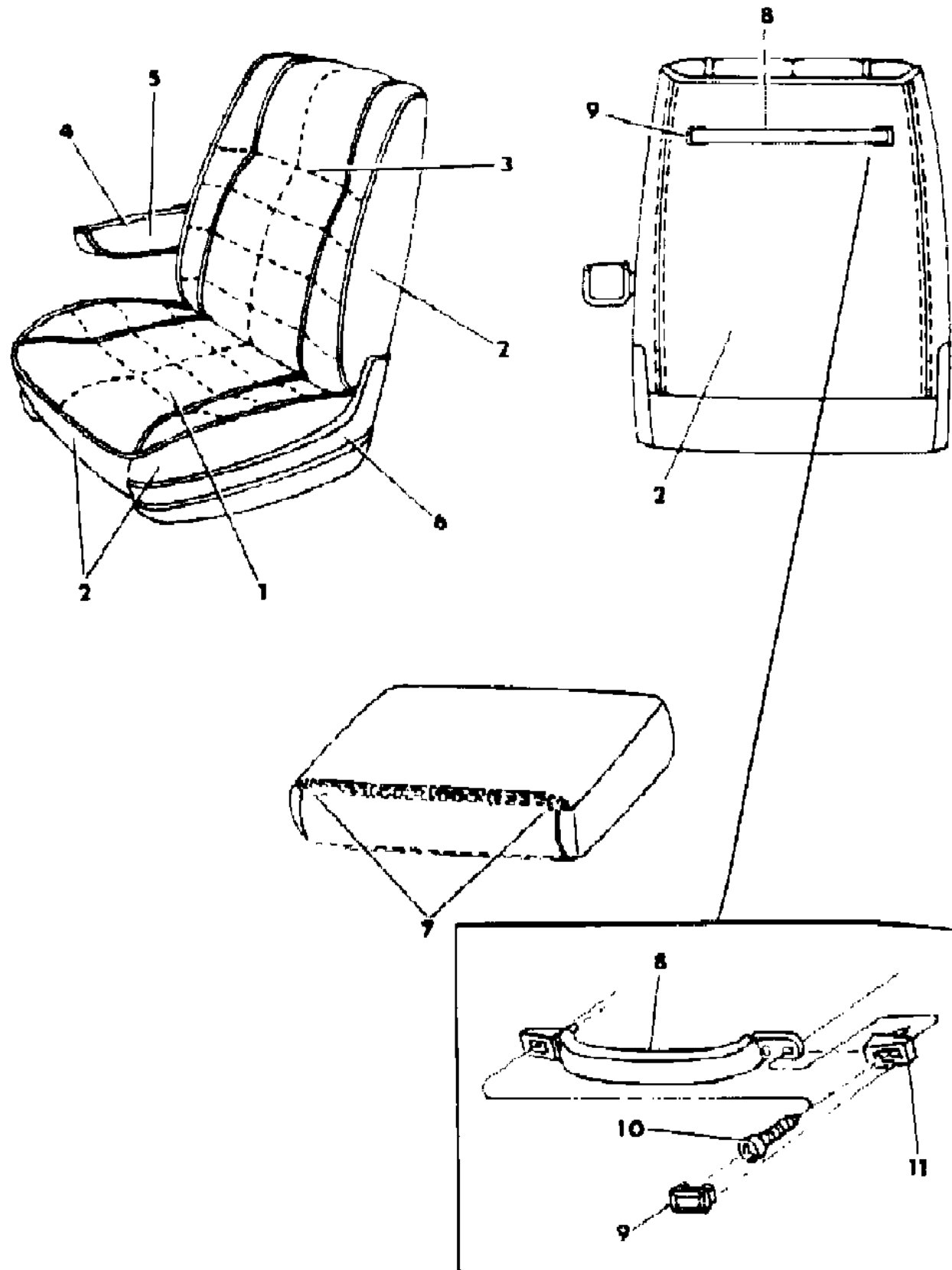
BODY STYLES

12-52 = FWD VAN & WAGON STD. W.B.	27 = 2-DOOR CONVERTIBLE
13-53 = FWD VAN & WGN EXT W.B.	41 = 4-DOOR SEDAN
21 = 2-DOOR SEDAN	44 = 4-DOOR HATCHBACK
24 = 2-DOOR HATCHBACK	45 = 4-DOOR STATION WAGON

AR = Use as Required - = Non Illustrated Part P.A.R. = Paint as Required

SEAT--FRONT S BODY TRIM CODES C7, C8
Figure ITS-1400

8242 1400



ITEM	PART NUMBER	QTY	BODY	MODEL	DESCRIPTION
1					CUSHION, w/Spring/Frame, Pad and Cover
	G506-7 F7A	1			CLOTH Silver / Charcoal, (C7AS)
	G506-7 G7R	1			Red, (C7R)
	G506-7 F7K	1			Almond, (C7K)
	G834-5 D8A	1			VINYL Silver / Charcoal, (C8AS)
	G834-5 G8R	1			Red, (C8R)
	G834-5 E8K	1			Almond, (C8K)
1					COVER, Cushion
	G002-3 F7A	1			CLOTH Silver / Charcoal, (C7AS)
	G002-3 G7R	1			Red, (C7R)
	G002-3 F7K	1			Almond, (C7K)
	G448-9 D8A	1			VINYL Silver / Charcoal, (C8AS)
	G448-9 G8R	1			Red, (C8R)
	G448-9 E8K	1			Almond, (C8K)
2					ROLL STOCK, Vinyl Order By The Inch
	R609 CS8	AR			Charcoal, 58" Wide (C7AS, C8AS)
	R600 EE8	AR			Red 54" Wide (C7E, C8E)
	R600 EK1	AR			Almond 54" Wide (C7K, C8K)
2-3					BACK, w/Spring/Frame, Pad and Cover
	G620-1 F7A	1			CLOTH Silver / Charcoal, (C7AS)
	G620-1 G7R	1			Red, (C7R)
	G620-1 F7K	1			Almond, (C7K)
	G680-1 F8A	1			VINYL Silver / Charcoal, (C8AS)
	G680-1 G8R	1			Red, (C8R)
	G680-1 F8K	1			Almond, (C8K)
3					COVER, Back
	G032 F7A	2			CLOTH Silver / Charcoal, (C7AS)
	G032 G7R	2			Red, (C7R)
	G032 F7K	2			Almond, (C7K)
					VINYL

MODEL CODES

C BODY = (D41 - DYNASTY)(C41 - NEW YORKER)
 E BODY = (J - CARAVELLE)(E - 600)(T - NEW YORKER TURBO)
 G BODY = (V24 - DAYTONA, PACIFICA & SHELBY)
 H BODY = (D44 - LANCER)(C44 - LEBARON GTS)
 J BODY = (C - LEBARON)
 K BODY = (P - RELIANT)(D - ARIES)(C - LEBARON/ TOWN & COUNTRY)
 L BODY = (M - HORIZON)(Z-OMNI)
 M BODY = (B - GRAN FURY)(G - DIPLOMAT)(F - FIFTH AVENUE/NEWPORT)
 P BODY = (P - SUNDANCE)(D - SHADOW)
 Q BODY = (C27 - MASERATI)
 S BODY = (H - VOYAGER)(K - RAM VAN/ CARAVAN)

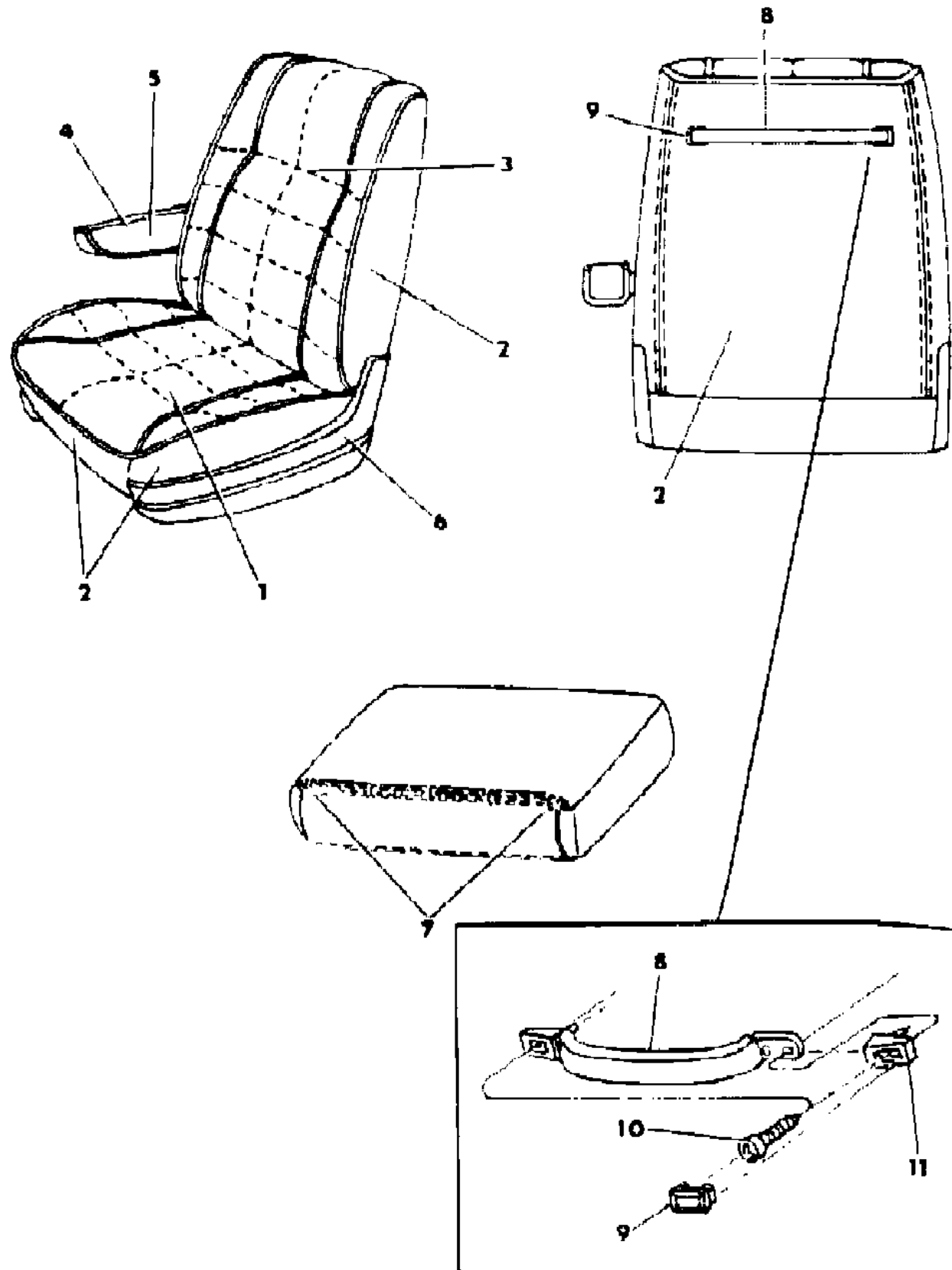
BODY STYLES

12-52 = FWD VAN & WAGON STD. W.B. 27 = 2-DOOR CONVERTIBLE
 13-53 = FWD VAN & WGN EXT W.B. 41 = 4-DOOR SEDAN
 21 = 2-DOOR SEDAN 44 = 4-DOOR HATCHBACK
 24 = 2-DOOR HATCHBACK 45 = 4-DOOR STATION WAGON

AR = Use as Required - = Non Illustrated Part P.A.R. = Paint as Required

SEAT--FRONT S BODY TRIM CODES C7, C8
Figure ITS-1400

8242 1400



ITEM	PART NUMBER	QTY	BODY	MODEL	DESCRIPTION
	G033 F8A	2			Silver / Charcoal, (C8AS)
	G033 G8R	2			Red, (C8R)
	G033 F8K	1			Almond, (C8K)
4					ARMREST and COVER
	A426 GS8	2			Charcoal
	A426 GC5	2			Blue
	A426 GR8	2			Red
	A426 GK1	2			Almond
5					ARMREST, Cover
	A288 GS8	2			Charcoal
	A288 GC5	2			Blue
	A288 GR8	2			Red
	A288 GK1	2			Almond
6					SHIELD, Cushion and Back (Non Reclining) (P.A.R.) PASSENGER SEAT
	S266 FK1	1			Outboard
	S269 FK1	1			Inboard
					DRIVER SEAT
	S267 FK1	1			Outboard
	S268 FK1	1			Inboard
-	6500 453	4			NUT, Stamped
7	6008 076	AR			HOG RING
8					HANDLE, Assist (Right Only)
	D254 FC5	1			Blue
	D254 GR8	1			Red
	D254 EK1	1			Almond
	D254 CS8	1			Charcoal
9	4380 432	2			COVER, Assist Handle
10	6501 518	AR			SCREW, Handle Attaching
11	4010 348	2			CAP, Handle End

NOTE: (P.A.R.) = Paint As Required
NOTE: For Arm Rest Attaching Parts See Ill. Number 2000

MODEL CODES

C BODY = (D41 - DYNASTY)(C41 - NEW YORKER)
E BODY = (J - CARAVELLE)(E - 600)(T - NEW YORKER TURBO)
G BODY = (V24 - DAYTONA, PACIFICA & SHELBY)
H BODY = (D44 - LANCER)(C44 - LEBARON GTS)
J BODY = (C - LEBARON)
K BODY = (P - RELIANT)(D - ARIES)(C - LEBARON/ TOWN & COUNTRY)

L BODY = (M - HORIZON)(Z-OMNI)
M BODY = (B - GRAN FURY)(G - DIPLOMAT)(F - FIFTH AVENUE/NEWPORT)
P BODY = (P - SUNDANCE)(D - SHADOW)
Q BODY = (C27 - MASERATI)
S BODY = (H - VOYAGER)(K - RAM VAN/ CARAVAN)

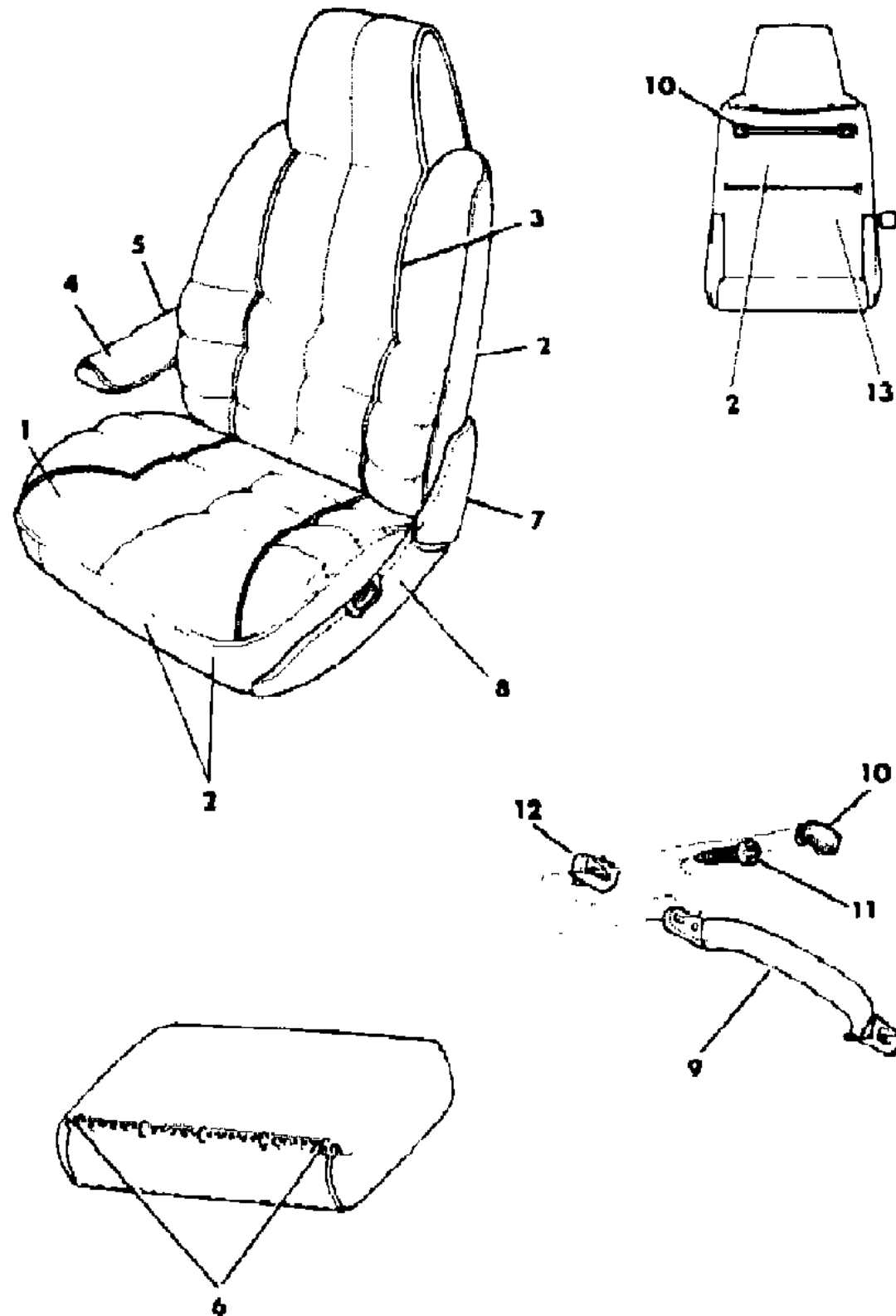
BODY STYLES

12-52 = FWD VAN & WAGON STD. W.B. 27 = 2-DOOR CONVERTIBLE
13-53 = FWD VAN & WGN EXT W.B. 41 = 4-DOOR SEDAN
21 = 2-DOOR SEDAN 44 = 4-DOOR HATCHBACK
24 = 2-DOOR HATCHBACK 45 = 4-DOOR STATION WAGON

AR = Use as Required - = Non Illustrated Part P.A.R. = Paint as Required

SEAT--FRONT S BODY TRIM CODE D5, M5
Figure ITS-1500

8242 1500



ITEM	PART NUMBER	QTY	BODY	MODEL	DESCRIPTION
1-2					CUSHION, w/Spring/Frame, Pad and Cover
					CLOTH
	G534-5 F5A	1			Silver / Charcoal, (D5AS)
	G534-5 F5C	1			Blue, (D5C)
	G534-5 G5R	1			Red, (D5R)
	G534-5 F5K	1			Almond, (D5K)
	G206-7 G5A	1			Silver / Charcoal, (M5AS)
	G206-7 G5C	1			Blue, (M5C)
	G206-7 G5R	1			Red, (M5R)
	G206-7 G5K	1			Almond, (M5K)
					ELECTRIC, LEFT
	G531 F5A	1			Silver / Charcoal, (D5AS)
	G531 F5C	1			Blue, (D5C)
	G531 G5R	1			Red, (D5R)
	G531 F5K	1			Almond, (D5K)
1					COVER, Cushion
					CLOTH
	G034-5 F7A	1			Silver / Charcoal, (D5AS)
	G034-5 F7C	1			Blue, (D5C)
	G034-5 G7R	1			Red, (D5R)
	G034-5 F7K	1			Almond, (D5K)
					COVER and PAD (For M-5 Trim Code Only)
	G196-7 G5A	1			Silver / Charcoal, (M5AS)
	G196-7 G5C	1			Blue, (M5C)
	G196-7 G5R	1			Red, (M5R)
	G196-7 G5K	1			Almond, (M5K)
2					ROLL STOCK, Vinyl Order By The Inch
	R609 CS8	AR			Charcoal, 58" Wide (D5AS)
	R600 EC5	AR			Blue, 54" Wide,(D5C)
	R600 EE8	AR			Red, 54" Wide (D5R)
	R600 EK1	AR			Almond, 54" Wide (D5K)
2-3					BACK, w/Spring/Frame, Pad and Cover
					CLOTH
	G158-9 F5A	1			Silver / Charcoal, (D5AS)
	G158-9 F5C	1			Blue, (D5C)
	G158-9 G5R	1			Red, (D5R)
	G158-9 F5K	1			Almond, (D5K)

MODEL CODES

C BODY = (D41 - DYNASTY)(C41 - NEW YORKER)
 E BODY = (J - CARAVELLE)(E - 600)(T - NEW YORKER TURBO)
 G BODY = (V24 - DAYTONA, PACIFICA & SHELBY)
 H BODY = (D44 - LANCER)(C44 - LEBARON GTS)
 J BODY = (C - LEBARON)
 K BODY = (P - RELIANT)(D - ARIES)(C - LEBARON/ TOWN & COUNTRY)

L BODY = (M - HORIZON)(Z-OMNI)
 M BODY = (B - GRAN FURY)(G - DIPLOMAT)(F - FIFTH AVENUE/NEWPORT)
 P BODY = (P - SUNDANCE)(D - SHADOW)
 Q BODY = (C27 - MASERATI)
 S BODY = (H - VOYAGER)(K - RAM VAN/ CARAVAN)

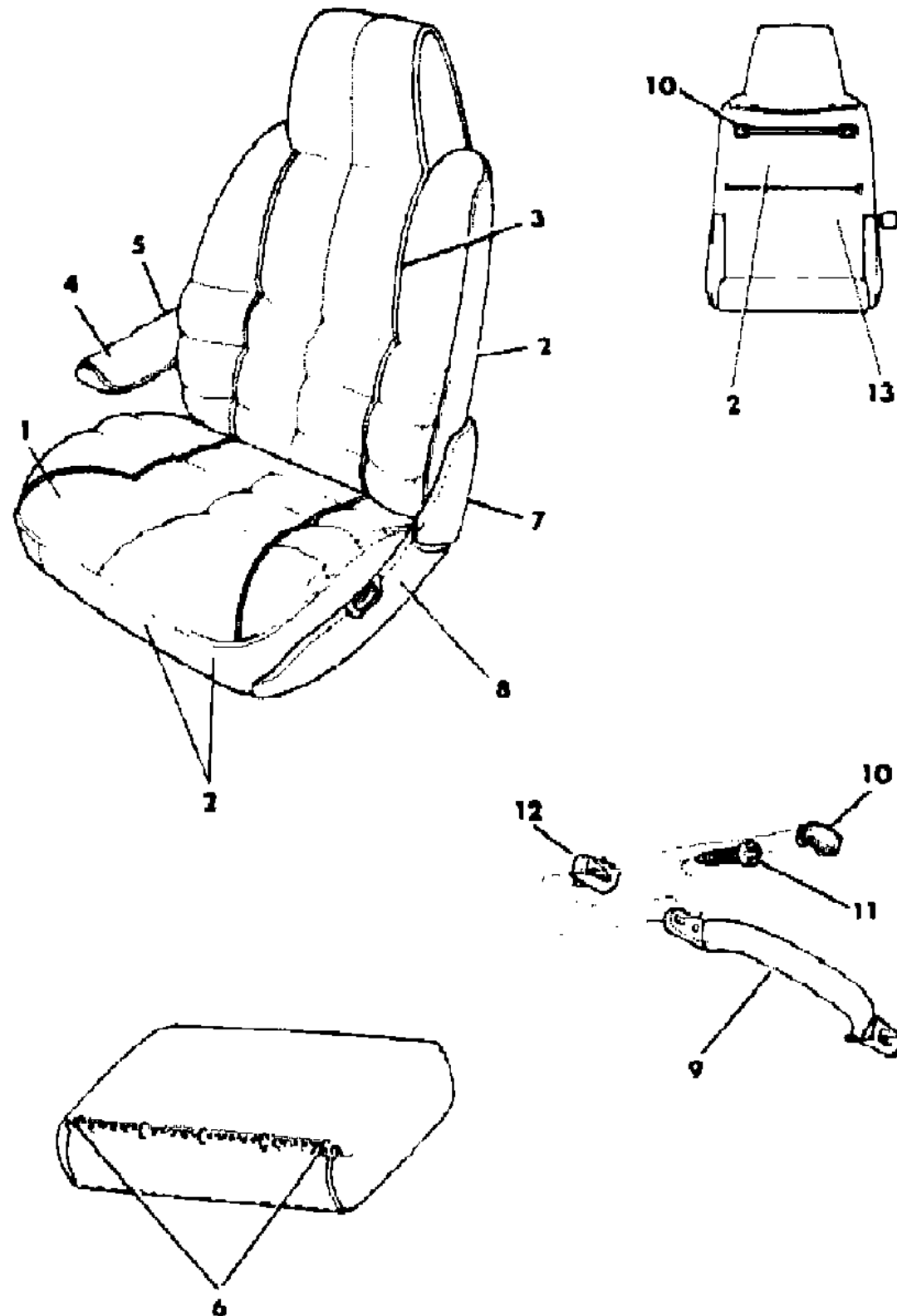
BODY STYLES

12-52 = FWD VAN & WAGON STD. W.B. 27 = 2-DOOR CONVERTIBLE
 13-53 = FWD VAN & WGN EXT W.B. 41 = 4-DOOR SEDAN
 21 = 2-DOOR SEDAN 44 = 4-DOOR HATCHBACK
 24 = 2-DOOR HATCHBACK 45 = 4-DOOR STATION WAGON

AR = Use as Required - = Non Illustrated Part P.A.R. = Paint as Required

SEAT--FRONT S BODY TRIM CODE D5, M5
Figure ITS-1500

8242 1500



ITEM	PART NUMBER	QTY	BODY	MODEL	DESCRIPTION
	G204-5 G5A				Silver / Charcoal, (M5AS)
	G204-5 G5C	1			Blue, (M5C)
	G204-5 G5R	1			Red, (M5R)
	G204-5 G5K	1			Almond, (M5K)
3					COVER, Back CLOTH
	G060-1 F7A	1			Silver / Charcoal, (D5AS)
	G060-1 F7C	1			Blue, (D5C)
	G060-1 G7R	1			Red, (D5R)
	G060-1 F7K	1			Almond, (D5K) COVER and PAD, (For M-5 Trim Code Only)
	G198-9 G5A	1			Silver / Charcoal, (M5AS)
	G198-9 G5C	1			Blue, (M5C)
	G198-9 G5R	1			Red, (M5R)
	G198-9 G5K	1			Almond, (M5K)
4					ARMREST and COVER
	A426 GS8	2			Charcoal
	A426 GC5	2			Blue
	A426 GR8	2			Red
	A426 GK1	2			Almond
5					COVER, Armrest
	A288 GS8	2			Charcoal
	A288 GC5	2			Blue
	A288 GR8	2			Red
	A288 GK1	2			Almond
6	6008 076	AR			HOG RING
7-8					SHIELD, Cushion and Back (See ILL. 2000)
9					HANDLE, Assist (Right Only)
	D254 FC5	1			Blue, (D5C)
	D254 GR8	1			Red, (D5R)
	D254 EK1	1			Almond, (D5K)
	D254 CS8	1			Silver / Charcoal, (D5AS)
10	4380 432	2			COVER, Assist Handle
11	6501 518	AR			SCREW, Handle Attaching
12	4010 348	2			CAP, Handle End
13					POCKET, Seat Back Storage (Serviced In Back Cover)

NOTE: For Arm Resy Attaching Parts See Ill. Number 2000

MODEL CODES

C BODY = (D41 - DYNASTY)(C41 - NEW YORKER)
 E BODY = (J - CARAVELLE)(E - 600)(T - NEW YORKER TURBO)
 G BODY = (V24 - DAYTONA, PACIFICA & SHELBY)
 H BODY = (D44 - LANCER)(C44 - LEBARON GTS)
 J BODY = (C - LEBARON)
 K BODY = (P - RELIANT)(D - ARIES)(C - LEBARON/ TOWN & COUNTRY)

L BODY = (M - HORIZON)(Z-OMNI)
 M BODY = (B - GRAN FURY)(G - DIPLOMAT)(F - FIFTH AVENUE/NEWPORT)
 P BODY = (P - SUNDANCE)(D - SHADOW)
 Q BODY = (C27 - MASERATI)
 S BODY = (H - VOYAGER)(K - RAM VAN/ CARAVAN)

BODY STYLES

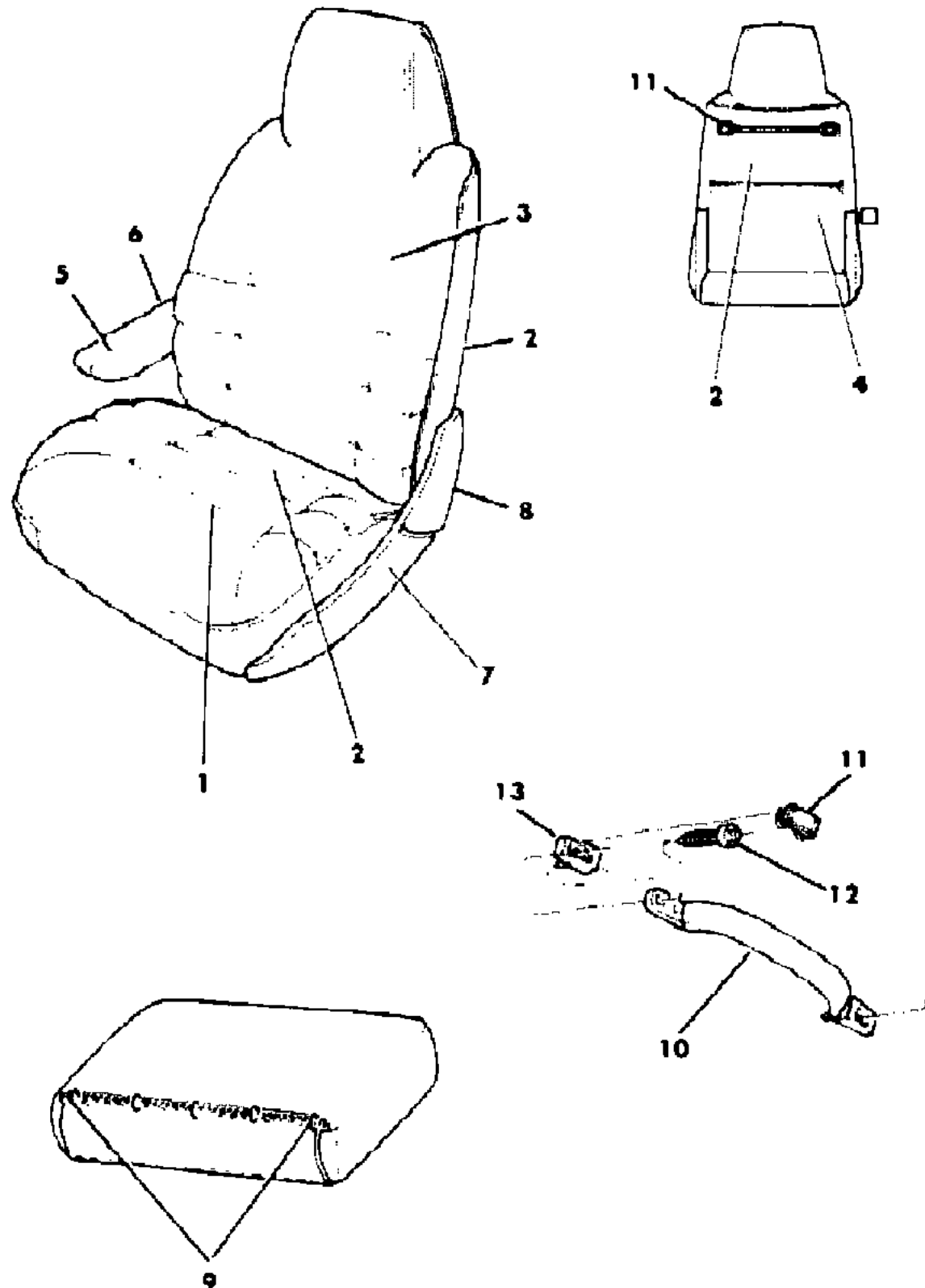
12-52 = FWD VAN & WAGON STD. W.B. 27 = 2-DOOR CONVERTIBLE
 13-53 = FWD VAN & WGN EXT W.B. 41 = 4-DOOR SEDAN
 21 = 2-DOOR SEDAN 44 = 4-DOOR HATCHBACK
 24 = 2-DOOR HATCHBACK 45 = 4-DOOR STATION WAGON

AR = Use as Required - = Non Illustrated Part P.A.R. = Paint as Required

SEAT--FRONT S BODY TRIM CODE J6

Figure ITS-1600

8242 1600



ITEM	PART NUMBER	QTY	BODY	MODEL	DESCRIPTION
1-2					CUSHION, w/Spring/Frame, Pad and Cover
					VINYL
	G592-3 F6A	1			Silver / Charcoal, (J6AS)
	G592-3 F6C	1			Blue, (J6C)
	G592-3 G6R	1			Red, (J6R)
	G592-3 F6K	1			Almond, (J6K)
					ELECTRIC, LEFT
	G591 F6A	1			Silver / Charcoal, (J6AS)
	G591 F6C	1			Blue, (J6C)
	G591 G6R	1			Red, (J6R)
	G591 F6K	1			Almond, (J6K)
1					COVER, Cushion
					VINYL
	G022-3 F6A	1			Silver / Charcoal, (J6AS)
	G022-3 F6C	1			Blue, (J6C)
	G022-3 G6R	1			Red, (J6R)
	G022-3 F6K	1			Almond, (J6K)
2					ROLL STOCK, Vinyl Order By The Inch
	R609 CS8	AR			Charcoal, 58" Wide (J6AS)
	R600 EC5	AR			Blue, 54" Wide (J6C)
	R600 EE8	AR			Red, 54" Wide (J6R)
	R600 EK1	AR			Almond, 54" Wide (J6K)
2-3					BACK, w/Spring/Frame, Pad and Cover
					VINYL
					w/Map Pocket Right
	G160 F6A	1			Silver / Charcoal, (J6AS)
	G160 F6C	1			Blue, (J6C)
	G160 G6R	1			Red, (J6R)
					w/o Map Pocket Left
	G161 F6A	1			Silver / Charcoal, (J6AS)
	G161 F6C	1			Blue, (J6C)
	G161 G6R	1			Red, (J6R)
3					COVER, Back
					VINYL
					w/Map Pocket Right
	G056 F6A	1			Silver / Charcoal, (J6AS)
	G056 F6C	1			Blue, (J6C)

MODEL CODES

C BODY = (D41 - DYNASTY)(C41 - NEW YORKER)
 E BODY = (J - CARAVELLE)(E - 600)(T - NEW YORKER TURBO)
 G BODY = (V24 - DAYTONA, PACIFICA & SHELBY)
 H BODY = (D44 - LANCER)(C44 - LEBARON GTS)
 J BODY = (C - LEBARON)
 K BODY = (P - RELIANT)(D - ARIES)(C - LEBARON/ TOWN & COUNTRY)

L BODY = (M - HORIZON)(Z-OMNI)
 M BODY = (B - GRAN FURY)(G - DIPLOMAT)(F - FIFTH AVENUE/NEWPORT)
 P BODY = (P - SUNDANCE)(D - SHADOW)
 Q BODY = (C27 - MASERATI)
 S BODY = (H - VOYAGER)(K - RAM VAN/ CARAVAN)

BODY STYLES

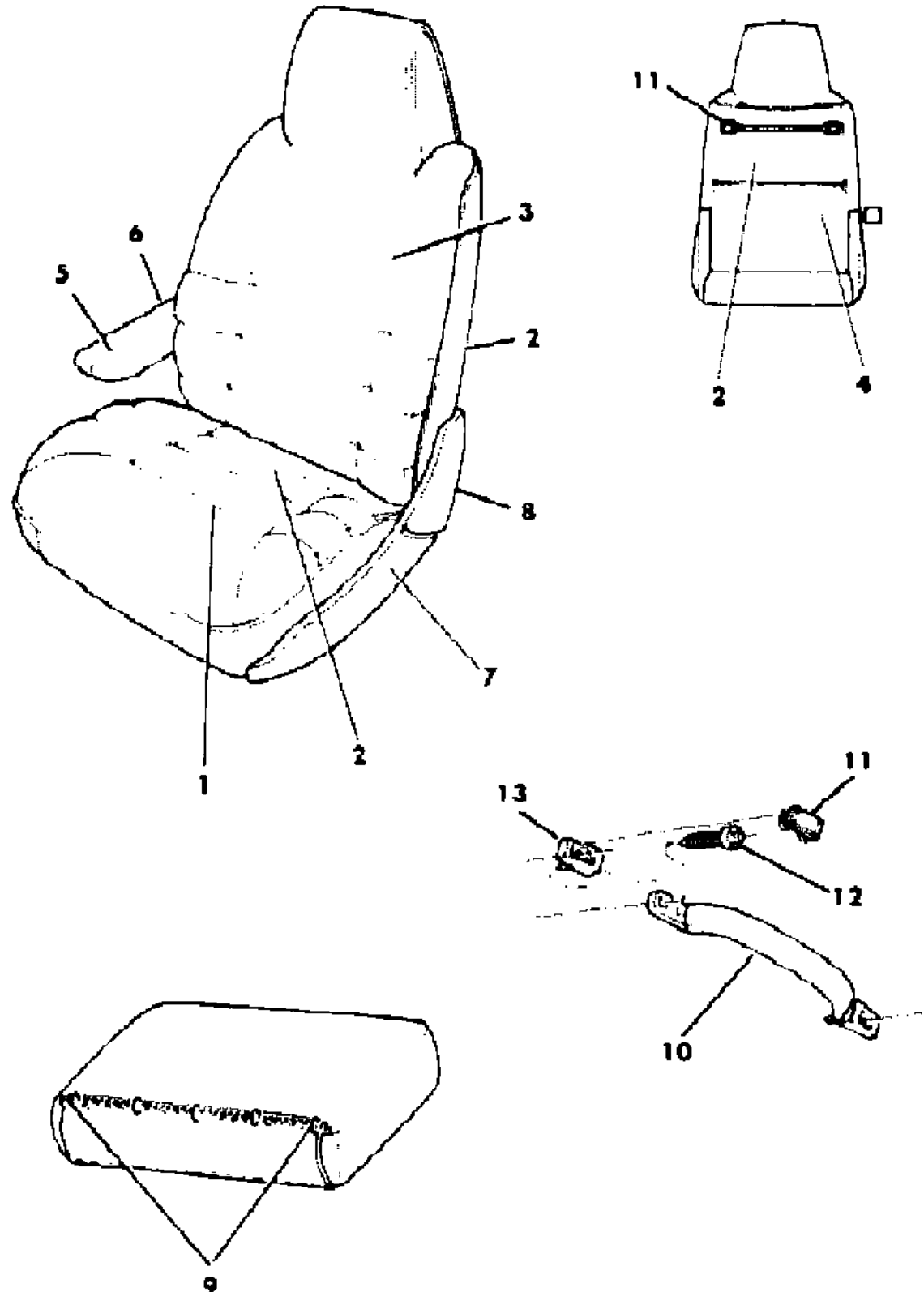
12-52 = FWD VAN & WAGON STD. W.B. 27 = 2-DOOR CONVERTIBLE
 13-53 = FWD VAN & WGN EXT W.B. 41 = 4-DOOR SEDAN
 21 = 2-DOOR SEDAN 44 = 4-DOOR HATCHBACK
 24 = 2-DOOR HATCHBACK 45 = 4-DOOR STATION WAGON

AR = Use as Required - = Non Illustrated Part P.A.R. = Paint as Required

SEAT--FRONT S BODY TRIM CODE J6

Figure ITS-1600

8242 1600



ITEM	PART NUMBER	QTY	BODY	MODEL	DESCRIPTION
	G056 G6R	1			Red, (J6R)
					w/oMap Pocket Left
	G057 F6A	1			Silver / Charcoal, (J6AS)
	G057 F6C	1			Blue, (J6C)
	G057 G6R	1			Red, (J6R)
4					POCKET, Back Storage (Served In Seat Back Cover)
5					ARMREST and COVER
	A426 GS8	2			Silver / Charcoal, (J6AS)
	A426 GC5	2			Blue, (J6C)
	A426 GR8	2			Red, (J6R)
	A426 GK1	2			Almond, (J6K)
6					COVER, Armrest
	A288 GS8	2			Silver / Charcoal, (J6AS,D5AS)
	A288 GC5	2			Blue, (J6C,D5C)
	A288 GR8	2			Red, (J6R,D5R)
	A288 GK1	1			Almond, (J6K,D5K)
7 & 8					SHIELDS, (See ILL. 2000)
9	6008 076	AR			HOG RING
10					HANDLE, Assist (Right Only)
	D254 CS8	1			Silver / Charcoal, (J6AS)
	D254 FC5	1			Blue, (J6C)
	D254 GR8	1			Red, (J6R)
	D254 EK1	1			Almond, (J6K)
11	4380 432	2			COVER, Assist Handle
12	6501 518	AR			SCREW, Handle Attaching
13	4010 348	2			CAP, Handle End

NOTE: For Arm Rest Attaching Parts See Ill. Number 2000

MODEL CODES

C BODY = (D41 - DYNASTY)(C41 - NEW YORKER)
 E BODY = (J - CARAVELLE)(E - 600)(T - NEW YORKER TURBO)
 G BODY = (V24 - DAYTONA, PACIFICA & SHELBY)
 H BODY = (D44 - LANCER)(C44 - LEBARON GTS)
 J BODY = (C - LEBARON)
 K BODY = (P - RELIANT)(D - ARIES)(C - LEBARON/ TOWN & COUNTRY)

L BODY = (M - HORIZON)(Z-OMNI)
 M BODY = (B - GRAN FURY)(G - DIPLOMAT)(F - FIFTH AVENUE/NEWPORT)
 P BODY = (P - SUNDANCE)(D - SHADOW)
 Q BODY = (C27 - MASERATI)
 S BODY = (H - VOYAGER)(K - RAM VAN/ CARAVAN)

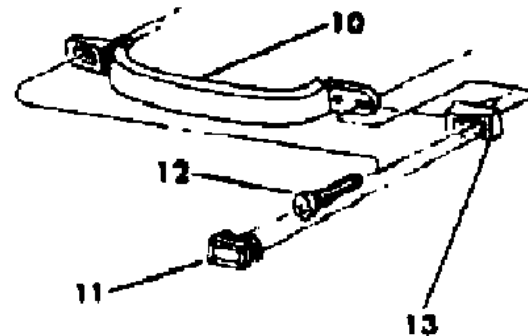
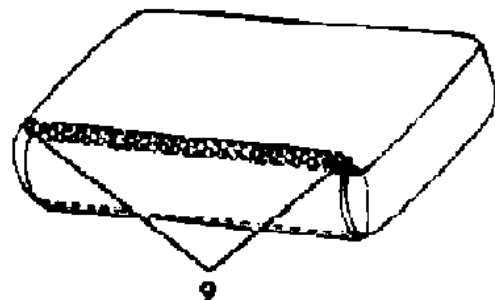
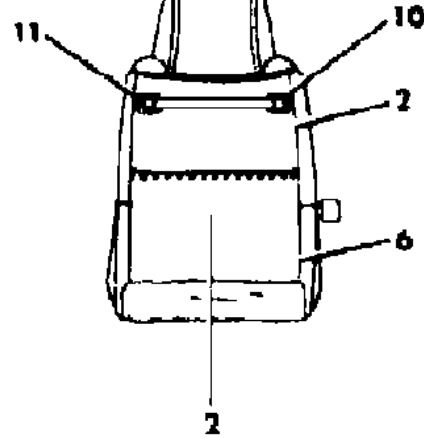
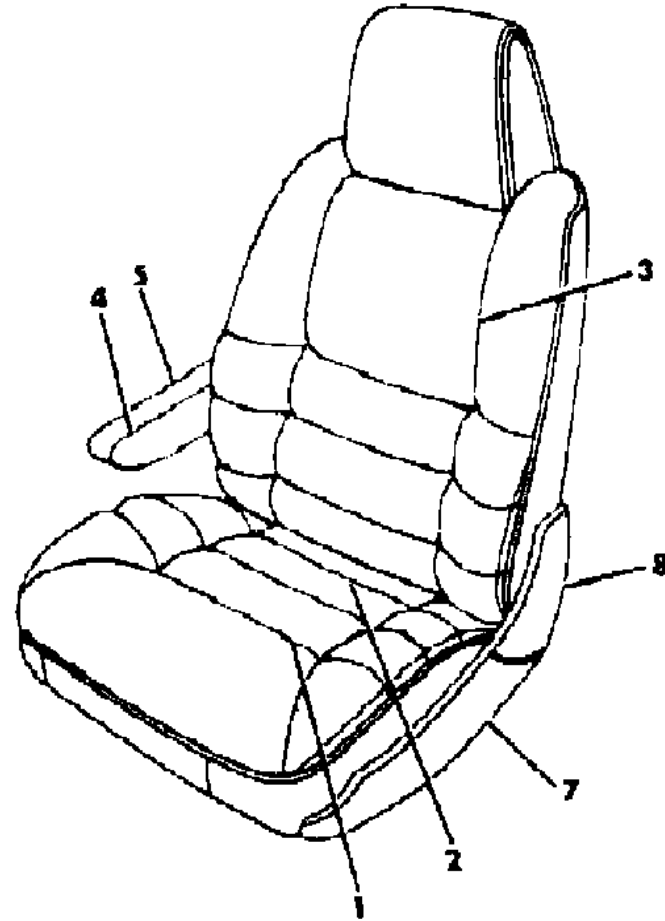
BODY STYLES

12-52 = FWD VAN & WAGON STD. W.B. 27 = 2-DOOR CONVERTIBLE
 13-53 = FWD VAN & WGN EXT W.B. 41 = 4-DOOR SEDAN
 21 = 2-DOOR SEDAN 44 = 4-DOOR HATCHBACK
 24 = 2-DOOR HATCHBACK 45 = 4-DOOR STATION WAGON

AR = Use as Required - = Non Illustrated Part P.A.R. = Paint as Required

SEAT--FRONT S BODY TRIM CODES J5, S5
Figure ITS-1700

8242 1700



ITEM	PART NUMBER	QTY	BODY	MODEL	DESCRIPTION
1-2					CUSHION, w/Spring/Frame, Pad and Cover
	G572-3 F5A	1			CLOTH Silver / Charcoal, (J5AS, S5AS)
	G572-3 G5R	1			Red, (J5R, S5R)
	G572-3 F5K	1			Almond, (J5K, S5K)
	G572-3 G5C	1			Blue, (J5C)
	G569 F5A	1			ELECTRIC LEFT Silver / Charcoal, (J5AS)
	G569 G5R	1			Red, (J5R)
	G569 F5K	1			Almond, (J5K)
	G569 G5C	1			Blue, (J5C)
1					COVER, Cushion
	G012-3 F5A	1			CLOTH Silver / Charcoal, (J5AS, S5AS)
	G012-3 G5R	1			Red, (J5R, S5R)
	G012-3 F5K	1			Almond, (J5K, S5K)
	G012-3 G5C	1			Blue, (J5C)
2					ROLL STOCK, Vinyl Order By The Inch
	R609 CS8	AR			Charcoal 58" Wide (J5AS, S5AS)
	R600 EE8	AR			Red, 54" Wide (J5E, S5E)
	R600 EK1	AR			Almond, 54" Wide (J5K, S5K)
2-3					BACK, w/Spring/Frame, Pad and Cover
	G162 F5A	1			CLOTH w/Map Pocket Right Silver / Charcoal, (J5AS, S5AS)
	G162 G5R	1			Red, (J5R, S5R)
	G162 F5K	1			Almond, (J5K, S5K)
	G162 G5C	1			Blue, (J5C)
	G163 F5A	1			w/o Map Pocket Left Silver / Charcoal, (J5AS, S5AS)
	G163 G5R	1			Red, (J5R, S5R)
	G163 F5K	1			Almond, (J5K, S5K)
	G163 G5C	1			Blue, (J5C)
3					COVER, Back
	G058 F5A	1			CLOTH w/Map Pocket Right Silver / Charcoal, (J5AS, S5AS)

MODEL CODES

C BODY = (D41 - DYNASTY)(C41 - NEW YORKER)
 E BODY = (J - CARAVELLE)(E - 600)(T - NEW YORKER TURBO)
 G BODY = (V24 - DAYTONA, PACIFICA & SHELBY)
 H BODY = (D44 - LANCER)(C44 - LEBARON GTS)
 J BODY = (C - LEBARON)
 K BODY = (P - RELIANT)(D - ARIES)(C - LEBARON/ TOWN & COUNTRY)

L BODY = (M - HORIZON)(Z-OMNI)
 M BODY = (B - GRAN FURY)(G - DIPLOMAT)(F - FIFTH AVENUE/NEWPORT)
 P BODY = (P - SUNDANCE)(D - SHADOW)
 Q BODY = (C27 - MASERATI)
 S BODY = (H - VOYAGER)(K - RAM VAN/ CARAVAN)

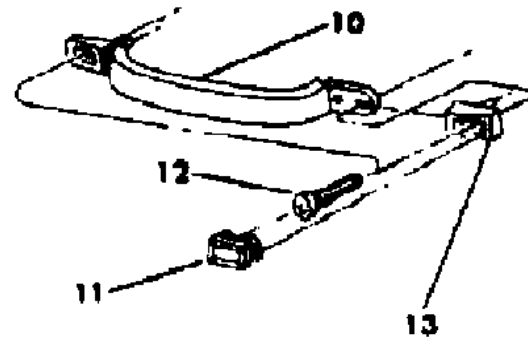
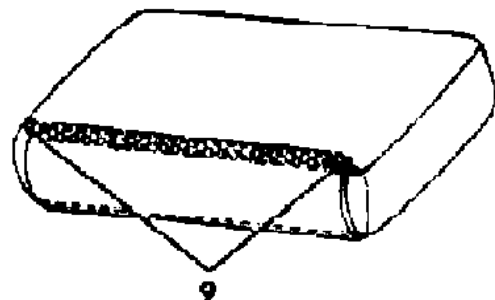
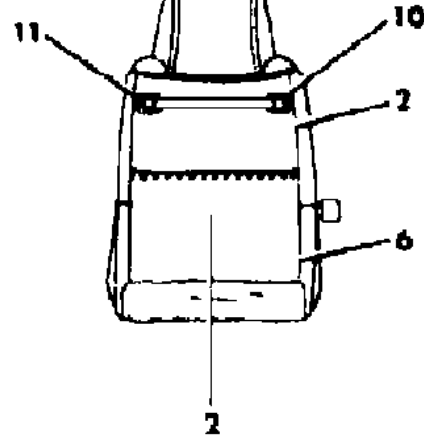
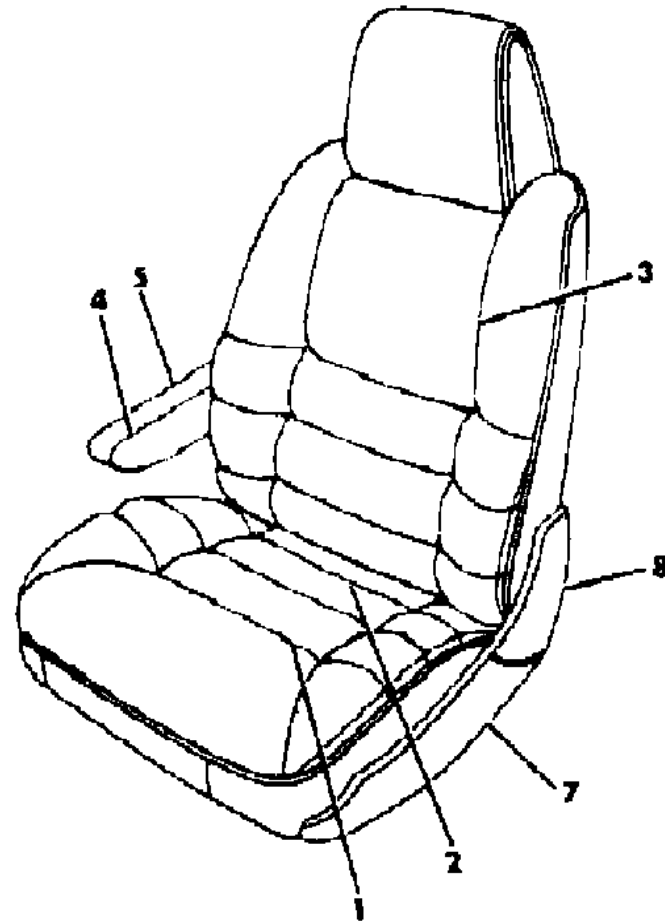
BODY STYLES

12-52 = FWD VAN & WAGON STD. W.B. 27 = 2-DOOR CONVERTIBLE
 13-53 = FWD VAN & WGN EXT W.B. 41 = 4-DOOR SEDAN
 21 = 2-DOOR SEDAN 44 = 4-DOOR HATCHBACK
 24 = 2-DOOR HATCHBACK 45 = 4-DOOR STATION WAGON

AR = Use as Required - = Non Illustrated Part P.A.R. = Paint as Required

SEAT--FRONT S BODY TRIM CODES J5, S5
Figure ITS-1700

8242 1700



ITEM	PART NUMBER	QTY	BODY	MODEL	DESCRIPTION
	G058 G5R	1			Red, (J5R, S5R)
	G058 F5K	1			Almond, (J5K, S5K)
	G058 G5C	1			Blue, (J5C)
	G059 F5A	1			w/o Map Pocket Left Silver / Charcoal, (J5AS, S5AS)
	G059 G5R	1			Red, (J5R, S5R)
	G059 F5K	1			Almond, (J5K, S5K)
	G059 G5C	1			Blue, (J5C)
4					ARMREST and COVER
	A427 GS8	2			Silver / Charcoal, J5AS, S5AS)
	A427 GR8	2			Red, (J5R, S5R)
	A427 GK1	1			Almond, (J5K,S5K)
	A427 GC5	1			Blue, (J5C)
5					COVER, Armrest
	A285 GS8	2			Silver / Charcoal, (J5AS, S5AS)
	A285 GR8	2			Red, (J5R, S5R)
	A285 GK1	2			Almond, J5K, S5K)
	A285 GC5	2			Blue, (J5C)
6					ROLL STOCK, Vinyl Order By The Inch
	R609 CS8	AR			Charcoal, 58" Wide (J5AS, S5AS)
	R600 EE8	AR			Cordovan, 54" Wide (J5E, S5E)
	R600 EK1	AR			Almond, 54" Wide (J5K, S5K)
7 & 8					SHIELDS, (See Ill. 2000)
9	6008 076	AR			HOG RING
10					HANDLE, Assist (Right Only)
	D254 CS8	1			Silver / Charcoal, (J5AS)
	D254 GR8	1			Red, (J5R)
	D254 EK1	1			Almond, (J5K)
	D254 FC5	1			Blue, (J5C)
11	4380 432	2			COVER, Assist Handle
12	6501 518	AR			SCREW, Handle Attaching
13	4010 348	2			CAP, Handle End

NOTE: For Arm Rest Attaching Parts See Ill. Number 2000

MODEL CODES

C BODY = (D41 - DYNASTY)(C41 - NEW YORKER)
 E BODY = (J - CARAVELLE)(E - 600)(T - NEW YORKER TURBO)
 G BODY = (V24 - DAYTONA, PACIFICA & SHELBY)
 H BODY = (D44 - LANCER)(C44 - LEBARON GTS)
 J BODY = (C - LEBARON)
 K BODY = (P - RELIANT)(D - ARIES)(C - LEBARON/ TOWN & COUNTRY)

L BODY = (M - HORIZON)(Z-OMNI)
 M BODY = (B - GRAN FURY)(G - DIPLOMAT)(F - FIFTH AVENUE/NEWPORT)
 P BODY = (P - SUNDANCE)(D - SHADOW)
 Q BODY = (C27 - MASERATI)
 S BODY = (H - VOYAGER)(K - RAM VAN/ CARAVAN)

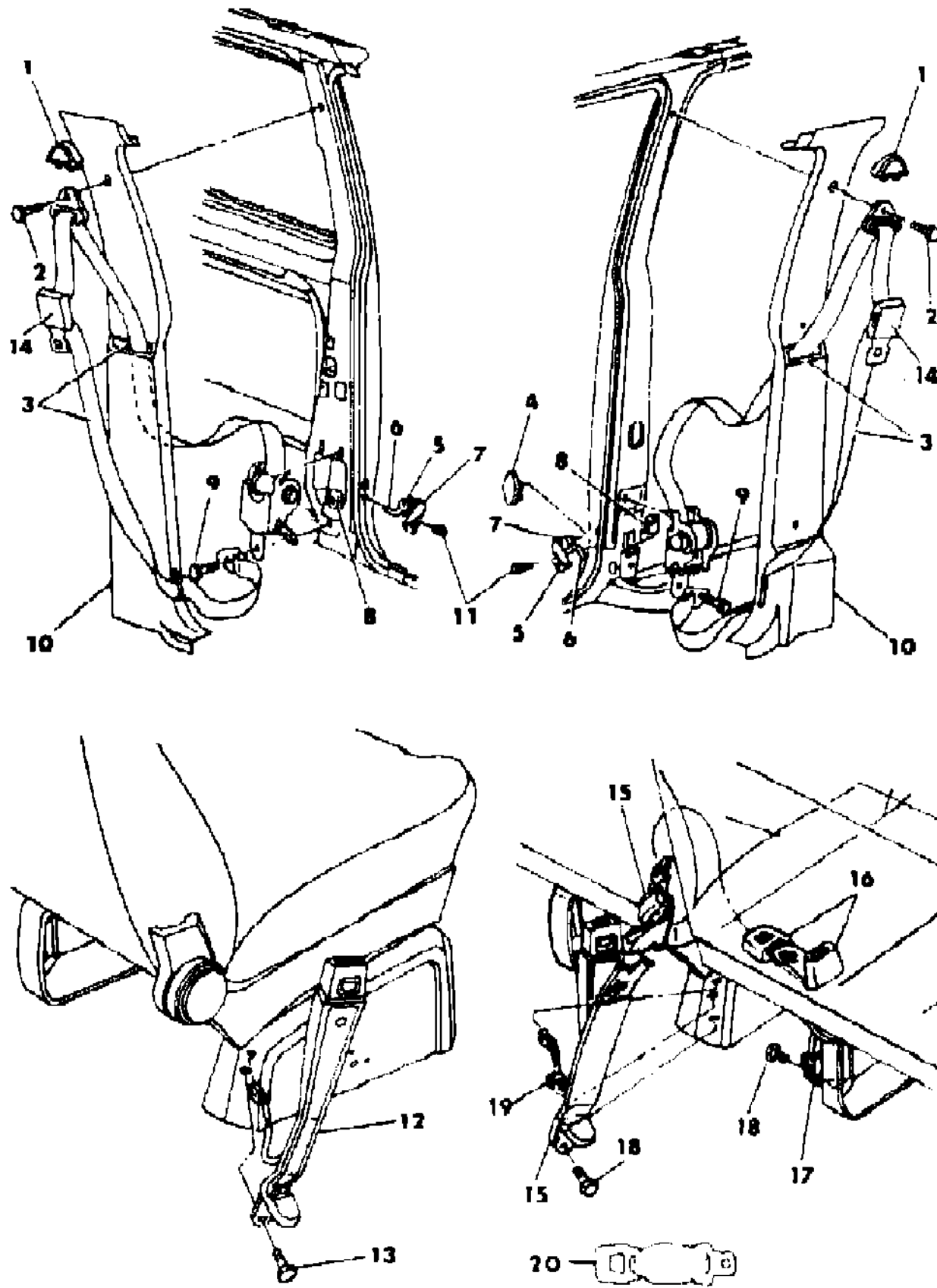
BODY STYLES

12-52 = FWD VAN & WAGON STD. W.B. 27 = 2-DOOR CONVERTIBLE
 13-53 = FWD VAN & WGN EXT W.B. 41 = 4-DOOR SEDAN
 21 = 2-DOOR SEDAN 44 = 4-DOOR HATCHBACK
 24 = 2-DOOR HATCHBACK 45 = 4-DOOR STATION WAGON

AR = Use as Required - = Non Illustrated Part P.A.R. = Paint as Required

BELT--FRONT SEAT S BODY
Figure ITS-1800

8242 1800



ITEM	PART NUMBER	QTY	BODY	MODEL	DESCRIPTION
1	F700 CA3	2			COVER, Outer Turning Loop Silver
	F700 EC5	2			Blue
	F700 GR8	2			Red
	F700 EK1	2			Almond
	K487 GK1	1			PLATE, Retainer Support Left (EUROPEAN)
2	6031 217	2			BOLT
					BELT, Outer LABEL NUMBER 4327336-7
3	F770-1 CA3	1			Silver
	F770-1 FC5	1			Blue
	F770-1 GR8	1			Red
	F770-1 EK1	1			Almond
					BELT, Outer Front (EUROPEAN)
4	4477 160	1			Right
	4477 161	1			Left
4	4316 745	1			PLUG
5	4327 370-1	1			RELEASE, Tension Retractor
6		1			LEVER, Tension Release (Serv. in Item 5)
7		2			HOUSING, Tension Release (Serv. in Item 5)
8	6032 353	2			NUT and RETAINER
9	6031 218	2			BOLT
	4490 617	1			ANCHOR, Lap Belt Outboard Left (EUROPEAN)
	4490 621	1			ANCHOR, Shoulder Left (EUROPEAN)
10					QUARTER PANEL, (Reference)
11					SCREW, (10-16x1/2) (Not Serv.)
12					BELT, Inboard LABEL NUMBER 4290760-1
	F692-3 FC5	1			Blue
	F692-3 GR8				Red
	F692-3 EK1	1			Almond
	F692-3 CS8	1			Charcoal
13	4477 162	1			Right
	4477 162	1			Left
	6031 218	2			BOLT ANCHOR, 2nd Saet Lap Outboard (EUROPEAN)

MODEL CODES

C BODY = (D41 - DYNASTY)(C41 - NEW YORKER)
 E BODY = (J - CARAVELLE)(E - 600)(T - NEW YORKER TURBO)
 G BODY = (V24 - DAYTONA, PACIFICA & SHELBY)
 H BODY = (D44 - LANCER)(C44 - LEBARON GTS)
 J BODY = (C - LEBARON)
 K BODY = (P - RELIANT)(D - ARIES)(C - LEBARON/ TOWN & COUNTRY)

L BODY = (M - HORIZON)(Z-OMNI)
 M BODY = (B - GRAN FURY)(G - DIPLOMAT)(F - FIFTH AVENUE/NEWPORT)
 P BODY = (P - SUNDANCE)(D - SHADOW)
 Q BODY = (C27 - MASERATI)
 S BODY = (H - VOYAGER)(K - RAM VAN/ CARAVAN)

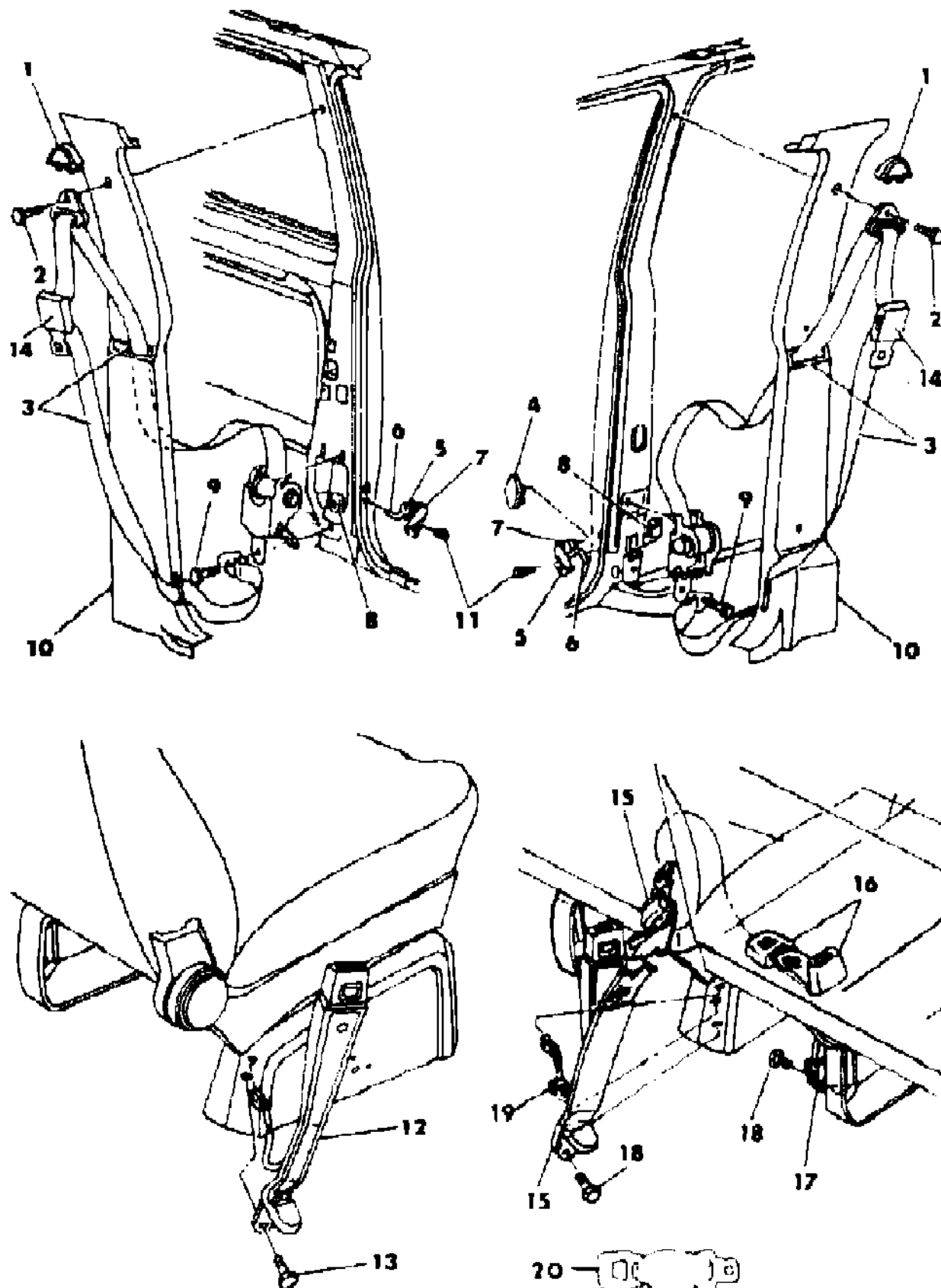
BODY STYLES

12-52 = FWD VAN & WAGON STD. W.B. 27 = 2-DOOR CONVERTIBLE
 13-53 = FWD VAN & WGN EXT W.B. 41 = 4-DOOR SEDAN
 21 = 2-DOOR SEDAN 44 = 4-DOOR HATCHBACK
 24 = 2-DOOR HATCHBACK 45 = 4-DOOR STATION WAGON

AR = Use as Required - = Non Illustrated Part P.A.R. = Paint as Required

BELT--FRONT SEAT S BODY
Figure ITS-1800

8242 1800



ITEM	PART NUMBER	QTY	BODY	MODEL	DESCRIPTION
	4490 632	1			Right
	4490 633	1			Left
	4490 634	1			ANCHOR, 2nd Seat Retractor Outboard (EUROPEAN)
	4490 635	1			Right
	4490 635	1			Left
14	4316 773	1			COVER, Tip Half (P.A.R.)
15					BELT, Inboard (60/40 Seat)
					LABEL NUMBER 4327391
	F555 DAS	1			Silver
	F555 GR8	1			Red
	F555 EK1	1			Almond
					BELT, Front Outer (EUROPEAN)
	4477 164	1			Right
	4477 165	1			Left
16					BELT, Inboard (60/40 Seat)
					LABEL NUMBER 4327390
	F554 DAS	1			Silver
	F554 GR8	1			Red
	F554 EK1	1			Almond
17	F814 JX9	1			COVER, Plate
18	6031 298	AR			BOLT
19	6501 113	AR			BUSHING
20	4364 849	AR			EXTENDER
					ANCHOR, 2nd Seat Belt Shoulder (EUROPEAN)
	4490 636	1			Right
	4490 637	1			Left
	4490 638	1			ANCHOR, 3rd. Seat Belt Lap Outboard (EUROPEAN)
	4490 639	1			SUPPORT, 2nd. Seat Belt Retractor Outboard Left (EUROPEAN)
					ANCHOR, 3rd. Seat Belt Shoulder (EUROPEAN)
	4490 640	1			Right
	4490 641	1			Left
					NOTE: (P.A.R.) = Paint As Required

MODEL CODES

C BODY = (D41 - DYNASTY)(C41 - NEW YORKER)
 E BODY = (J - CARAVELLE)(E - 600)(T - NEW YORKER TURBO)
 G BODY = (V24 - DAYTONA, PACIFICA & SHELBY)
 H BODY = (D44 - LANCER)(C44 - LEBARON GTS)
 J BODY = (C - LEBARON)
 K BODY = (P - RELIANT)(D - ARIES)(C - LEBARON/ TOWN & COUNTRY)

L BODY = (M - HORIZON)(Z-OMNI)
 M BODY = (B - GRAN FURY)(G - DIPLOMAT)(F - FIFTH AVENUE/NEWPORT)
 P BODY = (P - SUNDANCE)(D - SHADOW)
 Q BODY = (C27 - MASERATI)
 S BODY = (H - VOYAGER)(K - RAM VAN/ CARAVAN)

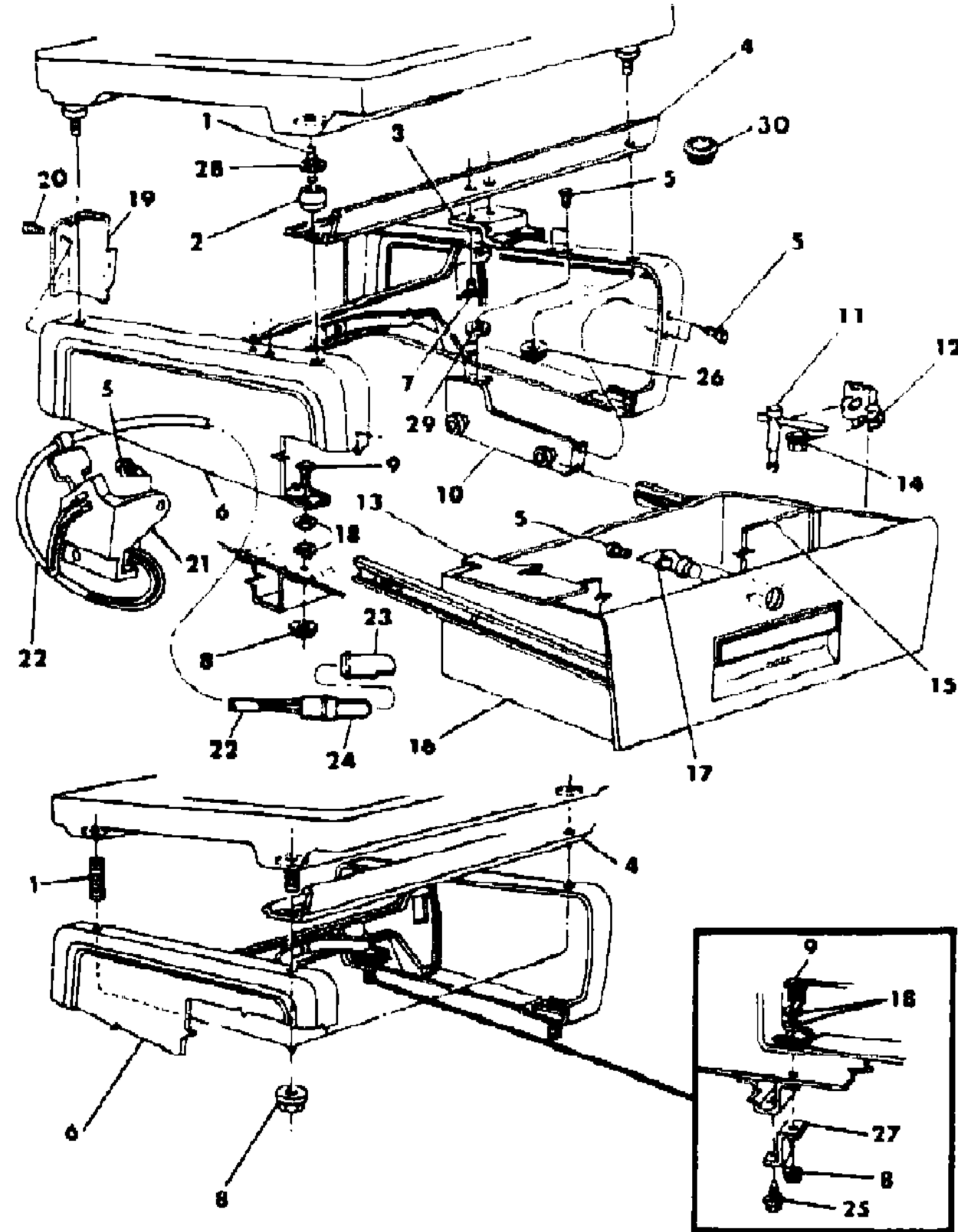
BODY STYLES

12-52 = FWD VAN & WAGON STD. W.B.	27 = 2-DOOR CONVERTIBLE
13-53 = FWD VAN & WGN EXT W.B.	41 = 4-DOOR SEDAN
21 = 2-DOOR SEDAN	44 = 4-DOOR HATCHBACK
24 = 2-DOOR HATCHBACK	45 = 4-DOOR STATION WAGON

AR = Use as Required - = Non Illustrated Part P.A.R. = Paint as Required

RISER--RIGHT BUCKET SEAT AND STORAGE BOX S BODY
Figure ITS-1900

8242 1900



ITEM	PART NUMBER	QTY	BODY	MODEL	DESCRIPTION
1	6032 429	4			STUD
2	4317 341	4			SPACER, Cushion to Riser
3	4317 852	1			STRIKER, Storage Box to Latch
4	F586 FK1	1			PANEL, Storage Box Closure (P.A.R.)
5	9420 486	10			SCREW
6	4380 628	1			RISER
7		10			SCREW, (8-18x5/8) (Not Serv.)
8	6501 269	AR			NUT and WASHER
9	6500 741	4			STUD, Riser
10	4317 442-3	1			ROLLER, Storage Box
11	4284 109	1			KEY, Wire Wheel Cover Wrench
12	4284 115	1			CLIP
13	4402 328	1			COVER, Dust
14	4284 100	1			SOCKET, Adapter
15	4380 625				DIVIDER, Storage Box
16					DRAWER, Storage
	S524 FC5	1			Blue
	S524 GR8	1			Red
	S524 FK1	1			Almond
	S524 FS8	1			Charcoal
17	3508 886	1			LATCH
18		8			NUT, (Not Serv.)
19					COVER, Riser Inner (P.A.R.)
	S664 FC5	1			Outboard
	S665 FC5	1			Inboard
20	9420 486	AR			SCREW
21	4373 055	1			SWITCH
22					WIRING, (Not Serv.)
23	4374 156	1			HOOD
24	9421 330	1			BULB
25					SCREW, (M8x1.25) (Not Serv.)
26	6025 010	AR			NUT and WASHER
27	4416 029	1			REINFORCEMENT
28	6028 040	4			RETAINER
29	6032 737	4			WASHER
30	6032 586	AR			RETAINER, Seat and Riser Attaching

MODEL CODES

C BODY = (D41 - DYNASTY)(C41 - NEW YORKER)	L BODY = (M - HORIZON)(Z-OMNI)
E BODY = (J - CARAVELLE)(E - 600)(T - NEW YORKER TURBO)	M BODY = (B - GRAN FURY)(G - DIPLOMAT)(F - FIFTH AVENUE/NEWPORT)
G BODY = (V24 - DAYTONA, PACIFICA & SHELBY)	P BODY = (P - SUNDANCE)(D - SHADOW)
H BODY = (D44 - LANCER)(C44 - LEBARON GTS)	Q BODY = (C27 - MASERATI)
J BODY = (C - LEBARON)	S BODY = (H - VOYAGER)(K - RAM VAN/ CARAVAN)
K BODY = (P - RELIANT)(D - ARIES)(C - LEBARON/ TOWN & COUNTRY)	

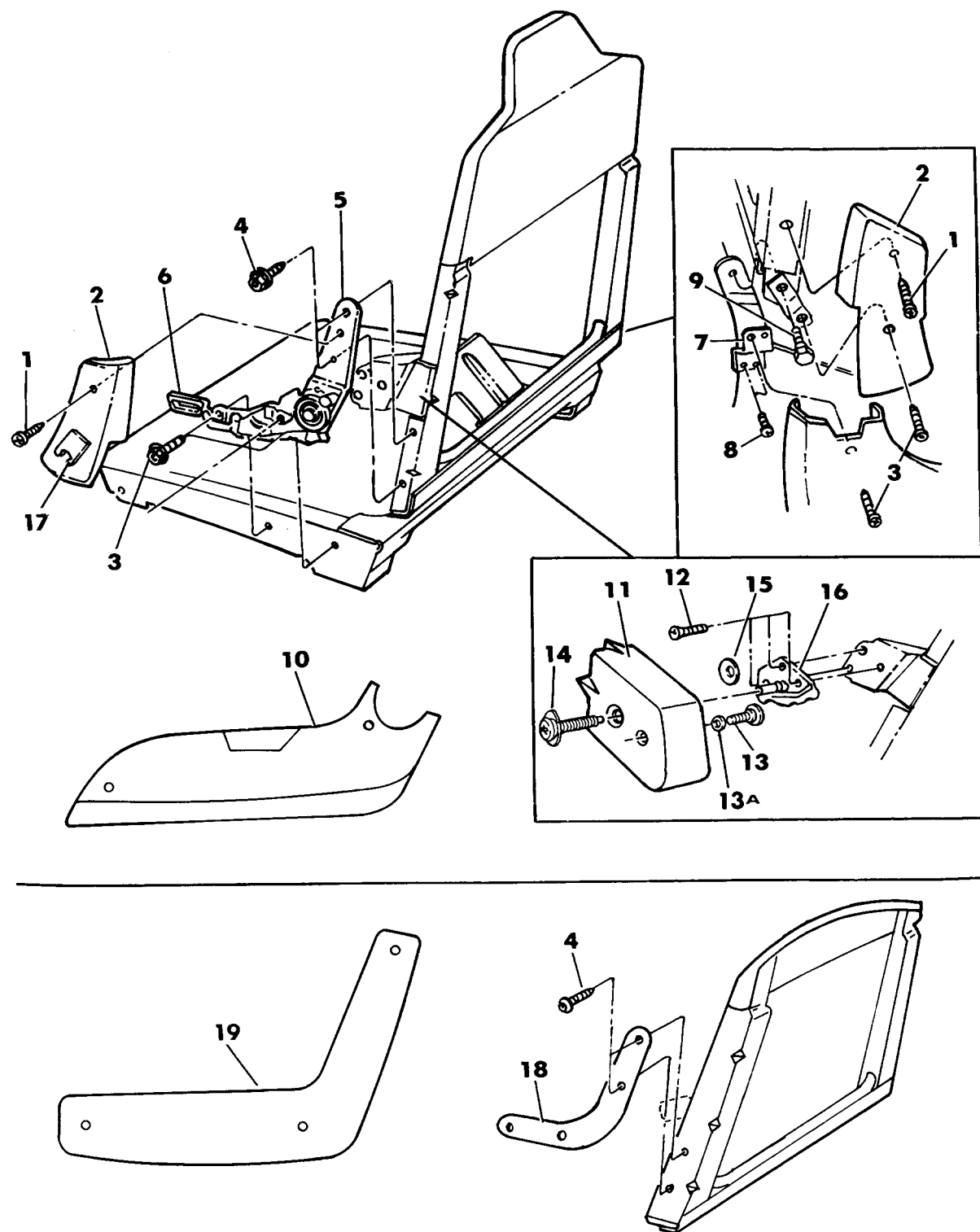
BODY STYLES

12-52 = FWD VAN & WAGON STD. W.B.	27 = 2-DOOR CONVERTIBLE
13-53 = FWD VAN & WGN EXT W.B.	41 = 4-DOOR SEDAN
21 = 2-DOOR SEDAN	44 = 4-DOOR HATCHBACK
24 = 2-DOOR HATCHBACK	45 = 4-DOOR STATION WAGON

AR = Use as Required - = Non Illustrated Part P.A.R. = Paint as Required

SEAT--RECLINING AND NON-RECLINING--ARMREST AND ATTACHING PARTS S BODY
Figure ITS-2000

8242 2000 A



ITEM	PART NUMBER	QTY	BODY	MODEL	DESCRIPTION
1		AR			SCREW, (8-18x2) (Not Serv.)
2					SHIELD, Back (P.A.R.)
					Passenger Seat
	S279 FK1	1			Outboard
	S278 FK1	1			Inboard
					Driver Seat
	S278 FK1	1			Outboard
	S279 FK1	1			Inboard
3	6500 558	AR			SCREW
4	6501 221	AR			SCREW
5					RECLINER
	4402 191	1			Passenger Seat
	4402 190	1			Driver Seat
6					LEVER, Recliner Release (Serv. In Item 5)
7	4345 720	2			BRACKET, Cushion Shield Attaching
8	6032 456	AR			SCREW
9	6501 346	2			BOLT, Shoulder
10					SHIELD, Cushion (P.A.R.)
					PASSENGER SEAT
	S272 FK1	1			Outboard
	S360 GK1	1			Inboard
					DRIVER SEAT
	S273 FK1	1			Outboard
	S361 GK1	1			Inboard
11					ARMREST, (See Seat Illustration)
12	6501 539	3			SCREW
13	6032 567	2			SCREW, Shoulder
13A	6033 744	1			WASHER
14	6501 542	1			SCREW
15	6024 223	1			WASHER, Cone
16	4402 938-9	1			BRACKET, Armrest Inner (Use Up To 1-4-88)
	4477 200-1	1			(Use After 1-4-88)
17	4317 800	AR			CLIP, Shield Attaching
					NOTE: The Following Parts Are For The Non-Reclining Seat.
18	4402 996	AR			ARM, Back To Cushion
19					SHIELD, Seat Side (P.A.R.)
					Passenger Seat

MODEL CODES
 C BODY = (D41 - DYNASTY)(C41 - NEW YORKER)
 E BODY = (J - CARAVELLE)(E - 600)(T - NEW YORKER TURBO)
 G BODY = (V24 - DAYTONA, PACIFICA & SHELBY)
 H BODY = (D44 - LANCER)(C44 - LEBARON GTS)
 J BODY = (C - LEBARON)
 K BODY = (P - RELIANT)(D - ARIES)(C - LEBARON/ TOWN & COUNTRY)
 L BODY = (M - HORIZON)(Z-OMNI)
 M BODY = (B - GRAN FURY)(G - DIPLOMAT)(F - FIFTH AVENUE/NEWPORT)
 P BODY = (P - SUNDANCE)(D - SHADOW)
 Q BODY = (C27 - MASERATI)
 S BODY = (H - VOYAGER)(K - RAM VAN/ CARAVAN)

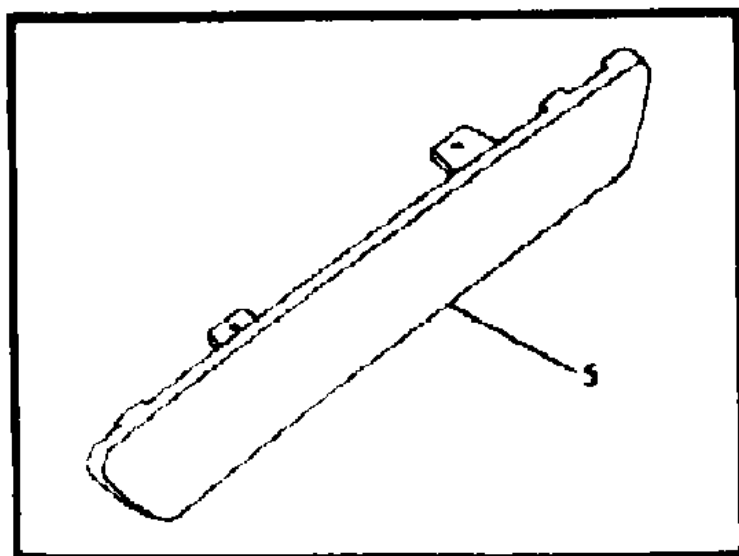
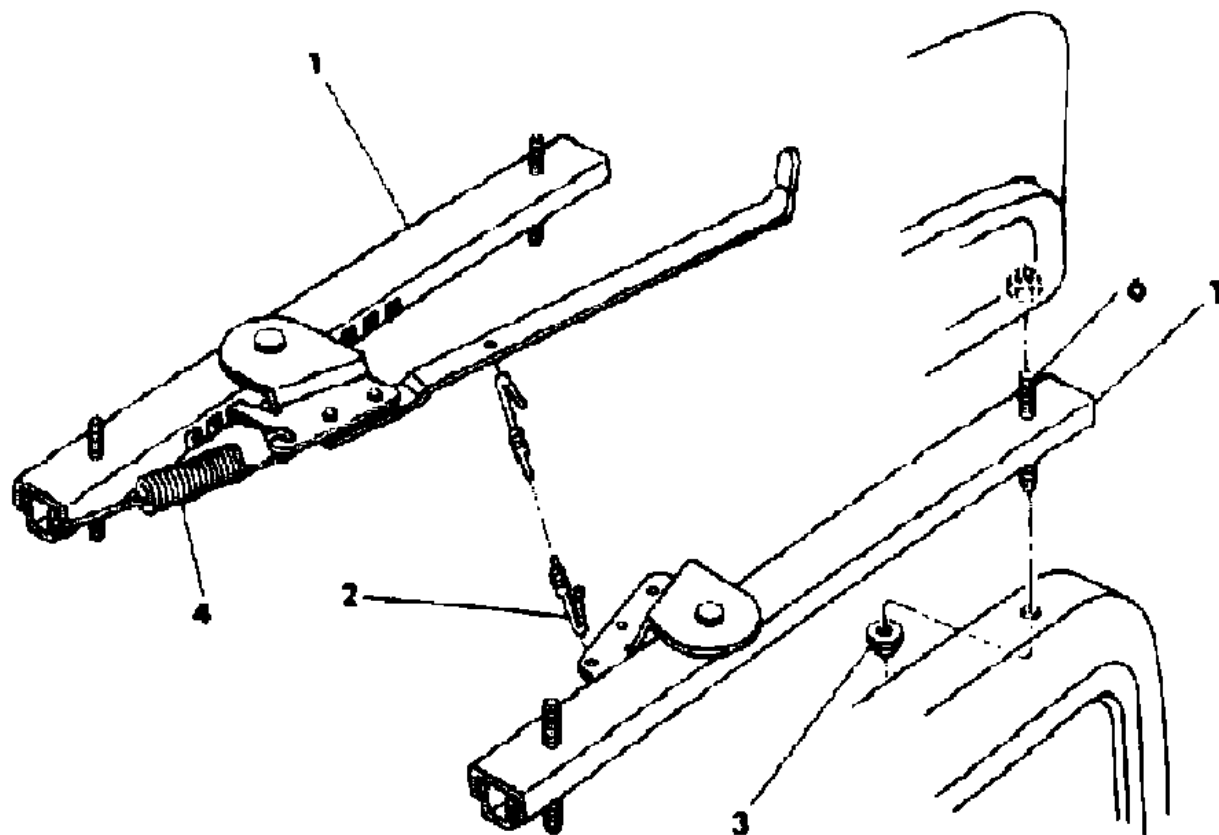
BODY STYLES
 12-52 = FWD VAN & WAGON STD. W.B. 27 = 2-DOOR CONVERTIBLE
 13-53 = FWD VAN & WGN EXT W.B. 41 = 4-DOOR SEDAN
 21 = 2-DOOR SEDAN 44 = 4-DOOR HATCHBACK
 24 = 2-DOOR HATCHBACK 45 = 4-DOOR STATION WAGON

AR = Use as Required - = Non Illustrated Part P.A.R. = Paint as Required

ADJUSTER--MANUAL S BODY
Figure ITS-2100

8242 2100

ITEM	PART NUMBER	QTY	BODY	MODEL	DESCRIPTION
1					ADJUSTER
	4402 695	1			Inner
	4402 165	1			Outer
2	4327 431	1			WIRE, Guide Lock Connector
3	6025 010	8			NUT and WASHER
4	4172 396	1			SPRING
	4402 216	1			Latch Return Inboard
5					COVER, Adjuster A8 Trim Code Only
					Outer
	S668-9 EK1	1			Almond, (A8K)
	S668-9 CS8	1			Silver / Charcoal, (A8AS)
6	6032 429	AR			STUD, Seat to Riser



MODEL CODES

C BODY = (D41 - DYNASTY)(C41 - NEW YORKER)	L BODY = (M - HORIZON)(Z-OMNI)
E BODY = (J - CARAVELLE)(E - 600)(T - NEW YORKER TURBO)	M BODY = (B - GRAN FURY)(G - DIPLOMAT)(F - FIFTH AVENUE/NEWPORT)
G BODY = (V24 - DAYTONA, PACIFICA & SHELBY)	P BODY = (P - SUNDANCE)(D - SHADOW)
H BODY = (D44 - LANCER)(C44 - LEBARON GTS)	Q BODY = (C27 - MASERATI)
J BODY = (C - LEBARON)	S BODY = (H - VOYAGER)(K - RAM VAN/ CARAVAN)
K BODY = (P - RELIANT)(D - ARIES)(C - LEBARON/ TOWN & COUNTRY)	

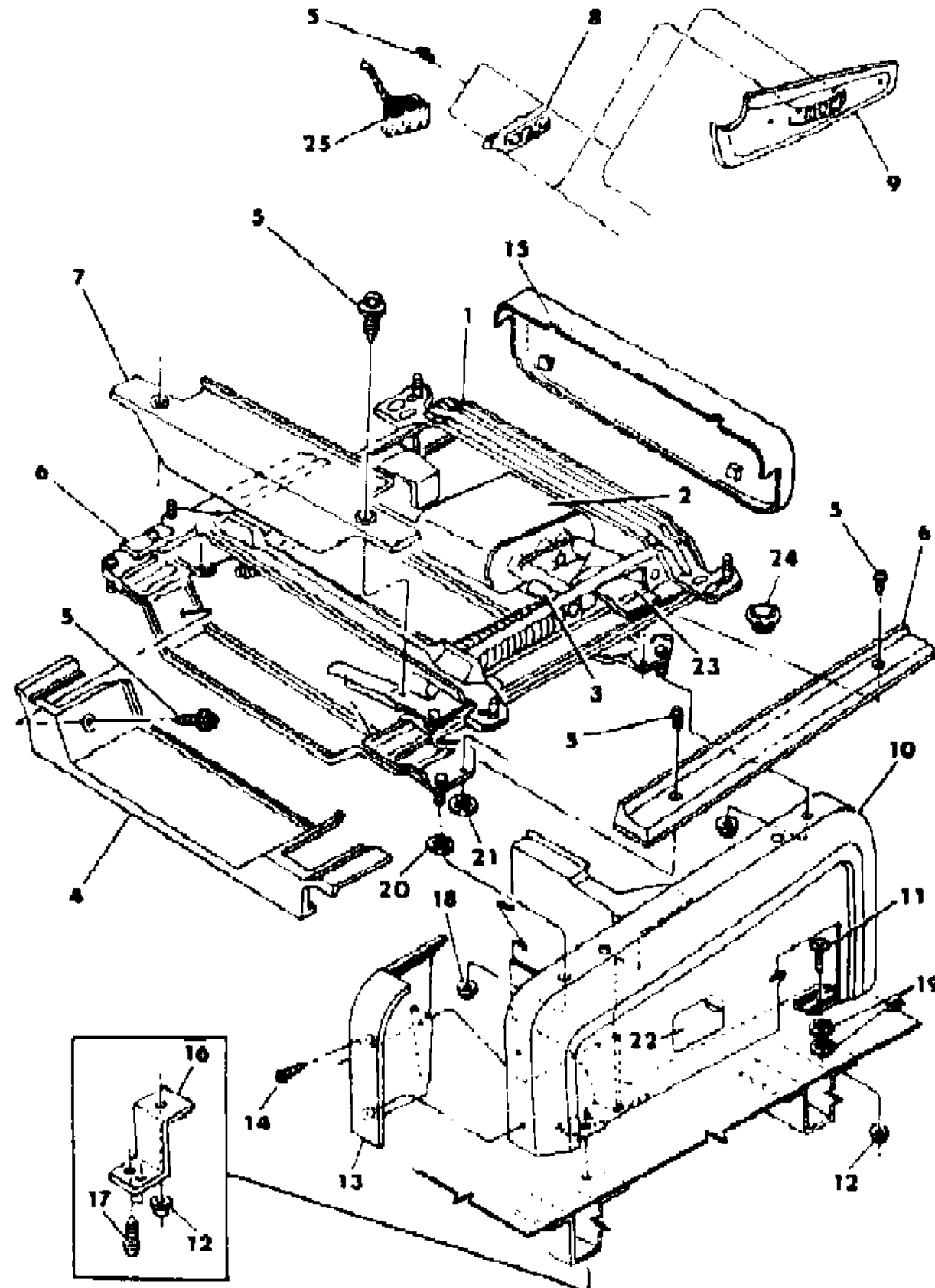
BODY STYLES

12-52 = FWD VAN & WAGON STD. W.B.	27 = 2-DOOR CONVERTIBLE
13-53 = FWD VAN & WGN EXT W.B.	41 = 4-DOOR SEDAN
21 = 2-DOOR SEDAN	44 = 4-DOOR HATCHBACK
24 = 2-DOOR HATCHBACK	45 = 4-DOOR STATION WAGON

AR = Use as Required - = Non Illustrated Part P.A.R. = Paint as Required

ADJUSTER--ELECTRIC AND LEFT RISER S BODY
Figure ITS-2200

8242 2200



ITEM	PART NUMBER	QTY	BODY	MODEL	DESCRIPTION
NOTE: The Parts Listed Are For Replacement Only , Not New Installation.					
1	4327 665	1			ADJUSTER, Less Motor
2	4327 288				MOTOR
3	4316 846	3			CABLE, (1.94")
4	4317 041	1			COVER, Adjuster Lower Rear
5		AR			SCREW, (8-18x3/4) (Not Serv.)
6					COVER, Bracket
	S677 FC5	2			Blue
	S677 GR8	2			Red
	S677 EK1	2			Almond
	S677 CS8	1			Charcoal
7	4316 978	1			COVER, Adjuster Upper Rear
8	3747 924	1			SWITCH, Adjuster
9	S359 GK1	1			SHIELD, Inner Elec. Left (P.A.R.)
10	4327 397	1			RISER
11	6500 741	4			BOLT
12	6501 269	AR			NUT and WASHER
13					COVER, Riser Inner (P.A.R.)
					MANUAL SEAT
	S665 FC5	1			Outboard (Has Stamp # 4420815)
	S664 FC5	1			Inboard
					ELECTRIC SEAT
	S667 FC5	1			Outboard
	S666 FC5	1			Inboard
14	9420 486	AR			SCREW
15	S670 EK1	1			COVER, Elec. Adjuster Front (P.A.R.)
16	4416 029	1			REINFORCEMENT
17					SCREW, (m8x1.25) (Not Serv.)
18	6025 010	AR			NUT and WASHER
19					PUSH-NUT, (Not Serv.)
20	4317 341	4			SPACER, Cushion to Riser
21	6028 040	4			RETAINER, Spacer
22	4327 683	1			COVER, Riser w/o Remote Filler Release
23	4316 848	2			SUPPORT, Motor
24	6032 586	AR			RETAINER, Seat and Riser Front Attaching
25	4331 544	1			WIRING, Elec. Seat Adjuster

MODEL CODES

C BODY = (D41 - DYNASTY)(C41 - NEW YORKER)	L BODY = (M - HORIZON)(Z-OMNI)
E BODY = (J - CARAVELLE)(E - 600)(T - NEW YORKER TURBO)	M BODY = (B - GRAN FURY)(G - DIPLOMAT)(F - FIFTH AVENUE/NEWPORT)
G BODY = (V24 - DAYTONA, PACIFICA & SHELBY)	P BODY = (P - SUNDANCE)(D - SHADOW)
H BODY = (D44 - LANCER)(C44 - LEBARON GTS)	Q BODY = (C27 - MASERATI)
J BODY = (C - LEBARON)	S BODY = (H - VOYAGER)(K - RAM VAN/ CARAVAN)
K BODY = (P - RELIANT)(D - ARIES)(C - LEBARON/ TOWN & COUNTRY)	

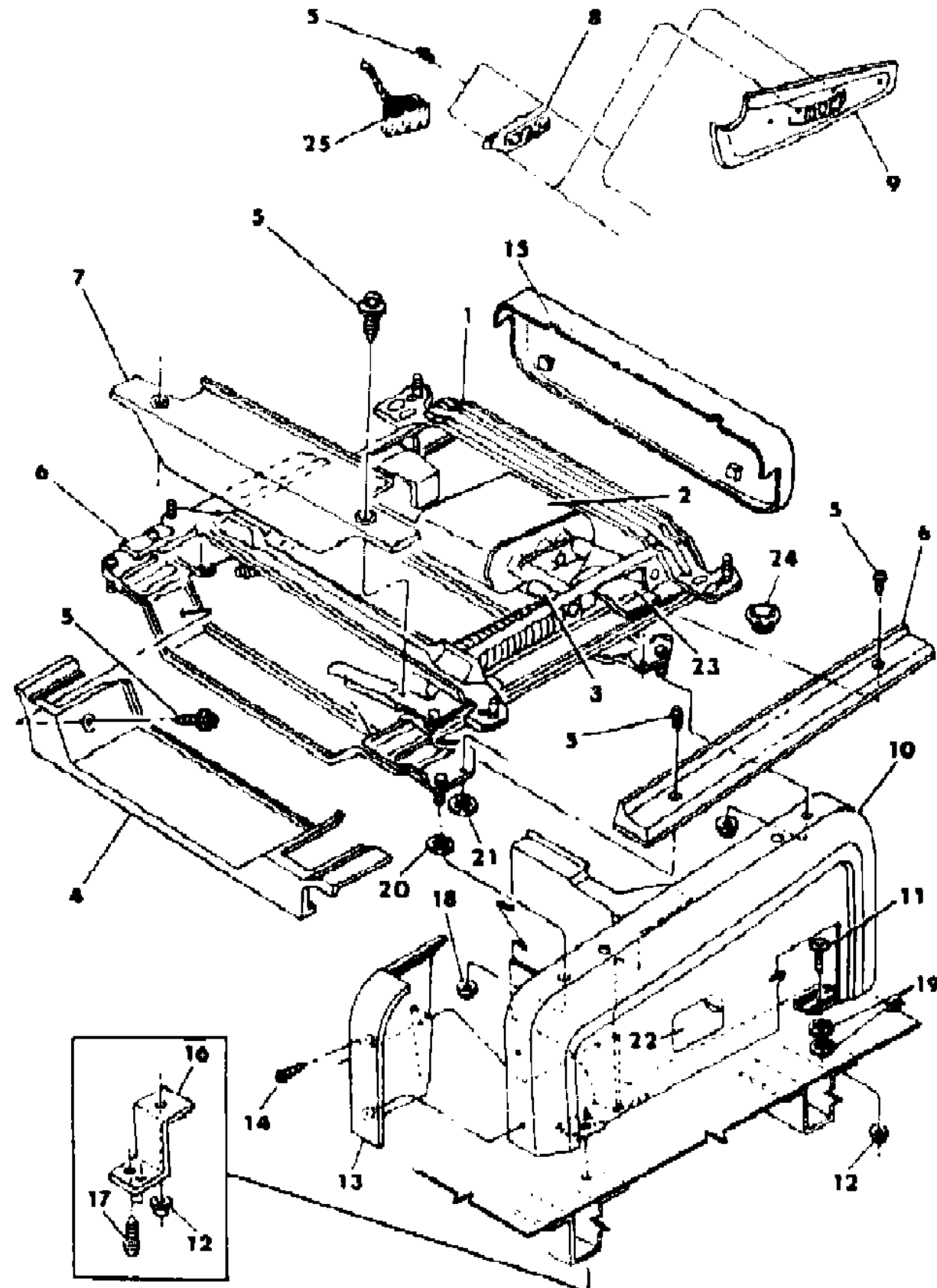
BODY STYLES

12-52 = FWD VAN & WAGON STD. W.B.	27 = 2-DOOR CONVERTIBLE
13-53 = FWD VAN & WGN EXT W.B.	41 = 4-DOOR SEDAN
21 = 2-DOOR SEDAN	44 = 4-DOOR HATCHBACK
24 = 2-DOOR HATCHBACK	45 = 4-DOOR STATION WAGON

AR = Use as Required - = Non Illustrated Part P.A.R. = Paint as Required

ADJUSTER--ELECTRIC AND LEFT RISER S BODY
Figure ITS-2200

8242 2200



ITEM	PART NUMBER	QTY	BODY	MODEL	DESCRIPTION
------	-------------	-----	------	-------	-------------

NOTE: (P.A.R.) = Paint As Required

MODEL CODES

C BODY = (D41 - DYNASTY)(C41 - NEW YORKER)
 E BODY = (J - CARAVELLE)(E - 600)(T - NEW YORKER TURBO)
 G BODY = (V24 - DAYTONA, PACIFICA & SHELBY)
 H BODY = (D44 - LANCER)(C44 - LEBARON GTS)
 J BODY = (C - LEBARON)
 K BODY = (P - RELIANT)(D - ARIES)(C - LEBARON/ TOWN & COUNTRY)

L BODY = (M - HORIZON)(Z-OMNI)
 M BODY = (B - GRAN FURY)(G - DIPLOMAT)(F - FIFTH AVENUE/NEWPORT)
 P BODY = (P - SUNDANCE)(D - SHADOW)
 Q BODY = (C27 - MASERATI)
 S BODY = (H - VOYAGER)(K - RAM VAN/ CARAVAN)

BODY STYLES

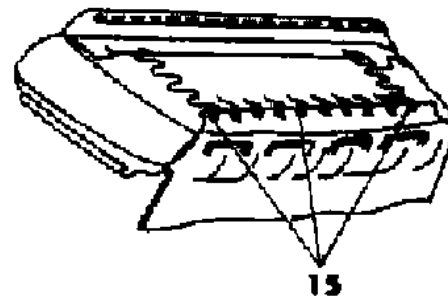
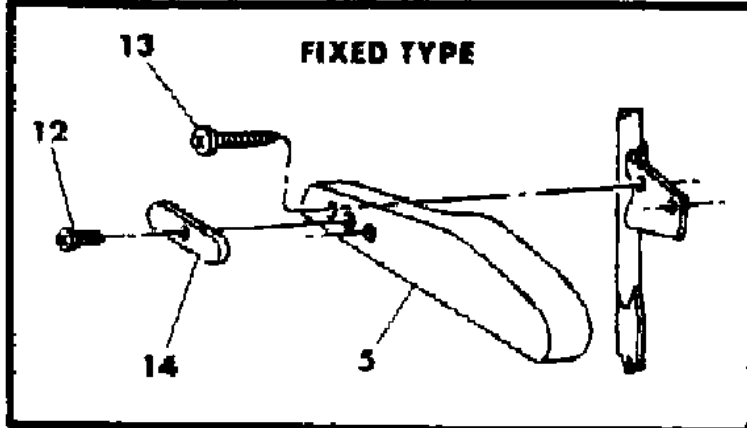
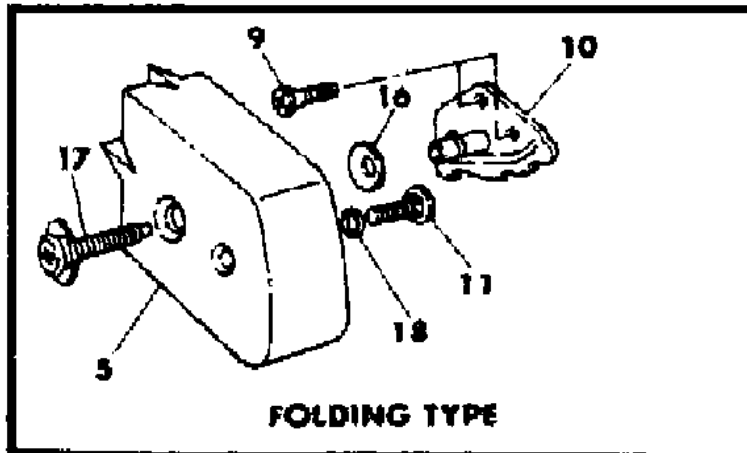
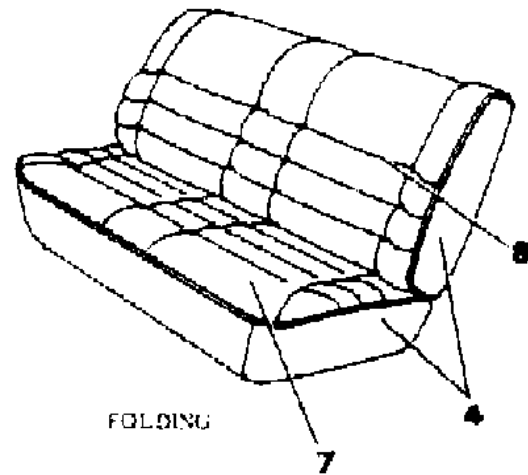
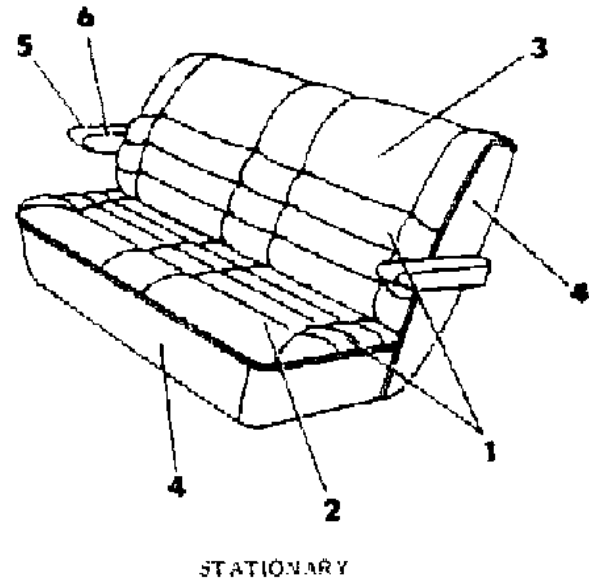
12-52 = FWD VAN & WAGON STD. W.B.	27 = 2-DOOR CONVERTIBLE
13-53 = FWD VAN & WGN EXT W.B.	41 = 4-DOOR SEDAN
21 = 2-DOOR SEDAN	44 = 4-DOOR HATCHBACK
24 = 2-DOOR HATCHBACK	45 = 4-DOOR STATION WAGON

AR = Use as Required - = Non Illustrated Part P.A.R. = Paint as Required

SEAT--REAR S BODY TRIM CODE J6

Figure ITS-2300

8242 2300 A



ITEM	PART NUMBER	QTY	BODY	MODEL	DESCRIPTION
1-4					SEAT COMPLETE, w/Spring/Frame, Pad and Cover (Includes Cushion and Back VINYL 2 Passenger (Use In First Position w/7 Passenger Seating Silver / Charcoal, (J6AS) Blue, (J6C) Red, (J6R) 3 Passenger (Use In First Position w/5 Passenger Seating) Silver / Charcoal, (J6AS) Blue, (J6C) Red, (J6R)
	G686 F6A	1			
	G686 F6C	1			
	G686 G6R	1			
	G699 F6A	1			
	G699 F6C	1			
	G699 G6R	1			
2					COVER, Cushion Vinyl 2 Passenger Silver / Charcoal, (J6AS) Blue, (J6C) Red, (J6R) 3 Passenger Silver / Charcoal, (J6AS) Blue, (J6C) Red, (J6R)
	G026 F6A	1			
	G026 F6C	1			
	G026 G6R	1			
	G438 F6A	1			
	G438 F6C	1			
	G438 G6R	1			
3					COVER, Back VINYL 2 Passenger Silver / Charcoal, (J6AS) Blue, (J6C) Red, (J6R) 3 Passenger Silver / Charcoal, (J6AS) Blue, (J6C) Red, (J6R)
	G027 F6A	1			
	G027 F6C	1			
	G027 G6R	1			
	G439 F6A	1			
	G439 F6C	1			
	G439 G6R	1			
4					ROLL STOCK, Vinyl Order By The Inch Charcoal, 58" Wide (J6AS) Blue, 54" Wide (J6C) Red, 54" Wide (J6E)
	R609 CS8	AR			
	R600 EC5	AR			
	R600 EE8	AR			
5					ARMREST, w/Pad w/o Cover ARMREST and COVER
	4402 937	2			

MODEL CODES

C BODY = (D41 - DYNASTY)(C41 - NEW YORKER)
 E BODY = (J - CARAVELLE)(E - 600)(T - NEW YORKER TURBO)
 G BODY = (V24 - DAYTONA, PACIFICA & SHELBY)
 H BODY = (D44 - LANCER)(C44 - LEBARON GTS)
 J BODY = (C - LEBARON)
 K BODY = (P - RELIANT)(D - ARIES)(C - LEBARON/ TOWN & COUNTRY)

L BODY = (M - HORIZON)(Z-OMNI)
 M BODY = (B - GRAN FURY)(G - DIPLOMAT)(F - FIFTH AVENUE/NEWPORT)
 P BODY = (P - SUNDANCE)(D - SHADOW)
 Q BODY = (C27 - MASERATI)
 S BODY = (H - VOYAGER)(K - RAM VAN/ CARAVAN)

BODY STYLES

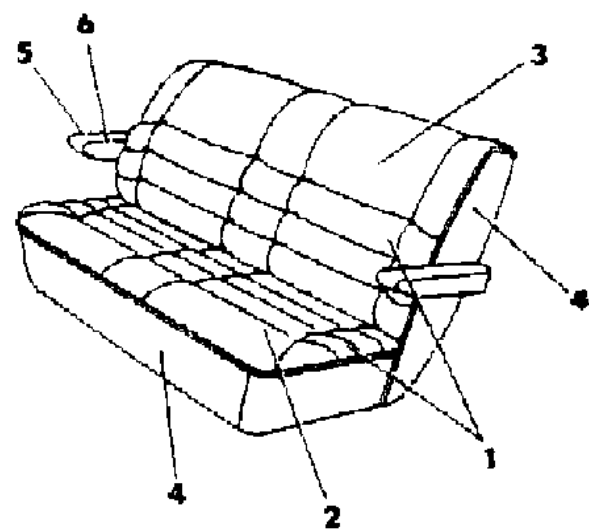
12-52 = FWD VAN & WAGON STD. W.B. 27 = 2-DOOR CONVERTIBLE
 13-53 = FWD VAN & WGN EXT W.B. 41 = 4-DOOR SEDAN
 21 = 2-DOOR SEDAN 44 = 4-DOOR HATCHBACK
 24 = 2-DOOR HATCHBACK 45 = 4-DOOR STATION WAGON

AR = Use as Required - = Non Illustrated Part P.A.R. = Paint as Required

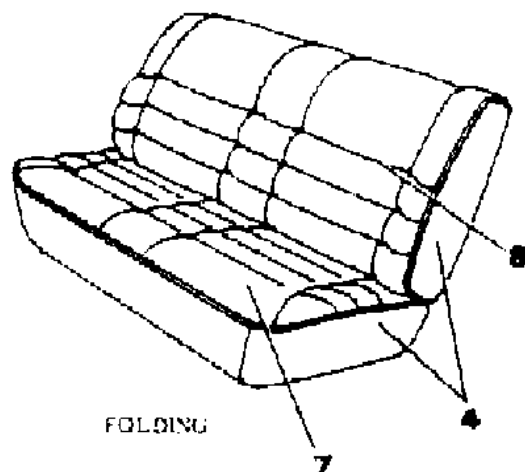
SEAT--REAR S BODY TRIM CODE J6

Figure ITS-2300

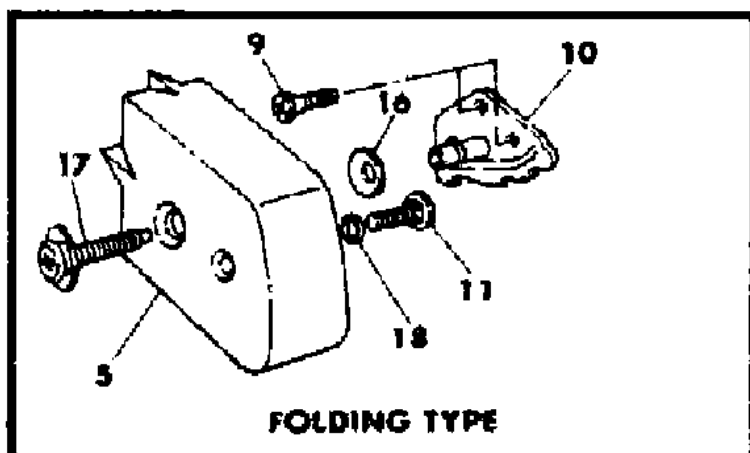
8242 2300 A



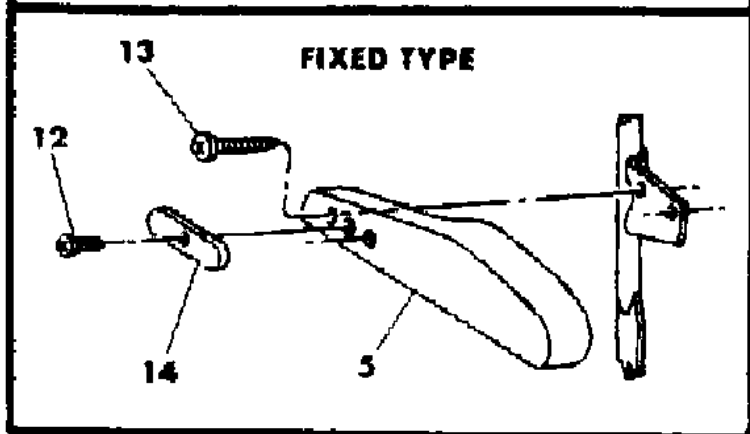
STATIONARY



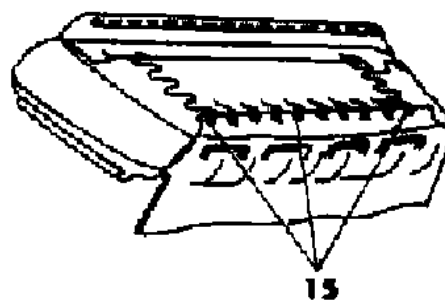
FOLDING



FOLDING TYPE



FIXED TYPE



ITEM	PART NUMBER	QTY	BODY	MODEL	DESCRIPTION
					2 Passenger (Folding)
	G764 GS8	2			Silver / Charcoal, (J6AS)
	G764 GC5	2			Blue, (J6C)
	G764 GR8	2			Red, (J6R)
					3 Passenger (Fixed)
	G888-9 CS8	1			Silver / Charcoal, (J6AS)
	G888-9 FC5	1			Blue, (J6C)
	G888-9 GR8	1			Red, (J6R)
6					COVER, Armrest
					2 Passenger
	A288 GS8	2			Silver / Charcoal, (J6AS)
	A288 GC5	2			Blue, (J6C)
	A288 GR8	2			Red, (J6R)
					3 Passenger
	G462-3 CS8	1			Silver / Charcoal, (J6AS)
	G462-3 FC5	1			Blue, (J6C)
	G462-3 GR8	1			Red, (J6R)
7 & 4					FOULDING REAR SEAT CUSHION, w/Spring/Frame, Pad and Cover VINYL
	G606 F6A	1			Silver / Charcoal, (J6AS)
	G606 F6C	1			Blue, (J6C)
	G606 G6R	1			Red, (J6R)
7					COVER, Cushion w/Protector Shield VINYL
	G030 F6A	1			Silver / Charcoal, (J6AS)
	G030 F6C	1			Blue, (J6C)
	G030 G6R	1			Red, (J6R)
8 & 4					BACK, w/Spring/Frame, Pad and Cover VINYL
	G608 F6A	1			Silver / Charcoal, (J6AS)
	G608 F6C	1			Blue, (J6C)
	G608 G6R	1			Red, (J6R)
8					COVER, Back VINYL
	G031 F6A	1			Silver / Charcoal, (J6AS)
	G031 F6C	1			Blue, (J6C)

MODEL CODES

C BODY = (D41 - DYNASTY)(C41 - NEW YORKER)
 E BODY = (J - CARAVELLE)(E - 600)(T - NEW YORKER TURBO)
 G BODY = (V24 - DAYTONA, PACIFICA & SHELBY)
 H BODY = (D44 - LANCER)(C44 - LEBARON GTS)
 J BODY = (C - LEBARON)
 K BODY = (P - RELIANT)(D - ARIES)(C - LEBARON/ TOWN & COUNTRY)
 L BODY = (M - HORIZON)(Z-OMNI)
 M BODY = (B - GRAN FURY)(G - DIPLOMAT)(F - FIFTH AVENUE/NEWPORT)
 P BODY = (P - SUNDANCE)(D - SHADOW)
 Q BODY = (C27 - MASERATI)
 S BODY = (H - VOYAGER)(K - RAM VAN/ CARAVAN)

BODY STYLES

12-52 = FWD VAN & WAGON STD. W.B. 27 = 2-DOOR CONVERTIBLE
 13-53 = FWD VAN & WGN EXT W.B. 41 = 4-DOOR SEDAN
 21 = 2-DOOR SEDAN 44 = 4-DOOR HATCHBACK
 24 = 2-DOOR HATCHBACK 45 = 4-DOOR STATION WAGON

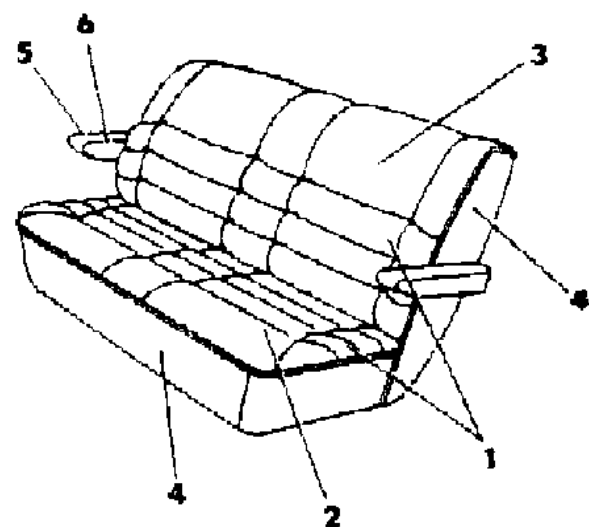
AR = Use as Required - = Non Illustrated Part P.A.R. = Paint as Required

SEAT--REAR S BODY TRIM CODE J6
Figure ITS-2300

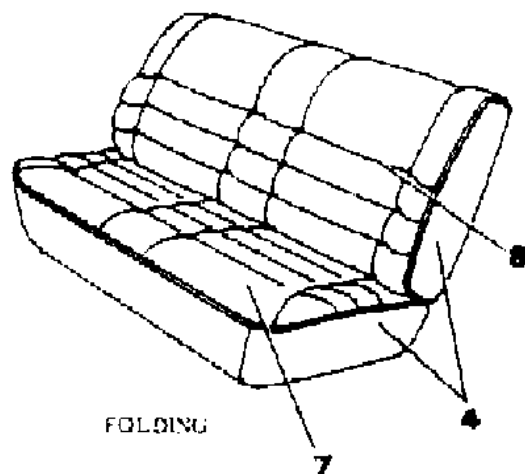
8242 2300 A

ITEM	PART NUMBER	QTY	BODY	MODEL	DESCRIPTION
	G031 G6R	1			Red, (J6R)
9	6501 539	2			SCREW
10	4477 878-9	1			SUPPORT, Armrest To Back
11	6032 567	AR			SCREW
12		AR			SCREW, (-18x5/8) (Not Serv.)
13	6101 380	4			SCREW
14	S684 EK1	1			COVER, Finish (P.A.R.)
15	6008 076	AR			HOG RING
16	6024 223	1			WASHER, Cone
17	6501 542	2			SCREW
18	6033 744	2			WASHER

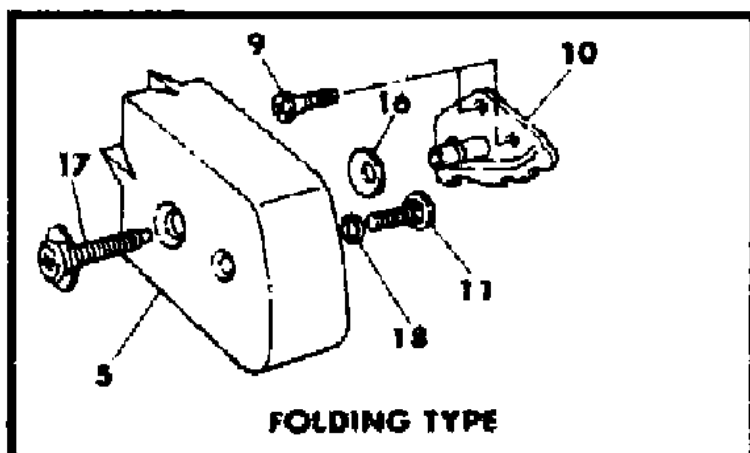
NOTE: (P.A.R.) = Paint As Required
NOTE: The (5) Passenger Wagon Uses The (3) Passenger Stationary Seat, The (7) Passenger Wagon Uses The (2) Passenger Stationary Seat and The Rear Seat



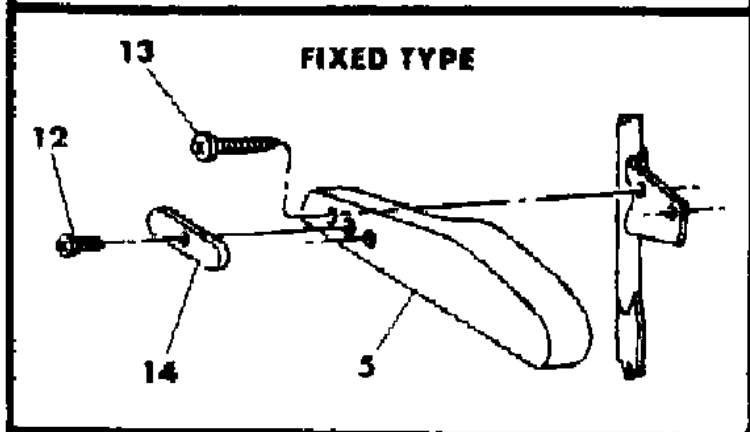
STATIONARY



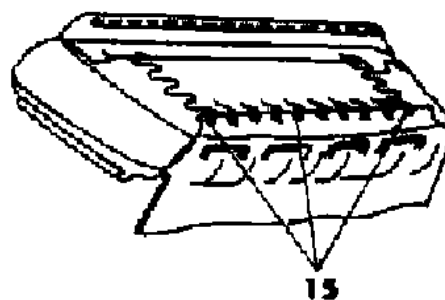
FOLDING



FOLDING TYPE



FIXED TYPE



MODEL CODES
C BODY = (D41 - DYNASTY)(C41 - NEW YORKER)
E BODY = (J - CARAVELLE)(E - 600)(T - NEW YORKER TURBO)
G BODY = (V24 - DAYTONA, PACIFICA & SHELBY)
H BODY = (D44 - LANCER)(C44 - LEBARON GTS)
J BODY = (C - LEBARON)
K BODY = (P - RELIANT)(D - ARIES)(C - LEBARON/ TOWN & COUNTRY)
L BODY = (M - HORIZON)(Z-OMNI)
M BODY = (B - GRAN FURY)(G - DIPLOMAT)(F - FIFTH AVENUE/NEWPORT)
P BODY = (P - SUNDANCE)(D - SHADOW)
Q BODY = (C27 - MASERATI)
S BODY = (H - VOYAGER)(K - RAM VAN/ CARAVAN)

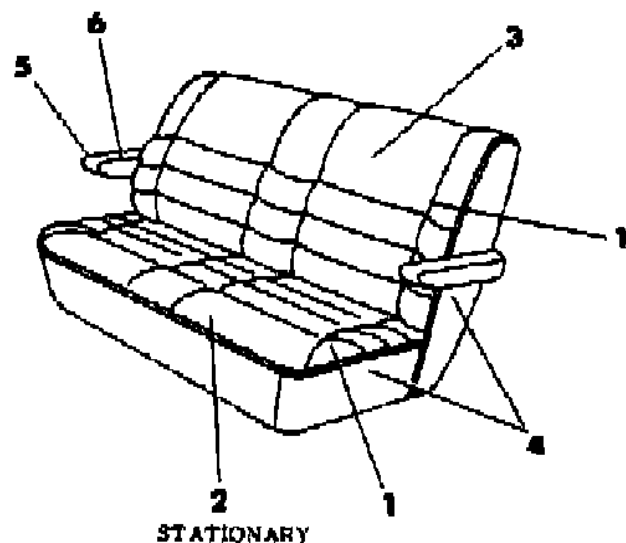
BODY STYLES
12-52 = FWD VAN & WAGON STD. W.B. 27 = 2-DOOR CONVERTIBLE
13-53 = FWD VAN & WGN EXT W.B. 41 = 4-DOOR SEDAN
21 = 2-DOOR SEDAN 44 = 4-DOOR HATCHBACK
24 = 2-DOOR HATCHBACK 45 = 4-DOOR STATION WAGON

AR = Use as Required - = Non Illustrated Part P.A.R. = Paint as Required

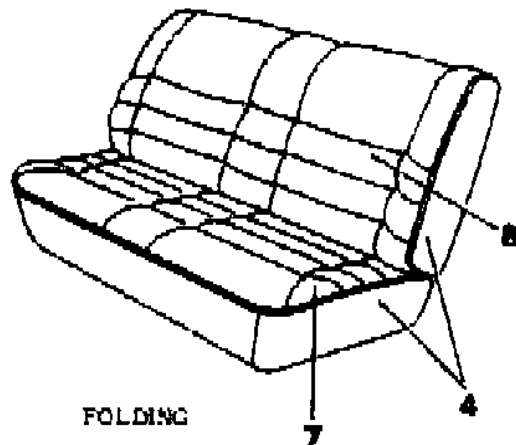
SEAT--REAR S BODY TRIM CODE J5

Figure ITS-2400

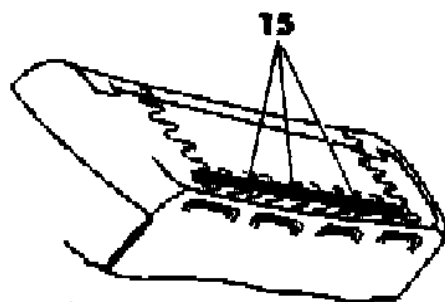
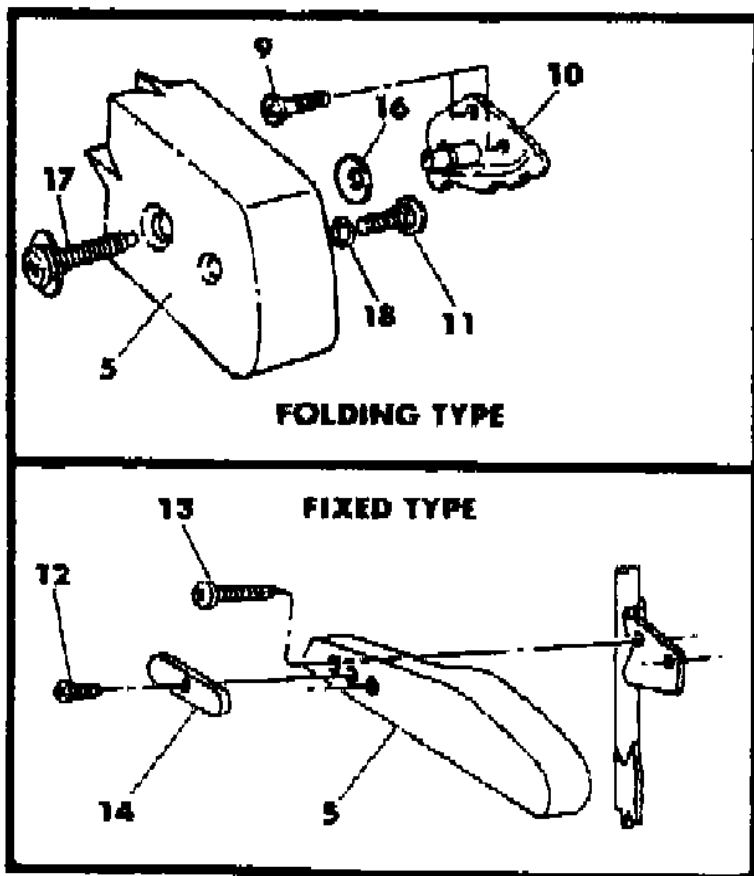
B242 2400 A



STATIONARY



FOLDING



ITEM	PART NUMBER	QTY	BODY	MODEL	DESCRIPTION
NOTE: The Five Passenger Wagon Uses The Three Passenger Stationary Seat. The Seven Passenger Uses The Two Passenger Stationary Seat & The Folding Rear					
1-4					SEAT COMPLETE, w/Spring, Frame, Pad and Cover (Includes Cushion and Back)
					CLOTH
					2 Passenger (Used in First Position w/Seven Passenger Seating)
	G687 F5A	1			Silver / Charcoal, (J5AS)
	G687 G5R	1			Red, (J5R)
	G687 F5K	1			Almond, (J5K)
	G687 G5C	1			Blue, (J5C)
					3 Passenger (Used in First Position w/5 Passenger Seating)
	G697 F5A	1			Silver / Charcoal, (J5AS)
	G697 G5R	1			Red, (J5R)
	G697 F5K	1			Almond, (J5K)
	G697 G5C	1			Blue, (J5C)
2					COVER, Cushion
					CLOTH
					2 Passenger
	G016 F5A	1			Silver / Charcoal, (J5AS)
	G016 G5R	1			Red, (J5R)
	G016 F5K	1			Almond, (J5K)
	G016 G5C	1			Blue, (J5C)
					3 Passenger
	G436 F5A	1			Silver / Charcoal, (J5AS)
	G436 G5R	1			Red, (J5R)
	G436 F5K	1			Almond, (J5K)
	G436 G5C	1			Blue, (J5C)
3					COVER, Back
					CLOTH
					2 Passenger
	G017 F5A	1			Silver / Charcoal, (J5AS)
	G017 G5R	1			Red, (J5R)
	G017 F5K	1			Almond, (J5K)
	G017 G5C	1			Blue, (J5C)
					3 Passenger

MODEL CODES

C BODY = (D41 - DYNASTY)(C41 - NEW YORKER)
 E BODY = (J - CARAVELLE)(E - 600)(T - NEW YORKER TURBO)
 G BODY = (V24 - DAYTONA, PACIFICA & SHELBY)
 H BODY = (D44 - LANCER)(C44 - LEBARON GTS)
 J BODY = (C - LEBARON)
 K BODY = (P - RELIANT)(D - ARIES)(C - LEBARON/ TOWN & COUNTRY)

L BODY = (M - HORIZON)(Z-OMNI)
 M BODY = (B - GRAN FURY)(G - DIPLOMAT)(F - FIFTH AVENUE/NEWPORT)
 P BODY = (P - SUNDANCE)(D - SHADOW)
 Q BODY = (C27 - MASERATI)
 S BODY = (H - VOYAGER)(K - RAM VAN/ CARAVAN)

BODY STYLES

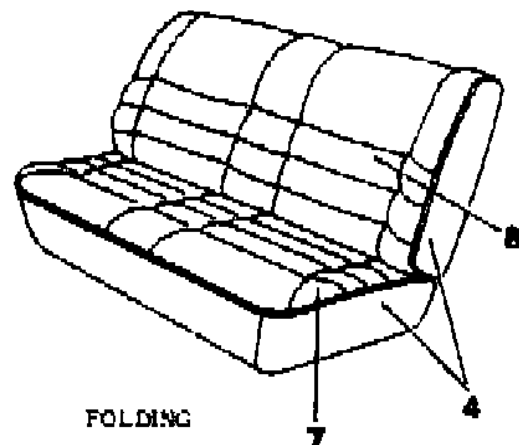
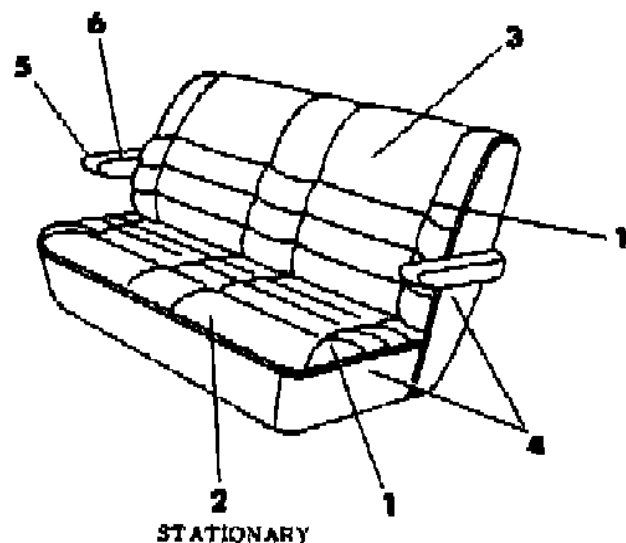
12-52 = FWD VAN & WAGON STD. W.B. 27 = 2-DOOR CONVERTIBLE
 13-53 = FWD VAN & WGN EXT W.B. 41 = 4-DOOR SEDAN
 21 = 2-DOOR SEDAN 44 = 4-DOOR HATCHBACK
 24 = 2-DOOR HATCHBACK 45 = 4-DOOR STATION WAGON

AR = Use as Required - = Non Illustrated Part P.A.R. = Paint as Required

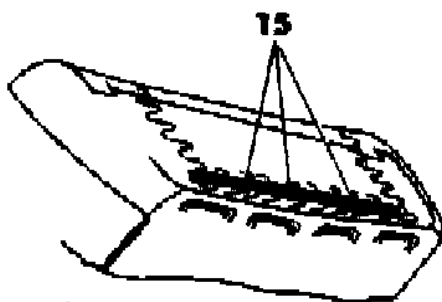
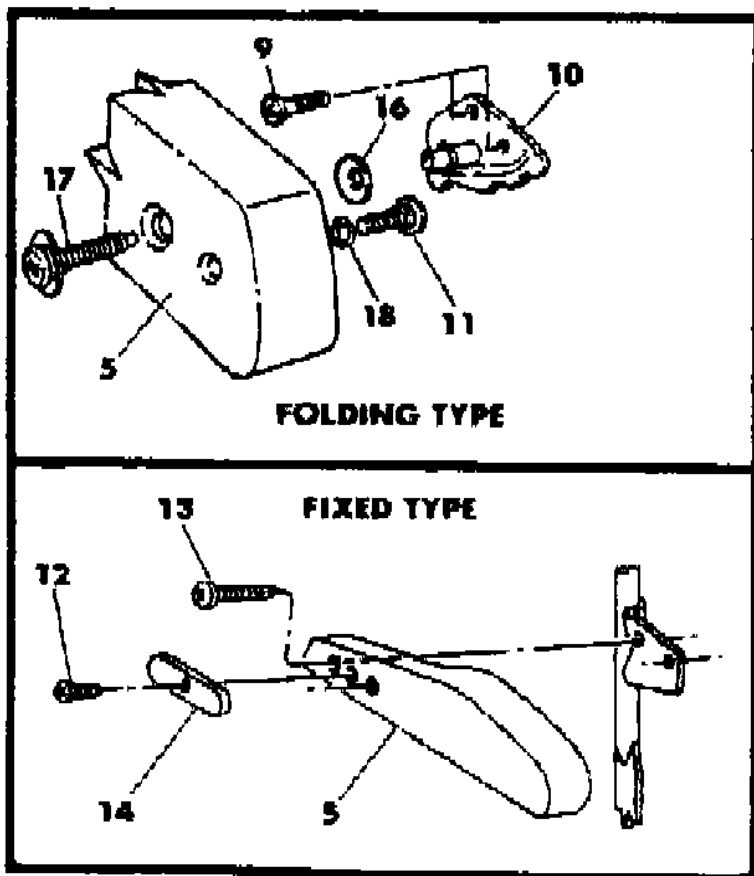
SEAT--REAR S BODY TRIM CODE J5

Figure ITS-2400

B242 2400 A



FOLDING



ITEM	PART NUMBER	QTY	BODY	MODEL	DESCRIPTION
	G437 F5A	1			Silver / Charcoal, (J5AS)
	G437 G5R	1			Red, (J5R)
	G437 F5K	1			Almond, (J5K)
	G437 G5C	1			Blue, (J5C)
4					ROLL STOCK, Vinyl, Order By The Inch
	R609 CS8	AR			Charcoal, 58" Wide (J5AS)
	R600 EE8	AR			Cordovan, 54" Wide (J5E)
5	4402 937	2			ARMREST, w/Pad w/o Cover ARMREST and COVER
	A427 GS8	2			2 PASSENGER, (Folding) Silver / Charcoal, (J5AS)
	A427 GR8	2			Red, (J5R)
	A427 GK1	2			Almond, (J5K)
	A427 GC5	2			Blue, (J5C)
	G690-1 FS8	1			3 PASSENGER, (Fixed) Silver / Charcoal, (J5AS)
	G690-1 GR8	1			Red, (J5R)
	G690-1 FK1	1			Almond, (J5K)
	G690-1 GC5	1			Blue, (J5C)
6					COVER, Armrest 2 PASSENGER
	A285 GS8	2			Silver / Charcoal, (J5AS)
	A285 GR8	2			Red, (J5R)
	A285 GK1	2			Almond, (J5K)
	A285 GC5	2			Blue, (J5C)
	G044-5 FS8	1			3 PASSENGER Silver / Charcoal, (J5AS)
	G044-5 GR8	1			Red, (J5R)
	G044-5 FK1	1			Almond, (J5K)
	G044 GC5	2			Blue, (J5C)
7 & 4					FOLDING REAR SEAT CUSHION, w/Spring/Frame, Pad and Cover CLOTH
	G586 F5A	1			Silver / Charcoal, (J5AS)
	G586 G5R	1			Red, (J5R)
	G586 F5K	1			Almond, (J5K)
	G586 G5C	1			Blue, (J5C)

MODEL CODES

C BODY = (D41 - DYNASTY)(C41 - NEW YORKER)
 E BODY = (J - CARAVELLE)(E - 600)(T - NEW YORKER TURBO)
 G BODY = (V24 - DAYTONA, PACIFICA & SHELBY)
 H BODY = (D44 - LANCER)(C44 - LEBARON GTS)
 J BODY = (C - LEBARON)
 K BODY = (P - RELIANT)(D - ARIES)(C - LEBARON/ TOWN & COUNTRY)
 L BODY = (M - HORIZON)(Z-OMNI)
 M BODY = (B - GRAN FURY)(G - DIPLOMAT)(F - FIFTH AVENUE/NEWPORT)
 P BODY = (P - SUNDANCE)(D - SHADOW)
 Q BODY = (C27 - MASERATI)
 S BODY = (H - VOYAGER)(K - RAM VAN/ CARAVAN)

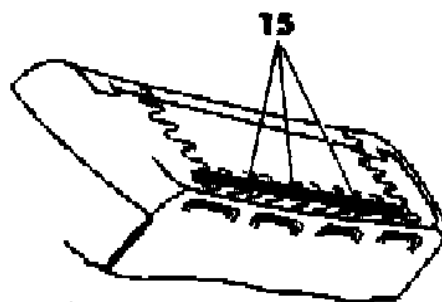
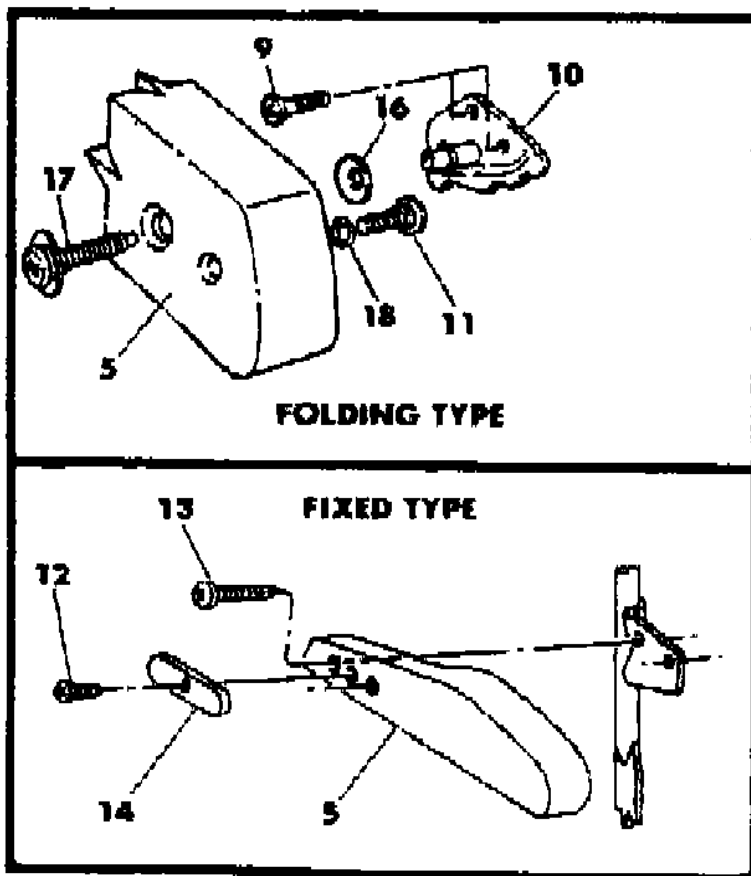
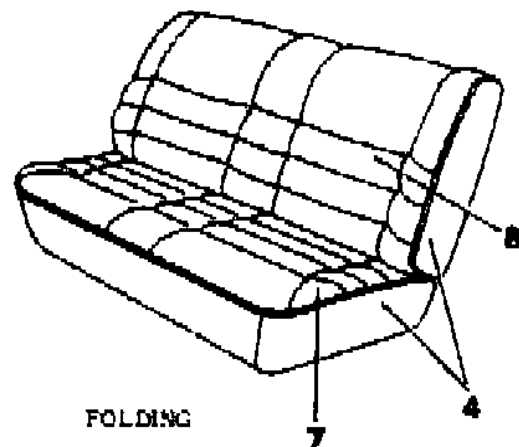
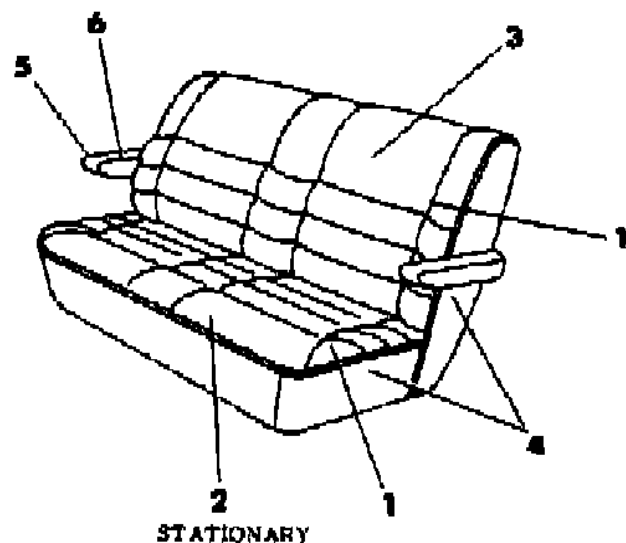
BODY STYLES

12-52 = FWD VAN & WAGON STD. W.B. 27 = 2-DOOR CONVERTIBLE
 13-53 = FWD VAN & WGN EXT W.B. 41 = 4-DOOR SEDAN
 21 = 2-DOOR SEDAN 44 = 4-DOOR HATCHBACK
 24 = 2-DOOR HATCHBACK 45 = 4-DOOR STATION WAGON

AR = Use as Required - = Non Illustrated Part P.A.R. = Paint as Required

SEAT--REAR S BODY TRIM CODE J5
Figure ITS-2400

B242 2400 A



ITEM	PART NUMBER	QTY	BODY	MODEL	DESCRIPTION
7					COVER, Cushion w/Protector Shield
7					CLOTH
	G020 F5A	1			Silver / Charcoal, (J5AS)
	G020 G5R	1			Red, (J5R)
	G020 F5K	1			Almond, (J5K)
	G020 G5C	1			Blue, (J5C)
8 & 4					BACK, w/Spring/Frame, Pad and Cover
					CLOTH
	G588 F5A	1			Silver / Charcoal, (J5AS)
	G588 G5R	1			Red, (J5R)
	G588 F5K	1			Almond, (J5K)
	G588 G5C	1			Blue, (J5C)
8					COVER, Back
					CLOTH
	G021 F5A	1			Silver / Charcoal, (J5AS)
	G021 G5R	1			Red, (J5R)
	G021 F5K	1			Almond, (J5K)
	G021 G5C	1			Blue, (J5C)
9	6501 539	2			SCREW
10	4477 878-9	1			SUPPORT
11	6032 567	AR			SCREW
12		2			SCREW, (8-18x5/8) (Not Serv.)
13	6101 380	4			SCREW
14	S684 EK1	2			COVER, Finish (P.A.R.)
15	6008 076	AR			HOG RING
16	6024 223	1			WASHER, Cone
17	6501 542	2			SCREW
18	6033 744	1			WASHER

MODEL CODES

C BODY = (D41 - DYNASTY)(C41 - NEW YORKER)
 E BODY = (J - CARAVELLE)(E - 600)(T - NEW YORKER TURBO)
 G BODY = (V24 - DAYTONA, PACIFICA & SHELBY)
 H BODY = (D44 - LANCER)(C44 - LEBARON GTS)
 J BODY = (C - LEBARON)
 K BODY = (P - RELIANT)(D - ARIES)(C - LEBARON/ TOWN & COUNTRY)

L BODY = (M - HORIZON)(Z-OMNI)
 M BODY = (B - GRAN FURY)(G - DIPLOMAT)(F - FIFTH AVENUE/NEWPORT)
 P BODY = (P - SUNDANCE)(D - SHADOW)
 Q BODY = (C27 - MASERATI)
 S BODY = (H - VOYAGER)(K - RAM VAN/ CARAVAN)

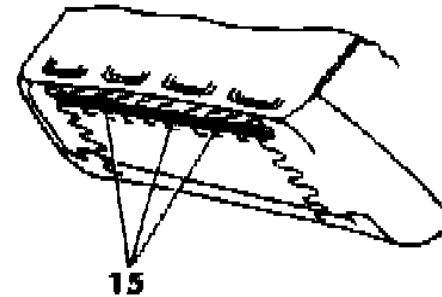
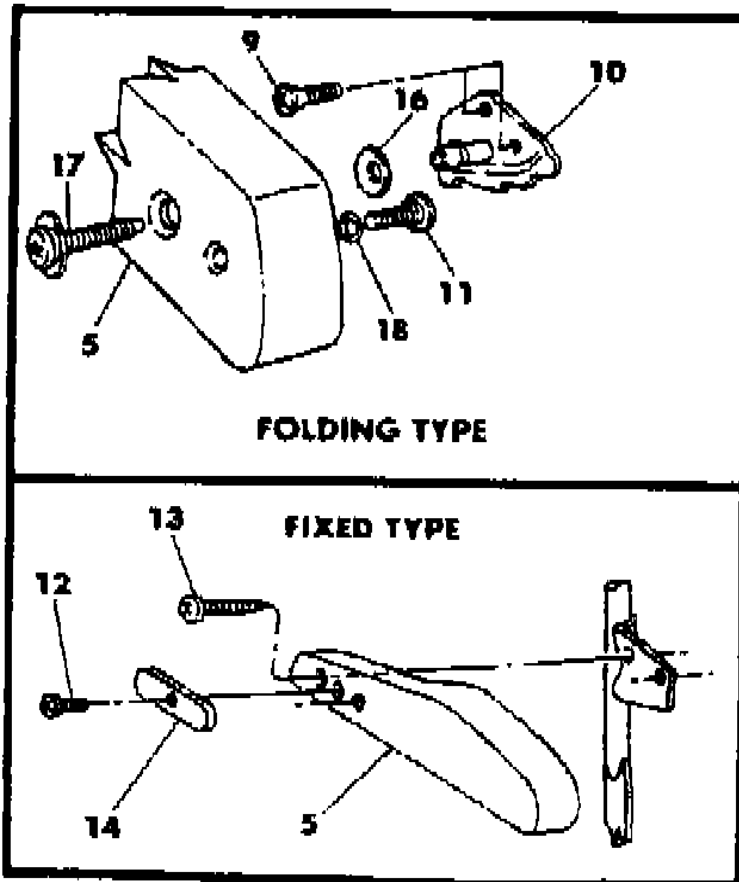
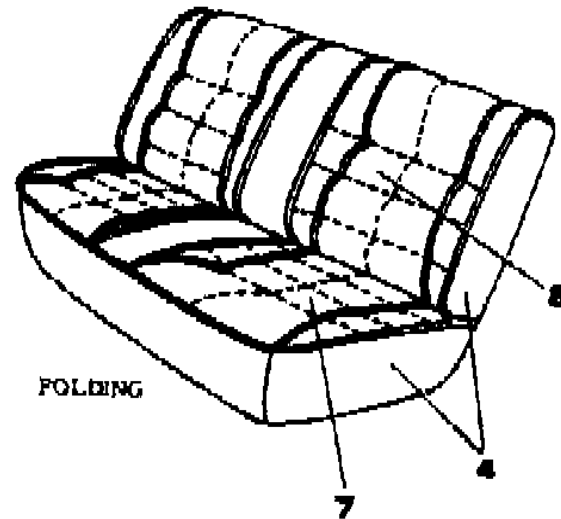
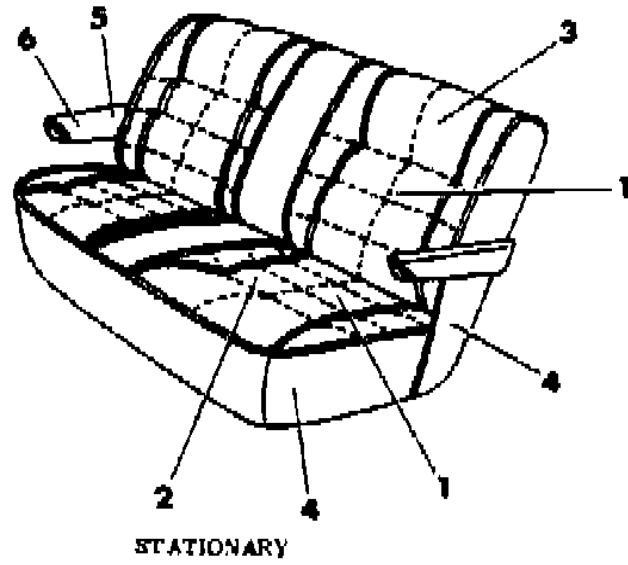
BODY STYLES

12-52 = FWD VAN & WAGON STD. W.B. 27 = 2-DOOR CONVERTIBLE
 13-53 = FWD VAN & WGN EXT W.B. 41 = 4-DOOR SEDAN
 21 = 2-DOOR SEDAN 44 = 4-DOOR HATCHBACK
 24 = 2-DOOR HATCHBACK 45 = 4-DOOR STATION WAGON

AR = Use as Required - = Non Illustrated Part P.A.R. = Paint as Required

SEAT--REAR S BODY TRIM CODES C7,C8,D5,D9,M5
Figure ITS-2500

8242 2500 A



ITEM	PART NUMBER	QTY	BODY	MODEL	DESCRIPTION
NOTE: The (5) Passenger Wagon Uses The (3) Passenger Stationary Seat, The (7) Passenger Wagon Uses The (2) Passenger Stationary Seat Plus Folding Rear					
1-4					SEAT COMPLETE, (Includes Cushion and Back) w/Spring/Frame, Pad and Cover
					CLOTH
					2 Passenger (Used In First Position w/7 Passenger Seating)
	G632 F7A	1			Silver / Charcoal, (D5AS,C7AS,D9AS,M5AS)
	G632 F7C	1			Blue, (D5C,M5C)
	G632 G7R	1			Red, (D5R,C7R,D9R,M5R)
	G632 F7K	1			Almond, (D5K,C7K,D9K,M5K)
					3 Passenger (Used In First Position w/5 Passenger Seating)
	G637 F7A	1			Silver / Charcoal, (C7AS,D5AS,D9AS,M5AS)
	G637 F7C	1			Blue, (D5C,M5C)
	G637 G7R	1			Red, (C7R,D5R,C9R,D9R,M5R)
	G637 F7K	1			Almond, (C7K,D5K,C9K,D9K,M5K)
					VINYL
	G638 F8A	1			Silver / Charcoal, (C8AS)
	G638 G8R	1			Red, (C8R)
	G638 F8K	1			Almond, (C8K)
2					COVER, Cushion
					CLOTH
					2 Passenger
	G038 F7A	1			Silver / Charcoal, (D5AS,C7AS,D9AS,M5AS)
	G038 F7C	1			Blue, (D5C,M5C)
	G038 G7R	1			Red, (D5R,C7R,D9R,M5R)
	G038 F7K	1			Almond, (D5K,C7K,D9K,M5K)
					3 PASSENGER
	G008 F7A	1			Silver / Charcoal, (C7AS,D5AS,C9AS,D9AS,M5AS)
	G008 F7C	1			Blue, (D5C,M5C)
	G008 G7R	1			Red, (C7R,D5R,C9R,D9R,M5R)
	G008 F7K	1			Almond, (C7K,D5K,D9K,M5K)
					VINYL
	G434 C8A	1			Silver / Charcoal, (C8AS)
	G434 G8R	1			Red, (C8R)
	G434 E8K	1			Almond, (C8K)
3					COVER, Back

MODEL CODES

C BODY = (D41 - DYNASTY)(C41 - NEW YORKER)
 E BODY = (J - CARAVELLE)(E - 600)(T - NEW YORKER TURBO)
 G BODY = (V24 - DAYTONA, PACIFICA & SHELBY)
 H BODY = (D44 - LANCER)(C44 - LEBARON GTS)
 J BODY = (C - LEBARON)
 K BODY = (P - RELIANT)(D - ARIES)(C - LEBARON/ TOWN & COUNTRY)

L BODY = (M - HORIZON)(Z-OMNI)
 M BODY = (B - GRAN FURY)(G - DIPLOMAT)(F - FIFTH AVENUE/NEWPORT)
 P BODY = (P - SUNDANCE)(D - SHADOW)
 Q BODY = (C27 - MASERATI)
 S BODY = (H - VOYAGER)(K - RAM VAN/ CARAVAN)

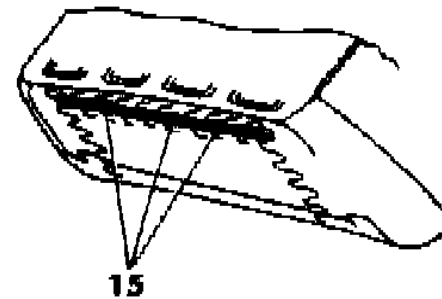
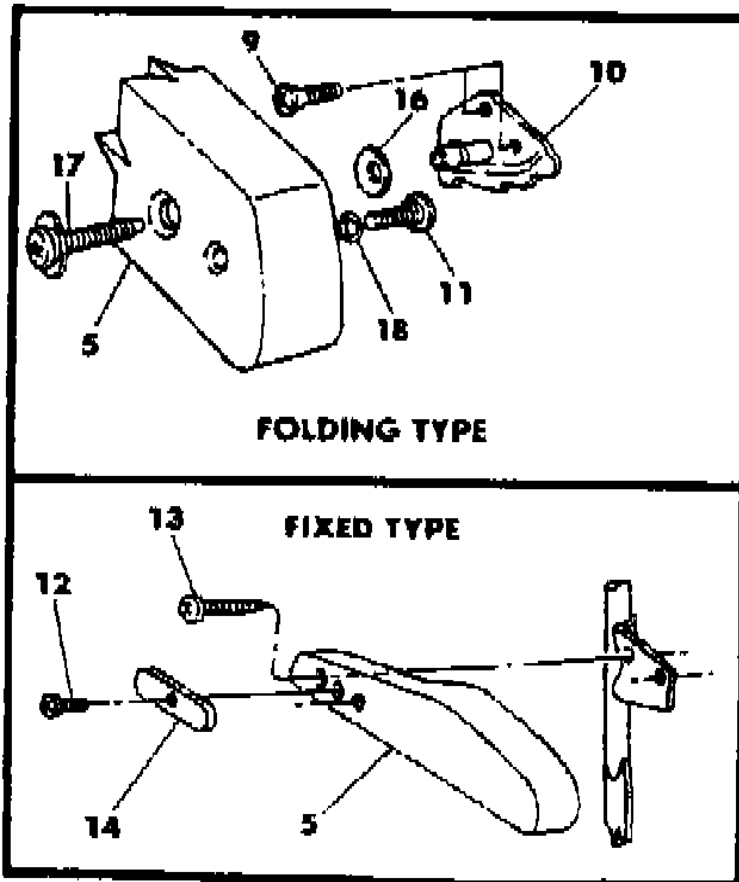
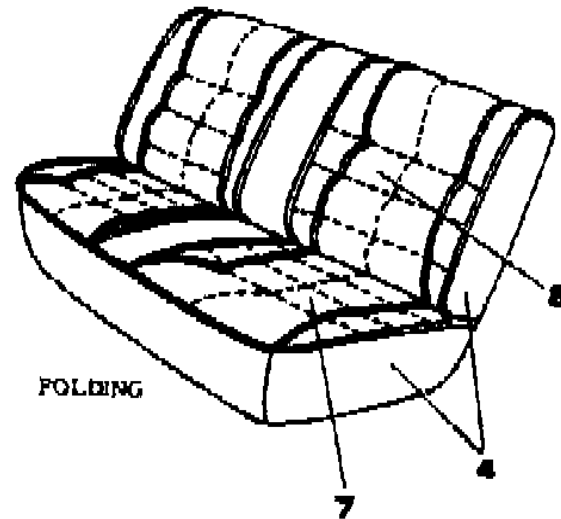
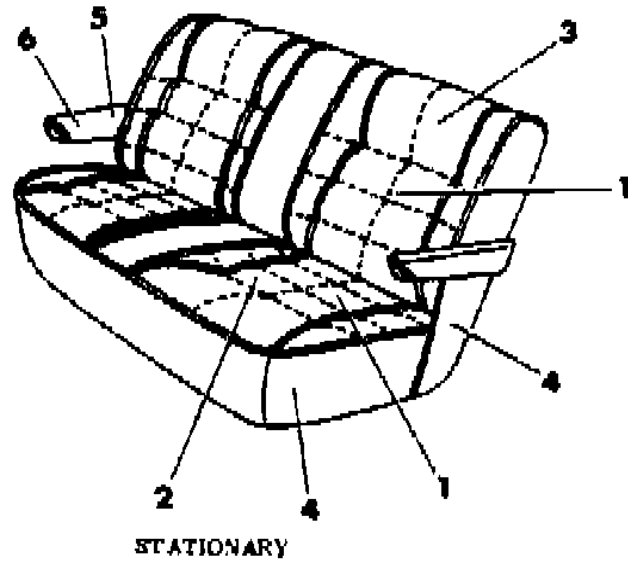
BODY STYLES

12-52 = FWD VAN & WAGON STD. W.B. 27 = 2-DOOR CONVERTIBLE
 13-53 = FWD VAN & WGN EXT W.B. 41 = 4-DOOR SEDAN
 21 = 2-DOOR SEDAN 44 = 4-DOOR HATCHBACK
 24 = 2-DOOR HATCHBACK 45 = 4-DOOR STATION WAGON

AR = Use as Required - = Non Illustrated Part P.A.R. = Paint as Required

SEAT--REAR S BODY TRIM CODES C7,C8,D5,D9,M5
Figure ITS-2500

8242 2500 A



ITEM	PART NUMBER	QTY	BODY	MODEL	DESCRIPTION
					CLOTH
					2 Passenger
	G007 F7A	1			Silver / Charcoal, (D5AS,C7AS,D9AS,M5AS)
	G007 F7C	1			Blue, (D5C,M5C)
	G007 G7R	1			Red, (D5R,C7R,D9R,M5R)
	G007 F7K	1			Almond, (D5K,C7K,D9K,M5K)
					3 PASSENGER
	G009 F7A	1			Silver / Charcoal, (C7AS,D5AS,C9AS,D9AS,M5AS)
	G009 F7C	1			Blue, (D5C,M5C)
	G009 G7R	1			Red, (C7R,D5R,C9R,D9R,M5R)
	G009 F7K	1			Almond, (C7K,D5K,D9K,M5K)
					VINYL
	G041 F8A	1			Silver / Charcoal, (C8AS)
	G041 G8R	1			Red, (C8R)
	G041 F8K	1			Almond, (C8K)
4					ROLL STOCK, Vinyl Order By The Inch
	R609 CS8	AR			Charcoal, 58" Wide
	R600 EC5	AR			Blue, 54" Wide
	R600 EE8	AR			Red, 54" Wide
	R600 EK1	AR			Almond, 54" Wide
5	4402 937	2			ARMREST, w/Pad w/o Cover
					ARMREST and COVER
					2 PASSENGER
	A426 GS8	2			Charcoal
	A426 GC5	2			Blue
	A426 GR8	2			Red
	A426 GK1	2			Almond
					3 PASSENGER, (Fixed)
	G888-9 CS8	1			Charcoal
	G888-9 FC5	1			Blue
	G888-9 GR8	1			Red
	G888-9 EK1	1			Almond
6					COVER, Armrest
					2 PASSENGER
	A288 GS8	2			Charcoal
	A288 GC5	2			Blue
	A288 GR8	2			Red

MODEL CODES

C BODY = (D41 - DYNASTY)(C41 - NEW YORKER)
 E BODY = (J - CARAVELLE)(E - 600)(T - NEW YORKER TURBO)
 G BODY = (V24 - DAYTONA, PACIFICA & SHELBY)
 H BODY = (D44 - LANCER)(C44 - LEBARON GTS)
 J BODY = (C - LEBARON)
 K BODY = (P - RELIANT)(D - ARIES)(C - LEBARON/ TOWN & COUNTRY)

L BODY = (M - HORIZON)(Z-OMNI)
 M BODY = (B - GRAN FURY)(G - DIPLOMAT)(F - FIFTH AVENUE/NEWPORT)
 P BODY = (P - SUNDANCE)(D - SHADOW)
 Q BODY = (C27 - MASERATI)
 S BODY = (H - VOYAGER)(K - RAM VAN/ CARAVAN)

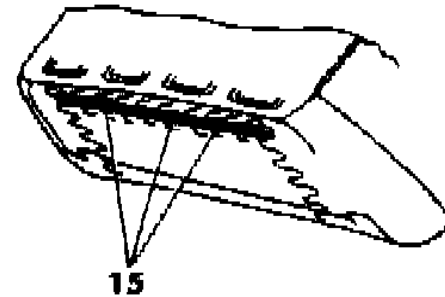
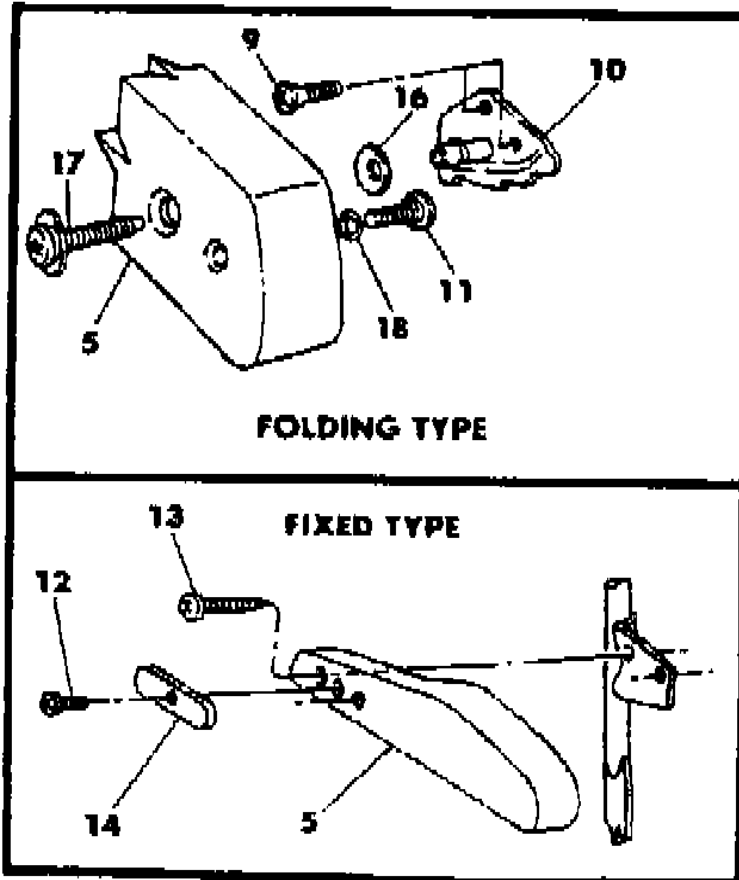
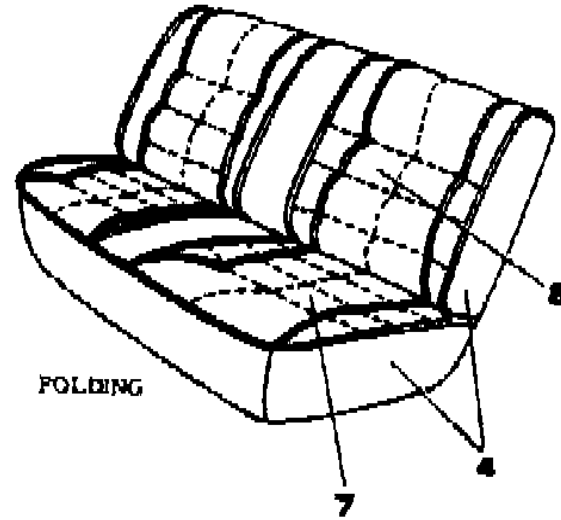
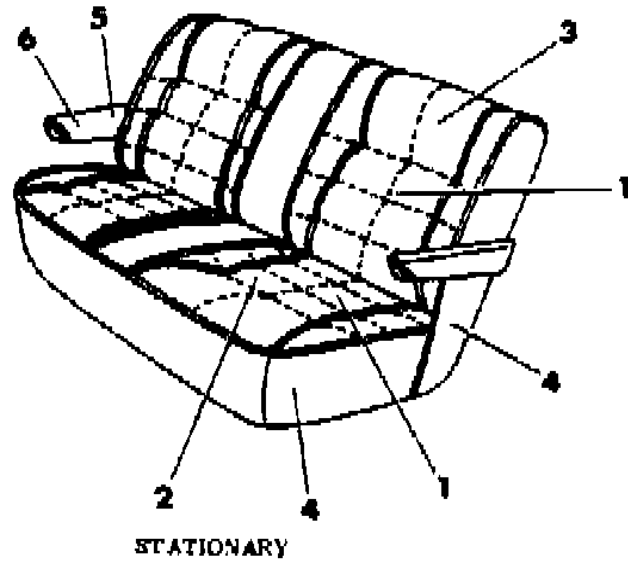
BODY STYLES

12-52 = FWD VAN & WAGON STD. W.B. 27 = 2-DOOR CONVERTIBLE
 13-53 = FWD VAN & WGN EXT W.B. 41 = 4-DOOR SEDAN
 21 = 2-DOOR SEDAN 44 = 4-DOOR HATCHBACK
 24 = 2-DOOR HATCHBACK 45 = 4-DOOR STATION WAGON

AR = Use as Required - = Non Illustrated Part P.A.R. = Paint as Required

SEAT--REAR S BODY TRIM CODES C7,C8,D5,D9,M5
Figure ITS-2500

8242 2500 A



ITEM	PART NUMBER	QTY	BODY	MODEL	DESCRIPTION
	A288 GK1	2			Almond
					3 PASSENGER
	G462-3 CS8	1			Charcoal
	G462-3 FC5	1			Blue
	G462-3 GR8	1			Red
	G462-3 EK1	1			Almond
7 & 4					FOLDING REAR SEAT CUSHION, w/Spring/Frame, Pad and Cover CLOTH
	G548 F7A	1			Silver / Charcoal, (D5AS,C7AS,D9AS,M5AS)
	G548 F7C	1			Blue, (D5C,M5C)
	G548 G7R	1			Red, (D5R,C7R,D9R,M5R)
	G548 F7K	1			Almond, (D5K,C7K,D9K,M5K)
7					COVER, Cushion w/Protector Shield CLOTH
	G010 F7A	1			Silver / Charcoal, (D5AS,C7AS,D9AS,M5AS)
	G010 F7C	1			Blue, (D5C,M5C)
	G010 G7R	1			Red, (D5R,C7R,D9R,M5R)
	G010 F7K	1			Almond, (D5K,C7K,D9K,M5K)
8 & 4					BACK, w/Spring/Frame, Pad and Cover CLOTH
	G550 F7A	1			Silver / Charcoal, (D5AS,C7AS,D9AS,M5AS)
	G550 F7C	1			Blue, (D5C,M5C)
	G550 G7R	1			Red, (D5R,C7R,D9R,M5R)
	G550 F7K	1			Almond, (D5K,C7K,D9K,M5K)
8					COVER, Back CLOTH
	G011 F7A	1			Silver / Charcoal, D5AS,C7AS,D9AS,M5AS)
	G011 F7C	1			Blue, (D5C,M5C)
	G011 G7R	1			Red, D5R,C7R,D9R,M5R)
	G011 F7K	1			Almond, (D5K,C7K,D9K,M5K)
9	6501 539	2			SCREW
10	4477 878-9	1			SUPPORT
11	6032 567	AR			SCREW
12					SCREW, (8-18x5/8) (Not Serv.)
13	6101 380	4			SCREW
14	S684 EK1	1			COVER, Finish (P.A.R.)

MODEL CODES

C BODY = (D41 - DYNASTY)(C41 - NEW YORKER)
 E BODY = (J - CARAVELLE)(E - 600)(T - NEW YORKER TURBO)
 G BODY = (V24 - DAYTONA, PACIFICA & SHELBY)
 H BODY = (D44 - LANCER)(C44 - LEBARON GTS)
 J BODY = (C - LEBARON)
 K BODY = (P - RELIANT)(D - ARIES)(C - LEBARON/ TOWN & COUNTRY)

L BODY = (M - HORIZON)(Z-OMNI)
 M BODY = (B - GRAN FURY)(G - DIPLOMAT)(F - FIFTH AVENUE/NEWPORT)
 P BODY = (P - SUNDANCE)(D - SHADOW)
 Q BODY = (C27 - MASERATI)
 S BODY = (H - VOYAGER)(K - RAM VAN/ CARAVAN)

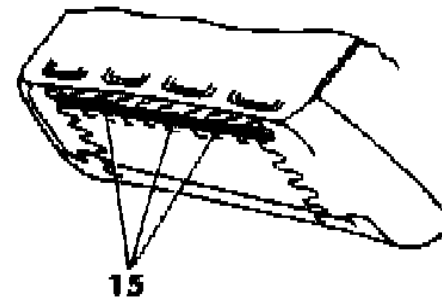
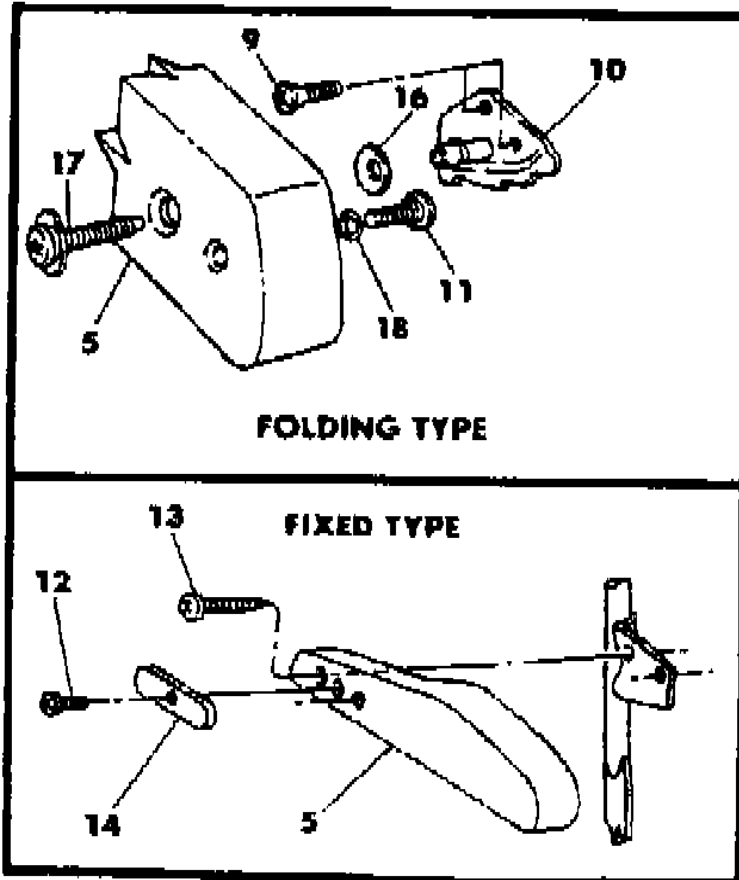
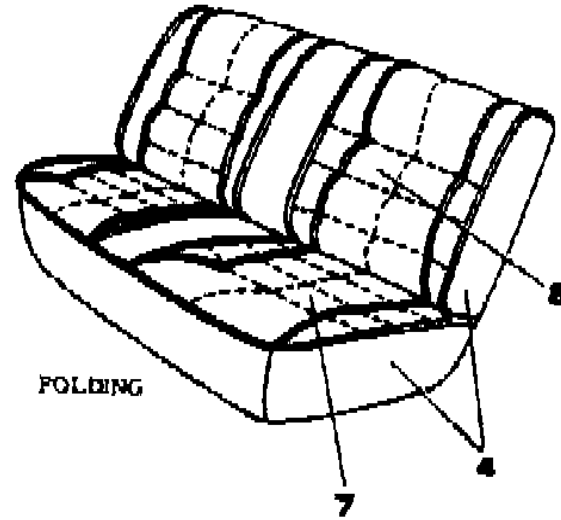
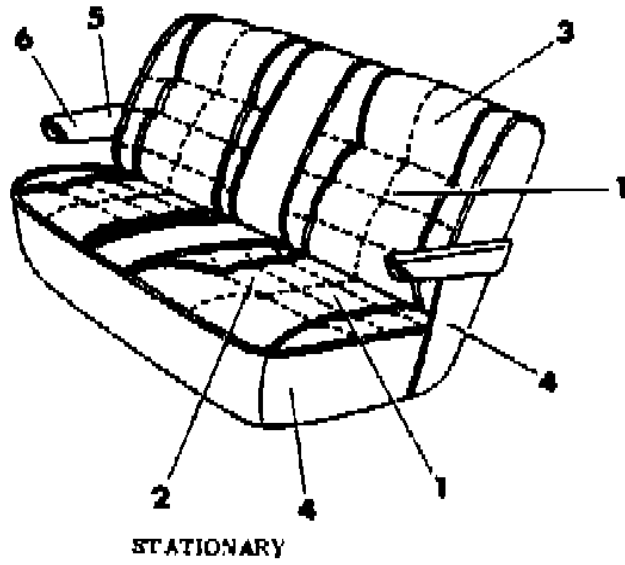
BODY STYLES

12-52 = FWD VAN & WAGON STD. W.B. 27 = 2-DOOR CONVERTIBLE
 13-53 = FWD VAN & WGN EXT W.B. 41 = 4-DOOR SEDAN
 21 = 2-DOOR SEDAN 44 = 4-DOOR HATCHBACK
 24 = 2-DOOR HATCHBACK 45 = 4-DOOR STATION WAGON

AR = Use as Required - = Non Illustrated Part P.A.R. = Paint as Required

SEAT--REAR S BODY TRIM CODES C7,C8,D5,D9,M5
Figure ITS-2500

8242 2500 A



ITEM	PART NUMBER	QTY	BODY	MODEL	DESCRIPTION
15	6008 076	AR			HOG RING
16	6024 223	1			WASHER, Cone
17	6501 542	1			SCREW
18	6033 744	2			WASHER
NOTE: (P.A.R.) = Paint As Required					

MODEL CODES

C BODY = (D41 - DYNASTY)(C41 - NEW YORKER)
 E BODY = (J - CARAVELLE)(E - 600)(T - NEW YORKER TURBO)
 G BODY = (V24 - DAYTONA, PACIFICA & SHELBY)
 H BODY = (D44 - LANCER)(C44 - LEBARON GTS)
 J BODY = (C - LEBARON)
 K BODY = (P - RELIANT)(D - ARIES)(C - LEBARON/ TOWN & COUNTRY)

L BODY = (M - HORIZON)(Z-OMNI)
 M BODY = (B - GRAN FURY)(G - DIPLOMAT)(F - FIFTH AVENUE/NEWPORT)
 P BODY = (P - SUNDANCE)(D - SHADOW)
 Q BODY = (C27 - MASERATI)
 S BODY = (H - VOYAGER)(K - RAM VAN/ CARAVAN)

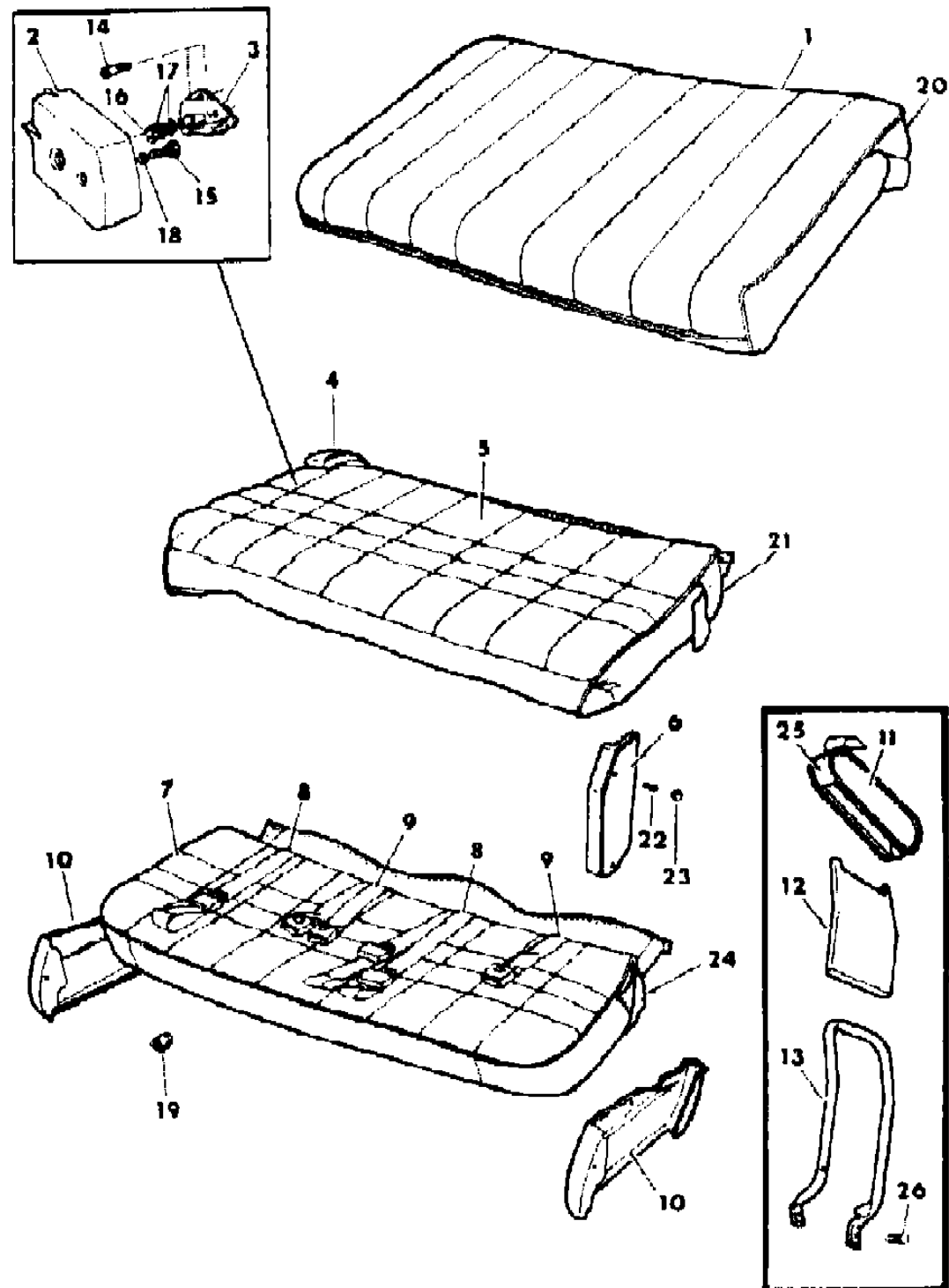
BODY STYLES

12-52 = FWD VAN & WAGON STD. W.B. 27 = 2-DOOR CONVERTIBLE
 13-53 = FWD VAN & WGN EXT W.B. 41 = 4-DOOR SEDAN
 21 = 2-DOOR SEDAN 44 = 4-DOOR HATCHBACK
 24 = 2-DOOR HATCHBACK 45 = 4-DOOR STATION WAGON

AR = Use as Required - = Non Illustrated Part P.A.R. = Paint as Required

CONVERTABED CUSHIONS, ARM RESTS AND SEAT BELTS S BODY TRIM CODES C7,D5,D9,J5
Figure ITS-2600

8242 2600



ITEM	PART NUMBER	QTY	BODY	MODEL	DESCRIPTION
1-26					CONVERTABED COMPLETE, Replaces Rear Seat's
	G712 GA3	1			Silver / Charcoal, (D5AS)
	G712 GK1	1			Almond, (D9K)
	G713 GAS	1			Silver / Charcoal, (J5AS)
	G713 GRR	1			Red, (J5R)
	G713 GKK	1			Almond, (J5K)
	G713 GCC	1			Blue, (J5C)
					NOTE: FOR REPLACEMENT ONLY - NOT FOR COMPLETE INSTALLATION
1					COVER, Third Cushion
	G668 FA3	1			Silver / Charcoal, (C7AS,D5AS,D9AS)
	G668 FK1	1			Almond, (C7K,D5K,D9K)
	G619 FAS	1			Silver / Charcoal, (J5AS)
	G619 GRR	1			Red, (J5R)
	G619 FKK	1			Almond, (J5K)
	G619 GCC	1			Blue, (J5C)
2					COVER, Folding Armrest Right
	A288 GS8	1			Silver / Charcoal, (C7AS,D5AS,D9AS)
	A288 GK1	1			Almond, (C7K,D5K,D9K)
	A288 GC5	1			Blue, (D5C)
	A288 GR8	1			Red, (D5R)
	A285 GS8	1			Silver / Charcoal, (J5AS)
	A285 GR8	1			Red, (J5R)
	A285 GK1	1			Almond, (J5K)
	A285 GC5	1			Blue, (J5C)
3	4402 938-9	1			BRACKET, Armrest
4					STRAP, Pull
	S732 DA3	1			Silver
	S732 GR8	1			Red
	S732 EK1	1			Almond
	S732 FC5	1			Blue
5					COVER, Back
	G667 FA3	1			Silver / Charcoal, (C7AS,D5AS,D9AS)
	G667 FK1	1			Almond, (C7K,D5K,D9K)
	G618 FAS	1			Silver / Charcoal, (J5AS)
	G618 GRR	1			Red, (J5R)
	G618 FKK	1			Almond, (J5K)

MODEL CODES

C BODY = (D41 - DYNASTY)(C41 - NEW YORKER)	L BODY = (M - HORIZON)(Z-OMNI)
E BODY = (J - CARAVELLE)(E - 600)(T - NEW YORKER TURBO)	M BODY = (B - GRAN FURY)(G - DIPLOMAT)(F - FIFTH AVENUE/NEWPORT)
G BODY = (V24 - DAYTONA, PACIFICA & SHELBY)	P BODY = (P - SUNDANCE)(D - SHADOW)
H BODY = (D44 - LANCER)(C44 - LEBARON GTS)	Q BODY = (C27 - MASERATI)
J BODY = (C - LEBARON)	S BODY = (H - VOYAGER)(K - RAM VAN/ CARAVAN)
K BODY = (P - RELIANT)(D - ARIES)(C - LEBARON/ TOWN & COUNTRY)	

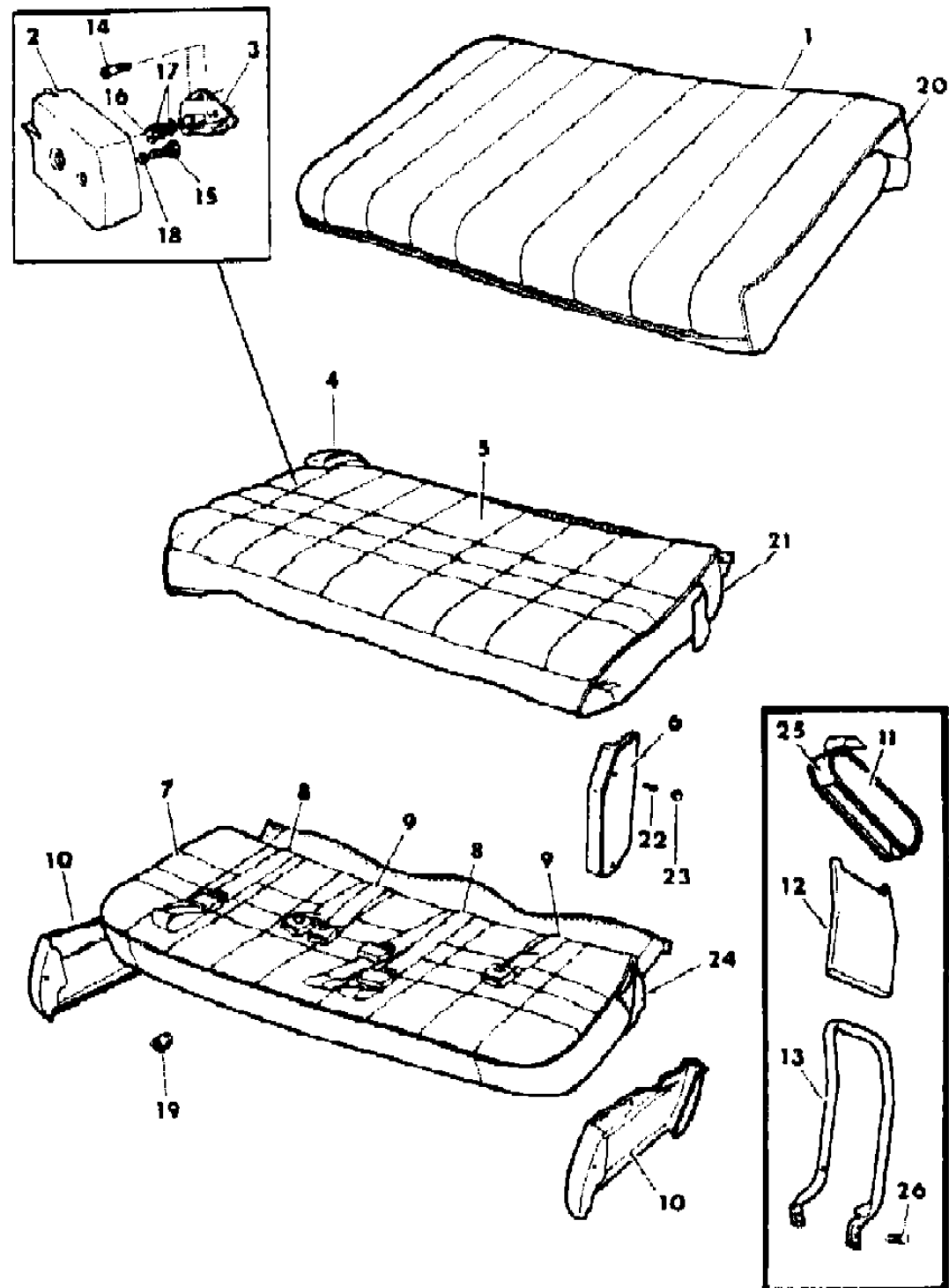
BODY STYLES

12-52 = FWD VAN & WAGON STD. W.B.	27 = 2-DOOR CONVERTIBLE
13-53 = FWD VAN & WGN EXT W.B.	41 = 4-DOOR SEDAN
21 = 2-DOOR SEDAN	44 = 4-DOOR HATCHBACK
24 = 2-DOOR HATCHBACK	45 = 4-DOOR STATION WAGON

AR = Use as Required - = Non Illustrated Part P.A.R. = Paint as Required

CONVERTABLE CUSHIONS, ARM RESTS AND SEAT BELTS S BODY TRIM CODES C7,D5,D9,J5
Figure ITS-2600

8242 2600



ITEM	PART NUMBER	QTY	BODY	MODEL	DESCRIPTION
	G618 GCC	1			Blue, (J5C)
6	S518-9 GC5	1			COVER, Quadrant Plate Blue
	S518-9 GR8	1			Red
	S518-9 EK1	1			Almond
	S518-9 ES8	1			Charcoal
7					COVER, Cushion
	G666 FA3	1			Silver / Charcoal, (C7AS,D5AS,D9AS)
	G666 FK1	1			Almond, (C7K,C9K,D5K,D9K)
	G618 FAS	1			Silver / Charcoal, (J5AS)
	G617 GRR	1			Red, (J5R)
	G617 FKK	1			Almond, (J5K)
8	G617 GCC	1			Blue, J5C)
					BELT, Tip Half LABEL NUMBER 4263943
	L703 BA3	3			Silver
9	L703 GR8	1			Red
	L703 EK1	3			Almond
					BELT, Buckle Half LABEL NUMBER 4263982
10	L704 BA3	3			Silver
	L704 GR8	3			Red
	L704 EK1	3			Almond
11	S994 FK1	2			COVER, (P.A.R.)
					COVER, Armrest, Stationary Left
12	G189 GS8	1			Silver / Charcoal, (C7AS,D5AS,D9AS)
	G189 GK1	1			Almond, (C7K,D5K,D9K)
	G187 GS8	1			Silver / Charcoal, (J5AS)
	G187 GR8	1			Red, (J5R)
	G187 GK1	1			Almond, (J5K)
	G187 GC5	1			Blue, (J5C)
13					COVER, Armrest Support
	S733 CS8	1			Charcoal
	S733 EE8	1			Cordovan
14	S733 EK1	1			Almond
	4402 939	1			SUPPORT
	6501 539	3			SCREW and WASHER

MODEL CODES

C BODY = (D41 - DYNASTY)(C41 - NEW YORKER)
 E BODY = (J - CARAVELLE)(E - 600)(T - NEW YORKER TURBO)
 G BODY = (V24 - DAYTONA, PACIFICA & SHELBY)
 H BODY = (D44 - LANCER)(C44 - LEBARON GTS)
 J BODY = (C - LEBARON)
 K BODY = (P - RELIANT)(D - ARIES)(C - LEBARON/ TOWN & COUNTRY)

L BODY = (M - HORIZON)(Z-OMNI)
 M BODY = (B - GRAN FURY)(G - DIPLOMAT)(F - FIFTH AVENUE/NEWPORT)
 P BODY = (P - SUNDANCE)(D - SHADOW)
 Q BODY = (C27 - MASERATI)
 S BODY = (H - VOYAGER)(K - RAM VAN/ CARAVAN)

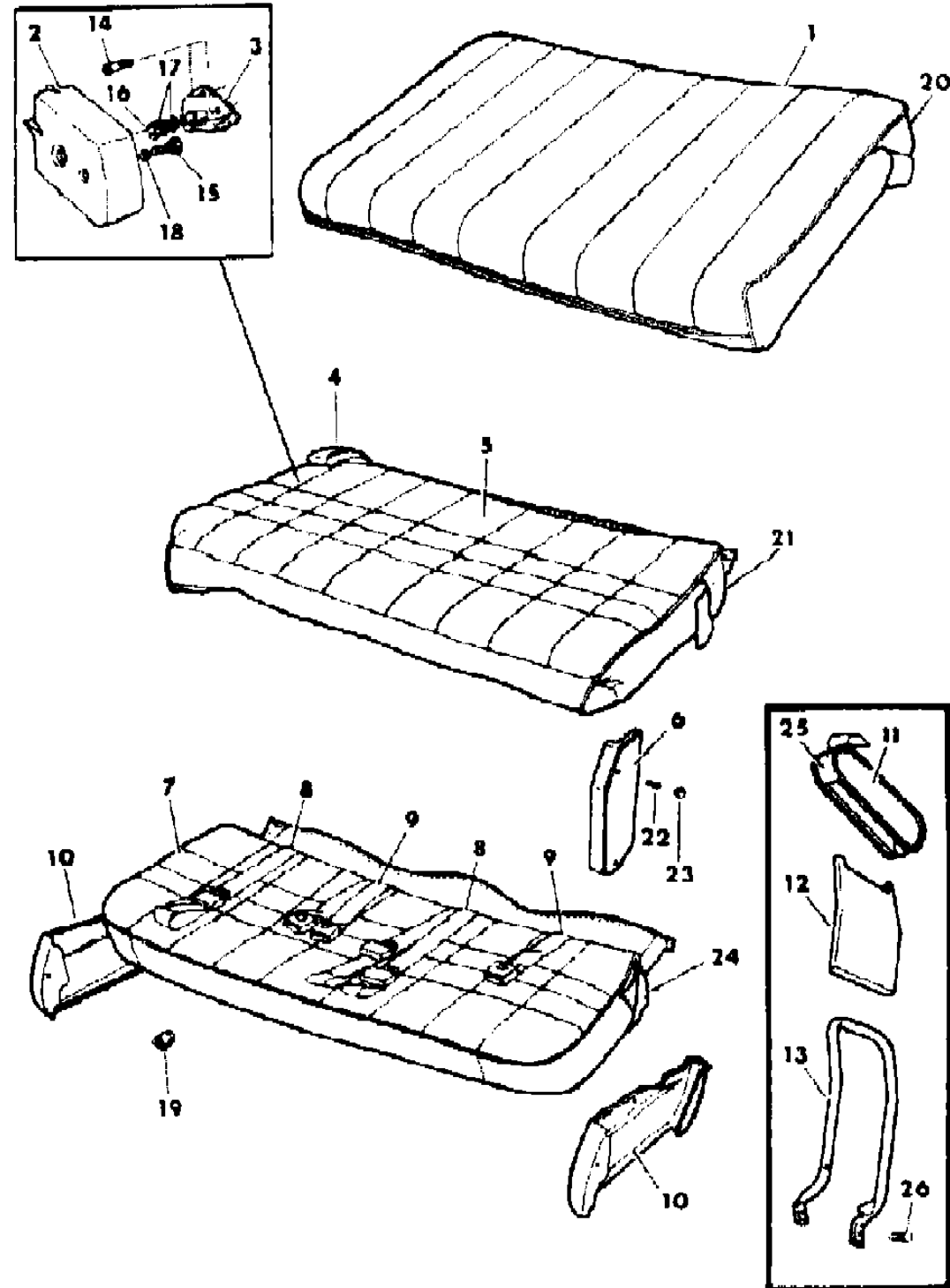
BODY STYLES

12-52 = FWD VAN & WAGON STD. W.B. 27 = 2-DOOR CONVERTIBLE
 13-53 = FWD VAN & WGN EXT W.B. 41 = 4-DOOR SEDAN
 21 = 2-DOOR SEDAN 44 = 4-DOOR HATCHBACK
 24 = 2-DOOR HATCHBACK 45 = 4-DOOR STATION WAGON

AR = Use as Required - = Non Illustrated Part P.A.R. = Paint as Required

CONVERTABED CUSHIONS, ARM RESTS AND SEAT BELTS S BODY TRIM CODES C7,D5,D9,J5
Figure ITS-2600

8242 2600



ITEM	PART NUMBER	QTY	BODY	MODEL	DESCRIPTION
15	6501 542	1			SCREW, Shoulder
16	6032 259	1			SNAP RING, (1/2" Shaft)
17	6032 721	1			RING, Retaining Inner (Star Tooth)
18	#0120 393	2			WASHER
19	6008 076	AR			HOG RING
20	4380 666	1			PAD
21	4380 664	1			PAD
22	6033 065	AR			SCREW, (8x1/4)
23	F245 CA3	AR			PLUG, Quadrant Plate Cover (P.A.R.)
24	4380 661	1			PAD
25	4380 669	1			PAD and SUPPORT, Armrest
26	0180 048	AR			BOLT, Armrest to Cushion Frame

NOTE: (P.A.R.) = Paint As Required

MODEL CODES

C BODY = (D41 - DYNASTY)(C41 - NEW YORKER)
 E BODY = (J - CARAVELLE)(E - 600)(T - NEW YORKER TURBO)
 G BODY = (V24 - DAYTONA, PACIFICA & SHELBY)
 H BODY = (D44 - LANCER)(C44 - LEBARON GTS)
 J BODY = (C - LEBARON)
 K BODY = (P - RELIANT)(D - ARIES)(C - LEBARON/ TOWN & COUNTRY)

L BODY = (M - HORIZON)(Z-OMNI)
 M BODY = (B - GRAN FURY)(G - DIPLOMAT)(F - FIFTH AVENUE/NEWPORT)
 P BODY = (P - SUNDANCE)(D - SHADOW)
 Q BODY = (C27 - MASERATI)
 S BODY = (H - VOYAGER)(K - RAM VAN/ CARAVAN)

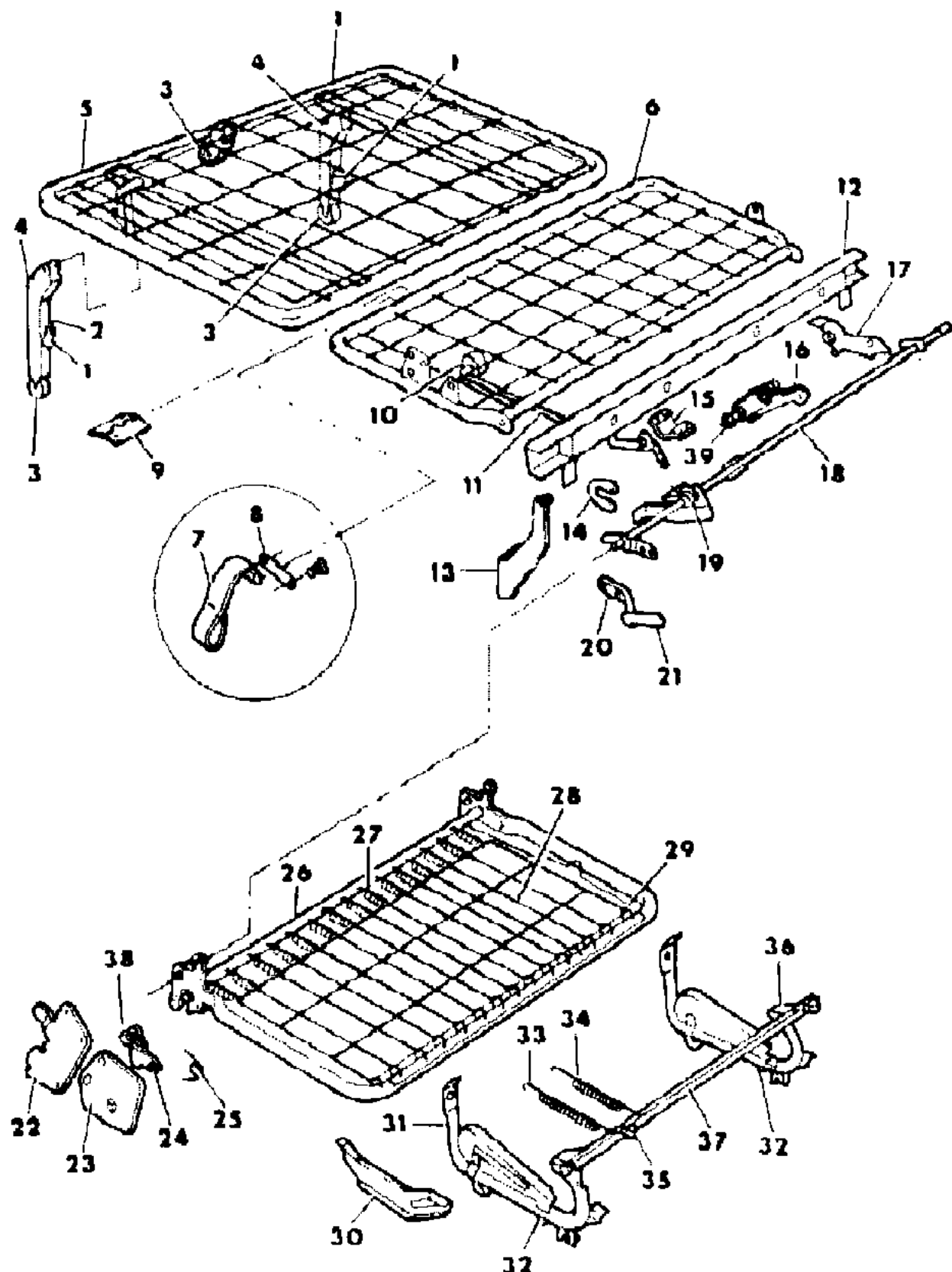
BODY STYLES

12-52 = FWD VAN & WAGON STD. W.B. 27 = 2-DOOR CONVERTIBLE
 13-53 = FWD VAN & WGN EXT W.B. 41 = 4-DOOR SEDAN
 21 = 2-DOOR SEDAN 44 = 4-DOOR HATCHBACK
 24 = 2-DOOR HATCHBACK 45 = 4-DOOR STATION WAGON

AR = Use as Required - = Non Illustrated Part P.A.R. = Paint as Required

CONVERTABLE FRAMES AND ACTUATING SYSTEM S BODY
Figure ITS-2700

8242 2700



ITEM	PART NUMBER	QTY	BODY	MODEL	DESCRIPTION
NOTE: FOR REPLACEMENT ONLY - NOT FOR COMPLETE INSTALLATION.					
1	4263 775	3			BUMPER, Rear Seat Back
2	4263 767	3			STRAP, Bumper Retaining
-	6027 438	AR			SCREW
3	4263 776	3			ROLLER, Bed Support
-	6006 324	3			NUT, Roller Retaining
-	9421 391	1			PIN, Bed Roller (1/4x1.40 Headed)
-	6026 239	3			WASHER, Roller Anti-Rattle
4	4380 646	2			LEG, Bed Support Less Bumper and Roller
-	6022 149	2			NUT, Leg Attaching
-	6033 074	2			PIN, Leg Pivot (1/4x1.40 Headed)
5	4402 928	1			FRAME, Third Cushion
6	4380 662	1			FRAME, Back
7					STRAP, Pull
	S732 DA3	1			Silver
	S732 EE8	1			Cordovan
	S732 EK1	1			Almond
8	4263 768	1			PLATE, Strap Retaining
-	6027 438	AR			SCREW
9	4263 773	2			HINGE
-	9421 411	AR			SCREW
10	4380 632	1			ROLLER, Third Panel Actuating
-	6033 075	1			NUT, Roller Pin
11	4380 650	1			LEVER, Third Panel Actuating
-	0152 360	AR			NUT
12	4402 187				CROSSMEMBER, Seat Belt
-		AR			WASHER, Support Bracket to Crossmember (Not Serv.)
13	4380 648-9	1			BRACKET, Seat Support Rear
14	4263 784	2			RETAINER, Latch Rod
15		1			RETAINER, Actuating Rod (Not Serv.)
16	4380 652	1			ARM, Actuator
-	6024 359	1			NUT
-	4380 653	AR			SPRING, Actuator Arm
-	4380 654	1			PIN, Actuator Arm
-	6003 301	AR			SPACER
17	4380 642-3	1			LATCH

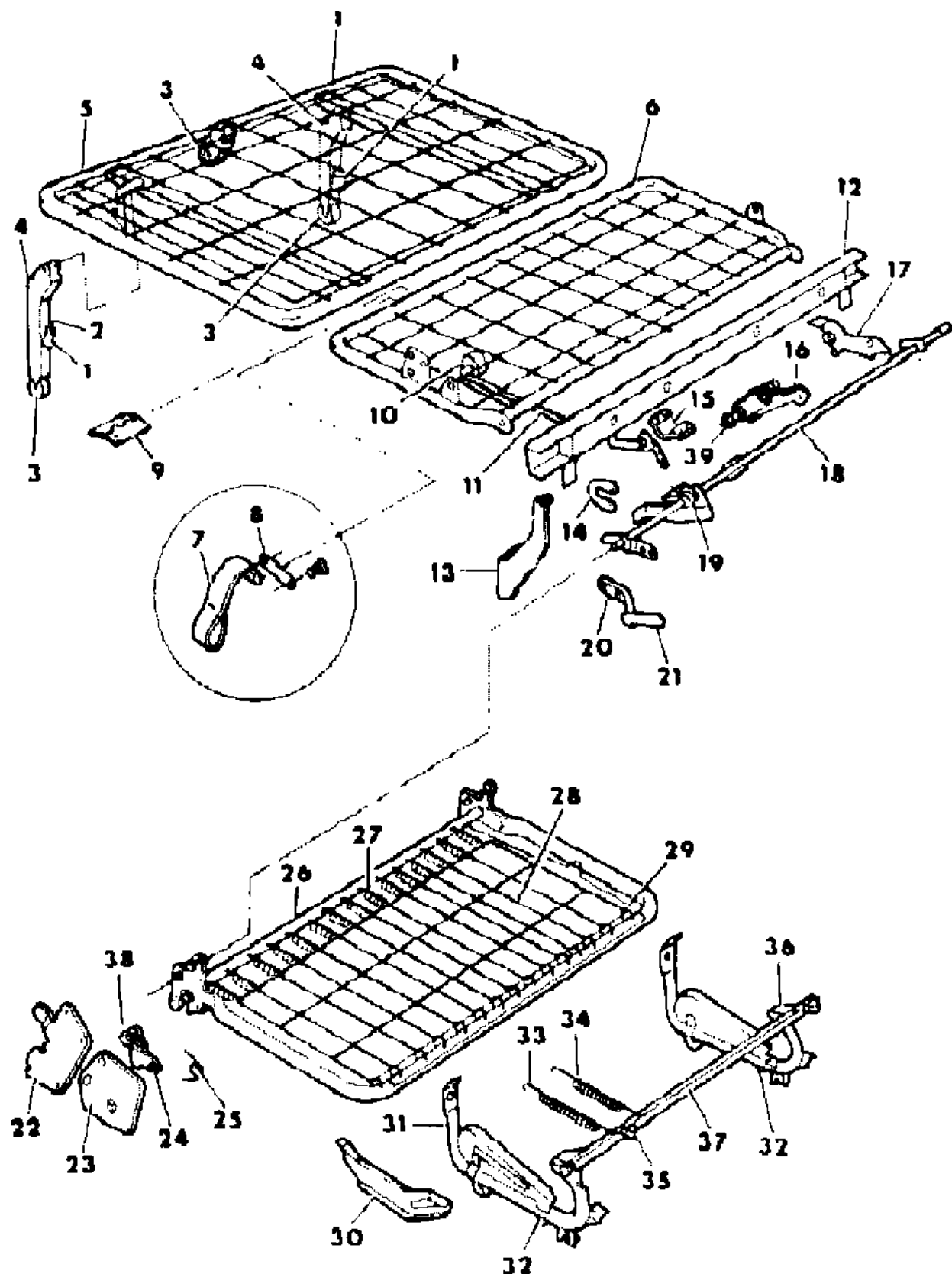
MODEL CODES
 C BODY = (D41 - DYNASTY)(C41 - NEW YORKER)
 E BODY = (J - CARAVELLE)(E - 600)(T - NEW YORKER TURBO)
 G BODY = (V24 - DAYTONA, PACIFICA & SHELBY)
 H BODY = (D44 - LANCER)(C44 - LEBARON GTS)
 J BODY = (C - LEBARON)
 K BODY = (P - RELIANT)(D - ARIES)(C - LEBARON/ TOWN & COUNTRY)
 L BODY = (M - HORIZON)(Z-OMNI)
 M BODY = (B - GRAN FURY)(G - DIPLOMAT)(F - FIFTH AVENUE/NEWPORT)
 P BODY = (P - SUNDANCE)(D - SHADOW)
 Q BODY = (C27 - MASERATI)
 S BODY = (H - VOYAGER)(K - RAM VAN/ CARAVAN)

BODY STYLES
 12-52 = FWD VAN & WAGON STD. W.B. 27 = 2-DOOR CONVERTIBLE
 13-53 = FWD VAN & WGN EXT W.B. 41 = 4-DOOR SEDAN
 21 = 2-DOOR SEDAN 44 = 4-DOOR HATCHBACK
 24 = 2-DOOR HATCHBACK 45 = 4-DOOR STATION WAGON

AR = Use as Required - = Non Illustrated Part P.A.R. = Paint as Required

CONVERTABLE FRAMES AND ACTUATING SYSTEM S BODY
Figure ITS-2700

8242 2700



ITEM	PART NUMBER	QTY	BODY	MODEL	DESCRIPTION
-	6026 430	AR			NUT
-	9419 982	1			PIN, Latch to Rod Retainer Left Side
18	4380 639	1			ROD, Latch
19	4380 635	2			SPRING, Latch Handle Return
20	4380 645	1			HANDLE, Latch
21	4380 631	1			HANDLE, Grip
22	4263 778-9	1			PLATE, Quadrant
-	6032 232	AR			BOLT, (3/8-16x1/2 Button Head) (.44 Dia. x .22 Shoulder)
-	0181 108	AR			SCREW
-	#0181 112	AR			SCREW
23	4380 640-1	1			PLATE, Latch Cover
-	6032 231	AR			SCREW
24	4380 636-7	1			LATCH
25	4263 787	2			SPRING, Latch
26	4380 674	1			FRAME, Cushion (Consists of Items 26 thru 29)
27	4380 660	AR			SPRING
28		1			GRID, Flexolater (Serv. in Item 26-26)
29	4263 799	AR			CLIP, Flexolater Attaching
30	4402 929	2			PLATE, Seat Carrier
-	6032 234	AR			BOLT, (3/8-16x1 Hex Head) (.44 Dia. x 50 Shoulder)
-	0181 108	AR			SCREW
31	4402 241	2			RISER
32	4345 292	2			BUMPER, Anti-Rattle
33	4380 655	1			SPRING, Third Panel Actuating
34	4380 651	1			SPRING, Actuator Travel
35	4316 957	1			BUMPER, Anti-Rattle
-	4402 930	2			SPRING, Anti-Rattle
36					BRACKET, Front Mounting (Not Required)
-	#0181 112	AR			SCREW
37	4402 931	1			CROSSMEMBER, Front
38	6032 233	AR			BOLT, (3/8-16x1/2 Hex Head) (.44 Dia. x .33 Shoulder)
39	6025 785	1			NUT, Arm to Lever
-	6031 298	4			BOLT, Shoulder

MODEL CODES

C BODY = (D41 - DYNASTY)(C41 - NEW YORKER)
 E BODY = (J - CARAVELLE)(E - 600)(T - NEW YORKER TURBO)
 G BODY = (V24 - DAYTONA, PACIFICA & SHELBY)
 H BODY = (D44 - LANCER)(C44 - LEBARON GTS)
 J BODY = (C - LEBARON)
 K BODY = (P - RELIANT)(D - ARIES)(C - LEBARON/ TOWN & COUNTRY)

L BODY = (M - HORIZON)(Z-OMNI)
 M BODY = (B - GRAN FURY)(G - DIPLOMAT)(F - FIFTH AVENUE/NEWPORT)
 P BODY = (P - SUNDANCE)(D - SHADOW)
 Q BODY = (C27 - MASERATI)
 S BODY = (H - VOYAGER)(K - RAM VAN/ CARAVAN)

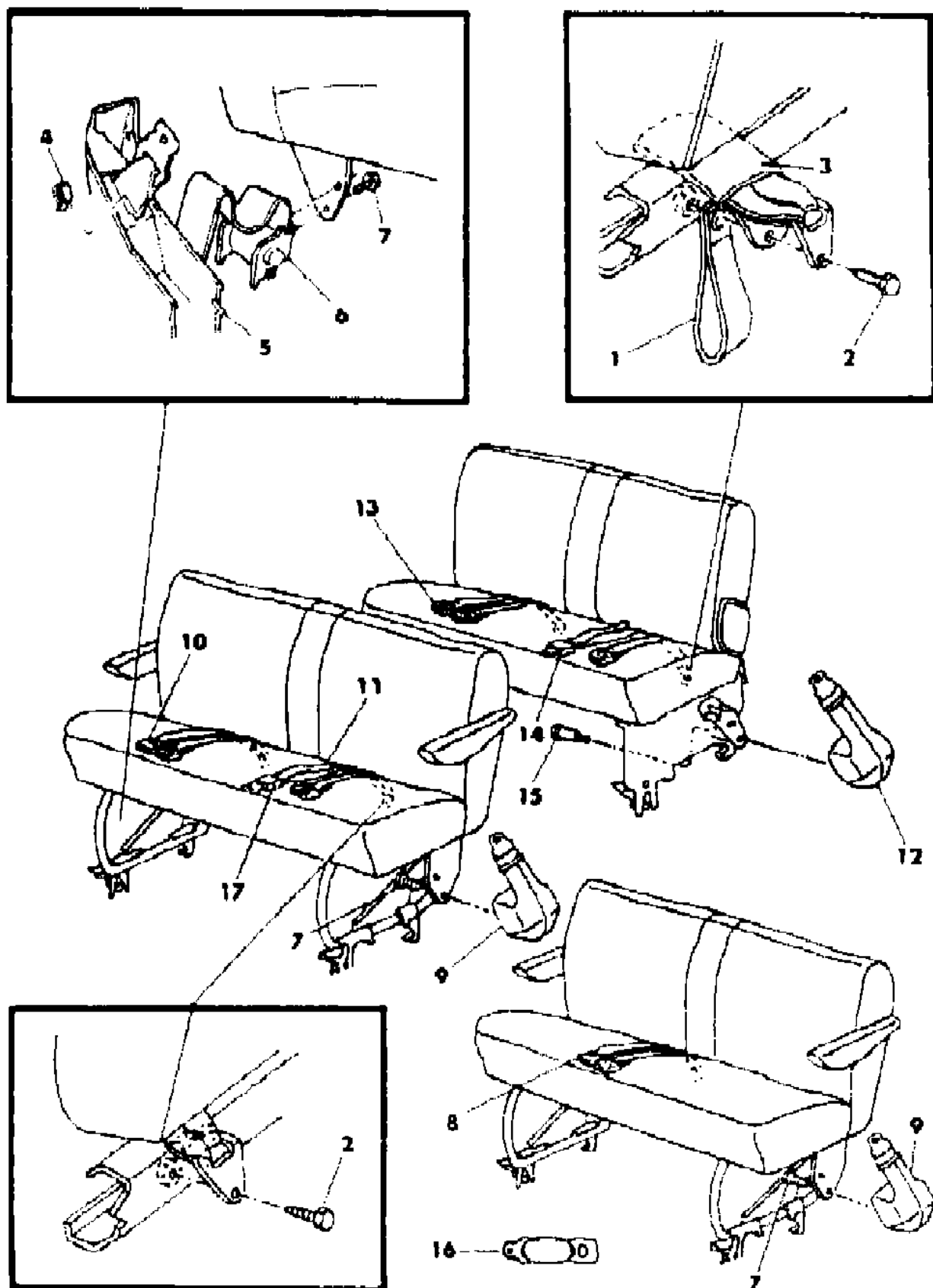
BODY STYLES

12-52 = FWD VAN & WAGON STD. W.B. 27 = 2-DOOR CONVERTIBLE
 13-53 = FWD VAN & WGN EXT W.B. 41 = 4-DOOR SEDAN
 21 = 2-DOOR SEDAN 44 = 4-DOOR HATCHBACK
 24 = 2-DOOR HATCHBACK 45 = 4-DOOR STATION WAGON

AR = Use as Required - = Non Illustrated Part P.A.R. = Paint as Required

BELT--REAR SEAT S BODY
Figure ITS-2800

8242 2800



ITEM	PART NUMBER	QTY	BODY	MODEL	DESCRIPTION
1	S537 CX9	1			STRAP, Pull, Black (Left Side Only)
2	6032 039	AR			BOLT
3	4327 145	AR			RETAINER
4	6032 732	1			CLIP, Speed, "U" Type
5					COVER, First Rear Seat Riser (Reference)
6	K794-5 GK1				COVER, Qtr. Trim Panel Rear Retractor (EUROPEAN)
	F934 GA3	1			Silver
	F934 GC5	1			Blue
	F934 GR8	1			Red
	F934 GK1	1			Almond
					BELT, 2 Passenger Outer Right Tip Half
					LABEL NUMBER, 4402738
	4477 189	1			Left
	4519 066	1			Right
					BELT, Rear Inner 2 Pass. (EUROPEAN)
	4477 187	1			Left
	4477 188	1			Right
7	6031 218	AR			BOLT
8					BELT, 1ST. Rear Seat Inner 2 Buckles (7 Passenger)
					LABEL NUMBER 4290848
	F683 CA3	1			Silver
	F683 FC5	1			Blue
	F683 GR8	1			Red
	F683 EK1	1			Almond
9					BELT, 1ST. Rear Seat Outer Right and Left 5 & 7 Passenger
					LABEL NUMBER 4402736
	F932 GC5	2			Blue
	F932 GR8	2			Red
	F932 GK1	2			Almond
	F932 GAS	2			Silver and Charcoal
10					BELT, Rear Seat Inner 2 Buckles, 5 Passenger
					LABEL NUMBER 4290848
	F683 CA3	1			Silver
	F683 FC5	1			Blue
	F683 GR8	1			Red
	F683 EK1	1			Almond

MODEL CODES

C BODY = (D41 - DYNASTY)(C41 - NEW YORKER)	L BODY = (M - HORIZON)(Z-OMNI)
E BODY = (J - CARAVELLE)(E - 600)(T - NEW YORKER TURBO)	M BODY = (B - GRAN FURY)(G - DIPLOMAT)(F - FIFTH AVENUE/NEWPORT)
G BODY = (V24 - DAYTONA, PACIFICA & SHELBY)	P BODY = (P - SUNDANCE)(D - SHADOW)
H BODY = (D44 - LANCER)(C44 - LEBARON GTS)	Q BODY = (C27 - MASERATI)
J BODY = (C - LEBARON)	S BODY = (H - VOYAGER)(K - RAM VAN/ CARAVAN)
K BODY = (P - RELIANT)(D - ARIES)(C - LEBARON/ TOWN & COUNTRY)	

BODY STYLES

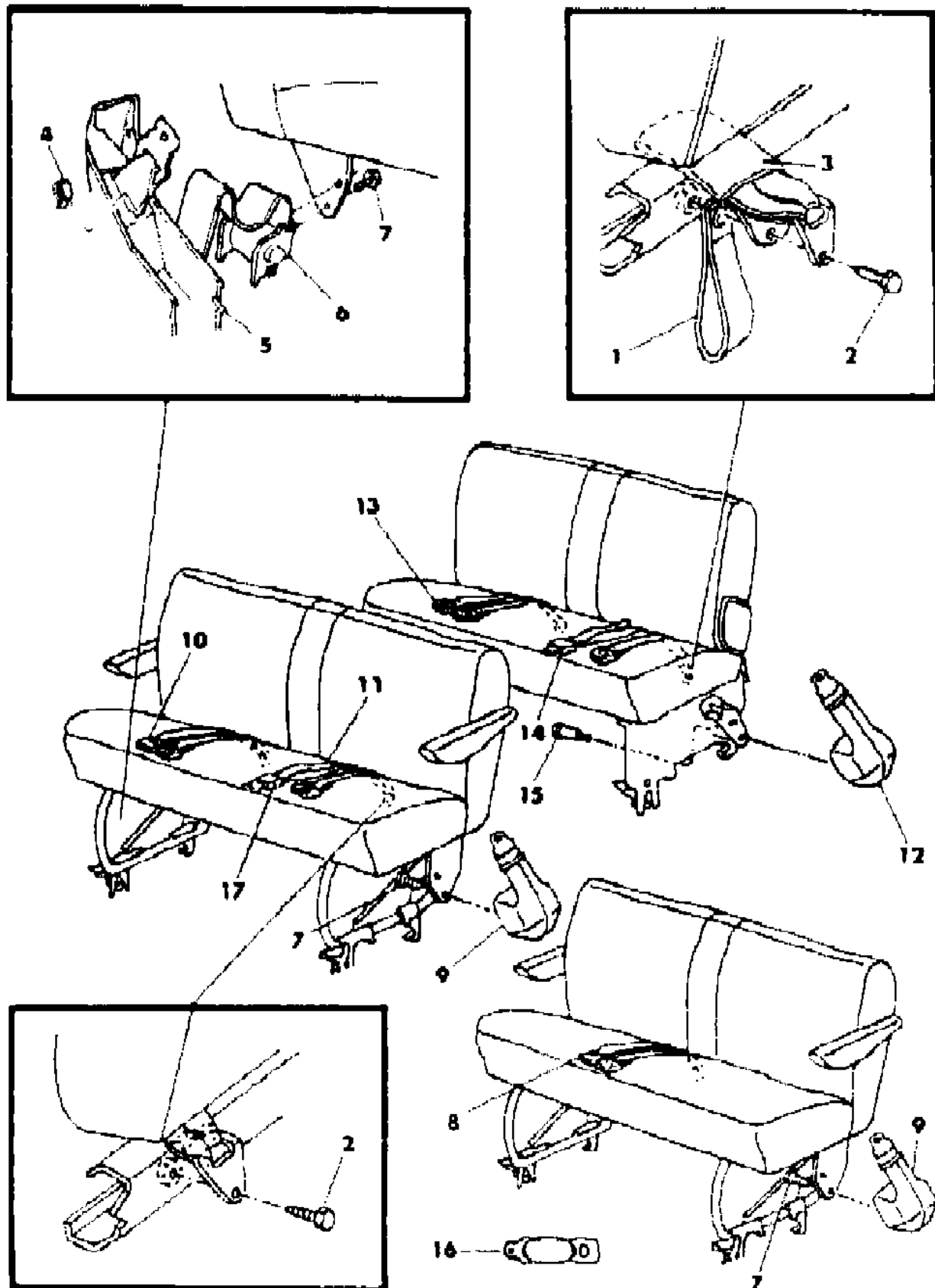
12-52 = FWD VAN & WAGON STD. W.B.	27 = 2-DOOR CONVERTIBLE
13-53 = FWD VAN & WGN EXT W.B.	41 = 4-DOOR SEDAN
21 = 2-DOOR SEDAN	44 = 4-DOOR HATCHBACK
24 = 2-DOOR HATCHBACK	45 = 4-DOOR STATION WAGON

AR = Use as Required - = Non Illustrated Part P.A.R. = Paint as Required

BELT--REAR SEAT S BODY

Figure ITS-2800

8242 2800



ITEM	PART NUMBER	QTY	BODY	MODEL	DESCRIPTION
11					BELT, 1ST. Seat Inner Buckle And Tip LABEL NUMBER 4290849
	F684 CA3	1			Silver
	F684 FC5	1			Blue
	F684 GR8	1			Red
	F684 EK1	1			Almond
12					BELT, Folding Seat Outer Tip Half, Rt. & Lt. LABEL NUMBER 4402736 - 4402739
	F935 GC5	2			Blue
	F935 GR8	2			Red
	F935 GK1	2			Almond
	F935 GAS	2			Silver and Charcoal
13					BELT, 2ND. Rear Seat Inner 2 Buckles LABEL NUMBER 4290848
	F683 CA3	1			Silver
	F683 FC5	1			Blue
	F683 GR8	1			Red
	F683 EK1	1			Almond
14					BELT, 2ND. Rear Seat Inner Buckle and Tip LABEL NUMBER 4290849
	F684 CA3	1			Silver
	F684 FC5	1			Blue
	F684 GR8	1			Red
	F684 EK1	1			Almond
					BELT, Rear Outer (EUROPEAN)
	4477 189	1			Left
	4477 188	1			Right
					BELT, Rear Inner (EUROPEAN)
	4477 191	1			Left
	4477 190	1			Right
					BELT, Outer Rear Folding (EUROPEAN)
	4477 193	1			Left
	4477 192	1			Right
15	6032 599	2			BOLT
16	4364 849	AR			EXTENDER, Seat Belt
17	4316 773	1			COVER, Tip Half (P.A.R.)
	4773 694	AR			ANCHOR PACKAGE, Teather, Child Restraint ***

MODEL CODES

C BODY = (D41 - DYNASTY)(C41 - NEW YORKER)
 E BODY = (J - CARAVELLE)(E - 600)(T - NEW YORKER TURBO)
 G BODY = (V24 - DAYTONA, PACIFICA & SHELBY)
 H BODY = (D44 - LANCER)(C44 - LEBARON GTS)
 J BODY = (C - LEBARON)
 K BODY = (P - RELIANT)(D - ARIES)(C - LEBARON/ TOWN & COUNTRY)

L BODY = (M - HORIZON)(Z-OMNI)
 M BODY = (B - GRAN FURY)(G - DIPLOMAT)(F - FIFTH AVENUE/NEWPORT)
 P BODY = (P - SUNDANCE)(D - SHADOW)
 Q BODY = (C27 - MASERATI)
 S BODY = (H - VOYAGER)(K - RAM VAN/ CARAVAN)

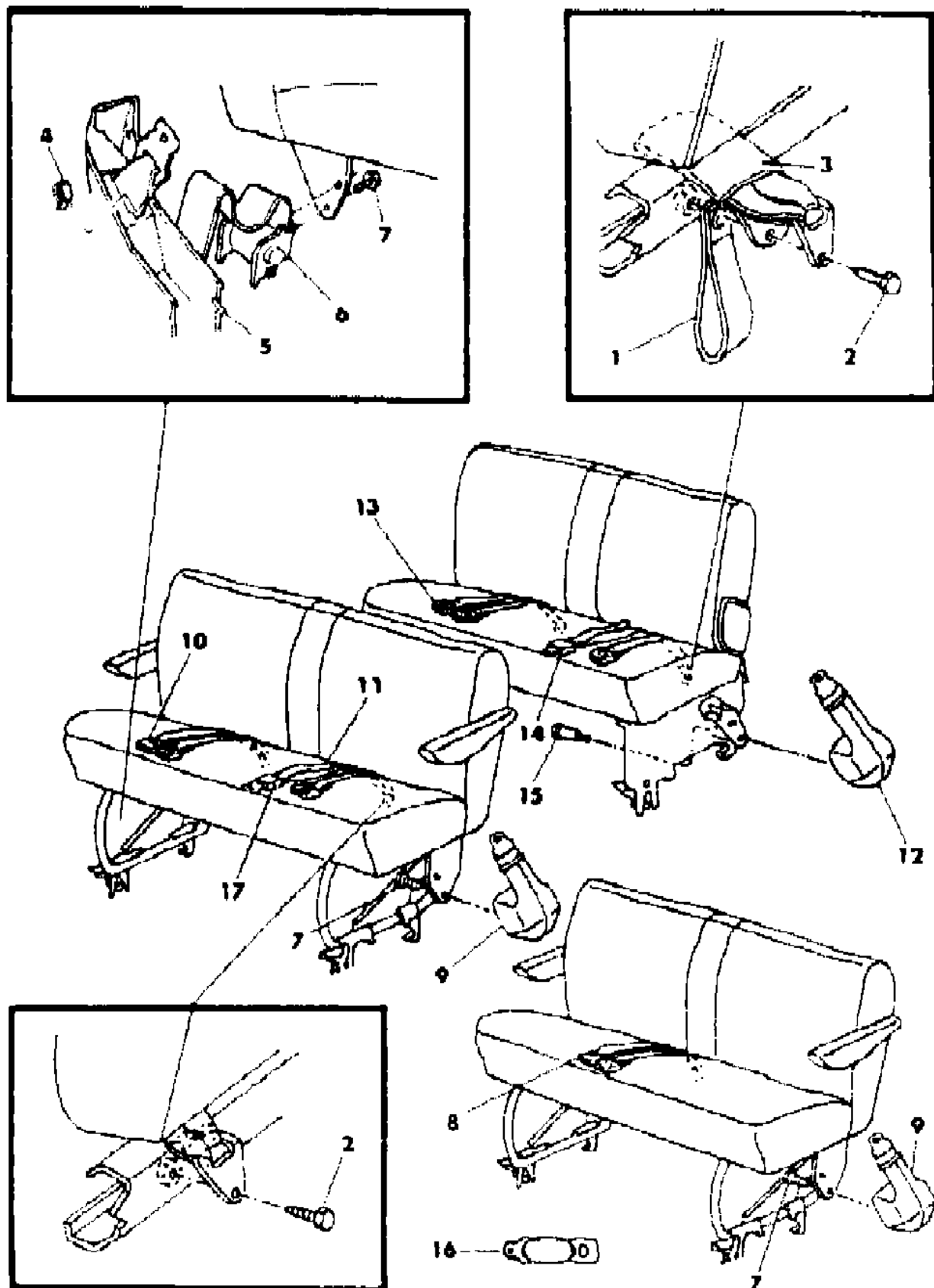
BODY STYLES

12-52 = FWD VAN & WAGON STD. W.B. 27 = 2-DOOR CONVERTIBLE
 13-53 = FWD VAN & WGN EXT W.B. 41 = 4-DOOR SEDAN
 21 = 2-DOOR SEDAN 44 = 4-DOOR HATCHBACK
 24 = 2-DOOR HATCHBACK 45 = 4-DOOR STATION WAGON

AR = Use as Required - = Non Illustrated Part P.A.R. = Paint as Required

BELT--REAR SEAT S BODY
Figure ITS-2800

8242 2800



ITEM	PART NUMBER	QTY	BODY	MODEL	DESCRIPTION
------	-------------	-----	------	-------	-------------

NOTE: (P.A.R. = Paint As Required)

MODEL CODES

C BODY = (D41 - DYNASTY)(C41 - NEW YORKER)
 E BODY = (J - CARAVELLE)(E - 600)(T - NEW YORKER TURBO)
 G BODY = (V24 - DAYTONA, PACIFICA & SHELBY)
 H BODY = (D44 - LANCER)(C44 - LEBARON GTS)
 J BODY = (C - LEBARON)
 K BODY = (P - RELIANT)(D - ARIES)(C - LEBARON/ TOWN & COUNTRY)

L BODY = (M - HORIZON)(Z-OMNI)
 M BODY = (B - GRAN FURY)(G - DIPLOMAT)(F - FIFTH AVENUE/NEWPORT)
 P BODY = (P - SUNDANCE)(D - SHADOW)
 Q BODY = (C27 - MASERATI)
 S BODY = (H - VOYAGER)(K - RAM VAN/ CARAVAN)

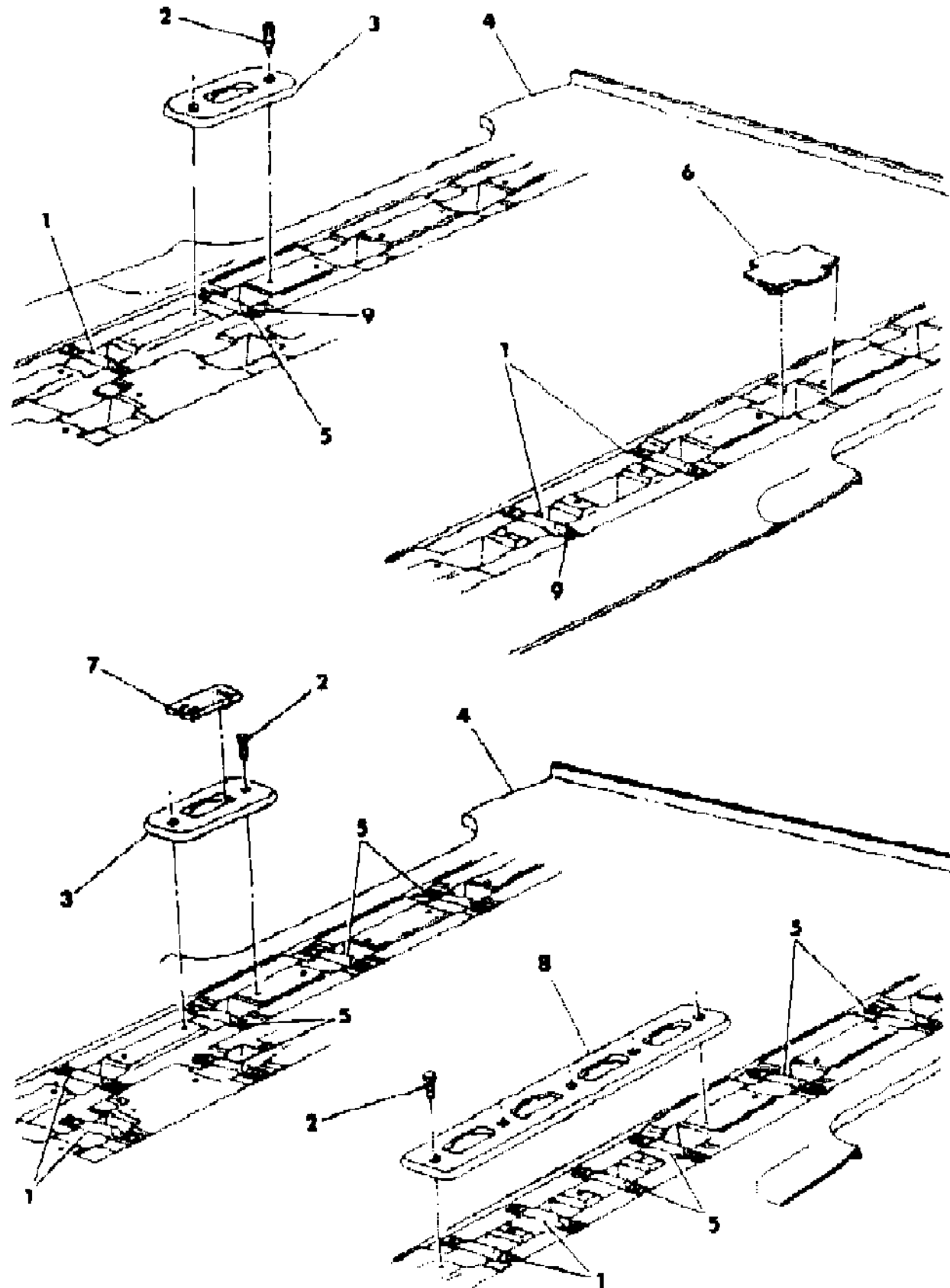
BODY STYLES

12-52 = FWD VAN & WAGON STD. W.B.	27 = 2-DOOR CONVERTIBLE
13-53 = FWD VAN & WGN EXT W.B.	41 = 4-DOOR SEDAN
21 = 2-DOOR SEDAN	44 = 4-DOOR HATCHBACK
24 = 2-DOOR HATCHBACK	45 = 4-DOOR STATION WAGON

AR = Use as Required - = Non Illustrated Part P.A.R. = Paint as Required

SEAT--REAR ATTACHMENTS FLOOR PAN S BODY
Figure ITS-2900

8242 2900



ITEM	PART NUMBER	QTY	BODY	MODEL	DESCRIPTION
1	4314 742	AR			STRIKER and BOLT, Seat Retension Front (Use 6500927 Nut)
2		AR			SCREW, (8-15x1) (Not Serv.)
3					ESCUTCHEON, Seat Hold Down (Short)
	S657 FC5	AR			Blue
	S657 GR8	AR			Red
	S657 EK3	AR			Almond
	S657 CS8	AR			Charcoal
4					FLOOR PAN, (Reference)
5	4337 594	AR			STRIKER and BOLT, Seat Retension Rear
6					FILLER, Rear Floor Striker, 5 Passenger (Not Serv.)
7					COVER, Seat Escutcheon 7 Passenger
	S655 FC5	AR			Blue
	S655 GR8	AR			Red
	S655 EK3	AR			Almond
	S655 CS8	AR			Charcoal
8					ESCUTCHEON, Hold Down (7 Passenger) (Long)
					w/112" Wheelbase
	S656 FC5	1			Blue
	S656 GR8	1			Red
	S656 EK3	1			Almond
	S656 CS8	1			Charcoal
					w/119" Wheelbase
	S688 FC5	1			Blue
	S688 GR8	1			Red
	S688 FK3	1			Almond
	S688 FS8	1			Charcoal
9	6501 269	AR			NUT and WASHER

MODEL CODES

C BODY = (D41 - DYNASTY)(C41 - NEW YORKER)	L BODY = (M - HORIZON)(Z-OMNI)
E BODY = (J - CARAVELLE)(E - 600)(T - NEW YORKER TURBO)	M BODY = (B - GRAN FURY)(G - DIPLOMAT)(F - FIFTH AVENUE/NEWPORT)
G BODY = (V24 - DAYTONA, PACIFICA & SHELBY)	P BODY = (P - SUNDANCE)(D - SHADOW)
H BODY = (D44 - LANCER)(C44 - LEBARON GTS)	Q BODY = (C27 - MASERATI)
J BODY = (C - LEBARON)	S BODY = (H - VOYAGER)(K - RAM VAN/ CARAVAN)
K BODY = (P - RELIANT)(D - ARIES)(C - LEBARON/ TOWN & COUNTRY)	

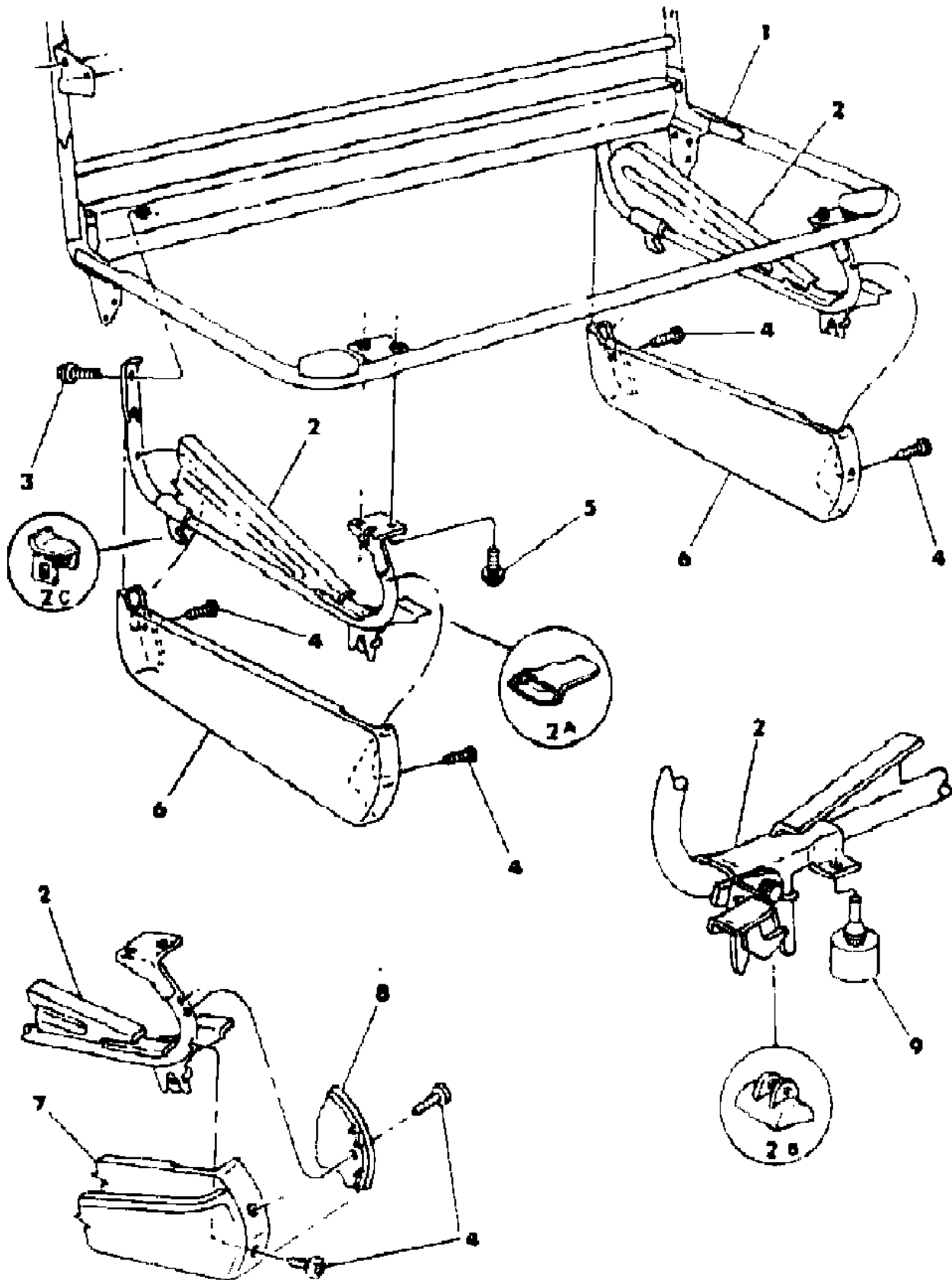
BODY STYLES

12-52 = FWD VAN & WAGON STD. W.B.	27 = 2-DOOR CONVERTIBLE
13-53 = FWD VAN & WGN EXT W.B.	41 = 4-DOOR SEDAN
21 = 2-DOOR SEDAN	44 = 4-DOOR HATCHBACK
24 = 2-DOOR HATCHBACK	45 = 4-DOOR STATION WAGON

AR = Use as Required - = Non Illustrated Part P.A.R. = Paint as Required

RISERS--SEAT REAR S BODY
Figure ITS-3000

8242 3000



ITEM	PART NUMBER	QTY	BODY	MODEL	DESCRIPTION
1					SPRING, (Not Serv.)
2	4380 594	2			RISER, (3 Passenger)
	4380 600	1			(2 Passenger Right)
	4380 594	1			(2 Passenger Left)
2A	4380 744-5	1			COVER, Front Latch (Black Vinyl)
-					CLIP, Anti-Rattle
2B					CLIP, Front
	4380 689	AR			1st Rear Seat, (Front)
	4317 667	AR			2nd Rear Seat, (Front)
2C					CLIP, Rear
	4380 601	AR			1st Rear Seat, (Rear)
	4327 368	AR			2nd Rear Seat, (Rear)
3	6500 309	2			SCREW and WASHER
4		AR			SCREW, (8-18x1/2) (NotServ.)
5	6100 583	4			SCREW
6					COVER, Riser (P.A.R.)
	S994 FK1	2			(3 Passenger)
	S994 FK1	1			(2 Passenger Left)
7	S986 FK1	1			COVER, Riser, 2 Passenger Right (P.A.R.)
8	S992 FK1	1			COVER, Riser Inner 2 Passenger Right (P.A.R.)
9	4345 292	2			BUMPER, Riser

NOTE: (P.A.R.) = Paint As Required

MODEL CODES

C BODY = (D41 - DYNASTY)(C41 - NEW YORKER)
 E BODY = (J - CARAVELLE)(E - 600)(T - NEW YORKER TURBO)
 G BODY = (V24 - DAYTONA, PACIFICA & SHELBY)
 H BODY = (D44 - LANCER)(C44 - LEBARON GTS)
 J BODY = (C - LEBARON)
 K BODY = (P - RELIANT)(D - ARIES)(C - LEBARON/ TOWN & COUNTRY)

L BODY = (M - HORIZON)(Z-OMNI)
 M BODY = (B - GRAN FURY)(G - DIPLOMAT)(F - FIFTH AVENUE/NEWPORT)
 P BODY = (P - SUNDANCE)(D - SHADOW)
 Q BODY = (C27 - MASERATI)
 S BODY = (H - VOYAGER)(K - RAM VAN/ CARAVAN)

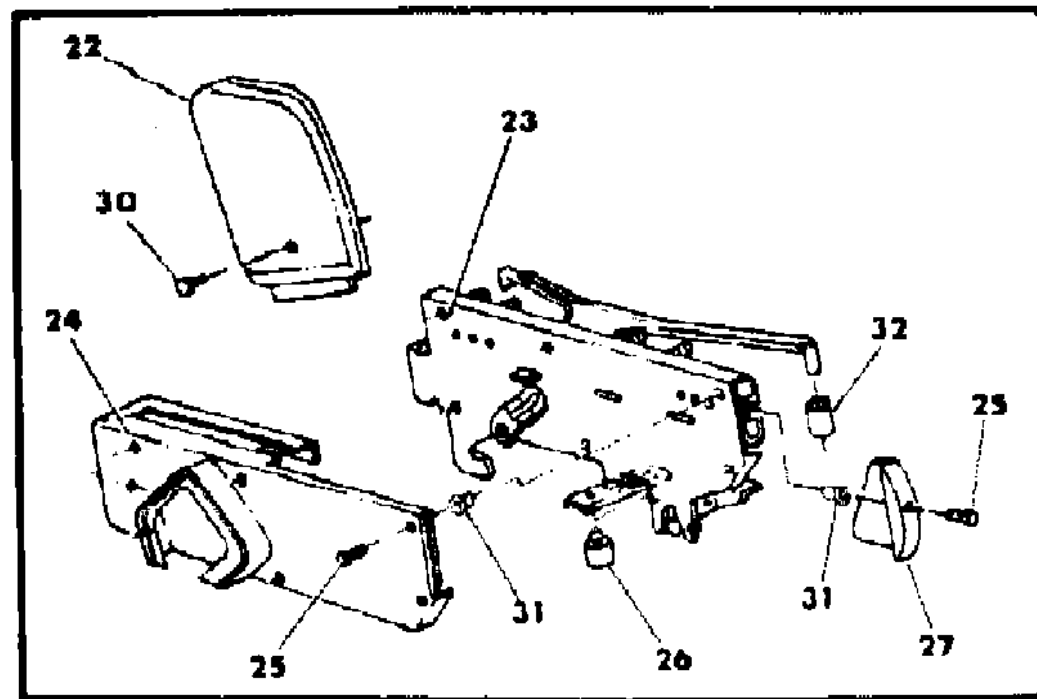
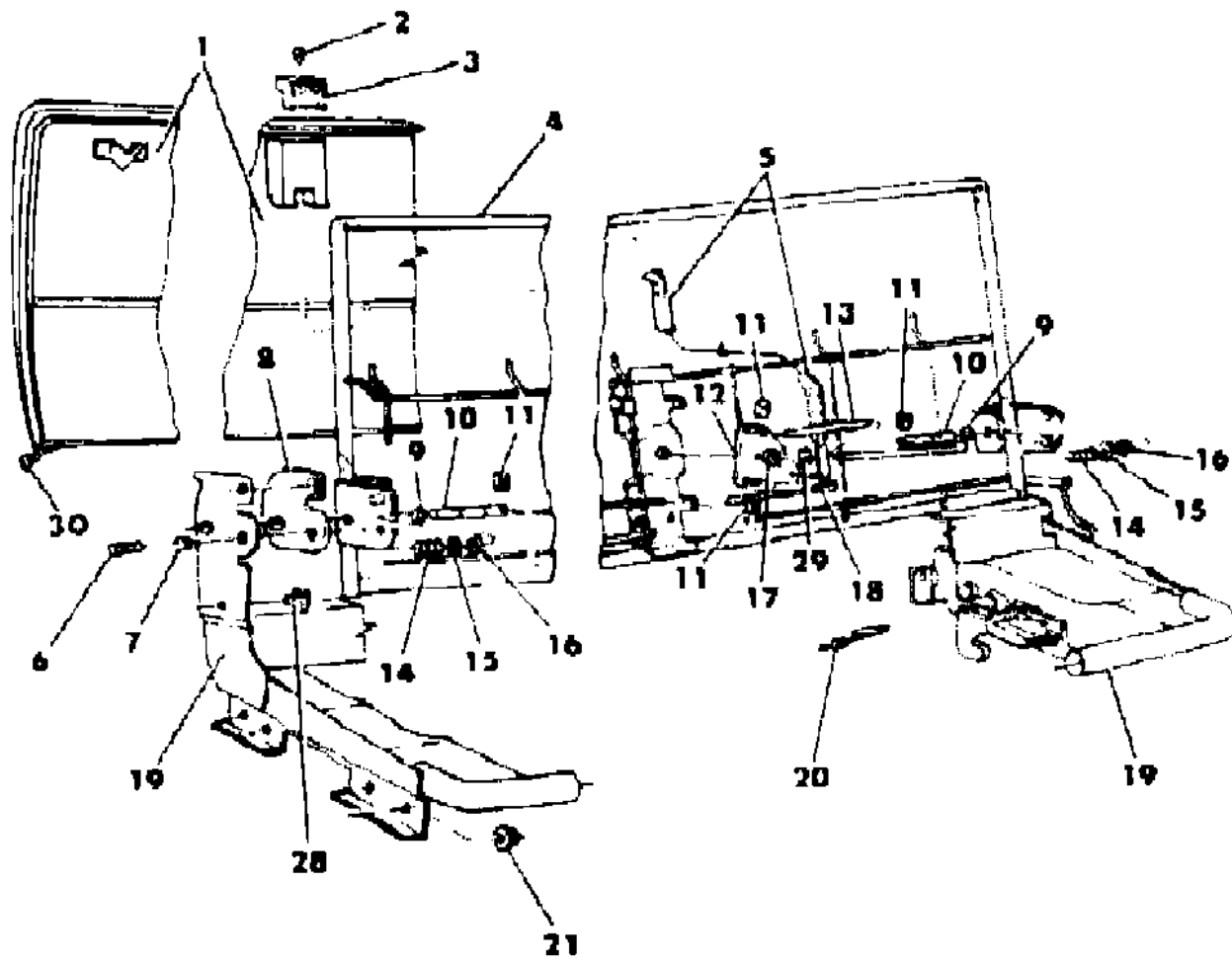
BODY STYLES

12-52 = FWD VAN & WAGON STD. W.B. 27 = 2-DOOR CONVERTIBLE
 13-53 = FWD VAN & WGN EXT W.B. 41 = 4-DOOR SEDAN
 21 = 2-DOOR SEDAN 44 = 4-DOOR HATCHBACK
 24 = 2-DOOR HATCHBACK 45 = 4-DOOR STATION WAGON

AR = Use as Required - = Non Illustrated Part P.A.R. = Paint as Required

SEAT--REAR FOLD DOWN S BODY
Figure ITS-3100

8242 3100



ITEM	PART NUMBER	QTY	BODY	MODEL	DESCRIPTION
1					SHIELD and SKIRT, Rear Seat Back (Use Up To 10-1-87)
	S691 GC5	1			Blue
	S691 GR8	1			Red
	S691 GK1	1			Almond
	S691 GS8	1			Charcoal (Use After 10-1-87)
	S691 GC5	1			Blue
	S691 GR8	1			Red
	S691 GK1	1			Almond
	S691 GS8	1			Charcoal
2		AR			SCREW, (10-16x3/4) (Not Serv.)
3					HANDLE, Release Latch w/o Silencer
	S718 FC5	1			Blue
	S718 GR8	1			Red
	S718 EK1	1			Almond
	S718 CS8	1			Charcoal w/Silencer, (Handle Assy-2nd Rear Seat Bk. Latch Release)
	S514 GS8	1			Charcoal
	S514 GC5	1			Blue
	S514 GR8	1			Red
	S514 GK1	1			Almond
4					BACK, Folding Seat (Reference)
5	4316 075	1			LINK, Latch Release
6	6500 948	2			PIN, Pivot
7	6500 947	2			BUSHING
8	4316 068	2			GUIDE
9					BUSHING, (Serv. In Frame)
10	4316 065	2			PIN
11	6032 612	4			RETAINER
12	4316 076	1			BELLCRANK, Latch
13	4316 073	1			ROD
14	4316 070	2			SPRING
15	6100 884	2			WASHER
16	6032 475	2			E-RING
17	4211 689	1			WASHER

MODEL CODES

C BODY = (D41 - DYNASTY)(C41 - NEW YORKER)
 E BODY = (J - CARAVELLE)(E - 600)(T - NEW YORKER TURBO)
 G BODY = (V24 - DAYTONA, PACIFICA & SHELBY)
 H BODY = (D44 - LANCER)(C44 - LEBARON GTS)
 J BODY = (C - LEBARON)
 K BODY = (P - RELIANT)(D - ARIES)(C - LEBARON/ TOWN & COUNTRY)
 L BODY = (M - HORIZON)(Z-OMNI)
 M BODY = (B - GRAN FURY)(G - DIPLOMAT)(F - FIFTH AVENUE/NEWPORT)
 P BODY = (P - SUNDANCE)(D - SHADOW)
 Q BODY = (C27 - MASERATI)
 S BODY = (H - VOYAGER)(K - RAM VAN/ CARAVAN)

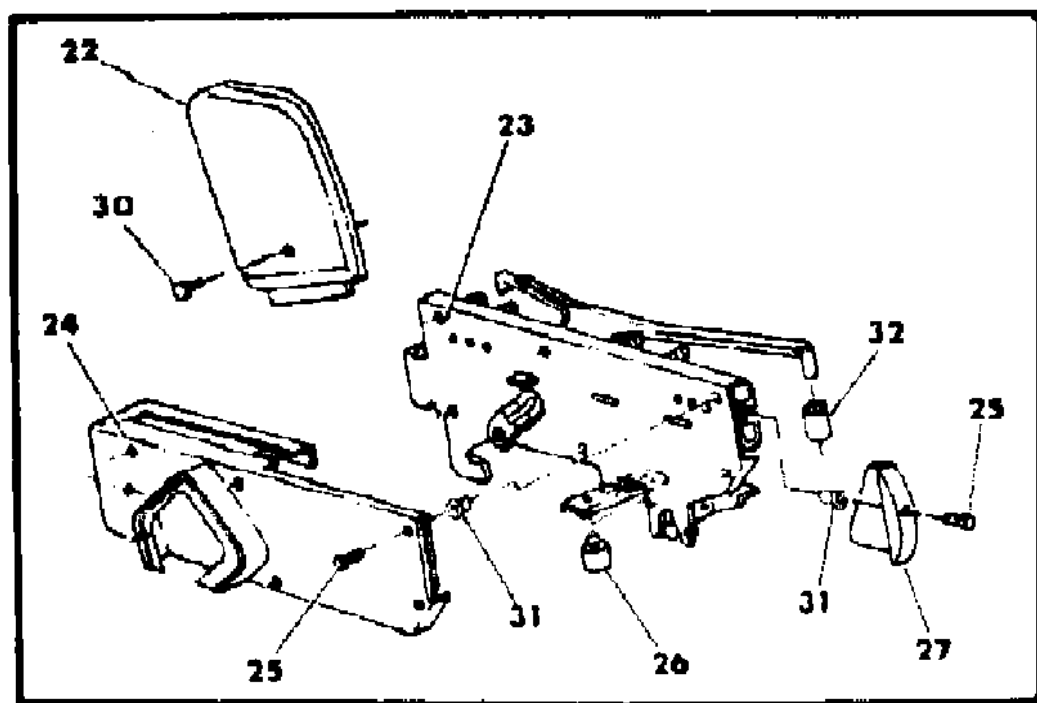
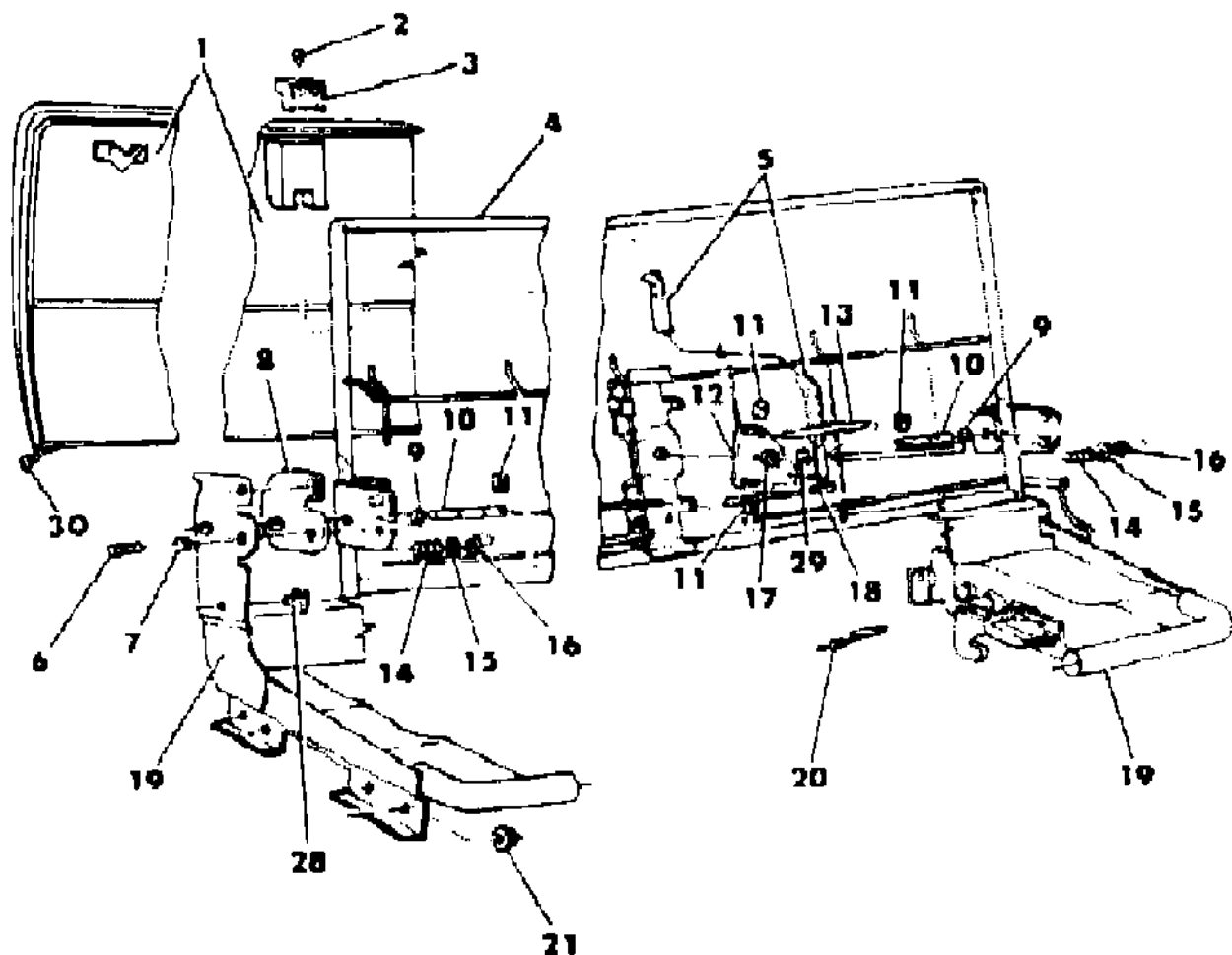
BODY STYLES

12-52 = FWD VAN & WAGON STD. W.B. 27 = 2-DOOR CONVERTIBLE
 13-53 = FWD VAN & WGN EXT W.B. 41 = 4-DOOR SEDAN
 21 = 2-DOOR SEDAN 44 = 4-DOOR HATCHBACK
 24 = 2-DOOR HATCHBACK 45 = 4-DOOR STATION WAGON

AR = Use as Required - = Non Illustrated Part P.A.R. = Paint as Required

SEAT--REAR FOLD DOWN S BODY
Figure ITS-3100

8242 3100



ITEM	PART NUMBER	QTY	BODY	MODEL	DESCRIPTION
18	4316 072	1			ROD
19					CUSHION, (Reference)
20	4290 153	1			ADJUSTER, Spring and Wire Catch Connector
21	6100 055	8			NUT
22	S716-7 EK1	1			COVER, Hinge Arm (P.A.R.)
23	4380 748-9				ADJUSTER
-	4380 744	1			COVER, Front Latch (Black Vinyl)
-	4380 689	2			CLIP, Anti-Rattle Front
-	4380 601	2			CLIP, Anti-Rattle Rear
-	6500 944	AR			WASHER
-	4327 208	2			SPRING, Adjuster Latch Return (The Correct Part Number is 4402216 - Dallas)
-	0104 918	AR			BALL, Second Rear Seat Adjuster
-	6101 398	8			SCREW, Seat to Adjuster
-	4290 153	1			WIRE, Adjuster Catch Connector
24	S696-7 FK1	1			COVER, Riser (P.A.R.)
25	6032 765	13			SCREW, Adjuster Cover
26	4316 957	4			BUMPER
27	S618-9 EK1	1			COVER, Adjuster Front (P.A.R.)
28	6500 453	2			NUT
29	6025 935	2			PUSH-NUT
30		6			SCREW, (8-18x12) (Not Serv.)
31	4327 317	13			PLUG
32	4327 446	2			SLEEVE, Handle

NOTE: (P.A.R. = Paint As Required)

MODEL CODES

C BODY = (D41 - DYNASTY)(C41 - NEW YORKER)
 E BODY = (J - CARAVELLE)(E - 600)(T - NEW YORKER TURBO)
 G BODY = (V24 - DAYTONA, PACIFICA & SHELBY)
 H BODY = (D44 - LANCER)(C44 - LEBARON GTS)
 J BODY = (C - LEBARON)
 K BODY = (P - RELIANT)(D - ARIES)(C - LEBARON/ TOWN & COUNTRY)
 L BODY = (M - HORIZON)(Z-OMNI)
 M BODY = (B - GRAN FURY)(G - DIPLOMAT)(F - FIFTH AVENUE/NEWPORT)
 P BODY = (P - SUNDANCE)(D - SHADOW)
 Q BODY = (C27 - MASERATI)
 S BODY = (H - VOYAGER)(K - RAM VAN/ CARAVAN)

BODY STYLES

12-52 = FWD VAN & WAGON STD. W.B. 27 = 2-DOOR CONVERTIBLE
 13-53 = FWD VAN & WGN EXT W.B. 41 = 4-DOOR SEDAN
 21 = 2-DOOR SEDAN 44 = 4-DOOR HATCHBACK
 24 = 2-DOOR HATCHBACK 45 = 4-DOOR STATION WAGON

AR = Use as Required - = Non Illustrated Part P.A.R. = Paint as Required

GROUP ITM - M BODY

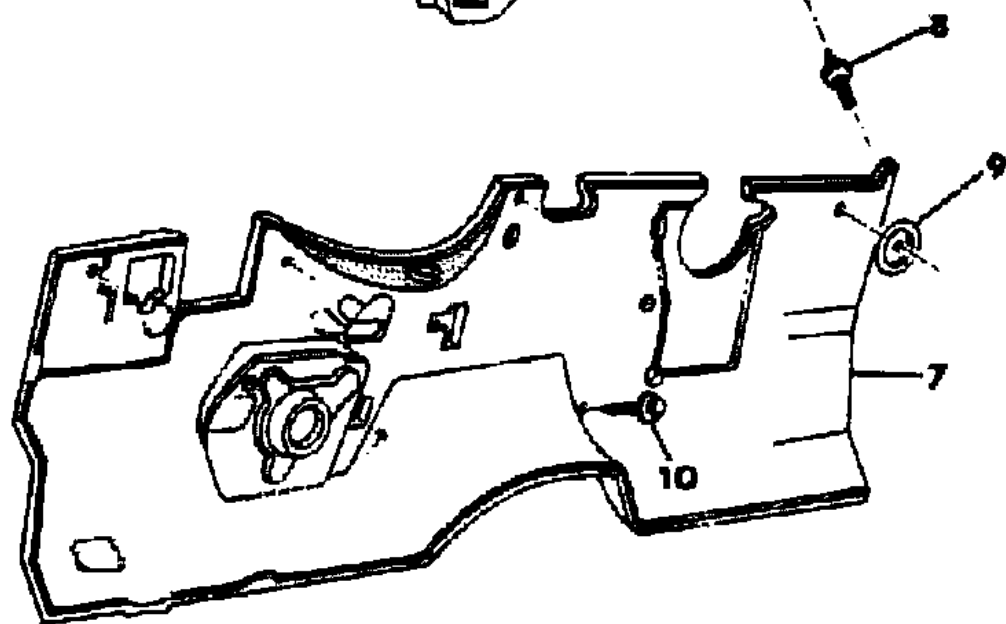
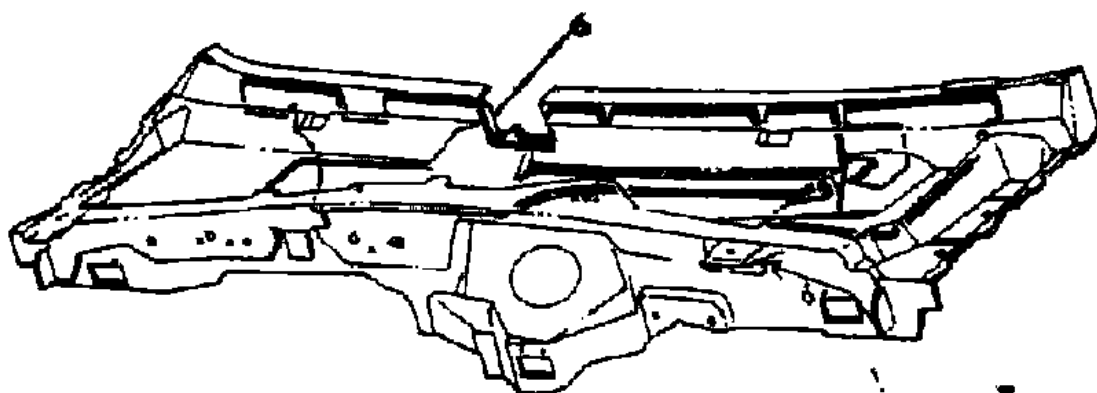
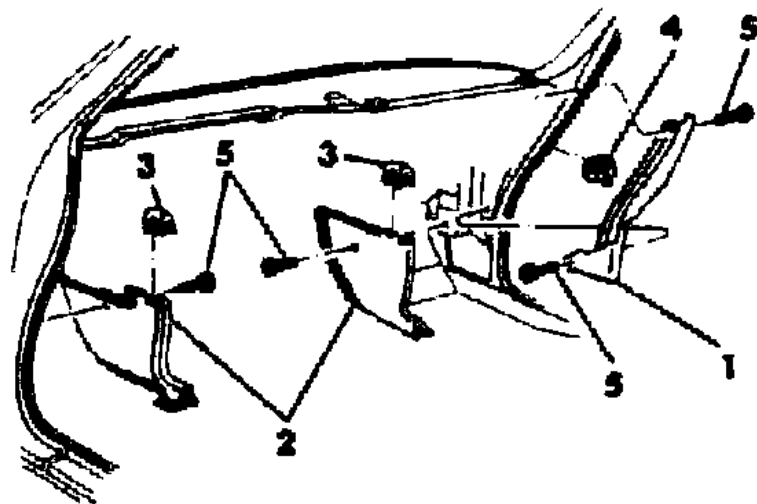
ILLUSTRATION TITLE	GROUP-FIG. NO.
COWL PANEL AND SILENCERS M BODY	Fig. ITM-100
HEADLINER-VISOR AND SHELF PANEL M BODY	Fig. ITM-200
MOULDING--GARNISH M BODY B,G,F-H	Fig. ITM-300
MOULDING--GARNISH M BODY F-S	Fig. ITM-400
B PILLAR TRIM M BODY B,G,F-H	Fig. ITM-500
PANEL--QUARTER TRIM M BODY B,G,F-H	Fig. ITM-600
CARPET M BODY	Fig. ITM-700
LUGGAGE COMPARTMENT LINER AND SILENCER M BODY	Fig. ITM-800
MATS--FRONT AND REAR FLOOR LUGGAGE COMPARTMENT AND REAR FLOOR WELL M BODY	Fig. ITM-900
SCUFF PLATES--BODY SIDE SILL AND DOOR M BODY	Fig. ITM-1000
PANEL--DOOR TRIM-FRONT M BODY	Fig. ITM-1100
PANEL--DOOR TRIM-REAR	Fig. ITM-1200
PANEL--DOOR TRIM (DADE COUNTY FLORIDA) FLEET-POLICE-OTHERS M BODY	Fig. ITM-1300
SEAT--FRONT M BODY TRIM CODE A3	Fig. ITM-1400
SEAT--FRONT M BODY TRIM CODE K2	Fig. ITM-1500
SEAT--FRONT FLEET-POLICE-OTHERS M BODY	Fig. ITM-1600
SEAT--FRONT M BODY TRIM CODES H9-C9	Fig. ITM-1700
SEAT--FRONT M BODY TRIM CODE KX	Fig. ITM-1800
SEAT--FRONT FLEET-POLICE-OTHERS M BODY	Fig. ITM-1850
SEAT--FRONT M BODY TRIM CODE SY	Fig. ITM-1900
SEAT--FRONT M BODY TRIM CODE S9	Fig. ITM-2000
SEAT--FRONT FLEET-POLICE-OTHERS M BODY	Fig. ITM-2100
SEAT--FRONT FLEET-POLICE-OTHERS M BODY	Fig. ITM-2200
BELT--FRONT SEAT LAP AND SHOULDER-OUTER M BODY	Fig. ITM-2300
BELT--FRONT SEAT LAP AND SHOULDER-INNER M BODY	Fig. ITM-2400
RECLINING FRONT SEAT AND SEAT BACK RELEASE M BODY	Fig. ITM-2500
ADJUSTER--MANUAL M BODY	Fig. ITM-2600
ADJUSTER--ELECTRIC 60/40 SPLIT M BODY	Fig. ITM-2700
SEAT--REAR M BODY TRIM CODE A3	Fig. ITM-2800
SEAT--REAR M BODY TRIM CODES H9,S9,SY,C9	Fig. ITM-2900
SEAT--REAR M BODY TRIM CODES K2,KX	Fig. ITM-3000
SEAT--REAR FLEET-POLICE-OTHERS M BODY	Fig. ITM-3100
BELT--REAR SEAT LAP M BODY	Fig. ITM-3200

ILLUSTRATION NOT AVAILABLE AT TIME OF PUBLICATION

COWL PANEL AND SILENCERS M BODY
Figure ITM-100

8244 100

ITEM	PART NUMBER	QTY	BODY	MODEL	DESCRIPTION
1					COVER, Cowl Side Trim Panel To Windshield Side Garnish
					Moulding
		F344-5 BA7	1		Silver
		F344-5 GC5	1		Blue
		F344-5 TM6	1		Red
2		F344-5 GL7	1		Almond
					PANEL and SILENCER, Cowl Side Trim
		F198 BA7	1		Silver, Right
		F201 BA7	1		Silver, Left
		F198 GC5	1		Blue, Right
		F201 GC5	1		Blue, Left
		F198 TM6	1		Red, Right
		F201 TM6	1		Red, Left
		F198 GL7	1		Almond, Right
		F201 GL7	1		Almond, Left
3		2			J-NUT, (Not Serv.)
4		AR			CLIP, (Not Serv.)
5	9416 824	AR			SCREW
6	4136 444-5	1			SILENCER, Dash Panel Plenum
7	4136 334	1			LINER, w/ or w/o A.C.
8	#6031 630	4			STUD, Collar
9	4206 545	4			RETAINER
10		2			SCREW, (8-18x.75) (Not Serv.)



MODEL CODES

C BODY = (D41 - DYNASTY)(C41 - NEW YORKER)	L BODY = (M - HORIZON)(Z-OMNI)
E BODY = (J - CARAVELLE)(E - 600)(T - NEW YORKER TURBO)	M BODY = (B - GRAN FURY)(G - DIPLOMAT)(F - FIFTH AVENUE/NEWPORT)
G BODY = (V24 - DAYTONA, PACIFICA & SHELBY)	P BODY = (P - SUNDANCE)(D - SHADOW)
H BODY = (D44 - LANCER)(C44 - LEBARON GTS)	Q BODY = (C27 - MASERATI)
J BODY = (C - LEBARON)	S BODY = (H - VOYAGER)(K - RAM VAN/ CARAVAN)
K BODY = (P - RELIANT)(D - ARIES)(C - LEBARON/ TOWN & COUNTRY)	

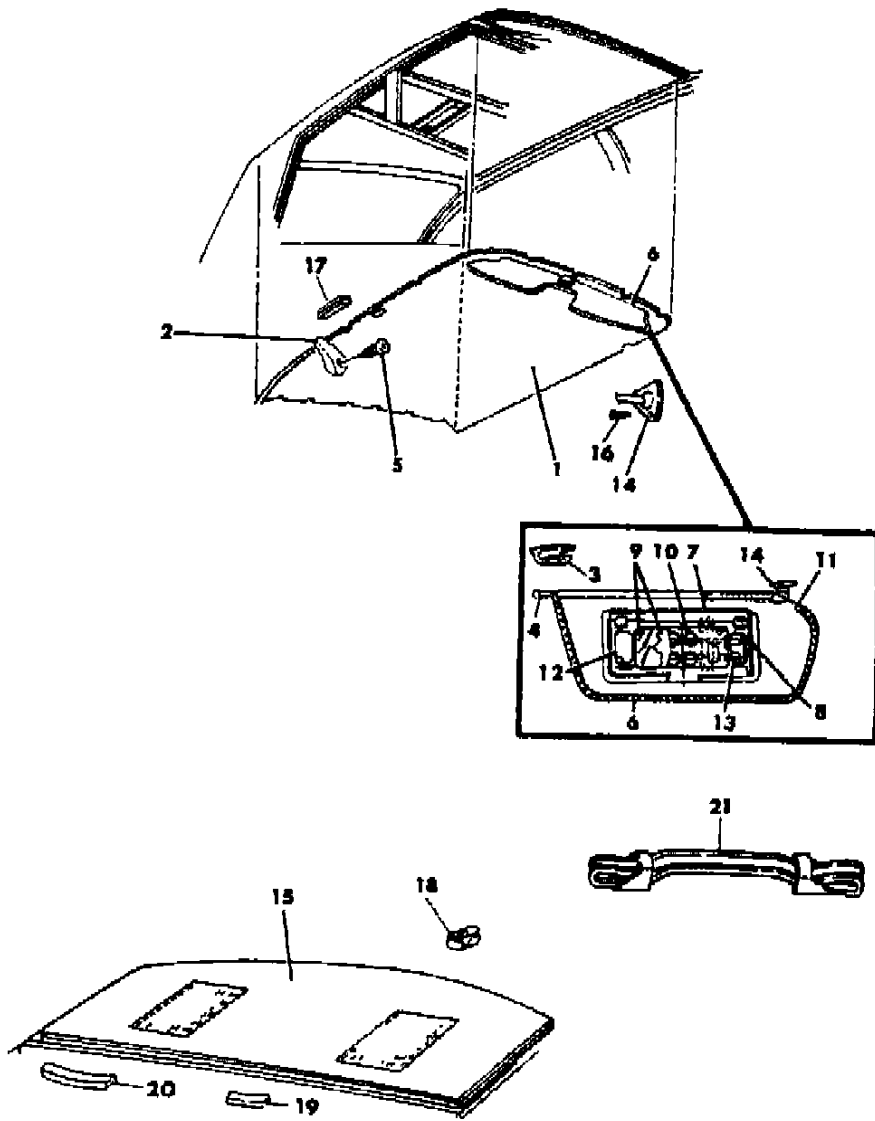
BODY STYLES

12-52 = FWD VAN & WAGON STD. W.B.	27 = 2-DOOR CONVERTIBLE
13-53 = FWD VAN & WGN EXT W.B.	41 = 4-DOOR SEDAN
21 = 2-DOOR SEDAN	44 = 4-DOOR HATCHBACK
24 = 2-DOOR HATCHBACK	45 = 4-DOOR STATION WAGON

AR = Use as Required - = Non Illustrated Part P.A.R. = Paint as Required

HEADLINER-VISOR AND SHELF PANEL M BODY
Figure ITM-200

8244 200 B



ITEM	PART NUMBER	QTY	BODY	MODEL	DESCRIPTION
1					HEADLINER, w/o Sunroof, w/Cloth Finish
	H176 GA3	1	F-S		Silver
	H176 GC5	1	F-S		Blue
	H176 GM6	1	F-S		Red
	H176 GL7	1	F-S		Taupe
	H905 GA3	1	B,G,F-H		Silver
	H905 GC5	1	B,G,F-H		Blue
	H905 GM6	1	B,G,F-H		Red
	H905 GL7	1	B,G,F-H		Taupe
2	3685 992	2			HOOK, Coat
3					CLIP, Visor Retaining
	H335 CA3	1			Silver
	H335 EC5	1			Blue
	H335 GL7	1			Taupe
	H335 CM6	1			Red
4					TIP, Visor, Support
	H315 CA3	1			Silver
	H315 EC5	1			Blue
	H315 GL7	1			Taupe
	H315 CM6	1			Red
5	9414 716	2			SCREW
6					VISOR
					w/Sun Roof, Left (Use Up To 5-16-88)
	H541 AA3	1			Silver
	H541 GC5	1			Blue
	H541 VM6	1			Red
	H541 GL7	1			Taupe (Use After 5-16-88)
	H179 GA3	1			Silver
	H179 GC5	1			Blue
	H179 GM6	1			Red
	H179 GL7	1			Taupe
					w/Illuminated Mirror, Complete w/Cloth Finish w or w/o Sun Roof (Use Up To 5-16-88)
	H802-3 GA3	1			Silver

MODEL CODES

C BODY = (D41 - DYNASTY)(C41 - NEW YORKER)	L BODY = (M - HORIZON)(Z-OMNI)
E BODY = (J - CARAVELLE)(E - 600)(T - NEW YORKER TURBO)	M BODY = (B - GRAN FURY)(G - DIPLOMAT)(F - FIFTH AVENUE/NEWPORT)
G BODY = (V24 - DAYTONA, PACIFICA & SHELBY)	P BODY = (P - SUNDANCE)(D - SHADOW)
H BODY = (D44 - LANCER)(C44 - LEBARON GTS)	Q BODY = (C27 - MASERATI)
J BODY = (C - LEBARON)	S BODY = (H - VOYAGER)(K - RAM VAN/ CARAVAN)
K BODY = (P - RELIANT)(D - ARIES)(C - LEBARON/ TOWN & COUNTRY)	

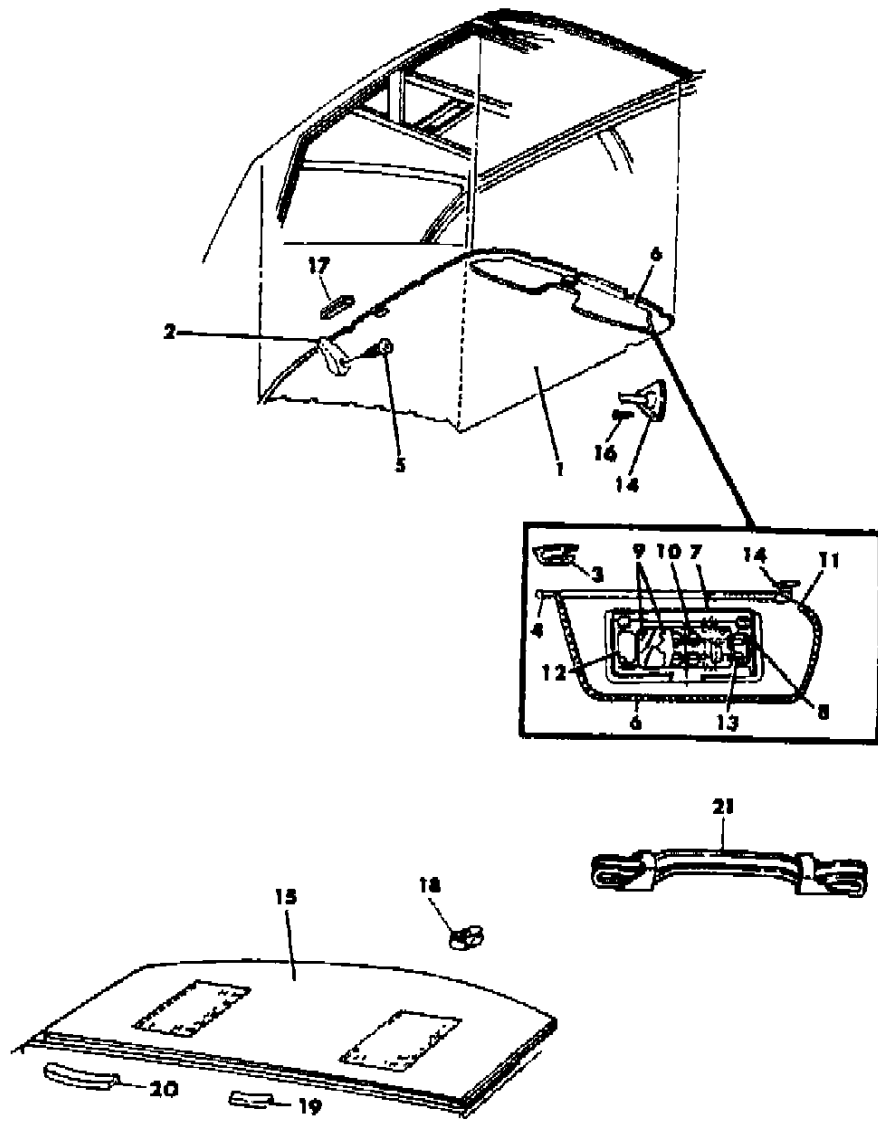
BODY STYLES

12-52 = FWD VAN & WAGON STD. W.B.	27 = 2-DOOR CONVERTIBLE
13-53 = FWD VAN & WGN EXT W.B.	41 = 4-DOOR SEDAN
21 = 2-DOOR SEDAN	44 = 4-DOOR HATCHBACK
24 = 2-DOOR HATCHBACK	45 = 4-DOOR STATION WAGON

AR = Use as Required - = Non Illustrated Part P.A.R. = Paint as Required

HEADLINER-VISOR AND SHELF PANEL M BODY Figure ITM-200

8244 200 B



ITEM	PART NUMBER	QTY	BODY	MODEL	DESCRIPTION
	H802-3 GC5	1			Blue
	H802-3 GM6	1			Red
	H802-3 GL7	1			Taupe (Use After 5-16-88) LEFT, (Only)
	H213 GA3	1			Silver
	H213 GC5	1			Blue
	H213 GM6	1			Red
	H213 GL7	1			Taupe
	H624 AA3	1			w/Sun Roof and Illuminated Mirror (Right Only) Silver
	H624 GC5	1			Blue
	H624 VM6	1			Red
	H624 GL7	1			Taupe RIGHT, w/Mirror w/o Map Pocket
	H554 GA3	1			Silver
	H554 GC5	1			Blue
	H554 GM6	1			Red
	H554 GL7	1			Taupe LEFT, w/Mirror w/Map Pocket
	H555 GA3	1			Silver
	H555 GC5	1			Blue
	H555 GM6	1			Red
	H555 GL7	1			Taupe VISOR, Sub Assembly w/Illuminated Mirror w or w/o Sun Roof
	H804-5 GA3	1			Silver
	H804-5 GC5	1			Blue
	H804-5 GM6	1			Red
	H804-5 GL7	1			Taupe w/Sun Roof, (Right Only)
	H627 AA3	1			Silver
	H627 GC5	1			Blue
	H627 VM6	1			Red
	H627 GL7	1			Almond ILLUMINATED VANITY MIRROR, Sub Assembly
	H640 FAA	2			Silver

MODEL CODES

C BODY = (D41 - DYNASTY)(C41 - NEW YORKER)	L BODY = (M - HORIZON)(Z-OMNI)
E BODY = (J - CARAVELLE)(E - 600)(T - NEW YORKER TURBO)	M BODY = (B - GRAN FURY)(G - DIPLOMAT)(F - FIFTH AVENUE/NEWPORT)
G BODY = (V24 - DAYTONA, PACIFICA & SHELBY)	P BODY = (P - SUNDANCE)(D - SHADOW)
H BODY = (D44 - LANCER)(C44 - LEBARON GTS)	Q BODY = (C27 - MASERATI)
J BODY = (C - LEBARON)	S BODY = (H - VOYAGER)(K - RAM VAN/ CARAVAN)
K BODY = (P - RELIANT)(D - ARIES)(C - LEBARON/ TOWN & COUNTRY)	

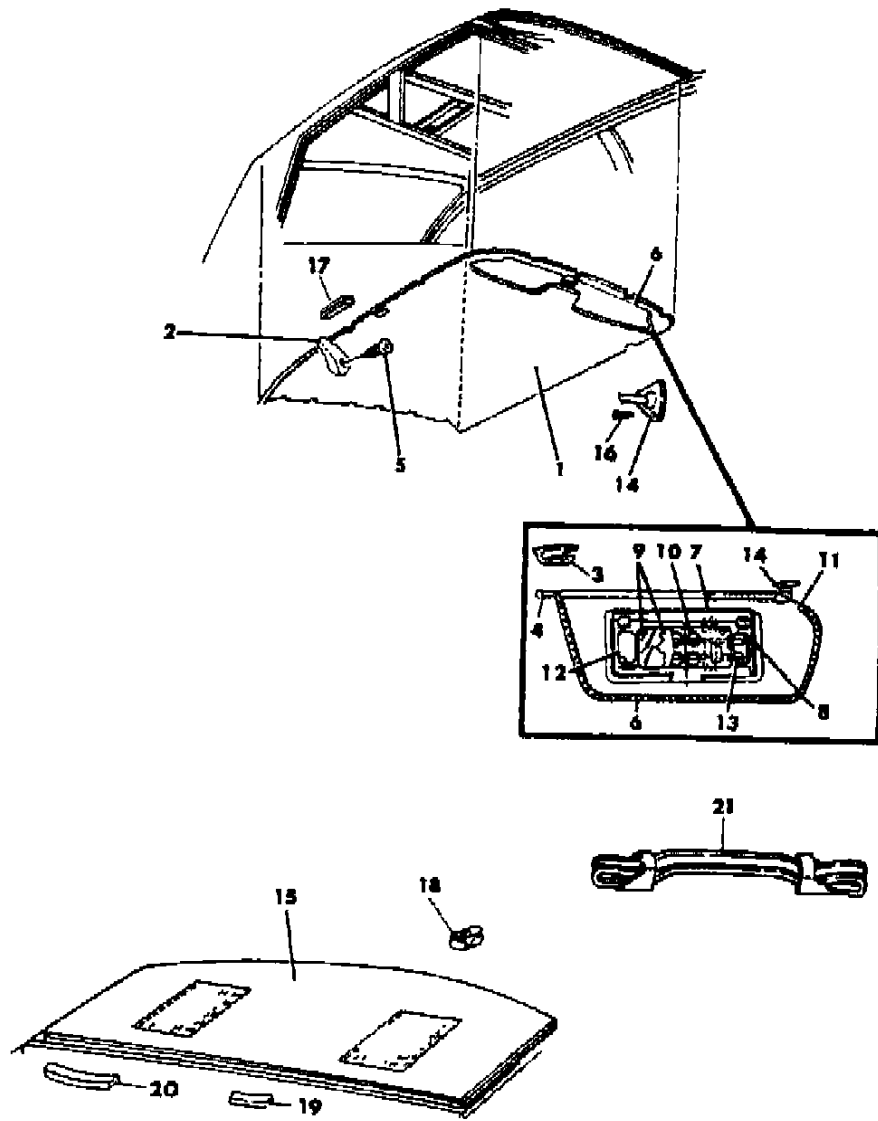
BODY STYLES

12-52 = FWD VAN & WAGON STD. W.B.	27 = 2-DOOR CONVERTIBLE
13-53 = FWD VAN & WGN EXT W.B.	41 = 4-DOOR SEDAN
21 = 2-DOOR SEDAN	44 = 4-DOOR HATCHBACK
24 = 2-DOOR HATCHBACK	45 = 4-DOOR STATION WAGON

AR = Use as Required - = Non Illustrated Part P.A.R. = Paint as Required

HEADLINER-VISOR AND SHELF PANEL M BODY
Figure ITM-200

8244 200 B



ITEM	PART NUMBER	QTY	BODY	MODEL	DESCRIPTION
	H640 FC5	2			Blue
	H640 FM6	2			Red
	H640 GL7	2			Taupe
7					COVER, Frame and Mirror, Right w/Sun Roof, and Ill. Mirror
	H595 AAA	1			Silver
	H595 GCC	1			Blue
	H595 TMM	1			Red
	H595 GLL	1			Taupe
					COVER, Frame Less Mirror w/Sun Roof and Ill. Mirror
	H636 AAA	1			Silver
	H636 GCC	1			Blue
	H636 TMM	1			Red
	H636 GLL	1			Taupe
8	3832 346	2			HINGE SPRING, Visor Mirror Cover
9		1			MIRROR and BACK, Illuminated Vanity Mirror, (Serv.In Assembly Only - See Item 6)
10		2			COMPONENT BOARD, Lighted Sun Visor w/Switch, (Serv. In Assembly Only - See Item 6)
11	1490 983	2			CLIP, Visor End Panel
12	4410 693	2			LENS, Visor Mirror Light
13	9421 330	4			BULB, Mirror
14	4473 712-3	1			ARM and BRACKET, Visor
15					PANEL, Shelf Trim w/ or w/o Rear Speakers
	H753 EA7	1		B,G,F-H	Silver
	H753 GC5	1		B,G,F-H	Blue
	H753 EM6	1		B,G,F-H	Red
	H753 GL7	1		B,G,F-H	Taupe
	H752 EA7	1		F-S	Silver
	H752 GC5	1		F-S	Blue
	H752 EM6	1		F-S	Red
	H752 GL7	1		F-S	Taupe
16	6032 755	6			SCREW, Bracket Attaching
17	4283 650	4			SPACER, Headliner to Roof Panel
18	#6002 072	2			FASTENER, Shelf Trim Panel
19	4410 495	1			SPACER, Shelf Trim Panel

MODEL CODES

C BODY = (D41 - DYNASTY)(C41 - NEW YORKER)	L BODY = (M - HORIZON)(Z-OMNI)
E BODY = (J - CARAVELLE)(E - 600)(T - NEW YORKER TURBO)	M BODY = (B - GRAN FURY)(G - DIPLOMAT)(F - FIFTH AVENUE/NEWPORT)
G BODY = (V24 - DAYTONA, PACIFICA & SHELBY)	P BODY = (P - SUNDANCE)(D - SHADOW)
H BODY = (D44 - LANCER)(C44 - LEBARON GTS)	Q BODY = (C27 - MASERATI)
J BODY = (C - LEBARON)	S BODY = (H - VOYAGER)(K - RAM VAN/ CARAVAN)
K BODY = (P - RELIANT)(D - ARIES)(C - LEBARON/ TOWN & COUNTRY)	

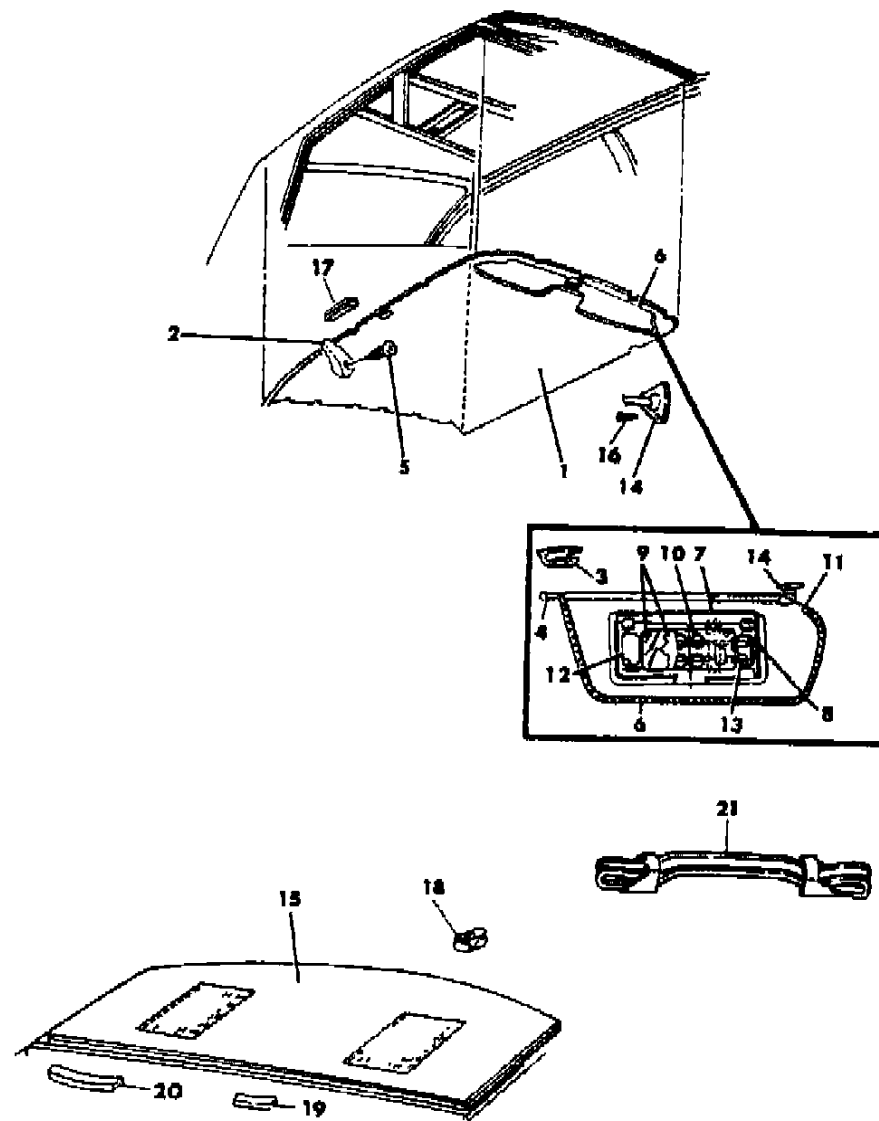
BODY STYLES

12-52 = FWD VAN & WAGON STD. W.B.	27 = 2-DOOR CONVERTIBLE
13-53 = FWD VAN & WGN EXT W.B.	41 = 4-DOOR SEDAN
21 = 2-DOOR SEDAN	44 = 4-DOOR HATCHBACK
24 = 2-DOOR HATCHBACK	45 = 4-DOOR STATION WAGON

AR = Use as Required - = Non Illustrated Part P.A.R. = Paint as Required

HEADLINER-VISOR AND SHELF PANEL M BODY Figure ITM-200

8244 200 B



ITEM	PART NUMBER	QTY	BODY	MODEL	DESCRIPTION
20	4410 564	1			SPACER, Shelf Trim Panel
21					HANDLE, Roof Rail Grab
	H757 GA2	2			Silver
	H570 GC5	2			Blue
	H757 GM6	2			Red
	H570 GL7	2			Taupe

MODEL CODES

C BODY = (D41 - DYNASTY)(C41 - NEW YORKER)	L BODY = (M - HORIZON)(Z-OMNI)
E BODY = (J - CARAVELLE)(E - 600)(T - NEW YORKER TURBO)	M BODY = (B - GRAN FURY)(G - DIPLOMAT)(F - FIFTH AVENUE/NEWPORT)
G BODY = (V24 - DAYTONA, PACIFICA & SHELBY)	P BODY = (P - SUNDANCE)(D - SHADOW)
H BODY = (D44 - LANCER)(C44 - LEBARON GTS)	Q BODY = (C27 - MASERATI)
J BODY = (C - LEBARON)	S BODY = (H - VOYAGER)(K - RAM VAN/ CARAVAN)
K BODY = (P - RELIANT)(D - ARIES)(C - LEBARON/ TOWN & COUNTRY)	

BODY STYLES

12-52 = FWD VAN & WAGON STD. W.B.	27 = 2-DOOR CONVERTIBLE
13-53 = FWD VAN & WGN EXT W.B.	41 = 4-DOOR SEDAN
21 = 2-DOOR SEDAN	44 = 4-DOOR HATCHBACK
24 = 2-DOOR HATCHBACK	45 = 4-DOOR STATION WAGON

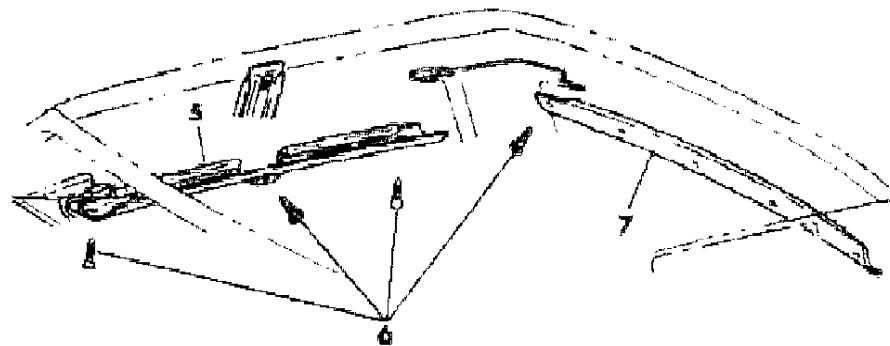
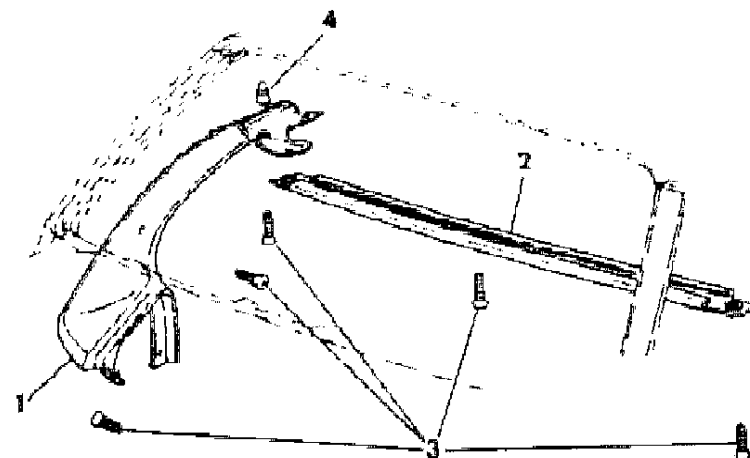
AR = Use as Required - = Non Illustrated Part P.A.R. = Paint as Required

MOULDING--GARNISH M BODY B,G,F-H
Figure ITM-300

8244 300

ITEM	PART NUMBER	QTY	BODY	MODEL	DESCRIPTION
1					MOULDING, Windshield Side
	F256-7 AA3	1			Silver
	F256-7 GC5	1			Blue
	F256-7 TM6	1			Red
	F256-7 GL7	1			Taupe
2					MOULDING, Windshield Upper
	F254 AA3	1			Silver
	F254 GC5	1			Blue
	F254 GL7	1			Taupe
	F254 AM6	1			Red
3	6032 152	AR			SCREW
4		AR			NUT, (Not Serv.)
5	F096-7 DA3	1			MOULDING, Roof Side Garnish (P.A.R.)
6	6032 152	AR			SCREW
7	#4136 299	1			MOULDING, Rear Window Upper
8	4040 592	AR			BRACKET, Rear Window Garnish Moulding Center Attaching, For Repair
9					BUMPER
	F030 CA3	2			Silver
	F030 FC5	2			Blue
	F030 CM6	2			Red
	F030 GL7	2			Taupe

NOTE: (P.A.R. = Paint As Required)



MODEL CODES

C BODY = (D41 - DYNASTY)(C41 - NEW YORKER)	L BODY = (M - HORIZON)(Z-OMNI)
E BODY = (J - CARAVELLE)(E - 600)(T - NEW YORKER TURBO)	M BODY = (B - GRAN FURY)(G - DIPLOMAT)(F - FIFTH AVENUE/NEWPORT)
G BODY = (V24 - DAYTONA, PACIFICA & SHELBY)	P BODY = (P - SUNDANCE)(D - SHADOW)
H BODY = (D44 - LANCER)(C44 - LEBARON GTS)	Q BODY = (C27 - MASERATI)
J BODY = (C - LEBARON)	S BODY = (H - VOYAGER)(K - RAM VAN/ CARAVAN)
K BODY = (P - RELIANT)(D - ARIES)(C - LEBARON/ TOWN & COUNTRY)	

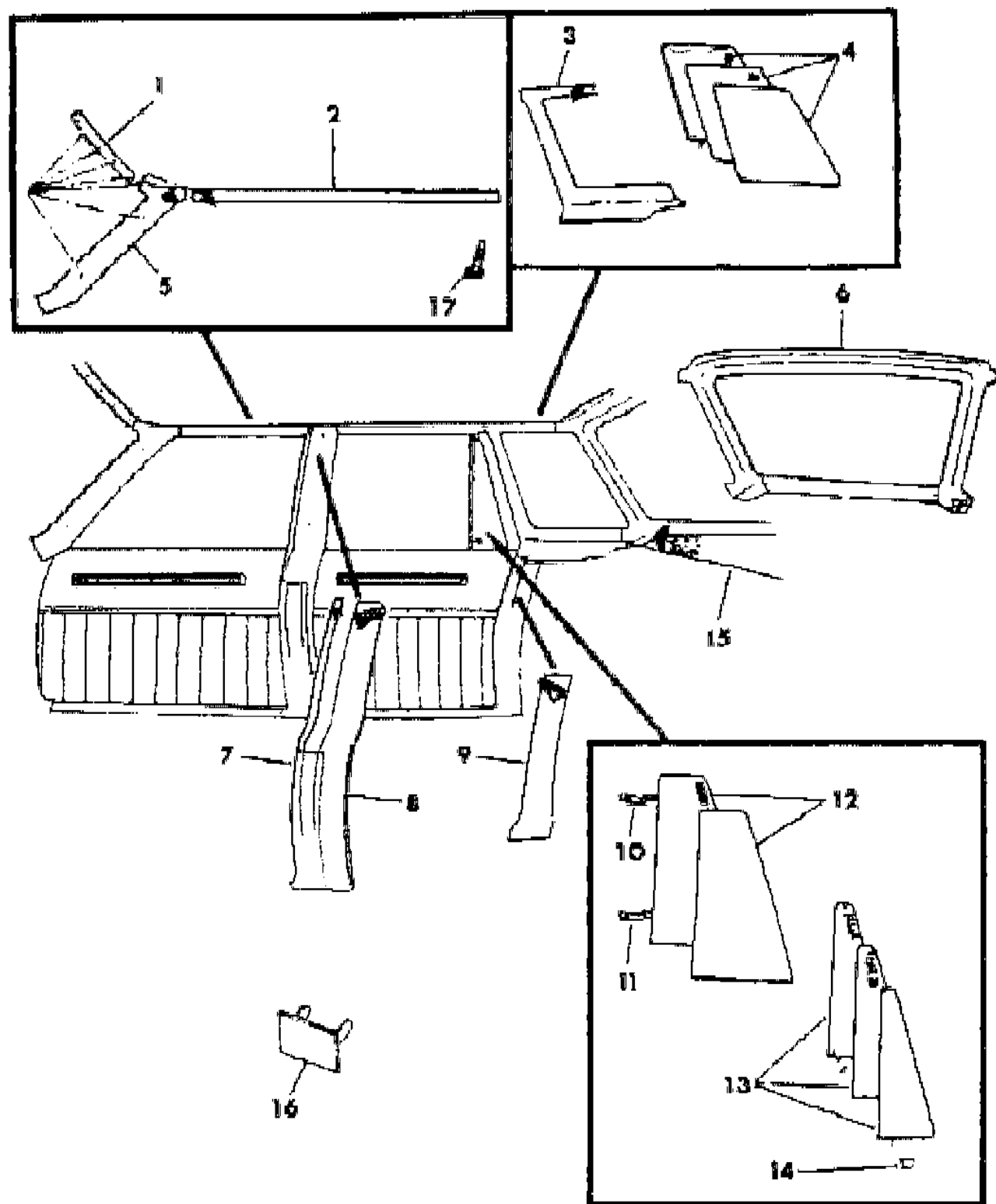
BODY STYLES

12-52 = FWD VAN & WAGON STD. W.B.	27 = 2-DOOR CONVERTIBLE
13-53 = FWD VAN & WGN EXT W.B.	41 = 4-DOOR SEDAN
21 = 2-DOOR SEDAN	44 = 4-DOOR HATCHBACK
24 = 2-DOOR HATCHBACK	45 = 4-DOOR STATION WAGON

AR = Use as Required - = Non Illustrated Part P.A.R. = Paint as Required

MOULDING--GARNISH M BODY F-S
Figure ITM-400

8244 400



ITEM	PART NUMBER	QTY	BODY	MODEL	DESCRIPTION
1	F254 AA3	1			MOULDING, Windshield Side, Upper Silver
	F254 GC5	1			Blue
	F254 AM6	1			Red
	F254 GL7	1			Taupe
	2	F120-1 CA3	1		
	F120-1 GC5	1			Blue
	F120-1 CM6	1			Red
	F120-1 GL7	1			Taupe
3	H714-5 AA3	1			PANEL, Quarter Upper Trim Silver
	H714-5 GC5	1			Blue
	H714-5 AM6	1			Red
	H714-5 GL7	1			Taupe
	4	H716-7 AA3	1		
H716-7 GC5		1			Blue
H716-7 AM6		1			Red
H716-7 GL7		1			Taupe
5		F334-5 AA3	1		
	F334-5 GC5	1			Blue
	F334-5 AM6	1			Red
	F334-5 GL7	1			Taupe
	6	H718 AA3	1		
H718 GC5		1			Blue
H718 AM6		1			Red
H718 GL7		1			Taupe
7		F558-9 CA3	1		
	F558-9 GC5	1			Blue
	F558-9 CM6	1			Red
	F558-9 GL7	1			Taupe
	8	F562-3 CA3	1		

MODEL CODES

C BODY = (D41 - DYNASTY)(C41 - NEW YORKER)
 E BODY = (J - CARAVELLE)(E - 600)(T - NEW YORKER TURBO)
 G BODY = (V24 - DAYTONA, PACIFICA & SHELBY)
 H BODY = (D44 - LANCER)(C44 - LEBARON GTS)
 J BODY = (C - LEBARON)
 K BODY = (P - RELIANT)(D - ARIES)(C - LEBARON/ TOWN & COUNTRY)
 L BODY = (M - HORIZON)(Z-OMNI)
 M BODY = (B - GRAN FURY)(G - DIPLOMAT)(F - FIFTH AVENUE/NEWPORT)
 P BODY = (P - SUNDANCE)(D - SHADOW)
 Q BODY = (C27 - MASERATI)
 S BODY = (H - VOYAGER)(K - RAM VAN/ CARAVAN)

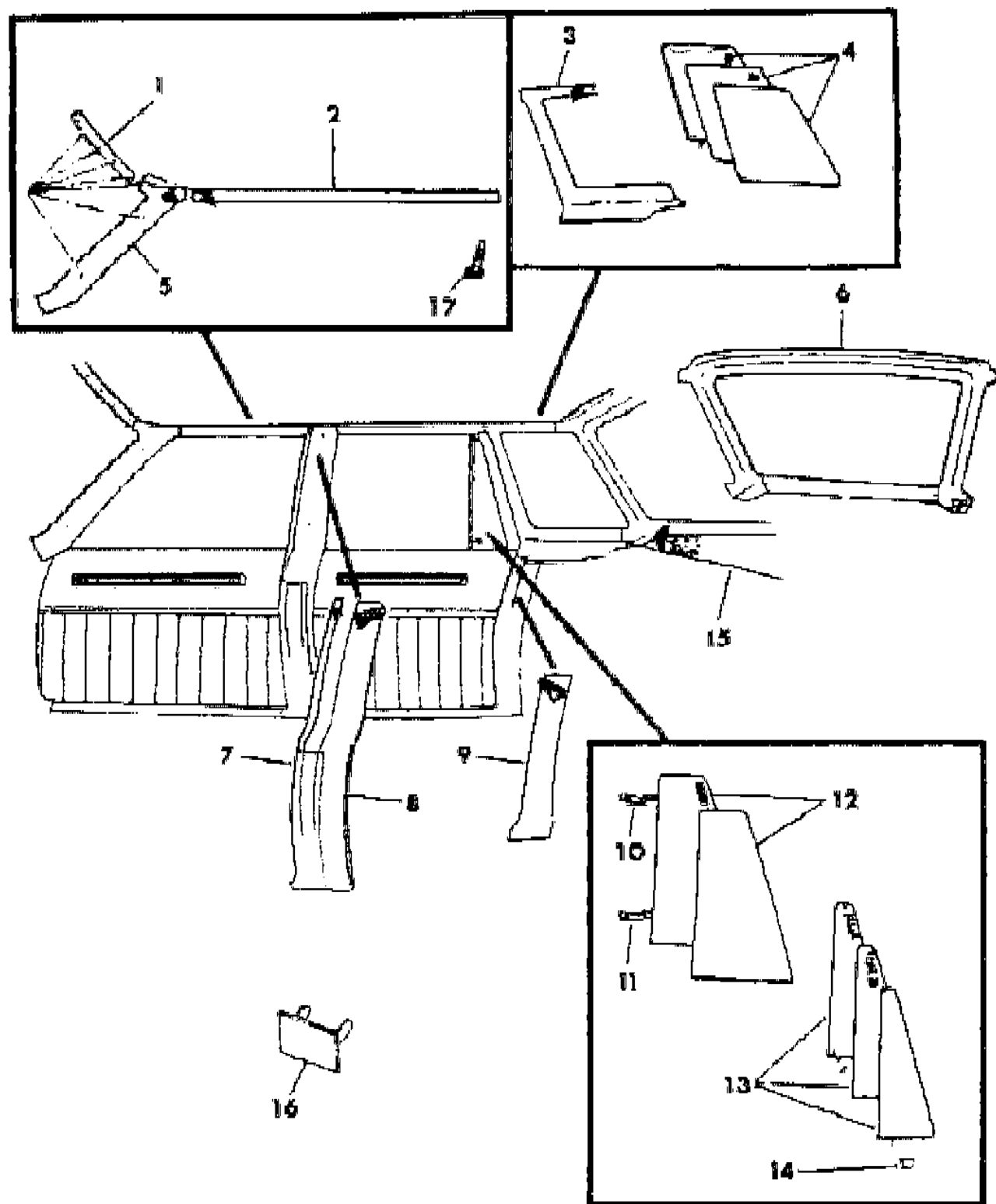
BODY STYLES

12-52 = FWD VAN & WAGON STD. W.B. 27 = 2-DOOR CONVERTIBLE
 13-53 = FWD VAN & WGN EXT W.B. 41 = 4-DOOR SEDAN
 21 = 2-DOOR SEDAN 44 = 4-DOOR HATCHBACK
 24 = 2-DOOR HATCHBACK 45 = 4-DOOR STATION WAGON

AR = Use as Required - = Non Illustrated Part P.A.R. = Paint as Required

MOULDING--GARNISH M BODY F-S
Figure ITM-400

8244 400



ITEM	PART NUMBER	QTY	BODY	MODEL	DESCRIPTION
	F562-3 GC5	1			Blue
	F562-3 CM6	1			Red
	F562-3 GL7	1			Taupe
9					COVER, Lower Quarter Trim Lock Pillar
	F336-7 AA3	1			Silver
	F336-7 GC5	1			Blue
	F336-7 AM6	1			Red
	F336-7 GL7	1			Taupe
10	4229 832	2			BRACKET, Rear Door Window Filler Upper
11	4229 833	2			BRACKET, Rear Door Window Filler Lower
12		1			FILLER, Rear Door Quarter Window
	H014-5 AA3	1			Silver
	H014-5 GC5	1			Blue
	H014-5 AM6	1			Red
	H014-5 GL7	1			Taupe
13					APPLIQUE, Rear-Rear Quarter Window
	H016-7 AA3	1			Silver
	H016-7 GC5	1			Blue
	H016-7 AM6	1			Red
	H016-7 GL7	1			Taupe
14					NAME PLATE, Chrysler (Served In Item 13)
15					PANEL, Shelf Trim
	H752 EA7	1			Silver
	H752 GC5	1			Blue
	H752 EM6	1			Red
	H752 GL7	1			Taupe
16					BUMPER
	F030 CA3	1			Silver
	F030 FC5	1			Blue
	F030 CM6	1			Red
	F030 GL7	2			Taupe
17	6032 152	AR			SCREW

MODEL CODES

C BODY = (D41 - DYNASTY)(C41 - NEW YORKER)
 E BODY = (J - CARAVELLE)(E - 600)(T - NEW YORKER TURBO)
 G BODY = (V24 - DAYTONA, PACIFICA & SHELBY)
 H BODY = (D44 - LANCER)(C44 - LEBARON GTS)
 J BODY = (C - LEBARON)
 K BODY = (P - RELIANT)(D - ARIES)(C - LEBARON/ TOWN & COUNTRY)
 L BODY = (M - HORIZON)(Z-OMNI)
 M BODY = (B - GRAN FURY)(G - DIPLOMAT)(F - FIFTH AVENUE/NEWPORT)
 P BODY = (P - SUNDANCE)(D - SHADOW)
 Q BODY = (C27 - MASERATI)
 S BODY = (H - VOYAGER)(K - RAM VAN/ CARAVAN)

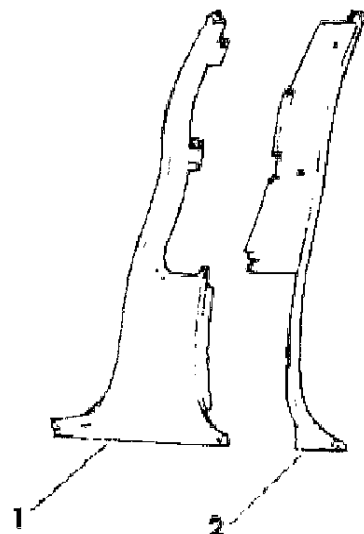
BODY STYLES

12-52 = FWD VAN & WAGON STD. W.B. 27 = 2-DOOR CONVERTIBLE
 13-53 = FWD VAN & WGN EXT W.B. 41 = 4-DOOR SEDAN
 21 = 2-DOOR SEDAN 44 = 4-DOOR HATCHBACK
 24 = 2-DOOR HATCHBACK 45 = 4-DOOR STATION WAGON

AR = Use as Required - = Non Illustrated Part P.A.R. = Paint as Required

B PILLAR TRIM M BODY B,G,F-H
Figure ITM-500

8244 500



ITEM	PART NUMBER	QTY	BODY	MODEL	DESCRIPTION
1					COVER, Center Pillar "B" Trim
	F556-7 CA3	1			Silver
	F556-7 GC5	1			Blue
	F556-7 CM6	1			Red
	F556-7 GL7	1			Taupe
2					COVER, "B" Pillar Rear
	F560-1 CA3	1			Silver
	F560-1 GC5	1			Blue
	F560-1 CM6	1			Red
	F560-1 GL7	1			Almond

MODEL CODES

C BODY = (D41 - DYNASTY)(C41 - NEW YORKER)	L BODY = (M - HORIZON)(Z-OMNI)
E BODY = (J - CARAVELLE)(E - 600)(T - NEW YORKER TURBO)	M BODY = (B - GRAN FURY)(G - DIPLOMAT)(F - FIFTH AVENUE/NEWPORT)
G BODY = (V24 - DAYTONA, PACIFICA & SHELBY)	P BODY = (P - SUNDANCE)(D - SHADOW)
H BODY = (D44 - LANCER)(C44 - LEBARON GTS)	Q BODY = (C27 - MASERATI)
J BODY = (C - LEBARON)	S BODY = (H - VOYAGER)(K - RAM VAN/ CARAVAN)
K BODY = (P - RELIANT)(D - ARIES)(C - LEBARON/ TOWN & COUNTRY)	

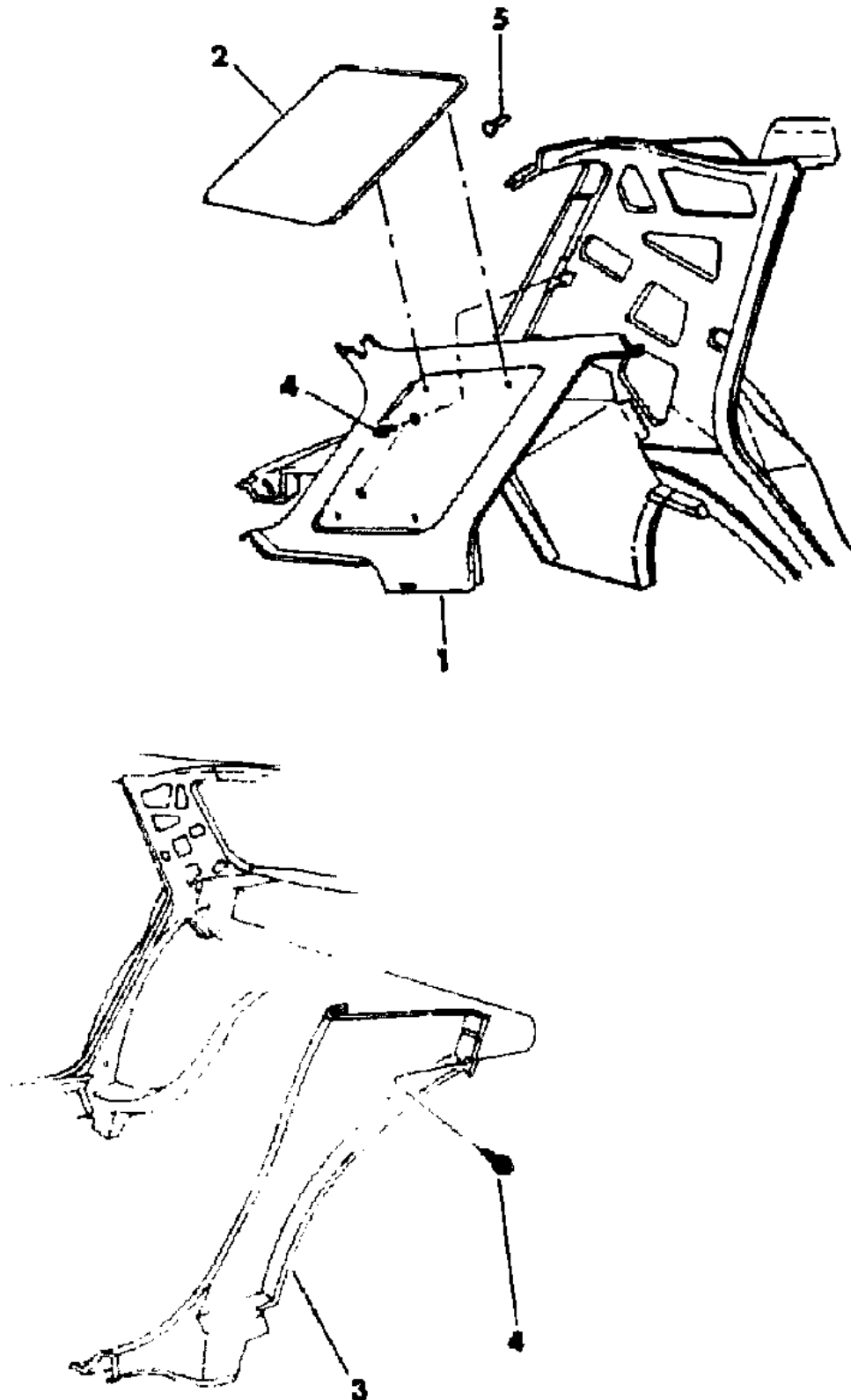
BODY STYLES

12-52 = FWD VAN & WAGON STD. W.B.	27 = 2-DOOR CONVERTIBLE
13-53 = FWD VAN & WGN EXT W.B.	41 = 4-DOOR SEDAN
21 = 2-DOOR SEDAN	44 = 4-DOOR HATCHBACK
24 = 2-DOOR HATCHBACK	45 = 4-DOOR STATION WAGON

AR = Use as Required - = Non Illustrated Part P.A.R. = Paint as Required

PANEL--QUARTER TRIM M BODY B,G,F-H
Figure ITM-600

8244 600



ITEM	PART NUMBER	QTY	BODY	MODEL	DESCRIPTION
1	H662-3 AA3	1			PANEL, Quarter Upper Trim "C" Pillar (P.A.R.)
2	H664-5 AA3	1			INSERT, Quarter Upper Trim Panel
	H664-5 GC5	1			Silver
	H664-5 TM6	1			Blue
	H664-5 GL7	1			Red
3	F366-7 AA3	1			Taupe
	F366-7 GC5	1			COVER, Lower Quarter Lock Pillar Trim
	F366-7 TM6	1			Silver
	F366-7 GL7	1			Blue
4	6032 179	AR			Red
					SCREW
5	4114 785	AR			Taupe
					FASTENER, Insert Attaching

NOTE: (P.A.R. = Paint As Required)

MODEL CODES

C BODY = (D41 - DYNASTY)(C41 - NEW YORKER)
 E BODY = (J - CARAVELLE)(E - 600)(T - NEW YORKER TURBO)
 G BODY = (V24 - DAYTONA, PACIFICA & SHELBY)
 H BODY = (D44 - LANCER)(C44 - LEBARON GTS)
 J BODY = (C - LEBARON)
 K BODY = (P - RELIANT)(D - ARIES)(C - LEBARON/ TOWN & COUNTRY)

L BODY = (M - HORIZON)(Z-OMNI)
 M BODY = (B - GRAN FURY)(G - DIPLOMAT)(F - FIFTH AVENUE/NEWPORT)
 P BODY = (P - SUNDANCE)(D - SHADOW)
 Q BODY = (C27 - MASERATI)
 S BODY = (H - VOYAGER)(K - RAM VAN/ CARAVAN)

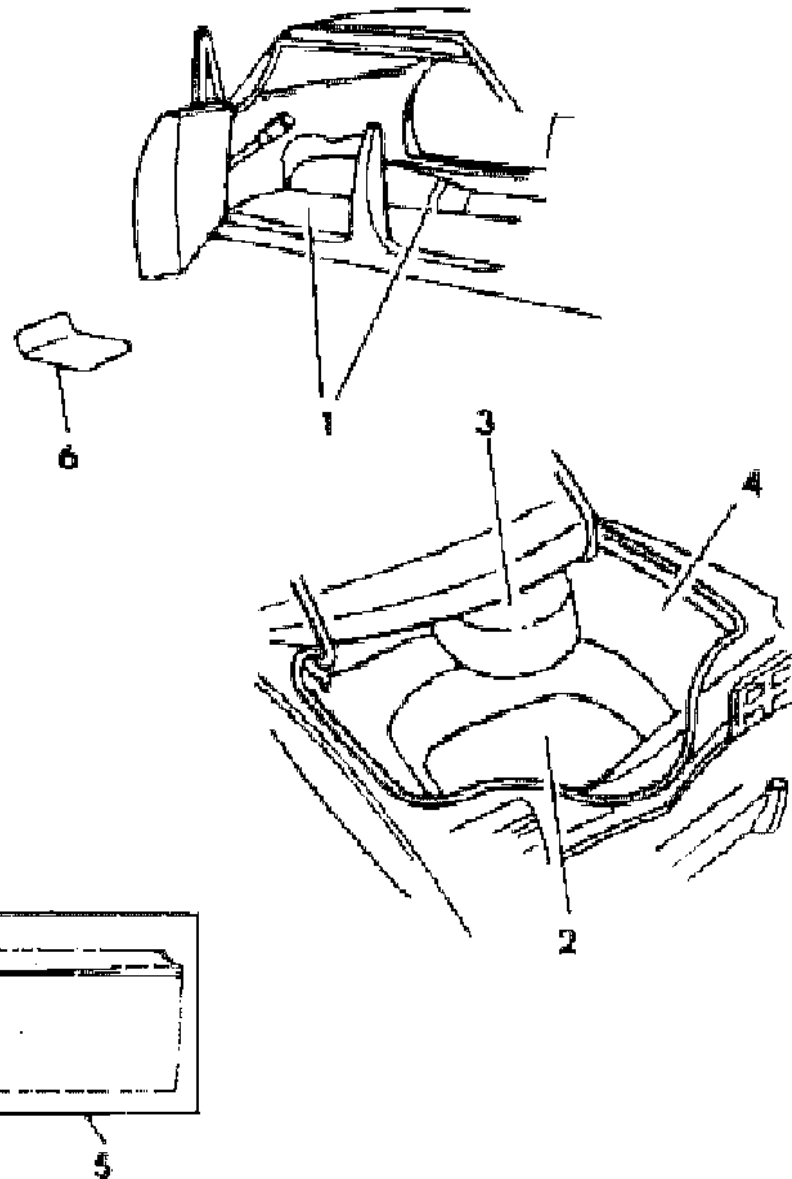
BODY STYLES

12-52 = FWD VAN & WAGON STD. W.B. 27 = 2-DOOR CONVERTIBLE
 13-53 = FWD VAN & WGN EXT W.B. 41 = 4-DOOR SEDAN
 21 = 2-DOOR SEDAN 44 = 4-DOOR HATCHBACK
 24 = 2-DOOR HATCHBACK 45 = 4-DOOR STATION WAGON

AR = Use as Required - = Non Illustrated Part P.A.R. = Paint as Required

CARPET M BODY
Figure ITM-700

8244 700



ITEM	PART NUMBER	QTY	BODY	MODEL	DESCRIPTION
1					CARPET
	M705 AA7	1		B,G,F-H	Silver
	M705 GC5	1		B,G,F-H	Blue
	M705 TM6	1		B,G,F-H	Red
	M705 GL7	1		B,G,F-H	Taupe
					(Use Up To 5-16-88)
	M965 GA7	1		F-S	Silver
	M965 GC5	1		F-S	Blue
	M965 GM6	1		F-S	Red
	M594 GL7	1		F-S	Taupe
					(Use After 5-16-88)
	M594 GA7	1		F-S	Silver
	M594 GC5	1		F-S	Blue
	M594 GM6	1		F-S	Red
	M594 GL7	1		F-S	Taupe
2					CARPET, Luggage Compartment Floor
	4077 249	1			Black
3					COVER, Spare Tire
	4010 755	1			w/Full Size Tire
	4078 695	1			w/Compact Tire
4	#4077 232-3	AR			CARPET and SILENCER, Wheelhouse, Black
5	3762 861	AR			INSULATION, Floor (60"x72" Cut To Fit)
6					CARPETED FLOOR MATS, Set of Two
					FRONT
	M025 AA7	1			Silver
	M025 GC5	1			Blue
	M025 VM6	1			Red
	M025 GL7	1			Taupe
					REAR
	M046 DA7	1			Silver
	M046 GC5	1			Blue
	M046 DM6	1			Red
	M046 GL7	1			Taupe
					Package of Four, Front and Rear
	M063 GA7	1		F-S	Silver
	M063 GC5	1		F-S	Blue
	M063 GM6	1		F-S	Red

MODEL CODES

C BODY = (D41 - DYNASTY)(C41 - NEW YORKER)
 E BODY = (J - CARAVELLE)(E - 600)(T - NEW YORKER TURBO)
 G BODY = (V24 - DAYTONA, PACIFICA & SHELBY)
 H BODY = (D44 - LANCER)(C44 - LEBARON GTS)
 J BODY = (C - LEBARON)
 K BODY = (P - RELIANT)(D - ARIES)(C - LEBARON/ TOWN & COUNTRY)
 L BODY = (M - HORIZON)(Z-OMNI)
 M BODY = (B - GRAN FURY)(G - DIPLOMAT)(F - FIFTH AVENUE/NEWPORT)
 P BODY = (P - SUNDANCE)(D - SHADOW)
 Q BODY = (C27 - MASERATI)
 S BODY = (H - VOYAGER)(K - RAM VAN/ CARAVAN)

BODY STYLES

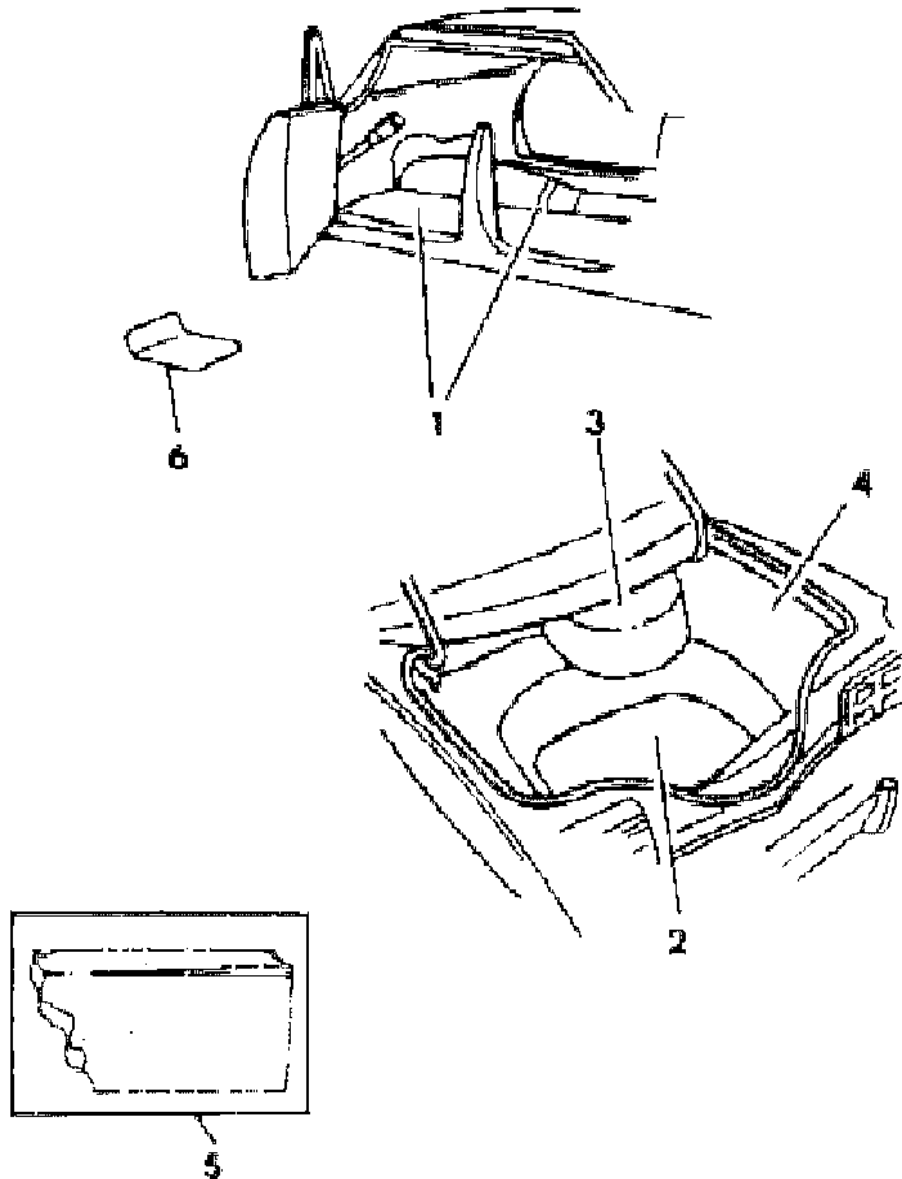
12-52 = FWD VAN & WAGON STD. W.B. 27 = 2-DOOR CONVERTIBLE
 13-53 = FWD VAN & WGN EXT W.B. 41 = 4-DOOR SEDAN
 21 = 2-DOOR SEDAN 44 = 4-DOOR HATCHBACK
 24 = 2-DOOR HATCHBACK 45 = 4-DOOR STATION WAGON

AR = Use as Required - = Non Illustrated Part P.A.R. = Paint as Required

CARPET M BODY
Figure ITM-700

8244 700

ITEM	PART NUMBER	QTY	BODY	MODEL	DESCRIPTION
	M063 GL7	1		F-S	Taupe



MODEL CODES

C BODY = (D41 - DYNASTY)(C41 - NEW YORKER)
 E BODY = (J - CARAVELLE)(E - 600)(T - NEW YORKER TURBO)
 G BODY = (V24 - DAYTONA, PACIFICA & SHELBY)
 H BODY = (D44 - LANCER)(C44 - LEBARON GTS)
 J BODY = (C - LEBARON)
 K BODY = (P - RELIANT)(D - ARIES)(C - LEBARON/ TOWN & COUNTRY)
 L BODY = (M - HORIZON)(Z-OMNI)
 M BODY = (B - GRAN FURY)(G - DIPLOMAT)(F - FIFTH AVENUE/NEWPORT)
 P BODY = (P - SUNDANCE)(D - SHADOW)
 Q BODY = (C27 - MASERATI)
 S BODY = (H - VOYAGER)(K - RAM VAN/ CARAVAN)

BODY STYLES

12-52 = FWD VAN & WAGON STD. W.B. 27 = 2-DOOR CONVERTIBLE
 13-53 = FWD VAN & WGN EXT W.B. 41 = 4-DOOR SEDAN
 21 = 2-DOOR SEDAN 44 = 4-DOOR HATCHBACK
 24 = 2-DOOR HATCHBACK 45 = 4-DOOR STATION WAGON

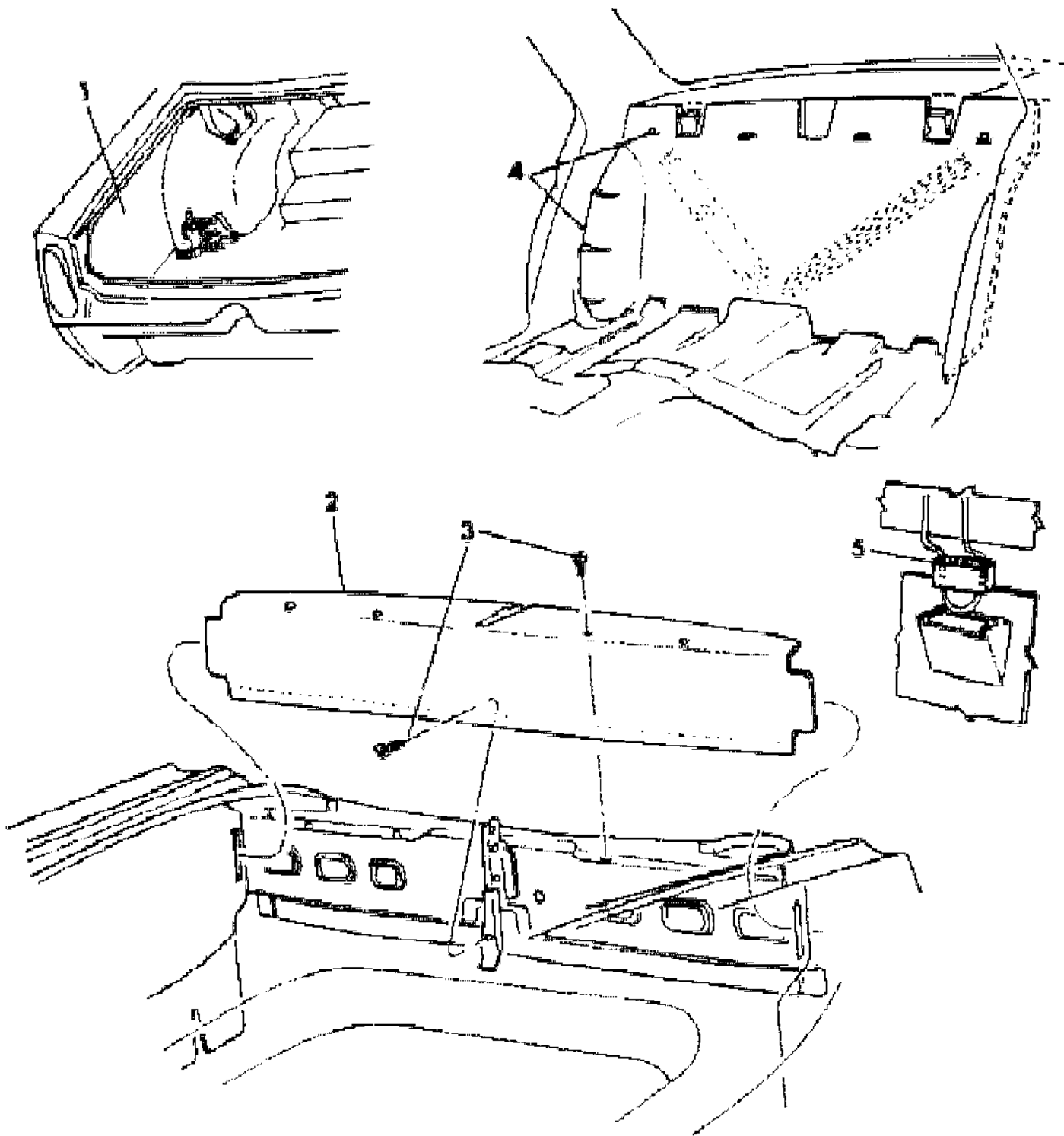
AR = Use as Required - = Non Illustrated Part P.A.R. = Paint as Required

LUGGAGE COMPARTMENT LINER AND SILENCER M BODY

Figure ITM-800

8244 800

ITEM	PART NUMBER	QTY	BODY	MODEL	DESCRIPTION
1					LINER, Luggage Compartment Side
	4077 234-5	1			Black
2	4248 363	1			COVER, Luggage Compartment Deck Opening Lower
3		AR			SCREW, (8-18x.625) (Not Serv.)
4	3762 862	1			SILENCER, Luggage Compartment Front Liner (36"x72"Cut To Fit)
5	3844 272	2			SEAL, Rear Seat Back Spring to Shelf Panel



MODEL CODES

C BODY = (D41 - DYNASTY)(C41 - NEW YORKER)
 E BODY = (J - CARAVELLE)(E - 600)(T - NEW YORKER TURBO)
 G BODY = (V24 - DAYTONA, PACIFICA & SHELBY)
 H BODY = (D44 - LANCER)(C44 - LEBARON GTS)
 J BODY = (C - LEBARON)
 K BODY = (P - RELIANT)(D - ARIES)(C - LEBARON/ TOWN & COUNTRY)

L BODY = (M - HORIZON)(Z-OMNI)
 M BODY = (B - GRAN FURY)(G - DIPLOMAT)(F - FIFTH AVENUE/NEWPORT)
 P BODY = (P - SUNDANCE)(D - SHADOW)
 Q BODY = (C27 - MASERATI)
 S BODY = (H - VOYAGER)(K - RAM VAN/ CARAVAN)

BODY STYLES

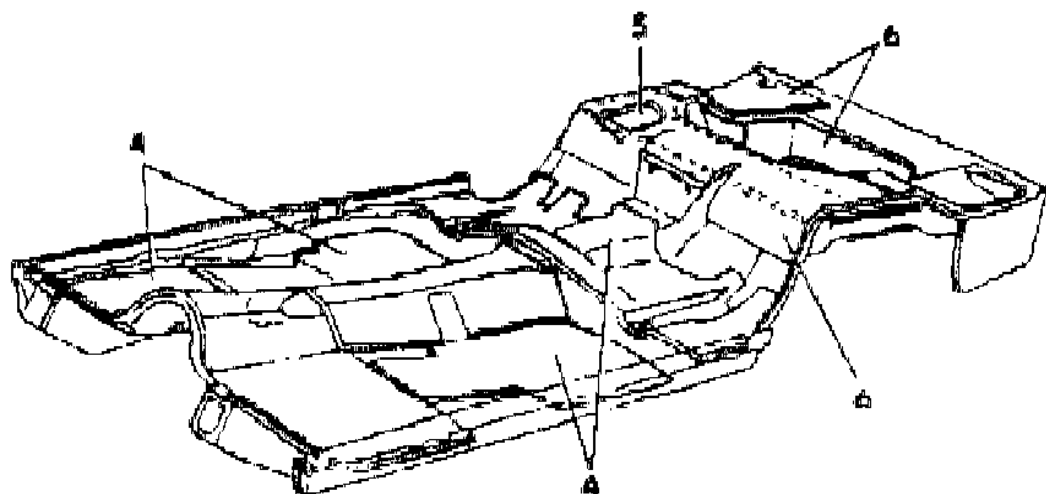
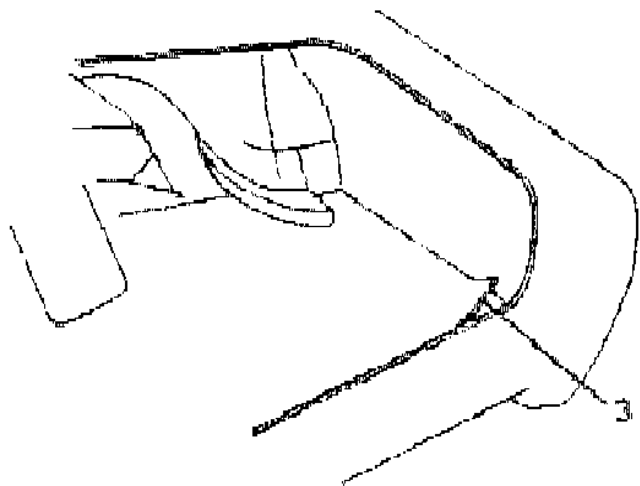
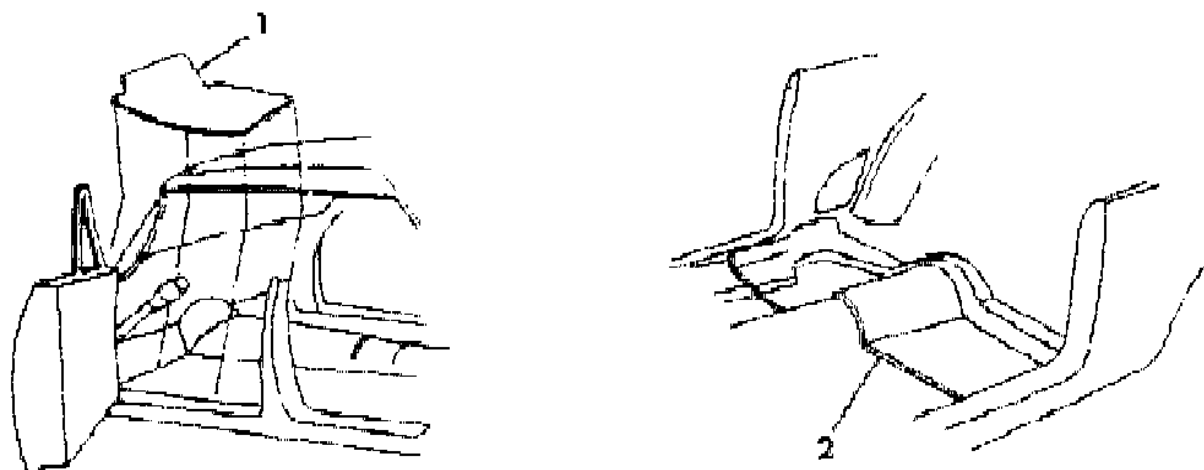
12-52 = FWD VAN & WAGON STD. W.B. 27 = 2-DOOR CONVERTIBLE
 13-53 = FWD VAN & WGN EXT W.B. 41 = 4-DOOR SEDAN
 21 = 2-DOOR SEDAN 44 = 4-DOOR HATCHBACK
 24 = 2-DOOR HATCHBACK 45 = 4-DOOR STATION WAGON

AR = Use as Required - = Non Illustrated Part P.A.R. = Paint as Required

MATS--FRONT AND REAR FLOOR LUGGAGE COMPARTMENT AND REAR FLOOR WELL M BODY
Figure ITM-900

8244 900

ITEM	PART NUMBER	QTY	BODY	MODEL	DESCRIPTION
1	4381 382	1			MAT, Front Floor Heavy Duty, Black
2	4381 383	1			MAT, Rear Floor Heavy Duty, Black
3	#4077 249	1			MAT, Luggage Compartment Floor, Black
4	4186 901	AR			SILENCER, (36"x72" Cut To Fit)
5	3837 683	AR			SILENCER, (24"x48"x1/4" Cut To Fit)
6	3762 862	AR			SILENCER, (36"x72" Cut To Fit)



MODEL CODES

C BODY = (D41 - DYNASTY)(C41 - NEW YORKER)
 E BODY = (J - CARAVELLE)(E - 600)(T - NEW YORKER TURBO)
 G BODY = (V24 - DAYTONA, PACIFICA & SHELBY)
 H BODY = (D44 - LANCER)(C44 - LEBARON GTS)
 J BODY = (C - LEBARON)
 K BODY = (P - RELIANT)(D - ARIES)(C - LEBARON/ TOWN & COUNTRY)
 L BODY = (M - HORIZON)(Z-OMNI)
 M BODY = (B - GRAN FURY)(G - DIPLOMAT)(F - FIFTH AVENUE/NEWPORT)
 P BODY = (P - SUNDANCE)(D - SHADOW)
 Q BODY = (C27 - MASERATI)
 S BODY = (H - VOYAGER)(K - RAM VAN/ CARAVAN)

BODY STYLES

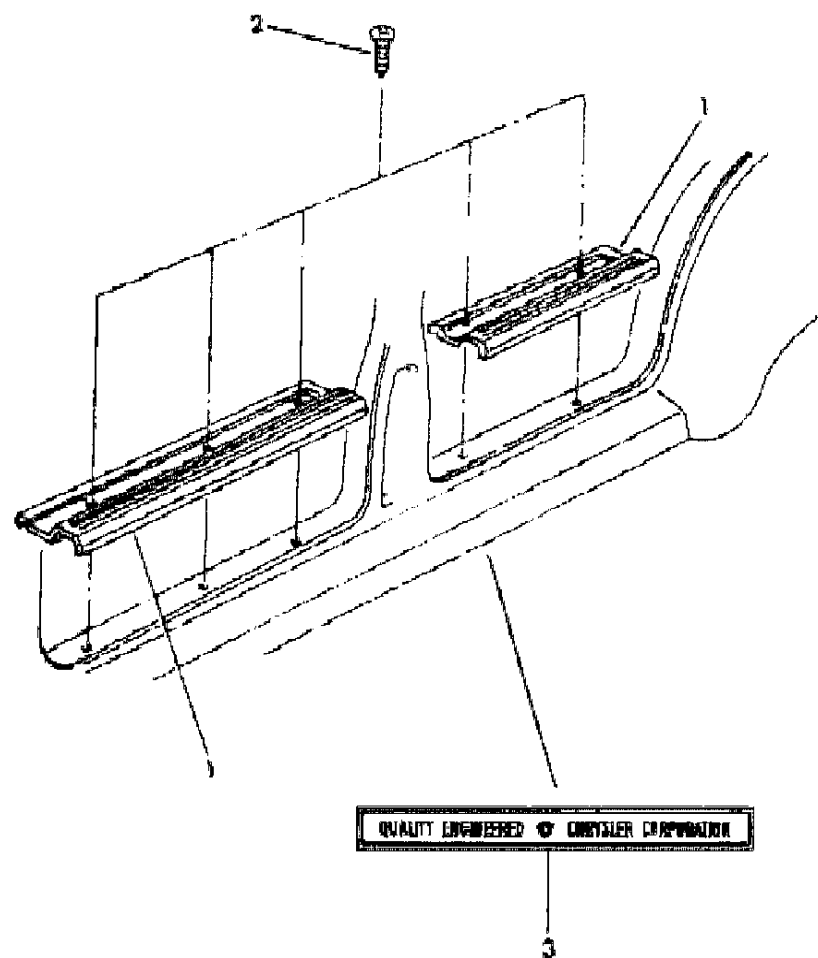
12-52 = FWD VAN & WAGON STD. W.B. 27 = 2-DOOR CONVERTIBLE
 13-53 = FWD VAN & WGN EXT W.B. 41 = 4-DOOR SEDAN
 21 = 2-DOOR SEDAN 44 = 4-DOOR HATCHBACK
 24 = 2-DOOR HATCHBACK 45 = 4-DOOR STATION WAGON

AR = Use as Required - = Non Illustrated Part P.A.R. = Paint as Required

SCUFF PLATES--BODY SIDE SILL AND DOOR M BODY
Figure ITM-1000

8244 1000

ITEM	PART NUMBER	QTY	BODY	MODEL	DESCRIPTION
1	4078 964	2			PLATE, Front
	3831 006	2			Rear
2		AR			SCREW, (8-18x1/2) (Not Serv.)
3	4078 456	1			NAME PLATE



MODEL CODES

C BODY = (D41 - DYNASTY)(C41 - NEW YORKER)	L BODY = (M - HORIZON)(Z-OMNI)
E BODY = (J - CARAVELLE)(E - 600)(T - NEW YORKER TURBO)	M BODY = (B - GRAN FURY)(G - DIPLOMAT)(F - FIFTH AVENUE/NEWPORT)
G BODY = (V24 - DAYTONA, PACIFICA & SHELBY)	P BODY = (P - SUNDANCE)(D - SHADOW)
H BODY = (D44 - LANCER)(C44 - LEBARON GTS)	Q BODY = (C27 - MASERATI)
J BODY = (C - LEBARON)	S BODY = (H - VOYAGER)(K - RAM VAN/ CARAVAN)
K BODY = (P - RELIANT)(D - ARIES)(C - LEBARON/ TOWN & COUNTRY)	

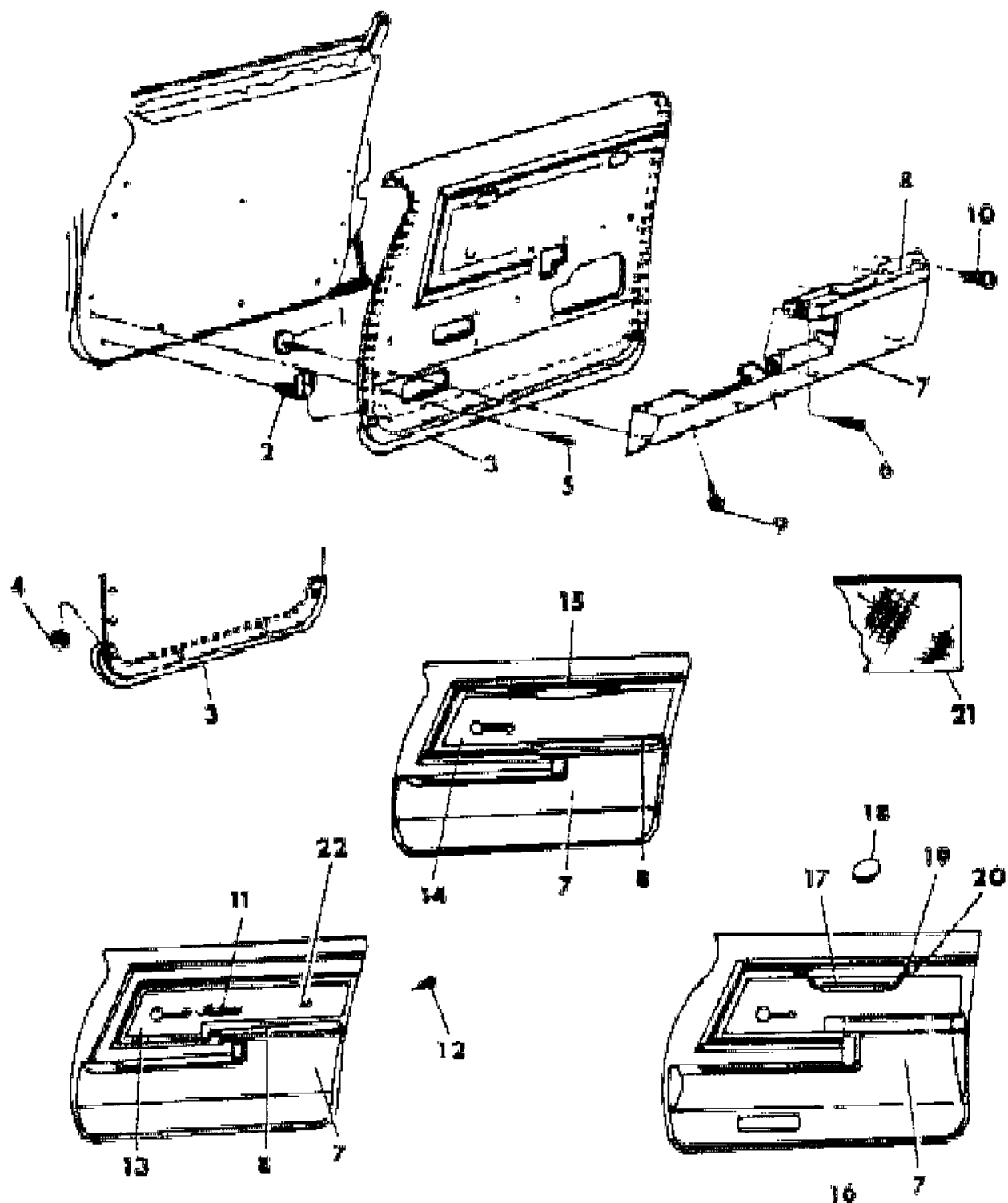
BODY STYLES

12-52 = FWD VAN & WAGON STD. W.B.	27 = 2-DOOR CONVERTIBLE
13-53 = FWD VAN & WGN EXT W.B.	41 = 4-DOOR SEDAN
21 = 2-DOOR SEDAN	44 = 4-DOOR HATCHBACK
24 = 2-DOOR HATCHBACK	45 = 4-DOOR STATION WAGON

AR = Use as Required - = Non Illustrated Part P.A.R. = Paint as Required

PANEL--DOOR TRIM-FRONT M BODY
Figure ITM-1100

8244 1100



ITEM	PART NUMBER	QTY	BODY	MODEL	DESCRIPTION
1					SCREW and WASHER, (8-18x.562) (Not Serv.)
2	6003 640	AR			FASTENER
3	3831 428	2			SEAL, Secondary Sound
4	6002 944	AR			FASTENER, Secondary Seal
5		AR			SCREW, (8-18x1/2) (Not Serv.)
6		AR			SCREW, (1/4-14-1) (Not Serv.)
7	D454-5 GL7	AR			BASE, Armrest (P.A.R.)
8					PAD and INSERT, Armrest
	D452-3 AA3	1			Silver
	D452-3 GC5	1			Blue
	D452-3 VM6	1			Red
	D452-3 GL7	1			Taupe
9					SCREW, (8-18x1/2) (Not Serv.)
10	9414 722	AR			SCREW, Pad to Base Attaching
11	4078 486	2			NAME PLATE, Salon
12	6023 485	AR			FASTENER, Name Plate
13					PANEL, Door
					VINYL
	J148-9 AA2	1			Silver, (A3A, H9A)
	J148-9 GC5	1			Blue, (A3C, H9C, K2C)
	J148-9 VM6	1			Red, (A3M, H9M)
	J148-9 GL7	1			Taupe, (A3K, H9K, K2K, KXK)
14					PANEL, Door
					CLOTH
	J228-9 DA4	1			Silver, (C9A)
	J228-9 GC5	1			Blue, (C9C)
	J228-9 CM6	1			Red, (C9M)
	J228-9 GL7	1			Taupe, (C9L)
15					HANDLE and CAP, Door Pull
	D840 AA2	2			Silver
	D840 GC5	2			Blue
	D840 VM6	2			Red
	D840 GL7	2			Taupe
16					PANEL, Door
					LEATHER
					(Use Up To 1-13-88) RIGHT
					(Use Up To 1-21-88) LEFT

MODEL CODES

C BODY = (D41 - DYNASTY)(C41 - NEW YORKER)
 E BODY = (J - CARAVELLE)(E - 600)(T - NEW YORKER TURBO)
 G BODY = (V24 - DAYTONA, PACIFICA & SHELBY)
 H BODY = (D44 - LANCER)(C44 - LEBARON GTS)
 J BODY = (C - LEBARON)
 K BODY = (P - RELIANT)(D - ARIES)(C - LEBARON/ TOWN & COUNTRY)

L BODY = (M - HORIZON)(Z-OMNI)
 M BODY = (B - GRAN FURY)(G - DIPLOMAT)(F - FIFTH AVENUE/NEWPORT)
 P BODY = (P - SUNDANCE)(D - SHADOW)
 Q BODY = (C27 - MASERATI)
 S BODY = (H - VOYAGER)(K - RAM VAN/ CARAVAN)

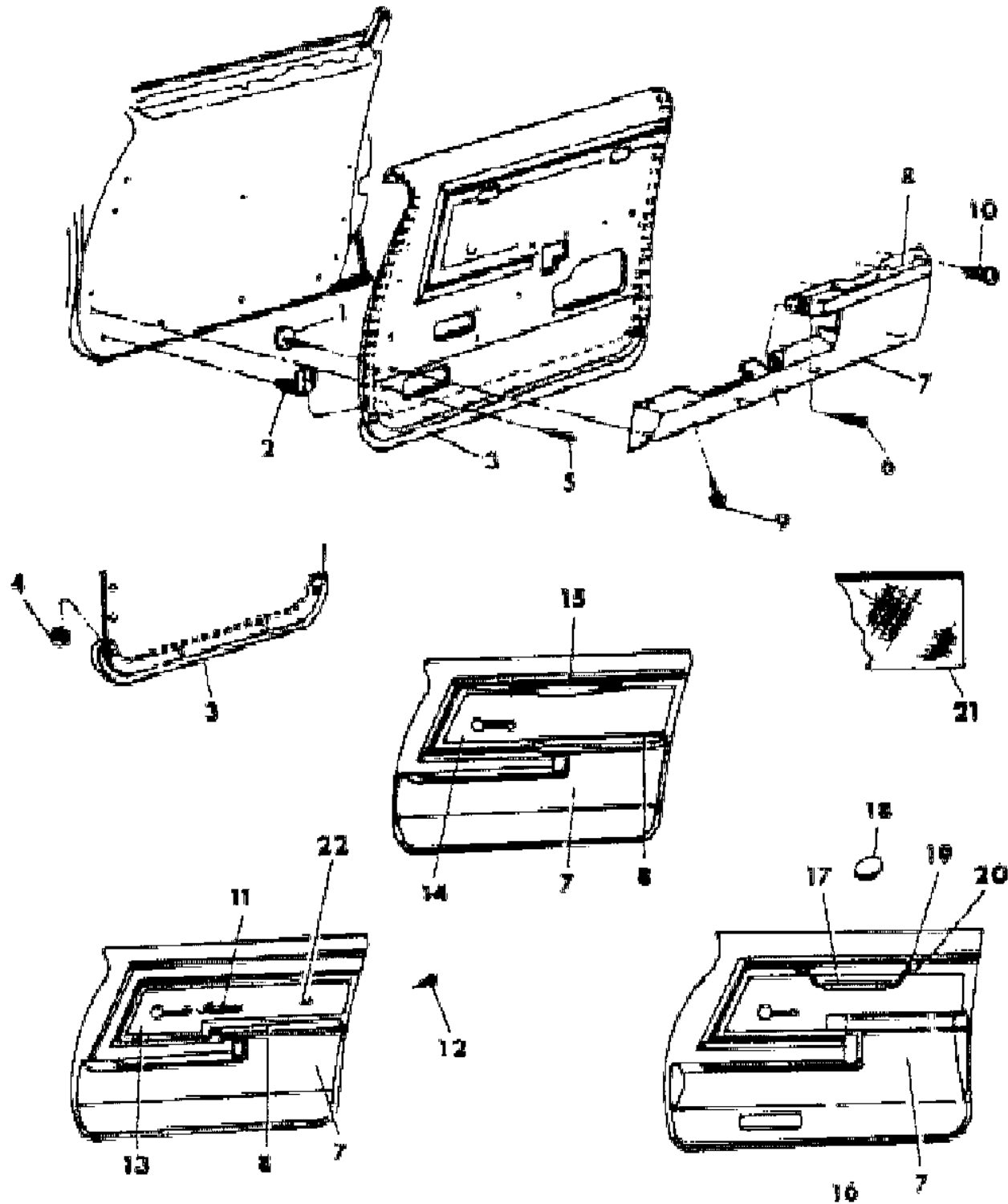
BODY STYLES

12-52 = FWD VAN & WAGON STD. W.B. 27 = 2-DOOR CONVERTIBLE
 13-53 = FWD VAN & WGN EXT W.B. 41 = 4-DOOR SEDAN
 21 = 2-DOOR SEDAN 44 = 4-DOOR HATCHBACK
 24 = 2-DOOR HATCHBACK 45 = 4-DOOR STATION WAGON

AR = Use as Required - = Non Illustrated Part P.A.R. = Paint as Required

PANEL--DOOR TRIM-FRONT M BODY
Figure ITM-1100

8244 1100



ITEM	PART NUMBER	QTY	BODY	MODEL	DESCRIPTION
	J844-5 GA2	1			Silver, (SYA)
	J844-5 GC5	1			Blue, (SYC)
	J844-5 GM6	1			Red, (SYM)
	J844-5 GL7	1			Taupe, (SYL) (Use After 1-13-88) RIGHT
	J894 GA2	1			Silver, (SYA)
	J894 GC5	1			Blue, (SYA)
	J894 GM6	1			Red, (SYA)
	J894 GL7	1			Taupe, (SYL) (Use After 1-21-88) LEFT
	J895 GA2	1			Silver, (SYA)
	J895 GC5	1			Blue, (SYC)
	J895 GM6	1			Red, (SYM)
	J895 GL7	1			Taupe, (SYL) CLOTH (Use Up To 1-13-88)
	J846-7 GA3	1			Silver, (S9A)
	J846-7 GC5	1			Blue, (S9C)
	J846-7 GM6	1			Red, (S9M)
	J846-7 GL7	1			Taupe, (S9L) (Use After 1-13-88)
	J896-7 GA3	1			Silver, (S9A)
	J896-7 GC5	1			Blue, (S9C)
	J896-7 GM6	1			Red, (S9M)
	J896-7 GL7	1			Taupe, (S9L)
17	4078 233	2			HANDLE
18	#6031 667	AR			WASHER, Pull Handle
19	0455 734	AR			SPRING PIN, Handle
20	#4077 196-7	1			END CAP, Handle
21	4049 602	AR			SILENCER, Trim Panel (36"x36"x1/2" Cut To Fit)
22					BUTTON, Door Trim Panel Bolster w/Vinyl Cover
	S722 GA2	AR			Silver
	S722 FC5	AR			Blue
	S722 GL7	AR			Taupe
	S722 CM6	AR			Red w/Cloth Cover

MODEL CODES

C BODY = (D41 - DYNASTY)(C41 - NEW YORKER)
 E BODY = (J - CARAVELLE)(E - 600)(T - NEW YORKER TURBO)
 G BODY = (V24 - DAYTONA, PACIFICA & SHELBY)
 H BODY = (D44 - LANCER)(C44 - LEBARON GTS)
 J BODY = (C - LEBARON)
 K BODY = (P - RELIANT)(D - ARIES)(C - LEBARON/ TOWN & COUNTRY)

L BODY = (M - HORIZON)(Z-OMNI)
 M BODY = (B - GRAN FURY)(G - DIPLOMAT)(F - FIFTH AVENUE/NEWPORT)
 P BODY = (P - SUNDANCE)(D - SHADOW)
 Q BODY = (C27 - MASERATI)
 S BODY = (H - VOYAGER)(K - RAM VAN/ CARAVAN)

BODY STYLES

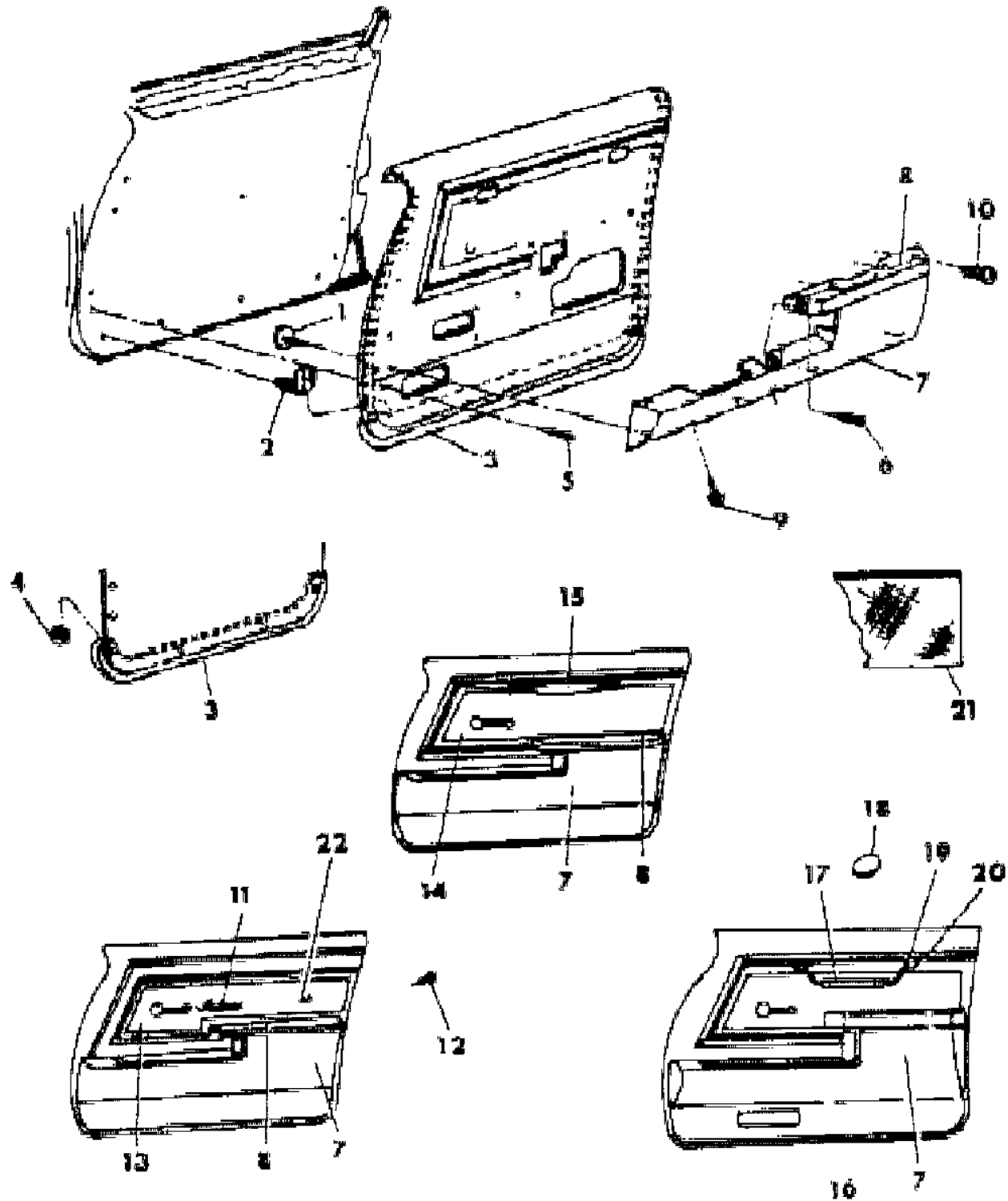
12-52 = FWD VAN & WAGON STD. W.B. 27 = 2-DOOR CONVERTIBLE
 13-53 = FWD VAN & WGN EXT W.B. 41 = 4-DOOR SEDAN
 21 = 2-DOOR SEDAN 44 = 4-DOOR HATCHBACK
 24 = 2-DOOR HATCHBACK 45 = 4-DOOR STATION WAGON

AR = Use as Required - = Non Illustrated Part P.A.R. = Paint as Required

PANEL--DOOR TRIM-FRONT M BODY
Figure ITM-1100

8244 1100

ITEM	PART NUMBER	QTY	BODY	MODEL	DESCRIPTION
	S721 FC5	AR			Blue
	S721 GL7	AR			Taupe
	S721 CM6	AR			Red
	S721 GA3	AR			Silver
NOTE: (P.A.R.) = Paint As Required					



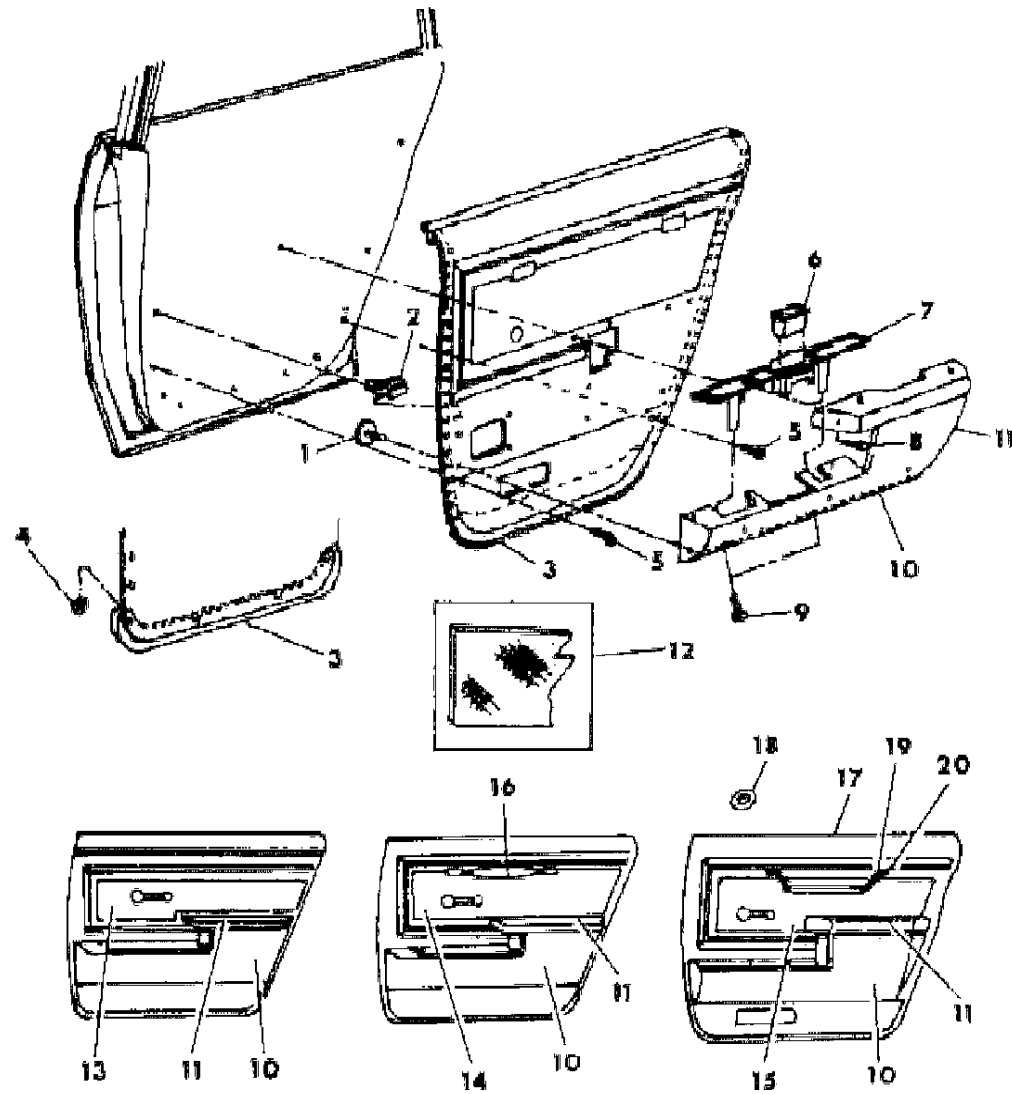
MODEL CODES
 C BODY = (D41 - DYNASTY)(C41 - NEW YORKER)
 E BODY = (J - CARAVELLE)(E - 600)(T - NEW YORKER TURBO)
 G BODY = (V24 - DAYTONA, PACIFICA & SHELBY)
 H BODY = (D44 - LANCER)(C44 - LEBARON GTS)
 J BODY = (C - LEBARON)
 K BODY = (P - RELIANT)(D - ARIES)(C - LEBARON/ TOWN & COUNTRY)
 L BODY = (M - HORIZON)(Z-OMNI)
 M BODY = (B - GRAN FURY)(G - DIPLOMAT)(F - FIFTH AVENUE/NEWPORT)
 P BODY = (P - SUNDANCE)(D - SHADOW)
 Q BODY = (C27 - MASERATI)
 S BODY = (H - VOYAGER)(K - RAM VAN/ CARAVAN)

BODY STYLES
 12-52 = FWD VAN & WAGON STD. W.B. 27 = 2-DOOR CONVERTIBLE
 13-53 = FWD VAN & WGN EXT W.B. 41 = 4-DOOR SEDAN
 21 = 2-DOOR SEDAN 44 = 4-DOOR HATCHBACK
 24 = 2-DOOR HATCHBACK 45 = 4-DOOR STATION WAGON

AR = Use as Required - = Non Illustrated Part P.A.R. = Paint as Required

PANEL--DOOR TRIM-REAR
Figure ITM-1200

8244 1200



ITEM	PART NUMBER	QTY	BODY	MODEL	DESCRIPTION
1		AR			SCREW, (8-18x.562) (Not Serv.)
2	6003 640	AR			FASTENER
3	3831 429	1			SEAL, Secondary Sound
4	6002 944	AR			FASTENER, Secondary Seal
5		AR			SCREW, (8-18x1/2) (Not Serv.)
6	4078 400	2			RECEPTACLE, Ash Receiver
7					BEZEL, (Refer to 23C)
8		AR			SCREW, (1/4-14-1) (Not Serv.)
9		AR			SCREW, 8-18x1/2) (Not Serv.)
10					BASE and PAD, Armrest
	D430-1 AA3	1			Silver
	D430-1 GC5	1			Blue
	D430-1 VM6	1			Red
	D430-1 GL7	1			Taupe
11					PAD and INSERT, Armrest
	D488-9 AA3	1			Silver
	D488-9 GC5	1			Blue
	D488-9 VM6	1			Red
	D488-9 GL7	1			Taupe
12	4049 602	AR			SILENCER, Trim Panel (36"x36"x1/2" Cut To Fit)
13					PANEL, Door
					VINYL
	J476-7 AA2	1			Silver, (A3A, H9A)
	J476-7 GC5	1			Blue, (A3C, H9C, K2C)
	J476-7 VM6	1			Red, (A3M, H9M)
	J476-7 GL7	1			Taupe, (A3L, H9L, K2L, KXL)
14					PANEL, Door
					CLOTH
	J482-3 DA4	1			Silver, (C9A)
	J482-3 GC5	1			Blue, (C9C)
	J482-3 CM6	1			Red, (C9M)
	J482-3 GL7	1			Taupe, (C9L)
15					PANEL, Door
					LEATHER
					(Use Up To 12-16-87) RIGHT
					(Use Up To 1-20-88) LEFT
	J650-1 GA2	1			Silver, (SYA)

MODEL CODES

C BODY = (D41 - DYNASTY)(C41 - NEW YORKER)
 E BODY = (J - CARAVELLE)(E - 600)(T - NEW YORKER TURBO)
 G BODY = (V24 - DAYTONA, PACIFICA & SHELBY)
 H BODY = (D44 - LANCER)(C44 - LEBARON GTS)
 J BODY = (C - LEBARON)
 K BODY = (P - RELIANT)(D - ARIES)(C - LEBARON/ TOWN & COUNTRY)

L BODY = (M - HORIZON)(Z-OMNI)
 M BODY = (B - GRAN FURY)(G - DIPLOMAT)(F - FIFTH AVENUE/NEWPORT)
 P BODY = (P - SUNDANCE)(D - SHADOW)
 Q BODY = (C27 - MASERATI)
 S BODY = (H - VOYAGER)(K - RAM VAN/ CARAVAN)

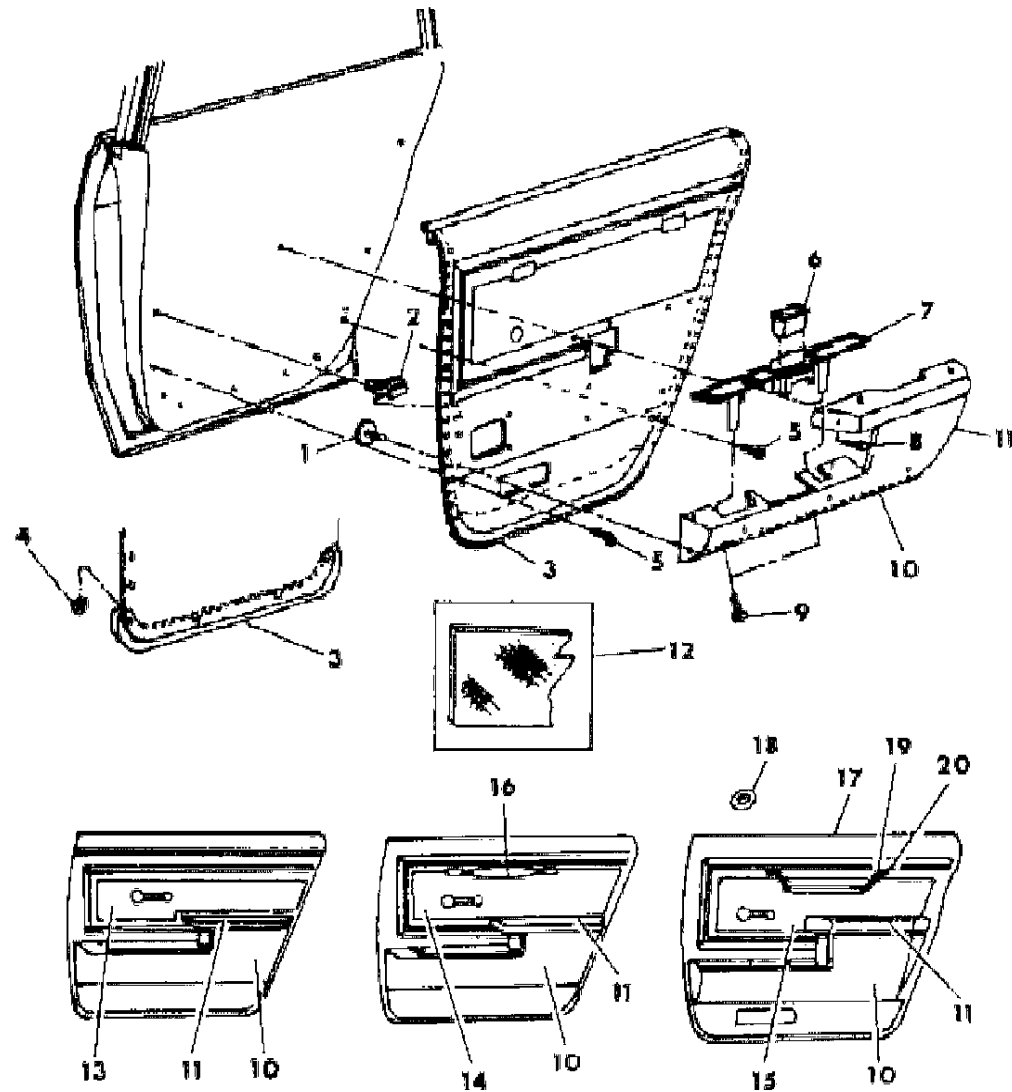
BODY STYLES

12-52 = FWD VAN & WAGON STD. W.B. 27 = 2-DOOR CONVERTIBLE
 13-53 = FWD VAN & WGN EXT W.B. 41 = 4-DOOR SEDAN
 21 = 2-DOOR SEDAN 44 = 4-DOOR HATCHBACK
 24 = 2-DOOR HATCHBACK 45 = 4-DOOR STATION WAGON

AR = Use as Required - = Non Illustrated Part P.A.R. = Paint as Required

PANEL--DOOR TRIM-REAR
Figure ITM-1200

8244 1200



ITEM	PART NUMBER	QTY	BODY	MODEL	DESCRIPTION
	J650-1 GC5	1			Blue, (SYC)
	J650-1 GM6	1			Red, (SYM)
	J650-1 GL7	1			Taupe, (SYL) (Use After 12-16-87) RIGHT
	J664 GA2	1			Silver, (SYA)
	J664 GM6	1			Red, (SYM)
	J664 GL7	1			Taupe, (SYL)
	J664 GC5	1			Blue, (SYC) (Use After 1-20-88) LEFT
	J665 GA2	1			Silver, (SYA)
	J665 GC5	1			Blue, (SYC)
	J665 GM6	1			Red, (SYM)
	J665 GL7	1			Taupe, (SYL)
					CLOTH (Use Up To 1-14-88) RIGHT (Use Up To 12-22-87) LEFT
	J652-3 GA3	1			Silver, (S9A)
	J652-3 GC5	1			Blue, (S9C)
	J652-3 GM6	1			Red, (S9M)
	J652-3 GL7	1			Taupe, (S9L) (Use After 1-14-88) RIGHT
	J666 GA3	1			Silver, (S9A)
	J666 GC5	1			Blue, (S9C)
	J666 GM6	1			Red, (S9M)
	J666 GL7	1			Taupe, (S9L) (Use After 12-22-87) LEFT
	J667 GA3	1			Silver, (S9A)
	J667 GC5	1			Blue, (S9C)
	J667 GM6	1			Red, (S9M)
	J667 GL7	1			Taupe, (S9L)
16					HANDLE and CAP, Door Pull
	D840 AA2	2			Silver
	D840 GC5	2			Blue
	D840 VM6	2			Red
	D840 GL7	2			Taupe
17	4078 233	2			HANDLE
18	#6031 667	AR			WASHER, Handle

MODEL CODES

C BODY = (D41 - DYNASTY)(C41 - NEW YORKER)
 E BODY = (J - CARAVELLE)(E - 600)(T - NEW YORKER TURBO)
 G BODY = (V24 - DAYTONA, PACIFICA & SHELBY)
 H BODY = (D44 - LANCER)(C44 - LEBARON GTS)
 J BODY = (C - LEBARON)
 K BODY = (P - RELIANT)(D - ARIES)(C - LEBARON/ TOWN & COUNTRY)

L BODY = (M - HORIZON)(Z-OMNI)
 M BODY = (B - GRAN FURY)(G - DIPLOMAT)(F - FIFTH AVENUE/NEWPORT)
 P BODY = (P - SUNDANCE)(D - SHADOW)
 Q BODY = (C27 - MASERATI)
 S BODY = (H - VOYAGER)(K - RAM VAN/ CARAVAN)

BODY STYLES

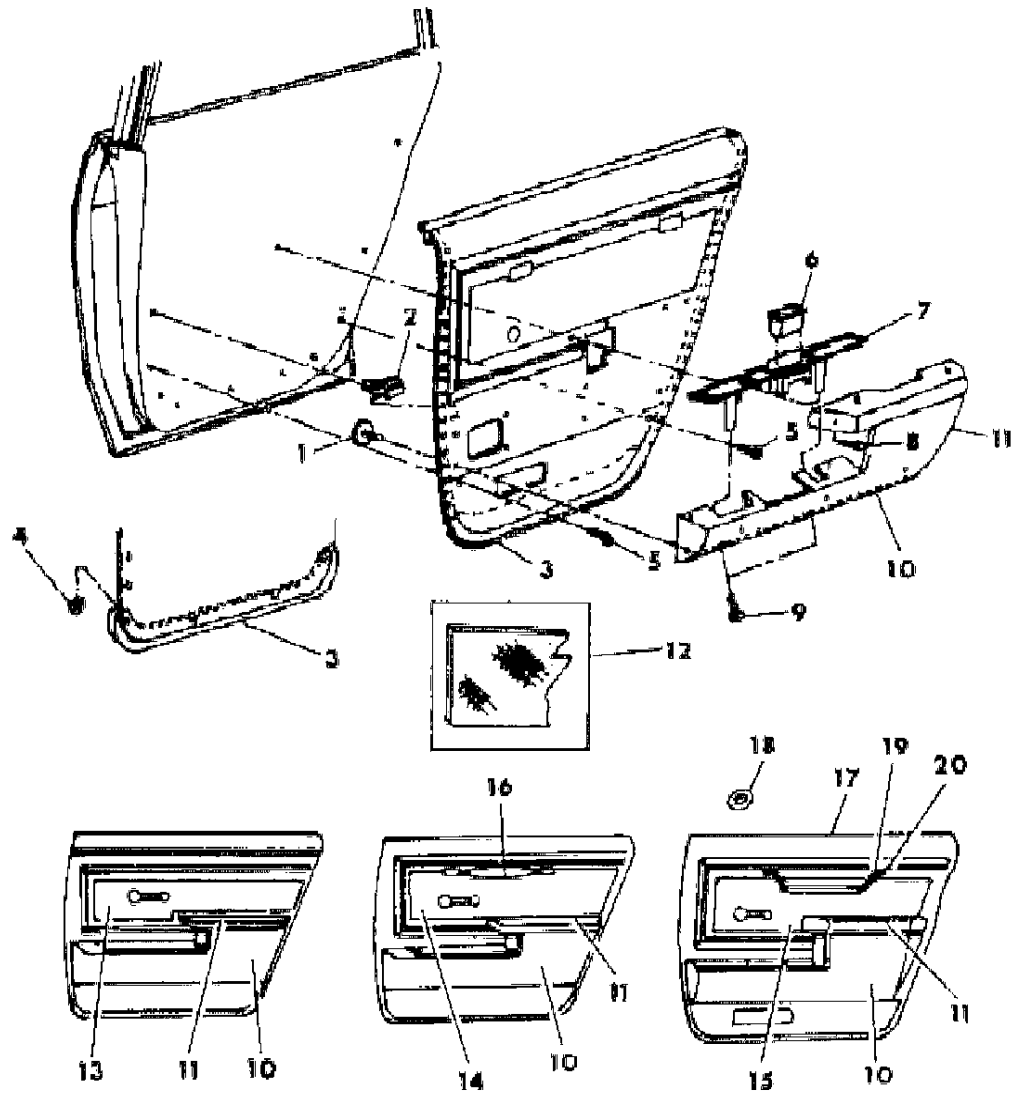
12-52 = FWD VAN & WAGON STD. W.B. 27 = 2-DOOR CONVERTIBLE
 13-53 = FWD VAN & WGN EXT W.B. 41 = 4-DOOR SEDAN
 21 = 2-DOOR SEDAN 44 = 4-DOOR HATCHBACK
 24 = 2-DOOR HATCHBACK 45 = 4-DOOR STATION WAGON

AR = Use as Required - = Non Illustrated Part P.A.R. = Paint as Required

PANEL--DOOR TRIM-REAR
Figure ITM-1200

8244 1200

ITEM	PART NUMBER	QTY	BODY	MODEL	DESCRIPTION
19	0455 734	AR			SPRING PIN, Handle
20	#4077 196-7	2			END CAP, Handle



MODEL CODES

C BODY = (D41 - DYNASTY)(C41 - NEW YORKER)
 E BODY = (J - CARAVELLE)(E - 600)(T - NEW YORKER TURBO)
 G BODY = (V24 - DAYTONA, PACIFICA & SHELBY)
 H BODY = (D44 - LANCER)(C44 - LEBARON GTS)
 J BODY = (C - LEBARON)
 K BODY = (P - RELIANT)(D - ARIES)(C - LEBARON/ TOWN & COUNTRY)

L BODY = (M - HORIZON)(Z-OMNI)
 M BODY = (B - GRAN FURY)(G - DIPLOMAT)(F - FIFTH AVENUE/NEWPORT)
 P BODY = (P - SUNDANCE)(D - SHADOW)
 Q BODY = (C27 - MASERATI)
 S BODY = (H - VOYAGER)(K - RAM VAN/ CARAVAN)

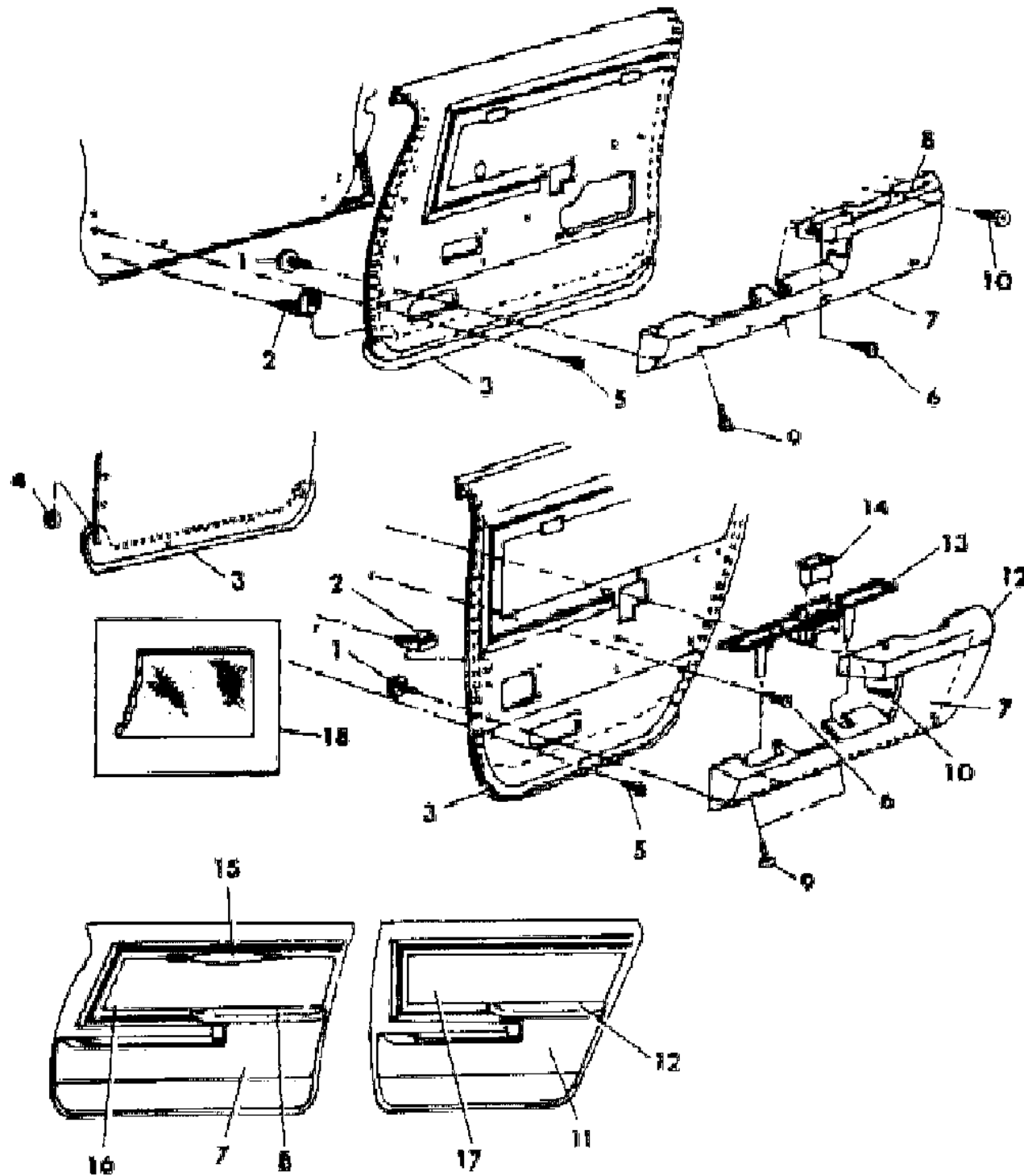
BODY STYLES

12-52 = FWD VAN & WAGON STD. W.B. 27 = 2-DOOR CONVERTIBLE
 13-53 = FWD VAN & WGN EXT W.B. 41 = 4-DOOR SEDAN
 21 = 2-DOOR SEDAN 44 = 4-DOOR HATCHBACK
 24 = 2-DOOR HATCHBACK 45 = 4-DOOR STATION WAGON

AR = Use as Required - = Non Illustrated Part P.A.R. = Paint as Required

PANEL--DOOR TRIM (DADE COUNTY FLORIDA) FLEET-POLICE-OTHERS M BODY
Figure ITM-1300

8244 1300



ITEM	PART NUMBER	QTY	BODY	MODEL	DESCRIPTION
1		AR			SCREW and WASHER, (8-18x.562) (Not Serv.)
2	6003 640	AR			FASTENER
3					SEAL, Secondary, Sound
	3831 428	2			Front
	3831 429	2			Rear
4	6002 944	2			FASTENER, Secondary Seal
5		AR			SCREW, (8-18x1/2) (Not Serv.)
6		AR			SCREW, (1/4-14-1) (Not Serv.)
7	D454-5 GL7	1			BASE, Armrest (P.A.R.)
8					PAD, Armrest
	D452-3 VC7	1			Blue, (CTAY)
	D452-3 EK1	1			Almond, (CTAY)
9		AR			SCREW, (8-18x1/2) (Not Serv.)
10	9414 722	AR			SCREW
11					BASE and PAD, Armrest
	D430-1 VC7	1			Blue, (CTAY)
	D430-1 EK1	1			Almond, (CTAY)
12					PAD, Armrest
	D488-9 VC7	1			Blue, (CTAY)
	D488-9 EK1	1			Almond, (CTAY)
13					BEZEL, (Refer To 23C)
14	4078 400	1			ASH RECEIVER
15					HANDLE, Door w/Cap (Driver Side Only)
	D840 VC7	1			Blue, (CTAY)
	D840 EK1	1			Almond, (CTAY)
16					PANEL, Front Door
	4196 454	1			Blue, Right (CTAY)
	4196 453	1			Blue, Left (CTAY)
	4370 176	1			Almond, Right (CTAY)
	4370 175	1			Almond, Left (CTAY)
17					PANEL, Rear Door
	4196 456	1			Blue, Right (CTAY)
	4196 455	1			Blue, Left (CTAY)
	4370 178	1			Almond, Right (CTAY)
	4370 177	1			Almond, Left (CTAY)
18	4049 602	AR			SILENCER, Trim Panel (36"x36"x1/2" Cut To Fit)

NOTE: (P.A.R.) = Paint As Required

MODEL CODES

C BODY = (D41 - DYNASTY)(C41 - NEW YORKER)
 E BODY = (J - CARAVELLE)(E - 600)(T - NEW YORKER TURBO)
 G BODY = (V24 - DAYTONA, PACIFICA & SHELBY)
 H BODY = (D44 - LANCER)(C44 - LEBARON GTS)
 J BODY = (C - LEBARON)
 K BODY = (P - RELIANT)(D - ARIES)(C - LEBARON/ TOWN & COUNTRY)

L BODY = (M - HORIZON)(Z-OMNI)
 M BODY = (B - GRAN FURY)(G - DIPLOMAT)(F - FIFTH AVENUE/NEWPORT)
 P BODY = (P - SUNDANCE)(D - SHADOW)
 Q BODY = (C27 - MASERATI)
 S BODY = (H - VOYAGER)(K - RAM VAN/ CARAVAN)

BODY STYLES

12-52 = FWD VAN & WAGON STD. W.B. 27 = 2-DOOR CONVERTIBLE
 13-53 = FWD VAN & WGN EXT W.B. 41 = 4-DOOR SEDAN
 21 = 2-DOOR SEDAN 44 = 4-DOOR HATCHBACK
 24 = 2-DOOR HATCHBACK 45 = 4-DOOR STATION WAGON

AR = Use as Required - = Non Illustrated Part P.A.R. = Paint as Required

SEAT--FRONT M BODY TRIM CODE A3

Figure ITM-1400

8244 1400

ITEM	PART NUMBER	QTY	BODY	MODEL	DESCRIPTION
1-2					CUSHION, w/Spring, Frame Pad and Cover
					CLOTH (Heavy Duty)
	A846 C3A	1			Silver, (A3A)
	A846 G3C	1			Blue, (A3C)
	A846 C3M	1			Red, (A3M)
	A846 G3L	1			Taupe, (A3L)
1					COVER, Cushion
					CLOTH
	A372 C3A	1			Silver, (A3A)
	A372 G3C	1			Blue, (A3C)
	A372 C3M	1			Red, (A3M)
	A372 G3L	1			Taupe, (A3L)
2					ROLL STOCK, Vinyl Order By The Inch
	R616 AA2	AR			Silver, 64" Wide
	R600 EC5	1			Blue, 64" Wide
	R616 VM6	AR			Red, 64" Wide
	R600 GL7	AR			Taupe, 54" Wide
2-3					BACK, w/Spring/Frame, Pad and Cover
					CLOTH
	A852-3 C3A	1			Silver, (A3A)
	A852-3 G3C	1			Blue, (A3C)
	A852-3 C3M	1			Red, (A3M)
	A852-3 G3L	1			Taupe, (A3L)
3					COVER, Back
					CLOTH
	A374-5 C3A	1			Silver, (A3A)
	A374-5 G3C	1			Blue, (A3C)
	A374-5 C3M	1			Red, (A3M)
	A374-5 G3L	1			Taupe, (A3L)
4					PANEL, Back of Front Seat
	S778-9 AA2	1			Silver, (A3A)
	S778-9 GC5	1			Blue, (A3C)
	S778-9 VM6	1			Red, (A3M)
	S778-9 GL7	1			Taupe, (A3L)
5					ARMREST and COVER
	B657 CA2	1			Silver, (A3A)

MODEL CODES

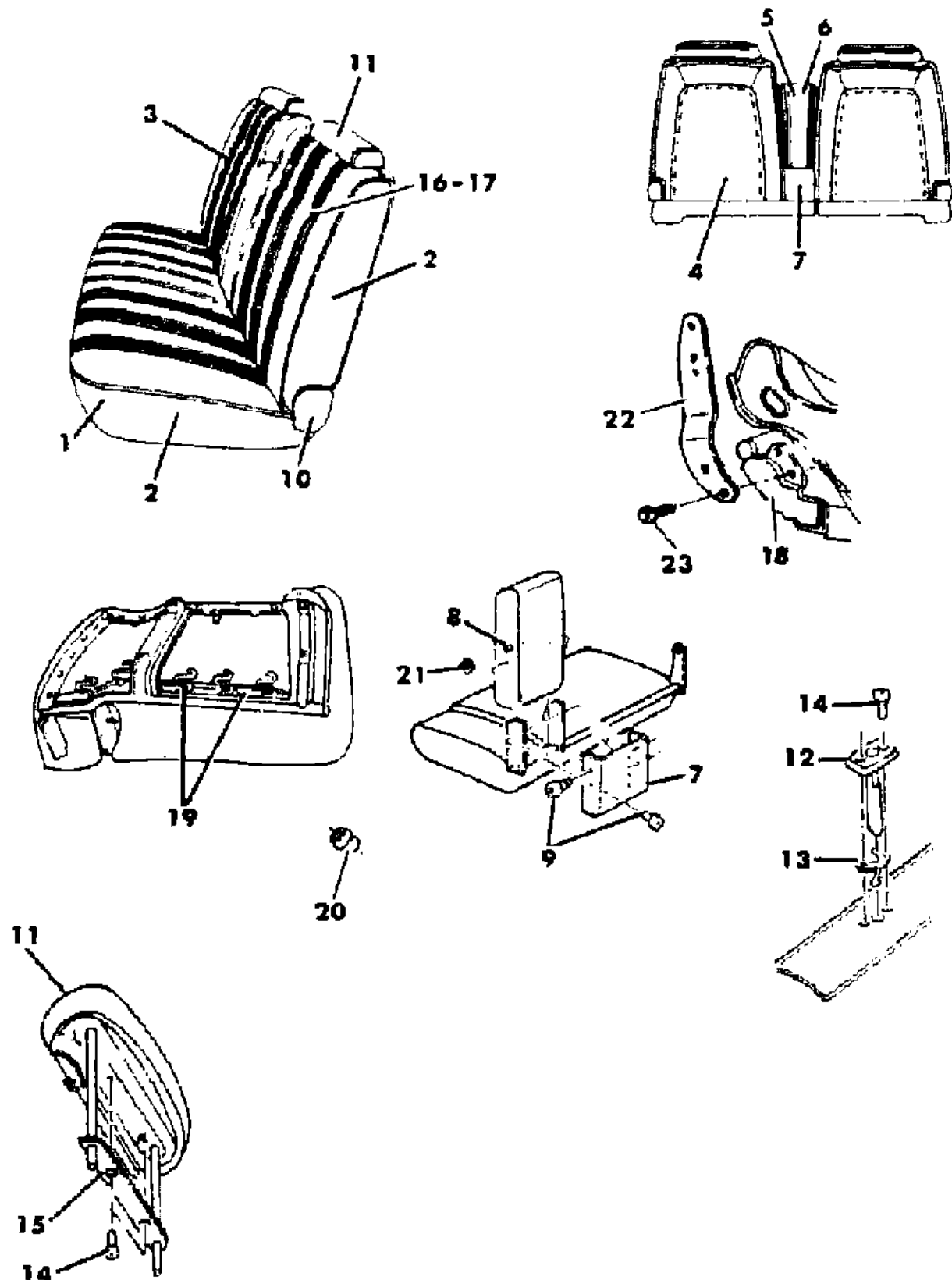
C BODY = (D41 - DYNASTY)(C41 - NEW YORKER)
 E BODY = (J - CARAVELLE)(E - 600)(T - NEW YORKER TURBO)
 G BODY = (V24 - DAYTONA, PACIFICA & SHELBY)
 H BODY = (D44 - LANCER)(C44 - LEBARON GTS)
 J BODY = (C - LEBARON)
 K BODY = (P - RELIANT)(D - ARIES)(C - LEBARON/ TOWN & COUNTRY)

L BODY = (M - HORIZON)(Z-OMNI)
 M BODY = (B - GRAN FURY)(G - DIPLOMAT)(F - FIFTH AVENUE/NEWPORT)
 P BODY = (P - SUNDANCE)(D - SHADOW)
 Q BODY = (C27 - MASERATI)
 S BODY = (H - VOYAGER)(K - RAM VAN/ CARAVAN)

BODY STYLES

12-52 = FWD VAN & WAGON STD. W.B. 27 = 2-DOOR CONVERTIBLE
 13-53 = FWD VAN & WGN EXT W.B. 41 = 4-DOOR SEDAN
 21 = 2-DOOR SEDAN 44 = 4-DOOR HATCHBACK
 24 = 2-DOOR HATCHBACK 45 = 4-DOOR STATION WAGON

AR = Use as Required - = Non Illustrated Part P.A.R. = Paint as Required



SEAT--FRONT M BODY TRIM CODE A3
Figure ITM-1400

8244 1400

ITEM	PART NUMBER	QTY	BODY	MODEL	DESCRIPTION
	B657 GC5	1			Blue, (A3C)
	B657 CM6	1			Red, (A3M)
	B657 GL7	1			Taupe, (A3L)
6	B376 CA2	1			COVER, Armrest Silver, (A3A)
	B376 GC5	1			Blue, (A3C)
	B376 CM6	1			Red, (A3M)
	B376 GL7	1			Taupe, (A3L)
7					COVER, Armrest, Finish
	S728 AA3	1			Silver, (A3A)
	S728 GC5	1			Blue, (A3C)
	S728 TM6	1			Red, (A3M)
	S728 GL7	1			Taupe, (A3L)
8	4138 891	1			ROD, Armrest Lock Bar
9	6030 082	2			BOLT, Armrest Attaching
10					COVER, Hinge Arm Outer (P.A.R.)
	S876 EK1	1			Passenger
	S877 EK1	1			Driver
11					HEADREST
	S702 AA2	2			Silver, (A3A)
	S702 GC5	2			Blue, (A3C)
	S702 TM6	2			Red, (A3M)
	S702 GL7	2			Taupe, (A3L)
12					SLEEVE, Headrest
	S690 AA3	4			Silver, (A3A)
	S690 GC5	2			Blue, (A3C)
	S690 TM6	4			Red, (A3M)
	S690 GL7	4			Taupe, (A3L)
13	4098 965	4			CATCH, Headrest Post
14					SCREW, (8-18X1) (Not Serv.)
15	4018 808	2			COVER, Headrest Finish
16					BUTTON and RETAINER
	G385 AA2	AR			Silver, (A3A)
	G385 GC5	AR			Blue, (A3C)
	G385 VM6	AR			Red, (A3M)
	G385 GL7	AR			Taupe, (A3L)
17					RETAINER, Button (Serv. In Item 16)

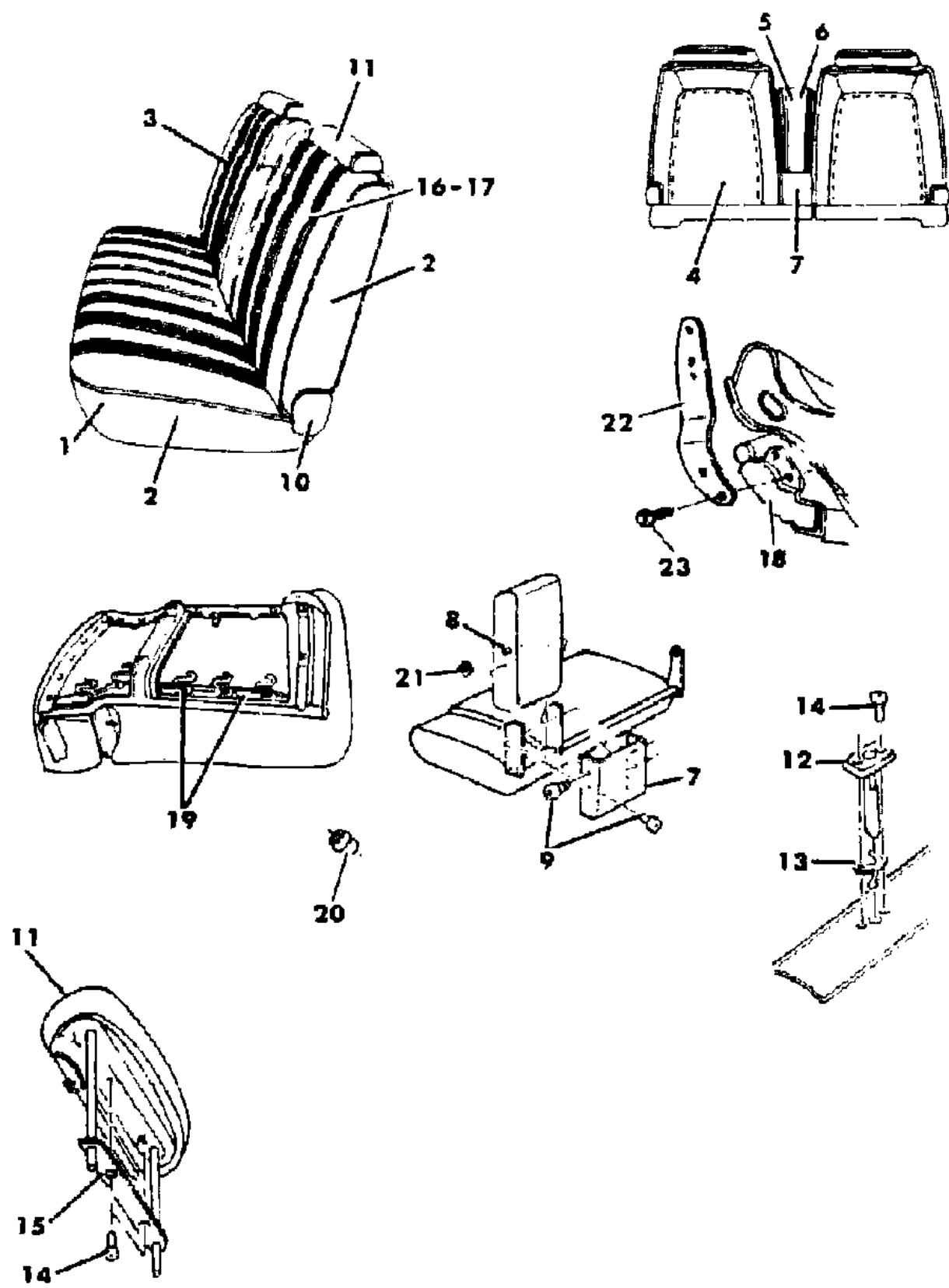
MODEL CODES

C BODY = (D41 - DYNASTY)(C41 - NEW YORKER)
 E BODY = (J - CARAVELLE)(E - 600)(T - NEW YORKER TURBO)
 G BODY = (V24 - DAYTONA, PACIFICA & SHELBY)
 H BODY = (D44 - LANCER)(C44 - LEBARON GTS)
 J BODY = (C - LEBARON)
 K BODY = (P - RELIANT)(D - ARIES)(C - LEBARON/ TOWN & COUNTRY)
 L BODY = (M - HORIZON)(Z-OMNI)
 M BODY = (B - GRAN FURY)(G - DIPLOMAT)(F - FIFTH AVENUE/NEWPORT)
 P BODY = (P - SUNDANCE)(D - SHADOW)
 Q BODY = (C27 - MASERATI)
 S BODY = (H - VOYAGER)(K - RAM VAN/ CARAVAN)

BODY STYLES

12-52 = FWD VAN & WAGON STD. W.B. 27 = 2-DOOR CONVERTIBLE
 13-53 = FWD VAN & WGN EXT W.B. 41 = 4-DOOR SEDAN
 21 = 2-DOOR SEDAN 44 = 4-DOOR HATCHBACK
 24 = 2-DOOR HATCHBACK 45 = 4-DOOR STATION WAGON

AR = Use as Required - = Non Illustrated Part P.A.R. = Paint as Required



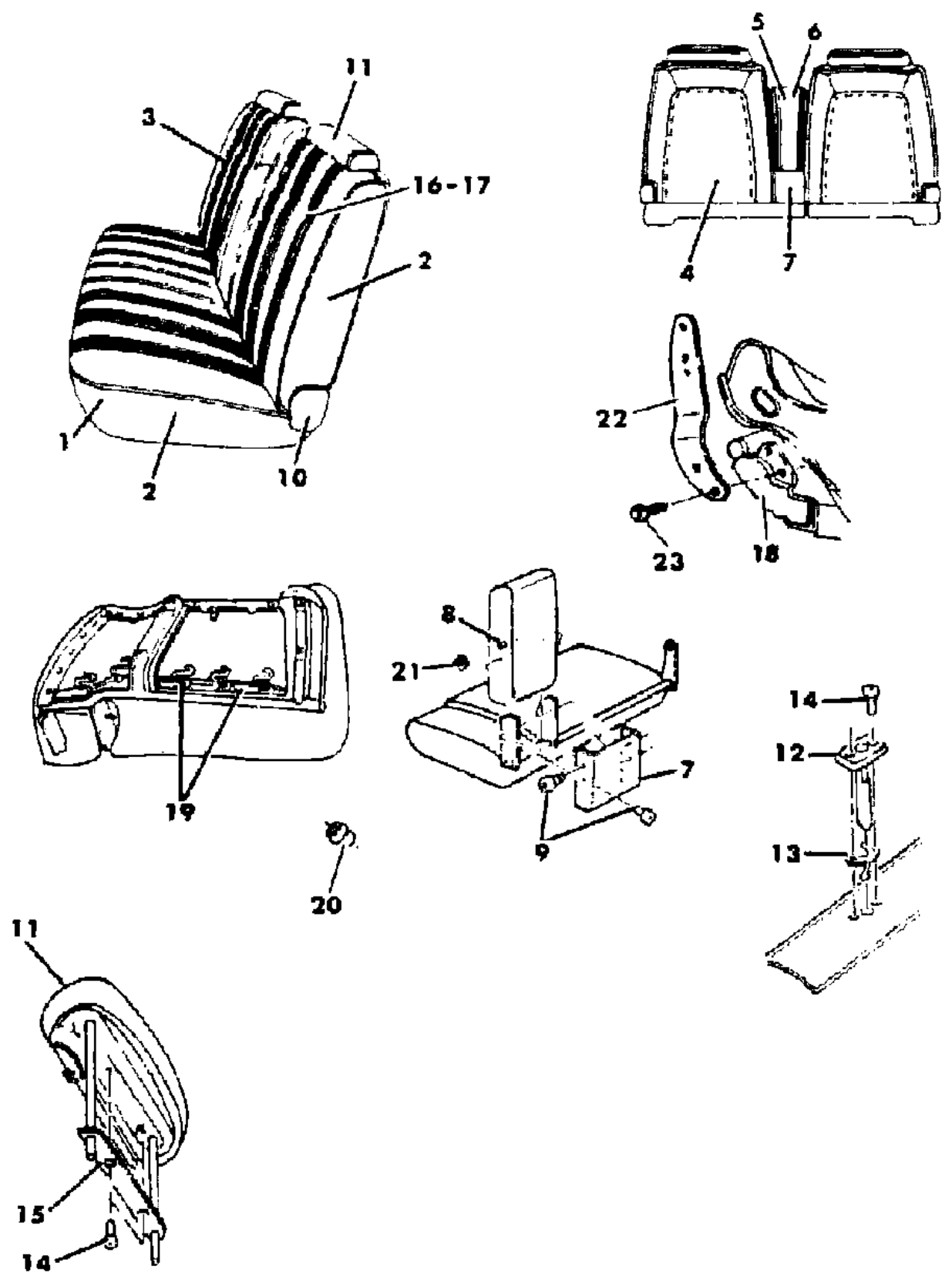
SEAT--FRONT M BODY TRIM CODE A3

Figure ITM-1400

8244 1400

ITEM	PART NUMBER	QTY	BODY	MODEL	DESCRIPTION
18	4190 698-9	1			REINFORCEMENT, Cushion to Back Attaching
19	6008 076	AR			HOG RING
20	6033 020	1			BUSHING, Inner Pivot Pin Right Only
21	6006 324	1			NUT, Armrest Lock Rod
22	#4138 742-3	1			ARM, Seta Back to Cushion w/Center Arm Rest
23	9422 041	AR			SCREW

NOTE: (P.A.R.) = Paint As Required



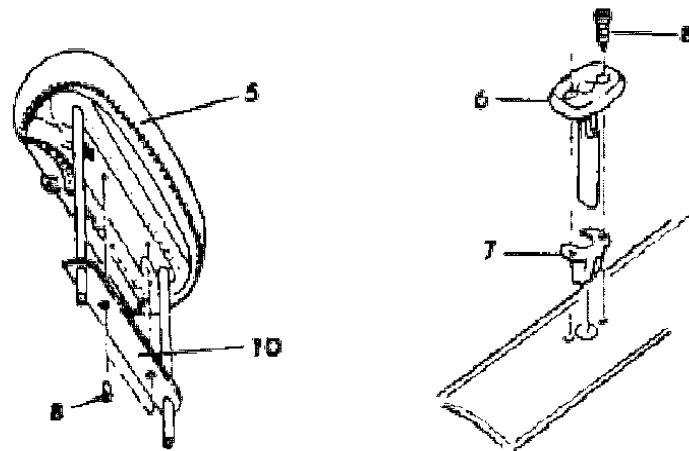
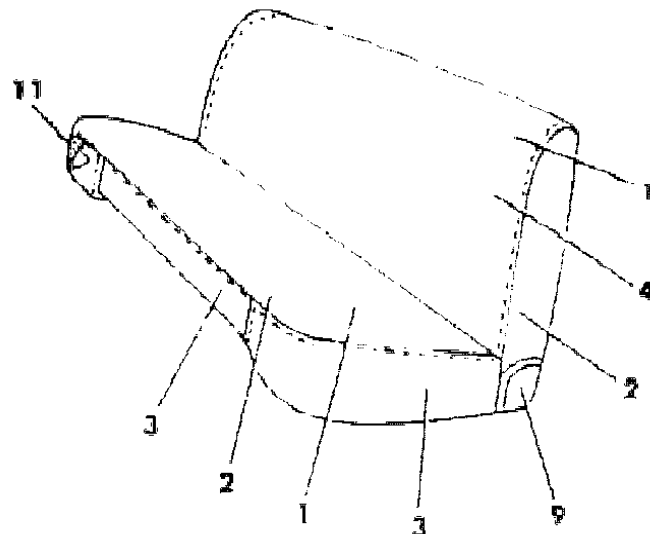
MODEL CODES
 C BODY = (D41 - DYNASTY)(C41 - NEW YORKER)
 E BODY = (J - CARAVELLE)(E - 600)(T - NEW YORKER TURBO)
 G BODY = (V24 - DAYTONA, PACIFICA & SHELBY)
 H BODY = (D44 - LANCER)(C44 - LEBARON GTS)
 J BODY = (C - LEBARON)
 K BODY = (P - RELIANT)(D - ARIES)(C - LEBARON/ TOWN & COUNTRY)
 L BODY = (M - HORIZON)(Z-OMNI)
 M BODY = (B - GRAN FURY)(G - DIPLOMAT)(F - FIFTH AVENUE/NEWPORT)
 P BODY = (P - SUNDANCE)(D - SHADOW)
 Q BODY = (C27 - MASERATI)
 S BODY = (H - VOYAGER)(K - RAM VAN/ CARAVAN)

BODY STYLES
 12-52 = FWD VAN & WAGON STD. W.B. 27 = 2-DOOR CONVERTIBLE
 13-53 = FWD VAN & WGN EXT W.B. 41 = 4-DOOR SEDAN
 21 = 2-DOOR SEDAN 44 = 4-DOOR HATCHBACK
 24 = 2-DOOR HATCHBACK 45 = 4-DOOR STATION WAGON

AR = Use as Required - = Non Illustrated Part P.A.R. = Paint as Required

SEAT--FRONT M BODY TRIM CODE K2
Figure ITM-1500

8244 1500



ITEM	PART NUMBER	QTY	BODY	MODEL	DESCRIPTION
1-3					CUSHION, w/Spring, Frame Pad and Cover
	N702 G2C	1			VINYL Blue, (K2C)
	N702 E2K	1			Almond, (K2K)
1					COVER, Cushion
	B313 G2C	1			VINYL Blue, (K2C)
	B313 G2L	1			Taupe, (K2L)
2					ROLL STOCK, Vinyl 54" Wide Order BY the Inch
	R615 VC8	AR			Blue
	R632 EK1	AR			Almond
3					ROLL STOCK, Vinyl Order By The Inch
	R616 VC8	AR			Blue, 64" Wide
	R600 GL7	AR			Taupe, 54" Wide
4&2-3					BACK, w/Spring/Frame, Pad and Cover
	N695 G2C	1			VINYL Blue, (K2C)
	N695 G2L	1			Taupe, (K2L)
4					COVER, Back
	N125 G2C	1			VINYL Blue, (K2C)
	N125 G2L	1			Taupe, (K2L)
5					HEADREST
	S814 GC5	2			Blue, (K2C)
	S814 GL7	2			Taupe, (K2L)
6					SLEEVE, Headrest
	S815 GC5	4			Blue, (K2C)
	S815 GL7	4			Taupe, (K2L)
7	4098 871	4			CATCH, Headrest Post
8					SCREW, (8-18x1) (Not Serv.)
9					COVER, Hinge Arm Outer
	S615 GC5	2			Blue
	S615 GL7	2			Taupe
10	4018 808	2			COVER, Headrest Finish
11	4029 749	1			PAD, Heavy Duty Front Cushion

MODEL CODES

C BODY = (D41 - DYNASTY)(C41 - NEW YORKER)	L BODY = (M - HORIZON)(Z-OMNI)
E BODY = (J - CARAVELLE)(E - 600)(T - NEW YORKER TURBO)	M BODY = (B - GRAN FURY)(G - DIPLOMAT)(F - FIFTH AVENUE/NEWPORT)
G BODY = (V24 - DAYTONA, PACIFICA & SHELBY)	P BODY = (P - SUNDANCE)(D - SHADOW)
H BODY = (D44 - LANCER)(C44 - LEBARON GTS)	Q BODY = (C27 - MASERATI)
J BODY = (C - LEBARON)	S BODY = (H - VOYAGER)(K - RAM VAN/ CARAVAN)
K BODY = (P - RELIANT)(D - ARIES)(C - LEBARON/ TOWN & COUNTRY)	

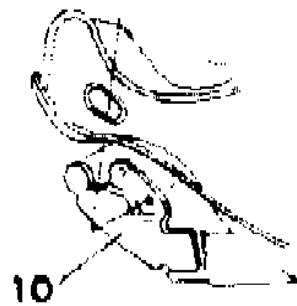
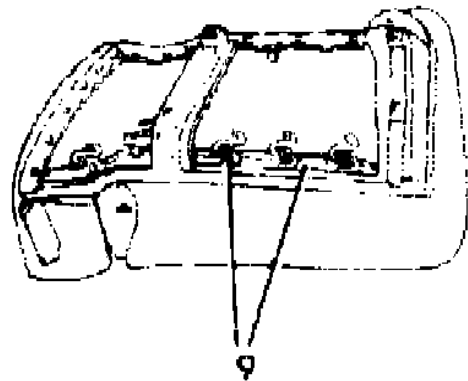
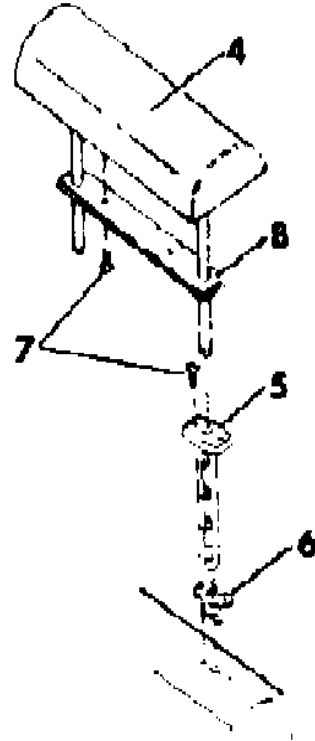
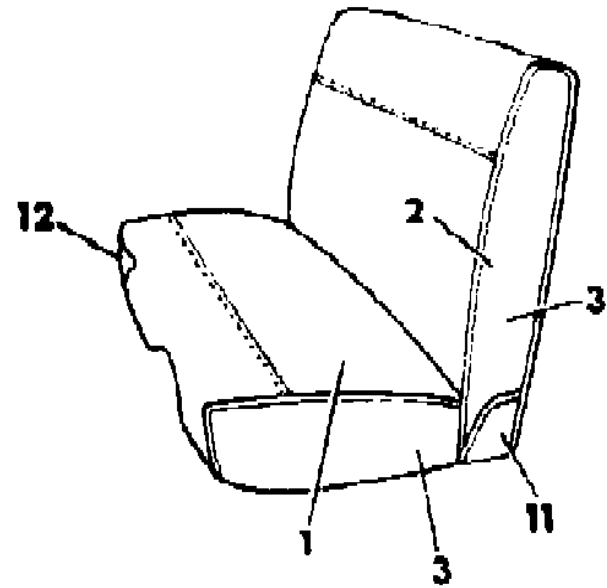
BODY STYLES

12-52 = FWD VAN & WAGON STD. W.B.	27 = 2-DOOR CONVERTIBLE
13-53 = FWD VAN & WGN EXT W.B.	41 = 4-DOOR SEDAN
21 = 2-DOOR SEDAN	44 = 4-DOOR HATCHBACK
24 = 2-DOOR HATCHBACK	45 = 4-DOOR STATION WAGON

AR = Use as Required - = Non Illustrated Part P.A.R. = Paint as Required

SEAT--FRONT FLEET-POLICE-OTHERS M BODY
Figure ITM-1600

8244 1600 A



ITEM	PART NUMBER	QTY	BODY	MODEL	DESCRIPTION
NOTE: Special Equipment Code Is In The Trim Code					
1					COVER, Cushion CLOTH Blue, (CBAN) Taupe, (CBAN)
	4370 337	1			
	4370 341	1			
2					COVER, Back CLOTH Blue, (CBAN) Taupe
	4370 338	1			
	4370 342	1			
3					ROLL STOCK, Vinyl Order By The Inch Blue, 64" Wide Taupe, 54" Wide
	R616 VC8	AR			
	R600 EK1	AR			
4					HEADREST and COVER Blue Taupe
	S702 SC7	2			
	S702 EK1	2			
5					SLEEVE, Headrest Blue Taupe
	S690 SC7	4			
	S690 EK1	4			
6	4098 965	4			CATCH, Headrest
7					SCREW, (8-18x1) (Not Serv.)
8	4018 808	2			COVER, Headrest Finish
9	6008 076	AR			HOG RING
10	4190 698-9	1			REINFORCEMENT, Cushion To Back Attaching
11					COVER, Hinge Arm Outer (P.A.R.) Passenger Driver
	S876 EK1	1			
	S877 EK1	1			
12	4029 749	1			PAD, Heavy Duty NOTE: (P.A.R.) = Paint As Required

MODEL CODES

C BODY = (D41 - DYNASTY)(C41 - NEW YORKER)	L BODY = (M - HORIZON)(Z-OMNI)
E BODY = (J - CARAVELLE)(E - 600)(T - NEW YORKER TURBO)	M BODY = (B - GRAN FURY)(G - DIPLOMAT)(F - FIFTH AVENUE/NEWPORT)
G BODY = (V24 - DAYTONA, PACIFICA & SHELBY)	P BODY = (P - SUNDANCE)(D - SHADOW)
H BODY = (D44 - LANCER)(C44 - LEBARON GTS)	Q BODY = (C27 - MASERATI)
J BODY = (C - LEBARON)	S BODY = (H - VOYAGER)(K - RAM VAN/ CARAVAN)
K BODY = (P - RELIANT)(D - ARIES)(C - LEBARON/ TOWN & COUNTRY)	

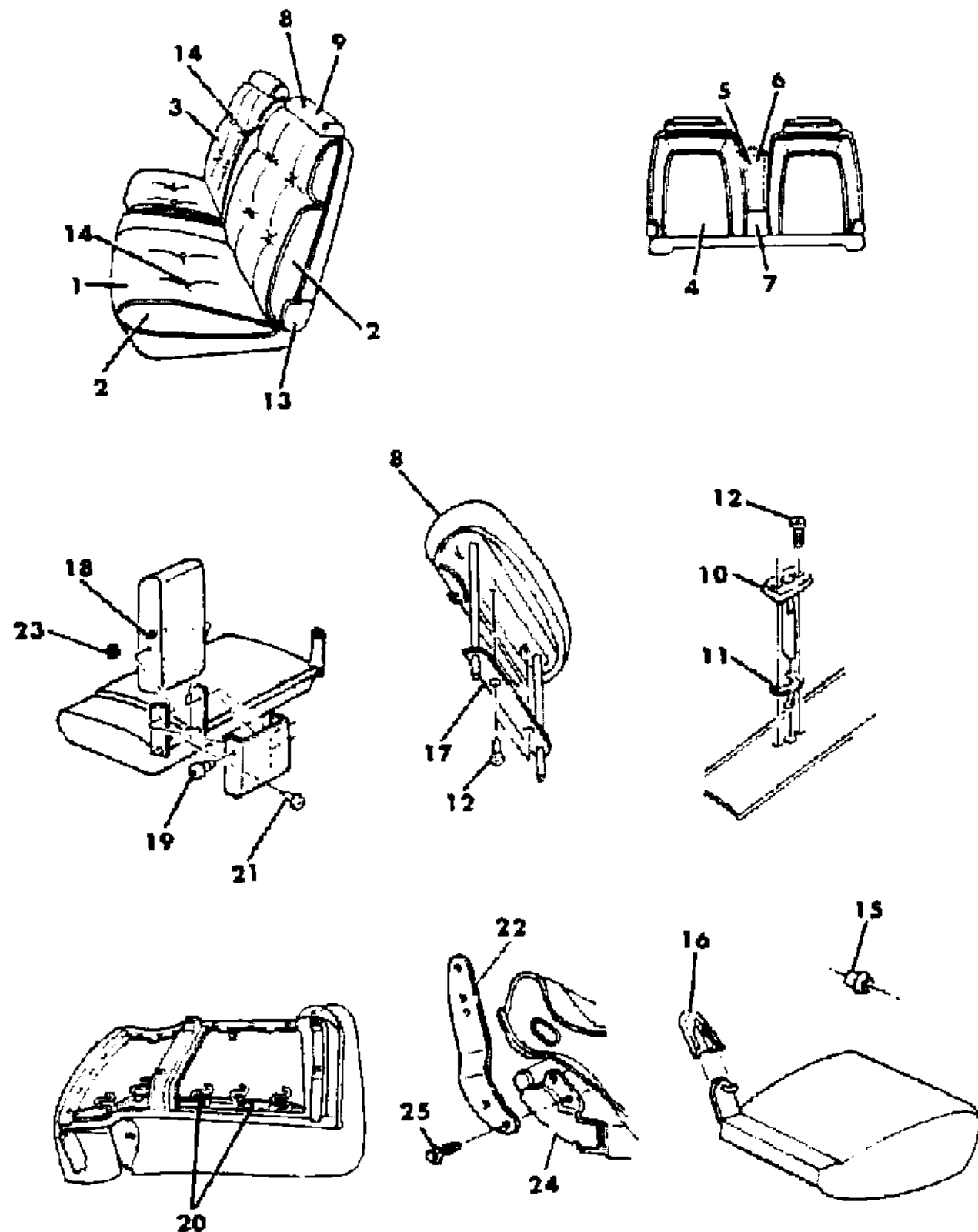
BODY STYLES

12-52 = FWD VAN & WAGON STD. W.B.	27 = 2-DOOR CONVERTIBLE
13-53 = FWD VAN & WGN EXT W.B.	41 = 4-DOOR SEDAN
21 = 2-DOOR SEDAN	44 = 4-DOOR HATCHBACK
24 = 2-DOOR HATCHBACK	45 = 4-DOOR STATION WAGON

AR = Use as Required - = Non Illustrated Part P.A.R. = Paint as Required

SEAT--FRONT M BODY TRIM CODES H9-C9
Figure ITM-1700

8244 1700



ITEM	PART NUMBER	QTY	BODY	MODEL	DESCRIPTION
1-2					CUSHION, w/Spring, Frame, Pad and Cover
	A632-3 D9A	1			CLOTH Silver, (C9A,H9A)
	A632-3 G9C	1			Blue, (H9C, C9C)
	A632-3 C9M	1			Red, (C9M, H9M)
	A632-3 G9L	1			Taupe, (H9L, C9L)
1					COVER, Cushion
	A378-9 D9A	1			CLOTH Silver, (C9A, H9A)
	A378-9 G9C	1			Blue, (H9C, C9C)
	A378-9 C9M	1			Red, (C9M, H9M)
	A378-9 G9L	1			Taupe, (H9L, C9L)
2					ROLL STOCK, Cloth, 54" Wide Order By The Inch
	R021 DA4	AR			Silver, (C9A, H9A)
	R021 FC5	AR			Blue, (H9C, C9L)
	R021 CM6	AR			Red, (C9M, H9M)
	R021 GL7	AR			Taupe, (H9L)
2-3					BACK, w/Spring/Frame, Pad and Cover
	A634-5 D9A	1			CLOTH Silver, (C9A, H9A)
	A634-5 G9C	1			Blue, (H9C, C9C)
	A634-5 C9M	1			Red, (C9M, H9M)
	A634-5 G9L	1			Taupe, (H9L, C9L)
3					COVER, Back
	A380-1 D9A	1			CLOTH Almond, (C9A, H9A)
	A380-1 G9C	1			Blue, (H9C, C9C)
	A380-1 C9M	1			Red, (C9M, H9M)
	A380-1 G9L	1			Taupe, (H9L, C9L)
4					PANEL, Back of Front Back
	S738 DA4	2			Silver, (C9A, H9A)
	S738 GC5	2			Blue, (H9C, C9C)
	S738 CM6	2			Red, (C9M, H9M)
	S738 GL7	2			Taupe, (H9L, C9L)
5-6					ARMREST and COVER
	A642 DA4	1			Silver, (C9A, H9A)
	A642 GC5	1			Blue, (H9C, C9C)

MODEL CODES

C BODY = (D41 - DYNASTY)(C41 - NEW YORKER)
 E BODY = (J - CARAVELLE)(E - 600)(T - NEW YORKER TURBO)
 G BODY = (V24 - DAYTONA, PACIFICA & SHELBY)
 H BODY = (D44 - LANCER)(C44 - LEBARON GTS)
 J BODY = (C - LEBARON)
 K BODY = (P - RELIANT)(D - ARIES)(C - LEBARON/ TOWN & COUNTRY)
 L BODY = (M - HORIZON)(Z-OMNI)
 M BODY = (B - GRAN FURY)(G - DIPLOMAT)(F - FIFTH AVENUE/NEWPORT)
 P BODY = (P - SUNDANCE)(D - SHADOW)
 Q BODY = (C27 - MASERATI)
 S BODY = (H - VOYAGER)(K - RAM VAN/ CARAVAN)

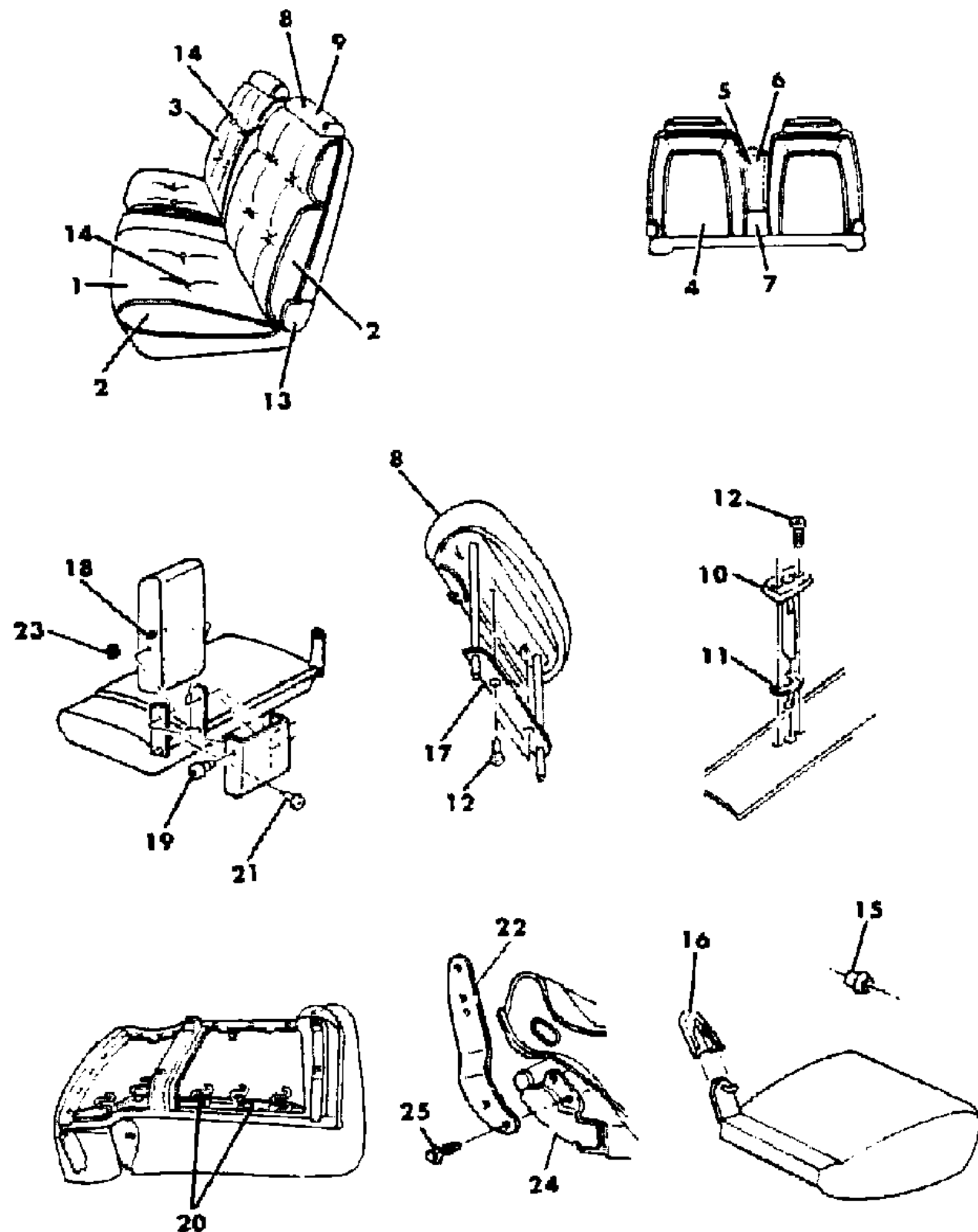
BODY STYLES

12-52 = FWD VAN & WAGON STD. W.B. 27 = 2-DOOR CONVERTIBLE
 13-53 = FWD VAN & WGN EXT W.B. 41 = 4-DOOR SEDAN
 21 = 2-DOOR SEDAN 44 = 4-DOOR HATCHBACK
 24 = 2-DOOR HATCHBACK 45 = 4-DOOR STATION WAGON

AR = Use as Required - = Non Illustrated Part P.A.R. = Paint as Required

SEAT--FRONT M BODY TRIM CODES H9-C9
Figure ITM-1700

8244 1700



ITEM	PART NUMBER	QTY	BODY	MODEL	DESCRIPTION
6	A642 CM6	1			Red, (C9M, H9M)
	A642 GL7	1			Taupe, (H9L, C9L)
	A384 DA4	1			Silver, (C9A, H9A)
	A384 GC5	1			Blue, (H9C, C9C)
7	A384 CM6	1			Red, (C9M, H9M)
	A384 GL7	1			Taupe, (H9L, C9L)
	S580 AA3	1			Silver, (C9A, H9A)
	S580 GC5	1			Blue, (H9C, C9C)
8-9	S580 VM6	1			Red, (C9M, H9M)
	S580 GL7	1			Taupe, (H9L, C9L)
	HEADREST and COVER				
	A641 DA4	2			Silver, (C9A, H9A)
9	A641 GC5	2			Blue, (H9C, C9C)
	A641 CM6	2			Red, (C9M, H9M)
	A641 GL7	2			Taupe, (H9L, C9L)
	A385 DA4	2			Silver, (C9A, H9A)
10	A385 DC8	2			Blue, (C9C, H9C)
	A385 CM6	2			Red, (C9M, H9M)
	A385 GL7	2			Taupe, (H9L, C9L)
	S690 AA3	4			Silver
11	S690 GC5	4			Blue
	S690 TM6	4			Red
	S690 GL7	4			Taupe
	4098 965	4			CATCH, Headrest Post
12		AR		SCREW, (8-18x1) (Not Serv.)	
13	S876 EK1	1			Passenger
	S877 EK1	1			Driver
14	BUTTON, Cushion and Back				
	G380 EA4	AR			Silver, (C9A, H9A)
	G380 GC5	AR			Blue, (H9C, C9C)
	G380 CM6	AR			Red, (C9M, H9M)
G380 GL7	AR			Taupe, (H9L, C9L)	

MODEL CODES

C BODY = (D41 - DYNASTY)(C41 - NEW YORKER)
 E BODY = (J - CARAVELLE)(E - 600)(T - NEW YORKER TURBO)
 G BODY = (V24 - DAYTONA, PACIFICA & SHELBY)
 H BODY = (D44 - LANCER)(C44 - LEBARON GTS)
 J BODY = (C - LEBARON)
 K BODY = (P - RELIANT)(D - ARIES)(C - LEBARON/ TOWN & COUNTRY)
 L BODY = (M - HORIZON)(Z-OMNI)
 M BODY = (B - GRAN FURY)(G - DIPLOMAT)(F - FIFTH AVENUE/NEWPORT)
 P BODY = (P - SUNDANCE)(D - SHADOW)
 Q BODY = (C27 - MASERATI)
 S BODY = (H - VOYAGER)(K - RAM VAN/ CARAVAN)

BODY STYLES

12-52 = FWD VAN & WAGON STD. W.B. 27 = 2-DOOR CONVERTIBLE
 13-53 = FWD VAN & WGN EXT W.B. 41 = 4-DOOR SEDAN
 21 = 2-DOOR SEDAN 44 = 4-DOOR HATCHBACK
 24 = 2-DOOR HATCHBACK 45 = 4-DOOR STATION WAGON

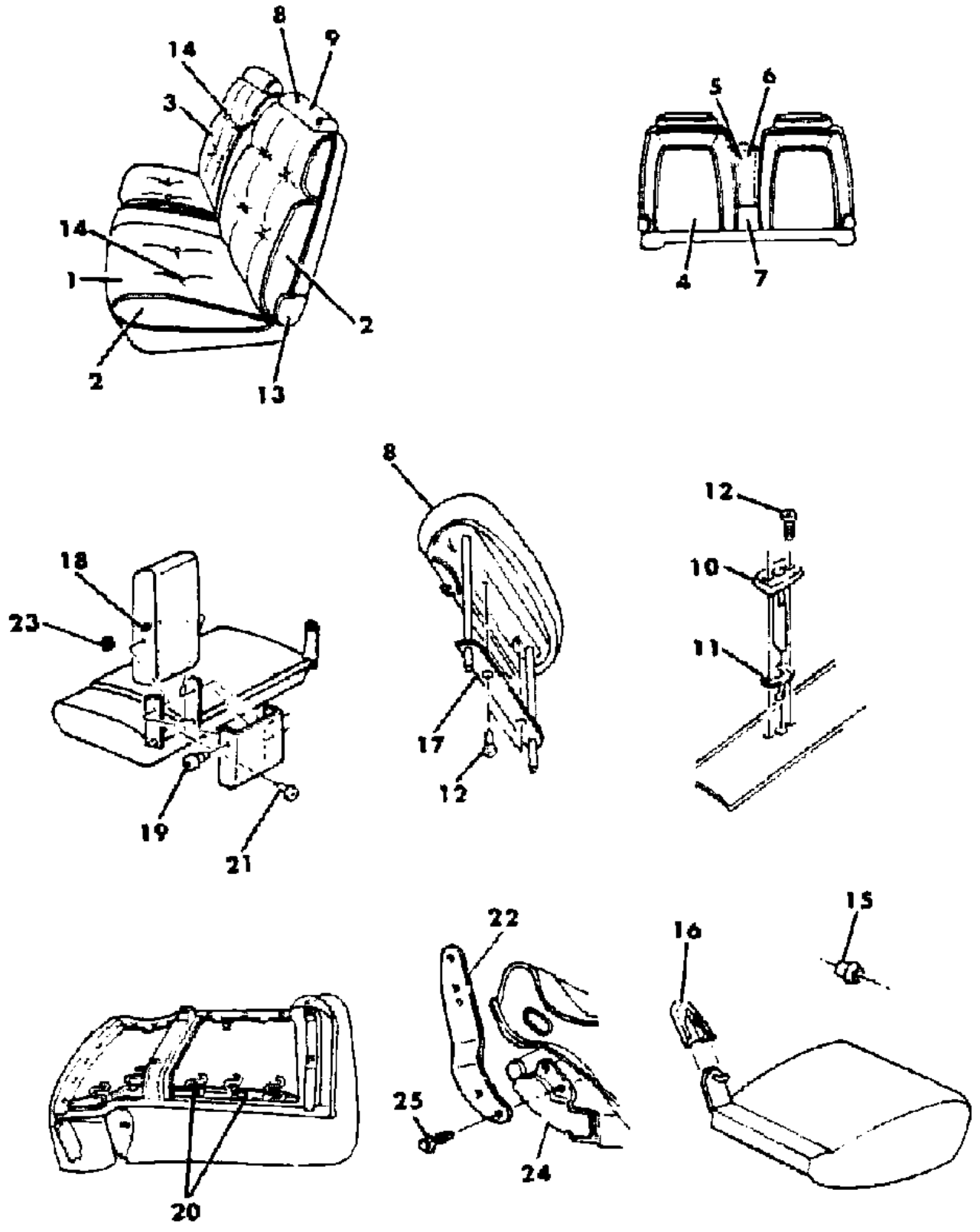
AR = Use as Required - = Non Illustrated Part P.A.R. = Paint as Required

SEAT--FRONT M BODY TRIM CODES H9-C9
Figure ITM-1700

8244 1700

ITEM	PART NUMBER	QTY	BODY	MODEL	DESCRIPTION
15	4029 846	1			BUSHING, Front Cushion Inner Pivot Pin Right Only
16	S682 AA3	1			COVER, Cushion Inner Bracket Right Silver
	S682 GC5	1			Blue
	S682 TM6	1			Red
	S682 GL7	1			Taupe
17	4018 808	2			COVER, Headrest Finish
18	4138 891	1			ROD, Armrest Lock
19	6030 082	2			BOLT, Armrest Attachin
20	6008 076	AR			HOG RING
21	0181 063	2			SCREW, Armrest to Seat Back
22	#4138 743	1			ARM, Seat Back To Cushion w/Center Armrest, Left
23	6006 324	1			NUT, Armrest Lock Rod
24	4190 698-9	1			REINFORCEMENT
25	9422 041	AR			SCREW

NOTE: (P.A.R.) = Paint As Required



MODEL CODES
 C BODY = (D41 - DYNASTY)(C41 - NEW YORKER)
 E BODY = (J - CARAVELLE)(E - 600)(T - NEW YORKER TURBO)
 G BODY = (V24 - DAYTONA, PACIFICA & SHELBY)
 H BODY = (D44 - LANCER)(C44 - LEBARON GTS)
 J BODY = (C - LEBARON)
 K BODY = (P - RELIANT)(D - ARIES)(C - LEBARON/ TOWN & COUNTRY)
 L BODY = (M - HORIZON)(Z-OMNI)
 M BODY = (B - GRAN FURY)(G - DIPLOMAT)(F - FIFTH AVENUE/NEWPORT)
 P BODY = (P - SUNDANCE)(D - SHADOW)
 Q BODY = (C27 - MASERATI)
 S BODY = (H - VOYAGER)(K - RAM VAN/ CARAVAN)

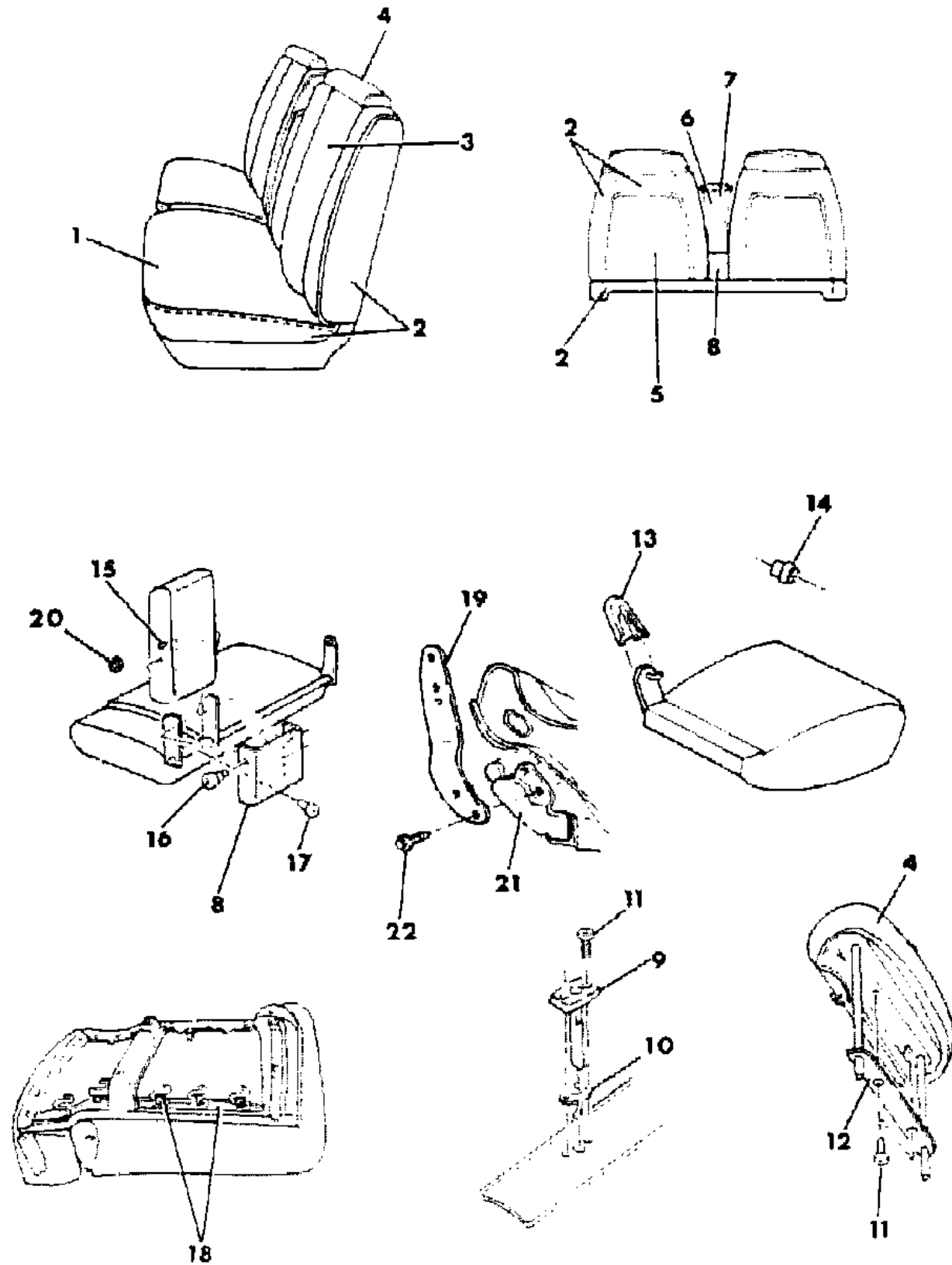
BODY STYLES
 12-52 = FWD VAN & WAGON STD. W.B. 27 = 2-DOOR CONVERTIBLE
 13-53 = FWD VAN & WGN EXT W.B. 41 = 4-DOOR SEDAN
 21 = 2-DOOR SEDAN 44 = 4-DOOR HATCHBACK
 24 = 2-DOOR HATCHBACK 45 = 4-DOOR STATION WAGON

AR = Use as Required - = Non Illustrated Part P.A.R. = Paint as Required

SEAT--FRONT M BODY TRIM CODE KX

Figure ITM-1800

8244 1800



ITEM	PART NUMBER	QTY	BODY	MODEL	DESCRIPTION
1-2					CUSHION, w/Spring, Frame, Pad and Cover
	N706-7 GXL	1			VINYL, (KXK)
1	N462-3 GXL	1			COVER, Cushion
	R600 EK1	AR			VINYL, (KXK)
2					ROLL STOCK, Vinyl 54" Wide Order By The Inch
3&2					BACK, w/Spring/Frame, Pad and Cover
	N708-9 GXL	1			Vinyl, (KXK)
3	N198-9 GXL	1			COVER, Back
					Vinyl, (KXK)
4	S702 EK1	2			HEADREST, (KXK)
5	S740 EK1	2			PANEL, Back of Front Back (KXK)
6-7	G701 GXL	1			ARMREST and COVER, (KXK)
7	B376 EK1	1			COVER, Armrest (KXK)
8	S580 EK1	1			COVER, Armrest Finish (KXK)
9	S690 EK1	4			SLEEVE, Headrest (KXK)
10	4098 965	4			CATCH, Headrest (KXK)
11		AR			SCREW, 8-18x1) (Not Serv.)
12	4018 808	2			COVER, Headrest Finish
13	S682 EK1	1			COVER, Hinge Arm Inner Right Only
14	#4190 488	1			BUSHING, Front Seat Cushion Inner Pivot Pin Rt. Only
15	4138 891	1			ROD, Armrest Lock
16	6030 082	2			BOLT, Armrest Attaching
17	0181 063	AR			SCREW, Armrest To Seat Back
18	6008 076	AR			HOG RING
19	4098 886	1			ARM, Front Seat Back To Cushion, Right
	4138 765	1			Left, (Use Up To 3-15-88)
	4098 887	1			Left, (Use After 3-15-88)
20	6006 324	1			NUT, Armrest Lock Rod
21	4190 698-9	1			REINFORCEMENT
22	9422 041	AR			SCREW

MODEL CODES

C BODY = (D41 - DYNASTY)(C41 - NEW YORKER)
 E BODY = (J - CARAVELLE)(E - 600)(T - NEW YORKER TURBO)
 G BODY = (V24 - DAYTONA, PACIFICA & SHELBY)
 H BODY = (D44 - LANCER)(C44 - LEBARON GTS)
 J BODY = (C - LEBARON)
 K BODY = (P - RELIANT)(D - ARIES)(C - LEBARON/ TOWN & COUNTRY)

L BODY = (M - HORIZON)(Z-OMNI)
 M BODY = (B - GRAN FURY)(G - DIPLOMAT)(F - FIFTH AVENUE/NEWPORT)
 P BODY = (P - SUNDANCE)(D - SHADOW)
 Q BODY = (C27 - MASERATI)
 S BODY = (H - VOYAGER)(K - RAM VAN/ CARAVAN)

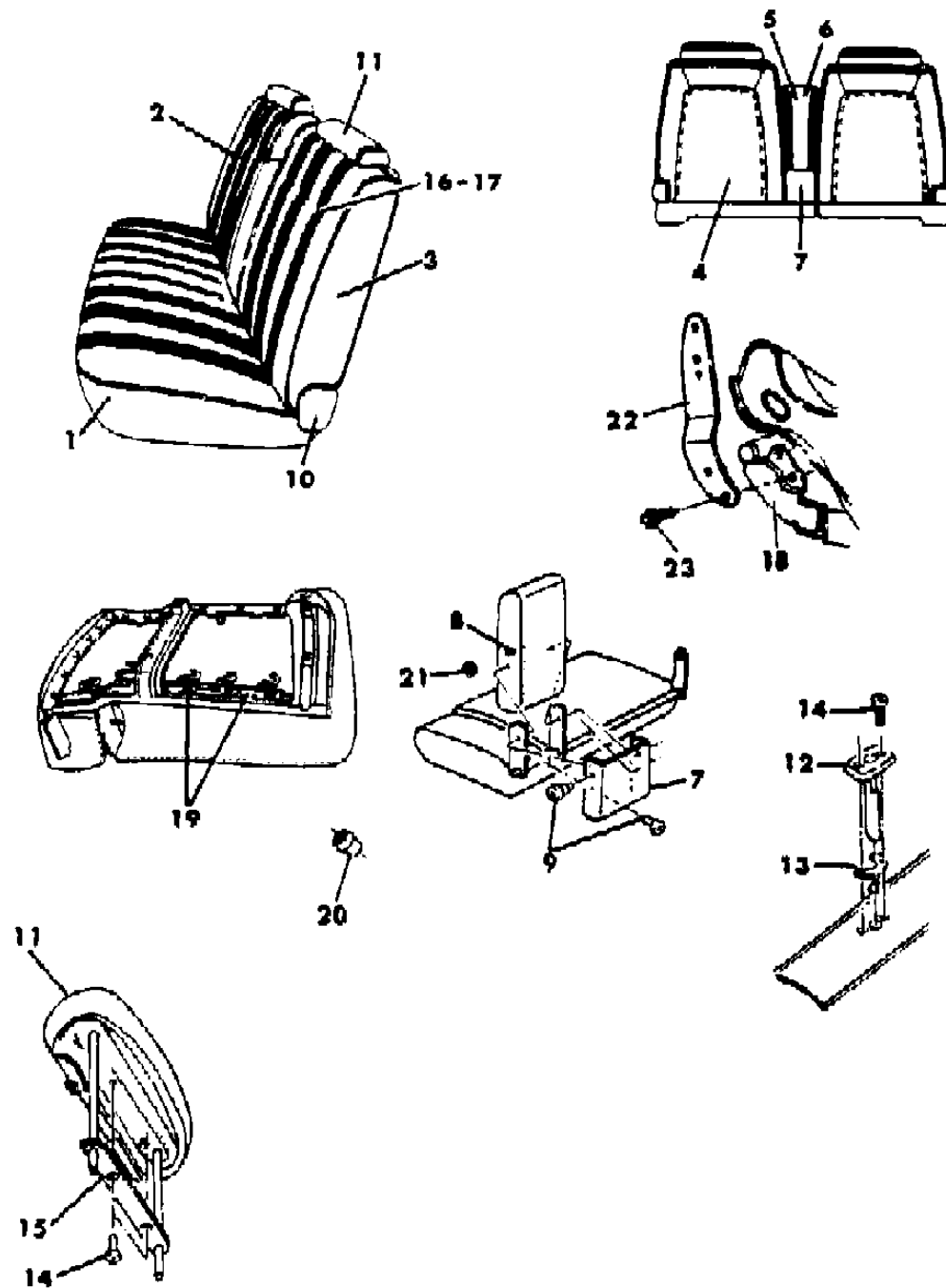
BODY STYLES

12-52 = FWD VAN & WAGON STD. W.B. 27 = 2-DOOR CONVERTIBLE
 13-53 = FWD VAN & WGN EXT W.B. 41 = 4-DOOR SEDAN
 21 = 2-DOOR SEDAN 44 = 4-DOOR HATCHBACK
 24 = 2-DOOR HATCHBACK 45 = 4-DOOR STATION WAGON

AR = Use as Required - = Non Illustrated Part P.A.R. = Paint as Required

SEAT--FRONT FLEET-POLICE-OTHERS M BODY
Figure ITM-1600

8244 1850



ITEM	PART NUMBER	QTY	BODY	MODEL	DESCRIPTION
1					COVER, Cushion
	4370 425	1			Vinyl Blue, (CBBS)
	4370 431	1			Taupe, (CBBS)
2					COVER, Back
	4370 426	1			Vinyl Blue, Right (CBBS)
	4370 427	1			Blue, Left (CBBS)
	4370 432	1			Taupe, Right (CBBS)
	4370 433	1			Taupe, Left (CBBS)
3					ROLL STOCK, Vinyl Order By The Inch
	R600 EC5	AR			Blue, 64" Wide
	R600 GL7	AR			Taupe, 54" Wide
4					PANEL, Back of Front Seat
	S778-9 GC5	1			Blue, (CBBS)
	S778-9 GL7	1			Taupe, (CBBS)
5-6					COVER, Armrest
	B376 GC5	1			Blue, (CBBS)
	B376 GL7	1			Taupe, (CBBS)
7					COVER, Armrest, Finish
	S728 GC5	1			Blue, (CBBS)
	S728 GL7	1			Taupe, (CBBS)
8	4138 891	1			ROD, Armrest Lock Bar
9	6030 082	2			BOLT, Armrest Attaching
10					COVER, Hinge Arm Outer (P.A.R.)
	S876 EK1	1			Passenger
	S877 EK1	1			Driver
11					HEADREST
	S702 GC5	2			Blue, (CBBS)
	S702 GL7	2			Taupe, (CBBS)
12					SLEEVE, Headrest
	S690 GC5	2			Blue, (CBBS)
	S690 GL7	2			Taupe, (CBBS)
13	4098 965	4			CATCH, Headrest Post
14					SCREW, (8-18X1) (Not Serv.)
15	4018 808	2			COVER, Headrest Finish
16					BUTTON and RETAINER

MODEL CODES

C BODY = (D41 - DYNASTY)(C41 - NEW YORKER)	L BODY = (M - HORIZON)(Z-OMNI)
E BODY = (J - CARAVELLE)(E - 600)(T - NEW YORKER TURBO)	M BODY = (B - GRAN FURY)(G - DIPLOMAT)(F - FIFTH AVENUE/NEWPORT)
G BODY = (V24 - DAYTONA, PACIFICA & SHELBY)	P BODY = (P - SUNDANCE)(D - SHADOW)
H BODY = (D44 - LANCER)(C44 - LEBARON GTS)	Q BODY = (C27 - MASERATI)
J BODY = (C - LEBARON)	S BODY = (H - VOYAGER)(K - RAM VAN/ CARAVAN)
K BODY = (P - RELIANT)(D - ARIES)(C - LEBARON/ TOWN & COUNTRY)	

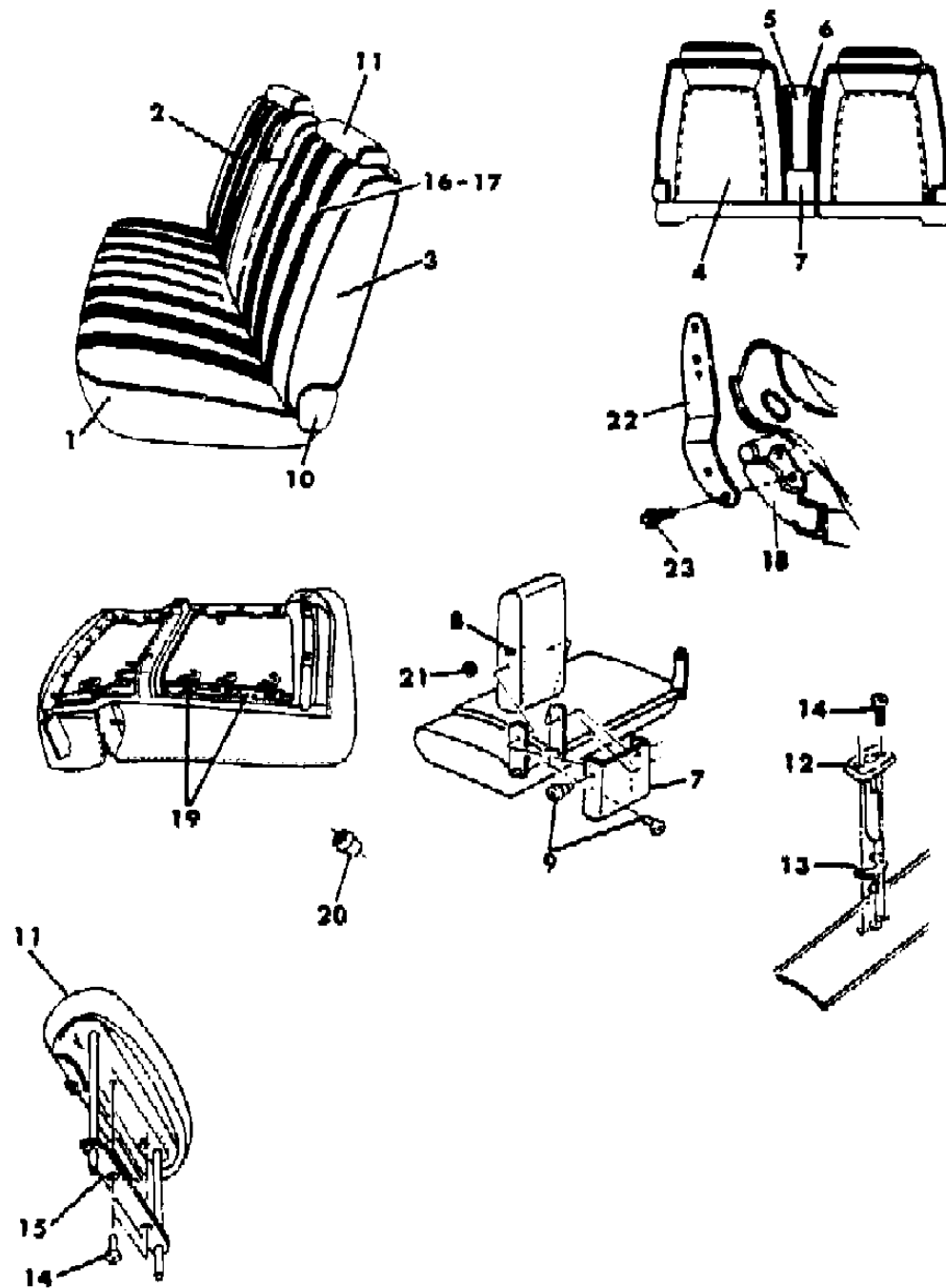
BODY STYLES

12-52 = FWD VAN & WAGON STD. W.B.	27 = 2-DOOR CONVERTIBLE
13-53 = FWD VAN & WGN EXT W.B.	41 = 4-DOOR SEDAN
21 = 2-DOOR SEDAN	44 = 4-DOOR HATCHBACK
24 = 2-DOOR HATCHBACK	45 = 4-DOOR STATION WAGON

AR = Use as Required - = Non Illustrated Part P.A.R. = Paint as Required

SEAT--FRONT FLEET-POLICE-OTHERS M BODY
Figure ITM-1600

8244 1850



ITEM	PART NUMBER	QTY	BODY	MODEL	DESCRIPTION
	G385 GC5	AR			Blue, (CBBS)
	G385 GL7	AR			Taupe, (CBBS)
17					RETAINER, Button (Serv. In Item 16)
18	4190 698-9	1			REINFORCEMENT, Cushion to Back Attaching
19	6008 076	AR			HOG RING
20	6033 020	1			BUSHING, Inner Pivot Pin Right Only
21	6006 324	1			NUT, Armrest Lock Rod
22	#4138 742-3	1			ARM, Seta Back to Cushion w/Center Arm Rest
23	9422 041	AR			SCREW

NOTE: (P.A.R.) = Paint As Required

MODEL CODES

C BODY = (D41 - DYNASTY)(C41 - NEW YORKER)	L BODY = (M - HORIZON)(Z-OMNI)
E BODY = (J - CARAVELLE)(E - 600)(T - NEW YORKER TURBO)	M BODY = (B - GRAN FURY)(G - DIPLOMAT)(F - FIFTH AVENUE/NEWPORT)
G BODY = (V24 - DAYTONA, PACIFICA & SHELBY)	P BODY = (P - SUNDANCE)(D - SHADOW)
H BODY = (D44 - LANCER)(C44 - LEBARON GTS)	Q BODY = (C27 - MASERATI)
J BODY = (C - LEBARON)	S BODY = (H - VOYAGER)(K - RAM VAN/ CARAVAN)
K BODY = (P - RELIANT)(D - ARIES)(C - LEBARON/ TOWN & COUNTRY)	

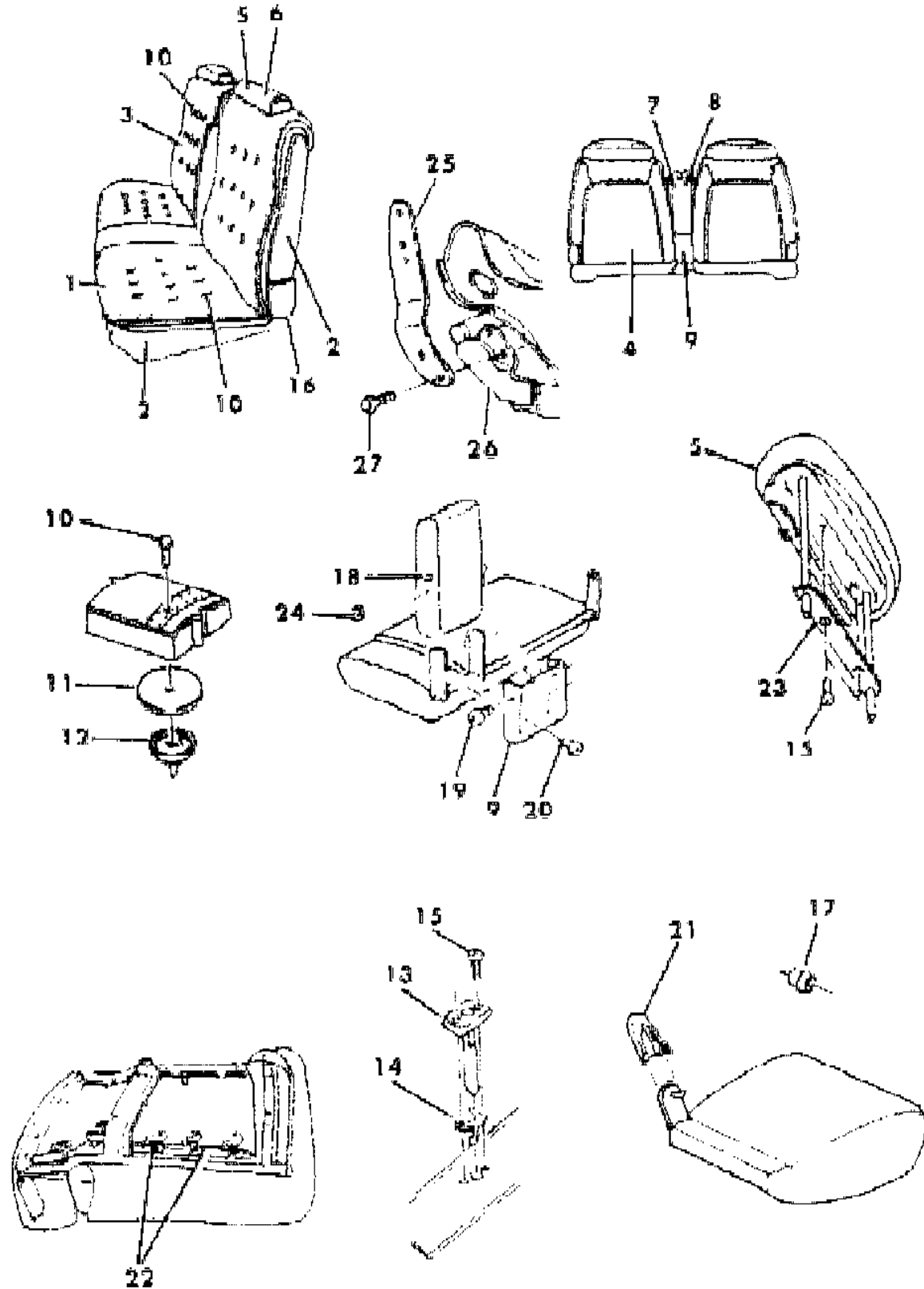
BODY STYLES

12-52 = FWD VAN & WAGON STD. W.B.	27 = 2-DOOR CONVERTIBLE
13-53 = FWD VAN & WGN EXT W.B.	41 = 4-DOOR SEDAN
21 = 2-DOOR SEDAN	44 = 4-DOOR HATCHBACK
24 = 2-DOOR HATCHBACK	45 = 4-DOOR STATION WAGON

AR = Use as Required - = Non Illustrated Part P.A.R. = Paint as Required

SEAT--FRONT M BODY TRIM CODE SY
Figure ITM-1900

8244 1900



ITEM	PART NUMBER	QTY	BODY	MODEL	DESCRIPTION
1-2					CUSHION, w/Spring, Frame, Pad and Cover
	A454-5 GYA	1			LEATHER Silver, (SYA)
	A454-5 GYC	1			Blue, (SYC)
	A454-5 GYM	1			Red, (SYM)
	A454-5 GYL	1			Taupe, (SYL)
1					COVER, Cushion
	A450-1 GYA	1			LEATHER Silver, (SYA)
	A450-1 GYC	1			Blue, (SYC)
	A450-1 GYM	1			Red, (SYM)
	A450-1 GYL	1			Taupe, (SYL)
2					ROLL STOCK, Vinyl Order By The Inch
	R616 AA2	AR			Silver, 64" Wide (SYA)
	R616 VC8	AR			Blue, 64" Wide (SYC)
	R616 VM6	AR			Red, 64" Wide (SYM)
	R600 GL7	AR			Taupe, 54" Wide (SYL)
2-3					BACK, w/Spring/Frame, Pad and Cover
	A614-5 BYA	1			LEATHER Silver, (SYA)
	A614-5 GYC	1			Blue, (SYC)
	A614-5 BYM	1			Red, (SYM)
	A614-5 GYL	1			Taupe, (SYL)
3					COVER, Back
	G496-7 AYA	1			LEATHER Silver
	G496-7 GYC	1			Blue, (SYC)
	G496-7 AYM	1			Red, (SYM)
	G496-7 GYL	1			Taupe, (SYL)
4					PANEL, Back of Fron Back
	S740 AA2	2			Silver, (SYA)
	S740 GC5	2			Blue, (SYC)
	S740 VM6	2			Red, (SYM)
	S740 GL7	2			Taupe, (SYL)
5-6					HEADREST and COVER
	A471 GA2	2			Silver, (SYA)
	A471 GC5	2			Blue, (SYC)

MODEL CODES

C BODY = (D41 - DYNASTY)(C41 - NEW YORKER)
 E BODY = (J - CARAVELLE)(E - 600)(T - NEW YORKER TURBO)
 G BODY = (V24 - DAYTONA, PACIFICA & SHELBY)
 H BODY = (D44 - LANCER)(C44 - LEBARON GTS)
 J BODY = (C - LEBARON)
 K BODY = (P - RELIANT)(D - ARIES)(C - LEBARON/ TOWN & COUNTRY)

L BODY = (M - HORIZON)(Z-OMNI)
 M BODY = (B - GRAN FURY)(G - DIPLOMAT)(F - FIFTH AVENUE/NEWPORT)
 P BODY = (P - SUNDANCE)(D - SHADOW)
 Q BODY = (C27 - MASERATI)
 S BODY = (H - VOYAGER)(K - RAM VAN/ CARAVAN)

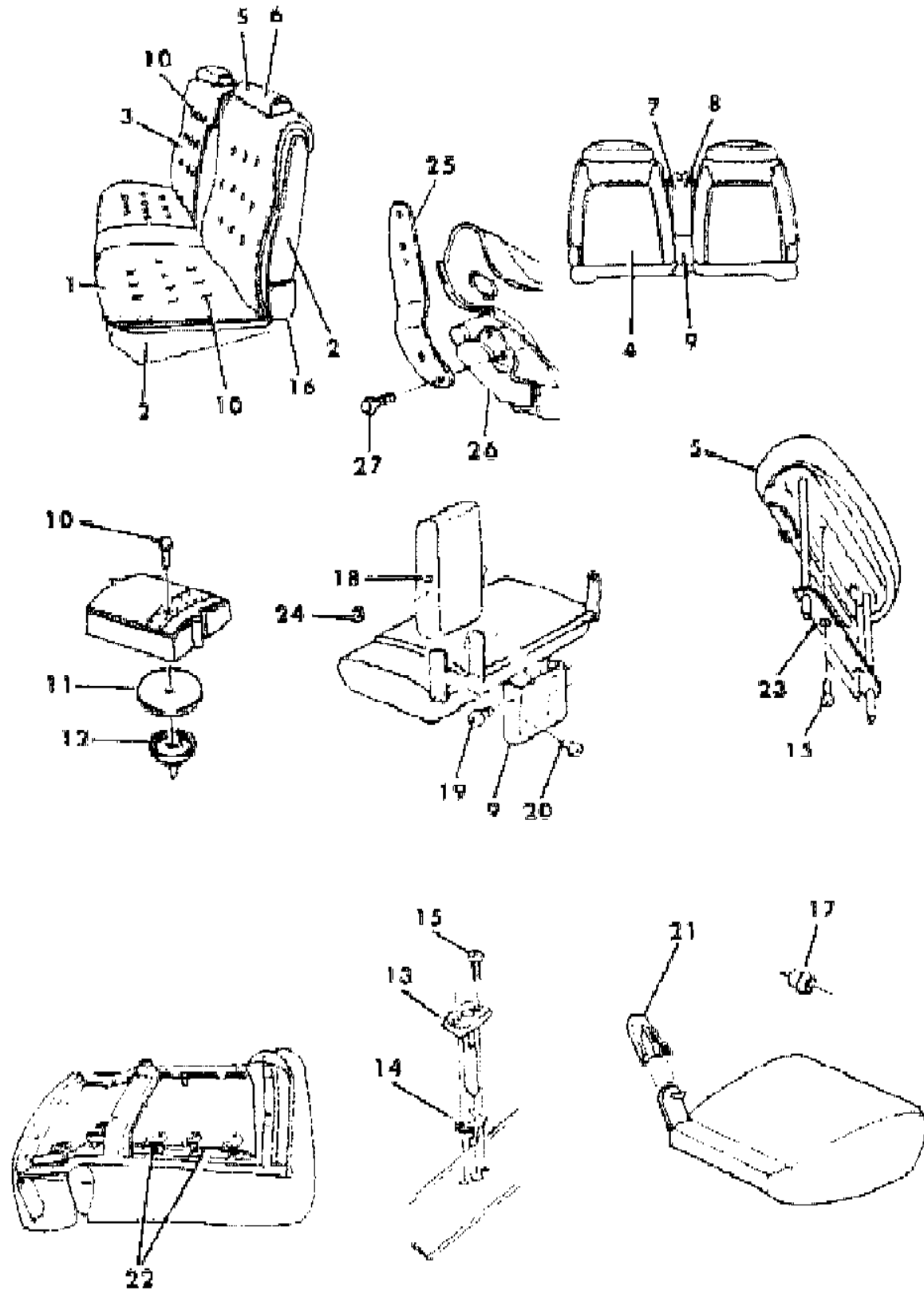
BODY STYLES

12-52 = FWD VAN & WAGON STD. W.B. 27 = 2-DOOR CONVERTIBLE
 13-53 = FWD VAN & WGN EXT W.B. 41 = 4-DOOR SEDAN
 21 = 2-DOOR SEDAN 44 = 4-DOOR HATCHBACK
 24 = 2-DOOR HATCHBACK 45 = 4-DOOR STATION WAGON

AR = Use as Required - = Non Illustrated Part P.A.R. = Paint as Required

SEAT--FRONT M BODY TRIM CODE SY
Figure ITM-1900

8244 1900



ITEM	PART NUMBER	QTY	BODY	MODEL	DESCRIPTION
6	A471 GM6	2			Red, (SYM)
	A471 GL7	2			Taupe, (SYL) COVER, Headrest
	A470 GA2	2			Silver, (SYA)
7-8	A470 GC5	2			Blue, (SYC)
	A470 GM6	2			Red, (SYM)
	A470 GL7	2			Taupe, (SYL) ARMREST and COVER
	A640 AA2	1			Silver, (SYA)
	A640 GC5	1			Blue, (SYC)
8	A640 VM6	1			Red, (SYM)
	A640 GL7	1			Taupe, (SYL) COVER, Armrest
	A319 AA2	1			Silver, (SYA)
	A319 GC5	1			Blue, (SYC)
9	A319 VM6	1			Red, (SYM)
	A319 GL7	1			Taupe, (SYL) COVER, Armrest Finish
	S580 AA3	1			Silver, (SYA)
	S580 GC5	1			Blue, (SYC)
10	S580 VM6	1			Red, (SYM)
	S580 GL7	1			Taupe, (SYL) BUTTON and RETAINER, Cushion and Back
	S845 AA2	AR			Silver, (SYA)
	S845 FC5	AR			Blue, (SYC)
	S845 AM6	AR			Red, (SYM)
11	S845 GL7	AR			Taupe, (SYL)
	4018 167	AR			WASHER, Button
12		AR			RETAINER, Button (Serv. In Item 10)
13					SLEEVE, Headrest
	S690 AA3	4			Silver, (SYA)
	S690 GC5	4			Blue, (SYC)
	S690 TM6	4			Red, (SYM)
14	S690 GL7	4			Taupe, (SYL)
	4098 965	4			CATCH, Headrest Post
15					SCREW, (8-18x1) (Not Serv.)
16					COVER, Hinge Arm Outer (P.A.R.)

MODEL CODES

C BODY = (D41 - DYNASTY)(C41 - NEW YORKER)
E BODY = (J - CARAVELLE)(E - 600)(T - NEW YORKER TURBO)
G BODY = (V24 - DAYTONA, PACIFICA & SHELBY)
H BODY = (D44 - LANCER)(C44 - LEBARON GTS)
J BODY = (C - LEBARON)
K BODY = (P - RELIANT)(D - ARIES)(C - LEBARON/ TOWN & COUNTRY)

L BODY = (M - HORIZON)(Z-OMNI)
M BODY = (B - GRAN FURY)(G - DIPLOMAT)(F - FIFTH AVENUE/NEWPORT)
P BODY = (P - SUNDANCE)(D - SHADOW)
Q BODY = (C27 - MASERATI)
S BODY = (H - VOYAGER)(K - RAM VAN/ CARAVAN)

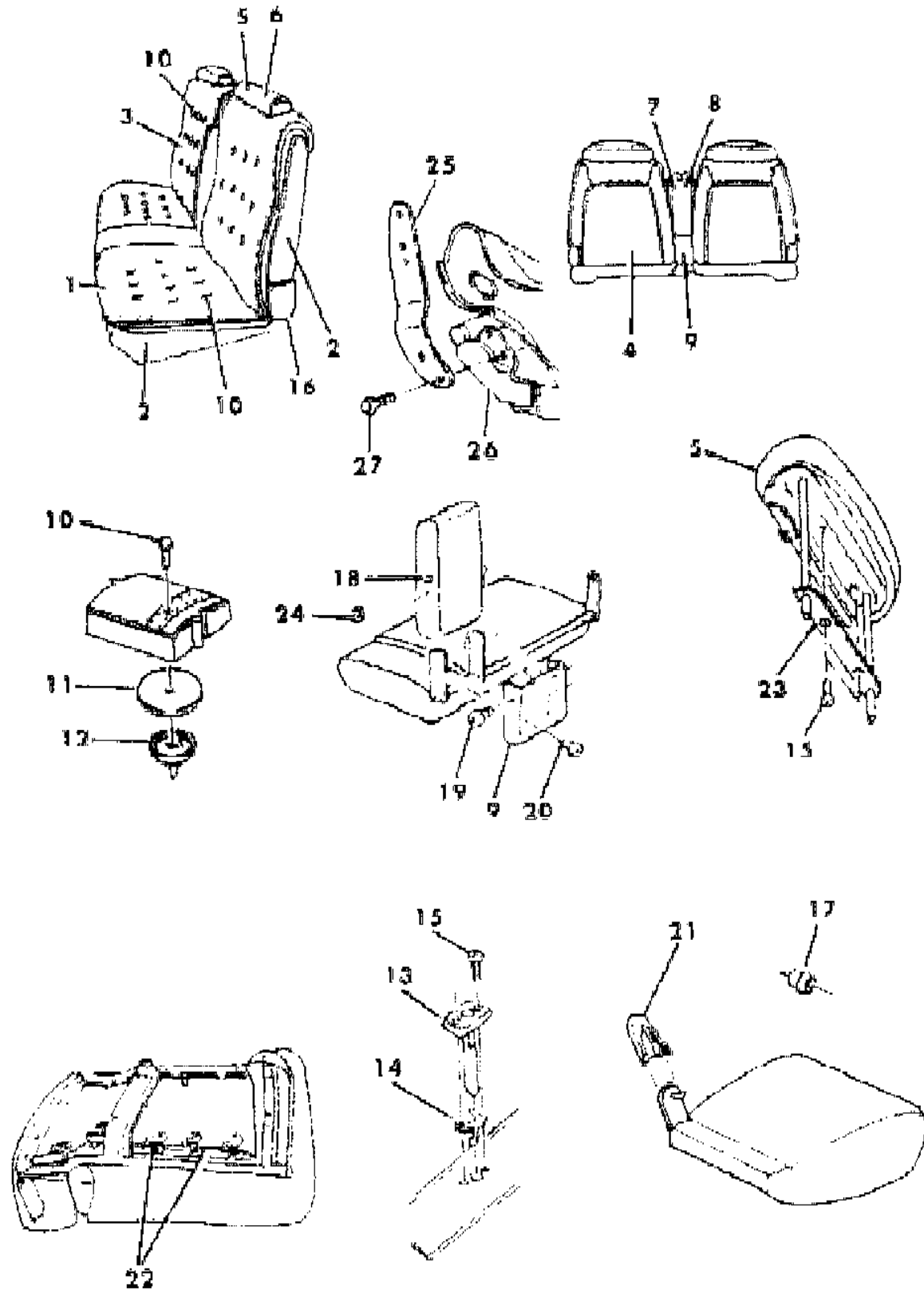
BODY STYLES

12-52 = FWD VAN & WAGON STD. W.B. 27 = 2-DOOR CONVERTIBLE
13-53 = FWD VAN & WGN EXT W.B. 41 = 4-DOOR SEDAN
21 = 2-DOOR SEDAN 44 = 4-DOOR HATCHBACK
24 = 2-DOOR HATCHBACK 45 = 4-DOOR STATION WAGON

AR = Use as Required - = Non Illustrated Part P.A.R. = Paint as Required

SEAT--FRONT M BODY TRIM CODE SY
Figure ITM-1900

8244 1900



ITEM	PART NUMBER	QTY	BODY	MODEL	DESCRIPTION
	S876 DT3	1			Passenger
	S877 EK1	1			Driver
17	#4190 488	1			BUSHING, Cushion Inner Pivot Right Only
18	4138 891	1			ROD, Armrest Lock
19	6030 082	2			BOLT, Armrest Attaching
20	0181 063	AR			SCREW, Armrest to Seat Back
21					COVER, Hinge Arm Inner, Right
	S682 AA3	1			Silver, (SYA)
	S682 GC5	1			Blue, (SYC)
	S682 TM6	1			Red, (SYM)
	S682 GL7	1			Taupe, (SYL)
22	6008 076	AR			HOG RING
23	4018 808	2			COVER, Headrest Finish
24	6006 324	1			NUT, Armrest Lock Rod
25	#4138 743	1			ARM, Cushion to Back, Left
26	4190 698-9	1			REINFORCEMENT
27	9422 041	AR			SCREW

NOTE: (P.A.R.) = Paint As Required

MODEL CODES

C BODY = (D41 - DYNASTY)(C41 - NEW YORKER)
 E BODY = (J - CARAVELLE)(E - 600)(T - NEW YORKER TURBO)
 G BODY = (V24 - DAYTONA, PACIFICA & SHELBY)
 H BODY = (D44 - LANCER)(C44 - LEBARON GTS)
 J BODY = (C - LEBARON)
 K BODY = (P - RELIANT)(D - ARIES)(C - LEBARON/ TOWN & COUNTRY)
 L BODY = (M - HORIZON)(Z-OMNI)
 M BODY = (B - GRAN FURY)(G - DIPLOMAT)(F - FIFTH AVENUE/NEWPORT)
 P BODY = (P - SUNDANCE)(D - SHADOW)
 Q BODY = (C27 - MASERATI)
 S BODY = (H - VOYAGER)(K - RAM VAN/ CARAVAN)

BODY STYLES

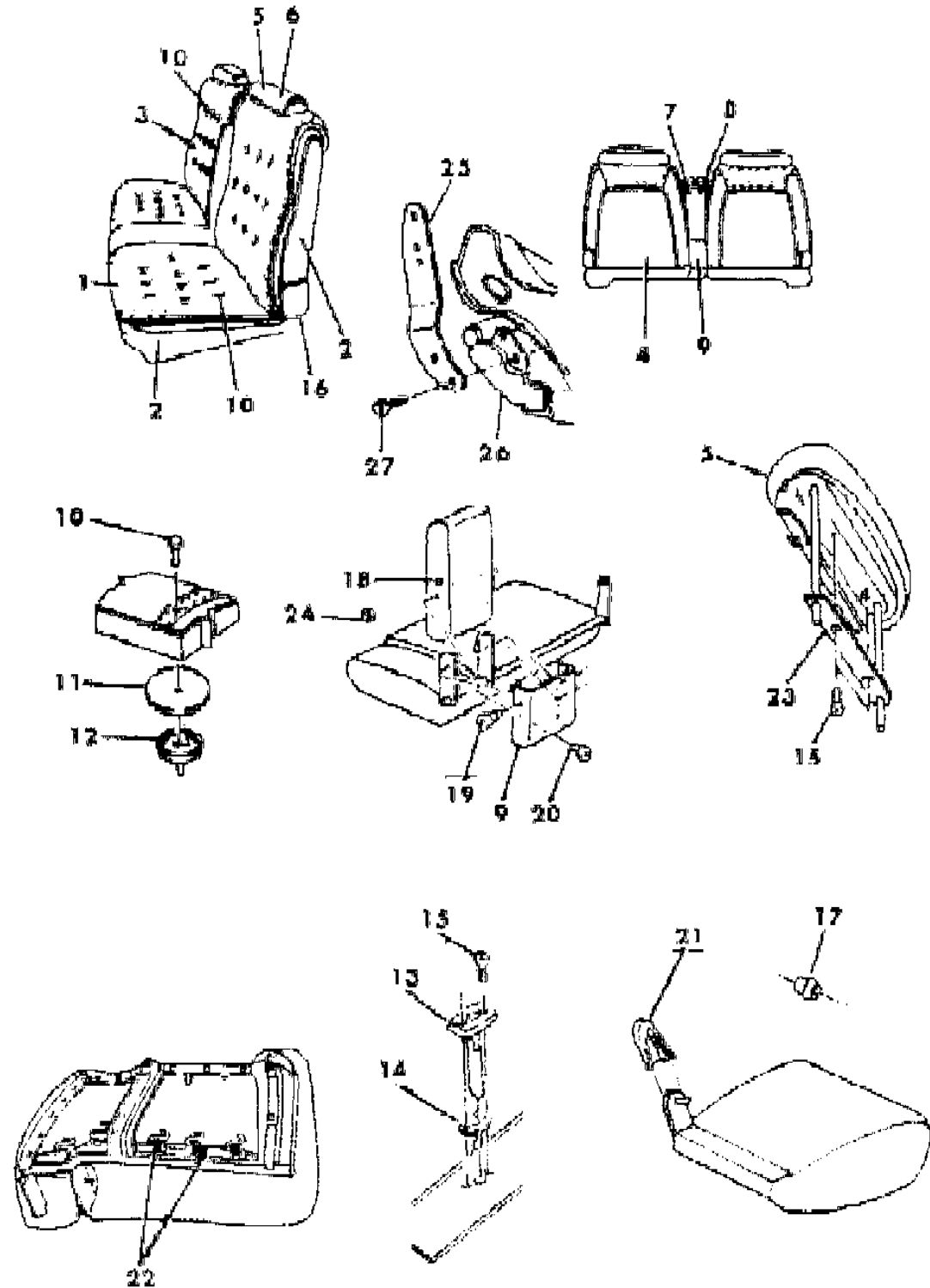
12-52 = FWD VAN & WAGON STD. W.B. 27 = 2-DOOR CONVERTIBLE
 13-53 = FWD VAN & WGN EXT W.B. 41 = 4-DOOR SEDAN
 21 = 2-DOOR SEDAN 44 = 4-DOOR HATCHBACK
 24 = 2-DOOR HATCHBACK 45 = 4-DOOR STATION WAGON

AR = Use as Required - = Non Illustrated Part P.A.R. = Paint as Required

SEAT--FRONT M BODY TRIM CODE S9

Figure ITM-2000

8244 2000



ITEM	PART NUMBER	QTY	BODY	MODEL	DESCRIPTION
1-2					CUSHION, w/Spring, Frame, Pad and Cover
	A464-5 G9A	1			CLOTH Silver, (S9A)
	A464-5 G9C	1			Blue, (S9C)
	A464-5 G9M	1			Red, (S9M)
	A464-5 G9L	1			Taupe, ((S9L)
1					COVER, Cushion
	A460-1 G9A	1			CLOTH Silver, (S9A)
	A460-1 G9C	1			Blue, (S9C)
	A460-1 G9M	1			Red, (S9M)
	A460-1 G9L	1			Taupe, (S9L)
2					ROLL STOCK, Cloth 62" Wide Order By The Inch
	R035 EA3	AR			Silver, (S9A)
	R035 FC5	AR			Blue, (S9C)
	R035 EM6	AR			Red, (S9M)
	R035 GL7	AR			Taupe, (S9L)
2-3					BACK, w/Spring/Frame, Pad and Cover
	A498-9 G9A	1			CLOTH Silver, (S9A)
	A498-9 G9C	1			Blue, (S9C)
	A498-9 G9M	1			Red, (S9M)
	A498-9 G9L	1			Taupe, (S9L)
3					COVER, Back
	A480-1 G9A	1			CLOTH Silver, (S9A)
	A480-1 G9C	1			Blue, (S9C)
	A480-1 G9M	1			Red, (S9M)
	A480-1 G9L	1			Taupe, (S9L)
4					PANEL, Front Back
	S742 AA3	2			Silver, (S9A)
	S742 GC5	2			Blue, (S9C)
	S742 AM6	2			Red, (S9M)
	S742 GL7	2			Taupe, (S9L)
5					HEADREST and COVER
	A500 GA3	2			Silver, (S9A)
	A500 GC5	2			Blue, (S9C)

MODEL CODES

C BODY = (D41 - DYNASTY)(C41 - NEW YORKER)
 E BODY = (J - CARAVELLE)(E - 600)(T - NEW YORKER TURBO)
 G BODY = (V24 - DAYTONA, PACIFICA & SHELBY)
 H BODY = (D44 - LANCER)(C44 - LEBARON GTS)
 J BODY = (C - LEBARON)
 K BODY = (P - RELIANT)(D - ARIES)(C - LEBARON/ TOWN & COUNTRY)

L BODY = (M - HORIZON)(Z-OMNI)
 M BODY = (B - GRAN FURY)(G - DIPLOMAT)(F - FIFTH AVENUE/NEWPORT)
 P BODY = (P - SUNDANCE)(D - SHADOW)
 Q BODY = (C27 - MASERATI)
 S BODY = (H - VOYAGER)(K - RAM VAN/ CARAVAN)

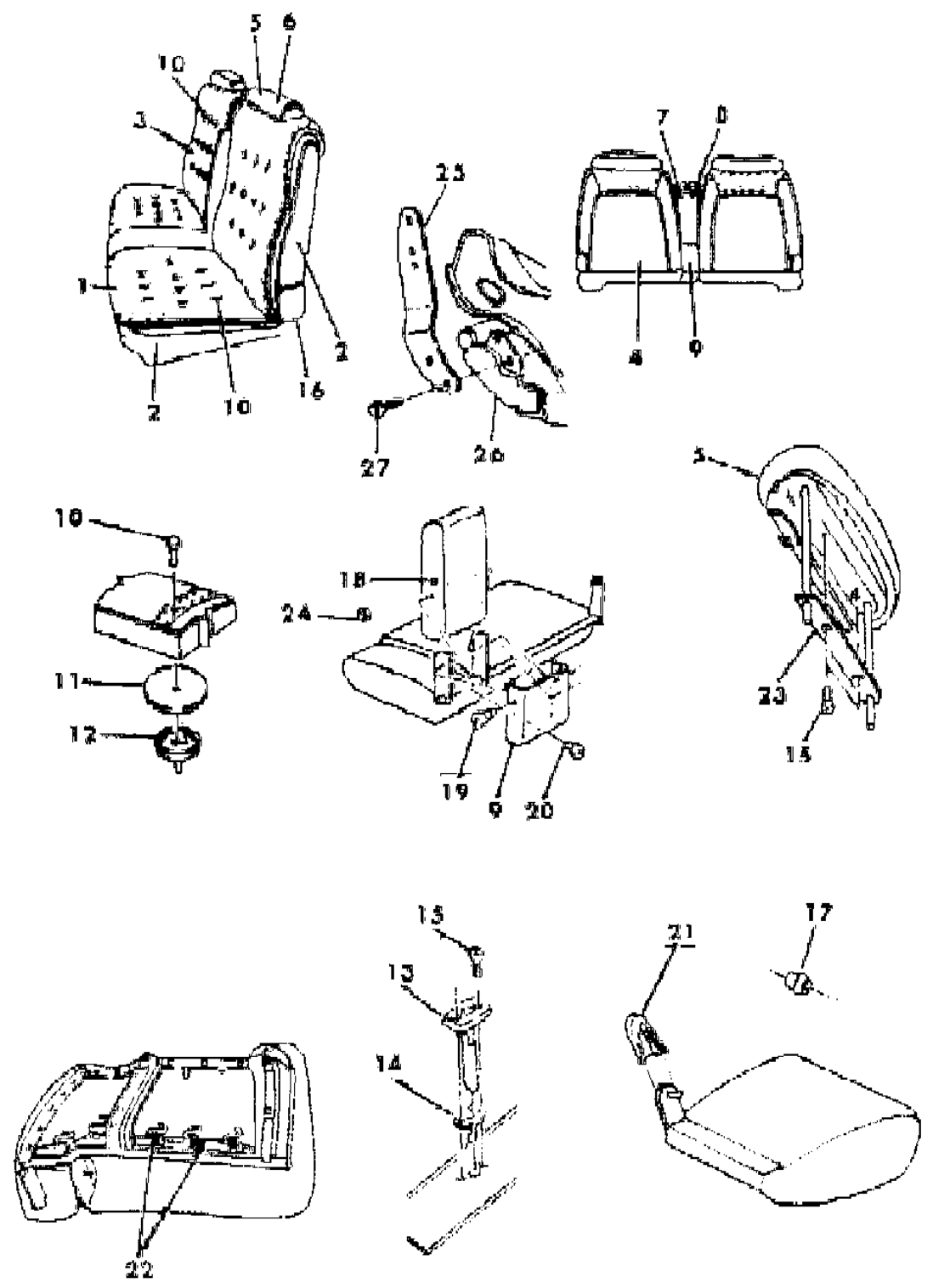
BODY STYLES

12-52 = FWD VAN & WAGON STD. W.B. 27 = 2-DOOR CONVERTIBLE
 13-53 = FWD VAN & WGN EXT W.B. 41 = 4-DOOR SEDAN
 21 = 2-DOOR SEDAN 44 = 4-DOOR HATCHBACK
 24 = 2-DOOR HATCHBACK 45 = 4-DOOR STATION WAGON

AR = Use as Required - = Non Illustrated Part P.A.R. = Paint as Required

SEAT--FRONT M BODY TRIM CODE S9
Figure ITM-2000

8244 2000



ITEM	PART NUMBER	QTY	BODY	MODEL	DESCRIPTION
6	A500 GM6	2			Red, (S9M)
	A500 GL7	2			Taupe, (S9L)
	A483 GA3	2			Silver, (S9A)
	A483 GC5	2			Blue, (S9C)
7	A483 GM6	2			Red, (S9M)
	A483 GL7	2			Taupe, (S9L)
	A501 GA3	1			Silver, (S9A)
	A501 GC5	1			Blue, (S9C)
8	A501 GM6	1			Red, (S9M)
	A501 GL7	1			Taupe, (S9L)
	A482 GA3	1			Silver, (S9A)
	A482 GC5	1			Blue, (S9C)
9	A482 GM6	1			Red, (S9M)
	A482 GL7	1			Taupe, (S9L)
	S580 AA3	1			Silver
	S580 GC5	1			Blue
10	S580 VM6	1			Red
	S580 GL7	1			Taupe
	G378 AA3	AR			Silver, (S9A)
	G378 FC5	AR			Blue, (S9C)
11	G378 AM6	AR			Red, (S9M)
	G378 GL7	AR			Taupe, (S9L)
	4018 167	AR			WASHER, Button
	12				RETAINER, Button (Serv. In Item 10)
13	S690 AA3	4			Silver
	S690 GC5	4			Blue
	S690 TM6	4			Red
	S690 GL7	4			Taupe
14	4098 965	4			CATCH, Headrest Post
15		AR			SCREW, (8-18x1) (Not Serv.)
16					COVER, Hinge Arm Outer (P.A.R.)

MODEL CODES
 C BODY = (D41 - DYNASTY)(C41 - NEW YORKER)
 E BODY = (J - CARAVELLE)(E - 600)(T - NEW YORKER TURBO)
 G BODY = (V24 - DAYTONA, PACIFICA & SHELBY)
 H BODY = (D44 - LANCER)(C44 - LEBARON GTS)
 J BODY = (C - LEBARON)
 K BODY = (P - RELIANT)(D - ARIES)(C - LEBARON/ TOWN & COUNTRY)
 L BODY = (M - HORIZON)(Z-OMNI)
 M BODY = (B - GRAN FURY)(G - DIPLOMAT)(F - FIFTH AVENUE/NEWPORT)
 P BODY = (P - SUNDANCE)(D - SHADOW)
 Q BODY = (C27 - MASERATI)
 S BODY = (H - VOYAGER)(K - RAM VAN/ CARAVAN)

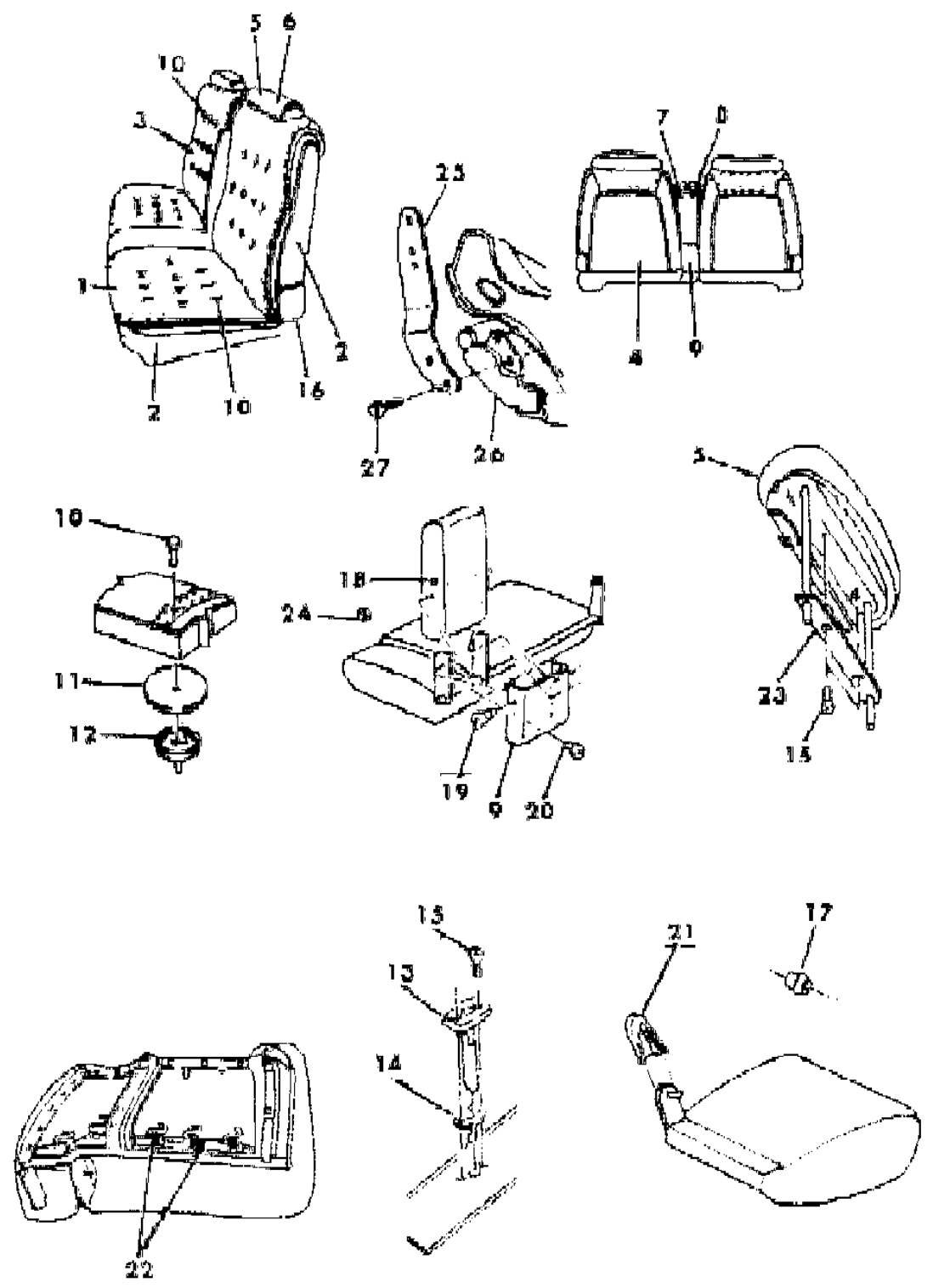
BODY STYLES
 12-52 = FWD VAN & WAGON STD. W.B. 27 = 2-DOOR CONVERTIBLE
 13-53 = FWD VAN & WGN EXT W.B. 41 = 4-DOOR SEDAN
 21 = 2-DOOR SEDAN 44 = 4-DOOR HATCHBACK
 24 = 2-DOOR HATCHBACK 45 = 4-DOOR STATION WAGON

AR = Use as Required - = Non Illustrated Part P.A.R. = Paint as Required

SEAT--FRONT M BODY TRIM CODE S9

Figure ITM-2000

8244 2000



ITEM	PART NUMBER	QTY	BODY	MODEL	DESCRIPTION
	S876 EK1	1			Passenger
	S877 EK1	1			Driver
17	#4190 488	1			BUSHING, Front Seat Cushion Inner Pivot, Right Only
18	4138 891	1			ROD, Armrest Lock
19	6030 082	2			BOLT, Armrest Attaching
20	0181 063	AR			SCREW, Armrest to Seat Back
21					COVER, Hinge Arm Inner Right
	S682 AA3	1			Silver
	S682 GC5	1			Blue
	S682 TM6	1			Red
	S682 GL7	1			Taupe
22	6008 076	AR			HOG RING
23	4018 808	2			COVER, Headrest Finish
24	6006 324	1			NUT, Armrest Lock Rod
25	#4138 743	1			ARM, Back to Cushion Armrest, Left
26	4190 698-9	1			REINFORCEMENT
27	9422 041	AR			SCREW

NOTE: (P.A.R.) = Paint As Required

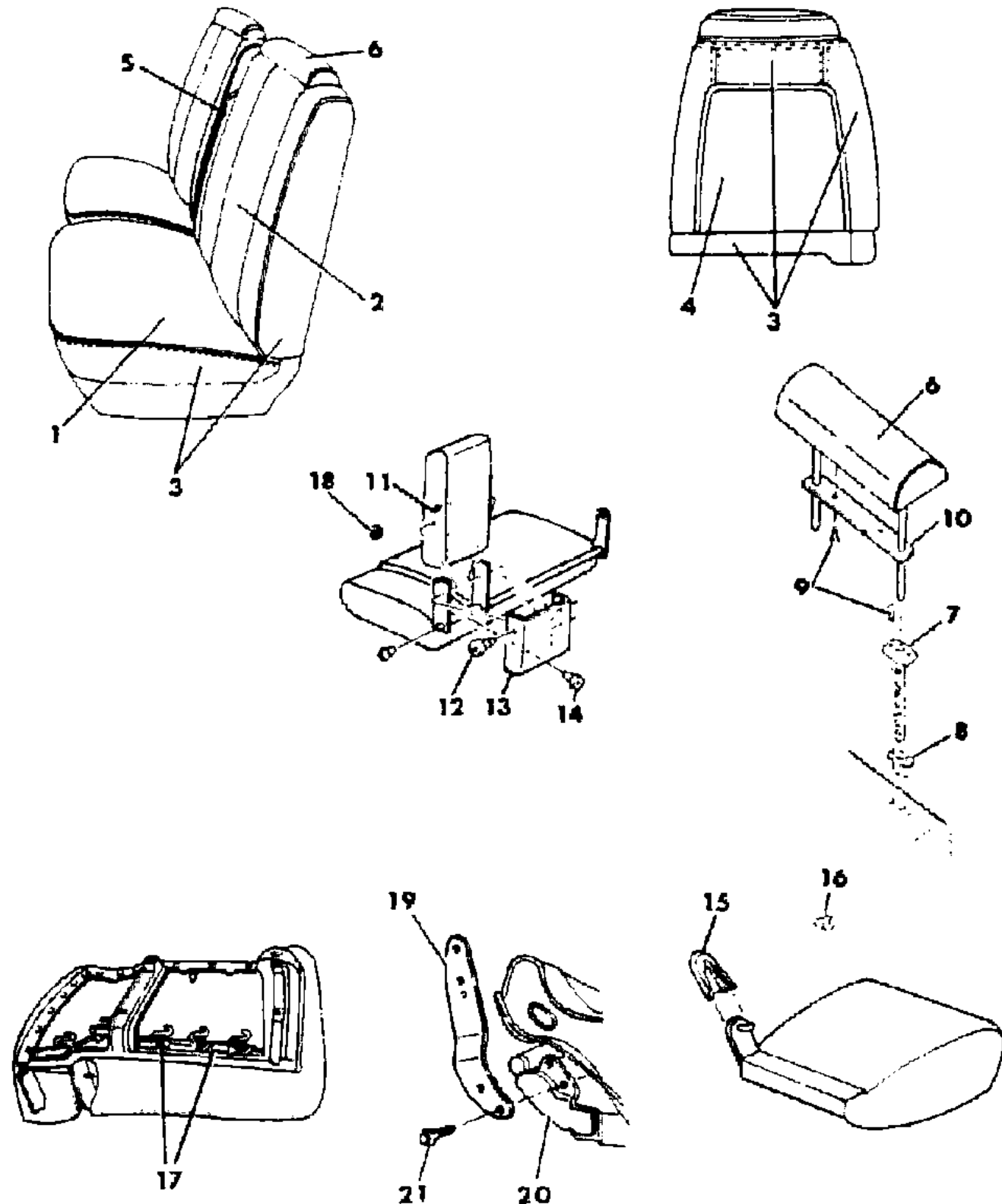
MODEL CODES
 C BODY = (D41 - DYNASTY)(C41 - NEW YORKER)
 E BODY = (J - CARAVELLE)(E - 600)(T - NEW YORKER TURBO)
 G BODY = (V24 - DAYTONA, PACIFICA & SHELBY)
 H BODY = (D44 - LANCER)(C44 - LEBARON GTS)
 J BODY = (C - LEBARON)
 K BODY = (P - RELIANT)(D - ARIES)(C - LEBARON/ TOWN & COUNTRY)
 L BODY = (M - HORIZON)(Z-OMNI)
 M BODY = (B - GRAN FURY)(G - DIPLOMAT)(F - FIFTH AVENUE/NEWPORT)
 P BODY = (P - SUNDANCE)(D - SHADOW)
 Q BODY = (C27 - MASERATI)
 S BODY = (H - VOYAGER)(K - RAM VAN/ CARAVAN)

BODY STYLES
 12-52 = FWD VAN & WAGON STD. W.B. 27 = 2-DOOR CONVERTIBLE
 13-53 = FWD VAN & WGN EXT W.B. 41 = 4-DOOR SEDAN
 21 = 2-DOOR SEDAN 44 = 4-DOOR HATCHBACK
 24 = 2-DOOR HATCHBACK 45 = 4-DOOR STATION WAGON

AR = Use as Required - = Non Illustrated Part P.A.R. = Paint as Required

SEAT--FRONT FLEET-POLICE-OTHERS M BODY
Figure ITM-1600

8244 2100



ITEM	PART NUMBER	QTY	BODY	MODEL	DESCRIPTION
NOTE: Special Equipment Code Is In The Trim Code.					
1	4370 358	1			COVER, Cushion Blue, Vinyl Right (CBCR)
	4370 357	1			Blue, Vinyl Left (CBCR)
	4370 345	1			Blue, Cloth Left (CBCP)
	4370 346	1			Blue, Cloth Right (CBCP)
	4370 350	1			TAUPE, Cloth Right (CBCP)
	4370 349	1			TAUPE, Cloth Left (CBCP)
2					COVER, Back
	4370 360-1	1			Blue, Vinyl Right (CBCR)
	4370 359	1			Blue, Vinyl Left (CBCR)
	4370 347	1			Blue, Cloth Left (CBCP)
	4370 348	1			Blue, Cloth Right (CBCP)
	4370 337	1			Almond, Cloth Right (CBCP)
	4370 351	1			Almond, Cloth Left (CBCP)
3					ROLL STOCK, Vinyl Order By The Inch
	R616 VC8	AR			Blue, 64" Wide
	R600 EK1	AR			Almond, 54" Wide
4					PANEL, Back of Front Back
	S740 VC8	2			Blue
	S740 EK1	2			Almond
5					COVER, Armrest
	B376 CC8	1			Blue
	B376 EK1	1			Almond
6					HEADREST
	S702 SC7	2			Blue
	S702 EK1	2			Almond
7					SLEEVE, Headrest
	S690 SC7	4			Blue
	S690 EK1	4			Almond
8	4098 965	4			CATCH, Headrest
9					SCREW, (8-18x1) (Not Serv.)
10	4018 808	2			COVER, Headrest Finish
11	4138 891	1			ROD, Armrest Lock
12	6030 082	2			BOLT, Armrest Attaching
13					COVER, Armrest Finish
	S580 VC7	1			Blue

MODEL CODES

C BODY = (D41 - DYNASTY)(C41 - NEW YORKER)
E BODY = (J - CARAVELLE)(E - 600)(T - NEW YORKER TURBO)
G BODY = (V24 - DAYTONA, PACIFICA & SHELBY)
H BODY = (D44 - LANCER)(C44 - LEBARON GTS)
J BODY = (C - LEBARON)
K BODY = (P - RELIANT)(D - ARIES)(C - LEBARON/ TOWN & COUNTRY)

L BODY = (M - HORIZON)(Z-OMNI)
M BODY = (B - GRAN FURY)(G - DIPLOMAT)(F - FIFTH AVENUE/NEWPORT)
P BODY = (P - SUNDANCE)(D - SHADOW)
Q BODY = (C27 - MASERATI)
S BODY = (H - VOYAGER)(K - RAM VAN/ CARAVAN)

BODY STYLES

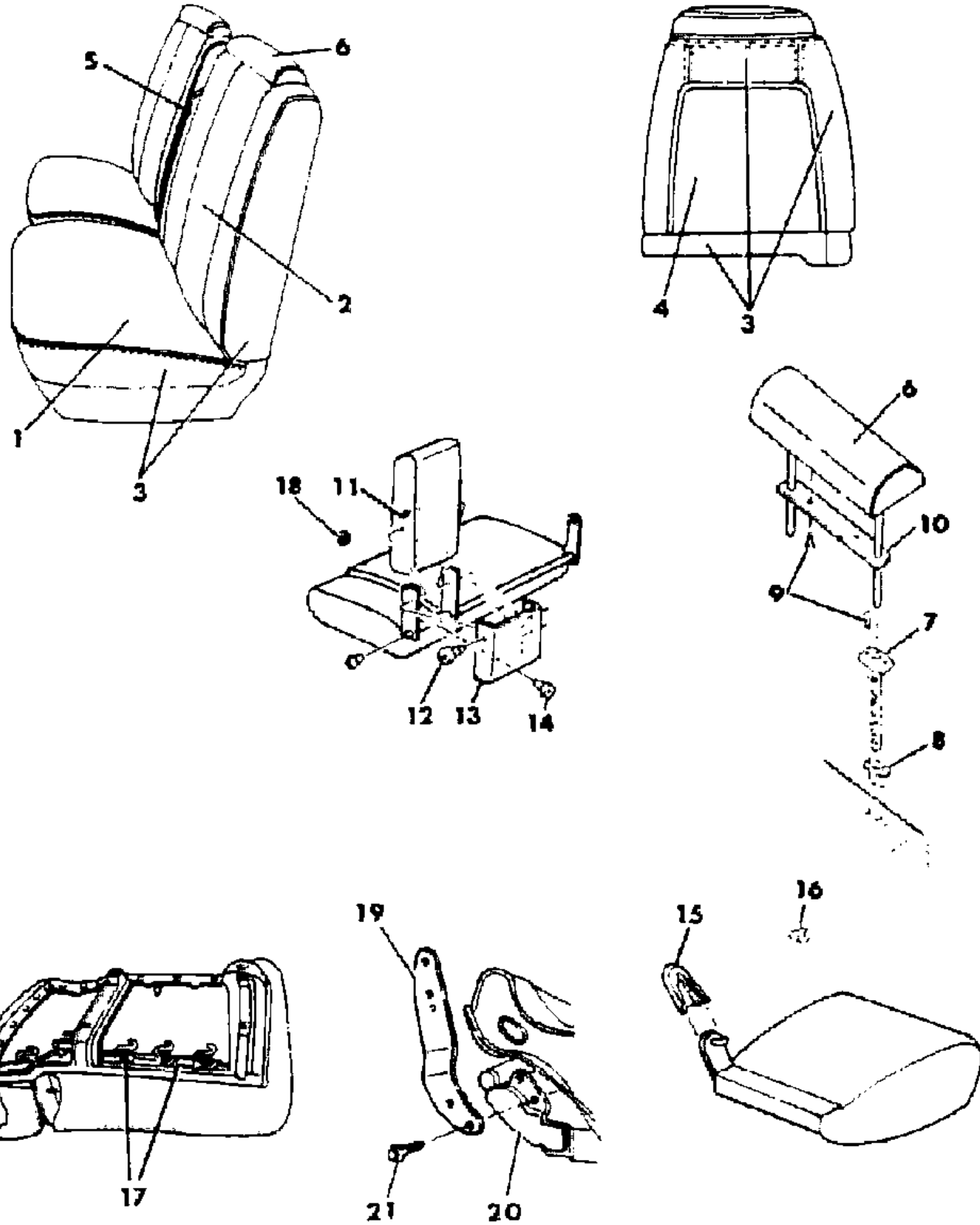
12-52 = FWD VAN & WAGON STD. W.B. 27 = 2-DOOR CONVERTIBLE
13-53 = FWD VAN & WGN EXT W.B. 41 = 4-DOOR SEDAN
21 = 2-DOOR SEDAN 44 = 4-DOOR HATCHBACK
24 = 2-DOOR HATCHBACK 45 = 4-DOOR STATION WAGON

AR = Use as Required - = Non Illustrated Part P.A.R. = Paint as Required

SEAT--FRONT FLEET-POLICE-OTHERS M BODY
Figure ITM-1600

8244 2100

ITEM	PART NUMBER	QTY	BODY	MODEL	DESCRIPTION
	S580 EK1	1			Almond
14	0181 063	AR			SCREW, Armrest to Seat Back
15					COVER, Hinge Arm Inner, Right Only
	S682 SC7	1			Blue
	S682 EK1	1			Almond
16	#4190 488	1			BUSHING, Inner Pivot, Right Only
17	6008 076	AR			HOG RING
18	6006 324	1			NUT, Armrest Lock
19					ARM
	4098 886	1			Right
	4138 765	1			Left, (Use Up To 3-15-88)
	4098 887	1			Left, (Use After 3-15-88)
20	4190 698-9	1			REINFORCEMENT
21	9422 041	AR			SCREW



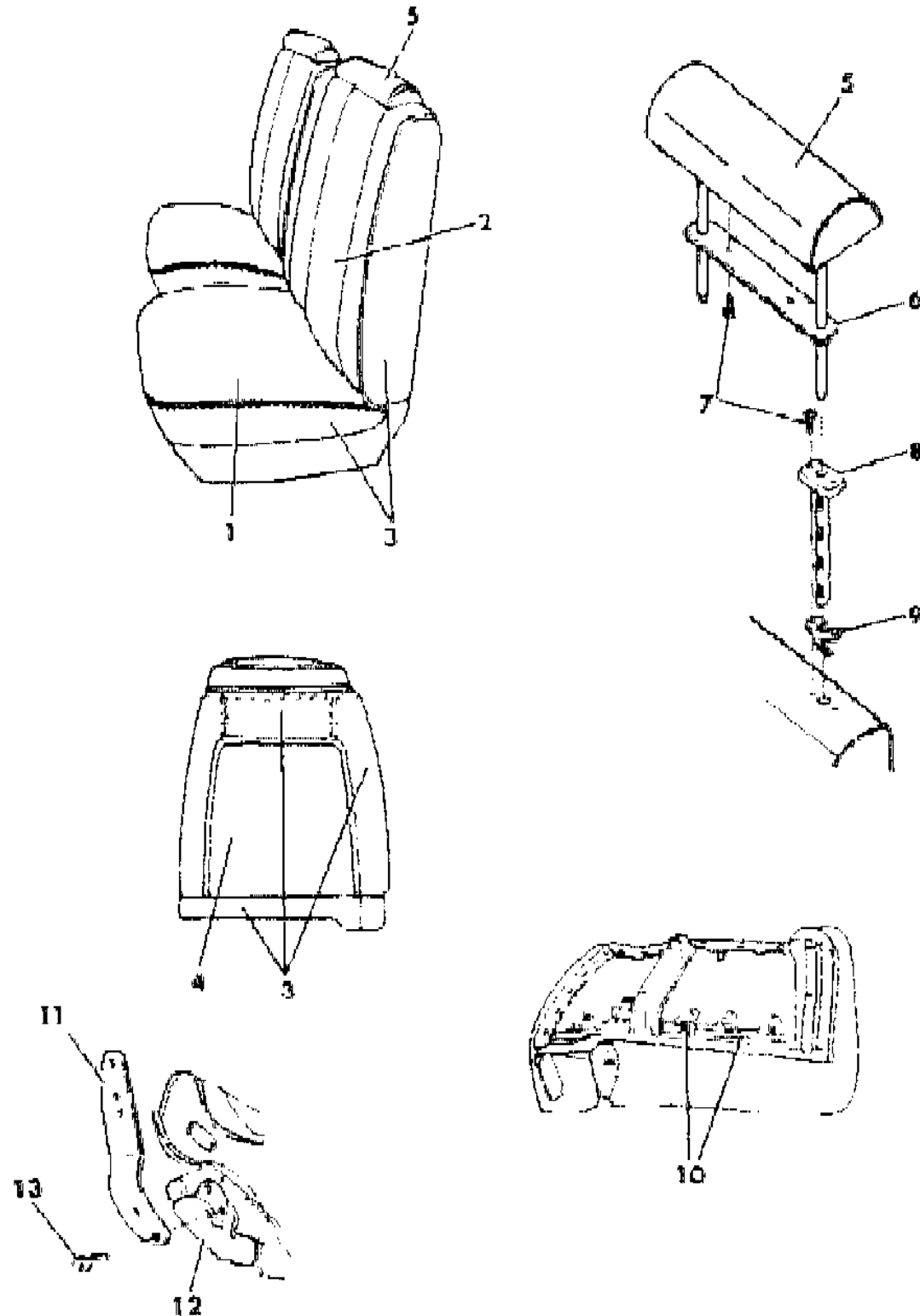
MODEL CODES
 C BODY = (D41 - DYNASTY)(C41 - NEW YORKER)
 E BODY = (J - CARAVELLE)(E - 600)(T - NEW YORKER TURBO)
 G BODY = (V24 - DAYTONA, PACIFICA & SHELBY)
 H BODY = (D44 - LANCER)(C44 - LEBARON GTS)
 J BODY = (C - LEBARON)
 K BODY = (P - RELIANT)(D - ARIES)(C - LEBARON/ TOWN & COUNTRY)
 L BODY = (M - HORIZON)(Z-OMNI)
 M BODY = (B - GRAN FURY)(G - DIPLOMAT)(F - FIFTH AVENUE/NEWPORT)
 P BODY = (P - SUNDANCE)(D - SHADOW)
 Q BODY = (C27 - MASERATI)
 S BODY = (H - VOYAGER)(K - RAM VAN/ CARAVAN)

BODY STYLES
 12-52 = FWD VAN & WAGON STD. W.B. 27 = 2-DOOR CONVERTIBLE
 13-53 = FWD VAN & WGN EXT W.B. 41 = 4-DOOR SEDAN
 21 = 2-DOOR SEDAN 44 = 4-DOOR HATCHBACK
 24 = 2-DOOR HATCHBACK 45 = 4-DOOR STATION WAGON

AR = Use as Required - = Non Illustrated Part P.A.R. = Paint as Required

SEAT--FRONT FLEET-POLICE-OTHERS M BODY
Figure ITM-1600

8244 2200



ITEM	PART NUMBER	QTY	BODY	MODEL	DESCRIPTION
NOTE: Special Equipment Code Is In The Trim Code					
1	4370 354	1			COVER, Cushion Blue, Cloth Right (CACN)
	4370 353	1			Blue, Cloth Left (CACN)
	4370 356	1			Taupe, Cloth Right (CACN)
	4370 355	1			Taupe, Cloth Left (CACN)
	4370 362	1			Blue, Vinyl Right (CACP)
	4370 361	1			Blue, Vinyl Left (CACP)
	4370 364	1			Taupe, (CACP)
	4370 363	1			Taupe, Vinyl Left (CACP)
2	4370 348	2			COVER, Back Blue, Cloth (CACN)
	4370 352	2			Taupe, Cloth (CACN)
	4370 360	2			Blue, Vinyl (CACP)
	N198 EXK	2			Taupe, Vinyl (CACP)
3	R616 VC8	AR			ROLL STOCK, Vinyl Order BY The Inch Blue, 64" Wide
	R600 EK1	AR			Taupe, 54" Wide
4	S740 VC8	2			PANEL, Back of Front Back Blue
	S740 EK1	2			Taupe
5	S702 SC7	2			HEADREST Blue
	S702 EK1	2			Taupe
6	4018 808	2			COVER, Headrest Finish
7					SCREW, (8-18x1) (Not Serv.)
8	S690 SC7	4			SLEEVE, Headrest Blue
	S690 EK1	4			Taupe
9	4098 965	4			CATCH, Headrest
10	6008 076	AR			HOG RING
11	4098 886	1			ARM Right
	4138 765	1			Left (Use Up To 3-15-88)
	4098 887	1			Left, (Use After 3-15-88)
12	4190 698-9	1			REINFORCEMENT
13	9422 041	AR			SCREW

MODEL CODES

C BODY = (D41 - DYNASTY)(C41 - NEW YORKER)
 E BODY = (J - CARAVELLE)(E - 600)(T - NEW YORKER TURBO)
 G BODY = (V24 - DAYTONA, PACIFICA & SHELBY)
 H BODY = (D44 - LANCER)(C44 - LEBARON GTS)
 J BODY = (C - LEBARON)
 K BODY = (P - RELIANT)(D - ARIES)(C - LEBARON/ TOWN & COUNTRY)

L BODY = (M - HORIZON)(Z-OMNI)
 M BODY = (B - GRAN FURY)(G - DIPLOMAT)(F - FIFTH AVENUE/NEWPORT)
 P BODY = (P - SUNDANCE)(D - SHADOW)
 Q BODY = (C27 - MASERATI)
 S BODY = (H - VOYAGER)(K - RAM VAN/ CARAVAN)

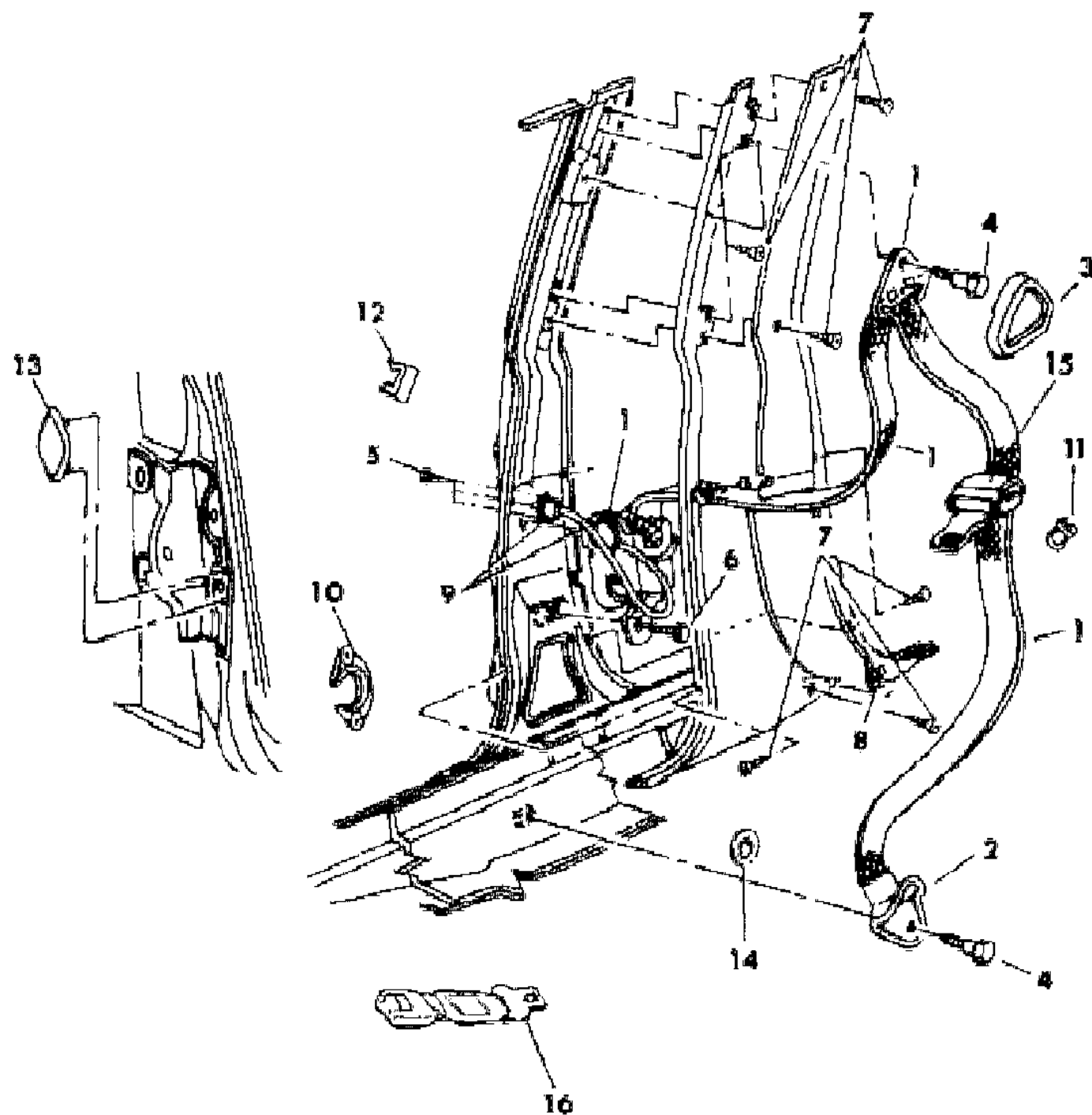
BODY STYLES

12-52 = FWD VAN & WAGON STD. W.B. 27 = 2-DOOR CONVERTIBLE
 13-53 = FWD VAN & WGN EXT W.B. 41 = 4-DOOR SEDAN
 21 = 2-DOOR SEDAN 44 = 4-DOOR HATCHBACK
 24 = 2-DOOR HATCHBACK 45 = 4-DOOR STATION WAGON

AR = Use as Required - = Non Illustrated Part P.A.R. = Paint as Required

BELT--FRONT SEAT LAP AND SHOULDER-OUTER M BODY
Figure ITM-2300

8244 2300



ITEM	PART NUMBER	QTY	BODY	MODEL	DESCRIPTION
1					BELT, Outer
					LABEL NUMBER 4290466-7
	F660-1 BA3	1			Silver
	F660-1 GC5	1			Blue
	F660-1 BM6	1			Red
	F660-1 GL7	1			Taupe
2	F814 FC5	1			COVER, Swivel Plate, (P.A.R.)
3					COVER, Belt Hanger
	F828 AA3	2			Silver
	F828 GC5	2			Blue
	F828 TM6	2			Red
	F828 GL7	2			Taupe
4	6031 216	2			BOLT
5					SCREW, (10-16x3/4) (Not Serv.)
6	6031 484	2			BOLT
7	6032 179	16			SCREW
8	0152 490	2			U-NUT
9		1			RELEASE, Tension Reliver (Serv. In Item 1)
10		2			RETAINER, Reliver Release Attaching (Serv. In Item 1)
11					COVER, Unibelt Tip (Serv. In Item 1)
12					CLIP, Reliver Cable to Cover Retaining (Serv. In Item 1)
13		2			PLUG, Reliver Release Hole (Serv. In Item 1)
14	6025 160	2			RETAINER, Inertia Retractor Pendulum Shaft
15	4316 773	1			COVER, Tip Half (P.A.R.)
16	4364 849	AR			EXTENDER

NOTE: (P.A.R.) = Paint As Required

MODEL CODES

C BODY = (D41 - DYNASTY)(C41 - NEW YORKER)	L BODY = (M - HORIZON)(Z-OMNI)
E BODY = (J - CARAVELLE)(E - 600)(T - NEW YORKER TURBO)	M BODY = (B - GRAN FURY)(G - DIPLOMAT)(F - FIFTH AVENUE/NEWPORT)
G BODY = (V24 - DAYTONA, PACIFICA & SHELBY)	P BODY = (P - SUNDANCE)(D - SHADOW)
H BODY = (D44 - LANCER)(C44 - LEBARON GTS)	Q BODY = (C27 - MASERATI)
J BODY = (C - LEBARON)	S BODY = (H - VOYAGER)(K - RAM VAN/ CARAVAN)
K BODY = (P - RELIANT)(D - ARIES)(C - LEBARON/ TOWN & COUNTRY)	

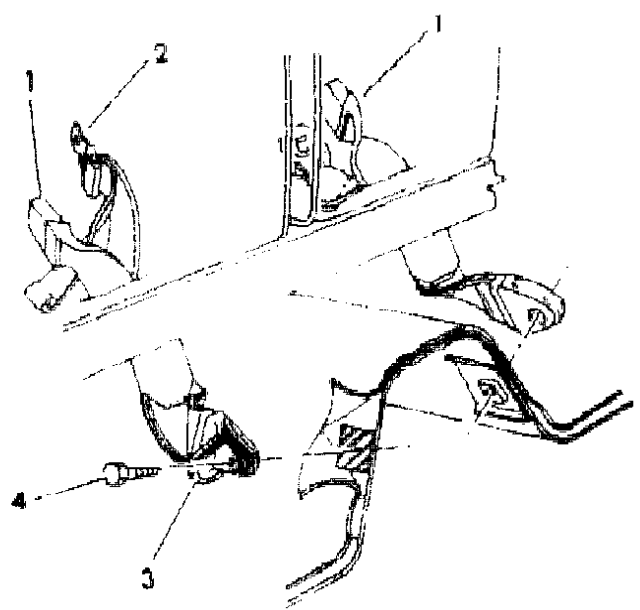
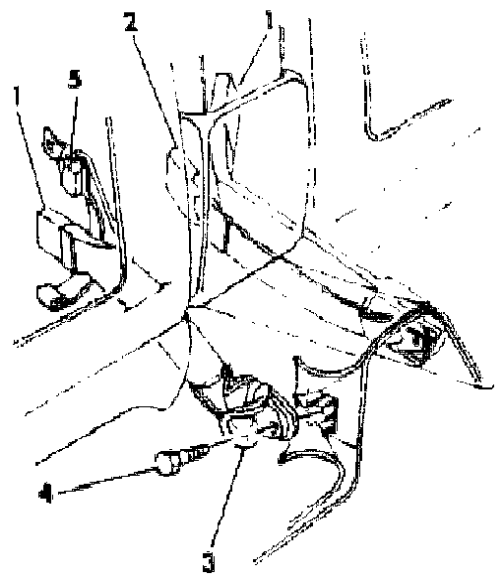
BODY STYLES

12-52 = FWD VAN & WAGON STD. W.B.	27 = 2-DOOR CONVERTIBLE
13-53 = FWD VAN & WGN EXT W.B.	41 = 4-DOOR SEDAN
21 = 2-DOOR SEDAN	44 = 4-DOOR HATCHBACK
24 = 2-DOOR HATCHBACK	45 = 4-DOOR STATION WAGON

AR = Use as Required - = Non Illustrated Part P.A.R. = Paint as Required

BELT--FRONT SEAT LAP AND SHOULDER-INNER M BODY
Figure ITM-2400

8244 2400



ITEM	PART NUMBER	QTY	BODY	MODEL	DESCRIPTION
1					BELT, Buckle Half, Right
					LABEL NUMBER 4327360
		F772 CA3	1		Silver
		F772 GC5	1		Blue
		F772 CM6	1		Red
		F772 GL7	1		Taupe
					LABEL NUMBER 4316752-3
		F708-9 BA3	1		Silver
		F708-9 GC5	1		Blue
		F708-9 BM6	1		Red
	F708-9 GL7	1		Taupe	
2					BELT, Buckle Half Center, Right
					LABEL NUMBER 4290464
		F658 BA3	1		Silver
		F658 GC5	1		Blue
		F658 BM6	1		Red
	F658 GL7	1		Taupe	
3	F814 JX9	2			COVER, Anchor Bolt, Black
4	6031 216	AR			BOLT
5	4316 773	1			COVER, Tip Half (P.A.R.)
					NOTE: (P.A.R.) = Paint As Required

MODEL CODES
 C BODY = (D41 - DYNASTY)(C41 - NEW YORKER)
 E BODY = (J - CARAVELLE)(E - 600)(T - NEW YORKER TURBO)
 G BODY = (V24 - DAYTONA, PACIFICA & SHELBY)
 H BODY = (D44 - LANCER)(C44 - LEBARON GTS)
 J BODY = (C - LEBARON)
 K BODY = (P - RELIANT)(D - ARIES)(C - LEBARON/ TOWN & COUNTRY)
 L BODY = (M - HORIZON)(Z-OMNI)
 M BODY = (B - GRAN FURY)(G - DIPLOMAT)(F - FIFTH AVENUE/NEWPORT)
 P BODY = (P - SUNDANCE)(D - SHADOW)
 Q BODY = (C27 - MASERATI)
 S BODY = (H - VOYAGER)(K - RAM VAN/ CARAVAN)

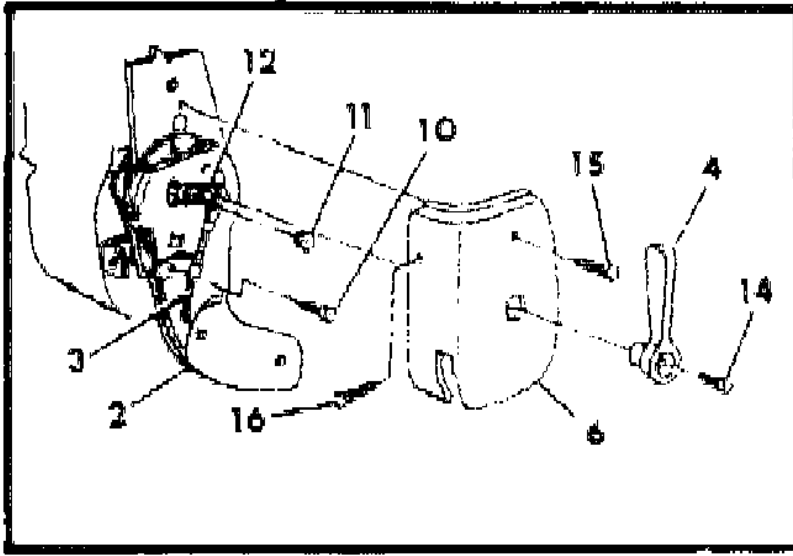
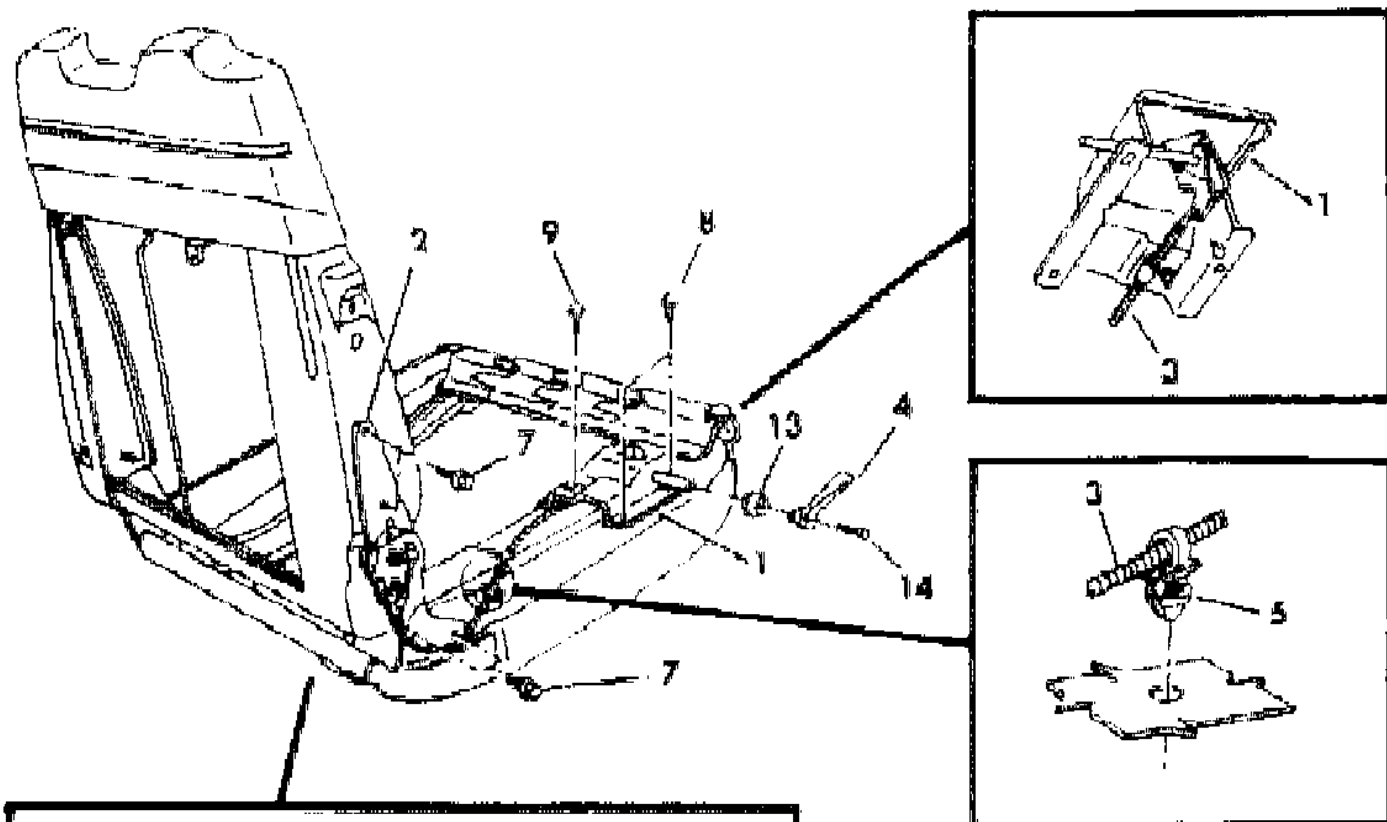
BODY STYLES
 12-52 = FWD VAN & WAGON STD. W.B. 27 = 2-DOOR CONVERTIBLE
 13-53 = FWD VAN & WGN EXT W.B. 41 = 4-DOOR SEDAN
 21 = 2-DOOR SEDAN 44 = 4-DOOR HATCHBACK
 24 = 2-DOOR HATCHBACK 45 = 4-DOOR STATION WAGON

AR = Use as Required - = Non Illustrated Part P.A.R. = Paint as Required

RECLINING FRONT SEAT AND SEAT BACK RELEASE M BODY
Figure ITM-2500

8244 2500

ITEM	PART NUMBER	QTY	BODY	MODEL	DESCRIPTION
1	4018 066-7	1			ACTUATOR, Seat Back Release
2		1			RECLINER, Front Seat Back
	4190 410	1			Passenger Side
	4277 553	1			Driver Side
-	4190 248-9	1			SPRING, Recliner Release Cam
-	6030 913	1			RING, Retaining Pivot Pin
3	3844 812	1			CABLE, Recliner Release
4	4138 298	AR			HANDLE, Seat Back Latch
5	6015 640	AR			CLIP
6		AR			COVER, (See Seat Illustration)
7	9422 041	AR			SCREW and WASHER
8		AR			SCREW, Actuator Attaching (10-24x3/8) (Not Serv)
9	6032 456	AR			SCREW, Actuator Attaching
10		AR			SCREW, (8-32x1/2) (Not Serv.)
11	0120 622	AR			LOCK NUT
12	4029 871	1			ADAPTER, Recliner Actuator Handle
13	4098 080	1			BEZEL, Recliner Handle
14					SCREW, (8-32x7/8) (Not Serv.)
15		AR			SCREW, (8-32x1.50) (Not Serv.)
16		AR			SCREW, (8-18x1) (Not Serv.)



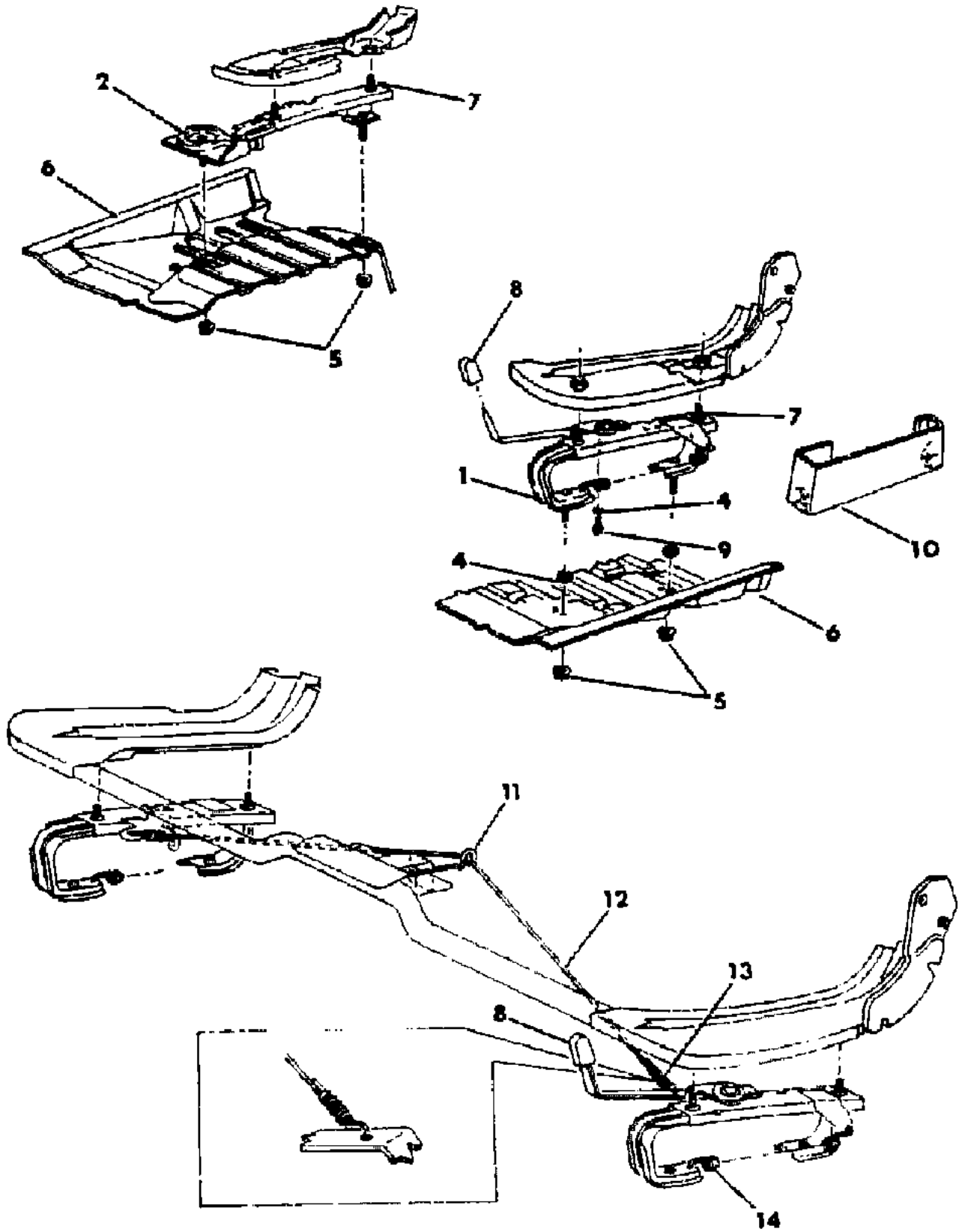
MODEL CODES
 C BODY = (D41 - DYNASTY)(C41 - NEW YORKER)
 E BODY = (J - CARAVELLE)(E - 600)(T - NEW YORKER TURBO)
 G BODY = (V24 - DAYTONA, PACIFICA & SHELBY)
 H BODY = (D44 - LANCER)(C44 - LEBARON GTS)
 J BODY = (C - LEBARON)
 K BODY = (P - RELIANT)(D - ARIES)(C - LEBARON/ TOWN & COUNTRY)
 L BODY = (M - HORIZON)(Z-OMNI)
 M BODY = (B - GRAN FURY)(G - DIPLOMAT)(F - FIFTH AVENUE/NEWPORT)
 P BODY = (P - SUNDANCE)(D - SHADOW)
 Q BODY = (C27 - MASERATI)
 S BODY = (H - VOYAGER)(K - RAM VAN/ CARAVAN)

BODY STYLES
 12-52 = FWD VAN & WAGON STD. W.B. 27 = 2-DOOR CONVERTIBLE
 13-53 = FWD VAN & WGN EXT W.B. 41 = 4-DOOR SEDAN
 21 = 2-DOOR SEDAN 44 = 4-DOOR HATCHBACK
 24 = 2-DOOR HATCHBACK 45 = 4-DOOR STATION WAGON

AR = Use as Required - = Non Illustrated Part P.A.R. = Paint as Required

ADJUSTER--MANUAL M BODY
Figure ITM-2600

8244 2600



ITEM	PART NUMBER	QTY	BODY	MODEL	DESCRIPTION
1					ADJUSTER, Manual
	4290 831	1			Right, w/Bench
	4290 836	1			Left, w/Bench
	4290 844	1			Outer, w/60/40, Right w/o Police Package
	4290 843	1			w/Police Package
	4290 835	1			OUTER, w/60/40, Left w/o Police Package
	4290 833	1			w/Police Package
	4290 830	1			Inner, Left w/60/40, w/o Police Package
	4290 829	1			w/Police Package
-	#4172 363	1			SPRING, E.Z. Entry Release Lever Return w/60/40
-	#4172 009	1			SPRING, Seat Adjuster Latch Return
2	4290 834	1			ADJUSTER, Front Seat Manual Right, Inner w/o Police Package
	4290 832	1			w/Police Package
4	6028 040	AR			RETAINER
5		AR			NUT and WASHER, (Not Serv.)
6	4314 642-3	1			REINFORCEMENT, Front Floor Pan Seat Guide, Front Outer
	4314 644-5	1			Rear Floor Pan Seat Guide, Rear Outer
7	#0181 088	AR			SCREW and Washer
8	5207 235	AR			KNOB, Front Seat Adjust Release
9	0181 063	AR			SCREW
10					COVER, Drivers Seat Inner
	S621 AA7	1			Silver
	S621 GC5	1			Blue
	S621 TM6	1			Red
	S621 GL7	1			Taupe
					OUTER, PASSENGER SEAT
	S622 AA7	1			Silver
	S622 GC5	1			Blue
	S622 TM6	1			Red
	S622 GL7	1			Taupe
					OUTER, DRIVER SEAT
	S623 AA7	1			Silver
	S623 GC5	1			Blue
	S623 TM6	1			Red
	S623 GL7	1			Taupe
					INNER, PASSENGER SEAT
	S872 AA7	1			Silver

MODEL CODES

C BODY = (D41 - DYNASTY)(C41 - NEW YORKER)
 E BODY = (J - CARAVELLE)(E - 600)(T - NEW YORKER TURBO)
 G BODY = (V24 - DAYTONA, PACIFICA & SHELBY)
 H BODY = (D44 - LANCER)(C44 - LEBARON GTS)
 J BODY = (C - LEBARON)
 K BODY = (P - RELIANT)(D - ARIES)(C - LEBARON/ TOWN & COUNTRY)
 L BODY = (M - HORIZON)(Z-OMNI)
 M BODY = (B - GRAN FURY)(G - DIPLOMAT)(F - FIFTH AVENUE/NEWPORT)
 P BODY = (P - SUNDANCE)(D - SHADOW)
 Q BODY = (C27 - MASERATI)
 S BODY = (H - VOYAGER)(K - RAM VAN/ CARAVAN)

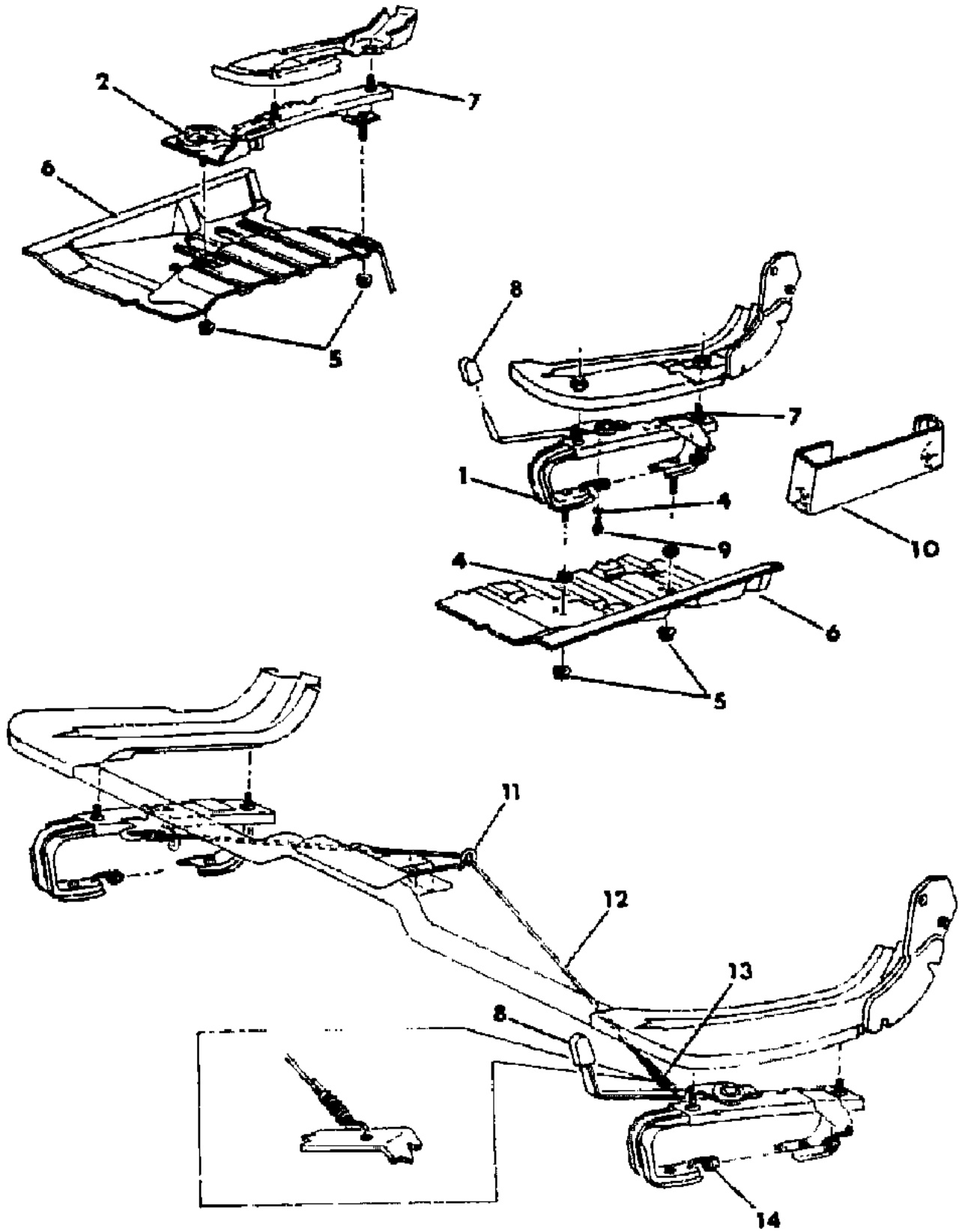
BODY STYLES

12-52 = FWD VAN & WAGON STD. W.B. 27 = 2-DOOR CONVERTIBLE
 13-53 = FWD VAN & WGN EXT W.B. 41 = 4-DOOR SEDAN
 21 = 2-DOOR SEDAN 44 = 4-DOOR HATCHBACK
 24 = 2-DOOR HATCHBACK 45 = 4-DOOR STATION WAGON

AR = Use as Required - = Non Illustrated Part P.A.R. = Paint as Required

ADJUSTER--MANUAL M BODY
Figure ITM-2600

8244 2600



ITEM	PART NUMBER	QTY	BODY	MODEL	DESCRIPTION
	S872 GC5	1			Blue
	S872 TM6	1			Red
	S872 GL7	1			Taupe
11	4380 094	1			HOOK, Seat Guide Wire
12	4172 057	1			WIRE, Seat Adjuster Latch w/Bench
	4172 174	1			w/60/40
13	4172 333	AR			SPRING, Seat Adjuster Release Latch Return
14	3871 470	AR			SPRING, Seat Adjuster Return
The Following Parts Are Not Illustrated					
	6025 766	AR			NUT, Spring Cover Attaching
	0104 918	AR			BALL BEARING

MODEL CODES

C BODY = (D41 - DYNASTY)(C41 - NEW YORKER)
 E BODY = (J - CARAVELLE)(E - 600)(T - NEW YORKER TURBO)
 G BODY = (V24 - DAYTONA, PACIFICA & SHELBY)
 H BODY = (D44 - LANCER)(C44 - LEBARON GTS)
 J BODY = (C - LEBARON)
 K BODY = (P - RELIANT)(D - ARIES)(C - LEBARON/ TOWN & COUNTRY)

L BODY = (M - HORIZON)(Z-OMNI)
 M BODY = (B - GRAN FURY)(G - DIPLOMAT)(F - FIFTH AVENUE/NEWPORT)
 P BODY = (P - SUNDANCE)(D - SHADOW)
 Q BODY = (C27 - MASERATI)
 S BODY = (H - VOYAGER)(K - RAM VAN/ CARAVAN)

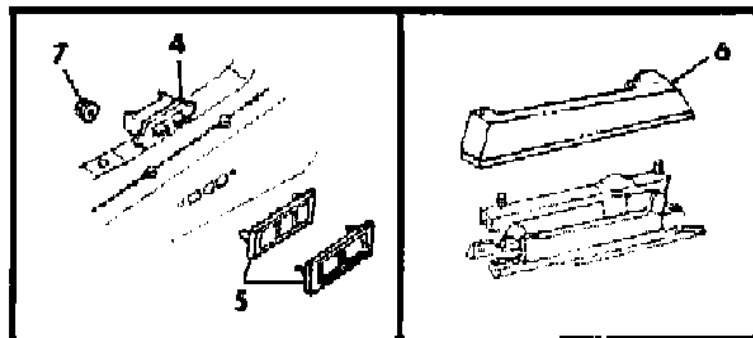
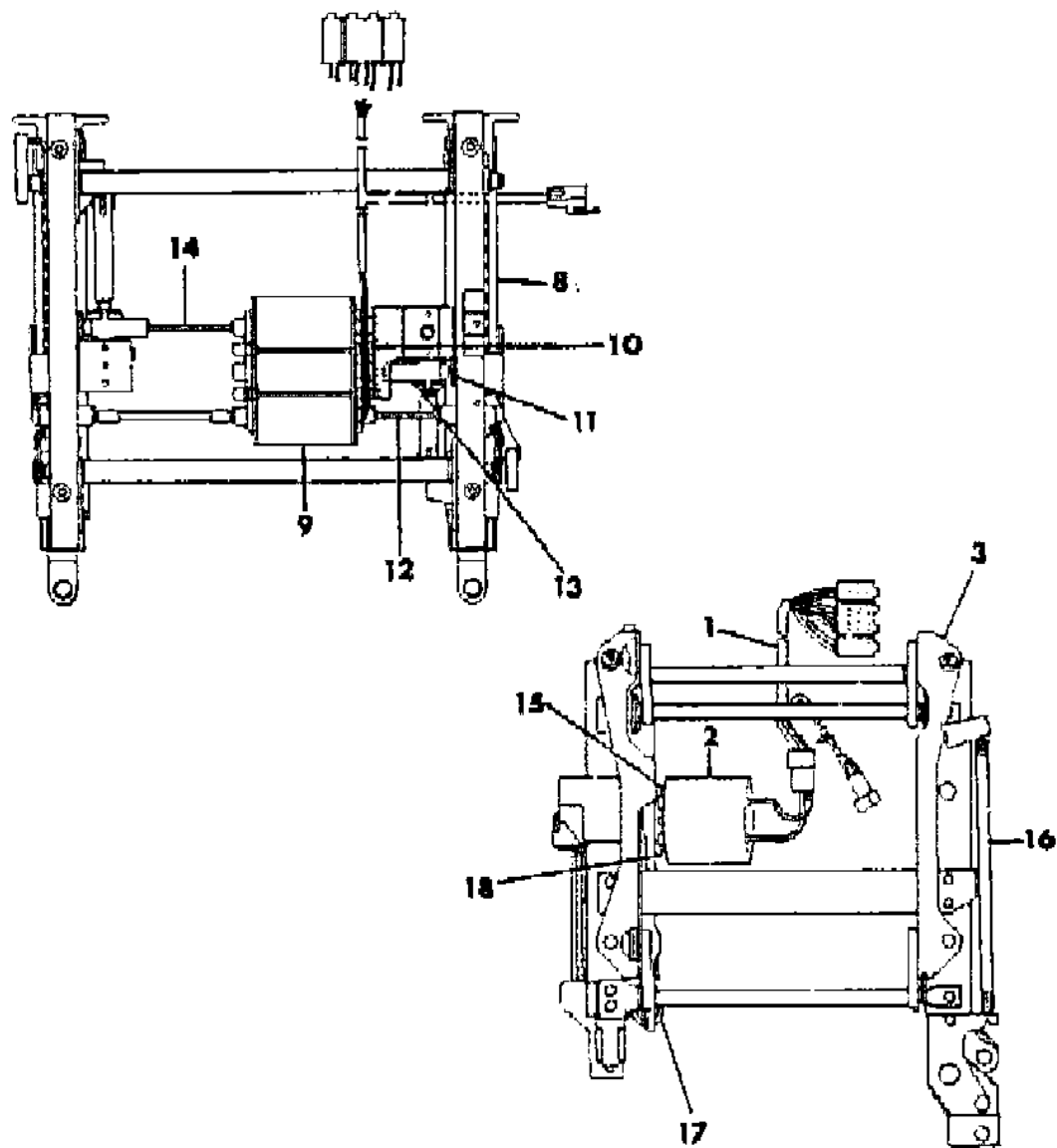
BODY STYLES

12-52 = FWD VAN & WAGON STD. W.B. 27 = 2-DOOR CONVERTIBLE
 13-53 = FWD VAN & WGN EXT W.B. 41 = 4-DOOR SEDAN
 21 = 2-DOOR SEDAN 44 = 4-DOOR HATCHBACK
 24 = 2-DOOR HATCHBACK 45 = 4-DOOR STATION WAGON

AR = Use as Required - = Non Illustrated Part P.A.R. = Paint as Required

ADJUSTER--ELECTRIC 60/40 SPLIT M BODY
Figure ITM-2700

8244 2700



ITEM	PART NUMBER	QTY	BODY	MODEL	DESCRIPTION
NOTE: THE FOLLOWING PARTS ARE FOR REPLACEMENT ONLY NOT FOR NEW INSTALLATION.					
1	4209 431	1			WIRING, Seat Adjuster
2	4239 716	1			MOTOR, Right 4 Way
3	4246 218	1			ADJUSTER, Right 4 Way Complete w/Motor
4	#3747 740	1			SWITCH, Left w/60/40
	3747 957	1			Right
5					BEZEL, Switch
	3746 967	1			Driver Seat
	3747 960	1			PASSENGER Seat
6					COVER, Outer Driver Seat
	S689 AA7	1			Silver
	S689 GC5	1			Blue
	S689 TM6	1			Red
	S689 GL7	1			Taupe
					INNER, Drivers Seat
	S695 AA7	1			Silver
	S695 GC5	1			Blue
	S695 TM6	1			Red
	S695 GL7	1			Taupe
					OUTER, Passenger Seat
	S576 AA7	1			Silver
	S576 GC5	1			Blue
	S576 VM6	1			Red
	S576 GL7	1			Taupe
					INNER, Passenger Seat
	S676 AA7	1			Silver
	S676 GC5	1			Blue
	S676 AM6	1			Red
	S676 GL7	1			Taupe
7	6025 002	2			NUT and WASHER
8	4316 794	1			ADJUSTER, Left
9	4327 232	1			MOTOR and TUBE, Left
10	4055 693	1			BRACKET, Seat Track Wiring
11	4327 281	1			CABLE, Adjuster Outer, Fore and Aft
12	4327 280	1			CABLE, Adjuster Inner
13	4316 797	1			SHAFT, Adjuster Flexible Up/Down

MODEL CODES

C BODY = (D41 - DYNASTY)(C41 - NEW YORKER)
 E BODY = (J - CARAVELLE)(E - 600)(T - NEW YORKER TURBO)
 G BODY = (V24 - DAYTONA, PACIFICA & SHELBY)
 H BODY = (D44 - LANCER)(C44 - LEBARON GTS)
 J BODY = (C - LEBARON)
 K BODY = (P - RELIANT)(D - ARIES)(C - LEBARON/ TOWN & COUNTRY)

L BODY = (M - HORIZON)(Z-OMNI)
 M BODY = (B - GRAN FURY)(G - DIPLOMAT)(F - FIFTH AVENUE/NEWPORT)
 P BODY = (P - SUNDANCE)(D - SHADOW)
 Q BODY = (C27 - MASERATI)
 S BODY = (H - VOYAGER)(K - RAM VAN/ CARAVAN)

BODY STYLES

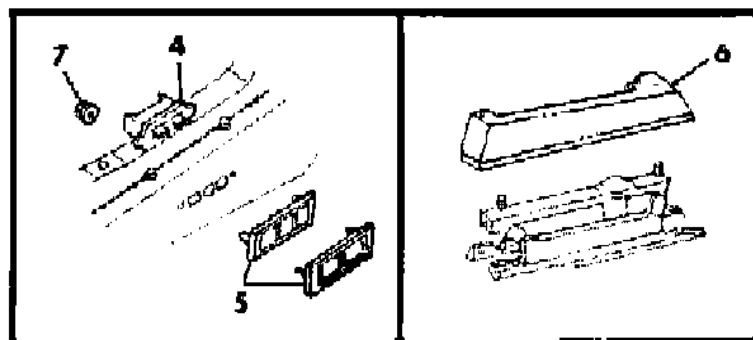
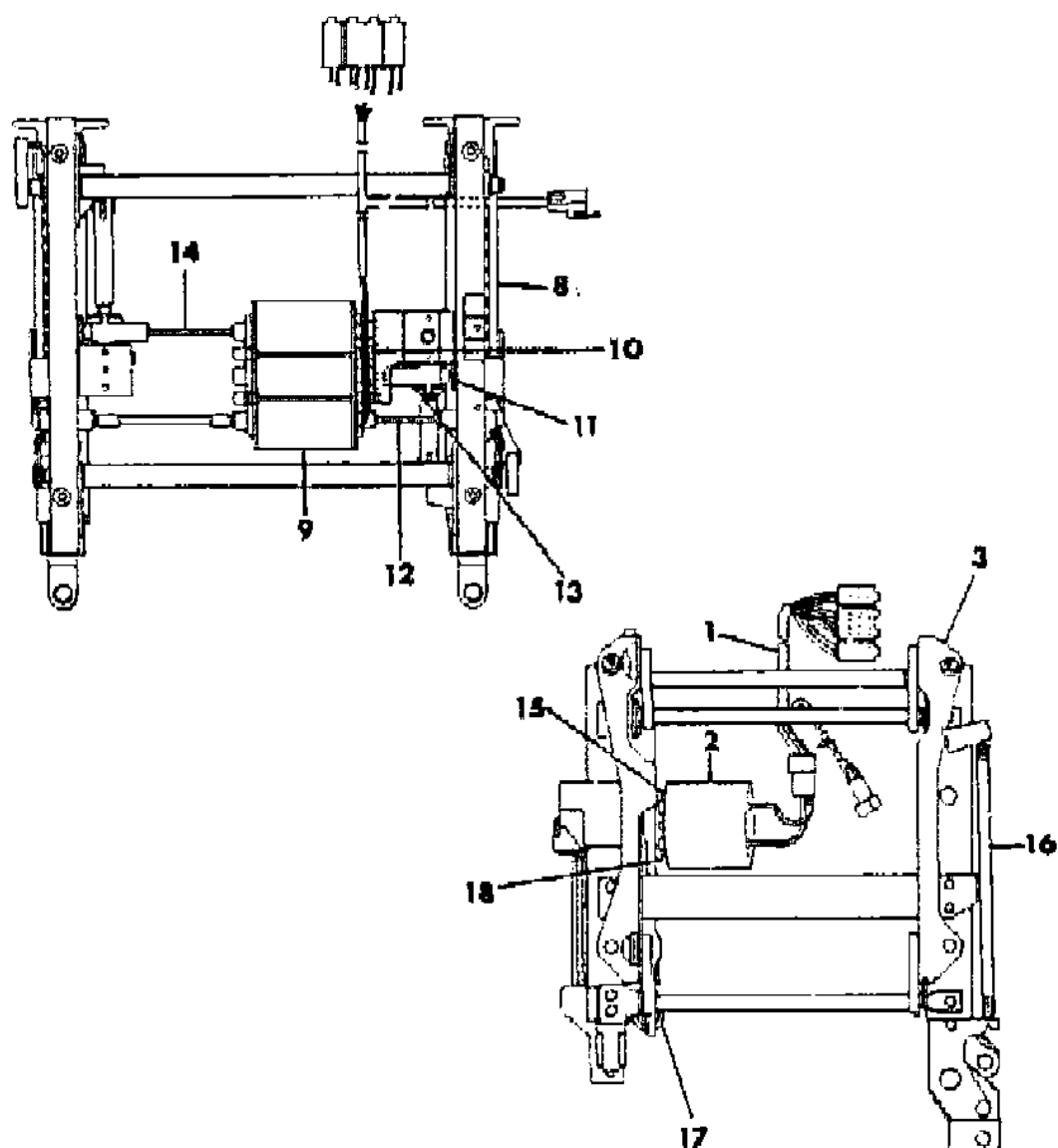
12-52 = FWD VAN & WAGON STD. W.B. 27 = 2-DOOR CONVERTIBLE
 13-53 = FWD VAN & WGN EXT W.B. 41 = 4-DOOR SEDAN
 21 = 2-DOOR SEDAN 44 = 4-DOOR HATCHBACK
 24 = 2-DOOR HATCHBACK 45 = 4-DOOR STATION WAGON

AR = Use as Required - = Non Illustrated Part P.A.R. = Paint as Required

ADJUSTER--ELECTRIC 60/40 SPLIT M BODY
Figure ITM-2700

ITEM	PART NUMBER	QTY	BODY	MODEL	DESCRIPTION
14	4327 234	1			CABLE, Adjuster Inner, Fore and Aft
15	4239 718	1			CABLE, Verticle 4/Way Right
16	4239 722	1			SPRING, Horizontal 4/Way Right
17	4239 724	1			SPRING, Vertical 4/Way Right
18	4239 720	1			CABLE, Horizontal 4/Way Right

8244 2700



MODEL CODES

C BODY = (D41 - DYNASTY)(C41 - NEW YORKER)	L BODY = (M - HORIZON)(Z-OMNI)
E BODY = (J - CARAVELLE)(E - 600)(T - NEW YORKER TURBO)	M BODY = (B - GRAN FURY)(G - DIPLOMAT)(F - FIFTH AVENUE/NEWPORT)
G BODY = (V24 - DAYTONA, PACIFICA & SHELBY)	P BODY = (P - SUNDANCE)(D - SHADOW)
H BODY = (D44 - LANCER)(C44 - LEBARON GTS)	Q BODY = (C27 - MASERATI)
J BODY = (C - LEBARON)	S BODY = (H - VOYAGER)(K - RAM VAN/ CARAVAN)
K BODY = (P - RELIANT)(D - ARIES)(C - LEBARON/ TOWN & COUNTRY)	

BODY STYLES

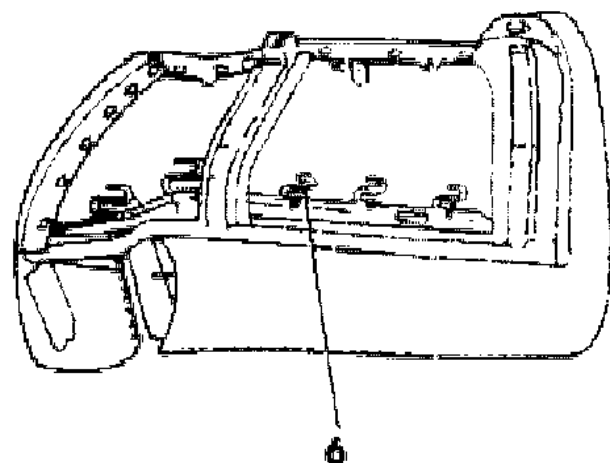
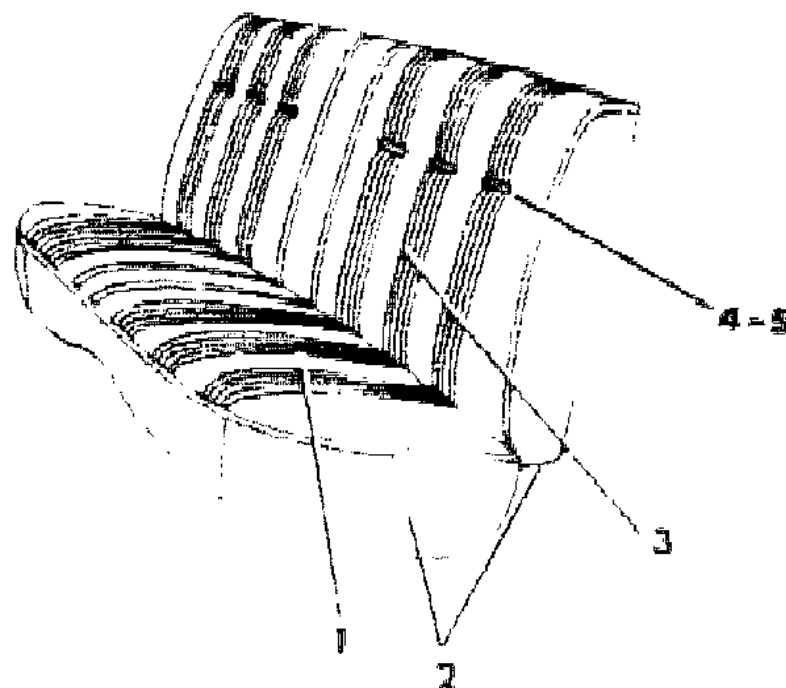
12-52 = FWD VAN & WAGON STD. W.B.	27 = 2-DOOR CONVERTIBLE
13-53 = FWD VAN & WGN EXT W.B.	41 = 4-DOOR SEDAN
21 = 2-DOOR SEDAN	44 = 4-DOOR HATCHBACK
24 = 2-DOOR HATCHBACK	45 = 4-DOOR STATION WAGON

AR = Use as Required - = Non Illustrated Part P.A.R. = Paint as Required

SEAT--REAR M BODY TRIM CODE A3
Figure ITM-2800

8244 2800

ITEM	PART NUMBER	QTY	BODY	MODEL	DESCRIPTION
1-2					CUSHION, w/Spring, Frame, Pad and Cover
					CLOTH
					Heavy Duty
	A855 C3A	1			Silver, (A3A)
	A855 G3C	1			Blue, (A3C)
	A855 C3M	1			Red, (A3M)
	A855 G3L	1			Taupe, (A3L)
1					COVER, Cushion
					CLOTH
	A373 C3A	1			Silver, (A3A)
	A373 G3C	1			Blue, (A3C)
	A373 C3M	1			Red, (A3M)
	A373 G3L	1			Taupe, (A3L)
2					ROLL STOCK, Vinyl Order By The Inch
	R616 AA2	AR			Silver, 64" Wide
	R616 VC8	AR			Blue, 64" Wide
	R616 VM6	AR			Red, 64" Wide
	R600 GL7	AR			Taupe, 54" Wide
2-3					BACK, w/Spring/Frame, Pad and Cover
					CLOTH
					Heavy Duty
	A857 C3A	1			Silver, (A3A)
	A857 G3C	1			Blue, (A3C)
	A857 C3M	1			Red, (A3M)
	A857 G3L	1			Taupe, (A3L)
3					COVER, Back
					CLOTH
	A376 C3A	1			Silver, (A3A)
	A376 G3C	1			Blue, (A3C)
	A376 C3M	1			Red, (A3M)
	A376 G3L	1			Taupe, (A3L)
4					BUTTON and RETAINER
	G385 AA2	AR			Silver, (A3A)
	G385 GC5	AR			Blue, (A3C)
	G385 VM6	AR			Red, (A3M)
	G385 GL7	AR			Taupe, (A3L)
5		AR			RETAINER, Button (Serviced In Item 4)



MODEL CODES

C BODY = (D41 - DYNASTY)(C41 - NEW YORKER)
 E BODY = (J - CARAVELLE)(E - 600)(T - NEW YORKER TURBO)
 G BODY = (V24 - DAYTONA, PACIFICA & SHELBY)
 H BODY = (D44 - LANCER)(C44 - LEBARON GTS)
 J BODY = (C - LEBARON)
 K BODY = (P - RELIANT)(D - ARIES)(C - LEBARON/ TOWN & COUNTRY)

L BODY = (M - HORIZON)(Z-OMNI)
 M BODY = (B - GRAN FURY)(G - DIPLOMAT)(F - FIFTH AVENUE/NEWPORT)
 P BODY = (P - SUNDANCE)(D - SHADOW)
 Q BODY = (C27 - MASERATI)
 S BODY = (H - VOYAGER)(K - RAM VAN/ CARAVAN)

BODY STYLES

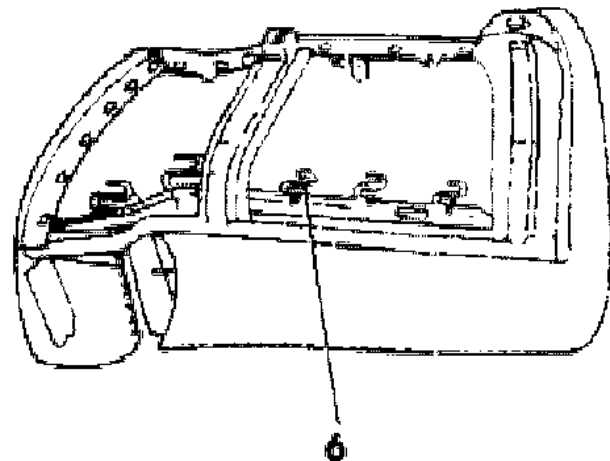
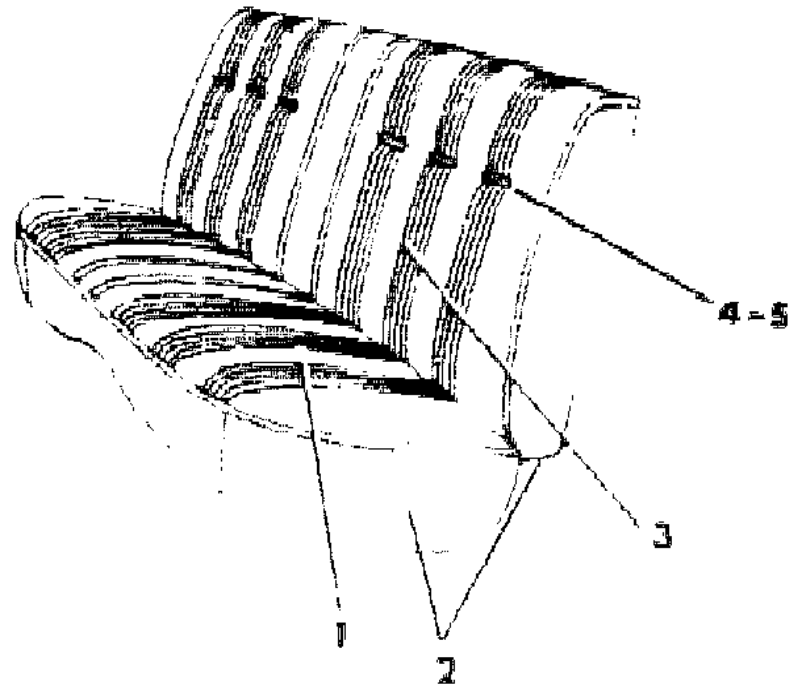
12-52 = FWD VAN & WAGON STD. W.B. 27 = 2-DOOR CONVERTIBLE
 13-53 = FWD VAN & WGN EXT W.B. 41 = 4-DOOR SEDAN
 21 = 2-DOOR SEDAN 44 = 4-DOOR HATCHBACK
 24 = 2-DOOR HATCHBACK 45 = 4-DOOR STATION WAGON

AR = Use as Required - = Non Illustrated Part P.A.R. = Paint as Required

SEAT--REAR M BODY TRIM CODE A3
Figure ITM-2800

8244 2800

ITEM	PART NUMBER	QTY	BODY	MODEL	DESCRIPTION
6	6008 076	AR			HOG RING



MODEL CODES

C BODY = (D41 - DYNASTY)(C41 - NEW YORKER)
 E BODY = (J - CARAVELLE)(E - 600)(T - NEW YORKER TURBO)
 G BODY = (V24 - DAYTONA, PACIFICA & SHELBY)
 H BODY = (D44 - LANCER)(C44 - LEBARON GTS)
 J BODY = (C - LEBARON)
 K BODY = (P - RELIANT)(D - ARIES)(C - LEBARON/ TOWN & COUNTRY)

L BODY = (M - HORIZON)(Z-OMNI)
 M BODY = (B - GRAN FURY)(G - DIPLOMAT)(F - FIFTH AVENUE/NEWPORT)
 P BODY = (P - SUNDANCE)(D - SHADOW)
 Q BODY = (C27 - MASERATI)
 S BODY = (H - VOYAGER)(K - RAM VAN/ CARAVAN)

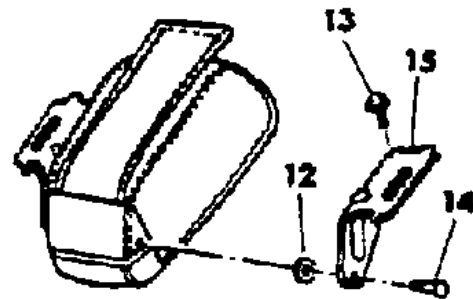
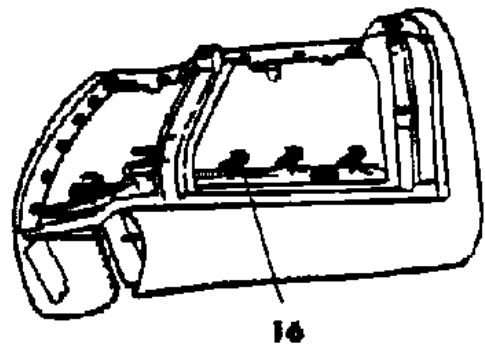
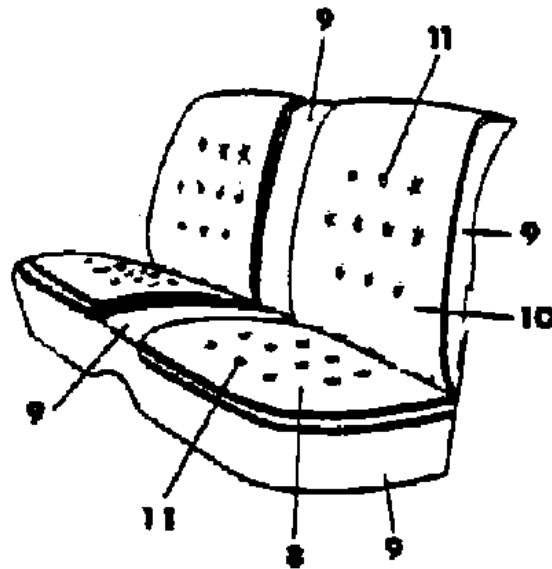
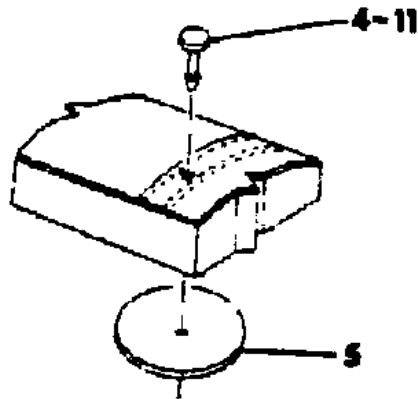
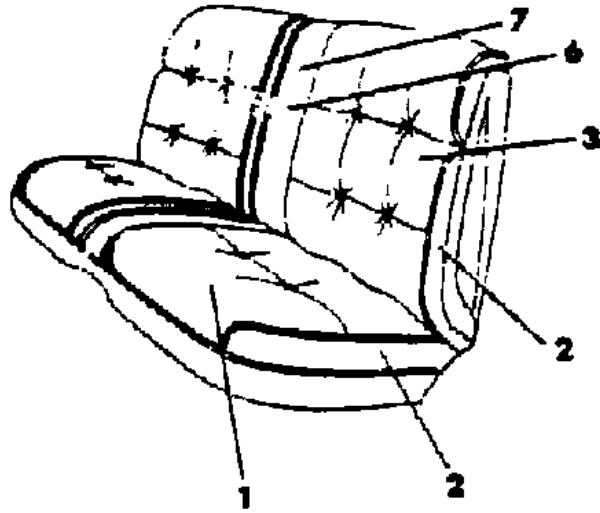
BODY STYLES

12-52 = FWD VAN & WAGON STD. W.B. 27 = 2-DOOR CONVERTIBLE
 13-53 = FWD VAN & WGN EXT W.B. 41 = 4-DOOR SEDAN
 21 = 2-DOOR SEDAN 44 = 4-DOOR HATCHBACK
 24 = 2-DOOR HATCHBACK 45 = 4-DOOR STATION WAGON

AR = Use as Required - = Non Illustrated Part P.A.R. = Paint as Required

SEAT--REAR M BODY TRIM CODES H9,S9,SY,C9
Figure ITM-2900

8244 2900



ITEM	PART NUMBER	QTY	BODY	MODEL	DESCRIPTION
1-2					CUSHION, w/Spring, Frame, Pad and Cover
	A647 D9A	1			CLOTH Silver, (C9A, H9A)
	A647 G9C	1			Blue, (H9C, C9C)
	A647 C9M	1			Red, (C9M, H9M)
	A647 G9L	1			Taupe, (H9L, C9L)
1					COVER, Cushion
	A382 D9A	1			CLOTH Silver, (C9A, H9A)
	A382 G9C	1			Blue, (H9C, C9C)
	A382 C9M	1			Red, (C9M, H9M)
	A382 G9L	1			Taupe, (H9K, C9L)
2					ROLL STOCK, Cloth 54" Wide Order By The Inch
	R021 DA4	AR			Silver, (C9A, H9A)
	R021 DC8	AR			Blue, (C9C, H9C)
	R021 CM6	AR			Red, (C9M, H9M)
	R021 GL7	AR			Taupe, (H9L, C9L)
2-4					BACK, w/Spring/Frame, Pad and Cover
	A648 D9A	1			CLOTH Silver, (C9A, H9A)
	A648 G9C	1			Blue, (H9C, C9C)
	A648 C9M	1			Red, (C9M, H9M)
	A648 G9L	1			Taupe, (H9L, C9L)
3					COVER, Back
	A383 D9A	1			CLOTH Silver, (C9A, H9A)
	A383 G9C	1			Blue, (H9C, C9C)
	A383 C9M	1			Red, (C9M, H9M)
	A383 G9L	1			Taupe, (H9L, C9L)
4					BUTTON and RETAINER
	G381 EA4	AR			CUSHION Silver, (C9A, H9A)
	G381 GC5	AR			Blue, (H9C, C9C)
	G381 CM6	AR			Red, (C9M, H9M)
	G381 GL7	AR			Taupe, (H9L, C9L)
	G380 EA4	AR			BACK Silver, (C9A, H9A)

MODEL CODES

C BODY = (D41 - DYNASTY)(C41 - NEW YORKER)
E BODY = (J - CARAVELLE)(E - 600)(T - NEW YORKER TURBO)
G BODY = (V24 - DAYTONA, PACIFICA & SHELBY)
H BODY = (D44 - LANCER)(C44 - LEBARON GTS)
J BODY = (C - LEBARON)
K BODY = (P - RELIANT)(D - ARIES)(C - LEBARON/ TOWN & COUNTRY)

L BODY = (M - HORIZON)(Z-OMNI)
M BODY = (B - GRAN FURY)(G - DIPLOMAT)(F - FIFTH AVENUE/NEWPORT)
P BODY = (P - SUNDANCE)(D - SHADOW)
Q BODY = (C27 - MASERATI)
S BODY = (H - VOYAGER)(K - RAM VAN/ CARAVAN)

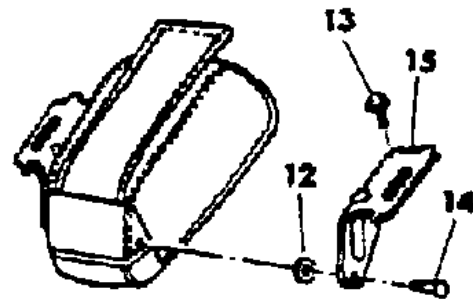
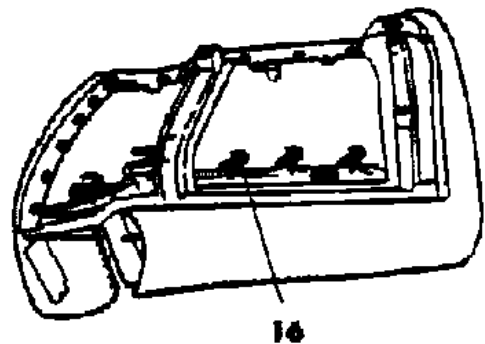
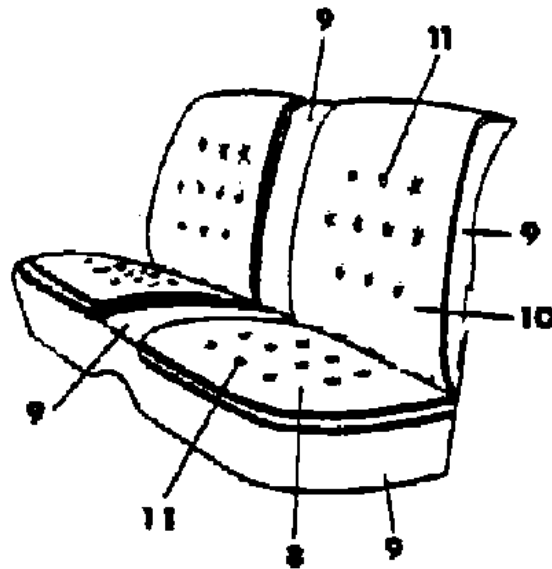
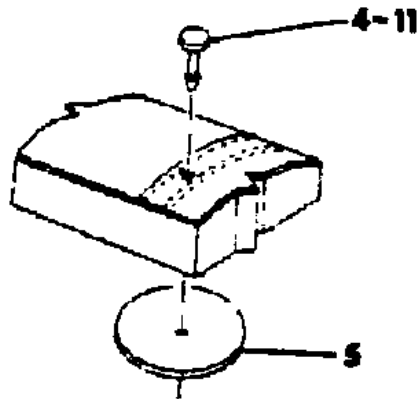
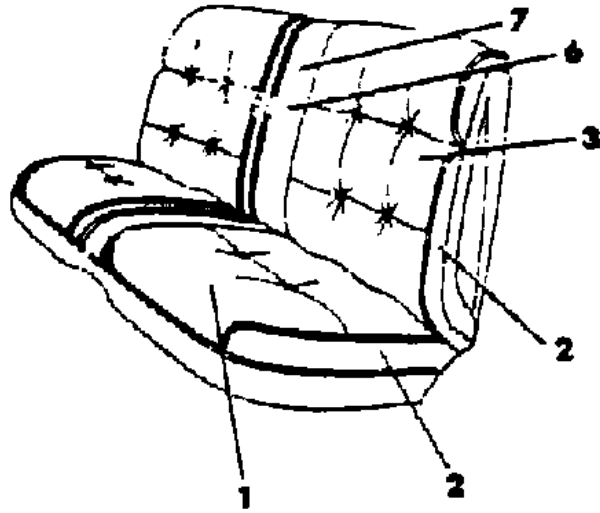
BODY STYLES

12-52 = FWD VAN & WAGON STD. W.B. 27 = 2-DOOR CONVERTIBLE
13-53 = FWD VAN & WGN EXT W.B. 41 = 4-DOOR SEDAN
21 = 2-DOOR SEDAN 44 = 4-DOOR HATCHBACK
24 = 2-DOOR HATCHBACK 45 = 4-DOOR STATION WAGON

AR = Use as Required - = Non Illustrated Part P.A.R. = Paint as Required

SEAT--REAR M BODY TRIM CODES H9,S9,SY,C9
Figure ITM-2900

8244 2900



ITEM	PART NUMBER	QTY	BODY	MODEL	DESCRIPTION
	G380 GC5	AR			Blue, (H9C, C9C)
	G380 CM6	AR			Red, (C9M, H9M)
	G380 GL7	AR			Taupe, (H9L, C9L)
5	4029 901	AR			WASHER, Button
6					ARMREST and COVER
	A649 DA4	1			Silver, (C9A, H9A)
	A649 GC5	1			Blue, (H9C, C9C)
	A649 CM6	1			Red, (C9M, H9M)
	A649 GL7	1			Taupe, (H9L, C9L)
7					COVER, Armrest
	A386 DA4	1			Silver, (C9A, H9A)
	A386 GC5	1			Blue, (H9C, C9C)
	A386 CM6	1			Red, (C9M, H9M)
	A386 GL7	1			Taupe, (H9L, C9L)
8-9					CUSHION, w/Spring/Frame, Pad and Cover
					CLOTH
	A504 G9A	1			Silver, (S9A)
	A504 G9C	1			Blue, (S9C)
	A504 G9M	1			Red, (S9M)
	A504 G9L	1			Taupe, (S9L)
					LEATHER
	A940 AYA	1			Silver, (SYA)
	A940 GYC	1			Blue, (SYC)
	A940 AYM	1			Red, (SYM)
	A940 GYL	1			Taupe, (SYL)
8					COVER, Cushion
					CLOTH
	A484 G9A	1			Silver, (S9A)
	A484 G9C	1			Blue, (S9C)
	A484 G9M	1			Red, (S9M)
	A484 G9L	1			Taupe, (S9L)
					LEATHER
	A348 AYA	1			Silver, (SYA)
	A348 GYC	1			Blue, (SYC)
	A348 AYM	1			Red, (SYM)
	A348 GYL	1			Taupe, (SYL)
9					ROLL STOCK, Cloth 62" Wide Order By The Inch

MODEL CODES

C BODY = (D41 - DYNASTY)(C41 - NEW YORKER)
 E BODY = (J - CARAVELLE)(E - 600)(T - NEW YORKER TURBO)
 G BODY = (V24 - DAYTONA, PACIFICA & SHELBY)
 H BODY = (D44 - LANCER)(C44 - LEBARON GTS)
 J BODY = (C - LEBARON)
 K BODY = (P - RELIANT)(D - ARIES)(C - LEBARON/ TOWN & COUNTRY)

L BODY = (M - HORIZON)(Z-OMNI)
 M BODY = (B - GRAN FURY)(G - DIPLOMAT)(F - FIFTH AVENUE/NEWPORT)
 P BODY = (P - SUNDANCE)(D - SHADOW)
 Q BODY = (C27 - MASERATI)
 S BODY = (H - VOYAGER)(K - RAM VAN/ CARAVAN)

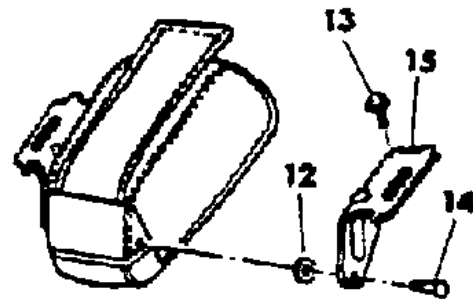
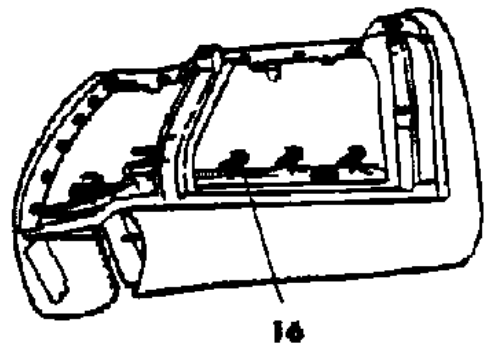
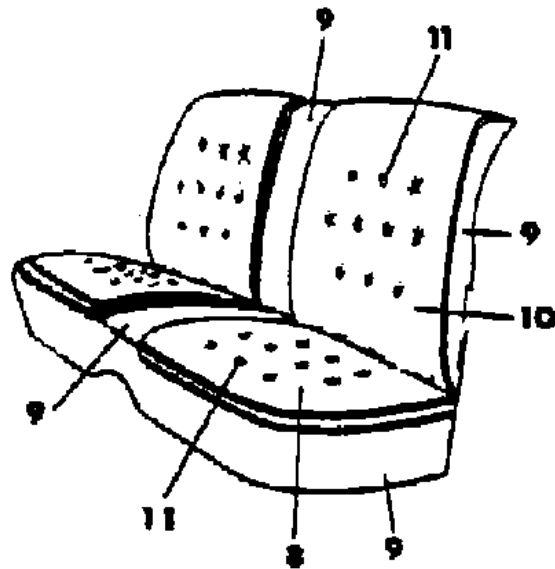
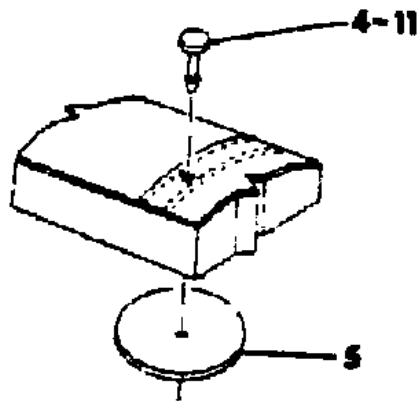
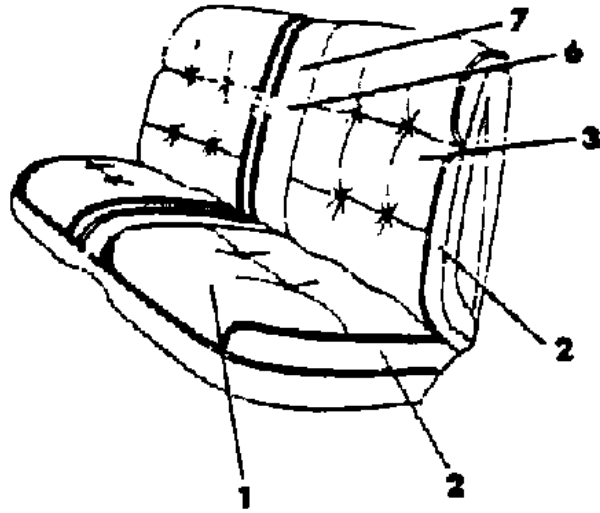
BODY STYLES

12-52 = FWD VAN & WAGON STD. W.B. 27 = 2-DOOR CONVERTIBLE
 13-53 = FWD VAN & WGN EXT W.B. 41 = 4-DOOR SEDAN
 21 = 2-DOOR SEDAN 44 = 4-DOOR HATCHBACK
 24 = 2-DOOR HATCHBACK 45 = 4-DOOR STATION WAGON

AR = Use as Required - = Non Illustrated Part P.A.R. = Paint as Required

SEAT--REAR M BODY TRIM CODES H9,S9,SY,C9
Figure ITM-2900

8244 2900



ITEM	PART NUMBER	QTY	BODY	MODEL	DESCRIPTION
	R035 EA3	AR			Silver, (S9A)
	R035 EC7	AR			Blue, (S9C)
	R035 EM6	AR			Red, (S9M)
	R035 GL7	AR			Taupe, (S9L)
	R616 AA2	AR			Vinyl, Order By The Inch
	R616 VC8	AR			Silver, 64" Wide (SYA)
	R616 VM6	AR			Blue, 64" Wide (SYC)
	R600 GL7	AR			Red, 64" Wide (SYM)
					Taupe, 54" Wide (SYL)
9-11					BACK, w/Spring/Frame, Pad and Cover
	A505 G9A	1			CLOTH
	A505 G9C	1			Silver, (S9A)
	A505 G9M	1			Blue, (S9C)
	A505 G9L	1			Red, (S9M)
					Taupe, (S9L)
	A941 AYA	1			LEATHER
	A941 GYC	1			Silver, (SYA)
	A941 AYM	1			Blue, (SYC)
	A941 GYL	1			Red, (SYM)
					Taupe, (SYL)
10					COVER, Back
	A485 G9A	1			CLOTH
	A485 G9C	1			Silver, (S9A)
	A485 G9M	1			Blue, (S9C)
	A485 G9L	1			Red, (S9M)
					Taupe, (S9L)
	A349 AYA	1			LEATHER
	A349 GYC	1			Silver, (SYA)
	A349 AYM	1			Blue, (SYC)
	A349 GYL	1			Red, (SYM)
					Taupe, (SYL)
11					BUTTON and RETAINER, Cushion and Back
	G379 AA3	AR			Silver, (S9A)
	G379 GC5	AR			Blue, (S9C)
	G379 AM6	AR			Red, (S9M)
	G379 GL7	AR			Taupe, (S9L)
	S846 AA2	AR			Silver, (SYA)

MODEL CODES

C BODY = (D41 - DYNASTY)(C41 - NEW YORKER)
 E BODY = (J - CARAVELLE)(E - 600)(T - NEW YORKER TURBO)
 G BODY = (V24 - DAYTONA, PACIFICA & SHELBY)
 H BODY = (D44 - LANCER)(C44 - LEBARON GTS)
 J BODY = (C - LEBARON)
 K BODY = (P - RELIANT)(D - ARIES)(C - LEBARON/ TOWN & COUNTRY)

L BODY = (M - HORIZON)(Z-OMNI)
 M BODY = (B - GRAN FURY)(G - DIPLOMAT)(F - FIFTH AVENUE/NEWPORT)
 P BODY = (P - SUNDANCE)(D - SHADOW)
 Q BODY = (C27 - MASERATI)
 S BODY = (H - VOYAGER)(K - RAM VAN/ CARAVAN)

BODY STYLES

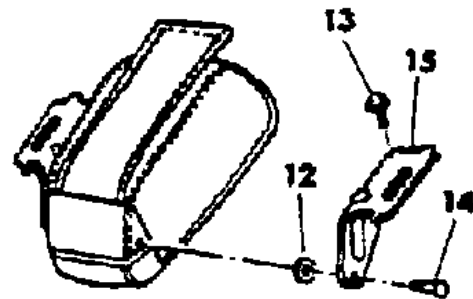
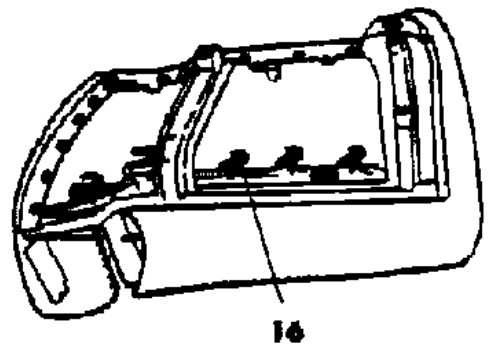
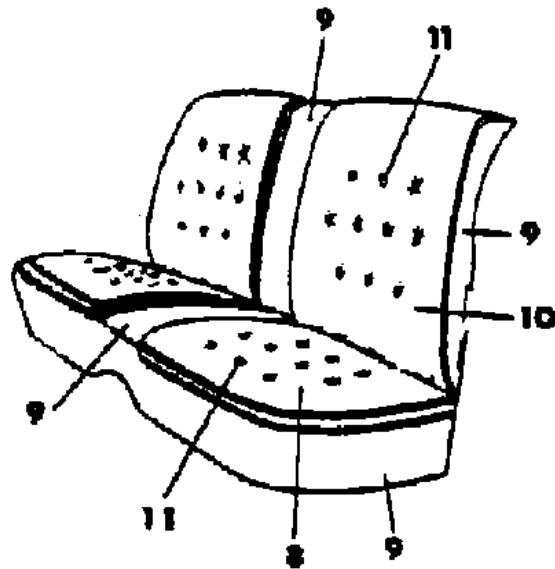
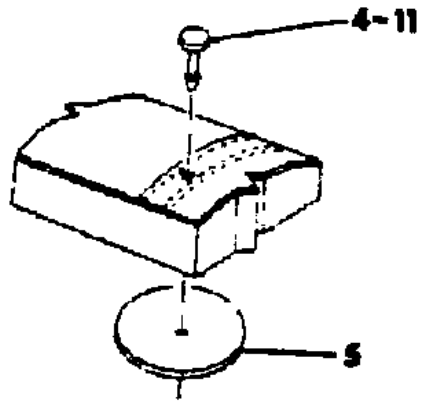
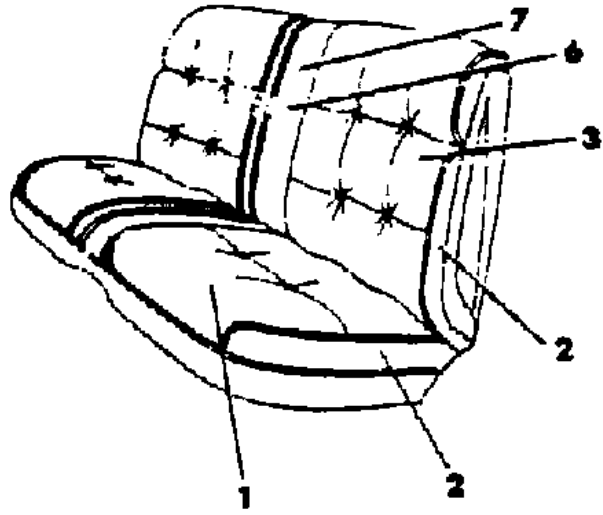
12-52 = FWD VAN & WAGON STD. W.B. 27 = 2-DOOR CONVERTIBLE
 13-53 = FWD VAN & WGN EXT W.B. 41 = 4-DOOR SEDAN
 21 = 2-DOOR SEDAN 44 = 4-DOOR HATCHBACK
 24 = 2-DOOR HATCHBACK 45 = 4-DOOR STATION WAGON

AR = Use as Required - = Non Illustrated Part P.A.R. = Paint as Required

SEAT--REAR M BODY TRIM CODES H9,S9,SY,C9
Figure ITM-2900

8244 2900

ITEM	PART NUMBER	QTY	BODY	MODEL	DESCRIPTION
	S846 GC5	AR			Blue, (SYC)
	S846 AM6	AR			Red, (SYM)
	S846 GL7	AR			Taupe, (SYL)
12	6031 537	2			WASHER, Rear Seat Back Center Arm Rest Spacer
13	0181 063	2			BOLT, Armrest to Seat Back
14	6026 584	2			SCREW, Armrest
15	4098 764	1			HINGE, Armrest
16	6008 076	AR			HOG RING



MODEL CODES

C BODY = (D41 - DYNASTY)(C41 - NEW YORKER)
 E BODY = (J - CARAVELLE)(E - 600)(T - NEW YORKER TURBO)
 G BODY = (V24 - DAYTONA, PACIFICA & SHELBY)
 H BODY = (D44 - LANCER)(C44 - LEBARON GTS)
 J BODY = (C - LEBARON)
 K BODY = (P - RELIANT)(D - ARIES)(C - LEBARON/ TOWN & COUNTRY)

L BODY = (M - HORIZON)(Z-OMNI)
 M BODY = (B - GRAN FURY)(G - DIPLOMAT)(F - FIFTH AVENUE/NEWPORT)
 P BODY = (P - SUNDANCE)(D - SHADOW)
 Q BODY = (C27 - MASERATI)
 S BODY = (H - VOYAGER)(K - RAM VAN/ CARAVAN)

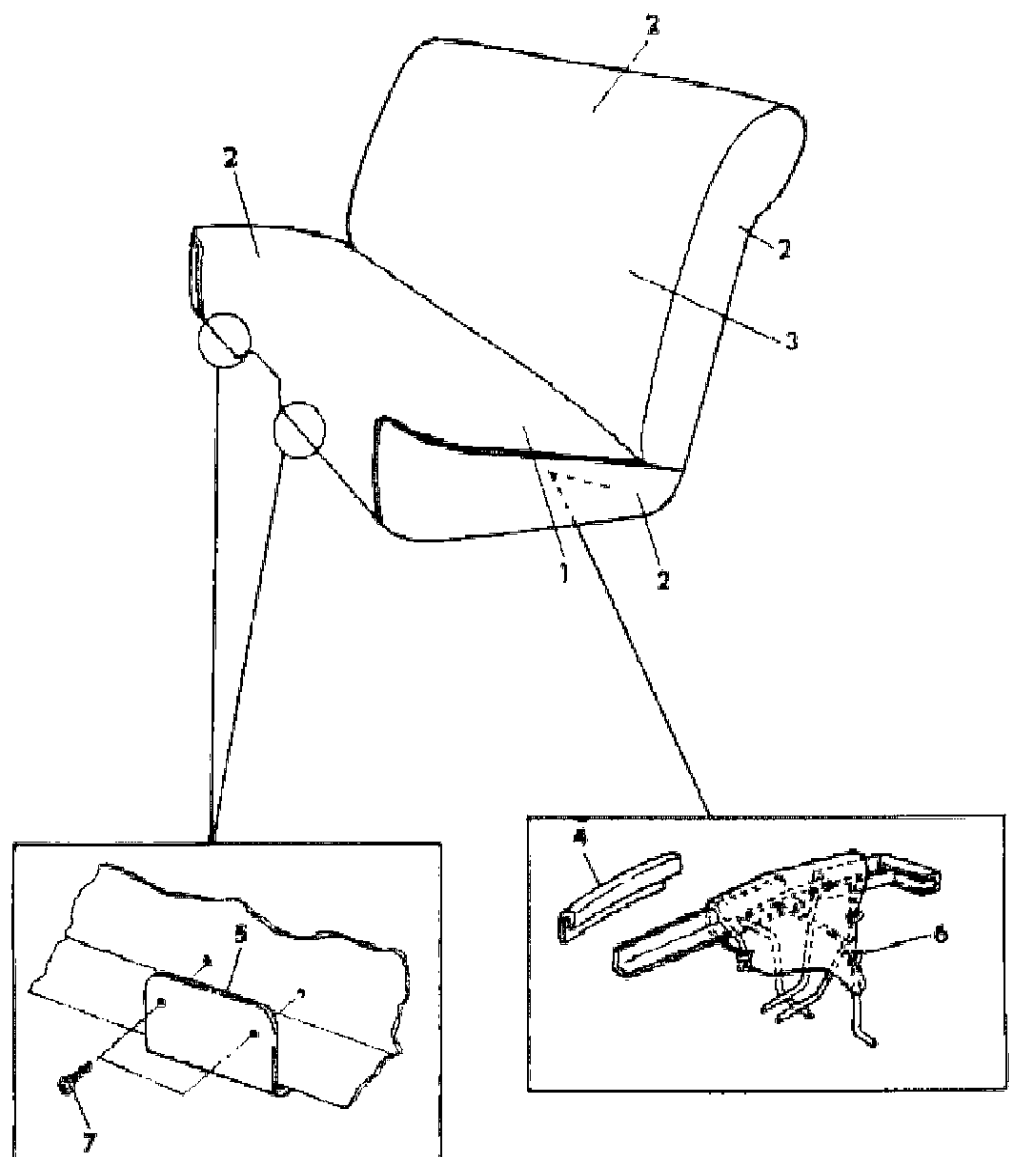
BODY STYLES

12-52 = FWD VAN & WAGON STD. W.B. 27 = 2-DOOR CONVERTIBLE
 13-53 = FWD VAN & WGN EXT W.B. 41 = 4-DOOR SEDAN
 21 = 2-DOOR SEDAN 44 = 4-DOOR HATCHBACK
 24 = 2-DOOR HATCHBACK 45 = 4-DOOR STATION WAGON

AR = Use as Required - = Non Illustrated Part P.A.R. = Paint as Required

SEAT--REAR M BODY TRIM CODES K2,KX
Figure ITM-3000

8244 3000



ITEM	PART NUMBER	QTY	BODY	MODEL	DESCRIPTION
1-2					CUSHION, w/Spring, Frame, Pad and Cover
	N738 G2C	1			VINYL Blue, (K2C)
	N738 G2L	1			Taupe, (K2L, KXL)
1					COVER, Cushion
	N163 G2C	1			VINYL Blue, (K2C)
	N163 G2L	1			Taupe, (K2L, KXL)
2					ROLL STOCK, Vinyl Order By The Inch
	R616 VC8	AR			Blue, 64" Wide (K2C)
	R600 GL7	AR			Taupe, 54" Wide (K2L, KXL)
3-2					BACK, w/Spring/Frame, Pad and Cover
	N740 G2C	1			VINYL Blue, (K2C)
	N740 G2L	1			Taupe, (K2L, KXL)
3					COVER, Back
	N164 G2C	1			VINYL Blue, (K2C)
	N164 G2L	1			Taupe, (K2L, KXL)
4	4138 071	2			PROTECTOR, Rear Seat Cushion Frame (w/Heavy Duty Cushion)
5	3844 288	2			SCUFF PLATE, Cushion Hold Down
6	6008 076	AR			HOG RING
7		AR			SCREW, (10-16x5/8) (Not Serv.)

MODEL CODES

C BODY = (D41 - DYNASTY)(C41 - NEW YORKER)
 E BODY = (J - CARAVELLE)(E - 600)(T - NEW YORKER TURBO)
 G BODY = (V24 - DAYTONA, PACIFICA & SHELBY)
 H BODY = (D44 - LANCER)(C44 - LEBARON GTS)
 J BODY = (C - LEBARON)
 K BODY = (P - RELIANT)(D - ARIES)(C - LEBARON/ TOWN & COUNTRY)

L BODY = (M - HORIZON)(Z-OMNI)
 M BODY = (B - GRAN FURY)(G - DIPLOMAT)(F - FIFTH AVENUE/NEWPORT)
 P BODY = (P - SUNDANCE)(D - SHADOW)
 Q BODY = (C27 - MASERATI)
 S BODY = (H - VOYAGER)(K - RAM VAN/ CARAVAN)

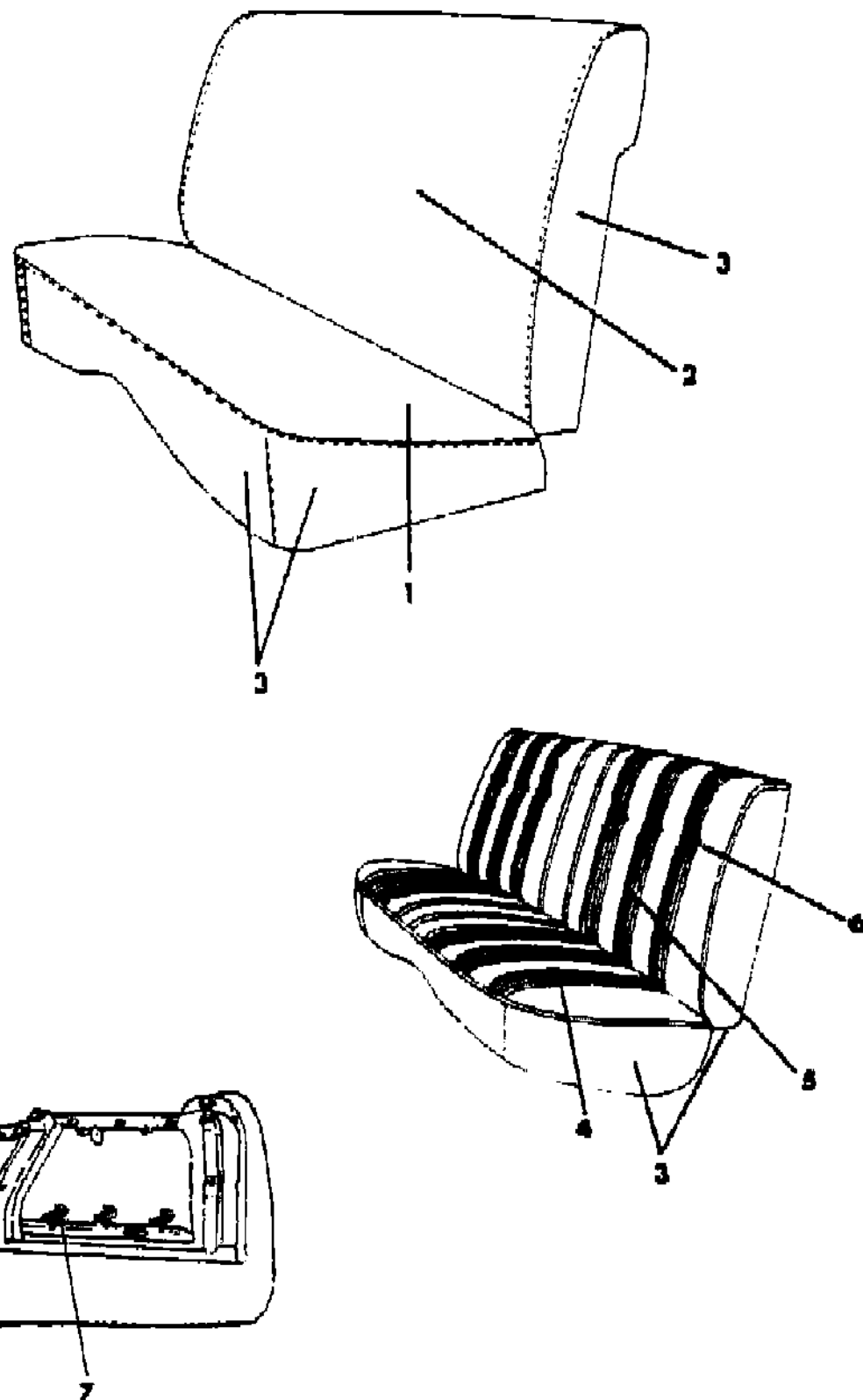
BODY STYLES

12-52 = FWD VAN & WAGON STD. W.B. 27 = 2-DOOR CONVERTIBLE
 13-53 = FWD VAN & WGN EXT W.B. 41 = 4-DOOR SEDAN
 21 = 2-DOOR SEDAN 44 = 4-DOOR HATCHBACK
 24 = 2-DOOR HATCHBACK 45 = 4-DOOR STATION WAGON

AR = Use as Required - = Non Illustrated Part P.A.R. = Paint as Required

SEAT--REAR FLEET-POLICE-OTHERS M BODY
Figure ITM-3100

8244 3100 A



ITEM	PART NUMBER	QTY	BODY	MODEL	DESCRIPTION
NOTE: Special Equipment Code Is In The Trim Code.					
1	4370 339	1			COVER, Cushion Blue, Cloth (CBCP)
	4370 343	1			Taupe, Cloth (CBCP)
	4370 339	1			Blue, Cloth (CACN)
	4370 343	1			Taupe, Cloth (CACN)
	4370 339	1			Blue, Cloth (CBAN)
	4370 343	1			Taupe, Cloth (CBAN)
	N163 V2C	1			Blue, Vinyl (CACP)
	N163 E2K	1			Taupe, Vinyl (CACP)
2	COVER, Back				
	4370 340	1			Blue, Cloth (CBCP)
	4370 344	1			Taupe, Cloth (CBCP)
	4370 340	1			Blue, Cloth (CACN)
	4370 344	1			Taupe, Cloth (CACN)
	4370 340	1			Blue, Cloth (CBAN)
	4370 344	1			Taupe, Cloth (CBAN)
	N164 V2C	1			Blue, Vinyl (CACP)
N164 E2K	1			Taupe, Vinyl (CACP)	
3	ROLL STOCK, Vinyl Order By The Inch				
	R616 FC5	AR			Blue, 64" Wide
	R600 GL7	AR			Taupe, 54" Wide
4	COVER, Cushion Vinyl				
	4370 428	1			Blue, (CBBS)
	4370 434	1			Taupe, (CBBS)
5	COVER, Back Vinyl				
	4370 429	1			Blue, (CBBS)
	4370 435	1			Taupe, (CBBS)
6	BUTTON and RETAINER				
	G385 GC5	AR			Blue, (CBBS)
	G385 GL7	AR			Taupe, (CBBS)
7	6008 076	AR			HOG RING

MODEL CODES

C BODY = (D41 - DYNASTY)(C41 - NEW YORKER)
 E BODY = (J - CARAVELLE)(E - 600)(T - NEW YORKER TURBO)
 G BODY = (V24 - DAYTONA, PACIFICA & SHELBY)
 H BODY = (D44 - LANCER)(C44 - LEBARON GTS)
 J BODY = (C - LEBARON)
 K BODY = (P - RELIANT)(D - ARIES)(C - LEBARON/ TOWN & COUNTRY)
 L BODY = (M - HORIZON)(Z-OMNI)
 M BODY = (B - GRAN FURY)(G - DIPLOMAT)(F - FIFTH AVENUE/NEWPORT)
 P BODY = (P - SUNDANCE)(D - SHADOW)
 Q BODY = (C27 - MASERATI)
 S BODY = (H - VOYAGER)(K - RAM VAN/ CARAVAN)

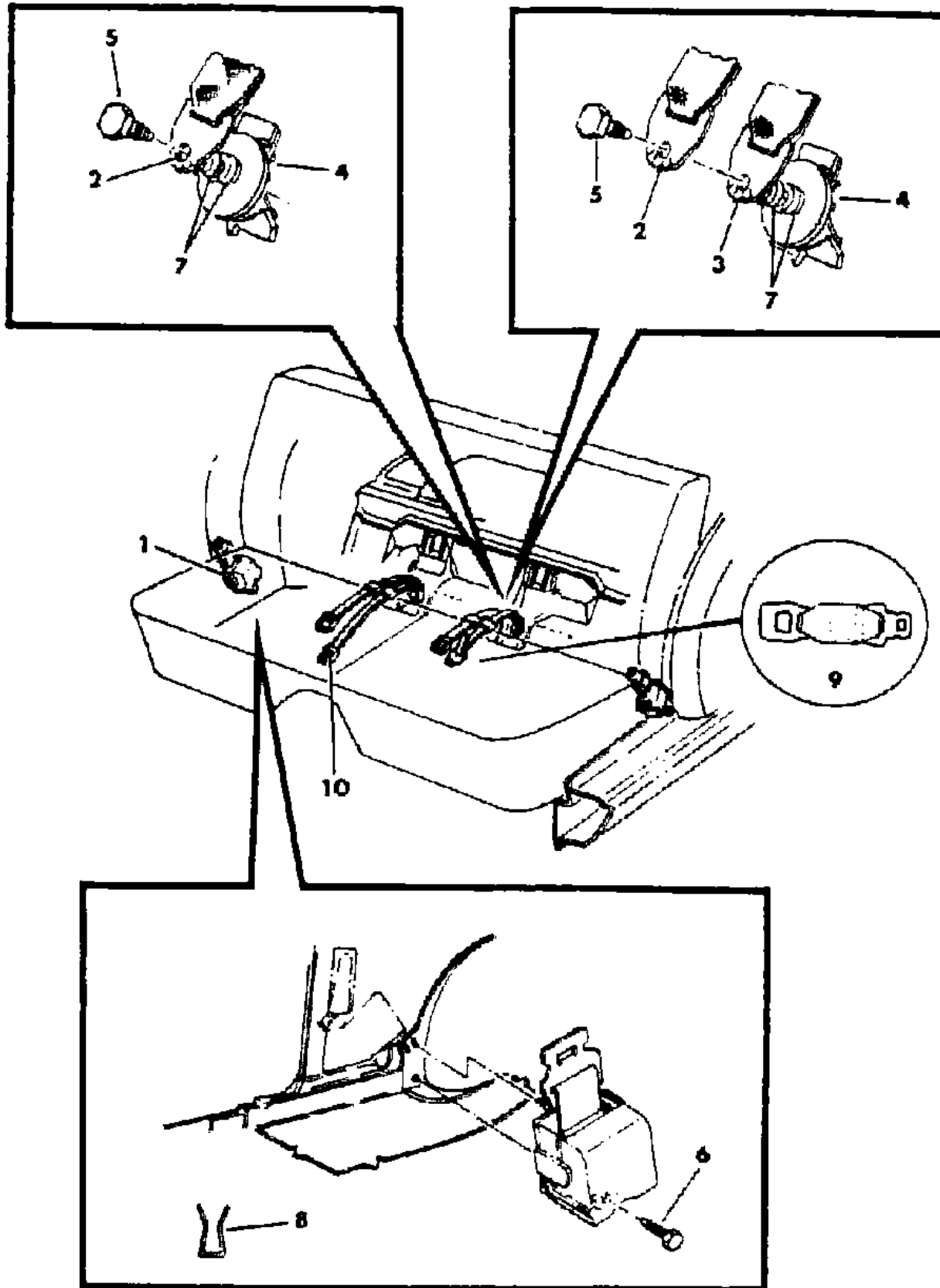
BODY STYLES

12-52 = FWD VAN & WAGON STD. W.B. 27 = 2-DOOR CONVERTIBLE
 13-53 = FWD VAN & WGN EXT W.B. 41 = 4-DOOR SEDAN
 21 = 2-DOOR SEDAN 44 = 4-DOOR HATCHBACK
 24 = 2-DOOR HATCHBACK 45 = 4-DOOR STATION WAGON

AR = Use as Required - = Non Illustrated Part P.A.R. = Paint as Required

BELT--REAR SEAT LAP M BODY
Figure ITM-3200

8244 3200



ITEM	PART NUMBER	QTY	BODY	MODEL	DESCRIPTION
1					BELT, Outboard Tip Half LABEL NUMBER 4290471 or 4327192
	F665 BA3	2			Silver
	F665 GC5	2			Blue
	F665 BM6	2			Red
	F665 GL7	2			Taupe
2					BELT, Buckle Half, Right LABEL NUMBER 4316758
	F714 BA3	2			Silver
	F714 GC5	2			Blue
	F714 BM6	2			Red
	F714 GL7	2			Taupe
3					BELT, Buckle and Tip, Left LABEL NUMBER 4316769
	F719 BA3	1			Silver
	F719 GC5	1			Blue
	F719 BM6	1			Red
	F719 GL7	1			Taupe
4	3861 291	AR			PAD, Swivel Plate
5	6031 216	2			BOLT
6	6031 484	2			BOLT
7					SPACER, Not Serv.)
8	6002 972	2			U-CLIP
9	4364 849	1			EXTENSION, Rear Seat Belt
10	4316 773	2			COVER, Tip Half, (P.A.R.)
	4519 077	AR			ANCHOR PACKAGE, Teather, Child Restraint *** NOTE: (P.A.R.) = Paint As Required

MODEL CODES
 C BODY = (D41 - DYNASTY)(C41 - NEW YORKER)
 E BODY = (J - CARAVELLE)(E - 600)(T - NEW YORKER TURBO)
 G BODY = (V24 - DAYTONA, PACIFICA & SHELBY)
 H BODY = (D44 - LANCER)(C44 - LEBARON GTS)
 J BODY = (C - LEBARON)
 K BODY = (P - RELIANT)(D - ARIES)(C - LEBARON/ TOWN & COUNTRY)
 L BODY = (M - HORIZON)(Z-OMNI)
 M BODY = (B - GRAN FURY)(G - DIPLOMAT)(F - FIFTH AVENUE/NEWPORT)
 P BODY = (P - SUNDANCE)(D - SHADOW)
 Q BODY = (C27 - MASERATI)
 S BODY = (H - VOYAGER)(K - RAM VAN/ CARAVAN)

BODY STYLES
 12-52 = FWD VAN & WAGON STD. W.B. 27 = 2-DOOR CONVERTIBLE
 13-53 = FWD VAN & WGN EXT W.B. 41 = 4-DOOR SEDAN
 21 = 2-DOOR SEDAN 44 = 4-DOOR HATCHBACK
 24 = 2-DOOR HATCHBACK 45 = 4-DOOR STATION WAGON

AR = Use as Required - = Non Illustrated Part P.A.R. = Paint as Required