

This publication contains Parts information for all Domestic Built 1987 Passenger cars as well as Front Wheel Drive Trucks.

The use of this Parts Catalog and the arrangement of information herein is explained in the General Information Section as indexed below.

INDEX TO INFORMATION FRAMES

	FICHE/ROW and FRAME
● ABBREVIATIONS	1-A15-19
● ALPHABETICAL INDEX	1-A6
● BODY CODE PLATE INTERPRETATION	1-A11
● BUILD DATE MONTH AND YEAR	1-A9
● CAR LINE INFORMATION	1-A12
● COLOR CODE OR COMBINED PART NUMBERS	1-A7
● DATE CODE CORRELATION TABLES	1-A12
● ENGINE IDENTIFICATION NUMBERS	1-A8
● GROUP SYSTEM	1-A4
● HOW TO LOCATE PARTS	1-A3
● ILLUSTRATION INDEX	1-A6
● INTERIOR TRIM	1-A7
● METRIC CONVERSION TABLE	1-A14
● NUMERICAL INDEX	1-A6
● MICRO FICHE LAYOUT	1-A3
● PARTS CATALOG BULLETINS	1-A6
● PARTS PACKAGES	1-A6
● PRICE CLASS (SERIES) INFORMATION	1-A10
● RIGHT AND LEFT PART NUMBERS	1-A5
● SALES CODES	1-A13
● SPECIFYING INFORMATION	1-A5
● STANDARD PARTS	1-A6
● SYMBOLS USED IN THIS CATALOG	1-A5
● TRANSMISSION IDENTIFICATION	1-A7
● VEHICLE IDENTIFICATION PLATE	1-A9, A10

HOW TO USE THIS FICHE AND LOCATE PARTS

MICROFICHE LAYOUT

Each Fiche is 4" x 6" and contains 288 Frames. There are 12 Rows containing 24 Frames in each Row. Each Row is identified by a letter in sequence running vertically from top to bottom. Each Alphabetical Row has 24 Frames running numerically from Left to Right from 1 to 24 inclusive. Therefore, each of the 288 Frames has an Alpha/Numeric identification. Example: A4, C20, Etc.

The Color coded "Header Strip" of each Fiche identifies the Set (i.e. 1986 - Light Truck), the Fiche Number (i.e. Fiche 1 of 5), the date of issue and the Groups contained within the Fiche.

TO LOCATE PARTS

The Fiche is divided into Part Groups in which illustrations for parts of a similar function and/or location are published. The Group Contents Listing on the next Frame shows the type of parts contained in each Group. An Index to locate each Group is provided between each Text and Illustration Frame throughout the Fiche Catalog.

Several methods may be used to locate a specific part.

Option 1: From the Group Contents Listing, select the Group which would contain the part to be found. Refer to the adjoining Index to determine where the Group is located and locate the Group. Frame 2, following the Group Header, will contain an Index of Illustrations. Select the Illustration most likely to contain the part. Refer to the Illustration and review the Illustration and associated Text Information.

Option 2: If the "noun" name of the part you seek is known, an Alphabetical Index of Nouns and Illustration Titles, found on the last Fiche of the Set, is provided to assist in finding the part. Several keys may be found in this Index.

AMPLIFIER , Vacuum	Group 25 - Group Reference
AIR CLEANER , 318 Engine 2BBL	3-H10 - Fiche, Row and Frame Reference
ARM , Hood Hinge	5-G8:6 - Fiche, Row and Frame, and Item Reference

Fiche _____
 Row and Frame _____
 Item _____

Option 3: If the part number is known refer to the Numerical Index on the last Fiche of the set, which will in turn refer you to the Fiche location of the item. Multiple references mean the part is listed more than once.

Option 4: A complete Index of Illustrations is included on each Fiche and can be referenced in the same manner as the Alpha Index.

PART GROUP - TITLES & CONTENT

GROUP	CONTENTS
INF	Information Section
AL	Alphabetical Index
IL	Illustration Index (All Groups)
1	Catalog Notices
2	Front Suspension & Drive Front Suspension Components ... Steering Knuckles Front Drive Shafts, Axles, Locking Hubs ... Front Differential
3	Rear Axle Rear Axle and Component Parts ... Rear Axle Mountings
4	Parking Brake Controls
5	Service Brake Brake Controls and Mechanism ... Brake Warning Switch Park Brake Components within the Wheel ... Wheel Hardware, Bearings and Seals
6	Clutch Clutch Unit and Components ... Clutch Pedal, Controls
7	Cooling Front Grille, Grille Support, Radiator Supports, Headlamp Supports ... Radiators, Fans and Fan Motors, Hoses, Thermostats ... Transmission Cooling ... Water Pump ... Drive Belts and Pulleys ... Turbo Charger Cooling
8	Electrical Switches, Relays, Solenoids, Sensors, ... Battery Trays ... Engine Electrical ... Starters, Alternators, Distributors ... Front, Rear, Interior Lamp ... Body Wiring ... Horn
8A	Instrument Panel and Console Instrument Panel and Console Electrical Parts, Clusters, Switches, Wiring ... All Hard and Soft Trim Parts ... Radio, Speakers and Antenna
9 (A, B ...)	Engine (By Engine Type) Engine Components ... Engine Oil System ... Flywheels, Torque Converters ... Engine Mounting
11	Exhaust Exhaust System Components ... Heat Shields
13	Frame, Bumper & Fascia Frame Components, Crossmembers ... Bumper and Fascia Components ... Snow Plow Parts
14	Fuel Accelerator Pedal, Linkage, Throttle Control ... Air Cleaner ... Carburetors, Throttle Body and Injection Components ... Fuel Lines, Fuel Tank ... Fuel Pump ... Turbo Charger Components ... Speed Control

GROUP	CONTENTS
16	Prop. Shaft and Universal Joint
17	Rear Suspension Rear Suspension Components
18	Service Bulletin Parts
19	Steering Steering Wheels, Column ... Power Steering Pump ... Steering Gear ... Steering Linkage, Tie Rods
21M	Manual Transmission and Transfer Cases Manual Transmission, Transaxle and Components ... Gearshift Controls ... Transfer Case, Controls, Mountings ... Speedometer Pinion and Cable
21A	Automatic Transmission Automatic Transmission, Transaxle and Components ... Gearshift Controls ... Speedometer Pinion and Cable
22	Wheels Wheel Rims ... Wheel Covers, Hubcaps ... Jack and Spare Tire Storage
23	Exterior Ornamentation Exterior Ornamentation, Tape Stripes, Decals ... Exterior Moldings ... Vinyl Roof and Trim, Ground Effects Pkgs.
23A	Body-Sheet Metal Except Doors Body Metal ... Stationary Glass ... Sun Roof ... Convertible Top ... Hood and Deck Release
23C	Body-Doors and Related Parts Door Metal ... Door Hardware ... Door Glass ... and Regulator ... Door Mirrors ... Weatherstrips
23D	Body-Miscellaneous Lock Cylinders and Keys ... Windshield Washer/Wiper System
IT (A, B ...)	Interior Trim (By Body Code) All Interior Trim Except Dash and Console ... Seats and Seat Belts ... Seat Adjusters, Manual and Power ... Carpet ... Interior Panels and Moldings ... Security/Tonneau Covers
24	Heater and Air Heater, Air Conditioning System and Controls
25	Emission Systems Air Pump ... EGR System ... Vapor Canister
NU	Numerical Index

RIGHT AND LEFT PART NUMBERS

Right and Left part numbers are frequently combined on one line, e.g. 3514 444-5. Such numbers are interpreted as 3514 444 Right side application and 3514 445 Left Side. Right and Left Sides are always determined by their relationship to the driver when normally seated and looking forward.

SYMBOLS USED IN THIS PARTS CATALOG

The following symbols are commonly used with Part Number and quantity information in this Catalog:

- Preceding a part number indicates parts which have been added and not previously published.

AR - Indicates the quantity required may vary or is to be determined by the user.

SPECIFYING INFORMATION

The following information is included in this Parts Catalog:

- Part Name
- Part Number
- Model Application
- Quantity used per vehicle
- Description and dimensions necessary for proper identification of parts where necessary
- Model or Engine Column:
Engine by Displacement or Vehicle Model
Code Body Style Code or Price Class.
- Effective points of model year running changes are indicated by vehicle serial number, engine number or body number where applicable. When serial number effective points are not available, production effective dates are used. (Refer to the Federal Certification Label for the build date).
- Parts designated as CANADA or EXPORT are not available through US parts outlets.

In the event replacement parts not listed herein are required due to a special service situation, Chrysler Dealers should contact their facing depot for specifier assistance. Problems encountered with peculiar part specifications can be resolved in the same manner.

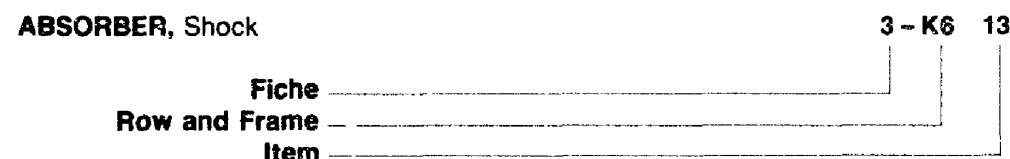
ILLUSTRATION INDEX

This index is a compilation of catalog parts description data with reference to illustrations, and Frame location.

The first page of each group contains a listing of all illustrations within that group. Also refer to illustrations alphabetically listed in information section.

ALPHABETICAL INDEX

This index is a compilation of catalog parts description data with a reference to the location of the item by fiche, Row and Frame, and item number as shown in the following example:



To locate a part by name, refer to the Alphabetical Index. The Alphabetical Index can be found on the last Fiche of the Set.

NUMERICAL INDEX

A listing of Part Numbers contained in the catalog. The numbers are in numerical sequence with reference to the Fiche, Row and Frame, and item number where the part is located.

PARTS PACKAGES

Service Parts Packages, containing all parts needed for specific service operation, are listed in their respective groups with related parts. The listing will show adaptability and model application.

STANDARD PARTS

Important attaching standard parts such as bolts, nuts, etc. are generally listed in the text of the respective major parts groups.

CATALOG AND PARTS BULLETINS

CATALOG AND PARTS BULLETINS are issued when important changes are made in production or when corrections are to be made in the Parts Catalog between regular revisions.

COLOR CODED OR COMBINED PART NUMBERS

Appearing throughout this catalog are part numbers containing both letters and numbers. For example: D500 KB7. These are good serviceable part numbers. The combination of letters and numbers merely indicates the parts are keyed to the interior color of the vehicles on which they are used.

In addition, Right and Left part numbers are frequently combined on one line; e.g. D500-1 KB7. Such numbers are interpreted as D500 KB7, Right side application, and D501 KB7 Left side. Right and Left Sides are always determined by their relationship to the driver when normally seated and looking forward.

INTERIOR TRIM

Refer to the Group IT, Interior Trim Information section, for information relative to Interior Soft and Hard Trim, Rolled Stock, etc.

TRANSMISSION IDENTIFICATION

MANUAL TRANSMISSION

(Example PP23044360001)

PLANT CODE	COMPONENT CODE	DATE CODE	SERIAL NUMBER
2 letters	3 digits	4 digits	4 digits
PP - New Process Gear Division	230 - 230 trans. 250 - 250 trans. 833 - 833 trans.	Based on the calendar on Fiche 1-A13	A sequential number beginning with 0001 for each day's production

Location: Below centerline on Front Portion of Right Side

AUTOMATIC TRANSMISSION

(Example PK3681063W44360001)

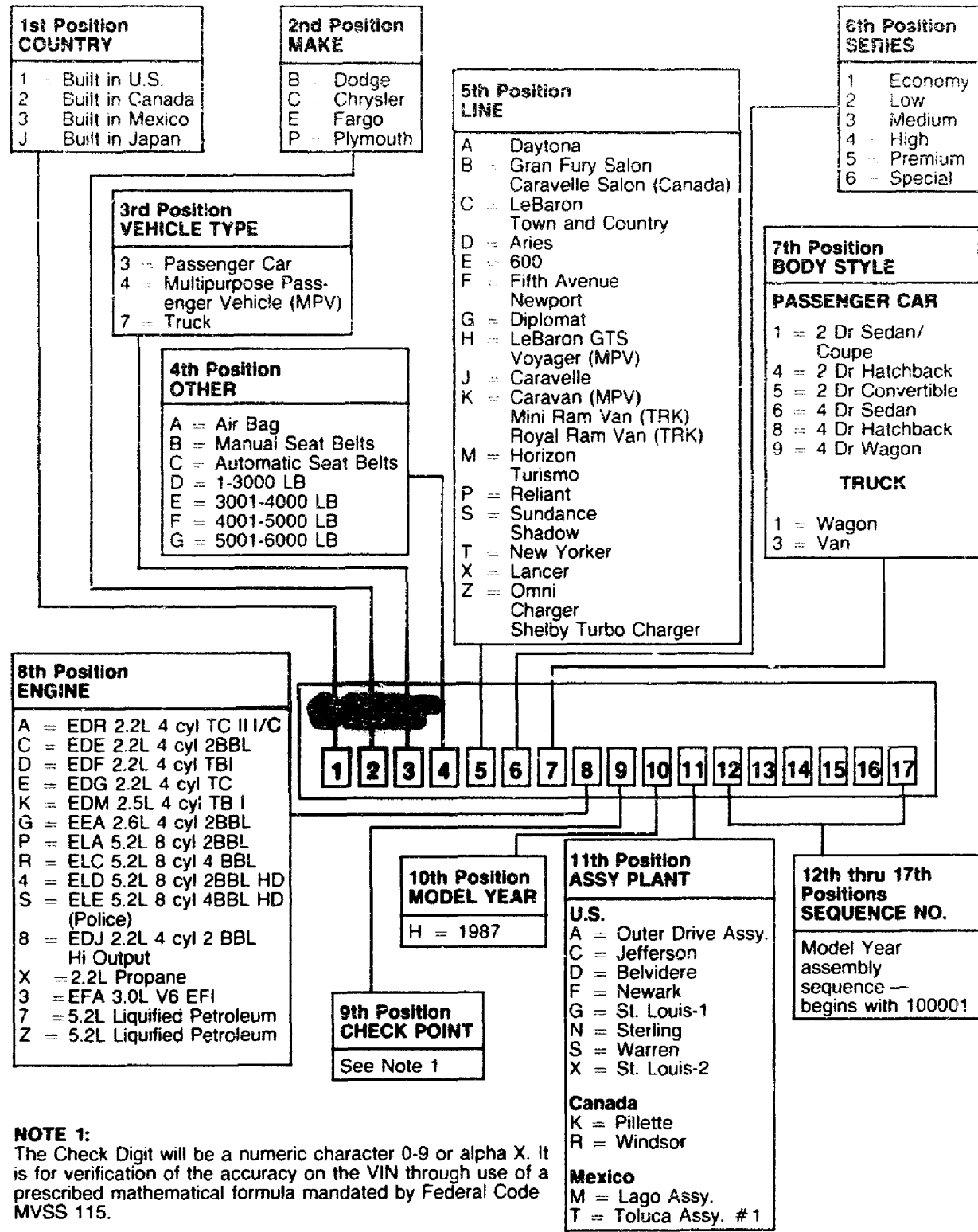
PLANT CODE	PART NO.	CHANGE CODE	DATE CODE	SERIAL NUMBER
2 letters	7 digits	1 digit	4 digits	4 digits
PK - Kokomo	3681063	W (Factory use only- of no significance to the field)	Based on the calendar on Fiche 1-A13	A sequential number beginning with 0001 for each day's production.

Location: On Oil Pan Side Rail-Left Side.

NOTE: A derivative of the Vehicle Identification Number is also stamped on all production installed Engines and Transmissions, e.g.:

H	A	1000001
Model Year	Assembly Plant	Vehicle Sequence Number

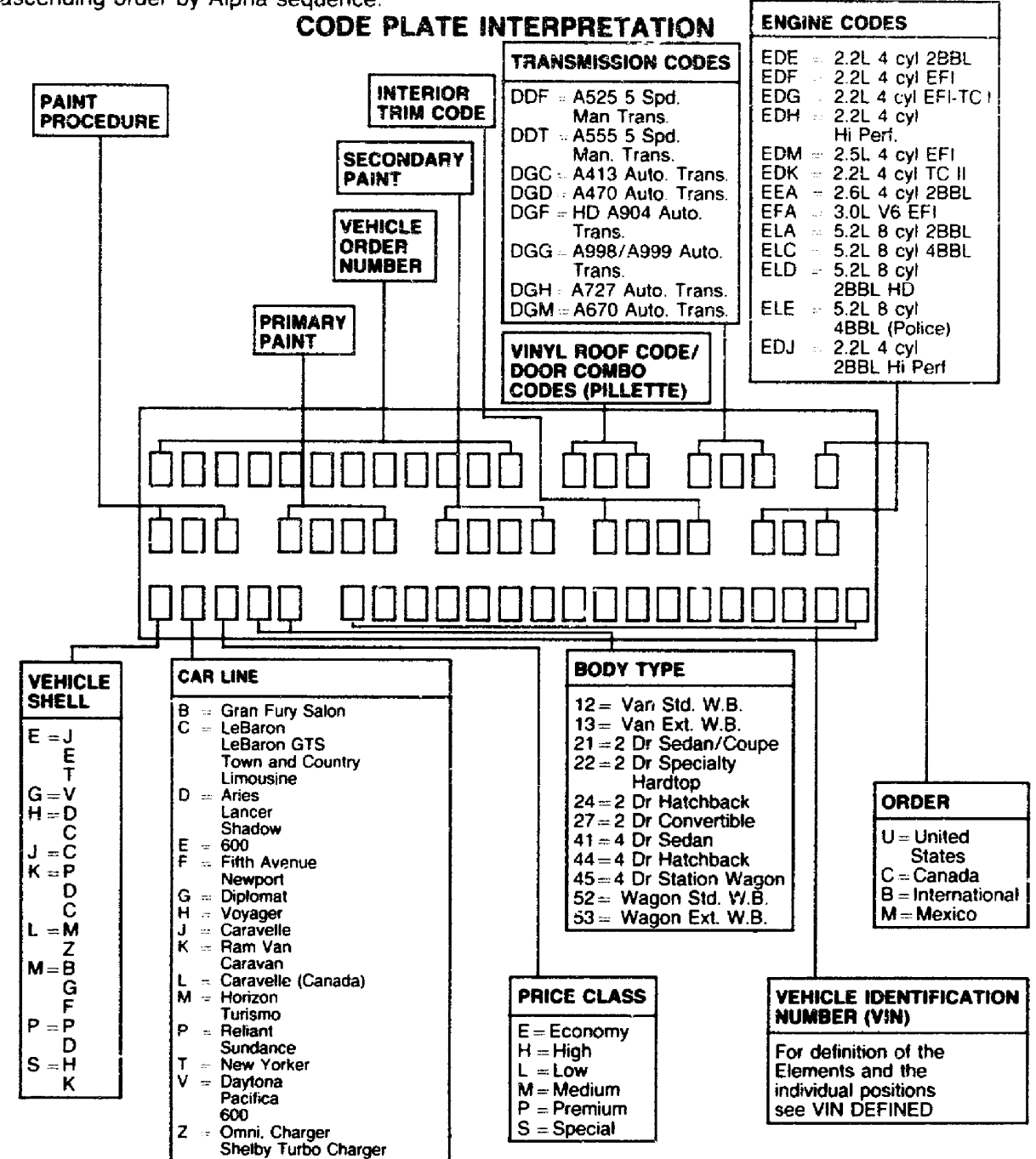
VEHICLE IDENTIFICATION NUMBER (VIN) DEFINED



BODY CODE PLATE

The Body Code Plate is located on the Left Front Side Shield or Wheel Housing or on the Upper Radiator Support. On FWD Trucks the Plate is located on the Right Front Cowl Panel. The Plate contains 7 rows of data. The bottom 3 rows are reserved for specific information as depicted below. Starting at the fourth row, (following the reserved portion), other Sales Codes used to build a specific vehicle are listed in the ascending order by Alpha sequence.

CODE PLATE INTERPRETATION



DATE CODE CORRELATION TABLE

1986 DAY NUMBER												
DATE	JAN.	FEB.	MAR.	APR.	MAY	JUNE	JULY	AUG.	SEPT.	OCT.	NOV.	DEC.
1	8923	8954	8982	9013	9043	9074	9104	9135	9166	9196	9227	9257
2	8924	8955	8983	9014	9044	9075	9105	9136	9167	9197	9228	9258
3	8925	8956	8984	9015	9045	9076	9106	9137	9168	9198	9229	9259
4	8926	8957	8985	9016	9046	9077	9107	9138	9169	9199	9230	9260
5	8927	8958	8986	9017	9047	9078	9108	9139	9170	9200	9231	9261
6	8928	8959	8987	9018	9048	9079	9109	9140	9171	9201	9232	9262
7	8929	8960	8988	9019	9049	9080	9110	9141	9172	9202	9233	9263
8	8930	8961	8989	9020	9050	9081	9111	9142	9173	9203	9234	9264
9	8931	8962	8990	9021	9051	9082	9112	9143	9174	9204	9235	9265
10	8932	8963	8991	9022	9052	9083	9113	9144	9175	9205	9236	9266
11	8933	8964	8992	9023	9053	9084	9114	9145	9176	9206	9237	9267
12	8934	8965	8993	9024	9054	9085	9115	9146	9177	9207	9238	9268
13	8935	8966	8994	9025	9055	9086	9116	9147	9178	9208	9239	9269
14	8936	8967	8995	9026	9056	9087	9117	9148	9179	9209	9240	9270
15	8937	8968	8996	9027	9057	9088	9118	9149	9180	9210	9241	9271
16	8938	8969	8997	9028	9058	9089	9119	9150	9181	9211	9242	9272
17	8939	8970	8998	9029	9059	9090	9120	9151	9182	9212	9243	9273
18	8940	8971	8999	9030	9060	9091	9121	9152	9183	9213	9244	9274
19	8941	8972	9000	9031	9061	9092	9122	9153	9184	9214	9245	9275
20	8942	8973	9001	9032	9062	9093	9123	9154	9185	9215	9246	9276
21	8943	8974	9002	9033	9063	9094	9124	9155	9186	9216	9247	9277
22	8944	8975	9003	9034	9064	9095	9125	9156	9187	9217	9248	9278
23	8945	8976	9004	9035	9065	9096	9126	9157	9188	9218	9249	9279
24	8946	8977	9005	9036	9066	9097	9127	9158	9189	9219	9250	9280
25	8947	8978	9006	9037	9067	9098	9128	9159	9190	9220	9251	9281
26	8948	8979	9007	9038	9068	9099	9129	9160	9191	9221	9252	9282
27	8949	8980	9008	9039	9069	9100	9130	9161	9192	9222	9253	9283
28	8950	8981	9009	9040	9070	9101	9131	9162	9193	9223	9254	9284
29	8951		9010	9041	9071	9102	9132	9163	9194	9224	9255	9285
30	8952		9011	9042	9072	9103	9133	9164	9195	9225	9256	9286
31	8953		9012		9073		9134	9165		9226		9287

1987 DAY NUMBER												
DATE	JAN.	FEB.	MAR.	APR.	MAY	JUNE	JULY	AUG.	SEPT.	OCT.	NOV.	DEC.
1	9288	9319	9347	9378	9408	9439	9469	9500	9531	9561	9592	9622
2	9289	9320	9348	9379	9409	9440	9470	9501	9532	9562	9593	9623
3	9290	9321	9349	9380	9410	9441	9471	9502	9533	9563	9594	9624
4	9291	9322	9350	9381	9411	9442	9472	9503	9534	9564	9595	9625
5	9292	9323	9351	9382	9412	9443	9473	9504	9535	9565	9596	9626
6	9293	9324	9352	9383	9413	9444	9474	9505	9536	9566	9597	9627
7	9294	9325	9353	9384	9414	9445	9475	9506	9537	9567	9598	9628
8	9295	9326	9354	9385	9415	9446	9476	9507	9538	9568	9599	9629
9	9296	9327	9355	9386	9416	9447	9477	9508	9539	9569	9600	9630
10	9297	9328	9356	9387	9417	9448	9478	9509	9540	9570	9601	9631
11	9298	9329	9357	9388	9418	9449	9479	9510	9541	9571	9602	9632
12	9299	9330	9358	9389	9419	9450	9480	9511	9542	9572	9603	9633
13	9300	9331	9359	9390	9420	9451	9481	9512	9543	9573	9604	9634
14	9301	9332	9360	9391	9421	9452	9482	9513	9544	9574	9605	9635
15	9302	9333	9361	9392	9422	9453	9483	9514	9545	9575	9606	9636
16	9303	9334	9362	9393	9423	9454	9484	9515	9546	9576	9607	9637
17	9304	9335	9363	9394	9424	9455	9485	9516	9547	9577	9608	9638
18	9305	9336	9364	9395	9425	9456	9486	9517	9548	9578	9609	9639
19	9306	9337	9365	9396	9426	9457	9487	9518	9549	9579	9610	9640
20	9307	9338	9366	9397	9427	9458	9488	9519	9550	9580	9611	9641
21	9308	9339	9367	9398	9428	9459	9489	9520	9551	9581	9612	9642
22	9309	9340	9368	9399	9429	9460	9490	9521	9552	9582	9613	9643
23	9310	9341	9369	9400	9430	9461	9491	9522	9553	9583	9614	9644
24	9311	9342	9370	9401	9431	9462	9492	9523	9554	9584	9615	9645
25	9312	9343	9371	9402	9432	9463	9493	9524	9555	9585	9616	9646
26	9313	9344	9372	9403	9433	9464	9494	9525	9556	9586	9617	9647
27	9314	9345	9373	9404	9434	9465	9495	9526	9557	9587	9618	9648
28	9315	9346	9374	9405	9435	9466	9496	9527	9558	9588	9619	9649
29	9316		9375	9406	9436	9467	9497	9528	9559	9589	9620	9650
30	9317		9376	9407	9437	9468	9498	9529	9560	9590	9621	9651
31	9318		9377		9438		9499	9530		9591		9652

SALES CODES

Due to the increase complexity of qualifications required to describe the application of some replacement parts; particularly those related to Emission Control System, Sales Codes are used on a selected basis in some areas of this publication.

Normally, Sales Codes will be employed as secondary qualifiers and are for the express purpose of providing positive identification of parts applicable to vehicle components or systems so complex in nature that normal methods of written qualification are either inadequate or confusing.

The Sales code will always appear after the written description of the part; will be enclosed in parenthesis; will be prefixed S/C; and will follow a hyphen appended to the S/C, e.g.: (S/C-NAE).

To determine whether or not the vehicle for which the part is being specified was built with a particular Sales Code it will be necessary to refer to the Body Code Plate depicted on page Fiche 1-A11. Sales Codes are also listed on vehicle invoices and on the Maroney label which is affixed to the side glass on new units.

DEFINITION OF SALES CODES

NAA — ELECTRONIC SPARK ADVANCE — w/Catalyst—Except California System. Used in conjunction with a Catalytic Exhaust System — Unleaded Fuel is required

NAB — ELECTRONIC SPARK ADVANCE — w/o Catalyst. Used in conjunction with a conventional Non-Catalytic Exhaust System. Unleaded Fuel is not required. Canada and Export.

NAC — W/O ELECTRONIC SPARK ADVANCE — Used in conjunction with a Catalytic Exhaust System — unleaded fuel required

NAD — W/O ELECTRONIC SPARK ADVANCE — Used in conjunction with a Conventional Exhaust — unleaded fuel is not required (Canada & Export)

NAE — EMISSION CONTROLS TESTING AND LABEL — Commonly referred to as California Emission Controls due to it being mandatory for designated engines on trucks sold in the state of California.

NAF — HIGH ALTITUDE EMISSION CONTROLS — Required for some truck lines and engine combinations sold in some geographical markets predominantly above 4000 feet elevation

NAG — USED IN CONJUNCTION WITH A CONVENTIONAL EXHAUST SYSTEM — Unleaded Fuel is not required. Canada & Export.

NAU — ALL U.S. TYPE EMISSION SYSTEMS

NEB — PERFORMANCE EXHAUST SYSTEM (LOW BACK PRESSURE)

NED — EXHAUST SYSTEM — Performance Type - With Bright Tip (Used Only on Shelby Charger)

METRIC CONVERSION TABLE

LINEAR MEASUREMENT

1 foot (ft.)	12 inches (in.)
1 yard (yd.)	3 ft. 36 in.
1 mile (statute)	5,280 ft.

1 centimeter (cm)	10 millimeters (mm)
1 meter (m)	100 cm 1000 mm
1 kilometer (km)	1000 meters

To convert	Into	Multiply by	To convert	Into	Multiply by
inches	centimeters	2.5400	centimeters	inches	0.3937
inches	millimeters	25.4000	millimeters	inches	0.0394
feet	meters	0.3048	meters	feet	3.2808
feet	millimeters	304.8000	millimeters	feet	0.0033
yards	meters	0.9144	meters	yards	1.0936
miles	kilometers	1.6093	kilometers	miles	0.6214

AREA MEASUREMENT

1 square foot (sq.ft.)	144 square inches (sq.in.)
1 square yard (sq.yd.)	9 square feet
1 acre	4,840 sq. ft.
1 square mile	640 acres

1 sq. centimeter (cm ²)	100 sq. millimeters (mm ²)
1 sq. meter (m ²)	10,000 cm ²
1 are (a)	100 m ²
1 sq. kilometer (km ²)	1,000,000 m ²

To convert	Into	Multiply by	To convert	Into	Multiply by
square inches	sq. centimeters	6.4516	sq. centimeters	sq. inches	0.1550
square feet	sq. meters	0.0929	sq. meters	sq. feet	10.7639
square yards	sq. meters	0.8361	sq. meters	sq. yards	1.1960
acres	sq. meters	4,047.0	sq. meters	acres	0.0002
square miles	sq. kilometers	2.5900	sq. kilometers	sq. miles	0.3861

CUBIC MEASUREMENT (VOLUME)

1 cubic foot (cu. ft.)	= 1.728 cubic inches (cu. in.)
1 cubic yard (cu. yd.)	= 27 cubic feet

1 cu. centimeter (cm ³)	= 1000 cu. millimeters (mm ³)
1 cubic meter (m ³)	= 1,000,000 cm ³

To convert	Into	Multiply by	To convert	Into	Multiply by
cubic inches	cu. centimeters	16.3872	cu. centimeters	cubic inches	0.0610
cubic feet	cubic meters	0.0283	cubic meters	cubic feet	35.3145
cubic yards	cubic meters	0.7646	cubic meters	cubic yards	1.3079

LIQUID MEASUREMENT (CAPACITY)

1 pint (pt.)	= 28.875 cubic inches
1 quart (qt.)	= 2 pints = 57.75 cu. in.
1 gallon (gal.)	= 4 qts. = 231 cu. in.

1 centimeter (cl.)	= 10 milliliters (ml.)
1 liter (l)	= 100 cl. = 1000 ml.
1 kiloliter (kl)	= 1000 liters

To convert	Into	Multiply by	To convert	Into	Multiply by
cubic inches	liters	0.0164	liters	cubic inches	61.0250
pints	liters	2.1132	liters	pints	0.4732
quarts	liters	0.9463	liters	quarts	1.0566
gallons	liters	3.7853	liters	gallons	0.2642
cubic feet	liters	28.3162	liters	cubic feet	0.0353

WEIGHT MEASUREMENT

1 ounce (oz.)	= 16 drams
1 pound (lb.)	= 16 ounces
1 short ton	= 2000 pounds
1 long ton	= 2240 pounds

1 centigram (cg.)	= 10 milligrams (mg.)
1 gram (g.)	= 100 cg. = 1000 mg.
1 kilogram (kg.)	= 1000 grams
1 metric ton (t.)	= 1000 kg.

To convert	Into	Multiply by	To convert	Into	Multiply by
drams	grams	1.7718	grams	drams	0.5644
ounces	grams	28.3495	kilograms	ounces	0.0353
pounds	kilograms	0.4536	tons (metric)	pounds	2.2046
tons (short)	tons (metric)	0.9072	tons (metric)	tons (short)	1.1023

POWER MEASUREMENT

1 horsepower (hp)	= 746 watts = 7457 kilowatts (kw)
-------------------	-----------------------------------

1 horsepower (ps)	= 736 watts = 7355 kw
-------------------	-----------------------

To convert	Into	Multiply by	To convert	Into	Multiply by
horsepower (U.S.)	horsepower (met.)	1.0139	horsepower (met.)	horsepower (U.S.)	0.9863
horsepower (U.S.)	kilowatts	0.7457	horsepower (met.)	horsepower (met.)	0.7355
kilowatts	horsepower (U.S.)	1.3405	horsepower (met.)	kilowatts	1.2596

ABBREVIATIONS

Abbreviations as used throughout this catalog are interpreted as follows:

ABS	ABSORBER	BTM	BOTTOM
ACC	ACCESSORY	BTN	BUTTON
ACCEL	ACCELERATOR	B/UP	BACK UP
A/CLNR	AIR CLEANER	BUSH	BUSHING
A/COND	AIR CONDITIONING	CAD	CADIUM
ACTG	ACTUATING	CAN	CANADA-CANADIAN
ACTR	ACTUATOR	CAP	CAPACITY
ADAPT	ADAPTER-ADAPTATION	C.A.S.	CLEANER AIR SYSTEM
ADJ	ADJUSTING-ADJUSTOR-ADJUSTABLE-ADJUSTMENT	CARB	CARBURETOR
A/INL	AIR INLET	CATA	CATALYTIC
ALTR	ALTERNATOR	C/BAR	CROSS BAR
ALUM	ALUMINUM	CBL	CABLE
AMP	AMPERE	C/BRD	CIRCUIT BOARD
AMPL	AMPLIFIER	C.BRKR	CIRCUIT BREAKER
AMTR	AMMETER	CCW	COUNTERCLOCKWISE
ANCH	ANCHOR	C/E	COMMUTATOR END
&	AND	CHAM	CHAMFRED
A/OUT	AIR OUTLET	CHMBR	CHAMBER
APPROX	APPROXIMATE, APPROXIMATELY	CHR	CHROMIUM
AR	AS REQUIRED	C.I.	CUBIC INCH
A/RATLR	ANTI RATTLER	C/IRON	CAST IRON
A REST	ARM REST	C/CASE	CRANKCASE
ARM	ARMATURE	CK/CHFT	CRANKSHAFT
A/SQK	ANTISQUEAK	CL	CLEANER
ASSY	ASSEMBLY	CL/NUT	CLINCH NUT
A/SUSP	AIR SUSPENSION	C/LP	COURTESY LAMP
A.T.C.	AUTOMATIC TEMPERATURE CONTROL	CLSR	CLOSURE
ATT	ATTACHING	C/LTR	CIGAR OR CIGARETTE LIGHTER
A/TRANS	AUTOMATIC TRANSMISSION	C/MBR	CROSSMEMBER
AUTO	AUTOMATIC	COE	CAB OVER ENGINE
AUX	AUXILIARY	COL	COLUMN
BAL	BALANCE	COMB	COMBINATION
BATT	BATTERY	COMBN	COMBUSTION
BBL	BARREL	COMP	COMPLETE, COMPONENT
B/BRK	BOOSTER BRAKE	COMPN	COMPRESSION
B/CRK	BELL CRANK	COMPR	COMPRESSOR
B.E.	BLACK ENAMEL	COMPT	COMPARTMENT
B/JNT	BALL JOINT	COMTR	COMMUTATOR
BLK	BLOCK	COND	CONDENSER
BLT	BUILT	CONDT	CONDUIT
BLWR	BLOWER	CONDTG	CONDITIONING
BMPR	BUMPER	CONN	CONNECTING-CONNECTION-CONNECTOR
BOLT & RET	BOLT & RETAINER	CONT	CONTINUED-CONTROL
BOLT & WA.	BOLT & WASHER	CONT'D	CONTINUED
BR	BRASS	CONV	CONVERTER
BRD	BOARD	COP	COPPER
BRG	BEARING	CO/SHFT	COUNTERSHAFT
BRK	BRAKE	CO/WT	COUNTERWEIGHT
BRKT	BRACKET	CP	CANDLEPOWER
BRKR	BREAKER	C/PILLAR	CENTER PILLAR
BRT	BRIGHT	CPLG	COUPLING
BRZ	BRONZE	C/SHFT	CROSS SHAFT
BSTR	BOOSTER	CSTG	CASTING
B/STUD	BALL STUD	CTR	CENTER
		CU	CUBIC
		CUSH	CUSHION

ABBREVIATIONS (Cont'd.)

CUST	CUSTOM	EXP	EXPORT
CV	CONVERTIBLE	EXPN	EXPANSION
C/VAL	CONTROL VALVE	EXT	EXTENSION
CVR	COVER	EXTL	EXTERNAL
C/WT	COUNTERWEIGHT	EXTR	EXTRUDED
CYL	CYLINDER	F	FAHRENHEIT
DBL	DOUBLE	FACT	FACTORY
D/CVR	DUST COVER	F/AIR	FRESH AIR
D/E	DRIVE END	FAST	FASTENING-FASTENER
DECAL	DECALCOMANIA	F/AXLE	FRONT AXLE
DEFL	DEFLECTOR	F/BRD	FLOOR BOARD
DEFGR	DEFOGGER	F/CPLG	FLUID COUPLING
DEFR	DEFROSTER	F/DR	FRONT DOOR
DEG (°)	DEGREE	F/FILT	FUEL FILTER
D/EXH	DUAL EXHAUST	F/GA	FUEL GAGE
DIA	DIAMETER	F/IDLE	FAST IDLE
DIAG	DIAGONAL	FIL HD	FILLISTER HEAD
DIAPH	DIAPHRAGM	FIN	FINISH
DIFF	DIFFERENTIAL	F/INJ	FUEL INJECTION
DIM	DIMENSION	FLD	FIELD
DIR	DIRECT-DIRECTIONAL	FLEX	FLEXIBLE
DIR CL	DIRECT CLUTCH	FLG	FLANGE
DIST	DISTRIBUTOR-DISTRIBUTING	FL HD	FLAT HEAD
DIV	DIVISION-DIVISIONAL	FLR	FLOOR
D/LINK	DRAG LINK	F/MLDG	FINISH MOULDING
D/LP	DOME LAMP	FNDR	FENDER
DMPR	DAMPER	F/PAN	FLOOR PAN
DOM	DOMESTIC	F/PUMP	FUEL PUMP
D/PINION	DRIVE PINION	FREQ	FREQUENCY
DR	DOOR	FRT	FRONT
D/R SHAFT	DOUBLE ROCKER SHAFT	FT	FOOT-FEET
DRIV	DRIVE	F/TANK	FUEL TANK
DRVN	DRIVEN	FTG	FITTING
D/SEAL	DUST SEAL	F/TOP	FOLDING TOP
D/SHLD	DUST SHIELD	GA	GAUGE-GAGE
D/SW	DIMMER SWITCH	GALV	GALVANIZED
EBL	ELECTRIC HEATED BACK LIGHT	GARN	GARNISH
ECC	ECCENTRIC	G/BOX	GLOVE BOX
ECS	EVAPORATE EMISSION CONTROL SYSTEM	GEN	GENERATOR
E.F.I. (M)	ELECTRONIC FUEL INJECTION (METERING)	GLA	GLASS
E.G.R.	EXHAUST GAS RECIRCULATION	G/MLDG	GARNISH-MOULDING
ELECT	ELECTRIC	GND	GROUND
ELIM	ELIMINATOR	GOV	GOVERNOR
EMR	ENGINE MAINTENANCE REMINDER	GR	GEAR
ENG	ENGINE	G/REG	GENERATOR-REGULATOR
EQ	EQUIPMENT	GRL	GRILLE
ESC	ESCUTCHEON	GRMT	GROMMET
ETC	ET CETERA	G/SHIFT	GEARSHIFT
EVAP	EVAPORATION-EVAPORATOR	GSKT	GASKET
EX	EXTRA	GVW	GROSS VEHICLE WEIGHT
EXC	EXCLUDE	H/BRK	HAND BRAKE
EXH	EXHAUST	H/C	HIGH COMPRESSION
		HD	HEAD
		H/D	HEAVY DUTY
		HDL	HANDLE
		H/LIN	HEAD LINING
		HDLS	HEADLESS

ABBREVIATIONS (Cont'd.)

HDR	HEADER	LOC	LOCATING
HEMI	HEMISPHERICAL	LP	LAMP
HEX	HEXAGON	LPG	LIQUID PROPANE GAS
HGE	HINGE	L.S.H.	LOW SECTION HEIGHT
H/GUIDE	HYDRAGUIDE	LT	LEFT
H/LP	HEADLAMP	LUB	LUBRICANT-LUBRICATING
H/PERF	HIGH PERFORMANCE	LUGG	LUGGAGE
H/REST	HEAD REST	LVR	LEVER
HSG	HOUSING	LWR	LOWER
H/SNK	HEAT SINK	M & I	MARINE & INDUSTRIAL
H/SHLD	HEAT SHIELD	M/ADJ	MANUAL ADJUSTING
NHT	HEATER	MAN	MANUAL
HVY	HEAVY	MANF	MANIFOLD
HYD	HYDRAULIC	MAR	MARINE
I/ARM	IDLER ARM	MAX	MAXIMUM
I.D.	INSIDE DIAMETER	MAX PERF	MAXIMUM PERFORMANCE
IDENT	IDENTIFICATION	M/BRK	MANUAL BRAKE
IGN	IGNITION	MBR	MEMBER
IN	INCH	M/CYL	MASTER CYLINDER
INCL	INCLUSIVE-INCLUDES	MECH	MECHANISM
IND	INDUSTRIAL	MED	MEDIUM
INDIC	INDICATOR	MEDAL	MEDALLION
INL	INLET	MIL	MILITARY
INR	INNER	MIN	MINIMUM
INS	INSULATING-INSULATION-INSULATOR	MDLG	MOULDING
INST	INSTRUMENT-INSTRUCTION	MOD	MODEL
INT	INTAKE	M/MTRG	MAIN METERING
INTER	INTERMITTENTLY-INTERMEDIATE	M.P.H.	MILES PER HOUR
INTL	INTERNAL	MT	MOUNT
INTLK	INTERLOCK	MTG	MOUNTING
I/PNL	INSTRUMENT PANEL	MTR	MOTOR
I/PULLEY	IDLER PULLEY	M/TRANS	MANUAL TRANSMISSION
I/S	INSIDE	MTRG	METERING
J/BLK	JUNCTION BLOCK	NEG	NEGATIVE
JNT	JOINT	NEUT	NEUTRAL
K/DN	KICKDOWN	NI	NICKEL
KDX	KNOCK DOWN EXPORT	NO. OR #	NUMBER
KILO	KILOMETER	NOM	NOMINAL
KNU	KNUCKLE	NO	NITROGEN OXIDE EMISSION CONTROL
K/UP	KICKUP	N/PLT	NAME PLATE
LBS	POUNDS	NUT & WA	NUT AND WASHER
L/C	LOW COMPRESSION	O/CTR	OVER CENTER
LCF	LOW CAB FORWARD	O.D.	OUTSIDE DIAMETER
L/COMPT	LUGGAGE COMPARTMENT	O/DRV	OVER DRIVE
LEA	LEATHER	O/GA	OIL GAUGE
LED	LIGHT EMITTING DIODE	OPER	OPERATING
LGH	LENGTH	OPNG	OPENING
LHD	LEFT HAND DRIVE	OPP	OPPOSITE
L.H. THD	LEFT HAND THREAD	OPT	OPTIONAL
LIC	LICENSE	O/PUMP	OIL PUMP
LIN	LINING-LINER	ORN	ORNAMENT
LK	LOCK	O/RUNN	OVERRUNNING
LKG	LOCKING	O/S	OUTSIDE
LK/NUT	LOCK NUT	O/SIZE	OVERSIZE
LK/WA	LOCK WASHER	OTR	OUTER
		OUTL	OUTLET

ABBREVIATIONS (Cont'd.)

OV	OVAL
O/W	OPTIONAL WITH
O/WRAP	OVERWRAP
OZ	OUNCE
P	PITCH
PACK	PACKING
PARK	PARKING
PART	PARTIAL PARTITION
PASS	PASSENGER
P/BRK	POWER BRAKE
P/BTN	PUSH BUTTON
PC/BRD	PRINTED CIRCUIT BOARD
PED	PEDAL
PERF	PERFORMANCE
PIST	PISTON
PIV	PIVOT
PKG	PACKAGE
PL	PLAIN
P/LAMP	PARKING LAMP
PLR	PILLAR
PLT	PLATE-PLATED
PLUNG	PLUNGER
PL/WA	PLAIN WASHER
P/MTR	POTENTIOMETER
PNL	PANEL
PNTD	PAINTED
POS	POSITIVE
POLY	POLYESTER
P/PNL	POCKET PANEL
PRESS	PRESSURE
PRI	PRIMARY
PROD	PRODUCTION
P/ROD	PUSH ROD
PROP	PROPELLER
PRPG	PROPORTIONING
PSF	POUNDS PER SQUARE FOOT
PSI	POUNDS PER SQUARE INCH
P/STRG	POWER STEERING
PT	POINT
PTO	POWER TAKE OFF
PWR	POWER
Q/PNL	QUARTER PANEL
QTR	QUARTER
Q/WDO	QUARTER WINDOW
R	RADIUS
R/A	REAR AXLE
R/AXLE	REAR AXLE
RAD	RADIATOR
R/CONT	REMOTE CONTROL
RC/SHIFT	ROCKER SHAFT
RD	ROUND
R/DR	REAR DOOR
REC	RECEIVER
RECIR	RECIRCULATING
RECT	RECTANGULAR
RECTR	RECTIFIER
RED	REDUCTION
REFL	REFLECTOR
REG	REGULATOR
REINF	REINFORCEMENT
REL	RELEASE
REM	REMOTE
REQ	REQUIRED
RES	RESISTOR
RET	RETAINER
RETG	RETAINING
REV	REVERSE
REVERB	REVERBERATOR
R/FLR	REAR FLOOR
RHD	RIGHT HAND DRIVE
RHEO	RHEOSTAT
R.H. THD	RIGHT HAND THREAD
R/L	RIGHT AND LEFT
RPM	REVOLUTIONS PER MINUTE
R/QTR	REAR QUARTER
RR	REAR
RSVR	RESERVOIR
RT	RIGHT
R/WDO	REAR WINDOW
S/ABS	SHOCK ABSORBER
S/C	SALES CODE
S/COMPT	SIDE COMPARTMENT
S/DEFL	STONE DEFLECTOR
SECT	SECTION
SER	SERIAL-SERVICE
S/EXH	SINGLE EXHAUST
S-FIN	SEMI-FINISHED
S/GR	STEERING GEAR
SHIFT	SHIFT
SHLD	SHIELD
SIG	SIGNAL
S/KNU	STEERING KNUCKLE
SLD	SLIDE
SLDG	SLIDING
S/LP	STOP LAMP
SLTD	SLOTTED
SLV	SLEEVE
S/MBR	SIDE MARKER
SOC	SOCKET
SOL	SOLENOID
SPD	SPEED
SPEEDO	SPEEDOMETER
SPKR	SPEAKER
SPL	SPECIAL
SPL EQUIP	SPECIAL EQUIPMENT
SPRG	SPRING
S/PNL	SIDE PANEL
SP/SHLD	SPLASH SHIELD
SQ	SQUARE
S/R SHAFT	SINGLE ROCKER SHAFT
S/RAIL	SIDE RAIL
S/RING	SNAP RING

ABBREVIATIONS (Cont'd.)

S/SHLD	SIDE SHIELD
S/SILL	SIDE SILL
S/SPD	SINGLE SPEED
STA	STATION-STATIONARY
STAB	STABILIZER
STD	STANDARD
STGHT	STRAIGHT
STL	STEEL
STRG	STEERING
STRKR	STRIKER
STRNR	STRAINER
STRTR	STARTER
SUCT	SUCTION
SUPT	SUPPORT
SUSP	SUSPENSION
SW	SWITCH
SYNCH	SYNCHRONIZER
T	TEETH
TAP	TAPPING
TBI	THROTTLE BODY INJECTION
T/BKL	TURN BUCKLE
T/BLK	TERMINAL BLOCK
T/COMP	TRIMMED COMPLETE
T/CONT	THROTTLE CONTROL
T/CONV	TORQUE CONVERTER
TEMP	TEMPERATURE
TERM	TERMINAL
T/GA	TEMPERATURE GAUGE
T-GATE	TAILGATE
THD	THREAD
THK	THICK
THERMO	THERMOSTAT
3RD	THIRD
THR	THRUST
THROT	THROTTLE
T.I.C.	THERMOSTATIC IGNITION
		CONTROL
T/LP	TAIL LAMP
TORQ	TORQUE
TORS	TORSION
TPI	THREADS PER INCH
T/PIPE	TAIL PIPE
T/PLT	TAPPING PLATE
T/PNL	TRIM PANEL
TPR	TAPER
TRANS	TRANSMISSION
TRANSF	TRANSFER
TRIMD	TRIMMED
T/SIG	TURN SIGNAL
TRUN.	TRUNNION
TST	TAIL STOP & TURNING
T/STRIP	TACKING STRIP
TUB	TUBULAR
U/BODY	UNDERBODY
U/DRV	UNDERDRIVE
U/JNT	UNIVERSAL JOINT
UNIV	UNIVERSAL
UPR	UPPER
U/S	UNDERSIZE
U/SEAT	UNDERSEAT
U/W	USED WITH
V	VENTUR (QTY OF CARB BBL)
VAC	VACUUM
VAL	VALVE
V/DMPR	VIBRATION DAMPER
VENT	VENTILATOR-VENTILATING
VERT	VERTICAL
VOL CONT	VOLUME CONTROL
V/REG	VOLTAGE REGULATOR
V/SPD	VARIABLE SPEED
V/WING	VENT WING
W	WATT
WA	WASHER
WAG	WAGON
WB	WHEELBASE
W/BRG	WHEEL BEARING
W/CORD	WEATHERCORD
WDC	WINDOW
WHL	WHEEL
W/HSE	WHEELHOUSE
W/LIFT	WINDOW LIFT
W/O	WITHOUT
W/PUMP	WATER PUMP
W/REG	WINDOW REGULATOR
W/SHLD	WINDSHIELD
W/STRIP	WEATHERSTRIP
WT	WEIGHT
W/WASHER	WINDSHIELD WASHER
W/WPR	WINDSHIELD WIPER
X/MBR	X MEMBER

NOTES

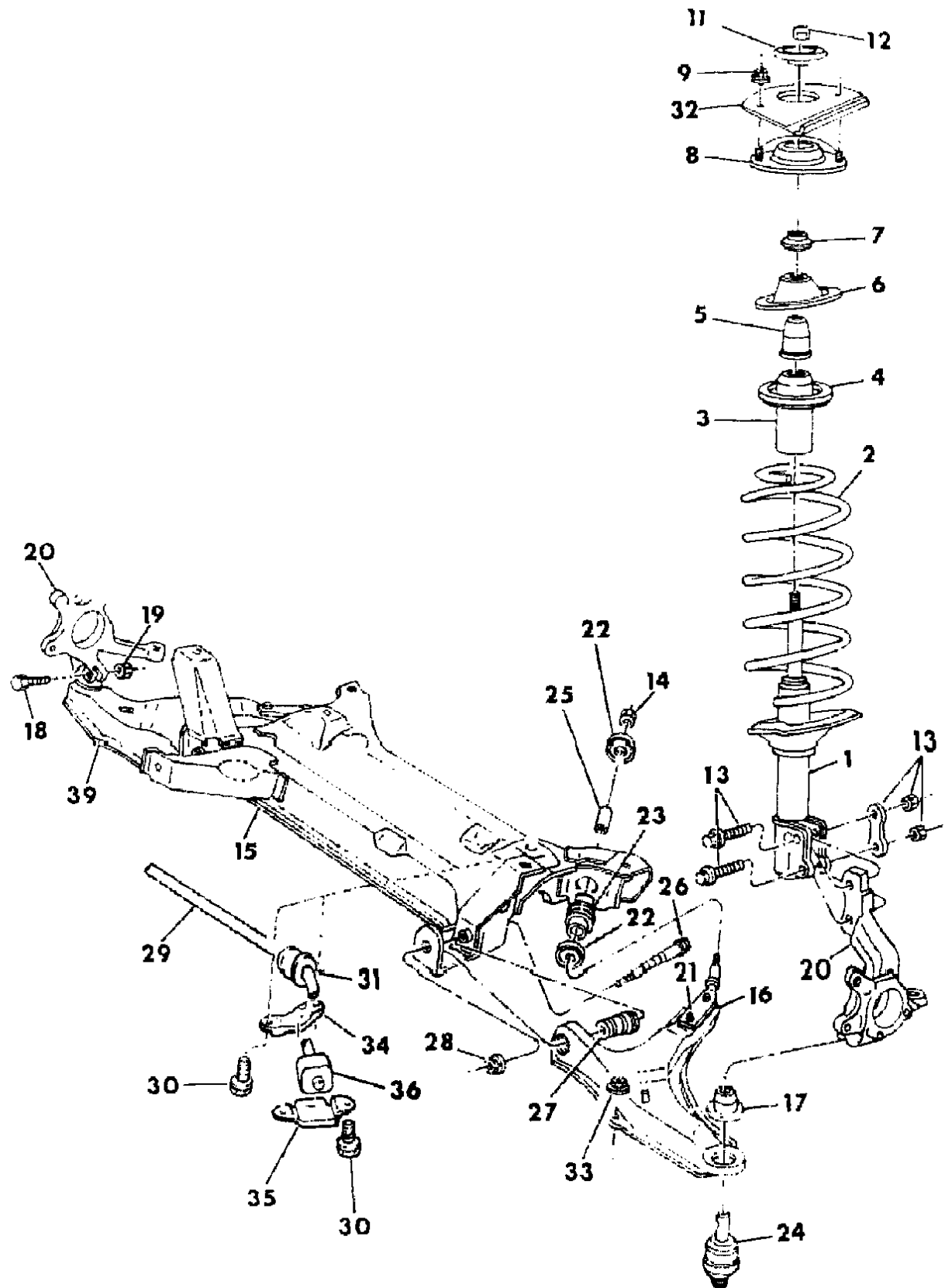
GROUP 2 - FRONT SUSPENSION & DRIVE

ILLUSTRATION TITLE	GROUP-FIG. NO.
FRONT SUSPENSION	
SUSPENSION, FRONT L BODY	Fig. 2-100
SUSPENSION, FRONT P,J,K,G,E,H BODY	Fig. 2-200
SUSPENSION, FRONT S-BODY	Fig. 2-300
SUSPENSION, FRONT M BODY	Fig. 2-400
SWAY BAR	
SWAY BAR, FRONT M BODY	Fig. 2-500
CONTROL ARM	
ARM-UPPER CONTROL M BODY	Fig. 2-600
ARM-LOWER CONTROL M BODY	Fig. 2-700
SHAFT IDENTIFICATION	
SHAFT, MAJOR COMPONENT LISTING	Fig. 2-850
FRONT DRIVE SHAFTS	
SHAFT, FRONT DRIVE (G.K.N. & A.C.I.) L,P,J,K,G,E,H,S BODY	Fig. 2-900
SHAFT, FRONT DRIVE (CITROEN) P,L,K,G,E,H,J,S	Fig. 2-1000
SHAFT, FRONT DRIVE (SAGINAW) P,K,G,E,H BODY	Fig. 2-1100

ILLUSTRATION NOT AVAILABLE AT TIME OF PUBLICATION

SUSPENSION, FRONT L BODY
Figure 2-100

7102 100A



ITEM	PART NUMBER	QTY	BODY	MODEL	DESCRIPTION
NOTE: 1 PART NO. 4014441 SPACER REQUIRED WHEN REPLACING SPRING AS NOTED					
1	4052 647	2			SHOCK ABSORBER , Std. Susp.
	4322 271	2			w/Extra Heavy Duty Susp.
	4419 958	2			w/GLHS (Koni)
2					SPRING, 2.2L Eng. (Man.)
	4014 452	1			w/o Air, Std., Rt. (See Note 1)
	4014 451	1			w/o Air, Std., Lt.
	4014 454	1			w/Air, Std., Rt. (See Note 1)
3	4014 456	1			w/Air, Std., Lt.
					SPRING, 2.2L Eng.(Auto)
	4014 454	1			w/o Air, Std., Rt.
	4014 456	1			w/o Air, Std., Lt.
4	4014 454	1			w/Air, Std., Rt.
	4014 456	1			w/Air, Std., Lt. (See Note 1)
					SPRING, 2.2 Turbo Eng.(Man)
	4322 036	1	Z-S24		w/o Air, Rt. (See Note 1)
5	4322 036	1	Z-S24		w/o Air, Lt.
	4322 036	1	Z-S24		w/Air, Rt.
	4322 036	1	Z-S24		w/Air, Lt.
	5204 610	2			SHEILD, Dust Std. & H.D. Susp.
6	4052 997	2			w/Extra Heavy Duty Susp.
	4014 441	AR			SPACER, Sprng. Shock Uprr. (Used Only on Replacement Springs in Note 1)
7	5204 608	2			BUMPER, Jounce w/Std. & H.D. Susp.
	4052 996	2			w/Extra Heavy Duty Susp.
8	4052 931	2			RETAINER, Frt. Susp. Strut Damper Upper
9	5204 595	2			BEARING, Ball
10	4318 717	2			MOUNT, Front Shock Upper
11	6100 051	4			NUT, w/Washer
12	4052 680	2			RETAINER, Shock Rebound Stop
13	6501 094	2			NUT, Shock Rod
14	4267 335	2			ATTACHING PACKAGE, Frt. Shock
Consists Of:					
1-6500450 Cam-Bolt, Shock Mtg. Upper					
1-6500451 Bolt, Shock Mtg. Lower					
1-4014327 Washer, Shock Damper					
2-6500536 Nut, Shock Knuckle Bolt					
14	6100 502	2			NUT, Strut

MODEL CODES

E BODY = (J - CARAVELLE)(E - 600)(T - NEW YORKER)

G BODY = (V24 - DAYTONA)

H BODY = (D44 - LANCER)(C44 - LEBARON GTS)

J BODY = (C - LEBARON)

K BODY = (P - RELIANT)(D - ARIES)(C - LEBAROND)/TOWN & COUNTRY)

L BODY = (M - HORIZON/TURISMO)(Z - OMNI/CHARGER)

M BODY = (B - GRAN FURY)(F - FIFTH AVE/NEWPORT)(G - DIPLOMAT)

P BODY = (P - SUNDANCE)(D - SHADOW)

S BODY = (H - VOYAGER)(K - RAM VAN/CARAVAN)

BODY STYLES

12-13 = FWD VAN

21 = 2-DOOR SEDAN

24 = 2-DOOR HATCHBACK

27 = 2-DOOR CONVERTIBLE

41 = 4-DOOR SEDAN

44 = 4-DOOR HATCHBACK

45 = 4-DOOR STATION WAGON

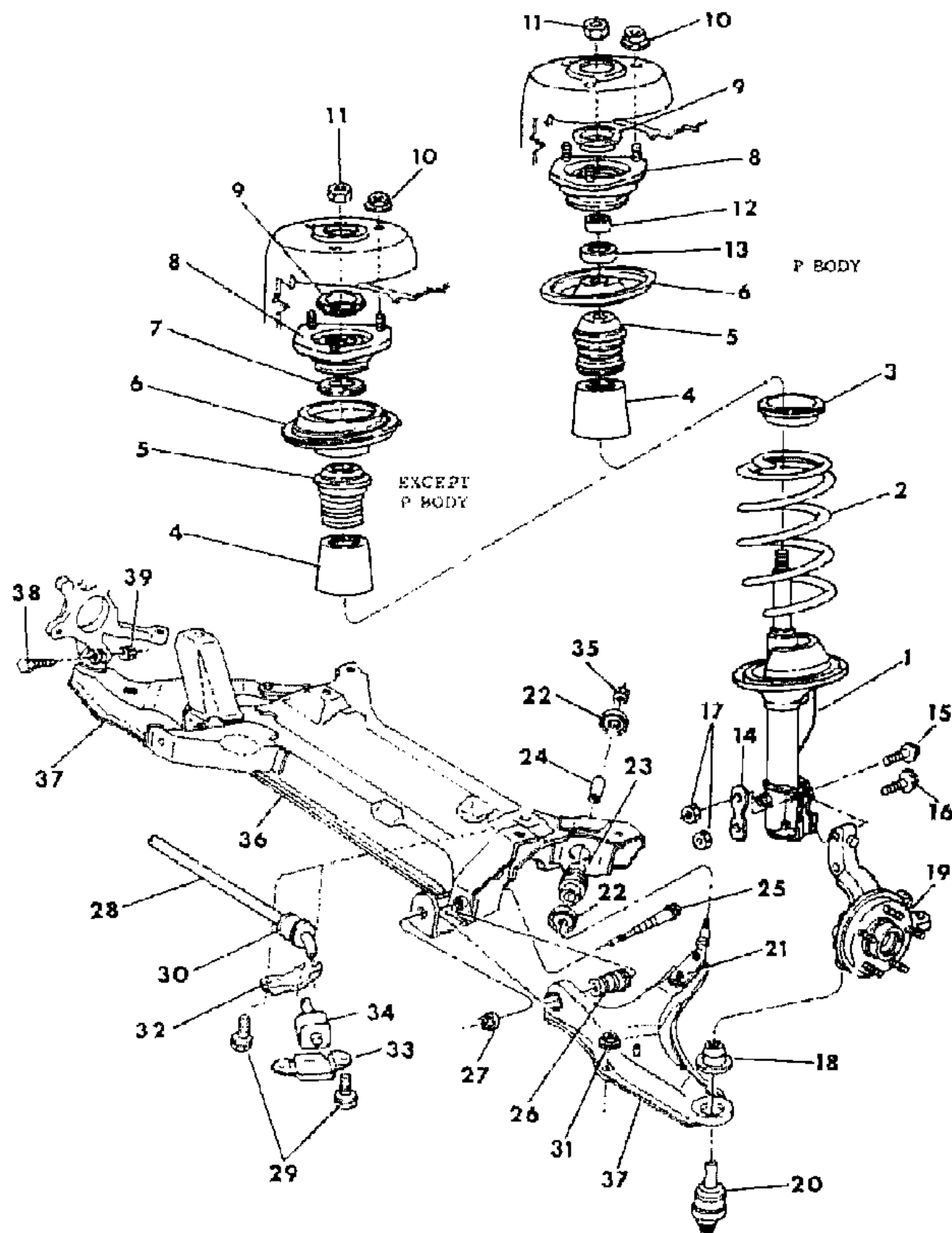
52-53 = FWD WAGON

AR = Use as Required - = Non Illustrated Part P.A.R. = Paint as Required

SUSPENSION, FRONT P,J,K,G,E,H BODY

Figure 2-200

7102 200



ITEM	PART NUMBER	QTY	BODY	MODEL	DESCRIPTION
------	-------------	-----	------	-------	-------------

NOTE: 1 ISOLATOR Pt.NO. 4014441 REQUIRED WHEN REPLACING SPRING AS NOTED.

1	4322 641	2	K,E		STRUT, Damper Assy., Std. Frt. Susp.
	4322 740	2	E	T41	w/Std. Susp. (Gas Press.)
	4404 385	2	P		w/Std.& H.D. Susp. (Gas Press.)
	4322 955	2	J,G		w/Std. Susp.
	4322 737	2	K		w/Extra H.D. Susp.
	4322 956	2	J,G		w/Firm Feel Susp.
	4322 738	2	K,E,H		w/H.D. Susp. (Gas Press.)
	4322 967	2	G,H		w/ Special Sport Susp. (Gas Press.)
	4370 272	2	P		w/SHELBY (Vendor #29078)
	4322 917	2	H		w/SHELBY
2	4467 844	1	PH		EXTENSION TOOL, Shock Adjusting, (Koni's)
			P		SPRING, w/2.2L EFI (Man)
	4322 686	1			w/o Air Std. Rt.
	4322 688	1			w/o Air Std. Lt.
	4322 776	1			w/o Air H.D. Rt.
	4322 776	1			w/o Air H.D. Lt. (See Note 1)
	4322 688	1			w/Air Std. Rt.
	4322 690	1			w/Air Std. Lt.
	4322 776	1			w/Air H.D. Rt. (See Note 1)
	4322 778	1			w/Air H.D. Lt.
				P	SPRING, w/2.2L EFI (Auto)
	4322 688	1			w/o Air Std. Rt.
	4322 690	1			w/o Air Std. Lt.
	4322 776	1			w/o Air H.D. Rt.
	4322 778	1			w/o Air H.D. Lt.
	4322 688	1			w/Air Std. Rt.
	4322 690	1			w/Air Std. Lt.
	4322 776	1			w/Air H.D. Rt. (See Note 1)
	4322 778	1			w/Air H.D. Lt. (See Note 1)
				P	SPRING, w/2.2L Turbo (Man)
4322 684	1			w/o Air, w/14" Tires Rt.	
4322 686	1			w/o Air, w/14" Tires Lt.	
4322 686	1			w/o Air, w/15" Tires Rt.	
4322 688	1			w/o Air, w/15" Tires Lt.	
4322 686	1			w/Air, w/14" Tires Rt.	

MODEL CODES

E BODY = (J - CARAVELLE)(E - 600)(T - NEW YORKER)

G BODY = (V24 - DAYTONA)

H BODY = (D44 - LANCER)(C44 - LEBARON GTS)

J BODY = (C - LEBARON)

K BODY = (P - RELIANT)(D - ARIES)(C - LEBARON)/TOWN & COUNTRY)

L BODY = (M - HORIZON/TURISMO)(Z - OMNI/CHARGER)

M BODY = (B - GRAN FURY)(F - FIFTH AVE/NEWPORT)(G - DIPLOMAT)

P BODY = (P - SUNDANCE)(D - SHADOW)

S BODY = (H - VOYAGER)(K - RAM VAN/CARAVAN)

BODY STYLES

12-13 = FWD VAN

21 = 2-DOOR SEDAN

24 = 2-DOOR HATCHBACK

27 = 2-DOOR CONVERTIBLE

41 = 4-DOOR SEDAN

44 = 4-DOOR HATCHBACK

45 = 4-DOOR STATION WAGON

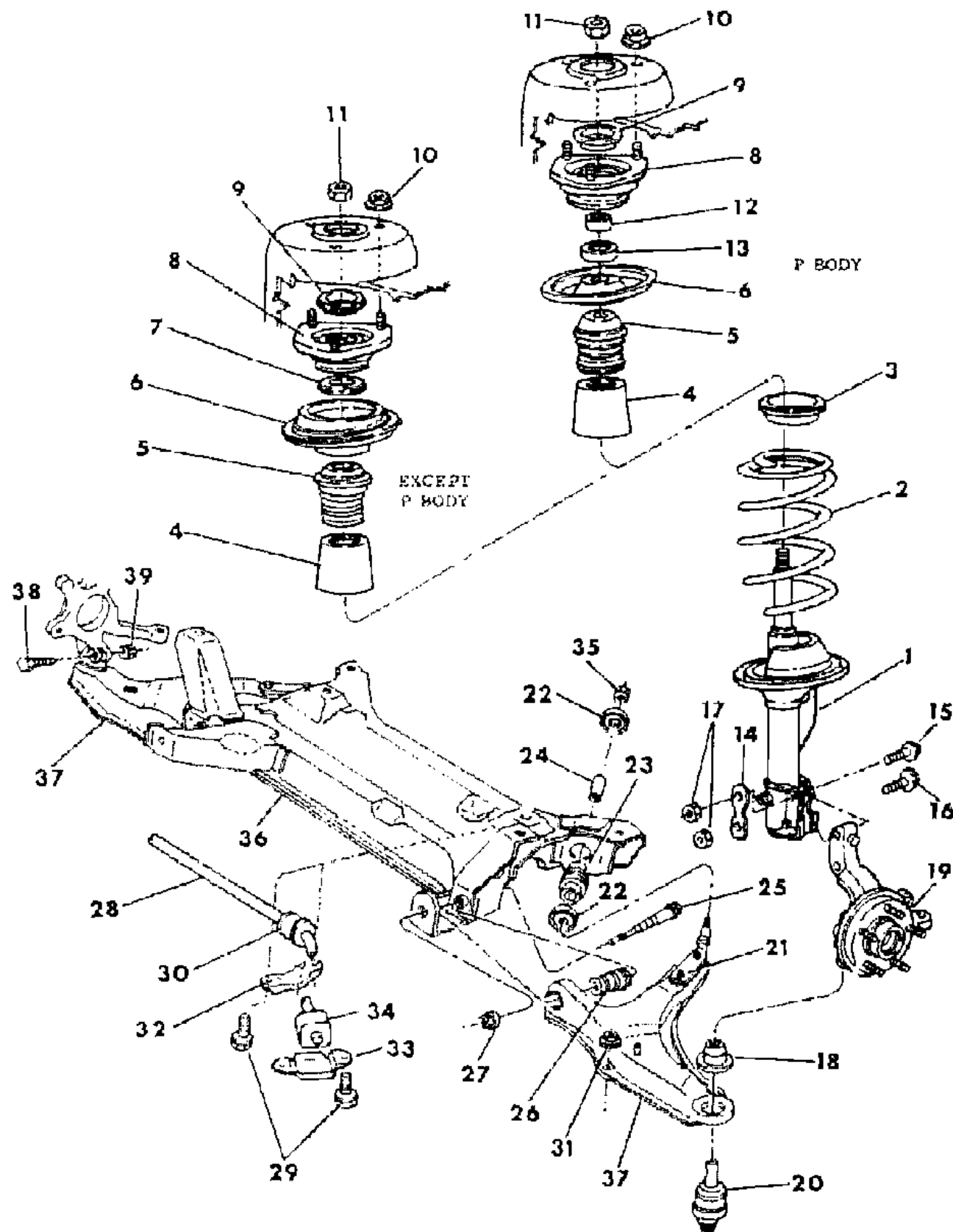
52-53 = FWD WAGON

AR = Use as Required - = Non Illustrated Part P.A.R. = Paint as Required

SUSPENSION, FRONT P,J,K,G,E,H BODY

Figure 2-200

7102 200



ITEM	PART NUMBER	QTY	BODY	MODEL	DESCRIPTION
	4322 688	1			w/Air, w/14" Tires Lt.
	4322 688	1			w/Air, w/15" Tires Rt.
	4322 690	1			w/Air, w/15" Tires Lt.
			P		SPRING, w/2.2L Turbo (Auto)
	4322 686	1			w/o Air, w/14" Tires Rt.
	4322 688	1			w/o Air, w/14" Tires Lt.
	4322 688	1			w/o Air, w/15" Tires Rt.
	4322 690	1			w/o Air, w/15" Tires Lt.
	4322 686	1			w/Air, w/14" Tires Rt.
	4322 688	1			w/Air, w/14" Tires Lt.
	4322 688	1			w/Air, w/15" Tires Rt.
	4322 690	1			w/Air, w/15" Tires Lt.
			K		SPRING, w/2.2L EFI (Man)
	4322 686	1		P,D	w/o Air, Std. Rt.
	4322 688	1		P,D	w/o Air, Std. Lt.
	4322 774	1		P,D	w/o Air, H.D. Rt. (See Note 1)
	4322 776	1		P,D	w/o Air, H.D. Lt.
	4322 776	1		P,D	w/o Air, Extra H.D. Rt.
	4322 776	1		P,D	w/o Air, Extra H.D. Lt. (See Note 1)
	4322 688	1		P,D	w/Air, Std. Rt.
	4322 688	1		P,D	w/Air, Std. Lt.
	4322 776	1		P,D	w/Air, H.D. Rt.
	4322 776	1		P,D	w/Air, H.D. Lt. (See Note 1)
	4322 776	1		P,D	w/Air, Extra H.D. Rt. (See Note 1)
	4322 778	1		P,D	w/Air, Extra H.D. Lt.
			K		SPRING, w/2.2L EFI (Auto)
	4322 686	1		P,D	w/o Air, Std. Rt.
	4322 688	1		P,D	w/o Air, Std. Lt.
	4322 774	1		P,D	w/o Air, H.D. Rt. (See Note 1)
	4322 776	1		P,D	w/o Air, H.D. Lt. (See Note 1)
	4322 776	1		P,D	w/o Air, Extra H.D. Rt.
	4322 778	1		P,D	w/o Air, Extra H.D. Lt.
	4322 688	1		P,D	w/Air, Std. Rt.
	4322 690	1		P,D	w/Air, Std. Lt.
	4322 776	1		P,D	w/Air, H.D. Rt.
	4322 778	1		P,D	w/Air, H.D. Lt.
	4322 776	1		P,D	w/Air, Extra H.D. Rt. (See Note 1)
	4322 778	1		P,D	w/Air, Extra H.D. Lt. (See Note 1)

MODEL CODES

E BODY = (J - CARAVELLE)(E - 600)(T - NEW YORKER)

G BODY = (V24 - DAYTONA)

H BODY = (D44 - LANCER)(C44 - LEBARON GTS)

J BODY = (C - LEBARON)

K BODY = (P - RELIANT)(D - ARIES)(C - LEBARON)/TOWN & COUNTRY

L BODY = (M - HORIZON/TURISMO)(Z - OMNI/CHARGER)

M BODY = (B - GRAN FURY)(F - FIFTH AVE/NEWPORT)(G - DIPLOMAT)

P BODY = (P - SUNDANCE)(D - SHADOW)

S BODY = (H - VOYAGER)(K - RAM VAN/CARAVAN)

BODY STYLES

12-13 = FWD VAN

21 = 2-DOOR SEDAN

24 = 2-DOOR HATCHBACK

27 = 2-DOOR CONVERTIBLE

41 = 4-DOOR SEDAN

44 = 4-DOOR HATCHBACK

45 = 4-DOOR STATION WAGON

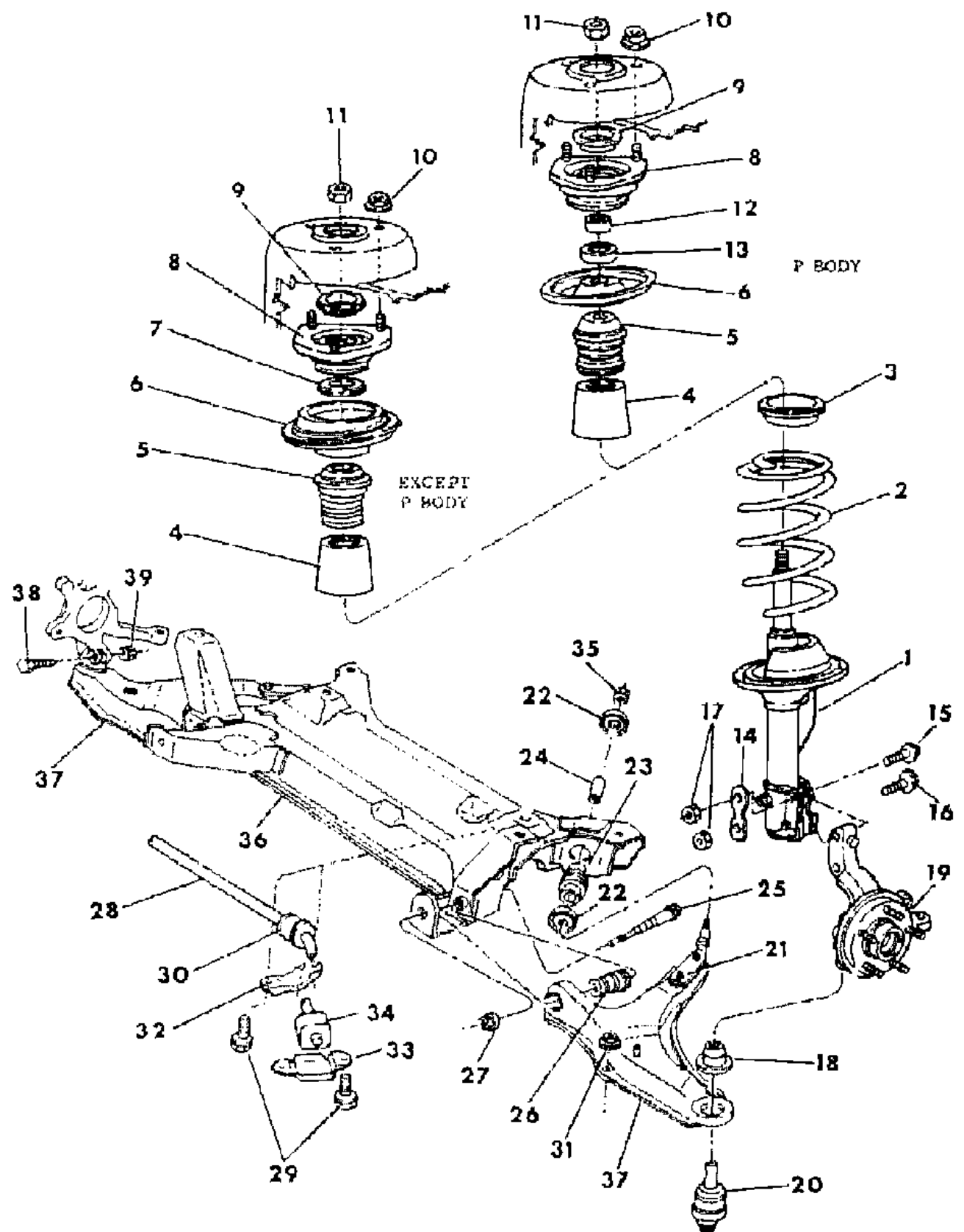
52-53 = FWD WAGON

AR = Use as Required - = Non Illustrated Part P.A.R. = Paint as Required

SUSPENSION, FRONT P,J,K,G,E,H BODY

Figure 2-200

7102 200



ITEM	PART NUMBER	QTY	BODY	MODEL	DESCRIPTION
			K		SPRING, w/2.5L EFI (Auto)
	4322 686	1	P,D		w/o Air, Std. Rt.
	4322 690	1	P,D		w/o Air, Std. Lt.
	4322 776	1	P,D		w/o Air, H.D. Rt.
	4322 778	1	P,D		w/o Air, H.D. Lt.
	4322 776	1	P,D		w/o Air, Extra H.D. Rt. (See Note 1)
	4322 778	1	P,D		w/o Air, Extra H.D. Lt. (See Note 1)
	4322 688	1	P,D		w/Air, Std. Rt.
	4322 690	1	P,D		w/Air, Std. Lt.
	4322 776	1	P,D		w/Air, H.D. Rt. (See Note 1)
	4322 776	1	P,D		w/Air, H.D. Lt. (See Note 1)
	4322 778	1	P,D		w/Air, Extra H.D. Rt.
	4322 780	1	P,D		w/Air, Extra H.D. Lt.
			K		SPRING, w/2.2l EFI (Auto)
	4322 688	1	C		w/o Air, Std. Rt.
	4322 690	1	C		w/o Air, Std. Lt.
	4322 776	1	C		w/o Air, H.D. Rt.
	4322 778	1	C		w/o Air, H.D. Lt.
	4322 686	1	C		w/o Air, Extra H.D. Rt.
	4322 688	1	C		w/o Air, Extra H.D. Lt.
	4322 688	1	C		w/Air, Std. Rt.
	4322 692	1	C		w/Air, Std. Lt.
	4322 776	1	C		w/Air, H.D. Rt. (See Note 1)
	4322 778	1	C		w/Air, H.D. Lt. (See Note 1)
	4322 688	1	C		w/Air, Extra H.D. Rt.
	4322 690	1	C		w/Air, Extra H.D. Lt.
			K		SPRING, w/ 2.2L Turbo (Auto)
	4322 688	1	C		w/o Air, Std. Rt.
	4322 691	1	C		w/o Air, Std. Lt.
	4322 776	1	C		w/o Air, H.D. Rt. (See Note 1)
	4322 778	1	C		w/o Air, H.D. Lt. (See Note 1)
	4322 688	1	C		w/o Air, Firm Feel Rt.
	4322 690	1	C		w/o Air, Firm Feel Lt.
	4322 690	1	C		w/Air, Std. Rt.
	4322 692	1	C		w/Air, Std. Lt.
	4322 778	1	C		w/Air, H.D. Rt.
	4322 780	1	C		w/Air, H.D. Lt.
	4322 688	1	C		w/Air, Firm Feel Rt.

MODEL CODES
 E BODY = (J - CARAVELLE)(E - 600)(T - NEW YORKER)
 G BODY = (V24 - DAYTONA)
 H BODY = (D44 - LANCER)(C44 - LEBARON GTS)
 J BODY = (C - LEBARON)
 K BODY = (P - RELIANT)(D - ARIES)(C - LEBARON)/TOWN & COUNTRY
 L BODY = (M - HORIZON/TURISMO)(Z - OMNI/CHARGER)
 M BODY = (B - GRAN FURY)(F - FIFTH AVE/NEWPORT)(G - DIPLOMAT)
 P BODY = (P - SUNDANCE)(D - SHADOW)
 S BODY = (H - VOYAGER)(K - RAM VAN/CARAVAN)

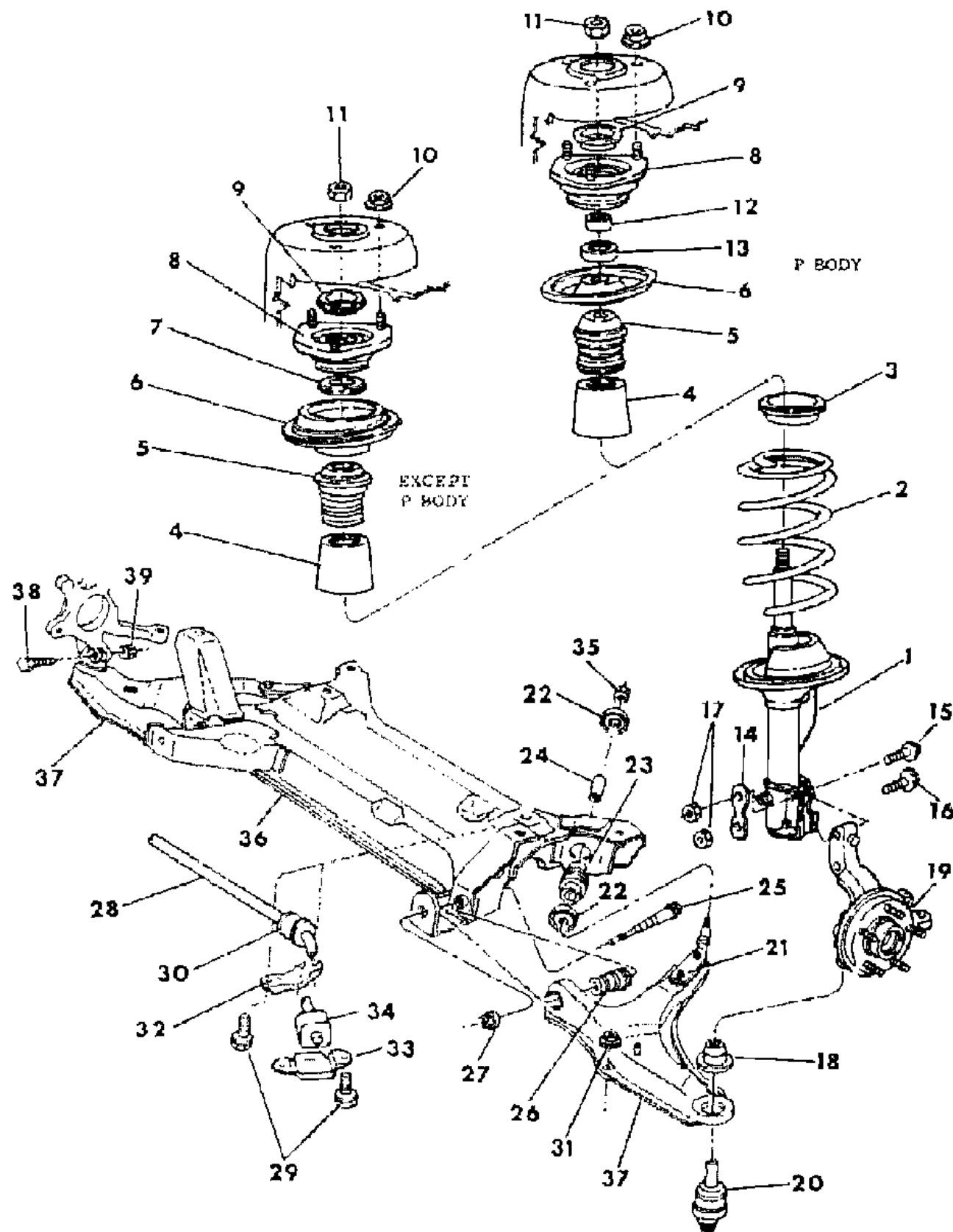
BODY STYLES
 12-13 = FWD VAN
 21 = 2-DOOR SEDAN
 24 = 2-DOOR HATCHBACK
 27 = 2-DOOR CONVERTIBLE
 41 = 4-DOOR SEDAN
 44 = 4-DOOR HATCHBACK
 45 = 4-DOOR STATION WAGON
 52-53 = FWD WAGON

AR = Use as Required - = Non Illustrated Part P.A.R. = Paint as Required

SUSPENSION, FRONT P,J,K,G,E,H BODY

Figure 2-200

7102 200



ITEM	PART NUMBER	QTY	BODY	MODEL	DESCRIPTION
	4322 690	1		C	w/Air, Firm Feel Lt.
			K		SPRING, w/2.5L EFI (Auto)
	4322 688	1		C	w/o Air, Std. Rt.
	4322 692	1		C	w/o Air, Std. Lt.
	4322 776	1		C	w/o Air, H.D. Rt. (See Note 1)
	4322 778	1		C	w/o Air, H.D. Lt. (See Note 1)
	4322 688	1		C	w/o Air, Firm Feel Rt.
	4322 690	1		C	w/o Air, Firm Feel Lt.
	4322 690	1		C	w/Air, Std. Rt.
	4322 692	1		C	w/Air, Std. Lt.
	4322 778	1		C	w/Air, H.D. Rt.
	4322 780	1		C	w/Air, H.D. Lt.
	4322 688	1		C	w/Air, Firm Feel Rt.
	4322 692	1		C	w/Air, Firm Feel Lt.
			G		SPRING, w/2.2L Turbo, Turbo II (Man.)
	4322 684	1			w/o Air, Std. Rt.
	4322 686	1			w/o Air, Std. Lt.
	4322 776	1			w/o Air w/Special Sport Rt. (Turbo II)
	4322 778	1			w/o Air w/Special Sport Lt. (Turbo II)
	4322 686	1			w/Air, Std. Rt.
	4322 688	1			w/Air, Std. Lt.
	4322 776	1			w/Air w/Special Sport (Turbo II) Rt. (See Note 1)
	4322 778	1			w/Air w/Special Sport (Turbo II) Lt. (See Note 1)
			G		SPRING, w/2.2L Turbo (Auto)
	4322 686	1			w/o Air Std. Rt.
	4322 688	1			w/o Air Std. Lt.
	4322 776	1			w/o Air w/Special Sport Rt.
	4322 778	1			w/o Air w/Special Sport Lt.
	4322 686	1			w/Air Std. Rt.
	4322 688	1			w/Air Std. Lt.
	4322 776	1			w/Air w/Special Sport Rt. (See Note 1)
	4322 778	1			w/Air w/Special Sport Lt. (See Note 1)
			G		SPRING, w/2.5L EFI (Man)
	4322 684	1			w/o Air Std. Rt.
	4322 686	1			w/o Air Std. Lt.
	4322 686	1			w/Air Std. Rt.
	4322 688	1			w/Air Std. Lt.
			G		SPRING, w/2.5L EFI (Auto)

MODEL CODES

E BODY = (J - CARAVELLE)(E - 600)(T - NEW YORKER)

G BODY = (V24 - DAYTONA)

H BODY = (D44 - LANCER)(C44 - LEBARON GTS)

J BODY = (C - LEBARON)

K BODY = (P - RELIANT)(D - ARIES)(C - LEBARON)/TOWN & COUNTRY)

L BODY = (M - HORIZON/TURISMO)(Z - OMNI/CHARGER)

M BODY = (B - GRAN FURY)(F - FIFTH AVE/NEWPORT)(G - DIPLOMAT)

P BODY = (P - SUNDANCE)(D - SHADOW)

S BODY = (H - VOYAGER)(K - RAM VAN/CARAVAN)

BODY STYLES

12-13 = FWD VAN

21 = 2-DOOR SEDAN

24 = 2-DOOR HATCHBACK

27 = 2-DOOR CONVERTIBLE

41 = 4-DOOR SEDAN

44 = 4-DOOR HATCHBACK

45 = 4-DOOR STATION WAGON

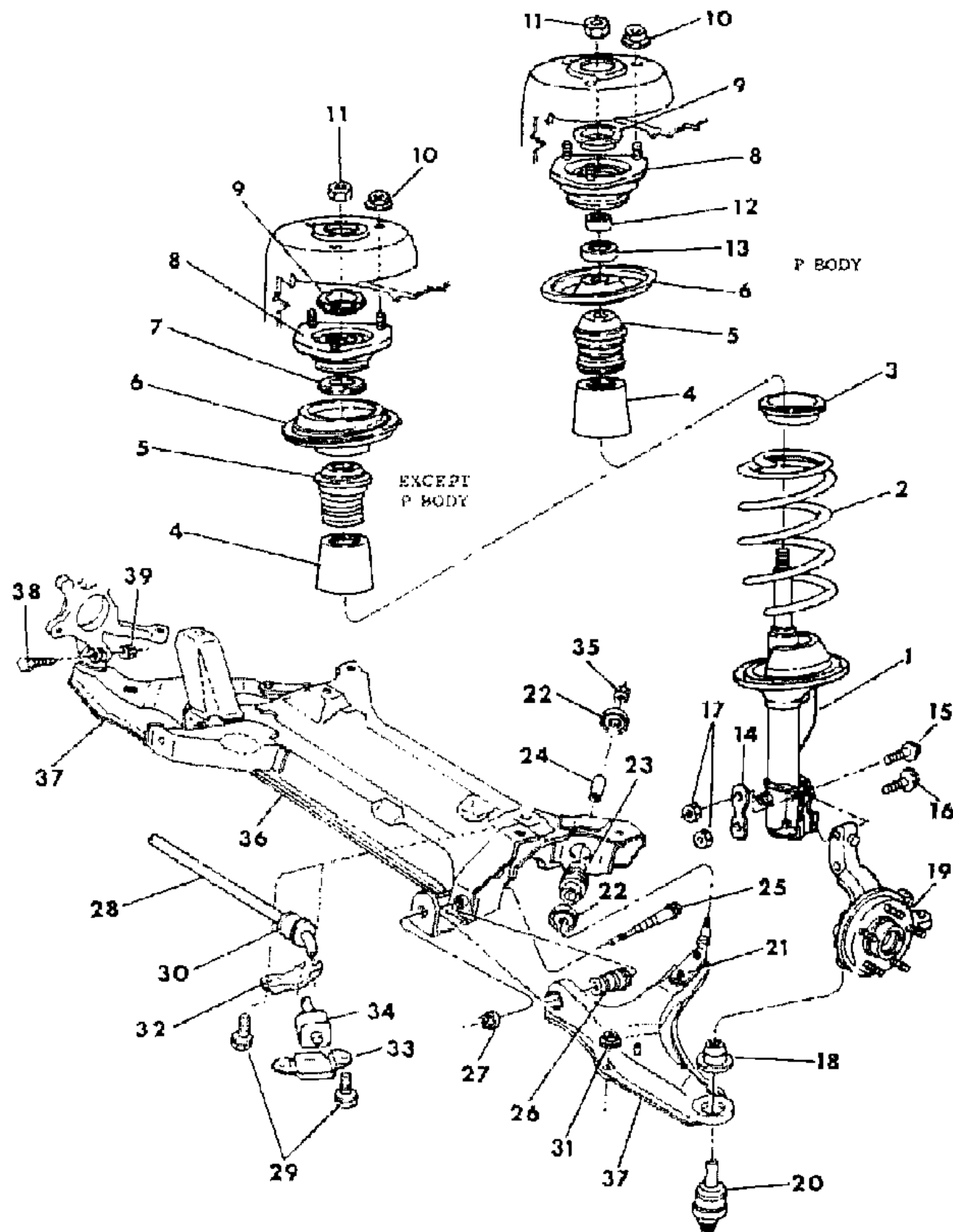
52-53 = FWD WAGON

AR = Use as Required - = Non Illustrated Part P.A.R. = Paint as Required

SUSPENSION, FRONT P,J,K,G,E,H BODY

Figure 2-200

7102 200



ITEM	PART NUMBER	QTY	BODY	MODEL	DESCRIPTION
	4322 686	1			w/o Air Std. Rt.
	4322 688	1			w/o Air Std. Lt.
	4322 688	1			w/Air Std. Rt.
	4322 690	1			w/Air Std. Lt.
			H		SPRING, w/2.2L EFI (Man)
	4322 686	1			w/o Air Std. RT. w/185 Tires
	4322 686	1			w/o Air Std. Rt. w/195,205 Tires
	4322 688	1			w/o Air Std. Lt. w/185 Tires
	4322 688	1			w/o Air Std. Lt. w/195,205 Tires
	4322 776	1			w/o Air, w/Firm Feel Rt. w/185 Tires (See Note 1)
	4322 776	1			w/o Air, w/Firm Feel Rt. w/195,205 Tires
	4322 778	1			w/o Air, w/Firm Feel Lt. w/185 Tires
	4322 776	1			w/o Air, w/Firm Feel Lt. w/195,205 Tires (See Note 1)
	4322 688	1			w/Air Std. Rt. w/185 Tires
	4322 686	1			w/Air Std. Rt. w/195,205 Tires
	4322 690	1			w/Air Std. Lt. w/185 Tires
	4322 688	1			w/Air Std. Lt. w/195,205 Tires
	4322 778	1			w/Air, w/Firm Feel Rt. w/185 Tires
	4322 776	1			w/Air, w/Firm Feel Rt. w/195,205 Tires (See Note 1)
	4322 778	1			w/Air, w/Firm Feel Lt. w/185 Tires (See Note 1)
	4322 778	1			w/Air, w/Firm Feel Lt. w/195,205 Tires
			H		SPRING, w/2.2L EFI (Auto)
	4322 778	1			w/o Air Std. Rt. w/185 Tires
	4322 686	1			w/o Air Std. Rt. w/195,205 Tires
	4322 690	1			w/o Air Std. Lt. w/185 Tires
	4322 688	1			w/o Air Std. Lt. w/195,205 Tires
	4322 776	1			w/o Air, w/Firm Feel Rt. w/185 Tires (See Note 1)
	4322 776	1			w/o Air, w/Firm Feel Rt. w/195,205 Tires
	4322 778	1			w/o Air, w/Firm Feel Lt. w/185 Tires (See Note 1)
	4322 778	1			w/o Air, w/Firm Feel Lt. w/195,205 Tires
	4322 688	1			w/Air Std. Rt. w/185 Tires
	4322 688	1			w/Air Std. Rt. w/195,205 Tires
	4322 690	1			w/Air Std. Lt. w/185 Tires
	4322 690	1			w/Air Std. Lt. w/195,205 Tires
	4322 778	1			w/Air, w/Firm Feel Rt. w/185 Tires
	4322 776	1			w/Air, w/Air Firm Feel Rt. w/195,205 Tires (See Note 1)
	4322 780	1			w/Air, w/Firm Feel Lt. w/185 Tires
	4322 778	1			w/Air, w/Firm Feel Lt. w/195,205 Tires (See Note 1)

MODEL CODES

E BODY = (J - CARAVELLE)(E - 600)(T - NEW YORKER)

G BODY = (V24 - DAYTONA)

H BODY = (D44 - LANCER)(C44 - LEBARON GTS)

J BODY = (C - LEBARON)

K BODY = (P - RELIANT)(D - ARIES)(C - LEBAROND)/TOWN & COUNTRY)

L BODY = (M - HORIZON/TURISMO)(Z - OMNI/CHARGER)

M BODY = (B - GRAN FURY)(F - FIFTH AVE/NEWPORT)(G - DIPLOMAT)

P BODY = (P - SUNDANCE)(D - SHADOW)

S BODY = (H - VOYAGER)(K - RAM VAN/CARAVAN)

BODY STYLES

12-13 = FWD VAN

21 = 2-DOOR SEDAN

24 = 2-DOOR HATCHBACK

27 = 2-DOOR CONVERTIBLE

41 = 4-DOOR SEDAN

44 = 4-DOOR HATCHBACK

45 = 4-DOOR STATION WAGON

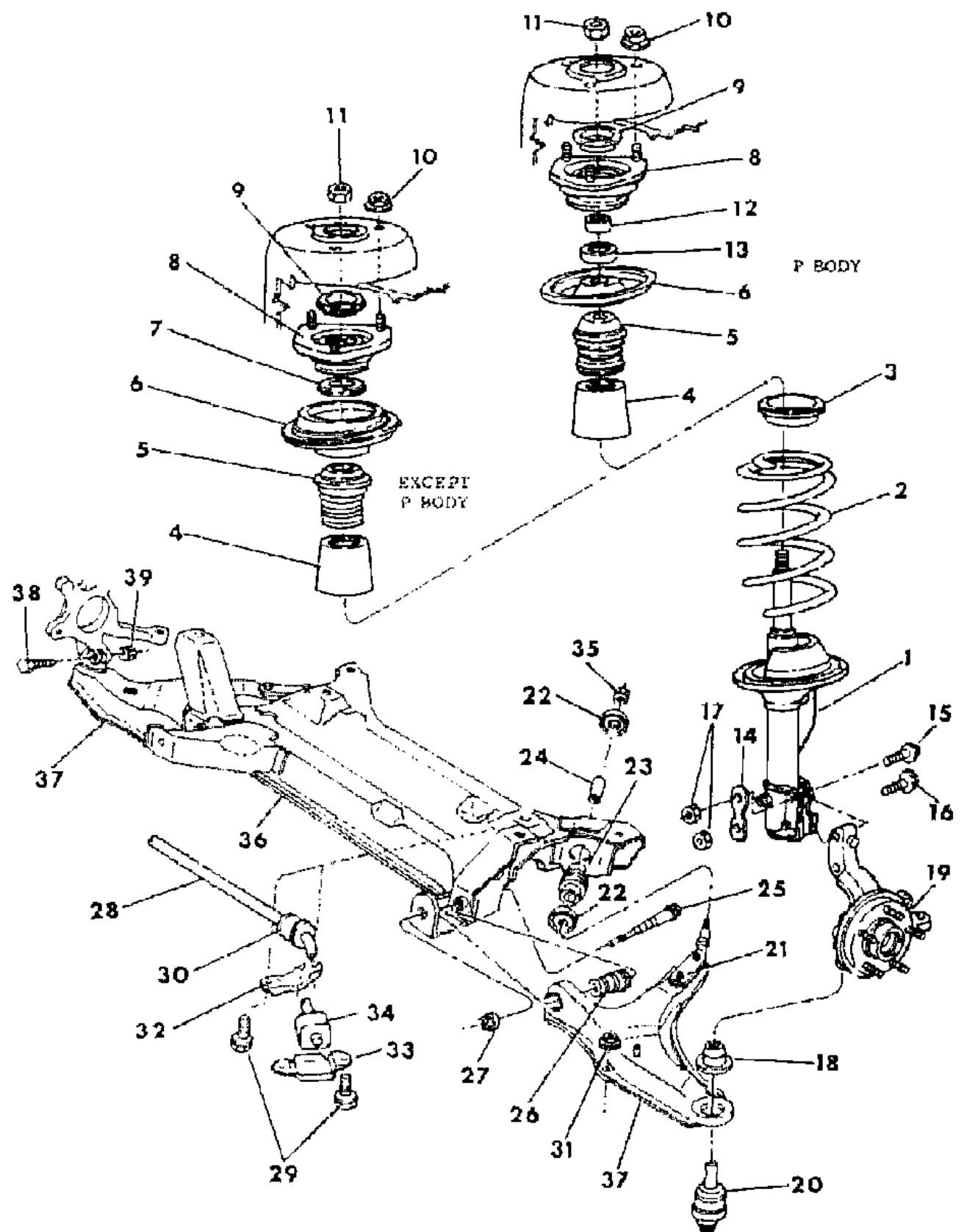
52-53 = FWD WAGON

AR = Use as Required - = Non Illustrated Part P.A.R. = Paint as Required

SUSPENSION, FRONT P,J,K,G,E,H BODY

Figure 2-200

7102 200



ITEM	PART NUMBER	QTY	BODY	MODEL	DESCRIPTION
			H		SPRING, w/2.2L Turbo (Man.)
	4322 688	1			w/o Air Std. Rt. w/185 Tires
	4322 686	1			w/o Air Std. Rt. w/195,205 Tires
	4322 688	1			w/o Air Std. Lt. w/185 Tires
	4322 688	1			w/o Air Std. Lt. w/195,205 Tires
	4322 776	1			w/o Air, w/Firm Feel Rt. w/185 Tires (See Note 1)
	4322 776	1			w/o Air, w/Firm Feel Rt. w/195,205 Tires
	4322 778	1			w/o Air, w/Firm Feel Lt. w/185,195,205 Tires
	4322 688	1			w/Air Std. Rt. w/185 Tires
	4322 688	1			w/Air Std. Rt. w/195,205 Tires
	4322 690	1			w/Air Std. Lt. w/185 Tires
	4322 688	1			w/Air Std. Lt. w/195,205 Tires
	4322 778	1			w/Air, w/Firm Feel Rt. w/185 Tires
	4322 776	1			w/Air, w/Firm Feel Rt. w/195,205 Tires (See Note 1)
	4322 778	1			w/Air, w/Firm Feel Lt. w/185 Tires (See Note 1)
	4322 778	1			w/Air, w/Firm Feel Lt. w/195,205 Tires
			H		SPRING, w/2.2L Turbo (Auto)
	4322 688	1			w/o Air Std. Rt. w/185 Tires
	4322 686	1			w/o Air Std. Rt. w/195,205 Tires
	4322 690	1			w/o Air Std. Lt. w/185 Tires
	4322 690	1			w/o Air Std. Lt. w/195,205 Tires
	4322 776	1			w/o Air, w/Firm Feel Rt. w/185 Tires (See Note 1)
	4322 776	1			w/o Air, w/Firm Feel Rt. w/195,205 Tires
	4322 778	1			w/o Air, w/Firm Feel Lt. w/185 Tires (See Note 1)
	4322 778	1			w/o Air, w/Firm Feel Lt. w/195,205 Tires
	4322 688	1			w/Air Std. Rt. w/185 Tires
	4322 688	1			w/Air Std. Rt. w/195,205 Tires
	4322 692	1			w/Air Std. Lt. w/185 Tires
	4322 690	1			w/Air Std. Lt. w/195,205 Tires
	4322 778	1			w/Air, w/Firm Feel Rt. w/185 Tires
	4322 776	1			w/Air, w/Firm Feel Rt. w/195,205 Tires (See Note 1)
	4322 780	1			w/Air, w/Firm Feel Lt. w/185 Tires
	4322 778	1			w/Air, w/Firm Feel Lt. w/195,205 Tires (See Note 1)
			H		SPRING, w/2.5L EFI
	4322 686	1			w/o Air Std. Rt. w/185 Tires
	4322 686	1			w/o Air Std. Rt. w/195,205 Tires
	4322 688	1			w/o Air Std. Lt. w/185 Tires
	4322 688	1			w/o Air Std. Lt. w/195,205 Tires

MODEL CODES
 E BODY = (J - CARAVELLE)(E - 600)(T - NEW YORKER)
 G BODY = (V24 - DAYTONA)
 H BODY = (D44 - LANCER)(C44 - LEBARON GTS)
 J BODY = (C - LEBARON)
 K BODY = (P - RELIANT)(D - ARIES)(C - LEBARON)/TOWN & COUNTRY
 L BODY = (M - HORIZON/TURISMO)(Z - OMNI/CHARGER)
 M BODY = (B - GRAN FURY)(F - FIFTH AVE/NEWPORT)(G - DIPLOMAT)
 P BODY = (P - SUNDANCE)(D - SHADOW)
 S BODY = (H - VOYAGER)(K - RAM VAN/CARAVAN)

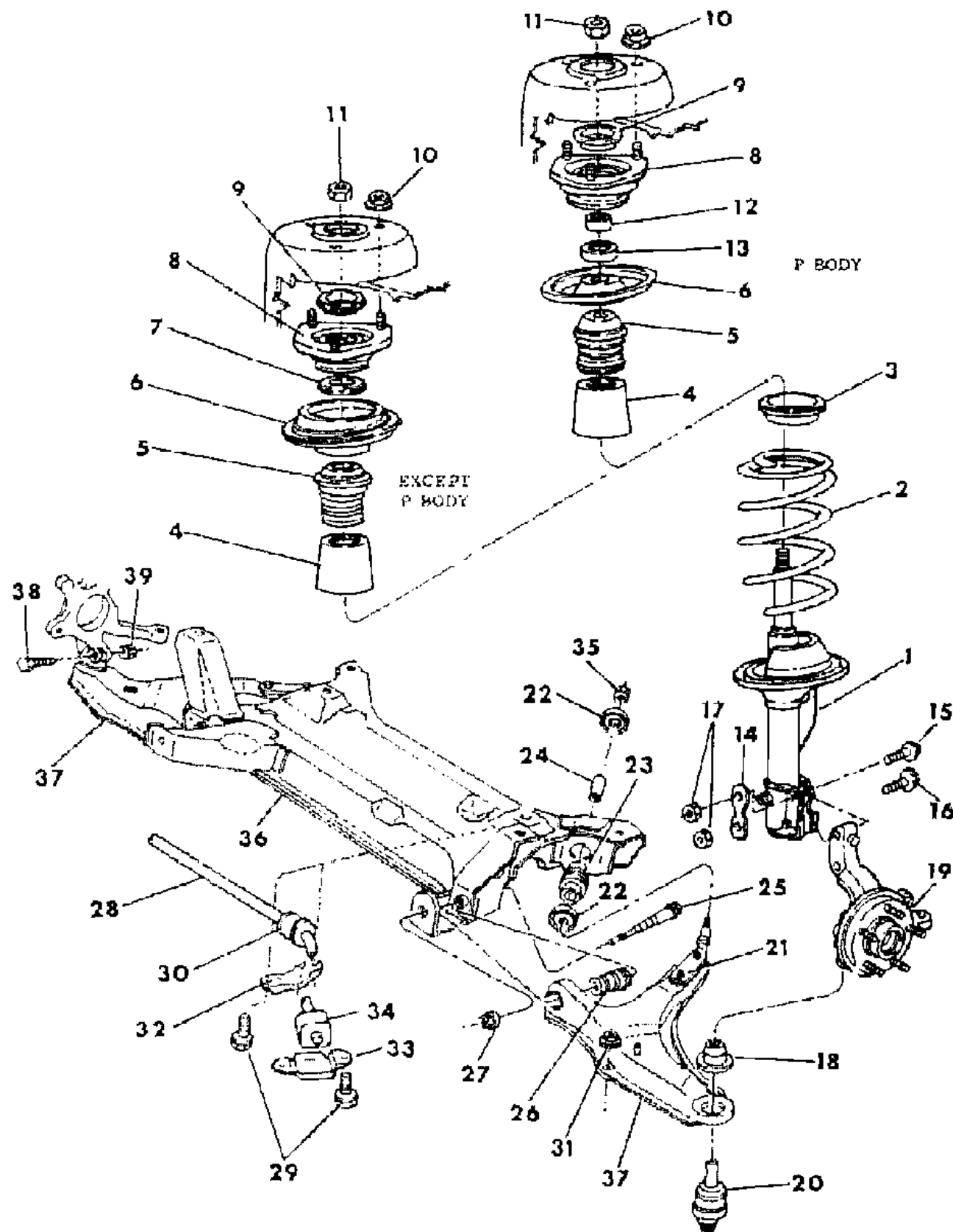
BODY STYLES
 12-13 = FWD VAN
 21 = 2-DOOR SEDAN
 24 = 2-DOOR HATCHBACK
 27 = 2-DOOR CONVERTIBLE
 41 = 4-DOOR SEDAN
 44 = 4-DOOR HATCHBACK
 45 = 4-DOOR STATION WAGON
 52-53 = FWD WAGON

AR = Use as Required - = Non Illustrated Part P.A.R. = Paint as Required

SUSPENSION, FRONT P,J,K,G,E,H BODY

Figure 2-200

7102 200



ITEM	PART NUMBER	QTY	BODY	MODEL	DESCRIPTION
	4322 776	1			w/o Air, w/Firm Feel Rt. w/185 Tires (See Note 1)
	4322 776	1			w/o Air, w/Firm Feel Rt. w/195,205 Tires
	4322 778	1			w/o Air, w/Firm Feel Lt. w/185 Tires
	4322 776	1			w/o Air, w/Firm Feel Lt. w/195,205 Tires (See Note 1)
	4322 688	1			w/Air Std. Rt. w/185 Tires
	4322 688	1			w/Air Std. Rt. w/195,205 Tires
	4322 692	1			w/Air Std. Lt. w/185 Tires
	4322 690	1			w/Air Std. Lt. w/195,205 Tires
	4322 778	1			w/Air, w/Firm Feel Rt. w/185 Tires
	4322 776	1			w/Air, w/Firm Feel w/195,205 Tires (See Note 1)
	4322 780	1			w/Air, w/Firm Feel Lt. w/185 Tires
	4322 778	1			w/Air, w/Firm Feel w/195,205 Tires (See Note 1)
			J		SPRING, w/2.5L EFI (Man)
	4322 686	1			w/o Air Std. Rt.
	4322 688	1			w/o Air Std. Lt.
	4322 688	1			w/Air Std. Rt.
	4322 690	1			w/Air Std. Lt.
			J		SPRING, w/2.5L EFI (AUTO)
	4322 686	1			w/o Air Std. Rt.
	4322 690	1			w/o Air Std. Lt.
	4322 688	1			w/Air Std. Rt.
	4322 690	1			w/Air Std. Lt.
			J		SPRING, w/2.2L Turbo (Man)
	4322 686	1			w/o Air Std. Rt.
	4322 688	1			w/o Air Std. Lt.
	4322 688	1			w/Air Std. Rt.
	4322 690	1			w/Air Std. Lt.
			J		SPRING, w/2.2L Turbo (Auto)
	4322 686	1			w/o Air Std. Rt.
	4322 690	1			w/o Air Std. Lt.
	4322 688	1			w/Air Std. Rt.
	4322 690	1			w/Air Std. Lt.
			E		SPRING, w/2.2L EFI Eng. (Auto. Trans.)
	4322 688	1		J,E	w/o Air Std. Rt.
	4322 690	1		J,E	w/o Air Std. Lt.
	4322 776	1		J,E	w/o Air H.D. Rt.
	4322 778	1		J,E	w/o Air H.D. Lt.
	4322 686	1		J,E	w/o Air, Firm Feel, Rt.

MODEL CODES

E BODY = (J - CARAVELLE)(E - 600)(T - NEW YORKER)

G BODY = (V24 - DAYTONA)

H BODY = (D44 - LANCER)(C44 - LEBARON GTS)

J BODY = (C - LEBARON)

K BODY = (P - RELIANT)(D - ARIES)(C - LEBARON)/TOWN & COUNTRY)

L BODY = (M - HORIZON/TURISMO)(Z - OMNI/CHARGER)

M BODY = (B - GRAN FURY)(F - FIFTH AVE/NEWPORT)(G - DIPLOMAT)

P BODY = (P - SUNDANCE)(D - SHADOW)

S BODY = (H - VOYAGER)(K - RAM VAN/CARAVAN)

BODY STYLES

12-13 = FWD VAN

21 = 2-DOOR SEDAN

24 = 2-DOOR HATCHBACK

27 = 2-DOOR CONVERTIBLE

41 = 4-DOOR SEDAN

44 = 4-DOOR HATCHBACK

45 = 4-DOOR STATION WAGON

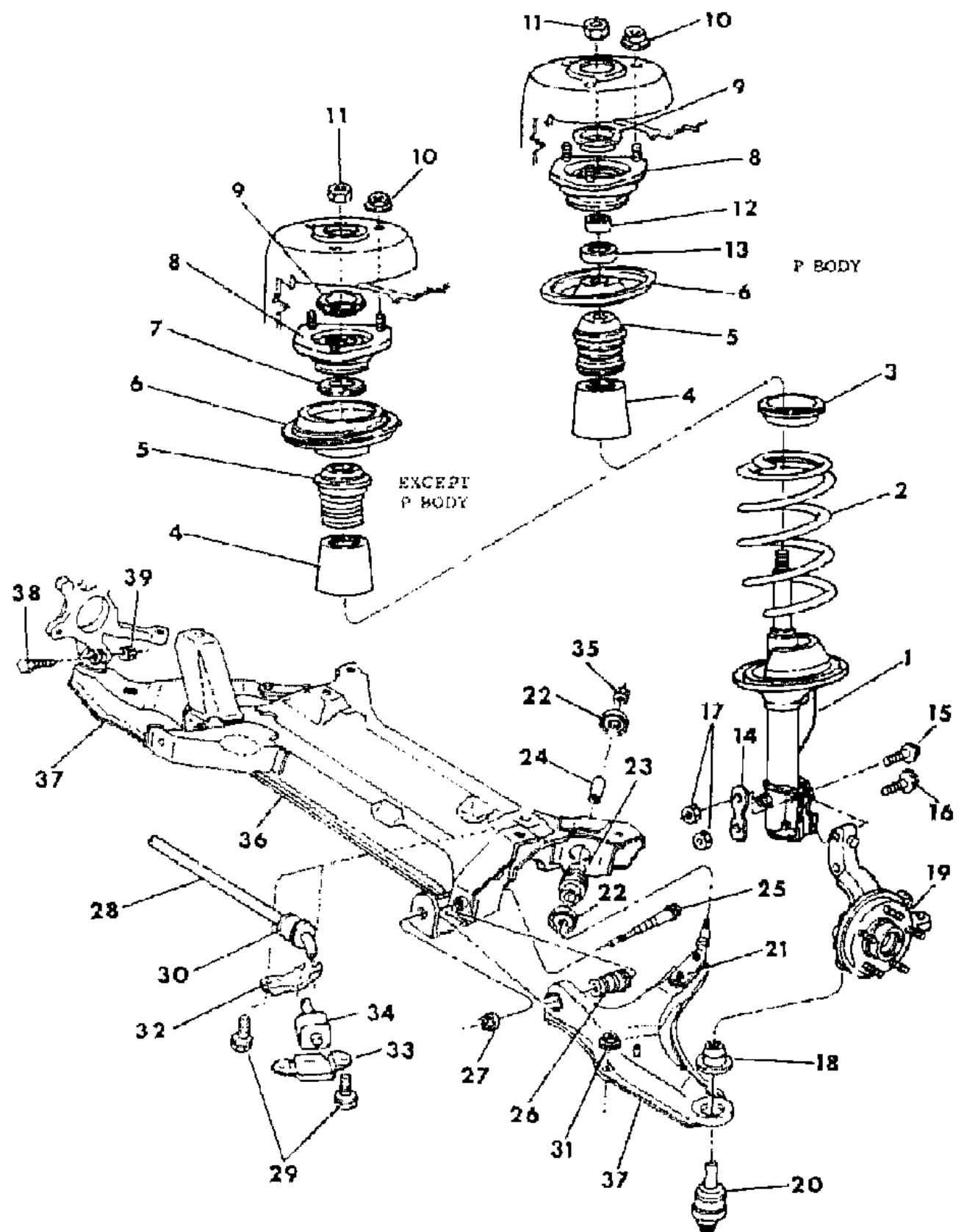
52-53 = FWD WAGON

AR = Use as Required - = Non Illustrated Part P.A.R. = Paint as Required

SUSPENSION, FRONT P,J,K,G,E,H BODY

Figure 2-200

7102 200



ITEM	PART NUMBER	QTY	BODY	MODEL	DESCRIPTION
	4322 690	1		J,E	w/o Air, Firm Feel, Lt.
	4322 688	1		J,E	w/Air Std. Rt.
	4322 692	1		J,E	w/Air Std. Lt.
	4322 776	1		J,E	w/Air H.D. Rt. (See Note 1)
	4322 778	1		J,E	w/Air H.D. Lt. (See Note 1)
	4322 688	1		J,E	w/Air, Firm Feel, Rt.
	4322 690	1		J,E	w/Air, Firm Feel, Lt.
	4322 688	1		T	w/o Air, Std. & Firm Feel, Rt.
	4322 690	1		T	w/o Air, Std. & Firm Feel, Lt.
	4322 776	1		T	w/o Air H.D. Rt. (See Note 1)
	4322 778	1		T	w/o Air H.D. Lt. (See Note 1)
	4322 688	1		T	w/Air, Std. & Firm Feel, Rt.
	4322 694	1		T	w/Air, Std. & Firm Feel, Lt.
	4322 778	1		T	w/Air H.D. Rt.
	4322 780	1		T	w/Air H.D. Lt.
			E		SPRING, w/2.2L Turbo (Auto)
	4322 688	1		J,E	w/o Air Std. Rt.
	4322 690	1		J,E	w/o Air Std. Lt.
	4322 776	1		J,E	w/o Air H.D. Rt. (See Note 1)
	4322 778	1		J,E	w/o Air H.D. Lt. (See Note 1)
	4322 688	1		J,E	w/o Air, Firm Feel, Rt.
	4322 690	1		J,E	w/o Air, Firm Feel, Lt.
	4322 690	1		J,E	w/Air Std. Rt.
	4322 692	1		J,E	w/Air Std. Lt.
	4322 778	1		J,E	w/Air H.D. Rt.
	4322 780	1		J,E	w/Air H.D. Lt.
	4322 688	1		J,E	w/Air, Firm Feel, Rt.
	4322 690	1		J,E	w/Air, Firm Feel, Lt.
	4322 688	1		T	w/o Air, Std. & Firm Feel, Rt.
	4322 690	1		T	w/o Air, Std. & Firm Feel, Lt.
	4322 778	1		T	w/o Air H.D. Rt.
	4322 780	1		T	w/o Air H.D. Lt.
	4322 690	1		T	w/Air, Std. & Firm Feel, Rt.
	4322 692	1		T	w/Air, Std. & Firm Feel, Lt.
	4322 778	1		T	w/Air H.D. Rt. (See Note 1)
	4322 780	1		T	w/Air H.D. Lt.
			E		SPRING, w/2.5L EFI (Auto)
	4322 688	1		J,E	w/o Air Std. Rt.

MODEL CODES

E BODY = (J - CARAVELLE)(E - 600)(T - NEW YORKER)

G BODY = (V24 - DAYTONA)

H BODY = (D44 - LANCER)(C44 - LEBARON GTS)

J BODY = (C - LEBARON)

K BODY = (P - RELIANT)(D - ARIES)(C - LEBARON)/TOWN & COUNTRY)

L BODY = (M - HORIZON/TURISMO)(Z - OMNI/CHARGER)

M BODY = (B - GRAN FURY)(F - FIFTH AVE/NEWPORT)(G - DIPLOMAT)

P BODY = (P - SUNDANCE)(D - SHADOW)

S BODY = (H - VOYAGER)(K - RAM VAN/CARAVAN)

BODY STYLES

12-13 = FWD VAN

21 = 2-DOOR SEDAN

24 = 2-DOOR HATCHBACK

27 = 2-DOOR CONVERTIBLE

41 = 4-DOOR SEDAN

44 = 4-DOOR HATCHBACK

45 = 4-DOOR STATION WAGON

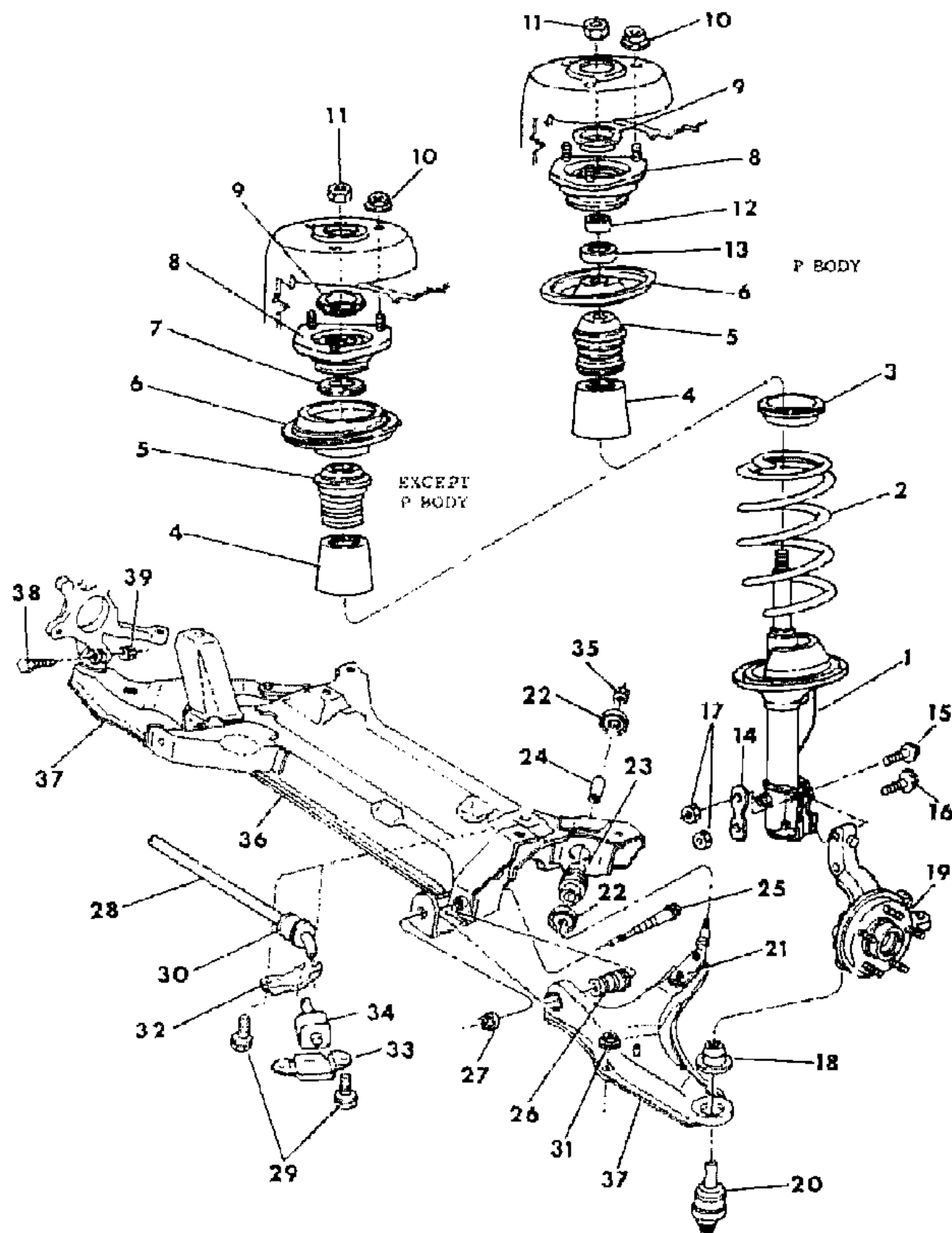
52-53 = FWD WAGON

AR = Use as Required - = Non Illustrated Part P.A.R. = Paint as Required

SUSPENSION, FRONT P,J,K,G,E,H BODY

Figure 2-200

7102 200



ITEM	PART NUMBER	QTY	BODY	MODEL	DESCRIPTION
	4322 690	1		J,E	w/o Air Std. Lt.
	4322 776	1		J,E	w/o Air H.D. Rt. (See Note 1)
	4322 778	1		J,E	w/o Air H.D. Lt. (See Note 1)
	4322 688	1		J,E	w/o Air, Firm Feel, Rt.
	4322 690	1		J,E	w/o Air, Firm Feel, Lt.
	4322 690	1		J,E	w/Air Std. Rt.
	4322 692	1		J,E	w/Air Std. Lt.
	4322 778	1		J,E	w/Air H.D. Rt.
	4322 780	1		J,E	w/Air H.D. Lt.
	4322 688	1		J,E	w/Air, Firm Feel, Rt.
	4322 690	1		J,E	w/Air, Firm Feel, Lt.
	4322 688	1		T	w/o Air, Std. & Firm Feel, Rt.
	4322 690	1		T	w/o Air, Std. & Firm Feel, Lt.
	4322 778	1		T	w/o Air H.D. Rt.
	4322 780	1		T	w/o Air H.D. Lt.
	4322 690	1		T	w/Air, Std. & Firm Feel, Rt.
	4322 692	1		T	w/Air, Std. & Firm Feel, Lt.
	4322 778	1		T	w/Air H.D. Rt. (See Note 1)
	4322 780	1		T	w/Air H.D. Lt.
3	4014 441	AR			SPACER, Strut Dmpr. Seat Iso., Lwr.
4	4404 299	2			SHIELD, Dust, Frt. Susp. Strut Dmpr.
5	4052 824	2	KJGHE		BUMPER, Frt. Susp. Strut Dmpr.
	4052 824	2	P		
6	4322 628	2			SEAT, Frt. Susp. Strut Dmpr., Upper
7	4322 633	2			WASHER, Strut Damper
8	4322 760	2	KJGHE		BEARING, w/Mount Frt. Susp. Strut Dmpr.
	4404 977	2	P		
9	4052 822	2			RETAINER, Frt. Susp. Dmpr. Rebound Stop
10	6100 051	6			NUT, w/Washer, Frt. Susp. Strut Dmpr. Fender Shield Ret.
11	6501 094	2			NUT, Frt. Susp. Strut Dmpr. Rod
12		2	P		SPACER, Frt. Susp. Strut Dmpr. Brg.(Serv. in Mount Assy.)
13	4322 620	2	P		BEARING, Frt. Susp. Strut Dmpr.
14	4014 444	2			WASHER, Frt. Susp. Strut Dmpr.
15	6500 615	2	PH		BOLT, Frt. Susp. Knuckle to Strut Dmpr. Mtg., Upr.
16	6500 614	2			BOLT, Cam Dmpr. To Frt. Susp. Knuckle, Lwr.
17	6500 593	4			NUT, Strut Dmpr. Bolt
18	4052 509	2			SEAL, Frt. Susp. Cont. Arm B/Joint
19	4052 838-9	1			KNUCKLE, Frt. Susp Strg.

MODEL CODES

E BODY = (J - CARAVELLE)(E - 600)(T - NEW YORKER)

G BODY = (V24 - DAYTONA)

H BODY = (D44 - LANCER)(C44 - LEBARON GTS)

J BODY = (C - LEBARON)

K BODY = (P - RELIANT)(D - ARIES)(C - LEBAROND)/TOWN & COUNTRY)

L BODY = (M - HORIZON/TURISMO)(Z - OMNI/CHARGER)

M BODY = (B - GRAN FURY)(F - FIFTH AVE/NEWPORT)(G - DIPLOMAT)

P BODY = (P - SUNDANCE)(D - SHADOW)

S BODY = (H - VOYAGER)(K - RAM VAN/CARAVAN)

BODY STYLES

12-13 = FWD VAN

21 = 2-DOOR SEDAN

24 = 2-DOOR HATCHBACK

27 = 2-DOOR CONVERTIBLE

41 = 4-DOOR SEDAN

44 = 4-DOOR HATCHBACK

45 = 4-DOOR STATION WAGON

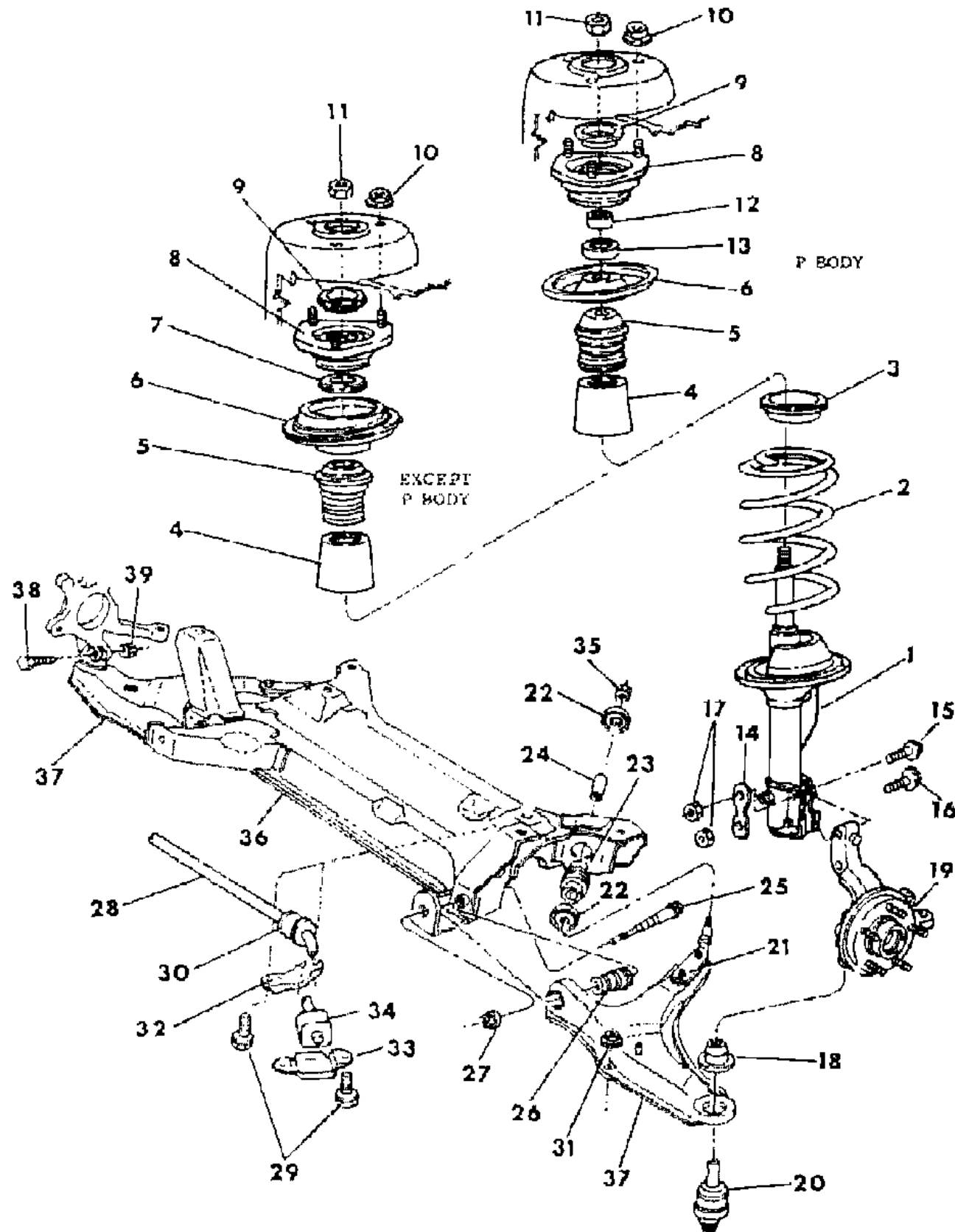
52-53 = FWD WAGON

AR = Use as Required - = Non Illustrated Part P.A.R. = Paint as Required

SUSPENSION, FRONT P,J,K,G,E,H BODY

Figure 2-200

7102 200



ITEM	PART NUMBER	QTY	BODY	MODEL	DESCRIPTION
20	4364 782	2			BALL JOINT, Frt. Susp. Strg. Knuckle
21					RIVET, (Not Serviced)
22	5204 534	4			RETAINER, Frt. Susp. Cont. Arm Strut Bushing
23	4322 285	2			BUSHING, Frt. Susp. Cont. Arm Stud
24	5204 535	2			SLEEVE, Frt. Susp. Cont. Arm Strut Bushing
25	4014 239	2			BOLT, Frt. Susp. Pivot Shaft Frt.
26	5204 622	2			BUSHING, Cont. Arm Pivot w/Std. Susp.
	5204 622	2			w/Firm Feel & H.D. Susp. (Except V-24)
	4052 646	2			w/Firm Feel & Special Sport Susp. (w/V-24)
	4052 646	2			w/Extra H.D. Susp. (Except D,C44)
27	6500 231	2			NUT, Pivot Bolt (Except E Body w/Firm Feel Susp.)
	4322 014	2	E		w/Firm Feel Susp.
28	4322 014	1			SHAFT, Frt. Susp. Sway, All Susp.(Except Special Sport)
	4322 745	1	G		w/Special Sport Susp.
29	6100 579	AR			BOLT, Clamp
30	4322 017	2	E		CUSHION, Frt. Susp. Sway Elim. Std. & H.D.
	4052 613	2	PJK		w/All Susp.
	4052 613	2	EH	V24	w/Firm Feel & Extra H.D. Susp.
	4052 613	2		V24	w/Std. & Firm Feel Susp.
	4322 820	2			w/Special Sport Susp.
	6100 128	2			WASHER, Coned Frt. Susp. Sway Elim. Shaft
31	6500 363	4			NUT, Bolt
32	4052 522	2			CLAMP, Shaft Bshg., Lwr. (Except Special Sport Susp.)
	4322 769	2		V24	w/Special Sport Susp.
33	4014 418	2			RETAINER, Shaft Arm
34	4322 099	2	E		BUSHING, Sway Frt. Susp. Cont. w/Std. & H.D. Susp.
	4322 751	2			w/All Susp. Except E Body w/Std. & H.D. Susp.
35	6100 502	2			NUT, Cont. Arm Pivot
36					C/MEMBER, (Ref. Only)
37	4322 154-5	1			ARM, Frt. Cont., Std. or H.D.
	4322 158-9	1			w/Firm Feel, Extra H.D. & Special Sport Susp.
38	6501 248	2			BOLT, Knuckle To Cont. Arm
39	6501 247	2			NUT
			H		SPRING, w/2.2L EFI (Auto)

MODEL CODES

E BODY = (J - CARAVELLE)(E - 600)(T - NEW YORKER)

G BODY = (V24 - DAYTONA)

H BODY = (D44 - LANCER)(C44 - LEBARON GTS)

J BODY = (C - LEBARON)

K BODY = (P - RELIANT)(D - ARIES)(C - LEBAROND)/TOWN & COUNTRY)

L BODY = (M - HORIZON/TURISMO)(Z - OMNI/CHARGER)

M BODY = (B - GRAN FURY)(F - FIFTH AVE/NEWPORT)(G - DIPLOMAT)

P BODY = (P - SUNDANCE)(D - SHADOW)

S BODY = (H - VOYAGER)(K - RAM VAN/CARAVAN)

BODY STYLES

12-13 = FWD VAN

21 = 2-DOOR SEDAN

24 = 2-DOOR HATCHBACK

27 = 2-DOOR CONVERTIBLE

41 = 4-DOOR SEDAN

44 = 4-DOOR HATCHBACK

45 = 4-DOOR STATION WAGON

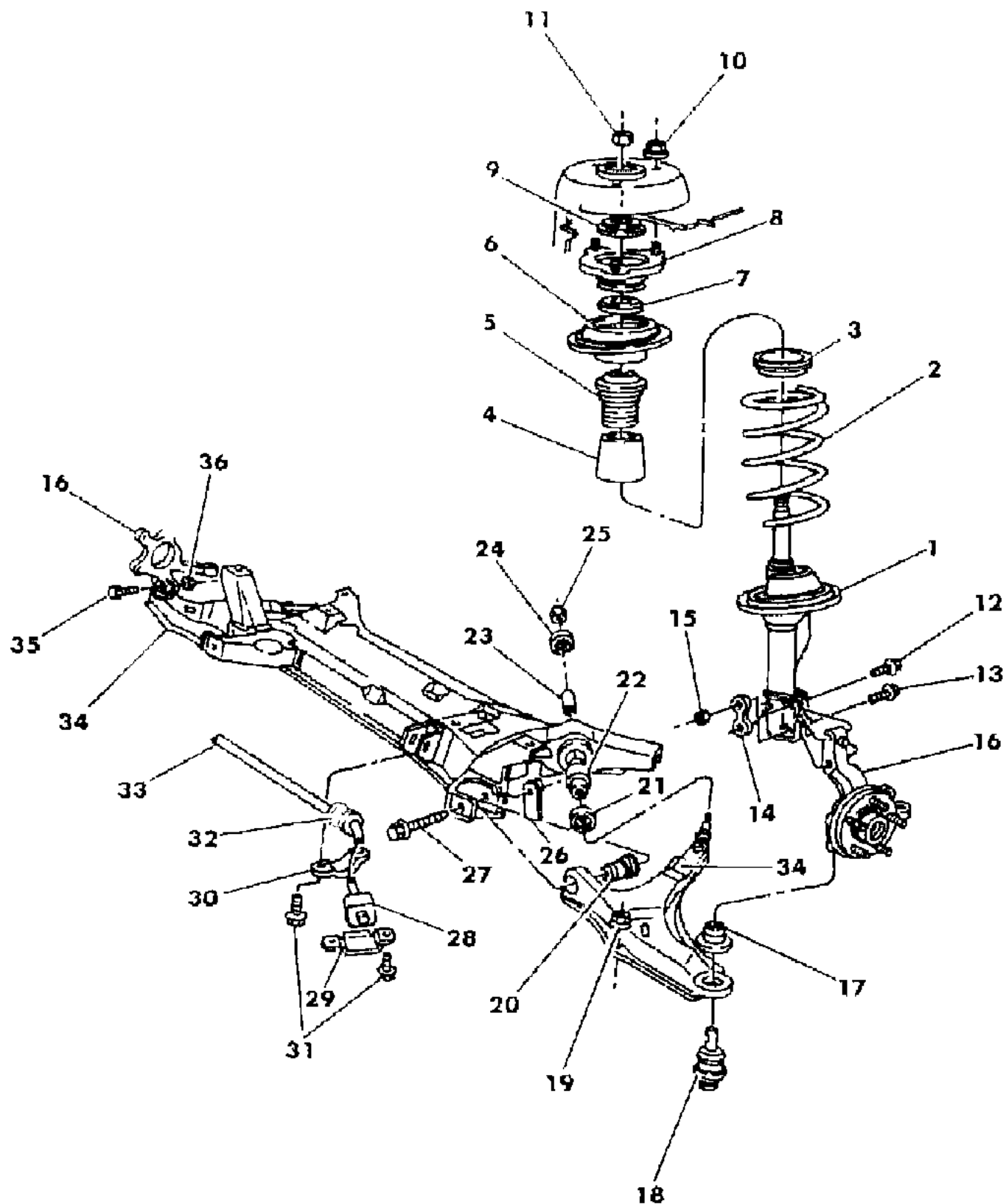
52-53 = FWD WAGON

AR = Use as Required - = Non Illustrated Part P.A.R. = Paint as Required

SUSPENSION, FRONT S-BODY

Figure 2-300

7102 300



ITEM	PART NUMBER	QTY	BODY	MODEL	DESCRIPTION
NOTE: 1 INSOLATER Pt. NO. 4014441 REQUIRED WHEN REPLACING SPRING AS NOTED.					
1	4322 728	2			STRUT, Damper or Shock Assy. (Std.)
	4322 729	2			(H.D.)
2			S		SPRING, w/2.2L (Man.)
	4322 848	1		HK12	w/o Air Std. Rt. (See Note 1)
	4322 850	1		HK12	w/o Air Std. Lt.
	4322 784	1		HK12	w/o Air H.D. Rt.
	4322 784	1		HK12	w/o Air H.D. Lt. (See Note 1)
	4322 850	1		HK12	w/Air Std. Rt.
	4322 850	1		HK12	w/Air Std. Lt. (See Note 1)
	4322 786	1		HK12	w/Air H.D. Rt.
	4322 786	1		HK12	w/Air H.D. Lt.
	4322 850	1		HK52	w/o Air Std. Rt.
	4322 850	1		HK52	w/o Air Std. Lt.
	4322 784	1		HK52	w/o Air H.D. Rt. (See Note 1)
	4322 786	1		HK52	w/o Air H.D. Lt.
	4322 850	1		HK52	w/Air Std. Rt. (See Note 1)
	4322 850	1		HK52	w/Air Std. Lt. (See Note 1)
	4322 786	1		HK52	w/Air H.D. Rt.
	4322 786	1		HK52	w/Air H.D. Lt.
			S		SPRING, w/2.2L Eng. (Auto)
	4322 848	1		HK12	w/o Air Std. Rt. (See Note 1)
	4322 850	1		HK12	w/o Air Std. Lt.
	4322 784	1		HK12	w/o Air H.D. Rt. (See Note 1)
	4322 786	1		HK12	w/o Air H.D. Lt.
	4322 850	1		HK12	w/Air Std. Rt.
	4322 850	1		HK12	w/Air Std. Lt. (See Note 1)
	4322 786	1		HK12	w/Air H.D. Rt.
	4322 786	1		HK12	w/Air H.D. Lt.
	4322 850	1		HK52	w/o Air Std. Rt.
	4322 850	1		HK52	w/o Air Std. Lt. (See Note 1)
	4322 784	1		HK52	w/o Air H.D. Rt. (See Note 1)
	4322 786	1		HK52	w/o Air H.D. Lt.
	4322 850	1		HK52	w/Air Std. Rt. (See Note 1)
	4322 852	1		HK52	w/Air Std. Lt.
	4322 786	1		HK52	w/Air H.D. Rt.
	4322 786	1		HK52	w/Air H.D. Lt. (See Note 1)
			S		SPRING, w/2.5L EFI (Man.)

MODEL CODES

E BODY = (J - CARAVELLE)(E - 600)(T - NEW YORKER)

G BODY = (V24 - DAYTONA)

H BODY = (D44 - LANCER)(C44 - LEBARON GTS)

J BODY = (C - LEBARON)

K BODY = (P - RELIANT)(D - ARIES)(C - LEBAROND)/TOWN & COUNTRY)

L BODY = (M - HORIZON/TURISMO)(Z - OMNI/CHARGER)

M BODY = (B - GRAN FURY)(F - FIFTH AVE/NEWPORT)(G - DIPLOMAT)

P BODY = (P - SUNDANCE)(D - SHADOW)

S BODY = (H - VOYAGER)(K - RAM VAN/CARAVAN)

BODY STYLES

12-13 = FWD VAN

21 = 2-DOOR SEDAN

24 = 2-DOOR HATCHBACK

27 = 2-DOOR CONVERTIBLE

41 = 4-DOOR SEDAN

44 = 4-DOOR HATCHBACK

45 = 4-DOOR STATION WAGON

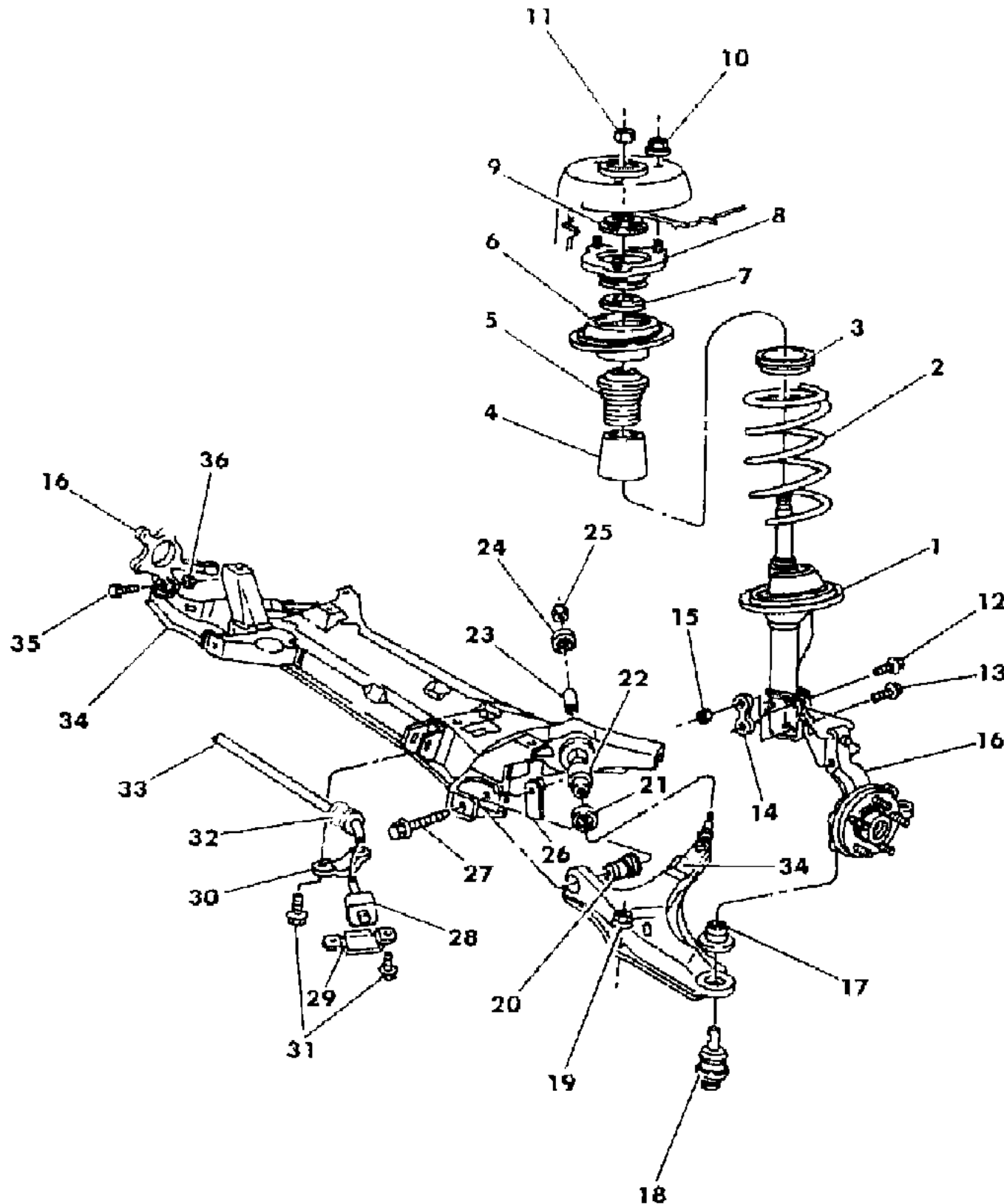
52-53 = FWD WAGON

AR = Use as Required - = Non Illustrated Part P.A.R. = Paint as Required

SUSPENSION, FRONT S-BODY

Figure 2-300

7102 300



ITEM	PART NUMBER	QTY	BODY	MODEL	DESCRIPTION
	4322 784	1		HK13	w/o Air H.D. Rt. (See Note 1)
	4322 786	1		HK13	w/o Air H.D. Lt.
	4322 786	1		HK13	w/Air H.D. Rt.
	4322 786	1		HK13	w/Air H.D. Lt.
	4322 850	1		HK53	w/o Air Std. Rt.
	4322 850	1		HK53	w/o Air Std. Lt. (See Note 1)
	4322 786	1		HK53	w/o Air H.D. Rt.
	4322 786	1		HK53	w/o Air H.D. Lt.
	4322 852	1		HK53	w/Air Std. Rt.
	4322 852	1		HK53	w/Air Std. Lt.
	4322 786	1		HK53	w/Air H.D. Rt. (See Note 1)
	4322 786	1		HK53	w/Air H.D. Lt. (See Note 1)
			S		SPRING, W/2.5L EFI (Auto)
	4322 784	1		HK13	w/o Air H.D. Rt. (See Note 1)
	4322 786	1		HK13	w/o Air H.D. Lt.
	4322 786	1		HK13	w/Air H.D. Rt.
	4322 786	1		HK13	w/Air H.D. Lt. (See Note 1)
	4322 850	1		HK53	w/o Air Std. Rt. (See Note 1)
	4322 852	1		HK53	w/o Air Std. Lt.
	4322 786	1		HK53	w/o Air H.D. Rt.
	4322 786	1		HK53	w/o Air H.D. Lt. (See Note 1)
	4322 852	1		HK53	w/Air Std. Rt.
	4322 852	1		HK53	w/Air Std. Lt. (See Note 1)
	4322 786	1		HK53	w/Air H.D. Rt. (See Note 1)
	4322 788	1		HK53	w/Air H.D. Lt.
			S		SPRING, w/2.6L (Auto)
	4322 850	1		HK12	w/o Air Std. Rt.
	4322 850	1		HK12	w/o Air Std. Lt. (See Note 1)
	4322 784	1		HK12	w/o Air H.D. Rt. (See Note 1)
	4322 786	1		HK12	w/o Air H.D. Lt.
	4322 850	1		HK12	w/Air Std. Rt. (See Note 1)
	4322 852	1		HK12	w/Air Std. Lt.
	4322 786	1		HK12	w/Air H.D. Rt.
	4322 786	1		HK12	w/Air H.D. Lt. (See Note 1)
	4322 850	1		HK52	w/o Air Std. Rt. (See Note 1)
	4322 850	1		HK52	w/o Air Std. Lt. (See Note 1)
	4322 786	1		HK52	w/o Air H.D. Rt.
	4322 786	1		HK52	w/o Air H.D. Lt.

MODEL CODES

E BODY = (J - CARAVELLE)(E - 600)(T - NEW YORKER)

G BODY = (V24 - DAYTONA)

H BODY = (D44 - LANCER)(C44 - LEBARON GTS)

J BODY = (C - LEBARON)

K BODY = (P - RELIANT)(D - ARIES)(C - LEBAROND)/TOWN & COUNTRY)

L BODY = (M - HORIZON/TURISMO)(Z - OMNI/CHARGER)

M BODY = (B - GRAN FURY)(F - FIFTH AVE/NEWPORT)(G - DIPLOMAT)

P BODY = (P - SUNDANCE)(D - SHADOW)

S BODY = (H - VOYAGER)(K - RAM VAN/CARAVAN)

BODY STYLES

12-13 = FWD VAN

21 = 2-DOOR SEDAN

24 = 2-DOOR HATCHBACK

27 = 2-DOOR CONVERTIBLE

41 = 4-DOOR SEDAN

44 = 4-DOOR HATCHBACK

45 = 4-DOOR STATION WAGON

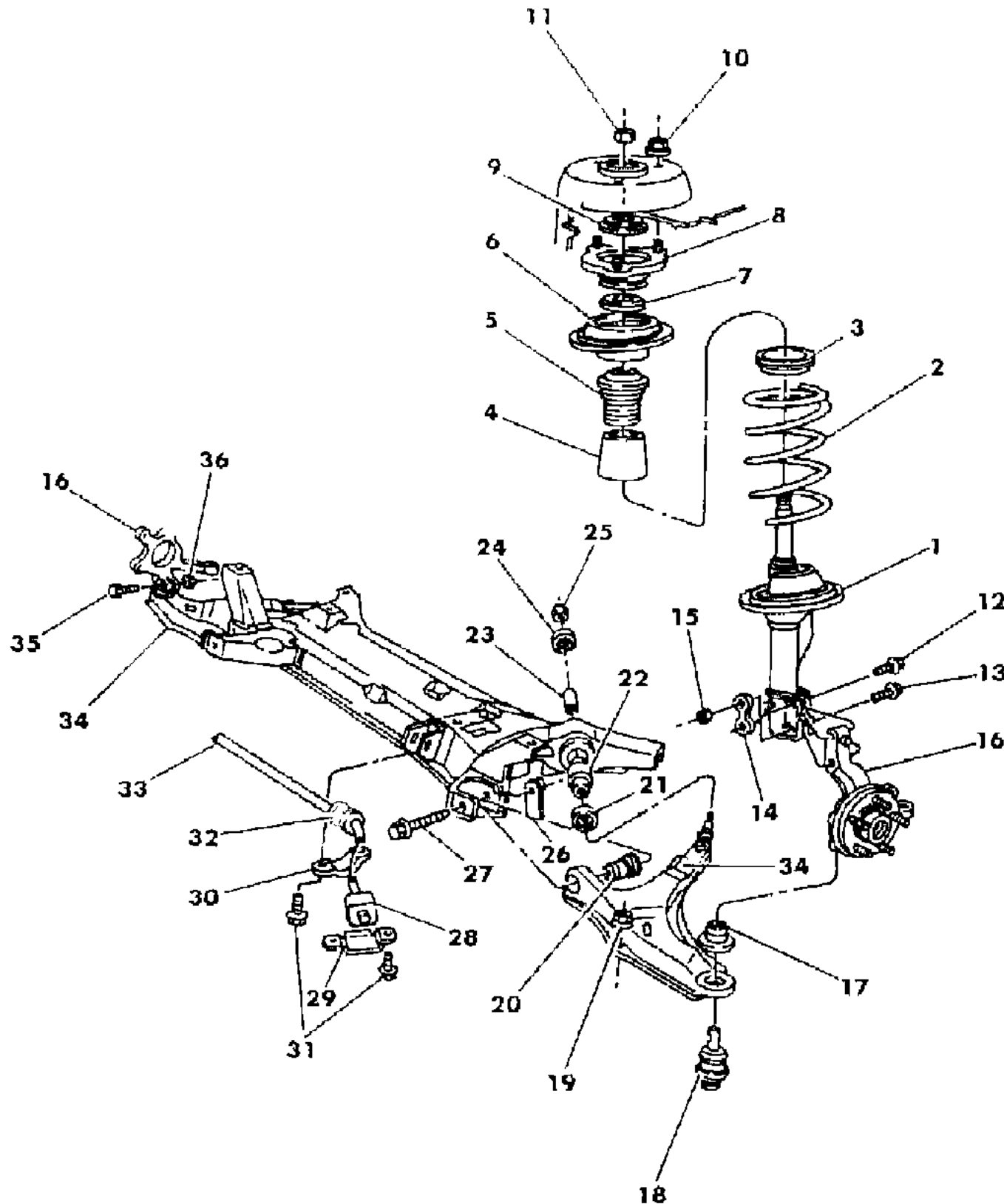
52-53 = FWD WAGON

AR = Use as Required - = Non Illustrated Part P.A.R. = Paint as Required

SUSPENSION, FRONT S-BODY

Figure 2-300

7102 300



ITEM	PART NUMBER	QTY	BODY	MODEL	DESCRIPTION
	4322 852	1		HK52	w/Air Std. Rt.
	4322 852	1		HK52	w/Air Std. Lt.
	4322 786	1		HK52	w/Air H.D. Rt. (See Note 1)
	4322 786	1		HK52	w/Air H.D. Lt. (See Note 1)
			S		SPRING, w/3.0L EFI (Auto)
	4322 850	1		HK12	w/o Air Std. Rt.
	4322 852	1		HK12	w/o Air Std. Lt.
	4322 786	1		HK12,13	w/o Air H.D. Rt.
	4322 786	1		HK12,13	w/o Air H.D. Lt. (See Note 1)
	4322 852	1		HK12	w/Air Std. Rt.
	4322 852	1		HK12	w/Air Std. Lt. (See Note 1)
	4322 786	1		HK12,13	w/Air H.D. Rt. (See Note 1)
	4322 788	1		HK12,13	w/Air H.D. Lt.
	4322 850	1		HK52	w/o Air Std. Rt. (See Note 1)
	4322 852	1		HK52	w/o Air Std. Lt.
	4322 852	1		HK52	w/Air Std. Rt.
	4322 852	1		HK52	w/Air Std. Lt. (See Note 1)
	4322 852	1		HK53	w/o Air Std. Rt.
	4322 852	1		HK53	w/o Air Std. Lt. (See Note 1)
	4322 786	1		HK53	w/o Air H.D. Rt. (See Note 1)
	4322 788	1		HK53	w/o Air H.D. Lt.
	4322 852	1		HK53	w/Air Std. Rt. (See Note 1)
	4322 854	1		HK53	w/Air Std. Lt.
	4322 788	1		HK53	w/Air H.D. Rt.
	4322 788	1		HK53	w/Air H.D. Lt. (See Note 1)
3	4014 441	AR			SPACER, Front Spring (Use Only Where Specified)
4	4052 825	2			SHEILD, Dust
5	4052 824	2			BUMPER, Front Jounce
6	4322 628	2			SEAT, Front Strut Upper
7	4322 633	2			WASHER, Front Strut
8	4322 760	2			MOUNT, Front Strut
9	4052 822	2			RETAINER, Front Strut Rebound
10	6500 158	6			NUT, w/Washer Fender Sheild
11	6501 094	2			NUT, Strut Rod
12	6500 615	2			BOLT, Front Strut to Knuckle Upper
13	6500 614	2			BOLT, Cam Lower
14	4014 444	2			WASHER, Front Strut
15	6500 593	4			NUT, Knuckle Bolt

MODEL CODES

E BODY = (J - CARAVELLE)(E - 600)(T - NEW YORKER)

G BODY = (V24 - DAYTONA)

H BODY = (D44 - LANCER)(C44 - LEBARON GTS)

J BODY = (C - LEBARON)

K BODY = (P - RELIANT)(D - ARIES)(C - LEBAROND)/TOWN & COUNTRY)

L BODY = (M - HORIZON/TURISMO)(Z - OMNI/CHARGER)

M BODY = (B - GRAN FURY)(F - FIFTH AVE/NEWPORT)(G - DIPLOMAT)

P BODY = (P - SUNDANCE)(D - SHADOW)

S BODY = (H - VOYAGER)(K - RAM VAN/CARAVAN)

BODY STYLES

12-13 = FWD VAN

21 = 2-DOOR SEDAN

24 = 2-DOOR HATCHBACK

27 = 2-DOOR CONVERTIBLE

41 = 4-DOOR SEDAN

44 = 4-DOOR HATCHBACK

45 = 4-DOOR STATION WAGON

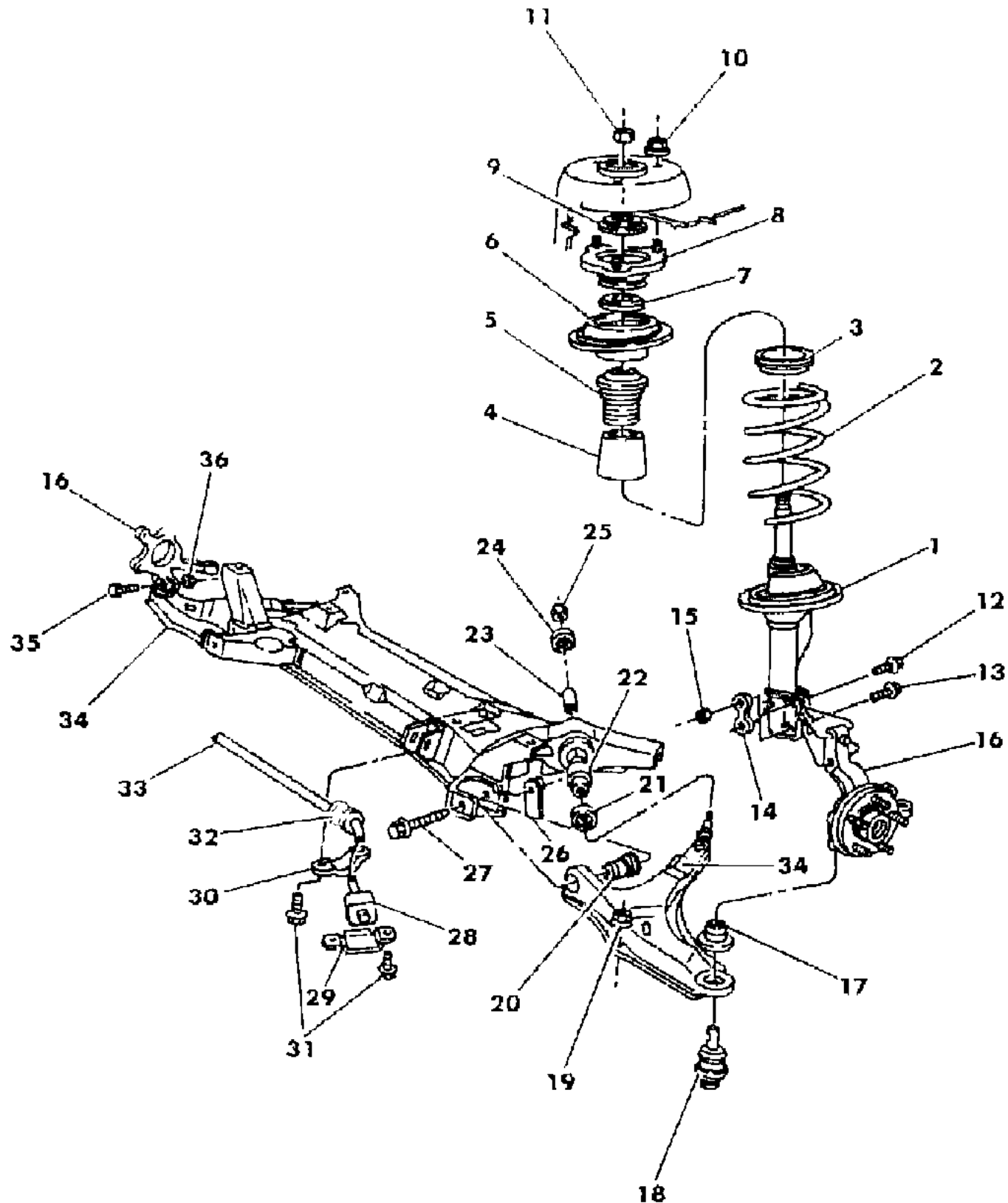
52-53 = FWD WAGON

AR = Use as Required - = Non Illustrated Part P.A.R. = Paint as Required

SUSPENSION, FRONT S-BODY

Figure 2-300

7102 300



ITEM	PART NUMBER	QTY	BODY	MODEL	DESCRIPTION
16	4052 840-1	1		HK12,52	KNUCKLE, Front
	4322 928-9	1		HK13,53	
17	4052 509	2			SEAL, Front Ball Joint
18	4364 782	2			BALL JOINT, Front
19	6100 517	4			NUT
20	5204 622	2			BUSHING, Pivot Shaft
21	5204 534	2			RETAINER, Strut Bushing
22	4322 285	2			BUSHING, Strut Arm
23	5204 535	2			SLEEVE, Strut Bushing
24	5204 534	2			RETAINER, Strut Bushing
25	6100 502	2			NUT, Front Strut
26	4052 561	2			PLATE, Pivot Bolt
27	6500 940	2			BOLT, Pivot
28	4322 751	2			BUSHING, Sway Elim. To Control Arm
29	4014 418	2			RETAINER, Sway Eliminator
30	4052 522	2			CLAMP, Sway Elim. To C/Mbr.
31	6100 579	2			SCREW, w/Washer
32	4322 677	2			CUSHION, Sway Elim. To C/Mbr.
33	4404 067	1			SHAFT, Sway Elim. (STD.+ H.D.)
34	4322 288-9	1			ARM, Front Control
35	6501 248	2			BOLT, Knuckle To B/Joint Stud
36	6501 247	2			NUT, Knuckle To B/Joint Bolt

MODEL CODES

E BODY = (J - CARAVELLE)(E - 600)(T - NEW YORKER)

G BODY = (V24 - DAYTONA)

H BODY = (D44 - LANCER)(C44 - LEBARON GTS)

J BODY = (C - LEBARON)

K BODY = (P - RELIANT)(D - ARIES)(C - LEBAROND)/TOWN & COUNTRY)

L BODY = (M - HORIZON/TURISMO)(Z - OMNI/CHARGER)

M BODY = (B - GRAN FURY)(F - FIFTH AVE/NEWPORT)(G - DIPLOMAT)

P BODY = (P - SUNDANCE)(D - SHADOW)

S BODY = (H - VOYAGER)(K - RAM VAN/CARAVAN)

BODY STYLES

12-13 = FWD VAN

21 = 2-DOOR SEDAN

24 = 2-DOOR HATCHBACK

27 = 2-DOOR CONVERTIBLE

41 = 4-DOOR SEDAN

44 = 4-DOOR HATCHBACK

45 = 4-DOOR STATION WAGON

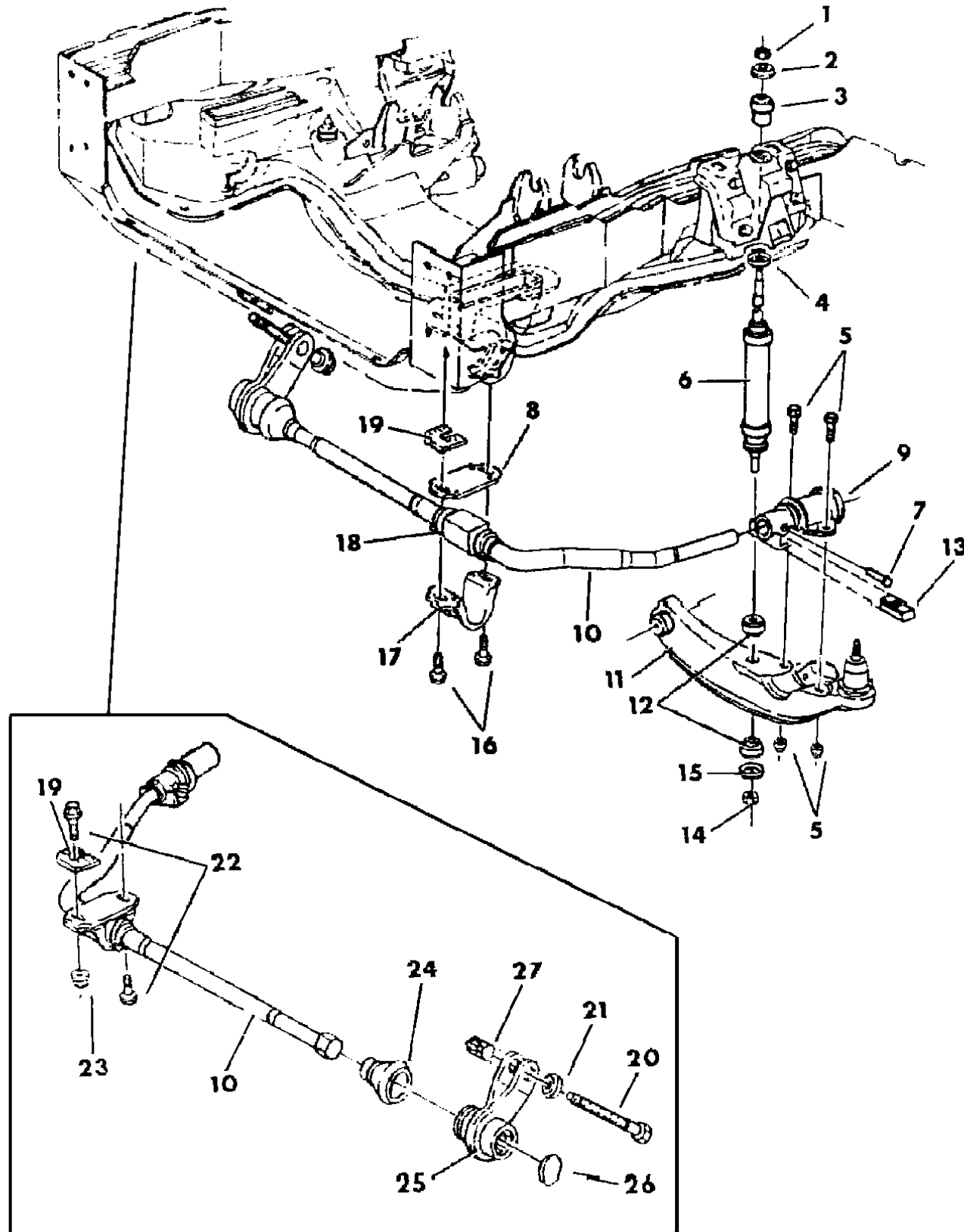
52-53 = FWD WAGON

AR = Use as Required - = Non Illustrated Part P.A.R. = Paint as Required

SUSPENSION, FRONT M BODY

Figure 2-400

7102 400A



ITEM	PART NUMBER	QTY	BODY	MODEL	DESCRIPTION
	4106 153				BUSHING PACKAGE, Spring to Lower Cont. Arm Consists of: 1----- Bushing 1 - 181146 Bolt 1- 152346 Nut
					2 -----Nut 2 -----Bolt 1-4014073 Plate 1-9425686 Bolt
	4186 805				BUSHING PACKAGE, Spring to Lower Cont. Arm, Police And Taxi Only Consists of: 1----- Bushing 1-4014073 Plate 1-0181146 Bolt 1-0152346 Nut 2 ----- Nut 2 ----- Bolt 1- 9425686 Bolt
	4186 828	1			PIVOT, PKG., Cushion Spring Consists of: 1 ----- Plate 1 ----- Cushion 1 ----- Retainer 2 ----- Clamp 1-4014073 Plate 2-6031753 Bolt,w/Washer 2-9425686 Bolt 1-6030854 Nut
1	0114 942	2			NUT, Front Shock Upper Mtg.
2	3722 001	4			RETAINER, Front Shock Upper Mtg. Bushing
3	3722 006	2			BUSHING, Front Shock Upper Mtg.
4	3722 001	4			RETAINER, Front Shock Upper Mtg. Bushing
5	4026 849	4			SCREW and NUT PACKAGE, Spring to Lower Cont. Arm Consists of: 1-----Screw w/Washer 1-----Nut
6	4419 105	2			SHOCK, Frt., Std.

MODEL CODES

E BODY = (J - CARAVELLE)(E - 600)(T - NEW YORKER)

G BODY = (V24 - DAYTONA)

H BODY = (D44 - LANCER)(C44 - LEBARON GTS)

J BODY = (C - LEBARON)

K BODY = (P - RELIANT)(D - ARIES)(C - LEBAROND)/TOWN & COUNTRY)

L BODY = (M - HORIZON/TURISMO)(Z - OMNI/CHARGER)

M BODY = (B - GRAN FURY)(F - FIFTH AVE/NEWPORT)(G - DIPLOMAT)

P BODY = (P - SUNDANCE)(D - SHADOW)

S BODY = (H - VOYAGER)(K - RAM VAN/CARAVAN)

BODY STYLES

12-13 = FWD VAN

21 = 2-DOOR SEDAN

24 = 2-DOOR HATCHBACK

27 = 2-DOOR CONVERTIBLE

41 = 4-DOOR SEDAN

44 = 4-DOOR HATCHBACK

45 = 4-DOOR STATION WAGON

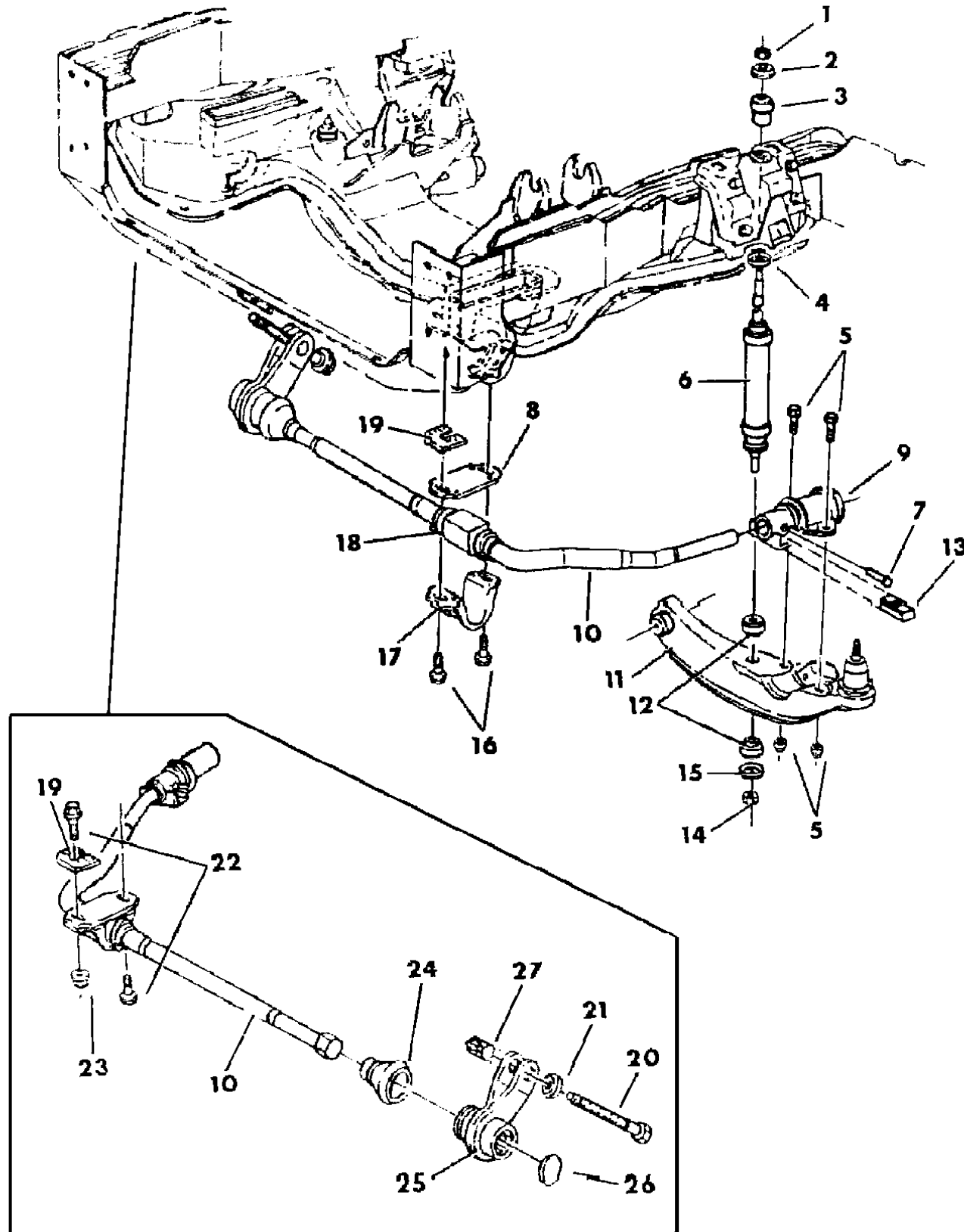
52-53 = FWD WAGON

AR = Use as Required - = Non Illustrated Part P.A.R. = Paint as Required

SUSPENSION, FRONT M BODY

Figure 2-400

7102 400A



ITEM	PART NUMBER	QTY	BODY	MODEL	DESCRIPTION
	4419 106	2			Heavy Duty
	4057 093	2			Extra Heavy Duty
7		2			RIVET, (Serviced in Item 10)
8		2			PLATE, (Serviced in Item 10)
9		2			BUSHING, (Serviced in Item 10)(Also in Bush.Pkg.4106153)
10	4014 142-3	1			BAR, Frt.
	4014 288-9	1			Police Only
11	4014 004-5	1			ARM, w/Shaft and Ball Joint, Lower Cont.
12	3643 891	4			BUSHING, Front Shock Lower Mtg.
13	4014 023	2			NUT, Shaft Cushion Link
14	0271 507	2			NUT, Front Shock Lower Mtg.
15		2			RETAINER, (Serviced in Item 6)
16	6031 993	4			BOLT, w/Washer, Pivot Cushion Ret.
17		2			RETAINER, (Serviced in Item 10)
18	3815 738	4			CLAMP, Pivot Cushion Seal
	4186 828	1			PIVOT PACKAGE, Cushion Spring
19	4014 073	2			PLATE, Spring Pivot Cushion Friction (Also In Bush. Pkg., 4106153)
20	3815 680	2			BOLT, Spring Anchor Adj.
21	4014 100	2			BEARING, Spring Anchor Adj. Bolt
22	6031 993	4			BOLT, w/Washer, Pivot Cushion Ret.
23	6030 854	4			NUT, Pivot Cushion Ret. Bolt
24	2269 250	2			SEAL, Anchor Inner
25	4094 070	2			ANCHOR, Torsion Bar
26		2			PLUG, (Serviced in Item 25)
27	4094 071	2			SWIVEL, Anchor Adj. Bolt

MODEL CODES

E BODY = (J - CARAVELLE)(E - 600)(T - NEW YORKER)

G BODY = (V24 - DAYTONA)

H BODY = (D44 - LANCER)(C44 - LEBARON GTS)

J BODY = (C - LEBARON)

K BODY = (P - RELIANT)(D - ARIES)(C - LEBAROND)/TOWN & COUNTRY)

L BODY = (M - HORIZON/TURISMO)(Z - OMNI/CHARGER)

M BODY = (B - GRAN FURY)(F - FIFTH AVE/NEWPORT)(G - DIPLOMAT)

P BODY = (P - SUNDANCE)(D - SHADOW)

S BODY = (H - VOYAGER)(K - RAM VAN/CARAVAN)

BODY STYLES

12-13 = FWD VAN

21 = 2-DOOR SEDAN

24 = 2-DOOR HATCHBACK

27 = 2-DOOR CONVERTIBLE

41 = 4-DOOR SEDAN

44 = 4-DOOR HATCHBACK

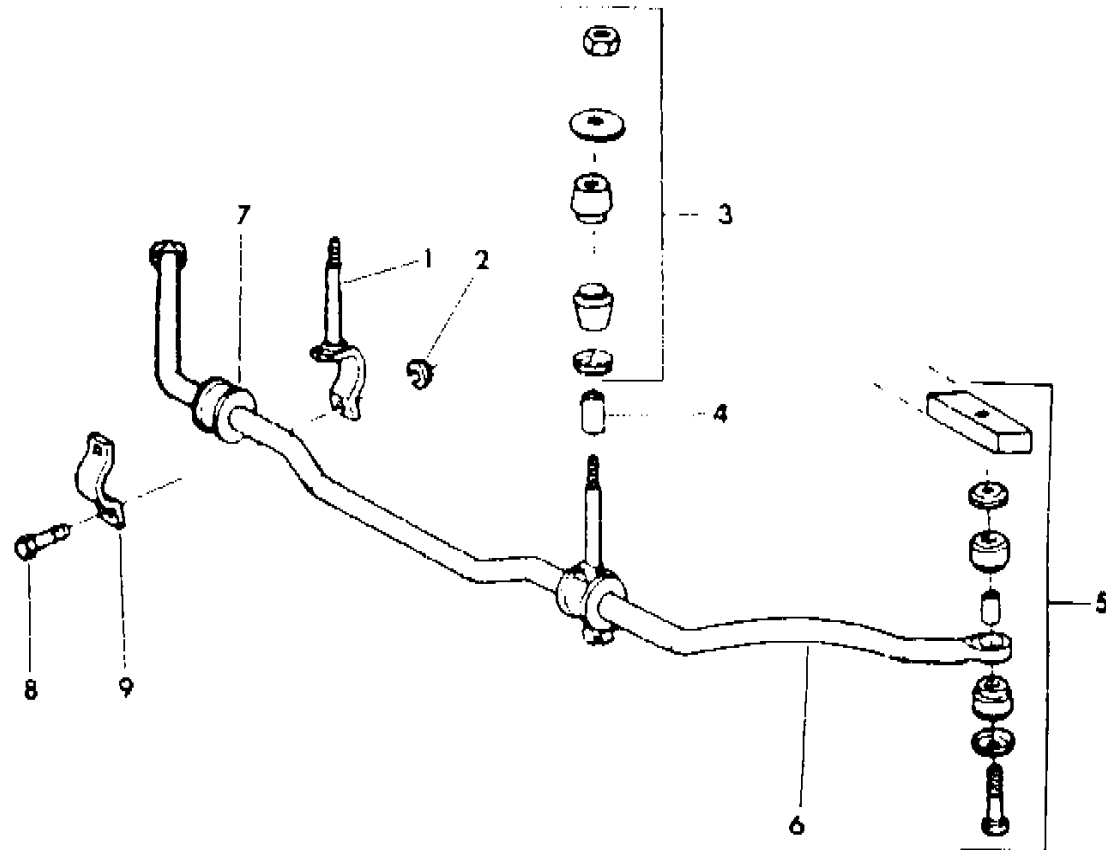
45 = 4-DOOR STATION WAGON

52-53 = FWD WAGON

AR = Use as Required - = Non Illustrated Part P.A.R. = Paint as Required

SWAY BAR, FRONT M BODY
Figure 2-500

7102 500



ITEM	PART NUMBER	QTY	BODY	MODEL	DESCRIPTION
1	3815 669	2			LINK, Shaft Bush. Std. or H.D.
	4014 078	2			Extra Duty or Firm Feel Susp.
2	6025 405	2			NUT, Strap Bolt
3	4106 161	2			ATTACHING PACKAGE, Sway Bar Consist of: 1- 181116 Bolt 1- 118615 Nut 2- ----- Retainer 2- ----- Insulator
					1- 118614 Nut 1- 6027880 Screw w/Washer 1- 6025405 Nut
4	3815 668	2			SLEEVE, Shaft Insulator Link
5	4267 328	2			ATTACHING PACKAGE, Front Sway Bar Shaft End Consist of: 2- ----- Cushion 2- ----- Retainer 2- 4014023 Nut 1- ----- Sleeve 1- 9425686 Bolt Strap
6	4014 033	1			SHAFT, Sway Bar, Std. or H.D.
	4014 126	1			Extra Duty or Firm Feel
7	4014 035	2			BUSHING, Std. or H.D. Extra Duty or Firm Feel
8	9425 686	2			BOLT, Strap
9	3815 720	2			STRAP, Bush. Retainer, Std. or H.D.
	4014 080	2			Extra Duty or Firm Feel Susp.

MODEL CODES

E BODY = (J - CARAVELLE)(E - 600)(T - NEW YORKER)

G BODY = (V24 - DAYTONA)

H BODY = (D44 - LANCER)(C44 - LEBARON GTS)

J BODY = (C - LEBARON)

K BODY = (P - RELIANT)(D - ARIES)(C - LEBAROND)/TOWN & COUNTRY)

L BODY = (M - HORIZON/TURISMO)(Z - OMNI/CHARGER)

M BODY = (B - GRAN FURY)(F - FIFTH AVE/NEWPORT)(G - DIPLOMAT)

P BODY = (P - SUNDANCE)(D - SHADOW)

S BODY = (H - VOYAGER)(K - RAM VAN/CARAVAN)

BODY STYLES

12-13 = FWD VAN

21 = 2-DOOR SEDAN

24 = 2-DOOR HATCHBACK

27 = 2-DOOR CONVERTIBLE

41 = 4-DOOR SEDAN

44 = 4-DOOR HATCHBACK

45 = 4-DOOR STATION WAGON

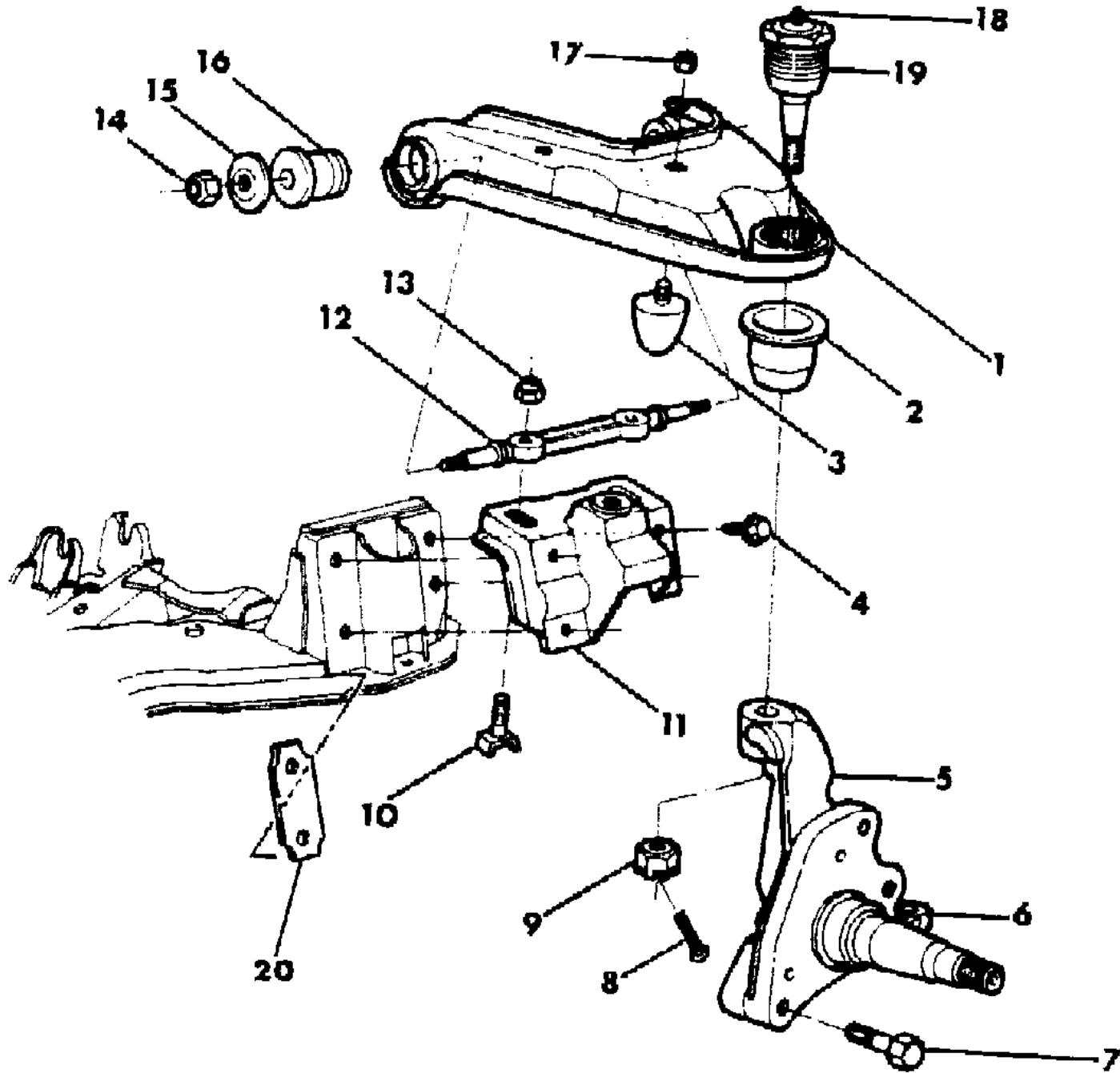
52-53 = FWD WAGON

AR = Use as Required - = Non Illustrated Part P.A.R. = Paint as Required

ARM-UPPER CONTROL M BODY

Figure 2-600

7102 800 A



ITEM	PART NUMBER	QTY	BODY	MODEL	DESCRIPTION
1	4014 368-9	1			ARM, Frt. Wheel Upper Cont. (w/Ball Joint)
2	2269 127	2			SEAL, Ball Joint Upper
3	4014 050	2			BUMPER, Arm
4	6031 240	8			SCREW, w/Washer
5	3402 640-1	1			KNUCKLE, Strg. Linkage
6	3815 712-3	1			ARM, Strg. Linkage Knuckle
7	6029 441	4			BOLT, Knuckle
8		2			PIN, (Not Serv.)
9	0273 911	2			NUT, Ball Joint
10	3815 473	4			BOLT, Pivot Bar Support
11	3815 706-7	1			SUPPORT, Pivot
12		2			BAR, (Served in Upper Control Arm)
13	6031 282	4			NUT, Pivot Bar Support Mtg.
14	6031 282	4			NUT, Pivot
15	3815 704	4			RETAINER, Arm Bushing
16	4106 195	4			BUSHING, Arm
17	0118 615	2			NUT, Bumper
18	6030 099	2			FITTING, Ball Joint
19	2298 534	2			BALL JOINT PACKAGE, Upper
					Consists of:
					1 -----Ball Joint
					1 - 2269127 Seal
					1 - 0273911 NUT
					1 -----C/Pin
					1 - 1672960 Washer
20	4014 352	2			SPACER, Control Arm Supt. Front
	4014 353	2			Rear

MODEL CODES

E BODY = (J - CARAVELLE)(E - 600)(T - NEW YORKER)

G BODY = (V24 - DAYTONA)

H BODY = (D44 - LANCER)(C44 - LEBARON GTS)

J BODY = (C - LEBARON)

K BODY = (P - RELIANT)(D - ARIES)(C - LEBAROND)/TOWN & COUNTRY)

L BODY = (M - HORIZON/TURISMO)(Z - OMNI/CHARGER)

M BODY = (B - GRAN FURY)(F - FIFTH AVE/NEWPORT)(G - DIPLOMAT)

P BODY = (P - SUNDANCE)(D - SHADOW)

S BODY = (H - VOYAGER)(K - RAM VAN/CARAVAN)

BODY STYLES

12-13 = FWD VAN

21 = 2-DOOR SEDAN

24 = 2-DOOR HATCHBACK

27 = 2-DOOR CONVERTIBLE

41 = 4-DOOR SEDAN

44 = 4-DOOR HATCHBACK

45 = 4-DOOR STATION WAGON

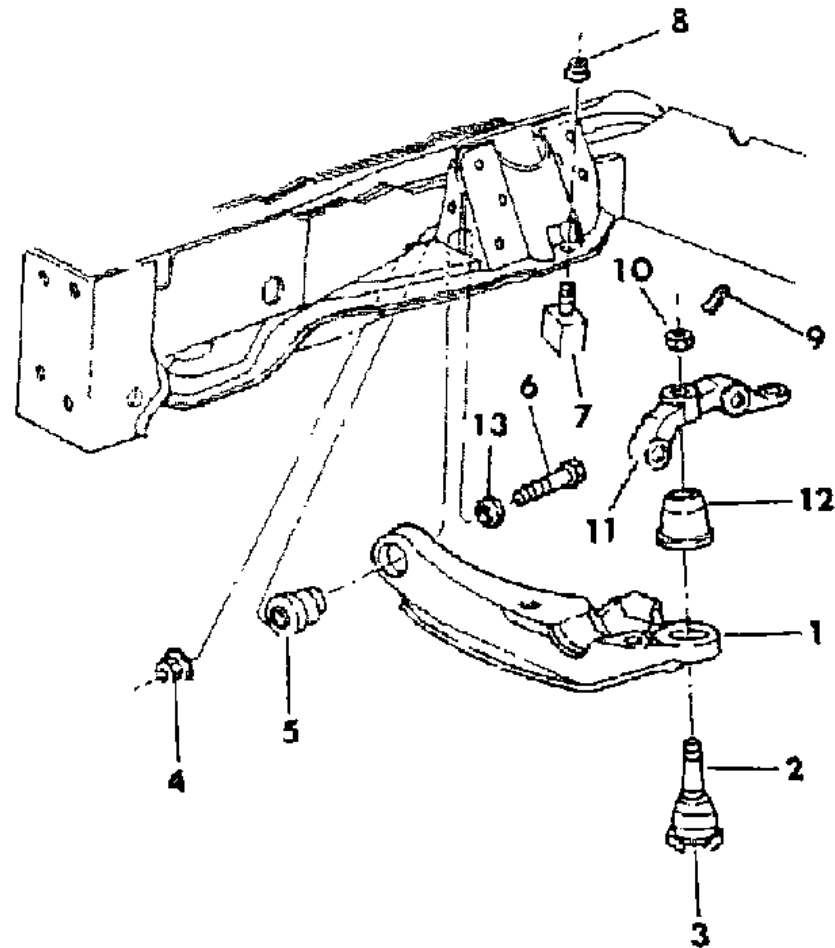
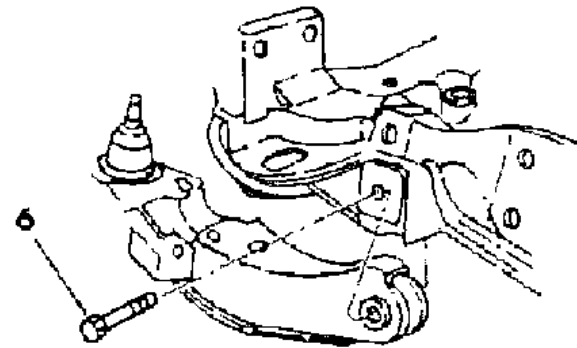
52-53 = FWD WAGON

AR = Use as Required - = Non Illustrated Part P.A.R. = Paint as Required

ARM-LOWER CONTROL M BODY

Figure 2-700

7102 700



ITEM	PART NUMBER	QTY	BODY	MODEL	DESCRIPTION
1	4014 004-5	1			ARM, Lower Control
2	3837 087	2			BALL JOINT PACKAGE, Lower Consists of: 1 -----Ball Joint 1-3402540 Seal 1 - 273912 Nut 1 -----C/Pin
3	6030 099	2			FITTING, Ball Joint, Lower
4	6030 854	2			NUT, Pivot Bolt
5	3815 688	2			BUSHING, Arm Pivot
6	6030 853	2			BOLT, Pivot
7	3722 614	2			BUMPER, Arm
8	6025 011	2			NUT, Bumper
9		2			PIN, (Not Serv.)
10	0273 912	2			NUT, Ball Joint Stud
11	3815 712-3	2			ARM, Steering Knuckle
12	3402 540	2			SEAL, Ball Joint Lower
13	6028 762	2			WASHER, Coned, Bolt Pivot

MODEL CODES

E BODY = (J - CARAVELLE)(E - 600)(T - NEW YORKER)

G BODY = (V24 - DAYTONA)

H BODY = (D44 - LANCER)(C44 - LEBARON GTS)

J BODY = (C - LEBARON)

K BODY = (P - RELIANT)(D - ARIES)(C - LEBAROND)/TOWN & COUNTRY)

L BODY = (M - HORIZON/TURISMO)(Z - OMNI/CHARGER)

M BODY = (B - GRAN FURY)(F - FIFTH AVE/NEWPORT)(G - DIPLOMAT)

P BODY = (P - SUNDANCE)(D - SHADOW)

S BODY = (H - VOYAGER)(K - RAM VAN/CARAVAN)

BODY STYLES

12-13 = FWD VAN

21 = 2-DOOR SEDAN

24 = 2-DOOR HATCHBACK

27 = 2-DOOR CONVERTIBLE

41 = 4-DOOR SEDAN

44 = 4-DOOR HATCHBACK

45 = 4-DOOR STATION WAGON

52-53 = FWD WAGON

AR = Use as Required - = Non Illustrated Part P.A.R. = Paint as Required

SHAFT, MAJOR COMPONENT LISTING

Figure 2-850

7102 850

ITEM	PART NUMBER	QTY	BODY	MODEL	DESCRIPTION
------	-------------	-----	------	-------	-------------

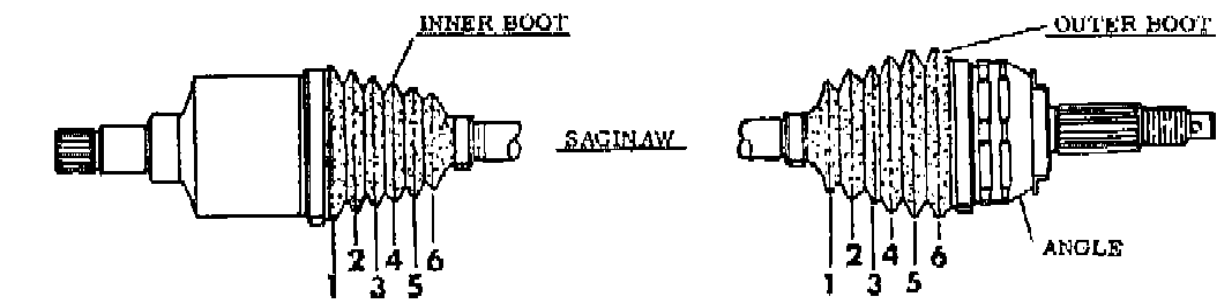
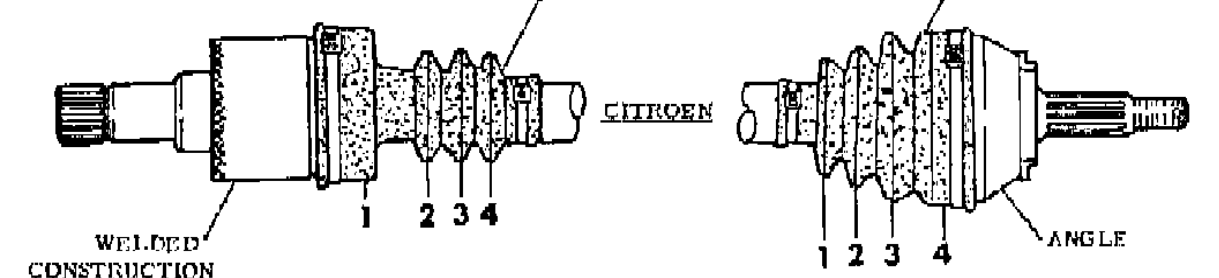
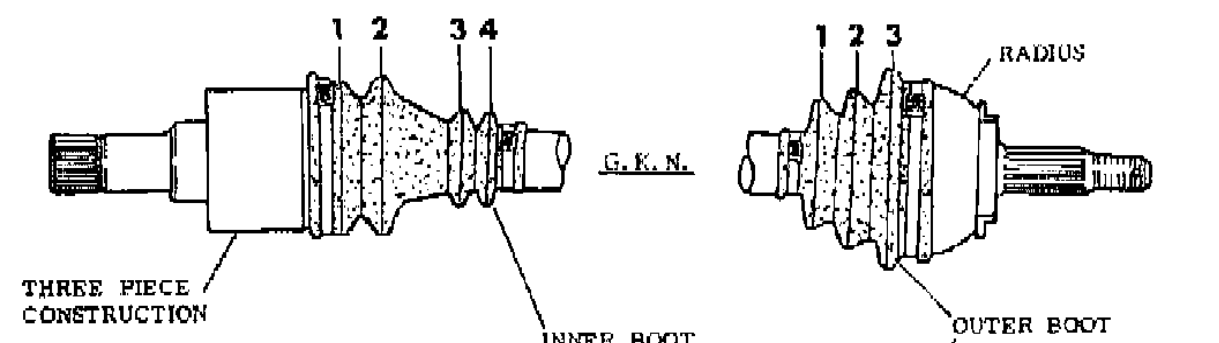
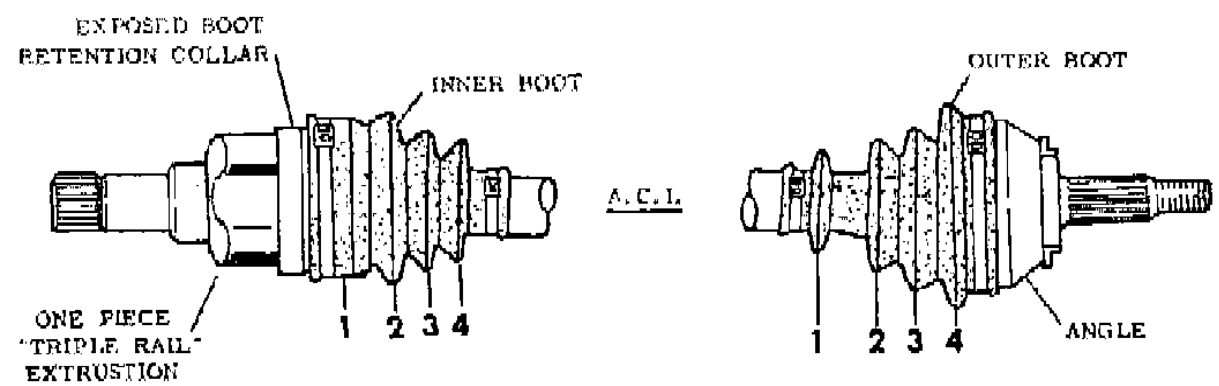
NOTE: SHAFT ASSEMBLIES ARE NOT SERVICED, CHECK MICRO-FICHE FOR LATEST CHANGES.

		OASS YNO		VENDOR		SHAFT		JOINT JOINT BOOT BOOT TRIPOD	
				RT/LT		W/CLIP		INNER OUTER INNER OUTER PKG.	
	4137 856		ACI-RT.	5212826	4186856	5212830	5212810	5212809	5212812 ***
	4137 863		ACI-LT.	4137867	4137857	5212830	5212811	5212809	5212812
	4340 863		CIT-LT.	4340869	4340867	5212789	5212717	5212738	5212711
	4340 872		CIT-RT.	4504552	4340868	5212789	5212716	5212738	5212711
	4340 873		CIT-LT.	4340883	4340867	5212789	5212717	5212738	5212711
	4340 879		CIT-RT.	4340869	4340867	5212789	5212717	5212738	5212711
	4340 885		CIT-LT.	4340869	4340867	5212789	5212717	5212738	5212711
	4340 961		CIT-LT.	5212935	5212747	5212789	5212717	5212738	5212711
	4340 963		CIT-RT.	5212935	5212747	5212789	5212717	5212738	5212711
	4367 862		SAG-RT.	4367018	4367028	4367038	4367010	4367009	4367026
	4367 863		SAG-LT.	4367027	4367027	4367038	4367029	4367009	4367036
	4367 876		SAG-RT.	4367018	4367028	4367038	4367010	4367009	4367026
	4367 879		SAG-RT.	4367031	4367027	4367038	4367029	4367009	4367026
	4367 885		SAG-LT.	4367031	4367027	4367038	4367029	4367009	4367036
	4384 862		GKN-RT.	5212872	4384826	5212869	4205852	5212858	5212859
	4384 863		GKN-LT.	4384867	4384827	5212869	4384825	5212858	5212859
	4384 872		GKN-RT.	5212688	4384814	5212696	5212612	4205853	5212608
	4384 873		GKN-LT.	4384883	4384817	5212696	4384823	4384817	5212608
	4384 876		GKN-RT.	5212698	4384816	5212696	5212612	4205853	5212608
	4384 879		GKN-RT.	4384875	4384817	5212696	4384823	4205853	5212608
	4384 885		GKN-LT.	4384875	4384817	5212696	4384823	4205853	5212608
	4384 926		GNK-RT.	5212862	5212896	5212856	4205852	5212858	5212859
	4384 927		GKN-LT.	5212993	5212897	5212856	4057033	5212858	5212859
	4384 928		GKN-RT.	5212862	4384826	5212856	4205852	5212858	5212859
	4384 929		GKN LT.	4384933	4384827	5212856	4384825	5212858	5212859
	4384 945		GKN-RT.	4384721	4384705	4384702	4384707	4384706	4384709
	4384 949		GKN-LT.	4384721	4384705	4384702	4384704	4384706	4384709
	4384 952		GKN-RT.	4384728	4384730	4384702	4384707	4384706	4384709
	4384 953		GKN-LT.	4384737	4384705	4384702	4384704	4384706	4384709 ***
	4384 961		GKN-LT.	4384977	5212899	5212696	5212613	4205853	5212608
	4384 963		GKN-RT.	4384977	5212899	5212696	5212613	4205853	5212608

MODEL CODES
 E BODY = (J - CARAVELLE)(E - 600)(T - NEW YORKER)
 G BODY = (V24 - DAYTONA)
 H BODY = (D44 - LANCER)(C44 - LEBARON GTS)
 J BODY = (C - LEBARON)
 K BODY = (P - RELIANT)(D - ARIES)(C - LEBAROND)/TOWN & COUNTRY
 L BODY = (M - HORIZON/TURISMO)(Z - OMNI/CHARGER)
 M BODY = (B - GRAN FURY)(F - FIFTH AVE/NEWPORT)(G - DIPLOMAT)
 P BODY = (P - SUNDANCE)(D - SHADOW)
 S BODY = (H - VOYAGER)(K - RAM VAN/CARAVAN)

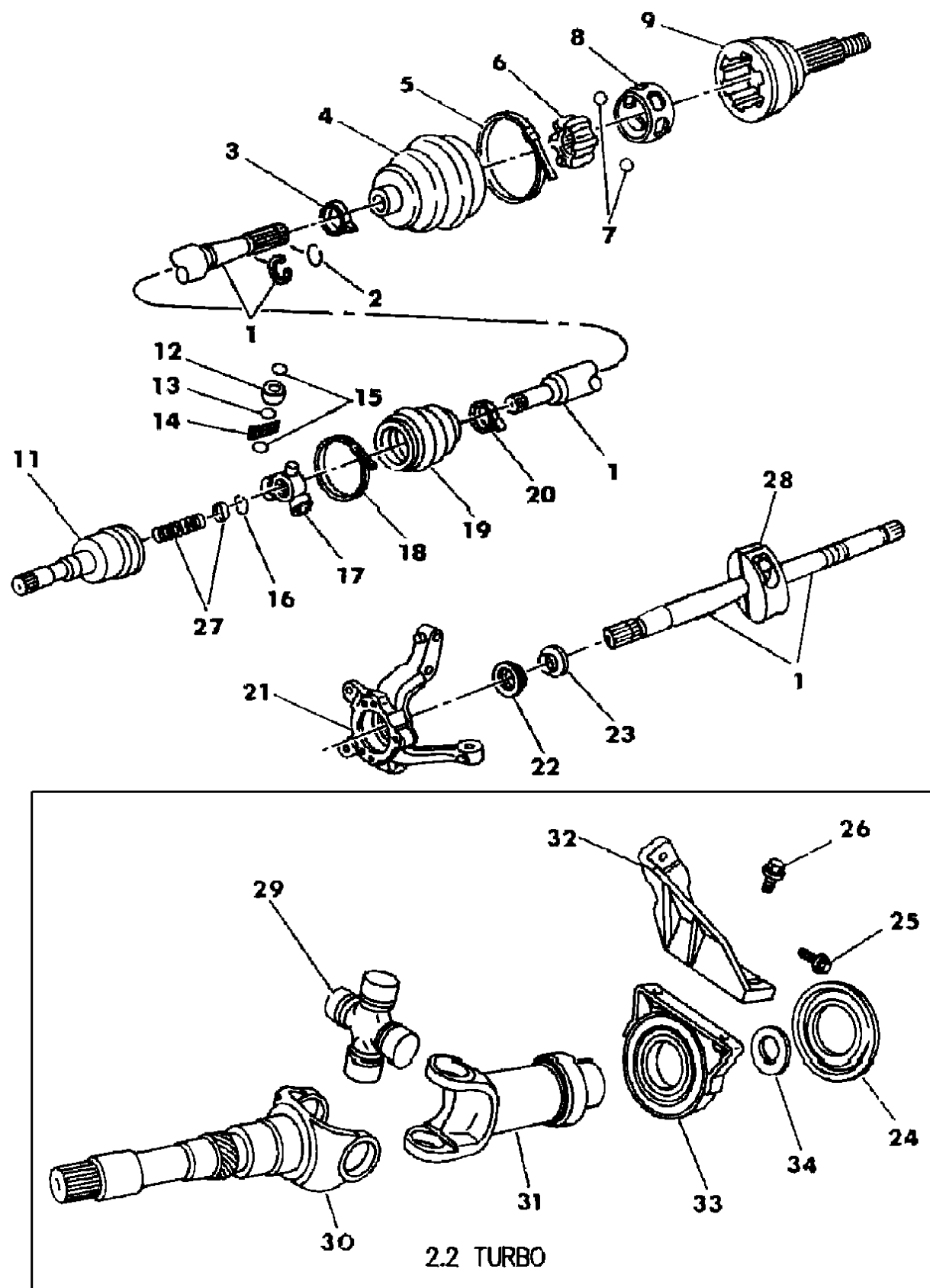
BODY STYLES
 12-13 = FWD VAN
 21 = 2-DOOR SEDAN
 24 = 2-DOOR HATCHBACK
 27 = 2-DOOR CONVERTIBLE
 41 = 4-DOOR SEDAN
 44 = 4-DOOR HATCHBACK
 45 = 4-DOOR STATION WAGON
 52-53 = FWD WAGON

AR = Use as Required - = Non Illustrated Part P.A.R. = Paint as Required



SHAFT, FRONT DRIVE (G.K.N. & A.C.I.) L,P,J,K,G,E,H,S BODY
Figure 2-900

7102 900A



ITEM	PART NUMBER	QTY	BODY	MODEL	DESCRIPTION	
NOTE: For Identification of Shaft make (G.K.N., A.C.I. or Saginaw) See Fig. 2-800						
1	5212 826	1			SHAFT, Drive, Right - w/2.2 EFI (A.C.I.)	
	5212 872	1			Right, w/2.2 EFI (G.K.N.)	
	5212 698	1			Right, w/2.5L EFI (G.K.N)	
	4384 875	1			Right, w/2.2 Turbo (G.K.N)	
	4384 728	1	S		Right, w/2.5, 2.6, 3.0 (GKN) w/119 W.B.(112 W.B. w/3.0)	
	5212 862	1	L		Right, w/2.2 (G.K.N.)	
	5212 933	1		Z	Right, w/2.2 Turbo	
	4137 867	1			SHAFT DRIVE, Left - w/2.2 EFI (A.C.I.)	
	4384 875	1			Left, w/2.2 Turbo & 2.5L EFI (G.K.N.)	
	4346 887	1	S		Left, w/2.6 w/119 W.B.	
	4384 722	1	S		Left, w/2.5,3.0 EFI (GKN) w/119 W.B.(112 W.B. w/3.0)	
4384 933	1	L		Left, w/Auto Trans (G.K.N.)		
2	5212 933	1	L		Left, w/2.2 Turbo, 2.2 w/Man. Trans	
	5212 566	AR			RING, Frt. Whl. Dr. Shaft, w/2.2 Turbo, 2.5, 2.6 (G.K.N.)	
	5212 857	AR			w/2.2, 2.2 EFI, 2.2 H/Perf. (G.K.N or A.C.I.)	
	3-5	5212 809	2			BOOT PACKAGE, Outer Joint, w/2.2 EFI (A.C.I.)
		5212 858	2			w/2.2, 2.2 EFI & 2.2 H/Perf (G.K.N.)
4205 853		2			w/2.2 Turbo, 2.5, 2.6 (G.K.N.)	
3-5	4384 706	2	S		w/2.5, 2.6, 3.0 (G.K.N.)	
	3				CLAMP, Inner	
	4				BOOT	
5				CLAMP, Outer		
6-9	5212 869	2			JOINT COMPLETE, w/2.2 EFI (G.K.N.)	
	5212 830	2			w/2.2 EFI (A.C.I.)	
	5212 696	2			w/2.2 Turbo, 2.5, 2.6 (G.K.N.)	
	4384 702	2	S		w/3.0 EFI (GKN)	
	5212 856	2	L		w/2.2, 2.2 H/Perf. (G.K.N.)	
6				CROSS		
7				BALL		
8				CAGE		
9				HOUSING		
11	4137 856-7	1			HOUSING, w/SHAFT, Joint Inner, w/2.2 EFI (A.C.I.)	
	4384 826-7	1			w/2.2, 2.2 EFI, (G.K.N.)(L-Body Auto)	
	5212 896-7	1			w/2.2L (L-Body Man.)	
	4384 816-7	1			w/2.5 EFI (G.K.N.)	
	4384 817	2			w/2.2 Turbo (G.K.N.)	
	4384 817	1	S		w/2.5 EFI (GKN) LT.	

MODEL CODES

E BODY = (J - CARAVELLE)(E - 600)(T - NEW YORKER)

G BODY = (V24 - DAYTONA)

H BODY = (D44 - LANCER)(C44 - LEBARON GTS)

J BODY = (C - LEBARON)

K BODY = (P - RELIANT)(D - ARIES)(C - LEBAROND)/TOWN & COUNTRY)

L BODY = (M - HORIZON/TURISMO)(Z - OMNI/CHARGER)

M BODY = (B - GRAN FURY)(F - FIFTH AVE/NEWPORT)(G - DIPLOMAT)

P BODY = (P - SUNDANCE)(D - SHADOW)

S BODY = (H - VOYAGER)(K - RAM VAN/CARAVAN)

BODY STYLES

12-13 = FWD VAN

21 = 2-DOOR SEDAN

24 = 2-DOOR HATCHBACK

27 = 2-DOOR CONVERTIBLE

41 = 4-DOOR SEDAN

44 = 4-DOOR HATCHBACK

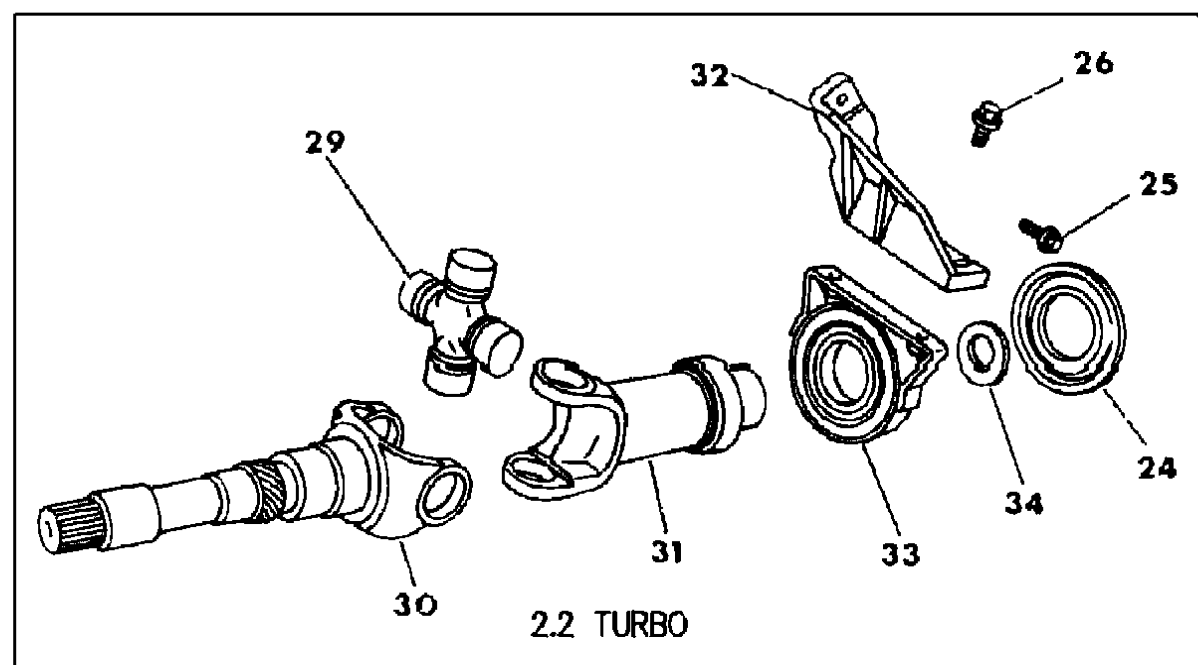
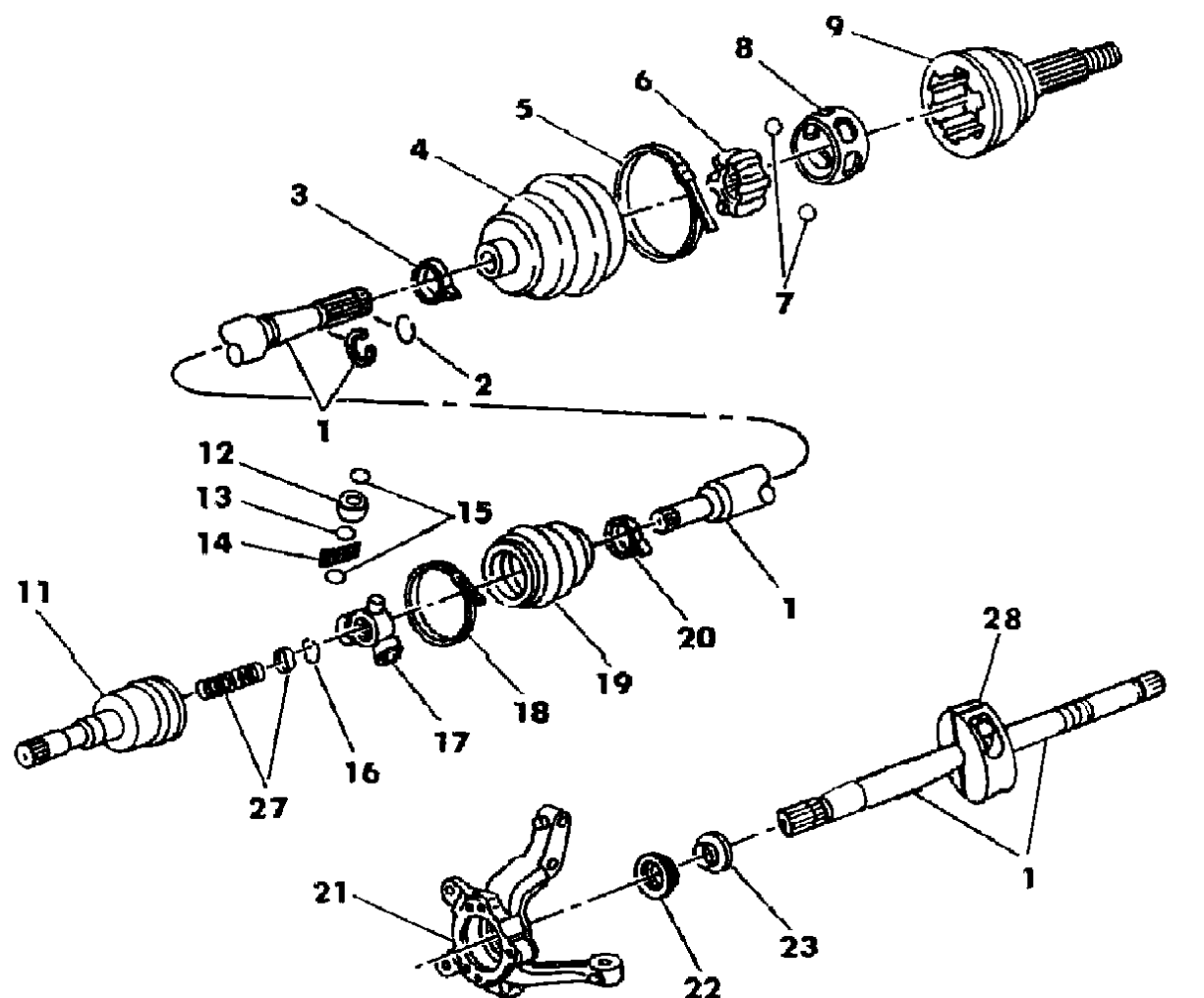
45 = 4-DOOR STATION WAGON

52-53 = FWD WAGON

AR = Use as Required - = Non Illustrated Part P.A.R. = Paint as Required

SHAFT, FRONT DRIVE (G.K.N. & A.C.I.) L,P,J,K,G,E,H,S BODY
Figure 2-900

7102 900A



ITEM	PART NUMBER	QTY	BODY	MODEL	DESCRIPTION
	4384 730	1	S		w/3.0 EFI (GKN) RT.
	4384 705	1	S		w/3.0 EFI (GKN) LT.
12-17	5212 812	AR			TRIPOD PACKAGE, Inner Shaft, w/2.2 EFI (A.C.I.)
	5212 859	AR			w/2.2, 2.2 EFI, (G.K.N.)
	5212 608	AR			w/2.2 Turbo & 2.5, 2.6 (G.K.N.)
	4384 709	AR	S		w/3.0 EFI (GKN)
12					RACE
13					RETAINER
14					NEEDLE
15					O RING
16					CIRCLIP
17					CROSS
18-20	5212 810-1	1			BOOT PACKAGE, Inner Rt.& Lt., w/2.2 EFI (A.C.I.)
	5212 612	1			Right, w/2.5, 2.6 (G.K.N.)
	4384 823	1			Left, w/2.5, 2.6 (G.K.N.)
	4205 852	1			Right, w/2.2, 2.2 EFI, (G.K.N.)
	4384 825	1			Left, w/2.2, 2.2 EFI, (G.K.N.)
	4384 823	2			Right & Left w/2.2 Turbo (G.K.N.)
	4384 707	1	S		Right, w/3.0 EFI (GKN)
	4384 704	1	S		Left, w/3.0 EFI (GKN)
18					CLAMP, Inner
19					BOOT
20					CLAMP, Outer
21	4052 844-5	1	L		KNUCKLE, Strg.
	4052 838-9	1	PJKGEH		
	4052 840-1	1	S		
22	5212 535	2			SEAL, Joint Outer (Also Serv.In Joint Comp.)
23	5212 536	2			SLEEVE, Joint Outer (Also Serv.In Joint Comp.)
24	5212 962	1			SLINGER, Inter Shaft - Inner, w/Turbo
	5212 975	1			Outer, w/Turbo
25	6500 158	2			SCREW, w/Washer Brkt., w/Turbo
26	6101 299	2			SCREW, w/Washer Brkt. to Brg., w/Turbo
27	5212 675	AR			SPRING, w/Cup, Hsg. Shaft Inner (G.K.N.)
	4384 714	AR	S		w/2.5, 2.6, 3.0 (GKN) w/119 W.B.
	5212 823	AR			(A.C.I.)
28	5212 767	1			WEIGHT, Frt. Whl Dr. Shaft Damper, Lt.(A.C.I.)
	5212 839	1			(G.K.N.)
29	4443 100	1			JOINT PACKAGE, w/Turbo

MODEL CODES

E BODY = (J - CARAVELLE)(E - 600)(T - NEW YORKER)

G BODY = (V24 - DAYTONA)

H BODY = (D44 - LANCER)(C44 - LEBARON GTS)

J BODY = (C - LEBARON)

K BODY = (P - RELIANT)(D - ARIES)(C - LEBAROND)/TOWN & COUNTRY)

L BODY = (M - HORIZON/TURISMO)(Z - OMNI/CHARGER)

M BODY = (B - GRAN FURY)(F - FIFTH AVE/NEWPORT)(G - DIPLOMAT)

P BODY = (P - SUNDANCE)(D - SHADOW)

S BODY = (H - VOYAGER)(K - RAM VAN/CARAVAN)

BODY STYLES

12-13 = FWD VAN

21 = 2-DOOR SEDAN

24 = 2-DOOR HATCHBACK

27 = 2-DOOR CONVERTIBLE

41 = 4-DOOR SEDAN

44 = 4-DOOR HATCHBACK

45 = 4-DOOR STATION WAGON

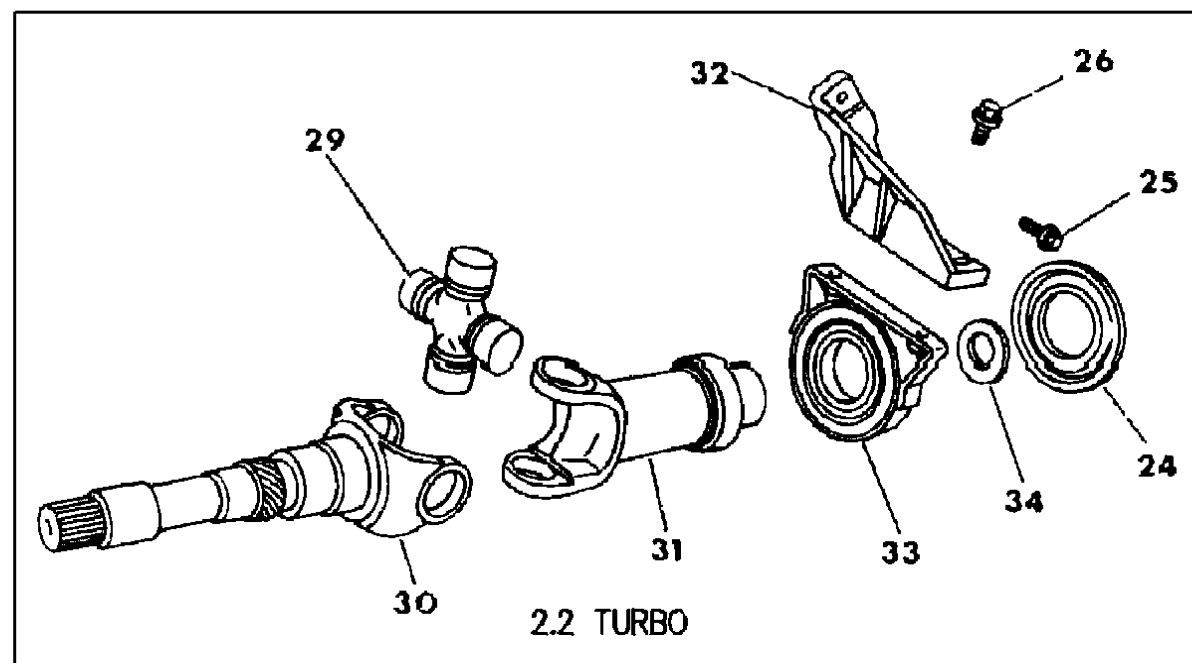
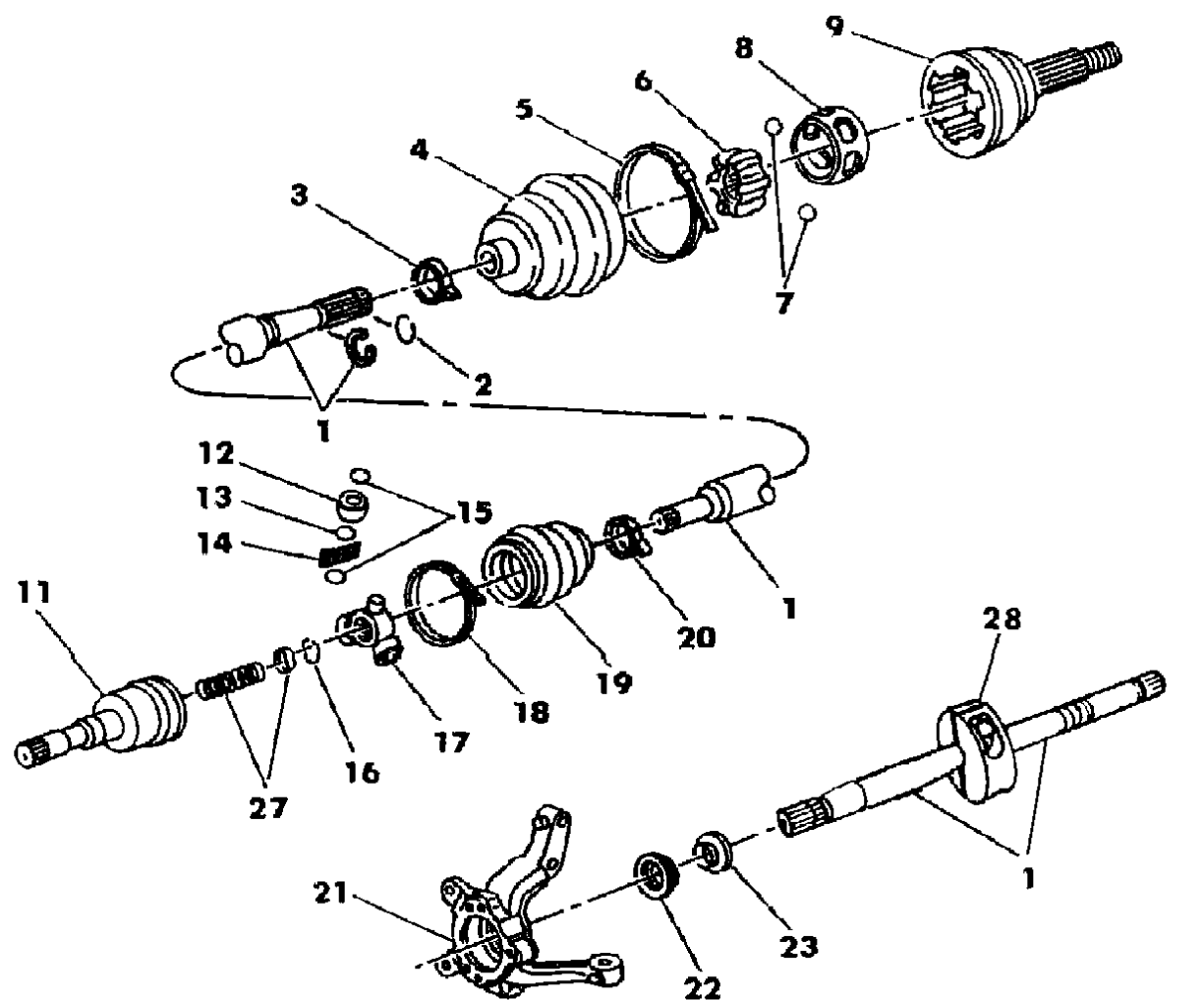
52-53 = FWD WAGON

AR = Use as Required - = Non Illustrated Part P.A.R. = Paint as Required

SHAFT, FRONT DRIVE (G.K.N. & A.C.I.) L,P,J,K,G,E,H,S BODY
Figure 2-900

7102 900A

ITEM	PART NUMBER	QTY	BODY	MODEL	DESCRIPTION
30	5212 958	1			YOKE, Inter Shaft U/Joint Stub, w/Turbo
31	5212 967	1			SHAFT, Inner, w/Turbo (9" Long Use 5212992)
32	#5212 987	1			BRACKET, Inner Shaft Brg., w/Turbo
33	#5212 986	1			BEARING, w/Bracket, Inner, w/Turbo
34	5212 964	1			SEAL, Inner Joint Shaft, w/Turbo



MODEL CODES

E BODY = (J - CARAVELLE)(E - 600)(T - NEW YORKER)

G BODY = (V24 - DAYTONA)

H BODY = (D44 - LANCER)(C44 - LEBARON GTS)

J BODY = (C - LEBARON)

K BODY = (P - RELIANT)(D - ARIES)(C - LEBAROND)/TOWN & COUNTRY)

L BODY = (M - HORIZON/TURISMO)(Z - OMNI/CHARGER)

M BODY = (B - GRAN FURY)(F - FIFTH AVE/NEWPORT)(G - DIPLOMAT)

P BODY = (P - SUNDANCE)(D - SHADOW)

S BODY = (H - VOYAGER)(K - RAM VAN/CARAVAN)

BODY STYLES

12-13 = FWD VAN

21 = 2-DOOR SEDAN

24 = 2-DOOR HATCHBACK

27 = 2-DOOR CONVERTIBLE

41 = 4-DOOR SEDAN

44 = 4-DOOR HATCHBACK

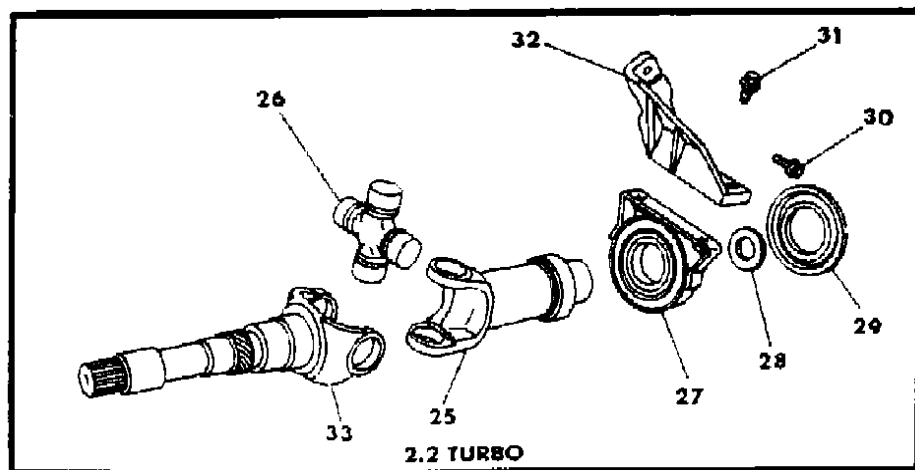
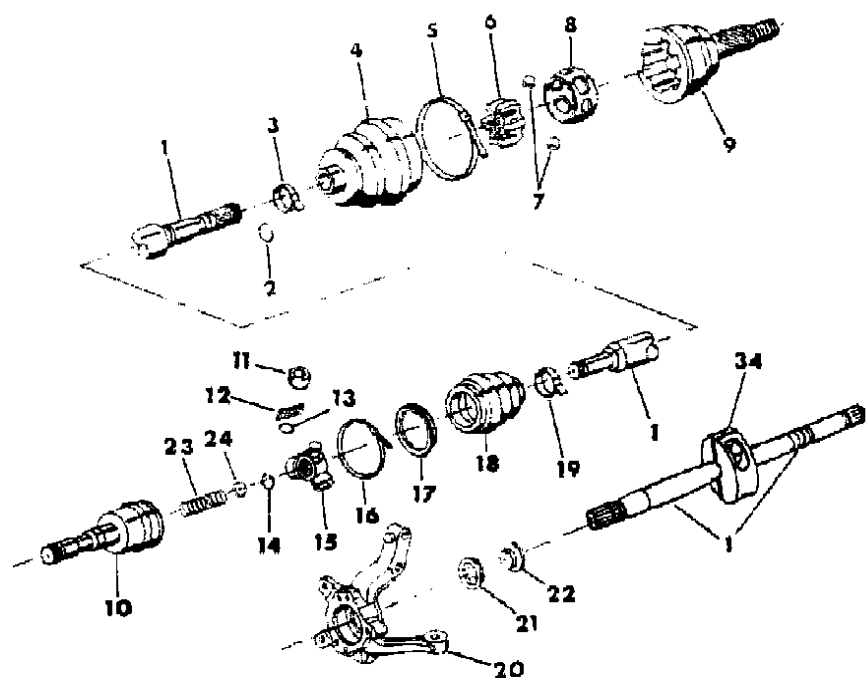
45 = 4-DOOR STATION WAGON

52-53 = FWD WAGON

AR = Use as Required - = Non Illustrated Part P.A.R. = Paint as Required

SHAFT, FRONT DRIVE (CITROEN) P,L,K,G,E,H,J,S
Figure 2-1000

7102 1000



ITEM	PART NUMBER	QTY	BODY	MODEL	DESCRIPTION
1					SHAFT, w/Circlip
	5212 796	1	S		Right, w/2.2,2.5 & 2.6L
	4340 883	1	S		Left, w/2.2,2.5, & 2.6L
	5212 798	1			Right, w/2.2,2.5L
	4340 869	1			Left, w/2.2,2.5L
	4340 869	2			Right & Left, w/2.2 Turbo
	5212 935	2	L		Right & Left, w/2.2 Turbo
2	5212 710	AR			RING, Outer Joint
3-5	5212 738	2			BOOT PACKAGE, Outer Joint
3		1			Clamp, Inner
4		1			Boot
5	5212 720	AR			CLAMP, Outer
6-9	5212 789	2			JOINT, Complete, Outer
6					Cross
7					Ball
8					Cage
9					Housing
10	4340 867	1			HOUSING, w/Shaft, Inner (w/o Turbo) Lt. (See GKN Listing For Rt. Side)
	4340 868	1	S		Right
	4340 867	1	S		Left
	5212 747	2	L		Right & Left (w/Turbo)
	4340 867	2	PKGEHJ		Right & Left (w/Turbo)
11-15	5212 711	AR			TRIPOD PACKAGE, Inner Shaft
11					Race
12					Needle
13					O'Ring
14					Circlip
15					Cross
16-19	5212 716-7	1			BOOT PACKAGE, Inner (w/o Turbo)
	5212 717	2			Right & Left (w/Turbo)
16					Clamp, Inner
17					Retainer, Ring
18					Boot
19					Clamp, Outer
20	4052 844-5	1	L		KNUCKLE, Steering
	4052 840-1	1	S		
	4052 838-9	1	PKGEHJ		

MODEL CODES

E BODY = (J - CARAVELLE)(E - 600)(T - NEW YORKER)

G BODY = (V24 - DAYTONA)

H BODY = (D44 - LANCER)(C44 - LEBARON GTS)

J BODY = (C - LEBARON)

K BODY = (P - RELIANT)(D - ARIES)(C - LEBAROND)/TOWN & COUNTRY)

L BODY = (M - HORIZON/TURISMO)(Z - OMNI/CHARGER)

M BODY = (B - GRAN FURY)(F - FIFTH AVE/NEWPORT)(G - DIPLOMAT)

P BODY = (P - SUNDANCE)(D - SHADOW)

S BODY = (H - VOYAGER)(K - RAM VAN/CARAVAN)

BODY STYLES

12-13 = FWD VAN

21 = 2-DOOR SEDAN

24 = 2-DOOR HATCHBACK

27 = 2-DOOR CONVERTIBLE

41 = 4-DOOR SEDAN

44 = 4-DOOR HATCHBACK

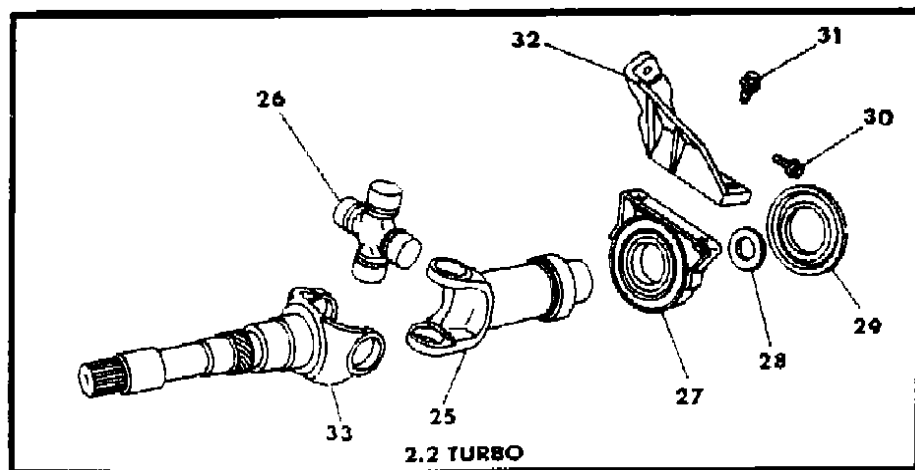
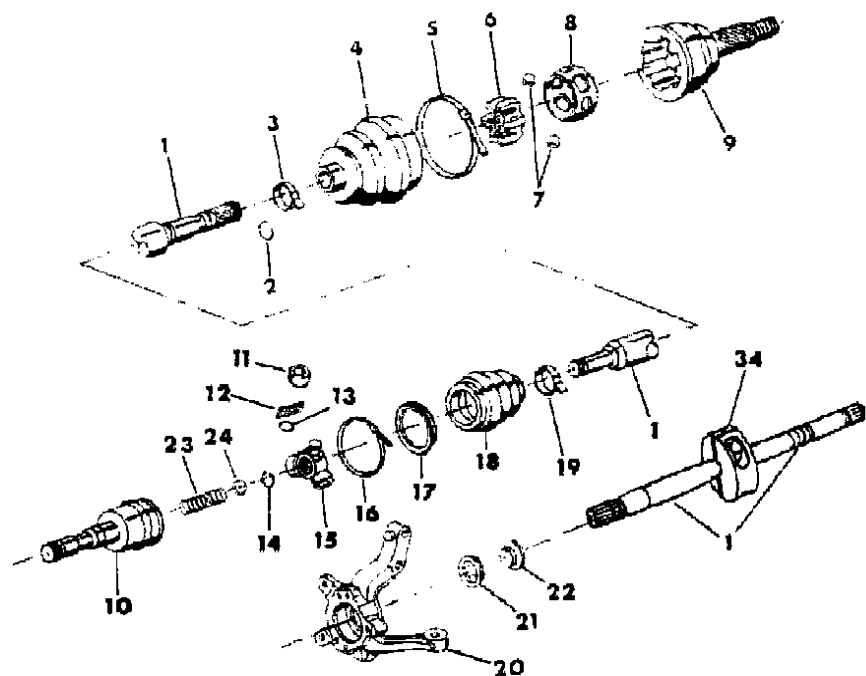
45 = 4-DOOR STATION WAGON

52-53 = FWD WAGON

AR = Use as Required - = Non Illustrated Part P.A.R. = Paint as Required

SHAFT, FRONT DRIVE (CITROEN) P,L,K,G,E,H,J,S
Figure 2-1000

7102 1000



ITEM	PART NUMBER	QTY	BODY	MODEL	DESCRIPTION
21	5212 535	2			SEAL, Joint Outer
22	5212 536	2			WEAR-SLEEVE, Joint Outer
23	5212 740	AR			SPRING, Shaft Inner
24	5212 741	AR			CUP, Shaft Inner
25	#5212 992	1	PKGEHJ		SHAFT, Inner
	5212 928	1	L		
26	4443 100	1			JOINT PACKAGE
27	5212 961	1	L		BRACKET and BEARING, Inner
	5212 986	1	PKGEHJ		
28	5212 964	1			SEAL, Inner
29	5212 962	1			SLINGER, Inner
	5212 975	1			Outer
30	6500 158	2			SCREW, w/Washer Bracket
31	6101 299	2			SCREW, w/Washer Bracket To Bearing
32	#5212 987	1	PKGEHJ		BRACKET, Inter Shaft Bearing
	5212 960	1	L		
33	5212 958	1			YOKE
34	5212 767	1			WEIGHT, Damper

MODEL CODES

E BODY = (J - CARAVELLE)(E - 600)(T - NEW YORKER)

G BODY = (V24 - DAYTONA)

H BODY = (D44 - LANCER)(C44 - LEBARON GTS)

J BODY = (C - LEBARON)

K BODY = (P - RELIANT)(D - ARIES)(C - LEBAROND)/TOWN & COUNTRY)

L BODY = (M - HORIZON/TURISMO)(Z - OMNI/CHARGER)

M BODY = (B - GRAN FURY)(F - FIFTH AVE/NEWPORT)(G - DIPLOMAT)

P BODY = (P - SUNDANCE)(D - SHADOW)

S BODY = (H - VOYAGER)(K - RAM VAN/CARAVAN)

BODY STYLES

12-13 = FWD VAN

21 = 2-DOOR SEDAN

24 = 2-DOOR HATCHBACK

27 = 2-DOOR CONVERTIBLE

41 = 4-DOOR SEDAN

44 = 4-DOOR HATCHBACK

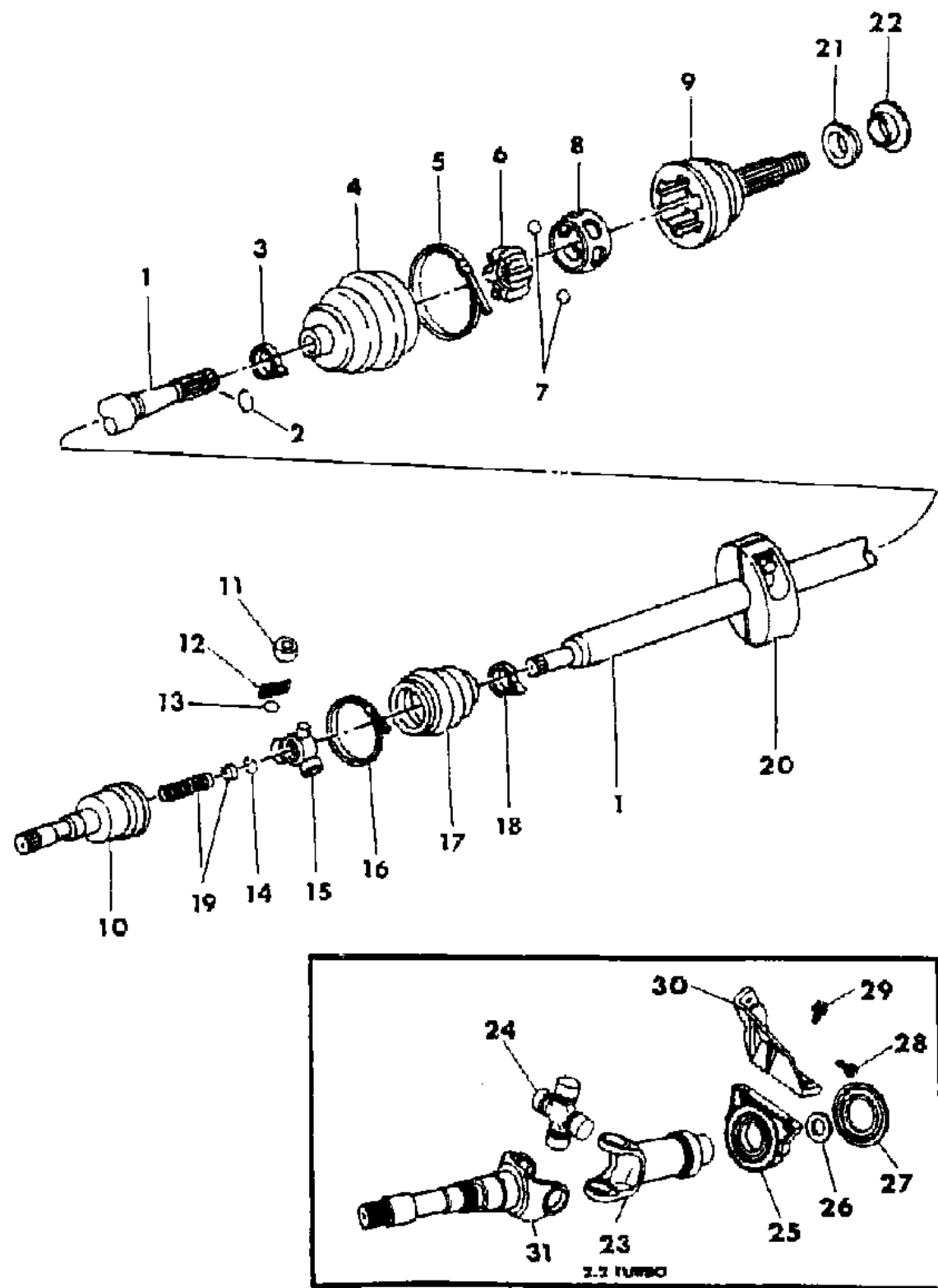
45 = 4-DOOR STATION WAGON

52-53 = FWD WAGON

AR = Use as Required - = Non Illustrated Part P.A.R. = Paint as Required

SHAFT, FRONT DRIVE (SAGINAW) P,K,G,E,H BODY
Figure 2-1100

7102 1100 A



ITEM	PART NUMBER	QTY	BODY	MODEL	DESCRIPTION
1	4367 018	1			SHAFT, Frt. Whl. Dr.- Right
	4367 031	1			Left (RT.or LT. w/Turbo)
2	4367 017	AR			RING, Frt. Whl Drive Shaft Outer
3-5	#4367 009	AR			BOOT PACKAGE, Outer CV
	4367 024	AR			GREASE PACKAGE, Outer CV Joint
3	4367 008	AR			CLAMP, Shaft Outer CV Boot
4					BOOT
5	4367 007	AR			CLAMP, Shaft Outer CV Boot
6-9	4367 038	2			JOINT, CV Outer
6					CROSS
7					BALL
8					CAGE
9					HOUSING
10	#4367 028	1			HOUSING, Tripod Inner CV - Right w/o Turbo
	4367 027	1			Left w/o Turbo
	4367 027	2			w/Turbo
11-15	4367 026	AR			TRIPOD PACKAGE, Comp. Inner - Right (Left w/Turbo)
	4367 036	1			Left (w/o Turbo)
	4367 041	2			RING, Tripod
11					RACE
12					NEEDLE
13					O RING
14					CIRCLIP
15					CROSS
16-18	4367 010	1			BOOT PACKAGE, Inner Joint Rt.
	4367 029	1			Lt.
	4367 025	1			GREASE PACKAGE, Inner CV
16	4367 005	1			CLAMP, Boot to Tripod Hsg.- Right
	4367 006	1			Left
17					BOOT
18	4367 004	1			CLAMP, Boot To Axle Bar - Right
	4367 008	1			Left
19	4367 012	AR			CUP, w/Spring Inner
20	4367 016	1			WEIGHT, Damper - Left
21	5212 535	2			SEAL, Outer Joint
22	5212 536	2			SLEEVE, Joint Outer
23	#5212 992	1			SHAFT, Inner
24	#4384 514	1			U-JOINT PACKAGE

MODEL CODES

E BODY = (J - CARAVELLE)(E - 600)(T - NEW YORKER)

G BODY = (V24 - DAYTONA)

H BODY = (D44 - LANCER)(C44 - LEBARON GTS)

J BODY = (C - LEBARON)

K BODY = (P - RELIANT)(D - ARIES)(C - LEBAROND)/TOWN & COUNTRY)

L BODY = (M - HORIZON/TURISMO)(Z - OMNI/CHARGER)

M BODY = (B - GRAN FURY)(F - FIFTH AVE/NEWPORT)(G - DIPLOMAT)

P BODY = (P - SUNDANCE)(D - SHADOW)

S BODY = (H - VOYAGER)(K - RAM VAN/CARAVAN)

BODY STYLES

12-13 = FWD VAN

21 = 2-DOOR SEDAN

24 = 2-DOOR HATCHBACK

27 = 2-DOOR CONVERTIBLE

41 = 4-DOOR SEDAN

44 = 4-DOOR HATCHBACK

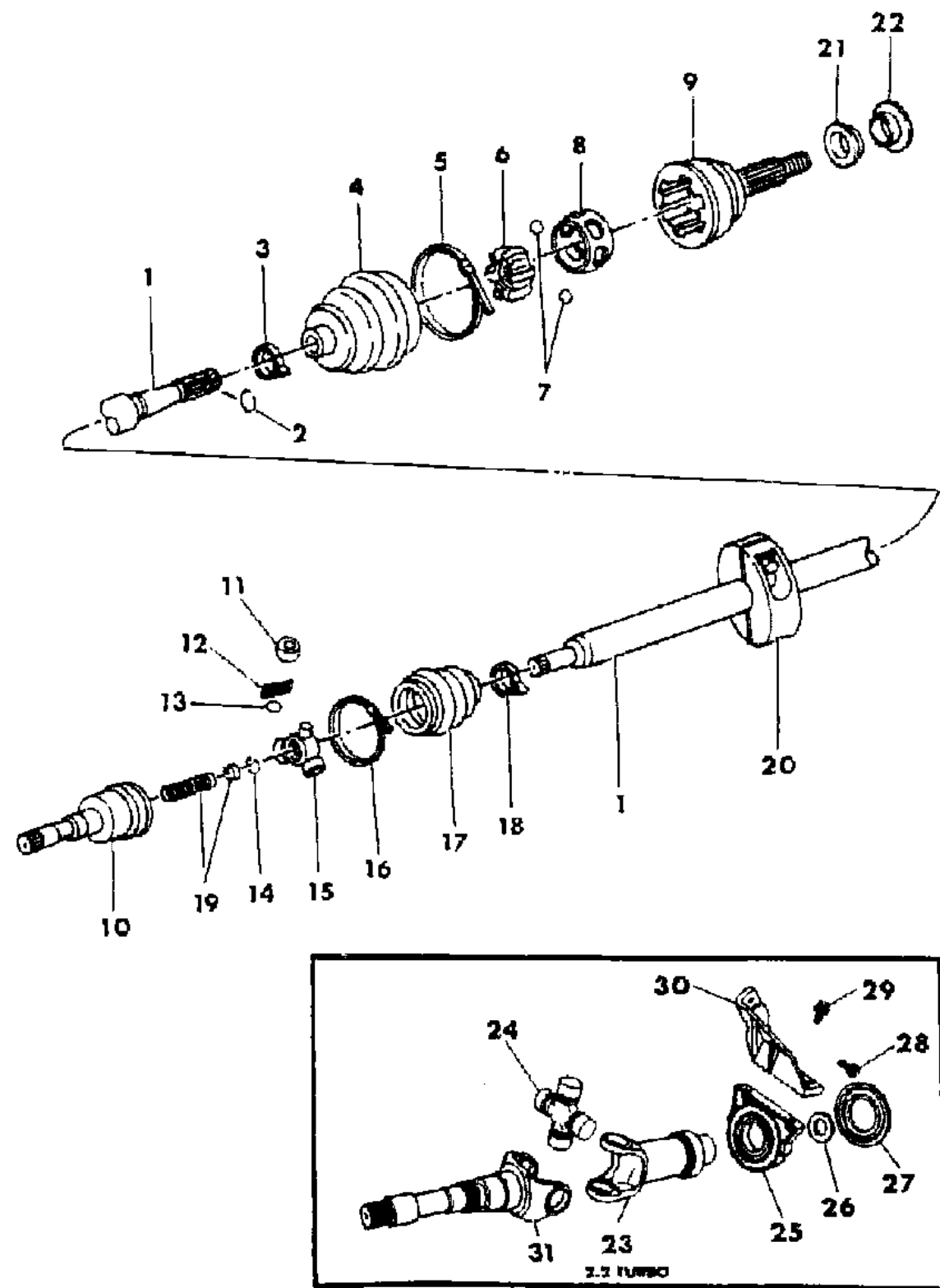
45 = 4-DOOR STATION WAGON

52-53 = FWD WAGON

AR = Use as Required - = Non Illustrated Part P.A.R. = Paint as Required

SHAFT, FRONT DRIVE (SAGINAW) P,K,G,E,H BODY
Figure 2-1100

7102 1100 A



ITEM	PART NUMBER	QTY	BODY	MODEL	DESCRIPTION
25	#5212 986	1			BEARING, w/Bracket
26	5212 964	1			SEAL
27	5212 962	1			SLINGER, Inner
	5212 975	1			Outer
28	6500 158	2			SCREW, w/Washer
29	6101 299	2			SCREW, w/Washer
30	#5212 987	1			BRACKET, Inner Shaft
31	5212 991	1			YOKE, Inner Shaft

MODEL CODES

E BODY = (J - CARAVELLE)(E - 600)(T - NEW YORKER)

G BODY = (V24 - DAYTONA)

H BODY = (D44 - LANCER)(C44 - LEBARON GTS)

J BODY = (C - LEBARON)

K BODY = (P - RELIANT)(D - ARIES)(C - LEBAROND)/TOWN & COUNTRY)

L BODY = (M - HORIZON/TURISMO)(Z - OMNI/CHARGER)

M BODY = (B - GRAN FURY)(F - FIFTH AVE/NEWPORT)(G - DIPLOMAT)

P BODY = (P - SUNDANCE)(D - SHADOW)

S BODY = (H - VOYAGER)(K - RAM VAN/CARAVAN)

BODY STYLES

12-13 = FWD VAN

21 = 2-DOOR SEDAN

24 = 2-DOOR HATCHBACK

27 = 2-DOOR CONVERTIBLE

41 = 4-DOOR SEDAN

44 = 4-DOOR HATCHBACK

45 = 4-DOOR STATION WAGON

52-53 = FWD WAGON

AR = Use as Required - = Non Illustrated Part P.A.R. = Paint as Required

GROUP 3 - REAR AXLE

ILLUSTRATION TITLE

GROUP-FIG. NO.

REAR AXLE

AXLE, REAR W/DIFFERENTIAL AND CARRIER 7-1/4" O.D. GEAR M BODY Fig. 3-100

AXLE, REAR W/DIFFERENTIAL AND CARRIER 8-1/4" O.D. GEAR 1-5/8" DIA. STEM M BODY Fig. 3-200

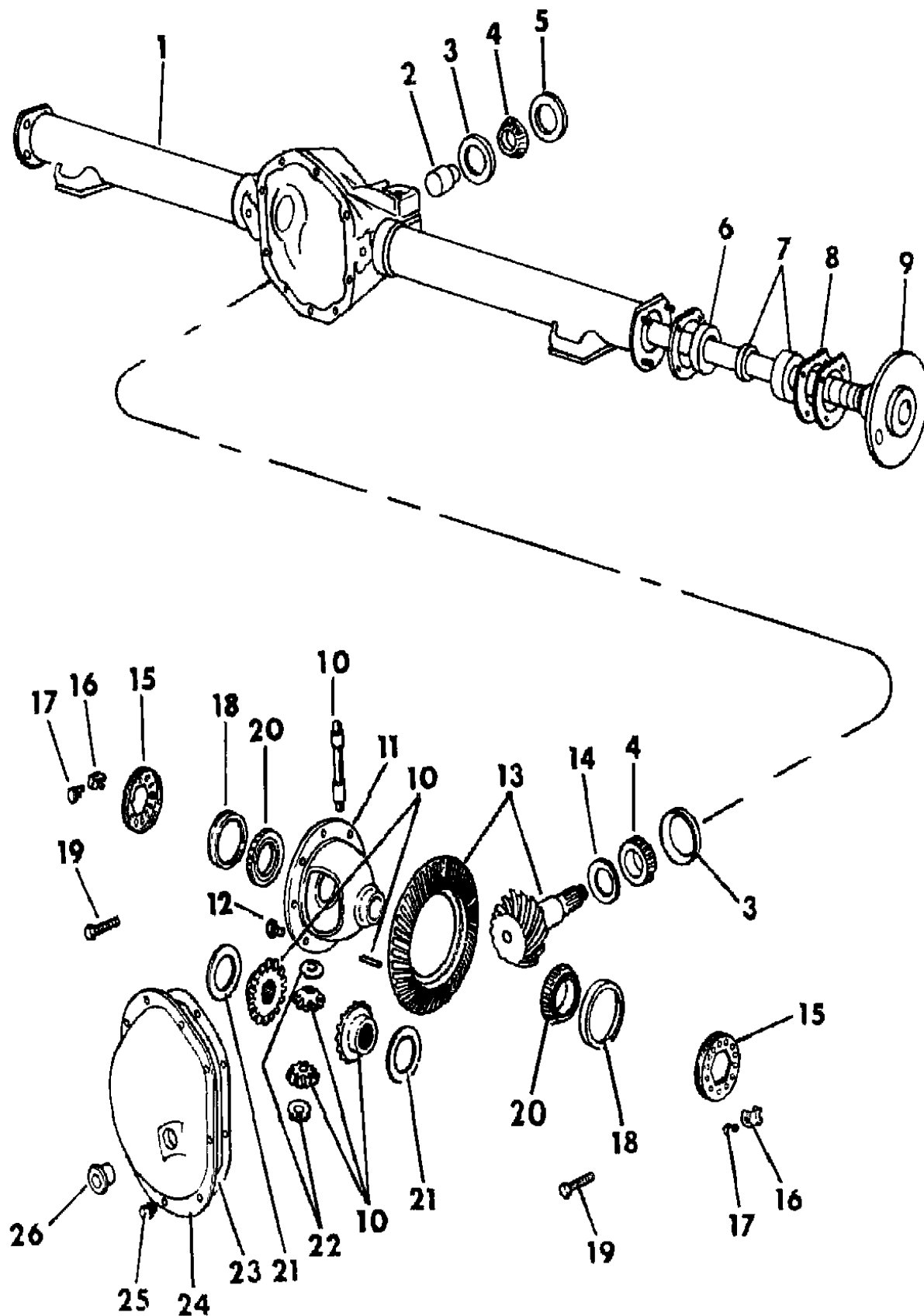
ILLUSTRATION NOT AVAILABLE AT TIME OF PUBLICATION



AXLE, REAR W/DIFFERENTIAL AND CARRIER 7-1/4" O.D. GEAR M BODY

Figure 3-100

7103 100A



ITEM	PART NUMBER	QTY	BODY	MODEL	DESCRIPTION
NOTE: Differential and Carriers have a metal tag bolted on them giving the ratio of the Rear Axle.					
NOTE: The 7-1/4" Dia. Gear Axle is only offered without Sure-Grip.					
NOTE: The 7-1/4" Dia. Gear Axle is only offered with 10" Brakes.					
	4205 888	1			GEAR PACKAGE, Side Consists of:
					2 - ---- --- Gear, Diff. Side
					2 - ---- --- Pinion, Diff. Shaft
					1 - ---- --- Shaft, Diff. Pinion
					1 - 0152 229 Pin, Diff. Pinion Shaft Lock
					1 - 4137026 Screw, Diff. Pinion Shaft Lock
					2 - ---- --- Washer, Gear Thrust
					1 - 4131292 Washer Pkg., Diff. Gear
	4186 969	1			GEAR and PINION PACKAGE, 2.26 To 1 (Stamp No. 4137027 Gear 4137033 Pinion) Consists of:
					1 - ---- -- GEAR SET
					1 - 3507575 SPACER
					1 - 2070318 CONE, Axle Drive Pinion Rr. Brg.
					1 - 2070319 CUP, Axle Drive Pinion Rr. Brg.
					1 - 2070316 CONE, Axle Drive Pinion Frt. Brg.
					1 - 2070317 CUP, Axle Drive Pinion Frt. Brg.
					1 - 2881041 Seal, Axle Drive Pinion Frt.
					1 - 4131255 SCREW PACKAGE, Axle Drive Gear
	4137 614	1			DIFFERENTIAL, w/Carrier and Housing, 2.26 To 1 Ratio w/o Axle Shafts, 59.50 Track
1	4137 623	1			HOUSING, Axle w/Tubes, 2.26 Ratio
2	3507 575	1			SPACER, Collapsible Type, 31/64" Lgh.
3	2070 317	1			CUP, Axle Drive Pinion Brg., Front
	2070 319	1			Rear
4	2070 316	1			CONE and ROLLER, Drive Pinion Front
	2931 817	1			SHIM, Axle Frt. Drive Pinion
	2070 318	1			Rear
5	2881 041	1			SEAL, Drive Pinion Frt. Oil (3-5/32" O.D.)
6	4137 426	2			SEAL, Drive Shaft Oil, Inner
7	3744 495	2			BEARING ASSEMBLY, Axle Drive Shaft, 2-17/32 O.D.
8	3723 300	2			RETAINER, Drive Shaft Bearing
9	4137 621	2			SHAFT, Rr. Axle Drive (25 T)

MODEL CODES

E BODY = (J - CARAVELLE)(E - 600)(T - NEW YORKER)

G BODY = (V24 - DAYTONA)

H BODY = (D44 - LANCER)(C44 - LEBARON GTS)

J BODY = (C - LEBARON)

K BODY = (P - RELIANT)(D - ARIES)(C - LEBAROND)/TOWN & COUNTRY)

L BODY = (M - HORIZON/TURISMO)(Z - OMNI/CHARGER)

M BODY = (B - GRAN FURY)(F - FIFTH AVE/NEWPORT)(G - DIPLOMAT)

P BODY = (P - SUNDANCE)(D - SHADOW)

S BODY = (H - VOYAGER)(K - RAM VAN/CARAVAN)

BODY STYLES

12-13 = FWD VAN

21 = 2-DOOR SEDAN

24 = 2-DOOR HATCHBACK

27 = 2-DOOR CONVERTIBLE

41 = 4-DOOR SEDAN

44 = 4-DOOR HATCHBACK

45 = 4-DOOR STATION WAGON

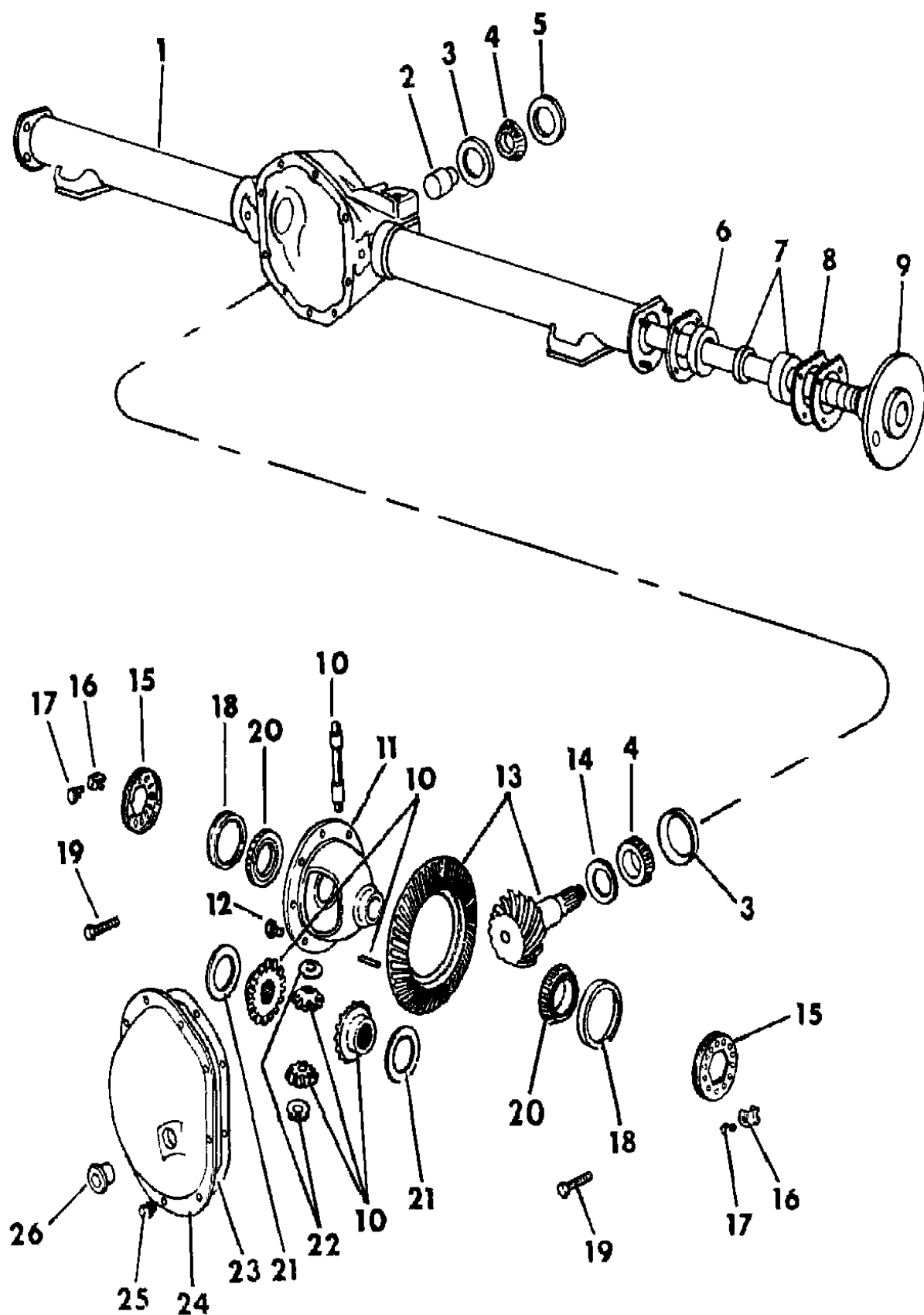
52-53 = FWD WAGON

AR = Use as Required - = Non Illustrated Part P.A.R. = Paint as Required

AXLE, REAR W/DIFFERENTIAL AND CARRIER 7-1/4" O.D. GEAR M BODY

Figure 3-100

7103 100A



ITEM	PART NUMBER	QTY	BODY	MODEL	DESCRIPTION
10	4205 888	1			GEAR PACKAGE, Differential Side, 2.26 Ratio
11	4137 013	1			CASE, Differential (Casting No. 4137014 2.26 To 1 Ratio)
12	4131 255	1			SCREW PACKAGE, Drv. Gear, 3/8-24, w/Shoulder (Contains 10 Screws)
13	4186 969	1			GEAR and PINION PACKAGE, Axle, 2.26 Ratio
14					SHIM and INSIDE TABS, Axle Drive Pinion Rear Bearing
	3723 020	AR			.020" Thk.
	3723 021	AR			.021" Thk.
	3723 022	AR			.022" Thk.
	3723 023	AR			.023" Thk.
	3723 024	AR			.024" Thk.
	3723 025	AR			.025" Thk.
	3723 026	AR			.026" Thk.
	3723 027	AR			.027" Thk.
	3723 028	AR			.028" Thk.
	3723 029	AR			.029" Thk.
	3723 030	AR			.030" Thk.
	3723 031	AR			.031" Thk.
	3723 032	AR			.032" Thk.
	3723 033	AR			.033" Thk.
	3723 034	AR			.034" Thk.
	3723 035	AR			.035" Thk.
	3723 036	AR			.036" Thk.
	3723 037	AR			.037" Thk.
	3723 038	AR			.038" Thk.
15	3507 876	2			ADJUSTER
16	3723 858	2			LOCK, Adjuster
17	6031 109	2			SCREW, Lock (1/4"-20 X 1/2")
	6023 092	2			5/16"-18 x 5/8"
18	1937 770	2			CUP, Diff. Brg. (2-57/64" O.D.)
19	3507 572	4			SCREW, Cap
20	1937 771	2			CONE and ROLLER, Differential Bearing
21	4131 292	AR			WASHER PACKAGE, Diff. Thrust Gear
					Consists Of:
					2 - Washer .031/.033
					2 - Washer .036/.038
					2 - Washer .041/.043
					2 - Washer .046/.048

MODEL CODES

E BODY = (J - CARAVELLE)(E - 600)(T - NEW YORKER)

G BODY = (V24 - DAYTONA)

H BODY = (D44 - LANCER)(C44 - LEBARON GTS)

J BODY = (C - LEBARON)

K BODY = (P - RELIANT)(D - ARIES)(C - LEBAROND)/TOWN & COUNTRY)

L BODY = (M - HORIZON/TURISMO)(Z - OMNI/CHARGER)

M BODY = (B - GRAN FURY)(F - FIFTH AVE/NEWPORT)(G - DIPLOMAT)

P BODY = (P - SUNDANCE)(D - SHADOW)

S BODY = (H - VOYAGER)(K - RAM VAN/CARAVAN)

BODY STYLES

12-13 = FWD VAN

21 = 2-DOOR SEDAN

24 = 2-DOOR HATCHBACK

27 = 2-DOOR CONVERTIBLE

41 = 4-DOOR SEDAN

44 = 4-DOOR HATCHBACK

45 = 4-DOOR STATION WAGON

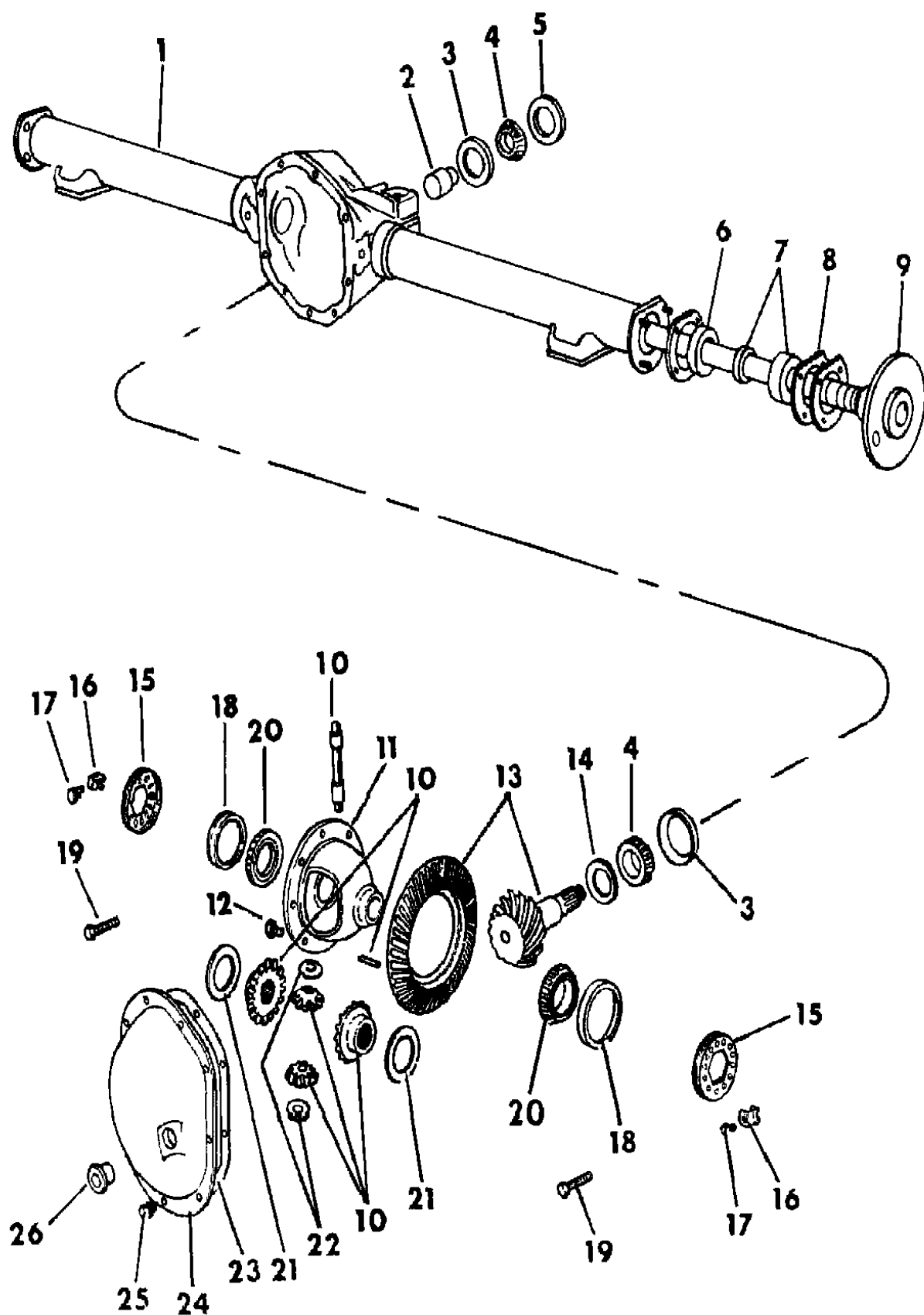
52-53 = FWD WAGON

AR = Use as Required - = Non Illustrated Part P.A.R. = Paint as Required

AXLE, REAR W/DIFFERENTIAL AND CARRIER 7-1/4" O.D. GEAR M BODY

Figure 3-100

7103 100A



ITEM	PART NUMBER	QTY	BODY	MODEL	DESCRIPTION
22	4205 888	2			WASHER, Diff. Pinion
23					GASKET, Axle Carrier Cover (Use Adhesive Silicone)
24	4186 968	1			COVER, w/Rubber Plug, Axle Carrier, 2.26 Ratio
25	6033 043	10			SCREW, Cover
26	3723 687	1			PLUG, Axle Carrier Cover Filler (Rubber)
	4137 026	1			SCREW, Diff. Pinion Shaft Lock, 2.26 Ratio (Not Illustrated)
	2852 883	2			LOCK, Rr. Axle Drive Shaft (Not Illustrated)

MODEL CODES

E BODY = (J - CARAVELLE)(E - 600)(T - NEW YORKER)

G BODY = (V24 - DAYTONA)

H BODY = (D44 - LANCER)(C44 - LEBARON GTS)

J BODY = (C - LEBARON)

K BODY = (P - RELIANT)(D - ARIES)(C - LEBAROND)/TOWN & COUNTRY)

L BODY = (M - HORIZON/TURISMO)(Z - OMNI/CHARGER)

M BODY = (B - GRAN FURY)(F - FIFTH AVE/NEWPORT)(G - DIPLOMAT)

P BODY = (P - SUNDANCE)(D - SHADOW)

S BODY = (H - VOYAGER)(K - RAM VAN/CARAVAN)

BODY STYLES

12-13 = FWD VAN

21 = 2-DOOR SEDAN

24 = 2-DOOR HATCHBACK

27 = 2-DOOR CONVERTIBLE

41 = 4-DOOR SEDAN

44 = 4-DOOR HATCHBACK

45 = 4-DOOR STATION WAGON

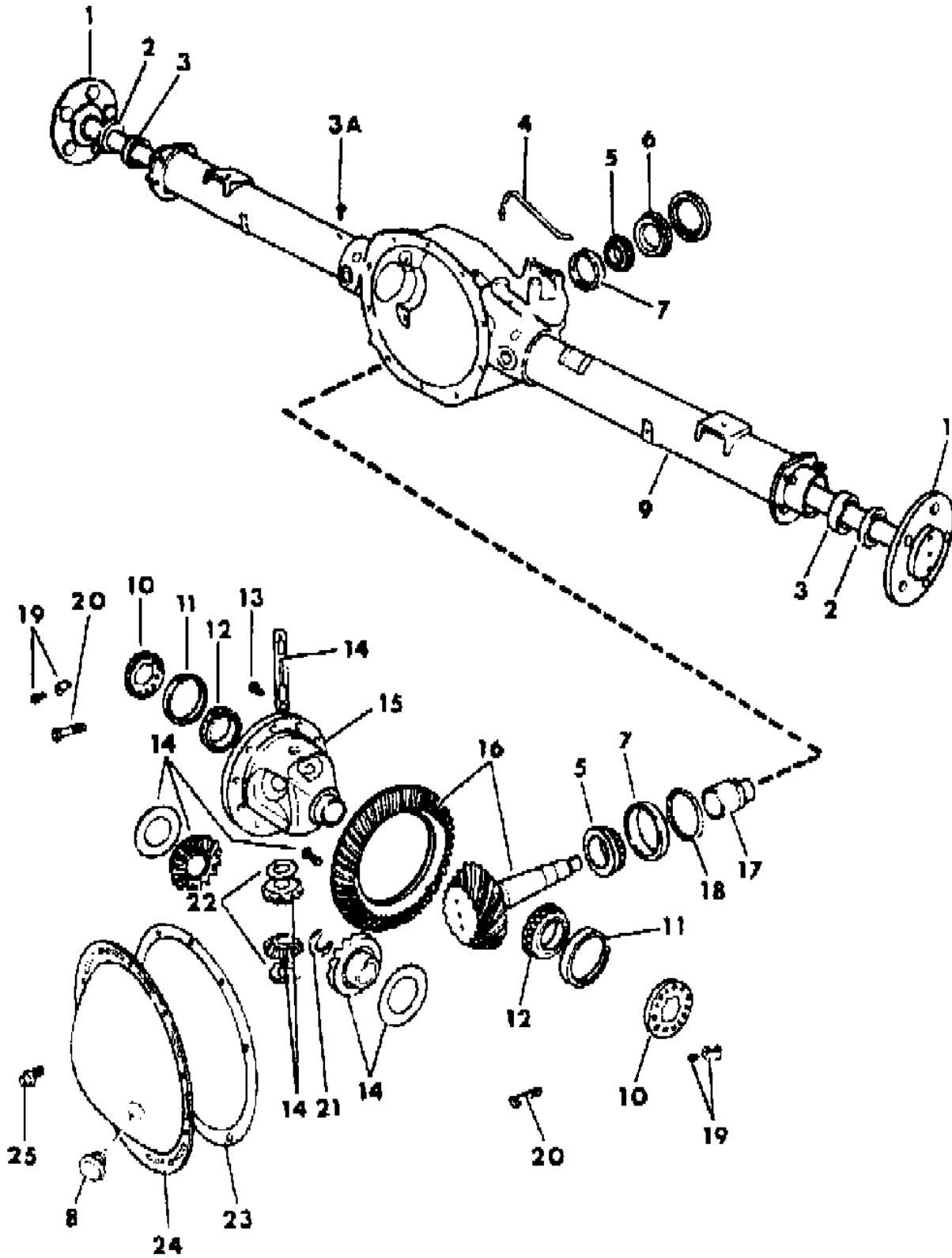
52-53 = FWD WAGON

AR = Use as Required - = Non Illustrated Part P.A.R. = Paint as Required

AXLE, REAR W/DIFFERENTIAL AND CARRIER 8-1/4" O.D. GEAR 1-5/8" DIA. STEM M BODY

Figure 3-200

7103 200 A



ITEM	PART NUMBER	QTY	BODY	MODEL	DESCRIPTION
------	-------------	-----	------	-------	-------------

NOTE: The 8-1/4" Dia. Gear Axle has a 1-5/8" Dia. Pinion Shaft and Carrier Part Number 3723598 or 3723599 embossed on it. It has a separate cover.

NOTE: Differential and Carriers have a metal tag bolted on them giving the ratio of the Rear Axle.

	4186 957	1			GEAR and PINION PACKAGE, Axle Drive, 2.24/2.26 Ratio
	3837 581	1			2.93/2.94 Ratio
					Consists of:
					1 - ---- -- GEAR SET
					1 - 2800484 CONE, Rear
					1 - 2800485 CUP, Rear
					1 - 3507575 SPACER, Brg. Adjuster.
					1 - 2070316 CONE, Front
					1 - 2070317 CUP, Front
					1 - 2881041 SEAL, Dr. Pinion Frt. Bearing
	4176 754	1			1 - 4131255 SCREW PKG., Drive Gear
					GEAR PACKAGE, Axle Side
					Consists of:
					2 - ---- -- GEAR, Side
					1 - 4131293 WASHER PKG., Diff. Gear Thrust
					2 - ---- -- PINION, Diff.
					2 - 2852912 WASHER, Pinion Thrust
					1 - 2852913 SHAFT
					1 - 3507724 SCREW, Lock
	3723 947	1			DIFFERENTIAL, w/Carrier and Housing, 2.24 To 1 Ratio, w/o
					Sure-Grip, w/o Axle Shafts, 59.50 Track
	3723 948	1			w/2.24 To 1 Ratio, w/Sure Grip, w/o Axle Shafts 59.50 Track
	3723 987	1			2.94 to 1 Ratio, w/o Sure Grip, 59.50 Track
	3723 986	1			2.94 to 1 Ratio, w/Sure Grip, 59.50 Track
	3723 690	1			DIFFERENTIAL, Partial, w/Sure-Grip, 2.94 To 1 Ratio
	3723 472	1			w/Sure Grip, w/2.24 To 1 Ratio
					NOTE: The Cone and Spring Type Sure-Grip Diff., and Internal Parts are Serviced as an Assy. only.
1	3723 982	2			SHAFT, Axle Drive (27 T)
	3432 698	10			BOLT, Drive Shaft Wheel Drive
2	4137 426	2			OIL SEAL, Drive Shaft
3	3744 495	2			BEARING ASSEMBLY, Axle Drive Shaft, 2-17/32" O.D.
4	3723 966	1			VENT, Rr. Axle Tube
5	2070 316	1			CONE and ROLLER, Drive Pinion, Front
	2931 817	1			SHIM, Axle Bearing Adjuster, Front
	2800 484	1			Rear

MODEL CODES

E BODY = (J - CARAVELLE)(E - 600)(T - NEW YORKER)

G BODY = (V24 - DAYTONA)

H BODY = (D44 - LANCER)(C44 - LEBARON GTS)

J BODY = (C - LEBARON)

K BODY = (P - RELIANT)(D - ARIES)(C - LEBAROND)/TOWN & COUNTRY)

L BODY = (M - HORIZON/TURISMO)(Z - OMNI/CHARGER)

M BODY = (B - GRAN FURY)(F - FIFTH AVE/NEWPORT)(G - DIPLOMAT)

P BODY = (P - SUNDANCE)(D - SHADOW)

S BODY = (H - VOYAGER)(K - RAM VAN/CARAVAN)

BODY STYLES

12-13 = FWD VAN

21 = 2-DOOR SEDAN

24 = 2-DOOR HATCHBACK

27 = 2-DOOR CONVERTIBLE

41 = 4-DOOR SEDAN

44 = 4-DOOR HATCHBACK

45 = 4-DOOR STATION WAGON

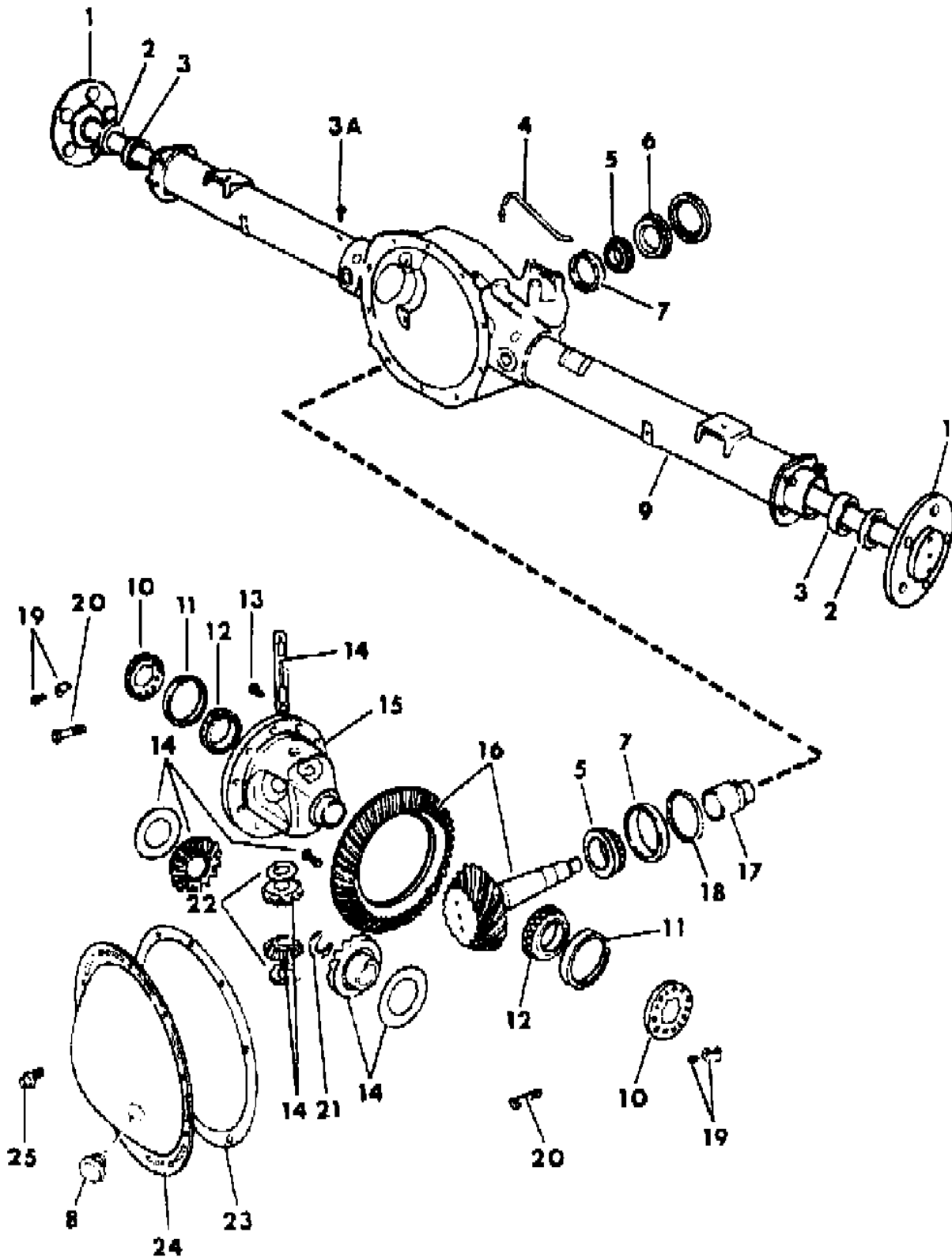
52-53 = FWD WAGON

AR = Use as Required - = Non Illustrated Part P.A.R. = Paint as Required

AXLE, REAR W/DIFFERENTIAL AND CARRIER 8-1/4" O.D. GEAR 1-5/8" DIA. STEM M BODY

Figure 3-200

7103 200 A



ITEM	PART NUMBER	QTY	BODY	MODEL	DESCRIPTION
6	2881 041	1			OIL SEAL, Drive Pinion, 3-5/32" O.D.
7	2070 317	1			CUP, Brg. Axle Drive Pinion, Front
	2800 485	1			Rear
8	3723 687	1			PLUG, Axle Carrier Filler, Rubber
9	3723 967	1			HOUSING, Axle Drive Pinion
10	3507 876	2			ADJUSTER, Diff. Bearing
11	3723 569	2			CUP, Diff. Bearing
12	1790 541	2			CONE and ROLLER, Diff. Bearing
13	4131 255	1			SCREW PACKAGE, Drv. Gear (Contains 10 Screws)
14	4176 754	1			GEAR PACKAGE, Axle Diff. Side
	3507 724	1			SCREW, Diff. Pinion Shaft Lock
15	2881 423	1			CASE, Diff., 2.94 To 1 Ratio, w/o Sure-Grip
	3432 435	1			2.24/2.26/To 1 Ratio, w/o Sure-Grip
	4131 293	1			WASHER PACKAGE, Gear Thrust
16					GEAR and PINION PACKAGE, Axle Drive
	3837 581	1			2.93/2.94 to 1 Ratio, Inc. 2852933 Gear and 3507914 Pinion
	4186 957	1			2.24/2.26 to 1 Ratio
NOTE: Differential Gear and Pinion are serviced by MATCHED SET numbers only. The SET NUMBER must be ordered for replacement of either Gear or Pinion. Gear and Pinion numbers stamped on the item may be used to confirm the correct					
17	3507 575	1			SPACER
18					SHIM, Drive Pinion Bearing, Rear
	3723 520	1			.020"Thk.
	3723 522	1			.022"Thk.
	3723 524	1			.024"Thk.
	3723 526	1			.026"Thk.
	3723 527	1			.027"Thk.
	3723 528	1			.028"Thk.
	3723 529	1			.029"Thk.
	3723 530	1			.030"Thk.
	3723 531	1			.031"Thk.
	3723 532	1			.032"Thk.
	3723 534	1			.034"Thk.
	3723 637	1			.037"Thk.
	3723 538	1			.038"Thk.
19	3723 859	2			LOCK, Adjuster
	6031 109	2			SCREW, Lock (1/4"-20 X 1/2")
	6023 092	2			5/16"-18 x 5/8"
20	3432 695	4			SCREW, Cap

MODEL CODES

E BODY = (J - CARAVELLE)(E - 600)(T - NEW YORKER)

G BODY = (V24 - DAYTONA)

H BODY = (D44 - LANCER)(C44 - LEBARON GTS)

J BODY = (C - LEBARON)

K BODY = (P - RELIANT)(D - ARIES)(C - LEBAROND)/TOWN & COUNTRY)

L BODY = (M - HORIZON/TURISMO)(Z - OMNI/CHARGER)

M BODY = (B - GRAN FURY)(F - FIFTH AVE/NEWPORT)(G - DIPLOMAT)

P BODY = (P - SUNDANCE)(D - SHADOW)

S BODY = (H - VOYAGER)(K - RAM VAN/CARAVAN)

BODY STYLES

12-13 = FWD VAN

21 = 2-DOOR SEDAN

24 = 2-DOOR HATCHBACK

27 = 2-DOOR CONVERTIBLE

41 = 4-DOOR SEDAN

44 = 4-DOOR HATCHBACK

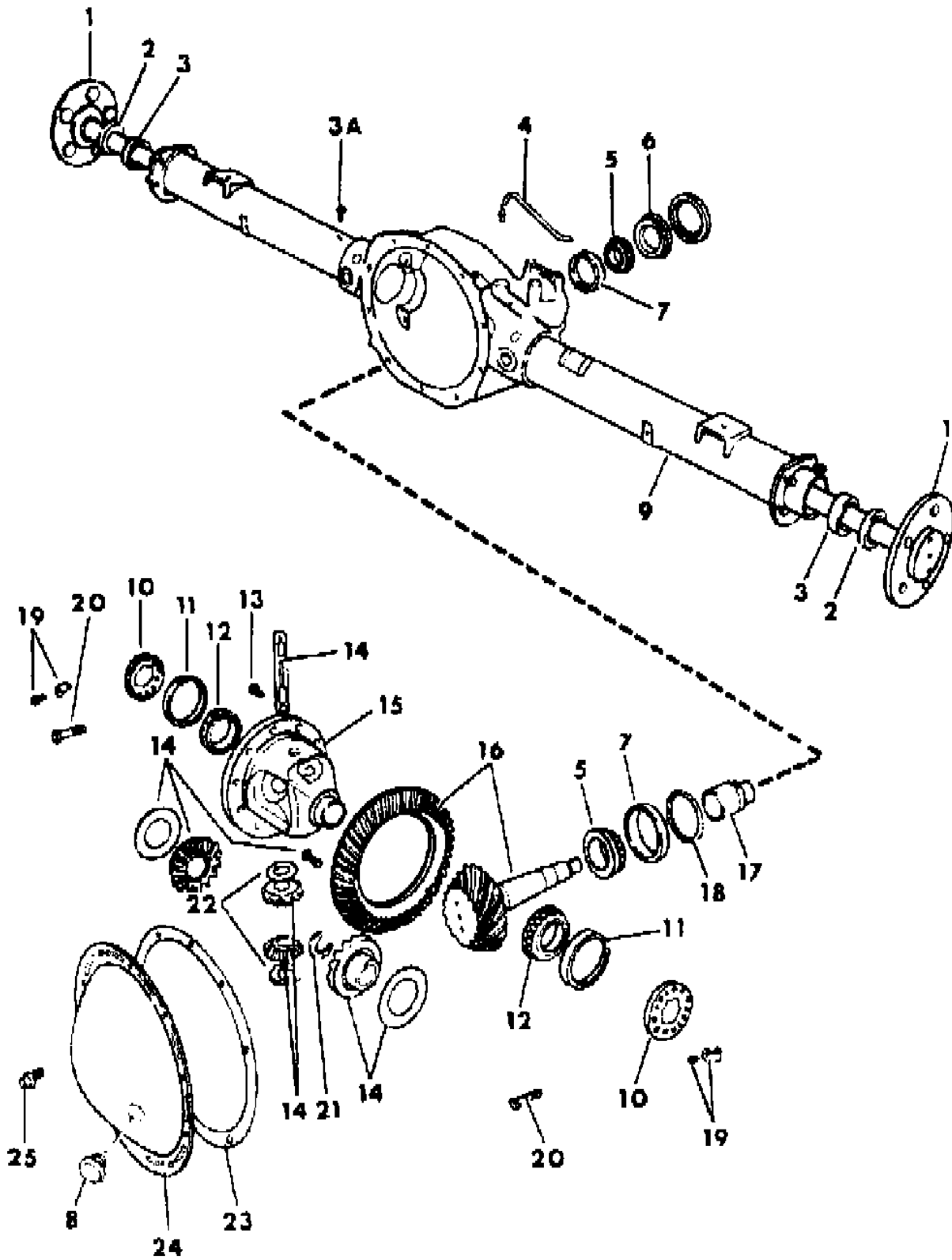
45 = 4-DOOR STATION WAGON

52-53 = FWD WAGON

AR = Use as Required - = Non Illustrated Part P.A.R. = Paint as Required

AXLE, REAR W/DIFFERENTIAL AND CARRIER 8-1/4" O.D. GEAR 1-5/8" DIA. STEM M BODY
Figure 3-200

7103 200 A



ITEM	PART NUMBER	QTY	BODY	MODEL	DESCRIPTION
21	2852 883	2			LOCK, Drive Shaft
22	2852 912	2			WASHER, Drive Pinion Thrust
23					GASKET, Axle Carrier Cover Use (Silicone Adhesive)
24	4049 689	1			COVER, w/Rubber Plug, Axle Carrier
25	6033 043	10			SCREW, Cover

MODEL CODES

E BODY = (J - CARAVELLE)(E - 600)(T - NEW YORKER)

G BODY = (V24 - DAYTONA)

H BODY = (D44 - LANCER)(C44 - LEBARON GTS)

J BODY = (C - LEBARON)

K BODY = (P - RELIANT)(D - ARIES)(C - LEBAROND)/TOWN & COUNTRY)

L BODY = (M - HORIZON/TURISMO)(Z - OMNI/CHARGER)

M BODY = (B - GRAN FURY)(F - FIFTH AVE/NEWPORT)(G - DIPLOMAT)

P BODY = (P - SUNDANCE)(D - SHADOW)

S BODY = (H - VOYAGER)(K - RAM VAN/CARAVAN)

BODY STYLES

12-13 = FWD VAN

21 = 2-DOOR SEDAN

24 = 2-DOOR HATCHBACK

27 = 2-DOOR CONVERTIBLE

41 = 4-DOOR SEDAN

44 = 4-DOOR HATCHBACK

45 = 4-DOOR STATION WAGON

52-53 = FWD WAGON

AR = Use as Required - = Non Illustrated Part P.A.R. = Paint as Required

GROUP 4 - BRAKES, PARKING

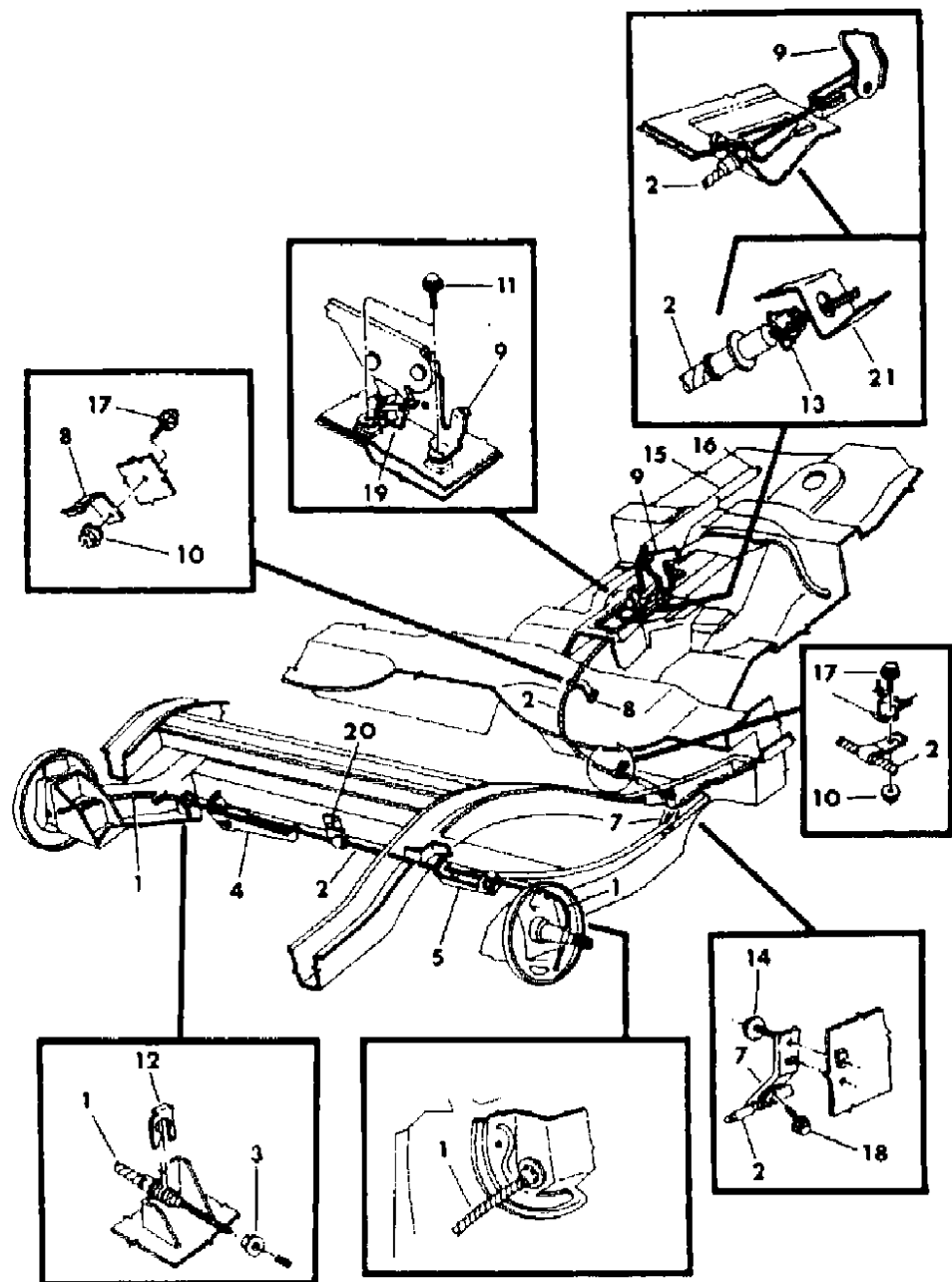
ILLUSTRATION TITLE	GROUP-FIG. NO.
LEVER AND CABLES, PARKING BRAKE (L BODY)	Fig. 4-100
LEVER, PARKING BRAKE (P BODY)	Fig. 4-200
LEVER, PARKING BRAKE (J,K,G,E BODY)	Fig. 4-300
LEVER, PARKING BRAKE (H BODY)	Fig. 4-400
CABLES, PARKING BRAKES (P,J,K,G,E,H BODY)	Fig. 4-500
LEVER, PARKING BRAKE (S BODY)	Fig. 4-600
CABLES, PARKING BRAKE (S BODY)	Fig. 4-700
LEVER, PARKING BRAKE (M BODY)	Fig. 4-800
CABLES, PARKING BRAKE (M BODY)	Fig. 4-900

ILLUSTRATION NOT AVAILABLE AT TIME OF PUBLICATION

LEVER AND CABLES, PARKING BRAKE (L BODY)

Figure 4-100

7104 100



ITEM	PART NUMBER	QTY	BODY	MODEL	DESCRIPTION
1	4294 411	2			CABLE, Rear
	4294 412	2	Z-S		CABLE, Rear
2	5204 111	1	44		CABLE, Frt.
	5204 120	1	24		CABLE, Frt.
3	6030 607	1			NUT, Cable Adjusting Conn.
4	3575 604	1			CONNECTOR, Cable Adj.
5	3575 605	1			CONNECTOR, Cable
7	4294 155	1			BRACKET, Cable Rear Side Rail Mtg.
	4294 256	1	Z-S		BRACKET, Cable Rear Side Rail Mtg.
8	5204 122	1			CLIP, Cable Tunnel
	4294 255	1	Z-S		CLIP, Cable Side Rail Brkt.
9	5211 931	1			LEVER, Parking Brake
10	0219 462	2			NUT, Frt. Cable Screw
11	6500 187	2			SCREW and WASHER, Parking Brake Mtg.
12	2201 467	2			CLIP, Rear Cable to Support Brkt.
13	3467 924	1			RETAINER, Cable Frt.
14	6500 187	2			SCREW and WASHER, Parking Brake Mtg.
15	5211 929	1			GRIP, Handle
16	4186 991	1			BUTTON PACKAGE
17	0181 063	2			SCREW, Cable Clip
18	#6100 583	1			SCREW, Cable Rail Brkt.
19	5209 922	1			SWITCH, Parking Brake Lever
20	5204 125	1			BRACKET, Cable To Rear Support C/Member
21	4294 155	1			BRACKET, Cable Rear Side Rail Mtg. (See Item 7)

MODEL CODES

E BODY = (J - CARAVELLE)(E - 600)(T - NEW YORKER)

G BODY = (V24 - DAYTONA)

H BODY = (D44 - LANCER)(C44 - LEBARON GTS)

J BODY = (C - LEBARON)

K BODY = (P - RELIANT)(D - ARIES)(C - LEBAROND)/TOWN & COUNTRY)

L BODY = (M - HORIZON/TURISMO)(Z - OMNI/CHARGER)

M BODY = (B - GRAN FURY)(F - FIFTH AVE/NEWPORT)(G - DIPLOMAT)

P BODY = (P - SUNDANCE)(D - SHADOW)

S BODY = (H - VOYAGER)(K - RAM VAN/CARAVAN)

BODY STYLES

12-13 = FWD VAN

21 = 2-DOOR SEDAN

24 = 2-DOOR HATCHBACK

27 = 2-DOOR CONVERTIBLE

41 = 4-DOOR SEDAN

44 = 4-DOOR HATCHBACK

45 = 4-DOOR STATION WAGON

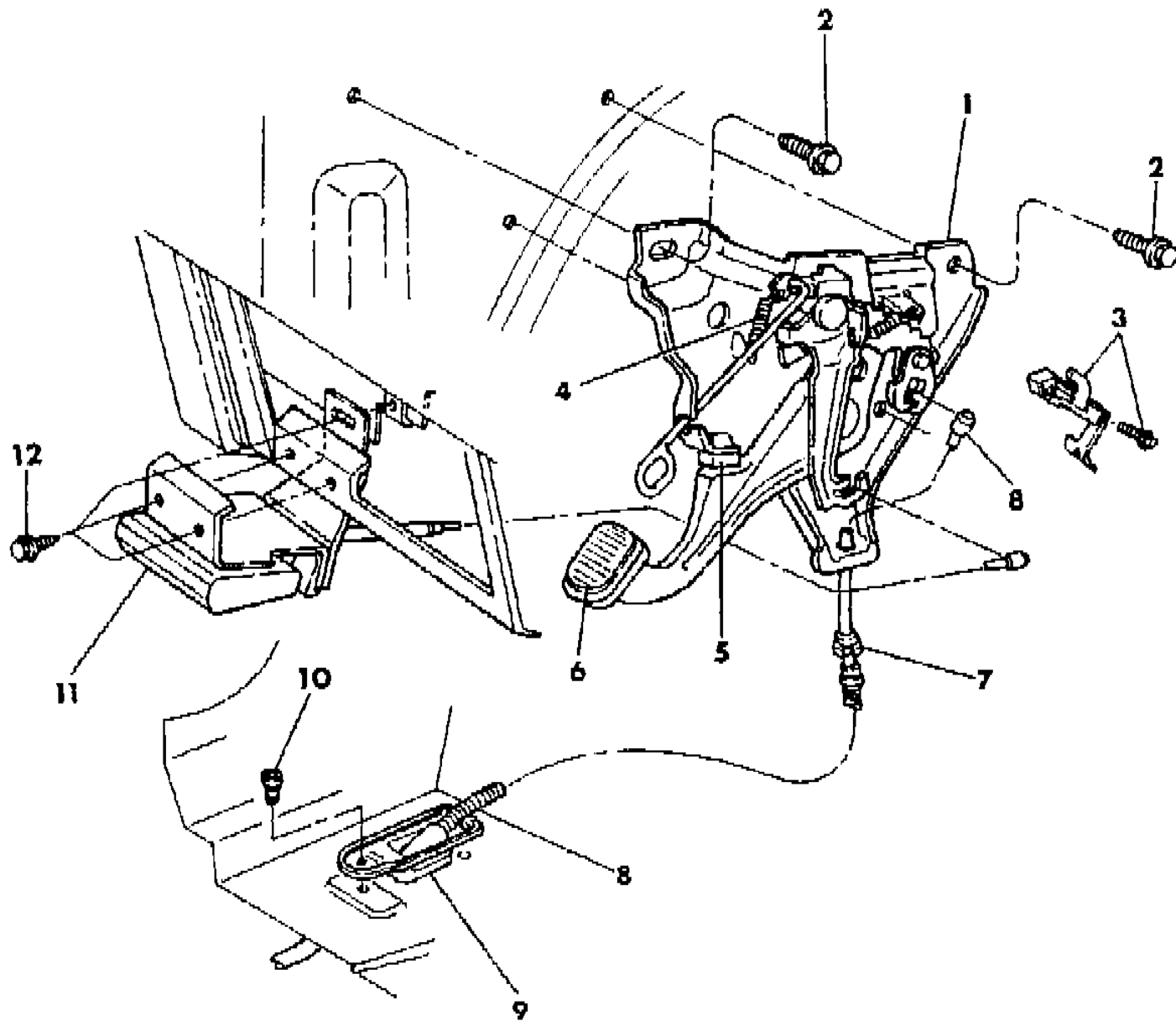
52-53 = FWD WAGON

AR = Use as Required - = Non Illustrated Part P.A.R. = Paint as Required

LEVER, PARKING BRAKE (P BODY)

Figure 4-200

7104 200



ITEM	PART NUMBER	QTY	BODY	MODEL	DESCRIPTION
1	4294 290	1			LEVER, Parking Brake
2	6100 584	3			SCREW and WASHER
3	4221 463	1			SWITCH, Lever Release
4	4205 997	1			SPRING PACKAGE, Lever Release
	4294 528	1			SPRING, Parking Brake Rel. Lever
	4294 529	1			SPRING, Parking Brake Sector Pawl
5	4294 527	1			BUMPER, Parking Brake Lever
6	4019 175	1			PAD, Lever
7	3467 939	1			RETAINER, Frt. Cable
8	4294 472	1			CABLE, Frt.
	4294 753	1			CABLE, Parking Brake, Inner
	4294 755	1			CABLE, Parking Brake, Rear
9					GROMMET, (Ref. Only)
10	9414 721	3			SCREW
11	4294 637	1			HANDLE, Release
12		AR			SCREW, (Not Serv.)

MODEL CODES

E BODY = (J - CARAVELLE)(E - 600)(T - NEW YORKER)

G BODY = (V24 - DAYTONA)

H BODY = (D44 - LANCER)(C44 - LEBARON GTS)

J BODY = (C - LEBARON)

K BODY = (P - RELIANT)(D - ARIES)(C - LEBAROND)/TOWN & COUNTRY)

L BODY = (M - HORIZON/TURISMO)(Z - OMNI/CHARGER)

M BODY = (B - GRAN FURY)(F - FIFTH AVE/NEWPORT)(G - DIPLOMAT)

P BODY = (P - SUNDANCE)(D - SHADOW)

S BODY = (H - VOYAGER)(K - RAM VAN/CARAVAN)

BODY STYLES

12-13 = FWD VAN

21 = 2-DOOR SEDAN

24 = 2-DOOR HATCHBACK

27 = 2-DOOR CONVERTIBLE

41 = 4-DOOR SEDAN

44 = 4-DOOR HATCHBACK

45 = 4-DOOR STATION WAGON

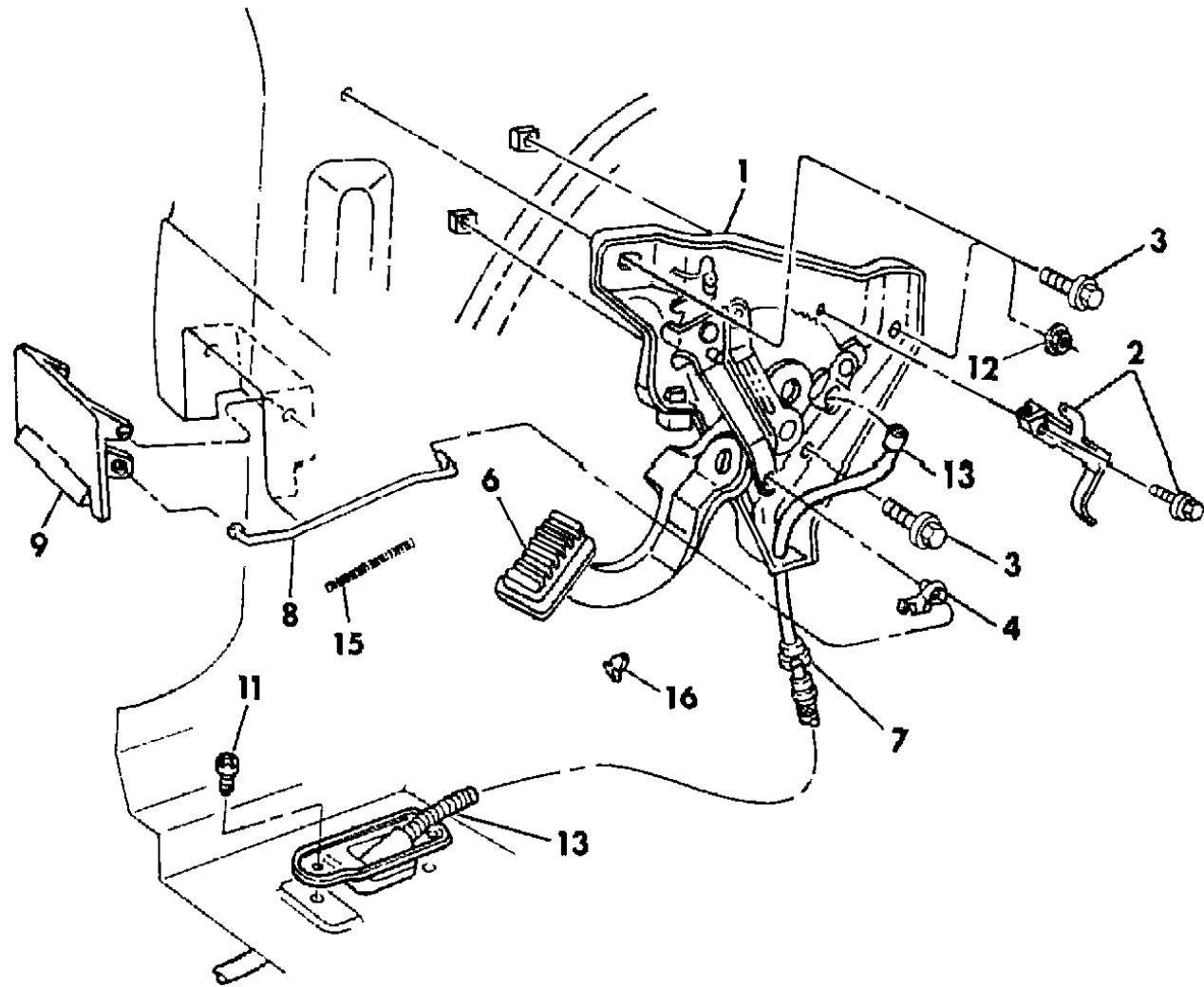
52-53 = FWD WAGON

AR = Use as Required - = Non Illustrated Part P.A.R. = Paint as Required

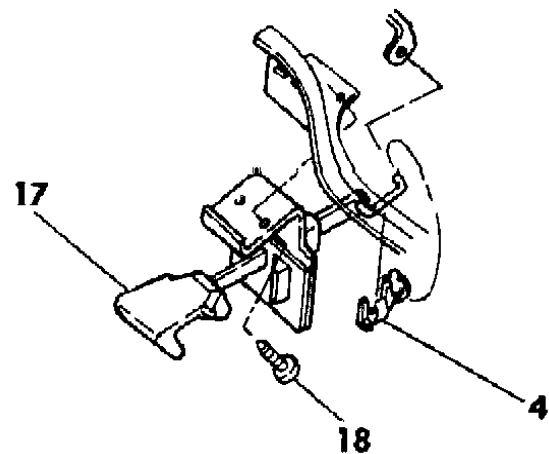
LEVER, PARKING BRAKE (J,K,G,E BODY)

Figure 4-300

7104 300B



ITEM	PART NUMBER	QTY	BODY	MODEL	DESCRIPTION
1	3880 426	1		ALL	LEVER, Parking Brake
2	4221 463	1		ALL	SWITCH, Lever Release
3	6100 584	3			SCREW and WASHER, (J,G Body)
	6501 422	1			SCREW and WASHER, (K,E Body)
4	3454 220	1		ALL	CLIP, Lever Rel. Rod
6	4019 175	1		ALL	PAD, Lever
7	3467 939	2		ALL	RETAINER, Parking Brake Cable Frt.
8	4019 172	1			ROD, Release (K,E Body)
	3880 188	1			ROD, Release (J,G Body)
9	F296 FC5	1			HANDLE, Brake Release, Blue (K,E Body)
	F296 EE8	1			Cordovan (K,E Body)
	F296 CS8	1			Charcoal (K,E Body)
	F296 EK1	1			Almond (K,E Body)
	P407 CX9	1			Black (J,G Body)
10	4019 174	2		ALL	PIN, Pivot Release Handle
11	9414 721	3		ALL	SCREW
12	6100 050	2			NUT and WASHER, (K,E Body)
13	3766 435	1			CABLE, Front (K,E Body)
14	6031 147	1		ALL	CLIP, Rel. Handle Pivot Pin
15	4205 997	1		ALL	SPRING PACKAGE, Parking Brake Lever Rel. (G.W)
16	4019 355	1		ALL	BUMPER, Parking Brake Lever
17	#4294 677	1			RELEASE, Parking Brake, Use w/Passive Restraint System (G Body)
18		2			SCREW, (Not Serv.)



MODEL CODES

E BODY = (J - CARAVELLE)(E - 600)(T - NEW YORKER)

G BODY = (V24 - DAYTONA)

H BODY = (D44 - LANCER)(C44 - LEBARON GTS)

J BODY = (C - LEBARON)

K BODY = (P - RELIANT)(D - ARIES)(C - LEBAROND)/TOWN & COUNTRY)

L BODY = (M - HORIZON/TURISMO)(Z - OMNI/CHARGER)

M BODY = (B - GRAN FURY)(F - FIFTH AVE/NEWPORT)(G - DIPLOMAT)

P BODY = (P - SUNDANCE)(D - SHADOW)

S BODY = (H - VOYAGER)(K - RAM VAN/CARAVAN)

BODY STYLES

12-13 = FWD VAN

21 = 2-DOOR SEDAN

24 = 2-DOOR HATCHBACK

27 = 2-DOOR CONVERTIBLE

41 = 4-DOOR SEDAN

44 = 4-DOOR HATCHBACK

45 = 4-DOOR STATION WAGON

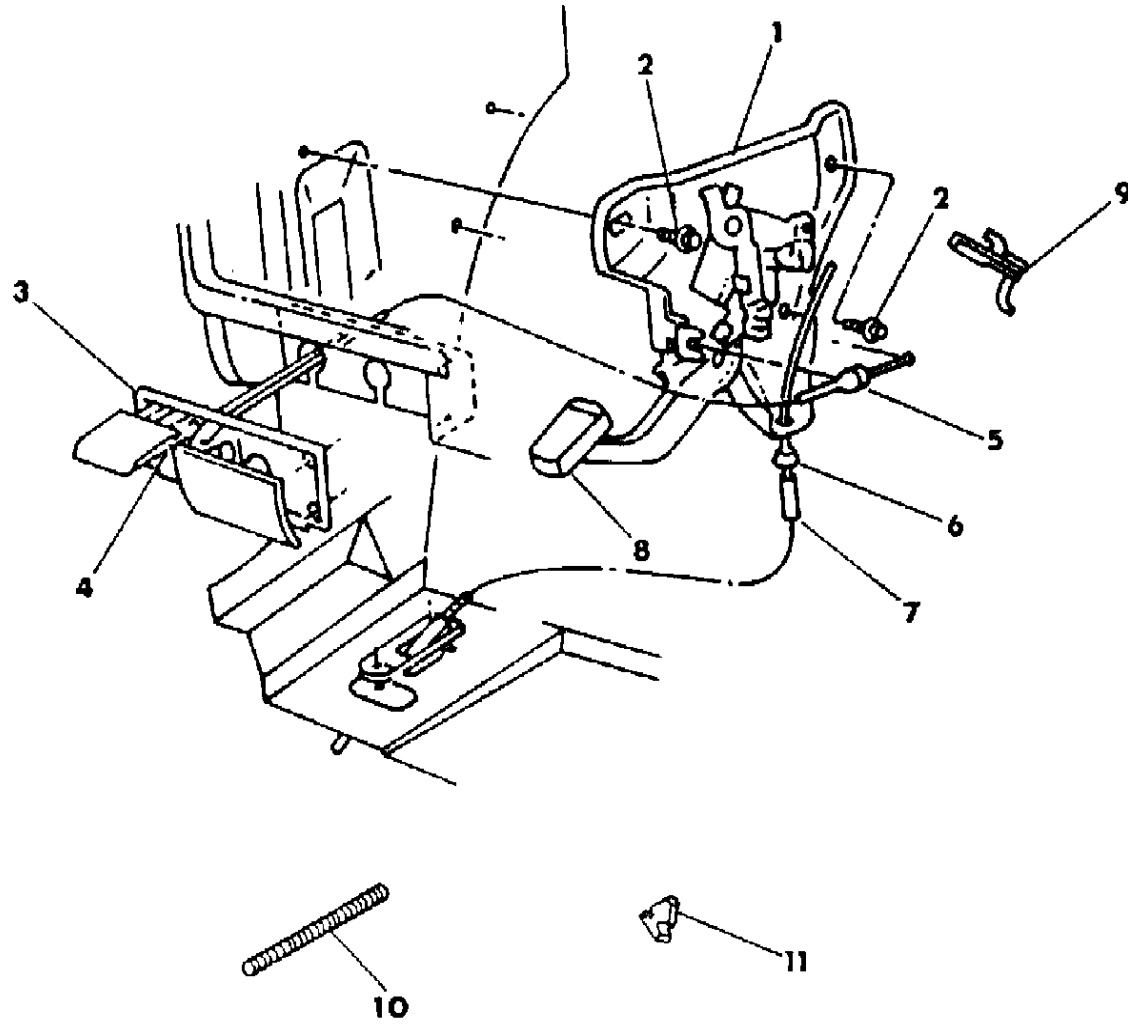
52-53 = FWD WAGON

AR = Use as Required - = Non Illustrated Part P.A.R. = Paint as Required

LEVER, PARKING BRAKE (H BODY)

Figure 4-400

7104 400



ITEM	PART NUMBER	QTY	BODY	MODEL	DESCRIPTION
1	4294 136	1			LEVER
2	6100 584	3			SCREW and WASHER
3	P400 EE8	1			HANDLE, Brake Release, Cordovan
	P400 EK1	1			Almond
	P400 DS8	1			Charcoal
	P400 FC5	1			Blue
4	4294 089	1			PIN, Parking Brake and Hood Latch Release Handle Pivot
5	4294 090	1			CABLE, Parking Brake Release
6	3467 939	1			RETAINER, Cable
7	3766 435	1			CABLE, Frt.
8	4019 175	1			PAD, Parking Brake Lever
9	4221 463	1			SWITCH, Parking Brake
10	4205 997	1			SPRING PACKAGE, Parking Brake Lever Rel. (G.W.)
11	4019 355	1			BUMPER, Parking Brake Lever

MODEL CODES

E BODY = (J - CARAVELLE)(E - 600)(T - NEW YORKER)

G BODY = (V24 - DAYTONA)

H BODY = (D44 - LANCER)(C44 - LEBARON GTS)

J BODY = (C - LEBARON)

K BODY = (P - RELIANT)(D - ARIES)(C - LEBAROND)/TOWN & COUNTRY)

L BODY = (M - HORIZON/TURISMO)(Z - OMNI/CHARGER)

M BODY = (B - GRAN FURY)(F - FIFTH AVE/NEWPORT)(G - DIPLOMAT)

P BODY = (P - SUNDANCE)(D - SHADOW)

S BODY = (H - VOYAGER)(K - RAM VAN/CARAVAN)

BODY STYLES

12-13 = FWD VAN

21 = 2-DOOR SEDAN

24 = 2-DOOR HATCHBACK

27 = 2-DOOR CONVERTIBLE

41 = 4-DOOR SEDAN

44 = 4-DOOR HATCHBACK

45 = 4-DOOR STATION WAGON

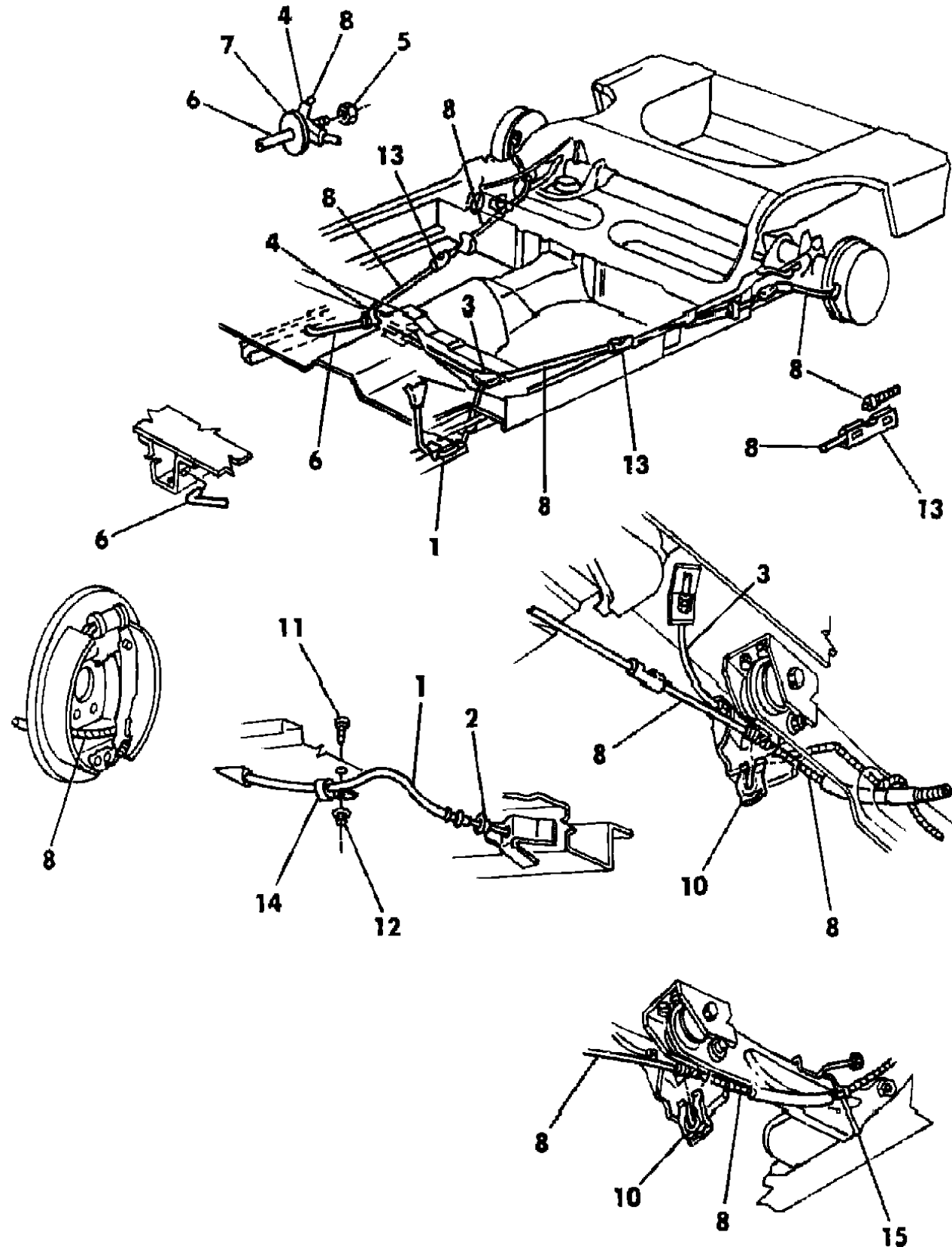
52-53 = FWD WAGON

AR = Use as Required - = Non Illustrated Part P.A.R. = Paint as Required

CABLES, PARKING BRAKES (P,J,K,G,E,H BODY)

Figure 4-500

7104 500B



ITEM	PART NUMBER	QTY	BODY	MODEL	DESCRIPTION
1	3766 435	1			CABLE, Frt. (K,E,H Body)
	4294 472	1			CABLE, Frt. w/200mm x 32.5mm (P Body)
	4294 757	1		V-H	CABLE, Frt. w/220MM x 40.0mm (G Body)
	4294 764	1		V-P,V-S	CABLE, Frt. w/4 Wheel Pwr. Disc. Brakes (G Body)
	4294 757	1			CABLE, Frt. w/200mm x 32.5 mm (J Body)
2	3467 939	2		ALL	RETAINER, Parking Brake
3	3575 593	1		ALL	CONNECTOR, Frt. to Inter. Cable
4	3467 901	1		ALL	EQUALIZER, Parking Brake Inter. Cable
5	6030 607	1		ALL	NUT
6	3766 379	1			HOOK, Parking Brake Inter. Cable (P,K,E,H Body)
	3880 487	1			(J,G Body)
7	3880 022	1		ALL	CUSHION, Parking Brake Adj. Hook
8	4294 917	1			CABLE, Parking Brake Inter., w/200mm x 32.5 mm (J Body)
	4467 462	1		Shelby	CABLE, Parking Brake Inter. (P Body)
	4294 921	1			CABLE, Parking Brake, Inter. w/or w/o RR Disc Brakes (D) (G Body)
	4294 755	2			CABLE, Parking Brake, Rear, w/200mm x 32.5mm w/or w/o RR Disc Brakes (D) (P Body)
	4294 769	2			CABLE, Parking Brake, Rear, w/200mm x 32.5mm (J Body)
	4294 767	2		V-P,V-S	CABLE, Parking Brake, Rear, w/220mm x 40.0mm, w/4 Wheel Disc. Brakes (G Body)
	4318 707	1			CABLE PACKAGE, Parking Brake, Inter. and Rear, w/200mm x 32.5mm (P Body) (77" Long) (D)
	4364 789	1			CABLE PACKAGE, Parking Brake, Inter. and Rear, w/220mm x 40.0mm (E Body)
	4397 924	1			CABLE PACKAGE, Parking Brake, Inter. and Rear, w/200mm x 32.5mm (H Body)
	4318 708	1		P,D	CABLE PACKAGE, Parking Brake Inter. and Rear, w/200mm x 32.5mm (K Body) (69" Long) (D)
9	4294 774-5	1		C-41	(K Body)
	4318 709	1		P,D	CABLE PACKAGE, Parking Brake Inter. and Rear, w/220mm x 40.0mm (96" Long) (D) (K Body)
10		1		C-45	(K Body)
		1		V-H	(G Body)
11		1		Shelby	(H Body)
	4294 774-5	1		ALL	GUIDE, Rear Parking Brake Cable to Rear Suspension Arm
10	2201 467	2		ALL	CLIP, Cable to Susp. Brkt.
11	0181 063	2		ALL	SCREW

MODEL CODES

E BODY = (J - CARAVELLE)(E - 600)(T - NEW YORKER)

G BODY = (V24 - DAYTONA)

H BODY = (D44 - LANCER)(C44 - LEBARON GTS)

J BODY = (C - LEBARON)

K BODY = (P - RELIANT)(D - ARIES)(C - LEBAROND)/TOWN & COUNTRY)

L BODY = (M - HORIZON/TURISMO)(Z - OMNI/CHARGER)

M BODY = (B - GRAN FURY)(F - FIFTH AVE/NEWPORT)(G - DIPLOMAT)

P BODY = (P - SUNDANCE)(D - SHADOW)

S BODY = (H - VOYAGER)(K - RAM VAN/CARAVAN)

BODY STYLES

12-13 = FWD VAN

21 = 2-DOOR SEDAN

24 = 2-DOOR HATCHBACK

27 = 2-DOOR CONVERTIBLE

41 = 4-DOOR SEDAN

44 = 4-DOOR HATCHBACK

45 = 4-DOOR STATION WAGON

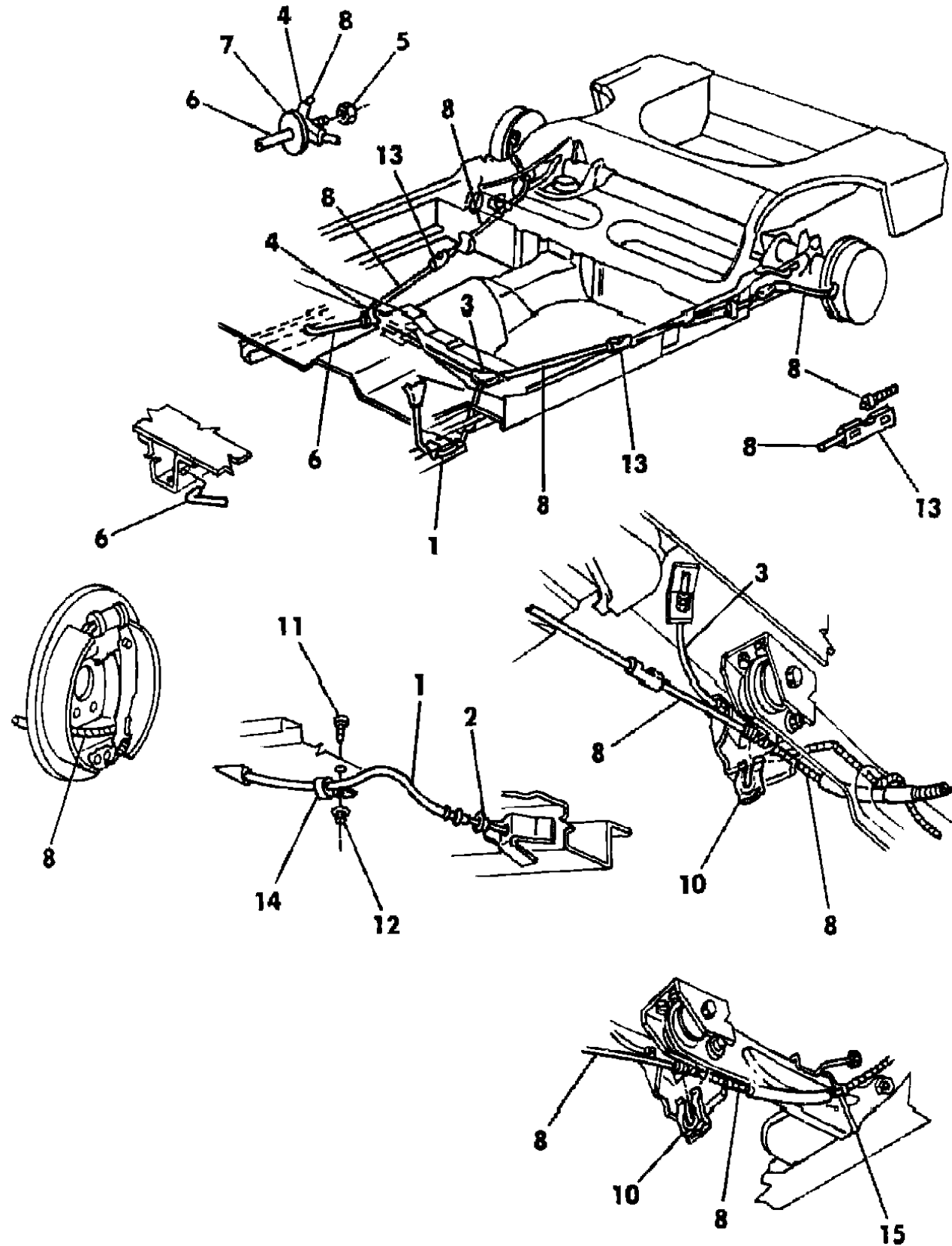
52-53 = FWD WAGON

AR = Use as Required - = Non Illustrated Part P.A.R. = Paint as Required

CABLES, PARKING BRAKES (P,J,K,G,E,H BODY)

Figure 4-500

7104 500B



ITEM	PART NUMBER	QTY	BODY	MODEL	DESCRIPTION
12	0219 462	2	ALL		NUT
13	3766 234	2	ALL		CONNECTOR, Inter. to Rear Cable
14		AR	ALL		CLIP, (Not Serv.)

MODEL CODES

E BODY = (J - CARAVELLE)(E - 600)(T - NEW YORKER)

G BODY = (V24 - DAYTONA)

H BODY = (D44 - LANCER)(C44 - LEBARON GTS)

J BODY = (C - LEBARON)

K BODY = (P - RELIANT)(D - ARIES)(C - LEBAROND)/TOWN & COUNTRY)

L BODY = (M - HORIZON/TURISMO)(Z - OMNI/CHARGER)

M BODY = (B - GRAN FURY)(F - FIFTH AVE/NEWPORT)(G - DIPLOMAT)

P BODY = (P - SUNDANCE)(D - SHADOW)

S BODY = (H - VOYAGER)(K - RAM VAN/CARAVAN)

BODY STYLES

12-13 = FWD VAN

21 = 2-DOOR SEDAN

24 = 2-DOOR HATCHBACK

27 = 2-DOOR CONVERTIBLE

41 = 4-DOOR SEDAN

44 = 4-DOOR HATCHBACK

45 = 4-DOOR STATION WAGON

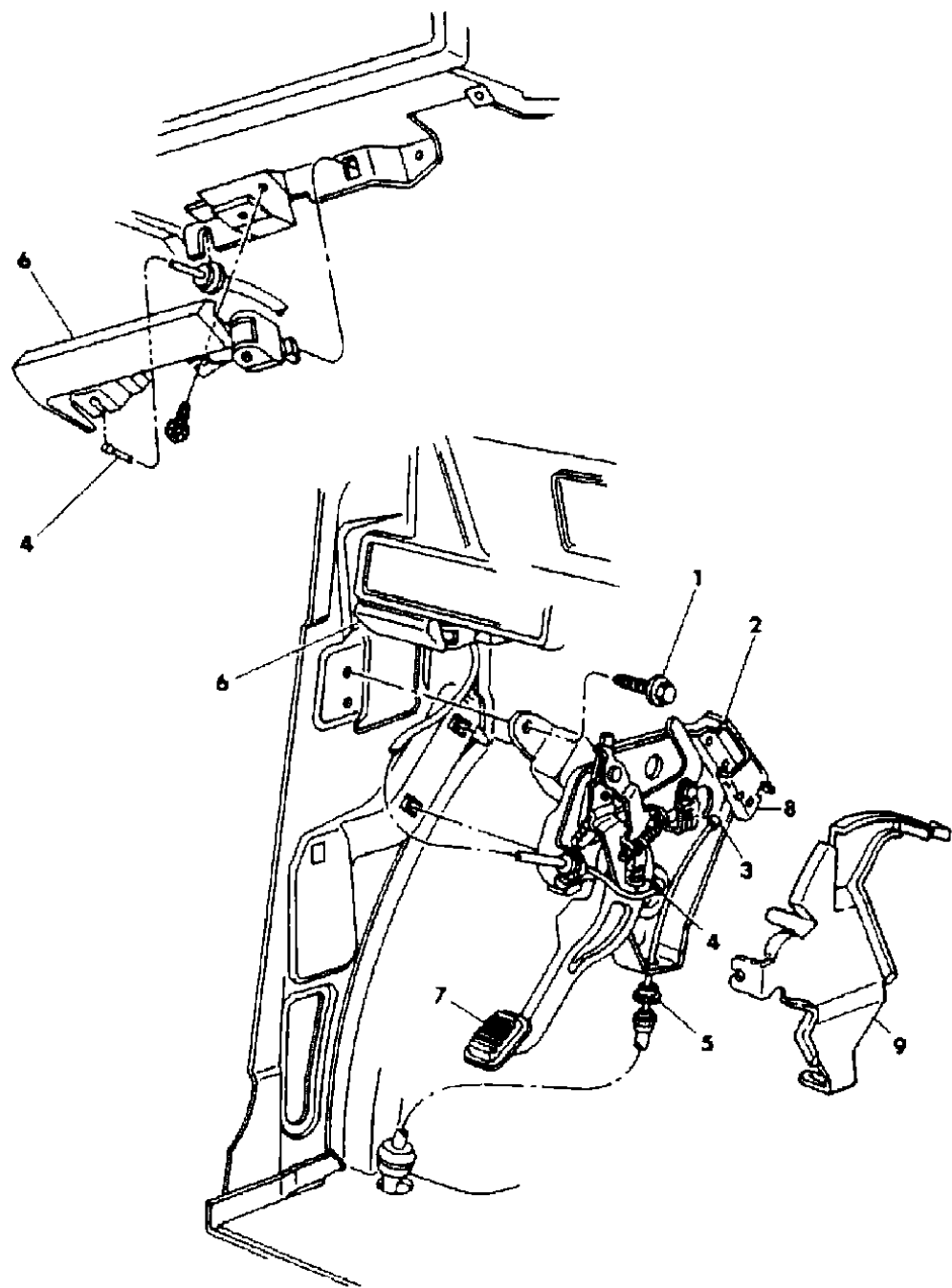
52-53 = FWD WAGON

AR = Use as Required - = Non Illustrated Part P.A.R. = Paint as Required

LEVER, PARKING BRAKE (S BODY)

Figure 4-600

7104 800



ITEM	PART NUMBER	QTY	BODY	MODEL	DESCRIPTION
1	6100 584	3			SCREW, w/WASHER
2	4294 454	1			LEVER, Parking Brake
-	4294 038	1			BUMPER, Parking Brake Lever
3	4294 455	1			CABLE, Frt.
4	4294 026	1			CABLE, Release
-	4294 039	1			SPRING, Parking Brake Lever Release Cable Return
5	3467 939	1			RETAINER, Cable
6	3880 434	1			HANDLE, Release
7	4019 175	1			PAD, Lever
8	4221 760	1			SWITCH, Parking Brake
9	4304 604	1			COVER, Parking Brake

MODEL CODES

E BODY = (J - CARAVELLE)(E - 600)(T - NEW YORKER)

G BODY = (V24 - DAYTONA)

H BODY = (D44 - LANCER)(C44 - LEBARON GTS)

J BODY = (C - LEBARON)

K BODY = (P - RELIANT)(D - ARIES)(C - LEBAROND)/TOWN & COUNTRY)

L BODY = (M - HORIZON/TURISMO)(Z - OMNI/CHARGER)

M BODY = (B - GRAN FURY)(F - FIFTH AVE/NEWPORT)(G - DIPLOMAT)

P BODY = (P - SUNDANCE)(D - SHADOW)

S BODY = (H - VOYAGER)(K - RAM VAN/CARAVAN)

BODY STYLES

12-13 = FWD VAN

21 = 2-DOOR SEDAN

24 = 2-DOOR HATCHBACK

27 = 2-DOOR CONVERTIBLE

41 = 4-DOOR SEDAN

44 = 4-DOOR HATCHBACK

45 = 4-DOOR STATION WAGON

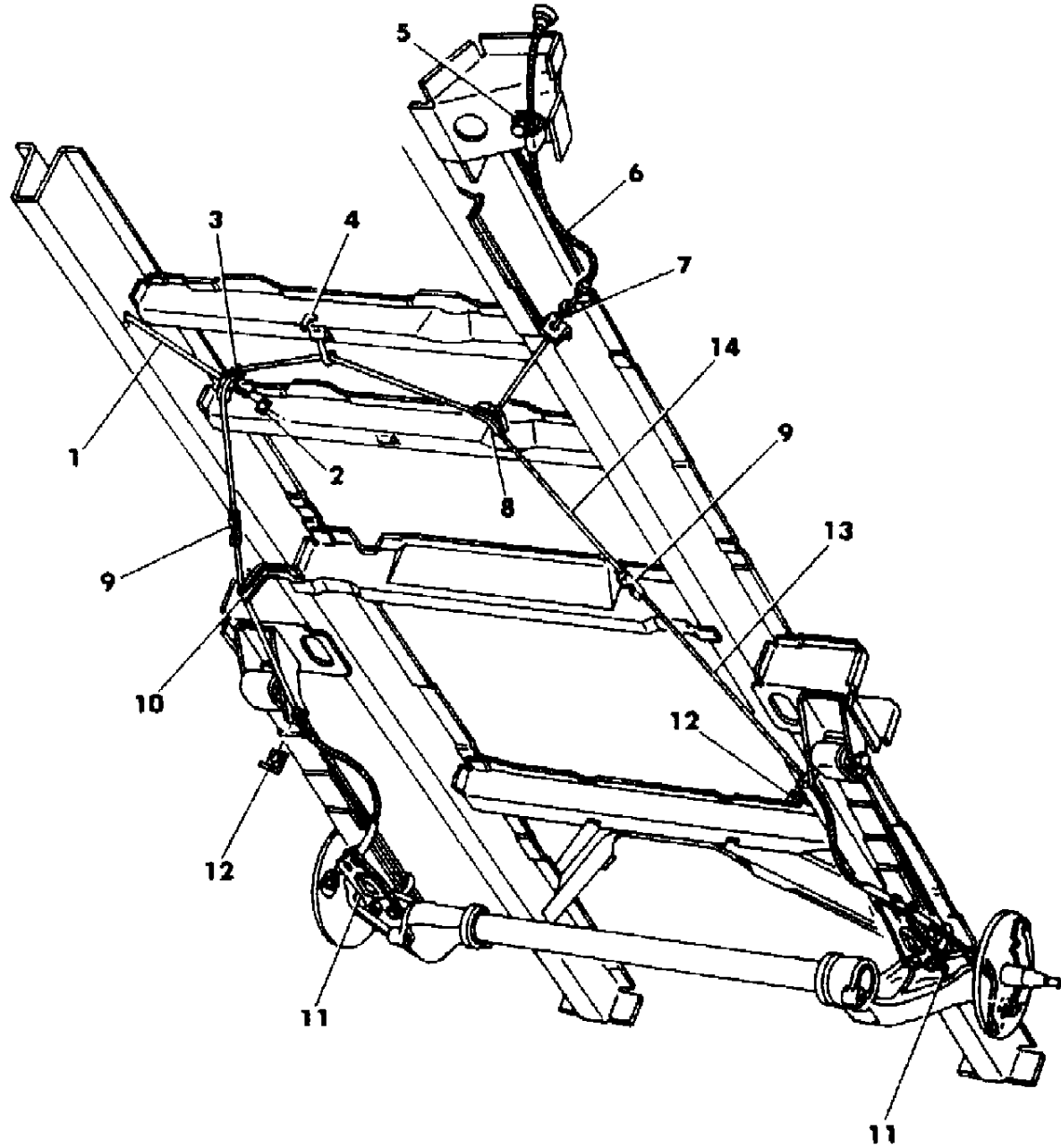
52-53 = FWD WAGON

AR = Use as Required - = Non Illustrated Part P.A.R. = Paint as Required

CABLES, PARKING BRAKE (S BODY)

Figure 4-700

7104 700



ITEM	PART NUMBER	QTY	BODY	MODEL	DESCRIPTION
1	3880 487	1			HOOK, Adjusting
2	6030 607	1			NUT
3	3467 901	1			EQUALIZER
4	3880 482	1			HOOK, Inter. Cable
5	4294 196	1			BRACKET
6	4294 455	1			CABLE, Frt.
7	3467 939	1			RETAINER
8	3575 593	1			CONNECTOR
9	3766 234	2			CONNECTOR
10	4294 598	1			BRACKET
11	4294 144-5	1			BRACKET
12	2201 467	2			CLIP
13	#4294 604	2			CABLE, Rear, 112" Wheel Base
	4294 784	2			CABLE, Rear, 119" Wheel Base
14	4294 375	1			CABLE, Inter.

MODEL CODES

E BODY = (J - CARAVELLE)(E - 600)(T - NEW YORKER)

G BODY = (V24 - DAYTONA)

H BODY = (D44 - LANCER)(C44 - LEBARON GTS)

J BODY = (C - LEBARON)

K BODY = (P - RELIANT)(D - ARIES)(C - LEBAROND)/TOWN & COUNTRY)

L BODY = (M - HORIZON/TURISMO)(Z - OMNI/CHARGER)

M BODY = (B - GRAN FURY)(F - FIFTH AVE/NEWPORT)(G - DIPLOMAT)

P BODY = (P - SUNDANCE)(D - SHADOW)

S BODY = (H - VOYAGER)(K - RAM VAN/CARAVAN)

BODY STYLES

12-13 = FWD VAN

21 = 2-DOOR SEDAN

24 = 2-DOOR HATCHBACK

27 = 2-DOOR CONVERTIBLE

41 = 4-DOOR SEDAN

44 = 4-DOOR HATCHBACK

45 = 4-DOOR STATION WAGON

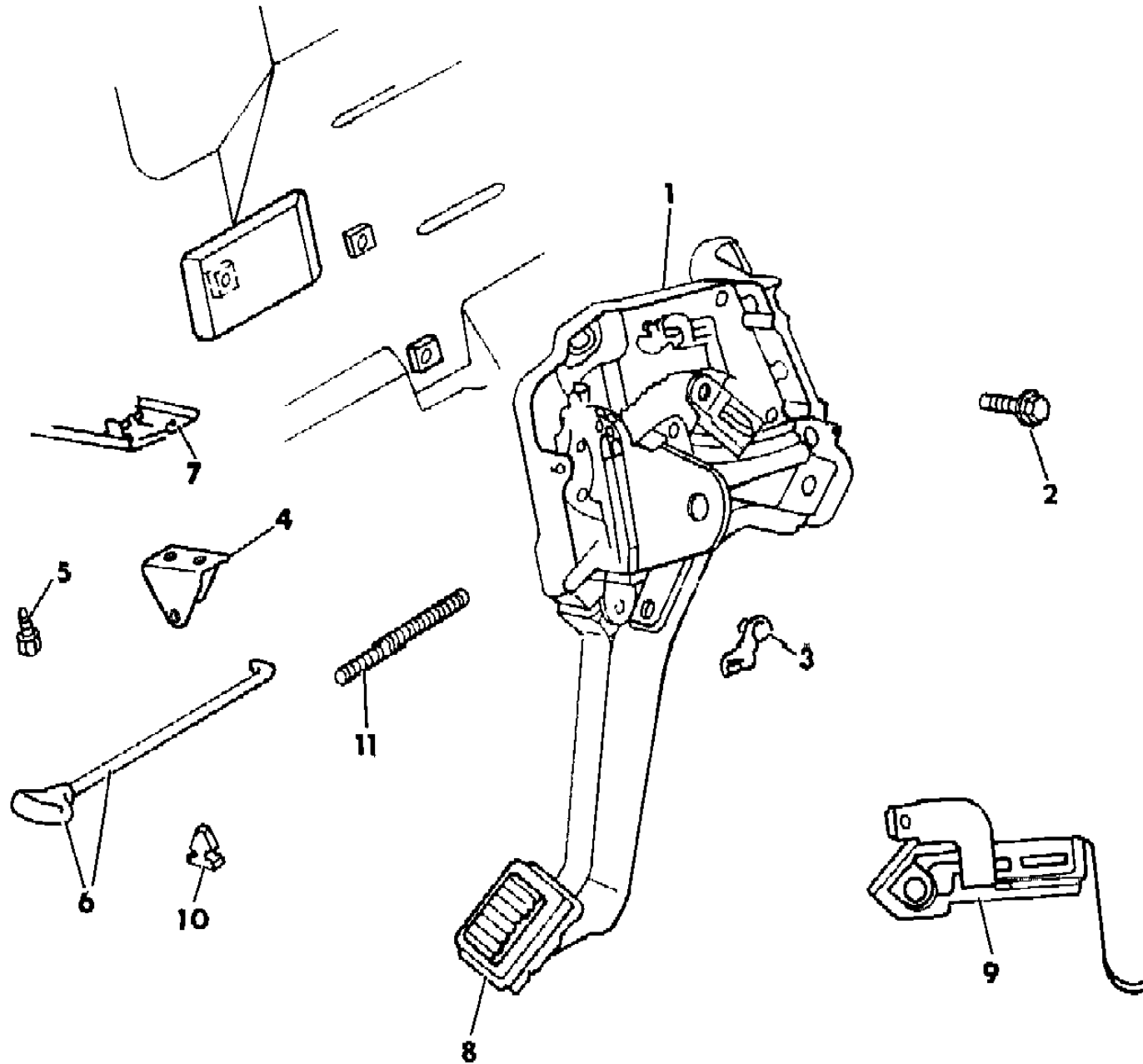
52-53 = FWD WAGON

AR = Use as Required - = Non Illustrated Part P.A.R. = Paint as Required

LEVER, PARKING BRAKE (M BODY)

Figure 4-800

7104 800A



ITEM	PART NUMBER	QTY	BODY	MODEL	DESCRIPTION
1	4019 369	1			LEVER
2	0181 088	3			SCREW,w/Washer
3	3454 220	1			CLIP
4	4019 545	1			BEZEL, Release Rod
5		2			SCREW, (Not Serv.)
6	4019 543	1			ROD, Lever Release
7		1			REINFORCEMENT, (Ref. Only)
8	2467 514	1			PAD, Lever
9	3747 327	1			SWITCH
10	4019 355	1			BUMPER, Lever
11	4205 997	1			SPRING PACKAGE

MODEL CODES

E BODY = (J - CARAVELLE)(E - 600)(T - NEW YORKER)

G BODY = (V24 - DAYTONA)

H BODY = (D44 - LANCER)(C44 - LEBARON GTS)

J BODY = (C - LEBARON)

K BODY = (P - RELIANT)(D - ARIES)(C - LEBAROND)/TOWN & COUNTRY)

L BODY = (M - HORIZON/TURISMO)(Z - OMNI/CHARGER)

M BODY = (B - GRAN FURY)(F - FIFTH AVE/NEWPORT)(G - DIPLOMAT)

P BODY = (P - SUNDANCE)(D - SHADOW)

S BODY = (H - VOYAGER)(K - RAM VAN/CARAVAN)

BODY STYLES

12-13 = FWD VAN

21 = 2-DOOR SEDAN

24 = 2-DOOR HATCHBACK

27 = 2-DOOR CONVERTIBLE

41 = 4-DOOR SEDAN

44 = 4-DOOR HATCHBACK

45 = 4-DOOR STATION WAGON

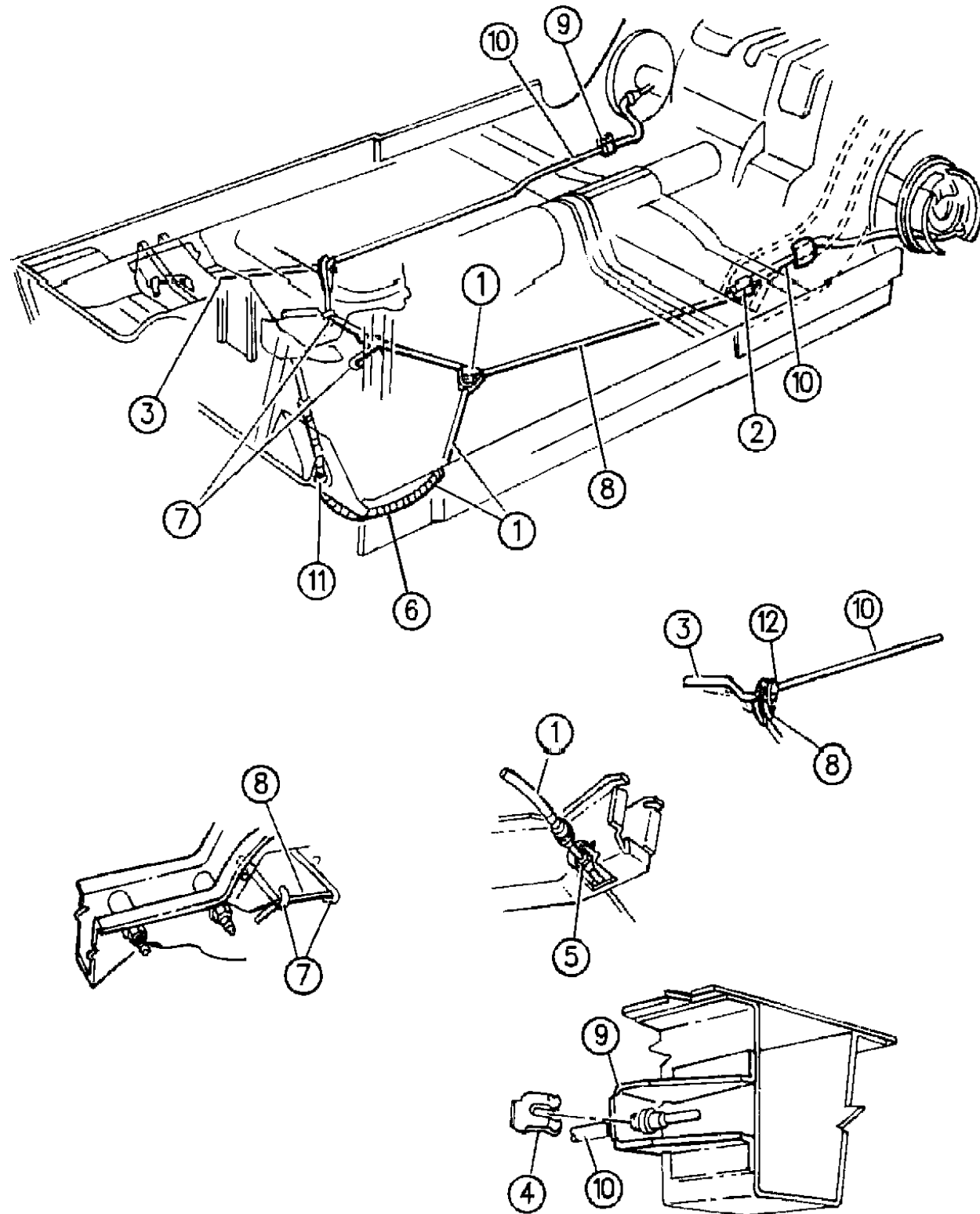
52-53 = FWD WAGON

AR = Use as Required - = Non Illustrated Part P.A.R. = Paint as Required

CABLES, PARKING BRAKE (M BODY)

Figure 4-900

7104 900B



ITEM	PART NUMBER	QTY	BODY	MODEL	DESCRIPTION
1	3766 292	1			CABLE, Frt.
2	3766 234	1			CONNECTOR, Inter. To Rear Cable LT.
3	3880 073	1			HOOK, Inter. Cable Adj.
4	2201 467	1			CLIP, Cable To Cable Supt.
5	3467 939	2			RETAINER, Frt. Cable
6	3575 593	1			CONNECTOR, Frt. To Inter. Cable
7	3766 289	1			HOOK, Inter. Cable Guide
8	3880 072	1			CABLE, Inter.
9	4314 662	2			BRACKET, Rear Side Rail Parking Brake Cable
10	3880 074	2			CABLE, Rear, Except Police and Taxi
	3880 075	2			CABLE, Rear, w/Police and Taxi
11	2259 118	1			SEAL
12	3467 901	1			EQUALIZER, Cable Inter.

MODEL CODES

E BODY = (J - CARAVELLE)(E - 600)(T - NEW YORKER)

G BODY = (V24 - DAYTONA)

H BODY = (D44 - LANCER)(C44 - LEBARON GTS)

J BODY = (C - LEBARON)

K BODY = (P - RELIANT)(D - ARIES)(C - LEBAROND)/TOWN & COUNTRY)

L BODY = (M - HORIZON/TURISMO)(Z - OMNI/CHARGER)

M BODY = (B - GRAN FURY)(F - FIFTH AVE/NEWPORT)(G - DIPLOMAT)

P BODY = (P - SUNDANCE)(D - SHADOW)

S BODY = (H - VOYAGER)(K - RAM VAN/CARAVAN)

BODY STYLES

12-13 = FWD VAN

21 = 2-DOOR SEDAN

24 = 2-DOOR HATCHBACK

27 = 2-DOOR CONVERTIBLE

41 = 4-DOOR SEDAN

44 = 4-DOOR HATCHBACK

45 = 4-DOOR STATION WAGON

52-53 = FWD WAGON

AR = Use as Required - = Non Illustrated Part P.A.R. = Paint as Required

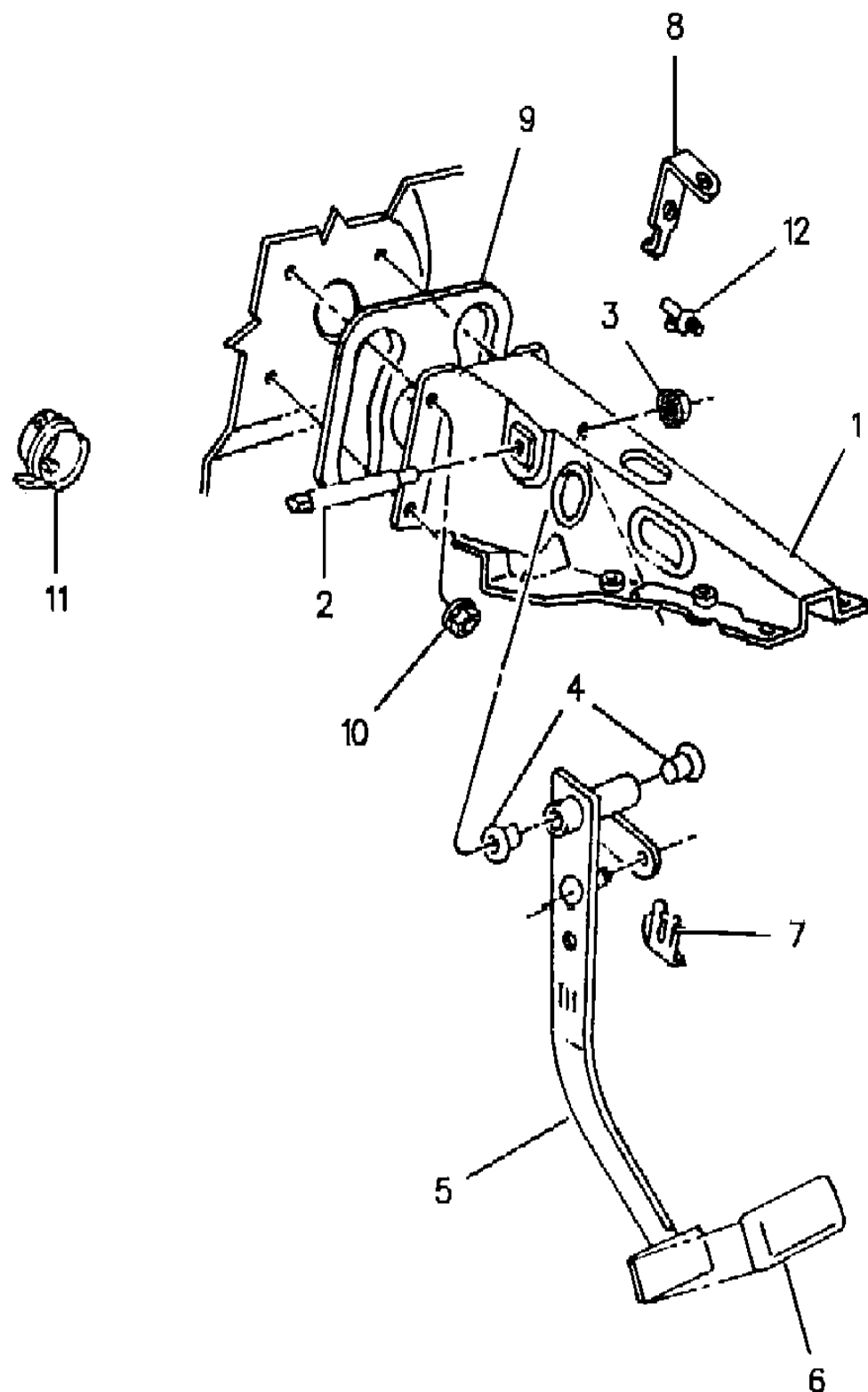
GROUP 5 - BRAKES, SERVICE

ILLUSTRATION TITLE	GROUP-FIG. NO.
PEDAL	
PEDAL, BRAKE (L BODY)	Fig. 5-100
PEDAL, BRAKE (P BODY)	Fig. 5-200
PEDAL, BRAKE (J,K,G,E BODY)	Fig. 5-300
PEDAL, BRAKE (H BODY)	Fig. 5-400
PEDAL, BRAKE (S BODY)	Fig. 5-500
PEDAL, BRAKE (M BODY)	Fig. 5-600
BOOSTER	
BOOSTER, POWER BRAKE (L BODY)	Fig. 5-700
BOOSTER, POWER BRAKE (P BODY)	Fig. 5-750
BOOSTER, POWER BRAKE (J,K,G,E,S BODY)	Fig. 5-800
BOOSTER, POWER BRAKE (H BODY)	Fig. 5-850
BOOSTER, POWER BRAKE (M BODY)	Fig. 5-900
MASTER CYLINDER	
MASTER CYLINDER, BRAKE (L,J,K,G,E,H,S BODY)	Fig. 5-1000
MASTER CYLINDER, BRAKE (P BODY)	Fig. 5-1050
MASTER CYLINDER, BRAKE (M BODY)	Fig. 5-1100
BRAKE LINES	
LINES AND HOSES, BRAKE (L BODY)	Fig. 5-1200
LINES AND HOSES, BRAKE (P,J,K,G,E,H BODY)	Fig. 5-1300
LINES AND HOSES, BRAKE (S BODY)	Fig. 5-1400
LINES AND HOSES, BRAKE (M BODY)	Fig. 5-1500
FRONT BRAKES	
BRAKES FRONT (L BODY)	Fig. 5-1600
BRAKES FRONT (P,J,K,G,E,H BODY)	Fig. 5-1700
BRAKES FRONT (S BODY)	Fig. 5-1800
BRAKES FRONT (M BODY)	Fig. 5-1900
REAR BRAKES	
BRAKES, REAR DRUM (L,P,J,K,G,E,H BODY)	Fig. 5-2000
BRAKES, REAR DISC (V-P,V-S, G BODY)	Fig. 5-2100
BRAKES, REAR DISC (SHELBY LANCER, H BODY)	Fig. 5-2150
BRAKES, REAR (S-BODY)	Fig. 5-2200
BRAKES, REAR (M BODY)	Fig. 5-2300

ILLUSTRATION NOT AVAILABLE AT TIME OF PUBLICATION

PEDAL, BRAKE (L BODY)
Figure 5-100

7105 100C



ITEM	PART NUMBER	QTY	BODY	MODEL	DESCRIPTION
1	4294 060	1			BRACKET, Brake Pedal, w/Manual Trans.
	4294 059	1			w/Auto. Trans.
2	4019 708	1			SHAFT, Brake Pedal Pivot, w/Manual Trans.
	5206 209	1			w/Auto. Trans.
3	6500 197	1			NUT
4	2467 770	2			BUSHING, Brake Pedal
5	4294 063	1			PEDAL, w/Manual Trans.
	4294 064	1			w/Auto. Trans.
6	5206 237	1			PAD, Brake Pedal, w/Manual Trans.
	5206 231	1			w/Auto. Trans.
7	4294 036	1			CLIP
8	4221 580	1			BRACKET, Stop Lamp Sw.
9	4294 066	1			PLATE, Brake Pedal Brkt. Dash Liner Seal
10	6101 445	4			NUT and WASHER
11	6031 704	1			CLIP, Stop Lamp Sw. to Brkt.
12					SWITCH, Pedal
	5209 922	1			Parking Brake
	4221 979	1			Stop Lamp

MODEL CODES

E BODY = (J - CARAVELLE)(E - 600)(T - NEW YORKER)

G BODY = (V24 - DAYTONA)

H BODY = (D44 - LANCER)(C44 - LEBARON GTS)

J BODY = (C - LEBARON)

K BODY = (P - RELIANT)(D - ARIES)(C - LEBAROND)/TOWN & COUNTRY)

L BODY = (M - HORIZON/TURISMO)(Z - OMNI/CHARGER)

M BODY = (B - GRAN FURY)(F - FIFTH AVE/NEWPORT)(G - DIPLOMAT)

P BODY = (P - SUNDANCE)(D - SHADOW)

S BODY = (H - VOYAGER)(K - RAM VAN/CARAVAN)

BODY STYLES

12-13 = FWD VAN

21 = 2-DOOR SEDAN

24 = 2-DOOR HATCHBACK

27 = 2-DOOR CONVERTIBLE

41 = 4-DOOR SEDAN

44 = 4-DOOR HATCHBACK

45 = 4-DOOR STATION WAGON

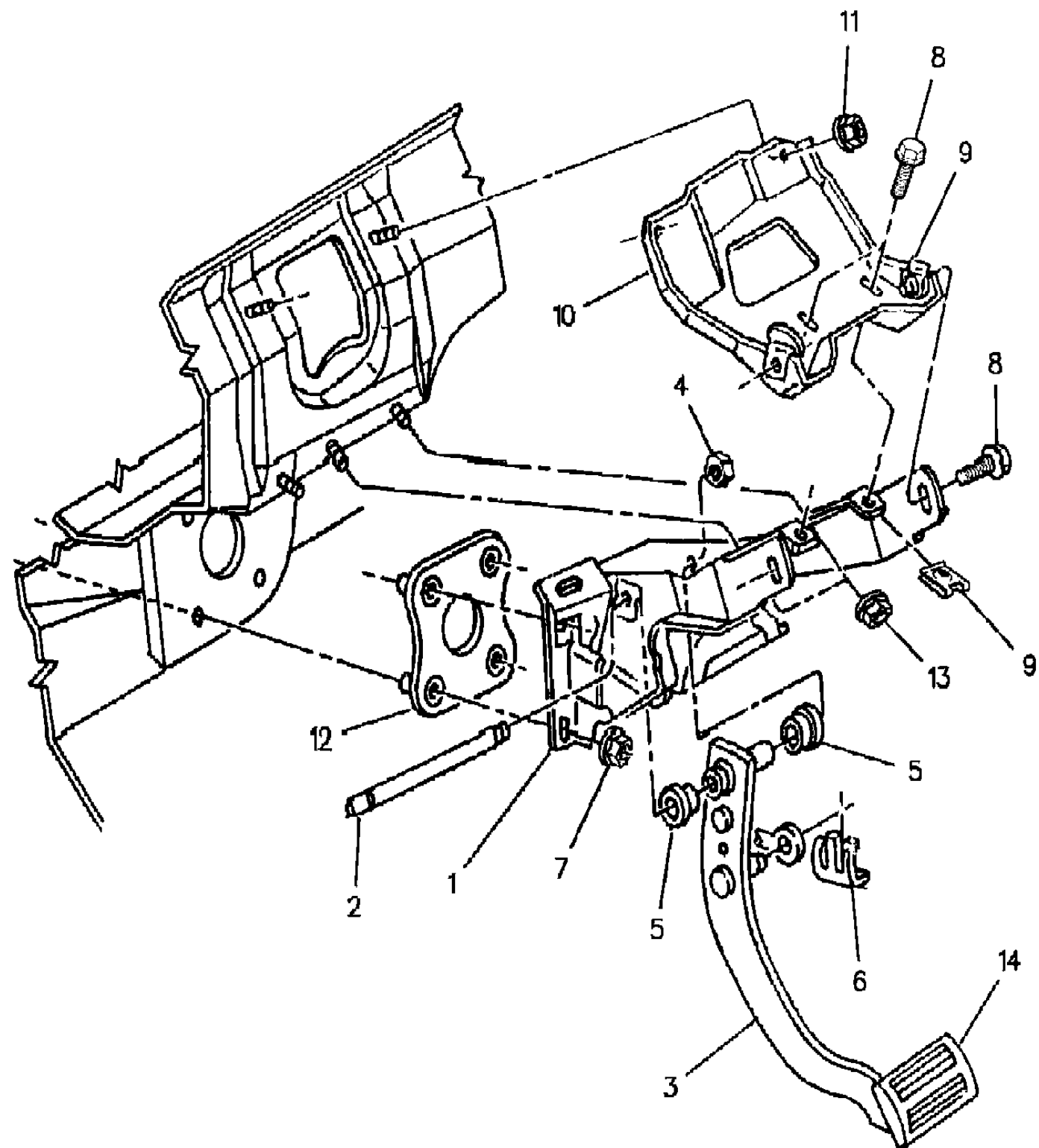
52-53 = FWD WAGON

AR = Use as Required - = Non Illustrated Part P.A.R. = Paint as Required

PEDAL, BRAKE (P BODY)

Figure 5-200

7105 200C



ITEM	PART NUMBER	QTY	BODY	MODEL	DESCRIPTION
1	4294 427	1			BRACKET, Brake Pedal, w/Auto. Trans.
	4294 426	1			w/Manual Trans.
2	4019 685	1			SHAFT, Brake Pedal Pivot, w/Auto. Trans.
	4019 681	1			w/Manual Trans.
3	3880 397	1			PEDAL, Brake, w/Manual Trans.
	4294 450	1			w/Auto. Trans.
4	6500 197	1			NUT
5	2467 770	2			BUSHING, Brake Booster Lever Hub
6	4294 036	1			CLIP
7	6100 050	4			NUT and WASHER
8	6100 584	4			SCREW, w/WASHER
9	6500 501	4			U-NUT
10	4294 429	1			SUPPORT, Brake Pedal Brkt. to Plenum
11	6500 086	2			NUT and WASHER
12	4294 633	1			SPACER, Brake Pedal Brkt. to Dash Pad
13	6500 903	2			NUT and WASHER
14	4019 660	1			PAD, Brake Pedal, w/Auto. Trans.
	4019 715	1			w/Manual Trans.

MODEL CODES

E BODY = (J - CARAVELLE)(E - 600)(T - NEW YORKER)

G BODY = (V24 - DAYTONA)

H BODY = (D44 - LANCER)(C44 - LEBARON GTS)

J BODY = (C - LEBARON)

K BODY = (P - RELIANT)(D - ARIES)(C - LEBAROND)/TOWN & COUNTRY)

L BODY = (M - HORIZON/TURISMO)(Z - OMNI/CHARGER)

M BODY = (B - GRAN FURY)(F - FIFTH AVE/NEWPORT)(G - DIPLOMAT)

P BODY = (P - SUNDANCE)(D - SHADOW)

S BODY = (H - VOYAGER)(K - RAM VAN/CARAVAN)

BODY STYLES

12-13 = FWD VAN

21 = 2-DOOR SEDAN

24 = 2-DOOR HATCHBACK

27 = 2-DOOR CONVERTIBLE

41 = 4-DOOR SEDAN

44 = 4-DOOR HATCHBACK

45 = 4-DOOR STATION WAGON

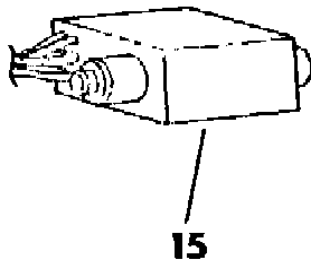
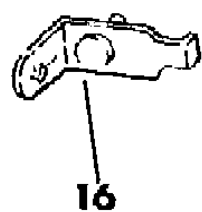
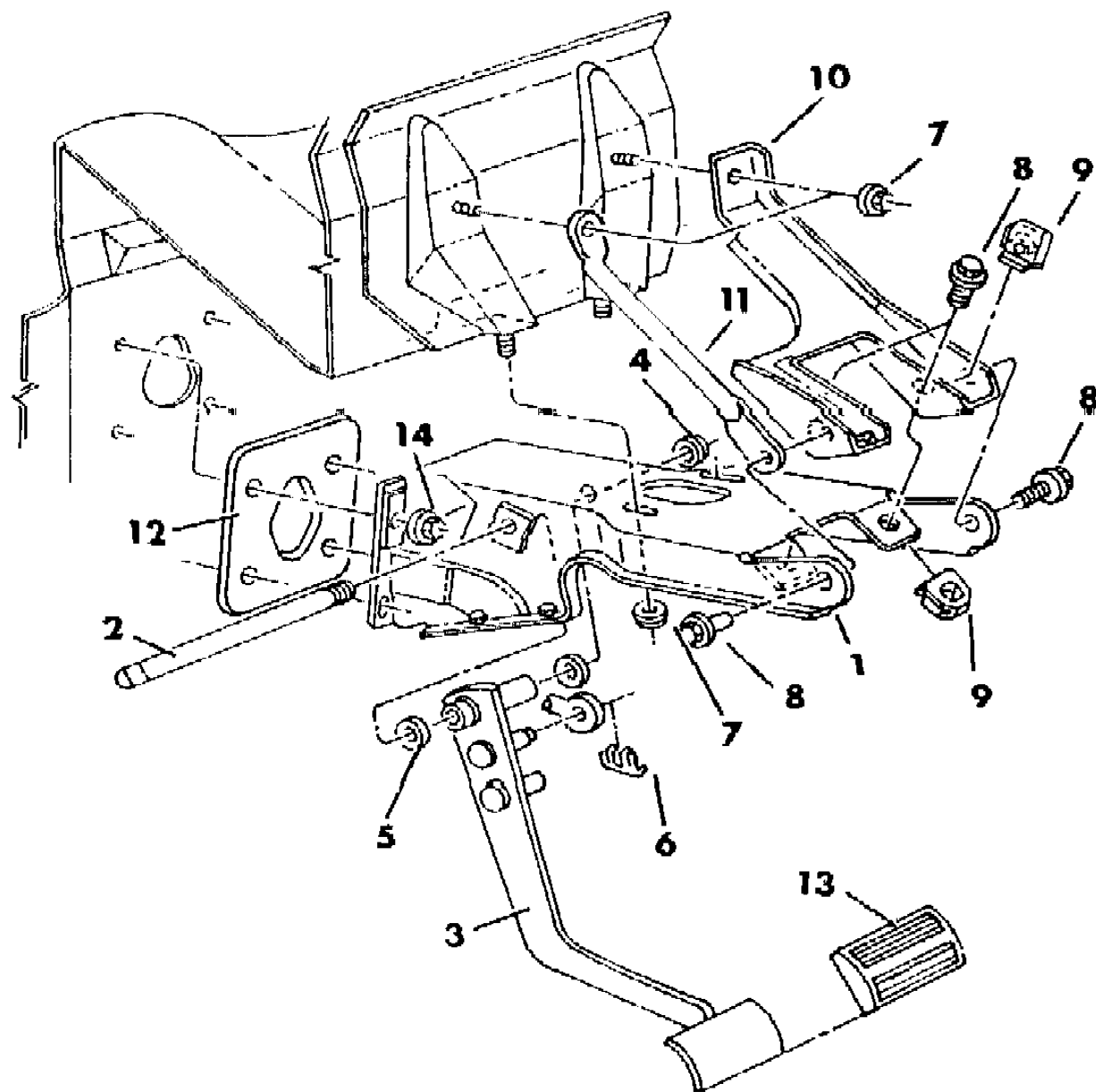
52-53 = FWD WAGON

AR = Use as Required - = Non Illustrated Part P.A.R. = Paint as Required

PEDAL, BRAKE (J,K,G,E BODY)

Figure 5-300

7105 300C



ITEM	PART NUMBER	QTY	BODY	MODEL	DESCRIPTION
1	3880 391	1			BRACKET, w/Auto. Trans.
	3880 392	1			w/Manual Trans.
2	4019 681	1			SHAFT, Brake Pedal Pivot, w/Man. Trans.
	4019 685	1			w/Auto. Trans.
3	3880 397	1			PEDAL, w/Man. Trans.
	4294 450	1			w/Auto. Trans.
4	6500 197	1			NUT
5	2467 770	2			BUSHING, Brake Pedal
6	4294 036	1			CLIP, Master Cyl. Rod Pin
7	6500 532	2			NUT and WASHER
8	6100 584	4			SCREW and WASHER
9	6500 501	4			U-NUT
10	4294 030	1			SUPPORT, Brake Pedal Brkt. to Plenum
11	4294 044	1			STRUT, Brake Pedal Brkt. to Inst. Pnl. Support
12	4294 633	1			SPACER, Brake Pedal Brkt. to Dash Pnl.
13	4019 715	1			PAD, Brake Pedal, w/Manual Trans.
	4019 660	1			w/Auto. Trans.
14	6100 050	4			NUT and WASHER
15	4373 145	1			SWITCH, Stop Lamp and Speed Control
16	3747 992	1			BRACKET, Switch Mtg.
17	6031 704	1			CLIP, Stop Lamp Sw. to Brkt.
18	3747 990	1			STRIKER, Stop Lp. Sw.

MODEL CODES

E BODY = (J - CARAVELLE)(E - 600)(T - NEW YORKER)

G BODY = (V24 - DAYTONA)

H BODY = (D44 - LANCER)(C44 - LEBARON GTS)

J BODY = (C - LEBARON)

K BODY = (P - RELIANT)(D - ARIES)(C - LEBAROND)/TOWN & COUNTRY)

L BODY = (M - HORIZON/TURISMO)(Z - OMNI/CHARGER)

M BODY = (B - GRAN FURY)(F - FIFTH AVE/NEWPORT)(G - DIPLOMAT)

P BODY = (P - SUNDANCE)(D - SHADOW)

S BODY = (H - VOYAGER)(K - RAM VAN/CARAVAN)

BODY STYLES

12-13 = FWD VAN

21 = 2-DOOR SEDAN

24 = 2-DOOR HATCHBACK

27 = 2-DOOR CONVERTIBLE

41 = 4-DOOR SEDAN

44 = 4-DOOR HATCHBACK

45 = 4-DOOR STATION WAGON

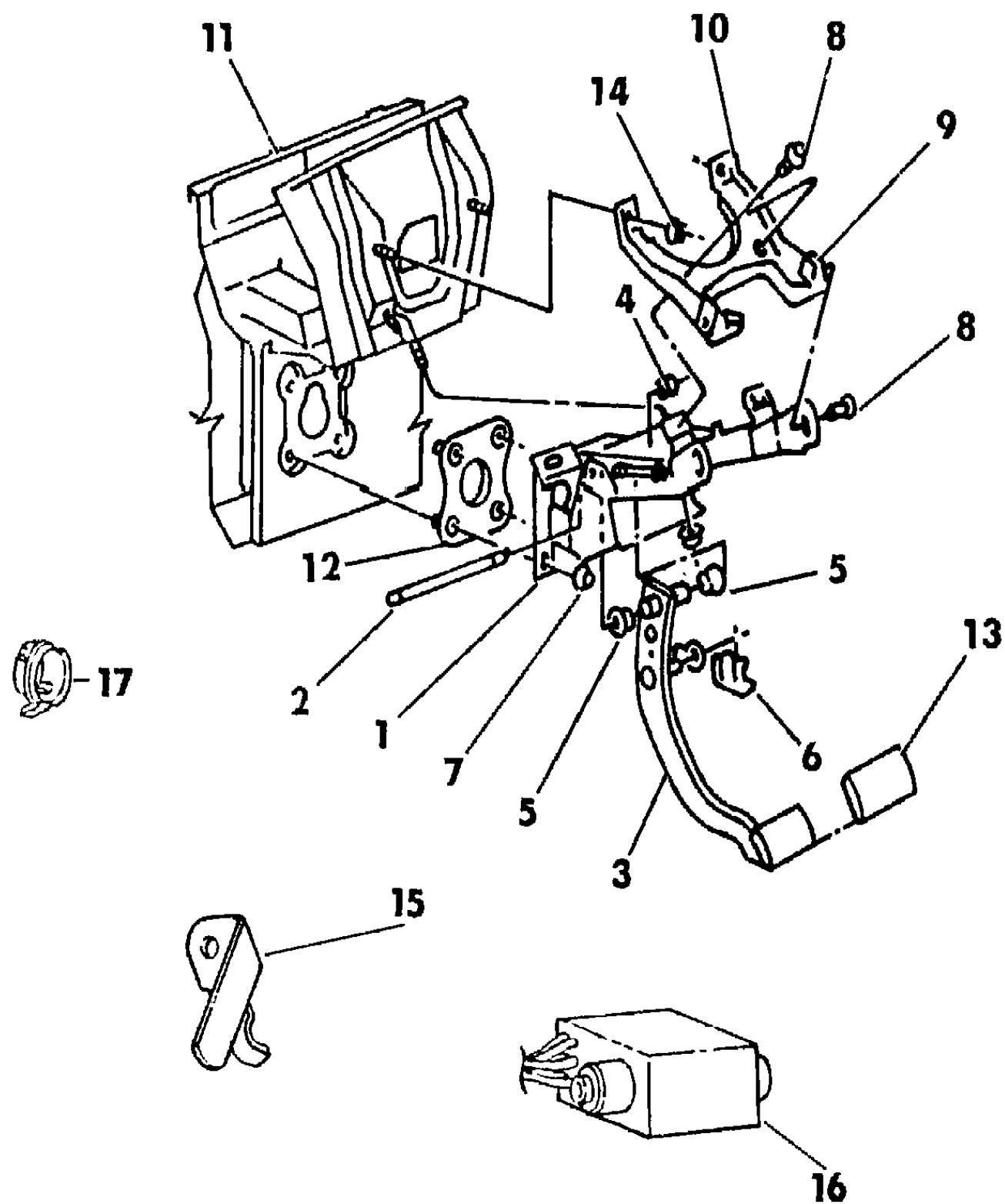
52-53 = FWD WAGON

AR = Use as Required - = Non Illustrated Part P.A.R. = Paint as Required

PEDAL, BRAKE (H BODY)

Figure 5-400

7105 400C



ITEM	PART NUMBER	QTY	BODY	MODEL	DESCRIPTION
1	4294 242	1			BRACKET, Brake Pedal, Comp., w/Manual Trans., Use Up to 10-15-86
	4294 654	1			BRACKET, Brake Pedal, Comp., w/Manual Trans., Use After 10-15-86
	4294 243	1			w/Auto. Trans., Use Up to 9-10-86
	4294 576	1			w/Auto. Trans., Use After 9-10-86
2	4019 681	1			SHAFT, Brake Pedal Pivot, w/Manual Trans.
	4019 685	1			w/Auto. Trans.
3	3880 397	1			PEDAL, w/Manual Trans.
	4294 450	1			w/Auto. Trans.
4	6500 197	1			NUT
5	2467 770	2			BUSHING, Brake Pedal
6	4294 036	1			CLIP, Brake Pedal Booster Push Rod Pin
7	6100 050	4			NUT and WASHER
8	6100 584	4			SCREW and WASHER
9	6500 501	4			U-NUT
10	4294 251	1			SUPPORT, Brake Pedal Brkt. to Plenum
11					PANEL, Dash
12	4294 633	1			SPACER, Brake Pedal Brkt. to Dash Pnl.
13	4019 715	1			PAD, Brake Pedal, w/Manual Trans.
	4019 660	1			w/Auto. Trans.
14	6500 086	2			NUT and WASHER
15	3747 990	1			STRIKER, Stop Lamp Sw.
16	4373 145	1			SWITCH, Stop Lamp and Speed Control
17	6031 704	1			CLIP, Stop Lamp Sw. to Brkt.

MODEL CODES

E BODY = (J - CARAVELLE)(E - 600)(T - NEW YORKER)

G BODY = (V24 - DAYTONA)

H BODY = (D44 - LANCER)(C44 - LEBARON GTS)

J BODY = (C - LEBARON)

K BODY = (P - RELIANT)(D - ARIES)(C - LEBAROND)/TOWN & COUNTRY)

L BODY = (M - HORIZON/TURISMO)(Z - OMNI/CHARGER)

M BODY = (B - GRAN FURY)(F - FIFTH AVE/NEWPORT)(G - DIPLOMAT)

P BODY = (P - SUNDANCE)(D - SHADOW)

S BODY = (H - VOYAGER)(K - RAM VAN/CARAVAN)

BODY STYLES

12-13 = FWD VAN

21 = 2-DOOR SEDAN

24 = 2-DOOR HATCHBACK

27 = 2-DOOR CONVERTIBLE

41 = 4-DOOR SEDAN

44 = 4-DOOR HATCHBACK

45 = 4-DOOR STATION WAGON

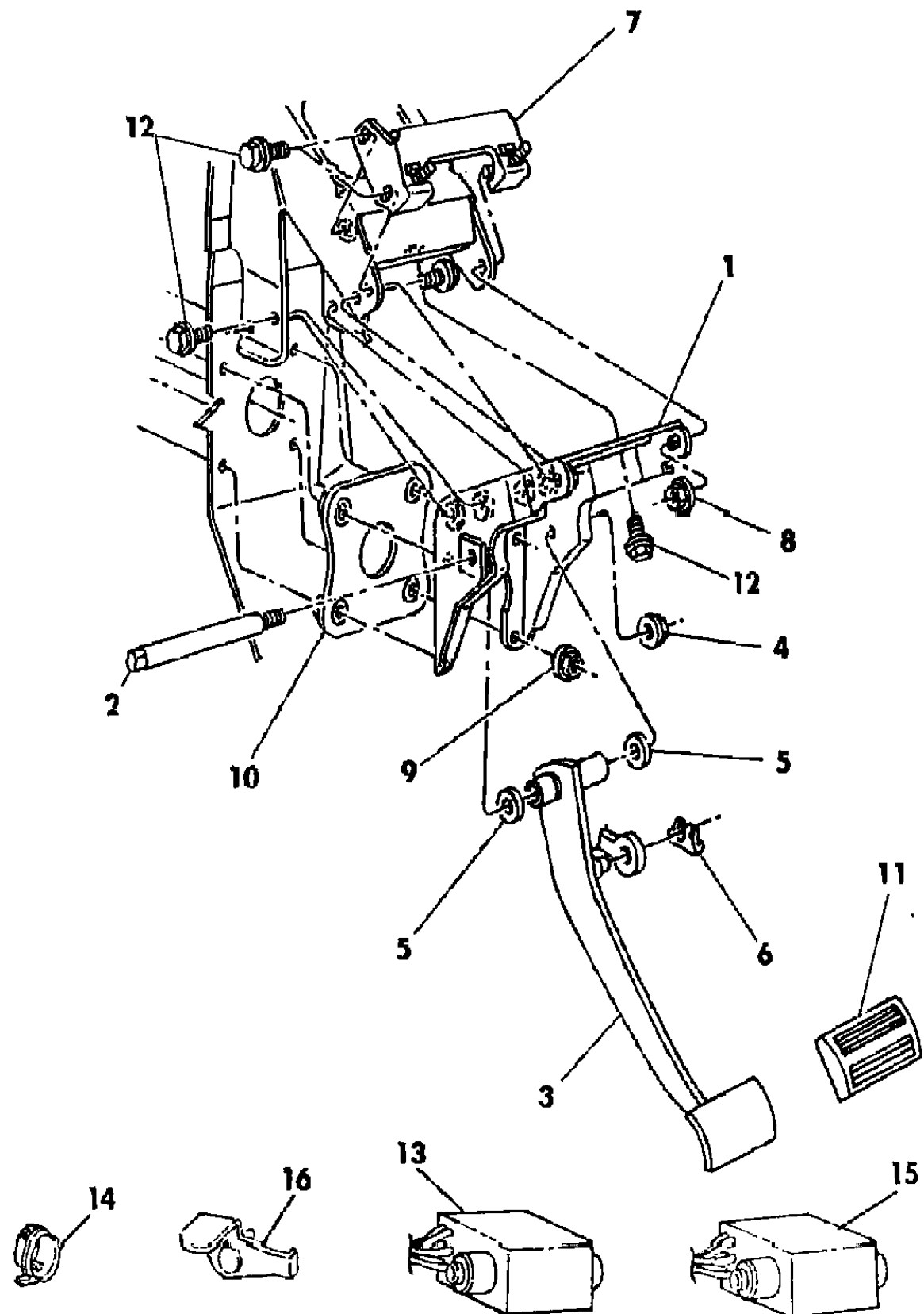
52-53 = FWD WAGON

AR = Use as Required - = Non Illustrated Part P.A.R. = Paint as Required

PEDAL, BRAKE (S BODY)

Figure 5-500

7105 500C



ITEM	PART NUMBER	QTY	BODY	MODEL	DESCRIPTION
1	4294 698	1			BRACKET, Brake Pedal
2	3880 452	1			SHAFT, Pivot, w/Auto. Trans.
	3880 453	1			w/Manual Trans.
3	4294 005	1			PEDAL, Brake, w/Auto. Trans.
	4294 006	1			w/Manual Trans.
4	6500 197	1			NUT
5	2467 770	2			BUSHING, Brake Pedal
6	4294 036	1			CLIP, Brake Pedal Booster Push Rod Pin
7	3880 463	1			BRACE, Brake Pedal Brkt. to Strg. Column Support
8	6100 051	2			NUT and WASHER
9	6100 050	4			NUT and WASHER
10	4294 008	1			SPACER, Brake Pedal Brkt. to Dash Pnl.
11	4019 660	1			PAD, Brake Pedal, w/Auto. Trans.
	4019 715	1			w/Manual Trans.
12		AR			SCREW and WASHER, (Not Serv.)
13	4373 147	1			SWITCH, Stop Lamp and Speed Control
14	6031 704	1			CLIP, Stop Lamp Sw. to Brkt.
15	4221 760	1			SWITCH, Parking Brake
16	4221 488	1			STRIKER, Stop Lamp Sw.

MODEL CODES

E BODY = (J - CARAVELLE)(E - 600)(T - NEW YORKER)

G BODY = (V24 - DAYTONA)

H BODY = (D44 - LANCER)(C44 - LEBARON GTS)

J BODY = (C - LEBARON)

K BODY = (P - RELIANT)(D - ARIES)(C - LEBAROND)/TOWN & COUNTRY)

L BODY = (M - HORIZON/TURISMO)(Z - OMNI/CHARGER)

M BODY = (B - GRAN FURY)(F - FIFTH AVE/NEWPORT)(G - DIPLOMAT)

P BODY = (P - SUNDANCE)(D - SHADOW)

S BODY = (H - VOYAGER)(K - RAM VAN/CARAVAN)

BODY STYLES

12-13 = FWD VAN

21 = 2-DOOR SEDAN

24 = 2-DOOR HATCHBACK

27 = 2-DOOR CONVERTIBLE

41 = 4-DOOR SEDAN

44 = 4-DOOR HATCHBACK

45 = 4-DOOR STATION WAGON

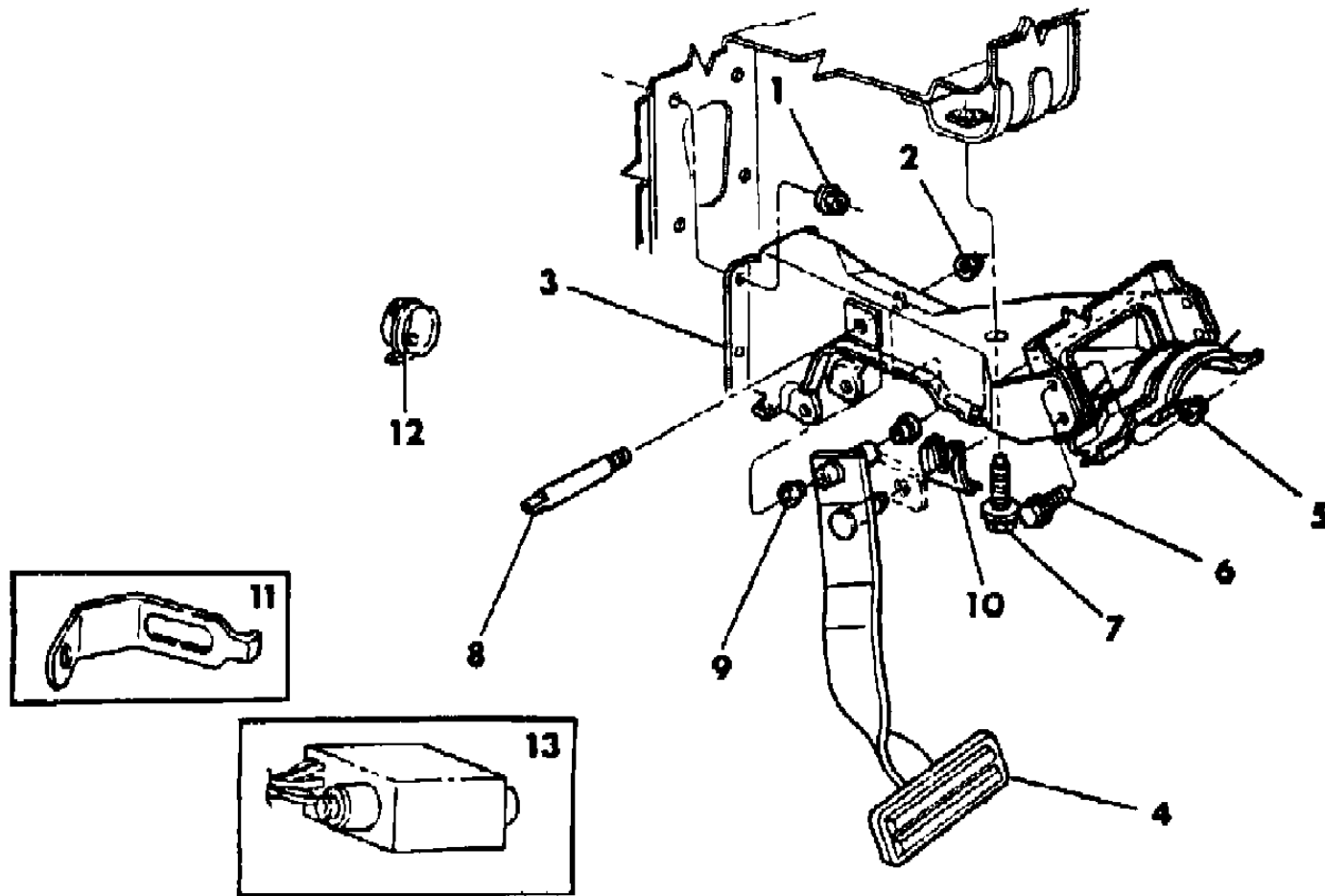
52-53 = FWD WAGON

AR = Use as Required - = Non Illustrated Part P.A.R. = Paint as Required

PEDAL, BRAKE (M BODY)
Figure 5-600

7105 800 D

ITEM	PART NUMBER	QTY	BODY	MODEL	DESCRIPTION
1	0118 614	4			NUT and WASHER
2	6023 035	1			NUT
3	4019 745	1			BRACKET, Brake Pedal
4	4019 657	1			PEDAL, Brake, w/Auto. Trans.
	4019 660	1			PAD, Brake Pedal, w/Auto. Trans.
5	0118 614	4			NUT and WASHER
6	0181 088	4			SCREW and WASHER
7	0181 086	AR			SCREW and WASHER
8	3748 703	1			SHAFT, Brake Pedal Pivot, w/Auto. Trans.
9	2467 770	2			BUSHING, Brake Booster Lever Hub
10	4294 036	1			CLIP
11	4221 632	1			BRACKET, Stop Lamp Sw.
12	6031 704	1			CLIP, Stop Lamp Sw. to Brkt.
13	4221 980	1			SWITCH, Stop Lamp and Speed Control
	4221 979	1			SWITCH, Stop Lamp



MODEL CODES

E BODY = (J - CARAVELLE)(E - 600)(T - NEW YORKER)

G BODY = (V24 - DAYTONA)

H BODY = (D44 - LANCER)(C44 - LEBARON GTS)

J BODY = (C - LEBARON)

K BODY = (P - RELIANT)(D - ARIES)(C - LEBAROND)/TOWN & COUNTRY)

L BODY = (M - HORIZON/TURISMO)(Z - OMNI/CHARGER)

M BODY = (B - GRAN FURY)(F - FIFTH AVE/NEWPORT)(G - DIPLOMAT)

P BODY = (P - SUNDANCE)(D - SHADOW)

S BODY = (H - VOYAGER)(K - RAM VAN/CARAVAN)

BODY STYLES

12-13 = FWD VAN

21 = 2-DOOR SEDAN

24 = 2-DOOR HATCHBACK

27 = 2-DOOR CONVERTIBLE

41 = 4-DOOR SEDAN

44 = 4-DOOR HATCHBACK

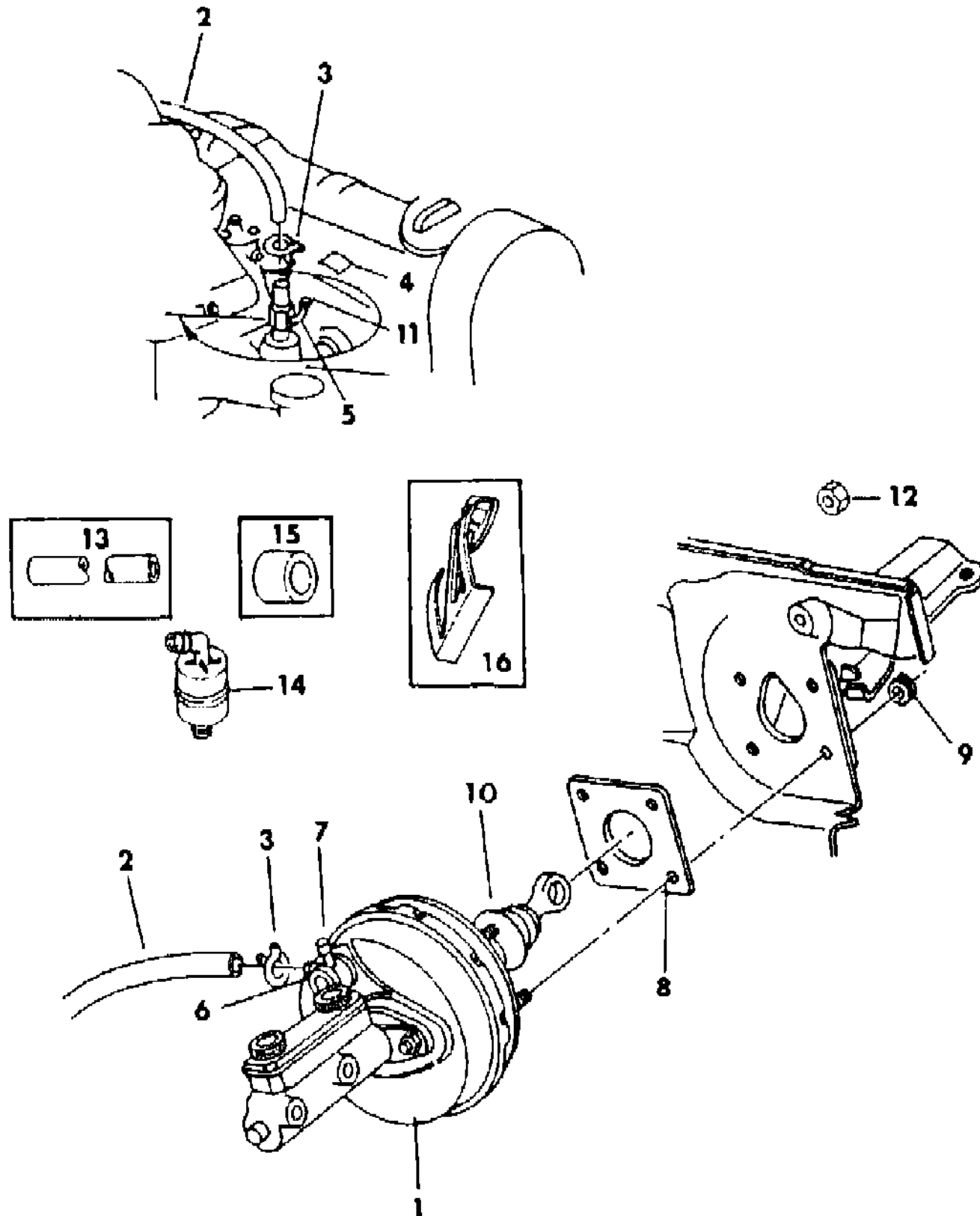
45 = 4-DOOR STATION WAGON

52-53 = FWD WAGON

AR = Use as Required - = Non Illustrated Part P.A.R. = Paint as Required

**BOOSTER, POWER BRAKE (L BODY)
Figure 5-700**

7105 700 A



ITEM	PART NUMBER	QTY	BODY	MODEL	DESCRIPTION
1	4342 707	1			BOOSTER, Brake, 200mm (Bendix)
2	3879 277	AR			HOSE, .34 I.D., 50 Ft. Roll
	4267 340	AR			.341 I.D. Hypalon
	4095 681	AR			.025 I.D., 50 Ft. Roll
	4026 511	AR			.145 I.D., 50 Ft. Roll
3	3880 431	1			20" Long
	2448 761	2			CLAMP
4	3580 170	1			CAP, (Bendix)
	4294 232	1			CAP, (Teves)
5	3580 172	1			CAP, Isolator, w/A.C.
	4094 139	1			CONNECTOR, 2 Way
	4094 872	1			5 Way
6	4026 117	1			7 Way
	4041 228	1			1 Way w/plug, P/Brk. Vac. Line
	5240 798	1			1 Way, Vacuum Control
7	4271 382	1			VALVE and GROMMET PACKAGE, Brake Booster Check (Bendix)
	4294 230	1			VALVE, (Teves)
	4294 229	1			GROMMET, (Teves)
8	3880 044	1			CAP, Brake Booster Check Valve, Large (Bendix)
9	5204 061	1			GASKET
10	6100 050	AR			NUT
	4294 158	1			BOOT, Brake Booster Push Rod (Bendix)
11	4294 228	1			BOOT, Brake Booster Push Rod (Teves)
	3580 171	1			CAP, Tube 3/16" I.D. (Bendix)
12	4294 231	1			CAP, Tube 3/16" I.D. (Teves)
	6500 230	2			NUT, Booster to Master Cyl.
13	4095 681	AR			HOSE, .025 I.D., 50 Ft. Roll
14	4397 925	1			FILTER, Vac. Hose
15	3880 050	1			MUFFLER, Booster Vac. Hose Filter
16	4294 036	1			CLIP, Push Rod Pin

MODEL CODES

E BODY = (J - CARAVELLE)(E - 600)(T - NEW YORKER)

G BODY = (V24 - DAYTONA)

H BODY = (D44 - LANCER)(C44 - LEBARON GTS)

J BODY = (C - LEBARON)

K BODY = (P - RELIANT)(D - ARIES)(C - LEBAROND)/TOWN & COUNTRY)

L BODY = (M - HORIZON/TURISMO)(Z - OMNI/CHARGER)

M BODY = (B - GRAN FURY)(F - FIFTH AVE/NEWPORT)(G - DIPLOMAT)

P BODY = (P - SUNDANCE)(D - SHADOW)

S BODY = (H - VOYAGER)(K - RAM VAN/CARAVAN)

BODY STYLES

12-13 = FWD VAN

21 = 2-DOOR SEDAN

24 = 2-DOOR HATCHBACK

27 = 2-DOOR CONVERTIBLE

41 = 4-DOOR SEDAN

44 = 4-DOOR HATCHBACK

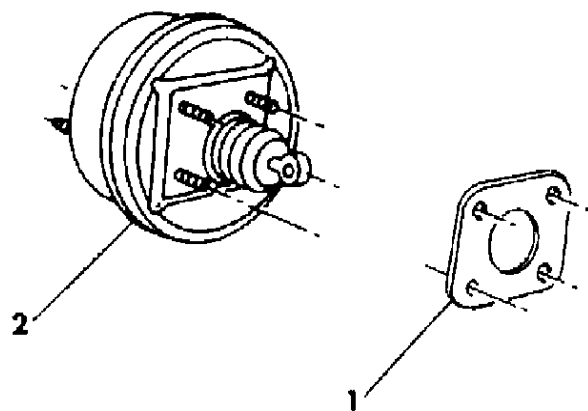
45 = 4-DOOR STATION WAGON

52-53 = FWD WAGON

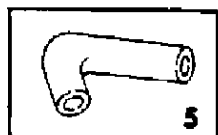
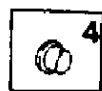
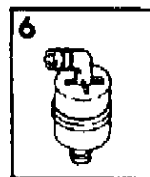
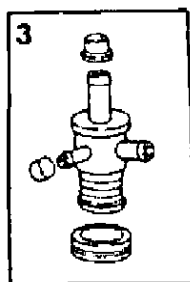
AR = Use as Required - = Non Illustrated Part P.A.R. = Paint as Required

**BOOSTER, POWER BRAKE (P BODY)
Figure 5-750**

7105 750



ITEM	PART NUMBER	QTY	BODY	MODEL	DESCRIPTION
1	3699 447	1			GASKET, Brake Booster Mtg.
2	4294 189	1			BOOSTER, Brake, w/Manual Trans., 230mm (Bendix)
	4294 289	1			w/Manual Trans., 230mm (Teves)
	4342 709	1			w/Manual and Auto. Trans., 200mm (Teves)
	3880 006	1			BOOT, Brake Booster Push Rod (Bendix)
3	4294 228	1			BOOT, Brake Booster Push Rod (Teves)
	4271 382	1			VALVE and GROMMET PACKAGE, Brake Booster Check (Bendix)
	4294 230	1			VALVE, Brake Booster Check (Teves)
4	4294 229	1			GROMMET, Brake Booster Check Valve (Teves)
	3880 044	1			CAP, Brake Booster Check Valve, Large (Bendix)
	4294 231	1			CAP, Brake Booster Check Valve, Large (Teves)
	4294 232	1			CAP, Brake Booster Check Valve, Small (Teves)
5	4294 569	1			HOSE, Brake Booster to Filter
	4294 704	1			Shelby
6	4397 925	1			FILTER, Brake Booster Vac. Hose



MODEL CODES

E BODY = (J - CARAVELLE)(E - 600)(T - NEW YORKER)

G BODY = (V24 - DAYTONA)

H BODY = (D44 - LANCER)(C44 - LEBARON GTS)

J BODY = (C - LEBARON)

K BODY = (P - RELIANT)(D - ARIES)(C - LEBAROND)/TOWN & COUNTRY)

L BODY = (M - HORIZON/TURISMO)(Z - OMNI/CHARGER)

M BODY = (B - GRAN FURY)(F - FIFTH AVE/NEWPORT)(G - DIPLOMAT)

P BODY = (P - SUNDANCE)(D - SHADOW)

S BODY = (H - VOYAGER)(K - RAM VAN/CARAVAN)

BODY STYLES

12-13 = FWD VAN

21 = 2-DOOR SEDAN

24 = 2-DOOR HATCHBACK

27 = 2-DOOR CONVERTIBLE

41 = 4-DOOR SEDAN

44 = 4-DOOR HATCHBACK

45 = 4-DOOR STATION WAGON

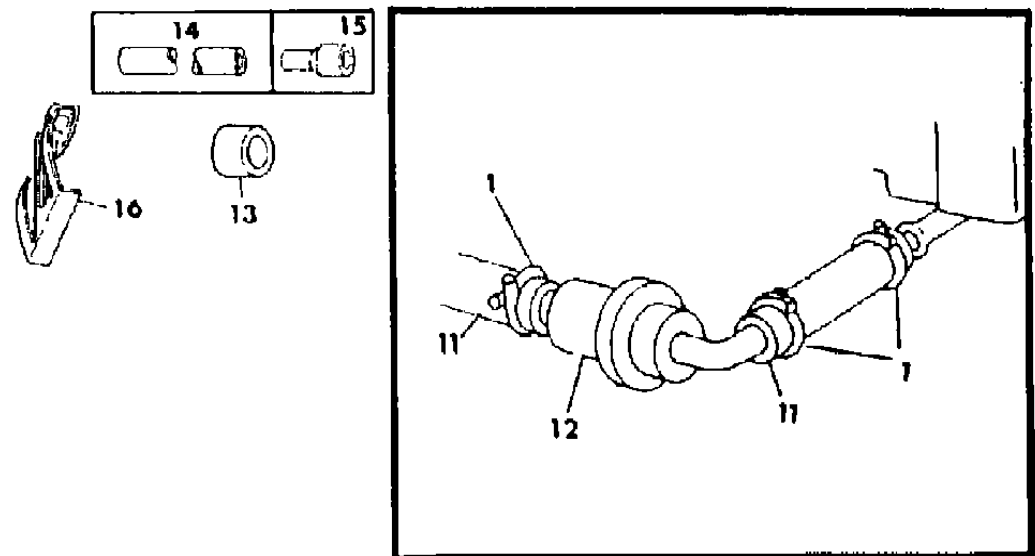
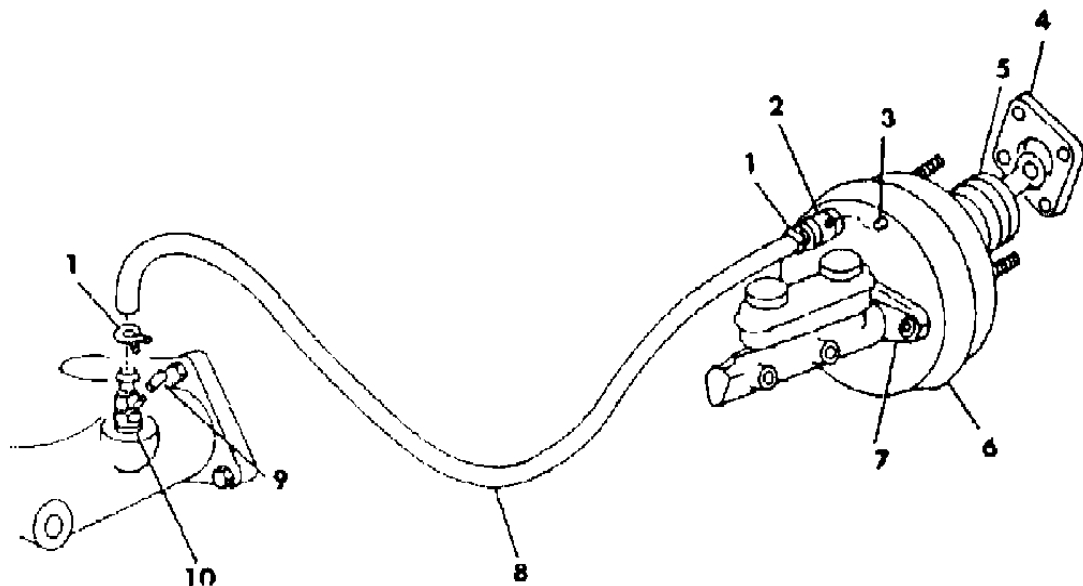
52-53 = FWD WAGON

AR = Use as Required - = Non Illustrated Part P.A.R. = Paint as Required

BOOSTER, POWER BRAKE (J,K,G,E,S BODY)

Figure 5-800

7105 800 A



ITEM	PART NUMBER	QTY	BODY	MODEL	DESCRIPTION
1	2448 761	2			CLAMP
2	4271 382	1			VALVE and GROMMET PACKAGE, Brake Booster (Bendix)
	4294 230	1			VALVE, Brake Booster Check Valve (Teves)
	4294 229	1			GROMMET, Brake Booster Check Valve (Teves)
3	3880 044	1			CAP, Brake Valve, Large (Bendix)
	4294 231	2			CAP, Brake Valve, Large (Teves)
	4294 232	1			CAP, Brake Valve, Small (Teves)
4	3699 447	1			GASKET, Brake Booster Mtg.
5	3880 006	1			BOOT, Brake Booster Push Rod (Bendix) J,K,G,E Body
	4294 228	1			BOOT, Brake Booster Push Rod (Teves)
	4294 158	1			BOOT, Brake Booster Push Rod, 270mm (Bendix) S Body
6	4294 189	1			BOOSTER, Brake w/Man. Trans., 230mm (Bendix) J,K,G Body
	4342 709	1			w/Manual and Auto. Trans., 200mm (Teves) J,K,G,E Body
	4294 536	1			w/270mm (Bendix) S Body
7	4419 944	1			w/280mm (Teves) S Body
	6500 230	2			NUT
	8	3879 277	AR		
4294 569		1			HOSE, Booster to Filter, J,K,G,E Body
3880 431		1			HOSE, Booster to Eng. Int. Manif.
4294 704		1	V-P,V-S		HOSE, Booster to Turbo Int. Manif., G Body
9	3580 171	1			CAP, Conn. Alux Tube 3/16" I.D.
	3580 170	1			1/8" I.D., S Body
10	4094 872	1			CONNECTOR, 5 Way
	4026 117	1			7 Way
	4210 580	1			4 Way
11	4241 873	1			3 Way
	5240 798	1			1 Way
	4267 340	AR			HOSE, .341 I.D. Hypalon, 50 Ft. Roll
12	4294 401	AR			HOSE, .341 I.D. Hypalon, 50 Ft. Roll, S Body
	4397 925	1			FILTER
13	3880 050	1			MUFFLER, Booster Vac. Hose Filter
	3880 050	1			MUFFLER, A.C. Htr. Hose Eng. to Valve
14	4095 681	AR			HOSE, .025 I.D., 50 Ft. Roll
15	3847 935	1			CONNECTOR, A.C. Vac. Hose to Pwr. Brakes Booster
16	4294 036	1			CLIP, Push Rod Pin

MODEL CODES

E BODY = (J - CARAVELLE)(E - 600)(T - NEW YORKER)

G BODY = (V24 - DAYTONA)

H BODY = (D44 - LANCER)(C44 - LEBARON GTS)

J BODY = (C - LEBARON)

K BODY = (P - RELIANT)(D - ARIES)(C - LEBAROND)/TOWN & COUNTRY)

L BODY = (M - HORIZON/TURISMO)(Z - OMNI/CHARGER)

M BODY = (B - GRAN FURY)(F - FIFTH AVE/NEWPORT)(G - DIPLOMAT)

P BODY = (P - SUNDANCE)(D - SHADOW)

S BODY = (H - VOYAGER)(K - RAM VAN/CARAVAN)

BODY STYLES

12-13 = FWD VAN

21 = 2-DOOR SEDAN

24 = 2-DOOR HATCHBACK

27 = 2-DOOR CONVERTIBLE

41 = 4-DOOR SEDAN

44 = 4-DOOR HATCHBACK

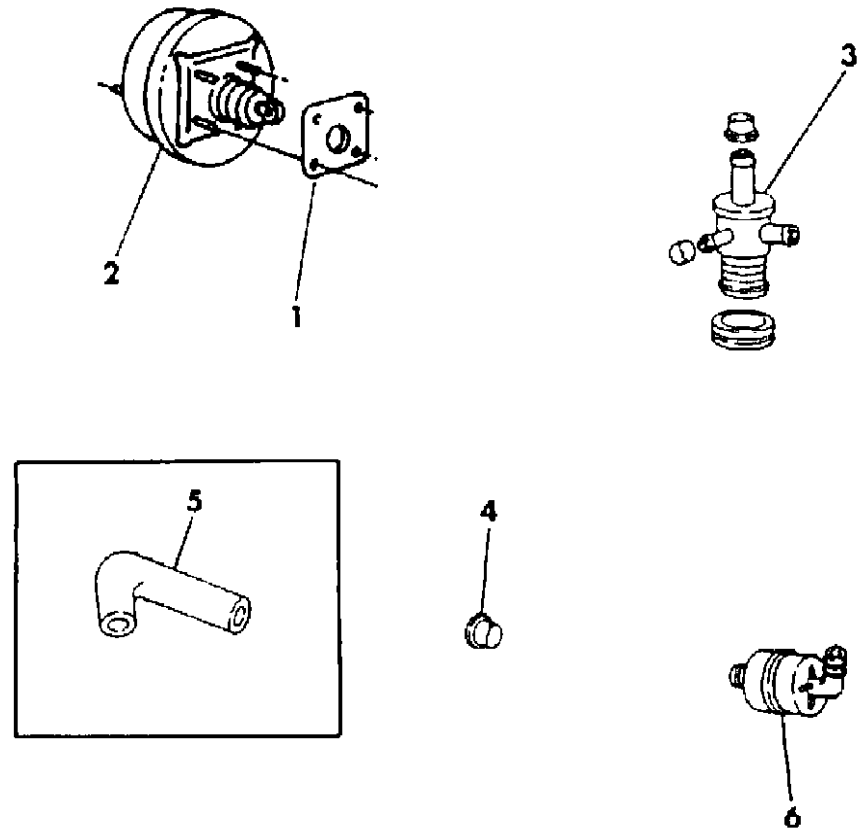
45 = 4-DOOR STATION WAGON

52-53 = FWD WAGON

AR = Use as Required - = Non Illustrated Part P.A.R. = Paint as Required

BOOSTER, POWER BRAKE (H BODY)
Figure 5-850

7105 850



ITEM	PART NUMBER	QTY	BODY	MODEL	DESCRIPTION
1	3699 447	1			GASKET, Brake Booster Mtg.
2	4294 189	1			BOOSTER, Brake, w/Manual Trans., 230mm (Bendix)
	4342 709	1			w/Auto. Trans., 200mm (Teves)
3	4271 382	1			VALVE, Brake Booster Check (Bendix)
4	3880 044	1			CAP, Brake Booster Check Valve, Large (Bendix)
5	4294 569	1			HOSE, Brake Booster to Filler
	4294 704	1			Shelby, Booster to Turbo Int. Manif.
	4294 704	1			Shelby, Brake Booster Vac.
6	3766 429	1			FILLER, Brake Booster Vac. Hose

MODEL CODES

E BODY = (J - CARAVELLE)(E - 600)(T - NEW YORKER)

G BODY = (V24 - DAYTONA)

H BODY = (D44 - LANCER)(C44 - LEBARON GTS)

J BODY = (C - LEBARON)

K BODY = (P - RELIANT)(D - ARIES)(C - LEBAROND)/TOWN & COUNTRY)

L BODY = (M - HORIZON/TURISMO)(Z - OMNI/CHARGER)

M BODY = (B - GRAN FURY)(F - FIFTH AVE/NEWPORT)(G - DIPLOMAT)

P BODY = (P - SUNDANCE)(D - SHADOW)

S BODY = (H - VOYAGER)(K - RAM VAN/CARAVAN)

BODY STYLES

12-13 = FWD VAN

21 = 2-DOOR SEDAN

24 = 2-DOOR HATCHBACK

27 = 2-DOOR CONVERTIBLE

41 = 4-DOOR SEDAN

44 = 4-DOOR HATCHBACK

45 = 4-DOOR STATION WAGON

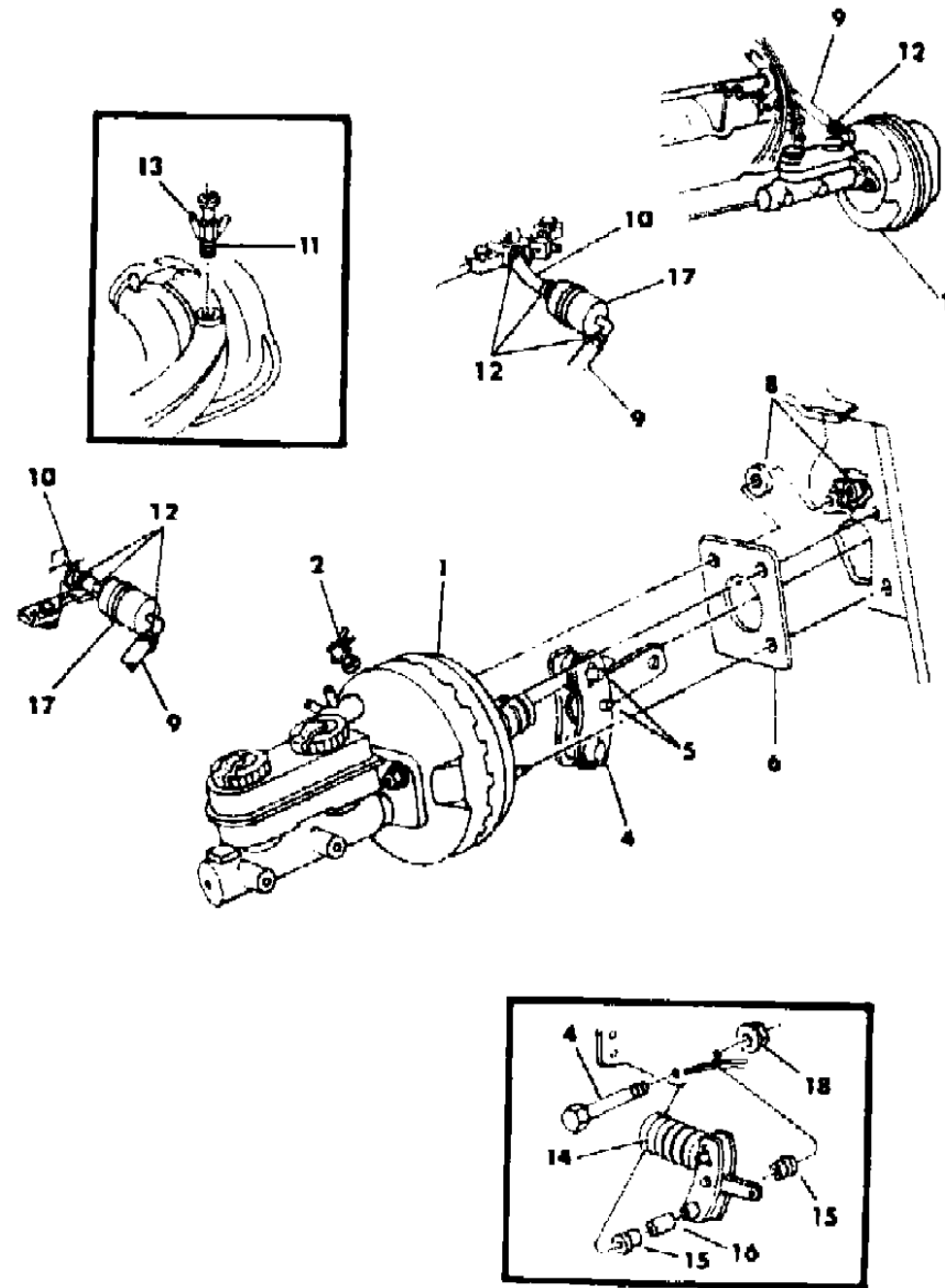
52-53 = FWD WAGON

AR = Use as Required - = Non Illustrated Part P.A.R. = Paint as Required

BOOSTER, POWER BRAKE (M BODY)

Figure 5-900

7105 900 A



ITEM	PART NUMBER	QTY	BODY	MODEL	DESCRIPTION
1	3880 348	1			BOOSTER, Brake
2	3420 973	1			VALVE and GROMMET PACKAGE, Vac. Check (Bendix)
4	6028 165	1			BOLT, Brake Booster Lever Hub
5					PIN, Serviced w/Booster
6	3699 447	1			GASKET, Brake Booster Mtg.
8	0118 614	AR			NUT
9	3879 277	1			HOSE, Brake Booster to Filter
10	4267 340	1			HOSE, Filter to Carb.
	4095 681	AR			.025 I.D., 50 Ft. Roll
11	4210 580	1			CONNECTOR, 4 Way, w/Caps
	4026 117	1			7 Way, w/Caps
12	2448 761	AR			CLAMP, Hose Mounting
13	3580 171	1			CAP, Conn. Aux Tube, 3/16" I.D.
	3580 172	1			1/4" I.D.
14	3766 073	1			BOOT, Push Rod (Bendix)
15	2467 770	2			BUSHING, Brake Pedal
16	2534 227	1			SLEEVE, Brake Booster Lever Hub
17	4397 925	1			FILTER
18	6023 035	AR			NUT

MODEL CODES

E BODY = (J - CARAVELLE)(E - 600)(T - NEW YORKER)

G BODY = (V24 - DAYTONA)

H BODY = (D44 - LANCER)(C44 - LEBARON GTS)

J BODY = (C - LEBARON)

K BODY = (P - RELIANT)(D - ARIES)(C - LEBAROND)/TOWN & COUNTRY)

L BODY = (M - HORIZON/TURISMO)(Z - OMNI/CHARGER)

M BODY = (B - GRAN FURY)(F - FIFTH AVE/NEWPORT)(G - DIPLOMAT)

P BODY = (P - SUNDANCE)(D - SHADOW)

S BODY = (H - VOYAGER)(K - RAM VAN/CARAVAN)

BODY STYLES

12-13 = FWD VAN

21 = 2-DOOR SEDAN

24 = 2-DOOR HATCHBACK

27 = 2-DOOR CONVERTIBLE

41 = 4-DOOR SEDAN

44 = 4-DOOR HATCHBACK

45 = 4-DOOR STATION WAGON

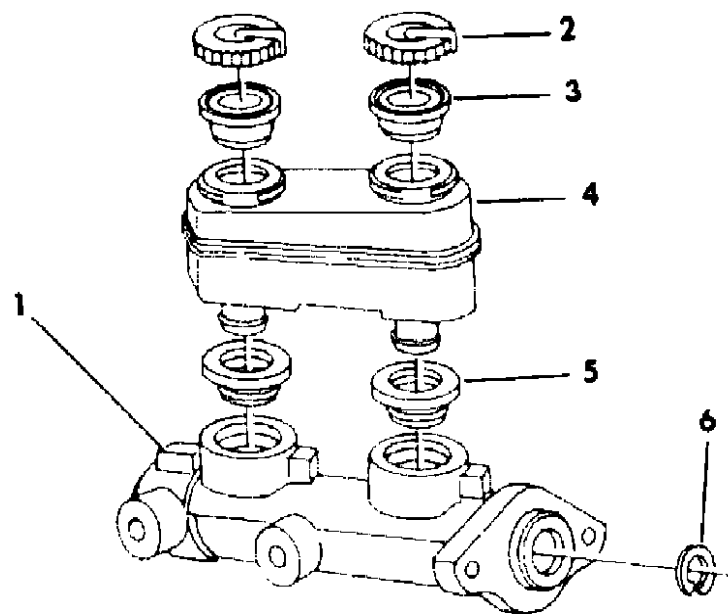
52-53 = FWD WAGON

AR = Use as Required - = Non Illustrated Part P.A.R. = Paint as Required

MASTER CYLINDER, BRAKE (L,J,K,G,E,H,S BODY)

Figure 5-1000

7105 1000



WITH POWER DISC BRAKES

ITEM	PART NUMBER	QTY	BODY	MODEL	DESCRIPTION
1					MASTER CYLINDER
	4294 268	1	LJKGE		
	4294 268	1	H		w/o Shelby
	4294 514	1	H		w/Shelby
	4294 514	1	G	V-P,V-S	w/4 Wheel Disc Brakes
	4294 152	1	S		
2	5204 056	2			CAP, Master Cyl. Reservoir
3	5204 057	2			DIAPHRAGM, Master Cyl. Reservoir Cap
4					RESERVOIR, Master Cylinder
	3766 498	1	LJKGEH		
	4294 482	1	G	V-P,V-S	w/4 Wheel Disc Brakes
	4294 045	1	S		w/o Fluid Wdo.
	3880 368	1	S		w/o Fluid Wdo.
	4294 032	1	S		w/Fluid Wdo.
-	3880 450	1	J		SENSOR, Brake Master Cyl. Reservoir Fluid
5	5204 149	2			GROMMET, Reservoir Mtg.
6	6101 181	1			STOP, Snap Ring

MODEL CODES

E BODY = (J - CARAVELLE)(E - 600)(T - NEW YORKER)

G BODY = (V24 - DAYTONA)

H BODY = (D44 - LANCER)(C44 - LEBARON GTS)

J BODY = (C - LEBARON)

K BODY = (P - RELIANT)(D - ARIES)(C - LEBAROND)/TOWN & COUNTRY)

L BODY = (M - HORIZON/TURISMO)(Z - OMNI/CHARGER)

M BODY = (B - GRAN FURY)(F - FIFTH AVE/NEWPORT)(G - DIPLOMAT)

P BODY = (P - SUNDANCE)(D - SHADOW)

S BODY = (H - VOYAGER)(K - RAM VAN/CARAVAN)

BODY STYLES

12-13 = FWD VAN

21 = 2-DOOR SEDAN

24 = 2-DOOR HATCHBACK

27 = 2-DOOR CONVERTIBLE

41 = 4-DOOR SEDAN

44 = 4-DOOR HATCHBACK

45 = 4-DOOR STATION WAGON

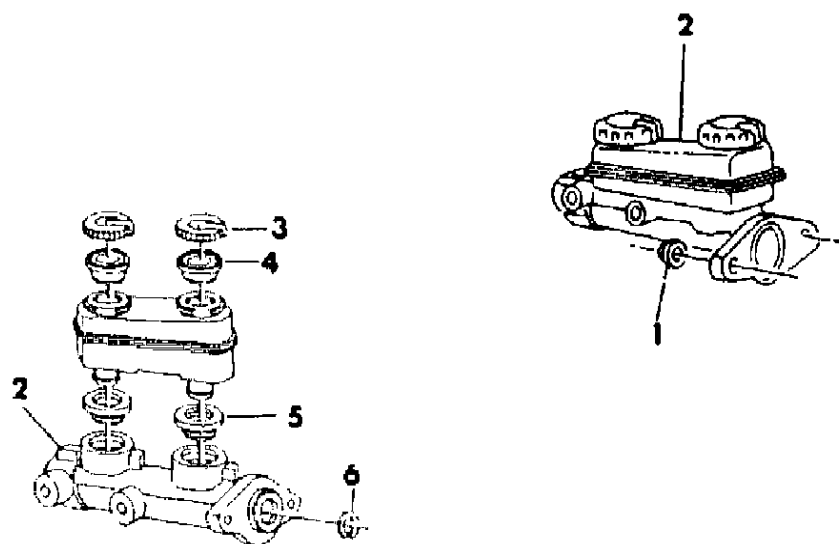
52-53 = FWD WAGON

AR = Use as Required - = Non Illustrated Part P.A.R. = Paint as Required

MASTER CYLINDER, BRAKE (P BODY)

Figure 5-1050

7105 1050



ITEM	PART NUMBER	QTY	BODY	MODEL	DESCRIPTION
1	6500 230	2			NUT and WASHER
2	4294 268	1			MASTER CYLINDER, Brake, Complete
	4294 514	1			Shelby
3	5204 056	2			CAP, Brake Master Cyl. Reservoir
4	5204 057	2			DIAPHRAGM, Brake Master Cyl. Reservoir Cap
5	5204 149	2			GROMMET, Brake Master Cyl. Reservoir Mtg.
6	6101 181	1			STOP, Snap Ring

MODEL CODES

E BODY = (J - CARAVELLE)(E - 600)(T - NEW YORKER)

G BODY = (V24 - DAYTONA)

H BODY = (D44 - LANCER)(C44 - LEBARON GTS)

J BODY = (C - LEBARON)

K BODY = (P - RELIANT)(D - ARIES)(C - LEBAROND)/TOWN & COUNTRY)

L BODY = (M - HORIZON/TURISMO)(Z - OMNI/CHARGER)

M BODY = (B - GRAN FURY)(F - FIFTH AVE/NEWPORT)(G - DIPLOMAT)

P BODY = (P - SUNDANCE)(D - SHADOW)

S BODY = (H - VOYAGER)(K - RAM VAN/CARAVAN)

BODY STYLES

12-13 = FWD VAN

21 = 2-DOOR SEDAN

24 = 2-DOOR HATCHBACK

27 = 2-DOOR CONVERTIBLE

41 = 4-DOOR SEDAN

44 = 4-DOOR HATCHBACK

45 = 4-DOOR STATION WAGON

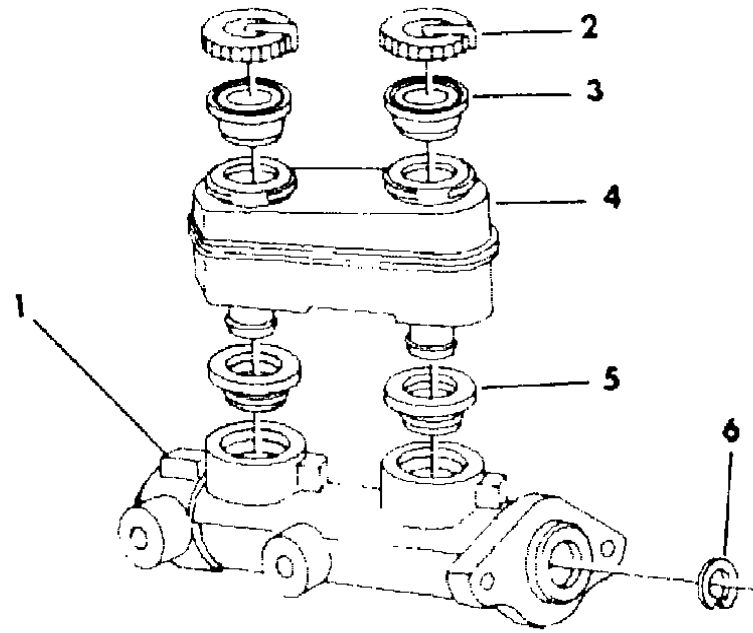
52-53 = FWD WAGON

AR = Use as Required - = Non Illustrated Part P.A.R. = Paint as Required

MASTER CYLINDER, BRAKE (M BODY)
Figure 5-1100

7105 1100

ITEM	PART NUMBER	QTY	BODY	MODEL	DESCRIPTION
1	3880 289	1			MASTER CYLINDER
2	5204 056	2			CAP
3	5204 057	2			DIAPHRAGM, Master Cyl. Reservoir Cap
4	3766 448	1			RESERVOIR, Brake Master Cyl.
5	5204 149	2			GROMMET, Reservoir Mtg.
6	6029 170	1			STOP, Brake Master Cyl. Primary Piston



WITH POWER DISC BRAKES

MODEL CODES

E BODY = (J - CARAVELLE)(E - 600)(T - NEW YORKER)

G BODY = (V24 - DAYTONA)

H BODY = (D44 - LANCER)(C44 - LEBARON GTS)

J BODY = (C - LEBARON)

K BODY = (P - RELIANT)(D - ARIES)(C - LEBAROND)/TOWN & COUNTRY)

L BODY = (M - HORIZON/TURISMO)(Z - OMNI/CHARGER)

M BODY = (B - GRAN FURY)(F - FIFTH AVE/NEWPORT)(G - DIPLOMAT)

P BODY = (P - SUNDANCE)(D - SHADOW)

S BODY = (H - VOYAGER)(K - RAM VAN/CARAVAN)

BODY STYLES

12-13 = FWD VAN

21 = 2-DOOR SEDAN

24 = 2-DOOR HATCHBACK

27 = 2-DOOR CONVERTIBLE

41 = 4-DOOR SEDAN

44 = 4-DOOR HATCHBACK

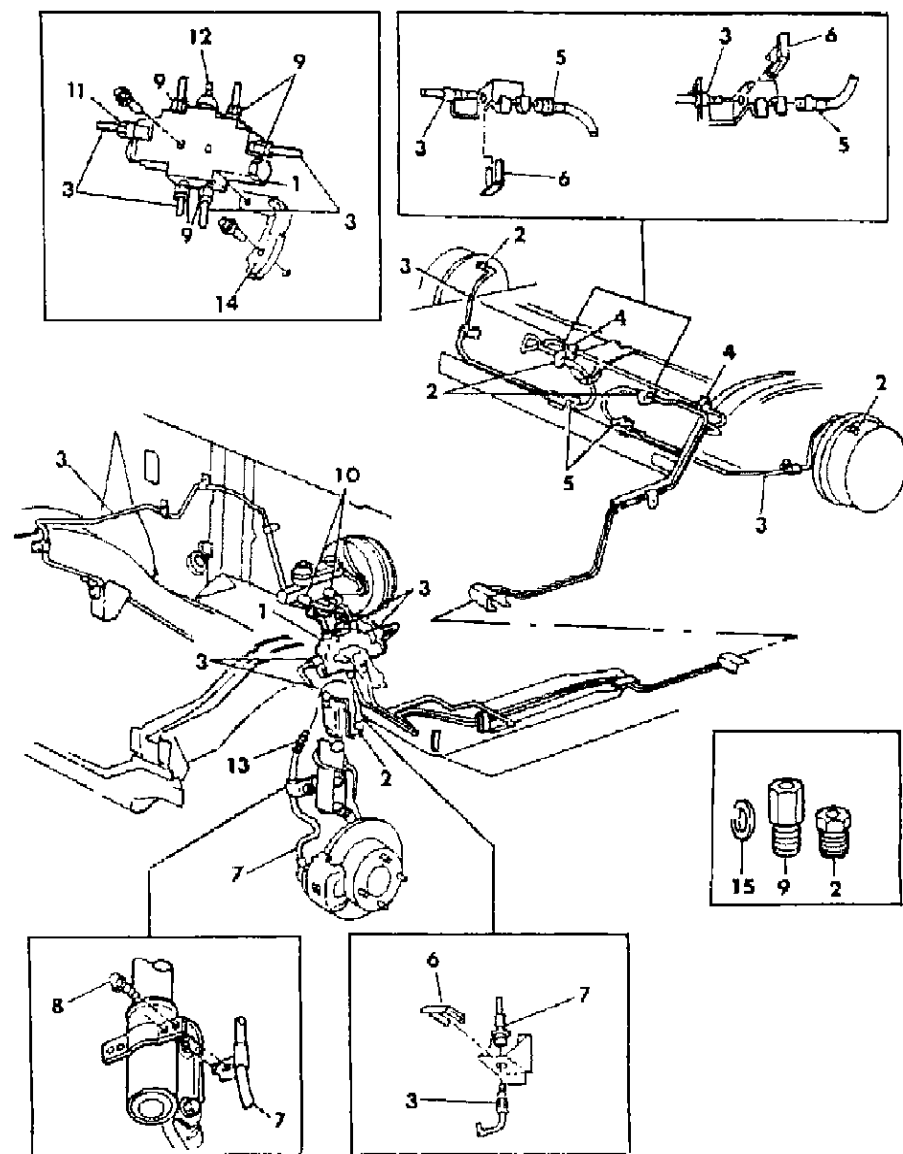
45 = 4-DOOR STATION WAGON

52-53 = FWD WAGON

AR = Use as Required - = Non Illustrated Part P.A.R. = Paint as Required

LINES AND HOSES, BRAKE (L BODY)
Figure 5-1200

7105 1200A



ITEM	PART NUMBER	QTY	BODY	MODEL	DESCRIPTION
1	4313 266	1			VALVE, Brake Diff., w/Proportioners
2	6029 113	AR			NUT
3	1843 251	AR			TUBING, Brake, 3/16" O.D., 25 Ft. Roll
4	2123 341	2			CLIP, Rear Tubes to Frt. Cross Member
5	5204 264	2			HOSE, Rear Brake
6	2208 893	2			LOCK, Frt. and Rear Wheel Brake Hose
7	4313 772-3	1			HOSE, Front Brake
8	6100 557	2			SCREW and WASHER
9	6029 113	AR			NUT
10	6029 113	AR			NUT
11	6031 714	AR			NUT
12	3620 790	1			SWITCH, Brake System Indicator Lamp
13	3879 283	AR			COVER, Wire, 3/16" O.D. Tubing, 25 Ft. Roll
	4026 140	AR			3/8" O.D. Tubing
14	4313 632	1			BRACKET, Valve Mtg.
15	6030 084	AR			GASKET, Inlet Hose
	6030 230	2			BOLT, Frt. Whl. Brk. Hose to Caliper

MODEL CODES

E BODY = (J - CARAVELLE)(E - 600)(T - NEW YORKER)

G BODY = (V24 - DAYTONA)

H BODY = (D44 - LANCER)(C44 - LEBARON GTS)

J BODY = (C - LEBARON)

K BODY = (P - RELIANT)(D - ARIES)(C - LEBAROND)/TOWN & COUNTRY)

L BODY = (M - HORIZON/TURISMO)(Z - OMNI/CHARGER)

M BODY = (B - GRAN FURY)(F - FIFTH AVE/NEWPORT)(G - DIPLOMAT)

P BODY = (P - SUNDANCE)(D - SHADOW)

S BODY = (H - VOYAGER)(K - RAM VAN/CARAVAN)

BODY STYLES

12-13 = FWD VAN

21 = 2-DOOR SEDAN

24 = 2-DOOR HATCHBACK

27 = 2-DOOR CONVERTIBLE

41 = 4-DOOR SEDAN

44 = 4-DOOR HATCHBACK

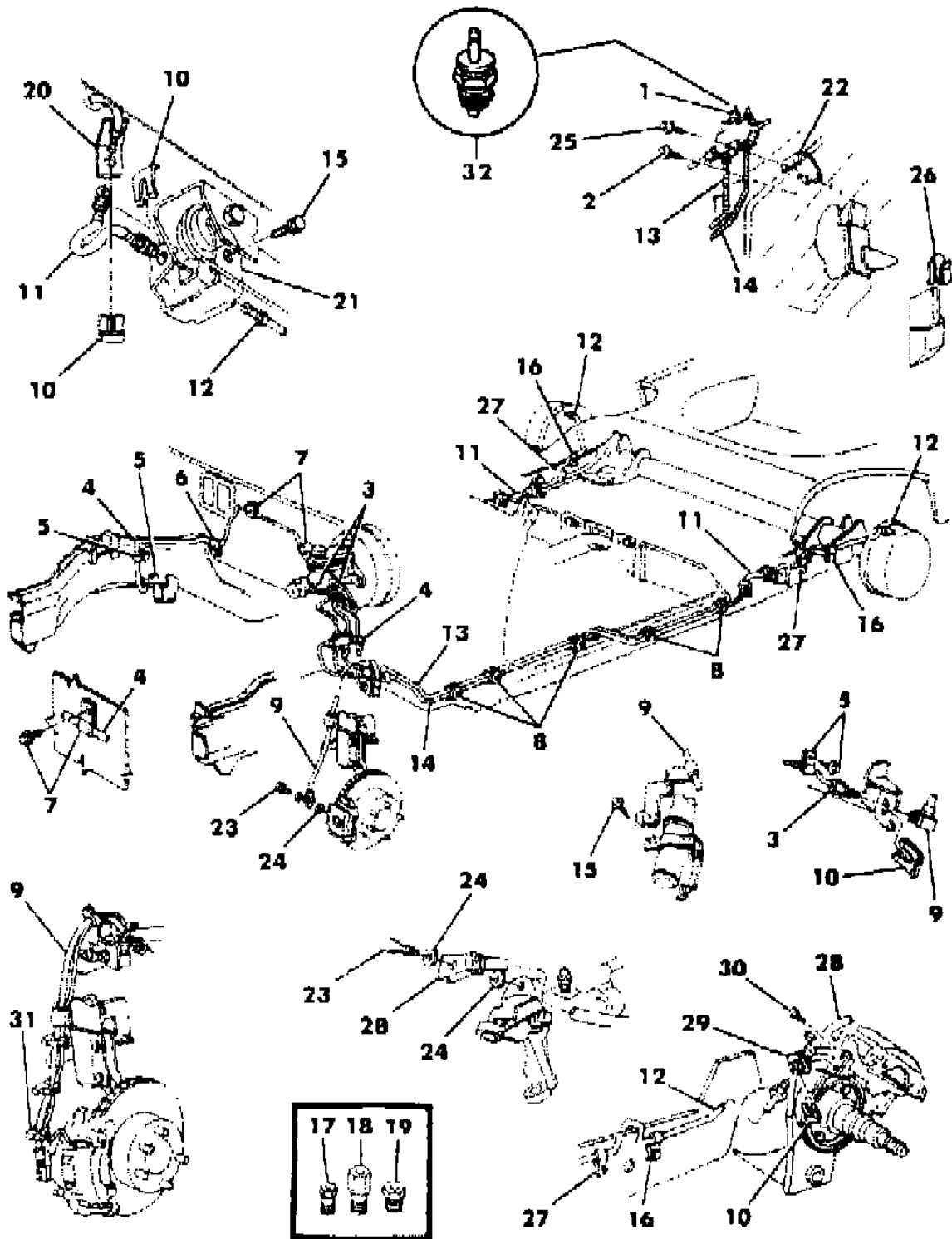
45 = 4-DOOR STATION WAGON

52-53 = FWD WAGON

AR = Use as Required - = Non Illustrated Part P.A.R. = Paint as Required

LINE AND HOSES, BRAKE (P,J,K,G,E,H BODY)
Figure 5-1300

7105 1300 8



ITEM	PART NUMBER	QTY	BODY	MODEL	DESCRIPTION
1		1			VALVE, Brake Diff.
	4313 054	1	K	P,D-21	
	4238 588	1	K	P,D,C-4	
	4238 588	1	G	V-H	
	4397 915	1	G	V-P,V-S	w/Rear Disc Brakes
	4313 054	1	P	P-L,D-L	
	4313 266	1	P	P-H,D-H	
	4313 031	1	E		
	4313 029	1	H		
	4397 915	1	H		Shelby
	4313 266	1	J		
2		AR			SCREW, (Not Serv.)
3	1843 251	AR			TUBING, Brake 3/16" O.D., 25 Ft. Roll
	3879 283	AR			COVER, 3/16" Tubing, 25 Ft. Roll
4	1843 251	AR			TUBING, Brake 3/16" O.D., 25 Ft. Roll
5					CLIP, w/Screw (Not Serv.)
6					CLIP, w/Screw (Not Serv.)
7					CLIP, w/Screw (Not Serv.)
8	3766 495	6			CLIP
9	4313 630-1	1			HOSE, Frt. Whl. Brk.
10	2208 893	6			LOCK, Frt. and Rear Brake Hose
11	4313 153	2			HOSE, Rear Wheel Brake
	4467 404-5	1	H		Shelby, w/Rear Wheel Disc Brakes
12	1843 251	AR			TUBING, Brake 3/16" O.D., 25 Ft. Roll
	4467 406-7	1	PH		Shelby
13	1843 251	AR			TUBING, Brake 3/16" O.D., 25 Ft. Roll
14	1843 251	AR			TUBING, Brake 3/16" O.D., 25 Ft. Roll
15	6100 557	2			SCREW, w/Washer
16	0181 063	AR			SCREW
17	6029 113	AR			NUT, 3/8-24" Thd.
	6100 509	AR	H		Shelby
18	6029 113	AR			NUT, 3/8-24" Thd., Long Hex.
19	6031 714	AR			NUT, 7/16-24" Thd.
20	4314 268	1			BRACKET, Rear Floor Pan Rail Brake
21	4313 286-7	1			BRACKET, Rear Wheel Brake Hose
22	4238 626	1			BRACKET, Brake Valve Mtg.
23	6030 230	2			BOLT
24	6030 084	4			WASHER, Brake Hose

MODEL CODES

E BODY = (J - CARAVELLE)(E - 600)(T - NEW YORKER)

G BODY = (V24 - DAYTONA)

H BODY = (D44 - LANCER)(C44 - LEBARON GTS)

J BODY = (C - LEBARON)

K BODY = (P - RELIANT)(D - ARIES)(C - LEBAROND)/TOWN & COUNTRY)

L BODY = (M - HORIZON/TURISMO)(Z - OMNI/CHARGER)

M BODY = (B - GRAN FURY)(F - FIFTH AVE/NEWPORT)(G - DIPLOMAT)

P BODY = (P - SUNDANCE)(D - SHADOW)

S BODY = (H - VOYAGER)(K - RAM VAN/CARAVAN)

BODY STYLES

12-13 = FWD VAN

21 = 2-DOOR SEDAN

24 = 2-DOOR HATCHBACK

27 = 2-DOOR CONVERTIBLE

41 = 4-DOOR SEDAN

44 = 4-DOOR HATCHBACK

45 = 4-DOOR STATION WAGON

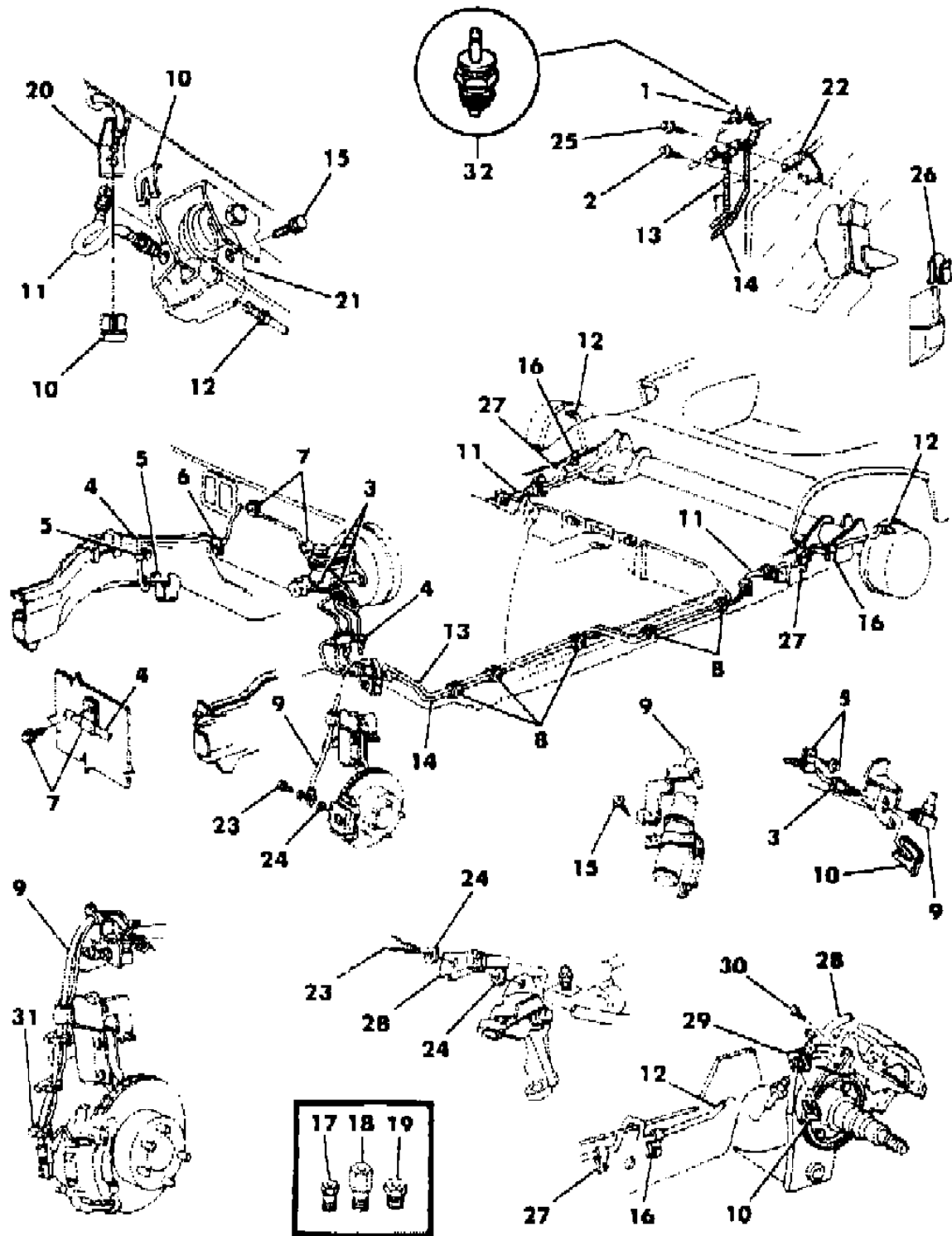
52-53 = FWD WAGON

AR = Use as Required - = Non Illustrated Part P.A.R. = Paint as Required

LINES AND HOSES, BRAKE (P,J,K,G,E,H BODY)

Figure 5-1300

7105 1300 8



ITEM	PART NUMBER	QTY	BODY	MODEL	DESCRIPTION
25	0152 939	AR			SCREW
26		2			CLIP, (Not Serv.)
27	4313 848	2			CLIP
28	4383 434-5	1	G	V-P,V-S	HOSE, Rear Wheel Disc Brake
29	4313 926-7	1	G	V-P,V-S	BRACKET, Rear Wheel Disc Brake Hose
30	6100 273	4	G		SCREW and WASHER
31	6015 756	10			CLIP, Strap On
32	3620 790	1			SWITCH, Brake System Indicator Lamp

MODEL CODES

E BODY = (J - CARAVELLE)(E - 600)(T - NEW YORKER)

G BODY = (V24 - DAYTONA)

H BODY = (D44 - LANCER)(C44 - LEBARON GTS)

J BODY = (C - LEBARON)

K BODY = (P - RELIANT)(D - ARIES)(C - LEBAROND)/TOWN & COUNTRY)

L BODY = (M - HORIZON/TURISMO)(Z - OMNI/CHARGER)

M BODY = (B - GRAN FURY)(F - FIFTH AVE/NEWPORT)(G - DIPLOMAT)

P BODY = (P - SUNDANCE)(D - SHADOW)

S BODY = (H - VOYAGER)(K - RAM VAN/CARAVAN)

BODY STYLES

12-13 = FWD VAN

21 = 2-DOOR SEDAN

24 = 2-DOOR HATCHBACK

27 = 2-DOOR CONVERTIBLE

41 = 4-DOOR SEDAN

44 = 4-DOOR HATCHBACK

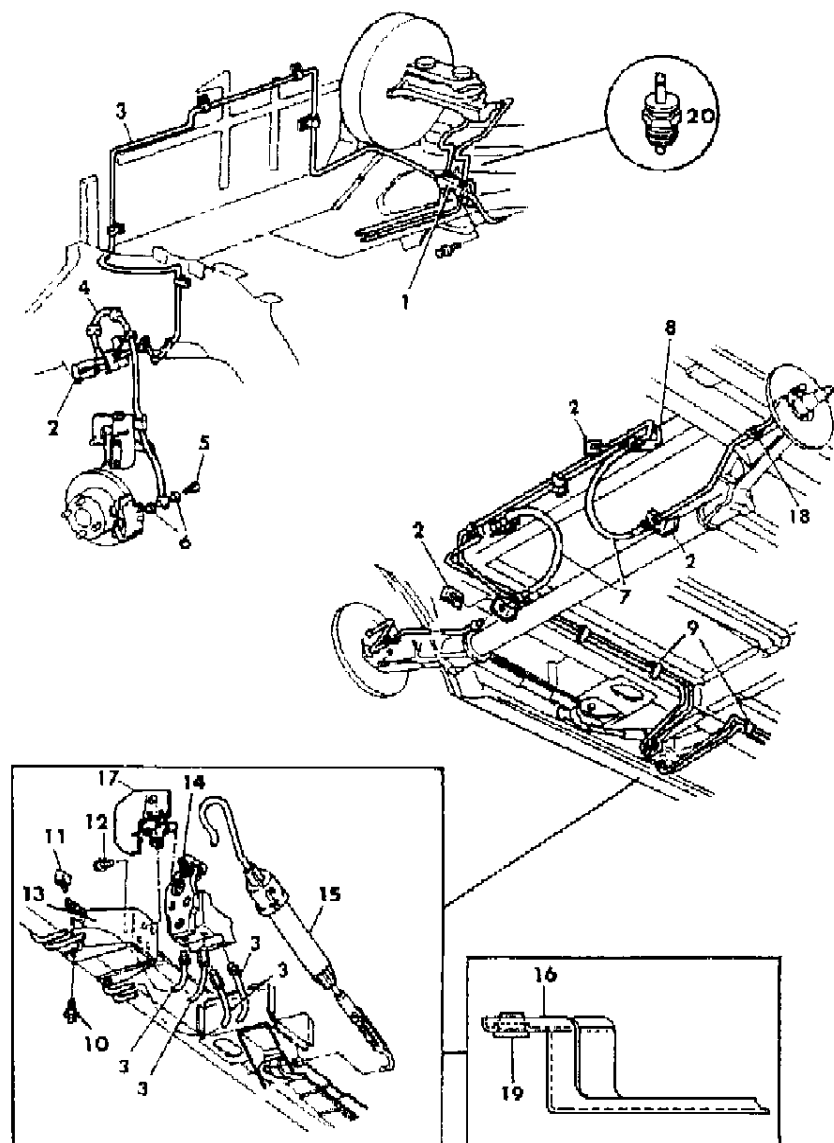
45 = 4-DOOR STATION WAGON

52-53 = FWD WAGON

AR = Use as Required - = Non Illustrated Part P.A.R. = Paint as Required

LINES AND HOSES, BRAKE (S BODY)
Figure 5-1400

7105 1400 A



ITEM	PART NUMBER	QTY	BODY	MODEL	DESCRIPTION
1	4313 031	1			VALVE, Brake Diff.
2	2208 893	6			LOCK, Frt. and Rear Brake Hose
3	1843 251	AR			TUBING, 3/16" O.D., 25 Ft. Roll
	6029 113	AR			NUT, 3/8-24
	6031 714	AR			NUT, 7/16-24
4	4313 630-1	1			HOSE, Frt.
5	6030 230	2			BOLT, Brake Hose
6	6030 084	4			GASKET, Brake Hose
7	#4313 713	2			HOSE, Rear Wheel Brake, Use on Std. W.B.
	4383 838	2			HOSE, Rear Wheel Brake, Use on Ext. W.B.
8	4313 846	2			BRACKET, Rear Wheel Brake Hose C/Member
9	3766 495	6			CLIP
10	6500 879	4			SCREW
11	6101 283	2			U-NUT
12	6100 302	2			SCREW
13	4313 938	1			BRACKET, Height Sensing Brake Valve Mtg.
14	4313 646	1			VALVE, Height Sensing Brake, Use Up to April 1987
	4383 673	1			VALVE, Height Sensing Brake, Use After April 1987
15	4313 947	1		12,52	ACTUATOR, w/Std. Susp., w/195R 75x14 Tires
	4383 697	1		13,53	Use on Extended W.B.
	4383 145	1		12,13,5	ACTUATOR, w/HD. Susp., w/195R 75, 205R 70x14 Tires
	4383 697	1		12,52	Use on Extended W.B.
	4313 947	1		12,52	ACTUATOR, w/Std. Susp. w/205R 70X14 Tires
	4313 969	1		52	ACTUATOR, w/Std. Susp. w/185R 75, 195R 75X14 Tires
	4383 586	1		53	Use on Extended W.B.
	4313 947	1		12,52	ACTUATOR, w/HD. Susp. w/195R 75X14 Tires
	4383 145	1		12,13,5	ACTUATOR, w/HD. Susp. w/205R 70X14 Tires
16	4383 245	1			BRACKET, Actuator
17	4383 421	1			SHIELD, Height Sensing Brake Valve, Use Up to Sept. 24, 1986
	4383 648	1			SHIELD, Height Sensing Brake Valve, Use After Sept. 24, 1986
18	4313 025	2			CLIP, Rear Axle Brake Tube
19	3575 333	1			GROMMET, Brake Load Sens. Actuator Rod
20	3620 790	1			SWITCH, Brake System Indicator Lamp

MODEL CODES

E BODY = (J - CARAVELLE)(E - 600)(T - NEW YORKER)

G BODY = (V24 - DAYTONA)

H BODY = (D44 - LANCER)(C44 - LEBARON GTS)

J BODY = (C - LEBARON)

K BODY = (P - RELIANT)(D - ARIES)(C - LEBAROND)/TOWN & COUNTRY)

L BODY = (M - HORIZON/TURISMO)(Z - OMNI/CHARGER)

M BODY = (B - GRAN FURY)(F - FIFTH AVE/NEWPORT)(G - DIPLOMAT)

P BODY = (P - SUNDANCE)(D - SHADOW)

S BODY = (H - VOYAGER)(K - RAM VAN/CARAVAN)

BODY STYLES

12-13 = FWD VAN

21 = 2-DOOR SEDAN

24 = 2-DOOR HATCHBACK

27 = 2-DOOR CONVERTIBLE

41 = 4-DOOR SEDAN

44 = 4-DOOR HATCHBACK

45 = 4-DOOR STATION WAGON

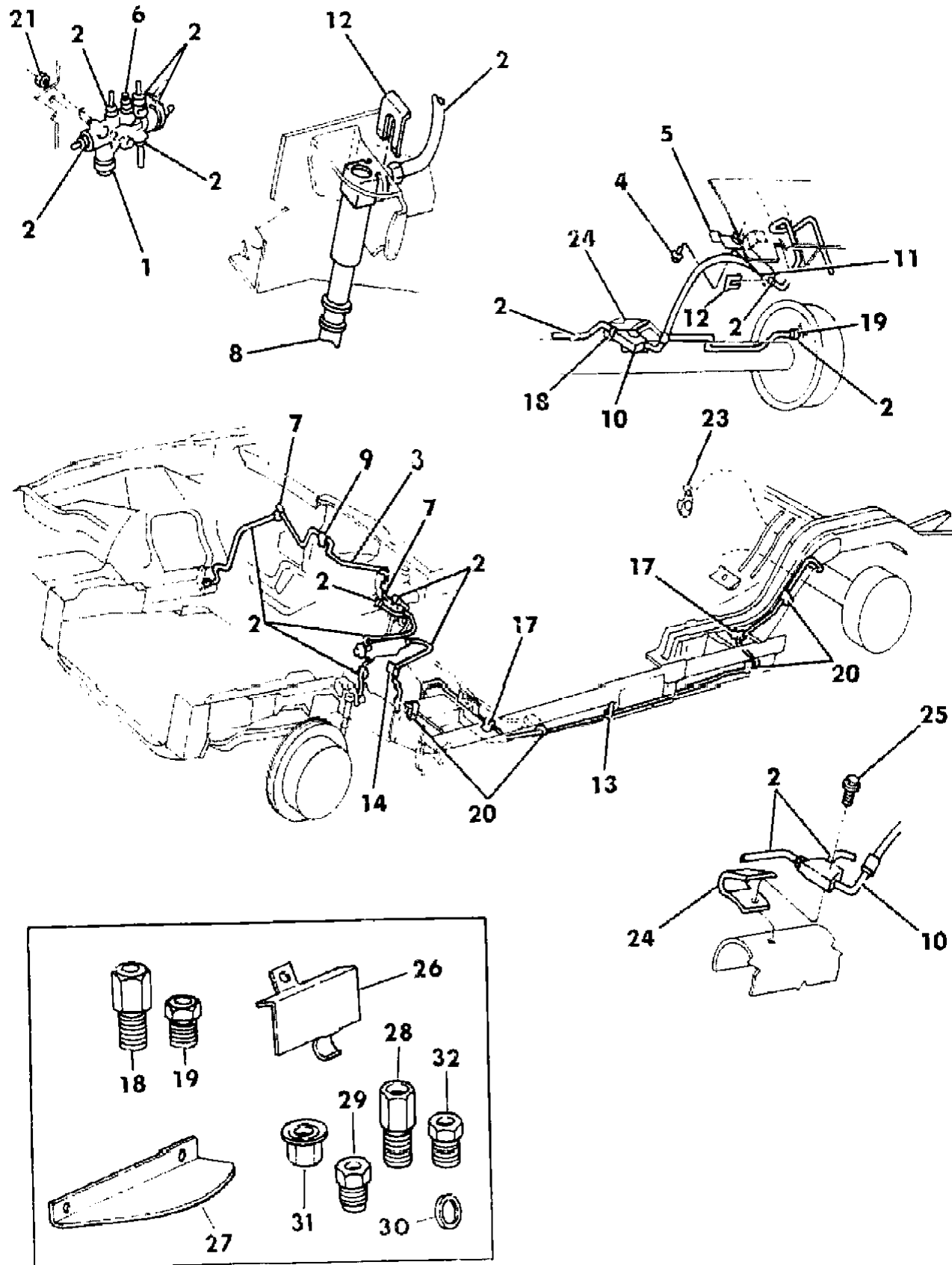
52-53 = FWD WAGON

AR = Use as Required - = Non Illustrated Part P.A.R. = Paint as Required

LINES AND HOSES, BRAKE (M BODY)

Figure 5-1500

7105 1500B



ITEM	PART NUMBER	QTY	BODY	MODEL	DESCRIPTION
1	4176 794	1			VALVE, Brake Tube Pwr. Disc Brakes
	3880 038	1			Brake Tube, Heavy Duty, Pwr. Disc Brakes
2	1843 251	1			TUBING, Brake, 25 ft. Roll, 3/16" O.D.
	1843 252	1			1/4" O.D.
	1843 253	1			5/16" O.D.
	1843 254	1			3/8" O.D.
3	3879 283	1			COVER, 25 ft. Rolls, 3/16" O.D. Tubing
	3879 284	1			1/4" O.D. Tubing
	4026 140	1			3/8" O.D. Tubing
4	0181 086	AR			SCREW and WASHER
5					BRACKET and NUT ASSEMBLY
6	3620 790	1			SWITCH, Brake System Indicator Lamp
7		2			CLIP, Weld on
8	4240 508-9	1			HOSE, Front Whl. Brake, Flexible, Replacement Pkg.
9		AR			CLIP and SCREW, (Not Serv.)
10	4126 502	1			HOSE and TEE, Rear Axle Brake
11	4126 503	1			BRACKET, Brake Tube Rear Hose
12	2208 893	4			LOCK
13	2207 933	1			CLIP
14		AR			CLIP and SCREW, (Not Serv.)
17	2123 341	1			CLIP
18	6029 113	AR			NUT, 3/8-24 Thd. Long Hex
19	6031 714	AR			NUT, 7/16-24 Thd.
20		AR			CLIP and SCREW, (Not Serv.)
21	6030 607	1			LOCK NUT, Brake Tube Valve Bolt
23	3723 689	1			CLIP
24	3880 807	1			GUARD, Rear Axle Brake Tube Tee
25		AR			SCREW and WASHER, (Not Serv.)
26	3766 357	1			SHIELD, Brake Valve to Rear Hose
27	4126 794	1			SHIELD, Front Brake Lt. Hose Heat
28	6029 113	AR			NUT, 3/8-24 Thd.
29	6026 888	2			NUT, Secondary Tube
	6026 887	2			NUT, Primary Tube
30	6030 084	1			GASKET, Inlet Hose
31	6025 004	1			NUT
32	6026 436	1			NUT, Primary, 3/16" O.D.

MODEL CODES

E BODY = (J - CARAVELLE)(E - 600)(T - NEW YORKER)

G BODY = (V24 - DAYTONA)

H BODY = (D44 - LANCER)(C44 - LEBARON GTS)

J BODY = (C - LEBARON)

K BODY = (P - RELIANT)(D - ARIES)(C - LEBAROND)/TOWN & COUNTRY)

L BODY = (M - HORIZON/TURISMO)(Z - OMNI/CHARGER)

M BODY = (B - GRAN FURY)(F - FIFTH AVE/NEWPORT)(G - DIPLOMAT)

P BODY = (P - SUNDANCE)(D - SHADOW)

S BODY = (H - VOYAGER)(K - RAM VAN/CARAVAN)

BODY STYLES

12-13 = FWD VAN

21 = 2-DOOR SEDAN

24 = 2-DOOR HATCHBACK

27 = 2-DOOR CONVERTIBLE

41 = 4-DOOR SEDAN

44 = 4-DOOR HATCHBACK

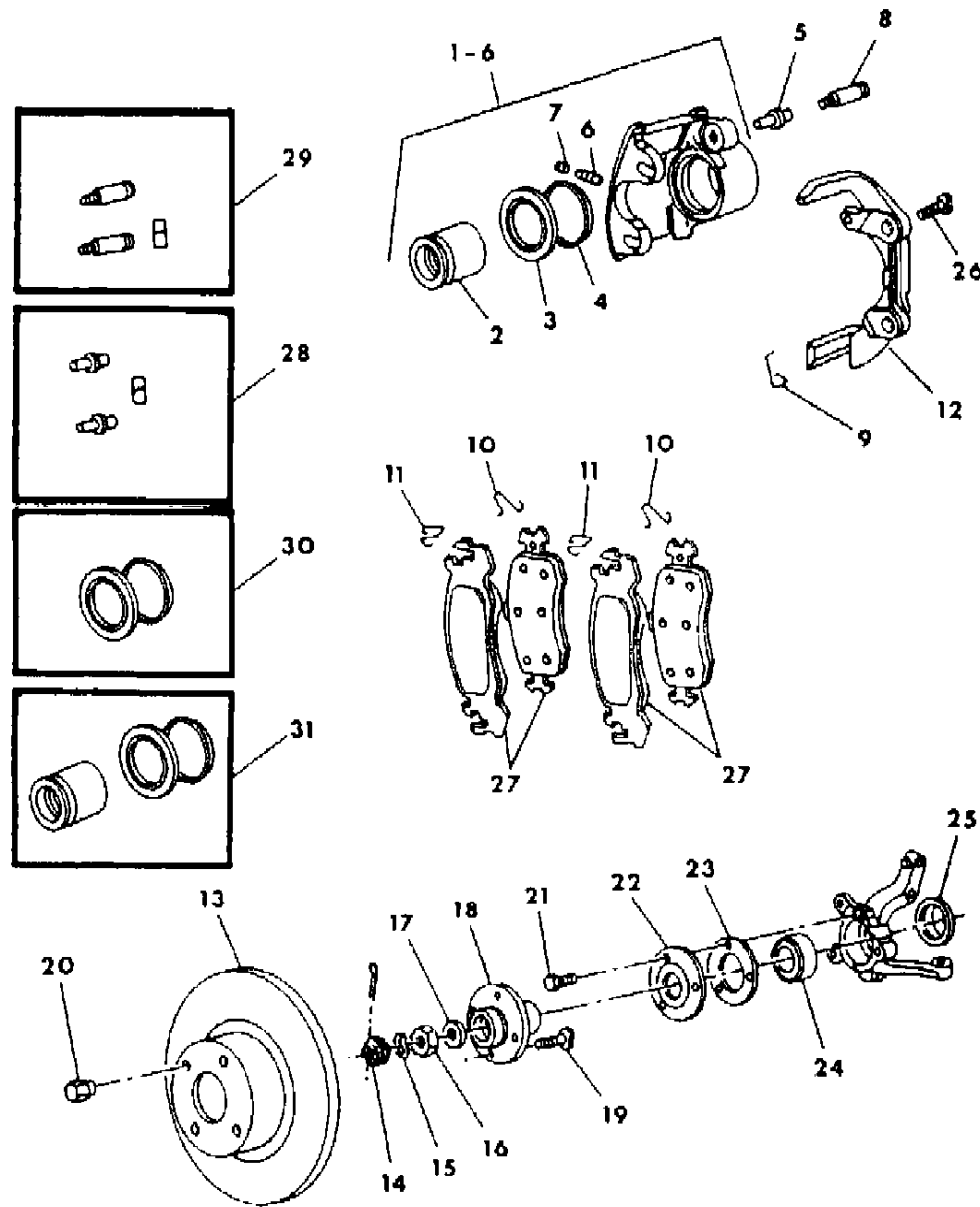
45 = 4-DOOR STATION WAGON

52-53 = FWD WAGON

AR = Use as Required - = Non Illustrated Part P.A.R. = Paint as Required

BRAKES FRONT (L BODY)
Figure 5-1600

7105 1800



ITEM	PART NUMBER	QTY	BODY	MODEL	DESCRIPTION
1-6	4238 676-7	1		M,Z-E,H	HOUSING, Caliper Partail
1-6	4238 710-1	1		Z-S	
2		2			PISTON, (See Pkg. 4364778, 4205984)
3		2			BOOT, (See Pkg. 4364779, 4205985)
4		2			SEAL, (See Pkg. 4364779, 4205985)
5		2			BUSHING, (See Pkg. 4267331, 4205982)
6	3780 788	2		M,Z-E,H	SCREW, Disc Brake Bleeder
	4126 879	2		Z-S	
7	4126 733	2		Z-S	CAP, Bleeder Screw
	5204 389	2		M,Z-E,H	
8		2			PIN, Locating (See Pkg. 4293172, 4267329)
9	4238 878-9	1		M,Z-E,H	CLIP, Disc Brake Caliper Anti Rattle
	4238 900	2		Z-S	
10	4238 884-5	1			CLIP, Disc Brake Inner Shoe Anti Rattle
11	4238 886-7	1			CLIP, Disc Brake Outer Shoe Anti Rattle
12	4238 712	2		Z-S	ADAPTER, Disc Brake
	4238 688-9	1		M,Z-E,H	ADAPTER, Disc Brake
13	4313 591	2		M,Z-E,H	DISC, Frt. Wheel Brake, Finish
	4313 633	2		Z-S	
14	4293 167	2			LOCK, Hub Nut
15	5212 684	2			WASHER, Drive Hub Wave
16	6500 298	2			NUT, Drive Hub
17	6500 299	2			WASHER
18	5212 521	2		M,Z-E,H	HUB, Frt. Wheel Drive
	5212 770	2		Z-S	
19	6501 053	8			BOLT, Frt. Wheel Driving
20	6500 294	16			NUT, Wheel Mtg. Stamped Cap
21	6500 544	6			SCREW, Frt. Wheel Brg. Ret.
22	5212 548	2		M,Z-E,H	RETAINER, Frt. Wheel Brg.
	5212 980	2		Z-S	
23	5212 550	2		M,Z-E,H	GASKET, Frt. Wheel Brg. Retaining
	5212 559	2		Z-S	
24	4397 499	2		M,Z-E,H	BEARING, Frt. Wheel
	4397 498	2		Z-S	
25	5212 535	2			SEAL, Frt. Wheel Outer C V Joint
26	6500 908	4			SCREW and WASHER, Disc Brake to Knuckle Mtg.
27	4238 786	1		M,Z-E,H	SHOE and LINING PACKAGE, Frt. Wheel Disc Brake
	4313 429	1		Z-S	

MODEL CODES

E BODY = (J - CARAVELLE)(E - 600)(T - NEW YORKER)

G BODY = (V24 - DAYTONA)

H BODY = (D44 - LANCER)(C44 - LEBARON GTS)

J BODY = (C - LEBARON)

K BODY = (P - RELIANT)(D - ARIES)(C - LEBAROND)/TOWN & COUNTRY)

L BODY = (M - HORIZON/TURISMO)(Z - OMNI/CHARGER)

M BODY = (B - GRAN FURY)(F - FIFTH AVE/NEWPORT)(G - DIPLOMAT)

P BODY = (P - SUNDANCE)(D - SHADOW)

S BODY = (H - VOYAGER)(K - RAM VAN/CARAVAN)

BODY STYLES

12-13 = FWD VAN

21 = 2-DOOR SEDAN

24 = 2-DOOR HATCHBACK

27 = 2-DOOR CONVERTIBLE

41 = 4-DOOR SEDAN

44 = 4-DOOR HATCHBACK

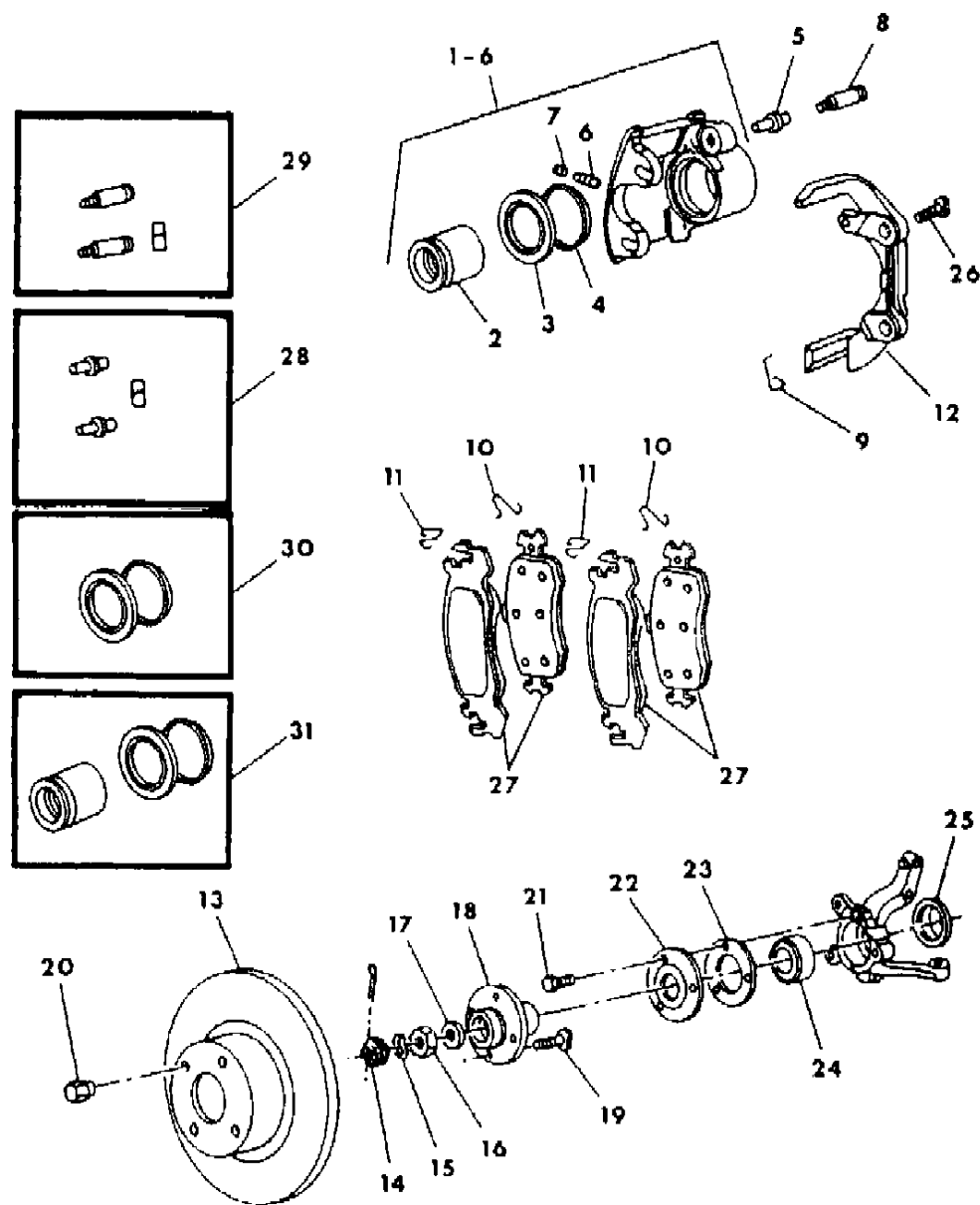
45 = 4-DOOR STATION WAGON

52-53 = FWD WAGON

AR = Use as Required - = Non Illustrated Part P.A.R. = Paint as Required

BRAKES FRONT (L BODY)
Figure 5-1600

7105 1800



ITEM	PART NUMBER	QTY	BODY	MODEL	DESCRIPTION
28	4267 331	1		M,Z-E,H	BUSHING PACKAGE
	4205 982	1		Z-S	
29	4293 172	1		M,Z-E,H	PIN PACKAGE, Disc Brake Housing, Loc.
	4267 329	1		Z-S	
30	4364 778	1		M,Z-E,H	PISTON, BOOT and SEAL PACKAGE
	4205 984	1		Z-S	
31	4364 779	1		M,Z-E,H	BOOT and SEAL PACKAGE
	4205 985	1		Z-S	

MODEL CODES

E BODY = (J - CARAVELLE)(E - 600)(T - NEW YORKER)

G BODY = (V24 - DAYTONA)

H BODY = (D44 - LANCER)(C44 - LEBARON GTS)

J BODY = (C - LEBARON)

K BODY = (P - RELIANT)(D - ARIES)(C - LEBAROND)/TOWN & COUNTRY)

L BODY = (M - HORIZON/TURISMO)(Z - OMNI/CHARGER)

M BODY = (B - GRAN FURY)(F - FIFTH AVE/NEWPORT)(G - DIPLOMAT)

P BODY = (P - SUNDANCE)(D - SHADOW)

S BODY = (H - VOYAGER)(K - RAM VAN/CARAVAN)

BODY STYLES

12-13 = FWD VAN

21 = 2-DOOR SEDAN

24 = 2-DOOR HATCHBACK

27 = 2-DOOR CONVERTIBLE

41 = 4-DOOR SEDAN

44 = 4-DOOR HATCHBACK

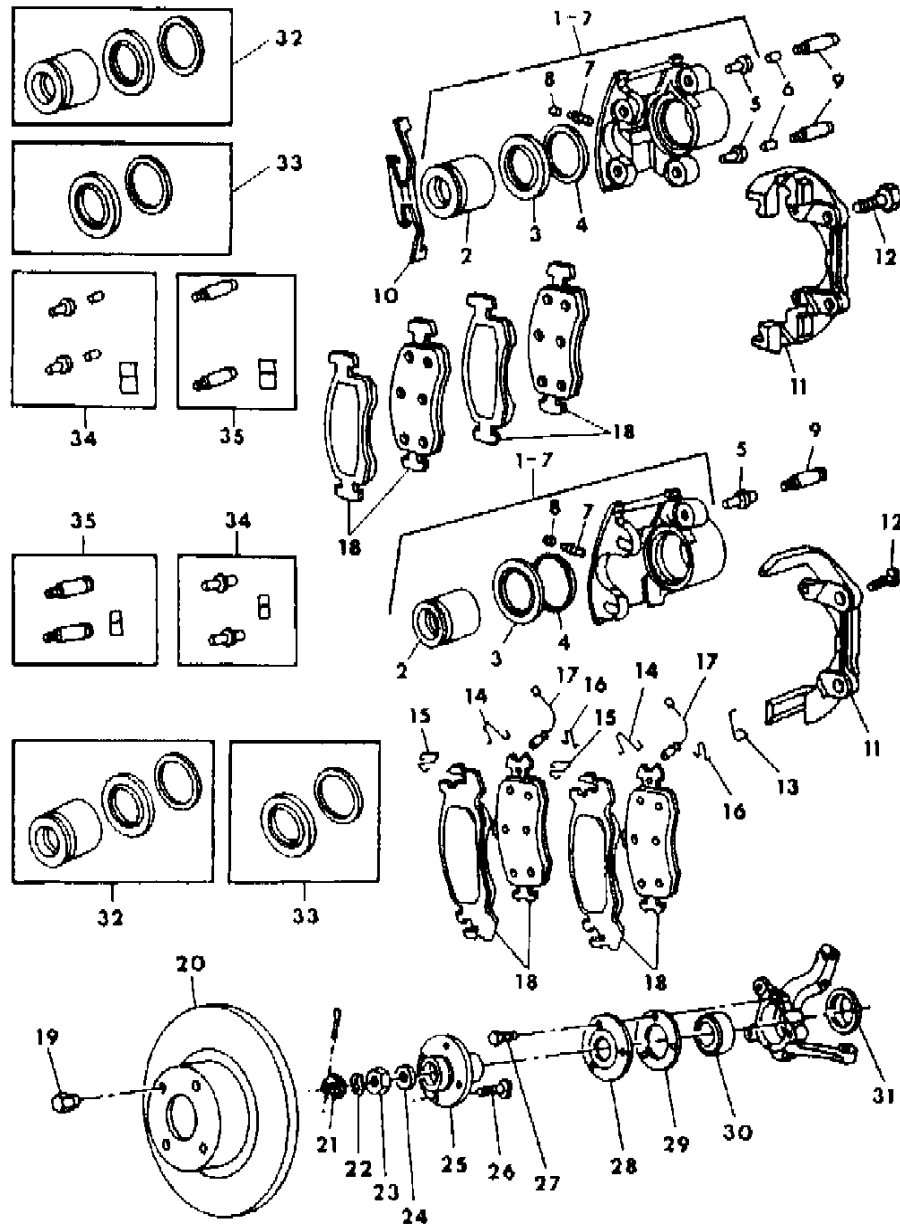
45 = 4-DOOR STATION WAGON

52-53 = FWD WAGON

AR = Use as Required - = Non Illustrated Part P.A.R. = Paint as Required

BRAKES FRONT (P,J,K,G,E,H BODY)
Figure 5-1700

7105 1700



ITEM	PART NUMBER	QTY	BODY	MODEL	DESCRIPTION
1-7	4238 684-5	1			HOUSING, Caliper, Partial, Teves
			P-L,D-L		P Body
			P,D		K Body
	4313 960-1	1			HOUSING, Caliper, Partial, Kelsey Hayes
			P-H,D-H		P Body, Use w/o Turbo
			V-P,V-S		J Body G Body, Use w/4 Wheel Pwr. Disc Brakes H Body
	4238 710-1	1			HOUSING, Caliper, Partial, Teves
			P-H,D-H		P Body, Use w/Turbo
			P,D-41,		K Body, Heavy Duty
			C-P		K Body
			V-H		G Body
					E Body
2		2			PISTON, (See Pkg. 4205984, 4364778)
3		2			BOOT, (See Pkg. 4205985, 4364779)
4		2			SEAL, (See Pkg. 4205985, 4364779)
5		4			BUSHING, (See Pkg. 4205982, 4267331)
6		4			SLEEVE, (See Pkg. 4205982)
7	4126 879	2			SCREW, Disc Brake Bleeder
			P-L,D-L		P Body
					K Body
					G Body
					E Body
	3780 788	2	P-H,D-H		P Body
					J Body H Body
8	4126 733	2			CAP, Disc Brake Bleeder Screw
			P-L,D-L		P Body
					K Body
			V-H		G Body
					E Body
	5204 389	2	P-H,D-H		P Body
					J Body G Body H Body
9		4			PIN, Disc Brake Housing Locating (See Pkg. 4267329, 4267330)
10	4126 732	2			CLIP, Disc Brake Caliper

MODEL CODES

E BODY = (J - CARAVELLE)(E - 600)(T - NEW YORKER)

G BODY = (V24 - DAYTONA)

H BODY = (D44 - LANCER)(C44 - LEBARON GTS)

J BODY = (C - LEBARON)

K BODY = (P - RELIANT)(D - ARIES)(C - LEBAROND)/TOWN & COUNTRY)

L BODY = (M - HORIZON/TURISMO)(Z - OMNI/CHARGER)

M BODY = (B - GRAN FURY)(F - FIFTH AVE/NEWPORT)(G - DIPLOMAT)

P BODY = (P - SUNDANCE)(D - SHADOW)

S BODY = (H - VOYAGER)(K - RAM VAN/CARAVAN)

BODY STYLES

12-13 = FWD VAN

21 = 2-DOOR SEDAN

24 = 2-DOOR HATCHBACK

27 = 2-DOOR CONVERTIBLE

41 = 4-DOOR SEDAN

44 = 4-DOOR HATCHBACK

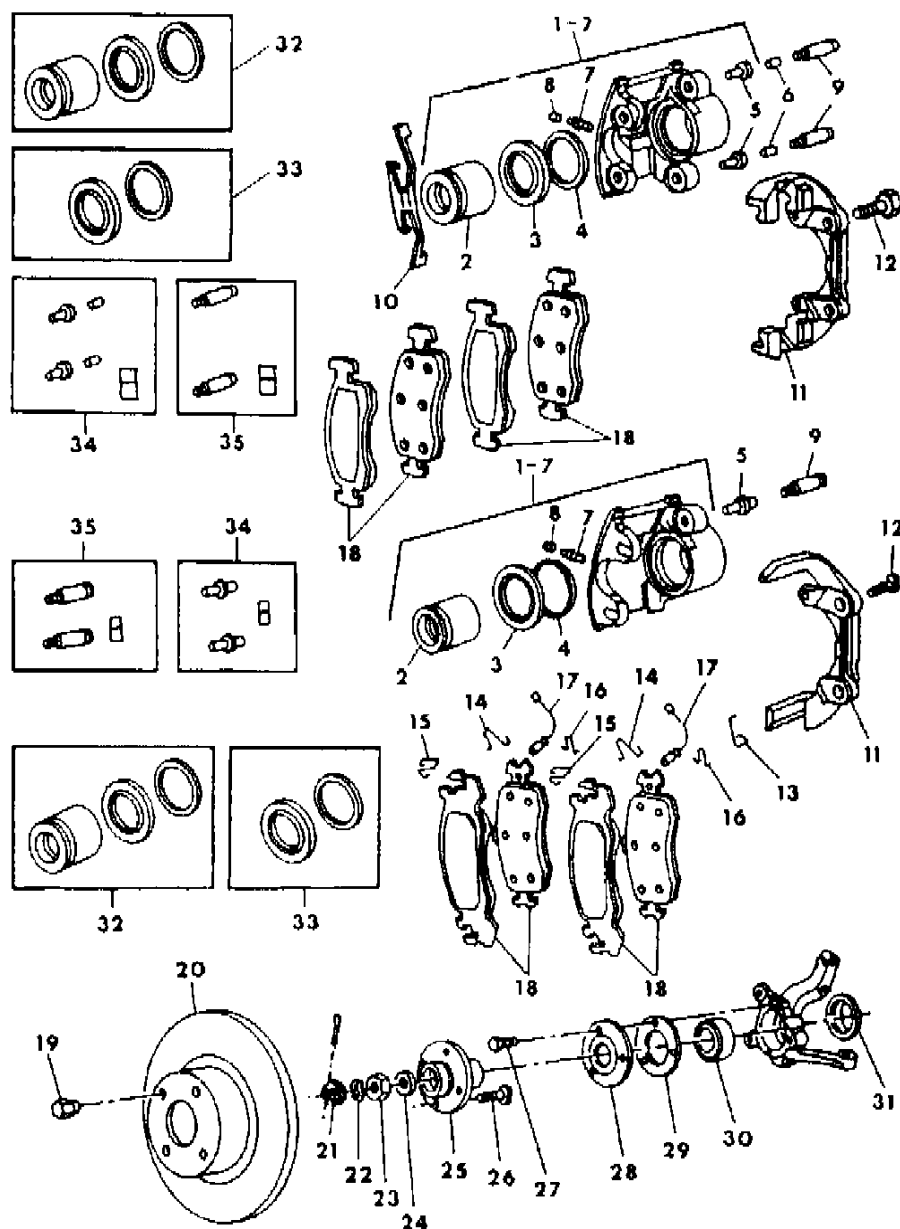
45 = 4-DOOR STATION WAGON

52-53 = FWD WAGON

AR = Use as Required - = Non Illustrated Part P.A.R. = Paint as Required

BRAKES FRONT (P,J,K,G,E,H BODY)
Figure 5-1700

7105 1700



ITEM	PART NUMBER	QTY	BODY	MODEL	DESCRIPTION
				P-L,D-L	P Body
				P,D	K Body
	4238 900	2		P-H,D-H	CLIP, Disc Brake Caliper
				P,D,C-4	P Body
				V-P,V-S	K Body, Heavy Duty
11	4238 683	2		V-P,V-S	G Body
					E Body
					ADAPTER, Disc Brake, Teves
				P-L,D-L	P Body
	4238 712	2		P,D	K Body
					ADAPTER, Disc Brake, Teves
				P-H,D-H	P Body, Use w/Turbo
				P,D,C-4	K Body, Heavy Duty
				V-H	G Body
	4313 962-3	1			E Body
					ADAPTER, Disc Brake, Kelsey Hayes
				P-H,D-H	P Body, Use w/o Turbo
				V-P,V-S	J Body
					G Body, Use w/4 Wheel Disc Brakes
					H Body
12	6500 908	4			BOLT and WASHER, Caliper Mtg.
13	4238 892-3	1			CLIP, Disc Brake Caliper Anti Rattle
				P-H,D-H	P Body
					J Body
					H Body
14	4238 884-5	1			CLIP, Disc Brake Inner Shoe Anti Rattle
				P-H,D-H	P Body
					J Body
				V-P,V-S	G Body
					H Body
15	4313 234-5	1			CLIP, Disc Brake Outer Shoe Anti Rattle
				P-H,D-H	P Body
					J Body
				V-P,V-S	G Body
					H Body
16	4313 234-5	1			CLIP, Disc Brake Outer Shoe Anti Rattle
				P-H,D-H	P Body
					J Body

MODEL CODES

E BODY = (J - CARAVELLE)(E - 600)(T - NEW YORKER)

G BODY = (V24 - DAYTONA)

H BODY = (D44 - LANCER)(C44 - LEBARON GTS)

J BODY = (C - LEBARON)

K BODY = (P - RELIANT)(D - ARIES)(C - LEBAROND)/TOWN & COUNTRY)

L BODY = (M - HORIZON/TURISMO)(Z - OMNI/CHARGER)

M BODY = (B - GRAN FURY)(F - FIFTH AVE/NEWPORT)(G - DIPLOMAT)

P BODY = (P - SUNDANCE)(D - SHADOW)

S BODY = (H - VOYAGER)(K - RAM VAN/CARAVAN)

BODY STYLES

12-13 = FWD VAN

21 = 2-DOOR SEDAN

24 = 2-DOOR HATCHBACK

27 = 2-DOOR CONVERTIBLE

41 = 4-DOOR SEDAN

44 = 4-DOOR HATCHBACK

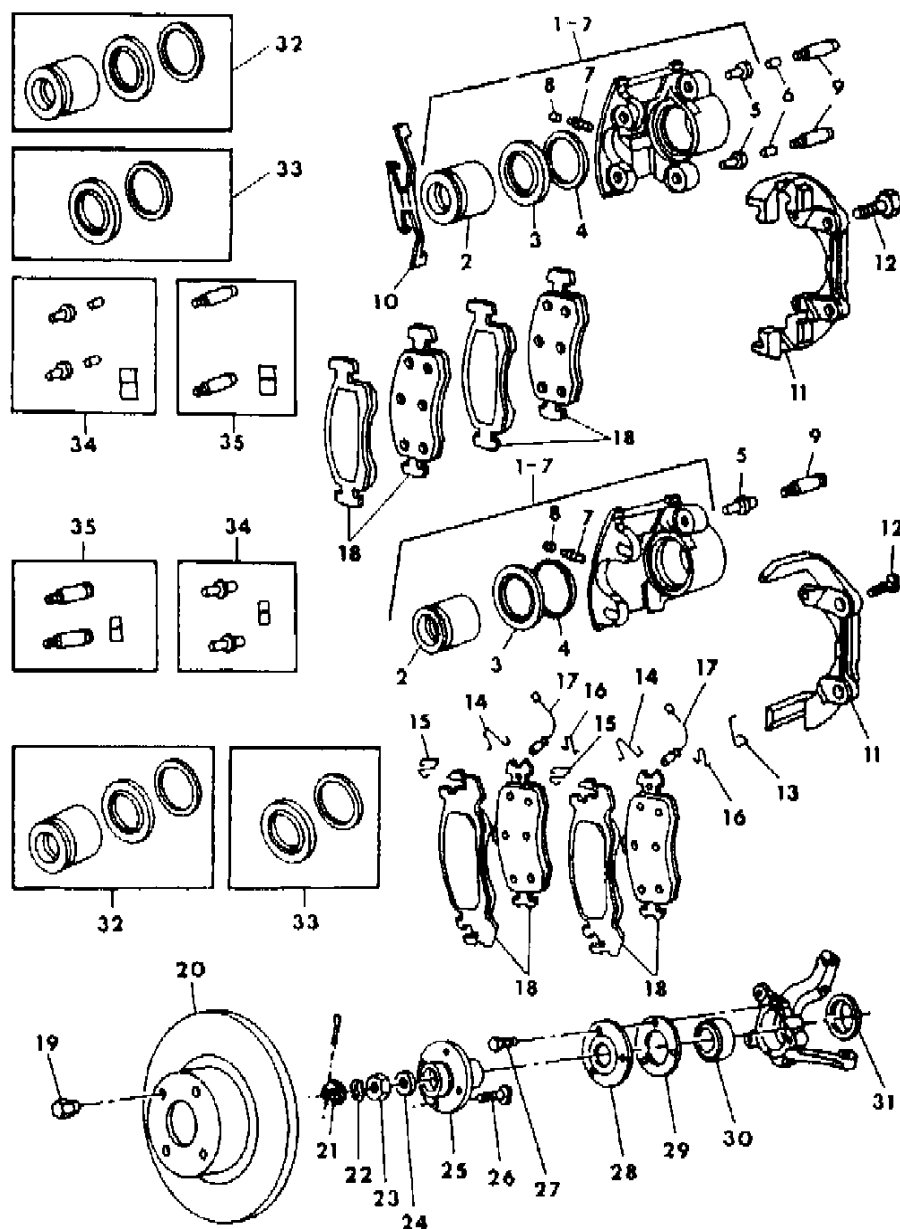
45 = 4-DOOR STATION WAGON

52-53 = FWD WAGON

AR = Use as Required - = Non Illustrated Part P.A.R. = Paint as Required

BRAKES FRONT (P,J,K,G,E,H BODY)
Figure 5-1700

7105 1700



ITEM	PART NUMBER	QTY	BODY	MODEL	DESCRIPTION
				V-P,V-S	G Body
					H Body
17	4313 040	2			SENSOR, Disc Brake, Inner Shoe Lining and Clip, w/Elect. Message Center
				C-P	J Body
18	4293 200	1			SHOE and LINING PACKAGE, Power Disc Brakes
				P-L,D-L	P Body
				P,D-21	K Body
	4238 698	1		P,D-45	K Body, Heavy Duty
	4313 429			P-H,D-H	P Body, w/Turbo
				P,D,C-4	K Body
				V-H	G Body
					E Body
	4383 479	1			SHOE, LINING and CLIP PACKAGE, Power Disc Brakes
				V-P,V-S	G Body
	4313 968	1			SHOE, LINING, CLIP and SENSOR PACKAGE, Power Disc Brakes
				P-H,D-H	P Body
					J Body
					H Body
	4313 238	1			SHOE, LINING, CLIP PACKAGE, Power Disc Brakes
				P-H,D-H	P Body, w/o Turbo
					J Body, w/o Elect. Message Center
					H Body
	4383 485	1			J Body, w/Elect. Message Center
19	6500 526	AR			NUT
	6500 294	AR			NUT, Chrome
20	4313 758	2			DISC, Frt. Wheel Brake
				P-L,D-L	P Body
				P,D	K Body
				P,D-45	K Body, Heavy Duty, Fleet
	4313 633	2		P-H,D-H	P Body
					J Body
				P,D,41,	K Body, Heavy Duty
				C-41,45	K Body
					G Body
					E Body
					H Body

MODEL CODES

E BODY = (J - CARAVELLE)(E - 600)(T - NEW YORKER)

G BODY = (V24 - DAYTONA)

H BODY = (D44 - LANCER)(C44 - LEBARON GTS)

J BODY = (C - LEBARON)

K BODY = (P - RELIANT)(D - ARIES)(C - LEBAROND)/TOWN & COUNTRY)

L BODY = (M - HORIZON/TURISMO)(Z - OMNI/CHARGER)

M BODY = (B - GRAN FURY)(F - FIFTH AVE/NEWPORT)(G - DIPLOMAT)

P BODY = (P - SUNDANCE)(D - SHADOW)

S BODY = (H - VOYAGER)(K - RAM VAN/CARAVAN)

BODY STYLES

12-13 = FWD VAN

21 = 2-DOOR SEDAN

24 = 2-DOOR HATCHBACK

27 = 2-DOOR CONVERTIBLE

41 = 4-DOOR SEDAN

44 = 4-DOOR HATCHBACK

45 = 4-DOOR STATION WAGON

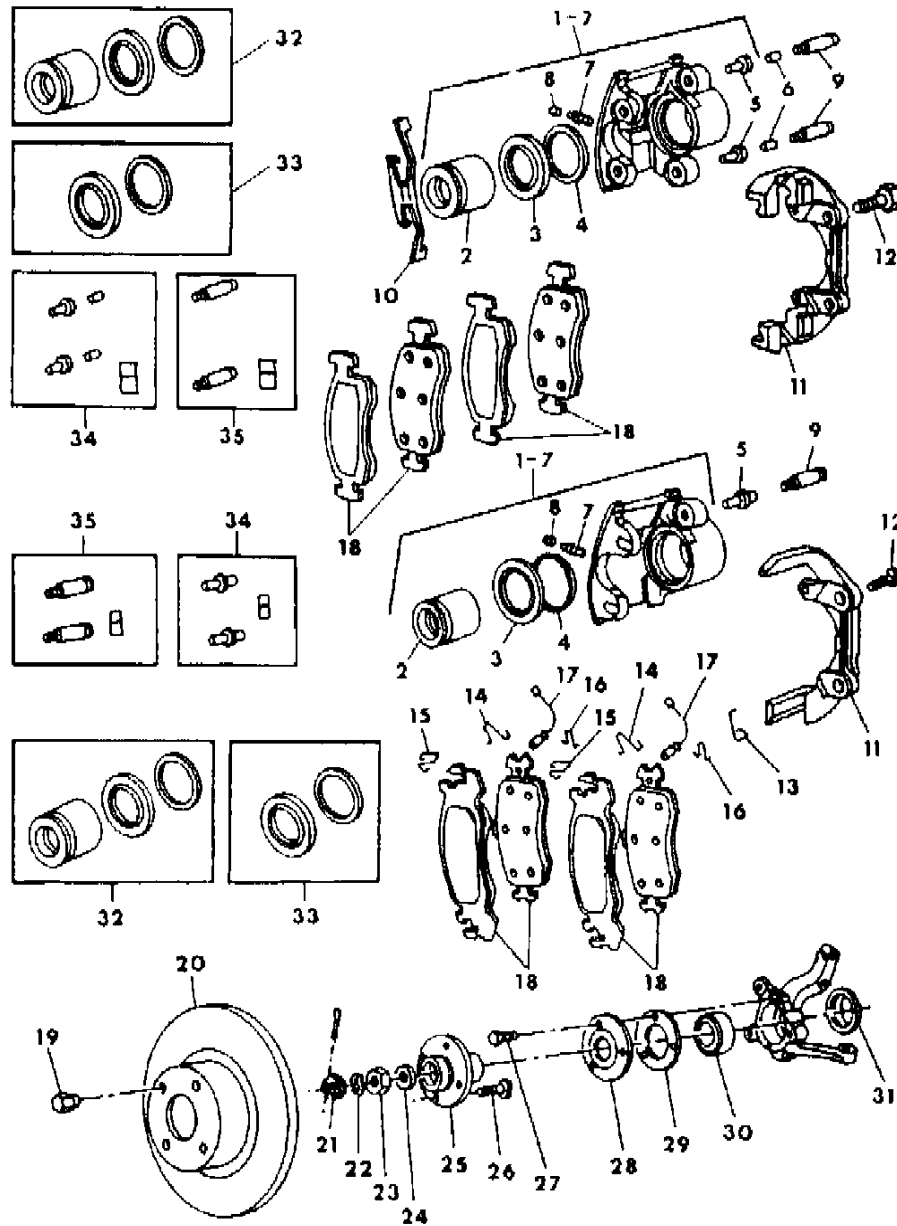
52-53 = FWD WAGON

AR = Use as Required - = Non Illustrated Part P.A.R. = Paint as Required

BRAKES FRONT (P,J,K,G,E,H BODY)

Figure 5-1700

7105 1700



ITEM	PART NUMBER	QTY	BODY	MODEL	DESCRIPTION
21	4293 167	2			LOCK, Hub Nut
22	5212 684	2			WASHER, Hub Wave
23	6500 298	2			NUT, Hub
24	6500 299	2			WASHER
25	5212 770	2			HUB, 5 Stud
26	6501 053	AR			STUD
27	6500 544	AR			BOLT, Bearing Ret.
28	5212 980	2			RETAINER, Frt. Wheel Brg.
29	5212 559	2			GASKET, Frt. Wheel Brg. Ret.
30	4397 498	2			BEARING, Frt. Wheel
31	5212 535	2			SEAL
32	4205 984	2			PISTON, BOOT and SEAL PACKAGE
			P-L,D-L		P Body
			V-H		K Body G Body E Body
	4364 778	2	P-H,D-H		P Body
			V-P,V-S		J Body G Body H Body
33	4205 985	2			BOOT and SEAL PACKAGE
			P-L,D-L		P Body K Body
			V-H		G Body E Body
	4364 779	2	P-H,D-H		P Body J Body
			V-P,V-S		G Body H Body
34	4205 982	2			BUSHING and SLEEVE PACKAGE
			P-L,D-L		P Body K Body
			V-H		G Body E Body
	4267 331	2			BUSHING PACKAGE
			P-H,D-H		P Body J Body
			V-P,V-S		G Body

MODEL CODES

E BODY = (J - CARAVELLE)(E - 600)(T - NEW YORKER)

G BODY = (V24 - DAYTONA)

H BODY = (D44 - LANCER)(C44 - LEBARON GTS)

J BODY = (C - LEBARON)

K BODY = (P - RELIANT)(D - ARIES)(C - LEBAROND)/TOWN & COUNTRY)

L BODY = (M - HORIZON/TURISMO)(Z - OMNI/CHARGER)

M BODY = (B - GRAN FURY)(F - FIFTH AVE/NEWPORT)(G - DIPLOMAT)

P BODY = (P - SUNDANCE)(D - SHADOW)

S BODY = (H - VOYAGER)(K - RAM VAN/CARAVAN)

BODY STYLES

12-13 = FWD VAN

21 = 2-DOOR SEDAN

24 = 2-DOOR HATCHBACK

27 = 2-DOOR CONVERTIBLE

41 = 4-DOOR SEDAN

44 = 4-DOOR HATCHBACK

45 = 4-DOOR STATION WAGON

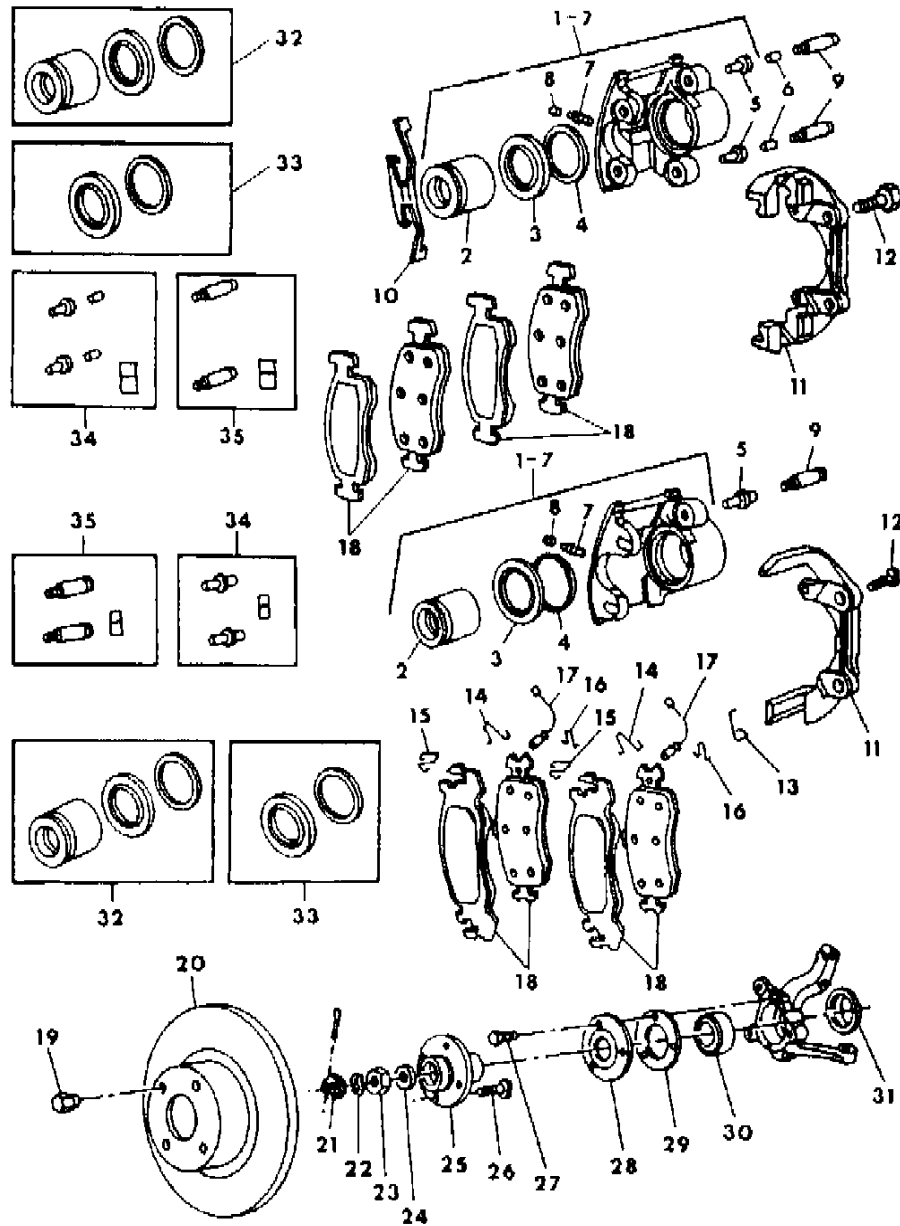
52-53 = FWD WAGON

AR = Use as Required - = Non Illustrated Part P.A.R. = Paint as Required

BRAKES FRONT (P,J,K,G,E,H BODY)

Figure 5-1700

7105 1700



ITEM	PART NUMBER	QTY	BODY	MODEL	DESCRIPTION
					H Body
35	4267 329	2		P-L,D-L	PIN PACKAGE, Disc Brake Hsg. Locating
				V-H	P Body K Body G Body
	4267 330	2		P-H,D-H	E Body P Body J Body
				V-P,V-S	G Body H Body

MODEL CODES

E BODY = (J - CARAVELLE)(E - 600)(T - NEW YORKER)

G BODY = (V24 - DAYTONA)

H BODY = (D44 - LANCER)(C44 - LEBARON GTS)

J BODY = (C - LEBARON)

K BODY = (P - RELIANT)(D - ARIES)(C - LEBAROND)/TOWN & COUNTRY)

L BODY = (M - HORIZON/TURISMO)(Z - OMNI/CHARGER)

M BODY = (B - GRAN FURY)(F - FIFTH AVE/NEWPORT)(G - DIPLOMAT)

P BODY = (P - SUNDANCE)(D - SHADOW)

S BODY = (H - VOYAGER)(K - RAM VAN/CARAVAN)

BODY STYLES

12-13 = FWD VAN

21 = 2-DOOR SEDAN

24 = 2-DOOR HATCHBACK

27 = 2-DOOR CONVERTIBLE

41 = 4-DOOR SEDAN

44 = 4-DOOR HATCHBACK

45 = 4-DOOR STATION WAGON

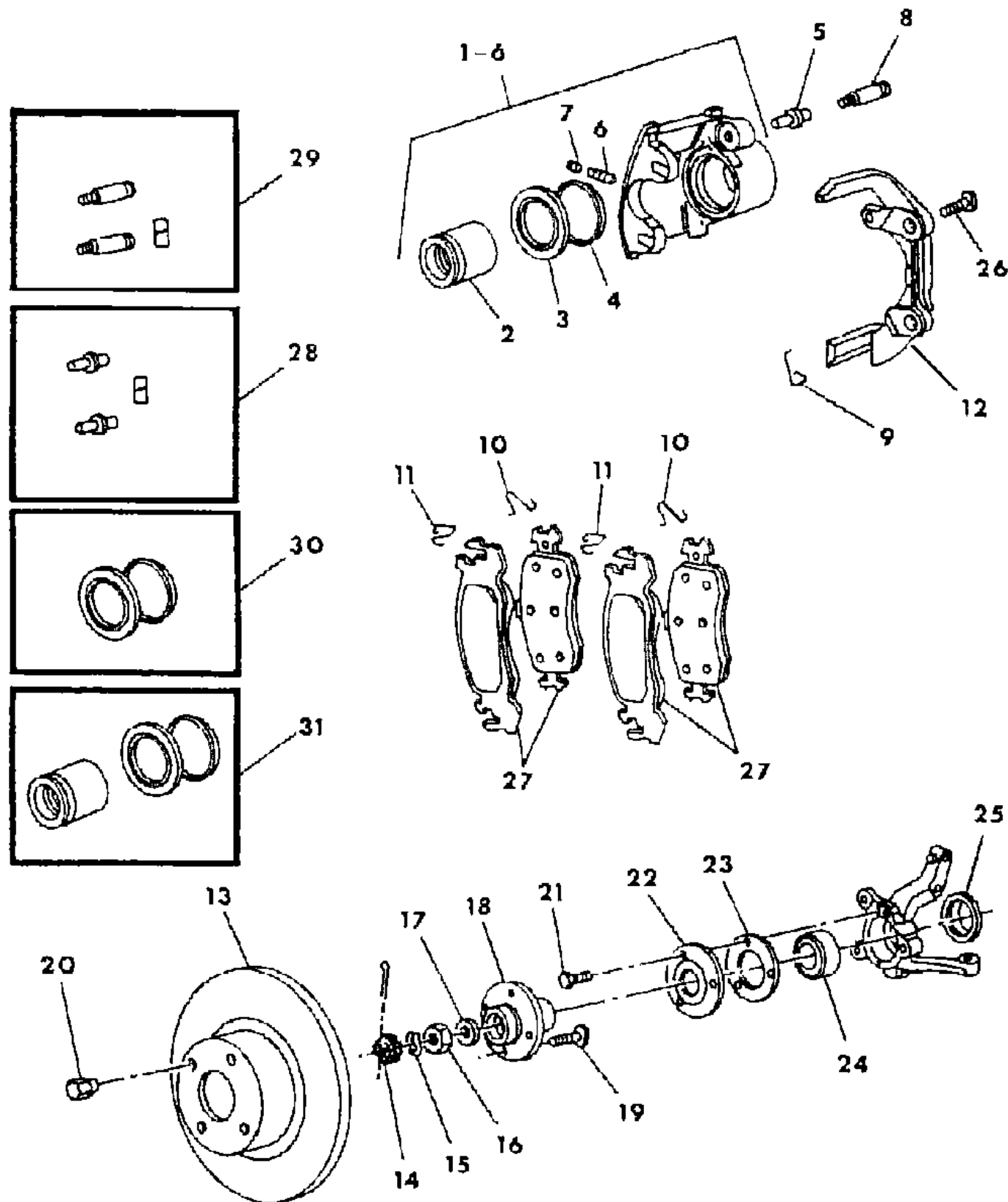
52-53 = FWD WAGON

AR = Use as Required - = Non Illustrated Part P.A.R. = Paint as Required

BRAKES FRONT (S BODY)

Figure 5-1800

7105 1800



ITEM	PART NUMBER	QTY	BODY	MODEL	DESCRIPTION
1-6	4313 244-5	1			HOUSING, Caliper Partial (Kelsey Hayes)
1-6	4383 058-9	1			HOUSING, Caliper Partial (Teves)
2		2			PISTON, (See Pkg. 4364780)
3		2			BOOT, (See Pkg. 4364780)
4		2			SEAL, (See Pkg. 4364780)
5		2			BUSHING, (See Pkg. 4267331, 4205982)
6	3780 788	2			SCREW, Disc Brake Bleeder
7	4126 733	2			CAP, Bleeder (Teves)
	5204 389	2			CAP, Bleeder (Kelsey Hayes)
8		2			PIN, Locating (See Pkg. 4267330)
9	4313 252-3	1			CLIP, Disc Brake Hsg. Anti Rattle
10	4238 884-5	2			CLIP, Disc Brake Inner Shoe Anti Rattle
11	4313 254-5	2			CLIP, Disc Brake Outer Shoe Anti Rattle
12	4313 256-7	1			ADAPTER, Disc Brake
13	4313 759	2			DISC, Std. W.B.
	4383 096	2			DISC, Ext. W.B.
14	4293 167	2			LOCK, Hub Nut
15	5212 684	2			WASHER, Hub Wave
16	6500 298	2			NUT, Hub
17	6500 299	2			WASHER
18	5212 770	2			HUB, Frt. Wheel Drive, Std. W.B.
	5212 770	2	H,K-H,P		Ext. W.B., w/6 Pass. Seating Pkg.
	4419 628	2			HUB and BEARING, Frt. Wheel Drive, Ext. W.B.
			H,K-H,P		Ext. W.B., w/7 Pass. Seating Pkg.
19	6501 053	8			STUD
20	6500 526	AR			NUT, Std.
	6500 294	AR			NUT, Chrome
21	6500 544	6			BOLT, Bearing Ret.
22	5212 980	2			RETAINER, Bearing
23	5212 559	2			GASKET, Bearing Ret.
24	4397 498	2			BEARING, Frt. Wheel
25	5212 535	2			SEAL, Frt. Wheel Outer C V Joint
26	6500 908	4			SCREW and WASHER, Disc Brake to Knuckle Mtg.
27	4313 268	1			SHOE, LINING and CLIP PACKAGE, Disc Brake (Kelsey Hayes)
	4383 397	1			SHOE, LINING and CLIP PACKAGE, Disc Brake (Teves)
28	4267 331	1			BUSHING PACKAGE, Disc Brake (Kelsey Hayes)
	4205 982	1			BUSHING PACKAGE, Disc Brake (Teves)
29	4267 330	1			PIN PACKAGE, Disc Brake Hsg. Locating (Kelsey Hayes)

MODEL CODES

E BODY = (J - CARAVELLE)(E - 600)(T - NEW YORKER)

G BODY = (V24 - DAYTONA)

H BODY = (D44 - LANCER)(C44 - LEBARON GTS)

J BODY = (C - LEBARON)

K BODY = (P - RELIANT)(D - ARIES)(C - LEBAROND)/TOWN & COUNTRY)

L BODY = (M - HORIZON/TURISMO)(Z - OMNI/CHARGER)

M BODY = (B - GRAN FURY)(F - FIFTH AVE/NEWPORT)(G - DIPLOMAT)

P BODY = (P - SUNDANCE)(D - SHADOW)

S BODY = (H - VOYAGER)(K - RAM VAN/CARAVAN)

BODY STYLES

12-13 = FWD VAN

21 = 2-DOOR SEDAN

24 = 2-DOOR HATCHBACK

27 = 2-DOOR CONVERTIBLE

41 = 4-DOOR SEDAN

44 = 4-DOOR HATCHBACK

45 = 4-DOOR STATION WAGON

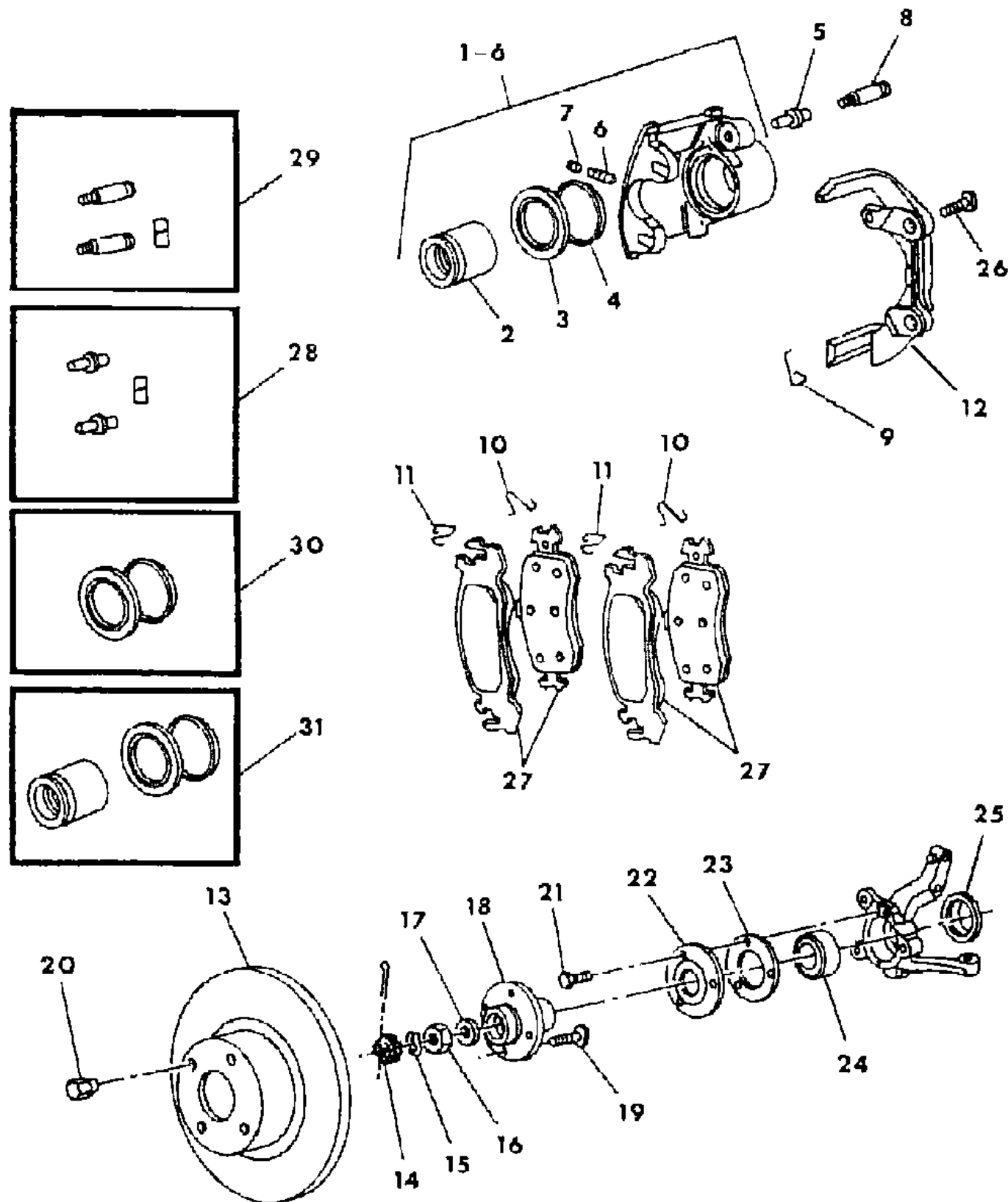
52-53 = FWD WAGON

AR = Use as Required - = Non Illustrated Part P.A.R. = Paint as Required

BRAKES FRONT (S BODY)

Figure 5-1800

7105 1800



ITEM	PART NUMBER	QTY	BODY	MODEL	DESCRIPTION
	4383 396	4			PIN, Disc Brake Hsg. Locating (Teves)
30	4313 246	2			BOOT, Disc Brake Piston (Kelsey Hayes)
	4313 870	2			BOOT, Disc Brake Piston (Teves)
31	4364 780	2			PISTON, BOOT and SEAL PACKAGE, Disc Brake (Kelsey Hayes)
	4313 868	2			PISTON, Disc Brake (Teves)

MODEL CODES

E BODY = (J - CARAVELLE)(E - 600)(T - NEW YORKER)

G BODY = (V24 - DAYTONA)

H BODY = (D44 - LANCER)(C44 - LEBARON GTS)

J BODY = (C - LEBARON)

K BODY = (P - RELIANT)(D - ARIES)(C - LEBAROND)/TOWN & COUNTRY)

L BODY = (M - HORIZON/TURISMO)(Z - OMNI/CHARGER)

M BODY = (B - GRAN FURY)(F - FIFTH AVE/NEWPORT)(G - DIPLOMAT)

P BODY = (P - SUNDANCE)(D - SHADOW)

S BODY = (H - VOYAGER)(K - RAM VAN/CARAVAN)

BODY STYLES

12-13 = FWD VAN

21 = 2-DOOR SEDAN

24 = 2-DOOR HATCHBACK

27 = 2-DOOR CONVERTIBLE

41 = 4-DOOR SEDAN

44 = 4-DOOR HATCHBACK

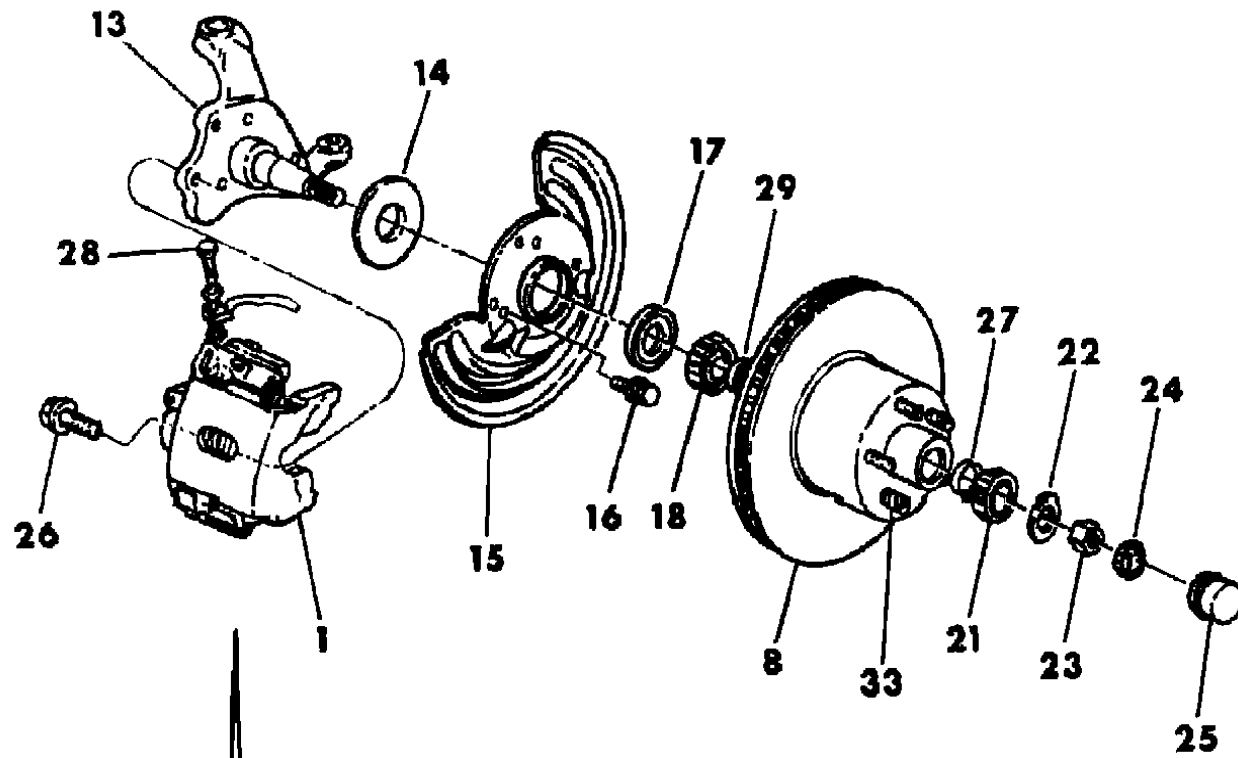
45 = 4-DOOR STATION WAGON

52-53 = FWD WAGON

AR = Use as Required - = Non Illustrated Part P.A.R. = Paint as Required

BRAKES FRONT (M BODY)
Figure 5-1900

7105 1900C



ITEM	PART NUMBER	QTY	BODY	MODEL	DESCRIPTION
	4176 778	1			SHOE and LINING PACKAGE, (Axle Set.)
	4049 699	1			SHOE and LINING PACKAGE, Heavy Duty (Axle Set.) Consists of: 2 - ---- Shoe and Lining, Outer 2 - ---- Shoe and Lining, Inner
	3683 975	1			1- 4186997 Spring Pkg. BEARING PACKAGE, Inner Consist of: 1 - 3580892 Cone
	1671 465	1			1 - ---- Cup 1 - 3580723 Seal BEARING PACKAGE, Outer Consists of: 1- ---- Cone 1- ---- Cup
	4186 990	2			BOOT and SEAL PACKAGE 1 - ---- Seal 1 - ---- Boot 1- ---- Silicon 1- ---- Gage
	4186 989	1			PISTON, SEAL and BOOT PACKAGE Consists of: 1 - ---- Piston 1 - ---- Seal 1 - ---- Boot 1 - ---- Silicon 1 - ---- Gage
1-12		1			CALIPER, Slider Type (Service Components)
2	4186 989	2			PISTON, SEAL, BOOT PACKAGE
3	4186 990	2			BOOT and SEAL PACKAGE
4	3780 788	2			SCREW, Bleeder
6	4126 842-3	1			HOUSING, Partial
7	6029 930	4			SCREW
8	3699 902	AR			STUD, Wheel
9	3580 824	4			PLATE, Disc Brake Ret.
10	3766 519	2			RUBBER BAND, Disc Brake Hsg. to Adapter
11	3880 581	2			ADAPTER, Caliper
12		2			SHOE and LINING, (See Above Packages)

MODEL CODES

E BODY = (J - CARAVELLE)(E - 600)(T - NEW YORKER)

G BODY = (V24 - DAYTONA)

H BODY = (D44 - LANCER)(C44 - LEBARON GTS)

J BODY = (C - LEBARON)

K BODY = (P - RELIANT)(D - ARIES)(C - LEBAROND)/TOWN & COUNTRY)

L BODY = (M - HORIZON/TURISMO)(Z - OMNI/CHARGER)

M BODY = (B - GRAN FURY)(F - FIFTH AVE/NEWPORT)(G - DIPLOMAT)

P BODY = (P - SUNDANCE)(D - SHADOW)

S BODY = (H - VOYAGER)(K - RAM VAN/CARAVAN)

BODY STYLES

12-13 = FWD VAN

21 = 2-DOOR SEDAN

24 = 2-DOOR HATCHBACK

27 = 2-DOOR CONVERTIBLE

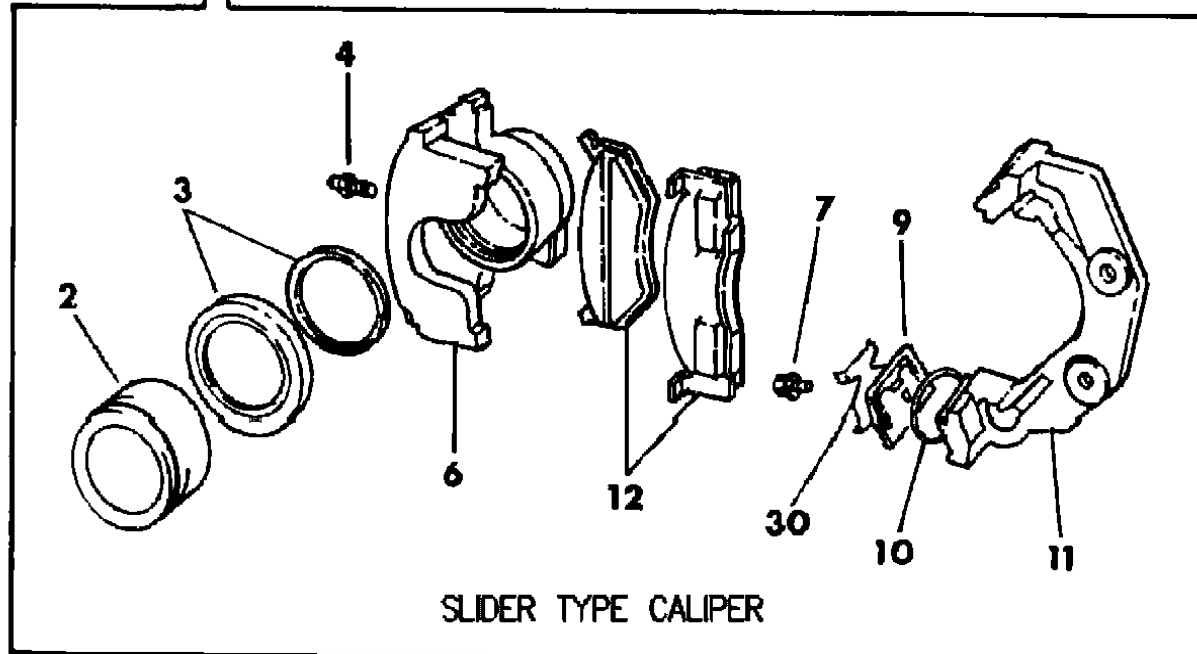
41 = 4-DOOR SEDAN

44 = 4-DOOR HATCHBACK

45 = 4-DOOR STATION WAGON

52-53 = FWD WAGON

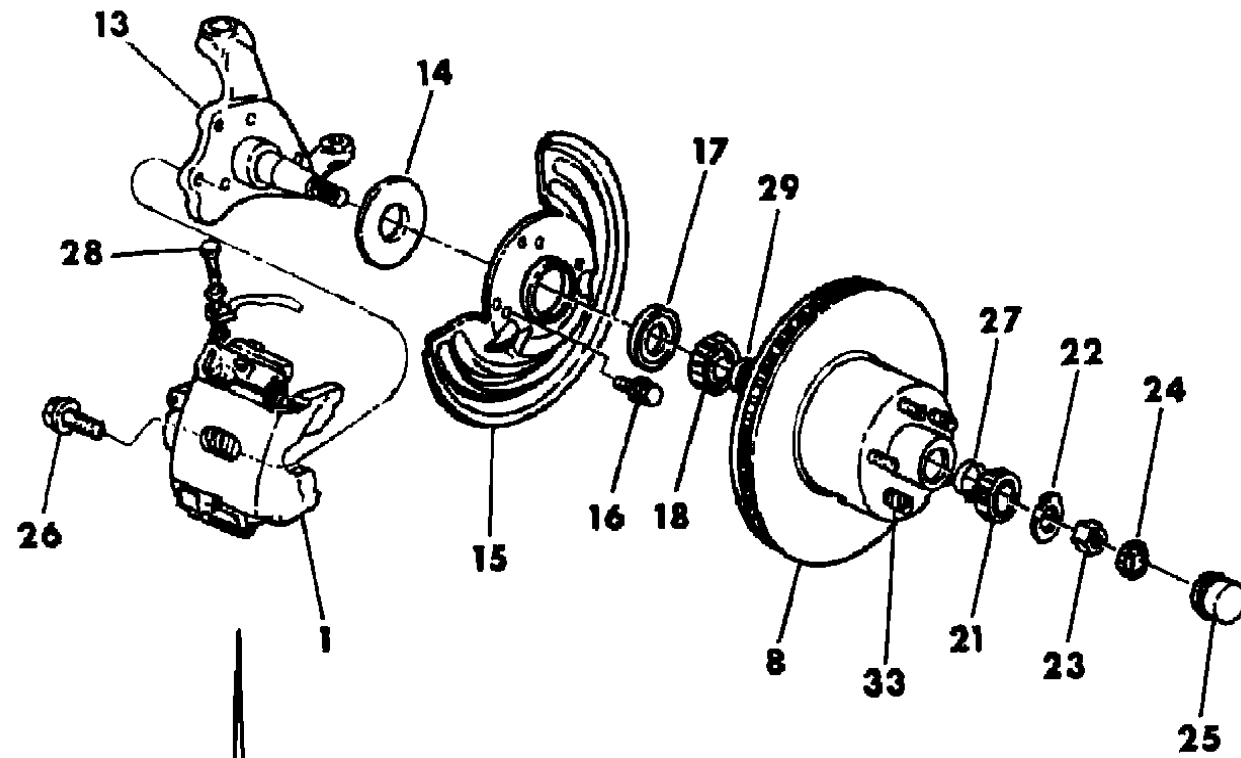
AR = Use as Required - = Non Illustrated Part P.A.R. = Paint as Required



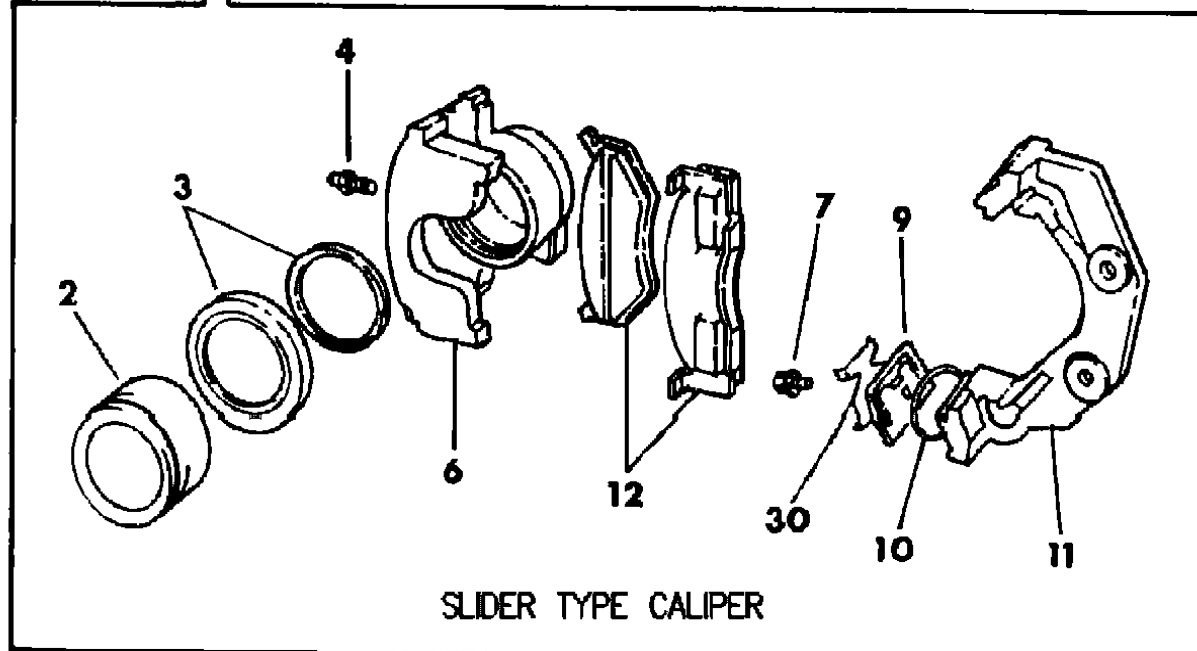
SLIDER TYPE CALIPER

BRAKES FRONT (M BODY)
Figure 5-1900

7105 1900C



ITEM	PART NUMBER	QTY	BODY	MODEL	DESCRIPTION
13	3402 640-1	2			KNUCKLE, Frt. Suspension Strg.
14	2944 704	1			SEAL, Disc Brake Support Shield to Knuckle
15	3880 518-9	2			SHIELD, Splash
16	0181 084	2			SCREW
17	3580 723	2			SEAL, Hub and Disc Dust
18	3683 975	2			CONE and ROLLER PACKAGE, Inner Brg.
19	4131 251	2			HUB and DISC, Std.
	3880 685	2			H/Duty
21	1671 465	2			CONE and ROLLER PACKAGE, Outer
22	0600 194	2			WASHER, Wheel Brg. Thrust
23	6029 692	2			NUT, Bearing Adjusting
24	1673 324	2			NUT, Lock
25	3580 894	2			CAP
26	6030 952	4			SCREW and WASHER, Caliper Mtg.
27	1671 465	2			CUP, Bearing Outer
28	6030 026	2			SCREW, Hose to Caliper
29	3683 975	2			CUP, Bearing Inner
30	4186 997	4			SPRING PACKAGE, Disc Brake



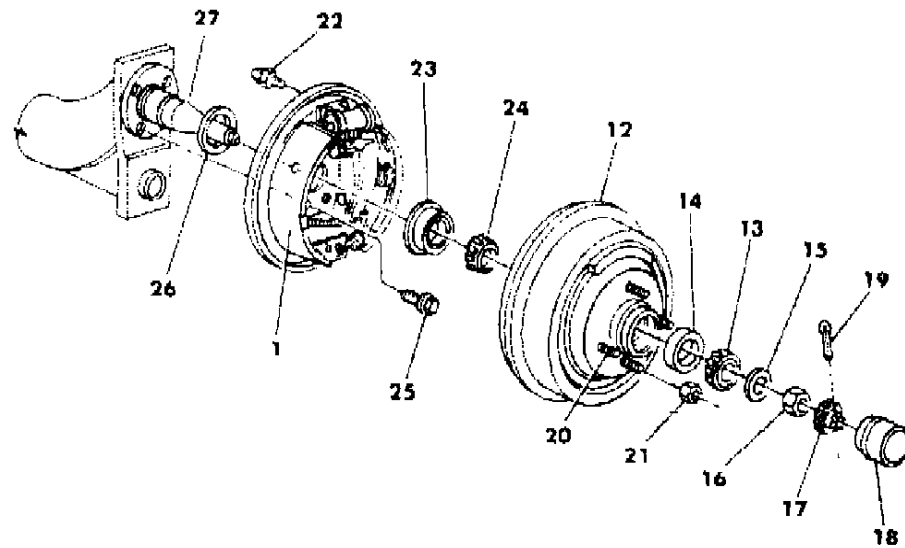
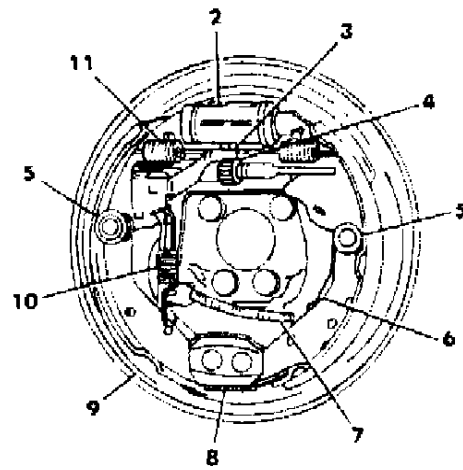
MODEL CODES
 E BODY = (J - CARAVELLE)(E - 600)(T - NEW YORKER)
 G BODY = (V24 - DAYTONA)
 H BODY = (D44 - LANCER)(C44 - LEBARON GTS)
 J BODY = (C - LEBARON)
 K BODY = (P - RELIANT)(D - ARIES)(C - LEBAROND)/TOWN & COUNTRY
 L BODY = (M - HORIZON/TURISMO)(Z - OMNI/CHARGER)
 M BODY = (B - GRAN FURY)(F - FIFTH AVE/NEWPORT)(G - DIPLOMAT)
 P BODY = (P - SUNDANCE)(D - SHADOW)
 S BODY = (H - VOYAGER)(K - RAM VAN/CARAVAN)

BODY STYLES
 12-13 = FWD VAN
 21 = 2-DOOR SEDAN
 24 = 2-DOOR HATCHBACK
 27 = 2-DOOR CONVERTIBLE
 41 = 4-DOOR SEDAN
 44 = 4-DOOR HATCHBACK
 45 = 4-DOOR STATION WAGON
 52-53 = FWD WAGON

AR = Use as Required - = Non Illustrated Part P.A.R. = Paint as Required

**BRAKES, REAR DRUM (L,P,J,K,G,E,H BODY)
Figure 5-2000**

7185 2000 A



ITEM	PART NUMBER	QTY	BODY	MODEL	DESCRIPTION
1	4238 827	1			SHOE and LINING PACKAGE, (Axle Set)
			M,Z-E,H	L Body	
				P Body	
				J Body	
			P,D	K Body, Std.	
			C-41	K Body	
2	4238 826	1			CYLINDER, Rear Wheel Brake, Complete
			Z-S	L Body	
			P,D-45	K Body, Heavy Duty	
			C-45	K Body	
			V-H	G Body	
				E Body	
3	4238 722-3	1			LEVER, Auto. Adjuster
			M,Z-E,H	L Body	
				P Body	
				J Body	
			P,D	K Body, Std.	
			C-41	K Body	
				H Body	
			4238 764-5	L Body	
			P,D-45	K Body, Heavy Duty	
			C-45	K Body	
			V-H	G Body	
				E Body	
4	4238 724-5	1			SCREW, Auto. Adjuster
			M,Z-E,H	L Body	
				P Body	
				J Body	
			P,D	K Body, Std.	
			C-41	K Body	
	H Body				
4238 766-7	L Body				
	K Body, Heavy Duty				

MODEL CODES

E BODY = (J - CARAVELLE)(E - 600)(T - NEW YORKER)

G BODY = (V24 - DAYTONA)

H BODY = (D44 - LANCER)(C44 - LEBARON GTS)

J BODY = (C - LEBARON)

K BODY = (P - RELIANT)(D - ARIES)(C - LEBAROND)/TOWN & COUNTRY)

L BODY = (M - HORIZON/TURISMO)(Z - OMNI/CHARGER)

M BODY = (B - GRAN FURY)(F - FIFTH AVE/NEWPORT)(G - DIPLOMAT)

P BODY = (P - SUNDANCE)(D - SHADOW)

S BODY = (H - VOYAGER)(K - RAM VAN/CARAVAN)

BODY STYLES

12-13 = FWD VAN

21 = 2-DOOR SEDAN

24 = 2-DOOR HATCHBACK

27 = 2-DOOR CONVERTIBLE

41 = 4-DOOR SEDAN

44 = 4-DOOR HATCHBACK

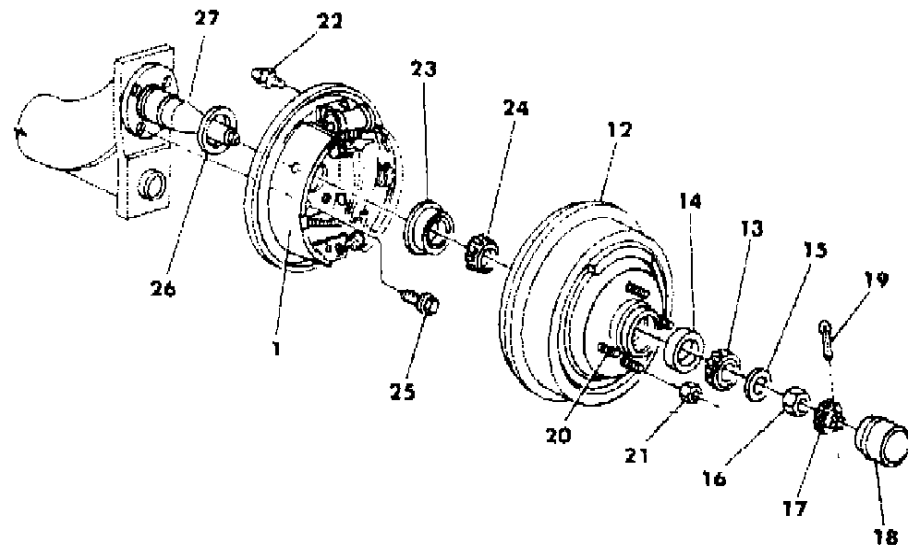
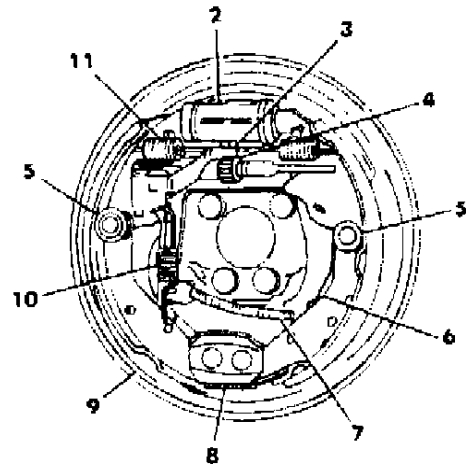
45 = 4-DOOR STATION WAGON

52-53 = FWD WAGON

AR = Use as Required - = Non Illustrated Part P.A.R. = Paint as Required

BRAKES, REAR DRUM (L,P,J,K,G,E,H BODY)
Figure 5-2000

7185 2000 A



ITEM	PART NUMBER	QTY	BODY	MODEL	DESCRIPTION
				C-45	K Body
				V-H	G Body
					E Body
	4238 726-7	1			NUT, Auto. Adjuster
	4238 721	2			PLUG, Auto. Adjuster
	4238 770	2			SOCKET, Auto. Adjuster Screw
				Z-S	L Body
				P,D-45	K Body
				C-45	K Body
				V-H	G Body
					E Body
	4238 728	2			TUBE, Auto. Adjuster Screw
				M,Z-E,H	L Body
					P Body
					J Body
				P,D	K Body, Std.
				C-41	K Body
					H Body
5	4238 732	4			SPRING, Shoe Hold Down
	4238 733	4			PIN, Shoe Hold Down Spring
				M,Z-E,H	L Body
					P Body
					J Body
				P,D	K Body, Std.
				C-41	K Body
					H Body
	4238 771	4		Z-S	L Body
				P,D-45	K Body, Heavy Duty
				C-45	K Body
				V-H	G Body
					E Body
6	4238 872-3	1			LEVER and PIN, Parking Brake
				M,Z-E,H	L Body
					P Body
				P,D	K Body, Std.
				C-41	K Body
					H Body
	4383 834-5	1			J Body

MODEL CODES

E BODY = (J - CARAVELLE)(E - 600)(T - NEW YORKER)

G BODY = (V24 - DAYTONA)

H BODY = (D44 - LANCER)(C44 - LEBARON GTS)

J BODY = (C - LEBARON)

K BODY = (P - RELIANT)(D - ARIES)(C - LEBAROND)/TOWN & COUNTRY)

L BODY = (M - HORIZON/TURISMO)(Z - OMNI/CHARGER)

M BODY = (B - GRAN FURY)(F - FIFTH AVE/NEWPORT)(G - DIPLOMAT)

P BODY = (P - SUNDANCE)(D - SHADOW)

S BODY = (H - VOYAGER)(K - RAM VAN/CARAVAN)

BODY STYLES

12-13 = FWD VAN

21 = 2-DOOR SEDAN

24 = 2-DOOR HATCHBACK

27 = 2-DOOR CONVERTIBLE

41 = 4-DOOR SEDAN

44 = 4-DOOR HATCHBACK

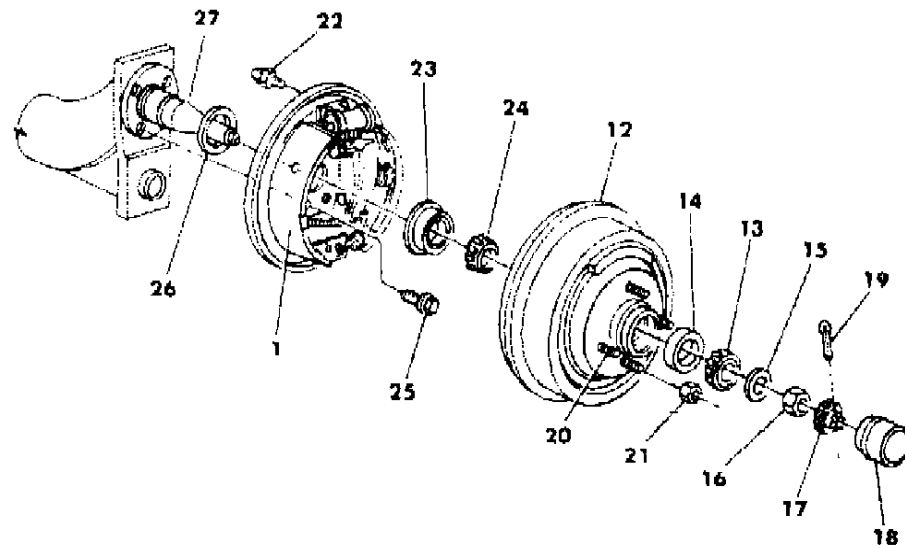
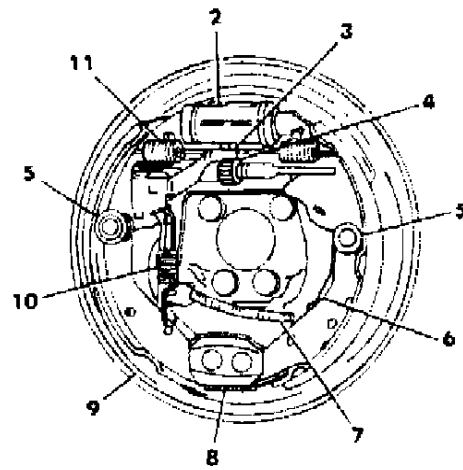
45 = 4-DOOR STATION WAGON

52-53 = FWD WAGON

AR = Use as Required - = Non Illustrated Part P.A.R. = Paint as Required

BRAKES, REAR DRUM (L,P,J,K,G,E,H BODY)
Figure 5-2000

7185 2000 A



ITEM	PART NUMBER	QTY	BODY	MODEL	DESCRIPTION
	4238 762-3			Z-S	L Body
				P,D-45	K Body, Heavy Duty
				C-45	K Body
				V-H	G Body
					E Body
	4238 715	2			WASHER, Parking Brake Lever Pin Wave
	4238 716	2			RING, Parking Brake Lever Pin Ret.
7					CABLE, Parking Brake
	4238 700	2			PLUG, Cable Hole
8	4238 730	2			SPRING, Lwer. Shoe Return
9	4238 697	2			SUPPORT, Brake
			M,Z-E,H		L Body
					P Body
					J Body
			P,D		K Body, Std.
			C-41		K Body
					H Body
	4238 760	2		Z-S	L Body
				P,D-45	K Body, Heavy Duty
				C-45	K Body
				V-H	G Body
					E Body
10	4238 851	2			SPRING, Auto Adjuster Lever
11	4238 731	2			SPRING, Shoe Return
12	4238 531	2	M,Z-E,H		HUB and DRUM, 4 Stud, w/200mm x 32.5mm, L Body
	4313 634	2			HUB and DRUM, 5 Stud, w/200mm x 32.5mm, P,H Body, Use Up to 6-1-87
	4383 655	2			P,H Body, Use After 6-1-87
	4313 634	2			J,K Body
	4313 635	2		Z-S	w/220mm x 40.0mm, L Body
					K Body
					E Body
				V-H	G Body, Use Up to 4-6-87
	4383 587	2		V-H	G Body, Use After 4-06-87
13	3683 974	2			BEARING PACKAGE, Outer
14	4293 196	2			CONE and ROLLER, Outer Brg.
	4293 196	2		Shelby	P Body
15	0600 194	2			WASHER, Bearing Thrust

MODEL CODES

E BODY = (J - CARAVELLE)(E - 600)(T - NEW YORKER)

G BODY = (V24 - DAYTONA)

H BODY = (D44 - LANCER)(C44 - LEBARON GTS)

J BODY = (C - LEBARON)

K BODY = (P - RELIANT)(D - ARIES)(C - LEBAROND)/TOWN & COUNTRY)

L BODY = (M - HORIZON/TURISMO)(Z - OMNI/CHARGER)

M BODY = (B - GRAN FURY)(F - FIFTH AVE/NEWPORT)(G - DIPLOMAT)

P BODY = (P - SUNDANCE)(D - SHADOW)

S BODY = (H - VOYAGER)(K - RAM VAN/CARAVAN)

BODY STYLES

12-13 = FWD VAN

21 = 2-DOOR SEDAN

24 = 2-DOOR HATCHBACK

27 = 2-DOOR CONVERTIBLE

41 = 4-DOOR SEDAN

44 = 4-DOOR HATCHBACK

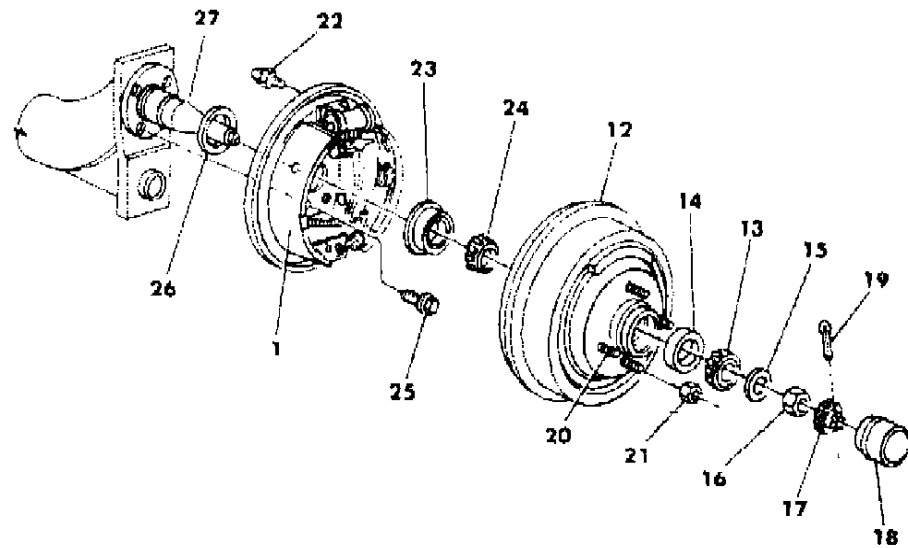
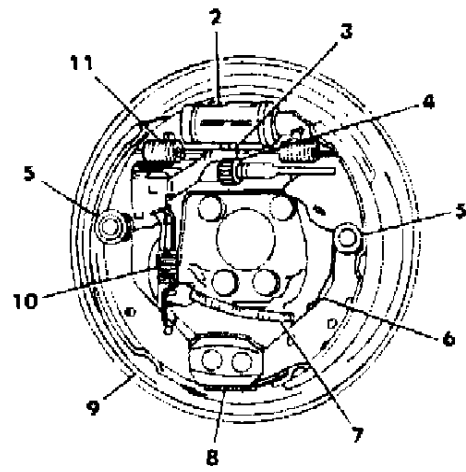
45 = 4-DOOR STATION WAGON

52-53 = FWD WAGON

AR = Use as Required - = Non Illustrated Part P.A.R. = Paint as Required

BRAKES, REAR DRUM (L,P,J,K,G,E,H BODY)
Figure 5-2000

7185 2000 A



ITEM	PART NUMBER	QTY	BODY	MODEL	DESCRIPTION
16	6029 692	2			NUT, Bearing Adjust
17	1673 324	2			LOCK, Bearing Nut
18	3580 894	2			CAP, Grease
19		AR			PIN, Cotter (Not Serv.)
20	6501 053	AR			STUD
	5204 272	AR			STUD
21	6500 526	AR			NUT, Std.
	6500 294	AR			NUT, Chrome
22	3766 674	2			SCREW, Bleeder
	4238 717	2			CAP, Bleeder Screw
23	4238 570	2			SEAL, Dust
	4238 570	2	Shelby		P Body
24	4238 567	2			CONE, CUP and BEARING PACKAGE, Inner
	4238 567	2	Shelby		P Body
25	6500 844	AR			BOLT
26	4238 853	2			SEAL, Support
27					SPINDLE, Rear Wheel Mtg.

MODEL CODES

E BODY = (J - CARAVELLE)(E - 600)(T - NEW YORKER)

G BODY = (V24 - DAYTONA)

H BODY = (D44 - LANCER)(C44 - LEBARON GTS)

J BODY = (C - LEBARON)

K BODY = (P - RELIANT)(D - ARIES)(C - LEBAROND)/TOWN & COUNTRY)

L BODY = (M - HORIZON/TURISMO)(Z - OMNI/CHARGER)

M BODY = (B - GRAN FURY)(F - FIFTH AVE/NEWPORT)(G - DIPLOMAT)

P BODY = (P - SUNDANCE)(D - SHADOW)

S BODY = (H - VOYAGER)(K - RAM VAN/CARAVAN)

BODY STYLES

12-13 = FWD VAN

21 = 2-DOOR SEDAN

24 = 2-DOOR HATCHBACK

27 = 2-DOOR CONVERTIBLE

41 = 4-DOOR SEDAN

44 = 4-DOOR HATCHBACK

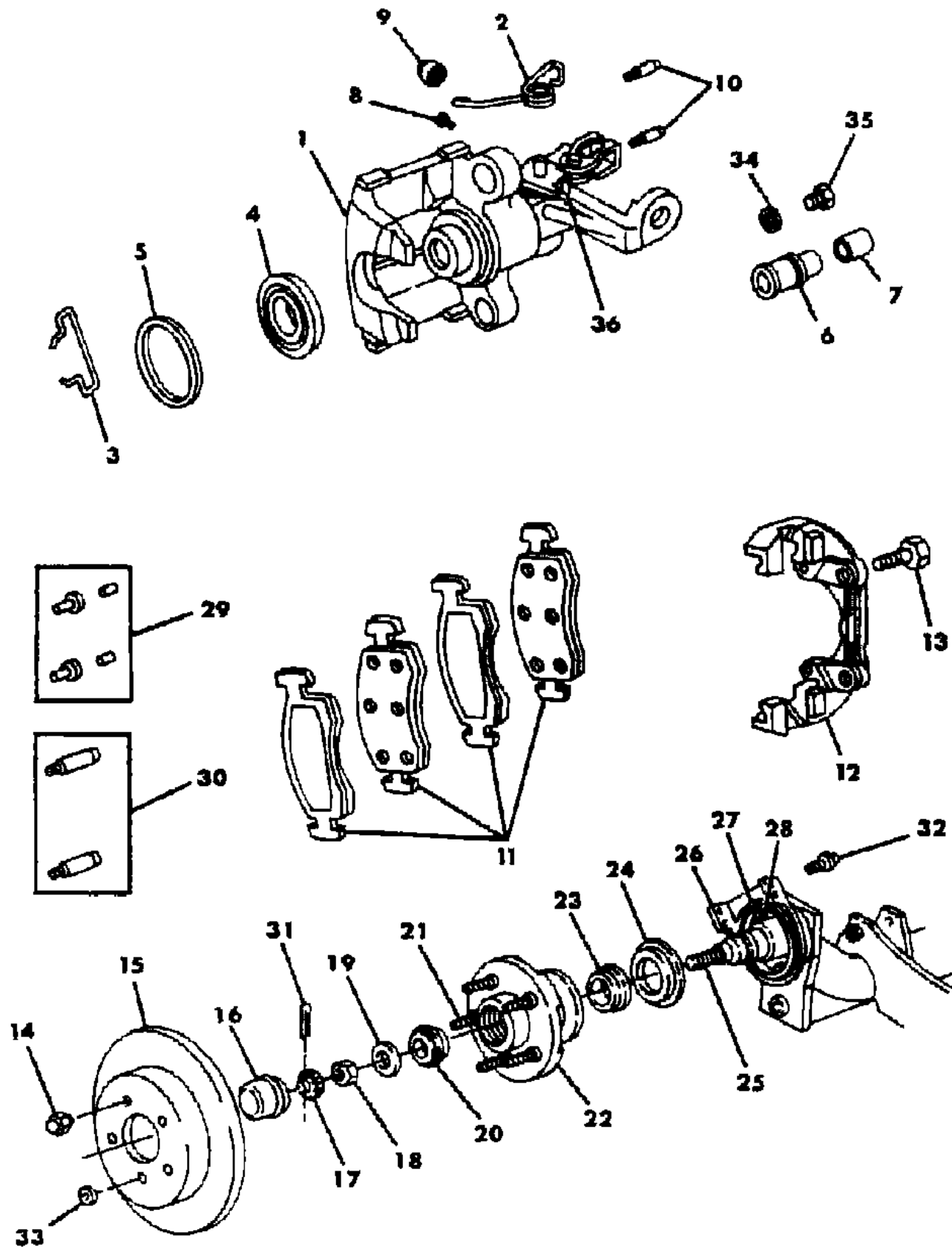
45 = 4-DOOR STATION WAGON

52-53 = FWD WAGON

AR = Use as Required - = Non Illustrated Part P.A.R. = Paint as Required

BRAKES, REAR DISC (V-P,V-S, G BODY)
Figure 5-2100

7105 2100 A



ITEM	PART NUMBER	QTY	BODY	MODEL	DESCRIPTION
1	#4313 716-7	1			HOUSING, Rear Wheel Disc Brake, Partial (w/Lever) (D)
2	#4313 724-5	1			SPRING, Disc Brake Lever Return
3	#4313 722	2			CLIP, Disc Brake Hsg. Anti Rattle
4	#4313 723	2			BOOT, Disc Brake Piston
5	#4313 726	2			RING, Disc Brake Piston Boot
6					BUSHING, (See Pkg. 4205982)
7					SLEEVE, (See Pkg. 4205982)
8	4126 879	2			SCREW, Bleeder
9	4126 733	2			CAP, Bleeder
10					PIN, (See Pkg. 4267329)
11	#4313 838	1			SHOE and LINING PACKAGE, Rear Wheel Disc Brake
12	#4313 720	2			ADAPTER, Rear Wheel Disc Brake
13	6500 158	4			SCREW and WASHER
14	6500 294	AR			NUT, Chrome
15	#4383 346	2			DISC, Rear Wheel Brake
16	3580 894	2			CAP, Grease
17	1673 324	2			LOCK, Bearing Nut
18	6029 692	2			NUT, Bearing Adjuster
19	0600 194	2			WASHER, Bearing Thrust
20	4293 196	2			CONE and ROLLER, Outer Bearing
21	6501 053	AR			STUD, Wheel
22	#4313 660	2			HUB, Rear Wheel Disc Brake
23	4238 567	2			CONE, CUP and BEARING PACKAGE, Inner
24	4238 570	2			SEAL, Dust
25					SPINDLE, Rear Wheel
26	#4313 930-1	1			SUPPORT, Rear Wheel Disc Brake
27	#4313 663	2			SLINGER, Disc Brake
28	6500 844	8			BOLT, Rear Suspension Spindle Mtg.
29	4205 982	2			BUSHING and SLEEVE PACKAGE
30	4267 329	2			PIN PACKAGE
31		AR			PIN, Cotter (Not Serv.)
32	6501 268	4			SCREW and WASHER
33		2			RETAINER, (Not Serv.)
34	4383 550	2			RING SEAL, Rear Wheel Disc Brake Manual Adj. Screw
35	4383 544	2			CAP, Rear Wheel Disc Brake Manual Adj. Screw
36	#4383 198	2			PIN, Rear Wheel Disc Brake Stop Roll

MODEL CODES

E BODY = (J - CARAVELLE)(E - 600)(T - NEW YORKER)

G BODY = (V24 - DAYTONA)

H BODY = (D44 - LANCER)(C44 - LEBARON GTS)

J BODY = (C - LEBARON)

K BODY = (P - RELIANT)(D - ARIES)(C - LEBAROND)/TOWN & COUNTRY)

L BODY = (M - HORIZON/TURISMO)(Z - OMNI/CHARGER)

M BODY = (B - GRAN FURY)(F - FIFTH AVE/NEWPORT)(G - DIPLOMAT)

P BODY = (P - SUNDANCE)(D - SHADOW)

S BODY = (H - VOYAGER)(K - RAM VAN/CARAVAN)

BODY STYLES

12-13 = FWD VAN

21 = 2-DOOR SEDAN

24 = 2-DOOR HATCHBACK

27 = 2-DOOR CONVERTIBLE

41 = 4-DOOR SEDAN

44 = 4-DOOR HATCHBACK

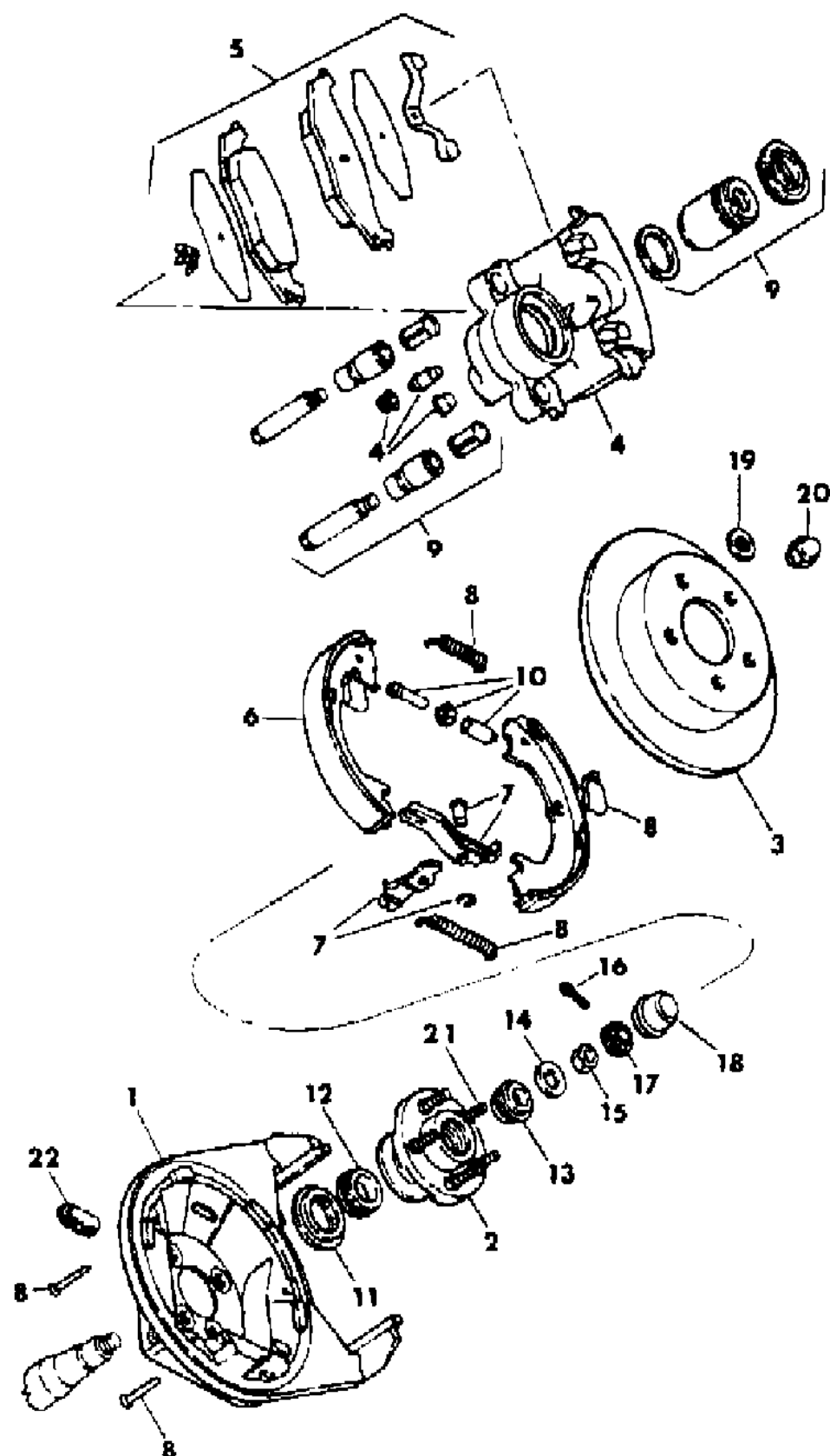
45 = 4-DOOR STATION WAGON

52-53 = FWD WAGON

AR = Use as Required - = Non Illustrated Part P.A.R. = Paint as Required

BRAKES, REAR DISC (SHELBY LANCER, H BODY)
Figure 5-2150

7105 2150



ITEM	PART NUMBER	QTY	BODY	MODEL	DESCRIPTION
1	4467 426-7	1			ADAPTOR, Rear Disc Brake
2	4467 861	2			HUB, Rear Disc Brake
3	4467 450	2			ROTOR, Rear Disc Brake
4	4467 430-1	1			CALIPER HOUSING ASSEMBLY, Rear Disc Brake
5	4467 439	1			SHOE and LINING PACKAGE, Rear Disc Brake
					Consist of:
					1- ----- Shoe and Lining, Inner, Lt.
					1- ----- Shoe and Lining, Inner, Rt.
					1- ----- Shoe and Lining, Outer, Lt.
					1- ----- Shoe and Lining, Outer, Rt.
6	4467 429	1			SHOE and LINING PACKAGE, Rear Disc Parking Brake
					Consist of:
					4- ----- Shoe and Lining, Rear Disc
7	4467 862-3	1			PARKING LEVER PACKAGE
					Consist of:
					2- ----- Lever, Parking
					2- ----- Link, Parking
					2- ----- Pin, Shoulder
					2- ----- Ring, Retaining
8	4467 859	1			PIN and CLIP PACKAGE, Rear Disc Brake Parking
					Consist of:
					2- ----- Pin, Shoe Hold Down
					2- ----- Clip, Shoe Hold Down
					1- ----- Spring, Brake Shoe Return, Upr.
					1- ----- Spring, Brake Shoe Return, Lwr.
					(2 Pkgs. Reqd. per Car)
9	4467 860	1			PISTON, BOOT and SEAL PACKAGE, Rear Disc
					Consist of:
					1- ----- Boot, Piston
					1- ----- Seal, Piston
					1- ----- Piston
					2- ----- Pin, Caliper Locating
					2- ----- Bushing, Caliper Locating
					2- ----- Sleeve, Caliper Locating
					(2 Pkgs. Reqd. per Car)
10	4467 443	1			ADJUSTER SCREW and NUT PACKAGE, Rear Disc Parking
					Consist of:
					1- ----- Screw, Adjusting

MODEL CODES

E BODY = (J - CARAVELLE)(E - 600)(T - NEW YORKER)

G BODY = (V24 - DAYTONA)

H BODY = (D44 - LANCER)(C44 - LEBARON GTS)

J BODY = (C - LEBARON)

K BODY = (P - RELIANT)(D - ARIES)(C - LEBAROND)/TOWN & COUNTRY)

L BODY = (M - HORIZON/TURISMO)(Z - OMNI/CHARGER)

M BODY = (B - GRAN FURY)(F - FIFTH AVE/NEWPORT)(G - DIPLOMAT)

P BODY = (P - SUNDANCE)(D - SHADOW)

S BODY = (H - VOYAGER)(K - RAM VAN/CARAVAN)

BODY STYLES

12-13 = FWD VAN

21 = 2-DOOR SEDAN

24 = 2-DOOR HATCHBACK

27 = 2-DOOR CONVERTIBLE

41 = 4-DOOR SEDAN

44 = 4-DOOR HATCHBACK

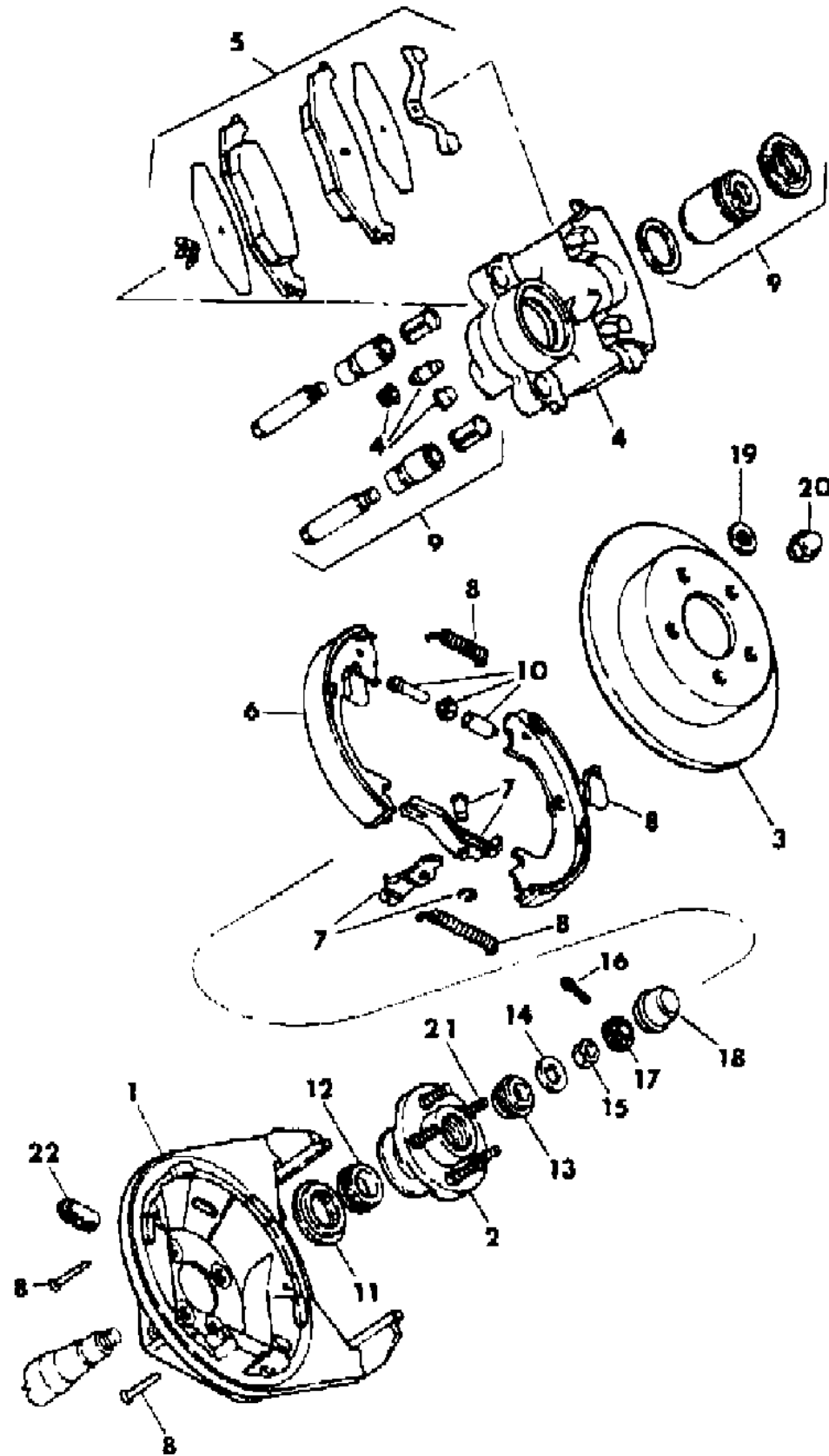
45 = 4-DOOR STATION WAGON

52-53 = FWD WAGON

AR = Use as Required - = Non Illustrated Part P.A.R. = Paint as Required

BRAKES, REAR DISC (SHELBY LANCER, H BODY)
Figure 5-2150

7105 2150



ITEM	PART NUMBER	QTY	BODY	MODEL	DESCRIPTION
					1- ----- Nut, Adjusting
					1- ----- Socket, Adjusting
11	4238 570	2			SEAL, Inner Brg. Cone
12	4238 567	2			CONE, CUP and BEARING PACKAGE, Inner
13	4293 196	2			CONE and ROLLER, Outer Brg.
14	0600 194	2			WASHER, Rear Wheel Brg. Thrust
15	6029 692	2			NUT, Brg. Adjust
16		AR			PIN, Cotter (Not Serv.)
17	1673 324	2			LOCK, Brg. Nut
18	3580 894	2			CAP, Grease
19		2			RETAINER, (Not Serv.)
20	4467 866	AR			NUT, Lug
21	6501 053	AR			STUD
22	4238 721	2			PLUG, Adjusting Slot
-	4467 874	2			BRACKET, Rear Brake Cable Guide (Not Shown)
	0181 063	2			BOLT, Bracket Cable Guide Mtg.
	0189 866	2			NUT, Bracket Cable Guide Mtg.

MODEL CODES

E BODY = (J - CARAVELLE)(E - 600)(T - NEW YORKER)

G BODY = (V24 - DAYTONA)

H BODY = (D44 - LANCER)(C44 - LEBARON GTS)

J BODY = (C - LEBARON)

K BODY = (P - RELIANT)(D - ARIES)(C - LEBAROND)/TOWN & COUNTRY)

L BODY = (M - HORIZON/TURISMO)(Z - OMNI/CHARGER)

M BODY = (B - GRAN FURY)(F - FIFTH AVE/NEWPORT)(G - DIPLOMAT)

P BODY = (P - SUNDANCE)(D - SHADOW)

S BODY = (H - VOYAGER)(K - RAM VAN/CARAVAN)

BODY STYLES

12-13 = FWD VAN

21 = 2-DOOR SEDAN

24 = 2-DOOR HATCHBACK

27 = 2-DOOR CONVERTIBLE

41 = 4-DOOR SEDAN

44 = 4-DOOR HATCHBACK

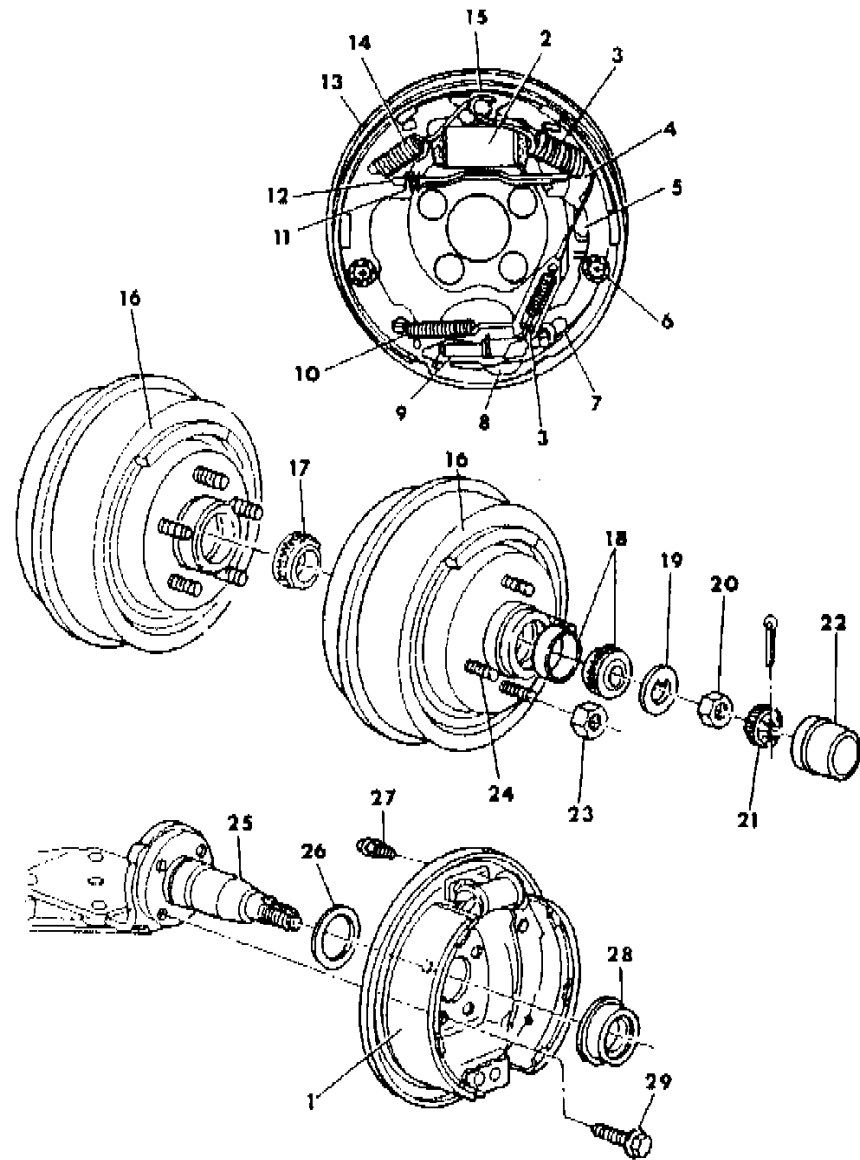
45 = 4-DOOR STATION WAGON

52-53 = FWD WAGON

AR = Use as Required - = Non Illustrated Part P.A.R. = Paint as Required

BRAKES, REAR (S-BODY)
Figure 5-2200

7105 2200



ITEM	PART NUMBER	QTY	BODY	MODEL	DESCRIPTION
1	4313 080	1			SHOE and LINING PACKAGE, (Axle Set)
2	4313 056	2			CYLINDER, Wheel Brake, Complete
3	6028 921	4			SCREW, Wheel Cylinder Mtg.
	3461 662	2			CABLE, Auto. Adjuster Cable, Complete
4	3461 660	2			SPRING, Adjuster Cable
	4313 074	2			GUILD, Auto. Adjuster Cable
5	4313 076-7	1			LEVER, Parking Brake
6	4313 062	4			SPRING, Brake Shoe Hold Down
	2260 548	4			PIN, Brake Shoe Hold Down Sprg.
7	2944 580-1	1			SPRING, Auto. Adjuster Lever
8	3461 665	2			LEVER, Auto. Adjuster
	4049 681	2			PIN, Auto. Adjuster Lever
9	2881 686-7	1			SCREW, Adjuster Pivot
	2944 692-3	1			NUT, Auto. Adjuster Pivot Screw
10	2944 586	2			BUTTON, Adjuster
	6027 559	2			WASHER, Adjuster Button
	4313 069	2			SPRING, Auto. Adjuster Shoe to Guide
11	4313 079	2			SPRING, Parking Brake Strut
12	4313 078	2			STRUT, Parking Brake
13	4313 055	2			SUPPORT, Rear Wheel Brake
	-	4238 700	2		PLUG, Park Cable Hole
-	4238 721	2			PLUG, Adjuster Hole
14	2881 676	4			SPRING, Brake Shoe Return
15	4313 075	2			GUIDE, Brake Anchor Shoe
16	4313 761	2			HUB and DRUM, Rear Wheel Brake, 9x2.5", Std.
	4313 760	2			w/9x2.5", w/14" Wheels
	4383 117	2			w/9x2.5", w/15" Wheels
17	3683 975	2			BEARING PACKAGE, Inner
18	3683 974	2			BEARING PACKAGE, Rear Wheel Outer
	4293 196	2			CONE and ROLLER, Outer Bearing
19	0600 194	2			WASHER, Thrust
20	6029 692	2			NUT
21	1673 324	2			LOCK
22	3580 894	2			CAP
23	6500 526	AR			NUT, Std.
	6500 294	AR			NUT, Chrome
	5204 250	AR	K-E		CAP, Wheel Nut, 14x5.5 Argent Wheel, Non Styled
24	6501 053	AR			STUD

MODEL CODES

E BODY = (J - CARAVELLE)(E - 600)(T - NEW YORKER)

G BODY = (V24 - DAYTONA)

H BODY = (D44 - LANCER)(C44 - LEBARON GTS)

J BODY = (C - LEBARON)

K BODY = (P - RELIANT)(D - ARIES)(C - LEBAROND)/TOWN & COUNTRY)

L BODY = (M - HORIZON/TURISMO)(Z - OMNI/CHARGER)

M BODY = (B - GRAN FURY)(F - FIFTH AVE/NEWPORT)(G - DIPLOMAT)

P BODY = (P - SUNDANCE)(D - SHADOW)

S BODY = (H - VOYAGER)(K - RAM VAN/CARAVAN)

BODY STYLES

12-13 = FWD VAN

21 = 2-DOOR SEDAN

24 = 2-DOOR HATCHBACK

27 = 2-DOOR CONVERTIBLE

41 = 4-DOOR SEDAN

44 = 4-DOOR HATCHBACK

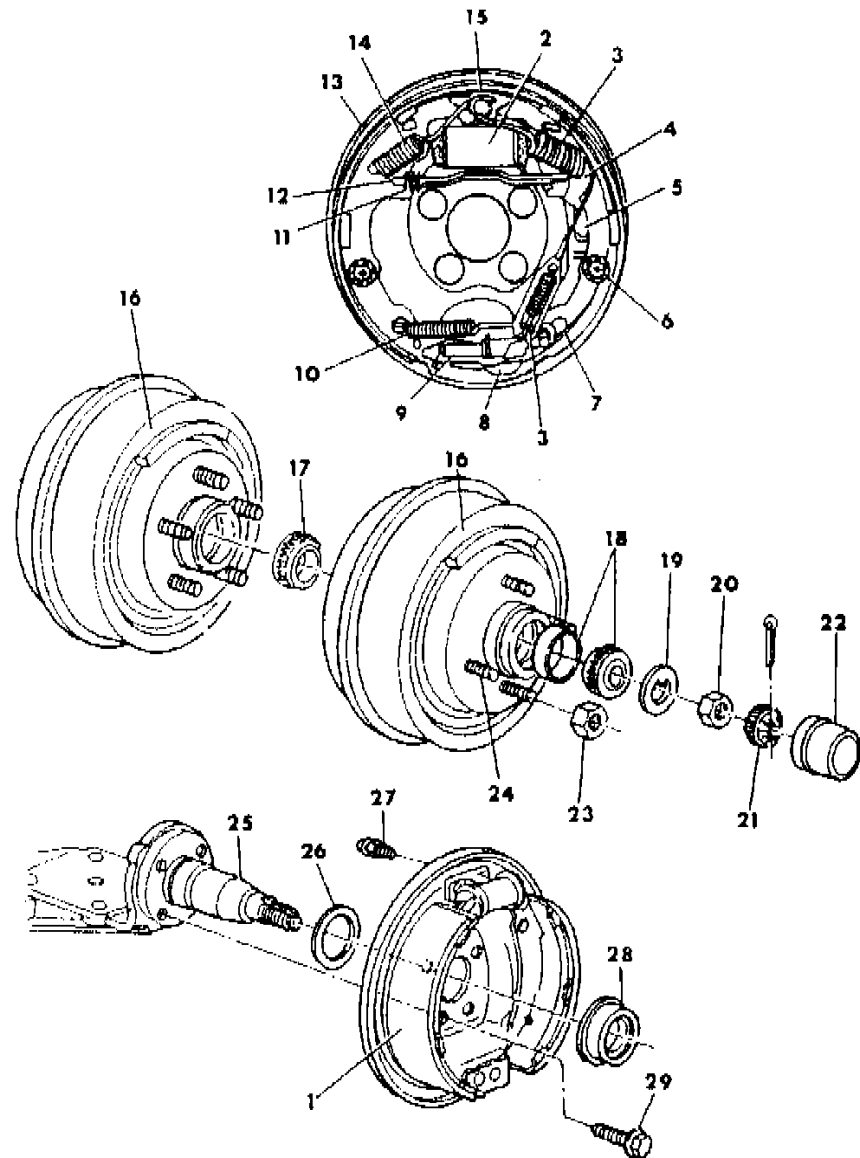
45 = 4-DOOR STATION WAGON

52-53 = FWD WAGON

AR = Use as Required - = Non Illustrated Part P.A.R. = Paint as Required

BRAKES, REAR (S-BODY)
Figure 5-2200

7105 2200



ITEM	PART NUMBER	QTY	BODY	MODEL	DESCRIPTION
25					SPINDLE
26	4313 231	2			SEAL, Brake Support to Spindle
27	3766 674	2			SCREW, Bleeder
	4238 717	2			CAP, Cyl. Bleeder Screw
28	4238 789	2			SEAL, Dust
29	6500 844	8			BOLT, Support To Spindle

MODEL CODES

E BODY = (J - CARAVELLE)(E - 600)(T - NEW YORKER)

G BODY = (V24 - DAYTONA)

H BODY = (D44 - LANCER)(C44 - LEBARON GTS)

J BODY = (C - LEBARON)

K BODY = (P - RELIANT)(D - ARIES)(C - LEBAROND)/TOWN & COUNTRY)

L BODY = (M - HORIZON/TURISMO)(Z - OMNI/CHARGER)

M BODY = (B - GRAN FURY)(F - FIFTH AVE/NEWPORT)(G - DIPLOMAT)

P BODY = (P - SUNDANCE)(D - SHADOW)

S BODY = (H - VOYAGER)(K - RAM VAN/CARAVAN)

BODY STYLES

12-13 = FWD VAN

21 = 2-DOOR SEDAN

24 = 2-DOOR HATCHBACK

27 = 2-DOOR CONVERTIBLE

41 = 4-DOOR SEDAN

44 = 4-DOOR HATCHBACK

45 = 4-DOOR STATION WAGON

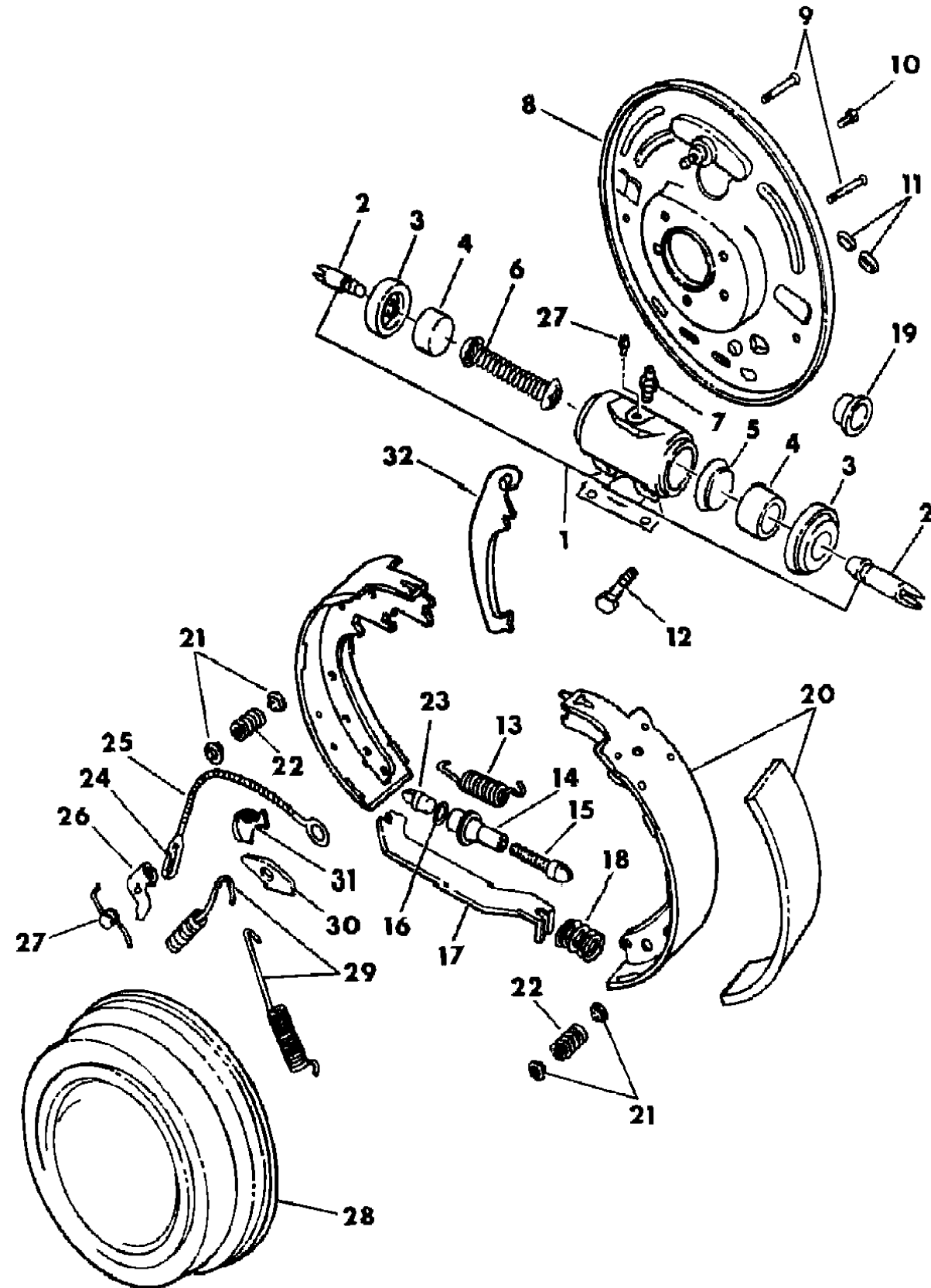
52-53 = FWD WAGON

AR = Use as Required - = Non Illustrated Part P.A.R. = Paint as Required

BRAKES, REAR (M BODY)

Figure 5-2300

7105 2300A



ITEM	PART NUMBER	QTY	BODY	MODEL	DESCRIPTION
	4364 786	2			SHOE and LINING PACKAGE, w/10" Brakes Consists of: 2 - ---- --- Shoe and Lining, Primary 2 - ---- --- Shoe and Lining, Secondary 2 - 2260835 Spring
	4026 648	1			1 - 4049681 Pin, Washer and Lock Pkg. SHOE and LINING PACKAGE, w/11" Brakes Consists of: 2 - ---- --- Shoe and Lining, Primary 2 - ---- --- Shoe and Lining, Secondary
	4049 681	2			1 - 4049681 Pin, Washer and Lock Pkg. PIN, Washer and Lock Pkg., Rr. Whl., Parking Brake and Auto. Adjuster Consists of: 2 - ---- --- Pin, Rr. Whl. Brk. A/Adj. Lvr. 2- 2072643 Washer, Pkg./Brk. Lvr. Pin 2- 2072644 Lock Pkg./Brk. Lvr. Pin
1	3780 525	2			CYLINDER, WHEEL, 10" and 11" Brakes, Less Push Rod
	3780 524	1			CYLINDER PACKAGE, 10" and 11" Brakes, Repair
2	2260 787	4			ROD, Brake Cyl. Piston
3	2881 618	4			BOOT, 10" and 11" Brakes (Also Serv. in Pkg. 3780524)
4	2660 325	4			PISTON, 10" and 11" Brakes
5		4			CUP, (Serv. in Cyl. Pkg. 3780524)
6					EXPANDER, Cyl. Piston Cup (Serv. in Pkg. 3780524)
7	3766 674	2			SCREW, Bleeder
8	3699 601	2			SUPPORT, Rear Wheel, w/10" Brakes
	3699 603	2			w/11" Brakes
9	2260 548	4			PIN, 2-11/32" Lgh., Fig. 1 Stamped on Head
	4049 681	AR			PIN, Rear Wheel Brake, Auto. Adjuster Lever
10	6028 921	AR			SCREW, Whl. Brake Cyl. Mtg.
11	2072 614	2			COVER, Brake Adjuster Hole
12	3723 668	AR			BOLT, Rr. Whl. Mtg., 1" Long
13	3766 574	2			SPRING, Auto. Adjuster Shoe, w/10" Brakes
	2880 555	2			w/11" Brakes
14	2944 692-3	AR			NUT, Auto. Adjuster Pivot Screw
15	2881 686-7	AR			SCREW, Auto. Adjuster Pivot
16	6027 559	AR			WASHER, Auto. Adjuster Button
17	4126 576-7	1			STRUT, Parking Brake Lever, w/11" Brakes

MODEL CODES

E BODY = (J - CARAVELLE)(E - 600)(T - NEW YORKER)

G BODY = (V24 - DAYTONA)

H BODY = (D44 - LANCER)(C44 - LEBARON GTS)

J BODY = (C - LEBARON)

K BODY = (P - RELIANT)(D - ARIES)(C - LEBAROND)/TOWN & COUNTRY)

L BODY = (M - HORIZON/TURISMO)(Z - OMNI/CHARGER)

M BODY = (B - GRAN FURY)(F - FIFTH AVE/NEWPORT)(G - DIPLOMAT)

P BODY = (P - SUNDANCE)(D - SHADOW)

S BODY = (H - VOYAGER)(K - RAM VAN/CARAVAN)

BODY STYLES

12-13 = FWD VAN

21 = 2-DOOR SEDAN

24 = 2-DOOR HATCHBACK

27 = 2-DOOR CONVERTIBLE

41 = 4-DOOR SEDAN

44 = 4-DOOR HATCHBACK

45 = 4-DOOR STATION WAGON

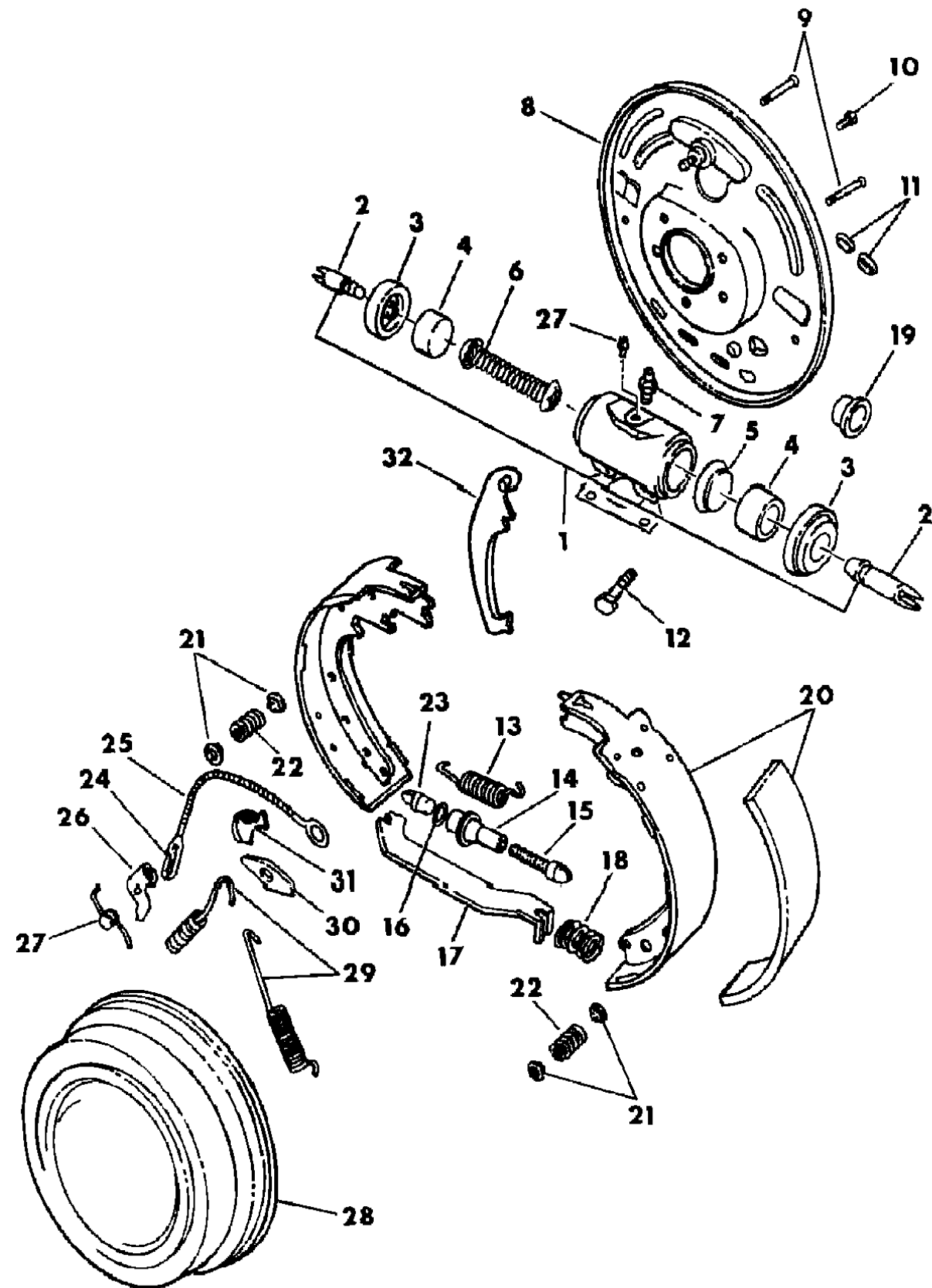
52-53 = FWD WAGON

AR = Use as Required - = Non Illustrated Part P.A.R. = Paint as Required

BRAKES, REAR (M BODY)

Figure 5-2300

7105 2300A



ITEM	PART NUMBER	QTY	BODY	MODEL	DESCRIPTION
18	2533 822	1			SPRING, Pk. Brk. Lvr. Strut, w/11" Brakes
19	3699 549	AR			PLUG, Park Brake Cable Hole
20		2			SHOE and LINING, (Serv. in Shoe and Lining Pkg.)
21	4126 525	4			RETAINER, Brake Shoe Hold Down Spring
22	4126 525	4			SPRING, Brake Shoe Hold Down
23	2944 586	2			BUTTON, Auto. Adjuster
24	3461 660	2			SPRING, Auto. Adjuster Cable
25	3461 663	2			CABLE, Auto. Adjuster, Complete, w/10" Brakes
	3461 664	2			w/11" Brakes
26	3461 665	2			LEVER, Auto. Adjuster
27	2944 580-1	1			SPRING, Rear Wheel Brake Auto. Adjuster Lever
28	4049 661	2			DRUM, Rear Wheel, w/10" Brakes
	3780 537	2			w/11" Brakes
-	3432 698	10			BOLT
29	2260 835	4			SPRING, Brake Shoe Return, w/10" Brakes
	2260 789	4			w/11" Brakes
30	2267 045	2			PLATE, Brake Shoe Guide, w/10" Brakes
	2260 788	2			w/11" Brakes
31	2260 793	2			GUIDE, Auto. Adjuster Cable
32	3880 628-9	1			LEVER, Parking Brake, w/10" Brakes
	3880 630-1	1			w/11" Brakes

MODEL CODES

E BODY = (J - CARAVELLE)(E - 600)(T - NEW YORKER)

G BODY = (V24 - DAYTONA)

H BODY = (D44 - LANCER)(C44 - LEBARON GTS)

J BODY = (C - LEBARON)

K BODY = (P - RELIANT)(D - ARIES)(C - LEBAROND)/TOWN & COUNTRY)

L BODY = (M - HORIZON/TURISMO)(Z - OMNI/CHARGER)

M BODY = (B - GRAN FURY)(F - FIFTH AVE/NEWPORT)(G - DIPLOMAT)

P BODY = (P - SUNDANCE)(D - SHADOW)

S BODY = (H - VOYAGER)(K - RAM VAN/CARAVAN)

BODY STYLES

12-13 = FWD VAN

21 = 2-DOOR SEDAN

24 = 2-DOOR HATCHBACK

27 = 2-DOOR CONVERTIBLE

41 = 4-DOOR SEDAN

44 = 4-DOOR HATCHBACK

45 = 4-DOOR STATION WAGON

52-53 = FWD WAGON

AR = Use as Required - = Non Illustrated Part P.A.R. = Paint as Required

GROUP 6 - CLUTCH

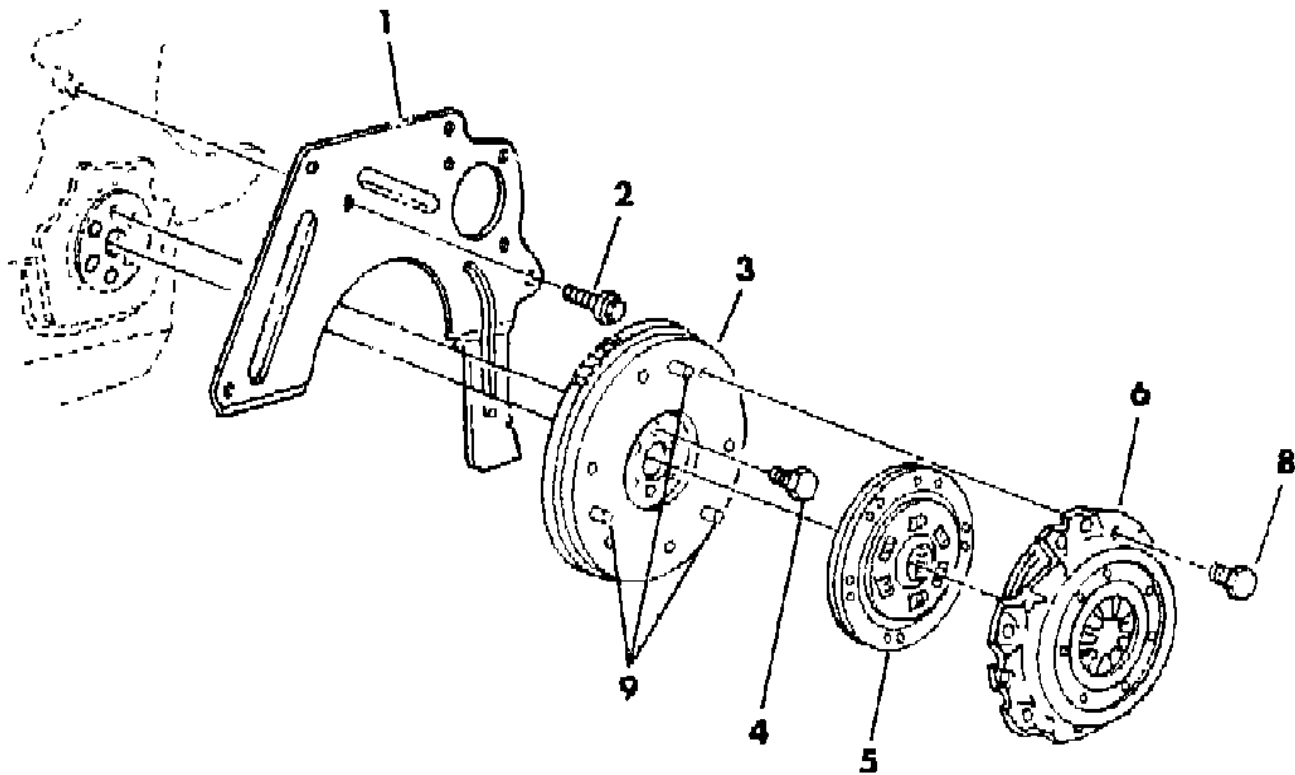
ILLUSTRATION TITLE	GROUP-FIG. NO.
CLUTCH	
CLUTCH, ALL ENGINES A520,A525,A555, 5-SPEED TRANSAXLE L,P,J,K,G,H,S BODY	Fig. 6-100
CLUTCH PEDAL AND LINKAGE, ALL ENGINES A520,A525,A555, 5 SPEED TRANSAXLE L,P,J,K,G,H,S BODY	Fig. 6-200

ILLUSTRATION NOT AVAILABLE AT TIME OF PUBLICATION

CLUTCH, ALL ENGINES A520,A525,A555, 5-SPEED TRANSAXLE L,P,J,K,G,H,S BODY
Figure 6-100

7108 100

ITEM	PART NUMBER	QTY	BODY	MODEL	DESCRIPTION
1					COVER, Trans. Case Upper (Refer to Gr. 21)
2					SCREW, w/Washer, (Refer to Gr. 21)
3					FLYWHEEL, (Refer to Gr. 9)
4					BOLT, Flywheel Mtg. (Refer to Gr. 9)
5					DISC, Clutch
	4377 728	1	L,P,K,H		w/2.2, 2.2 EFI Liter Eng., LUK
	4431 156	1	J,G,H,S		w/2.5 Liter Eng., FICHTEL & SACHS
	4431 156	1			w/2.2 TURBO Eng., FICHTEL & SACHS
	4431 170	1	S		w/2.2 Liter Eng., FICHTEL & SACHS
	4446 313	1	G		w/2.2 TURBO TWO (EDR) w/Intercooler, FICHTEL & SACHS
6					COVER and PLATE ASSEMBLY, Clutch And Disc Package
	4377 726	1	L,P,K,H		w/2.2, 2.2 EFI Eng., LUK Clutch
	4443 188	1	J,G,H,S		w/2.5 Liter Eng., FICHTEL & SACHS Clutch
	4443 189	1			w/2.2 TURBO Eng., FICHTEL & SACHS Clutch
	4443 186	1	S		w/2.2 Liter Eng., FICHTEL & SACHS Clutch
	4446 311	1	G		w/2.2 TURBO TWO (EDR) w/Intercooler, FICHTEL & SACHS Clutch
					COVER AND PLATE ASSEMBLY, Clutch w/o Disc
	4431 081	1			w/2.2 TURBO Eng., FICHTEL & SACHS Clutch
	4626 630	1	J,G,H,S		w/2.5 Liter Eng., FICHTEL & SACHS Clutch
	4626 630	1	S		w/2.2 Liter Eng., FICHTEL & SACHS Clutch
8	6500 151	6			BOLT, w/Washer, Cover to Flywheel, M8x1.25x20
9					DOWEL, Flywheel To Cover (Refer To Gr. 9)



MODEL CODES
 E BODY = (J - CARAVELLE)(E - 600)(T - NEW YORKER)
 G BODY = (V24 - DAYTONA)
 H BODY = (D44 - LANCER)(C44 - LEBARON GTS)
 J BODY = (C - LEBARON)
 K BODY = (P - RELIANT)(D - ARIES)(C - LEBAROND)/TOWN & COUNTRY
 L BODY = (M - HORIZON/TURISMO)(Z - OMNI/CHARGER)
 M BODY = (B - GRAN FURY)(F - FIFTH AVE/NEWPORT)(G - DIPLOMAT)
 P BODY = (P - SUNDANCE)(D - SHADOW)
 S BODY = (H - VOYAGER)(K - RAM VAN/CARAVAN)

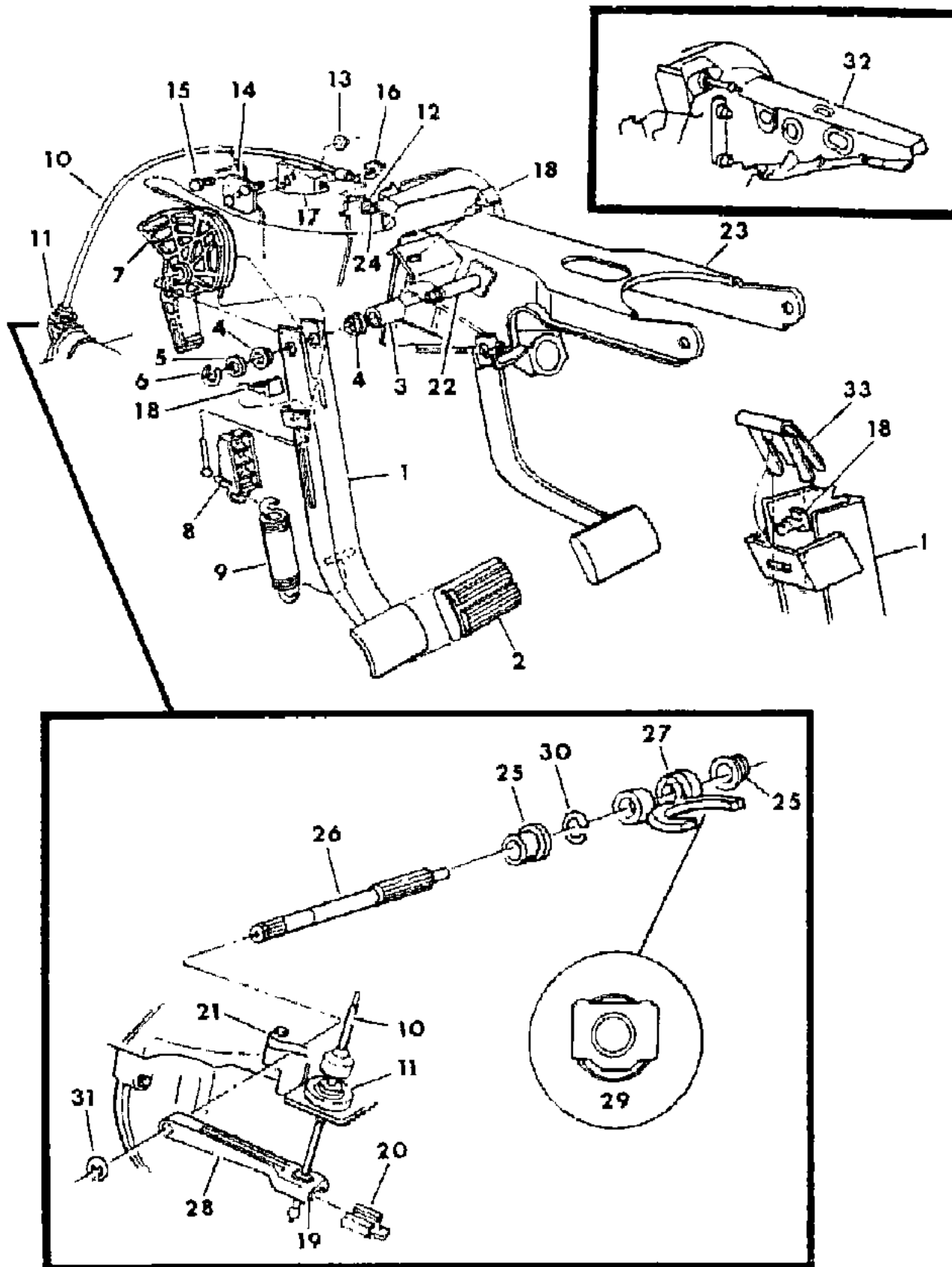
BODY STYLES
 12-13 = FWD VAN
 21 = 2-DOOR SEDAN
 24 = 2-DOOR HATCHBACK
 27 = 2-DOOR CONVERTIBLE
 41 = 4-DOOR SEDAN
 44 = 4-DOOR HATCHBACK
 45 = 4-DOOR STATION WAGON
 52-53 = FWD WAGON

AR = Use as Required - = Non Illustrated Part P.A.R. = Paint as Required

CLUTCH PEDAL AND LINKAGE, ALL ENGINES A520,A525,A555, 5 SPEED TRANSAXLE L,P,J,K,G,H,S BODY

Figure 6-200

7108 200



ITEM	PART NUMBER	QTY	BODY	MODEL	DESCRIPTION
1	4295 585	1	L		PEDAL, Clutch
2	4188 668	1	PJKGHS		PAD, Pedal
	5206 237	1	L		
3	4019 715	1	PJKGHS		SPACER, Pedal
	4019 706	1	L		
4	4019 716	1	PJKGH		BUSHING, Pedal
	4188 659	1	S		
5	4019 707	2			WASHER, Pedal Shaft
6	2073 632	1			RING, Pedal Shaft, Lock
7	6030 373	1			ADJUSTER, Pivot
	4188 669	1	LPJKGH		
8	4188 660	1	S		ADJUSTER, Clutch Cable Position
	4019 695	1			
9	4188 666	1			SPRING, Clutch Cable Adj.
	4019 749	1			DAMPER, Clutch Pedal Adj. Spring (Not Illus.)
10	4377 771	1	L		CABLE, Clutch Pedal
	4377 769	1	PJKGH		
11	4377 770	1	S		ISOLATOR, Cable
	4377 825	1			
12	3593 446	1			GROMMET, Cable Panel Dash
13	6100 050	2			NUT, Cable Mtg. Plate, M8x1.25
14	4188 101	1			PLATE, Cable Mtg.
	6100 098	2			SCREW, Cable Plate Mtg., M8x1.25x20
15	3759 944	1			RETAINER, Plate
16	4295 369	1			CLIP, Cable
17	4188 664	1	L		BRACKET, Cable Mtg.
	4295 577	1	PJKGH		
18	4188 662	1	S		BUMPER, Pedal Stop Brkt., Except L Body
	2266 820	1			
19	4019 709	1	L		BRACKET, Clutch Pedal Stop
	4188 673	1	S		
20	5206 244	1			GROMMET, Cable Retainer
21	5206 245	1			RETAINER, Cable Lock
22					TRANSAXLE, (Reference)
23			PJKGHS		SHAFT, (Refer to Gr. 5)
24					BRACKET, (Refer to Gr. 5)
25	6031 447	1			NUT, Cable Mtg.
	4295 759	1			BUSHING, Clutch Rel. Shaft, Inner

MODEL CODES

E BODY = (J - CARAVELLE)(E - 600)(T - NEW YORKER)

G BODY = (V24 - DAYTONA)

H BODY = (D44 - LANCER)(C44 - LEBARON GTS)

J BODY = (C - LEBARON)

K BODY = (P - RELIANT)(D - ARIES)(C - LEBAROND)/TOWN & COUNTRY)

L BODY = (M - HORIZON/TURISMO)(Z - OMNI/CHARGER)

M BODY = (B - GRAN FURY)(F - FIFTH AVE/NEWPORT)(G - DIPLOMAT)

P BODY = (P - SUNDANCE)(D - SHADOW)

S BODY = (H - VOYAGER)(K - RAM VAN/CARAVAN)

BODY STYLES

12-13 = FWD VAN

21 = 2-DOOR SEDAN

24 = 2-DOOR HATCHBACK

27 = 2-DOOR CONVERTIBLE

41 = 4-DOOR SEDAN

44 = 4-DOOR HATCHBACK

45 = 4-DOOR STATION WAGON

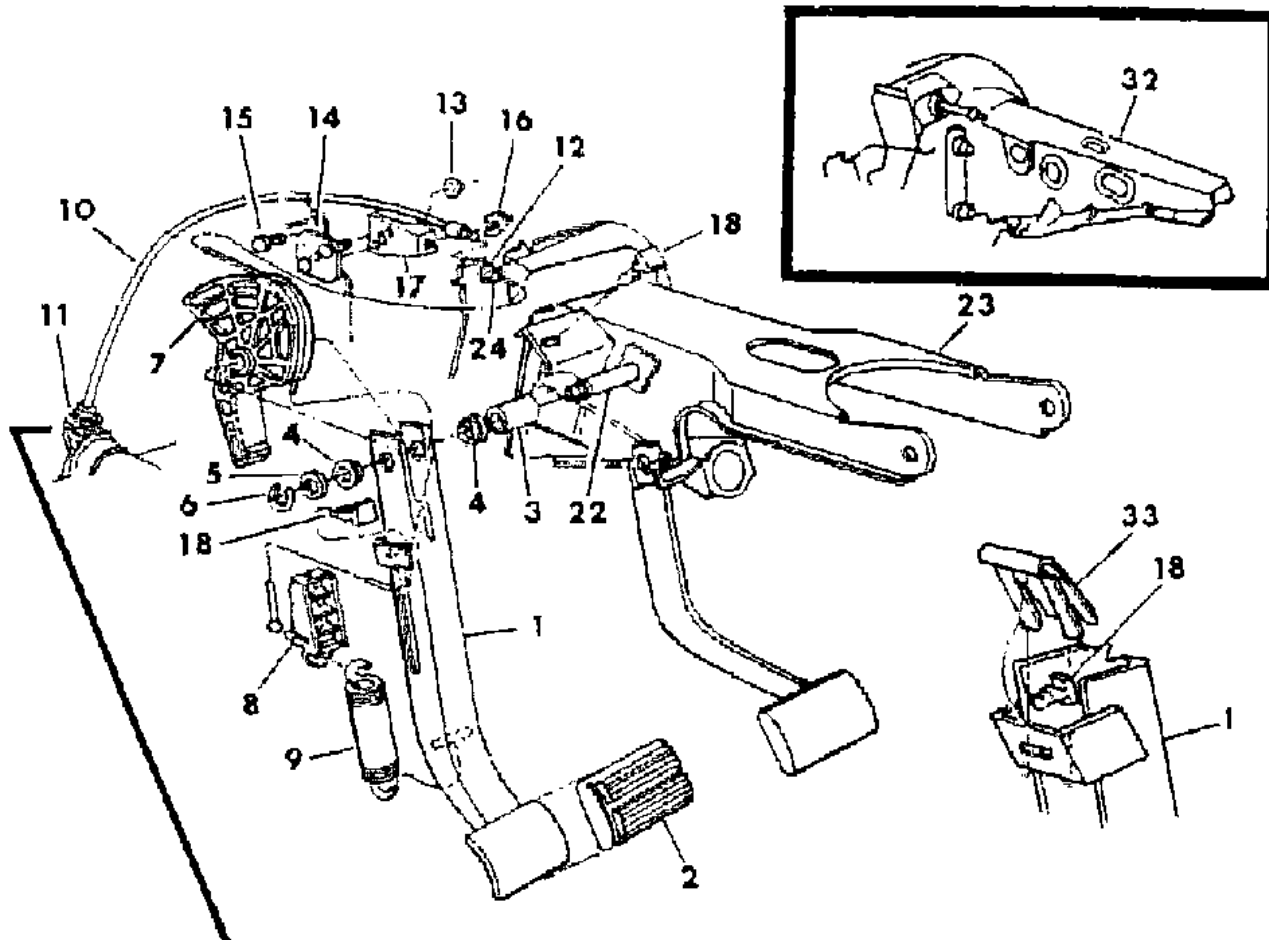
52-53 = FWD WAGON

AR = Use as Required - = Non Illustrated Part P.A.R. = Paint as Required

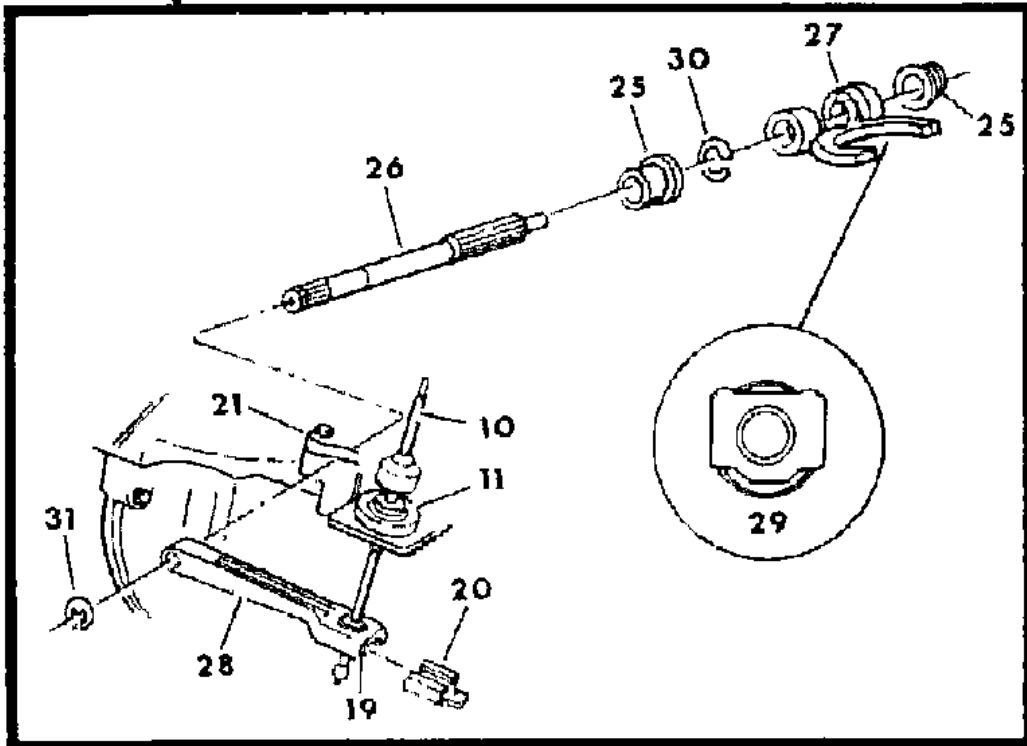
CLUTCH PEDAL AND LINKAGE, ALL ENGINES A520,A525,A555, 5 SPEED TRANSAXLE L,P,J,K,G,H,S BODY

Figure 6-200

7108 200



ITEM	PART NUMBER	QTY	BODY	MODEL	DESCRIPTION
	4295 438	1			Outer
26	4295 426	1			SHAFT, Clutch Release
27	4295 428	1			FORK, Clutch Release
28	4295 477	1			LEVER, Clutch Rel. Shaft
29	4202 378	1			BEARING, w/Sleeve, Clutch Release
30	6500 510	1			E-RING, Shaft Outer Bushing
31	6500 951	1			E-RING, Lever To Shaft
32			L		BRACKET, (Refer to Gr. 5)
33	4188 653	1			CLIP, Clutch Cable Adj. Spring



MODEL CODES

E BODY = (J - CARAVELLE)(E - 600)(T - NEW YORKER)

G BODY = (V24 - DAYTONA)

H BODY = (D44 - LANCER)(C44 - LEBARON GTS)

J BODY = (C - LEBARON)

K BODY = (P - RELIANT)(D - ARIES)(C - LEBAROND)/TOWN & COUNTRY)

L BODY = (M - HORIZON/TURISMO)(Z - OMNI/CHARGER)

M BODY = (B - GRAN FURY)(F - FIFTH AVE/NEWPORT)(G - DIPLOMAT)

P BODY = (P - SUNDANCE)(D - SHADOW)

S BODY = (H - VOYAGER)(K - RAM VAN/CARAVAN)

BODY STYLES

12-13 = FWD VAN

21 = 2-DOOR SEDAN

24 = 2-DOOR HATCHBACK

27 = 2-DOOR CONVERTIBLE

41 = 4-DOOR SEDAN

44 = 4-DOOR HATCHBACK

45 = 4-DOOR STATION WAGON

52-53 = FWD WAGON

AR = Use as Required - = Non Illustrated Part P.A.R. = Paint as Required

GROUP 7 - COOLING

ILLUSTRATION TITLE	GROUP-FIG. NO.
GRILLES	
GRILLE AND RELATED PARTS L BODY	Fig. 7-100
GRILLE AND RELATED PARTS P BODY	Fig. 7-200
GRILLE AND RELATED PARTS J BODY (C)	Fig. 7-300
GRILLE AND RELATED PARTS K BODY (P,D)	Fig. 7-400
GRILLE AND RELATED PARTS K BODY (C)	Fig. 7-500
GRILLE AND RELATED PARTS G BODY	Fig. 7-525
GRILLE AND RELATED PARTS E BODY (J,E)	Fig. 7-550
GRILLE AND RELATED PARTS E BODY (T)	Fig. 7-600
GRILLE AND RELATED PARTS H BODY	Fig. 7-700
GRILLE AND RELATED PARTS S BODY	Fig. 7-800
GRILLE AND RELATED PARTS M BODY (F AND G-P)	Fig. 7-900
GRILLE AND RELATED PARTS M BODY (B AND G-L)	Fig. 7-1000
RADIATORS	
RADIATOR AND RELATED PARTS 2.2L ENGINE W/O AIR CONDITIONING L BODY	Fig. 7-1100
RADIATOR AND RELATED PARTS 2.2L ENGINE W/AIR CONDITIONING OR TURBO L BODY	Fig. 7-1200
RADIATOR AND RELATED PARTS 2.2L ENGINE P BODY	Fig. 7-1300
RADIATOR AND RELATED PARTS 2.2L AND 2.5L ENGINE J,K,G,E,H BODY	Fig. 7-1400
RADIATOR AND INTERCOOLER AND RELATED PARTS 2.2L ENGINE TURBO 2 G BODY AND H,P BODY SHELBY	Fig. 7-1500
RADIATOR AND INTERCOOLER AND RELATED PARTS 2.2L ENGINE - TURBO L BODY - SHELBY	Fig. 7-1525
RADIATOR AND RELATED PARTS 2.2L ENGINE AND 2.5L ENGINE S BODY	Fig. 7-1600
RADIATOR AND RELATED PARTS 2.6L AND 3.0L ENGINE S BODY	Fig. 7-1700
RADIATOR AND RELATED PARTS M BODY	Fig. 7-1800
COOLANT RESERVE TANKS	
COOLANT RESERVE TANKS	Fig. 7-1900
OIL COOLERS	
OIL COOLER 4 CYLINDER ENGINE	Fig. 7-2000
OIL COOLER 6 CYLINDER ENGINE	Fig. 7-2025
OIL COOLER 8 CYLINDER ENGINE	Fig. 7-2100
OIL COOLER - AUXILIARY 8 CYLINDER ENGINE	Fig. 7-2200
DRIVE BELTS	
DRIVE BELTS 4 CYLINDER AND 6 CYLINDER ENGINES	Fig. 7-2300
DRIVE BELTS 8 CYLINDER ENGINE	Fig. 7-2400

ILLUSTRATION NOT AVAILABLE AT TIME OF PUBLICATION

GROUP 7 - COOLING

ILLUSTRATION TITLE

GROUP-FIG. NO.

DRIVE PULLEYS

DRIVE PULLEYS 4 CYLINDER ENGINE	Fig. 7-2500
DRIVE PULLEYS 6 CYLINDER ENGINE	Fig. 7-2525
DRIVE PULLEYS 8 CYLINDER ENGINE	Fig. 7-2600

WATER PUMPS

WATER PUMP AND RELATED PARTS 2.2L AND 2.5L ENGINE	Fig. 7-2700
WATER PUMP AND RELATED PARTS 2.6L ENGINE	Fig. 7-2800
WATER PUMP AND RELATED PARTS 3.0L ENGINE	Fig. 7-2825
WATER PUMP AND RELATED PARTS 318 ENGINE	Fig. 7-2900

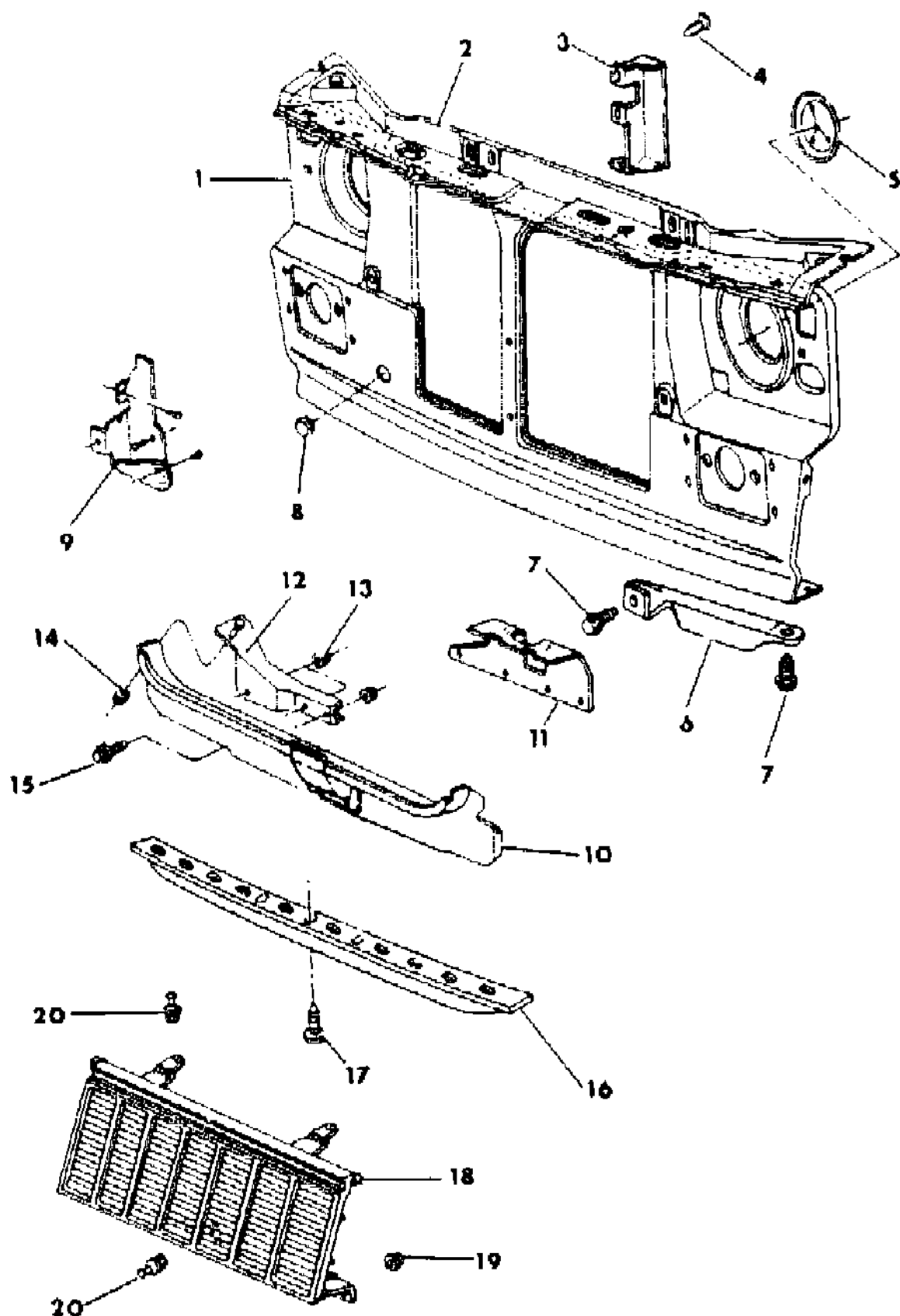
TURBO WATER COOLED SYSTEM

TURBO WATER COOLED SYSTEM	Fig. 7-3000
---------------------------------	-------------

GRILLE AND RELATED PARTS L BODY

Figure 7-100

7107 100 A



ITEM	PART NUMBER	QTY	BODY	MODEL	DESCRIPTION
------	-------------	-----	------	-------	-------------

NOTE: FOR M,Z 24 GRILLE AND RELATED ITEMS NOT LISTED, REFER TO GROUP 13. Gear and Pinion numbers stamped on the item may be used to confirm the correct MATCHED SET they are contained in.

1	4341 995	1			PANEL, Radiator Closure
2	4341 673	1			CROSSMEMBER, Radiator Closure Panel
3	4296 041	1			SHIELD, Closure Panel Radiator Air - Right
4		3			RETAINER (not serviced)
5	5201 335	2		24	COVER, Closure Panel Headlamp Mounting Opening
6	4103 230-1	1		24	BRACE, Fender Closure Headlamp Mounting Opening
7	6501 501	4		24	SCREW and WASHER
8	6030 883	1		24	PLUG, Closure Headlamp Mounting Panel Vent Hose
9					BAFFLE, Closure Panel
	5201 389	2		Z-S-24	w/Air Cond.
	4296 763	2		M,Z-24	w/Air Cond.
10		1			CROSSMEMBER, Front Side Rail Front (refer to grp. 13)
11	4341 850	1			REINFORCEMENT, Radiator Closure Panel Lower Crossmember 2.2L Eng. w/(S/C - EDG)
12	4341 973	1			REINFORCEMENT, Front Crossmember to Adapter - Right 2.2L Eng. w/(S/C - EDG)
13	6500 259	2			NUT
14	6500 363	1			NUT
15	6500 158	2			SCREW and WASHER
16	4140 438	1			DAM, Air
17	6030 441	AR		44	RETAINER
18	4270 605	1		M-44	GRILLE, Radiator
	4270 610	1		Z-44	
19	6031 234	8			NUT
20	6031 383	3			PIN, Drive

MODEL CODES

E BODY = (J - CARAVELLE)(E - 600)(T - NEW YORKER)

G BODY = (V24 - DAYTONA)

H BODY = (D44 - LANCER)(C44 - LEBARON GTS)

J BODY = (C - LEBARON)

K BODY = (P - RELIANT)(D - ARIES)(C - LEBAROND)/TOWN & COUNTRY)

L BODY = (M - HORIZON/TURISMO)(Z - OMNI/CHARGER)

M BODY = (B - GRAN FURY)(F - FIFTH AVE/NEWPORT)(G - DIPLOMAT)

P BODY = (P - SUNDANCE)(D - SHADOW)

S BODY = (H - VOYAGER)(K - RAM VAN/CARAVAN)

BODY STYLES

12-13 = FWD VAN

21 = 2-DOOR SEDAN

24 = 2-DOOR HATCHBACK

27 = 2-DOOR CONVERTIBLE

41 = 4-DOOR SEDAN

44 = 4-DOOR HATCHBACK

45 = 4-DOOR STATION WAGON

52-53 = FWD WAGON

AR = Use as Required - = Non Illustrated Part P.A.R. = Paint as Required

GRILLE AND RELATED PARTS P BODY

Figure 7-200

7107 200 A

ITEM	PART NUMBER	QTY	BODY	MODEL	DESCRIPTION
1	4296 514	1			PANEL, Radiator Closure
2	4296 515	1			CROSSMEMBER, Radiator Closure Panel
3	#4341 750	1			SHIELD, Closure Panel Radiator Air - Right
4		3			RETAINER (not serviced)
5	#6100 041	10			U-NUT
6	4386 858	1			SUPPORT, Radiator Closure Panel to Upper Crossmember
7		1			CROSSMEMBER, Front Side Rail Front (refer to grp. 13)
8					REINFORCEMENT, Radiator Closure Panel Lower Crossmember 2.2L Eng. w/(S/C - EDG) - Man. Trans.
	4341 850	1			up to 8-19-86
	4386 351	1			after 8-19-86
9	4341 730-1	1			BRACKET, Front Crossmember Radiator Support
10					REINFORCEMENT, Crossmember Engine Mounting Front Bracket
	4270 115	1			up to 8-19-86
	4386 682	1			after 8-19-86
11	4334 474	1			DAM, Air - Canada
12	6501 067	7			RETAINER
13	4334 220-1	1			BRACKET, Radiator Grille to Closure Panel - Intermediate
14	6028 062	9			U-NUT
15	6100 566	10			SCREW and WASHER
16	4334 246	1			BRACKET, Radiator Grille to Hood Lock Support - Center
17	4334 248-9	1			BRACKET, Radiator Grille to Closure Panel - Outer
18					GRILLE, Radiator w/Surround Moulding
	4334 240	1		D-L,H	Bright w/o ES Pkg.
	X517 EX8	1		D-H	Black w/Monotone Paint Pkg. w/ES Pkg.
	X517 ER5	1		D-H	Red w/ES Pkg.
	X517 FW2	1		D-H	White w/ES Pkg.
	4334 202	1		P	Bright
	4467 464	1			Shelby

MODEL CODES

E BODY = (J - CARAVELLE)(E - 600)(T - NEW YORKER)

G BODY = (V24 - DAYTONA)

H BODY = (D44 - LANCER)(C44 - LEBARON GTS)

J BODY = (C - LEBARON)

K BODY = (P - RELIANT)(D - ARIES)(C - LEBAROND)/TOWN & COUNTRY)

L BODY = (M - HORIZON/TURISMO)(Z - OMNI/CHARGER)

M BODY = (B - GRAN FURY)(F - FIFTH AVE/NEWPORT)(G - DIPLOMAT)

P BODY = (P - SUNDANCE)(D - SHADOW)

S BODY = (H - VOYAGER)(K - RAM VAN/CARAVAN)

BODY STYLES

12-13 = FWD VAN

21 = 2-DOOR SEDAN

24 = 2-DOOR HATCHBACK

27 = 2-DOOR CONVERTIBLE

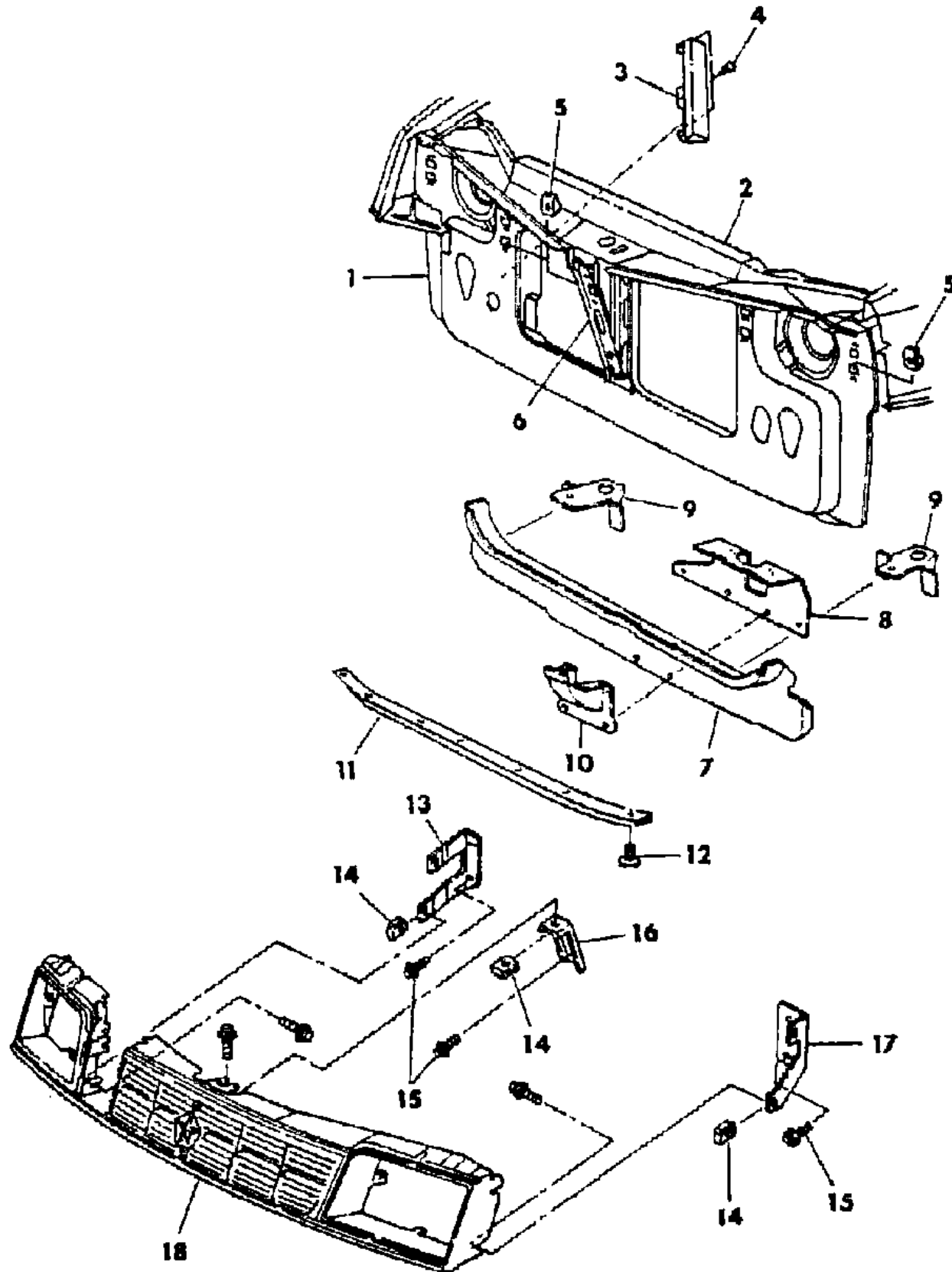
41 = 4-DOOR SEDAN

44 = 4-DOOR HATCHBACK

45 = 4-DOOR STATION WAGON

52-53 = FWD WAGON

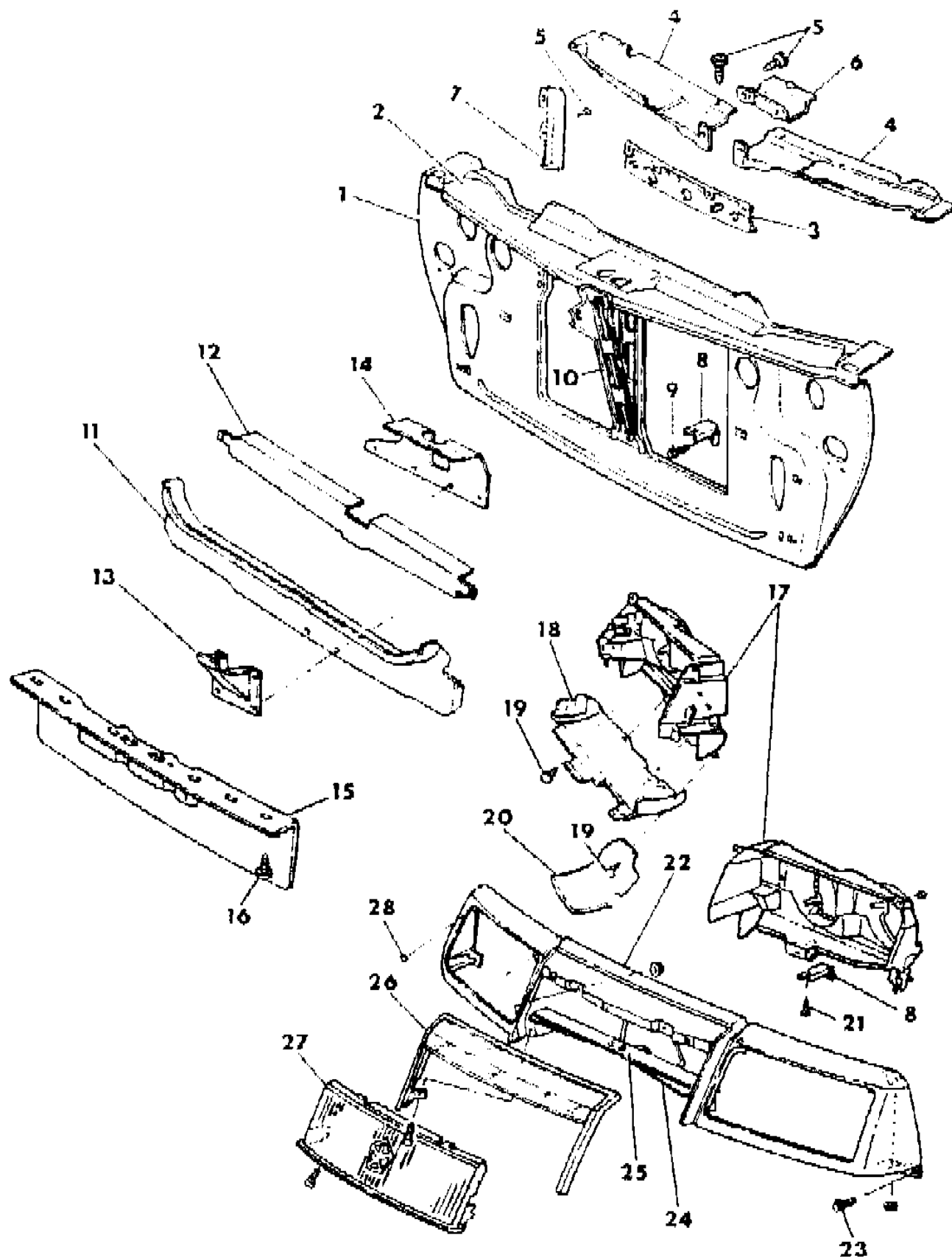
AR = Use as Required - = Non Illustrated Part P.A.R. = Paint as Required



GRILLE AND RELATED PARTS J BODY (C)

Figure 7-300

7107 300 B



ITEM	PART NUMBER	QTY	BODY	MODEL	DESCRIPTION
1	4386 122	1			PANEL, Radiator Closure
2	4440 427	1			CROSSMEMBER, Radiator Closure Panel
3		1			CROSSBAR, Headlamp and Grille Mounting Panel Upper (serv. in #18)
4	#4334 402-3	1			SHIELD, Sight - Headlamp See Through
5	6030 441	39			RETAINER
6	4334 326	1			COVER, Headlamp Motor Access
7	4270 124	1			SHIELD, Closure Panel Radiator Air - Right
8	#4334 413	2			BRACKET, Headlamp and Grille Panel Outer
9	6501 013	2			SCREW and WASHER
10	4386 696	1			SUPPORT, Radiator Closure Panel
11		1			CROSSMEMBER, Front Side Rail Front (refer to grp. 13)
12	4386 345	1			REINFORCEMENT, Radiator Closure Lower Crossmember Inner
13	#4386 682	1			REINFORCEMENT, Crossmember Engine Mounting Front Bracket
14	4386 351	1			REINFORCEMENT, Radiator Closure Panel Lower Crossmember 2.2L Eng. w/(S/C - EDG) - Man. Trans.
15	4334 319	1			DAM, Air
16	6501 067	7			RETAINER
17	#4334 364-5	2			HOUSING, Headlamp Mounting
18	#4334 378-9	2			SHIELD, Sight - Headlamp Door Opening
19	6501 067	8			RETAINER
20		1			BAFFLE, Front Bumper Fascia Reinforcement to Headlamp Housing (refer to grp. 13)
21	6100 286	2			SCREW and WASHER
22	#4334 356	1			PANEL, Radiator Grille and Headlamp Mounting
23	6100 567	2			SCREW and WASHER
24	#4334 377	1			SPRING, Radiator Grille Return
25	#4334 320	1			CROSSBAR, Headlamp Grille Mounting Panel
26	#4334 363	1			HEADER, Radiator Grille
27	#4334 361	1			GRILLE, Radiator
28	#4334 332	4			UP-STOP SET, Headlamp Door

MODEL CODES

E BODY = (J - CARAVELLE)(E - 600)(T - NEW YORKER)

G BODY = (V24 - DAYTONA)

H BODY = (D44 - LANCER)(C44 - LEBARON GTS)

J BODY = (C - LEBARON)

K BODY = (P - RELIANT)(D - ARIES)(C - LEBAROND)/TOWN & COUNTRY)

L BODY = (M - HORIZON/TURISMO)(Z - OMNI/CHARGER)

M BODY = (B - GRAN FURY)(F - FIFTH AVE/NEWPORT)(G - DIPLOMAT)

P BODY = (P - SUNDANCE)(D - SHADOW)

S BODY = (H - VOYAGER)(K - RAM VAN/CARAVAN)

BODY STYLES

12-13 = FWD VAN

21 = 2-DOOR SEDAN

24 = 2-DOOR HATCHBACK

27 = 2-DOOR CONVERTIBLE

41 = 4-DOOR SEDAN

44 = 4-DOOR HATCHBACK

45 = 4-DOOR STATION WAGON

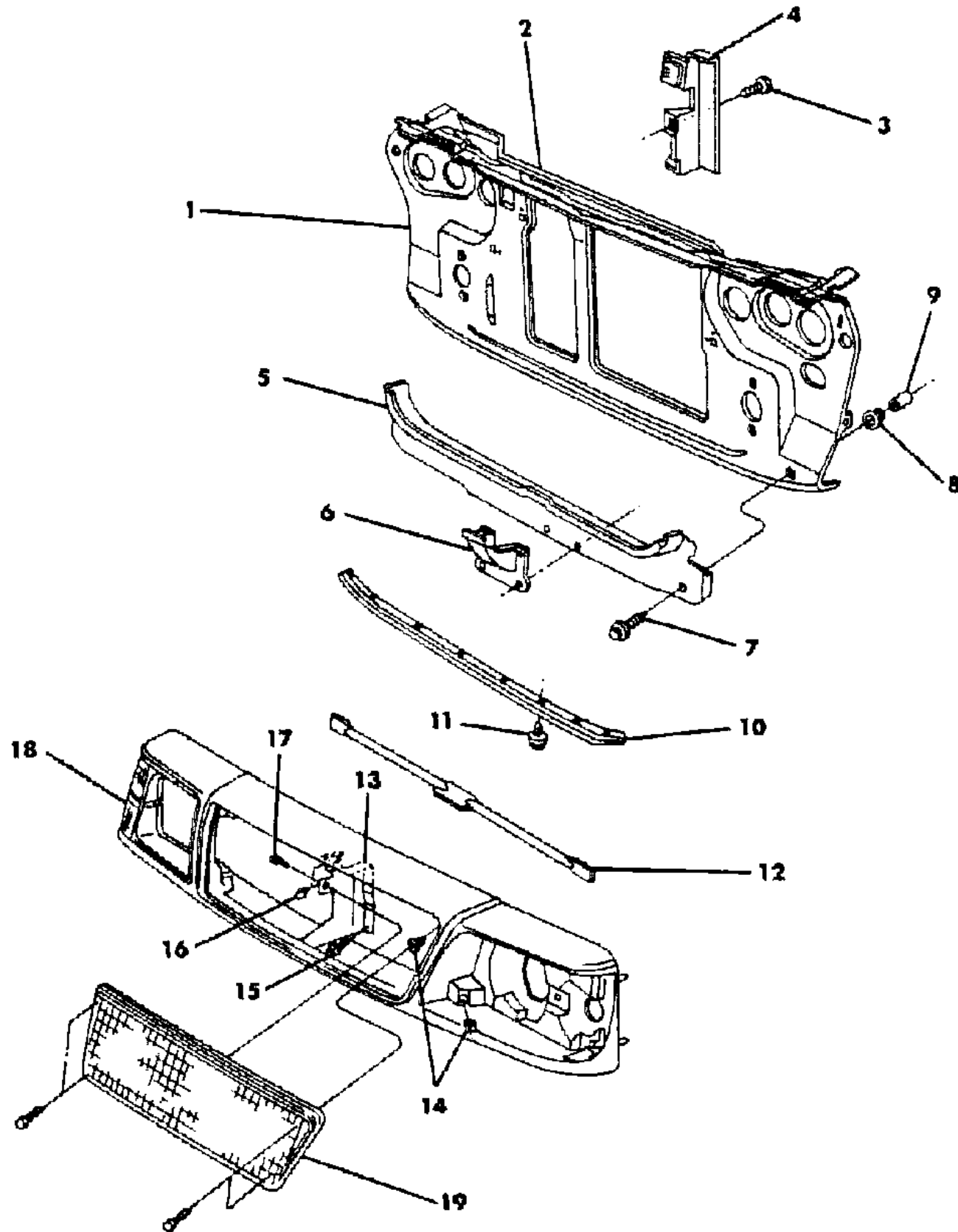
52-53 = FWD WAGON

AR = Use as Required - = Non Illustrated Part P.A.R. = Paint as Required

GRILLE AND RELATED PARTS K BODY (P,D)

Figure 7-400

7107 400 A



ITEM	PART NUMBER	QTY	BODY	MODEL	DESCRIPTION
1	4386 196	1			PANEL, Radiator Closure
2	4341 163	1			CROSSMEMBER, Radiator Closure Panel
3		2			RETAINER (not serviced)
4	4103 168	1			SHIELD, Closure Panel Radiator Air - Right 2.2L Eng.
5		1			CROSSMEMBER, Front Side Rail Front (refer to grp. 13)
6	#4386 682	1			REINFORCEMENT, Crossmember Engine Mounting Front Bracket
7		2	41,45		SCREW (not serviced) - w/Heavy Service Pkg.
8	0219 462	2	41,45		NUT and WASHER - w/Heavy Service Pkg.
9	4073 281	2	41,45		CAP - w/Heavy Service Pkg.
10	4334 474	1			DAM, Air - Canada
11	6501 067	7			RETAINER
12	4334 033	1			TIE STRAP, Grille and Headlamp Panel
13	4334 970	1			BRACE, Headlamp and Grille Mounting Panel - Center
14	6500 725	23			NUT
15	6029 198	2			SCREW and WASHER
16	#6100 041	3			U-NUT
17	6100 568	3			SCREW
18	4334 030	1			PANEL, Radiator Grille Headlamp Mounting
19					GRILLE, Radiator
	4334 015	1		D	Dodge
	4334 013	1		P	Plymouth

MODEL CODES

E BODY = (J - CARAVELLE)(E - 600)(T - NEW YORKER)

G BODY = (V24 - DAYTONA)

H BODY = (D44 - LANCER)(C44 - LEBARON GTS)

J BODY = (C - LEBARON)

K BODY = (P - RELIANT)(D - ARIES)(C - LEBAROND)/TOWN & COUNTRY)

L BODY = (M - HORIZON/TURISMO)(Z - OMNI/CHARGER)

M BODY = (B - GRAN FURY)(F - FIFTH AVE/NEWPORT)(G - DIPLOMAT)

P BODY = (P - SUNDANCE)(D - SHADOW)

S BODY = (H - VOYAGER)(K - RAM VAN/CARAVAN)

BODY STYLES

12-13 = FWD VAN

21 = 2-DOOR SEDAN

24 = 2-DOOR HATCHBACK

27 = 2-DOOR CONVERTIBLE

41 = 4-DOOR SEDAN

44 = 4-DOOR HATCHBACK

45 = 4-DOOR STATION WAGON

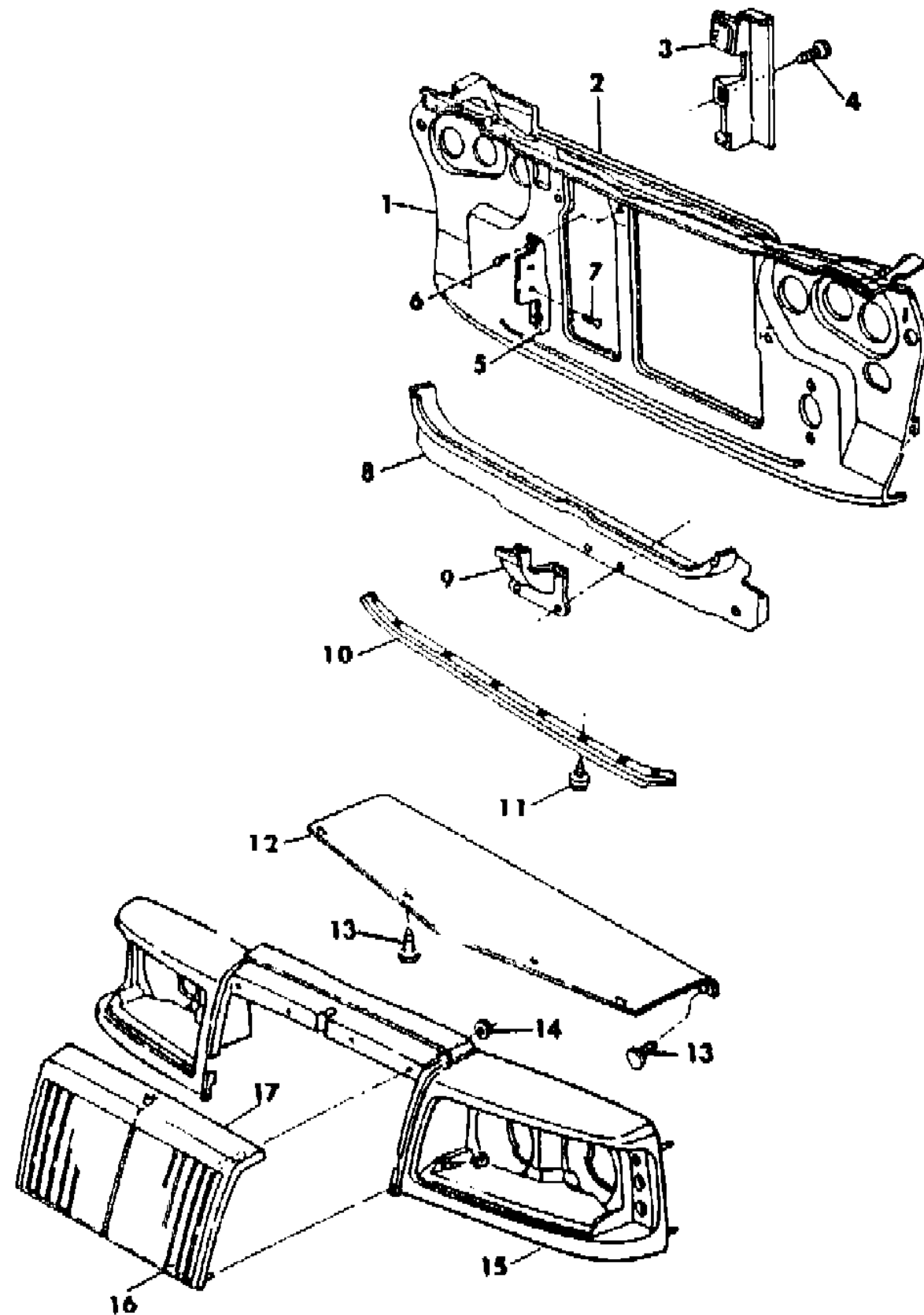
52-53 = FWD WAGON

AR = Use as Required - = Non Illustrated Part P.A.R. = Paint as Required

GRILLE AND RELATED PARTS K BODY (C)

Figure 7-500

7107 500 A



ITEM	PART NUMBER	QTY	BODY	MODEL	DESCRIPTION
1	4386 196	1			PANEL, Radiator Closure
2	4341 163	1			CROSSMEMBER, Radiator Closure Panel
3	4103 168	1			SHIELD, Closure Panel Radiator Air - Right
4		2			RETAINER (not serviced)
5	4103 774	1			BRACKET, Radiator Closure Panel to Support Radiator Grille
6	6029 198	1			SCREW and WASHER
7	6100 566	3			SCREW and WASHER
8		1			CROSSMEMBER, Front Side Rail Front (refer to grp. 13)
9	#4386 682	1			REINFORCEMENT, Crossmember Engine Mounting Front
					Bracket
10	4334 474	1			DAM, Air
11	6030 441	7			RETAINER
12	4334 804	1			SHIELD, Grille to Ground Concealment
13	6031 299	5			RETAINER
14		6			NUT (not serviced)
15	#4334 603	1			PANEL, Radiator Grille Headlamp Mounting
16	4334 604	1			GRILLE, Radiator
17	4334 613	1			MOULDING, Grille Opening Panel

MODEL CODES

E BODY = (J - CARAVELLE)(E - 600)(T - NEW YORKER)

G BODY = (V24 - DAYTONA)

H BODY = (D44 - LANCER)(C44 - LEBARON GTS)

J BODY = (C - LEBARON)

K BODY = (P - RELIANT)(D - ARIES)(C - LEBAROND)/TOWN & COUNTRY)

L BODY = (M - HORIZON/TURISMO)(Z - OMNI/CHARGER)

M BODY = (B - GRAN FURY)(F - FIFTH AVE/NEWPORT)(G - DIPLOMAT)

P BODY = (P - SUNDANCE)(D - SHADOW)

S BODY = (H - VOYAGER)(K - RAM VAN/CARAVAN)

BODY STYLES

12-13 = FWD VAN

21 = 2-DOOR SEDAN

24 = 2-DOOR HATCHBACK

27 = 2-DOOR CONVERTIBLE

41 = 4-DOOR SEDAN

44 = 4-DOOR HATCHBACK

45 = 4-DOOR STATION WAGON

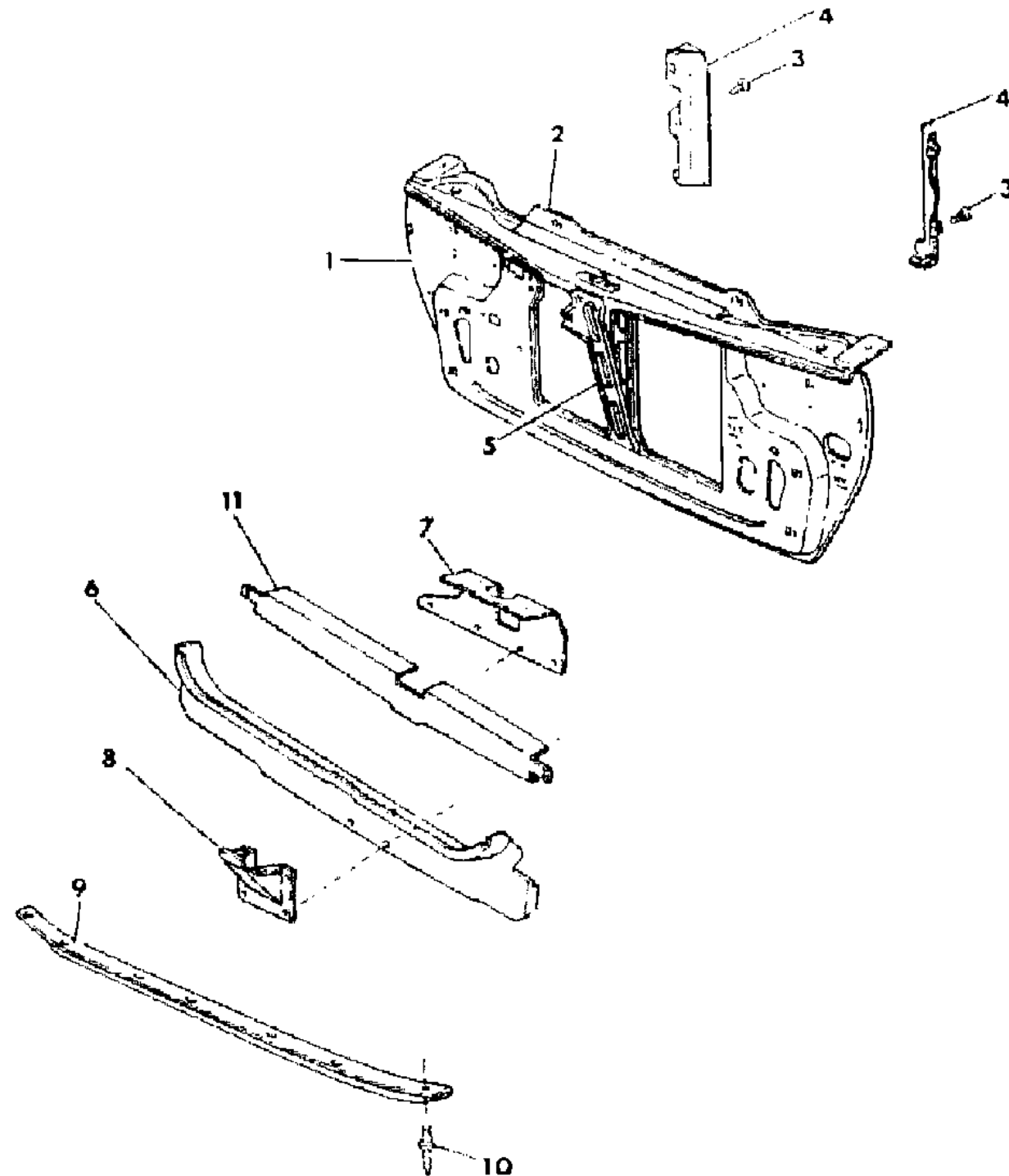
52-53 = FWD WAGON

AR = Use as Required - = Non Illustrated Part P.A.R. = Paint as Required

GRILLE AND RELATED PARTS G BODY

Figure 7-525

7107 525 A



ITEM	PART NUMBER	QTY	BODY	MODEL	DESCRIPTION
NOTE: FOR GRILLE AND RELATED ITEMS NOT LISTED, REFER TO GROUP 13. Gear and Pinion numbers stamped on the item may be used to confirm the correct MATCHED SET they are contained in.					
1	#4386 122	1			PANEL, Radiator Closure
2	4440 427	1			CROSSMEMBER, Radiator Closure Panel
3		AR			RETAINER (not serviced)
4					SHIELD, Closure Panel Radiator Air
	4270 124	1			Right
	4386 483	1			2.2L Eng. Turbo 2 - Left
5	4386 696	1			SUPPORT, Radiator Closure Panel to Crossmember
6		1			CROSSMEMBER, Front Side Rail Front (refer to grp. 13)
7	4386 351	1			REINFORCEMENT, Radiator Closure Panel Lower Crossmember
					2.2L Eng. Turbo - Man. Trans.
8	#4386 682	1			REINFORCEMENT, Crossmember Engine Mounting Front
					Bracket
9	4334 474	1			DAM, Air w/(S/C - EDG)
10		7			RIVET (not serviced)
11	#4386 345	1			REINFORCEMENT, Radiator Closure Panel Lower Crossmember
					Inner

MODEL CODES

E BODY = (J - CARAVELLE)(E - 600)(T - NEW YORKER)

G BODY = (V24 - DAYTONA)

H BODY = (D44 - LANCER)(C44 - LEBARON GTS)

J BODY = (C - LEBARON)

K BODY = (P - RELIANT)(D - ARIES)(C - LEBAROND)/TOWN & COUNTRY)

L BODY = (M - HORIZON/TURISMO)(Z - OMNI/CHARGER)

M BODY = (B - GRAN FURY)(F - FIFTH AVE/NEWPORT)(G - DIPLOMAT)

P BODY = (P - SUNDANCE)(D - SHADOW)

S BODY = (H - VOYAGER)(K - RAM VAN/CARAVAN)

BODY STYLES

12-13 = FWD VAN

21 = 2-DOOR SEDAN

24 = 2-DOOR HATCHBACK

27 = 2-DOOR CONVERTIBLE

41 = 4-DOOR SEDAN

44 = 4-DOOR HATCHBACK

45 = 4-DOOR STATION WAGON

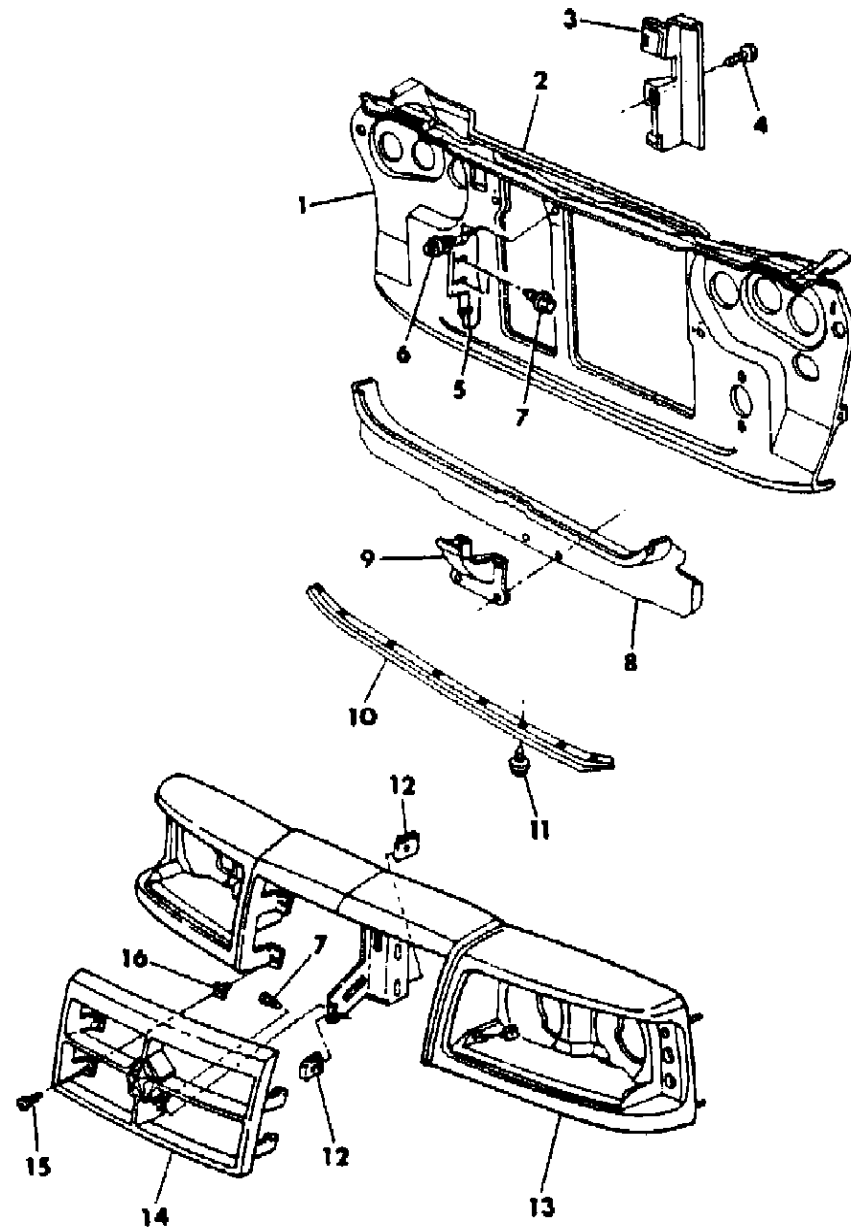
52-53 = FWD WAGON

AR = Use as Required - = Non Illustrated Part P.A.R. = Paint as Required

GRILLE AND RELATED PARTS E BODY (J,E)

Figure 7-550

7107 550



ITEM	PART NUMBER	QTY	BODY	MODEL	DESCRIPTION
1	4386 196	1			PANEL, Radiator Closure
2	4341 163	1			CROSSMEMBER, Radiator Closure Panel
3	4103 168	1			SHIELD, Closure Panel Radiator Air - Right
4		2			RETAINER (not serviced)
5	4103 774	1			BRACKET, Radiator Closure Panel to Support Radiator Grille
6	6029 198	1			SCREW and WASHER
7	6100 566	3			SCREW and WASHER
8		1			CROSSMEMBER, Front Side Rail Front (refer to grp. 13)
9	#4386 682	1			REINFORCEMENT, Crossmember Engine Mounting Front
					Bracket
10	4334 474	1			DAM, Air
11	6030 441	7			RETAINER
12	#6100 041	3			U-NUT
13	#4334 612	1			PANEL, Radiator Grille Headlamp Mounting
14	4334 605	1		J	GRILLE, Radiator
	4334 606	1		E	
15		7			SCREW (not serviced)
16	6500 725	12			NUT, Snap In

MODEL CODES

E BODY = (J - CARAVELLE)(E - 600)(T - NEW YORKER)

G BODY = (V24 - DAYTONA)

H BODY = (D44 - LANCER)(C44 - LEBARON GTS)

J BODY = (C - LEBARON)

K BODY = (P - RELIANT)(D - ARIES)(C - LEBAROND)/TOWN & COUNTRY)

L BODY = (M - HORIZON/TURISMO)(Z - OMNI/CHARGER)

M BODY = (B - GRAN FURY)(F - FIFTH AVE/NEWPORT)(G - DIPLOMAT)

P BODY = (P - SUNDANCE)(D - SHADOW)

S BODY = (H - VOYAGER)(K - RAM VAN/CARAVAN)

BODY STYLES

12-13 = FWD VAN

21 = 2-DOOR SEDAN

24 = 2-DOOR HATCHBACK

27 = 2-DOOR CONVERTIBLE

41 = 4-DOOR SEDAN

44 = 4-DOOR HATCHBACK

45 = 4-DOOR STATION WAGON

52-53 = FWD WAGON

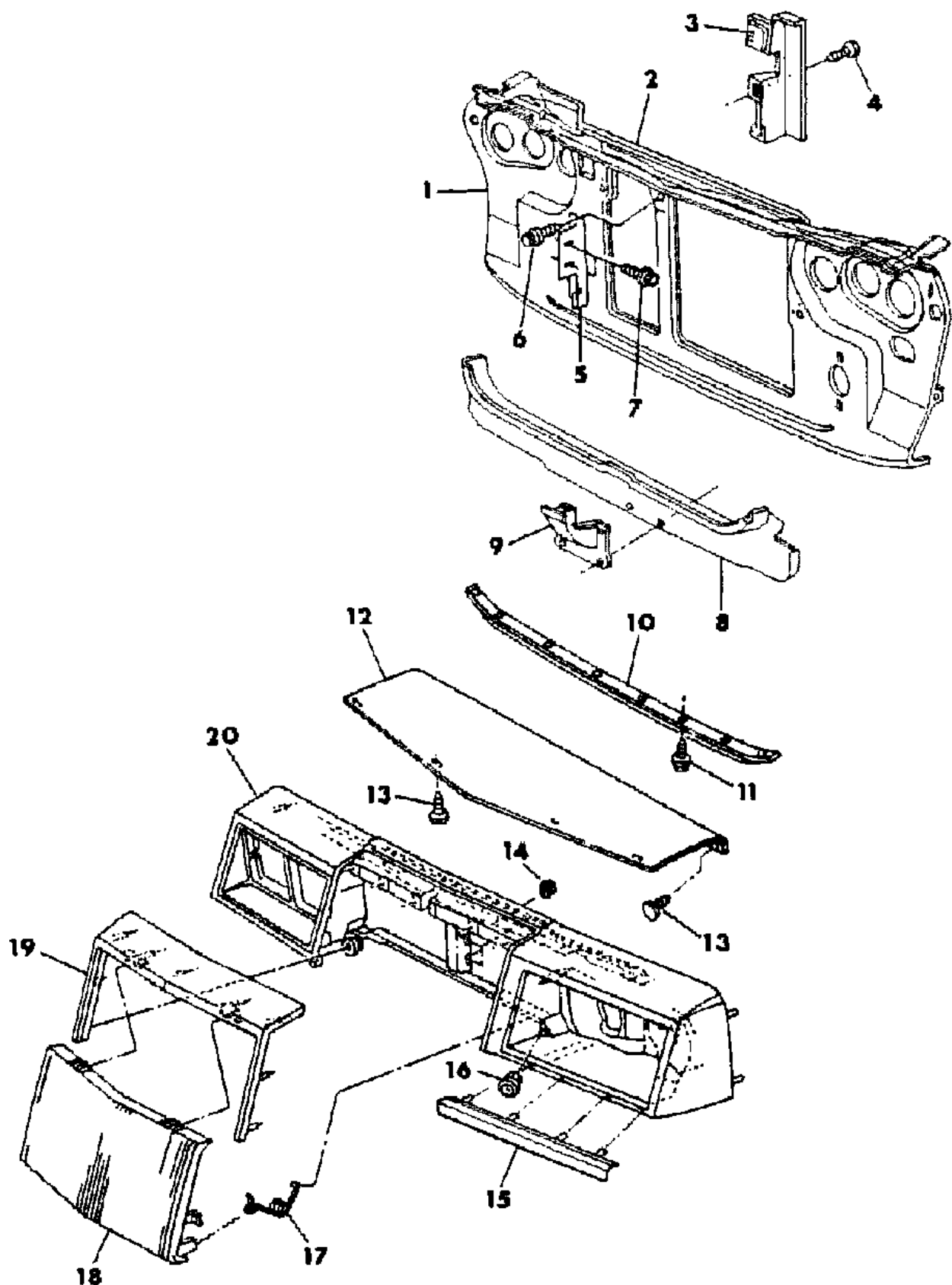
AR = Use as Required - = Non Illustrated Part P.A.R. = Paint as Required

GRILLE AND RELATED PARTS E BODY (T)

Figure 7-600

7107 800A

ITEM	PART NUMBER	QTY	BODY	MODEL	DESCRIPTION
1	4386 196	1			PANEL, Radiator Closure
2	4341 163	1			CROSSMEMBER, Radiator Closure Panel
3	4103 168	1			SHIELD, Closure Panel Radiator Air - Right 2.2L Eng.
4		3			RETAINER (not serviced)
5	4103 774	1			BRACKET, Radiator Closure Panel to Support Radiator Grille Panel
6	6029 198	2			SCREW and WASHER
7	6100 566	2			SCREW and WASHER
8		1			CROSSMEMBER, Front Side Rail Front (refer to grp. 13)
9	#4386 682	1			REINFORCEMENT, Crossmember Engine Mounting Front Bracket
10	4334 474	1			DAM, Air
11	6030 441	7			RETAINER
12	4103 316	1			SHIELD, Grille to Ground Concealment
13	6031 299	5			RETAINER
14	#6100 041	2			U-NUT
15	4103 368-9	1			MOULDING, Grille Extension
16	6500 725	8			NUT, Snap In
17	4270 539	2			SPRING, Radiator Grille Return
18	4103 362	1			GRILLE, Radiator
19	4103 366	1			MOULDING, Radiator Grille Headlamp Mounting Panel Center
20	4334 469	1			PANEL, Radiator Grille Headlamp Mounting



MODEL CODES

E BODY = (J - CARAVELLE)(E - 600)(T - NEW YORKER)

G BODY = (V24 - DAYTONA)

H BODY = (D44 - LANCER)(C44 - LEBARON GTS)

J BODY = (C - LEBARON)

K BODY = (P - RELIANT)(D - ARIES)(C - LEBAROND)/TOWN & COUNTRY)

L BODY = (M - HORIZON/TURISMO)(Z - OMNI/CHARGER)

M BODY = (B - GRAN FURY)(F - FIFTH AVE/NEWPORT)(G - DIPLOMAT)

P BODY = (P - SUNDANCE)(D - SHADOW)

S BODY = (H - VOYAGER)(K - RAM VAN/CARAVAN)

BODY STYLES

12-13 = FWD VAN

21 = 2-DOOR SEDAN

24 = 2-DOOR HATCHBACK

27 = 2-DOOR CONVERTIBLE

41 = 4-DOOR SEDAN

44 = 4-DOOR HATCHBACK

45 = 4-DOOR STATION WAGON

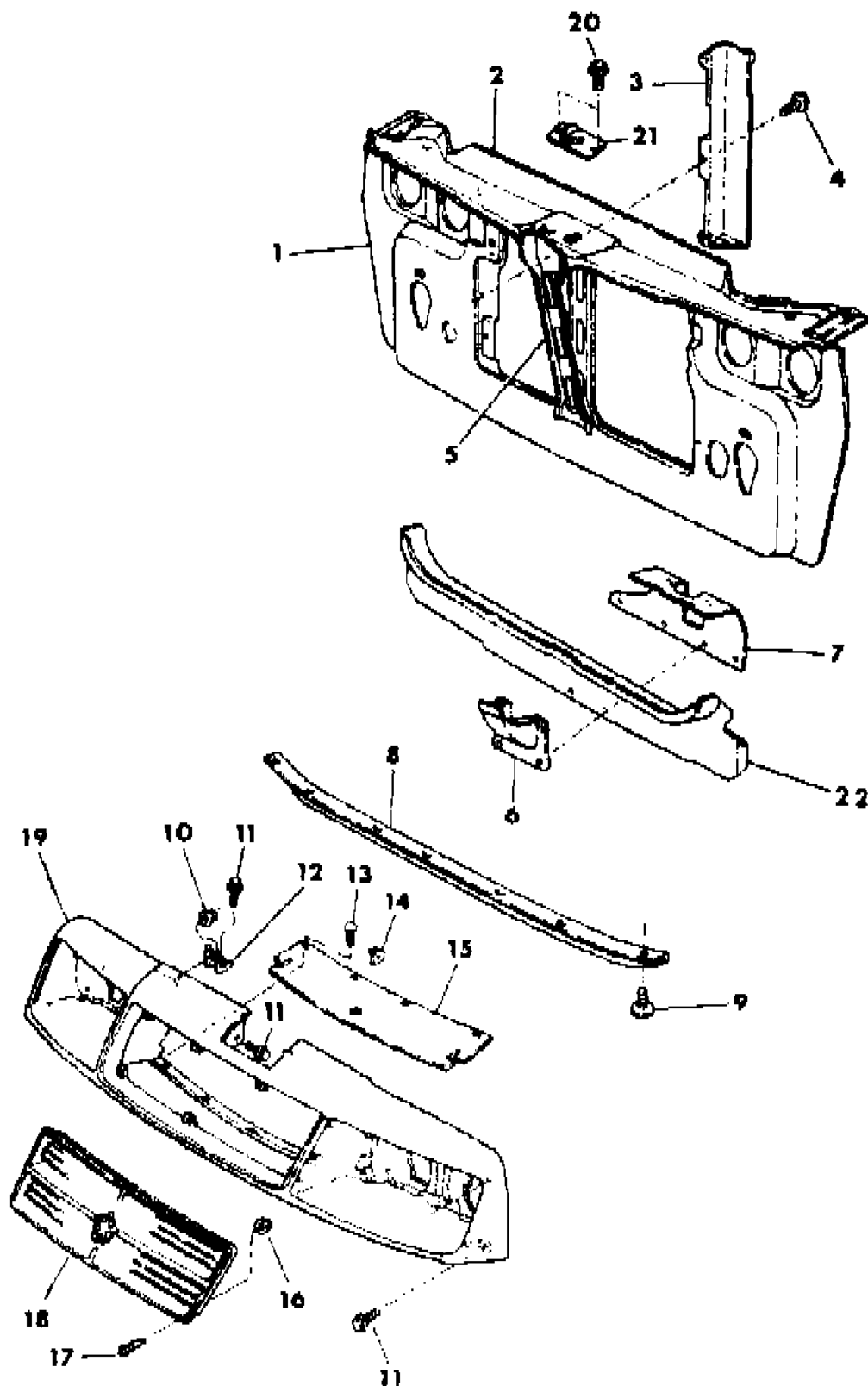
52-53 = FWD WAGON

AR = Use as Required - = Non Illustrated Part P.A.R. = Paint as Required

GRILLE AND RELATED PARTS H BODY

Figure 7-700

7107 700 B



ITEM	PART NUMBER	QTY	BODY	MODEL	DESCRIPTION
1	4386 198	1			PANEL, Radiator Closure
2	4440 041	1			CROSSMEMBER, Radiator Closure Panel
3	4296 814	1			SHIELD, Radiator Closure Panel Air - Right
4		3			RETAINER (not serviced)
5	4440 240	1			SUPPORT, Radiator Closure Panel to Upper Crossmember
6	#4386 682	1			REINFORCEMENT, Crossmember Engine Mounting Front Bracket
7	4386 351	1			REINFORCEMENT, Radiator Closure Panel Lower Crossmember 2.2L Eng. w/(S/C - EDG) - Man. Trans.
8	4334 474	1			DAM, Air - Canada
	4370 142	1			Shelby Lancer
9	6501 067	7			RETAINER
	6032 796	AR			SCREW - Shelby Lancer
10	6500 284	2			NUT
11	6100 566	7			SCREW and WASHER
12	4270 720	2			BRACKET, Headlamp Panel
13	6003 351	4			RETAINER
14	#6100 041	1			U-NUT
15	4334 645	1		C	SHIELD, Panel Grille Opening Sight
16	6031 138	7			SPACER NUT
17		7			SCREW (not serviced)
18	4270 999	1		C	GRILLE, Radiator
	4270 989	1		D	
	4370 269	1			Shelby Lancer
19	4270 627	1			PANEL, Radiator Grille Headlamp Mounting
20		2			SCREW (not serviced)
21	#4386 897	1			REINFORCEMENT, Crossmember Radiator Closure Panel and Hood Latch
22		1			CROSSMEMBER, Front Side Rail Front (refer to grp. 13)

MODEL CODES

E BODY = (J - CARAVELLE)(E - 600)(T - NEW YORKER)

G BODY = (V24 - DAYTONA)

H BODY = (D44 - LANCER)(C44 - LEBARON GTS)

J BODY = (C - LEBARON)

K BODY = (P - RELIANT)(D - ARIES)(C - LEBAROND)/TOWN & COUNTRY)

L BODY = (M - HORIZON/TURISMO)(Z - OMNI/CHARGER)

M BODY = (B - GRAN FURY)(F - FIFTH AVE/NEWPORT)(G - DIPLOMAT)

P BODY = (P - SUNDANCE)(D - SHADOW)

S BODY = (H - VOYAGER)(K - RAM VAN/CARAVAN)

BODY STYLES

12-13 = FWD VAN

21 = 2-DOOR SEDAN

24 = 2-DOOR HATCHBACK

27 = 2-DOOR CONVERTIBLE

41 = 4-DOOR SEDAN

44 = 4-DOOR HATCHBACK

45 = 4-DOOR STATION WAGON

52-53 = FWD WAGON

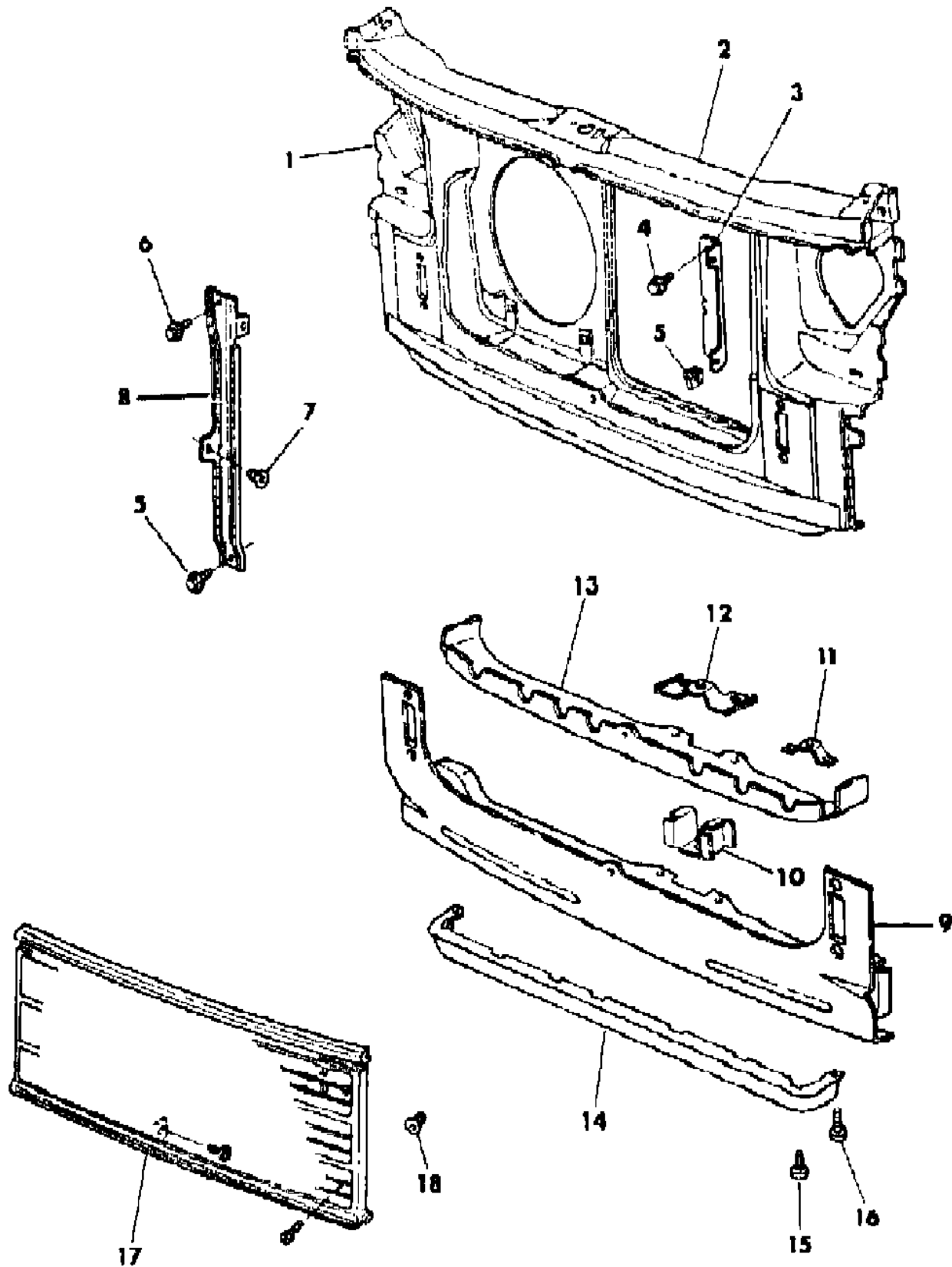
AR = Use as Required - = Non Illustrated Part P.A.R. = Paint as Required

GRILLE AND RELATED PARTS S BODY

Figure 7-800

7107 800 A

ITEM	PART NUMBER	QTY	BODY	MODEL	DESCRIPTION
1	4386 428	1			PANEL, Radiator Closure
2	4440 267	1			CROSSMEMBER, Radiator Closure Panel - Upper
3	4388 212	2			BRACKET, Radiator Grille Adapter to Closure Panel
4	6100 567	12			SCREW and WASHER
5	#6100 041	8			U-NUT
6	6100 567	1			SCREW
7	6031 234	10			NUT
8	#4440 367	1			BRACE, Radiator Closure Panel - Center
9	#4386 429	1			CROSSMEMBER, Radiator Closure Panel - Lower
10	#4386 586	1			GUSSET and NUT, Front Crossmember Engine Mounting Bracket
11	#4386 435	1			BRACKET, Front Crossmember Radiator Support Engine Mounting - Left
12	#4386 810	1			BRACKET and STUD, Front Crossmember Radiator Support Engine Mounting - Right
13	4386 432	1			PLATE, Front Side Rail Crossmember Closure
14	4388 242	1			DAM, Air
15	6031 976	7			RETAINER
16	6032 796	4			SCREW
17					GRILLE, Radiator
	4388 203	1		K	Bright
	4388 202	1		K	Painted
	4388 201	1		H	Bright
18	6031 234	10			NUT



MODEL CODES

E BODY = (J - CARAVELLE)(E - 600)(T - NEW YORKER)

G BODY = (V24 - DAYTONA)

H BODY = (D44 - LANCER)(C44 - LEBARON GTS)

J BODY = (C - LEBARON)

K BODY = (P - RELIANT)(D - ARIES)(C - LEBAROND)/TOWN & COUNTRY)

L BODY = (M - HORIZON/TURISMO)(Z - OMNI/CHARGER)

M BODY = (B - GRAN FURY)(F - FIFTH AVE/NEWPORT)(G - DIPLOMAT)

P BODY = (P - SUNDANCE)(D - SHADOW)

S BODY = (H - VOYAGER)(K - RAM VAN/CARAVAN)

BODY STYLES

12-13 = FWD VAN

21 = 2-DOOR SEDAN

24 = 2-DOOR HATCHBACK

27 = 2-DOOR CONVERTIBLE

41 = 4-DOOR SEDAN

44 = 4-DOOR HATCHBACK

45 = 4-DOOR STATION WAGON

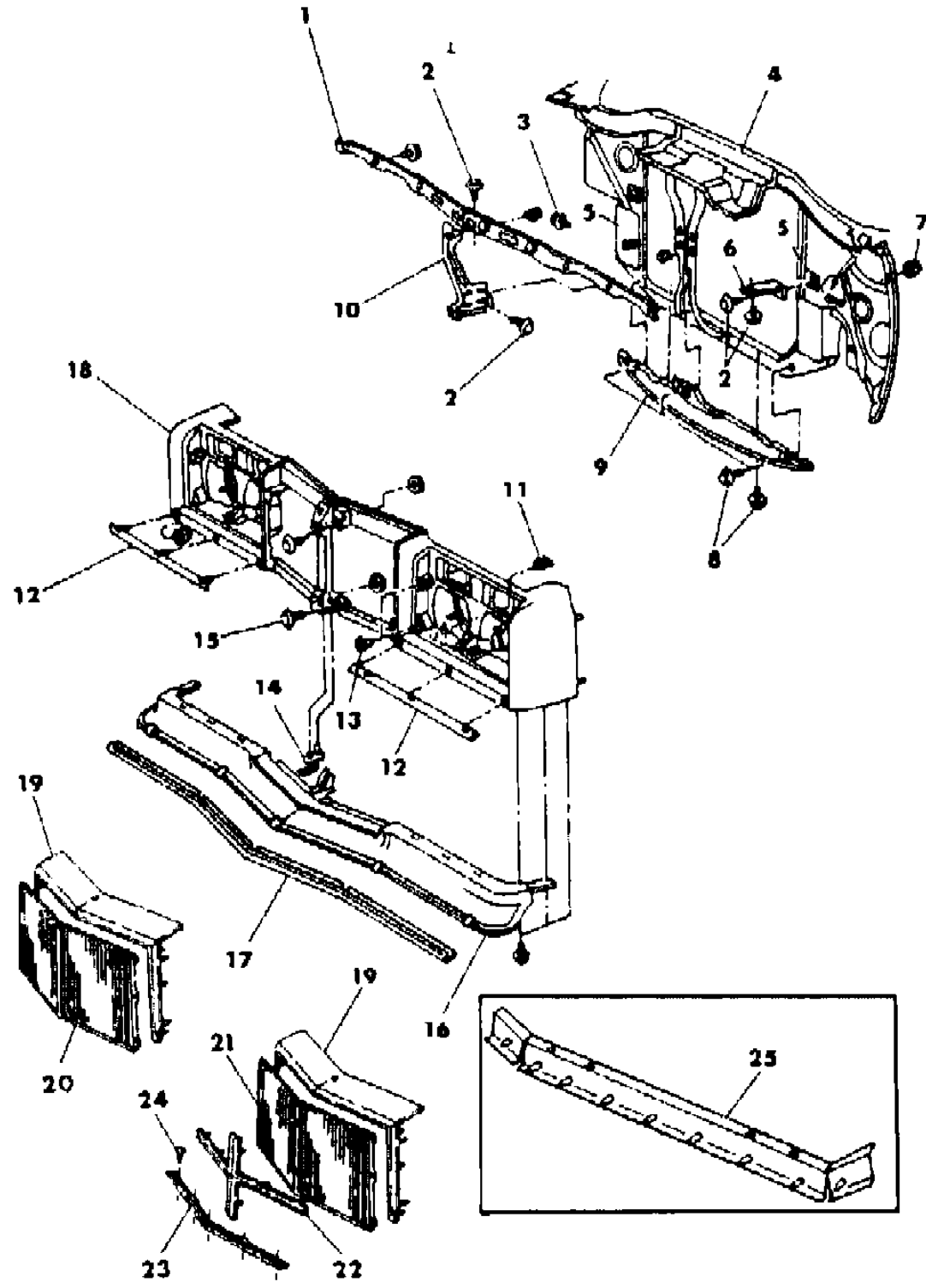
52-53 = FWD WAGON

AR = Use as Required - = Non Illustrated Part P.A.R. = Paint as Required

GRILLE AND RELATED PARTS M BODY (F AND G-P)

Figure 7-900

7107 900 A



ITEM	PART NUMBER	QTY	BODY	MODEL	DESCRIPTION
1		1			CROSSBAR, Closure Panel - Upper (serv. in #18)
2	0181 063	AR			SCREW
3	6024 073	2			SCREW and WASHER
4	4103 464	1			CROSSMEMBER, Radiator Yoke
5	3868 682-3	1			PANEL, Radiator Yoke
6	#3868 650	1			BRACE, Headlamp Mounting Panel Lower
7	0219 462	6			NUT
8	6031 951	5			SCREW
9	4074 894	1			PANEL, Air Dam Valance
10	4074 800	1			BRACE, Closure Panel Center
11	6030 013	2			U-NUT
12	4103 624-5	1			MOULDING, Radiator Grille Extension
13		8			NUT (not serviced)
14	4074 502	1			SPACER, Filler Bumper Front
15	6029 887	2			SCREW
16	4271 411	1			FILLER, Closure Panel Front (Paint as Required)
17	4074 501	1			MOULDING, Front Bumper Filler Edge
18	4103 658	1			PANEL, Radiator Grille Headlamp Mounting
19	4103 621	1			FRAME, Radiator Grille
20	4270 673	1	F		GRILLE, Radiator
21	4334 167	1	G-P		GRILLE, Radiator
22	4339 141	1	G-P		MOULDING, Radiator Grille - Center
23	4334 164	1	G-P		MOULDING, Radiator Grille - Lower
24	6023 370	5	G-P		SCREW, Radiator Grille Lower Moulding
25	3868 952	1			SPOILER, Front Air - w/Police Pkg.

MODEL CODES

E BODY = (J - CARAVELLE)(E - 600)(T - NEW YORKER)

G BODY = (V24 - DAYTONA)

H BODY = (D44 - LANCER)(C44 - LEBARON GTS)

J BODY = (C - LEBARON)

K BODY = (P - RELIANT)(D - ARIES)(C - LEBAROND)/TOWN & COUNTRY)

L BODY = (M - HORIZON/TURISMO)(Z - OMNI/CHARGER)

M BODY = (B - GRAN FURY)(F - FIFTH AVE/NEWPORT)(G - DIPLOMAT)

P BODY = (P - SUNDANCE)(D - SHADOW)

S BODY = (H - VOYAGER)(K - RAM VAN/CARAVAN)

BODY STYLES

12-13 = FWD VAN

21 = 2-DOOR SEDAN

24 = 2-DOOR HATCHBACK

27 = 2-DOOR CONVERTIBLE

41 = 4-DOOR SEDAN

44 = 4-DOOR HATCHBACK

45 = 4-DOOR STATION WAGON

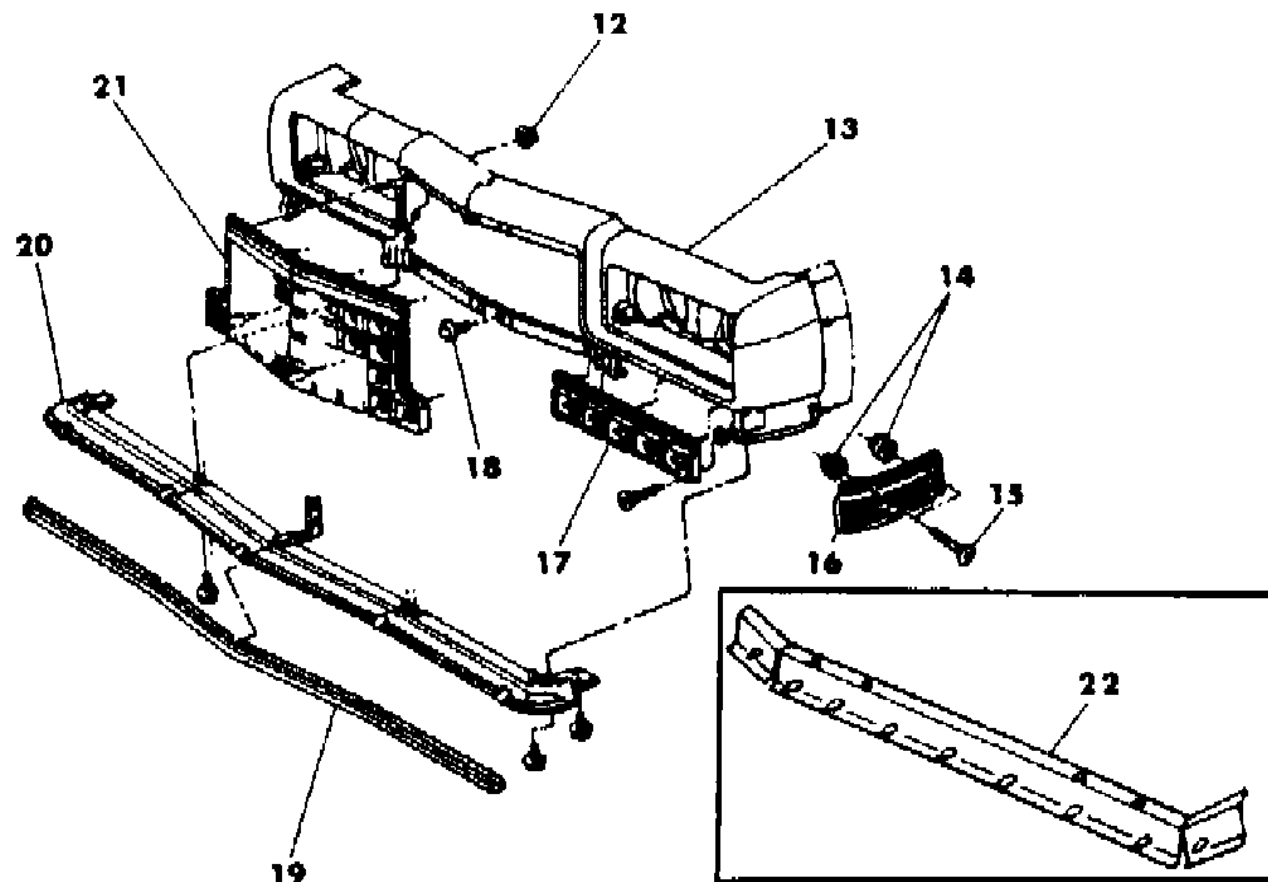
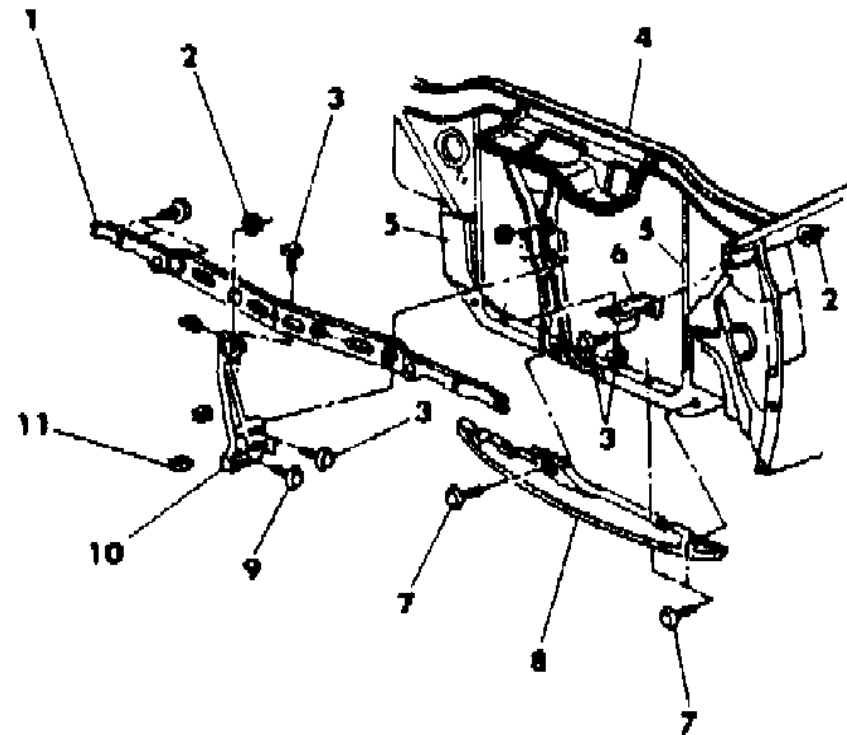
52-53 = FWD WAGON

AR = Use as Required - = Non Illustrated Part P.A.R. = Paint as Required

GRILLE AND RELATED PARTS M BODY (B AND G-L)

Figure 7-1000

7107 1000



ITEM	PART NUMBER	QTY	BODY	MODEL	DESCRIPTION
1		1			CROSSBAR, Closure Panel - Upper (serv. in #13)
2	0219 462	7			NUT
3	0181 063	7			SCREW and WASHER
4	4103 464	1			CROSSMEMBER, Radiator Yoke
5	3868 682-3	1			PANEL, Radiator Yoke
6	#3868 650	2			BRACE, Headlamp Mounting Panel Lower
7	6031 951	5			SCREW and WASHER
8	4074 894	1			PANEL, Air Dam Valance
9	6024 073	2			SCREW and WASHER
10	4074 800	1			BRACE, Closure Panel Center
11	6030 013	2			U-NUT
12	6025 002	7			NUT
13	4074 781	1			PANEL, Radiator Grille Headlamp Mounting
14	6032 303	22			NUT
15	6031 939	5			CLIP
16	4074 754-5	1		B	GRILLE, Outer
	4103 410-1	1		G	
17	4074 786-7	1		B	GRILLE, Radiator Intermediate
	4103 408-9	1		G	
18	6029 887	1			SCREW
19	4074 501	1			MOULDING, Front Bumper Filler Edge
20	X522 VW3	1			FILLER, Closure Panel - Tan (Paint as Required)
21	4074 768	1		B	GRILLE, Radiator
	4103 414	1		G	
22	3868 952	1			SPOILER, Front Air - w/Police Pkg.

MODEL CODES

E BODY = (J - CARAVELLE)(E - 600)(T - NEW YORKER)

G BODY = (V24 - DAYTONA)

H BODY = (D44 - LANCER)(C44 - LEBARON GTS)

J BODY = (C - LEBARON)

K BODY = (P - RELIANT)(D - ARIES)(C - LEBAROND)/TOWN & COUNTRY)

L BODY = (M - HORIZON/TURISMO)(Z - OMNI/CHARGER)

M BODY = (B - GRAN FURY)(F - FIFTH AVE/NEWPORT)(G - DIPLOMAT)

P BODY = (P - SUNDANCE)(D - SHADOW)

S BODY = (H - VOYAGER)(K - RAM VAN/CARAVAN)

BODY STYLES

12-13 = FWD VAN

21 = 2-DOOR SEDAN

24 = 2-DOOR HATCHBACK

27 = 2-DOOR CONVERTIBLE

41 = 4-DOOR SEDAN

44 = 4-DOOR HATCHBACK

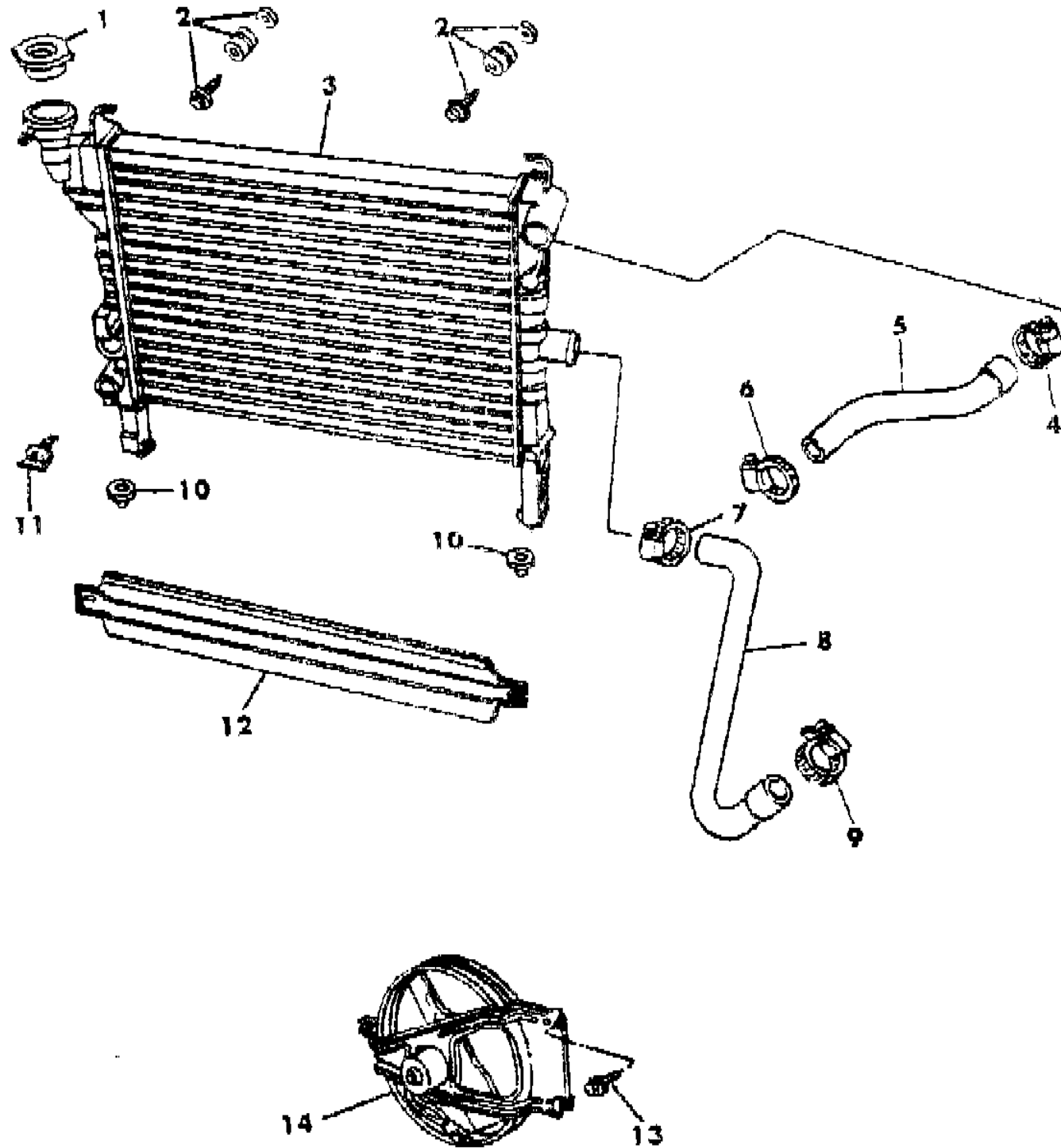
45 = 4-DOOR STATION WAGON

52-53 = FWD WAGON

AR = Use as Required - = Non Illustrated Part P.A.R. = Paint as Required

RADIATOR AND RELATED PARTS 2.2L ENGINE W/O AIR CONDITIONING L BODY
Figure 7-1100

7107 1100



ITEM	PART NUMBER	QTY	BODY	MODEL	DESCRIPTION
1	3781 830	1			CAP, Radiator
2	4266 418	1			ISOLATOR, Radiator Mounting - Upper
3	4266 537	1			RADIATOR (Includes #'s 1,2,10,11,12)
	4401 536	1			Man. Trans.
					Auto. Trans.
4	3683 824	1			CLAMP, Inlet Hose (Rad. End)
5	4266 346	1			HOSE, Inlet (H0061284)
6	6032 229	1			CLAMP, Inlet Hose (Eng. End)
7	2448 763	1			CLAMP, Outlet Hose (Rad. End)
8	4266 739	1			HOSE, Outlet (H0061283)
9	6032 277	1			CLAMP, Outlet Hose (Eng. End)
10	4266 419	2			ISOLATOR, Radiator Mounting - Lower
11	4266 728	1			DRAINCOCK
12	4266 173	1			SHIELD, Radiator Lower Air - Man. Trans.
13	6501 013	2			SCREW
14					FAN-MOTOR-BRACKET ASSEMBLY stamped 4266655 consists of:
	4266 462	1			FAN
	4318 109	1			MOTOR
	4318 110	1			BRACKET
	6500 377	1			RETAINER

MODEL CODES

E BODY = (J - CARAVELLE)(E - 600)(T - NEW YORKER)

G BODY = (V24 - DAYTONA)

H BODY = (D44 - LANCER)(C44 - LEBARON GTS)

J BODY = (C - LEBARON)

K BODY = (P - RELIANT)(D - ARIES)(C - LEBAROND)/TOWN & COUNTRY)

L BODY = (M - HORIZON/TURISMO)(Z - OMNI/CHARGER)

M BODY = (B - GRAN FURY)(F - FIFTH AVE/NEWPORT)(G - DIPLOMAT)

P BODY = (P - SUNDANCE)(D - SHADOW)

S BODY = (H - VOYAGER)(K - RAM VAN/CARAVAN)

BODY STYLES

12-13 = FWD VAN

21 = 2-DOOR SEDAN

24 = 2-DOOR HATCHBACK

27 = 2-DOOR CONVERTIBLE

41 = 4-DOOR SEDAN

44 = 4-DOOR HATCHBACK

45 = 4-DOOR STATION WAGON

52-53 = FWD WAGON

AR = Use as Required - = Non Illustrated Part P.A.R. = Paint as Required

RADIATOR AND RELATED PARTS 2.2L ENGINE W/AIR CONDITIONING OR TURBO L BODY

Figure 7-1200

7107 1200 A

ITEM	PART NUMBER	QTY	BODY	MODEL	DESCRIPTION
1	3781 830	1			CAP, Radiator
2	4140 566	1			BRACKET, Radiator Upper Mounting Right
	4140 567	1			Left
3	4140 427	4			ISOLATOR, Radiator Mounting
4	4266 577	1			RADIATOR (Includes #'s 1,3,8,9,16)
5	3683 824	1			CLAMP, Inlet Hose (Rad. End)
6	4266 346	1			HOSE, Inlet (H0061284)
7	6032 229	1			CLAMP, Inlet Hose (Eng. End)
8	1686 198	1			DRAINCOCK
9	4266 212	2			CLIP, Spring - Bottom Shroud Mounting
10	4140 849	1			CLIP, Outlet Hose
11	6032 277	1			CLAMP, Outlet Hose (Eng. End)
12	4266 262	1			HOSE, Outlet (H0061154)
13	2448 763	1			CLAMP, Outlet Hose (Rad. End)
14	6501 013	2			SCREW
15					FAN-MOTOR-SHROUD ASSEMBLY
					stamped 4266663 used on: 2.2L Eng. w/(S/C - EDE) w/Air Cond. consists of:
	4266 282	1			FAN
	4240 494	1			MOTOR
	4339 437	1			SHROUD
	6500 377	1			RETAINER
	3747 999	1			SENSOR
					stamped 4401129 used on: 2.2L Eng. w/(S/C - EDE) w/Air Cond. consists of:
	4266 282	1			FAN
	4419 167	1			MOTOR
	4339 437	1			SHROUD
	6500 377	1			RETAINER
					stamped 4266941 used on: 2.2L Eng. w/(S/C - EDG) consists of:
	4266 456	1			FAN
	4339 499	1			MOTOR
	4339 437	1			SHROUD

MODEL CODES

E BODY = (J - CARAVELLE)(E - 600)(T - NEW YORKER)

G BODY = (V24 - DAYTONA)

H BODY = (D44 - LANCER)(C44 - LEBARON GTS)

J BODY = (C - LEBARON)

K BODY = (P - RELIANT)(D - ARIES)(C - LEBAROND)/TOWN & COUNTRY)

L BODY = (M - HORIZON/TURISMO)(Z - OMNI/CHARGER)

M BODY = (B - GRAN FURY)(F - FIFTH AVE/NEWPORT)(G - DIPLOMAT)

P BODY = (P - SUNDANCE)(D - SHADOW)

S BODY = (H - VOYAGER)(K - RAM VAN/CARAVAN)

BODY STYLES

12-13 = FWD VAN

21 = 2-DOOR SEDAN

24 = 2-DOOR HATCHBACK

27 = 2-DOOR CONVERTIBLE

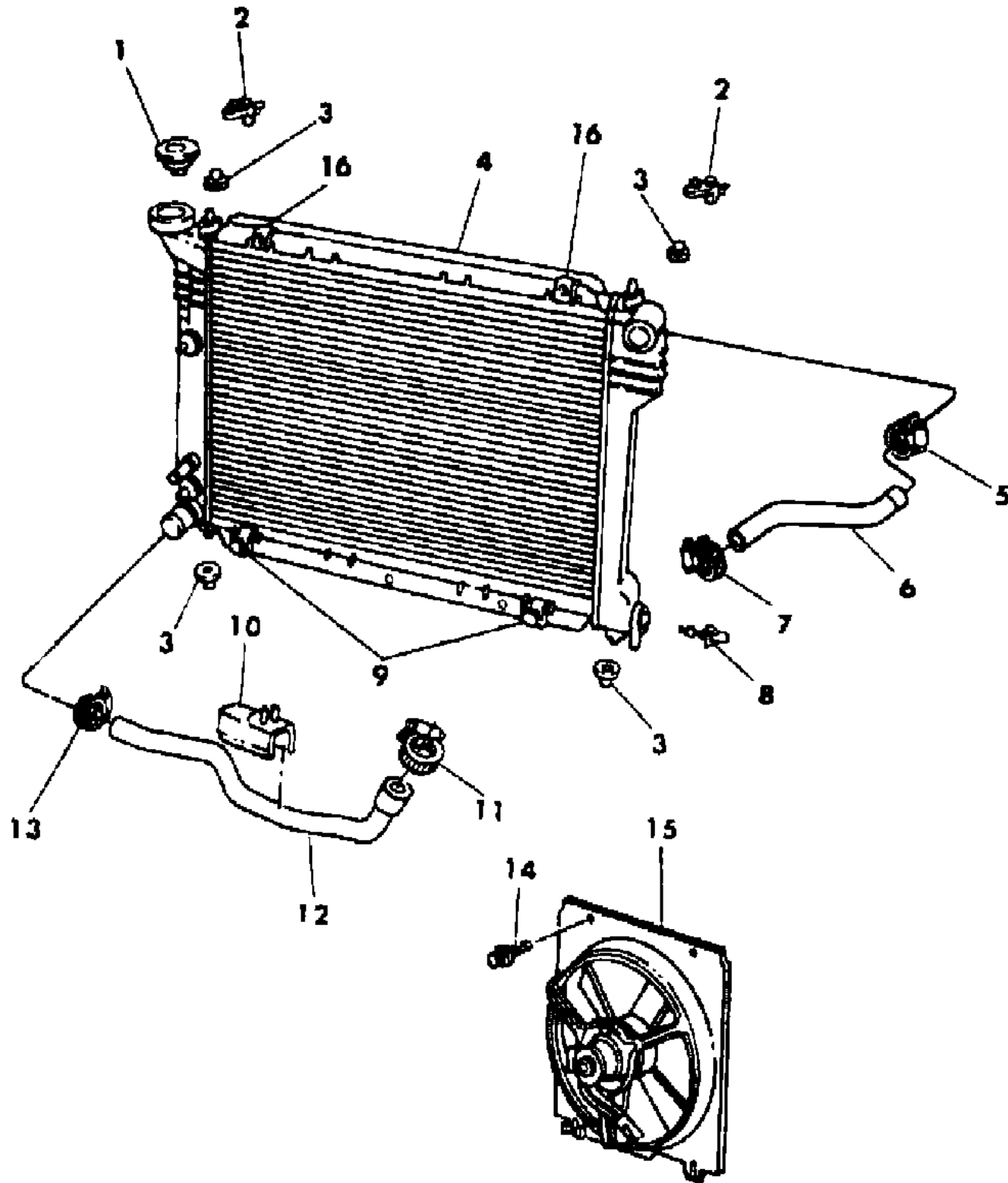
41 = 4-DOOR SEDAN

44 = 4-DOOR HATCHBACK

45 = 4-DOOR STATION WAGON

52-53 = FWD WAGON

AR = Use as Required - = Non Illustrated Part P.A.R. = Paint as Required

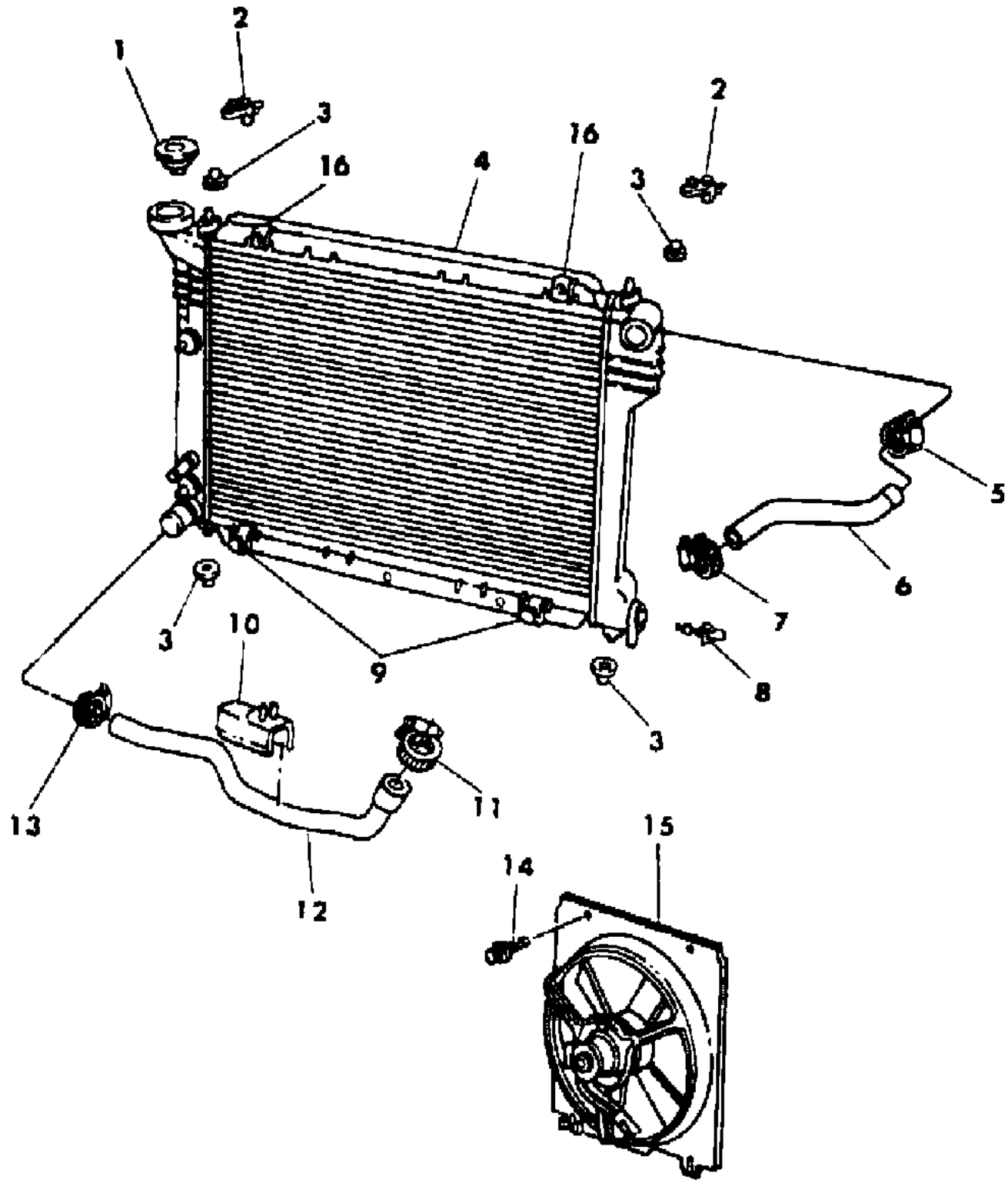


RADIATOR AND RELATED PARTS 2.2L ENGINE W/AIR CONDITIONING OR TURBO L BODY

Figure 7-1200

7107 1200 A

ITEM	PART NUMBER	QTY	BODY	MODEL	DESCRIPTION
	6500 377	1			RETAINER
16	#6100 041	2			U-NUT, Top Shroud Mounting



MODEL CODES

E BODY = (J - CARAVELLE)(E - 600)(T - NEW YORKER)

G BODY = (V24 - DAYTONA)

H BODY = (D44 - LANCER)(C44 - LEBARON GTS)

J BODY = (C - LEBARON)

K BODY = (P - RELIANT)(D - ARIES)(C - LEBAROND)/TOWN & COUNTRY)

L BODY = (M - HORIZON/TURISMO)(Z - OMNI/CHARGER)

M BODY = (B - GRAN FURY)(F - FIFTH AVE/NEWPORT)(G - DIPLOMAT)

P BODY = (P - SUNDANCE)(D - SHADOW)

S BODY = (H - VOYAGER)(K - RAM VAN/CARAVAN)

BODY STYLES

12-13 = FWD VAN

21 = 2-DOOR SEDAN

24 = 2-DOOR HATCHBACK

27 = 2-DOOR CONVERTIBLE

41 = 4-DOOR SEDAN

44 = 4-DOOR HATCHBACK

45 = 4-DOOR STATION WAGON

52-53 = FWD WAGON

AR = Use as Required - = Non Illustrated Part P.A.R. = Paint as Required

RADIATOR AND RELATED PARTS 2.2L ENGINE P BODY

Figure 7-1300

7107 1300 A

ITEM	PART NUMBER	QTY	BODY	MODEL	DESCRIPTION
1					TANK, Outlet (see note)
	4266 647	1			Man. Trans.
	4266 648	1			Auto. Trans.
2	4266 142	2			ISOLATOR, Radiator Mounting - Upper
3	3781 830	1			CAP, Radiator
4	4266 640	2			GASKET, Tank to Header
5					RADIATOR (Includes #'s 1,2,3,4,6,7,8,9)
	4266 633	1			stamped 4266633
	4266 637	1			stamped 4266434,435,634,635,637
6	#4266 649	1			TANK, Inlet (see note)
7	4266 728	1			DRAINCOCK
8	4266 396	2			ISOLATOR, Radiator Mounting - Lower
9	4140 538	2			CLIP, Spring
10	4266 696	1			HOSE, Inlet (H0061285)
11	6032 229	1			CLAMP, Inlet Hose (Eng. End)
12	3683 824	1			CLAMP, Inlet Hose (Rad. End)
13	4266 697	1			HOSE, Outlet (H0061143)
14	4266 750	1			CLIP, Outlet Hose
15	2448 763	1			CLAMP, Outlet Hose (Rad. End)
16	6032 277	1			CLAMP, Outlet Hose (Eng. End)
17					FAN-MOTOR-SHROUD ASSEMBLY
					stamped 4266492 used on: 2.2L Eng. w/(S/C - EDF) w/o Air Cond. consists of:
	4266 282	1			FAN
	4339 461	1			MOTOR
	4339 462	1			SHROUD
	6500 377	1			RETAINER
					stamped 4266657 used on: 2.2L Eng. w/(S/C - EDF) w/Air Cond. consists of:
	4266 282	1			FAN
	4339 500	1			MOTOR
	4339 462	1			SHROUD
	6500 377	1			RETAINER
					stamped 4266494 used on: 2.2L Eng. w/(S/C - EDG) consists of:

MODEL CODES

E BODY = (J - CARAVELLE)(E - 600)(T - NEW YORKER)

G BODY = (V24 - DAYTONA)

H BODY = (D44 - LANCER)(C44 - LEBARON GTS)

J BODY = (C - LEBARON)

K BODY = (P - RELIANT)(D - ARIES)(C - LEBAROND)/TOWN & COUNTRY)

L BODY = (M - HORIZON/TURISMO)(Z - OMNI/CHARGER)

M BODY = (B - GRAN FURY)(F - FIFTH AVE/NEWPORT)(G - DIPLOMAT)

P BODY = (P - SUNDANCE)(D - SHADOW)

S BODY = (H - VOYAGER)(K - RAM VAN/CARAVAN)

BODY STYLES

12-13 = FWD VAN

21 = 2-DOOR SEDAN

24 = 2-DOOR HATCHBACK

27 = 2-DOOR CONVERTIBLE

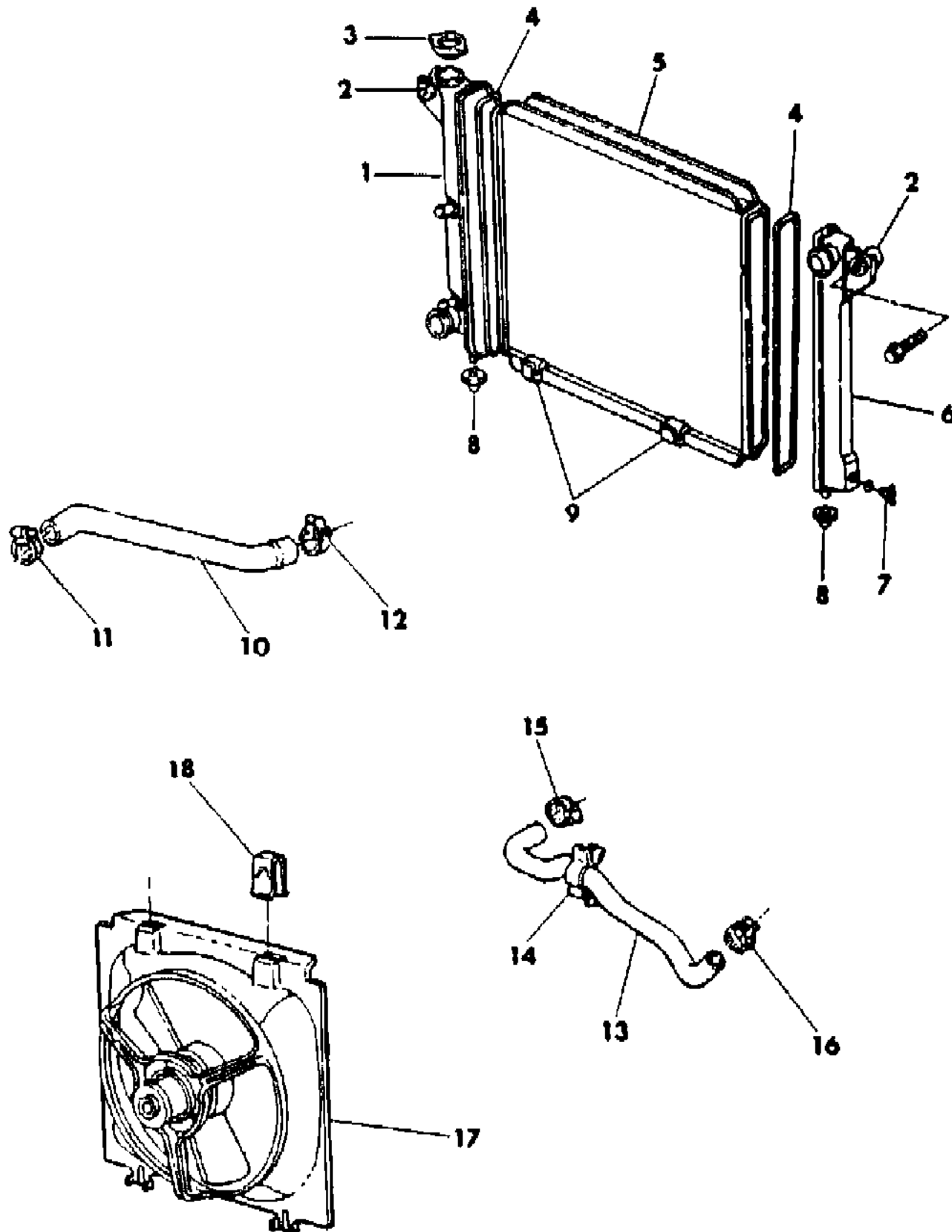
41 = 4-DOOR SEDAN

44 = 4-DOOR HATCHBACK

45 = 4-DOOR STATION WAGON

52-53 = FWD WAGON

AR = Use as Required - = Non Illustrated Part P.A.R. = Paint as Required



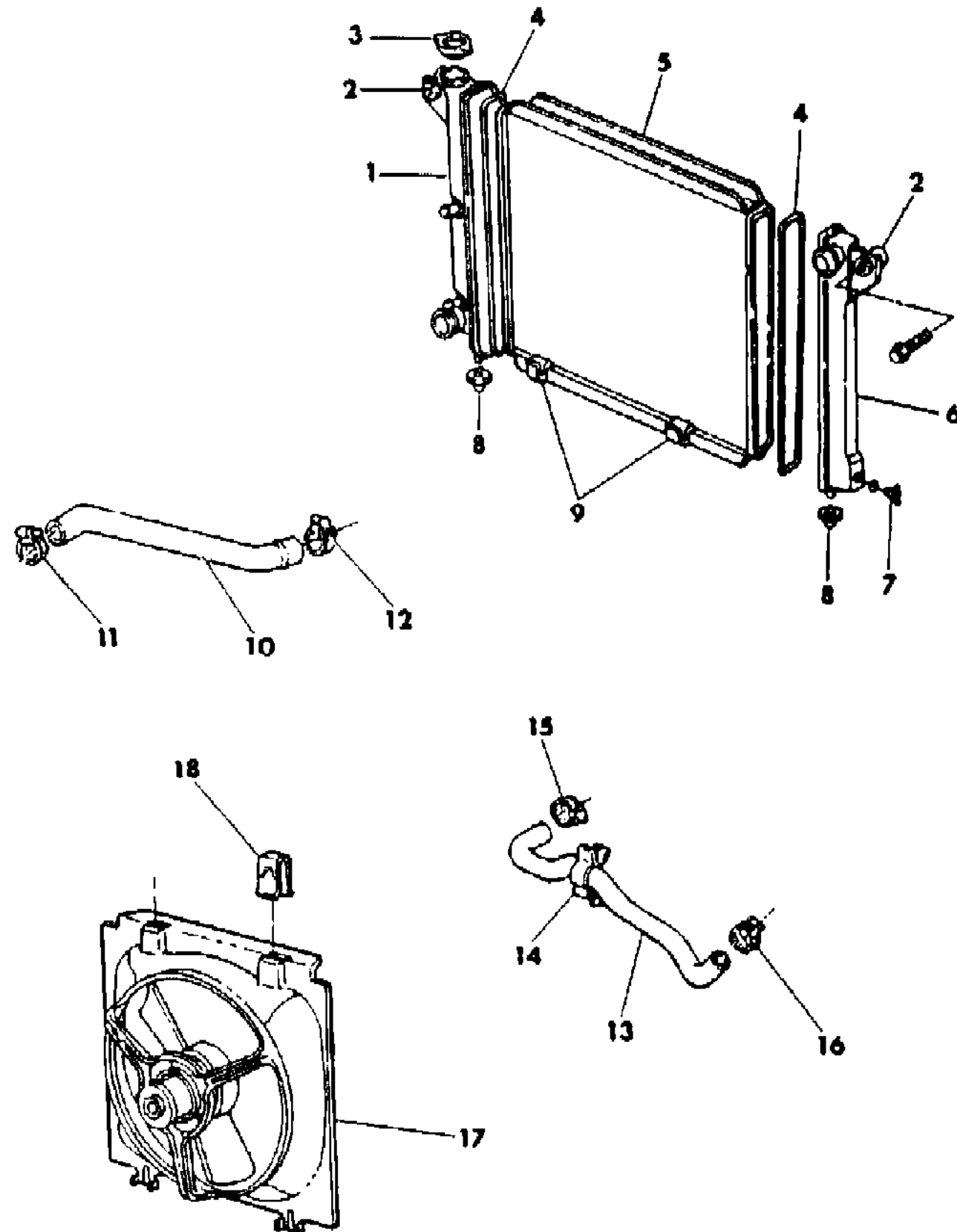
RADIATOR AND RELATED PARTS 2.2L ENGINE P BODY

Figure 7-1300

7107 1300 A

ITEM	PART NUMBER	QTY	BODY	MODEL	DESCRIPTION
	4401 139	1			FAN
	4266 689	1			MOTOR
	4266 690	1			SHROUD
	6500 377	1			RETAINER
18	6501 336	2			CLIP, Fan Module Attach

NOTE: The radiator tanks are not serviced on radiators stamped 4266434,435. They are serviceable on radiators stamped 4266633, 634,635,637. Gear and Pinion numbers stamped on the item may be used to confirm the correct MATCHED SET they are



MODEL CODES

E BODY = (J - CARAVELLE)(E - 600)(T - NEW YORKER)

G BODY = (V24 - DAYTONA)

H BODY = (D44 - LANCER)(C44 - LEBARON GTS)

J BODY = (C - LEBARON)

K BODY = (P - RELIANT)(D - ARIES)(C - LEBAROND)/TOWN & COUNTRY)

L BODY = (M - HORIZON/TURISMO)(Z - OMNI/CHARGER)

M BODY = (B - GRAN FURY)(F - FIFTH AVE/NEWPORT)(G - DIPLOMAT)

P BODY = (P - SUNDANCE)(D - SHADOW)

S BODY = (H - VOYAGER)(K - RAM VAN/CARAVAN)

BODY STYLES

12-13 = FWD VAN

21 = 2-DOOR SEDAN

24 = 2-DOOR HATCHBACK

27 = 2-DOOR CONVERTIBLE

41 = 4-DOOR SEDAN

44 = 4-DOOR HATCHBACK

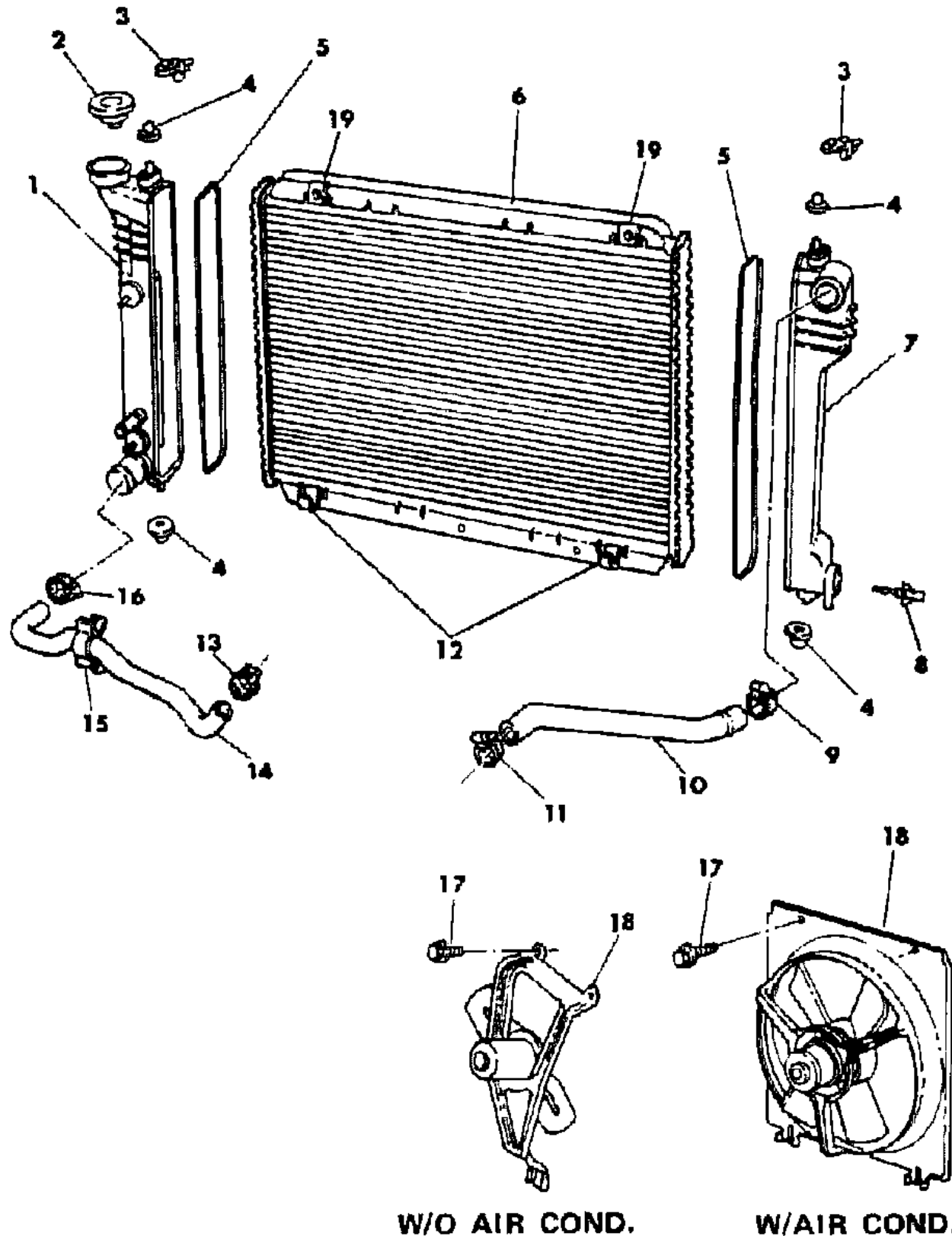
45 = 4-DOOR STATION WAGON

52-53 = FWD WAGON

AR = Use as Required - = Non Illustrated Part P.A.R. = Paint as Required

RADIATOR AND RELATED PARTS 2.2L AND 2.5L ENGINE J,K,G,E,H BODY
Figure 7-1400

7107 1400 A



ITEM	PART NUMBER	QTY	BODY	MODEL	DESCRIPTION
1					TANK, Radiator Outlet
	4266 814	1			Man. Trans.
	4266 815	1			Auto. Trans.
2	3781 830	1			CAP, Radiator
3	4266 620	2		exc. C, C,D-44	BRACKET, Radiator Upper Mounting
4	4266 478	2			ISOLATOR, Radiator Mounting
5	4266 396	4			ISOLATOR, Radiator Mounting
5	4266 726	2			GASKET, Tank to Header
6					RADIATOR (Includes #'s 1,2,4,5,7,8,12,19)
	4266 803	1			Man. Trans.
	4266 806	1			Auto. Trans.
7	4266 717	1			TANK, Radiator Inlet
8	4266 728	1			DRAINCOCK
9	3683 824	1			CLAMP, Inlet Hose (Rad. End)
	4041 606	1			Stainless Steel
10	4266 696	1			HOSE, Inlet (H0061285)
	4266 952	1			Silicone
11	6032 229	1			CLAMP, Inlet Hose (Eng. End)
	4041 606	1			Stainless Steel
12	4140 538	2			CLIP, Spring
13	6032 277	2			CLAMP, Outlet Hose (Eng. End)
	4041 608	2			Stainless Steel
14	4266 697	1			HOSE, Outlet (H0061143)
	4266 954	1			Silicone
15	4266 750	1			CLIP, Radiator Outlet Hose
16	2448 763	2			CLAMP
	4041 607	2			Stainless Steel
17	6501 013	2			SCREW
18					FAN-MOTOR-BRACKET ASSEMBLY
					stamped 4266007 used on:
			E,H,K		2.2L Eng. w/(S/C - EDF) w/o Air Cond.
					2.5L Eng. w/o Air Cond.
					consists of:
	4266 069	1			FAN
	4240 493	1			MOTOR
	4240 497	1			BRACKET
	6500 377	1			RETAINER
					FAN-MOTOR-SHROUD ASSEMBLY

MODEL CODES

E BODY = (J - CARAVELLE)(E - 600)(T - NEW YORKER)
 G BODY = (V24 - DAYTONA)
 H BODY = (D44 - LANCER)(C44 - LEBARON GTS)
 J BODY = (C - LEBARON)
 K BODY = (P - RELIANT)(D - ARIES)(C - LEBAROND)/TOWN & COUNTRY)

L BODY = (M - HORIZON/TURISMO)(Z - OMNI/CHARGER)
 M BODY = (B - GRAN FURY)(F - FIFTH AVE/NEWPORT)(G - DIPLOMAT)
 P BODY = (P - SUNDANCE)(D - SHADOW)
 S BODY = (H - VOYAGER)(K - RAM VAN/CARAVAN)

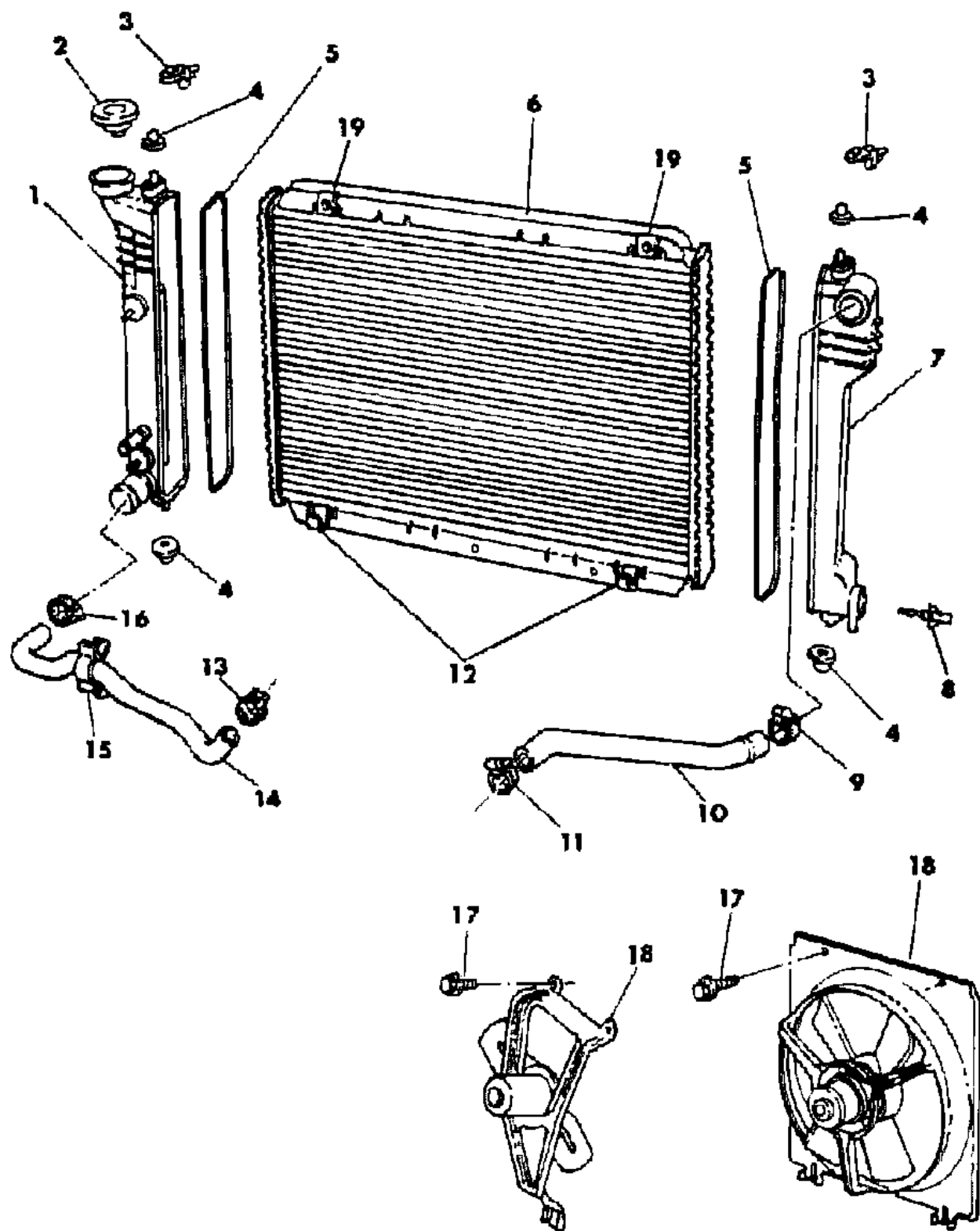
BODY STYLES

12-13 = FWD VAN
 21 = 2-DOOR SEDAN
 24 = 2-DOOR HATCHBACK
 27 = 2-DOOR CONVERTIBLE
 41 = 4-DOOR SEDAN
 44 = 4-DOOR HATCHBACK
 45 = 4-DOOR STATION WAGON
 52-53 = FWD WAGON

AR = Use as Required - = Non Illustrated Part P.A.R. = Paint as Required

RADIATOR AND RELATED PARTS 2.2L AND 2.5L ENGINE J,K,G,E,H BODY
Figure 7-1400

7107 1400 A



W/O AIR COND.

W/AIR COND.

ITEM	PART NUMBER	QTY	BODY	MODEL	DESCRIPTION
					stamped 4266291 used on:
			K		2.2L Eng. w/(S/C - EDF) w/Max. Cooling
			E,H,K		2.2L Eng. w/(S/C - EDG) w/Air Cond.
			K		2.5L Eng. w/Max. Cooling
					consists of:
	4266 293	1			FAN
	4240 495	1			MOTOR
	4339 437	1			SHROUD
	6500 377	1			RETAINER
					stamped 4266375 used on:
			J		2.2L Eng. w/(S/C - EDG) w/o Air Cond.
			J		2.5L Eng. w/Air Cond.
					consists of:
	4266 282	1			FAN
	4419 167	1			MOTOR
	4339 437	1			SHROUD
	6500 377	1			RETAINER
					stamped 4266374 used on:
			K		2.2L Eng. w/(S/C - EDF) & 2.5L Eng. w/Air Cond. w/o Max. Cooling
			E,H		2.2L Eng. w/(S/C - EDF) w/Air Cond.
			E,G,H,K		2.2L Eng. w/(S/C - EDG) w/o Air Cond.
			E,G,H		2.5L Eng. w/Air Cond.
					consists of:
	4266 282	1			FAN
	4240 494	1			MOTOR
	4339 437	1			SHROUD
	6500 377	1			RETAINER
					stamped 4266938 used on:
			G,J		2.2L Eng. w/(S/C - EDG) w/Air Cond.
	4266 939	1			FAN
	4364 866	1			MOTOR
	4364 865	1			SHROUD
	6500 377	1			RETAINER
19	#6100 041	2			U-NUT, Top Shroud Mounting

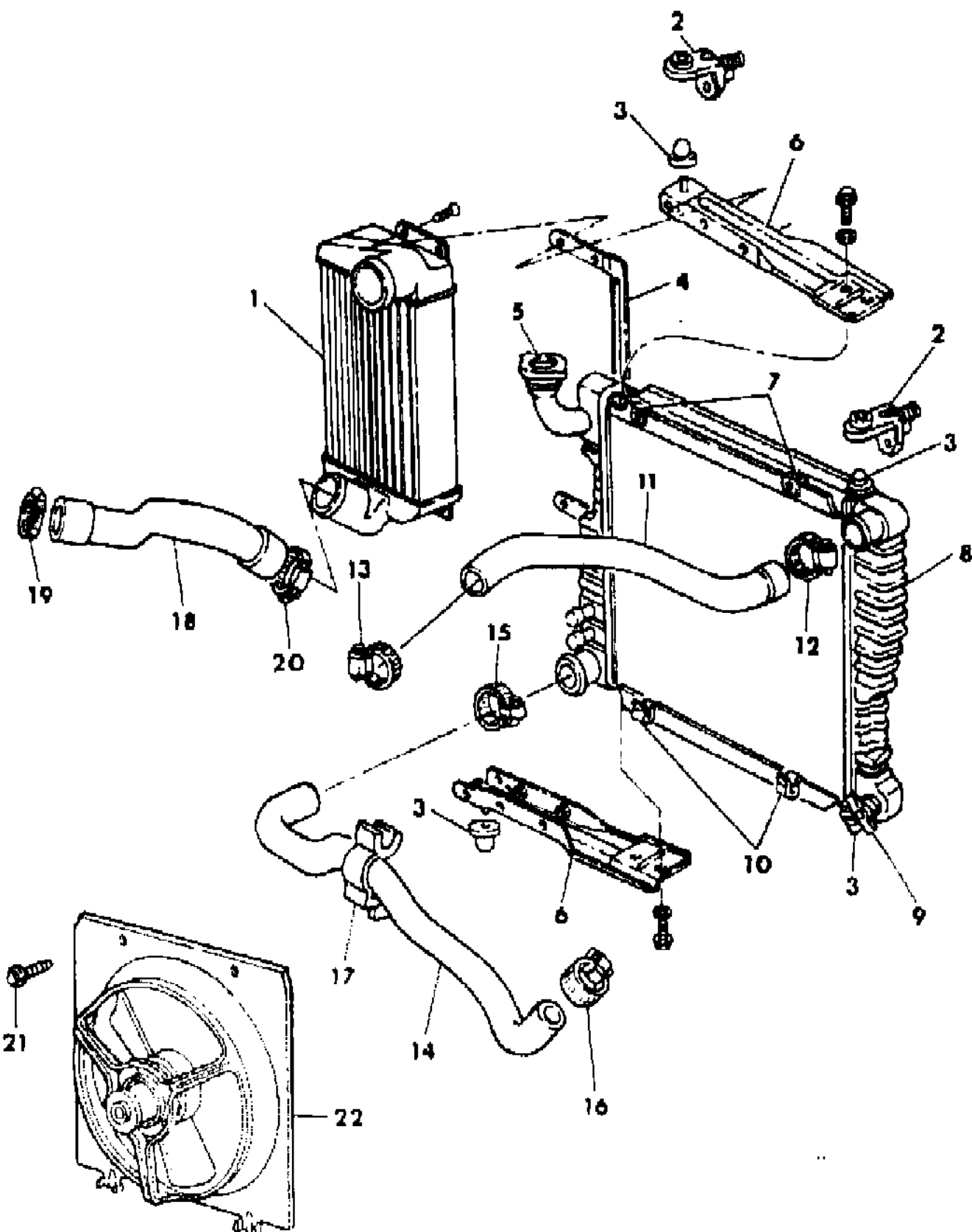
MODEL CODES
 E BODY = (J - CARAVELLE)(E - 600)(T - NEW YORKER)
 G BODY = (V24 - DAYTONA)
 H BODY = (D44 - LANCER)(C44 - LEBARON GTS)
 J BODY = (C - LEBARON)
 K BODY = (P - RELIANT)(D - ARIES)(C - LEBAROND)/TOWN & COUNTRY
 L BODY = (M - HORIZON/TURISMO)(Z - OMNI/CHARGER)
 M BODY = (B - GRAN FURY)(F - FIFTH AVE/NEWPORT)(G - DIPLOMAT)
 P BODY = (P - SUNDANCE)(D - SHADOW)
 S BODY = (H - VOYAGER)(K - RAM VAN/CARAVAN)

BODY STYLES
 12-13 = FWD VAN
 21 = 2-DOOR SEDAN
 24 = 2-DOOR HATCHBACK
 27 = 2-DOOR CONVERTIBLE
 41 = 4-DOOR SEDAN
 44 = 4-DOOR HATCHBACK
 45 = 4-DOOR STATION WAGON
 52-53 = FWD WAGON

AR = Use as Required - = Non Illustrated Part P.A.R. = Paint as Required

RADIATOR AND INTERCOOLER AND RELATED PARTS 2.2L ENGINE TURBO 2 G BODY AND H,P BODY SHELBY
Figure 7-1500

7107 1500 A



ITEM	PART NUMBER	QTY	BODY	MODEL	DESCRIPTION
1	#4266 978	1	G,H		INTERCOOLER
2	4266 620	2			BRACKET, Radiator Upper Mounting
3	4266 328	4			ISOLATOR, Radiator Mounting
4	4397 749	1			BAFFLE
5	3781 830	1			CAP, Radiator
6		2			BRACKET, Intercooler Attach (serv. in item #8)
7	#6100 041	2			U-NUT, Top Shroud Mounting
8	#4266 977	1	G,H		RADIATOR (Includes #'s 3,4,5,6,7,9,10)
	4467 483	1	P		RADIATOR and INTERCOOLER
9	1686 198	1			DRAINCOCK
10	4140 538	2			CLIP, Spring Bottom Shroud Mounting
11	4266 696	1			HOSE, Inlet (H0061285)
12	3683 824	1			CLAMP, Inlet Hose (Rad. End)
13	6032 229	1			CLAMP, Inlet Hose (Eng. End)
14	4266 951	1			HOSE, Outlet
15	2448 763	1			CLAMP, Outlet Hose (Rad. End)
16	6032 277	1			CLAMP, Outlet Hose (Eng. End)
17	4266 750	1			CLIP, Outlet Hose
18	#4306 105	1			HOSE, Turbo to Intercooler
19	6033 135	1			CLAMP
20	6033 134	1			CLAMP
21	6501 013	2			SCREW
22					FAN-MOTOR-SHROUD ASSEMBLY stamped 4266938 consists of:
	4266 939	1			FAN
	4364 866	1			MOTOR
	4364 865	1			SHROUD
	6500 377	1			RETAINER

MODEL CODES

E BODY = (J - CARAVELLE)(E - 600)(T - NEW YORKER)

G BODY = (V24 - DAYTONA)

H BODY = (D44 - LANCER)(C44 - LEBARON GTS)

J BODY = (C - LEBARON)

K BODY = (P - RELIANT)(D - ARIES)(C - LEBAROND)/TOWN & COUNTRY)

L BODY = (M - HORIZON/TURISMO)(Z - OMNI/CHARGER)

M BODY = (B - GRAN FURY)(F - FIFTH AVE/NEWPORT)(G - DIPLOMAT)

P BODY = (P - SUNDANCE)(D - SHADOW)

S BODY = (H - VOYAGER)(K - RAM VAN/CARAVAN)

BODY STYLES

12-13 = FWD VAN

21 = 2-DOOR SEDAN

24 = 2-DOOR HATCHBACK

27 = 2-DOOR CONVERTIBLE

41 = 4-DOOR SEDAN

44 = 4-DOOR HATCHBACK

45 = 4-DOOR STATION WAGON

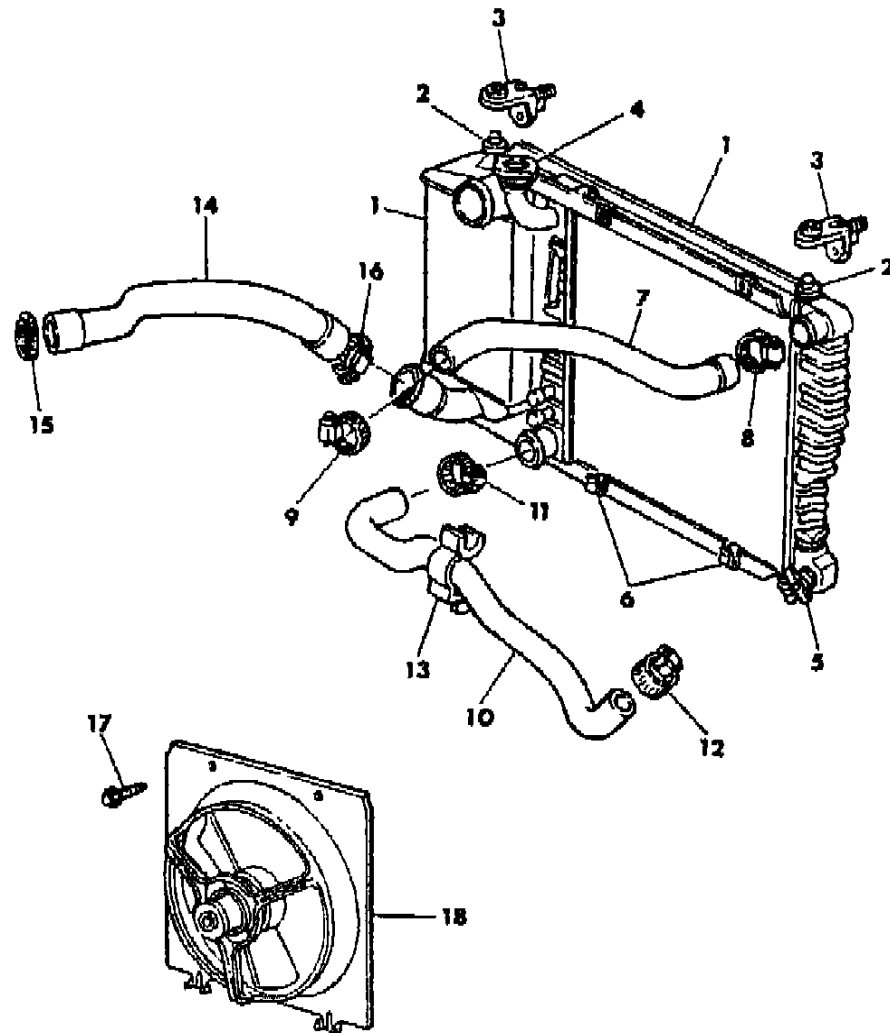
52-53 = FWD WAGON

AR = Use as Required - = Non Illustrated Part P.A.R. = Paint as Required

RADIATOR AND INTERCOOLER AND RELATED PARTS 2.2L ENGINE - TURBO L BODY - SHELBY

Figure 7-1525

7107 1525



ITEM	PART NUMBER	QTY	BODY	MODEL	DESCRIPTION
1	4419 978	1			RADIATOR and INTERCOOLER
2	4266 328	4			ISOLATOR, Radiator Mounting
3	4266 620	2			BRACKET, Radiator Upper Mounting
4	3781 830	1			CAP, Radiator
5	1686 198	1			DRAINCOCK
6	4140 538	2			CLIP, Spring Bottom Shroud Mounting
7	4419 963	1			HOSE, Inlet
8	3683 824	1			CLAMP, Inlet Hose (Rad. End)
9	6032 229	1			CLAMP, Inlet Hose (Eng. End)
10	4419 960	1			HOSE, Outlet
11	2448 763	1			CLAMP, Outlet Hose (Rad. End)
12	6032 277	1			CLAMP, Outlet Hose (Eng. End)
13	#4266 750	1			CLIP, Outlet Hose
14	4419 954	1			HOSE, Turbo to Intercooler
15	6033 135	1			CLAMP
16	6033 134	1			CLAMP
17	6501 013	2			SCREW
18	4419 993	1			FAN-MOTOR-SHROUD ASSEMBLY

MODEL CODES

E BODY = (J - CARAVELLE)(E - 600)(T - NEW YORKER)

G BODY = (V24 - DAYTONA)

H BODY = (D44 - LANCER)(C44 - LEBARON GTS)

J BODY = (C - LEBARON)

K BODY = (P - RELIANT)(D - ARIES)(C - LEBAROND)/TOWN & COUNTRY)

L BODY = (M - HORIZON/TURISMO)(Z - OMNI/CHARGER)

M BODY = (B - GRAN FURY)(F - FIFTH AVE/NEWPORT)(G - DIPLOMAT)

P BODY = (P - SUNDANCE)(D - SHADOW)

S BODY = (H - VOYAGER)(K - RAM VAN/CARAVAN)

BODY STYLES

12-13 = FWD VAN

21 = 2-DOOR SEDAN

24 = 2-DOOR HATCHBACK

27 = 2-DOOR CONVERTIBLE

41 = 4-DOOR SEDAN

44 = 4-DOOR HATCHBACK

45 = 4-DOOR STATION WAGON

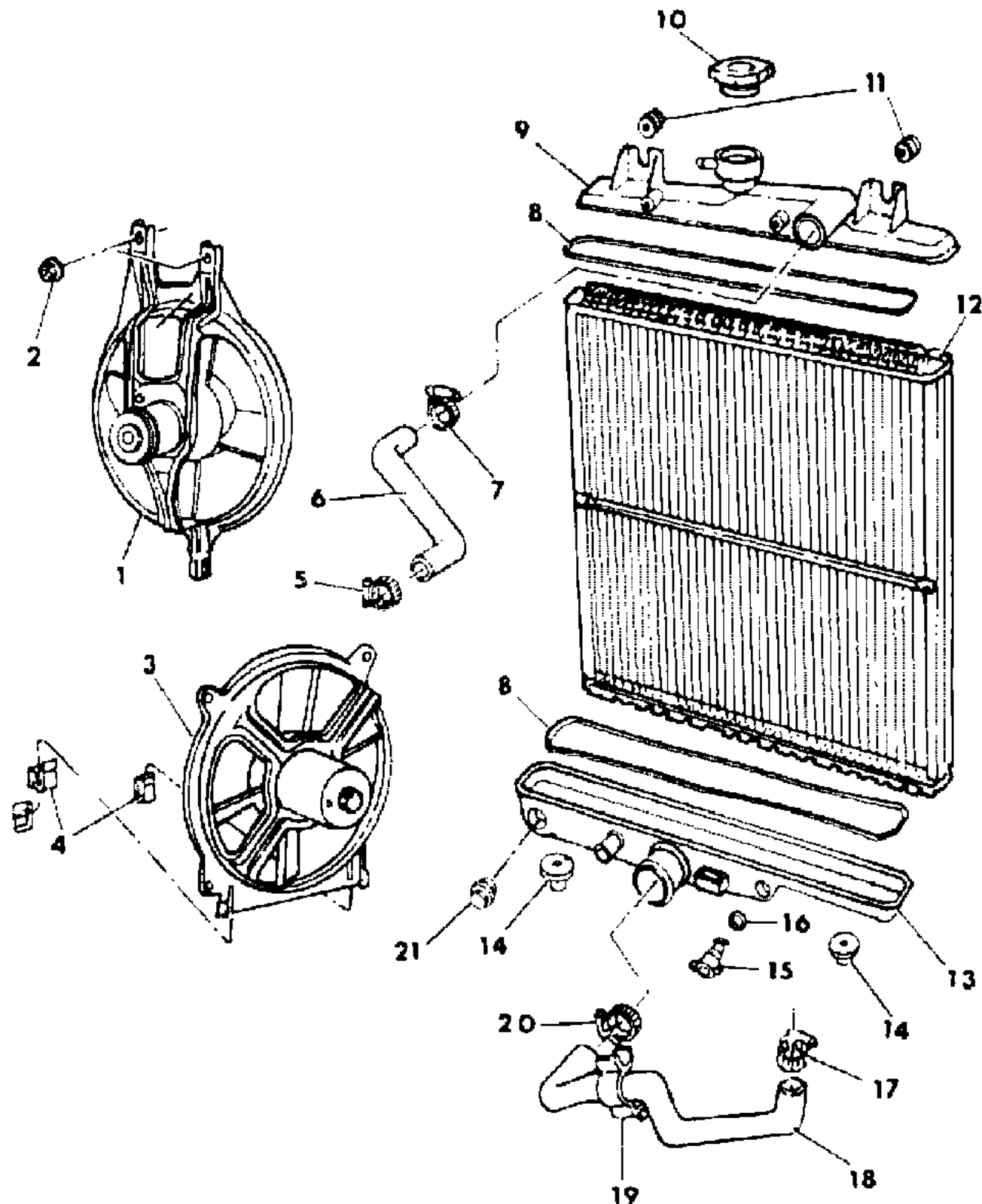
52-53 = FWD WAGON

AR = Use as Required - = Non Illustrated Part P.A.R. = Paint as Required

RADIATOR AND RELATED PARTS 2.2L ENGINE AND 2.5L ENGINE S BODY

Figure 7-1600

7107 1600 C



ITEM	PART NUMBER	QTY	BODY	MODEL	DESCRIPTION
1					FAN-MOTOR-SHROUD ASSEMBLY, Radiator stamped 4401111 Consists of:
	4266 462	1			FAN
	4419 336	1			MOTOR
	4318 119	1			SHROUD
	6500 377	1			RETAINER
2	6500 284	2			NUT
3					FAN-MOTOR-SHROUD ASSEMBLY, Condenser stamped 4266652 - up to 10-1-86 - consists of:
	4266 473	1			FAN
	4266 474	1			MOTOR
	4266 466	1			SHROUD
					stamped 4401140 - after 10-1-86 - consists of:
	4266 473	1			FAN
	4266 474	1			MOTOR
	4401 142	1			SHROUD
	6500 914	1			RETAINER
4	4266 212	2			CLIP, Spring - Bottom Shroud Mounting
5	6032 229	1			CLAMP, Inlet Hose (Eng. End)
6	4266 701	1			HOSE, Inlet (H0061285)
7	3683 824	1			CLAMP, Inlet Hose (Rad. End)
8	4266 604	2			GASKET, Tank to Header
9	4266 857	1			TANK, Radiator Inlet - Top
10	3781 830	1			CAP, Radiator
11	4266 142	2			ISOLATOR, Radiator Mounting - Upper
12	#4401 028	1			RADIATOR (Includes #'s 8,9,10,11,13,14,15,16)
13	4266 836	1			TANK, Radiator Outlet - Bottom
14	4266 396	2			ISOLATOR, Radiator Mounting - Lower
15	4266 155	2			DRAINCOCK
16	4266 156	1			O-RING, Draincock
17	6032 277	1			CLAMP, Outlet Hose (Eng. End)
18	4266 816	1			HOSE, Outlet (H0061341)
19	4266 750	1			CLIP, Outlet Hose
20	2448 763	1			CLAMP, Outlet Hose (Rad. End)
21	0444 668	1			PLUG, Radiator Fan Switch Hole

MODEL CODES

E BODY = (J - CARAVELLE)(E - 600)(T - NEW YORKER)

G BODY = (V24 - DAYTONA)

H BODY = (D44 - LANCER)(C44 - LEBARON GTS)

J BODY = (C - LEBARON)

K BODY = (P - RELIANT)(D - ARIES)(C - LEBAROND)/TOWN & COUNTRY)

L BODY = (M - HORIZON/TURISMO)(Z - OMNI/CHARGER)

M BODY = (B - GRAN FURY)(F - FIFTH AVE/NEWPORT)(G - DIPLOMAT)

P BODY = (P - SUNDANCE)(D - SHADOW)

S BODY = (H - VOYAGER)(K - RAM VAN/CARAVAN)

BODY STYLES

12-13 = FWD VAN

21 = 2-DOOR SEDAN

24 = 2-DOOR HATCHBACK

27 = 2-DOOR CONVERTIBLE

41 = 4-DOOR SEDAN

44 = 4-DOOR HATCHBACK

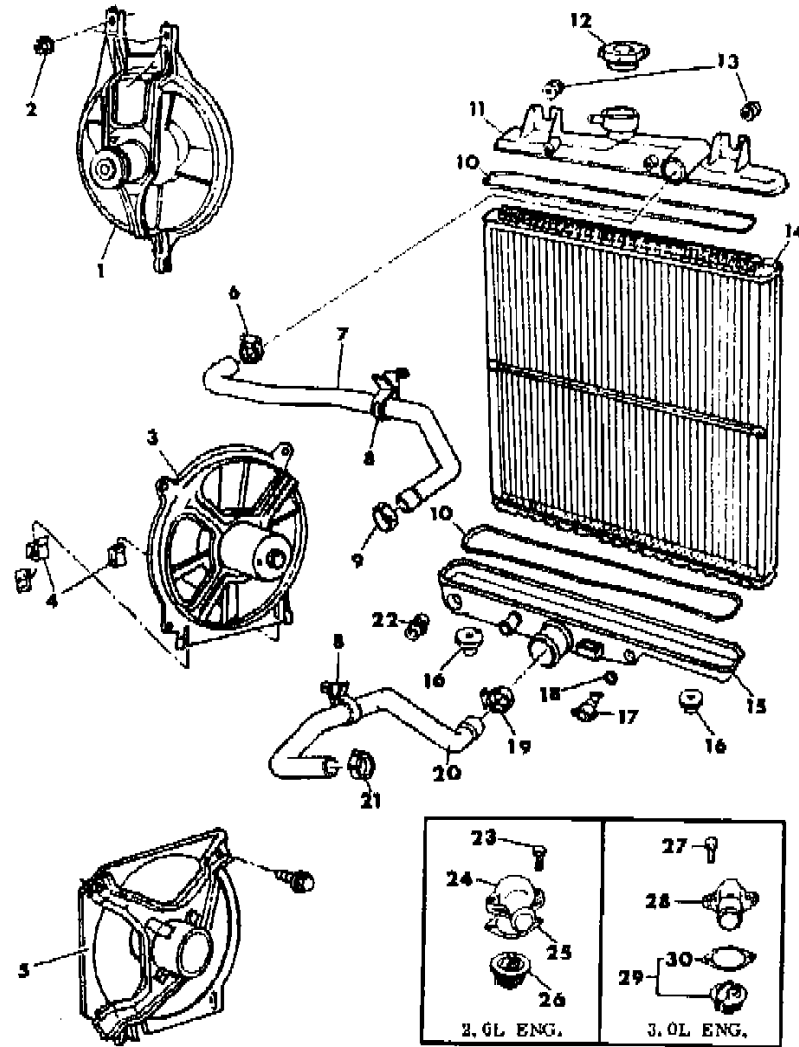
45 = 4-DOOR STATION WAGON

52-53 = FWD WAGON

AR = Use as Required - = Non Illustrated Part P.A.R. = Paint as Required

RADIATOR AND RELATED PARTS 2.6L AND 3.0L ENGINE S BODY
Figure 7-1700

7107 1700 8



ITEM	PART NUMBER	QTY	BODY	MODEL	DESCRIPTION
1					FAN-MOTOR-SHROUD ASSEMBLY, Radiator
					stamped 4401111 used on: 2.6L Eng. exc. Calif.
					consists of:
	4266 462	1			FAN
	4419 336	1			MOTOR
	4318 119	1			SHROUD
	6500 377	1			RETAINER
					stamped 4266662 used on: 2.6L Eng. w/Calif.
					consists of:
	4266 686	1			FAN
	4339 442	1			MOTOR
	4318 108	1			SHROUD
	6500 377	1			RETAINER
	3747 999	1			SENSOR
					stamped 4266983 used on: 3.0L Eng. (optional w/4401083)
					consists of:
	4266 462	1			FAN
	4419 349	1			MOTOR (Stamped 4401314)
	4419 348	1			SHROUD
	6500 377	1			RETAINER
					stamped 4401083 used on: 3.0L Eng. (optional w/4266983)
					consists of:
	4401 102	1			FAN
	4401 103	1			MOTOR
	4401 104	1			SHROUD
	6500 377	1			RETAINER
2	6500 284	2			NUT
3					FAN-MOTOR-SHROUD ASSEMBLY, Condenser
					stamped 4266984 consists of:
	4266 473	1			FAN
	4401 113	1			MOTOR
	4401 143	1			SHROUD
4	4266 212	2			CLIP, Spring - Bottom Shroud Mounting
5	4266 691	1			BLOCKER, Fan Shroud Impact - w/o Air Cond. 2.6L Eng.

MODEL CODES

E BODY = (J - CARAVELLE)(E - 600)(T - NEW YORKER)

G BODY = (V24 - DAYTONA)

H BODY = (D44 - LANCER)(C44 - LEBARON GTS)

J BODY = (C - LEBARON)

K BODY = (P - RELIANT)(D - ARIES)(C - LEBAROND)/TOWN & COUNTRY)

L BODY = (M - HORIZON/TURISMO)(Z - OMNI/CHARGER)

M BODY = (B - GRAN FURY)(F - FIFTH AVE/NEWPORT)(G - DIPLOMAT)

P BODY = (P - SUNDANCE)(D - SHADOW)

S BODY = (H - VOYAGER)(K - RAM VAN/CARAVAN)

BODY STYLES

12-13 = FWD VAN

21 = 2-DOOR SEDAN

24 = 2-DOOR HATCHBACK

27 = 2-DOOR CONVERTIBLE

41 = 4-DOOR SEDAN

44 = 4-DOOR HATCHBACK

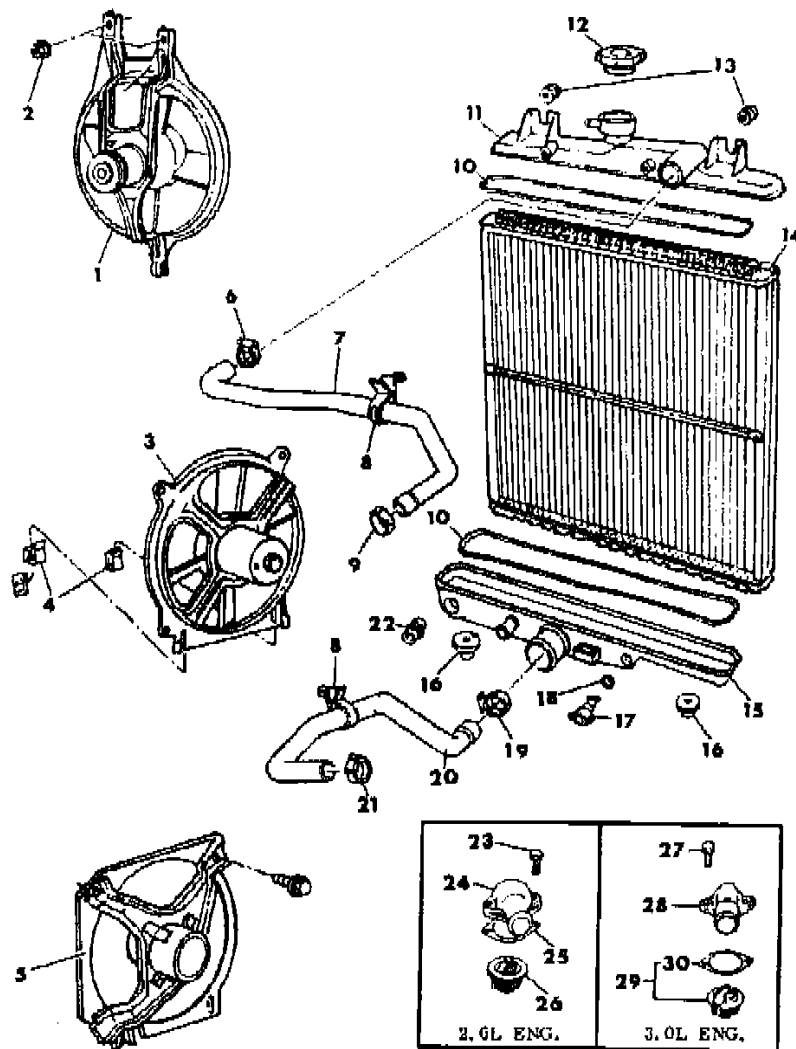
45 = 4-DOOR STATION WAGON

52-53 = FWD WAGON

AR = Use as Required - = Non Illustrated Part P.A.R. = Paint as Required

RADIATOR AND RELATED PARTS 2.6L AND 3.0L ENGINE S BODY
Figure 7-1700

7107 1700 8



ITEM	PART NUMBER	QTY	BODY	MODEL	DESCRIPTION
6	3683 824	1			CLAMP, Inlet Hose (Rad. End)
7	4266 703	1			HOSE, Inlet 2.6L Eng. (H0061312)
	4266 985	1			3.0L Eng.
8	6015 731	2			CLIP, Radiator Hose
9	2448 763	1			CLAMP, Inlet Hose (Eng. End)
10	4266 604	2			GASKET, Tank to Header
11	4266 857	1			TANK, Radiator Inlet - Top
12	3781 830	1			CAP, Radiator
13	4266 142	2			ISOLATOR, Radiator Mounting - Upper
14	4401 028	1			RADIATOR (Includes #'s 10,11,12,13,15,16,17,18,22) 2.6L Eng.
	4266 981	1			3.0L Eng.
15	4266 836	1			TANK, Radiator Outlet - Bottom
16	4266 396	2			ISOLATOR, Radiator Mounting - Lower
17	4266 155	1			DRAINCOCK
18	4266 156	1			O-RING, Draincock
19	2448 763	1			CLAMP, Outlet Hose (Rad. End)
20	4266 817	1			HOSE, Outlet 2.6L Eng. (H0061314)
	4266 987	1			3.0L Eng. (H0061378)
21	2448 763	1			CLAMP, Outlet Hose (Eng. End)
22	5209 923	1			SWITCH, Radiator Fan - 2.6L Eng.
	0444 668	1			PLUG, Radiator Fan Switch Hole - 3.0L Eng.
23	#MS10 1239	2			BOLT and WASHER (8x25)
24	MD02 0634	1			FITTING, Water Outlet
25	MD08 3109	1			GASKET exc. Canada up to June 1986
	MD00 0551	1			Canada up to June 1986
	MD11 8040	1			after July 1987
26	MD99 7221	1			THERMOSTAT and GASKET PACKAGE Federal and Canada
	MD99 7220	1			Calif. and High Altitude
27	#MF24 0355	2			BOLT and WASHER (8x25)
28	#MD09 7041	1			FITTING, Water Outlet
29	MD99 7310	1			THERMOSTAT and GASKET PACKAGE
30	MD11 8040	1			GASKET

MODEL CODES

E BODY = (J - CARAVELLE)(E - 600)(T - NEW YORKER)

G BODY = (V24 - DAYTONA)

H BODY = (D44 - LANCER)(C44 - LEBARON GTS)

J BODY = (C - LEBARON)

K BODY = (P - RELIANT)(D - ARIES)(C - LEBAROND)/TOWN & COUNTRY)

L BODY = (M - HORIZON/TURISMO)(Z - OMNI/CHARGER)

M BODY = (B - GRAN FURY)(F - FIFTH AVE/NEWPORT)(G - DIPLOMAT)

P BODY = (P - SUNDANCE)(D - SHADOW)

S BODY = (H - VOYAGER)(K - RAM VAN/CARAVAN)

BODY STYLES

12-13 = FWD VAN

21 = 2-DOOR SEDAN

24 = 2-DOOR HATCHBACK

27 = 2-DOOR CONVERTIBLE

41 = 4-DOOR SEDAN

44 = 4-DOOR HATCHBACK

45 = 4-DOOR STATION WAGON

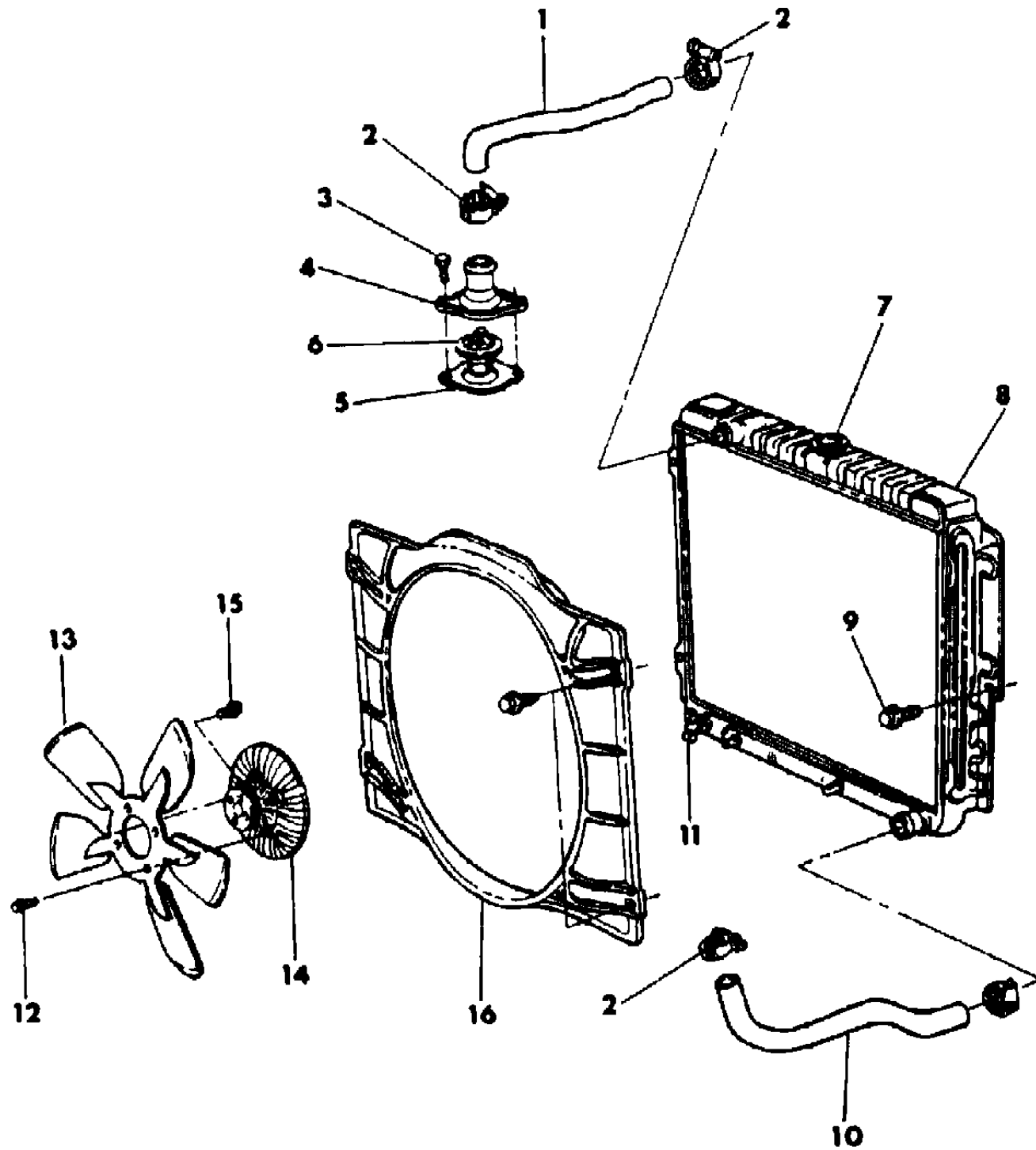
52-53 = FWD WAGON

AR = Use as Required - = Non Illustrated Part P.A.R. = Paint as Required

RADIATOR AND RELATED PARTS M BODY

Figure 7-1800

7107 1800



ITEM	PART NUMBER	QTY	BODY	MODEL	DESCRIPTION
1					HOSE, Inlet
	4140 710	1			w/o Police or Fleet Pkg. (H0061156)
	4140 711	1			w/Police or Fleet Pkg. (H0061156)
	4140 712	1			Silicone (H0061156)
2	4041 608	4			CLAMP - Stainless Steel
3	6031 413	2			BOLT
4	4100 490	1			CONNECTOR, Cylinder Water Outlet
5	4173 461	1			GASKET, Cylinder Water Outlet Connector
6	4131 240	1			THERMOSTAT
7	3781 830	1			CAP, Radiator
8	4140 641	1			CORE, Radiator
9	0181 063	4			SCREW and WASHER
10	3870 120	1			HOSE, Outlet (H0060929)
	4140 708	1			Silicone (H0060929)
11	1686 198	1			DRAINCOCK
12	0181 086	6			SCREW and WASHER
13	4266 059	1			FAN
14					DRIVE, Fan
	4095 703	1			w/o Police or Fleet Pkg.
	3769 617	1			w/Air Cond. w/Max. Cooling w/Police or Fleet Pkg.
15	0181 088	4			SCREW and WASHER
16	3869 812	1			SHROUD, Fan

MODEL CODES

E BODY = (J - CARAVELLE)(E - 600)(T - NEW YORKER)

G BODY = (V24 - DAYTONA)

H BODY = (D44 - LANCER)(C44 - LEBARON GTS)

J BODY = (C - LEBARON)

K BODY = (P - RELIANT)(D - ARIES)(C - LEBAROND)/TOWN & COUNTRY)

L BODY = (M - HORIZON/TURISMO)(Z - OMNI/CHARGER)

M BODY = (B - GRAN FURY)(F - FIFTH AVE/NEWPORT)(G - DIPLOMAT)

P BODY = (P - SUNDANCE)(D - SHADOW)

S BODY = (H - VOYAGER)(K - RAM VAN/CARAVAN)

BODY STYLES

12-13 = FWD VAN

21 = 2-DOOR SEDAN

24 = 2-DOOR HATCHBACK

27 = 2-DOOR CONVERTIBLE

41 = 4-DOOR SEDAN

44 = 4-DOOR HATCHBACK

45 = 4-DOOR STATION WAGON

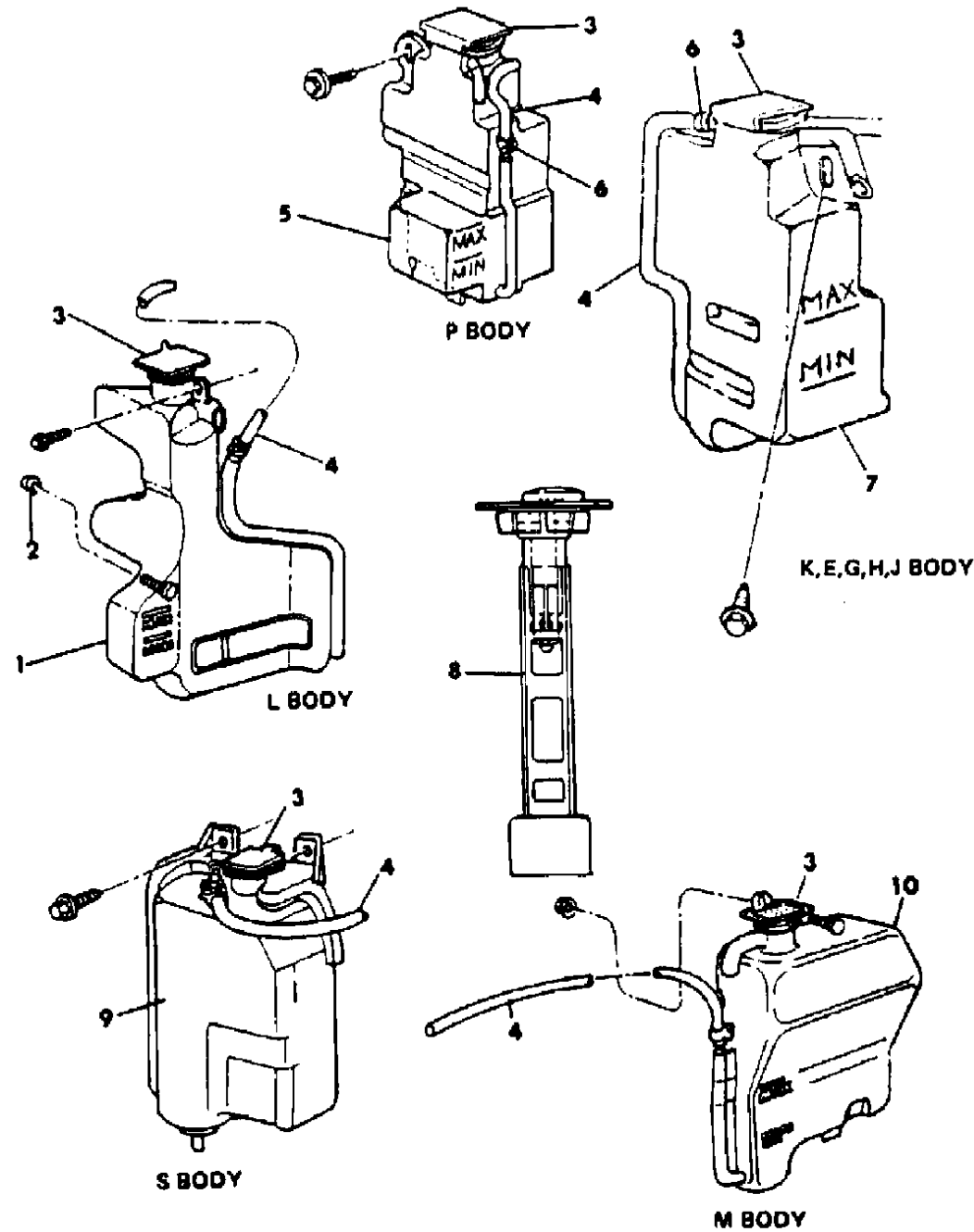
52-53 = FWD WAGON

AR = Use as Required - = Non Illustrated Part P.A.R. = Paint as Required

COOLANT RESERVE TANKS

Figure 7-1900

7107 1980



ITEM	PART NUMBER	QTY	BODY	MODEL	DESCRIPTION
1	4140 461	1		M,Z	TANK, Coolant Reserve
2	6100 046	1		M,Z	NUT
3	4266 968	1			CAP, Coolant Reserve Tank
4	4467 482	1	P		Shelby
	4266 423	1	K,E,G		TUBE, Radiator to Coolant Reserve Tank (serv. in 50 ft. roll)
	4266 423	1	J,H,S		
	4026 148	1		M,Z,B,F	
	4266 693	1	P		
	4419 984	1	L	Z-24	Shelby
	4026 148	1	P		Shelby
5					TANK, Coolant Reserve
	4266 694	1	P		up to 8-19-86
	4401 050	1	P		after 8-19-86
	4467 463	1	P		Shelby
6	2448 761	1			CLAMP
7	#4401 324	1	K,E,G,H		TANK, Coolant Reserve
	4401 324	1	J		w/o Level Sensor
	4401 325	1	J		w/Level Sensor
8	4339 418	1	J		SENSOR, Coolant Fluid Level
9	4401 305	1		H,K	TANK, Coolant Reserve
10	4140 741	1		B,F,G	TANK, Coolant Reserve

MODEL CODES

E BODY = (J - CARAVELLE)(E - 600)(T - NEW YORKER)

G BODY = (V24 - DAYTONA)

H BODY = (D44 - LANCER)(C44 - LEBARON GTS)

J BODY = (C - LEBARON)

K BODY = (P - RELIANT)(D - ARIES)(C - LEBAROND)/TOWN & COUNTRY)

L BODY = (M - HORIZON/TURISMO)(Z - OMNI/CHARGER)

M BODY = (B - GRAN FURY)(F - FIFTH AVE/NEWPORT)(G - DIPLOMAT)

P BODY = (P - SUNDANCE)(D - SHADOW)

S BODY = (H - VOYAGER)(K - RAM VAN/CARAVAN)

BODY STYLES

12-13 = FWD VAN

21 = 2-DOOR SEDAN

24 = 2-DOOR HATCHBACK

27 = 2-DOOR CONVERTIBLE

41 = 4-DOOR SEDAN

44 = 4-DOOR HATCHBACK

45 = 4-DOOR STATION WAGON

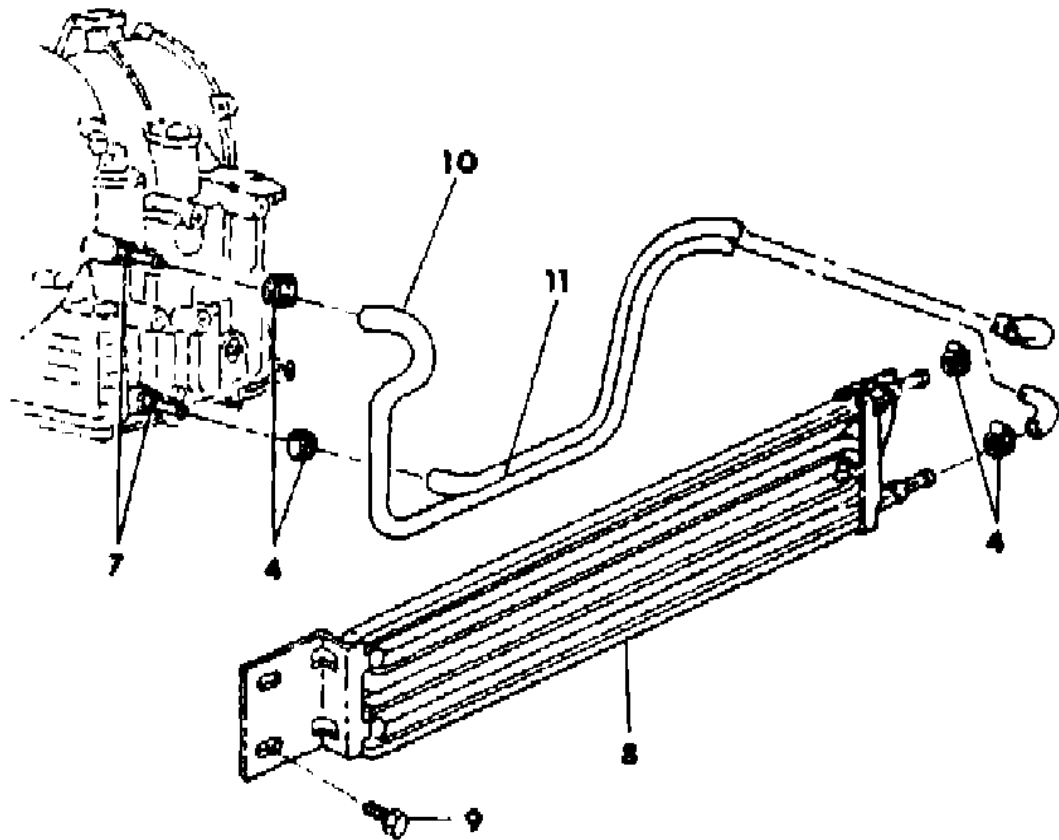
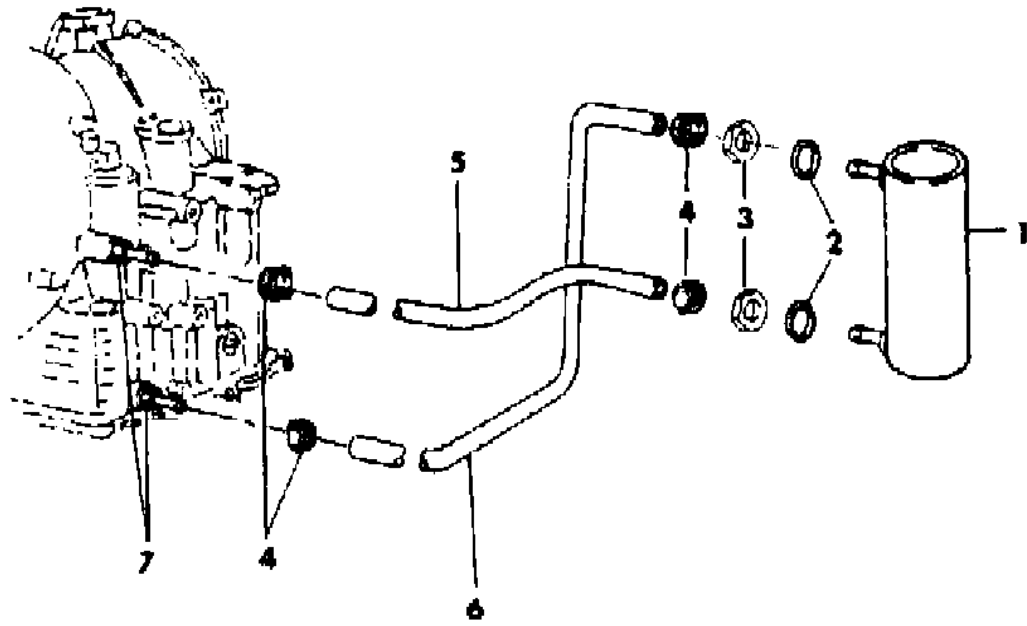
52-53 = FWD WAGON

AR = Use as Required - = Non Illustrated Part P.A.R. = Paint as Required

OIL COOLER 4 CYLINDER ENGINE

Figure 7-2000

7107 2000 A



ITEM	PART NUMBER	QTY	BODY	MODEL	DESCRIPTION
1	4140 568	1	L		COOLER, Oil (Water Cooled)
	4266 628	1	P		
	4266 729	1	EGHJK		
2	4266 730	2			O-RING
	6030 435	2			NUT
4	6032 839	4			CLAMP
5	4266 179	1		M,Z	HOSE, Oil Cooler Return
	4266 682	1		exc. M,	
6	4266 178	1		M,Z	HOSE, Oil Cooler Pressure
	4266 193	1		exc. M,	
7					CONNECTOR, Oil Cooler Hose
	4329 864	2			up to 9-23-86
	4446 725	2			after 9-23-86
8	4266 350	1		M,Z	COOLER, Oil (Air Cooled)
	4266 489	1		H,P	up to 8-19-86
	4266 196	1	K		
	4266 377	1		H,K	up to 1-19-87
	4401 391	1		H,K	after 1-19-87
9	6032 196	AR			SCREW
10	4266 490	1		M,Z	HOSE, Oil Cooler Return
	4266 169	1	K		
11	4266 424	1		H,K	up to 3-2-87
	4401 350	1		H,K	after 3-2-87
	4266 490	1		M,Z	HOSE, Oil Cooler Pressure
	4266 167	1	K		
	4266 425	1		H,K	up to 3-2-87
	4401 349	1		H,K	after 3-2-87

MODEL CODES

E BODY = (J - CARAVELLE)(E - 600)(T - NEW YORKER)

G BODY = (V24 - DAYTONA)

H BODY = (D44 - LANCER)(C44 - LEBARON GTS)

J BODY = (C - LEBARON)

K BODY = (P - RELIANT)(D - ARIES)(C - LEBAROND)/TOWN & COUNTRY)

L BODY = (M - HORIZON/TURISMO)(Z - OMNI/CHARGER)

M BODY = (B - GRAN FURY)(F - FIFTH AVE/NEWPORT)(G - DIPLOMAT)

P BODY = (P - SUNDANCE)(D - SHADOW)

S BODY = (H - VOYAGER)(K - RAM VAN/CARAVAN)

BODY STYLES

12-13 = FWD VAN

21 = 2-DOOR SEDAN

24 = 2-DOOR HATCHBACK

27 = 2-DOOR CONVERTIBLE

41 = 4-DOOR SEDAN

44 = 4-DOOR HATCHBACK

45 = 4-DOOR STATION WAGON

52-53 = FWD WAGON

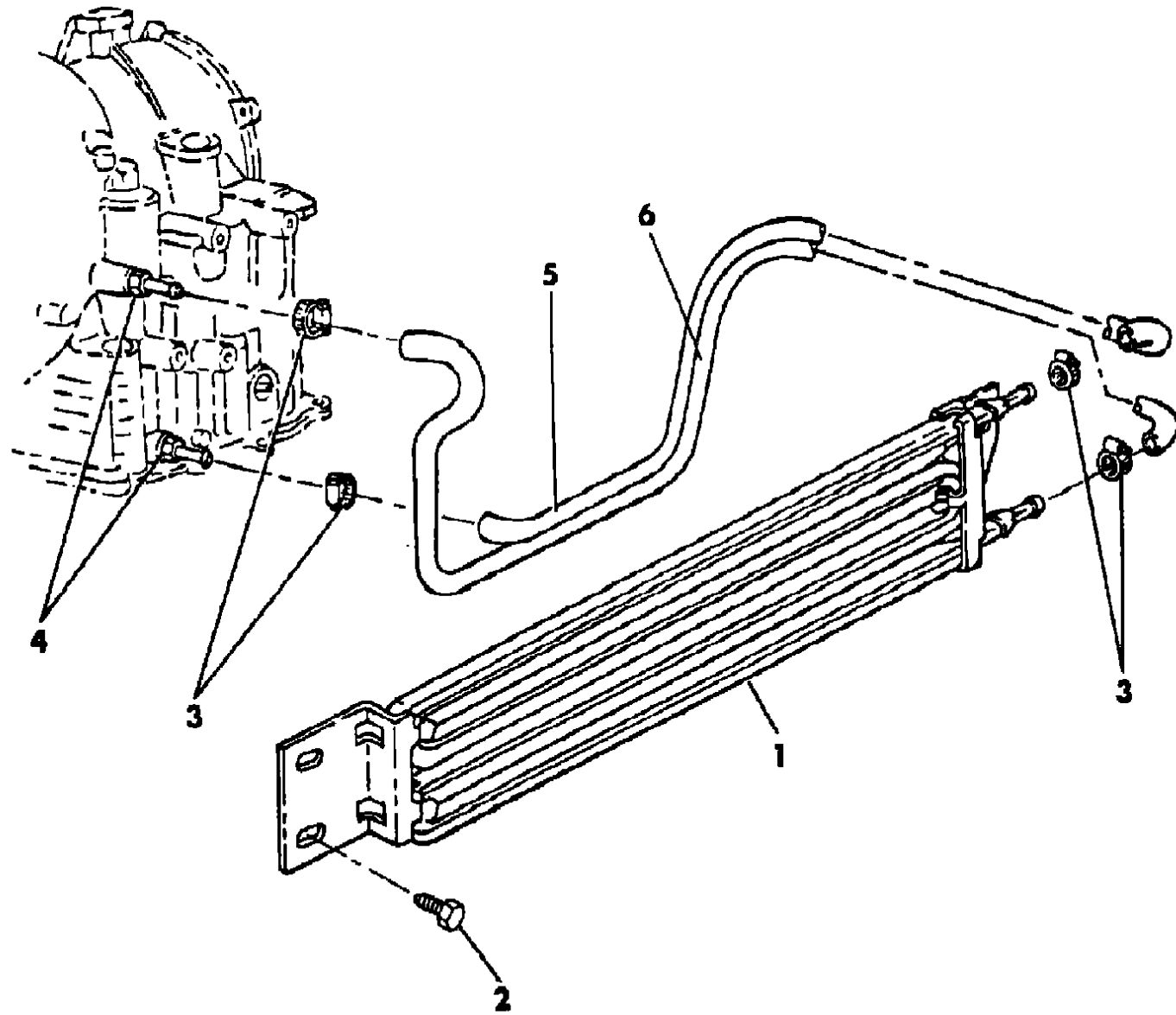
AR = Use as Required - = Non Illustrated Part P.A.R. = Paint as Required

OIL COOLER 6 CYLINDER ENGINE

Figure 7-2025

71.07.2025

ITEM	PART NUMBER	QTY	BODY	MODEL	DESCRIPTION
1	4401 391	1			COOLER, Oil (Air Cooled)
2	6032 196	2			SCREW
3	6032 839	4			CLAMP
4	4446 725	2			CONNECTOR, Oil Cooler Hose
5	#4401 349	1			HOSE, Oil Cooler Pressure
6	#4401 350	1			HOSE, Oil Cooler Return



MODEL CODES

E BODY = (J - CARAVELLE)(E - 600)(T - NEW YORKER)

G BODY = (V24 - DAYTONA)

H BODY = (D44 - LANCER)(C44 - LEBARON GTS)

J BODY = (C - LEBARON)

K BODY = (P - RELIANT)(D - ARIES)(C - LEBAROND)/TOWN & COUNTRY)

L BODY = (M - HORIZON/TURISMO)(Z - OMNI/CHARGER)

M BODY = (B - GRAN FURY)(F - FIFTH AVE/NEWPORT)(G - DIPLOMAT)

P BODY = (P - SUNDANCE)(D - SHADOW)

S BODY = (H - VOYAGER)(K - RAM VAN/CARAVAN)

BODY STYLES

12-13 = FWD VAN

21 = 2-DOOR SEDAN

24 = 2-DOOR HATCHBACK

27 = 2-DOOR CONVERTIBLE

41 = 4-DOOR SEDAN

44 = 4-DOOR HATCHBACK

45 = 4-DOOR STATION WAGON

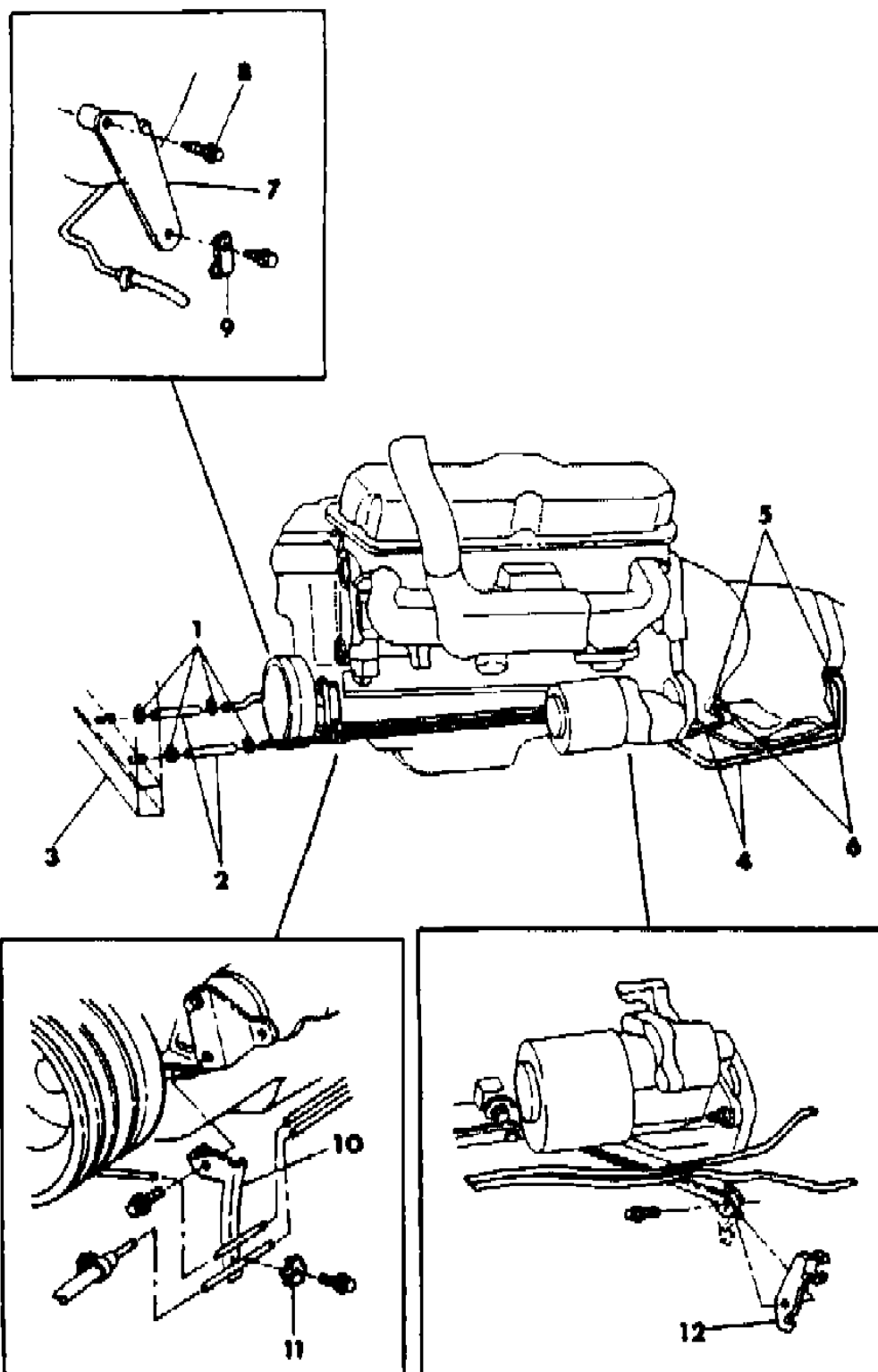
52-53 = FWD WAGON

AR = Use as Required - = Non Illustrated Part P.A.R. = Paint as Required

OIL COOLER 8 CYLINDER ENGINE

Figure 7-2100

7107 2100



ITEM	PART NUMBER	QTY	BODY	MODEL	DESCRIPTION
1	6032 839	AR			CLAMP
2	4026 139	AR			HOSE, Rubber 5/16" (serv. in 50 ft. roll)
3	4140 383	1			COOLER, Oil
4	1843 253	AR			TUBE, Steel 5/16" (serv. in 25 ft. roll)
5	0118 749	2			ADAPTER, Oil Cooler Tube
6	1941 667	2			NUT, Oil Cooler Adapter
7	4140 414	1			BRACKET, Oil Cooler Tube to Chain Cover
8	0181 126	1			BOLT
9		1			CLIP (not serviced)
10	4140 415	1			BRACKET, Oil Cooler Tube to Engine
11	3743 134	1			CLIP, Oil Cooler Tube to Bracket
12	4140 340	1			BRACKET, Oil Cooler Tube to Trans. Housing

MODEL CODES

E BODY = (J - CARAVELLE)(E - 600)(T - NEW YORKER)

G BODY = (V24 - DAYTONA)

H BODY = (D44 - LANCER)(C44 - LEBARON GTS)

J BODY = (C - LEBARON)

K BODY = (P - RELIANT)(D - ARIES)(C - LEBAROND)/TOWN & COUNTRY)

L BODY = (M - HORIZON/TURISMO)(Z - OMNI/CHARGER)

M BODY = (B - GRAN FURY)(F - FIFTH AVE/NEWPORT)(G - DIPLOMAT)

P BODY = (P - SUNDANCE)(D - SHADOW)

S BODY = (H - VOYAGER)(K - RAM VAN/CARAVAN)

BODY STYLES

12-13 = FWD VAN

21 = 2-DOOR SEDAN

24 = 2-DOOR HATCHBACK

27 = 2-DOOR CONVERTIBLE

41 = 4-DOOR SEDAN

44 = 4-DOOR HATCHBACK

45 = 4-DOOR STATION WAGON

52-53 = FWD WAGON

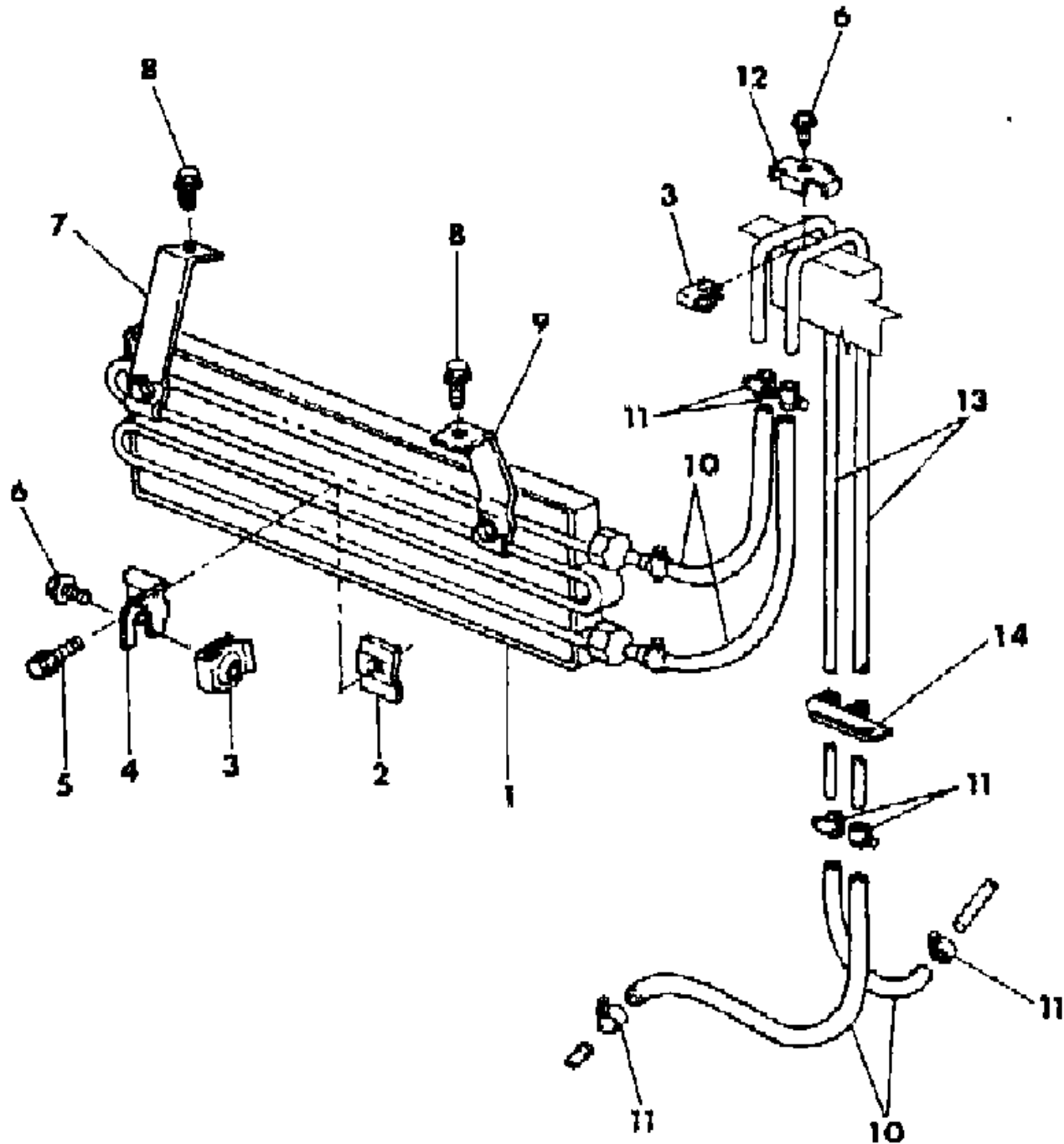
AR = Use as Required - = Non Illustrated Part P.A.R. = Paint as Required

OIL COOLER - AUXILIARY 8 CYLINDER ENGINE

Figure 7-2200

7107 2200

ITEM	PART NUMBER	QTY	BODY	MODEL	DESCRIPTION
1	4266 038	1			COOLER, Auxiliary Oil
2	4266 037	3			BRACKET, Auxiliary Oil Cooler Mounting - Rear
3	#0153 292	2			U-NUT
4	4266 036	1			BRACKET, Auxiliary Oil Cooler Mounting - Lower
5		3			SCREW (not serviced)
6		2			SCREW and WASHER (not serviced)
7	4266 034	1			BRACKET, Auxiliary Oil Cooler Mounting - Right
8	0181 065	2			SCREW and WASHER
9	4266 035	1			BRACKET, Auxiliary Oil Cooler Mounting - Left
10	4026 139	AR			HOSE, Rubber 5/16" (serv. in 50 ft. roll)
11	6032 839	AR			CLAMP
12	3743 134	1			CLIP
13	1843 253	AR			TUBING, Steel 5/16" (serv. in 25 ft. roll)
14	4140 350	1			BRACKET, Auxiliary Oil Cooler Tube to Frame



MODEL CODES

E BODY = (J - CARAVELLE)(E - 600)(T - NEW YORKER)

G BODY = (V24 - DAYTONA)

H BODY = (D44 - LANCER)(C44 - LEBARON GTS)

J BODY = (C - LEBARON)

K BODY = (P - RELIANT)(D - ARIES)(C - LEBAROND)/TOWN & COUNTRY)

L BODY = (M - HORIZON/TURISMO)(Z - OMNI/CHARGER)

M BODY = (B - GRAN FURY)(F - FIFTH AVE/NEWPORT)(G - DIPLOMAT)

P BODY = (P - SUNDANCE)(D - SHADOW)

S BODY = (H - VOYAGER)(K - RAM VAN/CARAVAN)

BODY STYLES

12-13 = FWD VAN

21 = 2-DOOR SEDAN

24 = 2-DOOR HATCHBACK

27 = 2-DOOR CONVERTIBLE

41 = 4-DOOR SEDAN

44 = 4-DOOR HATCHBACK

45 = 4-DOOR STATION WAGON

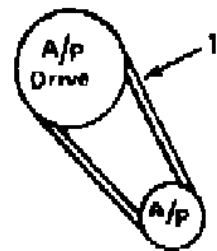
52-53 = FWD WAGON

AR = Use as Required - = Non Illustrated Part P.A.R. = Paint as Required

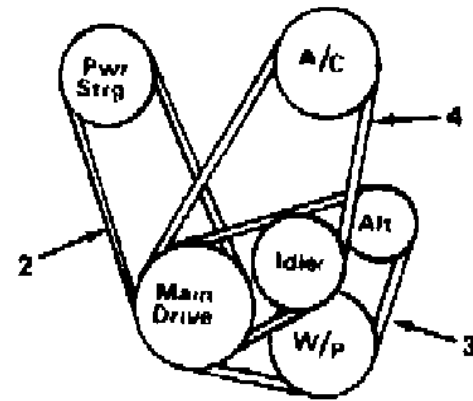
DRIVE BELTS 4 CYLINDER AND 6 CYLINDER ENGINES

Figure 7-2300

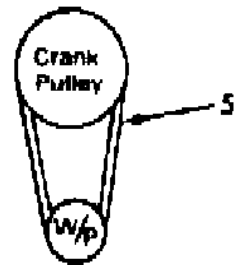
7107 2300 A



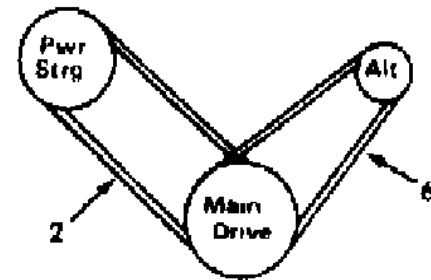
2.2L ENG.



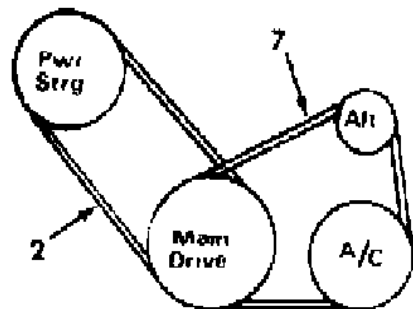
2.2L & 2.5L ENG.



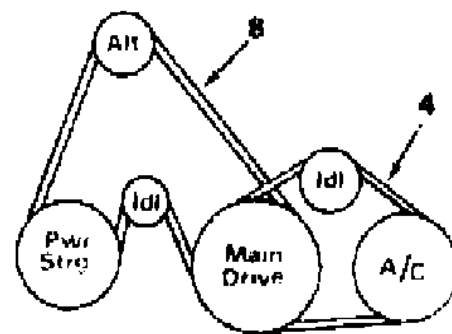
2.6L ENG.



2.6L ENG.



2.6L ENG.



3.0L ENG.

ITEM	PART NUMBER	QTY	BODY	MODEL	DESCRIPTION
1	4201 481	1			BELT, Air Pump Drive 2.2L Eng. 23.75" O.S. Lgh. (B0013241)
2	4343 490	1			BELT, Power Steering Drive 2.2L & 2.5L Eng. 43.00" O.S. Lgh. (B0013431)
	4027 330	1			2.6L Eng. 42.00" O.S. Lgh. (B0013421)
3					BELT, Alternator and Water Pump Drive
	4298 114	1	H,K		2.2L Eng. 4V Ribbed w/60 or 78 Amp. Alt. 41.25" O.S. Lgh. (B4040412)
	4298 114	1	M,Z		2.2L Eng. 4V Ribbed 41.25" O.S. Lgh. (B4040412)
	4298 115	1			2.2L Eng. & 2.5L Eng. 4V Ribbed 41.00" O.S. Lgh. (B4040412)
4					BELT, Air Condition Drive
	4343 523	1	exc. H,		2.2L & 2.5L Eng. 47.80" O.S. Lgh. (B0015475)
	4343 524	1	H,K		2.2L and 2.5L Eng. 48.80" O.S. Lgh. (B0015491)
	4387 378		H,K		3.0L Eng. 38.25" O.S. Lgh. (B0015386)
5	MD02 5221	1			BELT, Water Pump Drive 2.6L Eng. (B0013215)
6	4298 062	1			BELT, Alternator Drive 2.6L Eng. 39.00" O.S. Lgh. - Dual (B0013391)
7	4298 200	1			BELT, Alternator and Air Condition Drive 43.75" O.S. Lgh. - Dual (B0013441)
8	4387 376	1			BELT, Alternator and Power Steering Pump Drive 5V Ribbed 3.0L Eng. approx. 70.78" O.S. Lgh. (B4050715)

MODEL CODES

E BODY = (J - CARAVELLE)(E - 600)(T - NEW YORKER)

G BODY = (V24 - DAYTONA)

H BODY = (D44 - LANCER)(C44 - LEBARON GTS)

J BODY = (C - LEBARON)

K BODY = (P - RELIANT)(D - ARIES)(C - LEBAROND)/TOWN & COUNTRY)

L BODY = (M - HORIZON/TURISMO)(Z - OMNI/CHARGER)

M BODY = (B - GRAN FURY)(F - FIFTH AVE/NEWPORT)(G - DIPLOMAT)

P BODY = (P - SUNDANCE)(D - SHADOW)

S BODY = (H - VOYAGER)(K - RAM VAN/CARAVAN)

BODY STYLES

12-13 = FWD VAN

21 = 2-DOOR SEDAN

24 = 2-DOOR HATCHBACK

27 = 2-DOOR CONVERTIBLE

41 = 4-DOOR SEDAN

44 = 4-DOOR HATCHBACK

45 = 4-DOOR STATION WAGON

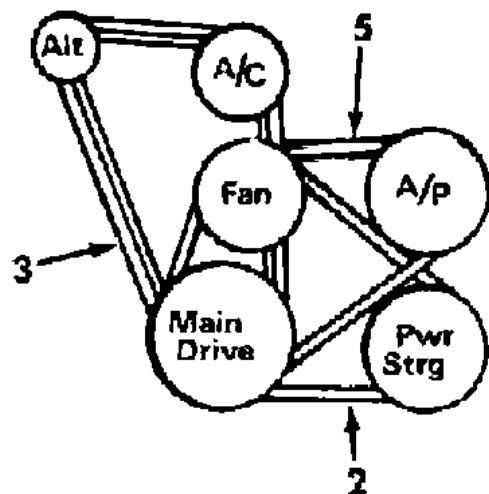
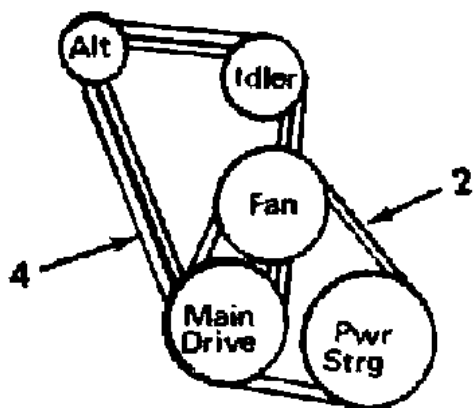
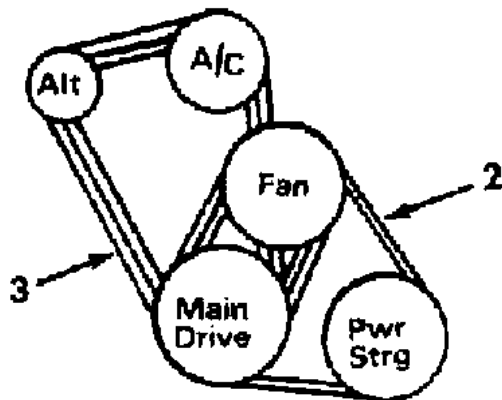
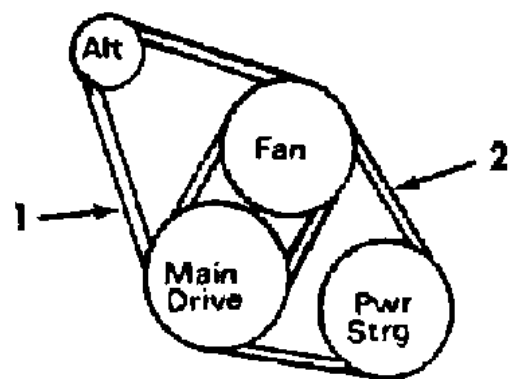
52-53 = FWD WAGON

AR = Use as Required - = Non Illustrated Part P.A.R. = Paint as Required

DRIVE BELTS 8 CYLINDER ENGINE

Figure 7-2400

7107 2400



ITEM	PART NUMBER	QTY	BODY	MODEL	DESCRIPTION
1					BELT, Fan and Alternator Drive
	4027 303	1			w/78 Amp. Alt. 47.76" O.S. Lgh. (B0013481)
	4179 718	1			w/114 Amp Alt. 60.50" O.S. Lgh. - Dual (B0013605)
2	4027 321	1			BELT, Fan and Power Steering Drive 44.75" O.S. Lgh. (B0013444)
3					BELT, Alternator and Air Condition Drive
	4241 309	1			w/78 Amp. Alt. 57.00" O.S. Lgh. - Dual (B0013571)
	4179 718	1			w/114 Amp. Alt. 60.50" O.S Lgh. - Dual (B0013605)
4	4179 718	1			BELT, Alternator and Idler Drive 60.50" O.S. Lgh. - Dual (B0013605)
5	4315 401	1			BELT, Fan and Air Pump Drive 48.50" O.S. Lgh.

MODEL CODES

E BODY = (J - CARAVELLE)(E - 600)(T - NEW YORKER)

G BODY = (V24 - DAYTONA)

H BODY = (D44 - LANCER)(C44 - LEBARON GTS)

J BODY = (C - LEBARON)

K BODY = (P - RELIANT)(D - ARIES)(C - LEBAROND)/TOWN & COUNTRY)

L BODY = (M - HORIZON/TURISMO)(Z - OMNI/CHARGER)

M BODY = (B - GRAN FURY)(F - FIFTH AVE/NEWPORT)(G - DIPLOMAT)

P BODY = (P - SUNDANCE)(D - SHADOW)

S BODY = (H - VOYAGER)(K - RAM VAN/CARAVAN)

BODY STYLES

12-13 = FWD VAN

21 = 2-DOOR SEDAN

24 = 2-DOOR HATCHBACK

27 = 2-DOOR CONVERTIBLE

41 = 4-DOOR SEDAN

44 = 4-DOOR HATCHBACK

45 = 4-DOOR STATION WAGON

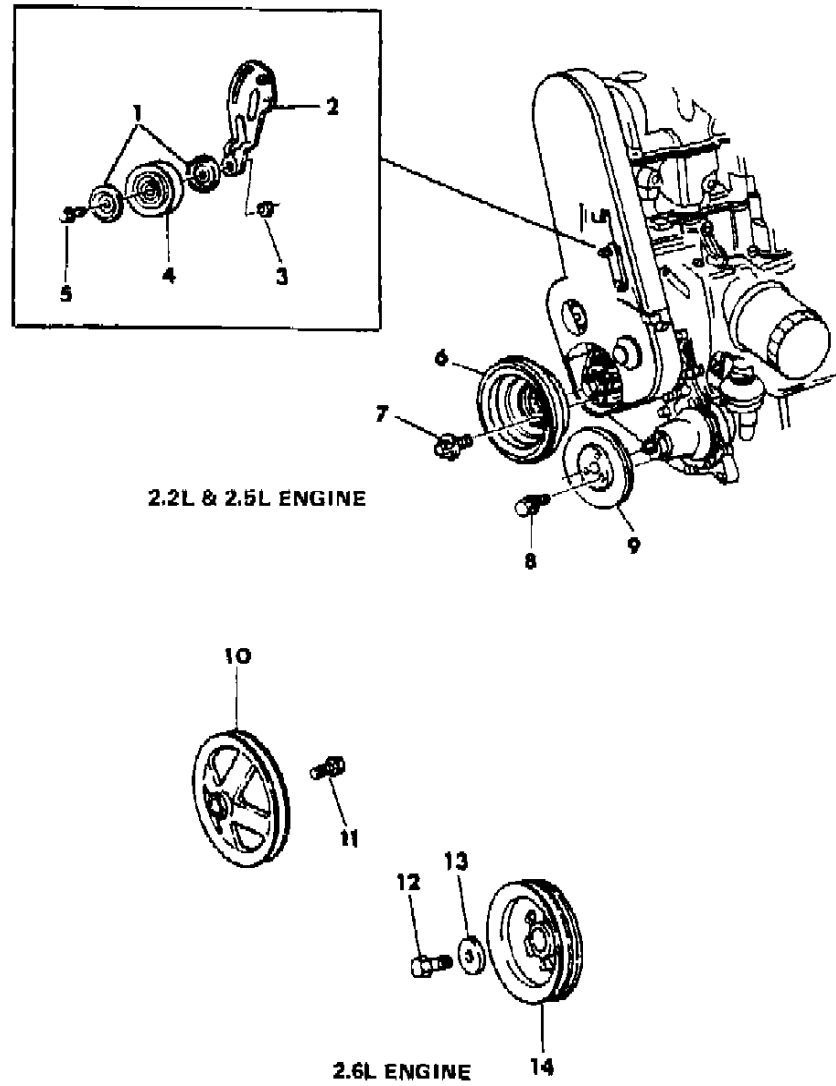
52-53 = FWD WAGON

AR = Use as Required - = Non Illustrated Part P.A.R. = Paint as Required

DRIVE PULLEYS 4 CYLINDER ENGINE

Figure 7-2500

7107 2500



ITEM	PART NUMBER	QTY	BODY	MODEL	DESCRIPTION
1	5214 065	2			SHIELD, Idler Pulley
2	4273 208	1			BRACKET, Idler Pulley
3	0271 502	1			NUT
4	3830 196	1			PULLEY, Idler
5	6025 677	1			SCREW
6					PULLEY, Drive
	4298 125	1	exc. H,		2.2L Eng. w/Air Cond.
	4273 163	1	H,K		2.2L Eng. w/Air Cond.
	4273 184	1			2.2L Eng. w/o Air Cond.
	4323 099	1	exc. H,		2.5L Eng. w/Air Cond.
	4323 100	1	exc. H,		2.5L Eng. w/o Air Cond.
	4343 502	1	H,K		2.5L Eng.
7	6500 350	4			BOLT
8	6500 716	3			SCREW and WASHER
9	4273 181	1			PULLEY, Water Pump
10	MD02 5669	1			PULLEY, Camshaft
11	MD00 8835	1			BOLT, Flange (10x25)
12	MD02 0830	1			BOLT, Crankshaft Pulley
13	MD02 0831	1			WASHER
14	MD07 4096	1			PULLEY, Crankshaft

MODEL CODES

E BODY = (J - CARAVELLE)(E - 600)(T - NEW YORKER)

G BODY = (V24 - DAYTONA)

H BODY = (D44 - LANCER)(C44 - LEBARON GTS)

J BODY = (C - LEBARON)

K BODY = (P - RELIANT)(D - ARIES)(C - LEBAROND)/TOWN & COUNTRY)

L BODY = (M - HORIZON/TURISMO)(Z - OMNI/CHARGER)

M BODY = (B - GRAN FURY)(F - FIFTH AVE/NEWPORT)(G - DIPLOMAT)

P BODY = (P - SUNDANCE)(D - SHADOW)

S BODY = (H - VOYAGER)(K - RAM VAN/CARAVAN)

BODY STYLES

12-13 = FWD VAN

21 = 2-DOOR SEDAN

24 = 2-DOOR HATCHBACK

27 = 2-DOOR CONVERTIBLE

41 = 4-DOOR SEDAN

44 = 4-DOOR HATCHBACK

45 = 4-DOOR STATION WAGON

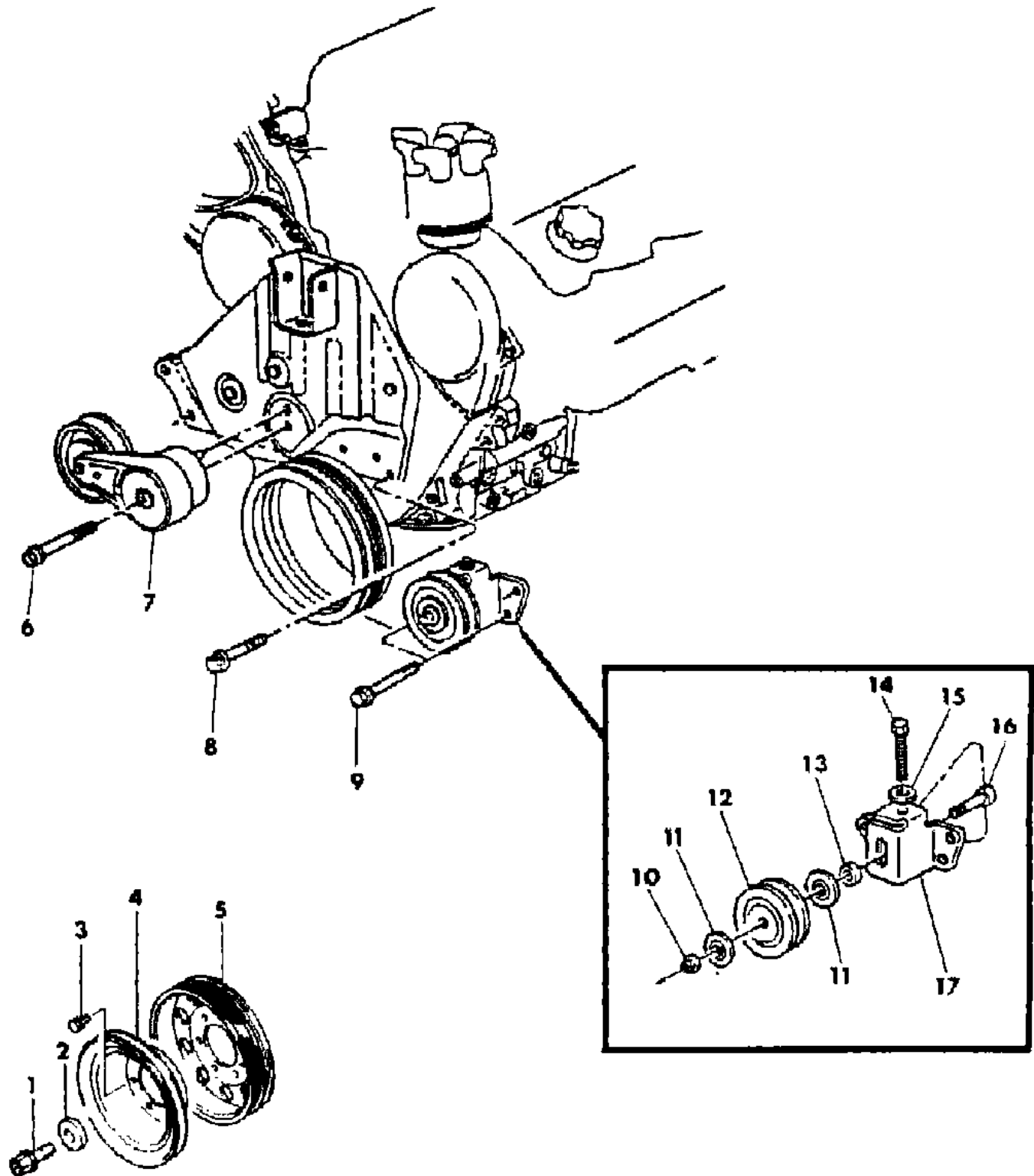
52-53 = FWD WAGON

AR = Use as Required - = Non Illustrated Part P.A.R. = Paint as Required

DRIVE PULLEYS 6 CYLINDER ENGINE

Figure 7-2525

7107 2525



ITEM	PART NUMBER	QTY	BODY	MODEL	DESCRIPTION
1	#MD09 5201	1			BOLT, Crankshaft (14x40)
2	#MD09 6930	1			WASHER, Special
3	MS24 0212	6			BOLT and WASHER (8x20)
4	#MD09 8296	1			PULLEY, Crankshaft (B)
5	#MD09 8295	1			PULLEY, Crankshaft (A)
6	#6101 431	1			BOLT
7	4343 896	1			TENSIONER, Alternator and Power Steering Pump Belt
8	6101 332	1			SCREW and WASHER w/o Air Cond.
9	6501 633	3			SCREW and WASHER
10		1			NUT and WASHER (not serviced)
11	5214 065	2			SHIELD, Idler Pulley
12	3830 196	1			PULLEY, Idler
13		1			SPACER (not serviced)
14	6501 595	1			BOLT, Idler Adjust
15	6100 878	1			WASHER
16	#6033 146	1			BOLT
17	#4343 898	1			BRACKET, Idler Pulley

MODEL CODES

E BODY = (J - CARAVELLE)(E - 600)(T - NEW YORKER)

G BODY = (V24 - DAYTONA)

H BODY = (D44 - LANCER)(C44 - LEBARON GTS)

J BODY = (C - LEBARON)

K BODY = (P - RELIANT)(D - ARIES)(C - LEBAROND)/TOWN & COUNTRY)

L BODY = (M - HORIZON/TURISMO)(Z - OMNI/CHARGER)

M BODY = (B - GRAN FURY)(F - FIFTH AVE/NEWPORT)(G - DIPLOMAT)

P BODY = (P - SUNDANCE)(D - SHADOW)

S BODY = (H - VOYAGER)(K - RAM VAN/CARAVAN)

BODY STYLES

12-13 = FWD VAN

41 = 4-DOOR SEDAN

21 = 2-DOOR SEDAN

44 = 4-DOOR HATCHBACK

24 = 2-DOOR HATCHBACK

45 = 4-DOOR STATION WAGON

27 = 2-DOOR CONVERTIBLE

52-53 = FWD WAGON

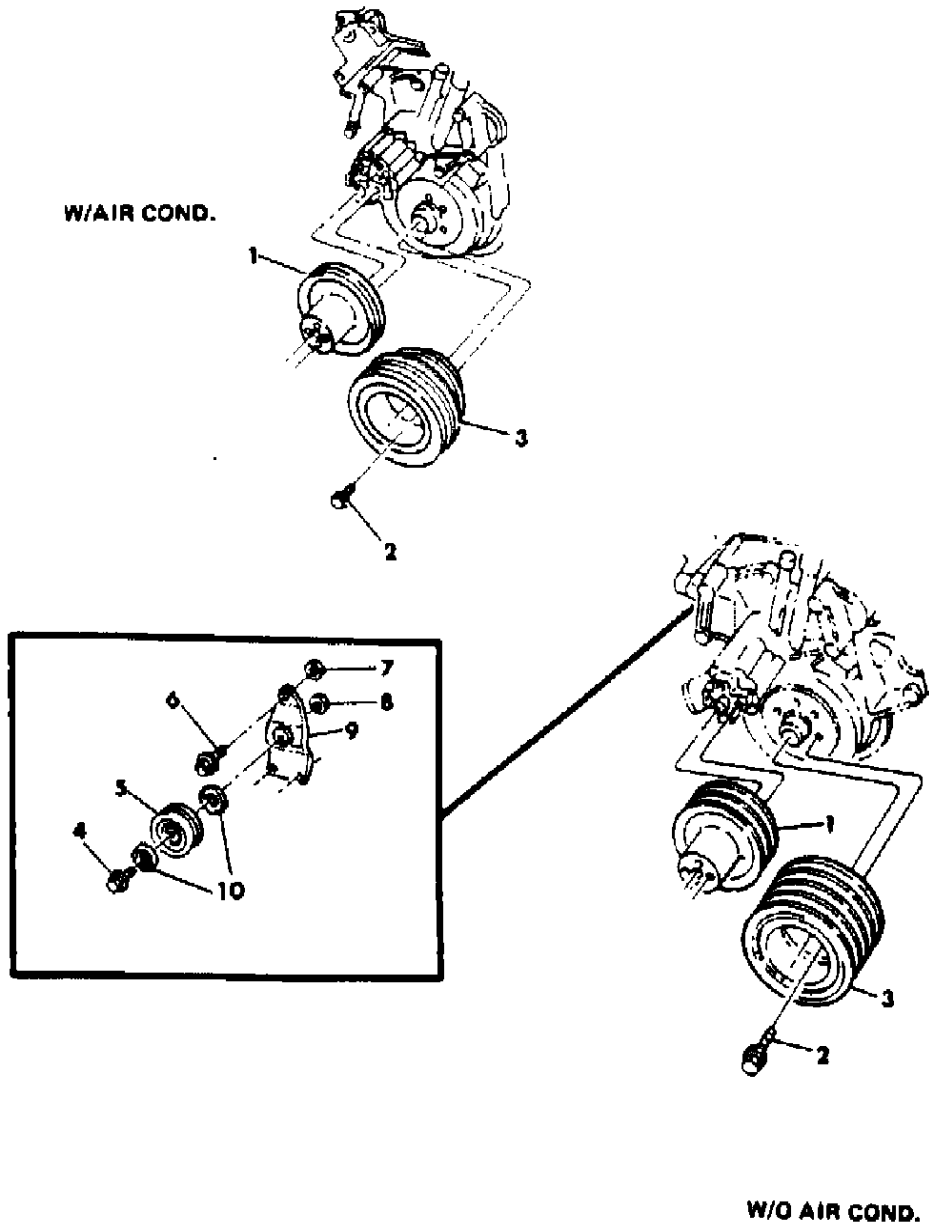
AR = Use as Required - = Non Illustrated Part P.A.R. = Paint as Required

DRIVE PULLEYS 8 CYLINDER ENGINE

Figure 7-2600

7187 2800A

ITEM	PART NUMBER	QTY	BODY	MODEL	DESCRIPTION
1					PULLEY, Fan
	3698 805	1			w/Air Cond.
	4179 953	1			w/o Air Cond. w/78 Amp. Alt.
	3870 211	1			w/o Air Cond. w/114 Amp. Alt.
2	0181 086	6			SCREW and WASHER
3					PULLEY, Drive
	3614 382	1			w/Air Cond.
	3870 069	1			w/o Air Cond. w/78 Amp. Alt.
	3870 074	1			w/o Air Cond. w/114 Amp. Alt.
4		1			SCREW and WASHER (not serviced)
5	3879 131	1			PULLEY, Alternator Idler w/o Air Cond. w/114 Amp. Alt.
6	0181 112	3			SCREW and WASHER
7	0152 344	3			NUT
8	0271 502	1			NUT
9	4100 639	1			BRACKET, Alternator Idler Pulley w/o Air Cond. w/114 Amp. Alt.
10	5214 065	2			SHIELD, Idler Pulley w/o Air Cond. w/114 Amp. Alt.



MODEL CODES

E BODY = (J - CARAVELLE)(E - 600)(T - NEW YORKER)

G BODY = (V24 - DAYTONA)

H BODY = (D44 - LANCER)(C44 - LEBARON GTS)

J BODY = (C - LEBARON)

K BODY = (P - RELIANT)(D - ARIES)(C - LEBAROND)/TOWN & COUNTRY)

L BODY = (M - HORIZON/TURISMO)(Z - OMNI/CHARGER)

M BODY = (B - GRAN FURY)(F - FIFTH AVE/NEWPORT)(G - DIPLOMAT)

P BODY = (P - SUNDANCE)(D - SHADOW)

S BODY = (H - VOYAGER)(K - RAM VAN/CARAVAN)

BODY STYLES

12-13 = FWD VAN

21 = 2-DOOR SEDAN

24 = 2-DOOR HATCHBACK

27 = 2-DOOR CONVERTIBLE

41 = 4-DOOR SEDAN

44 = 4-DOOR HATCHBACK

45 = 4-DOOR STATION WAGON

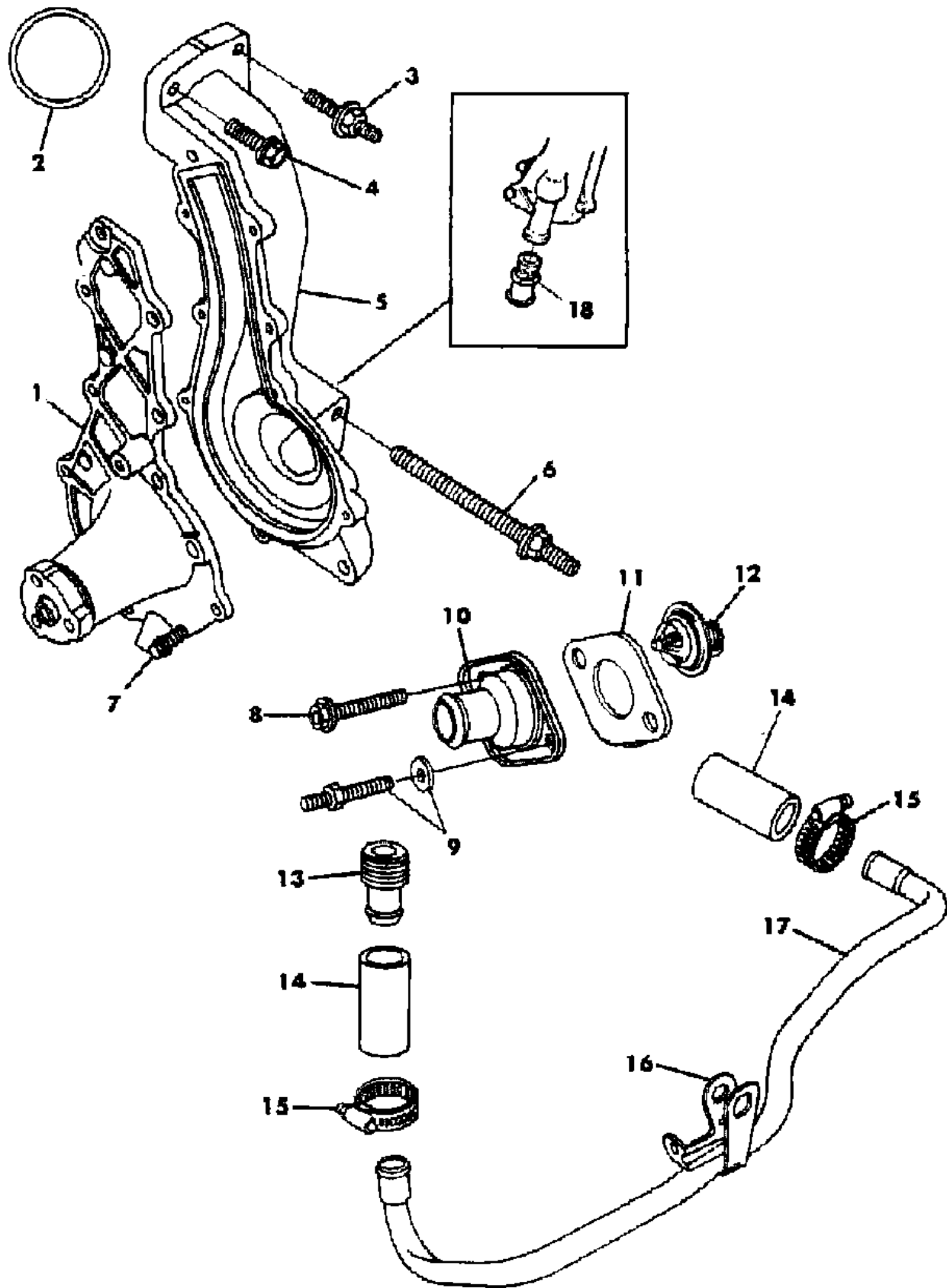
52-53 = FWD WAGON

AR = Use as Required - = Non Illustrated Part P.A.R. = Paint as Required

WATER PUMP AND RELATED PARTS 2.2L AND 2.5L ENGINE

Figure 7-2700

7107 2700 A



ITEM	PART NUMBER	QTY	BODY	MODEL	DESCRIPTION
1	4293 898	1			PUMP, Water
2	5203 542	1			GASKET, Water Pump Housing
3	#6500 163	1			STUD, Water Pump Housing Attach
4	6500 799	1			SCREW, Water Pump Housing Attach
5	#4387 327	1	L		HOUSING, Water Pump
	4343 847	1	PJKGEH		
	4343 732	1	S		2.2L Eng.
	4343 847	1	S		2.5L Eng.
6	6500 811	1			STUD, Water Pump Housing Attach
7	6101 278	9			SCREW and WASHER, Water Pump Body Attach
8		1			SCREW and WASHER, Cylinder Water Outlet Connector (not serviced)
9	6500 559	1			STUD and WASHER, Cylinder Water Outlet Connector
10	5214 514	1			CONNECTOR, Cylinder Water Outlet
11	4179 895	1			GASKET, Cylinder Water Outlet Conector
12	4105 768	1			THERMOSTAT
13	4105 295	1			NIPPLE, Thermostat Water By-Pass
	1859 127	1			PLUG
	6032 290	1			Turbo
14	4273 488	2			HOSE, Water By-Pass Tube
15	0153 640	AR			CLAMP
16	4273 487	1			BRACKET, Water By-Pass Tube
17	4273 486	1			TUBE, Water By-Pass
18	4266 221	1	L,S		INSERT, Water Pump Nipple 2.2L Eng. (See Note)

NOTE: Insert must be installed when replacing water pump to meet Safety Standards. Refer to Service Manual for instructions. Gear and Pinion numbers stamped on the item may be used to confirm the correct MATCHED SET they are contained in.

MODEL CODES

E BODY = (J - CARAVELLE)(E - 600)(T - NEW YORKER)

G BODY = (V24 - DAYTONA)

H BODY = (D44 - LANCER)(C44 - LEBARON GTS)

J BODY = (C - LEBARON)

K BODY = (P - RELIANT)(D - ARIES)(C - LEBAROND)/TOWN & COUNTRY)

L BODY = (M - HORIZON/TURISMO)(Z - OMNI/CHARGER)

M BODY = (B - GRAN FURY)(F - FIFTH AVE/NEWPORT)(G - DIPLOMAT)

P BODY = (P - SUNDANCE)(D - SHADOW)

S BODY = (H - VOYAGER)(K - RAM VAN/CARAVAN)

BODY STYLES

12-13 = FWD VAN

21 = 2-DOOR SEDAN

24 = 2-DOOR HATCHBACK

27 = 2-DOOR CONVERTIBLE

41 = 4-DOOR SEDAN

44 = 4-DOOR HATCHBACK

45 = 4-DOOR STATION WAGON

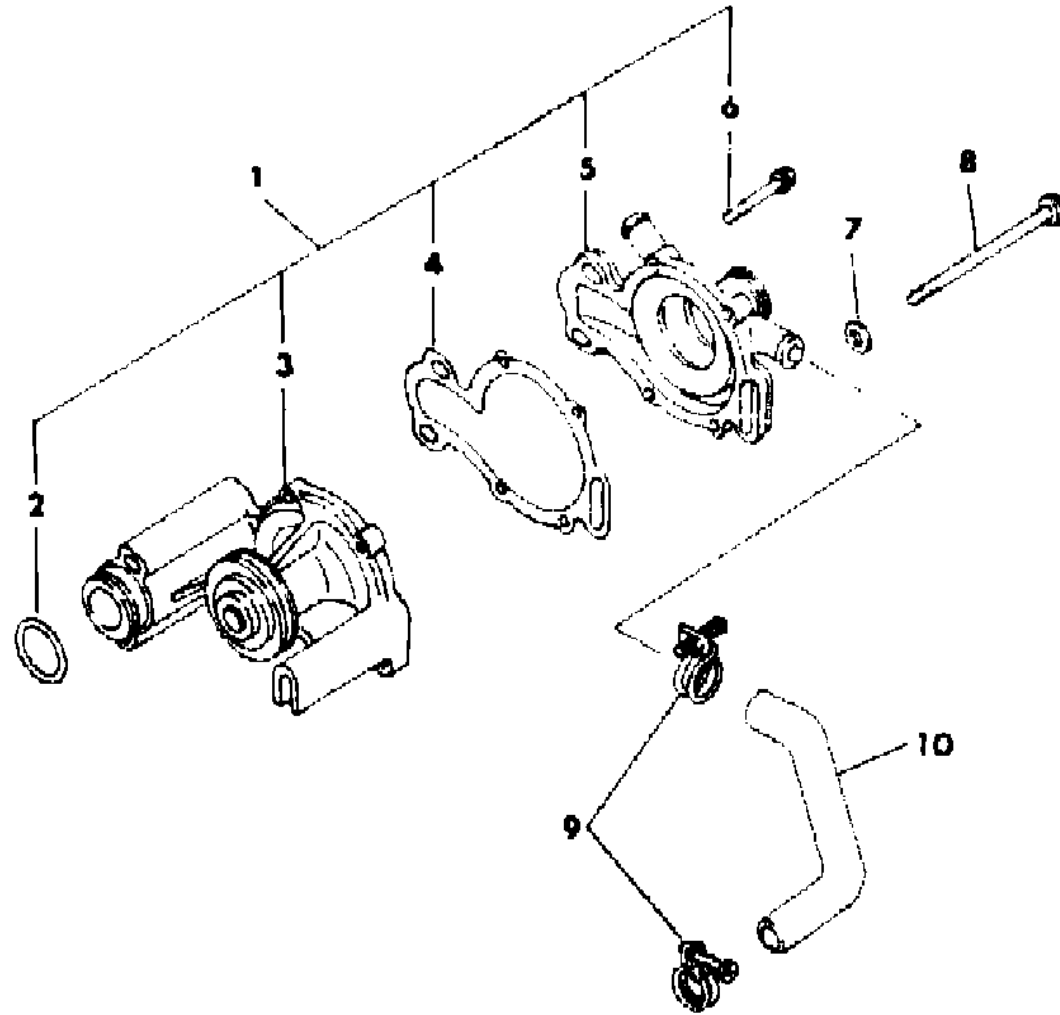
52-53 = FWD WAGON

AR = Use as Required - = Non Illustrated Part P.A.R. = Paint as Required

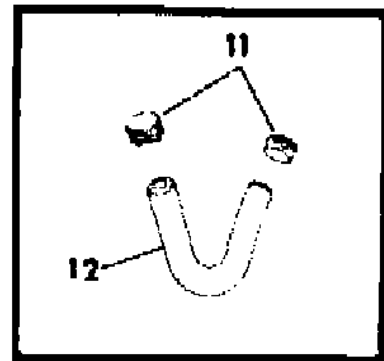
WATER PUMP AND RELATED PARTS 2.6L ENGINE

Figure 7-2800

7107 2800 A



ITEM	PART NUMBER	QTY	BODY	MODEL	DESCRIPTION
1	MD02 5190	1			PUMP, Water
2	MD03 0764	1			O-RING, Water Pipe
3	MD02 5191	1			BODY, Water Pump
4	MD02 5196	1			GASKET, Water Pump
5	MD02 5192	1			CASE, Water Pump
6	MF24 1231	4			BOLT and WASHER (6x30)
7	MF45 0005	3			WASHER, Plain (8)
8	MD02 5198	3			BOLT, Flange (8x118)
9	MA60 9047	2			CLIP
10	MD02 5199	1			HOSE, Water Bypass
11	MS66 0164	3			CLIP, Hose (13.1)
12	MD02 1472	1			HOSE, Water



MODEL CODES

E BODY = (J - CARAVELLE)(E - 600)(T - NEW YORKER)

G BODY = (V24 - DAYTONA)

H BODY = (D44 - LANCER)(C44 - LEBARON GTS)

J BODY = (C - LEBARON)

K BODY = (P - RELIANT)(D - ARIES)(C - LEBAROND)/TOWN & COUNTRY)

L BODY = (M - HORIZON/TURISMO)(Z - OMNI/CHARGER)

M BODY = (B - GRAN FURY)(F - FIFTH AVE/NEWPORT)(G - DIPLOMAT)

P BODY = (P - SUNDANCE)(D - SHADOW)

S BODY = (H - VOYAGER)(K - RAM VAN/CARAVAN)

BODY STYLES

12-13 = FWD VAN

21 = 2-DOOR SEDAN

24 = 2-DOOR HATCHBACK

27 = 2-DOOR CONVERTIBLE

41 = 4-DOOR SEDAN

44 = 4-DOOR HATCHBACK

45 = 4-DOOR STATION WAGON

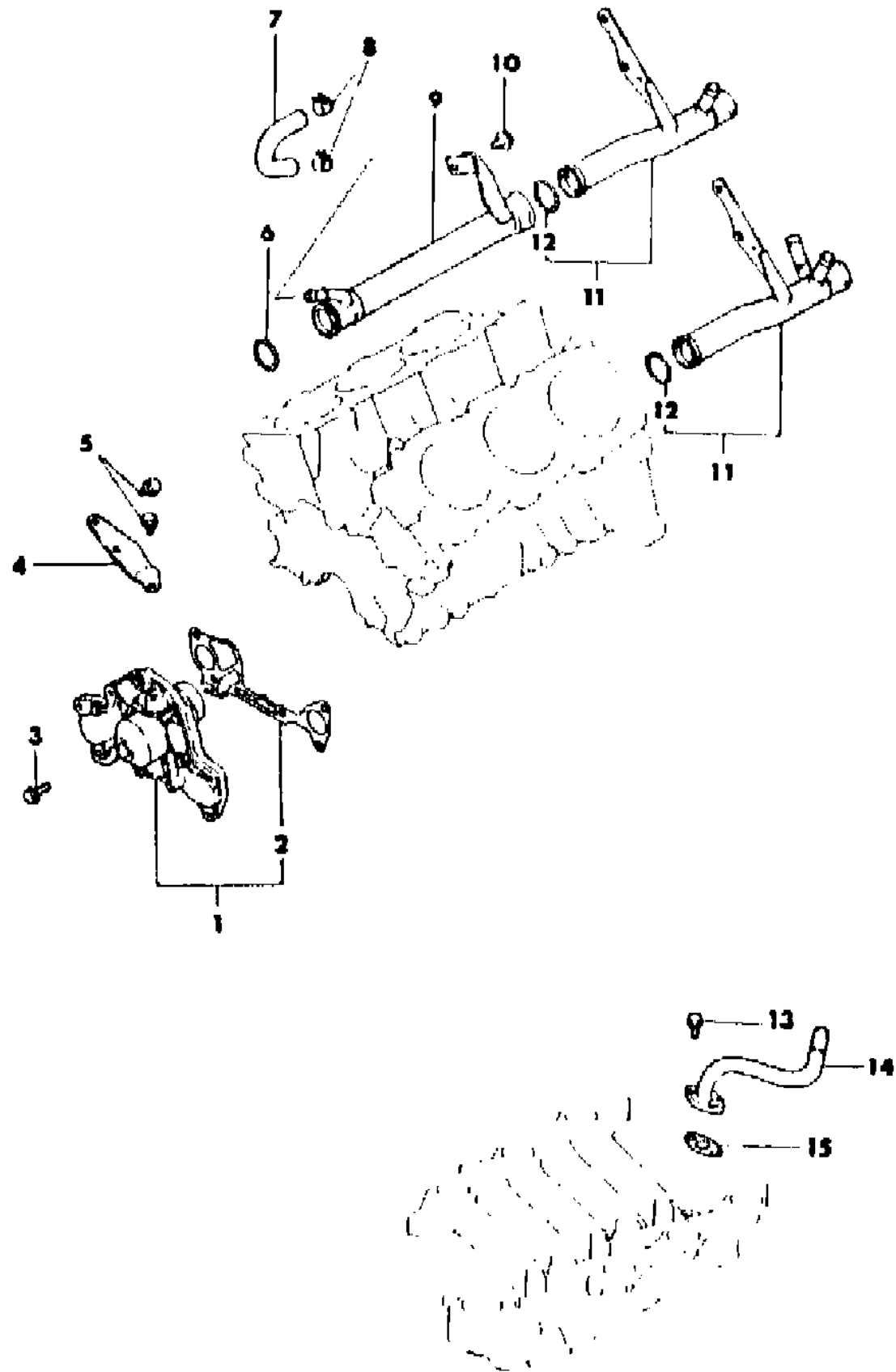
52-53 = FWD WAGON

AR = Use as Required - = Non Illustrated Part P.A.R. = Paint as Required

WATER PUMP AND RELATED PARTS 3.0L ENGINE

Figure 7-2825

7107 2025 A



ITEM	PART NUMBER	QTY	BODY	MODEL	DESCRIPTION
1	#MD99 7244	1			WATER PUMP and GASKET PACKAGE
2	#MD10 1925	1			GASKET, Water Pump
3	MS10 0941	5			BOLT, Flange (8x25)
4	#MD10 3357	1			BRACKET
5	#MF14 0222	3			BOLT, Flange (8x14)
6	MD03 0764	1			O-RING, Water Pipe
7	#MD09 6985	1			HOSE, Water By-Pass
8	#MS66 0179	2			CLAMP, Hose (17.8)
9	#MD09 8306	1			PIPE, Water Inlet (A)
10	MF14 0021	2			BOLT, Flange (8x12)
11	MD11 1660	1			PIPE ASSEMBLY, Water Single Nipple
	MD11 1659	1			Dual Nipple up to June 1987
12	MD03 0764	2			O-RING, Water Pipe
13	#MF24 0353	2			BOLT and WASHER (8x20)
14	#MD10 7718	1			PIPE ASSEMBLY, Heater
15	#MD10 3625	1			GASKET, Heater Pipe

MODEL CODES

E BODY = (J - CARAVELLE)(E - 600)(T - NEW YORKER)

G BODY = (V24 - DAYTONA)

H BODY = (D44 - LANCER)(C44 - LEBARON GTS)

J BODY = (C - LEBARON)

K BODY = (P - RELIANT)(D - ARIES)(C - LEBAROND)/TOWN & COUNTRY)

L BODY = (M - HORIZON/TURISMO)(Z - OMNI/CHARGER)

M BODY = (B - GRAN FURY)(F - FIFTH AVE/NEWPORT)(G - DIPLOMAT)

P BODY = (P - SUNDANCE)(D - SHADOW)

S BODY = (H - VOYAGER)(K - RAM VAN/CARAVAN)

BODY STYLES

12-13 = FWD VAN

21 = 2-DOOR SEDAN

24 = 2-DOOR HATCHBACK

27 = 2-DOOR CONVERTIBLE

41 = 4-DOOR SEDAN

44 = 4-DOOR HATCHBACK

45 = 4-DOOR STATION WAGON

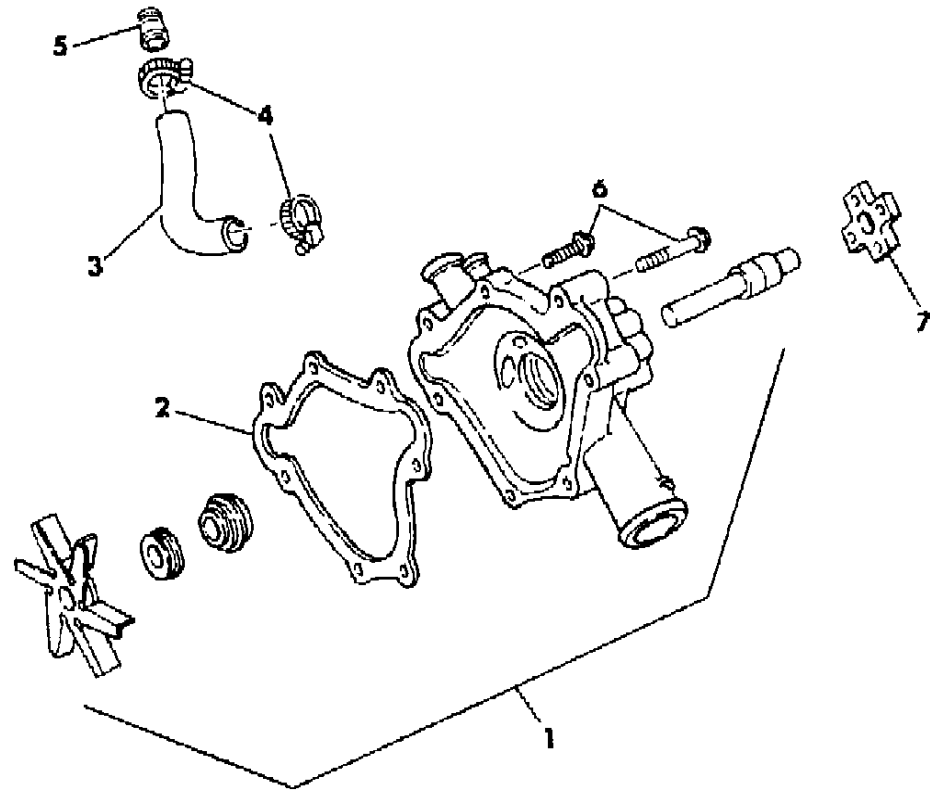
52-53 = FWD WAGON

AR = Use as Required - = Non Illustrated Part P.A.R. = Paint as Required

WATER PUMP AND RELATED PARTS 318 ENGINE

Figure 7-2900

7107 2900



ITEM	PART NUMBER	QTY	BODY	MODEL	DESCRIPTION
1	3837 641	1			PUMP, Water
2	2129 013	1			GASKET, Water Pump Body
3	4095 227	1			HOSE, Water Pump By-Pass
	4012 595	1			Silicone
4	2402 903	1			NIPPLE, Water Pump By-Pass
5	3683 824	1			CLAMP, By-Pass Hose
	4041 606	1			Stainless Steel
6					SCREW, Water Pump
	6027 880	1			3/8 - 16 x 2.00
	6031 761	2			3/8 - 16 x 6 1/4
	9420 892	2			3/8 - 16 x 2 3/4
	6028 166	2			3/8 - 16 x 5 1/4
7	3671 525	1			HUB, Fan Pulley
	3751 812	1			4 Bbl. Police

MODEL CODES

E BODY = (J - CARAVELLE)(E - 600)(T - NEW YORKER)

G BODY = (V24 - DAYTONA)

H BODY = (D44 - LANCER)(C44 - LEBARON GTS)

J BODY = (C - LEBARON)

K BODY = (P - RELIANT)(D - ARIES)(C - LEBAROND)/TOWN & COUNTRY)

L BODY = (M - HORIZON/TURISMO)(Z - OMNI/CHARGER)

M BODY = (B - GRAN FURY)(F - FIFTH AVE/NEWPORT)(G - DIPLOMAT)

P BODY = (P - SUNDANCE)(D - SHADOW)

S BODY = (H - VOYAGER)(K - RAM VAN/CARAVAN)

BODY STYLES

12-13 = FWD VAN

21 = 2-DOOR SEDAN

24 = 2-DOOR HATCHBACK

27 = 2-DOOR CONVERTIBLE

41 = 4-DOOR SEDAN

44 = 4-DOOR HATCHBACK

45 = 4-DOOR STATION WAGON

52-53 = FWD WAGON

AR = Use as Required - = Non Illustrated Part P.A.R. = Paint as Required

TURBO WATER COOLED SYSTEM

Figure 7-3000

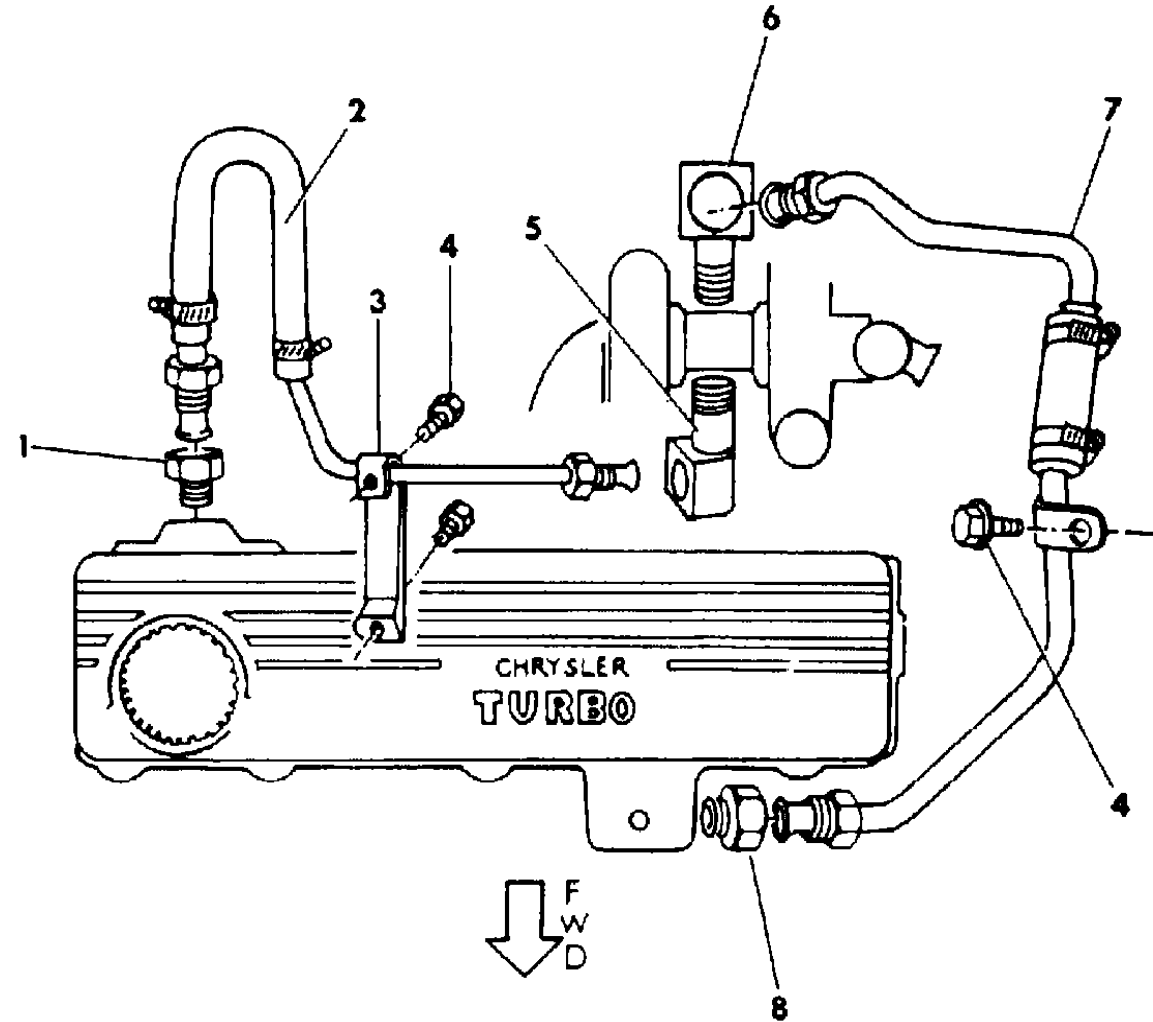
7107 3000

ITEM	PART NUMBER	QTY	BODY	MODEL	DESCRIPTION
1	6032 606	1			CONNECTOR, Cylinder Block to Turbo Water Inlet Tube
2	4323 122	1			TUBE, Turbo Water Inlet and Hose
3	4323 116	1			BRACKET, Water Inlet Tube Support
4	6500 399	1			SCREW and WASHER
5	6032 566	1			ELBOW, Turbo Water Inlet
6	6032 565	1			ELBOW, Turbo Charger to Return Hose Tube
7					TUBE, Turbo Water Return and Hose
	4323 115	1			2.2L Eng. Turbo 1
	4323 977	1			2.2L Eng. Turbo 2
	4323 977	1	L,H,P		Shelby
8	6032 568	1			CONNECTOR, Turbo Water Return Tube

with Lean Burn, California Emission Control or High Altitude Emission Control. Gear and Pinion numbers stamped on the item may be used to confirm the correct MATCHED SET they are contained in.

to it Being Mandatory For Designated Engines on cars Sold in the State of Calif. Gear and Pinion numbers stamped on the item may be used to confirm the correct MATCHED SET they are contained in.

Combinations. Used in Conjunction with a Catalytic System. Gear and Pinion numbers stamped on the item may be used to confirm the correct MATCHED SET they are contained in.



MODEL CODES

E BODY = (J - CARAVELLE)(E - 600)(T - NEW YORKER)

G BODY = (V24 - DAYTONA)

H BODY = (D44 - LANCER)(C44 - LEBARON GTS)

J BODY = (C - LEBARON)

K BODY = (P - RELIANT)(D - ARIES)(C - LEBAROND)/TOWN & COUNTRY)

L BODY = (M - HORIZON/TURISMO)(Z - OMNI/CHARGER)

M BODY = (B - GRAN FURY)(F - FIFTH AVE/NEWPORT)(G - DIPLOMAT)

P BODY = (P - SUNDANCE)(D - SHADOW)

S BODY = (H - VOYAGER)(K - RAM VAN/CARAVAN)

BODY STYLES

12-13 = FWD VAN

21 = 2-DOOR SEDAN

24 = 2-DOOR HATCHBACK

27 = 2-DOOR CONVERTIBLE

41 = 4-DOOR SEDAN

44 = 4-DOOR HATCHBACK

45 = 4-DOOR STATION WAGON

52-53 = FWD WAGON

AR = Use as Required - = Non Illustrated Part P.A.R. = Paint as Required

GROUP 8 - ELECTRICAL

ILLUSTRATION TITLE	GROUP-FIG. NO.
SWITCHES--RELAYS--SOLENOIDS--SENSORS	
RELAYS--SOLENOIDS--SENSORS	Fig. 8-100
SWITCHES	Fig. 8-110
BATTERY TRAYS	
BATTERY TRAY L-P-J-K-G-E-H-S BODY	Fig. 8-200
BATTERY TRAY M BODY	Fig. 8-300
DISTRIBUTORS	
DISTRIBUTOR 2.2 ENGINE	Fig. 8-400
DISTRIBUTOR 2.5 ENGINE	Fig. 8-500
DISTRIBUTOR 2.6L ENGINE	Fig. 8-600
DISTRIBUTOR MITSUBISHI--V-6	Fig. 8-650
DISTRIBUTOR 318 ENGINE	Fig. 8-700
STARTERS	
STARTER INSTALLATIONS	Fig. 8-800
STARTER 2.5 ENG. & 2.2 ENG. 5227282	Fig. 8-900
STARTER COMPONENTS 2.2-2.5 ENGINE 5226441--5226442	Fig. 8-1000
STARTER COMPONENTS 2.2-2.5 ENGINE 5226842--5226844	Fig. 8-1050
STARTER COMPONENTS 2.6L ENGINE	Fig. 8-1100
STARTER 3.0 ENGINE BOSCH	Fig. 8-1150
STARTER 3.0 ENGINE NIPPONDENSO	Fig. 8-1200
STARTER 318 ENGINE CHRYSLER NO. 4145360	Fig. 8-1300
ALTERNATORS	
ALTERNATOR 2.2L ENGINE	Fig. 8-1400
ALTERNATOR 40/90 AMP.	Fig. 8-1500
ALTERNATOR 2.6L ENGINE	Fig. 8-1600
ALTERNATOR--40/90 AMP. V-6--S BODY	Fig. 8-1700
ALTERNATOR--60 AMP. 318 ENGINE	Fig. 8-1800
ALTERNATOR--78 AMP. 318 ENGINE	Fig. 8-1900
ALTERNATOR--114 AMP. 318 ENGINE	Fig. 8-2000
ALTERNATOR MOUNTING	Fig. 8-2100
ALTERNATOR MOUNTING 318 ENGINE	Fig. 8-2200
LAMPS	
LAMPS--FRONT L BODY--24	Fig. 8-2300
LAMPS & WIRING--REAR L BODY--24	Fig. 8-2400

ILLUSTRATION NOT AVAILABLE AT TIME OF PUBLICATION

GROUP 8 - ELECTRICAL

GROUP 8 - ELECTRICAL

ILLUSTRATION TITLE	GROUP-FIG. NO.
LAMPS (Continued)	
LAMPS & WIRING--REAR L BODY--24	Fig. 8-2400
LAMPS--FRONT L BODY--44	Fig. 8-2500
LAMPS & WIRING--REAR L BODY--44	Fig. 8-2600
LAMPS--FRONT P BODY	Fig. 8-2700
LAMPS & WIRING--REAR P BODY	Fig. 8-2800
LAMPS--FRONT J BODY	Fig. 8-2900
LAMPS & WIRING--REAR J BODY	Fig. 8-3000
LAMPS--FRONT K BODY P-D	Fig. 8-3100
LAMPS & WIRING--REAR K BODY P-D	Fig. 8-3200
LAMPS--FRONT K E BODY C-J-E-T	Fig. 8-3300
LAMPS & WIRING--REAR K E BODY C-J-E-T	Fig. 8-3400
LAMPS--FRONT G BODY	Fig. 8-3500
LAMPS & WIRING--REAR G BODY	Fig. 8-3600
LAMPS--FRONT H BODY	Fig. 8-3700
LAMPS & WIRING--REAR H BODY	Fig. 8-3800
LAMPS--FRONT S BODY	Fig. 8-3900
LAMPS & WIRING--REAR S BODY	Fig. 8-4000
LAMPS--FRONT M BODY--B-F-G	Fig. 8-4100
LAMPS & WIRING--REAR M BODY--F	Fig. 8-4200
LAMPS & WIRING--REAR M BODY--B-G	Fig. 8-4300
LAMPS--CARGO-DOME-COURTESY L BODY	Fig. 8-4400
LAMPS--CARGO-DOME-COURTESY P BODY	Fig. 8-4500
LAMPS--CARGO-DOME-COURTESY J BODY	Fig. 8-4600
LAMPS--CARGO-DOME-COURTESY K-E BODY	Fig. 8-4700
LAMPS--CARGO-DOME-COURTESY G BODY	Fig. 8-4800
LAMPS--CARGO-DOME-COURTESY H BODY	Fig. 8-4900
LAMPS--CARGO-DOME-COURTESY S BODY	Fig. 8-5000
LAMPS--CARGO-DOME-COURTESY M BODY	Fig. 8-5100
ILLUMINATED DOOR LOCK LIGHT	
ILLUMINATED DOOR LOCK LIGHT	Fig. 8-5200
SOCKETS & CABLES	
SOCKETS AND CABLES	Fig. 8-5300
BULB CROSS REFERENCE	
BULB CROSS REFERENCE	Fig. 8-5400

ILLUSTRATION TITLE	GROUP-FIG. NO.
WIRING--ENGINE-FRONT END & RELATED PARTS	
WIRING--ENGINE-FRONT END & RELATED PARTS L BODY	Fig. 8-5500
WIRING--ENGINE-FRONT END & RELATED PARTS P BODY	Fig. 8-5600
WIRING--ENGINE-FRONT END & RELATED PARTS J BODY	Fig. 8-5700
WIRING--ENGINE-FRONT END & RELATED PARTS K-E BODY	Fig. 8-5800
WIRING--ENGINE-FRONT END & RELATED PARTS G BODY	Fig. 8-5900
WIRING--ENGINE-FRONT END & RELATED PARTS H BODY	Fig. 8-6000
WIRING--ENGINE-FRONT END & RELATED PARTS S BODY	Fig. 8-6100
WIRING--ENGINE-FRONT END & RELATED PARTS M BODY	Fig. 8-6200
HORNS	
HORN ALL MODELS	Fig. 8-6300
M.A.P. SENSOR & LOGIC MODULES	
M.A.P. SENSOR & LOGIC MODULE ALL MODELS	Fig. 8-6400
SWITCHES-TURN SIGNAL AND HAZARD WARNING	
SWITCHES-TURN SIGNAL AND HAZARD WARNING	Fig. 8-6500
WIRING--BODY & ACCESSORIES	
WIRING--BODY & ACCESSORIES L BODY	Fig. 8-6600
WIRING--BODY & ACCESSORIES P BODY	Fig. 8-6700
WIRING--BODY & ACCESSORIES J BODY	Fig. 8-6800
WIRING--BODY & ACCESSORIES K BODY	Fig. 8-6900
WIRING--BODY & ACCESSORIES G BODY	Fig. 8-6950
WIRING--BODY & ACCESSORIES E BODY	Fig. 8-7000
WIRING--BODY & ACCESSORIES H BODY	Fig. 8-7200
WIRING--BODY & ACCESSORIES S BODY	Fig. 8-7300
WIRING--BODY & ACCESSORIES M BODY	Fig. 8-7400
WIRING & SWITCHES--FRONT DOOR P BODY	Fig. 8-7500
WIRING & SWITCHES--REAR DOOR P BODY	Fig. 8-7600
WIRING & SWITCHES--LIFTGATE P BODY	Fig. 8-7700
WIRING & SWITCHES--FRONT DOOR J BODY	Fig. 8-7800
WIRING & SWITCHES--LIFTGATE J BODY	Fig. 8-7900
WIRING & SWITCHES--FRONT DOOR K-E BODY	Fig. 8-8000
WIRING & SWITCHES--REAR DOOR K-E BODY	Fig. 8-8100
WIRING--LIFTGATE & TRUNK K-E BODY	Fig. 8-8200
WIRING & SWITCHES--DOOR G BODY	Fig. 8-8300
WIRING--LIFTGATE G BODY	Fig. 8-8400

GROUP 8 - ELECTRICAL

ILLUSTRATION TITLE

GROUP-FIG. NO.

WIRING--BODY & ACCESSORIES (Continued)

WIRING--LIFTGATE G BODY	Fig. 8-8400
WIRING & SWITCHES--FRONT DOOR H BODY	Fig. 8-8500
WIRING & SWITCHES--REAR DOOR H BODY	Fig. 8-8600
WIRING--LIFTGATE H BODY	Fig. 8-8700
WIRING & SWITCHES--FRONT DOOR S BODY	Fig. 8-8800
WIRING & SWITCHES--SLIDING DOOR S BODY	Fig. 8-8900
WIRING--LIFTGATE S BODY	Fig. 8-9000
WIRING & SWITCHES--FRONT DOOR M BODY	Fig. 8-9100
WIRING & SWITCHES--REAR DOOR M BODY	Fig. 8-9200

TERMINAL CHARTS

TERMINAL CHART	Fig. 8-9300
TERMINAL CHART	Fig. 8-9400

INSULATOR CHARTS

INSULATORS 1 WAY	Fig. 8-9500
INSULATORS 2 WAY	Fig. 8-9600
INSULATORS 3 WAY	Fig. 8-9700
INSULATORS 4 WAY	Fig. 8-9800
INSULATORS 5 WAY	Fig. 8-9900
INSULATORS 6 WAY	Fig. 8-10200
INSULATORS 7 WAY	Fig. 8-10250
INSULATORS 8 & 9 WAY	Fig. 8-10300
INSULATORS 10 & 11 WAY	Fig. 8-10400
INSULATORS 13-16-21 WAY	Fig. 8-10450
INSULATORS 25 WAY	Fig. 8-10475
INSULATORS WINDOW LIFTS	Fig. 8-10485

RETAINERS--CONNECTORS--PLUGS

BULKHEAD CONNECTORS & COMPONENTS 40 & 50 WAY	Fig. 8-10500
FUSE BLOCKS & RELAY MODULES	Fig. 8-10550

RELAYS--SOLENOIDS--SENSORS
Figure 8-100

7108 100

ITEM	PART NUMBER	QTY	BODY	MODEL	DESCRIPTION
RELAYS					
			*****		*****
	4186 387		M-V24		Illum. Door Lock
	4318 800		K-E-G-J		Illum. Door Lock
	4342 216		H		Illum. Door Lock
			*****		*****
	5226 138		L-K-E		Starter
	5226 138		P-G-H-S		Starter
	4111 971		M		Starter
			*****		*****
	4221 658			ALL	Horn
			*****		*****
	4373 117		J	C27	Heated Rear Window
			*****		*****
	2889 565				Thermal Time Delay & Head Lamp
	4221 695		H		Thermal Time Delay & Head Lamp
			*****		*****
	4221 570				Amplifier & Antenna
			*****		*****
	3747 299		K-E-H		Liftgate Release
			*****		*****
	4051 832		K-E-H		Low Fuel
	4051 832		P-S		Low Fuel
	4375 253		G-J		Low Fuel
			*****		*****
	4228 673				Load Leveler, w/Bracket
			*****		*****
	4221 576		S		Ign. Feed
			*****		*****
	4221 684		K-E		Driving Light
			*****		*****
	4221 674		S		Control Fan, 2.6 Eng. (6-Prong)
	4419 185				Condenser Fan Motor
	4339 498		S		Rad. Fan.
	4221 615		L-H-M		Rad. Fan
	4221 615		P-K-E		Rad. Fan
	5227 415		G		Rad. Fan
			*****		*****

MODEL CODES

E BODY = (J - CARAVELLE)(E - 600)(T - NEW YORKER)

G BODY = (V24 - DAYTONA)

H BODY = (D44 - LANCER)(C44 - LEBARON GTS)

J BODY = (C - LEBARON)

K BODY = (P - RELIANT)(D - ARIES)(C - LEBAROND)/TOWN & COUNTRY)

L BODY = (M - HORIZON/TURISMO)(Z - OMNI/CHARGER)

M BODY = (B - GRAN FURY)(F - FIFTH AVE/NEWPORT)(G - DIPLOMAT)

P BODY = (P - SUNDANCE)(D - SHADOW)

S BODY = (H - VOYAGER)(K - RAM VAN/CARAVAN)

BODY STYLES

12-13 = FWD VAN

21 = 2-DOOR SEDAN

24 = 2-DOOR HATCHBACK

27 = 2-DOOR CONVERTIBLE

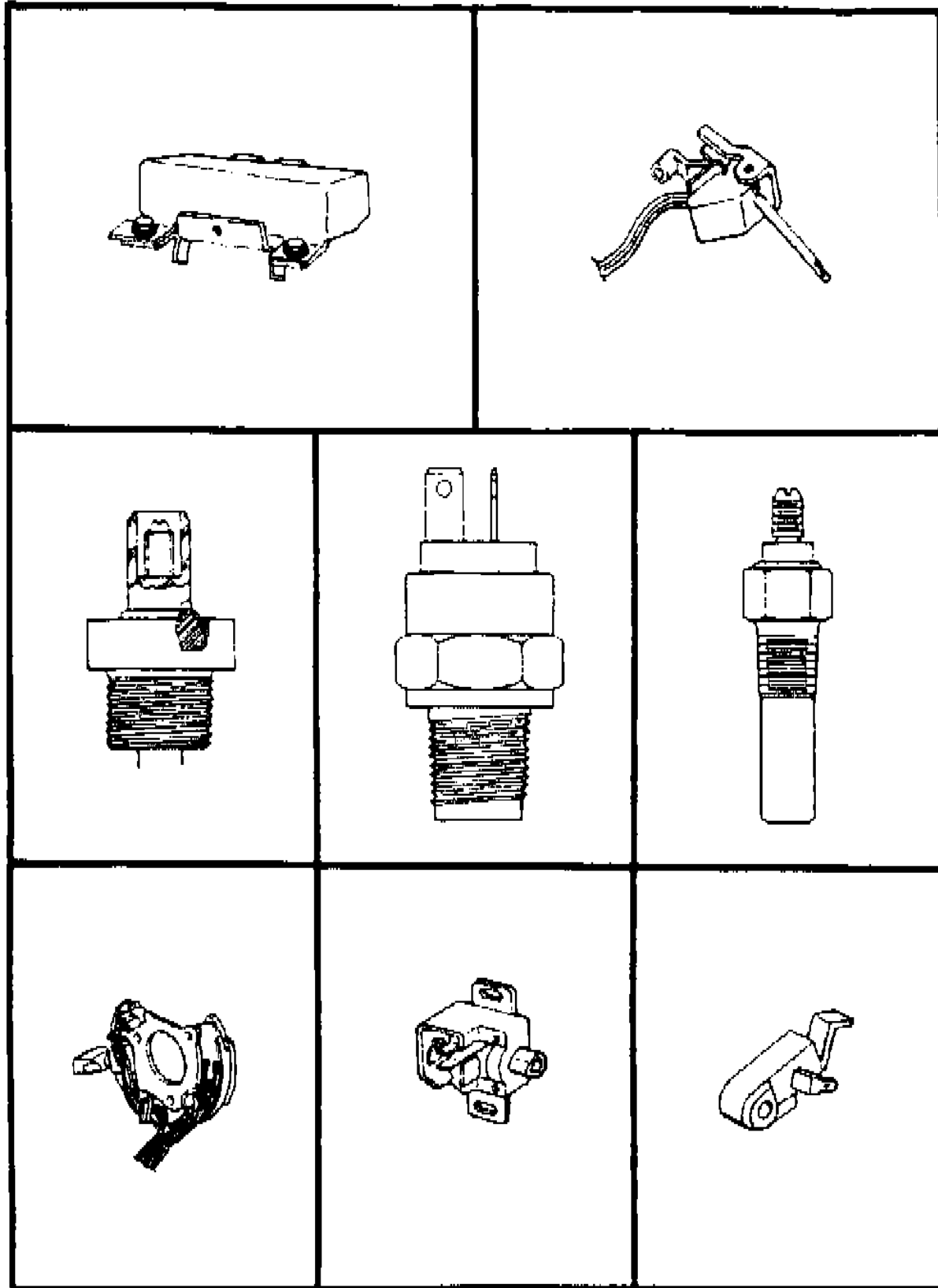
41 = 4-DOOR SEDAN

44 = 4-DOOR HATCHBACK

45 = 4-DOOR STATION WAGON

52-53 = FWD WAGON

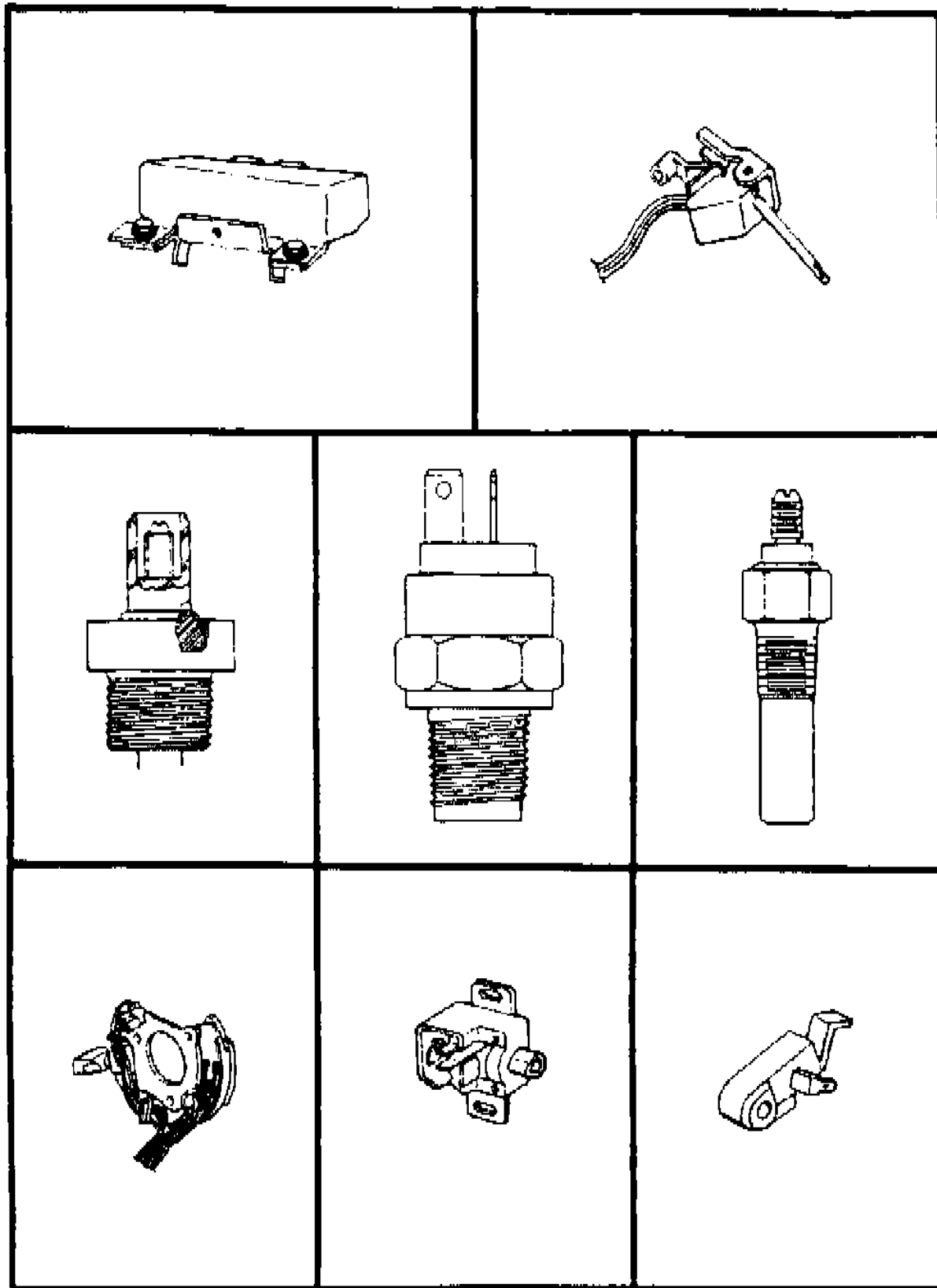
AR = Use as Required - = Non Illustrated Part P.A.R. = Paint as Required



RELAYS--SOLENOIDS--SENSORS

Figure 8-100

7108 100



ITEM	PART NUMBER	QTY	BODY	MODEL	DESCRIPTION
	4373 109				Speaker *****
	4339 496		L		A/C Clutch Cutout (Turbo)
	4339 495		K-E		A/C Clutch Cutout
	4339 495		S-G-H-J		A/C Clutch Cutout
	4364 863		P		A/C Clutch Cutout *****
	4221 691				Top Control *****
	5233 164		S		Fuel Pump (Shutdown Relay) *****
	5233 162		S		Wide Open Throttle, 3.0 Eng. *****
					SOLENOIDS *****
	5226 524		S		Idle-Up, 2.2 Eng.
	5226 467		S		Idle-Up, 2.6 Eng.
	4246 575				Fuel Filler Door
	4246 874		S		Liftgate Latch, w/Brkt.
	5226 352		L-P		Quad. Vac.
	5227 333	1		K-E	Dual Vacuum (Turbo)
	4310 739		H		Pwr. Door Lock
	4377 005				Transmission Lock-Up *****
					SENSORS *****
	4312 035		G-J		Tail Lamp Outage
	4312 108		G		Headlamp Outage
	4374 117		G-J		Overhead Console
	5226 356		L-K-E		Coolant Dual Therm.
	5226 374				Coolant Temp. w/T.B.I. & Turbo
	5213 629				Detonation
	4312 831		S		Interlock
	4318 118				Detonation w/Turbo.
	4312 825		E		Ambient Temp. (Thermister) Outside Temp.
	4374 117		J		Ambient Temp.
	4374 844		H-S		Ambient Temp.
	5226 355		ALL	Exc.M	Charge Temp. w/Gauge

MODEL CODES

E BODY = (J - CARAVELLE)(E - 600)(T - NEW YORKER)

G BODY = (V24 - DAYTONA)

H BODY = (D44 - LANCER)(C44 - LEBARON GTS)

J BODY = (C - LEBARON)

K BODY = (P - RELIANT)(D - ARIES)(C - LEBAROND)/TOWN & COUNTRY)

L BODY = (M - HORIZON/TURISMO)(Z - OMNI/CHARGER)

M BODY = (B - GRAN FURY)(F - FIFTH AVE/NEWPORT)(G - DIPLOMAT)

P BODY = (P - SUNDANCE)(D - SHADOW)

S BODY = (H - VOYAGER)(K - RAM VAN/CARAVAN)

BODY STYLES

12-13 = FWD VAN

21 = 2-DOOR SEDAN

24 = 2-DOOR HATCHBACK

27 = 2-DOOR CONVERTIBLE

41 = 4-DOOR SEDAN

44 = 4-DOOR HATCHBACK

45 = 4-DOOR STATION WAGON

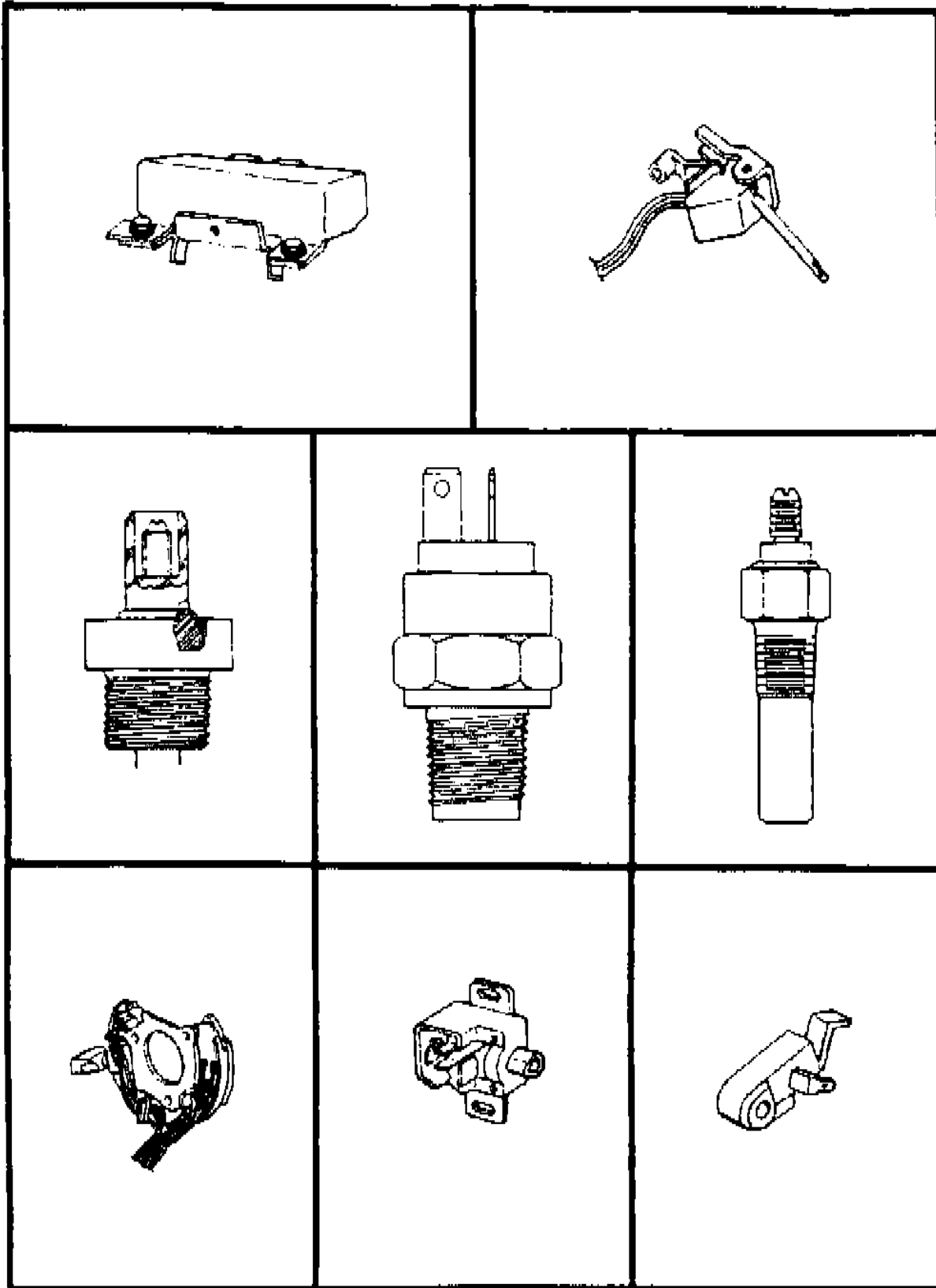
52-53 = FWD WAGON

AR = Use as Required - = Non Illustrated Part P.A.R. = Paint as Required

RELAYS--SOLENOIDS--SENSORS
Figure 8-100

7108 100

ITEM	PART NUMBER	QTY	BODY	MODEL	DESCRIPTION
	MD07 3036				Oxygen 2.6 Eng.
	4091 471		M		Eng. Temp.
	4312 032		L		Speed (Distance)
	4437 258		Exc. L		Speed (Distance)
	4339 418		J		Coolant Fluid Level
			*****		*****



MODEL CODES
 E BODY = (J - CARAVELLE)(E - 600)(T - NEW YORKER)
 G BODY = (V24 - DAYTONA)
 H BODY = (D44 - LANCER)(C44 - LEBARON GTS)
 J BODY = (C - LEBARON)
 K BODY = (P - RELIANT)(D - ARIES)(C - LEBAROND)/TOWN & COUNTRY
 L BODY = (M - HORIZON/TURISMO)(Z - OMNI/CHARGER)
 M BODY = (B - GRAN FURY)(F - FIFTH AVE/NEWPORT)(G - DIPLOMAT)
 P BODY = (P - SUNDANCE)(D - SHADOW)
 S BODY = (H - VOYAGER)(K - RAM VAN/CARAVAN)

BODY STYLES
 12-13 = FWD VAN
 21 = 2-DOOR SEDAN
 24 = 2-DOOR HATCHBACK
 27 = 2-DOOR CONVERTIBLE
 41 = 4-DOOR SEDAN
 44 = 4-DOOR HATCHBACK
 45 = 4-DOOR STATION WAGON
 52-53 = FWD WAGON

AR = Use as Required - = Non Illustrated Part P.A.R. = Paint as Required

SWITCHES
Figure 8-110

ILLUSTRATION NOT AVAILABLE AT TIME OF PUBLICATION

ITEM	PART NUMBER	QTY	BODY	MODEL	DESCRIPTION
SWITCHES					
L-BODY					

A	#4221 949				Back-Up Lamp, 2.2 Eng. (Manual)
B	4221 023			44	Cargo Lamp & Liftgate
	5209 922			22	
C	#4373 185				Door Pillar
D	5209 985				E.B.L. (Heated Rear Window)
E	3747 079				Glove Box Lamp
F	5209 950				Hatch Release
G	4221 398				Headlamp
H	4221 309				Ignition Key Buzzer
I	#4221 979				Stop Lamp, w/o Speed Control
J	4221 339				Turn Signal & Hazard Warning, w/o Cornering Lp.
K	4373 121				Windshield Wiper, w/o Tilt
	5209 863				2 Speed
L	5209 875				Wiper & Washer (Rear)

P-BODY					
A	#4221 949				Back-Up Lamp, 2.2 Eng. Manual
C	#4373 037				Door Pillar, Frt.
D	#4221 731				E.B.L. (Heated Rear Window)
E	#4221 170				Glove Box Lamp
G	#4373 134				Headlamp
H	#4221 954				Ignition Key Buzzer
I	#4373 145				Stop Lamp, w/Speed Control
	4373 144				w/o Speed Control
J	4373 050				Turn Signal & Hazard Warning, w/o Tilt
	4221 956				w/Tilt
K	#4373 122				Windshield Wiper, w/o Tilt
	4221 783				w/Intermittent, w/Tilt
M	4221 697				Clutch Speed Control
N	4221 574				Door Ajar, Front & Rear, Ind. Lp.
	4373 037				Door Ajar, Rear
O	4373 205				Fog Lamp
P	4221 614				Liftgate Open-Cargo & Dome Lp.
Q	#4373 011				Dual Remote Mirrors, Use Knob 4221622
R	#4221 906				Window Lift & Door Lock, Single

MODEL CODES

E BODY = (J - CARAVELLE)(E - 600)(T - NEW YORKER)

G BODY = (V24 - DAYTONA)

H BODY = (D44 - LANCER)(C44 - LEBARON GTS)

J BODY = (C - LEBARON)

K BODY = (P - RELIANT)(D - ARIES)(C - LEBAROND)/TOWN & COUNTRY)

L BODY = (M - HORIZON/TURISMO)(Z - OMNI/CHARGER)

M BODY = (B - GRAN FURY)(F - FIFTH AVE/NEWPORT)(G - DIPLOMAT)

P BODY = (P - SUNDANCE)(D - SHADOW)

S BODY = (H - VOYAGER)(K - RAM VAN/CARAVAN)

BODY STYLES

12-13 = FWD VAN

21 = 2-DOOR SEDAN

24 = 2-DOOR HATCHBACK

27 = 2-DOOR CONVERTIBLE

41 = 4-DOOR SEDAN

44 = 4-DOOR HATCHBACK

45 = 4-DOOR STATION WAGON

52-53 = FWD WAGON

AR = Use as Required - = Non Illustrated Part P.A.R. = Paint as Required

SWITCHES
Figure 8-110

ILLUSTRATION NOT AVAILABLE AT TIME OF PUBLICATION

ITEM	PART NUMBER	QTY	BODY	MODEL	DESCRIPTION
	4373 075				Window Lift, Rear Door & Door Lock, Single
			*****		*****
					J-BODY
A	#4221 949				Back-Up Lamp, 2.2 Eng. (Manual)
C	#4373 037				Door Pillar, Front
D	#4221 971				E.B.L., (Heated Rear Window)
	4373 071			27	E.B.L., (Heated Rear Window)
E	#4221 170				Glove Box Lamp
G	4221 407				Headlamp
H	4221 497				Ignition Key Buzzer, w/o Tilt
	4221 954				Ignition Key Buzzer
I	#4373 145				Stop Lamp, w/Speed Control
	4373 144				w/o Speed Control
J	4373 048				Turn Signal & Hazard Warning, w/o Tilt
	4221 304				w/Tilt
	4221 304				w/Tilt
	4221 305				w/Cornering Lamp, w/Tilt
	4373 047				w/Cornering Lamp, w/o Tilt
K	#4221 902				Windshield Wiper, w/Intermittent, w/Tilt, w/Shaft
	4373 389				w/Intermittent, w/o Tilt
N	4221 574				Door Ajar, Front & Rear, Ind. Lamp
P	#4373 054				Trunk Ajar & Cargo Lamp
	4373 255			27	Deck Lid Release, Power
Q	#4373 127				Dual Remote Mirrors, Use Knob 4373120
R	#4373 071			21	Window Lift & Door Lock, Single
	4373 009			27	Window Lift, 4-Gang
	4373 071				Door Lock
S	#4373 148				Illum. Entry
T	#4373 006				Seat Adjuster, w/Plate
	4373 071				Folding Top
	4221 346				Trans. Oil Pressure
			*****		*****
					K-E-BODY
A	#4221 949				Back-Up Lamp, 2.2 Eng. (Manual)
B				45	Liftgate Cargo, (Serv. in Latch Assy.)
C	#4373 037				Door Pillar, Front
	4373 187				Door Pillar, Rear
D	4221 078				E.B.L., (Heated Rear Window)

MODEL CODES

E BODY = (J - CARAVELLE)(E - 600)(T - NEW YORKER)

G BODY = (V24 - DAYTONA)

H BODY = (D44 - LANCER)(C44 - LEBARON GTS)

J BODY = (C - LEBARON)

K BODY = (P - RELIANT)(D - ARIES)(C - LEBAROND)/TOWN & COUNTRY)

L BODY = (M - HORIZON/TURISMO)(Z - OMNI/CHARGER)

M BODY = (B - GRAN FURY)(F - FIFTH AVE/NEWPORT)(G - DIPLOMAT)

P BODY = (P - SUNDANCE)(D - SHADOW)

S BODY = (H - VOYAGER)(K - RAM VAN/CARAVAN)

BODY STYLES

12-13 = FWD VAN

21 = 2-DOOR SEDAN

24 = 2-DOOR HATCHBACK

27 = 2-DOOR CONVERTIBLE

41 = 4-DOOR SEDAN

44 = 4-DOOR HATCHBACK

45 = 4-DOOR STATION WAGON

52-53 = FWD WAGON

AR = Use as Required - = Non Illustrated Part P.A.R. = Paint as Required

SWITCHES
Figure 8-110

ILLUSTRATION NOT AVAILABLE AT TIME OF PUBLICATION

ITEM	PART NUMBER	QTY	BODY	MODEL	DESCRIPTION
E	#4221 170				Glove Box Lamp
F	3747 154				Deck Lid Release
G	#4373 134			P-D	Headlamp
	4373 135			C	Headlamp
H					Ignition Key, See Illus. 7200
	4221 303				Ignition Key Buzzer, w/o Tilt
	4221 954				Ignition Key Buzzer
I	#4373 145				Stop Lamp, w/Speed Control
	4373 144				w/o Speed Control
J	4373 048				Turn Signal & Hazard Warning, w/o Cornering Lamp, w/o Tilt
	4221 304				w/o Cornering Lamp, w/Tilt
	4221 305				w/Cornering Lamp, w/Tilt
K	4373 126				Windshield Wiper, w/Intermittent, w/o Tilt
	4221 902				w/Intermittent, w/Tilt
	3747 914				2 Speed, w/o Tilt
L	4221 080				Wiper & Washer, Rear w/Elec. Inst. Cluster
	4221 389				Wiper & Washer, Rear
M	4221 697				Clutch Speed Control
N	4221 574				Door Ajar, Frt. & Rear Ind. Lamp
P	5209 922			45	Liftgate Ajar
	5209 922				Trunk Ajar
Q	#4221 617				Dual Remote Mirrors
R	#4373 073				Window Lift, Trim Mtd., 1-Gang
	4373 072				Window Lift, Trim Mtd., 1-Gang
	4373 079		E		Window Lift, Arm Rest, 5-Gang
T	3747 924				Seat Adjuster
	3747 935				Folding Top, Console Mtd.
	4221 767				Vacuum Audible Message, TBI
			*****		*****
					G-BODY
A	#4221 949				Back-Up Lamp, 2.2 Eng. (Manual)
C	#4373 037				Door Pillar Front
D	#4221 971				E.B.L. (Heated Rear Window)
E	#4221 170				Glove Box Lamp
G	4221 407				Headlamp
H	4221 497				Ignition Key Buzzer, w/o Tilt
	3488 432				Ignition Key Buzzer, w/Tilt
	4221 954				Ignition Key Buzzer

MODEL CODES

E BODY = (J - CARAVELLE)(E - 600)(T - NEW YORKER)

G BODY = (V24 - DAYTONA)

H BODY = (D44 - LANCER)(C44 - LEBARON GTS)

J BODY = (C - LEBARON)

K BODY = (P - RELIANT)(D - ARIES)(C - LEBAROND)/TOWN & COUNTRY)

L BODY = (M - HORIZON/TURISMO)(Z - OMNI/CHARGER)

M BODY = (B - GRAN FURY)(F - FIFTH AVE/NEWPORT)(G - DIPLOMAT)

P BODY = (P - SUNDANCE)(D - SHADOW)

S BODY = (H - VOYAGER)(K - RAM VAN/CARAVAN)

BODY STYLES

12-13 = FWD VAN

21 = 2-DOOR SEDAN

24 = 2-DOOR HATCHBACK

27 = 2-DOOR CONVERTIBLE

41 = 4-DOOR SEDAN

44 = 4-DOOR HATCHBACK

45 = 4-DOOR STATION WAGON

52-53 = FWD WAGON

AR = Use as Required - = Non Illustrated Part P.A.R. = Paint as Required

SWITCHES
Figure 8-110

ILLUSTRATION NOT AVAILABLE AT TIME OF PUBLICATION

ITEM	PART NUMBER	QTY	BODY	MODEL	DESCRIPTION
I	#4373 145				Stop Lamp, w/Speed Control
	4373 144				w/o Speed Control
J	4373 048				Turn Signal & Hazard Warning, w/o Cornering Lamp, w/o Tilt
	4221 304				w/o Cornering Lamp, w/Tilt
K	#4221 902				Windshield Wiper, w/Intermittent, w/Tilt, w/Shaft
	4373 126				w/Intermittent, w/o Tilt
L	#4221 972				Wiper & Washer, (Rear)
M	4221 697				Clutch Speed Control
N	4221 574				Door Ajar, Frt. & Rear Ind. Lamp
P	4221 614				Liftgate Open-Cargo & Dome
Q	#4373 011				Dual Remote Mirrors
R	#4373 077				Window Lift, 2-Gang
	4373 071				Door Lock
S	#4373 148				Illum. Entry
	4221 452				Amplifier, Rear
	4221 572				Lumbar & Thigh
	4221 346				Trans. Oil Pressure
	4221 983				Seat Adjuster
			*****		*****
					H-BODY
A	#4221 949				Back-Up Lamp, 2.2 Eng. (Manual)
C	#4373 037				Door Pillar, Front
D	#4221 853				E.B.L., (Heated Rear Window)
E	#4221 170				Glove Box
G	#4373 135				Headlamp
H	4221 303				Ignition Key Buzzer, w/o Tilt
	3488 432				Ignition Key Buzzer, w/Tilt
	4221 954				Ignition Key Buzzer
I	#4373 144				Stop Lamp, w/o Speed Control
	4373 145				w/Speed Control
J	4221 304				Turn Signal & Hazard Warning, w/o Cornering Lamp w/Tilt
	4373 048				w/o Tilt
K	4373 126				Windshield Wiper, w/Intermittent, w/o Tilt
	4221 902				w/Intermittent, w/Tilt
	3747 914				2 Speed, w/o Tilt
L	4221 510				Wiper & Washer (Rear)
M	4221 697				Clutch Speed Control
N	4221 574				Door Ajar, Frt. & Rear Ind. Lamp

MODEL CODES

E BODY = (J - CARAVELLE)(E - 600)(T - NEW YORKER)

G BODY = (V24 - DAYTONA)

H BODY = (D44 - LANCER)(C44 - LEBARON GTS)

J BODY = (C - LEBARON)

K BODY = (P - RELIANT)(D - ARIES)(C - LEBAROND)/TOWN & COUNTRY)

L BODY = (M - HORIZON/TURISMO)(Z - OMNI/CHARGER)

M BODY = (B - GRAN FURY)(F - FIFTH AVE/NEWPORT)(G - DIPLOMAT)

P BODY = (P - SUNDANCE)(D - SHADOW)

S BODY = (H - VOYAGER)(K - RAM VAN/CARAVAN)

BODY STYLES

12-13 = FWD VAN

21 = 2-DOOR SEDAN

24 = 2-DOOR HATCHBACK

27 = 2-DOOR CONVERTIBLE

41 = 4-DOOR SEDAN

44 = 4-DOOR HATCHBACK

45 = 4-DOOR STATION WAGON

52-53 = FWD WAGON

AR = Use as Required - = Non Illustrated Part P.A.R. = Paint as Required

SWITCHES
Figure 8-110

ILLUSTRATION NOT AVAILABLE AT TIME OF PUBLICATION

ITEM	PART NUMBER	QTY	BODY	MODEL	DESCRIPTION
O	4373 411				Fog Lamp
P	4221 614				Liftgate Open-Cargo & Dome
Q	4221 614				Dual Remote Mirrors, Use Knob 4221622
R	#4373 072				Window Lift, Trim Mtd. 1-Gang
	4373 080				Window Lift, 5-Gang
	4373 074				Window Lift, 1-Gang
	4373 222				Window Lift & Door Lock
S	4221 729				Illum. Entry
T	3747 924				Seat Adjuster
	4221 767				Vacuum Audible Message, TBI
	4373 196				Console Compartment Lamp
			*****		*****
					S-BODY
A	#4221 949				Back-Up Lamp, 2.2 Eng. (Manual)
C	#4373 096				Door Pillar, Front & Sliding Door
D	#4221 971				E.B.L., (Heated Rear Window)
E	3747 079				Glove Box Lamp
G	#4373 136				Headlamp
H	4221 497				Ignition Key Buzzer, w/o Tilt
	4221 954				Ignition Key Buzzer
I	#4373 147				Stop Lamp, w/Speed Control
	4373 146				Stop Lamp, w/o Speed Control
J	4373 049				Turn Signal & Hazard Warning, w/o Tilt
	4221 485				w/Tilt
K	4373 124				Windshield Wiper, w/o Intermittent, w/Shaft
	4221 903				w/Intermittent, w/Tilt
	4373 126				w/Intermittent, w/o Tilt, w/Shaft
L	#4221 972				Wiper & Washer, (Rear)
M	#4379 039				Clutch Speed Control
N	4221 574				Door Ajar, Front & Rear Ind. Lamp
	4373 037				Door Ajar, Rear
	4221 548				Dome, Courtesy, Cargo Lamp
P	4221 818				Liftgate Open, Cargo & Dome
Q	#4373 008				Dual Remote Mirror
R	#4373 077				Window Lift, 2-Gang
	4373 071				Window Lift, 1-Gang
	4373 071				Door Lock
T	3747 924				Seat Adjuster

MODEL CODES

E BODY = (J - CARAVELLE)(E - 600)(T - NEW YORKER)

G BODY = (V24 - DAYTONA)

H BODY = (D44 - LANCER)(C44 - LEBARON GTS)

J BODY = (C - LEBARON)

K BODY = (P - RELIANT)(D - ARIES)(C - LEBAROND)/TOWN & COUNTRY)

L BODY = (M - HORIZON/TURISMO)(Z - OMNI/CHARGER)

M BODY = (B - GRAN FURY)(F - FIFTH AVE/NEWPORT)(G - DIPLOMAT)

P BODY = (P - SUNDANCE)(D - SHADOW)

S BODY = (H - VOYAGER)(K - RAM VAN/CARAVAN)

BODY STYLES

12-13 = FWD VAN

21 = 2-DOOR SEDAN

24 = 2-DOOR HATCHBACK

27 = 2-DOOR CONVERTIBLE

41 = 4-DOOR SEDAN

44 = 4-DOOR HATCHBACK

45 = 4-DOOR STATION WAGON

52-53 = FWD WAGON

AR = Use as Required - = Non Illustrated Part P.A.R. = Paint as Required

SWITCHES
Figure 8-110

ILLUSTRATION NOT AVAILABLE AT TIME OF PUBLICATION

ITEM	PART NUMBER	QTY	BODY	MODEL	DESCRIPTION
	4373 055				Storage Compartment, Underseat
	4397 425				Dome Lamp Override
	4221 548		*****		Dome & Flood Lamp *****
					M-BODY
C	#4373 187				Door Pillar, Rear
D	#3747 641				E.B.L., (Heated Rear Window)
E	3747 079				Glove Box Lamp
F	3747 154				Deck Lid Release
G	4221 248				Headlamp
H	4221 303				Ignition Key Buzzer, w/o Tilt
	4131 522				Ignition Key Buzzer, w/o Tilt
	3488 432				Ignition Key Buzzer, w/Tilt
I	4221 980				Stop Lamp, w/Speed Control
	4221 979				Stop Lamp, w/o Speed Control
J	4373 049				Turn Signal & Hazard Warning, w/o Tilt
	4221 485				w/Tilt
K	4373 124				Windshield Wiper, w/o Intermittent, w/Shaft
	4221 903				w/Intermittent, w/Tilt
	4373 124				w/Intermittent, w/o Tilt, w/Shaft
N	4221 025				Door Ajar, Front & Rear
Q	4373 404				Dual Remote Mirrors
R	4131 376				Window Lift, Armrest, 1-Gang
	4131 377				Window Lift, Armrest, 5-Gang
S	3747 819				Illum. Entry
T	3747 957				Seat Adjuster
	3747 874				Amplifier, Rear
	4111 482				Charge Temp. EGR

MODEL CODES

E BODY = (J - CARAVELLE)(E - 600)(T - NEW YORKER)

G BODY = (V24 - DAYTONA)

H BODY = (D44 - LANCER)(C44 - LEBARON GTS)

J BODY = (C - LEBARON)

K BODY = (P - RELIANT)(D - ARIES)(C - LEBAROND)/TOWN & COUNTRY)

L BODY = (M - HORIZON/TURISMO)(Z - OMNI/CHARGER)

M BODY = (B - GRAN FURY)(F - FIFTH AVE/NEWPORT)(G - DIPLOMAT)

P BODY = (P - SUNDANCE)(D - SHADOW)

S BODY = (H - VOYAGER)(K - RAM VAN/CARAVAN)

BODY STYLES

12-13 = FWD VAN

21 = 2-DOOR SEDAN

24 = 2-DOOR HATCHBACK

27 = 2-DOOR CONVERTIBLE

41 = 4-DOOR SEDAN

44 = 4-DOOR HATCHBACK

45 = 4-DOOR STATION WAGON

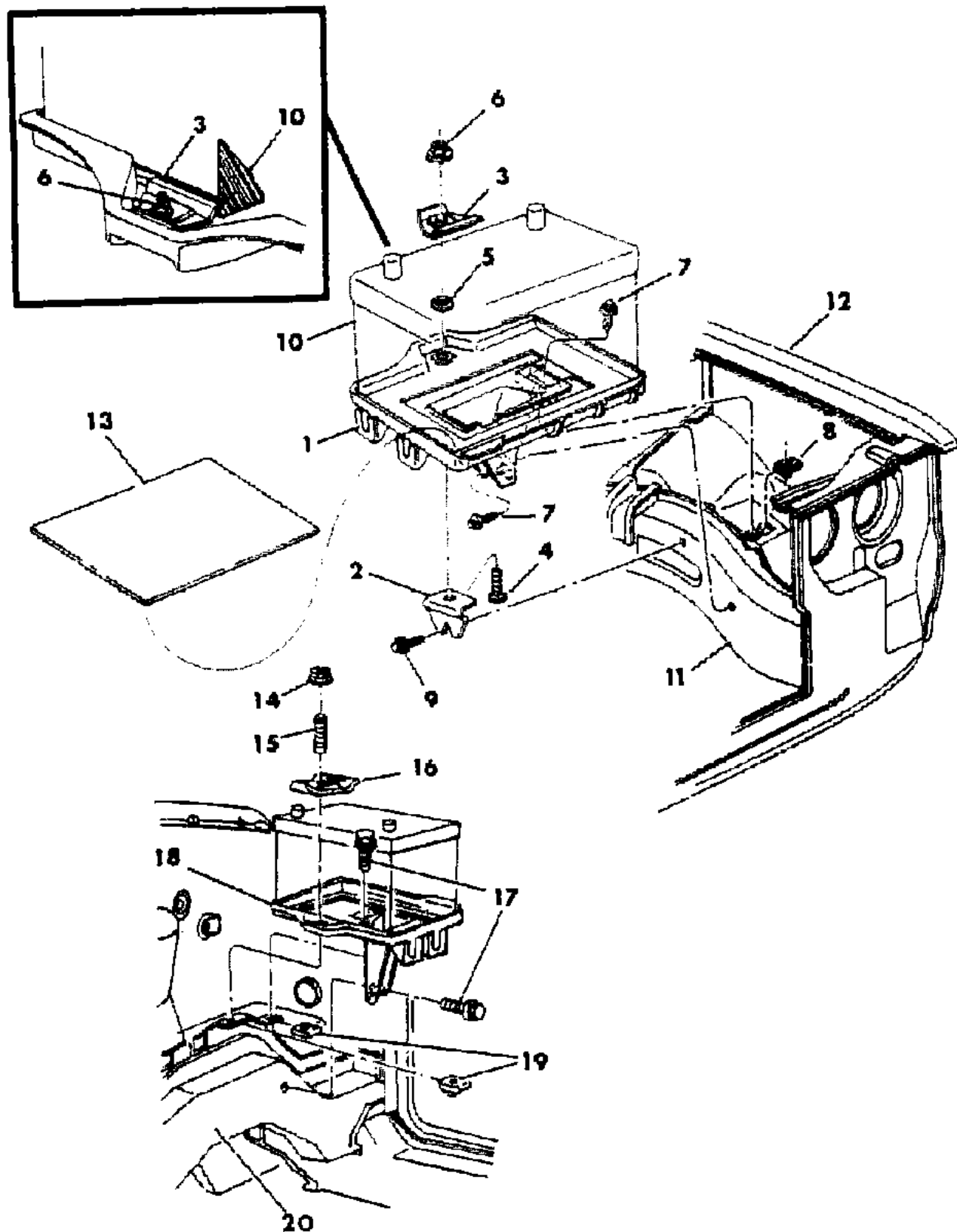
52-53 = FWD WAGON

AR = Use as Required - = Non Illustrated Part P.A.R. = Paint as Required

BATTERY TRAY L-P-J-K-G-E-H-S BODY

Figure 8-200

7108 200



ITEM	PART NUMBER	QTY	BODY	MODEL	DESCRIPTION
1	5202 590	1	L		TRAY, Battery
	4296 452	1	K-E-H-G		
	4296 452	1	J		
	4341 382	1	P		
2	4103 775	1	K-E-H-G		BRACKET, Hold Down
	4103 775		P		
3	5202 576	1	K-E-H-G		BRACKET, Hold Down
	5202 576	1	P		
4	6101 013	1	K-E-H		BOLT, Retainer
5			K-E-H		PUSH-NUT, (Not Serv.)
6	6100 050	1	K-E-H		NUT and WASHER
7	6500 354	2	K-E-H		BOLT, Tray Attaching
8	6029 355	1	L		U-NUT
	6101 283	1	K-E-H		
9	#6100 583	1	K-E-H		SCREW, w/Washer
10					BATTERY, (See Mopar Battery Catalog)
11					SIDE RAIL
12					FENDER
13	4296 145	1		ALL	SHIELD, w/Speed Control
14	6100 050	1	L-S		NUT and WASHER
15		1	S		STUD, (Not Serv.)
16	5202 576	1	L-S		RETAINER
17	6500 300	2	L-S-H		SCREW
18	4270 215	1	S		TRAY, Battery
19	6101 283	1	S		U-NUT
20			S		SIDE RAIL

MODEL CODES

E BODY = (J - CARAVELLE)(E - 600)(T - NEW YORKER)

G BODY = (V24 - DAYTONA)

H BODY = (D44 - LANCER)(C44 - LEBARON GTS)

J BODY = (C - LEBARON)

K BODY = (P - RELIANT)(D - ARIES)(C - LEBAROND)/TOWN & COUNTRY)

L BODY = (M - HORIZON/TURISMO)(Z - OMNI/CHARGER)

M BODY = (B - GRAN FURY)(F - FIFTH AVE/NEWPORT)(G - DIPLOMAT)

P BODY = (P - SUNDANCE)(D - SHADOW)

S BODY = (H - VOYAGER)(K - RAM VAN/CARAVAN)

BODY STYLES

12-13 = FWD VAN

21 = 2-DOOR SEDAN

24 = 2-DOOR HATCHBACK

27 = 2-DOOR CONVERTIBLE

41 = 4-DOOR SEDAN

44 = 4-DOOR HATCHBACK

45 = 4-DOOR STATION WAGON

52-53 = FWD WAGON

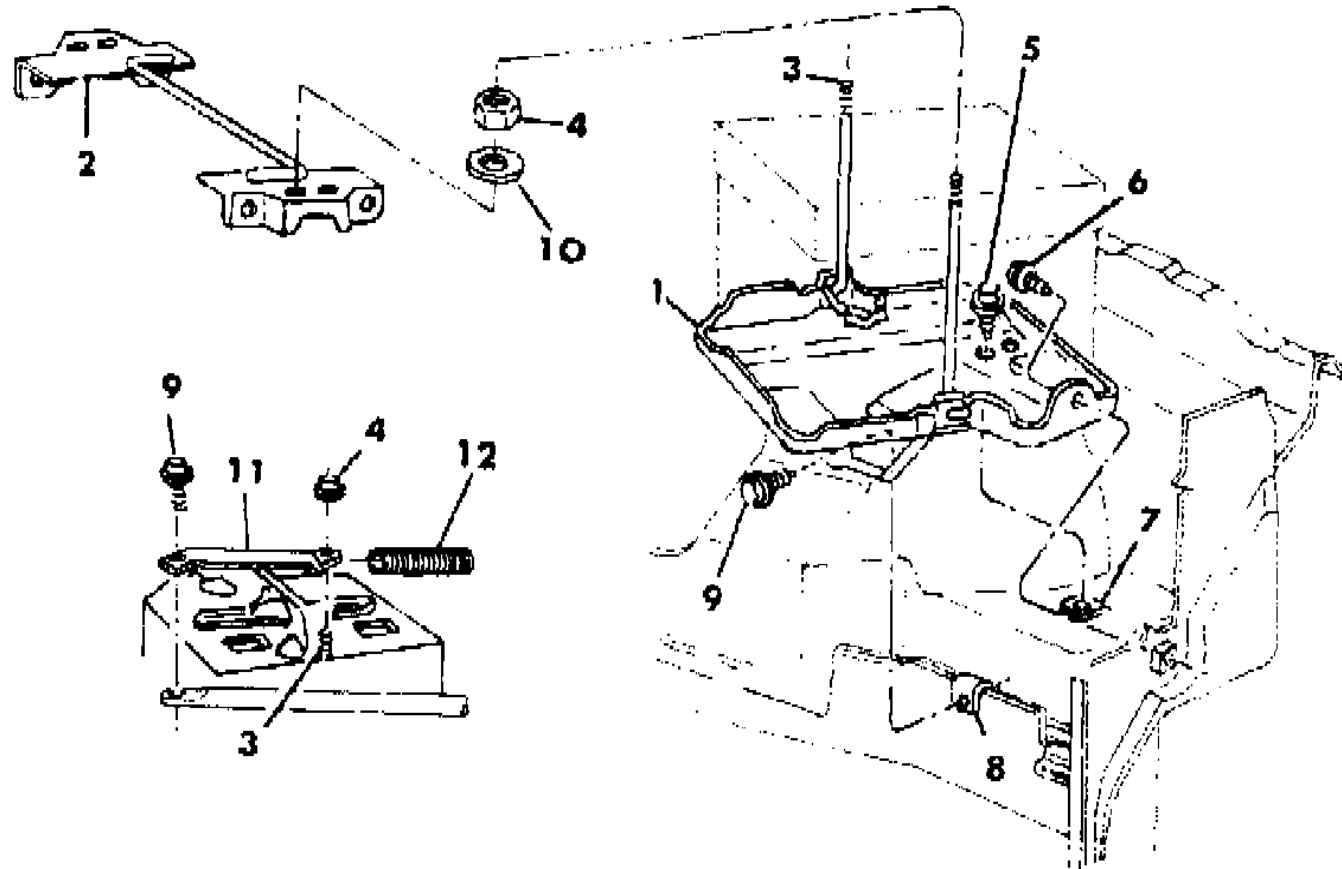
AR = Use as Required - = Non Illustrated Part P.A.R. = Paint as Required

BATTERY TRAY M BODY

Figure 8-300

7108 300 A

ITEM	PART NUMBER	QTY	BODY	MODEL	DESCRIPTION
1	4005 179	1			TRAY, Battery
2	3491 736	1			STRAP, Battery Hold Down
3	6032 836	2			BOLT, Hold Down Strap
4	0152 360	2			NUT and WASHER
5	6026 823	1			SCREW, w/Washer
6	0181 063	AR			SCREW, w/Washer
7	0153 294	AR			NUT
8	6029 324	1			U-NUT
9		2			SCREW, w/Washer,(Not Serv.)
10		1			WASHER, (Not Serv.)
11	4005 182	1			STRUT, Battery Hold Down to Fender
12	4005 185	1			SLEEVE, Battery Hold Down to Fender Strut H.D.



MODEL CODES

E BODY = (J - CARAVELLE)(E - 600)(T - NEW YORKER)

G BODY = (V24 - DAYTONA)

H BODY = (D44 - LANCER)(C44 - LEBARON GTS)

J BODY = (C - LEBARON)

K BODY = (P - RELIANT)(D - ARIES)(C - LEBAROND)/TOWN & COUNTRY)

L BODY = (M - HORIZON/TURISMO)(Z - OMNI/CHARGER)

M BODY = (B - GRAN FURY)(F - FIFTH AVE/NEWPORT)(G - DIPLOMAT)

P BODY = (P - SUNDANCE)(D - SHADOW)

S BODY = (H - VOYAGER)(K - RAM VAN/CARAVAN)

BODY STYLES

12-13 = FWD VAN

21 = 2-DOOR SEDAN

24 = 2-DOOR HATCHBACK

27 = 2-DOOR CONVERTIBLE

41 = 4-DOOR SEDAN

44 = 4-DOOR HATCHBACK

45 = 4-DOOR STATION WAGON

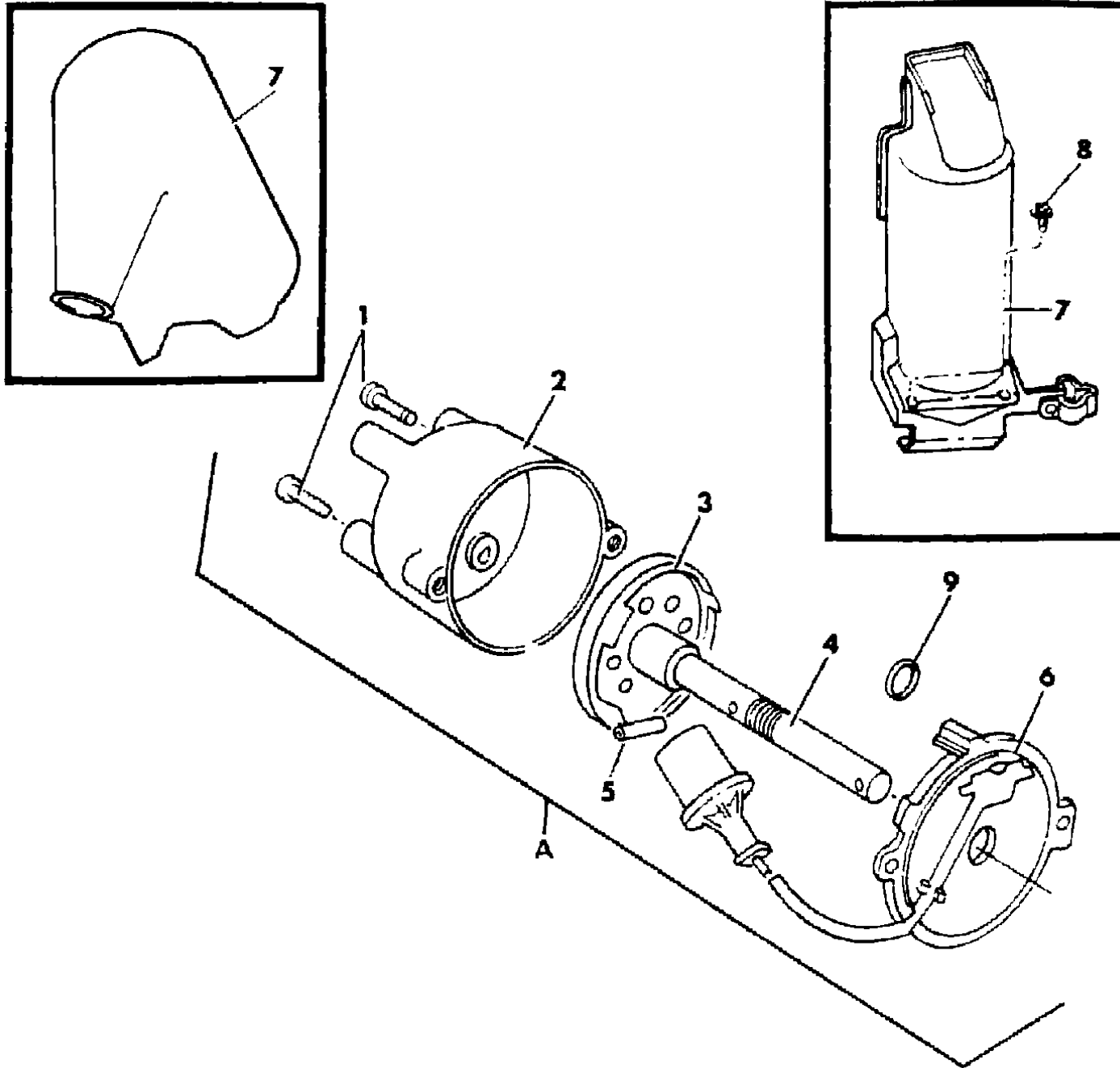
52-53 = FWD WAGON

AR = Use as Required - = Non Illustrated Part P.A.R. = Paint as Required

DISTRIBUTOR 2.2 ENGINE

Figure 8-400

7108 400 A



ITEM	PART NUMBER	QTY	BODY	MODEL	DESCRIPTION
A	#5227 274				DISTRIBUTOR, Turbo (Dual Switch) Partial
	5227 273				T.B.I. (Single Switch) Partial
	5226 575				Complete
1	6500 077				SCREW, Cap
2	5226 546				CAP, Dist.
3	5226 535				ROTOR, Dist.
4					SHAFT, (Serv. in Item A)
5					PIN, (Serv. in Item A)
6	5226 616				SWITCH, w/Plate
	5227 272				w/Turbo
	5227 271				w/5226575
7	5226 526				SHIELD, Dist. Splash
8	6500 703				SCREW, Dist. Splash
9	6031 594				O-RING

MODEL CODES

E BODY = (J - CARAVELLE)(E - 600)(T - NEW YORKER)

G BODY = (V24 - DAYTONA)

H BODY = (D44 - LANCER)(C44 - LEBARON GTS)

J BODY = (C - LEBARON)

K BODY = (P - RELIANT)(D - ARIES)(C - LEBAROND)/TOWN & COUNTRY)

L BODY = (M - HORIZON/TURISMO)(Z - OMNI/CHARGER)

M BODY = (B - GRAN FURY)(F - FIFTH AVE/NEWPORT)(G - DIPLOMAT)

P BODY = (P - SUNDANCE)(D - SHADOW)

S BODY = (H - VOYAGER)(K - RAM VAN/CARAVAN)

BODY STYLES

12-13 = FWD VAN

21 = 2-DOOR SEDAN

24 = 2-DOOR HATCHBACK

27 = 2-DOOR CONVERTIBLE

41 = 4-DOOR SEDAN

44 = 4-DOOR HATCHBACK

45 = 4-DOOR STATION WAGON

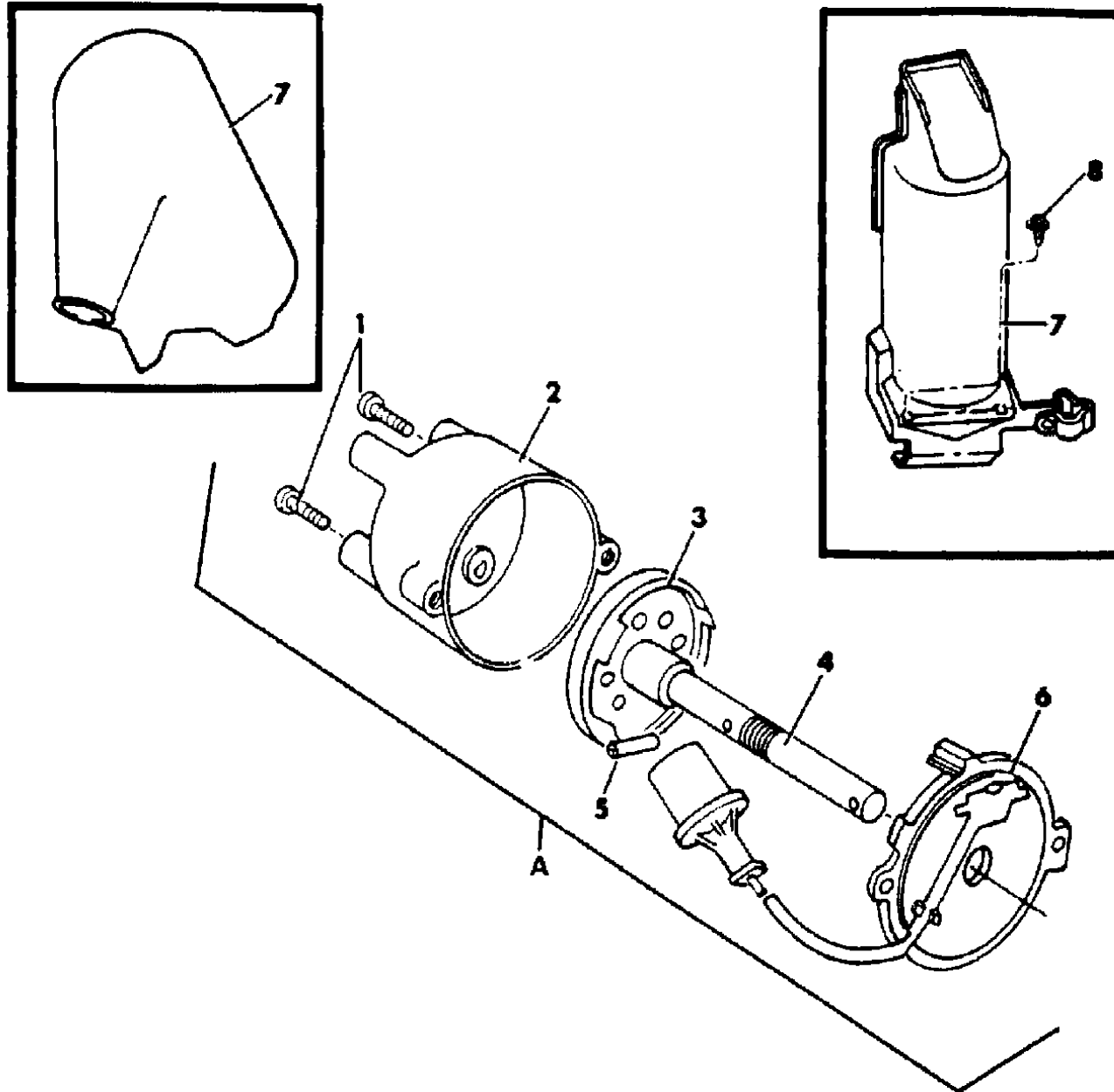
52-53 = FWD WAGON

AR = Use as Required - = Non Illustrated Part P.A.R. = Paint as Required

DISTRIBUTOR 2.5 ENGINE

Figure 8-500

7108 500



ITEM	PART NUMBER	QTY	BODY	MODEL	DESCRIPTION
A	5227 273				DISTRIBUTOR, (Use Hold Down Clamp 4179922)
1	6500 077				SCREW, Dist. Cap
2	5226 546				CAP, Dist.
3	5226 535				ROTOR, Dist.
4					SHAFT, Dist. (Serv. in Item A)
5					PIN, (Serv. in Item A)
6	5226 616				SWITCH, w/Plate
7	5226 526				SHIELD, Dist. Splash
8	6500 703				SCREW, Dist. Splash Shield

MODEL CODES

E BODY = (J - CARAVELLE)(E - 600)(T - NEW YORKER)

G BODY = (V24 - DAYTONA)

H BODY = (D44 - LANCER)(C44 - LEBARON GTS)

J BODY = (C - LEBARON)

K BODY = (P - RELIANT)(D - ARIES)(C - LEBAROND)/TOWN & COUNTRY)

L BODY = (M - HORIZON/TURISMO)(Z - OMNI/CHARGER)

M BODY = (B - GRAN FURY)(F - FIFTH AVE/NEWPORT)(G - DIPLOMAT)

P BODY = (P - SUNDANCE)(D - SHADOW)

S BODY = (H - VOYAGER)(K - RAM VAN/CARAVAN)

BODY STYLES

12-13 = FWD VAN

21 = 2-DOOR SEDAN

24 = 2-DOOR HATCHBACK

27 = 2-DOOR CONVERTIBLE

41 = 4-DOOR SEDAN

44 = 4-DOOR HATCHBACK

45 = 4-DOOR STATION WAGON

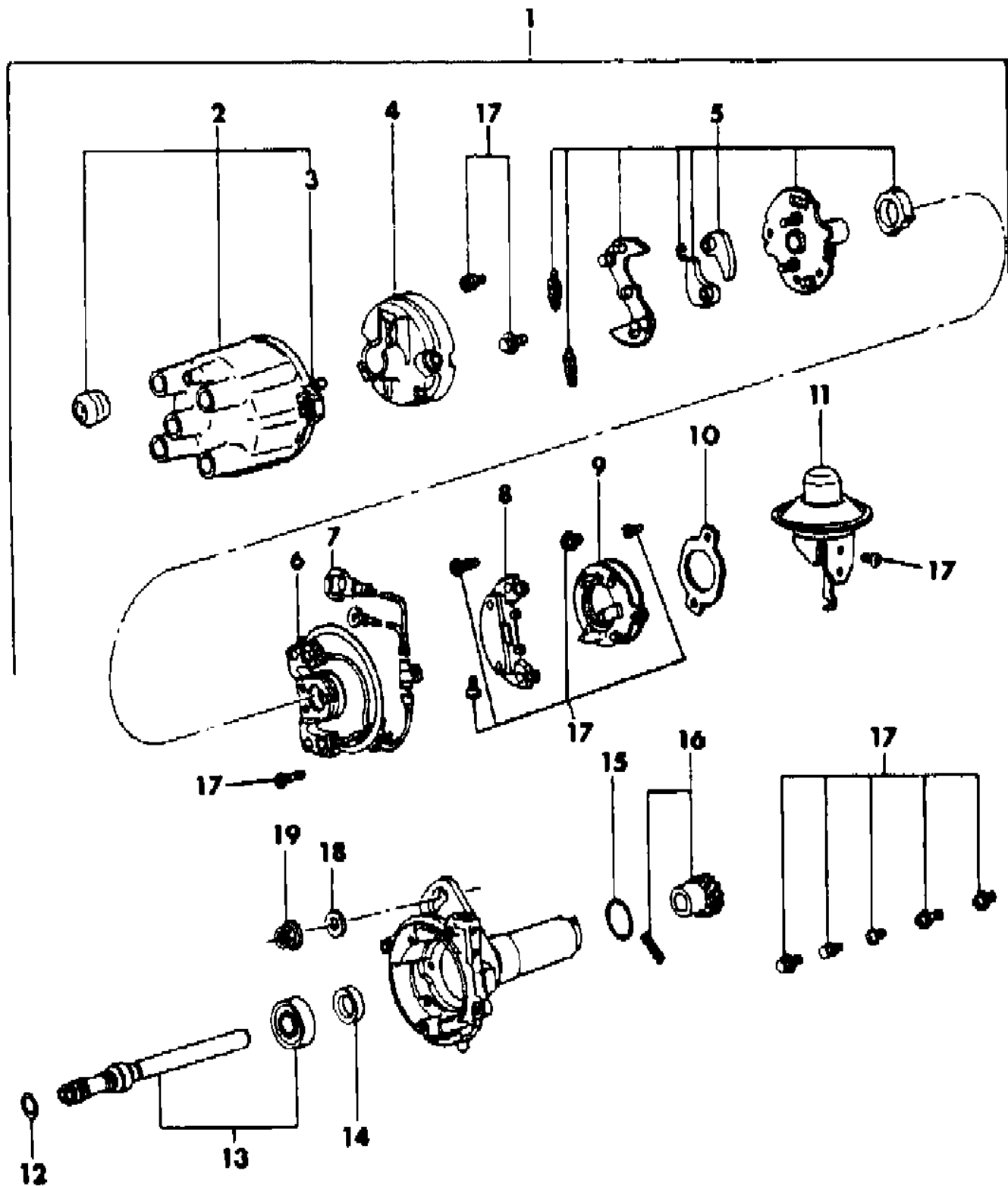
52-53 = FWD WAGON

AR = Use as Required - = Non Illustrated Part P.A.R. = Paint as Required

DISTRIBUTOR 2.6L ENGINE

Figure 8-600

7108 800



ITEM	PART NUMBER	QTY	BODY	MODEL	DESCRIPTION
1	MD09 8230	1			DISTRIBUTOR, Ignition, U.S.& Canada
	MD06 6251	1			High Alt.
2	MD60 7466	1			CAP, Distributor
3	MD60 2757	1			CONTACT, Distributor Cap Carbon
4	MD60 7734	1			ROTOR, Distributor
5	MD60 7474	1			GOVERNOR, Advance Exc. Calif.
	MD60 7886	1			High Alt.
6	MD60 7770	1			PICK-UP, Distributor
7	MD60 7771	1			WIRE, Distributor Lead
8	MD60 7478	1			IGNITER, Distributor
9	MD60 7470	1			BREAKER, Distributor
10	MD60 7359	1			PLATE, Distributor
11	MD60 7475	1			CONTROL, Vacuum , High Alt.
	MD61 1398	1			U.S. & Can.
12	MD60 7472	1			WASHER, Distributor Shaft
13	MD60 7468	1			SHAFT, Distributor
14	MD60 7405	1			SEAL, Distributor Shaft Oil
15	MD60 2412	1			O-RING, Distributor Housing
16	MD60 7226	1			COUPLING, Distributor Shaft
17	MD60 7469	1			SCREW SET, Distributor
18	MD00 1521	1			WASHER, Distributor Hold-Down
19	MF43 4104	1			NUT, Distributor Hold-Down

MODEL CODES

E BODY = (J - CARAVELLE)(E - 600)(T - NEW YORKER)

G BODY = (V24 - DAYTONA)

H BODY = (D44 - LANCER)(C44 - LEBARON GTS)

J BODY = (C - LEBARON)

K BODY = (P - RELIANT)(D - ARIES)(C - LEBAROND)/TOWN & COUNTRY)

L BODY = (M - HORIZON/TURISMO)(Z - OMNI/CHARGER)

M BODY = (B - GRAN FURY)(F - FIFTH AVE/NEWPORT)(G - DIPLOMAT)

P BODY = (P - SUNDANCE)(D - SHADOW)

S BODY = (H - VOYAGER)(K - RAM VAN/CARAVAN)

BODY STYLES

12-13 = FWD VAN

21 = 2-DOOR SEDAN

24 = 2-DOOR HATCHBACK

27 = 2-DOOR CONVERTIBLE

41 = 4-DOOR SEDAN

44 = 4-DOOR HATCHBACK

45 = 4-DOOR STATION WAGON

52-53 = FWD WAGON

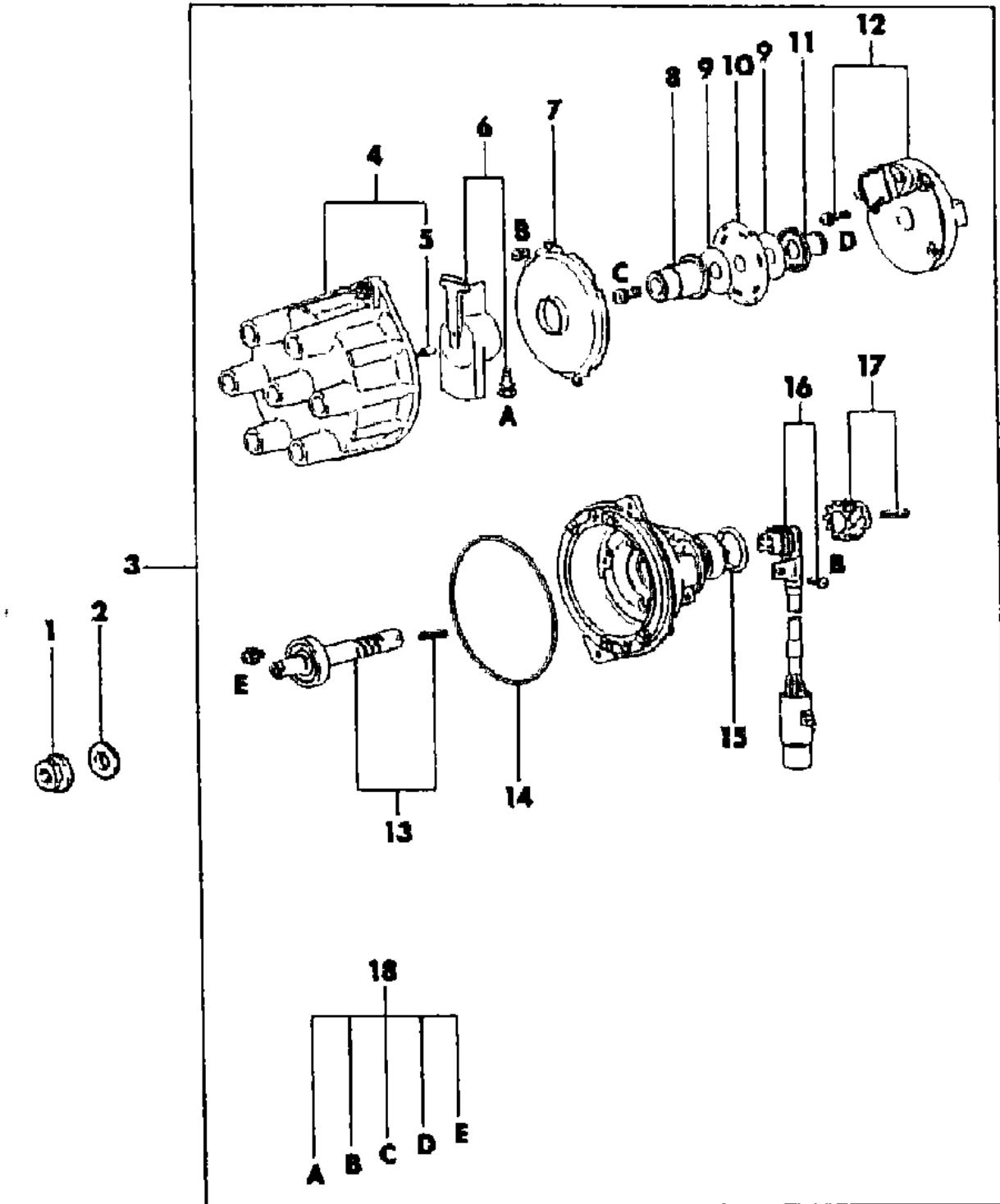
AR = Use as Required - = Non Illustrated Part P.A.R. = Paint as Required

DISTRIBUTOR MITSUBISHI--V-6

Figure 8-650

7108 850

ITEM	PART NUMBER	QTY	BODY	MODEL	DESCRIPTION
1	MF43 4114				NUT, Flange (8)
2	MD10 2178				WASHER, Special
3	MD11 6211				DISTRIBUTOR
4	MD61 1526				CAP
5	MD60 2757				CONTACT
6	MD61 1459				ROTOR
7	MD61 1461				COVER
8	MD61 1550				BLANK, (C)
9	MD61 1547				SPACER
10	MD61 1549				DISC
11	MD61 1714				BUSHING
12	MD61 1715				UNIT SET
13	MD61 1548				SHAFT
14	MD61 1460				O-RING
15	MD61 1463				O-RING
16	MD61 1538				LEAD WIRE SET
17	MD61 1469				COUPLING SET
18	MD61 1553				SCREW SET



MODEL CODES

E BODY = (J - CARAVELLE)(E - 600)(T - NEW YORKER)

G BODY = (V24 - DAYTONA)

H BODY = (D44 - LANCER)(C44 - LEBARON GTS)

J BODY = (C - LEBARON)

K BODY = (P - RELIANT)(D - ARIES)(C - LEBAROND)/TOWN & COUNTRY)

L BODY = (M - HORIZON/TURISMO)(Z - OMNI/CHARGER)

M BODY = (B - GRAN FURY)(F - FIFTH AVE/NEWPORT)(G - DIPLOMAT)

P BODY = (P - SUNDANCE)(D - SHADOW)

S BODY = (H - VOYAGER)(K - RAM VAN/CARAVAN)

BODY STYLES

12-13 = FWD VAN

21 = 2-DOOR SEDAN

24 = 2-DOOR HATCHBACK

27 = 2-DOOR CONVERTIBLE

41 = 4-DOOR SEDAN

44 = 4-DOOR HATCHBACK

45 = 4-DOOR STATION WAGON

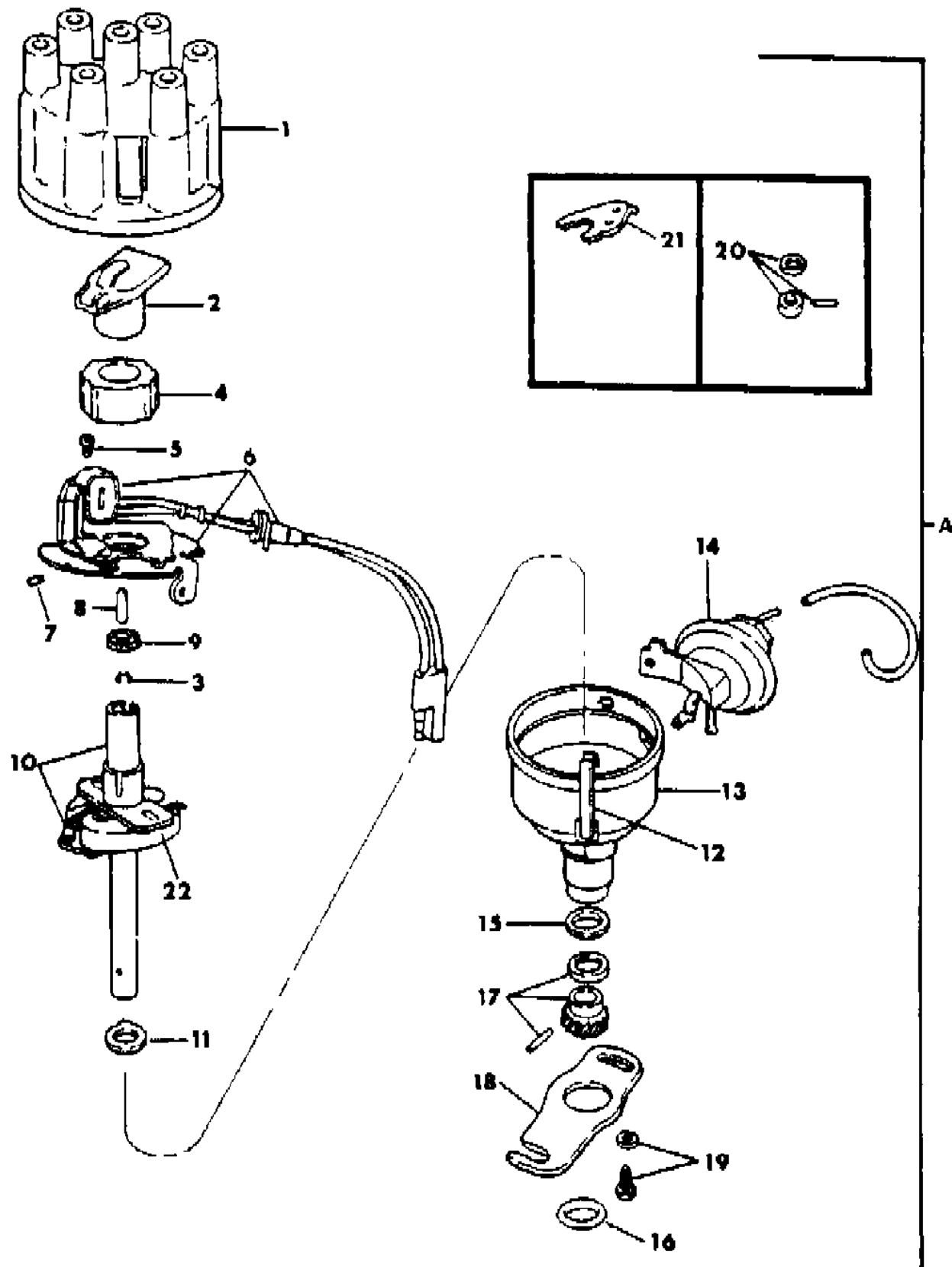
52-53 = FWD WAGON

AR = Use as Required - = Non Illustrated Part P.A.R. = Paint as Required

DISTRIBUTOR 318 ENGINE

Figure 8-700

7108 700



ITEM	PART NUMBER	QTY	BODY	MODEL	DESCRIPTION
A	4145 754				DISTRIBUTOR, w/Dual Pick-Up, Prod.# 4145753
	4091 142				Single Pick-Up, Prod.# 4091142
1	4111 640				CAP
2	3874 401				ROTOR
3					SNAP RING, w/Wick
4	3656 017				RELUCTOR
5	6026 763				SCREW
6	4145 239				PICK-UP and PLATE, Dual w/4145754
	4091 147				Single,w/4091142
7	9417 599				PIN, 3/8
8					PIN, 9/16, (Not Serv.)
9	2642 988				SPACER, w/4091142
10					SHAFT, (Serv. in Item A)
11	2875 028				SEAL, Dist. Housing
12	1838 508				SPRING
13					HOUSING and BEARING, (Serv. in Item A)
14	3755 474				CONTROL, w/4091142
15					GASKET, Dist. Mtg. Oil Ring
16	2875 923				O-RING, Dist. Hsg.
17					GEAR and PIN PACKAGE
18					ARM, (Serv. in Assy.)
19	0181 088				SCREW, w/Washer, w/4091142
20	2932 988				COLLAR, PIN and WASHER PACKAGE
21	4343 950				CLAMP, Dist.
22					WEIGHT, Governor, (Not Serv.)

MODEL CODES

E BODY = (J - CARAVELLE)(E - 600)(T - NEW YORKER)

G BODY = (V24 - DAYTONA)

H BODY = (D44 - LANCER)(C44 - LEBARON GTS)

J BODY = (C - LEBARON)

K BODY = (P - RELIANT)(D - ARIES)(C - LEBAROND)/TOWN & COUNTRY)

L BODY = (M - HORIZON/TURISMO)(Z - OMNI/CHARGER)

M BODY = (B - GRAN FURY)(F - FIFTH AVE/NEWPORT)(G - DIPLOMAT)

P BODY = (P - SUNDANCE)(D - SHADOW)

S BODY = (H - VOYAGER)(K - RAM VAN/CARAVAN)

BODY STYLES

12-13 = FWD VAN

21 = 2-DOOR SEDAN

24 = 2-DOOR HATCHBACK

27 = 2-DOOR CONVERTIBLE

41 = 4-DOOR SEDAN

44 = 4-DOOR HATCHBACK

45 = 4-DOOR STATION WAGON

52-53 = FWD WAGON

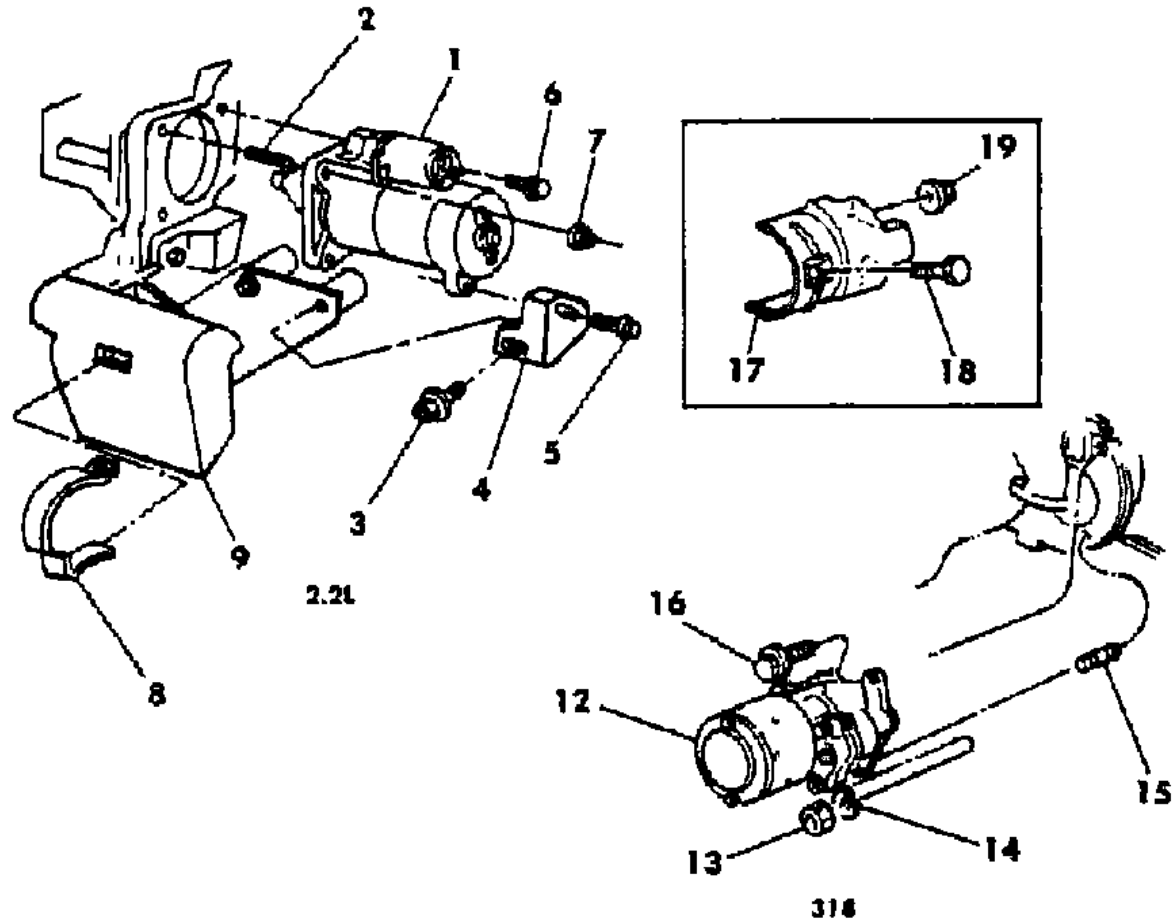
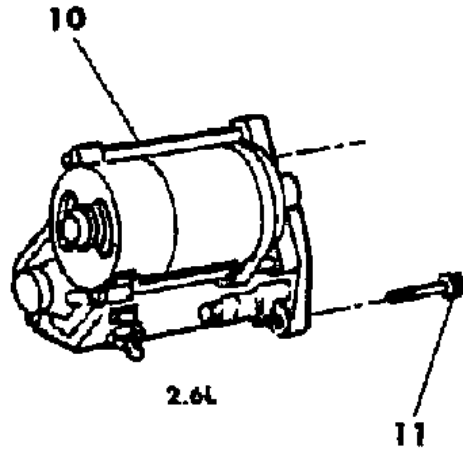
AR = Use as Required - = Non Illustrated Part P.A.R. = Paint as Required

STARTER INSTALLATIONS

Figure 8-800

7108 800

ITEM	PART NUMBER	QTY	BODY	MODEL	DESCRIPTION
1		1			STARTER
	4419 308	1			Stamped-5226844,5227282,4419311,4419312
	4419 311		G-J	2.5L	Stamped-4419312
2	6500 522	1		2.2L	STUD
3	6501 163	1		2.2L	SCREW, w/Washer
4	5213 757	1		2.2L	BRACKET, Starter Mounting
5	6500 276	1		2.2L	SCREW, w/Washer
6	6101 318	1		2.2L	NUT, w/Washer
7	6500 278	2		2.2L	SCREW, w/Washer
8	4140 768	1		2.2L	CLIP, Starter Heat Shield
9	4140 428	1		2.2L	SHIELD, Starter Heat
10	MD02 5235	1		2.6L	STARTER, Stamped-5213235
11	MF14 0271	2		2.6L	BOLT
12	4145 360	1		318	STARTER, Stamped-4111860
13	0272 235	1		318	NUT
14		1		318	WASHER, (Not Serv.)
15	2095 875	1		318	STUD
16	6023 899	1		318	SCREW, w/Washer
17	4140 724	1		318	SHIELD, Starter Heat
18	6028 921	1		318	BOLT
19	9420 867	2		318	NUT, Stamped



MODEL CODES

E BODY = (J - CARAVELLE)(E - 600)(T - NEW YORKER)

G BODY = (V24 - DAYTONA)

H BODY = (D44 - LANCER)(C44 - LEBARON GTS)

J BODY = (C - LEBARON)

K BODY = (P - RELIANT)(D - ARIES)(C - LEBAROND)/TOWN & COUNTRY)

L BODY = (M - HORIZON/TURISMO)(Z - OMNI/CHARGER)

M BODY = (B - GRAN FURY)(F - FIFTH AVE/NEWPORT)(G - DIPLOMAT)

P BODY = (P - SUNDANCE)(D - SHADOW)

S BODY = (H - VOYAGER)(K - RAM VAN/CARAVAN)

BODY STYLES

12-13 = FWD VAN

21 = 2-DOOR SEDAN

24 = 2-DOOR HATCHBACK

27 = 2-DOOR CONVERTIBLE

41 = 4-DOOR SEDAN

44 = 4-DOOR HATCHBACK

45 = 4-DOOR STATION WAGON

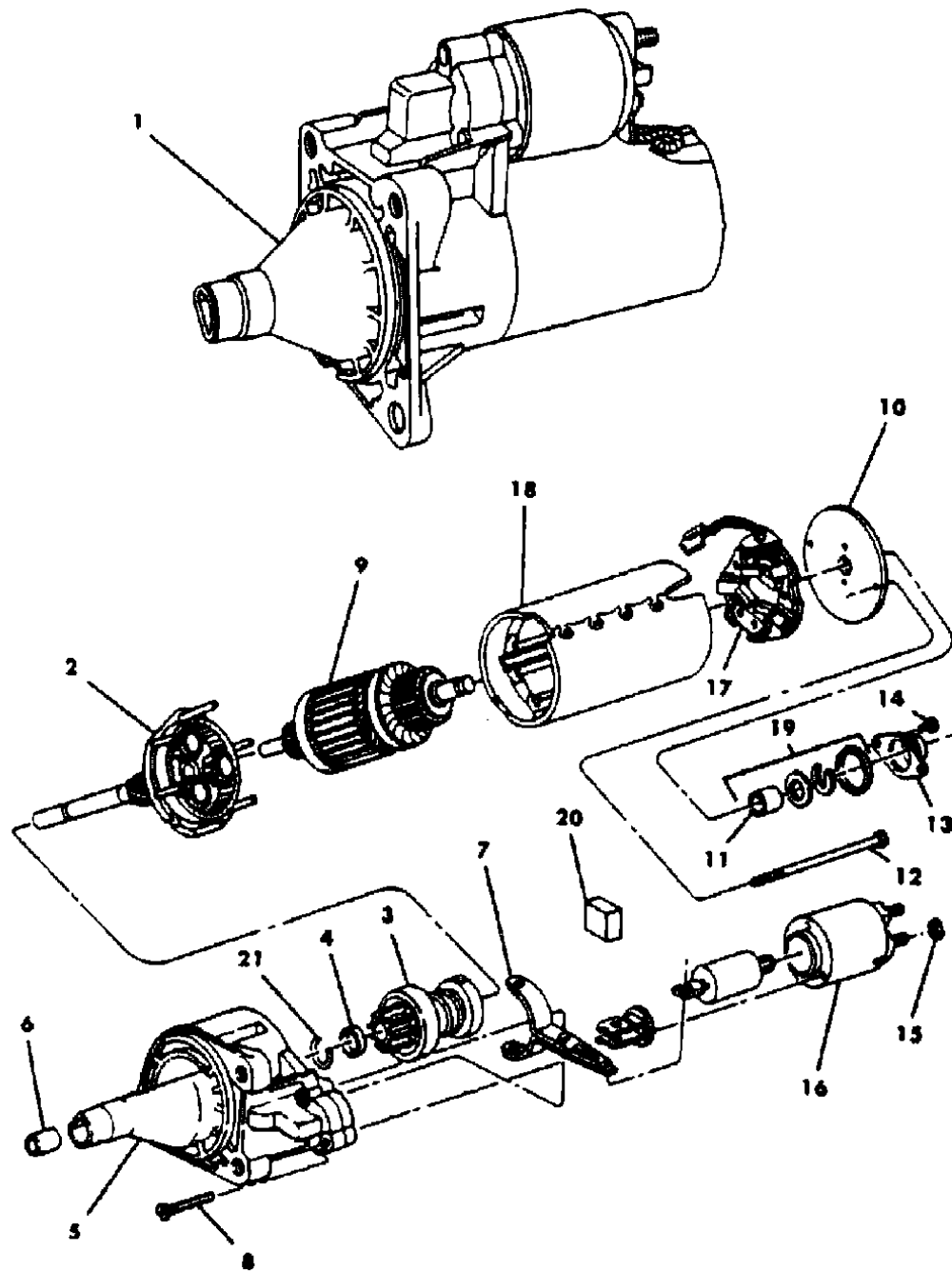
52-53 = FWD WAGON

AR = Use as Required - = Non Illustrated Part P.A.R. = Paint as Required

STARTER 2.5 ENG. & 2.2 ENG. 5227282

Figure 8-900

7108 800



ITEM	PART NUMBER	QTY	BODY	MODEL	DESCRIPTION
1	4419 308	1			STARTER, Package, (Contains 5227282) (Bosch) Service Only (For Complete Replacement) 5227282
2	5227 114	1			EPICYCLOIDAL GEAR TRAIN
3	5227 115	1			OVERRUNNING CLUTCH DRIVE
4	5227 116	2			SINTERED METAL BUSHING
5	5227 269	1			DRIVE END SHIELD
6	5213 388	1			SINTERED METAL BUSHING
7	5227 119	1			FORK LEVER
8	5227 120	3			SCREW, Flat Head
9	5227 125	1			ARMATURE
10	5227 126	1			COMMUTATOR END SHIELD
11	5227 127	1			SINTERED METAL BUSHING
12	5227 128	2			BOLT, Thru
13	5227 356	1			CLOSURE CAP
14	5227 130	2			SCREW, Oval Head
15	5227 357	1			NUT, Hexagon
16	5226 607	1			SOLENOID SWITCH
17	5227 131	1			BRUSH HOLDER
18	5227 132	1			STATOR FRAME
19	5227 134	1			PARTS SET
20		1			SEAL, (Not Serv.)
21		1			C-CLIP, (Not Serv.)

MODEL CODES

E BODY = (J - CARAVELLE)(E - 600)(T - NEW YORKER)

G BODY = (V24 - DAYTONA)

H BODY = (D44 - LANCER)(C44 - LEBARON GTS)

J BODY = (C - LEBARON)

K BODY = (P - RELIANT)(D - ARIES)(C - LEBAROND)/TOWN & COUNTRY)

L BODY = (M - HORIZON/TURISMO)(Z - OMNI/CHARGER)

M BODY = (B - GRAN FURY)(F - FIFTH AVE/NEWPORT)(G - DIPLOMAT)

P BODY = (P - SUNDANCE)(D - SHADOW)

S BODY = (H - VOYAGER)(K - RAM VAN/CARAVAN)

BODY STYLES

12-13 = FWD VAN

21 = 2-DOOR SEDAN

24 = 2-DOOR HATCHBACK

27 = 2-DOOR CONVERTIBLE

41 = 4-DOOR SEDAN

44 = 4-DOOR HATCHBACK

45 = 4-DOOR STATION WAGON

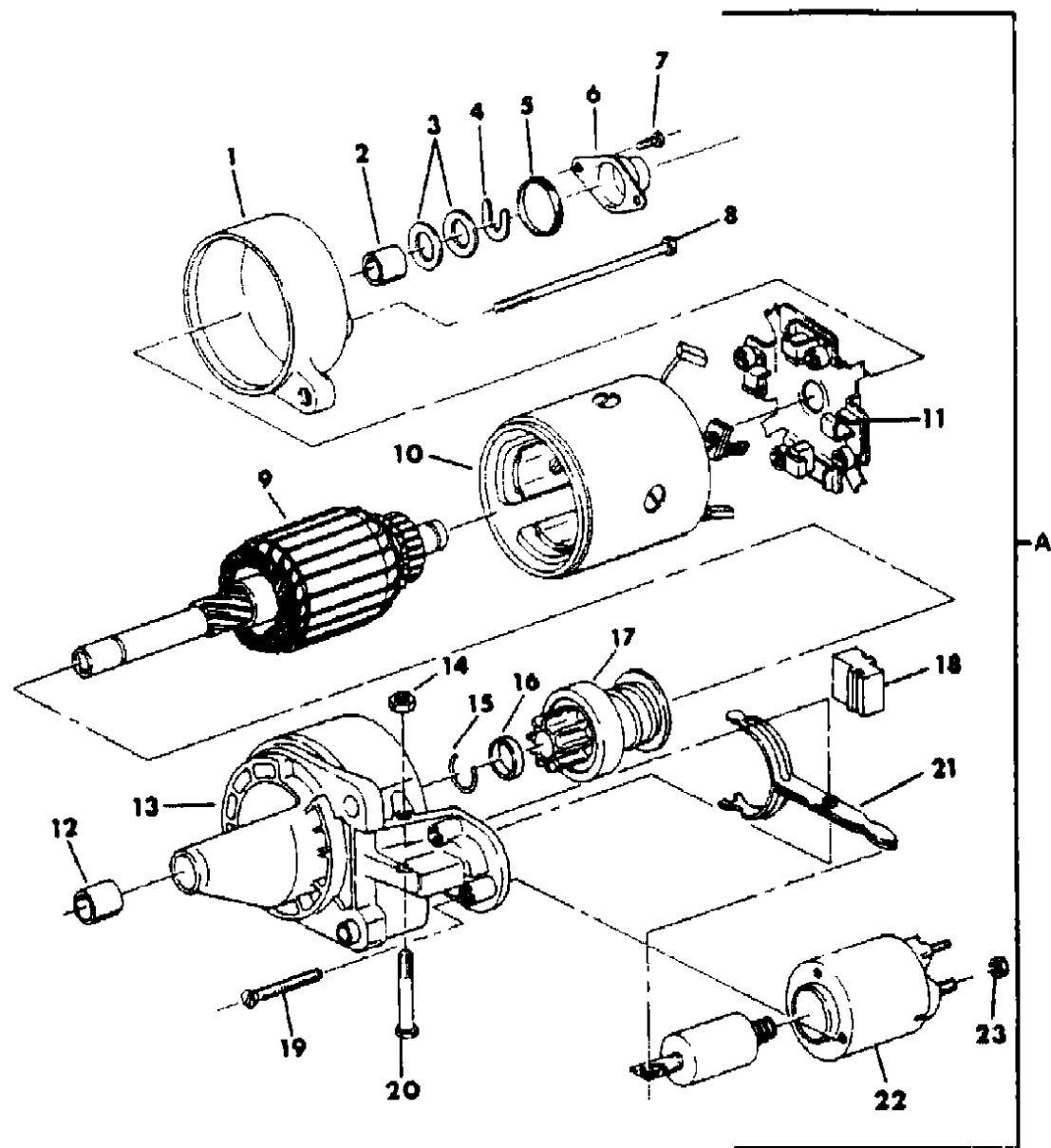
52-53 = FWD WAGON

AR = Use as Required - = Non Illustrated Part P.A.R. = Paint as Required

STARTER COMPONENTS 2.2-2.5 ENGINE 5226441--5226442

Figure 8-1000

7108 1000 A



ITEM	PART NUMBER	QTY	BODY	MODEL	DESCRIPTION
A	4419 308	1			STARTER, For Complete Replacement Only (Stamped 5226441-5226442)
1	5206 606	1			HEAD, End
2	5206 610	1			BEARING, End Head
3	5213 392				SHIM PACKAGE, Parts Set
4	5213 393	1			WASHER, Retaining
5	5213 387				SEAL, Parts Set
6	5206 612				COVER, Bearing (Cap)
7	5213 396				SCREW, Bearing Cover
8	5206 613				BOLT THRU
9	5213 383				ARMATURE
10	5213 385				FIELD FRAME
11	5206 605	1			BRUSH HOLDER
12		1			BEARING, Housing
13	#5227 358	1			SHIELD, Drive End
14	5213 391	1			NUT, Fork Shift Lever
15					SNAP RING, (Serv. in Item #3)
16	5213 387				SEAL, Parts Set
17	5213 384	1			CLUTCH, w/5226442
	5226 335				w/5226441
18	5213 387	1			SEAL, Parts Set
19	5206 615	1			SCREW, Solenoid
20	5206 628	1			PIN, Shift Fork Lever
21	5206 609	1			LEVER, Shift Fork
22	5206 607	1			SOLENOID
23	5206 616				NUT, Connecting Terminal

MODEL CODES

E BODY = (J - CARAVELLE)(E - 600)(T - NEW YORKER)

G BODY = (V24 - DAYTONA)

H BODY = (D44 - LANCER)(C44 - LEBARON GTS)

J BODY = (C - LEBARON)

K BODY = (P - RELIANT)(D - ARIES)(C - LEBAROND)/TOWN & COUNTRY)

L BODY = (M - HORIZON/TURISMO)(Z - OMNI/CHARGER)

M BODY = (B - GRAN FURY)(F - FIFTH AVE/NEWPORT)(G - DIPLOMAT)

P BODY = (P - SUNDANCE)(D - SHADOW)

S BODY = (H - VOYAGER)(K - RAM VAN/CARAVAN)

BODY STYLES

12-13 = FWD VAN

21 = 2-DOOR SEDAN

24 = 2-DOOR HATCHBACK

27 = 2-DOOR CONVERTIBLE

41 = 4-DOOR SEDAN

44 = 4-DOOR HATCHBACK

45 = 4-DOOR STATION WAGON

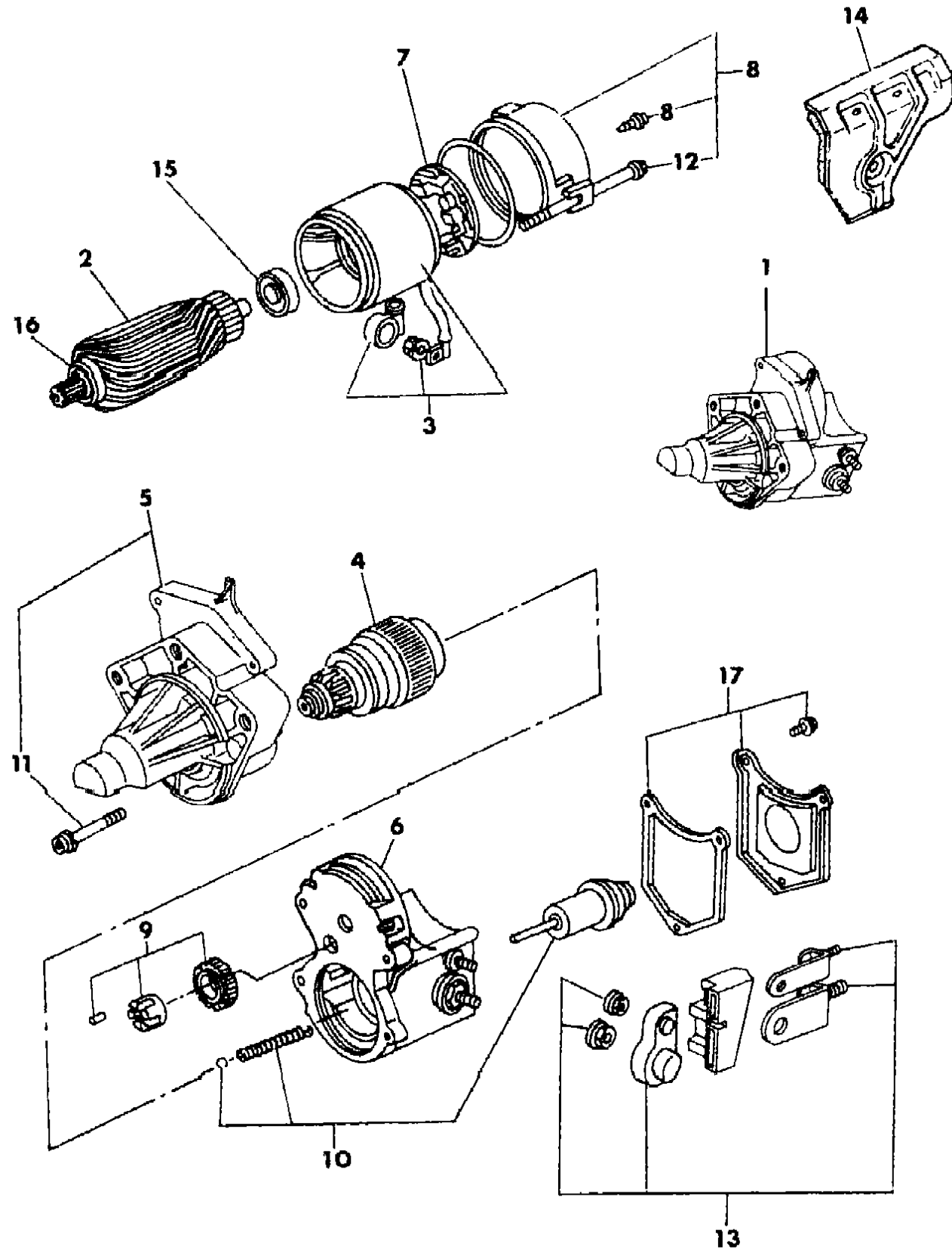
52-53 = FWD WAGON

AR = Use as Required - = Non Illustrated Part P.A.R. = Paint as Required

STARTER COMPONENTS 2.2-2.5 ENGINE 5226842--5226844

Figure 8-1050

7108 1050A



ITEM	PART NUMBER	QTY	BODY	MODEL	DESCRIPTION
1	#4419 308				STARTER, (Stamped 5226842-5226844)
2	#5233 941 5233 943				ARMATURE, w/5226842 w/5226844
3	#4467 170 4467 171				YOKE PACKAGE, w/5226842 w/5226844
4	#5233 854				CLUTCH ASSEMBLY
5	4437 178				HOUSING PACKAGE
6	#5233 886				SWITCH ASSEMBLY
7	#5233 891 5233 944				BRUSH HOLDER, w/5226842 w/5226844
8	#4467 173				END FRAME PACKAGE
9	#4467 166				GEAR PACKAGE, Internal
10	#4467 167				PLUNGER PACKAGE
11	#5233 921				SCREW AND WASHER
12	#5233 922				THRU-BOLT
13	#4467 165				TERMINAL PACKAGE
14	#4467 169				HEAT SHIELD PACKAGE
15	#5233 934 5233 945				BALL BEARING, w/5226842 w/5226844
16	#5233 935				BALL BEARING
17	#4467 172				SOLENOID COVER PACKAGE

MODEL CODES

E BODY = (J - CARAVELLE)(E - 600)(T - NEW YORKER)

G BODY = (V24 - DAYTONA)

H BODY = (D44 - LANCER)(C44 - LEBARON GTS)

J BODY = (C - LEBARON)

K BODY = (P - RELIANT)(D - ARIES)(C - LEBAROND)/TOWN & COUNTRY)

L BODY = (M - HORIZON/TURISMO)(Z - OMNI/CHARGER)

M BODY = (B - GRAN FURY)(F - FIFTH AVE/NEWPORT)(G - DIPLOMAT)

P BODY = (P - SUNDANCE)(D - SHADOW)

S BODY = (H - VOYAGER)(K - RAM VAN/CARAVAN)

BODY STYLES

12-13 = FWD VAN

21 = 2-DOOR SEDAN

24 = 2-DOOR HATCHBACK

27 = 2-DOOR CONVERTIBLE

41 = 4-DOOR SEDAN

44 = 4-DOOR HATCHBACK

45 = 4-DOOR STATION WAGON

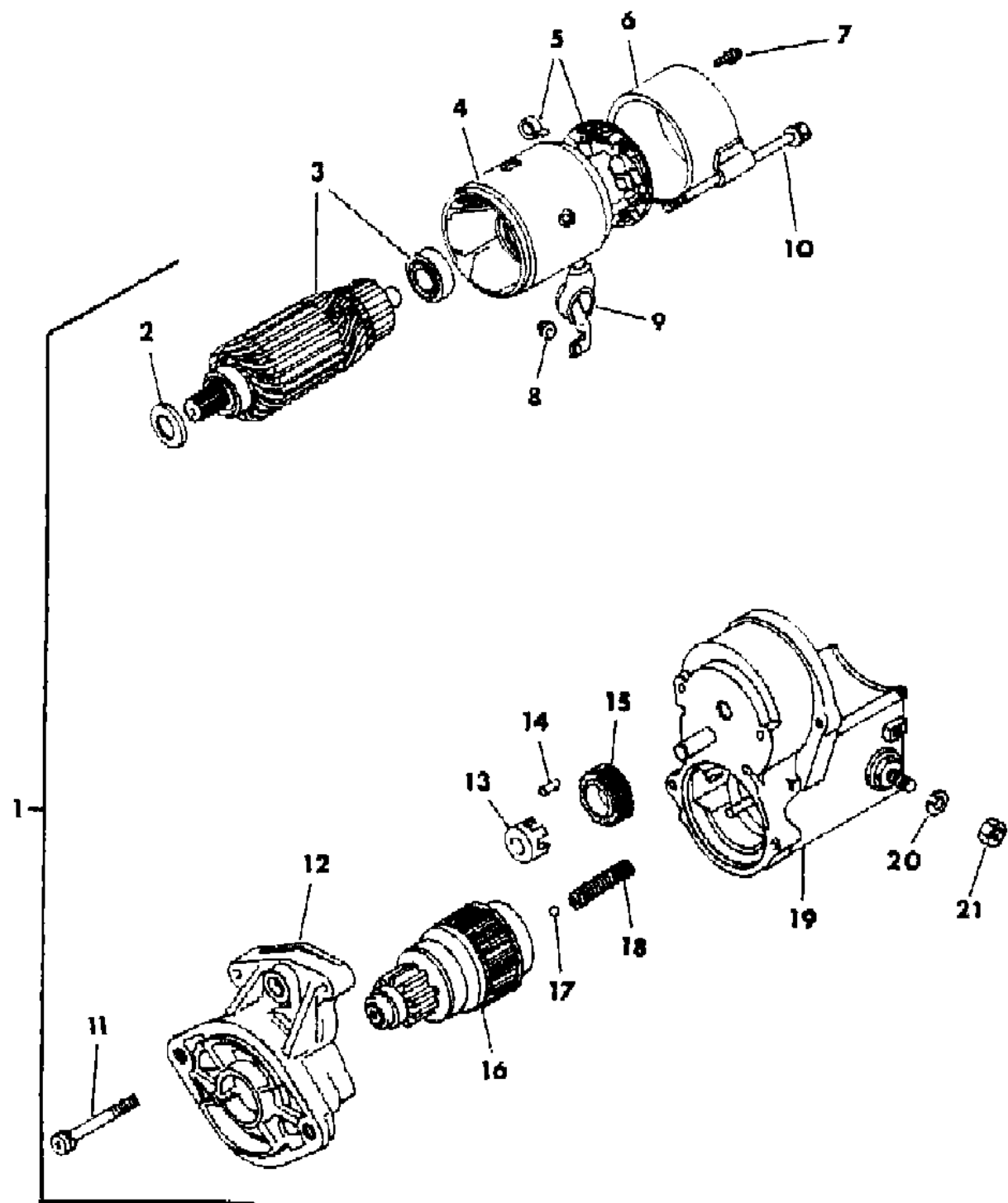
52-53 = FWD WAGON

AR = Use as Required - = Non Illustrated Part P.A.R. = Paint as Required

STARTER COMPONENTS 2.6L ENGINE

Figure 8-1100

7100 1100



ITEM	PART NUMBER	QTY	BODY	MODEL	DESCRIPTION
1	MD02 5235	1			STARTER, Stamped 5213235
2	MD60 4325	1			WASHER, FELT
3	MD60 4318	1			ARMATURE
4	MD60 4317	1			YOKE ASSEMBLY
5	MD60 4322	1			HOLDER ASSEMBLY
6	MD60 4333	1			FRAME ASSEMBLY
7	MD60 4335	2			SCREW, w/Washer
8	MD60 4330	1			NUT
9	MD60 4327	1			CAP, Terminal (Rubber)
10	MD60 4326	2			BOLT, w/Washer
11	MD60 4328	2			SCREW, w/Washer
12	MD60 4320	1			HOUSING, Sub Assy.
13	MD60 4332	1			RETAINER
14	MD60 4336	5			ROLLER, Clutch
15	MD60 4324	1			PINION
16	MD60 4319	1			CLUTCH ASSEMBLY, Sub.
17	MD60 4323	1			BALL, Steel
18	MD60 4334	1			SPRING
19	MD60 4321	1			SWITCH, Magnetic (Solenoid)
20	MD60 4329	1			WASHER, Spring
21	MD60 4331	1			NUT, Hexagon

MODEL CODES

E BODY = (J - CARAVELLE)(E - 600)(T - NEW YORKER)

G BODY = (V24 - DAYTONA)

H BODY = (D44 - LANCER)(C44 - LEBARON GTS)

J BODY = (C - LEBARON)

K BODY = (P - RELIANT)(D - ARIES)(C - LEBAROND)/TOWN & COUNTRY)

L BODY = (M - HORIZON/TURISMO)(Z - OMNI/CHARGER)

M BODY = (B - GRAN FURY)(F - FIFTH AVE/NEWPORT)(G - DIPLOMAT)

P BODY = (P - SUNDANCE)(D - SHADOW)

S BODY = (H - VOYAGER)(K - RAM VAN/CARAVAN)

BODY STYLES

12-13 = FWD VAN

21 = 2-DOOR SEDAN

24 = 2-DOOR HATCHBACK

27 = 2-DOOR CONVERTIBLE

41 = 4-DOOR SEDAN

44 = 4-DOOR HATCHBACK

45 = 4-DOOR STATION WAGON

52-53 = FWD WAGON

AR = Use as Required - = Non Illustrated Part P.A.R. = Paint as Required

STARTER 3.0 ENGINE BOSCH
Figure 8-1150

ILLUSTRATION NOT AVAILABLE AT TIME OF PUBLICATION

ITEM	PART NUMBER	QTY	BODY	MODEL	DESCRIPTION
NOTE: THE FOLLOWING COMPONENTS ARE FOR STARTER 5226948					
1	5227 248				STARTER, Stamped 5226948 (BOSCH)
2	5227 134				PARTS SET
3	5233 668				FRAME, Stator
4	5233 667				BRUSH HOLDER
5	5233 666				SWITCH, Solenoid
6	5227 357				NUT, Hex
7	5227 130				SCREW, Oval Head
8	5227 356				CAP, Closure
9	5233 665				SCREW, Hex
10	5233 664				ARMATURE
11	5227 120				SCREW, Flat Head
12	5227 119				LEVER, Fork
13	5233 661				BUSHING, Sintered-Metal
14	5233 657				SHIELD, Drive End
15	5233 655				BUSHING, Sintered-Metal
16	5233 654				CLUTCH, Over-Running
17	5233 653				GEAR TRAIN, Epicyclodal

MODEL CODES

E BODY = (J - CARAVELLE)(E - 600)(T - NEW YORKER)

G BODY = (V24 - DAYTONA)

H BODY = (D44 - LANCER)(C44 - LEBARON GTS)

J BODY = (C - LEBARON)

K BODY = (P - RELIANT)(D - ARIES)(C - LEBAROND)/TOWN & COUNTRY)

L BODY = (M - HORIZON/TURISMO)(Z - OMNI/CHARGER)

M BODY = (B - GRAN FURY)(F - FIFTH AVE/NEWPORT)(G - DIPLOMAT)

P BODY = (P - SUNDANCE)(D - SHADOW)

S BODY = (H - VOYAGER)(K - RAM VAN/CARAVAN)

BODY STYLES

12-13 = FWD VAN

21 = 2-DOOR SEDAN

24 = 2-DOOR HATCHBACK

27 = 2-DOOR CONVERTIBLE

41 = 4-DOOR SEDAN

44 = 4-DOOR HATCHBACK

45 = 4-DOOR STATION WAGON

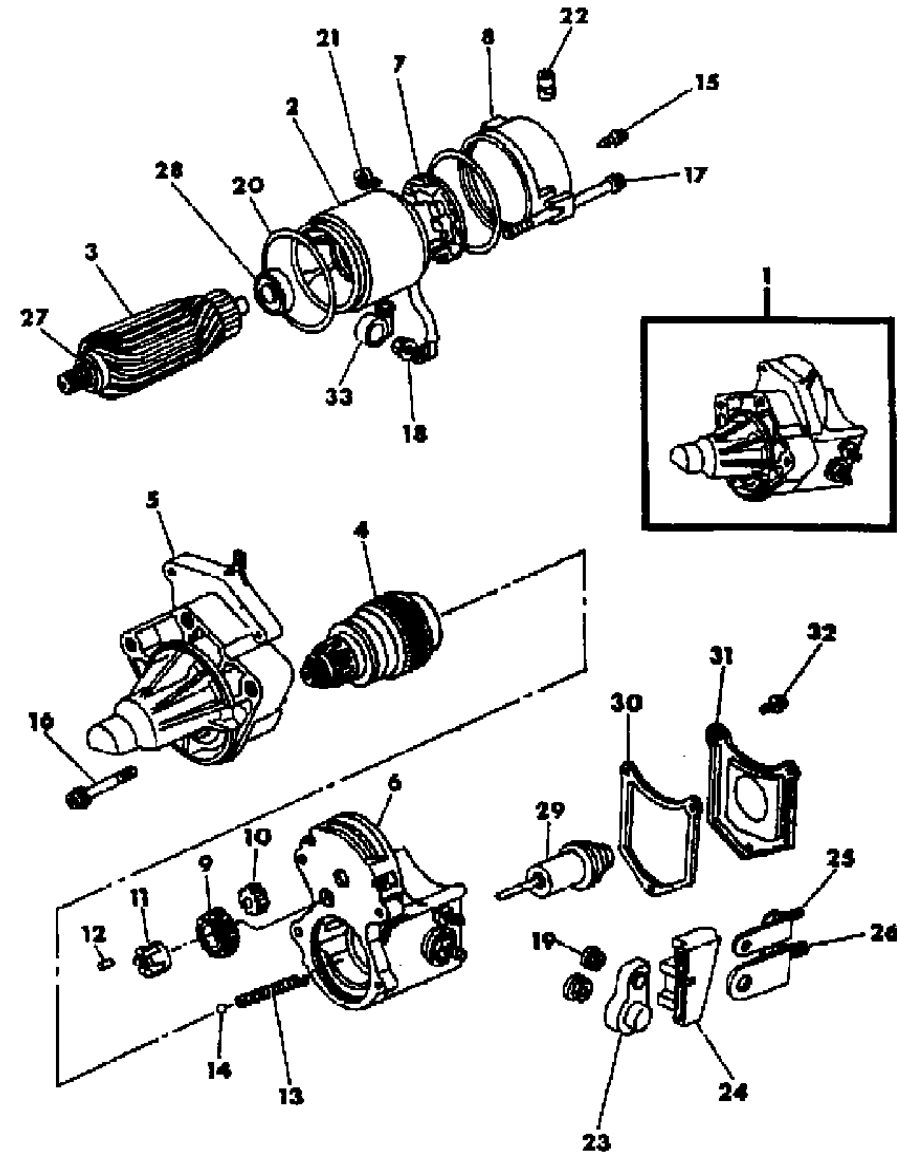
52-53 = FWD WAGON

AR = Use as Required - = Non Illustrated Part P.A.R. = Paint as Required

STARTER 3.0 ENGINE NIPPONDENSO

Figure 8-1200

7108 1208 A



ITEM	PART NUMBER	QTY	BODY	MODEL	DESCRIPTION
1	5227 248				STARTER, (Stamped 5226948)
2					YOKE, (Serv. in Pkg. 4467184)
3	#5233 947				ARMATURE ASSEMBLY
4	#5233 854				CLUTCH ASSEMBLY
5					HOUSING, (Serv. in Pkg. 4467179)
6	#5233 951				SWITCH ASSEMBLY
7	#5233 952				BRUSH HOLDER ASSEMBLY
8					FRAME, End, (Serv. in Pkg. 4467183)
9					PINION, Internal, (Serv. in Pkg. 4467166)
10	4467 166				PINION, Internal
11					RETAINER, (Serv. in Pkg. 4467167)
12					ROLLER, Clutch, (Serv. in Pkg. 4467167)
13					SPRING, Compression, (Serv. in Pkg. 4467167)
14					BALL, Steel, (Serv. in Pkg. 4467167)
15	#5233 955				SCREW, w/O-Ring
16	#5233 921				SCREW, w/Washer
17	#5233 956				BOLT, w/Washer
18					NUT, (Serv. in Pkg. 4467167)
19	5233 924				NUT
20	#5233 957				O-RING
21	#5233 927				SPRING, Brush
22	#5233 958				TUBE, Drain
23	5233 929				TERMINAL COVER
24	5233 959				TERMINAL INSULATOR, (Serv. in Pkg. 4467176)
25					TERMINAL, (Serv. in Pkg. 4467167)
26					TERMINAL, (Serv. in Pkg. 4467176)
27	#5233 963				BEARING, Ball
28	#5233 964				BEARING, Ball
29					PLUNGER, (Serv. in Pkg. 4467167)
30					GASKET, (Serv. in Pkg. 4467172)
31					COVER, Solenoid, (Serv. in Pkg. 4467172)
32					BOLT, w/Washer, (Serv. in Pkg. 4467172)
33	#5233 965				BOOT, Rubber

MODEL CODES

E BODY = (J - CARAVELLE)(E - 600)(T - NEW YORKER)

G BODY = (V24 - DAYTONA)

H BODY = (D44 - LANCER)(C44 - LEBARON GTS)

J BODY = (C - LEBARON)

K BODY = (P - RELIANT)(D - ARIES)(C - LEBAROND)/TOWN & COUNTRY)

L BODY = (M - HORIZON/TURISMO)(Z - OMNI/CHARGER)

M BODY = (B - GRAN FURY)(F - FIFTH AVE/NEWPORT)(G - DIPLOMAT)

P BODY = (P - SUNDANCE)(D - SHADOW)

S BODY = (H - VOYAGER)(K - RAM VAN/CARAVAN)

BODY STYLES

12-13 = FWD VAN

21 = 2-DOOR SEDAN

24 = 2-DOOR HATCHBACK

27 = 2-DOOR CONVERTIBLE

41 = 4-DOOR SEDAN

44 = 4-DOOR HATCHBACK

45 = 4-DOOR STATION WAGON

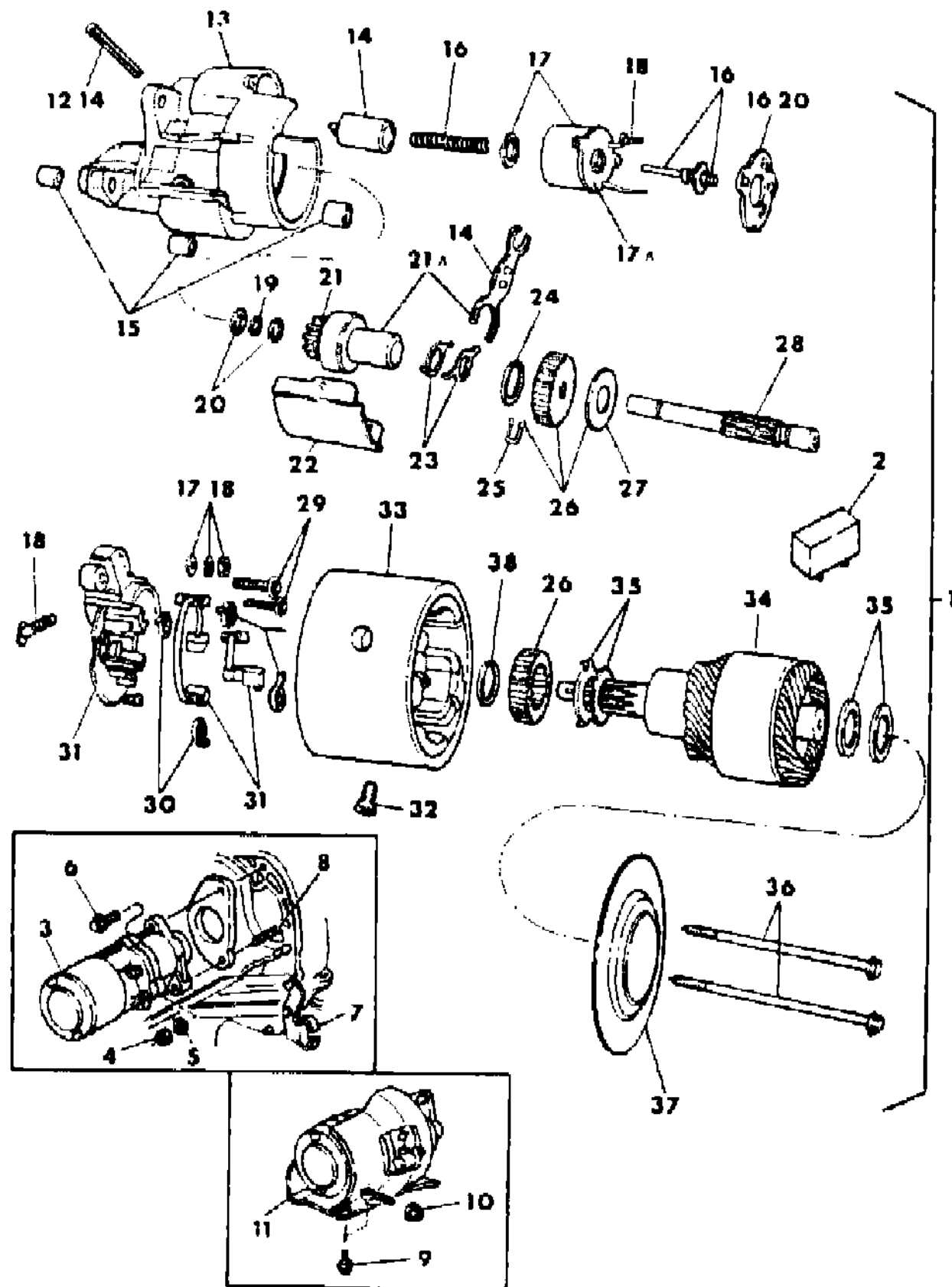
52-53 = FWD WAGON

AR = Use as Required - = Non Illustrated Part P.A.R. = Paint as Required

STARTER 318 ENGINE CHRYSLER NO. 4145360

Figure 8-1300

7108 1300 A



ITEM	PART NUMBER	QTY	BODY	MODEL	DESCRIPTION
1	4145 360				STARTER
2	4111 971	1			RELAY, Starter
3	4145 360	1			STARTER
4	0272 235	1			NUT
5					WASHER, (Not Serv.)
6	6023 899	1			SCREW, w/Washer
7					BRACKET, Oil Cooler Tube
8	2095 875	1			STUD, Mtg. 7/16 x 2.00
9	6023 092	2			SCREW, w/Washer
10	6025 001	1			NUT and WASHER
11	4140 724	1			SHIELD, Starter
12	2095 133	1			PIN, Shifting Fork Pivot
13	3755 261	1			HOUSING and BEARING, Gear
14	4057 940	1			CORE and SHIFT FORK
15	3874 817	2			BEARING, Pinion Housing
	3874 818	1			Bearing, Gear Housing
16	2932 814	2			CONTACT and SPRING PACKAGE
17	3837 337	1			SOLENOID PACKAGE
17A	2875 558	1			SEAL, Solenoid
18	3579 193	1			STUD PACKAGE
19	6022 006	1			RING, Pinion Shaft Ret.
20	2275 558	1			THRUST WASHER and RING PKG.
21	4145 978	1			CLUTCH ASSEMBLY
21A	4240 449	1			CLUTCH and SHIFTING FORK PACKAGE
22	2095 116	1			COVER, Gear Housing
23					ACTUATOR, Starter Clutch, (Not Serv.)
24	2095 130	1			RING, Clutch Actuator Ret.
25	2095 117	1			SNAP RING, Pinion Shaft Gear Ret.
26	4106 092	1			GEAR and SNAP RING PACKAGE
27	3755 256	1			WASHER, Pinion Shaft Gear
28	4091 914	1			SHAFT, Pinion
29	0153 468	2			SCREW, w/Washer
30	2084 666	1			SPRING PACKAGE
31	3874 345	1			BRUSH HOLDER
32	6030 160	4			SCREW, 3/8-16.66
33	4111 959	1			FRAME and FIELD
34	3837 334	1			ARMATURE
35	3837 340	1			THRUST WASHER PACKAGE

MODEL CODES

E BODY = (J - CARAVELLE)(E - 600)(T - NEW YORKER)

G BODY = (V24 - DAYTONA)

H BODY = (D44 - LANCER)(C44 - LEBARON GTS)

J BODY = (C - LEBARON)

K BODY = (P - RELIANT)(D - ARIES)(C - LEBAROND)/TOWN & COUNTRY)

L BODY = (M - HORIZON/TURISMO)(Z - OMNI/CHARGER)

M BODY = (B - GRAN FURY)(F - FIFTH AVE/NEWPORT)(G - DIPLOMAT)

P BODY = (P - SUNDANCE)(D - SHADOW)

S BODY = (H - VOYAGER)(K - RAM VAN/CARAVAN)

BODY STYLES

12-13 = FWD VAN

21 = 2-DOOR SEDAN

24 = 2-DOOR HATCHBACK

27 = 2-DOOR CONVERTIBLE

41 = 4-DOOR SEDAN

44 = 4-DOOR HATCHBACK

45 = 4-DOOR STATION WAGON

52-53 = FWD WAGON

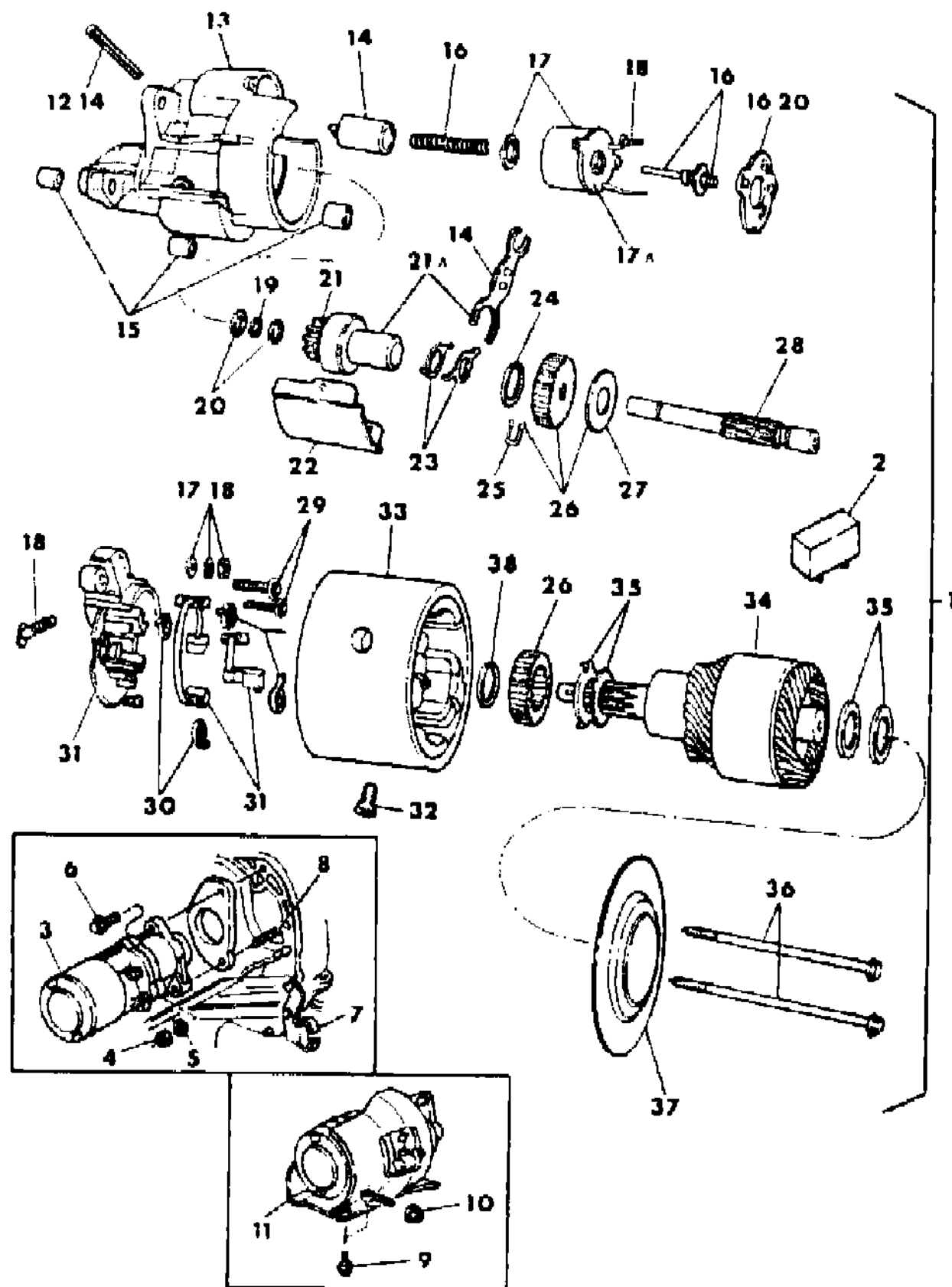
AR = Use as Required - = Non Illustrated Part P.A.R. = Paint as Required

STARTER 318 ENGINE CHRYSLER NO. 4145360

Figure 8-1300

7108 1300 A

ITEM	PART NUMBER	QTY	BODY	MODEL	DESCRIPTION
------	-------------	-----	------	-------	-------------



36	3755 231	2			SCREW, 1/4-20x5.42
37	2095 076	1			HEAD, End
38	6022 006	1			RING, Armature Gear Ret.

MODEL CODES
 E BODY = (J - CARAVELLE)(E - 600)(T - NEW YORKER)
 G BODY = (V24 - DAYTONA)
 H BODY = (D44 - LANCER)(C44 - LEBARON GTS)
 J BODY = (C - LEBARON)
 K BODY = (P - RELIANT)(D - ARIES)(C - LEBAROND)/TOWN & COUNTRY
 L BODY = (M - HORIZON/TURISMO)(Z - OMNI/CHARGER)
 M BODY = (B - GRAN FURY)(F - FIFTH AVE/NEWPORT)(G - DIPLOMAT)
 P BODY = (P - SUNDANCE)(D - SHADOW)
 S BODY = (H - VOYAGER)(K - RAM VAN/CARAVAN)

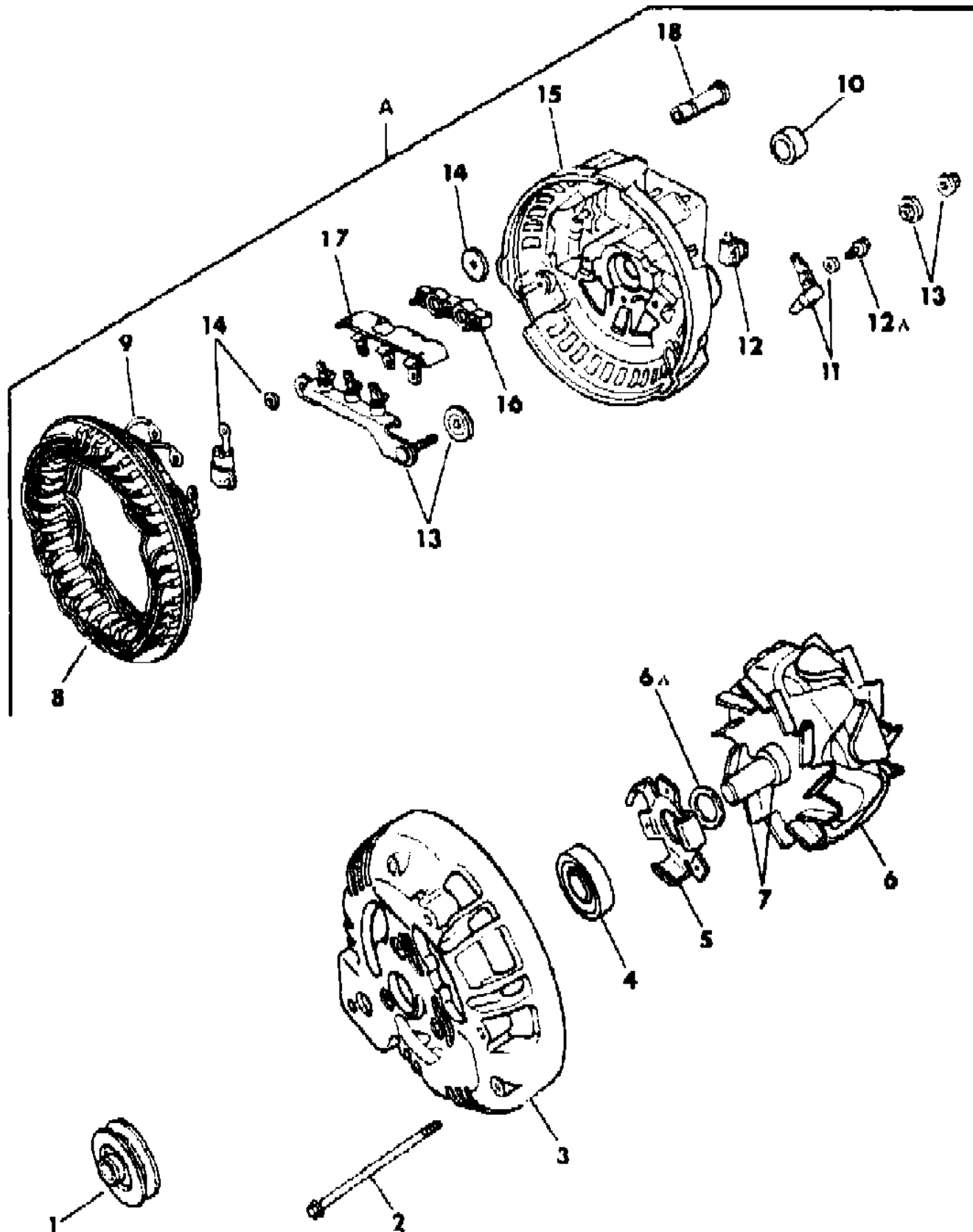
BODY STYLES
 12-13 = FWD VAN
 21 = 2-DOOR SEDAN
 24 = 2-DOOR HATCHBACK
 27 = 2-DOOR CONVERTIBLE
 41 = 4-DOOR SEDAN
 44 = 4-DOOR HATCHBACK
 45 = 4-DOOR STATION WAGON
 52-53 = FWD WAGON

AR = Use as Required - = Non Illustrated Part P.A.R. = Paint as Required

ALTERNATOR 2.2L ENGINE

Figure 8-1400

7108 1400 B



ITEM	PART NUMBER	QTY	BODY	MODEL	DESCRIPTION
A	5213 763	1			ALTERNATOR and PULLEY, 78 Amp.
	5226 135	1			78 Amp. TURBO
1	5213 760	1			PULLEY, Single Groove
	4339 481	1			(Poly-Groove)
2	4091 505	3			SCREW, Frame, 10-32 x 3.40
3	5206 421	1			SHIELD, Drive End 78 Amp.
4	5226 446	1			BEARING, Drive End Shield 60 & 78 Amp.
5	5226 156	1			PLATE, Drive End Shield Ret.
6	4240 414	1			ROTOR, 78 Amp.
6A	4145 342	1			SPACER, Altr. Rotor
7	3744 889	1			RETAINER and RING PACKAGE
8	4091 517	1			STATOR, 78 Amp.
9	3438 709	3			TERMINAL, Stator
10	3755 184	1			BEARING, Rectifier End Shield
11	5211 772	1			BRUSH and WASHER PACKAGE
12	3438 159	1			BRUSH HOLDER, Axial
	4091 667	1			Radial
12A	6031 272	2			SCREW, w/Washer, 8-32 x .53
13	4240 488	1			BATTERY TERMINAL-HEAT SINK PKG.
14	3620 793	1			CAPACITOR, STUD & INSULATOR
15	4240 489	1			SHIELD, Rectifier End 78 Amp.
16	3438 729	1			INSULATOR, Stator & Term. Stud
17	3755 114	1			HEAT SINK, Negative 78 Amp.
18					INSERT, (Serv. in Assy.)

MODEL CODES

E BODY = (J - CARAVELLE)(E - 600)(T - NEW YORKER)

G BODY = (V24 - DAYTONA)

H BODY = (D44 - LANCER)(C44 - LEBARON GTS)

J BODY = (C - LEBARON)

K BODY = (P - RELIANT)(D - ARIES)(C - LEBAROND)/TOWN & COUNTRY)

L BODY = (M - HORIZON/TURISMO)(Z - OMNI/CHARGER)

M BODY = (B - GRAN FURY)(F - FIFTH AVE/NEWPORT)(G - DIPLOMAT)

P BODY = (P - SUNDANCE)(D - SHADOW)

S BODY = (H - VOYAGER)(K - RAM VAN/CARAVAN)

BODY STYLES

12-13 = FWD VAN

21 = 2-DOOR SEDAN

24 = 2-DOOR HATCHBACK

27 = 2-DOOR CONVERTIBLE

41 = 4-DOOR SEDAN

44 = 4-DOOR HATCHBACK

45 = 4-DOOR STATION WAGON

52-53 = FWD WAGON

AR = Use as Required - = Non Illustrated Part P.A.R. = Paint as Required

ALTERNATOR 40/90 AMP.
Figure 8-1500

7108 1500

ITEM	PART NUMBER	QTY	BODY	MODEL	DESCRIPTION
A	4339 440				ALTERNATOR, Prod. w/5227100
	4339 440				5226600, Bosch
1	4364 855				RECTIFIER, Pos.-Neg. w/5227100
	5226 846				w/5226600
2	5226 020				PARTS SET, w/5227100
	5226 857				w/5226600
3	4364 853				ROTOR, w/5227100
	5226 841				w/5226600
4	5226 327				ROTOR, Parts Set, w/5226600
5	5226 619				SHIELD, Drive End, w/5227100
	5226 840				w/5226600
6	5226 942				BRUSH HOLDER and BRUSHES, w/5227100
	5226 848				w/5226600
7	5226 073				SHIELD,Rear End, w/Bushing, w/5227100
	5226 845				w/5226600
8	5226 137				CAPACITOR ASSEMBLY, w/5227100
	5226 856				w/5226600
9	5226 855				BOLT, Thru. w/5226600
10	5226 847				SCREW and WASHER, w/5226600
11					SPRING, Compression w/5226600, (Serv. in Assy.)
12	5226 572				BRUSH SET, w/5226600
13	5226 072				STATOR, w/5227100
	5226 315				w/5226600
-	5227 111				COVER, Rectifier End, w/5227100
14	5226 032				PULLEY, w/5227100
	5226 324				w/5226600
15	5226 458				FAN, w/5227100
	5226 322				w/5226600
-	5226 041				SPACER, Rotor, w/5227100
-	5226 042				SPACER, Pulley, w/5227100
16	4364 852				BEARING, Drive End, w/5227100
	5226 307				w/5226600
17	5226 308				COVER, Bearing w/5226600
18	5226 310				RING, Collector w/5226600
19	4364 852				BEARING, Rec. End, w/5227100
	5213 986				w/5226600
20	5213 989				O-RING, w/5226600
-	6032 831				SEAL, O-RING, w/5226600

MODEL CODES

E BODY = (J - CARAVELLE)(E - 600)(T - NEW YORKER)

G BODY = (V24 - DAYTONA)

H BODY = (D44 - LANCER)(C44 - LEBARON GTS)

J BODY = (C - LEBARON)

K BODY = (P - RELIANT)(D - ARIES)(C - LEBAROND)/TOWN & COUNTRY)

L BODY = (M - HORIZON/TURISMO)(Z - OMNI/CHARGER)

M BODY = (B - GRAN FURY)(F - FIFTH AVE/NEWPORT)(G - DIPLOMAT)

P BODY = (P - SUNDANCE)(D - SHADOW)

S BODY = (H - VOYAGER)(K - RAM VAN/CARAVAN)

BODY STYLES

12-13 = FWD VAN

21 = 2-DOOR SEDAN

24 = 2-DOOR HATCHBACK

27 = 2-DOOR CONVERTIBLE

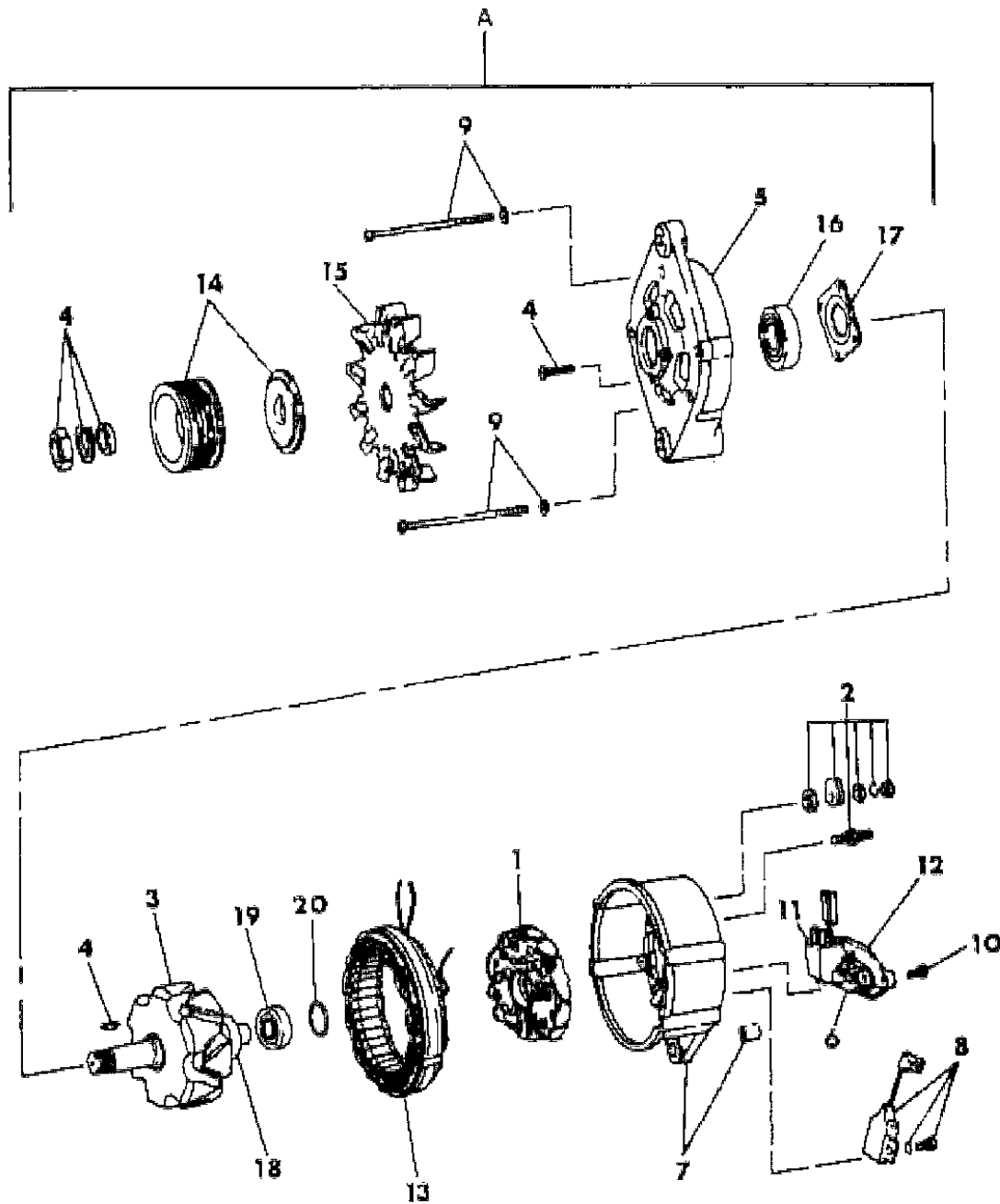
41 = 4-DOOR SEDAN

44 = 4-DOOR HATCHBACK

45 = 4-DOOR STATION WAGON

52-53 = FWD WAGON

AR = Use as Required - = Non Illustrated Part P.A.R. = Paint as Required



ALTERNATOR 40/90 AMP.
Figure 8-1500

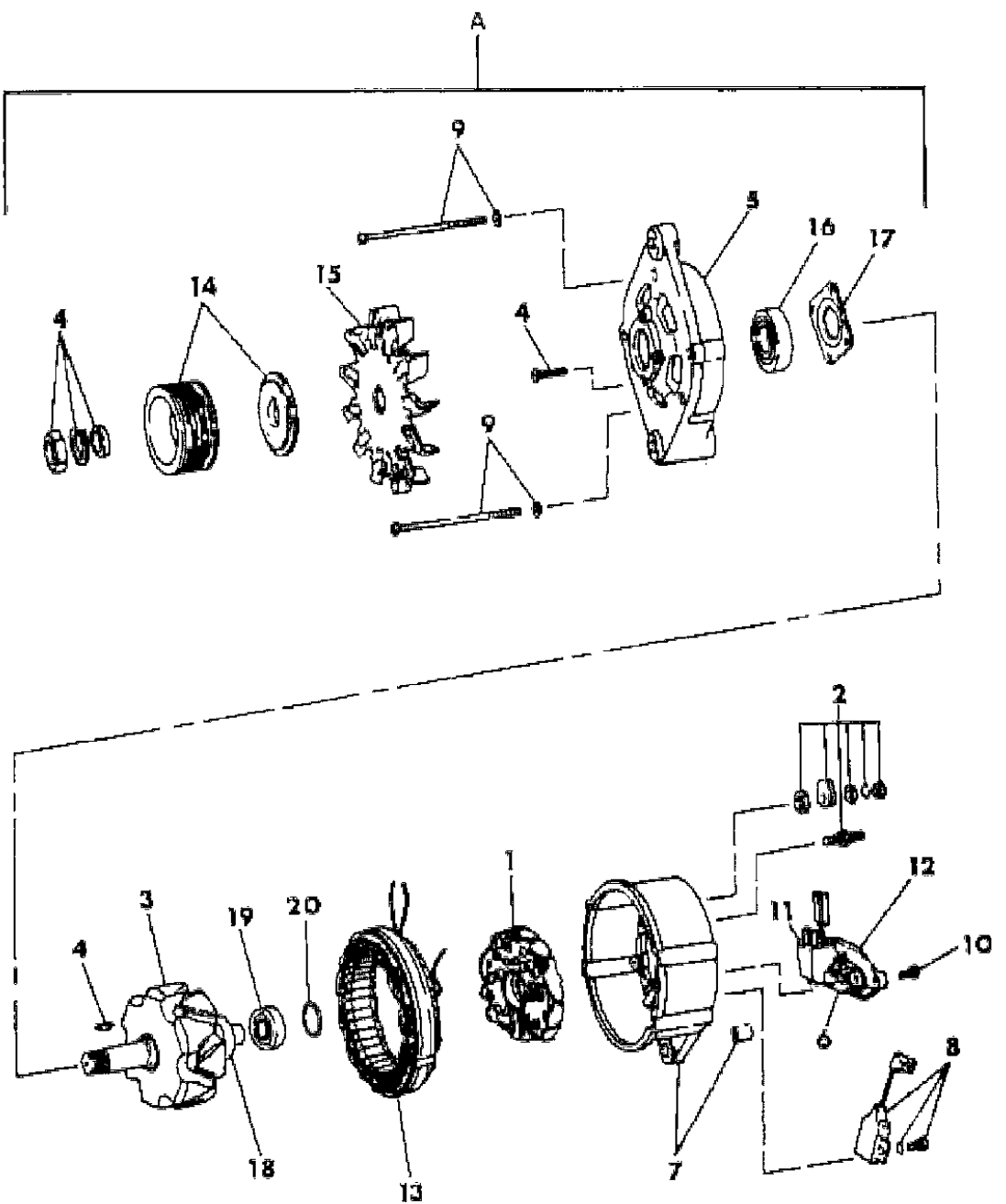
7108 1500

ITEM	PART NUMBER	QTY	BODY	MODEL	DESCRIPTION
------	-------------	-----	------	-------	-------------

-	6501 007				WASHER, Pulley Lock, w/5227100
-	6501 006				NUT, Pulley Lock, w/5227100

- MODEL CODES
- | | |
|---|---|
| E BODY = (J - CARAVELLE)(E - 600)(T - NEW YORKER) | L BODY = (M - HORIZON/TURISMO)(Z - OMNI/CHARGER) |
| G BODY = (V24 - DAYTONA) | M BODY = (B - GRAN FURY)(F - FIFTH AVE/NEWPORT)(G - DIPLOMAT) |
| H BODY = (D44 - LANCER)(C44 - LEBARON GTS) | P BODY = (P - SUNDANCE)(D - SHADOW) |
| J BODY = (C - LEBARON) | S BODY = (H - VOYAGER)(K - RAM VAN/CARAVAN) |
| K BODY = (P - RELIANT)(D - ARIES)(C - LEBAROND)/TOWN & COUNTRY) | |
- BODY STYLES
- | | |
|-------------------------|---------------------------|
| 12-13 = FWD VAN | 41 = 4-DOOR SEDAN |
| 21 = 2-DOOR SEDAN | 44 = 4-DOOR HATCHBACK |
| 24 = 2-DOOR HATCHBACK | 45 = 4-DOOR STATION WAGON |
| 27 = 2-DOOR CONVERTIBLE | 52-53 = FWD WAGON |

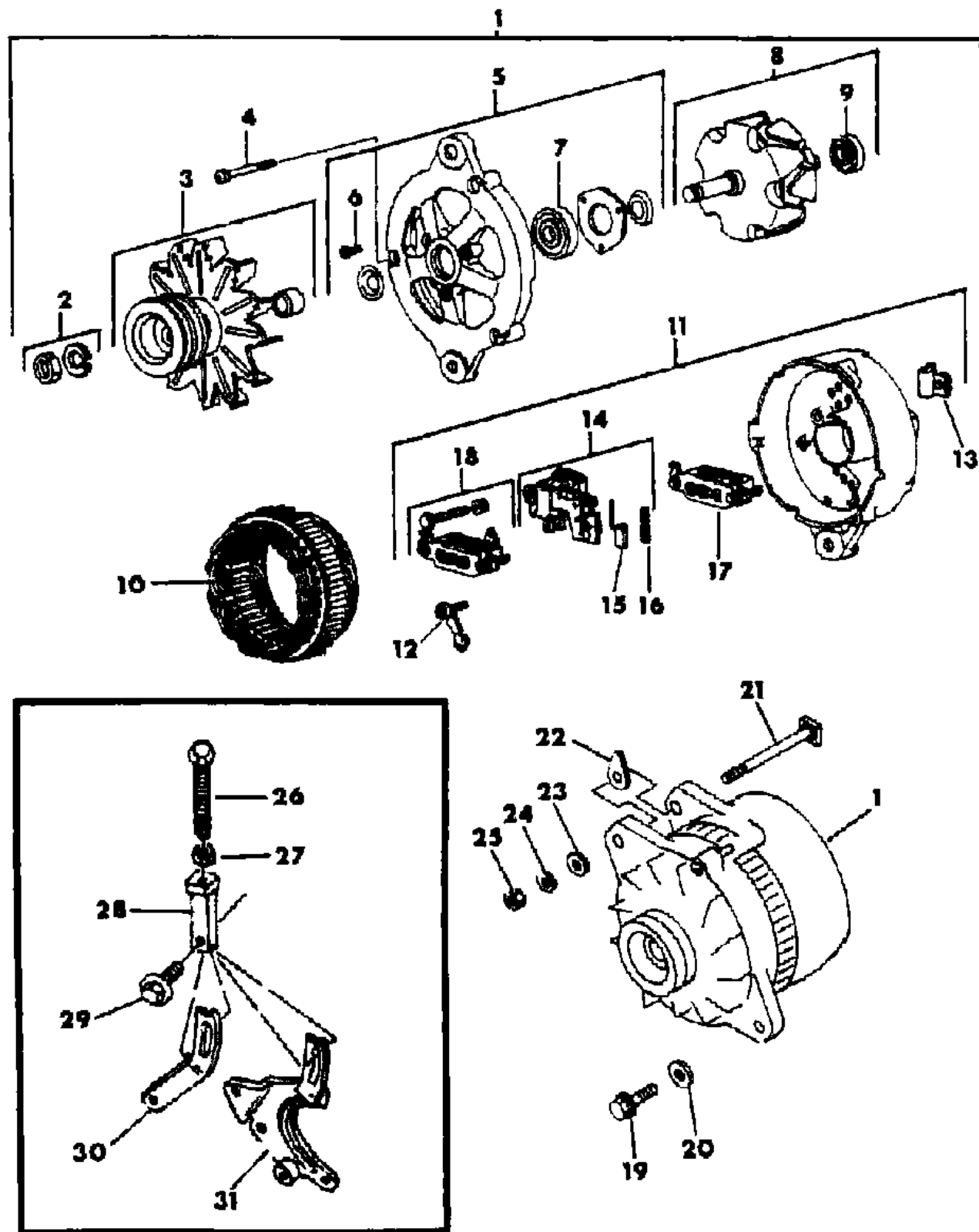
AR = Use as Required - = Non Illustrated Part P.A.R. = Paint as Required



ALTERNATOR 2.6L ENGINE

Figure 8-1600

7188 1800



ITEM	PART NUMBER	QTY	BODY	MODEL	DESCRIPTION
1	MD06 2007	1			ALTERNATOR
2	MM50 2340	1			NUT SET
3	MD60 7779	1			PULLEY
4	MD60 7205	1			SCREW SET
5	MD60 7424	1			BRACKET, (Front)
6	MD60 2938	1			SCREW SET
7	#MD60 7200	1			BEARING, Front
8	MD60 7425	1			ROTOR ASSEMBLY
9	MD60 2002	1			BEARING, Rear
10	MD60 7428	1			STATOR
11	MD60 7427	1			BRACKET, (Rear)
12	MD60 7431	1			TERMINAL SET
13	#MD60 7262	1			CONDENSER ASSEMBLY
14	MD60 7372	1			REGULATOR ASSEMBLY
15	MD60 7373	2			BRUSH
16	MD60 2227	2			SPRING, Brush
17	MD60 7429	1			RECTIFIER ASSEMBLY
18	MD60 7430	1			RECTIFIER SET
19	MD02 7754	1			BOLT, Flange
20	MD00 1521	1			WASHER
21	MD02 1662	1			BOLT
22	MD00 1517				SHIM
23	MF45 0005	1			WASHER, Plain
24	MF45 0405	1			WASHER, Spring
25	MF43 0005	1			NUT
26	6500 609	1			BOLT, Altr. Adj.
27	6500 491	1			JAM NUT, Clevis To Altr. Adj. Slot
28	4241 147	1			CLEVIS, Altr. Adj. Assy.
29		1			SCREW, Clevis To Altr. Adj. Slot (Not Serv.)
30	4240 438	1			STRAP, Altr. Adj.
31	4273 050	1			BRACKET, Altr. Adj. w/Air Cond. (Strap)

MODEL CODES

E BODY = (J - CARAVELLE)(E - 600)(T - NEW YORKER)

G BODY = (V24 - DAYTONA)

H BODY = (D44 - LANCER)(C44 - LEBARON GTS)

J BODY = (C - LEBARON)

K BODY = (P - RELIANT)(D - ARIES)(C - LEBAROND)/TOWN & COUNTRY)

L BODY = (M - HORIZON/TURISMO)(Z - OMNI/CHARGER)

M BODY = (B - GRAN FURY)(F - FIFTH AVE/NEWPORT)(G - DIPLOMAT)

P BODY = (P - SUNDANCE)(D - SHADOW)

S BODY = (H - VOYAGER)(K - RAM VAN/CARAVAN)

BODY STYLES

12-13 = FWD VAN

21 = 2-DOOR SEDAN

24 = 2-DOOR HATCHBACK

27 = 2-DOOR CONVERTIBLE

41 = 4-DOOR SEDAN

44 = 4-DOOR HATCHBACK

45 = 4-DOOR STATION WAGON

52-53 = FWD WAGON

AR = Use as Required - = Non Illustrated Part P.A.R. = Paint as Required

ALTERNATOR--40/90 AMP. V-6--S BODY
Figure 8-1700

7108 1700 A

ITEM	PART NUMBER	QTY	BODY	MODEL	DESCRIPTION
1	#4419 338				ALTERNATOR, Stamped 5227349
2	5233 360				PULLEY
3	5233 400				ROTOR
4	5233 446				COVER
5	5233 447				BEARING, Rec. End
6	5233 448				SHIELD, Drive End w/Stator
7	5233 450				RETAINER, Bearing
8	5233 461				SCREW, Bearing Retainer
9	#5233 462				THRU BOLT
10	5233 463				BEARING, Drive End Shield
11	5233 464				SHIELD, Rec. End
12	5233 465				COVER, Rear End
13	5233 468				RECTIFIER
14	#5233 469				INSULATOR, (B+)
15	5233 470				INSULATOR, Stator Lead
16	5233 471				BRUSH HOLDER
17	5233 472				SCREW, Field Term.
18	5233 476				SCREW, Stator Lead
19	5233 478				NUT, Thru-Bolt & Cover
20	5233 479				NUT, Pulley
21	5233 480				NUT, Battery Stud
22	5233 481				COVER, Bearing
23	#5233 482				CONSENSOR
24	5233 483				BUSHING
25					BOLT, 8x18-8T, (Not Serv.)
26	MD10 8427				STAY, (A)
27	MD10 3976				BRACKET
28	MD11 5942				BOLT, w/Washer
29	MD11 0864				BOLT, w/Washer, 8x43-8T
30	MD11 5941				STAY, (B)

MODEL CODES

E BODY = (J - CARAVELLE)(E - 600)(T - NEW YORKER)

G BODY = (V24 - DAYTONA)

H BODY = (D44 - LANCER)(C44 - LEBARON GTS)

J BODY = (C - LEBARON)

K BODY = (P - RELIANT)(D - ARIES)(C - LEBAROND)/TOWN & COUNTRY)

L BODY = (M - HORIZON/TURISMO)(Z - OMNI/CHARGER)

M BODY = (B - GRAN FURY)(F - FIFTH AVE/NEWPORT)(G - DIPLOMAT)

P BODY = (P - SUNDANCE)(D - SHADOW)

S BODY = (H - VOYAGER)(K - RAM VAN/CARAVAN)

BODY STYLES

12-13 = FWD VAN

21 = 2-DOOR SEDAN

24 = 2-DOOR HATCHBACK

27 = 2-DOOR CONVERTIBLE

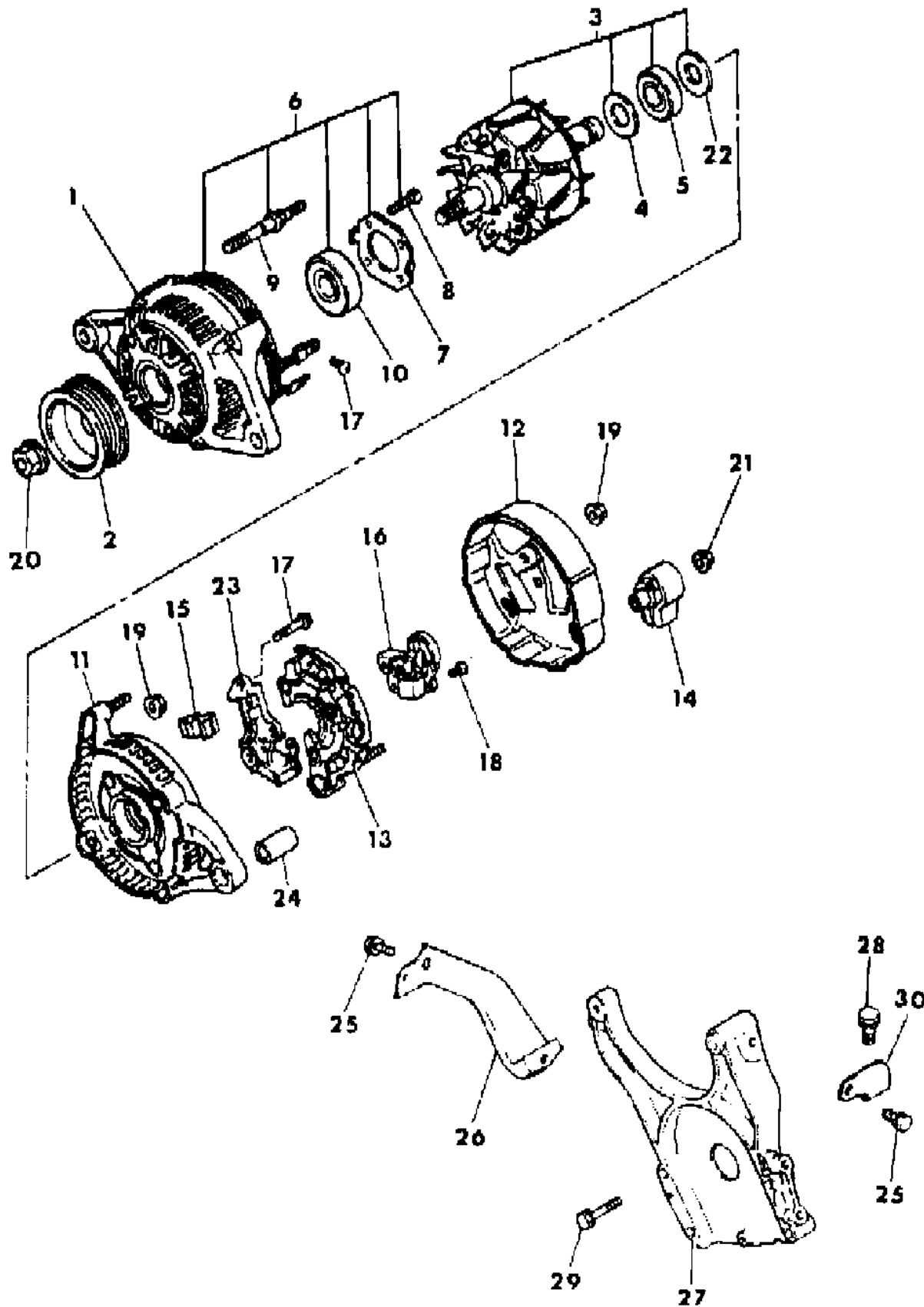
41 = 4-DOOR SEDAN

44 = 4-DOOR HATCHBACK

45 = 4-DOOR STATION WAGON

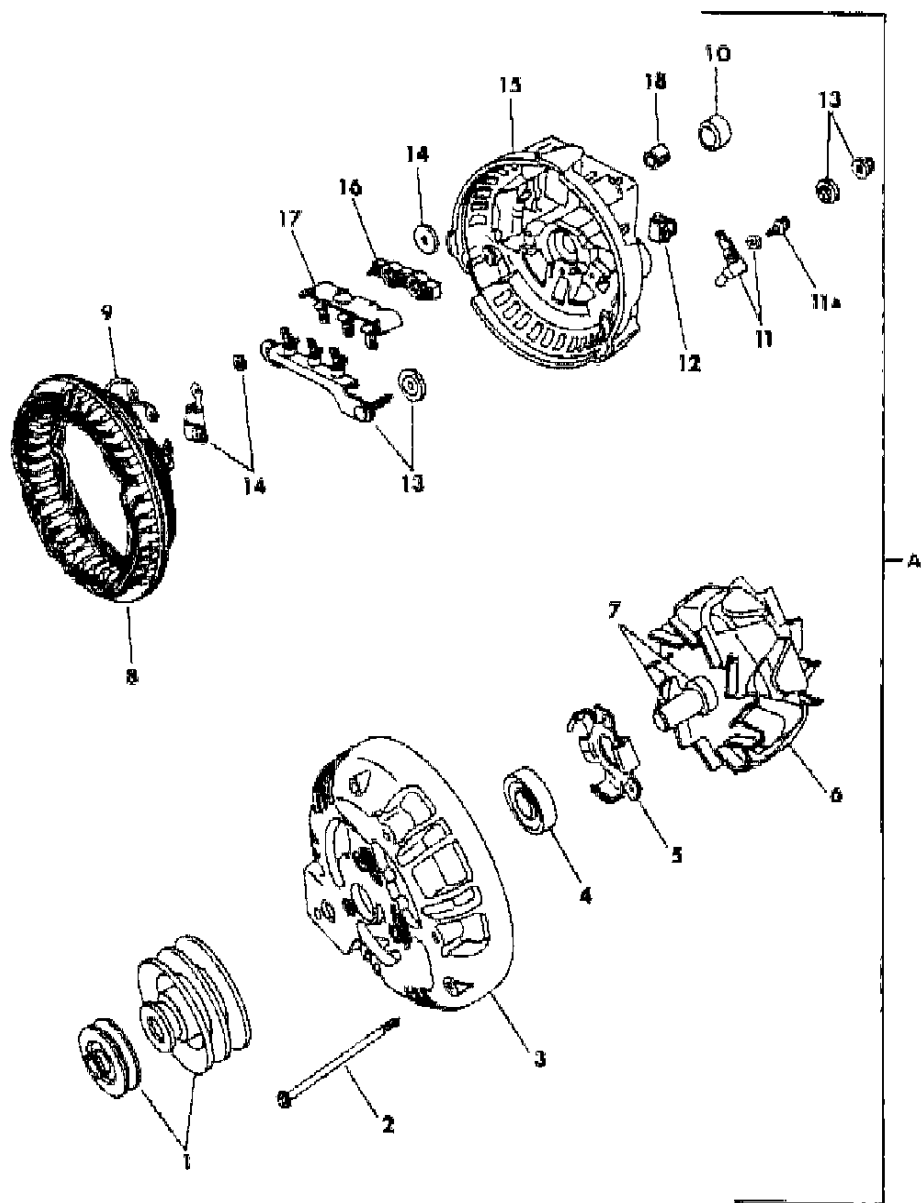
52-53 = FWD WAGON

AR = Use as Required - = Non Illustrated Part P.A.R. = Paint as Required



ALTERNATOR--60 AMP. 318 ENGINE
Figure 8-1800

7108 1800



ITEM	PART NUMBER	QTY	BODY	MODEL	DESCRIPTION
A	4091 565				ALTERNATOR, Single Groove,Prod#4091565
	4176 004				ALTERNATOR, Prod.#4111226
1	4106 094				PULLEY, w/4091565
	4111 768				w/4176004
2	4091 505				SCREW, Frame
3	4091 534				SHIELD, Drive End
4	3656 444				BEARING, Drive End Shield
5	2095 012				RETAINER, Drive End Shield
6	4240 413				ROTOR
7	3744 889				RETAINER and RING PACKAGE
8	4091 515				STATOR
9	3438 709				TERMINAL
10	3755 184				BEARING, Rectifier End Shield
11	4057 928				BRUSH and WASHER PACKAGE
11A	6031 272				SCREW
12	3438 159				BRUSH HOLDER, Axial
	4091 667				Radial
13	4240 488				BATTERY TERMINAL-HEAT SINK
14	3620 793				CAPACITOR and INSULATOR PKG.
15	5213 706				SHIELD, Rectifier End
16	3438 729				INSULATOR, Stator Term. Stud
17	3755 114				HEAT SINK, Negative
18					INSERT, (Serv. in Assy.)

MODEL CODES

E BODY = (J - CARAVELLE)(E - 600)(T - NEW YORKER)

G BODY = (V24 - DAYTONA)

H BODY = (D44 - LANCER)(C44 - LEBARON GTS)

J BODY = (C - LEBARON)

K BODY = (P - RELIANT)(D - ARIES)(C - LEBAROND)/TOWN & COUNTRY)

L BODY = (M - HORIZON/TURISMO)(Z - OMNI/CHARGER)

M BODY = (B - GRAN FURY)(F - FIFTH AVE/NEWPORT)(G - DIPLOMAT)

P BODY = (P - SUNDANCE)(D - SHADOW)

S BODY = (H - VOYAGER)(K - RAM VAN/CARAVAN)

BODY STYLES

12-13 = FWD VAN

21 = 2-DOOR SEDAN

24 = 2-DOOR HATCHBACK

27 = 2-DOOR CONVERTIBLE

41 = 4-DOOR SEDAN

44 = 4-DOOR HATCHBACK

45 = 4-DOOR STATION WAGON

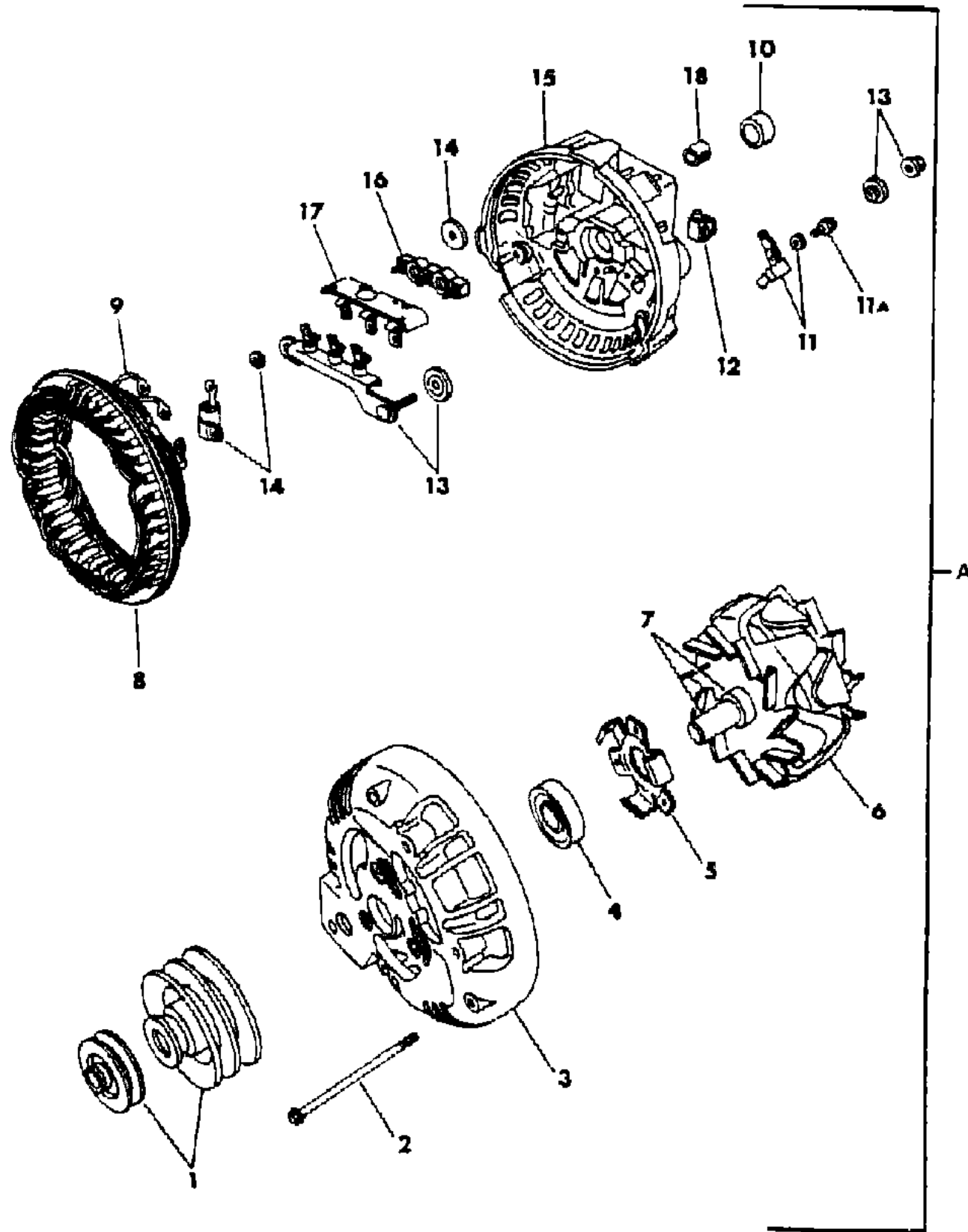
52-53 = FWD WAGON

AR = Use as Required - = Non Illustrated Part P.A.R. = Paint as Required

ALTERNATOR--78 AMP. 318 ENGINE

Figure 8-1900

7108 1900



ITEM	PART NUMBER	QTY	BODY	MODEL	DESCRIPTION
A	4176 007				ALTERNATOR, w/o Air Prod.#4091566
	4176 006				w/Air Prod.#4111204
1	4106 094				PULLEY,w/4176007
	4111 768				w/4176006
2	4091 505				SCREW, Frame
3	4091 534				SHIELD, Drive End
4	3656 444				BEARING, Drive End Shield
5	2095 012				RETAINER, Drive End Shield
6	4240 414				ROTOR
7	3744 889				RETAINER and SLIP RING PKG.
8	4091 517				STATOR
9	3438 709				TERMINAL
10	3755 184				BEARING, Rectifier End Shield
11	4057 928				BRUSH and WASHER PACKAGE
11A	6031 272				SCREW
12	3438 159				BRUSH HOLDER, Axial
	4091 667				Radial
13	4240 488				BATTERY TERMINAL-HEAT SINK
14	3620 793				CAPACITOR and INSULATOR PKG.
15	5213 706				SHIELD, Rectifier End
16	3438 729				INSULATOR, Stator Term. Stud
17	3755 114				HEAT SINK, Negative
18					INSERT, (Serv. in Item A)

MODEL CODES

E BODY = (J - CARAVELLE)(E - 600)(T - NEW YORKER)

G BODY = (V24 - DAYTONA)

H BODY = (D44 - LANCER)(C44 - LEBARON GTS)

J BODY = (C - LEBARON)

K BODY = (P - RELIANT)(D - ARIES)(C - LEBAROND)/TOWN & COUNTRY)

L BODY = (M - HORIZON/TURISMO)(Z - OMNI/CHARGER)

M BODY = (B - GRAN FURY)(F - FIFTH AVE/NEWPORT)(G - DIPLOMAT)

P BODY = (P - SUNDANCE)(D - SHADOW)

S BODY = (H - VOYAGER)(K - RAM VAN/CARAVAN)

BODY STYLES

12-13 = FWD VAN

21 = 2-DOOR SEDAN

24 = 2-DOOR HATCHBACK

27 = 2-DOOR CONVERTIBLE

41 = 4-DOOR SEDAN

44 = 4-DOOR HATCHBACK

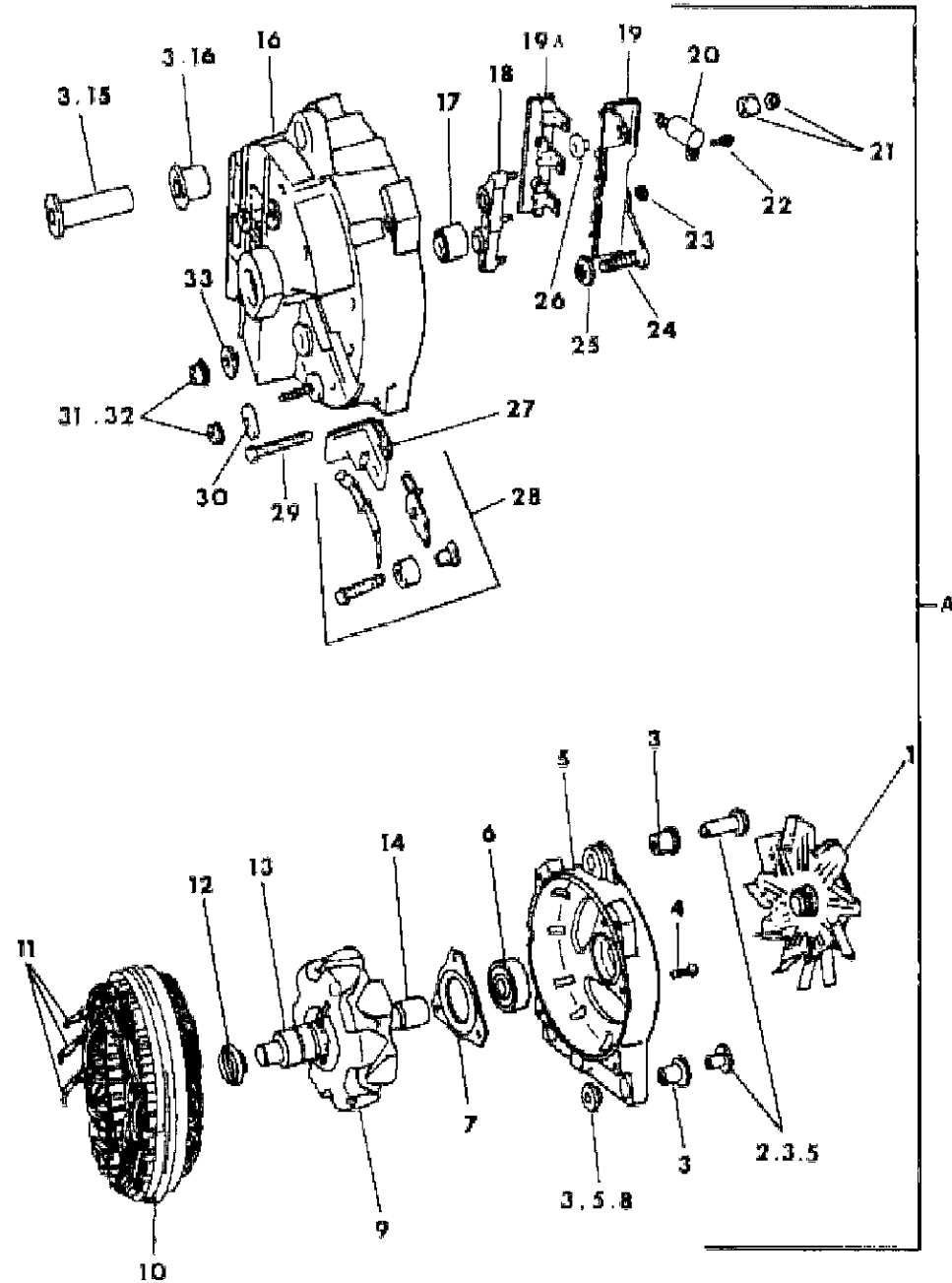
45 = 4-DOOR STATION WAGON

52-53 = FWD WAGON

AR = Use as Required - = Non Illustrated Part P.A.R. = Paint as Required

ALTERNATOR--114 AMP. 318 ENGINE
Figure 8-2000

7108 2000 A



ITEM	PART NUMBER	QTY	BODY	MODEL	DESCRIPTION
A	4091 460	1			ALTERNATOR, PROD. 4091460
1	4094 028	1			FAN and PULLEY, Double Groove
2					SLEEVE, (Serv. in End Shield & Isolator Pkg.)
3	4094 012	1			ISOLATOR PACKAGE
4	9428 120	3			SCREW
5	3874 995	1			DRIVE END SHIELD
6	3755 951	1			BEARING, Drive End Shield
7	3755 737	1			RETAINER, Drive End Shield Bearing
8					FERRULE, (Serv. in End Shield & Isolator Pkg.)
9	4026 048	1			ROTOR and SPACER PACKAGE
10	3879 401	1			STATOR
11					TERMINAL, (Not Serv.)
12					RETAINER, (Serv. in Slip Ring & Retainer Pkg.)
13	3838 080	1			SLIP RING and RETAINER PKG.
14					SPACER, (Serv. in Rotor Pkg.)
15					SLEEVE, (Serv. in Isolator Pkg.)
16	4091 466	1			SHIELD, Rectifier End
17	3874 074	1			BEARING, Rectifier End Shield
18	3755 625	1			INSULATOR
19	4026 303	1			HEAT SINK PACKAGE, Positive
19A	3755 627	1			HEAT SINK PACKAGE, Negative
20					CAPACITOR, (Serv. in 3838078 Pkg.)
21					INSULATOR, (Serv. in 4026303 Pkg.)
22					SCREW, (Not Serv.)
23					NUT, (Not Serv.)
24					STUD, (Serv. in 3838078 Pkg.)
25					INSULATOR, (Serv. in 3838078 Pkg.)
26					SPACER, (Serv. in 3838078 Pkg.)
27	3838 078	1			CAPACITOR, STUD & INSULATOR Pkg.
28	3838 079	1			BRUSH ASSEMBLY
	3755 773	1			Brush Holder
29	6030 547	1			SCREW, Frame, 10x24 1 5/8
30					WASHER, (Not Serv.)
31	6031 029	1			NUT and WASHER
32	6023 201	1			NUT and WASHER
33					INSULATOR, (Serv. in Rectifier End Shield)

MODEL CODES

E BODY = (J - CARAVELLE)(E - 600)(T - NEW YORKER)

G BODY = (V24 - DAYTONA)

H BODY = (D44 - LANCER)(C44 - LEBARON GTS)

J BODY = (C - LEBARON)

K BODY = (P - RELIANT)(D - ARIES)(C - LEBAROND)/TOWN & COUNTRY)

L BODY = (M - HORIZON/TURISMO)(Z - OMNI/CHARGER)

M BODY = (B - GRAN FURY)(F - FIFTH AVE/NEWPORT)(G - DIPLOMAT)

P BODY = (P - SUNDANCE)(D - SHADOW)

S BODY = (H - VOYAGER)(K - RAM VAN/CARAVAN)

BODY STYLES

12-13 = FWD VAN

21 = 2-DOOR SEDAN

24 = 2-DOOR HATCHBACK

27 = 2-DOOR CONVERTIBLE

41 = 4-DOOR SEDAN

44 = 4-DOOR HATCHBACK

45 = 4-DOOR STATION WAGON

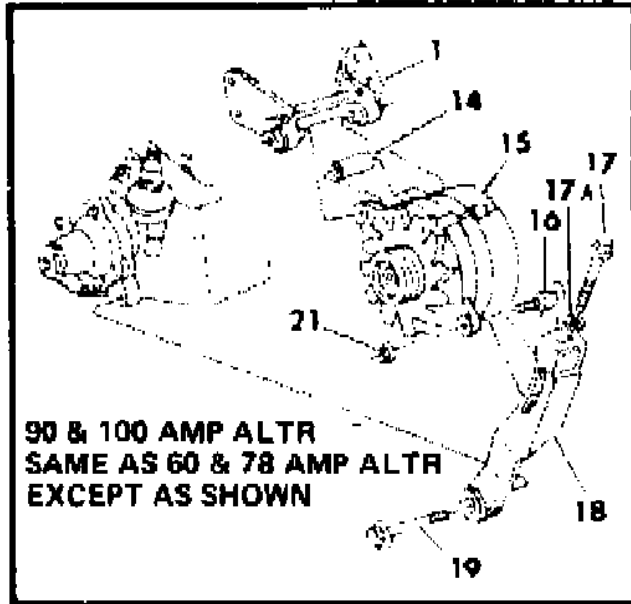
52-53 = FWD WAGON

AR = Use as Required - = Non Illustrated Part P.A.R. = Paint as Required

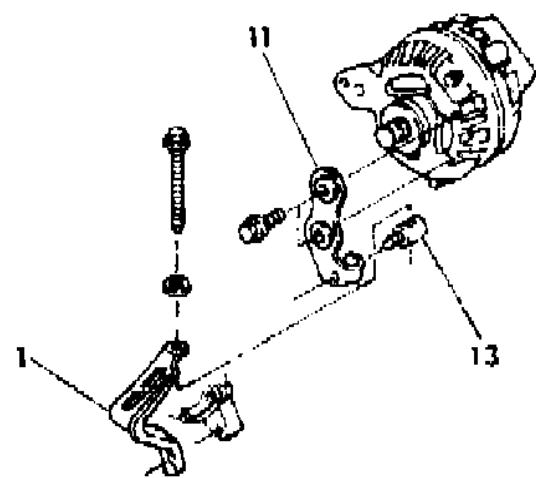
ALTERNATOR MOUNTING

Figure 8-2100

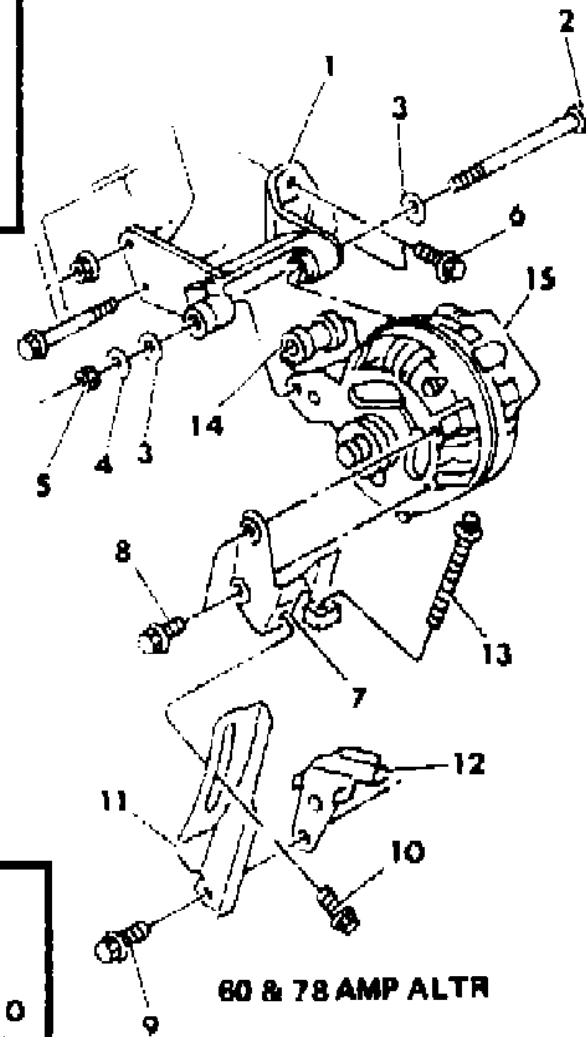
7108 2100 A



90 & 100 AMP ALTR
SAME AS 60 & 78 AMP ALTR
EXCEPT AS SHOWN



W/100 AMP ALTR



60 & 78 AMP ALTR

ITEM	PART NUMBER	QTY	BODY	MODEL	DESCRIPTION
1	4364 892				BRACKET, Mtg. w/o Air 60-78-90 Amp.
	4343 762		L		
2	9437 943				SCREW
3	6500 273	2			WASHER, Flat
4					C/Washer, (Not Serv.)
5	0152 344				NUT, Lock
6	6101 394	2			SCREW, w/Washer
7	4241 192				BRACKET, Alt. Adjusting
8	6032 706				SCREW, w/Washer
9	6500 375				SCREW, w/Washer
10					SCREW, w/Washer, (Not Serv.)
11	4241 283				STRAP, Adjusting
	4343 515		L		
12	4241 153				BRACKET, Adjusting
13	6500 609				BOLT, Alt. Adjusting
14	4273 289				SPACER, 90-100 Amp.
	4273 079				60-78 Amp.
15					ALTERNATOR
16	6501 112				BOLT, Adj. Bracket
17	6500 877				BOLT
17A	6100 878				WASHER
18	4323 295				BRACKET, Alt. Adjusting
19	6500 775				SCREW, w/Washer
20	6500 259	2			NUT, Flange Lock
21	6100 051				NUT and WASHER
22	4419 314				ADAPTOR, Alt. & A.C. Comp. Mtg. w/100 Amp.
	4419 313				w/o 100 Amp.
-	4241 157				SPACER
23					SCREW, w/Washer, (Not Serv.)
24	6501 261				SCREW, w/Washer
25	6101 054	2			SCREW, w/Washer
26	6101 394	3			SCREW, w/Washer
27					A/C COMPRESSOR, (See Group 24)
-	4268 074				ISOLATOR, (Rubber)
-	4268 068				SLEEVE, Alt. Rr.
-	4268 067				SLEEVE, Alt.
-	5213 191				INSERT, Alt. Mtg.

MODEL CODES

E BODY = (J - CARAVELLE)(E - 600)(T - NEW YORKER)

G BODY = (V24 - DAYTONA)

H BODY = (D44 - LANCER)(C44 - LEBARON GTS)

J BODY = (C - LEBARON)

K BODY = (P - RELIANT)(D - ARIES)(C - LEBAROND)/TOWN & COUNTRY)

L BODY = (M - HORIZON/TURISMO)(Z - OMNI/CHARGER)

M BODY = (B - GRAN FURY)(F - FIFTH AVE/NEWPORT)(G - DIPLOMAT)

P BODY = (P - SUNDANCE)(D - SHADOW)

S BODY = (H - VOYAGER)(K - RAM VAN/CARAVAN)

BODY STYLES

12-13 = FWD VAN

21 = 2-DOOR SEDAN

24 = 2-DOOR HATCHBACK

27 = 2-DOOR CONVERTIBLE

41 = 4-DOOR SEDAN

44 = 4-DOOR HATCHBACK

45 = 4-DOOR STATION WAGON

52-53 = FWD WAGON

AR = Use as Required - = Non Illustrated Part P.A.R. = Paint as Required

ALTERNATOR MOUNTING 318 ENGINE

Figure 8-2200

7108 2200 A

ITEM	PART NUMBER	QTY	BODY	MODEL	DESCRIPTION
1	4176 007				ALTERNATOR and PULLEY, 78 Amp.
	4091 565				60 Amp.
2	2951 834				BRACKET, Altr. Mtg.
3					WASHER, Coned, (Not Serv.)
4	9423 789				BOLT
5	3512 498				STRAP, Adjusting
6					SCREW and WASHER, (Not Serv.)
7	6028 166	2			BOLT
8	6029 507				SPACER, Altr.
9					SPACER, Cyl. Head
10	4176 006				ALTERNATOR and PULLEY, Stamped 4111226 & 4111204
11	4095 271				BRACKET, Adjusting
12	6028 166	2			BOLT
13		2			WASHER, (Not Serv.)
14					SCREW and WASHER, (Not Serv.)
15					SCREW and WASHER, (Not Serv.)
16	4273 059				BRACKET, A.C. Comp. & Alt. Mtg. Frt.
17	0153 359				SCREW and WASHER
18	6500 365				BOLT
19					BOLT, (Not Serv.)
20					WASHER, (Not Serv.)
21	6029 381				SPACER, Alt.
22	6500 259	2			NUT and WASHER
23	4343 571				BRACKET, Mtg. Rear
24	0153 363				SCREW and WASHER
25	4116 856				STRAP, Front
26					JUMPER, Diode
27	4091 460				ALTERNATOR and PULLEY, 114 Amp.
28	4100 653				BRACKET, Mtg. Rear
29	4100 604				SUPPORT, Alt. & A.C. Mtg.
30					SCREW and WASHER, (Not Serv.)
31	4100 603				BRACKET, Alt. & A.C. Mtg.
32	4100 639				BRACKET, Alt. Idler
33	6028 166				SCREW
34					WASHER, Coned, (Not Serv.)
35					BOLT, (Not Serv.)
36					WASHER, Coned, (Not Serv.)
37	6031 433				SPACER

MODEL CODES

E BODY = (J - CARAVELLE)(E - 600)(T - NEW YORKER)

G BODY = (V24 - DAYTONA)

H BODY = (D44 - LANCER)(C44 - LEBARON GTS)

J BODY = (C - LEBARON)

K BODY = (P - RELIANT)(D - ARIES)(C - LEBAROND)/TOWN & COUNTRY)

L BODY = (M - HORIZON/TURISMO)(Z - OMNI/CHARGER)

M BODY = (B - GRAN FURY)(F - FIFTH AVE/NEWPORT)(G - DIPLOMAT)

P BODY = (P - SUNDANCE)(D - SHADOW)

S BODY = (H - VOYAGER)(K - RAM VAN/CARAVAN)

BODY STYLES

12-13 = FWD VAN

21 = 2-DOOR SEDAN

24 = 2-DOOR HATCHBACK

27 = 2-DOOR CONVERTIBLE

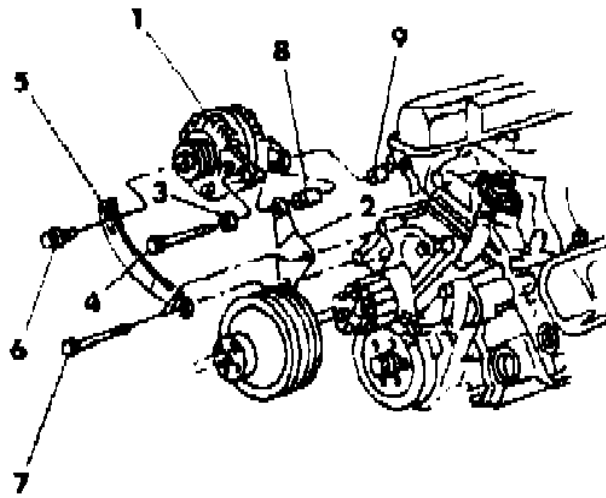
41 = 4-DOOR SEDAN

44 = 4-DOOR HATCHBACK

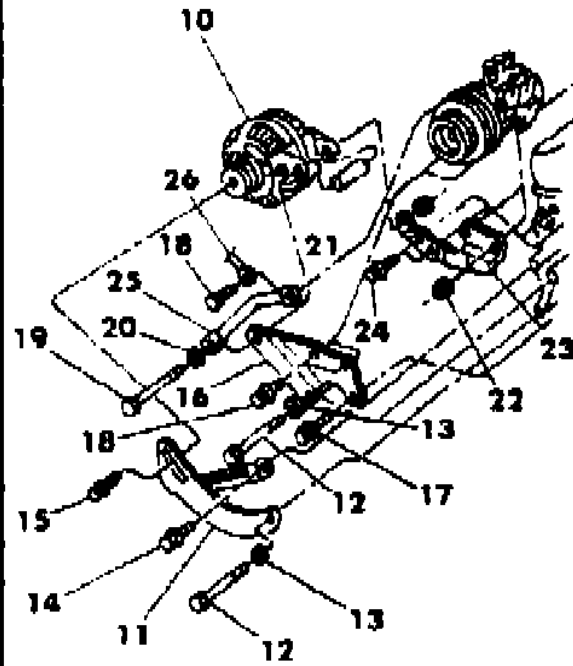
45 = 4-DOOR STATION WAGON

52-53 = FWD WAGON

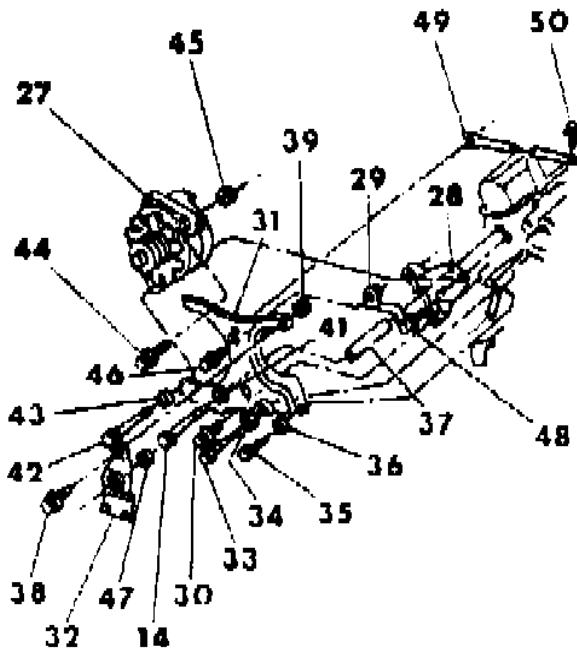
AR = Use as Required - = Non Illustrated Part P.A.R. = Paint as Required



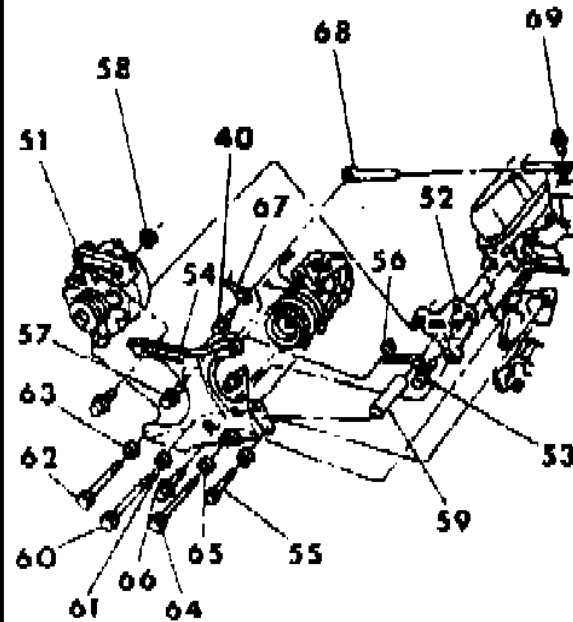
ALTERNATOR MOUNTING 60-78 AMP
W/O A.C. W/O A/P



ALTERNATOR MOUNTING
60-78 AMP W/O A/P



ALTERNATOR MOUNTING
114 AMP W/O A.C. W/O A/P



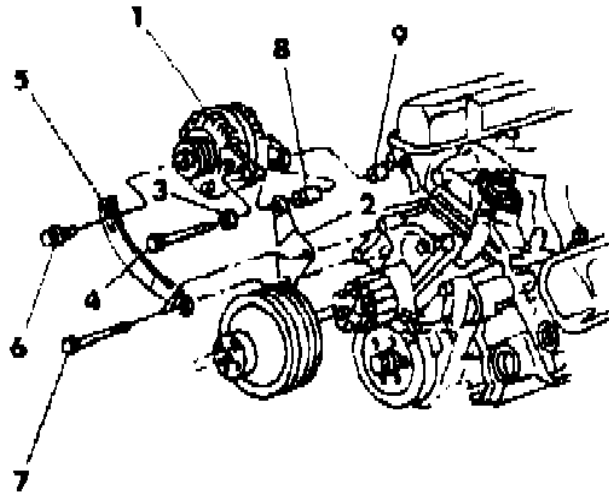
ALTERNATOR MOUNTING
114 AMP W/A.C. W/O A/P

ALTERNATOR MOUNTING 318 ENGINE

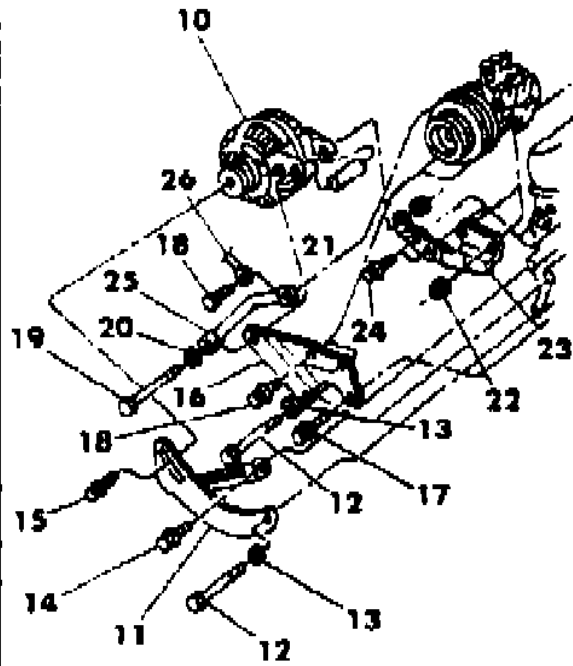
Figure 8-2200

7108 2200 A

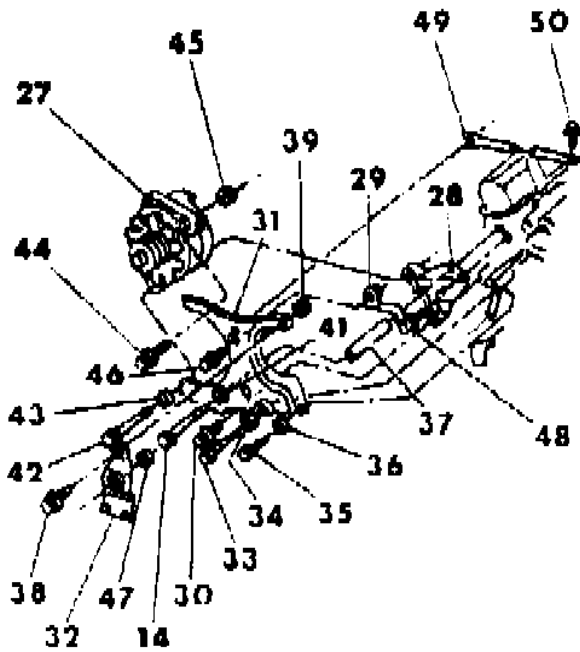
ITEM	PART NUMBER	QTY	BODY	MODEL	DESCRIPTION
38	0181 112	3			SCREW and WASHER
39	0152 344	3			NUT, Idler Pulley Mtg.
40					BOLT, (Not Serv.)
41					WASHER, Cone, (Not Serv.)
42					BOLT, (Not Serv.)
43					WASHER, Cone, (Not Serv.)
44					SCREW and WASHER
45	0152 344				NUT, Alt. Adj.
46	6022 250				SCREW and WASHER
47	0271 502				NUT
48	0153 363				SCREW and WASHER
49	4241 814				SUPPORT
50	3730 000				SCREW and WASHER
51	4091 460				ALTERNATOR and PULLEY
52	4100 653				BRACKET
53	0153 363				SCREW and WASHER
54	4100 603				BRACKET, Alt. & Comp. Mtg.
55	0181 126				BOLT
56	4100 604				SUPPORT
57	6022 250				SCREW and WASHER
58	0152 344				NUT
59	6031 433				SPACER
60					BOLT, (Not Serv.)
61					WASHER, (Not Serv.)
62					BOLT, (Not Serv.)
63					WASHER, (Not Serv.)
64					BOLT, (Not Serv.)
65					WASHER, (Not Serv.)
66					SCREW and WASHER, (Not Serv.)
67					JUMPER, Diode Ground
68	4241 814				SUPPORT
69	3730 000				SCREW and WASHER



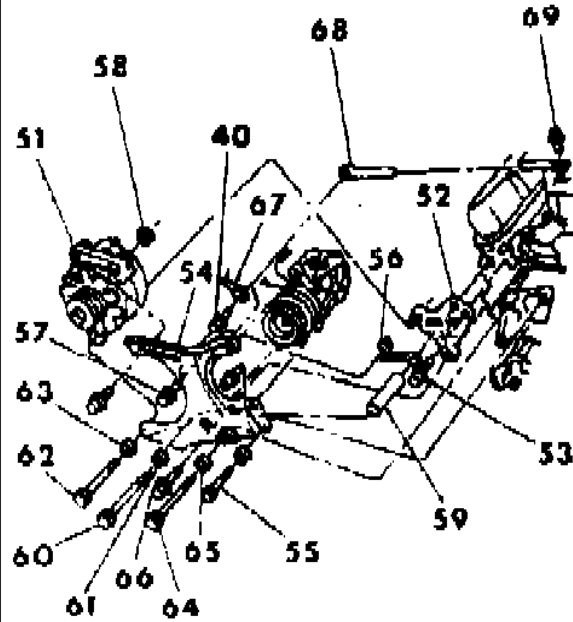
ALTERNATOR MOUNTING 60-78 AMP
W/O A.C. W/O A/P



ALTERNATOR MOUNTING
60-78 AMP W/O A/P



ALTERNATOR MOUNTING
114 AMP W/O A.C. W/O A/P



ALTERNATOR MOUNTING
114 AMP W/A.C. W/O A/P

MODEL CODES

E BODY = (J - CARAVELLE)(E - 600)(T - NEW YORKER)

G BODY = (V24 - DAYTONA)

H BODY = (D44 - LANCER)(C44 - LEBARON GTS)

J BODY = (C - LEBARON)

K BODY = (P - RELIANT)(D - ARIES)(C - LEBAROND)/TOWN & COUNTRY)

L BODY = (M - HORIZON/TURISMO)(Z - OMNI/CHARGER)

M BODY = (B - GRAN FURY)(F - FIFTH AVE/NEWPORT)(G - DIPLOMAT)

P BODY = (P - SUNDANCE)(D - SHADOW)

S BODY = (H - VOYAGER)(K - RAM VAN/CARAVAN)

BODY STYLES

12-13 = FWD VAN

21 = 2-DOOR SEDAN

24 = 2-DOOR HATCHBACK

27 = 2-DOOR CONVERTIBLE

41 = 4-DOOR SEDAN

44 = 4-DOOR HATCHBACK

45 = 4-DOOR STATION WAGON

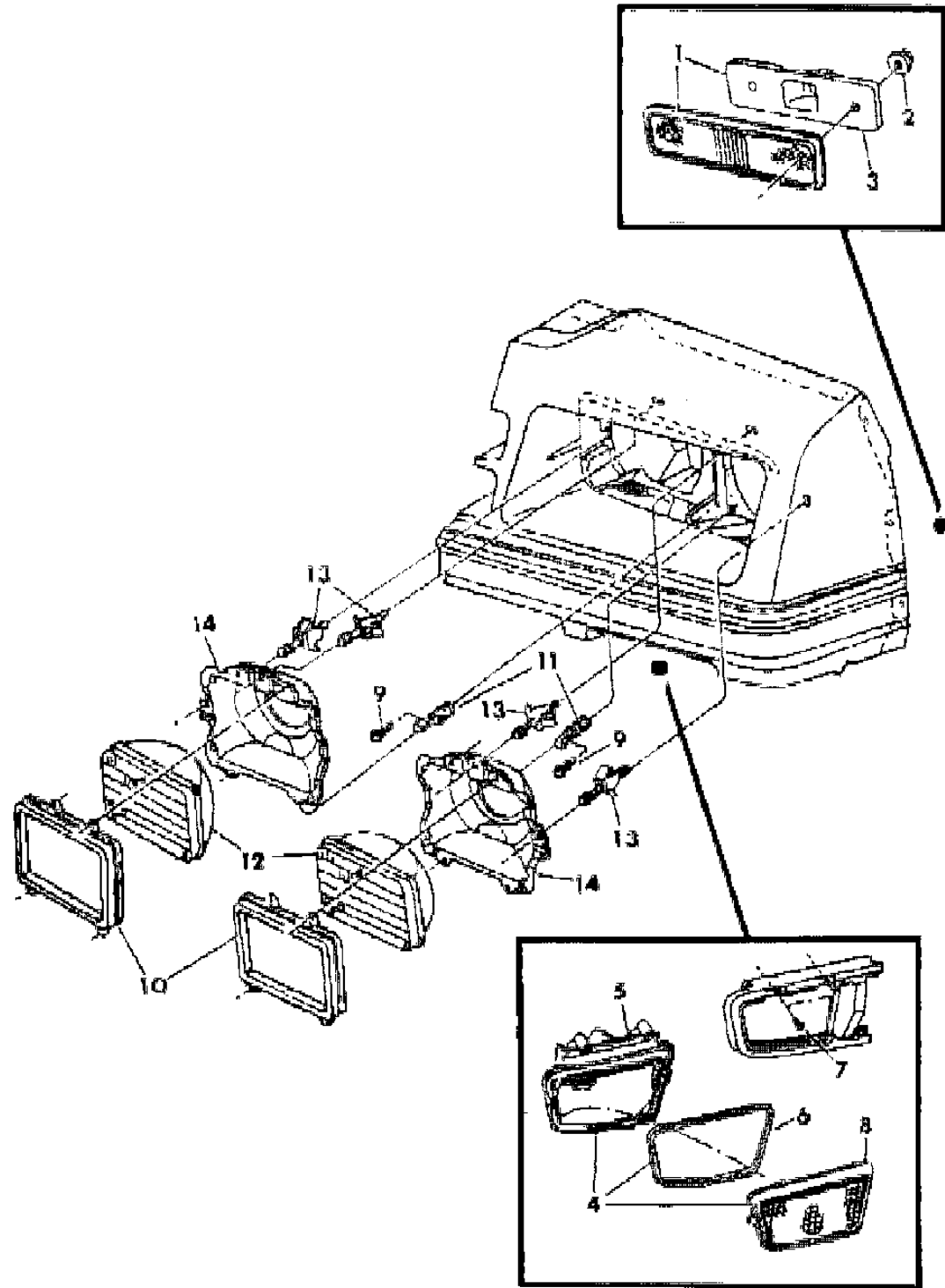
52-53 = FWD WAGON

AR = Use as Required - = Non Illustrated Part P.A.R. = Paint as Required

LAMPS--FRONT L BODY--24

Figure 8-2300

7108 2300



ITEM	PART NUMBER	QTY	BODY	MODEL	DESCRIPTION
1	4174 837	2			LAMP, Frt. Fender Side Marker
2	6028 471	4			NUT
3					HOUSING, (Serv. in Item #1)
4	5207 722-3 5207 568-9	1			LAMP, Parking & Turn Signal Assy. "SHELBY"
5					HOUSING, (Serv. in Item #4)
6	3798 253	2			SEAL, (Serv. in Lamp Assy.)
7					SCREW, (Serv. in Item #4)
8					LENS, (Serv. in Item #4)
9					SCREW, (Not Serv.)
10	4016 088 4270 548				RETAINER, H/Lamp Bulb (Chrome) (Black)
11	4334 142				SCREW, Sealed Beam Unit Mtg. Seat Adj.
12		2			SEALED BEAM UNIT
	0153 440				High Beam
	0153 481				Hi-Low Beam
	0153 590	2			Halogen
13	5201 386	2			SPRING, Sealed Beam Unit Mtg.
14		2			SEAT, Sealed Beam Unit
	3868 926-7				Hi-Lo Beam
	3868 928				Hi-Beam, Lt.
	3868 929				Hi-Beam, Rt.

NOTE: BULBS AND SOCKETS ARE LISTED ON ILLUS. 5300 -5400 Gear and Pinion numbers stamped on the item may be used to confirm the correct MATCHED SET they are contained in.

MODEL CODES

E BODY = (J - CARAVELLE)(E - 600)(T - NEW YORKER)

G BODY = (V24 - DAYTONA)

H BODY = (D44 - LANCER)(C44 - LEBARON GTS)

J BODY = (C - LEBARON)

K BODY = (P - RELIANT)(D - ARIES)(C - LEBAROND)/TOWN & COUNTRY)

L BODY = (M - HORIZON/TURISMO)(Z - OMNI/CHARGER)

M BODY = (B - GRAN FURY)(F - FIFTH AVE/NEWPORT)(G - DIPLOMAT)

P BODY = (P - SUNDANCE)(D - SHADOW)

S BODY = (H - VOYAGER)(K - RAM VAN/CARAVAN)

BODY STYLES

12-13 = FWD VAN

21 = 2-DOOR SEDAN

24 = 2-DOOR HATCHBACK

27 = 2-DOOR CONVERTIBLE

41 = 4-DOOR SEDAN

44 = 4-DOOR HATCHBACK

45 = 4-DOOR STATION WAGON

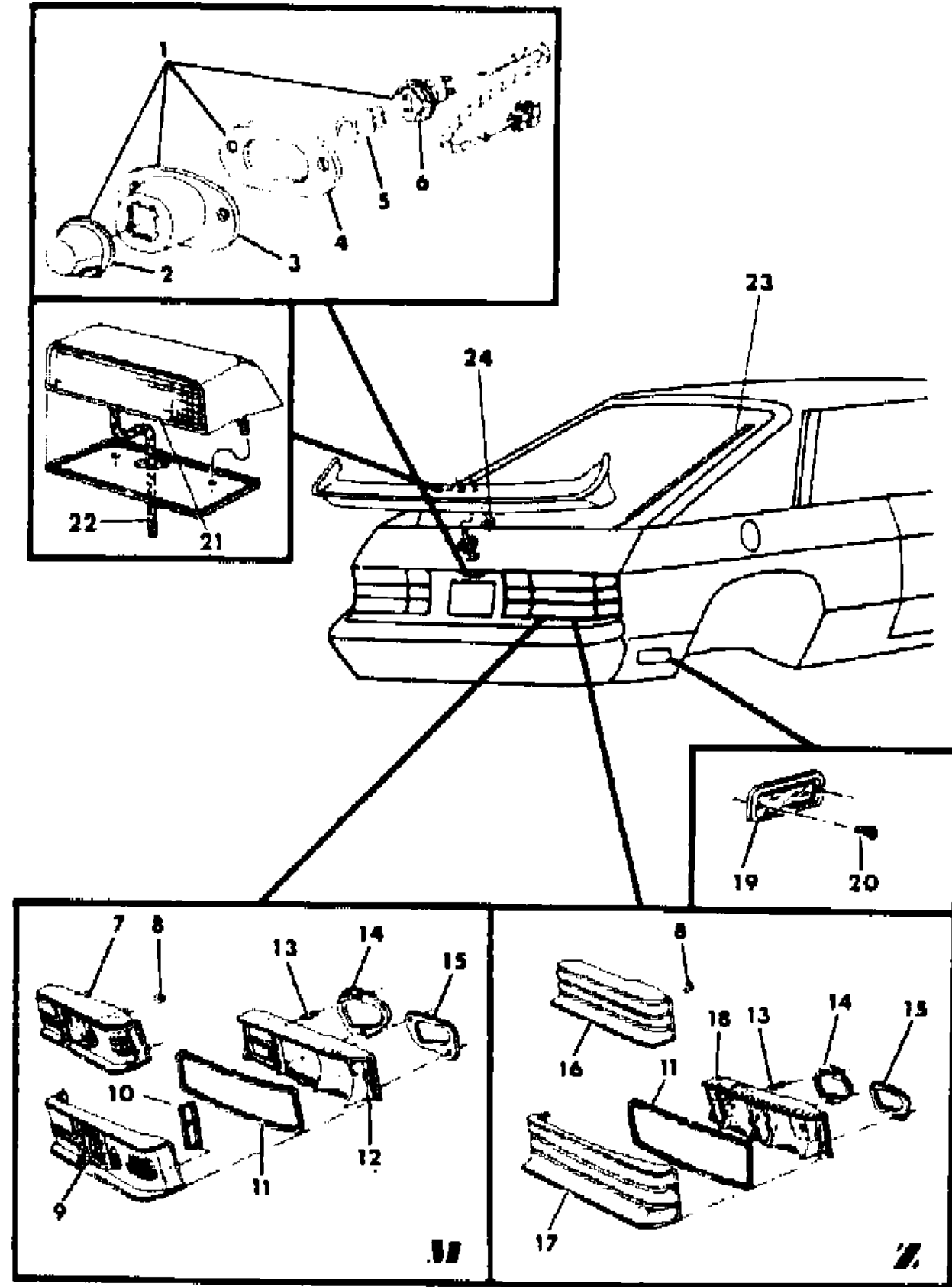
52-53 = FWD WAGON

AR = Use as Required - = Non Illustrated Part P.A.R. = Paint as Required

LAMPS & WIRING--REAR L BODY--24

Figure 8-2400

7108 2400 A



ITEM	PART NUMBER	QTY	BODY	MODEL	DESCRIPTION
1	5207 516	1			LAMP, License
2					LENS, (Serv. in Item #1)
3					HOUSING, (Serv. in Item #1)
4					GASKET, (Serv. in Item #1)
5	9425 542				BULB, #168
6					SOCKET and CABLE, (Not Serv.)
7	5207 564-5	1		M	LAMP, Export
	5207 788-9			M	Lamp
8	6023 205	8			NUT
9	5207 790-1	1		M	LENS
	5207 778-9	1		M	LENS, Export
10					
11	3798 253	2			SEAL, Adhesive Type 33" Long
12					HOUSING, (Serv. in Lamp Assy.)
13					STUD, (Serv. in Lamp Assy.)
14	5207 626	2			GASKET, Inboard (Also Serviced in Lamp Assy.)
15	5207 628-9	1			GASKET, Outboard (Also Serviced in Lamp Assy.)
16	5207 564-5	1		Z	LAMP, Export
	5207 786-7			Z	Lamp
17	5207 784-5	1		Z	LENS
	5207 588-9	1		Z	Lens, Export
18				Z	HOUSING, (Serv. in Lamp Assy.)
19	4174 820				REFLECTOR, Qtr. Pnl. Side Marker
20					SCREW, (Not Serv.)
21	X135 EX8				LAMP, Center Hi-Mounted Stop (Black)
22	4368 542				WIRING, Socket & Cable Ctr. Hi-Mtd. Stop Lamp
23	#4368 539				CLIP, Liftgate Release Wire, (36")
24	6023 205				NUT, Hi-Mtd. Stop Lamp

NOTE: BULBS AND SOCKETS ARE LISTED ON ILLUS. 5300-5400 Gear and Pinion numbers stamped on the item may be used to confirm the correct MATCHED SET they are contained in.

MODEL CODES

E BODY = (J - CARAVELLE)(E - 600)(T - NEW YORKER)

G BODY = (V24 - DAYTONA)

H BODY = (D44 - LANCER)(C44 - LEBARON GTS)

J BODY = (C - LEBARON)

K BODY = (P - RELIANT)(D - ARIES)(C - LEBAROND)/TOWN & COUNTRY)

L BODY = (M - HORIZON/TURISMO)(Z - OMNI/CHARGER)

M BODY = (B - GRAN FURY)(F - FIFTH AVE/NEWPORT)(G - DIPLOMAT)

P BODY = (P - SUNDANCE)(D - SHADOW)

S BODY = (H - VOYAGER)(K - RAM VAN/CARAVAN)

BODY STYLES

12-13 = FWD VAN

21 = 2-DOOR SEDAN

24 = 2-DOOR HATCHBACK

27 = 2-DOOR CONVERTIBLE

41 = 4-DOOR SEDAN

44 = 4-DOOR HATCHBACK

45 = 4-DOOR STATION WAGON

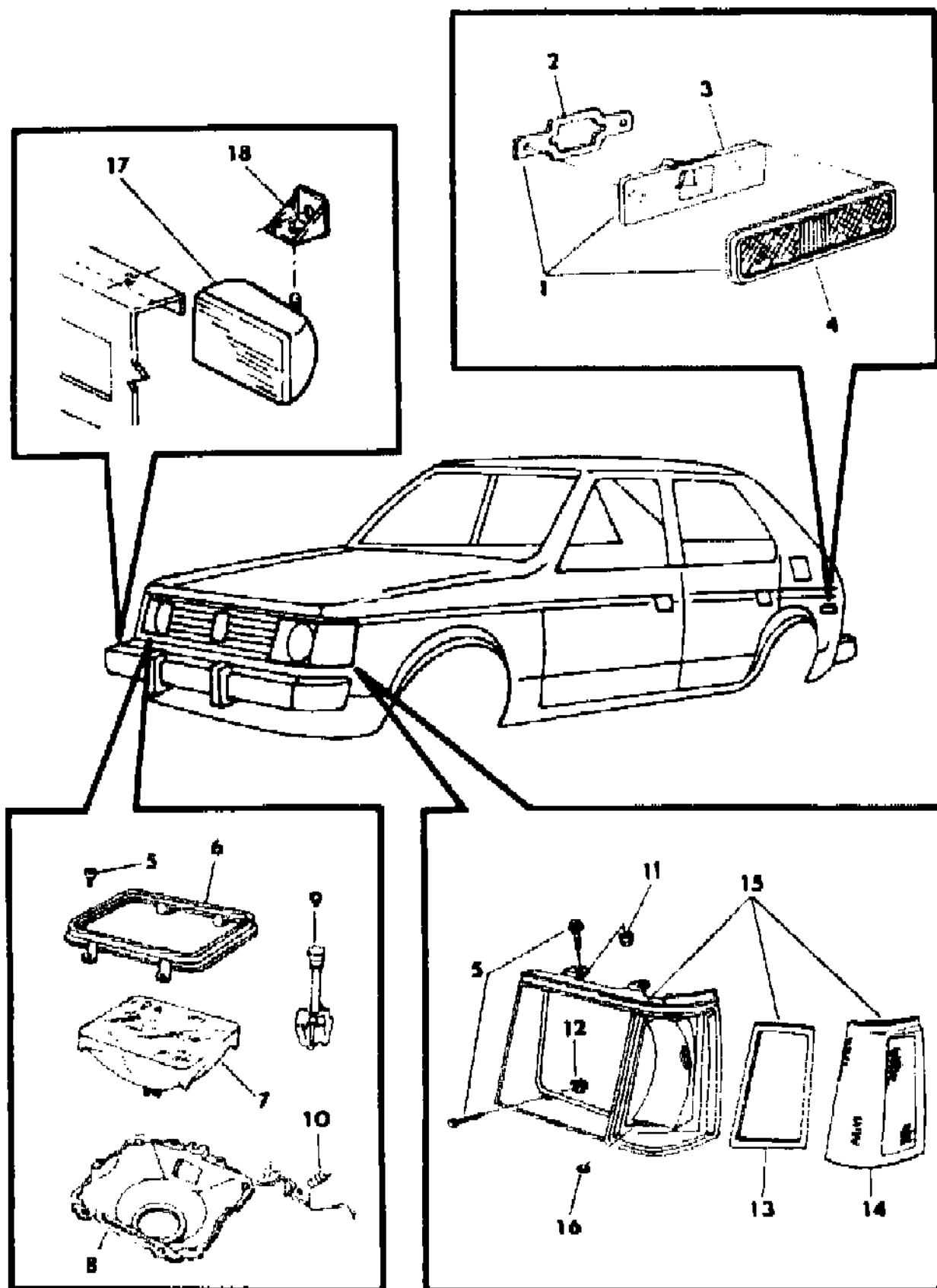
52-53 = FWD WAGON

AR = Use as Required - = Non Illustrated Part P.A.R. = Paint as Required

LAMPS--FRONT L BODY--44

Figure 8-2500

7108 2500 A



ITEM	PART NUMBER	QTY	BODY	MODEL	DESCRIPTION
1	5207 780	2			LAMP, Qtr. Pnl. S/Marker
2					GASKET, (Serv. in Lamp Assy.)
3					HOUSING, (Serv. in Lamp Assy.)
4					LENS, (Serv. in Lamp Assy.)
5					SCREW, (Not Serv.)
6	5201 204	2			RETAINER, Sealed Beam Unit
7	0153 199	2			SEALED BEAM UNIT, Rt. Way Shift
	0153 590	2			Halogen
8	4103 468-9	2			SEAT, Sealed Beam Unit
9	4334 140	4			SCREW, w/Nut
10	5201 386	2			SPRING, Sealed Beam Unit Mtg. Seat Adj.
11	6031 234	4			NUT, Spacer
12	6031 138	4			NUT, Spacer
13	3798 253	2			SEAL
14	5207 624-5	1			LENS, (Also Serv. in Bezel Assy.)
15	4103 216-7	1			BEZEL, h/Lp., Park, t/Sig. and S/Marker Assy.
	4334 452-3	1			"GLH"
16					VENT STRIP, (Serv. in Bezel Assy.)
17	4370 152				FOG LAMP
18	#4370 151				BRACKET, Fog Lamp

NOTE: BULBS AND SOCKETS ARE LISTED ON ILLUS. 5300-5400 Gear and Pinion numbers stamped on the item may be used to confirm the correct MATCHED SET they are contained in.

MODEL CODES

E BODY = (J - CARAVELLE)(E - 600)(T - NEW YORKER)

G BODY = (V24 - DAYTONA)

H BODY = (D44 - LANCER)(C44 - LEBARON GTS)

J BODY = (C - LEBARON)

K BODY = (P - RELIANT)(D - ARIES)(C - LEBAROND)/TOWN & COUNTRY)

L BODY = (M - HORIZON/TURISMO)(Z - OMNI/CHARGER)

M BODY = (B - GRAN FURY)(F - FIFTH AVE/NEWPORT)(G - DIPLOMAT)

P BODY = (P - SUNDANCE)(D - SHADOW)

S BODY = (H - VOYAGER)(K - RAM VAN/CARAVAN)

BODY STYLES

12-13 = FWD VAN

21 = 2-DOOR SEDAN

24 = 2-DOOR HATCHBACK

27 = 2-DOOR CONVERTIBLE

41 = 4-DOOR SEDAN

44 = 4-DOOR HATCHBACK

45 = 4-DOOR STATION WAGON

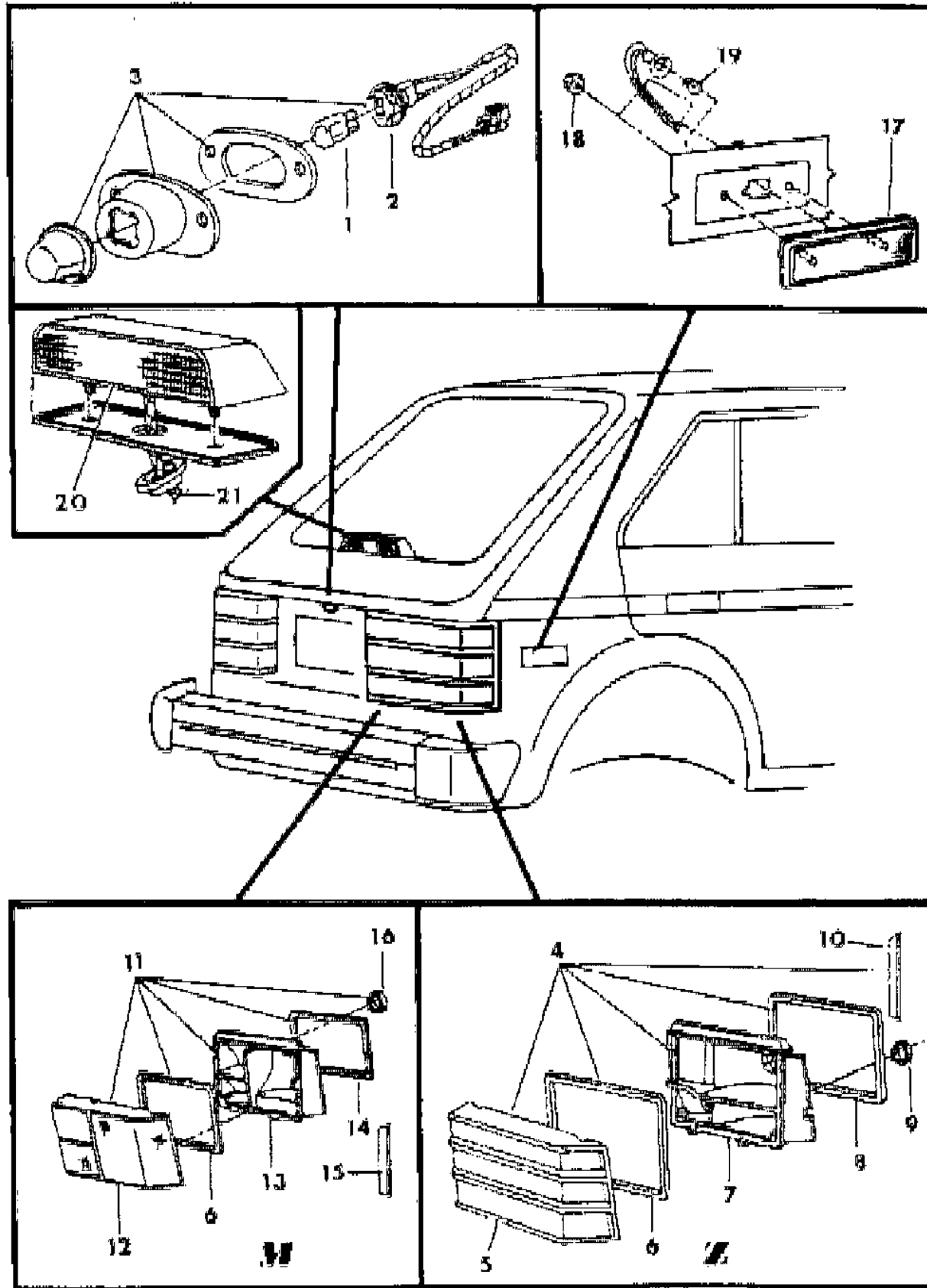
52-53 = FWD WAGON

AR = Use as Required - = Non Illustrated Part P.A.R. = Paint as Required

LAMPS & WIRING--REAR L BODY--44

Figure 8-2600

7100 2600



ITEM	PART NUMBER	QTY	BODY	MODEL	DESCRIPTION
1	9425 542				BULB, #168
2					SOCKET and CABLE, (Not Serv.)
3	5207 516				LAMP, License
4	5207 656-7		Z		LAMP ASSEMBLY
5	5207 662-3	1	Z		LENS
6	3798 253	2	M,Z		SEAL
7		2	Z		HOUSING ASSEMBLY, (Serv. in #4)
8	3798 253		Z		SEAL, (Also Serv. in Housing Assy.)
9			Z		GROUND RING, (Serv. in Housing Assy.)
	6031 843	4			CLIP, Lamp Mounting
10	5207 620		Z		WELT
11	5207 648-9		M		LAMP ASSEMBLY
12	5207 654-5	1	M		LENS
13		1	M		HOUSING ASSEMBLY, (Serv. in #11)
14	3798 253		M		SEAL
15	5207 666-7	2	M		WELT
16			M		GROUND RING, (Serv. in Housing Assy.)
17	5207 780				LAMP, Qtr. Pnl. Side Marker
18	6029 471	4			NUT
19	9425 542	2			BULB
20	X294 EX8				LAMP, Lift Gate High Mounted Stop Lamp (Black)
21	4368 534				WIRING, Lift Gate Hi Mtd. Stop Lamp

NOTE: BULBS AND SOCKETS ARE LISTED ON ILLUS. 5300-5400 Gear and Pinion numbers stamped on the item may be used to confirm the correct MATCHED SET they are contained in.

MODEL CODES

E BODY = (J - CARAVELLE)(E - 600)(T - NEW YORKER)

G BODY = (V24 - DAYTONA)

H BODY = (D44 - LANCER)(C44 - LEBARON GTS)

J BODY = (C - LEBARON)

K BODY = (P - RELIANT)(D - ARIES)(C - LEBAROND)/TOWN & COUNTRY)

L BODY = (M - HORIZON/TURISMO)(Z - OMNI/CHARGER)

M BODY = (B - GRAN FURY)(F - FIFTH AVE/NEWPORT)(G - DIPLOMAT)

P BODY = (P - SUNDANCE)(D - SHADOW)

S BODY = (H - VOYAGER)(K - RAM VAN/CARAVAN)

BODY STYLES

12-13 = FWD VAN

21 = 2-DOOR SEDAN

24 = 2-DOOR HATCHBACK

27 = 2-DOOR CONVERTIBLE

41 = 4-DOOR SEDAN

44 = 4-DOOR HATCHBACK

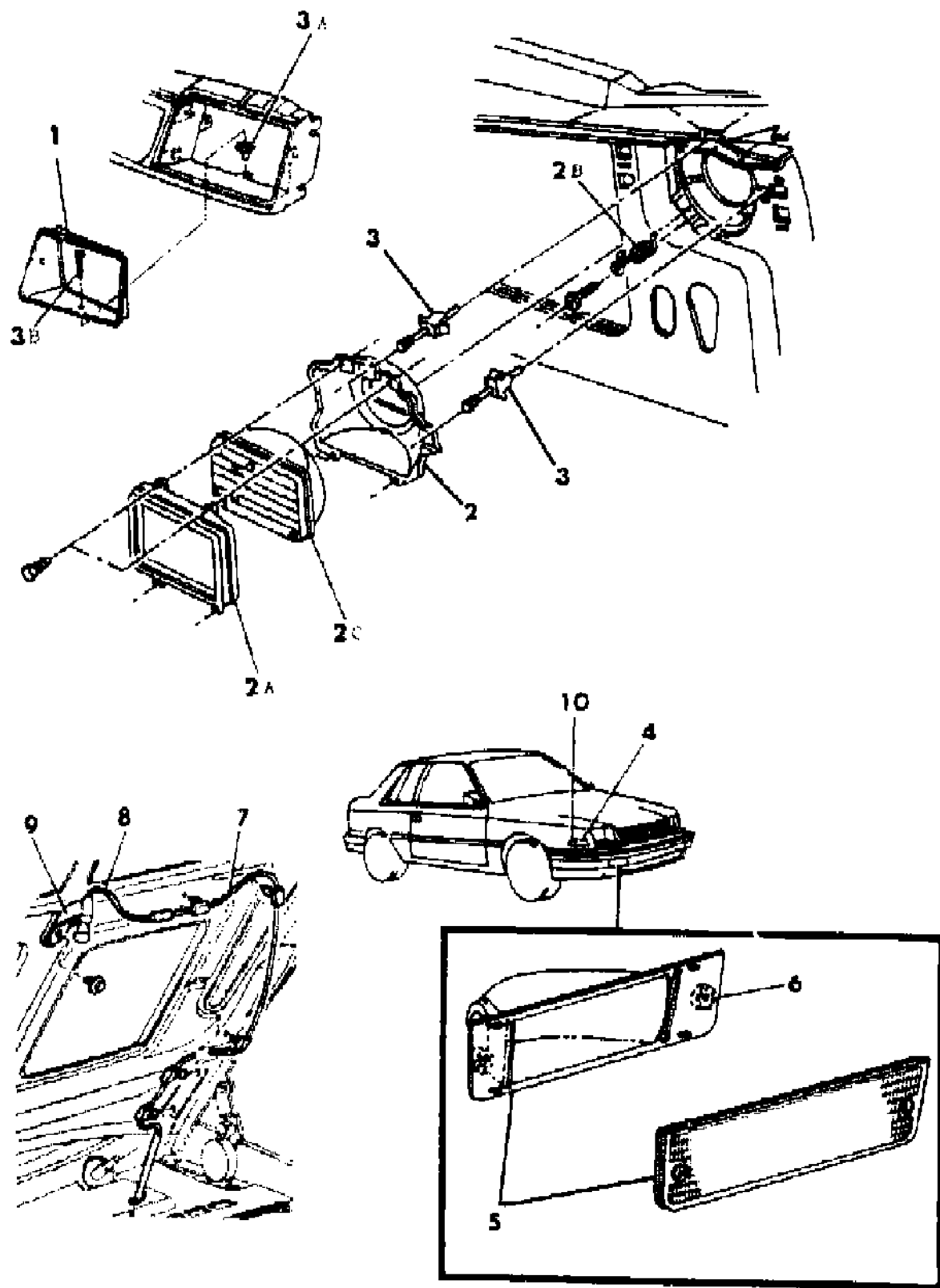
45 = 4-DOOR STATION WAGON

52-53 = FWD WAGON

AR = Use as Required - = Non Illustrated Part P.A.R. = Paint as Required

LAMPS--FRONT P BODY
Figure 8-2700

7108 2700 A



ITEM	PART NUMBER	QTY	BODY	MODEL	DESCRIPTION
1	4334 228-9				BEZEL, Headlamp (Black)
2	4334 226-7				SEAT, Rect. H/Lamp Bulb
2A	4270 937				RETAINER, Rect. H/Lamp
2B	3868 789				SPRING, H/Lamp Black
2C	0153 942				BULB, H/Lamp
3	4334 722				NUT and SCREW, Head Lamp Bulb Mtg.
3A	6500 725				NUT, H/Lamp Bezel to Rad. (Plastic)
3B					SCREW, (Not Serv.)
4	4328 698				LAMP, Fender S/Marker & Reflex
5	4328 690-1				LAMP, Frt. Bumper Park & T/Sig.
6	6032 746				NUT, Frt. Bumper Park & T/Sig. Mtg.
7	4221 150				LAMP, Underhood
8	4368 180				CABLE, Underhood Light
9					BULB, Underhood Light
10	9425 542				BULB, Side Marker

NOTE: BULBS AND SOCKETS ARE LISTED ON ILLUS. 5300-5400 Gear and Pinion numbers stamped on the item may be used to confirm the correct MATCHED SET they are contained in.

MODEL CODES

E BODY = (J - CARAVELLE)(E - 600)(T - NEW YORKER)

G BODY = (V24 - DAYTONA)

H BODY = (D44 - LANCER)(C44 - LEBARON GTS)

J BODY = (C - LEBARON)

K BODY = (P - RELIANT)(D - ARIES)(C - LEBAROND)/TOWN & COUNTRY)

L BODY = (M - HORIZON/TURISMO)(Z - OMNI/CHARGER)

M BODY = (B - GRAN FURY)(F - FIFTH AVE/NEWPORT)(G - DIPLOMAT)

P BODY = (P - SUNDANCE)(D - SHADOW)

S BODY = (H - VOYAGER)(K - RAM VAN/CARAVAN)

BODY STYLES

12-13 = FWD VAN

21 = 2-DOOR SEDAN

24 = 2-DOOR HATCHBACK

27 = 2-DOOR CONVERTIBLE

41 = 4-DOOR SEDAN

44 = 4-DOOR HATCHBACK

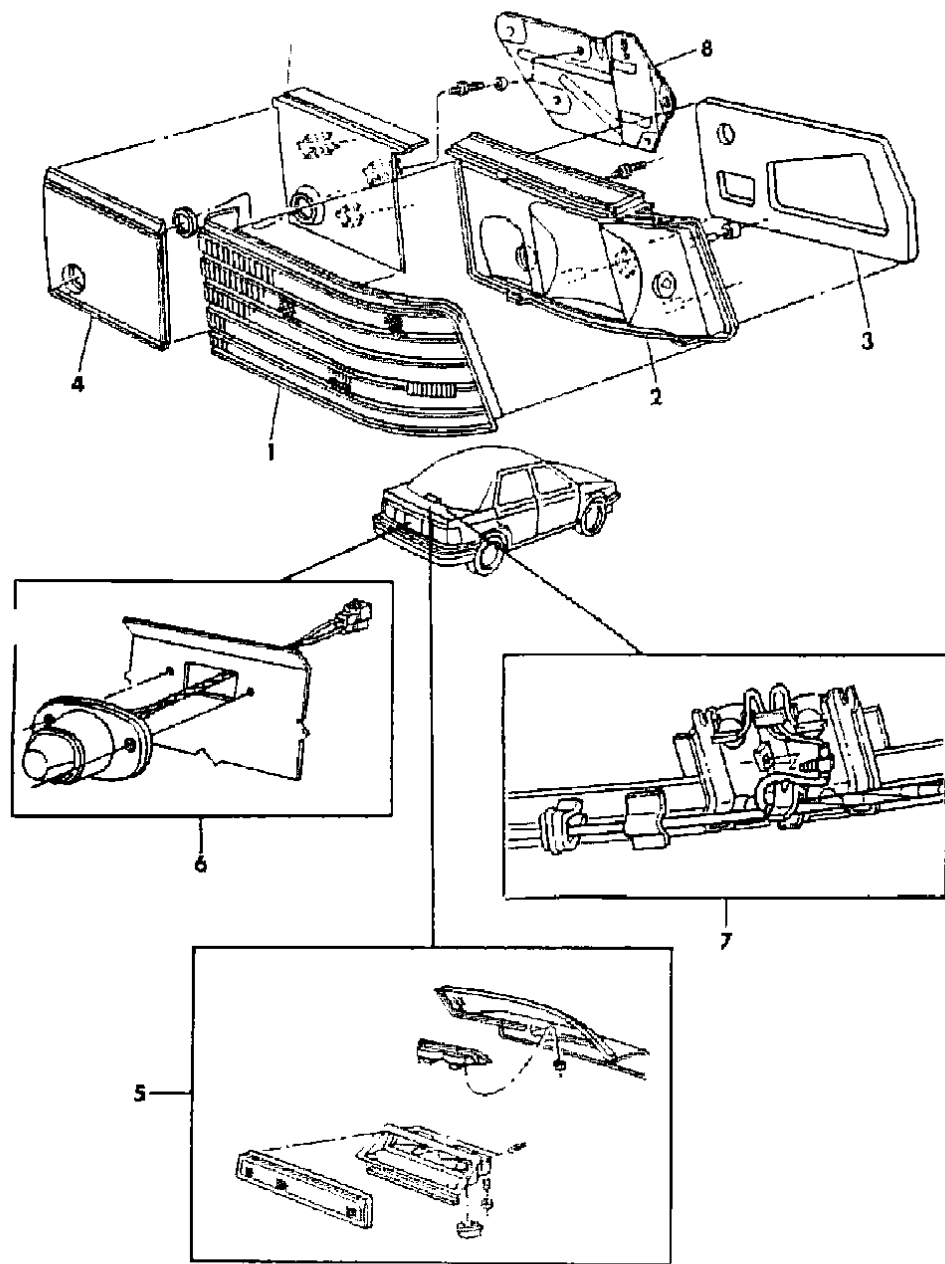
45 = 4-DOOR STATION WAGON

52-53 = FWD WAGON

AR = Use as Required - = Non Illustrated Part P.A.R. = Paint as Required

LAMPS & WIRING--REAR P BODY
Figure 8-2800

7108 2800 B



ITEM	PART NUMBER	QTY	BODY	MODEL	DESCRIPTION
1	4321 514-5			P	LENS, Tail, Stop, Turn Sig
	4321 516-7			D	
2	4364 474-5				HOUSING, Tail, Stop, Turn Signal Lamp
3	4321 520-1				GASKET, Tail, Stop, Turn Signal Lamp
4	4321 548-9			P	APPLIQUE ASSEMBLY, Tail Lamp Ext. RED (Includes Hsg.)
	4321 554-5			D	BLACK, (Includes Hsg.)
5	4321 727				LAMP, Center High Mtd. Stop
	4399 246				"SHELBY SHADOW"
6	5207 516				HOUSING, w/Gasket, Liftgate License Lamp
7	4368 749				SOCKET and CABLE, Hi-Mtd. Stop Lp.
8	#4399 334-5				BRACKET, Applique to Lens

NOTE: BULBS AND SOCKETS ARE LISTED ON ILLUS. 5300-5400 Gear and Pinion numbers stamped on the item may be used to confirm the correct MATCHED SET they are contained in.

MODEL CODES

E BODY = (J - CARAVELLE)(E - 600)(T - NEW YORKER)

G BODY = (V24 - DAYTONA)

H BODY = (D44 - LANCER)(C44 - LEBARON GTS)

J BODY = (C - LEBARON)

K BODY = (P - RELIANT)(D - ARIES)(C - LEBAROND)/TOWN & COUNTRY)

L BODY = (M - HORIZON/TURISMO)(Z - OMNI/CHARGER)

M BODY = (B - GRAN FURY)(F - FIFTH AVE/NEWPORT)(G - DIPLOMAT)

P BODY = (P - SUNDANCE)(D - SHADOW)

S BODY = (H - VOYAGER)(K - RAM VAN/CARAVAN)

BODY STYLES

12-13 = FWD VAN

21 = 2-DOOR SEDAN

24 = 2-DOOR HATCHBACK

27 = 2-DOOR CONVERTIBLE

41 = 4-DOOR SEDAN

44 = 4-DOOR HATCHBACK

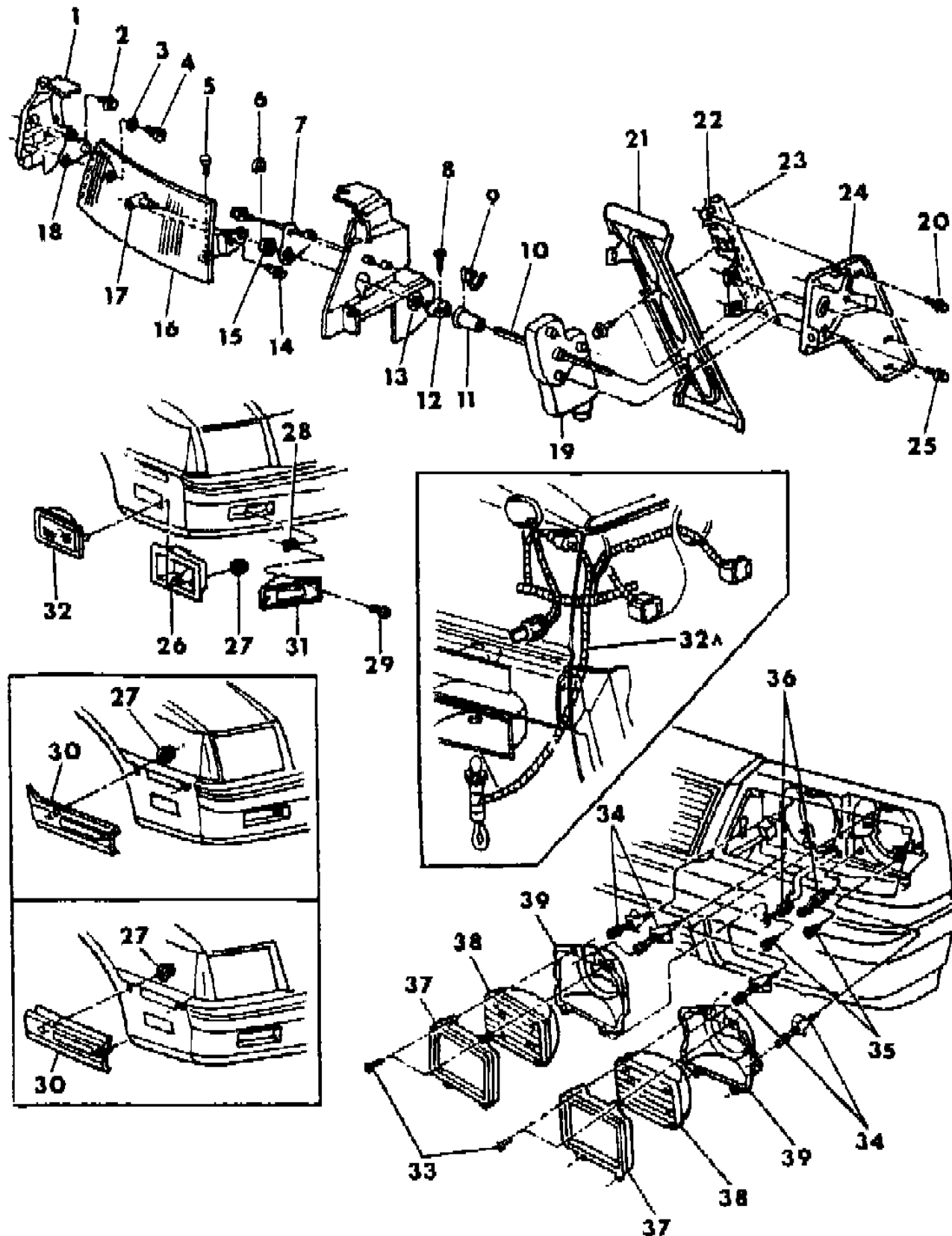
45 = 4-DOOR STATION WAGON

52-53 = FWD WAGON

AR = Use as Required - = Non Illustrated Part P.A.R. = Paint as Required

LAMPS--FRONT J BODY
Figure 8-2900

7108 2900 A



ITEM	PART NUMBER	QTY	BODY	MODEL	DESCRIPTION
1	4334 364-5				HOUSING, H/Lp. Mtg.
2					SCREW, H/Lp. Mtg. (Not Serv.)
3	6033 076				BUSHING
4	6031 894				SCREW
5	4074 968				BUMPER, Door Downstop
6	4103 262				RETAINER, H/Lp. Adj. Collar
7	4334 406				BRACKET
8	6031 935				SCREW
9	4334 334				CLIP
10	4334 418				BAR
11	4334 419				SLEEVE
12	4103 266				COLLAR
13	4103 261				SLEEVE
14					SCREW, Crank Assy., (Not Serv.)
15	6033 212				BUSHING
16	4334 382-3				DOOR ASSEMBLY
17	4334 410				CRANK ASSEMBLY
18	4334 404				BRACKET ASSEMBLY
19	4334 952				MOTOR ASSEMBLY
20	6100 567				SCREW
21					SUPPORT, Rad. Closure
22	#6100 041				U-NUT
23	4334 372				EXTENSION, Rot. H/Lp. Door
24	#4334 370				BRACKET, H/Lp. Door
25	6100 266				SCREW
26	4321 714-5				BRACKET
27	6029 471				NUT
28	6032 746				NUT
29					SCREW, (Not Serv.)
30	4321 796-7			P21,27	LAMP ASSEMBLY, Reflex & Side Marker (P.A.R.)
	4321 812-3			H21	
31	4321 684-5				LAMP ASSEMBLY, Park & Turn Sig.
32	4321 708-9				LAMP ASSEMBLY, Cornering
32A	4400 216				WIRING, Socket and Cable, Cornering Lp.
33					SCREW, (Not Serv.)
34	4334 142				NUT and SCREW
35					SCREW, (Not Serv.)
36	3868 789				SPRING, Adjusting

MODEL CODES

E BODY = (J - CARAVELLE)(E - 600)(T - NEW YORKER)

G BODY = (V24 - DAYTONA)

H BODY = (D44 - LANCER)(C44 - LEBARON GTS)

J BODY = (C - LEBARON)

K BODY = (P - RELIANT)(D - ARIES)(C - LEBAROND)/TOWN & COUNTRY)

L BODY = (M - HORIZON/TURISMO)(Z - OMNI/CHARGER)

M BODY = (B - GRAN FURY)(F - FIFTH AVE/NEWPORT)(G - DIPLOMAT)

P BODY = (P - SUNDANCE)(D - SHADOW)

S BODY = (H - VOYAGER)(K - RAM VAN/CARAVAN)

BODY STYLES

12-13 = FWD VAN

21 = 2-DOOR SEDAN

24 = 2-DOOR HATCHBACK

27 = 2-DOOR CONVERTIBLE

41 = 4-DOOR SEDAN

44 = 4-DOOR HATCHBACK

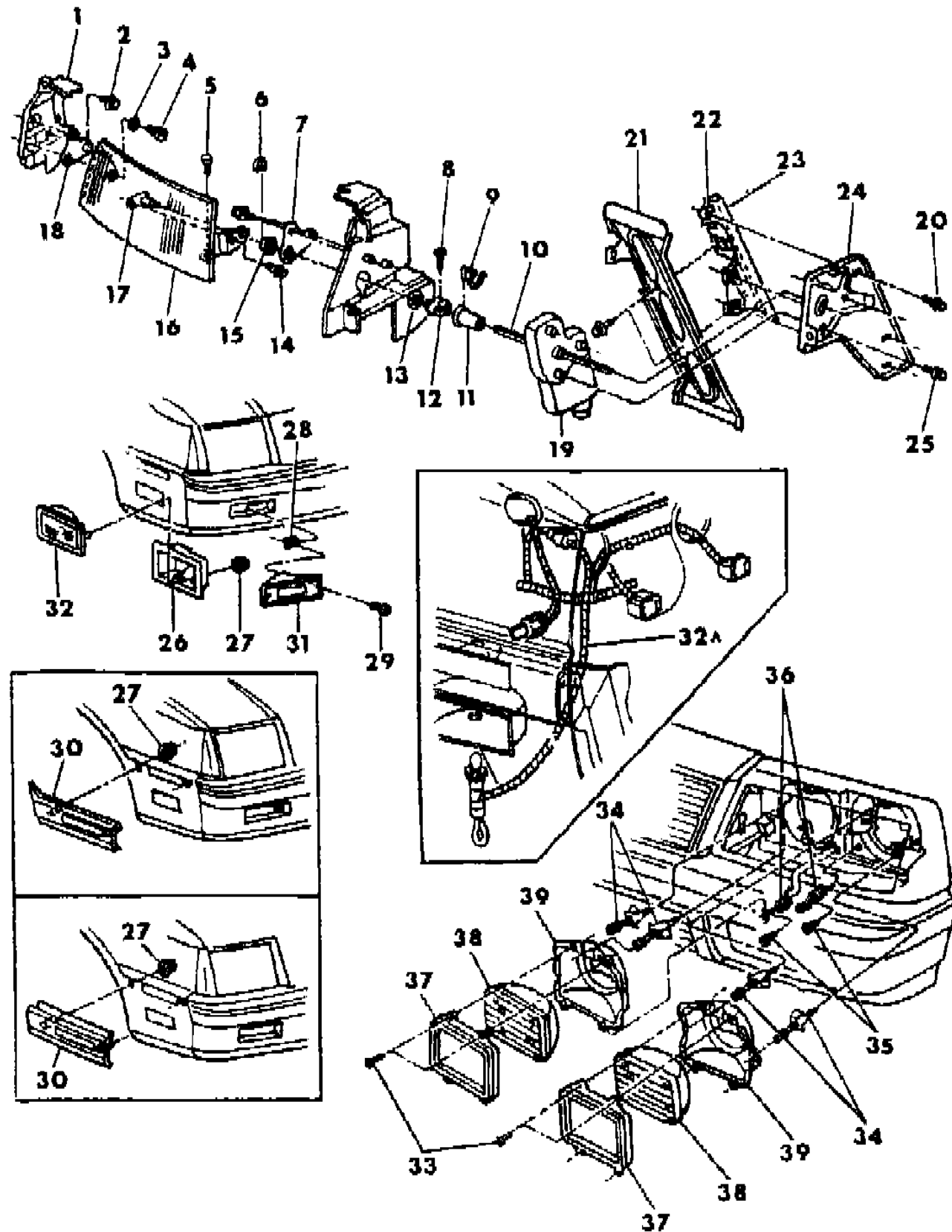
45 = 4-DOOR STATION WAGON

52-53 = FWD WAGON

AR = Use as Required - = Non Illustrated Part P.A.R. = Paint as Required

LAMPS--FRONT J BODY
Figure 8-2900

7108 2900 A



ITEM	PART NUMBER	QTY	BODY	MODEL	DESCRIPTION
37	4270 937				RETAINER
38	0153 784				BULB, Hi-Lo
	0153 775				Hi.
39	3868 926-7				SEAT, Hi-Lo
	3868 928-9				Hi.
-	4221 150				LAMP, Underhood

NOTE: BULBS AND SOCKETS ARE LISTED ON ILLUS. 5300-5400 Gear and Pinion numbers stamped on the item may be used to confirm the correct MATCHED SET they are contained in.

MODEL CODES

E BODY = (J - CARAVELLE)(E - 600)(T - NEW YORKER)

G BODY = (V24 - DAYTONA)

H BODY = (D44 - LANCER)(C44 - LEBARON GTS)

J BODY = (C - LEBARON)

K BODY = (P - RELIANT)(D - ARIES)(C - LEBAROND)/TOWN & COUNTRY)

L BODY = (M - HORIZON/TURISMO)(Z - OMNI/CHARGER)

M BODY = (B - GRAN FURY)(F - FIFTH AVE/NEWPORT)(G - DIPLOMAT)

P BODY = (P - SUNDANCE)(D - SHADOW)

S BODY = (H - VOYAGER)(K - RAM VAN/CARAVAN)

BODY STYLES

12-13 = FWD VAN

21 = 2-DOOR SEDAN

24 = 2-DOOR HATCHBACK

27 = 2-DOOR CONVERTIBLE

41 = 4-DOOR SEDAN

44 = 4-DOOR HATCHBACK

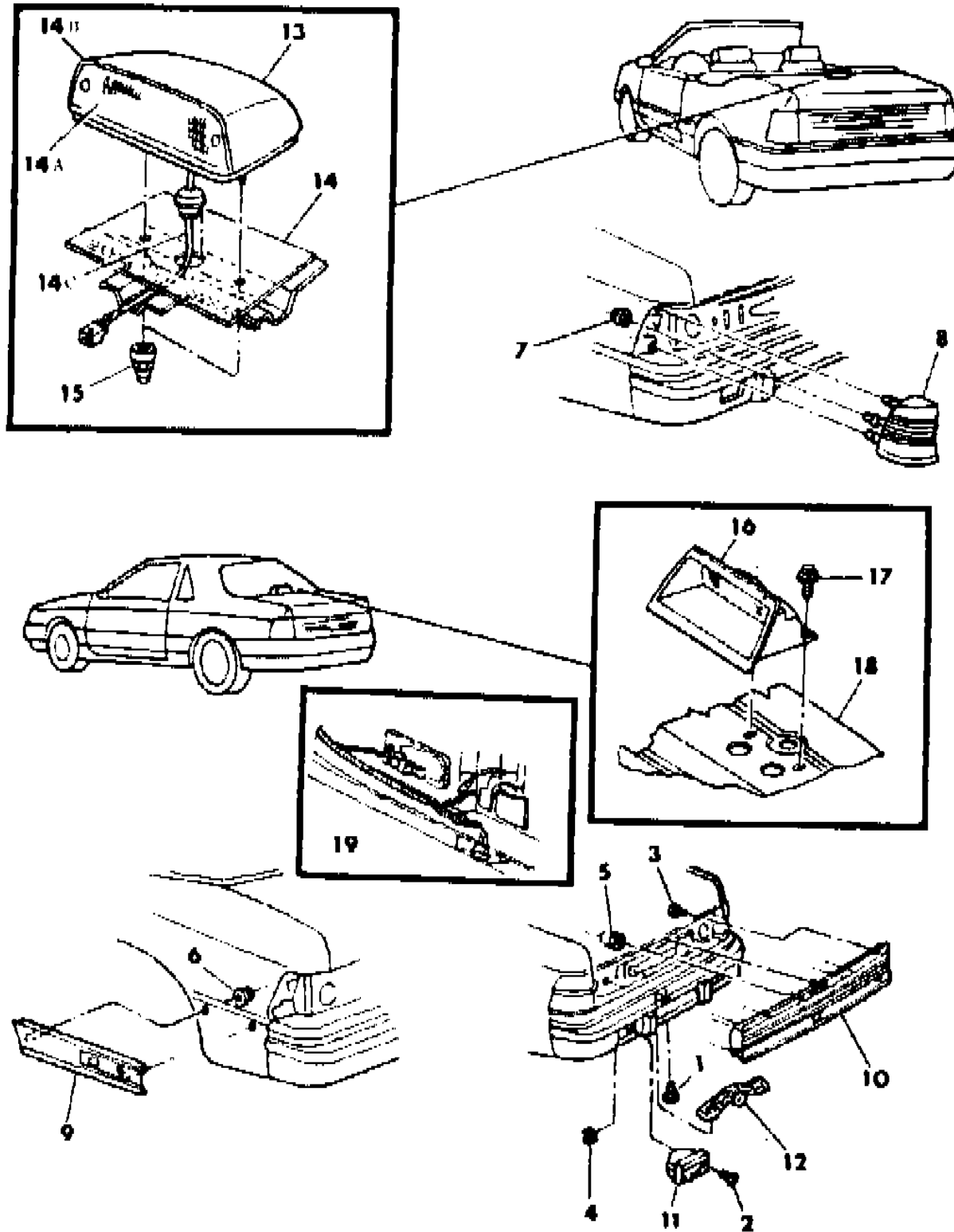
45 = 4-DOOR STATION WAGON

52-53 = FWD WAGON

AR = Use as Required - = Non Illustrated Part P.A.R. = Paint as Required

LAMPS & WIRING--REAR J BODY
Figure 8-3000

7108 3000 A



ITEM	PART NUMBER	QTY	BODY	MODEL	DESCRIPTION
1					SCREW, (Not Serv.)
2					SCREW, (Not Serv.)
3					SCREW, (Not Serv.)
4					NUT
5	6033 024				NUT
6					NUT, (Not Serv.)
7					NUT, Apert. Pnl.
8	4399 534-5			C	LAMP ASSEMBLY, Use Mldg. 4399604-5
9	4321 804-5			CP21,27	LAMP ASSEMBLY, Rear Bumper Nerf Ext. & Side Mkr. (P.A.R.)
	4321 820-1			H21	
10	4321 786				LAMP ASSEMBLY, Deck Lid Mtd. Tail (Mldg. w/Lamp Assy. Only)
11	4321 560				LAMP ASSEMBLY, Rear Bumper B/Up
12	4321 762				LAMP ASSEMBLY, Fascia Mtd. Lic.
13	4399 678			27	LAMP ASSEMBLY, Hi-Mtd. Stop Lp.
14					DECK LID
14A	#4321 128			27	HOUSING and LENS, Hi-Mtd. Stop Lp.
14B	#X788 FB1			27	COVER, Hi-Mtd. Stop Lp.
14C	4400 037			27	SOCKET and CABLE, Hi-Mtd. Stop Lp.
15					NUT, (Not Serv.)
16	4399 001			21	LAMP ASSEMBLY, Hi-Mtd. Stop Lp.
17				21	SCREW, Hi-Mtd. Stop Lp., (Not Serv.)
18					SHELF PANEL
19	#4374 642				LAMP, Trunk

NOTE: BULBS AND SOCKETS ARE LISTED ON ILLUS. 5300-5400 Gear and Pinion numbers stamped on the item may be used to confirm the correct MATCHED SET they are contained in.

MODEL CODES

E BODY = (J - CARAVELLE)(E - 600)(T - NEW YORKER)

G BODY = (V24 - DAYTONA)

H BODY = (D44 - LANCER)(C44 - LEBARON GTS)

J BODY = (C - LEBARON)

K BODY = (P - RELIANT)(D - ARIES)(C - LEBAROND)/TOWN & COUNTRY)

L BODY = (M - HORIZON/TURISMO)(Z - OMNI/CHARGER)

M BODY = (B - GRAN FURY)(F - FIFTH AVE/NEWPORT)(G - DIPLOMAT)

P BODY = (P - SUNDANCE)(D - SHADOW)

S BODY = (H - VOYAGER)(K - RAM VAN/CARAVAN)

BODY STYLES

12-13 = FWD VAN

21 = 2-DOOR SEDAN

24 = 2-DOOR HATCHBACK

27 = 2-DOOR CONVERTIBLE

41 = 4-DOOR SEDAN

44 = 4-DOOR HATCHBACK

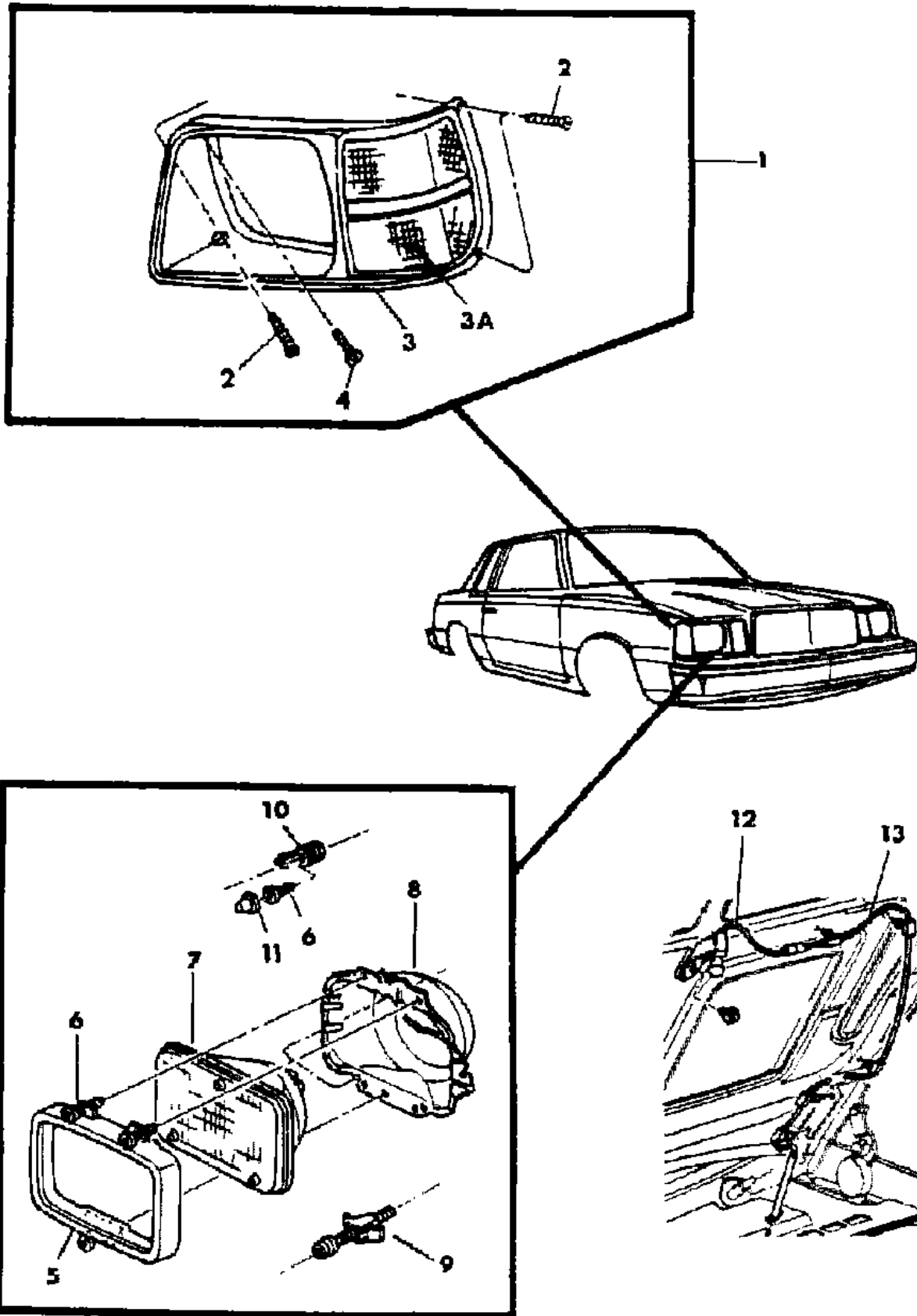
45 = 4-DOOR STATION WAGON

52-53 = FWD WAGON

AR = Use as Required - = Non Illustrated Part P.A.R. = Paint as Required

LAMPS--FRONT K BODY P-D
Figure 8-3100

7108 3100 A



ITEM	PART NUMBER	QTY	BODY	MODEL	DESCRIPTION
1					LAMP, H/Lamp Bezel Park, T/Sig., Side Marker, (Serv. Components)
2		4			SCREW, (Not Serv.)
3	4334 968-9 4388 004-5 4388 008-9				BEZEL, Head Lamp PLY. Low Line ARGENT CHROME (Black & Chrome) DODGE High Line
3A	4321 740-1				LENS
4					SCREW, (Not Serv.)
5	5201 204	2			RETAINER
6	0153 340	AR			SCREW
7					SEALED BEAM UNIT Halogen (Rt. Way Shift) 7" (Rt. Way Shift) 7" (Exc. Halogen)
8	5201 334				SEAT, Rect. H/Lamp
9		2			NUT and SCREW, (Not Serv.)
10	5201 386	2			SPRING, Rect. H/Lamp
11	6030 765	6			CAP, Screw Protector
12	4221 150	6			LAMP, Underhood
13	4368 675				WIRING, Underhood Lamp

NOTE: BULBS AND SOCKETS ARE LISTED ON ILLUS. 5300-5400 Gear and Pinion numbers stamped on the item may be used to confirm the correct MATCHED SET they are contained in.

MODEL CODES

E BODY = (J - CARAVELLE)(E - 600)(T - NEW YORKER)

G BODY = (V24 - DAYTONA)

H BODY = (D44 - LANCER)(C44 - LEBARON GTS)

J BODY = (C - LEBARON)

K BODY = (P - RELIANT)(D - ARIES)(C - LEBAROND)/TOWN & COUNTRY)

L BODY = (M - HORIZON/TURISMO)(Z - OMNI/CHARGER)

M BODY = (B - GRAN FURY)(F - FIFTH AVE/NEWPORT)(G - DIPLOMAT)

P BODY = (P - SUNDANCE)(D - SHADOW)

S BODY = (H - VOYAGER)(K - RAM VAN/CARAVAN)

BODY STYLES

12-13 = FWD VAN

21 = 2-DOOR SEDAN

24 = 2-DOOR HATCHBACK

27 = 2-DOOR CONVERTIBLE

41 = 4-DOOR SEDAN

44 = 4-DOOR HATCHBACK

45 = 4-DOOR STATION WAGON

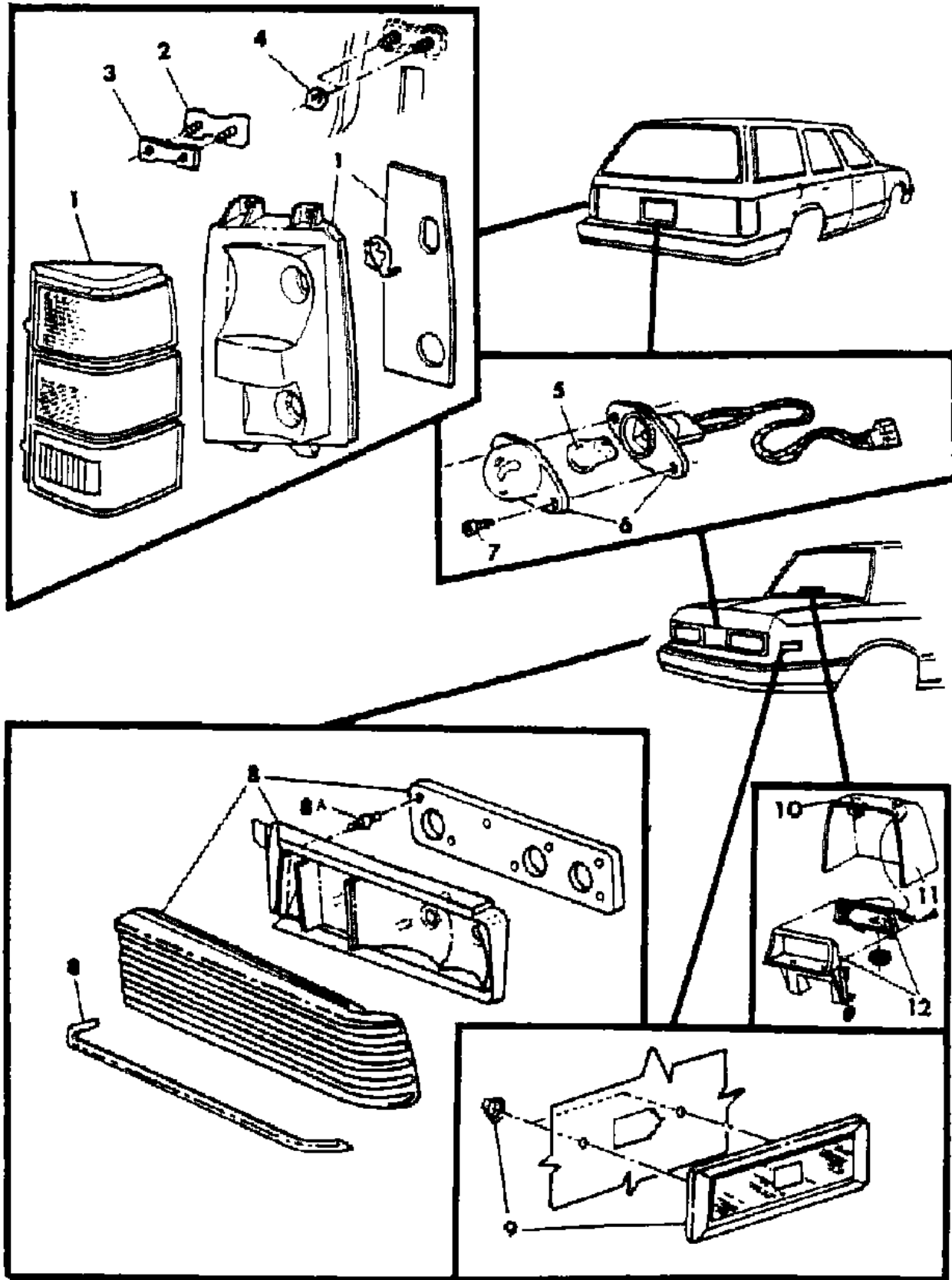
52-53 = FWD WAGON

AR = Use as Required - = Non Illustrated Part P.A.R. = Paint as Required

LAMPS & WIRING--REAR K BODY P-D

Figure 8-3200

7108 3200



ITEM	PART NUMBER	QTY	BODY	MODEL	DESCRIPTION
1					LAMP, Qtr. Pnl. T/Stop & T/Sig. B/Up & Side Marker
	4174 080-1		P (45)		
	4174 096-7		D (45)		
2	4174 298		P,D (45)		BRACKET, Qtr. Pnl.
3	4174 299		P,D (45)		GASKET, Qtr. Pnl.
4	6026 958	8	P,D (45)		PUSH-NUT
5	9425 542	2			BULB, (License)
6	4174 560				LAMP, (License)
7					SCREW, (Not Serv.)
8	4321 062-3		P(21,41)		LAMP, T/Stop T/Sig. & B/Up
	4321 066-7		P(21,41)		LENS
	4321 068-9		D(21,41)		T/Stop, T/Sig. & B/Up
	4321 070-1		D(21,41)		LENS
8A	6031 107				STUD
9	4321 072		PD-L21,		LAMP, Qtr. Pnl. S/Marker, w/Bezel (Black)
	4321 074		PD 21,4		
-	4221 577				LAMP, Trunk
10	4364 485				LAMP, Shelf Mtd. Stop Lamp
-	6031 869				GROMMET
11	H268 EK1				COVER, Shelf Panel Hi-Mtd. Stop Lamp
12	#4364 486				ADAPTER, Shelf Panel Stop Lamp
-	4321 993		45		LENS and HOUSING, Hi-Mtd. Stop Lamp
-	4321 651		45		BRACKET, Hi-Mtd. Stop Lamp

NOTE: BULBS AND SOCKETS ARE LISTED ON ILLUS. 5300-5400 Gear and Pinion numbers stamped on the item may be used to confirm the correct MATCHED SET they are contained in.

MODEL CODES

E BODY = (J - CARAVELLE)(E - 600)(T - NEW YORKER)

G BODY = (V24 - DAYTONA)

H BODY = (D44 - LANCER)(C44 - LEBARON GTS)

J BODY = (C - LEBARON)

K BODY = (P - RELIANT)(D - ARIES)(C - LEBAROND)/TOWN & COUNTRY)

L BODY = (M - HORIZON/TURISMO)(Z - OMNI/CHARGER)

M BODY = (B - GRAN FURY)(F - FIFTH AVE/NEWPORT)(G - DIPLOMAT)

P BODY = (P - SUNDANCE)(D - SHADOW)

S BODY = (H - VOYAGER)(K - RAM VAN/CARAVAN)

BODY STYLES

12-13 = FWD VAN

21 = 2-DOOR SEDAN

24 = 2-DOOR HATCHBACK

27 = 2-DOOR CONVERTIBLE

41 = 4-DOOR SEDAN

44 = 4-DOOR HATCHBACK

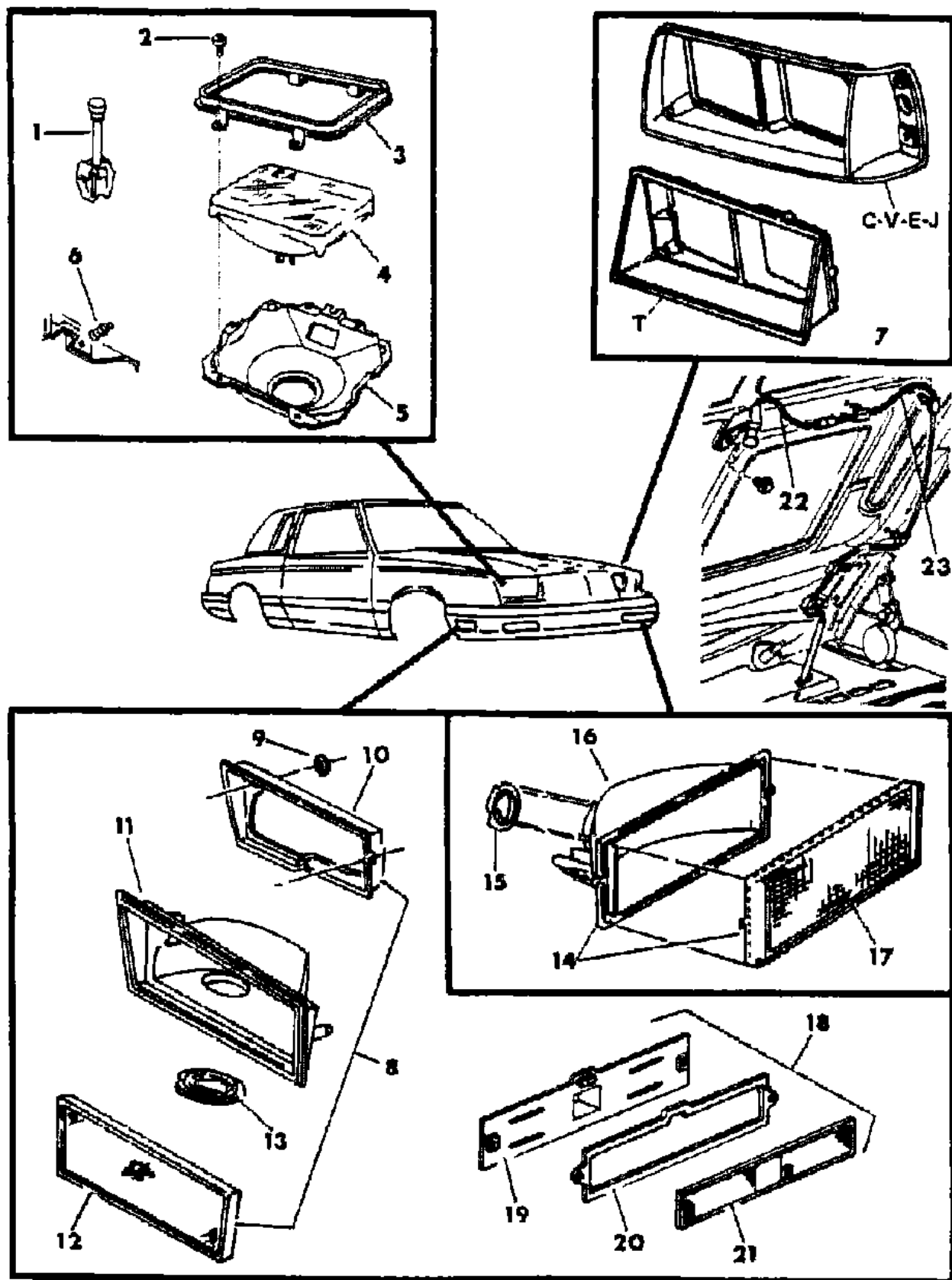
45 = 4-DOOR STATION WAGON

52-53 = FWD WAGON

AR = Use as Required - = Non Illustrated Part P.A.R. = Paint as Required

LAMPS--FRONT K E BODY C-J-E-T
Figure 8-3300

7108 3300



ITEM	PART NUMBER	QTY	BODY	MODEL	DESCRIPTION
1	3868 985	1			SCREW, w/Nut, Sealed Beam Unit
2					SCREW, (Not Serv.)
3	4016 088				RETAINER, Sealed Beam Unit
4					SEALED BEAM UNIT
	0153 775				High Beam (Halogen) Plastic
	0153 784				High & Low Beam (Halogen) Plastic
	0153 481				Halogen-Hi-Lo
	0153 440				Halogen-Hi
5					SEAT, Sealed Beam
	3868 928-9				High Beam
	3868 926-7				High & Low Beam
6	3868 789				SPRING, Sealed Beam Unit Seat Adj.
7	#4334 608-9		C,E,J		BEZEL, Headlamp
	4270 550-1		T		
-	4399 148-9		C,E,J		LENS & HOUSING
8	4174 206-7		J,E,T		LAMP, Cornering, w/o Bracket
9	6029 471	4			NUT, Lamp Mounting
10	4321 592-3				BRACKET, (Cornering Lamp)
11					HOUSING, (Serv. in Item #8)
-	4174 546-7	1	C		BEZEL, "Town & Country, Side Marker
12					LENS, (Serv. in Item #8)
13					PLATE, (Serv. in Item #8)
14	4321 578-9				LAMP, Park & Turn Signal Assy. Amber
	4174 200-1				Clear
15					PLATE, (Serv. in Item #14)
16					HOUSING, (Serv. in Item #14)
17					LENS, (Serv. in Item #14)
18	4174 224		T		HEAD LAMP, Side Marker
19					HOUSING, (Serv. in Item #18)
20					GASKET, (Serv. in Item #18)
21					LENS, (Serv. in Item #18)
22	4221 150				LAMP, Underhood
23	4368 675				WIRING, Underhood

NOTE: BULBS AND SOCKETS ARE LISTED ON ILLUS. 5300-5400 Gear and Pinion numbers stamped on the item may be used to confirm the correct MATCHED SET they are contained in.

MODEL CODES

E BODY = (J - CARAVELLE)(E - 600)(T - NEW YORKER)

G BODY = (V24 - DAYTONA)

H BODY = (D44 - LANCER)(C44 - LEBARON GTS)

J BODY = (C - LEBARON)

K BODY = (P - RELIANT)(D - ARIES)(C - LEBAROND)/TOWN & COUNTRY)

L BODY = (M - HORIZON/TURISMO)(Z - OMNI/CHARGER)

M BODY = (B - GRAN FURY)(F - FIFTH AVE/NEWPORT)(G - DIPLOMAT)

P BODY = (P - SUNDANCE)(D - SHADOW)

S BODY = (H - VOYAGER)(K - RAM VAN/CARAVAN)

BODY STYLES

12-13 = FWD VAN

21 = 2-DOOR SEDAN

24 = 2-DOOR HATCHBACK

27 = 2-DOOR CONVERTIBLE

41 = 4-DOOR SEDAN

44 = 4-DOOR HATCHBACK

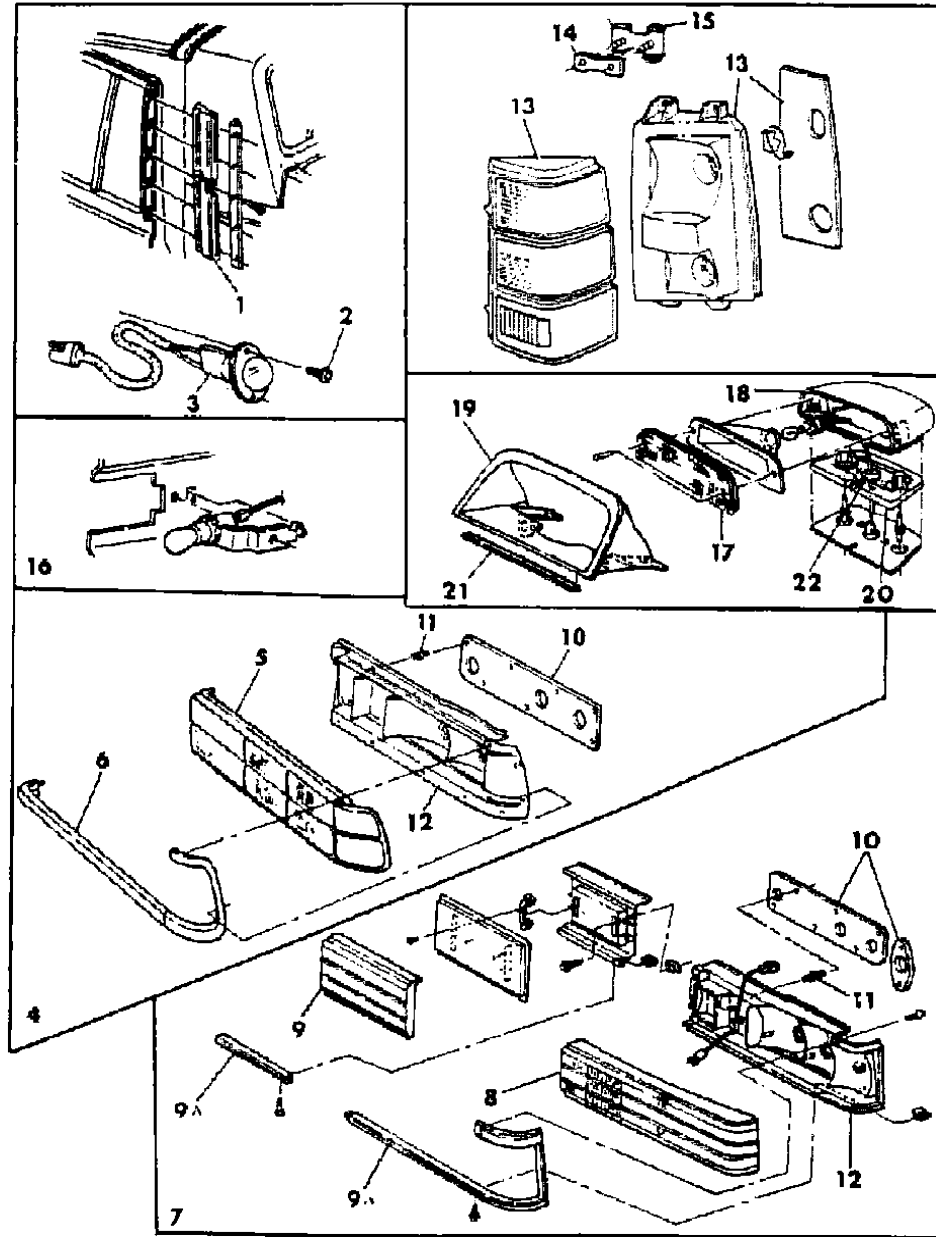
45 = 4-DOOR STATION WAGON

52-53 = FWD WAGON

AR = Use as Required - = Non Illustrated Part P.A.R. = Paint as Required

LAMPS & WIRING--REAR K E BODY C-J-E-T
Figure 8-3400

7108 3400



ITEM	PART NUMBER	QTY	BODY	MODEL	DESCRIPTION
1	4328 906-7			TP	LAMP, Opera Rear Wdo. Frame
2					SCREW, (Not Serv.)
3	4174 560			C,J,E	LAMP, (License)
4	4321 618			TP	LAMP, Tail, Stop & T/Sig.
	#4321 522-3			C	
	4321 526-7			J	
5	4321 528-9			E	LENS
	4321 566-7			C	
	4321 596-7			J	
6	4321 604-5			E	MOULDING
	4321 854-5			C	
	4321 856-7			J	
	4321 858-9			E	
7	4321 530-1			T	LAMP, Tail, Stop & T/Sig.
8	4399 252-3			T	LENS
9	#4321 532			T	APPLIQUE, Lower Panel
9A	4321 707			T	SUPPORT, Includes Moulding MOULDING, (Serv. in Lamp Assy.)
10				C,T	GASKET, (Serv. in Lamp Assy.)
11				C,T	STUD, (Serv. in Lamp Assy.)
12				C,T	HOUSING, (Serv. in Lamp Assy.)
13	4174 080-1			C (45)	LAMP, Qtr. Pnl. T/Stop, T/Sig., B/Up, Side Marker
	4321 074		C		Qtr. Panel, Side Marker
14	4174 299			C (45)	GASKET, Qtr. Pnl. T/S T/Sig. B/Up & S/Marker
15	4174 298			C (45)	BRACKET, Qtr. Pnl. T/S T/Sig. B/Up & S/Marker
16	4221 577			C,J,E,T	LAMP PACKAGE, Trunk
17	4364 485			C	LENS and HOUSING, Hi-Mtd. Stop Lamp
	4321 992			J,E,T	
	4321 993			C45	
18	H269 EK1			C41	COVER, Shelf Panel Hi-Mtd. Stop Lamp
	H266 EK1			E-J	COVER, Shelf Panel Hi-Mtd. Stop Lamp
	H267 EK1			T	COVER, Shelf Panel Hi-Mtd. Stop Lamp, Almond
	H267 ES8			T	Charcoal
	H267 EC7			T	Blue
	H267 EE8			T	Cordovan
	H267 ET8			T	Brown
19	4321 649			E,J	ADAPTER, Shelf Hi-Mtd. Stop Lamp
	4321 650			T	

MODEL CODES

E BODY = (J - CARAVELLE)(E - 600)(T - NEW YORKER)

G BODY = (V24 - DAYTONA)

H BODY = (D44 - LANCER)(C44 - LEBARON GTS)

J BODY = (C - LEBARON)

K BODY = (P - RELIANT)(D - ARIES)(C - LEBAROND)/TOWN & COUNTRY)

L BODY = (M - HORIZON/TURISMO)(Z - OMNI/CHARGER)

M BODY = (B - GRAN FURY)(F - FIFTH AVE/NEWPORT)(G - DIPLOMAT)

P BODY = (P - SUNDANCE)(D - SHADOW)

S BODY = (H - VOYAGER)(K - RAM VAN/CARAVAN)

BODY STYLES

12-13 = FWD VAN

21 = 2-DOOR SEDAN

24 = 2-DOOR HATCHBACK

27 = 2-DOOR CONVERTIBLE

41 = 4-DOOR SEDAN

44 = 4-DOOR HATCHBACK

45 = 4-DOOR STATION WAGON

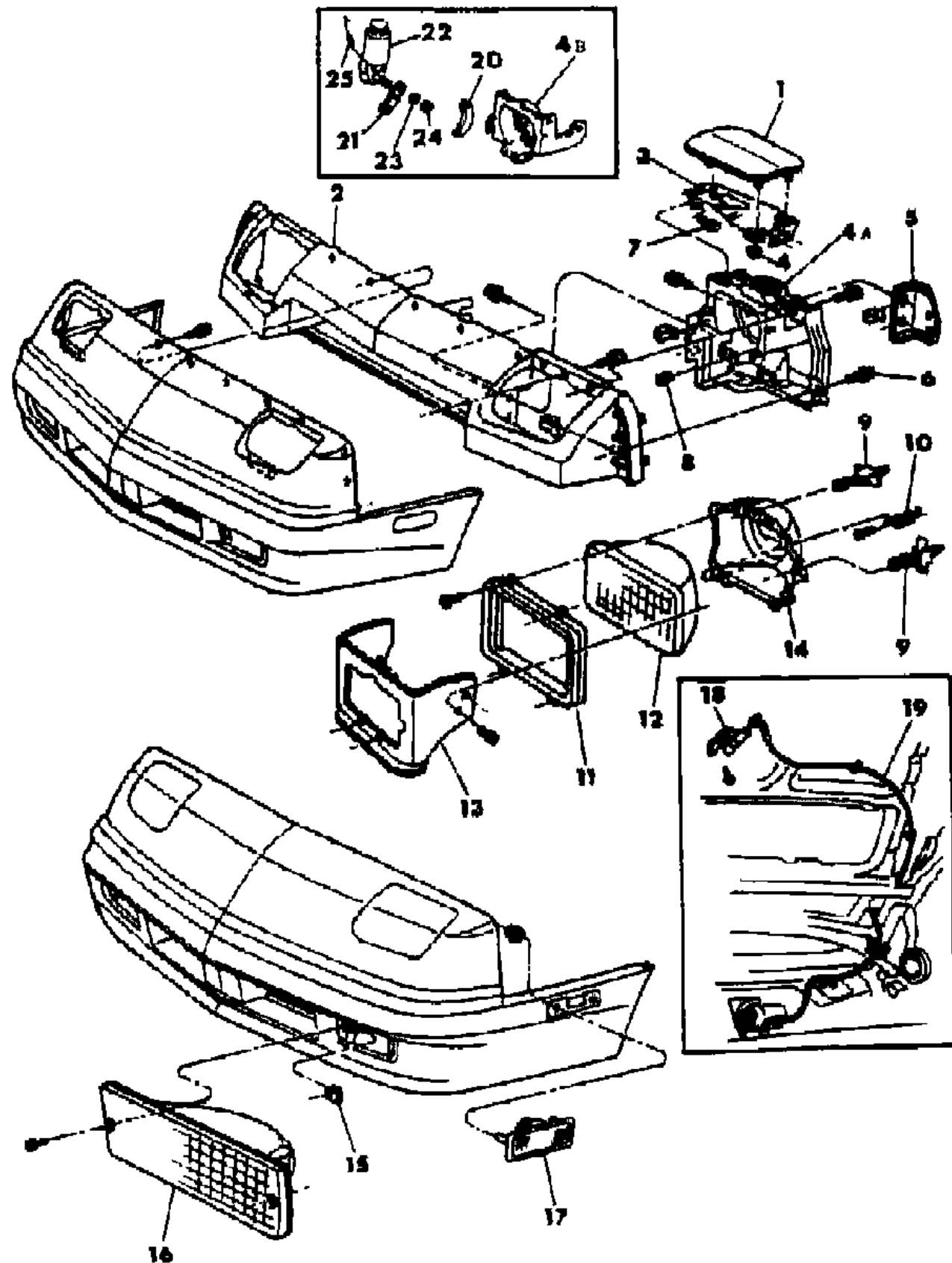
52-53 = FWD WAGON

AR = Use as Required - = Non Illustrated Part P.A.R. = Paint as Required

LAMPS--FRONT G BODY

Figure 8-3500

7100 3500 B



ITEM	PART NUMBER	QTY	BODY	MODEL	DESCRIPTION
1	4388 298-9				DOOR, Rotating H/Lamp
2	4388 085				PANEL, Bumper Fascia
3	4388 090-1				PANEL, H/Lamp Door Ajar
4	6025 001				NUT and WASHER
4A	4388 138-9				BRACKET, Rotating Headlamp
4B	#4388 316-7				HOUSING, w/Bracket, Rotating Headlamp
5	4388 088-9				BRACKET, H/Lamp to Clsr. Panel
6	6100 287				SCREW and WASHER
7	9425 178				SCREW
8	6031 138				NUT
9	4334 139				NUT and SCREW
10	3868 789				SPRING, Adj.
11	4270 937				RETAINER, H/Lamp
12	0153 942				BULB
13	4388 094-5				BEZEL, H/Lamp
14	3868 926-7				SEAT, H/Lamp
15	6032 746				NUT
16	4321 950-1				LAMP, Park and Turn Signal
17	4174 837				LAMP, Side Marker
18	4221 150				LAMP, Underhood
19	4331 540				WIRING, Underhood
20	#4388 340-1				LINK, Rotating H/Lamp
21					ARM, (Serv. w/Motor)
22	#4334 950-1				MOTOR, H/Lamp
23	#6100 140				WASHER, Lock
24	#6033 119				BUSHING, Lock
25	#4400 800				DIODE, H/Lamp Motor

NOTE: BULBS AND SOCKETS ARE LISTED ON ILLUS. 5300-5400 Gear and Pinion numbers stamped on the item may be used to confirm the correct MATCHED SET they are contained in.

MODEL CODES

E BODY = (J - CARAVELLE)(E - 600)(T - NEW YORKER)

G BODY = (V24 - DAYTONA)

H BODY = (D44 - LANCER)(C44 - LEBARON GTS)

J BODY = (C - LEBARON)

K BODY = (P - RELIANT)(D - ARIES)(C - LEBAROND)/TOWN & COUNTRY)

L BODY = (M - HORIZON/TURISMO)(Z - OMNI/CHARGER)

M BODY = (B - GRAN FURY)(F - FIFTH AVE/NEWPORT)(G - DIPLOMAT)

P BODY = (P - SUNDANCE)(D - SHADOW)

S BODY = (H - VOYAGER)(K - RAM VAN/CARAVAN)

BODY STYLES

12-13 = FWD VAN

21 = 2-DOOR SEDAN

24 = 2-DOOR HATCHBACK

27 = 2-DOOR CONVERTIBLE

41 = 4-DOOR SEDAN

44 = 4-DOOR HATCHBACK

45 = 4-DOOR STATION WAGON

52-53 = FWD WAGON

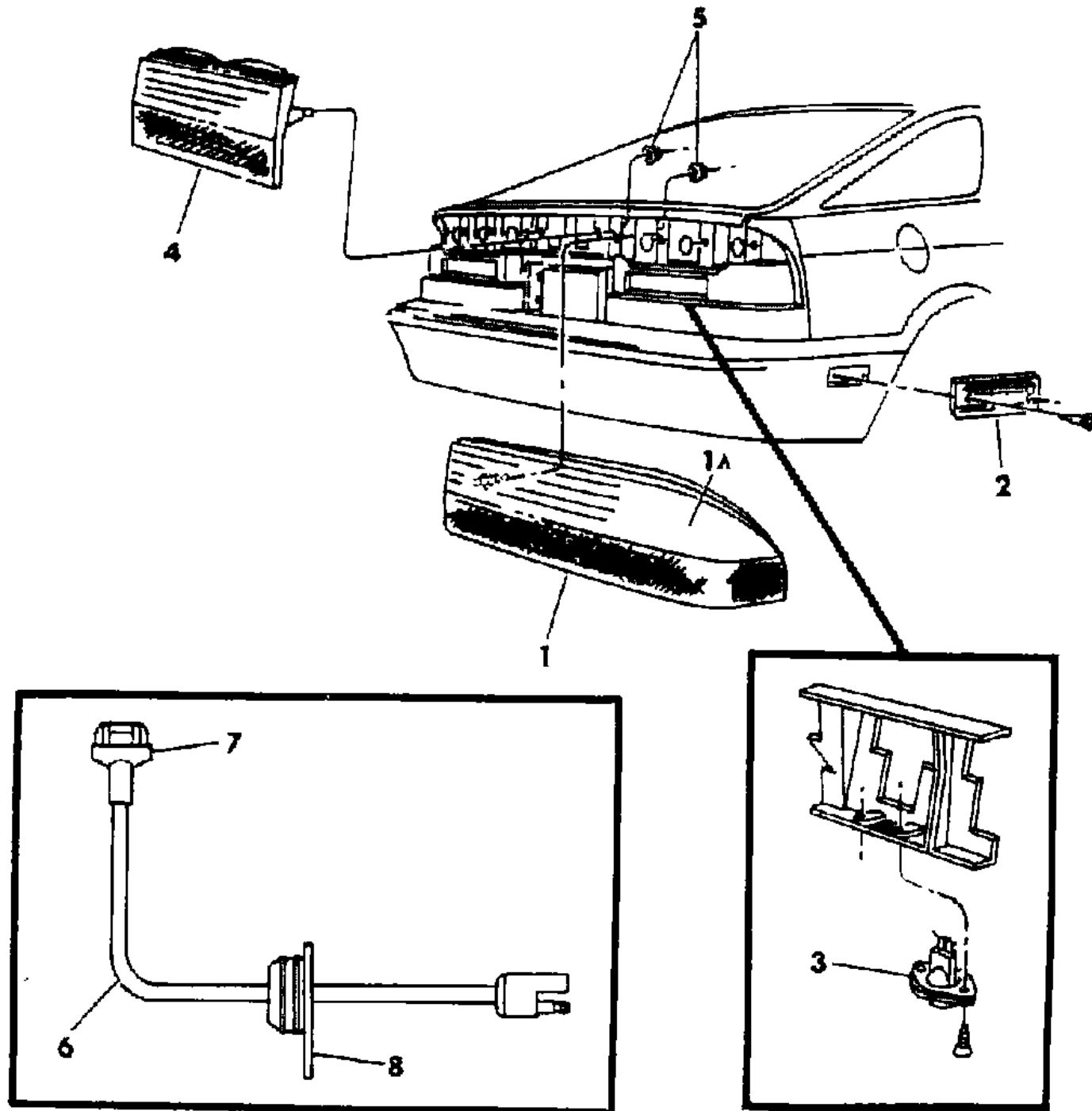
AR = Use as Required - = Non Illustrated Part P.A.R. = Paint as Required

LAMPS & WIRING--REAR G BODY
Figure 8-3600

7108 3600 B

ITEM	PART NUMBER	QTY	BODY	MODEL	DESCRIPTION
1	4321 136-7				LAMP, Tail, Stop, Turn Signal & Back Up
1A	4321 138-9				LENS
2	4174 820				REFLECTOR, Qtr. Panel Side
3	4321 956				LAMP, License
4	4321 141				LAMP, Applique Hi-Mtd. Stop Lamp
5	6033 024	12			NUT
6					WIRING, Hi-Mtd. Stop Lamp (Not Serv.)
7	4400 588	2			SOCKET, Hi-Mtd. Stop Lamp
8					SEAL, (Not Serv.)

NOTE: BULBS AND SOCKETS ARE LISTED ON ILLUS. 5300-5400 Gear and Pinion numbers stamped on the item may be used to confirm the correct MATCHED SET they are contained in.



MODEL CODES

E BODY = (J - CARAVELLE)(E - 600)(T - NEW YORKER)

G BODY = (V24 - DAYTONA)

H BODY = (D44 - LANCER)(C44 - LEBARON GTS)

J BODY = (C - LEBARON)

K BODY = (P - RELIANT)(D - ARIES)(C - LEBAROND)/TOWN & COUNTRY)

L BODY = (M - HORIZON/TURISMO)(Z - OMNI/CHARGER)

M BODY = (B - GRAN FURY)(F - FIFTH AVE/NEWPORT)(G - DIPLOMAT)

P BODY = (P - SUNDANCE)(D - SHADOW)

S BODY = (H - VOYAGER)(K - RAM VAN/CARAVAN)

BODY STYLES

12-13 = FWD VAN

21 = 2-DOOR SEDAN

24 = 2-DOOR HATCHBACK

27 = 2-DOOR CONVERTIBLE

41 = 4-DOOR SEDAN

44 = 4-DOOR HATCHBACK

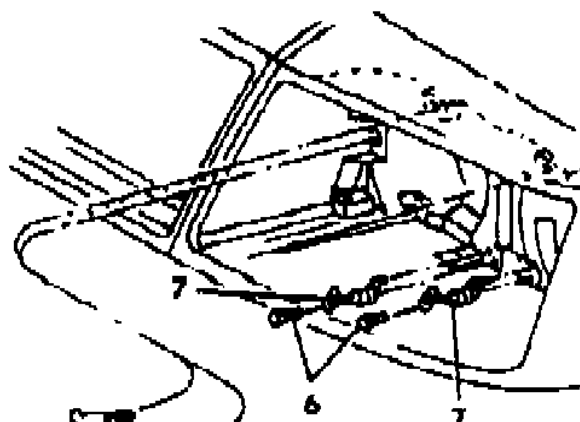
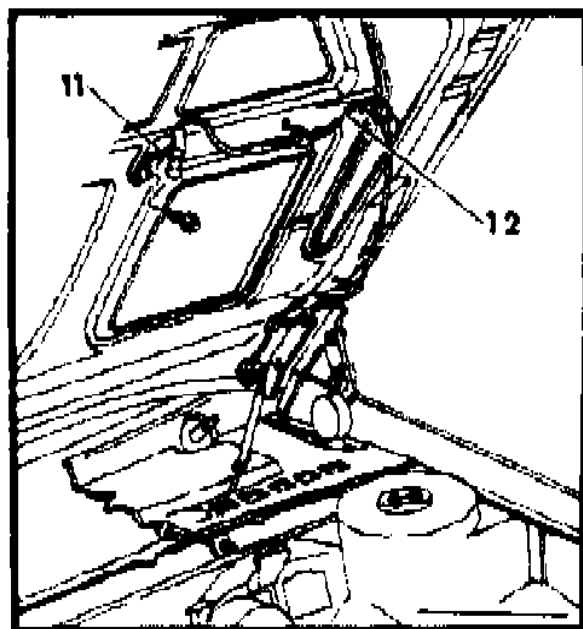
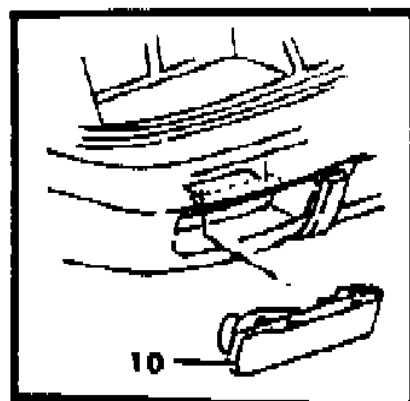
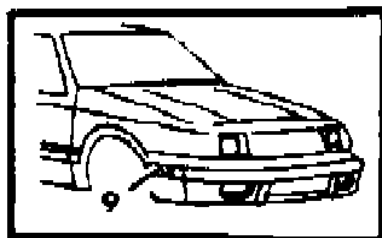
45 = 4-DOOR STATION WAGON

52-53 = FWD WAGON

AR = Use as Required - = Non Illustrated Part P.A.R. = Paint as Required

LAMPS--FRONT H BODY
Figure 8-3700

7108 3700 B



ITEM	PART NUMBER	QTY	BODY	MODEL	DESCRIPTION
1	4016 088				RETAINER, Rect. H/Lamp Bulb
	4270 937				Shelby
2	0153 775				BULB, Hi.-Beam
	0153 784				Hi.-Lo
3					SCREW, (Not Serv.)
4	3868 926-7				SEAT, Hi-Lo
	3868 928				Hi-Rt.
	3868 929				Hi-Lt.
5	4334 142	8			NUT and SCREW
6		4			SCREW, (Not Serv.)
7	3868 789	4			SPRING
8	4270 732-3			C	BEZEL, Head Lamp (Argent)
	4270 734-5			D	(Black)
	4370 134-5				"PACIFICA"
	4370 270-1				"SHELBY"
8A	6501 281				SPACER, H/Lamp Bezel
8B					SCREW, (Not Serv.)
9	X670-1 DX9				LAMP, Frt. Bumper Nerf. Ext. & Side Marker
10	4321 716-7				LAMP, Frt. Bumper Park & T/Signal
11	4221 150				LAMP, Underhood
12	4368 053				WIRING, Underhood Lamp
13	4370 152				FOG LAMP
14	4370 151				BRACKET, Fog Lamp
15					CLIP, Fog Lamp, (Not Serv.)
16					SCREW, Fog Lamp, (Not Serv.)

MODEL CODES

E BODY = (J - CARAVELLE)(E - 600)(T - NEW YORKER)

G BODY = (V24 - DAYTONA)

H BODY = (D44 - LANCER)(C44 - LEBARON GTS)

J BODY = (C - LEBARON)

K BODY = (P - RELIANT)(D - ARIES)(C - LEBAROND)/TOWN & COUNTRY)

L BODY = (M - HORIZON/TURISMO)(Z - OMNI/CHARGER)

M BODY = (B - GRAN FURY)(F - FIFTH AVE/NEWPORT)(G - DIPLOMAT)

P BODY = (P - SUNDANCE)(D - SHADOW)

S BODY = (H - VOYAGER)(K - RAM VAN/CARAVAN)

BODY STYLES

12-13 = FWD VAN

21 = 2-DOOR SEDAN

24 = 2-DOOR HATCHBACK

27 = 2-DOOR CONVERTIBLE

41 = 4-DOOR SEDAN

44 = 4-DOOR HATCHBACK

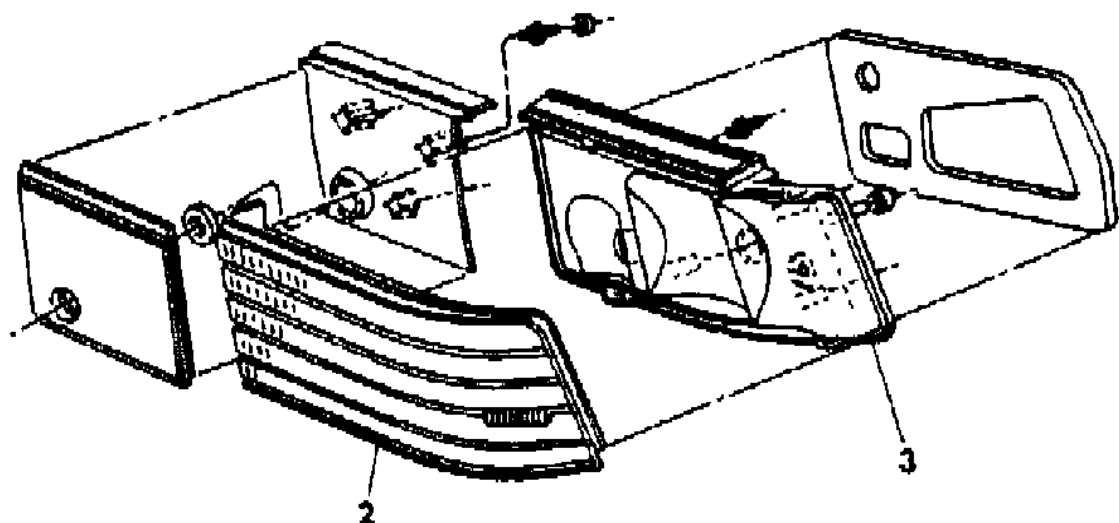
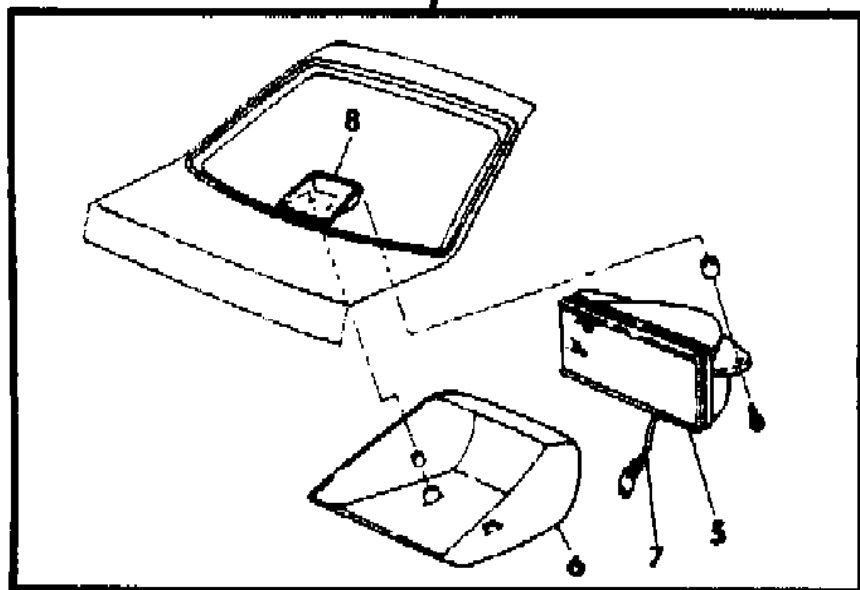
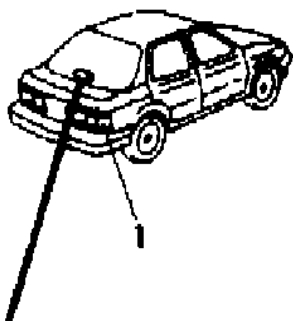
45 = 4-DOOR STATION WAGON

52-53 = FWD WAGON

AR = Use as Required - = Non Illustrated Part P.A.R. = Paint as Required

LAMPS & WIRING--REAR H BODY
Figure 8-3800

7108 3800



ITEM	PART NUMBER	QTY	BODY	MODEL	DESCRIPTION
1					LAMP, (Serv. Components)
2	4321 028-9			D	LENS
	4321 020-1			C	LENS
3	4318 794-5				HOUSING
4	4321 792				LAMP, License
5	4321 861				LENS HOUSING and PLATE, Hi-Mtd. Stop Lamp
6	H260 EX9				COVER, High Mtd. Stop Lamp
7	4368 441				WIRING, Socket & Cable, High Mtd. Stop Lp.
8					ADAPTOR, (Serv. w/Glass)

NOTE: BULBS AND SOCKETS ARE LISTED ON ILLUS. 5300-5400 Gear and Pinion numbers stamped on the item may be used to confirm the correct MATCHED SET they are contained in.

MODEL CODES

E BODY = (J - CARAVELLE)(E - 600)(T - NEW YORKER)

G BODY = (V24 - DAYTONA)

H BODY = (D44 - LANCER)(C44 - LEBARON GTS)

J BODY = (C - LEBARON)

K BODY = (P - RELIANT)(D - ARIES)(C - LEBAROND)/TOWN & COUNTRY)

L BODY = (M - HORIZON/TURISMO)(Z - OMNI/CHARGER)

M BODY = (B - GRAN FURY)(F - FIFTH AVE/NEWPORT)(G - DIPLOMAT)

P BODY = (P - SUNDANCE)(D - SHADOW)

S BODY = (H - VOYAGER)(K - RAM VAN/CARAVAN)

BODY STYLES

12-13 = FWD VAN

21 = 2-DOOR SEDAN

24 = 2-DOOR HATCHBACK

27 = 2-DOOR CONVERTIBLE

41 = 4-DOOR SEDAN

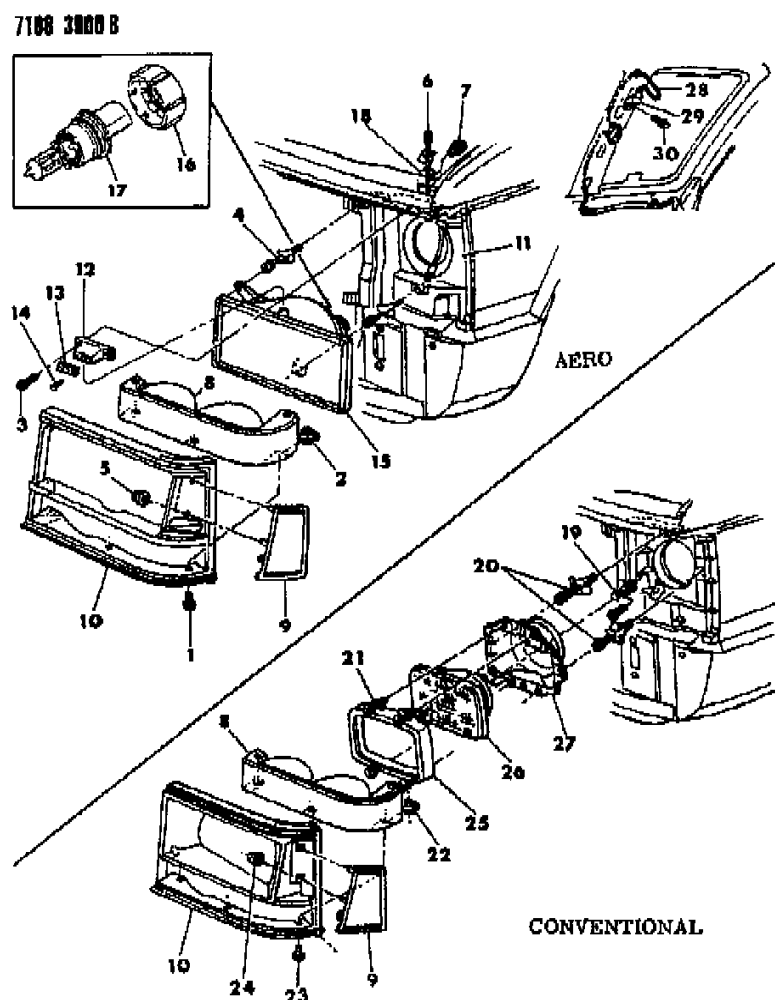
44 = 4-DOOR HATCHBACK

45 = 4-DOOR STATION WAGON

52-53 = FWD WAGON

AR = Use as Required - = Non Illustrated Part P.A.R. = Paint as Required

LAMPS--FRONT S BODY
Figure 8-3900



ITEM	PART NUMBER	QTY	BODY	MODEL	DESCRIPTION
1					SCREW, (Not Serv.)
2	6500 953				U-NUT
3					SCREW, (Not Serv.)
4	4388 237	4			NUT and SCREW, H/Lamp Adj. (AERO)
5	6029 471	4			NUT
6	4388 231				CABLE, H/Lamp Adj.(AERO)
7					SCREW and WASHER, (Not Serv.)
8	4321 910-1				LAMP, H/Lamp Park & Turn Sig.
9	4321 914-5				LAMP, H/Lamp Bezel Side Marker
	4321 920-1				(AERO)
10	4388 216-7		K(S)		BEZEL, H/Lamp Bright
	4388 218-9		K(E)		Painted
	4388 214-5				(AERO)
11	4388 220-1				ADAPTER, H/Lamp (AERO)
	4388 222-3				Exc. (AERO)
12	4388 228				PIVOT, H/Lamp Adj.(AERO)
13					RETAINER, H/Lamp Pivot, (Serv. in Item #12)
14					SCREW, (Not Serv.)
15	4388 234-5				HOUSING, H/Lamp Adj. (AERO)
16	4388 227				NUT, Retainer
17	4388 238				BULB, (AERO) GE#9004
18	4388 236	2			BRACKET, Cable Mtg.
19	3868 789				SPRING
20	4334 722	4			NUT and SCREW
21					SCREW, (Not Serv.)
22	6500 953				U-NUT
23					SCREW, (Not Serv.)
24	6029 471				NUT
25	5201 204				RETAINER
26	4388 167				BULB
27	4388 232-3				SEAT
28	4221 150				LAMP, Underhood
29	9428 606				BULB, Underhood Lamp #105
30					SCREW, (Not Serv.)

NOTE: BULBS AND SOCKETS ARE LISTED ON ILLUS: 5300-5400 Gear and Pinion numbers stamped on the item may be used to confirm the correct MATCHED SET they are contained in.

MODEL CODES

E BODY = (J - CARAVELLE)(E - 600)(T - NEW YORKER)

G BODY = (V24 - DAYTONA)

H BODY = (D44 - LANCER)(C44 - LEBARON GTS)

J BODY = (C - LEBARON)

K BODY = (P - RELIANT)(D - ARIES)(C - LEBAROND)/TOWN & COUNTRY)

L BODY = (M - HORIZON/TURISMO)(Z - OMNI/CHARGER)

M BODY = (B - GRAN FURY)(F - FIFTH AVE/NEWPORT)(G - DIPLOMAT)

P BODY = (P - SUNDANCE)(D - SHADOW)

S BODY = (H - VOYAGER)(K - RAM VAN/CARAVAN)

BODY STYLES

12-13 = FWD VAN

21 = 2-DOOR SEDAN

24 = 2-DOOR HATCHBACK

27 = 2-DOOR CONVERTIBLE

41 = 4-DOOR SEDAN

44 = 4-DOOR HATCHBACK

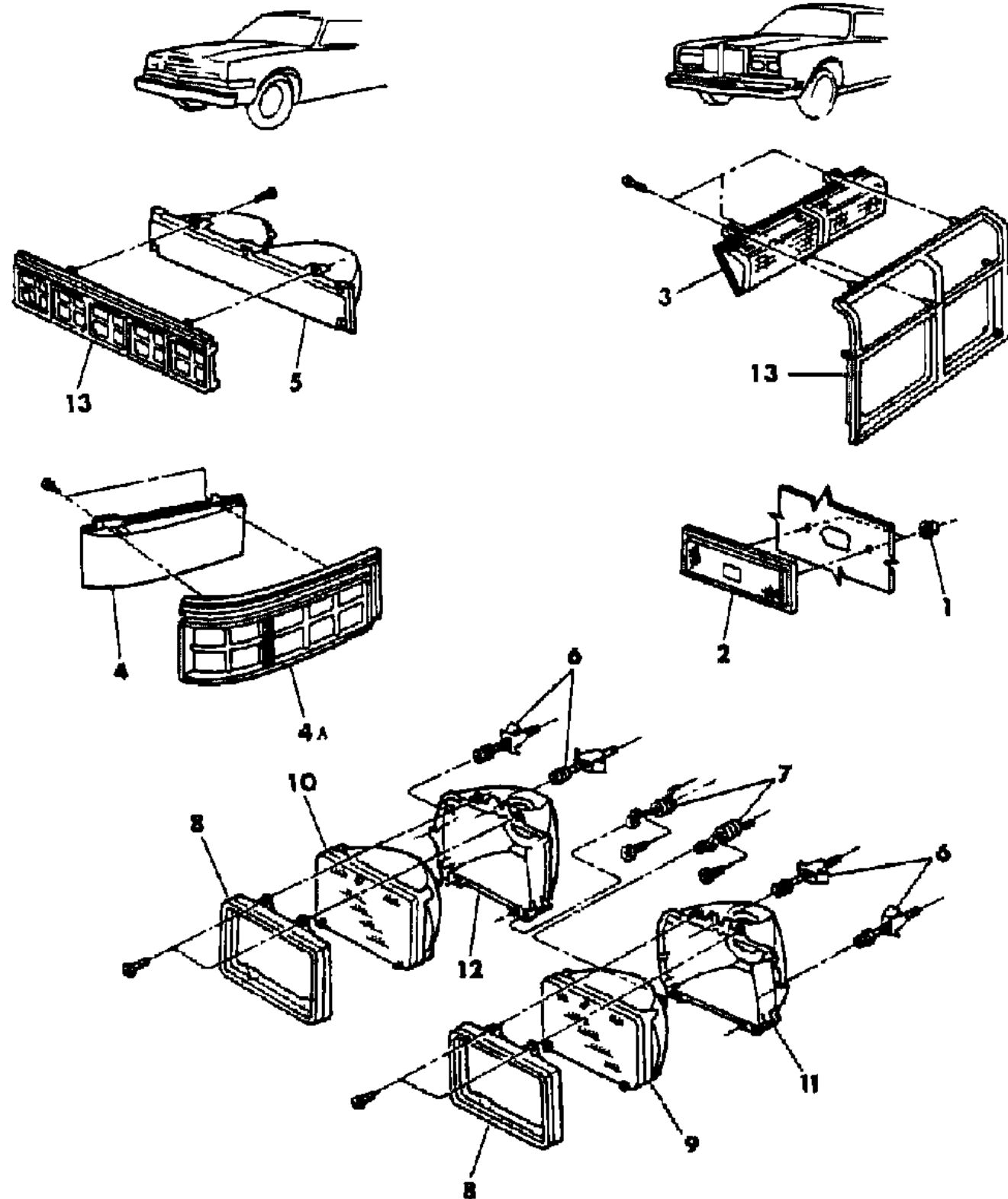
45 = 4-DOOR STATION WAGON

52-53 = FWD WAGON

AR = Use as Required - = Non Illustrated Part P.A.R. = Paint as Required

LAMPS--FRONT M BODY--B-F-G
Figure 8-4100

7108 4100



ITEM	PART NUMBER	QTY	BODY	MODEL	DESCRIPTION
1	6029 471			G-P,F-H	NUT, Fender S/Marker Lp.
2	4174 867	2		G-P, F-	LAMP ASSEMBLY, Fndr. Side Marker
3	4076 564			G-P,F-H	LAMP ASSEMBLY, H/Lamp Bezel, Park & Turn Sig. Rt.
	4321 095				Lt.
	4174 364-5			F-S	
4	4076 570-1			BG-L	LAMP ASSEMBLY, Grille S/Marker w/Lens
4A	4103 410-1				LENS, (Also See Group #7)
5	4076 566-7			BG-L	LAMP ASSEMBLY, Rad. Grille Park & T/Sig.
6	4334 139				NUT and SCREW
7	3868 789				SPRING
8	4016 088				RETAINER, H/Lamp Bulb
9	0153 481				BULB, H/Lamp, Hi-Low HALOGEN
10	0153 440				BULB, Hi, Halogen
11	3868 926-7				SEAT, Hi-Low
12	3868 928-9				SEAT, High Beam
13	4103 638-9			F	BEZEL, (Fifth Ave.)
	4074 626	2		B-G	Bezel
	4074 624-5			G-P	Bezel

NOTE: BULBS AND SOCKETS ARE LISTED ON ILLUS: 5300-5400 Gear and Pinion numbers stamped on the item may be used to confirm the correct MATCHED SET they are contained in.

MODEL CODES

E BODY = (J - CARAVELLE)(E - 600)(T - NEW YORKER)

G BODY = (V24 - DAYTONA)

H BODY = (D44 - LANCER)(C44 - LEBARON GTS)

J BODY = (C - LEBARON)

K BODY = (P - RELIANT)(D - ARIES)(C - LEBAROND)/TOWN & COUNTRY)

L BODY = (M - HORIZON/TURISMO)(Z - OMNI/CHARGER)

M BODY = (B - GRAN FURY)(F - FIFTH AVE/NEWPORT)(G - DIPLOMAT)

P BODY = (P - SUNDANCE)(D - SHADOW)

S BODY = (H - VOYAGER)(K - RAM VAN/CARAVAN)

BODY STYLES

12-13 = FWD VAN

21 = 2-DOOR SEDAN

24 = 2-DOOR HATCHBACK

27 = 2-DOOR CONVERTIBLE

41 = 4-DOOR SEDAN

44 = 4-DOOR HATCHBACK

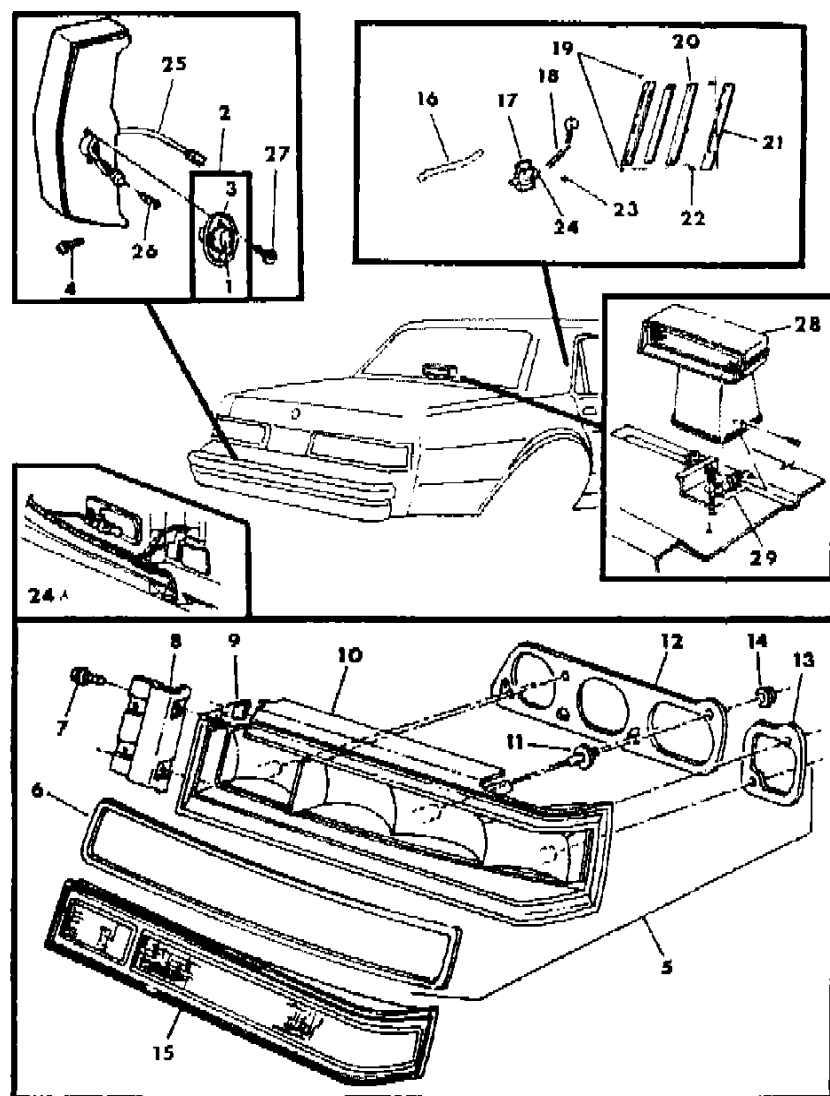
45 = 4-DOOR STATION WAGON

52-53 = FWD WAGON

AR = Use as Required - = Non Illustrated Part P.A.R. = Paint as Required

LAMPS & WIRING--REAR M BODY--F
Figure 8-4200

7108 4200 C



ITEM	PART NUMBER	QTY	BODY	MODEL	DESCRIPTION
1					LENS, (Serv. in Lamp Assy.)
2	4076 808				LAMP, (License)
3					HOUSING, (Serv. in Lamp Assy.)
4					SCREW, (Not Serv.)
5	4174 356-7	1			LAMP, Lwr.Deck Oping Pnl.t/Stop & t/Sig. Assy.
6					SEAL, (Serv. in Lamp Assy.)
7					SCREW, (Not Serv.)
8	4229 652				SUPPORT
9					NUT, Speed
10					HOUSING, (Serv. in Lamp Assy.)
11					STUD, (Serv. in Lamp Assy.)
12					GASKET, (Serv. In Lamp Assy.)
13					GASKET, (Serv. In Lamp Assy.)
14	6023 205	12			NUT
15	4076 892-3				LENS, Tail, Stop, T/Sig., Side Marker
16	4229 163	AR			WIRE, 12 Volts
17	4229 291	AR			RETAINER, Inverter Assy.
18		AR			WIRE, Lamp, 110 Volts (Serv. in #20)
19	4057 555	AR			NUT, 3/16
20	4229 160-1				LENS, Light Insert Assy.
21	4229 806-7				BEZEL, Rear Dr. Qtr. Wdo. Assy.
22	4094 619				RETAINER PACKAGE
23		AR			RIVET, 1/8 x .032
24	4229 162	AR			INVERTER, Rear Opera Lamp Assy.
24A	4267 275				LAMP, Trunk
25	4304 963				WIRING, License Lamps
26	9425 542				BULB, License Lamps #162
27	6032 525				SCREW
28	H201 EK1				LAMP, Hi-Mtd. Stop Lamp, w/Bulb & Socket, #Bulb 1156-- 9417866
29	4399 303				BRACKET, Hi-Mtd. Stop Lamp
-	4368 619				INSULATOR, Hi-Mtd. Stop Lamp
-	4368 618				TERMINAL, Hi-Mtd. Stop Lamp

NOTE: BULBS AND SOCKETS ARE LISTED ON ILLUS. 5300-5400 Gear and Pinion numbers stamped on the item may be used to confirm the correct MATCHED SET they are contained in.

MODEL CODES

E BODY = (J - CARAVELLE)(E - 600)(T - NEW YORKER)

G BODY = (V24 - DAYTONA)

H BODY = (D44 - LANCER)(C44 - LEBARON GTS)

J BODY = (C - LEBARON)

K BODY = (P - RELIANT)(D - ARIES)(C - LEBAROND)/TOWN & COUNTRY)

L BODY = (M - HORIZON/TURISMO)(Z - OMNI/CHARGER)

M BODY = (B - GRAN FURY)(F - FIFTH AVE/NEWPORT)(G - DIPLOMAT)

P BODY = (P - SUNDANCE)(D - SHADOW)

S BODY = (H - VOYAGER)(K - RAM VAN/CARAVAN)

BODY STYLES

12-13 = FWD VAN

21 = 2-DOOR SEDAN

24 = 2-DOOR HATCHBACK

27 = 2-DOOR CONVERTIBLE

41 = 4-DOOR SEDAN

44 = 4-DOOR HATCHBACK

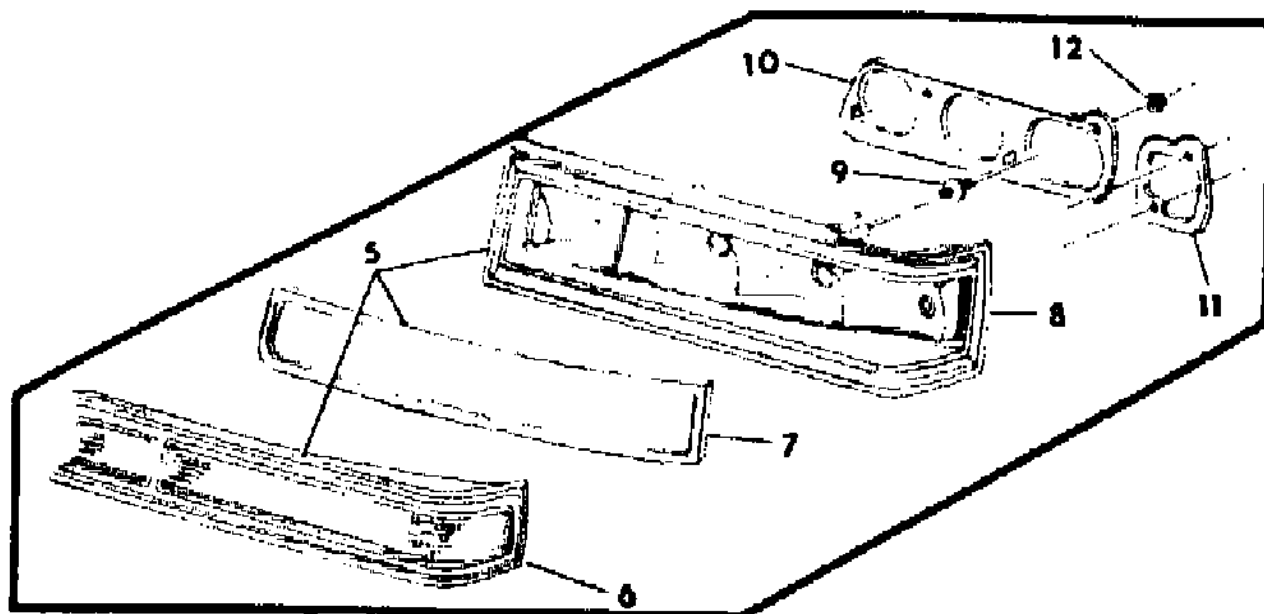
45 = 4-DOOR STATION WAGON

52-53 = FWD WAGON

AR = Use as Required - = Non Illustrated Part P.A.R. = Paint as Required

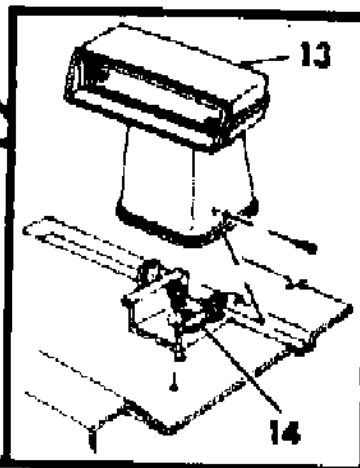
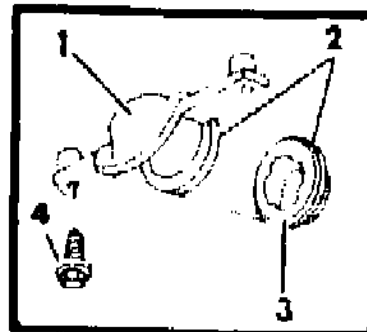
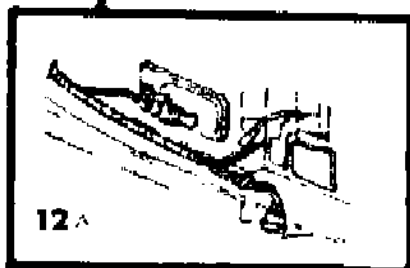
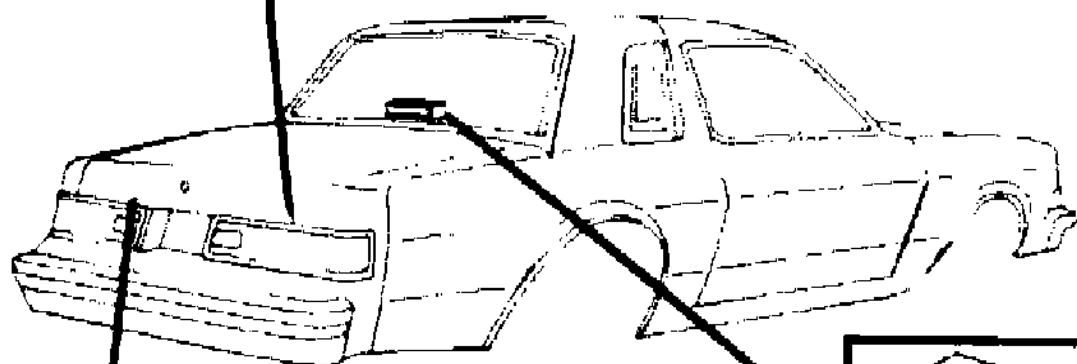
LAMPS & WIRING--REAR M BODY--B-G
Figure 8-4300

7108 4300 A



ITEM	PART NUMBER	QTY	BODY	MODEL	DESCRIPTION
1					LENS, (Serv. in Lamp Assy.)
2	4076 812	1			LAMP, (License)
3					HOUSING, (Serv. in Lamp Assy.)
4	0152 490				U-NUT
5	4076 574-5	1		G	LAMP, t/S Side Marker & Back Up Assy.
	4225 074-5	1		B	
6	4076 688-9	1			LENS
7	3798 253				SEAL
8	4076 686-7			G	HOUSING
				B	HOUSING, (Serv. In Lamp Assy.)
9					STUD, (Serv. In Lamp Assy.)
10					GASKET, (Serv. In Lamp Assy.)
11					GASKET, (Serv. in Lamp Assy.)
12	6023 205	2			NUT
12A	4267 275				LAMP, Trunk
13	H202 EK1				LAMP, Hi-Mtd. Stop Lamp, w/Bulb & Socket
14	4399 304				BRACKET, Hi-Mtd. Stop Lamp

NOTE: BULBS AND SOCKETS ARE LISTED ON ILLUS. 5300-5400 Gear and Pinion numbers stamped on the item may be used to confirm the correct MATCHED SET they are contained in.



MODEL CODES

E BODY = (J - CARAVELLE)(E - 600)(T - NEW YORKER)

G BODY = (V24 - DAYTONA)

H BODY = (D44 - LANCER)(C44 - LEBARON GTS)

J BODY = (C - LEBARON)

K BODY = (P - RELIANT)(D - ARIES)(C - LEBAROND)/TOWN & COUNTRY)

L BODY = (M - HORIZON/TURISMO)(Z - OMNI/CHARGER)

M BODY = (B - GRAN FURY)(F - FIFTH AVE/NEWPORT)(G - DIPLOMAT)

P BODY = (P - SUNDANCE)(D - SHADOW)

S BODY = (H - VOYAGER)(K - RAM VAN/CARAVAN)

BODY STYLES

12-13 = FWD VAN

21 = 2-DOOR SEDAN

24 = 2-DOOR HATCHBACK

27 = 2-DOOR CONVERTIBLE

41 = 4-DOOR SEDAN

44 = 4-DOOR HATCHBACK

45 = 4-DOOR STATION WAGON

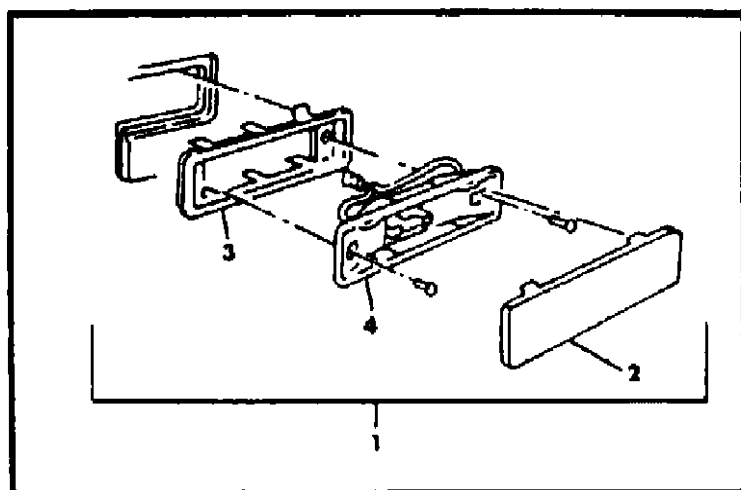
52-53 = FWD WAGON

AR = Use as Required - = Non Illustrated Part P.A.R. = Paint as Required

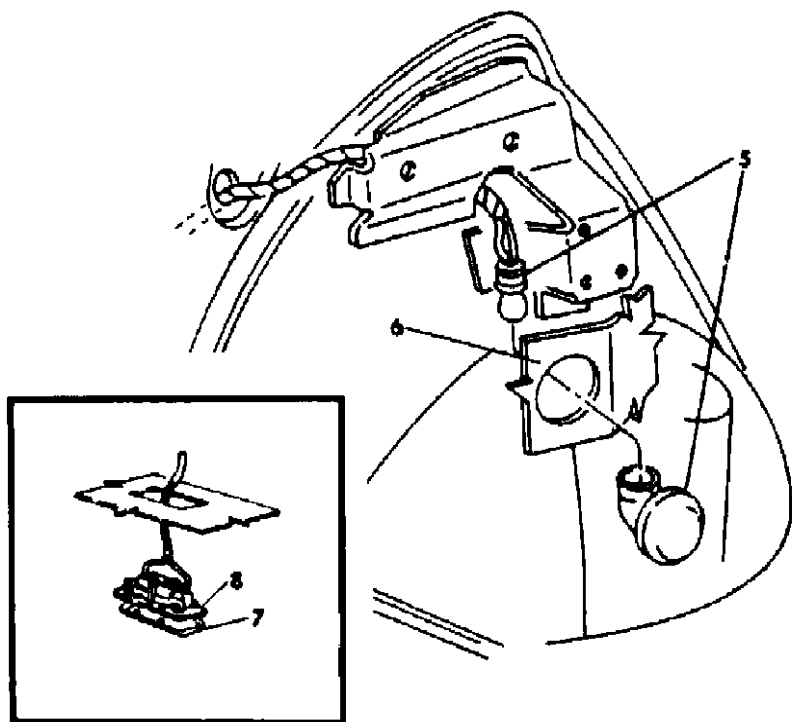
LAMPS--CARGO-DOME-COURTESY L BODY

Figure 8-4400

7108 4400



ITEM	PART NUMBER	QTY	BODY	MODEL	DESCRIPTION
1	4220 594			24	LAMP, Cargo
2	3488 995			24	LENS, Cargo Lamp
3	3591 126				BRACKET, Cargo Lamp
4					HOUSING, Cargo Lamp, (Serv. in Lamp Assy.)
5	5209 554			44	LENS, Cargo Lamp
6				44	BRACKET, Housing,(Part of Qtr. Trim Panel)
7	3488 995			44	LENS, Fwd. Dome Lp. w/Sun Roof
	5209 525			44	LENS, Fwd. Dome Lp. w/o Sun Roof
8	5209 523				HOUSING, Fwd. Dome Lp.



MODEL CODES

E BODY = (J - CARAVELLE)(E - 600)(T - NEW YORKER)

G BODY = (V24 - DAYTONA)

H BODY = (D44 - LANCER)(C44 - LEBARON GTS)

J BODY = (C - LEBARON)

K BODY = (P - RELIANT)(D - ARIES)(C - LEBAROND)/TOWN & COUNTRY)

L BODY = (M - HORIZON/TURISMO)(Z - OMNI/CHARGER)

M BODY = (B - GRAN FURY)(F - FIFTH AVE/NEWPORT)(G - DIPLOMAT)

P BODY = (P - SUNDANCE)(D - SHADOW)

S BODY = (H - VOYAGER)(K - RAM VAN/CARAVAN)

BODY STYLES

12-13 = FWD VAN

21 = 2-DOOR SEDAN

24 = 2-DOOR HATCHBACK

27 = 2-DOOR CONVERTIBLE

41 = 4-DOOR SEDAN

44 = 4-DOOR HATCHBACK

45 = 4-DOOR STATION WAGON

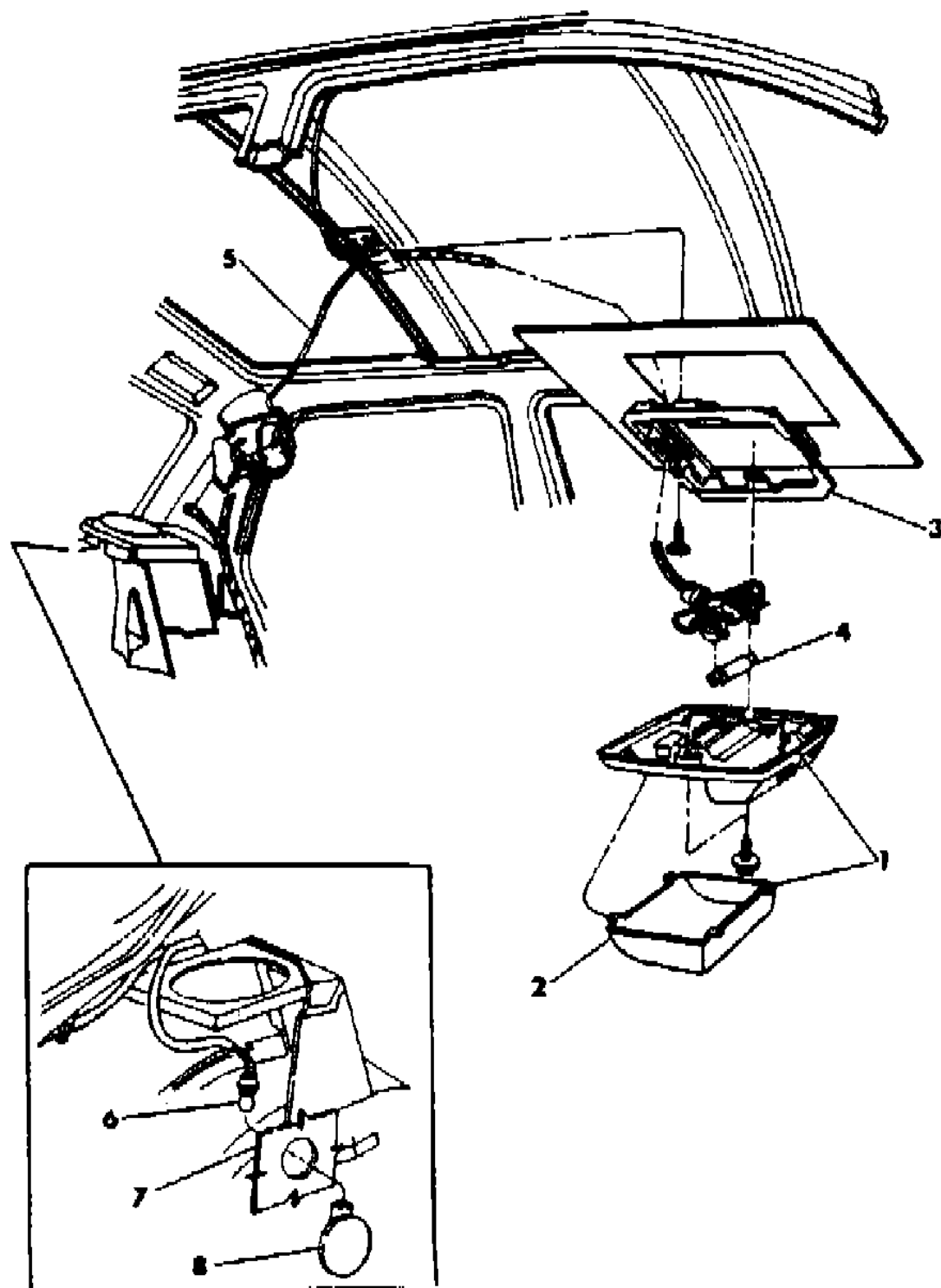
52-53 = FWD WAGON

AR = Use as Required - = Non Illustrated Part P.A.R. = Paint as Required

LAMPS--CARGO-DOME-COURTESY P BODY

Figure 8-4500

7108 4500 A



ITEM	PART NUMBER	QTY	BODY	MODEL	DESCRIPTION
1	3593 728				LAMP, Dome
2	3488 936				LENS, Dome Lamp
3	4047 293				BRACKET, Dome Lamp
4	9431 808				BULB, Dome Lamp
5	4368 114				WIRING, Dome & Map Lamp
6	#9437 173				BULB, Cargo Lamp
7					TRIM PANEL
8	5209 554				LENS, Cargo Lamp

MODEL CODES

E BODY = (J - CARAVELLE)(E - 600)(T - NEW YORKER)

G BODY = (V24 - DAYTONA)

H BODY = (D44 - LANCER)(C44 - LEBARON GTS)

J BODY = (C - LEBARON)

K BODY = (P - RELIANT)(D - ARIES)(C - LEBAROND)/TOWN & COUNTRY)

L BODY = (M - HORIZON/TURISMO)(Z - OMNI/CHARGER)

M BODY = (B - GRAN FURY)(F - FIFTH AVE/NEWPORT)(G - DIPLOMAT)

P BODY = (P - SUNDANCE)(D - SHADOW)

S BODY = (H - VOYAGER)(K - RAM VAN/CARAVAN)

BODY STYLES

12-13 = FWD VAN

21 = 2-DOOR SEDAN

24 = 2-DOOR HATCHBACK

27 = 2-DOOR CONVERTIBLE

41 = 4-DOOR SEDAN

44 = 4-DOOR HATCHBACK

45 = 4-DOOR STATION WAGON

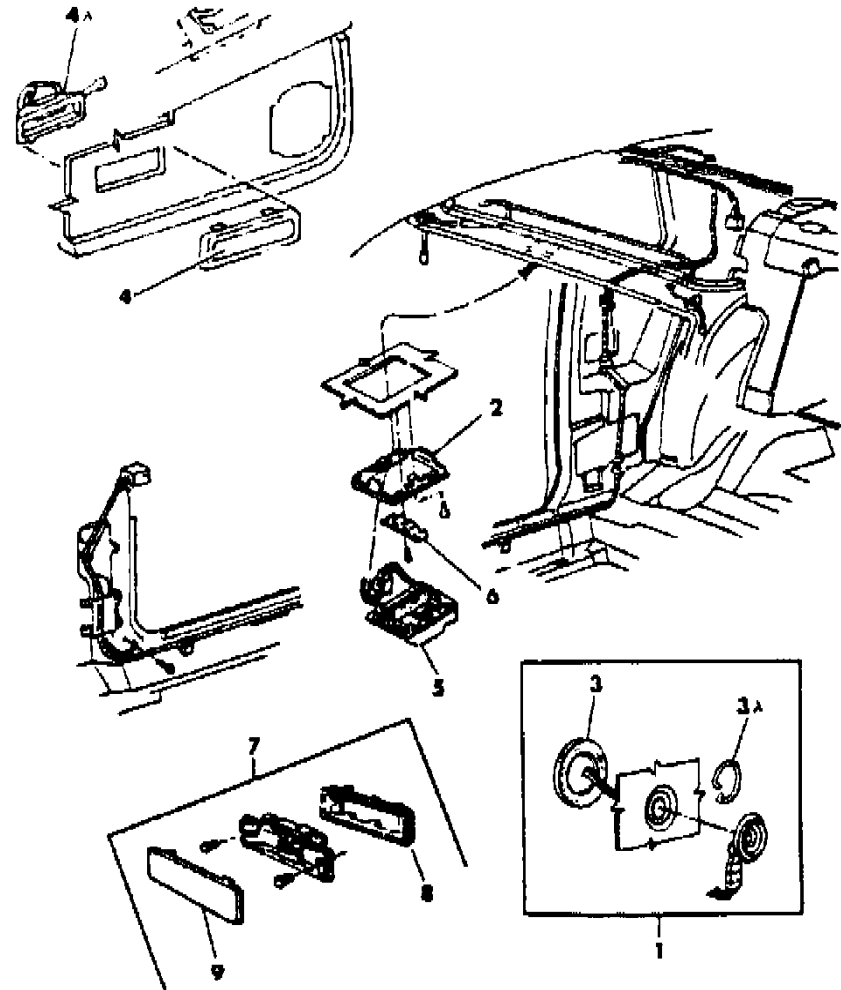
52-53 = FWD WAGON

AR = Use as Required - = Non Illustrated Part P.A.R. = Paint as Required

LAMPS--CARGO-DOME-COURTESY J BODY

Figure 8-4600

7108 4800 B



ITEM	PART NUMBER	QTY	BODY	MODEL	DESCRIPTION
1	4374 020				LAMP ASSEMBLY, Qtr. Reading
2	4312 706				BRACKET, Frt. Header Reading
3	4374 447				SEAL, Qtr. Reading Lamp
3A	6033 162				CLIP, Rear Qtr. Reading Lamp
4	#4312 892				LENS, Frt. Door Courtesy Lamp
4A	4312 949				HOUSING, Frt. Door Courtesy Lamp
	4374 089				BEZEL, Door Courtesy Lamp
-	4312 832				BRACKET, Under Panel Courtesy Lp.
5	#H196 FS8				LAMP, Front Header Reading, Charcoal
	H196 FE8				Cordovan
	H196 FC5				Blue
	H196 FK1				Light Almond
6					ADAPTOR, (Not Serv.)
7	#4374 642				LAMP, Cargo
8	#3591 126				BRACKET, Cargo Lamp Mtg.
9	3488 995				LENS

MODEL CODES

E BODY = (J - CARAVELLE)(E - 600)(T - NEW YORKER)

G BODY = (V24 - DAYTONA)

H BODY = (D44 - LANCER)(C44 - LEBARON GTS)

J BODY = (C - LEBARON)

K BODY = (P - RELIANT)(D - ARIES)(C - LEBAROND)/TOWN & COUNTRY)

L BODY = (M - HORIZON/TURISMO)(Z - OMNI/CHARGER)

M BODY = (B - GRAN FURY)(F - FIFTH AVE/NEWPORT)(G - DIPLOMAT)

P BODY = (P - SUNDANCE)(D - SHADOW)

S BODY = (H - VOYAGER)(K - RAM VAN/CARAVAN)

BODY STYLES

12-13 = FWD VAN

21 = 2-DOOR SEDAN

24 = 2-DOOR HATCHBACK

27 = 2-DOOR CONVERTIBLE

41 = 4-DOOR SEDAN

44 = 4-DOOR HATCHBACK

45 = 4-DOOR STATION WAGON

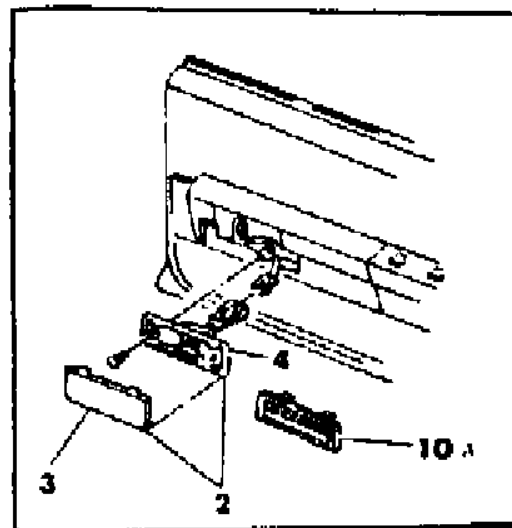
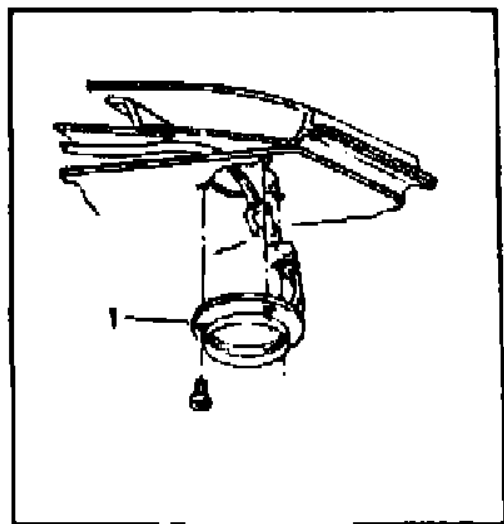
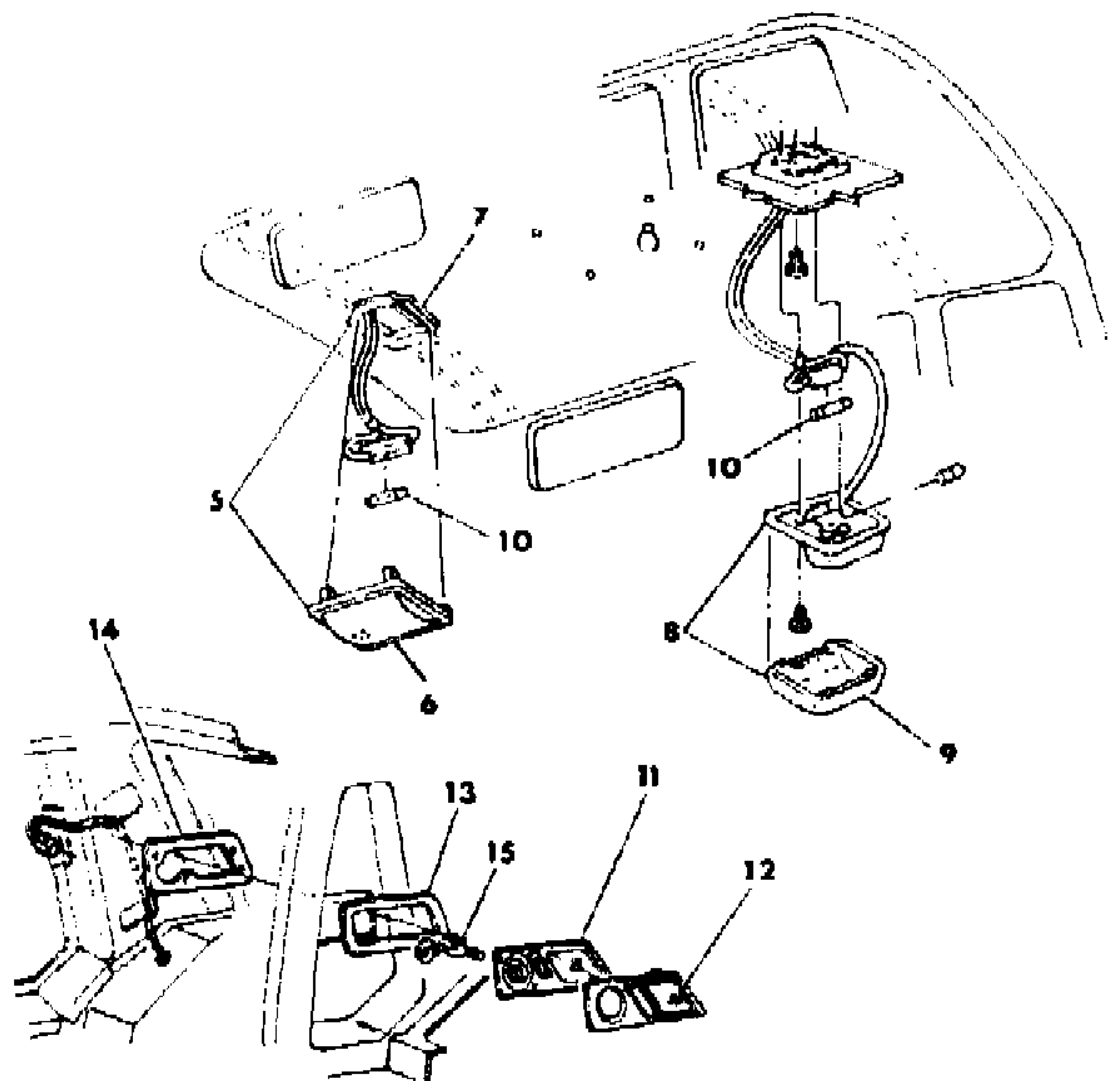
52-53 = FWD WAGON

AR = Use as Required - = Non Illustrated Part P.A.R. = Paint as Required

LAMPS--CARGO-DOME-COURTESY K-E BODY

Figure 8-4700

7108 4700 A



ITEM	PART NUMBER	QTY	BODY	MODEL	DESCRIPTION
1	4220 490			P-D41	LAMP, Fwd. Dome w/Switch
2					LAMP, Frt. Door Courtesy, (Serv. Components)
3	#4312 892				LENS, Frt. Door Courtesy & Rear Qtr. Courtesy
4	4374 079				HOUSING, Frt. Door Courtesy (Serv. in Lamp Assy.)
5	3593 728				LAMP, Dome
6	3488 936				LENS, Dome
7	4047 293				BRACKET, Dome Lamp
8	4220 249			PDC,JET	LAMP, Dome & Map
9	3591 873			PDC,JET	LENS, Dome & Map
10	#9437 173			PDC,JET	BULB, Dome & Map
10A	4374 089			PDC,JET	BEZEL, Frt. & Rear Door Courtesy
11	4312 498-9			E-T	HOUSING,w/Switch, C-Pillar
12	4312 368-9			E-T	LENS, Rear Qtr. Reading & Courtesy Lp. w/Woodgrain
13	#F448-9 EK1				BEZEL, Rear Qtr. Reading & Courtesy Lamp (Paint As Required)
14	4312 090-1			E-T	PLATE, Rear Qtr. Reading & Courtesy Lamp
15	4312 372-3			E-T	BOARD, Rear Qtr. Reading & Courtesy Lamp

MODEL CODES

E BODY = (J - CARAVELLE)(E - 600)(T - NEW YORKER)

G BODY = (V24 - DAYTONA)

H BODY = (D44 - LANCER)(C44 - LEBARON GTS)

J BODY = (C - LEBARON)

K BODY = (P - RELIANT)(D - ARIES)(C - LEBAROND)/TOWN & COUNTRY)

L BODY = (M - HORIZON/TURISMO)(Z - OMNI/CHARGER)

M BODY = (B - GRAN FURY)(F - FIFTH AVE/NEWPORT)(G - DIPLOMAT)

P BODY = (P - SUNDANCE)(D - SHADOW)

S BODY = (H - VOYAGER)(K - RAM VAN/CARAVAN)

BODY STYLES

12-13 = FWD VAN

21 = 2-DOOR SEDAN

24 = 2-DOOR HATCHBACK

27 = 2-DOOR CONVERTIBLE

41 = 4-DOOR SEDAN

44 = 4-DOOR HATCHBACK

45 = 4-DOOR STATION WAGON

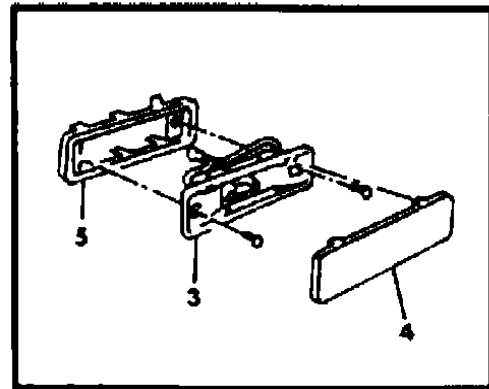
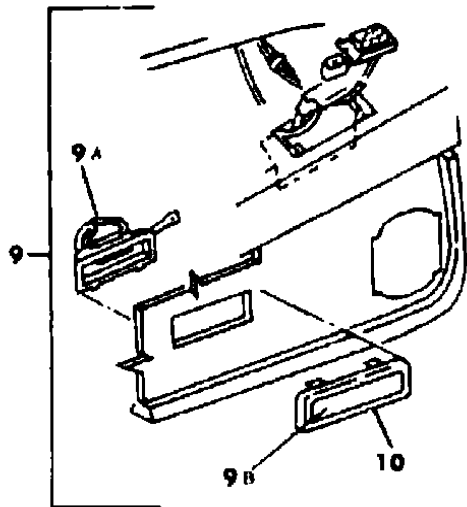
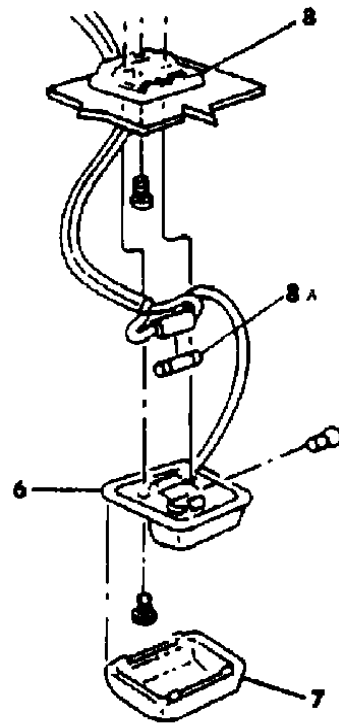
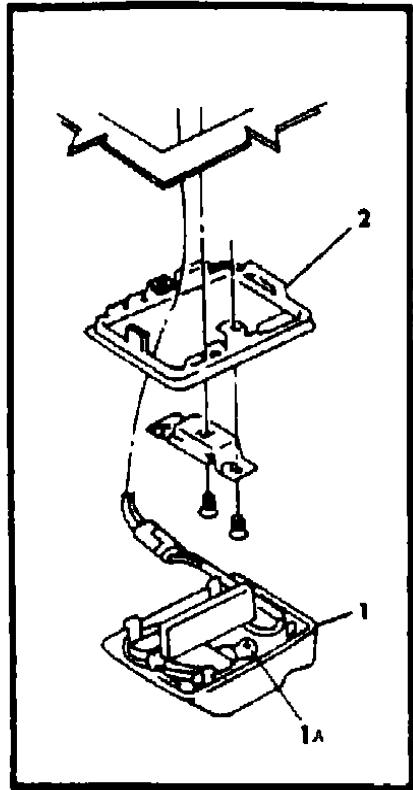
52-53 = FWD WAGON

AR = Use as Required - = Non Illustrated Part P.A.R. = Paint as Required

LAMPS--CARGO-DOME-COURTESY G BODY

Figure 8-4800

7108 4800 A



ITEM	PART NUMBER	QTY	BODY	MODEL	DESCRIPTION
1	H196 FS8				LAMP, Frt. Header Reading, Charcoal
	H196 FK1				Light Almond
	H196 FC5				Blue
	H196 FE8				Cordovan
1A	9436 750				BULB
2	4312 706				BRACKET, Frt. Header Reading
3	4312 050				LAMP, Cargo
4	3488 995				LENS, Cargo Lamp
5	3591 126				BRACKET, Cargo Lamp
6	3593 728				LAMP, Dome
7	3488 936				LENS, Dome Lamp
8	4047 293				BRACKET, Dome Lamp
8A	9431 808				BULB, Dome Lamp
9					LAMP, Front Door Courtesy (Serv. Component Parts)
9A	4312 949				HOUSING, Frt. Door Courtesy Lamp
9B	4312 892				LENS, Frt. Door Courtesy Lamp
10	4312 741				BEZEL, Frt. Door Courtesy Lamp

MODEL CODES

E BODY = (J - CARAVELLE)(E - 600)(T - NEW YORKER)

G BODY = (V24 - DAYTONA)

H BODY = (D44 - LANCER)(C44 - LEBARON GTS)

J BODY = (C - LEBARON)

K BODY = (P - RELIANT)(D - ARIES)(C - LEBAROND)/TOWN & COUNTRY)

L BODY = (M - HORIZON/TURISMO)(Z - OMNI/CHARGER)

M BODY = (B - GRAN FURY)(F - FIFTH AVE/NEWPORT)(G - DIPLOMAT)

P BODY = (P - SUNDANCE)(D - SHADOW)

S BODY = (H - VOYAGER)(K - RAM VAN/CARAVAN)

BODY STYLES

12-13 = FWD VAN

21 = 2-DOOR SEDAN

24 = 2-DOOR HATCHBACK

27 = 2-DOOR CONVERTIBLE

41 = 4-DOOR SEDAN

44 = 4-DOOR HATCHBACK

45 = 4-DOOR STATION WAGON

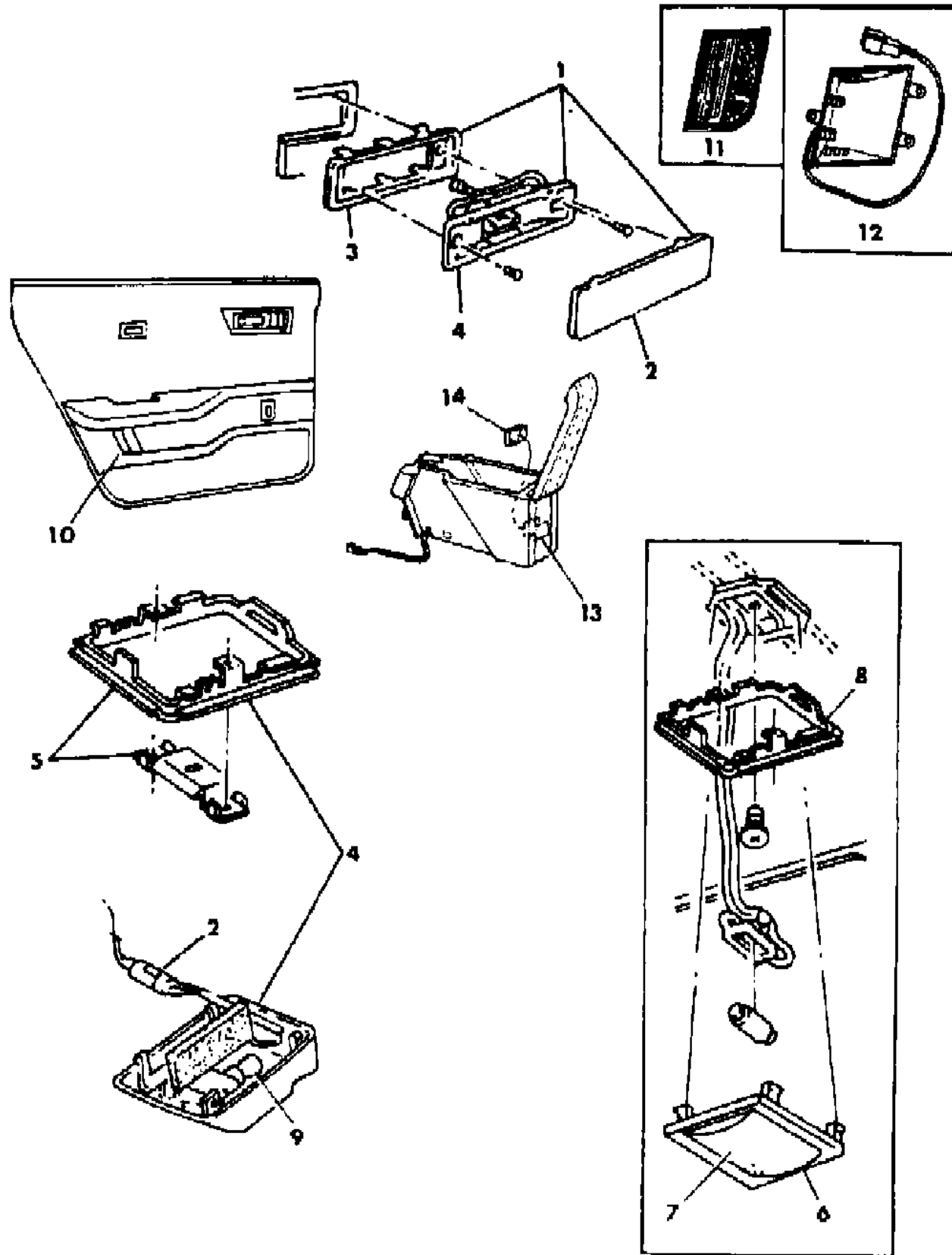
52-53 = FWD WAGON

AR = Use as Required - = Non Illustrated Part P.A.R. = Paint as Required

LAMPS--CARGO-DOME-COURTESY H BODY

Figure 8-4900

7188 4900 A



ITEM	PART NUMBER	QTY	BODY	MODEL	DESCRIPTION
1	4374 214				LAMP, Cargo
2	4220 595				LENS, Cargo
3					HOUSING, Cargo Lamp (Serv. in Lamp Assy.)
4					LAMP, Front Header Reading
	H196 FS8				Charcoal
	H196 FE8				Cordovan
	H196 FC5				Blue
	H196 FK1				Light Almond
5	4312 706				BRACKET, Reading Lamp Mtg.
6	3593 728				LAMP, Dome
7	3488 936				LENS, Dome Lamp
8	4047 293				BRACKET, Dome Lamp Mtg.
9	9436 750				BULB, Frt. Header Reading
10	4374 450-1				REFLECTOR, Frt. Door Interior
11	4312 640-1				LENS, Front & Rear Door Courtesy Lamp
12	4312 636-7				HOUSING, Courtesy Lamp
13	4312 630				LENS, Console Courtesy Lamp Outer
14	2822 583				LENS, Console Inner

MODEL CODES

E BODY = (J - CARAVELLE)(E - 600)(T - NEW YORKER)

G BODY = (V24 - DAYTONA)

H BODY = (D44 - LANCER)(C44 - LEBARON GTS)

J BODY = (C - LEBARON)

K BODY = (P - RELIANT)(D - ARIES)(C - LEBAROND)/TOWN & COUNTRY)

L BODY = (M - HORIZON/TURISMO)(Z - OMNI/CHARGER)

M BODY = (B - GRAN FURY)(F - FIFTH AVE/NEWPORT)(G - DIPLOMAT)

P BODY = (P - SUNDANCE)(D - SHADOW)

S BODY = (H - VOYAGER)(K - RAM VAN/CARAVAN)

BODY STYLES

12-13 = FWD VAN

21 = 2-DOOR SEDAN

24 = 2-DOOR HATCHBACK

27 = 2-DOOR CONVERTIBLE

41 = 4-DOOR SEDAN

44 = 4-DOOR HATCHBACK

45 = 4-DOOR STATION WAGON

52-53 = FWD WAGON

AR = Use as Required - = Non Illustrated Part P.A.R. = Paint as Required

LAMPS--CARGO-DOME-COURTESY S BODY

Figure 8-5000

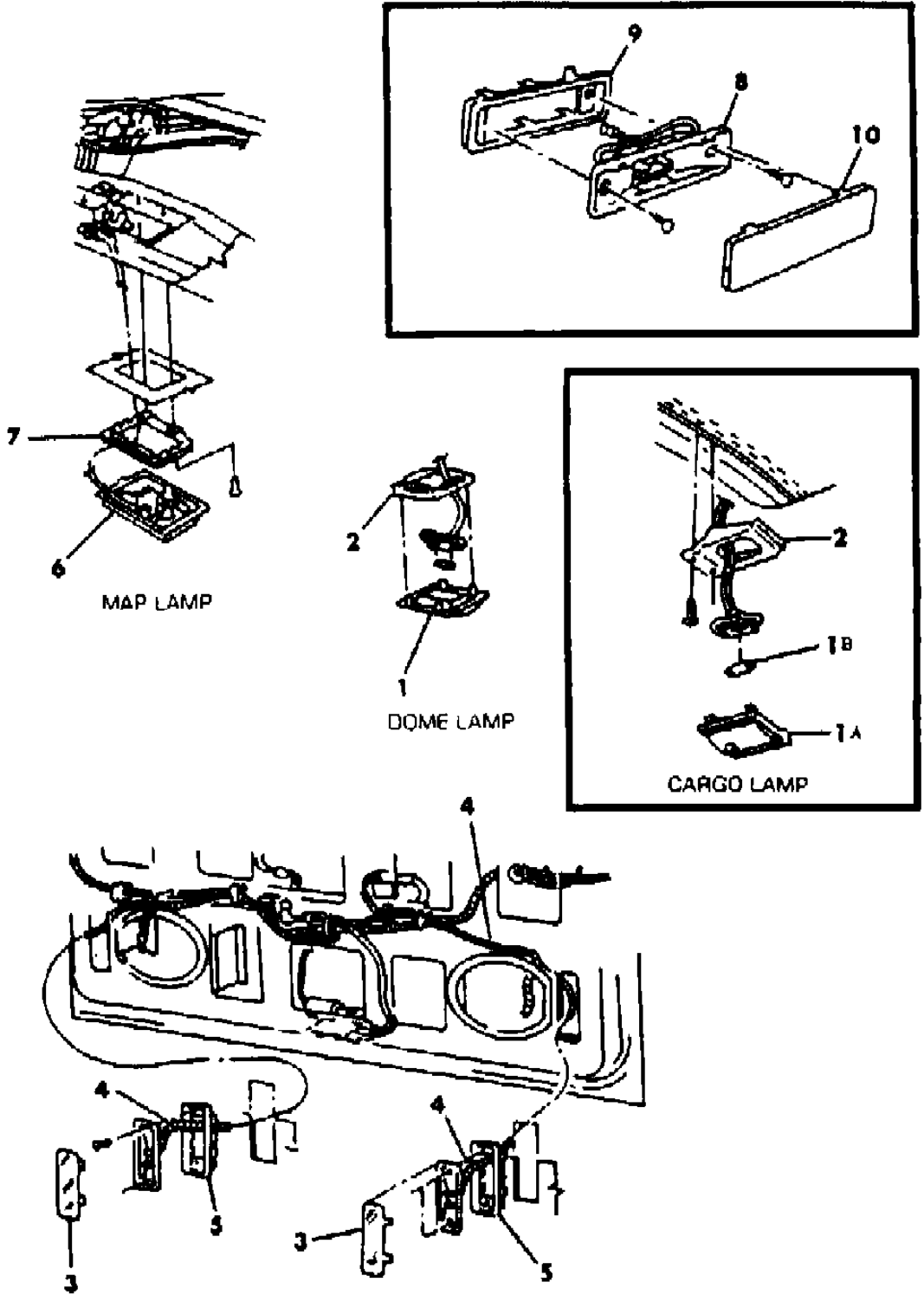
7108 5000

ITEM	PART NUMBER	QTY	BODY	MODEL	DESCRIPTION
1	3593 728				LAMP, Cargo or Dome
-	3488 936				LENS, Dome Lamp
1A	4220 595				LENS, Cargo Lamp
1B	9431 808				BULB, Cargo Lamp
2	3593 282				BRACKET, Dome or Cargo Lamp (Wagon)
	4312 151				(Van)
3	4220 595				LENS, Liftgate (Clear)
4	4304 585				WIRING, w/Socket Liftgate Lamp
	4304 273				w/Socket Liftgate Lamp & Speakers
5	3591 126				BRACKET, Courtesy Lamp Liftgate
6	4312 814				LAMP, Frt. Header Reading
7	4312 968				BRACKET, Front Header Reading
8	4312 656				LAMP, Front Door Courtesy
9	3591 126				BRACKET, Courtesy Lamp
10	4220 595				LENS, Front Door Courtesy

MODEL CODES
 E BODY = (J - CARAVELLE)(E - 600)(T - NEW YORKER)
 G BODY = (V24 - DAYTONA)
 H BODY = (D44 - LANCER)(C44 - LEBARON GTS)
 J BODY = (C - LEBARON)
 K BODY = (P - RELIANT)(D - ARIES)(C - LEBAROND)/TOWN & COUNTRY
 L BODY = (M - HORIZON/TURISMO)(Z - OMNI/CHARGER)
 M BODY = (B - GRAN FURY)(F - FIFTH AVE/NEWPORT)(G - DIPLOMAT)
 P BODY = (P - SUNDANCE)(D - SHADOW)
 S BODY = (H - VOYAGER)(K - RAM VAN/CARAVAN)

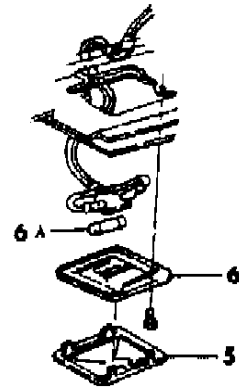
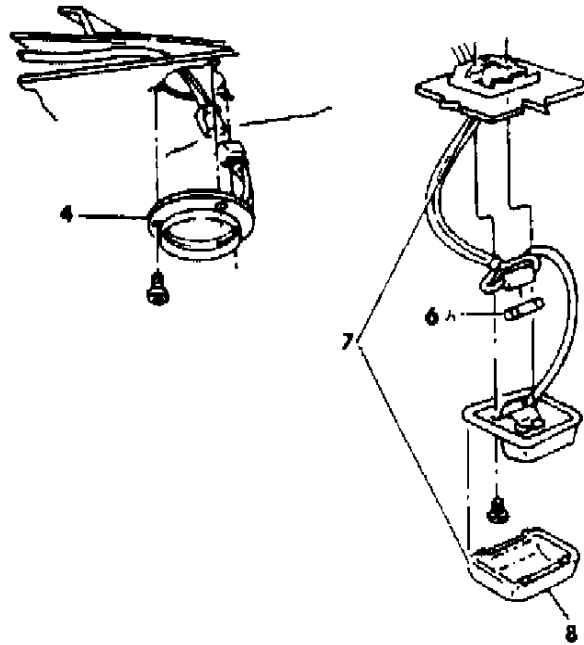
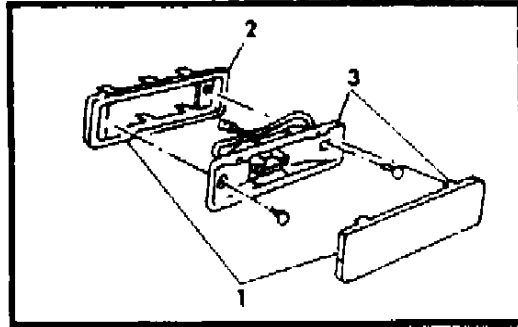
BODY STYLES
 12-13 = FWD VAN
 21 = 2-DOOR SEDAN
 24 = 2-DOOR HATCHBACK
 27 = 2-DOOR CONVERTIBLE
 41 = 4-DOOR SEDAN
 44 = 4-DOOR HATCHBACK
 45 = 4-DOOR STATION WAGON
 52-53 = FWD WAGON

AR = Use as Required - = Non Illustrated Part P.A.R. = Paint as Required



LAMPS--CARGO-DOME-COURTESY M BODY
Figure 8-5100

7108 5100



ITEM	PART NUMBER	QTY	BODY	MODEL	DESCRIPTION
1	3591 803				LAMP, Courtesy, Front & Rear Door
2	3591 126				BRACKET, Courtesy Lamp
3	3488 995				LENS, Courtesy Lamp, Frt.& Rear
4	3593 616				LAMP, Dome w/Switch
5	3488 936				LENS, Dome Lamp w/Switch
6	3593 541				BEZEL, Dome Lamp w/Switch
6A	9431 808				BULB, Dome Lamp
7	4220 249				LAMP, Dome & Map
8	3591 873				LENS, Dome & Map

MODEL CODES

E BODY = (J - CARAVELLE)(E - 600)(T - NEW YORKER)

G BODY = (V24 - DAYTONA)

H BODY = (D44 - LANCER)(C44 - LEBARON GTS)

J BODY = (C - LEBARON)

K BODY = (P - RELIANT)(D - ARIES)(C - LEBAROND)/TOWN & COUNTRY)

L BODY = (M - HORIZON/TURISMO)(Z - OMNI/CHARGER)

M BODY = (B - GRAN FURY)(F - FIFTH AVE/NEWPORT)(G - DIPLOMAT)

P BODY = (P - SUNDANCE)(D - SHADOW)

S BODY = (H - VOYAGER)(K - RAM VAN/CARAVAN)

BODY STYLES

12-13 = FWD VAN

21 = 2-DOOR SEDAN

24 = 2-DOOR HATCHBACK

27 = 2-DOOR CONVERTIBLE

41 = 4-DOOR SEDAN

44 = 4-DOOR HATCHBACK

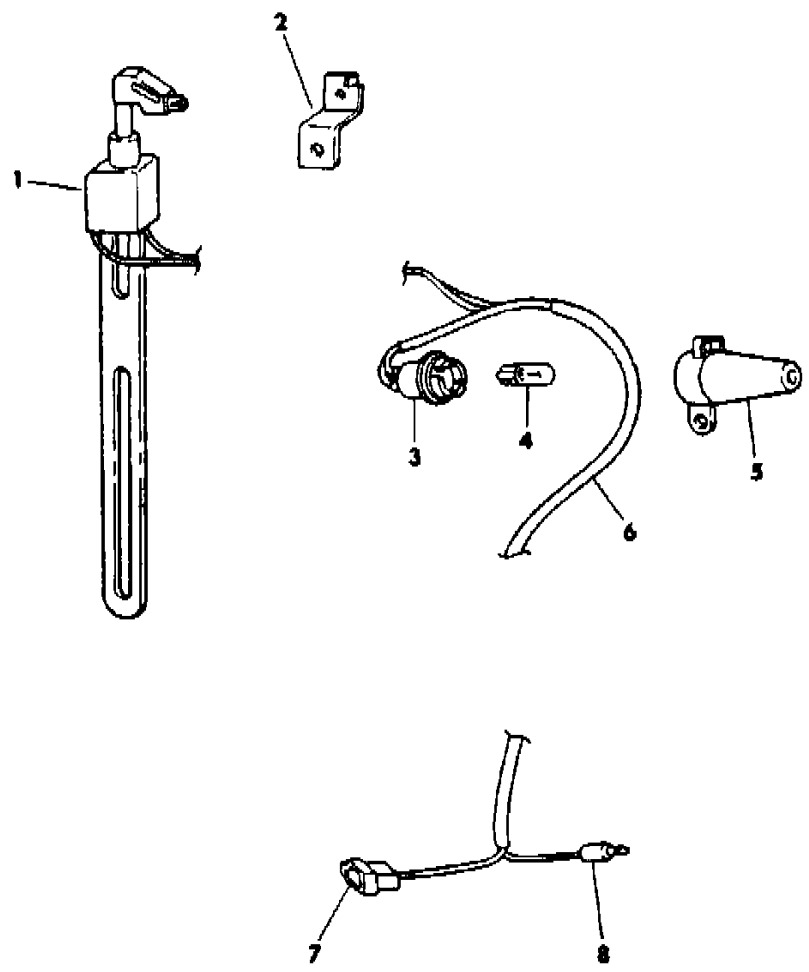
45 = 4-DOOR STATION WAGON

52-53 = FWD WAGON

AR = Use as Required - = Non Illustrated Part P.A.R. = Paint as Required

ILLUMINATED DOOR LOCK LIGHT
Figure 8-5200

7108 5200



ITEM	PART NUMBER	QTY	BODY	MODEL	DESCRIPTION
1	3747 819	1	M		SWITCH
	4373 148	1	J-G		
	4221 729	1	H		SWITCH
	4221 724-5	1	K-E		
2	4221 722-3	1	K-E		BRACKET
	3747 803	1	M		
3	3513 686				SOCKET
4	9415 969		M		BULB, #158
5	4312 880-1		K-E-M		HOUSING
6	#4374 067		G-J		WIRING, w/L.E.D
	4312 252		K		
	4172 675		M		
7	4274 264				INSULATOR
8					MOLD, Not Serv.

MODEL CODES

E BODY = (J - CARAVELLE)(E - 600)(T - NEW YORKER)	L BODY = (M - HORIZON/TURISMO)(Z - OMNI/CHARGER)
G BODY = (V24 - DAYTONA)	M BODY = (B - GRAN FURY)(F - FIFTH AVE/NEWPORT)(G - DIPLOMAT)
H BODY = (D44 - LANCER)(C44 - LEBARON GTS)	P BODY = (P - SUNDANCE)(D - SHADOW)
J BODY = (C - LEBARON)	S BODY = (H - VOYAGER)(K - RAM VAN/CARAVAN)
K BODY = (P - RELIANT)(D - ARIES)(C - LEBAROND)/TOWN & COUNTRY)	

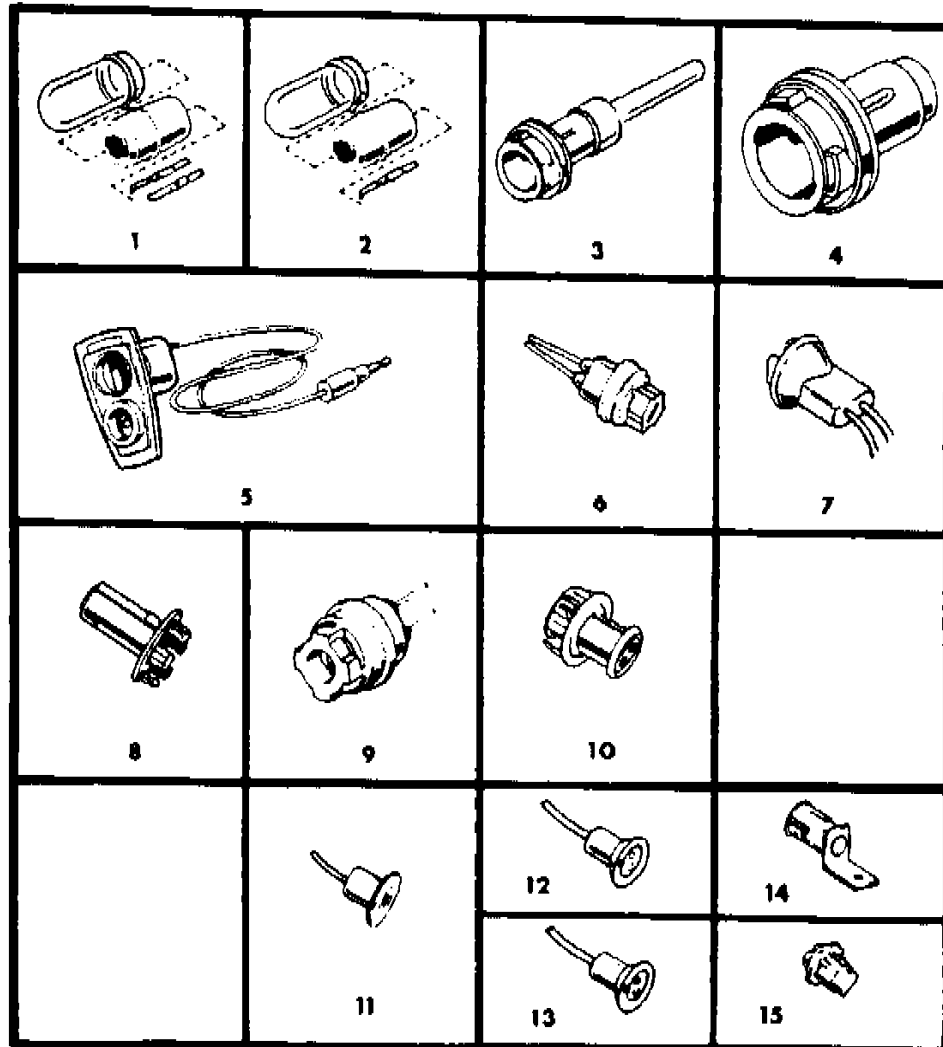
BODY STYLES

12-13 = FWD VAN	41 = 4-DOOR SEDAN
21 = 2-DOOR SEDAN	44 = 4-DOOR HATCHBACK
24 = 2-DOOR HATCHBACK	45 = 4-DOOR STATION WAGON
27 = 2-DOOR CONVERTIBLE	52-53 = FWD WAGON

AR = Use as Required - = Non Illustrated Part P.A.R. = Paint as Required

SOCKETS AND CABLES
Figure 8-5300

7108 5300



ITEM	PART NUMBER	QTY	BODY	MODEL	DESCRIPTION
1					SOCKET
	3746 516		L		Rr. Window Indic.
	3746 516		L-K-E-P		Cargo
	3746 516		P-K-E-M		Console
	3746 516		G		Underpanel Courtesy Lamp
2					SOCKET
	3746 515			ALL	Radio Illumination
	3746 515		M		Rr. Window Indic.
	3746 515		M		Head Lamp Switch Illumination
	3746 515		M		Wiper Switch
	3746 515		M		Ash Rec.
3	4055 433		L		SOCKET, Park Lamp Repair Pkg.
4	5211 537		L		SOCKET, Type C-2
5					SOCKET and CABLE, Fender T/Signal Indic.
6			S		SOCKET, Back-Up & Side Marker
7	3588 314		M		SOCKET and CABLE, License Repair
8					SOCKET, Turn Signal
9					SOCKET and CABLE
10	2822 196		K	45	SOCKET, Tail Stop t/Sig.
11	3764 865				SOCKET, Cornering Lamp Repair
12	4400 216		E-J		SOCKET, w/Cable Cornering
13	3843 432			ALL	SOCKET, Park & Turn Signal Repair
	4400 740		S		Park & Turn Signal, w/Term. 4400775
	4400 740		J-G		Tail, Stop, Turn Signal, w/Term. 4400775
	4400 396		S		Healamp (Aero)
14	2096 857		K-E-M		SOCKET and BRACE, Courtesy
15	3744 750			ALL	SOCKET, Printed Circuit Board
	4342 240				Message Center & Elec. Navigator
	3513 686		L		Side Marker (Frt.)
	4400 588		E-K-H-P		Side Marker (Frt.)
	4400 588		G-P		Side Marker (Frt.)
			P		Side Marker, Rear (Serv. in Body Wire)
	3588 314		E-K-H		Side Marker, Rear
	4274 800		L-E-K		Back-up Lamp
	4124 081		K-E-P-H		Tail Stop and T/Sig., w/Term. 4124083 & 4124071
	4124 081		M-S		Tail Stop and T/Sig., w/Term. 4124083 & 4124071
	4450 816		H		
	5211 712		K-E-P		Back UP

MODEL CODES

E BODY = (J - CARAVELLE)(E - 600)(T - NEW YORKER)

G BODY = (V24 - DAYTONA)

H BODY = (D44 - LANCER)(C44 - LEBARON GTS)

J BODY = (C - LEBARON)

K BODY = (P - RELIANT)(D - ARIES)(C - LEBAROND)/TOWN & COUNTRY)

L BODY = (M - HORIZON/TURISMO)(Z - OMNI/CHARGER)

M BODY = (B - GRAN FURY)(F - FIFTH AVE/NEWPORT)(G - DIPLOMAT)

P BODY = (P - SUNDANCE)(D - SHADOW)

S BODY = (H - VOYAGER)(K - RAM VAN/CARAVAN)

BODY STYLES

12-13 = FWD VAN

21 = 2-DOOR SEDAN

24 = 2-DOOR HATCHBACK

27 = 2-DOOR CONVERTIBLE

41 = 4-DOOR SEDAN

44 = 4-DOOR HATCHBACK

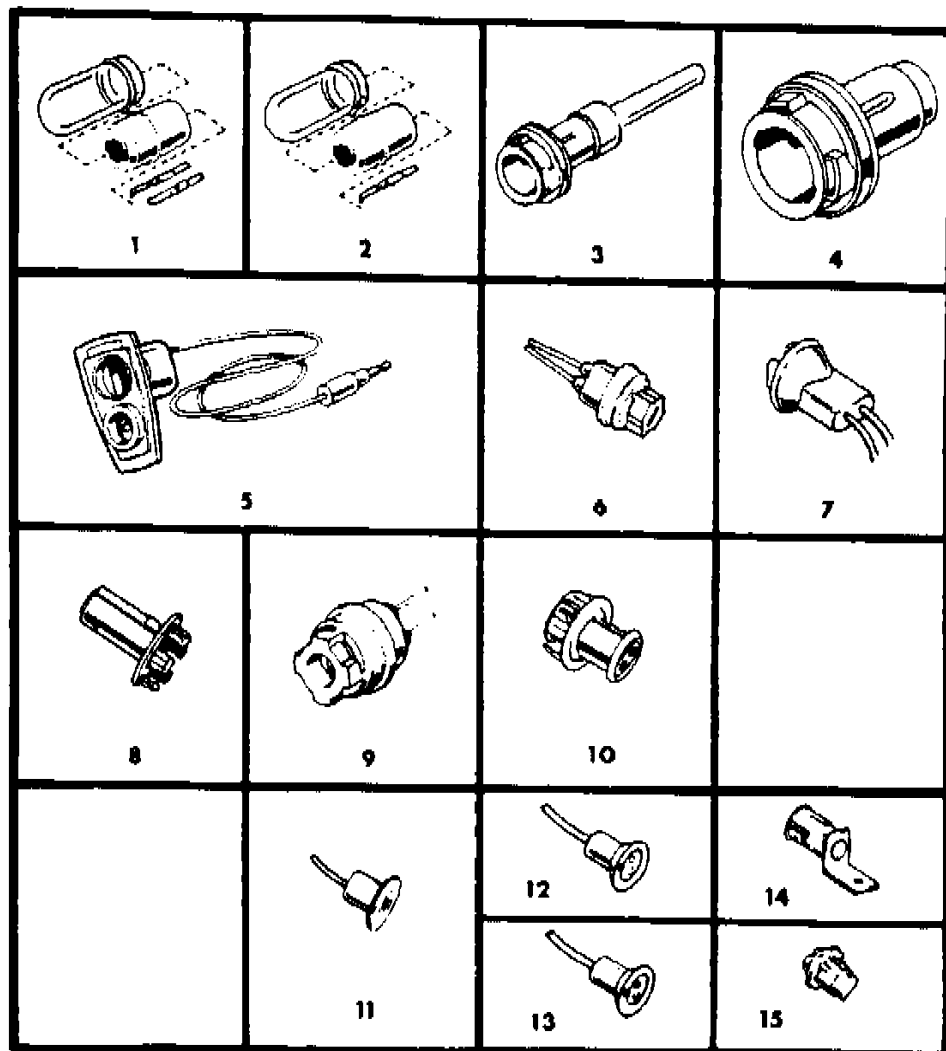
45 = 4-DOOR STATION WAGON

52-53 = FWD WAGON

AR = Use as Required - = Non Illustrated Part P.A.R. = Paint as Required

SOCKETS AND CABLES
Figure 8-5300

7108 5300



ITEM	PART NUMBER	QTY	BODY	MODEL	DESCRIPTION
	5211 711		K-E	45	Back UP
	4400 037		J		Hi-Mtd. Stop Lamp
	4414 332		S		Headlamp
	4304 282		S		Rear Lamp
	4368 537		L	44	w/Cable, Hi-Mtd. Stop Lamp

MODEL CODES

E BODY = (J - CARAVELLE)(E - 600)(T - NEW YORKER)

G BODY = (V24 - DAYTONA)

H BODY = (D44 - LANCER)(C44 - LEBARON GTS)

J BODY = (C - LEBARON)

K BODY = (P - RELIANT)(D - ARIES)(C - LEBAROND)/TOWN & COUNTRY)

L BODY = (M - HORIZON/TURISMO)(Z - OMNI/CHARGER)

M BODY = (B - GRAN FURY)(F - FIFTH AVE/NEWPORT)(G - DIPLOMAT)

P BODY = (P - SUNDANCE)(D - SHADOW)

S BODY = (H - VOYAGER)(K - RAM VAN/CARAVAN)

BODY STYLES

12-13 = FWD VAN

21 = 2-DOOR SEDAN

24 = 2-DOOR HATCHBACK

27 = 2-DOOR CONVERTIBLE

41 = 4-DOOR SEDAN

44 = 4-DOOR HATCHBACK

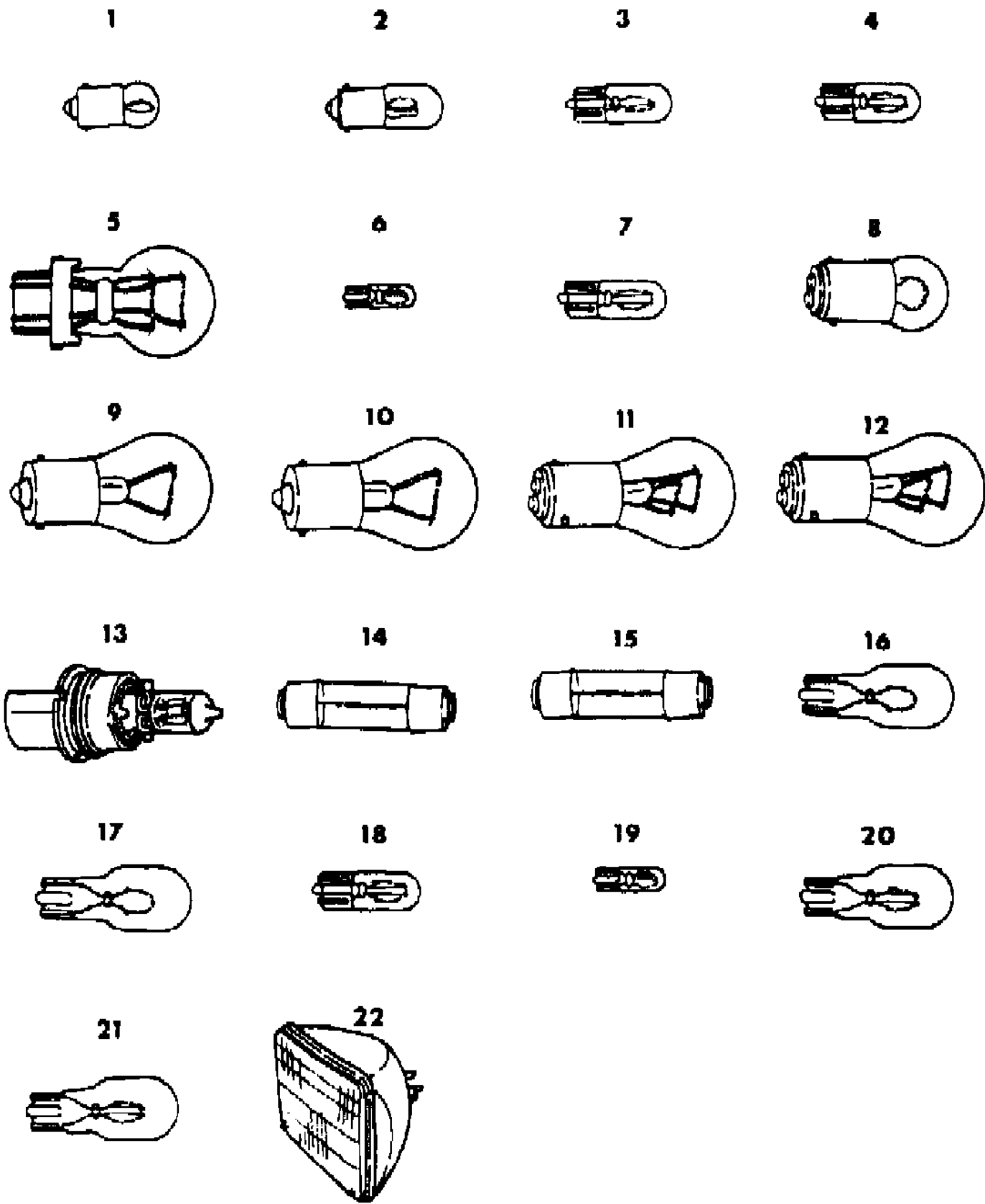
45 = 4-DOOR STATION WAGON

52-53 = FWD WAGON

AR = Use as Required - = Non Illustrated Part P.A.R. = Paint as Required

BULB CROSS REFERENCE Figure 8-5400

7108 5400 8



ITEM	PART NUMBER	QTY	BODY	MODEL	DESCRIPTION
BULB					
1	0131 282		K-E-G-H		#53---Ign. & Starter Switch
	0131 282		P-J-S-M		#53---Ign. & Starter Switch Lamp & Radio
2	0152 244		L-K-E-G		#1891---Glove Box Lamp
	0152 244		H-M		#1891---Glove Box Lamp
3	9415 969		K-E-G-M		#158-#161---Illuminated Entry
	9415 969		M		#158---Washer Fluid Ind.
	9415 969		M		#158---A.T.C., Hi-Lo
	9415 969		M		#158---Heater Control
	9415 969		K		#158---Acc. Switch Title Lamp
	9415 969		K-S-G-J		#158---Console Lamp
	9415 969		H		#158---Console Lamp
	9415 969		E-G-H		#158---Heater Control Lamp
	9415 969		M		#158---Vanity Mirror
	9415 969		K-E		#158---Gear Shift Selector
4	9415 969		G-J		#158---Message Center
	9425 542		L-P-E-H		#168---License Lamp
	9425 542		K-J-S-M		#168---License Lamp
	9425 542		E-K-J		#168---Side Marker Lamp
	9425 542		G-H		#168---Side Marker Lamp
	9425 542		L-P-M	BG	#168---Side Marker Lamp
	9425 542		L	Z	#168---Tail Lamp
	9425 542		E	T (G,P)	#168---Tail Lamp & Console
5	0153 947		J-G-H		#2358---Tail, Stop, Turn Signal
	0153 974		S		#2358NA---Park & Turn Signal, Frt.
6	9436 790		G-H		#73---Message Center Module
7	9421 330		K-E-G-H		#194---Instrument Cluster
	9421 330		L-P-S-M		#194---Instrument Cluster
	9421 330		L		#194---Instrument Cluster, Power Loss
	9421 330		E		#194---Qtr. Reading & Courtesy Lamp
	9421 330		K-E-S		#194---Warning Ind. Lamp Module

MODEL CODES

E BODY = (J - CARAVELLE)(E - 600)(T - NEW YORKER)

G BODY = (V24 - DAYTONA)

H BODY = (D44 - LANCER)(C44 - LEBARON GTS)

J BODY = (C - LEBARON)

K BODY = (P - RELIANT)(D - ARIES)(C - LEBAROND)/TOWN & COUNTRY)

L BODY = (M - HORIZON/TURISMO)(Z - OMNI/CHARGER)

M BODY = (B - GRAN FURY)(F - FIFTH AVE/NEWPORT)(G - DIPLOMAT)

P BODY = (P - SUNDANCE)(D - SHADOW)

S BODY = (H - VOYAGER)(K - RAM VAN/CARAVAN)

BODY STYLES

12-13 = FWD VAN

21 = 2-DOOR SEDAN

24 = 2-DOOR HATCHBACK

27 = 2-DOOR CONVERTIBLE

41 = 4-DOOR SEDAN

44 = 4-DOOR HATCHBACK

45 = 4-DOOR STATION WAGON

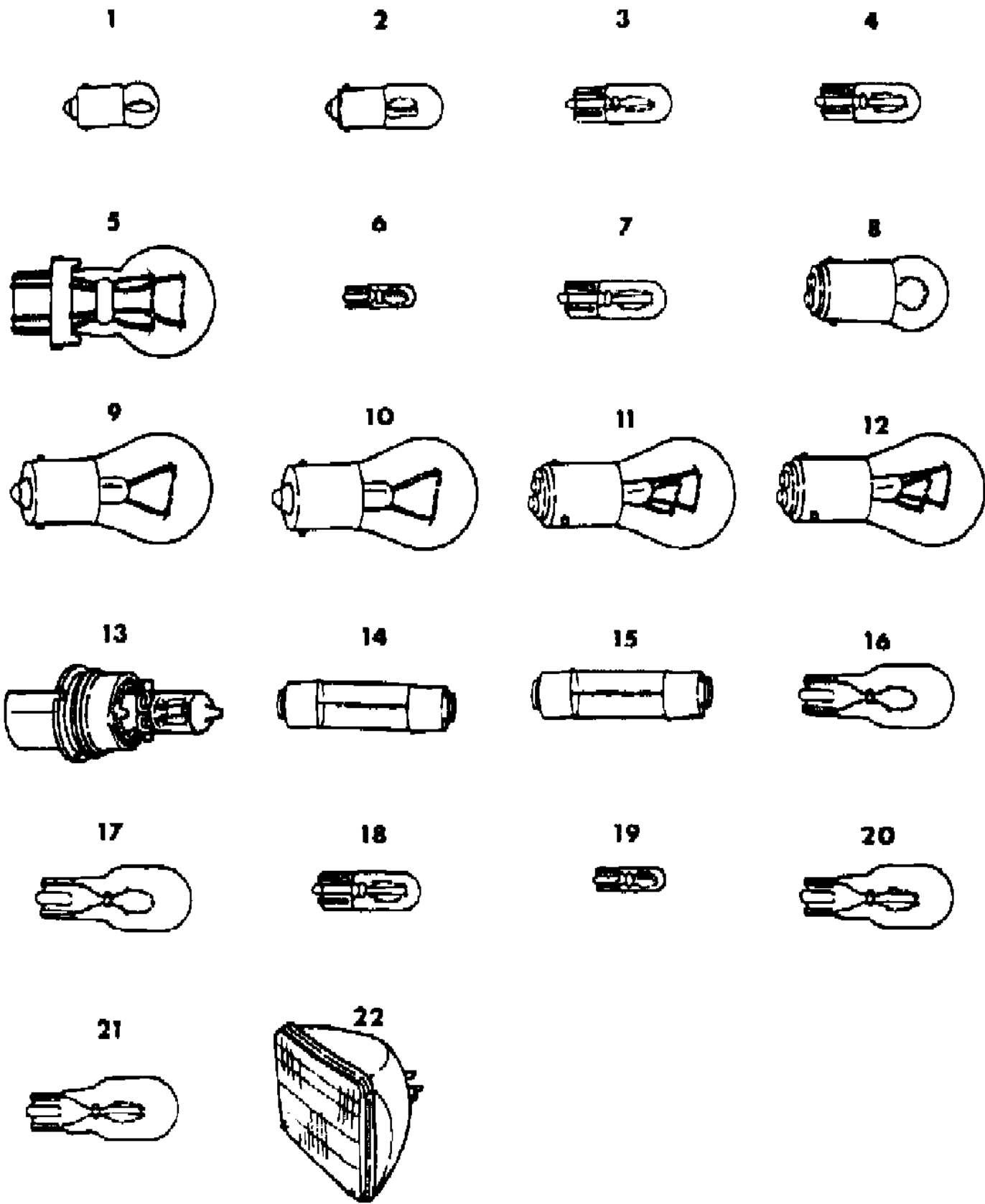
52-53 = FWD WAGON

AR = Use as Required - = Non Illustrated Part P.A.R. = Paint as Required

BULB CROSS REFERENCE

Figure 8-5400

7108 5400 8



ITEM	PART NUMBER	QTY	BODY	MODEL	DESCRIPTION
	9421 330		K		#194----Door Open
	9421 330		L		#194----Console Gear Selector Ind. Lamp
	9421 330		E	T	#194----Ash Reciever, Inst. Panel
	9421 330		P	H	#194----Console (PRNDL)
8			*****		*****
	0142 453		M		#68-#90----Courtesy Lamp
9			*****		*****
	0142 456		K-M		#1141----Dome Lamp
10			*****		*****
	9417 866		L-K-E-G		#1156----Back-Up Lamp
	9417 866		P-J-S-M		#1156----Back-Up Lamp
	9417 866		K-E		#1156----Courtesy Lamp
11			*****		*****
	9438 848		K-E-P-G		#2057----Tail, Stop, Turn Signal
	9438 848		S		#2057----Tail, Stop, Turn Signal
	9438 848		K-E-P-G		#2057----Park & Turn Signal
	9438 848		H-S		#2057----Park & Turn Signal
12			*****		*****
	9438 850		K		#2057NA----Park & Turn Signal
13			*****		*****
	4388 238		S		#9004----Headlamp, (AERO)
14			*****		*****
	9431 809		L-H-G		#212----Cargo Lamp
	9431 809		K-E-G-H		#212----Courtesy Lamp, Front Door
	9431 809		S-M		#212----Courtesy Lamp, Front Door
	9431 809		K-E-H-M		#212----Courtesy Lamp, Rear Door
	9431 809		S		#212----Liftgate Courtesy Lamp
	9431 809		H		#212----Rear Console Courtesy Lamp
15			*****		*****
	9431 808		K-E-G-H		#211----Dome Lamp
	9431 808		L-P-S-M		#211----Dome Lamp & Overhead Console
16			*****		*****
	9437 173		K-E-M		#912----Dome & Map Lamp
	9437 173		L-P		#912----Cargo Lamp
	9437 173		L-P		#912----Hi-Mtd. Stop Lamp
	9437 173		E-J-K		#912----Park & Turn Signal
17			*****		*****
	0153 938		H		#921----Hi-Mtd. Stop Lamp

MODEL CODES

E BODY = (J - CARAVELLE)(E - 600)(T - NEW YORKER)

G BODY = (V24 - DAYTONA)

H BODY = (D44 - LANCER)(C44 - LEBARON GTS)

J BODY = (C - LEBARON)

K BODY = (P - RELIANT)(D - ARIES)(C - LEBAROND)/TOWN & COUNTRY)

L BODY = (M - HORIZON/TURISMO)(Z - OMNI/CHARGER)

M BODY = (B - GRAN FURY)(F - FIFTH AVE/NEWPORT)(G - DIPLOMAT)

P BODY = (P - SUNDANCE)(D - SHADOW)

S BODY = (H - VOYAGER)(K - RAM VAN/CARAVAN)

BODY STYLES

12-13 = FWD VAN

21 = 2-DOOR SEDAN

24 = 2-DOOR HATCHBACK

27 = 2-DOOR CONVERTIBLE

41 = 4-DOOR SEDAN

44 = 4-DOOR HATCHBACK

45 = 4-DOOR STATION WAGON

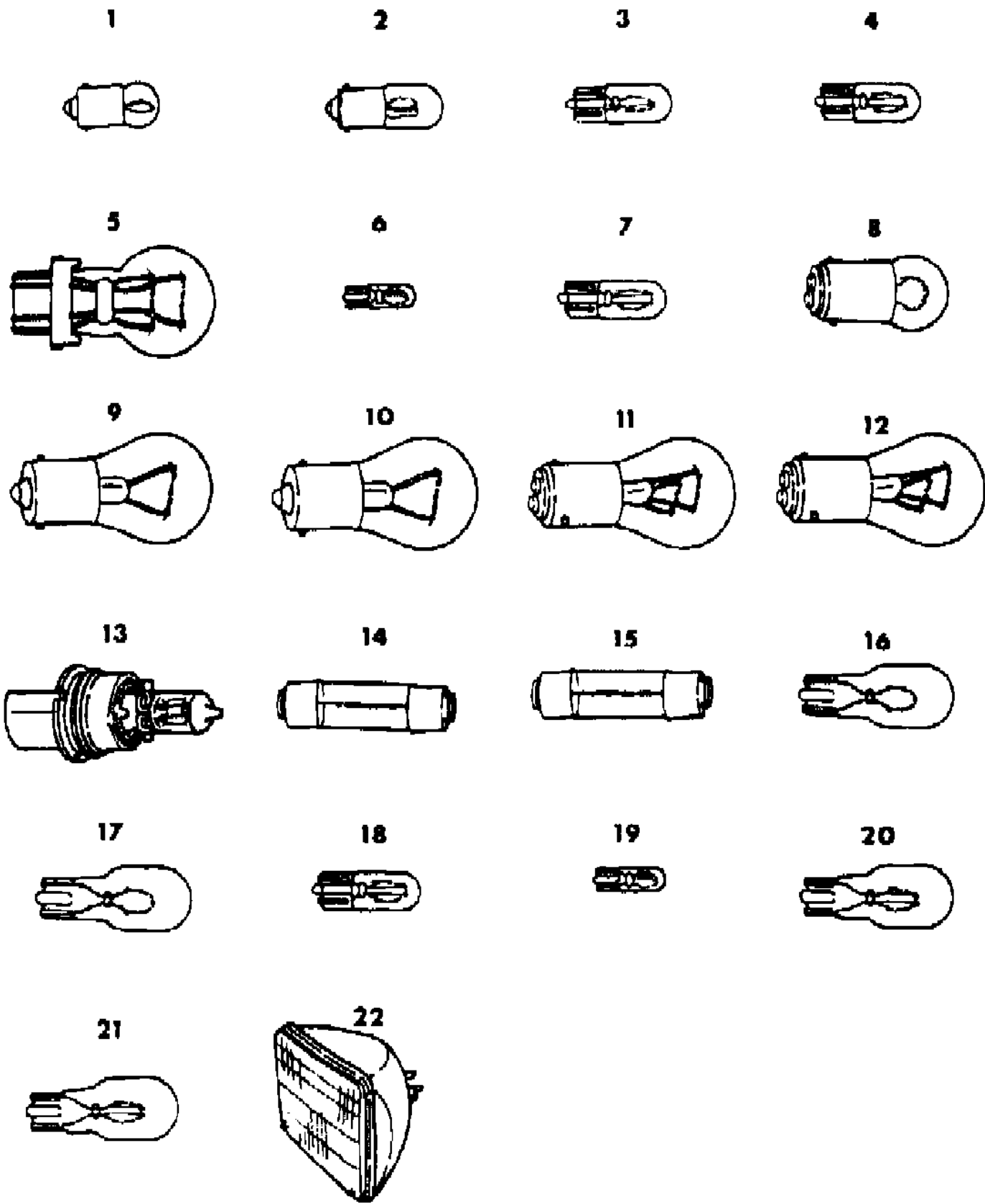
52-53 = FWD WAGON

AR = Use as Required - = Non Illustrated Part P.A.R. = Paint as Required

BULB CROSS REFERENCE

Figure 8-5400

7108 5400 8



ITEM	PART NUMBER	QTY	BODY	MODEL	DESCRIPTION
18			*****		*****
	9438 068		S		#194A---Side Marker
19			*****		*****
	9436 789		E-G-H		#37---Elec. Navigator
	9436 789		P-J-H-G		#37---A/C Control
20			*****		*****
	9436 750		J-G-H		#906---Front Header Reading
	9436 750				#906---Rear Qtr. Reading & Courtesy
21			*****		*****
	0153 700		J		#916---Deck Lid Lamp
22			*****		*****
					SEALED BEAM LAMPS
	0153 440		L		#H-4651---Hi.
	0153 481		L		#H-4656---Hi-Lo
	0153 590		L		#H-6054---Halogen
			*****		*****
	0153 942		P-G		#PH-4666---Hi.-Lo
			*****		*****
	0153 784		J		#PH-4656---Hi.-Lo
	0153 775		J		#PH-4651---Hi.
			*****		*****
	0153 590		K	PD	#H-6054---Halogen
	0153 775		K-H	CJET	#PH-4651---Hi. Plastic
	0153 784		K-H		#PH-4656---Hi.-Lo
			*****		*****
	4388 167		S		#PH-6054---Hi.-Lo
			*****		*****
	0153 481		M		#H-4656---Hi.-Lo Halogen
	0153 440		M		#H-4651---Hi.

MODEL CODES

E BODY = (J - CARAVELLE)(E - 600)(T - NEW YORKER)

G BODY = (V24 - DAYTONA)

H BODY = (D44 - LANCER)(C44 - LEBARON GTS)

J BODY = (C - LEBARON)

K BODY = (P - RELIANT)(D - ARIES)(C - LEBAROND)/TOWN & COUNTRY)

L BODY = (M - HORIZON/TURISMO)(Z - OMNI/CHARGER)

M BODY = (B - GRAN FURY)(F - FIFTH AVE/NEWPORT)(G - DIPLOMAT)

P BODY = (P - SUNDANCE)(D - SHADOW)

S BODY = (H - VOYAGER)(K - RAM VAN/CARAVAN)

BODY STYLES

12-13 = FWD VAN

21 = 2-DOOR SEDAN

24 = 2-DOOR HATCHBACK

27 = 2-DOOR CONVERTIBLE

41 = 4-DOOR SEDAN

44 = 4-DOOR HATCHBACK

45 = 4-DOOR STATION WAGON

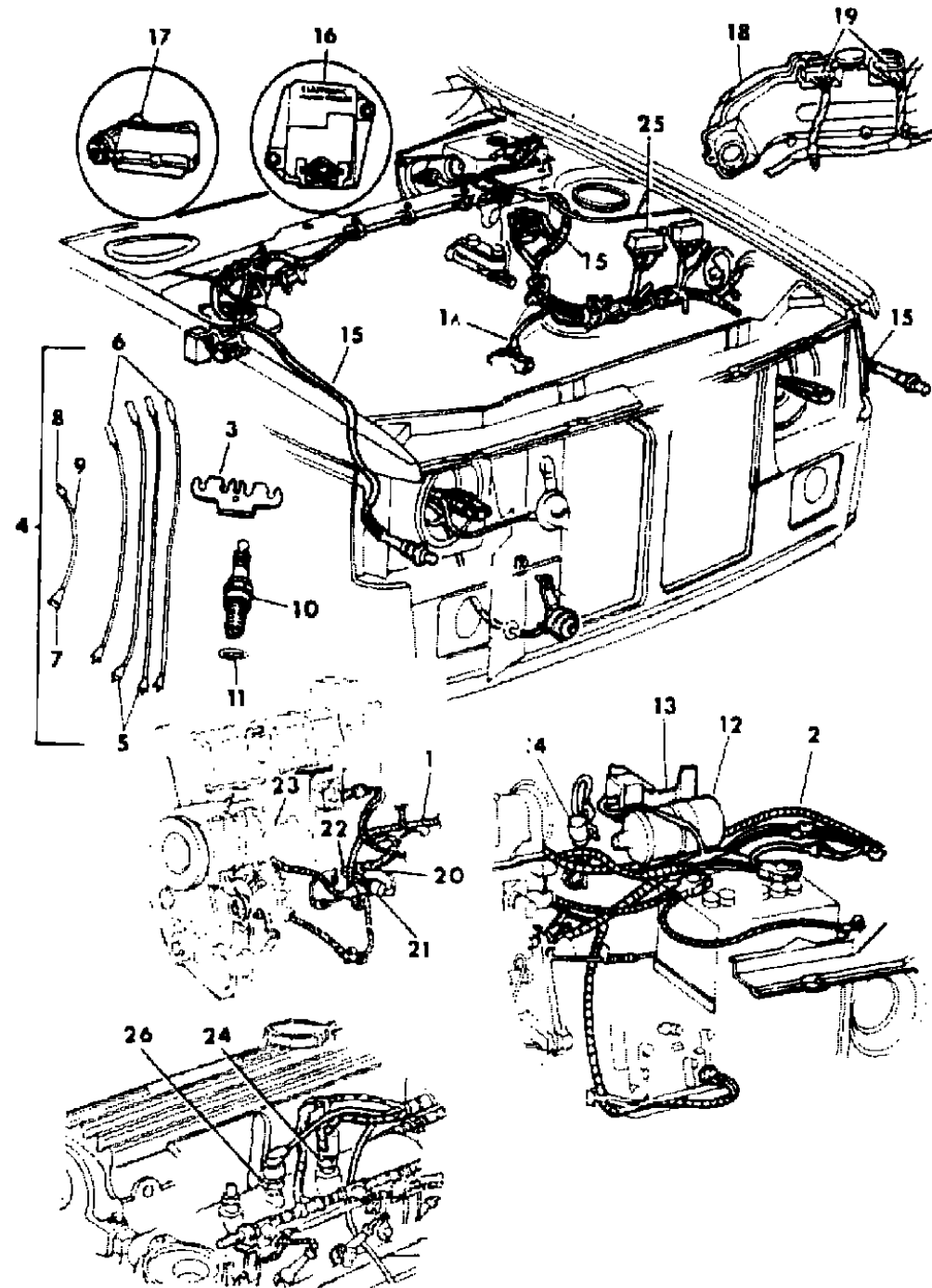
52-53 = FWD WAGON

AR = Use as Required - = Non Illustrated Part P.A.R. = Paint as Required

WIRING--ENGINE-FRONT END & RELATED PARTS L BODY

Figure 8-5500

7108 5500 A



ITEM	PART NUMBER	QTY	BODY	MODEL	DESCRIPTION
1					WIRING, ENGINE
	4331 068				2.2 Eng. w/Air Cond.
	4331 069				2.2 Eng. w/o Air Cond.
	4331 328				TURBO
	4331 329				Fuel Rail
1A	4209 695				WIRING, Auto. Trans.
2					CABLE, Battery Ground
	4331 928				Positive,2.2 Eng. Auto.Trans.
	4331 927				Positive,2.2 Eng. Man.Trans.
	4304 678				Battery & Eng. Ground (Repair)
3	4179 190				SEPARATOR, Spark Plug Cable
4	4419 359				CABLE SET, Spark Plug
					CONSISTS OF:
					2-14" CABLES
					2-12" CABLES
					1-COIL CABLE, 27.5"
					1-COIL CABLE, 19" Long
-	4637 155				CABLE SET, Spark Plug
					CONSISTS OF:
					2-14" CABLES
					2-12" CABLES
					1-14" COIL CABLE, w/90 Degree End
5	5226 786	2			CABLE, #2 & 3
6	5226 785	2			CABLE, #1 & 4
7	4145 413				NIPPLE, Dist. End.
8	5213 355				NIPPLE, Coil End
9	5213 529				CABLE, Ignition Coil
10	5213 693				PLUG, Spark RN12YC
11	2642 919				GASKET, Spark Plug
12	4176 009				COIL, Ignition
13	5226 868				BRACKET, Coil Mtg.
14	4222 916				CAPACITOR, Ign. Coil
15					WIRING, FRONT END, Headlamp to Dash. Panel M-Z
	4331 060			24	w/2.2 Eng. A.C.
	4331 061			24	w/2.2Eng.w/o A.C.
	4331 062			44	w/2.2Eng.w/ A.C.
	4331 063			44	w/2.2Eng.w/o A.C.
	4331 327			Z	TURBO

MODEL CODES

E BODY = (J - CARAVELLE)(E - 600)(T - NEW YORKER)

G BODY = (V24 - DAYTONA)

H BODY = (D44 - LANCER)(C44 - LEBARON GTS)

J BODY = (C - LEBARON)

K BODY = (P - RELIANT)(D - ARIES)(C - LEBAROND)/TOWN & COUNTRY)

L BODY = (M - HORIZON/TURISMO)(Z - OMNI/CHARGER)

M BODY = (B - GRAN FURY)(F - FIFTH AVE/NEWPORT)(G - DIPLOMAT)

P BODY = (P - SUNDANCE)(D - SHADOW)

S BODY = (H - VOYAGER)(K - RAM VAN/CARAVAN)

BODY STYLES

12-13 = FWD VAN

21 = 2-DOOR SEDAN

24 = 2-DOOR HATCHBACK

27 = 2-DOOR CONVERTIBLE

41 = 4-DOOR SEDAN

44 = 4-DOOR HATCHBACK

45 = 4-DOOR STATION WAGON

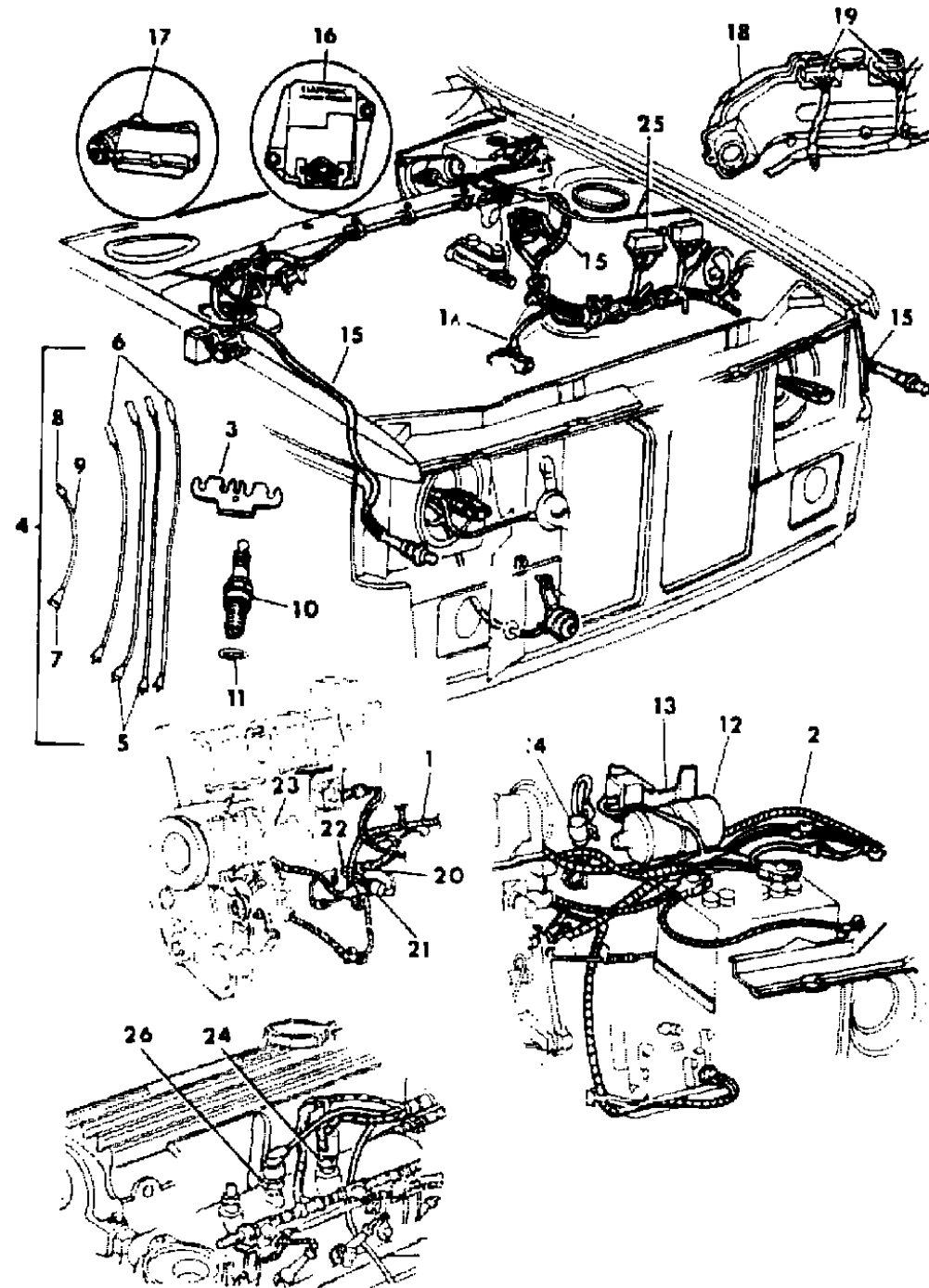
52-53 = FWD WAGON

AR = Use as Required - = Non Illustrated Part P.A.R. = Paint as Required

WIRING--ENGINE-FRONT END & RELATED PARTS L BODY

Figure 8-5500

7108 5500 A



ITEM	PART NUMBER	QTY	BODY	MODEL	DESCRIPTION
16	4379 100				REGULATOR, Voltage
17	5227 608				CONTROL, Elec. Spark Advance M-Z
	5227 612				2.2 Eng. Auto. Trans.
	5227 614				2.2 Eng. Man. Trans.
					2.2 Eng. Calif. Auto. Trans.
18	5226 765				MODULE, Power T.B.I.
	5226 766				TURBO
19	4331 546				MOLD, Power Module (Also Mold 4331545)
20	4267 021				SWITCH, Oil Pressure (Insul. 4439078)
21	4051 686				SENDING UNIT, Oil Pressure, w/Gauge
22	4289 888				FITTING, Oil Pressure, w/Gauge
23	4051 687				SENDING UNIT, Eng. Temp. 2.2 Eng. w/Gauge
	4221 819				SWITCH, w/o Gauge
24	5226 374				SENSOR, Coolant Temp. 2.2 Eng. (TURBO)
25	5213 737				RELAY, Starter
26	5213 629				SENSOR, Detonation
	4318 118				w/TURBO

MODEL CODES

E BODY = (J - CARAVELLE)(E - 600)(T - NEW YORKER)

G BODY = (V24 - DAYTONA)

H BODY = (D44 - LANCER)(C44 - LEBARON GTS)

J BODY = (C - LEBARON)

K BODY = (P - RELIANT)(D - ARIES)(C - LEBAROND)/TOWN & COUNTRY)

L BODY = (M - HORIZON/TURISMO)(Z - OMNI/CHARGER)

M BODY = (B - GRAN FURY)(F - FIFTH AVE/NEWPORT)(G - DIPLOMAT)

P BODY = (P - SUNDANCE)(D - SHADOW)

S BODY = (H - VOYAGER)(K - RAM VAN/CARAVAN)

BODY STYLES

12-13 = FWD VAN

21 = 2-DOOR SEDAN

24 = 2-DOOR HATCHBACK

27 = 2-DOOR CONVERTIBLE

41 = 4-DOOR SEDAN

44 = 4-DOOR HATCHBACK

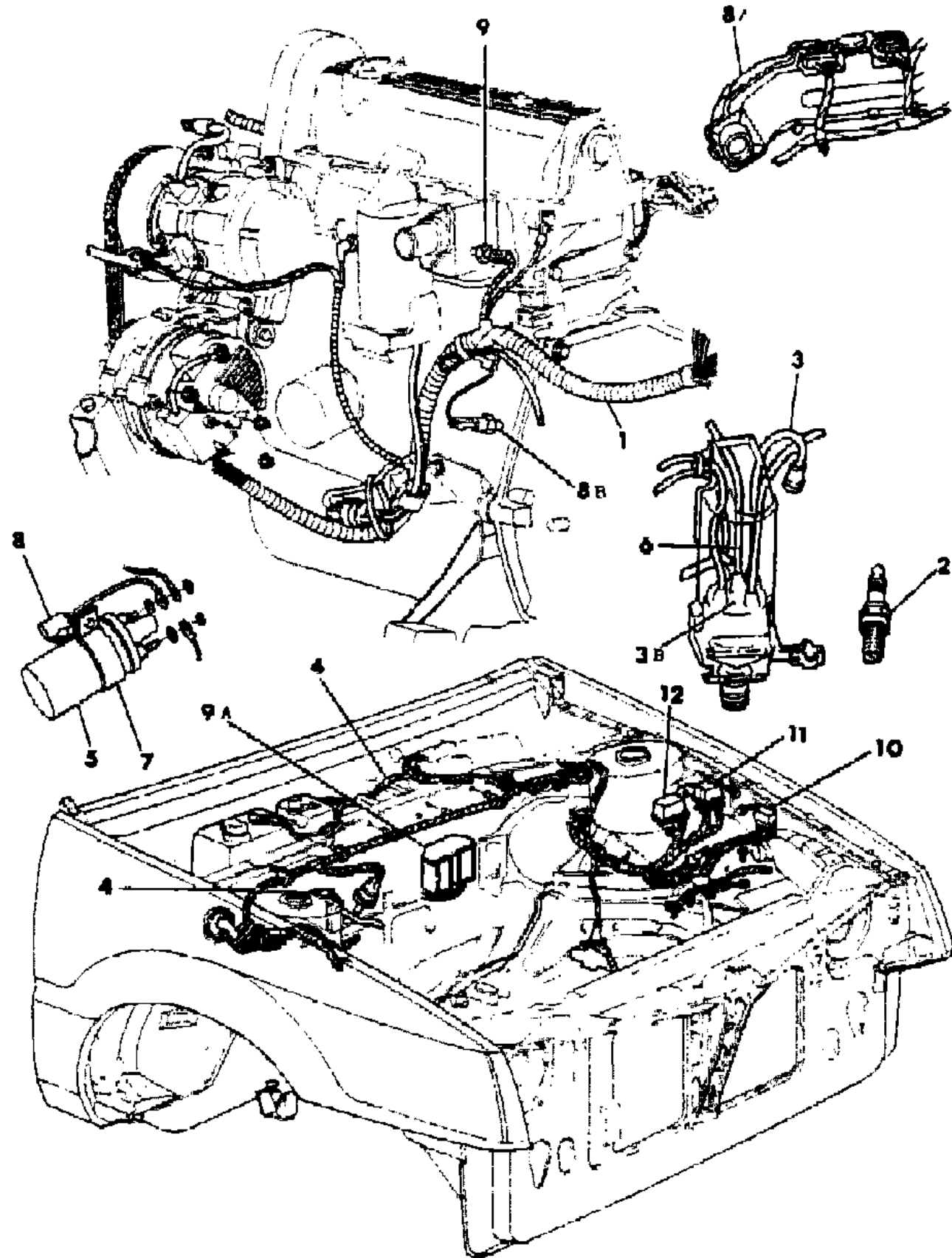
45 = 4-DOOR STATION WAGON

52-53 = FWD WAGON

AR = Use as Required - = Non Illustrated Part P.A.R. = Paint as Required

WIRING--ENGINE-FRONT END & RELATED PARTS P BODY
Figure 8-5600

7108 5800 A



ITEM	PART NUMBER	QTY	BODY	MODEL	DESCRIPTION
1	#4400 074				WIRING, Engine (Turbo)
	4400 073				(T.B.I.)
	4368 368				Wiring, Fuel Rail
	4400 214				Wiring, Throttle Body (LATE BUILT)
	4368 326				(EARLY BUILT)
	4400 352				Wiring, Battery Pos. Auto.Trans
	4304 678				Wiring, Battery & Eng. Ground
	4400 354				Man. Trans.
	4209 695				Auto. Trans.
-	5211 212				STRAP, Eng. Ground
2	5213 693				SPARK PLUG, RN12YC
-	4419 359				CABLE SET
					CONSISTS OF:
					2-14" Cables, 2-12" Cables, 1-Coil Cable 27.5", 1-Coil Cable 19" Long
-	4637 155				CABLE SET
					CONSISTS OF:
					2-14" Cables, 2-12" Cables, 1-14" Cable w/90 Degree End
3	5226 785				CABLE, Spark Plug, #1-4
	5226 786				#2-3
3B	4145 413				NIPPLE, Spark Plug Cable, Dist. End
	5213 355				Coil End
4	4400 218				WIRING, Headlamp & Dash, (T.B.I.), Up to 3-11-87
	4400 695	1			After 3-11-87
	4400 219				(Turbo) Up to 3-10-87
	4400 696	1			After 3-10-87
5	4176 009				COIL
6	5213 357				WIRE, Coil
7	5226 868				BRACKET, Coil
8	4222 775				CAPACITOR, Ign. Coil
8A	5226 765				MODULE, Power, T.B.I.
	5226 766				TURBO
8B	4289 892				SWITCH, Oil Pressure, 2.2 Eng.
	4221 673				2.2 Eng. TURBO
9	5226 374				SENSOR, Coolant
9A	5227 333				SOLENOID, Dual Vac. (TURBO)
	4051 687				SENDING UNIT, Temp.
10	4364 863				RELAY, A/C Clutch

MODEL CODES

E BODY = (J - CARAVELLE)(E - 600)(T - NEW YORKER)

G BODY = (V24 - DAYTONA)

H BODY = (D44 - LANCER)(C44 - LEBARON GTS)

J BODY = (C - LEBARON)

K BODY = (P - RELIANT)(D - ARIES)(C - LEBAROND)/TOWN & COUNTRY)

L BODY = (M - HORIZON/TURISMO)(Z - OMNI/CHARGER)

M BODY = (B - GRAN FURY)(F - FIFTH AVE/NEWPORT)(G - DIPLOMAT)

P BODY = (P - SUNDANCE)(D - SHADOW)

S BODY = (H - VOYAGER)(K - RAM VAN/CARAVAN)

BODY STYLES

12-13 = FWD VAN

21 = 2-DOOR SEDAN

24 = 2-DOOR HATCHBACK

27 = 2-DOOR CONVERTIBLE

41 = 4-DOOR SEDAN

44 = 4-DOOR HATCHBACK

45 = 4-DOOR STATION WAGON

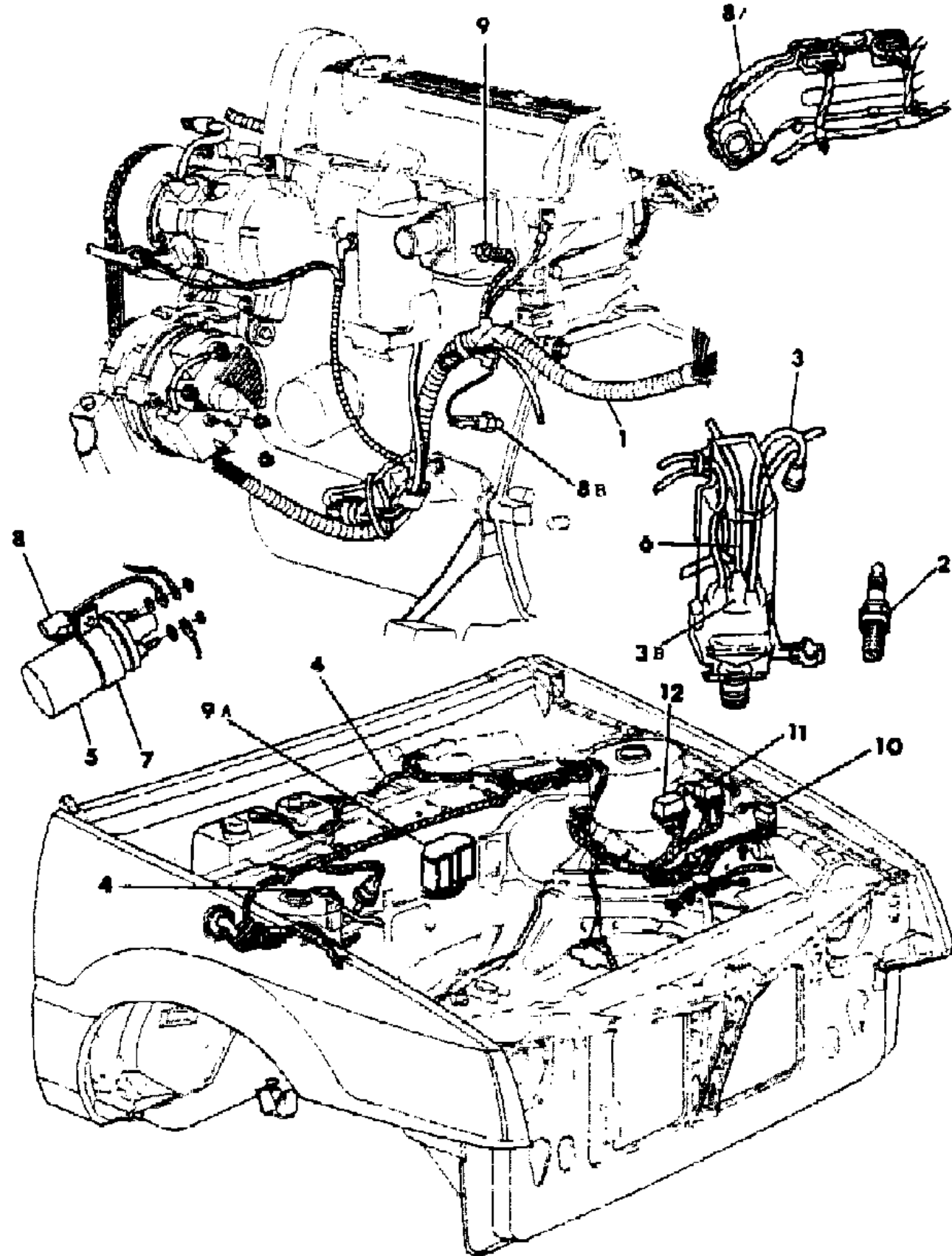
52-53 = FWD WAGON

AR = Use as Required - = Non Illustrated Part P.A.R. = Paint as Required

WIRING--ENGINE-FRONT END & RELATED PARTS P BODY

Figure 8-5600

7108 5800 A



ITEM	PART NUMBER	QTY	BODY	MODEL	DESCRIPTION
11	4221 615				RELAY, Rad. Fan
12	5226 138				RELAY, Starter

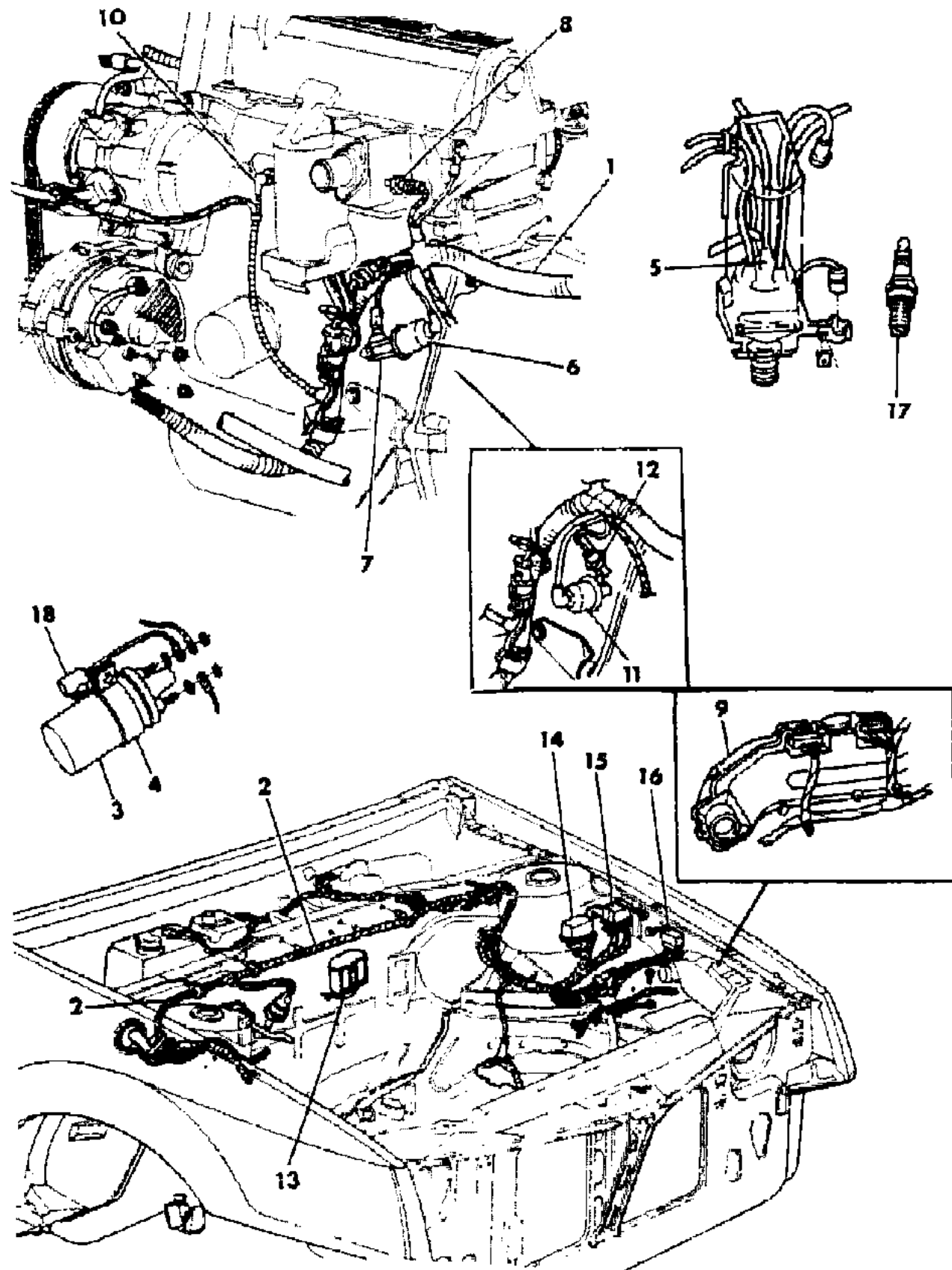
MODEL CODES
 E BODY = (J - CARAVELLE)(E - 600)(T - NEW YORKER)
 G BODY = (V24 - DAYTONA)
 H BODY = (D44 - LANCER)(C44 - LEBARON GTS)
 J BODY = (C - LEBARON)
 K BODY = (P - RELIANT)(D - ARIES)(C - LEBAROND)/TOWN & COUNTRY
 L BODY = (M - HORIZON/TURISMO)(Z - OMNI/CHARGER)
 M BODY = (B - GRAN FURY)(F - FIFTH AVE/NEWPORT)(G - DIPLOMAT)
 P BODY = (P - SUNDANCE)(D - SHADOW)
 S BODY = (H - VOYAGER)(K - RAM VAN/CARAVAN)

BODY STYLES
 12-13 = FWD VAN
 21 = 2-DOOR SEDAN
 24 = 2-DOOR HATCHBACK
 27 = 2-DOOR CONVERTIBLE
 41 = 4-DOOR SEDAN
 44 = 4-DOOR HATCHBACK
 45 = 4-DOOR STATION WAGON
 52-53 = FWD WAGON

AR = Use as Required - = Non Illustrated Part P.A.R. = Paint as Required

WIRING--ENGINE-FRONT END & RELATED PARTS J BODY
Figure 8-5700

7108 5700 A



ITEM	PART NUMBER	QTY	BODY	MODEL	DESCRIPTION
1					WIRING, ENGINE
	4400 074				2.2 Turbo (Includes Neg. Battery Cable)
	4400 073				2.5
2					WIRING, H/Lamp & Dash
	4400 889				2.2, w/ Message Center
	4400 894				2.2, w/o Message Center
	4400 888				2.5, w/ Message Center
	4400 893				2.5, w/o Message Center
	4368 368				Wiring, Fuel Rail
	4400 214				Wiring, Throttle Body
	4209 695				Wiring, Auto. Trans.
	4400 895				Wiring, Pos. Auto. Trans. Turbo (Use Diode 4289694)
	4400 896				Man. Trans.
	4400 897				Auto. Trans. 2.5
3	4176 009				COIL, Ign.
-	4419 359				CABLE SET
					CONSISTS OF:
					2-14" Cables, 2-12" Cables, 1-Coil Cable 27.5", 1-Coil Cable 19"
-	4637 155				CABLE SET
					CONSISTS OF:
					2-14" Cables, 2-12" Cables, 1-14" Coil Cable w/90 Degree End
4	5226 868				BRACKET, Coil
5	4145 413				NIPPLE, Coil Dist. End.
6	4221 673				SWITCH, Oil Pressure
7	4289 888				FITTING, Oil Pressure
8	5226 374				SENSOR, Coolant Temp
9	5226 766				POWER MODULE, Turbo
	5226 765				w/TBI
10	4051 687				SENDING UNIT, Temp. Gauge
11	4051 686				SENDING UNIT, Oil Press.
12	4289 888				FITTING, Oil Press
13	5227 333				SOLENOID, Dual Vac. (TURBO)
14	5226 138				RELAY, Starter
15	4221 615				RELAY, Rad. Fan
16	4221 576				RELAY, A/C Clutch Cutout
17	5213 693				PLUG, Spark
18	4222 775				CAPACITOR

MODEL CODES

E BODY = (J - CARAVELLE)(E - 600)(T - NEW YORKER)

G BODY = (V24 - DAYTONA)

H BODY = (D44 - LANCER)(C44 - LEBARON GTS)

J BODY = (C - LEBARON)

K BODY = (P - RELIANT)(D - ARIES)(C - LEBAROND)/TOWN & COUNTRY)

L BODY = (M - HORIZON/TURISMO)(Z - OMNI/CHARGER)

M BODY = (B - GRAN FURY)(F - FIFTH AVE/NEWPORT)(G - DIPLOMAT)

P BODY = (P - SUNDANCE)(D - SHADOW)

S BODY = (H - VOYAGER)(K - RAM VAN/CARAVAN)

BODY STYLES

12-13 = FWD VAN

21 = 2-DOOR SEDAN

24 = 2-DOOR HATCHBACK

27 = 2-DOOR CONVERTIBLE

41 = 4-DOOR SEDAN

44 = 4-DOOR HATCHBACK

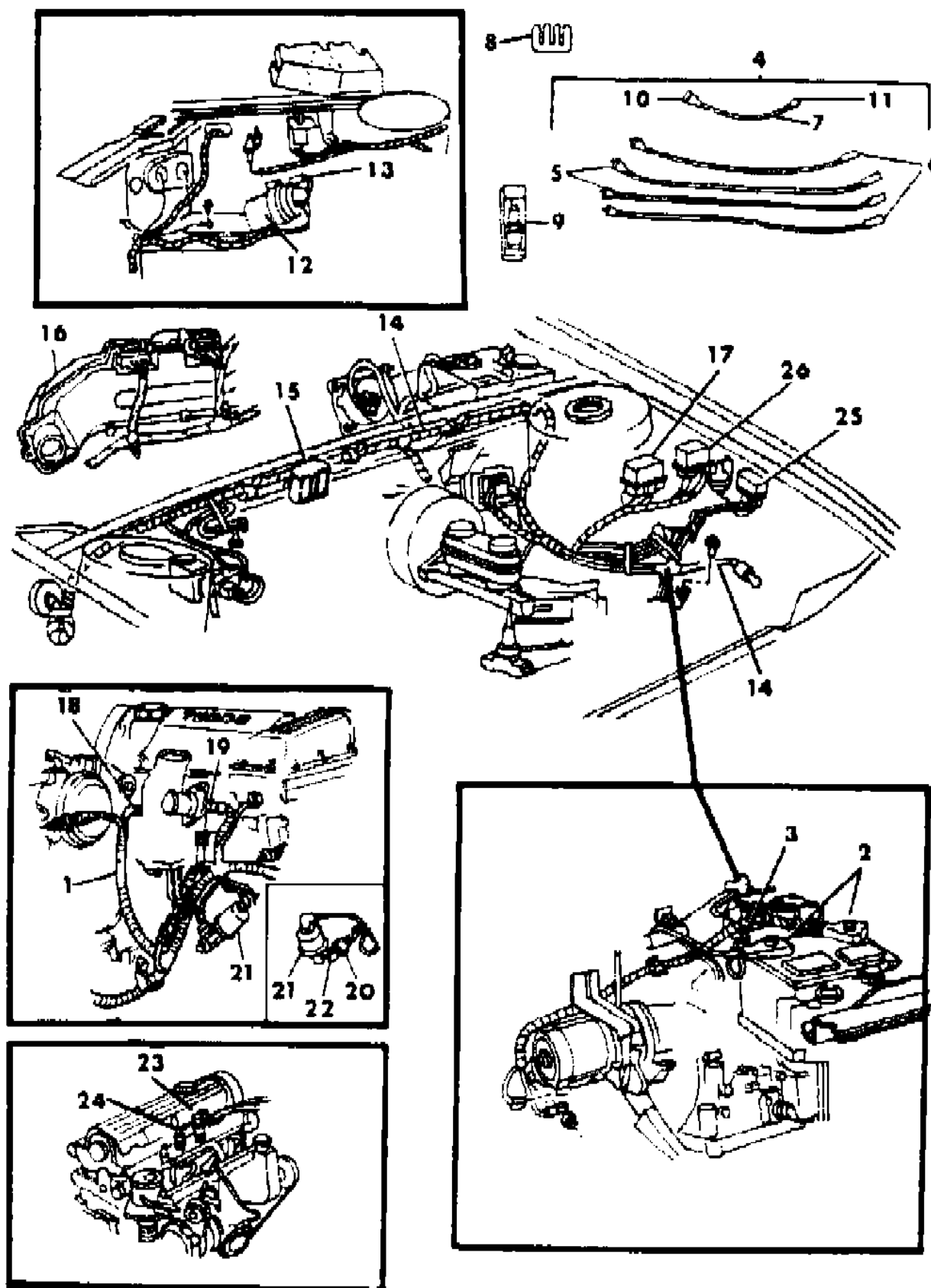
45 = 4-DOOR STATION WAGON

52-53 = FWD WAGON

AR = Use as Required - = Non Illustrated Part P.A.R. = Paint as Required

WIRING--ENGINE-FRONT END & RELATED PARTS K-E BODY
Figure 8-5800

7108 5800 B



ITEM	PART NUMBER	QTY	BODY	MODEL	DESCRIPTION
1					WIRING ENGINE
	4400 074				2.2 TURBO
	4400 073				2.2 & 2.5 Eng.
	4400 142				Fleet
	4400 214				Throttle Body,Jumper
	4368 368				Fuel Rail Wire (Turbo)
	4209 695				Auto. Trans.
2					CABLE, Battery
	4400 352				Positive,w/Auto. Trans. 2.2 Eng.
	4400 354				Positive,w/Man. Trans. 2.2 Eng.
	4400 653				Positive, 2.5 Eng.
	4304 935				Battery Feed, POLICE
	4304 678				Battery & Eng. Ground (Repair)
3	6500 275				BOLT, Battery Ground
4	4240 435				CABLE SET, Spark Plug
5	5226 786	2			CABLE, #2-3
6	5226 785	2			CABLE, #1-4
7	5213 357	1			CABLE, Ignition Coil
8					SEPARATOR, Cable
9	5213 693	4			PLUG, Spark RN12YC
10	4145 413				NIPPLE, Dist. End
11	5213 355				NIPPLE, Coil End
12	4176 009				COIL and BRACKET
13	4222 775				CAPACITOR, Coil
14					WIRING, FRONT END, Headlamp to Dash Panel P-D-C-J-E-T
	4400 140		P-D		2.2 & 2.5 Eng.
	4400 132		C-J-E-T		TURBO
	4400 131		C-J-E-T		2.2. & 2.5 Eng.
	4274 888				Speed Control, Eng. Compartment
	4274 600				Wiring, Relay (POLICE)
15	4379 100				REGULATOR, Voltage
16	5226 766				POWER MODULE, Turbo
	5226 765				T.B.I. (Insul. 4209977 & 4209978)
17	5213 737				RELAY, Starter
18	4051 687				SENDING UNIT, Eng. Temp.
19	5226 374				SENSOR, Eng. Temp.
20	4289 892				SWITCH, Oil Press. T.B.I. & TURBO, 1 Terminal, w/o Elec. Cluster

MODEL CODES

E BODY = (J - CARAVELLE)(E - 600)(T - NEW YORKER)

G BODY = (V24 - DAYTONA)

H BODY = (D44 - LANCER)(C44 - LEBARON GTS)

J BODY = (C - LEBARON)

K BODY = (P - RELIANT)(D - ARIES)(C - LEBAROND)/TOWN & COUNTRY)

L BODY = (M - HORIZON/TURISMO)(Z - OMNI/CHARGER)

M BODY = (B - GRAN FURY)(F - FIFTH AVE/NEWPORT)(G - DIPLOMAT)

P BODY = (P - SUNDANCE)(D - SHADOW)

S BODY = (H - VOYAGER)(K - RAM VAN/CARAVAN)

BODY STYLES

12-13 = FWD VAN

21 = 2-DOOR SEDAN

24 = 2-DOOR HATCHBACK

27 = 2-DOOR CONVERTIBLE

41 = 4-DOOR SEDAN

44 = 4-DOOR HATCHBACK

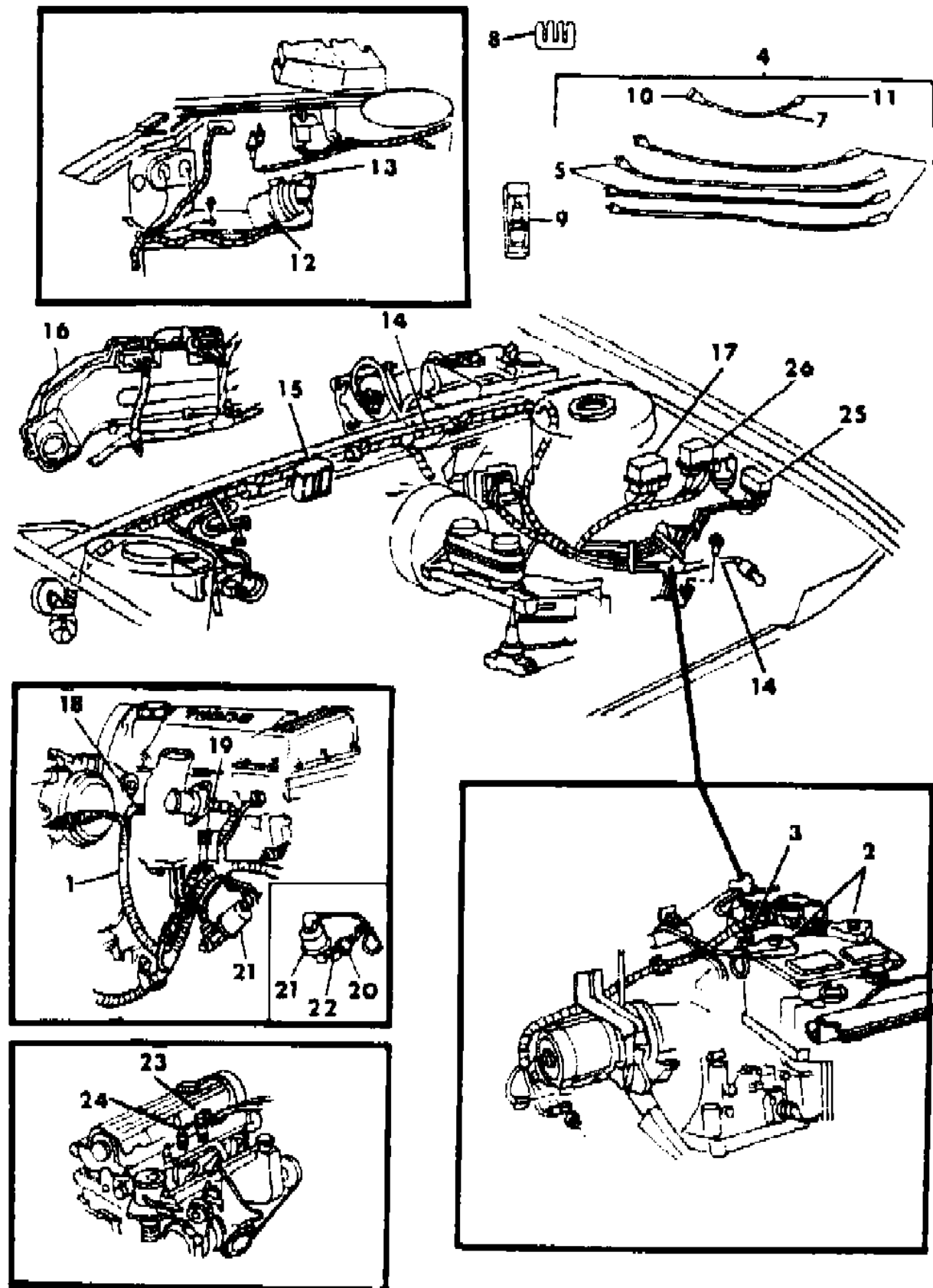
45 = 4-DOOR STATION WAGON

52-53 = FWD WAGON

AR = Use as Required - = Non Illustrated Part P.A.R. = Paint as Required

WIRING--ENGINE-FRONT END & RELATED PARTS K-E BODY
Figure 8-5800

7108 5800 B



ITEM	PART NUMBER	QTY	BODY	MODEL	DESCRIPTION
	4221 673				w/ Elec. Cluster
21	4051 686				SENDING UNIT, Oil Pressure w/Gauge
22	4289 888				FITTING, Oil Pressure, w/Gauge
	6033 017				2.6 Eng.
23	5226 355				SENSOR, Charge Temp. w/Gauge
24	5213 629				SENSOR, Detonation
25	4339 495				RELAY, A/C Clutch Cutout
26	4221 615				RELAY, Rad. Fan.

MODEL CODES

E BODY = (J - CARAVELLE)(E - 600)(T - NEW YORKER)

G BODY = (V24 - DAYTONA)

H BODY = (D44 - LANCER)(C44 - LEBARON GTS)

J BODY = (C - LEBARON)

K BODY = (P - RELIANT)(D - ARIES)(C - LEBAROND)/TOWN & COUNTRY)

L BODY = (M - HORIZON/TURISMO)(Z - OMNI/CHARGER)

M BODY = (B - GRAN FURY)(F - FIFTH AVE/NEWPORT)(G - DIPLOMAT)

P BODY = (P - SUNDANCE)(D - SHADOW)

S BODY = (H - VOYAGER)(K - RAM VAN/CARAVAN)

BODY STYLES

12-13 = FWD VAN

21 = 2-DOOR SEDAN

24 = 2-DOOR HATCHBACK

27 = 2-DOOR CONVERTIBLE

41 = 4-DOOR SEDAN

44 = 4-DOOR HATCHBACK

45 = 4-DOOR STATION WAGON

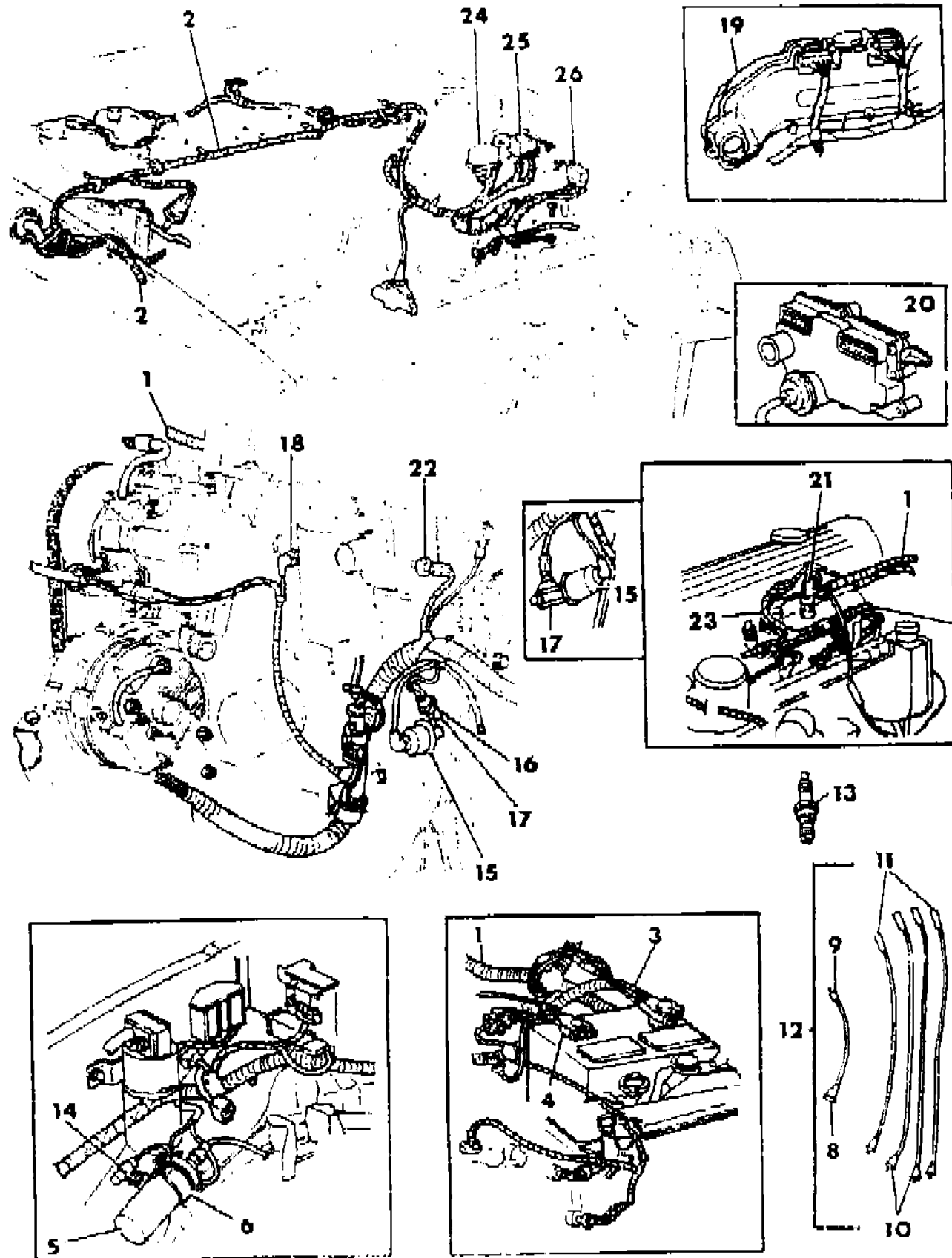
52-53 = FWD WAGON

AR = Use as Required - = Non Illustrated Part P.A.R. = Paint as Required

WIRING--ENGINE-FRONT END & RELATED PARTS G BODY

Figure 8-5900

7108 5900 A



ITEM	PART NUMBER	QTY	BODY	MODEL	DESCRIPTION
1	4274 866				WIRING ENGINE, 2.2 Eng.
	4400 073				2.2 & 2.5 Eng. T.B.I.
	4400 074				"TURBO"
	4400 080				2.2 Eng. "TURBO 11"
	4400 215				Fuel Rail
	4400 214				Throttle Body
	4274 888				Speed Control
	4467 401				Extension, A.I.S. Motor
	4467 402				Charge Temp. Sensor
2	4400 886				WIRING, FRONT END, Headlamp to Dash Panel V24
	4400 061				2.5 Eng.
	4400 892				2.2 Eng. w/Turbo
	4209 695				2.2 Eng. "TURBO II"
3	#4400 895				Auto. Trans.
	4400 896				WIRING, Battery Pos. Auto.Trans. Turbo (Use Diode 4289694)
	4400 897				Man.Trans.
4	4304 678				2.5 Eng.
	4176 009				CABLE, Battery & Engine Ground (Repair)
	5226 868				COIL, Ignition
	5213 357				BRACKET, Ignition Coil
	4145 413				CABLE, Ignition Coil
	5226 786				NIPPLE, Cable, Dist.End
	5226 785				NIPPLE, Cable, Coil End
	4419 359				CABLE, Spark Plug #2-3
	5213 693				CABLE, Spark Plug #1-4
	4222 775				CABLE SET
	4051 686				SPARK PLUG, RN12Y
	4221 673				CAPACITOR, Ign. Coil
	4289 888				SENDING UNIT, Oil Pressure
	4323 107				SWITCH, Oil Pressure
	4051 687				FITTING, Oil Pressure
18	4221 071				w/Turbo
	4221 071				SENDING UNIT, Eng. Temp. Gauge
19	5226 766				SWITCH, w/Light
	5226 765				MODULE, Power w/Turbo
20	5226 765				2.2 & 2.5 Eng.
	5226 585				CONTROL,ELEC.SPARK ADVANCE V24
					2.2 Eng.

MODEL CODES

E BODY = (J - CARAVELLE)(E - 600)(T - NEW YORKER)

G BODY = (V24 - DAYTONA)

H BODY = (D44 - LANCER)(C44 - LEBARON GTS)

J BODY = (C - LEBARON)

K BODY = (P - RELIANT)(D - ARIES)(C - LEBAROND)/TOWN & COUNTRY)

L BODY = (M - HORIZON/TURISMO)(Z - OMNI/CHARGER)

M BODY = (B - GRAN FURY)(F - FIFTH AVE/NEWPORT)(G - DIPLOMAT)

P BODY = (P - SUNDANCE)(D - SHADOW)

S BODY = (H - VOYAGER)(K - RAM VAN/CARAVAN)

BODY STYLES

12-13 = FWD VAN

21 = 2-DOOR SEDAN

24 = 2-DOOR HATCHBACK

27 = 2-DOOR CONVERTIBLE

41 = 4-DOOR SEDAN

44 = 4-DOOR HATCHBACK

45 = 4-DOOR STATION WAGON

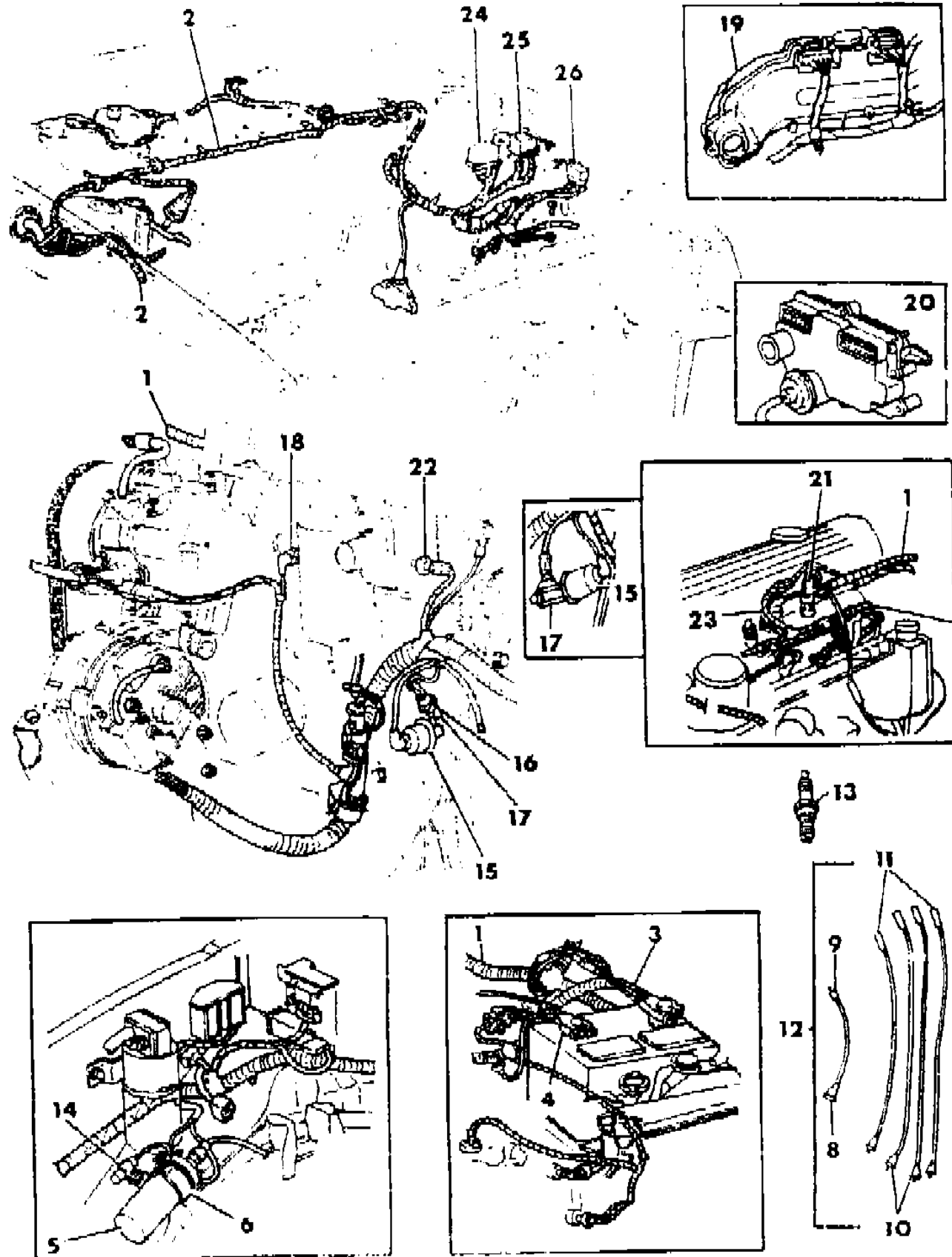
52-53 = FWD WAGON

AR = Use as Required - = Non Illustrated Part P.A.R. = Paint as Required

WIRING--ENGINE-FRONT END & RELATED PARTS G BODY

Figure 8-5900

7108 5900 A



ITEM	PART NUMBER	QTY	BODY	MODEL	DESCRIPTION
21	5226 355				SENSOR, Charge Temp. Turbo
22	5226 374				SENSOR, Coolant T.B.I. & Turbo
23					SENSOR, Detonation
24	5226 138				RELAY, Starter
25	5227 415				RELAY, Rad. Fan.
26	4221 576				RELAY, A/C Clutch Cutout

MODEL CODES

E BODY = (J - CARAVELLE)(E - 600)(T - NEW YORKER)
 G BODY = (V24 - DAYTONA)
 H BODY = (D44 - LANCER)(C44 - LEBARON GTS)
 J BODY = (C - LEBARON)
 K BODY = (P - RELIANT)(D - ARIES)(C - LEBAROND)/TOWN & COUNTRY)

L BODY = (M - HORIZON/TURISMO)(Z - OMNI/CHARGER)
 M BODY = (B - GRAN FURY)(F - FIFTH AVE/NEWPORT)(G - DIPLOMAT)
 P BODY = (P - SUNDANCE)(D - SHADOW)
 S BODY = (H - VOYAGER)(K - RAM VAN/CARAVAN)

BODY STYLES

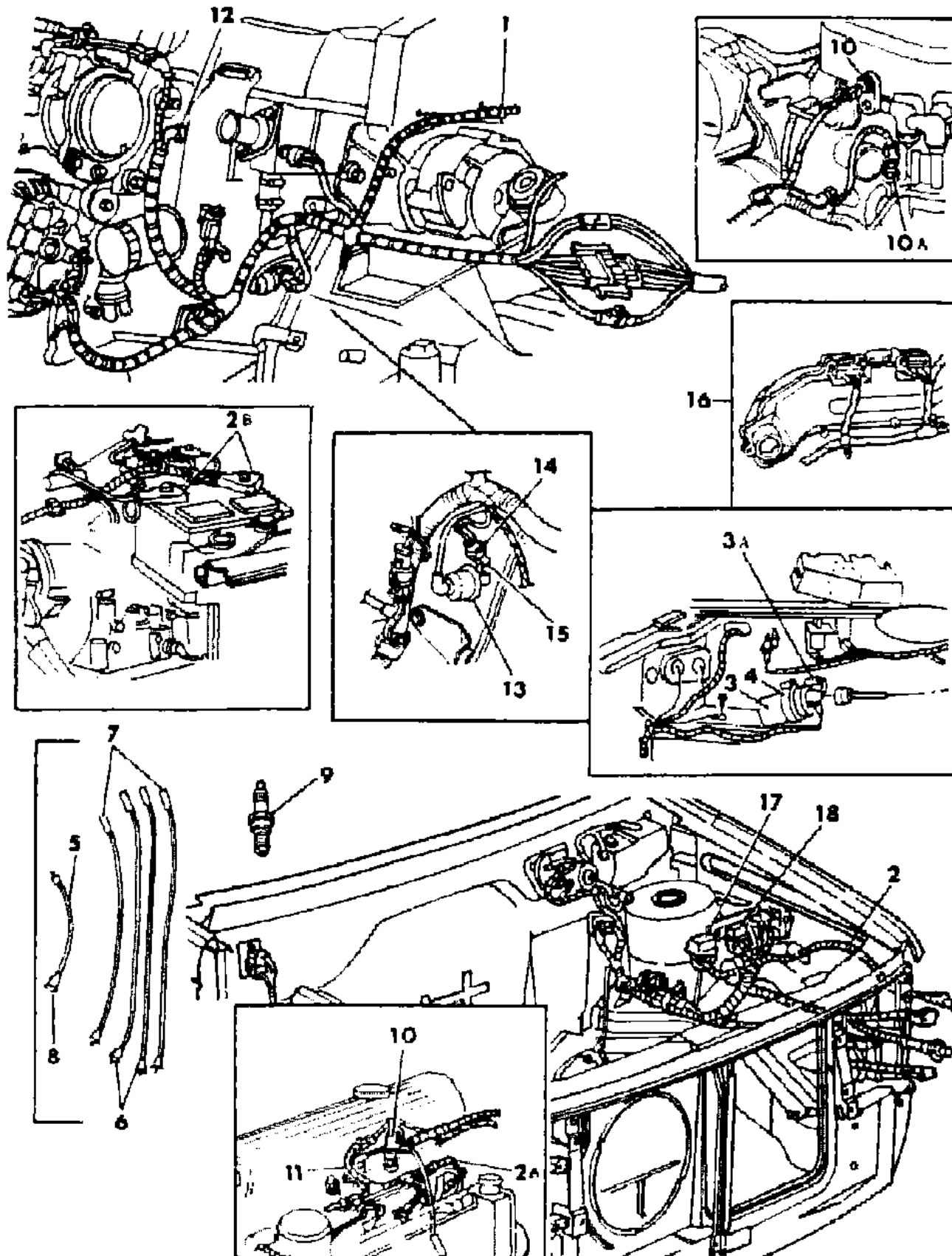
12-13 = FWD VAN
 21 = 2-DOOR SEDAN
 24 = 2-DOOR HATCHBACK
 27 = 2-DOOR CONVERTIBLE
 41 = 4-DOOR SEDAN
 44 = 4-DOOR HATCHBACK
 45 = 4-DOOR STATION WAGON
 52-53 = FWD WAGON

AR = Use as Required - = Non Illustrated Part P.A.R. = Paint as Required

WIRING--ENGINE-FRONT END & RELATED PARTS H BODY

Figure 8-6000

7108 8008 B



ITEM	PART NUMBER	QTY	BODY	MODEL	DESCRIPTION
1	4400 073				WIRING, ENGINE 2.2 & 2.5 Eng.
	4400 074				TURBO
2	4400 136				WIRING, FRONT END, Headlamp to Dash Panel DC 44
	4400 138				2.2 & 2.5 Eng. TURBO
2A	4368 368				WIRING, Fuel Rail Jumper
	4400 214				Wiring, Throttle Body
	4467 402				Wiring, Charge Temp. Sensor
	4467 401				Wiring, A.I.S. Motor
2B	4400 352				WIRING, Battery, Auto. Trans. Turbo
	4400 354				Man. Trans.
	4304 678				Battery & Eng. Ground (Repair)
3	4176 009				COIL, Ign.
3A	4222 775				CAPACITOR
4	5226 868				BRACKET
5	5213 357				WIRE, Coil
-	4419 359				CABLE SET
6	5226 786				CABLE, Spark Plug #2-3
7	5226 785				CABLE, Spark Plug #1-4
8	4145 413				NIPPLE, Spark Plug Cable (Dist. End)
9	5213 693				PLUG, Spark RN12YC
10	5226 374				SENSOR, Coolant T.B.I. & Turbo
10A	4312 825				SENSOR, Eng. Temp
11	4318 118				SENSOR, Detonation w/Turbo
12	4051 687				SENDING UNIT, Eng. Temp. w/Gauge
13	4051 686				SENDING UNIT, Oil Pressure
14	4289 888				FITTING, Oil Pressure
15	4221 673				SWITCH, Oil Pressure
16	5226 766				MODULE, Power TURBO
	5226 765				2.2 & 2.5 Eng.
17	5226 138				RELAY, Starter
18	4221 576				RELAY, A/C Clutch Cutout

MODEL CODES

E BODY = (J - CARAVELLE)(E - 600)(T - NEW YORKER)

G BODY = (V24 - DAYTONA)

H BODY = (D44 - LANCER)(C44 - LEBARON GTS)

J BODY = (C - LEBARON)

K BODY = (P - RELIANT)(D - ARIES)(C - LEBAROND)/TOWN & COUNTRY)

L BODY = (M - HORIZON/TURISMO)(Z - OMNI/CHARGER)

M BODY = (B - GRAN FURY)(F - FIFTH AVE/NEWPORT)(G - DIPLOMAT)

P BODY = (P - SUNDANCE)(D - SHADOW)

S BODY = (H - VOYAGER)(K - RAM VAN/CARAVAN)

BODY STYLES

12-13 = FWD VAN

21 = 2-DOOR SEDAN

24 = 2-DOOR HATCHBACK

27 = 2-DOOR CONVERTIBLE

41 = 4-DOOR SEDAN

44 = 4-DOOR HATCHBACK

45 = 4-DOOR STATION WAGON

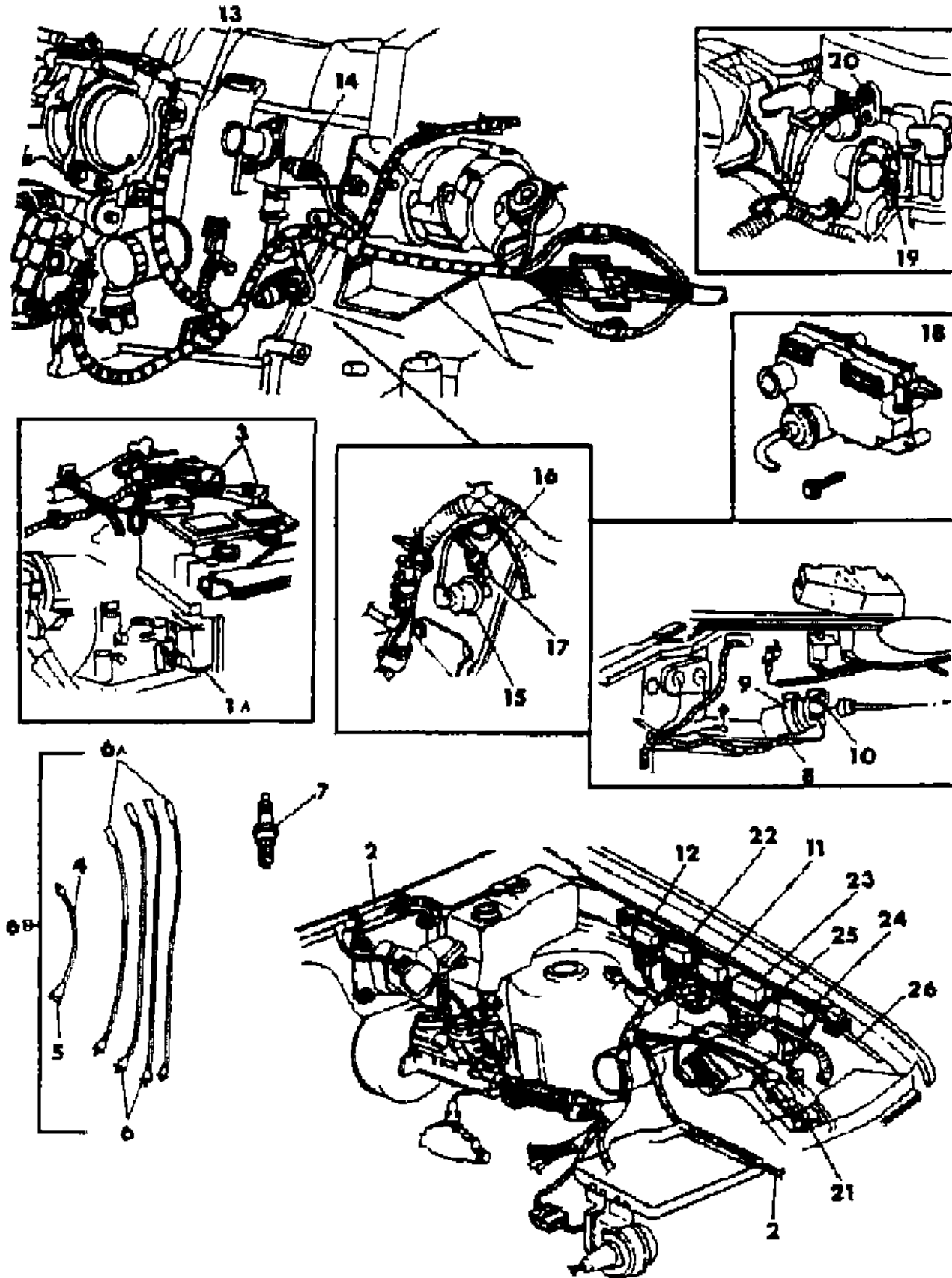
52-53 = FWD WAGON

AR = Use as Required - = Non Illustrated Part P.A.R. = Paint as Required

WIRING--ENGINE-FRONT END & RELATED PARTS S BODY

Figure 8-6100

7108 8100 C



ITEM	PART NUMBER	QTY	BODY	MODEL	DESCRIPTION
1	4400 385				WIRING, ENGINE, 2.2 Eng. 78 Amp.
	4400 450				2.2 Eng. 90 Amp.
	4400 633				2.5 Eng.
	4400 388				2.6 Eng. w/ A.C.
	4400 390				3.0 Eng. w/A/C
	4331 758				Battery Feed Van Conversion
	4331 613				Wire, Radiator Fan Relay
1A	4209 695				WIRING, Auto. Trans.
	4400 214				Wiring, Throttle Body, 2.5 Eng.
	MD10 7722				Wiring, Fuel Rail, 3.0 Eng.
2					WIRING, FRONT END, Headlamp to Dash Panel H-K
	4400 726				2.2 Eng.
	4400 642				2.5 Eng.
	4400 727				2.6 Eng. Calif.
	4400 728				2.6 Eng.
	4400 376				3.0 Eng.
-	4400 660				WIRING, Battery Pos. & Trans., 2.2 Eng., Man. Trans.
	4400 661				Auto. Trans.
	4400 634				2.5 Eng., Man. Trans.
	4400 635				2.5 Eng., Auto. Trans.
	4400 384				3.0 Eng.
	4368 072				2.6 w/o A.C.
	4368 071				2.6 w/A.C.
3	4304 678				CABLE, Battery & Eng. Ground (Repair)
	4400 392				3.0 Eng.
4	5213 357				CABLE, Ignition Coil
	MD08 8537				2.6 Eng.
	MD10 1645				3.0 Eng.
5	4145 413				NIPPLE, Ign. Coil Distributor End
-	4419 359				CABLE SET, 2.2 - 2.5 Eng.
6	5226 786				CABLE, Spark Plug, 2.2 Eng. #2-3
6A	5226 785				CABLE, Spark Plug, 2.2 Eng. #1-4
6B	MD02 7766				CABLE SET, 2.6 Eng.
	MD99 7365				3.0 Eng.
	MD08 5738				#3, 2.6 Eng.
	MD10 7724				#3, 3.0 Eng.
	MD08 5736				#2, 2.6 Eng.
	MD09 7055				#2, 3.0 Eng.

MODEL CODES

E BODY = (J - CARAVELLE)(E - 600)(T - NEW YORKER)

G BODY = (V24 - DAYTONA)

H BODY = (D44 - LANCER)(C44 - LEBARON GTS)

J BODY = (C - LEBARON)

K BODY = (P - RELIANT)(D - ARIES)(C - LEBAROND)/TOWN & COUNTRY)

L BODY = (M - HORIZON/TURISMO)(Z - OMNI/CHARGER)

M BODY = (B - GRAN FURY)(F - FIFTH AVE/NEWPORT)(G - DIPLOMAT)

P BODY = (P - SUNDANCE)(D - SHADOW)

S BODY = (H - VOYAGER)(K - RAM VAN/CARAVAN)

BODY STYLES

12-13 = FWD VAN

21 = 2-DOOR SEDAN

24 = 2-DOOR HATCHBACK

27 = 2-DOOR CONVERTIBLE

41 = 4-DOOR SEDAN

44 = 4-DOOR HATCHBACK

45 = 4-DOOR STATION WAGON

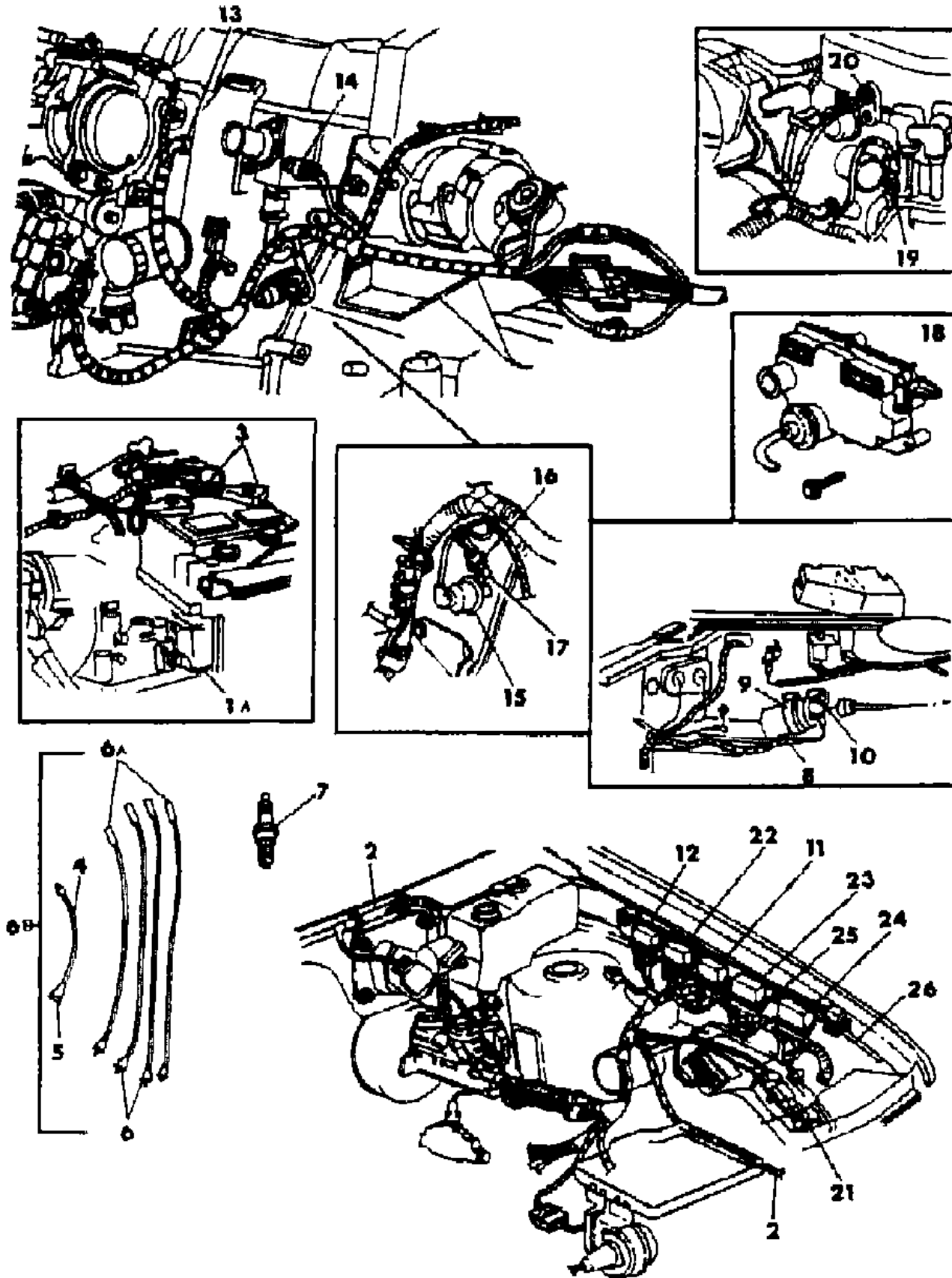
52-53 = FWD WAGON

AR = Use as Required - = Non Illustrated Part P.A.R. = Paint as Required

WIRING--ENGINE-FRONT END & RELATED PARTS S BODY

Figure 8-6100

7108 8100 C



ITEM	PART NUMBER	QTY	BODY	MODEL	DESCRIPTION
	MD08 5733				#1, 2.6 Eng.
	MD10 7723				#1, 3.0 Eng.
	MD08 5763				#4, 2.6 Eng.
	MD09 7059				#4, 3.0 Eng.
	MD10 7725				#5, 3.0 Eng.
	MD09 7070				#6, 3.0 Eng.
7	5213 693				SPARK PLUG, RN12YC
	4318 131				3.0 Eng., RN11YC-4
8	4176 009				COIL, Ignition
	MD01 3789				2.6 Eng.
	MD10 1644				3.0 Eng.
9	5226 868				BRACKET, Coil
10	4311 388				CAPACITOR, Ign. Coil
11	5213 737				RELAY, Starter
12	4111 990				REGULATOR, Voltage
13	4051 687				SENDING UNIT, Eng. Temp. w/Gauge
14	4221 071				SWITCH, Eng. Temp. w/Light
15	4051 686				SENDING UNIT, Oil Pressure, w/Gauge
16	4289 888				FITTING, Oil Pressure, 2.2,2.5,3.0 Eng.
	6033 017				2.6 Eng.
17	4221 673				SWITCH, Oil Pressure, 2.5 Eng. w/Gauge
	4289 892				2.5 Eng. w/o Gauge
	4267 021				2.2 Eng. w/Gauge
	4397 891				2.2 Eng. w/o Gauge
	4169 629				2.6-3.0 Eng. w/Gauge
	4379 037				2.6-3.0 Eng. w/o Gauge
18					CONTROL,ELEC.SPARK ADVANCE H-K
	5227 462				2.2 Eng. M/Trans.
	5227 379				2.2 Eng. A/Trans.
	5227 464				2.2 Eng. Calif.,w/Auto. Trans.
	5227 470				2.2 Eng. Calif., w/Man. Trans.
19	5226 374				SENSOR, Coolant T.B.I. & Turbo
20	5226 356				SENSOR, Coolant Dual Therm
21	#5233 584				MODULE, E.F.I., 3.0 Eng.
	5233 580				2.5 Eng., Auto. Trans.
	5233 582				2.5 Eng., Man. Trans.
22	4339 498				RELAY, Rad. Fan
23	4419 185				RELAY, Condenser Fan Mtr.

MODEL CODES

E BODY = (J - CARAVELLE)(E - 600)(T - NEW YORKER)

G BODY = (V24 - DAYTONA)

H BODY = (D44 - LANCER)(C44 - LEBARON GTS)

J BODY = (C - LEBARON)

K BODY = (P - RELIANT)(D - ARIES)(C - LEBAROND)/TOWN & COUNTRY)

L BODY = (M - HORIZON/TURISMO)(Z - OMNI/CHARGER)

M BODY = (B - GRAN FURY)(F - FIFTH AVE/NEWPORT)(G - DIPLOMAT)

P BODY = (P - SUNDANCE)(D - SHADOW)

S BODY = (H - VOYAGER)(K - RAM VAN/CARAVAN)

BODY STYLES

12-13 = FWD VAN

21 = 2-DOOR SEDAN

24 = 2-DOOR HATCHBACK

27 = 2-DOOR CONVERTIBLE

41 = 4-DOOR SEDAN

44 = 4-DOOR HATCHBACK

45 = 4-DOOR STATION WAGON

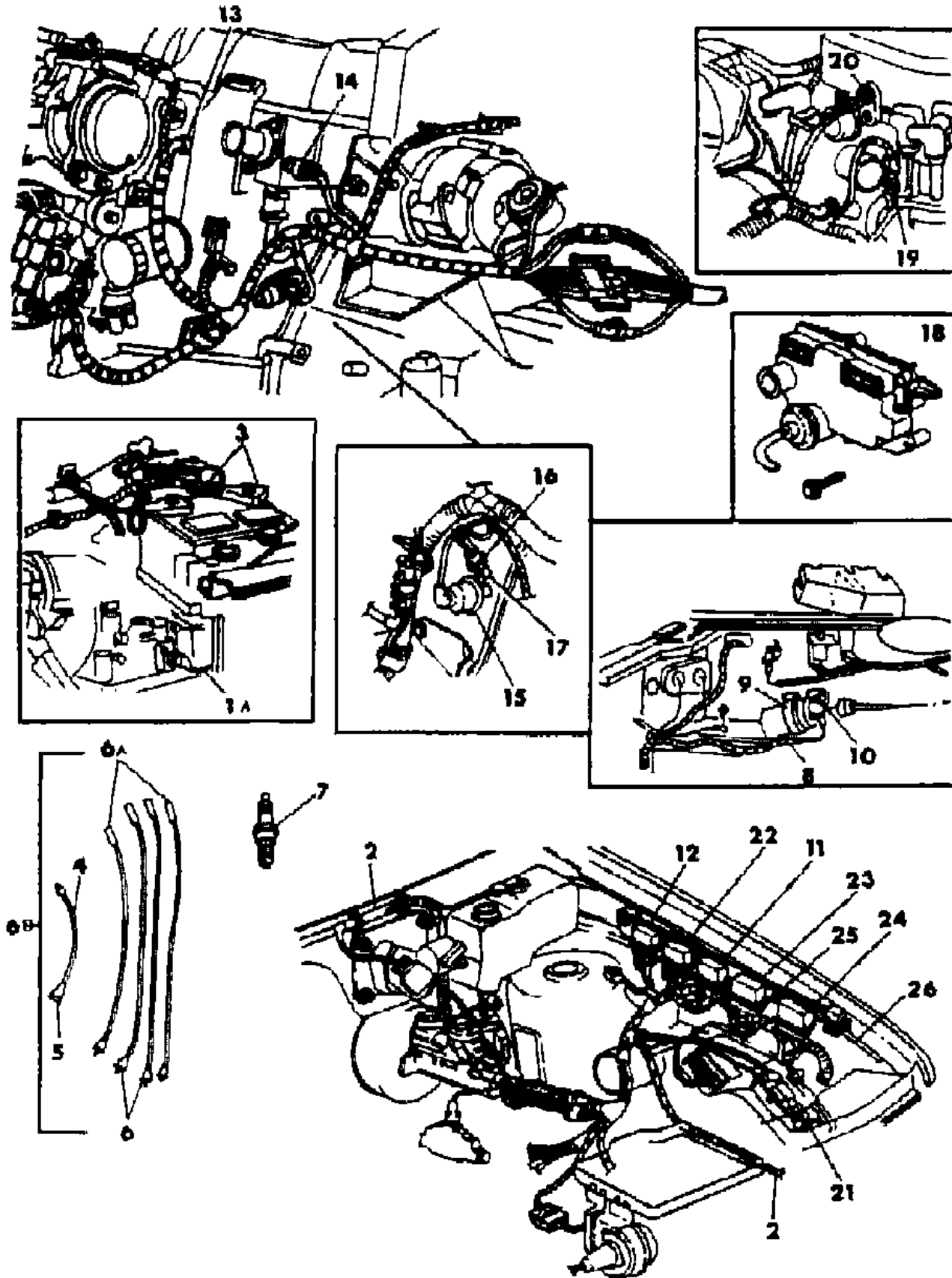
52-53 = FWD WAGON

AR = Use as Required - = Non Illustrated Part P.A.R. = Paint as Required

WIRING--ENGINE-FRONT END & RELATED PARTS S BODY

Figure 8-6100

7108 8100 C



ITEM	PART NUMBER	QTY	BODY	MODEL	DESCRIPTION
------	-------------	-----	------	-------	-------------

24	5233 162				RELAY, A/C Clutch Cutout
25	5233 192				BRACKET, Relay Mounting
26	5233 191				ISOLATOR, Bracket Mtg.

MODEL CODES

E BODY = (J - CARAVELLE)(E - 600)(T - NEW YORKER)

G BODY = (V24 - DAYTONA)

H BODY = (D44 - LANCER)(C44 - LEBARON GTS)

J BODY = (C - LEBARON)

K BODY = (P - RELIANT)(D - ARIES)(C - LEBAROND)/TOWN & COUNTRY)

L BODY = (M - HORIZON/TURISMO)(Z - OMNI/CHARGER)

M BODY = (B - GRAN FURY)(F - FIFTH AVE/NEWPORT)(G - DIPLOMAT)

P BODY = (P - SUNDANCE)(D - SHADOW)

S BODY = (H - VOYAGER)(K - RAM VAN/CARAVAN)

BODY STYLES

12-13 = FWD VAN

21 = 2-DOOR SEDAN

24 = 2-DOOR HATCHBACK

27 = 2-DOOR CONVERTIBLE

41 = 4-DOOR SEDAN

44 = 4-DOOR HATCHBACK

45 = 4-DOOR STATION WAGON

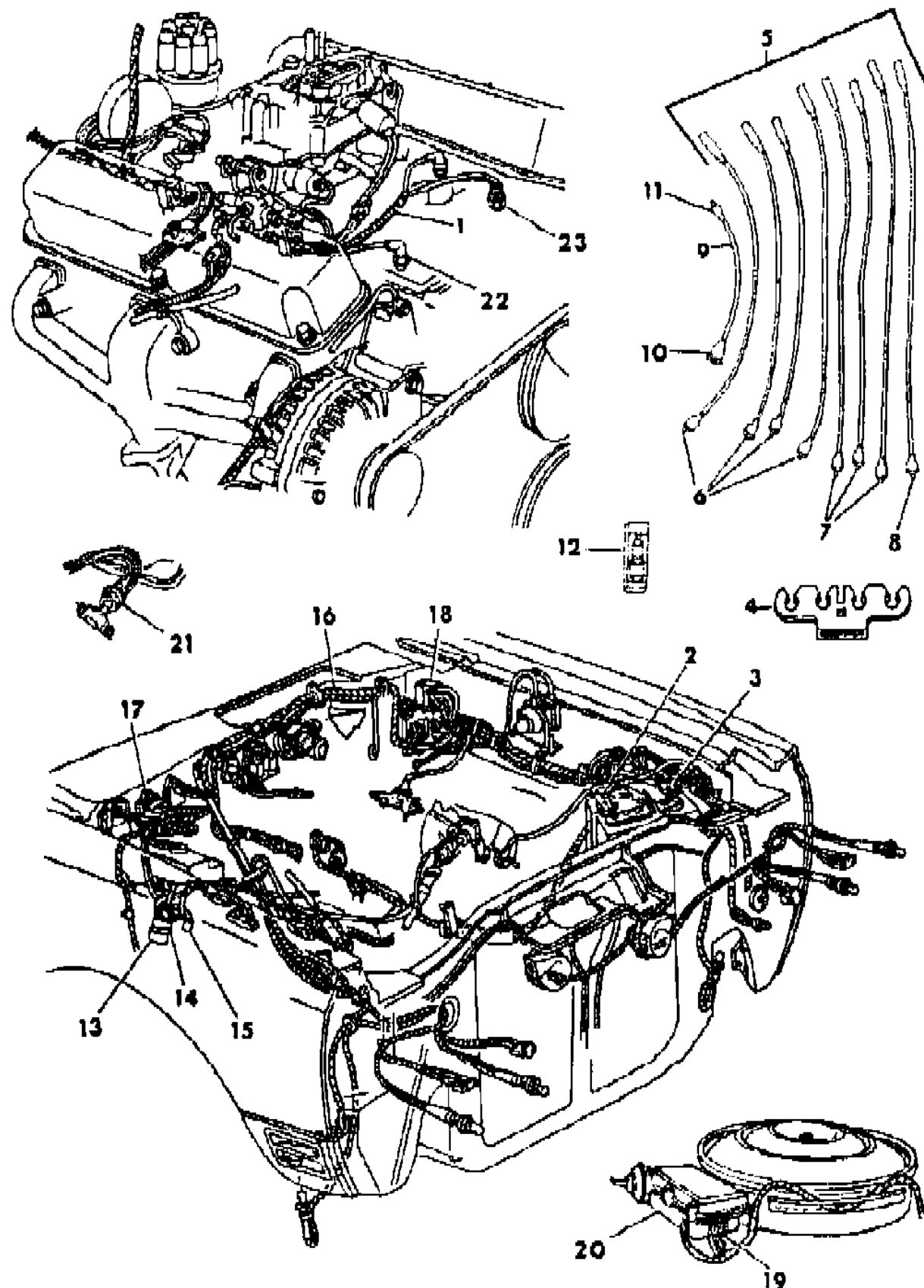
52-53 = FWD WAGON

AR = Use as Required - = Non Illustrated Part P.A.R. = Paint as Required

WIRING--ENGINE-FRONT END & RELATED PARTS M BODY

Figure 8-6200

7108 8200 A



ITEM	PART NUMBER	QTY	BODY	MODEL	DESCRIPTION
1					WIRING, ENGINE
	4331 320				w/E.S.A., U.S. w/Cat. Conv.
	4331 513				w/E.S.A., U.S. w/o Cat. Conv.
	4331 321				w/E.S.A. CANADA, 4BBL.
	4331 684				w/E.S.A. CANADA, 2BBL.
	4124 776				Batt. Acc.Feed POLICE
2					CABLE, Battery
	4274 210				Ground
3	4274 218				Positive
4	1841 499				SEPARATOR
5	4339 401				CABLE SET, Spark Plug
6	4145 925	4			CABLE, #1-2-3-4
7	4145 924	3			CABLE, #5-7-8
8	4145 923	1			CABLE, #6
9	5213 367				CABLE, Coil
	4111 930				4BBL.
10	4145 413				NIPPLE, Dist. End.
11	5213 355				NIPPLE, Coil End
12	5213 693				SPARK PLUG, RN12YC
13	4176 009				COIL, Ignition
14	5226 868				BRACKET, Coil
15	4048 646				CAPACITOR, Ign. Coil
16					WIRING, FRONT END, Headlamp to Dash Panel B-F-G
	4331 325				w/114 Amp.Alt.
	4331 324				w/78 Amp.Alt.
	4209 695				Auto.Trans.Switch Conn.(Repair)
17	#4379 225				REGULATOR, Voltage
18	4111 971				RELAY, Starter
19	4274 035				MOLD, Elec. Spark Advance (Repair)
	4274 036				w/Bar
	4209 978				6-Way E.S.A. & E.F.I. Repair
20					CONTROL,ELEC.SPARK ADVANCE B-F-G
	4289 913				2 BBL. Calif.
	4379 226				Police, Auto. Trans.
	4289 921				Police, Under Dash
	4289 813				2 BBL., Exc.,Calif.
	4289 881				Canada
21	4186 352				SWITCH, Oil Press.w/Light

MODEL CODES

E BODY = (J - CARAVELLE)(E - 600)(T - NEW YORKER)

G BODY = (V24 - DAYTONA)

H BODY = (D44 - LANCER)(C44 - LEBARON GTS)

J BODY = (C - LEBARON)

K BODY = (P - RELIANT)(D - ARIES)(C - LEBAROND)/TOWN & COUNTRY)

L BODY = (M - HORIZON/TURISMO)(Z - OMNI/CHARGER)

M BODY = (B - GRAN FURY)(F - FIFTH AVE/NEWPORT)(G - DIPLOMAT)

P BODY = (P - SUNDANCE)(D - SHADOW)

S BODY = (H - VOYAGER)(K - RAM VAN/CARAVAN)

BODY STYLES

12-13 = FWD VAN

21 = 2-DOOR SEDAN

24 = 2-DOOR HATCHBACK

27 = 2-DOOR CONVERTIBLE

41 = 4-DOOR SEDAN

44 = 4-DOOR HATCHBACK

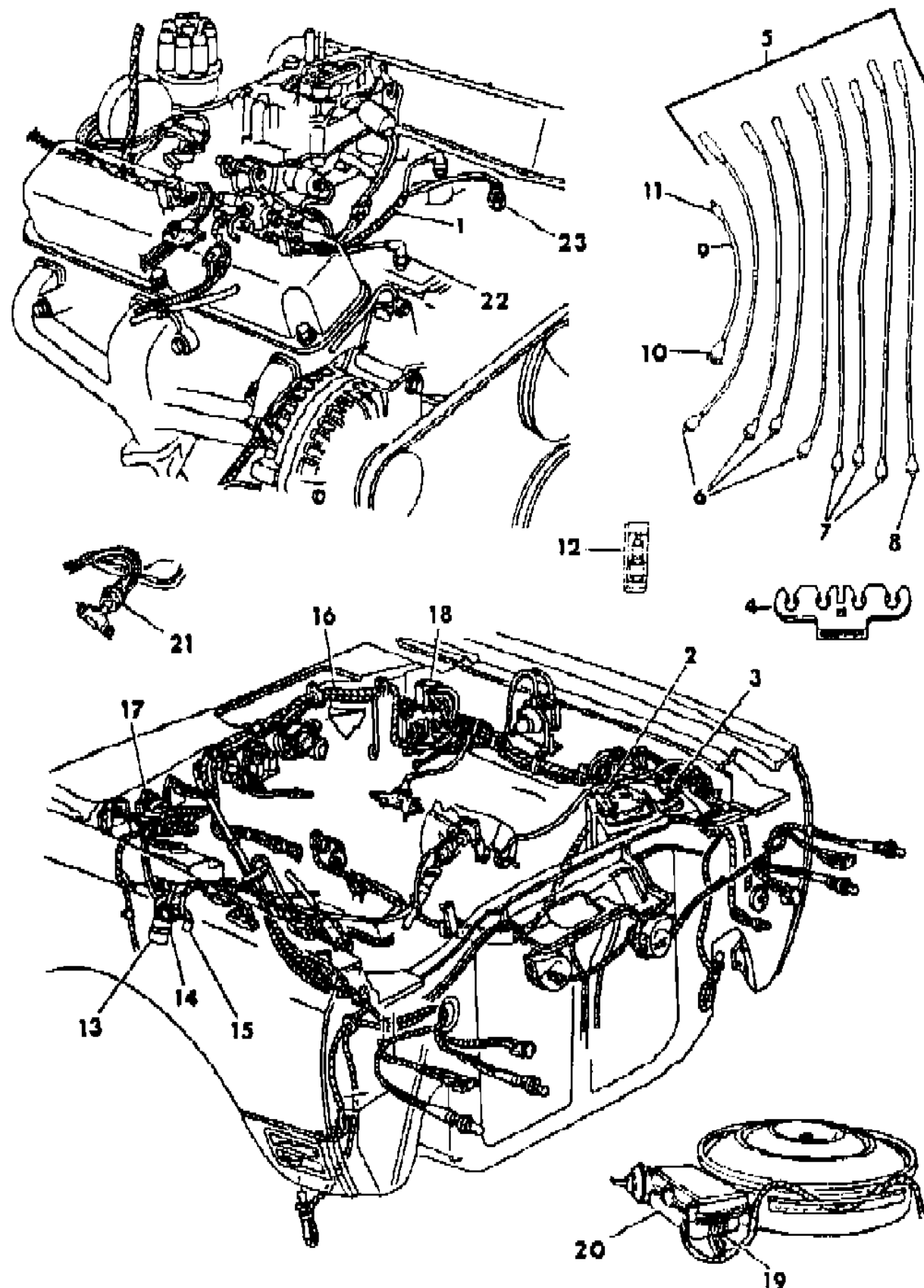
45 = 4-DOOR STATION WAGON

52-53 = FWD WAGON

AR = Use as Required - = Non Illustrated Part P.A.R. = Paint as Required

WIRING--ENGINE-FRONT END & RELATED PARTS M BODY
Figure 8-6200

7108 8200 A



ITEM	PART NUMBER	QTY	BODY	MODEL	DESCRIPTION
------	-------------	-----	------	-------	-------------

22	4051 140				SENDING UNIT, Temp. Gauge
23	5213 629				SENSOR, Detonation

MODEL CODES

E BODY = (J - CARAVELLE)(E - 600)(T - NEW YORKER)

G BODY = (V24 - DAYTONA)

H BODY = (D44 - LANCER)(C44 - LEBARON GTS)

J BODY = (C - LEBARON)

K BODY = (P - RELIANT)(D - ARIES)(C - LEBAROND)/TOWN & COUNTRY)

L BODY = (M - HORIZON/TURISMO)(Z - OMNI/CHARGER)

M BODY = (B - GRAN FURY)(F - FIFTH AVE/NEWPORT)(G - DIPLOMAT)

P BODY = (P - SUNDANCE)(D - SHADOW)

S BODY = (H - VOYAGER)(K - RAM VAN/CARAVAN)

BODY STYLES

12-13 = FWD VAN

21 = 2-DOOR SEDAN

24 = 2-DOOR HATCHBACK

27 = 2-DOOR CONVERTIBLE

41 = 4-DOOR SEDAN

44 = 4-DOOR HATCHBACK

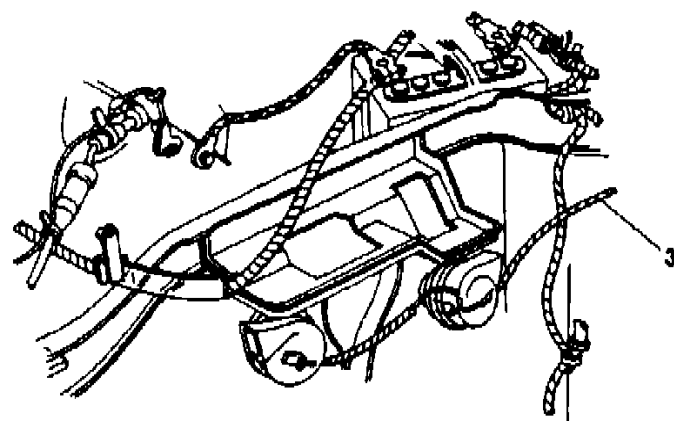
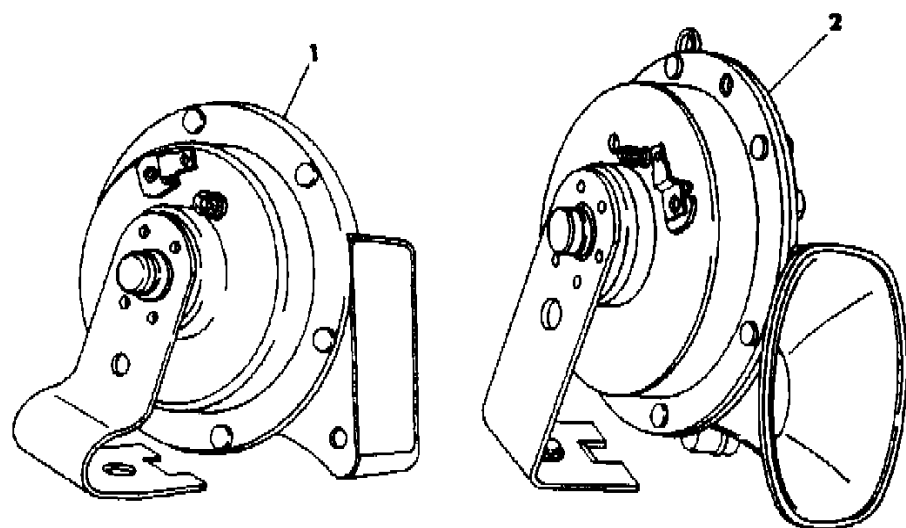
45 = 4-DOOR STATION WAGON

52-53 = FWD WAGON

AR = Use as Required - = Non Illustrated Part P.A.R. = Paint as Required

HORN ALL MODELS
Figure 8-6300

7108 8300



ITEM	PART NUMBER	QTY	BODY	MODEL	DESCRIPTION
1	2808 869			All	HORN, High Note Pkg.
2	2808 868			All	HORN, Low Note Pkg.
	4222 288		K-E-G		HORN and BRACKET, Low Note Pkg.
	4311 963		S		HORN and BRACKET, Low Note
	4311 481		S		HORN and BRACKET, High Note
	4372 587		G-J		HORN, Single Note
	4372 586	1	P		HORN, Single Note
	4372 065		G		HORN and BRACKET, Air
-	4419 362		G		COMPRESSOR, Air Horn
-	4311 806		G		SHIELD, Air Horn Splash
-	5211 213		L		BRACKET, Horn
	4222 449		M		
	4222 126		K		Horn High Note
-	4311 142		L-K-E-S		PLATE, Horn Mounting or Backing
	4311 142		P-J		Horn Mounting or Backing
	4222 646		G		Horn Mounting or Backing
	4220 849		S		Horn Mounting or Backing
	4311 830		H		Horn Mounting or Backing
	4221 658				RELAY, Horn
3	4304 739		S		WIRING, Horn Triad

MODEL CODES

E BODY = (J - CARAVELLE)(E - 600)(T - NEW YORKER)

G BODY = (V24 - DAYTONA)

H BODY = (D44 - LANCER)(C44 - LEBARON GTS)

J BODY = (C - LEBARON)

K BODY = (P - RELIANT)(D - ARIES)(C - LEBAROND)/TOWN & COUNTRY)

L BODY = (M - HORIZON/TURISMO)(Z - OMNI/CHARGER)

M BODY = (B - GRAN FURY)(F - FIFTH AVE/NEWPORT)(G - DIPLOMAT)

P BODY = (P - SUNDANCE)(D - SHADOW)

S BODY = (H - VOYAGER)(K - RAM VAN/CARAVAN)

BODY STYLES

12-13 = FWD VAN

21 = 2-DOOR SEDAN

24 = 2-DOOR HATCHBACK

27 = 2-DOOR CONVERTIBLE

41 = 4-DOOR SEDAN

44 = 4-DOOR HATCHBACK

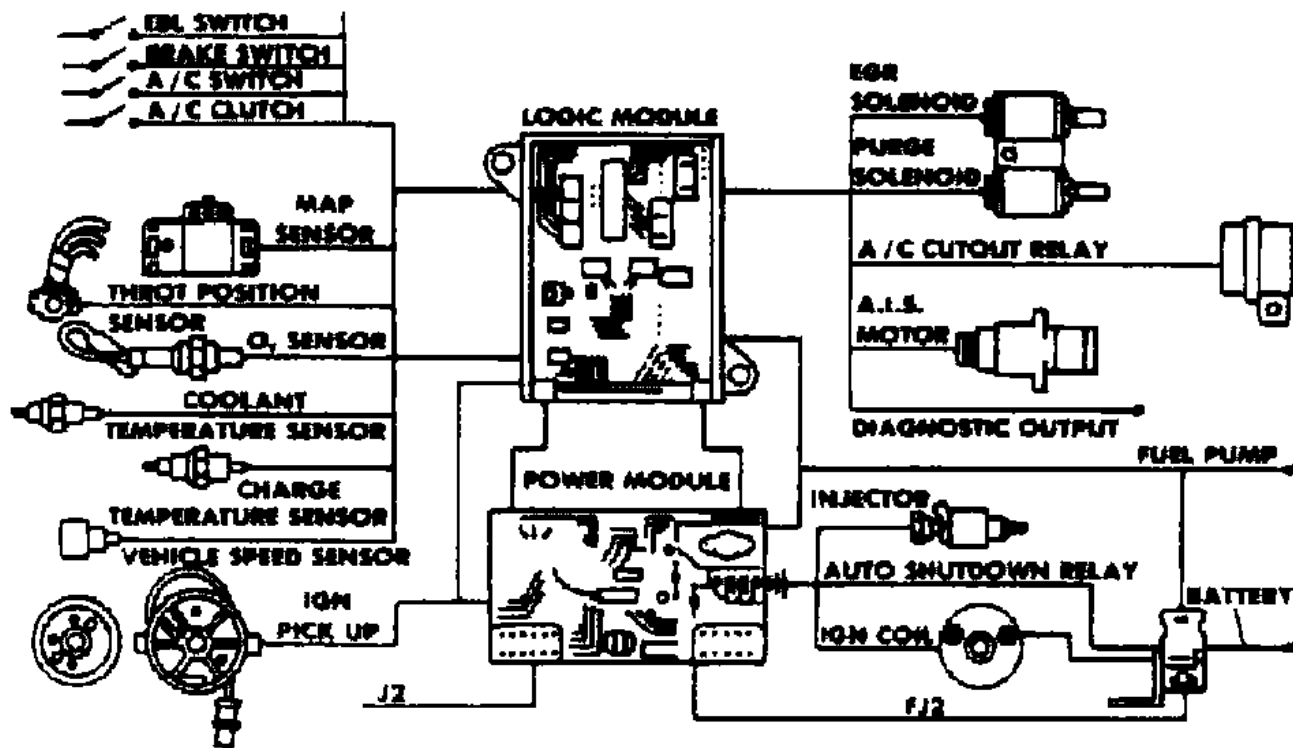
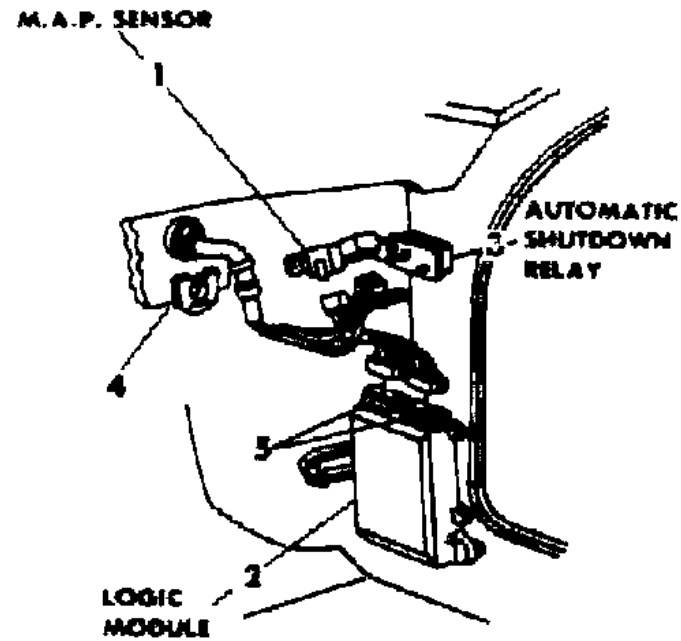
45 = 4-DOOR STATION WAGON

52-53 = FWD WAGON

AR = Use as Required - = Non Illustrated Part P.A.R. = Paint as Required

M.A.P. SENSOR & LOGIC MODULE ALL MODELS
Figure 8-6400

7108 8400 A



ELECTRONIC FUEL INJECTION COMPONENTS

ITEM	PART NUMBER	QTY	BODY	MODEL	DESCRIPTION
1	5227 151	1			M.A.P. SENSOR, w/T.B.I.
	5227 152	1			w/TURBO
-	5227 287	1			BRACKET, M.A.P. Sensor
	5227 354		S		
2					LOGIC MODULE
	5227 880	1	K-E-P-H		2.2 Eng. T.B.I. w/Auto. Trans.
	5227 764		P		2.2 Eng., 1986, (Stamped 5227764)
	5227 882	1	K-E-P-H		2.2 Eng. T.B.I. w/Auto.Trans. Calif.
	5227 535	1	L		2.2 Eng. TURBO
	4419 957		L		"SHELBY" "GLHS" (U.S.)
	4419 986		L		"SHELBY GLH" (CALIF.)
	4467 415		H		"SHELBY" w/Intercooler, Stamped 1079, Man. Trans.
	4467 414				Auto. Trans.
	5227 886	1	K-P-H		2.2 Eng. T.B.I. Man. Trans.
	5227 888	1	K-P		2.2 Eng. T.B.I. Man. Trans. w/o A.C.
	5227 884	1	K-P-H		2.2 Eng. T.B.I. Man. Trans. Calif.
	5227 856	1	K-E-J		2.5 Eng. T.B.I. w/Auto. Trans.
	5227 856		G-H		2.5 Eng. T.B.I. w/Auto. Trans.
	5227 860	1	G-H-J		2.5 Eng. T.B.I. w/Man. Trans.
	5227 862	1	G-H-J		2.5 Eng. T.B.I. w/Man. Trans. Calif.
	5233 496		S		2.5 Eng. Auto. Trans.
	5233 522		S		2.5 Eng. Man. Trans.
	5227 864	1	P-J-G-H		2.2 Eng. TURBO w/Auto.Trans.
	5227 864		E-K		2.2 Eng. TURBO w/Auto. Trans.
	5227 868		E-K		2.2 Eng. TURBO w/Man. Trans.
	5227 868	1	P-J-G-H		2.2 Eng. TURBO w/Man. Trans.
	5227 878	1	G		2.2 Eng. TURBO, w/Intercooler,Man.Trans.
	5227 876		Q		2.2 Eng. TURBO, w/Intercooler,Auto. Trans.
	MD08 2058	1			2.6 Eng.
	5233 522		S		3.0 Eng.
3	5233 164	1			RELAY, Auto Shutdown (Fuel Pump)
-	5213 739	1			COVER, T.B.I. & Logic Module
4	4274 662	1			RETAINER
5	#4368 463		E-G-H-K		CONNECTOR, Logic Module, (Use Terminal 4304729)
	4368 463		P-S-M		CONNECTOR, Logic Module (Use Terminal 4304729)

MODEL CODES

E BODY = (J - CARAVELLE)(E - 600)(T - NEW YORKER)
G BODY = (V24 - DAYTONA)
H BODY = (D44 - LANCER)(C44 - LEBARON GTS)
J BODY = (C - LEBARON)
K BODY = (P - RELIANT)(D - ARIES)(C - LEBAROND)/TOWN & COUNTRY)

L BODY = (M - HORIZON/TURISMO)(Z - OMNI/CHARGER)
M BODY = (B - GRAN FURY)(F - FIFTH AVE/NEWPORT)(G - DIPLOMAT)
P BODY = (P - SUNDANCE)(D - SHADOW)
S BODY = (H - VOYAGER)(K - RAM VAN/CARAVAN)

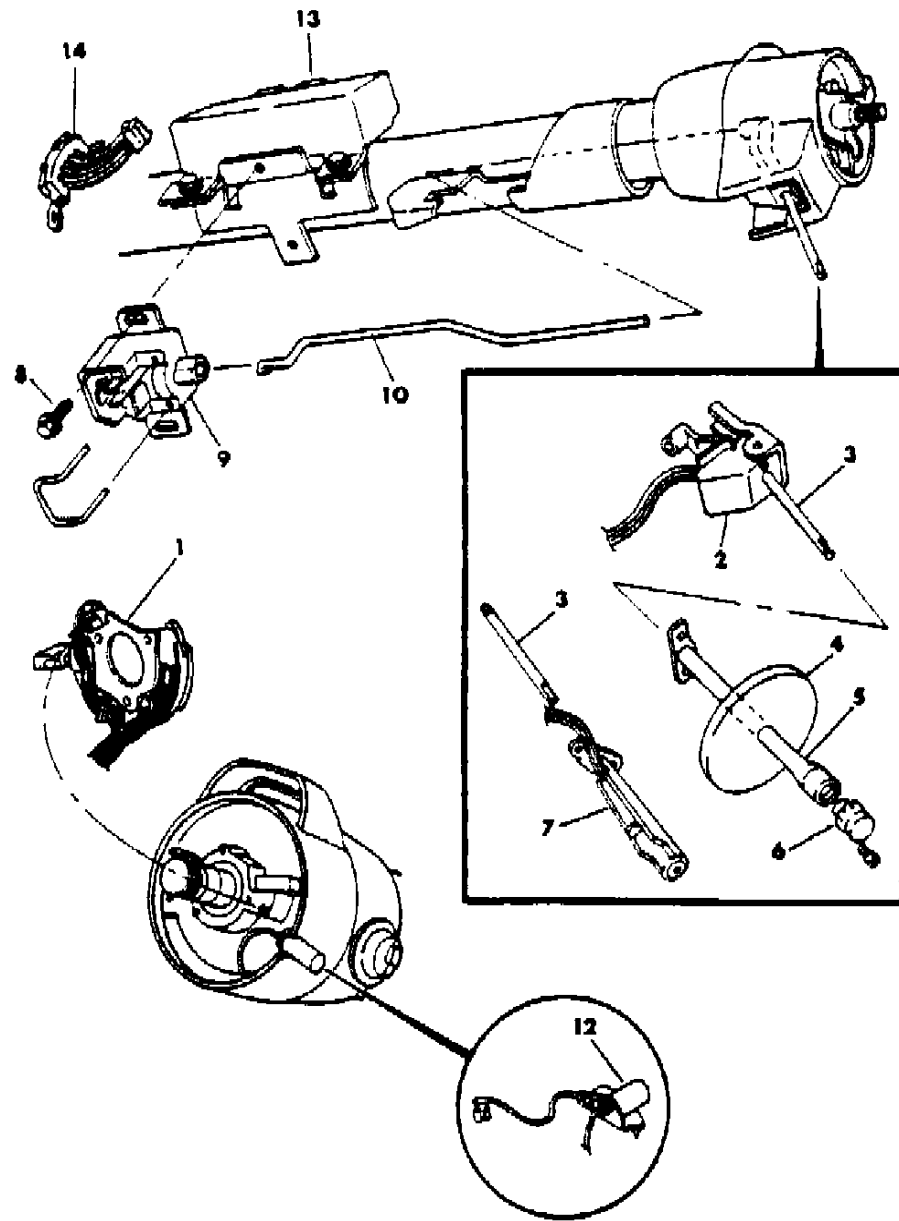
BODY STYLES

12-13 = FWD VAN
21 = 2-DOOR SEDAN
24 = 2-DOOR HATCHBACK
27 = 2-DOOR CONVERTIBLE
41 = 4-DOOR SEDAN
44 = 4-DOOR HATCHBACK
45 = 4-DOOR STATION WAGON
52-53 = FWD WAGON

AR = Use as Required - = Non Illustrated Part P.A.R. = Paint as Required

SWITCHES-TURN SIGNAL AND HAZARD WARNING
Figure 8-6500

7108 8500



ITEM	PART NUMBER	QTY	BODY	MODEL	DESCRIPTION	
1	4221 339	1	L		SWITCH, Turn Signal & Hazard Warning	
	4373 048		K-E-G		w/o Cornering Lamp, w/o Tilt Strg.	
	4373 048		H-J			
	4373 049		S-M		w/o Cornering Lamp, w/o Tilt Strg.	
	4221 304		K-E-G-H		w/o Cornering Lamp, w/Tilt Strg. Sag.#7841454	
	4221 304		J		w/o Cornering Lamp, w/Tilt Strg. Sag.#7841454	
	4221 485		S		w/Tilt Strg. Sag.#7844423	
	4221 485		M		w/o Cornering Lamp, w/Tilt Strg.,Sag.#7844423	
	4221 305		K-E-M		w/Cornering Lamp, w/Tilt Strg.Sag.#7841455	
	4221 305		J			
-	4373 047		E-J		w/Cornering Lamp, w/o Tilt Strg.	
	4373 050		P		w/o Tilt Strg.	
	4221 956		P		w/ Tilt Strg.	
	4019 782	1		Exc. P4	ARM, Sig. Switch w/Tilt Strg.	
	4333 330	1	P		ARM, Sig. Switch w/Tilt Strg.	
	2					SWITCH, w/Shield Wiper & Washer (SEE ILLUS.100)
		4221 897		K-E		2 Speed w/o Intermittent Wiper
		4221 897		P-H-S		2 Speed w/o Intermittent Wiper
		4373 121		L		w/Intermittent Wiper w/o Tilt Strg. w/Shaft
		3747 653		M		w/o Intermittent Wiper, w/Shaft
4221 899			K-E-G-H		w/Intermittent Wiper w/o Tilt Strg. w/Shaft	
4221 902			K-E-S		w/Intermittent Wiper w/ Tilt Strg.	
4221 902			G-H		w/Intermittent Wiper w/ Tilt Strg.	
4373 124			S-M		w/Intermittent Wiper,w/o Tilt Strg. w/Shaft	
4221 486			M		2 Speed w/Intermittent Wiper w/Tilt Strg.	
-	4373 122		P		w/Intermittent Wiper w/o Tilt Strg.	
	4221 783		P		w/Intermittent Wiper, w/Tilt Strg.	
	3	3747 946	1		ALL	SHAFT, Turn Signal & w/Shield Wiper Switch
						w/o Tilt
		3747 566	1		ALL	w/Tilt
	4	P199 VX9			ALL	SHIELD, Turn Signal Switch Opening
	5	4293 911	1		Exc.V24	COVER, Turn Signal and w/Shield Wiper Switch, w/o Auto. Speed Control
		4221 460	1	P-G		COVER, Turn Signal and w/Shield Wiper Switch, w/o Auto. Speed Control
		3747 645	1		ALL	CLIP, W/S Wiper & Wash. Switch Cover
-	4221 418	1		ALL	SILENCER, Switch Cover w/o Speed Control	
6	4221 469	1	M		KNOB, w/s Wiper and Washer Switch (w/o Intermittent)	

MODEL CODES

E BODY = (J - CARAVELLE)(E - 600)(T - NEW YORKER)

G BODY = (V24 - DAYTONA)

H BODY = (D44 - LANCER)(C44 - LEBARON GTS)

J BODY = (C - LEBARON)

K BODY = (P - RELIANT)(D - ARIES)(C - LEBAROND)/TOWN & COUNTRY)

L BODY = (M - HORIZON/TURISMO)(Z - OMNI/CHARGER)

M BODY = (B - GRAN FURY)(F - FIFTH AVE/NEWPORT)(G - DIPLOMAT)

P BODY = (P - SUNDANCE)(D - SHADOW)

S BODY = (H - VOYAGER)(K - RAM VAN/CARAVAN)

BODY STYLES

12-13 = FWD VAN

21 = 2-DOOR SEDAN

24 = 2-DOOR HATCHBACK

27 = 2-DOOR CONVERTIBLE

41 = 4-DOOR SEDAN

44 = 4-DOOR HATCHBACK

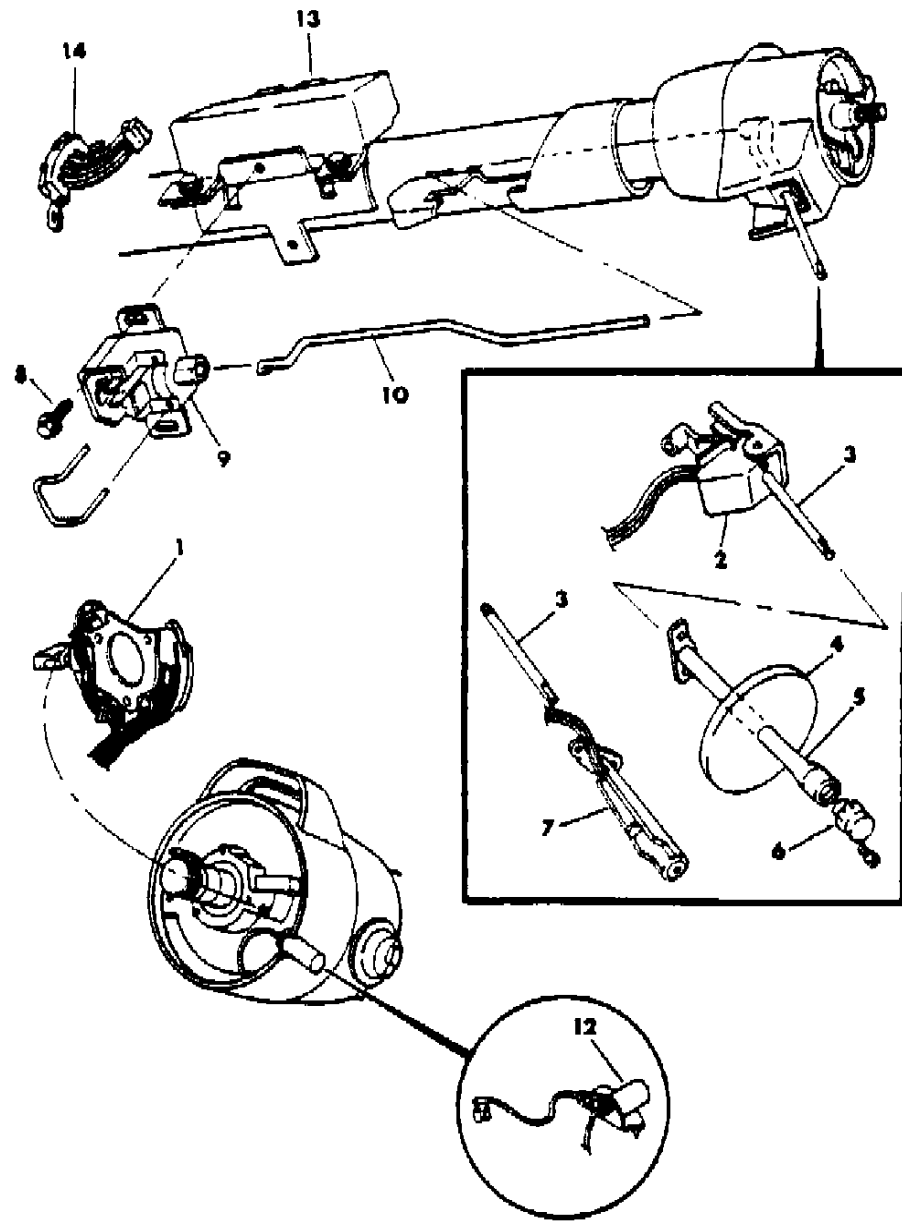
45 = 4-DOOR STATION WAGON

52-53 = FWD WAGON

AR = Use as Required - = Non Illustrated Part P.A.R. = Paint as Required

SWITCHES-TURN SIGNAL AND HAZARD WARNING
Figure 8-6500

7108 8500



ITEM	PART NUMBER	QTY	BODY	MODEL	DESCRIPTION
		1			(w/Intermittent)
	P159 BA7	1			Silver
	P159 BC7				Blue
	P159 BM6				Red
	P159 BT8				Tan
	P159 BX9				Black
	P159 DT5		C	27	Tan
	4221 458		P-G-J		
	4373 123		M		
	3747 914	1	K-E-S-H		KNOB and SHAFT, Wiper & Washer Switch (w/o Intermittent)
	4188 491	1	K-E-G		KNOB and SCREW, Hazard Warning, w/Tilt Strg.
	4188 491	1	S-M		KNOB and SCREW, Hazard Warning, w/Tilt Strg.
7	#4373 257	1	K-E-S		SWITCH and LEVER, Speed Control, w/ or w/o Tilt
	4373 259		G-H-J-P		w/ or w/o Tilt
	4342 209		L-M		w/ Tilt
	P160 VM6	1		G-P	Red
	4397 428	1		G-P	Charcoal
	4342 211	1		G-P	Brown
	P160 VC7	1		G-P	Blue
	P160 AA7	1		G-P	Silver
	4397 426	1		C27	Tilt Strg. (Red)
	4397 428	1	J	27	Charcoal
8					SCREW,(Not Serviced)
9	4057 985	1	L		SWITCH, Head Lamp Beam Selector
	4131 373	1	M		w/o Tilt Strg.
	4221 198	1		Exc.BFG	w/o Tilt Strg.
	4131 525	1	M		w/Tilt Strg.
	4221 200	1		Exc.BFG	w/Tilt Strg.
10	5209 904	1	L		ROD, H/Lamp Beam Selector Actuating
	3747 920	1		Exc.BFG	w/Tilt w/Console
	3747 887	1		Exc.BFG	w/Tilt w/o Console
	4221 062	1	K-E-H-S		w/o Tilt
	4373 059	1	G-J		w/o Tilt
	4221 778	1	P		w/o Tilt
	3747 816	1	M		w/o Tilt Strg.
	3747 921	1	M		w/Tilt Strg. w/A/Trans. w/Console
	3747 837	1	M		w/Tilt Strg. w/A/Trans. w/o Console
-	4019 787	1		All	ACTUATOR, Dimmer Switch, w/Tilt Strg.

MODEL CODES

E BODY = (J - CARAVELLE)(E - 600)(T - NEW YORKER)

G BODY = (V24 - DAYTONA)

H BODY = (D44 - LANCER)(C44 - LEBARON GTS)

J BODY = (C - LEBARON)

K BODY = (P - RELIANT)(D - ARIES)(C - LEBAROND)/TOWN & COUNTRY)

L BODY = (M - HORIZON/TURISMO)(Z - OMNI/CHARGER)

M BODY = (B - GRAN FURY)(F - FIFTH AVE/NEWPORT)(G - DIPLOMAT)

P BODY = (P - SUNDANCE)(D - SHADOW)

S BODY = (H - VOYAGER)(K - RAM VAN/CARAVAN)

BODY STYLES

12-13 = FWD VAN

21 = 2-DOOR SEDAN

24 = 2-DOOR HATCHBACK

27 = 2-DOOR CONVERTIBLE

41 = 4-DOOR SEDAN

44 = 4-DOOR HATCHBACK

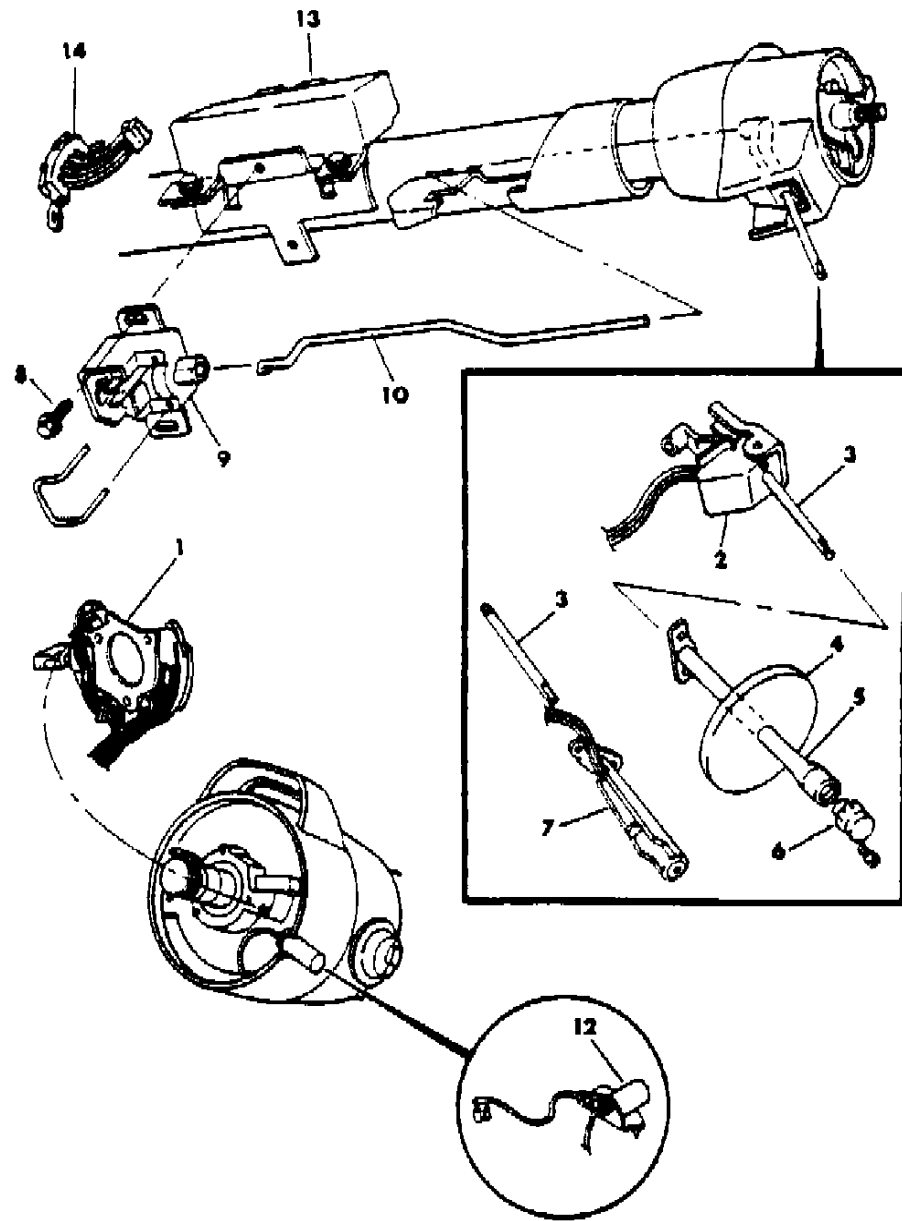
45 = 4-DOOR STATION WAGON

52-53 = FWD WAGON

AR = Use as Required - = Non Illustrated Part P.A.R. = Paint as Required

SWITCHES-TURN SIGNAL AND HAZARD WARNING
Figure 8-6500

7108 8500



ITEM	PART NUMBER	QTY	BODY	MODEL	DESCRIPTION
12	4221 308	1	L		LAMP, Ignition & Starter Switch, w/Time Delay
	4221 769	1	K-E-G-H		w/o Tilt Strg.
	4221 770	1	S		w/o Tilt Strg.
	4373 137	1	K-E-S-P		w/Tilt Strg.
	4373 137	1	G-H-M-J		w/Tilt Strg.
13	4221 769	1	M		w/o Tilt Strg.
	4221 952	1	P-J-H-G		w/o Tilt Strg.
	5209 891	1	L		SWITCH, Ignition & Starter
	3747 529	1	M		w/Tilt Strg.
	4131 367	1	M		w/o Tilt Strg.
	3747 882	1	K-E-S		w/o Tilt Strg.
	3747 882	1	G-H-J		w/o Tilt Strg.
14	4221 218	1	G-J		w/ Tilt Strg.
	4221 201	1	K-E-H-S		w/ Tilt Strg.
	4221 779	1	P		w/o Tilt Strg.
	4221 780	1	P		w/Tilt Strg.
-	4274 200	1	M		WIRING, w/Tilt Strg. (Jumper)
	4274 899	1			WIRING, w/Tilt Strg. (Jumper)
-	3747 595	1		ALL	PLUG, Ignition Switch Lamp Opening w/o Tilt Strg.

MODEL CODES

E BODY = (J - CARAVELLE)(E - 600)(T - NEW YORKER)

G BODY = (V24 - DAYTONA)

H BODY = (D44 - LANCER)(C44 - LEBARON GTS)

J BODY = (C - LEBARON)

K BODY = (P - RELIANT)(D - ARIES)(C - LEBAROND)/TOWN & COUNTRY)

L BODY = (M - HORIZON/TURISMO)(Z - OMNI/CHARGER)

M BODY = (B - GRAN FURY)(F - FIFTH AVE/NEWPORT)(G - DIPLOMAT)

P BODY = (P - SUNDANCE)(D - SHADOW)

S BODY = (H - VOYAGER)(K - RAM VAN/CARAVAN)

BODY STYLES

12-13 = FWD VAN

21 = 2-DOOR SEDAN

24 = 2-DOOR HATCHBACK

27 = 2-DOOR CONVERTIBLE

41 = 4-DOOR SEDAN

44 = 4-DOOR HATCHBACK

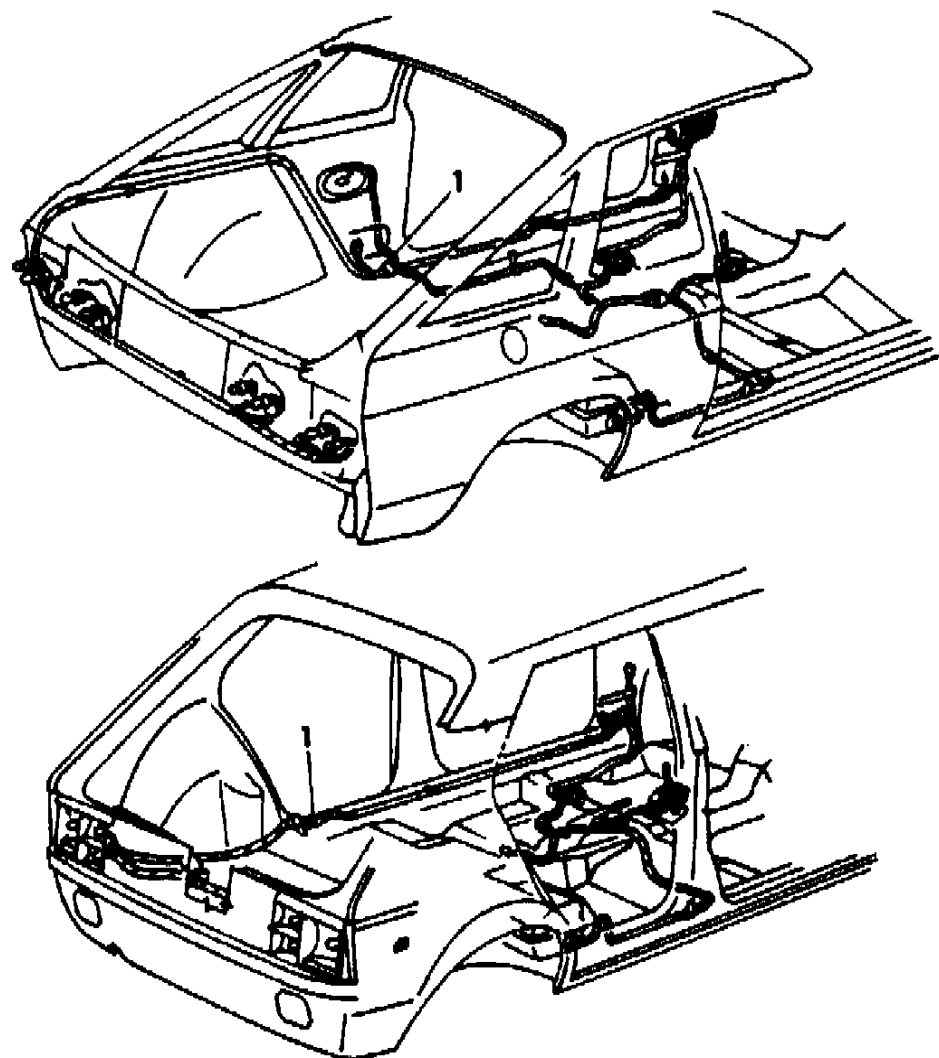
45 = 4-DOOR STATION WAGON

52-53 = FWD WAGON

AR = Use as Required - = Non Illustrated Part P.A.R. = Paint as Required

WIRING--BODY & ACCESSORIES L BODY
Figure 8-6600

7108 6800



ITEM	PART NUMBER	QTY	BODY	MODEL	DESCRIPTION
1					WIRING, BODY
	4368 530	1		M (44)	w/Rr. Wiper & Washer
	4368 529	1		Z (44)	w/Rr. Wiper & Washer
	4368 527			Z (44)	w/Heated Rear Window
	4368 528			M (44)	w/Heated Rear Window
	4368 533			24	w/Heated Rear Window
					WIRING, ACCESSORIES
	4274 812	1			Floor Pan, w/E.T.R. & Cassette, Includes Fuel Tank Wiring
	4274 811				Floor Pan, Lt.
	4274 965				Heated Rear Window--Rear
	4368 535			44	Hatch w/Heated Rear Wdo. & Hi.-Mtd. Stop Lamp
	4368 536			44	Heated Rear Window, Lift Gate & Hi-Mtd. Stop Lamp, Includes Rear Wiper Harness
	4304 298	1			Console, w/o Acc. Lamp
	4209 729			44	Wiper,Rear
	4209 695				Auto. Trans.
	4370 160				Fog Lamps
	4368 538				L/Gate Release, Rear Body Hi-Mtd. Stop Lamp
	4368 540				L/Gate Hi-Mtd. Stop Lamp
	4368 541			24	Rear Body, Heated Rear Window & Hi-Mtd. Stop Lamp
	4331 295				Visor Mtd. Map & Vanity Lamp
	4274 814				Battery & Engine Ground
	4304 060			44	Stereo Radio, Inst. Panel
	4304 065				Speed Control (w/Auto. Trans.)
	4304 236				Cigar Lighter
	4304 455				Console w/o A/C
	4304 456				Console w/ A/C
	4304 642				Console w/Acc. Lamp
	4304 643				Acc. Lamp
	4304 933			44	Front Bumper Fog Lamp (Lnj)
	4304 939			44	Front Bumper Fog Lamp (Agb)
	4331 309			24	Floor Pan, Rear Speaker
	5211 717	2			Door Speaker Stereo,(Front Rt. & Lt.)

MODEL CODES

E BODY = (J - CARAVELLE)(E - 600)(T - NEW YORKER)

G BODY = (V24 - DAYTONA)

H BODY = (D44 - LANCER)(C44 - LEBARON GTS)

J BODY = (C - LEBARON)

K BODY = (P - RELIANT)(D - ARIES)(C - LEBAROND)/TOWN & COUNTRY)

L BODY = (M - HORIZON/TURISMO)(Z - OMNI/CHARGER)

M BODY = (B - GRAN FURY)(F - FIFTH AVE/NEWPORT)(G - DIPLOMAT)

P BODY = (P - SUNDANCE)(D - SHADOW)

S BODY = (H - VOYAGER)(K - RAM VAN/CARAVAN)

BODY STYLES

12-13 = FWD VAN

21 = 2-DOOR SEDAN

24 = 2-DOOR HATCHBACK

27 = 2-DOOR CONVERTIBLE

41 = 4-DOOR SEDAN

44 = 4-DOOR HATCHBACK

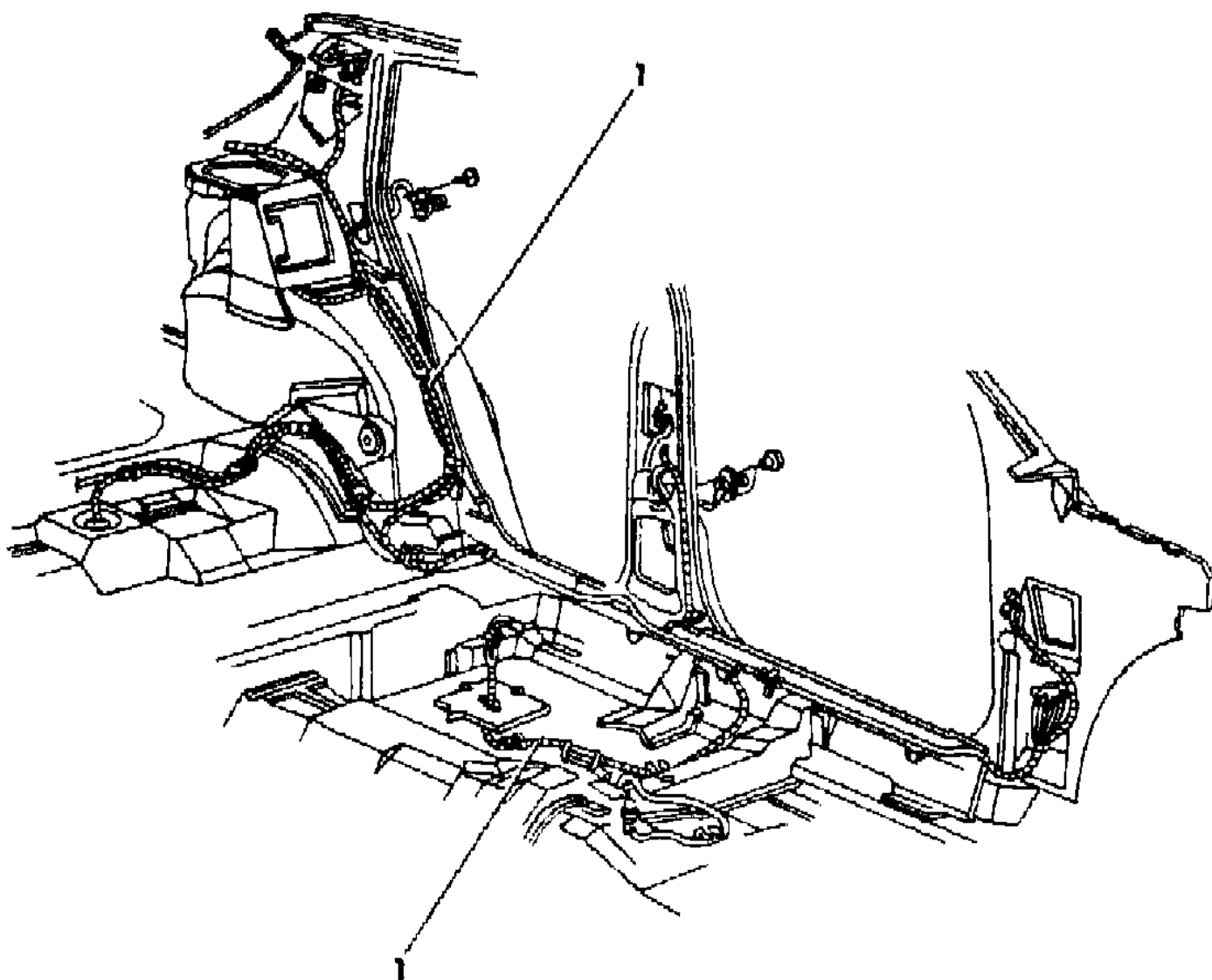
45 = 4-DOOR STATION WAGON

52-53 = FWD WAGON

AR = Use as Required - = Non Illustrated Part P.A.R. = Paint as Required

WIRING--BODY & ACCESSORIES P BODY
Figure 8-6700

7108 8700 A



ITEM	PART NUMBER	QTY	BODY	MODEL	DESCRIPTION
1	4400 402				WIRING, Main Body, w/EBL
	4419 345				Frnt. Body Lt. w/o EBL
	4400 401				Frnt. Body Lt., Turbo (Contains Fuel Gauge & Pump Wire)
	4400 456		44		Rt. Sill Frnt. & Rear Door Ajar
	4400 458		24		Rt. Sill Frnt. & Rear Door Ajar
	4368 121				Liftgate
	4400 462				Rt. Sill Frnt., Rear Door Ajar & Rear Spkr.
	4368 823				Liftgate EBL
	4400 460				Rt. Sill Ajar & Rear Speakers
	4368 114				Dome & Visor Mtd. Map Lamp
	4368 826-7				Frnt. Door Lock & Speaker
	4400 790				Frnt. Door Wdo. Lift, Door Lock Pwr. Mirror & Speaker
	4368 238				Pwr. Mirror Pigtail, Frnt. Door
	4400 406				Frnt. Door Lock & Pwr. Mirror
	4400 407				Frnt. Door Pwr. Mirror & Speakers
	4400 408				Frnt. Door Lock, Wdo. Lift, Pwr. Mirror & Speakers
	4368 708				CABLE, Heated Rr.Wdo. Feed Lt.
	4368 243				CABLE, Heated Rr.Wdo. Feed Rt. Ground

MODEL CODES

E BODY = (J - CARAVELLE)(E - 600)(T - NEW YORKER)	L BODY = (M - HORIZON/TURISMO)(Z - OMNI/CHARGER)
G BODY = (V24 - DAYTONA)	M BODY = (B - GRAN FURY)(F - FIFTH AVE/NEWPORT)(G - DIPLOMAT)
H BODY = (D44 - LANCER)(C44 - LEBARON GTS)	P BODY = (P - SUNDANCE)(D - SHADOW)
J BODY = (C - LEBARON)	S BODY = (H - VOYAGER)(K - RAM VAN/CARAVAN)
K BODY = (P - RELIANT)(D - ARIES)(C - LEBAROND)/TOWN & COUNTRY)	

BODY STYLES

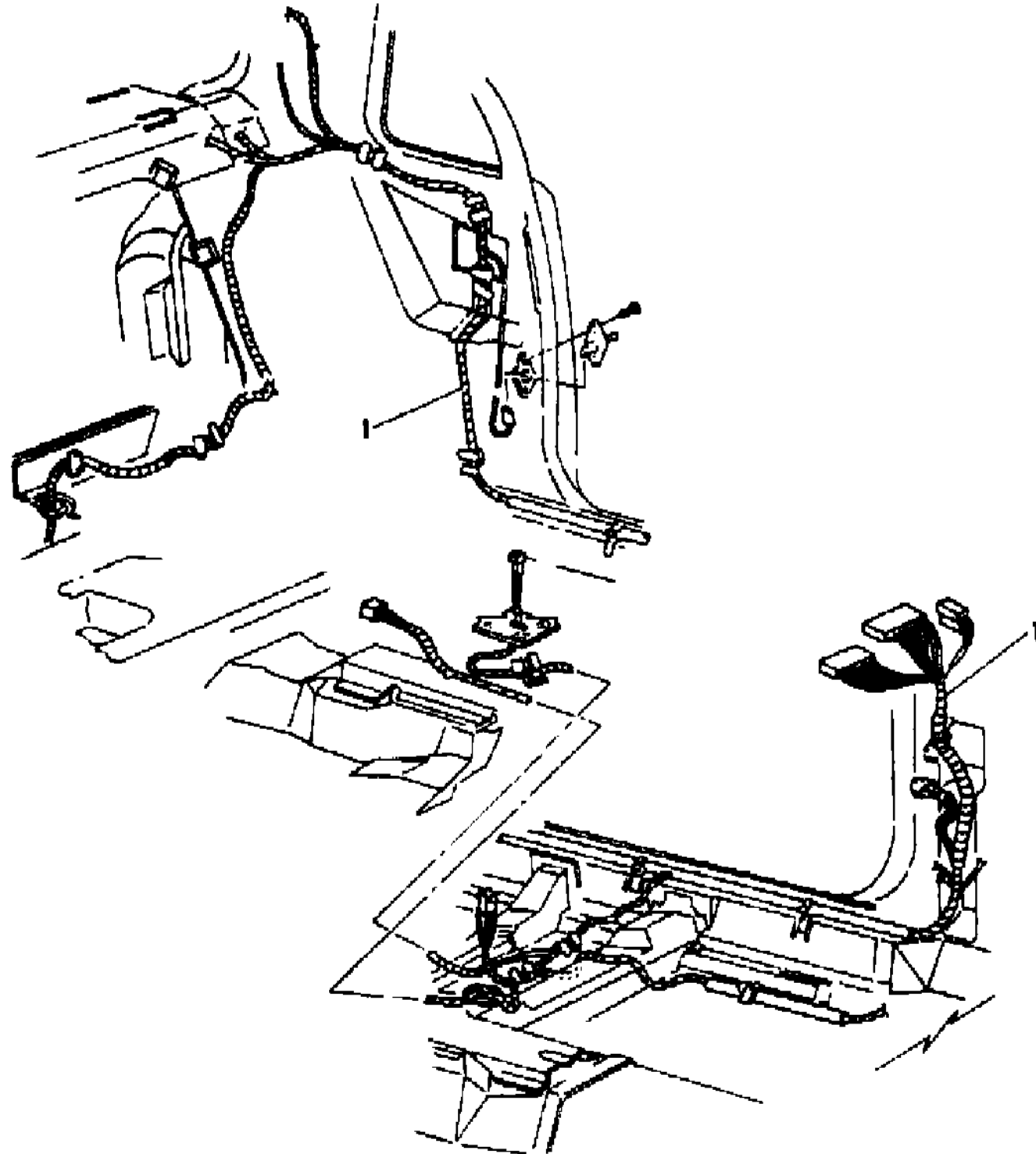
12-13 = FWD VAN	41 = 4-DOOR SEDAN
21 = 2-DOOR SEDAN	44 = 4-DOOR HATCHBACK
24 = 2-DOOR HATCHBACK	45 = 4-DOOR STATION WAGON
27 = 2-DOOR CONVERTIBLE	52-53 = FWD WAGON

AR = Use as Required - = Non Illustrated Part P.A.R. = Paint as Required

WIRING--BODY & ACCESSORIES J BODY

Figure 8-6800

7108 8800



ITEM	PART NUMBER	QTY	BODY	MODEL	DESCRIPTION
1					WIRING, BODY
	4400 567				Body, Lt. Frt. Acc.
	4400 565				Body, Lt. Frt. Base
	4400 773		27		
	4400 688				Rear Body Lamp Warning
	4400 690				Rear Body, w/o Message Center
	4400 564				w/ Dome Lamp
	4400 084				Overhead Console Rt. Sill & Vanity Lp.
	4400 710				Rt. Sill (Name Brand Speaker)
	4400 714				w/o Name Brand Speakers
	4400 570				Console, (E.B.L & Belts)
	4400 571				Console, (E.B.L.,Wdo's & Belts)
	4400 572				Flr. Pan, E.B.L., Rt.
	4400 576				Rt. Flr. Pan, E.B.L. & Wdo.
	4400 020				Pwr. Mirror Pigtail
	4400 872				Dome & Vanity Lamp
	4400 021				Lt. Door Courtesy Lamp & Speaker
	4400 023		21-27		Lt. Door Illum.Entry,Wdo.Lift,Pwr.Mirror,Door Lock
	4400 024		21		Rt. Door Courtesy Lamp & Speaker
	4400 025		21		Lt. Door Illum. Entry & Pwr. Seat
	4400 028		21		Rt. Door Illum. Entry
	4400 033		27		Lt. Frt. Body
	4400 034		27		Console
	4400 038		27		Rt. Frt. Body
	4400 081		21		Lt. Console
	4400 572		21		Rt. Flr. Pan, w/EBL
	4400 004				Aprtr. Panel Tail, Stop, Turn Sig.
	4400 006				Rear Lamps

MODEL CODES

E BODY = (J - CARAVELLE)(E - 600)(T - NEW YORKER)

G BODY = (V24 - DAYTONA)

H BODY = (D44 - LANCER)(C44 - LEBARON GTS)

J BODY = (C - LEBARON)

K BODY = (P - RELIANT)(D - ARIES)(C - LEBAROND)/TOWN & COUNTRY)

L BODY = (M - HORIZON/TURISMO)(Z - OMNI/CHARGER)

M BODY = (B - GRAN FURY)(F - FIFTH AVE/NEWPORT)(G - DIPLOMAT)

P BODY = (P - SUNDANCE)(D - SHADOW)

S BODY = (H - VOYAGER)(K - RAM VAN/CARAVAN)

BODY STYLES

12-13 = FWD VAN

21 = 2-DOOR SEDAN

24 = 2-DOOR HATCHBACK

27 = 2-DOOR CONVERTIBLE

41 = 4-DOOR SEDAN

44 = 4-DOOR HATCHBACK

45 = 4-DOOR STATION WAGON

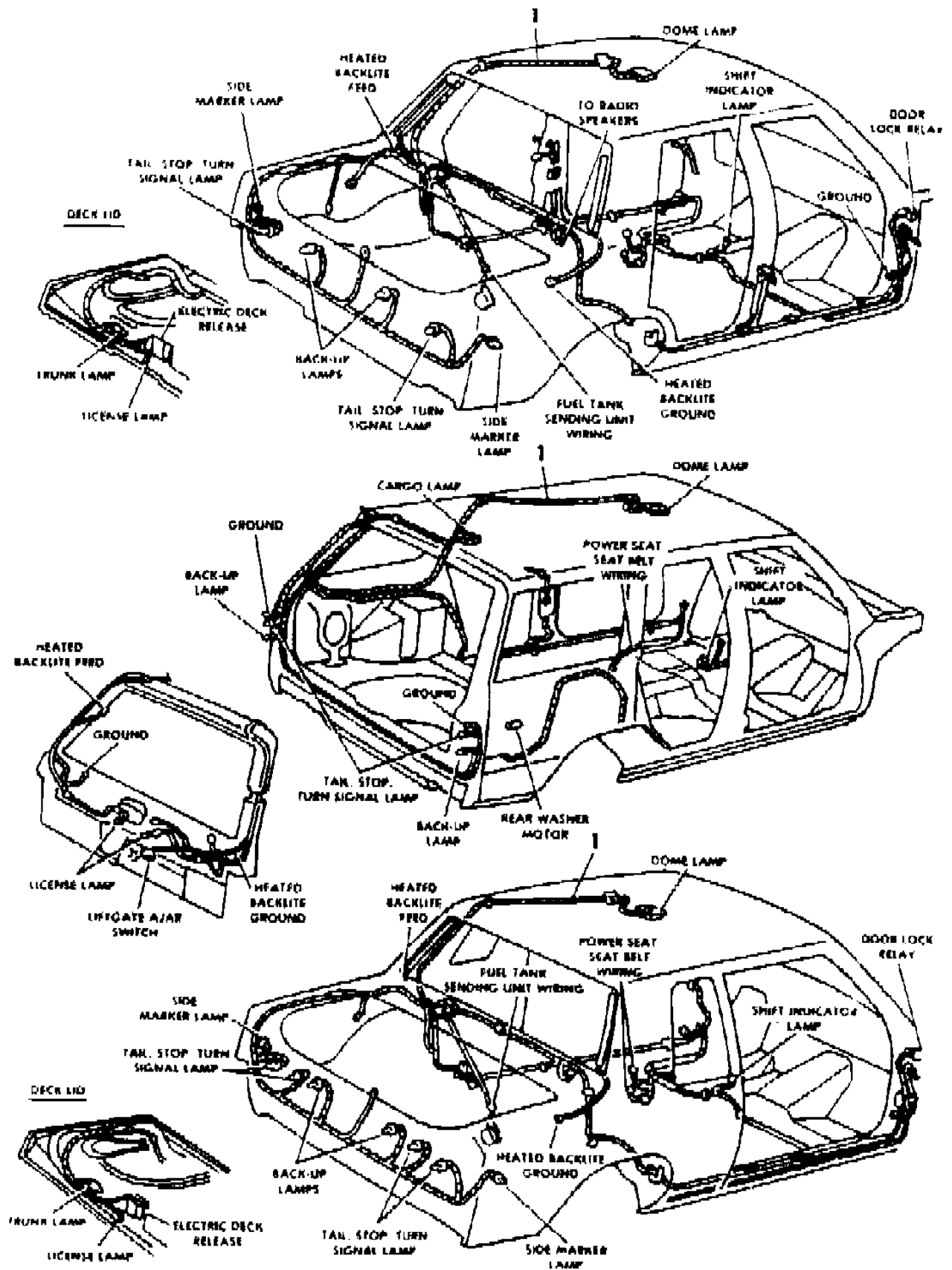
52-53 = FWD WAGON

AR = Use as Required - = Non Illustrated Part P.A.R. = Paint as Required

WIRING--BODY & ACCESSORIES K BODY

Figure 8-6900

7108 8900 A



ITEM	PART NUMBER	QTY	BODY	MODEL	DESCRIPTION
1	4400 321			PD21	WIRING, Body
	4400 323			PD21	w/Door Locks
	4400 313	1		PD41	Heated Rear Window Lt.
	4368 287			C	Body Rear Lt. w/Heated Rear Window
	4368 283				Body Rear,w/TURBO, Lt. w/Heated Rear Window
	4368 378			PDC	Body Rt.
	4400 349			45	Body, w/Pwr. Wdos. & Door Lock
					WIRING, ACCESSORY
	4274 700				Dome Lamp Forward
	4124 815				Roof Light Jumper
	4274 726			41	Roof Light Jumper,w/Grommet
	4274 699				Roof Light Jumper,w/Grommet (Fleet)
	4274 748				Dome Lamp
	4274 749				Dome & Map Lamp
	4304 159				Visor Vanity,Map & Dome Lamp
	4368 392				Dome, Visor Vanity, Rt.& Lt.
	4209 695				Auto. Trans. (Repair)
	4400 526			C45	Rear Lamp
	4400 613			PD	Rear Lamps
	4368 376			C	Rear Lamps
	4274 107			PD45	License
	4274 638			PD21-41	License & Trunk
	4400 327			PDC	L/Gate Heated Rear Wdo.
	4274 600			PD	Police Relay Pkg.
	4304 956			PDC	Bucket Seat Adjusting
	4400 316			TP41	Body Rear w/Auto. Load Level
	4400 638-9			PD45	Front Door Lock
	4400 361			C41,45	Lt., Frt. Door Lock & Power Mirror & Wdo. Lift
	4331 253			C,41,45	Lt. Door Lock & Window Lift
	4368 052			C	Deck Lid Release
	4331 557			PD	Elec. Deck Lid Release & Spotlights
	4368 368				Rear Speaker, E.T.R.
	4368 403			PDC	Left Floor Pan, Console Lamp
	4368 415			C	Left Floor Pan, Door Courtesy Lamp
	4368 417			C	Left Floor Pan, Power Seat

MODEL CODES

E BODY = (J - CARAVELLE)(E - 600)(T - NEW YORKER)

G BODY = (V24 - DAYTONA)

H BODY = (D44 - LANCER)(C44 - LEBARON GTS)

J BODY = (C - LEBARON)

K BODY = (P - RELIANT)(D - ARIES)(C - LEBAROND)/TOWN & COUNTRY)

L BODY = (M - HORIZON/TURISMO)(Z - OMNI/CHARGER)

M BODY = (B - GRAN FURY)(F - FIFTH AVE/NEWPORT)(G - DIPLOMAT)

P BODY = (P - SUNDANCE)(D - SHADOW)

S BODY = (H - VOYAGER)(K - RAM VAN/CARAVAN)

BODY STYLES

12-13 = FWD VAN

21 = 2-DOOR SEDAN

24 = 2-DOOR HATCHBACK

27 = 2-DOOR CONVERTIBLE

41 = 4-DOOR SEDAN

44 = 4-DOOR HATCHBACK

45 = 4-DOOR STATION WAGON

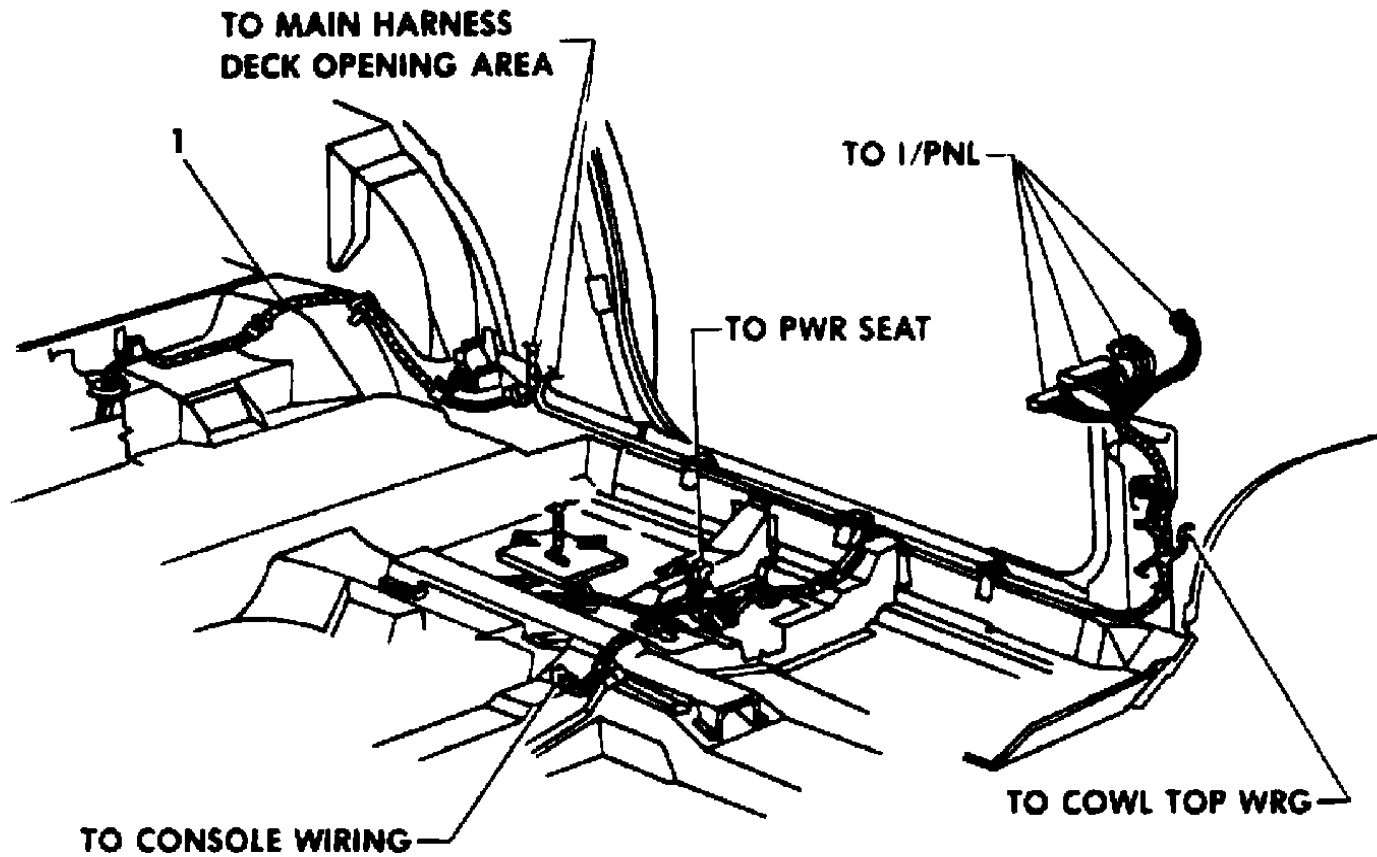
52-53 = FWD WAGON

AR = Use as Required - = Non Illustrated Part P.A.R. = Paint as Required

WIRING--BODY & ACCESSORIES G BODY

Figure 8-6950

7108 8950



ITEM	PART NUMBER	QTY	BODY	MODEL	DESCRIPTION
1	4400 577				WIRING, BODY Lt. Frt. (Basic)
	4368 721				Lt. Frt. (Prem.) WIRING, ACCESSORIES
	4400 803				WIRING - L/Gate,License Lamp & Heated Rear Wdo.
	4400 085				Heated Rear Wdo.& Rear Wiper & Liftgate Lt.
	4400 109				Wiring,Lt.Door Illum. Entry & Wdo. Lift
	4400 802				Wiring, Liftgate, Body Jumper
	4400 087				Wiring, Dome Lamp
	4274 869				Wiring,Under Hood Lamp
	4368 078				Power Seat Switch (Console)
	4400 081				Console, Std.
	4400 564				Overhead Console, w/Dome Lamp
	4400 573				Console E.B.L., & Window Lift
	4400 570				Console E.B.L.
	4400 088				Dome, Map & Reading
	4400 117				Lt. Door w/Lift & Power Mirror & Illum. Entry
	4400 104				Rt. Door w/Lift & Power Mirror & Illum. Entry
	4400 108-9				Lt. Door w/Lift, Door Locks, Illum. Entry & Pwr. Mirror
	4400 094-5				Lt. Door Courtesy Lamps & Speakers
	4400 092				Rt. Sill (Rear Speakers)
	4400 679				Rear Lamps
	4400 089				Dome & Overhead Console
	4400 096-7				Door, Illum. Entry & Wdo. Lift
	4400 573				Console, EBL, Rear Wipe & Wdo. Lift
	4400 572				Floor Pan Rt.,EBL
	4368 078				Power Seat Feed

MODEL CODES

E BODY = (J - CARAVELLE)(E - 600)(T - NEW YORKER)

G BODY = (V24 - DAYTONA)

H BODY = (D44 - LANCER)(C44 - LEBARON GTS)

J BODY = (C - LEBARON)

K BODY = (P - RELIANT)(D - ARIES)(C - LEBAROND)/TOWN & COUNTRY)

L BODY = (M - HORIZON/TURISMO)(Z - OMNI/CHARGER)

M BODY = (B - GRAN FURY)(F - FIFTH AVE/NEWPORT)(G - DIPLOMAT)

P BODY = (P - SUNDANCE)(D - SHADOW)

S BODY = (H - VOYAGER)(K - RAM VAN/CARAVAN)

BODY STYLES

12-13 = FWD VAN

21 = 2-DOOR SEDAN

24 = 2-DOOR HATCHBACK

27 = 2-DOOR CONVERTIBLE

41 = 4-DOOR SEDAN

44 = 4-DOOR HATCHBACK

45 = 4-DOOR STATION WAGON

52-53 = FWD WAGON

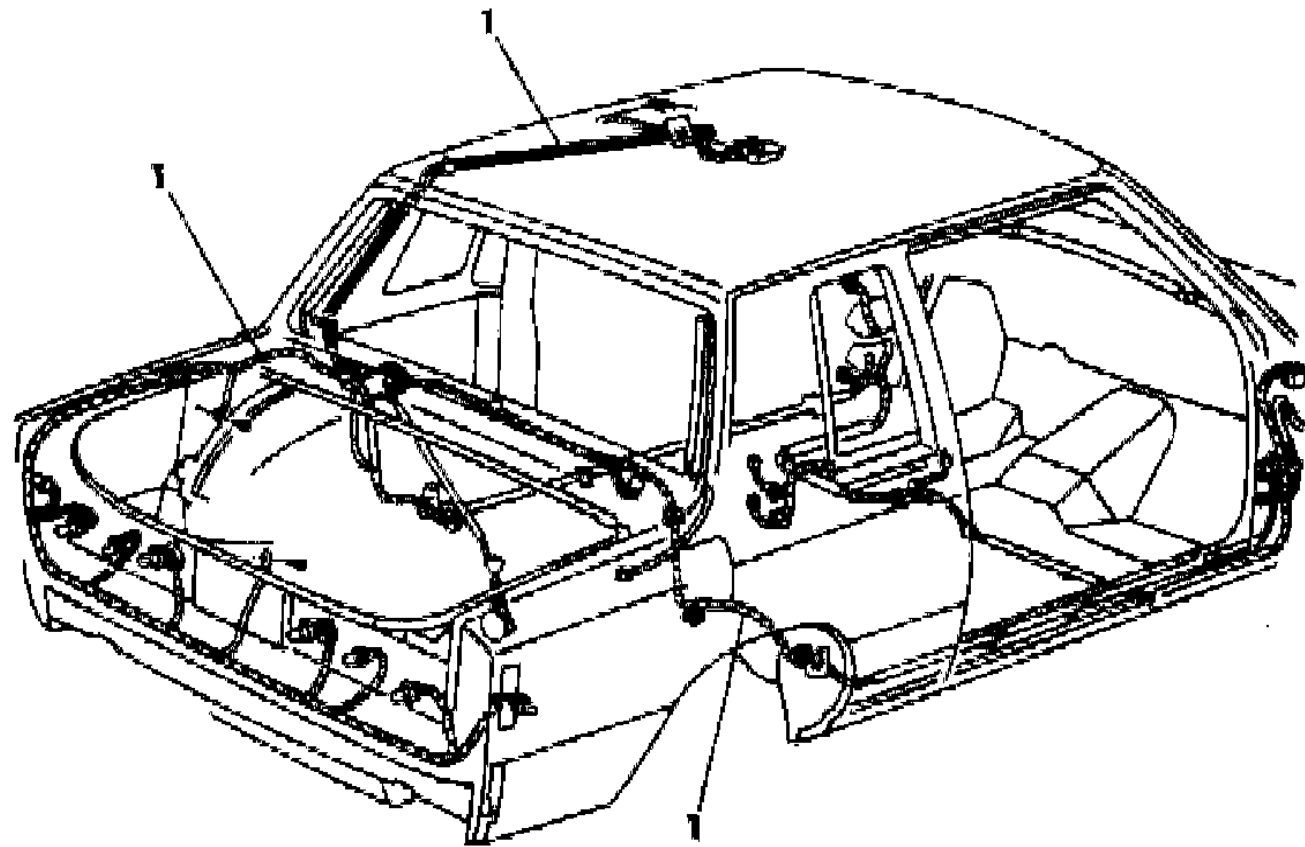
AR = Use as Required - = Non Illustrated Part P.A.R. = Paint as Required

WIRING--BODY & ACCESSORIES E BODY

Figure 8-7000

7100 7000

ITEM	PART NUMBER	QTY	BODY	MODEL	DESCRIPTION
1	4400 491			J-E	WIRING, BODY
	4400 493			TP41	Lt. Body. Std.
	4400 316			T	Rear Body, Fuel Tank, w/o Load Leveling
	4400 318			T	Rear Body, Fuel Tank, w/Auto.Load Leveling
	4209 695				Auto. Trans
	4304 956				Bucket Seat Adjust.
	4400 461			JET	Deck Lid Ajar & Release
	4368 379			JET	License & Trunk Lamp Ajar
	4312 368-9				Rear Qtr. Reading & Courtesy Lamp
	4368 296				Power Seat 50/50 Body
	4400 643			E-J 41	Lt. & Rt. Frt. Door Courtesy Lamp
	4400 342			J-E	Rt. Front Door Lock & Power Mirror
	4400 357		K-E		Lt. Front Door Lock & Power Mirror
	4400 344			J-E-T	Rt. Front Door Lock & Power Mirror & Wdo.Lift
	4368 606			E-T	Dome, Overhead Console.
	4400 351			J-E	Body Std.
	4400 353			TP	w/Power Seats
	4331 552				Rt. Rear Door Sill
	4331 553				Wdo. Lift, Floor Pan
	4368 380				E.T.R. Rear Speaker
	4331 555				Lt. Floor Pan, Wdo.Lift & Door Locks
	4368 415				Lt. Floor Pan, & Door Courtesy Lamp
	4331 591				Lt. Floor Pan, & Power Seat
	4304 159			ET	w/Dome,Reading & Visor Courtesy Lamp
	4368 392				Dome, Visor, Vanity, Rt. & Lt.
	4368 607				Overhead Console, w/Temp. & Compass
	4368 606				w/o Temp. & Compass
	4443 902				Ambient Temp.



MODEL CODES

E BODY = (J - CARAVELLE)(E - 600)(T - NEW YORKER)

G BODY = (V24 - DAYTONA)

H BODY = (D44 - LANCER)(C44 - LEBARON GTS)

J BODY = (C - LEBARON)

K BODY = (P - RELIANT)(D - ARIES)(C - LEBAROND)/TOWN & COUNTRY)

L BODY = (M - HORIZON/TURISMO)(Z - OMNI/CHARGER)

M BODY = (B - GRAN FURY)(F - FIFTH AVE/NEWPORT)(G - DIPLOMAT)

P BODY = (P - SUNDANCE)(D - SHADOW)

S BODY = (H - VOYAGER)(K - RAM VAN/CARAVAN)

BODY STYLES

12-13 = FWD VAN

21 = 2-DOOR SEDAN

24 = 2-DOOR HATCHBACK

27 = 2-DOOR CONVERTIBLE

41 = 4-DOOR SEDAN

44 = 4-DOOR HATCHBACK

45 = 4-DOOR STATION WAGON

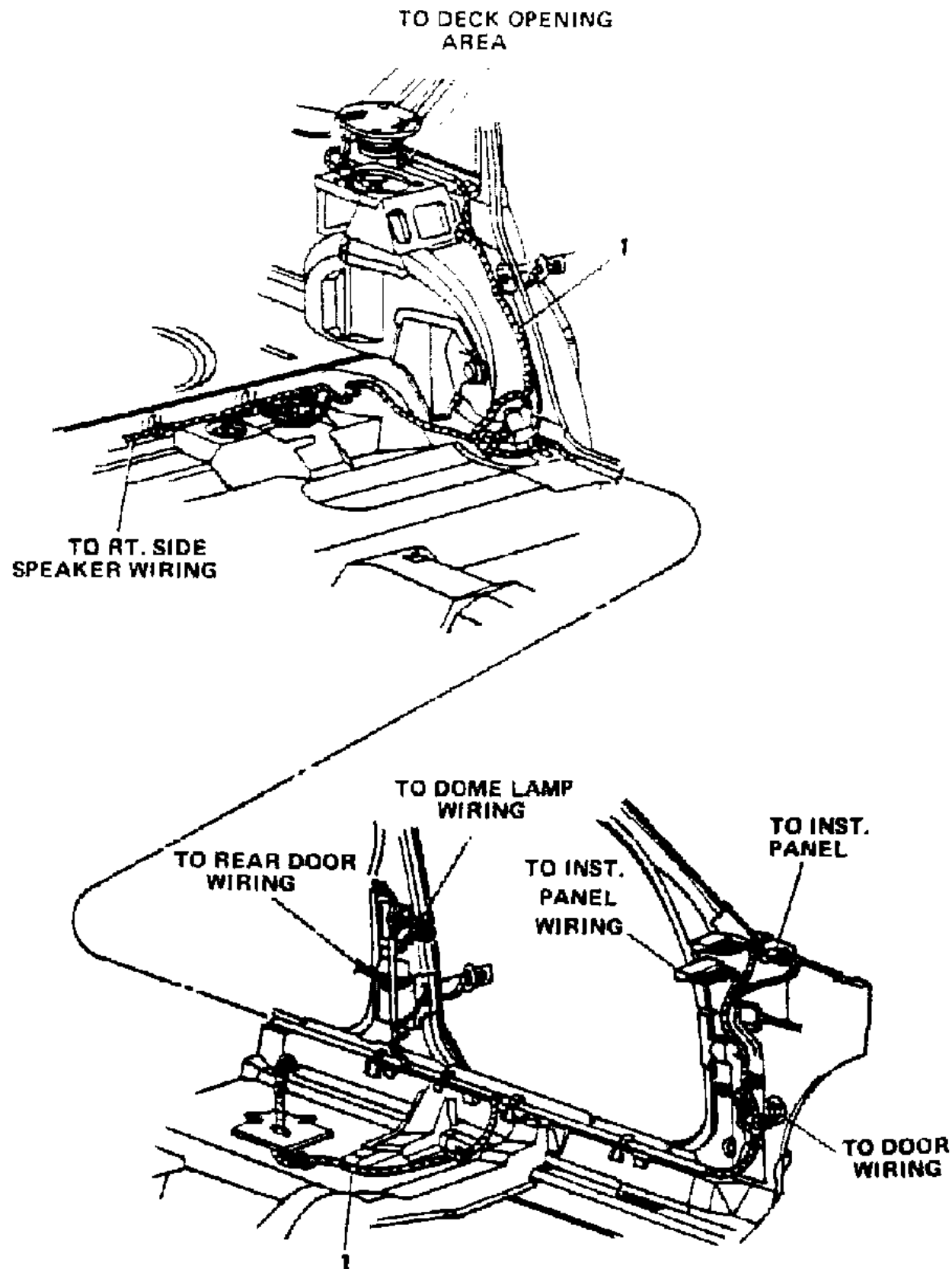
52-53 = FWD WAGON

AR = Use as Required - = Non Illustrated Part P.A.R. = Paint as Required

WIRING--BODY & ACCESSORIES H BODY
Figure 8-7200

7108 7200 A

ITEM	PART NUMBER	QTY	BODY	MODEL	DESCRIPTION
1	4400 787				WIRING, Body
	4400 539				Left, w/E.B.L. WIRING, Accessories
	4209 695				Auto. Trans.
	4331 126				Dome Lamp
	4400 452				Dome Lamp, Visor & Reading, w/Sunroof
	4400 604				Dome, Visor & Foward Reading,w/o Sunroof
	4400 536				Rt. Sill Rear Speakers
	4400 538				w/Namebrand Speakers
	4368 569				Rear Door Courtesy Lamps, Door Locks & Window Lift
	4368 647				L/Gate Lic. Lp. w/EBL
	4368 645				L/Gate Lic. Lp. w/o EBL & Rear Wipe
	4368 649				w/EBL & Rear Wipe
	4400 413				Frnt. Door Speakers
	4400 415				Frnt. Door Speakers & Courtesy Lamps
	4331 364				Lt. Pwr. Seat Switch
	4370 160				Fog Lamps
	4467 420				Power Amp. (SHELBY)
4467 867				E.Q. Jumper	
4443 902				Ambient Temp. Sensor	
4400 411				Overhead Console, Headliner	



MODEL CODES

E BODY = (J - CARAVELLE)(E - 600)(T - NEW YORKER)

G BODY = (V24 - DAYTONA)

H BODY = (D44 - LANCER)(C44 - LEBARON GTS)

J BODY = (C - LEBARON)

K BODY = (P - RELIANT)(D - ARIES)(C - LEBAROND)/TOWN & COUNTRY)

L BODY = (M - HORIZON/TURISMO)(Z - OMNI/CHARGER)

M BODY = (B - GRAN FURY)(F - FIFTH AVE/NEWPORT)(G - DIPLOMAT)

P BODY = (P - SUNDANCE)(D - SHADOW)

S BODY = (H - VOYAGER)(K - RAM VAN/CARAVAN)

BODY STYLES

12-13 = FWD VAN

21 = 2-DOOR SEDAN

24 = 2-DOOR HATCHBACK

27 = 2-DOOR CONVERTIBLE

41 = 4-DOOR SEDAN

44 = 4-DOOR HATCHBACK

45 = 4-DOOR STATION WAGON

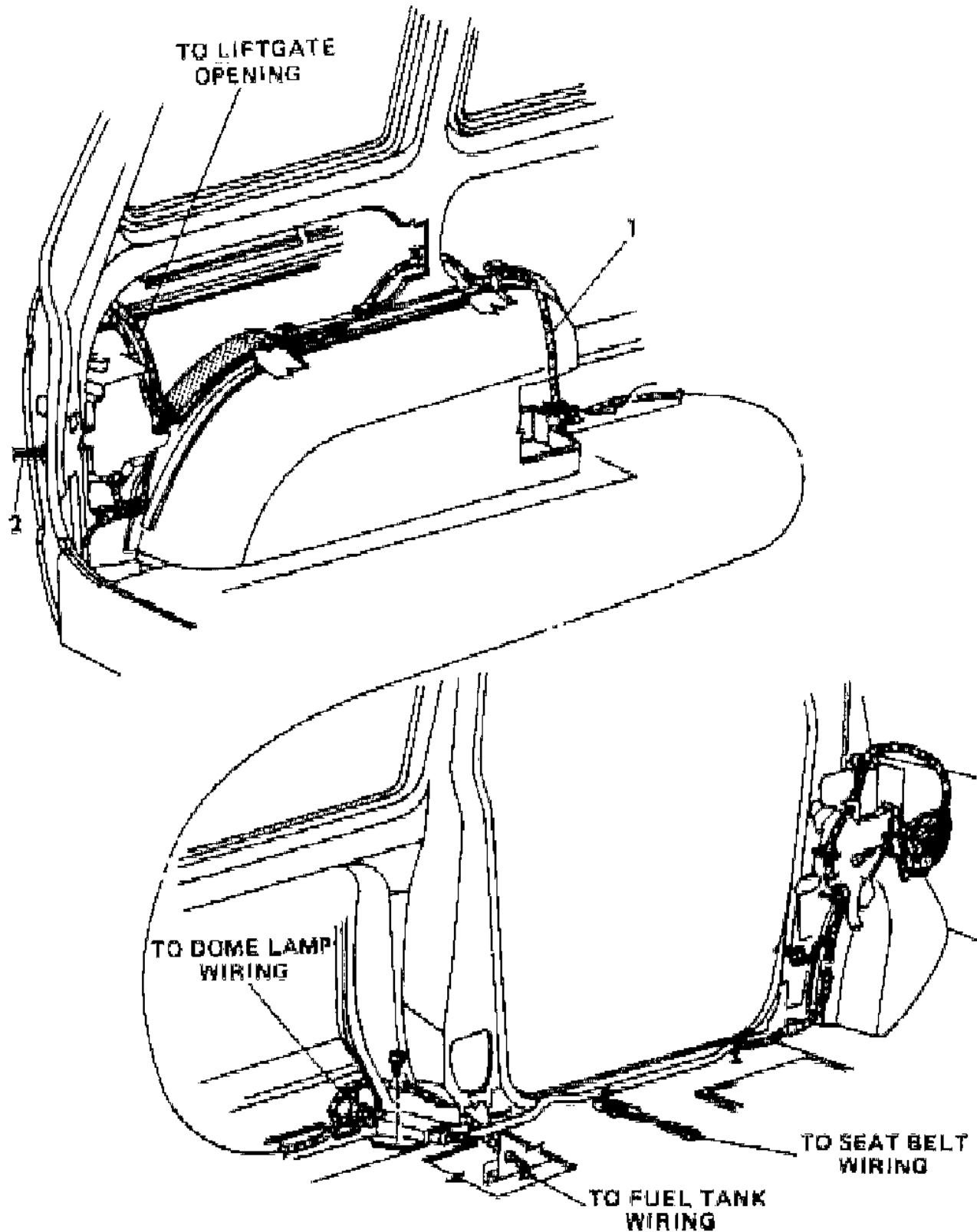
52-53 = FWD WAGON

AR = Use as Required - = Non Illustrated Part P.A.R. = Paint as Required

WIRING--BODY & ACCESSORIES S BODY

Figure 8-7300

7108 7300



ITEM	PART NUMBER	QTY	BODY	MODEL	DESCRIPTION
1	4400 427				WIRING, BODY Lt. Std.
	4400 429				Accessories (Minor) w/In Line Diode 4400624
	4400 431				Accessories (Major) w/In Line Diode 4400624
2	4304 585				WIRING, ACCESSORIES, Liftgate & Courtesy Lamp
	4400 671				Liftgate & Speakers
	4331 548				Under Hood Lamp
	4400 310				Fuel Tank Sending Unit
	4400 601				Dome Lamp
	4400 603				Dome Lamp & Frt. Header Reading
	4400 440				Dome & Courtesy Lamp
	4400 428				Rear Speaker Body (Rt.)
	4400 309				Lt. Sill Rear Heater & Pwr. Seat
	4400 483				Lt. Sill Rear Heater
	4400 306				Rt. Sill Under Seat Storage
	4400 434				Liftgate,Speakers (Rt.)
	4400 348				Liftgate Rear Wipe & Release
	4400 432				Liftgate,C/Lamp & Speakers
	4400 607				Rear Body, T.S.T,Liftgate Release, Wipe & Courtesy Lamps
	4209 695				Auto. Trans.
	4400 430				Rear Speaker Body & Door Lock Rt.
	4400 608				Rear Body, Tail Stop & T/Sig. & Liftgate
	4400 609				Rear Body, Tail Stop & T/Sig. Liftgate
	4400 610				Rear Header,Tail Stop & T/Sig. Liftgate & Wiper
	4304 541				Dual Contact Door Lock
	4400 611				Rear Body, Tail Stop Turn, Rear Dome & Courtesy Lamp
	4304 835				Roof Lamp (Taxi)
	4400 603				Dome & Frt. Header Reading Lamp
	4400 442				Dome & Visor Frt. & Rear Reading Lamps
	4400 485				Lt. Sill Power Seat
	4331 548				Under Hood Lamp
	4400 667				Door Lock, Courtesy Lamp
	4400 669				Door Lock, Courtesy Lamp & Wdo. Lift, Lt.
	4400 301				Pwr. Mirrors,Door Locks,Courtesy Lamps, Lt Door
	4400 482				Console Overhead, Dome & Visor
	4400 444				Console, Overhead
	4400 303				Pwr. Mirrors,Door Locks,Courtesy Lamps & Wdo.Lift
	4400 305				Pwr. Mirrors, & Courtesy Lamps
	4400 102				Power Mirror Pigtail

MODEL CODES

E BODY = (J - CARAVELLE)(E - 600)(T - NEW YORKER)

G BODY = (V24 - DAYTONA)

H BODY = (D44 - LANCER)(C44 - LEBARON GTS)

J BODY = (C - LEBARON)

K BODY = (P - RELIANT)(D - ARIES)(C - LEBAROND)/TOWN & COUNTRY)

L BODY = (M - HORIZON/TURISMO)(Z - OMNI/CHARGER)

M BODY = (B - GRAN FURY)(F - FIFTH AVE/NEWPORT)(G - DIPLOMAT)

P BODY = (P - SUNDANCE)(D - SHADOW)

S BODY = (H - VOYAGER)(K - RAM VAN/CARAVAN)

BODY STYLES

12-13 = FWD VAN

21 = 2-DOOR SEDAN

24 = 2-DOOR HATCHBACK

27 = 2-DOOR CONVERTIBLE

41 = 4-DOOR SEDAN

44 = 4-DOOR HATCHBACK

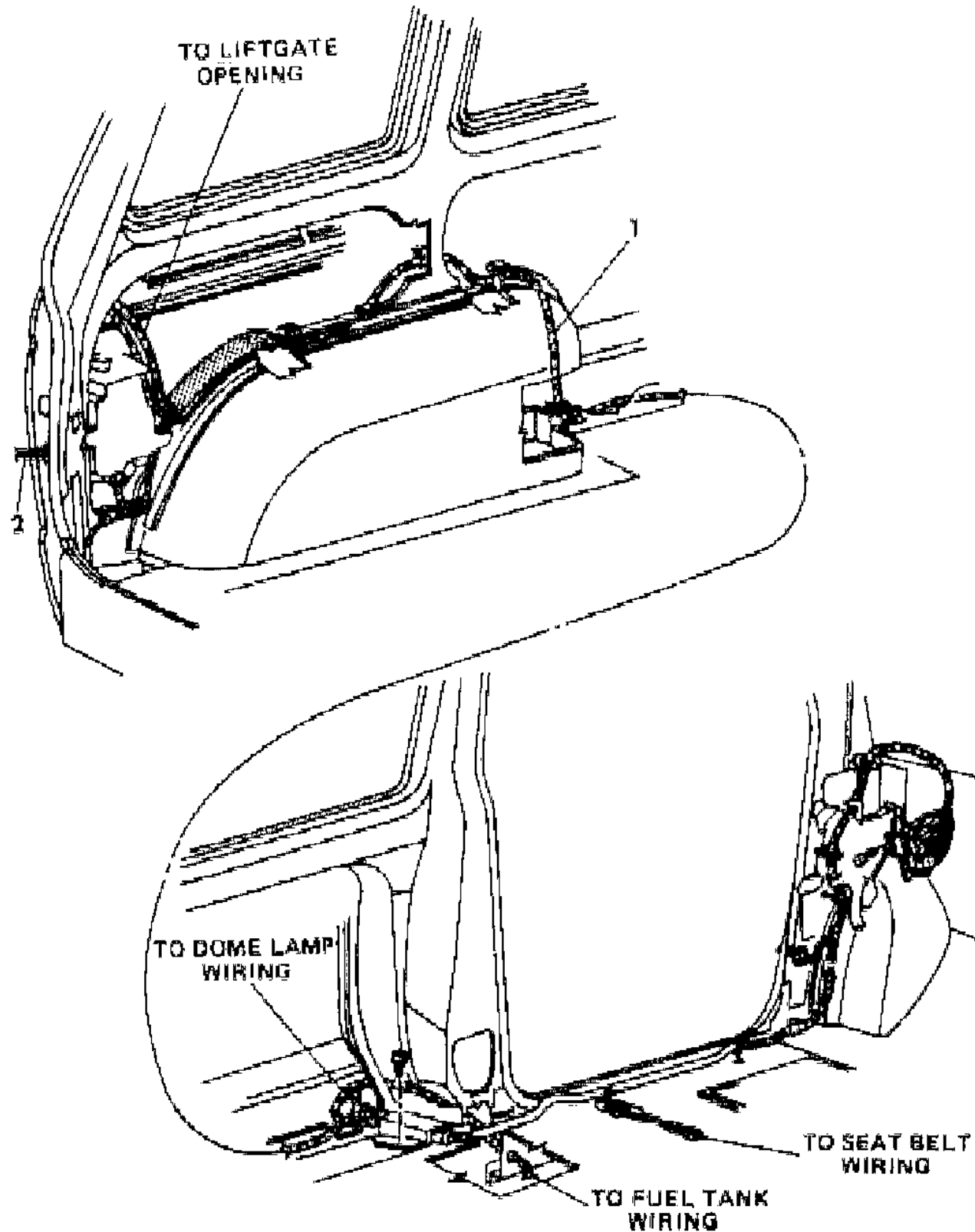
45 = 4-DOOR STATION WAGON

52-53 = FWD WAGON

AR = Use as Required - = Non Illustrated Part P.A.R. = Paint as Required

WIRING--BODY & ACCESSORIES S BODY
Figure 8-7300

7108 7300



ITEM	PART NUMBER	QTY	BODY	MODEL	DESCRIPTION
	4400 306				Underseat Storage Lamp
	4400 309				Lt. Sill, Rear Heater & Power Seat
	4331 544				Elec. Seat Adj.
	4400 368				Heater & A/C

MODEL CODES
 E BODY = (J - CARAVELLE)(E - 600)(T - NEW YORKER)
 G BODY = (V24 - DAYTONA)
 H BODY = (D44 - LANCER)(C44 - LEBARON GTS)
 J BODY = (C - LEBARON)
 K BODY = (P - RELIANT)(D - ARIES)(C - LEBAROND)/TOWN & COUNTRY

L BODY = (M - HORIZON/TURISMO)(Z - OMNI/CHARGER)
 M BODY = (B - GRAN FURY)(F - FIFTH AVE/NEWPORT)(G - DIPLOMAT)
 P BODY = (P - SUNDANCE)(D - SHADOW)
 S BODY = (H - VOYAGER)(K - RAM VAN/CARAVAN)

BODY STYLES
 12-13 = FWD VAN
 21 = 2-DOOR SEDAN
 24 = 2-DOOR HATCHBACK
 27 = 2-DOOR CONVERTIBLE

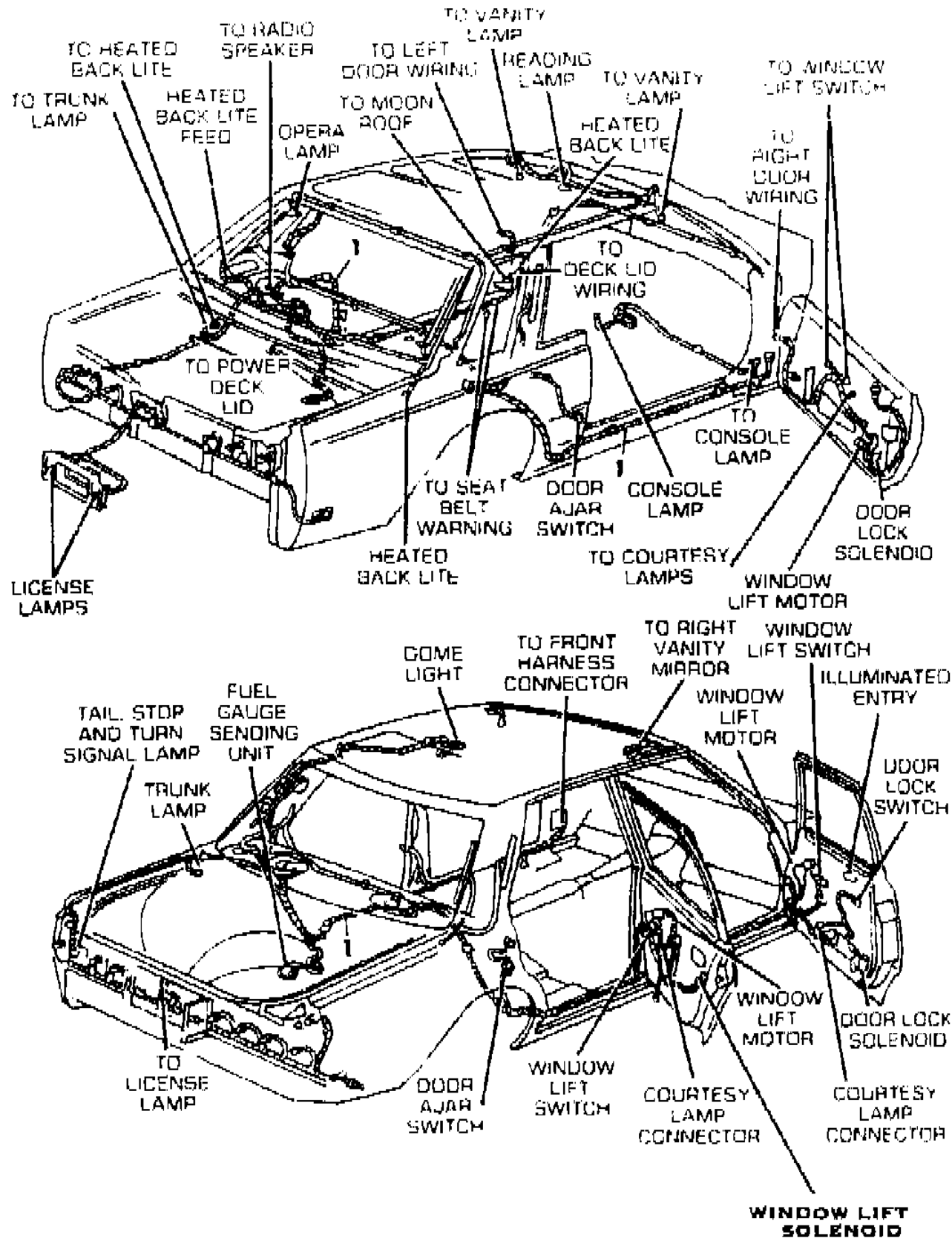
41 = 4-DOOR SEDAN
 44 = 4-DOOR HATCHBACK
 45 = 4-DOOR STATION WAGON
 52-53 = FWD WAGON

AR = Use as Required - = Non Illustrated Part P.A.R. = Paint as Required

WIRING--BODY & ACCESSORIES M BODY

Figure 8-7400

7108 7400 A



ITEM	PART NUMBER	QTY	BODY	MODEL	DESCRIPTION
1	4368 050				WIRING, BODY Lt.
					WIRING, ACCESSORIES
	4274 159				Heated Rear Window w/Diode
	4209 971				Front Door & Illum. Entry
	4124 814				Roof Wire 8 Ft. (Dome)
	4304 689				Power Antenna
	4124 815				Roof Light Jumper
	4055 789				Fuel Tank Sending Unit
	4209 695				Auto. Trans. Repair
	4209 675		M	F	Wiring Rear Lamps
	4209 878		M	BG	Wiring Rear Lamps
	4124 747				A.T.C. Unit
	4124 748				Chimes
	4124 776				Battery Acces. Feed Jumper (Fleet)
	4209 431				Elec. Seat Adj.
	4274 172				Illum. Entry & Courtesy Lamp
	4274 210				Battery & Engine Ground
	4274 218				Battery Possitive
	4274 340-1				Front Door Lock & Arm Rest
	4274 343				Front Door Lock & Arm Rest & Window Lift
	4274 345	2			Rear Door, Arm Rest & Window Lift
	4304 688				Speed Control
	4304 690				Rear Speakers, Premium
	4304 884	2		41	Rear Door Courtesy Lamp
	4304 885	2		41	Rear Door Courtesy Lamp & Window Lift
	4304 886	2		41	Rear Door Lock & Courtesy Lamp
	4304 887	2		41	Rear Door Lock & Window Lift
	4304 888	2		41	Rear Door Lock & Opera Lamp
	4331 295				Visor Mtd. Map & Vanity
	4331 300				Stereo Inst. Panel
	4331 334				Rear Speaker, Ultimate Sound
	4331 493				Radio Choke Jumper

MODEL CODES

E BODY = (J - CARAVELLE)(E - 600)(T - NEW YORKER)

G BODY = (V24 - DAYTONA)

H BODY = (D44 - LANCER)(C44 - LEBARON GTS)

J BODY = (C - LEBARON)

K BODY = (P - RELIANT)(D - ARIES)(C - LEBAROND)/TOWN & COUNTRY)

L BODY = (M - HORIZON/TURISMO)(Z - OMNI/CHARGER)

M BODY = (B - GRAN FURY)(F - FIFTH AVE/NEWPORT)(G - DIPLOMAT)

P BODY = (P - SUNDANCE)(D - SHADOW)

S BODY = (H - VOYAGER)(K - RAM VAN/CARAVAN)

BODY STYLES

12-13 = FWD VAN

21 = 2-DOOR SEDAN

24 = 2-DOOR HATCHBACK

27 = 2-DOOR CONVERTIBLE

41 = 4-DOOR SEDAN

44 = 4-DOOR HATCHBACK

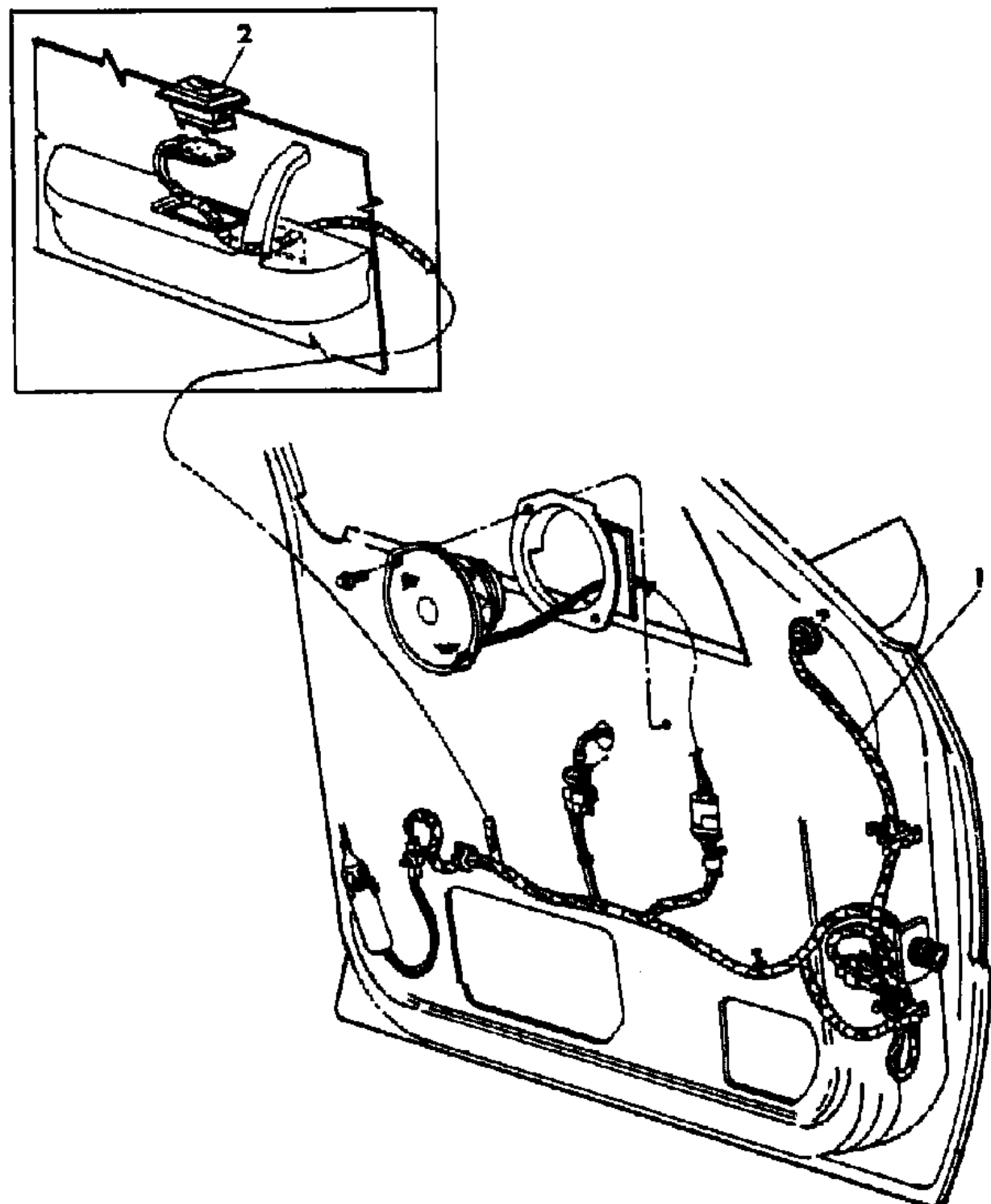
45 = 4-DOOR STATION WAGON

52-53 = FWD WAGON

AR = Use as Required - = Non Illustrated Part P.A.R. = Paint as Required

WIRING & SWITCHES--FRONT DOOR P BODY
Figure 8-7500

7108 7500



ITEM	PART NUMBER	QTY	BODY	MODEL	DESCRIPTION
1	4368 137	2			WIRING, Door Speaker
	4368 130		44		Speaker & Frt. Door Lock
	4368 827		24		
	4368 132				Speaker, Frt. Door Wdo. Lift, Pwr. Mirror
	4368 134				Speaker, Wdo. Lift, Pwr. Mirror, Door Lock
	4368 565				Speaker, Pwr. Mirror
	4368 564				Speaker, Pwr. Mirror, Door Lock
	4400 810				Frt. Door Speaker, Rt. (Shelby)
2	4221 906				SWITCH and BEZEL, Door Lock and Wdo. Lift
-	4221 907				RETAINER, Door Lock & Wdo. Lift

MODEL CODES

E BODY = (J - CARAVELLE)(E - 600)(T - NEW YORKER)

G BODY = (V24 - DAYTONA)

H BODY = (D44 - LANCER)(C44 - LEBARON GTS)

J BODY = (C - LEBARON)

K BODY = (P - RELIANT)(D - ARIES)(C - LEBAROND)/TOWN & COUNTRY)

L BODY = (M - HORIZON/TURISMO)(Z - OMNI/CHARGER)

M BODY = (B - GRAN FURY)(F - FIFTH AVE/NEWPORT)(G - DIPLOMAT)

P BODY = (P - SUNDANCE)(D - SHADOW)

S BODY = (H - VOYAGER)(K - RAM VAN/CARAVAN)

BODY STYLES

12-13 = FWD VAN

21 = 2-DOOR SEDAN

24 = 2-DOOR HATCHBACK

27 = 2-DOOR CONVERTIBLE

41 = 4-DOOR SEDAN

44 = 4-DOOR HATCHBACK

45 = 4-DOOR STATION WAGON

52-53 = FWD WAGON

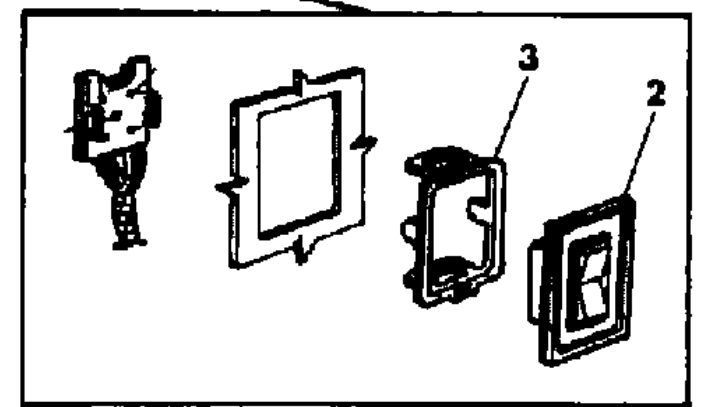
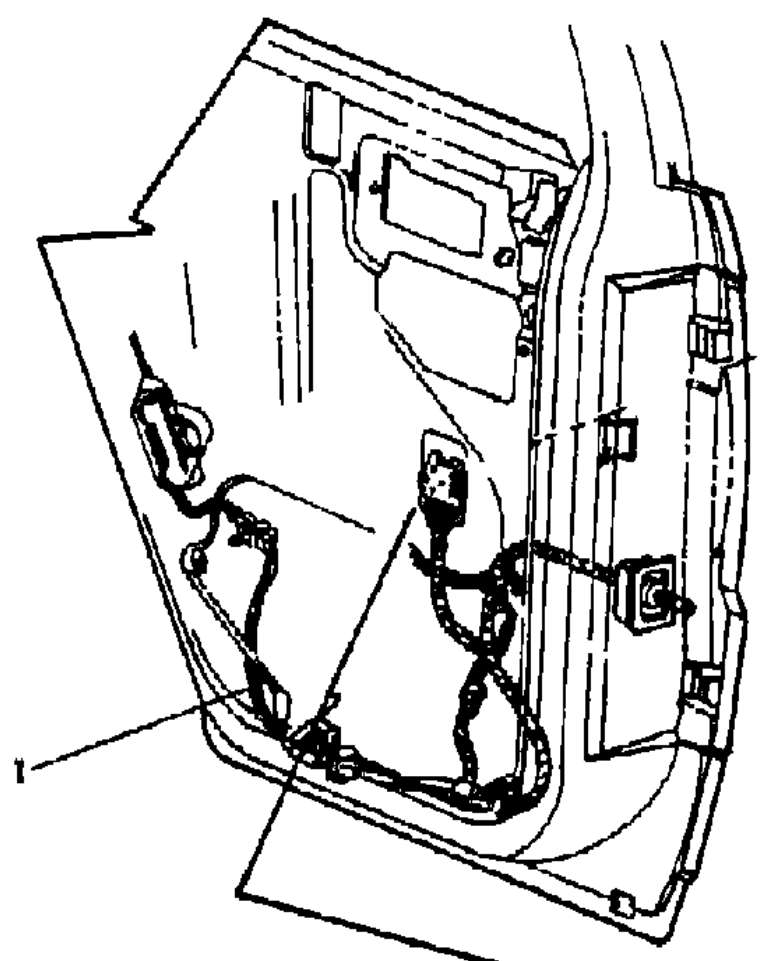
AR = Use as Required - = Non Illustrated Part P.A.R. = Paint as Required

WIRING & SWITCHES--REAR DOOR P BODY

Figure 8-7600

7108 7800

ITEM	PART NUMBER	QTY	BODY	MODEL	DESCRIPTION
1	4368 142				WIRING, Power Door Lock
	4368 144				Power Door Lock, Wdo. Lift
2	4373 075				SWITCH and BEZEL, w/Lift, Door Lock
3	4221 907				RETAINER, Switch



MODEL CODES
 E BODY = (J - CARAVELLE)(E - 600)(T - NEW YORKER)
 G BODY = (V24 - DAYTONA)
 H BODY = (D44 - LANCER)(C44 - LEBARON GTS)
 J BODY = (C - LEBARON)
 K BODY = (P - RELIANT)(D - ARIES)(C - LEBAROND)/TOWN & COUNTRY
 L BODY = (M - HORIZON/TURISMO)(Z - OMNI/CHARGER)
 M BODY = (B - GRAN FURY)(F - FIFTH AVE/NEWPORT)(G - DIPLOMAT)
 P BODY = (P - SUNDANCE)(D - SHADOW)
 S BODY = (H - VOYAGER)(K - RAM VAN/CARAVAN)

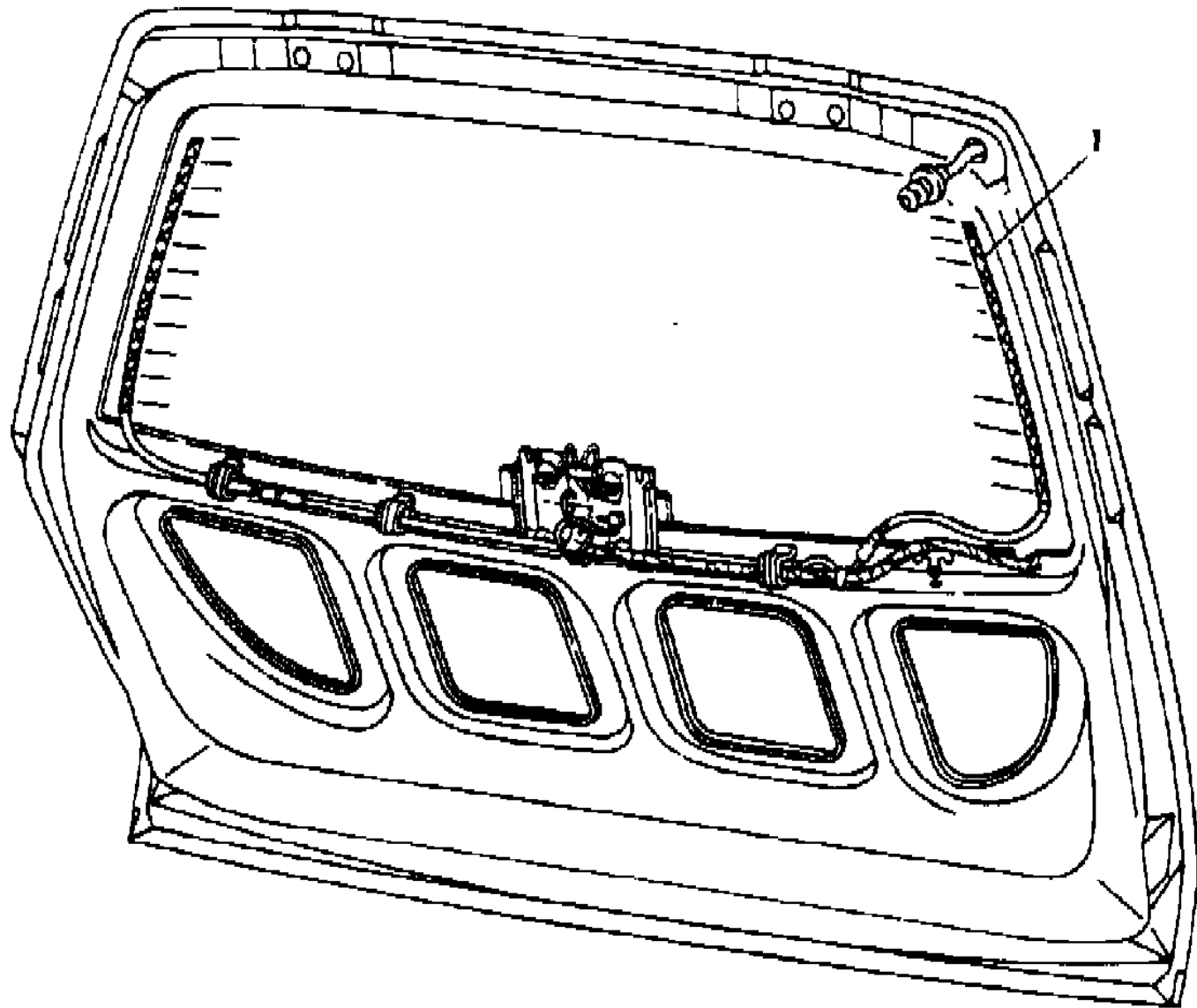
BODY STYLES
 12-13 = FWD VAN
 21 = 2-DOOR SEDAN
 24 = 2-DOOR HATCHBACK
 27 = 2-DOOR CONVERTIBLE
 41 = 4-DOOR SEDAN
 44 = 4-DOOR HATCHBACK
 45 = 4-DOOR STATION WAGON
 52-53 = FWD WAGON

AR = Use as Required - = Non Illustrated Part P.A.R. = Paint as Required

WIRING & SWITCHES--LIFTGATE P BODY
Figure 8-7700

7108 7700 A

ITEM	PART NUMBER	QTY	BODY	MODEL	DESCRIPTION
1	4368 121				WIRING, Liftgate
	4368 127				Liftgate,w/EBL
-	#4368 350				GROMMET, w/Tube, Liftgate



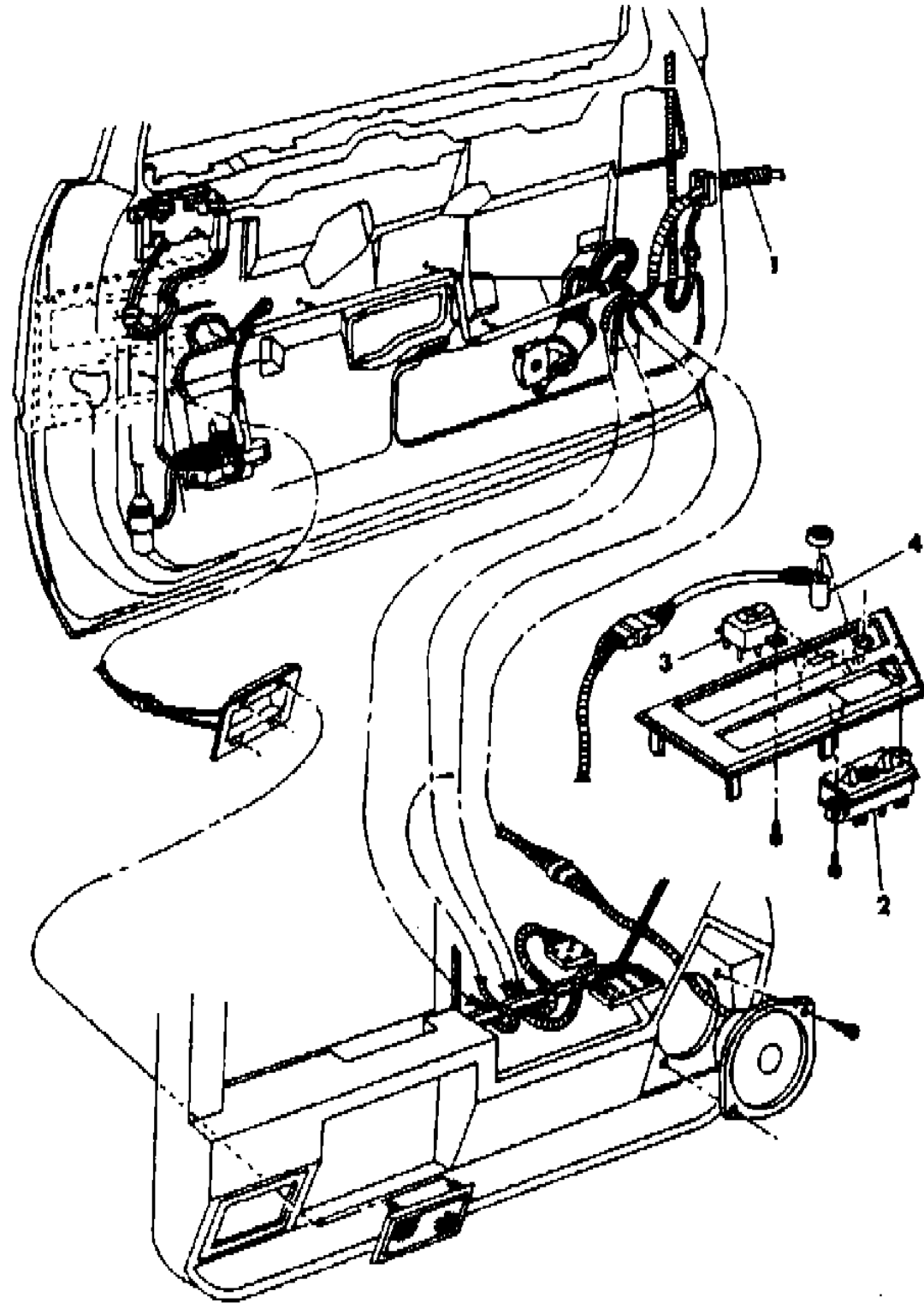
MODEL CODES
 E BODY = (J - CARAVELLE)(E - 600)(T - NEW YORKER)
 G BODY = (V24 - DAYTONA)
 H BODY = (D44 - LANCER)(C44 - LEBARON GTS)
 J BODY = (C - LEBARON)
 K BODY = (P - RELIANT)(D - ARIES)(C - LEBAROND)/TOWN & COUNTRY
 L BODY = (M - HORIZON/TURISMO)(Z - OMNI/CHARGER)
 M BODY = (B - GRAN FURY)(F - FIFTH AVE/NEWPORT)(G - DIPLOMAT)
 P BODY = (P - SUNDANCE)(D - SHADOW)
 S BODY = (H - VOYAGER)(K - RAM VAN/CARAVAN)

BODY STYLES
 12-13 = FWD VAN 41 = 4-DOOR SEDAN
 21 = 2-DOOR SEDAN 44 = 4-DOOR HATCHBACK
 24 = 2-DOOR HATCHBACK 45 = 4-DOOR STATION WAGON
 27 = 2-DOOR CONVERTIBLE 52-53 = FWD WAGON

AR = Use as Required - = Non Illustrated Part P.A.R. = Paint as Required

WIRING & SWITCHES--FRONT DOOR J BODY
Figure 8-7800

7100 7800



ITEM	PART NUMBER	QTY	BODY	MODEL	DESCRIPTION
1					WIRING
	4400 021				Lt. Door Courtesy Lp. & Speaker
	4400 024				Rt.
	4400 023				Lt. Dr. Lock, Illum. Entry, Wdo.Lift,Pwr.Mirror
	4414 414				Rt.
	4400 025				Lt. Dr. Illum. Entry & Pwr. Seat
	4400 028				Rt.
	4400 020				Power Mirror Pigtail
2	#4373 006				SWITCH, Pwr.Seat Adj. w/Plate
3	4373 071				SWITCH, Door Lock
4	4373 127				SWITCH, Remote Mirror
	4373 009			J27	Wdo.Lift, 4-Gang Black
	4373 077			21	Wdo. Lift, 2 Gang
-	4176 612				PLUG, Door Ajar

MODEL CODES

E BODY = (J - CARAVELLE)(E - 600)(T - NEW YORKER)

G BODY = (V24 - DAYTONA)

H BODY = (D44 - LANCER)(C44 - LEBARON GTS)

J BODY = (C - LEBARON)

K BODY = (P - RELIANT)(D - ARIES)(C - LEBAROND)/TOWN & COUNTRY)

L BODY = (M - HORIZON/TURISMO)(Z - OMNI/CHARGER)

M BODY = (B - GRAN FURY)(F - FIFTH AVE/NEWPORT)(G - DIPLOMAT)

P BODY = (P - SUNDANCE)(D - SHADOW)

S BODY = (H - VOYAGER)(K - RAM VAN/CARAVAN)

BODY STYLES

12-13 = FWD VAN

21 = 2-DOOR SEDAN

24 = 2-DOOR HATCHBACK

27 = 2-DOOR CONVERTIBLE

41 = 4-DOOR SEDAN

44 = 4-DOOR HATCHBACK

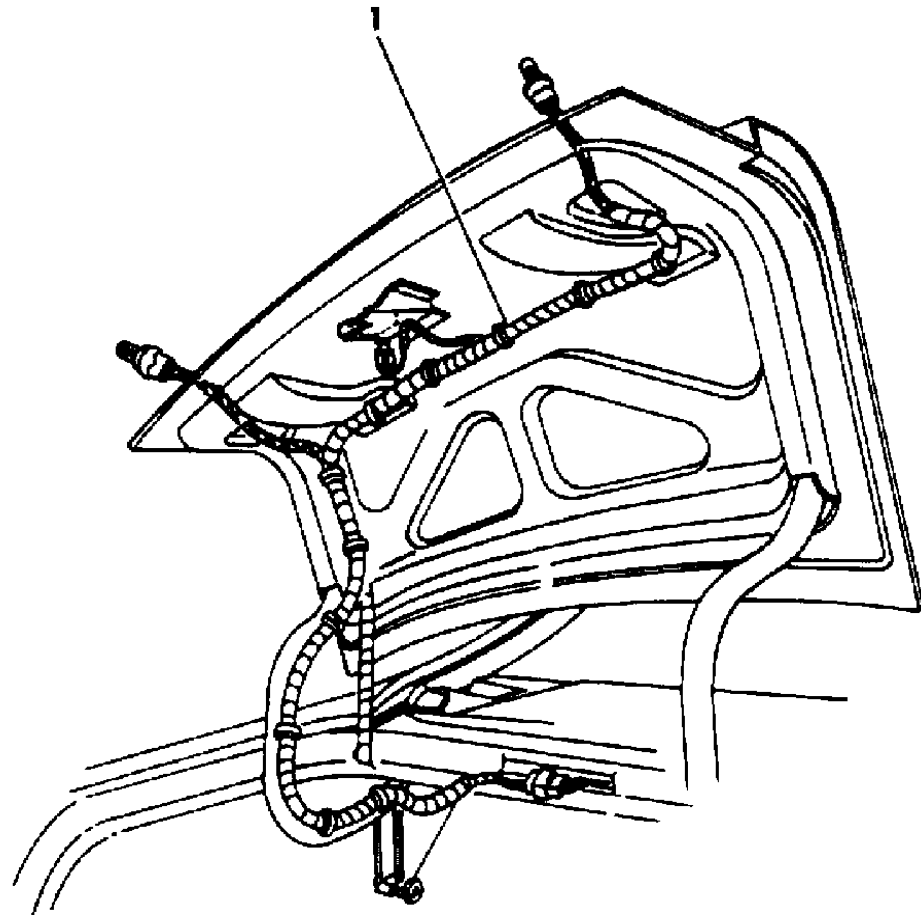
45 = 4-DOOR STATION WAGON

52-53 = FWD WAGON

AR = Use as Required - = Non Illustrated Part P.A.R. = Paint as Required

WIRING & SWITCHES--LIFTGATE J BODY
Figure 8-7900

7108 7900



ITEM	PART NUMBER	QTY	BODY	MODEL	DESCRIPTION
1	#4400 004				WIRING

MODEL CODES
 E BODY = (J - CARAVELLE)(E - 600)(T - NEW YORKER)
 G BODY = (V24 - DAYTONA)
 H BODY = (D44 - LANCER)(C44 - LEBARON GTS)
 J BODY = (C - LEBARON)
 K BODY = (P - RELIANT)(D - ARIES)(C - LEBAROND)/TOWN & COUNTRY

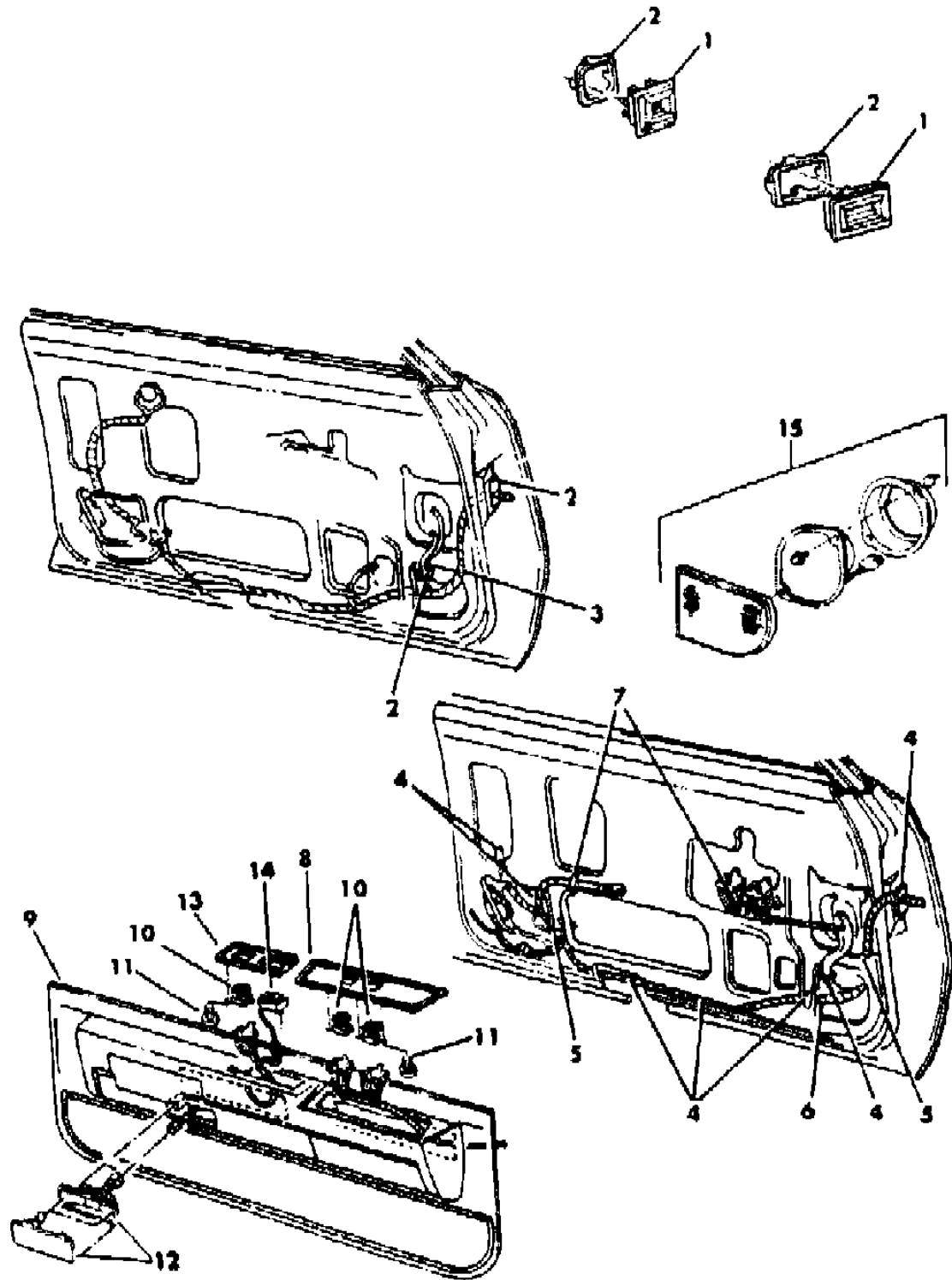
L BODY = (M - HORIZON/TURISMO)(Z - OMNI/CHARGER)
 M BODY = (B - GRAN FURY)(F - FIFTH AVE/NEWPORT)(G - DIPLOMAT)
 P BODY = (P - SUNDANCE)(D - SHADOW)
 S BODY = (H - VOYAGER)(K - RAM VAN/CARAVAN)

BODY STYLES
 12-13 = FWD VAN 41 = 4-DOOR SEDAN
 21 = 2-DOOR SEDAN 44 = 4-DOOR HATCHBACK
 24 = 2-DOOR HATCHBACK 45 = 4-DOOR STATION WAGON
 27 = 2-DOOR CONVERTIBLE 52-53 = FWD WAGON

AR = Use as Required - = Non Illustrated Part P.A.R. = Paint as Required

WIRING & SWITCHES--FRONT DOOR K-E BODY
Figure 8-8000

7108 8000



ITEM	PART NUMBER	QTY	BODY	MODEL	DESCRIPTION
1	#4373 072			C	SWITCH, Door Lock, Single
	4373 073			P,D	Single
	4221 515			41-45	5 Gang
2-4				P,D	WIRING, Front Door
	4331 866			P,D	Right Door Lock & Window Lift
	4331 868			P,D 41-	Right Window Lift
	4331 870			P,D 41-	Right Door Lock & Window Lift
	4400 355				Front Door & Illum. Entry
5					CLIP, Snap (Not Serv.)
6				C	WIRING, Door w/Courtesy Lamps
7				C	TAPE, (Not Serv.)
8				C	BEZEL, Power Window (See 23C)
9				C	PANEL, Door Trim, (See 23IT.)
10	4373 077				SWITCH, Double
	4373 079			C	Five Gang
11				C	SCREW, (Not Serv.)
12					LAMP, Courtesy (See Illus.4700)
13					BEZEL, Door Armrest (See 23C)
14	4221 874				SWITCH, Dual Remote Elec. Mirrors
	4221 395			41,45	Dual Remote Elec. Mirrors
15					SPEAKER, Front Door (See Group 8A)

MODEL CODES

E BODY = (J - CARAVELLE)(E - 600)(T - NEW YORKER)

G BODY = (V24 - DAYTONA)

H BODY = (D44 - LANCER)(C44 - LEBARON GTS)

J BODY = (C - LEBARON)

K BODY = (P - RELIANT)(D - ARIES)(C - LEBAROND)/TOWN & COUNTRY)

L BODY = (M - HORIZON/TURISMO)(Z - OMNI/CHARGER)

M BODY = (B - GRAN FURY)(F - FIFTH AVE/NEWPORT)(G - DIPLOMAT)

P BODY = (P - SUNDANCE)(D - SHADOW)

S BODY = (H - VOYAGER)(K - RAM VAN/CARAVAN)

BODY STYLES

12-13 = FWD VAN

21 = 2-DOOR SEDAN

24 = 2-DOOR HATCHBACK

27 = 2-DOOR CONVERTIBLE

41 = 4-DOOR SEDAN

44 = 4-DOOR HATCHBACK

45 = 4-DOOR STATION WAGON

52-53 = FWD WAGON

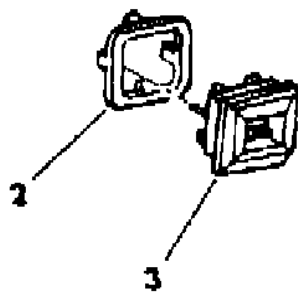
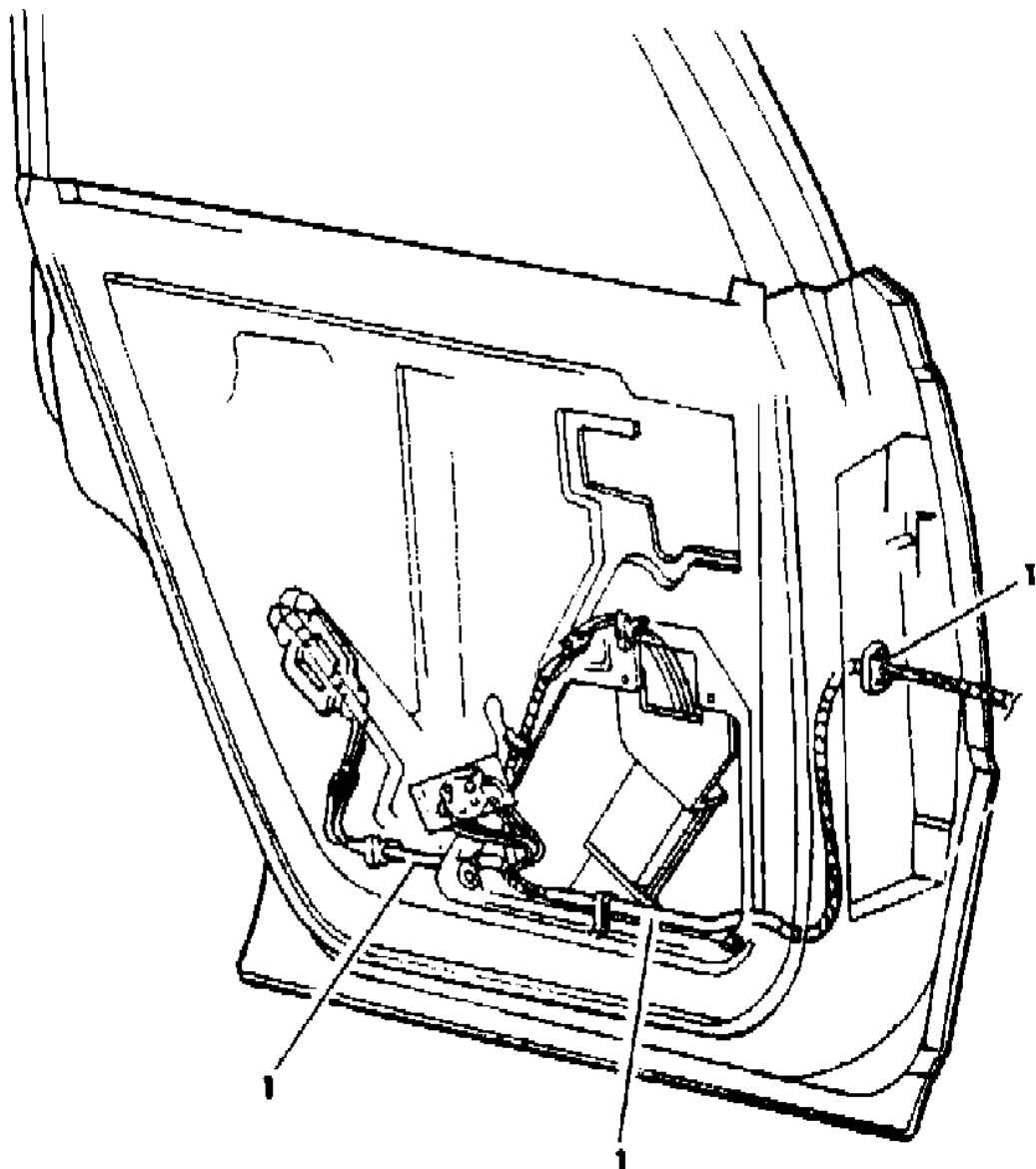
AR = Use as Required - = Non Illustrated Part P.A.R. = Paint as Required

WIRING & SWITCHES--REAR DOOR K-E BODY

Figure 8-8100

7108 8100

ITEM	PART NUMBER	QTY	BODY	MODEL	DESCRIPTION
1	4368 286			P,D	WIRING, Door Lock & Window Lift
	4331 454			C,J,E,T	Door Lock
	4400 602			C,J,E,T	Door Lock, Window Lift & Courtesy Lamp
2	4221 893			P,D	RETAINER, Window Lift Switch
3	#4373 073			P,D	SWITCH, Window Lift, Single
	4373 072			C,J,E,T	Single



MODEL CODES

E BODY = (J - CARAVELLE)(E - 600)(T - NEW YORKER)

G BODY = (V24 - DAYTONA)

H BODY = (D44 - LANCER)(C44 - LEBARON GTS)

J BODY = (C - LEBARON)

K BODY = (P - RELIANT)(D - ARIES)(C - LEBAROND)/TOWN & COUNTRY)

L BODY = (M - HORIZON/TURISMO)(Z - OMNI/CHARGER)

M BODY = (B - GRAN FURY)(F - FIFTH AVE/NEWPORT)(G - DIPLOMAT)

P BODY = (P - SUNDANCE)(D - SHADOW)

S BODY = (H - VOYAGER)(K - RAM VAN/CARAVAN)

BODY STYLES

12-13 = FWD VAN

21 = 2-DOOR SEDAN

24 = 2-DOOR HATCHBACK

27 = 2-DOOR CONVERTIBLE

41 = 4-DOOR SEDAN

44 = 4-DOOR HATCHBACK

45 = 4-DOOR STATION WAGON

52-53 = FWD WAGON

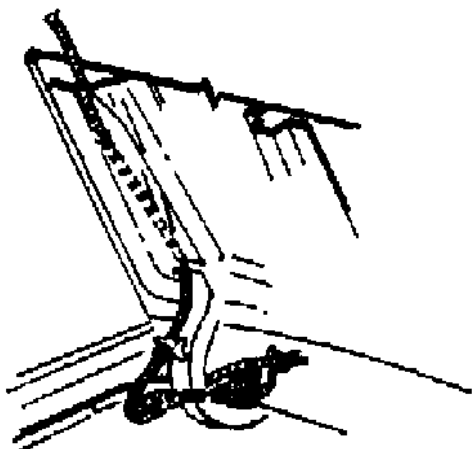
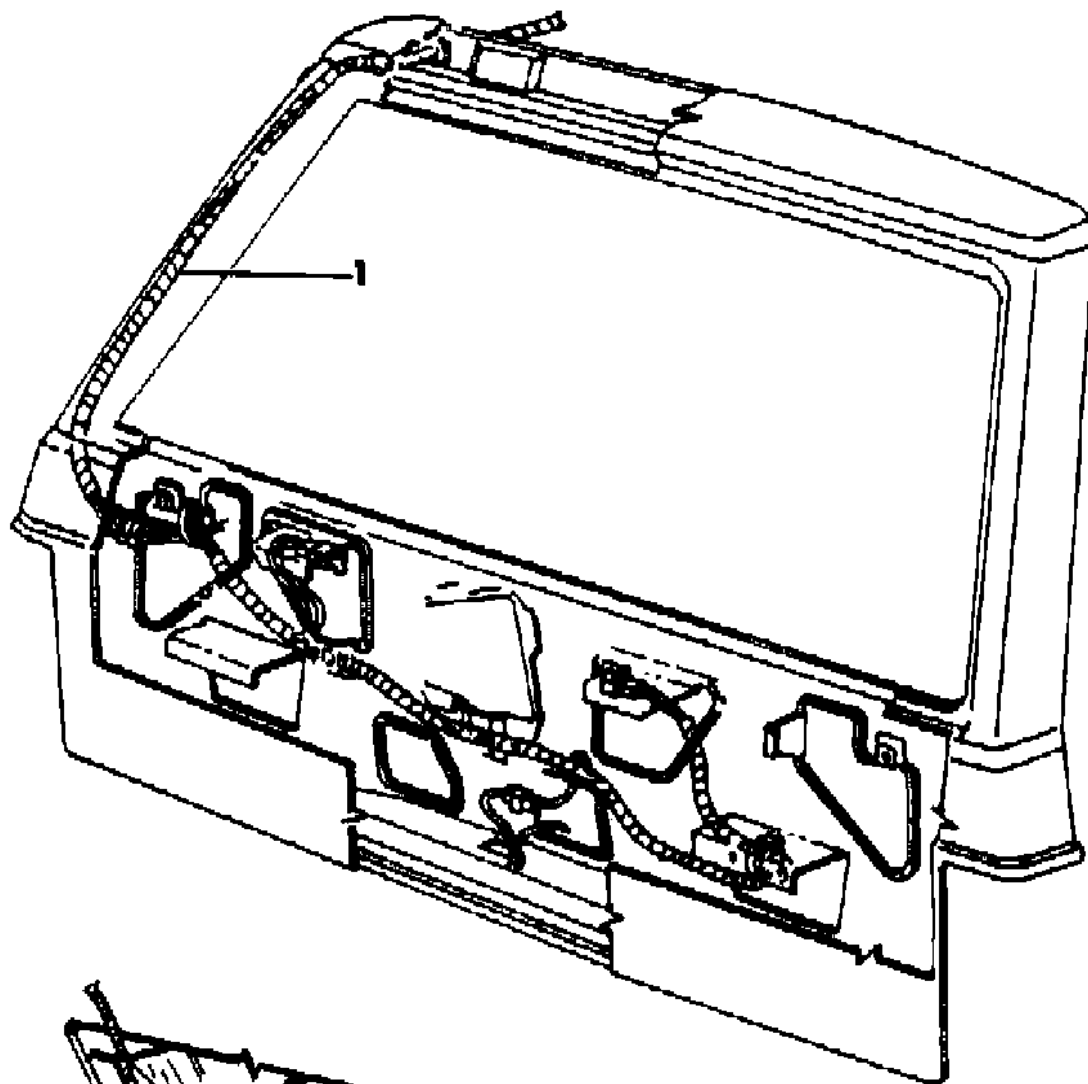
AR = Use as Required - = Non Illustrated Part P.A.R. = Paint as Required

WIRING--LIFTGATE & TRUNK K-E BODY

Figure 8-8200

7108 8200

ITEM	PART NUMBER	QTY	BODY	MODEL	DESCRIPTION
1	4368 295			45	WIRING, Liftgate Heated Rear Window
	4400 330			45	Liftgate
	4331 457			21-45	License Lamp
	4368 379			J,E,T	Deck Lid Lamp Ajar
	4304 968			P,D,C	Deck Lid Release



MODEL CODES

E BODY = (J - CARAVELLE)(E - 600)(T - NEW YORKER)

G BODY = (V24 - DAYTONA)

H BODY = (D44 - LANCER)(C44 - LEBARON GTS)

J BODY = (C - LEBARON)

K BODY = (P - RELIANT)(D - ARIES)(C - LEBAROND)/TOWN & COUNTRY)

L BODY = (M - HORIZON/TURISMO)(Z - OMNI/CHARGER)

M BODY = (B - GRAN FURY)(F - FIFTH AVE/NEWPORT)(G - DIPLOMAT)

P BODY = (P - SUNDANCE)(D - SHADOW)

S BODY = (H - VOYAGER)(K - RAM VAN/CARAVAN)

BODY STYLES

12-13 = FWD VAN

21 = 2-DOOR SEDAN

24 = 2-DOOR HATCHBACK

27 = 2-DOOR CONVERTIBLE

41 = 4-DOOR SEDAN

44 = 4-DOOR HATCHBACK

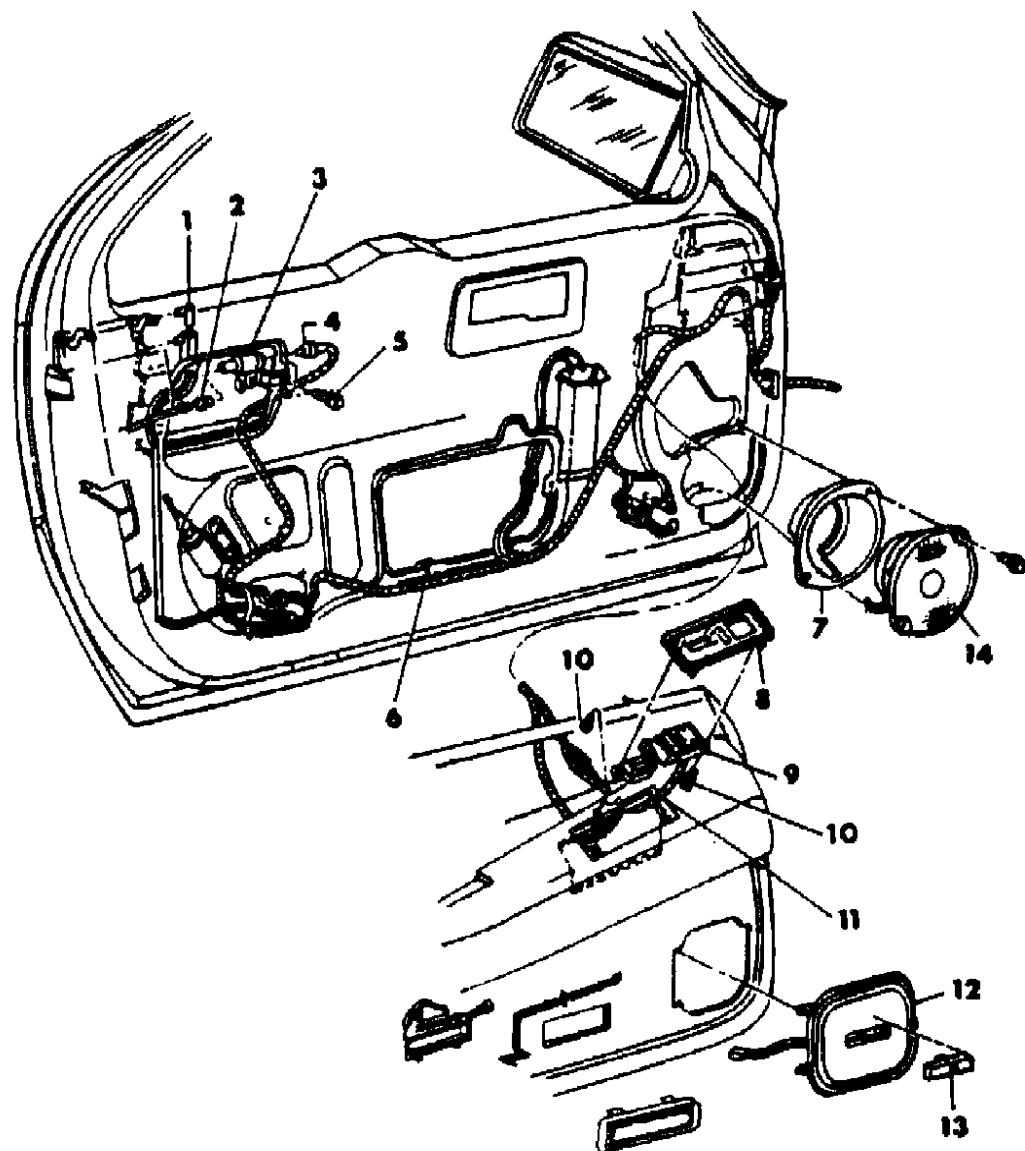
45 = 4-DOOR STATION WAGON

52-53 = FWD WAGON

AR = Use as Required - = Non Illustrated Part P.A.R. = Paint as Required

WIRING & SWITCHES--DOOR G BODY
Figure 8-8300

7100 8300



ITEM	PART NUMBER	QTY	BODY	MODEL	DESCRIPTION
1	4221 130				SWITCH, Illum. Entry
2					CLIP, Switch (Not Serv.)
3	3591 894				HOUSING, Illum. Entry
4	9421 330				BULB
5					SCREW, (Not Serv.)
6					WIRING, Door
	4274 766				Right w/Illum. Entry & Elec. Mirror
	4368 208				Right w/Illum. Entry,Door Locks,Window Lift,Elec. Mirror
	4331 426				Right, w/Elec. Mirror & Window Lift
	4331 438				Right, w/Illum. Entry & Window Lift
	4331 425				Left, w/Elec. Mirrors & Window Lift
	4368 205				Left, w/Illum. Entry, Door Locks, Window Lift
	4368 207				Left, w/Illum. Entry, Door Locks, Elec. Mirror & Window Lift
	4331 437				Left Door Illum. Entry & Window Lifts
	4304 549				Illum. Entry Jumper
7					ADAPTOR PLATE, Speaker, See 8A
8					BEZEL, Armrest Switch, (See 23C)
9	4373 011				SWITCH, w/Selector, Dual Mirrors
10					SCREW, (Not Serv.)
11	4373 071				SWITCH, Door Lock, Single
	4373 077				Wdo. Lift, 2 Gang
12					GRILLE, Speaker, See 8A
13					ESCUTCHEON, Speaker Grille, See 8A
14					SPEAKER, Door, See 8A

MODEL CODES

E BODY = (J - CARAVELLE)(E - 600)(T - NEW YORKER)

G BODY = (V24 - DAYTONA)

H BODY = (D44 - LANCER)(C44 - LEBARON GTS)

J BODY = (C - LEBARON)

K BODY = (P - RELIANT)(D - ARIES)(C - LEBAROND)/TOWN & COUNTRY)

L BODY = (M - HORIZON/TURISMO)(Z - OMNI/CHARGER)

M BODY = (B - GRAN FURY)(F - FIFTH AVE/NEWPORT)(G - DIPLOMAT)

P BODY = (P - SUNDANCE)(D - SHADOW)

S BODY = (H - VOYAGER)(K - RAM VAN/CARAVAN)

BODY STYLES

12-13 = FWD VAN

21 = 2-DOOR SEDAN

24 = 2-DOOR HATCHBACK

27 = 2-DOOR CONVERTIBLE

41 = 4-DOOR SEDAN

44 = 4-DOOR HATCHBACK

45 = 4-DOOR STATION WAGON

52-53 = FWD WAGON

AR = Use as Required - = Non Illustrated Part P.A.R. = Paint as Required

WIRING & SWITCHES--FRONT DOOR H BODY
Figure 8-8500

7108 8500 A

ITEM	PART NUMBER	QTY	BODY	MODEL	DESCRIPTION
1					SPEAKER, Door(See 8A)
2					ADAPTOR, Speaker (See 8A)
3					SCREW, Speaker (Not Serv.)
4	6016 123				CLIP
5	4331 726				CUP, Wiring
6					MOTOR, Elec. Window (See 8A)
7	6015 756				TIE, Wiring
8	4221 729				SWITCH, w/Wiring, Illum. Entry
9	4310 739				SOLENOID, Power Door Lock
10					SCREW, (Not Serv.)
11	4312 880-1				HOUSING, Illum. Entry
12	9421 330				BULB, Illum. Entry
13	4221 617				SWITCH, Elec. Mirror
14					WIRING, DOOR
	4400 413	2			Speaker, Frt.
	4400 415	2			Speaker And Courtesy Lamp
	4400 433	2			Illum. Entry. And Elec. Mirror
	4331 815	2			Illum. Entry. And Door Locks
	4331 817	2			Illum. Entry. And Window Lift
	4331 819	2			Illum. Entry, Door Lock, Elec. Mirror
	4331 821	2			Illum. Entry, Elec. Mirror, Window Lift
	4400 435	2			Door Lock And Window Lift
	4400 647	2			Door Lock, Window Lift, Power Mirror
	4368 238				Power Mirror Pigtail, Frt & Rear Door
	4467 418				Door Speaker, (SHELBY)
15	4373 072				SWITCH, Window Lift, Single
	4373 072				Door Lock, Single
	4373 080				Wdo. Lift Lt. 5 Gang
16					BEZEL, w/Finish Plate,Pocket Panel (See 23C)
17	4221 514				SWITCH, Single
18					SCREW, (Not Serv.)

MODEL CODES

E BODY = (J - CARAVELLE)(E - 600)(T - NEW YORKER)

G BODY = (V24 - DAYTONA)

H BODY = (D44 - LANCER)(C44 - LEBARON GTS)

J BODY = (C - LEBARON)

K BODY = (P - RELIANT)(D - ARIES)(C - LEBAROND)/TOWN & COUNTRY)

L BODY = (M - HORIZON/TURISMO)(Z - OMNI/CHARGER)

M BODY = (B - GRAN FURY)(F - FIFTH AVE/NEWPORT)(G - DIPLOMAT)

P BODY = (P - SUNDANCE)(D - SHADOW)

S BODY = (H - VOYAGER)(K - RAM VAN/CARAVAN)

BODY STYLES

12-13 = FWD VAN

21 = 2-DOOR SEDAN

24 = 2-DOOR HATCHBACK

27 = 2-DOOR CONVERTIBLE

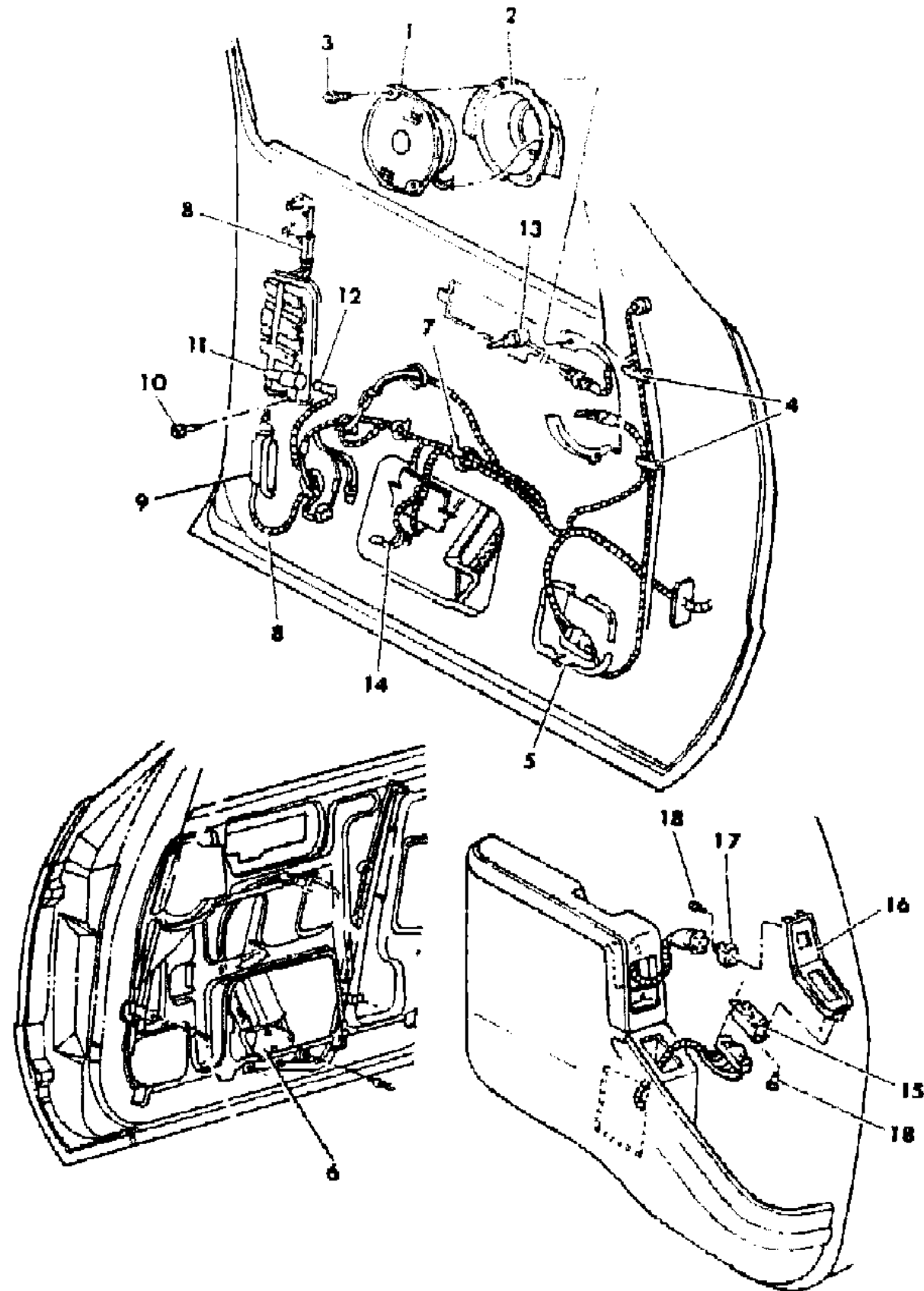
41 = 4-DOOR SEDAN

44 = 4-DOOR HATCHBACK

45 = 4-DOOR STATION WAGON

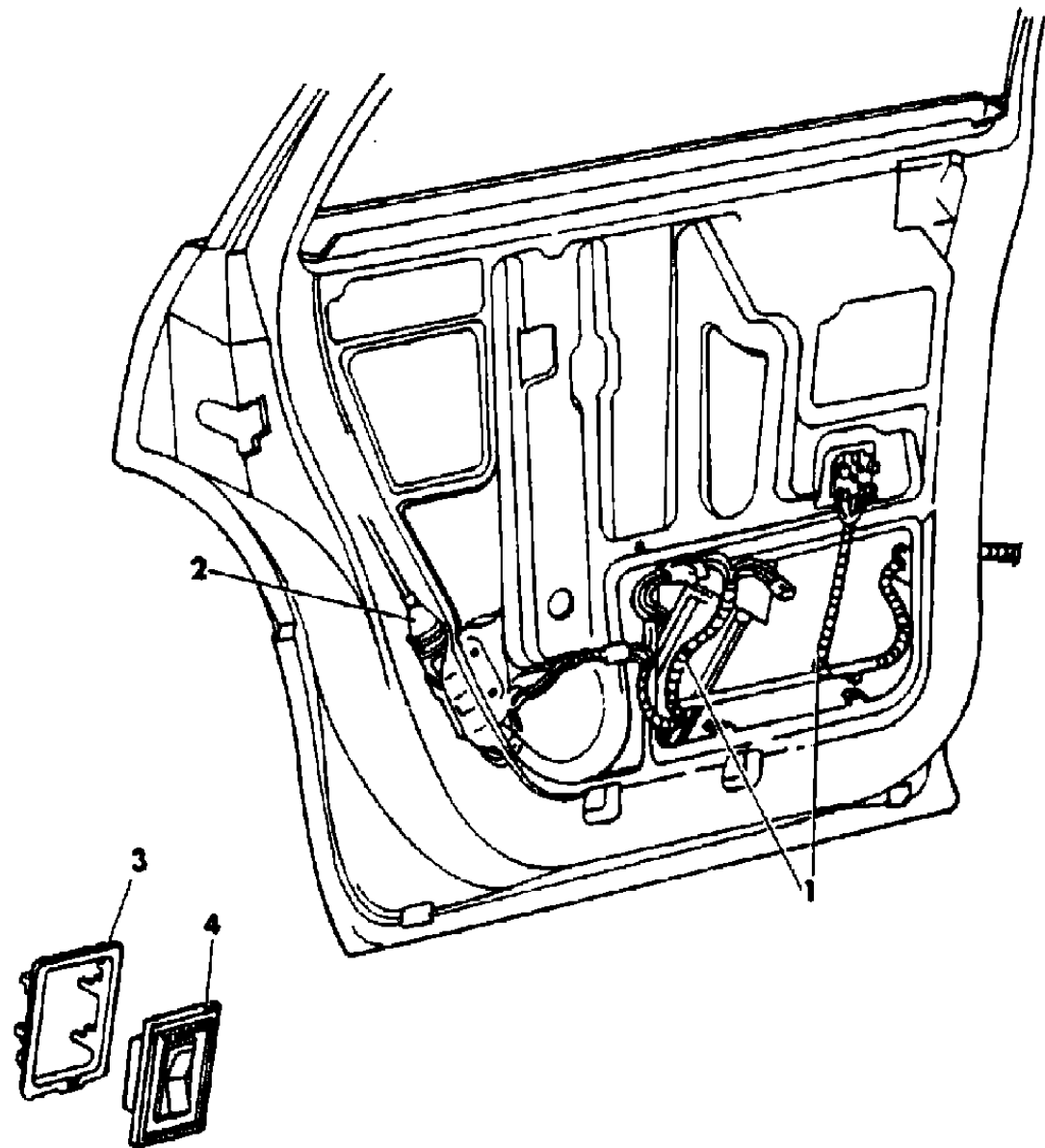
52-53 = FWD WAGON

AR = Use as Required - = Non Illustrated Part P.A.R. = Paint as Required



WIRING & SWITCHES--REAR DOOR H BODY
Figure 8-8600

7108 8890



ITEM	PART NUMBER	QTY	BODY	MODEL	DESCRIPTION
1					WIRING, DOOR
	4368 568	2			Courtesy Lamp
	4368 569	2			Courtesy Lamp, Door Lock, Window Lift
	4400 538				Rt. Rear Seat
	4467 416				Door Speaker, (SHELBY)
2	4310 739	2			SOLENOID, Power Door Lock
3	4221 907	2			RETAINER, Window Lift Switch
4	4373 074	2			SWITCH, w/Bezel, Window Lift

MODEL CODES

E BODY = (J - CARAVELLE)(E - 600)(T - NEW YORKER)

G BODY = (V24 - DAYTONA)

H BODY = (D44 - LANCER)(C44 - LEBARON GTS)

J BODY = (C - LEBARON)

K BODY = (P - RELIANT)(D - ARIES)(C - LEBAROND)/TOWN & COUNTRY)

L BODY = (M - HORIZON/TURISMO)(Z - OMNI/CHARGER)

M BODY = (B - GRAN FURY)(F - FIFTH AVE/NEWPORT)(G - DIPLOMAT)

P BODY = (P - SUNDANCE)(D - SHADOW)

S BODY = (H - VOYAGER)(K - RAM VAN/CARAVAN)

BODY STYLES

12-13 = FWD VAN

21 = 2-DOOR SEDAN

24 = 2-DOOR HATCHBACK

27 = 2-DOOR CONVERTIBLE

41 = 4-DOOR SEDAN

44 = 4-DOOR HATCHBACK

45 = 4-DOOR STATION WAGON

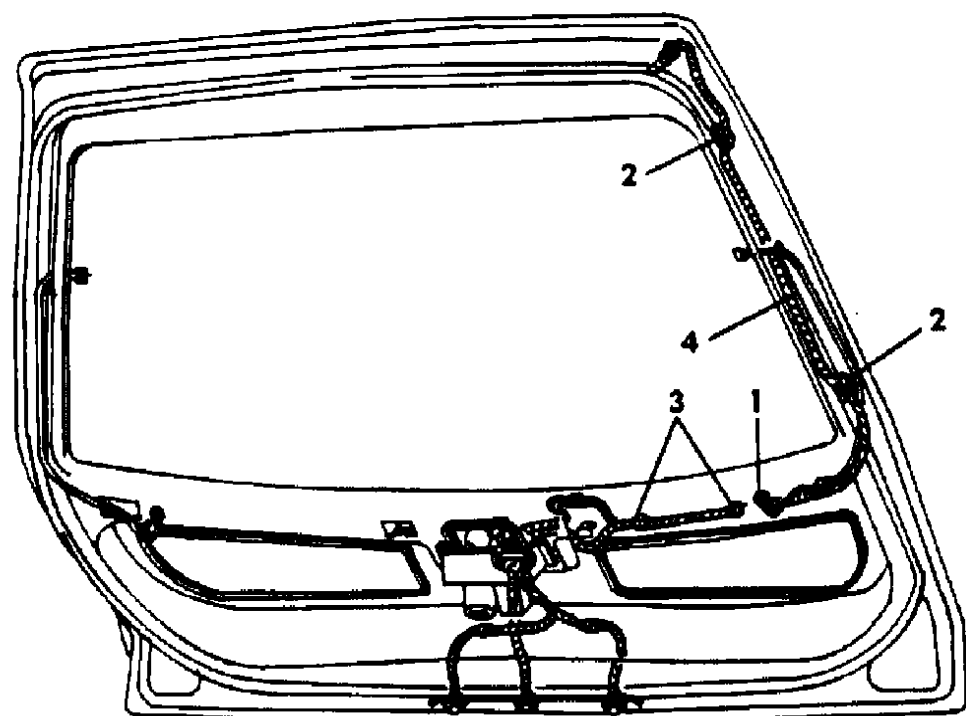
52-53 = FWD WAGON

AR = Use as Required - = Non Illustrated Part P.A.R. = Paint as Required

WIRING--LIFTGATE H BODY
Figure 8-8700

7108 8700

ITEM	PART NUMBER	QTY	BODY	MODEL	DESCRIPTION
1	6032 114				SCREW
2	4304 560				LINER, Hole
3	6030 441				CLIP, Push
4	4368 645				WIRING, Liftgate Lic. Lamp, w/o E.B.L & RR Washer
	4368 647				Liftgate, w/E.B.L.
	4368 649				Liftgate, w/E.B.L. & RR Washer



MODEL CODES

E BODY = (J - CARAVELLE)(E - 600)(T - NEW YORKER)	L BODY = (M - HORIZON/TURISMO)(Z - OMNI/CHARGER)
G BODY = (V24 - DAYTONA)	M BODY = (B - GRAN FURY)(F - FIFTH AVE/NEWPORT)(G - DIPLOMAT)
H BODY = (D44 - LANCER)(C44 - LEBARON GTS)	P BODY = (P - SUNDANCE)(D - SHADOW)
J BODY = (C - LEBARON)	S BODY = (H - VOYAGER)(K - RAM VAN/CARAVAN)
K BODY = (P - RELIANT)(D - ARIES)(C - LEBAROND)/TOWN & COUNTRY)	

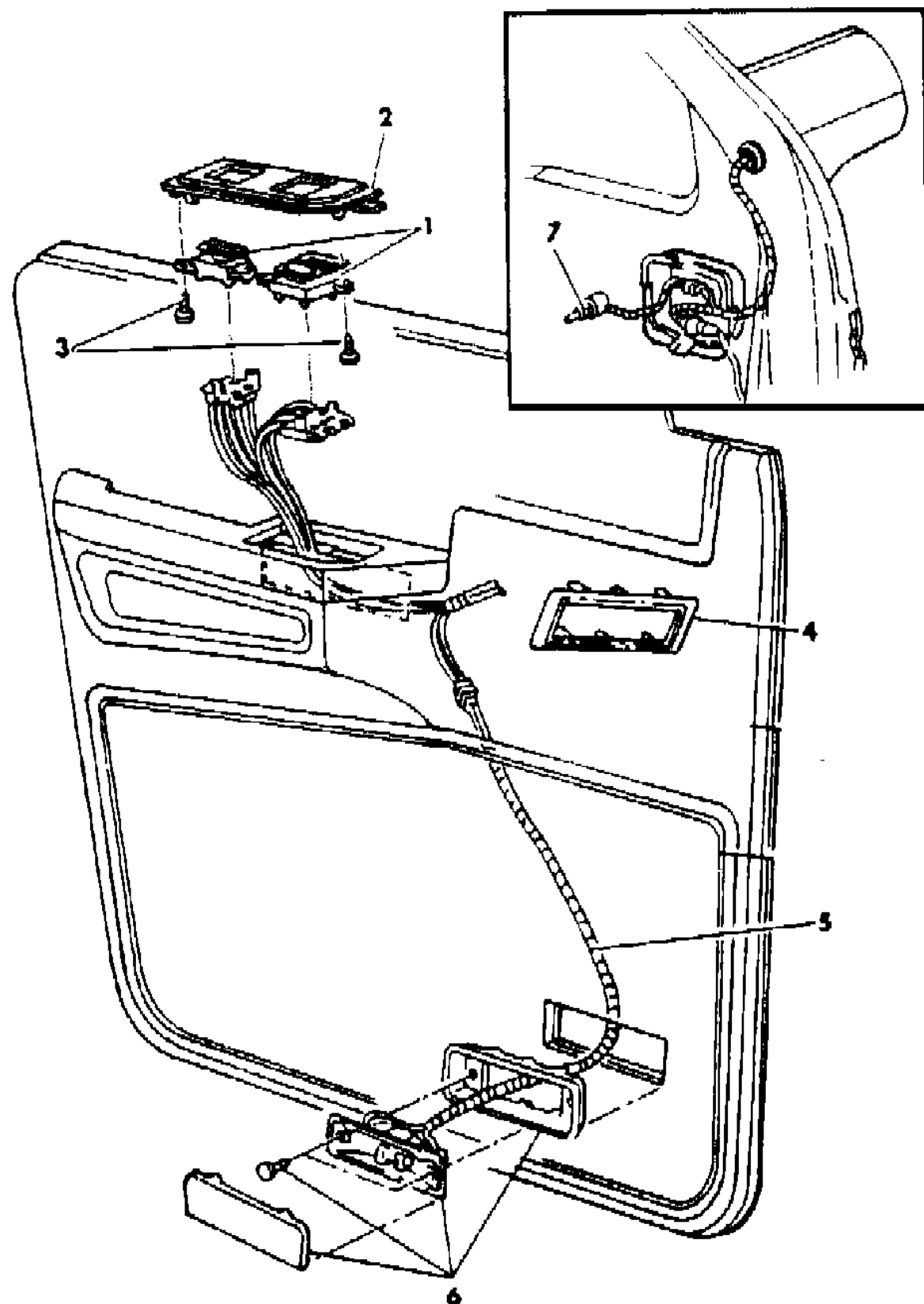
BODY STYLES

12-13 = FWD VAN	41 = 4-DOOR SEDAN
21 = 2-DOOR SEDAN	44 = 4-DOOR HATCHBACK
24 = 2-DOOR HATCHBACK	45 = 4-DOOR STATION WAGON
27 = 2-DOOR CONVERTIBLE	52-53 = FWD WAGON

AR = Use as Required - = Non Illustrated Part P.A.R. = Paint as Required

WIRING & SWITCHES--FRONT DOOR S BODY
Figure 8-8800

7108 8800



ITEM	PART NUMBER	QTY	BODY	MODEL	DESCRIPTION
1					SWITCH, Window Lift & Door Lock
	4373 071				Single
	4373 077				Double
2					BEZEL, Window Lift & Door Lock (See 23C)
3					SCREW, (Not Serv.)
4					BEZEL, Remote Control Handle (See 23C)
5	4400 440				WIRING, Door Courtesy Lamp
	4400 669				Door Lock, Window Lift, Courtesy Lamp
	4400 667				Door Lock, Courtesy Lamp
	4400 303				Door Lock, Courtesy Lamp, Window Lift, Elec. Mirror
	4400 301				Courtesy Lamp, Elec. Mirror, Door Lock
	4400 102				Power Mirror, Rt.Frt. Door
6					COURTESY LAMP, (See Illus. 5000)
7	4373 008				SWITCH, Elec. Mirror

MODEL CODES

E BODY = (J - CARAVELLE)(E - 600)(T - NEW YORKER)

G BODY = (V24 - DAYTONA)

H BODY = (D44 - LANCER)(C44 - LEBARON GTS)

J BODY = (C - LEBARON)

K BODY = (P - RELIANT)(D - ARIES)(C - LEBAROND)/TOWN & COUNTRY)

L BODY = (M - HORIZON/TURISMO)(Z - OMNI/CHARGER)

M BODY = (B - GRAN FURY)(F - FIFTH AVE/NEWPORT)(G - DIPLOMAT)

P BODY = (P - SUNDANCE)(D - SHADOW)

S BODY = (H - VOYAGER)(K - RAM VAN/CARAVAN)

BODY STYLES

12-13 = FWD VAN

21 = 2-DOOR SEDAN

24 = 2-DOOR HATCHBACK

27 = 2-DOOR CONVERTIBLE

41 = 4-DOOR SEDAN

44 = 4-DOOR HATCHBACK

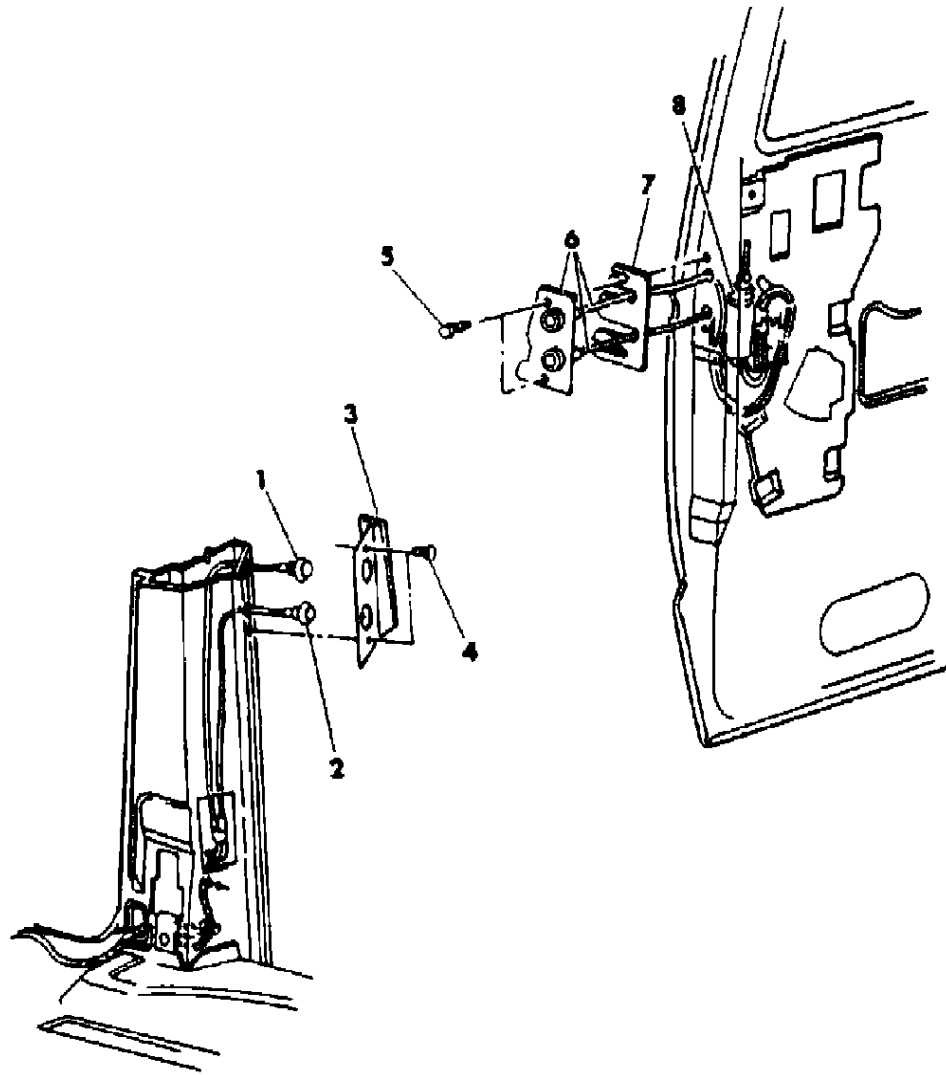
45 = 4-DOOR STATION WAGON

52-53 = FWD WAGON

AR = Use as Required - = Non Illustrated Part P.A.R. = Paint as Required

WIRING & SWITCHES--SLIDING DOOR S BODY
Figure 8-8900

7103 8900



ITEM	PART NUMBER	QTY	BODY	MODEL	DESCRIPTION
1	4304 543	1			WIRING, Door Unlock
2	4304 542	1			WIRING, Door Lock
3	4304 584	1			COVER, Door Lock
4		2			SCREW, (Not Serv.)
5		2			SCREW, (Not Serv.)
6	4304 541	1			WIRING, (Door Lock)
7					SHIM, Contact Base (Not Serv.)
8	4310 739	1			SOLENOID, Power Door Lock

MODEL CODES

E BODY = (J - CARAVELLE)(E - 600)(T - NEW YORKER)

G BODY = (V24 - DAYTONA)

H BODY = (D44 - LANCER)(C44 - LEBARON GTS)

J BODY = (C - LEBARON)

K BODY = (P - RELIANT)(D - ARIES)(C - LEBAROND)/TOWN & COUNTRY)

L BODY = (M - HORIZON/TURISMO)(Z - OMNI/CHARGER)

M BODY = (B - GRAN FURY)(F - FIFTH AVE/NEWPORT)(G - DIPLOMAT)

P BODY = (P - SUNDANCE)(D - SHADOW)

S BODY = (H - VOYAGER)(K - RAM VAN/CARAVAN)

BODY STYLES

12-13 = FWD VAN

21 = 2-DOOR SEDAN

24 = 2-DOOR HATCHBACK

27 = 2-DOOR CONVERTIBLE

41 = 4-DOOR SEDAN

44 = 4-DOOR HATCHBACK

45 = 4-DOOR STATION WAGON

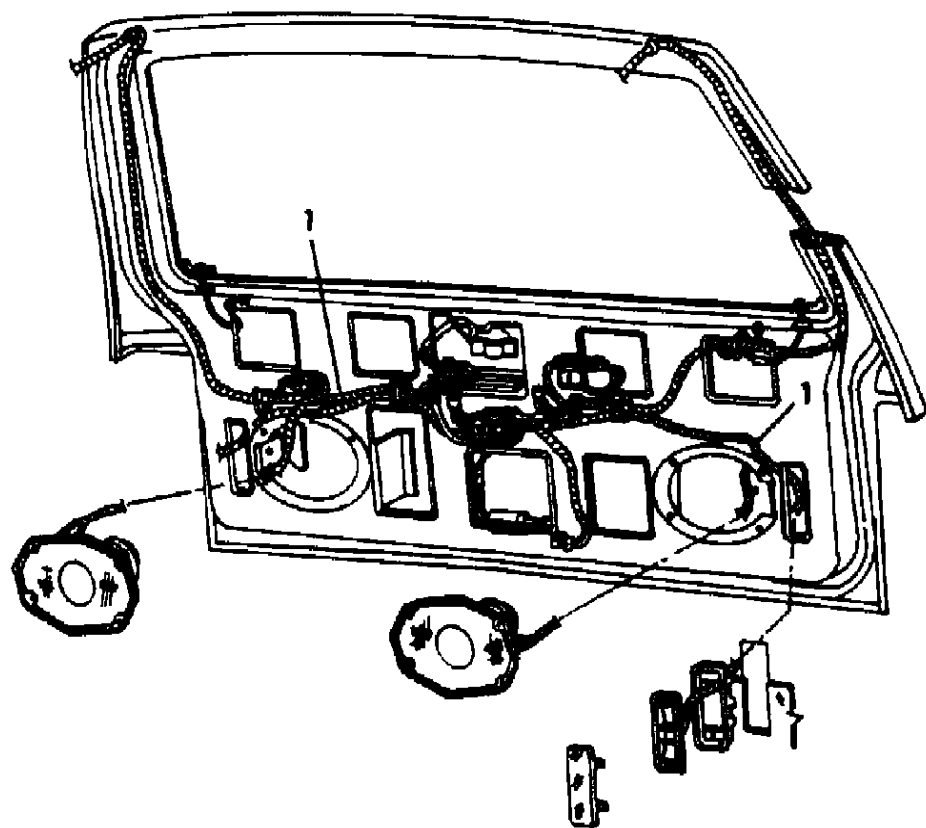
52-53 = FWD WAGON

AR = Use as Required - = Non Illustrated Part P.A.R. = Paint as Required

WIRING--LIFTGATE S BODY
Figure 8-9000

7108 8000

ITEM	PART NUMBER	QTY	BODY	MODEL	DESCRIPTION
1	4304 264				WIRING, Liftgate Wiper (Rt.)
	4304 266				Liftgate Release,(Rt.)
	4400 419				(Lt.)
	4400 421				Liftgate Release & E.B.L. (Lt.)
	4368 660				Liftgate Release & Wipe (Rt.)
	4400 425				Liftgate Courtesy Lamp (Lt.)
	4400 424				Liftgate Release, Wiper & Speaker (Rt.)
	4400 434				Liftgate Speaker (Rt.)
	4400 670				Liftgate Courtesy Lamp & Speakers
	4304 290				Liftgate Heated Rear Window Pigtail Grd. (Rt.)
	4304 291				Liftgate Heated Rear Window Pigtail Feed
	4400 430				Rt. Body Rear Speaker & Door Lock
	4368 670				Rear Door License Lamp (Dual Rear Doors)



MODEL CODES

E BODY = (J - CARAVELLE)(E - 600)(T - NEW YORKER)

G BODY = (V24 - DAYTONA)

H BODY = (D44 - LANCER)(C44 - LEBARON GTS)

J BODY = (C - LEBARON)

K BODY = (P - RELIANT)(D - ARIES)(C - LEBAROND)/TOWN & COUNTRY)

L BODY = (M - HORIZON/TURISMO)(Z - OMNI/CHARGER)

M BODY = (B - GRAN FURY)(F - FIFTH AVE/NEWPORT)(G - DIPLOMAT)

P BODY = (P - SUNDANCE)(D - SHADOW)

S BODY = (H - VOYAGER)(K - RAM VAN/CARAVAN)

BODY STYLES

12-13 = FWD VAN

21 = 2-DOOR SEDAN

24 = 2-DOOR HATCHBACK

27 = 2-DOOR CONVERTIBLE

41 = 4-DOOR SEDAN

44 = 4-DOOR HATCHBACK

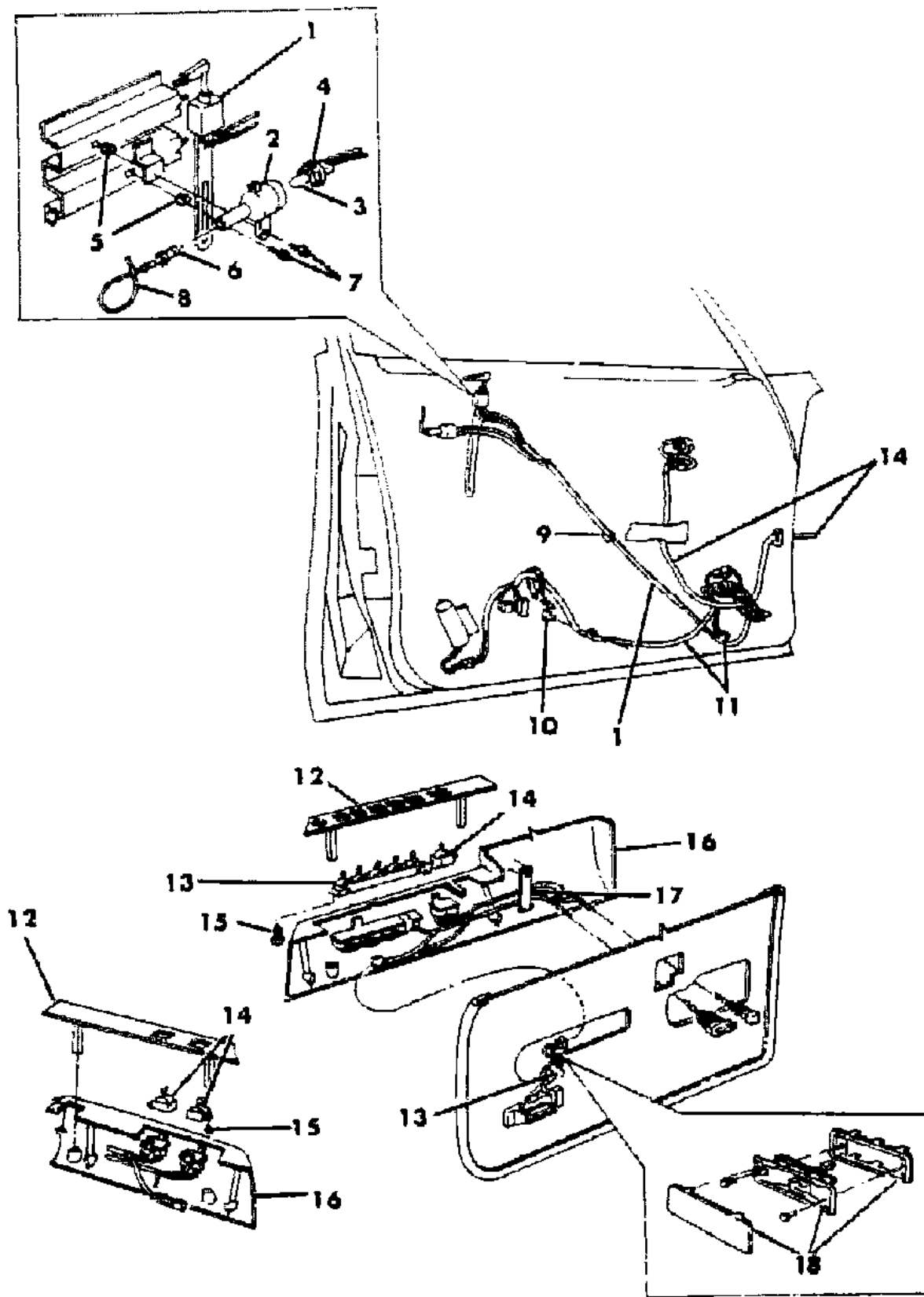
45 = 4-DOOR STATION WAGON

52-53 = FWD WAGON

AR = Use as Required - = Non Illustrated Part P.A.R. = Paint as Required

WIRING & SWITCHES--FRONT DOOR M BODY
Figure 8-9100

7108 9100



ITEM	PART NUMBER	QTY	BODY	MODEL	DESCRIPTION
1	3747 819	2			SWITCH, w/Wiring, Illum. Entry
2	3591 894	2			HOUSING, Lamp
3	9415 969	2			BULB
4	3513 686	2			SOCKET
5	6031 234	AR			NUT, Switch Mounting
6		AR			CLIP, (Not Serv.)
7		AR			SCREW, (Not Serv.)
8	4172 675	AR			CABLE
9		AR			CLIP, (Not Serv.)
10		AR			RETAINER, (Not Serv.)
11					WIRING, Front Door
	4274 172				Illum. Entry & Courtesy Lamp
	4209 971				Pwr. Windows, Illum. Entry, w/ or w/o Pwr. Door Locks
	4274 342-3				Power Windows, Door Locks (Armrest)
	4274 344				Rt. Frt. Door Wdo. Lift (Armrest)
	4274 345				Rear Door Wdo. Lift (Armrest)
	4274 340-1				Door Locks
12					BEZEL, Finish Plate, Armrest (See 23C)
13	4131 377				SWITCH, Five Gang
14	4131 376				SWITCH, Single
15					SCREW, (Not Serv.)
16					ARMREST, (See IT Section)
17					CLIP, (Not Serv.)
18					LAMP, Courtesy (See Illus. 5100)

MODEL CODES

E BODY = (J - CARAVELLE)(E - 600)(T - NEW YORKER)

G BODY = (V24 - DAYTONA)

H BODY = (D44 - LANCER)(C44 - LEBARON GTS)

J BODY = (C - LEBARON)

K BODY = (P - RELIANT)(D - ARIES)(C - LEBAROND)/TOWN & COUNTRY)

L BODY = (M - HORIZON/TURISMO)(Z - OMNI/CHARGER)

M BODY = (B - GRAN FURY)(F - FIFTH AVE/NEWPORT)(G - DIPLOMAT)

P BODY = (P - SUNDANCE)(D - SHADOW)

S BODY = (H - VOYAGER)(K - RAM VAN/CARAVAN)

BODY STYLES

12-13 = FWD VAN

21 = 2-DOOR SEDAN

24 = 2-DOOR HATCHBACK

27 = 2-DOOR CONVERTIBLE

41 = 4-DOOR SEDAN

44 = 4-DOOR HATCHBACK

45 = 4-DOOR STATION WAGON

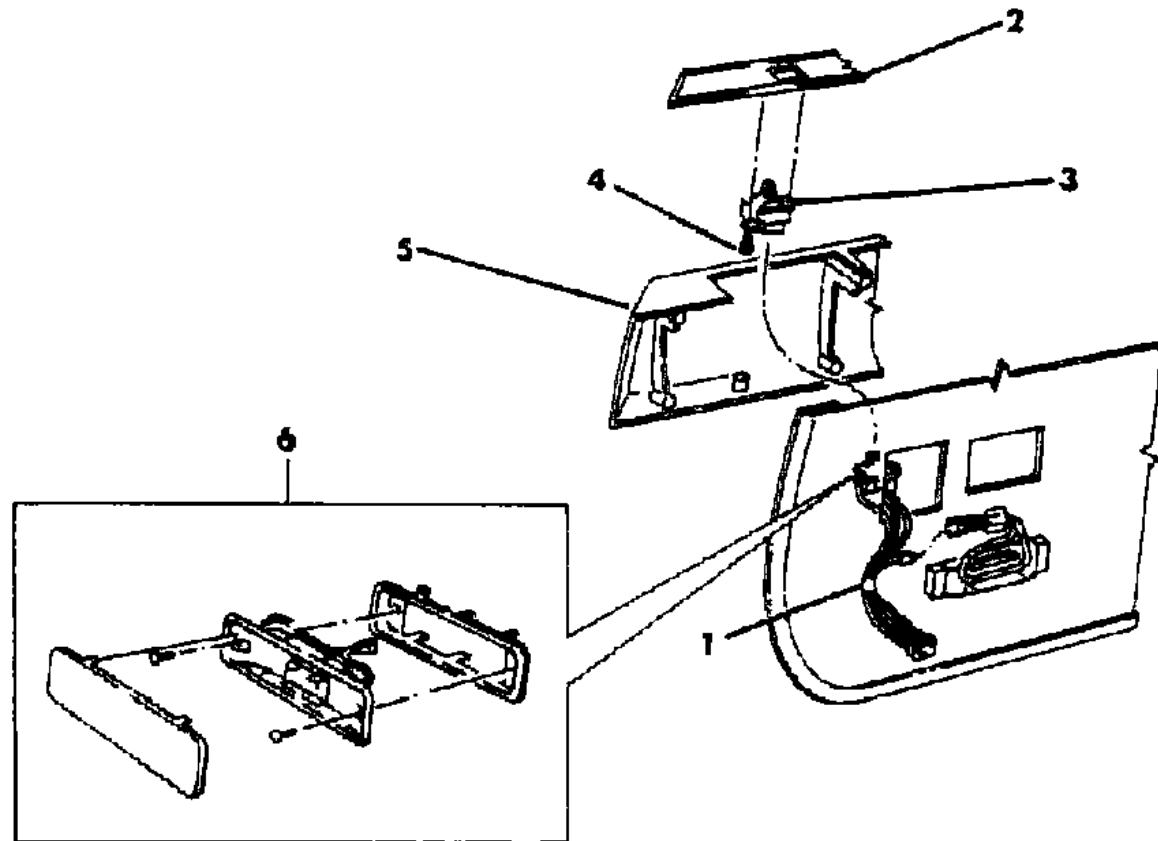
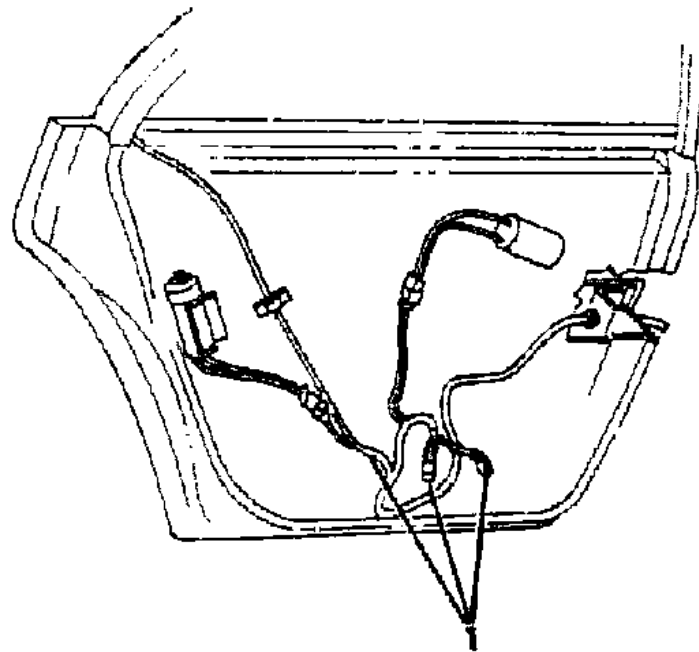
52-53 = FWD WAGON

AR = Use as Required - = Non Illustrated Part P.A.R. = Paint as Required

WIRING & SWITCHES--REAR DOOR M BODY
Figure 8-9200

7108 9200

ITEM	PART NUMBER	QTY	BODY	MODEL	DESCRIPTION
1					WIRING, Door
	4304 888	2			Opera Lamp
	4304 886	2			Power Locks, Courtesy Lamp
	4304 887	2			Power Locks, Power Windows
	4304 885	2			Power Windows, Courtesy Lamps
	4304 884	2			Courtesy Lamps
	4274 345	2			Power Windows
2		1			BEZEL, Armrest (See 23C)
3	4131 376	2			SWITCH, Single
4		AR			SCREW, (Not Serv.)
5					ARMREST, (See 23IT)
6					LAMP, Courtesy (See 5100)



MODEL CODES

E BODY = (J - CARAVELLE)(E - 600)(T - NEW YORKER)

G BODY = (V24 - DAYTONA)

H BODY = (D44 - LANCER)(C44 - LEBARON GTS)

J BODY = (C - LEBARON)

K BODY = (P - RELIANT)(D - ARIES)(C - LEBAROND)/TOWN & COUNTRY)

L BODY = (M - HORIZON/TURISMO)(Z - OMNI/CHARGER)

M BODY = (B - GRAN FURY)(F - FIFTH AVE/NEWPORT)(G - DIPLOMAT)

P BODY = (P - SUNDANCE)(D - SHADOW)

S BODY = (H - VOYAGER)(K - RAM VAN/CARAVAN)

BODY STYLES

12-13 = FWD VAN

21 = 2-DOOR SEDAN

24 = 2-DOOR HATCHBACK

27 = 2-DOOR CONVERTIBLE

41 = 4-DOOR SEDAN

44 = 4-DOOR HATCHBACK

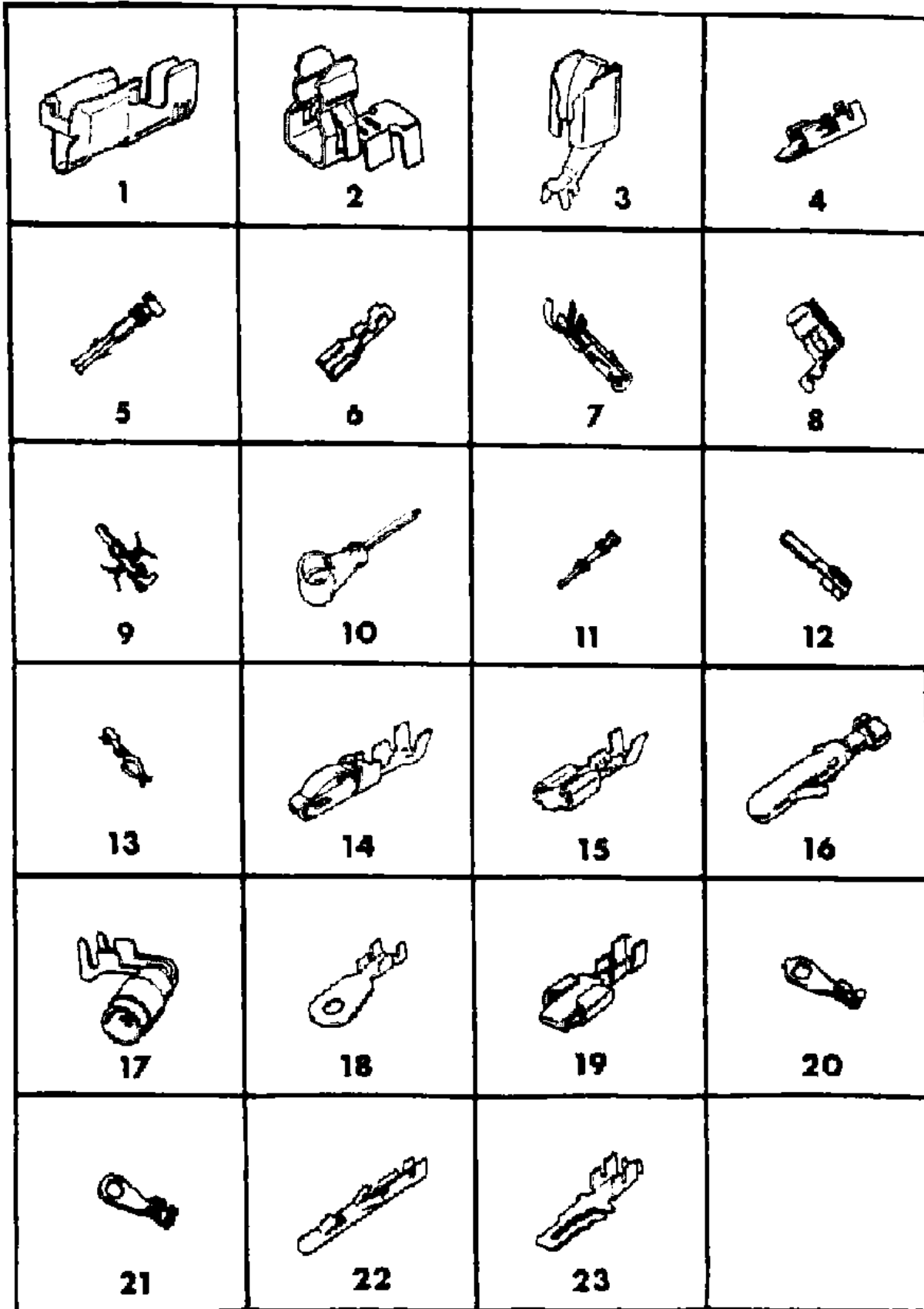
45 = 4-DOOR STATION WAGON

52-53 = FWD WAGON

AR = Use as Required - = Non Illustrated Part P.A.R. = Paint as Required

TERMINAL CHART
Figure 8-9300

7108 9300



ITEM	PART NUMBER	QTY	BODY	MODEL	DESCRIPTION
1	3513 613				TERMINAL
2	3591 596				TERMINAL
3	3764 607				TERMINAL
4	2496 532				TERMINAL
5	2983 410				TERMINAL
6	2580 061				TERMINAL
7	3513 544				TERMINAL
8	2926 722				TERMINAL
9	2983 411				TERMINAL
10	3588 946				TERMINAL
11	2983 409				TERMINAL
12	2983 412				TERMINAL
13	3513 586				TERMINAL
14	3764 556				TERMINAL
15	3764 570				TERMINAL
16	3513 543				TERMINAL
17	3843 577				TERMINAL
18					
19	3588 819				TERMINAL
20	3513 637				TERMINAL
21	3438 709				TERMINAL
22	3513 756				TERMINAL
23	3513 692				TERMINAL

MODEL CODES

E BODY = (J - CARAVELLE)(E - 600)(T - NEW YORKER)

G BODY = (V24 - DAYTONA)

H BODY = (D44 - LANCER)(C44 - LEBARON GTS)

J BODY = (C - LEBARON)

K BODY = (P - RELIANT)(D - ARIES)(C - LEBAROND)/TOWN & COUNTRY)

L BODY = (M - HORIZON/TURISMO)(Z - OMNI/CHARGER)

M BODY = (B - GRAN FURY)(F - FIFTH AVE/NEWPORT)(G - DIPLOMAT)

P BODY = (P - SUNDANCE)(D - SHADOW)

S BODY = (H - VOYAGER)(K - RAM VAN/CARAVAN)

BODY STYLES

12-13 = FWD VAN

21 = 2-DOOR SEDAN

24 = 2-DOOR HATCHBACK

27 = 2-DOOR CONVERTIBLE

41 = 4-DOOR SEDAN

44 = 4-DOOR HATCHBACK

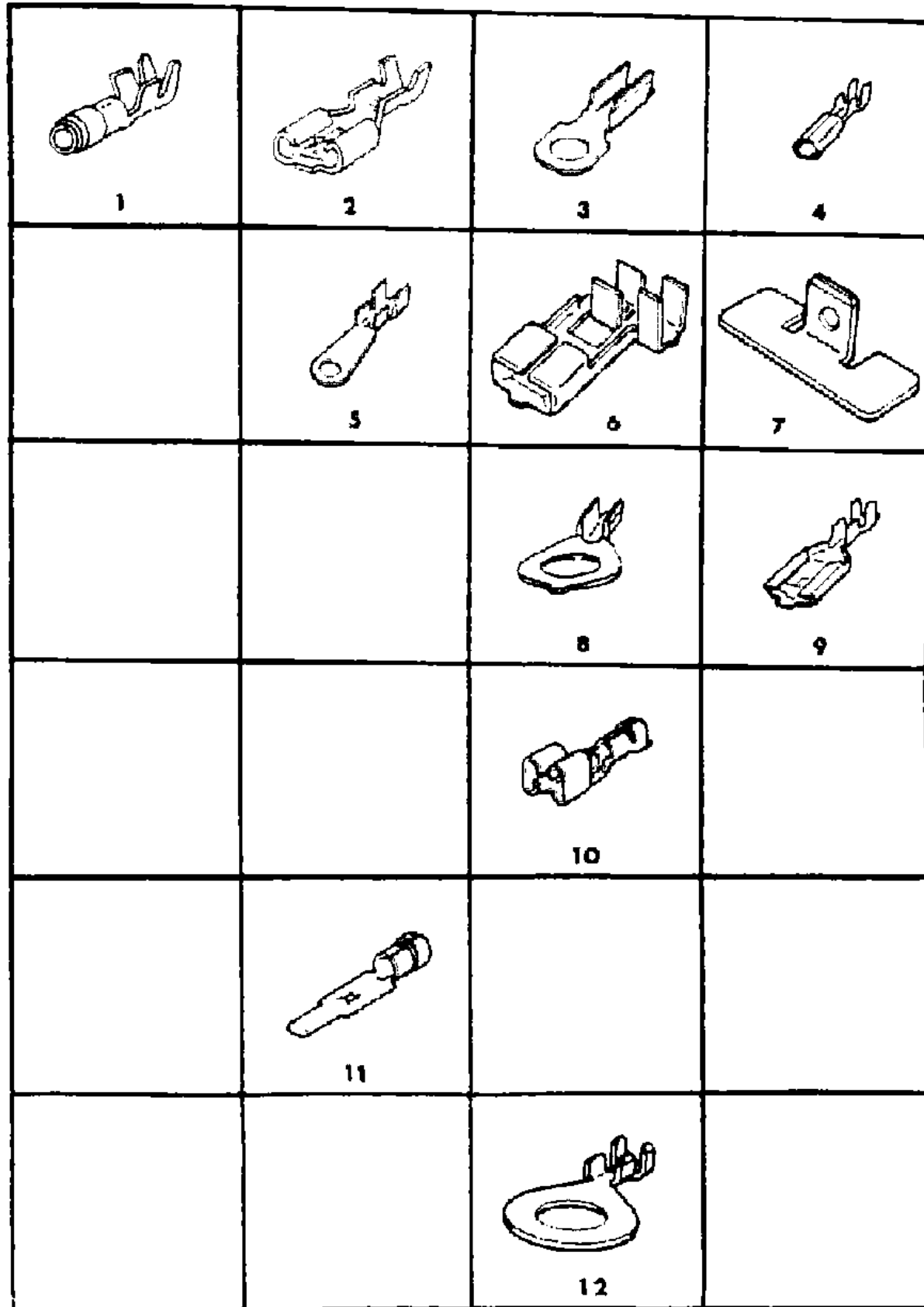
45 = 4-DOOR STATION WAGON

52-53 = FWD WAGON

AR = Use as Required - = Non Illustrated Part P.A.R. = Paint as Required

TERMINAL CHART
Figure 8-9300

7108 8408



ITEM	PART NUMBER	QTY	BODY	MODEL	DESCRIPTION
1	3843 576				TERMINAL
2	3843 935				TERMINAL
3	2197 947				TERMINAL
4	2983 410				TERMINAL
5	2290 069				TERMINAL
6	4055 468				TERMINAL
7	4055 775				TERMINAL
8	5211 602				TERMINAL
9	1704 562				TERMINAL
10	3843 601				TERMINAL
11	3843 386				TERMINAL
12	5211 599				TERMINAL
	4368 557				DIODE, A/C Clutch Mold (Repair)
	4368 556				DIODE, A/C Battery Cable Mold (Repair)

MODEL CODES

E BODY = (J - CARAVELLE)(E - 600)(T - NEW YORKER)

G BODY = (V24 - DAYTONA)

H BODY = (D44 - LANCER)(C44 - LEBARON GTS)

J BODY = (C - LEBARON)

K BODY = (P - RELIANT)(D - ARIES)(C - LEBAROND)/TOWN & COUNTRY)

L BODY = (M - HORIZON/TURISMO)(Z - OMNI/CHARGER)

M BODY = (B - GRAN FURY)(F - FIFTH AVE/NEWPORT)(G - DIPLOMAT)

P BODY = (P - SUNDANCE)(D - SHADOW)

S BODY = (H - VOYAGER)(K - RAM VAN/CARAVAN)

BODY STYLES

12-13 = FWD VAN

21 = 2-DOOR SEDAN

24 = 2-DOOR HATCHBACK

27 = 2-DOOR CONVERTIBLE

41 = 4-DOOR SEDAN

44 = 4-DOOR HATCHBACK

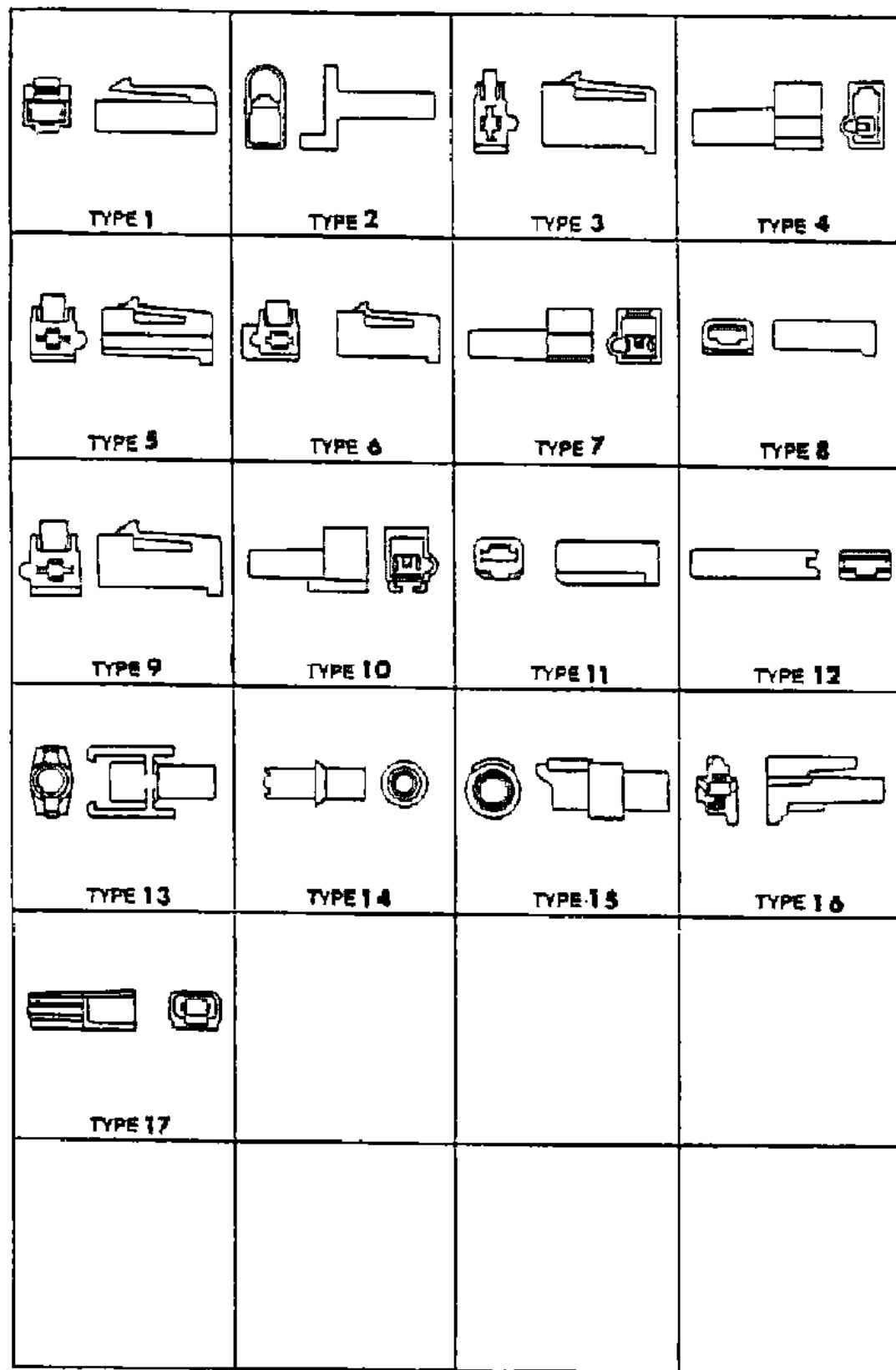
45 = 4-DOOR STATION WAGON

52-53 = FWD WAGON

AR = Use as Required - = Non Illustrated Part P.A.R. = Paint as Required

INSULATORS 1 WAY
Figure 8-9500

7108 9500 A



ITEM	PART NUMBER	QTY	BODY	MODEL	DESCRIPTION
1					NATURAL--NOT SERV.
2	4124 694				BLACK--W/TERMINAL 2298882
3	4124 687				VIOLET--W/TERMINAL 3843601
4	4124 686				VIOLET--W/TERMINAL 3843386
5	4124 236				GREEN--W/TERMINAL 3843601
6	4124 757				BLACK--W/TERMINAL 2298882
7	4124 235				GREEN--W/TERMINAL 3843386
8	4055 395				BLACK--W/TERMINAL 4186045
9	3843 754				NATURAL--W/TERMINAL 3843601
10	4274 267				NATURAL--W/TERMINAL 3843386
11					NATURAL--Not Serv.
12	4304 611				BLACK--W/TERMINAL 4304610
13	3588 780				BLACK--W/TERMINAL 3513543
14	3588 781				BLACK--W/TERMINAL 3513544
15	4304 640				BLACK--W/TERMINAL 4304637
16	4331 515				GRAY--W/TERMINAL 4331510
17					BLACK--NOT SERV.

MODEL CODES

E BODY = (J - CARAVELLE)(E - 600)(T - NEW YORKER)

G BODY = (V24 - DAYTONA)

H BODY = (D44 - LANCER)(C44 - LEBARON GTS)

J BODY = (C - LEBARON)

K BODY = (P - RELIANT)(D - ARIES)(C - LEBAROND)/TOWN & COUNTRY)

L BODY = (M - HORIZON/TURISMO)(Z - OMNI/CHARGER)

M BODY = (B - GRAN FURY)(F - FIFTH AVE/NEWPORT)(G - DIPLOMAT)

P BODY = (P - SUNDANCE)(D - SHADOW)

S BODY = (H - VOYAGER)(K - RAM VAN/CARAVAN)

BODY STYLES

12-13 = FWD VAN

21 = 2-DOOR SEDAN

24 = 2-DOOR HATCHBACK

27 = 2-DOOR CONVERTIBLE

41 = 4-DOOR SEDAN

44 = 4-DOOR HATCHBACK

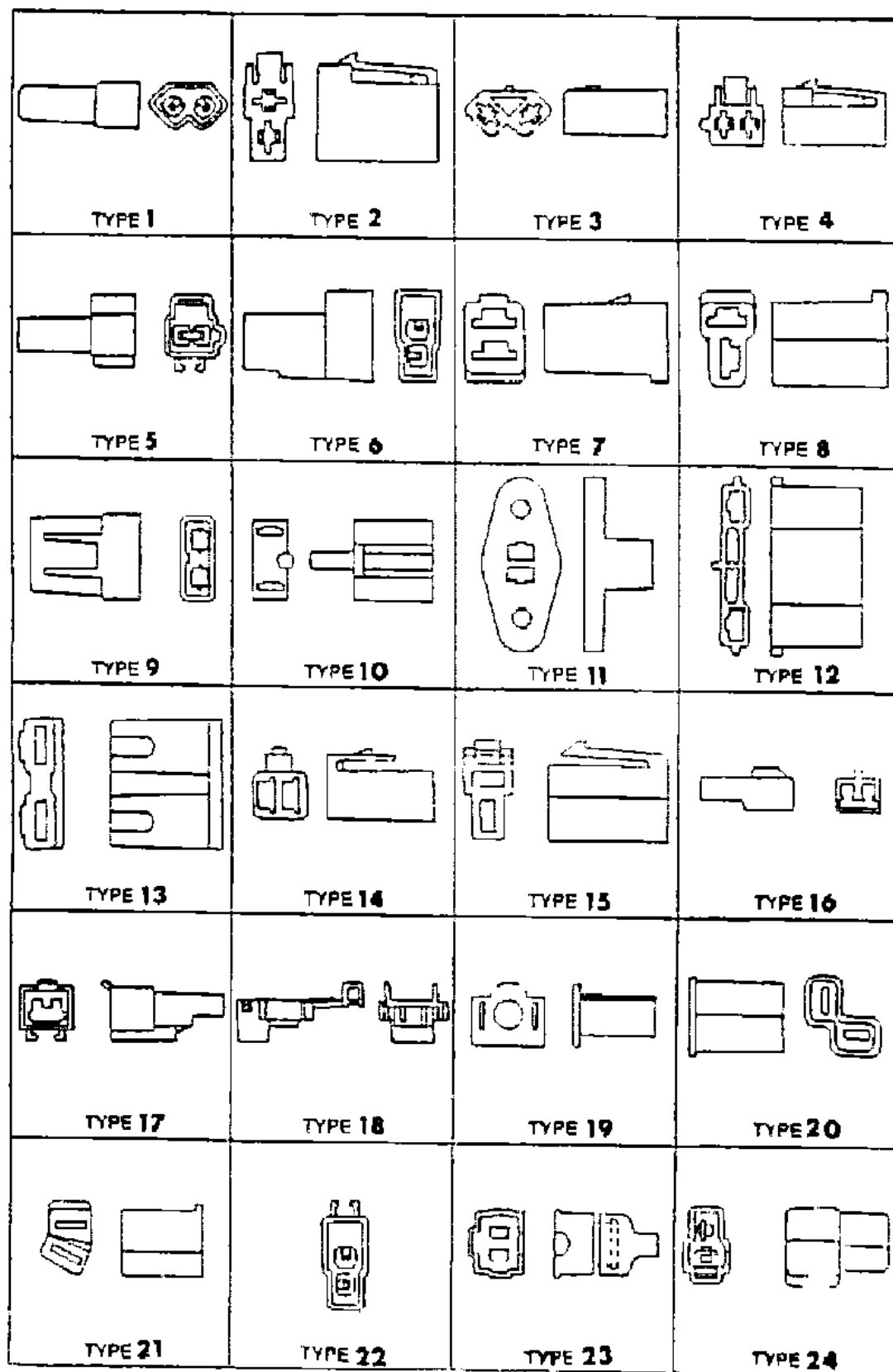
45 = 4-DOOR STATION WAGON

52-53 = FWD WAGON

AR = Use as Required - = Non Illustrated Part P.A.R. = Paint as Required

INSULATORS 2 WAY
Figure 8-9600

7108 9600A



ITEM	PART NUMBER	QTY	BODY	MODEL	DESCRIPTION
1	4055 020				NATURAL--W/TERMINAL 3843386
2	4055 019				NATURAL--W/TERMINAL 3843601
3	4055 021				NATURAL--W/TERMINAL 3843601
4	4209 957				BLACK--W/TERMINAL 3843601
4	4055 012				BLACK--W/TERMINAL 4055012
5	4274 936				BLACK--W/TERMINAL 3843386
6	4055 018				NATURAL--W/TERMINAL 3843386
7	3764 263				BLACK--W/TERMINAL
8	3764 944				BLACK--W/TERMINAL
9					GRAY--NOT SERV.
10	3588 525				WHITE--W/TERMINAL
11					BLACK--NOT SERV.
12	3588 399				BLACK--W/TERMINAL
13	2857 761				BLACK
14	4209 180				GRAY--W/TERMINAL 3588819
15					ASSORTED--NOT SERV.
16	4209 927				BLACK--W/TERM. 4209706
17	4274 937				BLACK--W/TERMINAL 4209707
18	4274 059				BLACK--W/TERMINAL 4274057 & 4274058
19					BLACK--NOT SERV.
20	3588 523				GRAY--W/TERMINAL
21					ORANGE--NOT SERV.
22					BLACK--NOT SERV.
23	4274 923				BLACK--W/TERMINAL 4274922
24	4304 527				ASSORTED--W/TERMINAL 4304528

MODEL CODES

E BODY = (J - CARAVELLE)(E - 600)(T - NEW YORKER)
 G BODY = (V24 - DAYTONA)
 H BODY = (D44 - LANCER)(C44 - LEBARON GTS)
 J BODY = (C - LEBARON)
 K BODY = (P - RELIANT)(D - ARIES)(C - LEBAROND)/TOWN & COUNTRY
 L BODY = (M - HORIZON/TURISMO)(Z - OMNI/CHARGER)
 M BODY = (B - GRAN FURY)(F - FIFTH AVE/NEWPORT)(G - DIPLOMAT)
 P BODY = (P - SUNDANCE)(D - SHADOW)
 S BODY = (H - VOYAGER)(K - RAM VAN/CARAVAN)

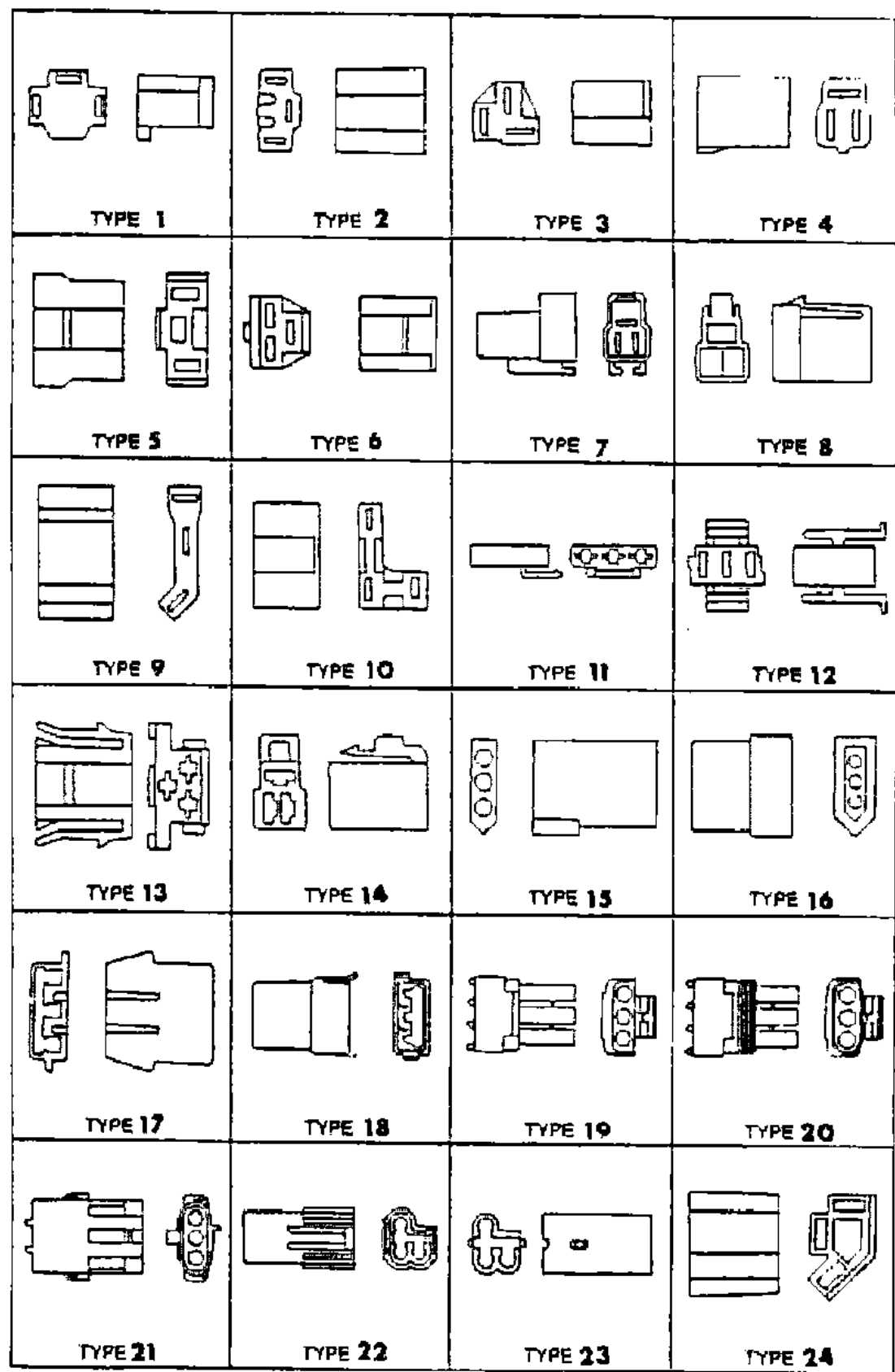
BODY STYLES

12-13 = FWD VAN
 21 = 2-DOOR SEDAN
 24 = 2-DOOR HATCHBACK
 27 = 2-DOOR CONVERTIBLE
 41 = 4-DOOR SEDAN
 44 = 4-DOOR HATCHBACK
 45 = 4-DOOR STATION WAGON
 52-53 = FWD WAGON

AR = Use as Required - = Non Illustrated Part P.A.R. = Paint as Required

INSULATORS 3 WAY
Figure 8-9700

7108 9700A



ITEM	PART NUMBER	QTY	BODY	MODEL	DESCRIPTION
1	4186 045				BLACK
2	2857 754				
3	2889 650				
4					YELLOW--W/TERMINAL 1769281
5					GRAY--NOT SERV.
	3843 282				NATURAL
6	3843 059				RED
	3843 494				NATURAL
7	4274 264				BLACK--W/TERMINAL 3843386
8	4055 008				BLACK--W/TERMINAL 3843601
9	4055 148				BLACK--W/TERMINAL 2096466
10	4055 589				BLACK--W/TERMINAL 2096466
11					NATURAL--NOT SERV.
12	4124 621				GRAY--W/TERMINAL 4124083
13					NATURAL--NOT SERV.
14					NATURAL--NOT SERV.
15	4209 546				BLACK--W/TERMINAL 2983410
16	4209 548				BLACK--W/TERMINAL 2983409
17	4274 501				BLACK--W/TERMINAL 4209706
18	4274 506				BLACK--W/TERMINAL 4209707
19					BLUE--SERV. ASSY.
20					ORANGE--SERV. ASSY.
21	4368 173				BLACK--W/TERMINAL 4274665
22	4368 428				BLACK
23	4368 434				BLACK
24	4368 356				BLACK--W/TERMINAL 4186045

MODEL CODES

E BODY = (J - CARAVELLE)(E - 600)(T - NEW YORKER)

G BODY = (V24 - DAYTONA)

H BODY = (D44 - LANCER)(C44 - LEBARON GTS)

J BODY = (C - LEBARON)

K BODY = (P - RELIANT)(D - ARIES)(C - LEBAROND)/TOWN & COUNTRY)

L BODY = (M - HORIZON/TURISMO)(Z - OMNI/CHARGER)

M BODY = (B - GRAN FURY)(F - FIFTH AVE/NEWPORT)(G - DIPLOMAT)

P BODY = (P - SUNDANCE)(D - SHADOW)

S BODY = (H - VOYAGER)(K - RAM VAN/CARAVAN)

BODY STYLES

12-13 = FWD VAN

21 = 2-DOOR SEDAN

24 = 2-DOOR HATCHBACK

27 = 2-DOOR CONVERTIBLE

41 = 4-DOOR SEDAN

44 = 4-DOOR HATCHBACK

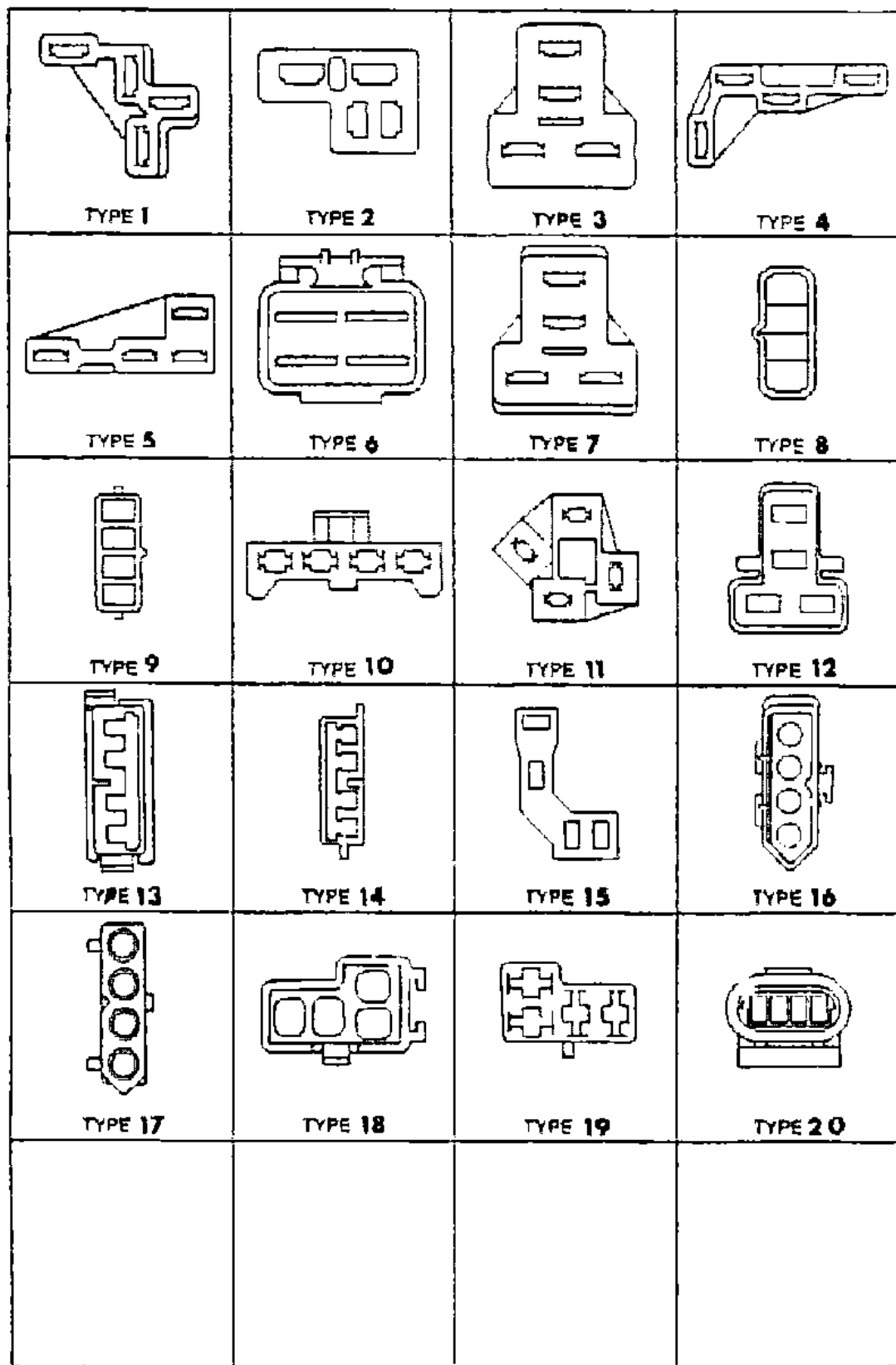
45 = 4-DOOR STATION WAGON

52-53 = FWD WAGON

AR = Use as Required - = Non Illustrated Part P.A.R. = Paint as Required

INSULATORS 4 WAY
Figure 8-9800

7108 9800A



ITEM	PART NUMBER	QTY	BODY	MODEL	DESCRIPTION
1					NOT SERV.
2					INSULATOR
3					INSULATOR
4					NOT SERV.
5					INSULATOR
6					INSULATOR
7	3843 283				NATURAL
8	4055 024				NATURAL--W/TERMINAL 3843386
9	4055 025				NATURAL--W/TERMINAL 3843601
10	4055 249				GRAY--W/TERMINAL 3843601
11	4124 199				BLACK--W/TERMINAL 3843601
12	4124 695				NATURAL--W/TERMINAL 3843601
13	4274 516				BLACK--W/TERMINAL 4209707
14	4274 511				BLACK--W/TERMINAL 4209706
15	4209 272				W/TERMINAL 3843601
16					INSULATOR
17					INSULATOR
18	4274 988				RED--W/TERMINAL
	4274 989				BLACK--W/TERMINAL 3843686
	4274 990				NATURAL--W/TERMINAL 3843686
19	4274 992				RED--W/TERMINAL 3843601
	4274 993				BLACK--W/TERMINAL 3843601
	4274 994				NATURAL--W/TERMINAL 3843601
20	4368 357				BLACK--W/TERMINAL 4368618

MODEL CODES

E BODY = (J - CARAVELLE)(E - 600)(T - NEW YORKER)

G BODY = (V24 - DAYTONA)

H BODY = (D44 - LANCER)(C44 - LEBARON GTS)

J BODY = (C - LEBARON)

K BODY = (P - RELIANT)(D - ARIES)(C - LEBAROND)/TOWN & COUNTRY)

L BODY = (M - HORIZON/TURISMO)(Z - OMNI/CHARGER)

M BODY = (B - GRAN FURY)(F - FIFTH AVE/NEWPORT)(G - DIPLOMAT)

P BODY = (P - SUNDANCE)(D - SHADOW)

S BODY = (H - VOYAGER)(K - RAM VAN/CARAVAN)

BODY STYLES

12-13 = FWD VAN

21 = 2-DOOR SEDAN

24 = 2-DOOR HATCHBACK

27 = 2-DOOR CONVERTIBLE

41 = 4-DOOR SEDAN

44 = 4-DOOR HATCHBACK

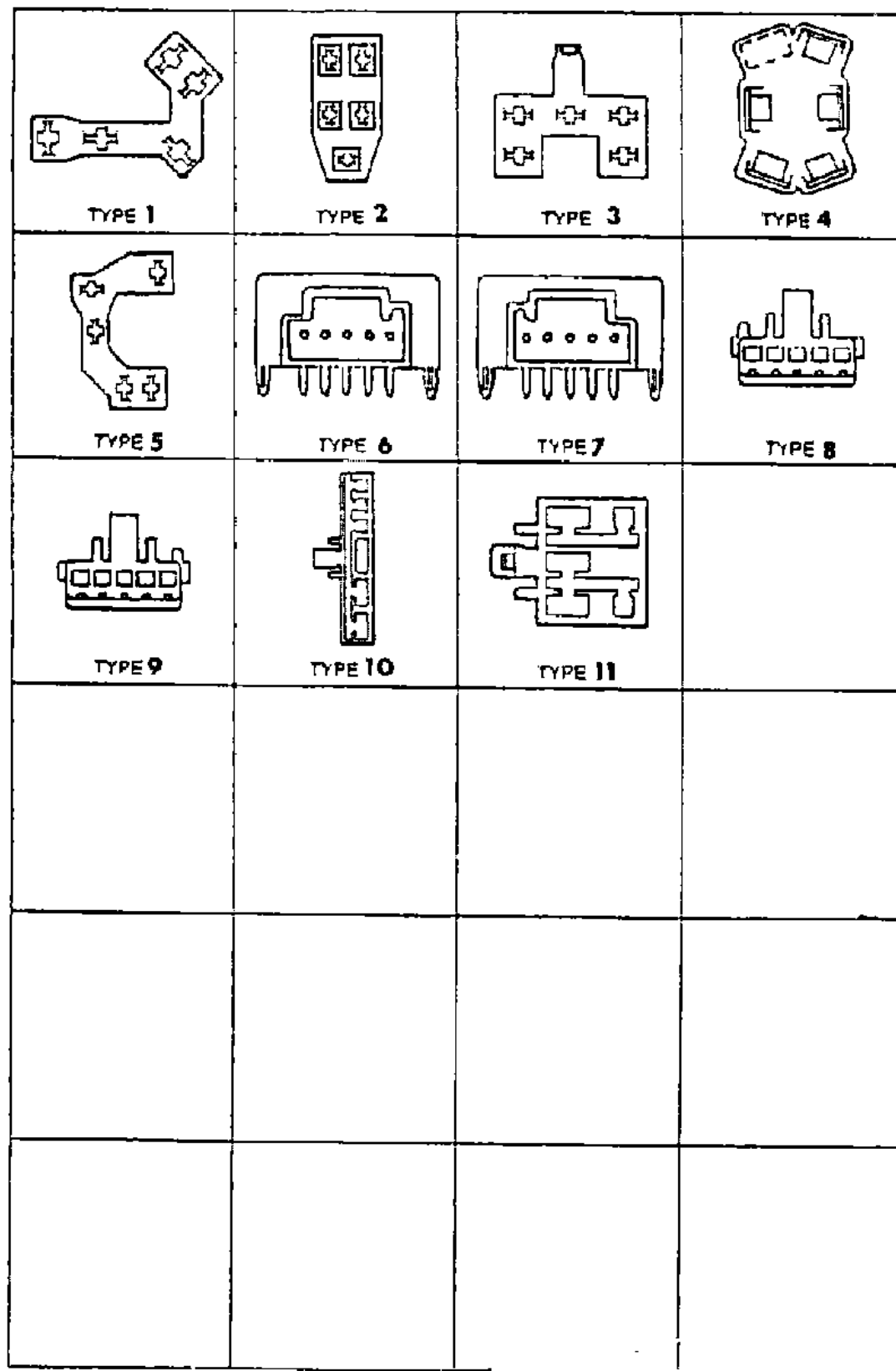
45 = 4-DOOR STATION WAGON

52-53 = FWD WAGON

AR = Use as Required - = Non Illustrated Part P.A.R. = Paint as Required

INSULATORS 5 WAY
Figure 8-9900

7108 9900 A



ITEM	PART NUMBER	QTY	BODY	MODEL	DESCRIPTION
1	4124 008				BLACK--W/TERMINAL 3843601
2	4124 262				BLACK--W/TERMINAL 3843601
3	4362 324				NATURAL--W/TERMINAL 3843601
4	5211 545				BLACK--W/TERMINAL 3843601
5	4162 879				BLACK--W/TERMINAL 3588819
6	4274 837				BLACK--
7					NATURAL--NOT SERV.
8	4331 006				BLACK--W/TERMINAL
9	4331 006				NATURAL--W/TERMINAL 4304729
10	4331 017				BLACK--W/TERMINAL 4209706 & 4331010
11	4368 444				BLACK--W/TERMINAL 4209706 & 4331010

MODEL CODES

E BODY = (J - CARAVELLE)(E - 600)(T - NEW YORKER)

G BODY = (V24 - DAYTONA)

H BODY = (D44 - LANCER)(C44 - LEBARON GTS)

J BODY = (C - LEBARON)

K BODY = (P - RELIANT)(D - ARIES)(C - LEBAROND)/TOWN & COUNTRY)

L BODY = (M - HORIZON/TURISMO)(Z - OMNI/CHARGER)

M BODY = (B - GRAN FURY)(F - FIFTH AVE/NEWPORT)(G - DIPLOMAT)

P BODY = (P - SUNDANCE)(D - SHADOW)

S BODY = (H - VOYAGER)(K - RAM VAN/CARAVAN)

BODY STYLES

12-13 = FWD VAN

21 = 2-DOOR SEDAN

24 = 2-DOOR HATCHBACK

27 = 2-DOOR CONVERTIBLE

41 = 4-DOOR SEDAN

44 = 4-DOOR HATCHBACK

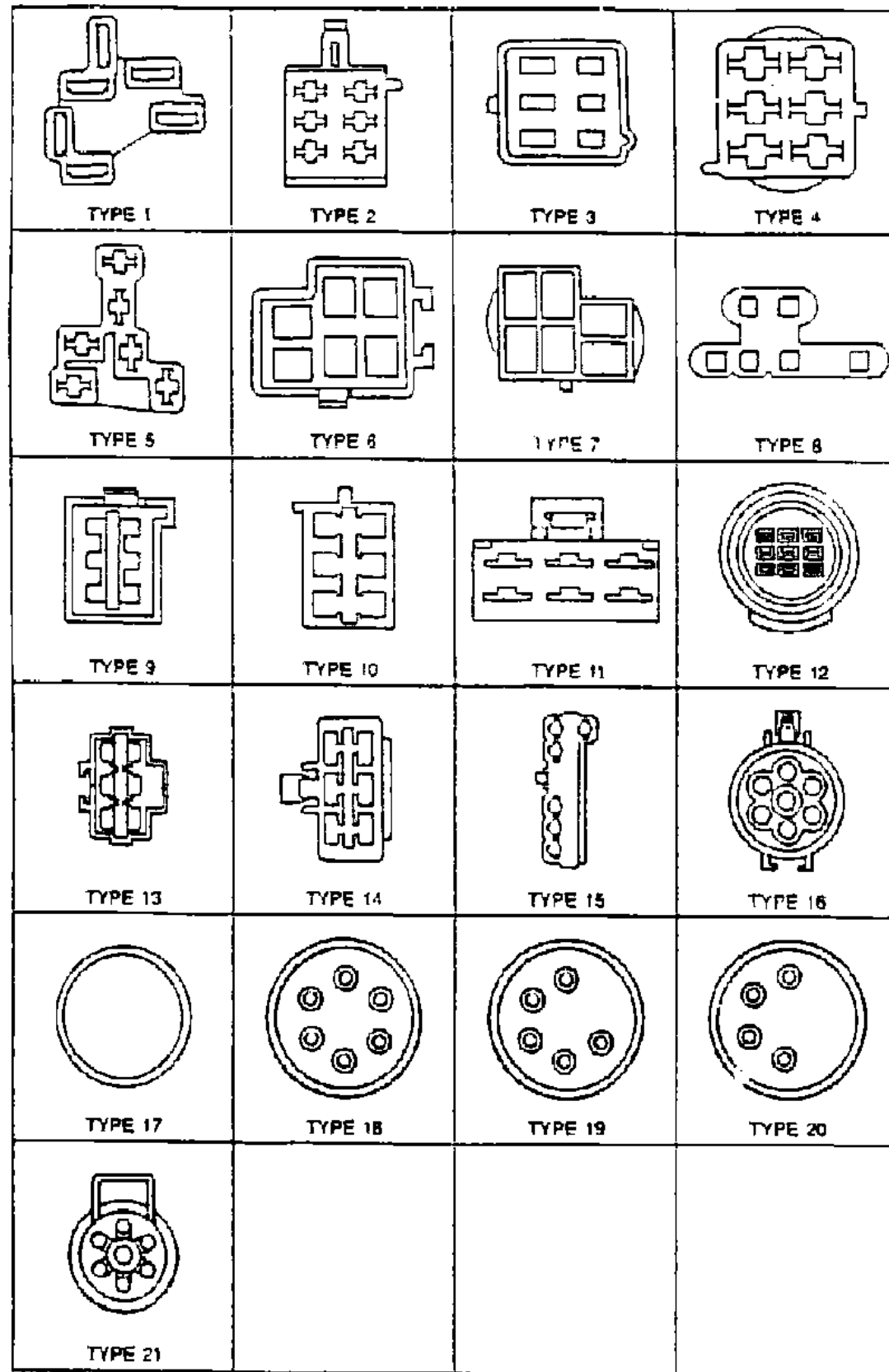
45 = 4-DOOR STATION WAGON

52-53 = FWD WAGON

AR = Use as Required - = Non Illustrated Part P.A.R. = Paint as Required

INSULATORS 6 WAY
Figure 8-1020

7108 10200 A



ITEM	PART NUMBER	QTY	BODY	MODEL	DESCRIPTION
1	4055 014				BLACK--W/TERMINAL 1769281
2	5211 546				BLACK--W/TERMINAL 3843601
3	4055 014				NATURAL--W/TERMINAL 3843386
4	4055 015				NATURAL--W/TERMINAL 3843601
5	4055 384				NATURAL--W/TERMINAL 3843601
6	4274 905				BLACK--W/TERMINAL 3843386
7	4274 909				BLACK--W/TERMINAL 3843601
8	4124 754				NATURAL--W/TERMINAL 3843380
9	4274 926				NATURAL--W/TERMINAL 4209707
	4331 930				BLUE--W/TERMINAL
10	4209 712				NATURAL--W/TERMINAL 4209706
	4331 931				BLUE--W/TERMINAL 4209706
11	4209 339				NATURAL--W/TERMINAL 4209340
12	4331 717				BLACK--W/TERMINAL 4304637
13	4368 334				NATURAL--W/TERMINAL 3843386
14	4368 342				NATURAL--W/TERMINAL 4331010
15	4331 497				BLACK--W/TERMINAL 4304599
	4331 498				GRAY--W/TERMINAL 4304599
16					BLACK--SERV.ASSY.
17					RED--SERV. ASSY.
18					GRAY--SERV. ASSY.
19					GRAY--SERV. ASSY.
20					GRAY--SERV. ASSY.
21					BLACK--SERV. ASSY.

MODEL CODES

E BODY = (J - CARAVELLE)(E - 600)(T - NEW YORKER)

G BODY = (V24 - DAYTONA)

H BODY = (D44 - LANCER)(C44 - LEBARON GTS)

J BODY = (C - LEBARON)

K BODY = (P - RELIANT)(D - ARIES)(C - LEBAROND)/TOWN & COUNTRY)

L BODY = (M - HORIZON/TURISMO)(Z - OMNI/CHARGER)

M BODY = (B - GRAN FURY)(F - FIFTH AVE/NEWPORT)(G - DIPLOMAT)

P BODY = (P - SUNDANCE)(D - SHADOW)

S BODY = (H - VOYAGER)(K - RAM VAN/CARAVAN)

BODY STYLES

12-13 = FWD VAN

21 = 2-DOOR SEDAN

24 = 2-DOOR HATCHBACK

27 = 2-DOOR CONVERTIBLE

41 = 4-DOOR SEDAN

44 = 4-DOOR HATCHBACK

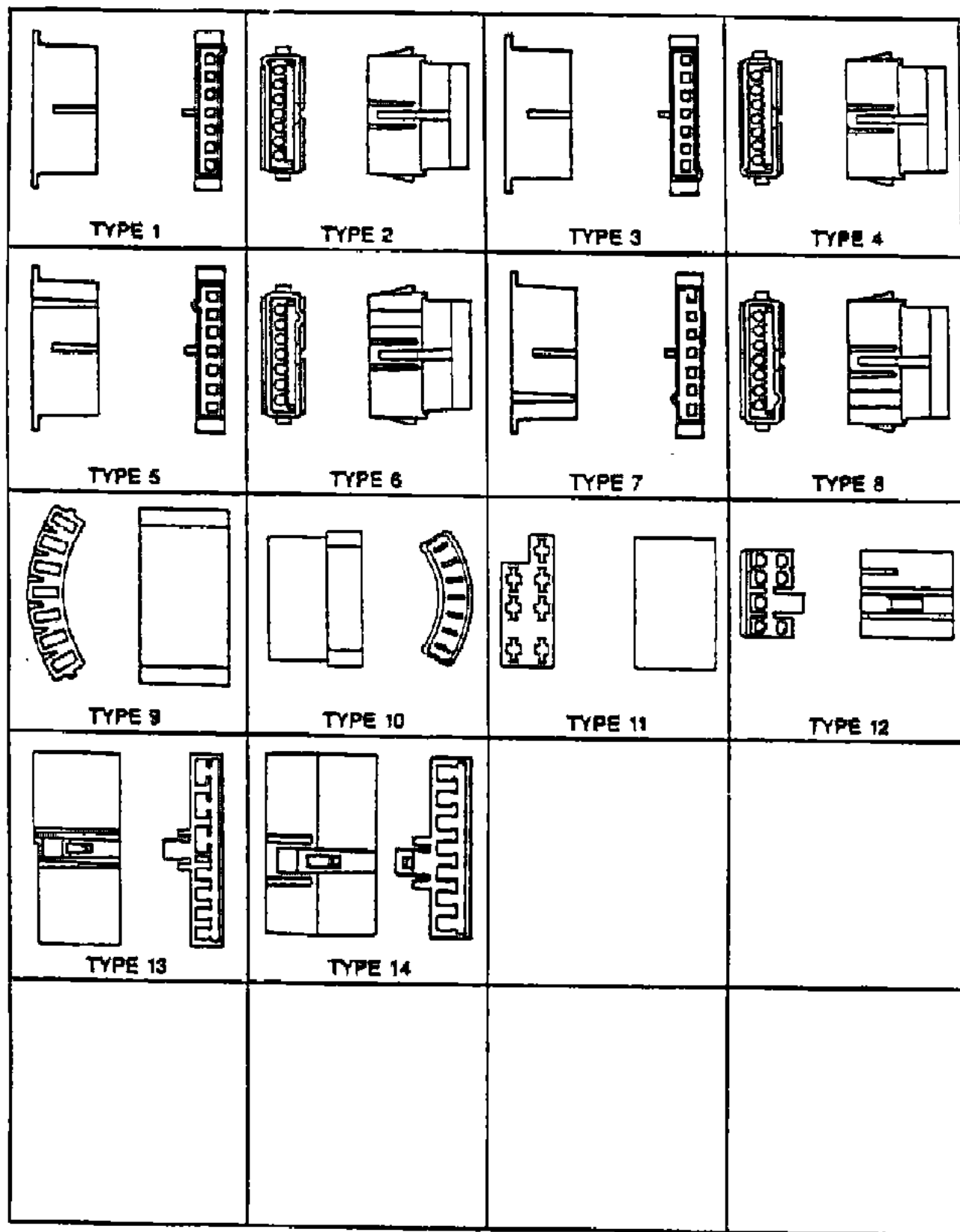
45 = 4-DOOR STATION WAGON

52-53 = FWD WAGON

AR = Use as Required - = Non Illustrated Part P.A.R. = Paint as Required

INSULATORS 7 WAY
Figure 8-1025

7108 10250



ITEM	PART NUMBER	QTY	BODY	MODEL	DESCRIPTION
1	4304 116				GRAY--W/TERMINAL 4304729
2	4304 107				GRAY--W/TERMINAL 4304100
3	4304 117				BLACK--W/TERMINAL 4304729
4	4304 108				BLACK--W/TERMINAL 4304100
5	4304 118				RED--W/TERMINAL 4304729
6	4304 109				RED--W/TERMINAL 4304100
7	4304 432				GREEN--W/TERMINAL 4304729
8	4304 431				GREEN--W/TERMINAL 4304100
9	4055 023				GRAY--W/TERMINAL 3843601
10	4055 022				GRAY--W/TERMINAL 3843386
11	4274 017				NATURAL--W/TERMINAL 3843601
12					BLACK--NOT SERV.
13	4331 021				BLACK--W/TERMINALS 4209706 & 4331010
14	4368 446				BLACK--W/TERMINALS 4209706 & 4331010

MODEL CODES

E BODY = (J - CARAVELLE)(E - 600)(T - NEW YORKER)

G BODY = (V24 - DAYTONA)

H BODY = (D44 - LANCER)(C44 - LEBARON GTS)

J BODY = (C - LEBARON)

K BODY = (P - RELIANT)(D - ARIES)(C - LEBAROND)/TOWN & COUNTRY)

L BODY = (M - HORIZON/TURISMO)(Z - OMNI/CHARGER)

M BODY = (B - GRAN FURY)(F - FIFTH AVE/NEWPORT)(G - DIPLOMAT)

P BODY = (P - SUNDANCE)(D - SHADOW)

S BODY = (H - VOYAGER)(K - RAM VAN/CARAVAN)

BODY STYLES

12-13 = FWD VAN

21 = 2-DOOR SEDAN

24 = 2-DOOR HATCHBACK

27 = 2-DOOR CONVERTIBLE

41 = 4-DOOR SEDAN

44 = 4-DOOR HATCHBACK

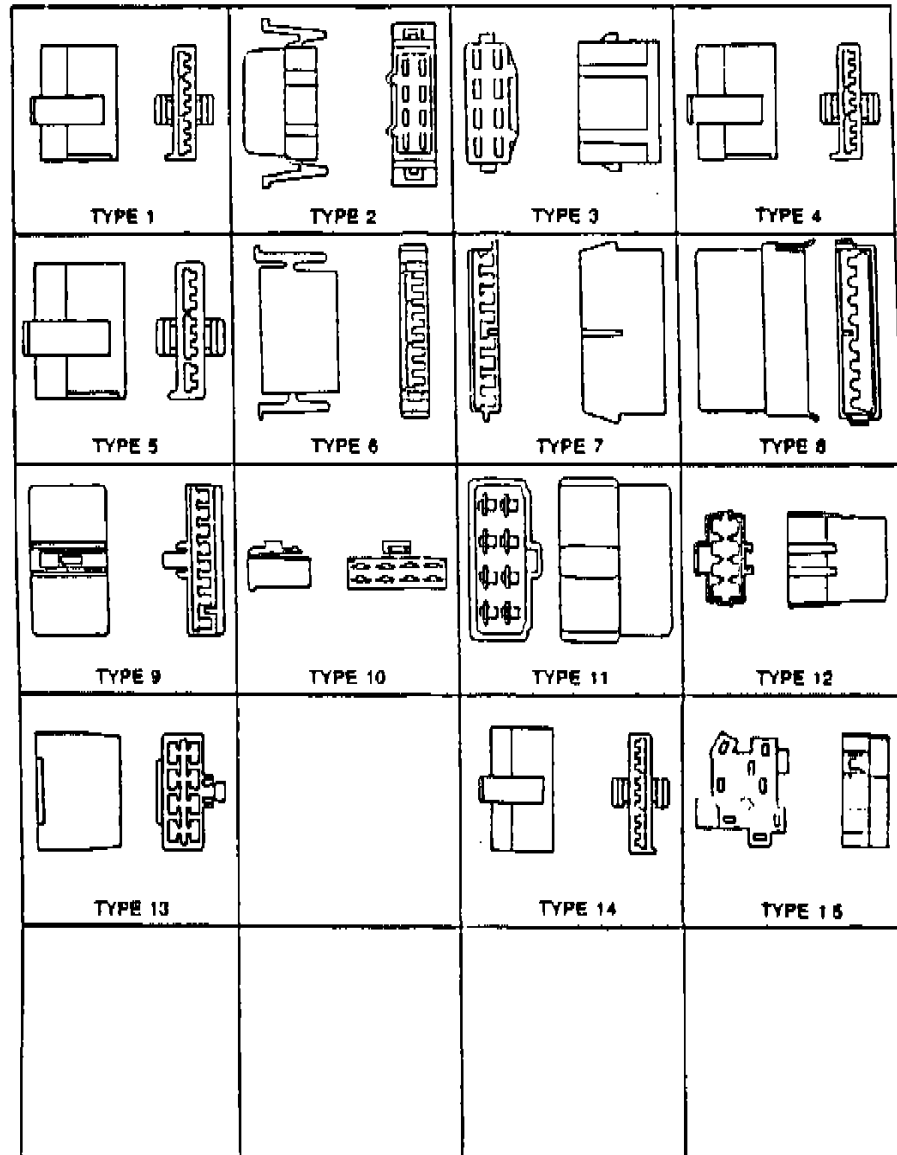
45 = 4-DOOR STATION WAGON

52-53 = FWD WAGON

AR = Use as Required - = Non Illustrated Part P.A.R. = Paint as Required

INSULATORS 8 & 9 WAY
Figure 8-1030

7108 10300 A



ITEM	PART NUMBER	QTY	BODY	MODEL	DESCRIPTION
1	3764 572				WHITE--W/TERMINAL 3764556
2	3843 413				BLACK--W/TERMINAL 3843386
3	4055 047				BLACK--W/TERMINAL 3843601
4	4055 582				BLACK--W/TERMINAL 3764556
5	4124 821				RED--W/TERMINAL 3764556
6	4209 182				BLACK--W/TERMINAL 3764556
7	4274 521				BLACK--W/TERMINAL 4209706
8	4274 527				GRAY--W/TERMINAL 4209707
9	4331 015				BLACK--W/TERMINAL 4209706
10	4304 634				NATURAL--W/TERMINAL 4209340
11	4304 667				NATURAL--W/TERMINAL 4304528
12	4368 330				NATURAL--W/TERMINAL 3843386
13	4368 338				NATURAL--W/TERMINAL 4331010
14	3764 557				WHITE--W/TERMINAL 3764556
15	3843 141				BLACK--W/TERMINAL 1769281

MODEL CODES

E BODY = (J - CARAVELLE)(E - 600)(T - NEW YORKER)

G BODY = (V24 - DAYTONA)

H BODY = (D44 - LANCER)(C44 - LEBARON GTS)

J BODY = (C - LEBARON)

K BODY = (P - RELIANT)(D - ARIES)(C - LEBAROND)/TOWN & COUNTRY)

L BODY = (M - HORIZON/TURISMO)(Z - OMNI/CHARGER)

M BODY = (B - GRAN FURY)(F - FIFTH AVE/NEWPORT)(G - DIPLOMAT)

P BODY = (P - SUNDANCE)(D - SHADOW)

S BODY = (H - VOYAGER)(K - RAM VAN/CARAVAN)

BODY STYLES

12-13 = FWD VAN

21 = 2-DOOR SEDAN

24 = 2-DOOR HATCHBACK

27 = 2-DOOR CONVERTIBLE

41 = 4-DOOR SEDAN

44 = 4-DOOR HATCHBACK

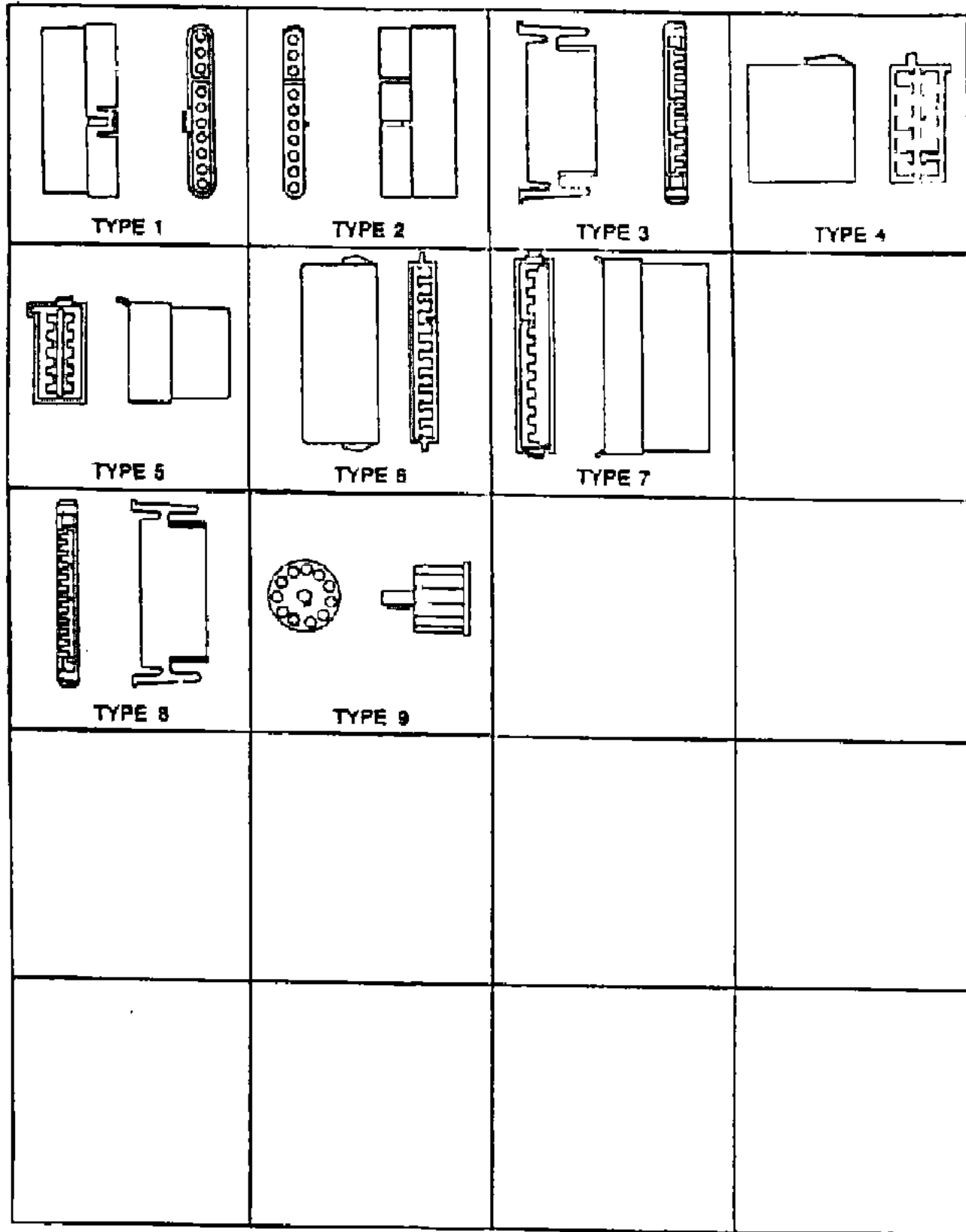
45 = 4-DOOR STATION WAGON

52-53 = FWD WAGON

AR = Use as Required - = Non Illustrated Part P.A.R. = Paint as Required

INSULATORS 10 & 11 WAY
Figure 8-1040

7108 10400 A



ITEM	PART NUMBER	QTY	BODY	MODEL	DESCRIPTION
1	4124 242				BLUE--W/TERMINAL 2983409
2	4124 243				BLUE--W/TERMINAL 2983410
3	4209 004				BLACK--W/TERMINAL 3764556
4	4209 939				GREEN--W/TERMINAL 4209706
5	4209 943				GREEN--W/TERMINAL 4209707
6	4209 948				NATURAL--W/TERMINAL 4209706
7	4209 952				NATURAL--W/TERMINAL 4209707
8	4209 701				BLACK--W/TERMINAL 3764556
9	4304 596				BLACK--TERMINAL, SERV. ASSY.
	4304 597				GRAY--TERMINAL, SERV. ASSY.
	4368 040				GREEN--TERMINAL, SERV. ASSY.

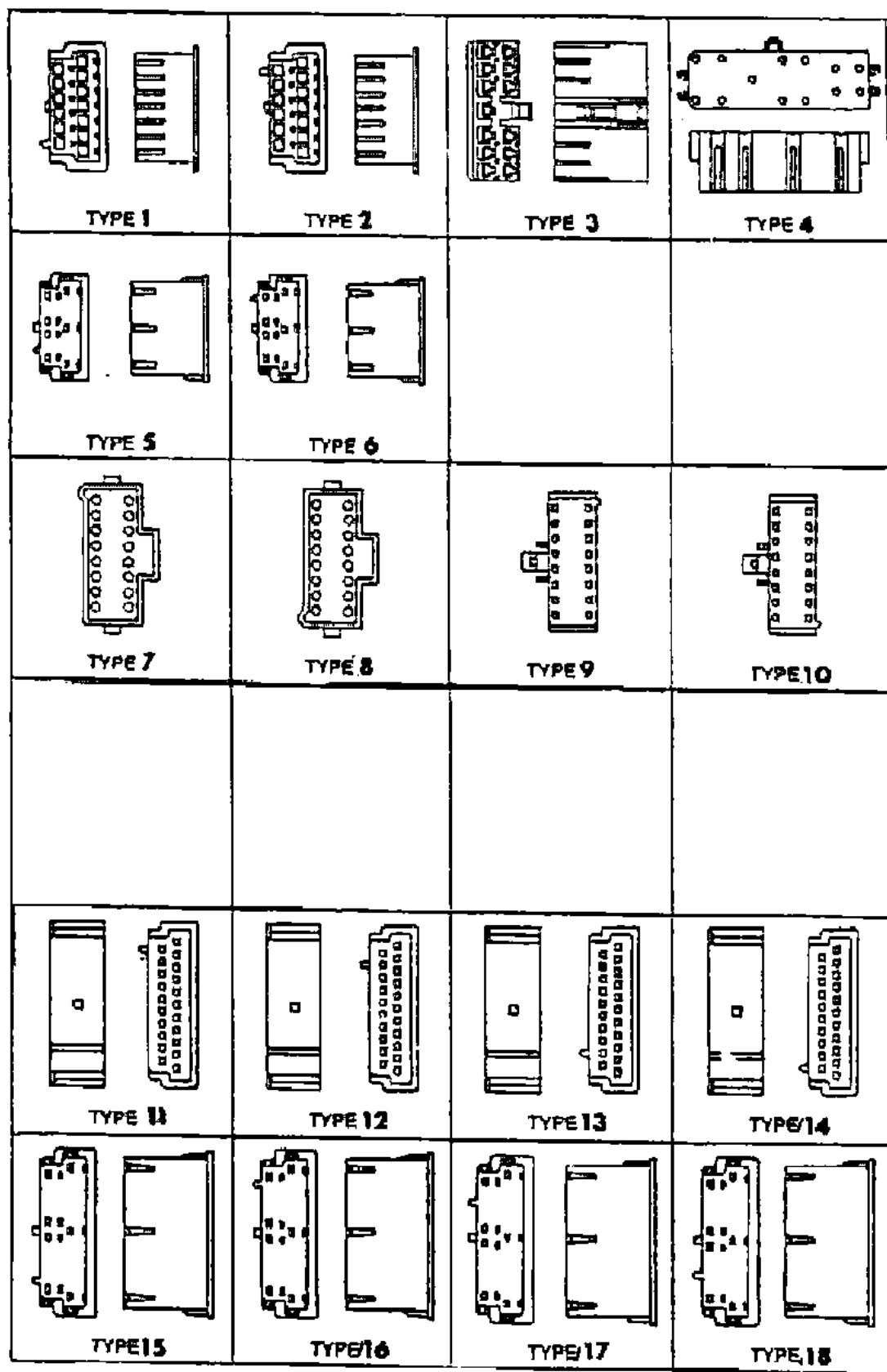
MODEL CODES
 E BODY = (J - CARAVELLE)(E - 600)(T - NEW YORKER)
 G BODY = (V24 - DAYTONA)
 H BODY = (D44 - LANCER)(C44 - LEBARON GTS)
 J BODY = (C - LEBARON)
 K BODY = (P - RELIANT)(D - ARIES)(C - LEBAROND)/TOWN & COUNTRY
 L BODY = (M - HORIZON/TURISMO)(Z - OMNI/CHARGER)
 M BODY = (B - GRAN FURY)(F - FIFTH AVE/NEWPORT)(G - DIPLOMAT)
 P BODY = (P - SUNDANCE)(D - SHADOW)
 S BODY = (H - VOYAGER)(K - RAM VAN/CARAVAN)

BODY STYLES
 12-13 = FWD VAN
 21 = 2-DOOR SEDAN
 24 = 2-DOOR HATCHBACK
 27 = 2-DOOR CONVERTIBLE
 41 = 4-DOOR SEDAN
 44 = 4-DOOR HATCHBACK
 45 = 4-DOOR STATION WAGON
 52-53 = FWD WAGON

AR = Use as Required - = Non Illustrated Part P.A.R. = Paint as Required

INSULATORS 13-16-21 WAY
Figure 8-1045

7108 10450



ITEM	PART NUMBER	QTY	BODY	MODEL	DESCRIPTION
1	4304 740				NATURAL--W/4304729
2					RED--SERV. ASSY.
3	4331 164				GRAY--TERMINAL, SERV. ASSY.
4	4304 627				BLACK
5	4368 480				NATURAL--TERMINAL, SERV. ASSY.
6					RED--SERV. ASSY.
7	4331 501				BLACK--W/TERMINAL 4304100
8					GRAY--W/TERMINAL 4304100 SERV. ASSY.
9					BLACK--W/TERMINAL 4304729
10	4331 502				GRAY--4304729
11	4304 744				BLUE--W/TERMINAL 4304729
12	4304 745				BLACK--W/TERMINAL 4304729
13	4304 746				NATURAL--W/TERMINAL 4304729
14	4304 747				RED--W/TERMINAL 4304729
15	4368 475				RED--W/TERMINAL 4304729
16	4368 475				BLUE--W/TERMINAL 4304729
17	4368 475				BLACK--W/TERMINAL 4304729
18	4368 475				NATURAL--W/TERMINAL 4304729

MODEL CODES

E BODY = (J - CARAVELLE)(E - 600)(T - NEW YORKER)
 G BODY = (V24 - DAYTONA)
 H BODY = (D44 - LANCER)(C44 - LEBARON GTS)
 J BODY = (C - LEBARON)
 K BODY = (P - RELIANT)(D - ARIES)(C - LEBAROND)/TOWN & COUNTRY)

L BODY = (M - HORIZON/TURISMO)(Z - OMNI/CHARGER)
 M BODY = (B - GRAN FURY)(F - FIFTH AVE/NEWPORT)(G - DIPLOMAT)
 P BODY = (P - SUNDANCE)(D - SHADOW)
 S BODY = (H - VOYAGER)(K - RAM VAN/CARAVAN)

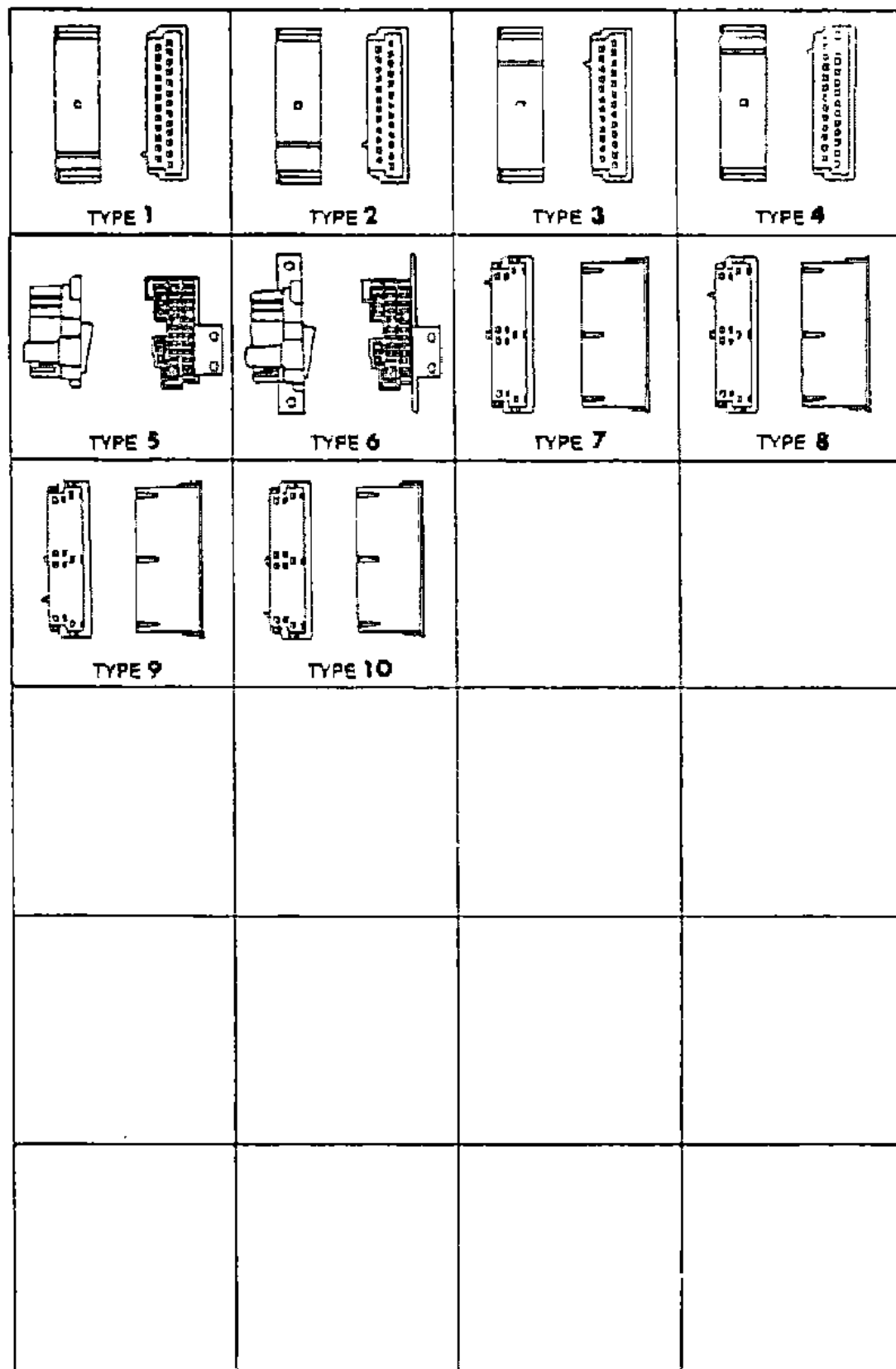
BODY STYLES

12-13 = FWD VAN 41 = 4-DOOR SEDAN
 21 = 2-DOOR SEDAN 44 = 4-DOOR HATCHBACK
 24 = 2-DOOR HATCHBACK 45 = 4-DOOR STATION WAGON
 27 = 2-DOOR CONVERTIBLE 52-53 = FWD WAGON

AR = Use as Required - = Non Illustrated Part P.A.R. = Paint as Required

INSULATORS 25 WAY
Figure 8-1047

7108 10475



ITEM	PART NUMBER	QTY	BODY	MODEL	DESCRIPTION
1	4331 040				RED--W/TERMINAL 4304729
2	4331 039				NATURAL--W/TERMINAL 4304729
3	4331 038				BLACK--W/4304729
4	4331 037				BLUE--W/TERMINAL 4304729
5	4304 532				GRAY--W/TERMINAL 3843386 & 4209707
6	4274 897				GRAY--W/TERMINAL 3843386 & 4209707
7	4368 463				BLUE--W/TERMINAL 4304729
8	4368 463				BLACK--W/TERMINAL 4304729
9	4368 463				NATURAL--W/TERMINAL 4304729
10	4368 463				RED--W/TERMINAL 4304729

MODEL CODES

E BODY = (J - CARAVELLE)(E - 600)(T - NEW YORKER)

G BODY = (V24 - DAYTONA)

H BODY = (D44 - LANCER)(C44 - LEBARON GTS)

J BODY = (C - LEBARON)

K BODY = (P - RELIANT)(D - ARIES)(C - LEBAROND)/TOWN & COUNTRY)

L BODY = (M - HORIZON/TURISMO)(Z - OMNI/CHARGER)

M BODY = (B - GRAN FURY)(F - FIFTH AVE/NEWPORT)(G - DIPLOMAT)

P BODY = (P - SUNDANCE)(D - SHADOW)

S BODY = (H - VOYAGER)(K - RAM VAN/CARAVAN)

BODY STYLES

12-13 = FWD VAN

21 = 2-DOOR SEDAN

24 = 2-DOOR HATCHBACK

27 = 2-DOOR CONVERTIBLE

41 = 4-DOOR SEDAN

44 = 4-DOOR HATCHBACK

45 = 4-DOOR STATION WAGON

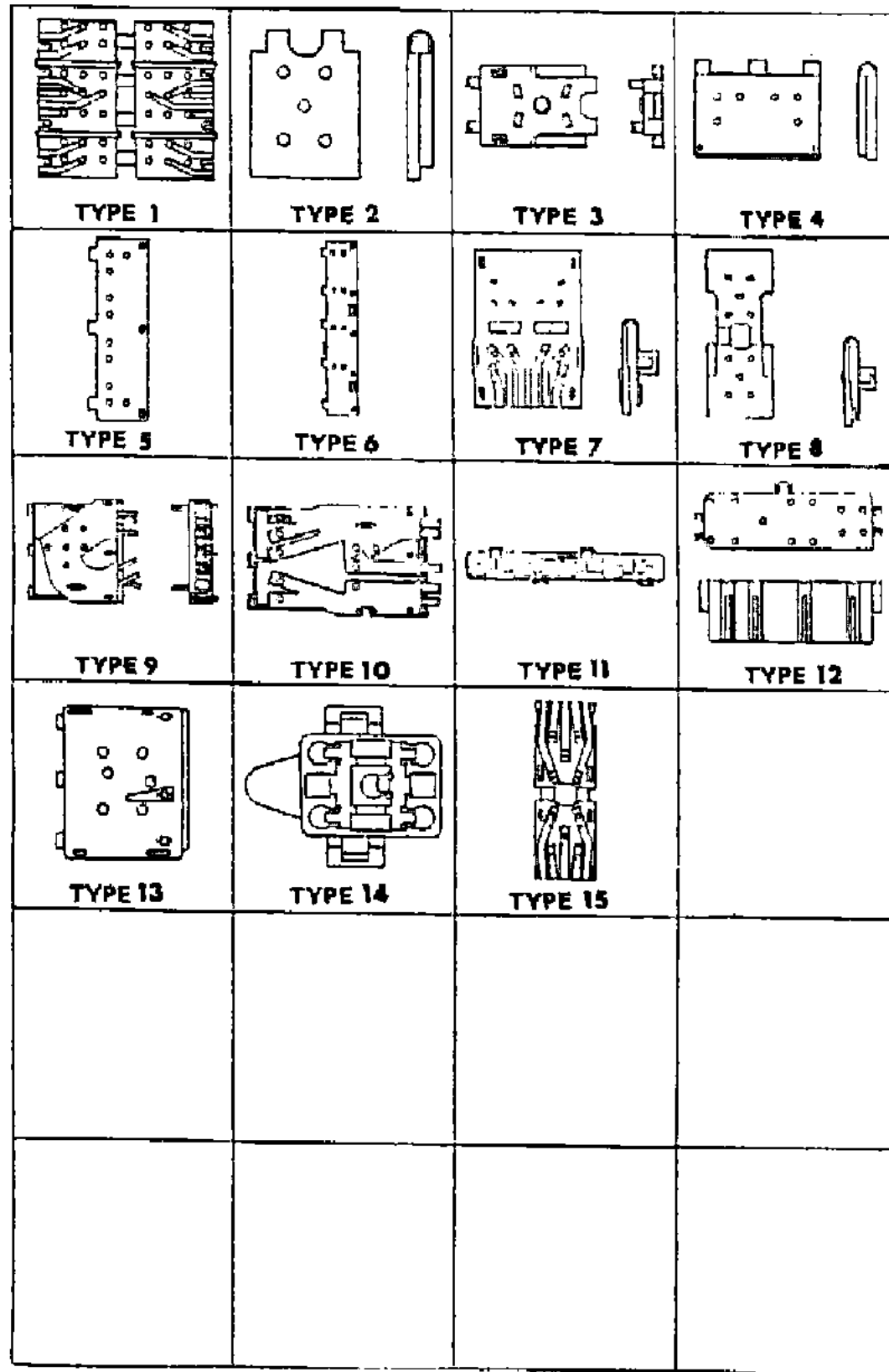
52-53 = FWD WAGON

AR = Use as Required - = Non Illustrated Part P.A.R. = Paint as Required

INSULATORS WINDOW LIFTS

Figure 8-1048

7108 10485



ITEM	PART NUMBER	QTY	BODY	MODEL	DESCRIPTION
1	2926 374				BLACK--W/TERMINAL 3513613
2	3513 664				WHITE--W/TERMINAL 3513613
3	3513 665				WHITE--W/TERMINAL 3513613
4	4124 188				NATURAL--W/TERMINAL 3513613
5	4124 189				NATURAL--W/TERMINAL 3513613
6	4124 190				NATURAL--W/TERMINAL 3513613
7	4124 622				NATURAL--W/TERMINAL 3513613
8	4124 623				NATURAL--W/TERMINAL 3513613
9	4209 002				NATURAL--W/TERMINAL 3513613
10	4209 003				NATURAL--W/TERMINAL 3513613
11	4209 298				BLACK--W/TERMINAL 4209258
12	4331 164				GRAY--
13	4368 023				NATURAL--W/TERMINAL 3513613
14	4368 300				GRAY--
15	4368 159				NATURAL--

MODEL CODES

E BODY = (J - CARAVELLE)(E - 600)(T - NEW YORKER)

G BODY = (V24 - DAYTONA)

H BODY = (D44 - LANCER)(C44 - LEBARON GTS)

J BODY = (C - LEBARON)

K BODY = (P - RELIANT)(D - ARIES)(C - LEBAROND)/TOWN & COUNTRY)

L BODY = (M - HORIZON/TURISMO)(Z - OMNI/CHARGER)

M BODY = (B - GRAN FURY)(F - FIFTH AVE/NEWPORT)(G - DIPLOMAT)

P BODY = (P - SUNDANCE)(D - SHADOW)

S BODY = (H - VOYAGER)(K - RAM VAN/CARAVAN)

BODY STYLES

12-13 = FWD VAN

21 = 2-DOOR SEDAN

24 = 2-DOOR HATCHBACK

27 = 2-DOOR CONVERTIBLE

41 = 4-DOOR SEDAN

44 = 4-DOOR HATCHBACK

45 = 4-DOOR STATION WAGON

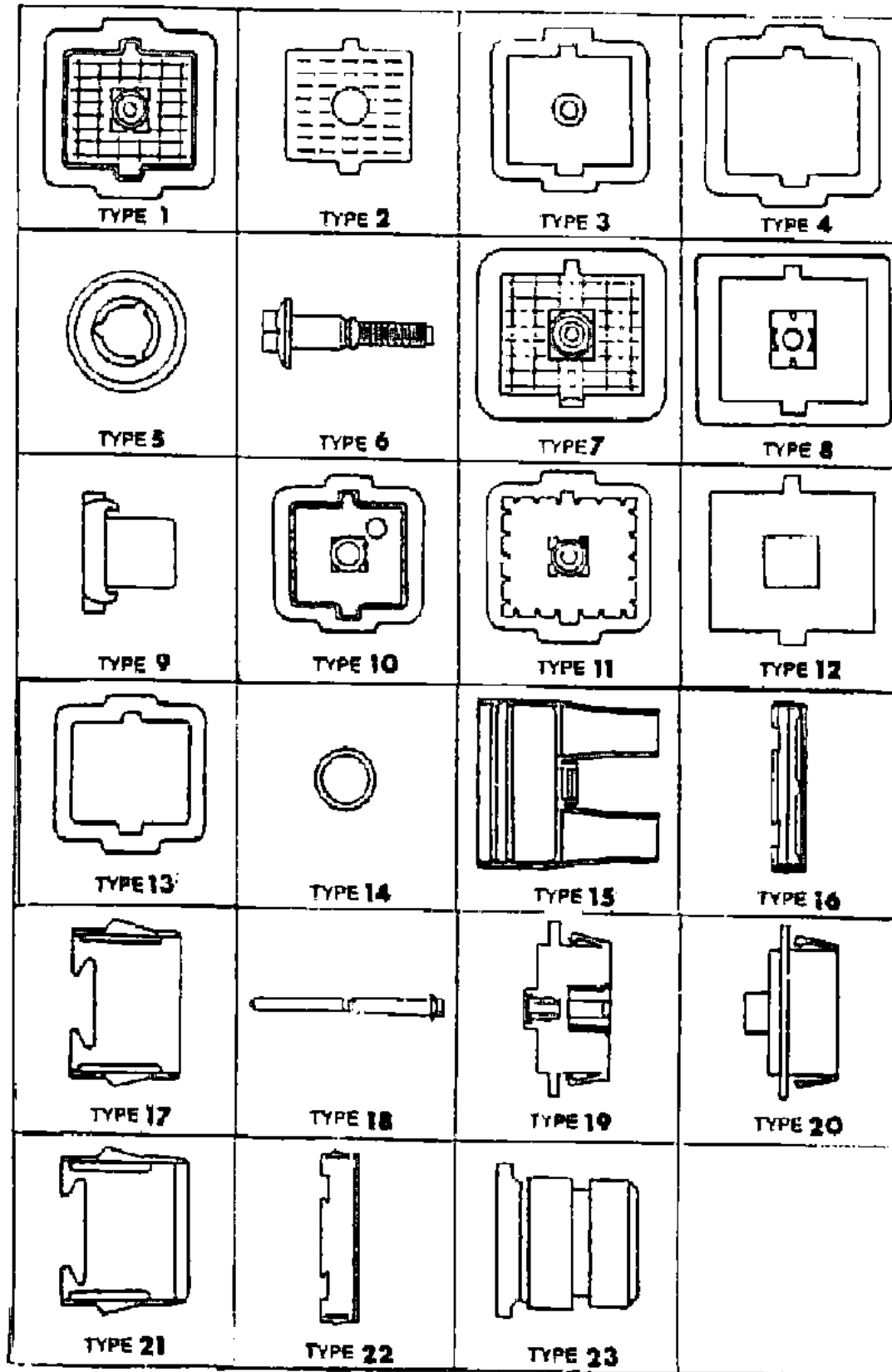
52-53 = FWD WAGON

AR = Use as Required - = Non Illustrated Part P.A.R. = Paint as Required

BULKHEAD CONNECTORS & COMPONENTS 40 & 50 WAY

Figure 8-1050

7109 10 500A



ITEM	PART NUMBER	QTY	BODY	MODEL	DESCRIPTION
1	4055 405				CONNECTOR, 40 WAY MALE, W/TERMINAL 3843386
2					SEAL, NOT SERV.
3					CONNECTOR, USE 4055405
4					SEAL, NOT SERV.
5	6031 057				NUT, SPRING
6					BOLT, NOT SERV.
7	4055 406				CONNECTOR, 40 WAY FEMALE, W/TERMINAL 3843601
8	4055 406				CONNECTOR, USE 4055406
9					TEENUT, NOT SERV.
10	4331 712				CONNECTOR, 50 WAY MALE, W/TERMINAL 3843386-4209707
11					CONNECTOR, USE 4331712
12	4331 711				GASKET
13					SEAL, NOT SERV.
14					O-RING, NOT SERV.
15	4331 714				SHIELD, NOT SERV.
16	4331 406				WEDGE, LOCKING TERM. MALE-LONG
17	4331 715				WEDGE, LOCKING TERM. MALE-SHORT
18					SCREW, Serv. Assy.
19	4331 713				CONNECTOR, 50 WAY FEMALE, W/TERMINAL 4331506-4209706
20					CONNECTOR, USE 4331713
21	4331 422				WEDGE, LOCKING TERM. FEMALE-SHORT
22	4331 423				WEDGE, LOCKING TERM. FEMALE-LONG
23					BUSHING, NOT SERV.

MODEL CODES

E BODY = (J - CARAVELLE)(E - 600)(T - NEW YORKER)

G BODY = (V24 - DAYTONA)

H BODY = (D44 - LANCER)(C44 - LEBARON GTS)

J BODY = (C - LEBARON)

K BODY = (P - RELIANT)(D - ARIES)(C - LEBAROND)/TOWN & COUNTRY)

L BODY = (M - HORIZON/TURISMO)(Z - OMNI/CHARGER)

M BODY = (B - GRAN FURY)(F - FIFTH AVE/NEWPORT)(G - DIPLOMAT)

P BODY = (P - SUNDANCE)(D - SHADOW)

S BODY = (H - VOYAGER)(K - RAM VAN/CARAVAN)

BODY STYLES

12-13 = FWD VAN

21 = 2-DOOR SEDAN

24 = 2-DOOR HATCHBACK

27 = 2-DOOR CONVERTIBLE

41 = 4-DOOR SEDAN

44 = 4-DOOR HATCHBACK

45 = 4-DOOR STATION WAGON

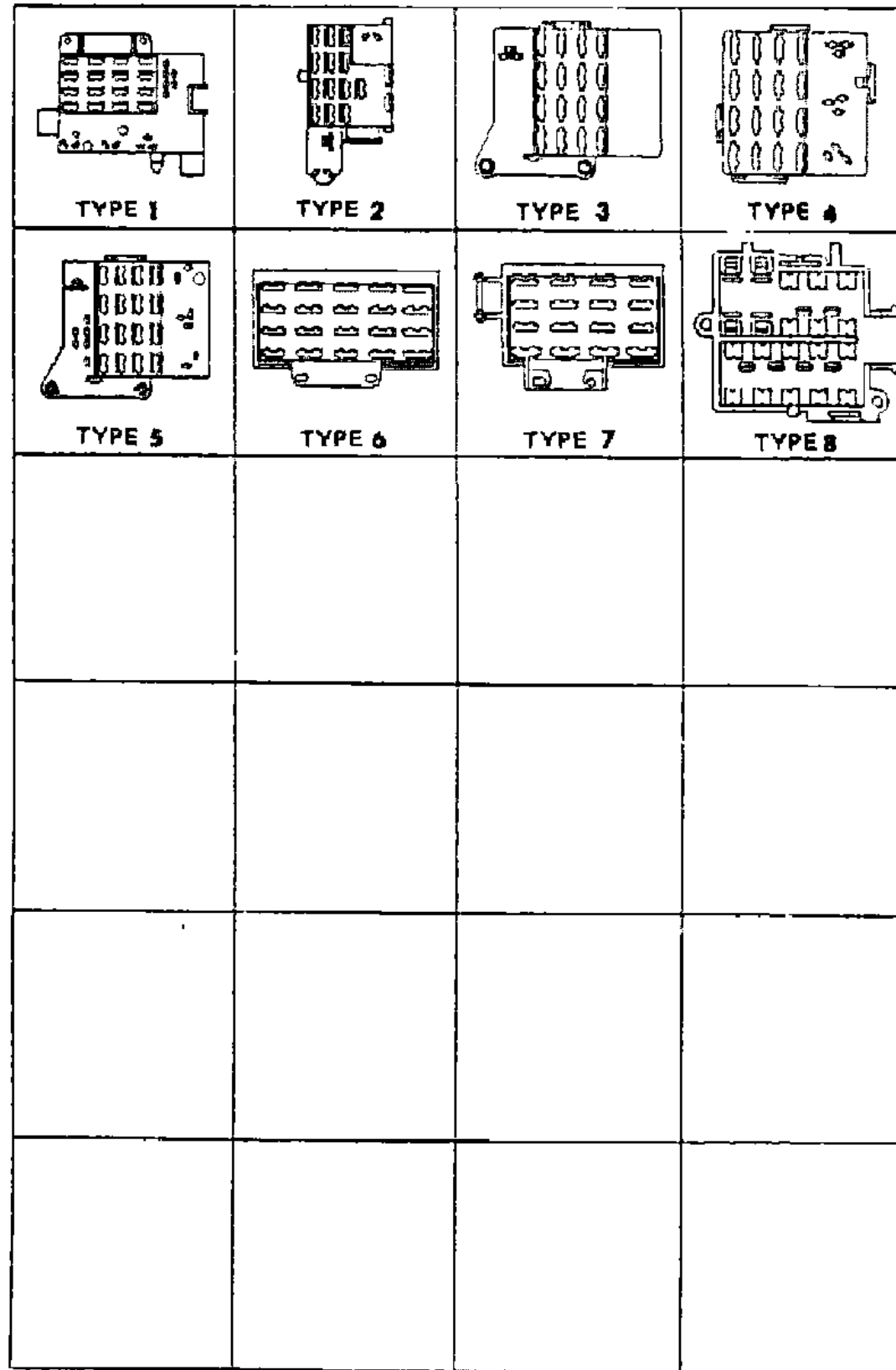
52-53 = FWD WAGON

AR = Use as Required - = Non Illustrated Part P.A.R. = Paint as Required

FUSE BLOCKS & RELAY MODULES

Figure 8-1055

7108 10550



ITEM	PART NUMBER	QTY	BODY	MODEL	DESCRIPTION
1	4304 519		L		FUSE BLOCK, BASE
2					FUSE BLOCK, BASE, Serv. Assy.
3	4209 360		M		FUSE BLOCK, BASE
4	4304 499		K-E-G		FUSE BLOCK, BASE
5	4368 099		H		RELAY MODULE
6	4331 464		H		FUSE BLOCK, BASE
7	#4368 042		P		FUSE BLOCK, BASE
8					FUSE BLOCK, BASE, SERV. IN WIRING

MODEL CODES
 E BODY = (J - CARAVELLE)(E - 600)(T - NEW YORKER)
 G BODY = (V24 - DAYTONA)
 H BODY = (D44 - LANCER)(C44 - LEBARON GTS)
 J BODY = (C - LEBARON)
 K BODY = (P - RELIANT)(D - ARIES)(C - LEBAROND)/TOWN & COUNTRY
 L BODY = (M - HORIZON/TURISMO)(Z - OMNI/CHARGER)
 M BODY = (B - GRAN FURY)(F - FIFTH AVE/NEWPORT)(G - DIPLOMAT)
 P BODY = (P - SUNDANCE)(D - SHADOW)
 S BODY = (H - VOYAGER)(K - RAM VAN/CARAVAN)

BODY STYLES
 12-13 = FWD VAN
 21 = 2-DOOR SEDAN
 24 = 2-DOOR HATCHBACK
 27 = 2-DOOR CONVERTIBLE
 41 = 4-DOOR SEDAN
 44 = 4-DOOR HATCHBACK
 45 = 4-DOOR STATION WAGON
 52-53 = FWD WAGON

AR = Use as Required - = Non Illustrated Part P.A.R. = Paint as Required

GROUP 8A - ELECTRICAL - INSTRUMENT PANEL AND CONSOLES

ILLUSTRATION TITLE	GROUP-FIG. NO.
L BODY	
INSTRUMENT PANEL BEZELS AND PAD L BODY	Fig. 8A-100
INSTRUMENT PANEL CLUSTER L BODY	Fig. 8A-110
INSTRUMENT PANEL WIRING L BODY	Fig. 8A-200
INSTRUMENT PANEL SWITCHES, RADIO, GLOVEBOX, ANTENNA AND SPEAKER L BODY	Fig. 8A-300
CONSOLE L BODY	Fig. 8A-400
P BODY	
INSTRUMENT PANEL RADIO, BEZELS, GLOVEBOX, ANTENNA P BODY	Fig. 8A-500
INSTRUMENT PANEL CLUSTER P BODY	Fig. 8A-510
INSTRUMENT PANEL WIRING P BODY	Fig. 8A-600
INSTRUMENT PANEL CONTROLS AND SWITCHES P BODY	Fig. 8A-700
CONSOLE P BODY	Fig. 8A-800
CONSOLETTA P BODY	Fig. 8A-900
J BODY	
INSTRUMENT, PANEL BEZELS, GLOVEBOX AND CONTROLS J BODY	Fig. 8A-1000
INSTRUMENT PANEL W/PASSIVE RESTRAINT SYSTEM J BODY	Fig. 8A-1010
INSTRUMENT PANEL CLUSTER J BODY	Fig. 8A-1020
INSTRUMENT PANEL WIRING J BODY	Fig. 8A-1100
INSTRUMENT PANEL SPEAKERS, SWITCHES AND CONTROLS J BODY	Fig. 8A-1200
INSTRUMENT PANEL CONSOLE, RADIO AND ANTENNA J BODY	Fig. 8A-1300
CONSOLE, CENTER AND OVERHEAD J BODY	Fig. 8A-1400
K,E BODY	
INSTRUMENT PANEL PAD, BEZELS, RADIO AND ANTENNA K,E BODY	Fig. 8A-1500
INSTRUMENT PANEL CLUSTER K,E BODY	Fig. 8A-1510
INSTRUMENT PANEL WIRING K,E BODY	Fig. 8A-1600
INSTRUMENT PANEL GLOVEBOX, SPEAKERS AND CONTROLS K,E BODY	Fig. 8A-1700
CONSOLE AND ARM REST K BODY	Fig. 8A-1800
INSTRUMENT PANEL CONSOLE E BODY NEW YORKER	Fig. 8A-1900
CONSOLE, OVERHEAD E BODY NEW YORKER	Fig. 8A-2000
G BODY	
INSTRUMENT PANEL BEZELS AND PAD G BODY	Fig. 8A-2100
INSTRUMENT PANEL W/PASSIVE RESTRAINT SYSTEM G BODY	Fig. 8A-2110
INSTRUMENT PANEL CLUSTER G BODY	Fig. 8A-2120
INSTRUMENT PANEL WIRING G BODY	Fig. 8A-2200
INSTRUMENT PANEL SPEAKERS, GLOVEBOX AND SWITCHES G BODY	Fig. 8A-2300

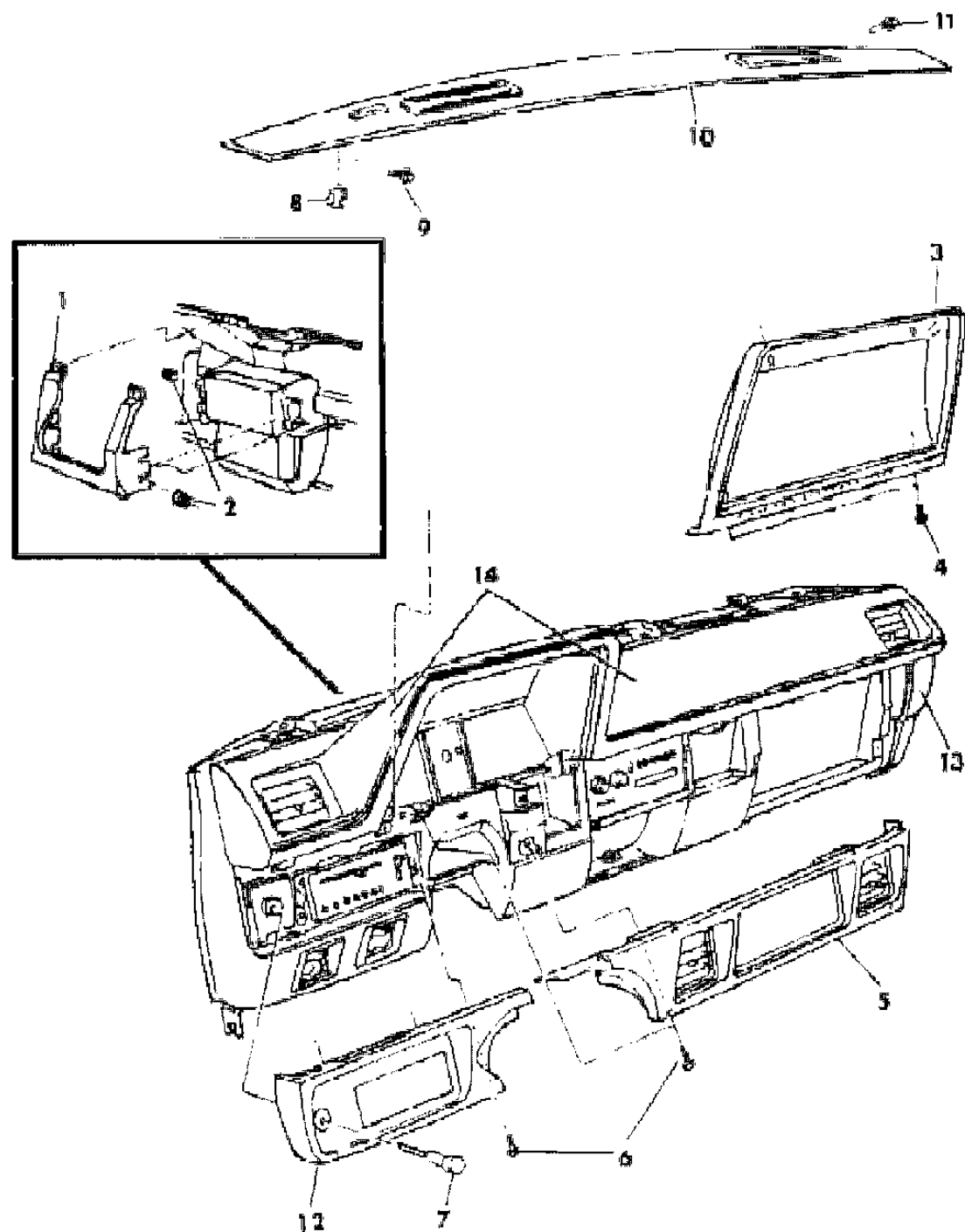
ILLUSTRATION NOT AVAILABLE AT TIME OF PUBLICATION

GROUP 8A - ELECTRICAL - INSTRUMENT PANEL AND CONSOLES

ILLUSTRATION TITLE	GROUP-FIG. NO.
G BODY (Continued)	
INSTRUMENT PANEL SPEAKERS, GLOVEBOX AND SWITCHES G BODY	Fig. 8A-2300
INSTRUMENT PANEL CONSOLE, RADIO AND ANTENNA G BODY	Fig. 8A-2400
CONSOLE, CENTER G BODY	Fig. 8A-2500
H BODY	
INSTRUMENT PANEL BEZELS, GLOVEBOX, RADIO AND ANTENNA H BODY	Fig. 8A-2700
INSTRUMENT PANEL CLUSTER H BODY	Fig. 8A-2710
INSTRUMENT PANEL WIRING H BODY	Fig. 8A-2800
INSTRUMENT PANEL SWITCHES, SPEAKERS AND CONTROLS H BODY	Fig. 8A-2900
CONSOLE H BODY	Fig. 8A-3000
CONSOLE, OVERHEAD H BODY	Fig. 8A-3100
S BODY	
INSTRUMENT PANEL S BODY	Fig. 8A-3200
CLUSTER, INSTRUMENT PANEL S BODY	Fig. 8A-3210
INSTRUMENT PANEL WIRING S BODY	Fig. 8A-3300
INSTRUMENT PANEL CONSOLE S BODY	Fig. 8A-3400
CONSOLE, OVERHEAD S BODY	Fig. 8A-3500
M BODY	
INSTRUMENT PANEL PAD, GLOVEBOX AND SPEAKERS M BODY	Fig. 8A-3600
INSTRUMENT PANEL WIRING M BODY	Fig. 8A-3700
INSTRUMENT PANEL BEZELS, RADIO AND ANTENNA M BODY	Fig. 8A-3800
INSTRUMENT PANEL CLUSTER M BODY	Fig. 8A-3900
INSTRUMENT PANEL CARRIER AND SWITCHES M BODY	Fig. 8A-4000

INSTRUMENT PANEL BEZELS AND PAD L BODY
Figure 8A-100

7187 100 A



ITEM	PART NUMBER	QTY	BODY	MODEL	DESCRIPTION
1	4220 516	1			BRACE, Center Support
2	6023 205	4			NUT and WASHER
3	4312 804	1			BEZEL, Instrument Panel Cluster
4					SCREW (DNS)
5					BEZEL, Center Trim
					w/o Air
	P611 CC7	1			Blue
	P611 CM6	1			Red
	P611 CS8	1			Charcoal
					w/Air
	P610 CC7	1			Blue
	P610 CM6	1			Red
	P610 CS8	1			Charcoal
6					SCREW (DNS)
7	5209 991	1			KNOB and SHAFT, H/Lamp Switch
8	3590 389	4			CLIP, Top Cover
9		AR			SCREW (DNS)
10					COVER, Instrument Panel Top
	5209 707	1			w/Speaker Holes
	4460 253	1			w/o Spesker Holes
11		AR			SCREW (DNS)
12					BEZEL, Trim, Left
	P612 CC7	1			Blue
	P612 CM6	1			Red
	P612 CS8	1			Charcoal
13	4342 220	1			BEZEL, Trim, Right
14					PANEL and PAD
	P412 DT5	1			w/One Left Accessory Switch Opening
	P511 FS8	1			w/Two Left Accessory Switch Openings

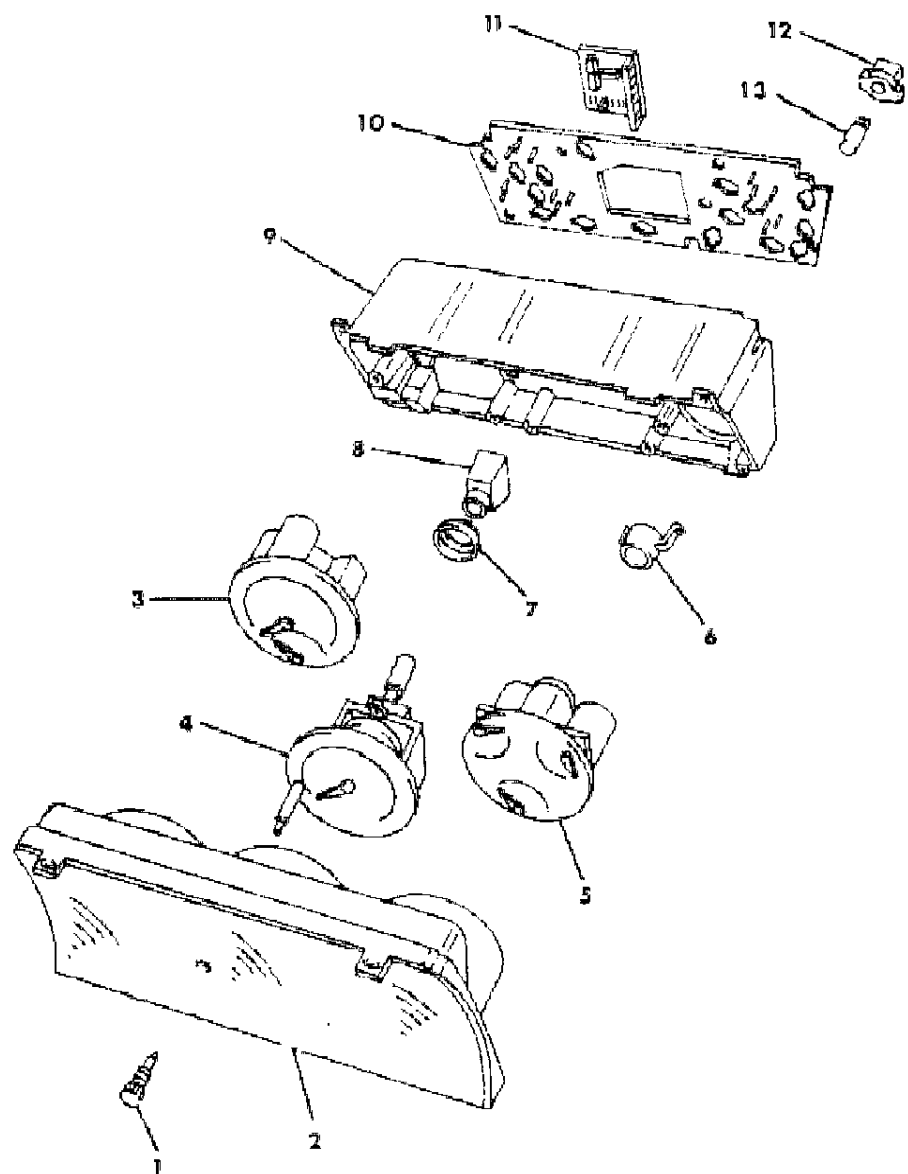
MODEL CODES
 E BODY = (J - CARAVELLE)(E - 600)(T - NEW YORKER)
 G BODY = (V24 - DAYTONA)
 H BODY = (D44 - LANCER)(C44 - LEBARON GTS)
 J BODY = (C - LEBARON)
 K BODY = (P - RELIANT)(D - ARIES)(C - LEBAROND)/TOWN & COUNTRY
 L BODY = (M - HORIZON/TURISMO)(Z - OMNI/CHARGER)
 M BODY = (B - GRAN FURY)(F - FIFTH AVE/NEWPORT)(G - DIPLOMAT)
 P BODY = (P - SUNDANCE)(D - SHADOW)
 S BODY = (H - VOYAGER)(K - RAM VAN/CARAVAN)

BODY STYLES
 12-13 = FWD VAN
 21 = 2-DOOR SEDAN
 24 = 2-DOOR HATCHBACK
 27 = 2-DOOR CONVERTIBLE
 41 = 4-DOOR SEDAN
 44 = 4-DOOR HATCHBACK
 45 = 4-DOOR STATION WAGON
 52-53 = FWD WAGON

AR = Use as Required - = Non Illustrated Part P.A.R. = Paint as Required

INSTRUMENT PANEL CLUSTER L BODY
Figure 8A-110

7182 110



ITEM	PART NUMBER	QTY	BODY	MODEL	DESCRIPTION
1	4051 796	1			KNOB and SHAFT, Odometer
2	4051 839	1			MASK and LENS
3	4051 833	1			TACHOMETER, w/Fuel Gauge
4	4051 737	1			SPEEDOMETER
	4419 983	1			DECAL, 95 to 135 Mph
	3592 750	1			LABEL, Speedometer Replacement
5	4375 008	1			GAUGE, Oil, Temp. and Ammeter
6	4085 191	AR			DIFFUSER
7	4051 315	1			GROMMET, Speedometer to Housing
8	4051 837	1			CHIMNEY, Hi Beam
9	4051 725	1			HOUSING, Cluster
10	4051 899	1			CIRCUIT BOARD, Printed
11	4051 977	1			CIRCUIT BOARD, Tachometer
12	4342 240	AR			SOCKET, Bulb
13	9421 330	AR			BULB

MODEL CODES

E BODY = (J - CARAVELLE)(E - 600)(T - NEW YORKER)

G BODY = (V24 - DAYTONA)

H BODY = (D44 - LANCER)(C44 - LEBARON GTS)

J BODY = (C - LEBARON)

K BODY = (P - RELIANT)(D - ARIES)(C - LEBAROND)/TOWN & COUNTRY)

L BODY = (M - HORIZON/TURISMO)(Z - OMNI/CHARGER)

M BODY = (B - GRAN FURY)(F - FIFTH AVE/NEWPORT)(G - DIPLOMAT)

P BODY = (P - SUNDANCE)(D - SHADOW)

S BODY = (H - VOYAGER)(K - RAM VAN/CARAVAN)

BODY STYLES

12-13 = FWD VAN

21 = 2-DOOR SEDAN

24 = 2-DOOR HATCHBACK

27 = 2-DOOR CONVERTIBLE

41 = 4-DOOR SEDAN

44 = 4-DOOR HATCHBACK

45 = 4-DOOR STATION WAGON

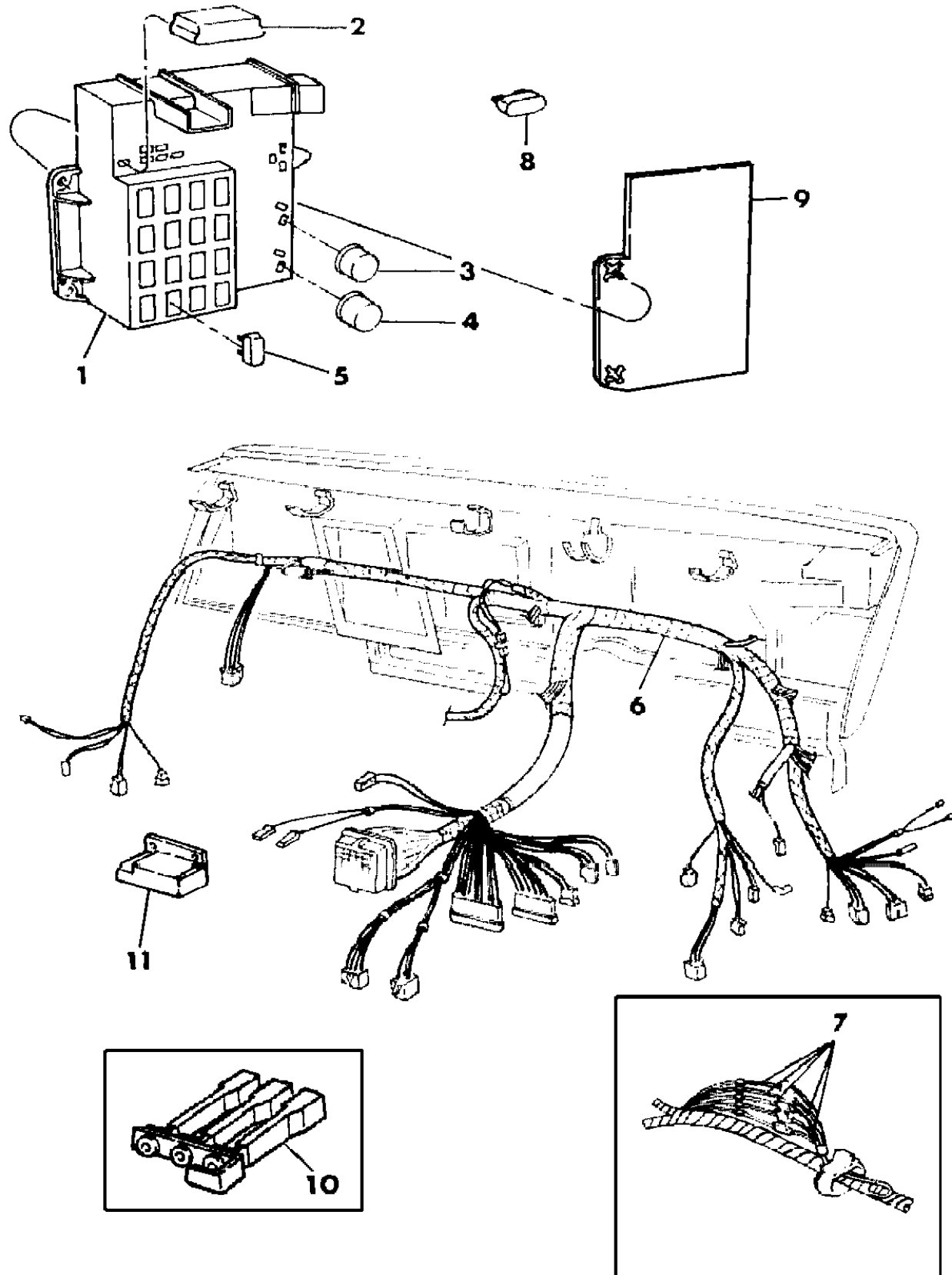
52-53 = FWD WAGON

AR = Use as Required - = Non Illustrated Part P.A.R. = Paint as Required

INSTRUMENT PANEL WIRING L BODY

Figure 8A-200

7182 200B



ITEM	PART NUMBER	QTY	BODY	MODEL	DESCRIPTION	
1					MODULE, Fuse Block	
	4304 499	1			w/Lettering	
	4304 519	1			w/o Dots	
	5211 741	1			w/Dots	
2	4221 730	1			BUZZER, Key Warning, H/Lamp, Seat Belt Warning	
3	2932 877	1			FLASHER, Hazard Warning	
4					FLASHER, Turn Signal	
	3837 161	1			Two Lamp	
	3837 162	1			Three Lamp	
5					BREAKER, Circuit	
	4331 929	AR			6 Amp.	
	4186 379	AR			30 Amp.	
6					WIRING HARNESS, Instrument Panel	
	4368 551	1			w/o Air	
	4368 552	1			w/Air	
					WIRING, Instrument Panel	
	4304 901	1			w/Electric Fuel Pump	
	4304 643	1			w/Light Pkg.	
	4209 729	1			Rear Wiper	
	4209 865	1			Lift Gate	
	4304 065	1			Speed Control	
	4304 060	1			Stereo, w/Two Speakers	
	4331 300	1			Stereo, w/Four Speakers	
	7					CABLE, Fusible Link
		4026 095	1			No. 16 Dark Blue
4026 094		1			No. 14 Red	
4026 093		1			No. 12 Black	
4364 877		1			No. 10 Dark Green	
4026 096		1			No. 18 Gray	
4364 878		1			No. 20 Orange	
8					FUSE	
	6101 132	AR			4 Amp.	
	6101 131	AR			3 Amp.	
	6101 133	AR			5 Amp.	
	6101 137	AR			20 Amp.	
	6101 135	AR			10 Amp.	
	6101 138	AR			25 Amp.	

MODEL CODES

E BODY = (J - CARAVELLE)(E - 600)(T - NEW YORKER)

G BODY = (V24 - DAYTONA)

H BODY = (D44 - LANCER)(C44 - LEBARON GTS)

J BODY = (C - LEBARON)

K BODY = (P - RELIANT)(D - ARIES)(C - LEBAROND)/TOWN & COUNTRY)

L BODY = (M - HORIZON/TURISMO)(Z - OMNI/CHARGER)

M BODY = (B - GRAN FURY)(F - FIFTH AVE/NEWPORT)(G - DIPLOMAT)

P BODY = (P - SUNDANCE)(D - SHADOW)

S BODY = (H - VOYAGER)(K - RAM VAN/CARAVAN)

BODY STYLES

12-13 = FWD VAN

21 = 2-DOOR SEDAN

24 = 2-DOOR HATCHBACK

27 = 2-DOOR CONVERTIBLE

41 = 4-DOOR SEDAN

44 = 4-DOOR HATCHBACK

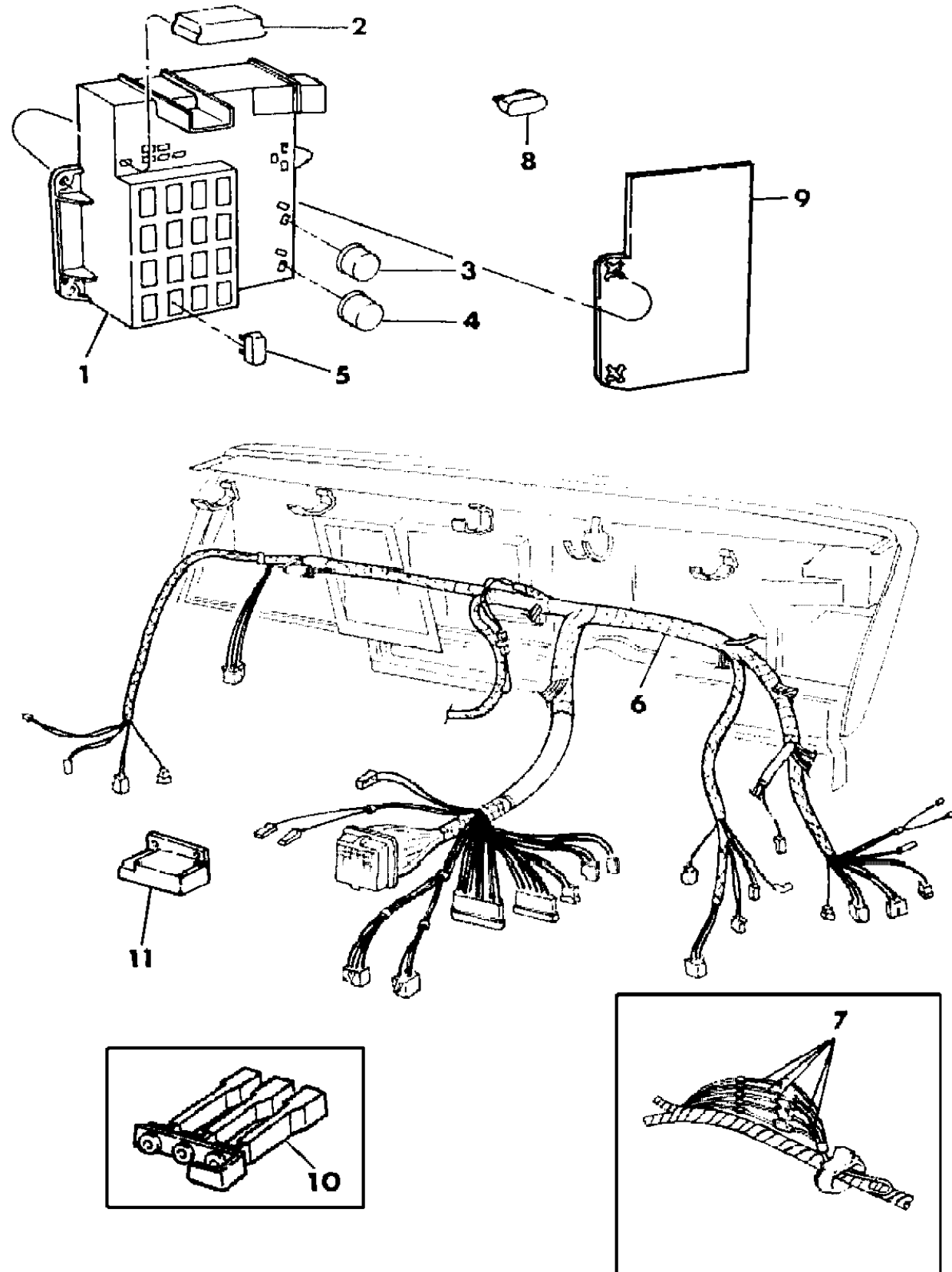
45 = 4-DOOR STATION WAGON

52-53 = FWD WAGON

AR = Use as Required - = Non Illustrated Part P.A.R. = Paint as Required

INSTRUMENT PANEL WIRING L BODY
Figure 8A-200

7182 200B



ITEM	PART NUMBER	QTY	BODY	MODEL	DESCRIPTION
	6101 139	AR			30 Amp.
9	4274 056	1			COVER, Fuse Block Back
10	4124 752	1			TERMINAL, Buss Bar
	4124 258	1			3 Way
		1			1 Way
11	4312 995	1			CONTROL, Chimes

MODEL CODES

E BODY = (J - CARAVELLE)(E - 600)(T - NEW YORKER)

G BODY = (V24 - DAYTONA)

H BODY = (D44 - LANCER)(C44 - LEBARON GTS)

J BODY = (C - LEBARON)

K BODY = (P - RELIANT)(D - ARIES)(C - LEBAROND)/TOWN & COUNTRY)

L BODY = (M - HORIZON/TURISMO)(Z - OMNI/CHARGER)

M BODY = (B - GRAN FURY)(F - FIFTH AVE/NEWPORT)(G - DIPLOMAT)

P BODY = (P - SUNDANCE)(D - SHADOW)

S BODY = (H - VOYAGER)(K - RAM VAN/CARAVAN)

BODY STYLES

12-13 = FWD VAN

21 = 2-DOOR SEDAN

24 = 2-DOOR HATCHBACK

27 = 2-DOOR CONVERTIBLE

41 = 4-DOOR SEDAN

44 = 4-DOOR HATCHBACK

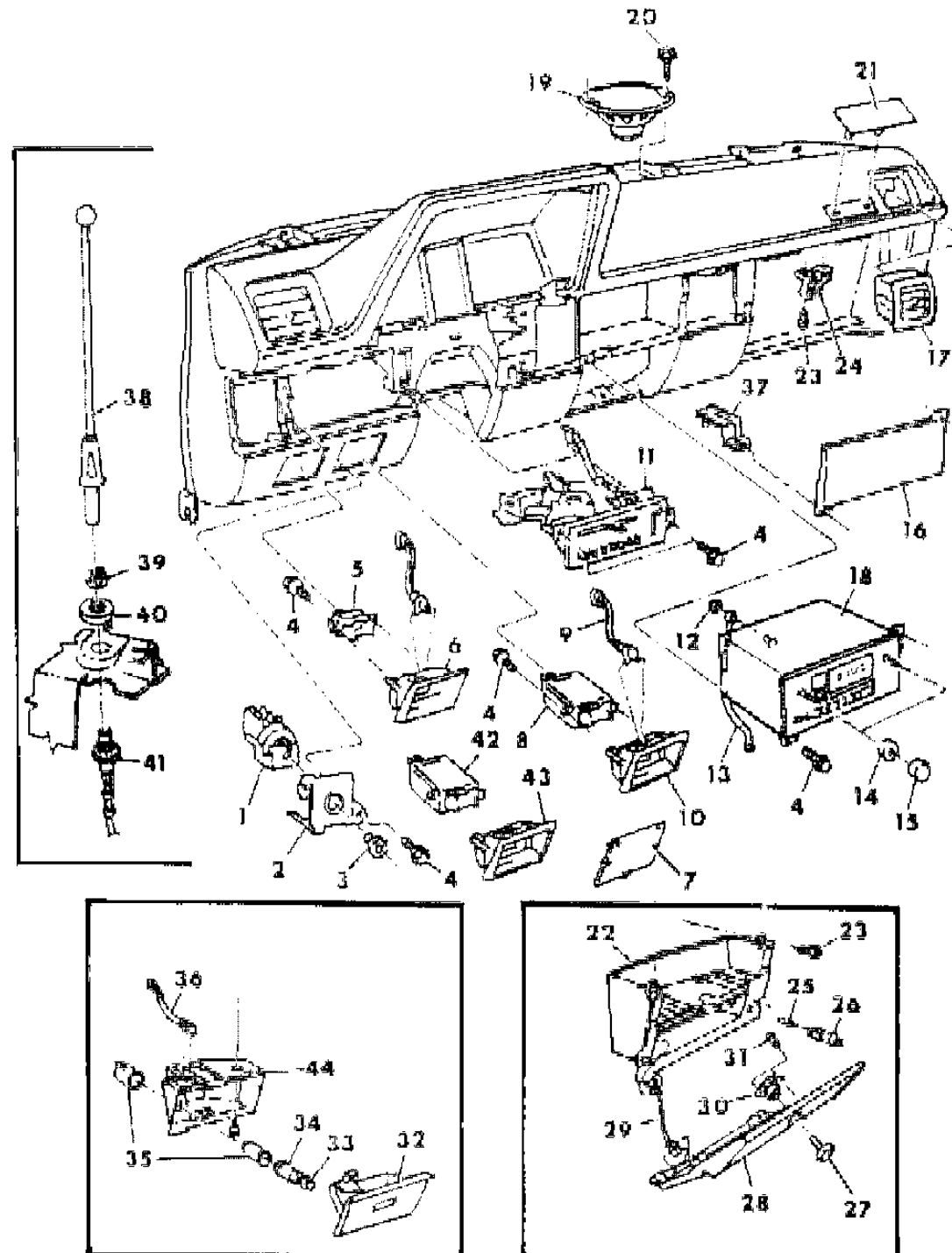
45 = 4-DOOR STATION WAGON

52-53 = FWD WAGON

AR = Use as Required - = Non Illustrated Part P.A.R. = Paint as Required

INSTRUMENT PANEL SWITCHES, RADIO, GLOVEBOX, ANTENNA AND SPEAKER L BODY
Figure 8A-300

7182 300 B



ITEM	PART NUMBER	QTY	BODY	MODEL	DESCRIPTION
1	4221 398	1			SWITCH, Headlamp and Dome Lamp
2	4221 229	1			BRACKET, Headlamp Switch Mounting
3	4221 064	1			RETAINER, Headlamp Switch Mounting
4		AR			SCREW (DNS)
5	5209 875	1		44	SWITCH, Rear Wipe and Wash
6	5209 876	1		44	BEZEL, Rear Wipe/Wash Switch
7	5209 980	1			COVER, Heated Backlite Switch
8	5209 985	1			SWITCH, Heated Backlite
9	4221 103	1			LAMP, Acc. Switch Nomenclature, w/Rear Wipe/Wash
10	5209 983	1			BEZEL, Heated Backlite Switch
11					CONTROL, Heater and A/C (Refer to Group 24)
12	6023 205	1			NUT, Radio Ground Strap
13	4372 396	1			STRAP, Radio Supp. Ground
14					KNOB, Radio
	4311 341	2			Secondary
	4311 339	1			Treble
15	4311 334	2			KNOB, Radio, Primary
	4311 337	1			Bass
					KNOB PACKAGE, "Joy Stick"
	4364 484	1			Black
	4364 483	1			Bright
16	4220 482	1			PLATE, Radio Opening, w/o Radio
17					VENTILATION OUTLET (Refer to Group 24)
18					RADIO, E.T.R, w/Clock
	4311 956	1			AM/FM/MX Standard
	4372 442	1			AM/FM/MX w/Cassette
	4222 560	1			DIFFUSER, Illuminated Bulb
19					SPEAKER, Front and Rear
	4311 098	1			Inst. Panel, Monural
					Rear Compartment
	4222 535	2			w/Am/Fm/Mx
	4311 642	2			w/Ultimate Sound Sound Radio
20					SCREW (DNS)
21					NAME PLATE, Instrument Panel Trim Pad
	4311 164	1			"Horizon"
	4311 165	1			"Turismo"
	4311 167	1			"Omni"
	4311 168	1			"Charger"

MODEL CODES

E BODY = (J - CARAVELLE)(E - 600)(T - NEW YORKER)

G BODY = (V24 - DAYTONA)

H BODY = (D44 - LANCER)(C44 - LEBARON GTS)

J BODY = (C - LEBARON)

K BODY = (P - RELIANT)(D - ARIES)(C - LEBAROND)/TOWN & COUNTRY)

L BODY = (M - HORIZON/TURISMO)(Z - OMNI/CHARGER)

M BODY = (B - GRAN FURY)(F - FIFTH AVE/NEWPORT)(G - DIPLOMAT)

P BODY = (P - SUNDANCE)(D - SHADOW)

S BODY = (H - VOYAGER)(K - RAM VAN/CARAVAN)

BODY STYLES

12-13 = FWD VAN

21 = 2-DOOR SEDAN

24 = 2-DOOR HATCHBACK

27 = 2-DOOR CONVERTIBLE

41 = 4-DOOR SEDAN

44 = 4-DOOR HATCHBACK

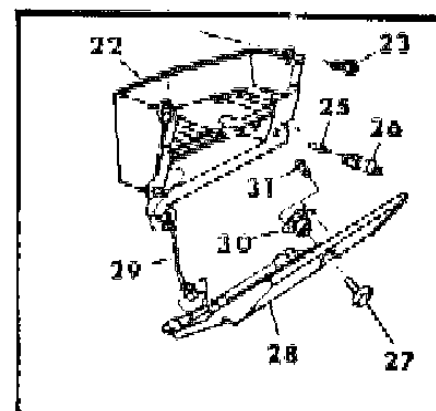
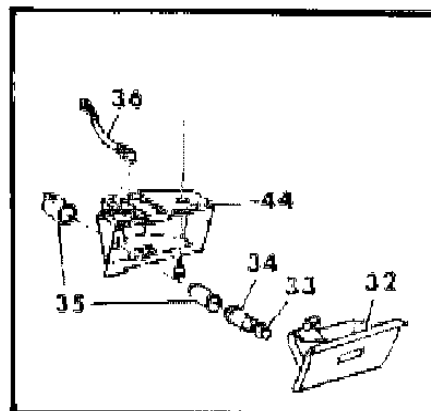
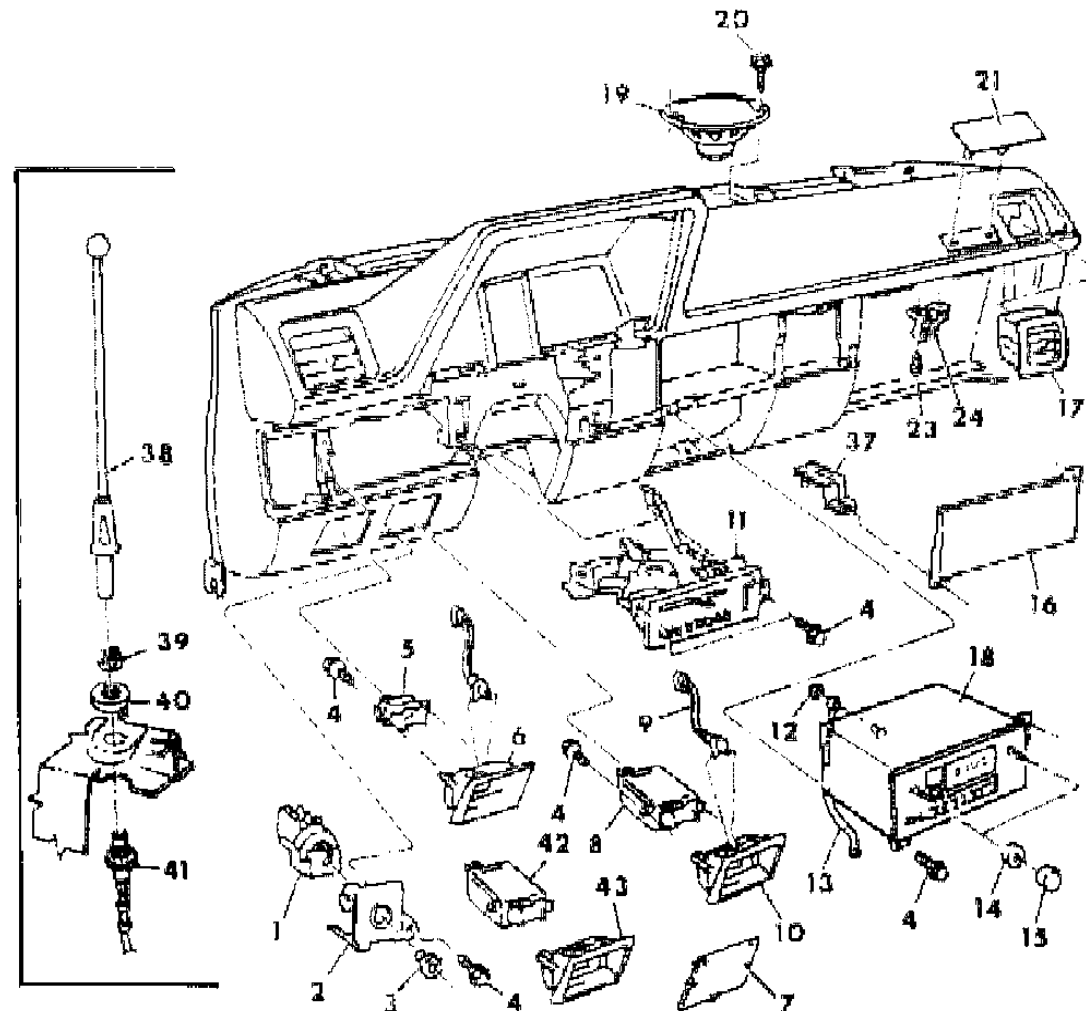
45 = 4-DOOR STATION WAGON

52-53 = FWD WAGON

AR = Use as Required - = Non Illustrated Part P.A.R. = Paint as Required

INSTRUMENT PANEL SWITCHES, RADIO, GLOVEBOX, ANTENNA AND SPEAKER L BODY
Figure 8A-300

7182 300 B



ITEM	PART NUMBER	QTY	BODY	MODEL	DESCRIPTION
	6029 168	2			CLIP, Name Plate Attaching
	0445 153	2			NUT, Name Plate Attaching
22	4311 486	1			BOX, Instrument Panel Glove
23					SCREW (DNS)
24	5209 773	1			CATCH, Glove Box Door Lock
25		1			BULB, Glove Box Lamp (Refer to Group 8)
26	4221 625	1			LAMP and SWITCH, Glove Box
	2947 226	1			PLUG, Glove Box Lamp, w/o Lamp
	2822 583	1			LENS, Glove Box Lamp
27		1			CYLINDER, Glove Box, Refer to Group 23D
28	P638 CC7	1			BOX and DOOR, Glove
	3590 551	2			BUMPER, Glove Box
29	4047 424	1			CABLE, Glove Box Door Check
30	3508 886	1			LATCH, Glove Box Lock Cylinder
31		2			SCREW (DNS)
32	P651 CC7	1			FACE PLATE and RECEPTACLE, Ash Receiver
	2985 816	1			BUMPER, Instrument Panel Ash Rec. Stop
	4220 887	1			BUMPER, Instrument Panel Ash Rec. to Housing
33	3747 165	1			KNOB, C/Lighter
34	3004 190	1			ELEMENT, C/Lighter
35	2808 912	1			SHELL and CLAMP, C/Lighter
36	4221 236	1			LAMP, Ash Rec.
	3746 516	1			SOCKET, Ash Rec. Lamp
	2947 226	1			PLUG, Ash Rec. Lamp
37	5209 782	1			BRACE, Instrument Panel to A/C and Heater Bracket
38	4222 729	1			MAST, Radio Antenna
39	4222 728	1			NUT, Cap
40	4372 143	1			ADAPTER and GASKET, Antenna
41	4311 507	1			BODY and CABLE, Antenna
	4222 723	1			LOCK WASHER, Antenna Mounting
	4222 731	1			PLUG, Antenna Hole
42	5209 950	1			SWITCH, Liftgate Release
43	5209 955	1			BEZEL, Liftgate Release Switch
44	#5209 758	1			HOUSING, Ash Receiver

MODEL CODES

E BODY = (J - CARAVELLE)(E - 600)(T - NEW YORKER)

G BODY = (V24 - DAYTONA)

H BODY = (D44 - LANCER)(C44 - LEBARON GTS)

J BODY = (C - LEBARON)

K BODY = (P - RELIANT)(D - ARIES)(C - LEBAROND)/TOWN & COUNTRY)

L BODY = (M - HORIZON/TURISMO)(Z - OMNI/CHARGER)

M BODY = (B - GRAN FURY)(F - FIFTH AVE/NEWPORT)(G - DIPLOMAT)

P BODY = (P - SUNDANCE)(D - SHADOW)

S BODY = (H - VOYAGER)(K - RAM VAN/CARAVAN)

BODY STYLES

12-13 = FWD VAN

21 = 2-DOOR SEDAN

24 = 2-DOOR HATCHBACK

27 = 2-DOOR CONVERTIBLE

41 = 4-DOOR SEDAN

44 = 4-DOOR HATCHBACK

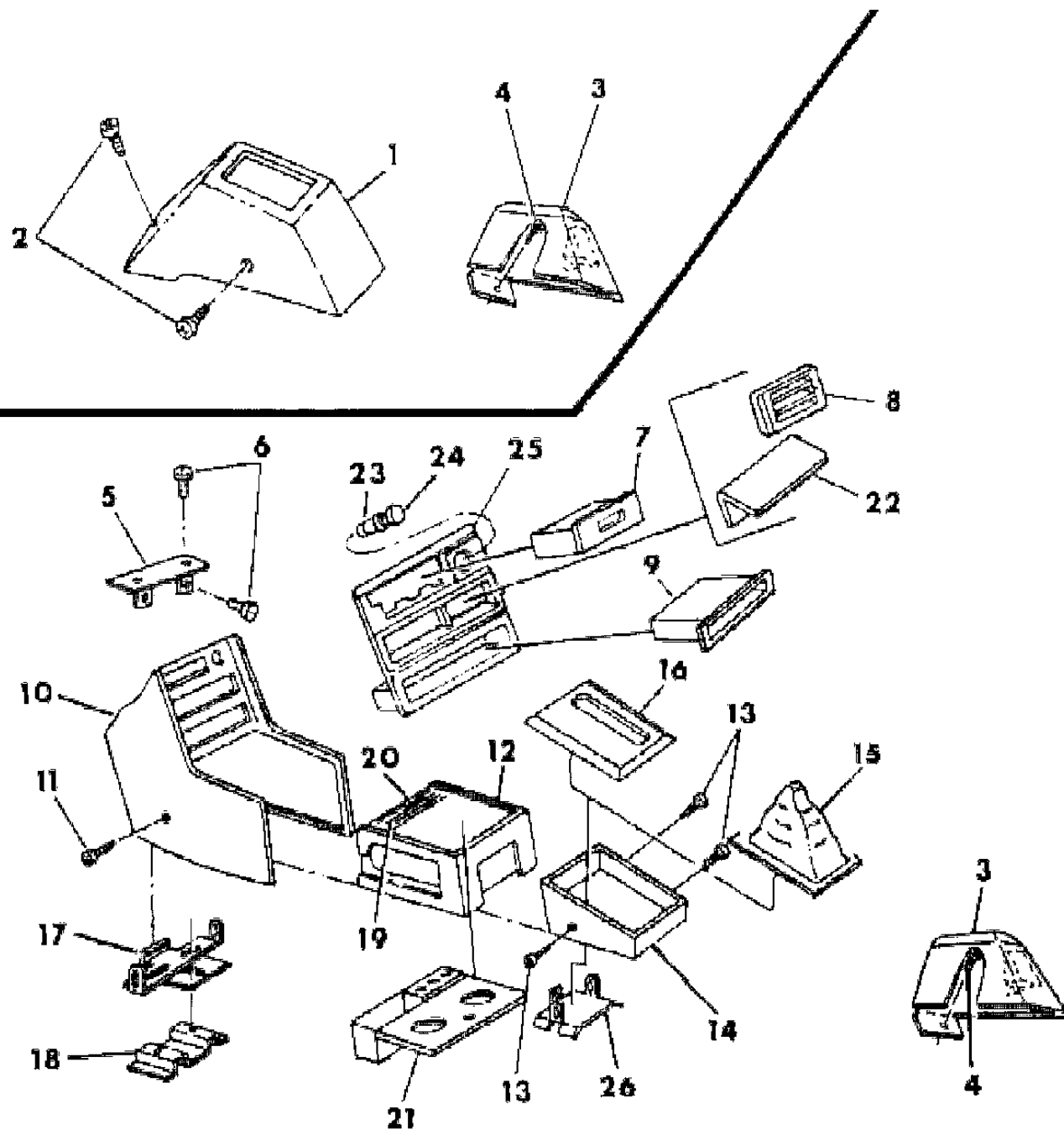
45 = 4-DOOR STATION WAGON

52-53 = FWD WAGON

AR = Use as Required - = Non Illustrated Part P.A.R. = Paint as Required

CONSOLE L BODY
Figure 8A-400

7182 400 A



ITEM	PART NUMBER	QTY	BODY	MODEL	DESCRIPTION
1	F435 CS8	1			CONSOLE, Auto Gear Selector
	4186 901	1			SILENCER, Console
2	0167 541	2			SCREW
3	F278 SX9	1			COVER, Park Brake, w/o Console
4		AR			SCREW (DNS)
5	4248 437	1			BRACKET, Front Console Upper
6		AR			SCREW (DNS)
7	4282 250	1			ASH RECEIVER
	4221 465	1			LAMP, Ash Receiver
8	4282 508	2			HEATER OUTLET, w/o Air
9		1			CUBBY BOX, Serviced in Item #25
10					CONSOLE, Forward
					w/Air
	F456 BC7	1			Blue
	F456 BM6	1			Red
	F456 CS8	1			Charcoal
					w/o Air
	F455 BC7	1			Blue
	F455 BM6	1			Red
	F455 CS8	1			Charcoal
11		AR			SCREW (DNS)
12					STORAGE BIN
	F457 BC7	1			Blue
	F457 BM6	1			Red
	F457 CS8	1			Charcoal
13		AR			SCREW (DNS)
14	F443 CS8	1			HOUSING, Shift
15	4282 511	1			BEZEL, Shift Housing
	F436 CS8	1			w/Auto Shift Housing
16	F436 CS8	1			BEZEL, Shift Housing
17	4248 328	1			BRACKET, Front Console Lower
18	4314 177	1			BRACKET, Front Console Floor Pan
19	4282 528	1			LID, Storage Box
20		1			HANDLE, Serviced in Item #19
21	4248 647	1			CUP HOLDER, w/Coin Holder
22	4282 529	1			CONVENIENCE LIGHT, w/Air
	4521 125	2			RETAINER, Spring, Convience Lamp
23	3004 190	1			ELEMENT, C/Lighter

MODEL CODES

E BODY = (J - CARAVELLE)(E - 600)(T - NEW YORKER)

G BODY = (V24 - DAYTONA)

H BODY = (D44 - LANCER)(C44 - LEBARON GTS)

J BODY = (C - LEBARON)

K BODY = (P - RELIANT)(D - ARIES)(C - LEBAROND)/TOWN & COUNTRY)

L BODY = (M - HORIZON/TURISMO)(Z - OMNI/CHARGER)

M BODY = (B - GRAN FURY)(F - FIFTH AVE/NEWPORT)(G - DIPLOMAT)

P BODY = (P - SUNDANCE)(D - SHADOW)

S BODY = (H - VOYAGER)(K - RAM VAN/CARAVAN)

BODY STYLES

12-13 = FWD VAN

21 = 2-DOOR SEDAN

24 = 2-DOOR HATCHBACK

27 = 2-DOOR CONVERTIBLE

41 = 4-DOOR SEDAN

44 = 4-DOOR HATCHBACK

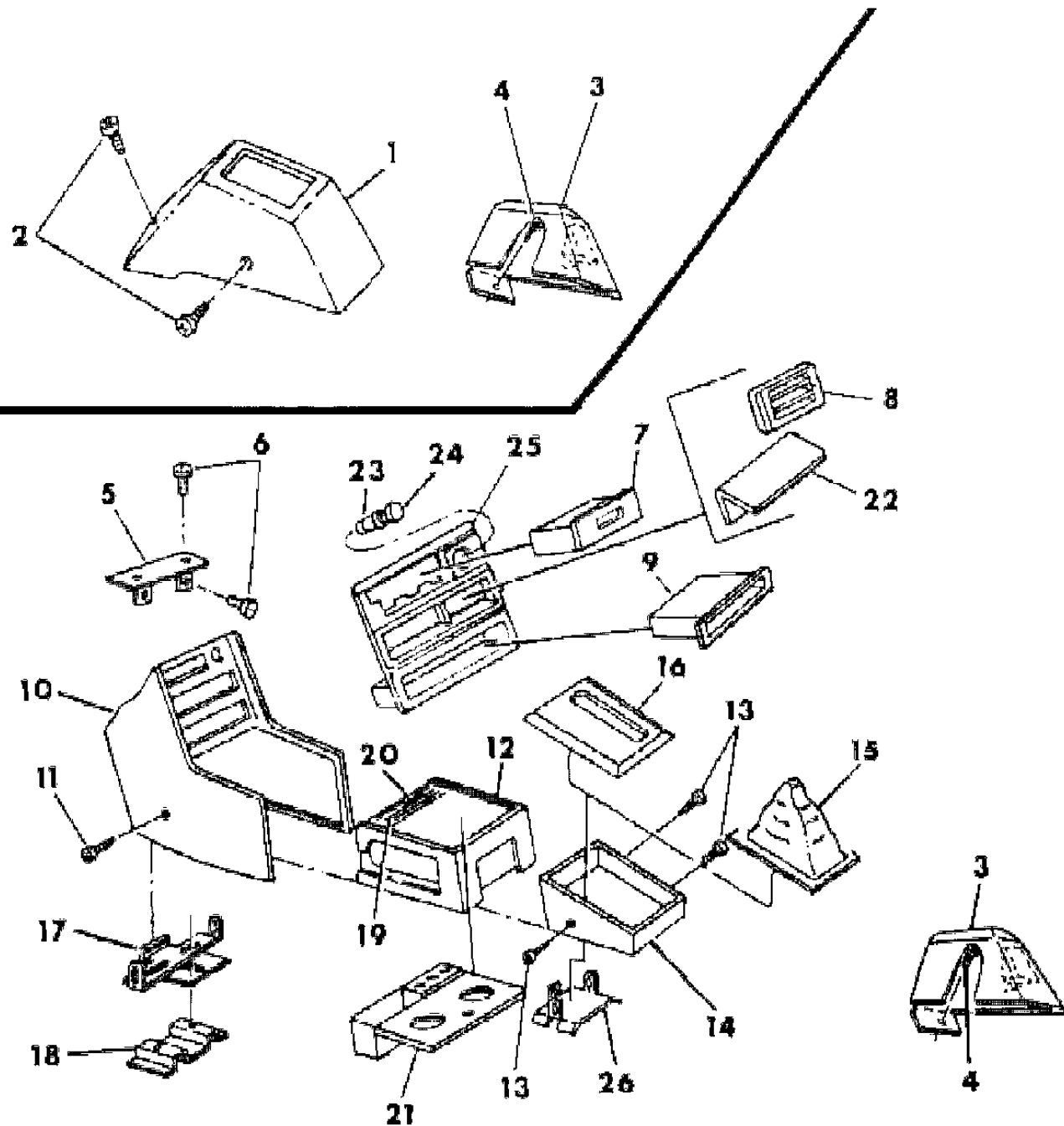
45 = 4-DOOR STATION WAGON

52-53 = FWD WAGON

AR = Use as Required - = Non Illustrated Part P.A.R. = Paint as Required

CONSOLE L BODY
Figure 8A-400

7182 400 A



ITEM	PART NUMBER	QTY	BODY	MODEL	DESCRIPTION
	2808 912	1			SHELL and CLAMP, C/Lighter
24	3747 763	1			KNOB, C/Lighter
25					FACE PLATE
	4364 487	1			w/o Air
	4364 488	1			w/Air
26					BRACKET, Shift Housing
	4248 335	1			w/Auto Trans.
	4248 486	1			w/Manual Trans.

MODEL CODES

E BODY = (J - CARAVELLE)(E - 600)(T - NEW YORKER)

G BODY = (V24 - DAYTONA)

H BODY = (D44 - LANCER)(C44 - LEBARON GTS)

J BODY = (C - LEBARON)

K BODY = (P - RELIANT)(D - ARIES)(C - LEBAROND)/TOWN & COUNTRY)

L BODY = (M - HORIZON/TURISMO)(Z - OMNI/CHARGER)

M BODY = (B - GRAN FURY)(F - FIFTH AVE/NEWPORT)(G - DIPLOMAT)

P BODY = (P - SUNDANCE)(D - SHADOW)

S BODY = (H - VOYAGER)(K - RAM VAN/CARAVAN)

BODY STYLES

12-13 = FWD VAN

21 = 2-DOOR SEDAN

24 = 2-DOOR HATCHBACK

27 = 2-DOOR CONVERTIBLE

41 = 4-DOOR SEDAN

44 = 4-DOOR HATCHBACK

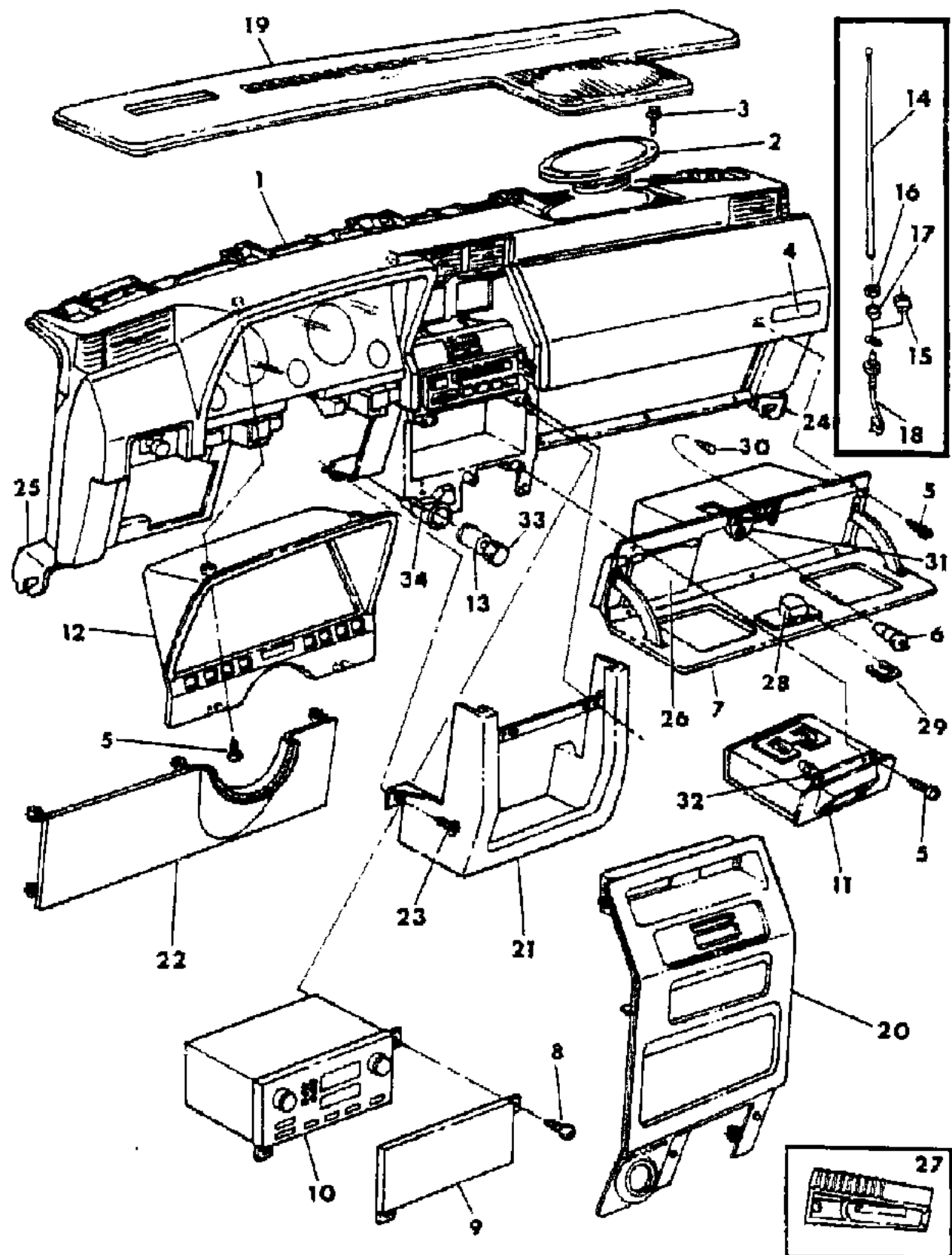
45 = 4-DOOR STATION WAGON

52-53 = FWD WAGON

AR = Use as Required - = Non Illustrated Part P.A.R. = Paint as Required

INSTRUMENT PANEL RADIO, BEZELS, GLOVEBOX, ANTENNA P BODY
Figure 8A-500

7182 500A



ITEM	PART NUMBER	QTY	BODY	MODEL	DESCRIPTION
1					PANEL, Instrument
	P435 EC5	1			Blue
	P435 EK1	1			Almond
	P435 ES8	1			Charcoal
	P435 EE8	1			Cordovan
2	4311 098	1			SPEAKER, Instrument Panel
	4222 531	2			Rear Compartment
3		2			SCREW (DNS)
4					NAME PLATE, Instrument Panel
	4372 392	1			"Sundance"
	4372 140	1			"Shadow"
	4467 472	1			"Shelby"
5		AR			SCREW (DNS)
6	4221 625	1			LAMP and SWITCH, Glovebox
7	P692 EK1	1			BOX, Glove
8	6031 665	2			SCREW, Radio Mtg.
9	4372 399	1			PLATE, Radio Opening, w/o Radio
10					RADIO
	4311 002	1			Am
	4311 956	1			Am/Fm/Mx
	4372 442	1			Am/Fm/Mx w/Cassette
					KNOB, Radio
	4311 334	2			Primary
	4311 341	2			Secondary
	4311 339	1			Treble
	4311 337	1			Bass
11	4311 714	1			RECEIVER, Ash
	4311 737	1			RECEPTACLE, Ash Receiver
	4311 738	1			HOUSING, Ash Receiver
12	4374 388	1			BEZEL, Cluster
13	3747 633	1			SHELL and CLAMP, C/Lighter
14	4222 729	1			MAST, Antenna
15	4222 739	1			PLUG, Antenna Hole
16	4222 728	1			CAP NUT, Antenna Mtg.
17	4222 736	1			ADAPTER and GASKET, Antenna
	4222 735	1			LOCK WASHER, Antenna
18	4372 119	1			BODY and CABLE, Antenna
	4372 145	1			CABLE, Antenna to Radio

MODEL CODES

E BODY = (J - CARAVELLE)(E - 600)(T - NEW YORKER)

G BODY = (V24 - DAYTONA)

H BODY = (D44 - LANCER)(C44 - LEBARON GTS)

J BODY = (C - LEBARON)

K BODY = (P - RELIANT)(D - ARIES)(C - LEBAROND)/TOWN & COUNTRY)

L BODY = (M - HORIZON/TURISMO)(Z - OMNI/CHARGER)

M BODY = (B - GRAN FURY)(F - FIFTH AVE/NEWPORT)(G - DIPLOMAT)

P BODY = (P - SUNDANCE)(D - SHADOW)

S BODY = (H - VOYAGER)(K - RAM VAN/CARAVAN)

BODY STYLES

12-13 = FWD VAN

21 = 2-DOOR SEDAN

24 = 2-DOOR HATCHBACK

27 = 2-DOOR CONVERTIBLE

41 = 4-DOOR SEDAN

44 = 4-DOOR HATCHBACK

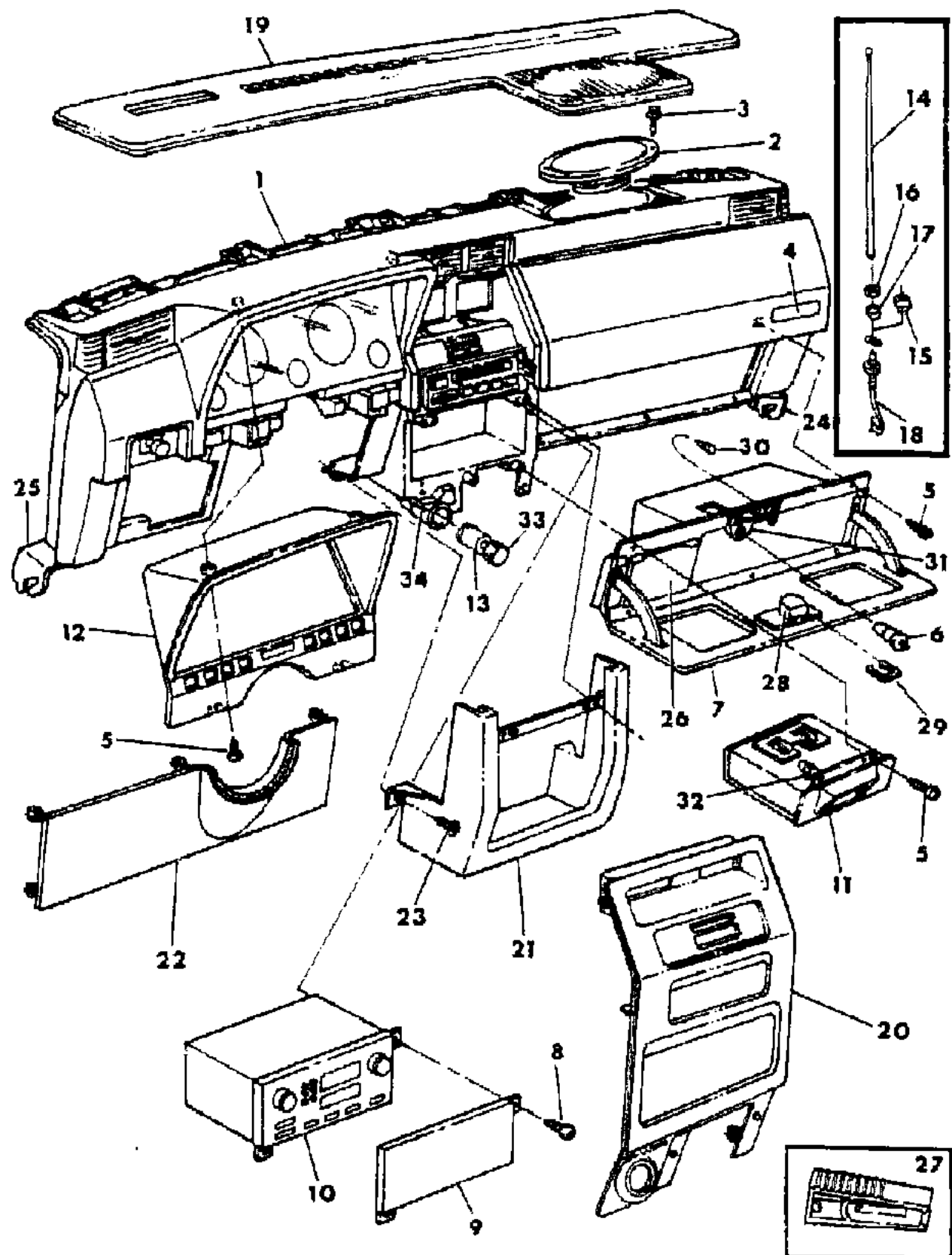
45 = 4-DOOR STATION WAGON

52-53 = FWD WAGON

AR = Use as Required - = Non Illustrated Part P.A.R. = Paint as Required

INSTRUMENT PANEL RADIO, BEZELS, GLOVEBOX, ANTENNA P BODY
Figure 8A-500

7182 500A



ITEM	PART NUMBER	QTY	BODY	MODEL	DESCRIPTION
19	P696 EK1	1			COVER, Instrument Panel Top
	6500 926	AR			CLIP, Top Panel
20	4311 722	1			BEZEL, Instrument Panel Center Module w/Cubby Box, w/o Switch Holes
	4311 725	1			w/Message Center, w/One Switch Hole
	4372 089	1			w/Cubby Box, w/One Switch Hole
	4372 095	1			w/Message Center, w/o Switch Holes
	4220 455	6			CLIP, Bezel Att.
21	P694 EK1	1			COVER, Center Module
22	P539 EK1	1			COVER, Instrument Panel Steering Column Opening
	6501 475	5			CLIP, Cover Att.
23		4			SCREW (DNS)
24	4311 736	1			SUPPORT, Instrument Panel, Right
25	4311 704	1			REINFORCEMENT, Instrument Panel, Left
26	4311 739	1			DOOR, Glove Box Fuse Access
27	4331 020	1			FUSE PULLER
28	4311 733	1			CATCH, Glove Box Latch
29	4311 741	1			CLIP, Glove Box Catch Retaining
30	4311 742	1			BUMPER, Glove Box Door Check Strap
31	4311 734	1			LATCH, Glove Box Lock
32	4221 877	1			HOOD, Ash Receiver Lamp
33	4221 791	1			KNOB, C/Lighter
	3004 190	1			ELEMENT, C/Lighter Heat
34	4221 793	1			SHIELD, C/Lighter Mtg.

MODEL CODES

E BODY = (J - CARAVELLE)(E - 600)(T - NEW YORKER)

G BODY = (V24 - DAYTONA)

H BODY = (D44 - LANCER)(C44 - LEBARON GTS)

J BODY = (C - LEBARON)

K BODY = (P - RELIANT)(D - ARIES)(C - LEBAROND)/TOWN & COUNTRY)

L BODY = (M - HORIZON/TURISMO)(Z - OMNI/CHARGER)

M BODY = (B - GRAN FURY)(F - FIFTH AVE/NEWPORT)(G - DIPLOMAT)

P BODY = (P - SUNDANCE)(D - SHADOW)

S BODY = (H - VOYAGER)(K - RAM VAN/CARAVAN)

BODY STYLES

12-13 = FWD VAN

21 = 2-DOOR SEDAN

24 = 2-DOOR HATCHBACK

27 = 2-DOOR CONVERTIBLE

41 = 4-DOOR SEDAN

44 = 4-DOOR HATCHBACK

45 = 4-DOOR STATION WAGON

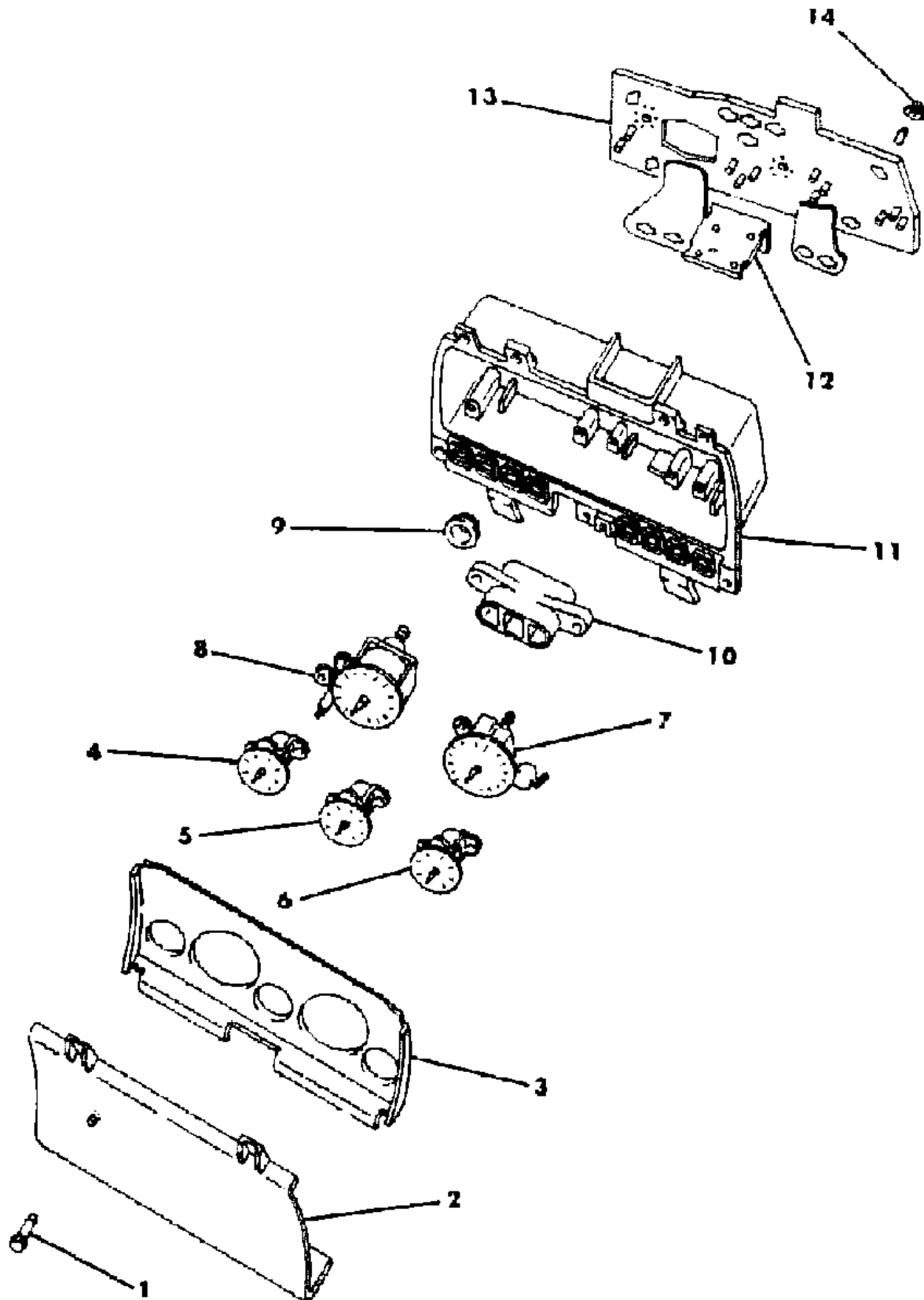
52-53 = FWD WAGON

AR = Use as Required - = Non Illustrated Part P.A.R. = Paint as Required

INSTRUMENT PANEL CLUSTER P BODY
Figure 8A-510

7182 510

ITEM	PART NUMBER	QTY	BODY	MODEL	DESCRIPTION
1	4051 796	1			KNOB, Odometer
2	6032 100	1			SCREW, Odometer Knob
	4375 058	1			LENS, Cluster w/o Trip
3	4375 057	1			w/Trip
					MASK, Cluster
4	4375 184	1	L		GAUGE, Volt
	4375 156	1	P		
5	#4375 016	1			GAUGE, Fuel
					w/o Tachometer
6	4375 018	1			w/Tachometer
	4375 014	1			GAUGE, Temperature
7	#4375 015	1			TACHOMETER
8	#4375 019	1			SPEEDOMETER
					85 Mph
9	4375 034	1			125 Mph
	4375 032	1			GROMMET, Speedometer to Housing
10	4051 412	1			CHIMNEY
11	#4375 068	1			HOUSING, Cluster
12	#4375 059	1			CIRCUIT BOARD, Tachometer
13	4051 977	1			CIRCUIT BOARD, Printed
					L
14	4375 029	1	P		SOCKET, Bulb
	4375 028	1			BULB
	#4374 072	AR			DIFFUSER
	9421 330	AR			
	4051 529	AR			



MODEL CODES

E BODY = (J - CARAVELLE)(E - 600)(T - NEW YORKER)

G BODY = (V24 - DAYTONA)

H BODY = (D44 - LANCER)(C44 - LEBARON GTS)

J BODY = (C - LEBARON)

K BODY = (P - RELIANT)(D - ARIES)(C - LEBAROND)/TOWN & COUNTRY)

L BODY = (M - HORIZON/TURISMO)(Z - OMNI/CHARGER)

M BODY = (B - GRAN FURY)(F - FIFTH AVE/NEWPORT)(G - DIPLOMAT)

P BODY = (P - SUNDANCE)(D - SHADOW)

S BODY = (H - VOYAGER)(K - RAM VAN/CARAVAN)

BODY STYLES

12-13 = FWD VAN

21 = 2-DOOR SEDAN

24 = 2-DOOR HATCHBACK

27 = 2-DOOR CONVERTIBLE

41 = 4-DOOR SEDAN

44 = 4-DOOR HATCHBACK

45 = 4-DOOR STATION WAGON

52-53 = FWD WAGON

AR = Use as Required - = Non Illustrated Part P.A.R. = Paint as Required

INSTRUMENT PANEL WIRING P BODY
Figure 8A-600

71B2 800A

ITEM	PART NUMBER	QTY	BODY	MODEL	DESCRIPTION
1	4368 042	1			MODULE, w/Lettering
	4368 049	1			BRACKET, Module Mtg.
2	2932 877	1			FLASHER, Hazzard Warning
3	4186 379	1			BREAKER, Circuit, 30 Amp.
	4331 929	1			6 Amp.
4	4400 693	1			WIRING HARNESS, Instrument Panel w/o Turbo
	4368 028	1			w/Turbo
5					CABLE, Fuseible Link
	4026 095	1			No. 16 Blue
	4026 094	1			No. 14 Red
	4026 093	1			No. 12 Black
	4364 877	1			No. 10 Green
	4026 096	1			No. 18 Gray
6					FUSES
	6101 132	AR			4 Amp.
	6101 131	AR			3 Amp.
	6101 133	AR			5 Amp.
	6101 137	AR			20 Amp.
	6101 136	AR			10 Amp.
7	6101 138	AR			25 Amp.
	6101 139	AR			30 Amp.
					TERMINAL, Buzz Bar
8	4124 752	1			Three Way
	4124 258	1			One Way
8	4221 730	1			BUZZER, Warning
9	4368 099	1			MODULE, Turn Signal, Hazzard and Horn
10	4368 035	1			TROUGH, Left Wiring
11	4368 034	1			TROUGH, Center Wiring
12	2889 565	1			RELAY, Ignition Time Delay
13					FLASHER, Turn Signal
	3837 161	1			Two Lamp
14	3837 162	1			Three Lamp
	4221 658	1			RELAY, Horn

MODEL CODES

E BODY = (J - CARAVELLE)(E - 600)(T - NEW YORKER)

G BODY = (V24 - DAYTONA)

H BODY = (D44 - LANCER)(C44 - LEBARON GTS)

J BODY = (C - LEBARON)

K BODY = (P - RELIANT)(D - ARIES)(C - LEBAROND)/TOWN & COUNTRY)

L BODY = (M - HORIZON/TURISMO)(Z - OMNI/CHARGER)

M BODY = (B - GRAN FURY)(F - FIFTH AVE/NEWPORT)(G - DIPLOMAT)

P BODY = (P - SUNDANCE)(D - SHADOW)

S BODY = (H - VOYAGER)(K - RAM VAN/CARAVAN)

BODY STYLES

12-13 = FWD VAN

21 = 2-DOOR SEDAN

24 = 2-DOOR HATCHBACK

27 = 2-DOOR CONVERTIBLE

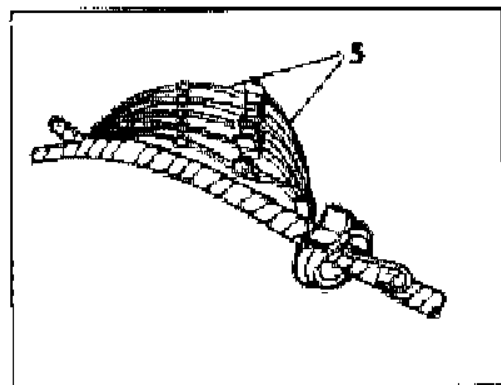
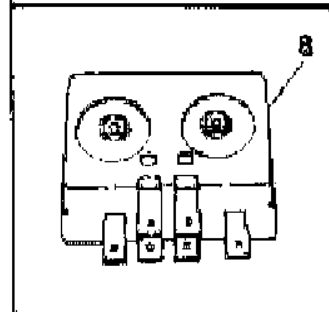
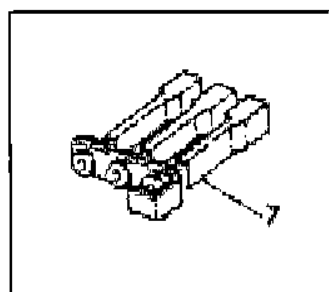
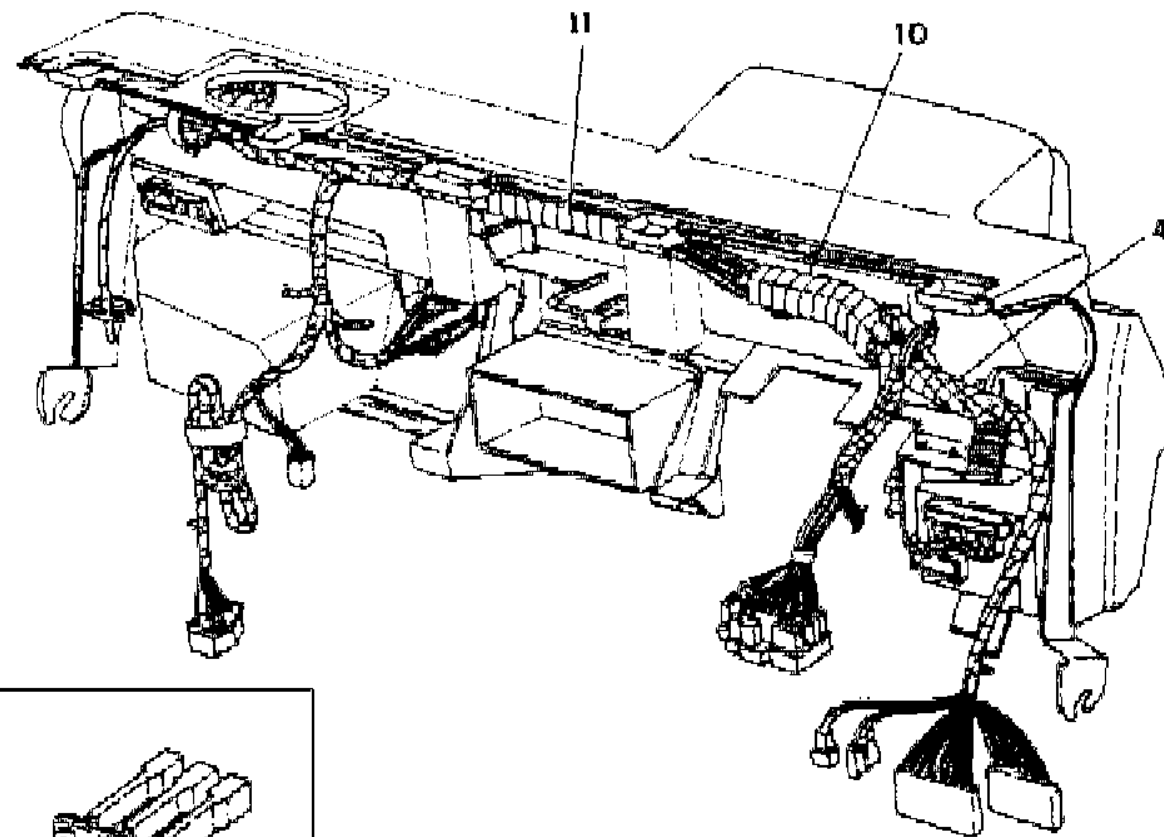
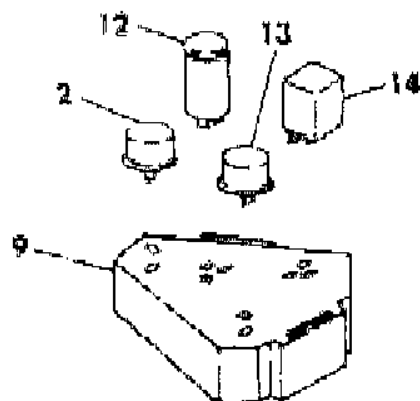
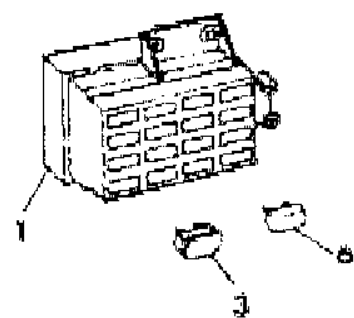
41 = 4-DOOR SEDAN

44 = 4-DOOR HATCHBACK

45 = 4-DOOR STATION WAGON

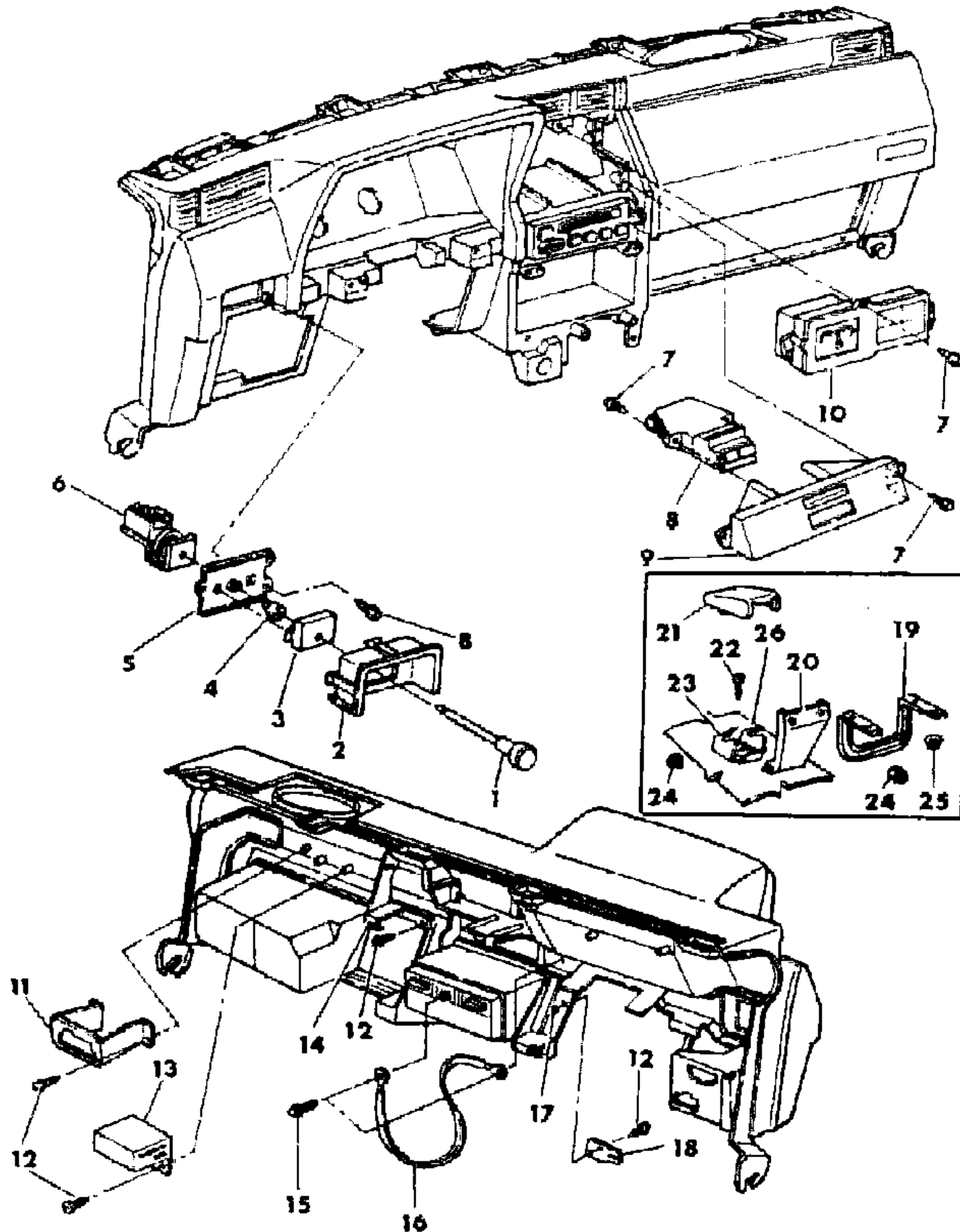
52-53 = FWD WAGON

AR = Use as Required - = Non Illustrated Part P.A.R. = Paint as Required



INSTRUMENT PANEL CONTROLS AND SWITCHES P BODY
Figure 8A-700

71B2 700 B



ITEM	PART NUMBER	QTY	BODY	MODEL	DESCRIPTION
1	4221 626	1			KNOB and SHAFT, H/Lamp Switch
2	4221 758	1			BEZEL, Headlamp Switch
3	4221 759	1			ESCUTCHEON, Headlamp Switch Mtg.
4	4221 063	1			RETAINER, Headlamp Switch
5	4221 757	1			PLATE, Headlamp Switch Mtg.
6	4221 405	1			SWITCH, Headlamp
7		AR			SCREW (DNS)
8	#4221 731	1			CONTROL, Heated Backlite
9	#4221 735	1			BEZEL, Accessory Switch
10					MODULE, Turbo and Message Center, Order Components Listed Below
	4375 115	1			Housing, w/Turbo Gauge
	4375 315	1			Housing, w/o Turbo Gauge
	4375 111	1			Circuit Board
	4051 832	1			Low Fuel Relay
	4374 072	AR			Socket
	9415 969	AR			Bulb
	4375 113	1			Mask and Lens
11	#4368 033	1			BRACKET, 18 Way Insulator
12		AR			SCREW (DNS)
13	#4312 664	1			CONTROL, Dual Chime
14	#4368 049	1			BRACKET, Relay Module Mtg.
15		2			SCREW (DNS)
16	#4372 040	1			STRAP, Radio Ground
17		1			CLIP (DNS)
18		1			BRACKET, Intermittent Wiper Control Mtg. (DNS)
19	#4372 631	1			BRACKET, Upper
20	#4372 637	1			BRACKET, Mid to Upper and Lower Brackets
21	4460 084	1			COVER, Lower Bracket
22		AR			SCREW (DNS)
23	#4372 633	1			BRACKET, Lower to Dash Panel and Mid Bracket Att.
24	6100 046	AR			NUT
25	6100 044	AR			NUT
26					PAN, Floor, Refer to 23A

MODEL CODES

E BODY = (J - CARAVELLE)(E - 600)(T - NEW YORKER)

G BODY = (V24 - DAYTONA)

H BODY = (D44 - LANCER)(C44 - LEBARON GTS)

J BODY = (C - LEBARON)

K BODY = (P - RELIANT)(D - ARIES)(C - LEBAROND)/TOWN & COUNTRY)

L BODY = (M - HORIZON/TURISMO)(Z - OMNI/CHARGER)

M BODY = (B - GRAN FURY)(F - FIFTH AVE/NEWPORT)(G - DIPLOMAT)

P BODY = (P - SUNDANCE)(D - SHADOW)

S BODY = (H - VOYAGER)(K - RAM VAN/CARAVAN)

BODY STYLES

12-13 = FWD VAN

21 = 2-DOOR SEDAN

24 = 2-DOOR HATCHBACK

27 = 2-DOOR CONVERTIBLE

41 = 4-DOOR SEDAN

44 = 4-DOOR HATCHBACK

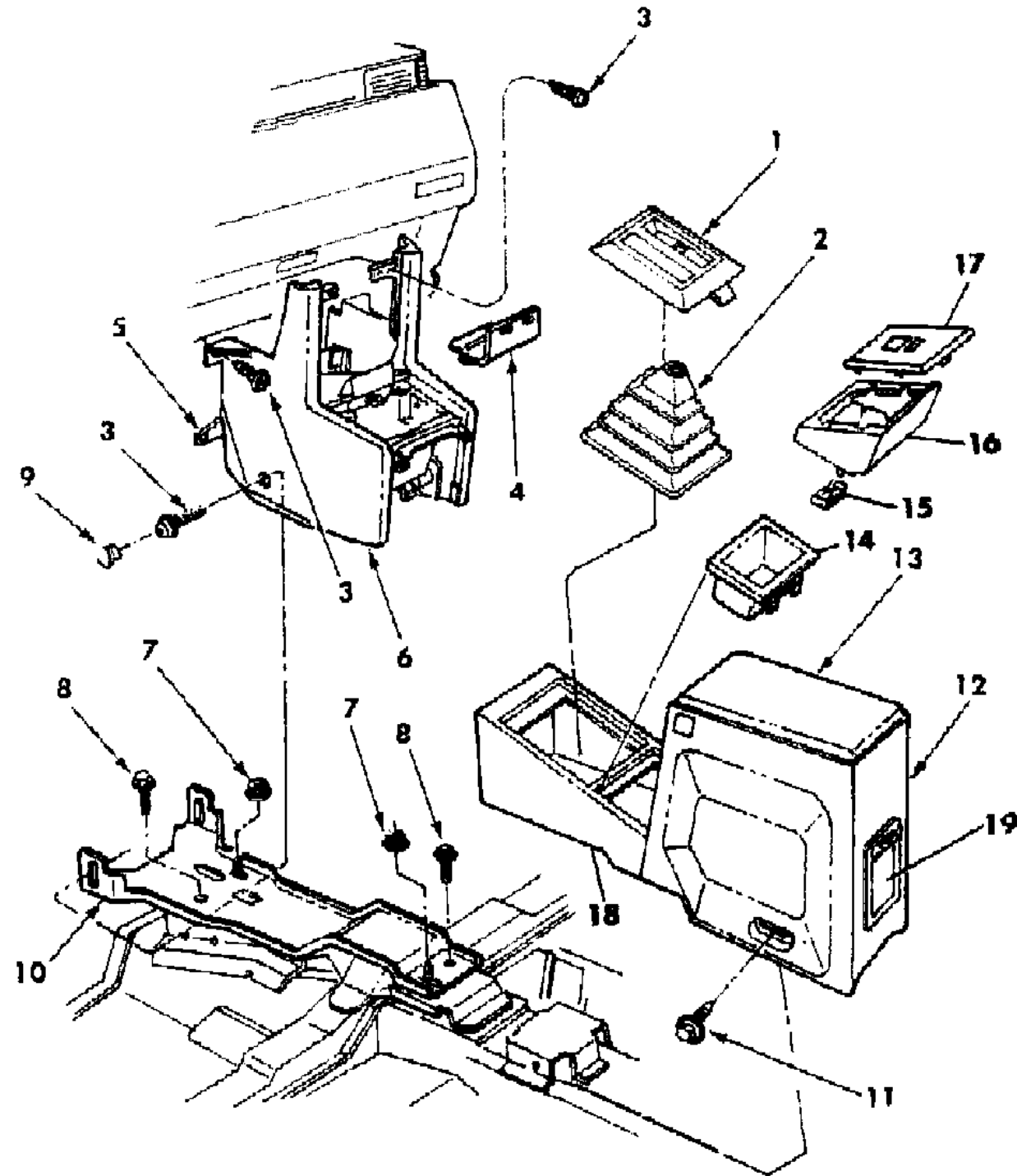
45 = 4-DOOR STATION WAGON

52-53 = FWD WAGON

AR = Use as Required - = Non Illustrated Part P.A.R. = Paint as Required

CONSOLE P BODY
Figure 8A-800

7182 800 8



ITEM	PART NUMBER	QTY	BODY	MODEL	DESCRIPTION
1	4221 882	1			LAMP, Gear Selector Indicator
2	4348 461	1			BOOT, Gear Shift, w/Manual Trans.
3		AR			SCREW (DNS)
4	4381 053	1			PANEL, Stowage Box
5	4381 017	1			SHIELD, Close Out
6					CONSOLE, Front
	F582-3 EK1	1			PANEL, Console
	4381 356	1			BOX, Stowage
	4309 362	1			LID, Stowage Box
7	6100 050	AR			NUT
8		AR			SCREW (DNS)
9					PLUG, Trim
	F279 EC5	1			Blue
	F279 EE8	1			Cordovan
	F279 EK1	1			Almond
	F279 ES8	1			Charcoal
10	4309 387	1			BRACKET, Console Mtg.
11		2			SCREW (DNS)
12	F552 EK1	1			BASE, Console
	4473 418	1			CUP HOLDER
	4282 130	1			COIN HOLDER
	4309 214	1			LATCH, Console Base
13					LID, Rear Console
	F553 EC5	1			Blue
	F553 EE8	1			Cordovan
	F553 EK1	1			Almond
	F553 ES8	1			Charcoal
	F245 CA3	1			PLUG, Console Lid
14	4309 008	1			BIN, Console
15	6033 242	1			RETAINER, Bezel
16	4221 957	1			BASE, Switch Bezel
17					BEZEL, Switch
	4221 798	1	24		w/Power Windows, w/o Electric Mirrors
	4221 796	1	24		w/Power Windows and Electric Mirrors
	4221 797	1	44		w/Power Windows, w/o Electric Mirrors
	4221 795	1	44		w/Power Windows, w/Electric Mirrors
	4221 799	1	24,44		w/o Power Windows, w/Electric Mirrors
18	4309 287	1			CONSOLE, Floor

MODEL CODES

E BODY = (J - CARAVELLE)(E - 600)(T - NEW YORKER)

G BODY = (V24 - DAYTONA)

H BODY = (D44 - LANCER)(C44 - LEBARON GTS)

J BODY = (C - LEBARON)

K BODY = (P - RELIANT)(D - ARIES)(C - LEBAROND)/TOWN & COUNTRY)

L BODY = (M - HORIZON/TURISMO)(Z - OMNI/CHARGER)

M BODY = (B - GRAN FURY)(F - FIFTH AVE/NEWPORT)(G - DIPLOMAT)

P BODY = (P - SUNDANCE)(D - SHADOW)

S BODY = (H - VOYAGER)(K - RAM VAN/CARAVAN)

BODY STYLES

12-13 = FWD VAN

21 = 2-DOOR SEDAN

24 = 2-DOOR HATCHBACK

27 = 2-DOOR CONVERTIBLE

41 = 4-DOOR SEDAN

44 = 4-DOOR HATCHBACK

45 = 4-DOOR STATION WAGON

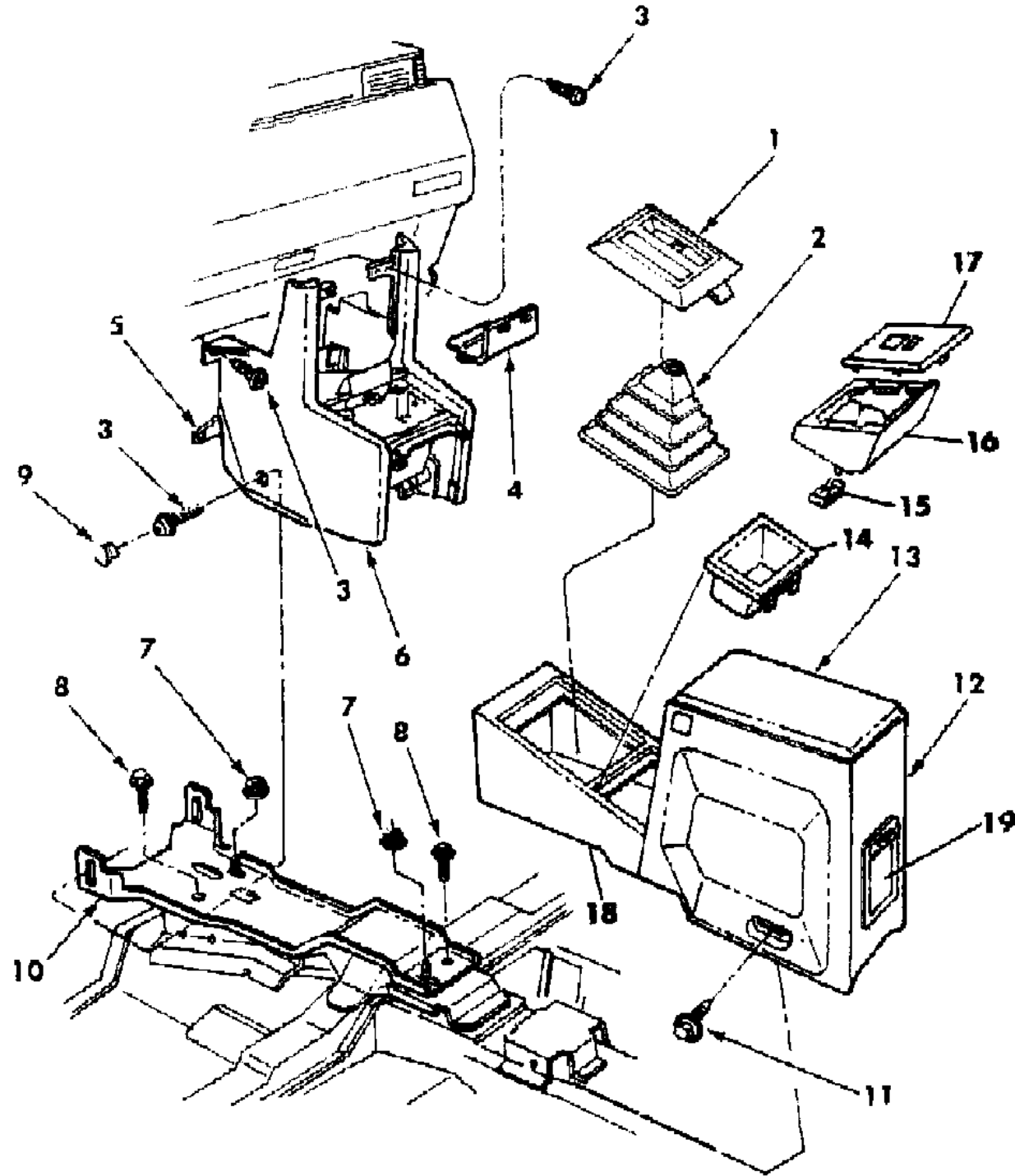
52-53 = FWD WAGON

AR = Use as Required - = Non Illustrated Part P.A.R. = Paint as Required

CONSOLE P BODY
Figure 8A-800

7182 800 8

ITEM	PART NUMBER	QTY	BODY	MODEL	DESCRIPTION
19	4247 034	1			RECEPTACLE, Ash Receiver
	4247 113	1			SNUFFER, Ash Receiver



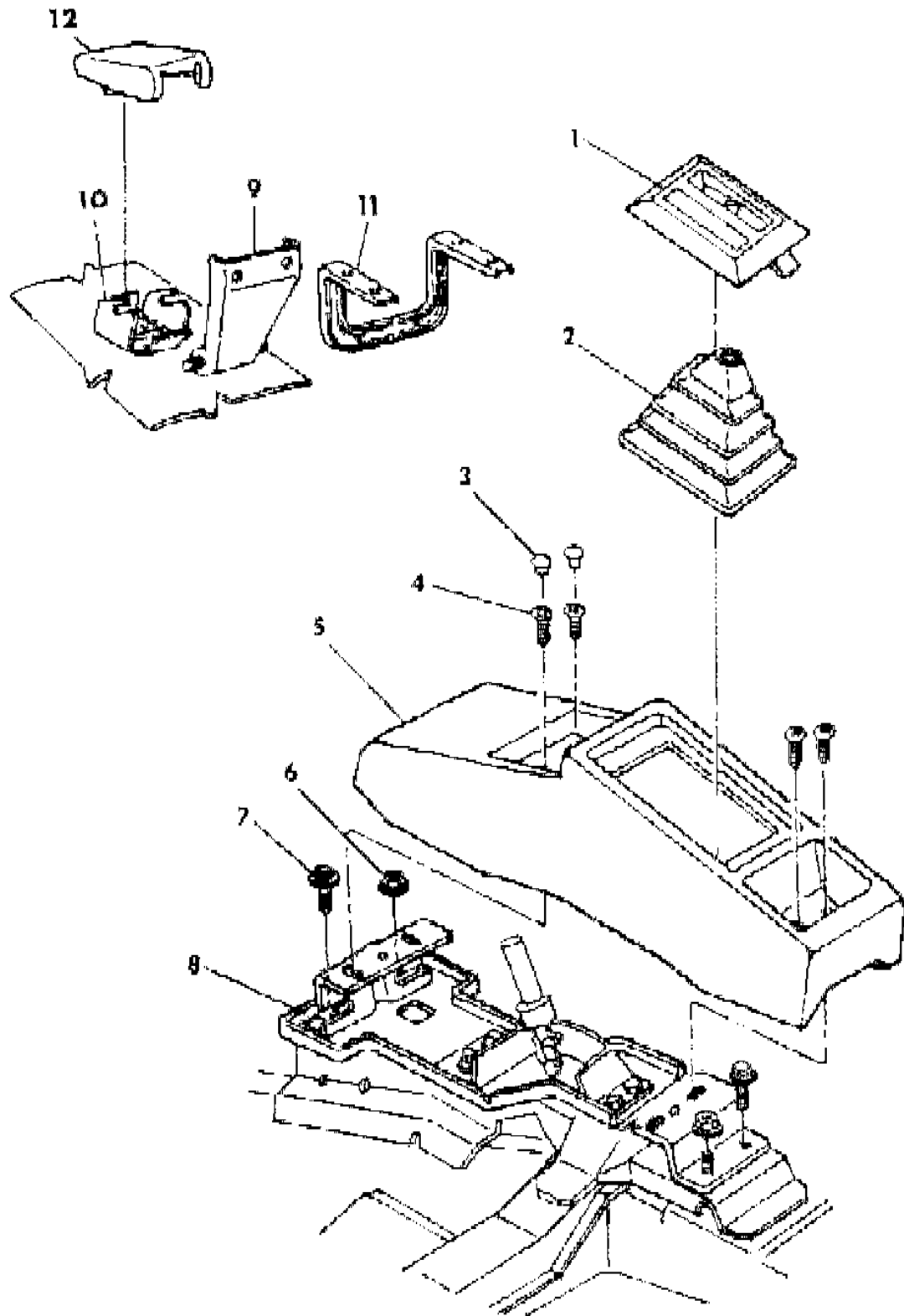
MODEL CODES
 E BODY = (J - CARAVELLE)(E - 600)(T - NEW YORKER)
 G BODY = (V24 - DAYTONA)
 H BODY = (D44 - LANCER)(C44 - LEBARON GTS)
 J BODY = (C - LEBARON)
 K BODY = (P - RELIANT)(D - ARIES)(C - LEBAROND)/TOWN & COUNTRY
 L BODY = (M - HORIZON/TURISMO)(Z - OMNI/CHARGER)
 M BODY = (B - GRAN FURY)(F - FIFTH AVE/NEWPORT)(G - DIPLOMAT)
 P BODY = (P - SUNDANCE)(D - SHADOW)
 S BODY = (H - VOYAGER)(K - RAM VAN/CARAVAN)

BODY STYLES
 12-13 = FWD VAN
 21 = 2-DOOR SEDAN
 24 = 2-DOOR HATCHBACK
 27 = 2-DOOR CONVERTIBLE
 41 = 4-DOOR SEDAN
 44 = 4-DOOR HATCHBACK
 45 = 4-DOOR STATION WAGON
 52-53 = FWD WAGON

AR = Use as Required - = Non Illustrated Part P.A.R. = Paint as Required

CONSOLETTA P BODY
Figure 8A-900

7182 900 B



ITEM	PART NUMBER	QTY	BODY	MODEL	DESCRIPTION
1	4221 882	1			LAMP, Gear Shift Indicator
2	4348 461	1			BOOT, Gear Shift, w/Manual Trans.
3					PLUG, Trim
	F279 EC5	4			Blue
	F279 EE8	4			Cordovan
	F279 EK1	4			Almond
	F279 ES8	4			Charcoal
4		4			SCREW (DNS)
5	F323 EK1	1			CONSOLETTA
6	6100 050	2			NUT
7		2			SCREW (DNS)
8	4381 019	1			BRACKET, Consolette Mtg.
9	4372 637	1			BRACKET, I/Panel Mid to Upper Bracket and Lower Bracket Att.
10	4372 633	1			BRACKET, I/Panel Lower to Dash and Mid Brackrtt Att.
11	4372 631	1			BRACKET, Instrument Panel Upper
12	4460 084	1			COVER, I/Panel Lower Bracket
	6501 669	1			CLIP, Cover Retaining

MODEL CODES

E BODY = (J - CARAVELLE)(E - 600)(T - NEW YORKER)

G BODY = (V24 - DAYTONA)

H BODY = (D44 - LANCER)(C44 - LEBARON GTS)

J BODY = (C - LEBARON)

K BODY = (P - RELIANT)(D - ARIES)(C - LEBAROND)/TOWN & COUNTRY)

L BODY = (M - HORIZON/TURISMO)(Z - OMNI/CHARGER)

M BODY = (B - GRAN FURY)(F - FIFTH AVE/NEWPORT)(G - DIPLOMAT)

P BODY = (P - SUNDANCE)(D - SHADOW)

S BODY = (H - VOYAGER)(K - RAM VAN/CARAVAN)

BODY STYLES

12-13 = FWD VAN

21 = 2-DOOR SEDAN

24 = 2-DOOR HATCHBACK

27 = 2-DOOR CONVERTIBLE

41 = 4-DOOR SEDAN

44 = 4-DOOR HATCHBACK

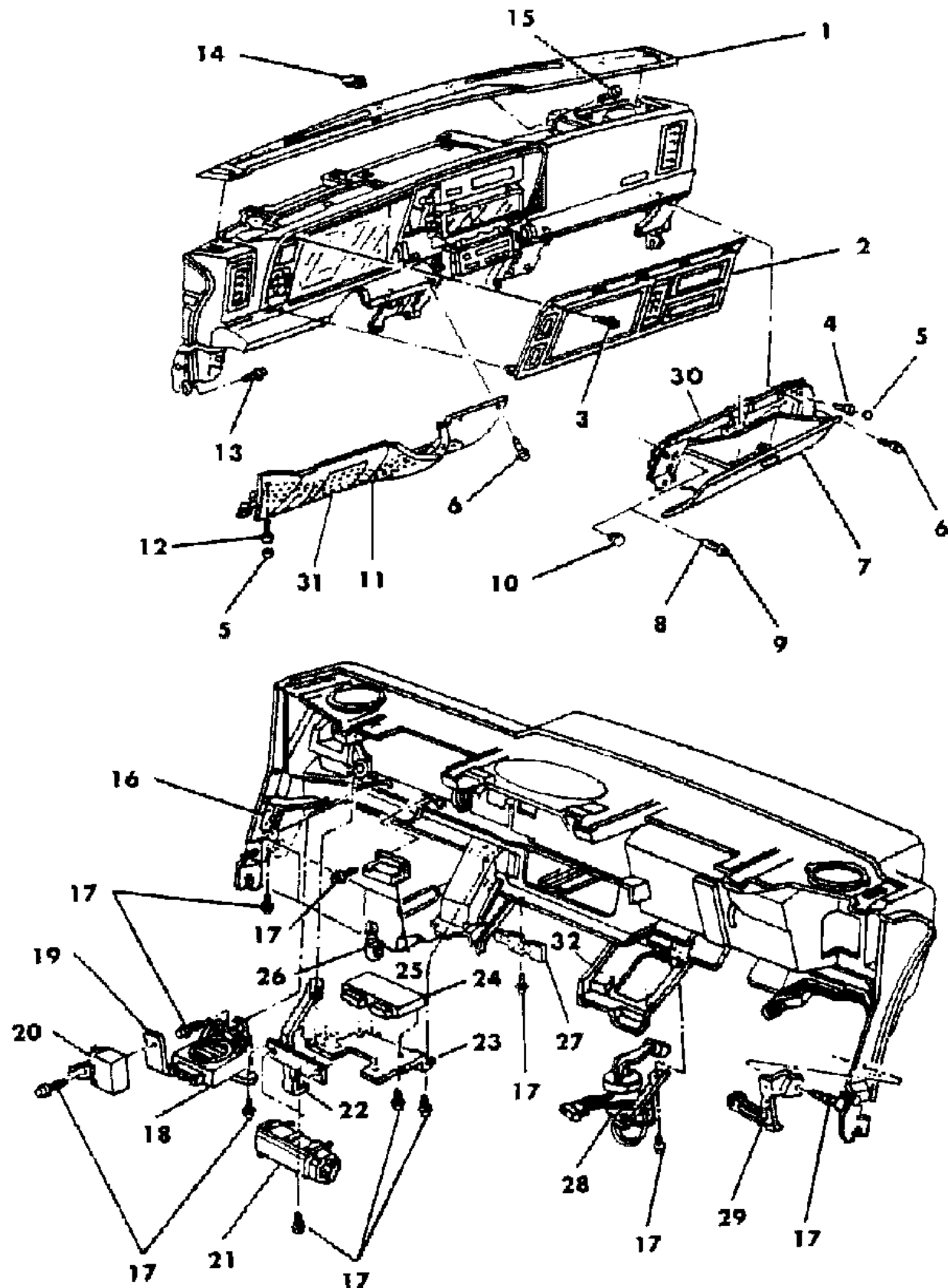
45 = 4-DOOR STATION WAGON

52-53 = FWD WAGON

AR = Use as Required - = Non Illustrated Part P.A.R. = Paint as Required

INSTRUMENT, PANEL BEZELS, GLOVEBOX AND CONTROLS J BODY
Figure 8A-1000

7182 1000 C



ITEM	PART NUMBER	QTY	BODY	MODEL	DESCRIPTION
1	P586 FK1	1			COVER, Top
2	3590 389	2			CLIP, Cover
	4374 012	1			BEZEL, Cluster
	4374 176	1			Black, w/o Cubby Box
	4374 011	1			Black, w/Cubby Box
	6032 205	3			Woodgrain
3					CLIP, Bezel Att.
					SCREW (DNS)
4					SCREW (DNS)
5	F245 CA3	1			PLUG
6					SCREW (DNS)
7	P684 EK1				DOOR, Glovebox
	3508 886	1			LATCH, Glovebox Door
	4220 268	2			PIN, Glovebox Door Pivot
	4220 684	2			STOP, Glovebox Door
	4311 232	2			BUMPER
	3590 551	2			BUMPER
8					BULB, Glovebox, Refer to Group 8
9	4221 170	1			SWITCH and HOUSING, Glovebox
	2822 583	1			LENS, Glovebox Lamp
10	2947 226	1			PLUG, w/o Light
11					COVER, Steering Column Opening
	P413 EE8	1			Cordovan
	P413 EK1	1			Almond
	P413 DS8	1			Charcoal
	P413 DX9	1			Black
	P413 FC5	1			Blue
12					SCREW (DNS)
13					SCREW (DNS)
14					CLIP (DNS)
15					SCREW (DNS)
16	4331 561	1			BRACKET, Right
17					SCREW (DNS)
18	4374 615	1			SPEAKER, E.V.A.
19	4374 618	1			BRACKET, Speaker
20	4318 800	1			RELAY, Illuminated Entry
21					SENSOR, H/Lamp Outage
	4374 649	1			w/Passive Restraint System

MODEL CODES

E BODY = (J - CARAVELLE)(E - 600)(T - NEW YORKER)

G BODY = (V24 - DAYTONA)

H BODY = (D44 - LANCER)(C44 - LEBARON GTS)

J BODY = (C - LEBARON)

K BODY = (P - RELIANT)(D - ARIES)(C - LEBAROND)/TOWN & COUNTRY)

L BODY = (M - HORIZON/TURISMO)(Z - OMNI/CHARGER)

M BODY = (B - GRAN FURY)(F - FIFTH AVE/NEWPORT)(G - DIPLOMAT)

P BODY = (P - SUNDANCE)(D - SHADOW)

S BODY = (H - VOYAGER)(K - RAM VAN/CARAVAN)

BODY STYLES

12-13 = FWD VAN

21 = 2-DOOR SEDAN

24 = 2-DOOR HATCHBACK

27 = 2-DOOR CONVERTIBLE

41 = 4-DOOR SEDAN

44 = 4-DOOR HATCHBACK

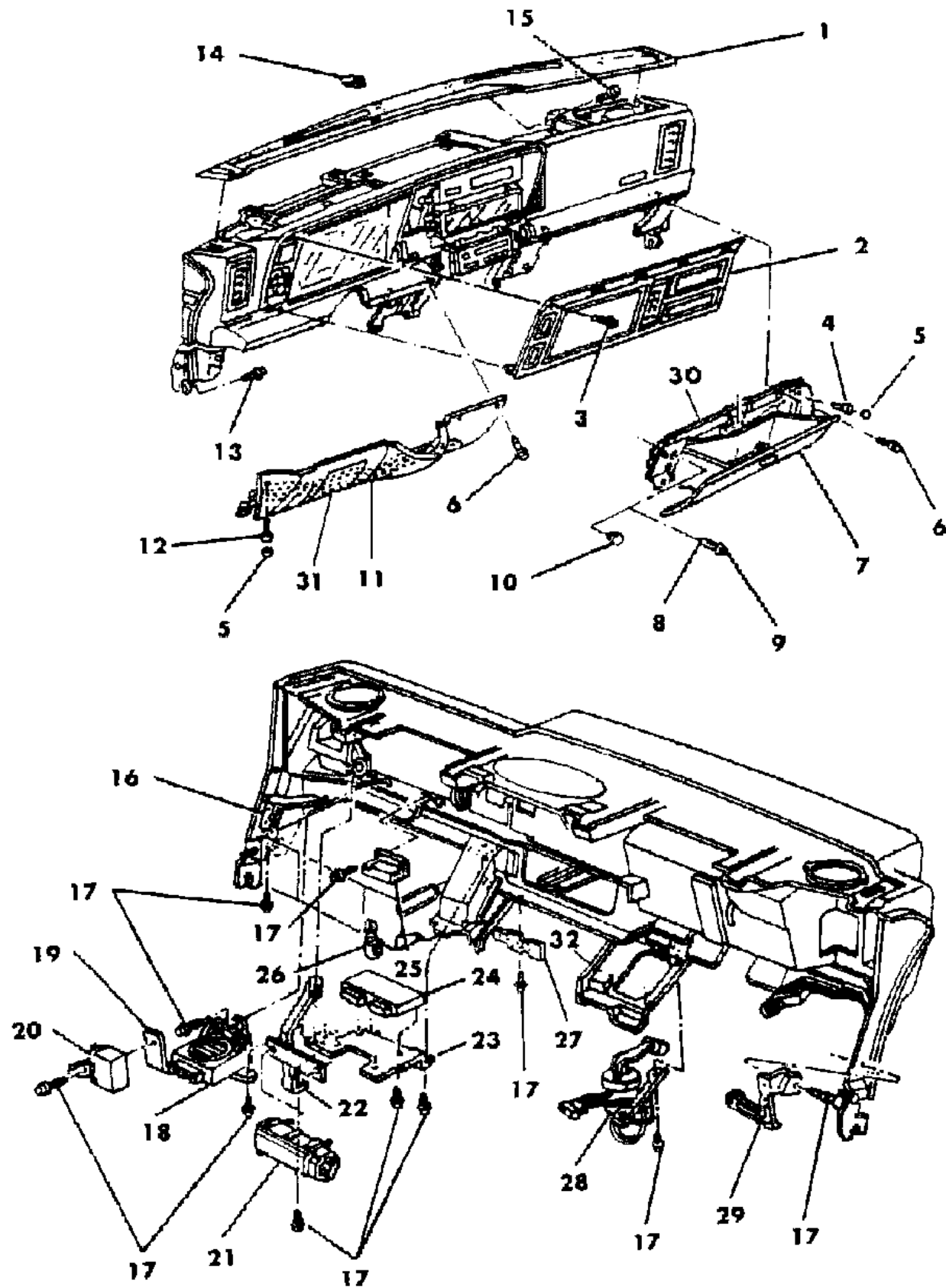
45 = 4-DOOR STATION WAGON

52-53 = FWD WAGON

AR = Use as Required - = Non Illustrated Part P.A.R. = Paint as Required

INSTRUMENT, PANEL BEZELS, GLOVEBOX AND CONTROLS J BODY
Figure 8A-1000

7182 1000 C



ITEM	PART NUMBER	QTY	BODY	MODEL	DESCRIPTION
					w/o Passive Restraint System
22	4312 108	1			SUPPORT, E.V.A. Mtg.
23	4312 024	1			BRACKET, E.V.A. Mtg.
	4374 794	1			w/Passive Restraint System
	4374 787	1			w/o Passive Restraint System
24	4312 751	1			CONTROL, E.V.A.
25	4312 664	1			CONTROL, Chimes
	4374 528	1			w/Passive Restraint System
26	4312 832	1			HOUSING, Courtesy Lamp
27					BRACKET, Wiring (DNS)
28	3849 618	1			SENSOR, A.T.C.
29	4304 962	1			BRACKET, Twenty-Five Way Mtg.
30	P686 EK1				PANEL, Lower Right
31	4220 272	1			COVER, Fuse Excess
32	4311 920	1			BRACKET, I/Panel

MODEL CODES

E BODY = (J - CARAVELLE)(E - 600)(T - NEW YORKER)

G BODY = (V24 - DAYTONA)

H BODY = (D44 - LANCER)(C44 - LEBARON GTS)

J BODY = (C - LEBARON)

K BODY = (P - RELIANT)(D - ARIES)(C - LEBAROND)/TOWN & COUNTRY)

L BODY = (M - HORIZON/TURISMO)(Z - OMNI/CHARGER)

M BODY = (B - GRAN FURY)(F - FIFTH AVE/NEWPORT)(G - DIPLOMAT)

P BODY = (P - SUNDANCE)(D - SHADOW)

S BODY = (H - VOYAGER)(K - RAM VAN/CARAVAN)

BODY STYLES

12-13 = FWD VAN

21 = 2-DOOR SEDAN

24 = 2-DOOR HATCHBACK

27 = 2-DOOR CONVERTIBLE

41 = 4-DOOR SEDAN

44 = 4-DOOR HATCHBACK

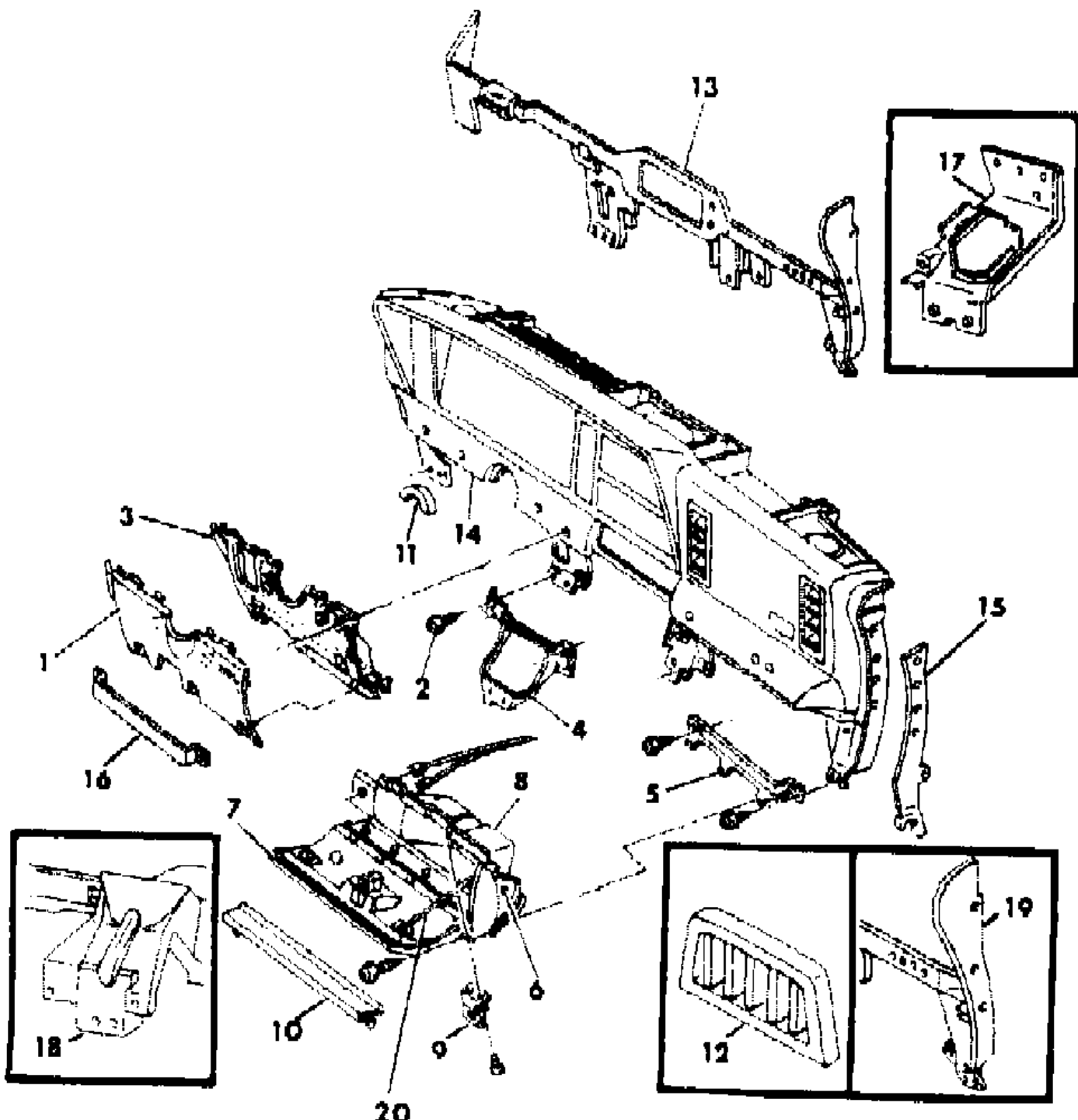
45 = 4-DOOR STATION WAGON

52-53 = FWD WAGON

AR = Use as Required - = Non Illustrated Part P.A.R. = Paint as Required

INSTRUMENT PANEL W/PASSIVE RESTRAINT SYSTEM J BODY
Figure 8A-1010

7182 1010 A



ITEM	PART NUMBER	QTY	BODY	MODEL	DESCRIPTION
1	P558 FK1	1			COVER, Steering Column Opening
2		AR			SCREW (DNS)
3					COVER, Steering Column, Inner
	4372 352	1			Up to 4-10-87
	4372 850	1			After 4-10-87
					FASTENER, Cover
	6033 152	3			Inner
	6033 151	3			Outer
4	4372 287	1			REINFORCEMENT, I/Panel Console
5	#4372 308	1			REINFORCEMENT, Lower Right
6	F245 CA3	1			PLUG
7	P616 FK1	1			DOOR, Glove Box
8					PANEL and GLOVE BOX
	P570 FS8	1			Charcoal
	P570 FK1	1			Almond
	P570 FE8	1			Cordovan
	P570 FC5	1			Blue
9	4372 323	1			CATCH, Glove Box Door, Lower Right
10	4372 679	1			COVER, Hinge
	4372 361	1			HINGE, Glovebox Door
11	P460 FS8	1			SEAL, Steering Column Cover
12	4220 696-7	1			GRILLE, Side Glass Demister
13	4372 312	1			REINFORCEMENT, I/Panel Middle
14					SUPPORT, I/Panel End
	4220 501	1			Left
	4372 130	1			Right
15					BRACKET, Rollup
	4372 292	1			Right
	4372 293	1			Left, Up to 4-1-87
	4460 229	1			Left, After 4-1-87
16	4372 301	1			BRACKET, Steering Column Cover, Inner Left
17	4372 465	1			BRACKET, Inner Right to Brace
18	4372 302	1			BRACE, Middle Reinforcement, Right
19	4372 296-7	1			SUPPORT, End
20	4372 921	1			CABLE, Glovebox Door

MODEL CODES

E BODY = (J - CARAVELLE)(E - 600)(T - NEW YORKER)

G BODY = (V24 - DAYTONA)

H BODY = (D44 - LANCER)(C44 - LEBARON GTS)

J BODY = (C - LEBARON)

K BODY = (P - RELIANT)(D - ARIES)(C - LEBAROND)/TOWN & COUNTRY)

L BODY = (M - HORIZON/TURISMO)(Z - OMNI/CHARGER)

M BODY = (B - GRAN FURY)(F - FIFTH AVE/NEWPORT)(G - DIPLOMAT)

P BODY = (P - SUNDANCE)(D - SHADOW)

S BODY = (H - VOYAGER)(K - RAM VAN/CARAVAN)

BODY STYLES

12-13 = FWD VAN

21 = 2-DOOR SEDAN

24 = 2-DOOR HATCHBACK

27 = 2-DOOR CONVERTIBLE

41 = 4-DOOR SEDAN

44 = 4-DOOR HATCHBACK

45 = 4-DOOR STATION WAGON

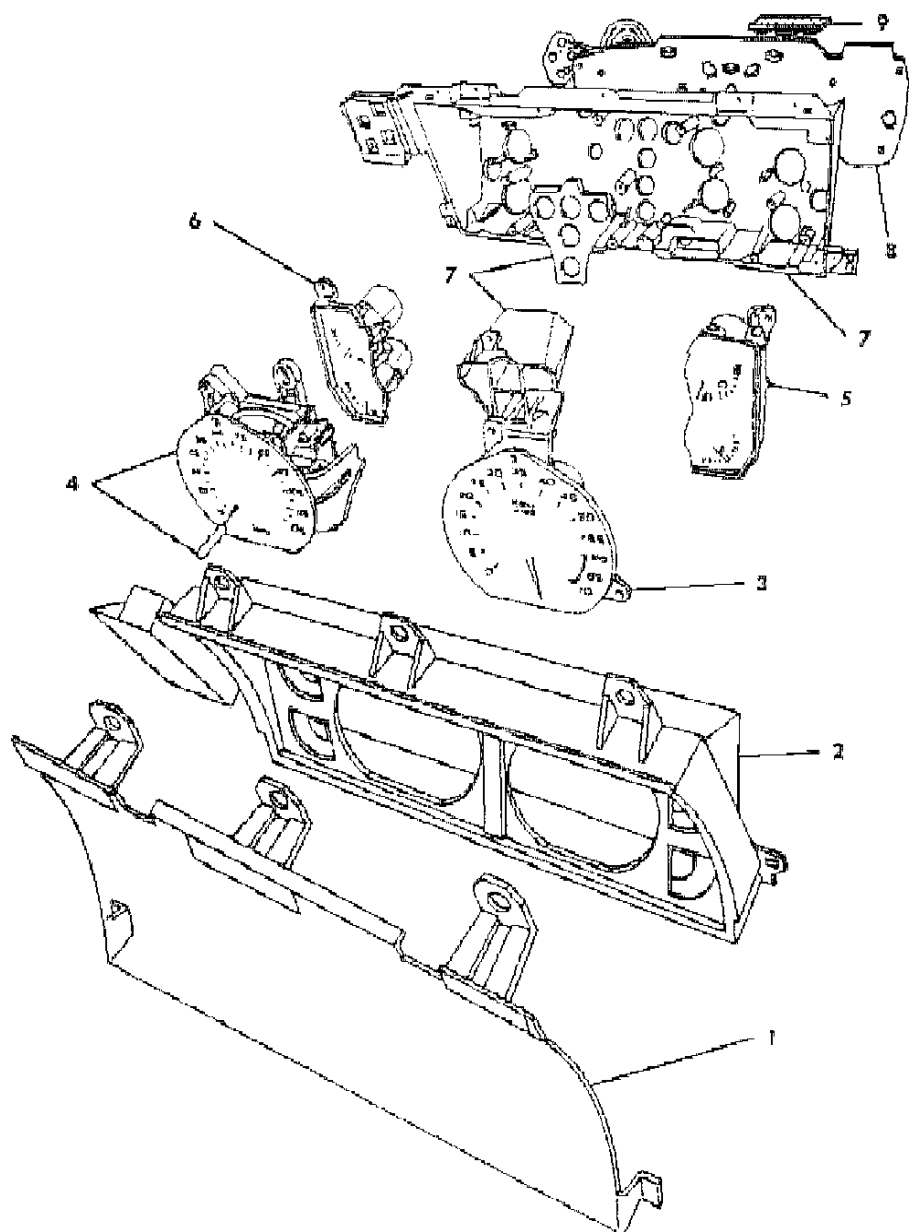
52-53 = FWD WAGON

AR = Use as Required - = Non Illustrated Part P.A.R. = Paint as Required

INSTRUMENT PANEL CLUSTER J BODY

Figure 8A-1020

7182 1020



ITEM	PART NUMBER	QTY	BODY	MODEL	DESCRIPTION
	4312 851	1			CLUSTER, Electronic
1	#4375 134	1			LENS, Cluster
2	#4375 143	1			MASK, Cluster
3	#4375 152	1			TACHOMETER
4	#4374 151	1			SPEEDOMETER
5	#4375 147	1			GAUGE, Volt and Fuel
6	#4375 149	1			GAUGE, Oil and Temperature
7	#4375 154	1			HOUSING and CHIMNEY, Cluster
	4374 072	AR			SOCKET, Bulb
	9421 330	AR			BULB
8	#4375 145	1			CIRCUIT BOARD, Printed
	4373 030	1	27		Power Windows, Power Top and Heated Backlite
9	4051 977	1			CIRCUIT BOARD, Tachometer

MODEL CODES

E BODY = (J - CARAVELLE)(E - 600)(T - NEW YORKER)

G BODY = (V24 - DAYTONA)

H BODY = (D44 - LANCER)(C44 - LEBARON GTS)

J BODY = (C - LEBARON)

K BODY = (P - RELIANT)(D - ARIES)(C - LEBAROND)/TOWN & COUNTRY)

L BODY = (M - HORIZON/TURISMO)(Z - OMNI/CHARGER)

M BODY = (B - GRAN FURY)(F - FIFTH AVE/NEWPORT)(G - DIPLOMAT)

P BODY = (P - SUNDANCE)(D - SHADOW)

S BODY = (H - VOYAGER)(K - RAM VAN/CARAVAN)

BODY STYLES

12-13 = FWD VAN

21 = 2-DOOR SEDAN

24 = 2-DOOR HATCHBACK

27 = 2-DOOR CONVERTIBLE

41 = 4-DOOR SEDAN

44 = 4-DOOR HATCHBACK

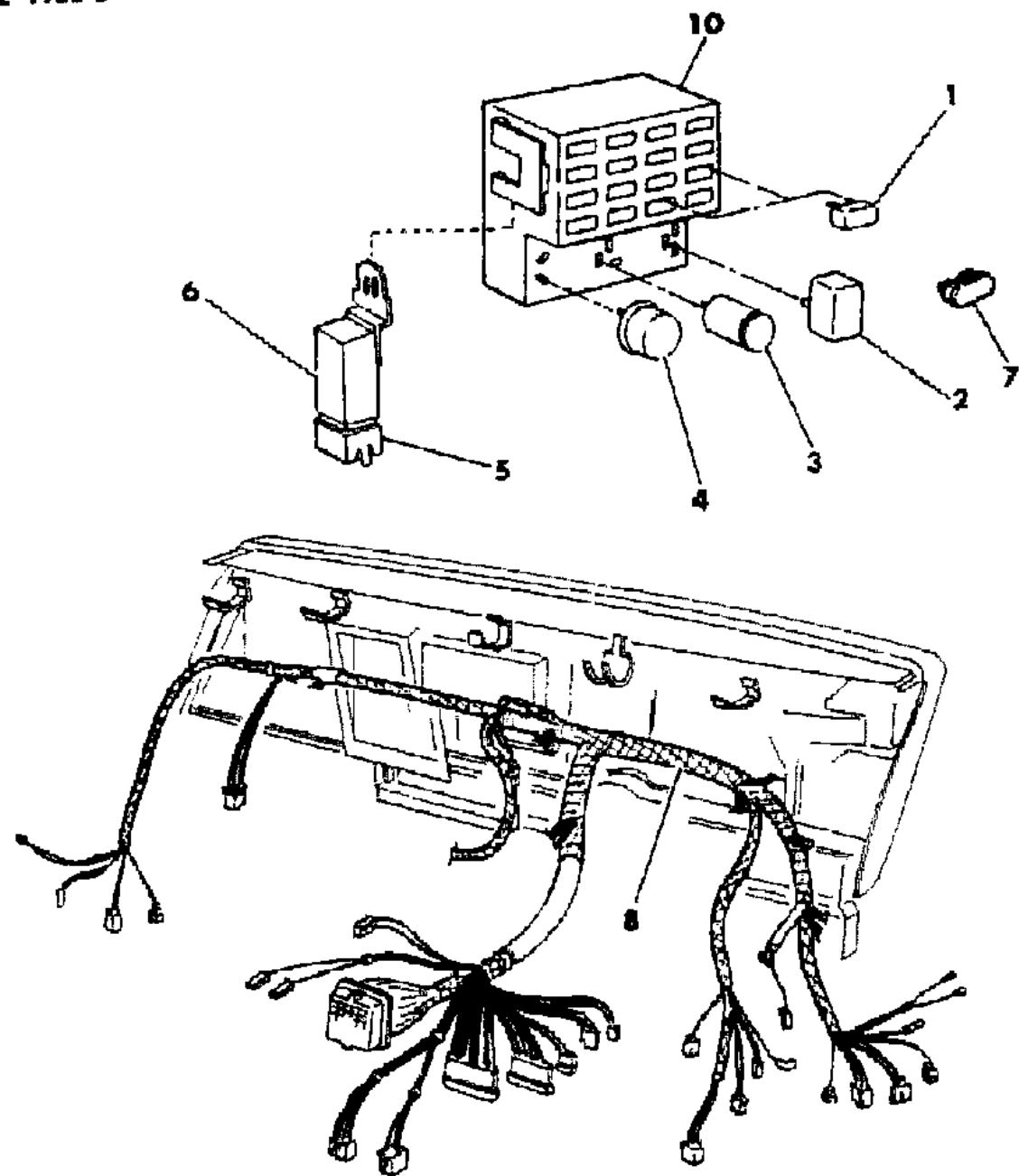
45 = 4-DOOR STATION WAGON

52-53 = FWD WAGON

AR = Use as Required - = Non Illustrated Part P.A.R. = Paint as Required

INSTRUMENT PANEL WIRING J BODY
Figure 8A-1100

7182 1100 B



ITEM	PART NUMBER	QTY	BODY	MODEL	DESCRIPTION
1	4186 379	AR			CIRCUIT BREAKER, 30 Amp.
2	4221 658	1			RELAY, Horn
3	2889 565	1			RELAY, Ignition Lamp Time Delay
4	2932 877	1			FLASHER, Hazard Warning FLASHER, Turn Signal
	3837 161	1			Two Lamp
	3837 162	1			Three Lamp
5	4312 108	1			SENSOR, E.V.A.
6	4374 649	1			SENSOR, H/Lamp Outage
7					FUSES
	6101 131	AR			3 Amp.
	6101 132	AR			4 AMP.
	6101 133	AR			5 Amp.
	6101 135	AR			10 Amp.
	6101 137	AR			20 Amp.
	6101 138	AR			25 Amp.
	6101 139	AR			30 Amp.
8					WIRING HARNESS, Instrument Panel
	4400 589	1			w/Mechanical Cluster
	4400 591	1			w/Mechanical Cluster, w/o A.T.C.
	4400 594	1			w/Electronic Cluster and A.T.C.
	4400 595	1			w/Electronic Cluster, E.V.A., w/o A.T.C.
	4400 596	1			w/Electronic Cluster, E.V.A. and A.T.C.
	4400 593	1			w/Passive Restraint System
9					CABLE, Fuseible Link
	4026 095	1			No. 16 Blue
	4026 094	1			No. 14 Red
	4026 093	1			No. 12 Black
	4364 877	1			No. 10 Green
	4026 096	1			No. 18 Grey
	4364 878	1			No. 20 Orange
	4419 351	1			No. 22 White
10					MODULE, Fuse Block
	5211 741	1			w/Dots
	4304 499	1			w/Lettering
	4274 530	1			BRACKET, Module Mtg.

MODEL CODES

E BODY = (J - CARAVELLE)(E - 600)(T - NEW YORKER)

G BODY = (V24 - DAYTONA)

H BODY = (D44 - LANCER)(C44 - LEBARON GTS)

J BODY = (C - LEBARON)

K BODY = (P - RELIANT)(D - ARIES)(C - LEBAROND)/TOWN & COUNTRY)

L BODY = (M - HORIZON/TURISMO)(Z - OMNI/CHARGER)

M BODY = (B - GRAN FURY)(F - FIFTH AVE/NEWPORT)(G - DIPLOMAT)

P BODY = (P - SUNDANCE)(D - SHADOW)

S BODY = (H - VOYAGER)(K - RAM VAN/CARAVAN)

BODY STYLES

12-13 = FWD VAN

21 = 2-DOOR SEDAN

24 = 2-DOOR HATCHBACK

27 = 2-DOOR CONVERTIBLE

41 = 4-DOOR SEDAN

44 = 4-DOOR HATCHBACK

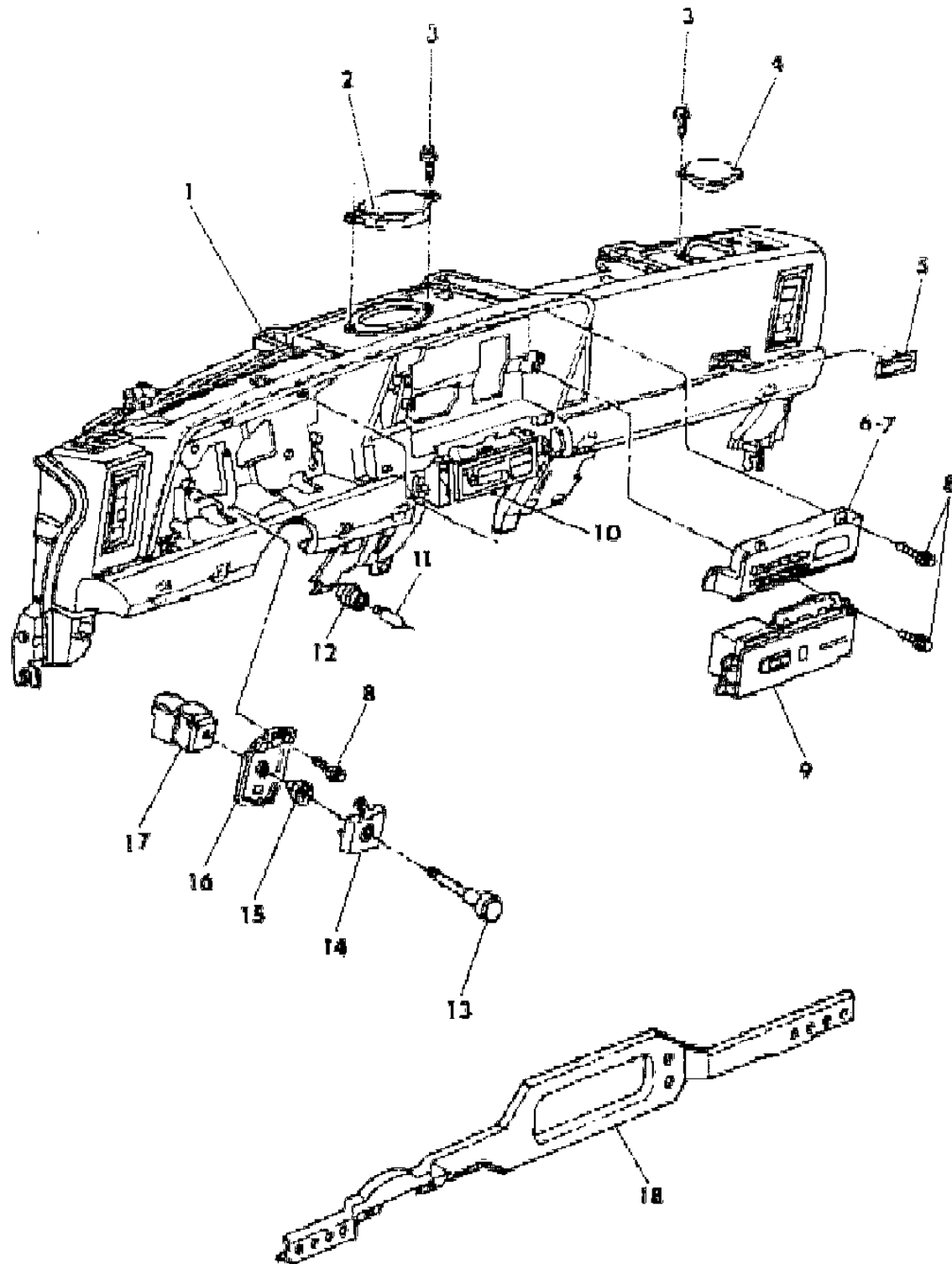
45 = 4-DOOR STATION WAGON

52-53 = FWD WAGON

AR = Use as Required - = Non Illustrated Part P.A.R. = Paint as Required

INSTRUMENT PANEL SPEAKERS, SWITCHES AND CONTROLS J BODY
Figure 8A-1200

7182 1200 8



ITEM	PART NUMBER	QTY	BODY	MODEL	DESCRIPTION
1					PANEL, Instrument
	P557 FS8	1			Charcoal
	P557 FC5	1			Blue
	P557 FE8	1			Cordovan
	P557 FK1	1			Almond
2					MODULE, Concealed H/Lamp
	4374 062	1			w/Time Delay
	4374 841	1			w/o Time Delay
3					SCREW (DNS)
4					SPEAKER, Instrument Panel
	4430 066	2		27	Rear Compartment
	4222 535	2		21	Rear Compartment
5	4372 694	1			NAMEPLATE, "Le Baron"
6					NAVIGATOR, Electronic
	4374 181	1			Up to 2-7-87
	4437 012	1			After 2-7-87
7	4374 043	1			TRAVELER ASSEMBLY
	4048 038	2			DIFFUSER, Traveler
8					SCREW (DNS)
9					MODULE, Message Center, Order Components Listed Below
	4375 118	1			Housing
	4375 121	1			Board
	4374 072	1			Socket
	9421 330	1			Bulb
	4051 832	1			Relay
	4312 810	1			MODULE, Electronic Monitor
	4437 010	1			Up to 2-7-87
					After 2-7-87
10		1			CONTROL, Heater and A/C, Refer to Group 24
11	9415 969	1			BULB, Fuel Pacer
12	4374 072	1			SOCKET, Fuel Pacer Bulb
13	4221 636	1			KNOB and SHAFT, H/Lamp
14	4373 169	1			ESCUTCHEON, H/Lamp Switch Mtg.
15	4221 063	1			RETAINER
16	#4373 170	1			PLATE, H/Lamp Switch Mtg.
17	4221 407	1			SWITCH, H/Lamp
18	4220 251	1			REINFORCEMENT, I/Panel Middle

MODEL CODES

E BODY = (J - CARAVELLE)(E - 600)(T - NEW YORKER)

G BODY = (V24 - DAYTONA)

H BODY = (D44 - LANCER)(C44 - LEBARON GTS)

J BODY = (C - LEBARON)

K BODY = (P - RELIANT)(D - ARIES)(C - LEBAROND)/TOWN & COUNTRY)

L BODY = (M - HORIZON/TURISMO)(Z - OMNI/CHARGER)

M BODY = (B - GRAN FURY)(F - FIFTH AVE/NEWPORT)(G - DIPLOMAT)

P BODY = (P - SUNDANCE)(D - SHADOW)

S BODY = (H - VOYAGER)(K - RAM VAN/CARAVAN)

BODY STYLES

12-13 = FWD VAN

21 = 2-DOOR SEDAN

24 = 2-DOOR HATCHBACK

27 = 2-DOOR CONVERTIBLE

41 = 4-DOOR SEDAN

44 = 4-DOOR HATCHBACK

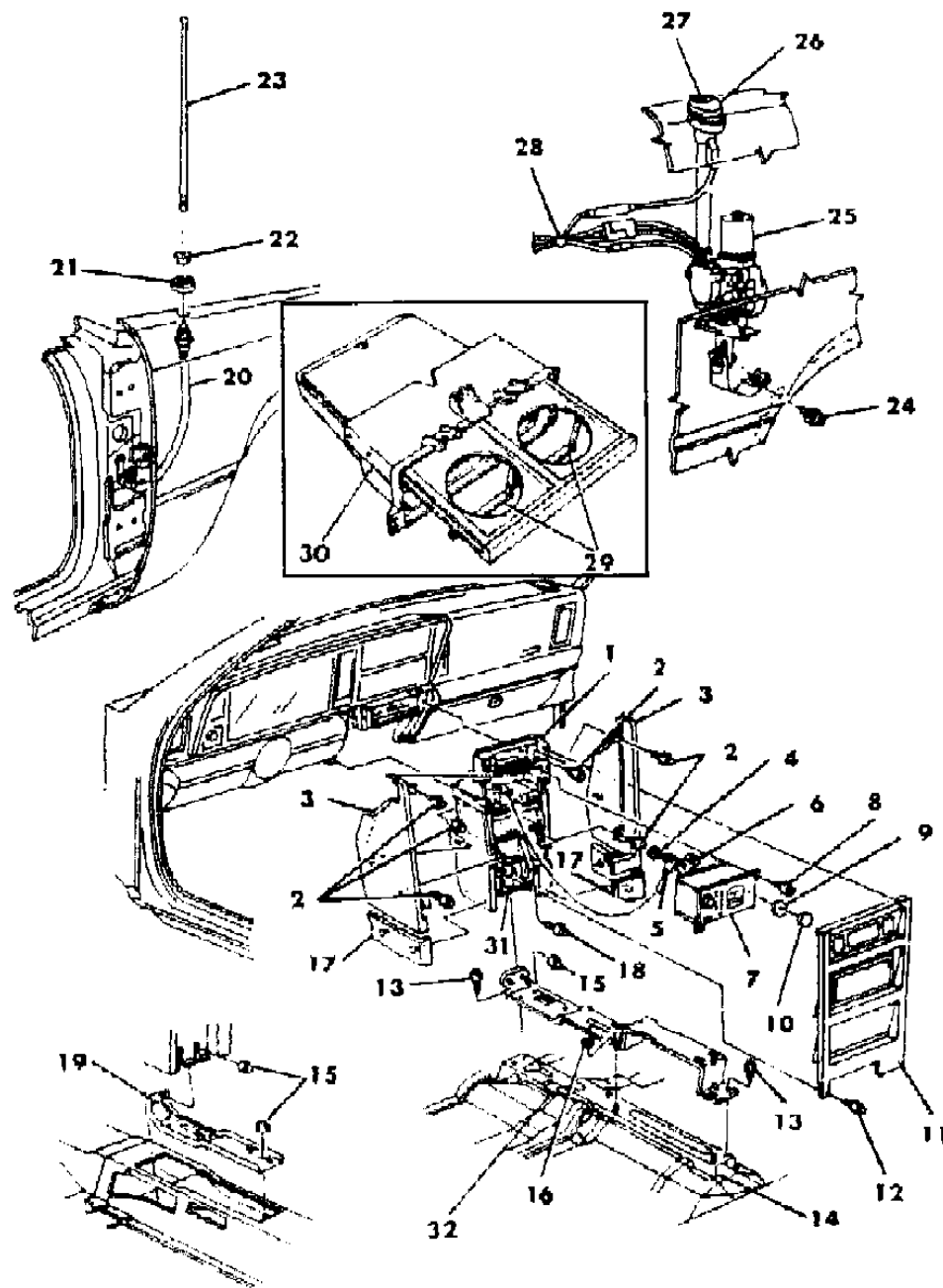
45 = 4-DOOR STATION WAGON

52-53 = FWD WAGON

AR = Use as Required - = Non Illustrated Part P.A.R. = Paint as Required

INSTRUMENT PANEL CONSOLE, RADIO AND ANTENNA J BODY
Figure 8A-1300

7182 1300 C



ITEM	PART NUMBER	QTY	BODY	MODEL	DESCRIPTION
1					CARRIER ASSEMBLY
	4372 381	1	21		
	4372 193	1	27		
	4372 194	1	27		
2					SCREW (DNS)
3					PANEL, Console Trim
	P571 FK1	1	21		Left, w/Passive Restraint
	P473 GL7	1	21		Left, w/o Passive Restraint
	P572 FK1	1	21		Right
	P523 GL7	1	27		Left
	P522 GL7	1	27		Right
	6031 967	2			CLIP, Console Panel to Carrier
4					SCREW (DNS)
5					STRAP, Ground (DNS)
6					TERMINAL (DNS)
7					RADIO, w/Clock
	4311 956	1			Am/Fm/Mx
	4372 442	1			Am/Fm/Mx, w/Cassette
	4430 190	1			Ultimate Sound
8		1			SCREW, Radio Mtg.
9	4311 341	1			KNOB, Radio, Secondary
	4311 339	1			Treble
	4311 337	1			Bass
10					KNOB, Radio, Primary
	4311 555	2			w/Ultimate Sound Radio
	4311 334	2			w/o Ultimate Sound Radio
	4364 484	1			KNOB PACKAGE, "Joy Stick"
	4311 581	6			BUTTON, w/Ultimate Sound Radio
11					BEZEL, Console Trim
	4372 049	1	21		
	4372 203	1	27		
	4220 455	AR			CLIP, Bezel
	0152 490	2	21		U-NUT, Carrier to Att. Trim Bezel
12					SCREW (DNS)
13					SCREW (DNS)
14					BRACKET, Refer to 23A
15	6100 049	2			NUT
16	4410 093	1			BRACKET, Console to Floor, Upper Mtg.

MODEL CODES

E BODY = (J - CARAVELLE)(E - 600)(T - NEW YORKER)

G BODY = (V24 - DAYTONA)

H BODY = (D44 - LANCER)(C44 - LEBARON GTS)

J BODY = (C - LEBARON)

K BODY = (P - RELIANT)(D - ARIES)(C - LEBAROND)/TOWN & COUNTRY)

L BODY = (M - HORIZON/TURISMO)(Z - OMNI/CHARGER)

M BODY = (B - GRAN FURY)(F - FIFTH AVE/NEWPORT)(G - DIPLOMAT)

P BODY = (P - SUNDANCE)(D - SHADOW)

S BODY = (H - VOYAGER)(K - RAM VAN/CARAVAN)

BODY STYLES

12-13 = FWD VAN

21 = 2-DOOR SEDAN

24 = 2-DOOR HATCHBACK

27 = 2-DOOR CONVERTIBLE

41 = 4-DOOR SEDAN

44 = 4-DOOR HATCHBACK

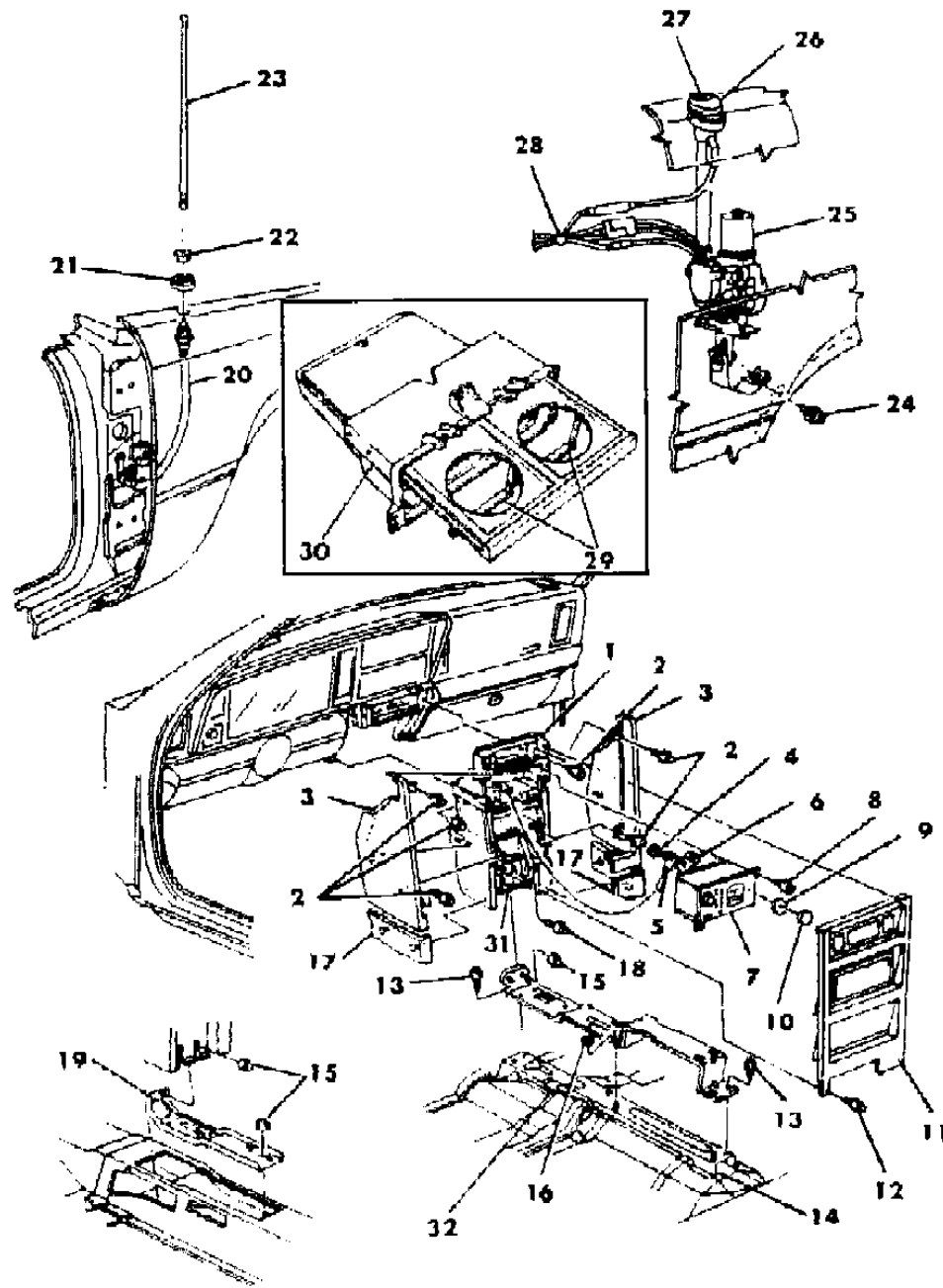
45 = 4-DOOR STATION WAGON

52-53 = FWD WAGON

AR = Use as Required - = Non Illustrated Part P.A.R. = Paint as Required

INSTRUMENT PANEL CONSOLE, RADIO AND ANTENNA J BODY
Figure 8A-1300

7182 1300 C



ITEM	PART NUMBER	QTY	BODY	MODEL	DESCRIPTION
17				21	CARPET, Carrier
	F321 CS8	1			Left, Charcoal
	F321 EE8	1			Cordovan
	F321 EK3	1			Almond
	F321 FC5	1			Blue
	V314 FS8	1			Right, Charcoal
	V314 FE8	1			Cordovan
	V314 FK3	1			Almond
	V314 FC5	1			Blue
18					SCREW (DNS)
19	#4371 939	1			PLATE, Console to Floor Att. Bracket
20	4430 019	1			BODY and CABLE, Antenna
21	4372 492	1			ADAPTER and GASKET, Antenna
22	#4372 136	1			CAP NUT, Antenna
23	4311 392	1			MAST, Antenna
	4430 204	1			MAST PACKAGE, Power Antenna
24					SCREW (DNS)
25	#4494 001	1			ANTENNA ASSEMBLY, Power
26	#4372 271	1			ADAPTER and GASKET, Power Antenna
	4372 492	1			Manual Antenna
27	#4372 441	1			CAP NUT, Antenna
28	4372 113	1			CABLE ASSEMBLY, Antenna
29	4311 270	1			CRADLE, Cupholder
30	4220 582	1			BOX, w/Cupholder
31	4372 382	1			BRACKET, Carrier to G/S Mtg. Bracket
32	#4410 414	1		27	BRACKET, Center Floor Console

MODEL CODES

E BODY = (J - CARAVELLE)(E - 600)(T - NEW YORKER)

G BODY = (V24 - DAYTONA)

H BODY = (D44 - LANCER)(C44 - LEBARON GTS)

J BODY = (C - LEBARON)

K BODY = (P - RELIANT)(D - ARIES)(C - LEBAROND)/TOWN & COUNTRY)

L BODY = (M - HORIZON/TURISMO)(Z - OMNI/CHARGER)

M BODY = (B - GRAN FURY)(F - FIFTH AVE/NEWPORT)(G - DIPLOMAT)

P BODY = (P - SUNDANCE)(D - SHADOW)

S BODY = (H - VOYAGER)(K - RAM VAN/CARAVAN)

BODY STYLES

12-13 = FWD VAN

21 = 2-DOOR SEDAN

24 = 2-DOOR HATCHBACK

27 = 2-DOOR CONVERTIBLE

41 = 4-DOOR SEDAN

44 = 4-DOOR HATCHBACK

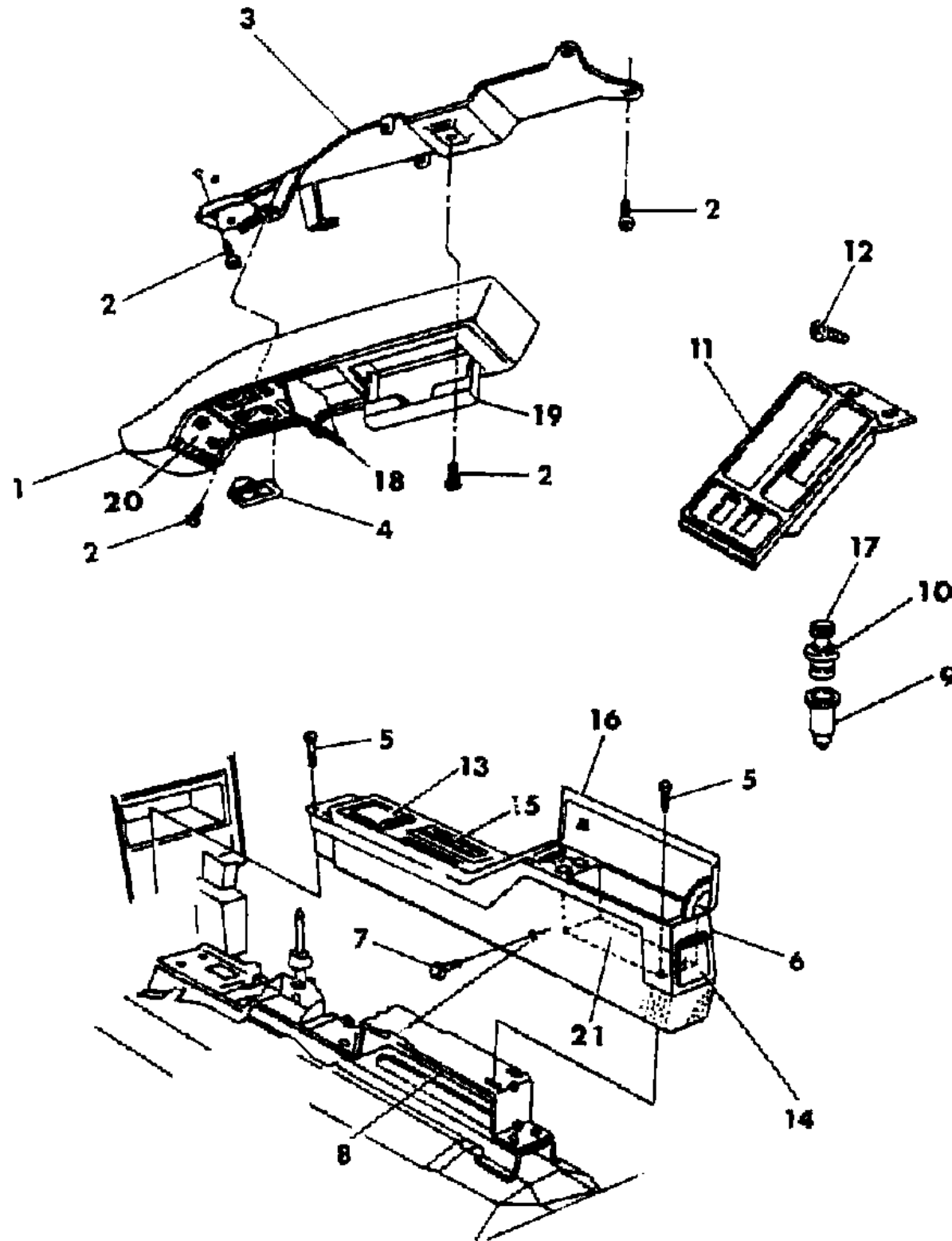
45 = 4-DOOR STATION WAGON

52-53 = FWD WAGON

AR = Use as Required - = Non Illustrated Part P.A.R. = Paint as Required

CONSOLE, CENTER AND OVERHEAD J BODY
Figure 8A-1400

7182 1400 B



ITEM	PART NUMBER	QTY	BODY	MODEL	DESCRIPTION
1					HOUSING, Console
	F092 FS8	1			Charcoal
	F092 FC5	1			Blue
	F092 FE8	1			Cordovan
	F092 FK1	1			Almond
	4400 564	1			WIRING, O/Head Console
2	9414 722	AR			SCREW
3	4473 877	1			BRACKET, Console Mtg.
4	4309 862-3	1			LENS, Reading Lamp
	4410 180-1	1			BUTTON, Lamp
5					SCREW (DNS)
6	V150 FK1	1		21	BASE, Console
	V339 FC5	1		27	Blue
	V339 FS8	1		27	Charcoal
	F245 CA3	AR			PLUG, Console
	4374 174	1			HOUSING, Courtesy Lamp
	4374 171	1			LENS, Courtesy Lamp
					CARPET, Console Formed w/o Passive Restraint System
	V296 FC5	1			Blue
	V296 FE8	1			Cordovan
	V296 FK3	1			Almond
	V296 FS8	1			Charcoal w/Passive Restraint System
	F298 FC5	1			Blue
	F298 FE8	1			Cordovan
	F298 FK3	1			Almond
	F298 FS8	1			Charcoal
	V340-1 FS8	1		27	Charcoal
	V340-1 FC5	1		27	Blue
	V340-1 FE8	1		27	Cordovan
	V340-1 FK1	1		27	Almond
	4247 211	1			CATCH, Console Lid
7					SCREW (DNS)
8		1		21	BRACKET, Console Mtg.
	4410 093	1			Up to 1-5-87
	4409 978	1			After 1-5-87
	4410 414	1		27	

MODEL CODES

E BODY = (J - CARAVELLE)(E - 600)(T - NEW YORKER)

G BODY = (V24 - DAYTONA)

H BODY = (D44 - LANCER)(C44 - LEBARON GTS)

J BODY = (C - LEBARON)

K BODY = (P - RELIANT)(D - ARIES)(C - LEBAROND)/TOWN & COUNTRY)

L BODY = (M - HORIZON/TURISMO)(Z - OMNI/CHARGER)

M BODY = (B - GRAN FURY)(F - FIFTH AVE/NEWPORT)(G - DIPLOMAT)

P BODY = (P - SUNDANCE)(D - SHADOW)

S BODY = (H - VOYAGER)(K - RAM VAN/CARAVAN)

BODY STYLES

12-13 = FWD VAN

21 = 2-DOOR SEDAN

24 = 2-DOOR HATCHBACK

27 = 2-DOOR CONVERTIBLE

41 = 4-DOOR SEDAN

44 = 4-DOOR HATCHBACK

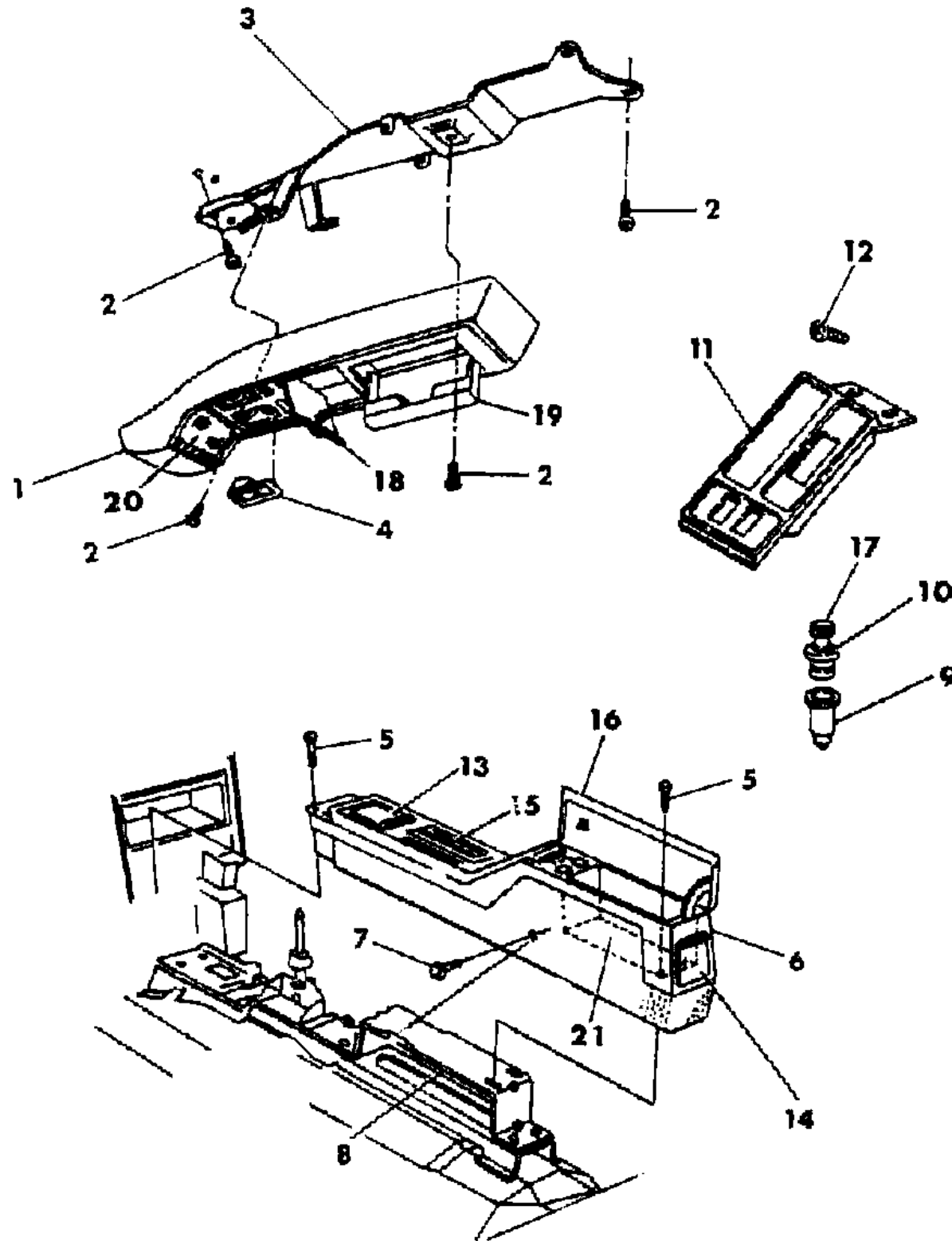
45 = 4-DOOR STATION WAGON

52-53 = FWD WAGON

AR = Use as Required - = Non Illustrated Part P.A.R. = Paint as Required

CONSOLE, CENTER AND OVERHEAD J BODY
Figure 8A-1400

7182 1400 B



ITEM	PART NUMBER	QTY	BODY	MODEL	DESCRIPTION
9	4373 033	1			SHELL and CLAMP, C/Lighter
10	4373 032	1			ELEMENT, C/Lighter Heat
11					BEZEL, Switch
	4373 014	1			w/Heated Backlite and Electric Windows
	4373 015	1			w/Heated Backlite
	4373 098	1			w/Heated Backlite, Electric Windows and Convertible Top
	4373 016	1			Blank
	4221 928	AR			PLATE, Switch Opening Cover
12					SCREW (DNS)
13	4283 194	1			RECEIVER, Ash
		1			BEZEL, Ash Receiver, Serviced in Item 15
14	4247 034	1		21	RECEIVER, Ash
	4410 140	1		27	
	4247 113	1			SNUFFER, Ash Receiver
		1		27	BEZEL, Ash Receiver, Serviced in Item 6
15					BEZEL, Console
	4410 701	1		21	w/Manual Trans.
	4410 047	1		21	w/Auto Trans.
				27	See Group 21, Shift Control
16					LID ASSEMBLY, Console
	F302 CS8	1		21	Charcoal
	F302 FC5	1		21	Blue
	F302 EE8	1		21	Cordovan
	F302 EK1	1		21	Almond
	V509 FS8	1		27	Charcoal
	V509 FC5	1		27	Blue
17	4221 761	1			KNOB, C/Lighter
18	4309 856	1			DOOR, Garage Door Opening
	4410 182	2			PIN, G.D.O. Actuating
19	4309 858	1			DOOR, Sunglass Bin
	4410 178	1			RETAINER, Sunglass Bin Latch
	4410 177	1			LATCH, Sunglass Bin Door
	4309 336	1			DAMPER, Sunglass Bin Viscous Drive
20	#4374 061	1			COMPASS, w/Temperature Unit
21					CARPET, Access Panel
	V152-3 FC5	1			Blue
	V152-3 FE8	1			Cordovan
	V152-3 FK3	1			Almond

MODEL CODES

E BODY = (J - CARAVELLE)(E - 600)(T - NEW YORKER)

G BODY = (V24 - DAYTONA)

H BODY = (D44 - LANCER)(C44 - LEBARON GTS)

J BODY = (C - LEBARON)

K BODY = (P - RELIANT)(D - ARIES)(C - LEBAROND)/TOWN & COUNTRY)

L BODY = (M - HORIZON/TURISMO)(Z - OMNI/CHARGER)

M BODY = (B - GRAN FURY)(F - FIFTH AVE/NEWPORT)(G - DIPLOMAT)

P BODY = (P - SUNDANCE)(D - SHADOW)

S BODY = (H - VOYAGER)(K - RAM VAN/CARAVAN)

BODY STYLES

12-13 = FWD VAN

21 = 2-DOOR SEDAN

24 = 2-DOOR HATCHBACK

27 = 2-DOOR CONVERTIBLE

41 = 4-DOOR SEDAN

44 = 4-DOOR HATCHBACK

45 = 4-DOOR STATION WAGON

52-53 = FWD WAGON

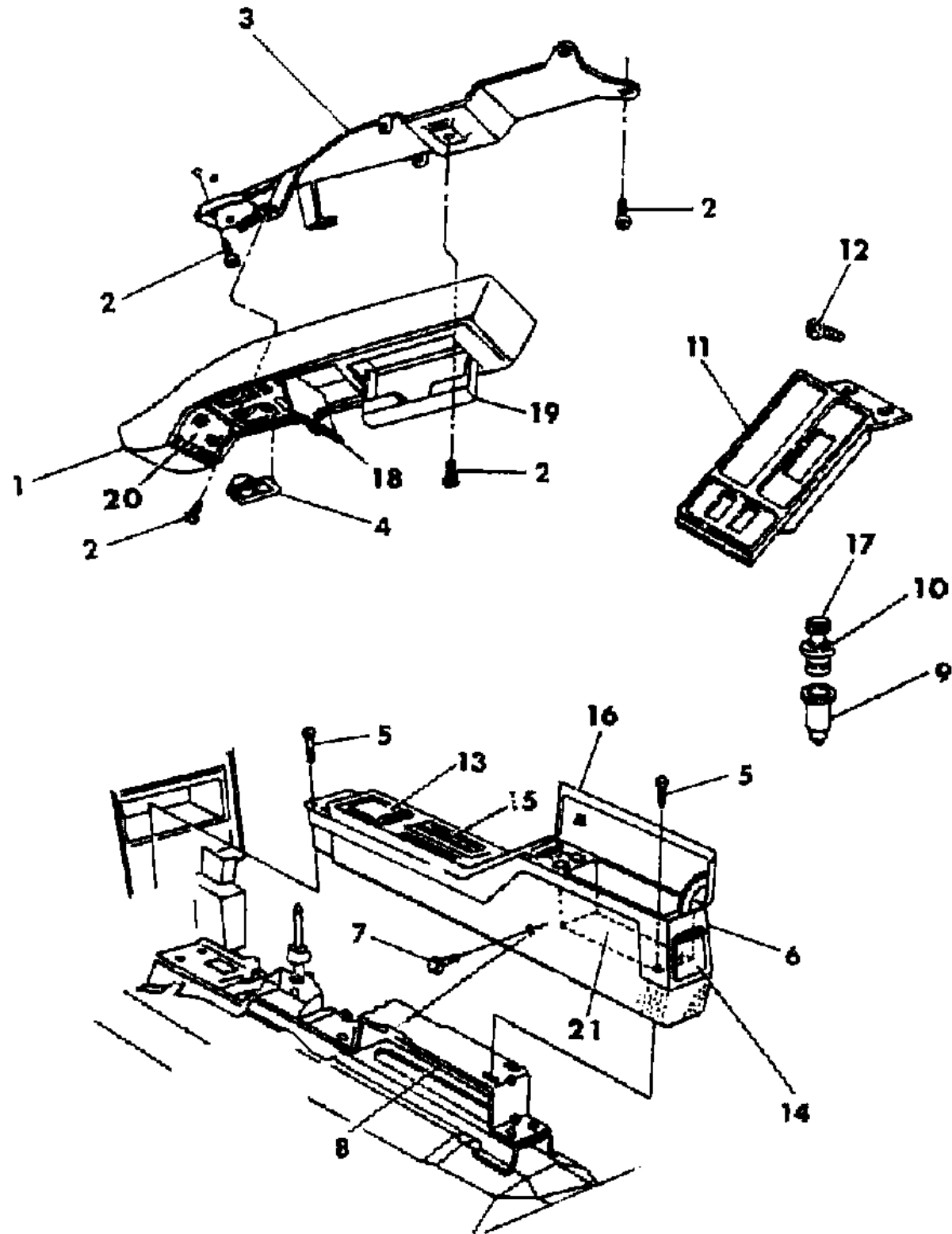
AR = Use as Required - = Non Illustrated Part P.A.R. = Paint as Required

CONSOLE, CENTER AND OVERHEAD J BODY
Figure 8A-1400

7182 1400 B

ITEM	PART NUMBER	QTY	BODY	MODEL	DESCRIPTION
------	-------------	-----	------	-------	-------------

	V152-3 FS8	1			Charcoal
22	4247 254	1	21		COVER, Lid



MODEL CODES

E BODY = (J - CARAVELLE)(E - 600)(T - NEW YORKER)

G BODY = (V24 - DAYTONA)

H BODY = (D44 - LANCER)(C44 - LEBARON GTS)

J BODY = (C - LEBARON)

K BODY = (P - RELIANT)(D - ARIES)(C - LEBAROND)/TOWN & COUNTRY)

L BODY = (M - HORIZON/TURISMO)(Z - OMNI/CHARGER)

M BODY = (B - GRAN FURY)(F - FIFTH AVE/NEWPORT)(G - DIPLOMAT)

P BODY = (P - SUNDANCE)(D - SHADOW)

S BODY = (H - VOYAGER)(K - RAM VAN/CARAVAN)

BODY STYLES

12-13 = FWD VAN

21 = 2-DOOR SEDAN

24 = 2-DOOR HATCHBACK

27 = 2-DOOR CONVERTIBLE

41 = 4-DOOR SEDAN

44 = 4-DOOR HATCHBACK

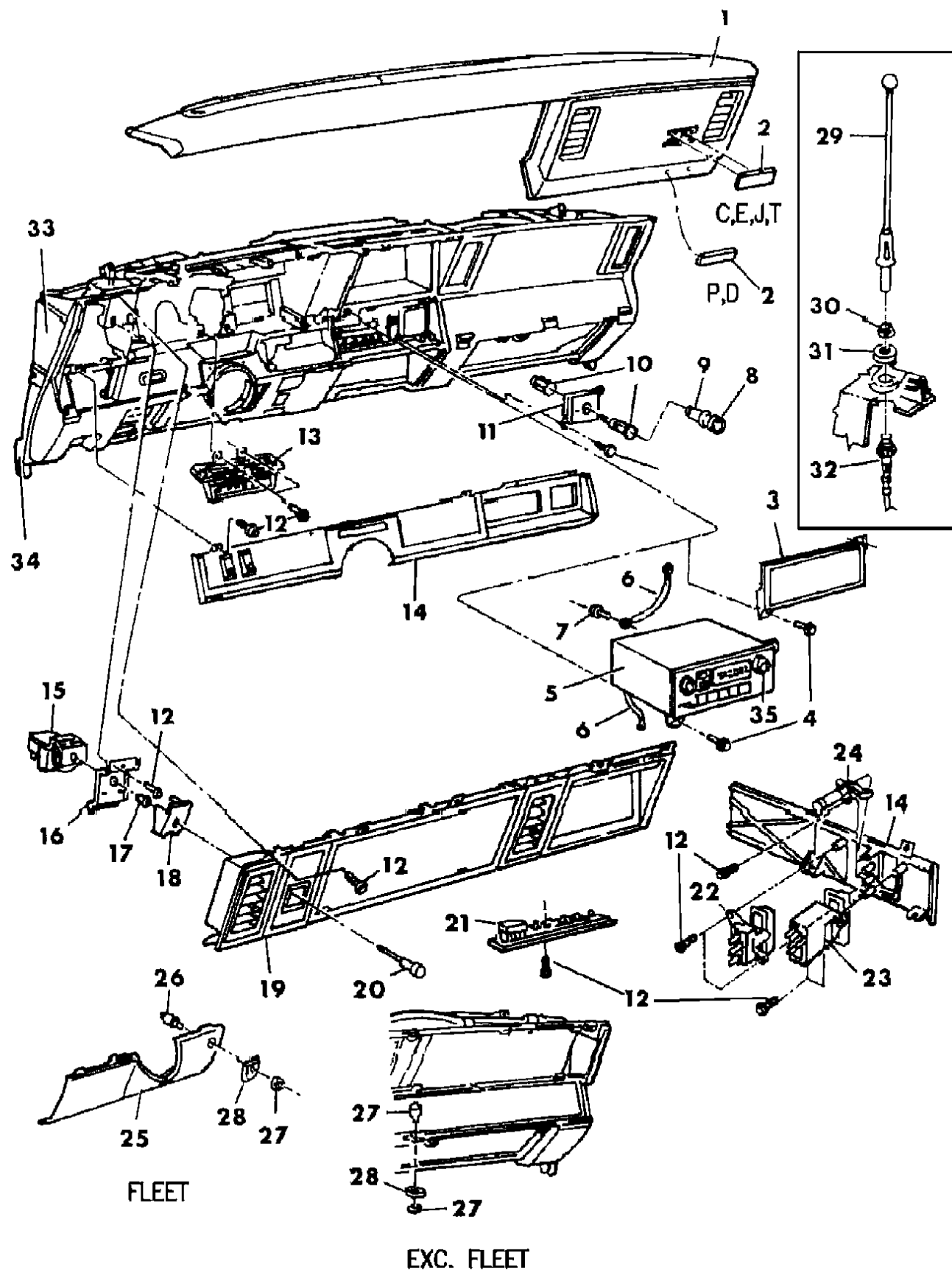
45 = 4-DOOR STATION WAGON

52-53 = FWD WAGON

AR = Use as Required - = Non Illustrated Part P.A.R. = Paint as Required

INSTRUMENT PANEL PAD, BEZELS, RADIO AND ANTENNA K,E BODY
Figure 8A-1500

7182 1500D



ITEM	PART NUMBER	QTY	BODY	MODEL	DESCRIPTION
1					PAD, Instrument Panel
	P532 DS8	1	P,D		Charcoal
	P532 FC5	1	P,D		Blue
	P532 EK1	1	P,D		Almond
	P532 EE8	1	P,D		Cordovan
	P391 FC5	1	C,J,E,T		Blue
	P391 EE8	1	C,J,E,T		Cordovan
	P391 EK1	1	C,J,E,T		Almond
	P391 DS8	1	C,J,E,T		Charcoal
	4364 473	1	P,D		MOULDING, Instrument Panel Pad
2	6028 976	5			CLIP, Moulding Att.
					NAME PLATE, Instrument Panel Pad
	4311 617	1			"Caravelle"
	4311 150	1			"Le Baron"
	4311 158	1			"600"
	4311 154	1			"Town & Country"
	4311 160	1			"New Yorker"
	4311 185	1			"Aries"
	4311 184	1			"Reliant"
	0445 153	2			NUT, Name Plate Att.
	6029 168	AR			CLIP, Name Plate Attaching
3	4220 482	1			PLATE, Radio Opening, w/o Radio
4	6031 665	1			SCREW, Radio Att.
5					RADIO, E.T.R. w/Clock
	4311 001	1			AM (Bright Face)
	4311 002	1			AM (Black Face)
	4311 955	1			AM/FM/MX Standard (Bright Face)
	4311 956	1			AM/FM/MX Standard (Black Face)
	4372 443	1			AM/FM/MX Premium,w/Cassette (Bright Face)
	4372 442	1			AM/FM/MX Premium,w/Cassette (Black Face)
	4372 445	1			Am/Fm Ultimate Sound
6					STRAP, Radio Ground (DNS)
7		1			SCREW (DNS)
8	3747 763	1			KNOB, C/Lighter
9	3004 190	1			ELEMENT, C/Lighter
10	3747 633	1			SHELL and CLAMP, C/Lighter
11	4221 391	1	C,J,E,T		BEZEL, C/Lighter
	4221 692	1	P,D		

MODEL CODES

E BODY = (J - CARAVELLE)(E - 600)(T - NEW YORKER)

G BODY = (V24 - DAYTONA)

H BODY = (D44 - LANCER)(C44 - LEBARON GTS)

J BODY = (C - LEBARON)

K BODY = (P - RELIANT)(D - ARIES)(C - LEBAROND)/TOWN & COUNTRY)

L BODY = (M - HORIZON/TURISMO)(Z - OMNI/CHARGER)

M BODY = (B - GRAN FURY)(F - FIFTH AVE/NEWPORT)(G - DIPLOMAT)

P BODY = (P - SUNDANCE)(D - SHADOW)

S BODY = (H - VOYAGER)(K - RAM VAN/CARAVAN)

BODY STYLES

12-13 = FWD VAN

21 = 2-DOOR SEDAN

24 = 2-DOOR HATCHBACK

27 = 2-DOOR CONVERTIBLE

41 = 4-DOOR SEDAN

44 = 4-DOOR HATCHBACK

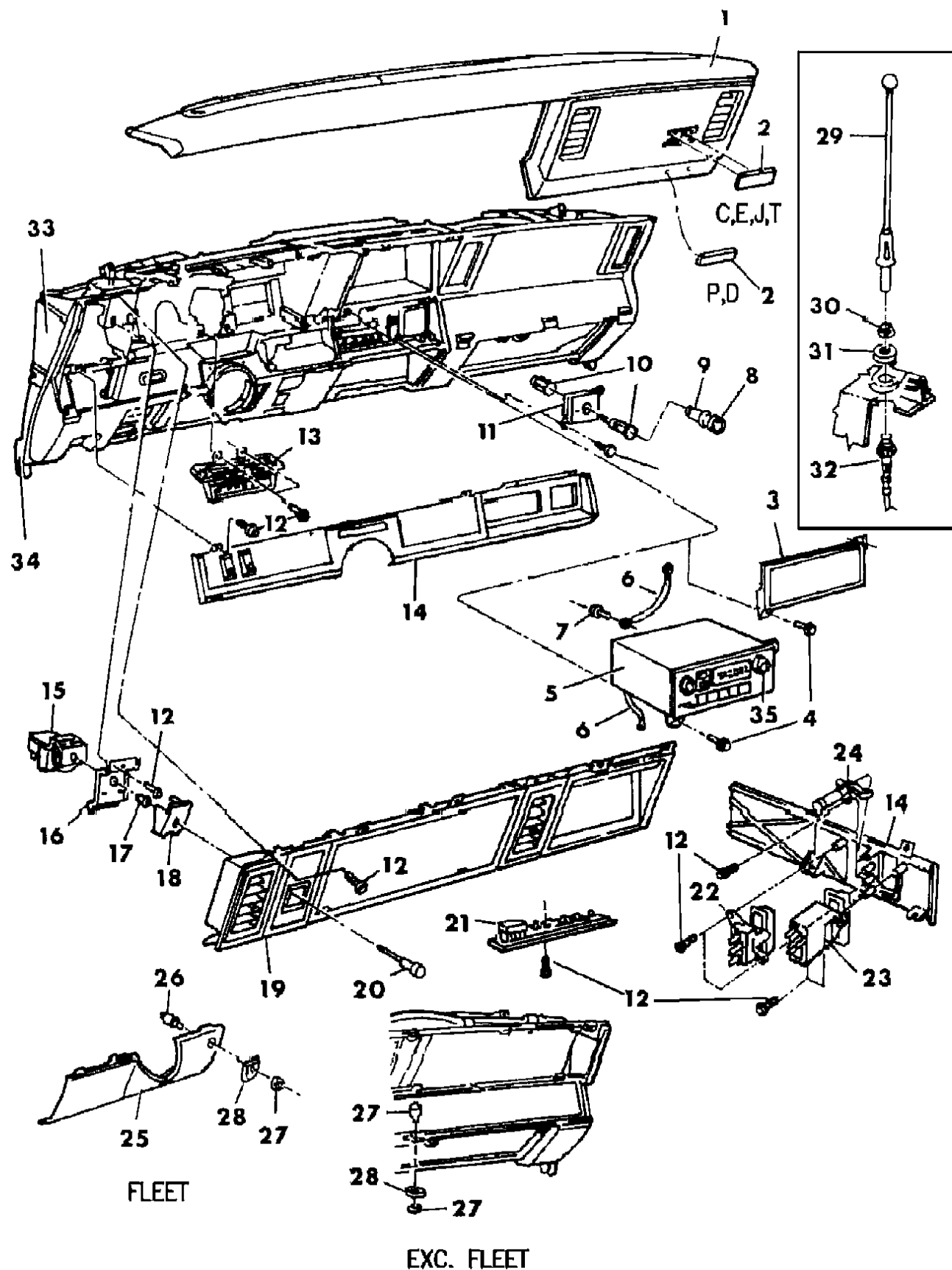
45 = 4-DOOR STATION WAGON

52-53 = FWD WAGON

AR = Use as Required - = Non Illustrated Part P.A.R. = Paint as Required

INSTRUMENT PANEL PAD, BEZELS, RADIO AND ANTENNA K,E BODY
Figure 8A-1500

7182 1500D



ITEM	PART NUMBER	QTY	BODY	MODEL	DESCRIPTION
	P199 VX9	1			BEZEL, C/Lighter Mounting
12		2			SCREW (DNS)
13					INDICATOR, Gear Selector
	4220 096	1			w/Auto Trans.
	4220 097	1			w/Manual Trans.
	4047 594	1			COVER, Gear Selector ("Front Wheel Drive")
	4312 921	1			LAMP, Fuel Pacer Indicator
	6032 456	2			SCREW, Fuel Pacer Indicator Lamp
14					BEZEL, Lower Left
	4311 081	1	C,J,E,T		w/One Switch Opening
	4312 691	1	P,D		w/One Switch Opening,Black
	4312 694	1	P,D		w/One Switch Opening,Woodgrain
	4311 083	1	C,J,E,T		w/Two Switch Opening
	4312 695	1	P,D		w/Two Switch Opening,Woodgrain
	4311 079	1	C,J,E,T		w/o Switch Opening
	4312 679	1	P,D		w/o Switch Opening,Black
	4312 693	1	P,D		w/o Switch Opening,Woodgrain
15					SWITCH, Headlamp
	4373 135	1	C,J,E,T		
	4373 134	1	P,D		
16	4221 227	1			PLATE, Headlamp Switch Mounting
17	4221 063	1			RETAINER, Headlamp Switch
18	3747 863	1			ESCUTCHEON, Headlamp Switch Mounting
19					BEZEL, Instrument Cluster
	4312 275	1	PL,PM,D		w/o Ind. Lamp Module, Up to 5-1-87
	4374 886	1	PL,PM,D		w/o Ind. Lamp Module, After 5-1-87
	4312 271	1	PH,PP,D		w/o Ind. Lamp Module, Up to 5-1-87
	4374 884	1	PH,PP,D		w/o Ind. Lamp Module, After 5-1-87
	4312 922	1	C,J,E,T		w/o Ind. Lamp Module, Up to 5-1-87
	4374 888	1	C,J,E,T		w/o Ind. Lamp Module, After 5-1-87
	4312 923	1	C,J,E,T		w/Ind. Lamp Module, Up to 5-1-87
	4374 890	1	C,J,E,T		w/Ind. Lamp Module, After 5-1-87
	4312 362	1			w/Electronic Cluster, Up to 5-1-87
	4374 894	1			w/Electronic Cluster, After 5-1-87
	6032 216	5			CLIP, Bezel Attaching
20	3747 760	1	C,J,E,T		KNOB and SHAFT, H/Lamp Switch
	4221 636	1	P,D		
21					MODULE, Warning Indicator Lamp

MODEL CODES

E BODY = (J - CARAVELLE)(E - 600)(T - NEW YORKER)

G BODY = (V24 - DAYTONA)

H BODY = (D44 - LANCER)(C44 - LEBARON GTS)

J BODY = (C - LEBARON)

K BODY = (P - RELIANT)(D - ARIES)(C - LEBAROND)/TOWN & COUNTRY)

L BODY = (M - HORIZON/TURISMO)(Z - OMNI/CHARGER)

M BODY = (B - GRAN FURY)(F - FIFTH AVE/NEWPORT)(G - DIPLOMAT)

P BODY = (P - SUNDANCE)(D - SHADOW)

S BODY = (H - VOYAGER)(K - RAM VAN/CARAVAN)

BODY STYLES

12-13 = FWD VAN

21 = 2-DOOR SEDAN

24 = 2-DOOR HATCHBACK

27 = 2-DOOR CONVERTIBLE

41 = 4-DOOR SEDAN

44 = 4-DOOR HATCHBACK

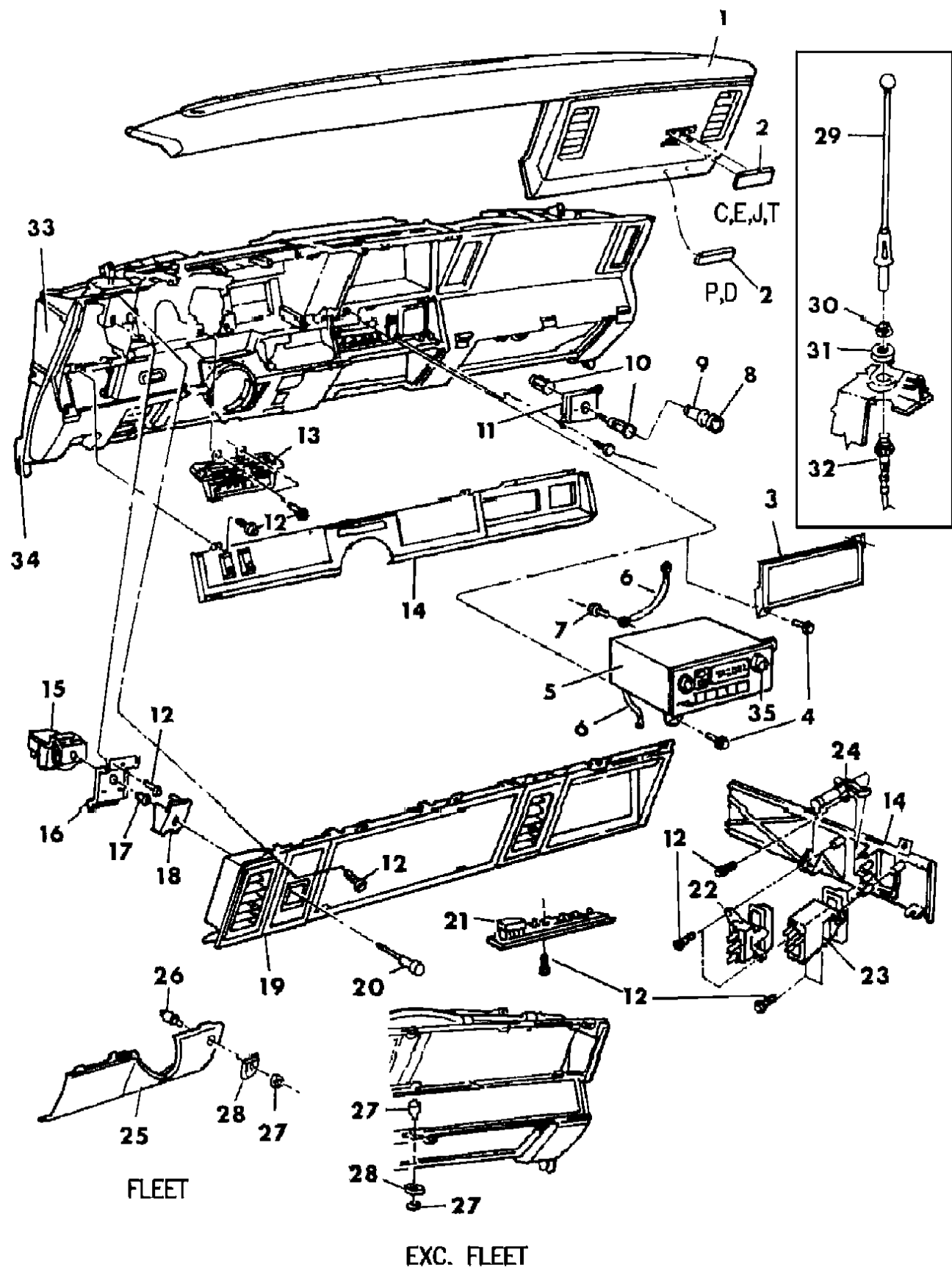
45 = 4-DOOR STATION WAGON

52-53 = FWD WAGON

AR = Use as Required - = Non Illustrated Part P.A.R. = Paint as Required

INSTRUMENT PANEL PAD, BEZELS, RADIO AND ANTENNA K,E BODY
Figure 8A-1500

7182 1500D



ITEM	PART NUMBER	QTY	BODY	MODEL	DESCRIPTION
	4374 379	1			Electronic Cluster
	4374 380	1			Mechanical Cluster and Message Center
	4374 382	1		P,D,C 4	
22	4221 080	1		C 45	SWITCH, Rear Wipe/Wash
	4221 389	1		P,D 45	
23					SWITCH, Heated Backlite
	4221 078	1		C,J,E,T	
	4221 627	1		P,D	
24					LAMP, Accessory Switch Nomenclature
	4221 239	1			One Switch
	4221 240	1			Two Switch
25	#P688 EK1	1			COVER, Steering Column Opening
	6500 442	AR			CLIP, Cover
26	3747 154	1			SWITCH, Remote Deck Lid and Liftgate
	3747 875	1			BEZEL, Remote Deck Lid and Liftgate Switch
27	6028 824	1			NUT, Switch
28	3747 875	1			BEZEL, Switch
29	4222 729	1			MAST, Antenna
	4372 103	1		TP	MAST PACKAGE, Power Antenna
	4372 008	1		TP	ANTENNA ASSEMBLY, Power
30	#4372 137	1			NUT, Cap
	4372 012	1		TP	w/Power Antenna
31	#4372 143	1			ADAPTER and PAD, Antenna
	4372 013	1		TP	w/Power Antenna
32	#4372 117	1			BODY and CABLE, Antenna
	4372 113	1		TP	w/Power Antenna
	4222 723	1			LOCK WASHER
	4222 731	1			PLUG, Antenna Hole
33	#P425 FK1	1			PANEL, Instrument
34	4047 568-9	1			SUPPORT, Lower Reinforcement End
35					KNOBS, Radio
					Primary
	4311 325	2		C,J,E,T	
	4311 334	2		P,D	
					Bass
	4311 327	1		C,J,E,T	
	4311 337	1		P,D	
					Secondary

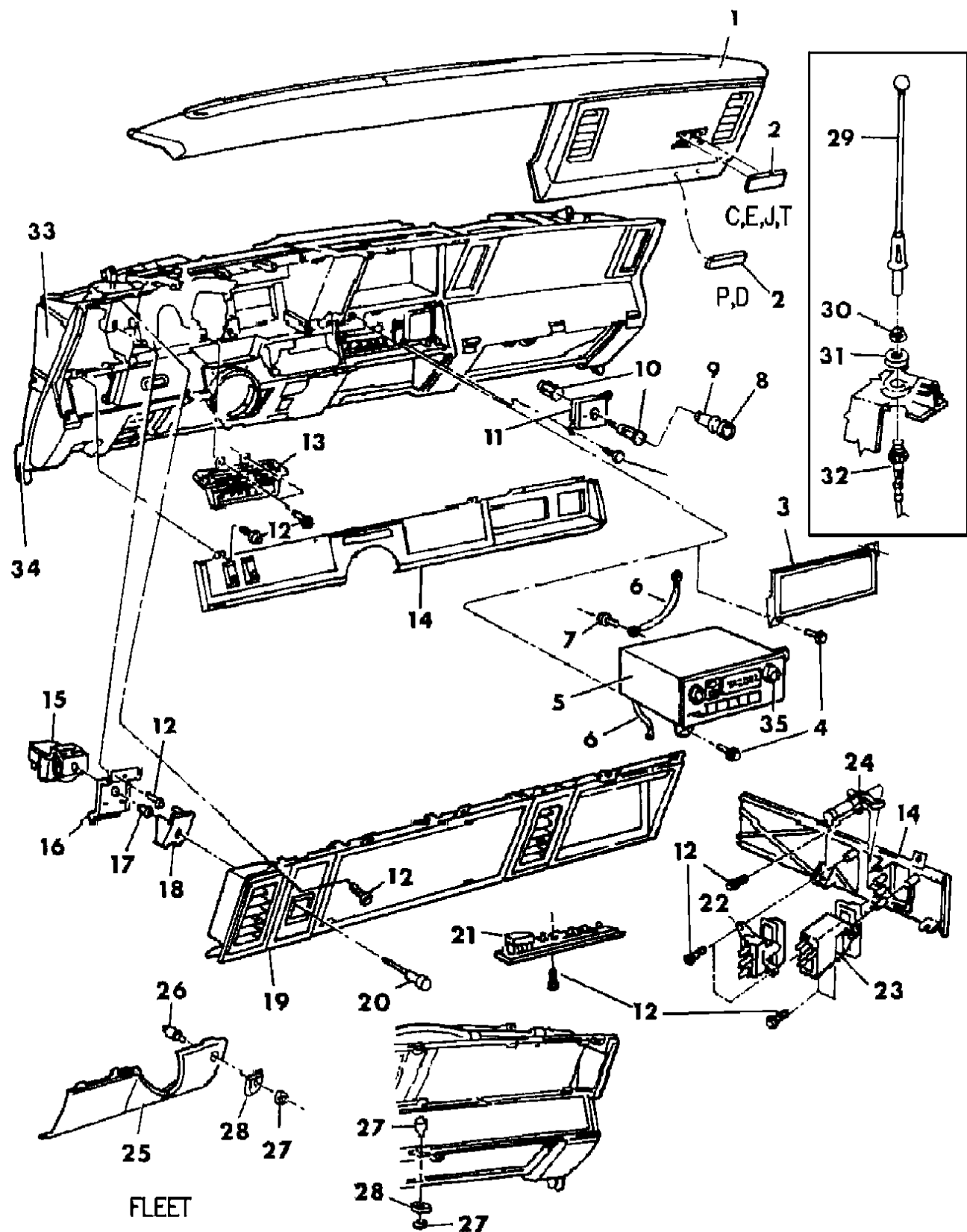
MODEL CODES
 E BODY = (J - CARAVELLE)(E - 600)(T - NEW YORKER)
 G BODY = (V24 - DAYTONA)
 H BODY = (D44 - LANCER)(C44 - LEBARON GTS)
 J BODY = (C - LEBARON)
 K BODY = (P - RELIANT)(D - ARIES)(C - LEBAROND)/TOWN & COUNTRY
 L BODY = (M - HORIZON/TURISMO)(Z - OMNI/CHARGER)
 M BODY = (B - GRAN FURY)(F - FIFTH AVE/NEWPORT)(G - DIPLOMAT)
 P BODY = (P - SUNDANCE)(D - SHADOW)
 S BODY = (H - VOYAGER)(K - RAM VAN/CARAVAN)

BODY STYLES
 12-13 = FWD VAN
 21 = 2-DOOR SEDAN
 24 = 2-DOOR HATCHBACK
 27 = 2-DOOR CONVERTIBLE
 41 = 4-DOOR SEDAN
 44 = 4-DOOR HATCHBACK
 45 = 4-DOOR STATION WAGON
 52-53 = FWD WAGON

AR = Use as Required - = Non Illustrated Part P.A.R. = Paint as Required

INSTRUMENT PANEL PAD, BEZELS, RADIO AND ANTENNA K,E BODY
Figure 8A-1500

7182 1500D



ITEM	PART NUMBER	QTY	BODY	MODEL	DESCRIPTION
	4311 329	2		C,J,E,T	
	4311 341	2		P,D	Treble
	4311 328	1		C,J,E,T	
	4311 339	1		P,D	

MODEL CODES

E BODY = (J - CARAVELLE)(E - 600)(T - NEW YORKER)
 G BODY = (V24 - DAYTONA)
 H BODY = (D44 - LANCER)(C44 - LEBARON GTS)
 J BODY = (C - LEBARON)
 K BODY = (P - RELIANT)(D - ARIES)(C - LEBAROND)/TOWN & COUNTRY)

L BODY = (M - HORIZON/TURISMO)(Z - OMNI/CHARGER)
 M BODY = (B - GRAN FURY)(F - FIFTH AVE/NEWPORT)(G - DIPLOMAT)
 P BODY = (P - SUNDANCE)(D - SHADOW)
 S BODY = (H - VOYAGER)(K - RAM VAN/CARAVAN)

BODY STYLES

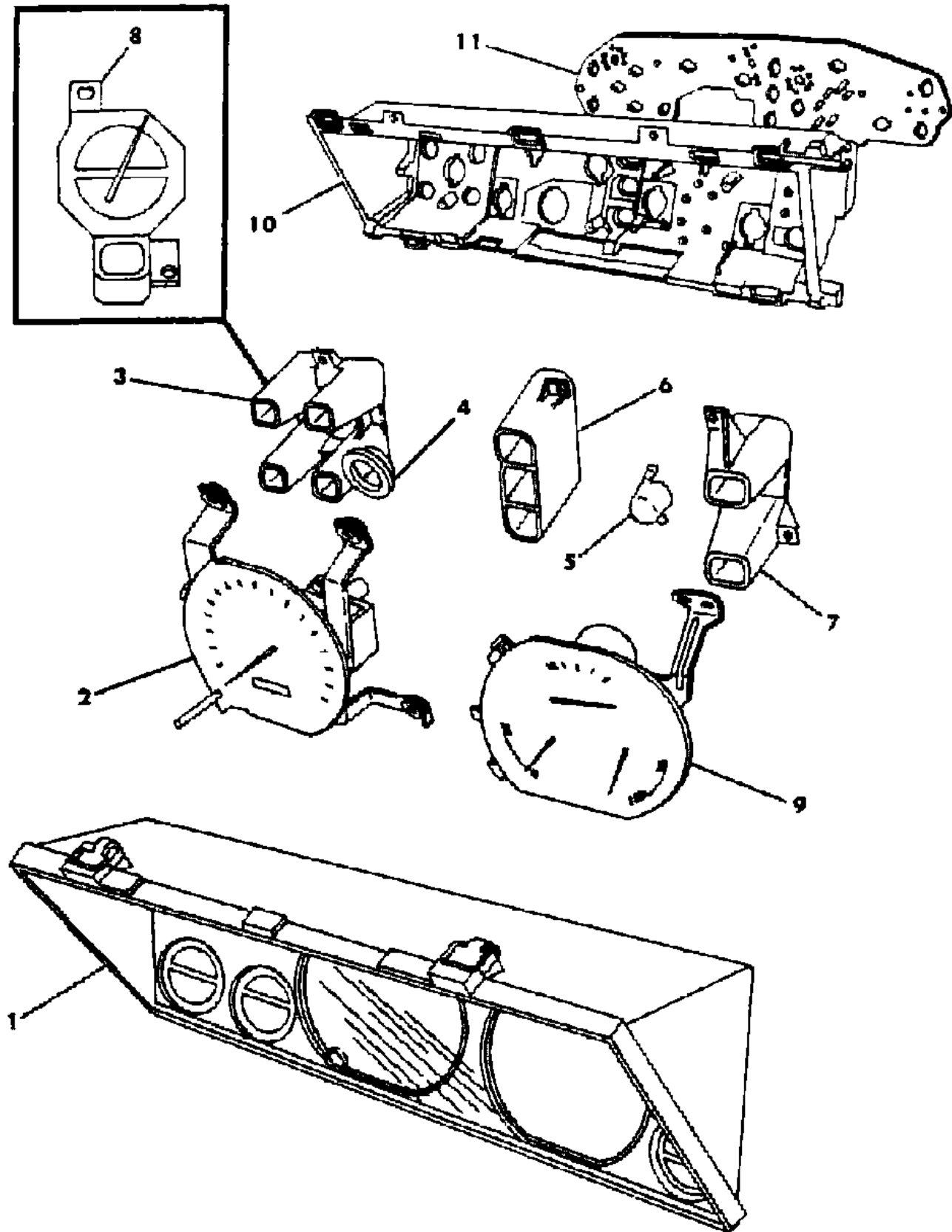
12-13 = FWD VAN
 21 = 2-DOOR SEDAN
 24 = 2-DOOR HATCHBACK
 27 = 2-DOOR CONVERTIBLE
 41 = 4-DOOR SEDAN
 44 = 4-DOOR HATCHBACK
 45 = 4-DOOR STATION WAGON
 52-53 = FWD WAGON

AR = Use as Required - = Non Illustrated Part P.A.R. = Paint as Required

INSTRUMENT PANEL CLUSTER K,E BODY

Figure 8A-1510

7182 1510



ITEM	PART NUMBER	QTY	BODY	MODEL	DESCRIPTION
1	4374 186	1			CLUSTER, Electronic
	4375 045	1			MASK and LENS
	4375 049	1			w/Oil Light
2					SPEEDOMETER
	4051 786	1			85 Mph
	4051 793	1			125 Mph
	4051 796	1			KNOB and SHAFT, Odometer
3	4051 773	1			CHIMNEY, Left
4	4051 412	1			GROMMET, Speedometer to Housing
5	#4374 072	AR			SOCKET, Bulb
	9421 330	AR			BULB
6	4051 774	1			CHIMNEY, Center
7	4051 775	1			CHIMNEY, Right
8	4051 776	1			GAUGE, Oil
9	4375 010	1			GAUGE, Fuel, Volt and Temperature
10	4051 771	1			HOUSING, Cluster
11					CIRCUIT BOARD, Printed
	4375 193	1			w/85 Mph Speedometer
	4375 192	1			w/125 Mph Speedometer

MODEL CODES

E BODY = (J - CARAVELLE)(E - 600)(T - NEW YORKER)

G BODY = (V24 - DAYTONA)

H BODY = (D44 - LANCER)(C44 - LEBARON GTS)

J BODY = (C - LEBARON)

K BODY = (P - RELIANT)(D - ARIES)(C - LEBAROND)/TOWN & COUNTRY)

L BODY = (M - HORIZON/TURISMO)(Z - OMNI/CHARGER)

M BODY = (B - GRAN FURY)(F - FIFTH AVE/NEWPORT)(G - DIPLOMAT)

P BODY = (P - SUNDANCE)(D - SHADOW)

S BODY = (H - VOYAGER)(K - RAM VAN/CARAVAN)

BODY STYLES

12-13 = FWD VAN

21 = 2-DOOR SEDAN

24 = 2-DOOR HATCHBACK

27 = 2-DOOR CONVERTIBLE

41 = 4-DOOR SEDAN

44 = 4-DOOR HATCHBACK

45 = 4-DOOR STATION WAGON

52-53 = FWD WAGON

AR = Use as Required - = Non Illustrated Part P.A.R. = Paint as Required

INSTRUMENT PANEL WIRING K,E BODY
Figure 8A-1600

7182 1600 A

ITEM	PART NUMBER	QTY	BODY	MODEL	DESCRIPTION
1	5211 741	1			MODULE
	4304 499	1			w/Dots
	4304 612	1			w/Lettering
	2932 877	1			BRACKET, Module Mtg.
2	3837 161	1			FLASHER, Hazard Warning
	3837 162	1			FLASHER, Turn Signal
					Two Lamp
					Three Lamp
3	4331 929	AR			BREAKER, Circuit
	4186 379	1			6 Amp.
4	4400 224	1		P,D	30 Amp.
	4400 223	1		P,D	WIRING HARNESS, Instrument Panel
	4400 225	1		J,E	Fleet
	4400 221	1		T	Hi Line Options
	4400 459	1		C	w/Mechanical Cluster, w/Chimes
	4400 222	1		T	w/Electronic Cluster and Heater
					w/Electronic Cluster and Chimes
					w/Electronic Cluster and A.T.C.
					WIRING, Instrument Panel
					Rear Wiper and Liftgate Release
5	4368 014	1			w/Premium Speakers and Power Antenna
	4368 016	1			
	4331 465	1			w/Stereo Speakers
	4026 095	1			CABLE, Fuseible Link
	4026 094	1			No. 16 Blue
	4026 093	1			No. 14 Red
	4364 877	1			No. 12 Black
4026 096	1			No. 10 Green	
4364 878	1			No. 18 Gray	
6					No. 20 Orange
	6101 132	AR			FUSES
	6101 131	AR			4 Amp.
	6101 133	AR			3 Amp.
	6101 137	AR			5 Amp.
	6101 136	AR			20 Amp.
	6101 138	AR			10 Amp.
6101 139	AR			25 Amp.	
7					30 Amp.
7				TERMINAL, Buss Bar	

MODEL CODES

E BODY = (J - CARAVELLE)(E - 600)(T - NEW YORKER)

G BODY = (V24 - DAYTONA)

H BODY = (D44 - LANCER)(C44 - LEBARON GTS)

J BODY = (C - LEBARON)

K BODY = (P - RELIANT)(D - ARIES)(C - LEBAROND)/TOWN & COUNTRY)

L BODY = (M - HORIZON/TURISMO)(Z - OMNI/CHARGER)

M BODY = (B - GRAN FURY)(F - FIFTH AVE/NEWPORT)(G - DIPLOMAT)

P BODY = (P - SUNDANCE)(D - SHADOW)

S BODY = (H - VOYAGER)(K - RAM VAN/CARAVAN)

BODY STYLES

12-13 = FWD VAN

21 = 2-DOOR SEDAN

24 = 2-DOOR HATCHBACK

27 = 2-DOOR CONVERTIBLE

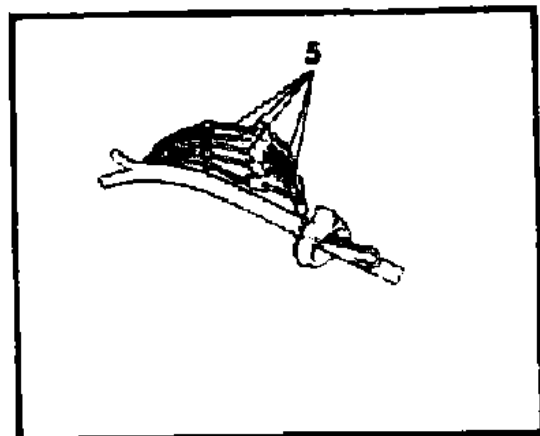
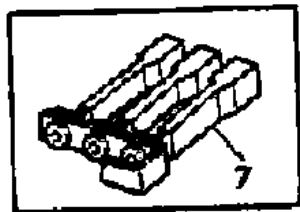
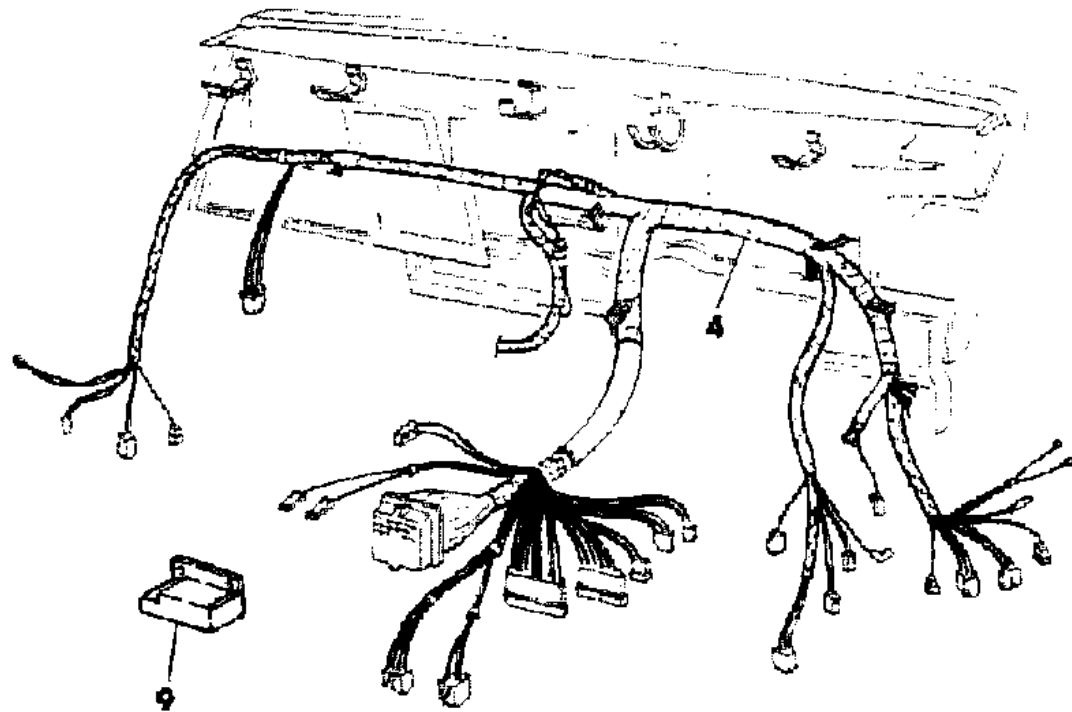
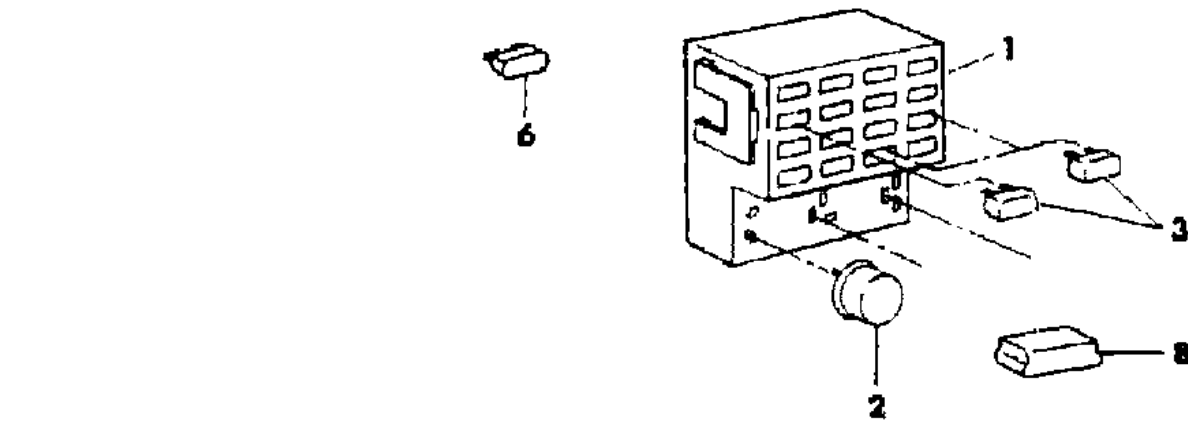
41 = 4-DOOR SEDAN

44 = 4-DOOR HATCHBACK

45 = 4-DOOR STATION WAGON

52-53 = FWD WAGON

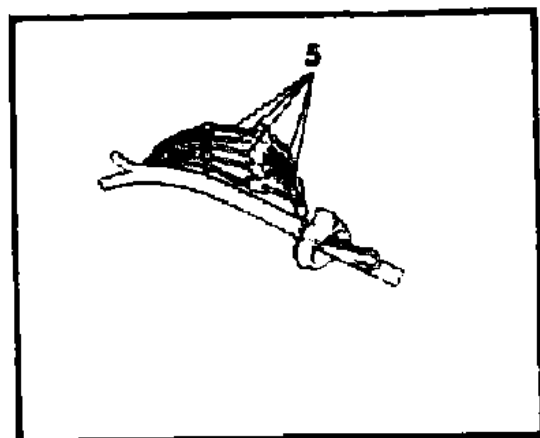
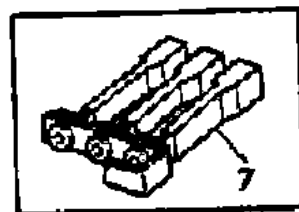
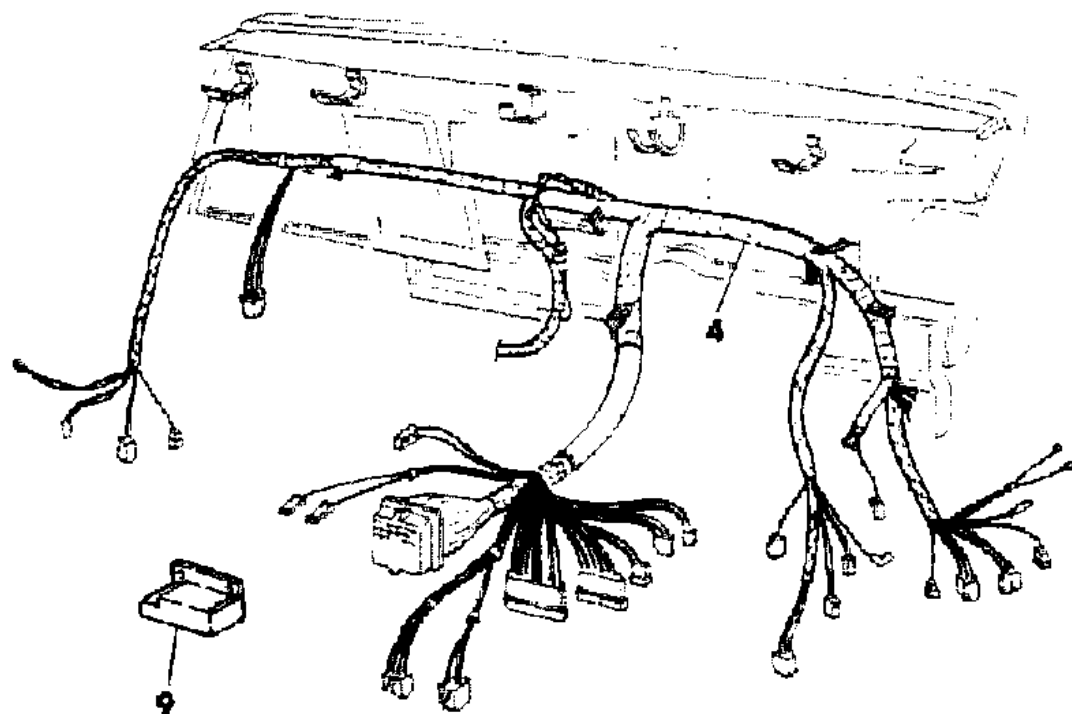
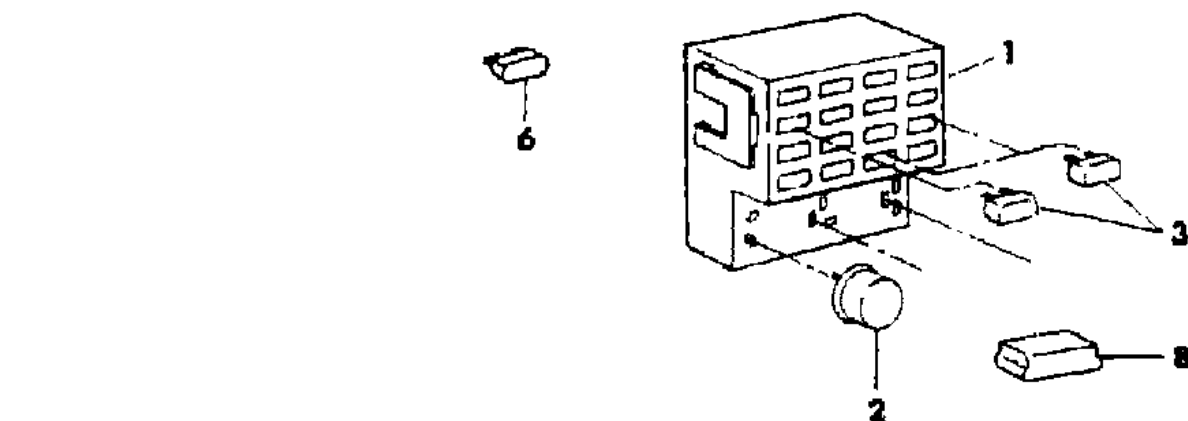
AR = Use as Required - = Non Illustrated Part P.A.R. = Paint as Required



INSTRUMENT PANEL WIRING K,E BODY
Figure 8A-1600

7182 1600 A

ITEM	PART NUMBER	QTY	BODY	MODEL	DESCRIPTION
	4124 752	1			3 Way
	4124 258	1			1 Way
8	4221 730	1			BUZZER, Key, H/Lamp and Seat Belt Warning
9	4312 664	1			CONTROL, Chimes



MODEL CODES

E BODY = (J - CARAVELLE)(E - 600)(T - NEW YORKER)

G BODY = (V24 - DAYTONA)

H BODY = (D44 - LANCER)(C44 - LEBARON GTS)

J BODY = (C - LEBARON)

K BODY = (P - RELIANT)(D - ARIES)(C - LEBAROND)/TOWN & COUNTRY)

L BODY = (M - HORIZON/TURISMO)(Z - OMNI/CHARGER)

M BODY = (B - GRAN FURY)(F - FIFTH AVE/NEWPORT)(G - DIPLOMAT)

P BODY = (P - SUNDANCE)(D - SHADOW)

S BODY = (H - VOYAGER)(K - RAM VAN/CARAVAN)

BODY STYLES

12-13 = FWD VAN

21 = 2-DOOR SEDAN

24 = 2-DOOR HATCHBACK

27 = 2-DOOR CONVERTIBLE

41 = 4-DOOR SEDAN

44 = 4-DOOR HATCHBACK

45 = 4-DOOR STATION WAGON

52-53 = FWD WAGON

AR = Use as Required - = Non Illustrated Part P.A.R. = Paint as Required

INSTRUMENT PANEL GLOVEBOX, SPEAKERS AND CONTROLS K,E BODY

Figure 8A-1700

7182 1700 B

ITEM	PART NUMBER	QTY	BODY	MODEL	DESCRIPTION
1		AR			SCREW (DNS)
2	4311 098	1			SPEAKER, Instrument Panel
	4222 528	AR			w/Four Speaker System
	4311 490	AR			w/Six Speaker System
	4372 151	2			w/Infinity Sound System
	4430 171	1			CHOKE, Speaker
	4222 531	2			SPEAKER, Rear Compartment
	4372 157	2			Stereo
					w/Infinity Sound System
3	4311 098	1			SPEAKER, Instrument Panel Center
4		1			SCREW (DNS)
5	3508 886	1			LATCH, Glove Box Lock Cylinder
	4220 092	1			CATCH, Glove Box Lock
6					GLOVE BOX and DOOR
	P437 FC5	1			Blue
	P437 EE8	1			Cordovan
	P437 DS8	1			Charcoal
	P437 EK1	1			Almond
	4221 625	1			LAMP and SWITCH, Glovebox
7		1			CYLINDER, Refer to 23D
8		AR			SCREW (DNS)
9	4047 424	1			CABLE, Glove Box Door Check
10	3747 452	1			HOLDER, Ash Receiver Bulb
11	4047 230	1			HOUSING, Ash Receiver
	6028 213	1			U-NUT, Ash Rec. Housing, Right
12	#4373 036	1			BRACKET, Chime and Buzzer Mounting
13	4221 730	1			BUZZER, Warning, w/o Electronic Switch
14	4312 995	1			CONTROL, Warning Signal Chimes
15	4312 023	1			SUPPORT, Voice Alert
16	4312 757	1			CONTROL, Electronic Voice Alert
	4374 615	1			SPEAKER, E.V.A
17	4221 658	1			RELAY, Liftgate Release
18	4312 022	1			BRACKET, Electronic Voice Alert Mounting
19	6032 719	2			U-NUT, Voice Alert Mounting Bracket
20	4312 002	1			CONTROL, Windshield Wiper, w/Deluxe Wipers
21	4267 268	1			FACE PLATE and RECEPTACLE, Ash
22	4318 800	1			RELAY, Illuminated Entry
23	4331 559	1			BRACKET, Twenty Five Way

MODEL CODES

E BODY = (J - CARAVELLE)(E - 600)(T - NEW YORKER)

G BODY = (V24 - DAYTONA)

H BODY = (D44 - LANCER)(C44 - LEBARON GTS)

J BODY = (C - LEBARON)

K BODY = (P - RELIANT)(D - ARIES)(C - LEBAROND)/TOWN & COUNTRY)

L BODY = (M - HORIZON/TURISMO)(Z - OMNI/CHARGER)

M BODY = (B - GRAN FURY)(F - FIFTH AVE/NEWPORT)(G - DIPLOMAT)

P BODY = (P - SUNDANCE)(D - SHADOW)

S BODY = (H - VOYAGER)(K - RAM VAN/CARAVAN)

BODY STYLES

12-13 = FWD VAN

21 = 2-DOOR SEDAN

24 = 2-DOOR HATCHBACK

27 = 2-DOOR CONVERTIBLE

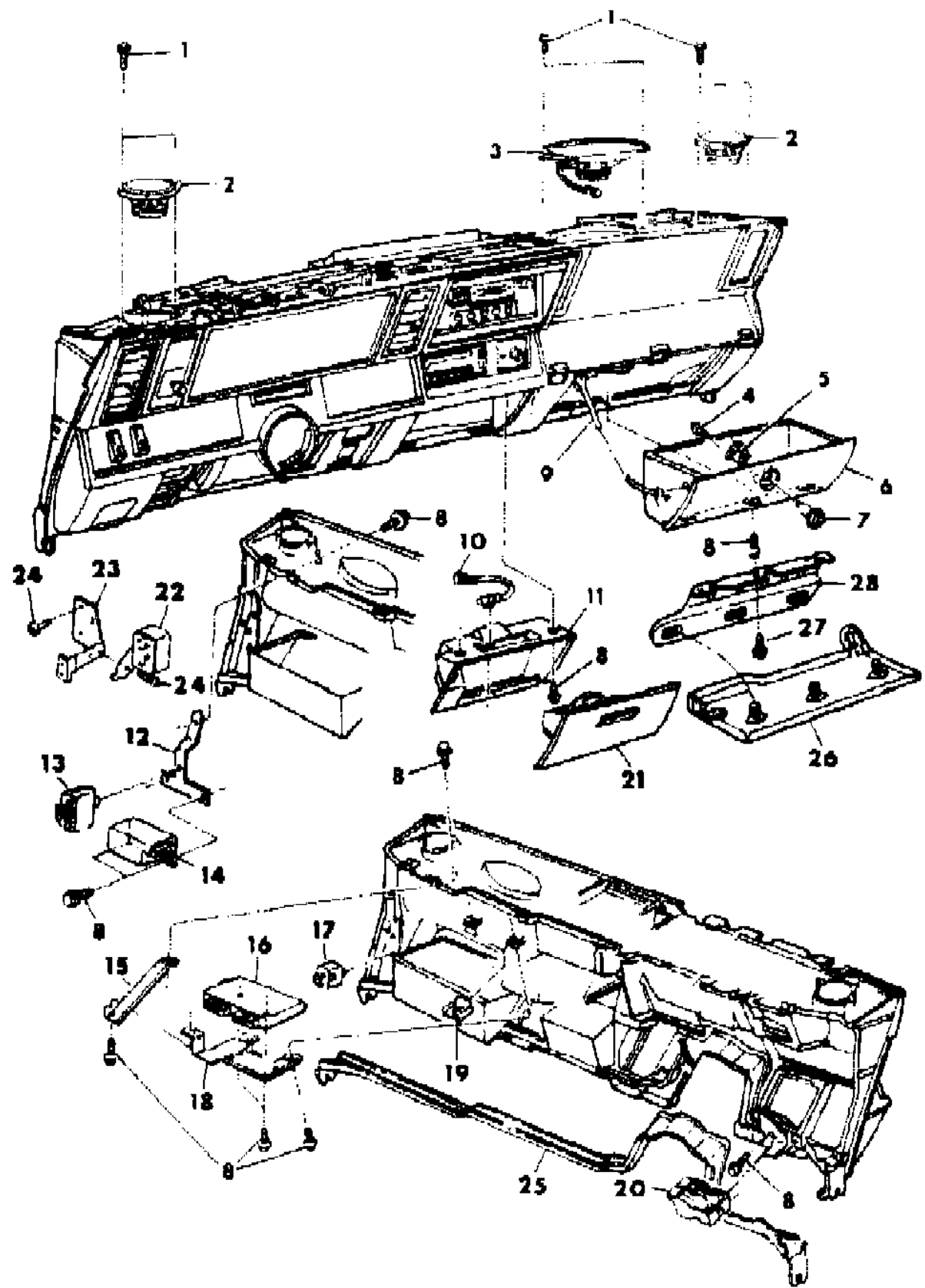
41 = 4-DOOR SEDAN

44 = 4-DOOR HATCHBACK

45 = 4-DOOR STATION WAGON

52-53 = FWD WAGON

AR = Use as Required - = Non Illustrated Part P.A.R. = Paint as Required

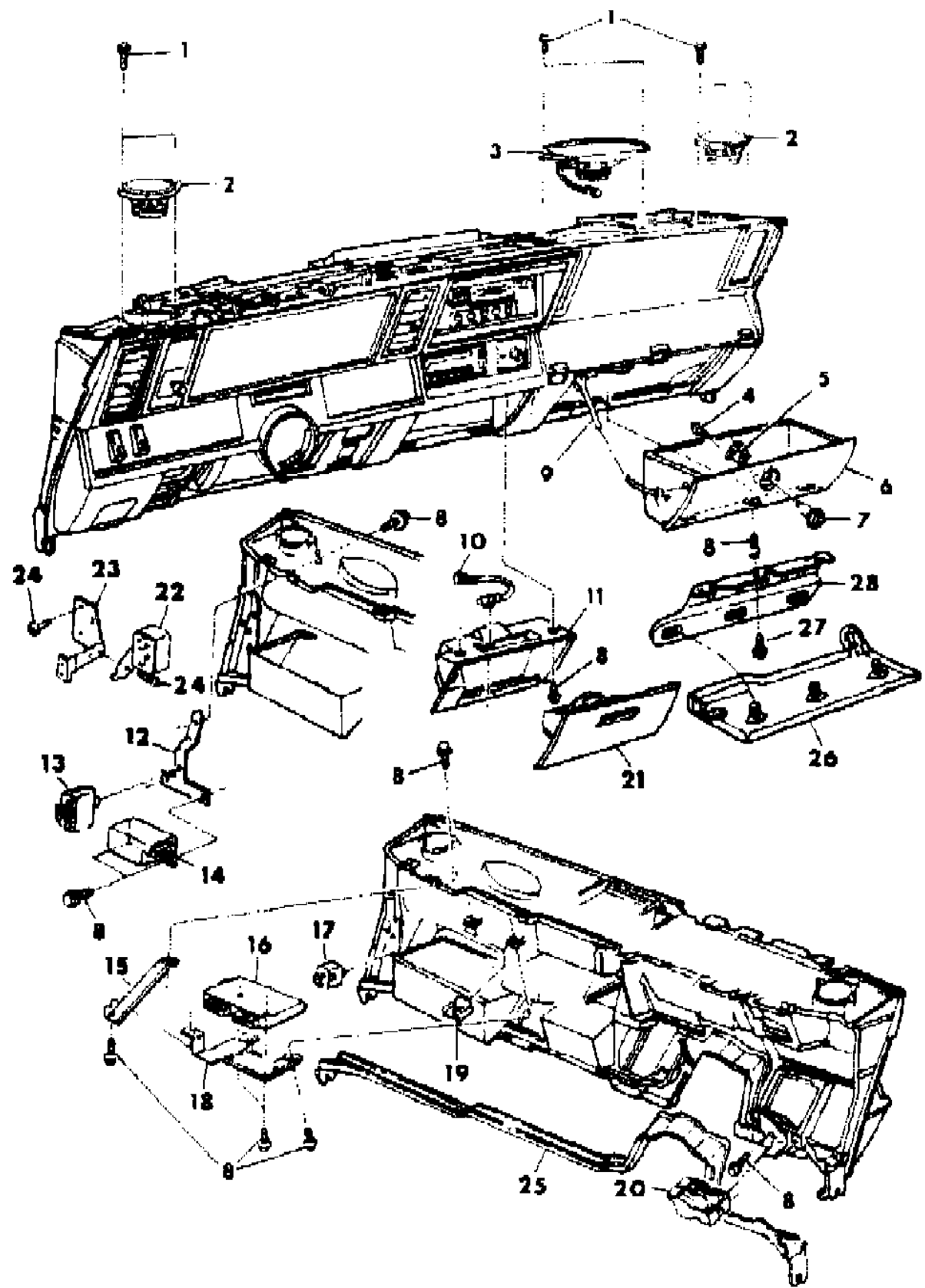


INSTRUMENT PANEL GLOVEBOX, SPEAKERS AND CONTROLS K,E BODY

Figure 8A-1700

7182 1700 B

ITEM	PART NUMBER	QTY	BODY	MODEL	DESCRIPTION
24		AR			SCREW (DNS)
25	#4311 988	1			REINFORCEMENT, Instrument Panel Lower
26				TP	PANEL, Lower Trim, Right
	P674 EE8	1			Cordovan
	P674 EK3	1			Almond
	P674 ES8	1			Charcoal
	P674 FC5	1			Blue
	6501 272	AR			CLIP, Panel Mtg.
	6501 277	1			PIN, Panel to Cowl Panel Att.
27		3			SCREW (DNS)
28	#4372 025	1			BRACKET, Panel Mtg.



MODEL CODES

E BODY = (J - CARAVELLE)(E - 600)(T - NEW YORKER)

G BODY = (V24 - DAYTONA)

H BODY = (D44 - LANCER)(C44 - LEBARON GTS)

J BODY = (C - LEBARON)

K BODY = (P - RELIANT)(D - ARIES)(C - LEBAROND)/TOWN & COUNTRY)

L BODY = (M - HORIZON/TURISMO)(Z - OMNI/CHARGER)

M BODY = (B - GRAN FURY)(F - FIFTH AVE/NEWPORT)(G - DIPLOMAT)

P BODY = (P - SUNDANCE)(D - SHADOW)

S BODY = (H - VOYAGER)(K - RAM VAN/CARAVAN)

BODY STYLES

12-13 = FWD VAN

21 = 2-DOOR SEDAN

24 = 2-DOOR HATCHBACK

27 = 2-DOOR CONVERTIBLE

41 = 4-DOOR SEDAN

44 = 4-DOOR HATCHBACK

45 = 4-DOOR STATION WAGON

52-53 = FWD WAGON

AR = Use as Required - = Non Illustrated Part P.A.R. = Paint as Required

CONSOLE AND ARM REST K BODY

Figure 8A-1800

7182 1800 A

ITEM	PART NUMBER	QTY	BODY	MODEL	DESCRIPTION
1	4364 482	1			HOUSING, Arm Rest
	4283 710	1			BRACKET, Folding Armrest
2		2			SCREW (DNS)
3	4283 343	1			DOOR, Cubby Box
4	4311 475	1			ASH RECEIVER
5	F440 EK1	1			BASE, Console
6		AR			SCREW (DNS)
7	4283 338	1			LINER
8					ARM REST and COVER
					Cloth
	F415 FC5	1			M5C
	F415 EE8	1			M5E8
	F415 EK1	1			M5K1
	F415 DS8	1			M5S
					Vinyl
	F244 EE8	1			V8E8
	F244 EK1	1			V8K1
9					COVER, Arm Rest, Serviced in Item 8
10	F515 EK1	4			PLUG, Arm Rest Mounting Hole
11	0181 063	4			SCREW and WASHER
12	6100 050	2			NUT
13		1			PLATE, Console Bracket to Floor Bracket (DNS)
14		2			SCREW (DNS)
15	6032 557	4			SCREW
16	4282 374	1			BRACKET, Console to Floor Mounting
17					BRACKET, Refer to 23A
18	4283 225	1			BRACKET, Arm Rest Mounting
19	4311 086	1			BRACKET, Instrument Panel Console Mtg.
20	F533 EK1	1			COVER, Console Access Opening
21		1			FILLER, Console to Instrument Panel, Serviced in Item 5
22		1			PANEL, Console Side Trim, Serviced in Item 5
23	4283 340	1			BEZEL, Manual Shift Opening
24	F497 EK1	1			COVER, Rear Arm Rest
25	0152 490	4			U-NUT
26					SCREW (DNS)
27	4309 494	1			SLIDE, Ash Receiver
28	4283 336	1			HOLDER, Cassette Storage
29	4282 366	1			BOX, Cassette Storage, w/Seven Cassettes

MODEL CODES

E BODY = (J - CARAVELLE)(E - 600)(T - NEW YORKER)

G BODY = (V24 - DAYTONA)

H BODY = (D44 - LANCER)(C44 - LEBARON GTS)

J BODY = (C - LEBARON)

K BODY = (P - RELIANT)(D - ARIES)(C - LEBAROND)/TOWN & COUNTRY)

L BODY = (M - HORIZON/TURISMO)(Z - OMNI/CHARGER)

M BODY = (B - GRAN FURY)(F - FIFTH AVE/NEWPORT)(G - DIPLOMAT)

P BODY = (P - SUNDANCE)(D - SHADOW)

S BODY = (H - VOYAGER)(K - RAM VAN/CARAVAN)

BODY STYLES

12-13 = FWD VAN

21 = 2-DOOR SEDAN

24 = 2-DOOR HATCHBACK

27 = 2-DOOR CONVERTIBLE

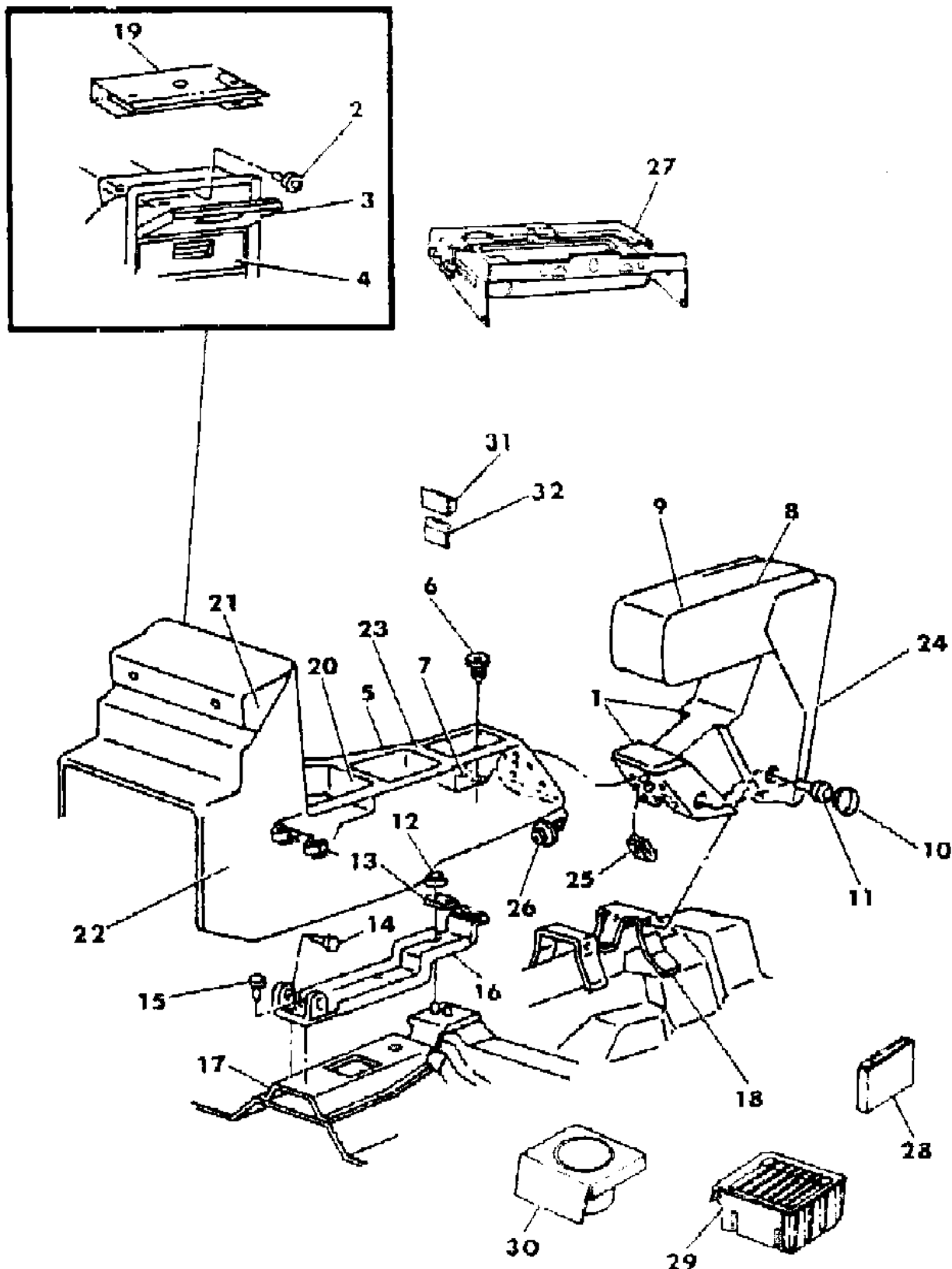
41 = 4-DOOR SEDAN

44 = 4-DOOR HATCHBACK

45 = 4-DOOR STATION WAGON

52-53 = FWD WAGON

AR = Use as Required - = Non Illustrated Part P.A.R. = Paint as Required

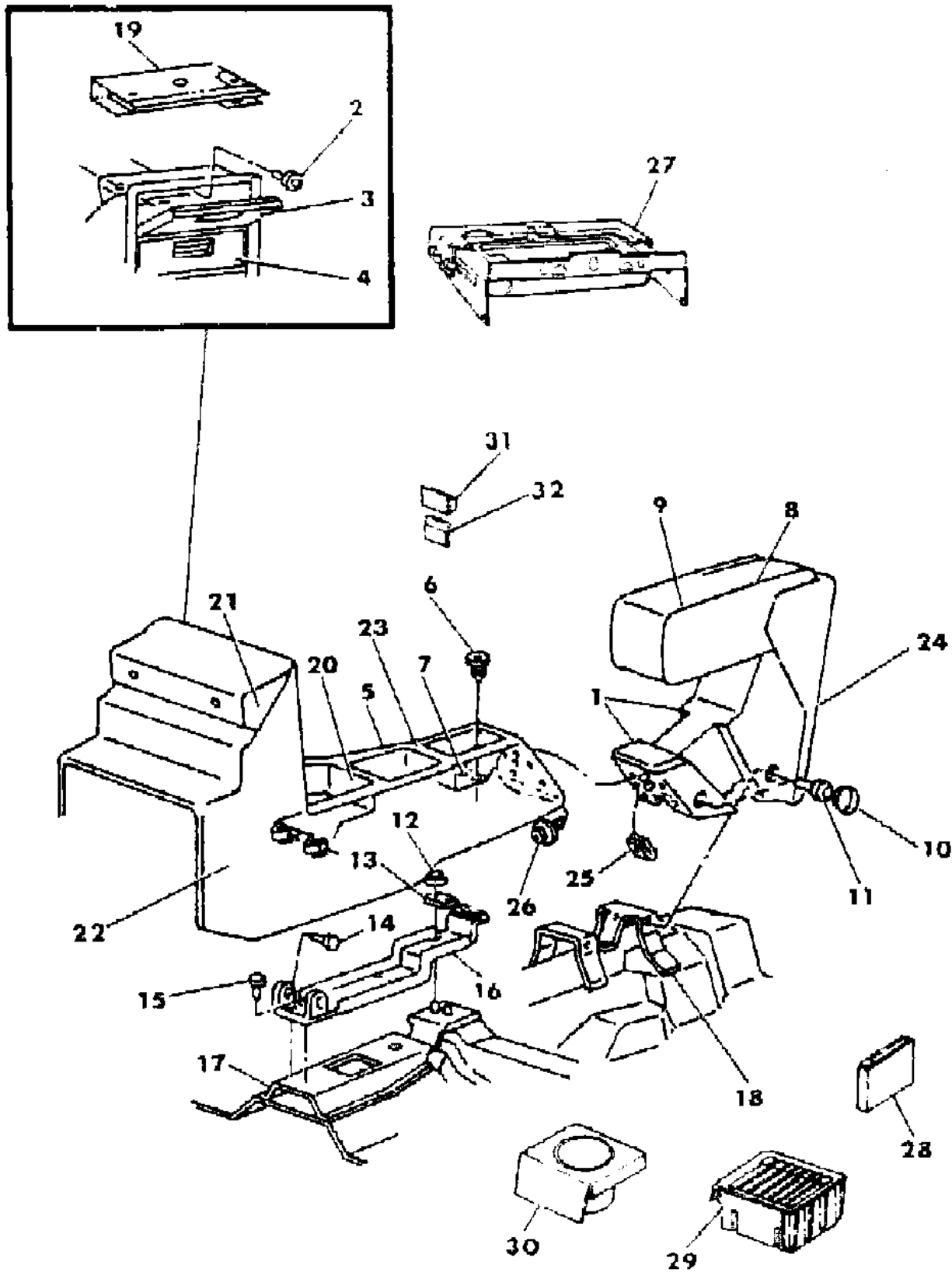


CONSOLE AND ARM REST K BODY

Figure 8A-1800

7182 1800 A

ITEM	PART NUMBER	QTY	BODY	MODEL	DESCRIPTION
	4311 967	1			w/Five Cassettes
30	4282 367	1			HOLDER, Cup
31	4282 130	1			HOLDER, Coin
32	4283 339	1			RETAINER, Coin Holder



MODEL CODES

E BODY = (J - CARAVELLE)(E - 600)(T - NEW YORKER)

G BODY = (V24 - DAYTONA)

H BODY = (D44 - LANCER)(C44 - LEBARON GTS)

J BODY = (C - LEBARON)

K BODY = (P - RELIANT)(D - ARIES)(C - LEBAROND)/TOWN & COUNTRY)

L BODY = (M - HORIZON/TURISMO)(Z - OMNI/CHARGER)

M BODY = (B - GRAN FURY)(F - FIFTH AVE/NEWPORT)(G - DIPLOMAT)

P BODY = (P - SUNDANCE)(D - SHADOW)

S BODY = (H - VOYAGER)(K - RAM VAN/CARAVAN)

BODY STYLES

12-13 = FWD VAN

21 = 2-DOOR SEDAN

24 = 2-DOOR HATCHBACK

27 = 2-DOOR CONVERTIBLE

41 = 4-DOOR SEDAN

44 = 4-DOOR HATCHBACK

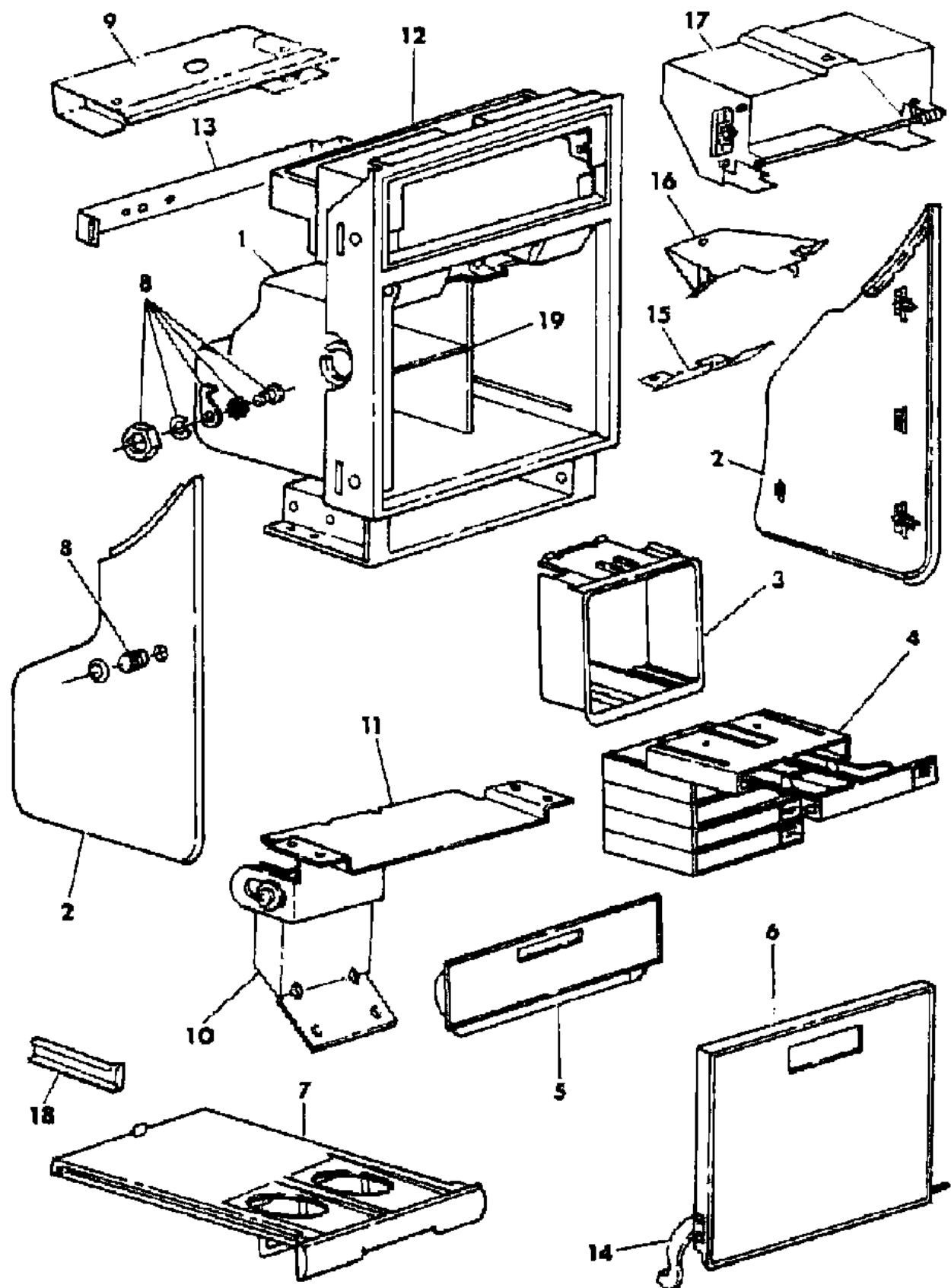
45 = 4-DOOR STATION WAGON

52-53 = FWD WAGON

AR = Use as Required - = Non Illustrated Part P.A.R. = Paint as Required

INSTRUMENT PANEL CONSOLE E BODY NEW YORKER
Figure 8A-1900

7182 1800 B



ITEM	PART NUMBER	QTY	BODY	MODEL	DESCRIPTION
1	4311 751	1			HOUSING, Console
					WIRING, Console
	4368 398	1			Ash Receiver
	4368 399	1			Storage Compartment
2	P506-7 EK1	1			PANEL, Console Side
3	4311 967	1			HOUSING, Cassette Holder
4		1			HOLDER, Cassette, Serviced in #3
5	4311 759	1			ASH RECEIVER, Console
6	4372 711	1			DOOR, Console
	4311 758	1			SPRING and PIN, Door
7	P500 EK1	1			CUP HOLDER, Console
8		1			CYLINDER, Refer to 23D
9	4311 086	1			BRACKET, Upper Att.
10	4311 761	1			BRACKET, Lower Att.
11	4467 066	1			BRACKET, Lower Console Mtg.
12	4467 065	1			BRACKET, Console Back Upper Mtg.
13	4467 064	1			BRACKET, Console Back Lower Mtg.
14	4311 760	1			STOP, Door
15	4374 041	1			LENS, Storage Box
16	4372 645	1			BRACKET and CATCH, Lower Compartment
17	4372 934	1			HOUSING and CAM, Ash Receiver
18	4419 156	1			GUIDE, Cup Holder
19	4311 755	1			DIVIDER, Console

MODEL CODES

E BODY = (J - CARAVELLE)(E - 600)(T - NEW YORKER)

G BODY = (V24 - DAYTONA)

H BODY = (D44 - LANCER)(C44 - LEBARON GTS)

J BODY = (C - LEBARON)

K BODY = (P - RELIANT)(D - ARIES)(C - LEBAROND)/TOWN & COUNTRY)

L BODY = (M - HORIZON/TURISMO)(Z - OMNI/CHARGER)

M BODY = (B - GRAN FURY)(F - FIFTH AVE/NEWPORT)(G - DIPLOMAT)

P BODY = (P - SUNDANCE)(D - SHADOW)

S BODY = (H - VOYAGER)(K - RAM VAN/CARAVAN)

BODY STYLES

12-13 = FWD VAN

21 = 2-DOOR SEDAN

24 = 2-DOOR HATCHBACK

27 = 2-DOOR CONVERTIBLE

41 = 4-DOOR SEDAN

44 = 4-DOOR HATCHBACK

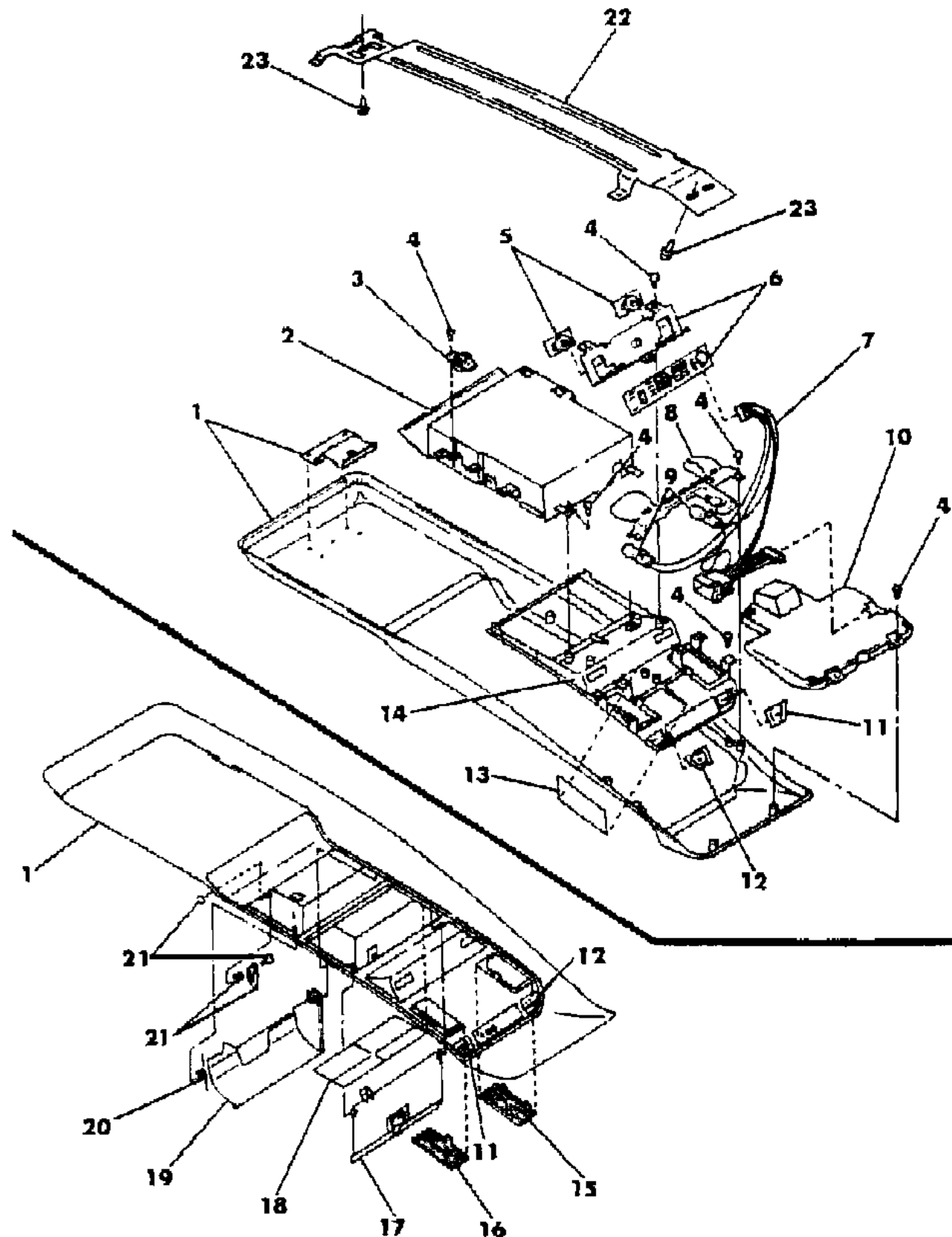
45 = 4-DOOR STATION WAGON

52-53 = FWD WAGON

AR = Use as Required - = Non Illustrated Part P.A.R. = Paint as Required

CONSOLE, OVERHEAD E BODY NEW YORKER
Figure 8A-2000

7182 2000



ITEM	PART NUMBER	QTY	BODY	MODEL	DESCRIPTION
1					HOUSING, Console
	H529 FC5	1			Blue
	H529 EE8	1			Cordovan
	H529 EK1	1			Almond
	H529 DS8	1			Charcoal
2	4381 270	1			HOUSING, Sunglass and Garage Opener Storage
	4397 895	1			FOAM PAD PACKAGE, Sunglass Bin
3	4309 336	1			DEVICE, Viscous Dampening
4		AR			SCREW (DNS)
5	4309 335	2			BUTTON, Lamp
6	4381 894	1			SWITCH, Map Lamp w/Board
7					HARNES, Wiring
	4439 046	1			w/Compass and Temperature Assy.
	4381 895	1			w/o Compass and Temperature Assy.
8	4309 333	1			BRACKET, Reflector
9	#9437 173	2			BULB
10	4439 047	1			COMPASS, w/Temperature Unit
11	4309 332	1			BUTTON, Compass and Temperature
12	4309 331	1			BUTTON, U.S./Metric
13	4309 338	1			SHIELD, Light w/o Compass and Temperature Assy.
14					PANEL, Center
	4381 272	1			w/Compass and Temperature Assy.
	4381 271	1			w/o Compass and Temperature Assy.
15	4283 818	1			LENS, Right
16	4283 819	1			LENS, Left
17	4381 269	1			DOOR, Bin
18	4309 345	1			HOOK, Housing
19	4309 341	1			DOOR, Storage Bin
20	4309 340	1			SPRING, Door
21	4309 343	1			MECHANISM PACKAGE, Storage Bin
	4309 344	1			ADAPTER PACKAGE, Garage Door Opener
22	4283 688	1			BRACKET, Console Mtg.
23		AR			SCREW (DNS)

MODEL CODES

E BODY = (J - CARAVELLE)(E - 600)(T - NEW YORKER)

G BODY = (V24 - DAYTONA)

H BODY = (D44 - LANCER)(C44 - LEBARON GTS)

J BODY = (C - LEBARON)

K BODY = (P - RELIANT)(D - ARIES)(C - LEBAROND)/TOWN & COUNTRY)

L BODY = (M - HORIZON/TURISMO)(Z - OMNI/CHARGER)

M BODY = (B - GRAN FURY)(F - FIFTH AVE/NEWPORT)(G - DIPLOMAT)

P BODY = (P - SUNDANCE)(D - SHADOW)

S BODY = (H - VOYAGER)(K - RAM VAN/CARAVAN)

BODY STYLES

12-13 = FWD VAN

21 = 2-DOOR SEDAN

24 = 2-DOOR HATCHBACK

27 = 2-DOOR CONVERTIBLE

41 = 4-DOOR SEDAN

44 = 4-DOOR HATCHBACK

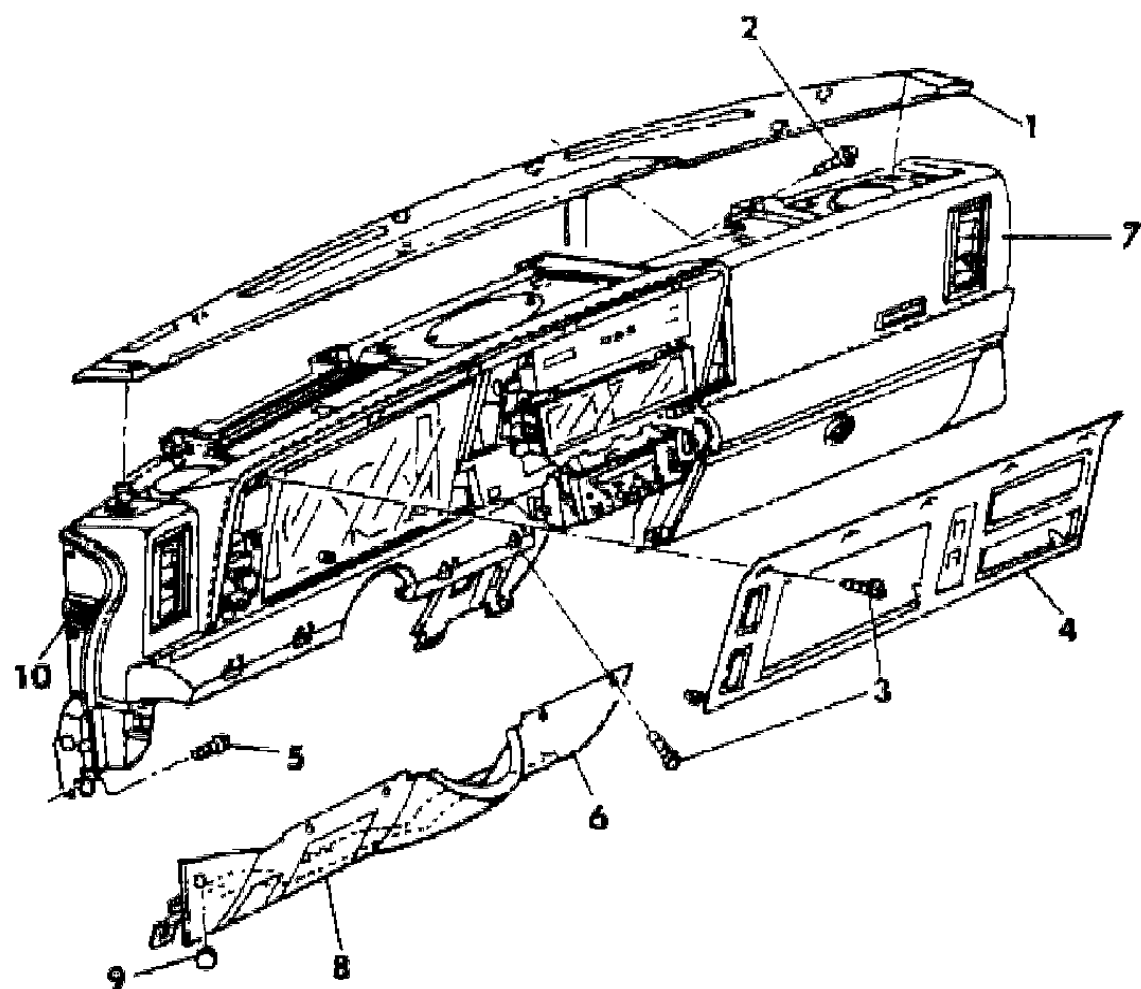
45 = 4-DOOR STATION WAGON

52-53 = FWD WAGON

AR = Use as Required - = Non Illustrated Part P.A.R. = Paint as Required

INSTRUMENT PANEL BEZELS AND PAD G BODY
Figure 8A-2100

7182 2100



ITEM	PART NUMBER	QTY	BODY	MODEL	DESCRIPTION
1	P586 FK1	1			COVER, Instrument Panel Top
	4220 415	2			CLIP, Top Cover Front
	3590 389	5			Rear
2					SCREW (DNS)
3					SCREW (DNS)
4					BEZEL, Cluster
	4374 176	1			w/o Electronic Cluster, w/Message Center
	4374 012	1			w/Electronic Cluster and Message Center
	6032 205	3			CLIP, Bezel Att.
5					SCREW (DNS)
6					COVER, Steering Column
	P413 EE8	1			Cordovan
	P413 DS8	1			Charcoal
	P413 EK1	1			Almond
	P413 FC5	1			Blue
7					PANEL and PAD, Instrument Panel
	P557 FE8	1			Cordovan
	P557 FS8	1			Charcoal
	P557 FK1	1			Almond
	P557 FC5	1			Blue
8	4220 272	1			COVER, Fuse Block
9	F245 CA3	1			PLUG, Trim
10	6032 020	6			STUD, Collar

MODEL CODES

E BODY = (J - CARAVELLE)(E - 600)(T - NEW YORKER)

G BODY = (V24 - DAYTONA)

H BODY = (D44 - LANCER)(C44 - LEBARON GTS)

J BODY = (C - LEBARON)

K BODY = (P - RELIANT)(D - ARIES)(C - LEBAROND)/TOWN & COUNTRY)

L BODY = (M - HORIZON/TURISMO)(Z - OMNI/CHARGER)

M BODY = (B - GRAN FURY)(F - FIFTH AVE/NEWPORT)(G - DIPLOMAT)

P BODY = (P - SUNDANCE)(D - SHADOW)

S BODY = (H - VOYAGER)(K - RAM VAN/CARAVAN)

BODY STYLES

12-13 = FWD VAN

21 = 2-DOOR SEDAN

24 = 2-DOOR HATCHBACK

27 = 2-DOOR CONVERTIBLE

41 = 4-DOOR SEDAN

44 = 4-DOOR HATCHBACK

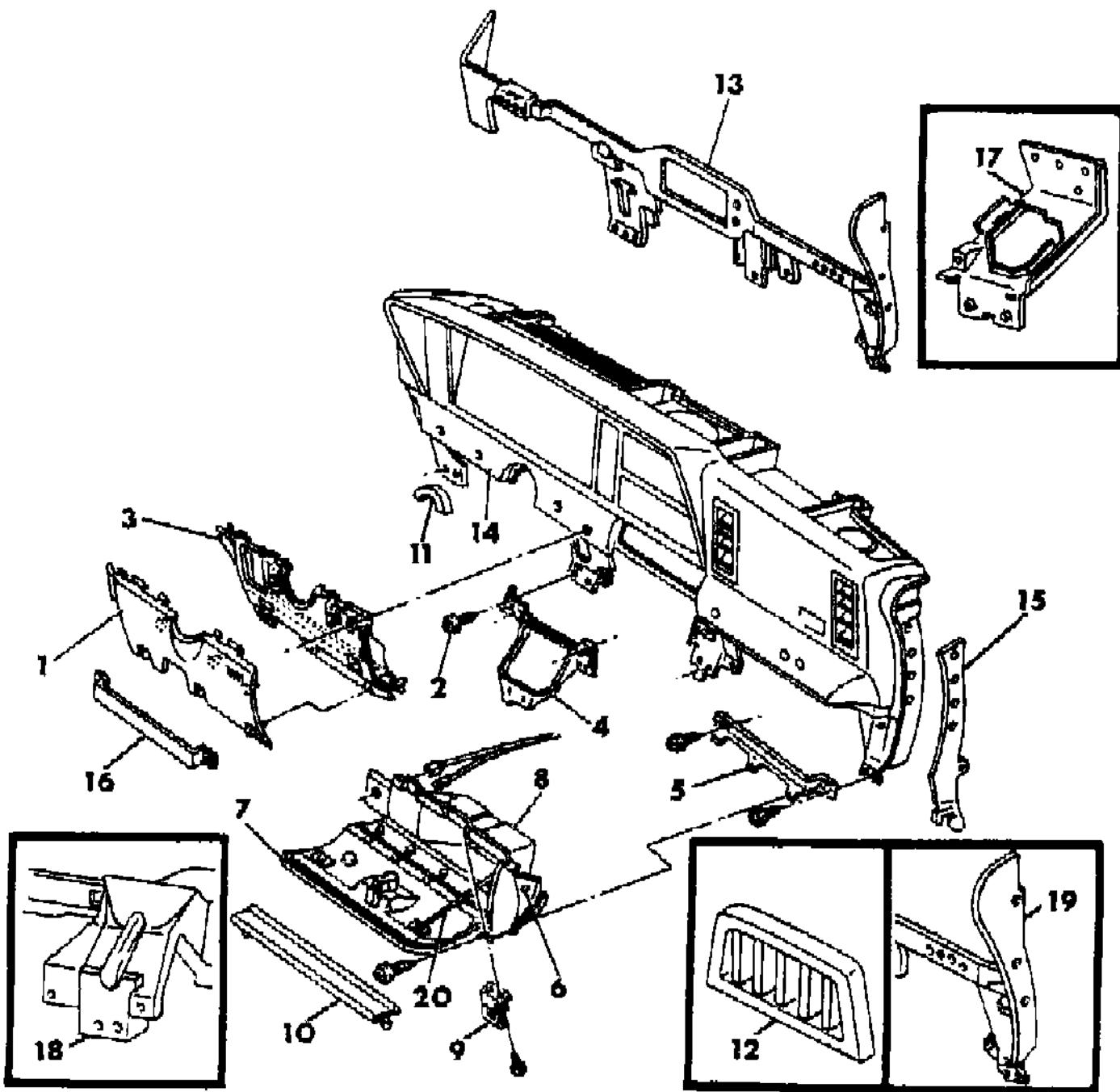
45 = 4-DOOR STATION WAGON

52-53 = FWD WAGON

AR = Use as Required - = Non Illustrated Part P.A.R. = Paint as Required

INSTRUMENT PANEL W/PASSIVE RESTRAINT SYSTEM G BODY
Figure 8A-2110

7182 2110 A



ITEM	PART NUMBER	QTY	BODY	MODEL	DESCRIPTION
1	P558 FK1	1			COVER, Steering Column Opening
2		AR			SCREW (DNS)
3					COVER, Steering Column Inner
	4372 352	1			Up to 4-10-87
	4372 850	1			After 4-10-87
					FASTENER, Cover
	6033 152	3			Inner
	6033 151	3			Outer
4	4372 287	1			REINFORCEMENT, I/Panel Console
5	4372 308	1			REINFORCEMENT, Lower Right
6	F245 CA3	1			PLUG
7	P616 FK1	1			DOOR, Glove Box
8					PANEL and GLOVE BOX
	P562 FS8	1			Charcoal
	P562 FK1	1			Almond
	P562 FE8	1			Cordovan
	P562 FC5	1			Blue
9	4372 323	1			CATCH, Glove Box Door, Lower Right
10	4372 679	1			COVER, Hinge
	4372 361	1			HINGE, Glove Box Door
11	P460 FS8	1			SEAL, Steering Column Cover
12	4220 696-7	1			GRILLE, Side Glass Demister
13	4372 312	1			REINFORCEMENT, I/Panel Middle
14					SUPPORT, I/Panel End
	4220 501	1			Left
	4372 130	1			Right
15					BRACKET, Rollup
	4372 292	1			Right
	4372 293	1			Left, Up to 4-1-87
	4460 229	1			Left, After 4-1-87
16	4372 301	1			BRACKET, Steering Column Cover, Inner Left
17	4372 465	1			BRACKET, Inner Right to Brace
18	4372 302	1			BRACE, Middle Reinforcement, Right
19	4372 296-7	1			SUPPORT, End
20	4372 921	1			CABLE, Glovebox Door

MODEL CODES

E BODY = (J - CARAVELLE)(E - 600)(T - NEW YORKER)

G BODY = (V24 - DAYTONA)

H BODY = (D44 - LANCER)(C44 - LEBARON GTS)

J BODY = (C - LEBARON)

K BODY = (P - RELIANT)(D - ARIES)(C - LEBAROND)/TOWN & COUNTRY)

L BODY = (M - HORIZON/TURISMO)(Z - OMNI/CHARGER)

M BODY = (B - GRAN FURY)(F - FIFTH AVE/NEWPORT)(G - DIPLOMAT)

P BODY = (P - SUNDANCE)(D - SHADOW)

S BODY = (H - VOYAGER)(K - RAM VAN/CARAVAN)

BODY STYLES

12-13 = FWD VAN

21 = 2-DOOR SEDAN

24 = 2-DOOR HATCHBACK

27 = 2-DOOR CONVERTIBLE

41 = 4-DOOR SEDAN

44 = 4-DOOR HATCHBACK

45 = 4-DOOR STATION WAGON

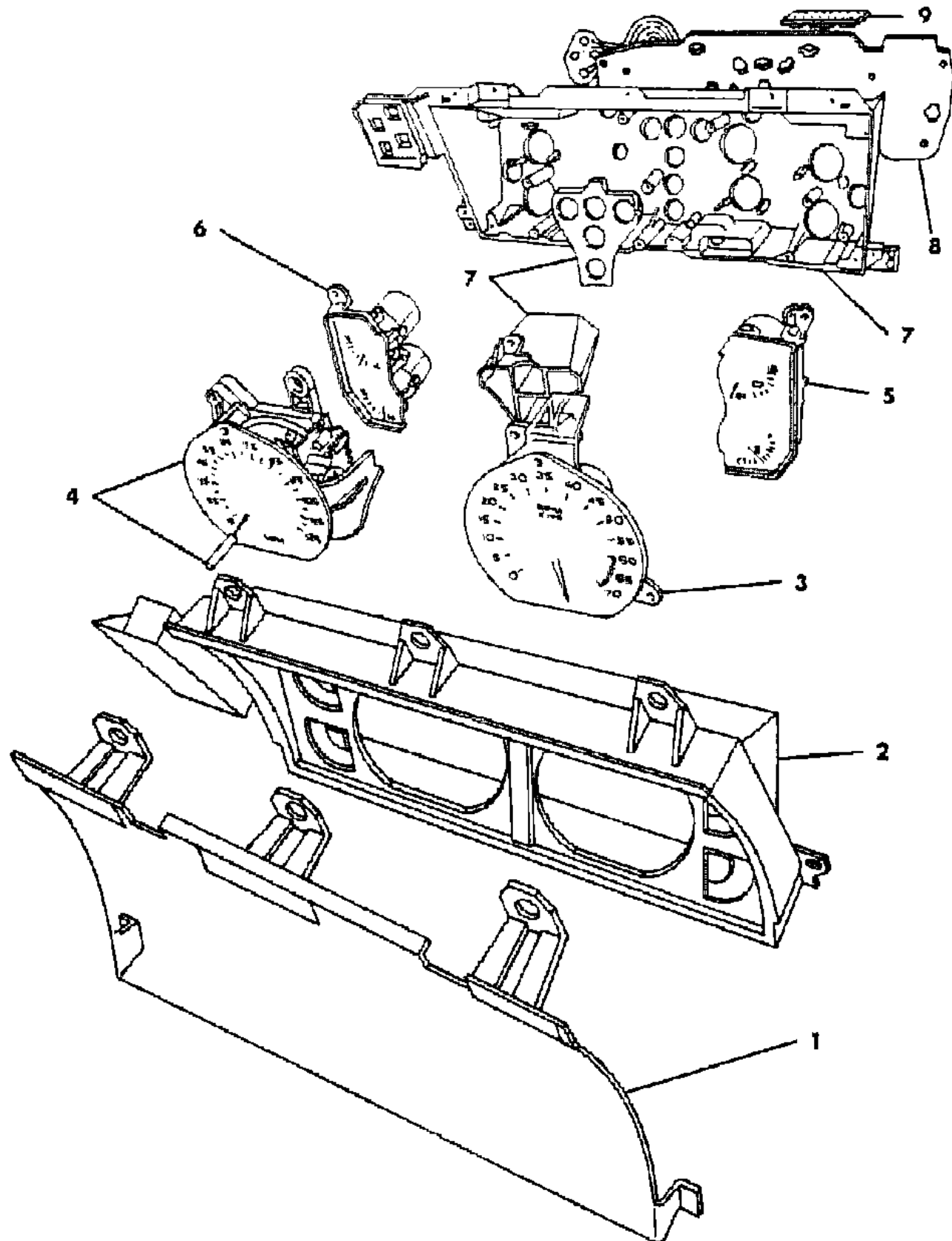
52-53 = FWD WAGON

AR = Use as Required - = Non Illustrated Part P.A.R. = Paint as Required

INSTRUMENT PANEL CLUSTER G BODY

Figure 8A-2120

7182 2120



ITEM	PART NUMBER	QTY	BODY	MODEL	DESCRIPTION
	4312 654	1			CLUSTER, Electronic
1	#4375 134	1			LENS, Cluster
2	#4375 143	1			MASK, Cluster
3	#4375 152	1			TACHOMETER
4	#4374 151	1			SPEEDOMETER
5	#4375 147	1			GAUGE, Volt and Fuel
6	#4375 149	1			GAUGE, Oil and Temperature
7	#4375 154	1			HOUSING and CHIMNEY, Cluster
	4374 072	AR			SOCKET, Bulb
	9421 330	AR			BULB
8	#4375 145	1			CIRCUIT BOARD, Printed
9	4051 977	1			CIRCUIT BOARD, Tachometer

MODEL CODES

E BODY = (J - CARAVELLE)(E - 600)(T - NEW YORKER)

G BODY = (V24 - DAYTONA)

H BODY = (D44 - LANCER)(C44 - LEBARON GTS)

J BODY = (C - LEBARON)

K BODY = (P - RELIANT)(D - ARIES)(C - LEBAROND)/TOWN & COUNTRY)

L BODY = (M - HORIZON/TURISMO)(Z - OMNI/CHARGER)

M BODY = (B - GRAN FURY)(F - FIFTH AVE/NEWPORT)(G - DIPLOMAT)

P BODY = (P - SUNDANCE)(D - SHADOW)

S BODY = (H - VOYAGER)(K - RAM VAN/CARAVAN)

BODY STYLES

12-13 = FWD VAN

21 = 2-DOOR SEDAN

24 = 2-DOOR HATCHBACK

27 = 2-DOOR CONVERTIBLE

41 = 4-DOOR SEDAN

44 = 4-DOOR HATCHBACK

45 = 4-DOOR STATION WAGON

52-53 = FWD WAGON

AR = Use as Required - = Non Illustrated Part P.A.R. = Paint as Required

INSTRUMENT PANEL WIRING G BODY

Figure 8A-2200

7182 2200 A

ITEM	PART NUMBER	QTY	BODY	MODEL	DESCRIPTION
1	4304 499	1			MODULE, Fuse Block
	4274 530	1			BRACKET, Module Mtg.
2	2932 877	1			FLASHER, Hazard Warning
	3837 161	1			FLASHER, Turn Signal
	3837 162	1			Two Lamp
	3837 162	1			Three Lamp
3	4186 377	AR			BREAKER, Circuit
	4186 379	AR			6 Amp.
	4186 379	AR			30 Amp.
4					WIRING HARNESS, Instrument Panel
	4400 591	1			Mechanical Cluster
	4400 593	1			Electronic Cluster
5					CABLE, Fusible Link
	4026 095	1			No. 16 Blue
	4026 094	1			No. 14 Red
	4026 093	1			No. 12 Black
	4364 877	1			No. 10 Green
	4026 096	1			No. 18 Gray
	4364 878	1			No. 20 Orange
6					FUSES
	6101 132	AR			4 Amp.
	6101 131	AR			3 Amp.
	6101 133	AR			5 Amp.
	6101 137	AR			20 Amp.
	6101 135	AR			10 Amp.
	6101 138	AR			25 Amp.
	6101 139	AR			30 Amp.
7					TERMINAL, Buss Bar
	4124 752	1			3 Way
	4124 258	1			1 Way
8	4221 730	1			BUZZER, Key, H/Lamp and Seat Belt Warning
9	4312 664	1			CONTROL, Chimes

MODEL CODES

E BODY = (J - CARAVELLE)(E - 600)(T - NEW YORKER)

G BODY = (V24 - DAYTONA)

H BODY = (D44 - LANCER)(C44 - LEBARON GTS)

J BODY = (C - LEBARON)

K BODY = (P - RELIANT)(D - ARIES)(C - LEBAROND)/TOWN & COUNTRY)

L BODY = (M - HORIZON/TURISMO)(Z - OMNI/CHARGER)

M BODY = (B - GRAN FURY)(F - FIFTH AVE/NEWPORT)(G - DIPLOMAT)

P BODY = (P - SUNDANCE)(D - SHADOW)

S BODY = (H - VOYAGER)(K - RAM VAN/CARAVAN)

BODY STYLES

12-13 = FWD VAN

21 = 2-DOOR SEDAN

24 = 2-DOOR HATCHBACK

27 = 2-DOOR CONVERTIBLE

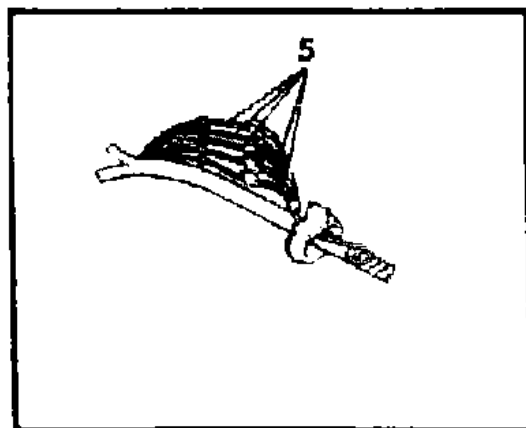
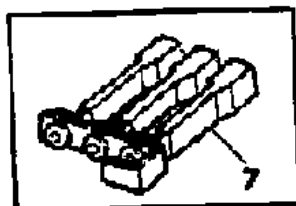
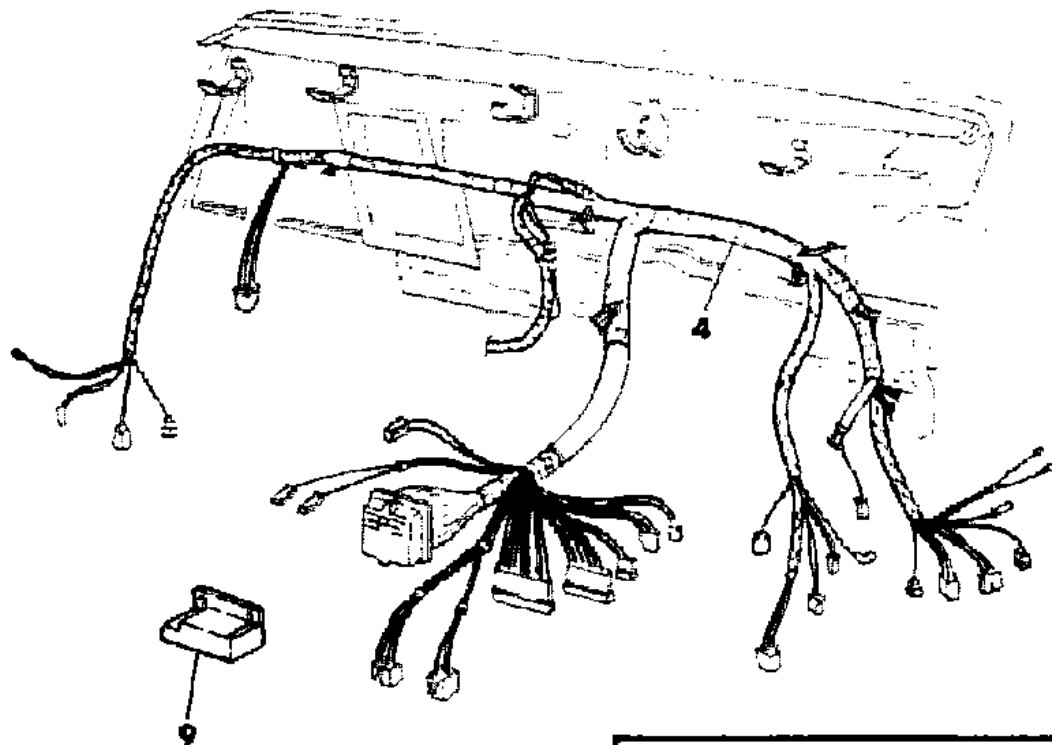
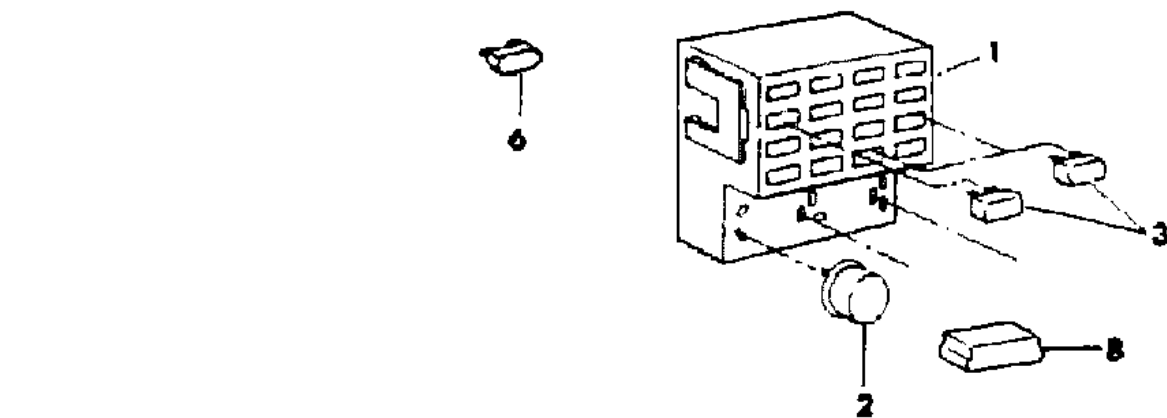
41 = 4-DOOR SEDAN

44 = 4-DOOR HATCHBACK

45 = 4-DOOR STATION WAGON

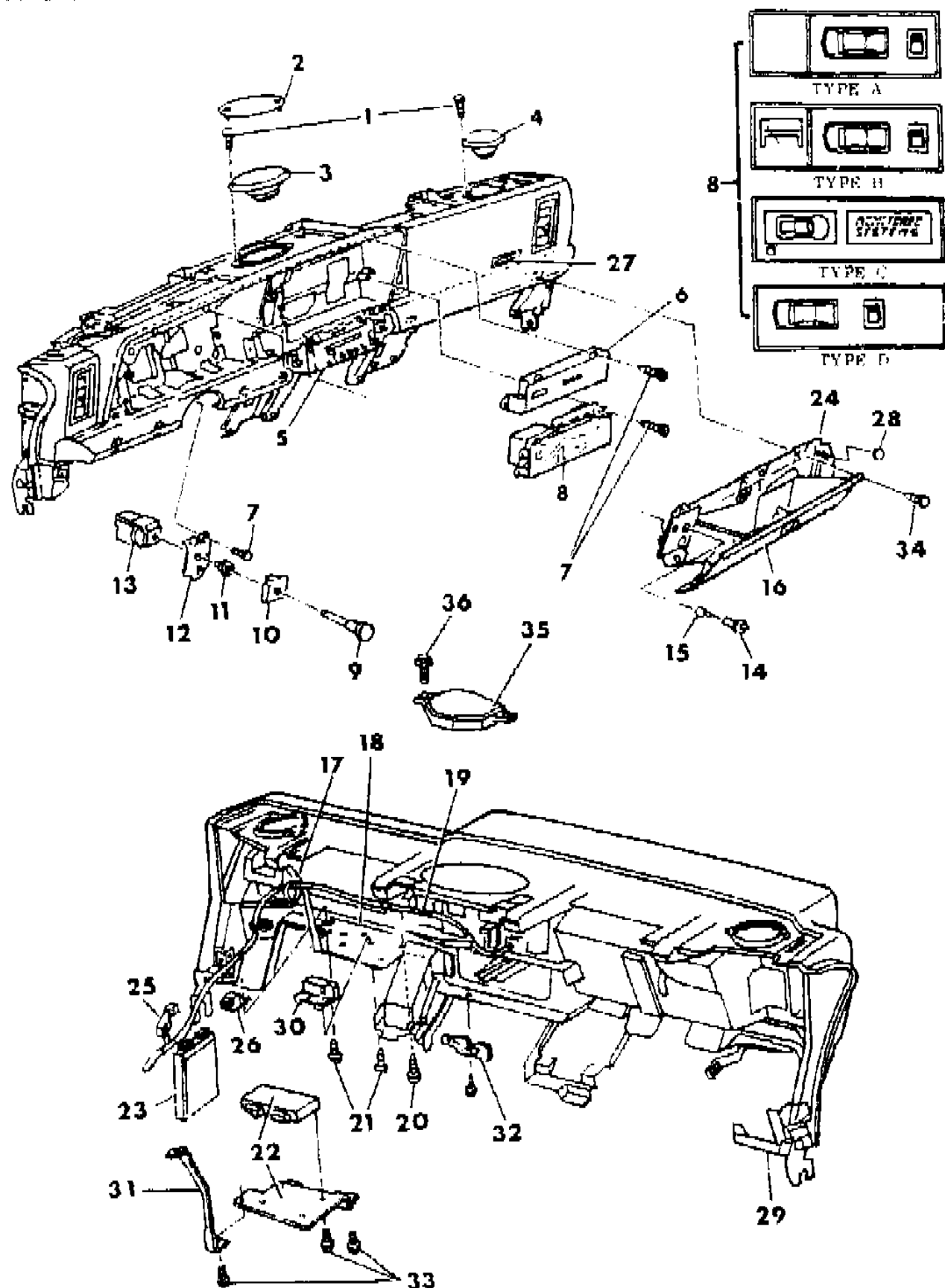
52-53 = FWD WAGON

AR = Use as Required - = Non Illustrated Part P.A.R. = Paint as Required



INSTRUMENT PANEL SPEAKERS, GLOVEBOX AND SWITCHES G BODY
Figure 8A-2300

7182 2300 B



ITEM	PART NUMBER	QTY	BODY	MODEL	DESCRIPTION
1					SCREW (DNS)
2	4311 082	1			SHIELD, Speaker Opening, Center
	6025 249	AR			FASTENER, Shield
3	4311 098	1			SPEAKER, Mono
4	4222 528	2			SPEAKER, Stereo Standard
	4311 490	2			Premium
	4222 531	2			Rear Compartment
5					CONTROL, Heater and A/C, Refer to Group 24
6					NAVIGATOR, Electronic
	4397 448	1			Up to 2-7-87
	4437 012	1			After 2-7-87
	4374 085	1			SUPPRESSION PACKAGE, Navigator Noise
7		AR			SCREW (DNS)
8					MESSAGE CENTER
					w/o Turbo Gauge, Type D
					Consists of:
					1 - 4375118 Housing, w/o Lens
					1 - 4375121 Board w/Seal
					w/Turbo Gauge, Type B
					Bulb
					Socket
					Consists of:
					1 - 4375127 Housing, w/Lens
					1 - 4375124 Wire w/Seal
					w/Turbo Gauge Opening, w/o Turbo Gauge, Type A
	4051 762	1			
	4312 810	1			MODULE, Electronic Monitor, Type C
	4375 129	1			GAUGE, Turbo
9	4221 636	1			KNOB and SHAFT, H/Lamp Switch
10	#4373 169	1			ESCUTCHEON, Headlamp Switch Mounting
11	4221 063	1			RETAINER
12	#4373 170	1			PLATE, Headlamp Switch Mtg.
13	4221 407	1			SWITCH, Headlamp
14	4221 625	1			SWITCH, Glove Box Lamp
15	0152 244	1			BULB, Glove Box Lamp
	2947 226	1			PLUG, Glove Box Lamp
16	#P684 EK1	1			BOX and DOOR, Glove
	3508 886	1			LATCH, Glove Box Door
	4220 259	1			CATCH, Glove Box Door

MODEL CODES

E BODY = (J - CARAVELLE)(E - 600)(T - NEW YORKER)

G BODY = (V24 - DAYTONA)

H BODY = (D44 - LANCER)(C44 - LEBARON GTS)

J BODY = (C - LEBARON)

K BODY = (P - RELIANT)(D - ARIES)(C - LEBAROND)/TOWN & COUNTRY)

L BODY = (M - HORIZON/TURISMO)(Z - OMNI/CHARGER)

M BODY = (B - GRAN FURY)(F - FIFTH AVE/NEWPORT)(G - DIPLOMAT)

P BODY = (P - SUNDANCE)(D - SHADOW)

S BODY = (H - VOYAGER)(K - RAM VAN/CARAVAN)

BODY STYLES

12-13 = FWD VAN

21 = 2-DOOR SEDAN

24 = 2-DOOR HATCHBACK

27 = 2-DOOR CONVERTIBLE

41 = 4-DOOR SEDAN

44 = 4-DOOR HATCHBACK

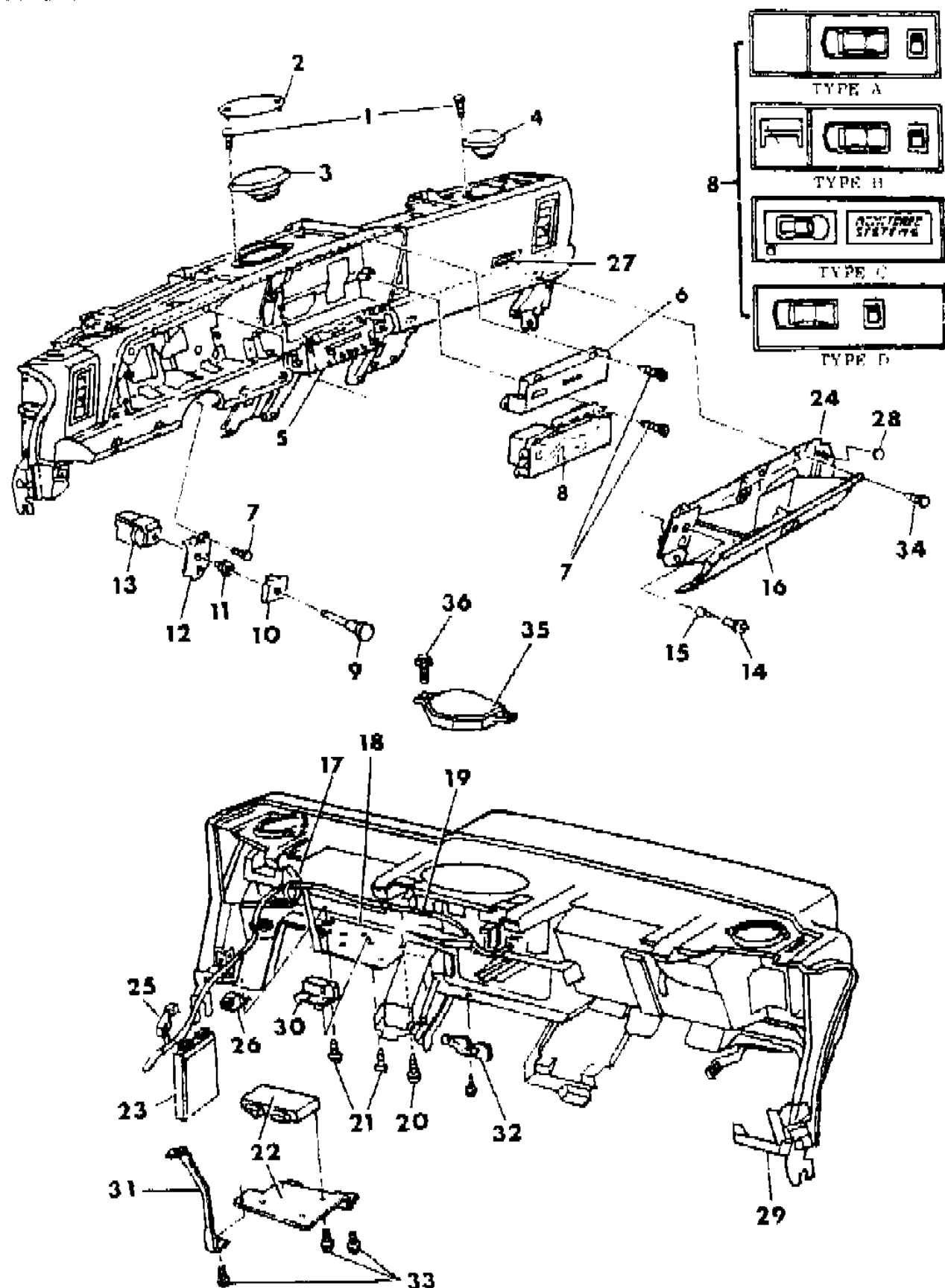
45 = 4-DOOR STATION WAGON

52-53 = FWD WAGON

AR = Use as Required - = Non Illustrated Part P.A.R. = Paint as Required

INSTRUMENT PANEL SPEAKERS, GLOVEBOX AND SWITCHES G BODY
Figure 8A-2300

7182 2300 B



ITEM	PART NUMBER	QTY	BODY	MODEL	DESCRIPTION
	4220 268	2			PIN, Glove Box Door Pivot
	3590 551	4			BUMPER, Glove Box Catch
	4311 232	2			BUMPER, Glove Box Door Stop
	4220 684	2			STOP, Glove Box Door
17	4312 024	1			SUPPORT, Electronic Voice Alert
18	4312 748	1			BRACKET, Electronic Voice Alert Mtg.
19	4105 167	1			HOSE, Message Center w/Turbo
20	9415 464	AR			SCREW
21		AR			SCREW (DNS)
22					CONTROL, Electronic Voice Alert
	4312 757	1			Eleven Functions
	4312 751	1			Twenty Four Functions
23					MODULE, Throttle Body Injection Logic, Refer to Group 8
24	#P686 EK1	1			PANEL, Instrument Panel Lower Right
25					SENSOR, Manifold Absolute Pressure, Refer to Group 8
26	4186 387	1			RELAY, Illuminated Entry
27	4311 345				NAME PLATE, Instrument Panel, "Daytona"
	6029 168	2			CLIP, Name Plate Att.
	0445 153	2			NUT, Name Plate Att.
28	F245 CA3	1			PLUG, Trim
29	4220 501	1			SUPPORT, Instrument Panel End, Left
	4372 130	1			SUPPORT, Instrument Panel, Right
	4220 251	1			REINFORCEMENT, Instrument Panel Center
	4220 254	1			SUPPORT, Instrument Panel End, Right
	4331 561	1			BRACKET, Instrument Panel, Right
30	#4312 664	1			CONTROL, Warning Chimes
31	4312 024	1			SUPPORT, E.V.A. Mtg.
32		1			BRACKET, Wiring Clip Mtg. (DNS)
33		AR			SCREW (DNS)
34		AR			SCREW (DNS)
35					MODULE, Concealed H/Lamp
	4437 108	1			w/Time Delay
	4437 107	1			w/o Time Delay
36		2			SCREW (DNS)

MODEL CODES

E BODY = (J - CARAVELLE)(E - 600)(T - NEW YORKER)

G BODY = (V24 - DAYTONA)

H BODY = (D44 - LANCER)(C44 - LEBARON GTS)

J BODY = (C - LEBARON)

K BODY = (P - RELIANT)(D - ARIES)(C - LEBAROND)/TOWN & COUNTRY)

L BODY = (M - HORIZON/TURISMO)(Z - OMNI/CHARGER)

M BODY = (B - GRAN FURY)(F - FIFTH AVE/NEWPORT)(G - DIPLOMAT)

P BODY = (P - SUNDANCE)(D - SHADOW)

S BODY = (H - VOYAGER)(K - RAM VAN/CARAVAN)

BODY STYLES

12-13 = FWD VAN

21 = 2-DOOR SEDAN

24 = 2-DOOR HATCHBACK

27 = 2-DOOR CONVERTIBLE

41 = 4-DOOR SEDAN

44 = 4-DOOR HATCHBACK

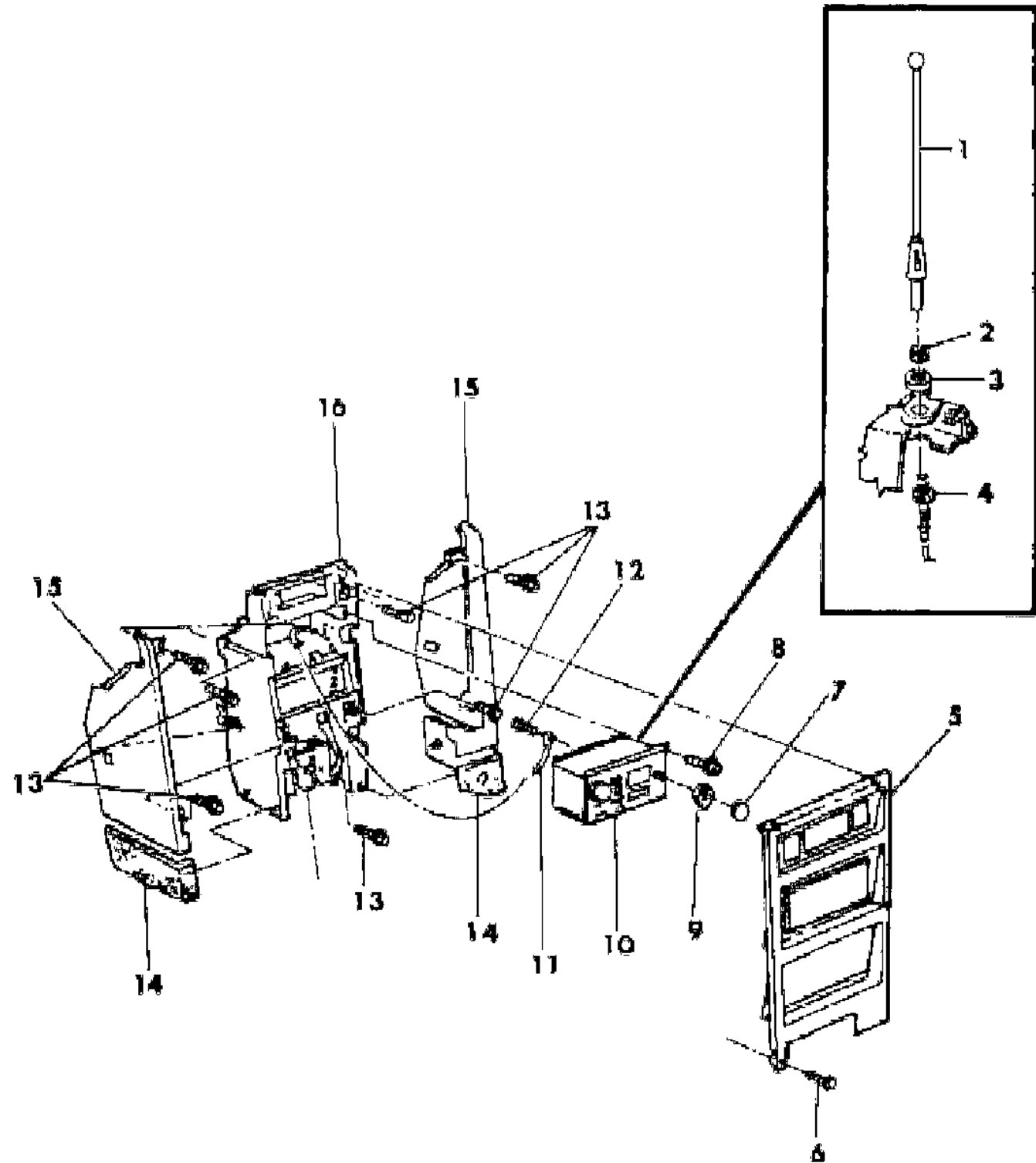
45 = 4-DOOR STATION WAGON

52-53 = FWD WAGON

AR = Use as Required - = Non Illustrated Part P.A.R. = Paint as Required

INSTRUMENT PANEL CONSOLE, RADIO AND ANTENNA G BODY
Figure 8A-2400

7182 2400



ITEM	PART NUMBER	QTY	BODY	MODEL	DESCRIPTION
1	4311 392	1			MAST, Antenna
2	4372 136	1			NUT, Cap
	4222 723	1			WASHER, Lock
3	4372 144	1			ADAPTER and PAD, Antenna
4	4372 117	1			BODY and CABLE, Antenna
5	4372 583	1			BEZEL, Console Trim
	4220 455	3			CLIP, Trim Bezel
6					SCREW (DNS)
7					KNOB, Radio
	4311 337	1			Bass
	4311 339	1			Treble
8	6031 665	2			SCREW, Radio Att.
9					KNOB, Radio
	4311 341	2			Secondary
	4311 334	2			Primary
	4364 484	1			Black
	4364 483	1			Bright
10					RADIO, E.T.R. w/Clock
	4311 956	1			Am/Fm/Mx Standard
	4372 442	1			Am/Fm/Mx w/Cassette
	4430 190	1			Ultimate Sound
	4220 482	1			PLATE, Radio Opening, w/o Radio
11					STRAP, Radio Ground (DNS)
12					SCREW (DNS)
13					SCREW (DNS)
14					CARPET, Console Side
	V314 FE8	1			Cordovan, Right
	F321 EE8	1			Cordovan, Left
	V314 FS8	1			Charcoal, Right
	F321 CS8	1			Charcoal, Left
	V314 FK3	1			Almond, Right
	F321 EK3	1			Almond, Left
	V314 FC5	1			Blue, Right
	F321 FC5	1			Blue, Left
15					PANEL, Console Side
	P572 FK1	1			Right
	P571 FK1	1			Left

MODEL CODES

E BODY = (J - CARAVELLE)(E - 600)(T - NEW YORKER)

G BODY = (V24 - DAYTONA)

H BODY = (D44 - LANCER)(C44 - LEBARON GTS)

J BODY = (C - LEBARON)

K BODY = (P - RELIANT)(D - ARIES)(C - LEBAROND)/TOWN & COUNTRY)

L BODY = (M - HORIZON/TURISMO)(Z - OMNI/CHARGER)

M BODY = (B - GRAN FURY)(F - FIFTH AVE/NEWPORT)(G - DIPLOMAT)

P BODY = (P - SUNDANCE)(D - SHADOW)

S BODY = (H - VOYAGER)(K - RAM VAN/CARAVAN)

BODY STYLES

12-13 = FWD VAN

21 = 2-DOOR SEDAN

24 = 2-DOOR HATCHBACK

27 = 2-DOOR CONVERTIBLE

41 = 4-DOOR SEDAN

44 = 4-DOOR HATCHBACK

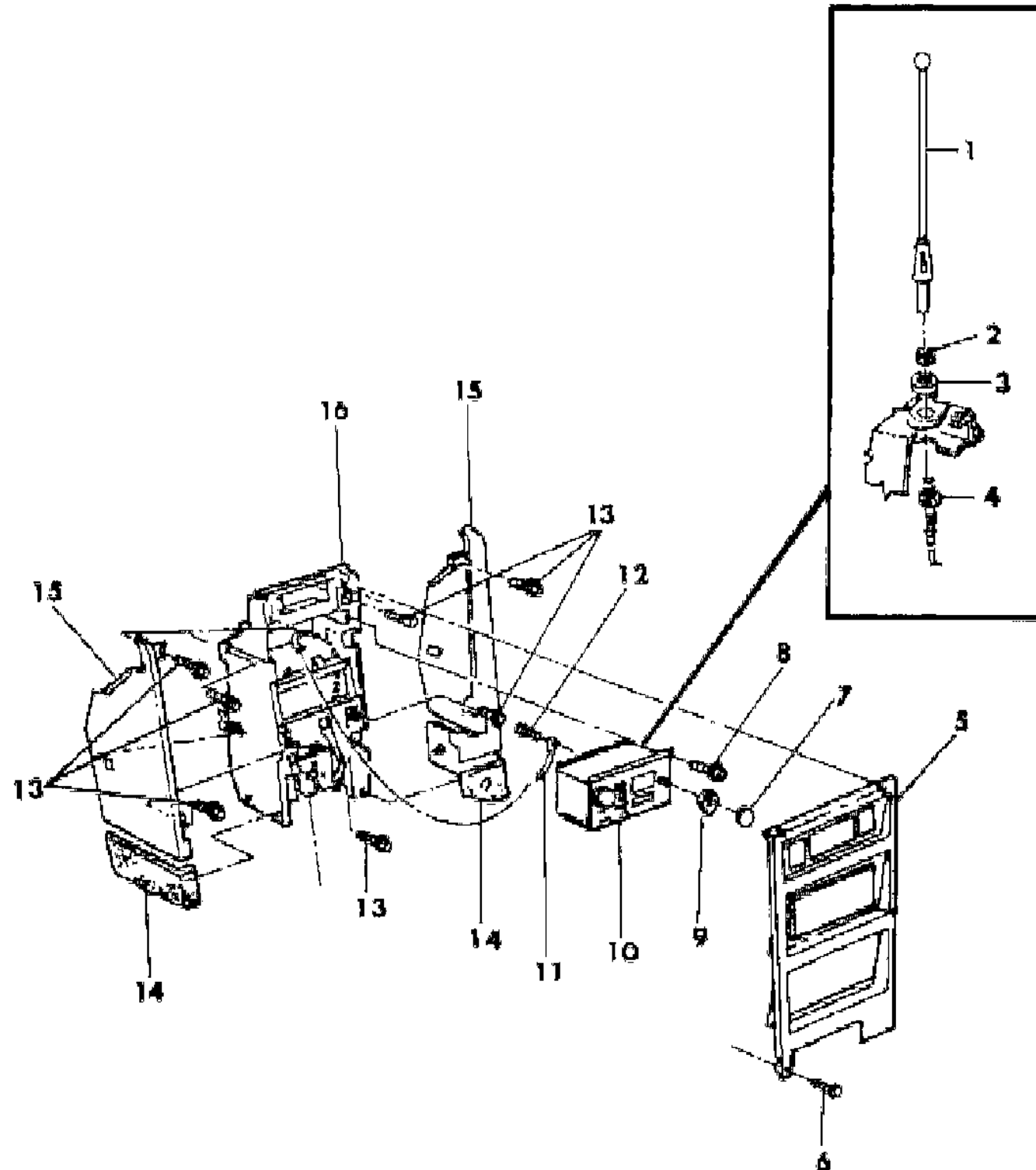
45 = 4-DOOR STATION WAGON

52-53 = FWD WAGON

AR = Use as Required - = Non Illustrated Part P.A.R. = Paint as Required

INSTRUMENT PANEL CONSOLE, RADIO AND ANTENNA G BODY
Figure 8A-2400

7182 2400



ITEM	PART NUMBER	QTY	BODY	MODEL	DESCRIPTION
	6031 967	2			CLIP, Panel to Carrier
16	4372 381	1			CARRIER, Console
-	4220 582	1			BOX, Storage, w/Cup Holder
-	4311 270	1			CRADLE, Console Cup Holder
-	4372 382	1			BRACKET, Carrier to Gear Shift Mounting Bracket
-	4220 289	1			BRACE, Instrument Panel to Reinf., Right Side of Console
	4311 920	1			Left Side of Console

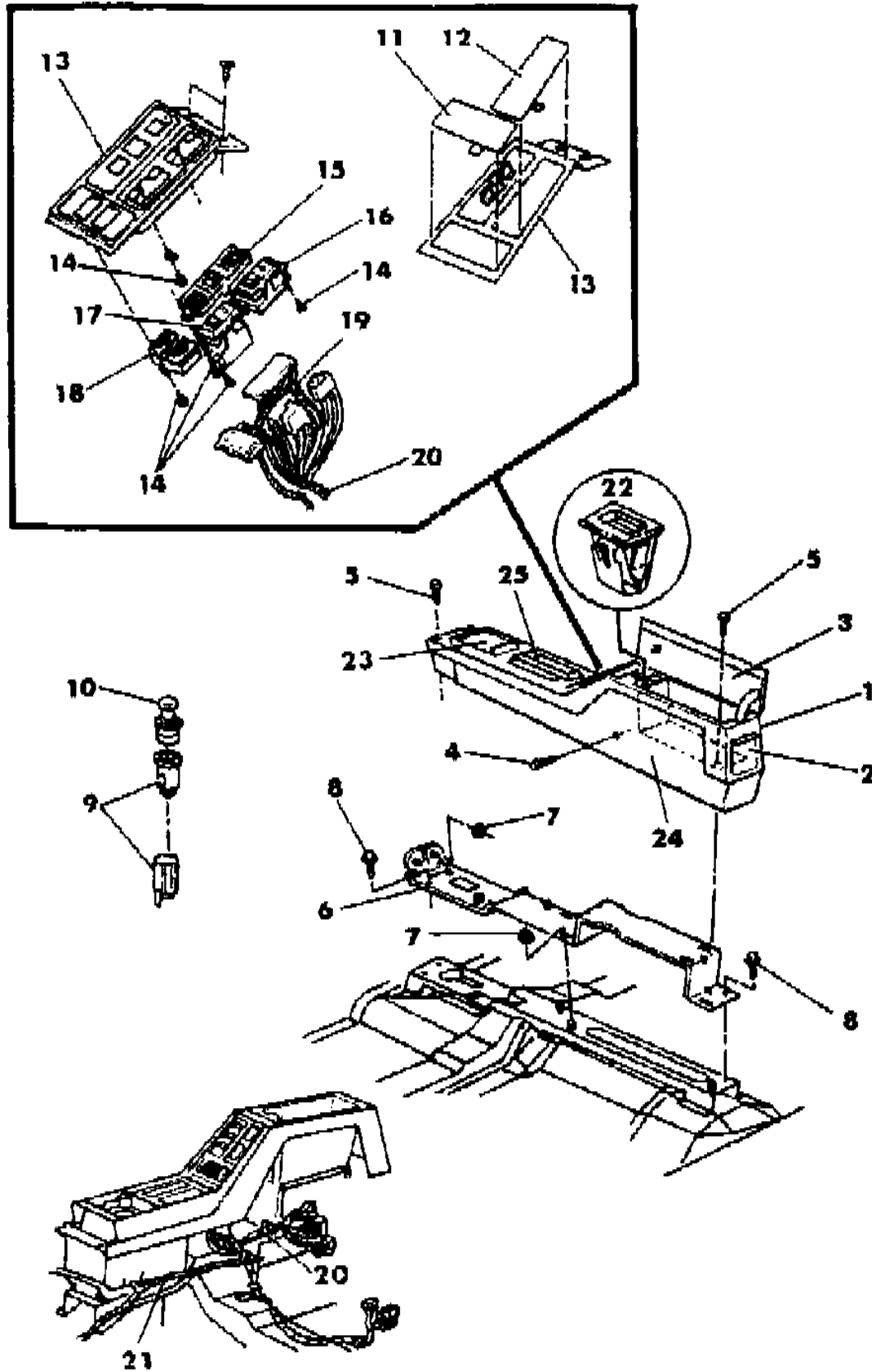
MODEL CODES
 E BODY = (J - CARAVELLE)(E - 600)(T - NEW YORKER)
 G BODY = (V24 - DAYTONA)
 H BODY = (D44 - LANCER)(C44 - LEBARON GTS)
 J BODY = (C - LEBARON)
 K BODY = (P - RELIANT)(D - ARIES)(C - LEBAROND)/TOWN & COUNTRY
 L BODY = (M - HORIZON/TURISMO)(Z - OMNI/CHARGER)
 M BODY = (B - GRAN FURY)(F - FIFTH AVE/NEWPORT)(G - DIPLOMAT)
 P BODY = (P - SUNDANCE)(D - SHADOW)
 S BODY = (H - VOYAGER)(K - RAM VAN/CARAVAN)

BODY STYLES
 12-13 = FWD VAN
 21 = 2-DOOR SEDAN
 24 = 2-DOOR HATCHBACK
 27 = 2-DOOR CONVERTIBLE
 41 = 4-DOOR SEDAN
 44 = 4-DOOR HATCHBACK
 45 = 4-DOOR STATION WAGON
 52-53 = FWD WAGON

AR = Use as Required - = Non Illustrated Part P.A.R. = Paint as Required

CONSOLE, CENTER G BODY
Figure 8A-2500

7182 2500



ITEM	PART NUMBER	QTY	BODY	MODEL	DESCRIPTION
1	V150 FK1	1			CONSOLE ASSEMBLY
2	4247 034	1			ASH RECEIVER, Rear
	4247 113	1			SNUFFER, Ash Receiver
3					LID and LATCH, Console
	F302 EE8	1			Cordovan
	F302 EK1	1			Almond
	F302 CS8	1			Charcoal
	F302 FC5	1			Blue
	4247 211	1			CATCH, Console Lid
4	6032 154	2			SCREW
5		AR			SCREW (DNS)
6	#4410 093	1			BRACKET, Floor Console Mtg.
7	6100 049	AR			NUT
8		AR			SCREW (DNS)
9	4373 033	1			SHELL and CLAMP, C/Lighter
10	4373 032	1			ELEMENT, C/Lighter
	4221 761	1			KNOB, C/Lighter
11	4221 929	1			PLATE, Switch Opening Cover, w/Electric Windows
12	4221 928	1			PLATE, w/o Heated Backlite and Rear Wiper
13					BEZEL, Switch Mtg.
	4221 918	1			w/Heated Backlite
	4221 917	1			w/Electric Windows, Electric Seat Adj.,Heated Backlite or Rear Washer/Wiper
	4221 916	1			w/Electric Windows, Electric Seat Adj.,Heated Backlite And Rear Washer/Wiper
	6024 214	2			U-NUT, Switch Bezel to Console Att.
14	6032 456	AR			SCREW, Switch Att.
15	4221 983	1			SWITCH, Seat Adj.
16	4221 972	1			CONTROL, Rear Wipe/Wash
17	4221 971	1			CONTROL, Heated Backlite
18	4373 077	1			SWITCH, Electric Window Lift
19		AR			BULB, Refer to Group 8
20		1			WIRING, Refer to Group 8
21					WIRING, Refer to Group 8
22	4247 211	1			LATCH ASSEMBLY, Console Lid
23		1			LID, Ash Receiver (Serviced in Bezel)
	4283 194	1			RECEPTACLE, Front Ash Receiver
	4247 393	1			SPRING, Front Ash Receiver Lid

MODEL CODES

E BODY = (J - CARAVELLE)(E - 600)(T - NEW YORKER)

G BODY = (V24 - DAYTONA)

H BODY = (D44 - LANCER)(C44 - LEBARON GTS)

J BODY = (C - LEBARON)

K BODY = (P - RELIANT)(D - ARIES)(C - LEBAROND)/TOWN & COUNTRY)

L BODY = (M - HORIZON/TURISMO)(Z - OMNI/CHARGER)

M BODY = (B - GRAN FURY)(F - FIFTH AVE/NEWPORT)(G - DIPLOMAT)

P BODY = (P - SUNDANCE)(D - SHADOW)

S BODY = (H - VOYAGER)(K - RAM VAN/CARAVAN)

BODY STYLES

12-13 = FWD VAN

21 = 2-DOOR SEDAN

24 = 2-DOOR HATCHBACK

27 = 2-DOOR CONVERTIBLE

41 = 4-DOOR SEDAN

44 = 4-DOOR HATCHBACK

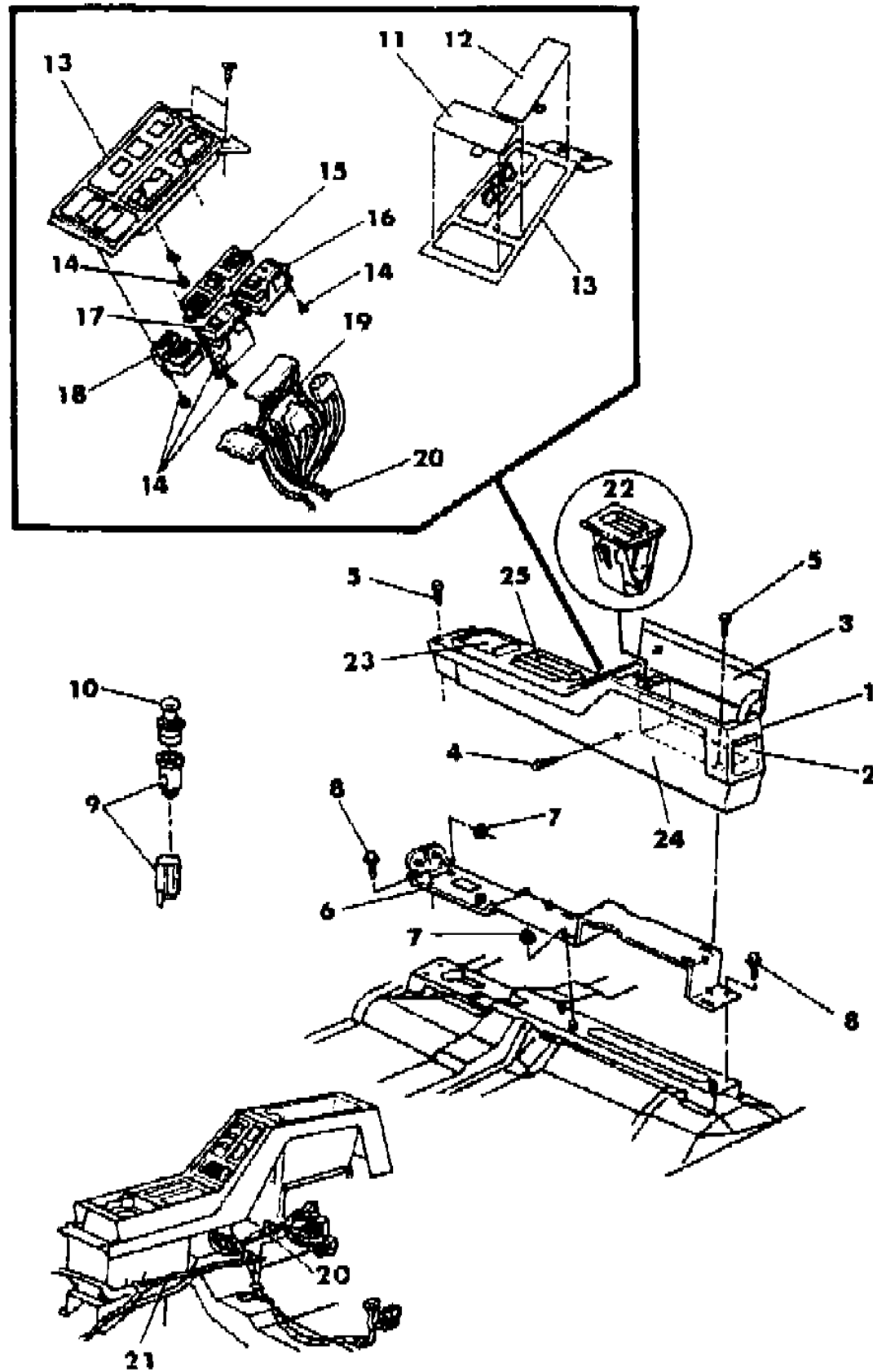
45 = 4-DOOR STATION WAGON

52-53 = FWD WAGON

AR = Use as Required - = Non Illustrated Part P.A.R. = Paint as Required

CONSOLE, CENTER G BODY
Figure 8A-2500

7182 2500



ITEM	PART NUMBER	QTY	BODY	MODEL	DESCRIPTION
24					CARPET, Console Rear
					w/o Passive Restraint System
	V296 FE8	1			Cordovan
	V296 FK3	1			Almond
	V296 FS8	1			Charcoal
	V296 FC5	1			Blue
					w/Passive Restraint System
	F298 FE8	1			Cordovan
	F298 FK3	1			Almond
	F298 FS8	1			Charcoal
	F298 FC5	1			Blue
					CARPET, Access Panel
	V152-3 FE8	1			Cordovan
	V152-3 FK3	1			Almond
	V152-3 FS8	1			Charcoal
	V152-3 FC5	1			Blue
25					BEZEL, Console Top
	4247 374	1			w/Auto Trans.
	4247 375	1			w/Manual Trans.
26	4247 254	1	21		COVER, Lid

MODEL CODES

E BODY = (J - CARAVELLE)(E - 600)(T - NEW YORKER)

G BODY = (V24 - DAYTONA)

H BODY = (D44 - LANCER)(C44 - LEBARON GTS)

J BODY = (C - LEBARON)

K BODY = (P - RELIANT)(D - ARIES)(C - LEBAROND)/TOWN & COUNTRY)

L BODY = (M - HORIZON/TURISMO)(Z - OMNI/CHARGER)

M BODY = (B - GRAN FURY)(F - FIFTH AVE/NEWPORT)(G - DIPLOMAT)

P BODY = (P - SUNDANCE)(D - SHADOW)

S BODY = (H - VOYAGER)(K - RAM VAN/CARAVAN)

BODY STYLES

12-13 = FWD VAN

21 = 2-DOOR SEDAN

24 = 2-DOOR HATCHBACK

27 = 2-DOOR CONVERTIBLE

41 = 4-DOOR SEDAN

44 = 4-DOOR HATCHBACK

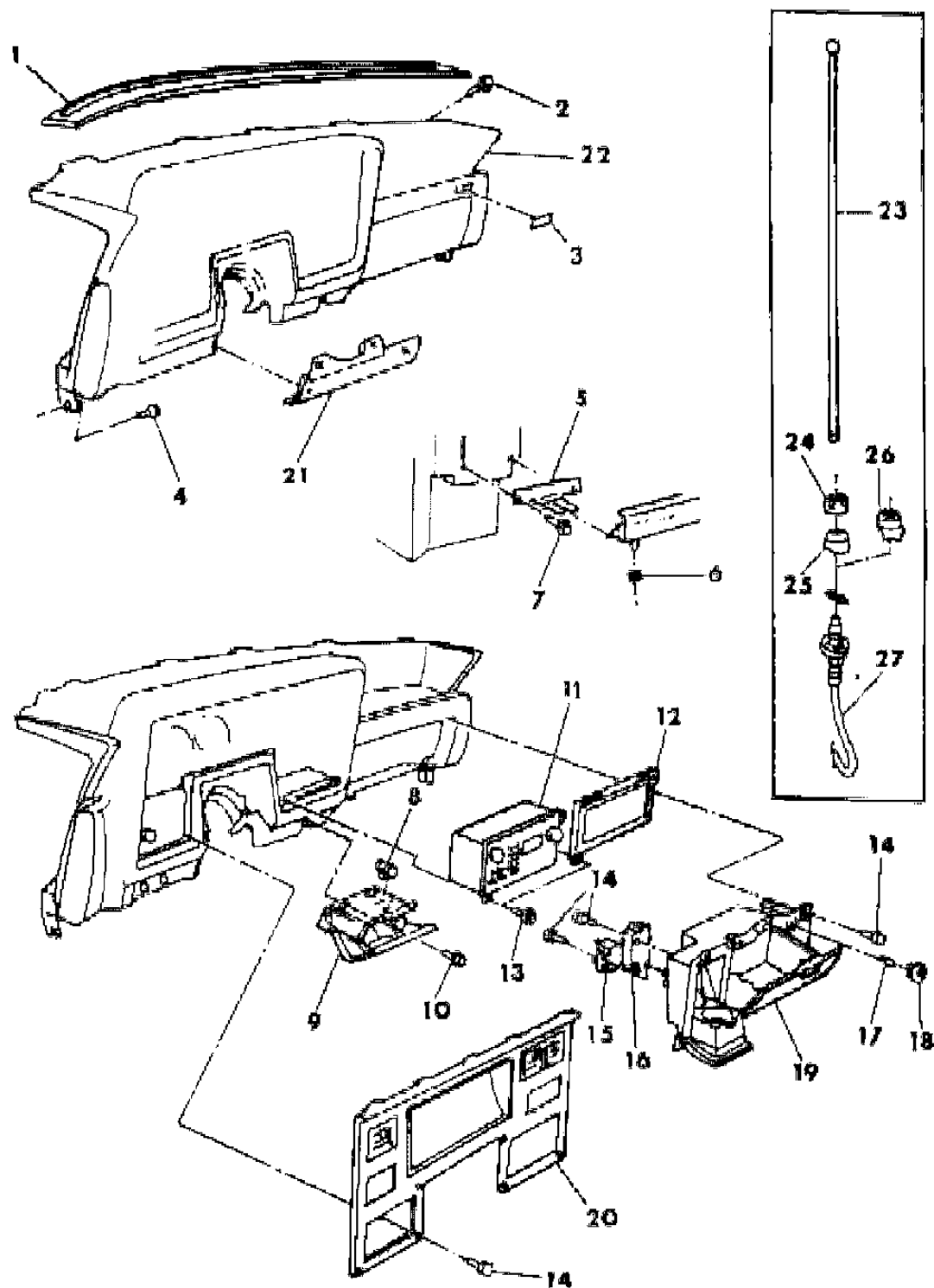
45 = 4-DOOR STATION WAGON

52-53 = FWD WAGON

AR = Use as Required - = Non Illustrated Part P.A.R. = Paint as Required

INSTRUMENT PANEL BEZELS, GLOVEBOX, RADIO AND ANTENNA H BODY
Figure 8A-2700

7182 2700



ITEM	PART NUMBER	QTY	BODY	MODEL	DESCRIPTION
1	P378 EK1	1			COVER, Top
	6500 926	AR			CLIP, Top Cover
2		AR			SCREW (DNS)
3					NAME PLATE, Instrument Panel
	4311 504	1			"Lancer"
	4311 965	1			"Le Baron"
4		AR			SCREW (DNS)
5	4311 308	1			BRACKET, Instrument Panel Lower Right
-	4331 570	1			BRACKET, Instrument Panel Twenty Five Way Mtg.
-	4331 313	1			BRACKET, Steering Column Twenty Five Way Mtg.
-	4311 206	1			SUPPORT, Instrument Panel End Right
-	4311 226	1			REINFORCEMENT, Instrument Panel Lower Right
-	4311 205	1			REINFORCEMENT, Instrument Panel Left
6		AR			NUT (DNS)
7		AR			SCREW (DNS)
8	4312 672	1			HOUSING, Courtesy Lamp
9	P388 EK1	1			RECEIVER, Ash
	4311 462	1			RECEPTACLE, Ash Rec.
	4221 761	1			KNOB, C/Lighter
	3004 190	1			ELEMENT, C/Lighter
	2808 912	1			SHELL and CLAMP, C/Lighter
	3746 629	1			BEZEL, C/Lighter
10		1			SCREW (DNS)
11					RADIO, E.T.R w/CLOCK
	4430 190	1			Ultimate Sound
	4372 442	1			Am/Fm/Mx w/Cassette
	4311 956	1			Am/Fm/Mx
		1			Shelby Lancer, Serviced by Pioneer Corp.
	4467 421	1			BRACKET, CD Player/EQ Mtg., Shelby Lanser
					KNOB, Radio
	4311 341	2			Secondary
	4311 558	2			w/4430190 Radio
	4311 334	2			Primary
	4311 555	2			w/4430190 Radio
	4311 339	1			Treble
	4311 337	1			Bass
					KNOB PACKAGE, "Joy Stick"
	4364 484	1			Black

MODEL CODES

E BODY = (J - CARAVELLE)(E - 600)(T - NEW YORKER)

G BODY = (V24 - DAYTONA)

H BODY = (D44 - LANCER)(C44 - LEBARON GTS)

J BODY = (C - LEBARON)

K BODY = (P - RELIANT)(D - ARIES)(C - LEBAROND)/TOWN & COUNTRY)

L BODY = (M - HORIZON/TURISMO)(Z - OMNI/CHARGER)

M BODY = (B - GRAN FURY)(F - FIFTH AVE/NEWPORT)(G - DIPLOMAT)

P BODY = (P - SUNDANCE)(D - SHADOW)

S BODY = (H - VOYAGER)(K - RAM VAN/CARAVAN)

BODY STYLES

12-13 = FWD VAN

21 = 2-DOOR SEDAN

24 = 2-DOOR HATCHBACK

27 = 2-DOOR CONVERTIBLE

41 = 4-DOOR SEDAN

44 = 4-DOOR HATCHBACK

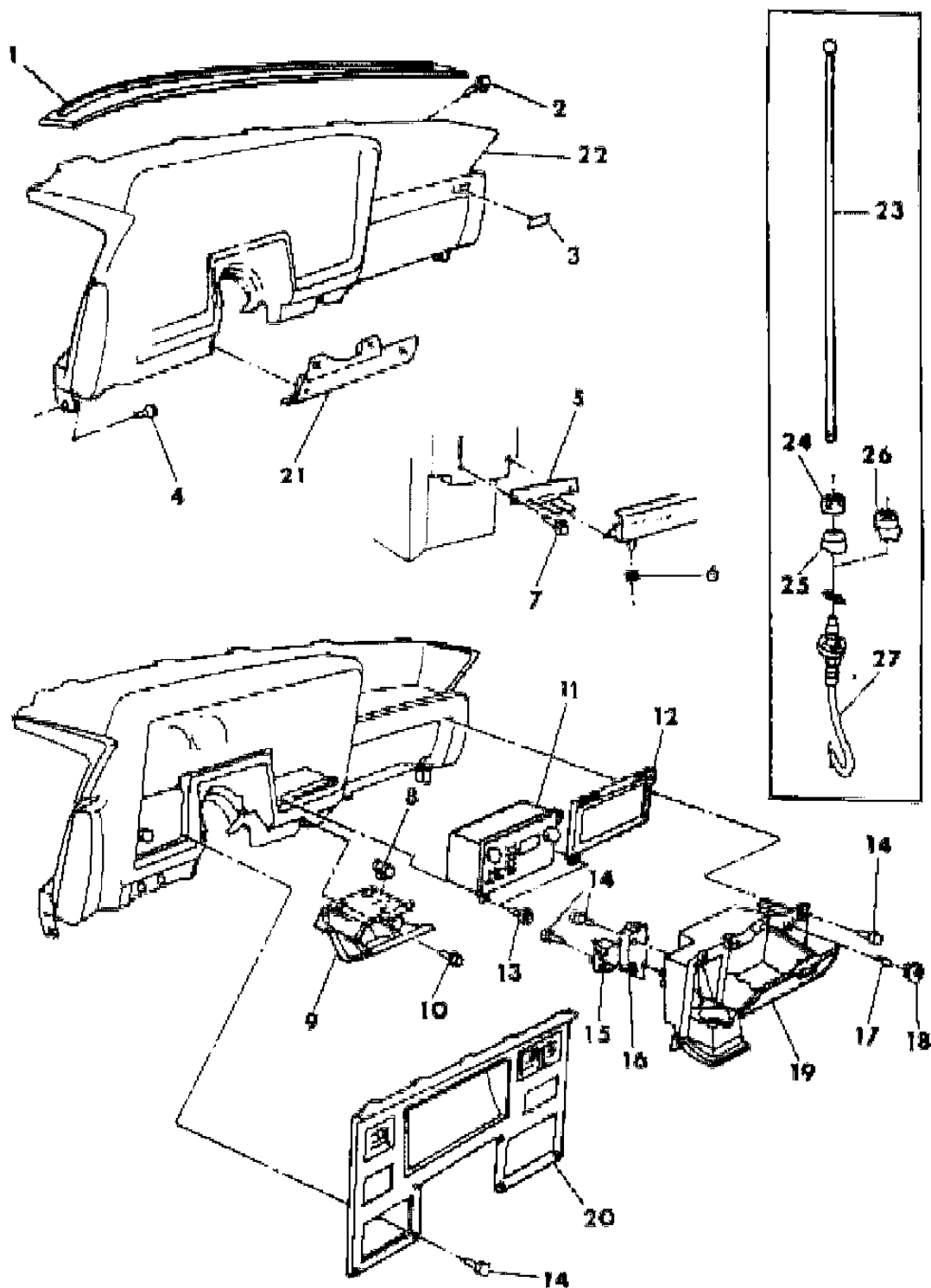
45 = 4-DOOR STATION WAGON

52-53 = FWD WAGON

AR = Use as Required - = Non Illustrated Part P.A.R. = Paint as Required

INSTRUMENT PANEL BEZELS, GLOVEBOX, RADIO AND ANTENNA H BODY
Figure 8A-2700

7182 2700



ITEM	PART NUMBER	QTY	BODY	MODEL	DESCRIPTION
	4364 483	1			Bright
	4311 581	6			BUTTON, w/Ultimate Sound Radio
	4372 040	1			STRAP, Radio Ground
12	4220 482	1			PLATE, Radio Opening w/o Radio
13	6031 665	2			SCREW, Radio Att.
14	6032 632	AR			SCREW
15	4221 695	1			RELAY, Headlamp Delay
16	4312 664	1			MODULE, Chimes
17		1			BULB, Glove Box, Refer to Group 8
18	4221 625	1			SWITCH, Glove Box
19	P390 EK1	1			BIN and DOOR, Glove Box
-	4311 468	1			FRAME, Glove Box and Cup Holder Module
-	4311 465	1			HOLDER, Primary Cup
-	4311 464	1			HOLDER, Secondary Cup
-	4467 054	1			GUIDE, Secondary Cup Holder
-	4397 894	1			HOUSING, Cup Holder
-	4397 900	1			COVER, Cup Holder Housing Screw
-					PLATE, Cup Holder Face
	P389 EE8	1			Cordovan
	P389 EK1	1			Almond
	P389 FC5	1			Blue
	P389 DS8	1			Charcoal
-	4372 698	1			DOOR, Fuse Access
-					LATCH and HANDLE, Glove Box
	P387 EE8	1			Cordovan
	P387 EK1	1			Almond
	P387 DS8	1			Charcoal
	P387 FC5	1			Blue
20					BEZEL, Cluster
	4312 681	1			Up to 11-17-86
	4374 782	1			After 11-17-86
	6032 778	11			U-NUT, Bezel Mtg.
21	P382 EK1	1			COVER, Steering Column Opening
	4311 202	1			SUPPORT, Steering Column Opening
22					PANEL and PAD, Instrument Panel
	P509 EE8	1			Cordovan
	P509 EK1	1			Almond
	P509 DS8	1			Charcoal

MODEL CODES

E BODY = (J - CARAVELLE)(E - 600)(T - NEW YORKER)

G BODY = (V24 - DAYTONA)

H BODY = (D44 - LANCER)(C44 - LEBARON GTS)

J BODY = (C - LEBARON)

K BODY = (P - RELIANT)(D - ARIES)(C - LEBAROND)/TOWN & COUNTRY)

L BODY = (M - HORIZON/TURISMO)(Z - OMNI/CHARGER)

M BODY = (B - GRAN FURY)(F - FIFTH AVE/NEWPORT)(G - DIPLOMAT)

P BODY = (P - SUNDANCE)(D - SHADOW)

S BODY = (H - VOYAGER)(K - RAM VAN/CARAVAN)

BODY STYLES

12-13 = FWD VAN

21 = 2-DOOR SEDAN

24 = 2-DOOR HATCHBACK

27 = 2-DOOR CONVERTIBLE

41 = 4-DOOR SEDAN

44 = 4-DOOR HATCHBACK

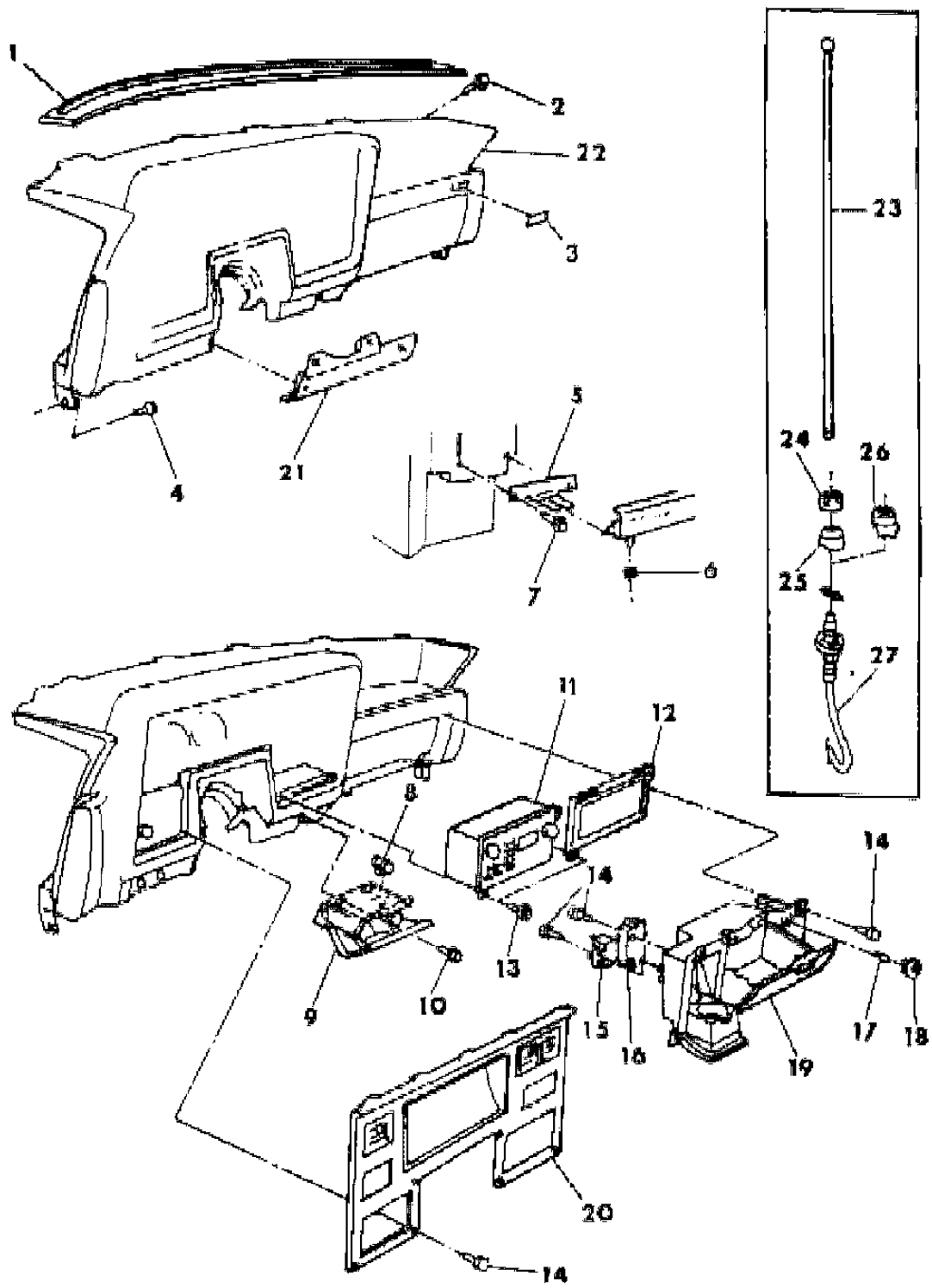
45 = 4-DOOR STATION WAGON

52-53 = FWD WAGON

AR = Use as Required - = Non Illustrated Part P.A.R. = Paint as Required

INSTRUMENT PANEL BEZELS, GLOVEBOX, RADIO AND ANTENNA H BODY
Figure 8A-2700

7182 2700



ITEM	PART NUMBER	QTY	BODY	MODEL	DESCRIPTION
	P509 FC5	1			Blue
-	4311 487	1			GUSSET, Trim Pad Support
23	4222 729	1			Bright
	4311 392	1			Black
24	4222 728	1			Bright
	4372 136	1			Black
25					ADAPTER and GASKET, Antenna
	4222 736	1			Bright
	4372 492	1			Black
	4222 735	1			WASHER, Lock
26	4222 739	1			PLUG, Hole
27	4372 119	1			BODY and CABLE, Antenna
	4372 145	1			CABLE, Antenna to Radio

MODEL CODES

E BODY = (J - CARAVELLE)(E - 600)(T - NEW YORKER)

G BODY = (V24 - DAYTONA)

H BODY = (D44 - LANCER)(C44 - LEBARON GTS)

J BODY = (C - LEBARON)

K BODY = (P - RELIANT)(D - ARIES)(C - LEBAROND)/TOWN & COUNTRY)

L BODY = (M - HORIZON/TURISMO)(Z - OMNI/CHARGER)

M BODY = (B - GRAN FURY)(F - FIFTH AVE/NEWPORT)(G - DIPLOMAT)

P BODY = (P - SUNDANCE)(D - SHADOW)

S BODY = (H - VOYAGER)(K - RAM VAN/CARAVAN)

BODY STYLES

12-13 = FWD VAN

21 = 2-DOOR SEDAN

24 = 2-DOOR HATCHBACK

27 = 2-DOOR CONVERTIBLE

41 = 4-DOOR SEDAN

44 = 4-DOOR HATCHBACK

45 = 4-DOOR STATION WAGON

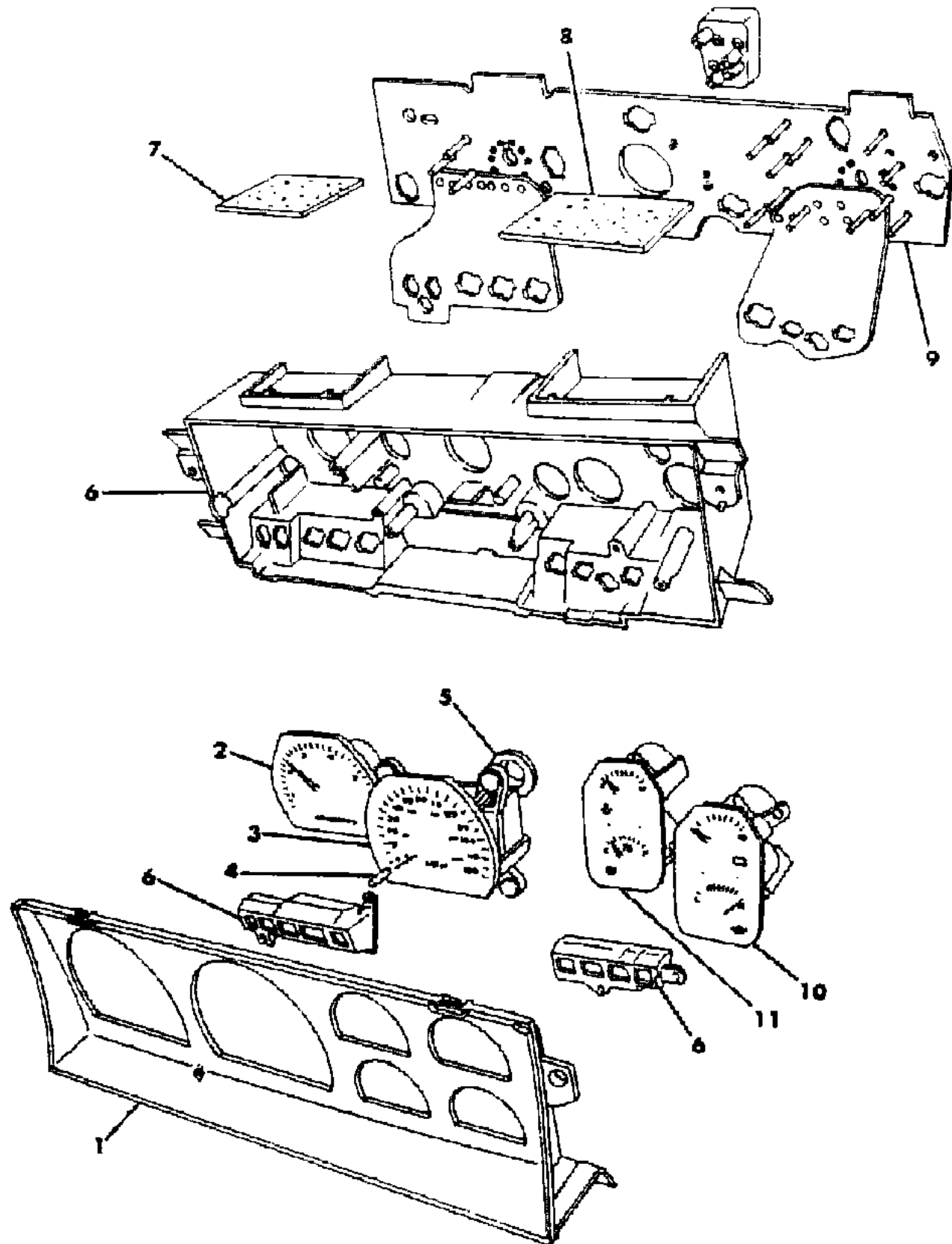
52-53 = FWD WAGON

AR = Use as Required - = Non Illustrated Part P.A.R. = Paint as Required

INSTRUMENT PANEL CLUSTER H BODY

Figure 8A-2710

7182 2710



ITEM	PART NUMBER	QTY	BODY	MODEL	DESCRIPTION
					CLUSTER, Electronic
	4374 208	1			Up to 2-2-87
	4374 812	1			After 2-2-87
	4439 001	1			LENS PACKAGE, Electronic
1	#4375 217	1			MASK and LENS
2	#4375 141	1			TACHOMETER
3					SPEEDOMETER
	4375 081	1			Up to 11-17-86
	4375 136	1			After 11-17-86
4	4051 796	1			KNOB and SHAFT, Odometer
5	4051 412	1			GROMMET, Speedometer to Housing
6	4375 071	1			HOUSING, Cluster
7	4051 861	1			CIRCUIT BOARD, Alert
8	4051 977	1			CIRCUIT BOARD, Tachometer
9	4375 072	1			CIRCUIT BOARD, Printed
10	#4375 139	1			GAUGE, Volt and Oil
11	#4375 140	1			GAUGE, Fuel and Temperature

MODEL CODES

E BODY = (J - CARAVELLE)(E - 600)(T - NEW YORKER)

G BODY = (V24 - DAYTONA)

H BODY = (D44 - LANCER)(C44 - LEBARON GTS)

J BODY = (C - LEBARON)

K BODY = (P - RELIANT)(D - ARIES)(C - LEBAROND)/TOWN & COUNTRY)

L BODY = (M - HORIZON/TURISMO)(Z - OMNI/CHARGER)

M BODY = (B - GRAN FURY)(F - FIFTH AVE/NEWPORT)(G - DIPLOMAT)

P BODY = (P - SUNDANCE)(D - SHADOW)

S BODY = (H - VOYAGER)(K - RAM VAN/CARAVAN)

BODY STYLES

12-13 = FWD VAN

21 = 2-DOOR SEDAN

24 = 2-DOOR HATCHBACK

27 = 2-DOOR CONVERTIBLE

41 = 4-DOOR SEDAN

44 = 4-DOOR HATCHBACK

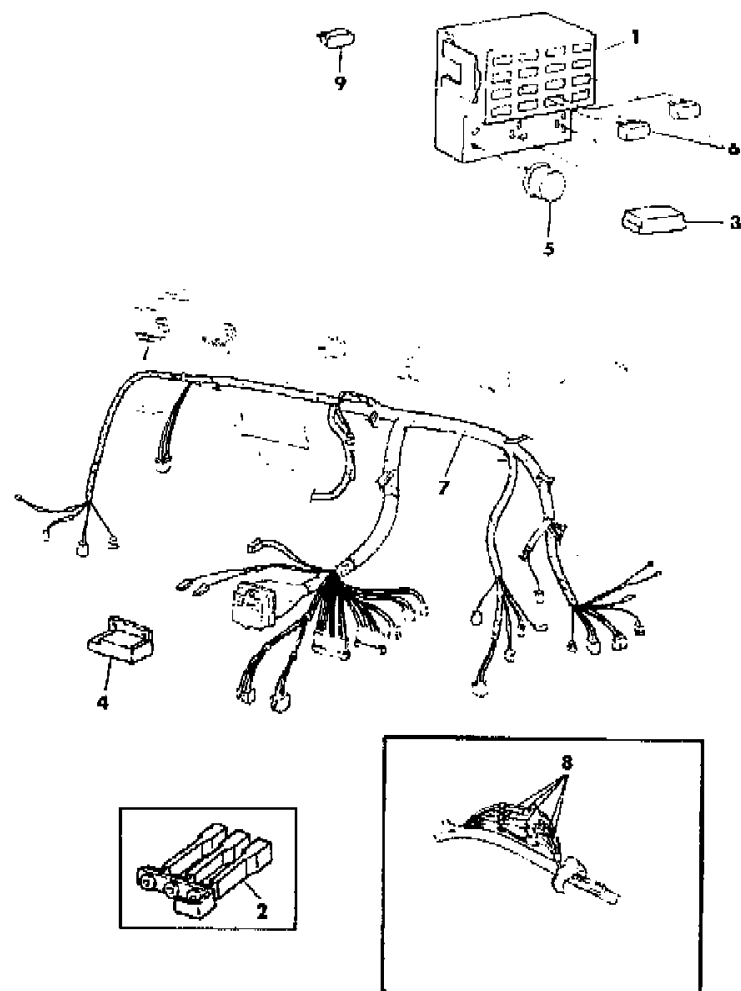
45 = 4-DOOR STATION WAGON

52-53 = FWD WAGON

AR = Use as Required - = Non Illustrated Part P.A.R. = Paint as Required

INSTRUMENT PANEL WIRING H BODY
Figure 8A-2800

7182 2800 A



ITEM	PART NUMBER	QTY	BODY	MODEL	DESCRIPTION
1	4331 464	1			MODULE, Fuse Block
2	4124 752	1			TERMINAL, Buss Bar
	4124 258	1			3 Way
					1 Way
3	4221 730	1			BUZZER, Key, H/Lamp and Seat Belt Warning
4	#4312 664	1			CONTROL, Chimes
5	2932 877	1			FLASHER, Hazard Warning
					FLASHER, Turn Signal
	3837 161	1			Two Lamp
	3837 162	1			Three Lamp
6	4331 929	AR			BREAKER, Circuit
					6 Amp.
	4186 379	1			30 Amp.
7					WIRING HARNESS, Instrument Panel
	4400 733	1			w/o Electronic Cluster
	4400 734	1			w/ Electronic Cluster, w/o Voice Alert
	4400 735	1			w/ Electronic Cluster, w/Voice Alert
	4370 336	1			Shelby Lancer
8		1			CABLE, Fusible Link
	4026 095	1			No. 16 Blue
	4026 094	1			No. 14 Red
	4026 093	1			No. 12 Black
	4364 877	1			No. 10 Green
	4026 096	1			No. 18 Grey
	4364 878	1			No. 20 Orange
9					FUSE
	6101 132	AR			4 Amp.
	6101 131	AR			3 Amp.
	6101 133	AR			5 Amp.
	6101 137	AR			20 Amp.
	6101 135	AR			10 Amp.
	6101 138	AR			25 Amp.
	6101 139	AR			30 Amp.

MODEL CODES

E BODY = (J - CARAVELLE)(E - 600)(T - NEW YORKER)

G BODY = (V24 - DAYTONA)

H BODY = (D44 - LANCER)(C44 - LEBARON GTS)

J BODY = (C - LEBARON)

K BODY = (P - RELIANT)(D - ARIES)(C - LEBAROND)/TOWN & COUNTRY)

L BODY = (M - HORIZON/TURISMO)(Z - OMNI/CHARGER)

M BODY = (B - GRAN FURY)(F - FIFTH AVE/NEWPORT)(G - DIPLOMAT)

P BODY = (P - SUNDANCE)(D - SHADOW)

S BODY = (H - VOYAGER)(K - RAM VAN/CARAVAN)

BODY STYLES

12-13 = FWD VAN

21 = 2-DOOR SEDAN

24 = 2-DOOR HATCHBACK

27 = 2-DOOR CONVERTIBLE

41 = 4-DOOR SEDAN

44 = 4-DOOR HATCHBACK

45 = 4-DOOR STATION WAGON

52-53 = FWD WAGON

AR = Use as Required - = Non Illustrated Part P.A.R. = Paint as Required

INSTRUMENT PANEL SWITCHES, SPEAKERS AND CONTROLS H BODY
Figure 8A-2900

7182 2900 A

ITEM	PART NUMBER	QTY	BODY	MODEL	DESCRIPTION
1	P499 EE8	1			GRILLE, Speaker Left Cordovan
	P499 EK1	1			Almond
	P499 DS8	1			Charcoal
	P499 FC5	1			Blue
2	4311 641	2			SPEAKER, Instrument Panel w/Infinity Sound System
	4372 152	2			Rear Compartment
	4222 535	2			Rear Compartment, w/Infinity Sound System
	4372 411	2			CHOKE, Speaker
3	4430 171	1			SPACER, I/Panel Speaker, Shelby Lancer
	4467 419	2			SPRING CLIP, Speaker and Grille Mtg.
4	6032 637	AR			SCREW (DNS)
5	4221 063	1			RETAINER
6	P498 EK1	1			GRILLE, Speaker, Right
7	6032 778	1			U-NUT
8	0120 622	2			STAMPED NUT
9		AR			SCREW (DNS)
10	4312 959	1			MODULE, Message Center
11	4221 853	1			CONTROL ELECTRONIC, Heated Backlite
12	4221 856	1			CONTROL ELECTRONIC, Rear w/Wash
13	4221 407	1			SWITCH, Headlamp ESCUTCHEON, Headlamp Switch Up to 4-20-87
	4221 847	1			After 4-20-87
	4373 252	1			
14	4221 511	1			PLATE, Headlamp Switch Mtg.
15					BEZEL, Headlamp Switch w/o Switch Openings
	4221 840	1			w/One Switch Opening
	4221 841	1			w/Two Switch Openings
	4221 842	1			
16	4221 512	1			KNOB and SHAFT, H/Lamp Switch
17					INDICATOR, Gear Selection w/Mechanical Cluster
	4312 200	1			w/Electronic Cluster
	4312 232	1			COVER, Indicator, w/Mechanical Cluster
	4312 201	1			w/Electronic Cluster
	4312 246	1			
18	4312 757	1			CONTROL, E.V.A.
	4374 615	1			SPEAKER, E.V.A.

MODEL CODES

E BODY = (J - CARAVELLE)(E - 600)(T - NEW YORKER)

G BODY = (V24 - DAYTONA)

H BODY = (D44 - LANCER)(C44 - LEBARON GTS)

J BODY = (C - LEBARON)

K BODY = (P - RELIANT)(D - ARIES)(C - LEBAROND)/TOWN & COUNTRY)

L BODY = (M - HORIZON/TURISMO)(Z - OMNI/CHARGER)

M BODY = (B - GRAN FURY)(F - FIFTH AVE/NEWPORT)(G - DIPLOMAT)

P BODY = (P - SUNDANCE)(D - SHADOW)

S BODY = (H - VOYAGER)(K - RAM VAN/CARAVAN)

BODY STYLES

12-13 = FWD VAN

21 = 2-DOOR SEDAN

24 = 2-DOOR HATCHBACK

27 = 2-DOOR CONVERTIBLE

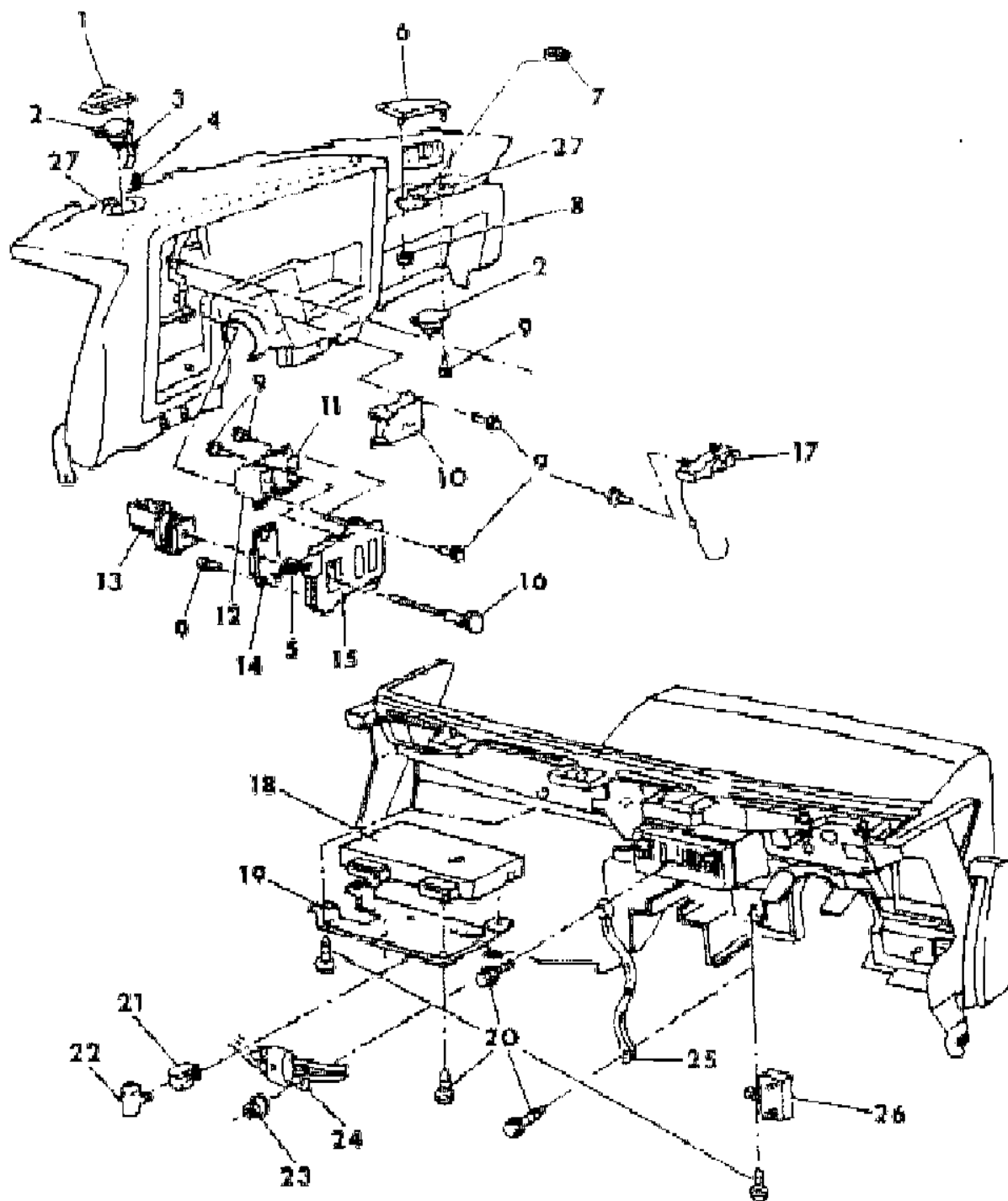
41 = 4-DOOR SEDAN

44 = 4-DOOR HATCHBACK

45 = 4-DOOR STATION WAGON

52-53 = FWD WAGON

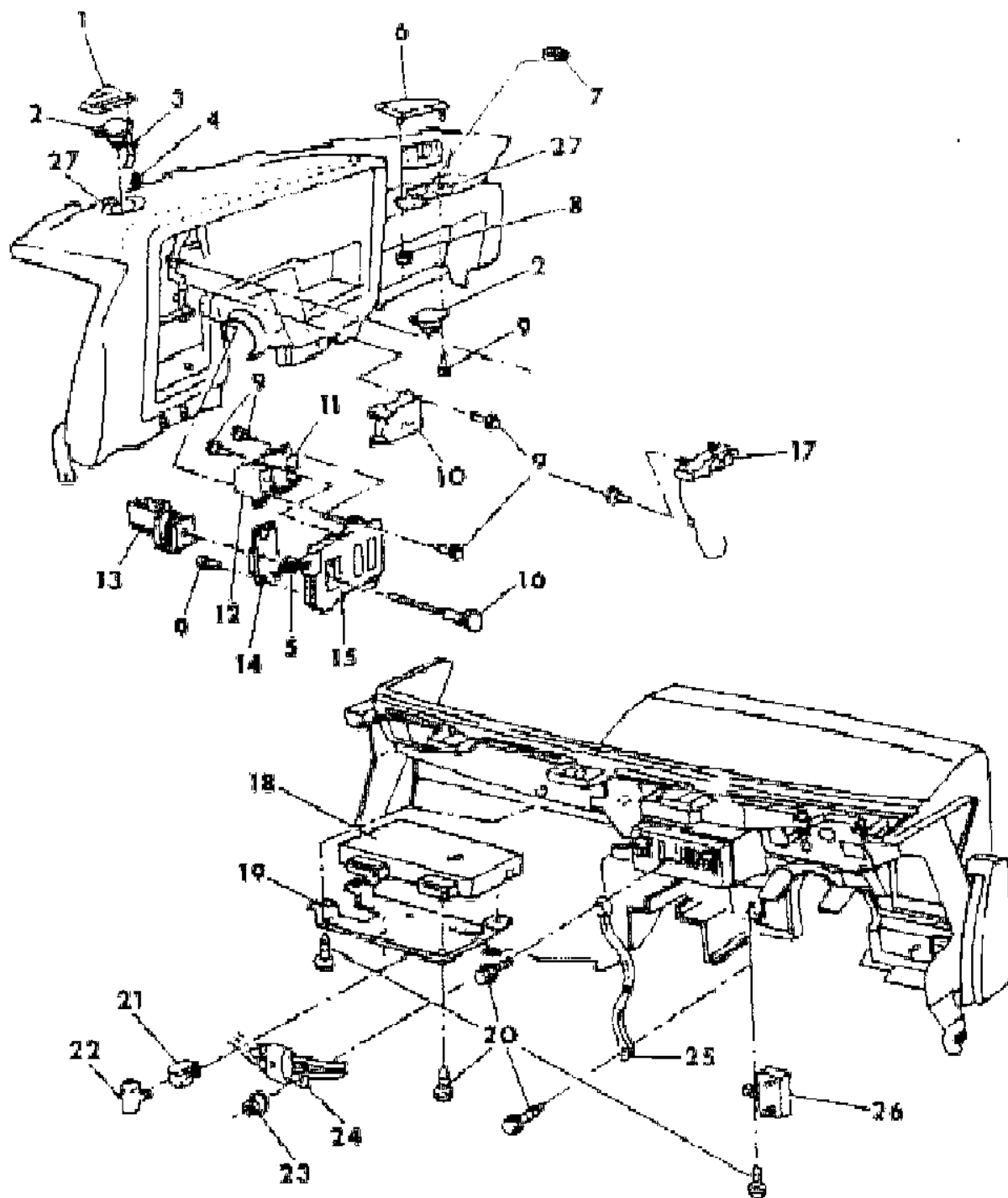
AR = Use as Required - = Non Illustrated Part P.A.R. = Paint as Required



INSTRUMENT PANEL SWITCHES, SPEAKERS AND CONTROLS H BODY
Figure 8A-2900

7182 2900 A

ITEM	PART NUMBER	QTY	BODY	MODEL	DESCRIPTION
19	4374 919	1			BRACKET, E.V.A.
20		AR			SCREW (DNS)
21		AR			CLIP (DNS)
22	4312 672	1			HOUSING, Courtesy Lamp
23	6023 201	1			NUT
24					CAPACITOR, Refer to Group 8
25					STRAP, Radio Ground (DNS)
26	4221 671	1			RELAY, Illuminated Entry
27	4221 063	AR			RETAINER, Speaker



MODEL CODES

E BODY = (J - CARAVELLE)(E - 600)(T - NEW YORKER)

G BODY = (V24 - DAYTONA)

H BODY = (D44 - LANCER)(C44 - LEBARON GTS)

J BODY = (C - LEBARON)

K BODY = (P - RELIANT)(D - ARIES)(C - LEBAROND)/TOWN & COUNTRY)

L BODY = (M - HORIZON/TURISMO)(Z - OMNI/CHARGER)

M BODY = (B - GRAN FURY)(F - FIFTH AVE/NEWPORT)(G - DIPLOMAT)

P BODY = (P - SUNDANCE)(D - SHADOW)

S BODY = (H - VOYAGER)(K - RAM VAN/CARAVAN)

BODY STYLES

12-13 = FWD VAN

21 = 2-DOOR SEDAN

24 = 2-DOOR HATCHBACK

27 = 2-DOOR CONVERTIBLE

41 = 4-DOOR SEDAN

44 = 4-DOOR HATCHBACK

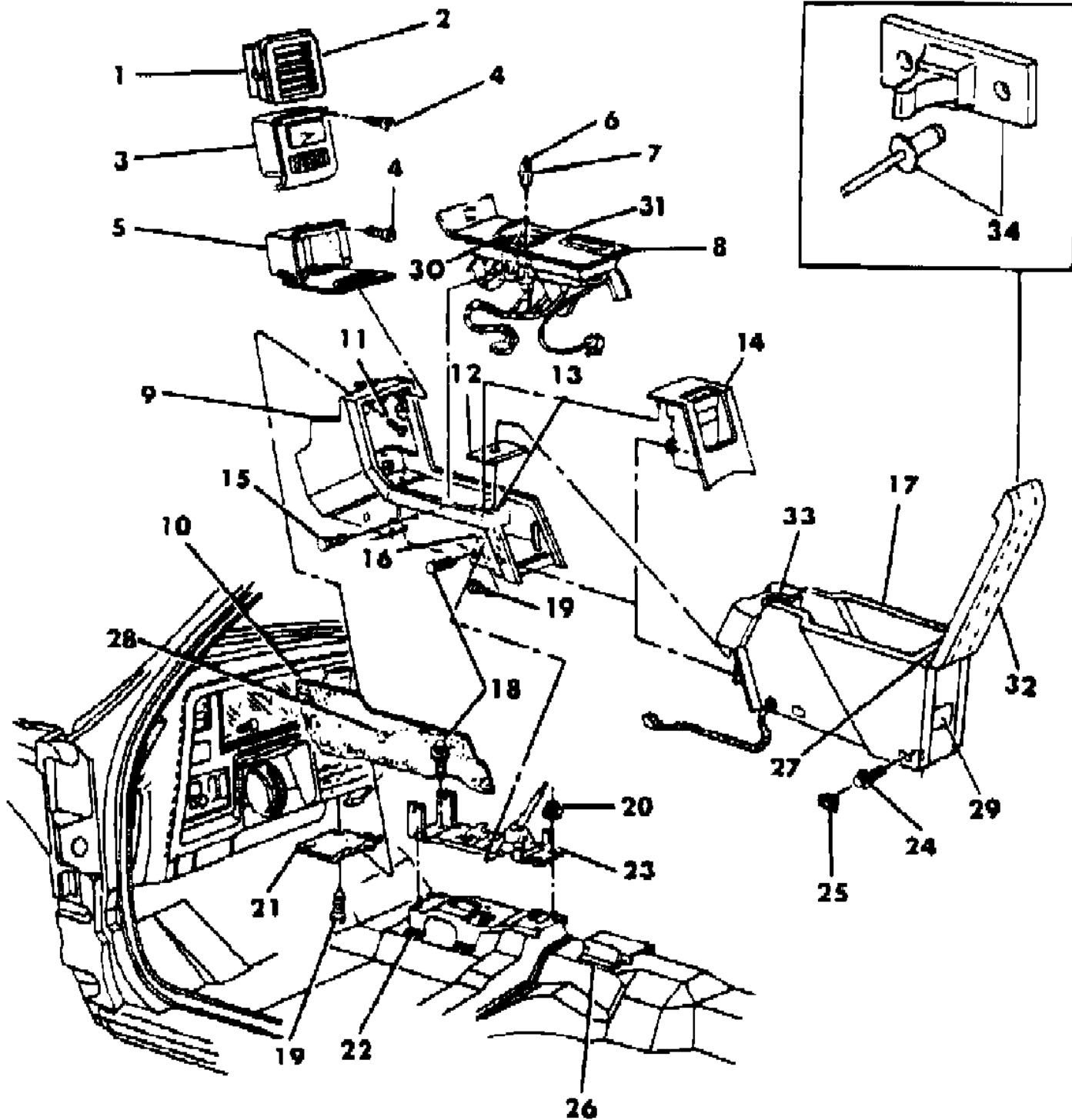
45 = 4-DOOR STATION WAGON

52-53 = FWD WAGON

AR = Use as Required - = Non Illustrated Part P.A.R. = Paint as Required

CONSOLE H BODY
Figure 8A-3000

7182 3000 B



ITEM	PART NUMBER	QTY	BODY	MODEL	DESCRIPTION
1	4283 336	6			HOLDER, Cassette Storage Box
2	4283 335	1			BEZEL, Cassette Storage Box
3	4374 183	1			NAVIGATOR, Electronic
4		AR			SCREW (DNS)
5	4309 279	1			BIN, Front Storage
	0455 798	1			PIN, Bin Lid
	6022 297	1			NUT, Push
6	4221 761	1			KNOB, C/Lighter
7	3004 190	1			ELEMENT, C/Lighter
	3747 635	1			SHELL and CLAMP, C/Lighter
8					BEZEL, Forward Console
	4309 206	1			w/Auto Trans.
	4309 207	1			w/Manual Trans.
	6032 689	1			CLIP, Bezel Att.
	0152 490	AR			U-NUT
9	F579 EK1	1			BASE, Console
10					CARPET, Console
	F538-9 EE8	1			Cordovan
	F538-9 EK3	1			Almond
	F538-9 DS8	1			Charcoal
	F538-9 FC5	1			Blue
11	6032 456	AR			SCREW
12	4309 280	1			BEZEL, Rear Console Front Extension
13		AR			SCREW (DNS)
14					BEZEL and COIN HOLDER, Console
	4283 382	1			Black
	4282 130	1			Holder
15		AR			SCREW (DNS)
16		AR			NUT (DNS)
17	V286 FK1	1			BASE, Rear
18		AR			SCREW (DNS)
19		AR			SCREW (DNS)
20	6100 049	AR			NUT
21	4381 021	1			BRACKET, Console to Instrument Panel
22					BRACKET, Console to Floor Pan, Refer to 23A
23	4282 203	1			BRACKET, Console to Floor Upper Mtg.
24		AR			SCREW (DNS)
25					PLUG, Console Base

MODEL CODES

E BODY = (J - CARAVELLE)(E - 600)(T - NEW YORKER)

G BODY = (V24 - DAYTONA)

H BODY = (D44 - LANCER)(C44 - LEBARON GTS)

J BODY = (C - LEBARON)

K BODY = (P - RELIANT)(D - ARIES)(C - LEBAROND)/TOWN & COUNTRY)

L BODY = (M - HORIZON/TURISMO)(Z - OMNI/CHARGER)

M BODY = (B - GRAN FURY)(F - FIFTH AVE/NEWPORT)(G - DIPLOMAT)

P BODY = (P - SUNDANCE)(D - SHADOW)

S BODY = (H - VOYAGER)(K - RAM VAN/CARAVAN)

BODY STYLES

12-13 = FWD VAN

21 = 2-DOOR SEDAN

24 = 2-DOOR HATCHBACK

27 = 2-DOOR CONVERTIBLE

41 = 4-DOOR SEDAN

44 = 4-DOOR HATCHBACK

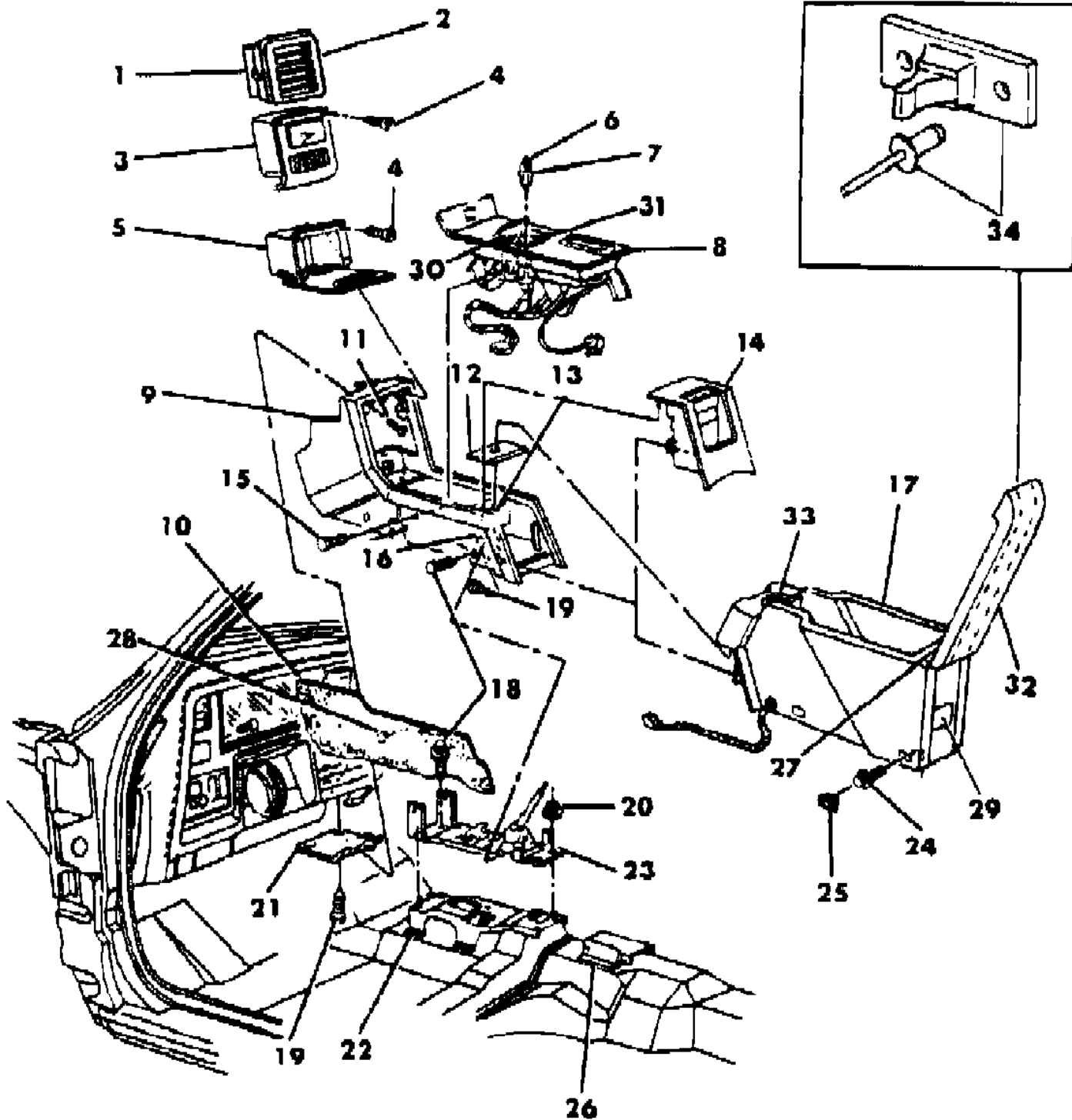
45 = 4-DOOR STATION WAGON

52-53 = FWD WAGON

AR = Use as Required - = Non Illustrated Part P.A.R. = Paint as Required

CONSOLE H BODY
Figure 8A-3000

7182 3000 B



ITEM	PART NUMBER	QTY	BODY	MODEL	DESCRIPTION
	F524 EE8	4			Cordovan
	F524 EK1	4			Almond
	F524 DS8	4			Charcoal
	F524 FC5	4			Blue
26		1			BRACKET, Console to Floor Pan Att., Refer to 23A
27	4410 703	1			HINGE, Arm Rest
28	6032 155	2			CLIP, Carpet to Console
29	4312 630	1			LENS, Rear Console Bin, Outer
	2822 583	1			Inner
30	4247 393	2			SPRING, Ash Receiver Lid Bezel
31	4283 194	1			RECEIVER, Console Bezel
32					ARM REST, Console
	F351 EE8	1			Cordovan
	F351 EK1	1			Almond
	F351 DS8	1			Charcoal
	F351 FC5	1			Blue
33	4247 211	1			LATCH, Rear Console
34	4364 490	1			STRIKER PACKAGE, Armrest Lid

MODEL CODES

E BODY = (J - CARAVELLE)(E - 600)(T - NEW YORKER)

G BODY = (V24 - DAYTONA)

H BODY = (D44 - LANCER)(C44 - LEBARON GTS)

J BODY = (C - LEBARON)

K BODY = (P - RELIANT)(D - ARIES)(C - LEBAROND)/TOWN & COUNTRY)

L BODY = (M - HORIZON/TURISMO)(Z - OMNI/CHARGER)

M BODY = (B - GRAN FURY)(F - FIFTH AVE/NEWPORT)(G - DIPLOMAT)

P BODY = (P - SUNDANCE)(D - SHADOW)

S BODY = (H - VOYAGER)(K - RAM VAN/CARAVAN)

BODY STYLES

12-13 = FWD VAN

21 = 2-DOOR SEDAN

24 = 2-DOOR HATCHBACK

27 = 2-DOOR CONVERTIBLE

41 = 4-DOOR SEDAN

44 = 4-DOOR HATCHBACK

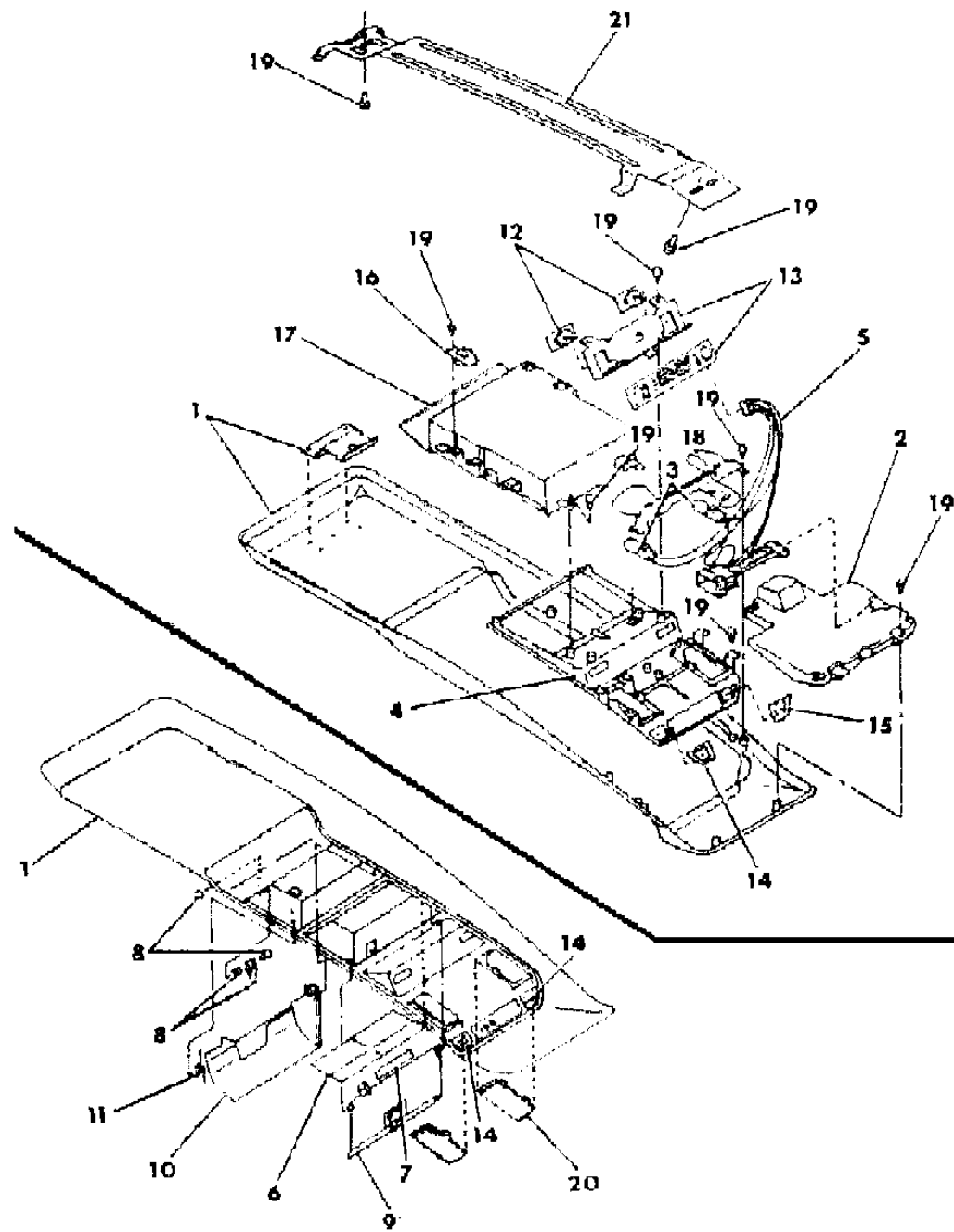
45 = 4-DOOR STATION WAGON

52-53 = FWD WAGON

AR = Use as Required - = Non Illustrated Part P.A.R. = Paint as Required

CONSOLE, OVERHEAD H BODY
Figure 8A-3100

7182 3100 A



ITEM	PART NUMBER	QTY	BODY	MODEL	DESCRIPTION
1					HOUSING, Console
	V174 FC5	1			Blue
	V174 FE8	1			Cordovan
	V174 FK1	1			Almond
	V174 FS8	1			Charcoal
2	4439 047	1			COMPASS, w/Temperature Unit
	4400 652	1			PIG TAIL, Compass
3	#9437 173	2			BULB
4	4397 893	1			PANEL, Center
5	4439 044	1			WIRING, Console
6	4309 345	1			VELCRO HOOK, G.D.O. Housing
7	4309 344	1			ADAPTER PACKAGE, G.D.O.
8	4309 343	1			MECHANISM PACKAGE, Sunglass Bin
9	4381 269	1			DOOR, G.D.O. Bin
	4397 895	1			SPRING and PAD, G.D.O. Bin
10	4309 341	1			DOOR, Sunglass Bin
11	#4409 911	1			SPRING, Sunglass Bin Door
12	4309 335	2			BUTTON, Lamp
13	4381 894	1			SWITCH, Map Lamp and Circuit Board
14	4309 331	1			BUTTON, U.S./Metric
15	4309 332	1			BUTTON, Compass/Temperature
16	4309 336	1			DAMPER, Sunglass Bin Viscous
17	4381 270	1			HOUSING, G.D.O. and Sunglass Bin
18	4410 376-7	1			BRACKET, Reflector
19		AR			SCREW (DNS)
20	#4410 056-7	1			LENS, Lamp
21	#4410 058	1			BRACKET, Console Mtg.

MODEL CODES

E BODY = (J - CARAVELLE)(E - 600)(T - NEW YORKER)

G BODY = (V24 - DAYTONA)

H BODY = (D44 - LANCER)(C44 - LEBARON GTS)

J BODY = (C - LEBARON)

K BODY = (P - RELIANT)(D - ARIES)(C - LEBAROND)/TOWN & COUNTRY)

L BODY = (M - HORIZON/TURISMO)(Z - OMNI/CHARGER)

M BODY = (B - GRAN FURY)(F - FIFTH AVE/NEWPORT)(G - DIPLOMAT)

P BODY = (P - SUNDANCE)(D - SHADOW)

S BODY = (H - VOYAGER)(K - RAM VAN/CARAVAN)

BODY STYLES

12-13 = FWD VAN

21 = 2-DOOR SEDAN

24 = 2-DOOR HATCHBACK

27 = 2-DOOR CONVERTIBLE

41 = 4-DOOR SEDAN

44 = 4-DOOR HATCHBACK

45 = 4-DOOR STATION WAGON

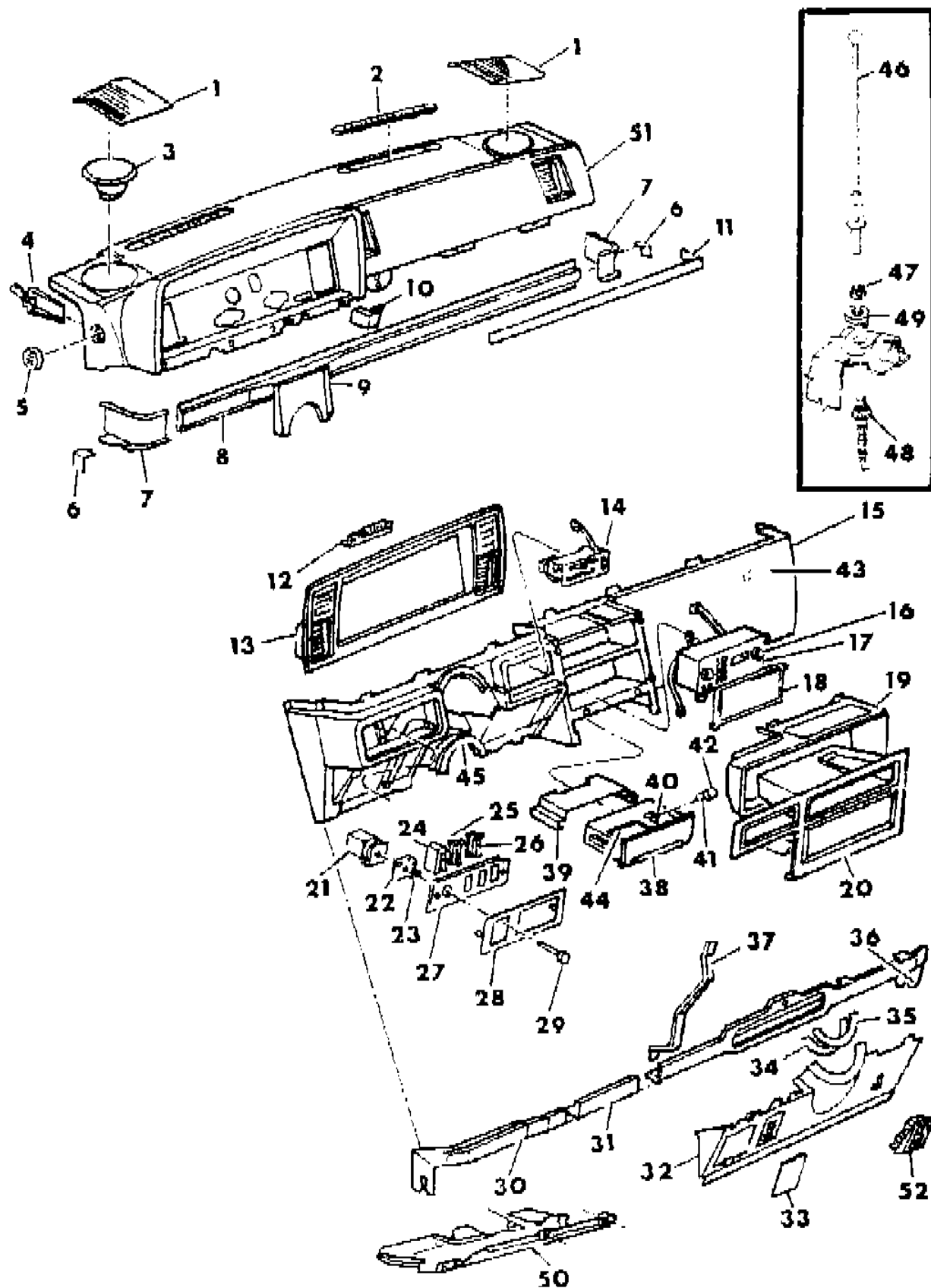
52-53 = FWD WAGON

AR = Use as Required - = Non Illustrated Part P.A.R. = Paint as Required

INSTRUMENT PANEL S BODY

Figure 8A-3200

7182 3200 8



ITEM	PART NUMBER	QTY	BODY	MODEL	DESCRIPTION
1	P488-9 FC5	1			GRILLE, Instrument Panel Speaker
2	P476 EK1	2			GRILLE, Defroster
3	4222 923	AR			SPEAKER, Instrument Panel
	4222 535	2			Rear Compartment
4					ADAPTER, Demister, Refer to Group 24
5	4220 772	2			GRILLE, Side Window Demister
6	4220 614-5	1			BRACKET, Support to Cowl Side
7					BRACKET, Support, Serviced in Item #8
8	4311 816	1			REINFORCEMENT, Center
9		1			BRACKET, Steering Column Support, Serviced in #8
10		1			BRACKET, Steering Column Support to Lower Bracket, Serviced in #8
11	4220 638	1			MOULDING, Trim
12	4220 572	1			INDICATOR and CABLE, Gear Selector, w/Auto Trans.
	6032 732	1			CLIP, Gear Selector Cable Retainer
	4220 760	1			COVER, Indicator w/Manual Trans.
13					BEZEL, Instrument Cluster
	4312 875	1			w/o Module Openings, Low Line
	4312 874	1			w/Module Openings, Low Line
	4312 873	1			w/o Module Openings, Hi Line and Premium
	4312 872	1			w/Module Openings, Hi Line and Premium
	6029 168	AR			CLIP, Bezel Attaching
14		1			CONTROL, Heater and A/C, Refer to Group 24
15	P462 FK1	1			PANEL, Instrument Panel Lower
16					KNOB, Radio
	4311 341	2			Secondary
	4311 558	2			w/4430190 Radio
	4311 339	1			Treble
	4311 334	2			Primary
	4311 555	2			w/4430190 Radio
	4311 337	1			Bass
	4364 484	1			KNOB PACKAGE, "Joy Stick"
	4364 483	1			Black
	4311 581	6			BUTTON, w/Ultimate Sound Radio
17					RADIO, E.T.R w/CLOCK
	4430 190	1			Ultimate Sound
	4311 002	1			AM

MODEL CODES

E BODY = (J - CARAVELLE)(E - 600)(T - NEW YORKER)

G BODY = (V24 - DAYTONA)

H BODY = (D44 - LANCER)(C44 - LEBARON GTS)

J BODY = (C - LEBARON)

K BODY = (P - RELIANT)(D - ARIES)(C - LEBAROND)/TOWN & COUNTRY)

L BODY = (M - HORIZON/TURISMO)(Z - OMNI/CHARGER)

M BODY = (B - GRAN FURY)(F - FIFTH AVE/NEWPORT)(G - DIPLOMAT)

P BODY = (P - SUNDANCE)(D - SHADOW)

S BODY = (H - VOYAGER)(K - RAM VAN/CARAVAN)

BODY STYLES

12-13 = FWD VAN

21 = 2-DOOR SEDAN

24 = 2-DOOR HATCHBACK

27 = 2-DOOR CONVERTIBLE

41 = 4-DOOR SEDAN

44 = 4-DOOR HATCHBACK

45 = 4-DOOR STATION WAGON

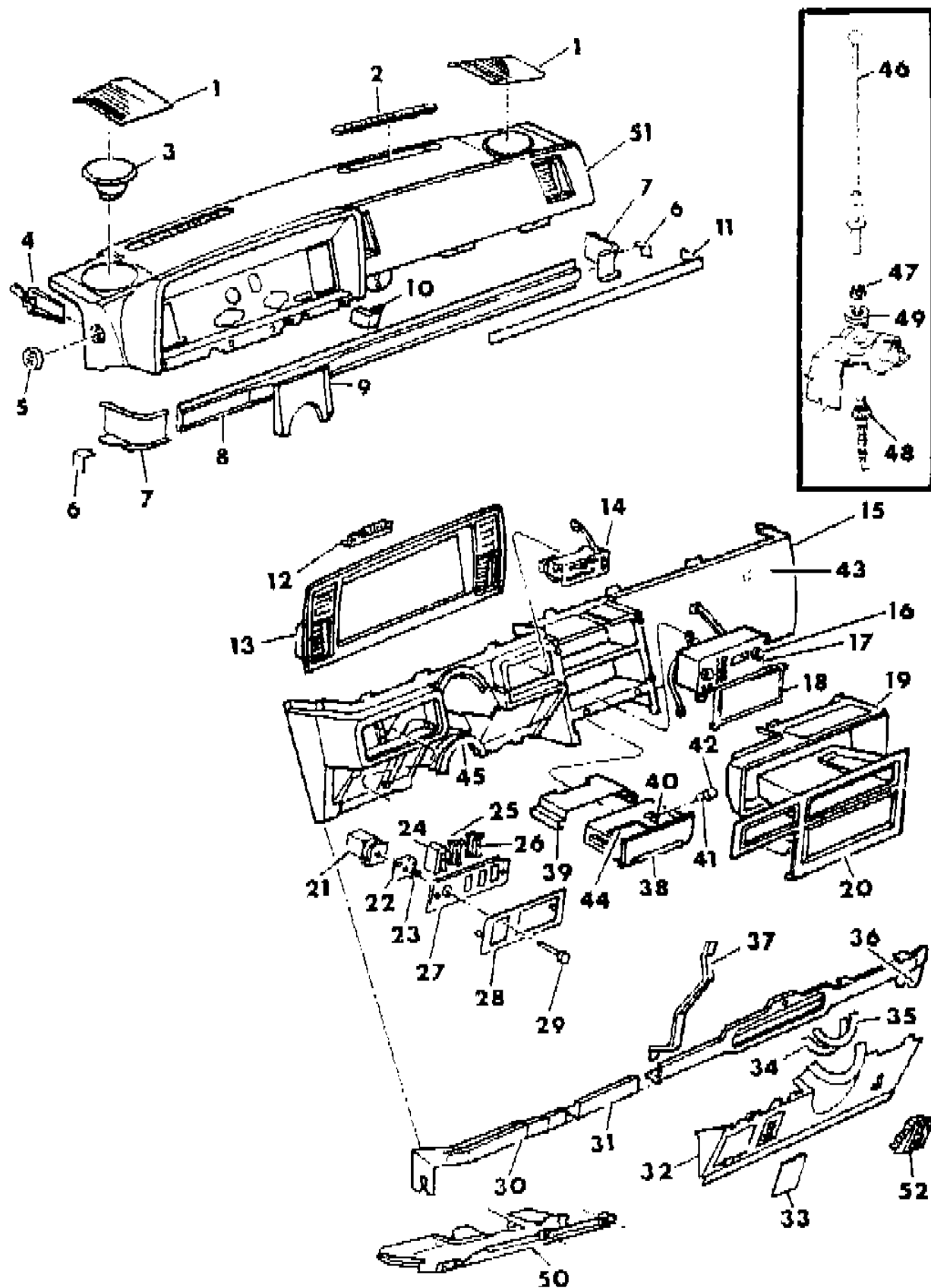
52-53 = FWD WAGON

AR = Use as Required - = Non Illustrated Part P.A.R. = Paint as Required

INSTRUMENT PANEL S BODY

Figure 8A-3200

7182 3200 8



ITEM	PART NUMBER	QTY	BODY	MODEL	DESCRIPTION
	4311 956	1			Am/Fm/Mx
	4372 442	1			Am/Fm/Mx w/Cassette
	4372 040	1			STRAP, Radio (White) Ground
	4372 086	1			Silver
18	4220 482	1			PLATE, Radio Opening w/o Radio
19	P474 CA3	1			CONSOLE, Instrument Panel
	P623 GK1	1			CUP HOLDER, Console
20	4311 914	1			BEZEL, Instrument Panel Console
	4220 455	1			CLIP, Bezel
21	4373 136	1			SWITCH, Headlamp
22	4221 372	1			PLATE, Headlamp Switch Mtg.
23	4221 063	1			RETAINER, Headlamp Switch Mtg.
24	4221 971	1			CONTROL, Heated Backlite
25	4221 972	1			CONTROL, Rear Wipe/Wash
26	4221 973	1			CONTROL, Liftgate Release
27					BEZEL, Headlamp and Acc. Switch
	4221 961	1			w/One Opening
	4221 960	1			w/Two Openings
	4221 959	1			w/Three Openings
	4221 962	1			w/o Openings
28	4221 965	1			BEZEL
29	4221 626	1			KNOB and SHAFT, H/Lamp Switch
30	4220 623	1			REINFORCEMENT, Lower Left
31	4372 574	1			REINFORCEMENT, Lower Center
32	P480 EK1	1			COVER, Steering Column
33		1			PLATE, Fuse Block, Serviced in #32
34		1			RETAINER, See Group 19
35		1			SHIELD, See Group 19
36	4372 675	1			REINFORCEMENT, Lower Right
37	4220 611	1			BRACKET, Lower to Bracket Column Support Att.
	4220 866	1			BRACKET, Instrument Panel Lower Reinf. to A/C or Heater Att., Right
	4220 869	1			Left
38					HOUSING, Ash Receiver
	4311 922	1			Black
	4311 923	1			Woodgrain
39	4311 456	1			HOUSING, Ash Receiver, Upper
40	2808 912	1			SHELL and CLAMP, C/Lighter

MODEL CODES

E BODY = (J - CARAVELLE)(E - 600)(T - NEW YORKER)

G BODY = (V24 - DAYTONA)

H BODY = (D44 - LANCER)(C44 - LEBARON GTS)

J BODY = (C - LEBARON)

K BODY = (P - RELIANT)(D - ARIES)(C - LEBAROND)/TOWN & COUNTRY)

L BODY = (M - HORIZON/TURISMO)(Z - OMNI/CHARGER)

M BODY = (B - GRAN FURY)(F - FIFTH AVE/NEWPORT)(G - DIPLOMAT)

P BODY = (P - SUNDANCE)(D - SHADOW)

S BODY = (H - VOYAGER)(K - RAM VAN/CARAVAN)

BODY STYLES

12-13 = FWD VAN

21 = 2-DOOR SEDAN

24 = 2-DOOR HATCHBACK

27 = 2-DOOR CONVERTIBLE

41 = 4-DOOR SEDAN

44 = 4-DOOR HATCHBACK

45 = 4-DOOR STATION WAGON

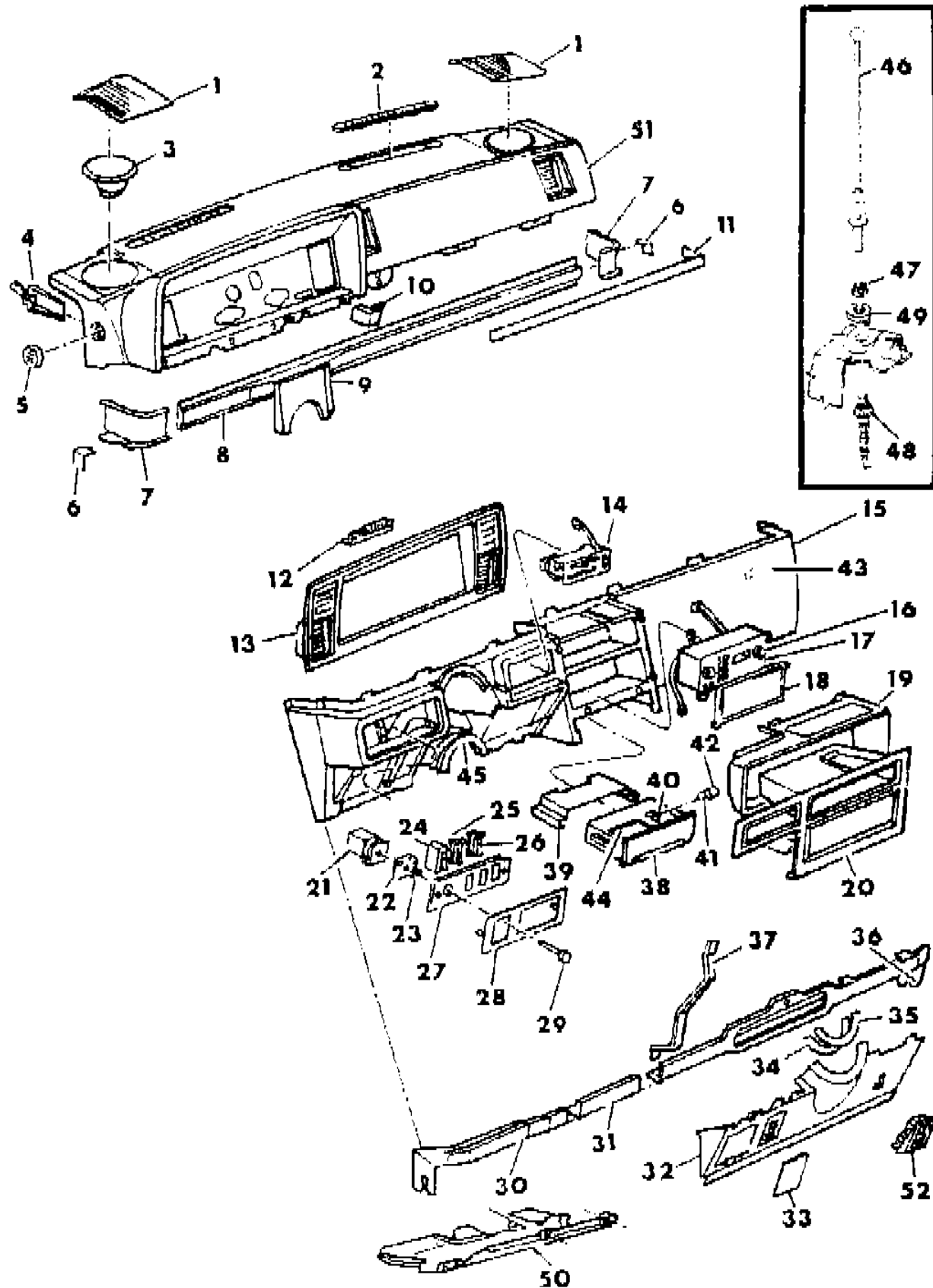
52-53 = FWD WAGON

AR = Use as Required - = Non Illustrated Part P.A.R. = Paint as Required

INSTRUMENT PANEL S BODY

Figure 8A-3200

7182 3200 8



ITEM	PART NUMBER	QTY	BODY	MODEL	DESCRIPTION
41	3004 190	1			ELEMENT, C/Lighter
42	3747 165	1			KNOB, C/Lighter
	4221 408	1			HOOD, Instrument Panel Ash Receiver Lamp
	9421 330	1			BULB, Ash Receiver Lamp
	4048 038	2			DIFFUSER, Ash Receiver Lamp
43					NAME PLATE, Instrument Panel
	4311 355	1			"Ram Van"
	4311 353	1			"Voyager"
	4311 351	1			"Caravan"
	6029 168	2			CLIP, Name Plate Att.
	0445 153	2			NUT, Name Plate Att.
44	4311 460	1			RECEPTACLE, Ash Receiver
45	4220 773	1			SHIELD, Steering Column Upper
46	4222 729	1			MAST, Antenna
47	4222 728	1			NUT, Cap
48	4372 119	1			BODY and CABLE, Antenna
49	4222 736	1			ADAPTER and GASKET, Antenna
	4222 735	1			LOCK WASHER
	4222 739	1			PLUG, Antenna Hole
50					SILENCER, Instrument Panel
	4372 638	1			w/Manual Trans.
	4372 640	1			w/Auto Trans.
51					PAD, Instrument Panel
	P467 FC5	1			Blue
	P467 EE8	1			Cordovan
	P467 EK1	1			Almond
	P467 ES8	1			Charcoal
52	4373 119	1			SWITCH, Rear Heater
	4221 475	1			BEZEL, Rear Heater Switch

MODEL CODES

E BODY = (J - CARAVELLE)(E - 600)(T - NEW YORKER)

G BODY = (V24 - DAYTONA)

H BODY = (D44 - LANCER)(C44 - LEBARON GTS)

J BODY = (C - LEBARON)

K BODY = (P - RELIANT)(D - ARIES)(C - LEBAROND)/TOWN & COUNTRY)

L BODY = (M - HORIZON/TURISMO)(Z - OMNI/CHARGER)

M BODY = (B - GRAN FURY)(F - FIFTH AVE/NEWPORT)(G - DIPLOMAT)

P BODY = (P - SUNDANCE)(D - SHADOW)

S BODY = (H - VOYAGER)(K - RAM VAN/CARAVAN)

BODY STYLES

12-13 = FWD VAN

21 = 2-DOOR SEDAN

24 = 2-DOOR HATCHBACK

27 = 2-DOOR CONVERTIBLE

41 = 4-DOOR SEDAN

44 = 4-DOOR HATCHBACK

45 = 4-DOOR STATION WAGON

52-53 = FWD WAGON

AR = Use as Required - = Non Illustrated Part P.A.R. = Paint as Required

CLUSTER, INSTRUMENT PANEL S BODY
Figure 8A-3210

7182 3210

ITEM	PART NUMBER	QTY	BODY	MODEL	DESCRIPTION
1					MASK and LENS, Cluster
	4375 171	1			w/Signals
	4375 172	1			w/Gauges
2	4051 711	1			GAUGE, Oil and Temp.
3					SPEEDOMETER
	4375 160	1			w/o Trip Odometer
	4375 162	1			w/Trip Odometer and Knob
	3592 750	1			LABEL, Speedometer Replacement
4	4051 812	1			CHIMNEY, Turn Signal, Left
5	4374 643	1			MODULE, E.M.R. w/Battery
6	4375 179	1			CHIMNEY, Hi-Beam
7	4375 174	1			GAUGE, Fuel
	4374 656	1			LAMP, Fuel Pacer Indicator
	6032 456	2			SCREW, Lamp
8	4051 412	1			GROMMET, Speedometer
9	4375 132	1			GAUGE, Voltmeter
10	4051 717	1			CHIMNEY, Seat Belt and Turh Signal, Right
11	4051 715	1			CHIMNEY, Gauge Alert
	4051 861	1			GAUGE, Alert
	4051 761	1			BOARD, Gauge Alert
12	4375 168	1			HOUSING, Cluster
13	4374 393	1			INDICATOR, Low Fuel, Door Ajar and Washer
14					BOARD, Printed Circuit
	4375 177	1			w/o Gauge Alert, Up to 1-6-87
	4375 320	1			w/o Gauge Alert, After 1-6-87
	4375 178	1			w/Gauge Alert, Up to 1-6-87
	4375 321	1			w/Gauge Alert, After 1-6-87
15		1			CLIP (DNS)
	6032 100	AR			SCREW
16	4375 318	1			MODULE, Fuel Gauge Damper
17	9421 330	AR			BULB
18	4374 072	AR			SOCKET

MODEL CODES

E BODY = (J - CARAVELLE)(E - 600)(T - NEW YORKER)

G BODY = (V24 - DAYTONA)

H BODY = (D44 - LANCER)(C44 - LEBARON GTS)

J BODY = (C - LEBARON)

K BODY = (P - RELIANT)(D - ARIES)(C - LEBAROND)/TOWN & COUNTRY)

L BODY = (M - HORIZON/TURISMO)(Z - OMNI/CHARGER)

M BODY = (B - GRAN FURY)(F - FIFTH AVE/NEWPORT)(G - DIPLOMAT)

P BODY = (P - SUNDANCE)(D - SHADOW)

S BODY = (H - VOYAGER)(K - RAM VAN/CARAVAN)

BODY STYLES

12-13 = FWD VAN

21 = 2-DOOR SEDAN

24 = 2-DOOR HATCHBACK

27 = 2-DOOR CONVERTIBLE

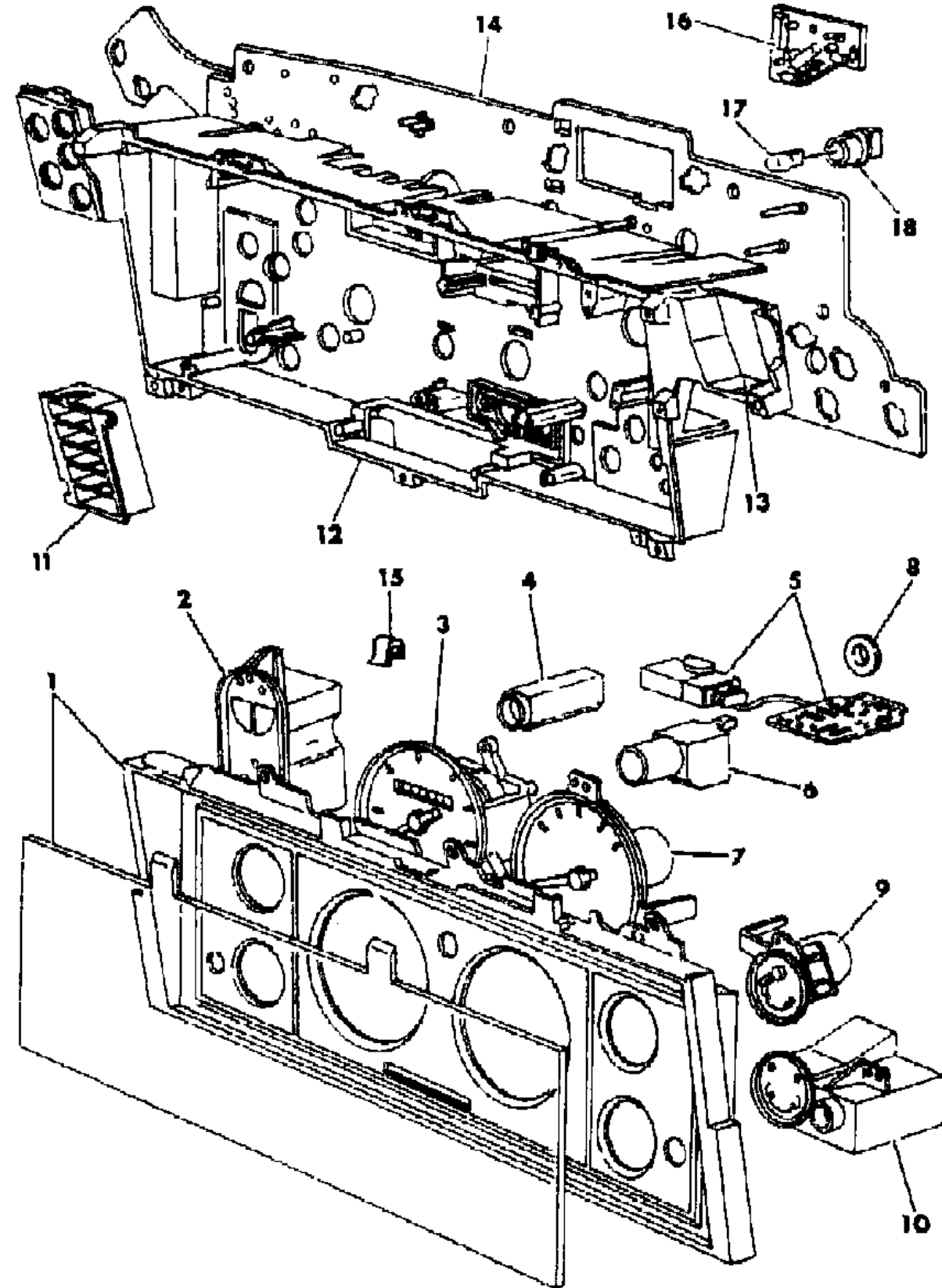
41 = 4-DOOR SEDAN

44 = 4-DOOR HATCHBACK

45 = 4-DOOR STATION WAGON

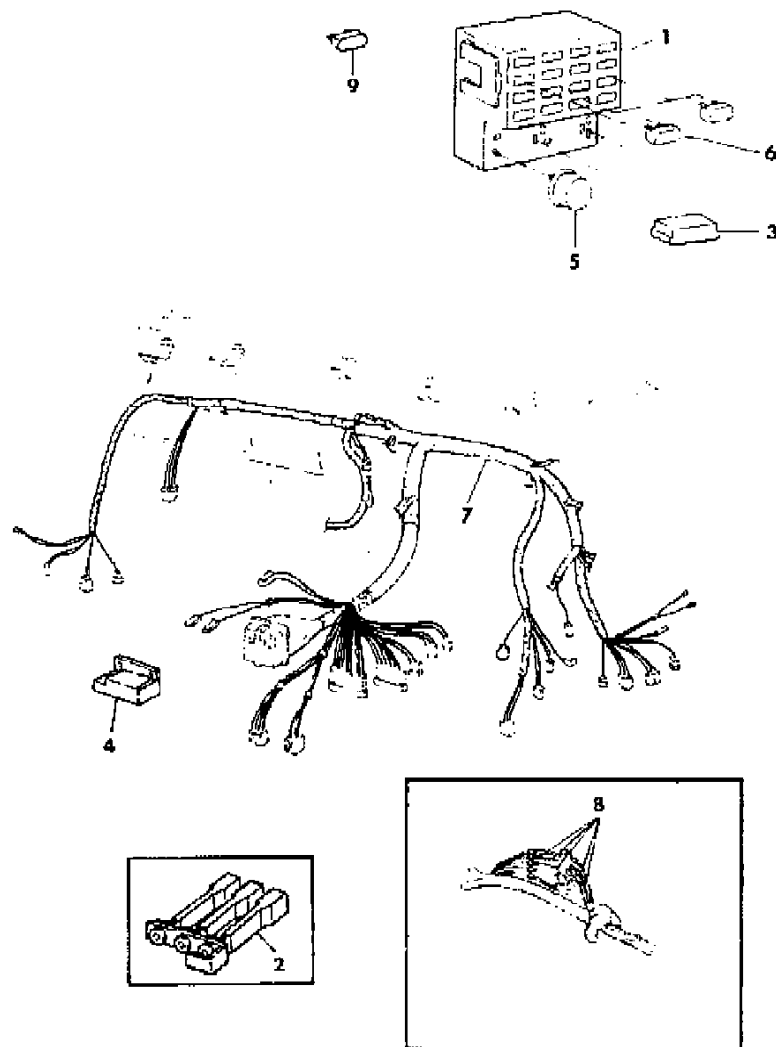
52-53 = FWD WAGON

AR = Use as Required - = Non Illustrated Part P.A.R. = Paint as Required



INSTRUMENT PANEL WIRING S BODY
Figure 8A-3300

7182 3300 A



ITEM	PART NUMBER	QTY	BODY	MODEL	DESCRIPTION
1	4304 499	1			MODULE, Fuse Block
	4304 001	1			BRACKET, Module Mtg.
2	4124 752	1			TERMINAL, Buss Bar
	4124 258	1			3 Way
					1 Way
3	4221 730	1			BUZZER, Key, H/Lamp and Seat Belt Warning
4	#4312 664	1			CONTROL, Chimes
5	2932 877	1			FLASHER, Hazard Warning
					FLASHER, Turn Signal
6	3837 161	1			Two Lamp
	3837 162	1			Three Lamp
	4331 929	AR			BREAKER, Circuit
7	4186 379	AR			6 Amp.
					30 Amp.
7	4400 151	1			WIRING HARNESS, Instrument Panel
	4400 152	1			w/o E.F.I.
7					w/E.F.I.
					WIRING, Instrument Panel
	4400 154	1			Cluster
	4400 587	1			Stereo Speaker
	4400 586	1			Mono Speaker
8	4304 869	1			Spotlight, Lower
	4304 870	1			Spotlight, Upper
8					CABLE, Fusible Link
	4026 095	1			No. 16 Blue
	4026 094	1			No. 14 Red
	4026 093	1			No. 12 Black
	4364 877	1			No. 10 Green
	4026 096	1			No. 18 Grey
	4364 878	1			No. 20 Orange
9					FUSES
	6101 132	AR			4 Amp.
	6101 131	AR			3 Amp.
	6101 133	AR			5 Amp.
	6101 137	AR			20 Amp.
	6101 135	AR			10 Amp.
	6101 138	AR			25 Amp.
6101 139	AR			30 Amp.	

MODEL CODES

E BODY = (J - CARAVELLE)(E - 600)(T - NEW YORKER)

G BODY = (V24 - DAYTONA)

H BODY = (D44 - LANCER)(C44 - LEBARON GTS)

J BODY = (C - LEBARON)

K BODY = (P - RELIANT)(D - ARIES)(C - LEBAROND)/TOWN & COUNTRY)

L BODY = (M - HORIZON/TURISMO)(Z - OMNI/CHARGER)

M BODY = (B - GRAN FURY)(F - FIFTH AVE/NEWPORT)(G - DIPLOMAT)

P BODY = (P - SUNDANCE)(D - SHADOW)

S BODY = (H - VOYAGER)(K - RAM VAN/CARAVAN)

BODY STYLES

12-13 = FWD VAN

21 = 2-DOOR SEDAN

24 = 2-DOOR HATCHBACK

27 = 2-DOOR CONVERTIBLE

41 = 4-DOOR SEDAN

44 = 4-DOOR HATCHBACK

45 = 4-DOOR STATION WAGON

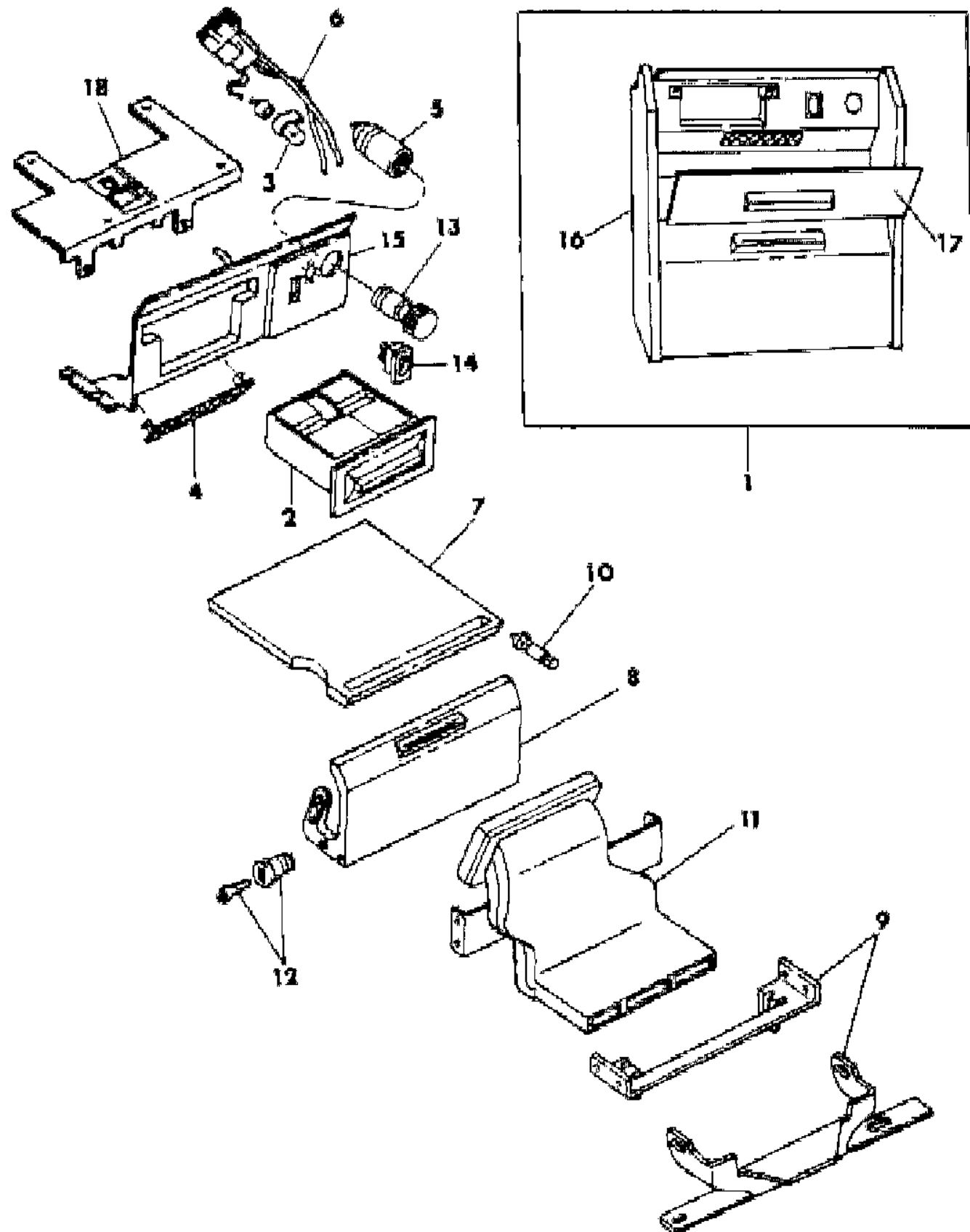
52-53 = FWD WAGON

AR = Use as Required - = Non Illustrated Part P.A.R. = Paint as Required

INSTRUMENT PANEL CONSOLE S BODY

Figure 8A-3400

7182 3400



ITEM	PART NUMBER	QTY	BODY	MODEL	DESCRIPTION
1	4311 874	1			CONSOLE
	4372 457	1			VISCOUS DAMPER PACKAGE
2	4311 648	1			ASH RECEIVER
3	4311 979	1			HOOD, Ash Rec. Lamp
4	4311 864	1			LENS, Map Lamp
5	3747 633	1			LIGHTER and CLAMP, C/Lighter
6	4311 867	1			WIRING, Console
7	4311 869	1			CLIP BOARD, Console
8	F537 DA3	1			DOOR, Lower
	4504 549	1			LATCH PACKAGE, Door
9	4311 872	1			BRACKET, Console Lower
10	4221 625	1			LAMP, Console
11	4311 649	1			HEATER DUCT, Console
12		1			CYLINDER, Lower Door, Refer to 23D
13	3747 165	1			KNOB, C/Lighter
	3004 190	1			ELEMENT, C/Lighter
14	4311 980	1			SWITCH, Map Lamp
	4311 868	1			Cutout
15		1			PANEL, Serviced in #1
16	P574-5 DA3	1			PANEL, Console Side
17		1			DOOR, Upper
	4311 875	1			Black
	4311 870	1			Woodgrain
18	4311 647	1			BRACKET, Upper Console Mtg.

MODEL CODES

E BODY = (J - CARAVELLE)(E - 600)(T - NEW YORKER)

G BODY = (V24 - DAYTONA)

H BODY = (D44 - LANCER)(C44 - LEBARON GTS)

J BODY = (C - LEBARON)

K BODY = (P - RELIANT)(D - ARIES)(C - LEBAROND)/TOWN & COUNTRY)

L BODY = (M - HORIZON/TURISMO)(Z - OMNI/CHARGER)

M BODY = (B - GRAN FURY)(F - FIFTH AVE/NEWPORT)(G - DIPLOMAT)

P BODY = (P - SUNDANCE)(D - SHADOW)

S BODY = (H - VOYAGER)(K - RAM VAN/CARAVAN)

BODY STYLES

12-13 = FWD VAN

21 = 2-DOOR SEDAN

24 = 2-DOOR HATCHBACK

27 = 2-DOOR CONVERTIBLE

41 = 4-DOOR SEDAN

44 = 4-DOOR HATCHBACK

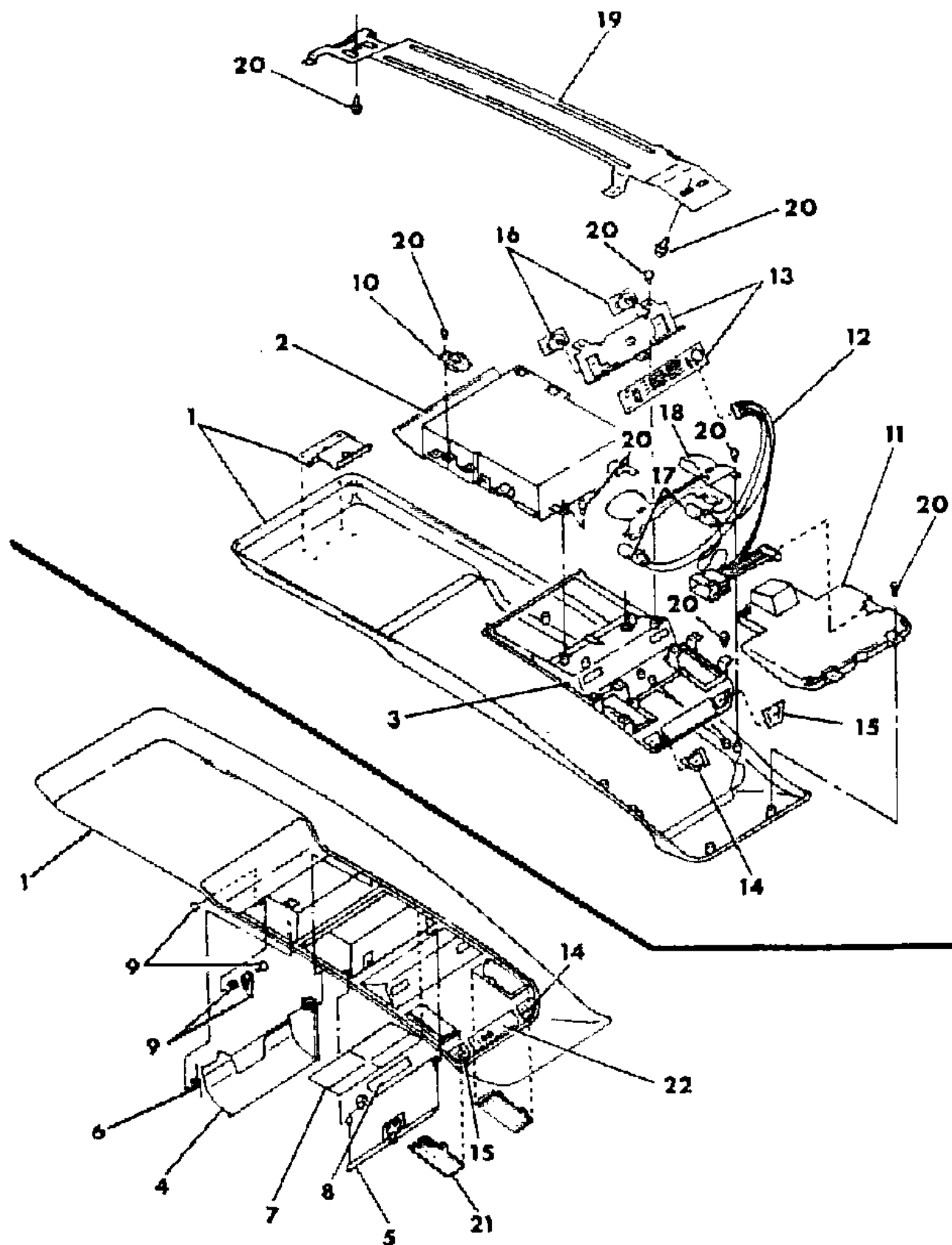
45 = 4-DOOR STATION WAGON

52-53 = FWD WAGON

AR = Use as Required - = Non Illustrated Part P.A.R. = Paint as Required

CONSOLE, OVERHEAD S BODY
Figure 8A-3500

7182 3500 B



ITEM	PART NUMBER	QTY	BODY	MODEL	DESCRIPTION
1					HOUSING, Console
	V497 FC5	1			Blue
	V497 FE8	1			Cordovan
	V497 FK1	1			Almond
	V497 FA3	1			Silver
2	4381 270	1			HOUSING, G.D.O. and Sunglass Bin
3					PANEL
	4381 272	1			Center
	4409 909	1			Rear
4	4309 341	1			DOOR, Sunglass Bin
	4397 895	1			FOAM PAD, Sunglass Bin
5	4381 269	1			DOOR, G.D.O. Bin
6	#4409 911	1			SPRING, Sunglass Bin Door
7	4309 345	1			VELCRO HOOK, G.D.O. Bin
8	4309 344	1			ADAPTOR PACKAGE, G.D.O.
9	4309 343	1			MECHANISM PACKAGE, Sunglass Bin
10	4309 336	1			DAMPNER, Sunglass Bin Viscous
11	4439 047	1			COMPASS, w/Temperature Unit
12	4439 043	1			WIRING, Console
13					SWITCH, Map Lite w/Board
	4381 894	1			Front
	4437 362	1			Rear
14	4309 331	1			BUTTON, U.S./Metric
15	4309 332	1			BUTTON, Compass/Temperature
16	4309 335	2			BUTTON, Reading Lamp
17	#9437 173	2			BULB, Maplite
18	4410 376-7	1			BRACKET, Reflector
19	#4410 089	1			BRACKET, Console Mtg.
20		AR			SCREW (DNS)
21					LENS
	4409 906-7	1			Reading Lamp
	4410 090-1	1			Front
22	#4410 562	1			PLATE, Trim

MODEL CODES

E BODY = (J - CARAVELLE)(E - 600)(T - NEW YORKER)

G BODY = (V24 - DAYTONA)

H BODY = (D44 - LANCER)(C44 - LEBARON GTS)

J BODY = (C - LEBARON)

K BODY = (P - RELIANT)(D - ARIES)(C - LEBAROND)/TOWN & COUNTRY)

L BODY = (M - HORIZON/TURISMO)(Z - OMNI/CHARGER)

M BODY = (B - GRAN FURY)(F - FIFTH AVE/NEWPORT)(G - DIPLOMAT)

P BODY = (P - SUNDANCE)(D - SHADOW)

S BODY = (H - VOYAGER)(K - RAM VAN/CARAVAN)

BODY STYLES

12-13 = FWD VAN

21 = 2-DOOR SEDAN

24 = 2-DOOR HATCHBACK

27 = 2-DOOR CONVERTIBLE

41 = 4-DOOR SEDAN

44 = 4-DOOR HATCHBACK

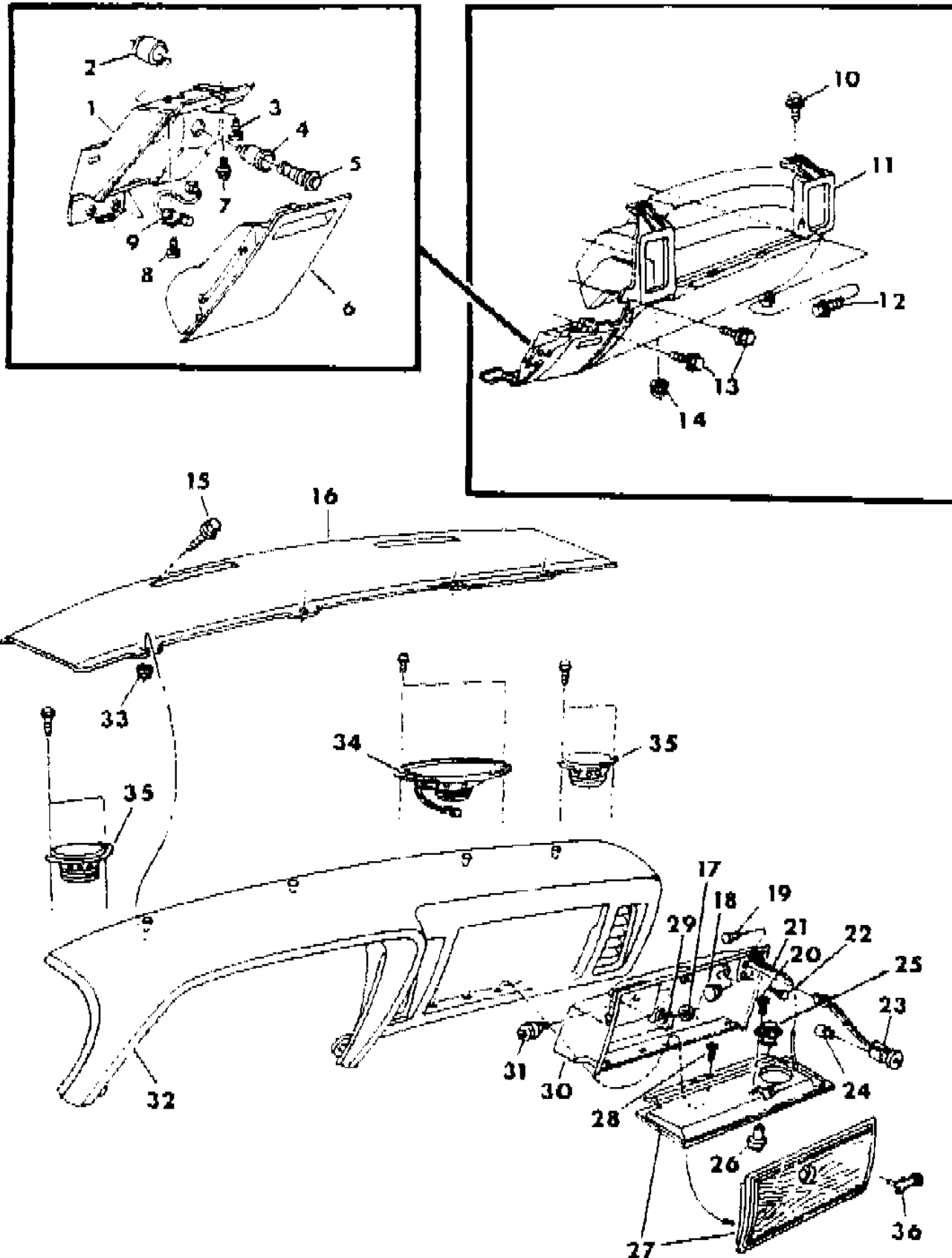
45 = 4-DOOR STATION WAGON

52-53 = FWD WAGON

AR = Use as Required - = Non Illustrated Part P.A.R. = Paint as Required

INSTRUMENT PANEL PAD, GLOVEBOX AND SPEAKERS M BODY
Figure 8A-3600

7182 3600 B



ITEM	PART NUMBER	QTY	BODY	MODEL	DESCRIPTION
1	3590 763	1			HOUSING, Ash Rec.
2	2932 727	1			SHELL and CLAMP, C/Lighter
3	2661 690	1			BUMPER, Instrument Panel Ash Rec. Stop
4	2932 727	1			SHELL and CLAMP, C/Lighter
	3004 190	1			ELEMENT, Cigar Lighter
5	3747 165	1			KNOB, Cigar Lighter
6	P632 EK1	1			RECEPTACLE and FACE PLATE, Ash Receiver
7					SCREW (DNS)
8					SCREW (DNS)
9	3747 089	1			LAMP, Ash Receiver
10					SCREW (DNS)
11	P418 EK1	1			PANEL, Instrument Lower
-	P409 EK1	1			INSERT, ATC Sensor
12					SCREW (DNS)
13					SCREW (DNS)
14					NUT (DNS)
15					SCREW (DNS)
16					COVER, Instrument Panel Upper
	3590 736	1			w/Stereo Radio
	3590 734	1			w/o Radio
17					NUT, Deck Lid Release Mtg., Refer to 23A
18	2822 583	1			LENS, Glove Box
19	6030 538	1			RETAINER, Glove Box Door Check Strap
20					SCREW (DNS)
21	3591 926	1			CABLE, Glove Box Door
22	2218 683	2			BUMPER, Inst. Pnl. to Glove Box Door
23	4221 625	1			LAMP and SWITCH, Glovebox
24		1			BULB, Glove Box, Refer to Group 8
25	3508 886	1			LATCH, Glove Box Lock Cyl.
26					CYLINDER, Glove Box Door. Refer to 23D
27					DOOR, Glove Box
	4220 410	1		B,G	
	4311 451	1		F	
28					SCREW (DNS)
29					BEZEL, Deck Lid Release, Refer to 23A
30	3591 940	1			BOX, Glove
31					SWITCH, Deck Lid Release, Refer to 23A
32	P411 AA7	1			PAD, Instrument Panel

MODEL CODES

E BODY = (J - CARAVELLE)(E - 600)(T - NEW YORKER)

G BODY = (V24 - DAYTONA)

H BODY = (D44 - LANCER)(C44 - LEBARON GTS)

J BODY = (C - LEBARON)

K BODY = (P - RELIANT)(D - ARIES)(C - LEBAROND)/TOWN & COUNTRY)

L BODY = (M - HORIZON/TURISMO)(Z - OMNI/CHARGER)

M BODY = (B - GRAN FURY)(F - FIFTH AVE/NEWPORT)(G - DIPLOMAT)

P BODY = (P - SUNDANCE)(D - SHADOW)

S BODY = (H - VOYAGER)(K - RAM VAN/CARAVAN)

BODY STYLES

12-13 = FWD VAN

21 = 2-DOOR SEDAN

24 = 2-DOOR HATCHBACK

27 = 2-DOOR CONVERTIBLE

41 = 4-DOOR SEDAN

44 = 4-DOOR HATCHBACK

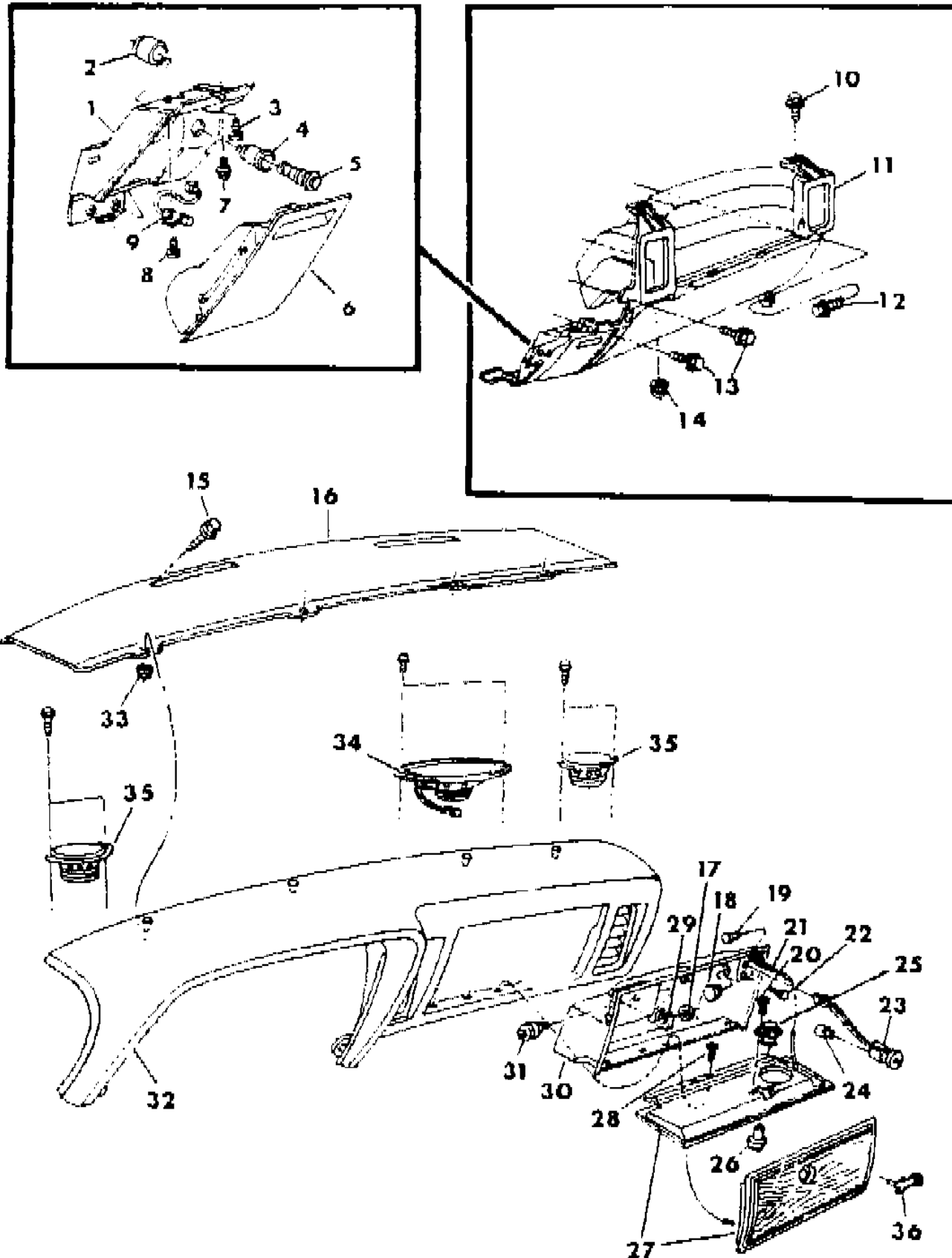
45 = 4-DOOR STATION WAGON

52-53 = FWD WAGON

AR = Use as Required - = Non Illustrated Part P.A.R. = Paint as Required

INSTRUMENT PANEL PAD, GLOVEBOX AND SPEAKERS M BODY
Figure 8A-3600

7182 3600 B



ITEM	PART NUMBER	QTY	BODY	MODEL	DESCRIPTION
33	6030 301	AR			NUT
34	4048 920	1			SPEAKER, Instrument Panel
35	4222 532	2			SPEAKER, Instrument Panel, Stereo
	4222 531	2			Rear Shelf, Stereo
36	4311 455	1		F	PLATE, Glove Box Name "Chrysler"

MODEL CODES

E BODY = (J - CARAVELLE)(E - 600)(T - NEW YORKER)

G BODY = (V24 - DAYTONA)

H BODY = (D44 - LANCER)(C44 - LEBARON GTS)

J BODY = (C - LEBARON)

K BODY = (P - RELIANT)(D - ARIES)(C - LEBAROND)/TOWN & COUNTRY)

L BODY = (M - HORIZON/TURISMO)(Z - OMNI/CHARGER)

M BODY = (B - GRAN FURY)(F - FIFTH AVE/NEWPORT)(G - DIPLOMAT)

P BODY = (P - SUNDANCE)(D - SHADOW)

S BODY = (H - VOYAGER)(K - RAM VAN/CARAVAN)

BODY STYLES

12-13 = FWD VAN

21 = 2-DOOR SEDAN

24 = 2-DOOR HATCHBACK

27 = 2-DOOR CONVERTIBLE

41 = 4-DOOR SEDAN

44 = 4-DOOR HATCHBACK

45 = 4-DOOR STATION WAGON

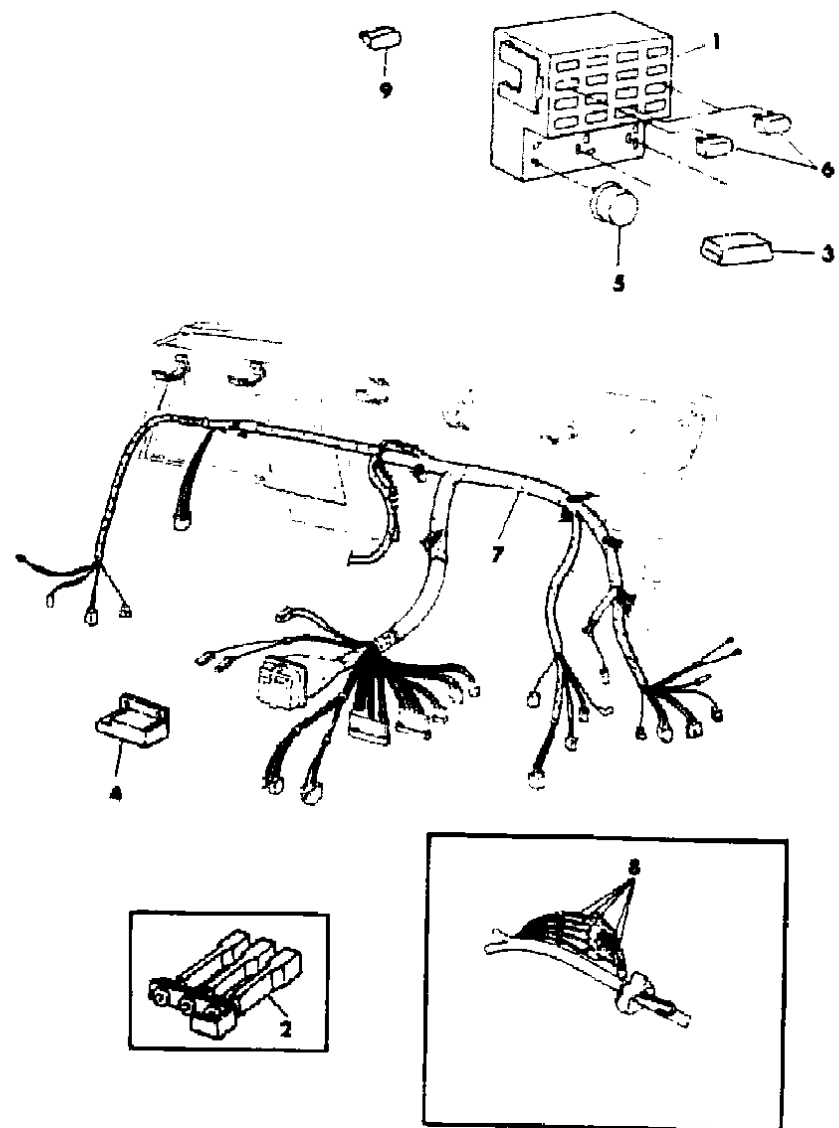
52-53 = FWD WAGON

AR = Use as Required - = Non Illustrated Part P.A.R. = Paint as Required

INSTRUMENT PANEL WIRING M BODY

Figure 8A-3700

7182 3700 A



ITEM	PART NUMBER	QTY	BODY	MODEL	DESCRIPTION
1	4124 697	1			MODULE, Fuse Block
2	4124 752	1			TERMINAL, Buss Bar
	4124 258	1			3 Way
	#4373 067	1			1 Way
3	#4373 067	1			BUZZER, Key, H/Lamp and Seat Belt Warning
4	#4312 664	1			CONTROL, Chimes
	4048 581	1			BRACKET, Chimes
5	2932 877	1			FLASHER, Hazard Warning
					FLASHER, Turn Signal
	3837 161	1			Two Lamp
	3837 162	1			Three Lamp
6					BREAKER, Circuit
	4331 929	AR			6 Amp.
	4186 379	AR			30 Amp.
	3747 809	2			w/Police Relay Control System, 20Amp.
	3747 810	2			w/Police Relay Control System, 30Amp.
	3747 851	1			BRACKET, Circuit Breaker, w/Police Control System
7	#4368 147	1			WIRING HARNESS, Instrument Panel
					WIRING, Instrument Panel
	4124 803	1			Relay Control, Police
	4274 019	1			Right Panel
	3843 875	1			Title Lamp Switch
8					CABLE, Fusible Link
	4026 095	1			No. 16 Blue
	4026 094	1			No. 14 Red
	4026 093	1			No. 12 Black
	4364 877	1			No. 10 Green
	4026 096	1			No. 18 Grey
	4364 878	1			No. 20 Orange
9					FUSES
	6101 132	AR			4 Amp.
	6101 131	AR			3 Amp.
	6101 133	AR			5 Amp.
	6101 137	AR			20 Amp.
	6101 135	AR			10 Amp.
	6101 138	AR			25 Amp.
	6101 139	AR			30 Amp.

MODEL CODES

E BODY = (J - CARAVELLE)(E - 600)(T - NEW YORKER)

G BODY = (V24 - DAYTONA)

H BODY = (D44 - LANCER)(C44 - LEBARON GTS)

J BODY = (C - LEBARON)

K BODY = (P - RELIANT)(D - ARIES)(C - LEBAROND)/TOWN & COUNTRY)

L BODY = (M - HORIZON/TURISMO)(Z - OMNI/CHARGER)

M BODY = (B - GRAN FURY)(F - FIFTH AVE/NEWPORT)(G - DIPLOMAT)

P BODY = (P - SUNDANCE)(D - SHADOW)

S BODY = (H - VOYAGER)(K - RAM VAN/CARAVAN)

BODY STYLES

12-13 = FWD VAN

21 = 2-DOOR SEDAN

24 = 2-DOOR HATCHBACK

27 = 2-DOOR CONVERTIBLE

41 = 4-DOOR SEDAN

44 = 4-DOOR HATCHBACK

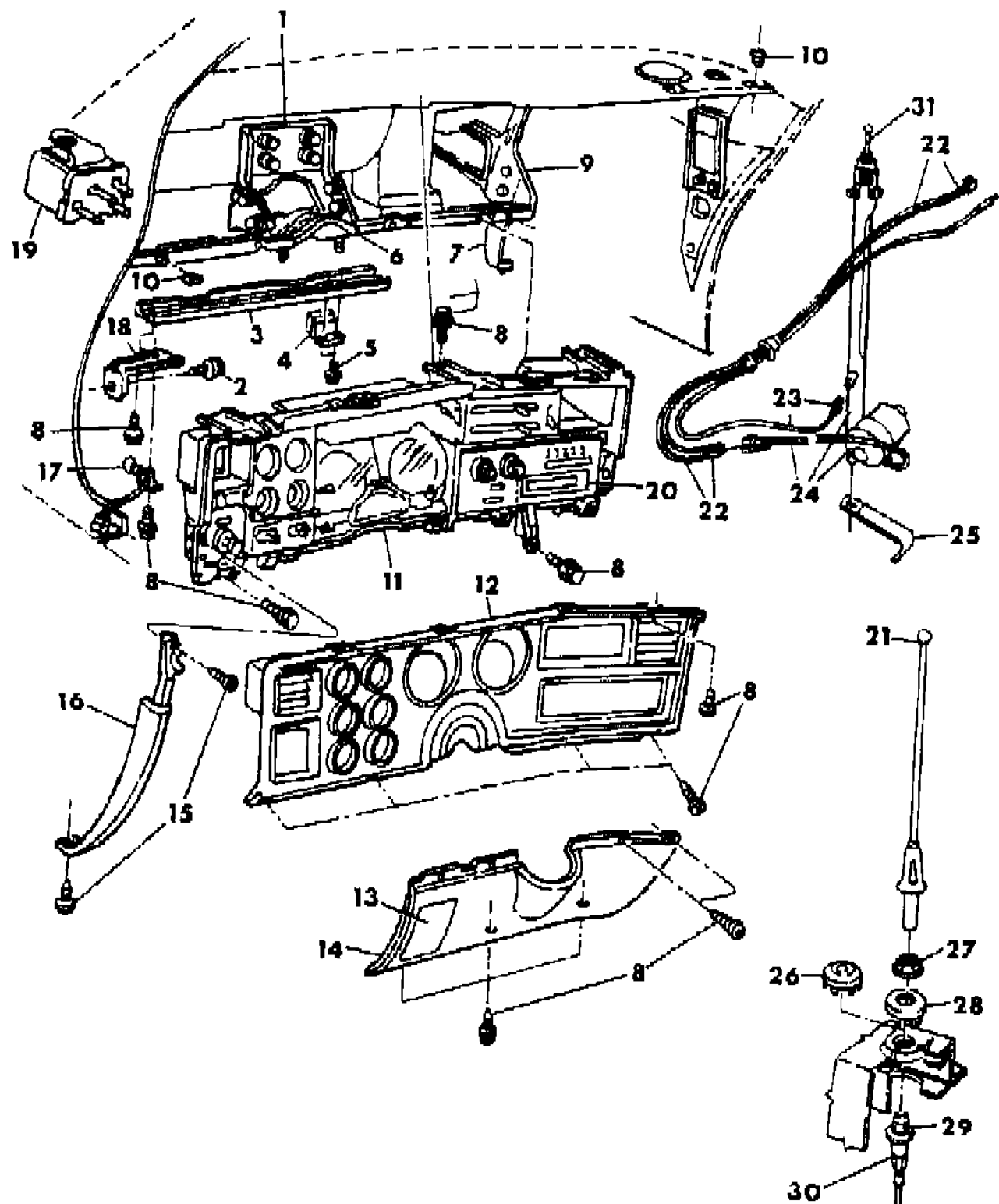
45 = 4-DOOR STATION WAGON

52-53 = FWD WAGON

AR = Use as Required - = Non Illustrated Part P.A.R. = Paint as Required

INSTRUMENT PANEL BEZELS, RADIO AND ANTENNA M BODY
Figure 8A-3800

7182 3800



ITEM	PART NUMBER	QTY	BODY	MODEL	DESCRIPTION
1	3590 876	1			BRACKET
2		AR			SCREW (DNS)
3	4047 295	1			REINFORCEMENT, Instrument Panel Lower Left
-	4047 089	1			REINFORCEMENT, Instrument Panel Intermediate Left
4	4222 060	1			CONTROL, Intermittent Wipe
5		2			SCREW (DNS)
6	4047 087	1			BRACKET, Steering Column Support
7	3591 878	1			SUPPORT, Instrument Panel Center to Lower Reinforcement
8					SCREW (DNS)
9	3590 772	1			SUPPORT, Instrument Panel Center to Cowl Top
10	6030 301	AR			NUT
11					HOUSING, Cluster, Refer to Cluster Illus.
12					BEZEL, Speedometer
	4220 004	1		F-S	
	4047 129	1		B,G	w/Air Conditioning, w/o Radio
	4047 131	1		B,G	w/Air Conditioning, w/Radio
	6029 168	AR			CLIP, Bezel Attaching
13	4106 724	1			PLATE, Fuse Block Cover
14	P635 EK1	1			COVER, Steering Column Opening
	0152 490	2			NUT, Instrument Panel Lower to Steering Column Cover
15					SCREW (DNS)
16	P513 EK1	1			CAP, Instrument Panel
17	3591 130	1			LAMP, Instrument Panel Courtesy
18	3591 081	1			BRACKET
19	3879 696	1			RELAY and BRACKET, Electric Window Lift
20					RADIO,E.T.R.w/Clock
	4311 001	1			Am (Bright Face)
	4311 002	1			Am (Black Face)
	4311 102	1			Ultimate Sound (Bright Face)
	4311 955	1			Am/Fm/Mx (Bright Face)
	4311 956	1			Am/Fm/Mx (Black Face)
	4372 443	1			Am/Fm/Mx w/Cassette (Bright Face)
	4372 442	1			Am/Fm/Mx w/Cassette (Black Face)
	4222 560	1			DIFFUSER,Illuminated Bulb
	4293 916	1			STRAP, Noise Supp. Ground
	5211 211	2			16" Lgth., Eng. to Cowl, Police Pkg.
	4222 912	1			CAPACITOR, Radio Noise Supp., Blower Motor
					KNOB, Radio

MODEL CODES

E BODY = (J - CARAVELLE)(E - 600)(T - NEW YORKER)

G BODY = (V24 - DAYTONA)

H BODY = (D44 - LANCER)(C44 - LEBARON GTS)

J BODY = (C - LEBARON)

K BODY = (P - RELIANT)(D - ARIES)(C - LEBAROND)/TOWN & COUNTRY)

L BODY = (M - HORIZON/TURISMO)(Z - OMNI/CHARGER)

M BODY = (B - GRAN FURY)(F - FIFTH AVE/NEWPORT)(G - DIPLOMAT)

P BODY = (P - SUNDANCE)(D - SHADOW)

S BODY = (H - VOYAGER)(K - RAM VAN/CARAVAN)

BODY STYLES

12-13 = FWD VAN

21 = 2-DOOR SEDAN

24 = 2-DOOR HATCHBACK

27 = 2-DOOR CONVERTIBLE

41 = 4-DOOR SEDAN

44 = 4-DOOR HATCHBACK

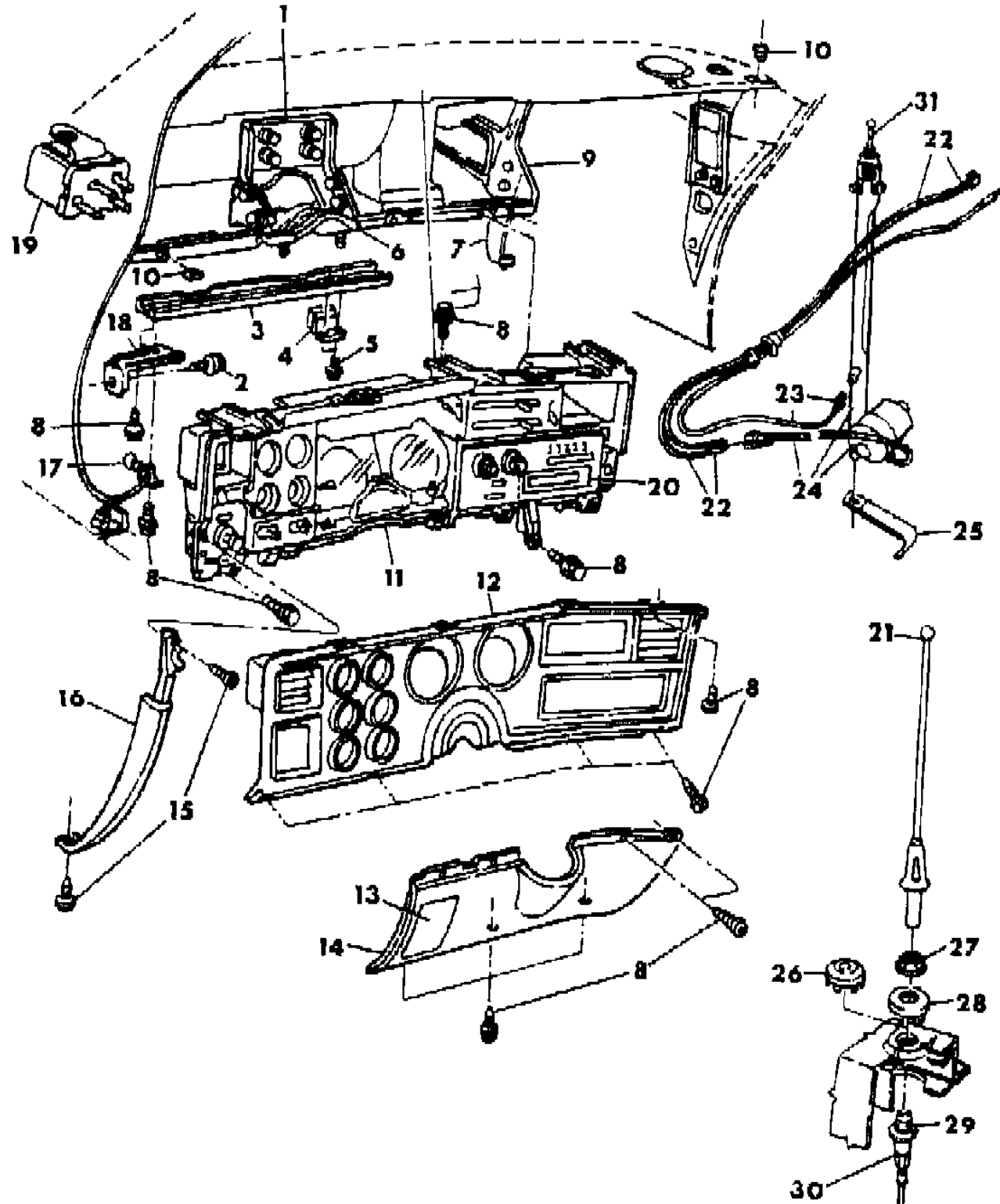
45 = 4-DOOR STATION WAGON

52-53 = FWD WAGON

AR = Use as Required - = Non Illustrated Part P.A.R. = Paint as Required

INSTRUMENT PANEL BEZELS, RADIO AND ANTENNA M BODY
Figure 8A-3800

7182 3800



ITEM	PART NUMBER	QTY	BODY	MODEL	DESCRIPTION
					Primary
	4311 554	2			w/4311102 Radio
	4311 325	AR			w/4372443,4311955,4311001 Radios
	4311 334	AR			w/4372442,4311956,4311002 Radios
					Bass
	4311 327	AR			w/4372443,4311955 Radios
	4311 337	AR			w/4372442,4311956 Radios
					Treble
	4311 328	AR			w/4372443,4311955 Radios
	4311 339	AR			w/4372442,4311956 Radios
					Secondary
	4311 557	2			w/4311102 Radio
	4311 329	AR			w/4372443,4311955,4311001 Radios
	4311 341	AR			w/4372442,4311956,4311002 Radios
					KNOB PACKAGE, "Joy Stick"
	4364 484	1			Black
	4364 483	1			Bright
	4311 581	6			BUTTON, w/Ultimate Sound Radio
21	4222 797	1			MAST, Antenna
22		1			CABLE and LEAD, Make Locally, See Group 8 For Connectors
23	4372 106	1			CABLE PACKAGE, Power Antenna
	4311 976	1			CABLE, Power Antenna
	4304 689	1			WIRING, Power Antenna
24	4364 481	1			ANTENNA, Power
	4372 103	1			NUT, Retaining
25	4311 994	1			BRACKET, Power Antenna to Side Cowl
26	3501 331	1			PLUG, Antenna Hole
27	3501 287	1			NUT, Cap
	4311 974	1			w/Power Antenna
28	3501 293	1			ADAPTER and GASKET, Antenna
	4311 982	1			w/Power Antenna
29	3501 321	1			WASHER, Lock
30	3501 294	1			BODY and CABLE, Antenna
31	4372 103	1			MAST PACKAGE, Power Antenna

MODEL CODES

E BODY = (J - CARAVELLE)(E - 600)(T - NEW YORKER)

G BODY = (V24 - DAYTONA)

H BODY = (D44 - LANCER)(C44 - LEBARON GTS)

J BODY = (C - LEBARON)

K BODY = (P - RELIANT)(D - ARIES)(C - LEBAROND)/TOWN & COUNTRY)

L BODY = (M - HORIZON/TURISMO)(Z - OMNI/CHARGER)

M BODY = (B - GRAN FURY)(F - FIFTH AVE/NEWPORT)(G - DIPLOMAT)

P BODY = (P - SUNDANCE)(D - SHADOW)

S BODY = (H - VOYAGER)(K - RAM VAN/CARAVAN)

BODY STYLES

12-13 = FWD VAN

21 = 2-DOOR SEDAN

24 = 2-DOOR HATCHBACK

27 = 2-DOOR CONVERTIBLE

41 = 4-DOOR SEDAN

44 = 4-DOOR HATCHBACK

45 = 4-DOOR STATION WAGON

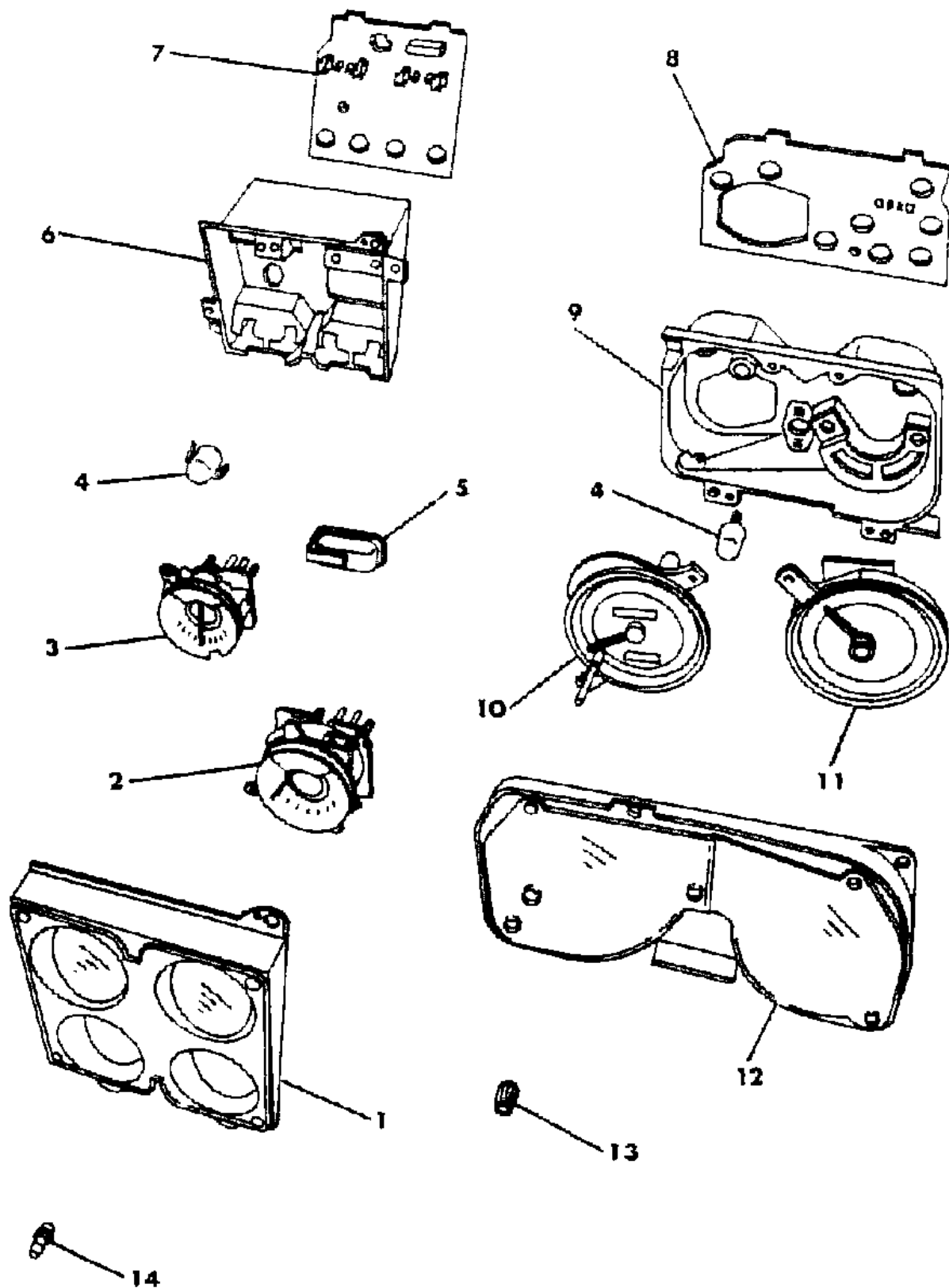
52-53 = FWD WAGON

AR = Use as Required - = Non Illustrated Part P.A.R. = Paint as Required

INSTRUMENT PANEL CLUSTER M BODY
Figure 8A-3900

7182 3900 A

ITEM	PART NUMBER	QTY	BODY	MODEL	DESCRIPTION
1	4051 339	1			LENS and MASK, Ammeter and Temperature
2	4051 348	1			GAUGE, Temperature
3	4051 397	1			GAUGE, Ammeter
4	#4374 072	AR			SOCKET, Bulb
	9421 330	AR			BULB
5	2258 413	1			LIMITER, Voltage
6	#4051 072	1			HOUSING, Ammeter and Temperature
7	4051 180	1			CIRCUIT BOARD, Minor
8	4051 419	1			CIRCUIT BOARD, Major
9	4051 079	1			HOUSING, Speedometer and Fuel
10					SPEEDOMETER
	4051 524	1			85 Mph
	4051 525	1			125 Mph
11					GAUGE, Fuel
	4051 388	1			w/Unleaded Fuel
	4051 389	1			w/Leaded Fuel
12	#4051 027	1			LENS and MASK, Speedometer and Fuel
13	4051 195	1			KNOB, Odometer
14	3591 814	4			PIN, Lens Mtg.



MODEL CODES

E BODY = (J - CARAVELLE)(E - 600)(T - NEW YORKER)

G BODY = (V24 - DAYTONA)

H BODY = (D44 - LANCER)(C44 - LEBARON GTS)

J BODY = (C - LEBARON)

K BODY = (P - RELIANT)(D - ARIES)(C - LEBAROND)/TOWN & COUNTRY)

L BODY = (M - HORIZON/TURISMO)(Z - OMNI/CHARGER)

M BODY = (B - GRAN FURY)(F - FIFTH AVE/NEWPORT)(G - DIPLOMAT)

P BODY = (P - SUNDANCE)(D - SHADOW)

S BODY = (H - VOYAGER)(K - RAM VAN/CARAVAN)

BODY STYLES

12-13 = FWD VAN

21 = 2-DOOR SEDAN

24 = 2-DOOR HATCHBACK

27 = 2-DOOR CONVERTIBLE

41 = 4-DOOR SEDAN

44 = 4-DOOR HATCHBACK

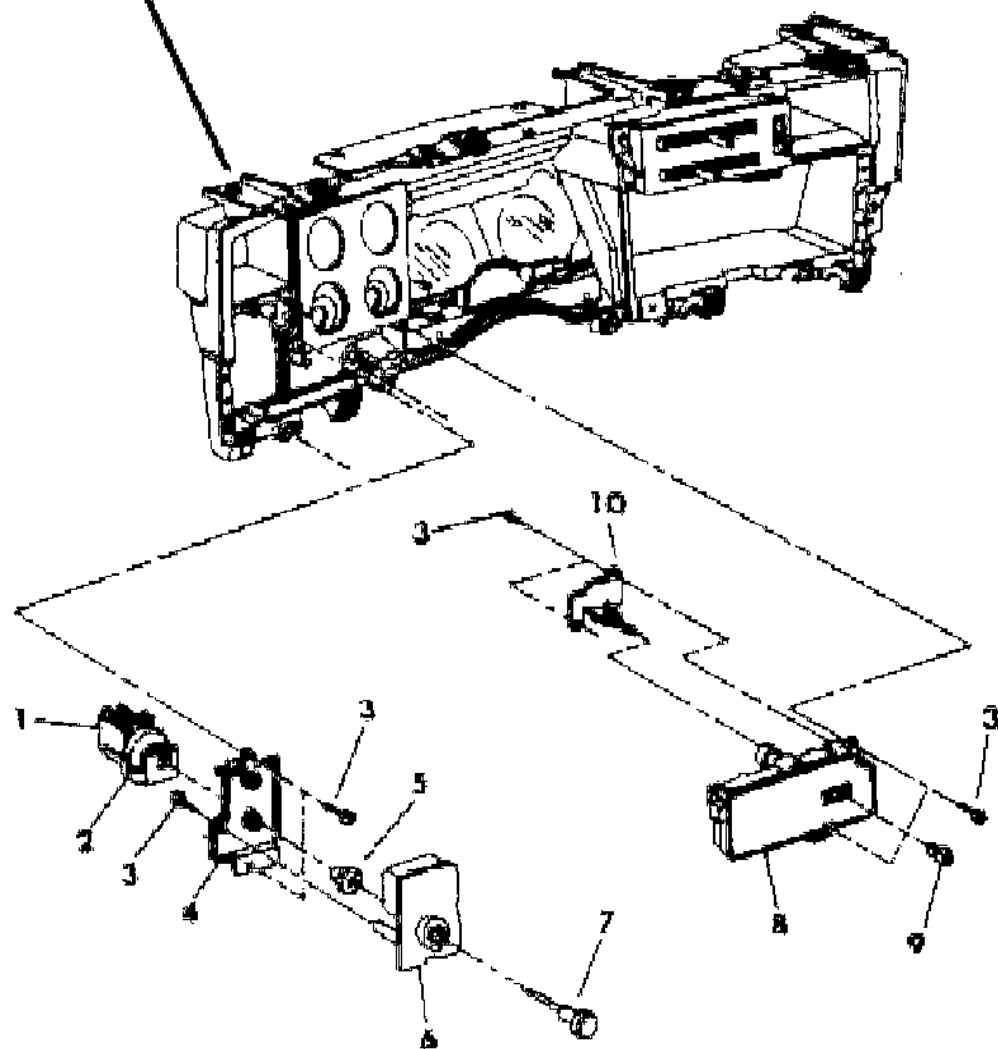
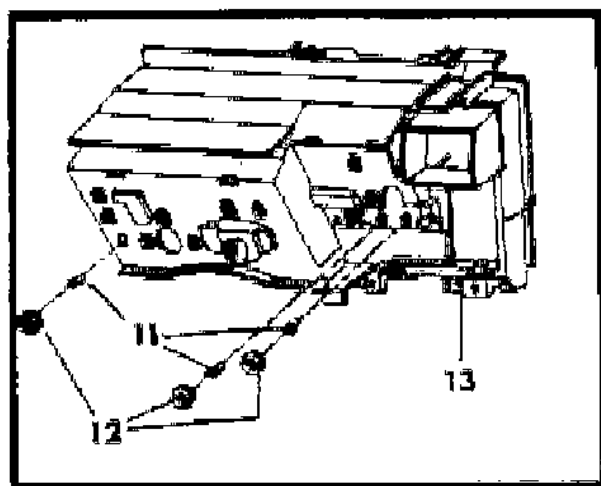
45 = 4-DOOR STATION WAGON

52-53 = FWD WAGON

AR = Use as Required - = Non Illustrated Part P.A.R. = Paint as Required

INSTRUMENT PANEL CARRIER AND SWITCHES M BODY
Figure 8A-4000

7182 4000



ITEM	PART NUMBER	QTY	BODY	MODEL	DESCRIPTION
1	4221 405	1			SWITCH, Head Lamp, Instrument Lamp and Dome Lamp
2	3747 258	1			RHEOSTAT, Head Lamp Switch
3					SCREW (DNS)
4	3747 225	1			PLATE, Head Lamp Switch Mtg.
5	4221 063	1			RETAINER, Head Lamp Switch Mtg.
6	4221 607	1		B,G	BEZEL, Head Lamp Switch
	4221 608	1		F	
7	3747 760	1			KNOB and SHAFT, H/Lamp Switch
8	3747 974	1			BEZEL and PLATE, Heated Backlite Switch Mtg.
	3747 675	1			COVER, Acc. Switch Opening
9	3747 244				KNOB, Acc. Switch
10	3747 641	1			SWITCH, Heated Backlite
11	9421 330	AR			BULB
12	3744 750	AR			SOCKET
13	4051 841	1			CARRIER, Speedometer and Instrument Cluster

MODEL CODES

E BODY = (J - CARAVELLE)(E - 600)(T - NEW YORKER)

G BODY = (V24 - DAYTONA)

H BODY = (D44 - LANCER)(C44 - LEBARON GTS)

J BODY = (C - LEBARON)

K BODY = (P - RELIANT)(D - ARIES)(C - LEBAROND)/TOWN & COUNTRY)

L BODY = (M - HORIZON/TURISMO)(Z - OMNI/CHARGER)

M BODY = (B - GRAN FURY)(F - FIFTH AVE/NEWPORT)(G - DIPLOMAT)

P BODY = (P - SUNDANCE)(D - SHADOW)

S BODY = (H - VOYAGER)(K - RAM VAN/CARAVAN)

BODY STYLES

12-13 = FWD VAN

21 = 2-DOOR SEDAN

24 = 2-DOOR HATCHBACK

27 = 2-DOOR CONVERTIBLE

41 = 4-DOOR SEDAN

44 = 4-DOOR HATCHBACK

45 = 4-DOOR STATION WAGON

52-53 = FWD WAGON

AR = Use as Required - = Non Illustrated Part P.A.R. = Paint as Required

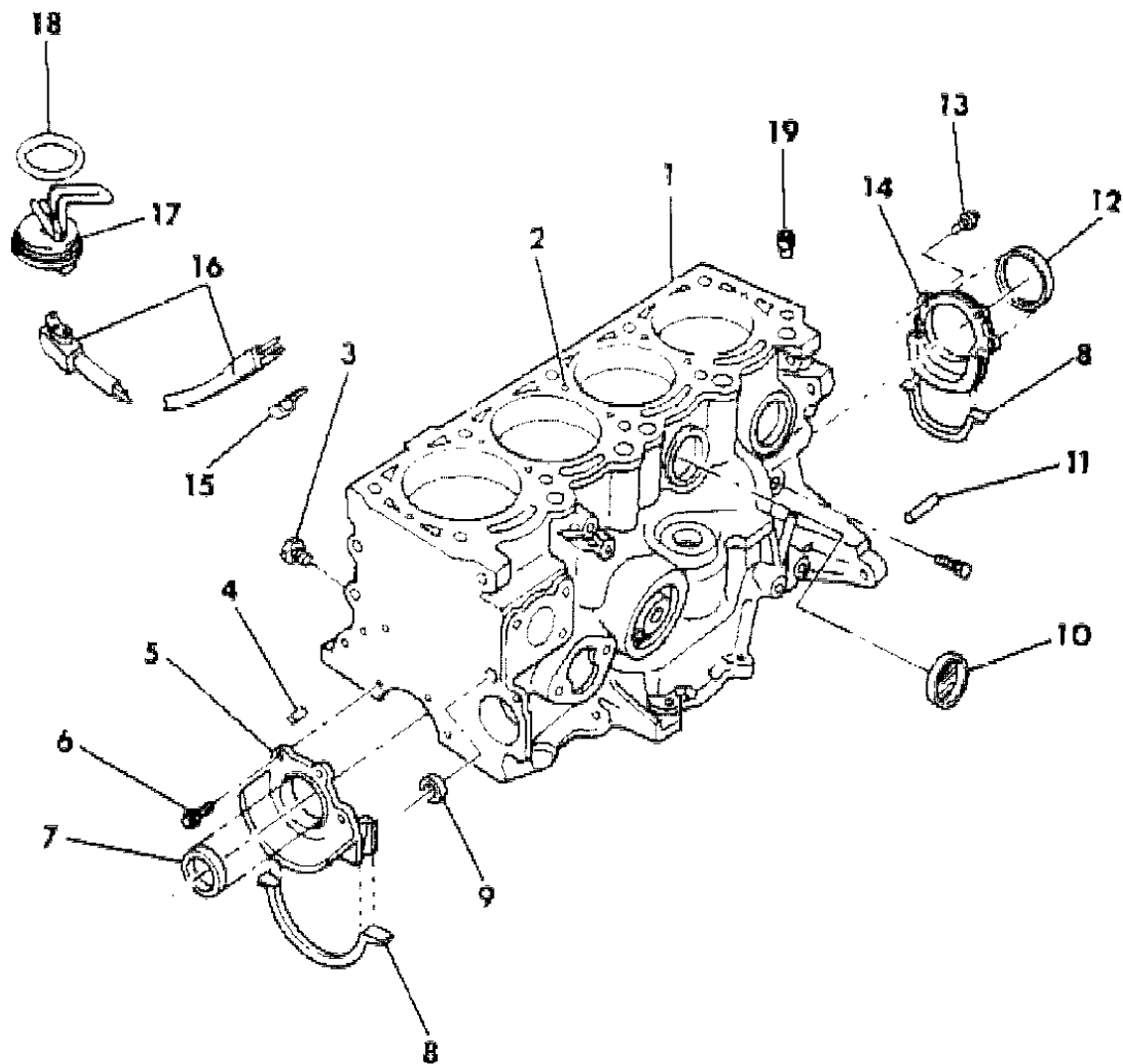
GROUP 9A - ENGINE, 4 CYLINDER

ILLUSTRATION TITLE	GROUP-FIG. NO.
2.2 L ENGINE	
CYLINDER BLOCK 2.2 L ENGINE	Fig. 9A-200
CYLINDER HEAD 2.2 L ENGINE	Fig. 9A-300
CRANKSHAFT, PISTONS AND TORQUE CONVERTER 2.2 L ENGINE	Fig. 9A-400
CAMSHAFT AND VALVES 2.2 L ENGINE	Fig. 9A-500
TIMING BELT AND COVERS AND INTERMEDIATE SHAFT 2.2 L ENGINE	Fig. 9A-600
ENGINE OILING 2.2 L ENGINE	Fig. 9A-700
OIL LINES 2.2 L TURBO ENGINE	Fig. 9A-800
MANIFOLD, INTAKE AND EXHAUST W/O INTERCOOLER 2.2 L ENGINE	Fig. 9A-900
MANIFOLD, INTAKE AND EXHAUST W/TURBO-INTERCOOLER 2.2 L ENGINE	Fig. 9A-1000
CRANKCASE VENTILATION W/O INTERCOOLER 2.2 L ENGINE	Fig. 9A-1100
CRANKCASE VENTILATION W/TURBO-INTERCOOLER 2.2 L ENGINE	Fig. 9A-1200
ENGINE MOUNTING 2.2 L ENGINE	Fig. 9A-1300
2.5 L ENGINE	
CYLINDER BLOCK 2.5 L ENGINE	Fig. 9A-1500
CYLINDER HEAD 2.5 L ENGINE	Fig. 9A-1600
CRANKSHAFT & PISTONS 2.5 L ENGINE	Fig. 9A-1700
CAMSHAFT & VALVES 2.5 L ENGINE	Fig. 9A-1800
BALANCE SHAFTS 2.5 L ENGINE	Fig. 9A-1900
TIMING BELT & COVERS & INTERMEDIATE SHAFT 2.5 L ENGINE	Fig. 9A-2000
ENGINE OILING 2.5 L ENGINE	Fig. 9A-2100
MANIFOLDS, INTAKE & EXHAUST 2.5 L ENGINE	Fig. 9A-2200
CRANKCASE VENTILATION 2.5 L ENGINE	Fig. 9A-2300
ENGINE MOUNTING 2.5 L ENGINE	Fig. 9A-2400
2.6 L ENGINE	
SHORT ENGINE 2.6 L ENGINE	Fig. 9A-2500
GASKET SET, ENGINE OVERHAUL 2.6 L ENGINE	Fig. 9A-2600
CYLINDER HEAD 2.6 L ENGINE	Fig. 9A-2700
CYLINDER BLOCK 2.6 L ENGINE	Fig. 9A-2800
TORQUE CONVERTER 2.6 L ENGINE	Fig. 9A-2900
CRANKSHAFT & PISTONS 2.6 L ENGINE	Fig. 9A-3000
CAMSHAFT & VALVES 2.6 L ENGINE	Fig. 9A-3100
BALANCE SHAFTS 2.6 L ENGINE	Fig. 9A-3200
MANIFOLD, INTAKE & EXHAUST 2.6 L ENGINE	Fig. 9A-3300
OIL PAN, OIL PUMP & OIL FILTER 2.6 L ENGINE	Fig. 9A-3400
ENGINE MOUNTING 2.6 L ENGINE	Fig. 9A-3500

ILLUSTRATION NOT AVAILABLE AT TIME OF PUBLICATION

CYLINDER BLOCK 2.2 L ENGINE
Figure 9A-200

7158 200A



ITEM	PART NUMBER	QTY	BODY	MODEL	DESCRIPTION
NOTE 1: These Packages do not contain Gaskets for all required sealings. R.T.V. Sealer #4318025 and Gasket Eliminator #4318029 must be used in addition as described in the Chrysler repair Manual.					
	4240 098	1			GASKET PACKAGE, Engine Lower (See Note 1) Consists of: 1-1407748 Seal, Oil Pump Cover to Oil Pump Suction pipe 1-5203542 Gasket, Water Pump Housing 1-5203778 Seal, Oil Pan to Retainer
NOTE: Short Assembly Consists of the Cylinder Block with Piston and Rings, Crankshaft and Bearing, Connecting Rods and Bearing, on as described in the Chrysler repair Manual.					
	4387 651	1			ENGINE, Short w/EDE Carbureted, w/EDF Injected Engine
	4387 652	1			w/EDG Turbo Engine, w/o Intercooler
	4387 652	1	L,H,P		w/EDG Turbo w/Intercooler (Shelby)
	4343 875	1			w/EDR Turbo-Intercooler Engine
1		1			BLOCK, Cylinder (Serviced in Short Engine)
2		2			DOWEL, Cylinder Block to Cylinder Head (Not Serviced)
3		1			PLUG, Cylinder Block Water Jacket Drain 1/4" Pipe (Not Serviced)
4		4			DOWEL, Cylinder Block to Crankshaft Seal Retainer (Not Serviced)
5	5214 788	1			RETAINER, Crankshaft Oil Seal Front w/Oil Seal (See Note 1)
6	6101 278	2			SCREW and WASHER, Crankshaft Oil Seal Retainer, Front
7	4105 395	1			OIL SEAL, Crankshaft Front
8		1			SEAL, Oil Pan to Retainer (See Oil Pan Illust.)
9	5203 340	2			PLUG, Cylinder Block Oil Gallery Hole (5/8)
	4105 971	AR			(.065" O/S)
10	5203 342	5			PLUG, Cylinder Block Water Hole 1-5/8"
	4556 023	AR			(.065" O/S)
11	5240 849	2			DOWEL, Cylinder Block to Clutch Housing Trans. Case
12	5203 590	1			OIL SEAL, Crankshaft Rear
13	6101 278	4			SCREW and WASHER, Crankshaft Oil Seal Retainer Rear
14	5214 784	1			RETAINER, Crankshaft Rear Oil Seal w/Oil Seal (See Note 1)
15	6501 323	2			CLIP, Engine Block Heater Cord
	6015 756	AR			STRAP, Engine Block Heater
16	5206 359	1			CORD, Engine Block Heater
17	5213 083	1			HEATER, Engine Block
18	6027 513	1			O-RING, Engine Block Heater
19	4323 808	1			RESTRICTOR, Cylinder Head Oil

MODEL CODES

E BODY = (J - CARAVELLE)(E - 600)(T - NEW YORKER)

G BODY = (V24 - DAYTONA)

H BODY = (D44 - LANCER)(C44 - LEBARON GTS)

J BODY = (C - LEBARON)

K BODY = (P - RELIANT)(D - ARIES)(C - LEBAROND)/TOWN & COUNTRY)

L BODY = (M - HORIZON/TURISMO)(Z - OMNI/CHARGER)

M BODY = (B - GRAN FURY)(F - FIFTH AVE/NEWPORT)(G - DIPLOMAT)

P BODY = (P - SUNDANCE)(D - SHADOW)

S BODY = (H - VOYAGER)(K - RAM VAN/CARAVAN)

BODY STYLES

12-13 = FWD VAN

21 = 2-DOOR SEDAN

24 = 2-DOOR HATCHBACK

27 = 2-DOOR CONVERTIBLE

41 = 4-DOOR SEDAN

44 = 4-DOOR HATCHBACK

45 = 4-DOOR STATION WAGON

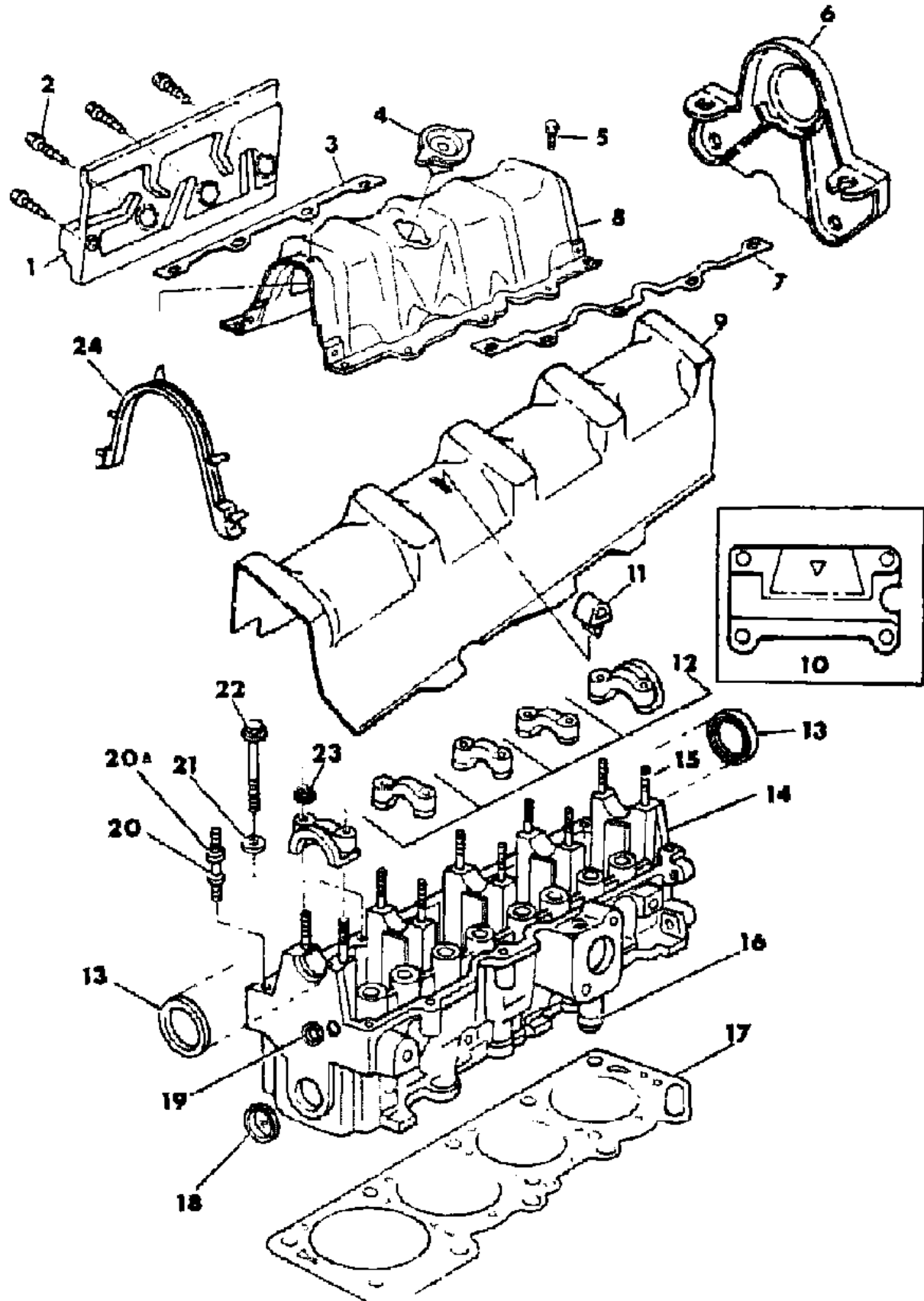
52-53 = FWD WAGON

AR = Use as Required - = Non Illustrated Part P.A.R. = Paint as Required

CYLINDER HEAD 2.2 L ENGINE

Figure 9A-300

7158 300 A



ITEM	PART NUMBER	QTY	BODY	MODEL	DESCRIPTION
NOTE 1: These Packages do not contain Gaskets for all required sealings. R.T.V. Sealer #4318025 and Gasket Eliminator #4318029 must be used in addition as described in the Chrysler repair Manual.					
NOTE 2: Cylinder Heads Stamped "O/S J" on Camshaft Bearing Journal or Camshaft Air Pump End Face are not Serviced, use "Standard Cylinder Head and "Standard" Camshaft Package for Service.					
	4728 218	1			GASKET PACKAGE, Engine Upper w/o EDG Turbo, w/o EDR Turbo-Intercooler Engine (See Note 1) Consists of: 1- 4387319 Gasket, Cylinder Head 8- 4201332 Seal, Valve Stem Oil
	4397 740	1			2- 5214479 Seal, Cylinder Head Cover End
	4397 772	1			1- 4179895 Gasket, Cylinder Water Outlet Connection w/EDG Turbo (See Note 1)
1	4105 476	1			SEPARATOR, Cylinder Head Cover Oil (w/EDG-Turbo,w/EDR Turbo-Intercooler Engine)
2	4494 473	2			SCREW, Cylinder Head Cover Oil Separator (w/EDG Turbo & w/EDR Turbo-Intercooler Engine)
3	4201 978	1	L,S		DOUBLER, Cylinder Head Cover Rear w/EDE CarburetedEngine
4	4343 715	1			CAP, Oil Filler w/o EDG Turbo, w/o EDR Turbo-Intercooler Engine
	4105 484	1			w/EDG Turbo, w/EDR Turbo-Intercooler Engine
5	#6100 275	3			SCREW, w/Washer, Cylinder Head
6	4298 087	1			COVER, Camshaft Rear w/EDF Injected Engine
	4298 087	1			w/EDG Turbo, w/o Intercooler
7	4201 977	1	L,S		DOUBLER, Cylinder Head Cover Front w/EDE Carb. Engine
8	4343 614	1	L		COVER, Cylinder Head w/EDE Carbureted Engine (See Note 1)
	4343 960	1	S		w/EDE Carbureted Engine
	4343 496	1			w/EDF Injected Engine
	4105 483	1			w/o Oil Separator, w/EDG Turbo, W/EDR Turbo-Intercooler
	4387 303	1			w/Oil Separator, w/EDR Turbo-Intercooler
	4419 992	1	L,H,P		w/EDG Turbo w/Intercooler (Shelby)
		1			GASKET, Cylinder Head Cover w/EDG Turbo & EDR Turbo-Intercooler (For 4105483 Cover) (See Note 1)
	4343 882	1			w/EDG Turbo & EDR Turbo-Intercooler (Includes Full Gasket for 4315875, 4315878 Cover)
	4387 332	1			RESTRICTOR, Cylinder Head Cover PCV w/EDF Injected Engine
9	4343 495	1			CURTAIN, Cylinder Head w/EDF Injected Engine
10	4105 775	1			SHIELD, Camshaft Oil Splash w/o EDF Injected Engine

MODEL CODES

E BODY = (J - CARAVELLE)(E - 600)(T - NEW YORKER)

G BODY = (V24 - DAYTONA)

H BODY = (D44 - LANCER)(C44 - LEBARON GTS)

J BODY = (C - LEBARON)

K BODY = (P - RELIANT)(D - ARIES)(C - LEBAROND)/TOWN & COUNTRY)

L BODY = (M - HORIZON/TURISMO)(Z - OMNI/CHARGER)

M BODY = (B - GRAN FURY)(F - FIFTH AVE/NEWPORT)(G - DIPLOMAT)

P BODY = (P - SUNDANCE)(D - SHADOW)

S BODY = (H - VOYAGER)(K - RAM VAN/CARAVAN)

BODY STYLES

12-13 = FWD VAN

21 = 2-DOOR SEDAN

24 = 2-DOOR HATCHBACK

27 = 2-DOOR CONVERTIBLE

41 = 4-DOOR SEDAN

44 = 4-DOOR HATCHBACK

45 = 4-DOOR STATION WAGON

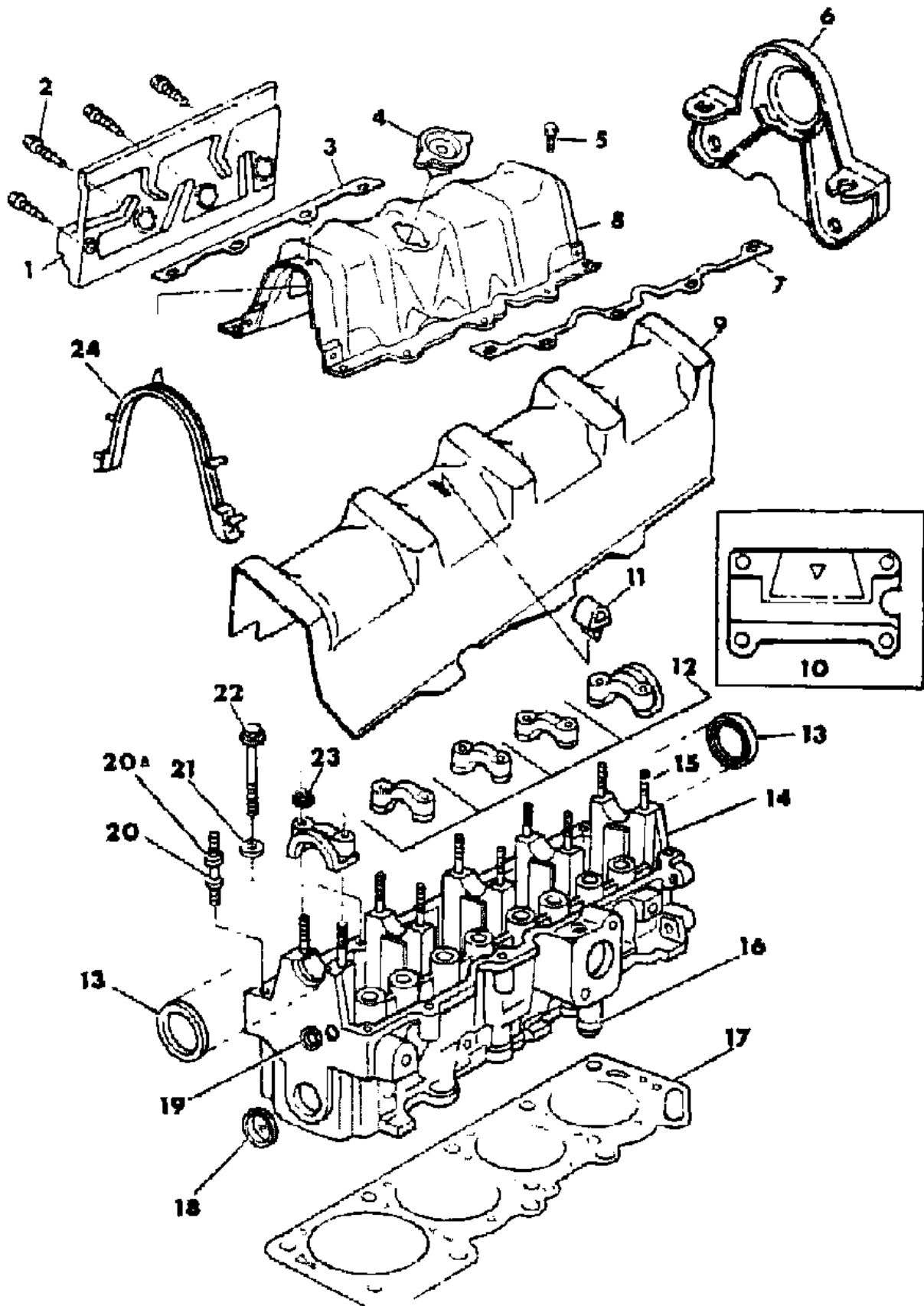
52-53 = FWD WAGON

AR = Use as Required - = Non Illustrated Part P.A.R. = Paint as Required

CYLINDER HEAD 2.2 L ENGINE

Figure 9A-300

7158 300 A



ITEM	PART NUMBER	QTY	BODY	MODEL	DESCRIPTION
11	4387 331	2			RETAINER, Cylinder Head Curtain w/EDF Injected Engine
12					CAPS, Camshaft Bearing (Serviced in Cylinder Head (See Note 1))
13	4105 395	1			SEAL, Camshaft Front
	4105 397	1			SEAL, Camshaft Rear (52.35 MM O.D. Yellow)
	4105 396	1			(53.62 MM O.D. White)
	4343 903	1			PLUG, Camshaft Rear
14	4387 614	1	L		HEAD, Cylinder (Standard Camshaft Journals)(See Note 2)w.EDC Carb. Engine
	4105 783	1	Exc L		w/EDC Carbureted Engine, EDF Injected Engine
	4343 627	1			w/EDG Turbo, w/o Intercooler
	4343 627	1	L,H,P		w/EDG Turbo w/Intercooler (Shelby)
	4387 838	1			w/EDR Turbo-Intercooler Engine
15	6100 299	10			SCREW, Camshaft Bearing Cap
16	4105 295	1			NIPPLE, Thermostat Water By-Pass (See Group 7)
17	4387 319	1			GASKET, Cylinder Head (Except EDR Turbo-Intercooler)
	4387 837	1			w/EDR Turbo-Intercooler
	4448 301	1	L,H,P		w/EDG Turbo w/Intercooler (Shelby)
18	5203 341	2			PLUG, Cylinder Head Water Hole (1-1/4)
	4105 972	AR			.065 O/S
	6033 046	1			PLUG, Cylinder Head Water Hole (3/8-18) w/EDG Turbo, EDR Turbo-Intercooler
19	5203 340	2			PLUG, Cylinder Head Oil Gallery Hole (5/8)
	4105 971	AR			.065 O/S
20	6500 435	4			STUD, Cylinder Head Cover (M6) w/EDC Carbureted Engine
	6500 435	2			w/EDF Injected Engine
	6500 734	2			w/EDG Turbo, w/EDR Turbo-Intercooler Engine
20a	6500 274	2	L,S		NUT, Lock Cylinder Head Stud (M6x1.00) w/EDC Carb. Engine
	6100 276	5			SCREW and WASHER, (M6x20) w/EDC Carbureted Engine
	6100 276	5			w/EDF Injected Engine
	6100 277	5			(M6x25) w/EDG Turbo, w/EDR Turbo-Intercooler Engine
		2			(M6x30) w/EDG Turbo Engine (Not Serviced)
21	6501 434	10			WASHER, Cylinder Head Screw
22	6501 433	10			SCREW, Cylinder Head (M11x122.5 MM)
	6500 399	1			SCREW and WASHER, Cylinder Head Plug w/EDG Turbo, w/EDR Turbo-Intercooler Engine (M10x1.50-20Lgh.)
	6500 267	1			(Exc EDG Turbo & EDR Turbo-Intercooler Engine) (M10x1.25-16 Lgh.)

MODEL CODES

E BODY = (J - CARAVELLE)(E - 600)(T - NEW YORKER)

G BODY = (V24 - DAYTONA)

H BODY = (D44 - LANCER)(C44 - LEBARON GTS)

J BODY = (C - LEBARON)

K BODY = (P - RELIANT)(D - ARIES)(C - LEBAROND)/TOWN & COUNTRY)

L BODY = (M - HORIZON/TURISMO)(Z - OMNI/CHARGER)

M BODY = (B - GRAN FURY)(F - FIFTH AVE/NEWPORT)(G - DIPLOMAT)

P BODY = (P - SUNDANCE)(D - SHADOW)

S BODY = (H - VOYAGER)(K - RAM VAN/CARAVAN)

BODY STYLES

12-13 = FWD VAN

21 = 2-DOOR SEDAN

24 = 2-DOOR HATCHBACK

27 = 2-DOOR CONVERTIBLE

41 = 4-DOOR SEDAN

44 = 4-DOOR HATCHBACK

45 = 4-DOOR STATION WAGON

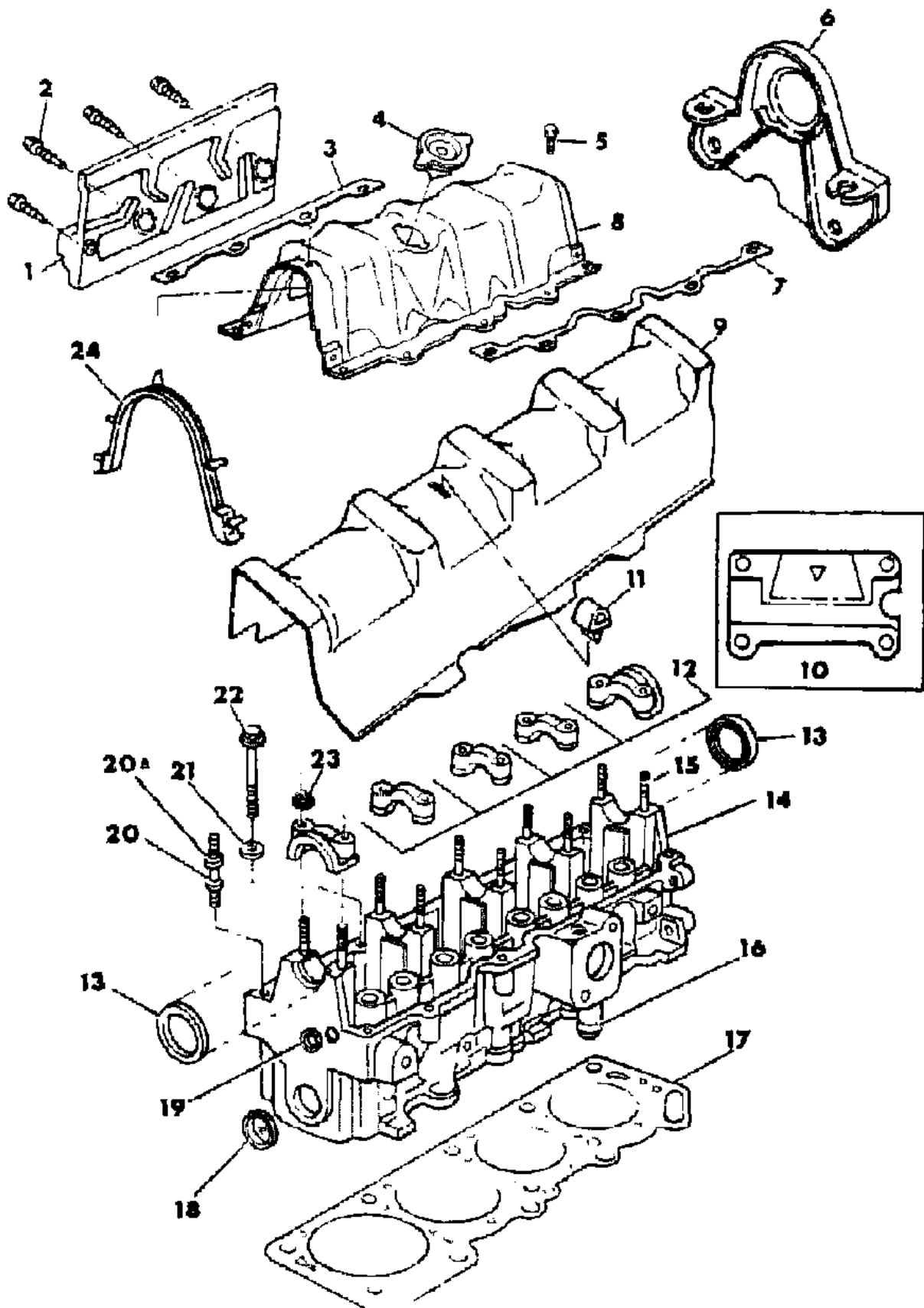
52-53 = FWD WAGON

AR = Use as Required - = Non Illustrated Part P.A.R. = Paint as Required

CYLINDER HEAD 2.2 L ENGINE

Figure 9A-300

7158 300 A



ITEM	PART NUMBER	QTY	BODY	MODEL	DESCRIPTION
23					NUT, Camshaft Bearing Cap Stud (Not Serviced)
24	5214 479	2			SEAL, Cylinder Head Cover End w/o EDG Turbo, w/o EDR Turbo-Intercooler Engine
	4105 475	2			w/EDG Turbo, W/EDR Turbo-Intercooler Engine (Exc. 4315475, 4315878 Cover)
		2			w/EDG Turbo, W/EDR Turbo-Intercooler Engine (For 4315875, 4315878 Cover Serviced in Full Gasket)
	6501 068	2			STUD, Double End (M6x1.00) w/EDG Turbo w/o Intercooler (Not Shown)

MODEL CODES

E BODY = (J - CARAVELLE)(E - 600)(T - NEW YORKER)
 G BODY = (V24 - DAYTONA)
 H BODY = (D44 - LANCER)(C44 - LEBARON GTS)
 J BODY = (C - LEBARON)
 K BODY = (P - RELIANT)(D - ARIES)(C - LEBAROND)/TOWN & COUNTRY

L BODY = (M - HORIZON/TURISMO)(Z - OMNI/CHARGER)
 M BODY = (B - GRAN FURY)(F - FIFTH AVE/NEWPORT)(G - DIPLOMAT)
 P BODY = (P - SUNDANCE)(D - SHADOW)
 S BODY = (H - VOYAGER)(K - RAM VAN/CARAVAN)

BODY STYLES

12-13 = FWD VAN
 21 = 2-DOOR SEDAN
 24 = 2-DOOR HATCHBACK
 27 = 2-DOOR CONVERTIBLE
 41 = 4-DOOR SEDAN
 44 = 4-DOOR HATCHBACK
 45 = 4-DOOR STATION WAGON
 52-53 = FWD WAGON

AR = Use as Required - = Non Illustrated Part P.A.R. = Paint as Required

CRANKSHAFT, PISTONS AND TORQUE CONVERTER 2.2 L ENGINE
Figure 9A-400

715B 400

ITEM	PART NUMBER	QTY	BODY	MODEL	DESCRIPTION
1	4343 547	8			BOLT, Connecting Rod Bearing Cap
2	5203 800	4			PIN, Piston w/EDE Carb. & EDF Injected Engine
	1947 351	4			w/EDG Turbo
	4387 513	4	G		w/EDR Turbo-Intercooler
3	4271 929	4	L		PISTON, w/Pin, Standard w/EDE Carb. Up to 3/26/86
	4397 632	4	L		Standard w/EDE Carb. After 3/26/86
	4397 632	4	Exc. L		Standard w/EDE Carb. and EDF Injected Engine
	4271 930	4	L		0.50 MM O/S w/EDE Carb. Up to 3/26/86
	4397 633	4	L		0.50 MM O/S w/EDE Carb. After 3/26/86
	4397 633	4	Exc. L		0.50MM O/S w/EDE Carb. and EDF Injected Engine
	4397 634	4			Standard w/EDG Turbo Engine w/o Intercooler
	4397 635	4			0.50 MM O/S
	4397 634	4	L,H,P		Standard w/EDG Turbo Engine w/Intercooler (Shelby)
	4397 635	4			0.50MM O/S
	4387 512	4			Standard, w/EDR Turbo-Intercooler Engine
	4397 738	4			0.50MM O/S
	4387 516	4			RING, Snap w/EDR Turbo-Intercooler Engine
4	4411 975	4			RING PACKAGE, Piston, Standard (For Single Piston) w/o EDG Turbo, w/o EDR Turbo-Intercooler Engine
	4411 976	4			0.50 O/S
	4411 977	1			RING SET, Piston, Standard For Complete Engine w/EDG Turbo, W/EDR Turbo-Intercooler Engine
	4411 978	1			0.50 MM O/S
	4411 973	1			RING SET, Piston, Standard for Complete Engine w/o EDG Turbo, w/o EDR Turbo-Intercooler Engine
	4411 974	1			0.50 MM O/S
5	4293 824	4			BEARING PACKAGE, Crankshaft Main #1,2,4,5, Standard
	4293 825	4			0.025 MM U/S
	4293 826	4			0.050 MM U/S
	4293 827	4			0.250 MM U/S
	4293 828	4			0.275 MM U/S
	4293 829	4			0.300 MM U/S
6	4293 830	1			BEARING PACKAGE, Crankshaft Main #3, Standard
	4293 831	1			0.025 MM U/S
	4293 832	1			0.050 MM U/S
	4293 833	1			0.250 MM U/S
	4293 834	1			0.275 MM U/S
	4293 835	1			0.300 MM U/S

MODEL CODES

E BODY = (J - CARAVELLE)(E - 600)(T - NEW YORKER)

G BODY = (V24 - DAYTONA)

H BODY = (D44 - LANCER)(C44 - LEBARON GTS)

J BODY = (C - LEBARON)

K BODY = (P - RELIANT)(D - ARIES)(C - LEBAROND)/TOWN & COUNTRY)

L BODY = (M - HORIZON/TURISMO)(Z - OMNI/CHARGER)

M BODY = (B - GRAN FURY)(F - FIFTH AVE/NEWPORT)(G - DIPLOMAT)

P BODY = (P - SUNDANCE)(D - SHADOW)

S BODY = (H - VOYAGER)(K - RAM VAN/CARAVAN)

BODY STYLES

12-13 = FWD VAN

21 = 2-DOOR SEDAN

24 = 2-DOOR HATCHBACK

27 = 2-DOOR CONVERTIBLE

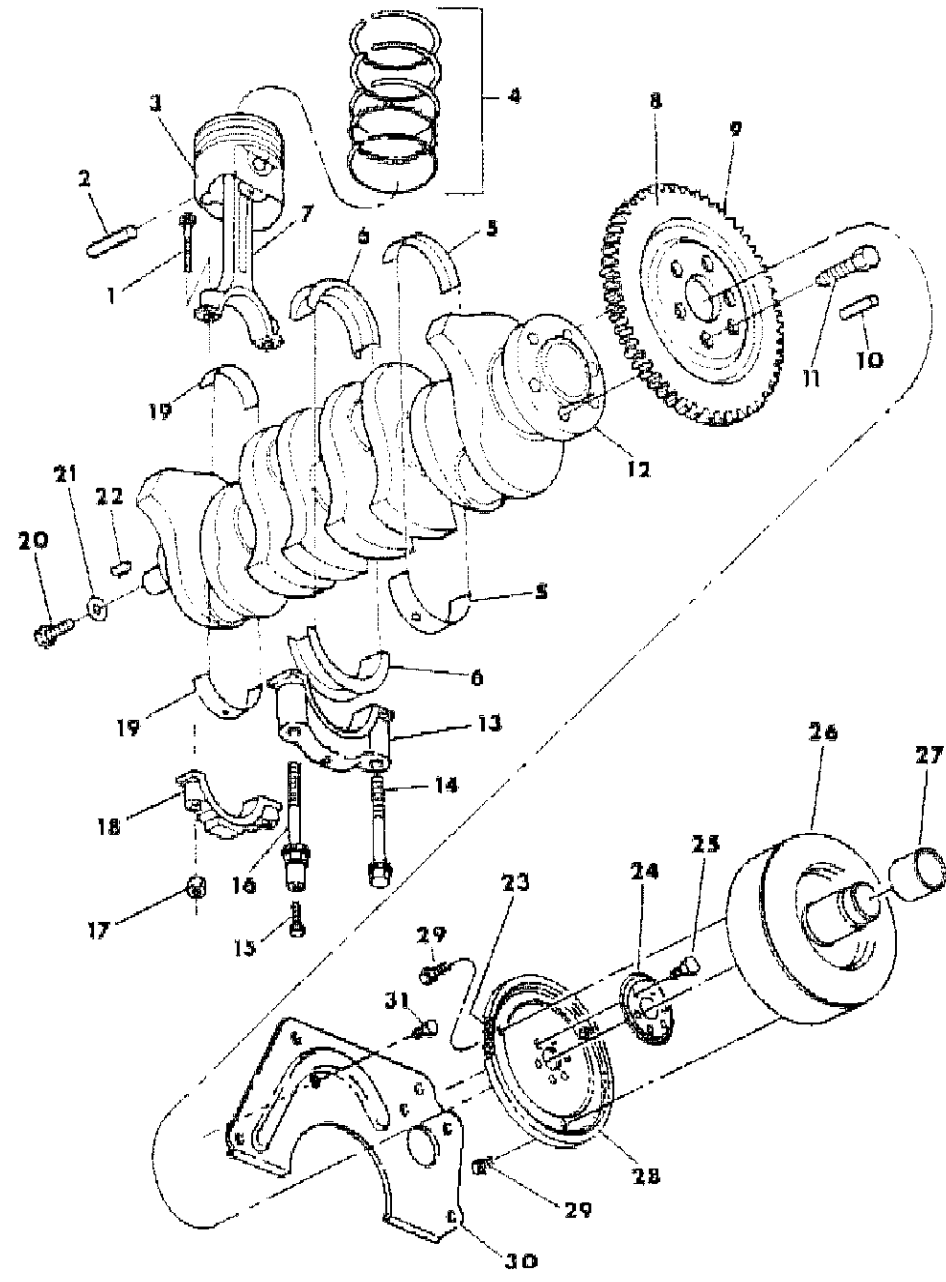
41 = 4-DOOR SEDAN

44 = 4-DOOR HATCHBACK

45 = 4-DOOR STATION WAGON

52-53 = FWD WAGON

AR = Use as Required - = Non Illustrated Part P.A.R. = Paint as Required



CRANKSHAFT, PISTONS AND TORQUE CONVERTER 2.2 L ENGINE
Figure 9A-400

715B 400

ITEM	PART NUMBER	QTY	BODY	MODEL	DESCRIPTION
7	4387 736	4			ROD and CAP, Connecting (Except EDR Turbo-Intercooler)
	4323 957	4			w/EDR Turbo Intercooler
8	4446 091	1	Exc S		FLYWHEEL, w/Ring Gear, w/o EDG Turbo, w/o EDR Turbo-Intercooler Engine
	4446 093	1			w/EDG Turbo, w/EDR Turbo-Intercooler Engine
	4446 093	1	S		
9		1			GEAR, Flywheel (Serviced in Flywheel)
10	6031 923	3			DOWEL, Clutch Cover to Flywheel
11	6501 197	8			BOLT, Flywheel to Crankshaft
12	4343 407	1			CRANKSHAFT, (Except EDR Turbo-Intercooler)
	4323 815	1			w/EDR Turbo-Intercooler
13	4343 497	1			CAP, Crankshaft Bearing No. 1
	4105 212	1			No. 2
	4105 213	1			No. 3
	4105 214	1			No. 4
	4105 215	1			No. 5
14	6500 755	10			SCREW, Crankshaft Bearing Cap
15	6500 461	1			SCREW, w/Washer
16	6500 756	1			SCREW, Crankshaft Bearing Cap
17	4227 678	8			NUT, Connecting Rod Bearing Cap Bolt
18					CAP, Connecting Rod (Serviced in Item 7)
19	4240 025	4			BEARING PACKAGE, Connecting Rod Standard (Except EDR Turbo-Intercooler)
					Consists of:
					2---Bearing, Connecting Rod
	4240 026	4			0.025 U/S
	4240 027	4			0.050 U/S
	4240 028	4			0.250 U/S
	4240 029	4			0.275 U/S
	4240 030	4			0.300 U/S
	4397 722	4			Standard w/EDR Turbo-Intercooler
	4397 725	4			.025 U/S
	4397 726	4			.050 U/S
	4397 724	4			.250 U/S
	4397 727	4			.275 U/S
	4397 723	4			.300 U/S
20	6502 976	1			SCREW, Crankshaft Sprocket
21	6500 431	1			WASHER, Crankshaft Sprocket Screw

MODEL CODES

E BODY = (J - CARAVELLE)(E - 600)(T - NEW YORKER)

G BODY = (V24 - DAYTONA)

H BODY = (D44 - LANCER)(C44 - LEBARON GTS)

J BODY = (C - LEBARON)

K BODY = (P - RELIANT)(D - ARIES)(C - LEBAROND)/TOWN & COUNTRY)

L BODY = (M - HORIZON/TURISMO)(Z - OMNI/CHARGER)

M BODY = (B - GRAN FURY)(F - FIFTH AVE/NEWPORT)(G - DIPLOMAT)

P BODY = (P - SUNDANCE)(D - SHADOW)

S BODY = (H - VOYAGER)(K - RAM VAN/CARAVAN)

BODY STYLES

12-13 = FWD VAN

21 = 2-DOOR SEDAN

24 = 2-DOOR HATCHBACK

27 = 2-DOOR CONVERTIBLE

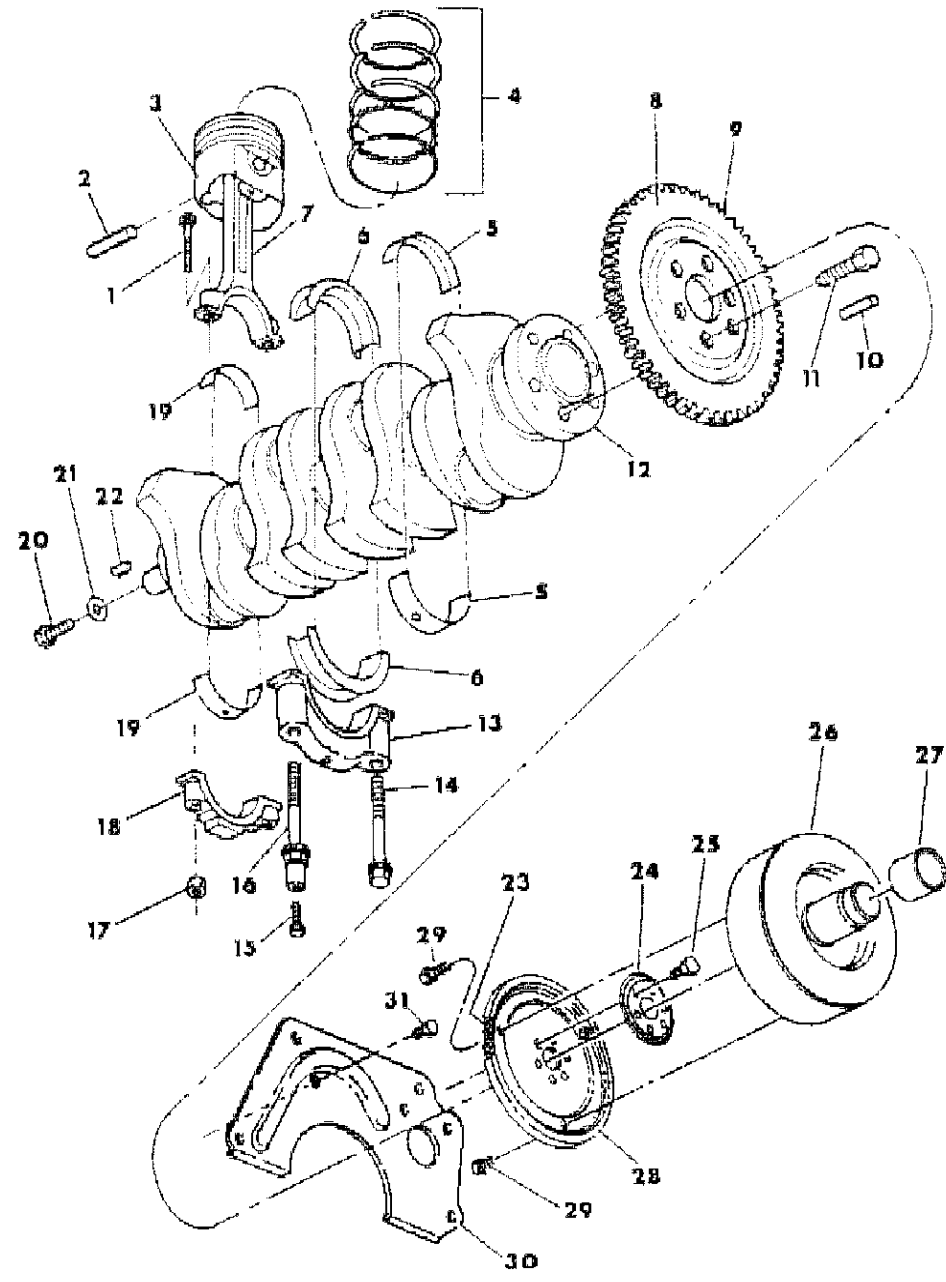
41 = 4-DOOR SEDAN

44 = 4-DOOR HATCHBACK

45 = 4-DOOR STATION WAGON

52-53 = FWD WAGON

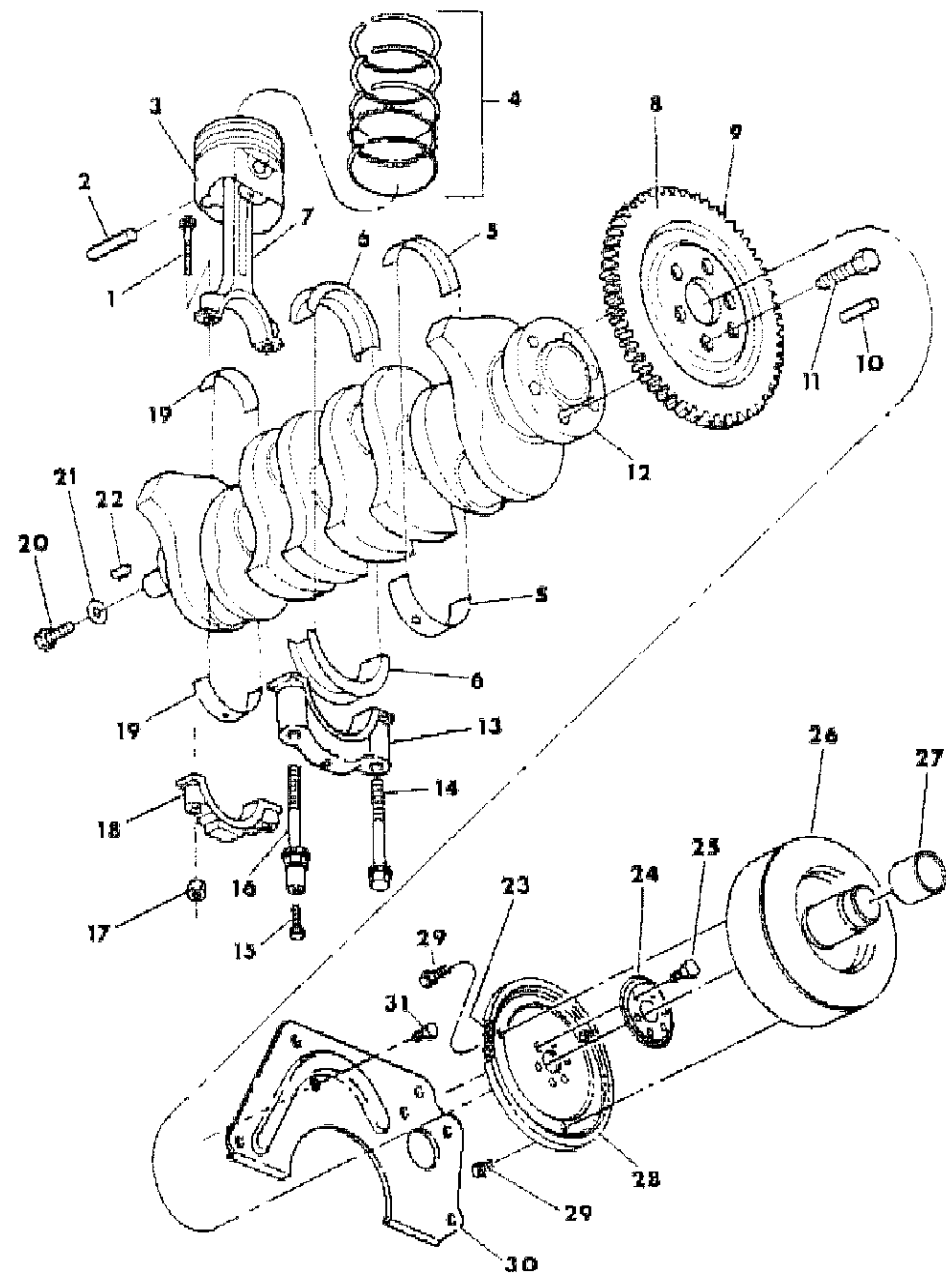
AR = Use as Required - = Non Illustrated Part P.A.R. = Paint as Required



CRANKSHAFT, PISTONS AND TORQUE CONVERTER 2.2 L ENGINE
Figure 9A-400

715B 400

ITEM	PART NUMBER	QTY	BODY	MODEL	DESCRIPTION
22	6500 150	1			KEY, Crankshaft Sprocket
23		1			GEAR, Torque Converter Ring (Serviced in Item 28)
24	4348 349	1			PLATE, Crankshaft Bolt Backing
25	6501 193	8			BOLT, Drive Plate to Crankshaft
26	4364 372	1			CONVERTER, Torque w/EDE Carbureted Engine
	4411 963	1			w/EDF Injected Engine
	4364 369	1			w/EDG Turbo, w/EDR Turbo-Intercooler Engine
27		1			SEAL, Torque Converter Impeller Hub (See Group 21)
28	4348 322	1			PLATE, Torque Converter Drive
29	6501 099	4			BOLT, Drive Plate to Torque Converter
30		1			COVER, Trans. Case Upper (See Group 21)
31		2			SCREW, Trans. Case Upper (See Group 21)



MODEL CODES

E BODY = (J - CARAVELLE)(E - 600)(T - NEW YORKER)

G BODY = (V24 - DAYTONA)

H BODY = (D44 - LANCER)(C44 - LEBARON GTS)

J BODY = (C - LEBARON)

K BODY = (P - RELIANT)(D - ARIES)(C - LEBAROND)/TOWN & COUNTRY)

L BODY = (M - HORIZON/TURISMO)(Z - OMNI/CHARGER)

M BODY = (B - GRAN FURY)(F - FIFTH AVE/NEWPORT)(G - DIPLOMAT)

P BODY = (P - SUNDANCE)(D - SHADOW)

S BODY = (H - VOYAGER)(K - RAM VAN/CARAVAN)

BODY STYLES

12-13 = FWD VAN

21 = 2-DOOR SEDAN

24 = 2-DOOR HATCHBACK

27 = 2-DOOR CONVERTIBLE

41 = 4-DOOR SEDAN

44 = 4-DOOR HATCHBACK

45 = 4-DOOR STATION WAGON

52-53 = FWD WAGON

AR = Use as Required - = Non Illustrated Part P.A.R. = Paint as Required

CAMSHAFT AND VALVES 2.2 L ENGINE
Figure 9A-500

7158 500

ITEM	PART NUMBER	QTY	BODY	MODEL	DESCRIPTION
------	-------------	-----	------	-------	-------------

NOTE 1: Gasket Eliminator #4318029 must be used as described in the Chrysler Repair Manual. Standard Camshaft Package for Service.

1	4173 390	8			ROCKER, Valve
2	4240 007	8			ADJUSTER, Valve Lash
3	4293 817	1			CAMSHAFT PACKAGE, w/Standard Journals (Except EDG Turbo & EDR Turbo-Intercooler Engine)
					Consists of: 1-----Camshaft 8-4173390 Rocker, Valve
	4293 818	1			CAMSHAFT PACKAGE, w/.050 O/S Journals (Except EDG Turbo & EDR Turbo-Intercooler Engine)
					Consists of: 1-----Camshaft, w/.050 O/S Journals (Stamped O/S J) 8-4173390 Rocker, Valve
	4293 819	1			CAMSHAFT PACKAGE, w/Standard Journals (w/EDG Turbo, w/EDR Turbo-Intercooler Engine)
4		1			NIPPLE, Thermostat Water By-Pass (See Group 7)
5		1			GASKET, Cylinder Head (See Cylinder Head Illust.)
6		1			HEAD, Cylinder (See Cylinder Head Illust.)
7	5203 472	4			SEAT, Intake Valve 43.375 MM O/D
8	4105 716	4			GUIDE, Intake Valve 12.740 MM O/D 40 MM Lgh.
9	5203 792	4			SEAT, Exhaust Valve 36.815 MM O/D
10	4105 715	4			GUIDE, Exhaust Valve 12.740 MM O/D 43 MM Lgh.
11	5214 861	4	L		VALVE, Intake Standard w/EDE Carbureted Engine
	5214 862	4	L		0.15 MM O/S
	5214 863	4	L		0.40 MM O/S
	5214 864	4	L		0.80 MM O/S
	4298 137	4	Exc L		Standard w/EDE Carbureted or EDF Injected Engine
	4298 138	4	Exc L		0.15 MM O/S
	4298 139	4	Exc L		0.40 MM O/S
	4298 140	4	Exc L		0.80 MM O/S
	4323 244	4			Standard w/EDG Turbo, w/EDR Turbo-Intercooler Engine
	4323 245	4			0.15 MM O/S
	4323 246	4			0.40 MM O/S
	4323 247	4			0.80 MM O/S
12	5214 866	4	L		VALVE, Exhaust Standard w/EDE Carbureted Engine
	5214 867	4	L		0.15 MM O/S
	5214 868	4	L		0.40 Mm O/S

MODEL CODES

E BODY = (J - CARAVELLE)(E - 600)(T - NEW YORKER)

G BODY = (V24 - DAYTONA)

H BODY = (D44 - LANCER)(C44 - LEBARON GTS)

J BODY = (C - LEBARON)

K BODY = (P - RELIANT)(D - ARIES)(C - LEBAROND)/TOWN & COUNTRY)

L BODY = (M - HORIZON/TURISMO)(Z - OMNI/CHARGER)

M BODY = (B - GRAN FURY)(F - FIFTH AVE/NEWPORT)(G - DIPLOMAT)

P BODY = (P - SUNDANCE)(D - SHADOW)

S BODY = (H - VOYAGER)(K - RAM VAN/CARAVAN)

BODY STYLES

12-13 = FWD VAN

21 = 2-DOOR SEDAN

24 = 2-DOOR HATCHBACK

27 = 2-DOOR CONVERTIBLE

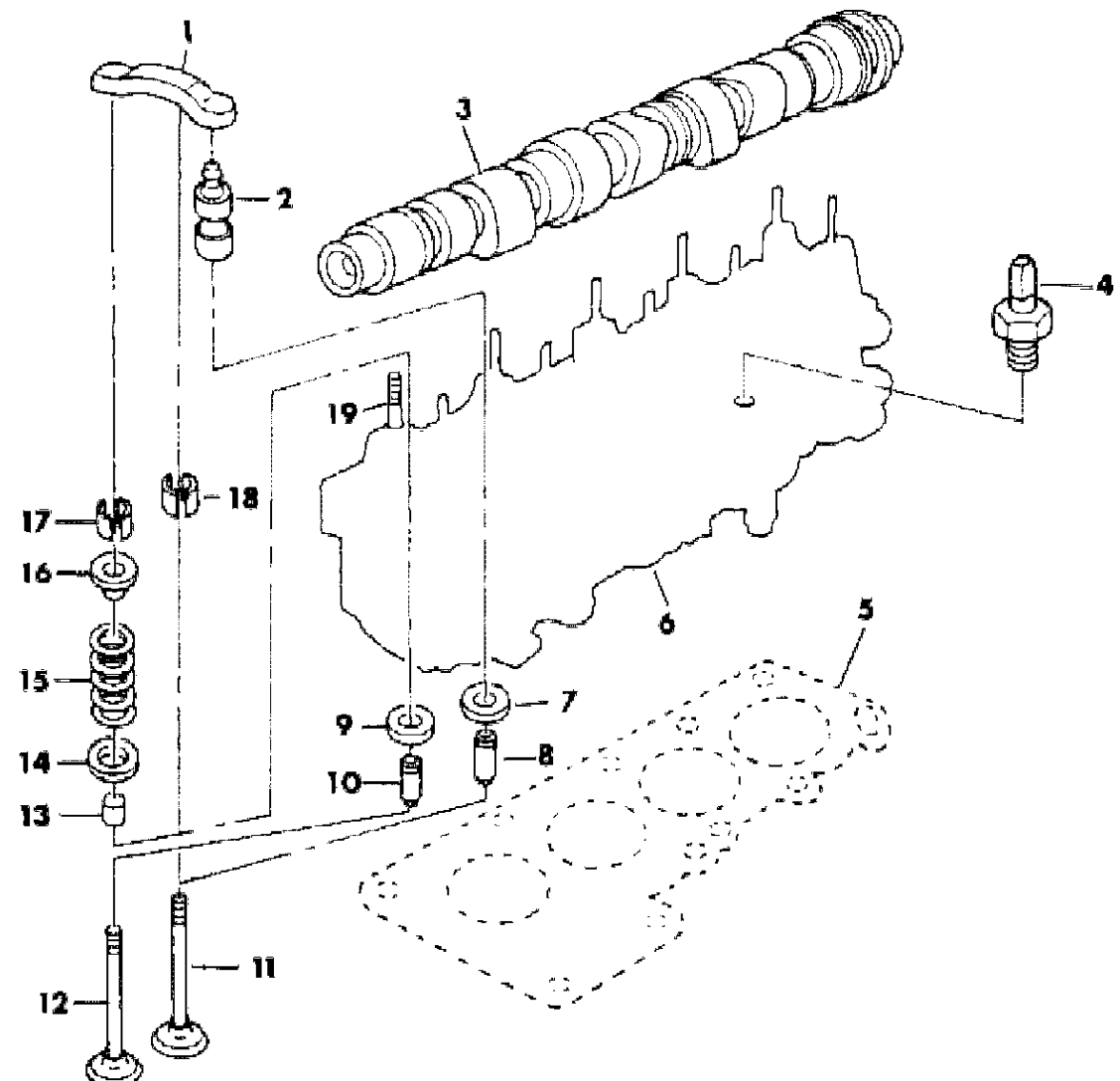
41 = 4-DOOR SEDAN

44 = 4-DOOR HATCHBACK

45 = 4-DOOR STATION WAGON

52-53 = FWD WAGON

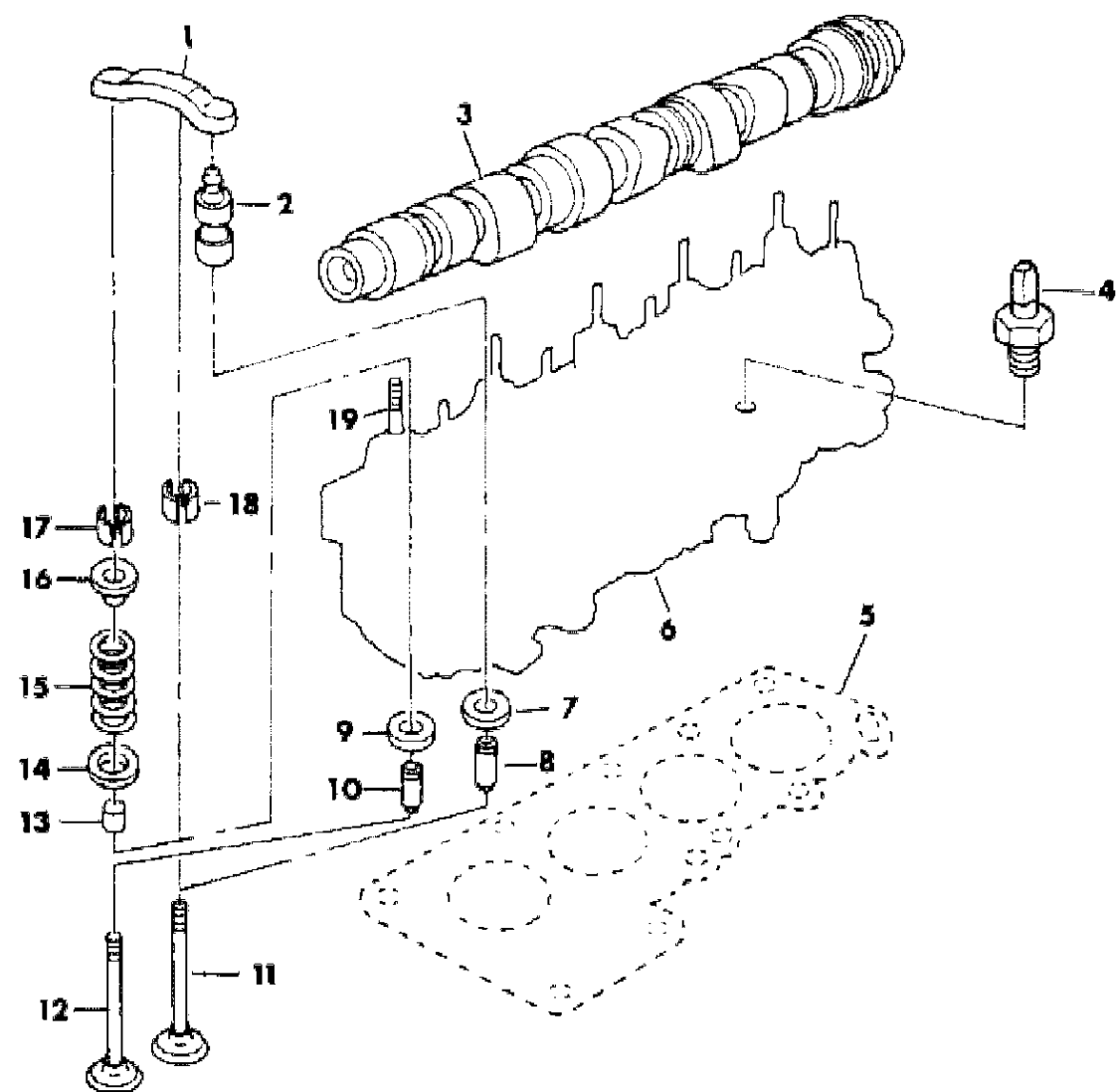
AR = Use as Required - = Non Illustrated Part P.A.R. = Paint as Required



CAMSHAFT AND VALVES 2.2 L ENGINE
Figure 9A-500

7158 500

ITEM	PART NUMBER	QTY	BODY	MODEL	DESCRIPTION
	5214 869	4	L		0.80 MM O/S
	4298 142	4	Exc L		Standard w/EDE Carbureted or EDF Injected Engine
	4298 143	4	Exc L		0.15 MM O/S
	4298 144	4	Exc L		0.40 MM O/S
	4298 145	4	Exc L		0.80 MM O/S
	4323 249	4			Standard w/EDG Turbo, w/EDR Turbo-Intercooler Engine
	4323 250	4			0.15 MM O/S
	4323 251	4			0.40 MM O/S
	4323 252	4			0.80 MM O/S
13	4201 332	8			SEAL, Valve Guide Standard
	4105 366	8			0.15 MM O/S (Green)
	4105 367	8			0.40 MM O/S (Yellow)
	4105 368	8			0.80 MM O/S (Red)
14	5203 474	8			SEAT, Valve Spring
15	4323 225	8			SPRING, Valve (4.24 MM Dia.) (Orange)
	4105 793	8			(4.50 MM Dia.) (Pink)
16	5203 578	8			RETAINER, Valve Spring Intake and Exhaust
17	5203 577	8			LOCK, Exhaust Valve Spring Retainer
18	4201 349	8			LOCK, Intake Valve Spring Retainer
19	6100 299	10			SCREW, Camshaft Bearing Cap



MODEL CODES

E BODY = (J - CARAVELLE)(E - 600)(T - NEW YORKER)

G BODY = (V24 - DAYTONA)

H BODY = (D44 - LANCER)(C44 - LEBARON GTS)

J BODY = (C - LEBARON)

K BODY = (P - RELIANT)(D - ARIES)(C - LEBAROND)/TOWN & COUNTRY)

L BODY = (M - HORIZON/TURISMO)(Z - OMNI/CHARGER)

M BODY = (B - GRAN FURY)(F - FIFTH AVE/NEWPORT)(G - DIPLOMAT)

P BODY = (P - SUNDANCE)(D - SHADOW)

S BODY = (H - VOYAGER)(K - RAM VAN/CARAVAN)

BODY STYLES

12-13 = FWD VAN

21 = 2-DOOR SEDAN

24 = 2-DOOR HATCHBACK

27 = 2-DOOR CONVERTIBLE

41 = 4-DOOR SEDAN

44 = 4-DOOR HATCHBACK

45 = 4-DOOR STATION WAGON

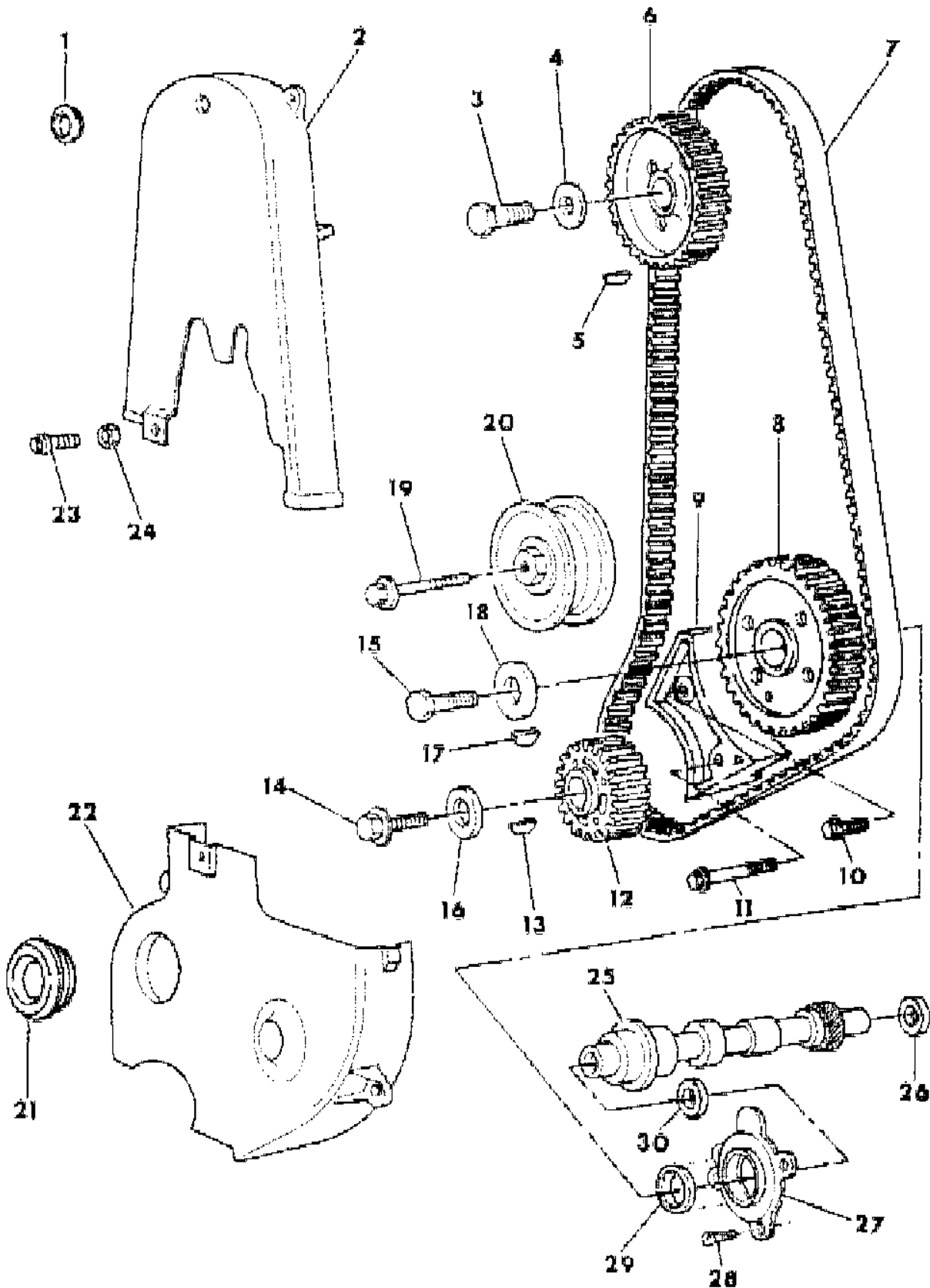
52-53 = FWD WAGON

AR = Use as Required - = Non Illustrated Part P.A.R. = Paint as Required

TIMING BELT AND COVERS AND INTERMEDIATE SHAFT 2.2 L ENGINE

Figure 9A-600

7158 600



ITEM	PART NUMBER	QTY	BODY	MODEL	DESCRIPTION
NOTE 1: Gasket Eliminator #4318029 must be used as described in the Chrysler Repair Manual. Standard" Camshaft Package for Service.					
1	2094 631	1			PLUG, Timing Belt Cover Upper
2	4105 714	1			COVER, Timing Belt Upper
3	6501 405	1			SCREW, Camshaft Sprocket
	6500 450	1	L		(w/EDG Turbo w/Intercooler) (Shelby)
4	6500 346	1			WASHER, Camshaft Sprocket Screw
5	6500 150	1			KEY, Camshaft Sprocket
6	4201 974	1			SPROCKET, Camshaft
7	4343 946	1			BELT, Timing
8	4201 974	1			SPROCKET, Intermediate Shaft
9	5214 636	1			SHIELD, Timing Belt
10	6101 279	1			SCREW, w/Washer Timing Belt Shield Mounting (55 MM Lgh.)
11	6101 278	1			SCREW, w/Washer Timing Belt Shield Mounting (20 MM Lgh.)
12	5203 575	1			SPROCKET, Crankshaft
13	6500 150	1			KEY, Crankshaft Sprocket
14	6502 976	1			SCREW, Crankshaft Sprocket
15	6501 405	1			SCREW, Intermediate Shaft Sprocket
16	6500 431	1			WASHER, Crankshaft Sprocket Screw
17	6500 150	1			KEY, Intermediate Shaft Sprocket
18	6500 346	1			WASHER, Intermediate Shaft Sprocket Screw
19	6101 277	1			SCREW, w/Washer Tension Pulley Mounting
20	5203 469	1			PULLEY, Tension
21	4343 825	1			PLUG, Timing Belt Cover Lower (2.12" Dia.)
22	4343 639	1			COVER, Timing Belt Lower
23	6500 778	3			SCREW, Timing Belt Cover (M6x20 Lgh.)
24	6500 274	2			NUT, Timing Belt Cover
	6100 041	1			U-NUT, Timing Belt Cover
25	4293 815	1			SHAFT, Intermediate w/EDE Carbureted Engine
	4343 428	1			w/EDF Injected or EDG Turbo, w/EDR Turbo-Intercooler Engine
26	4105 217	1			BEARING, Intermediate Shaft Rear
27	5203 325	1			RETAINER, Intermediate Shaft Oil Seal (See Note 1)
28	6101 278	3			SCREW, Intermediate Shaft Oil Seal Retainer Mounting
29	4105 395	1			SEAL, Intermediate Shaft
30	4105 216	1			BEARING, Intermediate Shaft Front

MODEL CODES

E BODY = (J - CARAVELLE)(E - 600)(T - NEW YORKER)

G BODY = (V24 - DAYTONA)

H BODY = (D44 - LANCER)(C44 - LEBARON GTS)

J BODY = (C - LEBARON)

K BODY = (P - RELIANT)(D - ARIES)(C - LEBAROND)/TOWN & COUNTRY)

L BODY = (M - HORIZON/TURISMO)(Z - OMNI/CHARGER)

M BODY = (B - GRAN FURY)(F - FIFTH AVE/NEWPORT)(G - DIPLOMAT)

P BODY = (P - SUNDANCE)(D - SHADOW)

S BODY = (H - VOYAGER)(K - RAM VAN/CARAVAN)

BODY STYLES

12-13 = FWD VAN

21 = 2-DOOR SEDAN

24 = 2-DOOR HATCHBACK

27 = 2-DOOR CONVERTIBLE

41 = 4-DOOR SEDAN

44 = 4-DOOR HATCHBACK

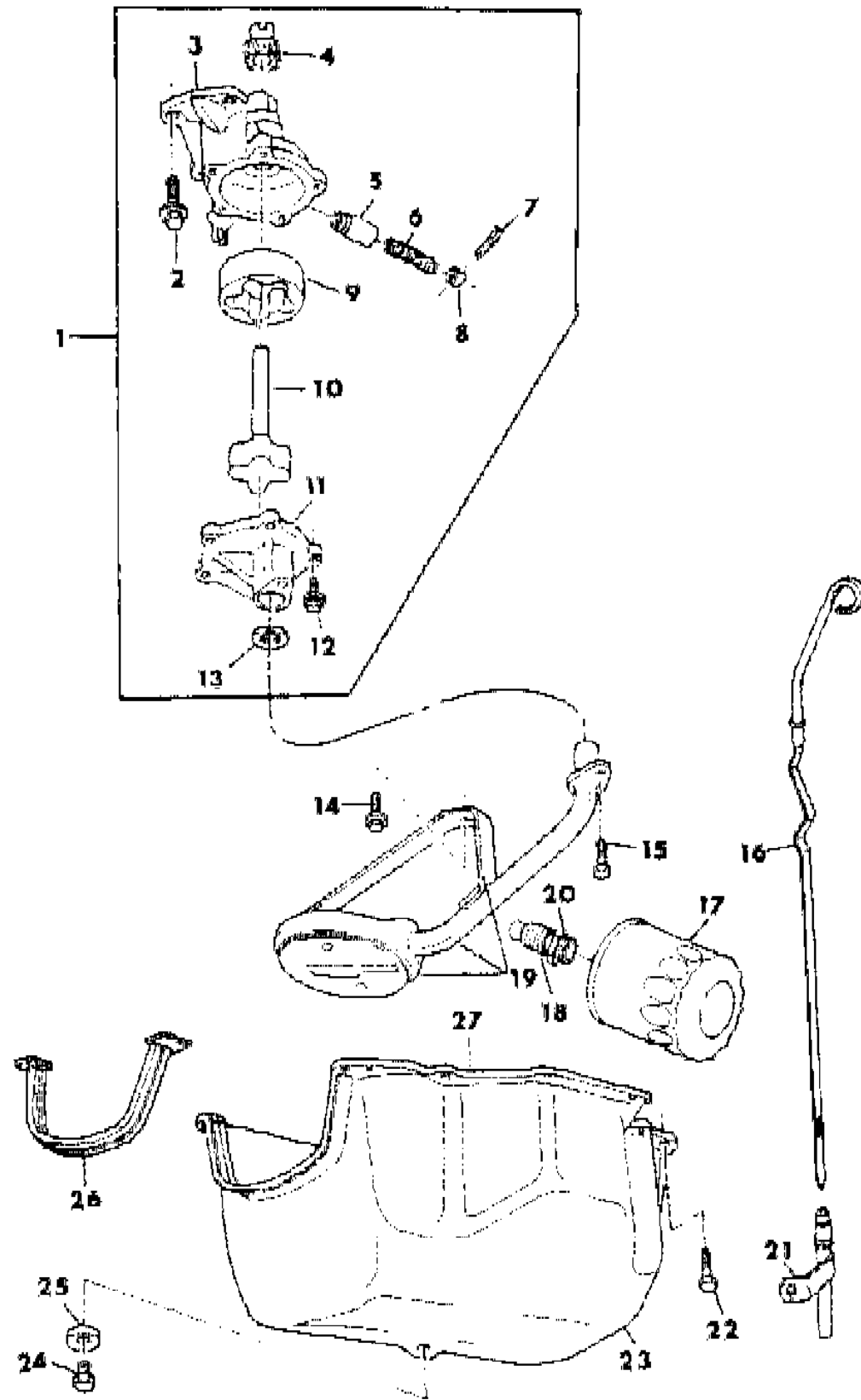
45 = 4-DOOR STATION WAGON

52-53 = FWD WAGON

AR = Use as Required - = Non Illustrated Part P.A.R. = Paint as Required

ENGINE OILING 2.2 L ENGINE
Figure 9A-700

7158 700



ITEM	PART NUMBER	QTY	BODY	MODEL	DESCRIPTION
------	-------------	-----	------	-------	-------------

NOTE 1: For all required sealing R.T.V. Sealer #4318025 and Gasket eliminator 4318029 must be used as described in the Chrysler Repair Manual. Standard Camshaft Package for Service.

1	4397 827	1			PUMP, Oil (Exc. Deep Well)
	4397 746	1			w/Deep Well
2	6500 151	2			SCREW and WASHER, Oil Pump Mounting
3		1			BODY, Oil Pump (Serviced in Item #1)
4		1			GEAR, Oil Pump Dist. Drive (Serviced in Item #1)
5	2120 764	1			PLUNGER, Oil Pressure Relief Valve
6	2402 473	1			SPRING, Oil Pressure Relief Valve
7		1			PIN, Oil Pressure Relief Valve (Not Serviced)
8	2806 273	1			CAP, Oil Pressure Relief Valve
9		1			ROTOR, Oil Pump Outer (Serviced in Item #10)
10	4342 940	1			DRIVE SHAFT and ROTOR, Oil Pump
11	4323 030	1			COVER, Oil Pump
12	6100 277	4			SCREW and WASHER, Oil Pump Cover
13	6032 920	1			SEAL, Oil Pump Cover to Oil Pump Suction Pipe
14	6100 276	1			SCREW, w/Washer Suction Pipe And Strainer Bracket Attaching
15	6500 070	1			SCREW, Oil Pickup Tube Attaching (M8x20)
16	4105 446	1			INDICATOR, Oil Level (Approx. 529 MM)
	4387 572	1			(Approx. 526 MM)
17	4105 409	1			FILTER, Oil (Exc EDG Turbo w/Intercooler) (Shelby)
	4105 409	1	H,P		w/EDG Turbo w/Intercooler (Shelby)
	4419 970	1	L		w/EDG Turbo w/Intercooler (Shelby)
18	4343 801	1			VALVE, Anti-Drain Back Oil Filter Adapter
19	4343 198	1			TUBE, Oil Pickup w/Strainer (Except Deep Well)
	4387 360	1			(w/Deep Well)
20	1407 748	1			O-RING, Oil Filter Adapter
21	4173 376	1			TUBE, Oil Level Indicator and Clip (w/4105446 Indicator)
	4387 575	1			(w/4387572 Indicator)
	6100 050	1			NUT, Oil Level Indicator Tube Attaching
22	6501 452	11			SCREW, w/Washer Oil Pan Attaching
23	4173 393	1			PAN, Oil Partial w/dimple (Except Deep Well)
	4387 827	1			(w/Deep Well)
24	4293 859	1			PLUG PACKAGE, Oil Pan Drain
25	3769 935	1			GASKET, Oil Pan Drain Plug (Also in Plug Pkg)
26	5203 778	2			SEAL, Oil Pan to Retainer
27		AR			SEALER, Oil Pan (Apply as Required)(See Note 1)

MODEL CODES

E BODY = (J - CARAVELLE)(E - 600)(T - NEW YORKER)

G BODY = (V24 - DAYTONA)

H BODY = (D44 - LANCER)(C44 - LEBARON GTS)

J BODY = (C - LEBARON)

K BODY = (P - RELIANT)(D - ARIES)(C - LEBAROND)/TOWN & COUNTRY)

L BODY = (M - HORIZON/TURISMO)(Z - OMNI/CHARGER)

M BODY = (B - GRAN FURY)(F - FIFTH AVE/NEWPORT)(G - DIPLOMAT)

P BODY = (P - SUNDANCE)(D - SHADOW)

S BODY = (H - VOYAGER)(K - RAM VAN/CARAVAN)

BODY STYLES

12-13 = FWD VAN

21 = 2-DOOR SEDAN

24 = 2-DOOR HATCHBACK

27 = 2-DOOR CONVERTIBLE

41 = 4-DOOR SEDAN

44 = 4-DOOR HATCHBACK

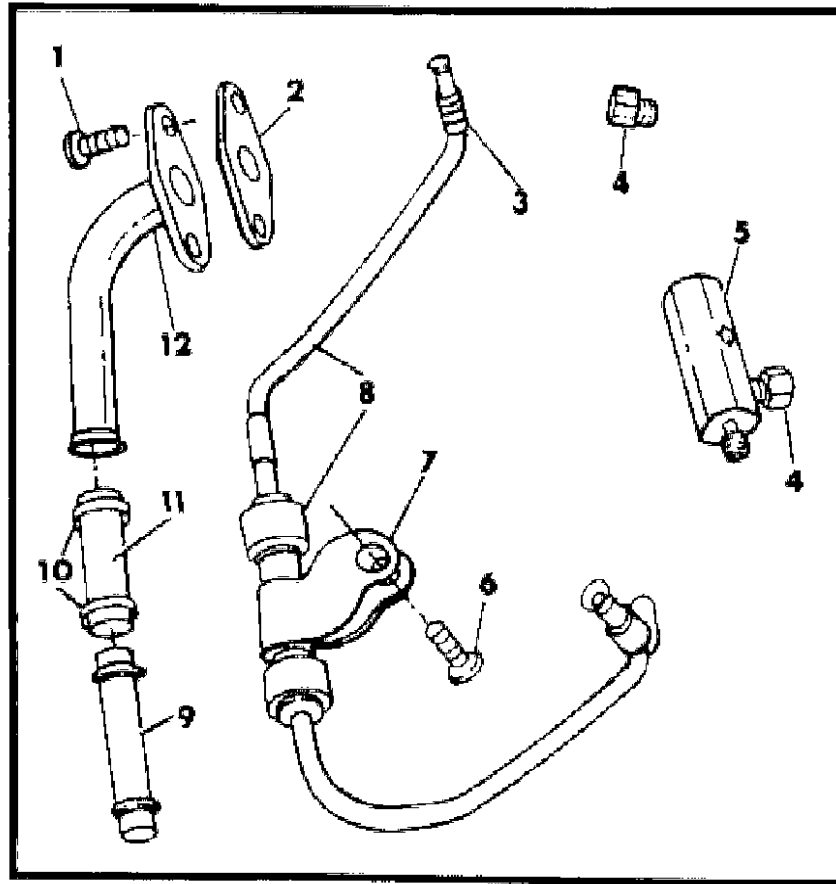
45 = 4-DOOR STATION WAGON

52-53 = FWD WAGON

AR = Use as Required - = Non Illustrated Part P.A.R. = Paint as Required

OIL LINES 2.2 L TURBO ENGINE
Figure 9A-800

7158 800



ITEM	PART NUMBER	QTY	BODY	MODEL	DESCRIPTION
1	6100 296	2			SCREW, w/Washer Turbo Oil Drain Back Tube (M8x25) Long Up to 11-1-86
	6101 452	2			(M8 1.25x20mm) Short After 11-1-86 Can also be used on Up to Condition
2	4227 980	1			GASKET, Turbo Oil Drain Back Tube
3	0137 398	2			NUT, Turbo Oil Feed Tube
4	6032 570	2			CONNECTOR, Turbo Oil Inlet
5	4387 605	1			FITTING, Cylinder Block to Turbo Oil Feed Tube
6		1			SCREW, Turbo Oil Feed Tube Clamp (Not Serviced)
7	4323 125	1			CLAMP, Turbo Oil Feed Tube
8	4323 108	1			TUBE, Turbo Oil Feed
9	4105 456	1			TUBE, Turbo Oil Drain Back Cylinder Block
10		2			CLAMP, Turbo Oil Drain Back Hose (Serviced in Item 12)
11	4105 457	1			HOSE, Turbo Oil Drain Back
12	4323 111	1			TUBE, Turbo Oil Drain Back

MODEL CODES

E BODY = (J - CARAVELLE)(E - 600)(T - NEW YORKER)

G BODY = (V24 - DAYTONA)

H BODY = (D44 - LANCER)(C44 - LEBARON GTS)

J BODY = (C - LEBARON)

K BODY = (P - RELIANT)(D - ARIES)(C - LEBAROND)/TOWN & COUNTRY)

L BODY = (M - HORIZON/TURISMO)(Z - OMNI/CHARGER)

M BODY = (B - GRAN FURY)(F - FIFTH AVE/NEWPORT)(G - DIPLOMAT)

P BODY = (P - SUNDANCE)(D - SHADOW)

S BODY = (H - VOYAGER)(K - RAM VAN/CARAVAN)

BODY STYLES

12-13 = FWD VAN

21 = 2-DOOR SEDAN

24 = 2-DOOR HATCHBACK

27 = 2-DOOR CONVERTIBLE

41 = 4-DOOR SEDAN

44 = 4-DOOR HATCHBACK

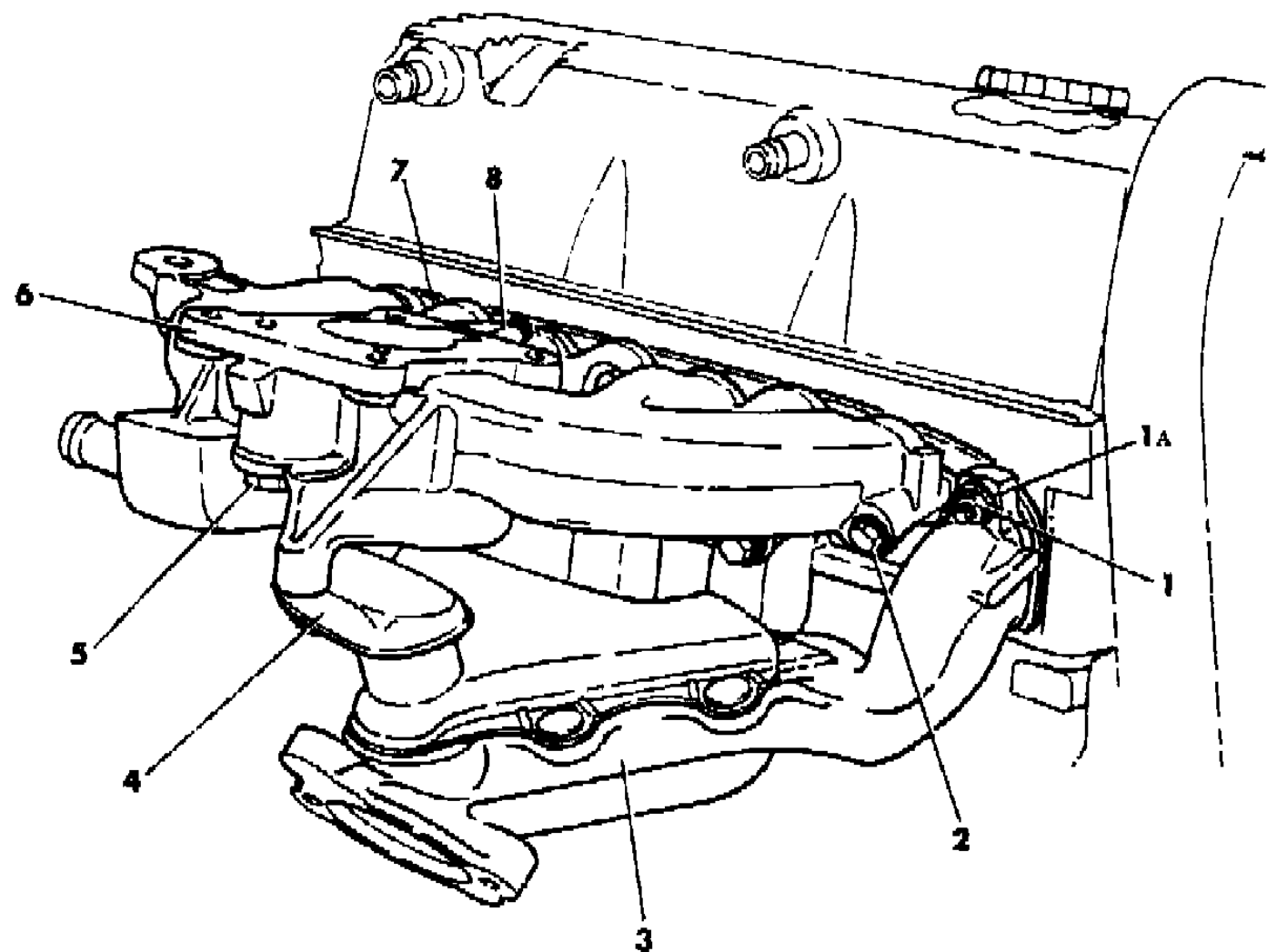
45 = 4-DOOR STATION WAGON

52-53 = FWD WAGON

AR = Use as Required - = Non Illustrated Part P.A.R. = Paint as Required

MANIFOLD, INTAKE AND EXHAUST W/O INTERCOOLER 2.2 L ENGINE
Figure 9A-900

7158 900 A



ITEM	PART NUMBER	QTY	BODY	MODEL	DESCRIPTION
NOTE 1: These Packages do not contain Gaskets for all required sealings. R.T.V. Sealer #4318025 and Gasket Eliminator #4318029 must be used in addition as described in the Chrysler repair Manual.					
	4240 096	1			GASKET PACKAGE, Manifold (See Note 1) Consists of: 1-4105745 Gasket, Intake and Exhaust Manifold 1-4201384 Gasket, Exhaust Manifold Crossover Flange
1	6500 679	8			STUD, Exhaust Manifold to Cylinder Head
1a	6500 363	8			NUT, Exhaust Manifold to Head Stud
2	6500 391	4			BOLT, Intake Manifold to Cylinder Head (M8x90) (Except EDG Turbo Engine)
	6500 390	4			BOLT, Intake Manifold to Cylinder Head (M8x65) (Except EDG Turbo Engine)
	6500 676	8			w/EDG Turbo Engine
3	4273 099	1			MANIFOLD, Exhaust w/EDE Carbureted Engine
	4448 746	1			w/EDF Injected Engine
	4343 481	1			w/EDG Turbo Engine
4		1			(Refer to Group 14)
5		1			PLUG, Exhaust Manifold (3/4-14 Not Serviced)
	6500 362	1			PLUG, Exhaust Manifold (M18)
-	6032 290	1			ADAPTER, Exhaust Manifold w/EDE Carb. Engine
	6501 264	1			w/EDG Turbo Engine
6	4343 740	1			MANIFOLD, Intake w/EDE Carbureted Engine
	4343 601	1			w/EDF Injected Engine
	4323 279	1			w/EDG Turbo Engine
	4306 283	1			CONNECTOR, Vacuum Control - Two Outlets (Plastic) (Black)
7	4105 745	1			GASKET, Intake and Exhaust Manifold
8	5203 143	1			NIPPLE, Crankcase Vent Hole w/EDE Carbureted Engine
	4343 761	1			w/EDF Injected Engine

MODEL CODES

E BODY = (J - CARAVELLE)(E - 600)(T - NEW YORKER)

G BODY = (V24 - DAYTONA)

H BODY = (D44 - LANCER)(C44 - LEBARON GTS)

J BODY = (C - LEBARON)

K BODY = (P - RELIANT)(D - ARIES)(C - LEBAROND)/TOWN & COUNTRY)

L BODY = (M - HORIZON/TURISMO)(Z - OMNI/CHARGER)

M BODY = (B - GRAN FURY)(F - FIFTH AVE/NEWPORT)(G - DIPLOMAT)

P BODY = (P - SUNDANCE)(D - SHADOW)

S BODY = (H - VOYAGER)(K - RAM VAN/CARAVAN)

BODY STYLES

12-13 = FWD VAN

21 = 2-DOOR SEDAN

24 = 2-DOOR HATCHBACK

27 = 2-DOOR CONVERTIBLE

41 = 4-DOOR SEDAN

44 = 4-DOOR HATCHBACK

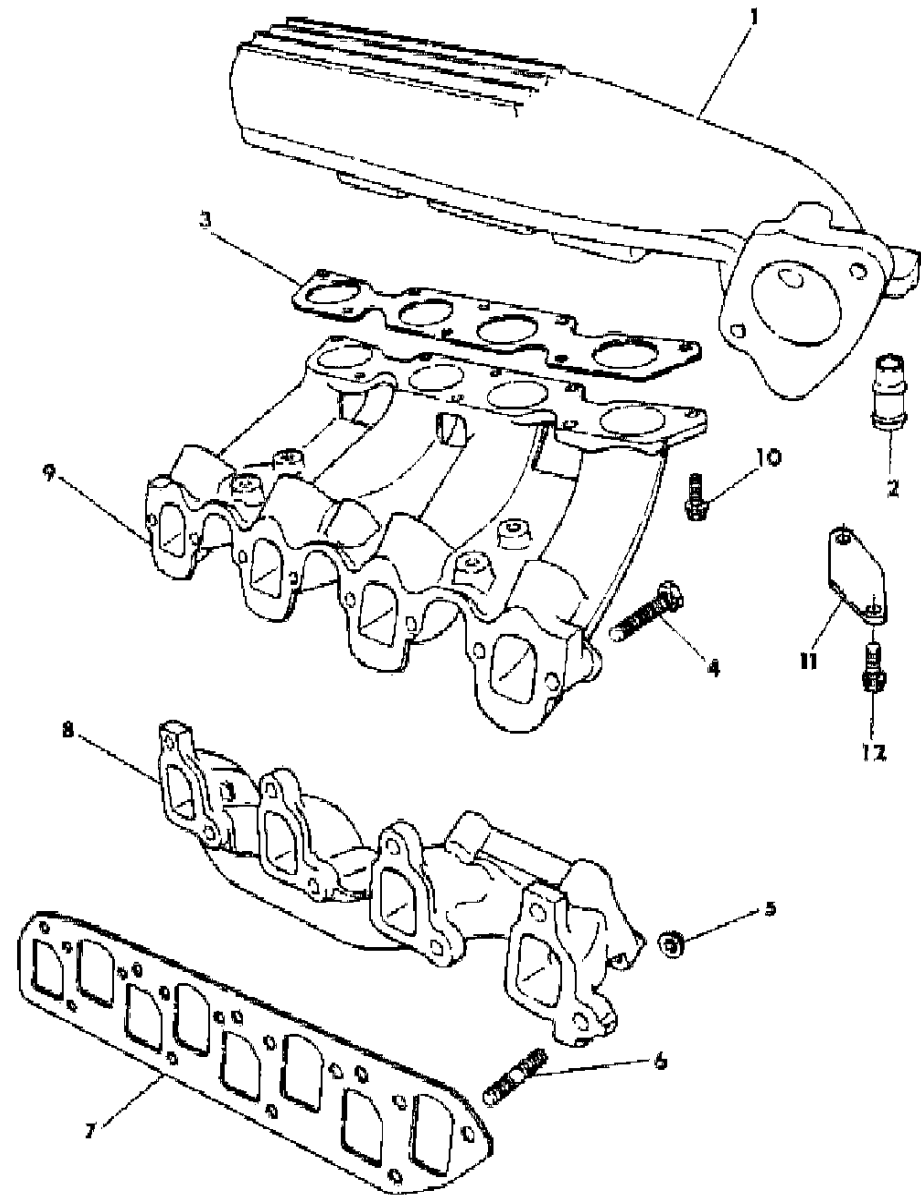
45 = 4-DOOR STATION WAGON

52-53 = FWD WAGON

AR = Use as Required - = Non Illustrated Part P.A.R. = Paint as Required

MANIFOLD, INTAKE AND EXHAUST W/TURBO-INTERCOOLER 2.2 L ENGINE
Figure 9A-1000

7158 1000A



ITEM	PART NUMBER	QTY	BODY	MODEL	DESCRIPTION
------	-------------	-----	------	-------	-------------

NOTE 1: These Packages do not contain Gaskets for all required sealing R.T.V. Sealer #4318025 and Gasket Eliminator #4318029 must be used in addition on as described in the Chrysler repair Manual.

as described in the Chrysler Repair Manual. on as described in the Chrysler repair Manual.

	4240 096	1			GASKET PACKAGE, Manifold (See Note 1) Consists Of: 1-4105745 GASKET, Intake and EXhaust Manifold 1-4201384 Gasket, Exhaust Manifold Crossover Flange
1	4387 710	1			MANIFOLD, Intake Upper
2	4387 304	1			NIPPLE, Crankcase Vent
3	4343 703	1			GASKET, Intake Manifold Upper to Lower
4	6501 529	8			BOLT, Intake Manifold to Cylinder Head (M8x57)
5	6500 363	8			NUT, Exhaust Manifold to Head Stud
6	6500 679	8			STUD, Exhaust Manifold to Cylinder Head
7	4105 745	1			GASKET, Intake and Exhaust Manifold
8	4343 481	1			MANIFOLD, Exhaust
-	6500 362	1			PLUG, Exhaust Manifold (M18)
-	6501 264	1			ADAPTER, Exhaust Manifold
9	4323 408	1			MANIFOLD, Intake Lower
-	4387 333	1			BRACE, Intake Manifold to Cylinder Head
	6500 158	2			SCREW, w/Washer, Brace (M10x1.50)
	6101 051	2	L,H,P		(M10x1.50-25Lg) (Shelby)
-	4343 924	1			PLUG, Intake Manifold Cup
-	4026 117	1			CONNECTOR, Vacuum Control (3/8")
10	6101 408	8			SCREW, w/Washer, Upper to Lower Intake Manifold Att (M8x1.25x25)
11	4179 095	1	L,H,P		COVER, Plate (Shelby)
12	6101 243	2	L,H,P		BOLT, Cover Plate (M8x1.25x18mm) (Shelby)

MODEL CODES

E BODY = (J - CARAVELLE)(E - 600)(T - NEW YORKER)

G BODY = (V24 - DAYTONA)

H BODY = (D44 - LANCER)(C44 - LEBARON GTS)

J BODY = (C - LEBARON)

K BODY = (P - RELIANT)(D - ARIES)(C - LEBAROND)/TOWN & COUNTRY)

L BODY = (M - HORIZON/TURISMO)(Z - OMNI/CHARGER)

M BODY = (B - GRAN FURY)(F - FIFTH AVE/NEWPORT)(G - DIPLOMAT)

P BODY = (P - SUNDANCE)(D - SHADOW)

S BODY = (H - VOYAGER)(K - RAM VAN/CARAVAN)

BODY STYLES

12-13 = FWD VAN

21 = 2-DOOR SEDAN

24 = 2-DOOR HATCHBACK

27 = 2-DOOR CONVERTIBLE

41 = 4-DOOR SEDAN

44 = 4-DOOR HATCHBACK

45 = 4-DOOR STATION WAGON

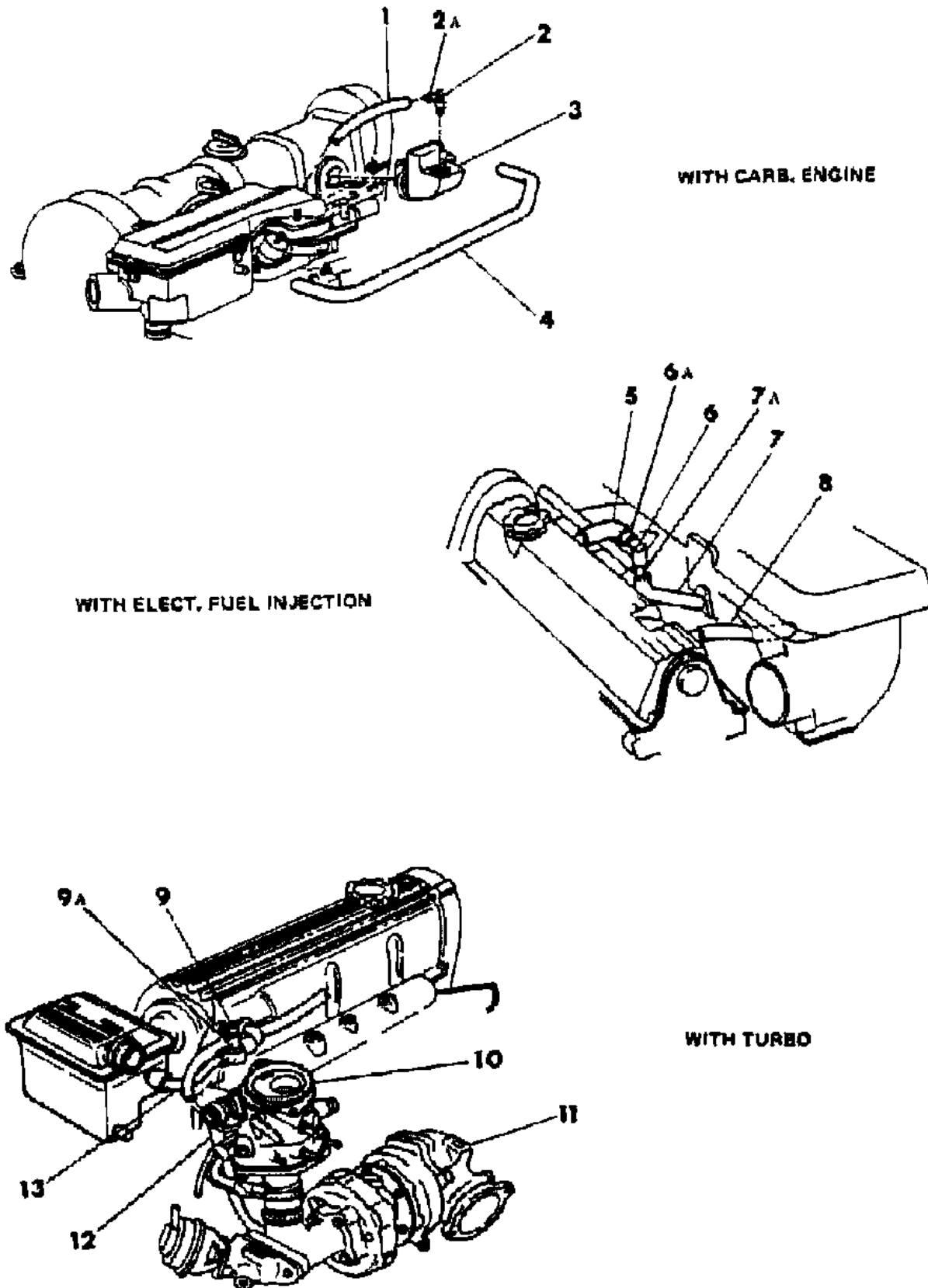
52-53 = FWD WAGON

AR = Use as Required - = Non Illustrated Part P.A.R. = Paint as Required

CRANKCASE VENTILATION W/O INTERCOOLER 2.2 L ENGINE

Figure 9A-1100

7158 1100 A



ITEM	PART NUMBER	QTY	BODY	MODEL	DESCRIPTION
NOTE 1: Part No. 4095681 Consists of a 50 Foot Roll Hose (Used as Required) on as described in the Chrysler repair Manual.					
1	4095 681	AR			HOSE, Crankcase Vent Valve to Intake Manifold (8.00 MM Lgh.) (See Note 1)
2	4343 581	1			VALVE, Crankcase w/EDE Carb. Engine
-	3751 510	1			GROMMET, Vent Valve w/EDE Carb. Engine
2a	5203 143	1			NIPPLE, Crankcase Vent Hole w/EDE Carbureted Engine
-	4343 603	1			TUBE, PCV w/EDE Carbureted Engine
3	4201 993	1			MODULE, w/Snorkel Crankcase Vent (Includes Grommet and Gasket) w/EDE Carb. Engine
-	5214 597	1			GASKET, Crankcase Vent Module w/EDE Carbureted Engine
-	4201 975	1			CLIP, Crankcase Vent Module Retaining w/EDE Carbureted Engine
4	4343 637	1	S		HOSE, Crankcase Vent Module to Air Cleaner (Formed Hose) w/EDE Carbureted Engine
	4343 675	1	L		w/EDE Carbureted Engine
	4343 669	1			HOSE, Tube to Manifold Vacuum Source w/EDE Carbureted
	4293 793	1			HEATER PACKAGE, PCV System (7.50 MM Lgh.)w/EDE Carb.
		1			HOSE, Crankcase Vent Valve to Heat Tube (Serviced in 4293793) w/EDE Carb. Engine
5	4387 306	1			HOSE, PCV Valve to Cylinder Head Cover w/EDF Injection Engine
6	4343 766	1			VALVE, Crankcase Vent w/EDF Injection Engine
6a	4343 761	1			NIPPLE, Crankcase Vent Hole w/EDF Injection Engine
7	4203 211	1			HOSE, Tee to Purge Connector w/EDF Injection Engine
	4095 681	1			HOSE, Crankcase Vent Valve to Tee (See Note 1) w/EDF Injection Engine
7a	4300 267	1			TEE, PCV Valve w/EDF Injection Engine
	4315 703	1			HOSE, Tee to Intake Manifold w/EDF Injection Engine
8	4343 477	1			HOSE, Crankcase Vent to Air Cleaner w/EDF Injection Engine
9	3671 076	1			VALVE, Crankcase Vent w/EDG Turbo Engine
-	4105 477	1			ELBOW, Crankcase Vent Valve w/EDG Turbo Engine
9a	4343 852	1	Z	S24	TEE, PCV Valve w/EDG Turbo Engine
	4300 267	1	Exc Z	S-24	
10		1			(See Group 14)
11		1			(See Group 14)
12	4343 779	1			HOSE, Vent Valve to Turbo w/EDG Turbo Engine
13	4343 491	1			HOSE, Vent Valve to Air Cleaner w/EDG Turbo Engine
	4105 733	1			HOSE, Crankcase Vent Valve w/EDG Turbo Engine

MODEL CODES

E BODY = (J - CARAVELLE)(E - 600)(T - NEW YORKER)

G BODY = (V24 - DAYTONA)

H BODY = (D44 - LANCER)(C44 - LEBARON GTS)

J BODY = (C - LEBARON)

K BODY = (P - RELIANT)(D - ARIES)(C - LEBAROND)/TOWN & COUNTRY)

L BODY = (M - HORIZON/TURISMO)(Z - OMNI/CHARGER)

M BODY = (B - GRAN FURY)(F - FIFTH AVE/NEWPORT)(G - DIPLOMAT)

P BODY = (P - SUNDANCE)(D - SHADOW)

S BODY = (H - VOYAGER)(K - RAM VAN/CARAVAN)

BODY STYLES

12-13 = FWD VAN

21 = 2-DOOR SEDAN

24 = 2-DOOR HATCHBACK

27 = 2-DOOR CONVERTIBLE

41 = 4-DOOR SEDAN

44 = 4-DOOR HATCHBACK

45 = 4-DOOR STATION WAGON

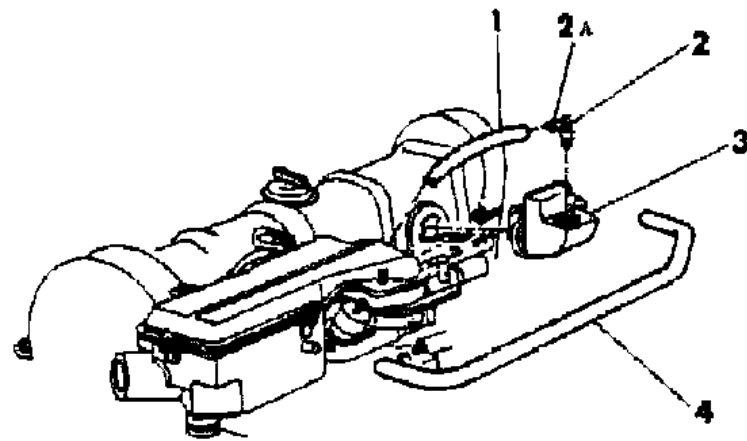
52-53 = FWD WAGON

AR = Use as Required - = Non Illustrated Part P.A.R. = Paint as Required

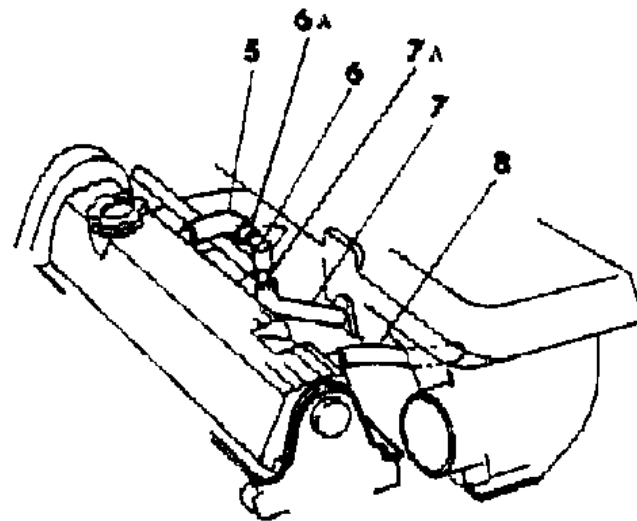
CRANKCASE VENTILATION W/O INTERCOOLER 2.2 L ENGINE

Figure 9A-1100

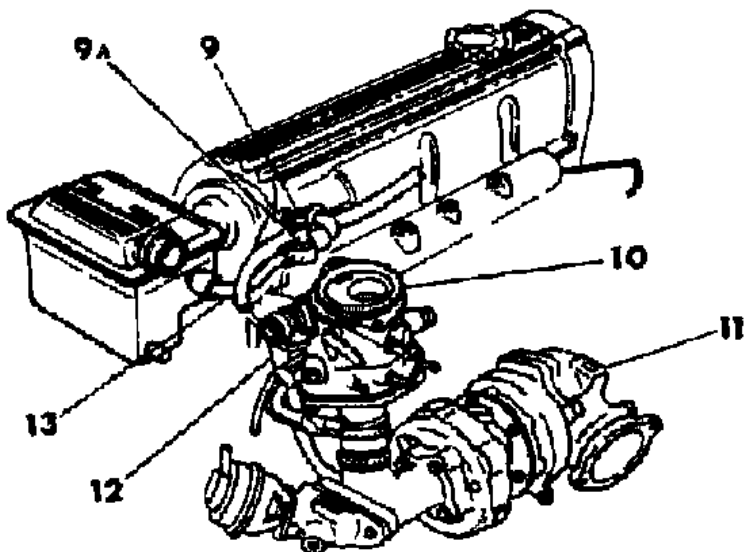
7158 1100 A



WITH CARB. ENGINE



WITH ELECT. FUEL INJECTION



WITH TURBO

ITEM	PART NUMBER	QTY	BODY	MODEL	DESCRIPTION
	4343 664	1			TUBE, Crankcase Vent Valve w/EDG Turbo Engine
-	3580 171	1	Z	S24	CAP, 3/16
	2448 770	1			CLAMP, PCV Hose w/EDG Turbo Engine

MODEL CODES

E BODY = (J - CARAVELLE)(E - 600)(T - NEW YORKER)

G BODY = (V24 - DAYTONA)

H BODY = (D44 - LANCER)(C44 - LEBARON GTS)

J BODY = (C - LEBARON)

K BODY = (P - RELIANT)(D - ARIES)(C - LEBAROND)/TOWN & COUNTRY)

L BODY = (M - HORIZON/TURISMO)(Z - OMNI/CHARGER)

M BODY = (B - GRAN FURY)(F - FIFTH AVE/NEWPORT)(G - DIPLOMAT)

P BODY = (P - SUNDANCE)(D - SHADOW)

S BODY = (H - VOYAGER)(K - RAM VAN/CARAVAN)

BODY STYLES

12-13 = FWD VAN

21 = 2-DOOR SEDAN

24 = 2-DOOR HATCHBACK

27 = 2-DOOR CONVERTIBLE

41 = 4-DOOR SEDAN

44 = 4-DOOR HATCHBACK

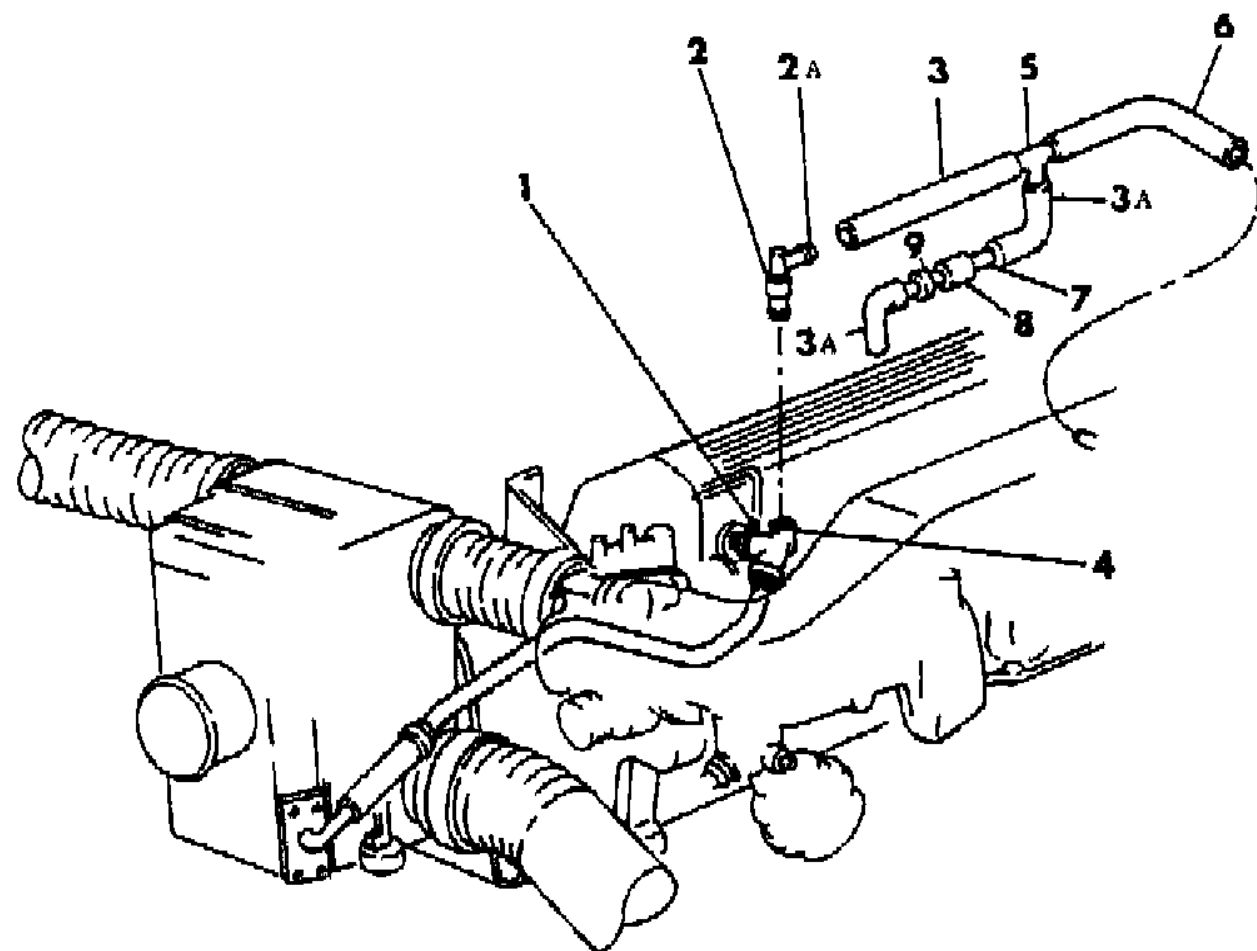
45 = 4-DOOR STATION WAGON

52-53 = FWD WAGON

AR = Use as Required - = Non Illustrated Part P.A.R. = Paint as Required

CRANKCASE VENTILATION W/TURBO-INTERCOOLER 2.2 L ENGINE
Figure 9A-1200

7158 1200 B



ITEM	PART NUMBER	QTY	BODY	MODEL	DESCRIPTION
1	6032 441	1			CLAMP, Hose Size 32 (2-1/2)
	6033 135	AR			Size 36 (2-1/4)
	6033 134	AR			Size 40 (3.00)
	2448 770	1			CLAMP, PCV Hose
2	3671 076	1			VALVE, Crankcase Vent
2a	4387 304	1			NIPPLE, Crankcase Vent
3	4387 367	1			HOSE, Crankcase Vent Valve to Intake Manifold
	4095 681	1			HOSE, Crankcase Vent Valve to Tee (Serviced in Roll Stock)
3a	4307 877	1	L		HOSE, Vac. (Shelby)
-	4300 267	1			TEE, Crankcase Vent Valve (Blue)
4	4343 916	1			HOSE, Crankcase Vent Valve(rubber "T")
	4343 917	1			TUBE, Crankcase Vent Valve
	4343 491	1			HOSE, Crankcase Vent Valve to Air Cleaner (Serviced in Roll Stock)
	4095 681	1			HOSE, Crankcase Vent Valve to Carb. SErviced in Roll Stock)
5	4343 852	1	L		T-CONNECTOR, PCV Valve Hose (Shelby)
-	3580 171	1	H		CAP, Insulator Ground Stud (Shelby) (3/16)
6	4387 367	1	L,H,P		HOSE, Tee Connector to Intake Manifold (Shelby)
7	4307 334	1	L		RESTRICTOR, PCV Valve (Shelby)
8	4275 718	1	L		HOSE, Tee Connector to Check Valve (Shelby)
9	4306 923	1			VALVE, Vac. Hose

MODEL CODES

E BODY = (J - CARAVELLE)(E - 600)(T - NEW YORKER)

G BODY = (V24 - DAYTONA)

H BODY = (D44 - LANCER)(C44 - LEBARON GTS)

J BODY = (C - LEBARON)

K BODY = (P - RELIANT)(D - ARIES)(C - LEBAROND)/TOWN & COUNTRY)

L BODY = (M - HORIZON/TURISMO)(Z - OMNI/CHARGER)

M BODY = (B - GRAN FURY)(F - FIFTH AVE/NEWPORT)(G - DIPLOMAT)

P BODY = (P - SUNDANCE)(D - SHADOW)

S BODY = (H - VOYAGER)(K - RAM VAN/CARAVAN)

BODY STYLES

12-13 = FWD VAN

21 = 2-DOOR SEDAN

24 = 2-DOOR HATCHBACK

27 = 2-DOOR CONVERTIBLE

41 = 4-DOOR SEDAN

44 = 4-DOOR HATCHBACK

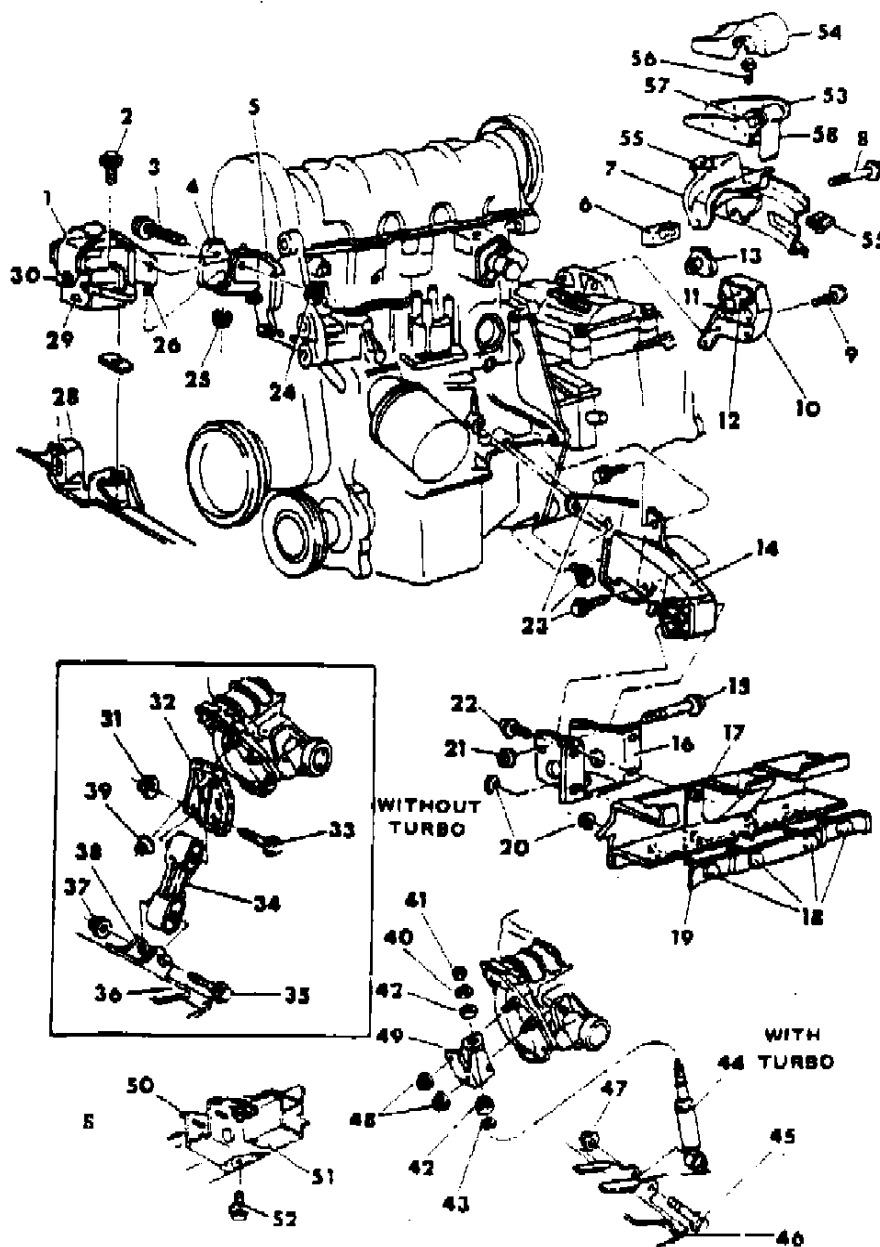
45 = 4-DOOR STATION WAGON

52-53 = FWD WAGON

AR = Use as Required - = Non Illustrated Part P.A.R. = Paint as Required

ENGINE MOUNTING 2.2 L ENGINE
Figure 9A-1300

7158 1300 C



ITEM	PART NUMBER	QTY	BODY	MODEL	DESCRIPTION
1	4295 264	1	L		BRACKET, Engine Support Insulator Rt.
	4295 265	1	Exc L		
	4446 018	1	J	C27	INSULATOR ASSEMBLY ***
	4446 020	1	J	C27	SUPPORT, w/Bracket - Insulator
	4446 081	1	J	C27	BRACKET, Engine Damper - Lower Right
2	6500 555	2			SCREW, w/Washer Bushing to Frame Bracket
3	6501 076	1			BOLT, Engine Support Insulator Bracket to Engine Mounting Rt.
4	4343 753	1			BRACKET, Engine Mounting Rt.
5	4323 642	1			STRUT, Engine Mounting Rt. (w/EDG Turbo, w/EDR Turbo- Intercooler Engine)
	6500 157	2			SCREW, w/Washer (M10x150-25 Lgh.)
6	4431 107	1			WEIGHT, Engine Mount Damper
7		1			BRACKET, Frame Side Rail (See Group 13)
8	6500 840	1			SCREW, w/Washer, Engine Support Insulator, to Frame Side Rail Bracket
	6100 300	1	J	C27	SCREW, w/Washer, Engine Support Bushing
9	6500 495	3			SCREW, w/Washer, Engine Support Insulator Bracket, to Trans. Case Lt.
10	4295 256	1	L		SUPPORT, Engine Lt. w/Manual Trans.
	4295 254	1	L		w/Automatic Trans.
	4295 257	1	Exc L		w/Manual Trans.
	4295 255	1	Exc L		w/Automatic Trans.
	4446 017	1	J	C27	w/Manual Trans.- Lt.
	4446 019	1	J	C27	w/Automatic Trans.- Lt.
11		1			SPACER, Engine Support Bushing Lt. (Serviced in Item 10)
		1	J	C27	STUD, Engine Support Insulator Bracket to Engine Bracket- Rt. (Not Serviced)
12	4295 237	1			BUSHING, Engine Support Insulator Lt.
13	6500 833	1			U-NUT, Insulator to Front Side Rail Lt.
14	4269 279	1	L		INSULATOR, Engine Support Front (Except Turbo Engine)
	4377 449	1	L	GLHS-24	w/EDG Turbo, w/Intercooler (Shelby)
	4348 327	1	Exc L		w/o EDG Turbo, w/o EDR Turbo Intercooler Engine or Heavy Duty Brakes
	4419 642	1	Exc L		w/EDG Turbo, w/EDR Turbo Intercooler Engine also w/BGB Heavy Duty Brakes
15	4271 953	1			SCREW, w/Washer, Engine Support Insulator, to Frame Front
16	4270 120	1	L		BRACKET, Front Side Rail Front Crossmember, Engine Mounting Front

MODEL CODES

E BODY = (J - CARAVELLE)(E - 600)(T - NEW YORKER)

G BODY = (V24 - DAYTONA)

H BODY = (D44 - LANCER)(C44 - LEBARON GTS)

J BODY = (C - LEBARON)

K BODY = (P - RELIANT)(D - ARIES)(C - LEBAROND)/TOWN & COUNTRY)

L BODY = (M - HORIZON/TURISMO)(Z - OMNI/CHARGER)

M BODY = (B - GRAN FURY)(F - FIFTH AVE/NEWPORT)(G - DIPLOMAT)

P BODY = (P - SUNDANCE)(D - SHADOW)

S BODY = (H - VOYAGER)(K - RAM VAN/CARAVAN)

BODY STYLES

12-13 = FWD VAN

21 = 2-DOOR SEDAN

24 = 2-DOOR HATCHBACK

27 = 2-DOOR CONVERTIBLE

41 = 4-DOOR SEDAN

44 = 4-DOOR HATCHBACK

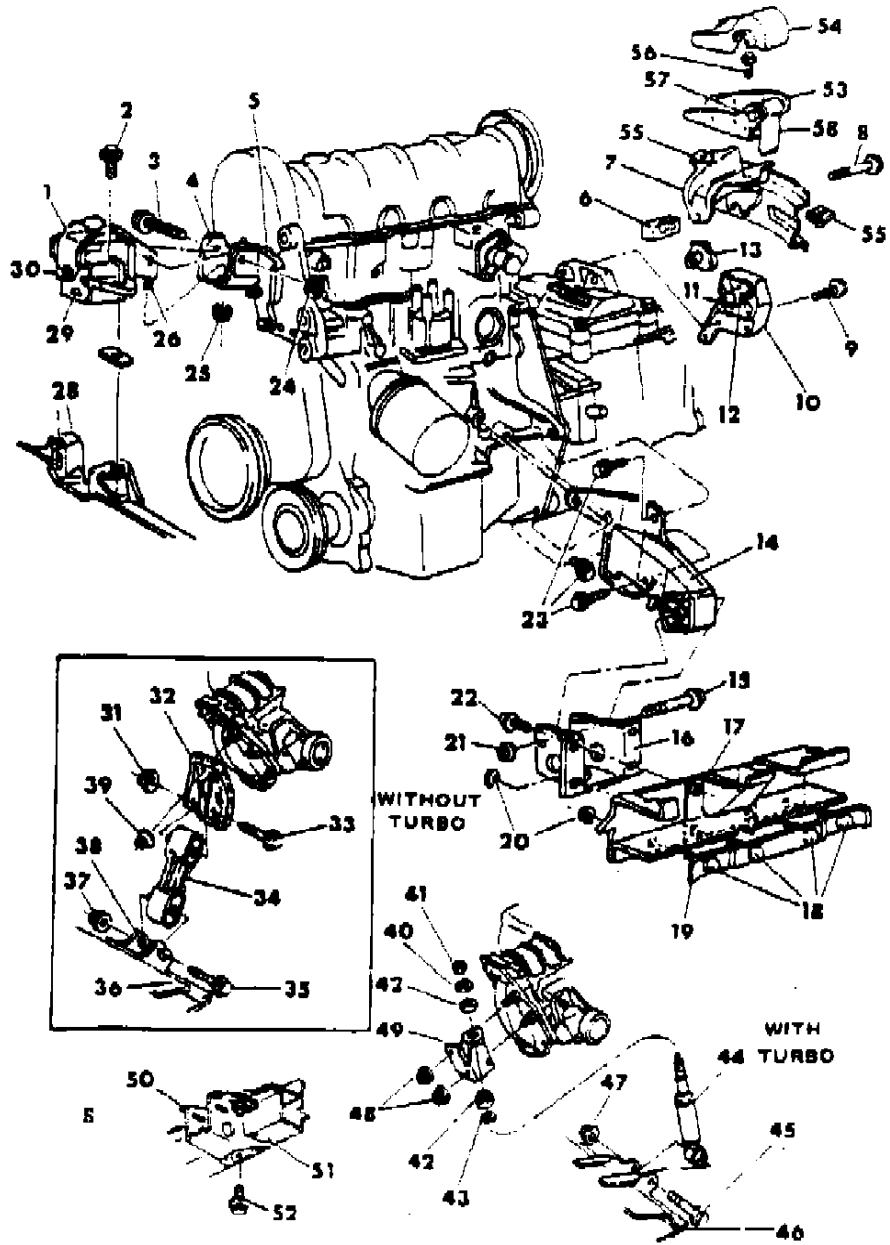
45 = 4-DOOR STATION WAGON

52-53 = FWD WAGON

AR = Use as Required - = Non Illustrated Part P.A.R. = Paint as Required

ENGINE MOUNTING 2.2 L ENGINE
Figure 9A-1300

7158 1300 C



ITEM	PART NUMBER	QTY	BODY	MODEL	DESCRIPTION
	4386 342	1	Exc L		
17	6500 259	2			NUT, Engine Support Insulator Bracket, to Engine Mounting Front Bracket Screw
18	6500 233	4			SCREW, Front Crossmember Flange Tie Plate
19	4296 258	1	L		TIEPLATE, Front Crossmember Flange
	4386 340	1	Exc L		
20	6500 259	4			NUT, Front Crossmember Flange Tie PLate
21	6100 053	1			NUT, Engine Support Insulator to Frame Front
22	6500 535	2			SCREW, w/Washer, Engine Support Insulator Bracket, to Engine Mounting Front, Bracket Front
23	6501 162	1		Exc.G-V	SCREW, w/Washer, Engine Support Insulator Bracket, to Engine Block Lt.
	6501 161	1		Exc.G-V	SCREW, w/Washer, Bracket to Trans. Front
	6501 566	1	G,J		SCREW, Engine Support Insulator Bracket to Trans. Frt. or Engine Lug w/EDG Turbo, w/EDR Turbo-Intercooler Engine
	6501 163	2			SCREW, w/Washer, Engine Support Insulator Bracket, to Engine Block Front
24	#6100 519	2			NUT, Engine Support Insulator Bracket, Engine Mounting Bolt
	6501 247	1			
25	6500 164	1			NUT, Engine Support Insulator Bracket, to Engine Mounting Stud Rt.
26	4295 274	1			STUD, Engine Support Insulator Bracket, to Engine Mounting Rt.
27	4329 446	2			SPACER, Engine Support Rt. (w/EDG Turbo, EDR Turbo-Intercooler Engine)
28					SIDE RAIL, (See Group 13)
29	4505 411	1			BUSHING, Engine Support Insulator Rt.
30	6500 839	1			SCREW, w/Washer, Engine Support Bushing
31	6100 053	2			NUT, Bracket to Strut Screw w/o EDG Turbo & EDR Turbo-Intercooler Engine
32	4412 954	1			BRACKET, Trans. to Roll Strut, w/Manual Trans. and w/o EDG Turbo & EDR Turbo-Intercooler Engine
33	6101 272	2			SCREW, w/Washer to Engine Roll Strut, w/Manual Trans and w/o EDG Turbo & EDR Turbo-Intercooler Engine
	6101 277	1	L		w/EDE Engine & Manual Trans.
34	4191 282	1			STRUT, Trans. to Crossmember Engine Roll, w/Manual Trans. and w/o EDG Turbo & EDR Turbo-Intercooler Engine
35	6101 342	2			SCREW, w/Washer, Bracket to Strut w/o EDG Turbo & EDR Turbo-Intercooler Engine

MODEL CODES

E BODY = (J - CARAVELLE)(E - 600)(T - NEW YORKER)

G BODY = (V24 - DAYTONA)

H BODY = (D44 - LANCER)(C44 - LEBARON GTS)

J BODY = (C - LEBARON)

K BODY = (P - RELIANT)(D - ARIES)(C - LEBAROND)/TOWN & COUNTRY)

L BODY = (M - HORIZON/TURISMO)(Z - OMNI/CHARGER)

M BODY = (B - GRAN FURY)(F - FIFTH AVE/NEWPORT)(G - DIPLOMAT)

P BODY = (P - SUNDANCE)(D - SHADOW)

S BODY = (H - VOYAGER)(K - RAM VAN/CARAVAN)

BODY STYLES

12-13 = FWD VAN

21 = 2-DOOR SEDAN

24 = 2-DOOR HATCHBACK

27 = 2-DOOR CONVERTIBLE

41 = 4-DOOR SEDAN

44 = 4-DOOR HATCHBACK

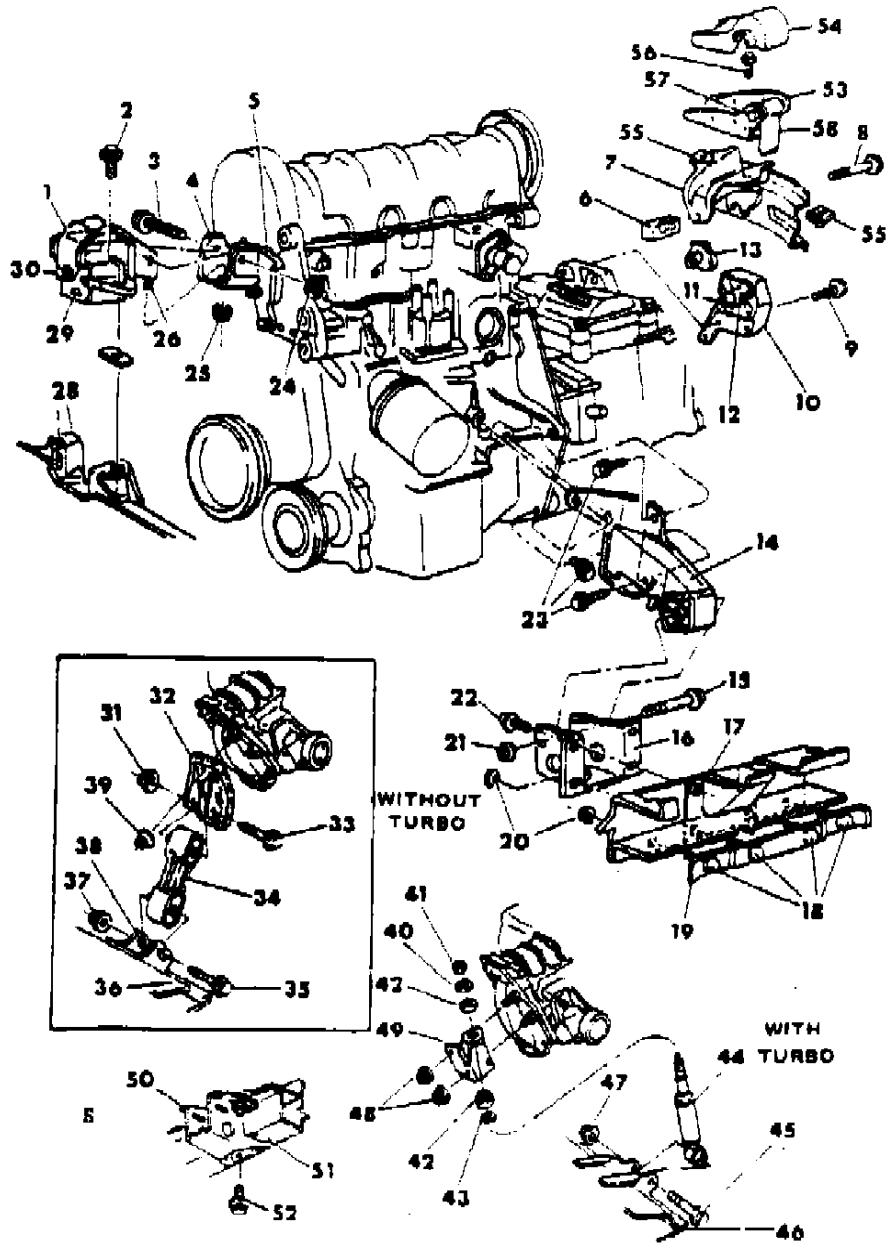
45 = 4-DOOR STATION WAGON

52-53 = FWD WAGON

AR = Use as Required - = Non Illustrated Part P.A.R. = Paint as Required

ENGINE MOUNTING 2.2 L ENGINE
Figure 9A-1300

7158 1300 C



ITEM	PART NUMBER	QTY	BODY	MODEL	DESCRIPTION
36		1			CROSSMEMBER, Front Susp. (See Group 13)
37	6100 053	2			NUT and WASHER, w/o EDG Turbo & EDR Turbo-Intercooler Engine
38		1			BRACKET, Crossmember to Roll Strut (Serviced in Group 13)
39	6500 363	2			NUT, Engine Roll Strut Bracket Bolt, w/Manual Trans. and w/o EDG Turbo & EDR Turbo-Intercooler Engine
	6501 163	2			BOLT, to Engine Roll Strut Bracket, w/Manual Trans. and w/o EDG Turbo & EDR Turbo-Intercooler Engine
40	6500 966	1			RETAINER, Damper Bushing Upper, w/Manual Trans. and w/EDG Turbo & EDR Turbo-Intercooler Engine
41	6100 525	1			NUT, Damper Upper w/Manual Trans. and w/EDG Turbo & EDR Turbo-Intercooler Engine
42		1			BUSHING, (Serviced in Item 44)
43	6500 967	1			RETAINER, Damper Bushing Lower, w/Manual Trans and EDG Turbo, EDR Turbo-Intercooler Engine
44	4364 769	1			DAMPER, w/Bushing Engine Roll, w/Manual Trans. and EDG Turbo, EDR Turbo-Intercooler Engine
45	6101 342	1			SCREW, Support Crossmember to Engine Damper, w/Manual Trans. and w/EDG Turbo, EDR Turbo-Intercooler Engine
46		1			CROSSMEMBER, (See Group 13)
47	6100 053	1			NUT, Support Crossmember Engine Damper, w/Manual Trans. and w/EDG Turbo, EDR Turbo-Intercooler Engine
48	6500 363	2			NUT, Engine Roll Strut Bracket, w/Manual Trans. and w/EDG Turbo, EDR Turbo-Intercooler Engine
49	4412 041	1			BRACKET, Engine Damper, w/Manual Trans. and w/EDG Turbo, EDR Turbo-Intercooler Engine
50	4440 600	1	S		BRACKET, Front Side Rail Front Crossmember Mount Front
51	4386 586	1	S		GUSSET, w/Weld Nut, Front Crossmember Engine Mount Bracket
52		1	S		SCREW, w/Washer, (M10x1.50x35) (Not Serviced)
53	4446 013	1	J	C27	BRACKET, Engine Damper- Lt.
	6500 363	2	J	C27	NUT, Lock-Engine Support Bushing
54	4446 217	1	J	C27	COVER, Engine Support Damper Bracket- Lt.
55	6101 283	2	J	C27	U-NUT, Engine Support to Side Rail Bracket- Lt.
56	6100 584	2	J	C27	SCREW, w/Washer, Engine Support to Side Rail Bracket- Lt.
57		1	J	C27	SCREW, w/Washer, Engine Support Bushing (Not Serviced)
58	4446 023	1	J	C27	DAMPER, Engine Lt. & Rt.
NOTE: The Following Items Are Not Shown On Illust. on as described in the Chrysler repair Manual.					
	6500 816	1			STUD, Block to Engine Mount Rt. (M10x1.50x50)

MODEL CODES

E BODY = (J - CARAVELLE)(E - 600)(T - NEW YORKER)

G BODY = (V24 - DAYTONA)

H BODY = (D44 - LANCER)(C44 - LEBARON GTS)

J BODY = (C - LEBARON)

K BODY = (P - RELIANT)(D - ARIES)(C - LEBAROND)/TOWN & COUNTRY)

L BODY = (M - HORIZON/TURISMO)(Z - OMNI/CHARGER)

M BODY = (B - GRAN FURY)(F - FIFTH AVE/NEWPORT)(G - DIPLOMAT)

P BODY = (P - SUNDANCE)(D - SHADOW)

S BODY = (H - VOYAGER)(K - RAM VAN/CARAVAN)

BODY STYLES

12-13 = FWD VAN

21 = 2-DOOR SEDAN

24 = 2-DOOR HATCHBACK

27 = 2-DOOR CONVERTIBLE

41 = 4-DOOR SEDAN

44 = 4-DOOR HATCHBACK

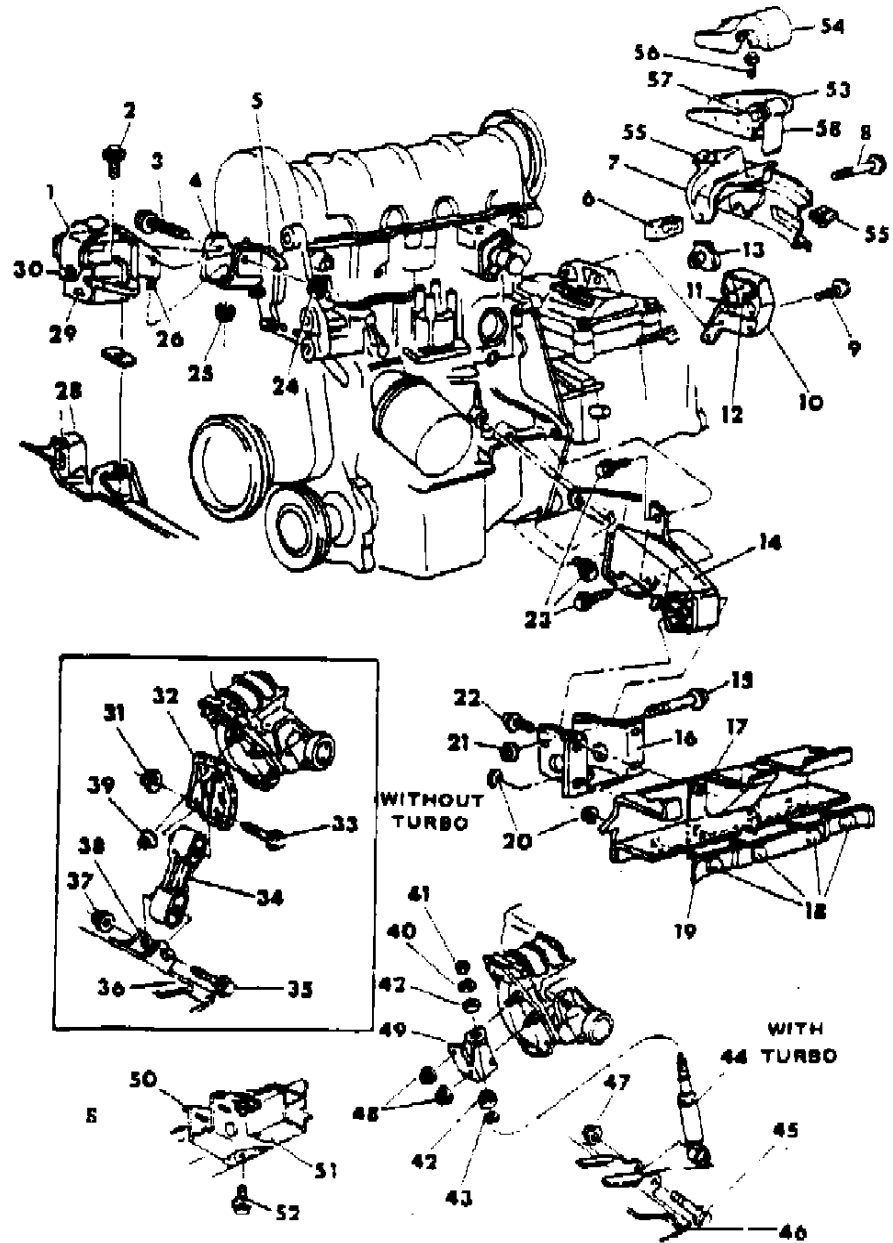
45 = 4-DOOR STATION WAGON

52-53 = FWD WAGON

AR = Use as Required - = Non Illustrated Part P.A.R. = Paint as Required

ENGINE MOUNTING 2.2 L ENGINE
Figure 9A-1300

7158 1300 C



ITEM	PART NUMBER	QTY	BODY	MODEL	DESCRIPTION
	6501 072	1			SCREW, w/Washer, Engine Mount and Spacer to Block (M10x1.50-85 Lgh.)
	6501 200	1			STUD, Engine Mounting and Spacer to Block (10-1.50x110 Lgh.)
-	4105 790	1			CLOSURE, Right Engine Mount Stone Guard
-	4443 197	1	P,K,H		DAMPER PACKAGE, Engine Roll w/EDF Engine, w/Manual Trans.
-	4443 197	1	S		w/EDE Engine, w/Manual Trans.

MODEL CODES

E BODY = (J - CARAVELLE)(E - 600)(T - NEW YORKER)

G BODY = (V24 - DAYTONA)

H BODY = (D44 - LANCER)(C44 - LEBARON GTS)

J BODY = (C - LEBARON)

K BODY = (P - RELIANT)(D - ARIES)(C - LEBAROND)/TOWN & COUNTRY)

L BODY = (M - HORIZON/TURISMO)(Z - OMNI/CHARGER)

M BODY = (B - GRAN FURY)(F - FIFTH AVE/NEWPORT)(G - DIPLOMAT)

P BODY = (P - SUNDANCE)(D - SHADOW)

S BODY = (H - VOYAGER)(K - RAM VAN/CARAVAN)

BODY STYLES

12-13 = FWD VAN

21 = 2-DOOR SEDAN

24 = 2-DOOR HATCHBACK

27 = 2-DOOR CONVERTIBLE

41 = 4-DOOR SEDAN

44 = 4-DOOR HATCHBACK

45 = 4-DOOR STATION WAGON

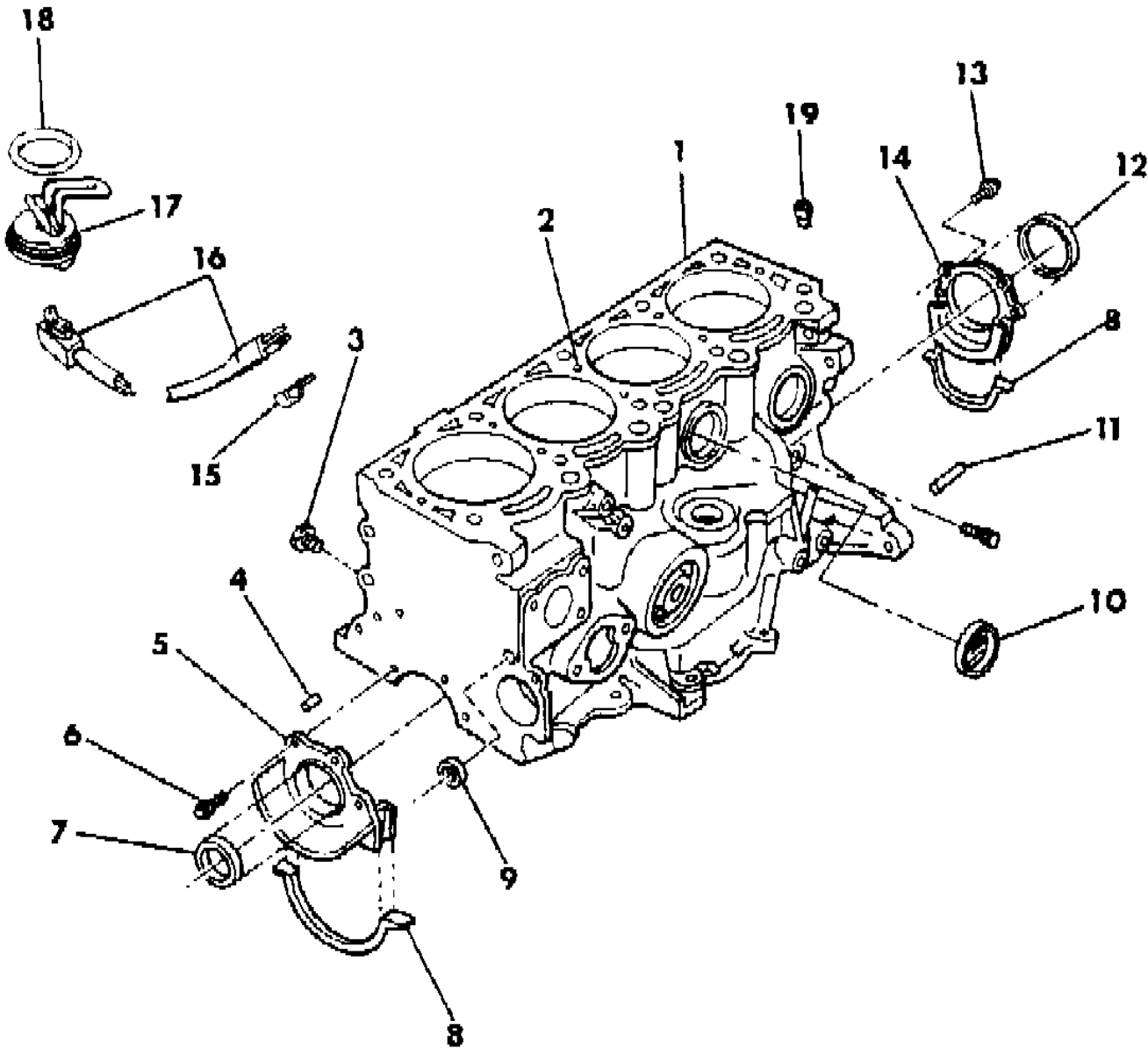
52-53 = FWD WAGON

AR = Use as Required - = Non Illustrated Part P.A.R. = Paint as Required

CYLINDER BLOCK 2.5 L ENGINE

Figure 9A-1500

7158 1500 A



ITEM	PART NUMBER	QTY	BODY	MODEL	DESCRIPTION
------	-------------	-----	------	-------	-------------

NOTE 1: These Packages do not contain Gaskets for all required sealings. R.T.V. Sealer #4318025 and Gasket Eliminator #4318029 must be used in addition as described in the Chrysler repair Manual.

4397 748 1 GASKET PACKAGE, Engine Lower

NOTE: Short Engine Assembly consists of the Cylinder Block with Piston and Rings, Crankshaft and Bearings, Connecting Rods and Bearings. on as described in the Chrysler repair Manual.

1	4387 653	1			ENGINE, Short
2		2			DOWEL, Cylinder Block to Head (Not Serviced)
3		1			PLUG, Cylinder Block Water Jacket Drain (1/4" NPT)(Not Serviced)
4		4			DOWEL, Cylinder Block to Crankshaft Seal Retainer (Not Serviced)
5	4323 397	1			RETAINER, Crankshaft Front Oil Seal
6	6101 278	3			SCREW and WASHER, Crankshaft Rear Oil Seal Retainer
	6100 271	1			SCREW, w/Washer, Crankshaft Oil Seal Retainer Mount Front
7	4273 275	1			SEAL, Crankshaft Front Oil
8		2			SEAL, Oil Pan to Retainer (See Oil Pan Illust.)
9	5203 340	2			PLUG, Cylinder Block Oil Gallery (5/8")
	4105 971	AR			(0.65" O/S)
10	5203 342	5			PLUG, Cylinder Block Core Hole Cup (1.625")
	4556 023	AR			(0.65" O/S)
11	5240 849	2			DOWEL, Cylinder Block to Transaxle Case
12	5203 590	1			SEAL, Crankshaft Rear Oil
13	6101 278	4			SCREW and WASHER, Crankshaft Rear Oil Seal Retainer
14	5214 784	1			RETAINER, Crankshaft Rear Oil Seal
15	6501 323	2			CLIP, Engine Block Heater Cord
16	5206 359	1			CORD, Engine Block Heater
	6015 756	AR			STRAP, Engine Block Heater
17	5213 083	1			HEATER, Engine Block
	4240 279	1			HEATER PACKAGE, Engine Block
18	6027 513	1			O-RING, Engine Block Heater
19	4323 808	1			RESTRICTOR, Cylinder Head Oil

MODEL CODES

E BODY = (J - CARAVELLE)(E - 600)(T - NEW YORKER)

G BODY = (V24 - DAYTONA)

H BODY = (D44 - LANCER)(C44 - LEBARON GTS)

J BODY = (C - LEBARON)

K BODY = (P - RELIANT)(D - ARIES)(C - LEBAROND)/TOWN & COUNTRY)

L BODY = (M - HORIZON/TURISMO)(Z - OMNI/CHARGER)

M BODY = (B - GRAN FURY)(F - FIFTH AVE/NEWPORT)(G - DIPLOMAT)

P BODY = (P - SUNDANCE)(D - SHADOW)

S BODY = (H - VOYAGER)(K - RAM VAN/CARAVAN)

BODY STYLES

12-13 = FWD VAN

21 = 2-DOOR SEDAN

24 = 2-DOOR HATCHBACK

27 = 2-DOOR CONVERTIBLE

41 = 4-DOOR SEDAN

44 = 4-DOOR HATCHBACK

45 = 4-DOOR STATION WAGON

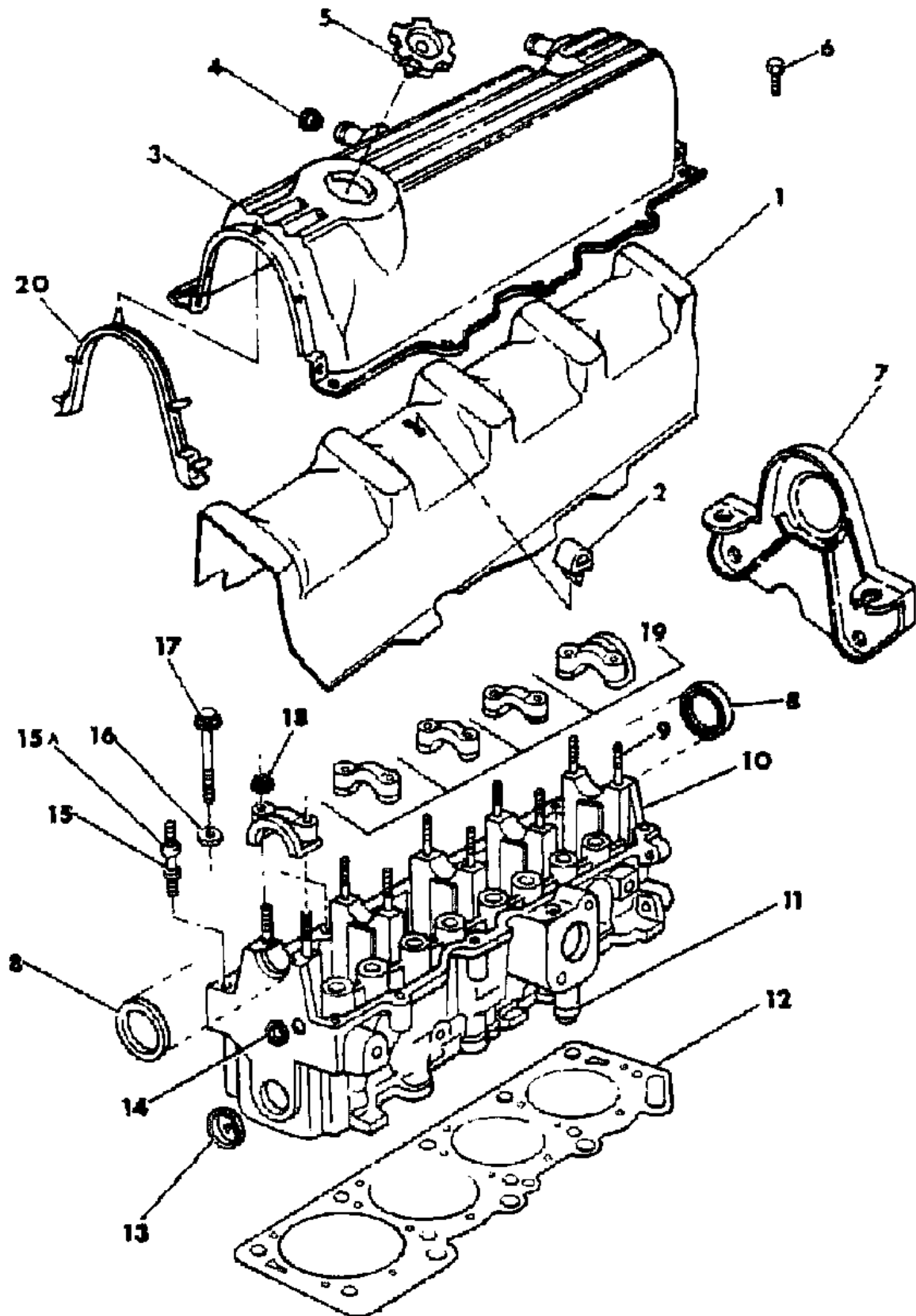
52-53 = FWD WAGON

AR = Use as Required - = Non Illustrated Part P.A.R. = Paint as Required

CYLINDER HEAD 2.5 L ENGINE

Figure 9A-1600

7158 1600 A



ITEM	PART NUMBER	QTY	BODY	MODEL	DESCRIPTION
------	-------------	-----	------	-------	-------------

NOTE 1: These Packages do not contain Gaskets for all required sealings. R.T.V. Sealer #4318025 and Gasket Eliminator #4318029 must be used in addition as described in the Chrysler repair Manual.

	4728 218	1			GASKET PACKAGE, Engine Upper
1	4343 495	1			CURTAIN, Cylinder Head
2	4387 331	2			RETAINER, Cylinder Head Curtain
3	4343 496	1			COVER, Cylinder Head
4	4387 332	1			RESTRICTOR, Cylinder Head Cover PCV
5	4343 715	1			CAP, Oil Filler
6	6100 276	5			SCREW and WASHER, Cylinder Head Cover (M6x20)
7	4298 087	1			COVER, Camshaft Rear
8	4105 395	1			SEAL, Camshaft Front Oil
	4343 903	1			PLUG, Camshaft Rear
9	6100 299	10			SCREW, Camshaft Bearing Cap
10	4343 627	1			HEAD, Cylinder
	6500 267	1			SCREW and WASHER, Cylinder Head Plug (M10x1.50-16Lg)
11		1			NIPPLE, Thermostat Water By-Pass (See Group 7)
12	4387 319	1			GASKET, Cylinder Head
13	5203 341	2			PLUG, Cylinder Head Core Hole Cup (1.25")
	4105 972	AR			(.065" O.S.)
14	5203 340	2			PLUG, Cylinder Head Oil Gallery Hole (5/8")
	4105 971	AR			(.065" O.S.)
15	6500 435	2			STUD, Cylinder Head Cover
15a	6500 274	2			NUT, Lock Cylinder Head Cover Stud (M6x1.00)
16	6501 434	10			WASHER, Cylinder Head Screw
17	6501 433	10			SCREW, Cylinder Head (M11x122.5)
18					NUT, Camshaft Bearing Cap Stud (Not Serviced)
19		5			CAPS, Camshaft Bearing (Serviced in Cylinder Head)
20	5214 479	2			SEAL, Cylinder Head Cover End

MODEL CODES

E BODY = (J - CARAVELLE)(E - 600)(T - NEW YORKER)

G BODY = (V24 - DAYTONA)

H BODY = (D44 - LANCER)(C44 - LEBARON GTS)

J BODY = (C - LEBARON)

K BODY = (P - RELIANT)(D - ARIES)(C - LEBAROND)/TOWN & COUNTRY)

L BODY = (M - HORIZON/TURISMO)(Z - OMNI/CHARGER)

M BODY = (B - GRAN FURY)(F - FIFTH AVE/NEWPORT)(G - DIPLOMAT)

P BODY = (P - SUNDANCE)(D - SHADOW)

S BODY = (H - VOYAGER)(K - RAM VAN/CARAVAN)

BODY STYLES

12-13 = FWD VAN

21 = 2-DOOR SEDAN

24 = 2-DOOR HATCHBACK

27 = 2-DOOR CONVERTIBLE

41 = 4-DOOR SEDAN

44 = 4-DOOR HATCHBACK

45 = 4-DOOR STATION WAGON

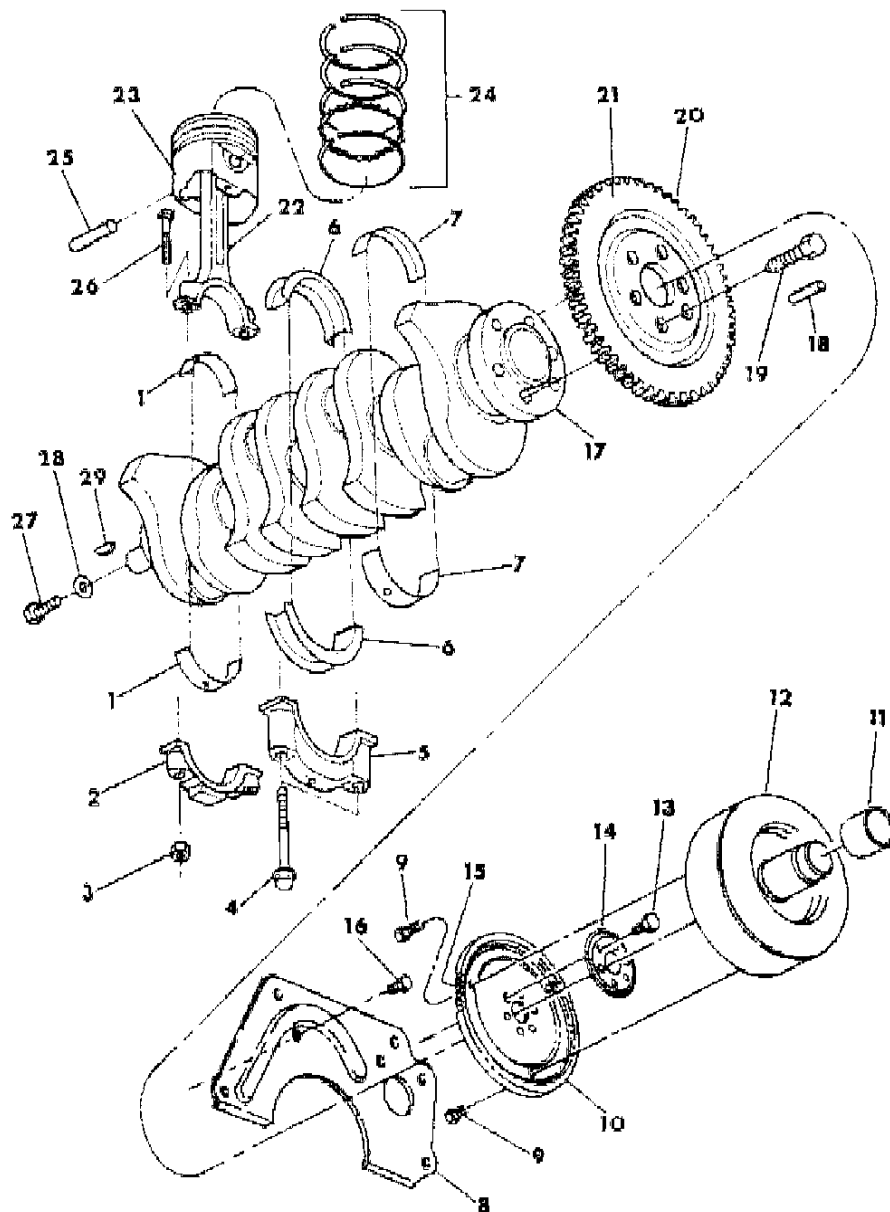
52-53 = FWD WAGON

AR = Use as Required - = Non Illustrated Part P.A.R. = Paint as Required

CRANKSHAFT & PISTONS 2.5 L ENGINE

Figure 9A-1700

7158 1700



ITEM	PART NUMBER	QTY	BODY	MODEL	DESCRIPTION
1	4240 025	4			BEARING PACKAGE, Connecting Rod Standard
	4240 026	4			.025mm U/S
	4240 027	4			.050mm U/S
	4240 028	4			.250mm U/S
	4240 029	4			.275mm U/S
	4240 030	4			.300mm U/S
2		4			CAP, Connecting Rod Bearing (Serviced in Item # 22)
3	4227 678	8			NUT, Connecting Rod Bearing Cap Bolt
4	6500 755	10			SCREW, Crankshaft Bearing Cap
5	4343 497	1			CAP, Crankshaft Bearing # 1
	4105 212	1			# 2
	4105 213	1			# 3
	4105 214	1			# 4
	4105 215	1			# 5
6	4293 830	1			BEARING PACKAGE, Crankshaft # 3 Standard
	4293 831	1			.025mm U/S
	4293 832	1			.050mm U/S
	4293 833	1			.250mm U/S
	4293 834	1			.275mm U/S
	4293 835	1			.300mm U/S
7	4293 824	4			BEARING PACKAGE, Crankshaft # 1,2,4 or 5 Standard
	4293 825	4			.025mm U/S
	4293 826	4			.050mm U/S
	4293 827	4			.250mm U/S
	4293 828	4			.275mm U/S
	4293 829	4			.300mm U/S
8		1			COVER, Transaxle Case Upper (See Group 21 Illust.)
9	6501 099	4			BOLT, Drive Plate to Torque Converter
10	4348 322	1			PLATE, Torque Converter Drive
11		1			SEAL, Torque Converter Hub (See Group 21 Illust.)
12	4419 626	1			CONVERTER, Torque
13	6501 193	8			BOLT, Drive Plate to Crankshaft
14	4348 349	1			PLATE, Crankshaft Bolt Backing
15		1			GEAR, Starter Ring (Serviced in Item # 10)
16		1			SCREW and WASHER, Transaxle Case Cover (See Group 21 Illust.)
17	4343 405	1			CRANKSHAFT
18	6031 923	3			DOWEL, Clutch Cover to Flywheel

MODEL CODES

E BODY = (J - CARAVELLE)(E - 600)(T - NEW YORKER)

G BODY = (V24 - DAYTONA)

H BODY = (D44 - LANCER)(C44 - LEBARON GTS)

J BODY = (C - LEBARON)

K BODY = (P - RELIANT)(D - ARIES)(C - LEBAROND)/TOWN & COUNTRY)

L BODY = (M - HORIZON/TURISMO)(Z - OMNI/CHARGER)

M BODY = (B - GRAN FURY)(F - FIFTH AVE/NEWPORT)(G - DIPLOMAT)

P BODY = (P - SUNDANCE)(D - SHADOW)

S BODY = (H - VOYAGER)(K - RAM VAN/CARAVAN)

BODY STYLES

12-13 = FWD VAN

21 = 2-DOOR SEDAN

24 = 2-DOOR HATCHBACK

27 = 2-DOOR CONVERTIBLE

41 = 4-DOOR SEDAN

44 = 4-DOOR HATCHBACK

45 = 4-DOOR STATION WAGON

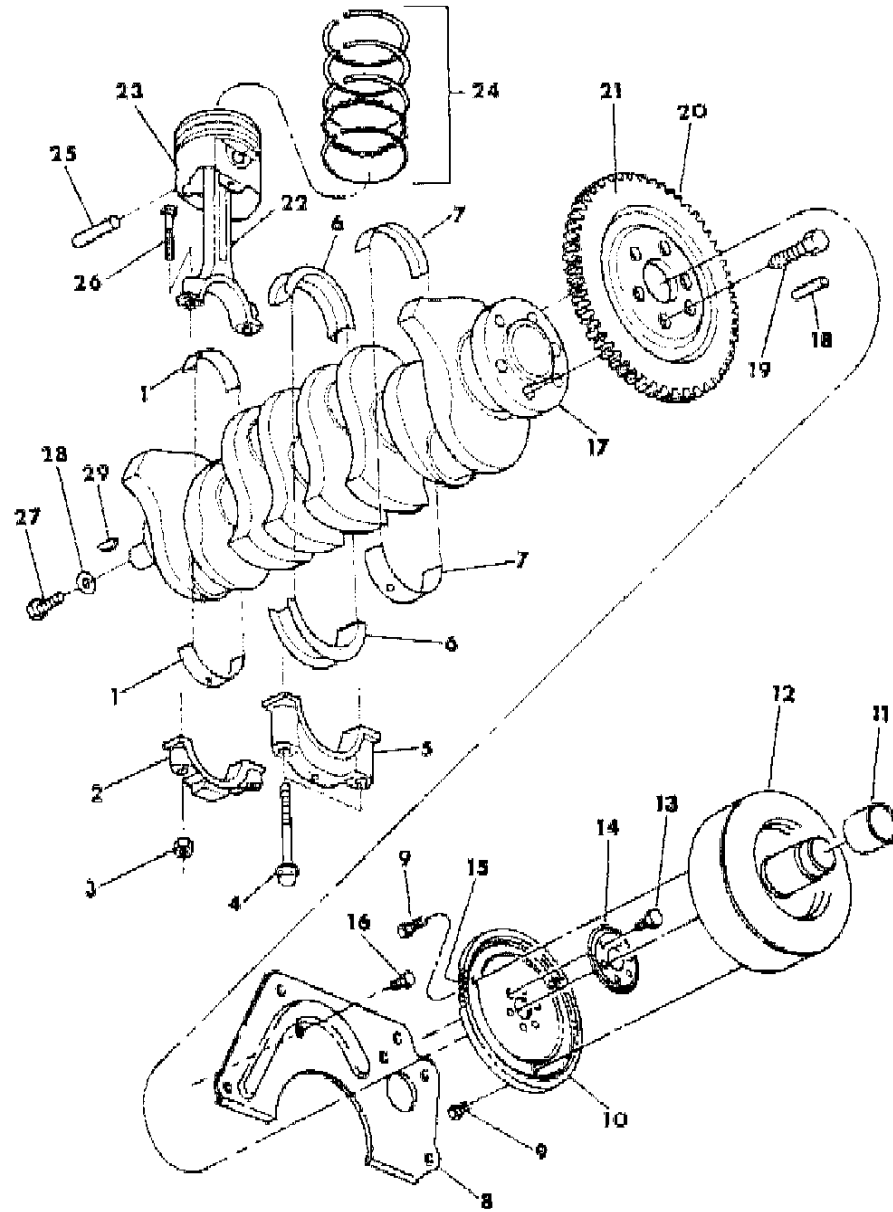
52-53 = FWD WAGON

AR = Use as Required - = Non Illustrated Part P.A.R. = Paint as Required

CRANKSHAFT & PISTONS 2.5 L ENGINE

Figure 9A-1700

7158 1700



ITEM	PART NUMBER	QTY	BODY	MODEL	DESCRIPTION
19	6501 197	8			BOLT, Flywheel to Crankshaft
20		1			GEAR, Starter Ring (Serviced in Item # 21)
21	4446 093	1			FLYWHEEL
22	4387 733	4			ROD and CAP, Connecting (cstg#4323649-perDallas)
23	4397 636	4			PISTON and PIN, Standard
	4397 637	4			.050mm O/S
24	4411 975	4			RING, Piston (Pkg. for 1 Piston) Standard
	4411 976	4			.050mm O/S
	4411 973	1			RING SET, Piston Standard for Complete Engine
	4411 974	1			.050mm O/S
25	5203 800	4			PIN, Piston
26	4343 547	8			BOLT, Connecting Rod Bearing Cap
27	6502 976	1			SCREW, Crankshaft Sprocket
28	6500 431	1			WASHER, Crankshaft Sprocket Screw
29	6500 150	1			KEY, Crankshaft Sprocket

MODEL CODES

E BODY = (J - CARAVELLE)(E - 600)(T - NEW YORKER)

G BODY = (V24 - DAYTONA)

H BODY = (D44 - LANCER)(C44 - LEBARON GTS)

J BODY = (C - LEBARON)

K BODY = (P - RELIANT)(D - ARIES)(C - LEBAROND)/TOWN & COUNTRY)

L BODY = (M - HORIZON/TURISMO)(Z - OMNI/CHARGER)

M BODY = (B - GRAN FURY)(F - FIFTH AVE/NEWPORT)(G - DIPLOMAT)

P BODY = (P - SUNDANCE)(D - SHADOW)

S BODY = (H - VOYAGER)(K - RAM VAN/CARAVAN)

BODY STYLES

12-13 = FWD VAN

21 = 2-DOOR SEDAN

24 = 2-DOOR HATCHBACK

27 = 2-DOOR CONVERTIBLE

41 = 4-DOOR SEDAN

44 = 4-DOOR HATCHBACK

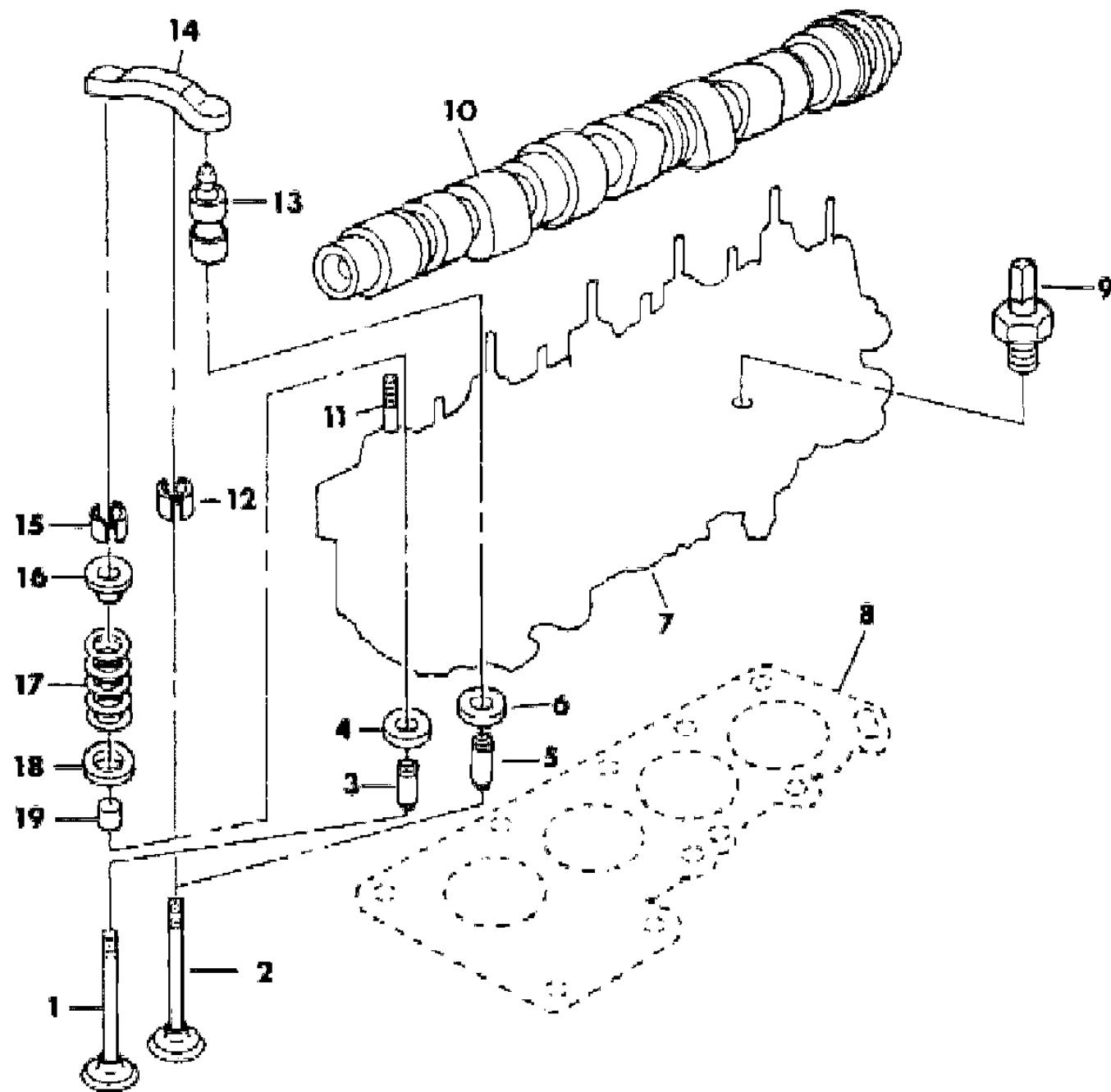
45 = 4-DOOR STATION WAGON

52-53 = FWD WAGON

AR = Use as Required - = Non Illustrated Part P.A.R. = Paint as Required

CAMSHAFT & VALVES 2.5 L ENGINE
Figure 9A-1800

7158 1800



ITEM	PART NUMBER	QTY	BODY	MODEL	DESCRIPTION
1	4298 142	4			VALVE, Exhaust - Standard
	4298 143	4			0.15mm O/S
	4298 144	4			0.40mm O/S
	4298 145	4			0.80mm O/S
2	4298 137	4			VALVE, Intake - Standard
	4298 138	4			0.15mm O/S
	4298 139	4			0.40mm O/S
	4298 140	4			0.80mm O/S
3	4105 715	4			GUIDE, Exhaust Valve
4	5203 792	4			SEAT, Exhaust Valve
5	4105 716	4			GUIDE, Intake Valve
6	5203 472	4			SEAT, Intake Valve
7		1			HEAD, Cylinder (See Cylinder Head Illust.)
8	4387 319	1			GASKET, Cylinder Head
9		1			NIPPLE, Thermostat Water By-Pass (See Group 7 Illust.)
10	4293 817	1			CAMSHAFT PACKAGE, w/Rockers - Standard Journals
	4293 818	1			0.50mm O/S Journals
11	6100 299	10			SCREW, Camshaft Bearing Cap
12	4201 349	8			LOCK, Intake Valve Spring Retainer
13	4240 007	8			ADJUSTER, Valve Lash
14	4173 390	8			ROCKER, Valve
15	5203 577	8			LOCK, Exhaust Valve Spring Retainer
16	5203 578	8			RETAINER, Valve Spring
17	4323 225	8			SPRING, Valve (4.24 MM Dia.) (Orange)
	4105 793	8			(4.50 MM Dia.) (Pink)
18	5203 474	8			SEAT, Valve Spring
19	4201 332	8			SEAL, Valve Guide - Standard
	4105 366	8			0.15mm O/S (Green)
	4105 367	8			0.40mm O/S (Yellow)
	4105 368	8			0.80mm O/S (Red)

MODEL CODES

E BODY = (J - CARAVELLE)(E - 600)(T - NEW YORKER)

G BODY = (V24 - DAYTONA)

H BODY = (D44 - LANCER)(C44 - LEBARON GTS)

J BODY = (C - LEBARON)

K BODY = (P - RELIANT)(D - ARIES)(C - LEBAROND)/TOWN & COUNTRY)

L BODY = (M - HORIZON/TURISMO)(Z - OMNI/CHARGER)

M BODY = (B - GRAN FURY)(F - FIFTH AVE/NEWPORT)(G - DIPLOMAT)

P BODY = (P - SUNDANCE)(D - SHADOW)

S BODY = (H - VOYAGER)(K - RAM VAN/CARAVAN)

BODY STYLES

12-13 = FWD VAN

21 = 2-DOOR SEDAN

24 = 2-DOOR HATCHBACK

27 = 2-DOOR CONVERTIBLE

41 = 4-DOOR SEDAN

44 = 4-DOOR HATCHBACK

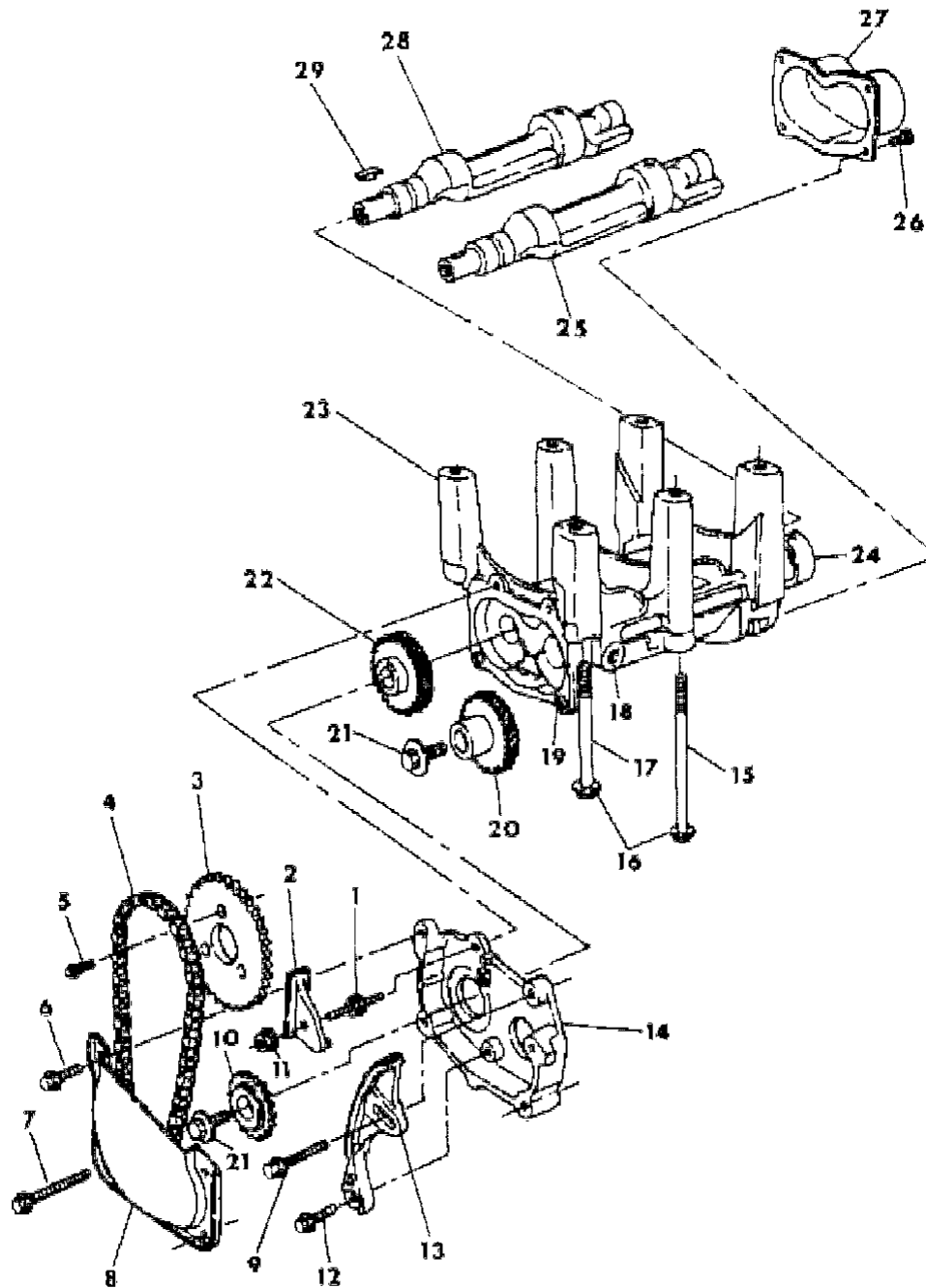
45 = 4-DOOR STATION WAGON

52-53 = FWD WAGON

AR = Use as Required - = Non Illustrated Part P.A.R. = Paint as Required

BALANCE SHAFTS 2.5 L ENGINE
Figure 9A-1900

7158 1000



ITEM	PART NUMBER	QTY	BODY	MODEL	DESCRIPTION
1	6501 226	1			STUD and WASHER, Cover and Chain Guide Attaching (M6x41)
2	4343 660	1			GUIDE, Chain
3	4273 270	1			SPROCKET, Crankshaft Chain
4	4273 260	1			CHAIN, Balance Shaft
5	6101 410	3			SCREW, Crankshaft Chain Sprocket (M6x16)
6	6500 716	2			SCREW and WASHER, Carrier Cover Attaching (M6x16)
7	6100 272	2			SCREW and WASHER, Trough and Cover Attaching (M6x50)
8	4323 041	1			TROUGH, Carrier Cover (Front)
9	6501 420	1			SCREW and WASHER, Tensioner and Cover Attaching (M6x35)
10	4273 271	1			SPROCKET, Balance Shaft Chain
11	6100 047	1			NUT and WASHER, Chain Guide Attaching
12	6101 278	1			SCREW and WASHER, Tensioner to Cover Attaching (M6x20)
13	4343 662	1			TENSIONER, Chain
14	4323 039	1			COVER, Carrier Gear (Front)
15	6101 400	4			BOLT, Carrier Attaching (M10x1.5-145)
16	6500 543	6			WASHER, Carrier Attaching Bolt
17	6100 949	2			BOLT, Carrier Attaching (M10x1.5-110)
18	5203 517	1			PLUG, Carrier Oil Hole (7/16")
19		2			DOWEL, Carrier to Gear Cover (Not Serviced)
20	4343 785	1			GEAR, Balance Shaft Driven
21	6501 404	2			SCREW and WASHER, Balance Shaft Gear Attaching (M8x1.25-25)
22	4343 783	1			GEAR, Balance Shaft Drive
23	4323 038	1			CARRIER and BEARING, Balance Shaft
24		2			BEARING, Balance Shaft Rear (Serviced in #4323038)
25	4323 028	1			SHAFT, Balance Driven
26	6500 716	4			SCREW and WASHER, Trough to Carrier Cover (M6x16)
27	4323 043	1			COVER, Balance Shaft (Rear)
28	4323 026	1			SHAFT, Balance Drive
29	6500 150	2			KEY, Balance Shaft Gear

MODEL CODES

E BODY = (J - CARAVELLE)(E - 600)(T - NEW YORKER)

G BODY = (V24 - DAYTONA)

H BODY = (D44 - LANCER)(C44 - LEBARON GTS)

J BODY = (C - LEBARON)

K BODY = (P - RELIANT)(D - ARIES)(C - LEBAROND)/TOWN & COUNTRY)

L BODY = (M - HORIZON/TURISMO)(Z - OMNI/CHARGER)

M BODY = (B - GRAN FURY)(F - FIFTH AVE/NEWPORT)(G - DIPLOMAT)

P BODY = (P - SUNDANCE)(D - SHADOW)

S BODY = (H - VOYAGER)(K - RAM VAN/CARAVAN)

BODY STYLES

12-13 = FWD VAN

21 = 2-DOOR SEDAN

24 = 2-DOOR HATCHBACK

27 = 2-DOOR CONVERTIBLE

41 = 4-DOOR SEDAN

44 = 4-DOOR HATCHBACK

45 = 4-DOOR STATION WAGON

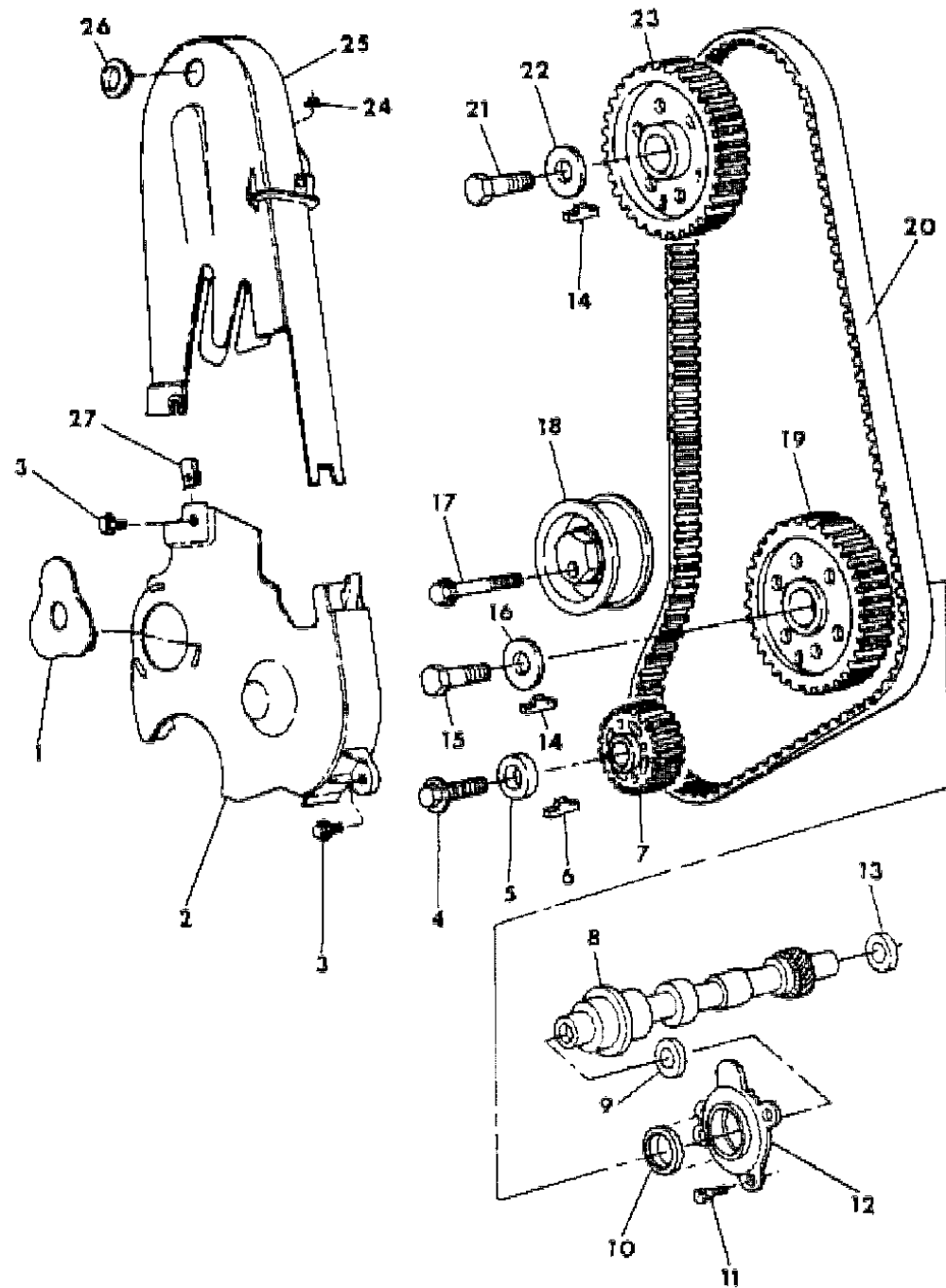
52-53 = FWD WAGON

AR = Use as Required - = Non Illustrated Part P.A.R. = Paint as Required

TIMING BELT & COVERS & INTERMEDIATE SHAFT 2.5 L ENGINE

Figure 9A-2000

7158 2000



ITEM	PART NUMBER	QTY	BODY	MODEL	DESCRIPTION
1	4343 822	1			PLUG, Timing Belt Cover Lower
2	4343 821	1			COVER, Timing Belt Cover Lower
3	6500 778	3			SCREW, Timing Belt Cover (M6x20)
4	6502 976	1			SCREW, Crankshaft Sprocket
5	6500 431	1			WASHER, Crankshaft Sprocket
6	6500 150	1			KEY, Crankshaft Sprocket
7	4273 269	1			SPROCKET, Crankshaft
8	4343 428	1			SHAFT, Intermediate
9	4105 216	1			BEARING, Intermediate Shaft Front
10	4105 395	1			SEAL, Intermediate Shaft Oil
11	6101 278	3			SCREW, Intermediate Shaft Seal Retainer
12	5203 325	1			RETAINER, Intermediate Shaft Oil Seal
13	4105 217	1			BEARING, Intermediate Shaft Rear
14	6500 150	1			KEY, Intermediate Shaft Sprocket
	6500 150	1			KEY, Camshaft Sprocket
15	6501 405	1			BOLT, Intermediate Shaft Sprocket
16	6500 346	1			WASHER, Intermediate Shaft Sprocket Screw
17	6101 277	1			SCREW and WASHER, Tension Pulley Mounting
18	4273 241	1			PULLEY, Tension
19	4273 238	1			SPROCKET, Intermediate Shaft
20	4343 824	1			BELT, Timing
21	6501 405	1			BOLT, Camshaft Sprocket
22	6500 346	1			WASHER, Camshaft Sprocket Screw
23	4273 238	1			SPROCKET, Camshaft
24	6500 274	2			NUT, Timing Belt Cover
25	4343 820	1			COVER, Timing Belt Upper
26	2094 631	1			PLUG, Timing Belt Cover Upper
27	#6100 041	1			U-NUT, Timing Belt Cover

MODEL CODES

E BODY = (J - CARAVELLE)(E - 600)(T - NEW YORKER)

G BODY = (V24 - DAYTONA)

H BODY = (D44 - LANCER)(C44 - LEBARON GTS)

J BODY = (C - LEBARON)

K BODY = (P - RELIANT)(D - ARIES)(C - LEBAROND)/TOWN & COUNTRY)

L BODY = (M - HORIZON/TURISMO)(Z - OMNI/CHARGER)

M BODY = (B - GRAN FURY)(F - FIFTH AVE/NEWPORT)(G - DIPLOMAT)

P BODY = (P - SUNDANCE)(D - SHADOW)

S BODY = (H - VOYAGER)(K - RAM VAN/CARAVAN)

BODY STYLES

12-13 = FWD VAN

21 = 2-DOOR SEDAN

24 = 2-DOOR HATCHBACK

27 = 2-DOOR CONVERTIBLE

41 = 4-DOOR SEDAN

44 = 4-DOOR HATCHBACK

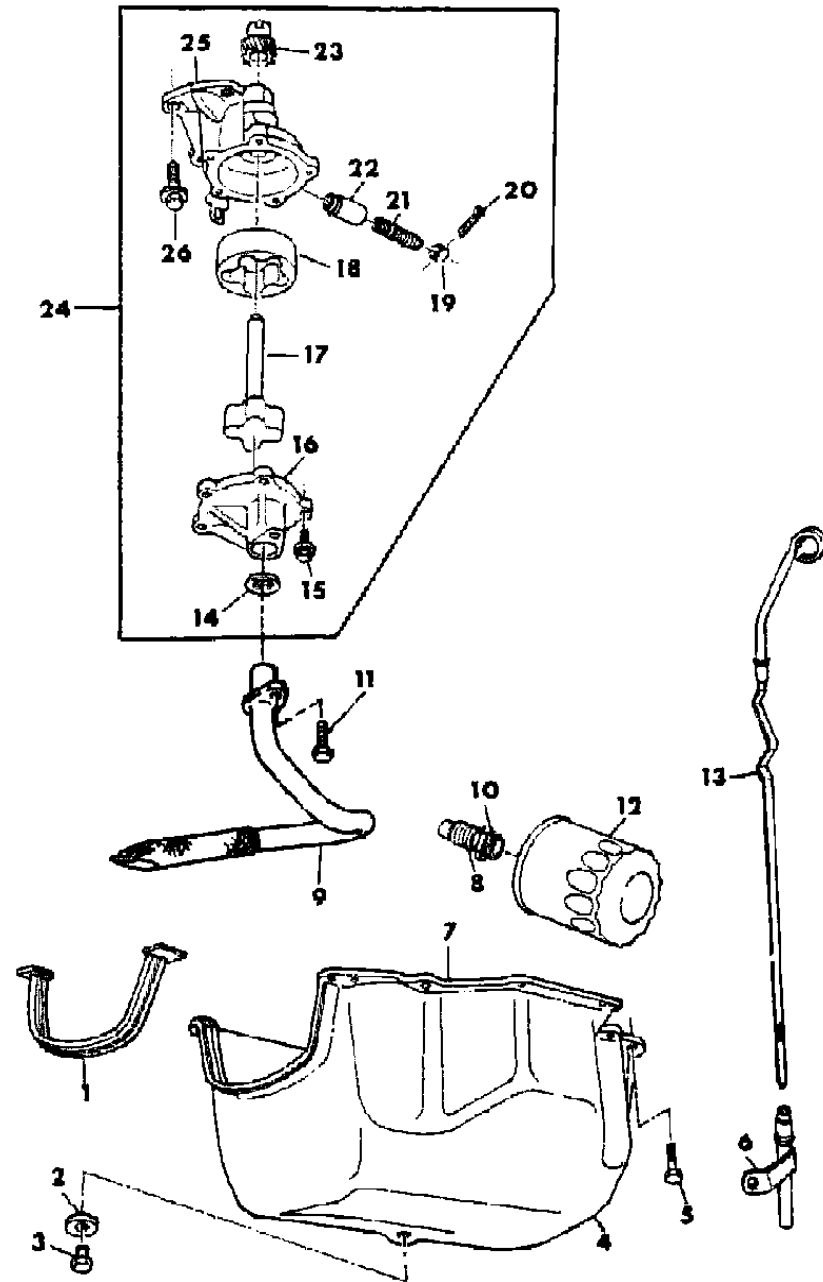
45 = 4-DOOR STATION WAGON

52-53 = FWD WAGON

AR = Use as Required - = Non Illustrated Part P.A.R. = Paint as Required

ENGINE OILING 2.5 L ENGINE
Figure 9A-2100

7158 2100



ITEM	PART NUMBER	QTY	BODY	MODEL	DESCRIPTION
1	4273 243	1			SEAL, Oil Pan to Retainer Front
	5203 778	1			Rear
2	3769 935	1			GASKET, Oil Pan Drain Plug (Also in Plug Pkg)
3	4293 859	1			PLUG PACKAGE, Oil Pan Drain
4	4343 620	1			PAN, Oil
-	4404 288	1	K	D,P 41	SHIELD, Engine Oil Pan (Police)
	6101 308	8	K	D,P 41	U-NUT, Front Susp. Crossmember to Shield (Police)
	6100 287	8	K	D,P 41	SCREW and WASHER, Front Susp. Crossmember to Shield (Police)
5	6501 452	12			SCREW, Oil Pan Mounting
	6101 285	1			(6x1x16)
6	4343 632	1			TUBE and CLIP, Oil Level Indicator (w/4343651 Indicator)
	4387 574	1			(w/4387572 Indicator)
	6100 050	1			NUT, Oil Level Indicator Tube Att
7		AR			SEALER, RTV Silicone
8	4343 801	1			VALVE, Anti-Drain Back Oil Filter Adapter
9	4343 521	1			TUBE, Oil Pump Pickup
10	1407 748	1			O-RING, Oil Filter Adapter
11	6500 070	1			SCREW and WASHER, Oil Pickup Tube to Pump Cover (M8x25)
12	4105 409	1			FILTER, Oil
13	4343 651	1			INDICATOR, Oil Level (Approx. 558 MM)
	4387 572	1			(Approx. 526 MM)
14	6032 920	1			SEAL, Oil Pump Cover to Pickup Tube
15	6100 277	1			SCREW and WASHER, Oil Pump Cover Att
16	4323 030	1			COVER, Oil Pump
17	4342 940	1			DRIVE SHAFT and ROTOR, Oil Pump
18		1			ROTOR, Oil Pump Outer (Serviced in Item 17)
19	2806 273	1			CAP, Oil Pressure Relief Valve
20		1			PIN, Oil Pressure Relief Valve (Not Serviced)
21	2402 473	1			SPRING, Oil Pressure Relief Valve
22	2120 764	1			PLUNGER, Oil Pressure Relief Valve
23		1			GEAR, Oil Pump & Distributor Drive (Serviced in Item #24)
24	4397 827	1			PUMP, Oil
25		1			BODY, Oil Pump (Serviced in Item #24)
26	6500 151	2			SCREW and WASHER, Oil Pump Mounting (M8x25)

MODEL CODES

E BODY = (J - CARAVELLE)(E - 600)(T - NEW YORKER)

G BODY = (V24 - DAYTONA)

H BODY = (D44 - LANCER)(C44 - LEBARON GTS)

J BODY = (C - LEBARON)

K BODY = (P - RELIANT)(D - ARIES)(C - LEBAROND)/TOWN & COUNTRY)

L BODY = (M - HORIZON/TURISMO)(Z - OMNI/CHARGER)

M BODY = (B - GRAN FURY)(F - FIFTH AVE/NEWPORT)(G - DIPLOMAT)

P BODY = (P - SUNDANCE)(D - SHADOW)

S BODY = (H - VOYAGER)(K - RAM VAN/CARAVAN)

BODY STYLES

12-13 = FWD VAN

21 = 2-DOOR SEDAN

24 = 2-DOOR HATCHBACK

27 = 2-DOOR CONVERTIBLE

41 = 4-DOOR SEDAN

44 = 4-DOOR HATCHBACK

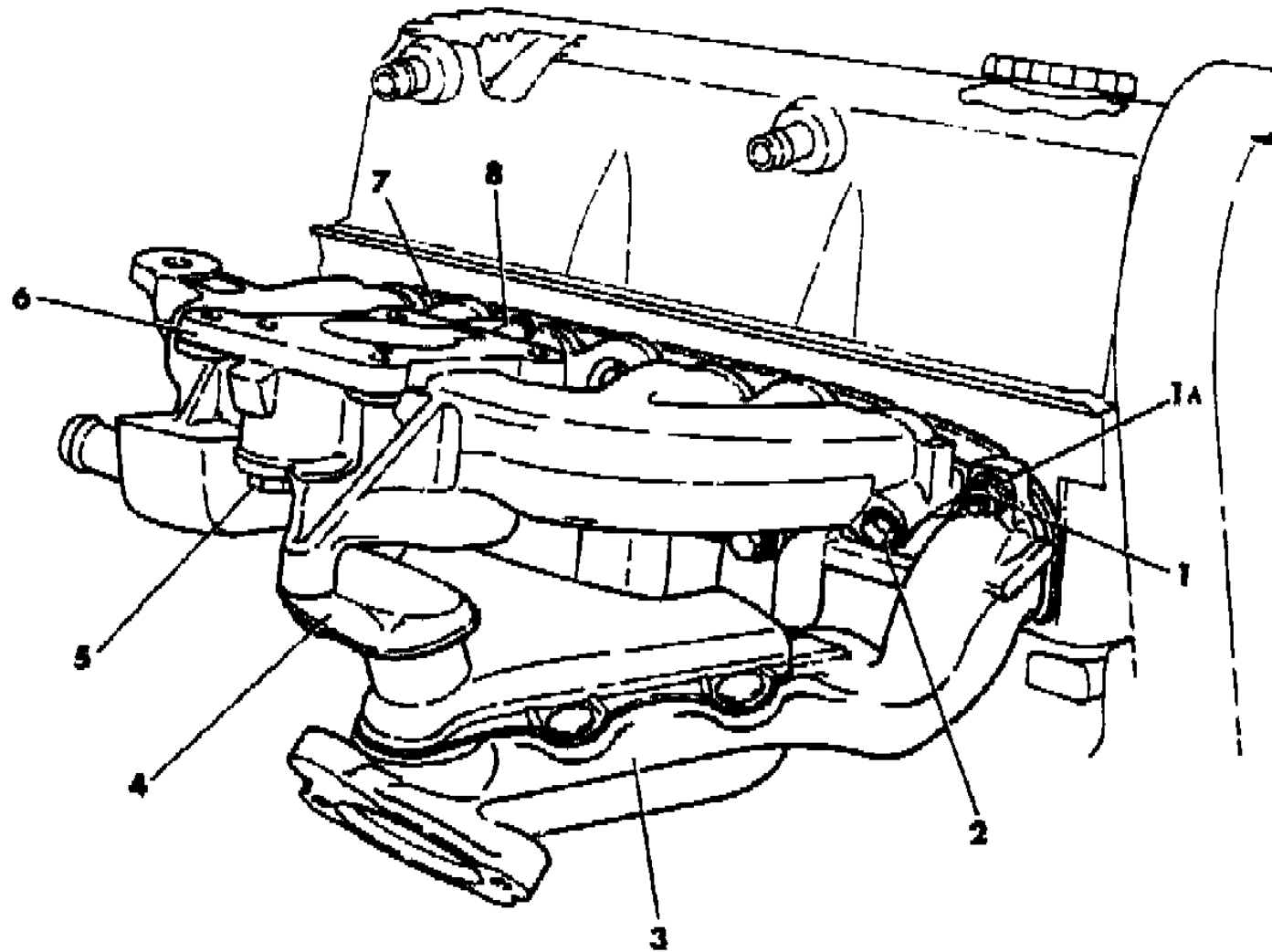
45 = 4-DOOR STATION WAGON

52-53 = FWD WAGON

AR = Use as Required - = Non Illustrated Part P.A.R. = Paint as Required

MANIFOLDS, INTAKE & EXHAUST 2.5 L ENGINE
Figure 9A-2200

7158 2200 A



ITEM	PART NUMBER	QTY	BODY	MODEL	DESCRIPTION
------	-------------	-----	------	-------	-------------

NOTE 1: These Packages do not contain Gaskets for all required Sealing R.T.V. Sealer # 4318025 and Gasket Eliminator Sealer #4318029 must be used in addition as described in the Chrysler Repair Manual.

	4240 096	1			GASKET PACKAGE, Manifold (See Note 1) Consists of: 1-4105745 GASKET, Intake and Exhaust Manifold 1-4201384 GASKET, Exhaust Manifold Crossover Flange
1	6500 679	8			STUD, Exhaust Manifold to Head
1a	6500 363	8			NUT, Exhaust Manifold to Head Stud
2	6500 391	4			BOLT, Intake Manifold to Head (M8x90)
	6500 390	4			BOLT, Intake Manifold to Head (M8x65)
3	4448 746	1			MANIFOLD, Exhaust
4		1			(Refer to Group 14)
5		1			PLUG, Exhaust Manifold (3/4-14 Not Serviced)
6	4343 601	1			MANIFOLD, Intake
7	4105 745	1			GASKET, Intake & Exhaust Manifold
8	4343 761	1			NIPPLE, Crankcase Vent Valve

MODEL CODES

E BODY = (J - CARAVELLE)(E - 600)(T - NEW YORKER)

G BODY = (V24 - DAYTONA)

H BODY = (D44 - LANCER)(C44 - LEBARON GTS)

J BODY = (C - LEBARON)

K BODY = (P - RELIANT)(D - ARIES)(C - LEBAROND)/TOWN & COUNTRY)

L BODY = (M - HORIZON/TURISMO)(Z - OMNI/CHARGER)

M BODY = (B - GRAN FURY)(F - FIFTH AVE/NEWPORT)(G - DIPLOMAT)

P BODY = (P - SUNDANCE)(D - SHADOW)

S BODY = (H - VOYAGER)(K - RAM VAN/CARAVAN)

BODY STYLES

12-13 = FWD VAN

21 = 2-DOOR SEDAN

24 = 2-DOOR HATCHBACK

27 = 2-DOOR CONVERTIBLE

41 = 4-DOOR SEDAN

44 = 4-DOOR HATCHBACK

45 = 4-DOOR STATION WAGON

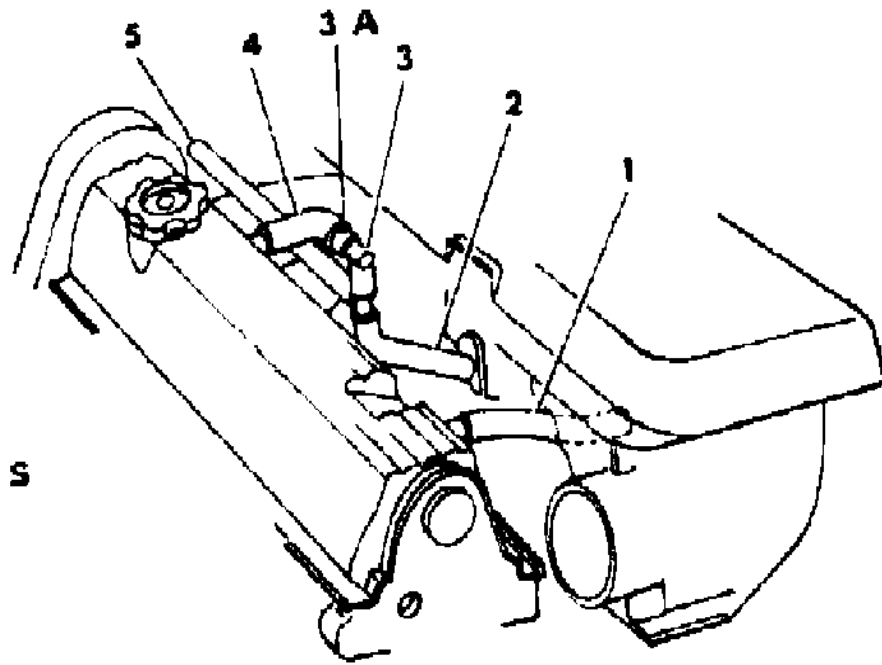
52-53 = FWD WAGON

AR = Use as Required - = Non Illustrated Part P.A.R. = Paint as Required

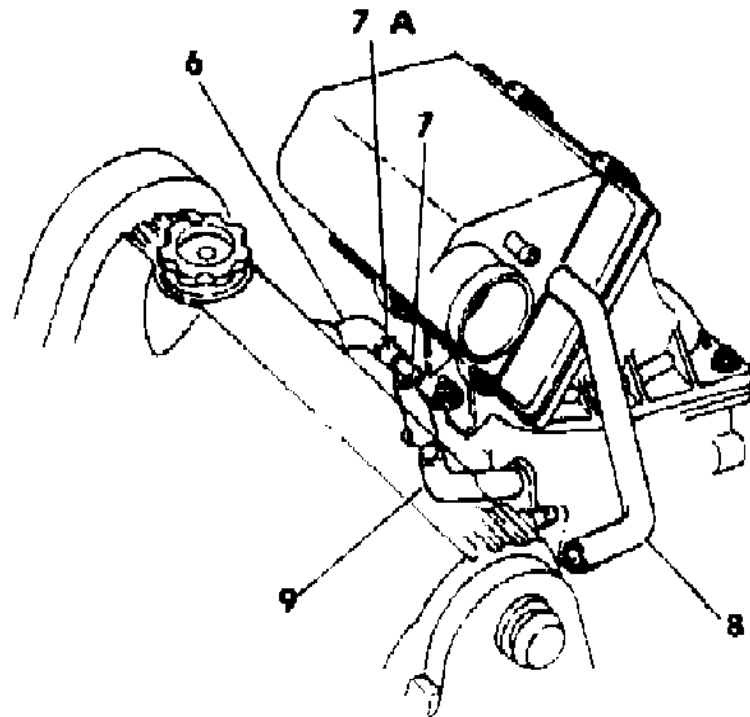
CRANKCASE VENTILATION 2.5 L ENGINE

Figure 9A-2300

7158 2300 B



EXCEPT S



S

ITEM	PART NUMBER	QTY	BODY	MODEL	DESCRIPTION
1	4343 477	1	Exc S		HOSE, Crankcase Vent to Air Cleaner
2	4315 703	1	Exc S		HOSE, Tee to Intake Manifold
	4203 211	1	Exc S		HOSE, Tee to Purge Connector (50' Roll)
	4095 681	AR	Exc S		HOSE, Crankcase Vent Valve to Tee (50' Roll)
-	4300 267	1	Exc S		TEE, Crankcase Vent Valve
3	4343 766	1	Exc S		VALVE, Crankcase Vent
3a	4343 761	1	Exc S		NIPPLE, Crankcase Vent Valve
4	4387 306	1	Exc S		HOSE, PCV Valve to Cylinder Head Cover
5		1			(Refer to Group 25)
6	4315 704	1	S		HOSE, PCV Valve to Cylinder Head Cover
7	4343 766	1	S		VALVE, Crankcase Vent
7a	4343 761	1	S		NIPPLE, Crankcase Vent Valve
8	4387 537	1	S		HOSE, Crankcase Vent to Air Cleaner
9	4315 703	1	S		HOSE, Tee To Intake Manifold
-	4300 267	1	S		TEE, Crankcase Vent Valve
	4095 681	1	S		HOSE, Crankcase Vent Valve to Tee (50" Roll)

MODEL CODES

E BODY = (J - CARAVELLE)(E - 600)(T - NEW YORKER)

G BODY = (V24 - DAYTONA)

H BODY = (D44 - LANCER)(C44 - LEBARON GTS)

J BODY = (C - LEBARON)

K BODY = (P - RELIANT)(D - ARIES)(C - LEBAROND)/TOWN & COUNTRY)

L BODY = (M - HORIZON/TURISMO)(Z - OMNI/CHARGER)

M BODY = (B - GRAN FURY)(F - FIFTH AVE/NEWPORT)(G - DIPLOMAT)

P BODY = (P - SUNDANCE)(D - SHADOW)

S BODY = (H - VOYAGER)(K - RAM VAN/CARAVAN)

BODY STYLES

12-13 = FWD VAN

21 = 2-DOOR SEDAN

24 = 2-DOOR HATCHBACK

27 = 2-DOOR CONVERTIBLE

41 = 4-DOOR SEDAN

44 = 4-DOOR HATCHBACK

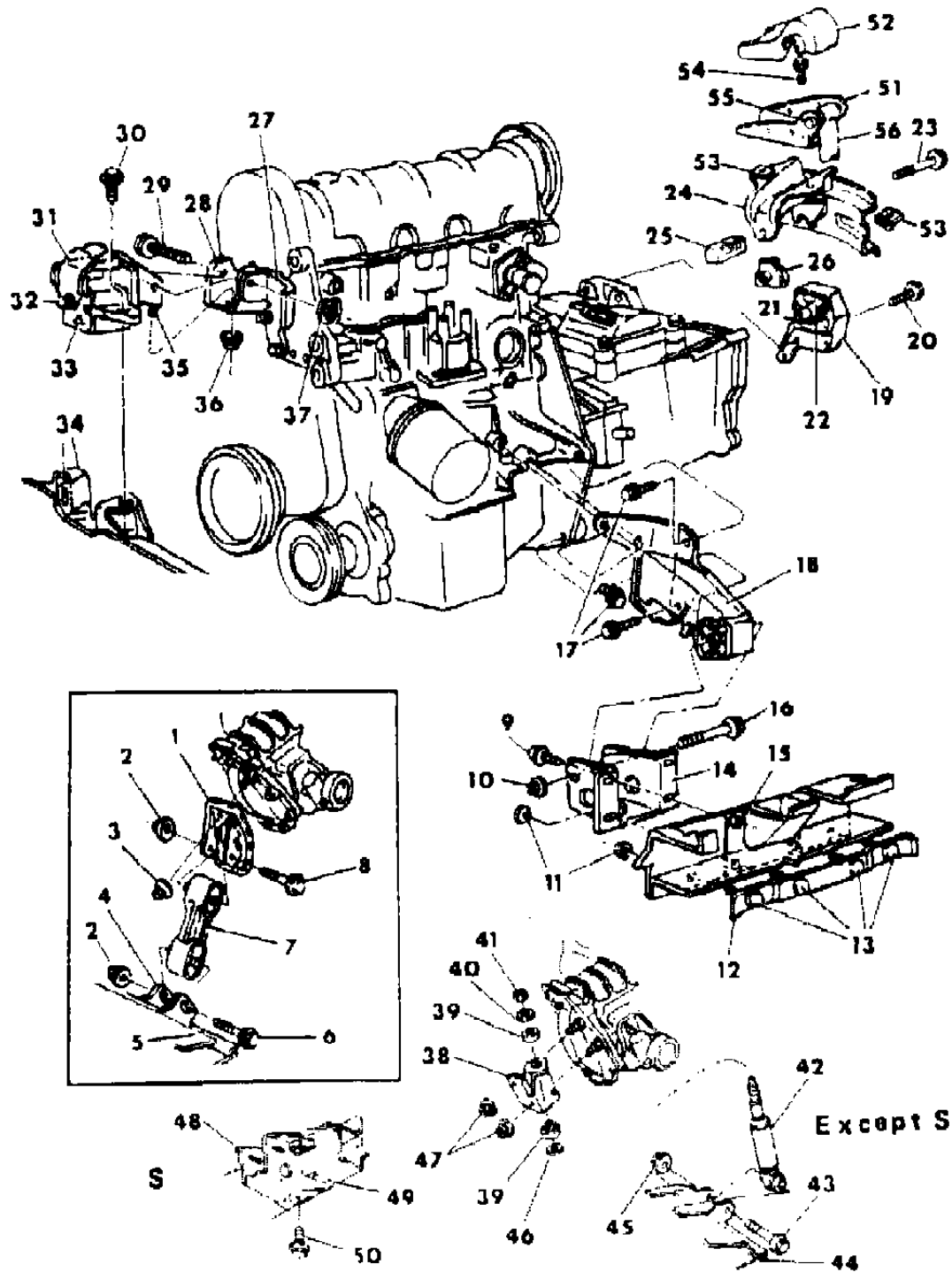
45 = 4-DOOR STATION WAGON

52-53 = FWD WAGON

AR = Use as Required - = Non Illustrated Part P.A.R. = Paint as Required

ENGINE MOUNTING 2.5 L ENGINE
Figure 9A-2400

7158 2400 C



ITEM	PART NUMBER	QTY	BODY	MODEL	DESCRIPTION
1	4412 954	1			BRACKET, Trans. to Roll Strut
2	6100 053	2			NUT and WASHER
3	6500 363	2			NUT, Manual Trans. to Engine Roll Strut Bracket Bolt
4		1			BRACKET, Crossmember to Roll Strut (See Group 13 Illust.)
5		1			CROSSMEMBER, Front Suspension (See Group 13 Illust.)
6	6101 342	1			SCREW and WASHER, (Lower)
7	4191 282	1			STRUT, Trans. to Crossmember Engine Roll
8	6101 277	1			SCREW and WASHER, (Upper)
9	6500 535	2			SCREW and WASHER
10	6100 053	1			NUT and WASHER
11	6500 259	4			NUT, Lock
12	4386 340	1			TIE PLATE, Front Crossmember Flange
13	6500 233	4			SCREW
14	4386 342	1			BRACKET, Front Crossmember Engine Mounting
15	6500 259	2			NUT, Lock
16	4271 953	1			SCREW and WASHER
17	6501 163	2			SCREW and WASHER, (To Block)
	6501 161	1	Exc G,J		SCREW and WASHER, (To Trans.)
	6501 565	1	G,J		
	6501 162	1	Exc G,J		SCREW and WASHER, (To Engine Lug)
	6501 566	1	G,J		
18	4348 327	1			INSULATOR, Engine Support Front (w/o Fleet & Heavy Duty Brakes)
	4419 642	1	K,S		(w/Fleet and Heavy Duty Brakes)
19	4295 255	1	Exc J	C27	SUPPORT, Engine Left w/Auto Trans.
	4295 257	1	Exc J	C27	w/Manual Trans.
	4446 017	1	J	C27	w/Manual Trans.- Lt.
	4446 019	1	J	C27	w/Automatic Trans.- Lt.
20	6500 495	3			SCREW and WASHER
21		1			SPACER, Engine Support Bushing (Serviced in Item #19)
		1	J	C27	STUD, Engine Support Insulator Bracket to Engine Bracket- Rt. (Not Serviced)
22	4295 237	1			BUSHING, Engine Support Insulator Left
23	6500 840	1			SCREW, w/Washer
	6100 300	1	J	C27	SCREW, w/Washer, Engine Support Bushing
24		1			BRACKET, Side Rail (See Group 13 Illust.)
25	4431 107	1			WEIGHT, Engine Mount Damper - Left
26	6500 833	1			U-NUT

MODEL CODES

E BODY = (J - CARAVELLE)(E - 600)(T - NEW YORKER)

G BODY = (V24 - DAYTONA)

H BODY = (D44 - LANCER)(C44 - LEBARON GTS)

J BODY = (C - LEBARON)

K BODY = (P - RELIANT)(D - ARIES)(C - LEBAROND)/TOWN & COUNTRY)

L BODY = (M - HORIZON/TURISMO)(Z - OMNI/CHARGER)

M BODY = (B - GRAN FURY)(F - FIFTH AVE/NEWPORT)(G - DIPLOMAT)

P BODY = (P - SUNDANCE)(D - SHADOW)

S BODY = (H - VOYAGER)(K - RAM VAN/CARAVAN)

BODY STYLES

12-13 = FWD VAN

21 = 2-DOOR SEDAN

24 = 2-DOOR HATCHBACK

27 = 2-DOOR CONVERTIBLE

41 = 4-DOOR SEDAN

44 = 4-DOOR HATCHBACK

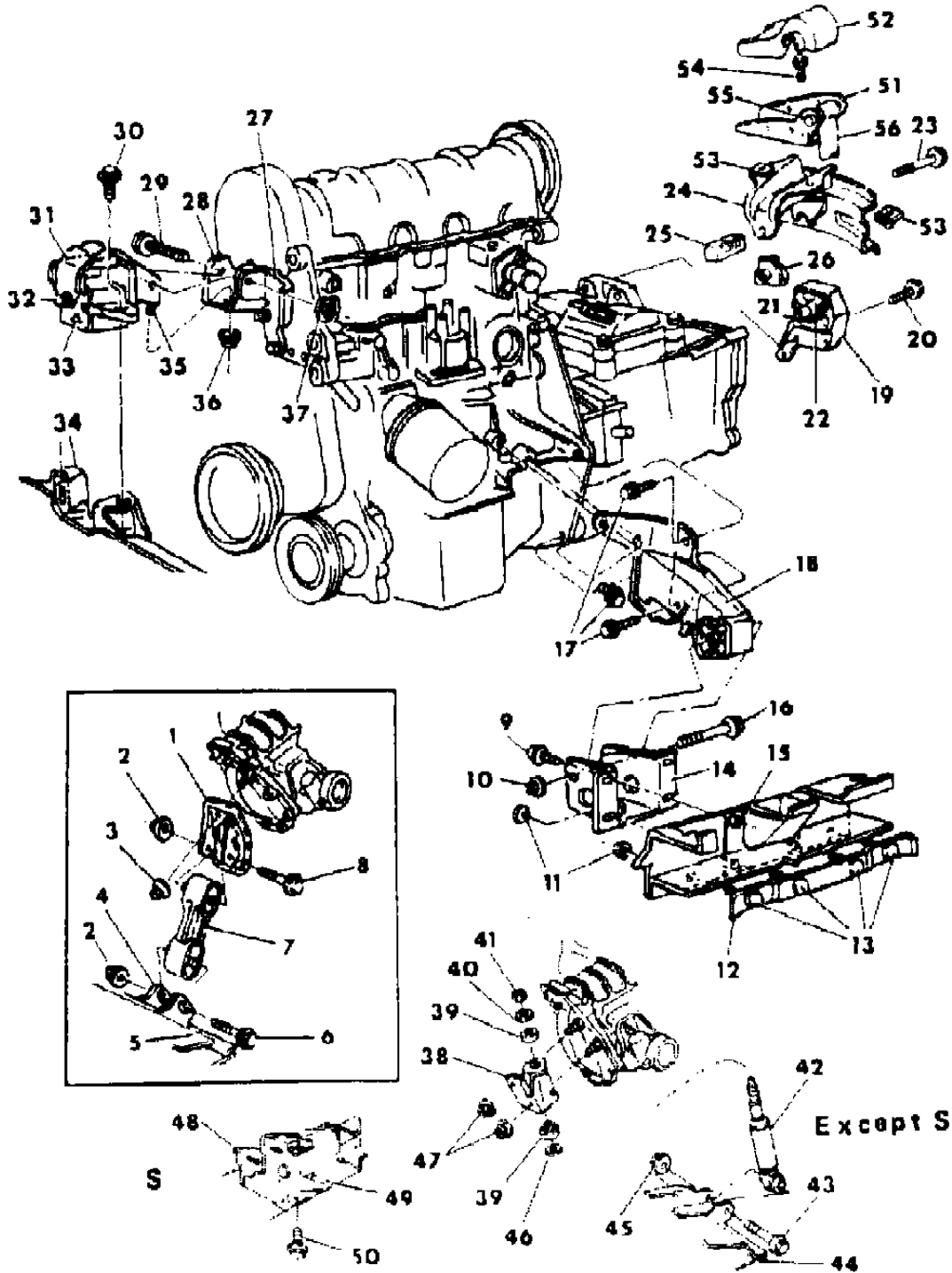
45 = 4-DOOR STATION WAGON

52-53 = FWD WAGON

AR = Use as Required - = Non Illustrated Part P.A.R. = Paint as Required

ENGINE MOUNTING 2.5 L ENGINE
Figure 9A-2400

7158 2400 C



ITEM	PART NUMBER	QTY	BODY	MODEL	DESCRIPTION
27	4323 642	1			STRUT, Right Engine Mount
28	4343 753	1			BRACKET, Engine Mount Right
29	6501 076	1			BOLT
30	6500 555	2			SCREW and WASHER
31	4295 265	1			BRACKET, Engine Support Insulator Right
	4446 018	1	J	C27	INSULATOR ASSEMBLY ***
	4446 020	1	J	C27	SUPPORT, w/Bracket - Insulator
	4446 081	1	J	C27	BRACKET, Engine Damper - Lower Right
32	6500 839	1			SCREW and WASHER
33	4505 411	1			BUSHING, Engine Support Insulator Rt.
34		1			RAIL, Side (See Group 13 Illust.)
35	4295 274	1			STUD
36	6500 164	1			NUT
37	#6100 519	1			NUT and WASHER
	6501 247	1			
38	4412 041	1			BRACKET, Engine Damper w/Manual Trans.
39		1			BUSHING, (Serviced in Item 42)
40	6500 966	1			RETAINER, Damper Bushing Upper w/Manual Trans.
41	6100 525	1			NUT, Damper Upper w/Manual Trans.
42	4364 769	1			DAMPER, w/Bushing, Engine Roll w/Manual Trans.
43	6101 342	1			SCREW, Support Crossmember to Engine Damper w/Manual Trans.
44		1			CROSSMEMBER, (See Group 13)
45	6100 053	2			NUT, Support Crossmember Engine Damper w/Manual Trans.
46	6500 967	1			RETAINER, Damper Bushing Lower w/Manual Trans.
47	6500 363	2			NUT, Engine Roll Strut
48	4440 600	1	S		BRACKET, Front Side Rail Front Crossmember Engine Mount Front
49	4386 586	1	S		GUSSET, w/Nut, Front Crossmember Engine Mount Bracket
50		1	S		SCREW, W/Washer,(M10x1.50x35) (Not Serviced)
51	4446 013	1	J	C27	BRACKET, Engine Damper- Lt.
	6500 363	2	J	C27	NUT, Lock- Engine Support Bushing
52	4446 217	1	J	C27	COVER, Engine Support Damper Bracket Lt.
53	6101 283	2	J	C27	U-NUT, Engine Support to Side Rail Bracket Lt.
54	6100 584	2	J	C27	SCREW, w/Washer, Engine Support to Side Rail Bracket Lt.
55		1	J	C27	SCREW, w/Washer, Engine Support Bushing (Not Serviced)
56	4446 023	1	J	C27	DAMPER, Engine Lt. & Rt.

NOTE: The Following items are not shown on illustration. Addition as described in the Chrysler Repair Manual.

MODEL CODES

E BODY = (J - CARAVELLE)(E - 600)(T - NEW YORKER)

G BODY = (V24 - DAYTONA)

H BODY = (D44 - LANCER)(C44 - LEBARON GTS)

J BODY = (C - LEBARON)

K BODY = (P - RELIANT)(D - ARIES)(C - LEBAROND)/TOWN & COUNTRY)

L BODY = (M - HORIZON/TURISMO)(Z - OMNI/CHARGER)

M BODY = (B - GRAN FURY)(F - FIFTH AVE/NEWPORT)(G - DIPLOMAT)

P BODY = (P - SUNDANCE)(D - SHADOW)

S BODY = (H - VOYAGER)(K - RAM VAN/CARAVAN)

BODY STYLES

12-13 = FWD VAN

21 = 2-DOOR SEDAN

24 = 2-DOOR HATCHBACK

27 = 2-DOOR CONVERTIBLE

41 = 4-DOOR SEDAN

44 = 4-DOOR HATCHBACK

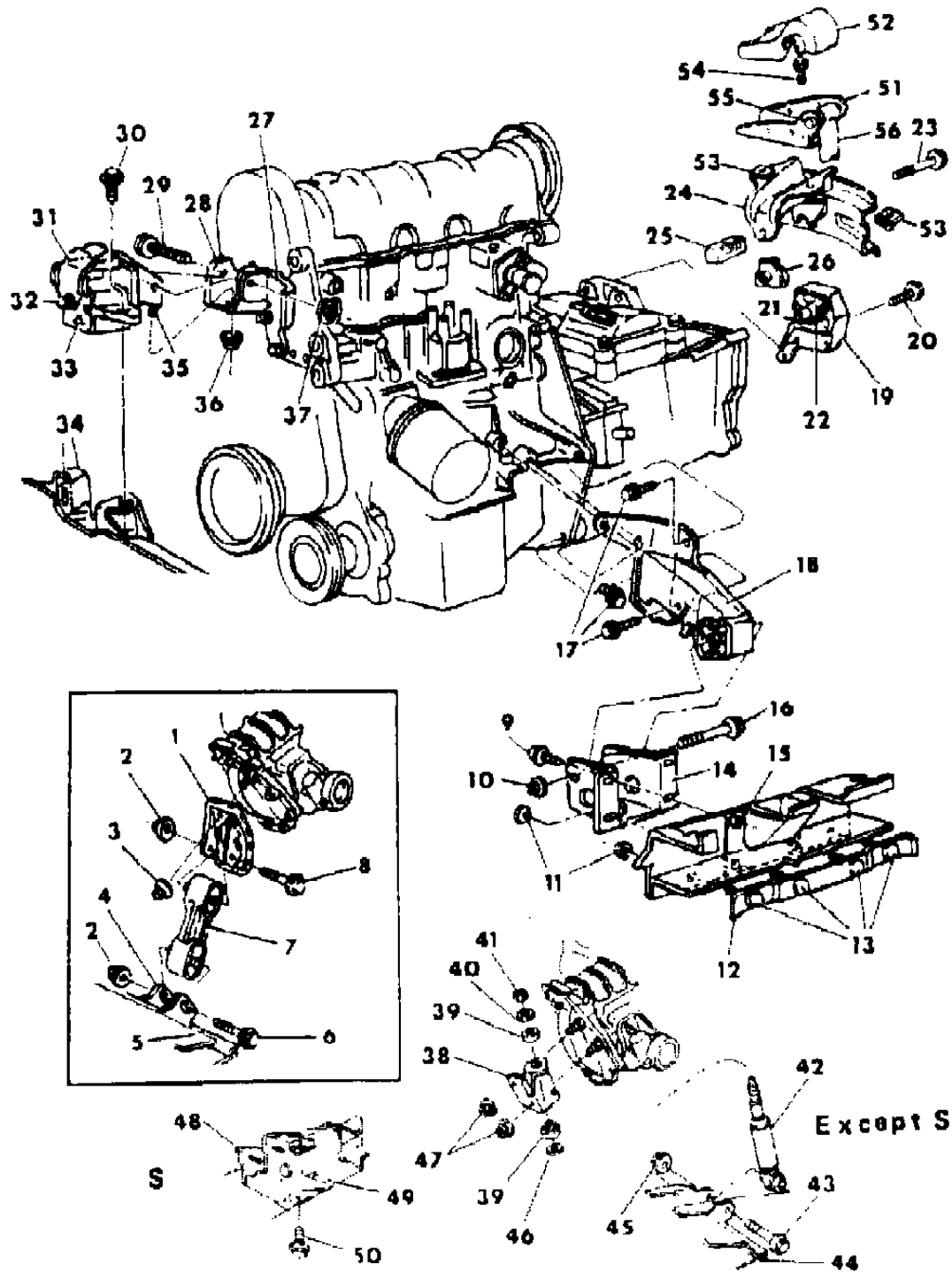
45 = 4-DOOR STATION WAGON

52-53 = FWD WAGON

AR = Use as Required - = Non Illustrated Part P.A.R. = Paint as Required

ENGINE MOUNTING 2.5 L ENGINE
Figure 9A-2400

7158 2400 C



ITEM	PART NUMBER	QTY	BODY	MODEL	DESCRIPTION
	6501 072	1			SCREW, w/Washer, Engine Mount and Spacer to Block (M10x1.50-85)
	6500 157	1			SCREW, w/Washer, Engine Mount Right to Block (M10x1.50-25)
	6500 816	1			STUD, Block to Engine Mount Right (M10x1.50-50)
	6501 200	1			STUD, Engine Mount and Spacer to Block (M10x1.50-103)
-	4105 790	1			CLOSURE, Right Engine Mount Stone Guard
-	4443 197	1	S		DAMPER PACKAGE, Engine Roll w/Manual Trans.

MODEL CODES

E BODY = (J - CARAVELLE)(E - 600)(T - NEW YORKER)

G BODY = (V24 - DAYTONA)

H BODY = (D44 - LANCER)(C44 - LEBARON GTS)

J BODY = (C - LEBARON)

K BODY = (P - RELIANT)(D - ARIES)(C - LEBAROND)/TOWN & COUNTRY)

L BODY = (M - HORIZON/TURISMO)(Z - OMNI/CHARGER)

M BODY = (B - GRAN FURY)(F - FIFTH AVE/NEWPORT)(G - DIPLOMAT)

P BODY = (P - SUNDANCE)(D - SHADOW)

S BODY = (H - VOYAGER)(K - RAM VAN/CARAVAN)

BODY STYLES

12-13 = FWD VAN

21 = 2-DOOR SEDAN

24 = 2-DOOR HATCHBACK

27 = 2-DOOR CONVERTIBLE

41 = 4-DOOR SEDAN

44 = 4-DOOR HATCHBACK

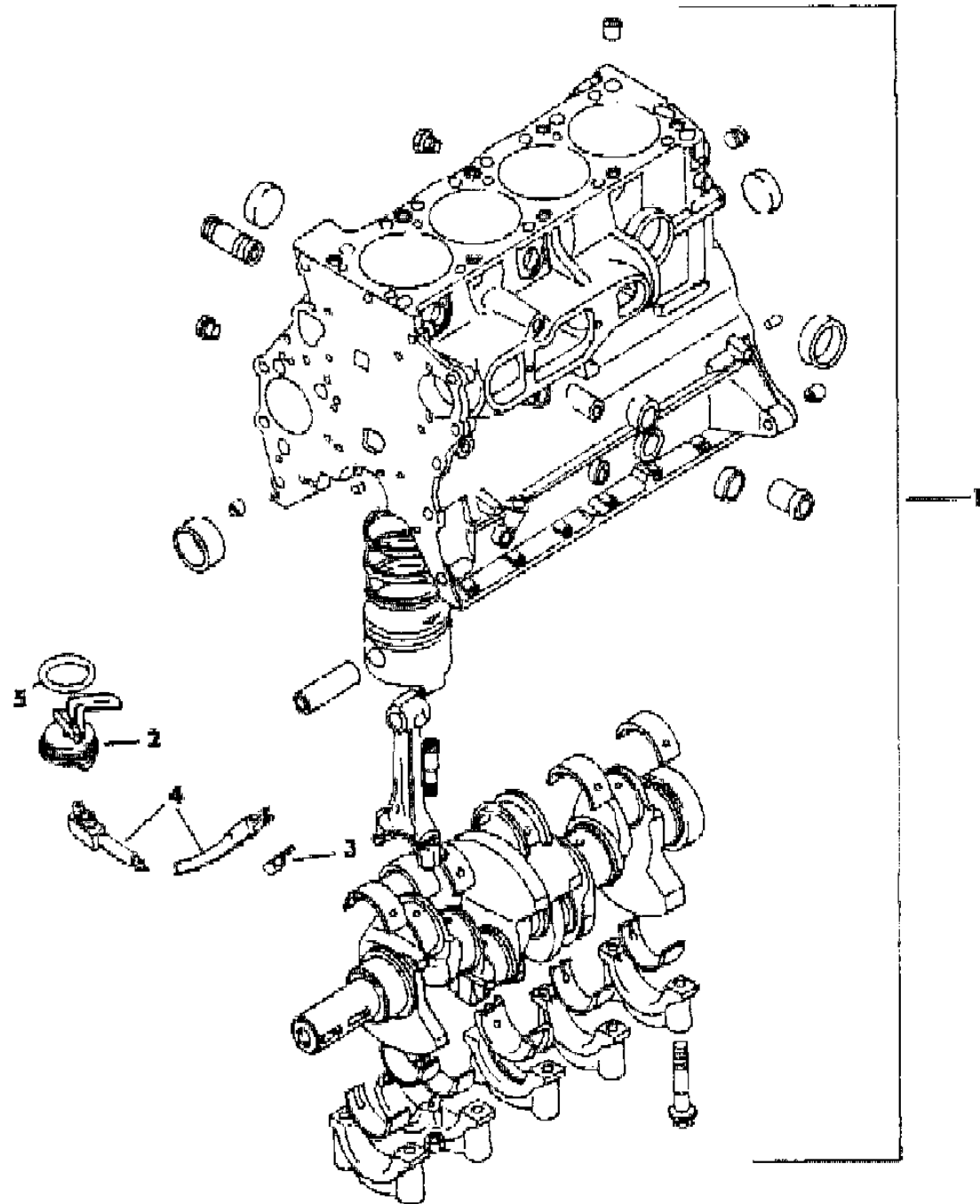
45 = 4-DOOR STATION WAGON

52-53 = FWD WAGON

AR = Use as Required - = Non Illustrated Part P.A.R. = Paint as Required

SHORT ENGINE 2.6 L ENGINE
Figure 9A-2500

7158 2500



ITEM	PART NUMBER	QTY	BODY	MODEL	DESCRIPTION
------	-------------	-----	------	-------	-------------

Note: This Short Engine includes a Cylinder Block with Pistons and Rings, Connecting Rod and Bearings, Crankshaft and Bearings with Caps. ddition as described in the Chrysler Repair Manual.

1	MD09 1023	1			ENGINE, Short (See Note) (Federal)
	MD10 3909	1			(Canada)
	MD07 6311	1			(High Altitude & California)
2	5213 084	1			HEATER, Engine Block
3	6015 412	1			CLIP, Engine Block Heater Cord
	6015 756	3			STRAP, Engine Block Heater Cord
4	3614 282	1			CORD, Engine Block Heater
5	6027 513	1			O-RING, Engine Block Heater

MODEL CODES

E BODY = (J - CARAVELLE)(E - 600)(T - NEW YORKER)

G BODY = (V24 - DAYTONA)

H BODY = (D44 - LANCER)(C44 - LEBARON GTS)

J BODY = (C - LEBARON)

K BODY = (P - RELIANT)(D - ARIES)(C - LEBAROND)/TOWN & COUNTRY)

L BODY = (M - HORIZON/TURISMO)(Z - OMNI/CHARGER)

M BODY = (B - GRAN FURY)(F - FIFTH AVE/NEWPORT)(G - DIPLOMAT)

P BODY = (P - SUNDANCE)(D - SHADOW)

S BODY = (H - VOYAGER)(K - RAM VAN/CARAVAN)

BODY STYLES

12-13 = FWD VAN

21 = 2-DOOR SEDAN

24 = 2-DOOR HATCHBACK

27 = 2-DOOR CONVERTIBLE

41 = 4-DOOR SEDAN

44 = 4-DOOR HATCHBACK

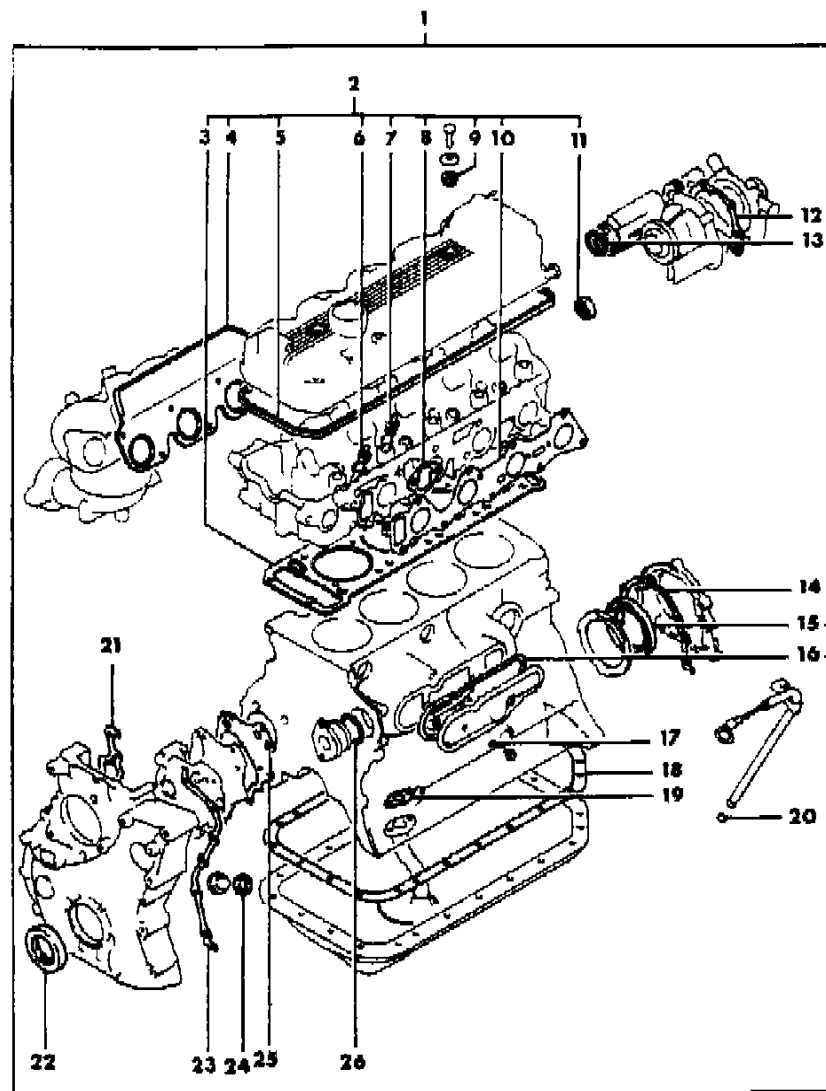
45 = 4-DOOR STATION WAGON

52-53 = FWD WAGON

AR = Use as Required - = Non Illustrated Part P.A.R. = Paint as Required

GASKET SET, ENGINE OVERHAUL 2.6 L ENGINE
Figure 9A-2600

7150 2000



ITEM	PART NUMBER	QTY	BODY	MODEL	DESCRIPTION
1	MD99 7050	1			GASKET SET, Engine Overhaul
2	MD99 7021	1			GASKET SET, Engine Upper
3	MD02 6654	1			GASKET, Cylinder Head Up to 3/87
	MD11 0383	1			After 3/87
4	MD02 5684	1			GASKET, Exhaust Manifold
5	MD02 4682	1			GASKET, Rocker Cover
6	MD00 0508	8			SEAL, Valve Stem
7	#MD00 9786	4			O-RING
8	#MD02 3388	2			GASKET, Fuel Pump
9	MD00 0523	2			OIL SEAL
10	MD02 4628	1			GASKET, Inlet Manifold
11	MD02 4529	1			OIL SEAL
12	MD02 5196	1			GASKET, Water Pump
13	MD03 0764	1			O-RING, Water Pipe
14	MD02 0292	1			GASKET, Oil Seal Case
15	MD06 9947	1			OIL SEAL
16	MD02 0239	1			GASKET, Cover
17	MD02 0256	2			O-RING
18	MD02 4777	1			GASKET, Oil Pan
19	MD02 1577	1			GASKET, Oil Screen
20	MF52 0004	1			O-RING, (9)
21	MD02 0324	1			GASKET, Chain Case Right
22	MD02 0308	1			OIL SEAL
23	MD02 0325	1			GASKET, Chain Case Left
24	#MB00 1294	1			GASKET, Oil Drain Plug (18)
	MD05 0317	1			(14)
25	MD06 0521	1			GASKET, Oil Pump
26	MD02 1045	1			O-RING

MODEL CODES

E BODY = (J - CARAVELLE)(E - 600)(T - NEW YORKER)

G BODY = (V24 - DAYTONA)

H BODY = (D44 - LANCER)(C44 - LEBARON GTS)

J BODY = (C - LEBARON)

K BODY = (P - RELIANT)(D - ARIES)(C - LEBAROND)/TOWN & COUNTRY)

L BODY = (M - HORIZON/TURISMO)(Z - OMNI/CHARGER)

M BODY = (B - GRAN FURY)(F - FIFTH AVE/NEWPORT)(G - DIPLOMAT)

P BODY = (P - SUNDANCE)(D - SHADOW)

S BODY = (H - VOYAGER)(K - RAM VAN/CARAVAN)

BODY STYLES

12-13 = FWD VAN

21 = 2-DOOR SEDAN

24 = 2-DOOR HATCHBACK

27 = 2-DOOR CONVERTIBLE

41 = 4-DOOR SEDAN

44 = 4-DOOR HATCHBACK

45 = 4-DOOR STATION WAGON

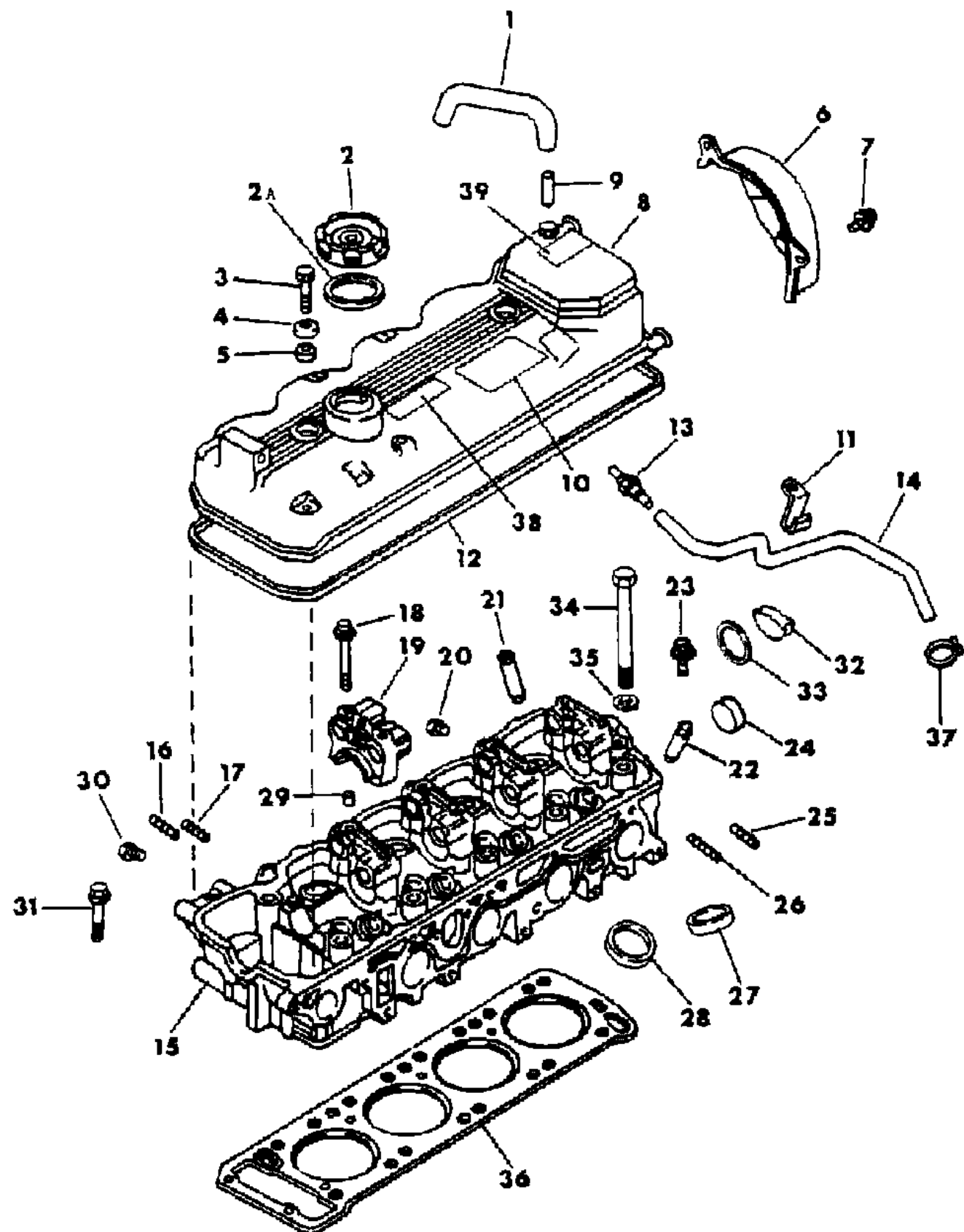
52-53 = FWD WAGON

AR = Use as Required - = Non Illustrated Part P.A.R. = Paint as Required

CYLINDER HEAD 2.6 L ENGINE

Figure 9A-2700

7158 2700 A



ITEM	PART NUMBER	QTY	BODY	MODEL	DESCRIPTION
1	MD01 5753	1			HOSE, Breather
2	MD00 8784	1			CAP, Oil Filler
2a	MD10 3148	1			PACKING, Oil Filler Cap
3	MF10 3663	2			BOLT, (8x40)
4	MD00 0522	2			WASHER
5	MD00 0523	2			OIL SEAL
6	MD02 4883	1			COVER, Belt
7	MF14 0021	2			BOLT, Cover Belt (8x12)
8	MD10 9438	1			COVER, Cylinder Head (Federal)
	MD11 8364	1			(High Altitude)
	MD11 0059	1			(California)
	MD11 0061	1			(Canada)
9	MD02 6618	1			PIPE, Breather
10	MD00 9781	1			LABEL, Caution
11	MD02 4869	1			CLAMP, P.C.V. Hose
12	MD02 4682	1			GASKET, Rocker Cover
13	MD02 6613	1			VALVE, P.C.V.
14	MD02 6609	1			HOSE, P.C.V.
15	MD15 1982	1			HEAD, Cylinder (High Alt & Calif)w/jet vlv holes.
	MD02 6520	1			(Federal & Canada)
16	MD03 1537	5			STUD, (8x28-10T)
17	MD03 1537	8			STUD, (8x28-10T)
18	MD02 0566	10			BOLT, Flange
19					CAP, Camshaft (Serviced in Head Assy.)
20	MD02 2295	1			PLUG, Taper (1/4" NPT)
21					GUIDE, Valve, Exhaust
	MD02 0561	4			0.05 MM O/S
	MD02 0562	4			0.25 MM O/S
	MD02 0563	4			0.50 MM O/S
22					GUIDE, Valve Inlet
	MD02 0551	4			0.05 MM O/S
	MD02 0552	4			0.25 MM O/S
	MD02 0553	4			0.50 MM O/S
23	MS10 0941	2			BOLT, Flange (8x25)
24	MD00 0427	1			PLUG, Expansion (40)
25	MS40 1428	6			STUD (8x28)
26	MS40 1428	6			STUD (8x28)
27		4			SEAT, Valve, Exhaust

MODEL CODES

E BODY = (J - CARAVELLE)(E - 600)(T - NEW YORKER)

G BODY = (V24 - DAYTONA)

H BODY = (D44 - LANCER)(C44 - LEBARON GTS)

J BODY = (C - LEBARON)

K BODY = (P - RELIANT)(D - ARIES)(C - LEBAROND)/TOWN & COUNTRY)

L BODY = (M - HORIZON/TURISMO)(Z - OMNI/CHARGER)

M BODY = (B - GRAN FURY)(F - FIFTH AVE/NEWPORT)(G - DIPLOMAT)

P BODY = (P - SUNDANCE)(D - SHADOW)

S BODY = (H - VOYAGER)(K - RAM VAN/CARAVAN)

BODY STYLES

12-13 = FWD VAN

21 = 2-DOOR SEDAN

24 = 2-DOOR HATCHBACK

27 = 2-DOOR CONVERTIBLE

41 = 4-DOOR SEDAN

44 = 4-DOOR HATCHBACK

45 = 4-DOOR STATION WAGON

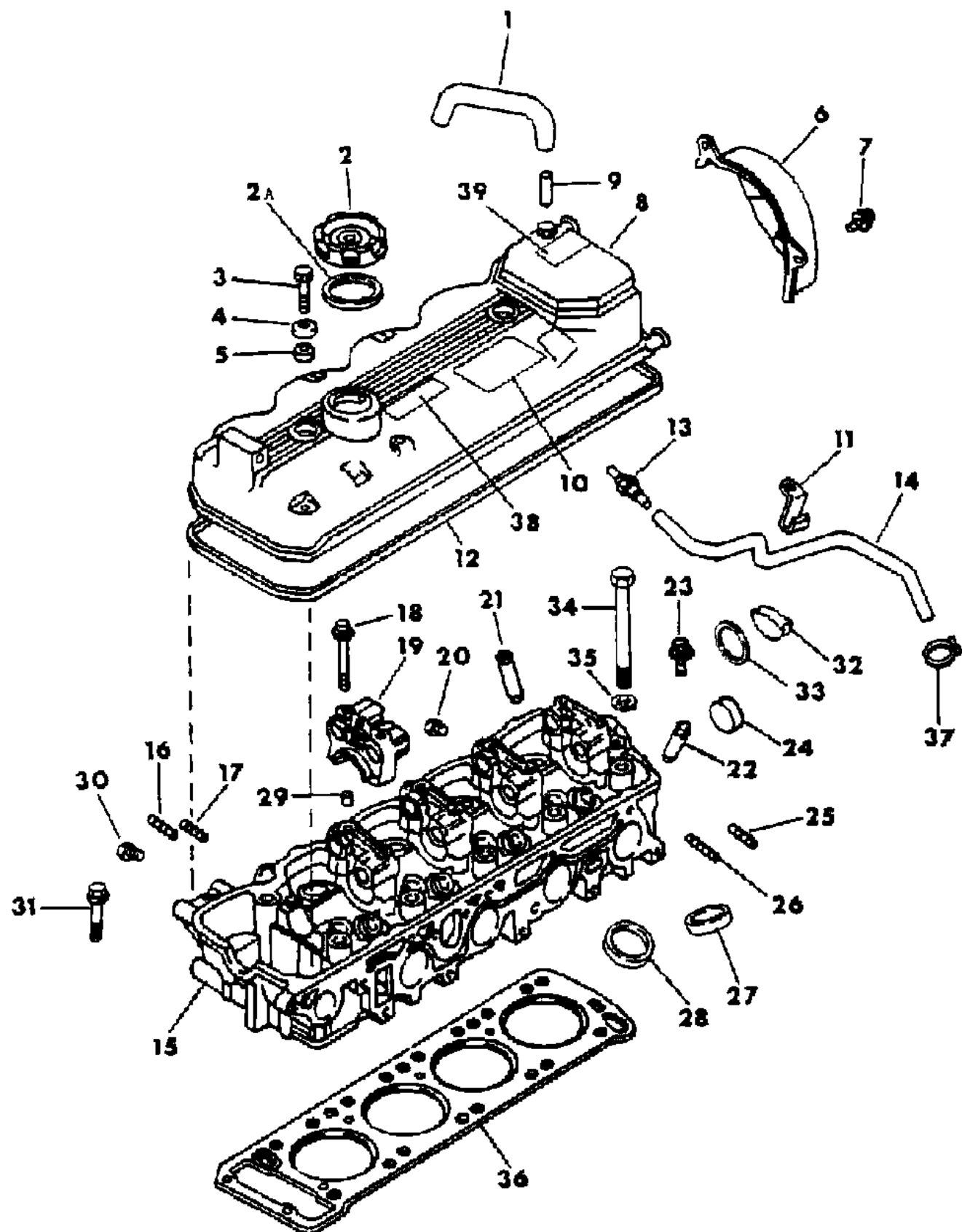
52-53 = FWD WAGON

AR = Use as Required - = Non Illustrated Part P.A.R. = Paint as Required

CYLINDER HEAD 2.6 L ENGINE

Figure 9A-2700

7158 2700 A



ITEM	PART NUMBER	QTY	BODY	MODEL	DESCRIPTION
	MD02 6517	4			0.30 MM O/S (High Altitude & California)
	MD02 6518	4			0.60 MM O/S (High Altitude & California)
	MD02 4546	4			0.30 MM O/S (Federal & Canada)
	MD02 4547	4			0.60 MM O/S (Federal & Canada)
28		4			SEAT, Valve, Intake
	MD02 6514	4			0.30 MM O/S
	MD02 6515	4			0.60 MM O/S
29	MS47 1104	10			BUSHING, Knock (8x9)
30	MD00 0429	1			PLUG, Taper (1/16" NPT)
31	MS24 1076	2			BOLT, w/Washer (8x50)
32	MD02 0718	1			PACKING, Semi- Circular
33	MD02 4529	1			SEAL, Camshaft
34	MD02 0730	10			BOLT, Cylinder Head
35	MD02 0733	10			WASHER, Cylinder Head Bolt
36	MD02 6654	1			GASKET, Cylinder Head Up to 3/87
	MD11 0383	1			After 3/87
37	MS66 0164	1			CLIP, P.C.V. Hose (13.1)
38	MD02 6700	1			LABEL, (High Altitude & California)
	MD02 6701	1			(Federal & Canada)
39	MD10 9439	1			LABEL, Engine Part Number (Federal)
	MD11 8363	1			(High Altitude)
	MD11 0058	1			(California)
	MD11 0060	1			(Canada)
	MF40 1937	1			STUD, (8x28) (Not Shown)

MODEL CODES

E BODY = (J - CARAVELLE)(E - 600)(T - NEW YORKER)

G BODY = (V24 - DAYTONA)

H BODY = (D44 - LANCER)(C44 - LEBARON GTS)

J BODY = (C - LEBARON)

K BODY = (P - RELIANT)(D - ARIES)(C - LEBAROND)/TOWN & COUNTRY)

L BODY = (M - HORIZON/TURISMO)(Z - OMNI/CHARGER)

M BODY = (B - GRAN FURY)(F - FIFTH AVE/NEWPORT)(G - DIPLOMAT)

P BODY = (P - SUNDANCE)(D - SHADOW)

S BODY = (H - VOYAGER)(K - RAM VAN/CARAVAN)

BODY STYLES

12-13 = FWD VAN

21 = 2-DOOR SEDAN

24 = 2-DOOR HATCHBACK

27 = 2-DOOR CONVERTIBLE

41 = 4-DOOR SEDAN

44 = 4-DOOR HATCHBACK

45 = 4-DOOR STATION WAGON

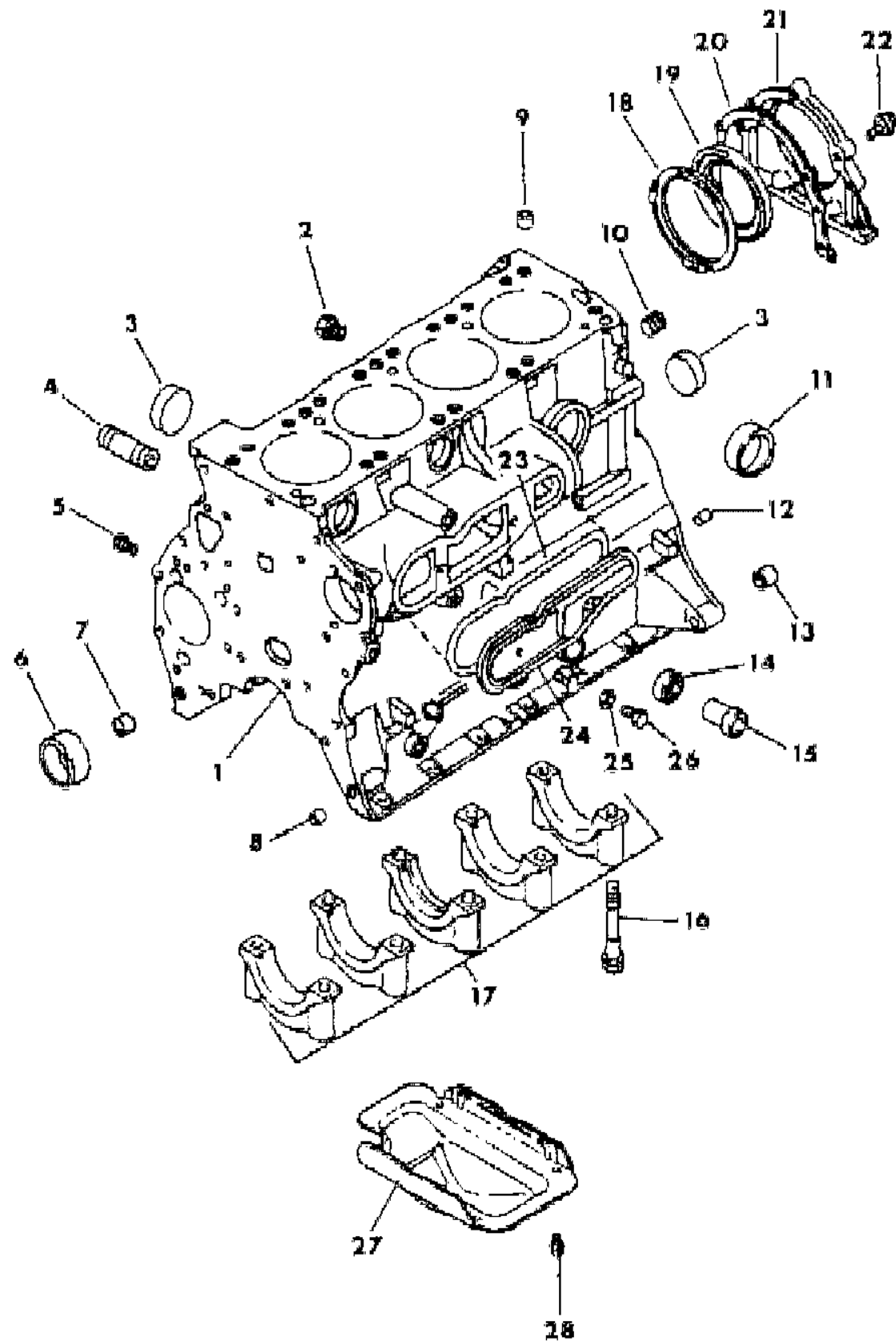
52-53 = FWD WAGON

AR = Use as Required - = Non Illustrated Part P.A.R. = Paint as Required

CYLINDER BLOCK 2.6 L ENGINE

Figure 9A-2800

7158 2800 A



ITEM	PART NUMBER	QTY	BODY	MODEL	DESCRIPTION
1	MD02 6200	1			BLOCK, Cylinder (Federal & Canada)
	MD02 4505	1			(High Altitude & California)
2	MD00 0269	1			PLUG, Taper (1/4" NPT)
3	MD00 0427	3			PLUG, Expansion (40)
4	MD02 0235	1			STUD, Oil Filter
5		1			PLUG, Taper (1/8" NPT)(Not Serviced)
6	MD02 1118	2			BEARING, Rear
	MD08 2303	AR			1.0 O/S
7	MD02 0234	1			NOZZLE
8	MS47 1104	2			BUSHING, Knock (8x9)
9	MS47 1111	2			BUSHING, Knock (12x13)
10	MS66 1142	1			PLUG, Taper (3/8" NPT)
11	MF66 5544	3			CAP, Sealing (50)
12	MF47 2403	2			PIN, Dowel (6)
13	MS47 1109	2			BUSHING, Knock (10x16)
14	MF66 5539	4			CAP, Sealing (28)
15	MD02 5364	2			JOINT, (High Altitude & California)
16	MD02 0223	10			BOLT, Bearing Cap
17					CAP, Crankshaft Bearing (Serviced in Block Assy.)
18	MD02 0436	1			OIL SEPARATOR
19	MD06 9947	1			OIL SEAL, Rear
20	MD02 0292	1			GASKET, Oil Seal Case
21	MD02 4509	1			CASE, Oil Seal
22	MF14 0207	5			BOLT, Flange (6x20)
23	MD02 0239	1			GASKET, Cover
24	MD02 0237	1			COVER
25	MD02 0256	2			O-RING
26	MF14 0003	2			BOLT, (6x12)
27	MD02 4524	1			SEAL, Crankcase (High Altitude & California)
28	MF24 1223	5			BOLT and WASHER, (6x12) (High Altitude and Calif.)

MODEL CODES

E BODY = (J - CARAVELLE)(E - 600)(T - NEW YORKER)

G BODY = (V24 - DAYTONA)

H BODY = (D44 - LANCER)(C44 - LEBARON GTS)

J BODY = (C - LEBARON)

K BODY = (P - RELIANT)(D - ARIES)(C - LEBAROND)/TOWN & COUNTRY)

L BODY = (M - HORIZON/TURISMO)(Z - OMNI/CHARGER)

M BODY = (B - GRAN FURY)(F - FIFTH AVE/NEWPORT)(G - DIPLOMAT)

P BODY = (P - SUNDANCE)(D - SHADOW)

S BODY = (H - VOYAGER)(K - RAM VAN/CARAVAN)

BODY STYLES

12-13 = FWD VAN

21 = 2-DOOR SEDAN

24 = 2-DOOR HATCHBACK

27 = 2-DOOR CONVERTIBLE

41 = 4-DOOR SEDAN

44 = 4-DOOR HATCHBACK

45 = 4-DOOR STATION WAGON

52-53 = FWD WAGON

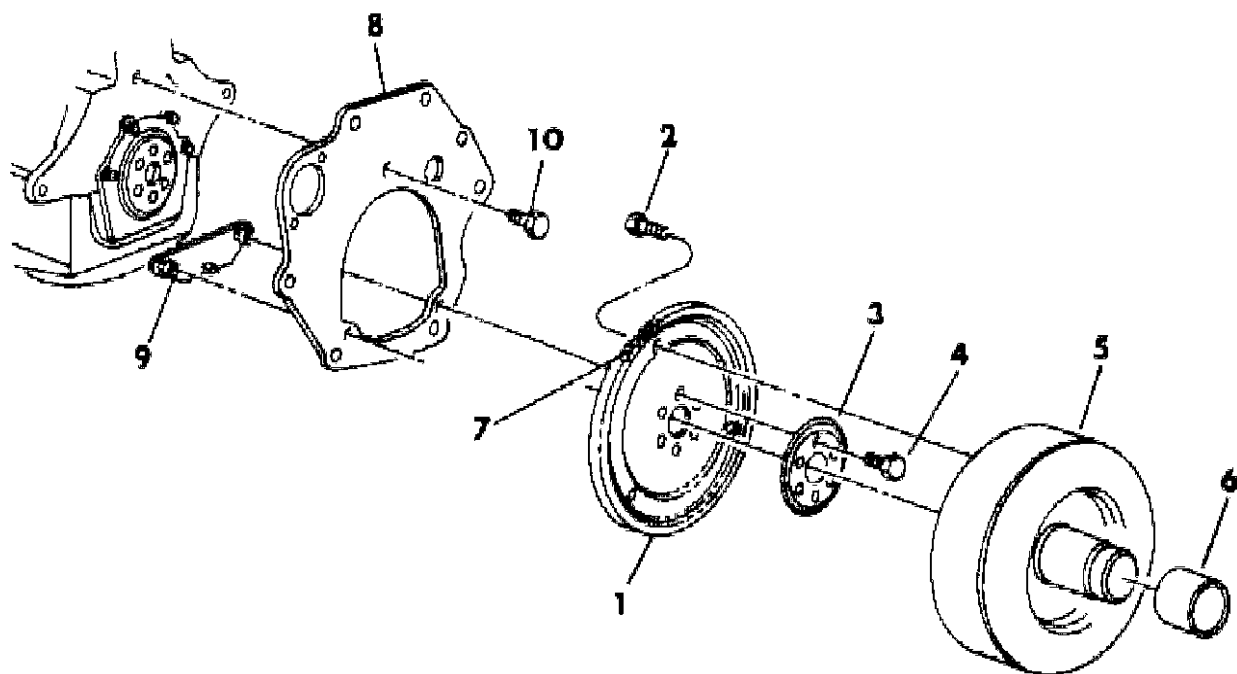
AR = Use as Required - = Non Illustrated Part P.A.R. = Paint as Required

TORQUE CONVERTER 2.6 L ENGINE

Figure 9A-2900

7158 2900

ITEM	PART NUMBER	QTY	BODY	MODEL	DESCRIPTION
1	4377 411	1			PLATE ASSEMBLY, Torque Converter Drive
2	6501 099	4			BOLT, Drive Plate to Torque Converter
3	5222 585	1			PLATE, Crankshaft Bolt Backing
4	6500 269	6			BOLT, Drive Plate to Crankshaft
5	4411 963	1			TORQUE CONVERTER ASSEMBLY
6	4269 057	1			SEAL, Trans. Torque Converter Impeller Hub
7		1			GEAR, Torque Converter Ring (Serviced in Item 1)
8	5224 388	1			SPACER, Plate Trans. (See Group 21)
9	5224 393	1			COVER, Trans. Torque Converter (See Group 21)
10	6500 136	1			SCREW, Trans. Spacer Plate



MODEL CODES

E BODY = (J - CARAVELLE)(E - 600)(T - NEW YORKER)

G BODY = (V24 - DAYTONA)

H BODY = (D44 - LANCER)(C44 - LEBARON GTS)

J BODY = (C - LEBARON)

K BODY = (P - RELIANT)(D - ARIES)(C - LEBAROND)/TOWN & COUNTRY)

L BODY = (M - HORIZON/TURISMO)(Z - OMNI/CHARGER)

M BODY = (B - GRAN FURY)(F - FIFTH AVE/NEWPORT)(G - DIPLOMAT)

P BODY = (P - SUNDANCE)(D - SHADOW)

S BODY = (H - VOYAGER)(K - RAM VAN/CARAVAN)

BODY STYLES

12-13 = FWD VAN

21 = 2-DOOR SEDAN

24 = 2-DOOR HATCHBACK

27 = 2-DOOR CONVERTIBLE

41 = 4-DOOR SEDAN

44 = 4-DOOR HATCHBACK

45 = 4-DOOR STATION WAGON

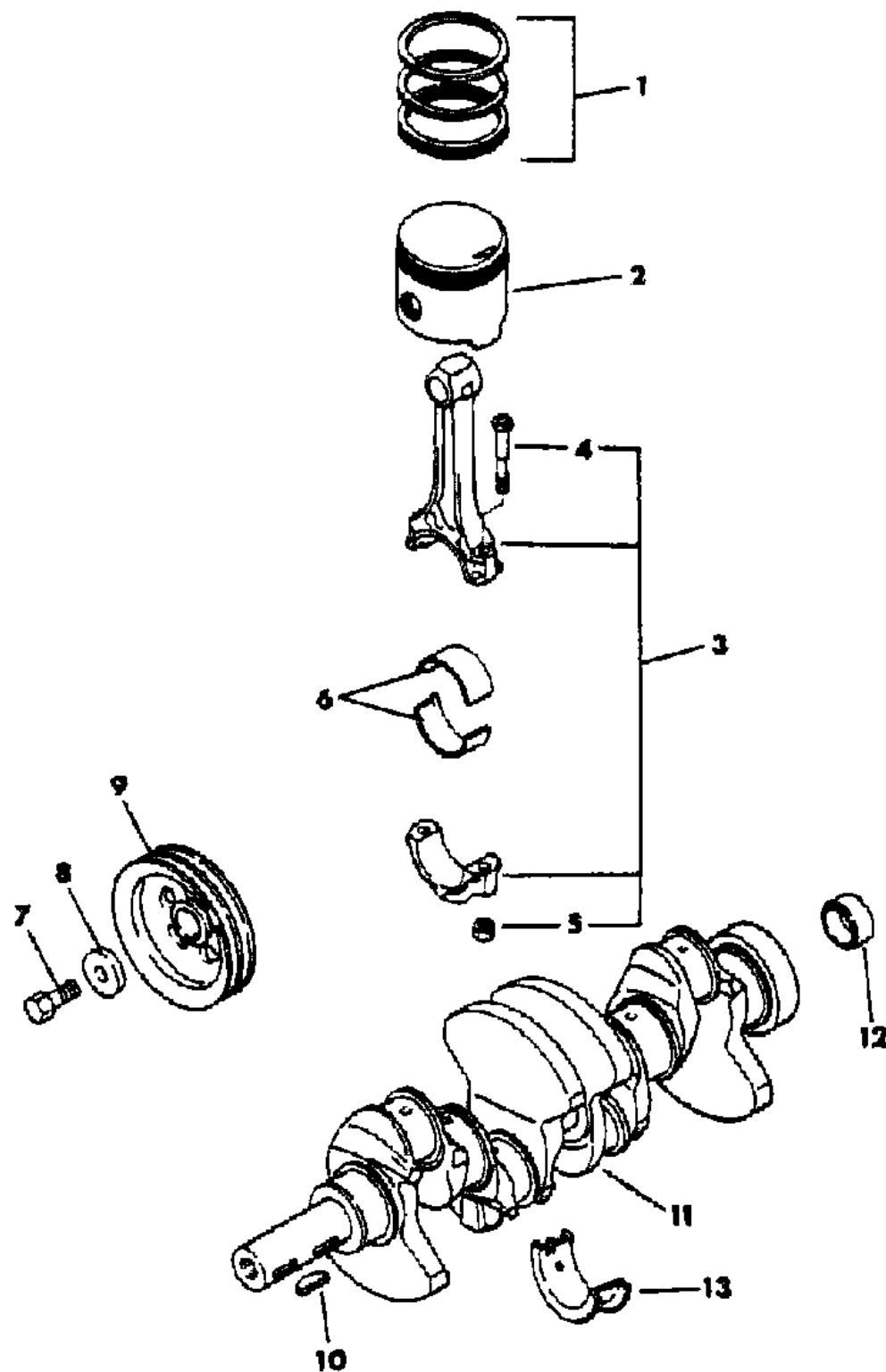
52-53 = FWD WAGON

AR = Use as Required - = Non Illustrated Part P.A.R. = Paint as Required

CRANKSHAFT & PISTONS 2.6 L ENGINE

Figure 9A-3000

7158 3000



ITEM	PART NUMBER	QTY	BODY	MODEL	DESCRIPTION
1	MD06 1258	1			RING SET, Piston, Std. (High Altitude & California)
	MD06 1259	1			0.25 MM O/S
	MD06 1260	1			0.50 MM O/S
	MD06 1261	1			0.75 MM O/S
	MD06 1262	1			1.00 MM O/S
	MD07 6170	1			Std. (Federal)
	MD10 1895	1			Std. (Canada)
	MD07 6171	1			0.25 MM O/S (Federal)
	MD10 1896	1			0.25 MM O/S (Canada)
	MD07 6172	1			0.50 MM O/S (Federal)
	MD10 1897	1			0.50 MM O/S (Canada)
	MD07 6173	1			0.75 MM O/S (Federal)
	MD10 1898	1			0.75 MM O/S (Canada)
	MD07 6174	1			1.00 MM O/S (Federal)
	MD10 1899	1			1.00 MM O/S (Canada)
2	MD07 1172	4			PISTON, w/Pin, Std.
	MD07 1174	4			0.25 MM O/S
	MD07 1175	4			0.50 MM O/S
	MD07 1176	4			0.75 MM O/S
	MD07 1177	4			1.00 MM O/S
3	MD02 0855	4			ROD ASSEMBLY, Connecting
4	MD02 1105	8			BOLT, Connecting Rod
5	MD00 6704	8			NUT, Connecting Rod
6	MD02 6430	1			BEARING SET, Connecting Rod, Std.
	MD02 6431	1			0.25 MM U/S
	MD02 6432	1			0.50 MM U/S
	MD02 6433	1			0.75 MM U/S
7	MD02 0830	1			BOLT, Crankshaft Pulley
8	MD02 0831	1			WASHER
9	MD07 4096	1			PULLEY, Crankshaft
10	MD00 0606	2			KEY
11	MD02 6408	1			CRANKSHAFT
12	MD02 4893	1			BUSHING, Crankshaft-41mm
13	MD02 6815	1			BEARING SET, Crankshaft, Std.
	MD02 6816	1			0.25 MM U/S
	MD02 6817	1			0.50 MM U/S
	MD02 6818	1			0.75 MM U/S

MODEL CODES

E BODY = (J - CARAVELLE)(E - 600)(T - NEW YORKER)

G BODY = (V24 - DAYTONA)

H BODY = (D44 - LANCER)(C44 - LEBARON GTS)

J BODY = (C - LEBARON)

K BODY = (P - RELIANT)(D - ARIES)(C - LEBAROND)/TOWN & COUNTRY)

L BODY = (M - HORIZON/TURISMO)(Z - OMNI/CHARGER)

M BODY = (B - GRAN FURY)(F - FIFTH AVE/NEWPORT)(G - DIPLOMAT)

P BODY = (P - SUNDANCE)(D - SHADOW)

S BODY = (H - VOYAGER)(K - RAM VAN/CARAVAN)

BODY STYLES

12-13 = FWD VAN

21 = 2-DOOR SEDAN

24 = 2-DOOR HATCHBACK

27 = 2-DOOR CONVERTIBLE

41 = 4-DOOR SEDAN

44 = 4-DOOR HATCHBACK

45 = 4-DOOR STATION WAGON

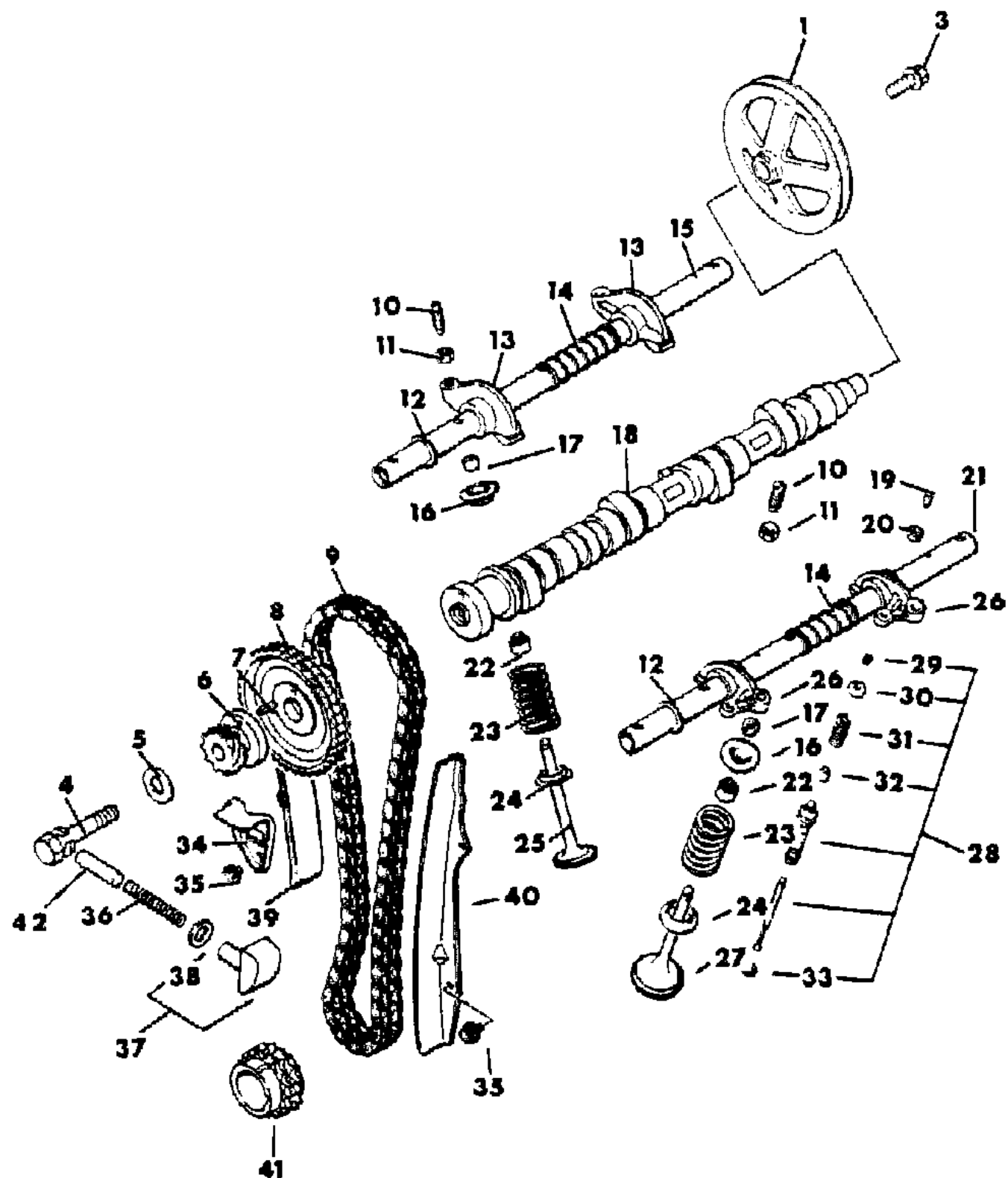
52-53 = FWD WAGON

AR = Use as Required - = Non Illustrated Part P.A.R. = Paint as Required

CAMSHAFT & VALVES 2.6 L ENGINE

Figure 9A-3100

7158 3100



ITEM	PART NUMBER	QTY	BODY	MODEL	DESCRIPTION
1	MD02 5669	1			PULLEY, Camshaft
3	MD00 8835	1			BOLT, Flange (10x30)
4	MS24 1117	1			BOLT, w/Washer (14x70)
5	MF45 0008	1			WASHER, Plain (14)
6	MD02 1247	1			GEAR, Distributor
7	MD02 1219	1			PIN, Spring (6x18)
8	MD02 1246	1			SPROCKET, Camshaft
9	MD02 1230	1			CHAIN, Timing
10	MD06 5628	8			SCREW, Adjusting Rocker Arm
11	MD00 0961	8			NUT
12	MD00 0964	2			WASHER, Waved
13	MD02 3226	8			ARM, Rocker (C)
14	MD02 1211	6			SPRING, Rocker Shaft
15	MD02 3198	1			SHAFT ASSEMBLY, Rocker Arm Rt.
16	MD06 6498	8			RETAINER, Valve Spring
17	MD06 1895	16			LOCK, Valve Spring Retainer
18	MD02 6730	1			CAMSHAFT
19	#MD00 9371	4			SCREW, Adjusting Rocker Arm (High Altitude & California)
20	#MD00 9372	4			NUT, (High Altitude & California)
21	MD02 3196	1			SHAFT ASSEMBLY, Rocker Arm Lt.
22	MD00 0508	8			SEAL, Valve Stem
23	MD07 3398	8			SPRING, Valve
24	MD00 0507	8			SEAT, Valve Spring
25	MD08 3851	4			VALVE, Exhaust
26	MD02 3225	4			ARM, Rocker (A) (High Altitude & California)
27	MD08 3848	4			VALVE, Inlet
28	#MD00 9440	4			VALVE ASSEMBLY, Jet (High Altitude & California)
29	#MD00 9365	8			LOCK, Valve Spring Retainer (High Altitude & California)
30	#MD00 9784	4			RETAINER, Valve Spring (High Altitude & California)
31	#MD00 9783	4			SPRING, Valve (High Altitude & California)
32	MD08 8384	4			SEAL, Valve Stem (High Altitude & California)
33	#MD00 9786	4			O-RING, (High Altitude & California)
34	MD02 1237	1			HOLDER, Camshaft Sprocket
35	#MS10 1311	4			BOLT, Flange (6x10)
36	MD02 2235	1			SPRING, Tensioner
37	MD02 1233	1			SLEEVE, Complete
38	MD02 1242	1			SHEET, Rubber
39	MD02 1232	1			GUIDE, Chain Loose Side

MODEL CODES

E BODY = (J - CARAVELLE)(E - 600)(T - NEW YORKER)

G BODY = (V24 - DAYTONA)

H BODY = (D44 - LANCER)(C44 - LEBARON GTS)

J BODY = (C - LEBARON)

K BODY = (P - RELIANT)(D - ARIES)(C - LEBAROND)/TOWN & COUNTRY)

L BODY = (M - HORIZON/TURISMO)(Z - OMNI/CHARGER)

M BODY = (B - GRAN FURY)(F - FIFTH AVE/NEWPORT)(G - DIPLOMAT)

P BODY = (P - SUNDANCE)(D - SHADOW)

S BODY = (H - VOYAGER)(K - RAM VAN/CARAVAN)

BODY STYLES

12-13 = FWD VAN

21 = 2-DOOR SEDAN

24 = 2-DOOR HATCHBACK

27 = 2-DOOR CONVERTIBLE

41 = 4-DOOR SEDAN

44 = 4-DOOR HATCHBACK

45 = 4-DOOR STATION WAGON

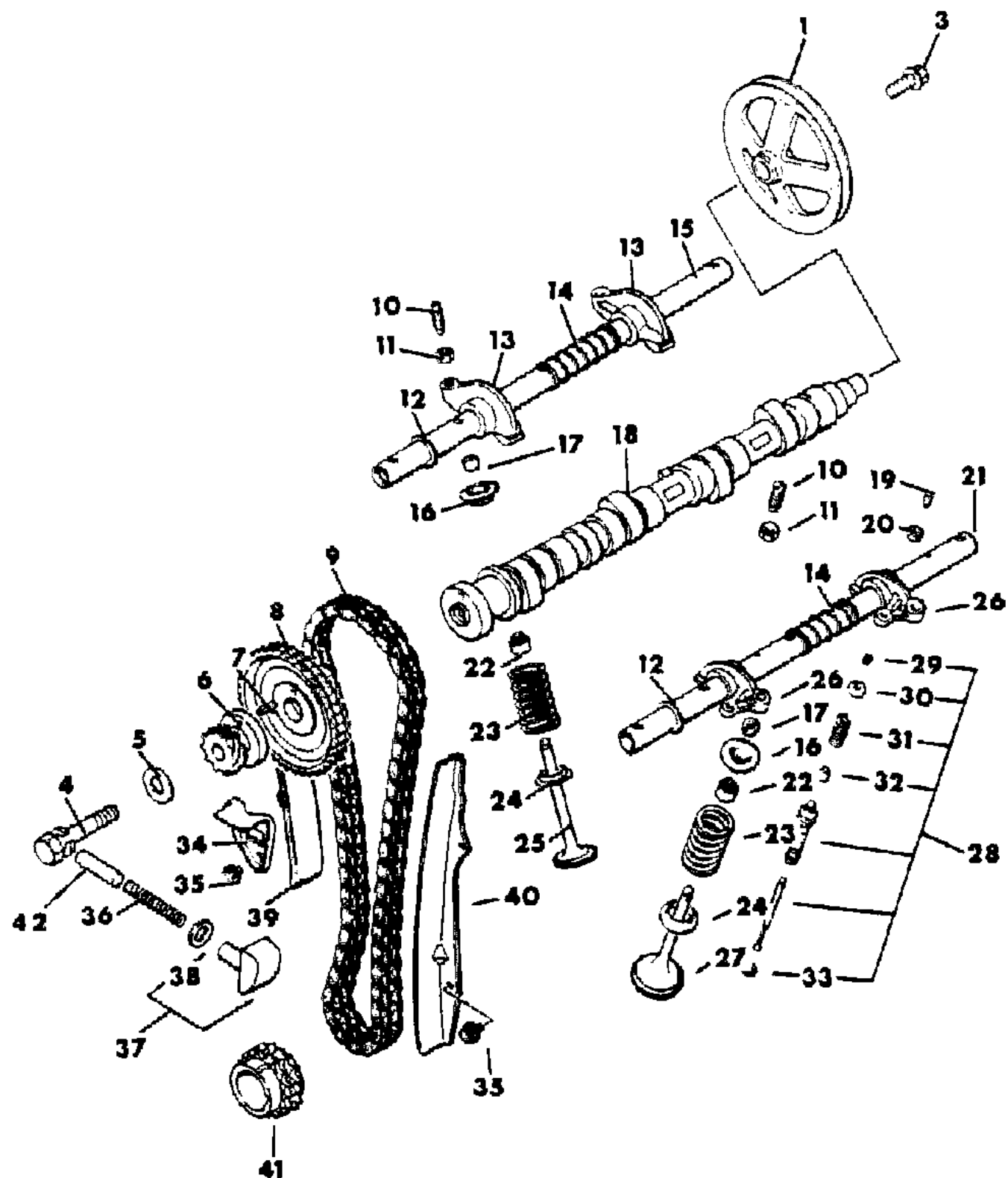
52-53 = FWD WAGON

AR = Use as Required - = Non Illustrated Part P.A.R. = Paint as Required

CAMSHAFT & VALVES 2.6 L ENGINE

Figure 9A-3100

7158 3100



ITEM	PART NUMBER	QTY	BODY	MODEL	DESCRIPTION
------	-------------	-----	------	-------	-------------

40	MD02 1231	1			GUIDE, Chain Tension Side
41	MD02 0843	1			SPROCKET, Crankshaft
42	MD08 4945	1			DAMPER, Tensioner

MODEL CODES
 E BODY = (J - CARAVELLE)(E - 600)(T - NEW YORKER)
 G BODY = (V24 - DAYTONA)
 H BODY = (D44 - LANCER)(C44 - LEBARON GTS)
 J BODY = (C - LEBARON)
 K BODY = (P - RELIANT)(D - ARIES)(C - LEBAROND)/TOWN & COUNTRY
 L BODY = (M - HORIZON/TURISMO)(Z - OMNI/CHARGER)
 M BODY = (B - GRAN FURY)(F - FIFTH AVE/NEWPORT)(G - DIPLOMAT)
 P BODY = (P - SUNDANCE)(D - SHADOW)
 S BODY = (H - VOYAGER)(K - RAM VAN/CARAVAN)

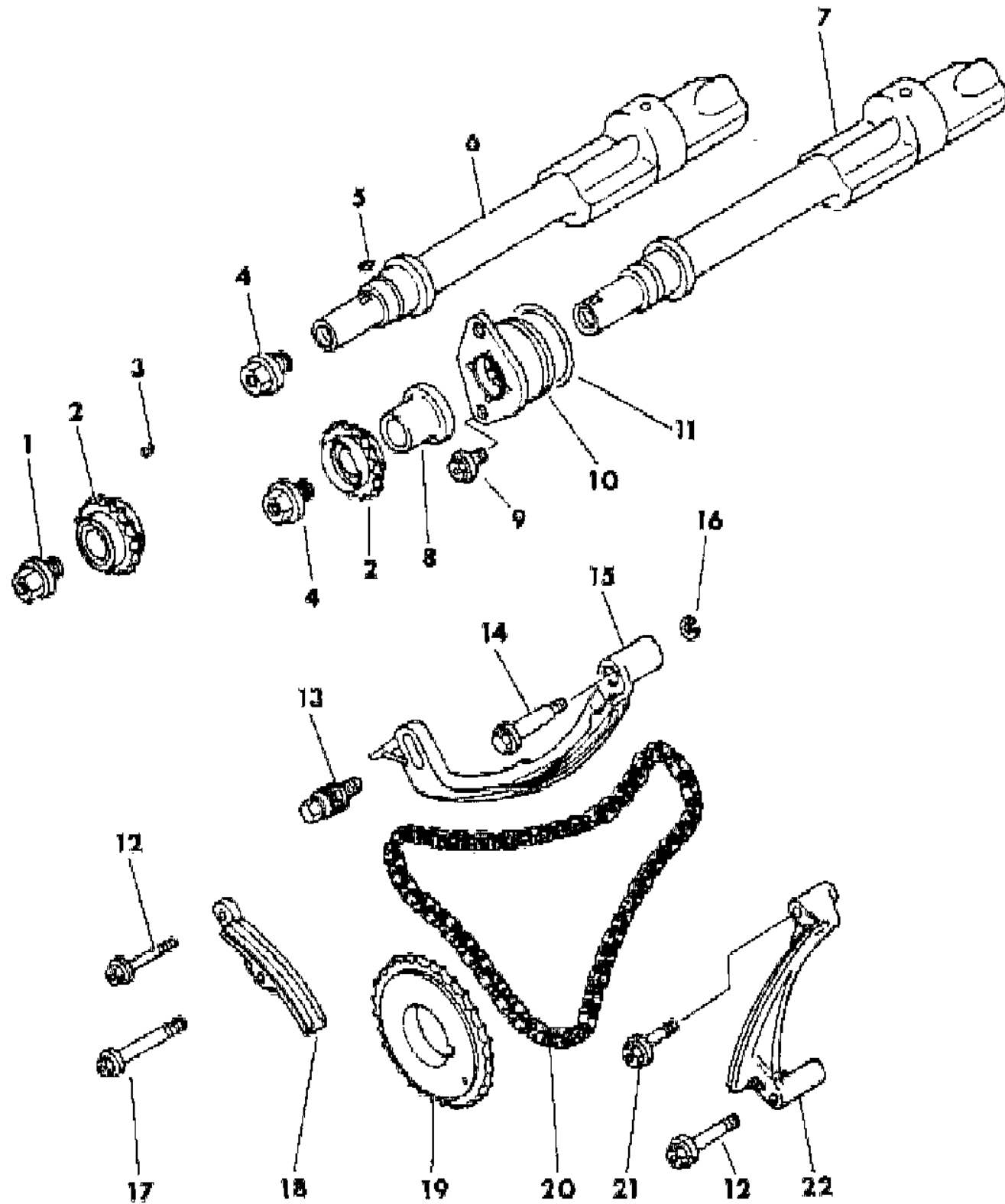
BODY STYLES
 12-13 = FWD VAN
 21 = 2-DOOR SEDAN
 24 = 2-DOOR HATCHBACK
 27 = 2-DOOR CONVERTIBLE
 41 = 4-DOOR SEDAN
 44 = 4-DOOR HATCHBACK
 45 = 4-DOOR STATION WAGON
 52-53 = FWD WAGON

AR = Use as Required - = Non Illustrated Part P.A.R. = Paint as Required

BALANCE SHAFTS 2.6 L ENGINE

Figure 9A-3200

7158 3200



ITEM	PART NUMBER	QTY	BODY	MODEL	DESCRIPTION
1	MD02 7152	1			BOLT, (10x15)
2	MD02 1172	2			SPROCKET ASSEMBLY
3	MF47 6204	1			KEY, Woodruff (3x10)
4	MD02 7152	1			BOLT, (10x15)
5	MF47 6204	2			KEY, Woodruff (3x10)
6	MD02 4845	1			SHAFT, Counterbalance Rt.
7	MD02 4846	1			SHAFT, Counterbalance Lt.
8	MD02 0255	1			SPACER
9	MF14 0204	2			BOLT, Flange (6x14)
10	MD09 4360	1			PLATE ASSEMBLY, Thrust
11	MD02 1045	1			O-RING
12	#MS10 1322	2			BOLT, Flange
13	MD02 1158	1			BOLT, Special B
14	MD02 1157	1			BOLT, Special A
15	MD02 1156	1			GUIDE, Chain B
16	MF45 0404	1			WASHER, Spring (6)
17	#MS10 1325	1			BOLT, Flange (6x60)
18	MD02 1114	1			GUIDE, Chain C
19	MD02 1170	1			SPROCKET, Crankshaft B
20	MD02 1155	1			CHAIN B
21	#MS10 1317	1			BOLT, Flange (6x32)
22	MD02 1111	1			GUIDE, Chain A (Counter Balance)

MODEL CODES

E BODY = (J - CARAVELLE)(E - 600)(T - NEW YORKER)

G BODY = (V24 - DAYTONA)

H BODY = (D44 - LANCER)(C44 - LEBARON GTS)

J BODY = (C - LEBARON)

K BODY = (P - RELIANT)(D - ARIES)(C - LEBAROND)/TOWN & COUNTRY)

L BODY = (M - HORIZON/TURISMO)(Z - OMNI/CHARGER)

M BODY = (B - GRAN FURY)(F - FIFTH AVE/NEWPORT)(G - DIPLOMAT)

P BODY = (P - SUNDANCE)(D - SHADOW)

S BODY = (H - VOYAGER)(K - RAM VAN/CARAVAN)

BODY STYLES

12-13 = FWD VAN

21 = 2-DOOR SEDAN

24 = 2-DOOR HATCHBACK

27 = 2-DOOR CONVERTIBLE

41 = 4-DOOR SEDAN

44 = 4-DOOR HATCHBACK

45 = 4-DOOR STATION WAGON

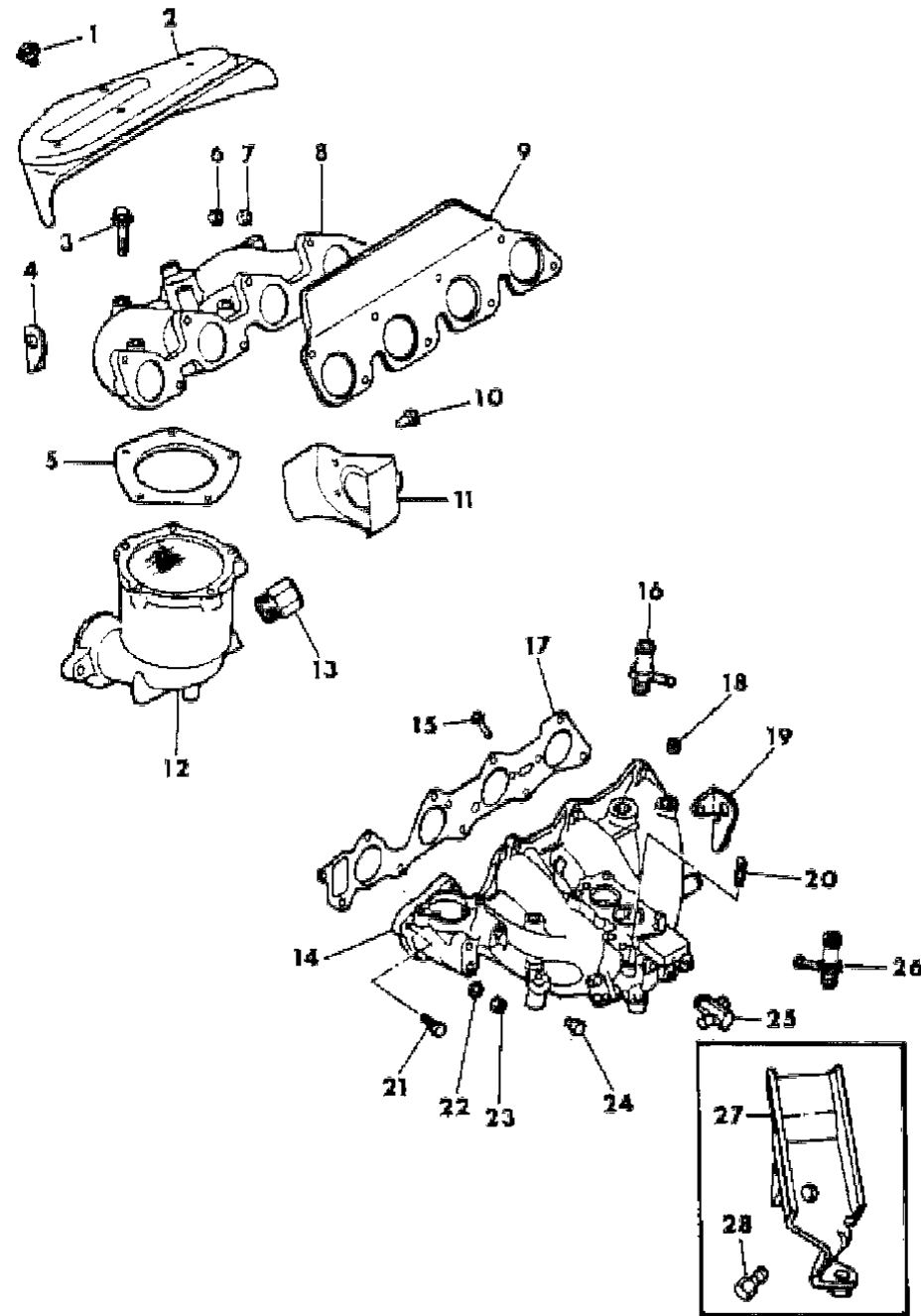
52-53 = FWD WAGON

AR = Use as Required - = Non Illustrated Part P.A.R. = Paint as Required

MANIFOLD, INTAKE & EXHAUST 2.6 L ENGINE

Figure 9A-3300

7158 3300



ITEM	PART NUMBER	QTY	BODY	MODEL	DESCRIPTION
1	MD00 9669	6			BOLT and WASHER, Flange
2	MD02 5544	1			COVER, (California)
	MD09 4570	1			(Except California)
-	MD02 5156	1			PROTECTOR, Heat (Canada)
	MD07 3159	1			(Federal & High Altitude)
3	MD02 3492	5			BOLT, Flange (8x45) (California)
4	MD00 0255	1			HANGER, Engine, Front
5	MD02 5614	1			GASKET ASSEMBLY (California)
6	MD00 0569	8			NUT
7	MS45 0035	8			WASHER, Plain (8)
8	MD02 5534	1			MANIFOLD, Exhaust (California)
	MD06 5963	1			(Federal & High Altitude)
	MD02 5155	1			(Canada)
		1			PLUG, Exhaust Manifold (3/4-14 Not Serviced) (High Altitude)
9	MD02 5684	1			GASKET, Exhaust Manifold
10	MD00 9669	3			BOLT, Flange (California)
	MD02 5178	3			(Except California)
11	MD02 5543	1			COWL, Heat (California)
	MD09 6448	1			(Except California)
12	MD02 7223	1			CASE ASSEMBLY, Catalyst (California)
13	MS66 1142	1			PLUG, Taper (3/8") (High Altitude)
14	MD02 4637	1			MANIFOLD, Inlet (Federal & Canada)
	MD02 4626	1			(High Altitude & California)
15	MD02 4599	1			NIPPLE
16	MD02 4705	1			JOINT
17	MD02 6535	1			GASKET, Inlet Manifold (Federal & Canada)
	MD02 4628	1			(High Altitude & California)
18	MD02 6621	1			PLUG, Taper
19	MD02 6525	1			HANGER, Engine Rear (Except High Altitude)
20	#MS40 1403	1			STUD, (6x18) (High Altitude & California)
21	#MF24 1256	1			BOLT, w/Washer (8x28)
22	MF45 0405	9			WASHER, Spring (8)
23	MF43 0005	9			NUT (8)
24	MD02 5474	1			PLUG, Taper (1/8" NPT)
25	MD10 1113	1			JOINT, (Federal)
	MD02 6657	1			(Except Federal)4-port
-	MD02 6761	1			CAP, Rubber

MODEL CODES

E BODY = (J - CARAVELLE)(E - 600)(T - NEW YORKER)

G BODY = (V24 - DAYTONA)

H BODY = (D44 - LANCER)(C44 - LEBARON GTS)

J BODY = (C - LEBARON)

K BODY = (P - RELIANT)(D - ARIES)(C - LEBAROND)/TOWN & COUNTRY)

L BODY = (M - HORIZON/TURISMO)(Z - OMNI/CHARGER)

M BODY = (B - GRAN FURY)(F - FIFTH AVE/NEWPORT)(G - DIPLOMAT)

P BODY = (P - SUNDANCE)(D - SHADOW)

S BODY = (H - VOYAGER)(K - RAM VAN/CARAVAN)

BODY STYLES

12-13 = FWD VAN

21 = 2-DOOR SEDAN

24 = 2-DOOR HATCHBACK

27 = 2-DOOR CONVERTIBLE

41 = 4-DOOR SEDAN

44 = 4-DOOR HATCHBACK

45 = 4-DOOR STATION WAGON

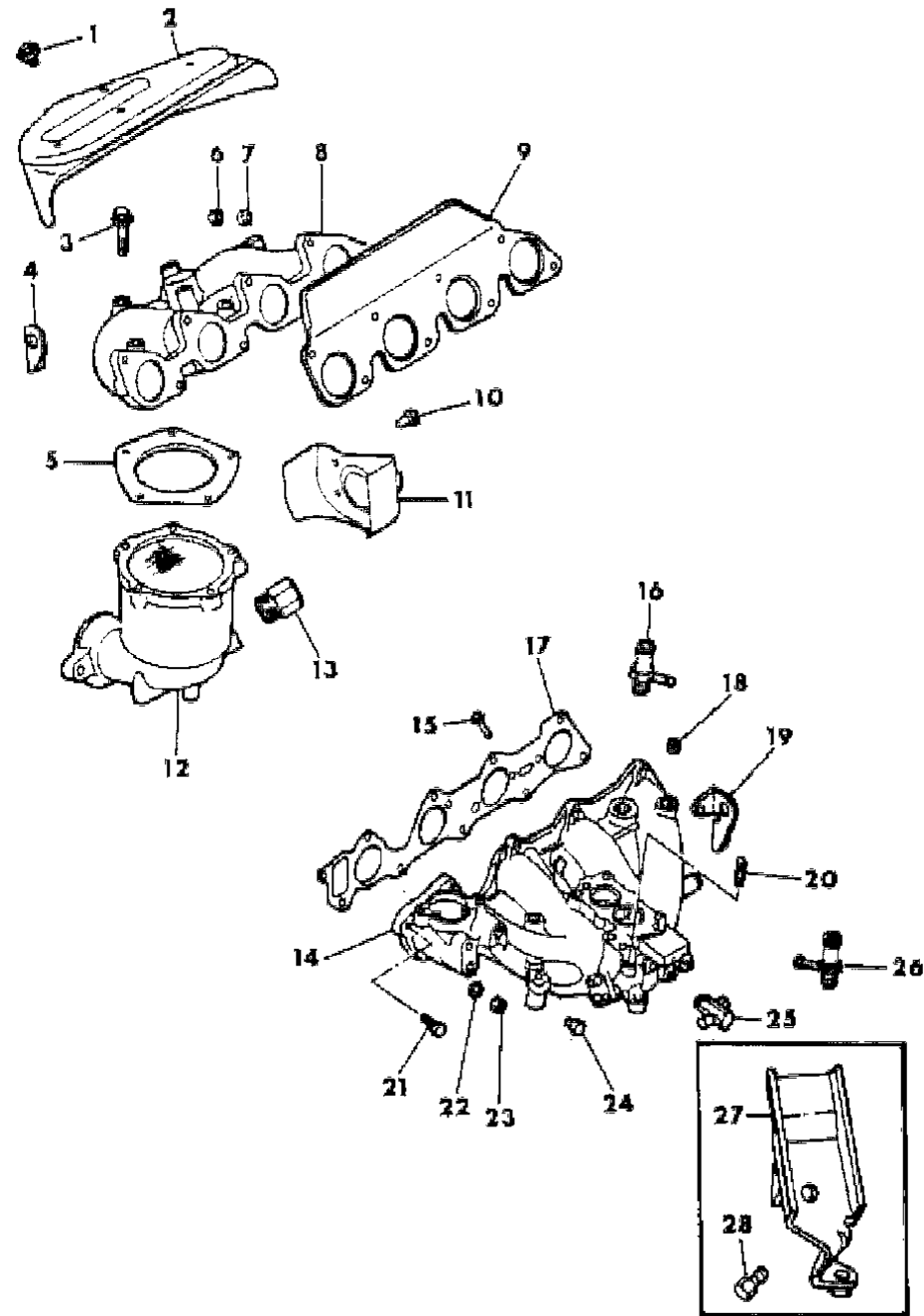
52-53 = FWD WAGON

AR = Use as Required - = Non Illustrated Part P.A.R. = Paint as Required

MANIFOLD, INTAKE & EXHAUST 2.6 L ENGINE

Figure 9A-3300

7158 3300



ITEM	PART NUMBER	QTY	BODY	MODEL	DESCRIPTION
26	4306 283	1			CONNECTOR, Vacuum Control (Audible Message Center 2-3/8" Outlets)
27	MD02 6848	1			BLOCKER
28	MF14 0022	1			BOLT, Flange (8x14)
	MF14 0026	1			(8x22)

MODEL CODES

E BODY = (J - CARAVELLE)(E - 600)(T - NEW YORKER)

G BODY = (V24 - DAYTONA)

H BODY = (D44 - LANCER)(C44 - LEBARON GTS)

J BODY = (C - LEBARON)

K BODY = (P - RELIANT)(D - ARIES)(C - LEBAROND)/TOWN & COUNTRY)

L BODY = (M - HORIZON/TURISMO)(Z - OMNI/CHARGER)

M BODY = (B - GRAN FURY)(F - FIFTH AVE/NEWPORT)(G - DIPLOMAT)

P BODY = (P - SUNDANCE)(D - SHADOW)

S BODY = (H - VOYAGER)(K - RAM VAN/CARAVAN)

BODY STYLES

12-13 = FWD VAN

21 = 2-DOOR SEDAN

24 = 2-DOOR HATCHBACK

27 = 2-DOOR CONVERTIBLE

41 = 4-DOOR SEDAN

44 = 4-DOOR HATCHBACK

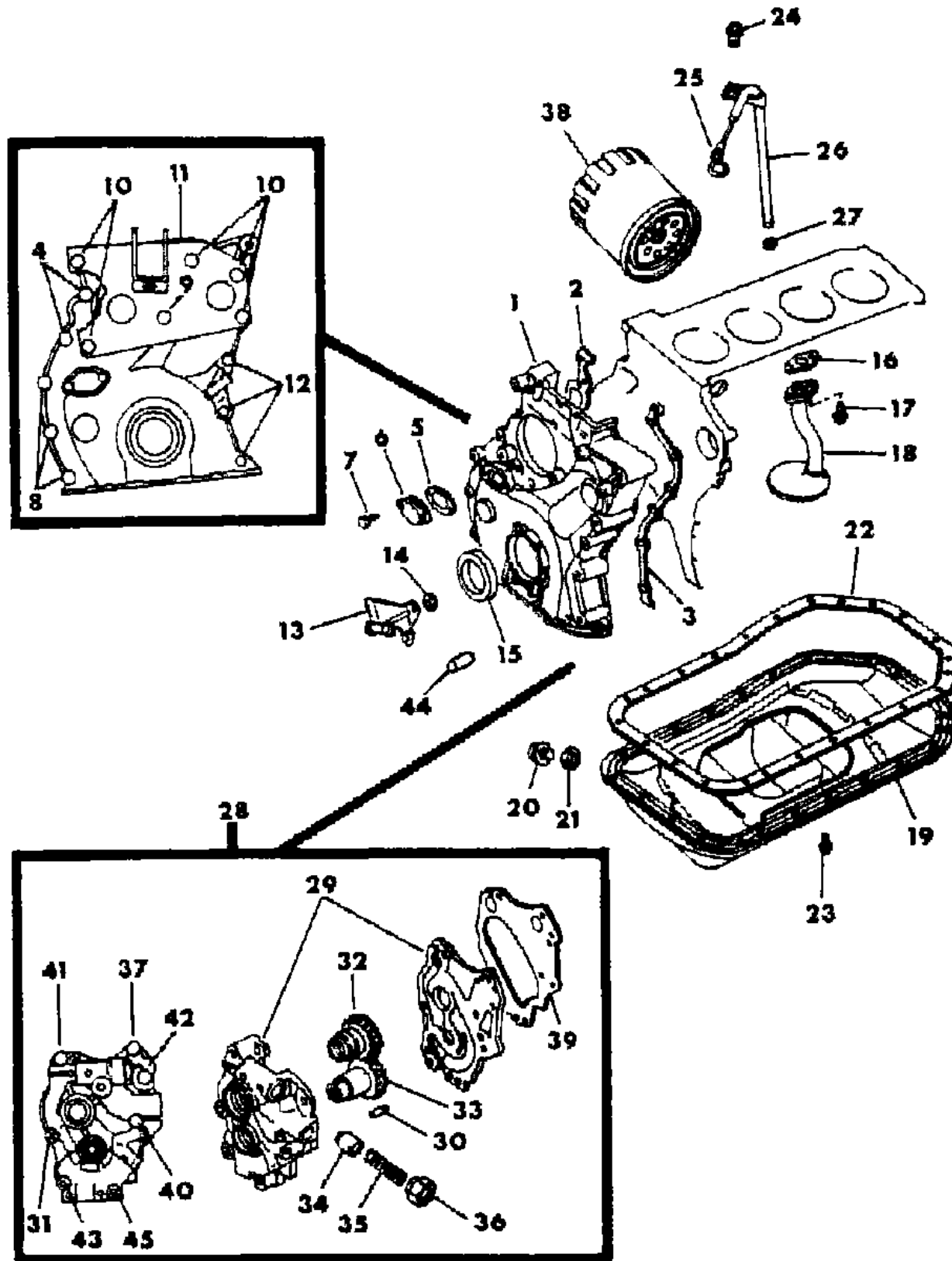
45 = 4-DOOR STATION WAGON

52-53 = FWD WAGON

AR = Use as Required - = Non Illustrated Part P.A.R. = Paint as Required

OIL PAN, OIL PUMP & OIL FILTER 2.6 L ENGINE
Figure 9A-3400

7158 3400



ITEM	PART NUMBER	QTY	BODY	MODEL	DESCRIPTION
1	MD02 4770	1			CASE, Timing Chain
2	MD02 0324	1			GASKET, Chain Case, Rt.
3	MD02 0325	1			GASKET, Chain Case, Lt.
4	MS10 1243	2			BOLT, Flange (8x58)
5	MD02 0353	1			GASKET
6	MD02 0349	1			COVER
7	#MF14 0206	2			BOLT, Flange (6x18)
8	MS10 1245	3			BOLT, Flange (8x68)
9	MF24 1257	1			BOLT, w/Washer (8x30)
10	MF24 1269	5			BOLT, w/Washer (8x80)
11	MD07 1550	1			BRACKET, Engine Support, Right
12	MF24 1269	3			BOLT, w/Washer (8x80)
13	MD07 4097	1			BRACKET, Timing Indicator
14	MD02 4397	1			SPACER
15	MD02 0308	1			OIL SEAL, Front
16	MD02 1577	1			GASKET, Oil Screen
17	MS24 1071	2			BOLT, w/Washer
18	MD02 5223	1			SCREEN ASSEMBLY, Oil
19	MD02 4775	1			PAN ASSEMBLY, Oil
20	MD05 0316	1			PLUG, Oil Drain
21	MD05 0317	1			GASKET, Oil Drain Plug (M14)
22	MD02 4777	1			GASKET, Oil Pan
23	MF24 1223	24			BOLT, w/Washer (6x12)
24	MF24 0050	1			BOLT, w/Washer, (8x14) (Federal and Canada)
25	MD02 6762	1			ROD ASSEMBLY, Oil Level Gauge
26	MD02 4928	1			GUIDE, Oil Level Gauge
27	MF52 0004	1			O-RING (9)
28	MD06 0517	1			PUMP ASSEMBLY, Oil
29	MD06 0518	1			BODY and COVER ASSEMBLY, Oil Pump
30	MD02 3415	2			PIN
31	MF35 0083	1			SCREW, w/Washer (6x40)
32	MD06 1314	1			GEAR, Oil Pump Driven
33	MD06 1313	1			GEAR, Oil Pump Drive
34	MD02 1563	1			PLUNGER, Relief
35	MD05 0299	1			SPRING, Relief
36	MD02 1564	1			PLUG
37	MS10 1315	1			BOLT, Flange (6x16)
38	MD03 1805	1			FILTER ASSEMBLY, Oil

MODEL CODES

E BODY = (J - CARAVELLE)(E - 600)(T - NEW YORKER)

G BODY = (V24 - DAYTONA)

H BODY = (D44 - LANCER)(C44 - LEBARON GTS)

J BODY = (C - LEBARON)

K BODY = (P - RELIANT)(D - ARIES)(C - LEBAROND)/TOWN & COUNTRY)

L BODY = (M - HORIZON/TURISMO)(Z - OMNI/CHARGER)

M BODY = (B - GRAN FURY)(F - FIFTH AVE/NEWPORT)(G - DIPLOMAT)

P BODY = (P - SUNDANCE)(D - SHADOW)

S BODY = (H - VOYAGER)(K - RAM VAN/CARAVAN)

BODY STYLES

12-13 = FWD VAN

21 = 2-DOOR SEDAN

24 = 2-DOOR HATCHBACK

27 = 2-DOOR CONVERTIBLE

41 = 4-DOOR SEDAN

44 = 4-DOOR HATCHBACK

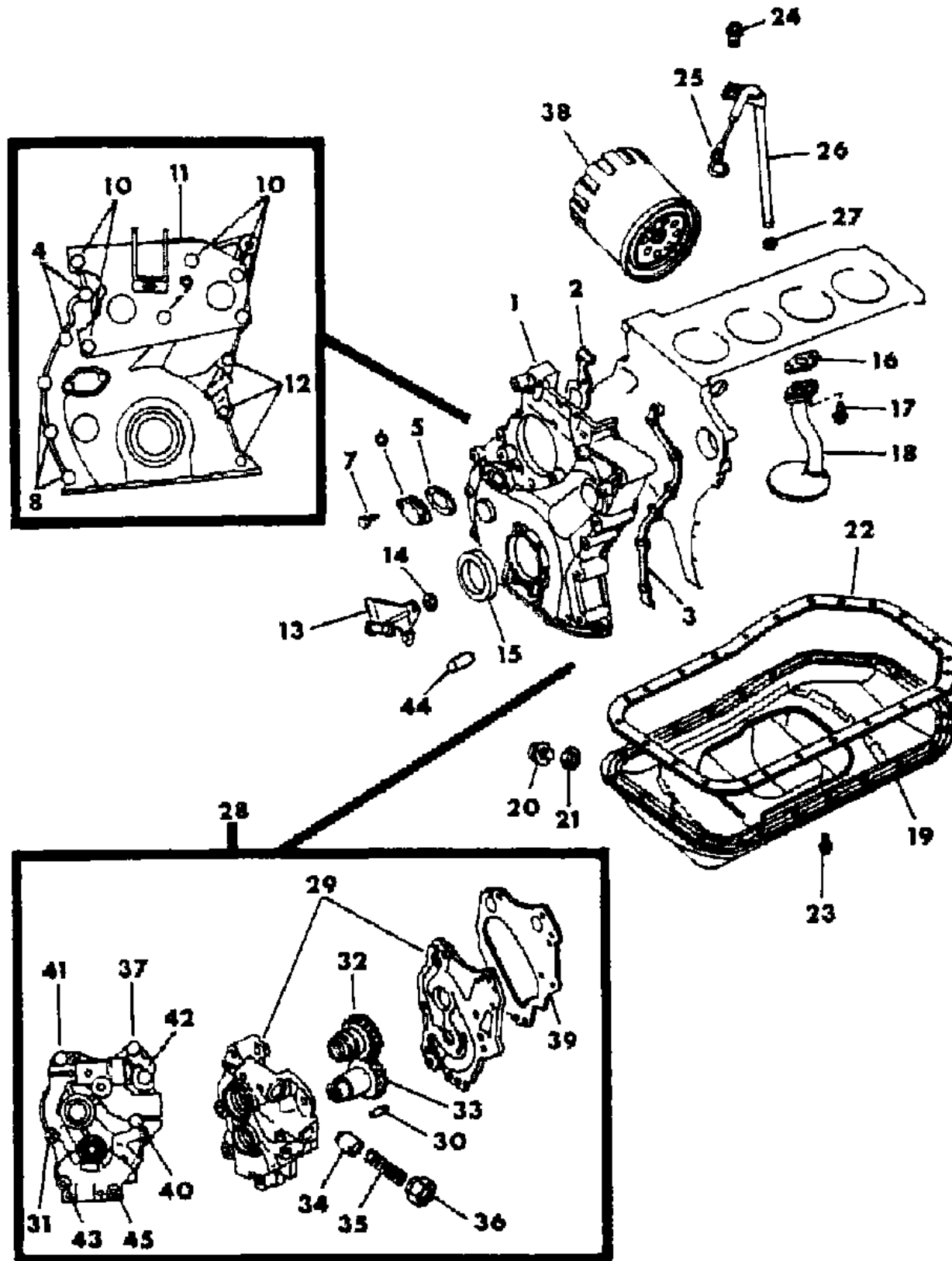
45 = 4-DOOR STATION WAGON

52-53 = FWD WAGON

AR = Use as Required - = Non Illustrated Part P.A.R. = Paint as Required

OIL PAN, OIL PUMP & OIL FILTER 2.6 L ENGINE
Figure 9A-3400

7158 3400



ITEM	PART NUMBER	QTY	BODY	MODEL	DESCRIPTION
39	MD06 0521	1			GASKET, Oil Pump
40	#MS10 1319	1			BOLT, Flange (6x38)
41	#MS10 1322	1			BOLT, Flange (6x45)
42	MS10 1316	1			BOLT, Flange (6x22)
43	MD02 7152	1			BOLT, w/Washer, (8x14)
44	MD02 4419	1			SPACER
45	MD02 7152	1			BOLT, (10x15-10T)

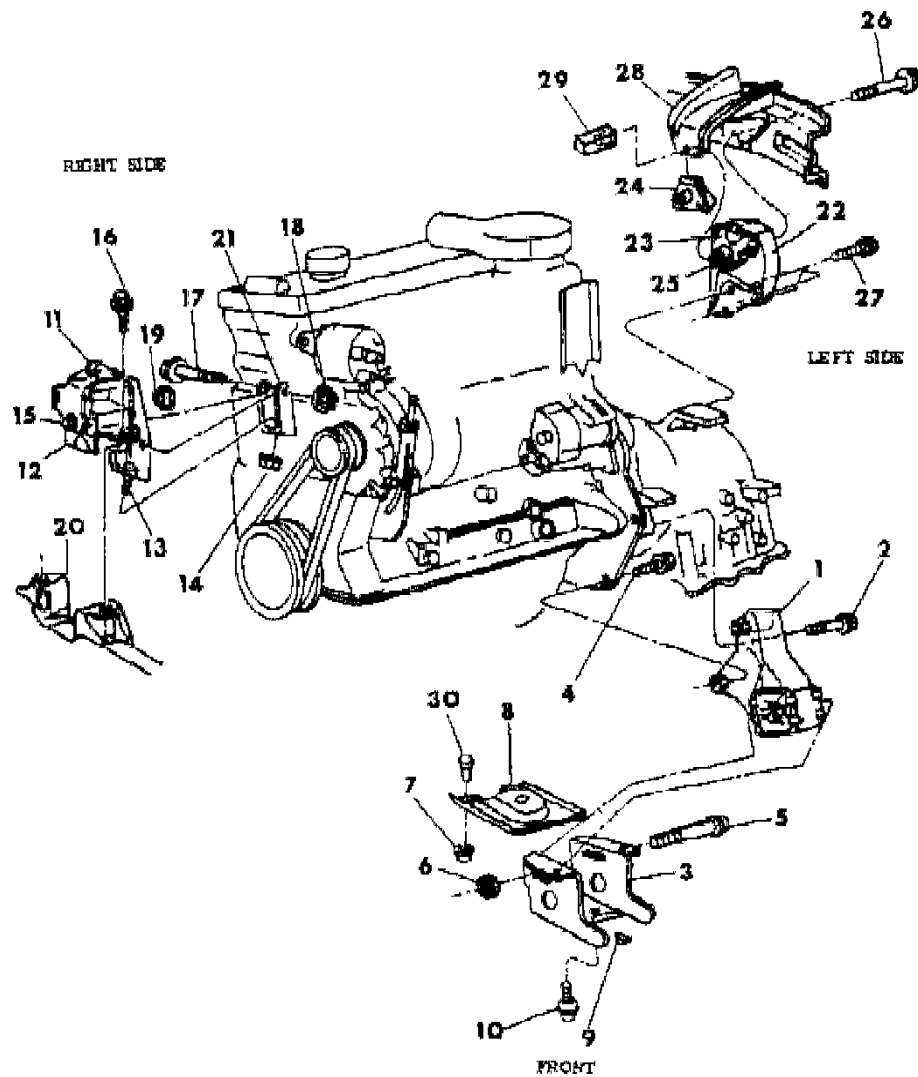
MODEL CODES
 E BODY = (J - CARAVELLE)(E - 600)(T - NEW YORKER)
 G BODY = (V24 - DAYTONA)
 H BODY = (D44 - LANCER)(C44 - LEBARON GTS)
 J BODY = (C - LEBARON)
 K BODY = (P - RELIANT)(D - ARIES)(C - LEBAROND)/TOWN & COUNTRY
 L BODY = (M - HORIZON/TURISMO)(Z - OMNI/CHARGER)
 M BODY = (B - GRAN FURY)(F - FIFTH AVE/NEWPORT)(G - DIPLOMAT)
 P BODY = (P - SUNDANCE)(D - SHADOW)
 S BODY = (H - VOYAGER)(K - RAM VAN/CARAVAN)

BODY STYLES
 12-13 = FWD VAN
 21 = 2-DOOR SEDAN
 24 = 2-DOOR HATCHBACK
 27 = 2-DOOR CONVERTIBLE
 41 = 4-DOOR SEDAN
 44 = 4-DOOR HATCHBACK
 45 = 4-DOOR STATION WAGON
 52-53 = FWD WAGON

AR = Use as Required - = Non Illustrated Part P.A.R. = Paint as Required

ENGINE MOUNTING 2.6 L ENGINE
Figure 9A-3500

7158 3500



ITEM	PART NUMBER	QTY	BODY	MODEL	DESCRIPTION
1	4191 891	1			INSULATOR, Engine Support Front
	4340 035	1			w/S/C-BGB w/H/Duty Disc Brakes Front and Rear
2	6500 527	1			BOLT, w/Washer, Eng. Support Insulator Bracket to Trans. Case
3	4440 600	1			BRACKET, Front Side Rail Front Crossmember Eng. Mounting Front Crossmember
4	6500 535	2			SCREW, w/Washer, Eng. Support Insulator to AdapterPlate
5	4271 953	1			SCREW, w/Washer, Eng. Support Insulator to Bracket to Adapter Plate
6	6100 053	1			NUT, Eng. Support Insulator to Frame, Front
7	6100 053	2			NUT, W/Washer
8		1			(See Group 7)
9	4386 586	1			GUSSET, w/Nut, Front Crossmember Engine Mount Bracket
10		1			SCREW, w/Washer, (Not Serviced) (M10x1.50x35)
11	4295 266	1			BRACKET ASSEMBLY, Eng. Support Insulator, Rt.
12	4505 411	1			BUSHING, Engine Support Insulator Rt.
13	4295 274	1			STUD, Eng. Support Insulator Bracket to Eng. Mounting Assy. Rt.
14	6500 164	1			NUT, Eng. Support Insulator Bracket to Eng. Mounting Assy. Stud
15	6500 839	1			SCREW, w/Washer, Eng. Support Insulator to Frame Bushing
16		2			BOLT, Bushing Assy. to Bracket (Not Serviced) (M8-1.25x45)
17	6501 076	1			BOLT, Eng. Support Insulator Bracket to Eng. Mounting Assy., Right
18	#6100 519	1			NUT, Eng. Support Insulator Bracket to Eng. Mounting Assy. Bolt, Right
	6501 247	1			
19		1			NUT, Service in Bracket Assy. (4295266)
20		1			RAIL, Frame Front Side (See Group 13)
21	MD07 1550	1			BRACKET ASSEMBLY, Engine Mounting, Right
22	4295 255	1			BRACKET ASSEMBLY, Eng. Support Insulator, Lt.
23	4295 237	1			BUSHING ASSEMBLY, Eng. Support Insulator
24	6500 833	1			U-NUT, Insulator to Frame, Left
25		1			SPACER, Eng. Support Insulator Bushing, Left SERVICED IN BRACKET ASSEMBLY
26	6500 840	1			SCREW, w/Washer, Eng. Support Insulator to Frame Left
27	6500 495	3			SCREW, w/Washer, Eng. Support Insulator Bracket to Trans. Case Left
28					BRACKET, Side Rail Eng. Mounting Lt. (See Group 13 Front Frame Left Side Rail)
29	4431 107	1			WEIGHT, Engine Mount Damper-Lt.

MODEL CODES

E BODY = (J - CARAVELLE)(E - 600)(T - NEW YORKER)

G BODY = (V24 - DAYTONA)

H BODY = (D44 - LANCER)(C44 - LEBARON GTS)

J BODY = (C - LEBARON)

K BODY = (P - RELIANT)(D - ARIES)(C - LEBAROND)/TOWN & COUNTRY)

L BODY = (M - HORIZON/TURISMO)(Z - OMNI/CHARGER)

M BODY = (B - GRAN FURY)(F - FIFTH AVE/NEWPORT)(G - DIPLOMAT)

P BODY = (P - SUNDANCE)(D - SHADOW)

S BODY = (H - VOYAGER)(K - RAM VAN/CARAVAN)

BODY STYLES

12-13 = FWD VAN

21 = 2-DOOR SEDAN

24 = 2-DOOR HATCHBACK

27 = 2-DOOR CONVERTIBLE

41 = 4-DOOR SEDAN

44 = 4-DOOR HATCHBACK

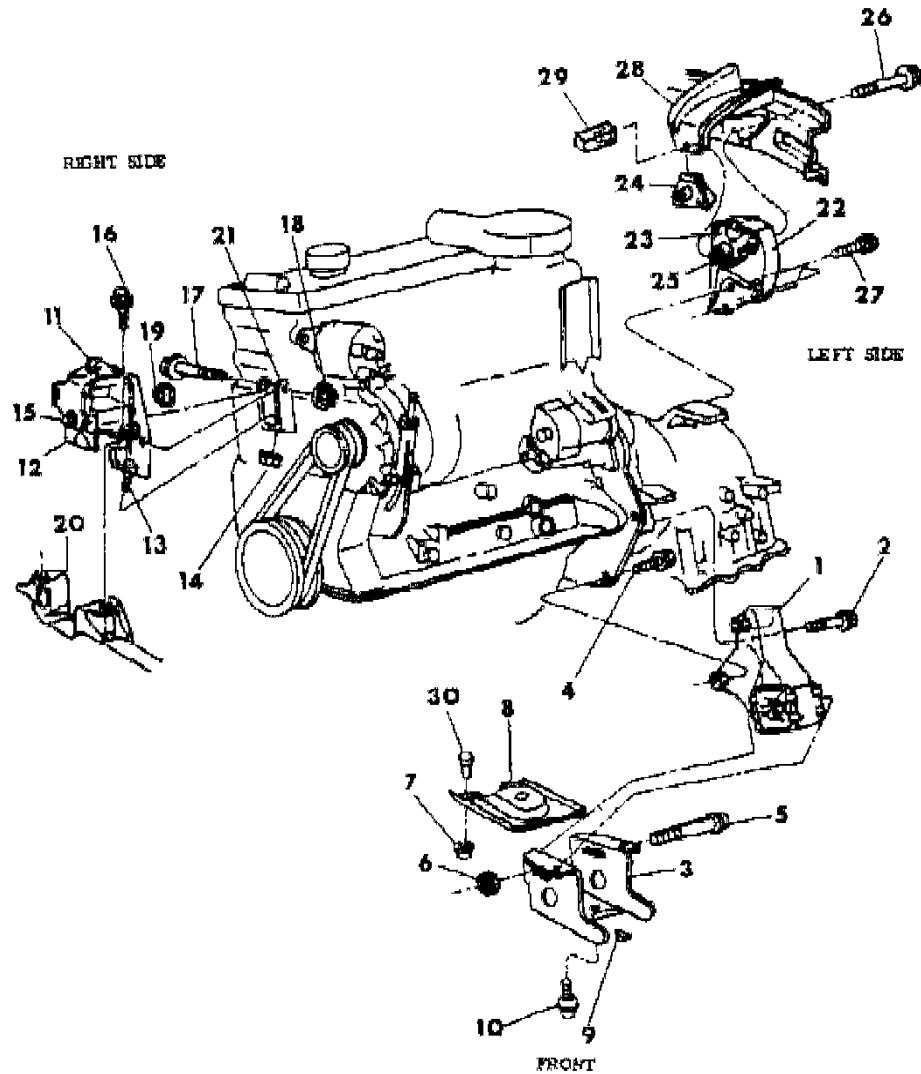
45 = 4-DOOR STATION WAGON

52-53 = FWD WAGON

AR = Use as Required - = Non Illustrated Part P.A.R. = Paint as Required

ENGINE MOUNTING 2.6 L ENGINE
Figure 9A-3500

7158 3500



ITEM	PART NUMBER	QTY	BODY	MODEL	DESCRIPTION
30		2			SCREW, (Not Serviced)

MODEL CODES
 E BODY = (J - CARAVELLE)(E - 600)(T - NEW YORKER)
 G BODY = (V24 - DAYTONA)
 H BODY = (D44 - LANCER)(C44 - LEBARON GTS)
 J BODY = (C - LEBARON)
 K BODY = (P - RELIANT)(D - ARIES)(C - LEBAROND)/TOWN & COUNTRY

L BODY = (M - HORIZON/TURISMO)(Z - OMNI/CHARGER)
 M BODY = (B - GRAN FURY)(F - FIFTH AVE/NEWPORT)(G - DIPLOMAT)
 P BODY = (P - SUNDANCE)(D - SHADOW)
 S BODY = (H - VOYAGER)(K - RAM VAN/CARAVAN)

BODY STYLES
 12-13 = FWD VAN
 21 = 2-DOOR SEDAN
 24 = 2-DOOR HATCHBACK
 27 = 2-DOOR CONVERTIBLE
 41 = 4-DOOR SEDAN
 44 = 4-DOOR HATCHBACK
 45 = 4-DOOR STATION WAGON
 52-53 = FWD WAGON

AR = Use as Required - = Non Illustrated Part P.A.R. = Paint as Required

GROUP 9B - ENGINE, 6 CYLINDER

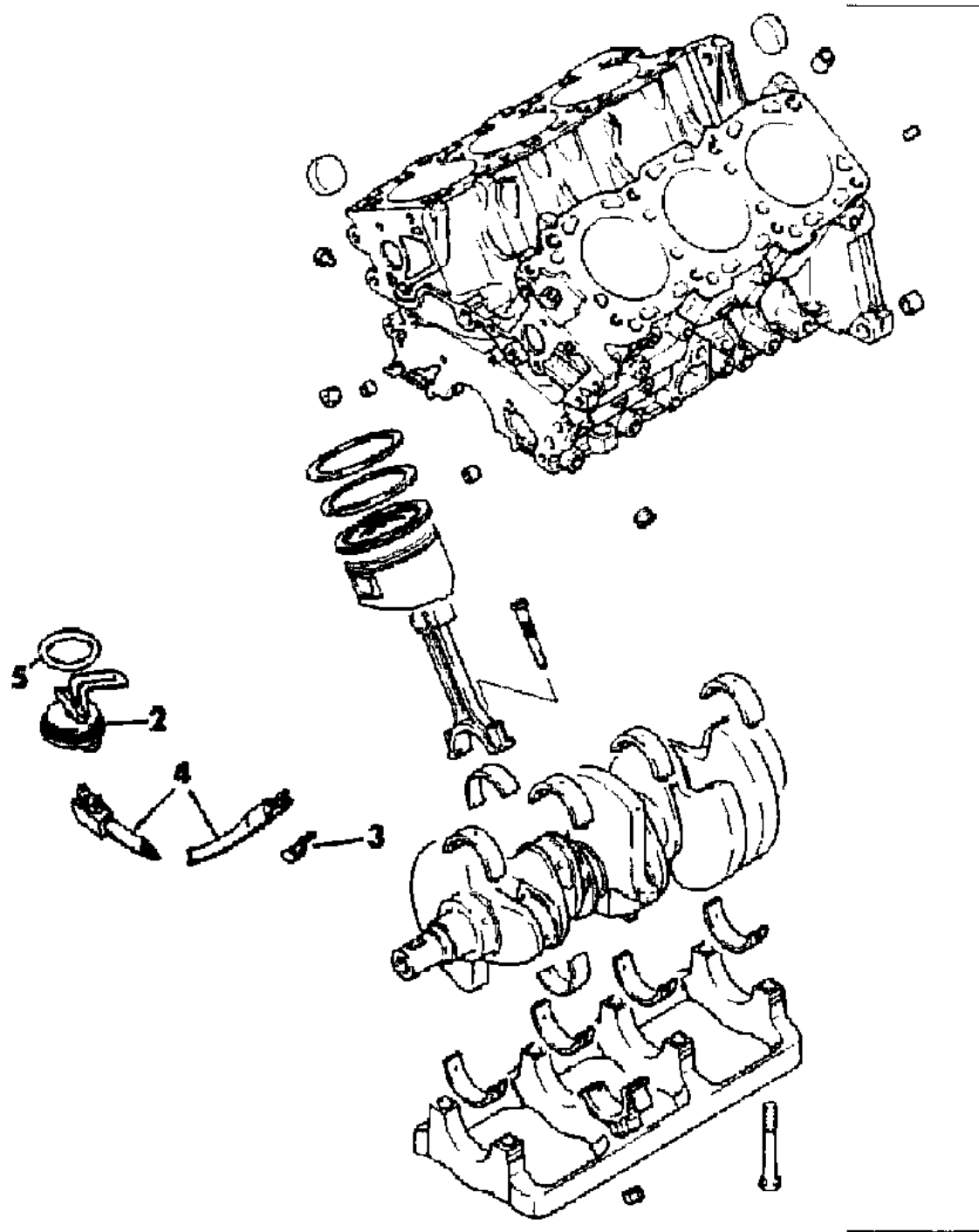
ILLUSTRATION TITLE	GROUP-FIG. NO.
3.0 L ENGINE	
SHORT ENGINE 3.0 L ENGINE	Fig. 9B-100
GASKET SETS 3.0 L ENGINE	Fig. 9B-200
CYLINDER BLOCK 3.0 L ENGINE	Fig. 9B-300
CYLINDER HEAD 3.0 L ENGINE	Fig. 9B-400
CRANKSHAFT, PISTONS AND TORQUE CONVERTER 3.0 L ENGINE	Fig. 9B-500
CAMSHAFT & VALVES 3.0 L ENGINE	Fig. 9B-600
OIL PAN & TIMING BELT COVER 3.0 L ENGINE	Fig. 9B-700
MANIFOLD, INTAKE & EXHAUST 3.0 L ENGINE	Fig. 9B-800
OIL PUMP & OIL FILTER 3.0 L ENGINE	Fig. 9B-900
ENGINE MOUNTING 3.0 L ENGINE	Fig. 9B-1000

ILLUSTRATION NOT AVAILABLE AT TIME OF PUBLICATION

SHORT ENGINE 3.0 L ENGINE
Figure 9B-100

7156 100

ITEM	PART NUMBER	QTY	BODY	MODEL	DESCRIPTION
1	MD12 1063	1			ENGINE, Short
2	4439 058	1			HEATER, Engine Block
3	6015 412	1			CLIP, Engine Block Heater Cord
	6015 756	5			STRAP, Engine Block Heater Cord
4	5206 359	1			CORD, Engine Block Heater
5	6501 445	1			O-RING, Engine Block Heater O/S (1-11/32x11/64)
	6501 446	1			(1-11/32x9/64)
	6501 447	1			(13/64x1/16)



MODEL CODES

E BODY = (J - CARAVELLE)(E - 600)(T - NEW YORKER)

G BODY = (V24 - DAYTONA)

H BODY = (D44 - LANCER)(C44 - LEBARON GTS)

J BODY = (C - LEBARON)

K BODY = (P - RELIANT)(D - ARIES)(C - LEBAROND)/TOWN & COUNTRY)

L BODY = (M - HORIZON/TURISMO)(Z - OMNI/CHARGER)

M BODY = (B - GRAN FURY)(F - FIFTH AVE/NEWPORT)(G - DIPLOMAT)

P BODY = (P - SUNDANCE)(D - SHADOW)

S BODY = (H - VOYAGER)(K - RAM VAN/CARAVAN)

BODY STYLES

12-13 = FWD VAN

21 = 2-DOOR SEDAN

24 = 2-DOOR HATCHBACK

27 = 2-DOOR CONVERTIBLE

41 = 4-DOOR SEDAN

44 = 4-DOOR HATCHBACK

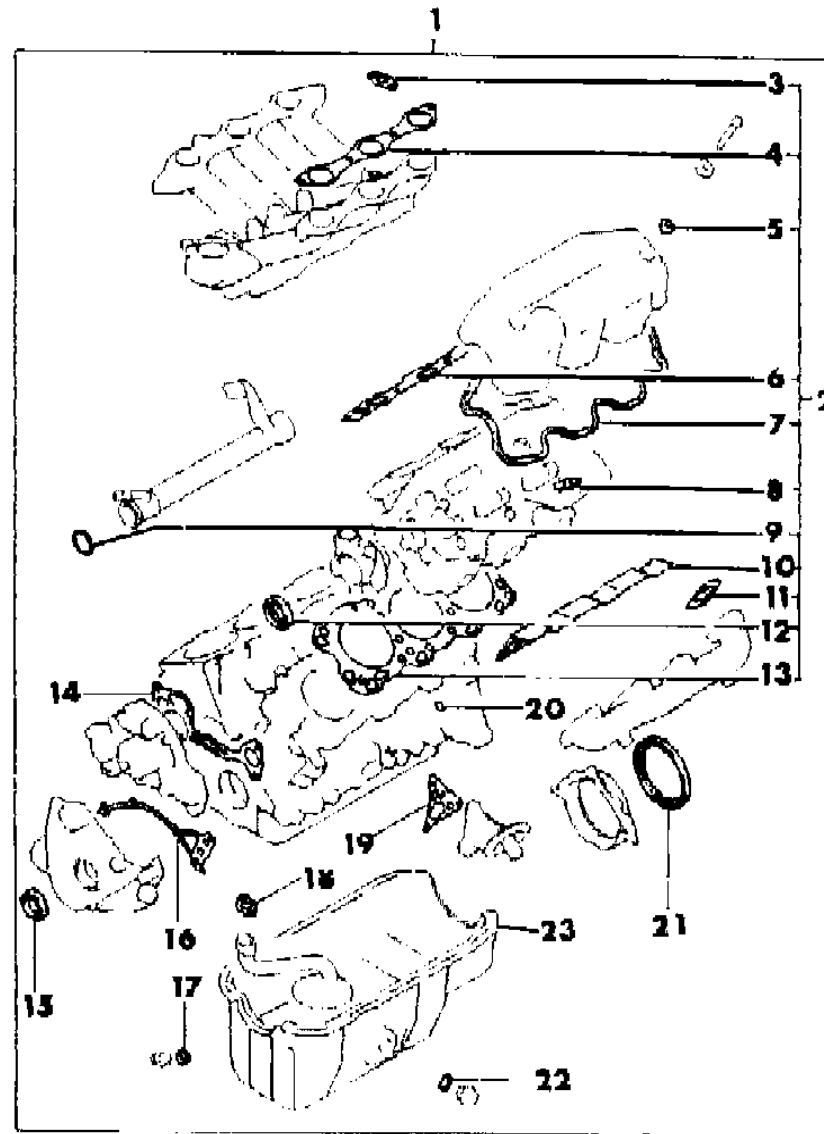
45 = 4-DOOR STATION WAGON

52-53 = FWD WAGON

AR = Use as Required - = Non Illustrated Part P.A.R. = Paint as Required

GASKET SETS 3.0 L ENGINE
Figure 9B-200

7156 200



ITEM	PART NUMBER	QTY	BODY	MODEL	DESCRIPTION
1	MD99 7312	1			GASKET SET, Engine Overhaul
2	MD99 7311	1			GASKET SET, Engine Upper
3	MD10 3625	1			GASKET, Heater Pipe
4	MD09 4128	2			GASKET, Inlet Air Plenum
5	MD00 0523	4			OIL SEAL
6	MD10 4722	2			GASKET, Inlet Manifold
7	MD08 8779	2			GASKET, Rocker Cover
8	MD00 0508	12			SEAL, Valve Stem
9	MD03 0764	1			O-RING, Water Pipe
10	MD10 4623	1			GASKET, Exhaust Manifold
	MD10 4624	1			GASKET, Exhaust Manifold
11	MD08 8836	2			GASKET, Exhaust Cross Over Pipe
12	MD00 8762	2			OIL SEAL
13	MD11 1805	2			GASKET, Cylinder Head
14	MD10 1925	1			GASKET, Water Pump
15	MD08 8855	1			OIL SEAL
16	MD09 7002	1			GASKET, Oil Pump Case
17	MD05 0317	1			GASKET, Oil Drain Plug (14)
18	MD02 1577	1			GASKET, Oil Screen
19	MD10 5690	1			GASKET, Oil Filter Bracket
20	MF52 0004	1			O-RING, (9)
21	MD10 1915	1			OIL SEAL
22	MD11 0692	1			GASKET
23	4318 025				GASKET, Oil Pan (R.T.V.S. Sealer)

MODEL CODES

E BODY = (J - CARAVELLE)(E - 600)(T - NEW YORKER)

G BODY = (V24 - DAYTONA)

H BODY = (D44 - LANCER)(C44 - LEBARON GTS)

J BODY = (C - LEBARON)

K BODY = (P - RELIANT)(D - ARIES)(C - LEBAROND)/TOWN & COUNTRY)

L BODY = (M - HORIZON/TURISMO)(Z - OMNI/CHARGER)

M BODY = (B - GRAN FURY)(F - FIFTH AVE/NEWPORT)(G - DIPLOMAT)

P BODY = (P - SUNDANCE)(D - SHADOW)

S BODY = (H - VOYAGER)(K - RAM VAN/CARAVAN)

BODY STYLES

12-13 = FWD VAN

21 = 2-DOOR SEDAN

24 = 2-DOOR HATCHBACK

27 = 2-DOOR CONVERTIBLE

41 = 4-DOOR SEDAN

44 = 4-DOOR HATCHBACK

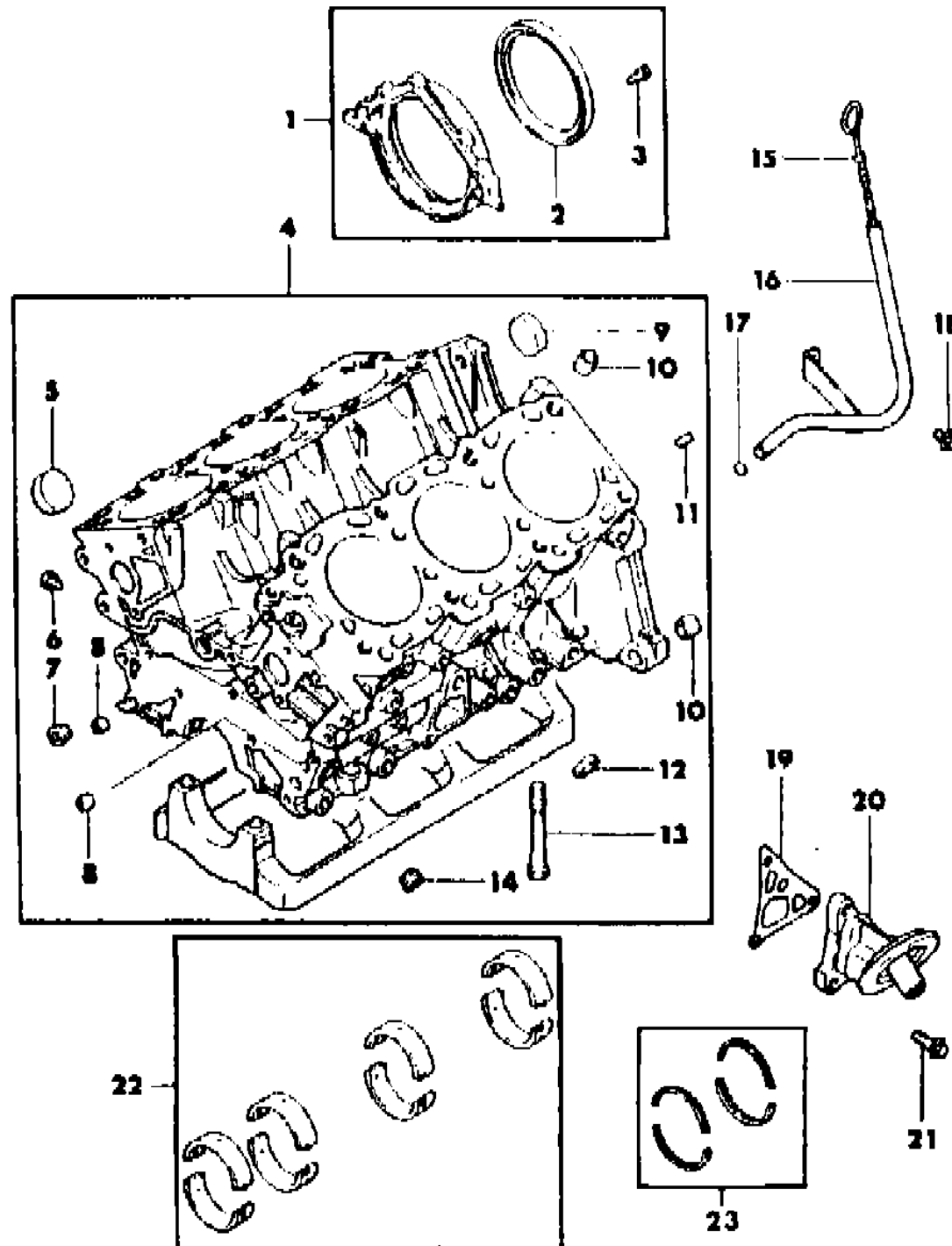
45 = 4-DOOR STATION WAGON

52-53 = FWD WAGON

AR = Use as Required - = Non Illustrated Part P.A.R. = Paint as Required

CYLINDER BLOCK 3.0 L ENGINE
Figure 9B-300

7156 300 A



ITEM	PART NUMBER	QTY	BODY	MODEL	DESCRIPTION
1	MD09 6866	1			CASE ASSEMBLY, Oil Seal
2	MD10 1915	1			OIL SEAL
3	MF14 0207	3			BOLT, Flange (6x20)
4	MD11 4563	1			BLOCK ASSEMBLY, Cylinder
5	MD09 6863	1			CAP, Sealing (41)
6	MD01 4929	2			PLUG, Taper (PT-1/8)
7	MD04 0338	2			PLUG, Taper
8	MS47 1104	2			BUSHING, Knock (8x9)
9	MF66 5541	2			CAP, Sealing (35)
10	MS47 1111	2			BUSHING, Knock (12x13)
	MS47 1112	4			(12x16)
11	MF47 2403	2			PIN, Dowel (6)
12	MF66 5538	5			CAP, Sealing (25)
13	MD08 8723	8			BOLT, Bearing Cap
14	MS66 1142	1			PLUG, Taper (PT-3/8)
15	MD10 3163	1			ROD, Oil Level Gauge
16	MD10 3164	1			GUIDE, Oil Level Gauge
17	MF52 0004	1			O-RING, (9)
18	MF14 0021	1			BOLT, Flange (8x12)
19	MD10 5690	1			GASKET, Oil Filter Bracket
20	MD10 1814	1			BRACKET, Oil Filter
21	MF14 0027	3			BOLT, Flange (8x25)
22	MD10 5269	1			BEARING SET, Crankshaft (Std.)
	MD10 5270	1			0.25 MM U/S
	MD10 5271	1			0.50 MM U/S
	MD10 5272	1			0.75 MM O/S
23	MD11 6890	1			BEARING SET, Crankshaft Thrust w/Spacer

MODEL CODES

E BODY = (J - CARAVELLE)(E - 600)(T - NEW YORKER)

G BODY = (V24 - DAYTONA)

H BODY = (D44 - LANCER)(C44 - LEBARON GTS)

J BODY = (C - LEBARON)

K BODY = (P - RELIANT)(D - ARIES)(C - LEBAROND)/TOWN & COUNTRY)

L BODY = (M - HORIZON/TURISMO)(Z - OMNI/CHARGER)

M BODY = (B - GRAN FURY)(F - FIFTH AVE/NEWPORT)(G - DIPLOMAT)

P BODY = (P - SUNDANCE)(D - SHADOW)

S BODY = (H - VOYAGER)(K - RAM VAN/CARAVAN)

BODY STYLES

12-13 = FWD VAN

21 = 2-DOOR SEDAN

24 = 2-DOOR HATCHBACK

27 = 2-DOOR CONVERTIBLE

41 = 4-DOOR SEDAN

44 = 4-DOOR HATCHBACK

45 = 4-DOOR STATION WAGON

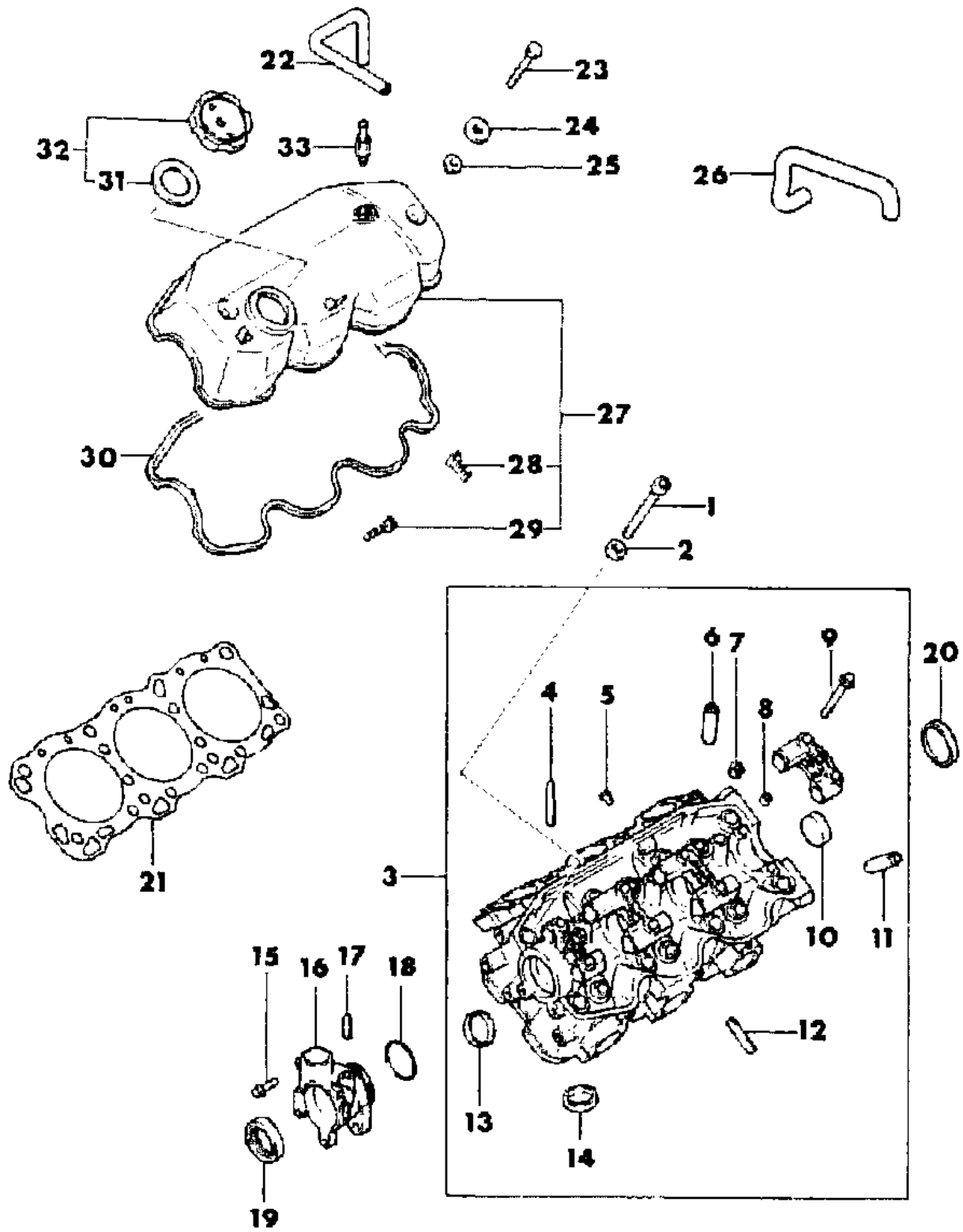
52-53 = FWD WAGON

AR = Use as Required - = Non Illustrated Part P.A.R. = Paint as Required

CYLINDER HEAD 3.0 L ENGINE

Figure 9B-400

7156 400



ITEM	PART NUMBER	QTY	BODY	MODEL	DESCRIPTION
1	MD06 5959	16			BOLT, Cylinder Head
2	MD02 0733	16			WASHER, Cylinder Head Bolt
3	MD18 2211	2			HEAD ASSEMBLY, Cylinder
NOTE: WHEN REPLACING A CYL HEAD ASSY WITH MD1822111987-90, ORDER 1 BOLT MF103961 and 1 BOLT MF103966 APPLICATION 1991 and FORWARD HAS CORRECT BOLTS. Addition as described in the Chrysler Repair Manual.					
4	MD10 8395	8			STUD (8x38)
5	MD10 4627	2			PLUG, Taper (1/16)
6	MD00 0461	6			GUIDE , Valve Inlet (0.05 MM O/S)
	MD00 0462	6			(0.25 MM O/S)
	MD00 0463	6			(0.50 MM O/S)
7	MD02 2295	2			PLUG, Taper (1/4)
8	#MD00 9347	16			BUSHING, Knock (8)
9	MD02 0566	16			BOLT, Flange
10	MD00 0245	2			PLUG, Expansion
11	MD00 0471	6			GUIDE, Valve Exhaust (0.05 MM O/S)
	MD00 0472	6			(0.25 MM O/S)
	MD00 0473	6			(0.50 MM O/S)
12	MD10 8396	12			STUD (8x30)
13	MD11 0451	6			SEAT, Valve Exhaust (0.30 MM O/S)
	MD11 0452	6			(0.60 MM O/S)
14	MD02 4414	6			SEAT, Valve Inlet (0.30 MM O/S)
	MD02 4415	6			(0.60 MM O/S)
15	MF14 0027	3			BOLT, Flange (8x25)
16	MD09 6907	1			ADAPTER ASSEMBLY, Distributor
17	MS40 1327	1			STUD (8x25)
18	MD09 6909	1			O-RING
19	MD00 8762	2			OIL SEAL
20	MD18 0183	2			PLUG, Cam End
21	MD11 1805	2			GASKET, Cylinder Head
22	MD10 7714	1			HOSE, PCV
23	MF10 3961	4			BOLT (8x35)
	MF10 3966	4			(8x55)
24	MD08 5089	4			WASHER
25	MD00 0523	4			OIL SEAL
26	MD10 7713	1			HOSE, Breather
27	MD10 3695	1			COVER ASSEMBLY, Rocker (Front) Includes Item 28,29
	MD10 3693	1			(Rear) Includes Item 28 Only)
28	MD09 7072	1			CLAMP, Cable

MODEL CODES

E BODY = (J - CARAVELLE)(E - 600)(T - NEW YORKER)

G BODY = (V24 - DAYTONA)

H BODY = (D44 - LANCER)(C44 - LEBARON GTS)

J BODY = (C - LEBARON)

K BODY = (P - RELIANT)(D - ARIES)(C - LEBAROND)/TOWN & COUNTRY)

L BODY = (M - HORIZON/TURISMO)(Z - OMNI/CHARGER)

M BODY = (B - GRAN FURY)(F - FIFTH AVE/NEWPORT)(G - DIPLOMAT)

P BODY = (P - SUNDANCE)(D - SHADOW)

S BODY = (H - VOYAGER)(K - RAM VAN/CARAVAN)

BODY STYLES

12-13 = FWD VAN

21 = 2-DOOR SEDAN

24 = 2-DOOR HATCHBACK

27 = 2-DOOR CONVERTIBLE

41 = 4-DOOR SEDAN

44 = 4-DOOR HATCHBACK

45 = 4-DOOR STATION WAGON

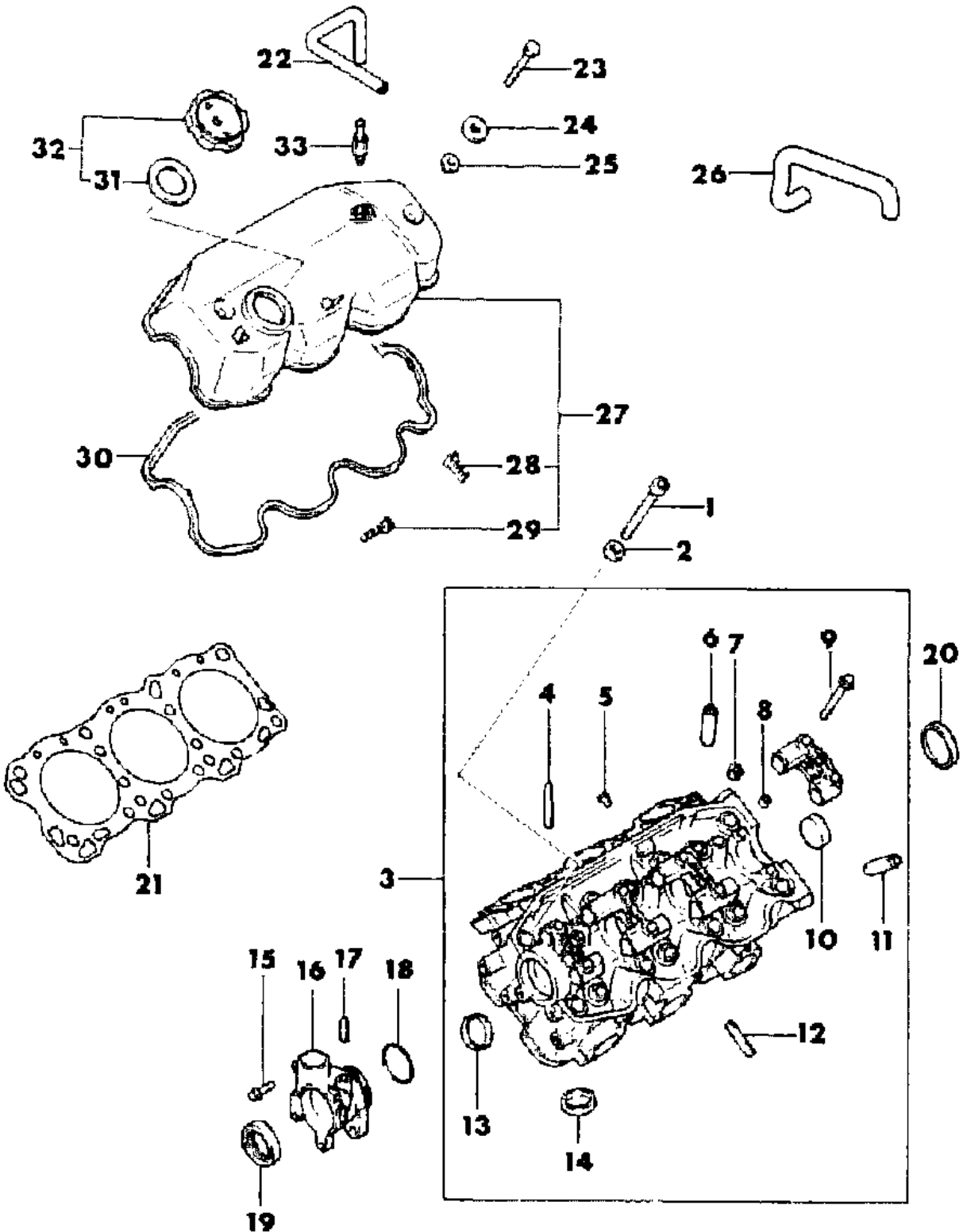
52-53 = FWD WAGON

AR = Use as Required - = Non Illustrated Part P.A.R. = Paint as Required

CYLINDER HEAD 3.0 L ENGINE
Figure 9B-400

7156 400

ITEM	PART NUMBER	QTY	BODY	MODEL	DESCRIPTION
29	MD01 7652	2			CLAMP, Cable
30	MD08 8779	2			GASKET, Rocker Cover
31	MD10 3148	1			PACKING
32	MD00 8784	1			CAP, Oil Filler
33	MD10 2195	1			VALVE, PCV



MODEL CODES
 E BODY = (J - CARAVELLE)(E - 600)(T - NEW YORKER)
 G BODY = (V24 - DAYTONA)
 H BODY = (D44 - LANCER)(C44 - LEBARON GTS)
 J BODY = (C - LEBARON)
 K BODY = (P - RELIANT)(D - ARIES)(C - LEBAROND)/TOWN & COUNTRY
 L BODY = (M - HORIZON/TURISMO)(Z - OMNI/CHARGER)
 M BODY = (B - GRAN FURY)(F - FIFTH AVE/NEWPORT)(G - DIPLOMAT)
 P BODY = (P - SUNDANCE)(D - SHADOW)
 S BODY = (H - VOYAGER)(K - RAM VAN/CARAVAN)

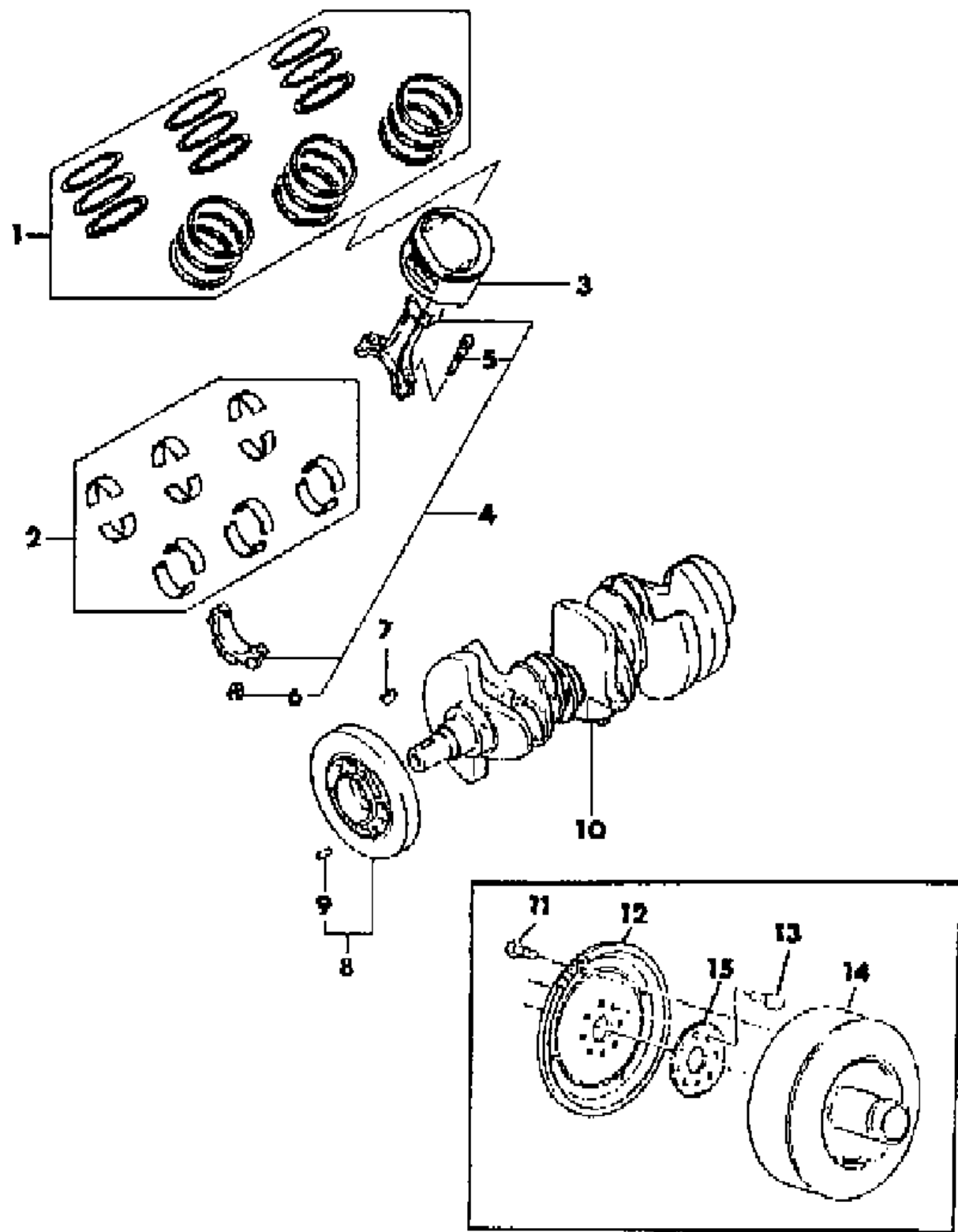
BODY STYLES
 12-13 = FWD VAN
 21 = 2-DOOR SEDAN
 24 = 2-DOOR HATCHBACK
 27 = 2-DOOR CONVERTIBLE
 41 = 4-DOOR SEDAN
 44 = 4-DOOR HATCHBACK
 45 = 4-DOOR STATION WAGON
 52-53 = FWD WAGON

AR = Use as Required - = Non Illustrated Part P.A.R. = Paint as Required

CRANKSHAFT, PISTONS AND TORQUE CONVERTER 3.0 L ENGINE

Figure 9B-500

7156 500 A



ITEM	PART NUMBER	QTY	BODY	MODEL	DESCRIPTION
1	MD10 4922	1			RING SET, Piston (Std.)
	MD10 4923	1			(0.25 MM O/S)
	MD10 4924	1			(0.50 MM O/S)
	MD10 4925	1			(0.75 MM O/S)
	MD10 4926	1			(1.00 MM O/S)
2	MD10 5277	1			BEARING SET, Connecting Rod (Std.)
	MD10 5278	1			(0.25 MM O/S)
	MD10 5279	1			(0.50 MM O/S)
	MD10 5280	1			(0.75 MM O/S)
3	MD11 9671	3			PISTON, w/PIN, Right (Std.)
	MD13 1251	3			(0.25 MM O/S)
	MD13 1252	3			(0.50 MM O/S)
	MD13 1253	3			(0.75 MM O/S)
	MD13 1254	3			(1.00 MM O/S)
	MD15 2563	3			PISTON, w/PIN, Left (Std.)
	MD15 2575	3			(0.25 MM O/S)
	MD15 2576	3			(0.50 MM O/S)
	MD15 2577	3			(0.75 MM O/S)
	MD15 2578	3			(1.00 MM O/S)
4	MD09 6043	6			ROD ASSEMBLY, Connecting
5	MD09 6144	12			BOLT, Connecting Rod
6	MD00 6704	12			NUT, Connecting Rod
7	#MD00 8959	1			KEY, Camshaft (5x22)
8	MD09 6778	1			DAMPER ASSEMBLY, Torsional
9	MF47 2569	1			PIN, Spring (5x16)
10	#MD10 5778	1			CRANKSHAFT
11	#6501 099	4			BOLT, Drive Plate to T/Converter
12	4446 309	1			PLATE, T/Converter Drive
13	#6501 193	8			BOLT, Drive Plate to Crankshaft
14	4419 627	1			TORQUE CONVERTER ASSEMBLY
-	4269 057	1			SEAL, Trans. Torque Converter Impeller Hub
15	#4348 349	1			PLATE, Crankshaft Bolt Backing

MODEL CODES

E BODY = (J - CARAVELLE)(E - 600)(T - NEW YORKER)

G BODY = (V24 - DAYTONA)

H BODY = (D44 - LANCER)(C44 - LEBARON GTS)

J BODY = (C - LEBARON)

K BODY = (P - RELIANT)(D - ARIES)(C - LEBAROND)/TOWN & COUNTRY)

L BODY = (M - HORIZON/TURISMO)(Z - OMNI/CHARGER)

M BODY = (B - GRAN FURY)(F - FIFTH AVE/NEWPORT)(G - DIPLOMAT)

P BODY = (P - SUNDANCE)(D - SHADOW)

S BODY = (H - VOYAGER)(K - RAM VAN/CARAVAN)

BODY STYLES

12-13 = FWD VAN

21 = 2-DOOR SEDAN

24 = 2-DOOR HATCHBACK

27 = 2-DOOR CONVERTIBLE

41 = 4-DOOR SEDAN

44 = 4-DOOR HATCHBACK

45 = 4-DOOR STATION WAGON

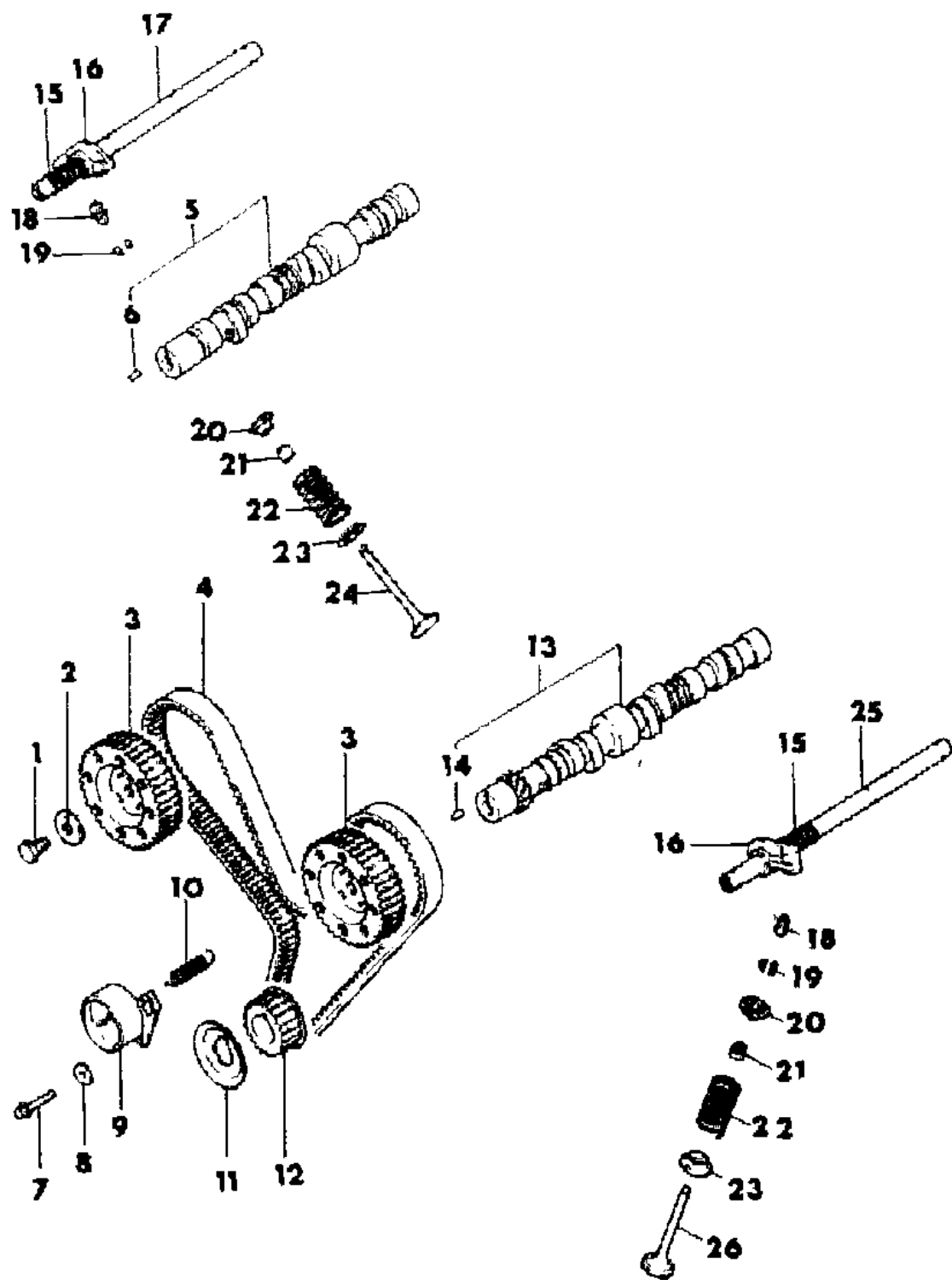
52-53 = FWD WAGON

AR = Use as Required - = Non Illustrated Part P.A.R. = Paint as Required

CAMSHAFT & VALVES 3.0 L ENGINE

Figure 9B-600

7156 800



ITEM	PART NUMBER	QTY	BODY	MODEL	DESCRIPTION
1	MF14 0285	2			BOLT, Flange (12x30)
2	MD09 6941	2			WASHER, Camshaft Sprocket
3	MD10 4052	2			SPROCKET, Camshaft
4	MD10 0679	1			BELT, Timing
5	MD09 6765	1			CAMSHAFT ASSEMBLY, (B)
6	MF47 2403	1			PIN, Dowel (6)
7	MF14 0234	1			BOLT, Flange (8x45)
8	MD00 1521	1			WASHER, (t=2)
9	MD10 4578	1			TENSIONER, Timing Belt
10	MD10 3082	1			SPRING, Tensioner
11	MD09 6940	1			FLANGE
12	MD10 0568	1			SPROCKET, Crankshaft
13	MD10 4374	1			CAMSHAFT ASSEMBLY, (A)
14	MF47 2403	1			PIN, Dowel (6)
15	MD00 0962	12			SPRING, Rocker Shaft Rt.
16	MD09 6946	12			ARM, Rocker (B)
17	MD09 6810	2			SHAFT, Intake Rocker Arm
18	MD09 3714	12			ADJUSTER, Lash
19	MD06 1895	24			LOCK, Valve Spring Retainer
20	MD06 6498	12			RETAINER, Valve Spring
21	MD00 0508	12			SEAL, Valve Stem
22	MD09 6942	12			SPRING, Valve
23	MD09 6944	12			SEAT, Valve Spring
24	MD08 8812	6			VALVE, Exhaust
25	MD09 6809	2			SHAFT, Exhaust Rocker Arm
26	MD08 8811	6			VALVE, Inlet

MODEL CODES

E BODY = (J - CARAVELLE)(E - 600)(T - NEW YORKER)

G BODY = (V24 - DAYTONA)

H BODY = (D44 - LANCER)(C44 - LEBARON GTS)

J BODY = (C - LEBARON)

K BODY = (P - RELIANT)(D - ARIES)(C - LEBAROND)/TOWN & COUNTRY)

L BODY = (M - HORIZON/TURISMO)(Z - OMNI/CHARGER)

M BODY = (B - GRAN FURY)(F - FIFTH AVE/NEWPORT)(G - DIPLOMAT)

P BODY = (P - SUNDANCE)(D - SHADOW)

S BODY = (H - VOYAGER)(K - RAM VAN/CARAVAN)

BODY STYLES

12-13 = FWD VAN

21 = 2-DOOR SEDAN

24 = 2-DOOR HATCHBACK

27 = 2-DOOR CONVERTIBLE

41 = 4-DOOR SEDAN

44 = 4-DOOR HATCHBACK

45 = 4-DOOR STATION WAGON

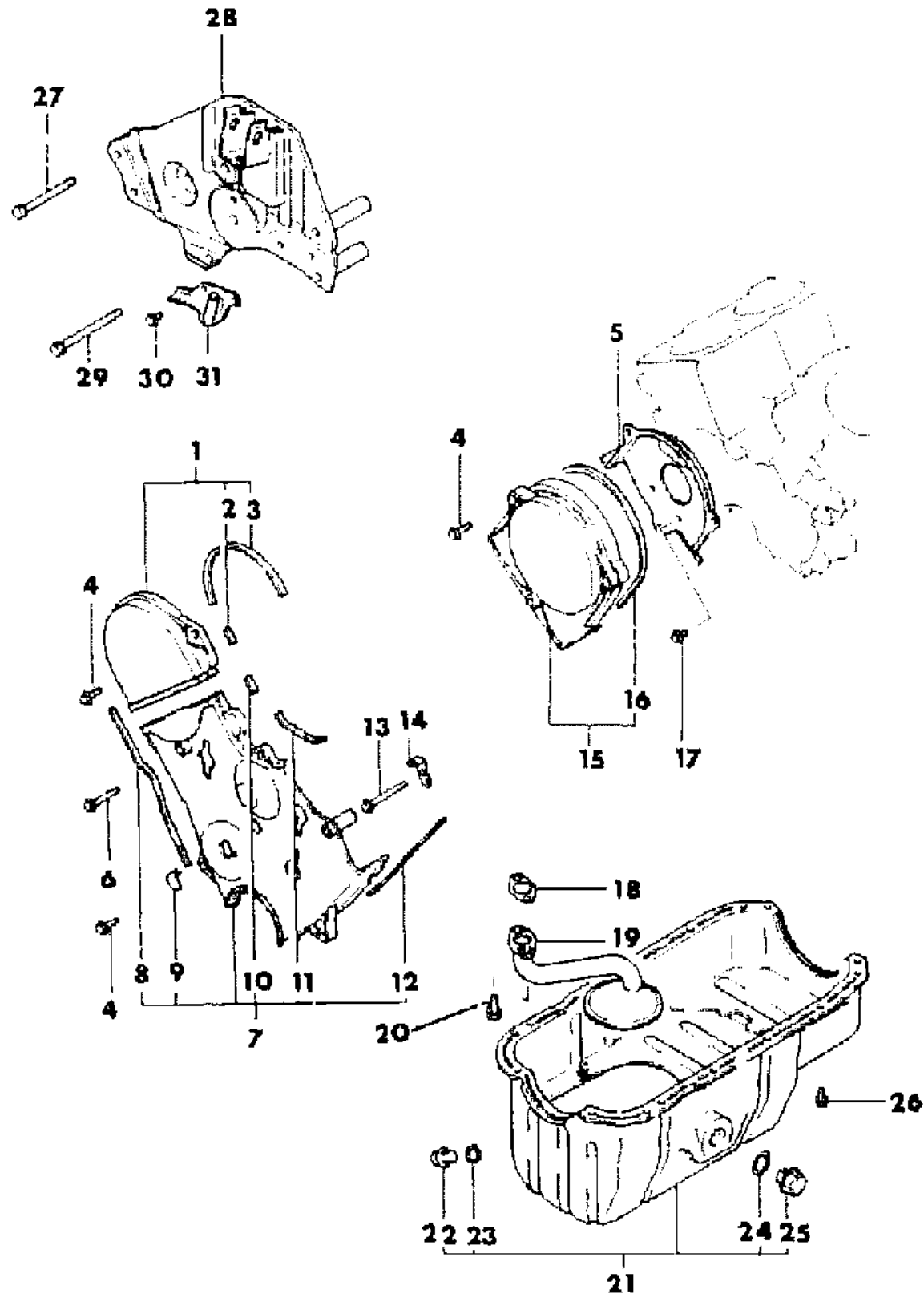
52-53 = FWD WAGON

AR = Use as Required - = Non Illustrated Part P.A.R. = Paint as Required

OIL PAN & TIMING BELT COVER 3.0 L ENGINE

Figure 9B-700

7156 700



ITEM	PART NUMBER	QTY	BODY	MODEL	DESCRIPTION
1	MD10 4025	1			COVER ASSEMBLY, Timing Belt Outer, Upper (A)
2	MD10 4042	1			GASKET, Timing Belt Cover (J)
3	MD10 4043	1			GASKET, Timing Belt Cover (K)
4	MF14 0207	8			BOLT, Flange (6x20)
5	MD10 4161	1			COVER, Timing Belt Inner (A)
6	MF14 0218	1			BOLT, Flange (6x55)
7	MD10 4024	1			COVER ASSEMBLY, Timing Belt Outer, Lower
8	MD10 4040	1			GASKET, Timing Belt Cover (H)
9	MD00 6668	1			COVER, Access
10	MD10 4042	1			GASKET, Timing Belt Cover (J)
11	MD10 4041	1			GASKET, Timing Belt Cover (I)
12	MD10 4039	1			GASKET, Timing Belt Cover (G)
13	MF14 0219	1			BOLT, Flange (6x60)
14	MD10 7367	1			BRACKET, Harness Clip
15	MD10 4026	1			COVER ASSEMBLY, Timing Belt Outer, Upper (B)
16	MD10 4044	1			GASKET, Timing Belt Cover (L)
17	MF14 0202	3			BOLT, Flange (6x10)
18	MD02 1577	1			GASKET, Oil Screen
19	MD10 9466	1			SCREEN, Oil
20	MS24 1071	2			BOLT, w/Washer, (8x20)
21	MD11 0686	1			PAN ASSEMBLY, Oil
22	MD05 0316	1			PLUG, Oil Drain
23	MD05 0317	1			GASKET, Oil Drain Plug (14)
24	MD11 0692	1			GASKET
25	MD10 3167	1			PLUG
26	MD09 7012	16			BOLT, Flange (6X10)
27	MF30 1358	1			BOLT, Washer Assembled (10X85)
28	MD11 1507	1			BRACKET, Engine Support
29	MF30 1360	3			BOLT, Washer Assembled (10X100)
30	MF14 0202	2			BOLT, Flange (6X10)
31	MD09 8809	1			BRACKET, Timing Indicator

MODEL CODES

E BODY = (J - CARAVELLE)(E - 600)(T - NEW YORKER)

G BODY = (V24 - DAYTONA)

H BODY = (D44 - LANCER)(C44 - LEBARON GTS)

J BODY = (C - LEBARON)

K BODY = (P - RELIANT)(D - ARIES)(C - LEBAROND)/TOWN & COUNTRY)

L BODY = (M - HORIZON/TURISMO)(Z - OMNI/CHARGER)

M BODY = (B - GRAN FURY)(F - FIFTH AVE/NEWPORT)(G - DIPLOMAT)

P BODY = (P - SUNDANCE)(D - SHADOW)

S BODY = (H - VOYAGER)(K - RAM VAN/CARAVAN)

BODY STYLES

12-13 = FWD VAN

21 = 2-DOOR SEDAN

24 = 2-DOOR HATCHBACK

27 = 2-DOOR CONVERTIBLE

41 = 4-DOOR SEDAN

44 = 4-DOOR HATCHBACK

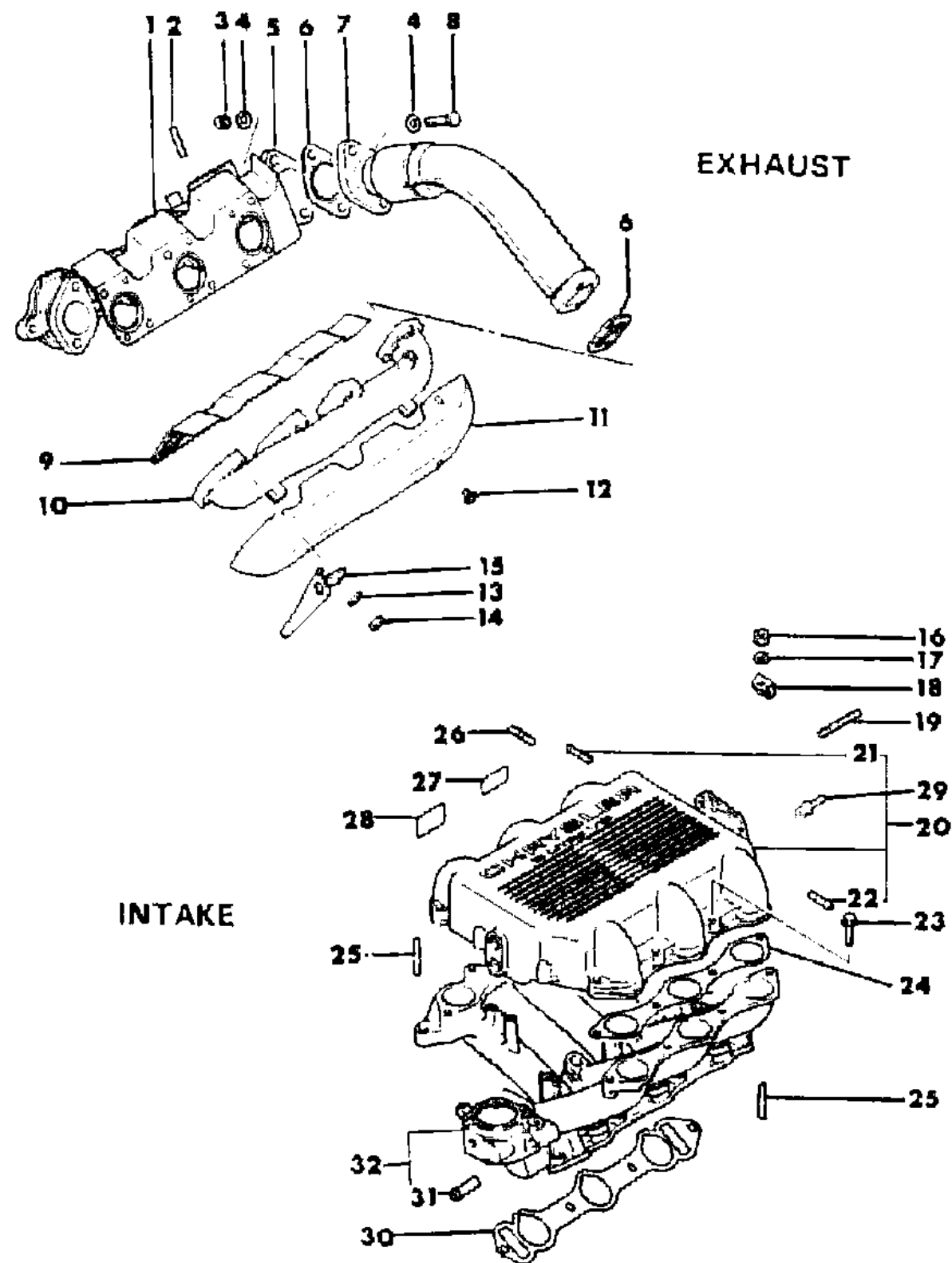
45 = 4-DOOR STATION WAGON

52-53 = FWD WAGON

AR = Use as Required - = Non Illustrated Part P.A.R. = Paint as Required

MANIFOLD, INTAKE & EXHAUST 3.0 L ENGINE
Figure 9B-800

7156 800



ITEM	PART NUMBER	QTY	BODY	MODEL	DESCRIPTION
1	MD10 4623	1			GASKET, Exhaust Manifold Rt.
2	MD04 1256	2			STUD
3	MD05 0073	4			NUT, (10)
4	MD05 0076	8			WASHER, Plainn (10)
5	MD10 8775	1			MANIFOLD, Exhaust (B) Rt.
6	MD08 8836	2			GASKET, Exhaust Cross Over Pipe
7	MD10 3885	1			PIPE, Exhaust, Cross Over
8	MD00 0478	4			BOLT
9	MD10 4624	1			GASKET, Exhaust Manifold Lt.
10	MD09 6958	1			MANIFOLD, Exhaust (A) Lt.
11	MD10 7717	1			PROTECTOR, Heat (A)
12	MD06 7956	3			BOLT, Flange
13	MD04 1192	7			WASHER, Plain (8)
14	MD00 0569	12			NUT, (8)
15	MD10 8316	2			HANGER, Engine
16	MF43 0035	10			NUT, (8)
17	MF45 0435	10			WASHER, Spring (8)
18	MD10 8000	1			BRACKET
19	MS40 1337	2			STUD, (8X55) Up to 2/87
	MS40 1437	2			(8X55) After 2/87
20	MD10 7978	1			PLENUM, Air Intake
21	MD10 7333	1			NIPPLE
22	MD10 7332	1			NIPPLE
23	MF14 0141	6			BOLT, Flange (8X35)
24	MD09 4128	2			GASKET, Inlet Air Plenum
25	MS40 1331	2			STUD, (8X35)
26	MS40 1325	2			STUD, (8X20) Up to 2/87
	MS40 1425	2			(8X20) After 2/87
27		1			LABEL, Engine Build Date (Not Serviced)
28	MD11 2568	1			LABEL, Engine Part Number
29	4026 117	1			CONNECTOR, Vac Control (3/8)
	4405 032	1			CONNECTOR, Manifold Control
30	MD10 4722	2			GASKET, Inlet Manifold
31	MD08 8822	1			NIPPLE, Hose
32	MD11 5744	1			MANIFOLD, Inlet

MODEL CODES

E BODY = (J - CARAVELLE)(E - 600)(T - NEW YORKER)

G BODY = (V24 - DAYTONA)

H BODY = (D44 - LANCER)(C44 - LEBARON GTS)

J BODY = (C - LEBARON)

K BODY = (P - RELIANT)(D - ARIES)(C - LEBAROND)/TOWN & COUNTRY)

L BODY = (M - HORIZON/TURISMO)(Z - OMNI/CHARGER)

M BODY = (B - GRAN FURY)(F - FIFTH AVE/NEWPORT)(G - DIPLOMAT)

P BODY = (P - SUNDANCE)(D - SHADOW)

S BODY = (H - VOYAGER)(K - RAM VAN/CARAVAN)

BODY STYLES

12-13 = FWD VAN

21 = 2-DOOR SEDAN

24 = 2-DOOR HATCHBACK

27 = 2-DOOR CONVERTIBLE

41 = 4-DOOR SEDAN

44 = 4-DOOR HATCHBACK

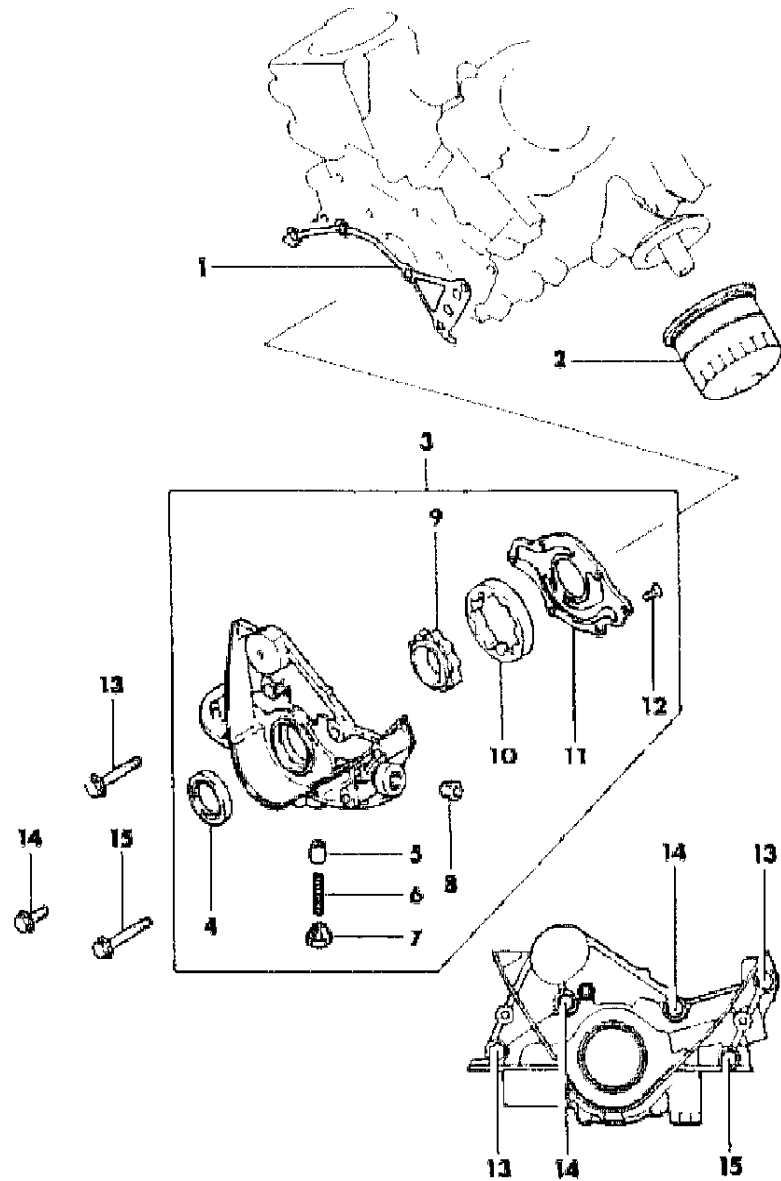
45 = 4-DOOR STATION WAGON

52-53 = FWD WAGON

AR = Use as Required - = Non Illustrated Part P.A.R. = Paint as Required

OIL PUMP & OIL FILTER 3.0 L ENGINE
Figure 9B-900

7156 900



ITEM	PART NUMBER	QTY	BODY	MODEL	DESCRIPTION
1	MD09 7002	1			GASKET, Oil Pump Case
2	4105 409	1			FILTER, Oil
3	MD10 3718	1			CASE ASSEMBLY, Oil Pump
4	MD08 8855	1			OIL SEAL
5	MD02 1563	1			PLUNGER, Relief
6	MD01 5988	1			SPRING, Relief
7	MD02 1564	1			PLUG
8	MS66 1142	1			PLUG, Taper (PT-3/8)
9	MD08 8853	1			ROTOR, Oil Pump Inner
10	MD08 8854	1			ROTOR, Oil Pump Outer
11	MD09 7000	1			COVER, Oil Pump
12	MF20 1690	6			SCREW, Machine (6X12)
13	MF14 0036	2			BOLT, Flange (8X55)
14	MF14 0027	2			BOLT, Flange (8X25)
15	MF14 0037	1			BOLT, Flange (8X60)

MODEL CODES

E BODY = (J - CARAVELLE)(E - 600)(T - NEW YORKER)

G BODY = (V24 - DAYTONA)

H BODY = (D44 - LANCER)(C44 - LEBARON GTS)

J BODY = (C - LEBARON)

K BODY = (P - RELIANT)(D - ARIES)(C - LEBAROND)/TOWN & COUNTRY)

L BODY = (M - HORIZON/TURISMO)(Z - OMNI/CHARGER)

M BODY = (B - GRAN FURY)(F - FIFTH AVE/NEWPORT)(G - DIPLOMAT)

P BODY = (P - SUNDANCE)(D - SHADOW)

S BODY = (H - VOYAGER)(K - RAM VAN/CARAVAN)

BODY STYLES

12-13 = FWD VAN

21 = 2-DOOR SEDAN

24 = 2-DOOR HATCHBACK

27 = 2-DOOR CONVERTIBLE

41 = 4-DOOR SEDAN

44 = 4-DOOR HATCHBACK

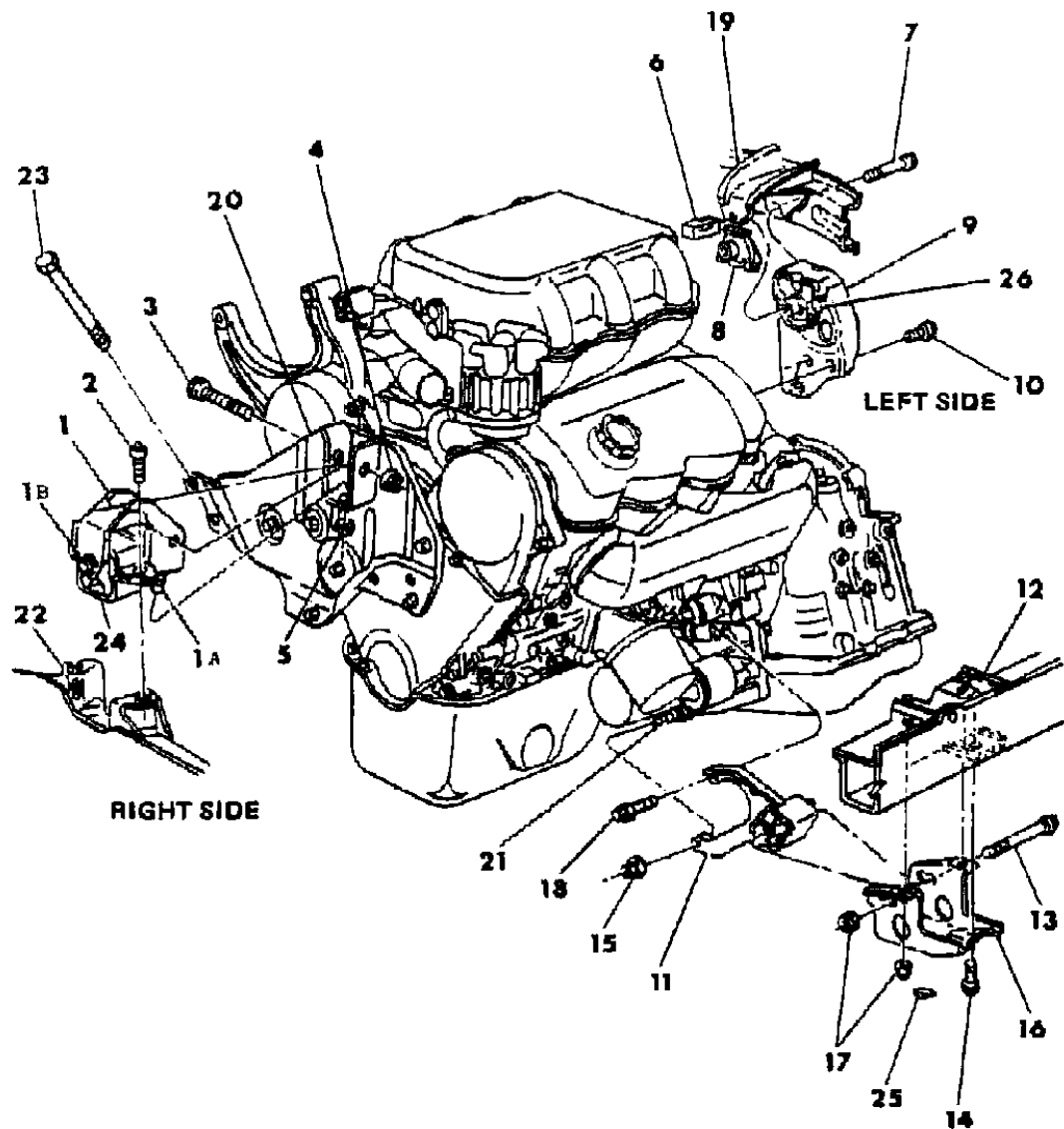
45 = 4-DOOR STATION WAGON

52-53 = FWD WAGON

AR = Use as Required - = Non Illustrated Part P.A.R. = Paint as Required

ENGINE MOUNTING 3.0 L ENGINE
Figure 9B-1000

7158 1000



ITEM	PART NUMBER	QTY	BODY	MODEL	DESCRIPTION
1	4295 265	1			BRACKET, Engine Support Insulator Rt.
1a	4295 274	1			STUD, Engine Support Insulator Bracket to Engine Mount Bracket Rt.
1b	6500 839	1			SCREW, w/Washer, Engine Support Bushing
2	6500 555	2			SCREW, w/Washer, Bushing to Frame Bracket Rt.
3	6501 076	1			SCREW, w/Washer, Engine Support Insulator Bracket to Engine Mount Bracket Rt.
4	#6100 519	1			NUT, Engine Support Insulator Bracket to Engine Mount Screw & Washer Rt.
5	6501 247	1			NUT, Engine Support Insulator Bracket Stud to Engine Mount Bracket Rt.
6	4431 107	1			WEIGHT, Engine Mount Damper Lt.
7	6500 840	1			SCREW, w/Washer, Engine Support Insulator to Frame Lt.
8	6500 833	1			U-NUT, Engine Support Insulator to Frame Screw & Washer Lt.
9	4295 255	1			SUPPORT, Engine Lt.
10	6500 495	3			SCREW, w/Washer, Engine Support Insulator Bracket to Trans. Case Lt.
11	4377 787	1			INSULATOR, Engine Support Front
12		1			(See Group 13)
13	4271 953	1			SCREW, w/Washer, Engine Support Insulator to Frame Rt.
14		1			SCREW, w/Washer (M10X1.50X35) (Not Serviced)
15	#6100 519	1			NUT, Engine Support Insulator Bracket to Trans. Case
16	4440 600	1			BRACKET, Front Side Rail Front Crossmember Engine Mount
17	6100 053	3			NUT, w/Washer
18	6501 162	2			SCREW, w/Washer, Engine Support Insulator Bracket to Trans. Case
19		1			(See Group 13)
20	MD11 1507	1			BRACKET, Engine Support Rt.
21	6501 514	1			STUD, Engine Support Insulator Bracket to Trans. Case
22		1			(See Group 13)
23	MF30 1358	1			BOLT, w/Washer, Bracket Engine Support Rt. (10X85)
24	4505 411	1			BUSHING, Engine Support Insulator Rt.
25	4386 586	1			GUSSET, w/Nut, Front Crossmember Engine Mount Bracket
26	4295 237	1			BUSHING, Engine Support Insulator Lt.
	6101 332	1			SCREW, w/Washer, Engine Mount Plate to Cylinder Block w/o Air Cond. (M10X1.50-90 Lg.) Not Shown

MODEL CODES

E BODY = (J - CARAVELLE)(E - 600)(T - NEW YORKER)

G BODY = (V24 - DAYTONA)

H BODY = (D44 - LANCER)(C44 - LEBARON GTS)

J BODY = (C - LEBARON)

K BODY = (P - RELIANT)(D - ARIES)(C - LEBAROND)/TOWN & COUNTRY)

L BODY = (M - HORIZON/TURISMO)(Z - OMNI/CHARGER)

M BODY = (B - GRAN FURY)(F - FIFTH AVE/NEWPORT)(G - DIPLOMAT)

P BODY = (P - SUNDANCE)(D - SHADOW)

S BODY = (H - VOYAGER)(K - RAM VAN/CARAVAN)

BODY STYLES

12-13 = FWD VAN

21 = 2-DOOR SEDAN

24 = 2-DOOR HATCHBACK

27 = 2-DOOR CONVERTIBLE

41 = 4-DOOR SEDAN

44 = 4-DOOR HATCHBACK

45 = 4-DOOR STATION WAGON

52-53 = FWD WAGON

AR = Use as Required - = Non Illustrated Part P.A.R. = Paint as Required

GROUP 9C - ENGINE, 8 CYLINDER

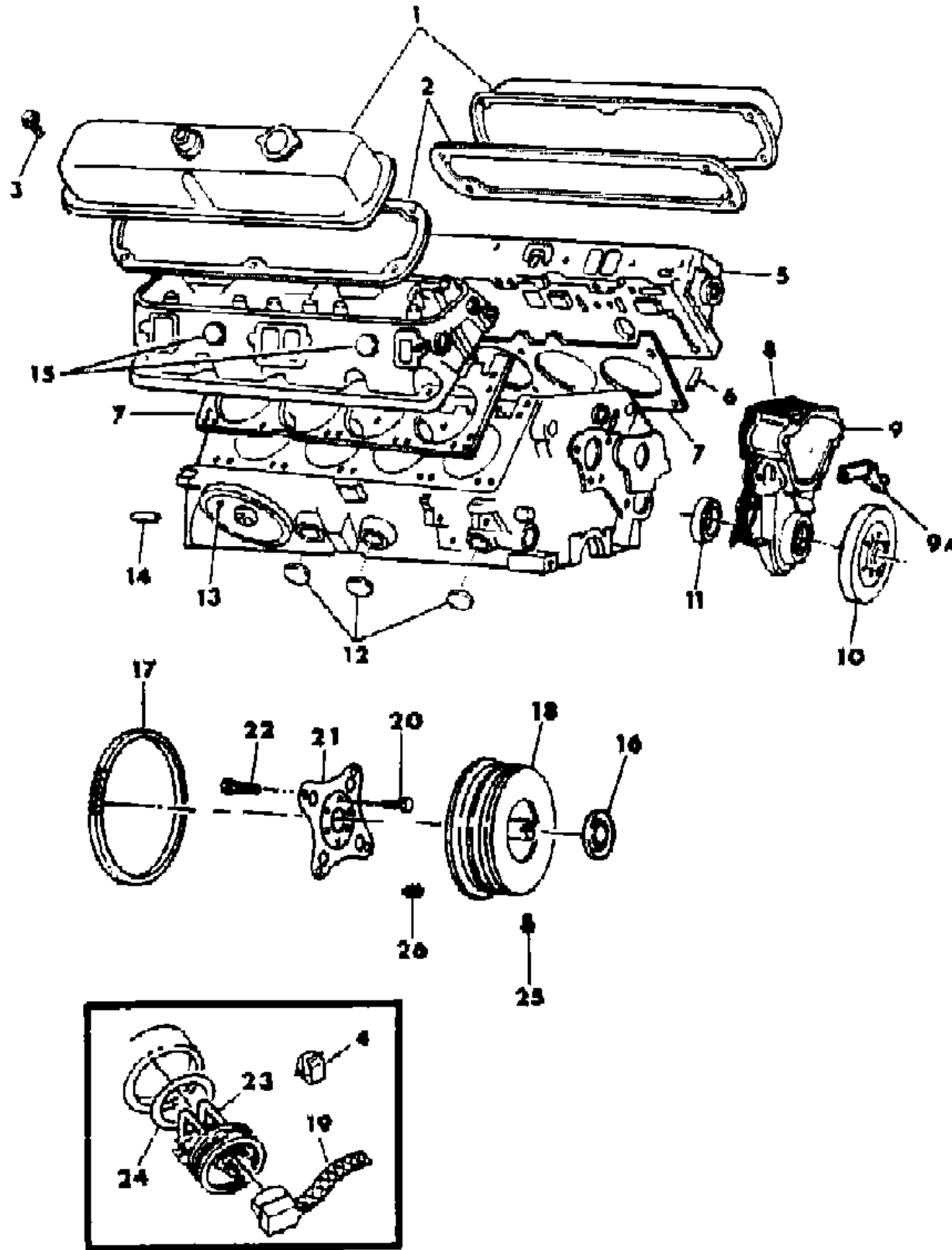
ILLUSTRATION TITLE	GROUP-FIG. NO.
5.2 L ENGINE	
EXTERNAL COMPONENTS 5.2 L ENGINE	Fig. 9C-100
CRANKSHAFT & PISTONS 5.2 L ENGINE	Fig. 9C-200
CAMSHAFT & VALVES 5.2 L ENGINE	Fig. 9C-300
OIL PAN, OIL PUMP & OIL FILTER 5.2 L ENGINE	Fig. 9C-400
ENGINE OIL COOLER 5.2 L ENGINE	Fig. 9C-500
MANIFOLD, INTAKE & EXHAUST 5.2 L ENGINE	Fig. 9C-600
CRANKCASE VENTILATION & OIL FILLER 5.2 L ENGINE	Fig. 9C-700
ENGINE MOUNTING 5.2 L ENGINE	Fig. 9C-800

ILLUSTRATION NOT AVAILABLE AT TIME OF PUBLICATION

EXTERNAL COMPONENTS 5.2 L ENGINE

Figure 9C-100

7100 100 A



ITEM	PART NUMBER	QTY	BODY	MODEL	DESCRIPTION
------	-------------	-----	------	-------	-------------

NOTE: The following symbols are used in connection with engine numbers. Engine numbers without symbols indicate Standard Cylinders and Crankshaft Bearings. The Letter "A" immediately following the engine number indicates Bore .020" (.508 MM) larger than the engine identification number indicates Main and Connecting Rod Bearings .010" (.254 MM) smaller than Standard. rings. The Letter "A" immediately following the engine number indicates Bore .020" (.508 MM) larger than Standard. The Letter "B" The Letters "AB" immediately following the engine identification number indicates Cylinder Bore .020" (.508 MM) larger than Standard. Main and Connecting Rod Bearings .010" (.254 MM) smaller than Standard.

The Letters in the circular pads at either end of the engine numbers are for the use of factory inspectors only and should not be connected with the engine numbers. Always mention Serial Numbers when ordering major assemblies.

NOTE 1: When a complete overhaul engine gasket set is required for 8 cylinder engine use Upper and Lower Engine Gasket Sets, Intake Manifold Gasket, Exhaust Manifold Gasket and Oil Pan Gaskets.

NOTE 2: When a valve grinding gasket set is required for 8 cyl. eng. use Upper Engine Gasket Set, Intake Manifold Gasket and Exhaust Manifold Gasket.

NOTE 3: All Parts listed are for 318 Engines Gasket

4049 264	1				GASKET SET, Engine, Upper, w/318 Except ELE-318 4BBI Police Eng. Consists of: 2 - 4186348 Gasket. Cyl. Head 2 - 4273129 Gasket. Cyl. Head Cover 8 - 2205958 Shield. Valve Stem Oil, Exhaust 8 - 4071006 Shield. Valve Stem Oil, Exhaust 8 - 4095543 Seal, Valve Guide, Intake
3837 644	1				2 - 3818115 Gasket, Exh. Pipe Flange GASKET SET, Engine, Lower w/318 Eng. Consists of: 1 - 2129012 Gasket, Chain Case Cover 1 - 50082 Gasket, Cyl. Water Outlet 2 - ----- Gasket, Oil Pan End 1 - 212903 Gasket, Water Pump Body 1 - 3577870 Gasket, Fuel Pump Flange 1 - 1326837 Gasket, Ignition Distributor 1 - 2899532 Seal, Chain Case Cover Oil 1 - 6027245 O-Ring, Ign. Dist. Housing 1 - 2875923 O-Ring, Ign. Dist. Housing
4049 265	1				GASKET SET, Engine, Upper (w/ELE-318 4BLL. Police Eng.) Consists of: 2 - 4131141 Gasket, Cyl. Head 2 - 4095088 Gasket, Cyl. Head Cover 1 - 3491023 Gasket, Cyl. Head Cover Oil Filler Pipe

MODEL CODES

E BODY = (J - CARAVELLE)(E - 600)(T - NEW YORKER)

G BODY = (V24 - DAYTONA)

H BODY = (D44 - LANCER)(C44 - LEBARON GTS)

J BODY = (C - LEBARON)

K BODY = (P - RELIANT)(D - ARIES)(C - LEBAROND)/TOWN & COUNTRY)

L BODY = (M - HORIZON/TURISMO)(Z - OMNI/CHARGER)

M BODY = (B - GRAN FURY)(F - FIFTH AVE/NEWPORT)(G - DIPLOMAT)

P BODY = (P - SUNDANCE)(D - SHADOW)

S BODY = (H - VOYAGER)(K - RAM VAN/CARAVAN)

BODY STYLES

12-13 = FWD VAN

21 = 2-DOOR SEDAN

24 = 2-DOOR HATCHBACK

27 = 2-DOOR CONVERTIBLE

41 = 4-DOOR SEDAN

44 = 4-DOOR HATCHBACK

45 = 4-DOOR STATION WAGON

52-53 = FWD WAGON

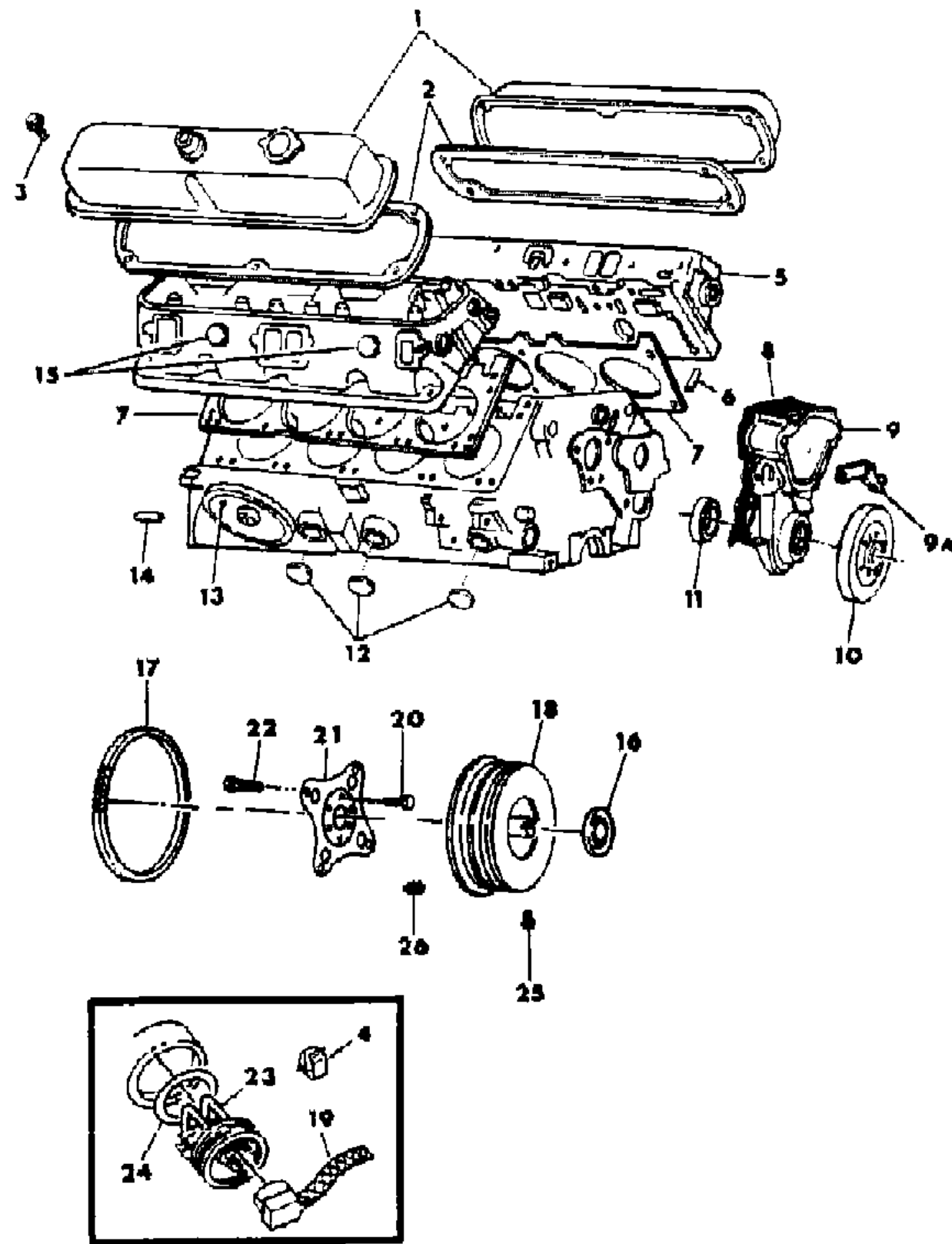
AR = Use as Required - = Non Illustrated Part P.A.R. = Paint as Required

EXTERNAL COMPONENTS 5.2 L ENGINE

Figure 9C-100

7100 100 A

ITEM	PART NUMBER	QTY	BODY	MODEL	DESCRIPTION
------	-------------	-----	------	-------	-------------



- 8 - 4095543 Seal, Valve Guide, Intake
- 2 - 3818115 Gasket, Exh. Pipe Flange
- 8 - 4071006 Shield, Valve Stem Oil, Exhaust

NOTE: Short Engine Assemblies consists of the Cylinder Block with Pistons and Rings, Crankshaft and Bearings, Connecting Rods and Bearings. Gasket

	4323 619	1			ENGINE, Short (except ELE-4Bbl Police Engine)
	4323 621	1			w/ELE-4Bbl Police Engine
1	4071 035	1			COVER, Cylinder Head Right
	4041 016	1			Left
2	4273 129	2			GASKET, Cylinder Head Cover (except ELE-4Bbl Police Engine)
	4095 088	2			w/ELE-4Bbl Police Engine
3	6031 688	10			SCREW and REINFORCEMENT, Cylinder Head Cover
4	6015 412	2			CLIP, Engine Block Heater Cord
5	4323 423	2			HEAD, Cylinder (except ELE-4Bbl Police Engine)
	4323 346	2			w/ELE-4Bbl Police Engine
	6031 045	10			BOLT, Cylinder Head (1/2 x 1-7/8")
	6031 101	8			(1/2 x 3-5/8")
	2463 260	2			(1/2 x 4-5/8")
6	0141 215	4			DOWEL, Cylinder Block to Head
7	4186 348	2			GASKET, Cylinder Head (except ELE-4Bbl Police Engine)
	4131 141	2			w/ELE-4Bbl Police Engine
8	2129 012	1			GASKET, Chain Case Cover
9	3769 964	1			COVER, Timing Chain Case
	0181 112	2			SCREW, Chain Case Cover (3/8 x 1")
	9420 892	1			(3/8 x 2-3/4")
9a	4095 625	1			INDICATOR, Timing
10	4173 443	1			DAMPER, Crankshaft Vibration
11	3830 109	1			SEAL, Crankshaft Front Oil
12	5203 342	9			PLUG, Cylinder Block Core Hole (1.635")
	4556 023	AR			(1.695")
	5203 341	1			(1.2585")
		2			PLUG, Cylinder Block Water Jacket Drain (1/4" NPT)(Not Serviced)
		1			PLUG, Cylinder Block Hole (1/2" NPT)(Not Serviced)
13	3462 871	1			PLUG, Cylinder Block Oil Line
	3751 818	2			PLUG, Cylinder Block Oil Hole
		4			PLUG, Cylinder Block Oil Hole (3/8" NPT)(Not Serviced)
14	1122 532	2			DOWEL, Cylinder Block to Transmission Housing

MODEL CODES

E BODY = (J - CARAVELLE)(E - 600)(T - NEW YORKER)

G BODY = (V24 - DAYTONA)

H BODY = (D44 - LANCER)(C44 - LEBARON GTS)

J BODY = (C - LEBARON)

K BODY = (P - RELIANT)(D - ARIES)(C - LEBAROND)/TOWN & COUNTRY)

L BODY = (M - HORIZON/TURISMO)(Z - OMNI/CHARGER)

M BODY = (B - GRAN FURY)(F - FIFTH AVE/NEWPORT)(G - DIPLOMAT)

P BODY = (P - SUNDANCE)(D - SHADOW)

S BODY = (H - VOYAGER)(K - RAM VAN/CARAVAN)

BODY STYLES

12-13 = FWD VAN

21 = 2-DOOR SEDAN

24 = 2-DOOR HATCHBACK

27 = 2-DOOR CONVERTIBLE

41 = 4-DOOR SEDAN

44 = 4-DOOR HATCHBACK

45 = 4-DOOR STATION WAGON

52-53 = FWD WAGON

AR = Use as Required - = Non Illustrated Part P.A.R. = Paint as Required

EXTERNAL COMPONENTS 5.2 L ENGINE

Figure 9C-100

7100 100 A

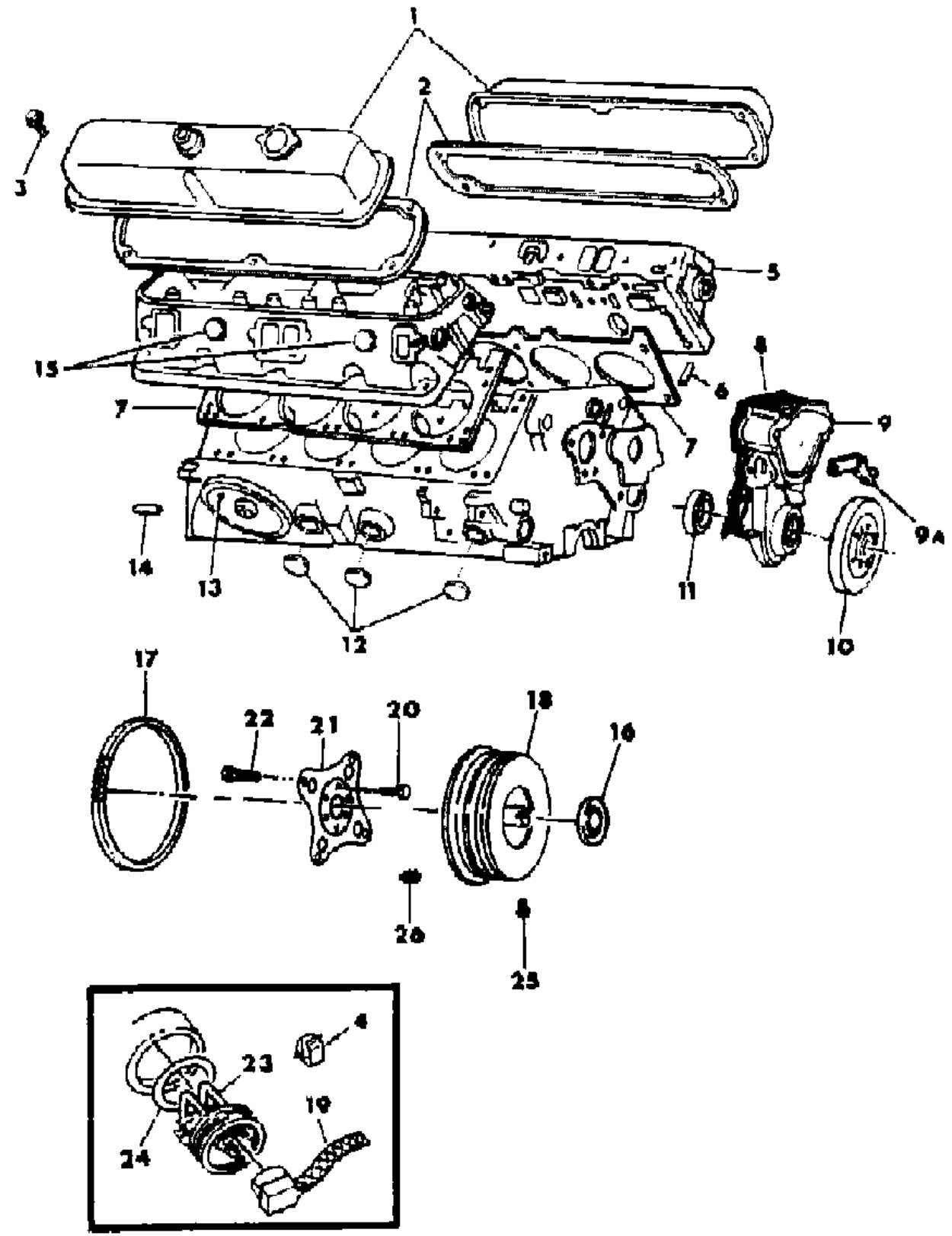
ITEM	PART NUMBER	QTY	BODY	MODEL	DESCRIPTION
	1736 347	AR			.007" Offset
	1736 348	AR			.014" Offset
	1736 353	AR			.021" Offset
15	5203 341	4			PLUG, Cylinder Head Core Hole (1.2585")
16	3515 137	1			SEAL, Trans. Torque Converter Impeller Hub w/A727 Trans.
	4269 057	1			w/A904 Trans.
17	2121 196	1			GEAR, Starter Ring (11.250" I.D.) w/904 Trans. (122 Teeth)
	3515 203	1			w/A727 Trans. (130 Teeth)
18	4293 052	1			CONVERTER, Torque (See Note)
19	5206 359	1			CORD, Engine Block Heater
20	1949 424	6			SCREW, Drive Plate to Crankshaft
21	4058 429	1			PLATE, Torque Converter Drive
22	1949 765	4			SCREW, Drive Plate to Torque Converter
23	3755 677	1			HEATER, Engine Block
	4439 058	1			(Three Wire 600 Use)
24	6027 513	1			O-RING, Engine Block Heater
25	6023 092	1			SCREW, w/Washer, Torque Converter Drain
26	2808 673	1			ROLLER PACKAGE, Over-Running Clutch and Spring Torque Converter
					Consists of:
					12-Rollers
					12-Springs

NOTE: To replace the original Production Torque Converter look on the front cover surface for a Decal which will indicate a Lockup or a Non-Lockup Torque Converter. The Trans. Input Shaft and the Torque Converter Hub has one less spline for the Lockup Lock units are not interchangeable. On the curved surface of the rear Torque Converter Cover will be stamped the last three digits of the production Paque Converter. The Trans. Input Shaft and the Torque Converter Hub has one less spline for the Lockup than rt No. stamped (488) For service replacement use the following Cross Reference. que Converter. The Trans. Input Shaft and the Torque Converter Hub has one less spline for the Lockup than the Non-Lockup version has. Lockup and Non-PRODUCTION!REMANUFACTURED TORQUE CONVERTER!TORQUE CONVERTER STAMPED!SERVICE 385 w/Lock Up- A904 Trans.!4293052 406 w/Lock Up- A727 Trans.!4293063

MODEL CODES
 E BODY = (J - CARAVELLE)(E - 600)(T - NEW YORKER)
 G BODY = (V24 - DAYTONA)
 H BODY = (D44 - LANCER)(C44 - LEBARON GTS)
 J BODY = (C - LEBARON)
 K BODY = (P - RELIANT)(D - ARIES)(C - LEBAROND)/TOWN & COUNTRY
 L BODY = (M - HORIZON/TURISMO)(Z - OMNI/CHARGER)
 M BODY = (B - GRAN FURY)(F - FIFTH AVE/NEWPORT)(G - DIPLOMAT)
 P BODY = (P - SUNDANCE)(D - SHADOW)
 S BODY = (H - VOYAGER)(K - RAM VAN/CARAVAN)

BODY STYLES
 12-13 = FWD VAN
 21 = 2-DOOR SEDAN
 24 = 2-DOOR HATCHBACK
 27 = 2-DOOR CONVERTIBLE
 41 = 4-DOOR SEDAN
 44 = 4-DOOR HATCHBACK
 45 = 4-DOOR STATION WAGON
 52-53 = FWD WAGON

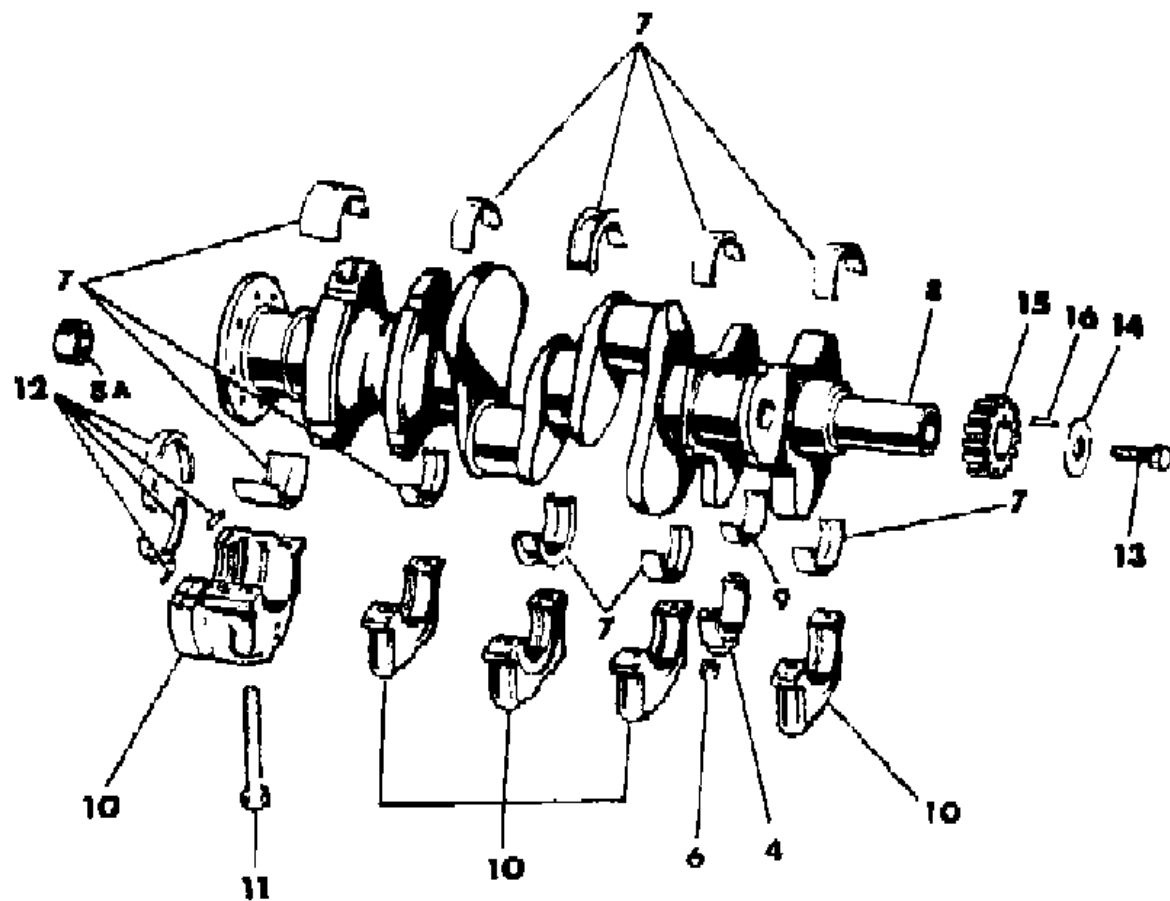
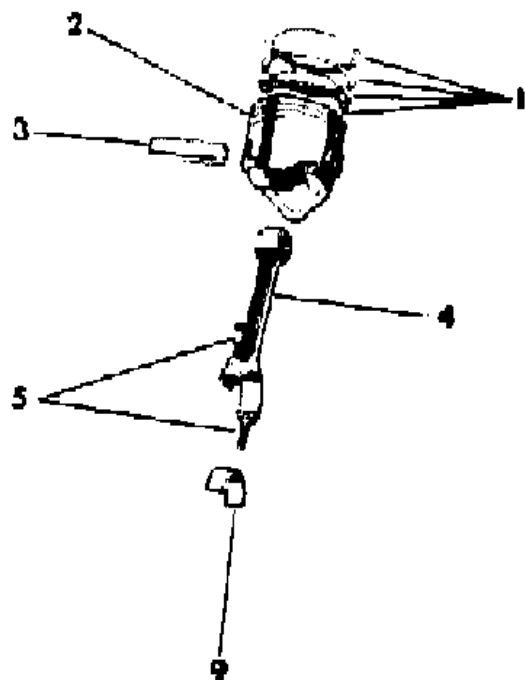
AR = Use as Required - = Non Illustrated Part P.A.R. = Paint as Required



CRANKSHAFT & PISTONS 5.2 L ENGINE

Figure 9C-200

7100 200 A



ITEM	PART NUMBER	QTY	BODY	MODEL	DESCRIPTION
1	2808 553	1			RING SET, Piston (Complete Engine Set) Standard to .009" O/S
	2808 554	1			.020 to .029" O/S
	3780 007	8			(Set for 1 Piston) Standard to .009" O/S
2	3780 008	8			.020 to .029" O/S
	4342 772	8			PISTON and PIN, Standard
	4342 773	8			.020" O/S
3	2658 878	8			PIN, Piston, Standard
	2658 879	8			.003" O/S
	2658 880	8			.008" O/S
4	3751 015	8			ROD and CAP, Connecting
5	4273 344	16			BOLT, Connecting Rod Bearing Cap
6	6032 296	16			NUT, Rod Cap Bolt
7	4397 776	1			BEARING PACKAGE, Crankshaft #1 Standard
	4397 780	1			.001" U/S
	4397 784	1			.002" U/S
	4397 788	1			.003" U/S
	4397 792	1			.010" U/S
	4397 796	1			.012" U/S
	4397 777	2			#2 & 4 except ELE-4Bbl Police Engine, Standard
	4397 781	2			.001" U/S
	4397 785	2			.002" U/S
	4397 789	2			.003" U/S
	4397 793	2			.010" U/S
	4397 797	2			.012" U/S
	4397 778	2			#2 & 4 w/ELE-4Bbl Police Engine, Standard
	4397 783	2			.001" U/S
	4397 787	2			.002" U/S
4397 790	2			.003" U/S	
4397 794	2			.010" U/S	
4397 798	2			.012" U/S	
3780 075	1			#3, Standard	
3780 076	1			.001" U/S	
3780 077	1			.002" U/S	
3780 078	1			.003" U/S	
3780 079	1			.010" U/S	
3780 080	1			.012" U/S	
4397 701	1			#5, Standard	
4397 702	1			.001" U/S	

MODEL CODES

E BODY = (J - CARAVELLE)(E - 600)(T - NEW YORKER)

G BODY = (V24 - DAYTONA)

H BODY = (D44 - LANCER)(C44 - LEBARON GTS)

J BODY = (C - LEBARON)

K BODY = (P - RELIANT)(D - ARIES)(C - LEBAROND)/TOWN & COUNTRY)

L BODY = (M - HORIZON/TURISMO)(Z - OMNI/CHARGER)

M BODY = (B - GRAN FURY)(F - FIFTH AVE/NEWPORT)(G - DIPLOMAT)

P BODY = (P - SUNDANCE)(D - SHADOW)

S BODY = (H - VOYAGER)(K - RAM VAN/CARAVAN)

BODY STYLES

12-13 = FWD VAN

21 = 2-DOOR SEDAN

24 = 2-DOOR HATCHBACK

27 = 2-DOOR CONVERTIBLE

41 = 4-DOOR SEDAN

44 = 4-DOOR HATCHBACK

45 = 4-DOOR STATION WAGON

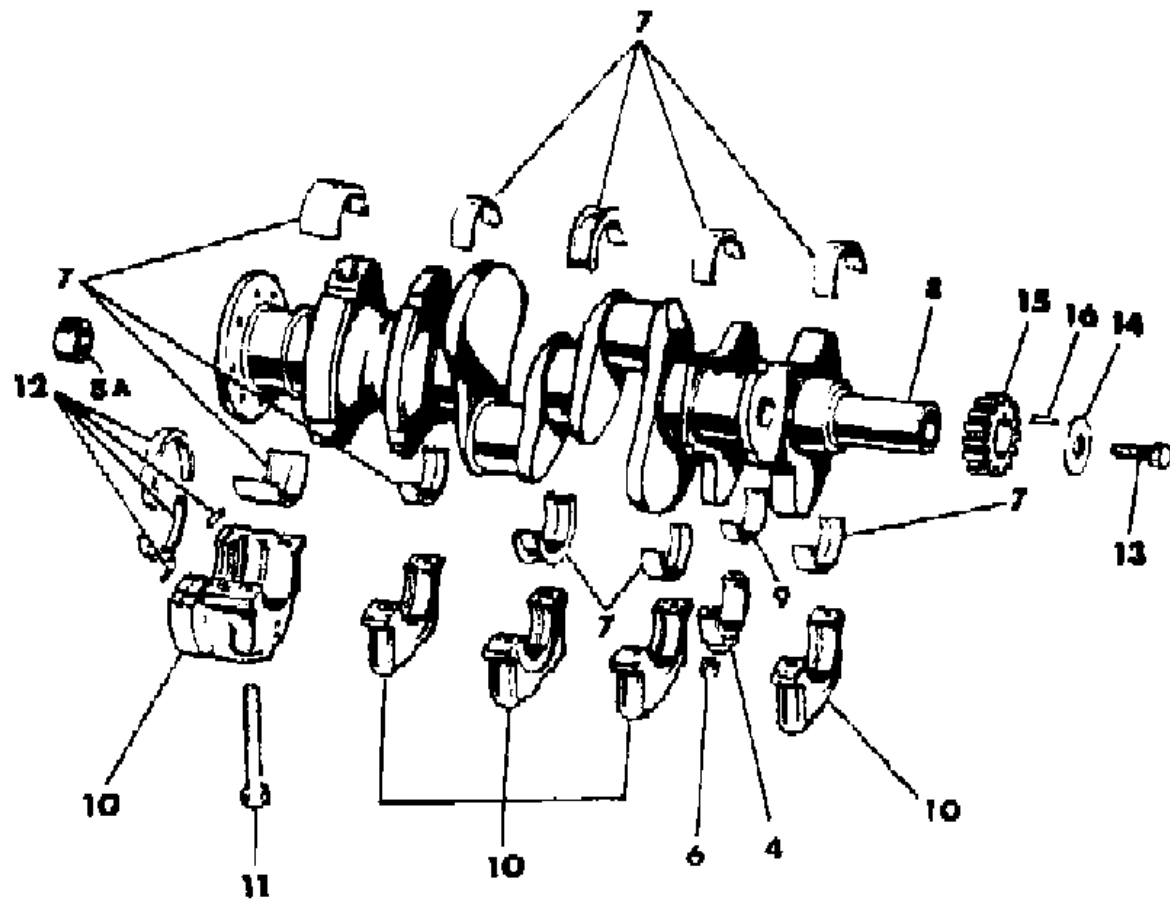
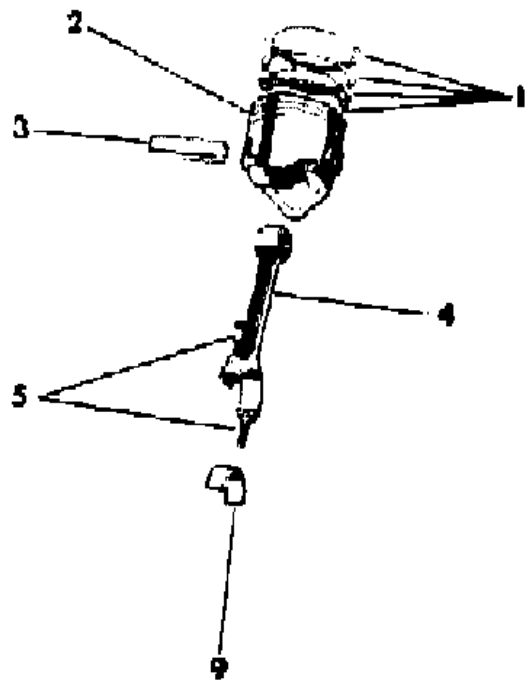
52-53 = FWD WAGON

AR = Use as Required - = Non Illustrated Part P.A.R. = Paint as Required

CRANKSHAFT & PISTONS 5.2 L ENGINE

Figure 9C-200

7100 200 A



ITEM	PART NUMBER	QTY	BODY	MODEL	DESCRIPTION
	4397 703	1			.002" U/S
	4397 704	1			.003" U/S
	4397 705	1			.010" U/S
	4397 706	1			.012" U/S
8	3751 831	1			CRANKSHAFT, except ELE-4Bbl Police Engine
	4227 880	1			w/ELE-4Bbl Police Engine
8a	0 53 298	1			BUSHING, Crankshaft Trans. Dr. Pinion
9	4186 118	8			BEARING PACKAGE, Connecting Rod except ELE-4Bbl Police Engine, Standard
	4186 119	8			.001" U/S
	4186 120	8			.002" U/S
	4186 121	8			.003" U/S
	4186 122	8			.010" U/S
	4186 123	8			.012" U/S
	2421 305	8			w/ELE-4Bbl Police Engine, Standard
	2421 306	8			.001" U/S
	2421 307	8			.002" U/S
	2421 308	8			.003" U/S
	2421 309	8			.010" U/S
	2421 310	8			.012" U/S
10	4323 809	1			CAP, Crankshaft Bearing #1
	4323 810	1			#2
	4323 811	1			#3
	4323 812	1			#4
	4323 813	1			#5
11	6033 127	AR			SCREW, Crankshaft Bearing Cap
	6027 335	4			w/ELE-4Bbl Police Engine
12	4397 712	1			OIL SEAL PACKAGE, Crankshaft w/318 Engine
					Consists of:
					2 - Seal, Brg. Oil
					1 - Seal, Brg. Oil - Rt.
					1 - Seal, Brg. Oil - Lt.
13	1821 414	1			SCREW, Crankshaft
14	1855 561	1			WASHER, Crankshaft Screw
15	2463 385	1			SPROCKET, Crankshaft (w/Standard Type Timing Chain)
	1637 657	1			(w/Double Roller Type Timing Chain)
16	6029 411	1			KEY, Sprocket

MODEL CODES

E BODY = (J - CARAVELLE)(E - 600)(T - NEW YORKER)

G BODY = (V24 - DAYTONA)

H BODY = (D44 - LANCER)(C44 - LEBARON GTS)

J BODY = (C - LEBARON)

K BODY = (P - RELIANT)(D - ARIES)(C - LEBAROND)/TOWN & COUNTRY)

L BODY = (M - HORIZON/TURISMO)(Z - OMNI/CHARGER)

M BODY = (B - GRAN FURY)(F - FIFTH AVE/NEWPORT)(G - DIPLOMAT)

P BODY = (P - SUNDANCE)(D - SHADOW)

S BODY = (H - VOYAGER)(K - RAM VAN/CARAVAN)

BODY STYLES

12-13 = FWD VAN

21 = 2-DOOR SEDAN

24 = 2-DOOR HATCHBACK

27 = 2-DOOR CONVERTIBLE

41 = 4-DOOR SEDAN

44 = 4-DOOR HATCHBACK

45 = 4-DOOR STATION WAGON

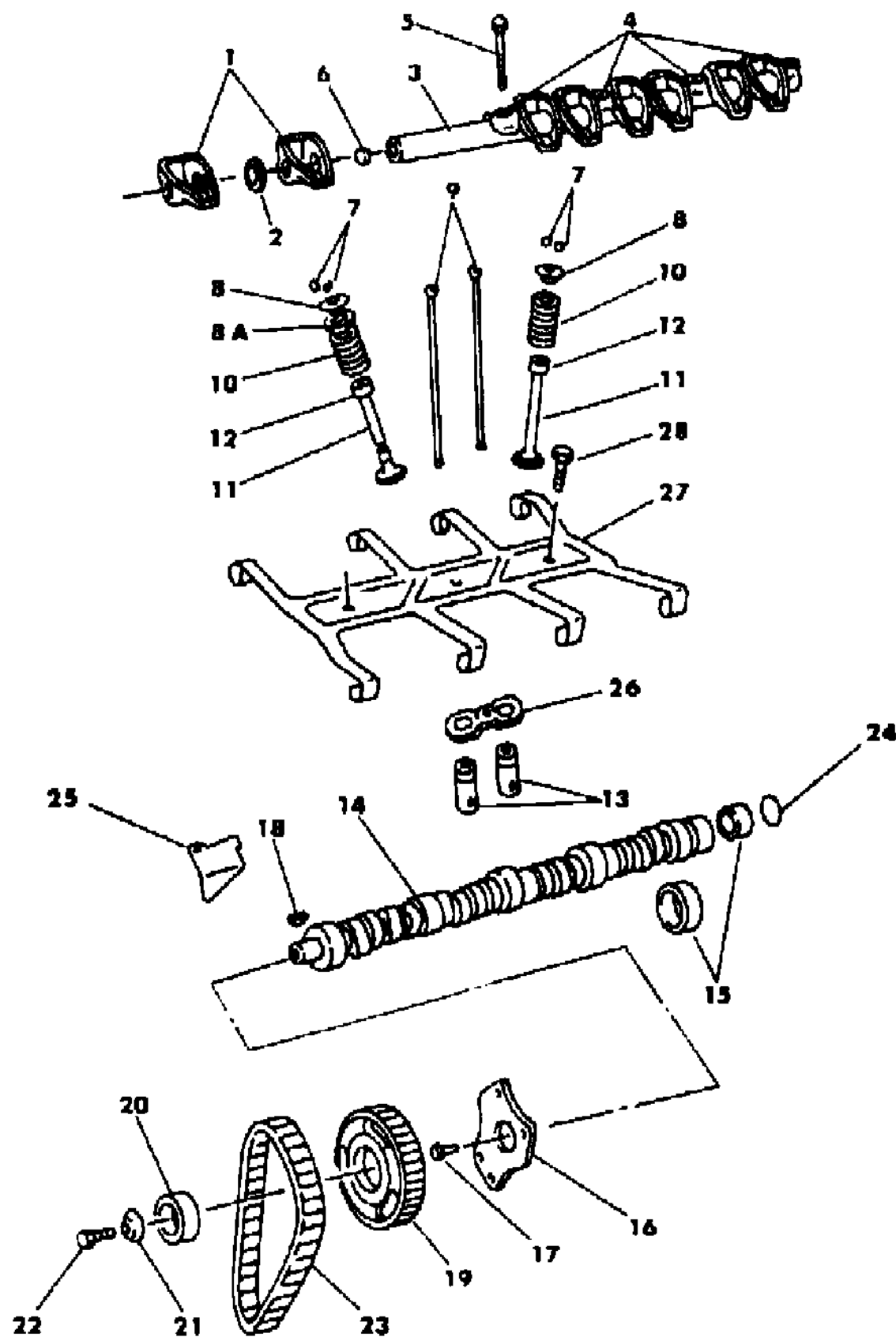
52-53 = FWD WAGON

AR = Use as Required - = Non Illustrated Part P.A.R. = Paint as Required

CAMSHAFT & VALVES 5.2 L ENGINE

Figure 9C-300

7100 300



ITEM	PART NUMBER	QTY	BODY	MODEL	DESCRIPTION
1	4100 774	8			ROCKER, Valve Right
	4100 775	8			Left
2		AR			SPACER, Valve Rocker (Not Serviced)
3	2532 149	2			SHAFT, Valve Rocker
4	2463 322	6			RETAINER, Valve Rocker Shaft, End and Center
	2463 323	4			Intermediate
5	0181 095	10			SCREW, Valve Rocker Shaft Retainer
6	1324 268	4			PLUG, Valve Rocker Shaft
7	0381 875	16			LOCK, Intake Valve Spring Retainer (w/2 Grooves) except ELE-4Bbl Police Engine
	1614 666	16			(w/4 Grooves) w/ELE-4Bbl Police Engine
	1614 666	16			LOCK, Exhaust Valve Spring Retainer (w/4 Grooves)
8	2402 045	16			RETAINER, Valve Spring
8A	1859 144	AR			SPACER, Valve Spring
9	4095 291	16			ROD, Valve Push (w/o Roller Type Tappet)
	4483 721	16			(w/Roller Type Tappet) (Also in Pkg.)
10	1739 534	16			SPRING, Valve except ELE-4Bbl Police Engine
	3751 741	16			w/ELE-4Bbl Police Engine
11	2465 335	8			VALVE, Intake, Std., w/318 Except ELE-318 4BBL. POLice Eng.
	2465 336	8			.005 O/S
	2465 337	8			.015 O/S
	2465 338	8			.030 O/S
	3683 801	8			Std., w/ELE-318 4BBL. Police Eng.
	3683 802	8			.005 O/S
	3683 803	8			.015 O/S
12	3683 804	8			.030 O/S
	4100 387	8			VALVE, Exhaust, Std. w/318 Except ELE-318 4BBL. Police Eng.
	4100 388	8			.005 O/S
	4100 389	8			.015 O/S
	4100 390	8			.030 O/S
	4100 632	8			w/(ELE-318 4BBL. Police Eng.)
	4100 633	8			.005 O/S
13	4100 634	8			.015 O/S
	4100 635	8			.030 O/S
	4071 006	8			SHIELD, Valve Stem Oil Exhaust
	4095 543	8			SEAL, Valve Guide Intake
13	4049 338	16			TAPPET, Valve, Std. (w/o Roller Type)

MODEL CODES

E BODY = (J - CARAVELLE)(E - 600)(T - NEW YORKER)

G BODY = (V24 - DAYTONA)

H BODY = (D44 - LANCER)(C44 - LEBARON GTS)

J BODY = (C - LEBARON)

K BODY = (P - RELIANT)(D - ARIES)(C - LEBAROND)/TOWN & COUNTRY)

L BODY = (M - HORIZON/TURISMO)(Z - OMNI/CHARGER)

M BODY = (B - GRAN FURY)(F - FIFTH AVE/NEWPORT)(G - DIPLOMAT)

P BODY = (P - SUNDANCE)(D - SHADOW)

S BODY = (H - VOYAGER)(K - RAM VAN/CARAVAN)

BODY STYLES

12-13 = FWD VAN

21 = 2-DOOR SEDAN

24 = 2-DOOR HATCHBACK

27 = 2-DOOR CONVERTIBLE

41 = 4-DOOR SEDAN

44 = 4-DOOR HATCHBACK

45 = 4-DOOR STATION WAGON

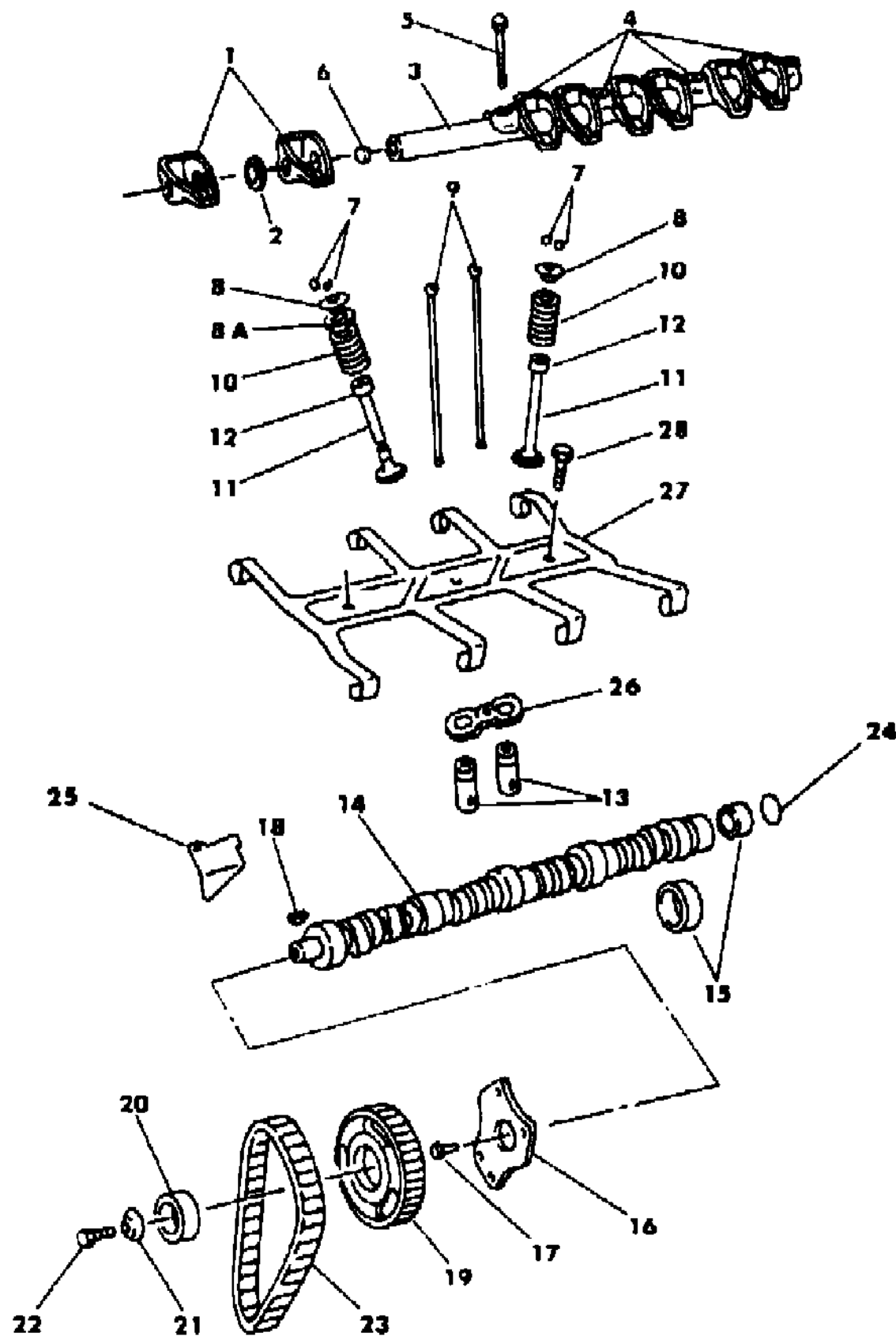
52-53 = FWD WAGON

AR = Use as Required - = Non Illustrated Part P.A.R. = Paint as Required

CAMSHAFT & VALVES 5.2 L ENGINE

Figure 9C-300

7100 300



ITEM	PART NUMBER	QTY	BODY	MODEL	DESCRIPTION
	4049 339	16			.001 O/S
	4049 340	16			.008 O/S
	4049 341	16			.030 O/S
	4387 682	16			Std., (Roller Type Tappet) (Also in Pkg.)
	4494 467	AR			TAPPET PACKAGE (w/Roller Type) Contains: 1-Tappet and 1-Push Rod
14	4323 239	1			CAMSHAFT, w/2Bbl Engines
	4227 879	1			w/4Bbl Engines
15	3830 603	1			BEARING, Camshaft No. 1
	4179 776	1			No. 2
	4179 777	1			No. 3
	4179 778	1			No. 4
	1632 526	1			No. 5
16	1618 670	1			PLATE, Camshaft Sprocket Thrust
17	0191 674	3			SCREW, Thrust Plate
18	0106 751	1			KEY, Camshaft
19	2843 610	1			SPROCKET, Camshaft (w/Standard Type Timing Chain)
	2899 556	1			(w/Double Roller Type Timing Chain)
20	2843 661	1			ECCENTRIC, Camshaft
21	1618 732	1			WASHER, Sprocket Retainer Screw
22	6024 027	1			SCREW, Camshaft Sprocket Retainer
23	3514 182	1			CHAIN, Timing (Standard Type)
	8350 7095	1			(Double Roller Type)
24	2863 071	1			PLUG, Camshaft Rear Bearing
25	3671 649	1			TAB, Timing Chain Oil
26	4323 227	8			YOKE, Tappet Aligning (w/Roller Type Tappet)
27	4323 207	1			RETAINER, Tappet Aligning Yoke (w/Roller Type Tappet)
28	0181 086	3			SCREW and WASHER, Yoke Retainer (w/Roller Type Tappets)

NOTE: To Identify Between a Right & Left Rocker For the 318 Engine. The Left Rocker Push Rod Socket is approx. 1/16" to the Left and the Right Rocker SOCKET is approx. 1/16" to the right.

MODEL CODES

E BODY = (J - CARAVELLE)(E - 600)(T - NEW YORKER)

G BODY = (V24 - DAYTONA)

H BODY = (D44 - LANCER)(C44 - LEBARON GTS)

J BODY = (C - LEBARON)

K BODY = (P - RELIANT)(D - ARIES)(C - LEBAROND)/TOWN & COUNTRY)

L BODY = (M - HORIZON/TURISMO)(Z - OMNI/CHARGER)

M BODY = (B - GRAN FURY)(F - FIFTH AVE/NEWPORT)(G - DIPLOMAT)

P BODY = (P - SUNDANCE)(D - SHADOW)

S BODY = (H - VOYAGER)(K - RAM VAN/CARAVAN)

BODY STYLES

12-13 = FWD VAN

21 = 2-DOOR SEDAN

24 = 2-DOOR HATCHBACK

27 = 2-DOOR CONVERTIBLE

41 = 4-DOOR SEDAN

44 = 4-DOOR HATCHBACK

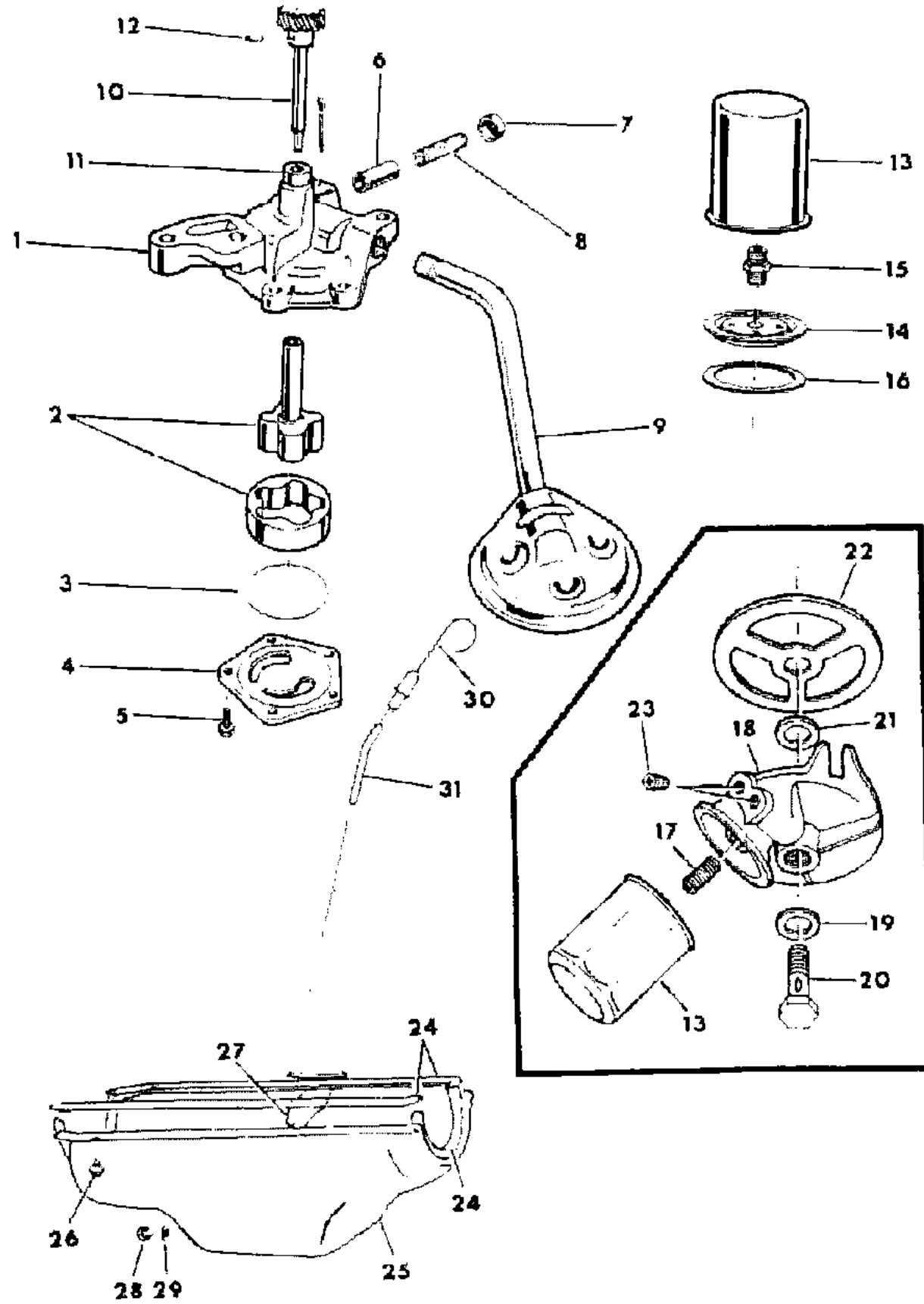
45 = 4-DOOR STATION WAGON

52-53 = FWD WAGON

AR = Use as Required - = Non Illustrated Part P.A.R. = Paint as Required

OIL PAN, OIL PUMP & OIL FILTER 5.2 L ENGINE
Figure 9C-400

7109 400



ITEM	PART NUMBER	QTY	BODY	MODEL	DESCRIPTION
1	2806 270	1			PUMP, Oil
2	3837 648	1			DRIVE SHAFT AND ROTOR PKG., Oil Pump Consists of: 1- ----- Shaft w/Inner Rotor 1- ----- Rotor, Outer
					1- 2268921 Gasket, Oil Pump Cover 1- ----- Rotor Outer, Oil Pump
3	2268 921	1			GASKET, Oil Pump Cover
4	4071 043	1			COVER, Oil Pump
5		5			SCREW, Oil Pump Cover (1/4-20 x .75x")(Not Serviced)
6	2843 208	1			PLUNGER, Oil Pressure Relief Valve
7	2806 273	1			CAP, Oil Pressure Relief Valve
8	2402 473	1			SPRING, Oil Pressure Relief Valve
9	2468 849	1			STRAINER, w/Pipe
10	4095 260	1			SHAFT, Oil Pump and Distributer Drive . Assy.
11	1737 725	1			BUSHING, Oil Pump Distributer Drive Shaft
12		1			PIN, Oil Pump & Distributer Drive Gear (3/16 x 1.25")(Not Serviced)
13	3549 957	1			FILTER, Oil
14	2402 103	1			PLATE, Oil Filter Adapter
15	3671 602	1			ADAPTER, Oil Filter to Cylinder Block
16	3671 314	1			GASKET, Oil Filter Adapter Plate
17	4104 511	1			ADAPTER, Oil Filter to Oil Filter Base
18	4179 726	1			BASE, Oil Filter Assy.
19	4105 210	1			GASKET, Oil Filter Base Screw
20	4186 347	1			SCREW, Oil Filter Base
21	2463 512	1			SEAL, Oil Filter Base Screw
22	3577 674	1			GASKET, Oil Filter Base
23		1			PLUG, Oil Filter Base (3/8" NPT)(Not Serviced)
24	4397 674	1			GASKET SET, Oil Pan Consists of: 2- ----- Gasket, Oil Pan Side 2- ----- Gasket, Oil Pan End
25	4387 346	1			PAN, Oil
26	6031 413	14			SCREW and WASHER, Oil Pan (5/16 x 13/16")
	6025 926	4			SCREW and WASHER, Oil Pan (5/16 x 1")
	6030 163	4			SCREW, Oil Scraper Baffle (1/4 x 1/2") w/ELE-4 Bbl Police Engine

MODEL CODES

E BODY = (J - CARAVELLE)(E - 600)(T - NEW YORKER)

G BODY = (V24 - DAYTONA)

H BODY = (D44 - LANCER)(C44 - LEBARON GTS)

J BODY = (C - LEBARON)

K BODY = (P - RELIANT)(D - ARIES)(C - LEBAROND)/TOWN & COUNTRY)

L BODY = (M - HORIZON/TURISMO)(Z - OMNI/CHARGER)

M BODY = (B - GRAN FURY)(F - FIFTH AVE/NEWPORT)(G - DIPLOMAT)

P BODY = (P - SUNDANCE)(D - SHADOW)

S BODY = (H - VOYAGER)(K - RAM VAN/CARAVAN)

BODY STYLES

12-13 = FWD VAN

21 = 2-DOOR SEDAN

24 = 2-DOOR HATCHBACK

27 = 2-DOOR CONVERTIBLE

41 = 4-DOOR SEDAN

44 = 4-DOOR HATCHBACK

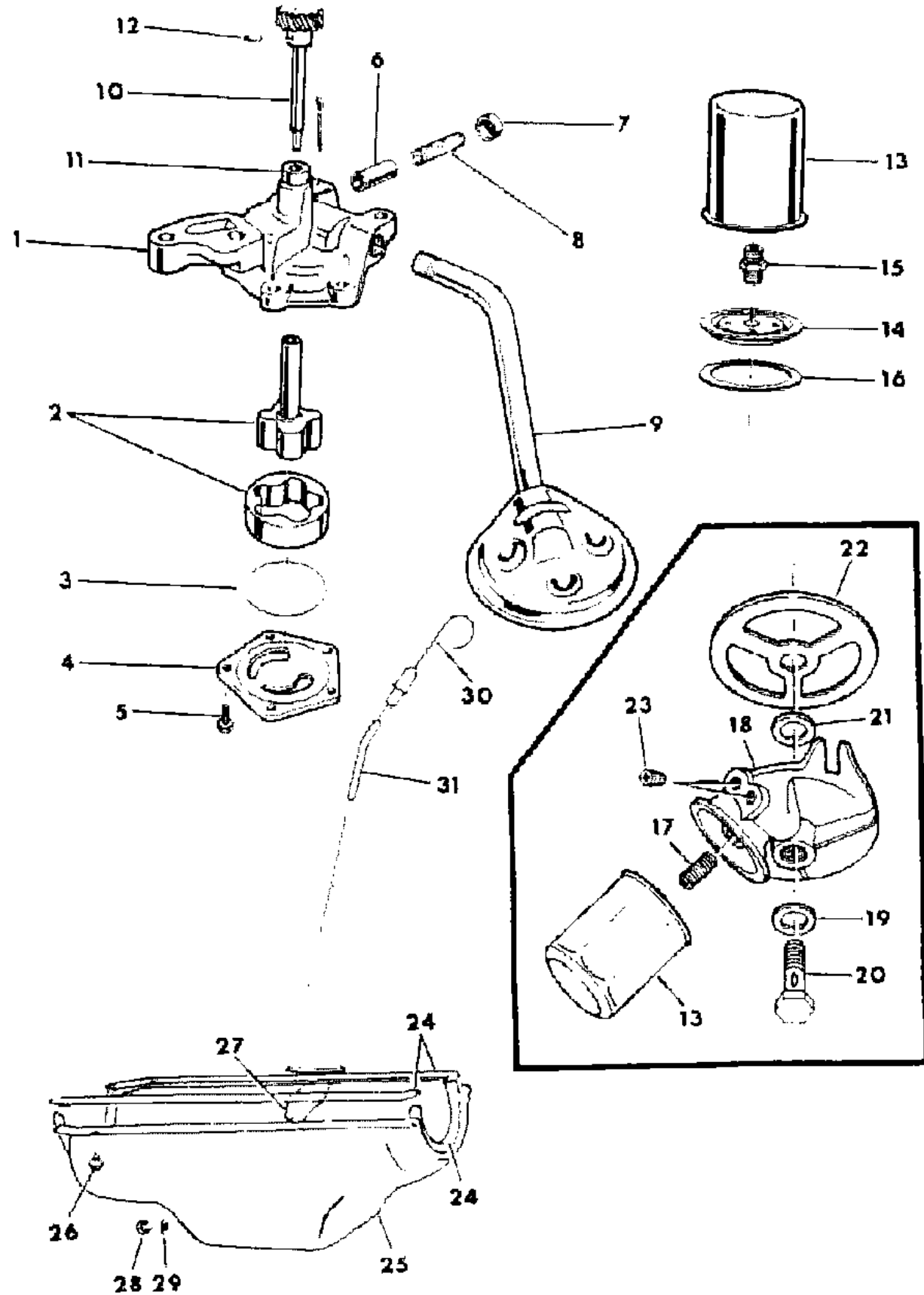
45 = 4-DOOR STATION WAGON

52-53 = FWD WAGON

AR = Use as Required - = Non Illustrated Part P.A.R. = Paint as Required

OIL PAN, OIL PUMP & OIL FILTER 5.2 L ENGINE
Figure 9C-400

7109 400



ITEM	PART NUMBER	QTY	BODY	MODEL	DESCRIPTION
27	3577 794	1			BAFFLE, Crankshaft Oil Scraper w/ELE-4Bbl Police Engine
28	4293 859	1			PLUG PACKAGE, Oil Pan Drain
29	3769 935	1			GASKET, Oil Pan Drain Plug (Also in Plug Pkg)
30	3870 265	1			INDICATOR, Oil Level
31	4027 249	1			TUBE, Oil Level Indicator
		2			SCREW, Oil Pump Mounting (3/8 x 1.375")(Not Serviced) (Not Shown)
		1			PIN, Oil Pressure Relief Valve (Not Serviced) (Not Shown)

MODEL CODES

E BODY = (J - CARAVELLE)(E - 600)(T - NEW YORKER)

G BODY = (V24 - DAYTONA)

H BODY = (D44 - LANCER)(C44 - LEBARON GTS)

J BODY = (C - LEBARON)

K BODY = (P - RELIANT)(D - ARIES)(C - LEBAROND)/TOWN & COUNTRY)

L BODY = (M - HORIZON/TURISMO)(Z - OMNI/CHARGER)

M BODY = (B - GRAN FURY)(F - FIFTH AVE/NEWPORT)(G - DIPLOMAT)

P BODY = (P - SUNDANCE)(D - SHADOW)

S BODY = (H - VOYAGER)(K - RAM VAN/CARAVAN)

BODY STYLES

12-13 = FWD VAN

21 = 2-DOOR SEDAN

24 = 2-DOOR HATCHBACK

27 = 2-DOOR CONVERTIBLE

41 = 4-DOOR SEDAN

44 = 4-DOOR HATCHBACK

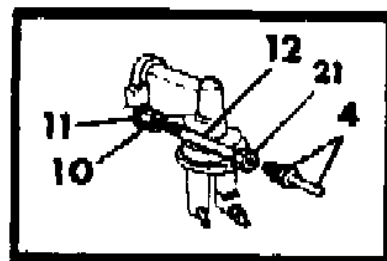
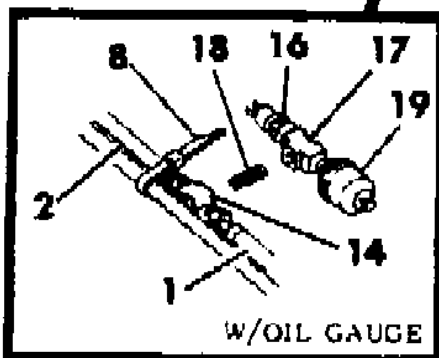
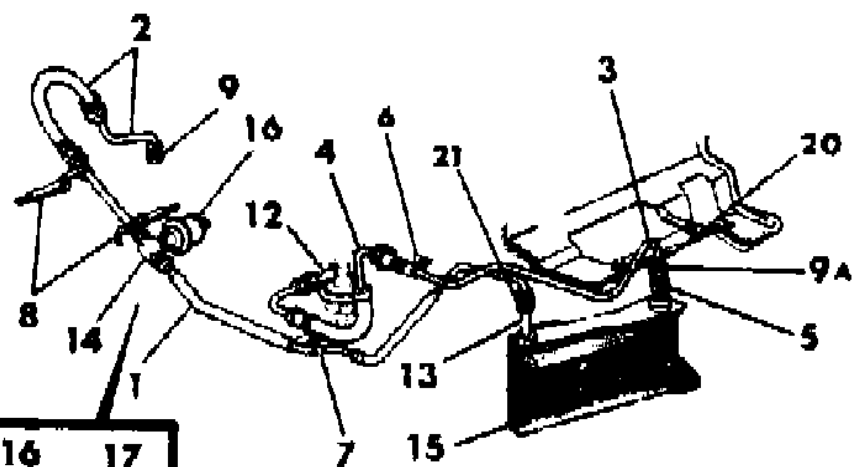
45 = 4-DOOR STATION WAGON

52-53 = FWD WAGON

AR = Use as Required - = Non Illustrated Part P.A.R. = Paint as Required

ENGINE OIL COOLER 5.2 L ENGINE
Figure 9C-500

7100 500 A



ITEM	PART NUMBER	QTY	BODY	MODEL	DESCRIPTION
NOTE 1: All tubes for all locations contained in Pkg. No. 4026548. SOCKET is approx. 1/16" to the right.					
1	4140 400	1			TUBE, Engine Oil Cooler, Front
2		1			TUBE, Engine Oil Cooler, Rear (See Note 1)
3		1			TUBE, Oil Cooler to Engine, Front (See Note 1)
4	4026 549	1			TUBE, Oil Cooler to Engine, Rear
	0120 523	1			CLIP, Tube Att to Yoke
	0153 292	1			U-NUT, Engine Oil Cooler Tube Clip
	6024 069	1			SCREW, w/Washer, Engine Oil Cooler Clip to Yoke
5	2264 514	1			VALVE, Engine Oil Cooler Check
	1550 358	1			RETAINER, Check Valve
6	0120 523	1			CLIP
7	0120 523	2			CLIP
8	6015 756	2			STRAP
9	6031 741	2			CONNECTOR, Engine to Oil Cooler Tube
9A	0137 406	1			CONNECTOR, Check Valve to Oil Cooler Tube
10	6033 087	1			SCREW, Fuel Pump
11		1			WASHER, (Not Serviced)
12	6032 002	1			PIPE NIPPLE, Return Line
13	6032 005	1			PIPE NIPPLE, Outlet Line
14	0128 275	1			TEE, Oil Pressure Sensing Unit
15	4140 394	1			OIL COOLER, Engine
16		1			SWITCH, Oil Pressure (See Group 8 Electrical)
17		1			TEE, Dual Sensing Unit (w/Oil Gauge) (Not Serviced)
18		1			NIPPLE, Connector (w/Oil Gauge) (Not Serviced)
19		1			SENDING UNIT, Oil Pressure w/(Oil Gauge) (See Group 8 Electrical)
20	1316 864	1			O-RING, Engine Oil Cooler Tube Junction Seal
21	0442 329	2			CONNECTOR, Oil Cool Line
NOTE: The following items are not shown on illustration. SOCKET is approx. 1/16" to the right.					
	6025 005	3			SCREW and WASHER, Oil Cooler Mounting
	0137 398	AR			NUT, Engine Oil Cooler Tube

MODEL CODES

E BODY = (J - CARAVELLE)(E - 600)(T - NEW YORKER)

G BODY = (V24 - DAYTONA)

H BODY = (D44 - LANCER)(C44 - LEBARON GTS)

J BODY = (C - LEBARON)

K BODY = (P - RELIANT)(D - ARIES)(C - LEBAROND)/TOWN & COUNTRY)

L BODY = (M - HORIZON/TURISMO)(Z - OMNI/CHARGER)

M BODY = (B - GRAN FURY)(F - FIFTH AVE/NEWPORT)(G - DIPLOMAT)

P BODY = (P - SUNDANCE)(D - SHADOW)

S BODY = (H - VOYAGER)(K - RAM VAN/CARAVAN)

BODY STYLES

12-13 = FWD VAN

21 = 2-DOOR SEDAN

24 = 2-DOOR HATCHBACK

27 = 2-DOOR CONVERTIBLE

41 = 4-DOOR SEDAN

44 = 4-DOOR HATCHBACK

45 = 4-DOOR STATION WAGON

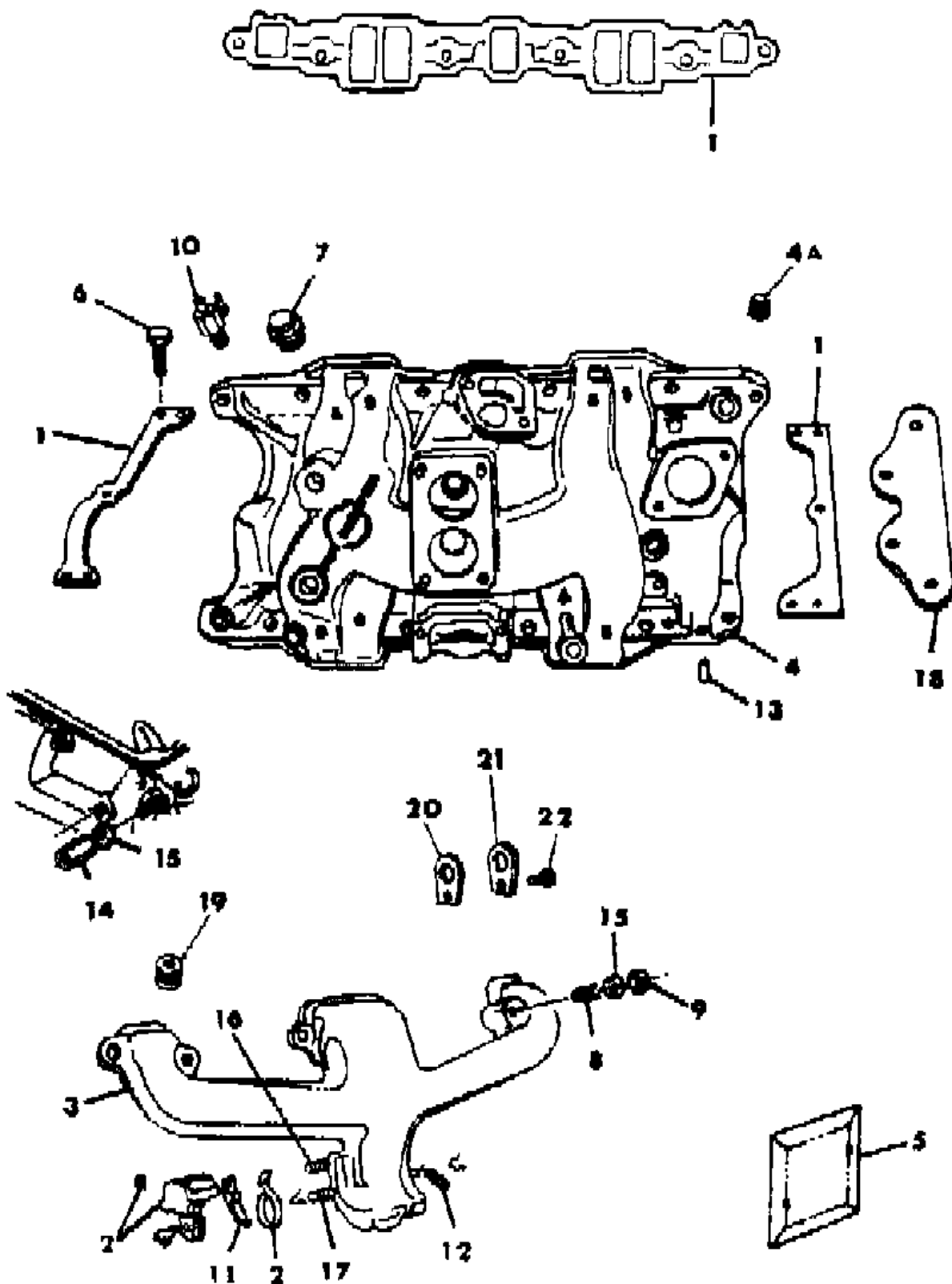
52-53 = FWD WAGON

AR = Use as Required - = Non Illustrated Part P.A.R. = Paint as Required

MANIFOLD, INTAKE & EXHAUST 5.2 L ENGINE
Figure 9C-600

7100 000 A

ITEM	PART NUMBER	QTY	BODY	MODEL	DESCRIPTION
1	4397 643	1			GASKET SET, Intake Manifold (w/2Bbl Carburetor) Consists of: 2 - ----- Gasket, Intake Manifold 1 - 4343735 Gasket, Intake Manifold Frt. 1 - 4343736 Gasket, Intake Manifold Rr.
	4397 642	1			GASKET SET, Intake Manifold (w/4Bbl Carburetor) Consists of: 2 - ----- Gasket, Intake Manifold 1 - 4343735 Gasket, Intake Manifold Frt. 1 - 4343736 Gasket, Intake Manifold Rr. 1 - ----- Sealer, Intake Manifold End Gasket
	4343 735	1			GASKET, Intake Manifold Front
	4343 736	1			Rear
2	3683 947	1			PACKAGE, Manifold Heat Control Valve Consists of: 1 - ----- Plate, Valve 1 - ----- Shaft, Valve 1 - 2946083 Stop, Valve 1 - ----- Wheel 1 - ----- Thermostat, Valve 1 - 2951626 Spring, Valve Shaft 2 - ----- Bushing, Shaft 2 - ----- Seal, Shaft
3	4227 756	1			MANIFOLD, Exhaust, Right (w/Aspirator)
	4105 058	1			Right (w/Air Pump except ELE-4Bbl Police Engine)
	4105 059	1			Right (w/ELE-4Bbl Police Engine)
	4095 239	1			Left (w/Aspirator)
	4173 162	1			Left (w/Air Pump except ELE-4Bbl Police Engine)
	4173 165	1			Left (w/ELE-4Bbl Police Engine)
4	4201 135	1			MANIFOLD, Intake w/2Bbl Carburetor
	4323 354	1			w/4Bbl Carburetor
		1			SCREW, Detonation Sensor Hole Plug (3/8x5/8) (Not Serviced)
4a	1859 127	AR			PLUG, Intake Manifold (3/8"-18)
5	3698 458	1			SHIELD, Intake Manifold Heat
		2			SCREW, Intake Manifold Heat Shield (Not Serviced)
6	0454 467	11			BOLT, Intake Manifold, 3/8 x 1-5/8"



MODEL CODES

E BODY = (J - CARAVELLE)(E - 600)(T - NEW YORKER)

G BODY = (V24 - DAYTONA)

H BODY = (D44 - LANCER)(C44 - LEBARON GTS)

J BODY = (C - LEBARON)

K BODY = (P - RELIANT)(D - ARIES)(C - LEBAROND)/TOWN & COUNTRY)

L BODY = (M - HORIZON/TURISMO)(Z - OMNI/CHARGER)

M BODY = (B - GRAN FURY)(F - FIFTH AVE/NEWPORT)(G - DIPLOMAT)

P BODY = (P - SUNDANCE)(D - SHADOW)

S BODY = (H - VOYAGER)(K - RAM VAN/CARAVAN)

BODY STYLES

12-13 = FWD VAN

21 = 2-DOOR SEDAN

24 = 2-DOOR HATCHBACK

27 = 2-DOOR CONVERTIBLE

41 = 4-DOOR SEDAN

44 = 4-DOOR HATCHBACK

45 = 4-DOOR STATION WAGON

52-53 = FWD WAGON

AR = Use as Required - = Non Illustrated Part P.A.R. = Paint as Required

MANIFOLD, INTAKE & EXHAUST 5.2 L ENGINE
Figure 9C-600

7100 000 A

ITEM	PART NUMBER	QTY	BODY	MODEL	DESCRIPTION
		1			SCREW and WASHER, Intake Manifold and Air Pump Rear Bracket Mounting (3/8x1-7/8) (Not Serviced)
7	4041 067	1			JET, Intake Manifold Floor
8		1			SCREW, Exhaust Manifold Left, 3-3/16" Lgh., w/Tapped Head (Not Serviced)
	6028 355	1			STUD, Exhaust Manifold Left, 1-14/16" Lgh. Hex.
	6030 622	1			2-15/16" Lgh. Hex.
	6025 991	4			STUD, Exhaust Manifold End
	9421 360	3			SCREW, Exhaust Manifold Long, 5/16 x 2-1/8"
	6031 857	4			5/16 x 1-7/8"
	6029 832	3			5/16 x 1-1/8"
9	0115 729	4			NUT, Exhaust Manifold End Stud
10		1			CONNECTOR, Intake Manifold Vacuum Control (See Group 5)
	4210 580	1			4-Connections 2-3/16", 1-1/8", 1-1/4"
11	2946 083	1			STOP, Exhaust Manifold Heat Control Valve
12	2951 626	1			SPRING, Exhaust Manifold Heat Control Valve Shaft
13	4006 583	2			DOWEL, Intake Manifold Gasket
14	6031 179	1			NUT, Exhaust Manifold End
15	2121 223	8			WASHER, Exhaust Manifold
16	9409 667	1			PIN, Heat control Valve Stop
17	2951 627	1			PIN, Exhaust Manifold Heat Control Valve Damper
18	4105 671	1			BLOCKER, Intake Manifold Gasket Rear
19		1			PLUG, Exhaust Manifold (1/2" NPT)(Not Serviced)
	6500 362	1			PLUG, Oxygen Sensor Hole w/Aspirator
20	3751 249	1			COVER, Exhaust Manifold Air Injection w/Aspirator
21	4275 834	1			GASKET, Air Injection Cover
22		1			SCREW, Air Injection Cover (Not Serviced)

MODEL CODES

E BODY = (J - CARAVELLE)(E - 600)(T - NEW YORKER)

G BODY = (V24 - DAYTONA)

H BODY = (D44 - LANCER)(C44 - LEBARON GTS)

J BODY = (C - LEBARON)

K BODY = (P - RELIANT)(D - ARIES)(C - LEBAROND)/TOWN & COUNTRY)

L BODY = (M - HORIZON/TURISMO)(Z - OMNI/CHARGER)

M BODY = (B - GRAN FURY)(F - FIFTH AVE/NEWPORT)(G - DIPLOMAT)

P BODY = (P - SUNDANCE)(D - SHADOW)

S BODY = (H - VOYAGER)(K - RAM VAN/CARAVAN)

BODY STYLES

12-13 = FWD VAN

21 = 2-DOOR SEDAN

24 = 2-DOOR HATCHBACK

27 = 2-DOOR CONVERTIBLE

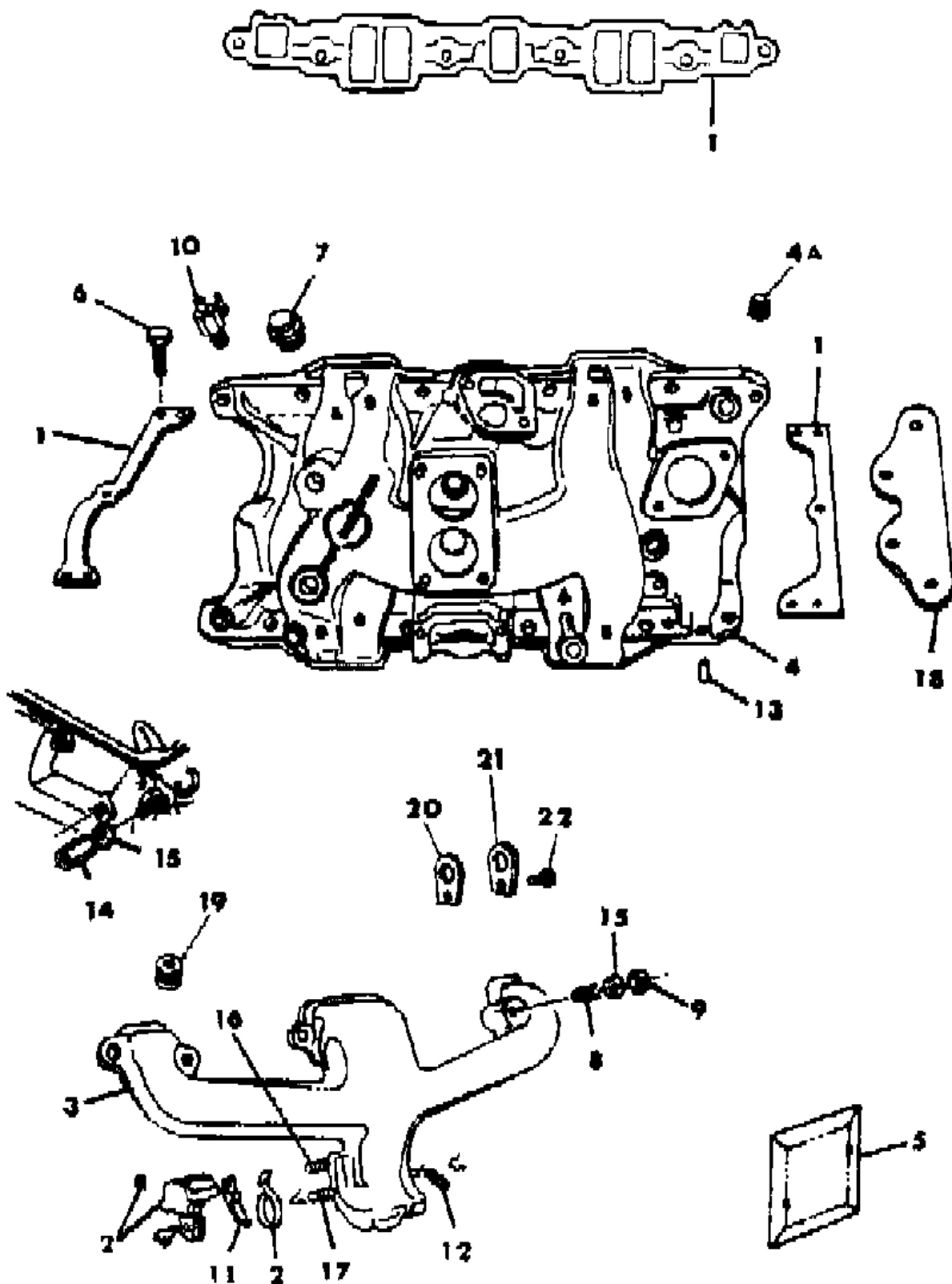
41 = 4-DOOR SEDAN

44 = 4-DOOR HATCHBACK

45 = 4-DOOR STATION WAGON

52-53 = FWD WAGON

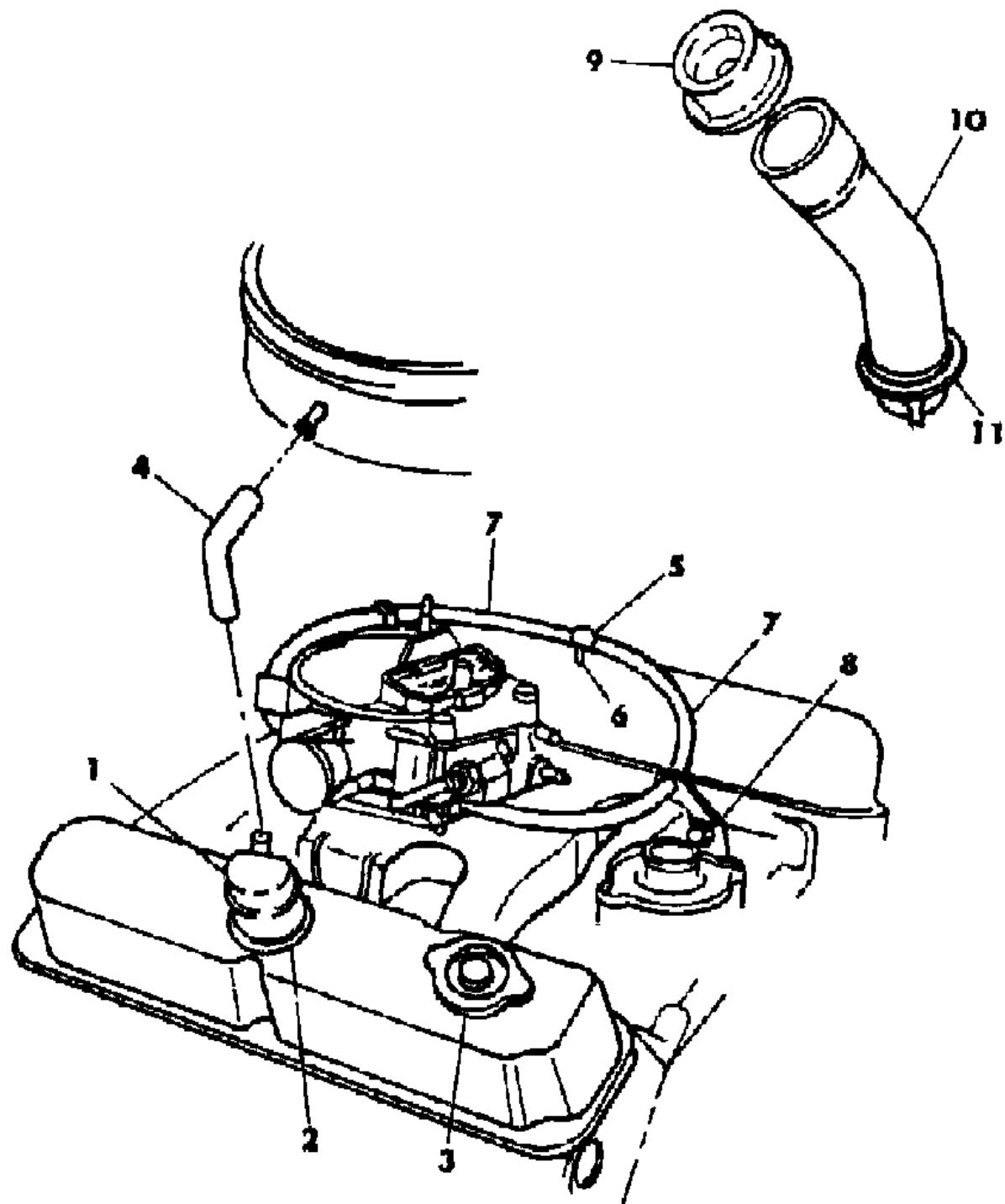
AR = Use as Required - = Non Illustrated Part P.A.R. = Paint as Required



CRANKCASE VENTILATION & OIL FILLER 5.2 L ENGINE

Figure 9C-700

7100 700



ITEM	PART NUMBER	QTY	BODY	MODEL	DESCRIPTION
NOTE 1 Part Number 4095681,4026146 Consists of 50Ft. Roll (Use as Required) SOCKET is approx. 1/16" to the right.					
1	4273 322	1			AIR CLEANER, Crankcase Vent Inlet
2	2946 079	1			GROMMET, Crankcase Vent Inlet Air Cleaner
3	4343 715	1			CAP, Oil Filler (except ELD-2Bbl H-Duty, ELE-4Bbl Police)
4	4026 146	AR			HOSE, Crankcase Vent Inlet Air Cleaner to Air Cleaner, 5.25 Lgh. required w/4BBL. (See Note 1)
	3512 778	1			HOSE, Crankcase Vent Inlet Air Cleaner to Air Cleaner, (Molded Hose Cut to Fit 2BBL Eng.)
5	3671 076	1			VALVE, Crankcase Vent
6	3751 510	1			GROMMET, Crankcase Vent Valve
7	4095 681	AR			HOSE, Crankcase Vent Valve to Carb., Cut to 19" Lgh. w/2 BBL. 318 Eng. (See Note 1)
	4343 604	1			(Molded Hose), w/4 BBL. 318 Eng.
8	4179 924	1			BRACKET, Crankcase Vent Hose Retainer, w/(318 4BBL. Eng.)
9	2960 622	1			CAP, Oil Filler w/(ELD 2BBL. H-Duty, ELE 4BBL. POLICE 318 Eng.)
	0126 085	1			RIVET, Oil Filler Cap
10	4173 223	1			TUBE, Oil Filler, w/(2BBL. H.D. 318 Eng., 4BBL. 318 Eng. Police Pkg.)
11	5214 876	1			GASKET, Oil Filter Tube (w/2BBL. H-Duty, 4BBL. 318Engine Police Pkg.)

MODEL CODES

E BODY = (J - CARAVELLE)(E - 600)(T - NEW YORKER)

G BODY = (V24 - DAYTONA)

H BODY = (D44 - LANCER)(C44 - LEBARON GTS)

J BODY = (C - LEBARON)

K BODY = (P - RELIANT)(D - ARIES)(C - LEBAROND)/TOWN & COUNTRY)

L BODY = (M - HORIZON/TURISMO)(Z - OMNI/CHARGER)

M BODY = (B - GRAN FURY)(F - FIFTH AVE/NEWPORT)(G - DIPLOMAT)

P BODY = (P - SUNDANCE)(D - SHADOW)

S BODY = (H - VOYAGER)(K - RAM VAN/CARAVAN)

BODY STYLES

12-13 = FWD VAN

21 = 2-DOOR SEDAN

24 = 2-DOOR HATCHBACK

27 = 2-DOOR CONVERTIBLE

41 = 4-DOOR SEDAN

44 = 4-DOOR HATCHBACK

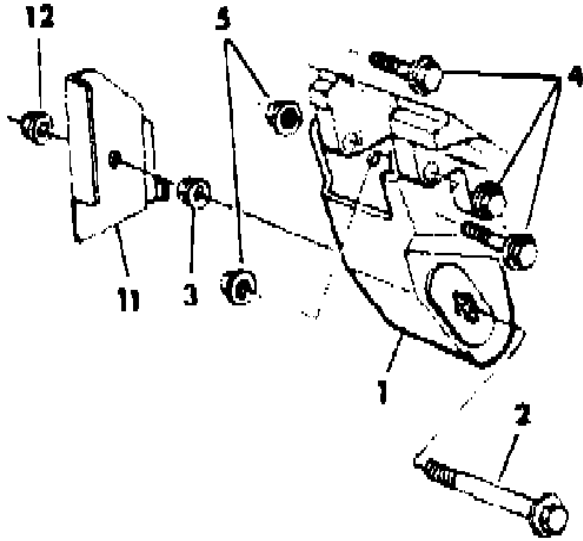
45 = 4-DOOR STATION WAGON

52-53 = FWD WAGON

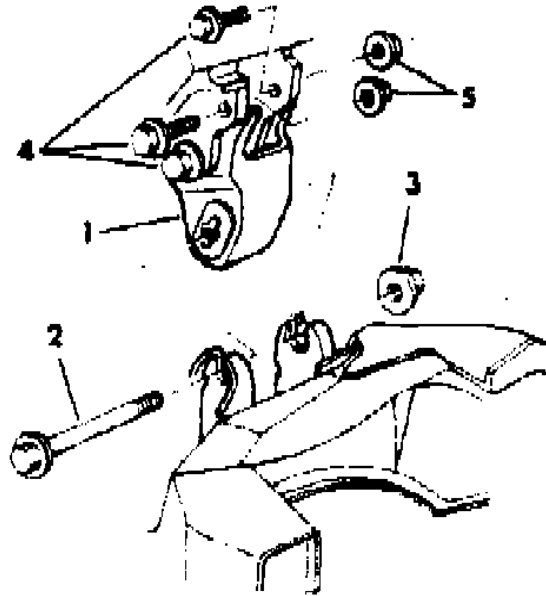
AR = Use as Required - = Non Illustrated Part P.A.R. = Paint as Required

ENGINE MOUNTING 5.2 L ENGINE
Figure 9C-800

7100 800 A



RIGHT SIDE FRT. ENQ. MTG. 318



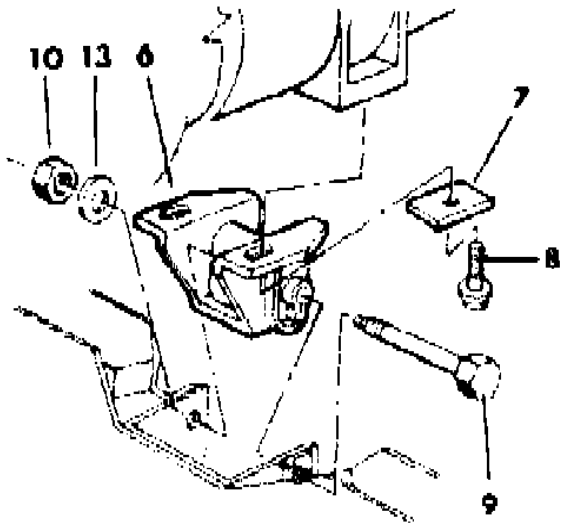
LEFT SIDE FRT. ENQ. MTG. 318

ITEM	PART NUMBER	QTY	BODY	MODEL	DESCRIPTION
1	3642 818	1			INSULATOR, Engine Front Support, Right, w/318 Eng.
	3817 237	1			Left, w/318 Eng.
2	6031 205	2			BOLT, Engine Front Support Insulator to Frame
3	6030 478	2			NUT, Insulator to Frame Bolt
4	6030 754	AR			SCREW, Insulator Bracket to Cylinder Block, Front Lug
	6030 713	2			SCREW, Insulator Bracket to Cylinder Block, Rear Lug
5		AR			NUT, Insulator Bracket to Cylinder Block (Not Serviced)
6					INSULATOR, Engine Rear Support
	4001 801	1			w/o Heavy Service Package
	3817 295	1			w/Heavy Service Package
7	3410 700	2			SPACER, Eng. Rear Support Insulator Brkt.
8	6033 358	2			SCREW, Eng. Rear Support
9	6028 237	1			BOLT, Eng. Rear Support Insulator to Crossmember Mounting
10	0152 348	1			NUT, Insulator to Crossmember Mounting Bolt
11	4237 022	1			SHIELD, Right, Engine Mount Heat, w/Catalytic Exhaust System
12	6030 478	1			NUT, Engine Mount Heat Shield
13	9417 098	1			WASHER, Insulator To Crossmember Mounting Bolt Nut

ection 27150.1 and with the Department of California Highway Patrols regulations adopted pursuant to Vehicle Code Section 27150.2 when used in the applications specified in this document.

State of California. applications specified in this document.

e 4000 feet elevation. applications specified in this document.



RR Eng. Mtg. 318 Eng.

MODEL CODES

E BODY = (J - CARAVELLE)(E - 600)(T - NEW YORKER)

G BODY = (V24 - DAYTONA)

H BODY = (D44 - LANCER)(C44 - LEBARON GTS)

J BODY = (C - LEBARON)

K BODY = (P - RELIANT)(D - ARIES)(C - LEBAROND)/TOWN & COUNTRY)

L BODY = (M - HORIZON/TURISMO)(Z - OMNI/CHARGER)

M BODY = (B - GRAN FURY)(F - FIFTH AVE/NEWPORT)(G - DIPLOMAT)

P BODY = (P - SUNDANCE)(D - SHADOW)

S BODY = (H - VOYAGER)(K - RAM VAN/CARAVAN)

BODY STYLES

12-13 = FWD VAN

21 = 2-DOOR SEDAN

24 = 2-DOOR HATCHBACK

27 = 2-DOOR CONVERTIBLE

41 = 4-DOOR SEDAN

44 = 4-DOOR HATCHBACK

45 = 4-DOOR STATION WAGON

52-53 = FWD WAGON

AR = Use as Required - = Non Illustrated Part P.A.R. = Paint as Required

GROUP 11 - EXHAUST

ILLUSTRATION TITLE **GROUP-FIG. NO.**

EXHAUST SYSTEMS

EXHAUST SYSTEM L BODY	Fig. 11-100
EXHAUST SYSTEM P,J,K,G,E,H BODY	Fig. 11-200
EXHAUST SYSTEM S BODY	Fig. 11-300
EXHAUST SYSTEM M BODY	Fig. 11-400

HEAT SHIELDS

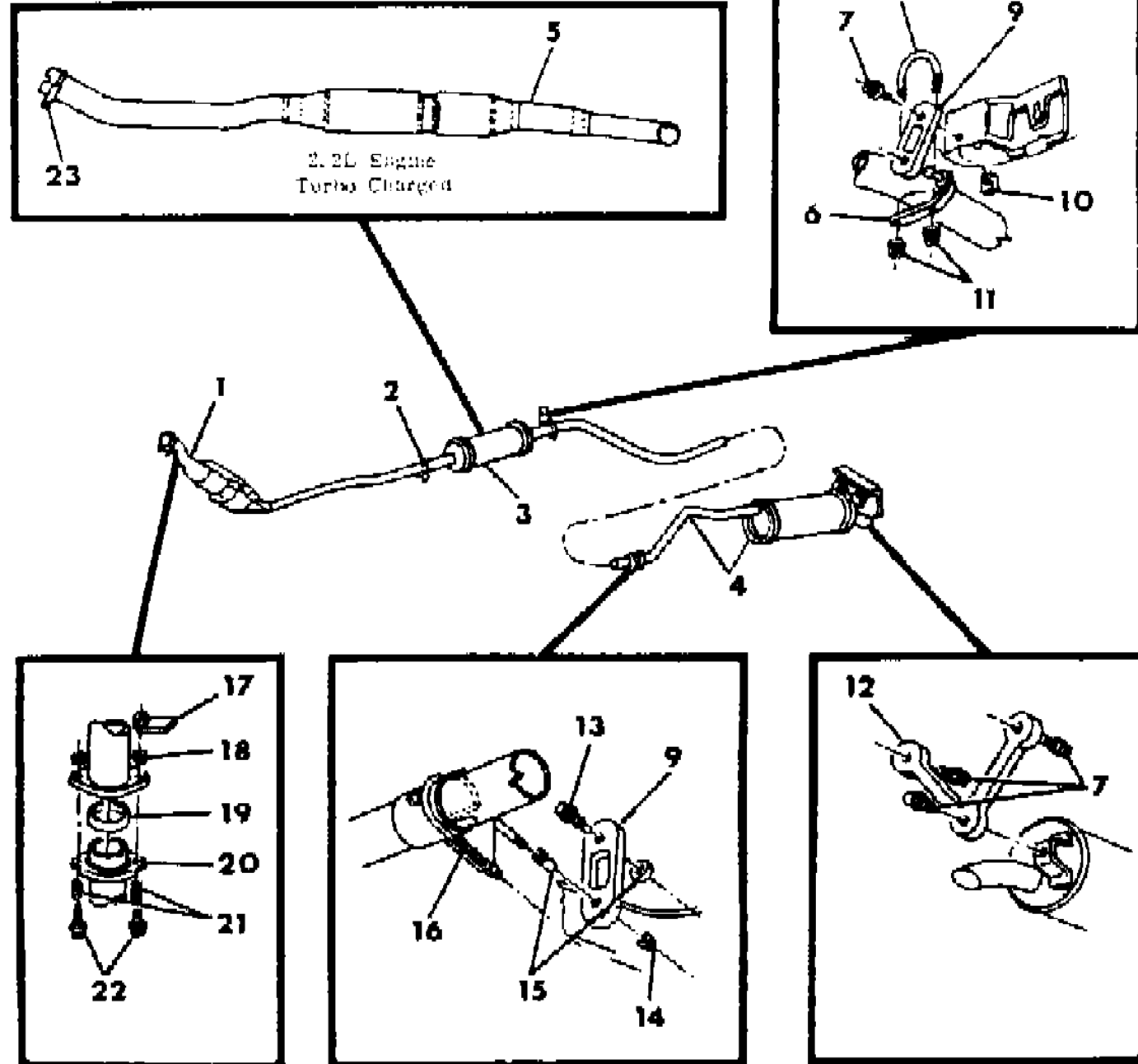
HEAT SHIELDS - EXHAUST L BODY	Fig. 11-500
HEAT SHIELDS - EXHAUST P,J,K,G,E,H BODY	Fig. 11-600
HEAT SHIELDS - EXHAUST S BODY	Fig. 11-700
HEAT SHIELDS - EXHAUST M BODY	Fig. 11-800

ILLUSTRATION NOT AVAILABLE AT TIME OF PUBLICATION

EXHAUST SYSTEM L BODY

Figure 11-100

7111 100 B



ITEM	PART NUMBER	QTY	BODY	MODEL	DESCRIPTION
1	4301 470	1			CONVERTER, Catalytic w/Pipes - Front 2.2L Eng. w/(S/C - EDE)
-	4301 394	1			PIPE, Exhaust 2.2L Eng. w/(S/C - EDG)
2	4301 378	1			CLAMP w/(S/C - EDE)
3					PIPE, Exhaust Extension
	4301 912	1		24	2.2L Eng. w/(S/C - EDE)
	4301 913	1		44	2.2L Eng. w/(S/C - EDE)
4					PIPE, Tail w/Muffler
	4301 902	1		24	2.2L Eng. w/(S/C - EDE)
	4301 906	1		24	2.2L Eng. w/(S/C - EDG)
	4301 905	1		44	2.2L Eng. w/(S/C - EDE)
5	4301 395	1		24	CONVERTER, Catalytic w/Pipes - Rear 2.2L Eng. w/(S/C - EDG)
6	4301 596	1			SUPPORT, Extension Pipe
7	6500 202	AR			SCREW, M8x1.25x35
8	4301 557	1			U-BOLT
9	5217 108	1			INSULATOR
10	6101 283	3			U-NUT, M8x1.25
11	6500 274	2			NUT, M6x1.0
12					INSULATOR, Tail Pipe Rear Support
	5217 133	1			w/(S/C - EDE)
	4150 798	1		24	w/(S/C - EDG)
13	6500 306	1			SCREW, M8x1.25x42
14	6500 305	1			NUT, M8x1.25
15	4131 336	AR			SPACER, Tail Pipe Front Support Insulator
16	#4419 686	1			SUPPORT, Tail Pipe Front w/(S/C - EDE)
17	4301 250	1			NUT w/(S/C - EDG) - Lt.
18					NUT, M8x1.25
	6100 499	2			w/(S/C - EDE)
	6100 499	1			w/(S/C - EDG) - Rt.
19					RING, Seal
	4301 350	1			w/(S/C - EDE)
	4301 436	1			w/(S/C - EDG)
20					FLANGE, Front Converter
	4150 799	1			exc. 2.2L Eng. w/(S/C -EDE)
	4301 443	1			2.2L Eng. w/(S/C - EDG)
21	4301 631	2			SPRING
22	5217 003	2			BOLT, M8x1.25x74.50
23	4301 410	1			CLAMP

MODEL CODES

E BODY = (J - CARAVELLE)(E - 600)(T - NEW YORKER)

G BODY = (V24 - DAYTONA)

H BODY = (D44 - LANCER)(C44 - LEBARON GTS)

J BODY = (C - LEBARON)

K BODY = (P - RELIANT)(D - ARIES)(C - LEBAROND)/TOWN & COUNTRY)

L BODY = (M - HORIZON/TURISMO)(Z - OMNI/CHARGER)

M BODY = (B - GRAN FURY)(F - FIFTH AVE/NEWPORT)(G - DIPLOMAT)

P BODY = (P - SUNDANCE)(D - SHADOW)

S BODY = (H - VOYAGER)(K - RAM VAN/CARAVAN)

BODY STYLES

12-13 = FWD VAN

21 = 2-DOOR SEDAN

24 = 2-DOOR HATCHBACK

27 = 2-DOOR CONVERTIBLE

41 = 4-DOOR SEDAN

44 = 4-DOOR HATCHBACK

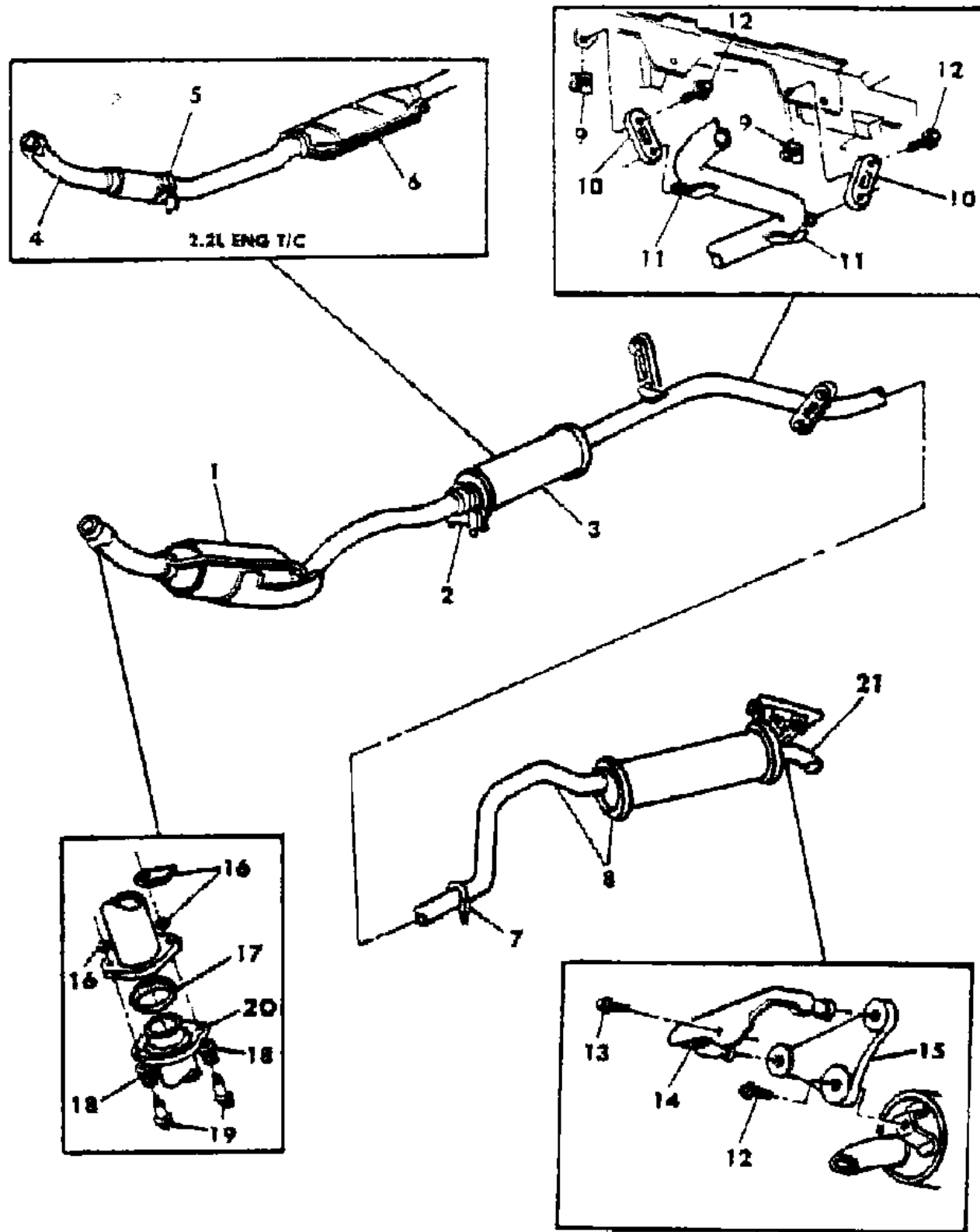
45 = 4-DOOR STATION WAGON

52-53 = FWD WAGON

AR = Use as Required - = Non Illustrated Part P.A.R. = Paint as Required

EXHAUST SYSTEM P,J,K,G,E,H BODY
Figure 11-200

7111 200 C



ITEM	PART NUMBER	QTY	BODY	MODEL	DESCRIPTION
1					CONVERTER, Catalytic w/Pipes - Front
	4301 727	1	K,E,H		2.2L Eng. w/(S/C - EDF) w/(S/C - NAA, NAF)
	4301 657	1	P		2.2L Eng. w/(S/C - EDF) w/(S/C - NAA, NAF) up to 8-19-86
	4301 715	1	P		after 8-19-86
	4301 728	1	K,E,H		2.2L Eng. w/(S/C - EDF) w/(S/C - NAE)
	4301 658	1	P		2.2L Eng. w/(S/C - EDF) w/(S/C - NAE) up to 8-19-86
	4301 716	1	P		after 8-19-86
	4301 684	1	K,E,H		2.2L Eng. w/(S/C - EDF) w/(S/C - NAA) - Canada
	4301 518	1	P		2.2L Eng. w/(S/C - EDF) w/(S/C - NAA) - Canada up to 8-19-86
	4301 789	1	P		after 8-19-86
	4301 732	1	K,E		2.5L Eng.
	4301 663	1	K,E		2.5L Eng. w/Hole
	4301 717	1	J,G		2.5L Eng. w/(S/C - NAA, NAF)- Man. Trans.
	4301 718	1	J,G		2.5L Eng. w/(S/C - NAA, NAF) - Auto. Trans.
	4301 731	1	H		2.5L Eng. w/(S/C - NAA, NAF) - Man. Trans.
	4301 732	1	H		2.5L Eng. w/(S/C - NAA, NAF) - Auto. Trans.
	4301 718	1	J,G		2.5L Eng. w/(S/C - NAE)
	4301 732	1	H		2.5L Eng. w/(S/C - NAE)
	4301 685	1	K,E,H		2.5L Eng. w/(S/C - NAA) - Canada
	4301 923	1	J,G		2.5L Eng. w/(S/C - NAA) - Canada
2	4301 378	1			CLAMP exc. w/(S/C - EDG)
3					PIPE, Exhaust Extension
	4301 846	1	H		2.2L Eng. w/(S/C - EDF)
	4301 845	1	K	P,D	2.2L Eng. w/(S/C - EDF)
	4301 453	1	P		2.2L Eng. w/(S/C - EDF) up to 8-19-86
	4301 779	1	P		after 8-19-86
	4301 779	1	G		2.5L Eng.
	4301 846	1	H		2.5L Eng. w/Resonator
	4301 776	1	E		2.2L Eng. w/(S/C - EDF)
	4301 781	1	K	C	2.2L Eng. w/(S/C - EDF)
	4301 492	1	P		2.2L Eng. w/(S/C - EDF) w/(S/C - NAA) - Canada up to 8-19-86
	4301 787	1	H		2.2L Eng. w/(S/C - EDF) w/(S/C - NAA) - Canada
	4301 781	1	K		2.2L Eng. w/(S/C - EDF) w/(S/C - NAA) - Canada
	4301 776	1	E		2.5L Eng.
	4301 687	1	J		2.5L Eng.
	4301 781	1	K		2.5L Eng.
	4301 785	1	G		2.5L Eng. (w/(S/C - NAA) - Canada

MODEL CODES

E BODY = (J - CARAVELLE)(E - 600)(T - NEW YORKER)

G BODY = (V24 - DAYTONA)

H BODY = (D44 - LANCER)(C44 - LEBARON GTS)

J BODY = (C - LEBARON)

K BODY = (P - RELIANT)(D - ARIES)(C - LEBAROND)/TOWN & COUNTRY)

L BODY = (M - HORIZON/TURISMO)(Z - OMNI/CHARGER)

M BODY = (B - GRAN FURY)(F - FIFTH AVE/NEWPORT)(G - DIPLOMAT)

P BODY = (P - SUNDANCE)(D - SHADOW)

S BODY = (H - VOYAGER)(K - RAM VAN/CARAVAN)

BODY STYLES

12-13 = FWD VAN

21 = 2-DOOR SEDAN

24 = 2-DOOR HATCHBACK

27 = 2-DOOR CONVERTIBLE

41 = 4-DOOR SEDAN

44 = 4-DOOR HATCHBACK

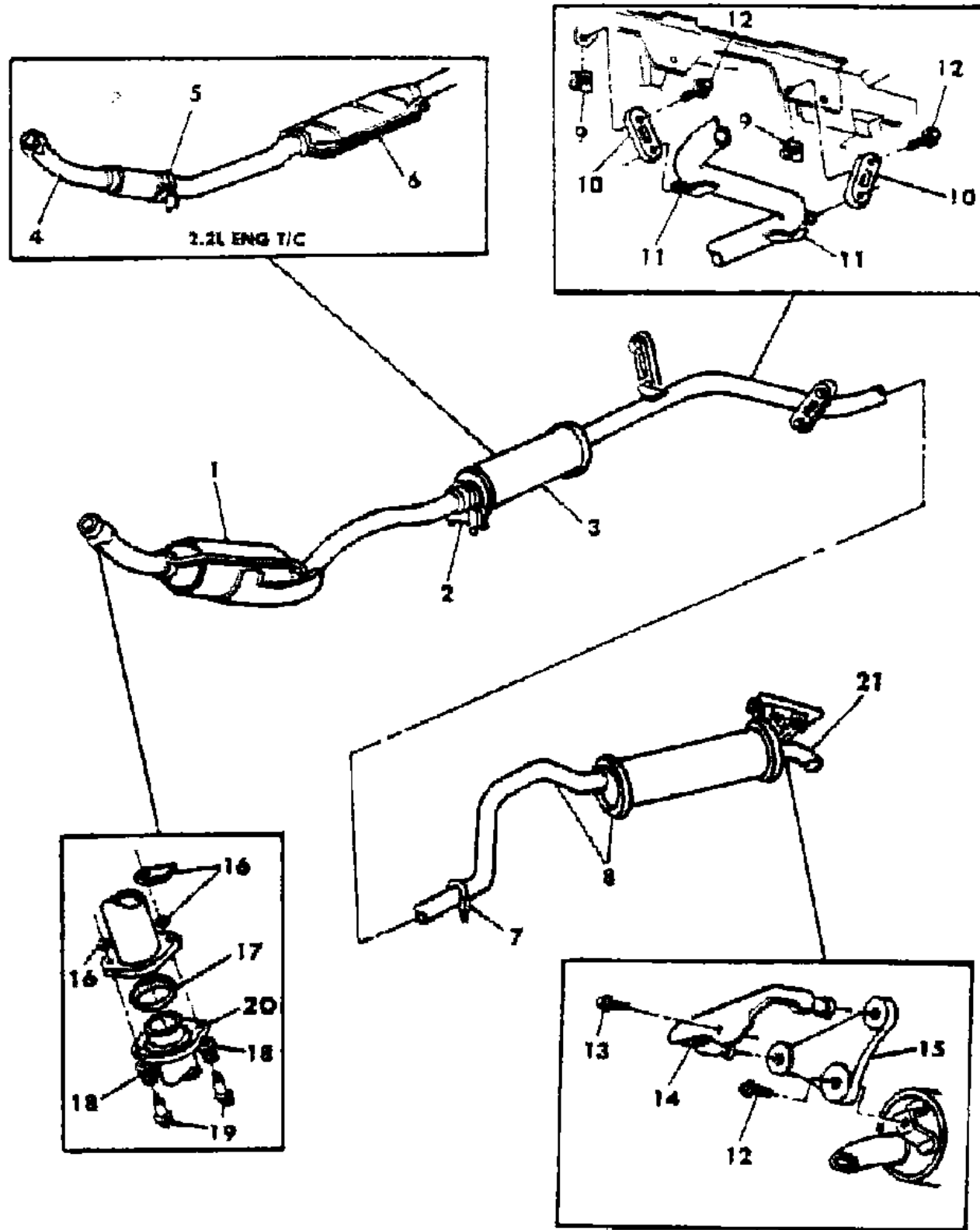
45 = 4-DOOR STATION WAGON

52-53 = FWD WAGON

AR = Use as Required - = Non Illustrated Part P.A.R. = Paint as Required

EXHAUST SYSTEM P,J,K,G,E,H BODY
Figure 11-200

7111 200 C



ITEM	PART NUMBER	QTY	BODY	MODEL	DESCRIPTION
	4301 787	1	H		2.5L Eng. w/(S/C - NAA) - Canada
4	#4301 930	1	K,E,H		PIPE, Exhaust 2.2L Eng. w/(S/C - EDG, EDR)
	4301 742	1	J,G		
	4301 037	1	P		
5	4301 050	1			CLAMP 2.2L Eng. w/(S/C - EDG, EDR)
6					CONVERTER, Cayalytic w/Pipes - Rear
	4301 735	1	E,H		2.2L Eng. w/(S/C - EDG)
	4301 725	1	G		2.2L Eng. w/(S/C - EDG, EDR)
	4301 736	1	J		2.2L Eng. w/(S/C - EDG)
	4301 734	1	K		2.2L Eng. w/(S/C - EDG)
	4301 460	1	P		2.2L Eng. w/(S/C - EDG) up to 8-19-86
	4301 762	1	P		after 8-19-86
7	4301 740	1			CLAMP
	4301 378	1	K	P,D	w/Police Pkg.
8					PIPE, Tail w/Muffler
	4301 809	1	E		2.2L Eng. w/(S/C - EDF)
	4301 828	1	H		2.2L Eng. w/(S/C - EDF)
	4301 822	1	K	C	2.2L Eng. w/(S/C - EDF)
	4301 811	1	K	P,D	2.2L Eng. w/(S/C - EDF)
	4301 653	1	P		2.2L Eng. w/(S/C - EDF) up to 8-19-86
	4301 805	1	P		after 8-19-86
	4301 822	1	K	P,D	2.2L Eng. w/(S/C - EDF) w/(S/C - NAA) - Canada
	4301 849	1	E		2.2L Eng. w/(S/C - EDG)
	4301 836	1	G		2.2L Eng. w/(S/C - EDG)
	4301 655	1	P		2.2L Eng. w/(S/C - EDG) up to 8-19-86
	4301 830	1	P		after 8-19-86
	4301 830	1	H		2.2L Eng. w/(S/C - EDG)
	4301 928	1	J		2.2L Eng. w/(S/C - EDG)
	4301 832	1	K		2.2L Eng. w/(S/C - EDG)
	4301 838	1	G		2.2L Eng. w/(S/C - EDR)
	4301 809	1	E		2.5L Eng.
	4301 826	1	G		2.5L Eng.
	4301 828	1	H		2.5L Eng.
	4301 703	1	J		2.5L Eng.
	4301 822	1	K		2.5L Eng.
9	6101 283	2			U-NUT, M8x1.25
10	5217 108	2			INSULATOR, Extension Pipe Support
11	#4301 834	1			BRACKET, Exhaust Extension Pipe Support exc. w/(S/C - EDG)

MODEL CODES

E BODY = (J - CARAVELLE)(E - 600)(T - NEW YORKER)

G BODY = (V24 - DAYTONA)

H BODY = (D44 - LANCER)(C44 - LEBARON GTS)

J BODY = (C - LEBARON)

K BODY = (P - RELIANT)(D - ARIES)(C - LEBAROND)/TOWN & COUNTRY)

L BODY = (M - HORIZON/TURISMO)(Z - OMNI/CHARGER)

M BODY = (B - GRAN FURY)(F - FIFTH AVE/NEWPORT)(G - DIPLOMAT)

P BODY = (P - SUNDANCE)(D - SHADOW)

S BODY = (H - VOYAGER)(K - RAM VAN/CARAVAN)

BODY STYLES

12-13 = FWD VAN

21 = 2-DOOR SEDAN

24 = 2-DOOR HATCHBACK

27 = 2-DOOR CONVERTIBLE

41 = 4-DOOR SEDAN

44 = 4-DOOR HATCHBACK

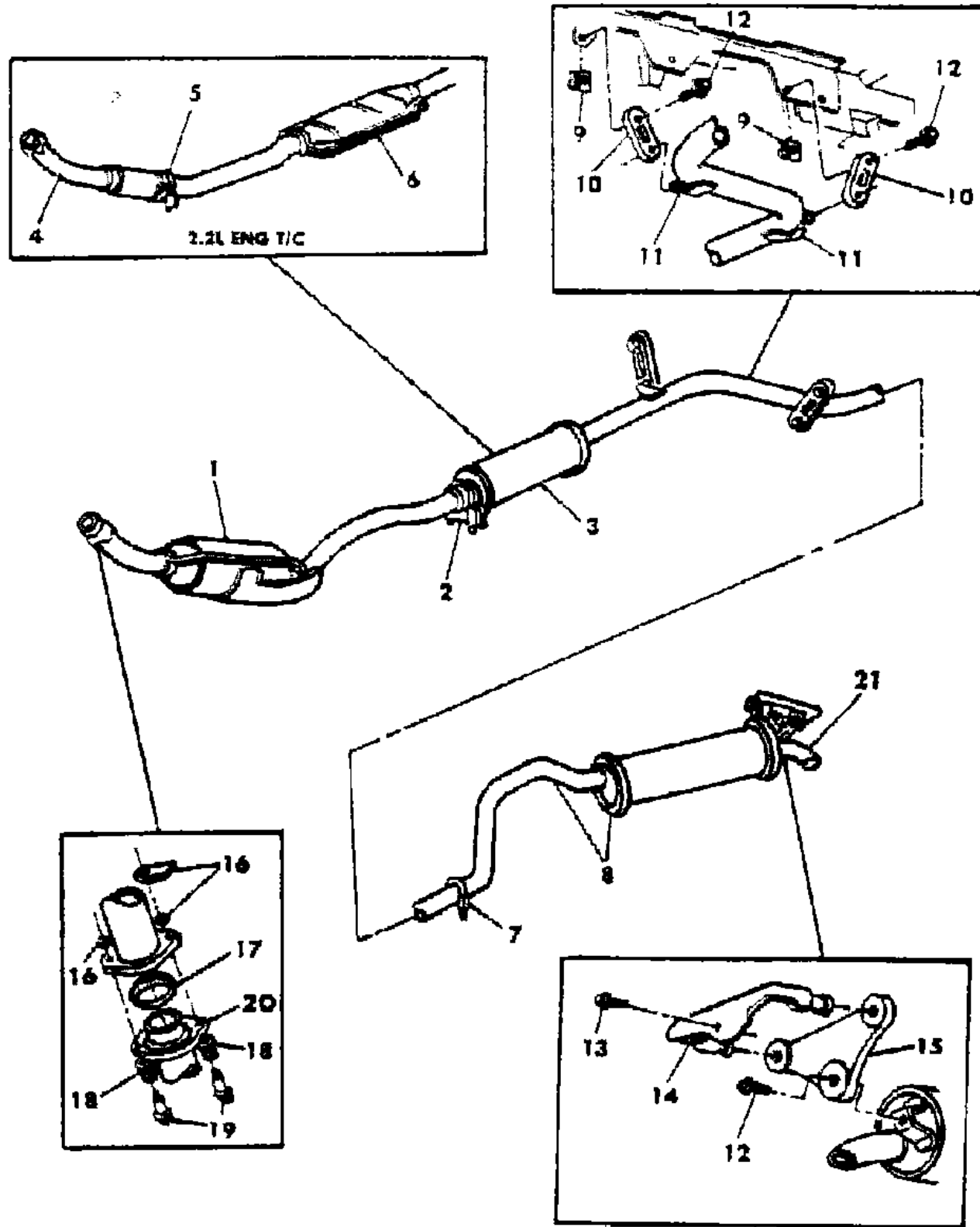
45 = 4-DOOR STATION WAGON

52-53 = FWD WAGON

AR = Use as Required - = Non Illustrated Part P.A.R. = Paint as Required

EXHAUST SYSTEM P,J,K,G,E,H BODY
Figure 11-200

7111 200 C



ITEM	PART NUMBER	QTY	BODY	MODEL	DESCRIPTION
12	6500 202	3			BOLT, Shoulder, M8x1.25x35
13	6100 590	1			SCREW, M8x1.25x20
14	4301 619	1			BRACKET, Muffler Support
15	4301 848	1			INSULATOR, Muffler Support
	4150 798	1	P		up to 8-19-86
16					NUT
	6100 499	2			exc. w/(S/C - EDG, EDR), M8x1.25
	6100 499	1			Rt. w/(S/C - EDG, EDR)
	4301 250	1			Lt. w/(S/C - EDG, EDR)
17					RING, Seal
	4301 350	1			exc. w/(S/C - EDG, EDR)
	4301 436	1			w/(S/C - EDG, EDR)
18	4301 631	2			SPRING
19	5217 003	2			BOLT, M8x1.25x74.50
20					FLANGE, Front Converter
	4150 799	1			2.2L Eng. w/(S/C - EDF) & 2.5L Eng.
	4301 443	1			2.2L Eng. w/(S/C - EDG)
21	4370 150	1	H		TIP, Exhaust Pipe - Shelby Lancer
-	#4301 741	1	H		CLAMP, Exhaust Pipe Tip - Shelby Lancer (not shown)

MODEL CODES

E BODY = (J - CARAVELLE)(E - 600)(T - NEW YORKER)

G BODY = (V24 - DAYTONA)

H BODY = (D44 - LANCER)(C44 - LEBARON GTS)

J BODY = (C - LEBARON)

K BODY = (P - RELIANT)(D - ARIES)(C - LEBAROND)/TOWN & COUNTRY)

L BODY = (M - HORIZON/TURISMO)(Z - OMNI/CHARGER)

M BODY = (B - GRAN FURY)(F - FIFTH AVE/NEWPORT)(G - DIPLOMAT)

P BODY = (P - SUNDANCE)(D - SHADOW)

S BODY = (H - VOYAGER)(K - RAM VAN/CARAVAN)

BODY STYLES

12-13 = FWD VAN

21 = 2-DOOR SEDAN

24 = 2-DOOR HATCHBACK

27 = 2-DOOR CONVERTIBLE

41 = 4-DOOR SEDAN

44 = 4-DOOR HATCHBACK

45 = 4-DOOR STATION WAGON

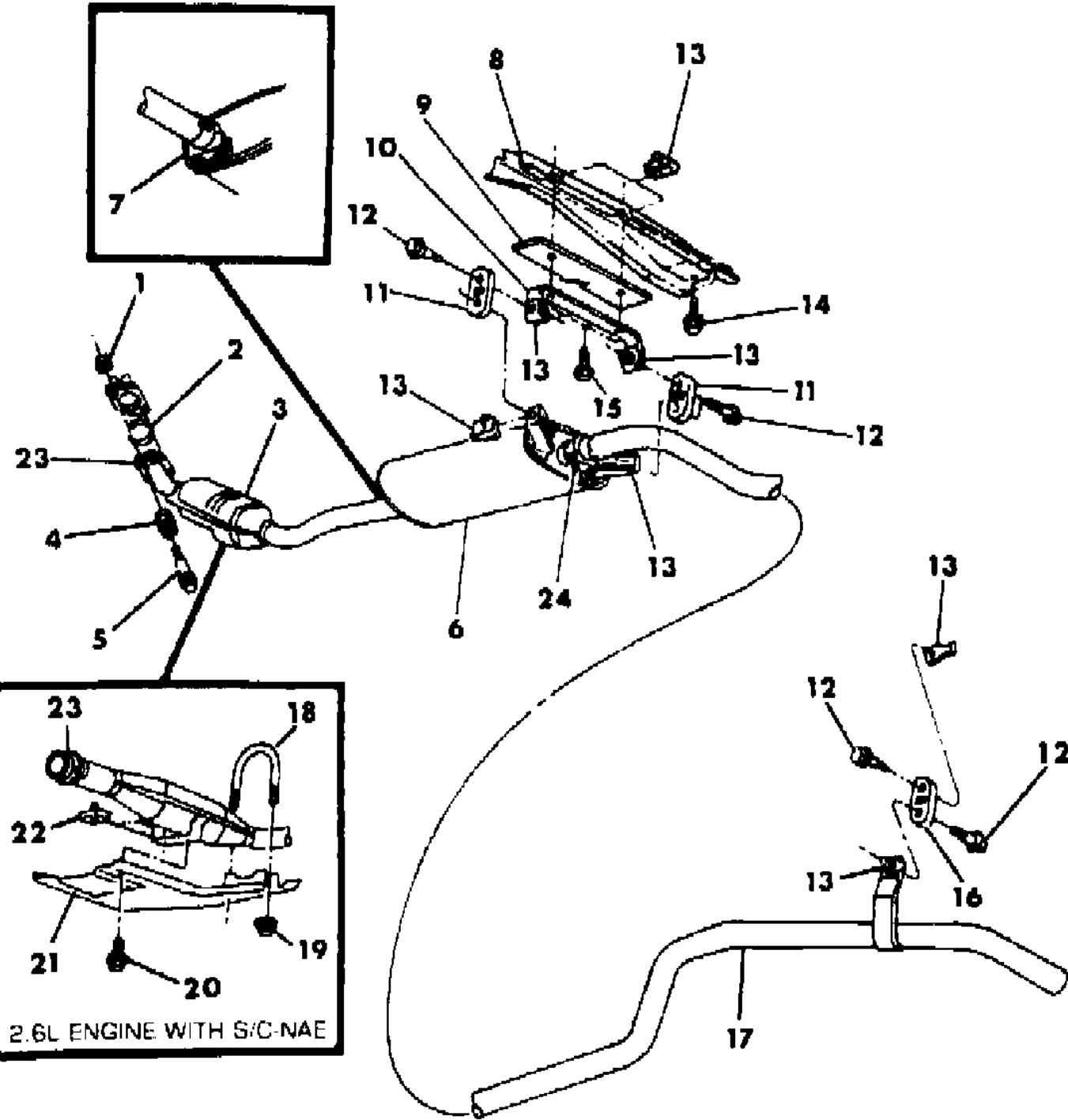
52-53 = FWD WAGON

AR = Use as Required - = Non Illustrated Part P.A.R. = Paint as Required

EXHAUST SYSTEM S BODY

Figure 11-300

7111 300 B



ITEM	PART NUMBER	QTY	BODY	MODEL	DESCRIPTION
1	#6100 499	2			NUT, M8x1.25
2	4301 350	1			RING, Seal exc. 3.0L Eng.
	4301 436	1			3.0L Eng.
3					CONVERTER, Catalytic w/Pipes - Front
	4301 752	1			2.2L Eng. w/(S/C - NAE, NAF)
	4301 763	1			2.2L Eng. w/(S/C - NAA)
	4427 084	1			2.2L Eng. w/(S/C - NAA) - Canada
	MD10 7975	1			2.6L Eng. w/(S/C - NAE)
	4301 763	1			2.6L Eng. w/(S/C - NAC, NAF)
-	4301 851	1			CONVERTER, Catalytic w/Pipe - Rear 2.5L Eng.
	4301 938	1			3.0L Eng. - exc. Canada
	4301 759	1			3.0L Eng. w/(S/C - NAA) - Canada
-	4301 760	1			PIPE, Exhaust w/Resonator 2.6L Eng. w/(S/C - NAD) - Canada
4	4301 631	2			SPRING
5	5217 003	2			BOLT, M8x1.25x74.50
6					MUFFLER
	4301 709	1			2.2L Eng.
	4301 756	1			2.5L Eng.
	4301 843	1			2.6L Eng.
	4301 712	1			3.0L Eng. w/o Ext. W.B.
	4427 010	1			3.0L Eng. w/Ext. W.B.
7					CLAMP, Muffler Inlet
	4301 081	1			exc. 3.0L Eng.
	4301 410	1			3.0L Eng.
8	#4301 739	1			CROSSMEMBER, Muffler Support Mounting
9		1			SHIELD, Heat (refer to illus. 700)
10	4301 754	1			BRACKET, Muffler Support to Crossmember
11	4427 092	2			INSULATOR, Muffler Support
12	6500 306	6			BOLT, Shoulder, M8x1.25x42
13	6101 283	8			U-NUT, M8x1.25
14	6500 879	4			SCREW, M8x1.25x30
15	6100 304	2			SCREW, M8x1.25x25
16					INSULATOR, Tail Pipe Support
	4301 960	1			w/o Ext. W.B.
	4427 092	1			w/Ext. W.B.
17					PIPE, Tail

MODEL CODES

E BODY = (J - CARAVELLE)(E - 600)(T - NEW YORKER)

G BODY = (V24 - DAYTONA)

H BODY = (D44 - LANCER)(C44 - LEBARON GTS)

J BODY = (C - LEBARON)

K BODY = (P - RELIANT)(D - ARIES)(C - LEBAROND)/TOWN & COUNTRY)

L BODY = (M - HORIZON/TURISMO)(Z - OMNI/CHARGER)

M BODY = (B - GRAN FURY)(F - FIFTH AVE/NEWPORT)(G - DIPLOMAT)

P BODY = (P - SUNDANCE)(D - SHADOW)

S BODY = (H - VOYAGER)(K - RAM VAN/CARAVAN)

BODY STYLES

12-13 = FWD VAN

21 = 2-DOOR SEDAN

24 = 2-DOOR HATCHBACK

27 = 2-DOOR CONVERTIBLE

41 = 4-DOOR SEDAN

44 = 4-DOOR HATCHBACK

45 = 4-DOOR STATION WAGON

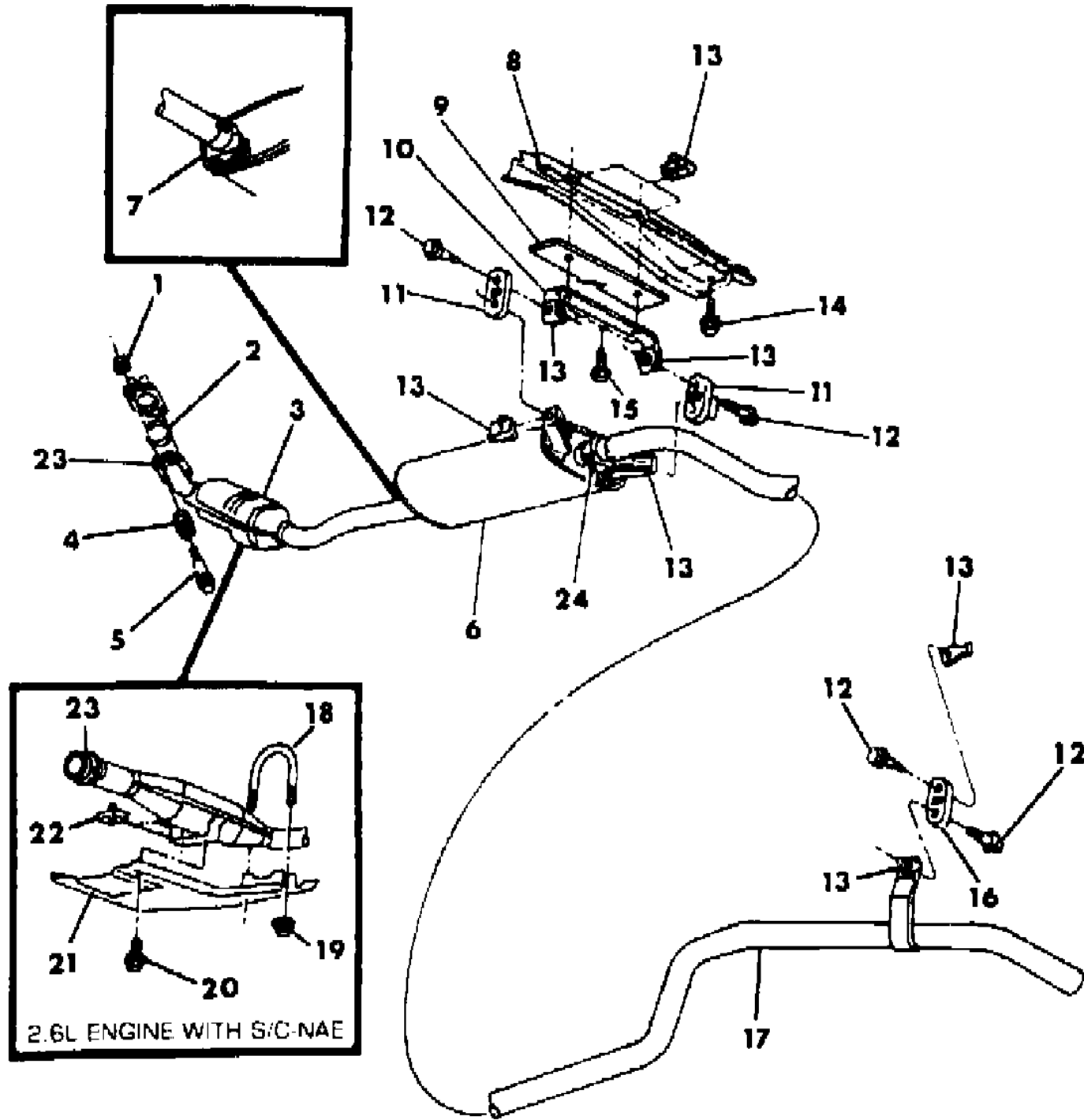
52-53 = FWD WAGON

AR = Use as Required - = Non Illustrated Part P.A.R. = Paint as Required

EXHAUST SYSTEM S BODY

Figure 11-300

7111 300 B



ITEM	PART NUMBER	QTY	BODY	MODEL	DESCRIPTION
	4301 711	1			2.2L & 2.6L Eng.
	4301 714	1			2.5L Eng.
	-				PIPE, Tail w/Resonator
	4301 944	1			3.0L Eng. w/o Ext. W.B.
	4301 951	1			3.0L Eng. w/Ext. W.B.
18	4150 513	1			U-BOLT, Heat Shield Saddle Bracket
19	6500 274	2			NUT, M6x1
20	6100 276	2			SCREW and WASHER, M6x1.0x20
21	4150 939	1			SHIELD, Front Converter Heat
22	6101 308	2			U-NUT, M6x1.0
23	4150 799	1			FLANGE, Front Converter
24	4301 081	1			CLAMP, Muffler Outlet - 3.0L Eng.

MODEL CODES

E BODY = (J - CARAVELLE)(E - 600)(T - NEW YORKER)

G BODY = (V24 - DAYTONA)

H BODY = (D44 - LANCER)(C44 - LEBARON GTS)

J BODY = (C - LEBARON)

K BODY = (P - RELIANT)(D - ARIES)(C - LEBAROND)/TOWN & COUNTRY)

L BODY = (M - HORIZON/TURISMO)(Z - OMNI/CHARGER)

M BODY = (B - GRAN FURY)(F - FIFTH AVE/NEWPORT)(G - DIPLOMAT)

P BODY = (P - SUNDANCE)(D - SHADOW)

S BODY = (H - VOYAGER)(K - RAM VAN/CARAVAN)

BODY STYLES

12-13 = FWD VAN

21 = 2-DOOR SEDAN

24 = 2-DOOR HATCHBACK

27 = 2-DOOR CONVERTIBLE

41 = 4-DOOR SEDAN

44 = 4-DOOR HATCHBACK

45 = 4-DOOR STATION WAGON

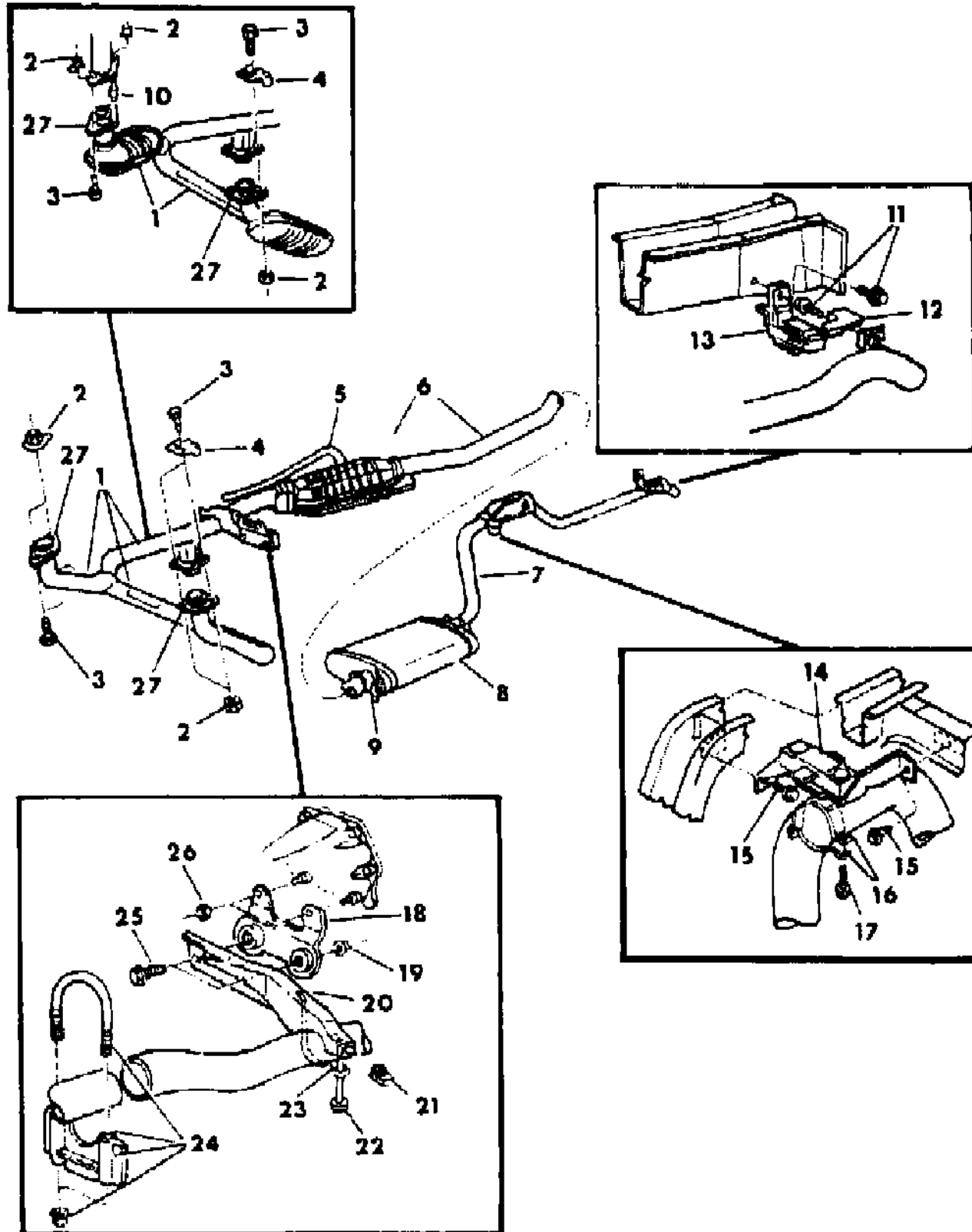
52-53 = FWD WAGON

AR = Use as Required - = Non Illustrated Part P.A.R. = Paint as Required

EXHAUST SYSTEM M BODY

Figure 11-400

7111 400 A



ITEM	PART NUMBER	QTY	BODY	MODEL	DESCRIPTION
1	4301 880	1			PIPE, Exhaust - Canada
	4150 524	1			CONVERTER, Catalytic w/Pipes - Front
	4301 896	1			318 Eng. 2 Bbl.
					318 Eng. 4 Bbl.
2					NUT
	6031 959	AR			Right
	6025 405	AR			Left, 3/8-16
3	0181 127	AR			BOLT, 3/8-16 x 2-1/4"
4	4004 001	2			RETAINER
5	4150 638	1			TUBE, Airline to Catalytic Converter
6	4150 744	1			CONVERTER, Catalytic w/Pipes - Rear
					exc. Canada
	4301 644	1			Canada
7					PIPE, Tail
	4301 873	1			318 Eng. 2 Bbl.
	4301 877	1			318 Eng. 4 Bbl.
8					MUFFLER
	4301 875	1			318 Eng. 2 Bbl.
	4301 879	1			318 Eng. 4 Bbl.
					PIPE, Tail w/Muffler
	4301 872	1			318 Eng. 2 Bbl.
	4301 876	1			318 Eng. 4 Bbl.
9					CLAMP, Saddle
	4301 378	1			Inlet
	4004 961	1			Outlet - 2Bbl.
	4150 277	1			Outlet - 4Bbl.
10	6031 888	1			STUD, Shoulder, 3/8-16 x 2-3/8"
11	6031 734	2			SCREW, 5/16-18 x 1
12	4004 940	1			BLADE, Tail Pipe Rear Support
13	4004 742	1			SUPPORT, Tail Pipe Rear
14	4004 581	1			BRACKET, Tail Pipe Front Support
15	6031 734	2			SCREW, 5/16-18 x 1
16					SUPPORT, Tail Pipe - Front
	4004 552	1			Natural
	4004 553	1			Silver
17	6027 086	1			SCREW
18	4150 623	1			PLATE, Catalytic Converter Support Bracket
19	0118 614	2			NUT, 5/16-18

MODEL CODES

E BODY = (J - CARAVELLE)(E - 600)(T - NEW YORKER)

G BODY = (V24 - DAYTONA)

H BODY = (D44 - LANCER)(C44 - LEBARON GTS)

J BODY = (C - LEBARON)

K BODY = (P - RELIANT)(D - ARIES)(C - LEBAROND)/TOWN & COUNTRY)

L BODY = (M - HORIZON/TURISMO)(Z - OMNI/CHARGER)

M BODY = (B - GRAN FURY)(F - FIFTH AVE/NEWPORT)(G - DIPLOMAT)

P BODY = (P - SUNDANCE)(D - SHADOW)

S BODY = (H - VOYAGER)(K - RAM VAN/CARAVAN)

BODY STYLES

12-13 = FWD VAN

21 = 2-DOOR SEDAN

24 = 2-DOOR HATCHBACK

27 = 2-DOOR CONVERTIBLE

41 = 4-DOOR SEDAN

44 = 4-DOOR HATCHBACK

45 = 4-DOOR STATION WAGON

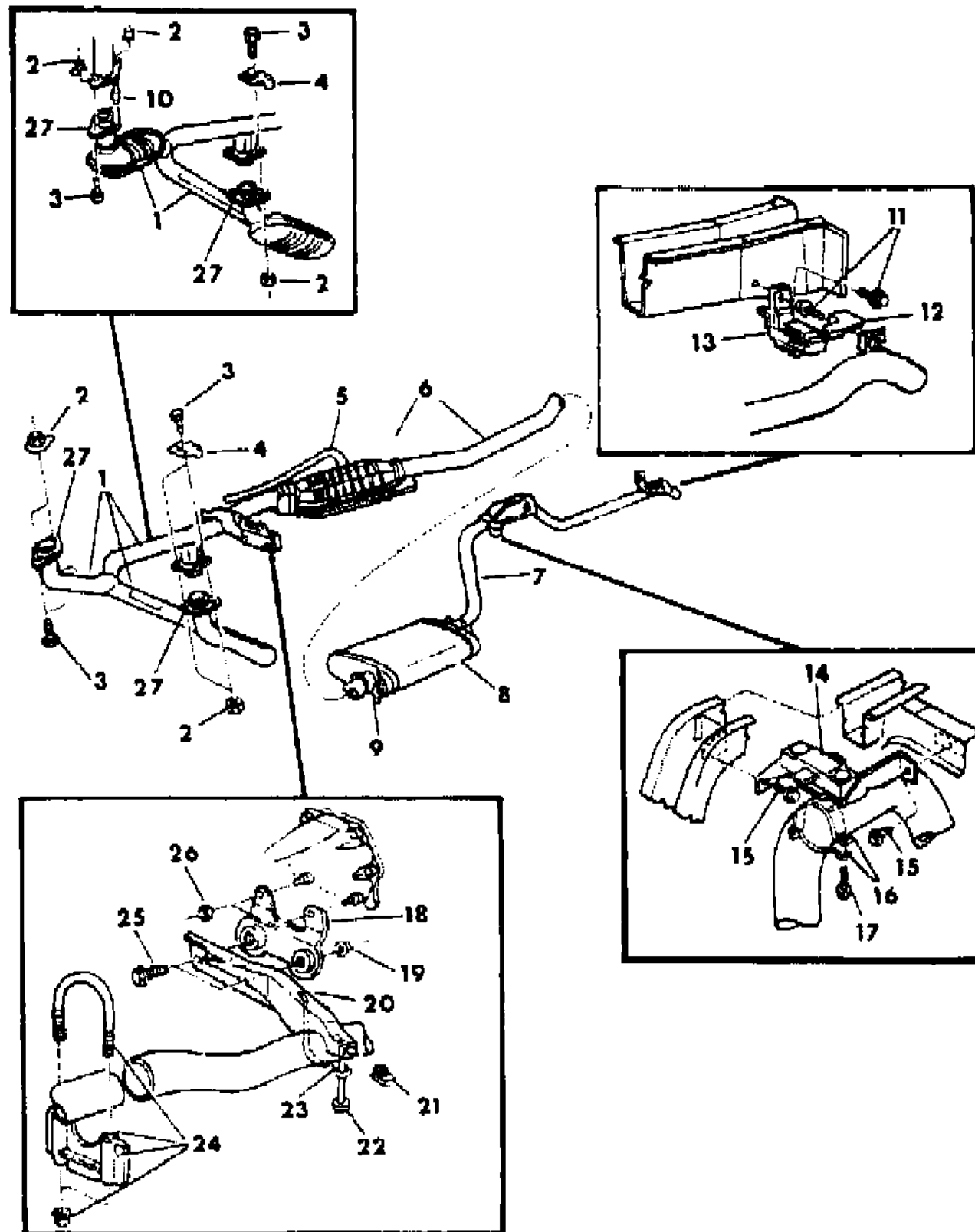
52-53 = FWD WAGON

AR = Use as Required - = Non Illustrated Part P.A.R. = Paint as Required

EXHAUST SYSTEM M BODY

Figure 11-400

7111 400 A



ITEM	PART NUMBER	QTY	BODY	MODEL	DESCRIPTION
20	4150 334	1			BRACKET, Catalytic Converter Support
21	6029 355	1			U-NUT, 5/16-18
22	0153 190	1			SCREW, 5/16-18 x 2-3/4"
23	4150 219	1			CLAMP 2.25
24	4004 961	1			CLAMP, Saddle
25	6022 245	1			SCREW, 5/16-18 x 1-1/2"
26	6025 405	2			NUT, 3/8-16
27	4004 700	1			FLANGE, Front Converter

MODEL CODES

E BODY = (J - CARAVELLE)(E - 600)(T - NEW YORKER)

G BODY = (V24 - DAYTONA)

H BODY = (D44 - LANCER)(C44 - LEBARON GTS)

J BODY = (C - LEBARON)

K BODY = (P - RELIANT)(D - ARIES)(C - LEBAROND)/TOWN & COUNTRY)

L BODY = (M - HORIZON/TURISMO)(Z - OMNI/CHARGER)

M BODY = (B - GRAN FURY)(F - FIFTH AVE/NEWPORT)(G - DIPLOMAT)

P BODY = (P - SUNDANCE)(D - SHADOW)

S BODY = (H - VOYAGER)(K - RAM VAN/CARAVAN)

BODY STYLES

12-13 = FWD VAN

21 = 2-DOOR SEDAN

24 = 2-DOOR HATCHBACK

27 = 2-DOOR CONVERTIBLE

41 = 4-DOOR SEDAN

44 = 4-DOOR HATCHBACK

45 = 4-DOOR STATION WAGON

52-53 = FWD WAGON

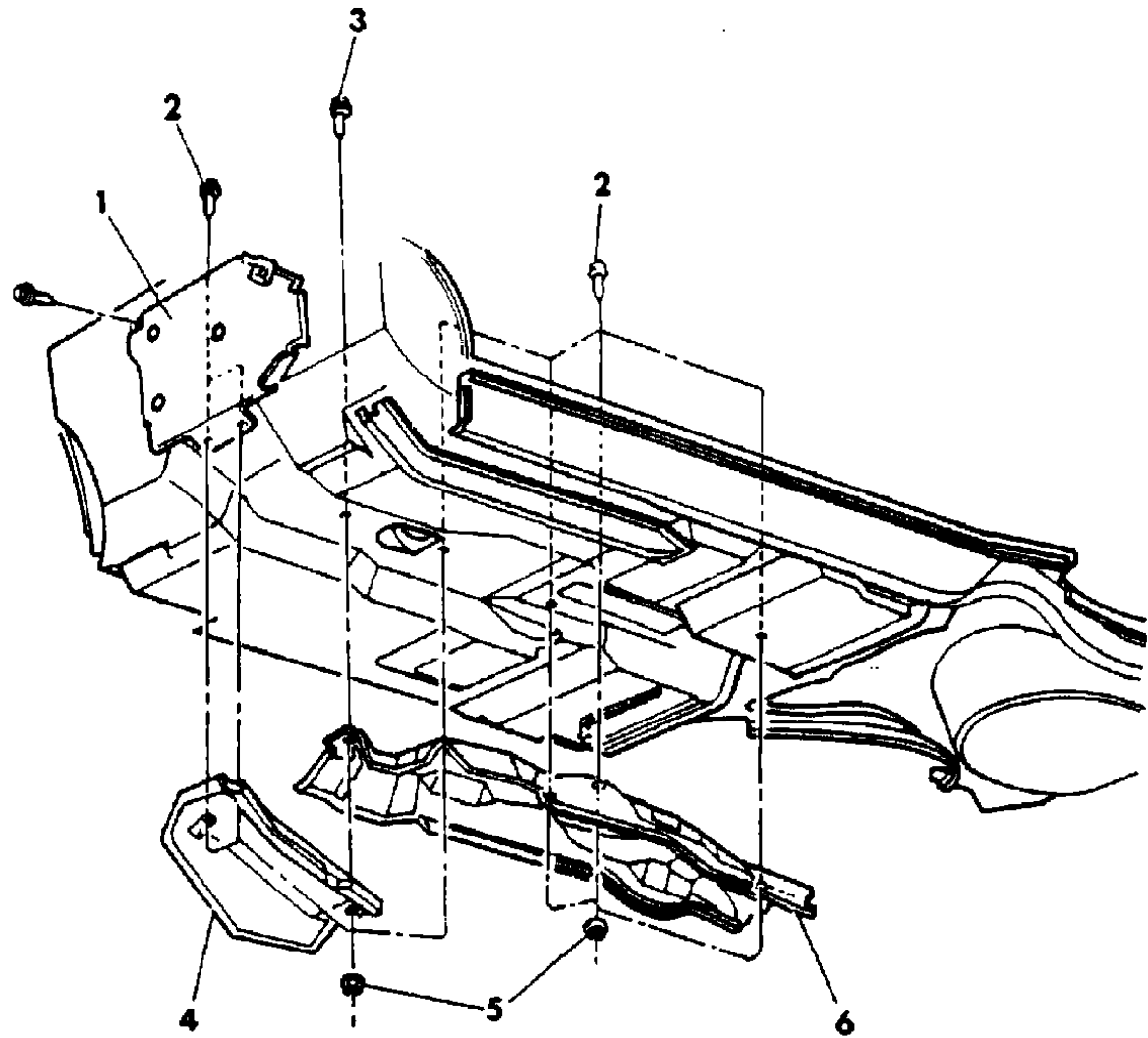
AR = Use as Required - = Non Illustrated Part P.A.R. = Paint as Required

HEAT SHIELDS - EXHAUST L BODY

Figure 11-500

7111 500

ITEM	PART NUMBER	QTY	BODY	MODEL	DESCRIPTION
1	4266 764	1			SHIELD, Firewall Heat w/(S/C - EDG)
2		6			SCREW and WASHER (not serviced)
3	0181 063	1			SCREW, 1/4-20 x 3/4"
4	4266 737	1			SHIELD, Front Floor Pan
5	0219 462	7			NUT, 1/4-20
6					SHIELD, Underbody Heat
	4266 093	1		24	exc. w/(S/C - EDG)
	4266 094	1		44	exc. w/(S/C - EDG)
	4266 098	1			w/(S/C - EDG)



MODEL CODES

E BODY = (J - CARAVELLE)(E - 600)(T - NEW YORKER)

G BODY = (V24 - DAYTONA)

H BODY = (D44 - LANCER)(C44 - LEBARON GTS)

J BODY = (C - LEBARON)

K BODY = (P - RELIANT)(D - ARIES)(C - LEBAROND)/TOWN & COUNTRY)

L BODY = (M - HORIZON/TURISMO)(Z - OMNI/CHARGER)

M BODY = (B - GRAN FURY)(F - FIFTH AVE/NEWPORT)(G - DIPLOMAT)

P BODY = (P - SUNDANCE)(D - SHADOW)

S BODY = (H - VOYAGER)(K - RAM VAN/CARAVAN)

BODY STYLES

12-13 = FWD VAN

21 = 2-DOOR SEDAN

24 = 2-DOOR HATCHBACK

27 = 2-DOOR CONVERTIBLE

41 = 4-DOOR SEDAN

44 = 4-DOOR HATCHBACK

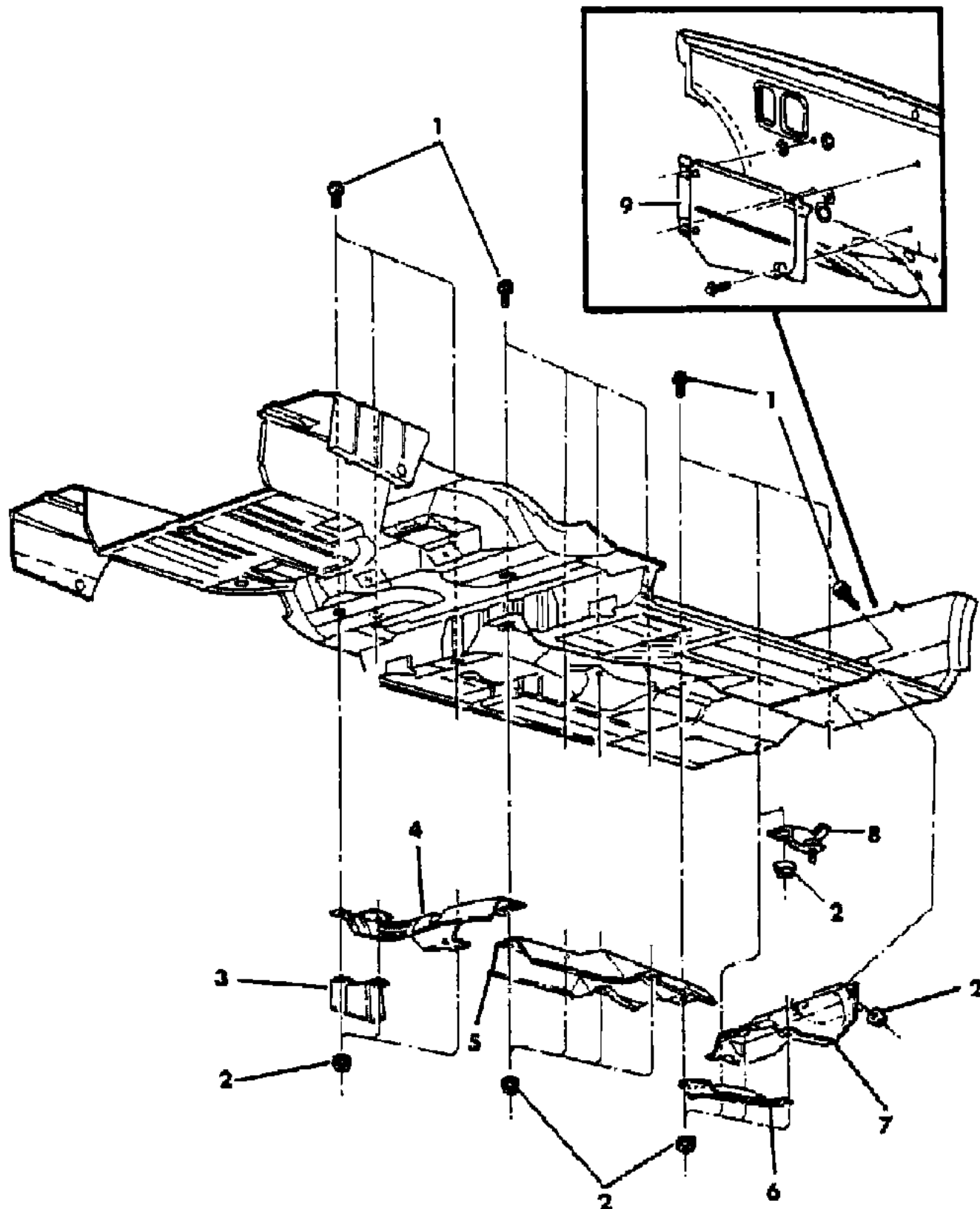
45 = 4-DOOR STATION WAGON

52-53 = FWD WAGON

AR = Use as Required - = Non Illustrated Part P.A.R. = Paint as Required

HEAT SHIELDS - EXHAUST P,J,K,G,E,H BODY
Figure 11-600

7111 800



ITEM	PART NUMBER	QTY	BODY	MODEL	DESCRIPTION
1		AR			SCREW (not serviced)
2	0219 462	AR			NUT, 1/4-20
3	4140 824	1			SHIELD, Front Floor Pan Rear Heat Auxiliary
4	4266 376	1			SHIELD, Front Floor Rear Heat w/(S/C - EDG)
5					SHIELD, Underbody Catalytic Heat
					Upper
	4266 175	1	K,E,H		2.2L Eng. w/(S/C - EDF)
	4266 175	1	K,E,H		2.2L Eng. w/(S/C - EDG)
	4401 201	1	G		2.2L Eng. w/(S/C - EDG, EDR)
	4401 201	1	J		2.2L Eng. w/(S/C - EDG)
	4266 175	1	K,E,H		2.5L Eng.
	4401 201	1	J,G		2.5L Eng.
	4266 174	1	P		
					Lower
	4266 246	1	K,E,H		2.2L Eng. w/(S/C - EDG)
	4266 250	1	P		2.2L Eng. w/(S/C - EDG)
	4401 203	1	J,G		SHIELD, Underbody Catalytic Heat - Upper and Lower - 2.2L Eng. w/(S/C - EDG, EDR)
6	4140 802	1	K,E,H		SHIELD, Front Floor Pan Heat 2.2L Eng. w/(S/C - EDF) & 2.5L Eng.
7	4266 958	1			SHIELD, Dash Panel Heat 2.2L Eng. w/(S/C - EDF) & 2.5L Eng.
-	4266 955	1			SHIELD, Dash Panel Heat - Upper
8	4266 299	1			BRACKET, Dash Panel Heat Shield Attach - Man. Trans.
9	4266 248	1			SHIELD, Firewall Heat 2.2L Eng. w/(S/C - EDG, EDR)

MODEL CODES

E BODY = (J - CARAVELLE)(E - 600)(T - NEW YORKER)

G BODY = (V24 - DAYTONA)

H BODY = (D44 - LANCER)(C44 - LEBARON GTS)

J BODY = (C - LEBARON)

K BODY = (P - RELIANT)(D - ARIES)(C - LEBAROND)/TOWN & COUNTRY)

L BODY = (M - HORIZON/TURISMO)(Z - OMNI/CHARGER)

M BODY = (B - GRAN FURY)(F - FIFTH AVE/NEWPORT)(G - DIPLOMAT)

P BODY = (P - SUNDANCE)(D - SHADOW)

S BODY = (H - VOYAGER)(K - RAM VAN/CARAVAN)

BODY STYLES

12-13 = FWD VAN

21 = 2-DOOR SEDAN

24 = 2-DOOR HATCHBACK

27 = 2-DOOR CONVERTIBLE

41 = 4-DOOR SEDAN

44 = 4-DOOR HATCHBACK

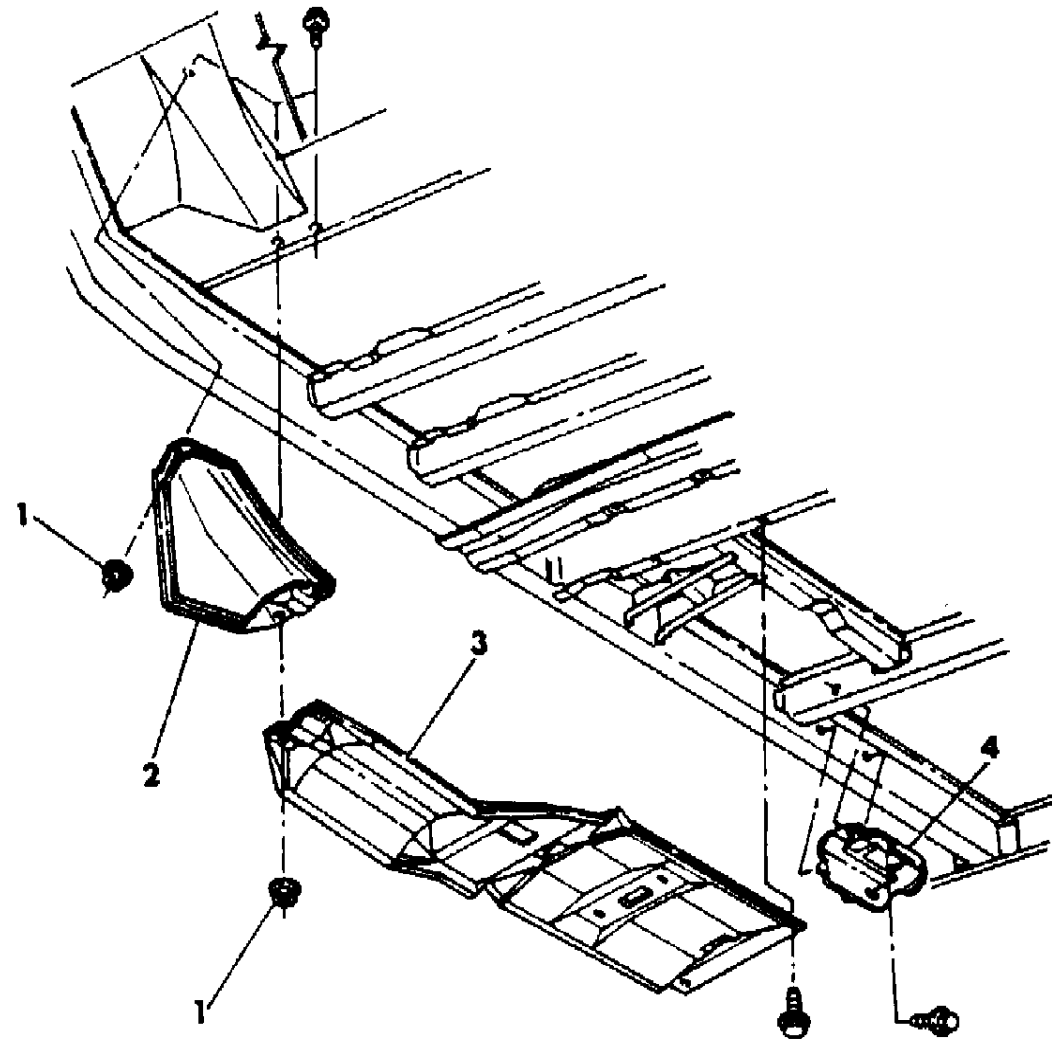
45 = 4-DOOR STATION WAGON

52-53 = FWD WAGON

AR = Use as Required - = Non Illustrated Part P.A.R. = Paint as Required

HEAT SHIELDS - EXHAUST S BODY
Figure 11-700

7111 700



ITEM	PART NUMBER	QTY	BODY	MODEL	DESCRIPTION
1	0219 462	3			NUT, 1/4-20
2	4266 237	1			SHIELD, Toeboard Heat 2.2L and 2.6L Eng. Upper
	4266 238	1			Lower
3					SHIELD, Underbody Heat - Upper - Converter and Muffler (1 Shield)
	4401 209	1		H,K-52	2.2L Eng. & 2.6L Eng.
	4401 209	1		K-12	2.2L Eng. & 2.6L Eng.
	4401 209	1		H,K-52,	2.5L Eng. & 3.0L Eng.
	4401 212	1		K-12	SHIELD, Underbody Heat - Muffler (2 Shields) - 2.2L Eng. & 2.6L Eng. SHIELD, Underbody Heat (3 Shields)
	4401 207	1		K-13	2.5L Eng. & 3.0L Eng.
	4401 207	1		K-12	3.0L Eng.
4	4401 228	1			SHIELD, Kick Up Heat

MODEL CODES

E BODY = (J - CARAVELLE)(E - 600)(T - NEW YORKER)

G BODY = (V24 - DAYTONA)

H BODY = (D44 - LANCER)(C44 - LEBARON GTS)

J BODY = (C - LEBARON)

K BODY = (P - RELIANT)(D - ARIES)(C - LEBAROND)/TOWN & COUNTRY)

L BODY = (M - HORIZON/TURISMO)(Z - OMNI/CHARGER)

M BODY = (B - GRAN FURY)(F - FIFTH AVE/NEWPORT)(G - DIPLOMAT)

P BODY = (P - SUNDANCE)(D - SHADOW)

S BODY = (H - VOYAGER)(K - RAM VAN/CARAVAN)

BODY STYLES

12-13 = FWD VAN

21 = 2-DOOR SEDAN

24 = 2-DOOR HATCHBACK

27 = 2-DOOR CONVERTIBLE

41 = 4-DOOR SEDAN

44 = 4-DOOR HATCHBACK

45 = 4-DOOR STATION WAGON

52-53 = FWD WAGON

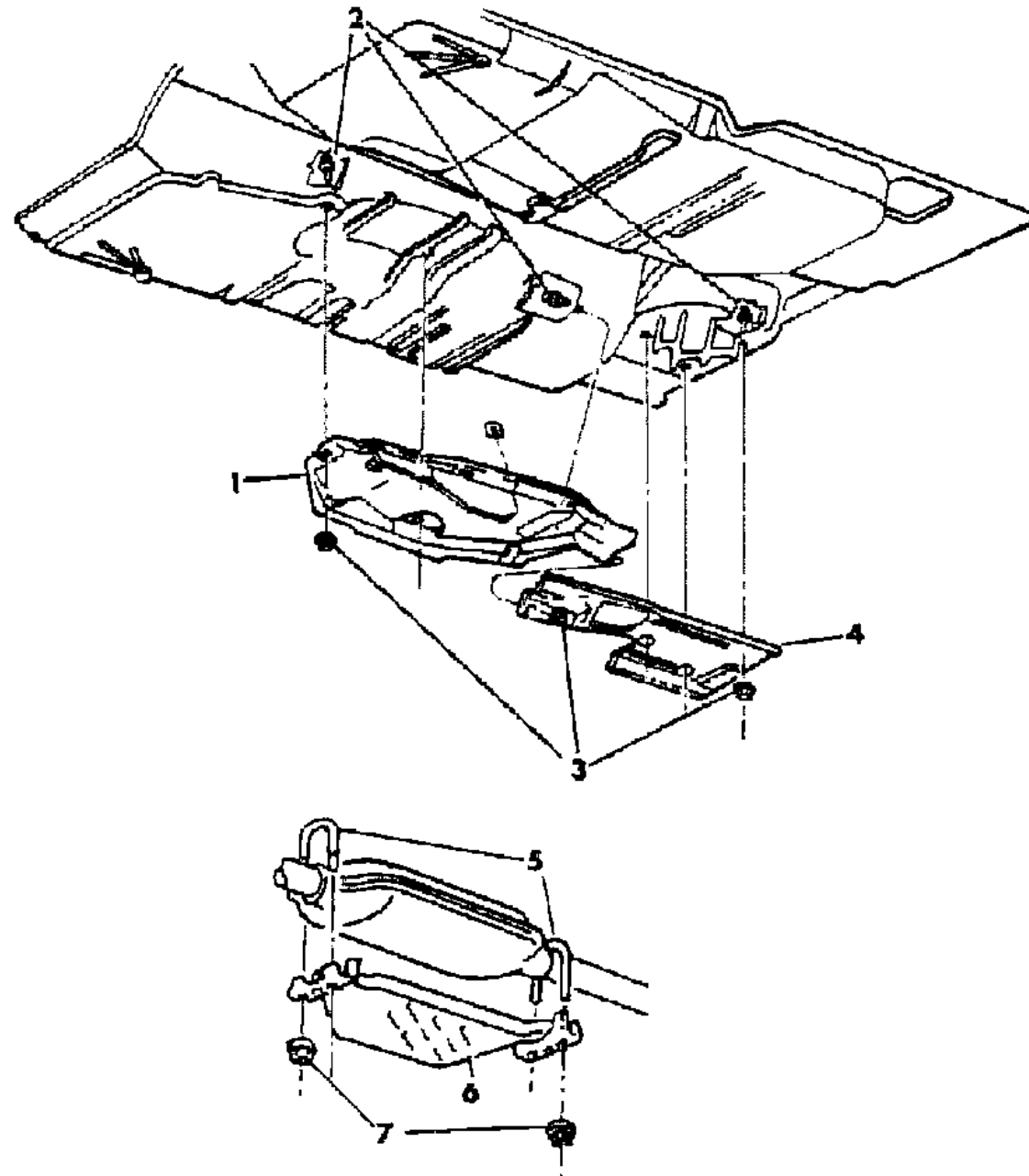
AR = Use as Required - = Non Illustrated Part P.A.R. = Paint as Required

HEAT SHIELDS - EXHAUST M BODY

Figure 11-800

7111 800

ITEM	PART NUMBER	QTY	BODY	MODEL	DESCRIPTION
1	4266 011	1			SHIELD, Front Floor Pan Heat
2	0181 063	AR			SCREW
3	0219 462	AR			NUT, 1/4-20
4	3791 301	1			SHIELD, Center Floor Pan
5	4150 155	2			U-BOLT, Heat Shield Bracket 2.25
	4004 050	2			318 Eng. 2 Bbl. - Canada 2.50
	4150 155	2			318 Eng. 4 Bbl. - Canada 2.25
6	4150 151	1			SHIELD, Catalytic Heat
	4004 385	1			318 Eng. 2 Bbl. - Canada
	4150 151	1			318 Eng. 4 Bbl. - Canada
7	6025 004	4			NUT, 1/4-20



MODEL CODES

E BODY = (J - CARAVELLE)(E - 600)(T - NEW YORKER)

G BODY = (V24 - DAYTONA)

H BODY = (D44 - LANCER)(C44 - LEBARON GTS)

J BODY = (C - LEBARON)

K BODY = (P - RELIANT)(D - ARIES)(C - LEBAROND)/TOWN & COUNTRY)

L BODY = (M - HORIZON/TURISMO)(Z - OMNI/CHARGER)

M BODY = (B - GRAN FURY)(F - FIFTH AVE/NEWPORT)(G - DIPLOMAT)

P BODY = (P - SUNDANCE)(D - SHADOW)

S BODY = (H - VOYAGER)(K - RAM VAN/CARAVAN)

BODY STYLES

12-13 = FWD VAN

21 = 2-DOOR SEDAN

24 = 2-DOOR HATCHBACK

27 = 2-DOOR CONVERTIBLE

41 = 4-DOOR SEDAN

44 = 4-DOOR HATCHBACK

45 = 4-DOOR STATION WAGON

52-53 = FWD WAGON

AR = Use as Required - = Non Illustrated Part P.A.R. = Paint as Required

GROUP 13 - FRAME & BUMPERS

ILLUSTRATION TITLE

GROUP-FIG. NO.

FRAME

FRAME L BODY	Fig. 13-100
FRAME FRONT P,J,K,G,E,H BODY	Fig. 13-200
FRAME REAR P,J,K,G,E,H BODY	Fig. 13-300
FRAME FRONT S BODY	Fig. 13-400
FRAME REAR S BODY	Fig. 13-500
FRAME M BODY	Fig. 13-700
SHIELD, BOOT AIR DEFLECTOR ALL EXCEPT M BODY	Fig. 13-725

FASCIA AND BUMPERS

FASCIA, BUMPER FRONT L BODY MODEL 24	Fig. 13-800
FASCIA, BUMPER REAR L BODY MODEL 24	Fig. 13-900
BUMPER, FRONT AND REAR L BODY MODEL 44	Fig. 13-1000
FASCIA, BUMPER FRONT P BODY	Fig. 13-1025
FASCIA, BUMPER REAR P BODY	Fig. 13-1050
FASCIA, BUMPER FRONT J BODY	Fig. 13-1060
FASCIA, BUMPER REAR J BODY	Fig. 13-1075
BUMPER, FRONT E BODY MODEL E,J EXC. MODEL T K BODY MODEL C,P,D	Fig. 13-1100
BUMPER, FRONT E BODY MODEL T	Fig. 13-1200
BUMPER, REAR K BODY EXCEPT MODEL 45 E BODY MODEL E,J	Fig. 13-1300
BUMPER, REAR K BODY MODEL 45	Fig. 13-1400
BUMPER, REAR E BODY MODEL T	Fig. 13-1500
FASCIA, BUMPER FRONT G BODY	Fig. 13-1600
FASCIA, BUMPER REAR G BODY	Fig. 13-1700
FASCIA, BUMPER FRONT H BODY	Fig. 13-1800
FASCIA, BUMPER REAR H BODY	Fig. 13-1900
BUMPER, FRONT S BODY	Fig. 13-2000
BUMPER, REAR S BODY	Fig. 13-2100
BUMPER, FRONT M BODY	Fig. 13-2200
BUMPER, REAR M BODY MODEL B,G	Fig. 13-2300
BUMPER, REAR M BODY MODEL F	Fig. 13-2400

BUMPER FILLERS

FILLER, BUMPER M BODY MODEL F	Fig. 13-2500
FILLER, BUMPER M BODY MODEL B,G	Fig. 13-2600

ILLUSTRATION NOT AVAILABLE AT TIME OF PUBLICATION

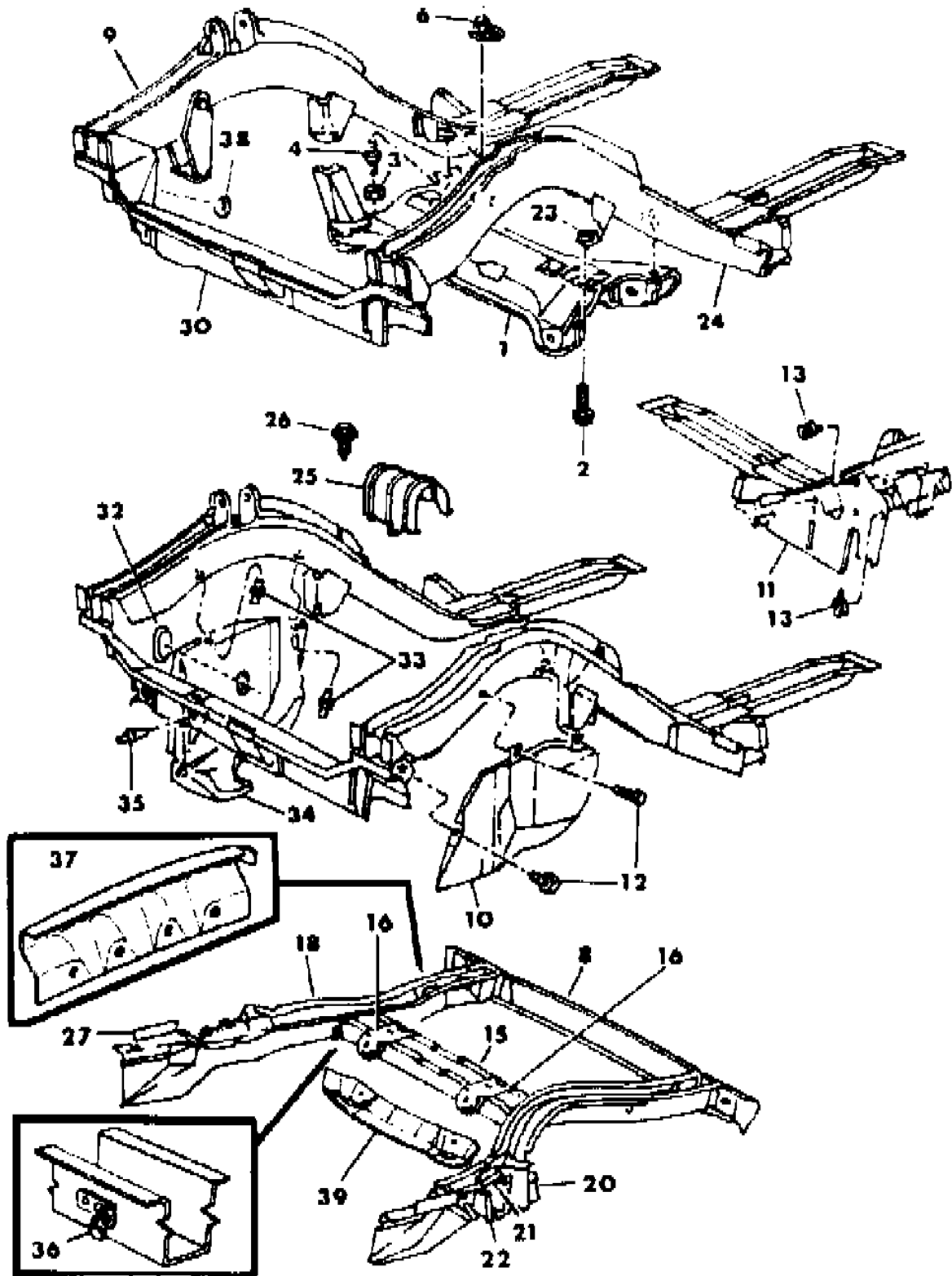
1

1

1

FRAME L BODY
Figure 13-100

7113 100 A



ITEM	PART NUMBER	QTY	BODY	MODEL	DESCRIPTION
1	4322 244	1			CROSSMEMBER, Front Suspension, w/Roll Strut Brkt, Complete
-	4341 973	1			REINFORCEMENT, Front Crossmember to Adapter, Rt. (w/2.2 L Eng. w/Turbo Charge) (Not Illustrated)
	4296 258	1			TIE PLATE, Frt. C/Member Flange (Not Illustrated)
2	6100 350	2			BOLT, w/Washer, M12x1.75x35
3	6500 122	2			NUT, Stud, M12x1.75
4	5202 246	2			STUD, Front Suspension Crossmember, Rear
6	6501 075	2			NUT, Plate, M12x1.75
8	5218 493	1			CROSSMEMBER, Rear Floor Crossmember, Rear
9	5218 326-7	1			RAIL, Front Side
-	4270 120	1			BRACKET, Front Side Rail Engine Mounting Front (Not Illustrated)
-	6029 940	1			PLUG, Front Side Rail Lt., 1-1/4" Dia.
10	4296 142	1			SHIELD, Trans. Appearance Lt. (See Group 7 For Rt. Side - GRILLE AND RELATED PARTS - Shield, Closure Panel To Rad. Air)
11	5202 617	1			SHIELD, Front Side Rail Rr. Splash, Rt. (Rubber)
12					SCREW (Not Serviced)
13	6029 886	AR			FASTENER, Shield Splash S/Rail
15	5218 438	1			CROSSMEMBER, Rr. Floor Pan Front
16					REINFORCEMENT, Rr. Seat Belt Anchor (Not Serviced)
18	5218 526-7	1		44	RAIL, Rr. Floor Pan Side
	5218 530-1	1		24	
20					GUSSET, w/Nut, Rear, Left (Not Serviced)
21	4314 326	2			REINFORCEMENT, w/Weld Nut, Rear Side Rail to Rear Suspension Mtg. Gusset
22	4314 974-5	1			SUPPORT, Rr. Floor Pan To Sill Lower Jacking
23	4191 299	2			PLATE, Front S/Rail Front Susp. C/Mbr. Front Supt.
24	5200 008-9	1			BRACE, Front Rail To Sill Inner Extension, Jacking Assist
25					SHIELD, Steering Gear, Boot, Splash
	4053 000	1			Right
	4052 999	1			Left
26					SCREW (Not Serviced)
27	5200 034-5	1			PANEL, Side Sill Inner Rear
30	5218 325	1			CROSSMEMBER, w/Brkt., Eng., Front Mounting
32	2811 825	2			PLUG, Acc. Pulley Shield
33	6032 049	AR			RETAINER
34	4386 440	1			SHIELD, Acc. Pulley Splash, Right

MODEL CODES

E BODY = (J - CARAVELLE)(E - 600)(T - NEW YORKER)

G BODY = (V24 - DAYTONA)

H BODY = (D44 - LANCER)(C44 - LEBARON GTS)

J BODY = (C - LEBARON)

K BODY = (P - RELIANT)(D - ARIES)(C - LEBAROND)/TOWN & COUNTRY)

L BODY = (M - HORIZON/TURISMO)(Z - OMNI/CHARGER)

M BODY = (B - GRAN FURY)(F - FIFTH AVE/NEWPORT)(G - DIPLOMAT)

P BODY = (P - SUNDANCE)(D - SHADOW)

S BODY = (H - VOYAGER)(K - RAM VAN/CARAVAN)

BODY STYLES

12-13 = FWD VAN

21 = 2-DOOR SEDAN

24 = 2-DOOR HATCHBACK

27 = 2-DOOR CONVERTIBLE

41 = 4-DOOR SEDAN

44 = 4-DOOR HATCHBACK

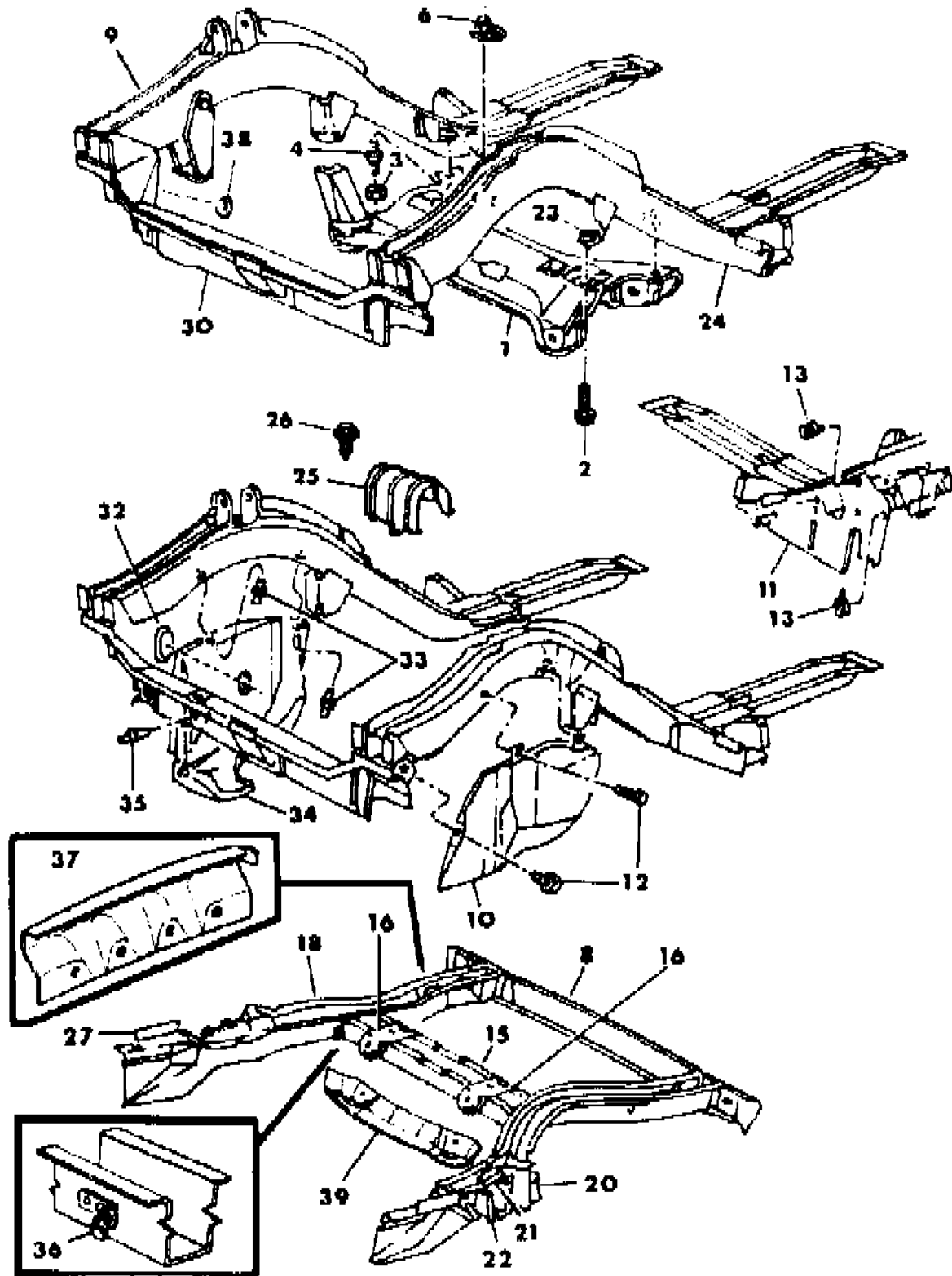
45 = 4-DOOR STATION WAGON

52-53 = FWD WAGON

AR = Use as Required - = Non Illustrated Part P.A.R. = Paint as Required

FRAME L BODY
Figure 13-100

7113 100 A



ITEM	PART NUMBER	QTY	BODY	MODEL	DESCRIPTION
35	6031 390	AR			RETAINER
36	4314 970-1	1			BRACKET, Rear Floor Pan Crossmember Rear Brake Line
37	5230 340	1	24		DEFLECTOR, Rear Floor Pan Side Rail, Fuel Filler Tube
		4	24		SCREW, Deflector Att. (Not Serviced)
38	2424 864	1			PLUG, Adapter, Front Side Rail, Front Crossmember
	6029 940	1			PLUG, Front Side Rail, Left, 1-1/4" Dia.
39	4314 256	2			REINFORCEMENT, w/Bolt, Rear Floor Pan, Fuel Tank Strap Mtg., Rear

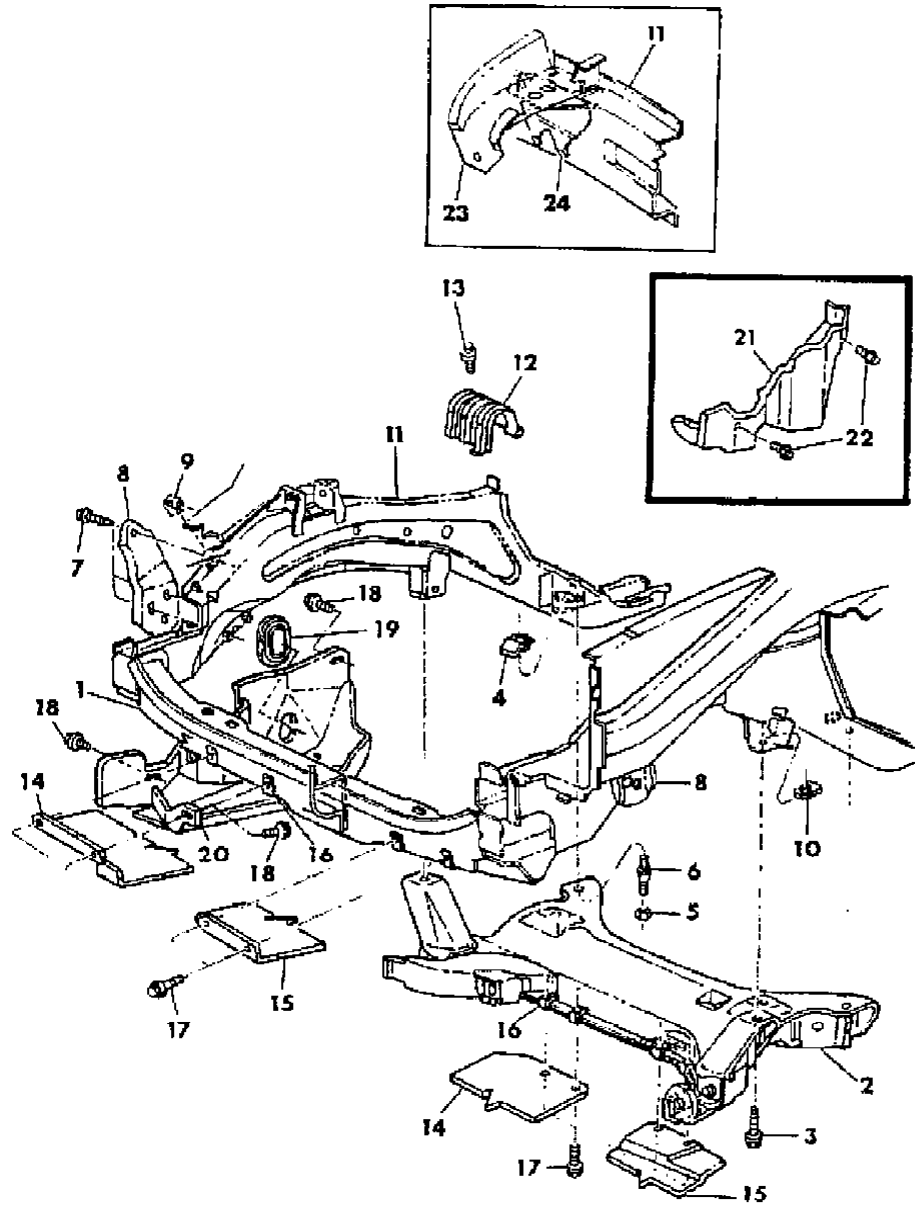
MODEL CODES
 E BODY = (J - CARAVELLE)(E - 600)(T - NEW YORKER)
 G BODY = (V24 - DAYTONA)
 H BODY = (D44 - LANCER)(C44 - LEBARON GTS)
 J BODY = (C - LEBARON)
 K BODY = (P - RELIANT)(D - ARIES)(C - LEBAROND)/TOWN & COUNTRY
 L BODY = (M - HORIZON/TURISMO)(Z - OMNI/CHARGER)
 M BODY = (B - GRAN FURY)(F - FIFTH AVE/NEWPORT)(G - DIPLOMAT)
 P BODY = (P - SUNDANCE)(D - SHADOW)
 S BODY = (H - VOYAGER)(K - RAM VAN/CARAVAN)

BODY STYLES
 12-13 = FWD VAN
 21 = 2-DOOR SEDAN
 24 = 2-DOOR HATCHBACK
 27 = 2-DOOR CONVERTIBLE
 41 = 4-DOOR SEDAN
 44 = 4-DOOR HATCHBACK
 45 = 4-DOOR STATION WAGON
 52-53 = FWD WAGON

AR = Use as Required - = Non Illustrated Part P.A.R. = Paint as Required

FRAME FRONT P,J,K,G,E,H BODY
Figure 13-200

7113 200 B



ITEM	PART NUMBER	QTY	BODY	MODEL	DESCRIPTION
1	#4386 756	1	EXC. P		CROSSMEMBER, Frt. S/Rail Frt. (Also Service 2 Of 4266328 Isolator)
2	4440 915	1	P		CROSSMEMBER, Frt. Susp. Comp.
	4404 322	1	P,K,E,H		All Engines w/Auto. Trans.
	4404 324	1	P,K,H		All Engines w/Man. Trans.
	4404 322	1	J		All Engines w/Auto. Trans., w/o Firm Feel Suspension
	4404 324	1	J		All Engines w/Man. Trans., w/o Firm Feel Suspension
	4404 375	1	J		All Engines w/Man. or Auto Trans., w/Firm Feel Suspension
	4404 322	1	G		All Engines w/Auto. Trans., w/o Special Sport Suspension
	4404 324	1	G		All Engines w/Man. Trans., w/o Special Sport Suspension
	4404 375	1	G		All Engines w/Man. or Auto. Trans., w/Special Sport Suspension (15" Wheels)
-	#4386 340	1			TIE PLATE, Frt. C/Mem. Flange (Not Illustrated)
3	6100 350	2			SCREW and WASHER, C/Member Mounting, M12x1.75x35
4	6501 075	2			NUT PLATE ASSEMBLY, C/Member Mtg. Rear, M12x1.75
-	4296 416	1			REINFORCEMENT, Frt. S/Rail Rr. Rail Pk. Brake Cable, Right (Not Illustrated)
-	4296 417	1			BRACKET, Front Side Rail, Rear Park Brake Cable, Left (Not Illustrated)
5	6500 122	2			NUT, Stud, M12x1.75
6	5202 246	2			STUD, C/Member Mtg., Rear, M12x1.75x56
7	6100 230	6			SCREW and WASHER
8					BRACKET, Frt. S/Rail Shipping Tie Down (Not Serviced)
9		2			U-NUT (Not Serviced)
10	4191 299	2			PLATE, Frt. S/Rail C/Member Frt. Supt.
11	4386 348-9	1			RAIL, Frt. Side Rail Front, w/Reinforcement
12					SHIELD, Strg. Gear Boot Splash
	4053 000	1			Right
	4404 009	1			Left
13					SCREW (Not Serviced)
					RAIL and REINFORCEMENT, Rail Rr., Park Brake Cable (Not Illustrated)
	4386 008	1	E,H,K		Right
	4386 009	1	E,H,K		Left
14					SHIELD, Eng. Oil Pan
	4322 259	1	K		w/H.D. Serv. Pkg., w/2.2 Eng.
	4404 288	1	K		w/H.D. Serv. Pkg., w/2.5 Eng.

MODEL CODES

E BODY = (J - CARAVELLE)(E - 600)(T - NEW YORKER)

G BODY = (V24 - DAYTONA)

H BODY = (D44 - LANCER)(C44 - LEBARON GTS)

J BODY = (C - LEBARON)

K BODY = (P - RELIANT)(D - ARIES)(C - LEBAROND)/TOWN & COUNTRY)

L BODY = (M - HORIZON/TURISMO)(Z - OMNI/CHARGER)

M BODY = (B - GRAN FURY)(F - FIFTH AVE/NEWPORT)(G - DIPLOMAT)

P BODY = (P - SUNDANCE)(D - SHADOW)

S BODY = (H - VOYAGER)(K - RAM VAN/CARAVAN)

BODY STYLES

12-13 = FWD VAN

21 = 2-DOOR SEDAN

24 = 2-DOOR HATCHBACK

27 = 2-DOOR CONVERTIBLE

41 = 4-DOOR SEDAN

44 = 4-DOOR HATCHBACK

45 = 4-DOOR STATION WAGON

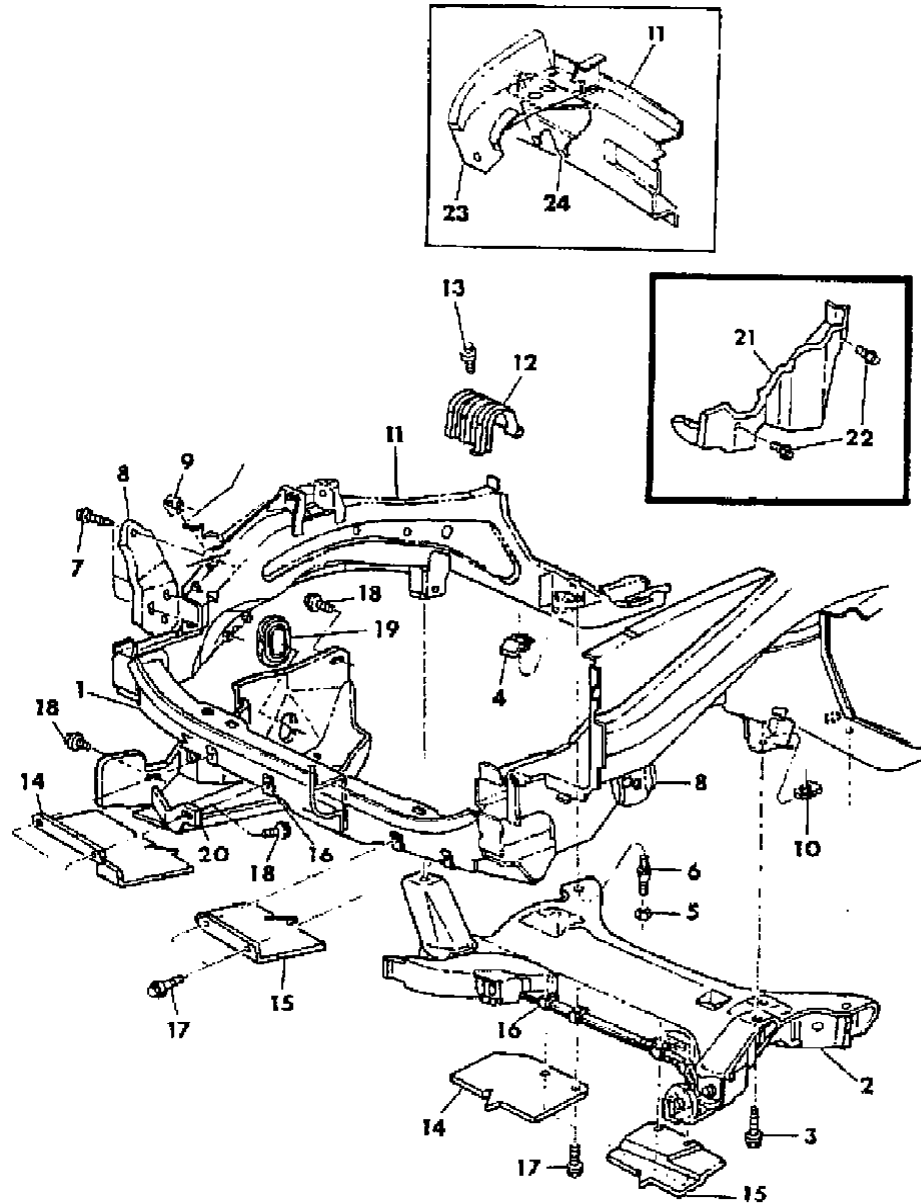
52-53 = FWD WAGON

AR = Use as Required - = Non Illustrated Part P.A.R. = Paint as Required

FRAME FRONT P,J,K,G,E,H BODY
Figure 13-200

ITEM	PART NUMBER	QTY	BODY	MODEL	DESCRIPTION
15	4052 679	1	K		SHIELD, Trans. Oil Pan w/H.D. Service Pkg.
16	6101 308	8			U-NUT, M6x1
17	6100 287	8	K		BOLT and WASHER, w/Heavy Duty Service Pkg., M6x1x25
18		AR			SCREW (Not Serviced)
19	2811 825	1			PLUG, Splash Shield
20	4386 622	1			SHIELD, Accessory Pulley Splash, Rt., w/2.2 & 2.5 Eng.
21	4386 625	1			SHIELD, Trans. Appearance, Left
22		2			SCREW and WASHER (Not Serviced)
23	4296 373	1			BRACKET, Front Side Rail, Engine Mount Upper, Left
24	4296 375	1			BRACKET, Front Side Rail, Engine Mount Lower, Left

7113 200 B



MODEL CODES

E BODY = (J - CARAVELLE)(E - 600)(T - NEW YORKER)

G BODY = (V24 - DAYTONA)

H BODY = (D44 - LANCER)(C44 - LEBARON GTS)

J BODY = (C - LEBARON)

K BODY = (P - RELIANT)(D - ARIES)(C - LEBAROND)/TOWN & COUNTRY)

L BODY = (M - HORIZON/TURISMO)(Z - OMNI/CHARGER)

M BODY = (B - GRAN FURY)(F - FIFTH AVE/NEWPORT)(G - DIPLOMAT)

P BODY = (P - SUNDANCE)(D - SHADOW)

S BODY = (H - VOYAGER)(K - RAM VAN/CARAVAN)

BODY STYLES

12-13 = FWD VAN

21 = 2-DOOR SEDAN

24 = 2-DOOR HATCHBACK

27 = 2-DOOR CONVERTIBLE

41 = 4-DOOR SEDAN

44 = 4-DOOR HATCHBACK

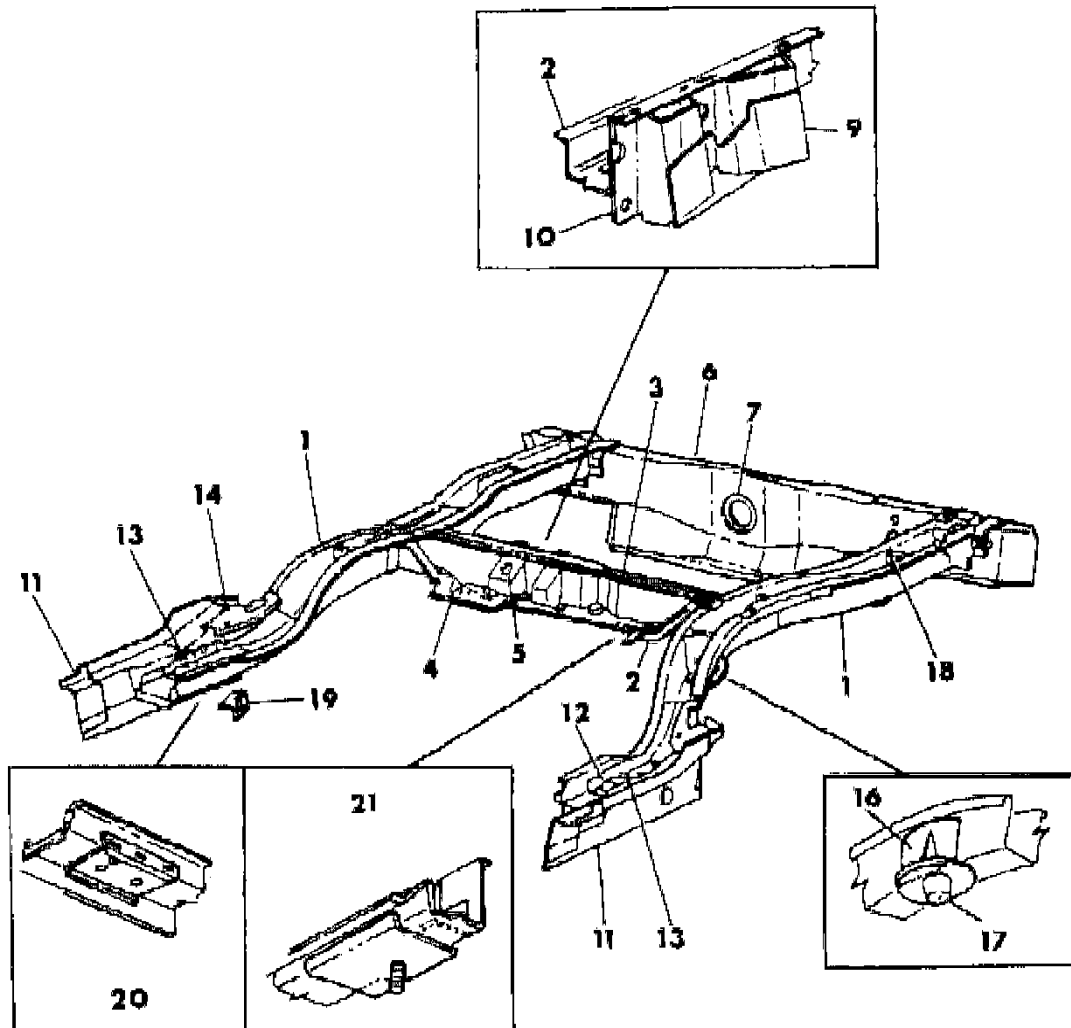
45 = 4-DOOR STATION WAGON

52-53 = FWD WAGON

AR = Use as Required - = Non Illustrated Part P.A.R. = Paint as Required

FRAME REAR P,J,K,G,E,H BODY
Figure 13-300

7113 300



ITEM	PART NUMBER	QTY	BODY	MODEL	DESCRIPTION
1	4371 722-3	1	K		RAIL ASSEMBLY, Rear Floor Pan Side
	4325 906-7	1	E		
	4416 218-9	1	J		
	4475 172-3	1	P,G,H		RAIL, Rear Floor Pan Side (For Complete Assy. Order #11, #12, #13, #14, #17, #18, & #19)
2	4325 668	1			CROSSMEMBER, Floor Pan Center Rear Suspension
	4370 317	1	P,H		CROSSMEMBER, Rear Suspension (SHELBY)
3		1			REINFORCEMENT, w/Weld Nut, Rear Floor Pan Rear Suspension Crossmember (Serviced In Item No. 2)
4	4314 256	2			REINFORCEMENT, w/Bolt, Rear Floor Pan Fuel Tank Strap Mtg. Rear
5		1			REINFORCEMENT, Rear Floor Pan Rear Suspension Crossmember Internal (Serviced In Item No. 2)
6	4200 978	1	P,G,H		CROSSMEMBER, Rear Floor Pan Rear
	4325 843	1	J		
	4325 902	1	K,E		
7	5200 456	1			PLUG, 2.75" Dia./70mm
9		1			PLATE, Rear Floor Pan Rear Suspension Crossmember External Reinforcement (Serviced In Item No. 2)
10		1			REINFORCEMENT, Rear Floor Pan Rear Suspension Crossmember External (Serviced In Item No. 2)
11					EXTENSION, Sill Inner, Rear
	4475 016-7	1	J,K,E		
	4371 522-3	1	P,G,H		
12		1			REINFORCEMENT, Rear Floor Side Rail Suspension Mtg.
	4475 186-7	1	J,K,E		Right
	4475 190	1	P,G,H		Left
	4475 193	1	P,G,H		
13	4371 873	2			PLATE, Tapping, Rear Floor Pan Side Rail Suspension
14					REINFORCEMENT, w/Nut, Front Floor Pan Rear Seat Belt Anchor Outer
	4416 096-7	1	J,K,E		
	4314 866-7	1	P,G,H		
16		2			REINFORCEMENT, Rear Floor Pan Side Rail Spring Seat Bracket (Serviced In Item No. 1)
17	4325 008	2			BRACKET, Rear Floor Pan Side Rail Spring Seat
18					REINFORCEMENT, Rear Floor Pan Rear Side Rail E.A.U. Mtg.
	4314 132	1	J,K,E		Right

MODEL CODES

E BODY = (J - CARAVELLE)(E - 600)(T - NEW YORKER)

G BODY = (V24 - DAYTONA)

H BODY = (D44 - LANCER)(C44 - LEBARON GTS)

J BODY = (C - LEBARON)

K BODY = (P - RELIANT)(D - ARIES)(C - LEBAROND)/TOWN & COUNTRY)

L BODY = (M - HORIZON/TURISMO)(Z - OMNI/CHARGER)

M BODY = (B - GRAN FURY)(F - FIFTH AVE/NEWPORT)(G - DIPLOMAT)

P BODY = (P - SUNDANCE)(D - SHADOW)

S BODY = (H - VOYAGER)(K - RAM VAN/CARAVAN)

BODY STYLES

12-13 = FWD VAN

21 = 2-DOOR SEDAN

24 = 2-DOOR HATCHBACK

27 = 2-DOOR CONVERTIBLE

41 = 4-DOOR SEDAN

44 = 4-DOOR HATCHBACK

45 = 4-DOOR STATION WAGON

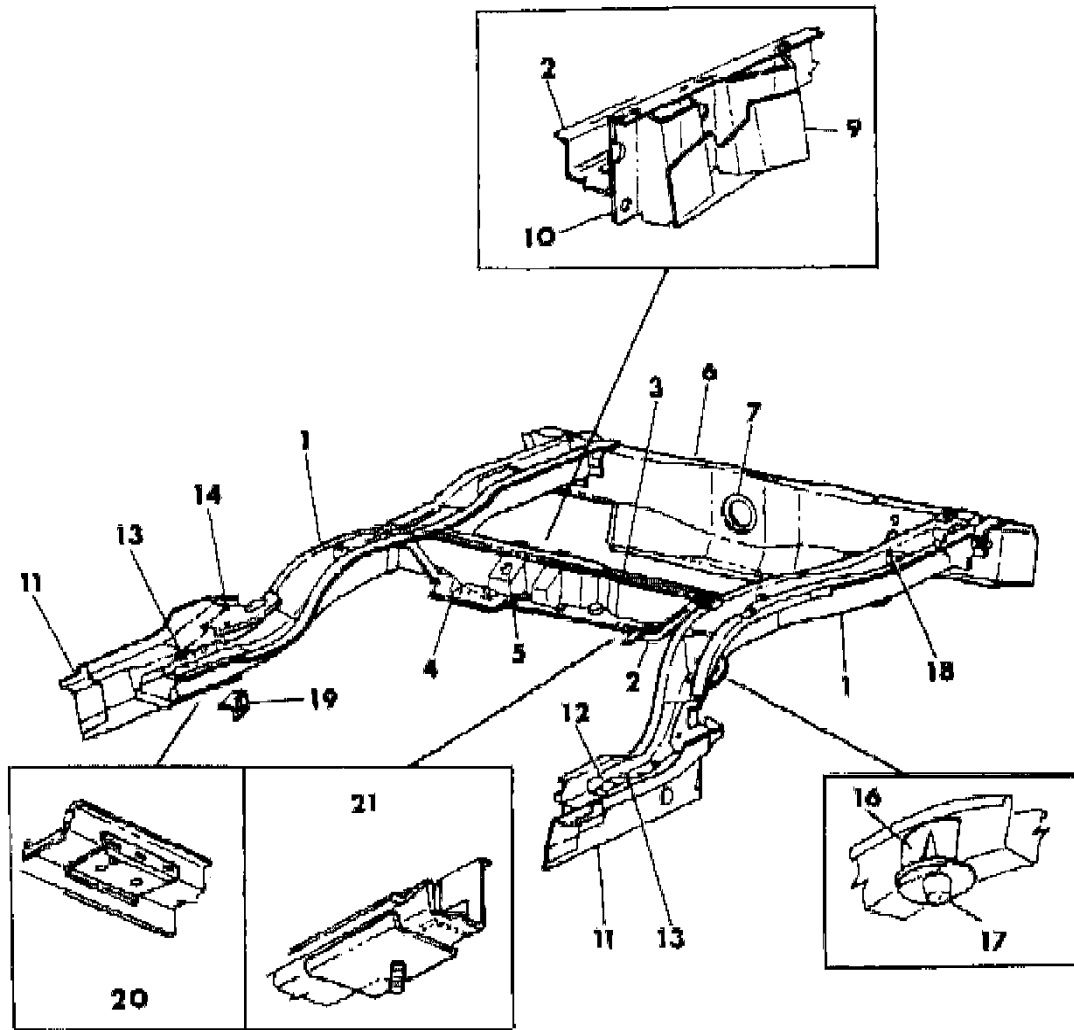
52-53 = FWD WAGON

AR = Use as Required - = Non Illustrated Part P.A.R. = Paint as Required

FRAME REAR P,J,K,G,E,H BODY
Figure 13-300

7113 300

ITEM	PART NUMBER	QTY	BODY	MODEL	DESCRIPTION
	4314 425	1	J,K,E		Left
	4206 924-5	1	P,G,H		
	6101 283	4			U-NUT, M8x1.25
19	4314 268	2			BRACKET, Rear Floor Pan Rear Rail Brake Line Ret.
20	4278 538-9	1	K		REINFORCEMENT, Rear Floor Pan Side Rail Suspension Mtg. Lower w/H.D. Service Pkg.
21	4278 606	1	K		REINFORCEMENT, Rear Floor Pan Rear Suspension Crossmember Track Bar Mtg. w/H.D. Service Pkg.



MODEL CODES
 E BODY = (J - CARAVELLE)(E - 600)(T - NEW YORKER)
 G BODY = (V24 - DAYTONA)
 H BODY = (D44 - LANCER)(C44 - LEBARON GTS)
 J BODY = (C - LEBARON)
 K BODY = (P - RELIANT)(D - ARIES)(C - LEBAROND)/TOWN & COUNTRY
 L BODY = (M - HORIZON/TURISMO)(Z - OMNI/CHARGER)
 M BODY = (B - GRAN FURY)(F - FIFTH AVE/NEWPORT)(G - DIPLOMAT)
 P BODY = (P - SUNDANCE)(D - SHADOW)
 S BODY = (H - VOYAGER)(K - RAM VAN/CARAVAN)

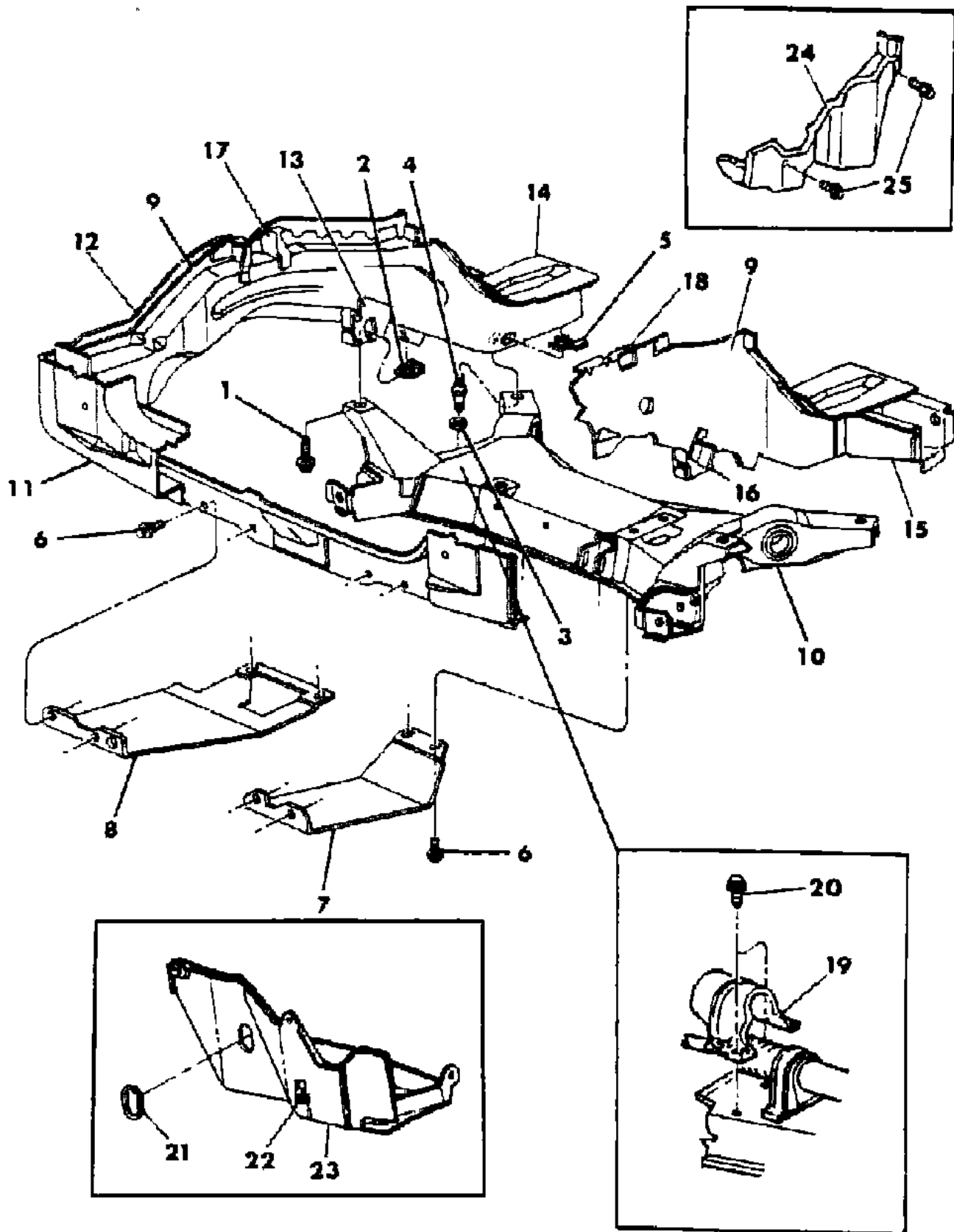
BODY STYLES
 12-13 = FWD VAN
 21 = 2-DOOR SEDAN
 24 = 2-DOOR HATCHBACK
 27 = 2-DOOR CONVERTIBLE
 41 = 4-DOOR SEDAN
 44 = 4-DOOR HATCHBACK
 45 = 4-DOOR STATION WAGON
 52-53 = FWD WAGON

AR = Use as Required - = Non Illustrated Part P.A.R. = Paint as Required

FRAME FRONT S BODY

Figure 13-400

7113 400



ITEM	PART NUMBER	QTY	BODY	MODEL	DESCRIPTION
1	6500 604	2			BOLT and WASHER, M12x1.75x45
2	4191 299	2			PLATE, C/Mem. To Frt. S/Rail
3	6500 122	2			NUT, Front, C/Mem. Rear, M12x1.75
4	5202 246	2			STUD, Front, C/Mem. Rear, M12x1.75
5	6501 075	2			PLATE, Front, C/Mem. Rear, M12x1.75
6		8			BOLT and WASHER (Not Serviced)
7	4449 006	1			SHIELD, Trans. Oil Pan (FLEET)
8	4449 005	1			SHIELD, Engine Oil Pan (FLEET)
9					RAIL, Side, Front
	4386 430	1			Right
	4386 431	1			Left
-	4270 106-7	1			REINFORCEMENT, Side Front Rail Inner (Not Illustrated)
10					CROSSMEMBER, Front Suspension, Complete
	4322 940	1			Up To 9/22/86
	4404 383	1			After 9/22/86
-	4296 258	1			TIE PLATE, Front Crossmember Flange (Not Illustrated)
11					PANEL, Rad. Closure (Reference Only)
12	4386 730-1	1			REINFORCEMENT, Side Front Rail Outer
13	4270 212-3	1			BRACKET, Crossmember Mounting
14	4270 104	2			REINFORCEMENT, Side Front Rail to Dash Panel
15	4270 102-3	1			REINFORCEMENT, Side Front Rail to Sill Inner
16	4270 210-1	1			BRACKET, Side Front Rail Outer Reinforcement Brake Tube Support
17	4386 570	1			BRACKET, Front Side Rail Engine Mounting, Right
18	4296 373	1			BRACKET, Front Side Rail Engine Mount, Upper Left
	4296 375	1			BRACKET, Front Side Rail Engine Mount, Lower Left (Not Illustrated)
-	#4386 586	1			GUSSET, w/Weld Nut, Front Crossmember Engine Mounting Bracket (Not Illustrated)
19	4052 642	2			SHIELD, Front Suspension Crossmember Steering Gear Boot Splash Shield
20		4			SCREW (Not Serviced)
21	2811 825	1			PLUG
22	6029 509	2			U-NUT, 1/4-14
23					SHIELD, Accessory Drive Splash
	4386 662	1			Right w/2.6 Engine
	4270 228	1			Right w/2.2 Engine
	4386 656	1			Right w/3.0 Engine

MODEL CODES

E BODY = (J - CARAVELLE)(E - 600)(T - NEW YORKER)

G BODY = (V24 - DAYTONA)

H BODY = (D44 - LANCER)(C44 - LEBARON GTS)

J BODY = (C - LEBARON)

K BODY = (P - RELIANT)(D - ARIES)(C - LEBAROND)/TOWN & COUNTRY)

L BODY = (M - HORIZON/TURISMO)(Z - OMNI/CHARGER)

M BODY = (B - GRAN FURY)(F - FIFTH AVE/NEWPORT)(G - DIPLOMAT)

P BODY = (P - SUNDANCE)(D - SHADOW)

S BODY = (H - VOYAGER)(K - RAM VAN/CARAVAN)

BODY STYLES

12-13 = FWD VAN

21 = 2-DOOR SEDAN

24 = 2-DOOR HATCHBACK

27 = 2-DOOR CONVERTIBLE

41 = 4-DOOR SEDAN

44 = 4-DOOR HATCHBACK

45 = 4-DOOR STATION WAGON

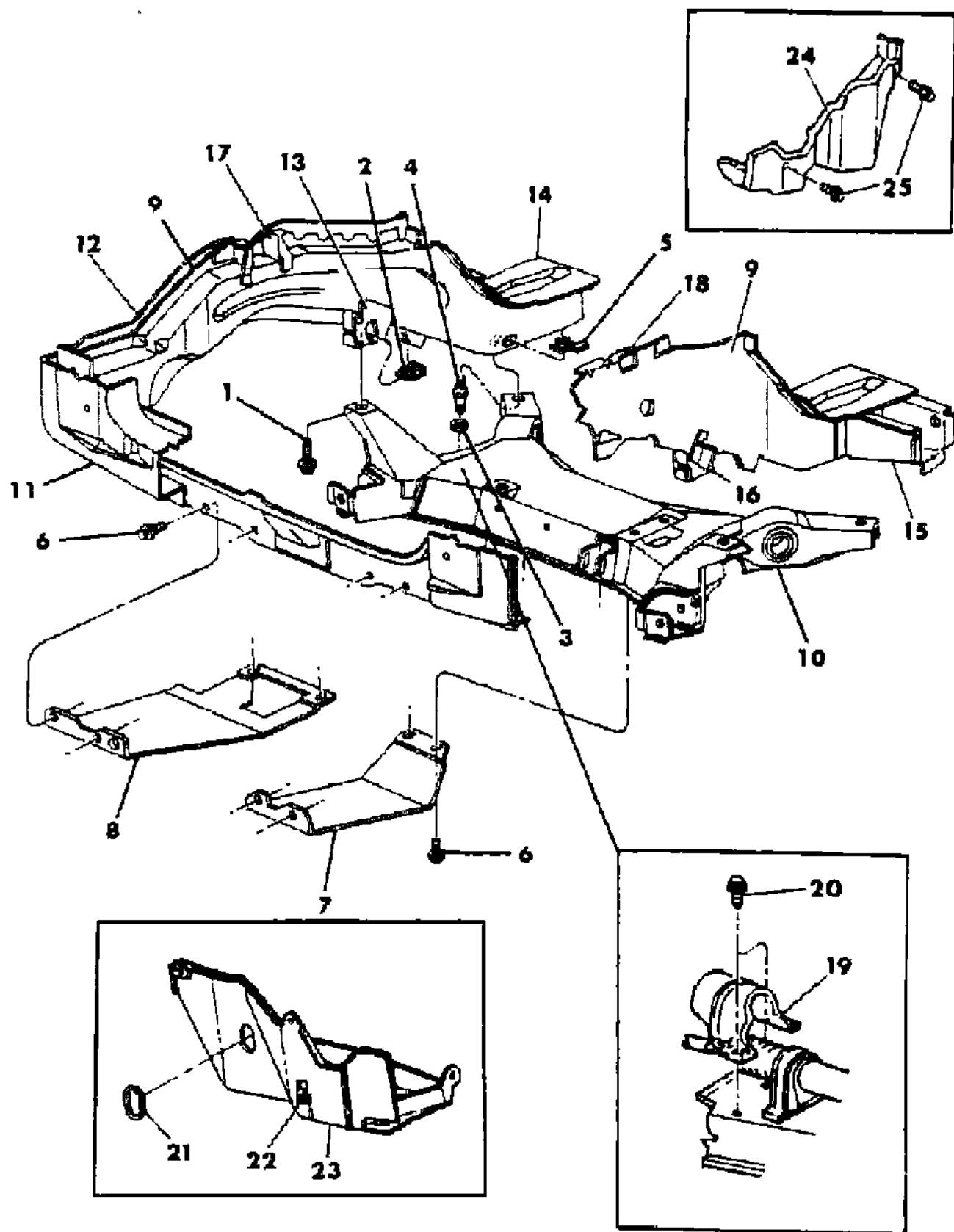
52-53 = FWD WAGON

AR = Use as Required - = Non Illustrated Part P.A.R. = Paint as Required

FRAME FRONT S BODY

Figure 13-400

7113 400



ITEM	PART NUMBER	QTY	BODY	MODEL	DESCRIPTION
------	-------------	-----	------	-------	-------------

24	#4386 657	1			SHIELD, Trans. Appearance, Left
25		2			SCREW and WASHER (Not Serviced)

MODEL CODES

E BODY = (J - CARAVELLE)(E - 600)(T - NEW YORKER)

G BODY = (V24 - DAYTONA)

H BODY = (D44 - LANCER)(C44 - LEBARON GTS)

J BODY = (C - LEBARON)

K BODY = (P - RELIANT)(D - ARIES)(C - LEBAROND)/TOWN & COUNTRY)

L BODY = (M - HORIZON/TURISMO)(Z - OMNI/CHARGER)

M BODY = (B - GRAN FURY)(F - FIFTH AVE/NEWPORT)(G - DIPLOMAT)

P BODY = (P - SUNDANCE)(D - SHADOW)

S BODY = (H - VOYAGER)(K - RAM VAN/CARAVAN)

BODY STYLES

12-13 = FWD VAN

21 = 2-DOOR SEDAN

24 = 2-DOOR HATCHBACK

27 = 2-DOOR CONVERTIBLE

41 = 4-DOOR SEDAN

44 = 4-DOOR HATCHBACK

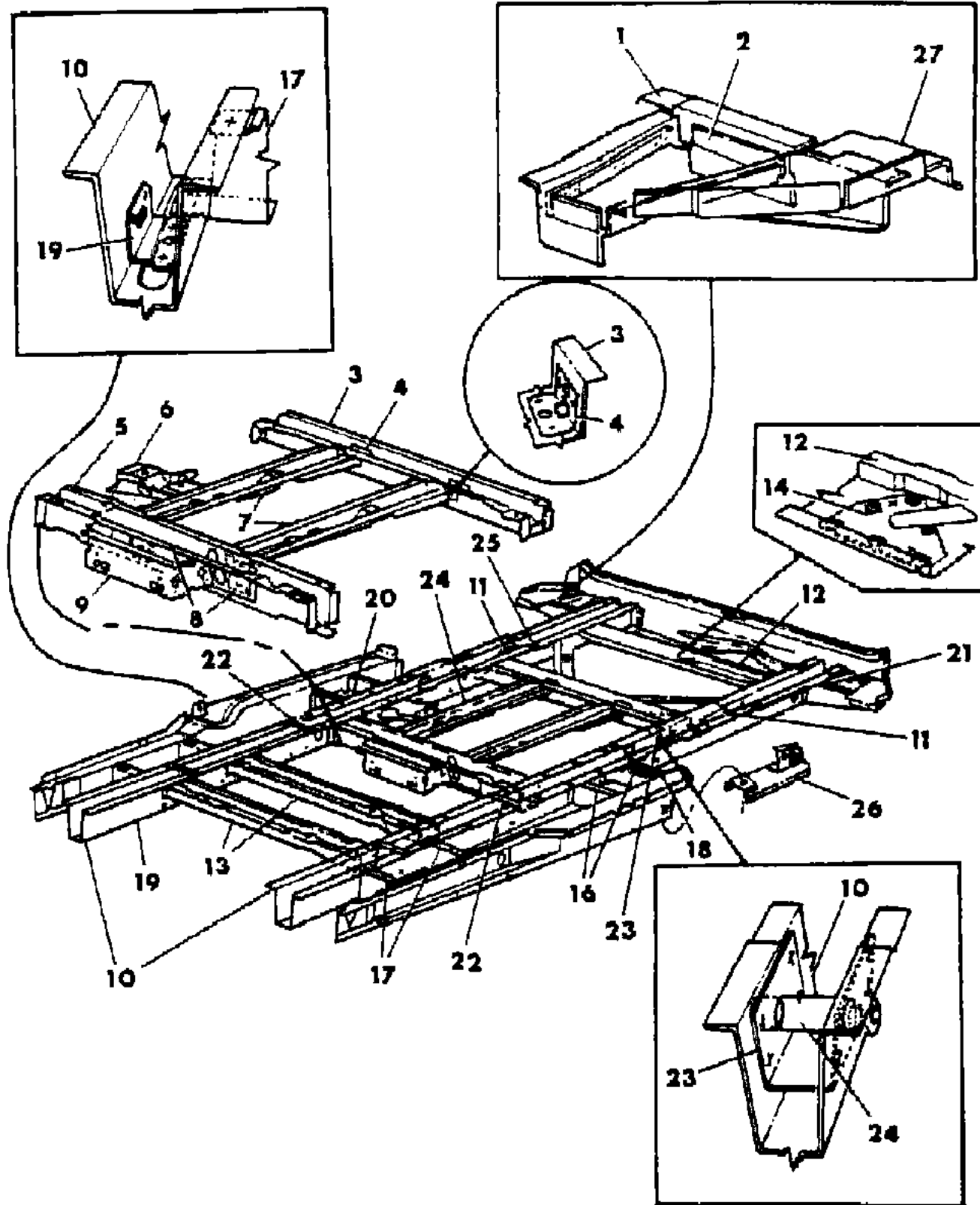
45 = 4-DOOR STATION WAGON

52-53 = FWD WAGON

AR = Use as Required - = Non Illustrated Part P.A.R. = Paint as Required

FRAME REAR S BODY
Figure 13-500

7113 500



ITEM	PART NUMBER	QTY	BODY	MODEL	DESCRIPTION
1	4278 194-5	1			SUPPORT, Floor Pan Rear Suspension Hanger Rear Bracket
2	4278 398	2			PLATE, Flr. Pan, Rr. Susp. Hanger Brkt., Rear
3	4416 076	1			CROSSMEMBER, Floor Pan Fuel Tank Support Rear
4	4278 500	2			REINFORCEMENT, Floor Pan Fuel Tank Support Rear Crossmember Strap Mounting
5	4337 695	1			CROSSMEMBER, Floor Pan Fuel Tank Support Front
6	4416 466	1			REINFORCEMENT, Floor Pan Fuel Tank Support to Side Rail, Rt. Side
7	4416 465	2			STRAINER, Flr. Pan Fuel Tank Supt.
8	4278 492	2			REINFORCEMENT, Floor Pan Fuel Tank Support Crossmember Strap Mounting
9	4278 681	1			BRACKET, Tail Pipe Hanger Front
10					RAIL, Floor Pan Side
	4416 523	2			Standard W.B.
	4475 284	2			Extended W.B.
11	4337 808	2			REINFORCEMENT, Floor Pan Side Rail Jounce and Shipping Tie Down
12	4371 778	1			CROSSMEMBER, Floor Pan Tire Stowage Support
13	4416 360	2			CROSSMEMBER, Flr. Pan Frt. & Rr. Seat Supt.
14	4371 713				REINFORCEMENT, Pan Spare Tire Stowage C/Member Winch Mtg.
16	4314 101	2			BRACKET, Floor Pan Rear Suspension Hanger Front
17	4278 960	4			REINFORCEMENT, Floor Pan Side Rail to Sill Inner
18	4314 333	1			SUPPORT, Rear Spring to Fuel Filler Tube Ret. Front Lt. Side
19	4278 930	1			REINFORCEMENT, Body Side Rail Brake Cable, Rt. Side
20	4314 103	2			PLATE, Rear Susp. Hanger Brkt. Mtg., Front
21	4371 716				REINFORCEMENT, Rail Spare Tire Winch Mtg.
22	4278 554	2			PLATE, Floor Pan, Rear Rail Tie
23	4371 622	2			BRACKET, Floor Pan Rear Shock Absorber Sleeve Mtg.
24	4371 620	2			SLEEVE, Floor Pan Rail, Rear Shock Abs. Mtg.
25	4337 806	4			STRAP, Floor Pan S/Rail, Rear Seat Striker Reinf.
26	4314 329	1			RETAINER, Rr. Spring To Fuel Filler Tube Lt.
27					BRACKET, Floor Pan Rear Suspension Hanger Rear
	4278 192-3	1		12,52	
	5255 304-5	1		13,53	

MODEL CODES

E BODY = (J - CARAVELLE)(E - 600)(T - NEW YORKER)

G BODY = (V24 - DAYTONA)

H BODY = (D44 - LANCER)(C44 - LEBARON GTS)

J BODY = (C - LEBARON)

K BODY = (P - RELIANT)(D - ARIES)(C - LEBAROND)/TOWN & COUNTRY)

L BODY = (M - HORIZON/TURISMO)(Z - OMNI/CHARGER)

M BODY = (B - GRAN FURY)(F - FIFTH AVE/NEWPORT)(G - DIPLOMAT)

P BODY = (P - SUNDANCE)(D - SHADOW)

S BODY = (H - VOYAGER)(K - RAM VAN/CARAVAN)

BODY STYLES

12-13 = FWD VAN

21 = 2-DOOR SEDAN

24 = 2-DOOR HATCHBACK

27 = 2-DOOR CONVERTIBLE

41 = 4-DOOR SEDAN

44 = 4-DOOR HATCHBACK

45 = 4-DOOR STATION WAGON

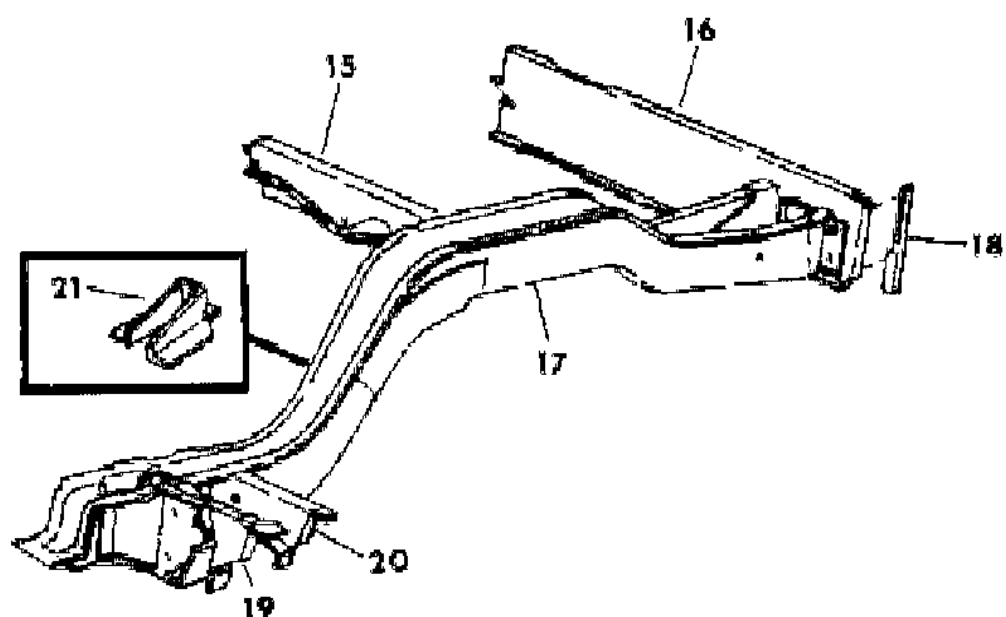
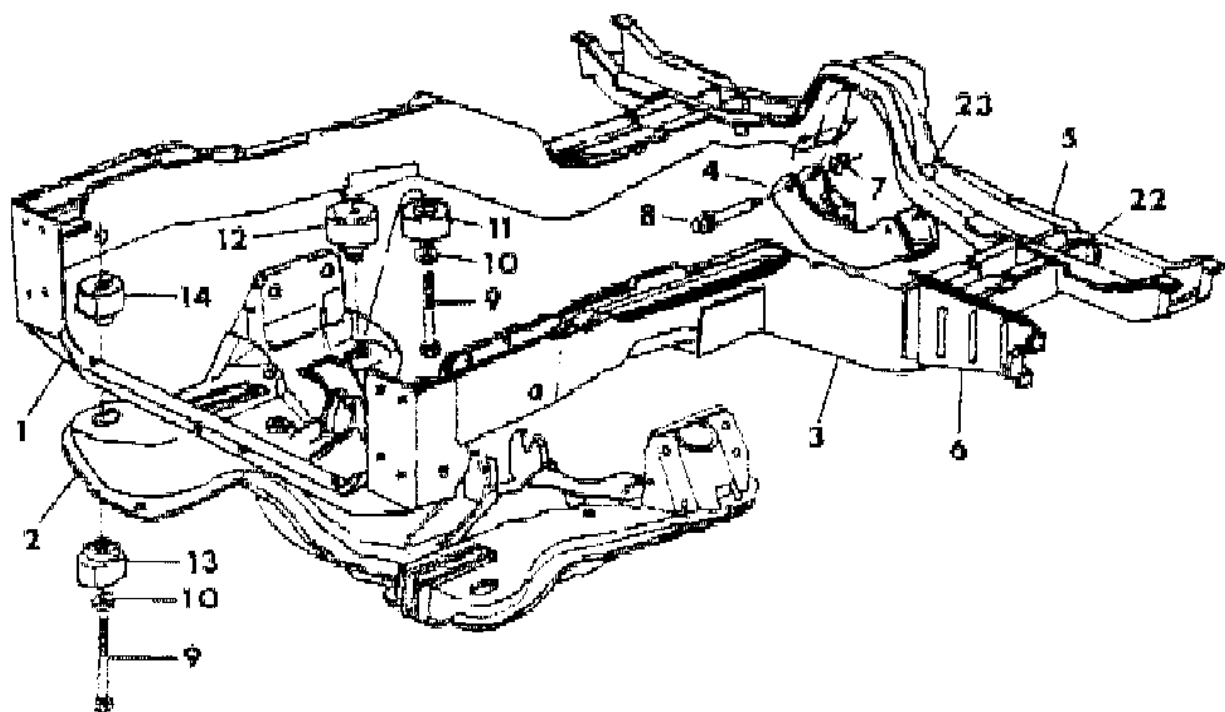
52-53 = FWD WAGON

AR = Use as Required - = Non Illustrated Part P.A.R. = Paint as Required

FRAME M BODY
Figure 13-700

7113 700

ITEM	PART NUMBER	QTY	BODY	MODEL	DESCRIPTION
1	4296 620	1			CROSSMEMBER, Frt. Side Rail Front
2	4322 172	1			CROSSMEMBER, Frt. Suspension Comp.
3	4129 898-9				RAIL, w/Reinforcement, Front Side
4	4001 797	1			CROSSMEMBER, Frame Trans. Mounting
5	4296 617	1			CROSSMEMBER, Frt. Side Rail Rear
6	4314 640-1	1			REINFORCEMENT, Frt. Side Rail to Side Sill Inr.
7	0152 344	2			NUT, 3/8-16
8	6029 550	2			BOLT, 3/8-16 x 3-3/4"
9	6031 150	4			BOLT, Body Hold Down, 5/8-11 x 5"
10	4001 701	4			WASHER, Body Hold Down
11	4001 552	2			ISOLATOR, Rr. Lwr. Cushion
12	4001 554	2			ISOLATOR, Rr. Upr. Cushion
13	4001 596	2			ISOLATOR, Frt. Lwr. Cushion
14	4001 595	2			ISOLATOR, Frt. Upr. Cushion
15	4314 665	1			CROSSMEMBER, Rr. Shock Absorber
16	4314 663	1			CROSSMEMBER, Rr. Floor Pan Rear
17	4325 152-3	1			RAIL, Floor Pan Rear Side
18	4015 634	2			REINFORCEMENT, Rr. Floor Pan Rr. C/Member, w/H.D. Service Pkg.
19	4325 148-9	1			SUPPORT, w/Gusset Ctr. Flr. Pan Rr. Susp. Frt. Hgr. Brkt.
20		1			REINFORCEMENT, Rr. Side Rail to Side Sill Inr. Rr.(Not Serviced)
21	4314 662	2			BRACKET, Rear Side Rail Park Brake Cable
-	4296 686-7	1			PLATE, Frt. S/Rail C/Member Reinf.Rr., H.D. (Not Illustrated)
-	4296 684-5	1			DOUBLER, Frt. S/Rail Frt. Susp.C/Member Reinf. Outer, Rt., H.D. (Not Illustrated)
22	4296 618	4			REINFORCEMENT, Front Side Rail Rear Crossmember Outer
23	4296 619	2			SPACER, Front Side Rail Rear Crossmember



MODEL CODES

E BODY = (J - CARAVELLE)(E - 600)(T - NEW YORKER)

G BODY = (V24 - DAYTONA)

H BODY = (D44 - LANCER)(C44 - LEBARON GTS)

J BODY = (C - LEBARON)

K BODY = (P - RELIANT)(D - ARIES)(C - LEBAROND)/TOWN & COUNTRY)

L BODY = (M - HORIZON/TURISMO)(Z - OMNI/CHARGER)

M BODY = (B - GRAN FURY)(F - FIFTH AVE/NEWPORT)(G - DIPLOMAT)

P BODY = (P - SUNDANCE)(D - SHADOW)

S BODY = (H - VOYAGER)(K - RAM VAN/CARAVAN)

BODY STYLES

12-13 = FWD VAN

21 = 2-DOOR SEDAN

24 = 2-DOOR HATCHBACK

27 = 2-DOOR CONVERTIBLE

41 = 4-DOOR SEDAN

44 = 4-DOOR HATCHBACK

45 = 4-DOOR STATION WAGON

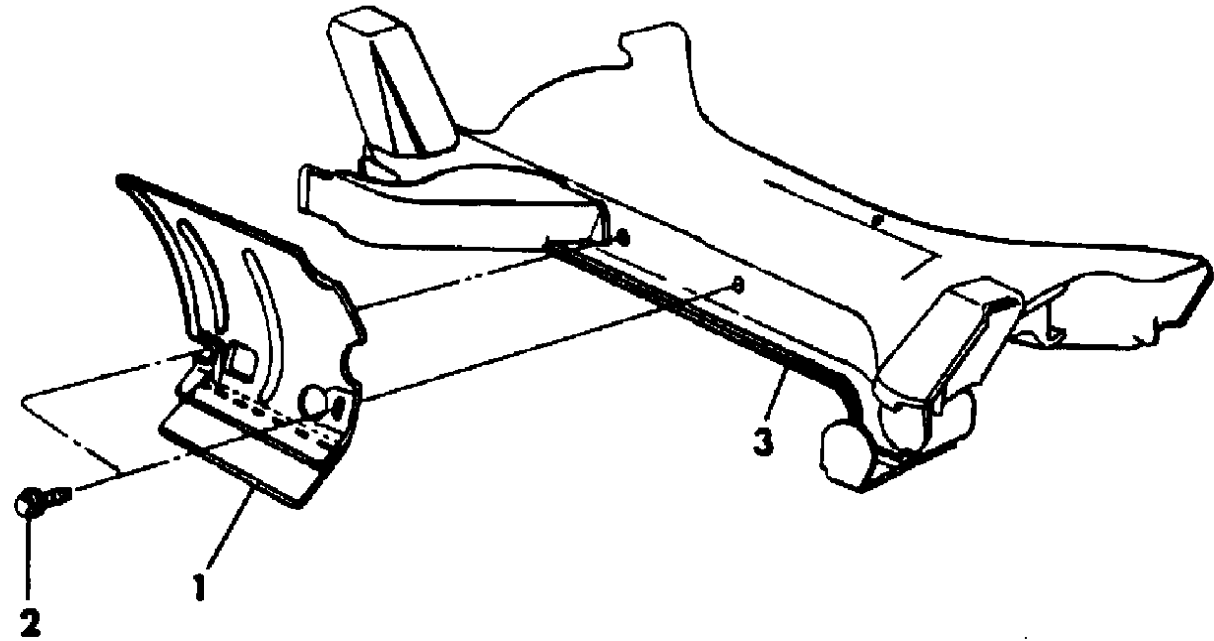
52-53 = FWD WAGON

AR = Use as Required - = Non Illustrated Part P.A.R. = Paint as Required

SHIELD, BOOT AIR DEFLECTOR ALL EXCEPT M BODY
Figure 13-725

ITEM	PART NUMBER	QTY	BODY	MODEL	DESCRIPTION
1	4401 226	1	EXC. S		SHIELD, Boot Air Deflector
	4266 321	1	S		
2	6501 087	2			BOLT, M8x1.25x30
3					CROSSMEMBER, Front Suspension (Reference Only)

7113 725



MODEL CODES
 E BODY = (J - CARAVELLE)(E - 600)(T - NEW YORKER)
 G BODY = (V24 - DAYTONA)
 H BODY = (D44 - LANCER)(C44 - LEBARON GTS)
 J BODY = (C - LEBARON)
 K BODY = (P - RELIANT)(D - ARIES)(C - LEBAROND)/TOWN & COUNTRY
 L BODY = (M - HORIZON/TURISMO)(Z - OMNI/CHARGER)
 M BODY = (B - GRAN FURY)(F - FIFTH AVE/NEWPORT)(G - DIPLOMAT)
 P BODY = (P - SUNDANCE)(D - SHADOW)
 S BODY = (H - VOYAGER)(K - RAM VAN/CARAVAN)

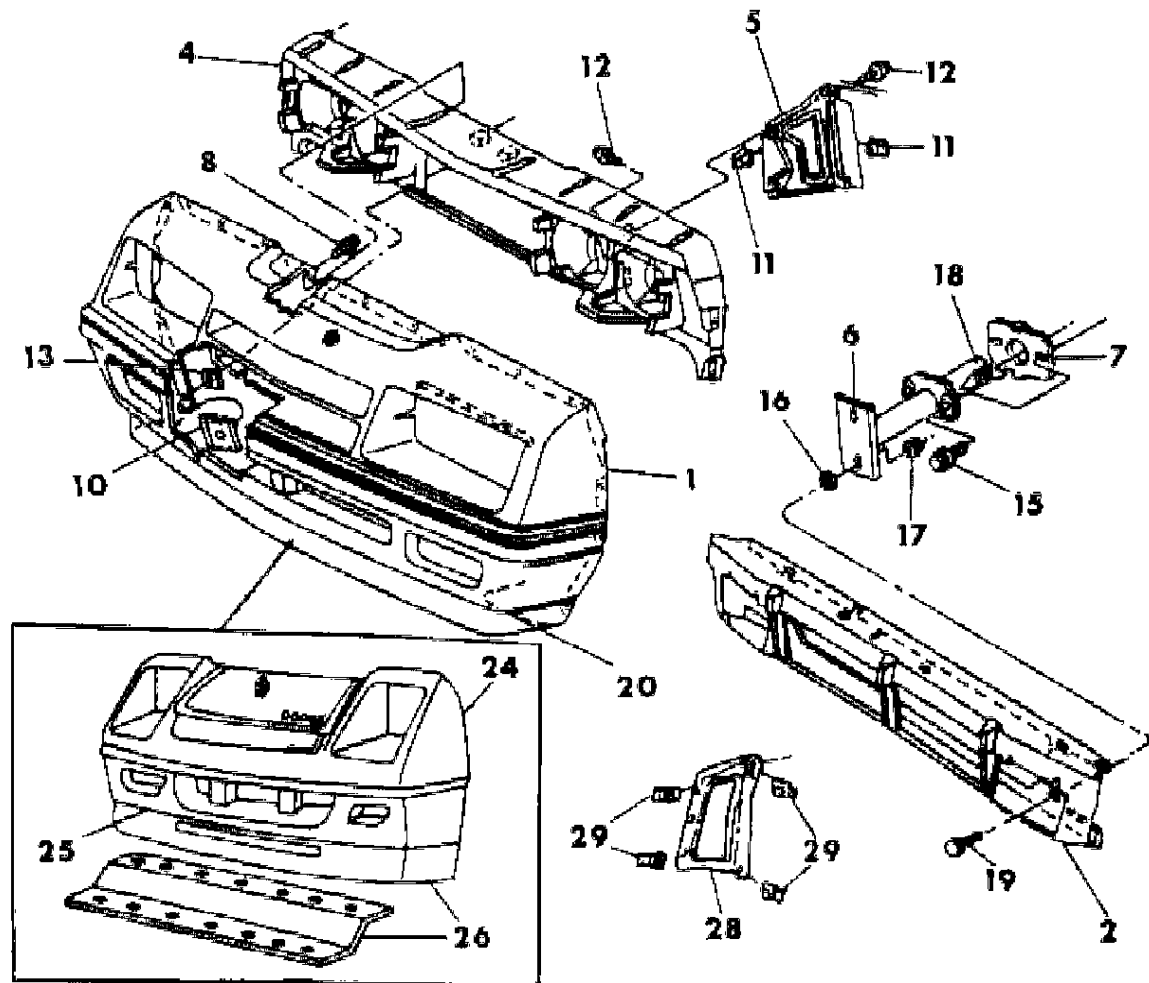
BODY STYLES
 12-13 = FWD VAN 41 = 4-DOOR SEDAN
 21 = 2-DOOR SEDAN 44 = 4-DOOR HATCHBACK
 24 = 2-DOOR HATCHBACK 45 = 4-DOOR STATION WAGON
 27 = 2-DOOR CONVERTIBLE 52-53 = FWD WAGON

AR = Use as Required - = Non Illustrated Part P.A.R. = Paint as Required

FASCIA, BUMPER FRONT L BODY MODEL 24

Figure 13-800

7113 800



ITEM	PART NUMBER	QTY	BODY	MODEL	DESCRIPTION
1	4270 500	1		M-H,Z-H	FASCIA, Bumper Front
2	4270 520	1			REINFORCEMENT, Fascia
	5216 104	1		Z-S	REINFORCEMENT, Fascia
4	4270 504	1			PANEL, Fascia H/Lamp Mtg.
	5201 328	1		Z-S	
5	4270 596-7	1			BRACE, Fascia H/Lamp Mtg.
6					ABSORBER, Impact
	4270 528	2			Manual Trans.
	4270 530	2			Auto. Trans. w/o Nut and Retainer
	4270 645	2			w/Nut and Retainer
	5205 109	2		Z-S	Absorber (5 mile) (Canada)
	4194 959	2		Z-S	Absorber (2 1/2 Mile)
7	4194 965	2			BRACKET, Limiter
8					SCREW and WASHER (Not Serviced)
10	6500 272	4			STUD, w/Retainer
11	#6100 041	AR			U-NUT
12	6100 566	AR			SCREW and WASHER
13	6500 321	4			SPRING NUT
15	6500 702	4			SCREW and WASHER
16					PUSH NUT (Not Serviced)
17	6500 086	4			NUT and WASHER
18					NUT, w/Retainer (Not Serviced)
19	6500 381	4			BOLT, Pad Impact
20	4270 512	1			LICENSE PLATE PACKAGE, Attaching Front
	4270 389	1		Z-S	
24	4270 376	1		Z-S	FASCIA, Frt. Bumper (Paint As Req.)
	4270 376	1		Z-S	GLH-S (SHELBY)
25	4270 389	1		Z-S	LICENSE PLATE PACKAGE, Front
	5216 050	1		Z-S	BUTTON, License Plate Mtg.
26					AIR DAM, Frt. Bumper Fascia
	X901 CAR	1		Z-S	Red w/Silver Accent
	X901 DAX	1		Z-S	Black w/Silver Accent
	4419 997	1		Z-S	GLH-S (SHELBY)
	6031 390	AR		Z-S	RETAINER, Air Dam (Not Ill.)
	6500 897	AR		Z-S	U-CLIP, Air-Dam Att.
	6500 898	AR		Z-S	RIVET, Air-Dam Att.
	4270 472	2		Z-S	STRAP, Air-Dam To Fender Ext. (Not Illustrated)
28	4296 098-9	1		Z-S	BRACE, Fascia Supt. Closure Panel

MODEL CODES

E BODY = (J - CARAVELLE)(E - 600)(T - NEW YORKER)

G BODY = (V24 - DAYTONA)

H BODY = (D44 - LANCER)(C44 - LEBARON GTS)

J BODY = (C - LEBARON)

K BODY = (P - RELIANT)(D - ARIES)(C - LEBAROND)/TOWN & COUNTRY)

L BODY = (M - HORIZON/TURISMO)(Z - OMNI/CHARGER)

M BODY = (B - GRAN FURY)(F - FIFTH AVE/NEWPORT)(G - DIPLOMAT)

P BODY = (P - SUNDANCE)(D - SHADOW)

S BODY = (H - VOYAGER)(K - RAM VAN/CARAVAN)

BODY STYLES

12-13 = FWD VAN

21 = 2-DOOR SEDAN

24 = 2-DOOR HATCHBACK

27 = 2-DOOR CONVERTIBLE

41 = 4-DOOR SEDAN

44 = 4-DOOR HATCHBACK

45 = 4-DOOR STATION WAGON

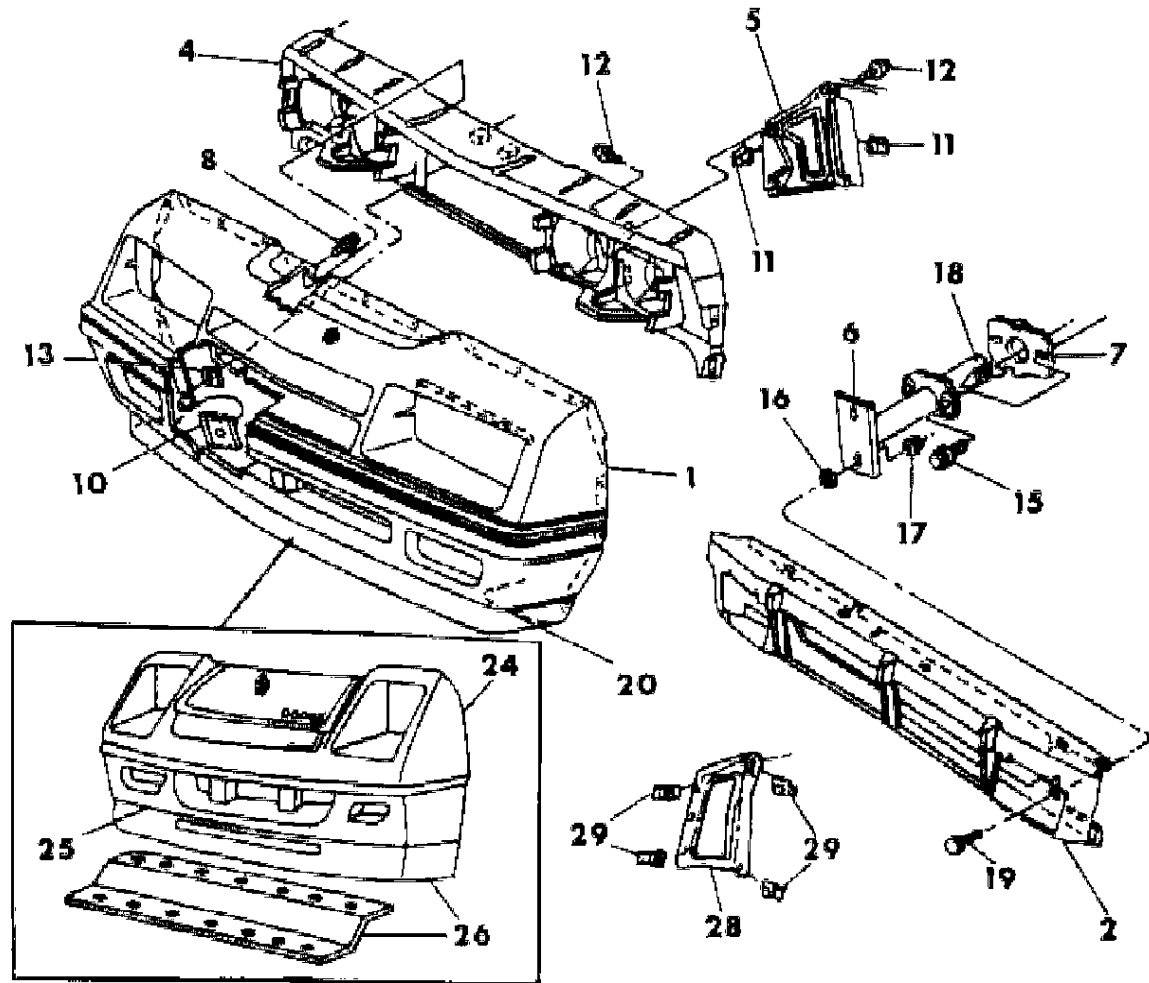
52-53 = FWD WAGON

AR = Use as Required - = Non Illustrated Part P.A.R. = Paint as Required

FASCIA, BUMPER FRONT L BODY MODEL 24

Figure 13-800

7113 800



ITEM	PART NUMBER	QTY	BODY	MODEL	DESCRIPTION
	6100 567	4		Z-S	SCREW and WASHER, Brace to Mtg. Panel
29	#6100 041	AR		Z-S	U-NUT

MODEL CODES

E BODY = (J - CARAVELLE)(E - 600)(T - NEW YORKER)

G BODY = (V24 - DAYTONA)

H BODY = (D44 - LANCER)(C44 - LEBARON GTS)

J BODY = (C - LEBARON)

K BODY = (P - RELIANT)(D - ARIES)(C - LEBAROND)/TOWN & COUNTRY)

L BODY = (M - HORIZON/TURISMO)(Z - OMNI/CHARGER)

M BODY = (B - GRAN FURY)(F - FIFTH AVE/NEWPORT)(G - DIPLOMAT)

P BODY = (P - SUNDANCE)(D - SHADOW)

S BODY = (H - VOYAGER)(K - RAM VAN/CARAVAN)

BODY STYLES

12-13 = FWD VAN

21 = 2-DOOR SEDAN

24 = 2-DOOR HATCHBACK

27 = 2-DOOR CONVERTIBLE

41 = 4-DOOR SEDAN

44 = 4-DOOR HATCHBACK

45 = 4-DOOR STATION WAGON

52-53 = FWD WAGON

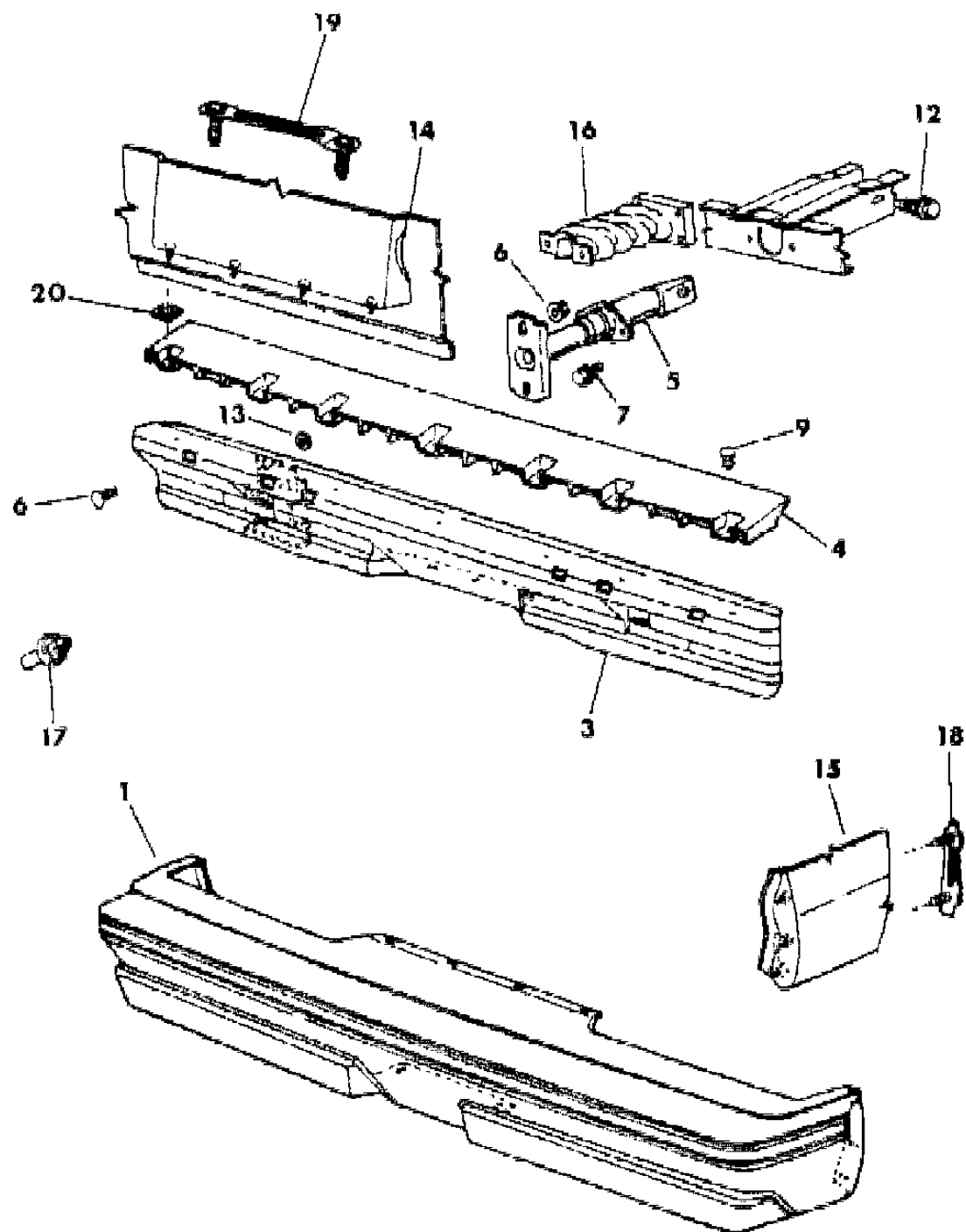
AR = Use as Required - = Non Illustrated Part P.A.R. = Paint as Required

FASCIA, BUMPER REAR L BODY MODEL 24

Figure 13-900

7113 900

ITEM	PART NUMBER	QTY	BODY	MODEL	DESCRIPTION
1	5216 312	1			FASCIA, Rear Bumper, Prime
	6500 321	AR			NUT, Spring
3	4103 322	1			REINFORCEMENT, Fascia
4	5216 308	1			SUPPORT, Fascia
5					ABSORBER, Rear
	5205 165	2			5 Mile Impact (Canada)
	4194 976	2			2 1/2 Mile Impact
6	6500 381	4			BOLT
	6500 086	4			SCREW and WASHER
7	6100 592	4			SCREW and WASHER
9	6031 390	7			RETAINER, Support To Reinforcement
12	6500 309	AR			SCREW and WASHER
13					PUSH NUT (Not Serviced)
14					PANEL, Liftgate Opening (Ref.)
15					PANEL, Qtr. (Ref.)
16	4103 213	2			BOOT, Absorber Unit
	6003 654	8			RETAINER
17	6032 049	2			RETAINER, Fascia To Reinf.
18	5230 144	2			RETAINER, Qtr. O/S Panel Rr. Bumper Fascia
19	5230 140	2			RETAINER, Lower Panel To Fascia
20	6500 321	9			SPRING NUT
	4270 974	1			LICENSE PLATE ATTACHING PKG (Not Illustrated)



MODEL CODES

E BODY = (J - CARAVELLE)(E - 600)(T - NEW YORKER)

G BODY = (V24 - DAYTONA)

H BODY = (D44 - LANCER)(C44 - LEBARON GTS)

J BODY = (C - LEBARON)

K BODY = (P - RELIANT)(D - ARIES)(C - LEBAROND)/TOWN & COUNTRY)

L BODY = (M - HORIZON/TURISMO)(Z - OMNI/CHARGER)

M BODY = (B - GRAN FURY)(F - FIFTH AVE/NEWPORT)(G - DIPLOMAT)

P BODY = (P - SUNDANCE)(D - SHADOW)

S BODY = (H - VOYAGER)(K - RAM VAN/CARAVAN)

BODY STYLES

12-13 = FWD VAN

21 = 2-DOOR SEDAN

24 = 2-DOOR HATCHBACK

27 = 2-DOOR CONVERTIBLE

41 = 4-DOOR SEDAN

44 = 4-DOOR HATCHBACK

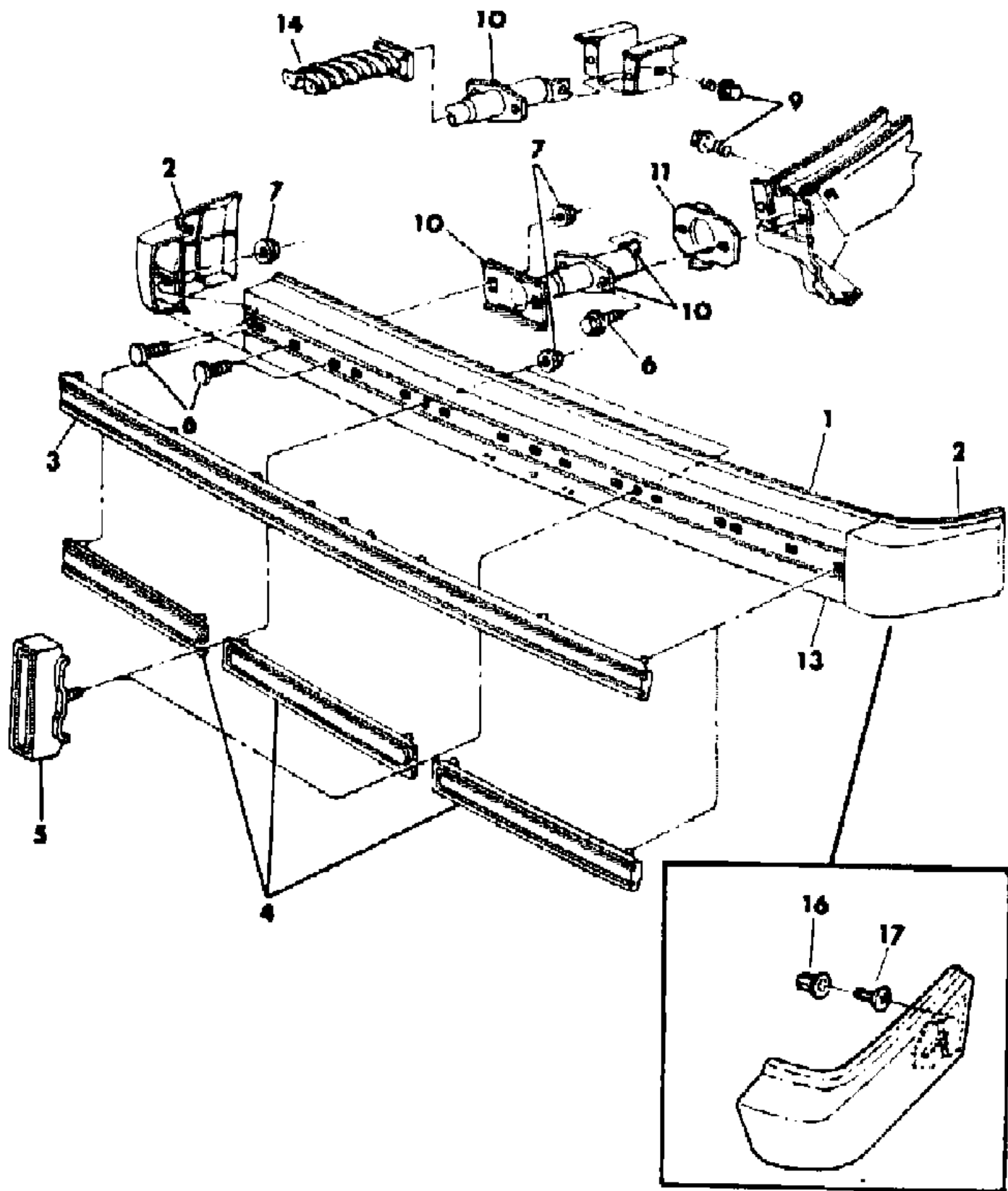
45 = 4-DOOR STATION WAGON

52-53 = FWD WAGON

AR = Use as Required - = Non Illustrated Part P.A.R. = Paint as Required

BUMPER, FRONT AND REAR L BODY MODEL 44
Figure 13-1000

7113 1000 A



ITEM	PART NUMBER	QTY	BODY	MODEL	DESCRIPTION
1	5216 002	1			BUMPER, Front and Rear w/Nerf and Guards
2	4270 600-1	1			CAP, Bumper End Front
	4270 612-3	1			Rear
	6500 750	2			SCREW, Cap To Fender
	6500 381	2			BOLT, End Cap, Front and Rear
	6500 086	2			NUT and WASHER, End Cap, Front and Rear
3	4194 862	1			NERF STRIP, w/o Guards
	5216 012	3			NERF STRIP, w/Guards
5	5216 190	2			GUARD, Front and Rear
6	6500 075	6			BOLT
7	6500 086	8			NUT and WASHER
9	6100 592	6			SCREW and WASHER
10	4194 971	2			ABSORBER, Front (2 1/2 Mile Impact) w/Man. Trans.
	4194 963	2			w/Auto.Trans.
	4194 986	2			ABSORBER, Rear (2 1/2 Mile Impact)
	4194 965	2			BRACKET, Limiter Frt. Bumper (2 1/2 Mile Impact) Use w/Auto. Trans.
13	4194 462	1			LICENSE PLATE PACKAGE, Attaching Front
	4270 974	1			Rear
14	5216 050	AR			BUTTON, Rubber
	6023 925	AR			NUT
	4103 318	2			BOOT, Absorber,Front
14	4103 213	2			Rear
	6003 654	AR			RETAINER (Push-Nut)
16	#6501 558	4			RIVET NUT
17	6500 750	4			SCREW

MODEL CODES

E BODY = (J - CARAVELLE)(E - 600)(T - NEW YORKER)
 G BODY = (V24 - DAYTONA)
 H BODY = (D44 - LANCER)(C44 - LEBARON GTS)
 J BODY = (C - LEBARON)
 K BODY = (P - RELIANT)(D - ARIES)(C - LEBAROND)/TOWN & COUNTRY)

L BODY = (M - HORIZON/TURISMO)(Z - OMNI/CHARGER)
 M BODY = (B - GRAN FURY)(F - FIFTH AVE/NEWPORT)(G - DIPLOMAT)
 P BODY = (P - SUNDANCE)(D - SHADOW)
 S BODY = (H - VOYAGER)(K - RAM VAN/CARAVAN)

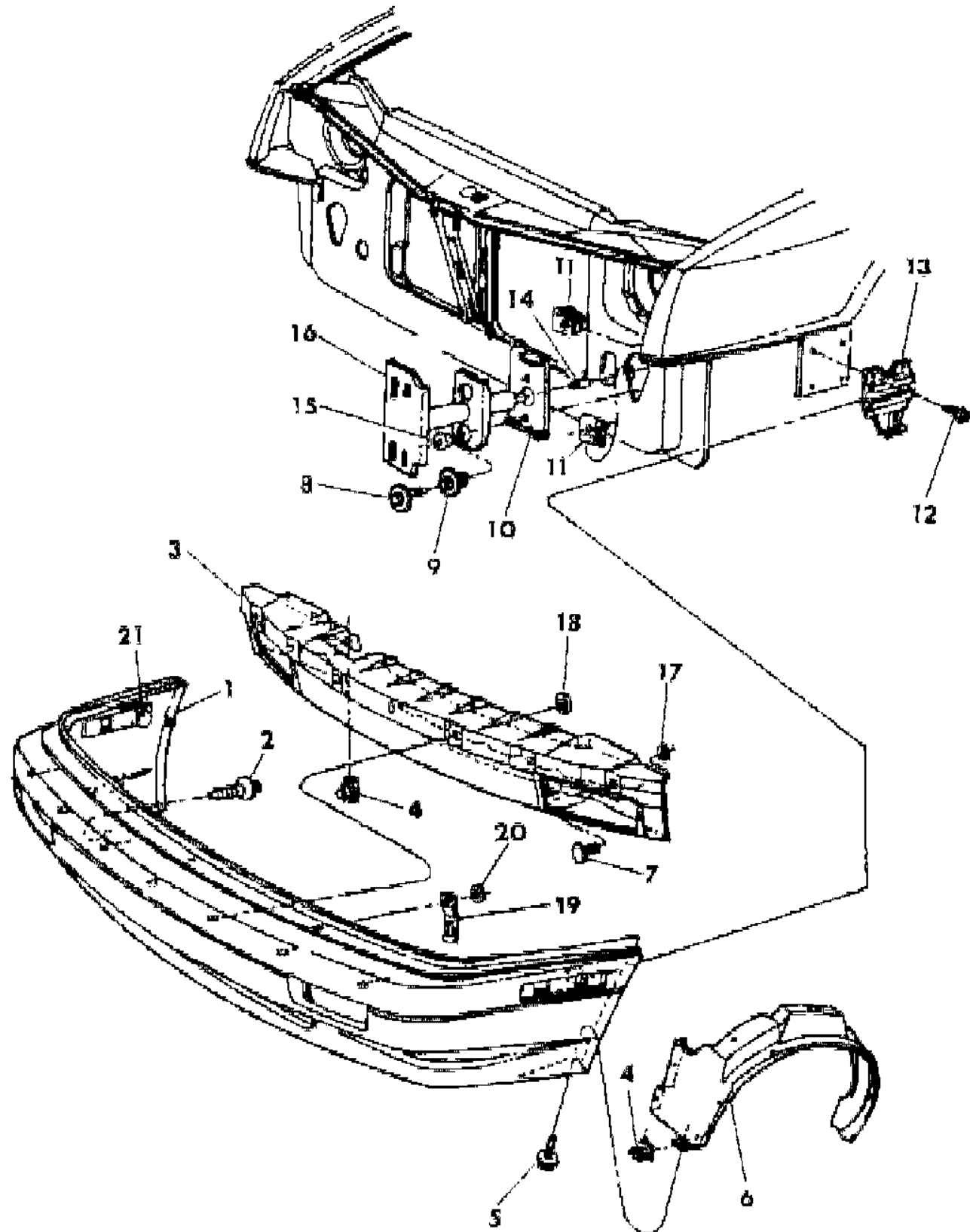
BODY STYLES

12-13 = FWD VAN
 21 = 2-DOOR SEDAN
 24 = 2-DOOR HATCHBACK
 27 = 2-DOOR CONVERTIBLE
 41 = 4-DOOR SEDAN
 44 = 4-DOOR HATCHBACK
 45 = 4-DOOR STATION WAGON
 52-53 = FWD WAGON

AR = Use as Required - = Non Illustrated Part P.A.R. = Paint as Required

FASCIA, BUMPER FRONT P BODY
Figure 13-1025

7113 1025 A



ITEM	PART NUMBER	QTY	BODY	MODEL	DESCRIPTION
1	4334 980	1			FASCIA, Front Bumper (Paint As Required)
	4467 452	1			Lower, Front (SHELBY)
	4334 252	1			NERF STRIP (Bright)
	X649 ER4	1			Red, w/Plymouth SX or Dodge ES Package
2	6100 566	3			SCREW and WASHER
	6100 840	3			PUSH NUT
	6031 635	AR			PUSH-NUT (SHELBY)
3	#4388 510	1			REINFORCEMENT, Front Bumper
4	#6100 041	5			U-NUT
	4467 455	AR			U-NUT, Front, Lower Bumper Fascia Att. (SHELBY)
	4370 141	AR			U-NUT, Front Fascia Att. (SHELBY)
	4467 474	AR			RIVET, Front Fascia (Gray) (SHELBY)
5	6501 037	2			SCREW and WASHER
6		1			SHIELD, Fender W/House (Reference Only)
7		4			BOLT (Not Serviced)
8	6500 702	4			BOLT and WASHER, Auto Trans.
		4			BOLT and WASHER (w/Man. Trans.) (Not Serviced)
9		4			ISOLATOR (Serviced In Item No. 16)
10	4194 927	2			BRACKET, Limiter
11	6500 634	4			U-NUT
12		8			SCREW (Not Serviced)
13	4334 211	2			PLATE, Bumper Fascia to Body
14	4194 932	2			GROMMET
15		4			NUT and WASHER (Not Serviced)
16	4334 214	2			ABSORBER, 2 1/2 Mile Impact, w/Man. Trans.
	4334 217	2			2 1/2 Mile Impact, w/Auto. Trans.
17	6501 025	4			RETAINER
18	6031 635	7			PUSH NUT
	4334 235	1			LICENSE PLATE PACKAGE, Attaching Parts (Not Illustrated)
19	4388 033	3			TAB, Support, Front Bumper Fascia
20	6100 840	3			PUSH NUT, Support Tab to Fascia Attaching
21	4334 212	2			PIN, Front Bumper Fascia Attaching

MODEL CODES

E BODY = (J - CARAVELLE)(E - 600)(T - NEW YORKER)

G BODY = (V24 - DAYTONA)

H BODY = (D44 - LANCER)(C44 - LEBARON GTS)

J BODY = (C - LEBARON)

K BODY = (P - RELIANT)(D - ARIES)(C - LEBAROND)/TOWN & COUNTRY)

L BODY = (M - HORIZON/TURISMO)(Z - OMNI/CHARGER)

M BODY = (B - GRAN FURY)(F - FIFTH AVE/NEWPORT)(G - DIPLOMAT)

P BODY = (P - SUNDANCE)(D - SHADOW)

S BODY = (H - VOYAGER)(K - RAM VAN/CARAVAN)

BODY STYLES

12-13 = FWD VAN

21 = 2-DOOR SEDAN

24 = 2-DOOR HATCHBACK

27 = 2-DOOR CONVERTIBLE

41 = 4-DOOR SEDAN

44 = 4-DOOR HATCHBACK

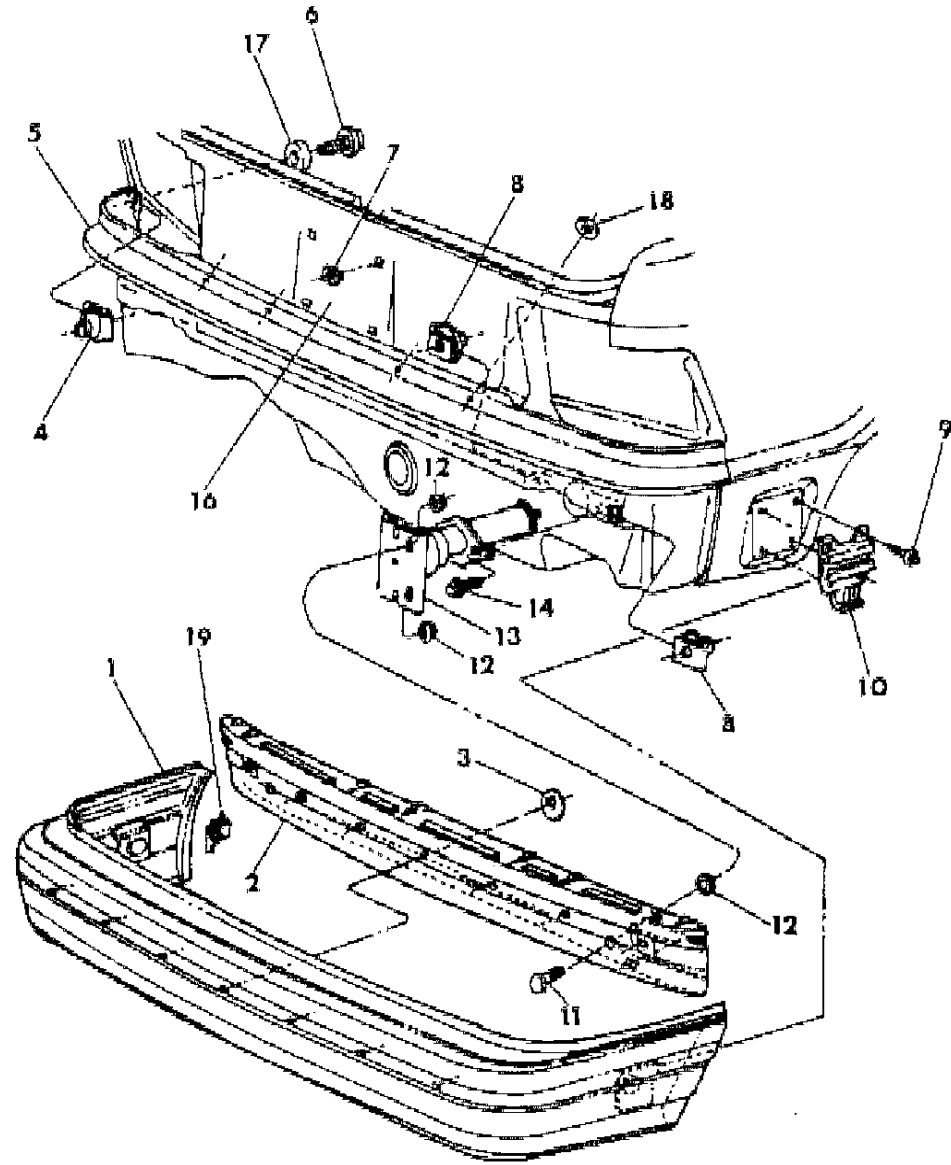
45 = 4-DOOR STATION WAGON

52-53 = FWD WAGON

AR = Use as Required - = Non Illustrated Part P.A.R. = Paint as Required

FASCIA, BUMPER REAR P BODY
Figure 13-1050

7113 1050



ITEM	PART NUMBER	QTY	BODY	MODEL	DESCRIPTION
1	4334 986	1			FASCIA, Rear Bumper (Paint As Required)
-	4467 451	1			FASCIA, Lower, Rear (SHELBY)
	4334 256	1			NERF STRIP (Bright)
	X659 ER4	1			RED, w/Plymouth SX or Dodge ES Package
2	4388 035	1			REINFORCEMENT, Rear Bumper Fascia
3	6031 635	AR			PUSH NUT
4	6100 040	6			U-NUT
-	4467 455	AR			U-NUT (SHELBY)
5	4341 276	1			PANEL, Lift Gate Opening Lower Fascia
6	6100 534	6			SCREW and WASHER
7		4			NUT, License Plate Mounting (Not Serviced)
8	6101 283	4			U-NUT
9		8			SCREW (Not Serviced)
10	4334 211	2			PLATE, Bumper Fascia to Body
11	6500 463	4			BOLT
12	6100 051	4			NUT and WASHER
13	4334 597	2			ABSORBER, 2 1/2 Mile Impact
14		4			SCREW and WASHER (Not Serviced)
16	4270 974	1			LICENSE PLATE PACKAGE, Attaching Parts
17	5231 207	2			WASHER, Sealing
18		4			WASHER, Sealing (Not Serviced)
19	4334 994	2			BRACKET, Rear Fascia to Aperture Panel

MODEL CODES

E BODY = (J - CARAVELLE)(E - 600)(T - NEW YORKER)

G BODY = (V24 - DAYTONA)

H BODY = (D44 - LANCER)(C44 - LEBARON GTS)

J BODY = (C - LEBARON)

K BODY = (P - RELIANT)(D - ARIES)(C - LEBAROND)/TOWN & COUNTRY)

L BODY = (M - HORIZON/TURISMO)(Z - OMNI/CHARGER)

M BODY = (B - GRAN FURY)(F - FIFTH AVE/NEWPORT)(G - DIPLOMAT)

P BODY = (P - SUNDANCE)(D - SHADOW)

S BODY = (H - VOYAGER)(K - RAM VAN/CARAVAN)

BODY STYLES

12-13 = FWD VAN

21 = 2-DOOR SEDAN

24 = 2-DOOR HATCHBACK

27 = 2-DOOR CONVERTIBLE

41 = 4-DOOR SEDAN

44 = 4-DOOR HATCHBACK

45 = 4-DOOR STATION WAGON

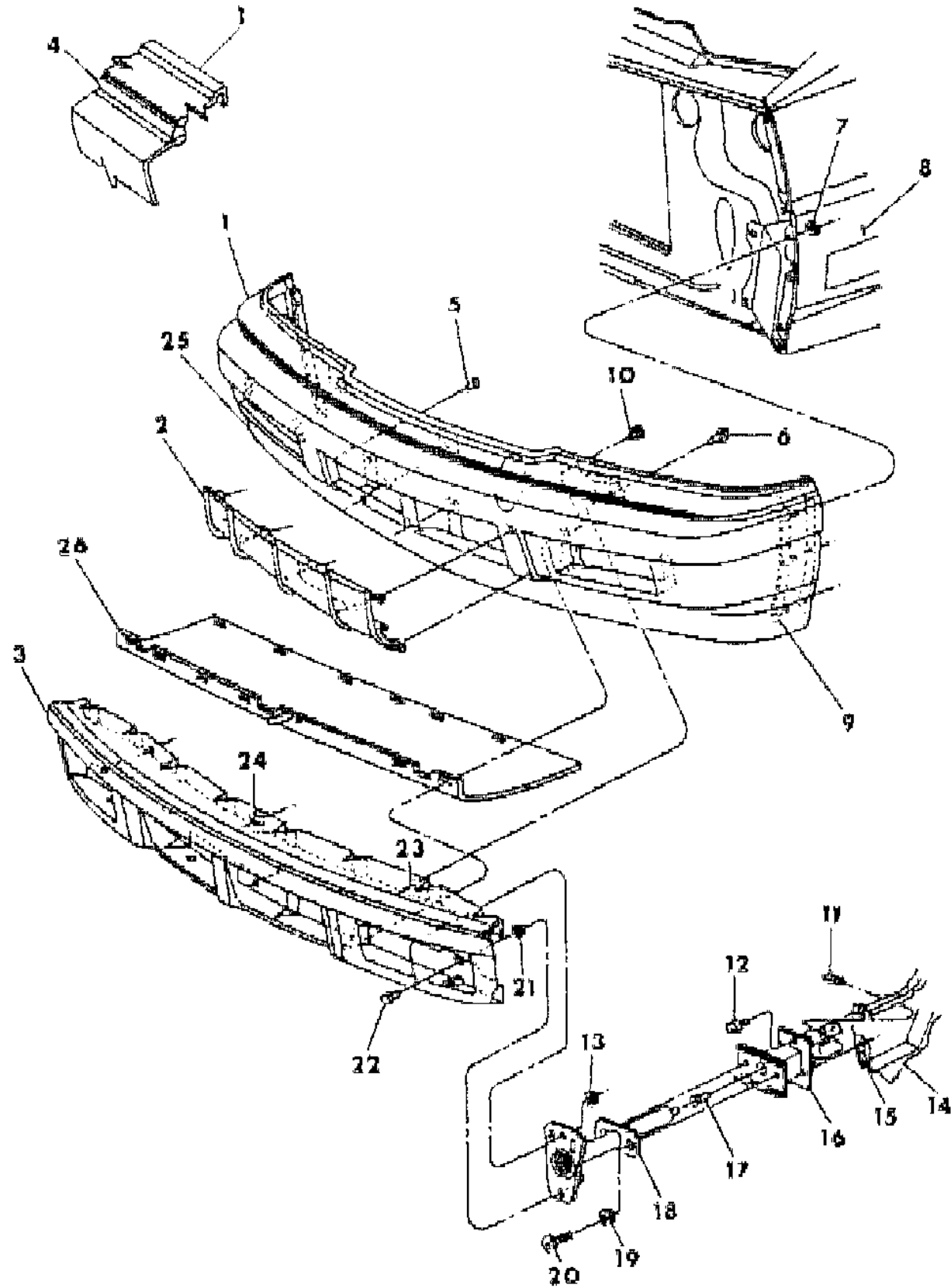
52-53 = FWD WAGON

AR = Use as Required - = Non Illustrated Part P.A.R. = Paint as Required

FASCIA, BUMPER FRONT J BODY
Figure 13-1060

7113 1080

ITEM	PART NUMBER	QTY	BODY	MODEL	DESCRIPTION
1	4334 352	1			FASCIA, Front Bumper (Paint As Required)
2	4334 317	1			GRILLE, Front Fascia Lower (Bright)
3	4334 389	1			REINFORCEMENT, Front Bumper Fascia
4	4334 353	1			NERF STRIP, Front Bumper Fascia
5	9421 073	8			SCREW and WASHER, Bumper Fascia to Lower Grille
6	6100 286	3			SCREW and WASHER, Bumper Fascia to Reinforcement
7	6500 284	6			NUT and WASHER, Bumper Fascia and Retainer to Fender
8		1			PANEL, Front Fender (Reference Only)
9	4334 392-3	1			RETAINER, Front Bumper Fascia
10	6501 067	3			RETAINER, Bumper Fascia to Reinforcement
11		2			BOLT, Rail Extension Front Bumper to Rail (Not Serviced)
12		4			SCREW and WASHER, Rail Extension to Frame (Not Serviced)
13	6500 086	4			NUT and WASHER
14		1			RAIL, Front Side (Reference Only)
15	6500 634	4			U-NUT, Rail Extension to Front Closure Panel
16	#4334 421	2			RAIL, Extension, Front Bumper
17	4194 932	2			GROMMET
18	4388 478	2			ABSORBER, Front Bumper (2 1/2 Mile Impact)
	4334 338	2			(5 Mile Impact) (Canada)
19		4			ISOLATOR (Serviced In Item No. 18)
20	6500 702	4			BOLT and WASHER
21		4			PUSH NUT (Not Serviced)
22	6500 381	4			BOLT, Front Bumper Fascia Reinforcement to Absorber
23		2			U-NUT, Front Bumper Fascia to Reinforcement (Not Serviced)
24	#6501 591	1			U-NUT, Front Bumper Fascia to Reinforcement
25	4334 327	1			LICENSE PLATE PACKAGE, Attaching Parts
26	4334 316	1			BAFFLE, Front Bumper Fascia Reinforcement to Headlamp Housing



MODEL CODES

E BODY = (J - CARAVELLE)(E - 600)(T - NEW YORKER)

G BODY = (V24 - DAYTONA)

H BODY = (D44 - LANCER)(C44 - LEBARON GTS)

J BODY = (C - LEBARON)

K BODY = (P - RELIANT)(D - ARIES)(C - LEBAROND)/TOWN & COUNTRY)

L BODY = (M - HORIZON/TURISMO)(Z - OMNI/CHARGER)

M BODY = (B - GRAN FURY)(F - FIFTH AVE/NEWPORT)(G - DIPLOMAT)

P BODY = (P - SUNDANCE)(D - SHADOW)

S BODY = (H - VOYAGER)(K - RAM VAN/CARAVAN)

BODY STYLES

12-13 = FWD VAN

21 = 2-DOOR SEDAN

24 = 2-DOOR HATCHBACK

27 = 2-DOOR CONVERTIBLE

41 = 4-DOOR SEDAN

44 = 4-DOOR HATCHBACK

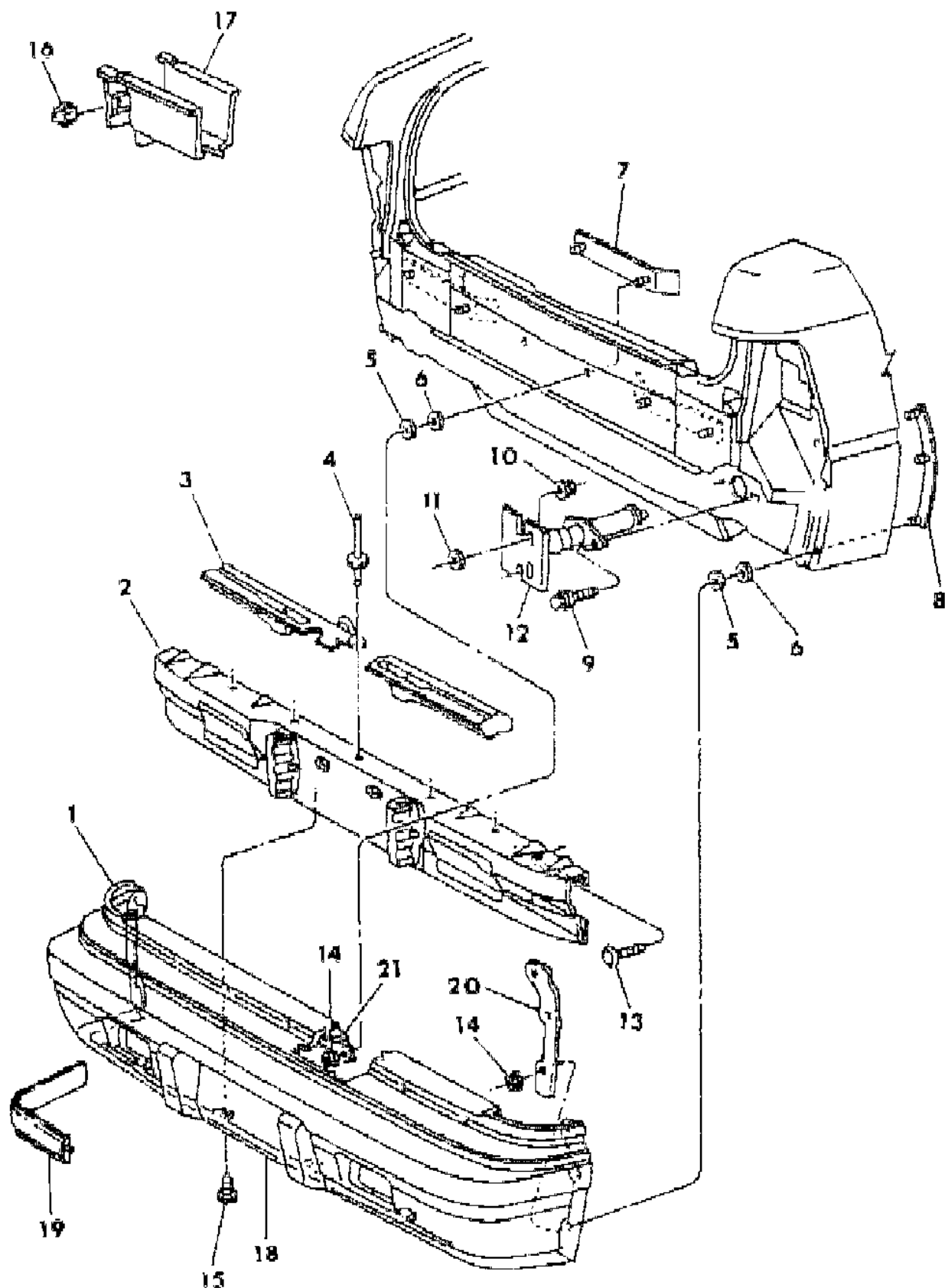
45 = 4-DOOR STATION WAGON

52-53 = FWD WAGON

AR = Use as Required - = Non Illustrated Part P.A.R. = Paint as Required

FASCIA, BUMPER REAR J BODY
Figure 13-1075

7113 1075



ITEM	PART NUMBER	QTY	BODY	MODEL	DESCRIPTION
1	4334 428	1			FASCIA, Bumper Rear (Paint As Required)
2	4334 436	1			REINFORCEMENT, Rear Bumper Fascia
3	4334 435	1			SUPPORT, Rear Bumper Fascia
4		5			RIVET (Not Serviced)
5					PUSH NUT
	6100 840	12			Up to 4-13-87
	6501 792	12			After 4-13-87
6		12			WASHER, Sealing (Not Serviced)
7	4388 563	3			PLATE, Rear Bumper Fascia Attaching
8	4334 440-1	1			RETAINER, Rear Bumper Aperture Panel
9		4			SCREW and WASHER (Not Serviced)
10	6100 051	4			NUT and WASHER
11		4			PUSH NUT (Not Serviced)
12					ABSORBER, Rear Bumper
	4334 597	2			2 1/2 Mile Impact
	4270 768	2	27		5 Mile Impact (Canada)
13	6500 381	4			BOLT, Carriage
14	6500 284	12			NUT and WASHER
15	6501 067	4			RETAINER
16	6101 283	4			U-NUT
17		1			RAIL, Rear Floor Pan Side (Reference Only)
18	4334 327	1			LICENSE PLATE PACKAGE, Attaching Parts
19	4334 433	1			NERF STRIP, Rear Bumper Fascia
20	4334 430-1	1			RETAINER, Rear Bumper Fascia
21	4334 429	1			BRACE, Rear Bumper Fascia

MODEL CODES

E BODY = (J - CARAVELLE)(E - 600)(T - NEW YORKER)

G BODY = (V24 - DAYTONA)

H BODY = (D44 - LANCER)(C44 - LEBARON GTS)

J BODY = (C - LEBARON)

K BODY = (P - RELIANT)(D - ARIES)(C - LEBAROND)/TOWN & COUNTRY)

L BODY = (M - HORIZON/TURISMO)(Z - OMNI/CHARGER)

M BODY = (B - GRAN FURY)(F - FIFTH AVE/NEWPORT)(G - DIPLOMAT)

P BODY = (P - SUNDANCE)(D - SHADOW)

S BODY = (H - VOYAGER)(K - RAM VAN/CARAVAN)

BODY STYLES

12-13 = FWD VAN

21 = 2-DOOR SEDAN

24 = 2-DOOR HATCHBACK

27 = 2-DOOR CONVERTIBLE

41 = 4-DOOR SEDAN

44 = 4-DOOR HATCHBACK

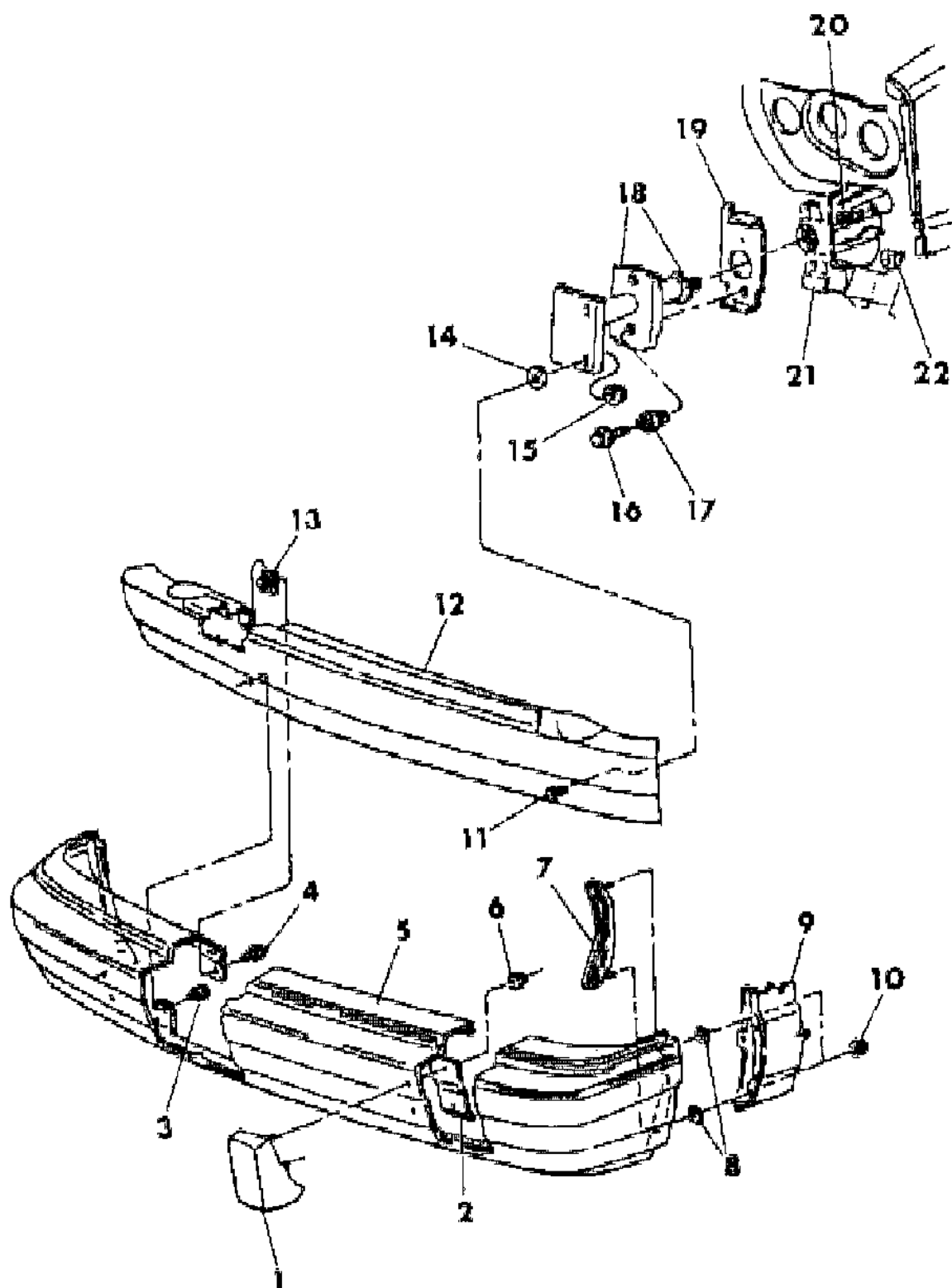
45 = 4-DOOR STATION WAGON

52-53 = FWD WAGON

AR = Use as Required - = Non Illustrated Part P.A.R. = Paint as Required

BUMPER, FRONT E BODY MODEL E,J EXC. MODEL T K BODY MODEL C,P,D
Figure 13-1100

7113 1100



ITEM	PART NUMBER	QTY	BODY	MODEL	DESCRIPTION
1					GUARD, w/Cushion & Bolt, Bumper
	X668-9 EA7	1	K	C	Dark Gray
	X668-9 EA7	1	E	E,J	Dark Gray
	X668-9 EE3	1	K	C	Light Cordovan
	X668-9 EE3	1	E	E,J	Light Cordovan
	X668-9 EE7	1	K	C	Dark Red
	X668-9 EE7	1	E	E,J	Dark Red
	X668-9 ET2	1	K	C	Tan
	X668-9 ET2	1	E	E,J	Tan
	X668-9 ET7	1	K	C	Dark Brown
	X668-9 ET7	1	E	E,J	Dark Brown
	X668-9 EB8	1	K	C	Nightwatch Blue
	X668-9 EB8	1	E	E,J	Nightwatch Blue
	X668-9 EW4	1	K	C	White
	X668-9 EW4	1	E	E,J	White
		1	K	C	Black
	X668-9 EX9	1	E	E,J	Black
	6030 592	4			RETAINER, Bolt To Guard
	6031 147	4			SPRING NUT, Guard To Cushion
	6500 489	4			BOLT, Plate To Guard
2	4334 009	2	K	C	PLATE, Guard Attaching
	4334 009	2	E	E,J	PLATE, Guard Attaching
3	6501 067	6			RETAINER
4	6100 286	4			SCREW and WASHER
5	4334 003	1	K	P,D	FASCIA, Front Bumper
	4334 733	1	K	C	
	4334 733	1	E	E,J	
	4334 006	1	K	P,D	NERF STRIP, Front Bumper Fascia
	4334 738	1	K	C	
	4334 738	1	E	E,J	
6	6100 047	4			NUT and WASHER
7	4334 034-5	1			RETAINER, Bumper Fascia to Fender
8	6100 840	4			PUSH NUT
9					PANEL, Fender (Ref. Only)
10	6500 284	4			NUT and WASHER
11	6500 463	4			BOLT
12	4334 040	1	K	P,D	REINFORCEMENT, w/Support, Bumper Fascia
	4334 743	1	K	C	REINFORCEMENT, Bumper Fascia

MODEL CODES

E BODY = (J - CARAVELLE)(E - 600)(T - NEW YORKER)

G BODY = (V24 - DAYTONA)

H BODY = (D44 - LANCER)(C44 - LEBARON GTS)

J BODY = (C - LEBARON)

K BODY = (P - RELIANT)(D - ARIES)(C - LEBAROND)/TOWN & COUNTRY)

L BODY = (M - HORIZON/TURISMO)(Z - OMNI/CHARGER)

M BODY = (B - GRAN FURY)(F - FIFTH AVE/NEWPORT)(G - DIPLOMAT)

P BODY = (P - SUNDANCE)(D - SHADOW)

S BODY = (H - VOYAGER)(K - RAM VAN/CARAVAN)

BODY STYLES

12-13 = FWD VAN

21 = 2-DOOR SEDAN

24 = 2-DOOR HATCHBACK

27 = 2-DOOR CONVERTIBLE

41 = 4-DOOR SEDAN

44 = 4-DOOR HATCHBACK

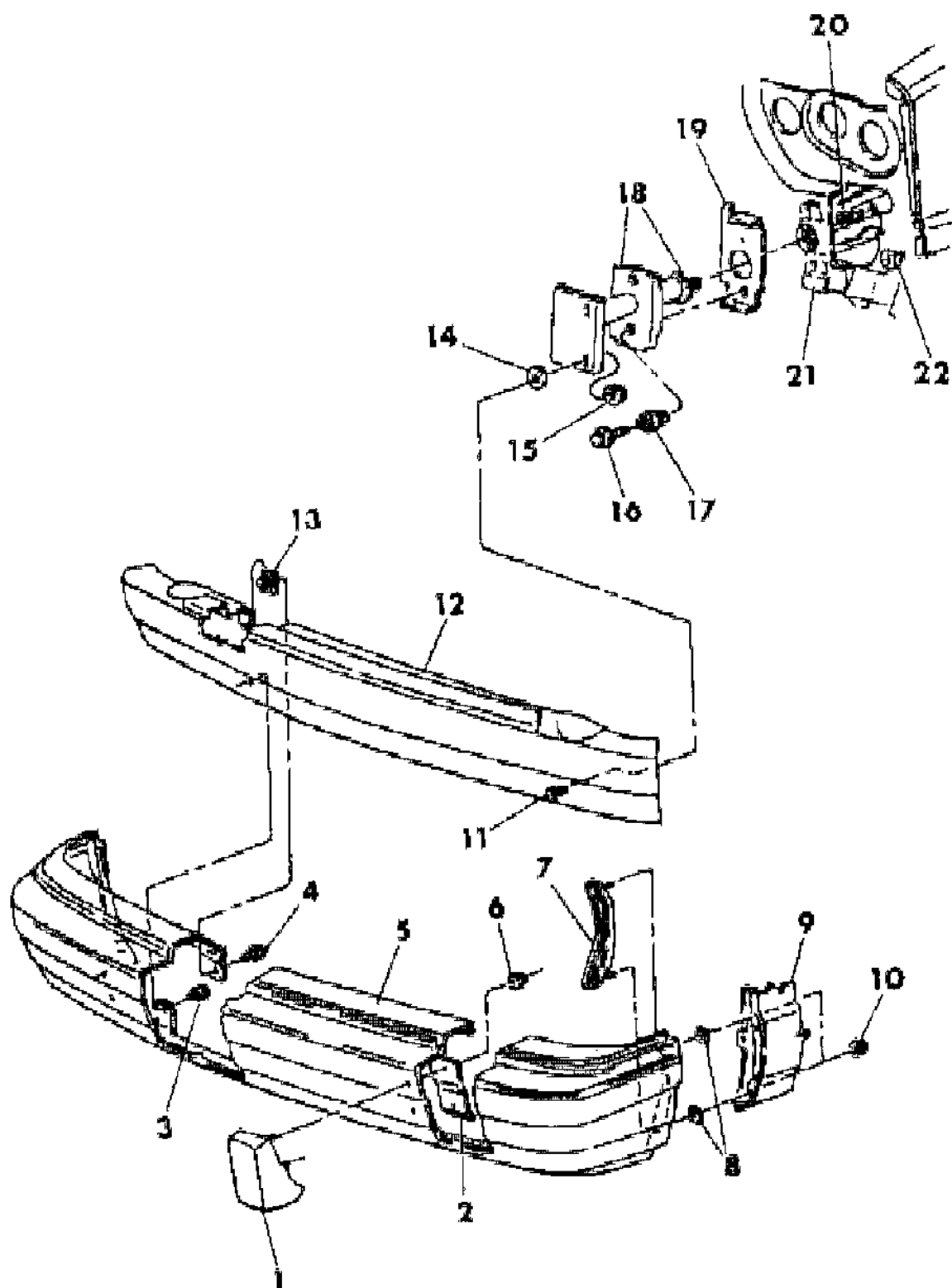
45 = 4-DOOR STATION WAGON

52-53 = FWD WAGON

AR = Use as Required - = Non Illustrated Part P.A.R. = Paint as Required

BUMPER, FRONT E BODY MODEL E,J EXC. MODEL T K BODY MODEL C,P,D
Figure 13-1100

7113 1100



ITEM	PART NUMBER	QTY	BODY	MODEL	DESCRIPTION
	4334 743	1	E	E,J	REINFORCEMENT, Bumper Fascia
13	#6100 041	4			U-NUT
14		4			RETAINER (Not Serviced)
15	6100 051	4			NUT and WASHER
16	6500 702	4			BOLT and WASHER, Auto. Transmission
17		4			ISOLATOR (Serviced in Item No. 18)
18					ABSORBER
	4194 950	2			2 1/2 Mile Impact, w/Man. Trans.
	4194 917	2			2 1/2 Mile Impact, w/Auto Trans.
	4194 946	2			5 Mile Impact (Canada)
19	4194 927	2			BRACKET, Limiter
20	4194 932	2			GROMMET
21					RAIL, Front (Ref. Only)
22	6500 634	2			U-NUT

NOTE: The Following Items Are Not Shown On Illustration. applications specified in this document.

	4334 038	1	K	P,D	LICENSE PLATE ATTACHING PACKAGE
	4334 776	1	K	C	
	4334 776	1	E	E,J	

MODEL CODES

E BODY = (J - CARAVELLE)(E - 600)(T - NEW YORKER)

G BODY = (V24 - DAYTONA)

H BODY = (D44 - LANCER)(C44 - LEBARON GTS)

J BODY = (C - LEBARON)

K BODY = (P - RELIANT)(D - ARIES)(C - LEBAROND)/TOWN & COUNTRY)

L BODY = (M - HORIZON/TURISMO)(Z - OMNI/CHARGER)

M BODY = (B - GRAN FURY)(F - FIFTH AVE/NEWPORT)(G - DIPLOMAT)

P BODY = (P - SUNDANCE)(D - SHADOW)

S BODY = (H - VOYAGER)(K - RAM VAN/CARAVAN)

BODY STYLES

12-13 = FWD VAN

21 = 2-DOOR SEDAN

24 = 2-DOOR HATCHBACK

27 = 2-DOOR CONVERTIBLE

41 = 4-DOOR SEDAN

44 = 4-DOOR HATCHBACK

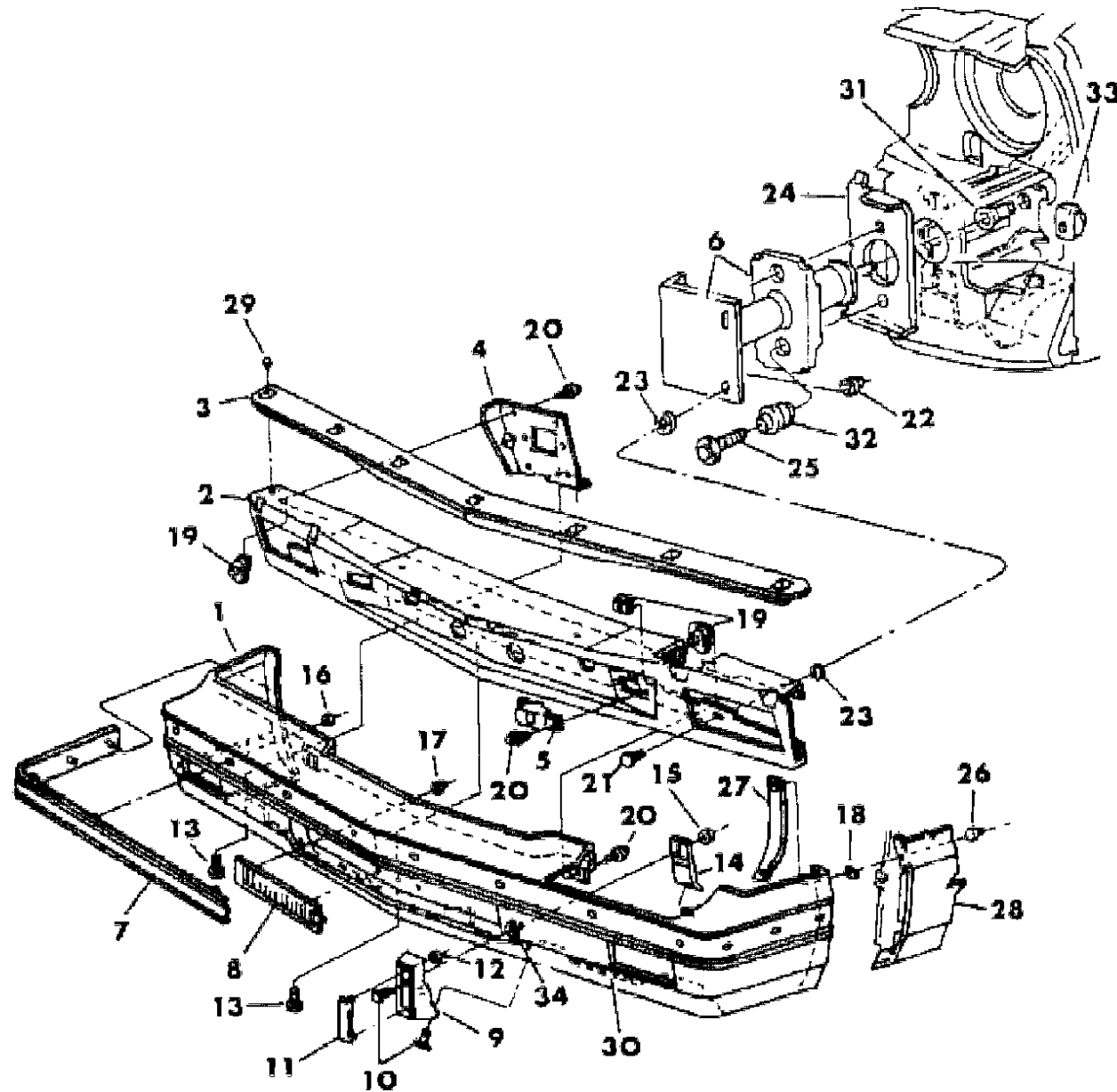
45 = 4-DOOR STATION WAGON

52-53 = FWD WAGON

AR = Use as Required - = Non Illustrated Part P.A.R. = Paint as Required

BUMPER, FRONT E BODY MODEL T
Figure 13-1200

7113 1200



ITEM	PART NUMBER	QTY	BODY	MODEL	DESCRIPTION
1	4103 379	1			FASCIA, Bumper Frt. (Paint as Req.)
2	4103 374	1			REINFORCEMENT, Fascia Front
3	4194 362	1			SUPPORT, Fascia Front
4	4194 356-7	1			BRACKET, Fascia Park And Turn Lamp Mounting
5	4194 384	2			BRACE, Fascia Guard
6					ABSORBER, Front
	4194 946	2			5 Mile Impact (Canada)
	4194 917	2			2 1/2 Mile Impact w/Auto. Trans.
7	4103 337	1			NERF, Bright
8	4103 370	1			GRILLE, Fascia, Lower
9	X572-3 ET5	1			GUARD, Frt. (Paint as Req.)
10	6500 489	4			BOLT, Guard
11	4194 380	2			CUSHION, Guard
12	6031 147	4			SPRING NUT
13	6501 067	AR			RETAINER, Bumper To Reinf.
14	4194 382	2			PLATE, Guard Attaching
15	6100 047	4			NUT and WASHER
16					WASHER (Not Serviced)
17	6029 471	4			NUT
18	6100 840	4			PUSH NUT
19	#6100 041	14			U-NUT
20	6100 286	14			SCREW and WASHER
21	6500 463	4			BOLT, Carriage
22	6100 051	4			NUT and WASHER
23					RETAINER (Not Serviced)
24	4194 927	2			BRACKET, Limiter
25	6500 702	4			SCREW and WASHER
26	6500 284	4			NUT, Retainer
27	4194 274-5	1			RETAINER, Fascia
28					PANEL (Fender Ref.)
29					RIVET (Not Serviced)
30	4194 372	1			LICENSE PLATE PACKAGE, Attaching Front
	5216 050	1			BUTTON, License Plate Mounting
31	4194 932	2			GROMMET
32					ISOLATOR (Serviced in Absorber Item 6)
33	6500 634	2			U-NUT
34	6030 592	2			RETAINER, Upper

MODEL CODES

E BODY = (J - CARAVELLE)(E - 600)(T - NEW YORKER)

G BODY = (V24 - DAYTONA)

H BODY = (D44 - LANCER)(C44 - LEBARON GTS)

J BODY = (C - LEBARON)

K BODY = (P - RELIANT)(D - ARIES)(C - LEBAROND)/TOWN & COUNTRY)

L BODY = (M - HORIZON/TURISMO)(Z - OMNI/CHARGER)

M BODY = (B - GRAN FURY)(F - FIFTH AVE/NEWPORT)(G - DIPLOMAT)

P BODY = (P - SUNDANCE)(D - SHADOW)

S BODY = (H - VOYAGER)(K - RAM VAN/CARAVAN)

BODY STYLES

12-13 = FWD VAN

21 = 2-DOOR SEDAN

24 = 2-DOOR HATCHBACK

27 = 2-DOOR CONVERTIBLE

41 = 4-DOOR SEDAN

44 = 4-DOOR HATCHBACK

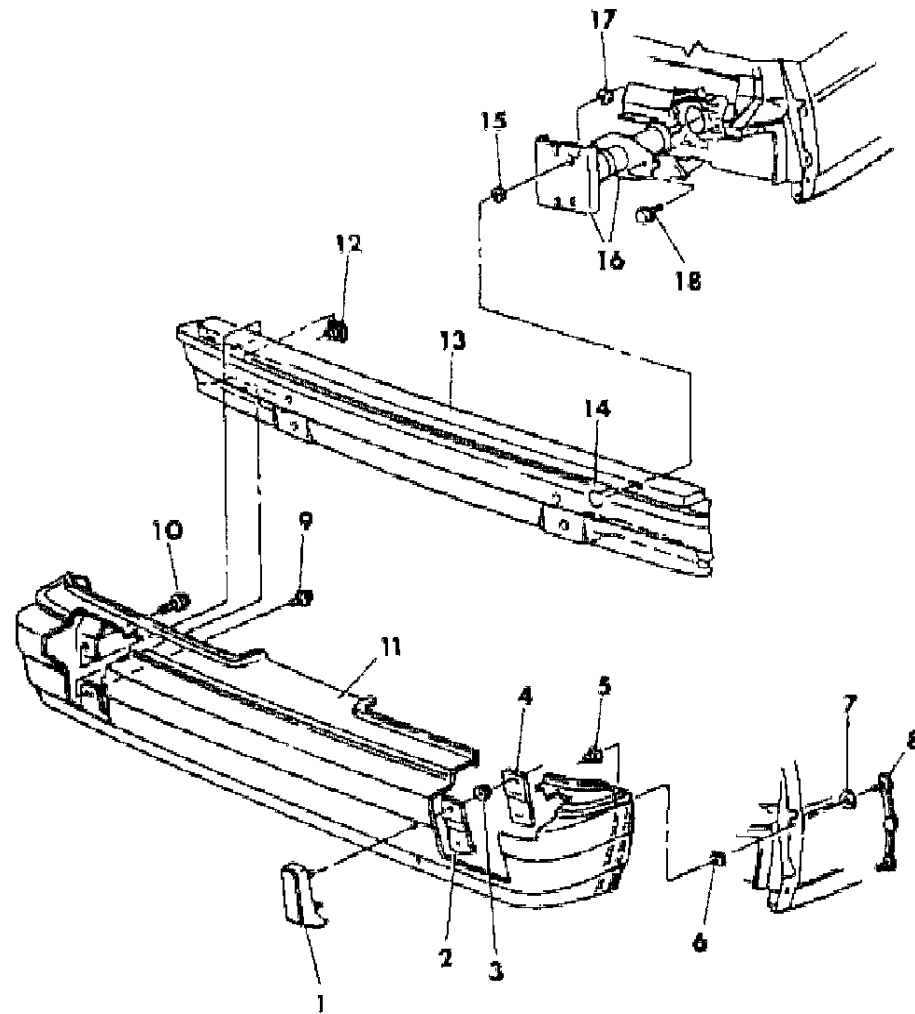
45 = 4-DOOR STATION WAGON

52-53 = FWD WAGON

AR = Use as Required - = Non Illustrated Part P.A.R. = Paint as Required

BUMPER, REAR K BODY EXCEPT MODEL 45 E BODY MODEL E,J
Figure 13-1300

7113 1300



ITEM	PART NUMBER	QTY	BODY	MODEL	DESCRIPTION
1					GUARD, Bumper w/Monotone and Two Tone Paint Pkg.
	X647 EA7	2	K	C	Dark Gray
	X647 EA7	2	E	E,J	Dark Gray
	X647 EB8	2	K	C	Nightwatch Blue
	X647 EB8	2	E	E,J	Nightwatch Blue
	X647 EE3	2	K	C	Light Cordovan
	X647 EE3	2	E	E,J	Light Cordovan
	X647 EE7	2	K	C	Dark Red
	X647 EE7	2	E	E,J	Dark Red
	X647 ET2	2	K	C	Tan
	X647 ET2	2	E	E,J	Tan
	X647 ET7	2	K	C	Dark Brown
	X647 ET7	2	E	E,J	Dark Brown
	X647 EW4	2	K	C	White
	X647 EW4	2	E	E,J	White
	X647 EX9	2	K	C	Black
	X647 EX9	2	E	E,J	Black
	4334 153	2			CUSHION, Guard
	6031 147	2			SPRING NUT
	6500 489	4			BOLT
	6030 592	4			RETAINER
2	4334 009	2			PLATE, Attaching
3	6100 047	4			NUT and WASHER
4	4194 715	2			ISOLATOR
5	6500 284	4			NUT and WASHER
6	6100 840	4			PUSH NUT
7		4			WASHER, Sealing (Not Serviced)
8	4334 752	2			RETAINER
9	6501 067	AR			RETAINER
10	6100 286	4			SCREW and WASHER
11	4334 052	1			FASCIA (Paint as Required)
	4334 077	1			NERF STRIP, Rear Bumper Fascia
12	#6100 041	4			U-NUT
13	4334 507	1			REINFORCEMENT, Bumper Fascia
14	6500 463	4			BOLT
15		4			PUSH NUT (Not Serviced)
16					ABSORBER

MODEL CODES

E BODY = (J - CARAVELLE)(E - 600)(T - NEW YORKER)

G BODY = (V24 - DAYTONA)

H BODY = (D44 - LANCER)(C44 - LEBARON GTS)

J BODY = (C - LEBARON)

K BODY = (P - RELIANT)(D - ARIES)(C - LEBAROND)/TOWN & COUNTRY)

L BODY = (M - HORIZON/TURISMO)(Z - OMNI/CHARGER)

M BODY = (B - GRAN FURY)(F - FIFTH AVE/NEWPORT)(G - DIPLOMAT)

P BODY = (P - SUNDANCE)(D - SHADOW)

S BODY = (H - VOYAGER)(K - RAM VAN/CARAVAN)

BODY STYLES

12-13 = FWD VAN

21 = 2-DOOR SEDAN

24 = 2-DOOR HATCHBACK

27 = 2-DOOR CONVERTIBLE

41 = 4-DOOR SEDAN

44 = 4-DOOR HATCHBACK

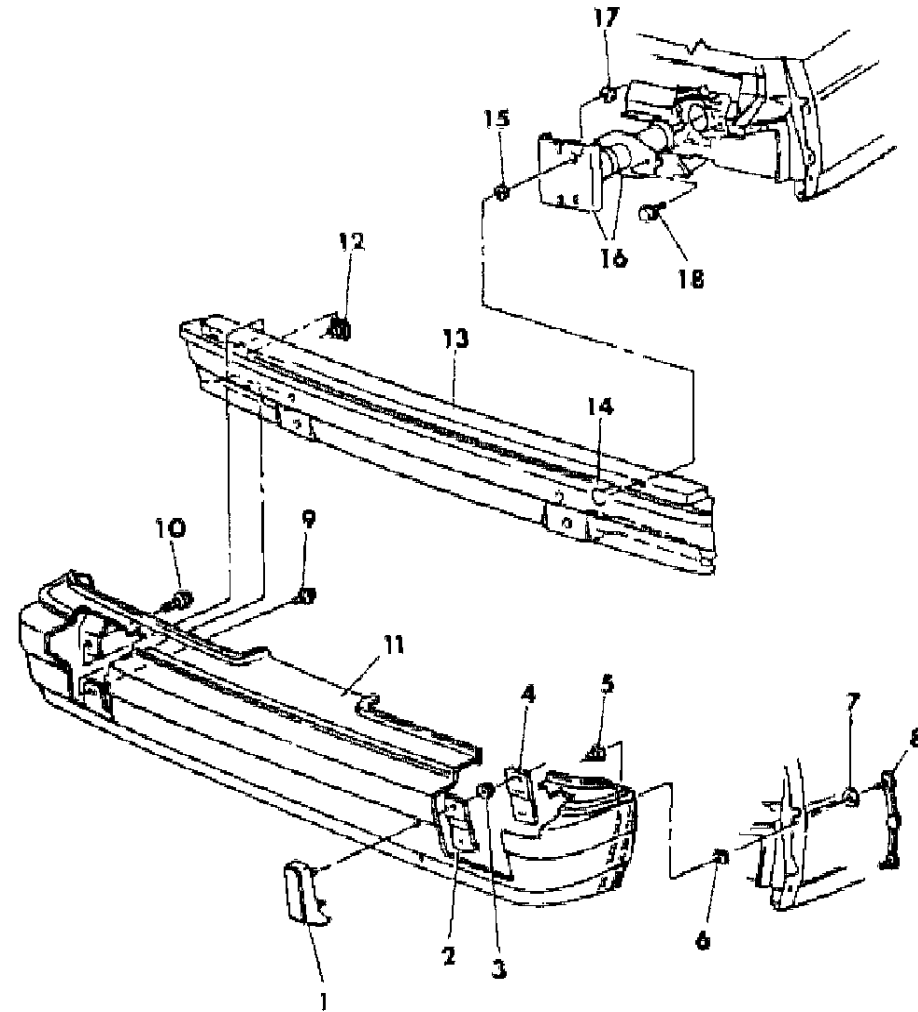
45 = 4-DOOR STATION WAGON

52-53 = FWD WAGON

AR = Use as Required - = Non Illustrated Part P.A.R. = Paint as Required

BUMPER, REAR K BODY EXCEPT MODEL 45 E BODY MODEL E,J
Figure 13-1300

7113 1300



ITEM	PART NUMBER	QTY	BODY	MODEL	DESCRIPTION
	4334 597	2			2 1/2 Mile Impact
	4147 742	2			5 Mile Impact (Canada)
17	6100 051	4			NUT and WASHER
18		4			SCREW and WASHER (Not Serviced)
	6031 299	6			RETAINER, Fascia to Reinforcement (Not Illustrated)

MODEL CODES

E BODY = (J - CARAVELLE)(E - 600)(T - NEW YORKER)

G BODY = (V24 - DAYTONA)

H BODY = (D44 - LANCER)(C44 - LEBARON GTS)

J BODY = (C - LEBARON)

K BODY = (P - RELIANT)(D - ARIES)(C - LEBAROND)/TOWN & COUNTRY)

L BODY = (M - HORIZON/TURISMO)(Z - OMNI/CHARGER)

M BODY = (B - GRAN FURY)(F - FIFTH AVE/NEWPORT)(G - DIPLOMAT)

P BODY = (P - SUNDANCE)(D - SHADOW)

S BODY = (H - VOYAGER)(K - RAM VAN/CARAVAN)

BODY STYLES

12-13 = FWD VAN

21 = 2-DOOR SEDAN

24 = 2-DOOR HATCHBACK

27 = 2-DOOR CONVERTIBLE

41 = 4-DOOR SEDAN

44 = 4-DOOR HATCHBACK

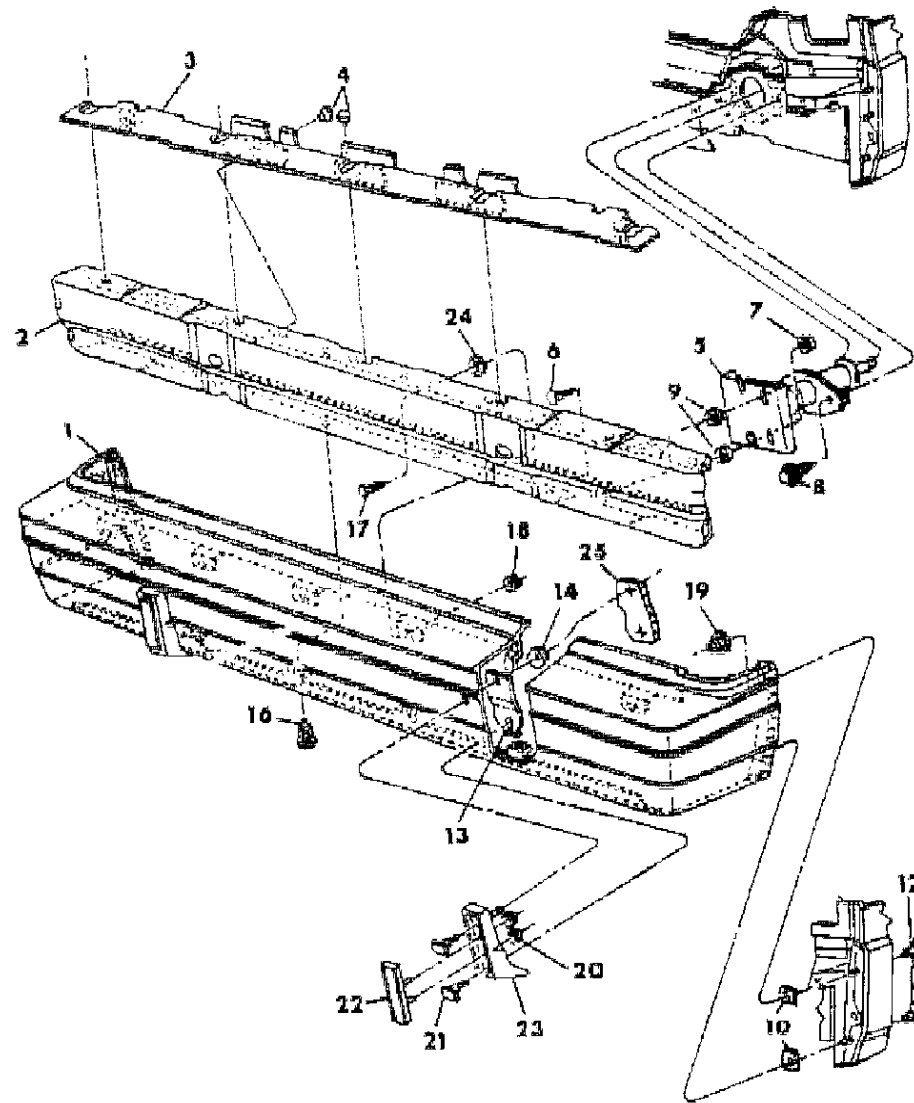
45 = 4-DOOR STATION WAGON

52-53 = FWD WAGON

AR = Use as Required - = Non Illustrated Part P.A.R. = Paint as Required

BUMPER, REAR K BODY MODEL 45
Figure 13-1400

7113 1400



ITEM	PART NUMBER	QTY	BODY	MODEL	DESCRIPTION
1	4334 062	1			FASCIA, Bumper Rear (Paint As Required)
2	4334 987	1			REINFORCEMENT, Fascia
3	4334 066	1			SUPPORT, Fascia
4					RIVET (Not Serviced)
5	4334 195	2			ABSORBER, Rear (2 1/2 Mile Impact)
6	6500 463	6			BOLT, Reinforcement
7	6100 051	6			NUT and WASHER
8		4			SCREW and WASHER (Not Serviced)
9		4			PUSH NUT (Not Serviced)
10	6100 840	6			PUSH NUT
12	4334 752	2			RETAINER
13	4194 714	2			PLATE, Attaching
14	6100 047	4			NUT and WASHER
16	6501 067	AR			RETAINER
17	6100 286	6			SCREW and WASHER
18	#6100 041	6			U-NUT
19	6500 284	4			NUT and WASHER
20	6031 147	4			SPRING NUT
21	6500 489	4			BOLT
22	4334 157	2			CUSHION, Guard Rear
23	4334 154	2			GUARD, Rear
					w/Monotone Paint Pkg.
	X646 EE7	2			Dark Red
	X646 ET7	2			Dark Brown
	X646 EA7	2			Dark Gray
	X646 ET2	2			Tan
	X646 EW4	2			White
24	6100 840	6			RETAINER
25	4194 715	2			ISOLATOR, Guard Plate Attaching
	4270 974	1			LICENSE PLATE PKG (Not Illustrated)

MODEL CODES

E BODY = (J - CARAVELLE)(E - 600)(T - NEW YORKER)

G BODY = (V24 - DAYTONA)

H BODY = (D44 - LANCER)(C44 - LEBARON GTS)

J BODY = (C - LEBARON)

K BODY = (P - RELIANT)(D - ARIES)(C - LEBAROND)/TOWN & COUNTRY)

L BODY = (M - HORIZON/TURISMO)(Z - OMNI/CHARGER)

M BODY = (B - GRAN FURY)(F - FIFTH AVE/NEWPORT)(G - DIPLOMAT)

P BODY = (P - SUNDANCE)(D - SHADOW)

S BODY = (H - VOYAGER)(K - RAM VAN/CARAVAN)

BODY STYLES

12-13 = FWD VAN

21 = 2-DOOR SEDAN

24 = 2-DOOR HATCHBACK

27 = 2-DOOR CONVERTIBLE

41 = 4-DOOR SEDAN

44 = 4-DOOR HATCHBACK

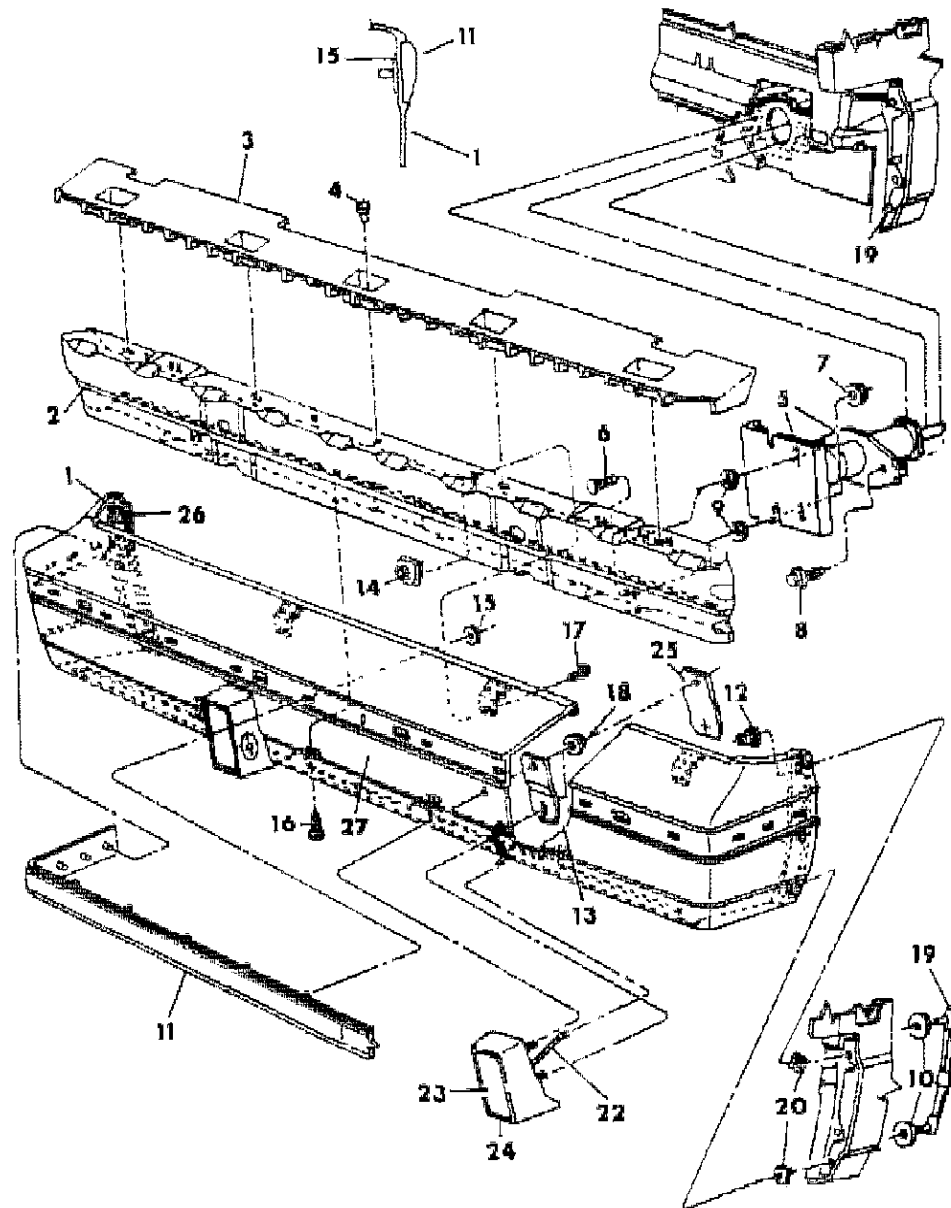
45 = 4-DOOR STATION WAGON

52-53 = FWD WAGON

AR = Use as Required - = Non Illustrated Part P.A.R. = Paint as Required

BUMPER, REAR E BODY MODEL T
Figure 13-1500

7113 1500



ITEM	PART NUMBER	QTY	BODY	MODEL	DESCRIPTION
1	4334 735	1			FASCIA, Bumper Rear
2	4334 624	1			REINFORCEMENT, Fascia
3	4194 672	1			SUPPORT, Fascia
4					RIVET (Not Serviced)
5					ABSORBER, Impact, Rear
	4147 742	2			5 Mile Impact (Canada)
	4194 740	2			2 1/2 Mile Impact
6	6500 463	6			BOLT, Reinf.
7	6100 051	6			NUT and WASHER
8		4			SCREW and WASHER (Not Serviced)
9		4			PUSH NUT (Not Serviced)
10		4			WASHER (Not Serviced)
11	4334 726	1			NERF STRIP, Bright
12	6500 284	4			NUT and WASHER
13	4334 727	2			PLATE, Attaching
14	#6100 041	4			U-NUT
15					WASHER (Not Serviced)
16	6501 067	AR			RETAINER
17	6100 286	4			SCREW and WASHER
18	6100 047	4			NUT and WASHER
19	4334 752	2			RETAINER
20	6100 840	4			PUSH NUT
22					HARNES, Lamp (Reference Only)
23	4103 664	2			CUSHION, Guard Rear
24					GUARD, Rear w/Lamp
	X802-3 EB1	1			Ice Blue
	X802-3 FC7	1			Twilight Blue
	X802-3 FS8	1			Charcoal
	X802-3 EA1	1			Silver
	X802-3 EE2	1			Misty Rose
	X802-3 EE9	1			Dark Cordovan
	X802-3 ET5	1			Bronze
	X802-3 EW3	1			White
	X802-3 EX9	1			Black
	6501 219	4			BOLT, Rear Bumper Fascia and Plate to Guard
25	4194 715	2			ISOLATOR, Guard Plate Attaching
26	4334 728-9	1			RETAINER, Bumper Fascia
27	4388 116	1			LICENSE PLATE PACKAGE, Attaching

MODEL CODES

E BODY = (J - CARAVELLE)(E - 600)(T - NEW YORKER)

G BODY = (V24 - DAYTONA)

H BODY = (D44 - LANCER)(C44 - LEBARON GTS)

J BODY = (C - LEBARON)

K BODY = (P - RELIANT)(D - ARIES)(C - LEBAROND)/TOWN & COUNTRY)

L BODY = (M - HORIZON/TURISMO)(Z - OMNI/CHARGER)

M BODY = (B - GRAN FURY)(F - FIFTH AVE/NEWPORT)(G - DIPLOMAT)

P BODY = (P - SUNDANCE)(D - SHADOW)

S BODY = (H - VOYAGER)(K - RAM VAN/CARAVAN)

BODY STYLES

12-13 = FWD VAN

21 = 2-DOOR SEDAN

24 = 2-DOOR HATCHBACK

27 = 2-DOOR CONVERTIBLE

41 = 4-DOOR SEDAN

44 = 4-DOOR HATCHBACK

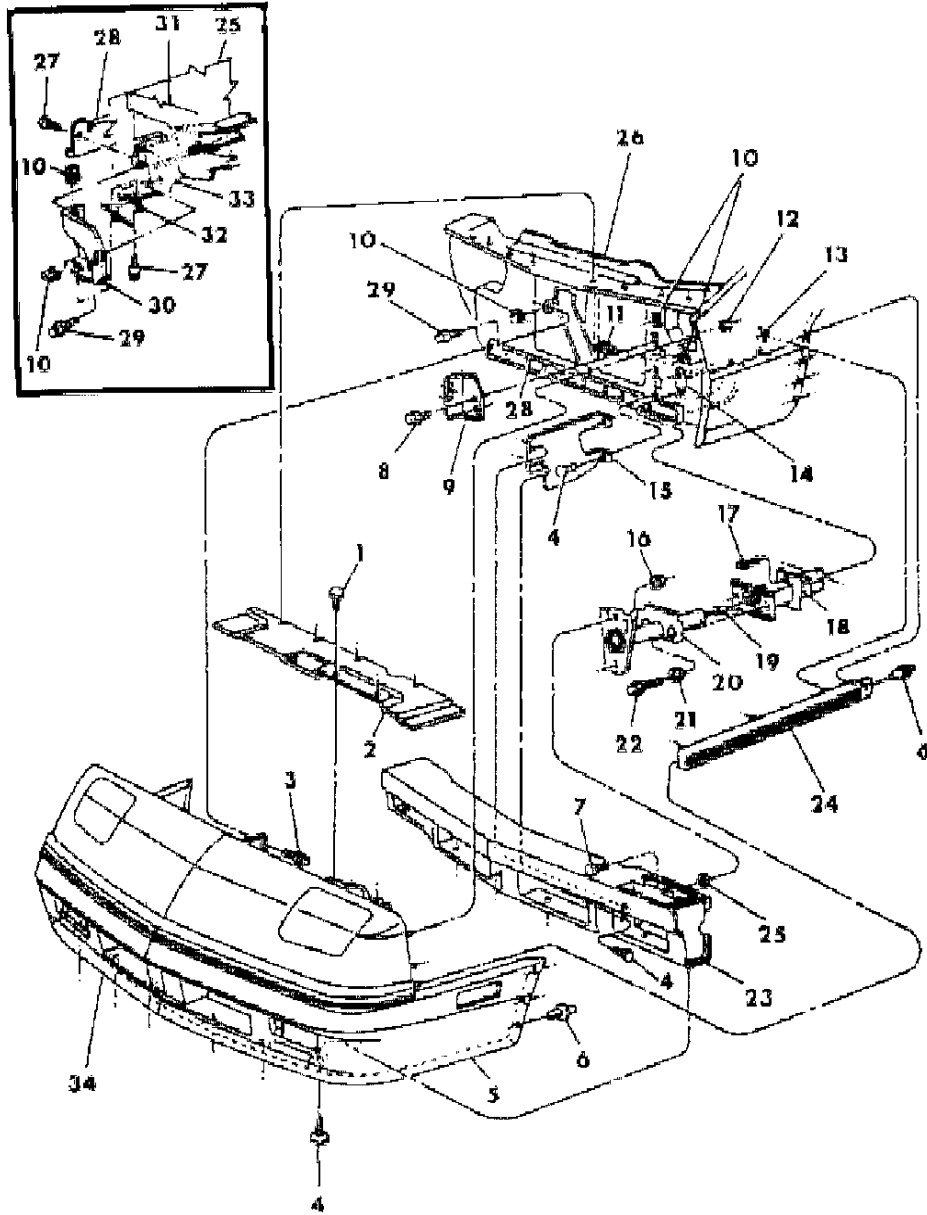
45 = 4-DOOR STATION WAGON

52-53 = FWD WAGON

AR = Use as Required - = Non Illustrated Part P.A.R. = Paint as Required

FASCIA, BUMPER FRONT G BODY
Figure 13-1600

7113 1600



ITEM	PART NUMBER	QTY	BODY	MODEL	DESCRIPTION
1	6030 441	12			RETAINER, Sight Shield
2	4388 348-9	1			SIGHT SHIELD, Headlamp Mounting Panel to Crossmember
3	6501 013	1			SCREW and WASHER
4	6501 067	14			RETAINER, Bumper Fascia to Reinforcement
5	4388 081	1			FASCIA, Front Bumper (Paint As Required)
6	6031 390	8			RETAINER, Bumper Fascia to Fender
7	6500 381	4			BOLT
8		2			SCREW (Not Serviced)
9		1			BRACKET, Fascia Mounting to Radiator Closure Panel
					(Reference Only)
10	#6100 041	AR			U-NUT
11		2			BOLT, Rail Extension Front Bumper to Rail (Not Serviced)
12	6100 049	4			NUT
13		6			NUT (Not Serviced)
14	6500 634	4			U-NUT, Rail Extension to Front Closure Panel
15	4388 346-7	1			BAFFLE, Front Fascia Reinforcement to Closure Panel
16	6500 086	4			NUT and WASHER
17		4			SCREW and WASHER (Not Serviced)
18	#4334 421	2			RAIL, Extension, Front Bumper
19	4194 932	2			GROMMET, Absorber to Body Front Bumper
20					ABSORBER
	4388 478	2			2 1/2 Mile Impact
	4334 338	2			5 Mile Impact (Canada)
21		4			ISOLATOR (Serviced In Item No. 20)
22	6500 702	4			BOLT
23	4388 134	1			REINFORCEMENT, Front Bumper Fascia
24	#4388 126-7	1			NERF, Extension, Front
25		4			PUSH NUT (Not Serviced)
26	4388 085	1			PANEL, Fascia Headlamp Mounting
27	6100 568	4			SCREW
28	4386 350	1			GUSSET, Radiator Closure Lower Crossmember
29	6032 214	10			SCREW
30	4386 352-3	1			BULKHEAD, Radiator Closure Panel Lower Crossmember
31		1			SIGHT SHIELD, Front Fender (Reference Only)
32		1			PANEL, Front Fender (Reference Only)
33		1			RAIL, Front Side (Reference Only)
34	4388 125	1			LICENSE PLATE PACKAGE, Attaching Parts
	4388 290-1	1			BLOCK, Towing (Not Illustrated)

MODEL CODES

E BODY = (J - CARAVELLE)(E - 600)(T - NEW YORKER)

G BODY = (V24 - DAYTONA)

H BODY = (D44 - LANCER)(C44 - LEBARON GTS)

J BODY = (C - LEBARON)

K BODY = (P - RELIANT)(D - ARIES)(C - LEBAROND)/TOWN & COUNTRY)

L BODY = (M - HORIZON/TURISMO)(Z - OMNI/CHARGER)

M BODY = (B - GRAN FURY)(F - FIFTH AVE/NEWPORT)(G - DIPLOMAT)

P BODY = (P - SUNDANCE)(D - SHADOW)

S BODY = (H - VOYAGER)(K - RAM VAN/CARAVAN)

BODY STYLES

12-13 = FWD VAN

21 = 2-DOOR SEDAN

24 = 2-DOOR HATCHBACK

27 = 2-DOOR CONVERTIBLE

41 = 4-DOOR SEDAN

44 = 4-DOOR HATCHBACK

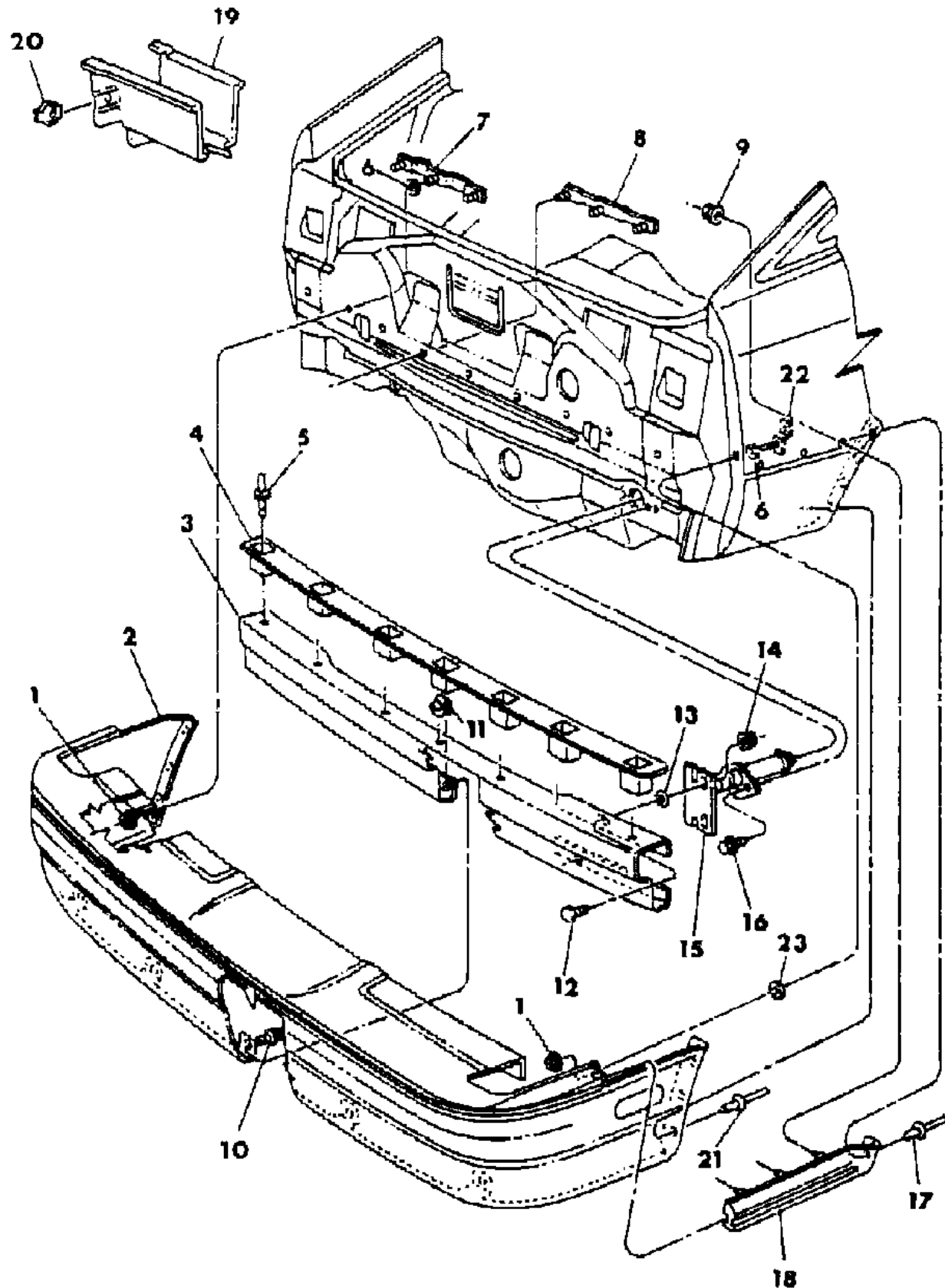
45 = 4-DOOR STATION WAGON

52-53 = FWD WAGON

AR = Use as Required - = Non Illustrated Part P.A.R. = Paint as Required

FASCIA, BUMPER REAR G BODY
Figure 13-1700

7113 1700A



ITEM	PART NUMBER	QTY	BODY	MODEL	DESCRIPTION
1	6500 284	11			NUT and WASHER, Bumper Fascia to Lower Deck Panel
2	4388 079	1			FASCIA, Rear Bumper (Paint As Required)
	4388 300-1	1			TAPE, Rear Bumper Fascia, Wheel Opening (Black)
3	4388 461	1			REINFORCEMENT, Rear Bumper Fascia
4	4334 961	1			SUPPORT, Rear Bumper Fascia
5		7			RIVET (Not Serviced)
6		11			WASHER (Not Serviced)
7	4388 338	2			RETAINER, Lift Gate Panel to Rear Fascia, Outer
8	4388 336	1			RETAINER, Lift Gate Panel to Rear Fascia, Center
9		6			NUT (Not Serviced)
10	6100 286	3			SCREW, Bumper Fascia Reinforcement
11	#6100 041	3			U-NUT
12	6500 381	4			BOLT
13		4			PUSH NUT (Not Serviced)
14	6100 051	4			NUT and WASHER
15	4334 597	2			ABSORBER (2 1/2 Mile Impact)
16		4			SCREW and WASHER (Not Serviced)
17	6031 390	2			RETAINER, Bumper Fascia to Aperture
18	4411 604-5	1			NERF PACKAGE, Extension Rear
19		1			RAIL, Rear Floor Pan Side (Reference Only)
20	6101 283	4			U-NUT
21	4388 293	6			RETAINER, Bumper Fascia to Body Side Aperture
22	4388 281	2			PLATE, Rear Bumper Fascia
23					PUSH NUT
	6100 840	2			Up to 4-13-87
	6501 792	2			After 4-13-87

MODEL CODES

E BODY = (J - CARAVELLE)(E - 600)(T - NEW YORKER)

G BODY = (V24 - DAYTONA)

H BODY = (D44 - LANCER)(C44 - LEBARON GTS)

J BODY = (C - LEBARON)

K BODY = (P - RELIANT)(D - ARIES)(C - LEBAROND)/TOWN & COUNTRY)

L BODY = (M - HORIZON/TURISMO)(Z - OMNI/CHARGER)

M BODY = (B - GRAN FURY)(F - FIFTH AVE/NEWPORT)(G - DIPLOMAT)

P BODY = (P - SUNDANCE)(D - SHADOW)

S BODY = (H - VOYAGER)(K - RAM VAN/CARAVAN)

BODY STYLES

12-13 = FWD VAN

21 = 2-DOOR SEDAN

24 = 2-DOOR HATCHBACK

27 = 2-DOOR CONVERTIBLE

41 = 4-DOOR SEDAN

44 = 4-DOOR HATCHBACK

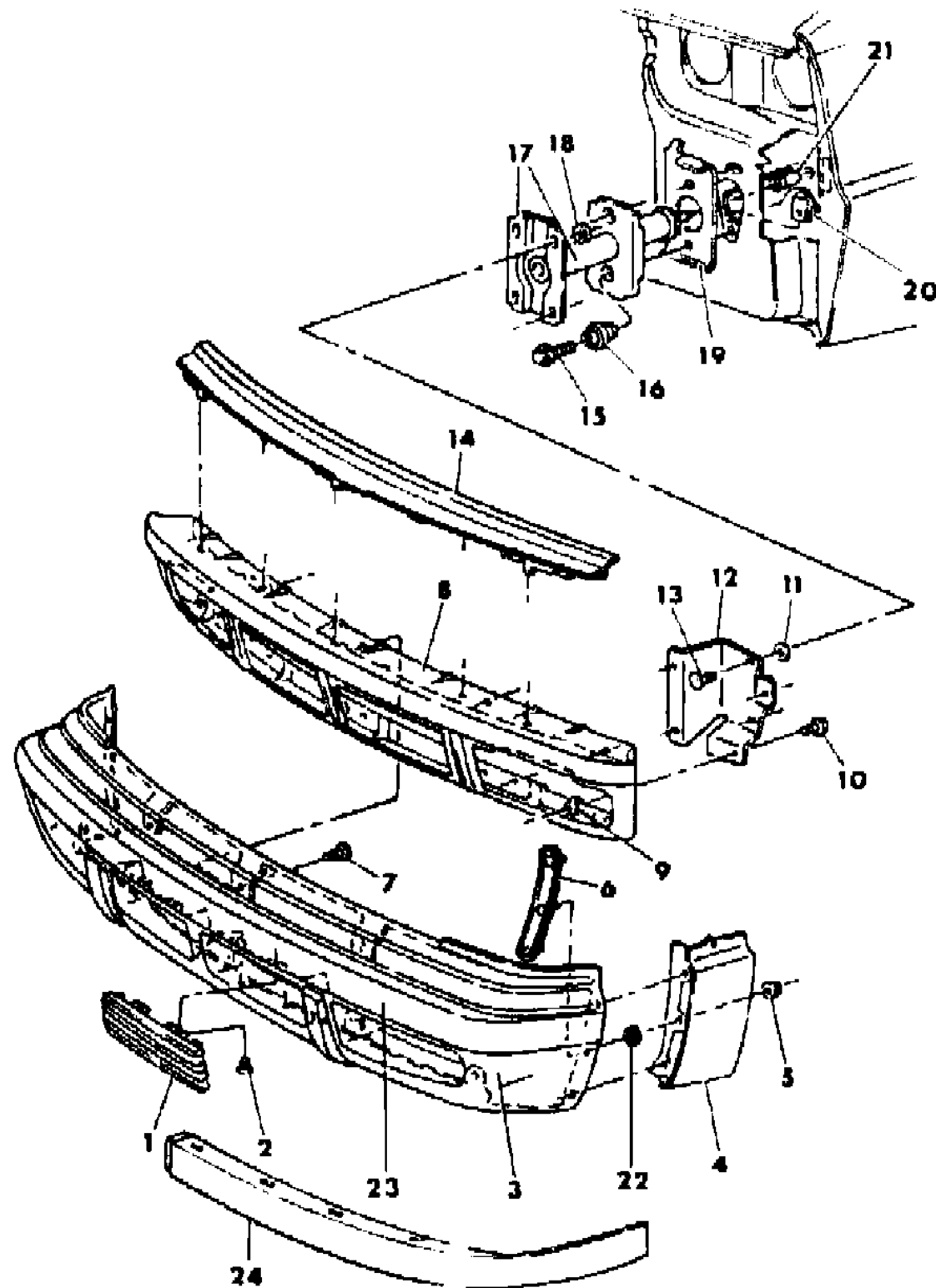
45 = 4-DOOR STATION WAGON

52-53 = FWD WAGON

AR = Use as Required - = Non Illustrated Part P.A.R. = Paint as Required

FASCIA, BUMPER FRONT H BODY
Figure 13-1800

7113 1800 A



ITEM	PART NUMBER	QTY	BODY	MODEL	DESCRIPTION
1	X162-3 DXX	1			GRILLE, Fascia (Paint As Required)
2		AR			FASTENER (Not Serviced)
3	4270 701	1			FASCIA, Front (Paint As Required)
4					PANEL, Fender (Ref. Only)
5	6100 049	6			NUT and WASHER
6	4270 714	2			RETAINER, Bumper Fascia to Fender
7	6501 067	8			RETAINER
8	4270 711	1			REINFORCEMENT, Bumper Fascia
9		8			U-NUT (Not Serviced)
10		8			SCREW and WASHER (Not Serviced)
11	6501 025	4			RETAINER
12	4270 728-9	1			BRACKET ADAPTER, Reinforcement to Bumper
13		4			BOLT, Carriage (Not Serviced)
14	4270 708	1			SUPPORT, Bumper Fascia
15	6500 702	4			BOLT, w/Auto Trans.
		4			BOLT, w/Man. Trans. (Not Serviced)
16		4			ISOLATOR (Serviced in Item No. 17)
17	4334 144	2			ABSORBER, w/Man. Transmission
	4334 771	2			w/Auto Transmission
18		4			NUT and WASHER (Not Serviced)
19	4194 927	2			BRACKET, Limiter
20	6500 634	2			U-NUT
21	4194 932	2			GROMMET
22		6			PUSH NUT (Not Serviced)
23	4270 703	1			NERF STRIP, Front Fascia
	4270 696	1			LICENSE PLATE PKG. (Not Illustrated)
24	4334 078-9	1		D	AIR DAM, Front Bumper Fascia
	4334 080-1	1		D	RETAINER, Air Dam, Front Bumper Fascia
	6032 796	20		D	SCREW and WASHER, Air Dam, Front Fascia

MODEL CODES

E BODY = (J - CARAVELLE)(E - 600)(T - NEW YORKER)

G BODY = (V24 - DAYTONA)

H BODY = (D44 - LANCER)(C44 - LEBARON GTS)

J BODY = (C - LEBARON)

K BODY = (P - RELIANT)(D - ARIES)(C - LEBAROND)/TOWN & COUNTRY)

L BODY = (M - HORIZON/TURISMO)(Z - OMNI/CHARGER)

M BODY = (B - GRAN FURY)(F - FIFTH AVE/NEWPORT)(G - DIPLOMAT)

P BODY = (P - SUNDANCE)(D - SHADOW)

S BODY = (H - VOYAGER)(K - RAM VAN/CARAVAN)

BODY STYLES

12-13 = FWD VAN

21 = 2-DOOR SEDAN

24 = 2-DOOR HATCHBACK

27 = 2-DOOR CONVERTIBLE

41 = 4-DOOR SEDAN

44 = 4-DOOR HATCHBACK

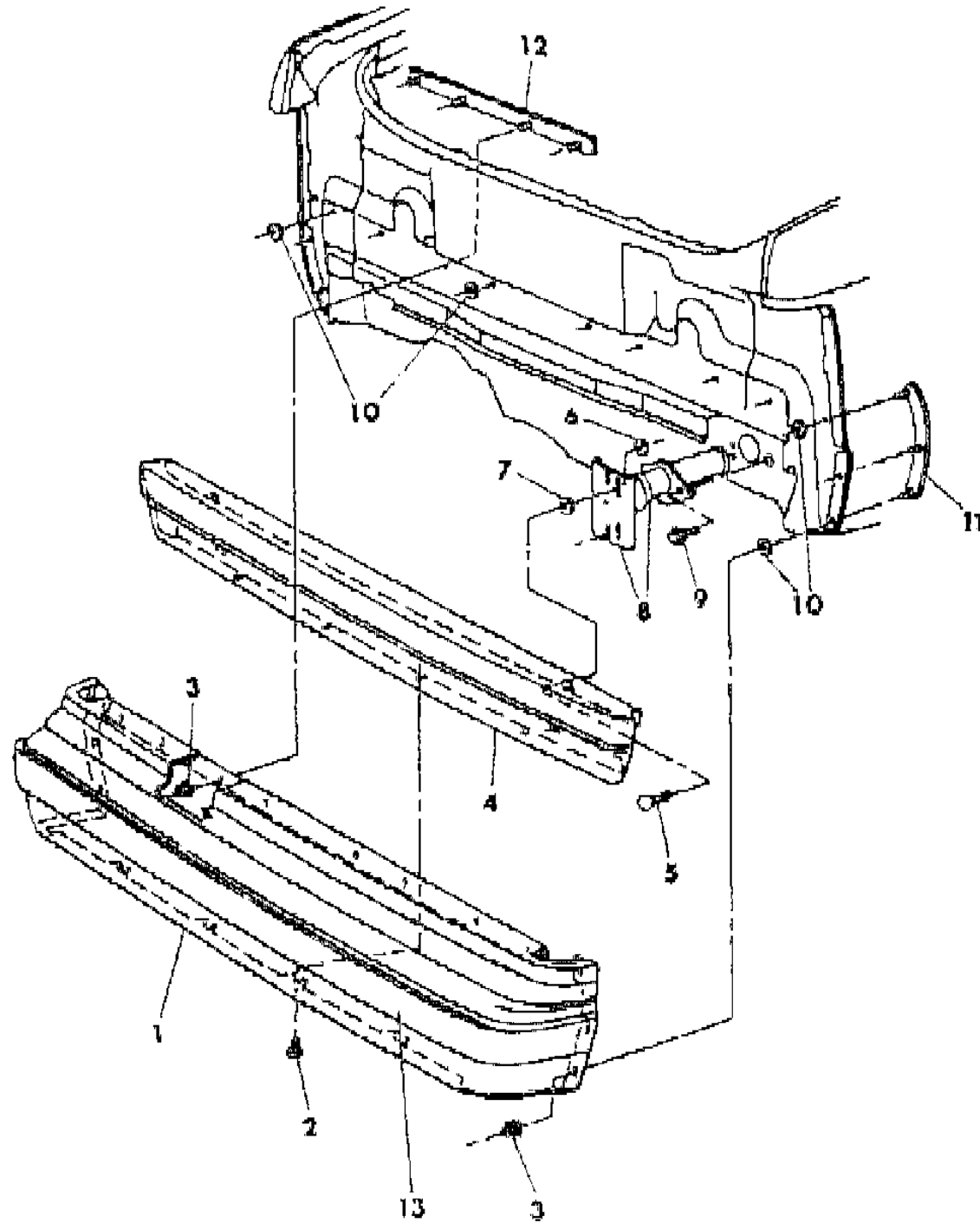
45 = 4-DOOR STATION WAGON

52-53 = FWD WAGON

AR = Use as Required - = Non Illustrated Part P.A.R. = Paint as Required

FASCIA, BUMPER REAR H BODY
Figure 13-1900

7113 1900



ITEM	PART NUMBER	QTY	BODY	MODEL	DESCRIPTION
1	4270 764	1			FASCIA, Rear (Paint As Required)
2	6501 067	4			RETAINER
3	6100 049	14			NUT and WASHER
4	4334 592	1			REINFORCEMENT, w/Impact Pads,Rear Fascia
	4334 471	3			PAD, Impact, Rear Fascia Reinforcement
5	6500 463	4			BOLT
6	6100 051	4			NUT and WASHER
7		4			PUSH NUT (Not Serviced)
8	4334 597	2			ABSORBER, Impact (2 1/2 M.P.H.)
9		4			SCREW and WASHER (Not Serviced)
10		8			PUSH NUT (Not Serviced)
11	4334 088-9	1			RETAINER, Rear Bumper Fascia to Aperture Panel
12	4334 091	2			PLATE, Rear Bumper Fascia Center Attaching
13	4388 101	1			NERF STRIP or MOULDING, Rear Fascia
	4270 974	1			LICENSE PLATE PKG (Not Illustrated)

MODEL CODES

E BODY = (J - CARAVELLE)(E - 600)(T - NEW YORKER)

G BODY = (V24 - DAYTONA)

H BODY = (D44 - LANCER)(C44 - LEBARON GTS)

J BODY = (C - LEBARON)

K BODY = (P - RELIANT)(D - ARIES)(C - LEBAROND)/TOWN & COUNTRY)

L BODY = (M - HORIZON/TURISMO)(Z - OMNI/CHARGER)

M BODY = (B - GRAN FURY)(F - FIFTH AVE/NEWPORT)(G - DIPLOMAT)

P BODY = (P - SUNDANCE)(D - SHADOW)

S BODY = (H - VOYAGER)(K - RAM VAN/CARAVAN)

BODY STYLES

12-13 = FWD VAN

21 = 2-DOOR SEDAN

24 = 2-DOOR HATCHBACK

27 = 2-DOOR CONVERTIBLE

41 = 4-DOOR SEDAN

44 = 4-DOOR HATCHBACK

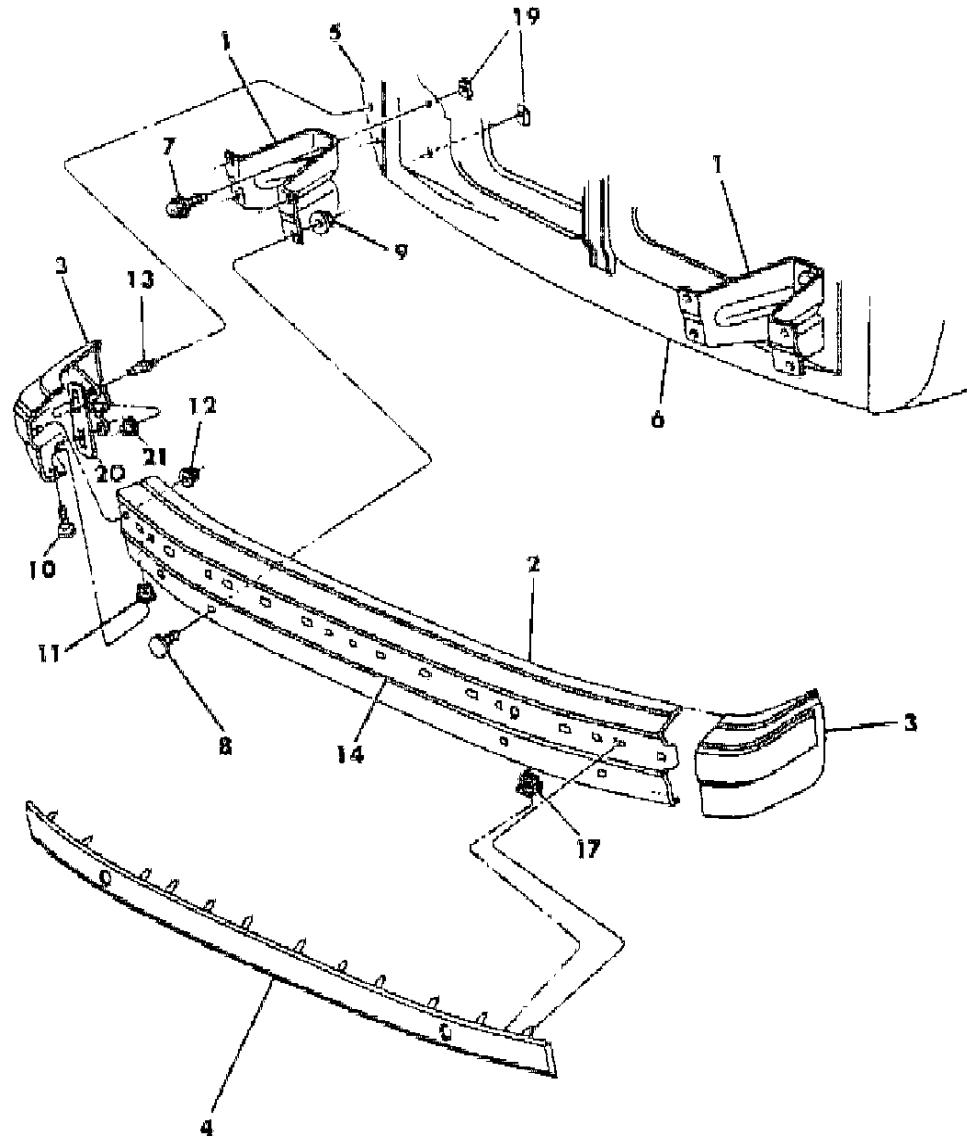
45 = 4-DOOR STATION WAGON

52-53 = FWD WAGON

AR = Use as Required - = Non Illustrated Part P.A.R. = Paint as Required

BUMPER, FRONT S BODY
Figure 13-2000

7113 2000



ITEM	PART NUMBER	QTY	BODY	MODEL	DESCRIPTION
1	4270 344-5	1			SUPPORT, Bumper
2	4334 593	1			BUMPER, Front w/Nerf
3					CAP, End, Front Bumper
	X556-7 DT4	1			w/Nerf, Gold Dust (Paint As Required)
	X552-3 DX9	1			Black
4	4334 599	1			NERF, Bumper Front
5					FENDER (Reference Only)
6	4388 242	1			AIR DAM, Rad. Closure Panel
	6501 067	7			RETAINER, Air Dam to Closure Panel
	6032 796	4			SCREW and WASHER, Air Dam to Front Fender Panel
7		4			SCREW and WASHER (Not Serviced)
8	6500 075	4			BOLT, Support
9	6100 051	4			NUT and WASHER
10					SCREW and WASHER (Not Serviced)
11					NUT, Plastic (Not Serviced)
12					NUT and WASHER (Not Serviced)
13					STUD (Not Serviced)
14	4270 328	1			LICENSE PLATE PACKAGE, Attaching Front
	5216 050	2			BUTTON, License Plate Mounting
	6030 562	2			NUT, License Plate Bracket to Bumper
17		2			NUT, Plastic (Not Serviced)
19		AR			U-NUT (Not Serviced)
20	4270 585	2			PLATE, End Cap Front Bumper to Fender Attaching
21		4			NUT, Flanged (Not Serviced)

MODEL CODES

E BODY = (J - CARAVELLE)(E - 600)(T - NEW YORKER)

G BODY = (V24 - DAYTONA)

H BODY = (D44 - LANCER)(C44 - LEBARON GTS)

J BODY = (C - LEBARON)

K BODY = (P - RELIANT)(D - ARIES)(C - LEBAROND)/TOWN & COUNTRY)

L BODY = (M - HORIZON/TURISMO)(Z - OMNI/CHARGER)

M BODY = (B - GRAN FURY)(F - FIFTH AVE/NEWPORT)(G - DIPLOMAT)

P BODY = (P - SUNDANCE)(D - SHADOW)

S BODY = (H - VOYAGER)(K - RAM VAN/CARAVAN)

BODY STYLES

12-13 = FWD VAN

21 = 2-DOOR SEDAN

24 = 2-DOOR HATCHBACK

27 = 2-DOOR CONVERTIBLE

41 = 4-DOOR SEDAN

44 = 4-DOOR HATCHBACK

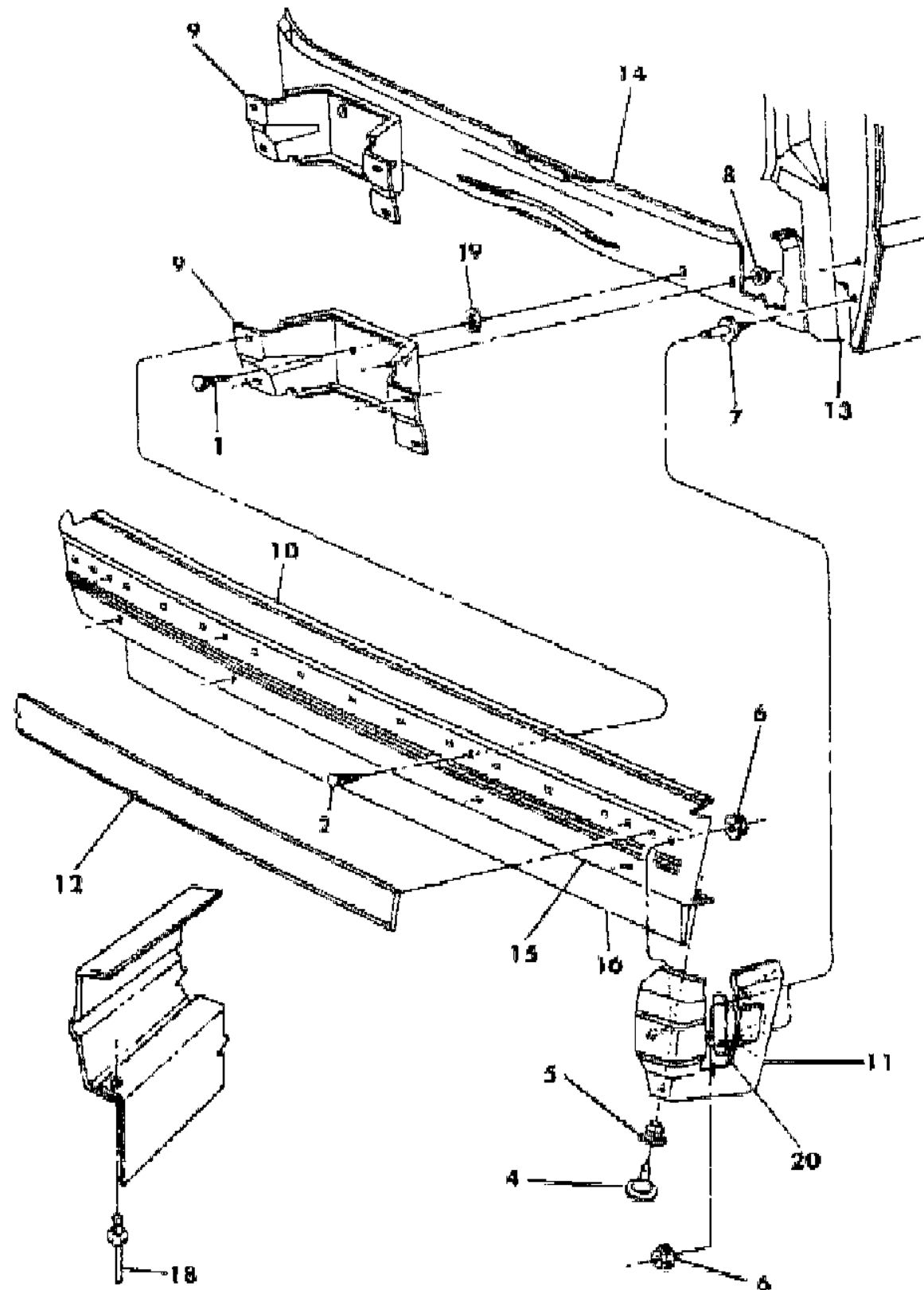
45 = 4-DOOR STATION WAGON

52-53 = FWD WAGON

AR = Use as Required - = Non Illustrated Part P.A.R. = Paint as Required

BUMPER, REAR S BODY
Figure 13-2100

7113 2100



ITEM	PART NUMBER	QTY	BODY	MODEL	DESCRIPTION
1					BOLT (Not Serviced)
2	6500 075	8			BOLT, Support
4					SCREW (Not Serviced)
5					NUT, Plastic (Not Serviced)
6					NUT and WASHER (Not Serviced)
7		4			STUD (Not Serviced)
8					NUT (Not Serviced)
9	4270 356-7	1			SUPPORT, Bumper
10	4270 351	1			BUMPER, w/Nerf
11					END-CAP, Bumper Rear
	X558-9 DW2	1			w/Nerf, Gold Dust (Paint As Required)
	X554-5 DX9	1			Black
12	4270 358	1			NERF, Bumper
13					PANEL, Body Side (Ref. Only)
14					PANEL, L/Gate (Ref. Only)
15	4270 974	1			LICENSE PLATE PACKAGE, Attaching Rear
16	4103 421	1			SIGHT SHIELD, Bumper Rear
18		9			RIVET (Not Serviced)
19		4			PUSH NUT (Not Serviced)
20	4270 585	2			PLATE, End Cap to Extension Aperture Panel Attaching

MODEL CODES

E BODY = (J - CARAVELLE)(E - 600)(T - NEW YORKER)

G BODY = (V24 - DAYTONA)

H BODY = (D44 - LANCER)(C44 - LEBARON GTS)

J BODY = (C - LEBARON)

K BODY = (P - RELIANT)(D - ARIES)(C - LEBAROND)/TOWN & COUNTRY)

L BODY = (M - HORIZON/TURISMO)(Z - OMNI/CHARGER)

M BODY = (B - GRAN FURY)(F - FIFTH AVE/NEWPORT)(G - DIPLOMAT)

P BODY = (P - SUNDANCE)(D - SHADOW)

S BODY = (H - VOYAGER)(K - RAM VAN/CARAVAN)

BODY STYLES

12-13 = FWD VAN

21 = 2-DOOR SEDAN

24 = 2-DOOR HATCHBACK

27 = 2-DOOR CONVERTIBLE

41 = 4-DOOR SEDAN

44 = 4-DOOR HATCHBACK

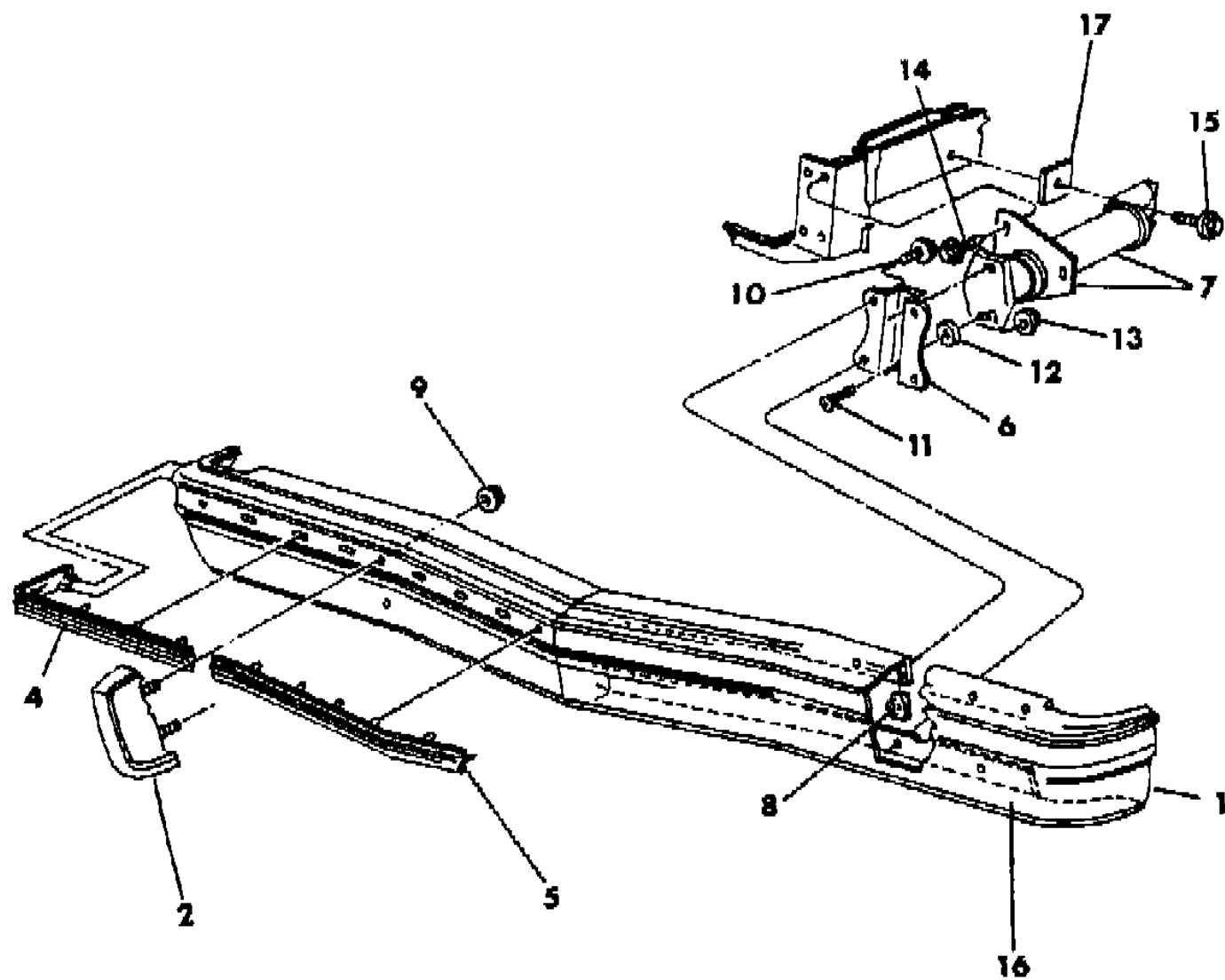
45 = 4-DOOR STATION WAGON

52-53 = FWD WAGON

AR = Use as Required - = Non Illustrated Part P.A.R. = Paint as Required

BUMPER, FRONT M BODY
Figure 13-2200

7113 2200



ITEM	PART NUMBER	QTY	BODY	MODEL	DESCRIPTION
1	4388 504	1			BUMPER, Frt., w/Guards w/Nerf
2	4110 214	2			GUARD, Bumper Frt., w/Nerf
4	4110 266	2			NERF STRIP, Bumper End
5	4110 268	1			NERF STRIP, Bumper Center
6	4110 269	2			ADAPTER, Bumper Front
7	4147 506-7	1			ABSORBER, Impact, Frt. (5 M.P.H.)
8					U-NUT (Not Serviced)
9	0118 614	4			NUT and WASHER, Guard Attaching
10		8			SCREW and WASHER (Not Serviced)
11	0153 366	4			BOLT, Adapter Attaching
12	6026 334	4			RETAINER, Adapter
13	6031 572	4			NUT, Bolt
14	6031 627	4			SCREW and WASHER, Absorber Attaching
15	6030 471	2			SCREW and WASHER, Absorber Attaching
16	4194 464	1			LICENSE PLATE PACKAGE, Front Attaching
	5216 050	2			BUTTON, License Plate Mounting
17	3753 122	2			PLATE, Anti-Slip

MODEL CODES

E BODY = (J - CARAVELLE)(E - 600)(T - NEW YORKER)

G BODY = (V24 - DAYTONA)

H BODY = (D44 - LANCER)(C44 - LEBARON GTS)

J BODY = (C - LEBARON)

K BODY = (P - RELIANT)(D - ARIES)(C - LEBAROND)/TOWN & COUNTRY)

L BODY = (M - HORIZON/TURISMO)(Z - OMNI/CHARGER)

M BODY = (B - GRAN FURY)(F - FIFTH AVE/NEWPORT)(G - DIPLOMAT)

P BODY = (P - SUNDANCE)(D - SHADOW)

S BODY = (H - VOYAGER)(K - RAM VAN/CARAVAN)

BODY STYLES

12-13 = FWD VAN

21 = 2-DOOR SEDAN

24 = 2-DOOR HATCHBACK

27 = 2-DOOR CONVERTIBLE

41 = 4-DOOR SEDAN

44 = 4-DOOR HATCHBACK

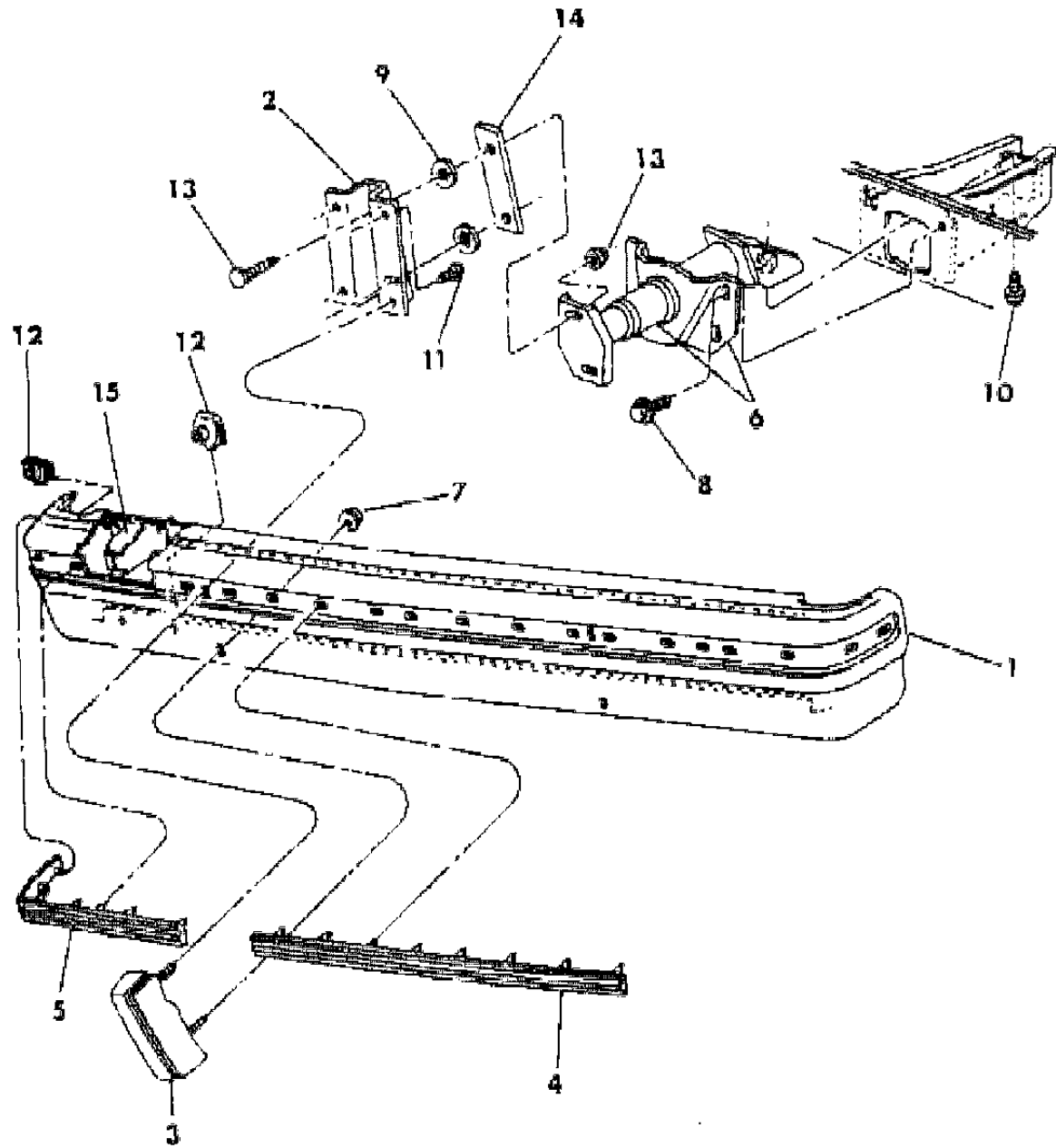
45 = 4-DOOR STATION WAGON

52-53 = FWD WAGON

AR = Use as Required - = Non Illustrated Part P.A.R. = Paint as Required

BUMPER, REAR M BODY MODEL B,G
Figure 13-2300

7113 2300



ITEM	PART NUMBER	QTY	BODY	MODEL	DESCRIPTION
1	4388 505	1			BUMPER, Rear w/Guards, w/Nerf
2	4110 530	2			ADAPTER, Absorber
3	4110 508	2			GUARD, Bumper Rear, w/Nerf
4	4110 586	1			NERF STRIP, Bumper Center, w/Guards
	4110 583	1			w/o Guards
5	4110 584-5	1			NERF STRIP, Bumper End, w/Guards
6	4103 931	2			ABSORBER, Impact Rear (5 M.P.H.)
7	0118 614	4			NUT and WASHER, Guard Attaching
8	6031 354	4			SCREW and WASHER, Absorber Mounting
9	6026 334	4			RETAINER, Adapter
10	6030 471	2			SCREW and WASHER, Guard Attaching
11		8			SCREW and WASHER (Not Serviced)
12		8			U-NUT (Not Serviced)
13	0153 366	4			BOLT, Adapter
	6031 572	4			NUT and WASHER
14	3753 124	AR			SHIM
15	4110 598	2			BLOCKER, Bumper Rear

MODEL CODES

E BODY = (J - CARAVELLE)(E - 600)(T - NEW YORKER)

G BODY = (V24 - DAYTONA)

H BODY = (D44 - LANCER)(C44 - LEBARON GTS)

J BODY = (C - LEBARON)

K BODY = (P - RELIANT)(D - ARIES)(C - LEBAROND)/TOWN & COUNTRY)

L BODY = (M - HORIZON/TURISMO)(Z - OMNI/CHARGER)

M BODY = (B - GRAN FURY)(F - FIFTH AVE/NEWPORT)(G - DIPLOMAT)

P BODY = (P - SUNDANCE)(D - SHADOW)

S BODY = (H - VOYAGER)(K - RAM VAN/CARAVAN)

BODY STYLES

12-13 = FWD VAN

21 = 2-DOOR SEDAN

24 = 2-DOOR HATCHBACK

27 = 2-DOOR CONVERTIBLE

41 = 4-DOOR SEDAN

44 = 4-DOOR HATCHBACK

45 = 4-DOOR STATION WAGON

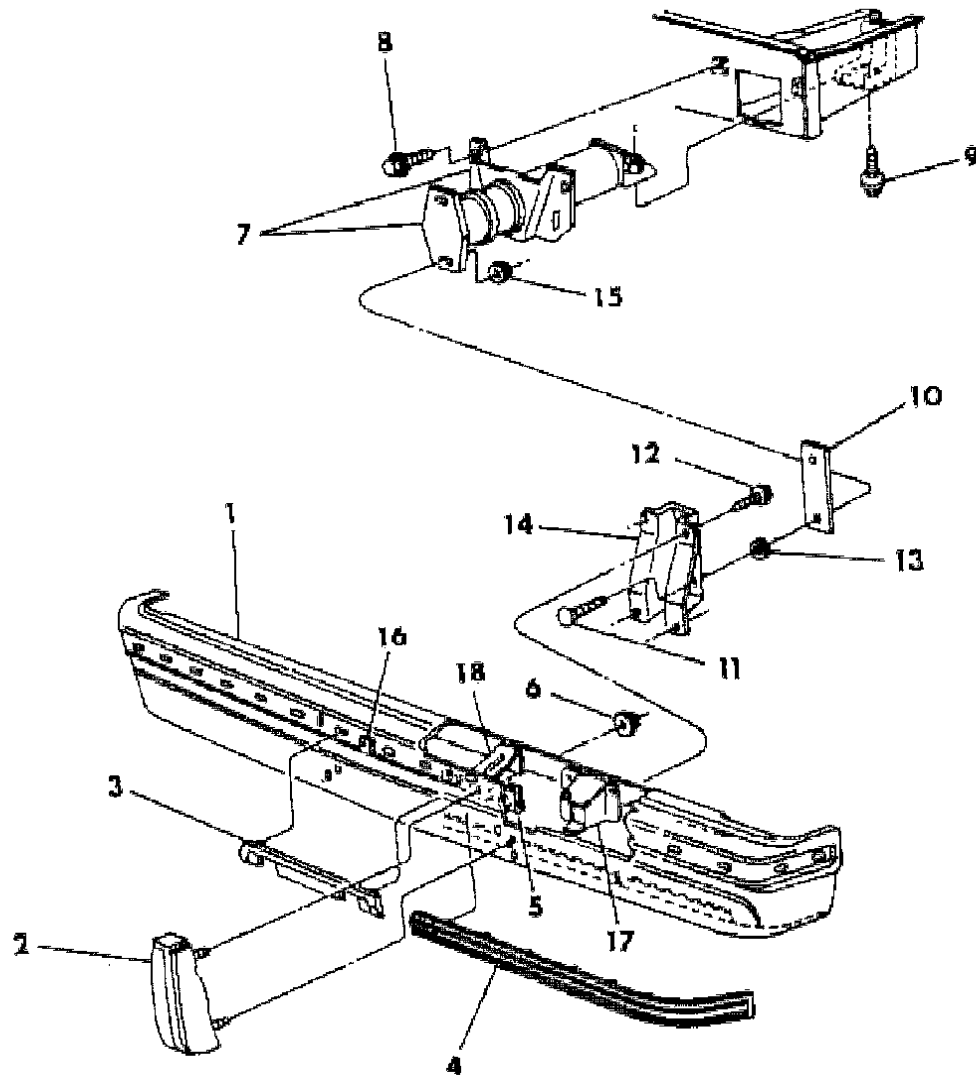
52-53 = FWD WAGON

AR = Use as Required - = Non Illustrated Part P.A.R. = Paint as Required

BUMPER, REAR M BODY MODEL F
Figure 13-2400

7113 2400

ITEM	PART NUMBER	QTY	BODY	MODEL	DESCRIPTION
1	4388 507	1			BUMPER, Rear, w/Guards, w/Nerf
2	4194 566-7	1			GUARD, Bumper Rear, w/Nerf
3	4110 536	1			NERF, Bumper Center
4	4194 568-9	1			NERF STRIP, Bumper End
5		10			U-NUT (Not Serviced)
6	0118 614	4			NUT and WASHER, Guard Attaching
7	4103 931	2			ABSORBER, Impact Rear (5 M.P.H.)
8	6031 354	4			SCREW and WASHER, Absorber Mounting
9	6030 471	2			SCREW and WASHER, Absorber Mounting
10	3753 124	AR			SHIM
11	0153 366	4			BOLT, Bracket
12		8			SCREW and WASHER (Not Serviced)
13	6026 334	4			RETAINER, Bracket
14	4110 530	2			ADAPTOR, Absorber
15	6031 572	4			NUT and WASHER, Absorber Mounting
17	4110 598	2			BLOCKER, Bumper Rear
18	4110 550	2			BULKHEAD, Bumper Rear



MODEL CODES

E BODY = (J - CARAVELLE)(E - 600)(T - NEW YORKER)

G BODY = (V24 - DAYTONA)

H BODY = (D44 - LANCER)(C44 - LEBARON GTS)

J BODY = (C - LEBARON)

K BODY = (P - RELIANT)(D - ARIES)(C - LEBAROND)/TOWN & COUNTRY)

L BODY = (M - HORIZON/TURISMO)(Z - OMNI/CHARGER)

M BODY = (B - GRAN FURY)(F - FIFTH AVE/NEWPORT)(G - DIPLOMAT)

P BODY = (P - SUNDANCE)(D - SHADOW)

S BODY = (H - VOYAGER)(K - RAM VAN/CARAVAN)

BODY STYLES

12-13 = FWD VAN

21 = 2-DOOR SEDAN

24 = 2-DOOR HATCHBACK

27 = 2-DOOR CONVERTIBLE

41 = 4-DOOR SEDAN

44 = 4-DOOR HATCHBACK

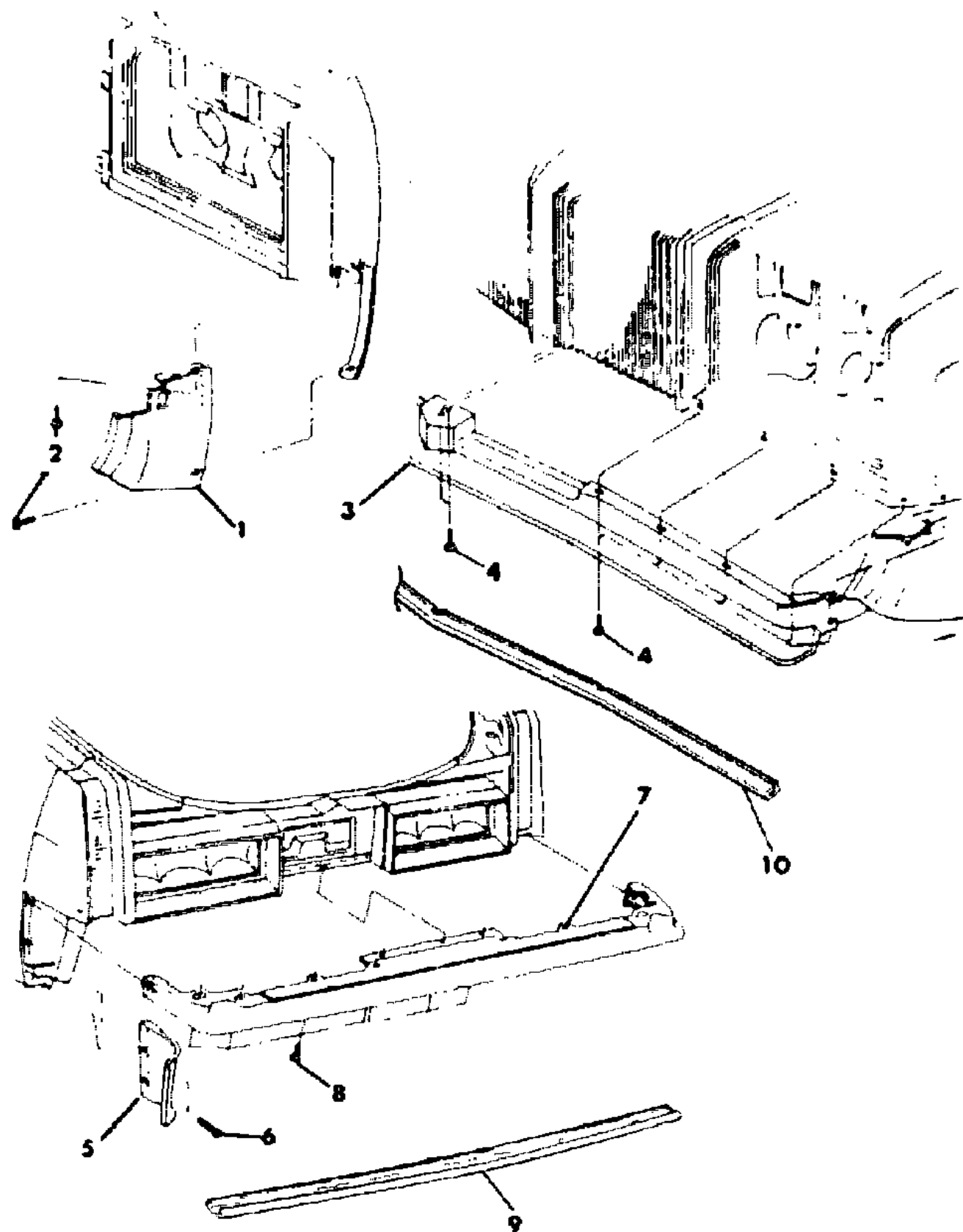
45 = 4-DOOR STATION WAGON

52-53 = FWD WAGON

AR = Use as Required - = Non Illustrated Part P.A.R. = Paint as Required

FILLER, BUMPER M BODY MODEL F
Figure 13-2500

7113 2500 A



ITEM	PART NUMBER	QTY	BODY	MODEL	DESCRIPTION
1	X518-9 VW3	1			FILLER, Frt. Fender Bumper Side (Paint As Req.)
2		AR			SCREW (Not Serviced)
3	4271 411	1			FILLER, Grill Closure Pnl. Bumper Front (Paint as Required)
4					SCREW (Not Serviced)
5	X536-7 VW3	1			FILLER, Qtr. O/S Panel Bumper Rear (Paint as Required)
6					SCREW (Not Serviced)
7	4504 089	1			FILLER, Deck Opng. Rr. Bumper Center (Paint as Required)
8					SCREW (Not Serviced)
9	4206 338	AR			SUPPORT, Rr. Bumper Filler Lip Edge Repair
10	4074 501	1			SUPPORT, Front Bumper, Filler Edge, Repair
	6031 939	AR			CLIP, Support
	4074 502	1			SPACER, Front Bumper Filler

MODEL CODES

E BODY = (J - CARAVELLE)(E - 600)(T - NEW YORKER)

G BODY = (V24 - DAYTONA)

H BODY = (D44 - LANCER)(C44 - LEBARON GTS)

J BODY = (C - LEBARON)

K BODY = (P - RELIANT)(D - ARIES)(C - LEBAROND)/TOWN & COUNTRY)

L BODY = (M - HORIZON/TURISMO)(Z - OMNI/CHARGER)

M BODY = (B - GRAN FURY)(F - FIFTH AVE/NEWPORT)(G - DIPLOMAT)

P BODY = (P - SUNDANCE)(D - SHADOW)

S BODY = (H - VOYAGER)(K - RAM VAN/CARAVAN)

BODY STYLES

12-13 = FWD VAN

21 = 2-DOOR SEDAN

24 = 2-DOOR HATCHBACK

27 = 2-DOOR CONVERTIBLE

41 = 4-DOOR SEDAN

44 = 4-DOOR HATCHBACK

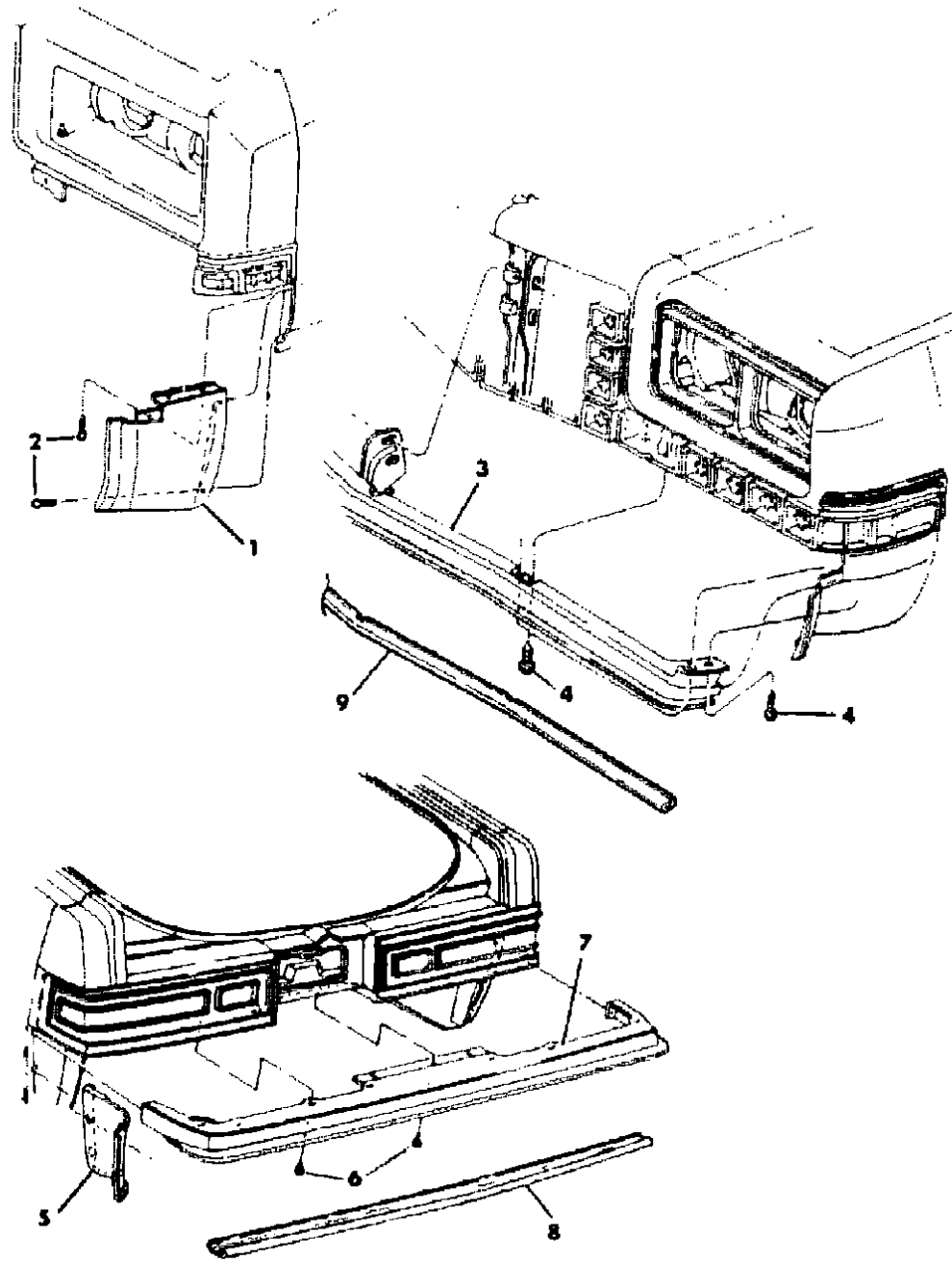
45 = 4-DOOR STATION WAGON

52-53 = FWD WAGON

AR = Use as Required - = Non Illustrated Part P.A.R. = Paint as Required

FILLER, BUMPER M BODY MODEL B,G
Figure 13-2600

7113 2800 A



ITEM	PART NUMBER	QTY	BODY	MODEL	DESCRIPTION
1	X532-3 TT1	1		B-L,G-L	FILLER, Fender Bumper Side, (Paint As Req.)
	X518-9 VW3	1		G-P	
2		AR			SCREW (Not Serviced)
3	X522 VW3	1		B-L,G-L	FILLER, Bumper Frt., (Paint As Req.)
	4271 411	1		G-P	
4		AR			SCREW (Not Serviced)
5	X536-7 VW3	1			FILLER, Qtr. O/S Panel Bumper Rear (Paint as Required)
6		AR			SCREW (Not Serviced)
7	4504 089	1			FILLER, Deck Opng. Bumper Rear (Paint as Required)
8	4206 338	AR			SUPPORT, Rr. Bumper Filler Lip Edge Repair
9	4074 501	1			SUPPORT, Front Bumper, Filler Edge, Repair
	6031 939	AR			CLIP, Support
	4074 502	1			SPACER, Filler, Front Bumper

cars sold in the State of California. applications specified in this document.
Feet elevation. applications specified in this document.

MODEL CODES

E BODY = (J - CARAVELLE)(E - 600)(T - NEW YORKER)

G BODY = (V24 - DAYTONA)

H BODY = (D44 - LANCER)(C44 - LEBARON GTS)

J BODY = (C - LEBARON)

K BODY = (P - RELIANT)(D - ARIES)(C - LEBAROND)/TOWN & COUNTRY)

L BODY = (M - HORIZON/TURISMO)(Z - OMNI/CHARGER)

M BODY = (B - GRAN FURY)(F - FIFTH AVE/NEWPORT)(G - DIPLOMAT)

P BODY = (P - SUNDANCE)(D - SHADOW)

S BODY = (H - VOYAGER)(K - RAM VAN/CARAVAN)

BODY STYLES

12-13 = FWD VAN

21 = 2-DOOR SEDAN

24 = 2-DOOR HATCHBACK

27 = 2-DOOR CONVERTIBLE

41 = 4-DOOR SEDAN

44 = 4-DOOR HATCHBACK

45 = 4-DOOR STATION WAGON

52-53 = FWD WAGON

AR = Use as Required - = Non Illustrated Part P.A.R. = Paint as Required

GROUP 14 - FUEL

ILLUSTRATION TITLE	GROUP-FIG. NO.
FRESH AIR INTAKE SYSTEM	
FRESH AIR INTAKE SYSTEM L,P,J,K,G,E,H,S BODY	Fig. 14-100
FRESH AIR INTAKE SYSTEM M BODY	Fig. 14-200
AIR CLEANER SYSTEM	
AIR CLEANER 2.2L ENGINE L,S BODY	Fig. 14-300
AIR CLEANER TURBO CHARGER I - W/O INTER COOLER L,P,H BODY	Fig. 14-400
AIR CLEANER E.F.I.	Fig. 14-500
AIR CLEANER TURBO CHARGER I - W/O INTER COOLER J,K,G,E BODY	Fig. 14-600
AIR CLEANER TURBO CHARGER II - W/INTER COOLER	Fig. 14-700
AIR CLEANER TURBO CHARGER II L,P AND H BODY SHELBY	Fig. 14-725
AIR CLEANER 2.5L E.F.I. S BODY	Fig. 14-800
AIR CLEANER 2.6L ENGINE	Fig. 14-900
AIR CLEANER 3.0L ENGINE S BODY	Fig. 14-925
AIR CLEANER 5.2L-2BBL ENGINE	Fig. 14-1000
AIR CLEANER 5.2L-4BBL ENGINE	Fig. 14-1100
CARBURETOR AND COMPONENTS	
CARBURETOR IDENTIFICATION AND CROSS REFERENCE	Fig. 14-1200
CARBURETOR CHOKE, CHOKE CONTROL, FLANGE GASKETS	Fig. 14-1300
CARBURETOR AND COMPONENT PARTS HOLLEY-2BBL.(5220)	Fig. 14-1400
CARBURETOR AND COMPONENT PARTS HOLLEY-2BBL.(6520)	Fig. 14-1500
CARBURETOR AND COMPONENT PARTS HOLLEY-2BBL.(6280)	Fig. 14-1600
CARBURETOR AND COMPONENT PARTS HOLLEY-2BBL.(2280)	Fig. 14-1700
CARBURETOR AND COMPONENT PARTS ROCHESTER - 4BBL.(QUADRA JET ELECTRONIC)	Fig. 14-1800
CARBURETOR AND COMPONENT PARTS ROCHESTER - 4BBL.(QUADRA JET NON - ELECTRONIC) ...	Fig. 14-1900
CARBURETOR, GASKETS AND ATTACHING PARTS 2.6L ENGINE	Fig. 14-2000
CARBURETOR EXTERNAL COMPONENTS 2.6L ENGINE	Fig. 14-2100
CARBURETOR INTERNAL COMPONENTS 2.6L ENGINE	Fig. 14-2200
CARBURETOR THROTTLE BODY COMPONENTS 2.6L ENGINE	Fig. 14-2300
AIR CONDITION IDLE-UP AND HIGH ALTITUDE SYSTEM	
AIR CONDITION IDLE UP SYSTEM S BODY	Fig. 14-2400
HIGH ALTITUDE SYSTEM 2.2L ENGINE L BODY	Fig. 14-2500
HIGH ALTITUDE SYSTEM 2.2L ENGINE S BODY	Fig. 14-2600
HIGH ALTITUDE SYSTEM 2.6L ENGINE S BODY	Fig. 14-2700
THROTTLE BODY AND TURBO CHARGER COMPONENTS	
THROTTLE BODY E.F.I.	Fig. 14-2800

ILLUSTRATION NOT AVAILABLE AT TIME OF PUBLICATION

GROUP 14 - FUEL

GROUP 14 - FUEL

ILLUSTRATION TITLE	GROUP-FIG. NO.
THROTTLE BODY AND TURBO CHARGER COMPONENTS (Continued)	
THROTTLE BODY E.F.I.	Fig. 14-2800
THROTTLE BODY AND ADAPTER TURBO CHARGER I - W/O INTER COOLER	Fig. 14-2900
THROTTLE BODY TURBO CHARGER II - W/INTER COOLER	Fig. 14-3000
THROTTLE BODY TURBO CHARGER II L,P AND H BODY SHELBY	Fig. 14-3025
THROTTLE BODY 3.0L ENGINE	Fig. 14-3050
TURBO CHARGER I AND II	Fig. 14-3100
TURBO CHARGER II L,P AND H BODY SHELBY	Fig. 14-3125
FUEL RAIL AND RELATED PARTS TURBO CHARGER I - W/O INTER COOLER	Fig. 14-3200
FUEL RAIL AND RELATED PARTS TURBO CHARGER II - W/INTER COOLER	Fig. 14-3300
FUEL RAIL AND RELATED PARTS TURBO CHARGER II L,P AND H BODY SHELBY	Fig. 14-3325
FUEL RAIL AND RELATED PARTS 3.0L ENGINE	Fig. 14-3350
THROTTLE CONTROL	
THROTTLE CONTROL 2.2L ENGINE L BODY	Fig. 14-3700
THROTTLE CONTROL TURBO CHARGER I - W/O INTER COOLER L BODY	Fig. 14-3800
THROTTLE CONTROLS E.F.I.	Fig. 14-3900
THROTTLE CONTROLS TURBO CHARGER I - W/O INTER COOLER P,K,G,E,H,J BODY	Fig. 14-4000
THROTTLE CONTROLS TURBO CHARGER II - W/INTER COOLER	Fig. 14-4100
THROTTLE CONTROLS TURBO CHARGER II L,P AND H BODY SHELBY	Fig. 14-4125
THROTTLE CONTROL 2.2L ENGINE S BODY	Fig. 14-4200
THROTTLE CONTROL 2.5L E.F.I. S BODY	Fig. 14-4300
THROTTLE CONTROL 2.6L ENGINE S BODY	Fig. 14-4400
THROTTLE CONTROL 3.0L ENGINE S BODY	Fig. 14-4425
THROTTLE CONTROL 5.2L-2BBL ENGINE M BODY	Fig. 14-4500
THROTTLE CONTROL 5.2L-4BBL ENGINE M BODY	Fig. 14-4600
SPEED CONTROL AND SPEED CONTROL CABLES	
SPEED CONTROL ELECTRO MECHANICAL L BODY - W/2.2 LITER ENGINE (EXCEPT TURBO) FIELD INSTALATION	Fig. 14-4700
SPEED CONTROL E.F.I.	Fig. 14-4800
SPEED CONTROL ELECTRONIC L BODY WITH OR WITHOUT TURBO FIELD INSTALLATION	Fig. 14-4850
SPEED CONTROL TURBO CHARGER 1 - W/O INTER COOLER P,J,K,G,E,H BODY	Fig. 14-4900
SPEED CONTROL 2.2L ENGINE S BODY	Fig. 14-5000
SPEED CONTROL 2.5L E.F.I. S BODY	Fig. 14-5100
SPEED CONTROL 2.6L ENGINE S BODY	Fig. 14-5200
SPEED CONTROL 3.0L ENGINE S BODY	Fig. 14-5250
SPEED CONTROL M BODY	Fig. 14-5300

ILLUSTRATION TITLE	GROUP-FIG. NO.
SPEED CONTROL AND SPEED CONTROL CABLES (Continued)	
SPEED CONTROL M BODY	Fig. 14-5300
SPEED CONTROL CABLES	Fig. 14-5400
ACCELERATOR PEDAL	
ACCELERATOR PEDAL L,P,J,K,G,E,H BODY	Fig. 14-5500
ACCELERATOR PEDAL S BODY	Fig. 14-5600
ACCELERATOR PEDAL M BODY	Fig. 14-5700
FUEL RESERVOIR	
FUEL RESERVOIR L BODY (EXCEPT TURBO CHARGER)	Fig. 14-5800
FUEL RESERVOIR 2.6L ENGINE	Fig. 14-5900
FUEL FILTER	
CARBURETOR FUEL FILTER AND RELATED PARTS	Fig. 14-5920
CARBURETOR FUEL FILTER AND RELATED PARTS 2.6L ENGINE	Fig. 14-5930
FUEL FILTER E.F.I. AND TURBO CHARGER	Fig. 14-5940
FUEL FILTER S BODY - 2.5L AND 3.0L ENGINE	Fig. 14-5950
FUEL PUMP	
FUEL PUMP 2.6L ENGINE	Fig. 14-6000
FUEL PUMP 2.2L AND 5.2L CARBURETED ENGINE	Fig. 14-6100
FUEL PUMP TURBO CHARGER P,J,K,G,E,H BODY	Fig. 14-6200
FUEL PUMP 2.2L AND 2.5L E.F.I. P,J,K,G,E,H BODY	Fig. 14-6300
FUEL PUMP TURBO CHARGER L BODY	Fig. 14-6400
FUEL PUMP 2.5L AND 3.0L ENGINE S BODY	Fig. 14-6450
FUEL LINES	
FUEL LINES 2.2L ENGINE (EXCEPT TURBO CHARGER) L BODY	Fig. 14-6500
FUEL LINES TURBO CHARGER L BODY	Fig. 14-6600
FUEL LINES P,J,K,G,E,H BODY	Fig. 14-6700
FUEL LINES 2.2L AND 2.6L ENGINE S BODY	Fig. 14-6800
FUEL LINES 2.5L AND 3.0L ENGINE S BODY	Fig. 14-6850
FUEL LINES M BODY	Fig. 14-6900
FUEL LEVEL SENDING UNIT	
FUEL TANK SENDING UNITS EXCEPT E.F.I. AND TURBO CHARGER	Fig. 14-7000
FUEL TANK SENDING UNITS E.F.I. AND TURBO CHARGER	Fig. 14-7100

GROUP 14 - FUEL

ILLUSTRATION TITLE

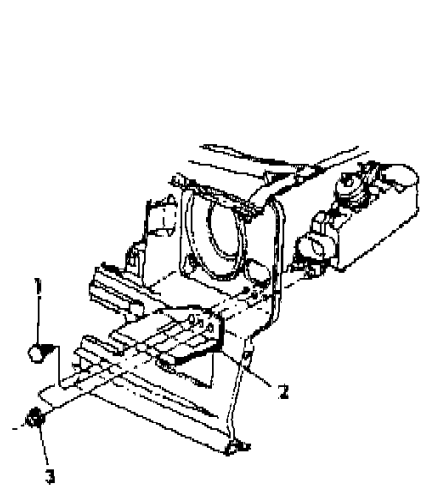
GROUP-FIG. NO.

FUEL TANK

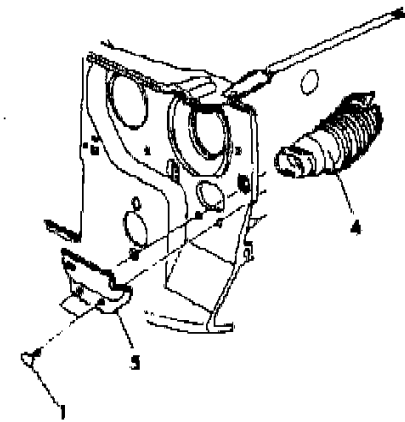
FUEL TANK AND FUEL FILLER TUBES L BODY (EXCEPT TURBO CHARGER)	Fig. 14-7200
FUEL TANK AND FILLER TUBES E.F.I. AND TURBO CHARGER	Fig. 14-7300
FUEL TANK AND FUEL FILLER TUBES S BODY	Fig. 14-7400
FUEL TANK AND FUEL FILLER TUBES M BODY	Fig. 14-7500

FRESH AIR INTAKE SYSTEM L,P,J,K,G,E,H,S BODY
Figure 14-100

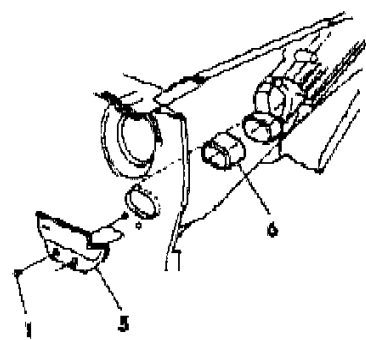
7114 100



M,Z



W/2.6L ENGINE



W/2.2L ENGINE

ITEM	PART NUMBER	QTY	BODY	MODEL	DESCRIPTION
1	6031 299	AR			RETAINER
2	5201 395	1	L		SHIELD, Air Inlet Closure Panel
3	6029 471	AR			NUT
4	4324 107	1	S		DUCT, Air Cleaner
5	4103 277	1	EGK		BAFFLE, Air Inlet
6					DUCT, Panel to E.S.A. Housing
	4103 182	1	JKGEH		
	5226 725	1	P		
	5227 220	1	S		

MODEL CODES

E BODY = (J - CARAVELLE)(E - 600)(T - NEW YORKER)

G BODY = (V24 - DAYTONA)

H BODY = (D44 - LANCER)(C44 - LEBARON GTS)

J BODY = (C - LEBARON)

K BODY = (P - RELIANT)(D - ARIES)(C - LEBAROND)/TOWN & COUNTRY)

L BODY = (M - HORIZON/TURISMO)(Z - OMNI/CHARGER)

M BODY = (B - GRAN FURY)(F - FIFTH AVE/NEWPORT)(G - DIPLOMAT)

P BODY = (P - SUNDANCE)(D - SHADOW)

S BODY = (H - VOYAGER)(K - RAM VAN/CARAVAN)

BODY STYLES

12-13 = FWD VAN

21 = 2-DOOR SEDAN

24 = 2-DOOR HATCHBACK

27 = 2-DOOR CONVERTIBLE

41 = 4-DOOR SEDAN

44 = 4-DOOR HATCHBACK

45 = 4-DOOR STATION WAGON

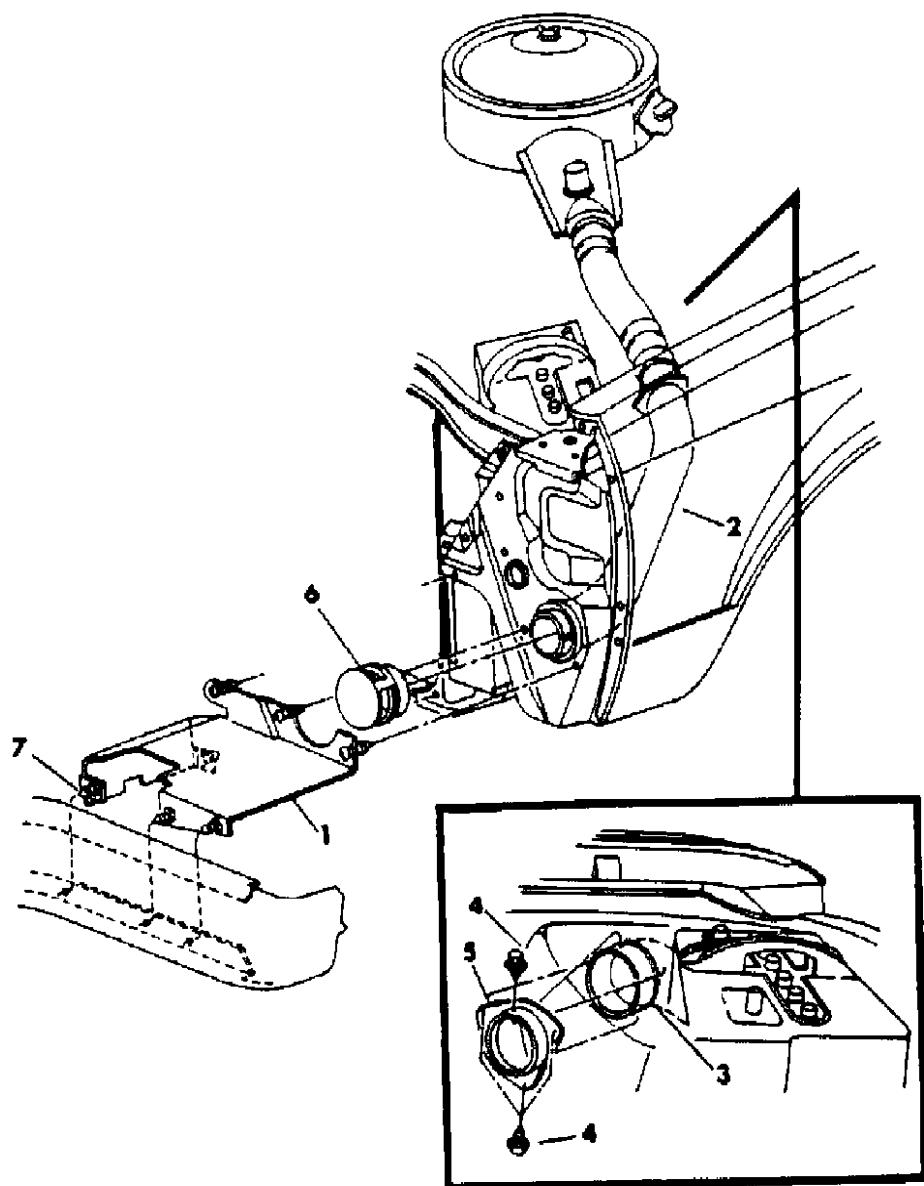
52-53 = FWD WAGON

AR = Use as Required - = Non Illustrated Part P.A.R. = Paint as Required

FRESH AIR INTAKE SYSTEM M BODY

Figure 14-200

7114 200 A



ITEM	PART NUMBER	QTY	BODY	MODEL	DESCRIPTION
1	4074 745	1			BAFFLE, Engine Air
2	#3868 689	1			DUCT, Engine Air
3	3868 920	1			SEAL, Air Duct
4		2			SCREW (8-18x1/2) (not serviced)
5	3868 552	1			COLLAR, Air Duct
6	3868 957	1			DEFLECTOR and ADAPTER, Air Intake Duct
7	6031 299	AR			RETAINER, Engine Air Baffle

MODEL CODES

E BODY = (J - CARAVELLE)(E - 600)(T - NEW YORKER)

G BODY = (V24 - DAYTONA)

H BODY = (D44 - LANCER)(C44 - LEBARON GTS)

J BODY = (C - LEBARON)

K BODY = (P - RELIANT)(D - ARIES)(C - LEBAROND)/TOWN & COUNTRY)

L BODY = (M - HORIZON/TURISMO)(Z - OMNI/CHARGER)

M BODY = (B - GRAN FURY)(F - FIFTH AVE/NEWPORT)(G - DIPLOMAT)

P BODY = (P - SUNDANCE)(D - SHADOW)

S BODY = (H - VOYAGER)(K - RAM VAN/CARAVAN)

BODY STYLES

12-13 = FWD VAN

21 = 2-DOOR SEDAN

24 = 2-DOOR HATCHBACK

27 = 2-DOOR CONVERTIBLE

41 = 4-DOOR SEDAN

44 = 4-DOOR HATCHBACK

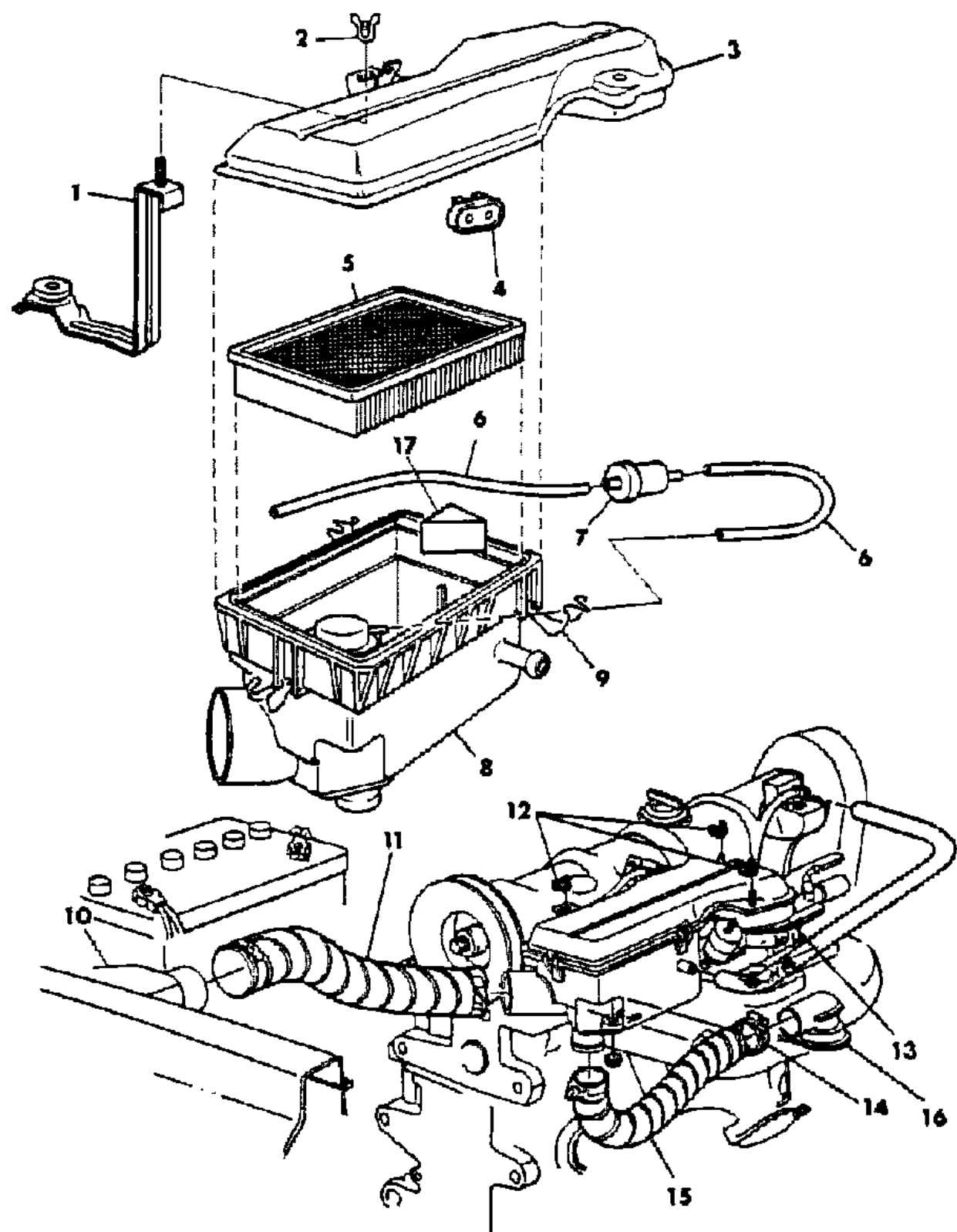
45 = 4-DOOR STATION WAGON

52-53 = FWD WAGON

AR = Use as Required - = Non Illustrated Part P.A.R. = Paint as Required

AIR CLEANER 2.2L ENGINE L,S BODY
Figure 14-300

7114 300 8



ITEM	PART NUMBER	QTY	BODY	MODEL	DESCRIPTION
1	4268 570	1			BRACKET, Air Cleaner Support
2	4275 973	AR			WING NUT, Air Cleaner Attaching
3	4275 724	1			COVER, Air Cleaner
4	4131 147	1			SENSOR, Air Cleaner Temp.
5	4342 801	1			FILTER, Air Cleaner
6	4026 511	AR			HOSE
7	4201 385	1			VALVE, Heated Air Delay
8	4275 723	1			BODY, Air Cleaner
9	4227 053	3			LATCH, Air Cleaner Cover
10					CONTROL, Refer to Group 8
11					DUCT, Air Cleaner Fresh Air
	4287 921	1	S		
	4287 919	1	L		
12	4275 973	3			WING NUT, Air Cleaner
13	5214 058	1			GASKET, Air Cleaner to Carburetor
14	3683 824	1			CLAMP
15	4300 933	1			CONNECTOR, Carburetor Air Heater to Air Cleaner
16	5203 338	1			HEATER, Carburetor Air
17	4275 087	1			FILTER, Crankcase Inlet Air

MODEL CODES

E BODY = (J - CARAVELLE)(E - 600)(T - NEW YORKER)

G BODY = (V24 - DAYTONA)

H BODY = (D44 - LANCER)(C44 - LEBARON GTS)

J BODY = (C - LEBARON)

K BODY = (P - RELIANT)(D - ARIES)(C - LEBAROND)/TOWN & COUNTRY)

L BODY = (M - HORIZON/TURISMO)(Z - OMNI/CHARGER)

M BODY = (B - GRAN FURY)(F - FIFTH AVE/NEWPORT)(G - DIPLOMAT)

P BODY = (P - SUNDANCE)(D - SHADOW)

S BODY = (H - VOYAGER)(K - RAM VAN/CARAVAN)

BODY STYLES

12-13 = FWD VAN

21 = 2-DOOR SEDAN

24 = 2-DOOR HATCHBACK

27 = 2-DOOR CONVERTIBLE

41 = 4-DOOR SEDAN

44 = 4-DOOR HATCHBACK

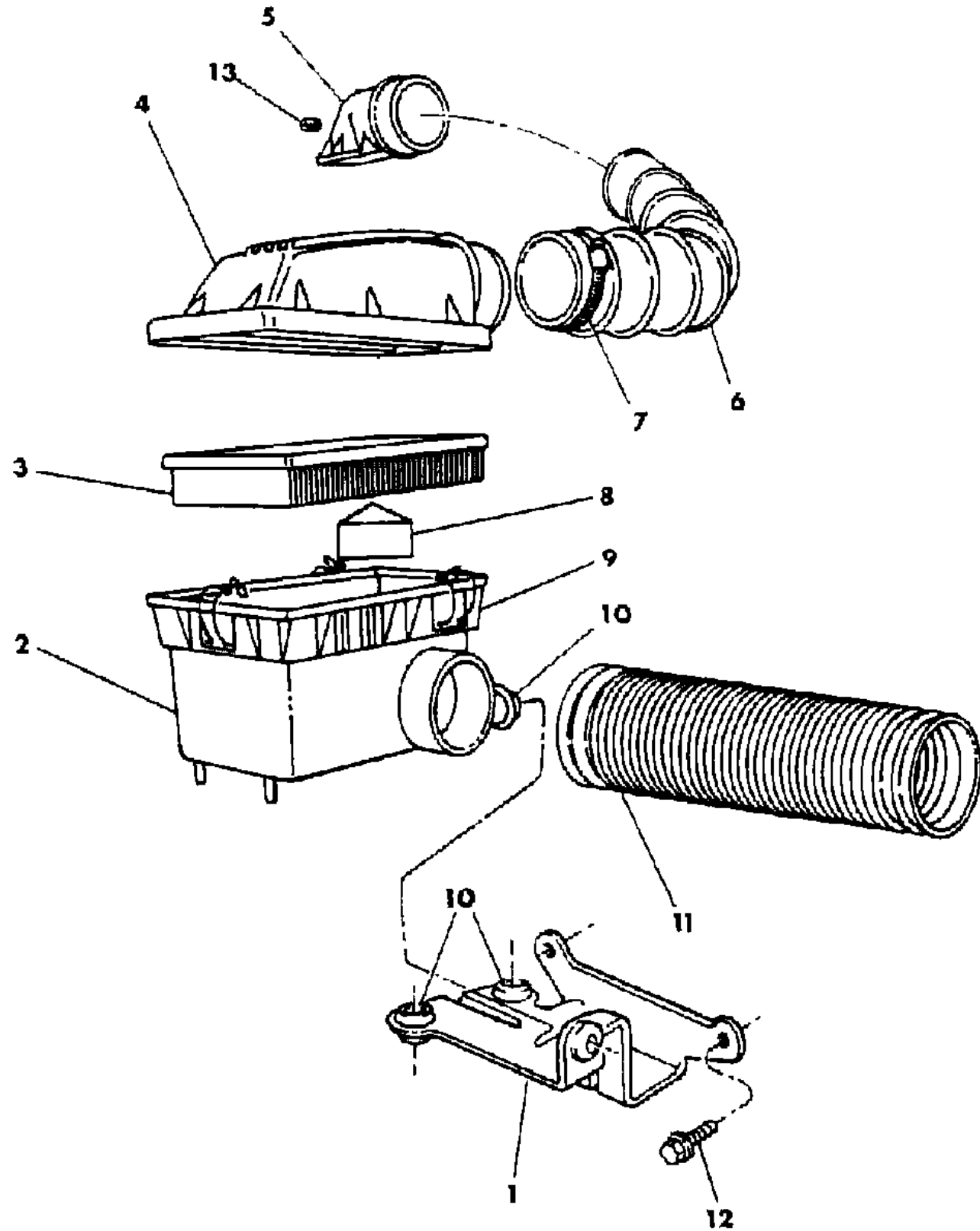
45 = 4-DOOR STATION WAGON

52-53 = FWD WAGON

AR = Use as Required - = Non Illustrated Part P.A.R. = Paint as Required

AIR CLEANER TURBO CHARGER I - W/O INTER COOLER L,P,H BODY
Figure 14-400

7114 400 A



ITEM	PART NUMBER	QTY	BODY	MODEL	DESCRIPTION
1					BRACKET, Air Cleaner Support
	4306 376	1	H		
	4306 056	1	L		
	4306 376	1	P		
2					BODY, Air Cleaner
	4324 016	1	H		
	4306 108	1	L		
	4324 016	1	P		
3	4342 801	1			FILTER, Air Cleaner
4	4268 488	1			COVER, Air Cleaner
5					ADAPTOR, Air Cleaner Hose to Throttle Body
	4287 721	1	H		
	4306 109	1	L,P		
6					HOSE, Air Cleaner to Throttle Body Adapter
	4275 669	1	H		
	4306 119	1	L		
	4275 669	1	P		
7	6032 368	AR			CLAMP, Hose
8	4275 087	1			FILTER, Crankcase Inlet Air
9	4227 053	4			LATCH, Air Cleaner Cover
10	4268 295	3			GROMMET, Air Cleaner Bracket
11					DUCT, Air Cleaner
	4275 669	1	H		
	4287 917	1	L		
	4287 917	1	P		
12	6500 399	2			SCREW and WASHER, Bracket to Head
13	6500 512	2			NUT, Adapter to Throttle Body

MODEL CODES

E BODY = (J - CARAVELLE)(E - 600)(T - NEW YORKER)

G BODY = (V24 - DAYTONA)

H BODY = (D44 - LANCER)(C44 - LEBARON GTS)

J BODY = (C - LEBARON)

K BODY = (P - RELIANT)(D - ARIES)(C - LEBAROND)/TOWN & COUNTRY)

L BODY = (M - HORIZON/TURISMO)(Z - OMNI/CHARGER)

M BODY = (B - GRAN FURY)(F - FIFTH AVE/NEWPORT)(G - DIPLOMAT)

P BODY = (P - SUNDANCE)(D - SHADOW)

S BODY = (H - VOYAGER)(K - RAM VAN/CARAVAN)

BODY STYLES

12-13 = FWD VAN

21 = 2-DOOR SEDAN

24 = 2-DOOR HATCHBACK

27 = 2-DOOR CONVERTIBLE

41 = 4-DOOR SEDAN

44 = 4-DOOR HATCHBACK

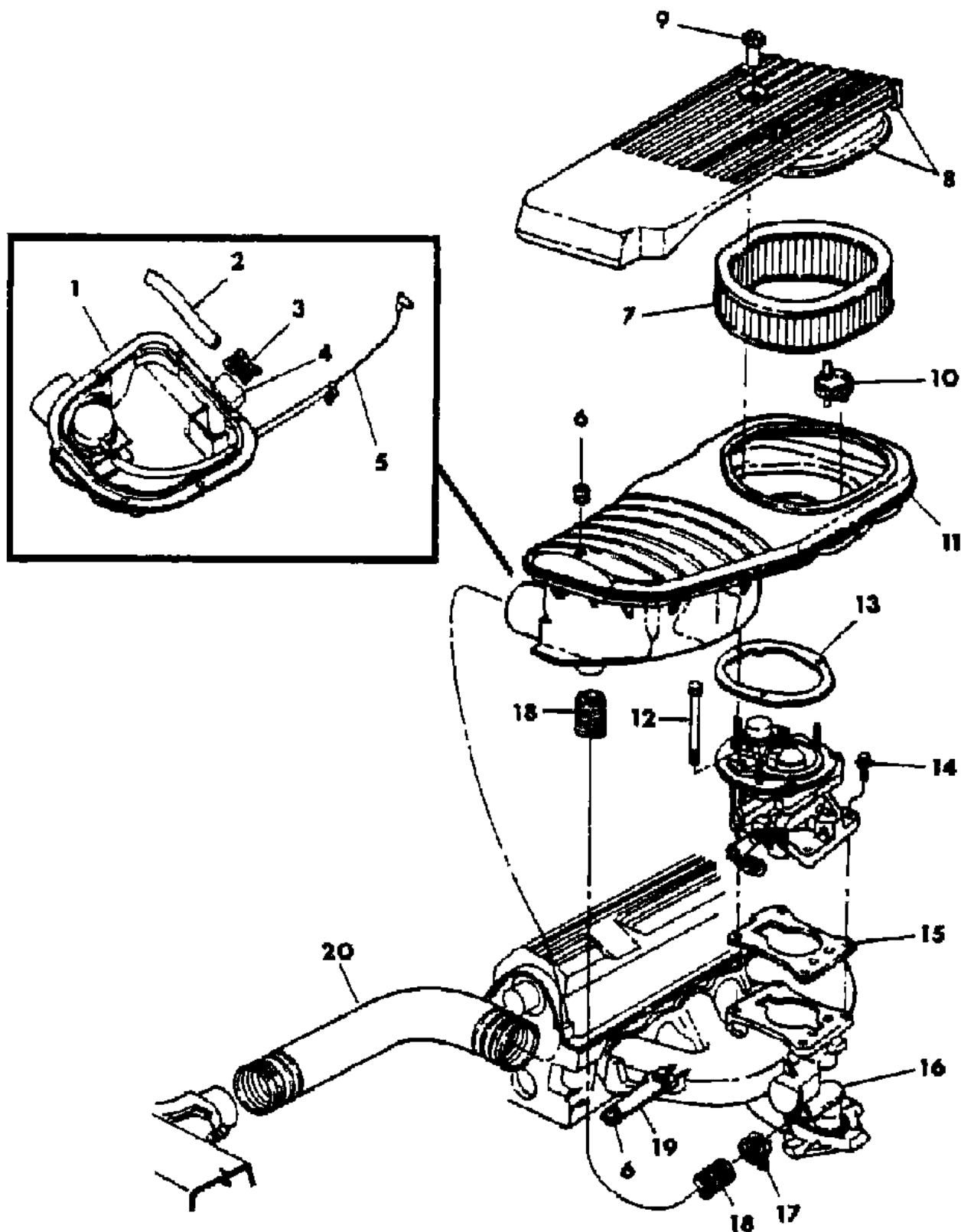
45 = 4-DOOR STATION WAGON

52-53 = FWD WAGON

AR = Use as Required - = Non Illustrated Part P.A.R. = Paint as Required

AIR CLEANER E.F.I.
Figure 14-500

7114 500



ITEM	PART NUMBER	QTY	BODY	MODEL	DESCRIPTION
1	4306 124	1			SHELL, Lower
2	4343 477	1			HOSE, P.C.V.
3	4288 006	1			ARRESTOR, Flame
4	4288 007	1			FILTER, P.C.V.
5	4306 317	1			HOSE, Temp. to Vacuum Motor
6	4306 125	2			GROMMET
7	4288 009	1			FILTER, Air
8	4288 005	1			COVER, Air Cleaner
9	4288 004	3			NUT, Cover Retaining
10	4342 765	1			SENSOR, Air Cleaner Temp.
11	4288 014	1			BODY, Air Cleaner w/o Aspirator
	4288 013	1			w/Aspirator
12	6501 324	2			SCREW, Throttle Body Attaching
13	4288 008	1			GASKET, Air Cleaner to Throttle Body
14	6500 192	2			SCREW, Throttle Body Attaching
15					GASKET, Throttle Body to Intake Manifold
	4306 294	1	P,S		
	4306 294	1	EGHJK		Up to 11-17-86
	4324 319	1	EGHJK		From 11-17-86 To 6-23-87
	4324 411	1	PJKGEHS		After 6-23-87
16	5203 338	1			HEATER, Carburetor Air
17					CLAMP (not serviced)
18	4288 002	1			CONNECTOR, Air Heater to Air Cleaner
	4306 121	1	S		w/2.5L Engine
19	4306 123	1			BRACKET, Air Cleaner Mounting
20	4288 003	1			DUCT, Air Cleaner
	4405 018	1	G,J		w/2.5L Engine

MODEL CODES

E BODY = (J - CARAVELLE)(E - 600)(T - NEW YORKER)

G BODY = (V24 - DAYTONA)

H BODY = (D44 - LANCER)(C44 - LEBARON GTS)

J BODY = (C - LEBARON)

K BODY = (P - RELIANT)(D - ARIES)(C - LEBAROND)/TOWN & COUNTRY)

L BODY = (M - HORIZON/TURISMO)(Z - OMNI/CHARGER)

M BODY = (B - GRAN FURY)(F - FIFTH AVE/NEWPORT)(G - DIPLOMAT)

P BODY = (P - SUNDANCE)(D - SHADOW)

S BODY = (H - VOYAGER)(K - RAM VAN/CARAVAN)

BODY STYLES

12-13 = FWD VAN

21 = 2-DOOR SEDAN

24 = 2-DOOR HATCHBACK

27 = 2-DOOR CONVERTIBLE

41 = 4-DOOR SEDAN

44 = 4-DOOR HATCHBACK

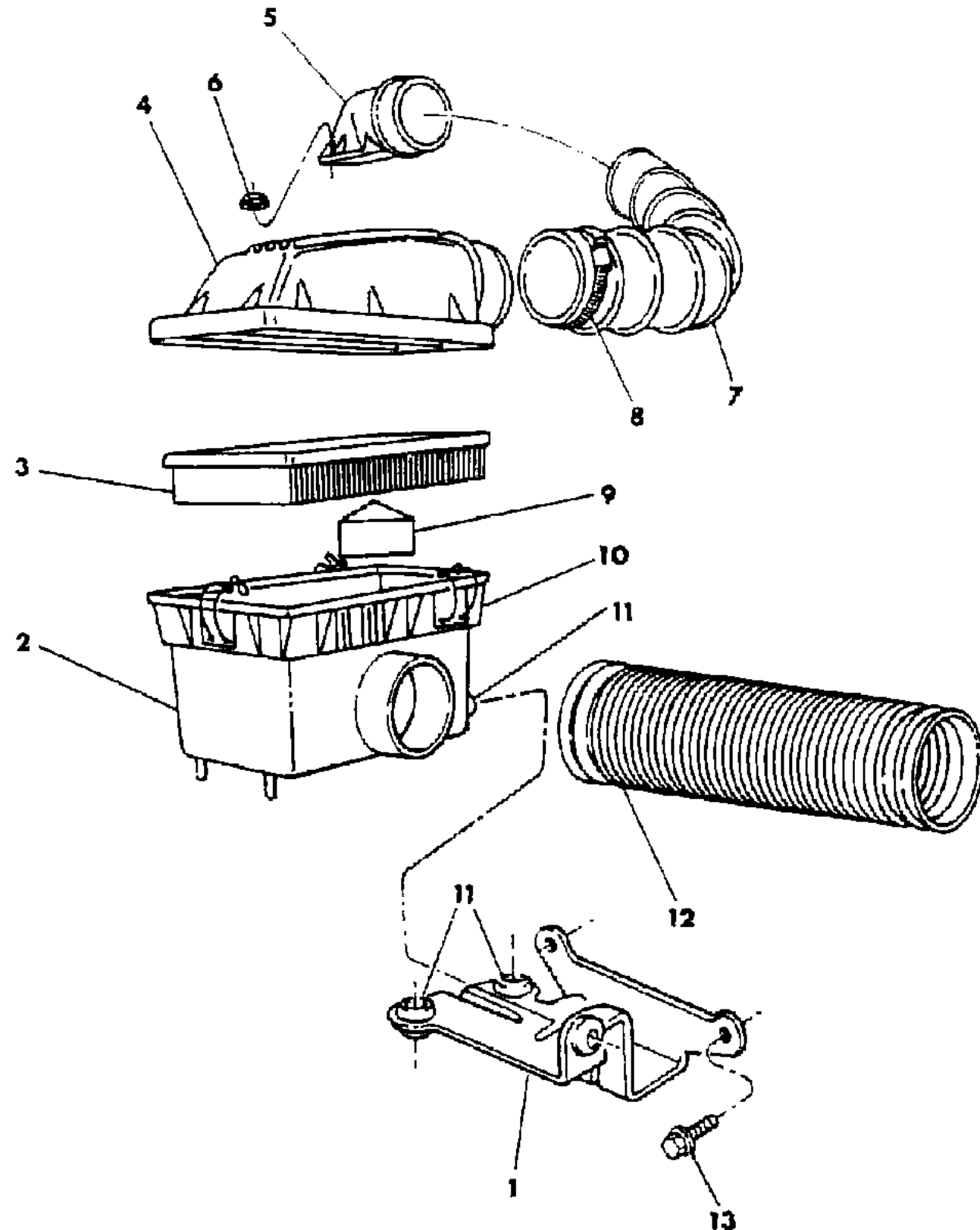
45 = 4-DOOR STATION WAGON

52-53 = FWD WAGON

AR = Use as Required - = Non Illustrated Part P.A.R. = Paint as Required

AIR CLEANER TURBO CHARGER I - W/O INTER COOLER J,K,G,E BODY
Figure 14-600

7114 800



ITEM	PART NUMBER	QTY	BODY	MODEL	DESCRIPTION
1	4306 376	1			BRACKET, Air Cleaner Support
2	4324 016	1			BODY, Air Cleaner
3	4342 801	1			FILTER, Air Cleaner
4	4268 488	1			COVER, Air Cleaner
5	4287 721	1			ADAPTER, Air Cleaner Hose to Throttle Body
6	6500 512	2			NUT, Adapter to Throttle Body
7	4324 014	1			HOSE, Air Cleaner to Throttle Body Adapter
8	6032 368	AR			CLAMP, Hose
9	4275 087	1			FILTER, Crankcase Inlet Air
10	4227 053	4			LATCH, Air Cleaner Cover
11	4268 295	3			GROMMET, Air Cleaner Bracket
12	4275 669	1	K,E		DUCT, Air Cleaner
	4324 127	1	G,J		
13	6500 158	2			SCREW and WASHER, Bracket to Head

MODEL CODES

E BODY = (J - CARAVELLE)(E - 600)(T - NEW YORKER)

G BODY = (V24 - DAYTONA)

H BODY = (D44 - LANCER)(C44 - LEBARON GTS)

J BODY = (C - LEBARON)

K BODY = (P - RELIANT)(D - ARIES)(C - LEBAROND)/TOWN & COUNTRY)

L BODY = (M - HORIZON/TURISMO)(Z - OMNI/CHARGER)

M BODY = (B - GRAN FURY)(F - FIFTH AVE/NEWPORT)(G - DIPLOMAT)

P BODY = (P - SUNDANCE)(D - SHADOW)

S BODY = (H - VOYAGER)(K - RAM VAN/CARAVAN)

BODY STYLES

12-13 = FWD VAN

21 = 2-DOOR SEDAN

24 = 2-DOOR HATCHBACK

27 = 2-DOOR CONVERTIBLE

41 = 4-DOOR SEDAN

44 = 4-DOOR HATCHBACK

45 = 4-DOOR STATION WAGON

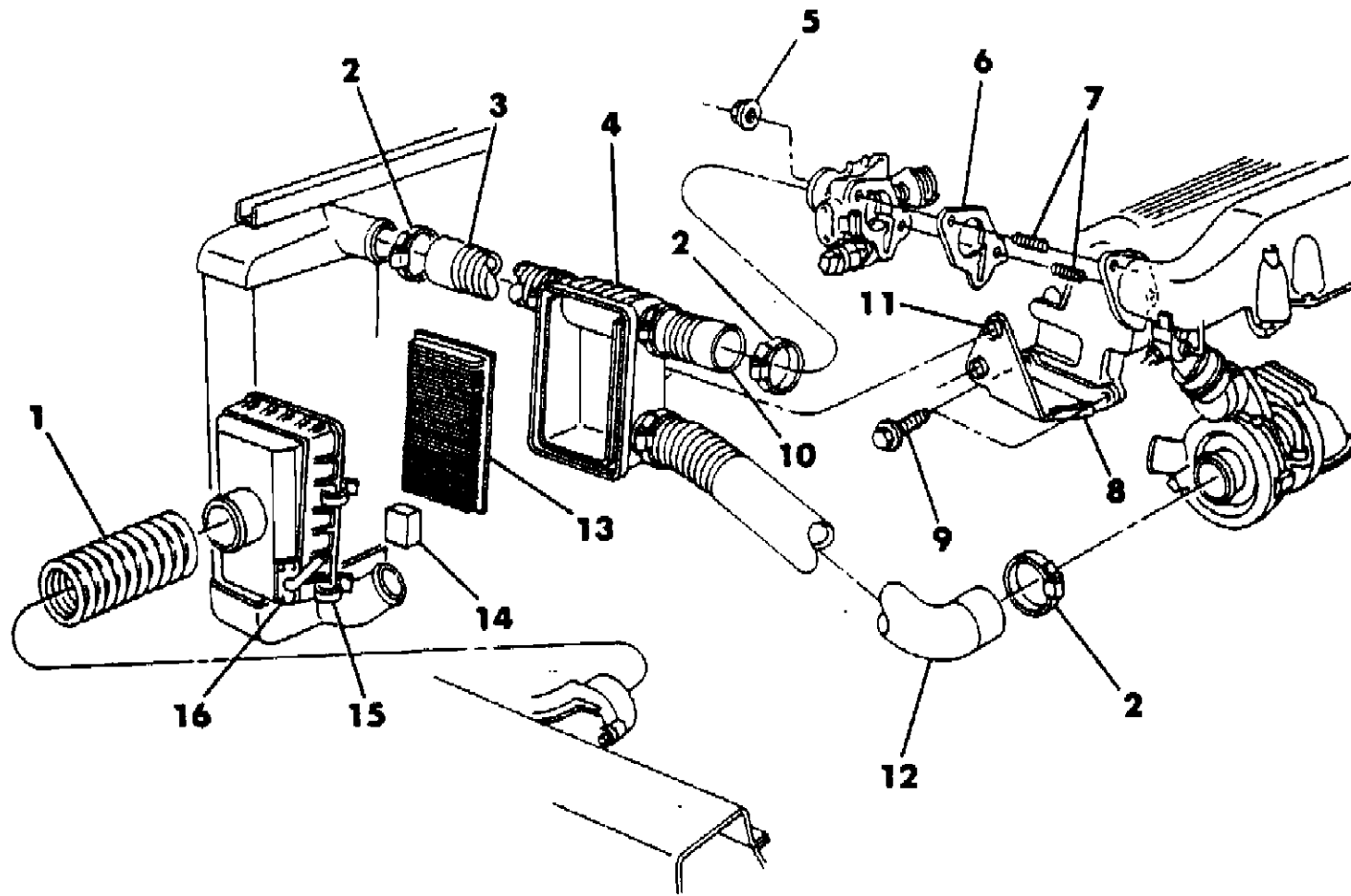
52-53 = FWD WAGON

AR = Use as Required - = Non Illustrated Part P.A.R. = Paint as Required

AIR CLEANER TURBO CHARGER II - W/WINTER COOLER

Figure 14-700

7114 700



ITEM	PART NUMBER	QTY	BODY	MODEL	DESCRIPTION
1	4287 917	1			DUCT, Fresh Air
2	6033 135	AR			CLAMP
3	4307 352	1			HOSE, Inter Cooler to Air Cleaner
4	4306 912	1			COVER, Air Cleaner
5	6100 050	2			NUT, Throttle Body Attaching
6	4307 862	1			GASKET, Throttle Body to Intake Manifold
7	6100 737	2			STUD, Throttle Body Attaching
8	4306 916	1			BRACKET, Air Cleaner Mounting
9	6500 158	2			SCREW and WASHER
10	4300 058	1			HOSE, Air Cleaner to Throttle Body
11	4268 295	2			GROMMET
12	4306 102	1			HOSE, Air Cleaner to Turbo Charger
13	4342 801	1			FILTER, Air Cleaner
14	4306 914	1			FILTER, Crankcase Inlet Air
15	4306 913	4			LATCH, Air Cleaner
16	4306 911	1			HOUSING, Filter

MODEL CODES

E BODY = (J - CARAVELLE)(E - 600)(T - NEW YORKER)

G BODY = (V24 - DAYTONA)

H BODY = (D44 - LANCER)(C44 - LEBARON GTS)

J BODY = (C - LEBARON)

K BODY = (P - RELIANT)(D - ARIES)(C - LEBAROND)/TOWN & COUNTRY)

L BODY = (M - HORIZON/TURISMO)(Z - OMNI/CHARGER)

M BODY = (B - GRAN FURY)(F - FIFTH AVE/NEWPORT)(G - DIPLOMAT)

P BODY = (P - SUNDANCE)(D - SHADOW)

S BODY = (H - VOYAGER)(K - RAM VAN/CARAVAN)

BODY STYLES

12-13 = FWD VAN

21 = 2-DOOR SEDAN

24 = 2-DOOR HATCHBACK

27 = 2-DOOR CONVERTIBLE

41 = 4-DOOR SEDAN

44 = 4-DOOR HATCHBACK

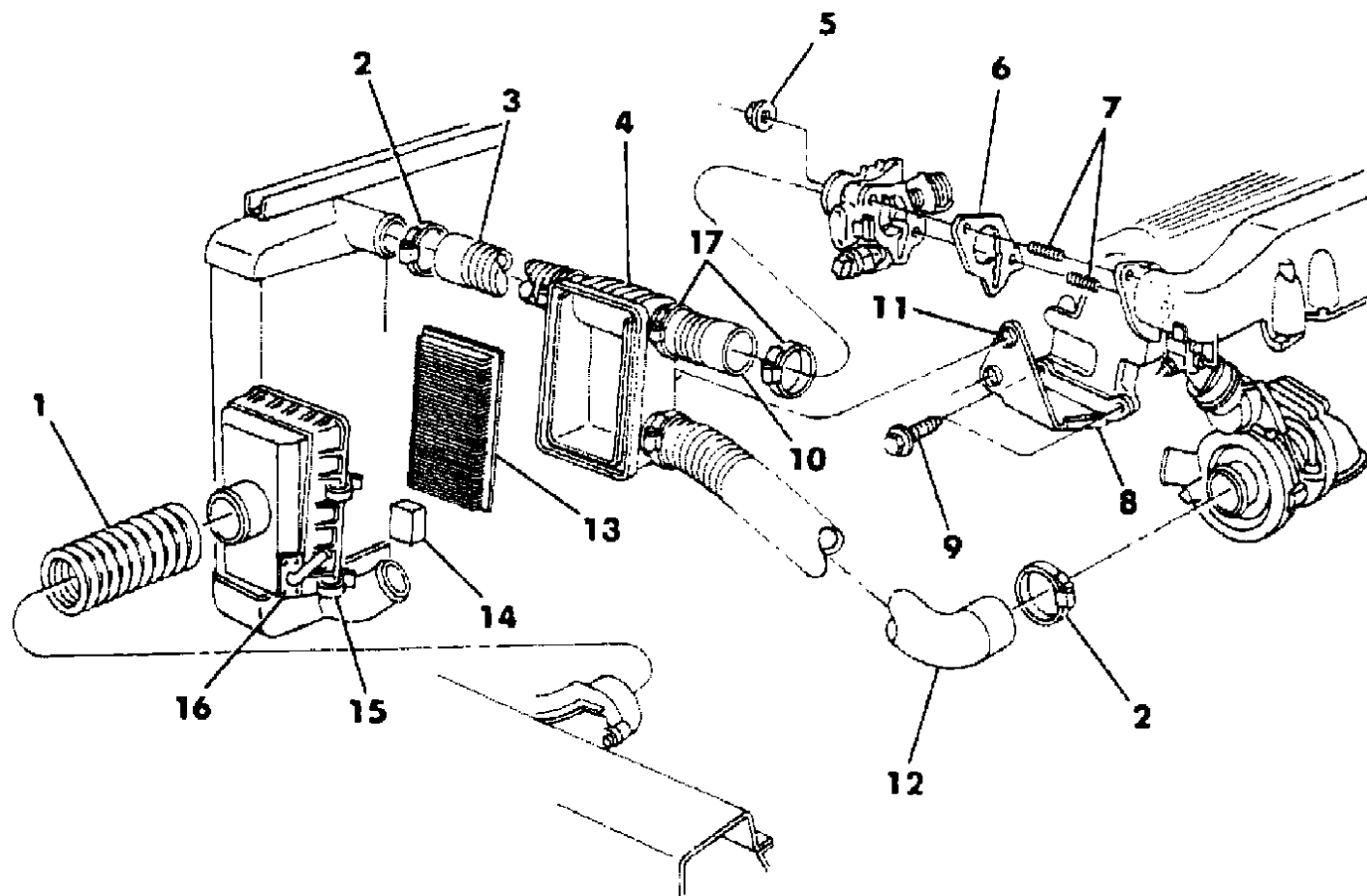
45 = 4-DOOR STATION WAGON

52-53 = FWD WAGON

AR = Use as Required - = Non Illustrated Part P.A.R. = Paint as Required

AIR CLEANER TURBO CHARGER II L,P AND H BODY SHELBY
Figure 14-725

7114 725



ITEM	PART NUMBER	QTY	BODY	MODEL	DESCRIPTION
1	4287 917	1			DUCT, Fresh Air
2	6033 135	AR			CLAMP
3	4307 352	1			HOSE, Inter Cooler to Air Cleaner
4	4306 912	1			COVER, Air Cleaner Assembly
5	6100 050	2			NUT, Throttle Body Attaching
6	4307 862	1			GASKET, Throttle Body to Intake Manifold
7	6100 737	2			STUD, Throttle Body Attaching
8					BRACKET, Air Cleaner Mounting
	4306 916	1	P,H		
	4419 953	1	L		
9	6500 158	2			SCREW and WASHER
10					HOSE, Air Cleaner to Throttle Body
	4300 058	1	P,H		
	4419 955	1	L		
11	4268 295	2			GROMMET
12	4306 102	1	L		HOSE, Air Cleaner to Turbo Charger
13	4342 801	1			FILTER, Air Cleaner
14	4306 914	1			FILTER, Crankcase Inlet Air
15	4306 913	4			LATCH, Air Cleaner
16	4306 911	1			HOUSING, Filter
17	6032 441	AR			CLAMP

MODEL CODES

E BODY = (J - CARAVELLE)(E - 600)(T - NEW YORKER)

G BODY = (V24 - DAYTONA)

H BODY = (D44 - LANCER)(C44 - LEBARON GTS)

J BODY = (C - LEBARON)

K BODY = (P - RELIANT)(D - ARIES)(C - LEBAROND)/TOWN & COUNTRY)

L BODY = (M - HORIZON/TURISMO)(Z - OMNI/CHARGER)

M BODY = (B - GRAN FURY)(F - FIFTH AVE/NEWPORT)(G - DIPLOMAT)

P BODY = (P - SUNDANCE)(D - SHADOW)

S BODY = (H - VOYAGER)(K - RAM VAN/CARAVAN)

BODY STYLES

12-13 = FWD VAN

21 = 2-DOOR SEDAN

24 = 2-DOOR HATCHBACK

27 = 2-DOOR CONVERTIBLE

41 = 4-DOOR SEDAN

44 = 4-DOOR HATCHBACK

45 = 4-DOOR STATION WAGON

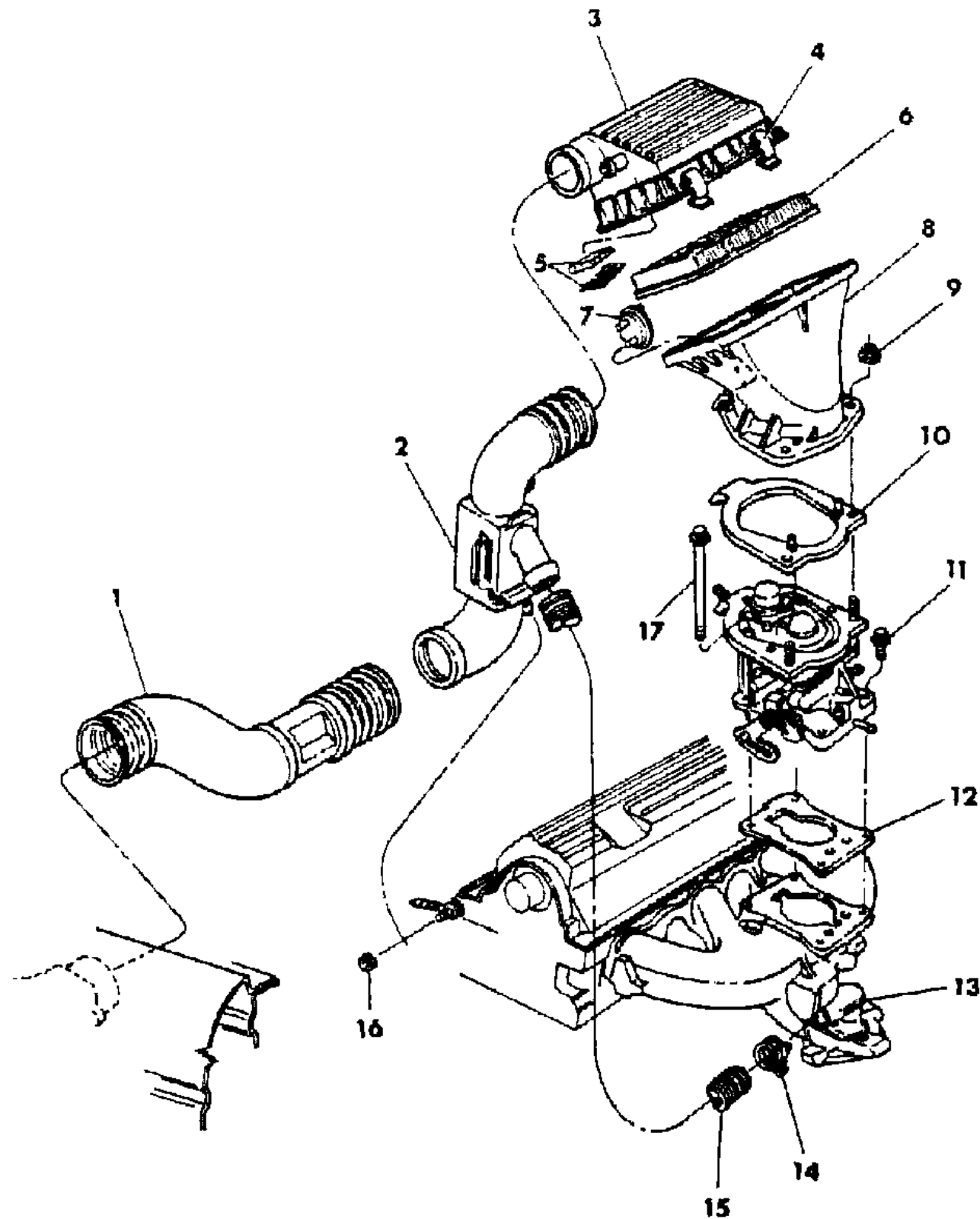
52-53 = FWD WAGON

AR = Use as Required - = Non Illustrated Part P.A.R. = Paint as Required

AIR CLEANER 2.5L E.F.I. S BODY

Figure 14-800

7114 800



ITEM	PART NUMBER	QTY	BODY	MODEL	DESCRIPTION
1	4201 236	1			DUCT, Air Cleaner Fresh Air
2	4300 293	1			MODULE, Heated Air
3	4300 300	1			COVER, Air Cleaner
4	4306 913	4			CLIP, Air Cleaner Latch
5	4288 006	1			ARRESTOR, Flame
6	4342 801	1			FILTER, Air Cleaner
7	4342 765	1			SENSOR PACKAGE, Air Cleaner Temperature
8	4300 299	1			BODY, Air Cleaner
9	6500 512	3			NUT
10	4201 284	1			GASKET, Air Cleaner to Throttle Body
11	6500 564	2			SCREW and WASHER
12	4306 294	1			GASKET, Throttle Body Flange
13	5203 338	1			HEATER, Throttle Body Air
14					CLAMP (not serviced)
15	4306 121	1			CONNECTOR, Air Heater to Air Cleaner
16	6500 363	1			NUT
17	6501 581	2			SCREW and WASHER
18	4288 007	1			FILTER, PCV

MODEL CODES

E BODY = (J - CARAVELLE)(E - 600)(T - NEW YORKER)

G BODY = (V24 - DAYTONA)

H BODY = (D44 - LANCER)(C44 - LEBARON GTS)

J BODY = (C - LEBARON)

K BODY = (P - RELIANT)(D - ARIES)(C - LEBAROND)/TOWN & COUNTRY)

L BODY = (M - HORIZON/TURISMO)(Z - OMNI/CHARGER)

M BODY = (B - GRAN FURY)(F - FIFTH AVE/NEWPORT)(G - DIPLOMAT)

P BODY = (P - SUNDANCE)(D - SHADOW)

S BODY = (H - VOYAGER)(K - RAM VAN/CARAVAN)

BODY STYLES

12-13 = FWD VAN

21 = 2-DOOR SEDAN

24 = 2-DOOR HATCHBACK

27 = 2-DOOR CONVERTIBLE

41 = 4-DOOR SEDAN

44 = 4-DOOR HATCHBACK

45 = 4-DOOR STATION WAGON

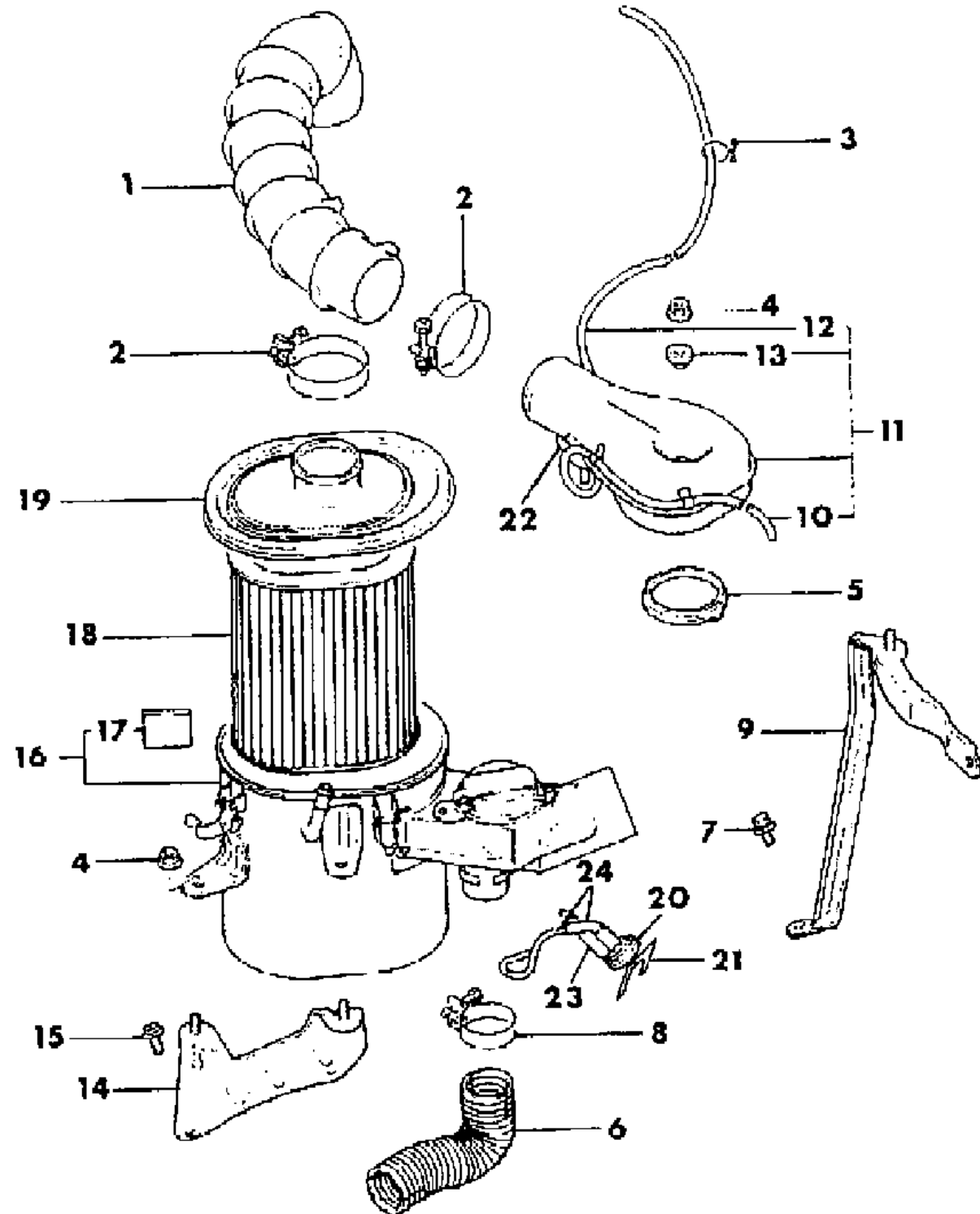
52-53 = FWD WAGON

AR = Use as Required - = Non Illustrated Part P.A.R. = Paint as Required

AIR CLEANER 2.6L ENGINE

Figure 14-900

7114 900 A



ITEM	PART NUMBER	QTY	BODY	MODEL	DESCRIPTION
1	MD02 5188	1			HOSE, Air Intake
2	MF66 1034	2			CLAMP, Hose (73)
3	MS47 0362	2			CLIP, Snap (20)
4	MS44 0503	4			NUT and WASHER (8)
5	MD02 5181	1			GASKET, Air Cleaner (68)
6	MD02 5185	1			DUCT, Heat (42x300)
7	MF24 3649	1			BOLT and WASHER (8x16)
8	MF66 1023	2			CLAMP, Hose (48)
9	MD02 7508	1			STAY, Air Cleaner
10	MS63 2453	1			HOSE, Vacuum (White 530)
11	MD08 9655	1			HORN, Air
12	MS63 2458	1			HOSE, Vacuum (White 580)
13	MD60 3366	1			WASHER, Seal
14	MD02 7507	1			BRACKET, Air Cleaner, Calif.
15	MD02 5178	2			BOLT, Flange, Calif.
16					BODY, Air Cleaner
	MD60 3699	1			except Calif., H/Alt. and Canada
	MD60 3899	1			Calif., H/Alt.
	MD60 3929	1			Canada
17	MD60 3386	1			FILTER, Crankcase Ventilation
18	MD60 3340	1			ELEMENT, Air Cleaner
19					COVER, Air Cleaner
	MD62 0026	1			except Calif., H/Alt. and Canada
	MD62 0027	1			Calif., H/Alt.
	MD62 0028	1			Canada
20	4275 241	1			VALVE, Thermal Check
21	4201 268	1			CLIP, Spring
22	4397 729	1			SENSOR PACKAGE, Heated Air
23	4307 778	1			HARNESS
24	4307 792	1			HARNESS

MODEL CODES

E BODY = (J - CARAVELLE)(E - 600)(T - NEW YORKER)

G BODY = (V24 - DAYTONA)

H BODY = (D44 - LANCER)(C44 - LEBARON GTS)

J BODY = (C - LEBARON)

K BODY = (P - RELIANT)(D - ARIES)(C - LEBAROND)/TOWN & COUNTRY)

L BODY = (M - HORIZON/TURISMO)(Z - OMNI/CHARGER)

M BODY = (B - GRAN FURY)(F - FIFTH AVE/NEWPORT)(G - DIPLOMAT)

P BODY = (P - SUNDANCE)(D - SHADOW)

S BODY = (H - VOYAGER)(K - RAM VAN/CARAVAN)

BODY STYLES

12-13 = FWD VAN

21 = 2-DOOR SEDAN

24 = 2-DOOR HATCHBACK

27 = 2-DOOR CONVERTIBLE

41 = 4-DOOR SEDAN

44 = 4-DOOR HATCHBACK

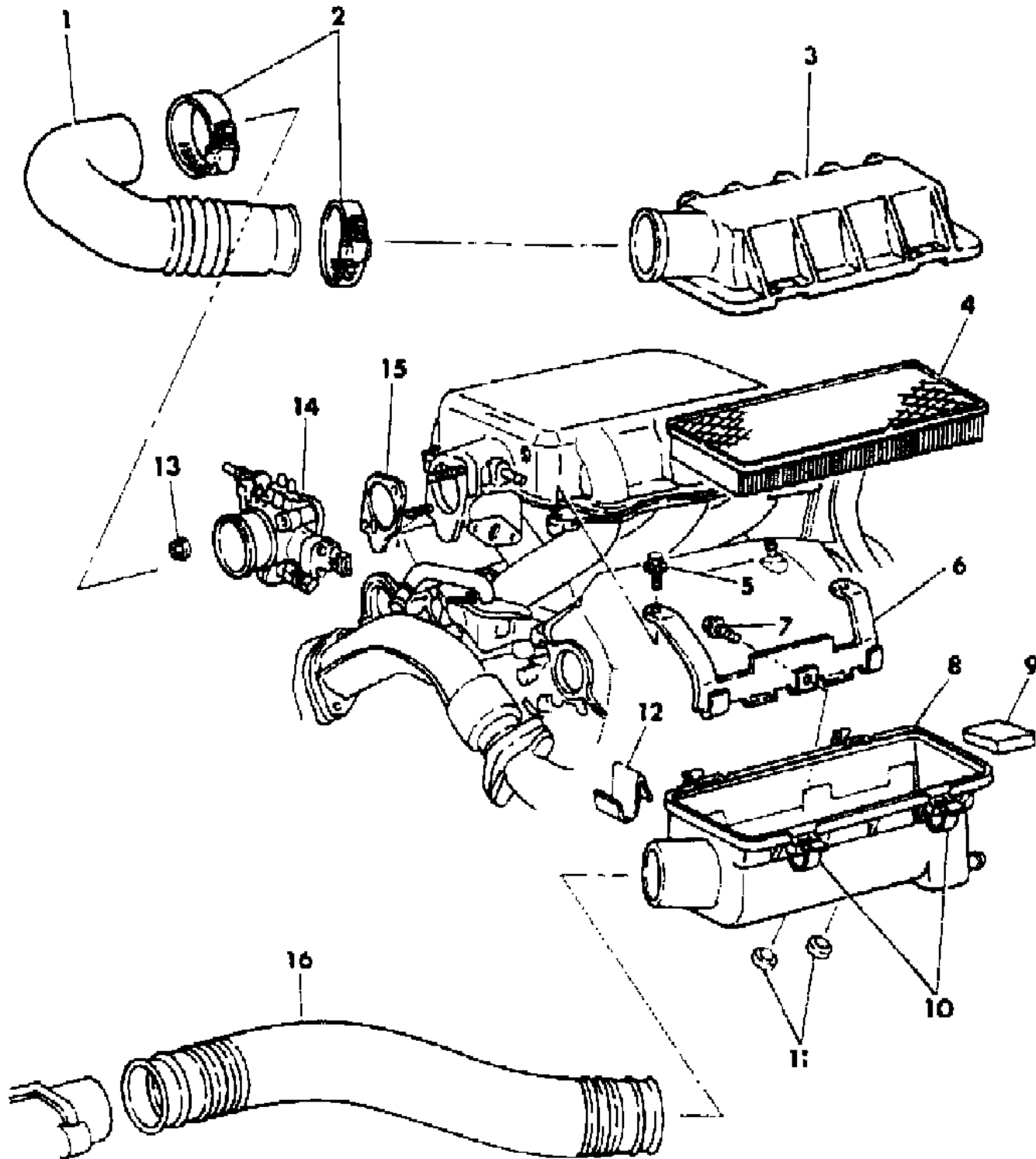
45 = 4-DOOR STATION WAGON

52-53 = FWD WAGON

AR = Use as Required - = Non Illustrated Part P.A.R. = Paint as Required

AIR CLEANER 3.0L ENGINE S BODY
Figure 14-925

7114 925



ITEM	PART NUMBER	QTY	BODY	MODEL	DESCRIPTION
1	4307 310	1			HOSE, Air Cleaner to Throttle Body
2	6032 368	2			CLAMP
3					COVER, Air Cleaner
	4300 053	1			w/Aspirator Nipple
	4307 302	1			w/o Aspirator Nipple
4	4342 800	1			FILTER, Air Cleaner
5	6500 151	2			BOLT
6	4307 307	1			BRACKET
7					SCREW (metric 6-1x16mm) (not serviced)
8	4307 303	1			BODY, Air Cleaner
9	4307 323	1			FILTER, P.C.V. System
10	4306 913	4			LATCH
11	4300 052	2			BUMPER
12	4324 181	1			CLIP, Hose
13	6100 050	2			NUT
14					BODY, Throttle (reference)
15	4300 071	1			GASKET
16	4307 311	1			DUCT, Air Cleaner Fresh Air

MODEL CODES

E BODY = (J - CARAVELLE)(E - 600)(T - NEW YORKER)

G BODY = (V24 - DAYTONA)

H BODY = (D44 - LANCER)(C44 - LEBARON GTS)

J BODY = (C - LEBARON)

K BODY = (P - RELIANT)(D - ARIES)(C - LEBAROND)/TOWN & COUNTRY)

L BODY = (M - HORIZON/TURISMO)(Z - OMNI/CHARGER)

M BODY = (B - GRAN FURY)(F - FIFTH AVE/NEWPORT)(G - DIPLOMAT)

P BODY = (P - SUNDANCE)(D - SHADOW)

S BODY = (H - VOYAGER)(K - RAM VAN/CARAVAN)

BODY STYLES

12-13 = FWD VAN

21 = 2-DOOR SEDAN

24 = 2-DOOR HATCHBACK

27 = 2-DOOR CONVERTIBLE

41 = 4-DOOR SEDAN

44 = 4-DOOR HATCHBACK

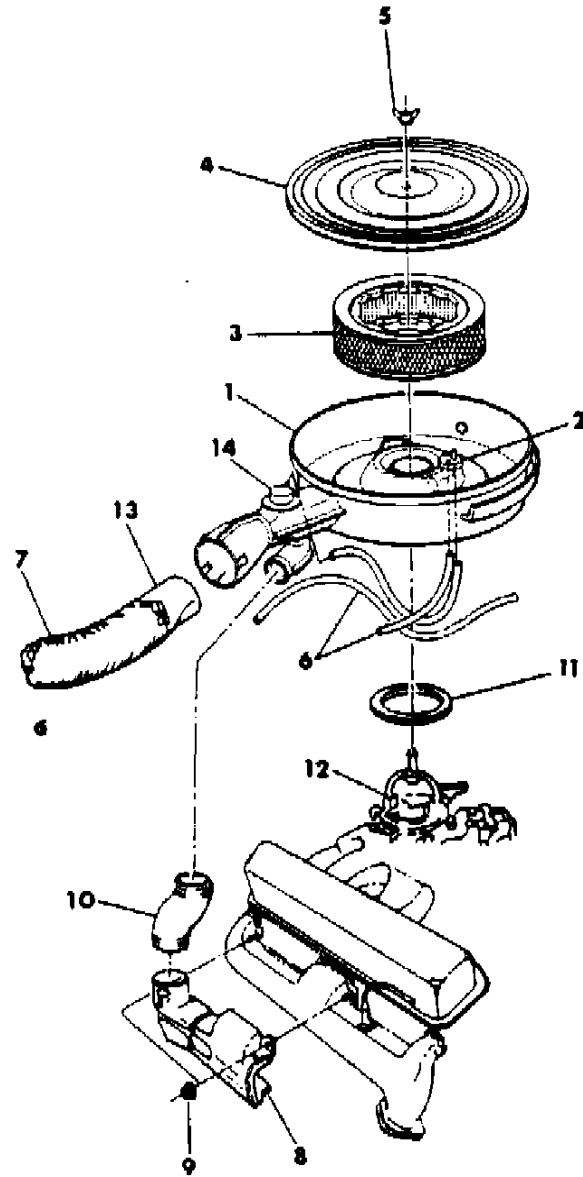
45 = 4-DOOR STATION WAGON

52-53 = FWD WAGON

AR = Use as Required - = Non Illustrated Part P.A.R. = Paint as Required

AIR CLEANER 5.2L-2BBL ENGINE
Figure 14-1000

7114 1000



ITEM	PART NUMBER	QTY	BODY	MODEL	DESCRIPTION
1					BODY, Air Cleaner
	4227 093	1			w/(SC-NAU,NCA)
	4227 092	1			w/(SC-NAA,NCB)
2	4240 062	1			SENSOR, Air Cleaner Temp.
3	1739 547	1			FILTER, Air Cleaner
4	4041 654	1			COVER, Air Cleaner
	4071 703	1			GASKET, Air Cleaner Cover
5	0118 614	1			NUT, Air Cleaner
6	4026 511	AR			HOSE, Air Cleaner
	4201 385	1			VALVE, Heated Air Delay, w/(SC-NAU,NAC)
7	4049 348	1			DUCT, Air Cleaner to Bodyside
8	4227 981	1			HEATER, Carburetor Air
9	6025 004	2			NUT and WASHER
10	4241 310	1			CONNECTOR, Air Heater to Air Cleaner
11	2536 626	1			GASKET, Air Cleaner to Carburetor
12	2951 393	1			CLAMP, Air Cleaner
13	4213 632	1			ADAPTOR, Snorkel to Fresh Air Duct
14	4397 641	1			DIAPHRAGM, Air Cleaner Snorkel Vacuum
	4267 199	1			PLATE, Air Cleaner Body ESA Opening (Police Only)

MODEL CODES

E BODY = (J - CARAVELLE)(E - 600)(T - NEW YORKER)

G BODY = (V24 - DAYTONA)

H BODY = (D44 - LANCER)(C44 - LEBARON GTS)

J BODY = (C - LEBARON)

K BODY = (P - RELIANT)(D - ARIES)(C - LEBAROND)/TOWN & COUNTRY)

L BODY = (M - HORIZON/TURISMO)(Z - OMNI/CHARGER)

M BODY = (B - GRAN FURY)(F - FIFTH AVE/NEWPORT)(G - DIPLOMAT)

P BODY = (P - SUNDANCE)(D - SHADOW)

S BODY = (H - VOYAGER)(K - RAM VAN/CARAVAN)

BODY STYLES

12-13 = FWD VAN

21 = 2-DOOR SEDAN

24 = 2-DOOR HATCHBACK

27 = 2-DOOR CONVERTIBLE

41 = 4-DOOR SEDAN

44 = 4-DOOR HATCHBACK

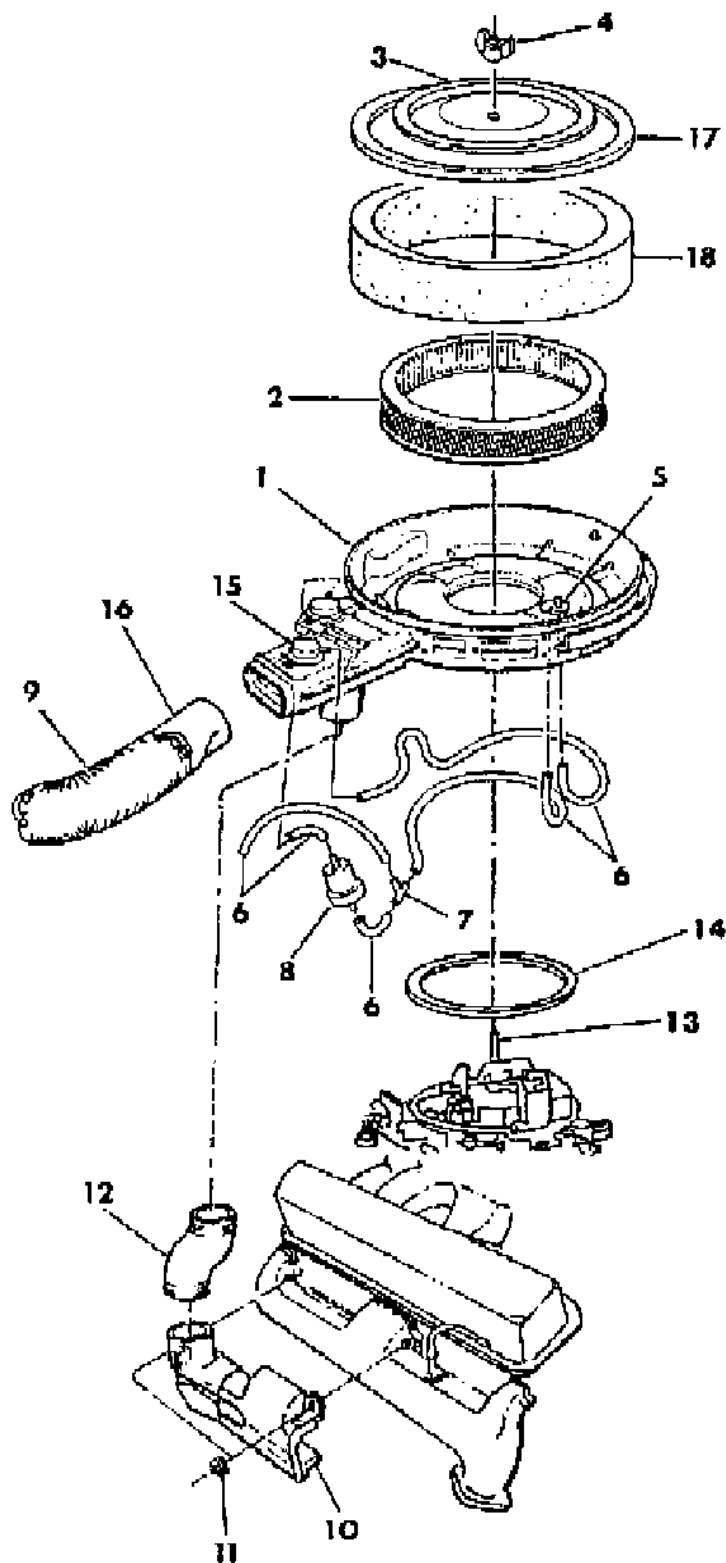
45 = 4-DOOR STATION WAGON

52-53 = FWD WAGON

AR = Use as Required - = Non Illustrated Part P.A.R. = Paint as Required

AIR CLEANER 5.2L-4BBL ENGINE
Figure 14-1100

7114 1100 A



ITEM	PART NUMBER	QTY	BODY	MODEL	DESCRIPTION
1					BODY, Air Cleaner
	4275 494	1			w/(SC-NAA,NAF)
2	2863 349	1			FILTER, Air Cleaner
3	2951 757	1			COVER, Air Cleaner
4	6031 609	1			WING NUT, Air Cleaner
5	4240 062	1			SENSOR, Air Cleaner Temp.
6	4026 511	AR			HOSE, Air Cleaner
7	2857 908	2			TEE, w/(SC-NAA,NAF)
8	4201 385	1			VALVE, Heated Air Delay
9	4179 789	1			DUCT, Air Cleaner to Body Side
10	4227 981	1			HEATER, Carburetor Air
11	6025 004	2			NUT and WASHER
12	4241 310	1			CONNECTOR, Air Heater to Air Cleaner
13	1826 286	1			STUD, Air Cleaner to Carburetor
14	4100 602	1			GASKET, Air Cleaner to Carburetor
15					DIAPHRAGM, Air Cleaner Snorkel Vacuum
	4201 010	1			w/(SC-NAA,NAF)
	4105 938	1			Vapor Containment Vacuum, w/(SC-NAA,NAF)
16	4213 632	1			ADAPTOR, Snorkel to Fresh Air Duct
17	4071 703	1			GASKET, Air Cleaner Cover
18	3830 144	1			WRAP, Air Filter, w/(SC-NAB)

MODEL CODES

E BODY = (J - CARAVELLE)(E - 600)(T - NEW YORKER)

G BODY = (V24 - DAYTONA)

H BODY = (D44 - LANCER)(C44 - LEBARON GTS)

J BODY = (C - LEBARON)

K BODY = (P - RELIANT)(D - ARIES)(C - LEBAROND)/TOWN & COUNTRY)

L BODY = (M - HORIZON/TURISMO)(Z - OMNI/CHARGER)

M BODY = (B - GRAN FURY)(F - FIFTH AVE/NEWPORT)(G - DIPLOMAT)

P BODY = (P - SUNDANCE)(D - SHADOW)

S BODY = (H - VOYAGER)(K - RAM VAN/CARAVAN)

BODY STYLES

12-13 = FWD VAN

21 = 2-DOOR SEDAN

24 = 2-DOOR HATCHBACK

27 = 2-DOOR CONVERTIBLE

41 = 4-DOOR SEDAN

44 = 4-DOOR HATCHBACK

45 = 4-DOOR STATION WAGON

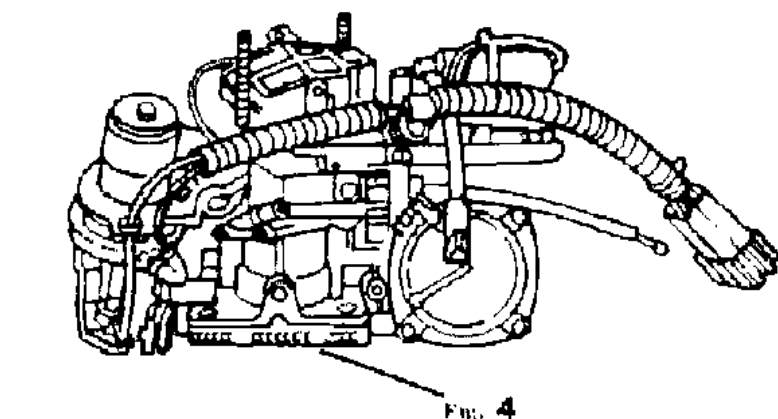
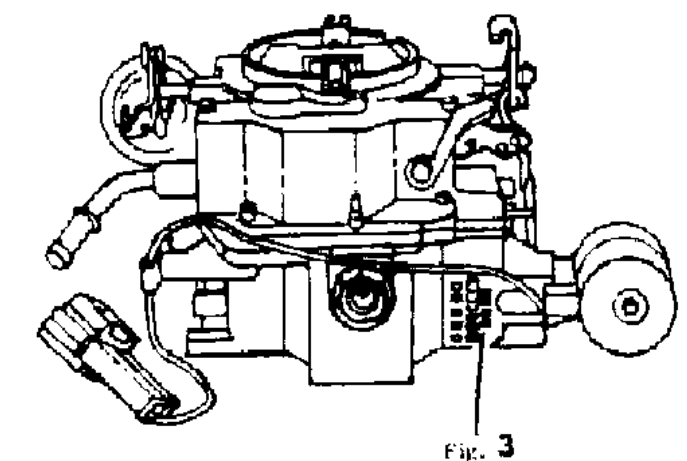
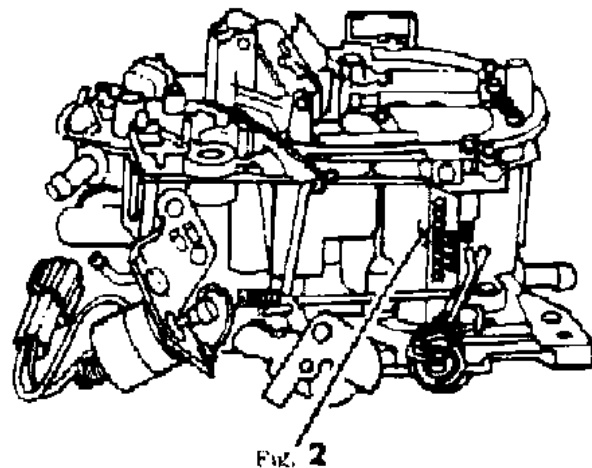
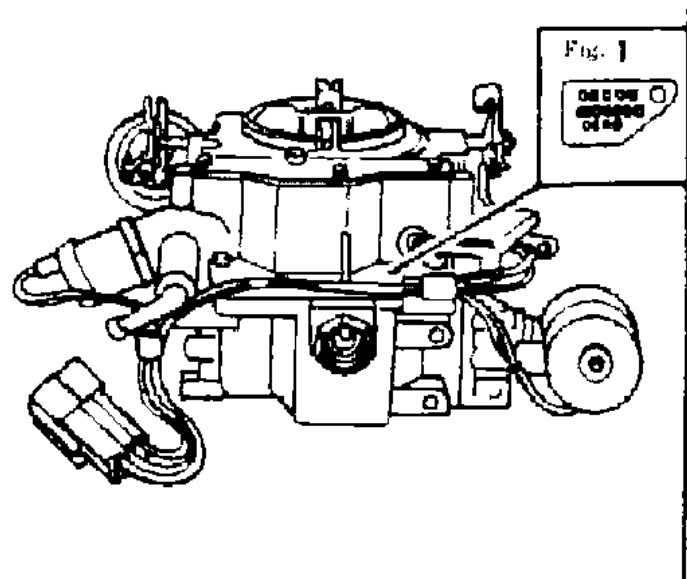
52-53 = FWD WAGON

AR = Use as Required - = Non Illustrated Part P.A.R. = Paint as Required

CARBURETOR IDENTIFICATION AND CROSS REFERENCE

Figure 14-1200

7114 1200 A



ITEM	PART NUMBER	QTY	BODY	MODEL	DESCRIPTION
1					HOLLEY 6280 SERIES CARBURETOR N N N N N N N N
					NOTE: The Holley 6280 Carburetor is identified by a tag attached to the top of the Carburetor it contains both the Holley and Chrysler No.
2					N N N N ROCHESTER QUADRA JET CARBURETOR N N N N N N N N
					NOTE: The Rochester Quadra Jet Carburetor is identified by the Rochester No. stamped on the throttle side of the float bowl.
3					N N N N HOLLEY 2280 SERIES CARBURETOR N N N N N N N N
					NOTE: The Holley 2280 Carburetor is identified by the Holley and Chrysler No. stamped on the front to the left side of the fuel inlet.
4					N N N N HOLLEY 5220 and 6520 SERIES CARBURETOR N N N N N N N N
					NOTE: The Holley 5220 and 6520 Carburetors are identified by the Holley and Chrysler No. Stamped on the rear of the carburetor throttle body. A mirror is required to read the no. when the carburetor is installed on the vehicle. the rear of the carburetor throttle body. A mirror is required to read the no. when the carburetor
3					N N N N 2280 ! 1700 N4288581 NR-40245 N318 N1
2					QUADRA JET ! 1900 N4306411 N17085411 N318 N1
2					QUADRA JET ! 1800 N4306433 N17085433 N318 N1
4					5220 ! 1400 N4324612 NR-40234 N2.2L N1
4					5220 ! 1400 N4324634 NR-40240 N2.2L N2
1					6280 ! 1600 N4324647 NR-40276 N318 N1
4					6520 ! 1500 N4324690 NR-40295 N2.2L N4
4					6520 ! 1500 N4324691 NR-40296 N2.2L N5
4					6520 ! 1500 N4324744 NR-40299 N2.2L N1
4					6520 ! 1500 N4324745 NR-40300 N2.2L N7
4					6520 ! 1500 N4324746 NR-40301 N2.2L N3
4					6520 ! 1500 N4324747 NR-40302 N2.2L N2
4					5220 ! 1400 N4324748 NR-40303 N2.2L N3
4					6520 ! 1500 N4324760 NR-40317 N2.2L N6

MODEL CODES

E BODY = (J - CARAVELLE)(E - 600)(T - NEW YORKER)

G BODY = (V24 - DAYTONA)

H BODY = (D44 - LANCER)(C44 - LEBARON GTS)

J BODY = (C - LEBARON)

K BODY = (P - RELIANT)(D - ARIES)(C - LEBAROND)/TOWN & COUNTRY)

L BODY = (M - HORIZON/TURISMO)(Z - OMNI/CHARGER)

M BODY = (B - GRAN FURY)(F - FIFTH AVE/NEWPORT)(G - DIPLOMAT)

P BODY = (P - SUNDANCE)(D - SHADOW)

S BODY = (H - VOYAGER)(K - RAM VAN/CARAVAN)

BODY STYLES

12-13 = FWD VAN

21 = 2-DOOR SEDAN

24 = 2-DOOR HATCHBACK

27 = 2-DOOR CONVERTIBLE

41 = 4-DOOR SEDAN

44 = 4-DOOR HATCHBACK

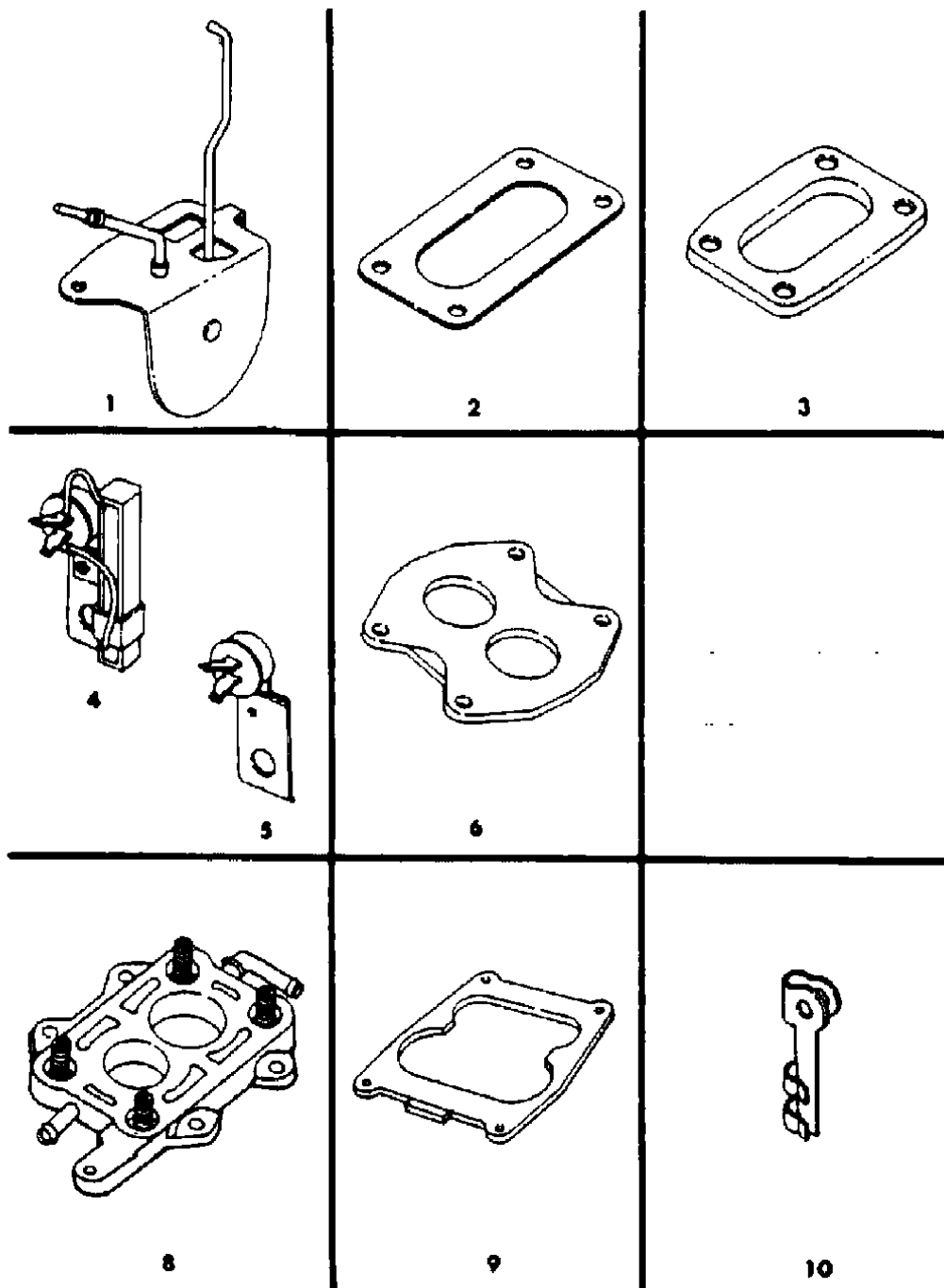
45 = 4-DOOR STATION WAGON

52-53 = FWD WAGON

AR = Use as Required - = Non Illustrated Part P.A.R. = Paint as Required

CARBURETOR CHOKE, CHOKE CONTROL, FLANGE GASKETS
Figure 14-1300

7114 1300



ITEM	PART NUMBER	QTY	BODY	MODEL	DESCRIPTION
1					CHOKE, Carburetor
	4095 339	1			w/318-2BBL.
2					GASKET, Carb. Flange
	4095 975	1			w/2.2 Liter Eng., Spacer to Carb.
3					GASKET, Carb. Flange
	3870 535	1			w/318-2BBL.
4					CONTROL, Choke
	4049 777	1			w/318-2BBL.
	4106 096	1			w/318-4BBL.
5					CONTROL, Choke, 318
6					INSULATOR, Spacer, w/2.2 Liter Eng.
8					SPACER, w/Studs, Carb., w/2.2 Liter Eng.
	4300 955	1	L		
	4300 941	1	S		
9					GASKET, Flange, w/318-4BBL.
10					CLIP, Choke Rod End
	4095 966	1			w/318-2BBL.
	4041 917	1			w/318-4BBL.

MODEL CODES

E BODY = (J - CARAVELLE)(E - 600)(T - NEW YORKER)

G BODY = (V24 - DAYTONA)

H BODY = (D44 - LANCER)(C44 - LEBARON GTS)

J BODY = (C - LEBARON)

K BODY = (P - RELIANT)(D - ARIES)(C - LEBAROND)/TOWN & COUNTRY)

L BODY = (M - HORIZON/TURISMO)(Z - OMNI/CHARGER)

M BODY = (B - GRAN FURY)(F - FIFTH AVE/NEWPORT)(G - DIPLOMAT)

P BODY = (P - SUNDANCE)(D - SHADOW)

S BODY = (H - VOYAGER)(K - RAM VAN/CARAVAN)

BODY STYLES

12-13 = FWD VAN

21 = 2-DOOR SEDAN

24 = 2-DOOR HATCHBACK

27 = 2-DOOR CONVERTIBLE

41 = 4-DOOR SEDAN

44 = 4-DOOR HATCHBACK

45 = 4-DOOR STATION WAGON

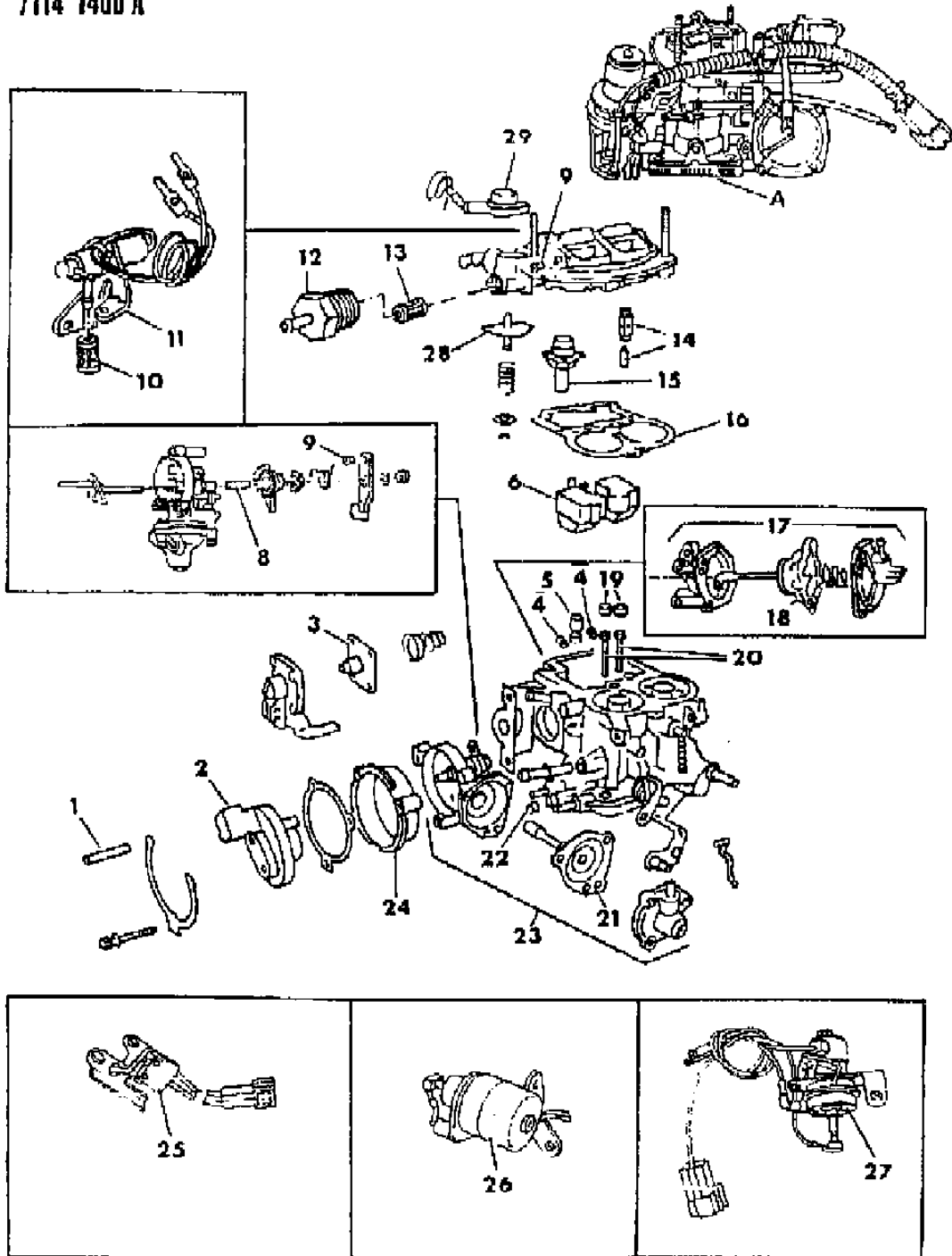
52-53 = FWD WAGON

AR = Use as Required - = Non Illustrated Part P.A.R. = Paint as Required

CARBURETOR AND COMPONENT PARTS HOLLEY-2BBL.(5220)

Figure 14-1400

7114 1400 A



ITEM	PART NUMBER	QTY	BODY	MODEL	DESCRIPTION
A					CARBURETOR ASSEMBLY N N N N
	4419 121				H,K w/(SC-NAA) w/o Air Cond. (Fed. and Canada) ! 2.2L/A NR-40234 N4324612 Y4419121 N1
	4419 121				H,K w/(SC-NAA) w/Air Cond. (Fed. and Canada) ! 2.2L/A NR-40240 N4324634 Y4419121 N2
	4324 748				H,K w/(SC-NAA), w or w/o Air Cond., (Fed. and Canada) ! 2.2L/M NR-40303 N4324748 Y4324748 N3
PKG.A	4342 872				GASKET PACKAGE, Carburetor Y4342872 Y4342872 Y4342872 N
PKG.B	#4397 666				REPAIR PACKAGE, Carburetor Y4397666 Y4397666 Y4397666 N
1	4293 790				RIVET, Thermostat Ring, Carburetor Y4293790 Y4293790 Y4293790 N
2	4342 868				THERMOSTAT, w/Cap, Choke, Carburetor Y4342868 Y4342868 Y4342868 N
3	#4131 121				DIAPHRAGM, Pump Carburetor Y4131121 Y4131121 Y4131121 N
4					JET, Main, Carburetor N N N N
	4293 711				Primary Y4293711 Y4293711 Y4293711 N
	4293 786				Secondary Y4293786 Y4293786 Y4293786 N
5	4131 168				VALVE, Power, Carburetor Y4131168 Y4131168 Y4131168 N
6	4186 293				FLOAT, Carburetor Y4186293 Y4186293 Y4186293 N
8	#4131 131				BUSHING, Choke Shaft, Carburetor Y4131131 Y4131131 Y4131131 N
9	#4131 114				RETAINER, Choke Rod, Carburetor Y4131114 Y4131114 Y4131114 N
10	4342 880				FILTER, Dump Solenoid Secondary, Carburetor Y4342880 Y4342880 Y4342880 N
11	#4397 651				SOLENOID, Dump Valve Secondary, Carburetor Y4397651 Y4397651 Y4397651 N
12	4342 793				FITTING, Fuel Inlet, Carburetor Y4342793 Y4342793 Y4342793 N
13	#4131 113				FILTER, Fuel Inlet, Carburetor Y4131113 Y4131113 Y4131113 N
14	#4131 116				NEEDLE and SEAT, Carburetor Y4131116 Y4131116 Y4131116 N
15	#4131 115				DIAPHRAGM, w/Stem, Power Valve, Carburetor Y4131115 Y4131115 Y4131115 N
16	4271 877				GASKET, Air Horn, Carburetor Y4271877 N4293846 N4293846 N
16	4293 846				GASKET, Air Horn, Carburetor N4271877 Y4293846 Y4293846 N

MODEL CODES

E BODY = (J - CARAVELLE)(E - 600)(T - NEW YORKER)

G BODY = (V24 - DAYTONA)

H BODY = (D44 - LANCER)(C44 - LEBARON GTS)

J BODY = (C - LEBARON)

K BODY = (P - RELIANT)(D - ARIES)(C - LEBAROND)/TOWN & COUNTRY)

L BODY = (M - HORIZON/TURISMO)(Z - OMNI/CHARGER)

M BODY = (B - GRAN FURY)(F - FIFTH AVE/NEWPORT)(G - DIPLOMAT)

P BODY = (P - SUNDANCE)(D - SHADOW)

S BODY = (H - VOYAGER)(K - RAM VAN/CARAVAN)

BODY STYLES

12-13 = FWD VAN

21 = 2-DOOR SEDAN

24 = 2-DOOR HATCHBACK

27 = 2-DOOR CONVERTIBLE

41 = 4-DOOR SEDAN

44 = 4-DOOR HATCHBACK

45 = 4-DOOR STATION WAGON

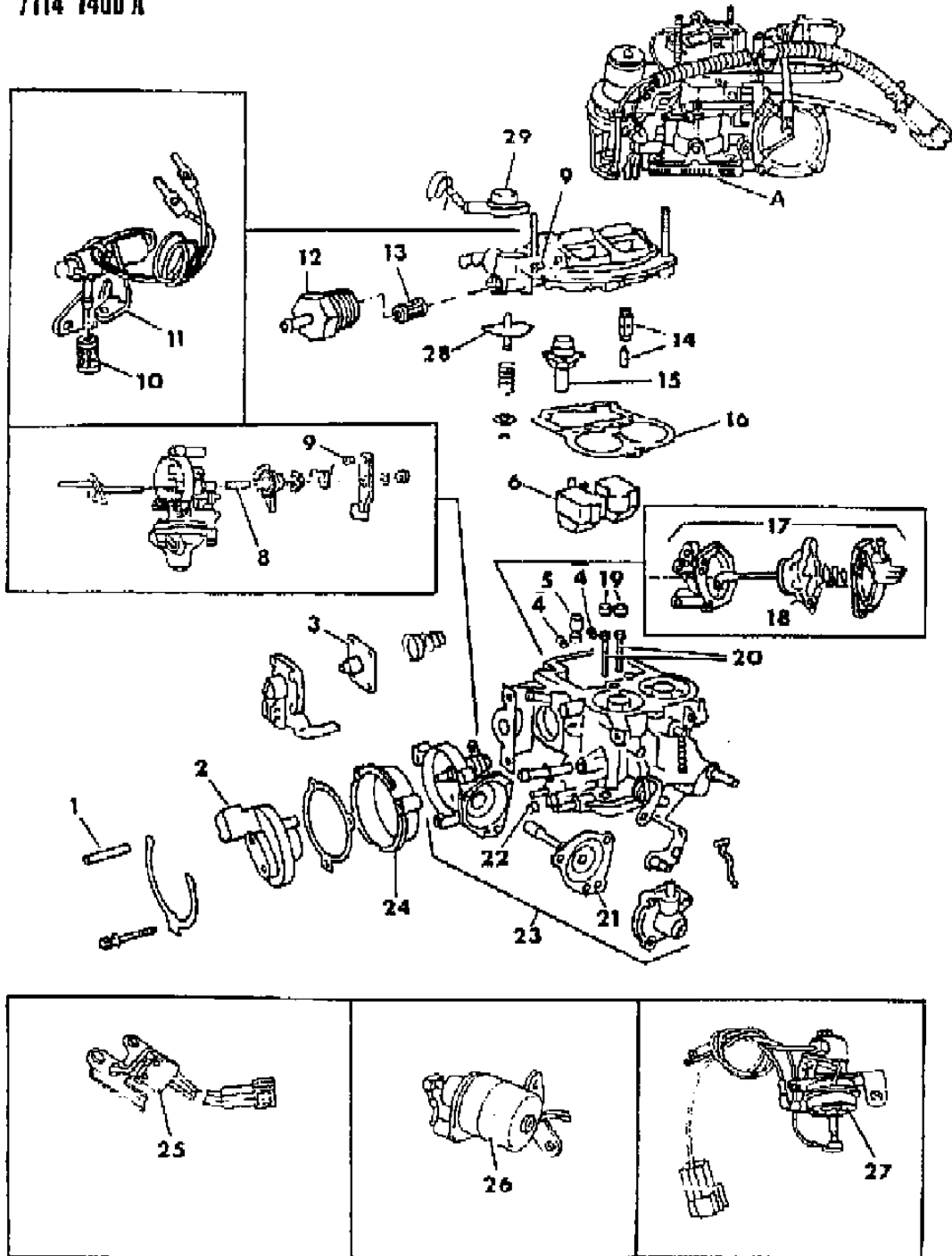
52-53 = FWD WAGON

AR = Use as Required - = Non Illustrated Part P.A.R. = Paint as Required

CARBURETOR AND COMPONENT PARTS HOLLEY-2BBL.(5220)

Figure 14-1400

7114 1400 A



ITEM	PART NUMBER	QTY	BODY	MODEL	DESCRIPTION
17	4397 650				HOUSING, w/Diaphragm, Secondary, Carburetor Y4397650 Y4397650 Y4397650 N
18	4397 649				DIAPHRAGM, w/Link, Secondary, Carburetor Y4397649 Y4397649 Y4397649 N
19					BLEED, Hi-Speed, Carburetor N N N N Primary Y4131127 Y4131127 Y4131127 N Secondary Y4271925 Y4271925 Y4271925 N
20					TUBE, Main Well, Carburetor N N N N Primary Y4186291 Y4186291 Y4186291 N Secondary Y4186291 Y4186291 Y4186291 N
21	4131 210				DIAPHRAGM, Choke, Carburetor Y4131210 Y4131210 Y4131210 N
22	4267 140				PLUG, Idle Needle, Carburetor Y4267140 Y4267140 Y4267140 N
23	4293 780				HOUSING, w/Diaphragm, Choke, Carburetor Y4293780 Y4293780 Y4293780 N
24	4267 096				HOUSING, Thermostat, Carburetor Y4267096 Y4267096 Y4267096 N
25	4342 764				SWITCH, A/C Cut Off, Carburetor Y4342764 Y4342764 N N
26					SOLENOID, Speed-Up, Carburetor N N N N
27	4342 798				SOLENOID, Kicker, Carburetor Y4342798 Y4342798 N4443164 N
27	4443 164				SOLENOID, Kicker, Carburetor N4342798 N4342798 Y4443164 N
28					DIAPHRAGM, w/Shaft, Carburetor N N N N
29					SOLENOID, EVA, Carburetor N N N N

MODEL CODES

E BODY = (J - CARAVELLE)(E - 600)(T - NEW YORKER)

G BODY = (V24 - DAYTONA)

H BODY = (D44 - LANCER)(C44 - LEBARON GTS)

J BODY = (C - LEBARON)

K BODY = (P - RELIANT)(D - ARIES)(C - LEBAROND)/TOWN & COUNTRY)

L BODY = (M - HORIZON/TURISMO)(Z - OMNI/CHARGER)

M BODY = (B - GRAN FURY)(F - FIFTH AVE/NEWPORT)(G - DIPLOMAT)

P BODY = (P - SUNDANCE)(D - SHADOW)

S BODY = (H - VOYAGER)(K - RAM VAN/CARAVAN)

BODY STYLES

12-13 = FWD VAN

21 = 2-DOOR SEDAN

24 = 2-DOOR HATCHBACK

27 = 2-DOOR CONVERTIBLE

41 = 4-DOOR SEDAN

44 = 4-DOOR HATCHBACK

45 = 4-DOOR STATION WAGON

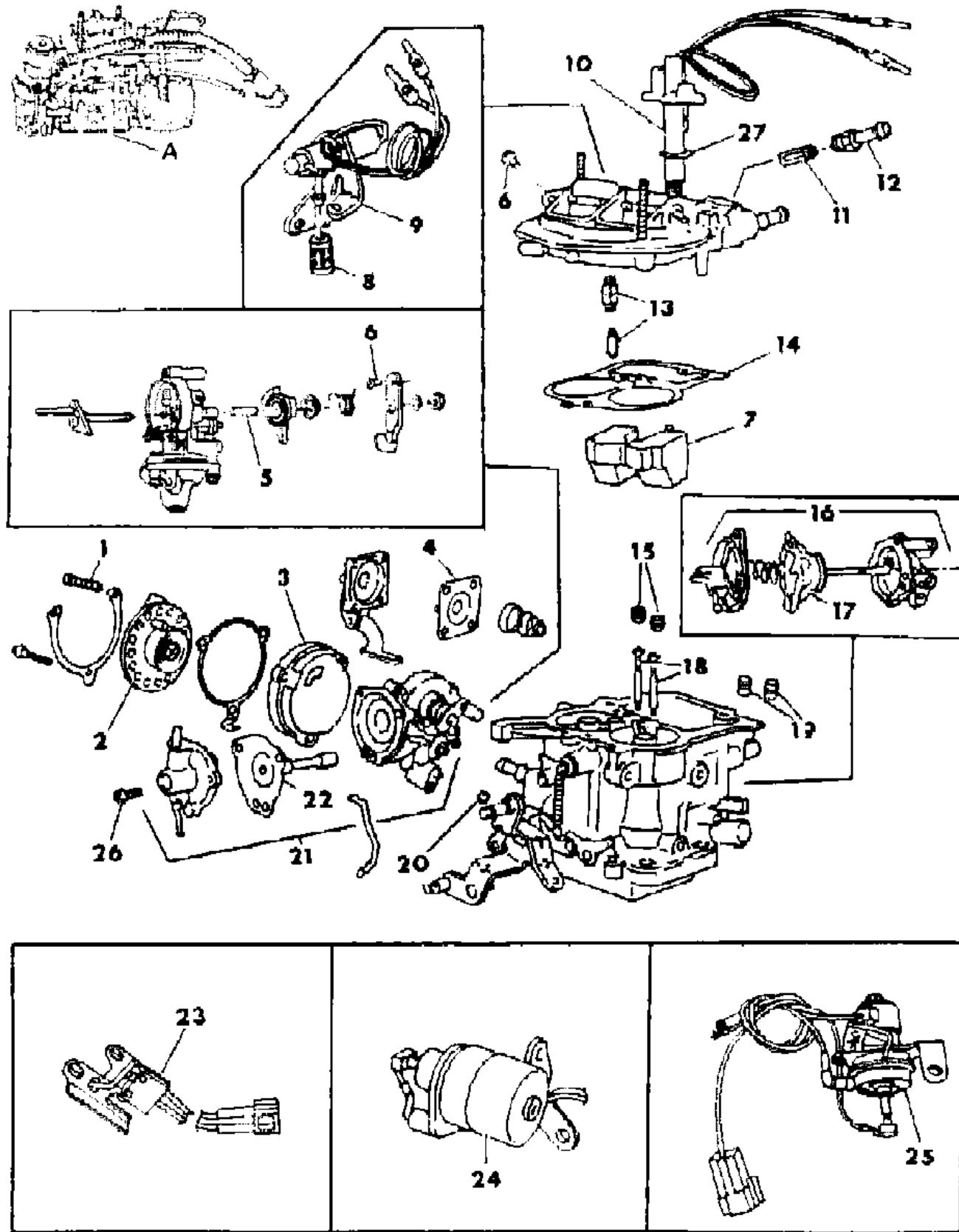
52-53 = FWD WAGON

AR = Use as Required - = Non Illustrated Part P.A.R. = Paint as Required

CARBURETOR AND COMPONENT PARTS HOLLEY-2BBL.(6520)

Figure 14-1500

7114 1500 B



ITEM	PART NUMBER	QTY	BODY	MODEL	DESCRIPTION
A					CARBURETOR ASSEMBLY N N N N
	4324 744				H,K w/(SC-NAF) w or w/o Air Cond. (Fed.) ! 2.2L/M NR-40299 N4324744 Y4324744 N1
	4324 747				H,K w/(SC-NAE) w r w/o Air Cond. (Federal) ! 2.2L/A NR-40302 N4324747 Y4324747 N2
	4324 746				H,K w/(SC-NAE) w r w/o Air Cond. (Calif) ! 2.2L/M NR-40301 N4324746 Y4324746 N3
	4324 690				M,Z w/(SC-NAE,NAA,NAF) w or w/o Air Cond. ! 2.2L/M NR-40295 N4324690 Y4324690 N4
	4324 691				M,Z w/(SC-NAE,NAA,NAF) w or w/o Air Cond. ! 2.2L/A NR-40296 N4324691 Y4324691 N5
	4324 760				H,K w/(SC-NAE) (Calif) ! 2.2L/M NR-40317 N4324760 Y4324760 N6
	4324 745				H,K w/(SC-NAF) Fed. ! 2.2L/A NR-40300 N4324745 Y4324745 N7
PKG.A	4293 838				GASKET PACKAGE Y4293838 Y4293838 Y4293838 Y4293838
PKG.B	4443 172				REPAIR PACKAGE Y4443172 Y4443172 Y4443172 Y4443172
1	4293 790				RIVET, Thermostat Ring Y4293790 Y4293790 Y4293790 Y4293790
2	4342 868				THERMOSTAT, w/Cap, Choke Y4342868 Y4342868 Y4342868 Y4342868
3	4267 096				HOUSING, Thermostat Y4267096 Y4267096 Y4267096 Y4267096
4	#4131 121				DIAPHRAGM, Pump Y4131121 Y4131121 Y4131121 Y4131121
5	#4131 131				BUSHING, Choke Shaft Y4131131 Y4131131 Y4131131 Y4131131
6	#4131 114				RETAINER, Choke Shaft Y4131114 Y4131114 Y4131114 Y4131114
7	4186 293				FLOAT Y4186293 Y4186293 Y4186293 Y4186293
8	4342 880				FILTER, Dump Solenoid Secondary Y4342880 Y4342880 Y4342880 Y4342880
9	4397 651				SOLENOID, Dump Valve Secondary Y4397651 Y4397651 Y4397651 Y4397651
10	4293 751				SOLENOID, Duty-Cycle Y4293751 Y4293751 Y4293751 N4293736
10	4293 736				SOLENOID, Duty-Cycle N4293751 N4293751 N4293751 Y4293736
11					FILTER, Fuel N N N N

MODEL CODES

E BODY = (J - CARAVELLE)(E - 600)(T - NEW YORKER)

G BODY = (V24 - DAYTONA)

H BODY = (D44 - LANCER)(C44 - LEBARON GTS)

J BODY = (C - LEBARON)

K BODY = (P - RELIANT)(D - ARIES)(C - LEBAROND)/TOWN & COUNTRY)

L BODY = (M - HORIZON/TURISMO)(Z - OMNI/CHARGER)

M BODY = (B - GRAN FURY)(F - FIFTH AVE/NEWPORT)(G - DIPLOMAT)

P BODY = (P - SUNDANCE)(D - SHADOW)

S BODY = (H - VOYAGER)(K - RAM VAN/CARAVAN)

BODY STYLES

12-13 = FWD VAN

21 = 2-DOOR SEDAN

24 = 2-DOOR HATCHBACK

27 = 2-DOOR CONVERTIBLE

41 = 4-DOOR SEDAN

44 = 4-DOOR HATCHBACK

45 = 4-DOOR STATION WAGON

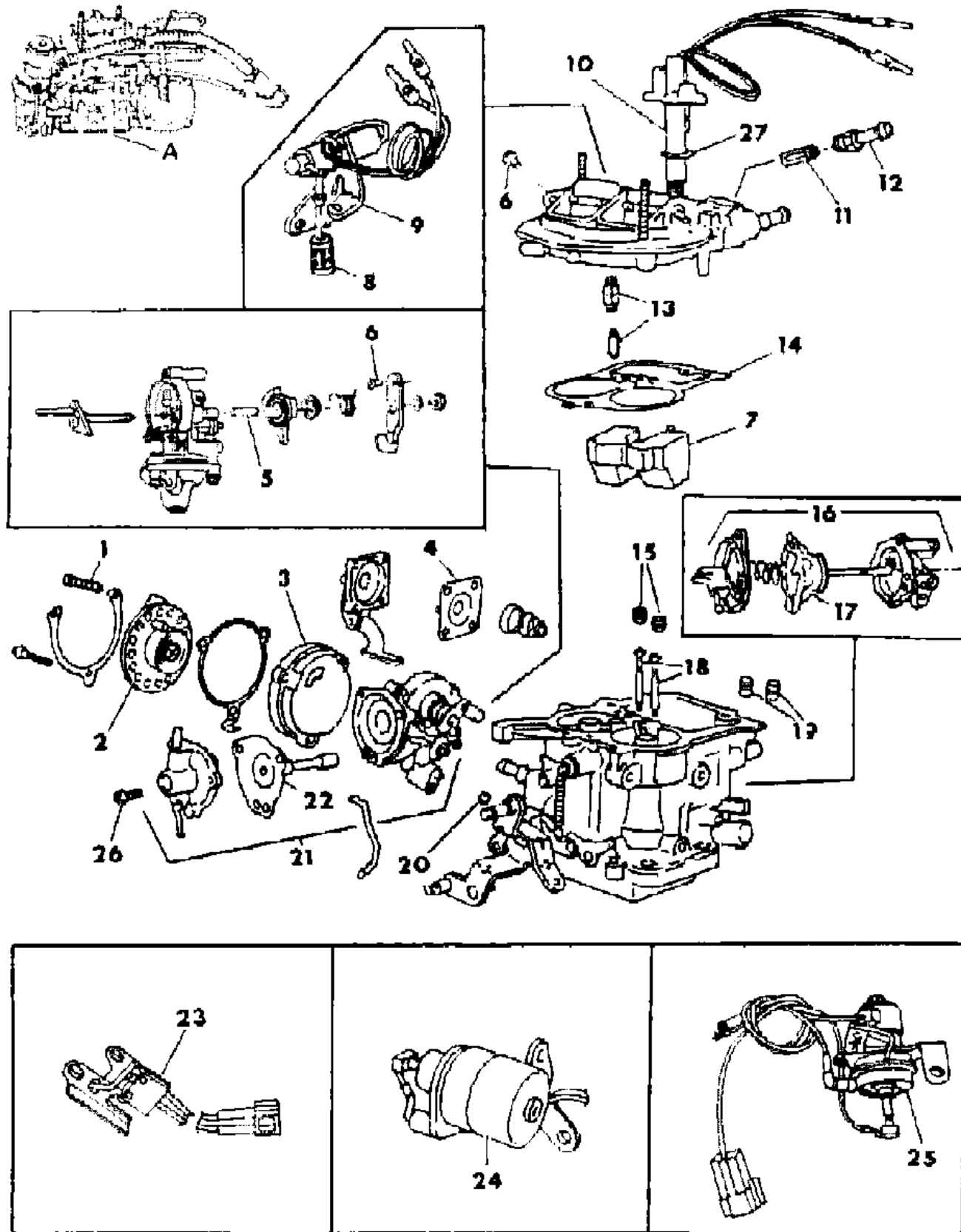
52-53 = FWD WAGON

AR = Use as Required - = Non Illustrated Part P.A.R. = Paint as Required

CARBURETOR AND COMPONENT PARTS HOLLEY-2BBL.(6520)

Figure 14-1500

7114 1500 B



ITEM	PART NUMBER	QTY	BODY	MODEL	DESCRIPTION
12	4342 781				FITTING, Fuel Inlet Y4342781 Y4342781 Y4342781 Y4342781
13	#4131 116				NEEDLE and SEAT Y4131116 Y4131116 Y4131116 Y4131116
14	4293 836				GASKET, Air Horn Y4293836 Y4293836 Y4293836 Y4293836
15					BLEED, Hi-Speed N N N N
	4293 708				Primary Y4293708 Y4293708 Y4293708 Y4293708
	4271 921				Secondary Y4271921 Y4271921 Y4271921 Y4271921
16	4397 652				HOUSING, w/Diaphragm, Secondary Y4397652 Y4397652 Y4397652 Y4397652
17	4397 649				DIAPHRAGM, w/Link, Secondary Y4397649 Y4397649 Y4397649 Y4397649
18					TUBE, Main Well N N N N
	4186 291				Primary Y4186291 Y4186291 Y4186291 Y4186291
	4186 291				Secondary Y4186291 Y4186291 Y4186291 Y4186291
19					JET, Main N N N N
	4342 858				Primary Y4342858 Y4342858 Y4342858 Y4342858
	4342 878				Secondary Y4342878 Y4342878 Y4342878 Y4342878
20	4267 140				PLUG, Idle Needle Y4267140 Y4267140 Y4267140 Y4267140
21	4467 008				HOUSING, w/Diaphragm, Choke Y4467008 Y4467008 Y4467008 Y4467008
21	4467 003				HOUSING, w/Diaphragm, Choke N4467008 N4467008 N4467008 Y4467003
22	4467 004				DIAPHRAGM, w/Shaft, Choke, Carb. Y4467004 Y4467004 Y4467004 Y4467004
23	4342 764				SWITCH, Air Cond. Cut-Off N Y4342764 N N
24					SOLENOID, Speed-Up N N N N
25	4467 012				SOLENOID, Kicker Y4467012 Y4467012 Y4467012 N4342796
25	4342 796				SOLENOID, Kicker N4467012 N4467012 N4467012 Y4342796
26	4271 971				SCREW, Adjusting Y4271971 Y4271971 Y4271971 Y4271971
27	4267 165				O-RING, Duty-Cycle Solenoid Y4267165 Y4267165 Y4267165 Y4267165
PKG.A	4293 838				GASKET PACKAGE Y4293838 Y4293838 Y4293838 N
PKG.B	4443 172				REPAIR PACKAGE Y4443172 Y4443172 Y4443172 N
1	4293 790				RIVET, Thermostat Housing Y4293790 Y4293790 Y4293790 N
2	4342 868				THERMOSTAT, w/Cap, Choke Y4342868 Y4342868 Y4342868 N
3	4267 096				HOUSING, Thermostat Y4267096 Y4267096 Y4267096 N
4	#4131 121				DIAPHRAGM, Pump Y4131121 Y4131121 Y4131121 N
5	#4131 131				BUSHING, Choke Shaft Y4131131 Y4131131 Y4131131 N
6	#4131 114				RETAINER, Rod Y4131114 Y4131114 Y4131114 N

MODEL CODES

E BODY = (J - CARAVELLE)(E - 600)(T - NEW YORKER)

G BODY = (V24 - DAYTONA)

H BODY = (D44 - LANCER)(C44 - LEBARON GTS)

J BODY = (C - LEBARON)

K BODY = (P - RELIANT)(D - ARIES)(C - LEBAROND)/TOWN & COUNTRY)

L BODY = (M - HORIZON/TURISMO)(Z - OMNI/CHARGER)

M BODY = (B - GRAN FURY)(F - FIFTH AVE/NEWPORT)(G - DIPLOMAT)

P BODY = (P - SUNDANCE)(D - SHADOW)

S BODY = (H - VOYAGER)(K - RAM VAN/CARAVAN)

BODY STYLES

12-13 = FWD VAN

21 = 2-DOOR SEDAN

24 = 2-DOOR HATCHBACK

27 = 2-DOOR CONVERTIBLE

41 = 4-DOOR SEDAN

44 = 4-DOOR HATCHBACK

45 = 4-DOOR STATION WAGON

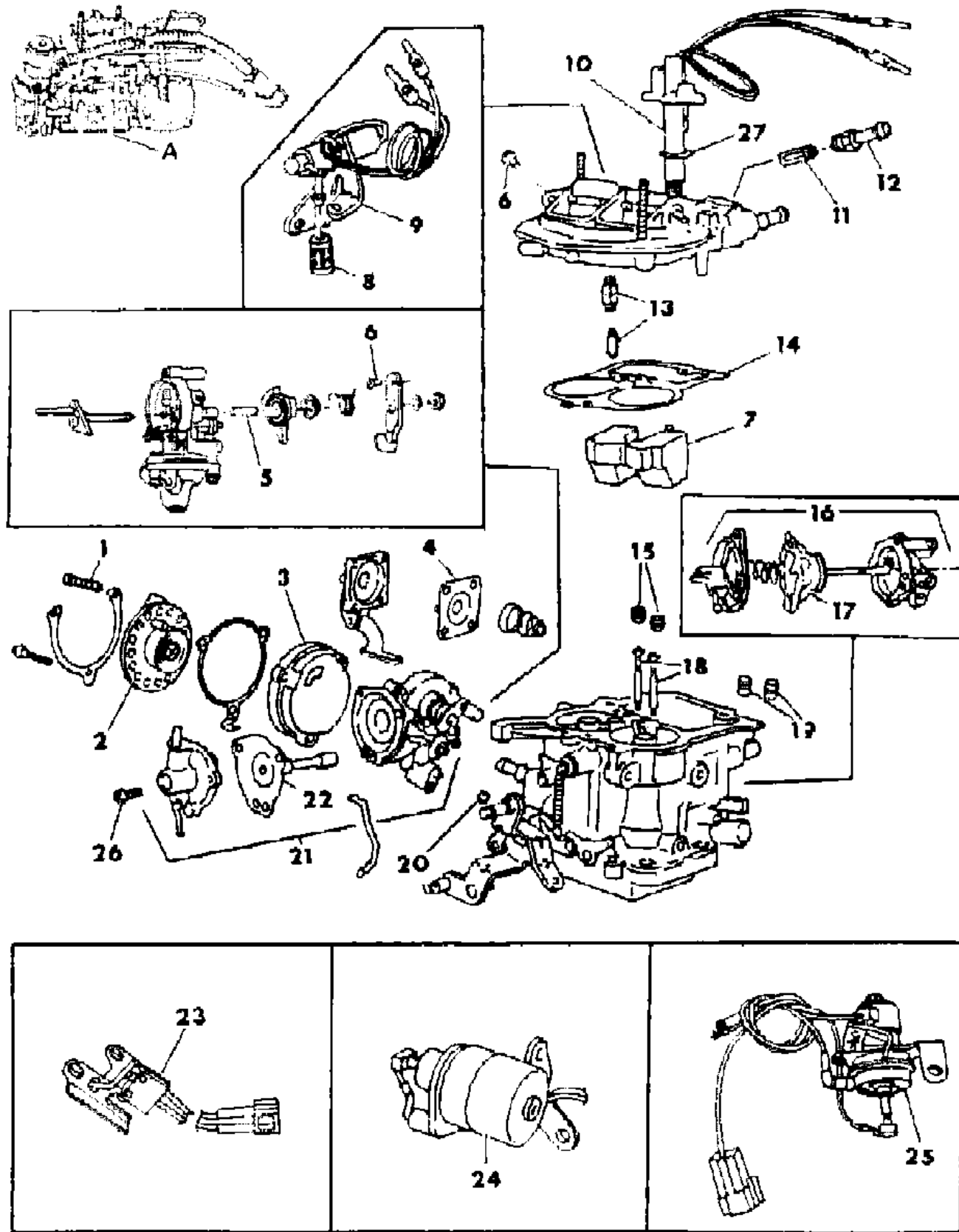
52-53 = FWD WAGON

AR = Use as Required - = Non Illustrated Part P.A.R. = Paint as Required

CARBURETOR AND COMPONENT PARTS HOLLEY-2BBL.(6520)

Figure 14-1500

7114 1500 B



ITEM	PART NUMBER	QTY	BODY	MODEL	DESCRIPTION
7	4186 293				FLOAT Y4186293 Y4186293 Y4186293 N
8	4342 880				FILTER, Dump Solenoid Secondary Y4342880 Y4342880 Y4342880 N
9	4397 651				SOLENOID, Dump Valve Secondary Y4397651 Y4397651 Y4397651 N
10	4293 736				SOLENOID, Duty-Cycle Y4293736 N4467025 N4293751 N
10	4467 025				SOLENOID, Duty-Cycle N4293736 Y4467025 N4293751 N
10	4293 751				SOLENOID, Duty-Cycle N4293736 N4467025 Y4293751 N
11					FILTER, Fuel N N N N
12	4342 781				FITTING, Fuel Inlet Y4342781 Y4342781 Y4342781 N
13	#4131 116				NEEDLE and SEAT Y4131116 Y4131116 Y4131116 N
14	4293 836				GASKET, Air Horn Y4293836 Y4293836 Y4293836 N
15					BLEED, Hi-Speed N N N N
16	4293 708				Primary Y4293708 Y4293708 Y4293708 N
16	4271 921				Secondary Y4271921 Y4271921 Y4271921 N
16	4397 652				HOUSING, w/Diaphragm, Secondary Y4397652 Y4397652 Y4397652 N
17	4397 649				DIAPHRAGM, w/Link, Secondary Y4397649 Y4397649 Y4397649 N
18					TUBE, Main Well N N N N
19	4186 291				Primary Y4186291 Y4186291 Y4186291 N
19	4186 291				Secondary Y4186291 Y4186291 Y4186291 N
19					JET, Main N N N N
20	4342 858				Primary Y4342858 Y4342858 Y4342858 N
20	4342 878				Secondary Y4342878 Y4342878 Y4342878 N
20	4267 140				PLUG, Idle Needle Y4267140 Y4267140 Y4267140 N
21	4467 003				HOUSING, w/Diaphragm, Choke Y4467003 N4467008 N4467008 N
21	4467 008				HOUSING, w/Diaphragm, Choke N4467003 Y4467008 Y4467008 N
22	4467 004				DIAPHRAGM, w/Shaft, Choke Y4467004 Y4467004 Y4467004 N
23	4342 764				SWITCH, Air Cond. Cut-Off N N Y4342764 N
24					SOLENOID, Speed-Up N N N N
25	4342 796				SOLENOID, Kicker Y4342796 N4467009 N4467012 N
25	4467 009				SOLENOID, Kicker N4342796 Y4467009 N4467012 N
25	4467 012				SOLENOID, Kicker N4342796 N4467009 Y4467012 N
26	4271 971				SCREW, Adjusting Y4271971 Y4271971 Y4271971 N
27	4267 165				O-RING, Duty-Cycle Solenoid Y4267165 Y4267165 Y4267165 N

MODEL CODES

E BODY = (J - CARAVELLE)(E - 600)(T - NEW YORKER)

G BODY = (V24 - DAYTONA)

H BODY = (D44 - LANCER)(C44 - LEBARON GTS)

J BODY = (C - LEBARON)

K BODY = (P - RELIANT)(D - ARIES)(C - LEBAROND)/TOWN & COUNTRY)

L BODY = (M - HORIZON/TURISMO)(Z - OMNI/CHARGER)

M BODY = (B - GRAN FURY)(F - FIFTH AVE/NEWPORT)(G - DIPLOMAT)

P BODY = (P - SUNDANCE)(D - SHADOW)

S BODY = (H - VOYAGER)(K - RAM VAN/CARAVAN)

BODY STYLES

12-13 = FWD VAN

21 = 2-DOOR SEDAN

24 = 2-DOOR HATCHBACK

27 = 2-DOOR CONVERTIBLE

41 = 4-DOOR SEDAN

44 = 4-DOOR HATCHBACK

45 = 4-DOOR STATION WAGON

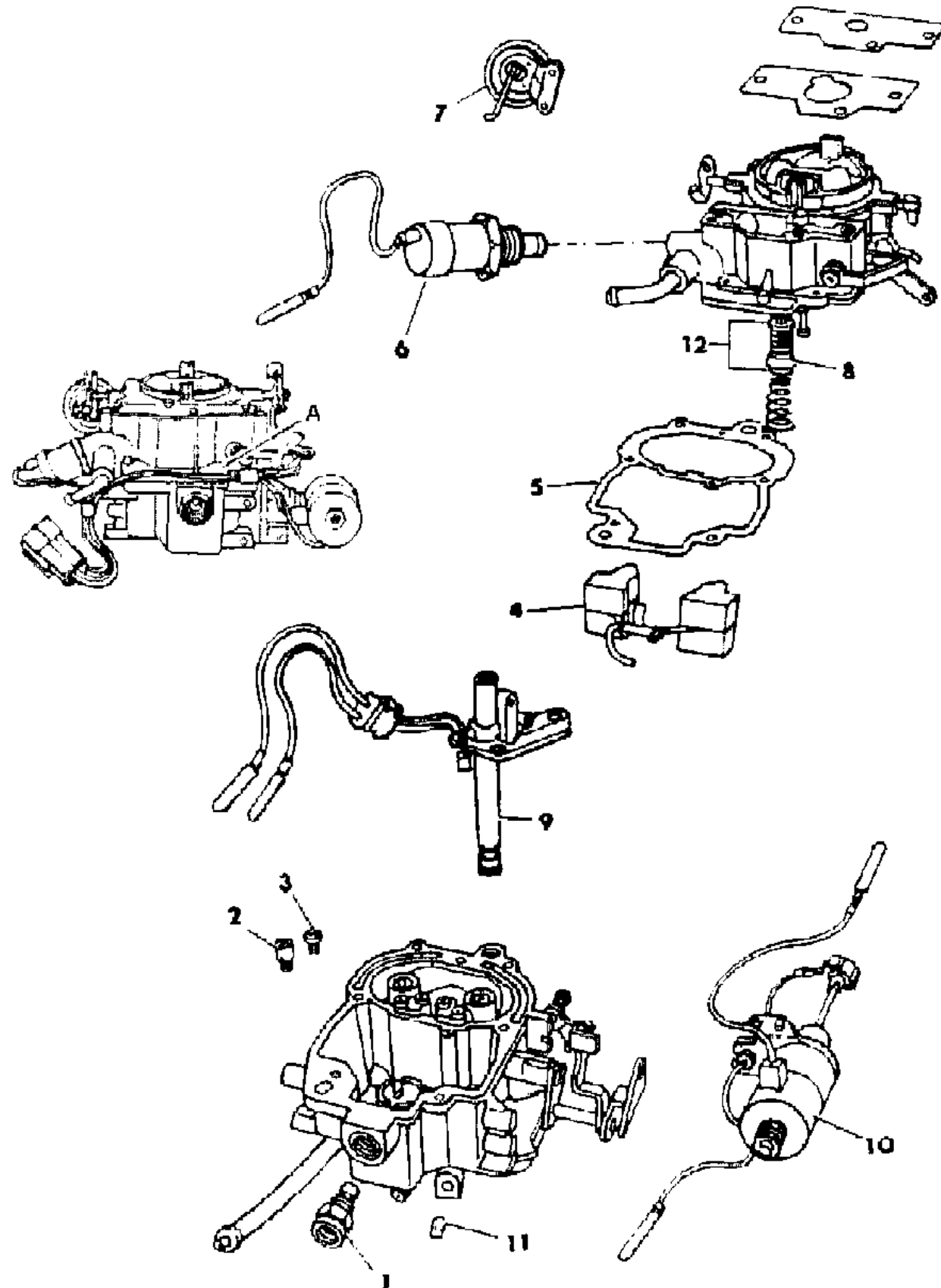
52-53 = FWD WAGON

AR = Use as Required - = Non Illustrated Part P.A.R. = Paint as Required

CARBURETOR AND COMPONENT PARTS HOLLEY-2BBL.(6280)

Figure 14-1600

7114 1800 A



ITEM	PART NUMBER	QTY	BODY	MODEL	DESCRIPTION
A					CARBURETOR ASSEMBLY N N N N
	4324 647				B,F,G w/(SC-NAA,NAF,NAE) w or w/o Air Cond. (Federal) ! 318/A NR-40276 N4324647 Y4324647 N1
PKG.A	4342 859				GASKET PACKAGE Y4342859 N N N
PKG.B	4342 860				REPAIR PACKAGE Y4342860 N N N
1	4131 084				NEEDLE and SEAT Y4131084 N N N
2					VALVE, Power N N N N Mechanical N N N N Vacuum Y4186125 N N N
3	4131 173				JET, Main Metering Y4131173 N N N
4	4342 857				FLOAT Y4342857 N N N
5	4342 854				GASKET, Air Horn Y4342854 N N N
6	4267 094				SOLENOID, Switch Valve Y4267094 N N N
7	4293 895				DIAPHRAGM, w/Link, Choke Y4293895 N N N
8	4267 090				CUP, Pump Y4267090 N N N
9	4342 861				SOLENOID, Feed Back Y4342861 N N N
10	4342 862				SOLENOID, Idle Stop Y4342862 N N N
11	4267 140				PLUG, Idle Needle Y4267140 N N N
12	4467 028				PUMP STEM and HEAD PACKAGE Y4467028 N N N

MODEL CODES

E BODY = (J - CARAVELLE)(E - 600)(T - NEW YORKER)

G BODY = (V24 - DAYTONA)

H BODY = (D44 - LANCER)(C44 - LEBARON GTS)

J BODY = (C - LEBARON)

K BODY = (P - RELIANT)(D - ARIES)(C - LEBAROND)/TOWN & COUNTRY)

L BODY = (M - HORIZON/TURISMO)(Z - OMNI/CHARGER)

M BODY = (B - GRAN FURY)(F - FIFTH AVE/NEWPORT)(G - DIPLOMAT)

P BODY = (P - SUNDANCE)(D - SHADOW)

S BODY = (H - VOYAGER)(K - RAM VAN/CARAVAN)

BODY STYLES

12-13 = FWD VAN

21 = 2-DOOR SEDAN

24 = 2-DOOR HATCHBACK

27 = 2-DOOR CONVERTIBLE

41 = 4-DOOR SEDAN

44 = 4-DOOR HATCHBACK

45 = 4-DOOR STATION WAGON

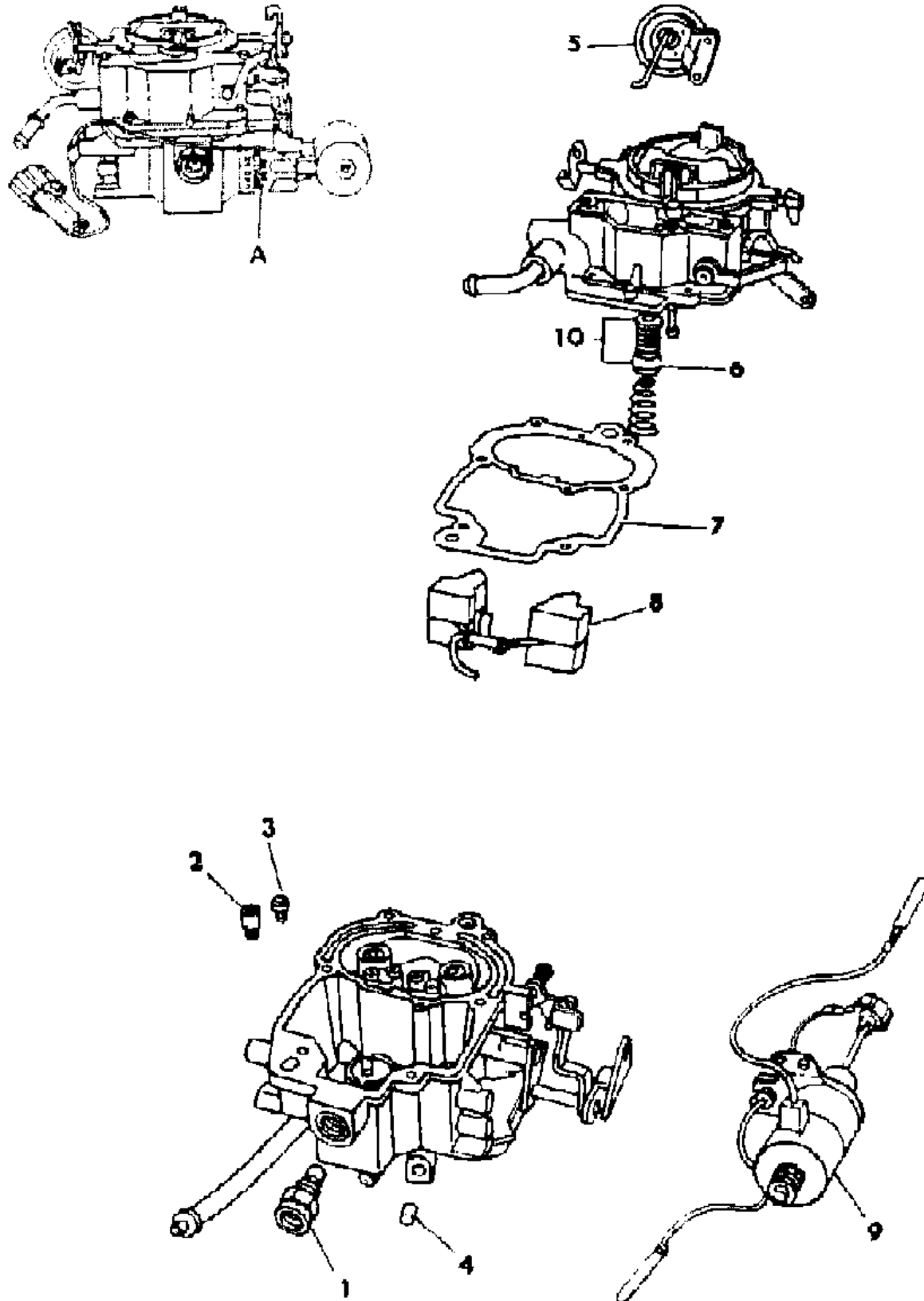
52-53 = FWD WAGON

AR = Use as Required - = Non Illustrated Part P.A.R. = Paint as Required

CARBURETOR AND COMPONENT PARTS HOLLEY-2BBL.(2280)

Figure 14-1700

7114 1700 A



ITEM	PART NUMBER	QTY	BODY	MODEL	DESCRIPTION
A	4288 581				CARBURETOR ASSEMBLY N N N N B,F,G w/(SC-NAA) w or w/o Air Cond. (Canada) ! 318/A NR-40245 N4288581 Y4288581 N1
PKG.A	4267 175				GASKET PACKAGE Y4267175 N N N
PKG.B	4267 245				REPAIR PACKAGE Y4267245 N N N
1	4131 084				NEEDLE and SEAT Y4131084 N N N
2	4267 243				VALVE, Power N N N N Mechanical Y4267243 N N N
3	4186 127				Vacuum Y4186125 N N N JET, Main Metering Y4186127 N N N
4	4267 140				PLUG, Idle Needle Y4267140 N N N
5	4293 895				DIAPHRAGM, w/Link, Choke Y4293895 N N N
6	3879 771				CUP, Pump Y3879771 N N N
7	4131 083				GASKET, Air Horn Y4131083 N N N
8	4186 230				FLOAT Y4186230 N N N
9	4293 876				SOLENOID, Idle Stop Y4293876 N N N
10	4267 159				STEM and HEAD, Pump Y4267159 N N N

MODEL CODES

E BODY = (J - CARAVELLE)(E - 600)(T - NEW YORKER)

G BODY = (V24 - DAYTONA)

H BODY = (D44 - LANCER)(C44 - LEBARON GTS)

J BODY = (C - LEBARON)

K BODY = (P - RELIANT)(D - ARIES)(C - LEBAROND)/TOWN & COUNTRY)

L BODY = (M - HORIZON/TURISMO)(Z - OMNI/CHARGER)

M BODY = (B - GRAN FURY)(F - FIFTH AVE/NEWPORT)(G - DIPLOMAT)

P BODY = (P - SUNDANCE)(D - SHADOW)

S BODY = (H - VOYAGER)(K - RAM VAN/CARAVAN)

BODY STYLES

12-13 = FWD VAN

21 = 2-DOOR SEDAN

24 = 2-DOOR HATCHBACK

27 = 2-DOOR CONVERTIBLE

41 = 4-DOOR SEDAN

44 = 4-DOOR HATCHBACK

45 = 4-DOOR STATION WAGON

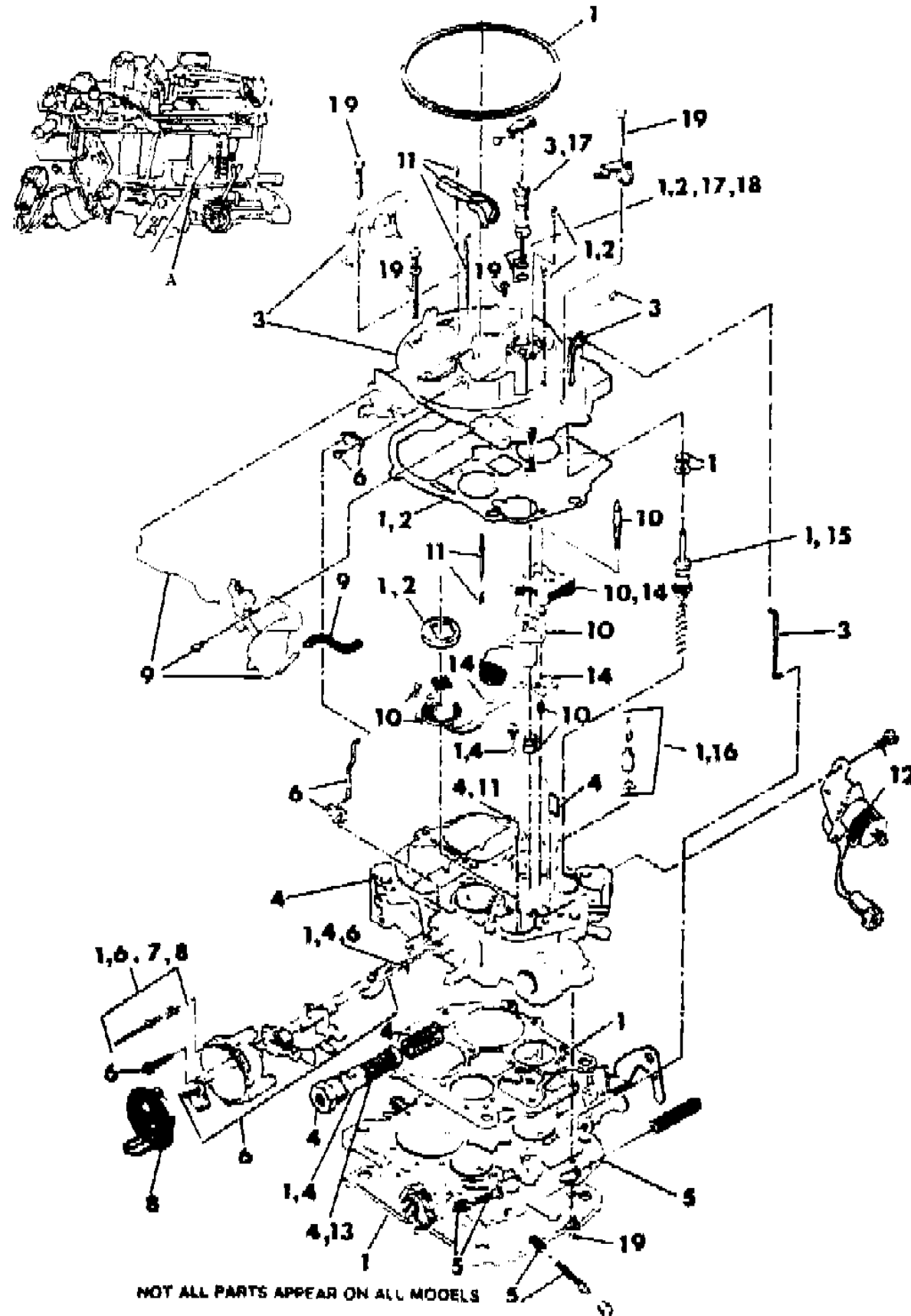
52-53 = FWD WAGON

AR = Use as Required - = Non Illustrated Part P.A.R. = Paint as Required

CARBURETOR AND COMPONENT PARTS ROCHESTER - 4BBL.(QUADRA JET ELECTRONIC)

Figure 14-1800

7114 1800 A



ITEM	PART NUMBER	QTY	BODY	MODEL	DESCRIPTION
A					CARBURETOR ASSEMBLY N N N N
	4397 609				B,F,G, w or w/o Air Cond. ! 318/A N17085433 N4306433 Y4397609 N1
1	4342 812				REPAIR PACKAGE Y4342812 N N N
2	4342 813				GASKET PACKAGE, Air Horn, Carb. Y4342813 N N N
3	4342 814				HORN PACKAGE, Carb. Air Y4342814 N N N
4	4342 815				BOWL PACKAGE, Float, Carb. Y4342815 N N N
5	4342 816				BODY PACKAGE, Throttle, Carb. Y4342816 N N N
6	4342 817				HOUSING PACKAGE, Choke, Carb. Y4342817 N N N
7	4342 818				RETAINER PACKAGE, Choke Cover Carb. Y4342818 N N N
8	4342 934				STAT and COVER PACKAGE, Electric Choke, Carb. Y4342934 N N N
9	4342 912				BREAK PACKAGE, Primary Vacuum, Carb. Y4342912 N N N
10	4342 822				SOLENOID PACKAGE, Mixture Control, Carb. Y4342822 N N N
11	4342 823				JET and ROD PACKAGE, Metering, Carb. Y4342823 N N N
12	4342 824				SOLENOID PACKAGE, Idle, Carb. Y4342824 N N N
13	4342 825				FILTER PACKAGE, Fuel, Carb. Y4342825 N N N
14	4342 826				FLOAT and INSERT PACKAGE, Carb. Y4342826 N N N
15	4342 827				PUMP, Carb. Y4342827 N N N
16	4342 828				NEEDLE and SEAT PACKAGE, Carb. Y4342828 N N N
17	4342 829				VALVE PACKAGE, Air Bleed, Carb. Y4342829 N N N
18	4342 830				O-RING PACKAGE, Idle Air Bleed, Carb. Y4342830 N N N
19	4342 831				SCREW PACKAGE, Assortment, Carb. Y4342831 N N N

MODEL CODES

E BODY = (J - CARAVELLE)(E - 600)(T - NEW YORKER)

G BODY = (V24 - DAYTONA)

H BODY = (D44 - LANCER)(C44 - LEBARON GTS)

J BODY = (C - LEBARON)

K BODY = (P - RELIANT)(D - ARIES)(C - LEBAROND)/TOWN & COUNTRY)

L BODY = (M - HORIZON/TURISMO)(Z - OMNI/CHARGER)

M BODY = (B - GRAN FURY)(F - FIFTH AVE/NEWPORT)(G - DIPLOMAT)

P BODY = (P - SUNDANCE)(D - SHADOW)

S BODY = (H - VOYAGER)(K - RAM VAN/CARAVAN)

BODY STYLES

12-13 = FWD VAN

21 = 2-DOOR SEDAN

24 = 2-DOOR HATCHBACK

27 = 2-DOOR CONVERTIBLE

41 = 4-DOOR SEDAN

44 = 4-DOOR HATCHBACK

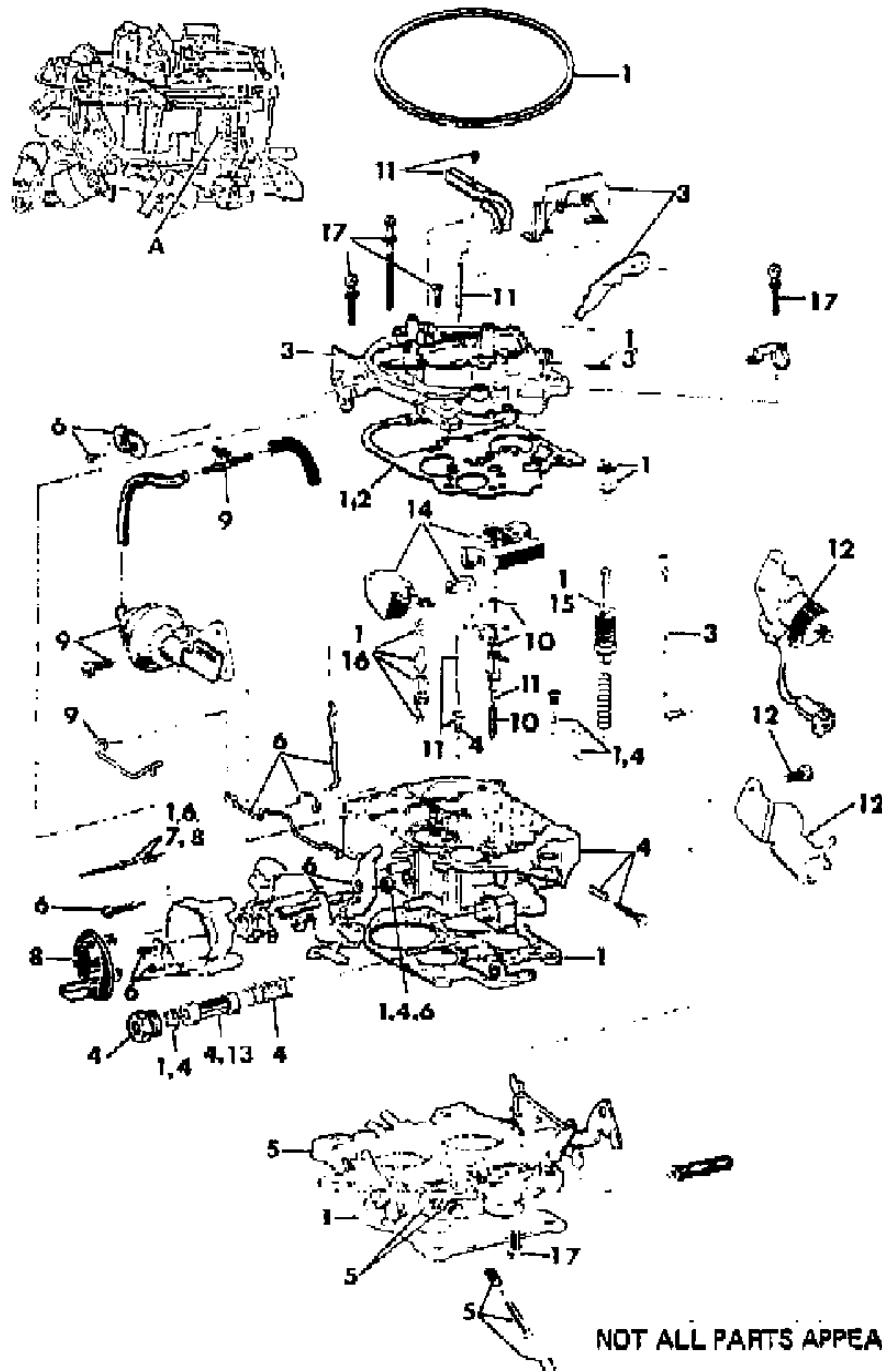
45 = 4-DOOR STATION WAGON

52-53 = FWD WAGON

AR = Use as Required - = Non Illustrated Part P.A.R. = Paint as Required

**CARBURETOR AND COMPONENT PARTS ROCHESTER - 4BBL.(QUADRA JET NON - ELECTRONIC)
Figure 14-1900**

7114 1900 A



ITEM	PART NUMBER	QTY	BODY	MODEL	DESCRIPTION
A					CARBURETOR ASSEMBLY N N N N
	4342 808				B,F,G, w or w/o Air Cond. ! 318/A N17085411 N4306411 Y4342808 N1
1	4342 832				REPAIR PACKAGE Y4342832 N N N
2	4342 833				GASKET PACKAGE, Air Horn Y4342833 N N N
3	4342 834				HORN PACKAGE, Carb. Air Y4342834 N N N
4	4342 835				BOWL PACKAGE, Float Y4342835 N N N
5	4342 849				BODY PACKAGE, Throttle Y4342849 N N N
6	4342 837				HOUSING PACKAGE, Choke Y4342837 N N N
7	4342 818				RETAINER PACKAGE, Choke Cover Y4342818 N N N
8	4342 819				STAT and COVER PACKAGE, Electric Choke Y4342819 N N N
9	4342 838				BREAK PACKAGE, Secondary Vacuum Y4342838 N N N
10	4342 839				PISTON PACKAGE, Power Y4342839 N N N
11	4342 840				JET and ROD PACKAGE, Metering Y4342840 N N N
12	4342 824				SOLENOID PACKAGE, Idle Y4342824 N N N
13	4342 825				FILTER PACKAGE, Fuel Y4342825 N N N
14	4342 842				FLOAT and INSERT PACKAGE Y4342842 N N N
15	4342 843				PUMP Y4342843 N N N
16	4342 828				NEEDLE and SEAT PACKAGE Y4342828 N N N
17	4342 831				SCREW PACKAGE, Assortment Y4342831 N N N

MODEL CODES

E BODY = (J - CARAVELLE)(E - 600)(T - NEW YORKER)

G BODY = (V24 - DAYTONA)

H BODY = (D44 - LANCER)(C44 - LEBARON GTS)

J BODY = (C - LEBARON)

K BODY = (P - RELIANT)(D - ARIES)(C - LEBAROND)/TOWN & COUNTRY)

L BODY = (M - HORIZON/TURISMO)(Z - OMNI/CHARGER)

M BODY = (B - GRAN FURY)(F - FIFTH AVE/NEWPORT)(G - DIPLOMAT)

P BODY = (P - SUNDANCE)(D - SHADOW)

S BODY = (H - VOYAGER)(K - RAM VAN/CARAVAN)

BODY STYLES

12-13 = FWD VAN

21 = 2-DOOR SEDAN

24 = 2-DOOR HATCHBACK

27 = 2-DOOR CONVERTIBLE

41 = 4-DOOR SEDAN

44 = 4-DOOR HATCHBACK

45 = 4-DOOR STATION WAGON

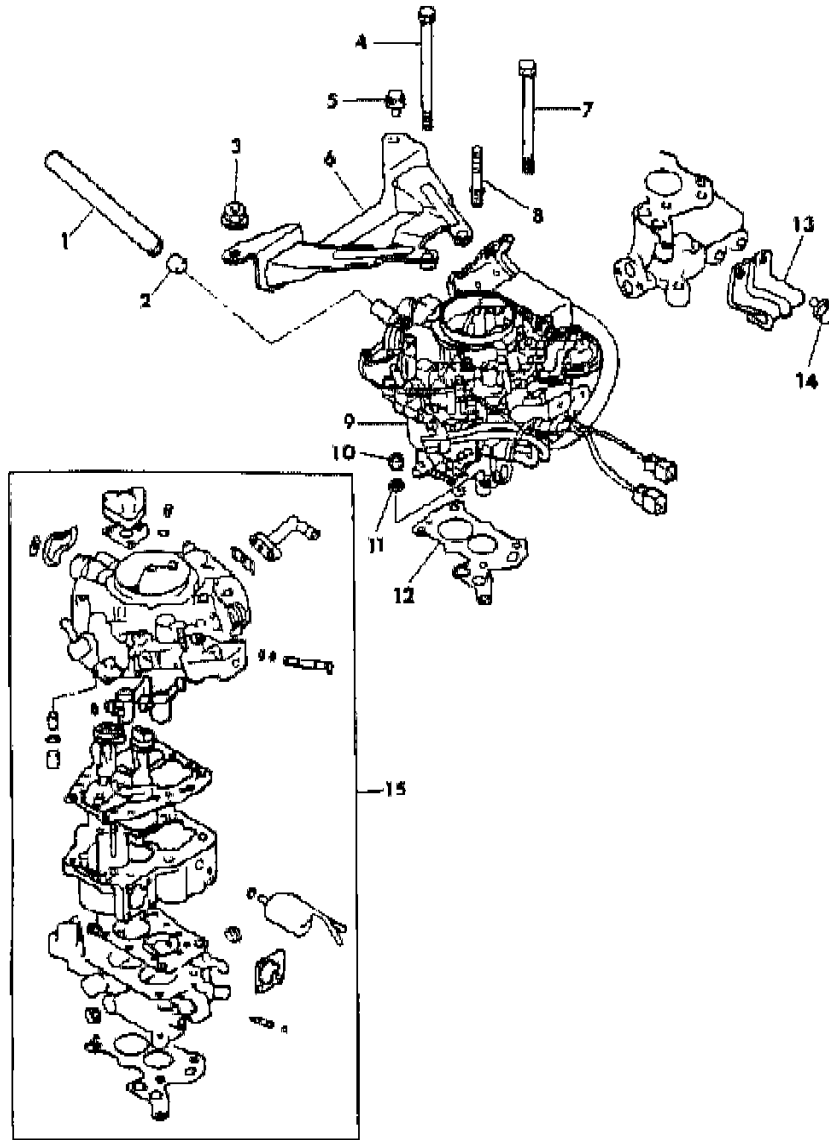
52-53 = FWD WAGON

AR = Use as Required - = Non Illustrated Part P.A.R. = Paint as Required

CARBURETOR, GASKETS AND ATTACHING PARTS 2.6L ENGINE

Figure 14-2000

7114 2000



ITEM	PART NUMBER	QTY	BODY	MODEL	DESCRIPTION
1	MD07 1896	1			HOSE, Vapor
2	MS66 0165	1			CLIP, Hose
3	MF43 4104	1			NUT, Flange
4	MD02 7419	2			BOLT and WASHER
5	MF14 0202	1			BOLT, Flange
6	MD07 6040	1			BLOCKER, Carburetor
7	MD02 7419	2			BOLT and WASHER
8	MD02 5402	1			STUD
9					CARBURETOR, w/Gasket
	MD99 7258	1			except Calif., H/Alt. and Canada for Carburetor Stamped 526
	MD99 7183	1			Calif. for Carburetor Stamped 637
	MD99 7307	1			H/Alt. for Carburetor Stamped 770
	MD99 7289	1			Canada for Carburetor Stamped 027
10	MF43 0004	1			NUT, Calif. and H/Alt. (6mm)
11	MF45 0404	1			WASHER, Spring (6), Calif. and H/Alt.
12					GASKET, Carburetor
	MD02 5434	1			except Calif, H/Alt. and Canada
	MD02 5344	1			Calif., and H/Alt.
	MD02 5434	1			Canada
13	MD02 5438	1			BRACKET
14	MF14 0022	2			BOLT, Flange
15					GASKET PACKAGE
	MD61 2663	1			except Calif. and H/Alt.
	MD61 2707	1			H/Alt.
	MD60 8571	1			Calif.

MODEL CODES

E BODY = (J - CARAVELLE)(E - 600)(T - NEW YORKER)

G BODY = (V24 - DAYTONA)

H BODY = (D44 - LANCER)(C44 - LEBARON GTS)

J BODY = (C - LEBARON)

K BODY = (P - RELIANT)(D - ARIES)(C - LEBAROND)/TOWN & COUNTRY)

L BODY = (M - HORIZON/TURISMO)(Z - OMNI/CHARGER)

M BODY = (B - GRAN FURY)(F - FIFTH AVE/NEWPORT)(G - DIPLOMAT)

P BODY = (P - SUNDANCE)(D - SHADOW)

S BODY = (H - VOYAGER)(K - RAM VAN/CARAVAN)

BODY STYLES

12-13 = FWD VAN

21 = 2-DOOR SEDAN

24 = 2-DOOR HATCHBACK

27 = 2-DOOR CONVERTIBLE

41 = 4-DOOR SEDAN

44 = 4-DOOR HATCHBACK

45 = 4-DOOR STATION WAGON

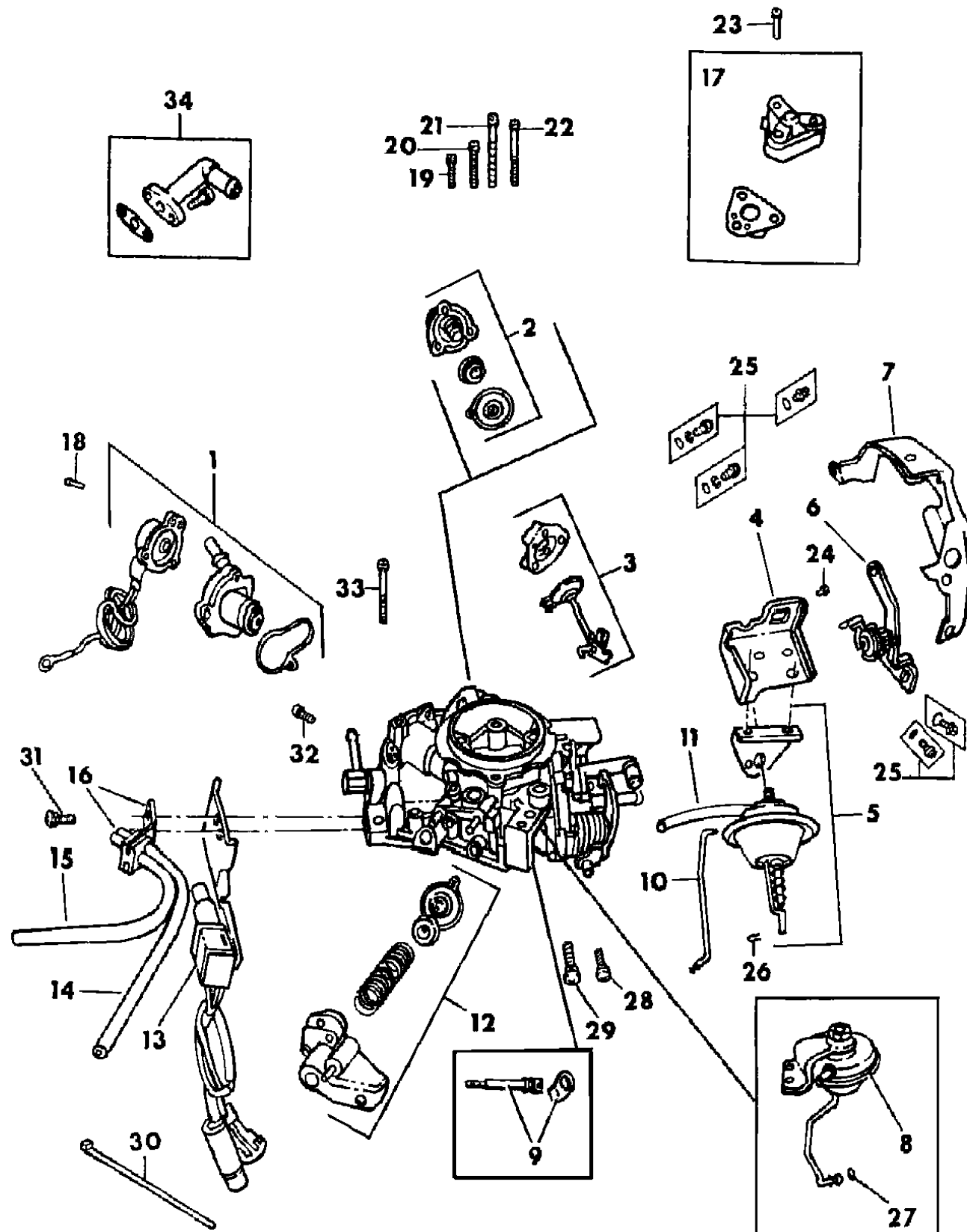
52-53 = FWD WAGON

AR = Use as Required - = Non Illustrated Part P.A.R. = Paint as Required

CARBURETOR EXTERNAL COMPONENTS 2.6L ENGINE

Figure 14-2100

7114 2100C



ITEM	PART NUMBER	QTY	BODY	MODEL	DESCRIPTION
1	MD60 8222	1			VALVE, Bowl Vent
2	MD60 8567	1			VALVE PACKAGE, Coasting Air, Calif. and H/Alt.
3	MD60 8570	1			BREAKER PACKAGE, Choke Calif.
	MD61 2673	1			Exc. Calif.
4	MD60 8640	1			BRACKET, Cable
5	MD60 8603	1			BODY, Depression Chamber
6	MD61 2665	1			ARM, w/Pinion, Carb Exc. Calif.
	MD60 8576	1			Calif.
7	MD60 8599	1			COVER, Choke, Carb
8	MD60 8422	1			OPENER PACKAGE, Throttle
9					JET, Pilot
	MD60 8281	1			(#60), Except Calif. and H/Alt.
	MD60 8241	1			(#58.8), Calif. and H/Alt.
10	MD60 6854	1			ROD, Choke
11	MD60 6951	1			HOSE, Vacuum 1000
12	MD60 8563	1			VALVE PACKAGE, Air Switching, Calif. and H/Alt.
13	MD61 2221	1			SENSOR, A/C Cut-Out Switch
14	MD03 0204	1			HOSE, Vacuum 140
15					HOSE, Vacuum
	MD03 0241	1			Green 140, Except Calif.
	MD03 1102	1			Light Blue 150, Calif.
16	MD60 8605	1			JOINT PACKAGE
17					BODY, Enrichment Valve
	MD61 2662	1			Exc. Calif. and H/Alt.
	MD60 6933	1			Calif.
	MD61 2706	1			H/Alt.
18	MF35 0029	1			SCREW and WASHER (4x20)
19	MF35 0056	3			SCREW and WASHER (5x30)
20	MF35 0061	1			SCREW and WASHER (5x45)
21	MD61 2411	1			SCREW and WASHER (5x80)
22	MD60 6865	2			SCREW and WASHER (5x70)
23	MF35 0031	6			SCREW and WASHER (4x25)
24	MF35 0048	1			SCREW and WASHER (5x12)
25	MD60 6977	1			SCREW PACKAGE, Choke Cover
26	#MD60 6527	1			RETAINER, Snap
27	MD60 0213	1			SNAP RING

MODEL CODES

E BODY = (J - CARAVELLE)(E - 600)(T - NEW YORKER)

G BODY = (V24 - DAYTONA)

H BODY = (D44 - LANCER)(C44 - LEBARON GTS)

J BODY = (C - LEBARON)

K BODY = (P - RELIANT)(D - ARIES)(C - LEBAROND)/TOWN & COUNTRY)

L BODY = (M - HORIZON/TURISMO)(Z - OMNI/CHARGER)

M BODY = (B - GRAN FURY)(F - FIFTH AVE/NEWPORT)(G - DIPLOMAT)

P BODY = (P - SUNDANCE)(D - SHADOW)

S BODY = (H - VOYAGER)(K - RAM VAN/CARAVAN)

BODY STYLES

12-13 = FWD VAN

21 = 2-DOOR SEDAN

24 = 2-DOOR HATCHBACK

27 = 2-DOOR CONVERTIBLE

41 = 4-DOOR SEDAN

44 = 4-DOOR HATCHBACK

45 = 4-DOOR STATION WAGON

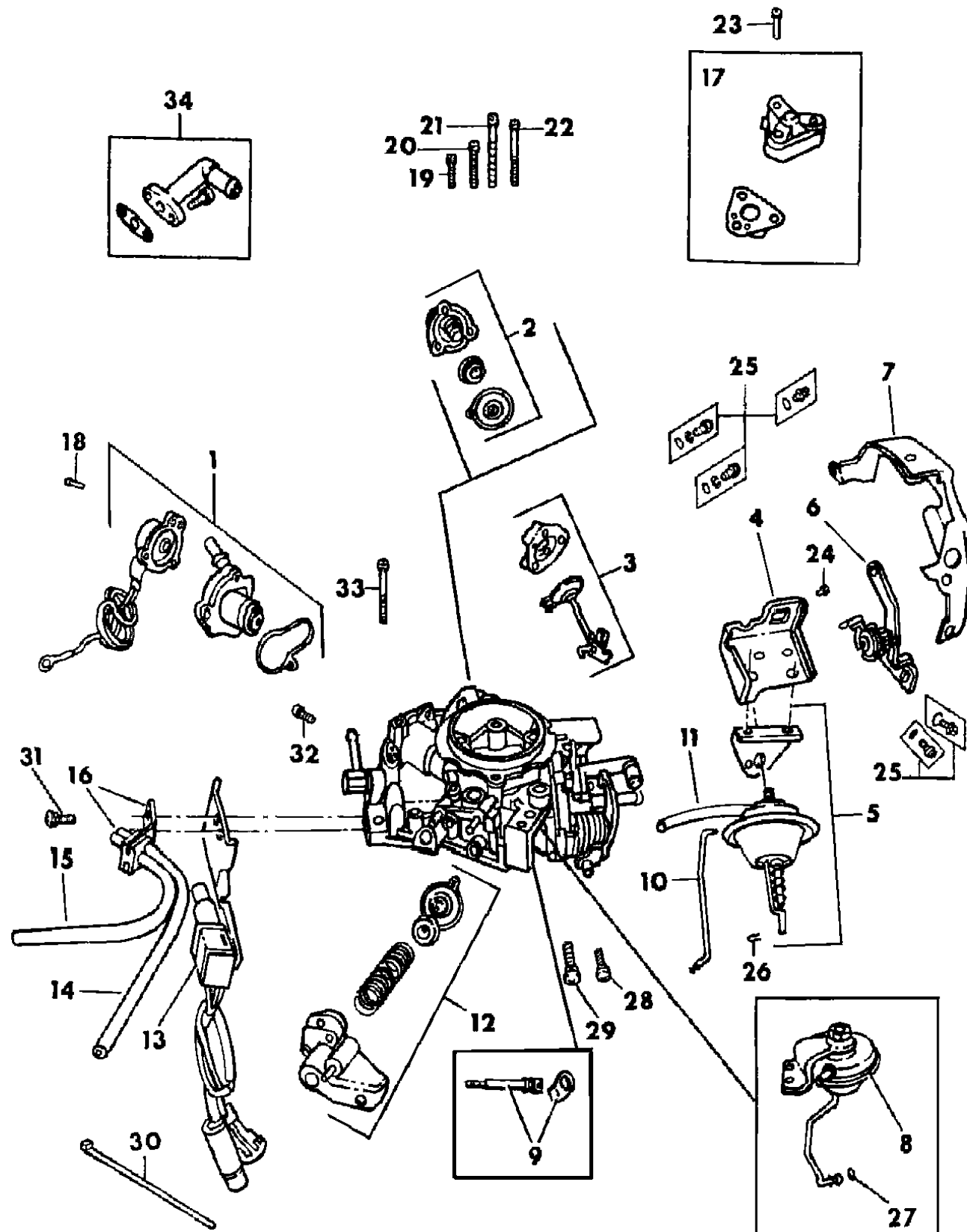
52-53 = FWD WAGON

AR = Use as Required - = Non Illustrated Part P.A.R. = Paint as Required

CARBURETOR EXTERNAL COMPONENTS 2.6L ENGINE

Figure 14-2100

7114 2100C



ITEM	PART NUMBER	QTY	BODY	MODEL	DESCRIPTION
28	MF35 0032	1			SCREW and WASHER (4x28)
29	MF35 0026	2			SCREW and WASHER (4x14)
30	MD60 6222	3			CLIP
31	MF35 0047	AR			SCREW and WASHER (5x10)
	MD60 8609	AR			
32	MF35 0049	2			SCREW and WASHER (5x14)
33	MD60 6948	1			SCREW and WASHER (5x65)
34	MD61 2912	1			ELBOW, Water Outlet

MODEL CODES

E BODY = (J - CARAVELLE)(E - 600)(T - NEW YORKER)

G BODY = (V24 - DAYTONA)

H BODY = (D44 - LANCER)(C44 - LEBARON GTS)

J BODY = (C - LEBARON)

K BODY = (P - RELIANT)(D - ARIES)(C - LEBAROND)/TOWN & COUNTRY)

L BODY = (M - HORIZON/TURISMO)(Z - OMNI/CHARGER)

M BODY = (B - GRAN FURY)(F - FIFTH AVE/NEWPORT)(G - DIPLOMAT)

P BODY = (P - SUNDANCE)(D - SHADOW)

S BODY = (H - VOYAGER)(K - RAM VAN/CARAVAN)

BODY STYLES

12-13 = FWD VAN

21 = 2-DOOR SEDAN

24 = 2-DOOR HATCHBACK

27 = 2-DOOR CONVERTIBLE

41 = 4-DOOR SEDAN

44 = 4-DOOR HATCHBACK

45 = 4-DOOR STATION WAGON

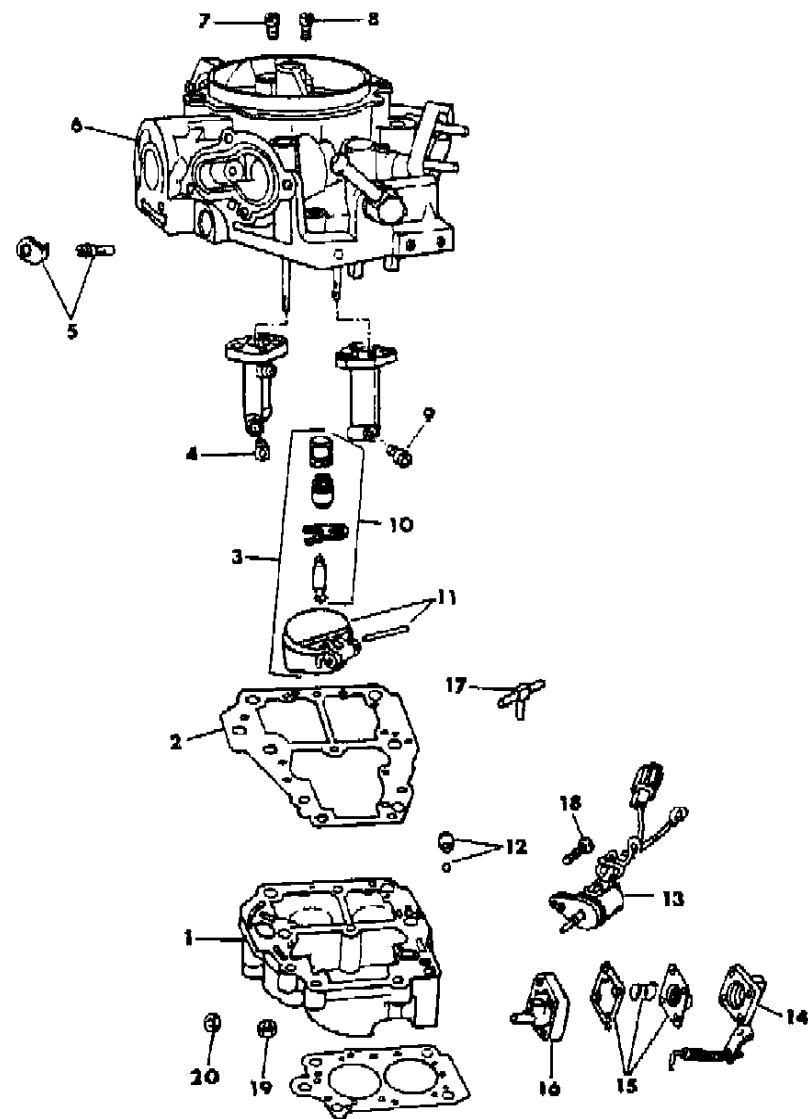
52-53 = FWD WAGON

AR = Use as Required - = Non Illustrated Part P.A.R. = Paint as Required

CARBURETOR INTERNAL COMPONENTS 2.6L ENGINE

Figure 14-2200

7114 2200 A



ITEM	PART NUMBER	QTY	BODY	MODEL	DESCRIPTION
1					BODY, Mixing
	MD61 2664	1			Exc. Calif. and H/Alt.
	MD60 8166	1			Calif.
	MD61 2709	1			H/Alt.
2					GASKET, Float Chamber Cover
	MD61 2412	1			Exc. Calif.
	MD60 8135	1			Calif.
3					FLOAT and NEEDLE VALVE KIT
	MD61 2534	1			Exc. Calif.
	MD61 2217	1			Calif.
4	MD60 6234	1			JET, Main (#185)
5	MD60 6847	1			JET, Pilot (#75)
6					COVER, Float Chamber
	MD61 2661	1			Exc. Calif. and H/Alt.
	MD61 2085	1			Calif.
	MD61 2705	1			H/Alt.
7					JET, Main
	MD60 6377	1			#95, Exc. H/Alt.
	MD60 8007	1			Mixture Pilot, H/Alt.
8					JET
	MD60 0116	1			#60
	MD60 6848	1			#65, Exc. Calif. and H/Alt.
9					JET, Main
	MD60 8280	1			#114.4, Exc. Calif. and H/Alt.
	MD60 8240	1			#116.9, Calif.
	MD60 8003	1			#75, Exc. H/Alt.
	MD60 0027	1			#55, H/Alt.
	MD60 6929	1			#116.3, H/Alt.
10	MD60 6931	1			VALVE PACKAGE, Needle
11					FLOAT and PIN
	MD61 2533	1			Exc. Calif.
	MD61 2213	1			Calif.
12	MD60 6852	1			VALVE PACKAGE, Pump Check
13	MD60 6943	1			SOLENOID
14					COVER, Pump
	MD61 2600	1			Exc. Calif. and H/Alt.
	MD60 6850	1			Calif.
	MD61 2710	1			H/Alt.

MODEL CODES

E BODY = (J - CARAVELLE)(E - 600)(T - NEW YORKER)

G BODY = (V24 - DAYTONA)

H BODY = (D44 - LANCER)(C44 - LEBARON GTS)

J BODY = (C - LEBARON)

K BODY = (P - RELIANT)(D - ARIES)(C - LEBAROND)/TOWN & COUNTRY)

L BODY = (M - HORIZON/TURISMO)(Z - OMNI/CHARGER)

M BODY = (B - GRAN FURY)(F - FIFTH AVE/NEWPORT)(G - DIPLOMAT)

P BODY = (P - SUNDANCE)(D - SHADOW)

S BODY = (H - VOYAGER)(K - RAM VAN/CARAVAN)

BODY STYLES

12-13 = FWD VAN

21 = 2-DOOR SEDAN

24 = 2-DOOR HATCHBACK

27 = 2-DOOR CONVERTIBLE

41 = 4-DOOR SEDAN

44 = 4-DOOR HATCHBACK

45 = 4-DOOR STATION WAGON

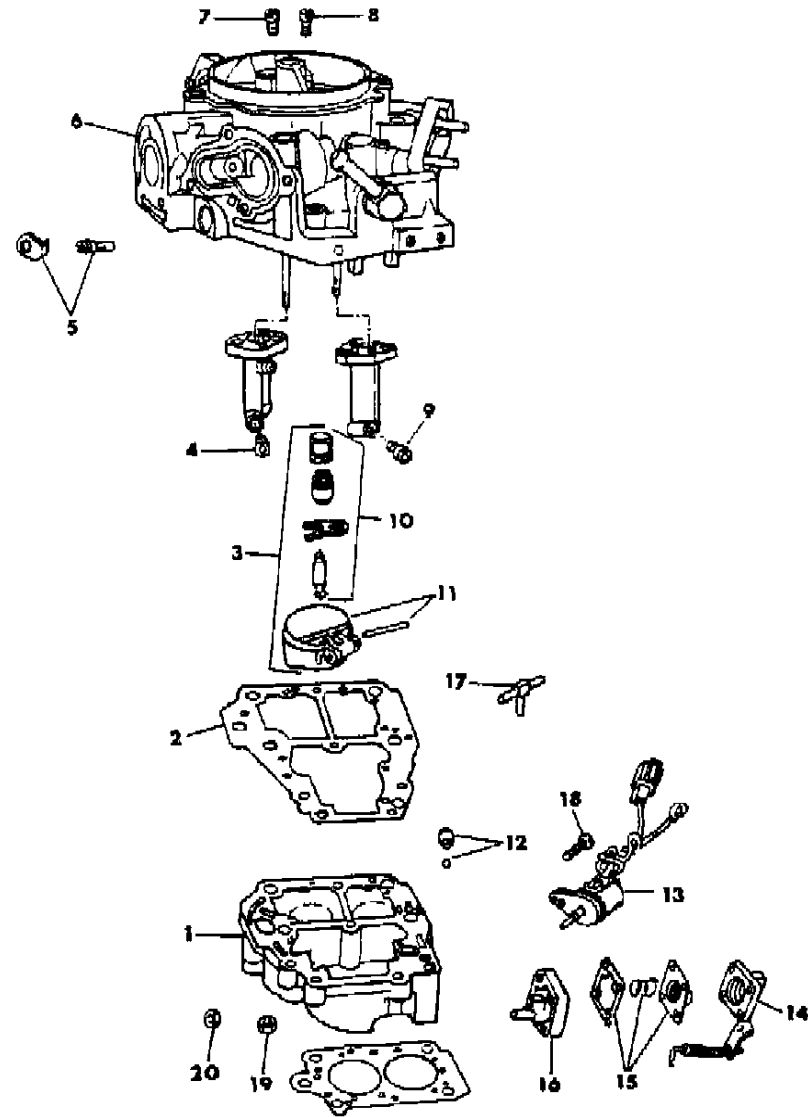
52-53 = FWD WAGON

AR = Use as Required - = Non Illustrated Part P.A.R. = Paint as Required

CARBURETOR INTERNAL COMPONENTS 2.6L ENGINE

Figure 14-2200

7114 2200 A



ITEM	PART NUMBER	QTY	BODY	MODEL	DESCRIPTION
15	MD60 6849	1			DIAPHRAGM PACKAGE, Pump
16	MD60 6851	1			BODY, Pump
17	MD00 1865	1			TEE
18	MF35 0050	1			SCREW and WASHER (5x16)
19	MF43 0003	4			NUT (5)
20	MF43 0002	4			NUT (4)

MODEL CODES

E BODY = (J - CARAVELLE)(E - 600)(T - NEW YORKER)

G BODY = (V24 - DAYTONA)

H BODY = (D44 - LANCER)(C44 - LEBARON GTS)

J BODY = (C - LEBARON)

K BODY = (P - RELIANT)(D - ARIES)(C - LEBAROND)/TOWN & COUNTRY)

L BODY = (M - HORIZON/TURISMO)(Z - OMNI/CHARGER)

M BODY = (B - GRAN FURY)(F - FIFTH AVE/NEWPORT)(G - DIPLOMAT)

P BODY = (P - SUNDANCE)(D - SHADOW)

S BODY = (H - VOYAGER)(K - RAM VAN/CARAVAN)

BODY STYLES

12-13 = FWD VAN

21 = 2-DOOR SEDAN

24 = 2-DOOR HATCHBACK

27 = 2-DOOR CONVERTIBLE

41 = 4-DOOR SEDAN

44 = 4-DOOR HATCHBACK

45 = 4-DOOR STATION WAGON

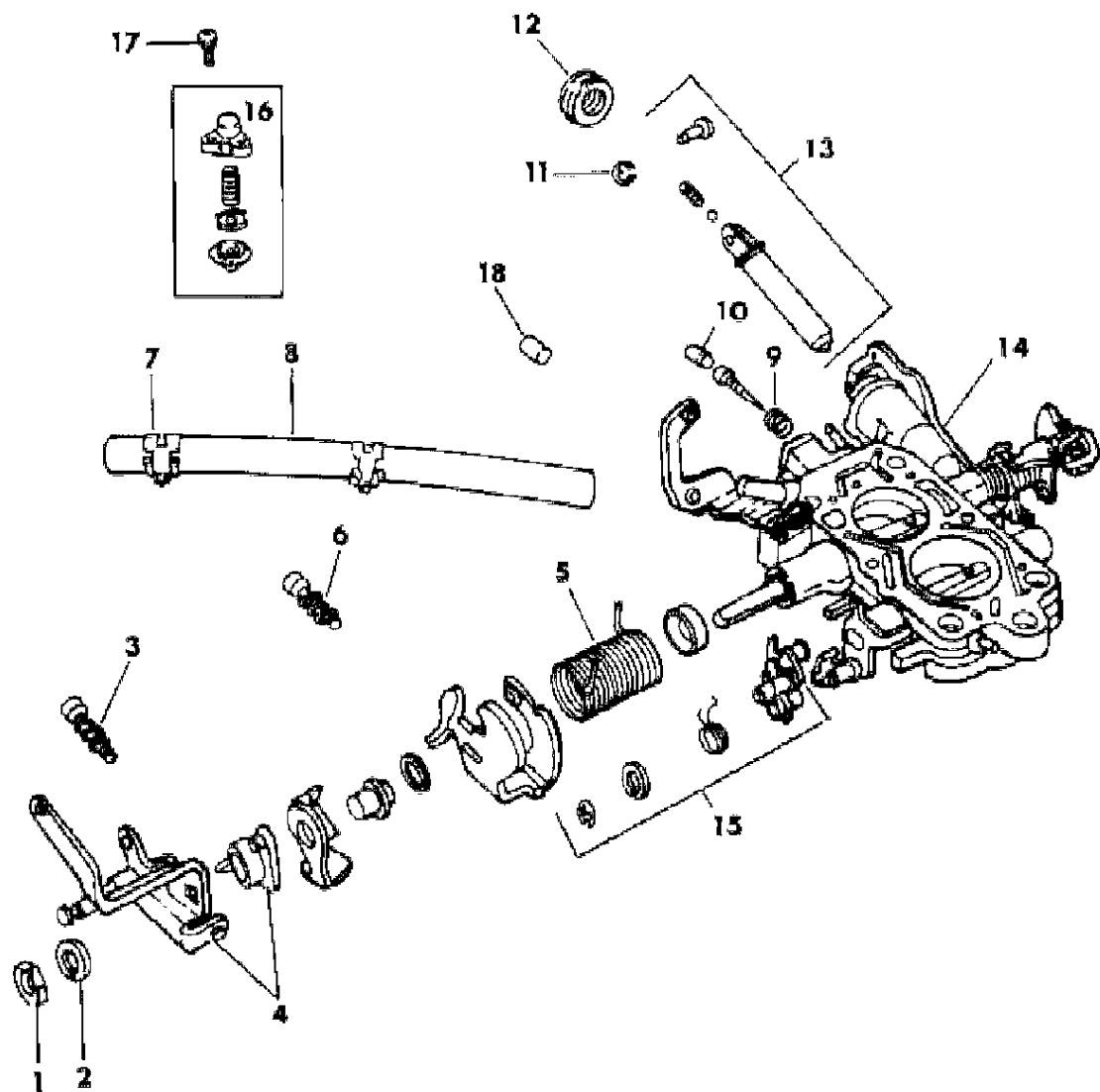
52-53 = FWD WAGON

AR = Use as Required - = Non Illustrated Part P.A.R. = Paint as Required

CARBURETOR THROTTLE BODY COMPONENTS 2.6L ENGINE

Figure 14-2300

7114 2300 A



ITEM	PART NUMBER	QTY	BODY	MODEL	DESCRIPTION
1	MD60 0059	1			NUT (8x1)
2	MF45 0405	1			WASHER, Spring (8)
3	#MD60 6517	1			SCREW PACKAGE, Fast Idle Adjusting
4	MD60 8160	1			LEVER, Throttle
5					SPRING
	MD61 2149	1			Exc. Calif. and H/Alt.
	MD61 2150	1			Calif. and H/Alt.
6	MD60 6855	1			SCREW PACKAGE, Speed Adjusting
7	MS66 0164	2			CLIP, Hose
8	MD60 6941	1			HOSE, Water
9	MD60 6939	1			SCREW PACKAGE, Mixture Adjusting
10	MD60 8086	1			PLUG
11	#MD60 6522	1			SNAP RING, Calif. and H/Alt.
12	MD60 6523	1			CAP, Rubber, Calif. and H/Alt.
13	MD61 2220	1			VALVE PACKAGE, Sub EGR, Calif. and H/Alt.
14					BODY, Throttle
	MD61 2437	1			Exc. Calif., H/Alt. and Canada
	MD61 2223	1			Calif., and H/Alt.
	MD61 2438	1			Canada
15	MD60 6938	1			SPRING PACKAGE, Secondary
16	MD60 8569	1			VALVE PACKAGE, Jet Air Control, Calif. and H/Alt.
17	MF35 0027	3			SCREW and WASHER, Calif. and H/Alt. (4x16)
18	MD02 6761	1			CAP, Rubber, Calif. and H/Alt.

MODEL CODES

E BODY = (J - CARAVELLE)(E - 600)(T - NEW YORKER)

G BODY = (V24 - DAYTONA)

H BODY = (D44 - LANCER)(C44 - LEBARON GTS)

J BODY = (C - LEBARON)

K BODY = (P - RELIANT)(D - ARIES)(C - LEBAROND)/TOWN & COUNTRY)

L BODY = (M - HORIZON/TURISMO)(Z - OMNI/CHARGER)

M BODY = (B - GRAN FURY)(F - FIFTH AVE/NEWPORT)(G - DIPLOMAT)

P BODY = (P - SUNDANCE)(D - SHADOW)

S BODY = (H - VOYAGER)(K - RAM VAN/CARAVAN)

BODY STYLES

12-13 = FWD VAN

21 = 2-DOOR SEDAN

24 = 2-DOOR HATCHBACK

27 = 2-DOOR CONVERTIBLE

41 = 4-DOOR SEDAN

44 = 4-DOOR HATCHBACK

45 = 4-DOOR STATION WAGON

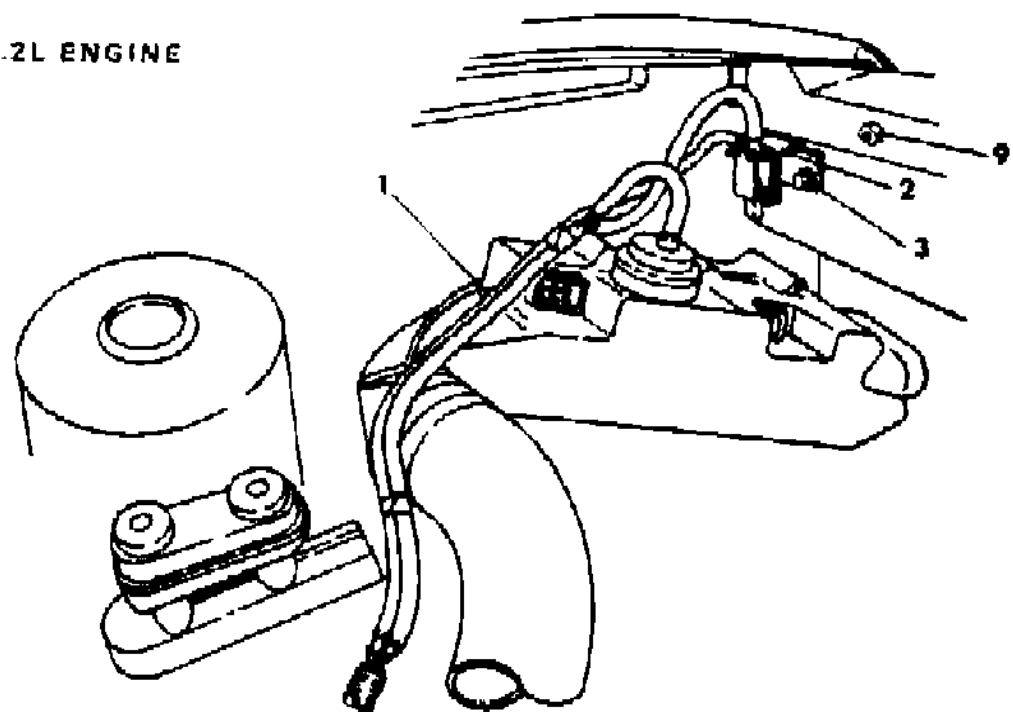
52-53 = FWD WAGON

AR = Use as Required - = Non Illustrated Part P.A.R. = Paint as Required

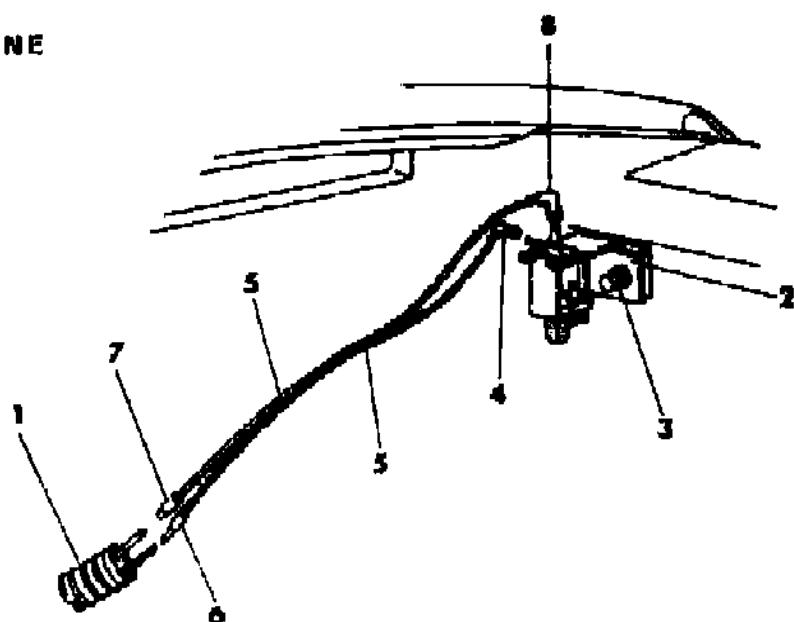
AIR CONDITION IDLE UP SYSTEM S BODY
Figure 14-2400

7114 2400 A

2.2L ENGINE



2.6L ENGINE



ITEM	PART NUMBER	QTY	BODY	MODEL	DESCRIPTION
1					HARNES, EGR (refer to Group 25)
2	5226 524	1			SOLENOID, Idle-Up w/2.2L Engine
	5226 467	1			w/2.6L Engine
3					BOLT, Solenoid Mounting
	6032 473	1			w/2.6L Engine
		1			w/2.2L Engine (not serviced)
4	4213 766	1			ELBOW
5	3780 508	AR			HOSE
6	4268 681	1			CONNECTOR
7	4268 687	1			CONNECTOR
8	4213 774	1			ELBOW
9	6025 004	1			NUT, Solenoid Mounting, w/2.2L Engine

MODEL CODES

E BODY = (J - CARAVELLE)(E - 600)(T - NEW YORKER)

G BODY = (V24 - DAYTONA)

H BODY = (D44 - LANCER)(C44 - LEBARON GTS)

J BODY = (C - LEBARON)

K BODY = (P - RELIANT)(D - ARIES)(C - LEBAROND)/TOWN & COUNTRY)

L BODY = (M - HORIZON/TURISMO)(Z - OMNI/CHARGER)

M BODY = (B - GRAN FURY)(F - FIFTH AVE/NEWPORT)(G - DIPLOMAT)

P BODY = (P - SUNDANCE)(D - SHADOW)

S BODY = (H - VOYAGER)(K - RAM VAN/CARAVAN)

BODY STYLES

12-13 = FWD VAN

21 = 2-DOOR SEDAN

24 = 2-DOOR HATCHBACK

27 = 2-DOOR CONVERTIBLE

41 = 4-DOOR SEDAN

44 = 4-DOOR HATCHBACK

45 = 4-DOOR STATION WAGON

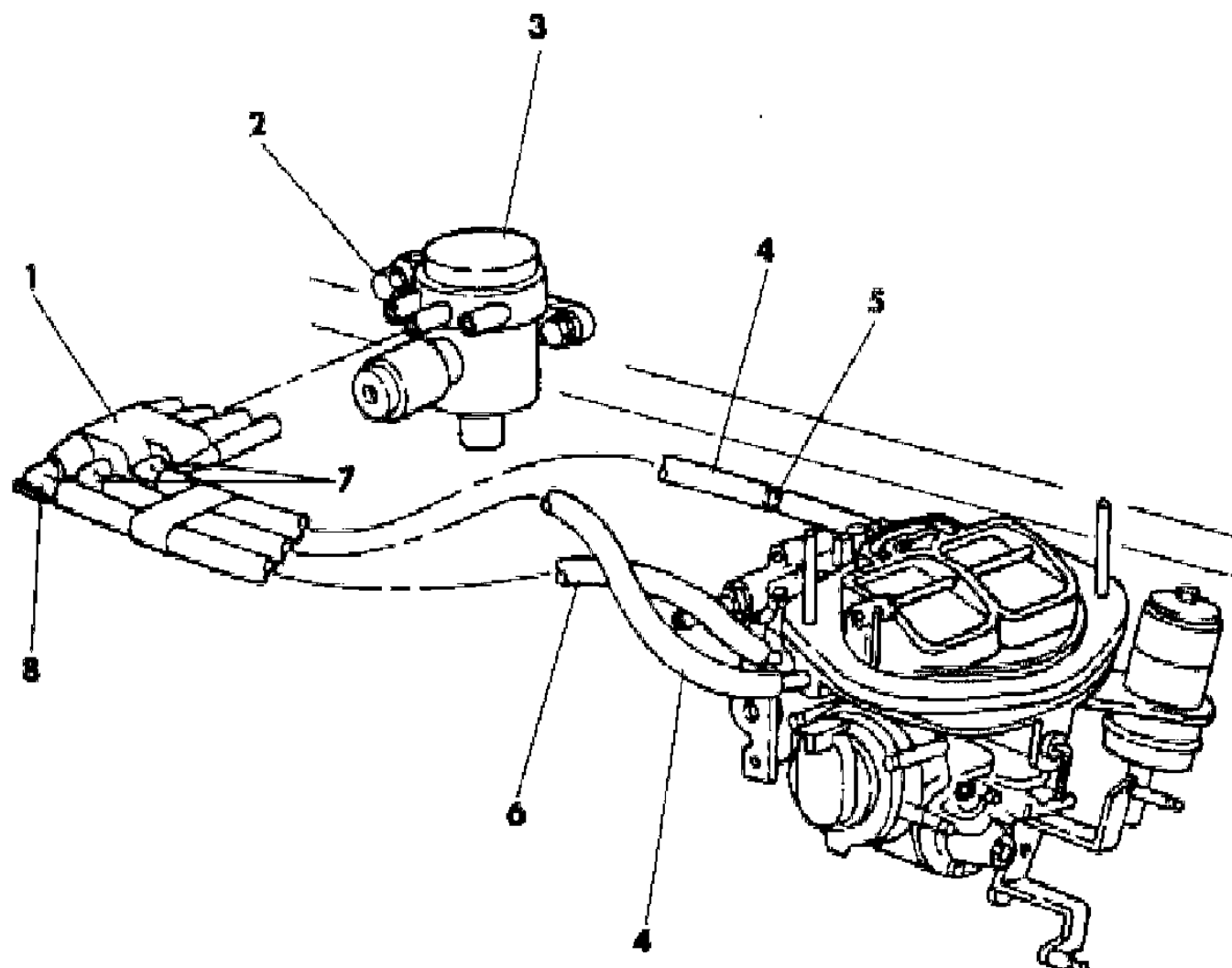
52-53 = FWD WAGON

AR = Use as Required - = Non Illustrated Part P.A.R. = Paint as Required

HIGH ALTITUDE SYSTEM 2.2L ENGINE L BODY
Figure 14-2500

7114 2500

ITEM	PART NUMBER	QTY	BODY	MODEL	DESCRIPTION
1	4241 599	1			CONNECTOR, 3 Port Aneroid
2	6032 468	2			BOLT, Compensator Mounting
3	4306 202	1			COMPENSATOR, w/Filter, High Altitude
4	4203 211	AR			HOSE, Rubber 1/4" (serv in 50ft. roll)
5	4275 636	1			CONNECTOR, 1/4 x 1/4
6	4203 106	AR			HOSE, Rubber 3/16" (serv in 50ft. roll)
	4324 068	1			PLUG, Secondary Main Altitude Hose
7	4275 637	2			ELBOW, 1/4 x 1/4
8	4100 727	1			ELBOW, 3/16 x 3/16



MODEL CODES

E BODY = (J - CARAVELLE)(E - 600)(T - NEW YORKER)

G BODY = (V24 - DAYTONA)

H BODY = (D44 - LANCER)(C44 - LEBARON GTS)

J BODY = (C - LEBARON)

K BODY = (P - RELIANT)(D - ARIES)(C - LEBAROND)/TOWN & COUNTRY)

L BODY = (M - HORIZON/TURISMO)(Z - OMNI/CHARGER)

M BODY = (B - GRAN FURY)(F - FIFTH AVE/NEWPORT)(G - DIPLOMAT)

P BODY = (P - SUNDANCE)(D - SHADOW)

S BODY = (H - VOYAGER)(K - RAM VAN/CARAVAN)

BODY STYLES

12-13 = FWD VAN

21 = 2-DOOR SEDAN

24 = 2-DOOR HATCHBACK

27 = 2-DOOR CONVERTIBLE

41 = 4-DOOR SEDAN

44 = 4-DOOR HATCHBACK

45 = 4-DOOR STATION WAGON

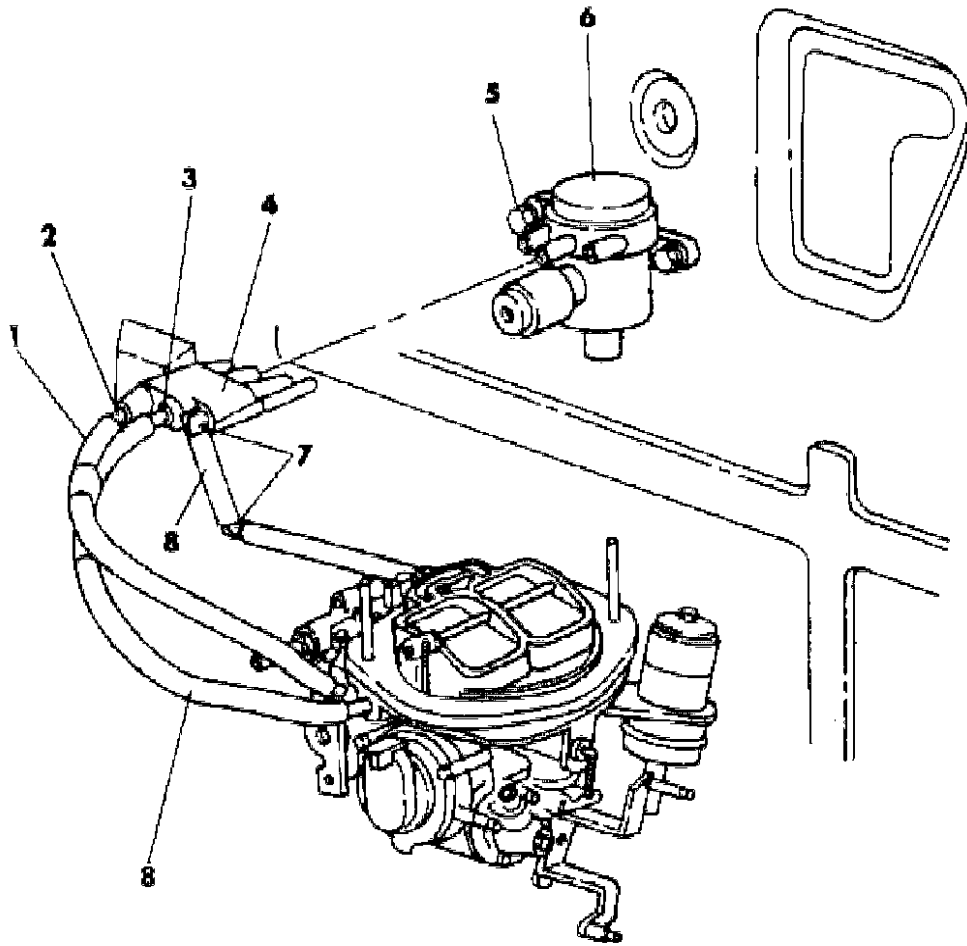
52-53 = FWD WAGON

AR = Use as Required - = Non Illustrated Part P.A.R. = Paint as Required

HIGH ALTITUDE SYSTEM 2.2L ENGINE S BODY
Figure 14-2600

7114 2800

ITEM	PART NUMBER	QTY	BODY	MODEL	DESCRIPTION
1	4203 106	AR			HOSE, Rubber 3/16" (serv in 50ft. roll)
2	4104 998	1			CONNECTOR, 3/16 x 3/16
3	4275 636	1			CONNECTOR, 1/4 x 1/4
4	4241 599	1			CONNECTOR, 3 Port Aneroid
5	6032 468	2			BOLT, Compensator Mounting
6	4306 202	1			COMPENSATOR, w/Filter, High Altitude
7	4275 637	2			ELBOW, 1/4 x 1/4
8	4203 211	AR			HOSE, Rubber 1/4" (serv in 50ft. roll)



MODEL CODES

E BODY = (J - CARAVELLE)(E - 600)(T - NEW YORKER)

G BODY = (V24 - DAYTONA)

H BODY = (D44 - LANCER)(C44 - LEBARON GTS)

J BODY = (C - LEBARON)

K BODY = (P - RELIANT)(D - ARIES)(C - LEBAROND)/TOWN & COUNTRY)

L BODY = (M - HORIZON/TURISMO)(Z - OMNI/CHARGER)

M BODY = (B - GRAN FURY)(F - FIFTH AVE/NEWPORT)(G - DIPLOMAT)

P BODY = (P - SUNDANCE)(D - SHADOW)

S BODY = (H - VOYAGER)(K - RAM VAN/CARAVAN)

BODY STYLES

12-13 = FWD VAN

21 = 2-DOOR SEDAN

24 = 2-DOOR HATCHBACK

27 = 2-DOOR CONVERTIBLE

41 = 4-DOOR SEDAN

44 = 4-DOOR HATCHBACK

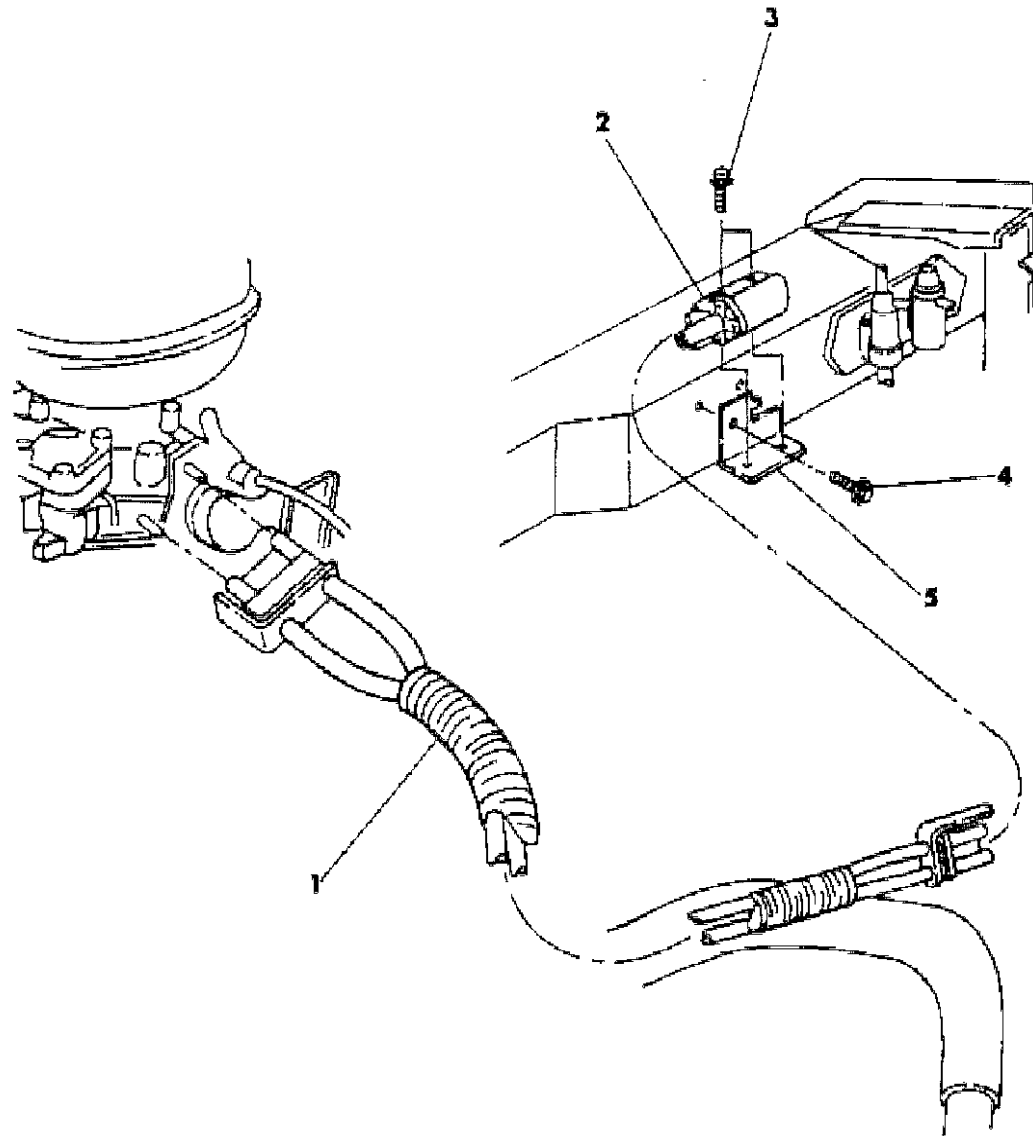
45 = 4-DOOR STATION WAGON

52-53 = FWD WAGON

AR = Use as Required - = Non Illustrated Part P.A.R. = Paint as Required

HIGH ALTITUDE SYSTEM 2.6L ENGINE S BODY
Figure 14-2700

7114 2700



ITEM	PART NUMBER	QTY	BODY	MODEL	DESCRIPTION
1	MD02 5243	1			HARNES, Vacuum
2	MD02 6725	1			COMPENSATOR, High Altitude
3		2			SCREW, Compensator Mounting (1/4-14x3/4) (not serviced)
4		1			SCREW, Compensator Bracket Mounting (1/4-14x1/2) (not serviced)
5	4105 200	1			BRACKET, Compensator Mounting

MODEL CODES

E BODY = (J - CARAVELLE)(E - 600)(T - NEW YORKER)

G BODY = (V24 - DAYTONA)

H BODY = (D44 - LANCER)(C44 - LEBARON GTS)

J BODY = (C - LEBARON)

K BODY = (P - RELIANT)(D - ARIES)(C - LEBAROND)/TOWN & COUNTRY)

L BODY = (M - HORIZON/TURISMO)(Z - OMNI/CHARGER)

M BODY = (B - GRAN FURY)(F - FIFTH AVE/NEWPORT)(G - DIPLOMAT)

P BODY = (P - SUNDANCE)(D - SHADOW)

S BODY = (H - VOYAGER)(K - RAM VAN/CARAVAN)

BODY STYLES

12-13 = FWD VAN

21 = 2-DOOR SEDAN

24 = 2-DOOR HATCHBACK

27 = 2-DOOR CONVERTIBLE

41 = 4-DOOR SEDAN

44 = 4-DOOR HATCHBACK

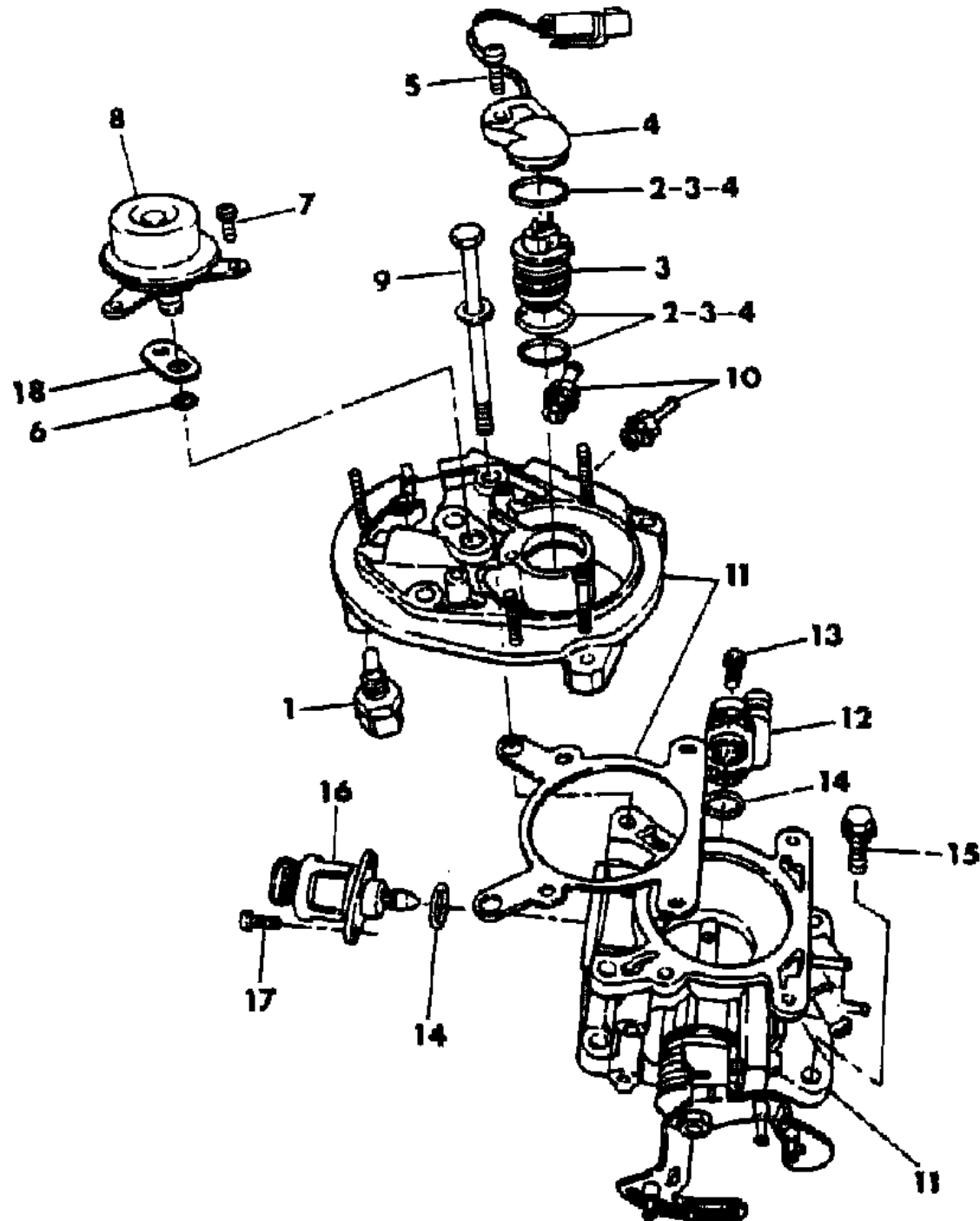
45 = 4-DOOR STATION WAGON

52-53 = FWD WAGON

AR = Use as Required - = Non Illustrated Part P.A.R. = Paint as Required

THROTTLE BODY E.F.I.
Figure 14-2800

7114 2800A



ITEM	PART NUMBER	QTY	BODY	MODEL	DESCRIPTION
1	4300 251	1			SENSOR, Temp.
2	4300 254	1			O-RING PACKAGE, Injector and Injector Cap
3	4300 257	1			INJECTOR, w/O-Rings 2.2L Engine, 2.5L Engine
	4418 118	1	S		2.5L Engine
4	4300 262	1			CAP, w/O-Rings, Injector
5	4300 258	1			SCREW, Injector Cap Attaching
6	4418 150	1			O-RING, Pressure Regulator
7	4300 259	1			SCREW PACKAGE, Pressure Regulator Attaching
8	4300 263	1			REGULATOR, O-RING and GASKET PACKAGE, Pressure
9	6501 324	2			SCREW, Throttle Body Attaching
10	4300 252	1			FITTING PACKAGE, Fuel Supply and Return
11					BODY, Throttle
	4397 720	1	PKEH		2.2L Engine
	4397 721	1	EGHJK		2.5L Engine
	4288 264	1	S		2.5L Engine
12	4288 898	1			SENSOR, Throttle Position
13	4287 383	1			SCREW, Throttle Position Sensor
14	4300 255	1			O-RING, Throttle Position Sensor or A.I.S. Motor
15	6500 192	2			SCREW, Throttle Body Mounting
16	4419 639	1			MOTOR, w/O-Ring, A.I.S.
17	4300 260	1			SCREW PACKAGE, A.I.S Motor Attaching
18	4418 151	1			GASKET, Pressure Regulator
19	5277 575	1	S		ADAPTER PACKAGE, w/2.5L Engine ***

MODEL CODES

E BODY = (J - CARAVELLE)(E - 600)(T - NEW YORKER)

G BODY = (V24 - DAYTONA)

H BODY = (D44 - LANCER)(C44 - LEBARON GTS)

J BODY = (C - LEBARON)

K BODY = (P - RELIANT)(D - ARIES)(C - LEBAROND)/TOWN & COUNTRY)

L BODY = (M - HORIZON/TURISMO)(Z - OMNI/CHARGER)

M BODY = (B - GRAN FURY)(F - FIFTH AVE/NEWPORT)(G - DIPLOMAT)

P BODY = (P - SUNDANCE)(D - SHADOW)

S BODY = (H - VOYAGER)(K - RAM VAN/CARAVAN)

BODY STYLES

12-13 = FWD VAN

21 = 2-DOOR SEDAN

24 = 2-DOOR HATCHBACK

27 = 2-DOOR CONVERTIBLE

41 = 4-DOOR SEDAN

44 = 4-DOOR HATCHBACK

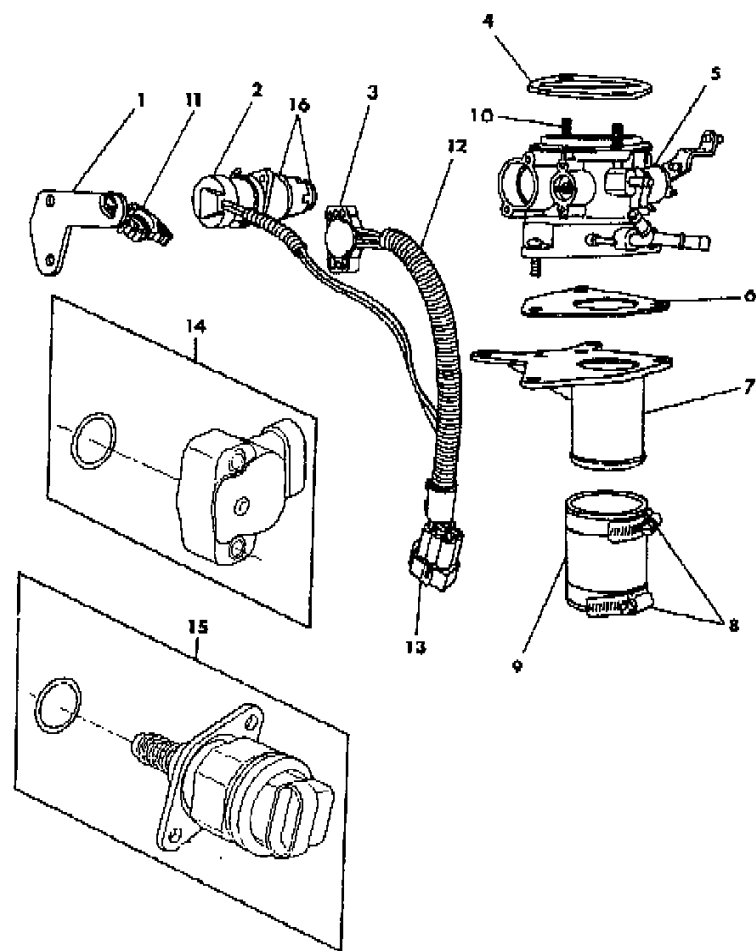
45 = 4-DOOR STATION WAGON

52-53 = FWD WAGON

AR = Use as Required - = Non Illustrated Part P.A.R. = Paint as Required

THROTTLE BODY AND ADAPTER TURBO CHARGER I - W/O INTER COOLER
Figure 14-2900

7114 2900 B



ITEM	PART NUMBER	QTY	BODY	MODEL	DESCRIPTION
1	4268 831	1			BRACKET
2	#4443 051	1			MOTOR PACKAGE, A.I.S.
3	5227 597	1			POTENTIOMETER PACKAGE
4	4275 356	1			GASKET, Throttle Body to Air Cleaner Adaptor
5					BODY, Throttle
	4307 283	1	EGHJKP		
	4307 257	1	L		
6	4268 804	1			GASKET, Throttle Body to Adaptor
7	4227 152	1			ADAPTOR, Throttle Body
8	6032 440	2			CLAMP
9	4323 444	1			HOSE
10	6501 068	2			STUD
11	6016 059	1			CLIP
12	4364 374	1			TUBING, Convoluted
13	4274 905	1			CONNECTOR, 6-Way
14	5226 624	1			POTENTIOMETER PACKAGE
15	4443 051	1			MOTOR PACKAGE, A.I.S.
16	4287 714	1			O-RING PACKAGE, A.I.S. Motor Item 2

MODEL CODES

E BODY = (J - CARAVELLE)(E - 600)(T - NEW YORKER)

G BODY = (V24 - DAYTONA)

H BODY = (D44 - LANCER)(C44 - LEBARON GTS)

J BODY = (C - LEBARON)

K BODY = (P - RELIANT)(D - ARIES)(C - LEBAROND)/TOWN & COUNTRY)

L BODY = (M - HORIZON/TURISMO)(Z - OMNI/CHARGER)

M BODY = (B - GRAN FURY)(F - FIFTH AVE/NEWPORT)(G - DIPLOMAT)

P BODY = (P - SUNDANCE)(D - SHADOW)

S BODY = (H - VOYAGER)(K - RAM VAN/CARAVAN)

BODY STYLES

12-13 = FWD VAN

21 = 2-DOOR SEDAN

24 = 2-DOOR HATCHBACK

27 = 2-DOOR CONVERTIBLE

41 = 4-DOOR SEDAN

44 = 4-DOOR HATCHBACK

45 = 4-DOOR STATION WAGON

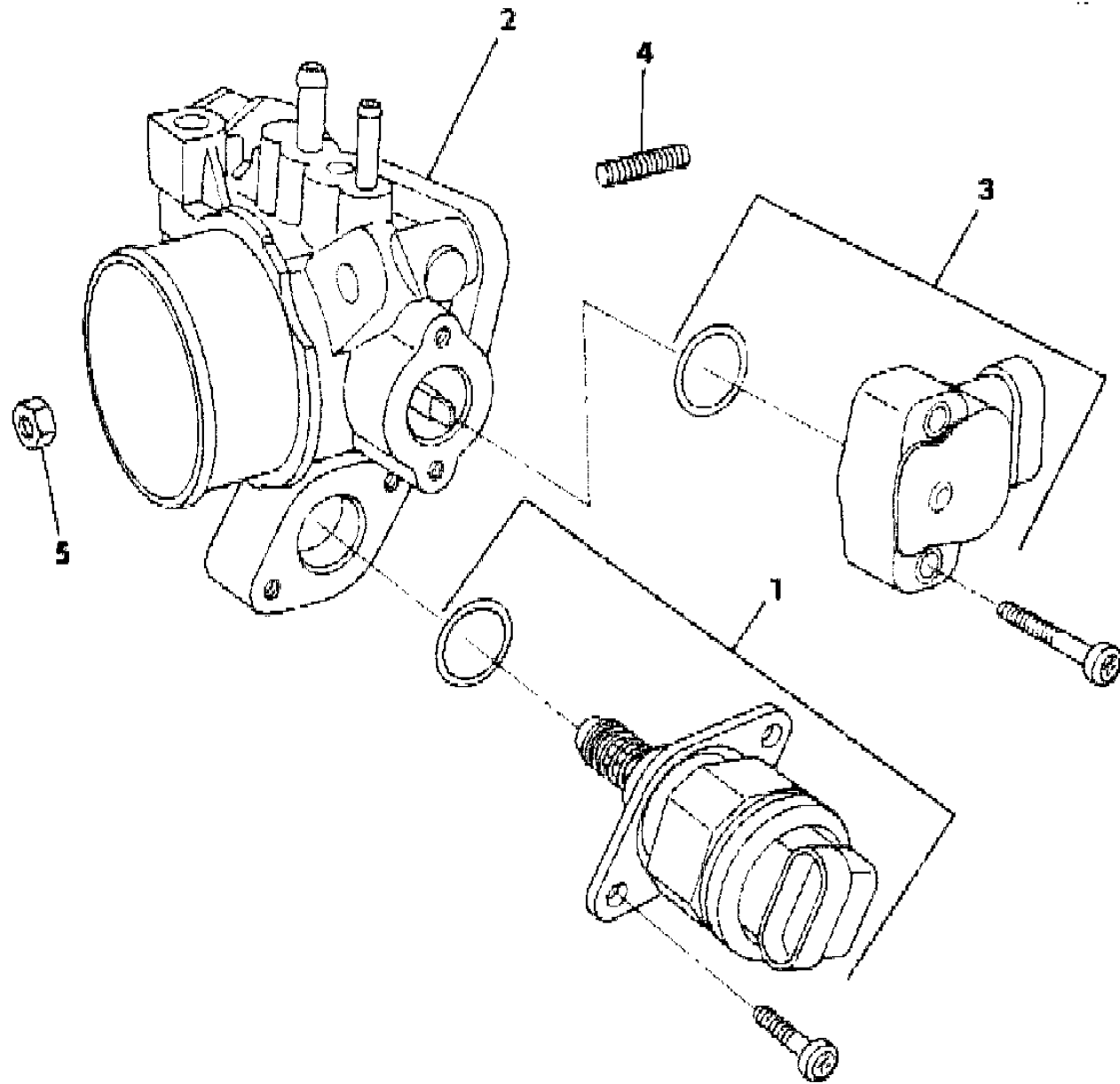
52-53 = FWD WAGON

AR = Use as Required - = Non Illustrated Part P.A.R. = Paint as Required

THROTTLE BODY TURBO CHARGER II - W/WINTER COOLER
Figure 14-3000

7114 3000A

ITEM	PART NUMBER	QTY	BODY	MODEL	DESCRIPTION
1	4467 002	1			MOTOR, A.I.S.
2	4288 270	1			BODY, Throttle
3	5226 924	1			POTENTIOMETER, Throttle
4	6100 737	2			STUD, Throttle Body Attaching
5	6100 050	2			NUT, Throttle Body Attaching



MODEL CODES
 E BODY = (J - CARAVELLE)(E - 600)(T - NEW YORKER) L BODY = (M - HORIZON/TURISMO)(Z - OMNI/CHARGER)
 G BODY = (V24 - DAYTONA) M BODY = (B - GRAN FURY)(F - FIFTH AVE/NEWPORT)(G - DIPLOMAT)
 H BODY = (D44 - LANCER)(C44 - LEBARON GTS) P BODY = (P - SUNDANCE)(D - SHADOW)
 J BODY = (C - LEBARON) S BODY = (H - VOYAGER)(K - RAM VAN/CARAVAN)
 K BODY = (P - RELIANT)(D - ARIES)(C - LEBAROND)/TOWN & COUNTRY)

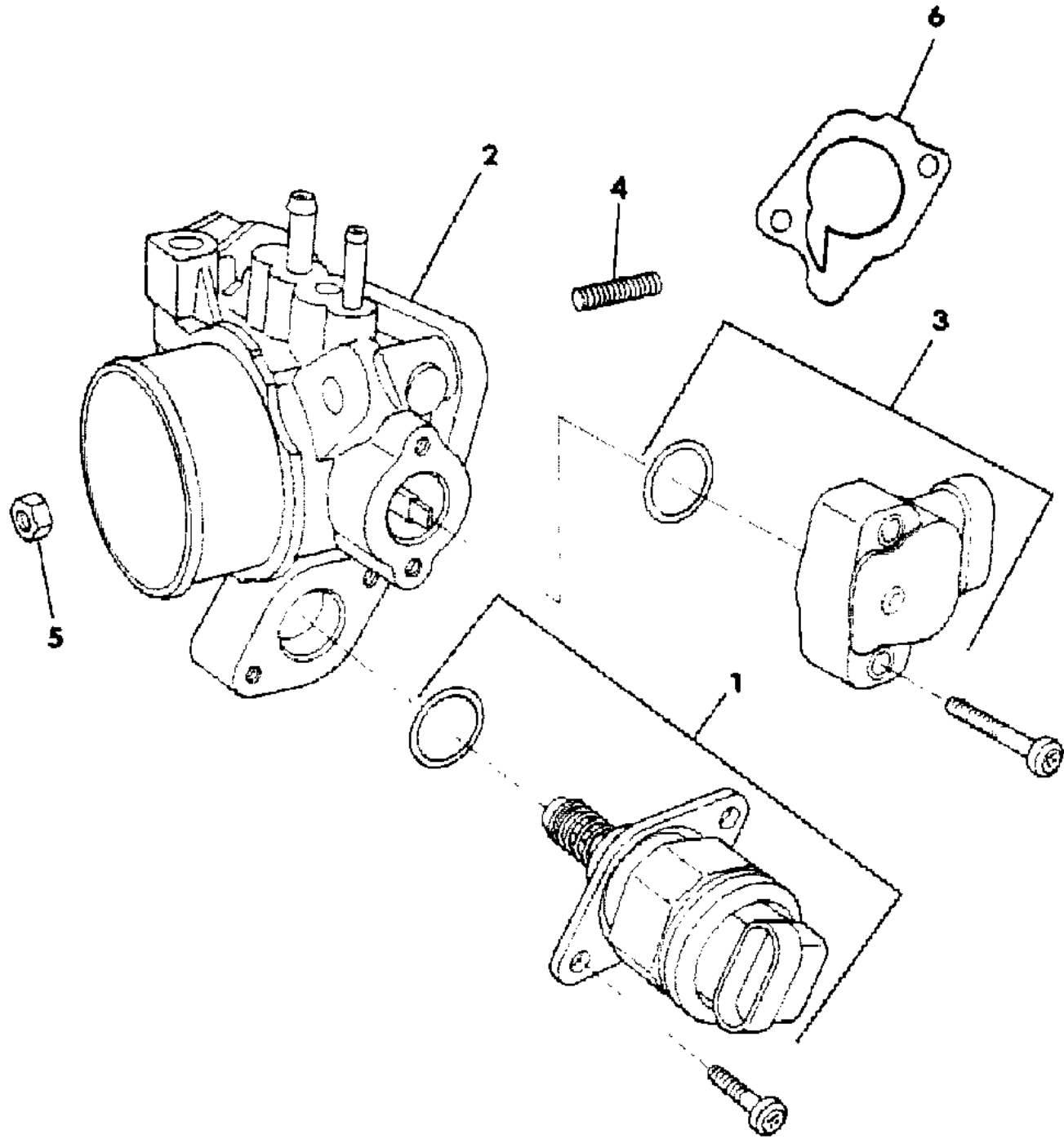
BODY STYLES
 12-13 = FWD VAN 41 = 4-DOOR SEDAN
 21 = 2-DOOR SEDAN 44 = 4-DOOR HATCHBACK
 24 = 2-DOOR HATCHBACK 45 = 4-DOOR STATION WAGON
 27 = 2-DOOR CONVERTIBLE 52-53 = FWD WAGON

AR = Use as Required - = Non Illustrated Part P.A.R. = Paint as Required

THROTTLE BODY TURBO CHARGER II L,P AND H BODY SHELBY
Figure 14-3025

7114 3025

ITEM	PART NUMBER	QTY	BODY	MODEL	DESCRIPTION
1	4307 897	1			MOTOR, A.I.S
2	4288 270	1			BODY, Throttle
3	5226 924	1			POTENTIOMETER, Throttle
4	6100 737	2			STUD, Throttle Body Attaching
5	6100 050	2			NUT, Throttle Body Attaching
6	4307 862	1			GASKET, Throttle Body to Intake Manifold



MODEL CODES

E BODY = (J - CARAVELLE)(E - 600)(T - NEW YORKER)

G BODY = (V24 - DAYTONA)

H BODY = (D44 - LANCER)(C44 - LEBARON GTS)

J BODY = (C - LEBARON)

K BODY = (P - RELIANT)(D - ARIES)(C - LEBAROND)/TOWN & COUNTRY)

L BODY = (M - HORIZON/TURISMO)(Z - OMNI/CHARGER)

M BODY = (B - GRAN FURY)(F - FIFTH AVE/NEWPORT)(G - DIPLOMAT)

P BODY = (P - SUNDANCE)(D - SHADOW)

S BODY = (H - VOYAGER)(K - RAM VAN/CARAVAN)

BODY STYLES

12-13 = FWD VAN

21 = 2-DOOR SEDAN

24 = 2-DOOR HATCHBACK

27 = 2-DOOR CONVERTIBLE

41 = 4-DOOR SEDAN

44 = 4-DOOR HATCHBACK

45 = 4-DOOR STATION WAGON

52-53 = FWD WAGON

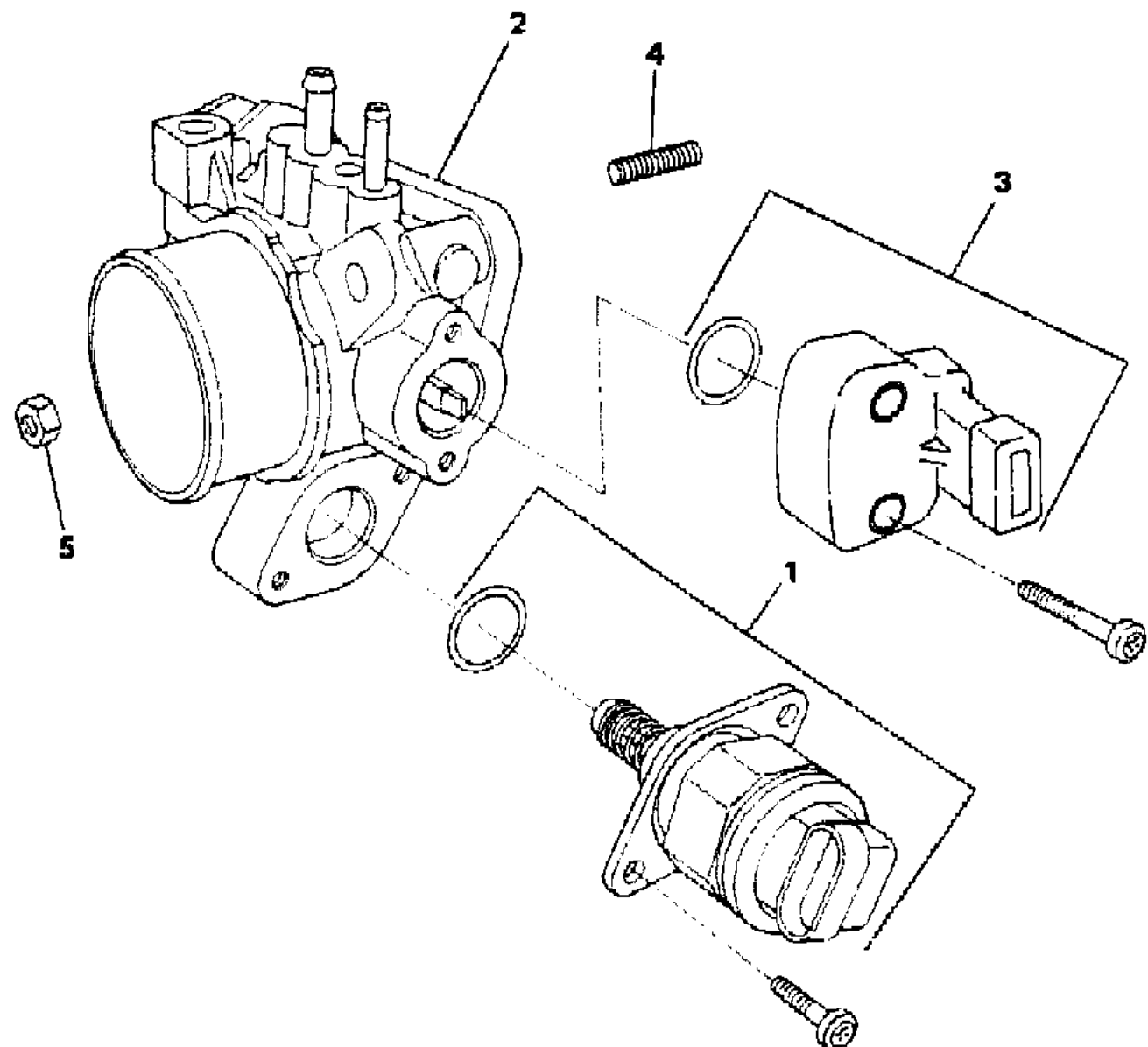
AR = Use as Required - = Non Illustrated Part P.A.R. = Paint as Required

THROTTLE BODY 3.0L ENGINE

Figure 14-3050

7114 3050

ITEM	PART NUMBER	QTY	BODY	MODEL	DESCRIPTION
1	4300 495	1			MOTOR, A.I.S.
	4287 382	1			SCREW
2	4307 615	1			BODY, Throttle (Includes Items #1,3)
3	4379 038	1			POTENTIOMETER, Throttle
	4287 383	1			SCREW
4	MS40 1337	2			STUD, Throttle Body Attaching
5	6100 050	2			NUT, Throttle Body Attaching



MODEL CODES

E BODY = (J - CARAVELLE)(E - 600)(T - NEW YORKER)

G BODY = (V24 - DAYTONA)

H BODY = (D44 - LANCER)(C44 - LEBARON GTS)

J BODY = (C - LEBARON)

K BODY = (P - RELIANT)(D - ARIES)(C - LEBAROND)/TOWN & COUNTRY)

L BODY = (M - HORIZON/TURISMO)(Z - OMNI/CHARGER)

M BODY = (B - GRAN FURY)(F - FIFTH AVE/NEWPORT)(G - DIPLOMAT)

P BODY = (P - SUNDANCE)(D - SHADOW)

S BODY = (H - VOYAGER)(K - RAM VAN/CARAVAN)

BODY STYLES

12-13 = FWD VAN

21 = 2-DOOR SEDAN

24 = 2-DOOR HATCHBACK

27 = 2-DOOR CONVERTIBLE

41 = 4-DOOR SEDAN

44 = 4-DOOR HATCHBACK

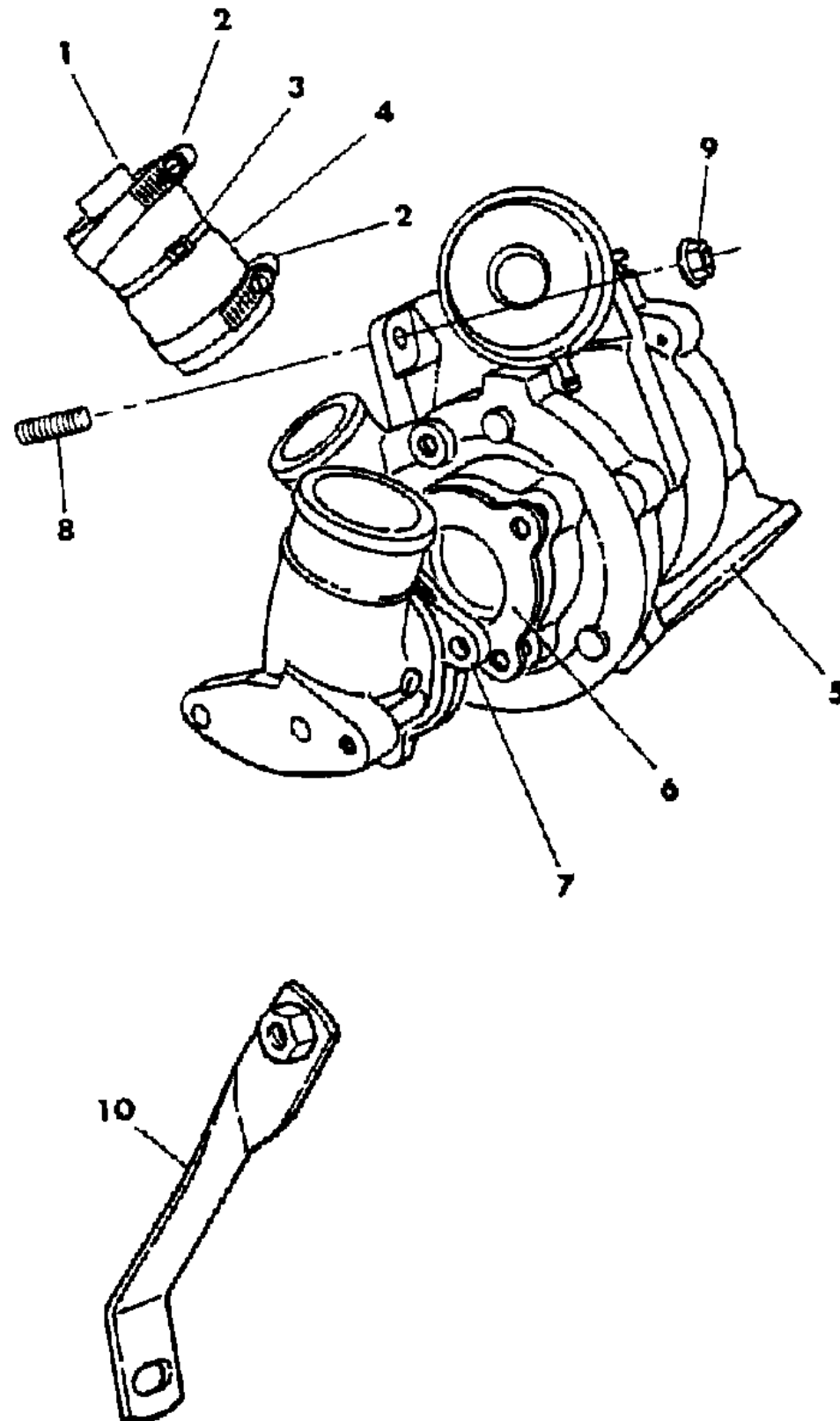
45 = 4-DOOR STATION WAGON

52-53 = FWD WAGON

AR = Use as Required - = Non Illustrated Part P.A.R. = Paint as Required

TURBO CHARGER I AND II
Figure 14-3100

7114 3100 A



ITEM	PART NUMBER	QTY	BODY	MODEL	DESCRIPTION
1	4105 465	1			VANE, Air Flow, Turbo Charger I
2	6032 440	2			CLAMP, Turbo Charger I
3	4105 719	1			STRAP, Vane to Hose, Turbo Charger I
4	4323 444	1			HOSE, Connector, Turbo Charger I
5	4105 800	1			TURBO CHARGER I
	4387 320	1			TURBO CHARGER II
6	4227 973	1			GASKET, Inlet Elbow to Compressor, Turbo Charger I
7	4105 461	1			ELBOW, Compressor Inlet, Turbo Charger I
8	6500 830	4			STUD, Turbo Attaching
9	6500 680	4			NUT, Turbo Attaching
10					BRACKET, Support
	4387 825	1			
	4105 773	1	L		

MODEL CODES

E BODY = (J - CARAVELLE)(E - 600)(T - NEW YORKER)

G BODY = (V24 - DAYTONA)

H BODY = (D44 - LANCER)(C44 - LEBARON GTS)

J BODY = (C - LEBARON)

K BODY = (P - RELIANT)(D - ARIES)(C - LEBAROND)/TOWN & COUNTRY)

L BODY = (M - HORIZON/TURISMO)(Z - OMNI/CHARGER)

M BODY = (B - GRAN FURY)(F - FIFTH AVE/NEWPORT)(G - DIPLOMAT)

P BODY = (P - SUNDANCE)(D - SHADOW)

S BODY = (H - VOYAGER)(K - RAM VAN/CARAVAN)

BODY STYLES

12-13 = FWD VAN

21 = 2-DOOR SEDAN

24 = 2-DOOR HATCHBACK

27 = 2-DOOR CONVERTIBLE

41 = 4-DOOR SEDAN

44 = 4-DOOR HATCHBACK

45 = 4-DOOR STATION WAGON

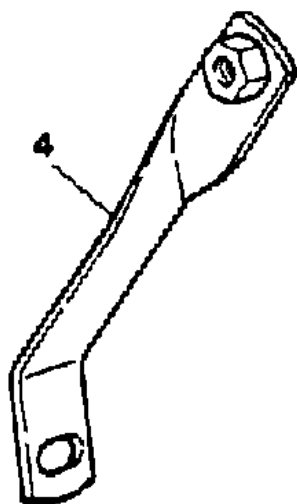
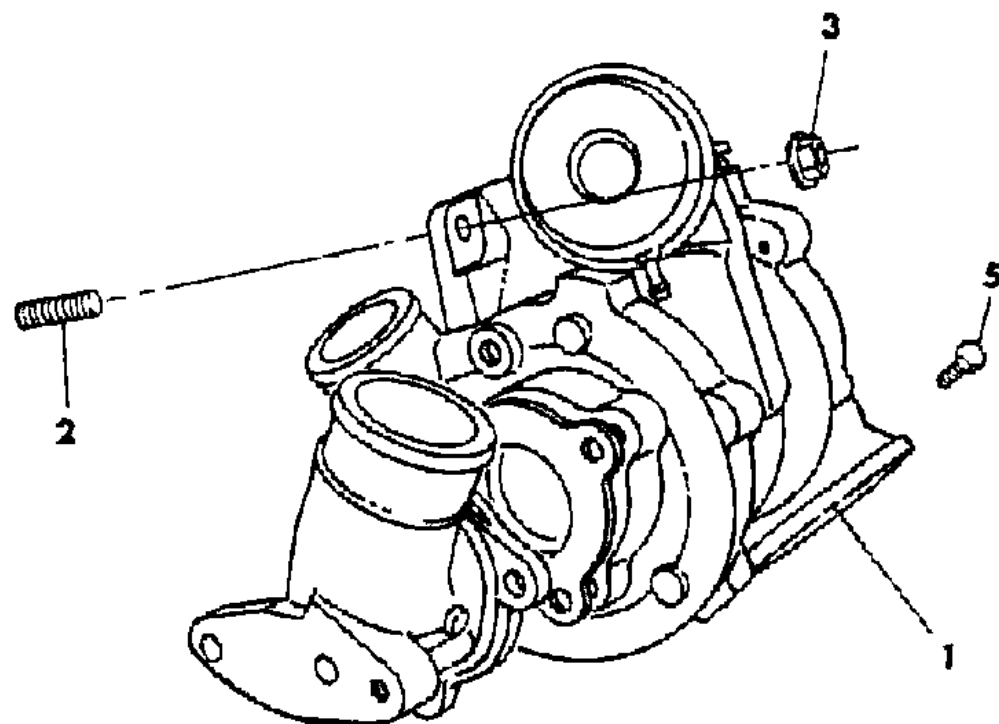
52-53 = FWD WAGON

AR = Use as Required - = Non Illustrated Part P.A.R. = Paint as Required

TURBO CHARGER II L,P AND H BODY SHELBY
Figure 14-3125

7114 3125

ITEM	PART NUMBER	QTY	BODY	MODEL	DESCRIPTION
1	#4387 320	1			TURBO CHARGER II, (Supplier to Add Hole and Plug for EGR on Shelby)
2	6500 830	4			STUD, Turbo Attaching
3	6500 680	4			NUT, Turbo Attaching
4					BRACKET, Support
	4387 825	1	P,H		
	4105 773	1	L		
5	6500 362	1			PLUG



MODEL CODES

E BODY = (J - CARAVELLE)(E - 600)(T - NEW YORKER)

G BODY = (V24 - DAYTONA)

H BODY = (D44 - LANCER)(C44 - LEBARON GTS)

J BODY = (C - LEBARON)

K BODY = (P - RELIANT)(D - ARIES)(C - LEBAROND)/TOWN & COUNTRY)

L BODY = (M - HORIZON/TURISMO)(Z - OMNI/CHARGER)

M BODY = (B - GRAN FURY)(F - FIFTH AVE/NEWPORT)(G - DIPLOMAT)

P BODY = (P - SUNDANCE)(D - SHADOW)

S BODY = (H - VOYAGER)(K - RAM VAN/CARAVAN)

BODY STYLES

12-13 = FWD VAN

21 = 2-DOOR SEDAN

24 = 2-DOOR HATCHBACK

27 = 2-DOOR CONVERTIBLE

41 = 4-DOOR SEDAN

44 = 4-DOOR HATCHBACK

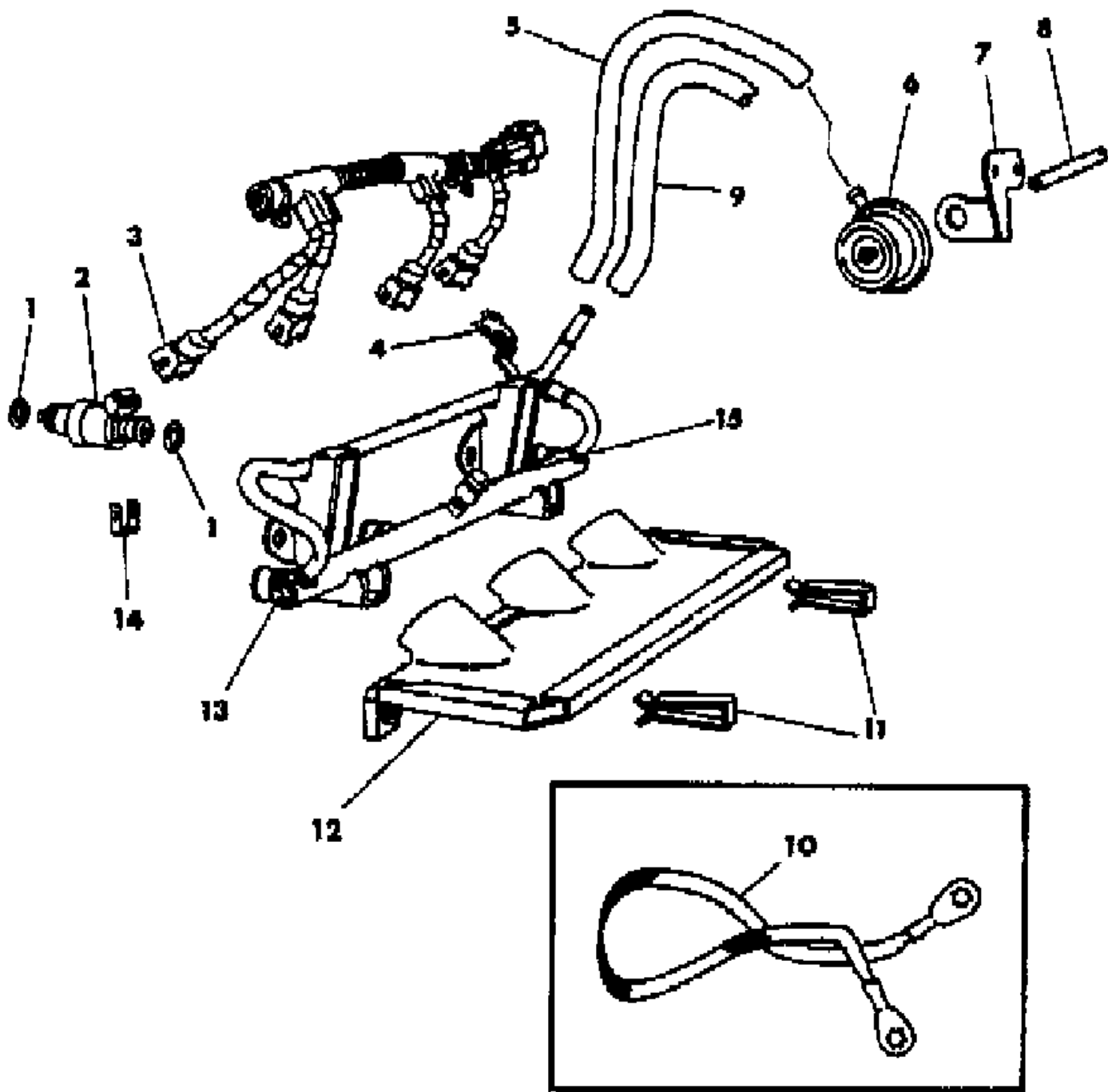
45 = 4-DOOR STATION WAGON

52-53 = FWD WAGON

AR = Use as Required - = Non Illustrated Part P.A.R. = Paint as Required

FUEL RAIL AND RELATED PARTS TURBO CHARGER I - W/O INTER COOLER
Figure 14-3200

7114 3200 A



ITEM	PART NUMBER	QTY	BODY	MODEL	DESCRIPTION
1		AR			O-RING (serviced in item 2)
2	4306 024	4			INJECTOR, w/O-Rings, Fuel
3		1			WIRE, Fuel Injector (Refer to Group 8)
4	4307 225	1			BRACKET, Fuel Rail to Valve Cover
5	4279 828	AR			HOSE, Fuel Rail to Fuel Regulator
6	4275 313	1			REGULATOR, Fuel Pressure
	6500 748	1			NUT, Regulator Mounting
7	4275 582	1			BRACKET, Fuel Pressure Regulator
8	4279 992	AR			HOSE, Fuel Supply to Fuel Rail
9	4279 991	AR			HOSE, Fuel Supply to Fuel Rail
10		1			STRAP, Ground (Refer to Group 8)
11	6032 237	2			CLIP, Heat Shield to Fuel Rail
12	4275 436	1			SHIELD, Heat
13	4275 555	1			RAIL, Fuel
14	4275 317	4			CLIP, Fuel Injector
15		1			CAP (serviced in item 13)

MODEL CODES

E BODY = (J - CARAVELLE)(E - 600)(T - NEW YORKER)

G BODY = (V24 - DAYTONA)

H BODY = (D44 - LANCER)(C44 - LEBARON GTS)

J BODY = (C - LEBARON)

K BODY = (P - RELIANT)(D - ARIES)(C - LEBAROND)/TOWN & COUNTRY)

L BODY = (M - HORIZON/TURISMO)(Z - OMNI/CHARGER)

M BODY = (B - GRAN FURY)(F - FIFTH AVE/NEWPORT)(G - DIPLOMAT)

P BODY = (P - SUNDANCE)(D - SHADOW)

S BODY = (H - VOYAGER)(K - RAM VAN/CARAVAN)

BODY STYLES

12-13 = FWD VAN

21 = 2-DOOR SEDAN

24 = 2-DOOR HATCHBACK

27 = 2-DOOR CONVERTIBLE

41 = 4-DOOR SEDAN

44 = 4-DOOR HATCHBACK

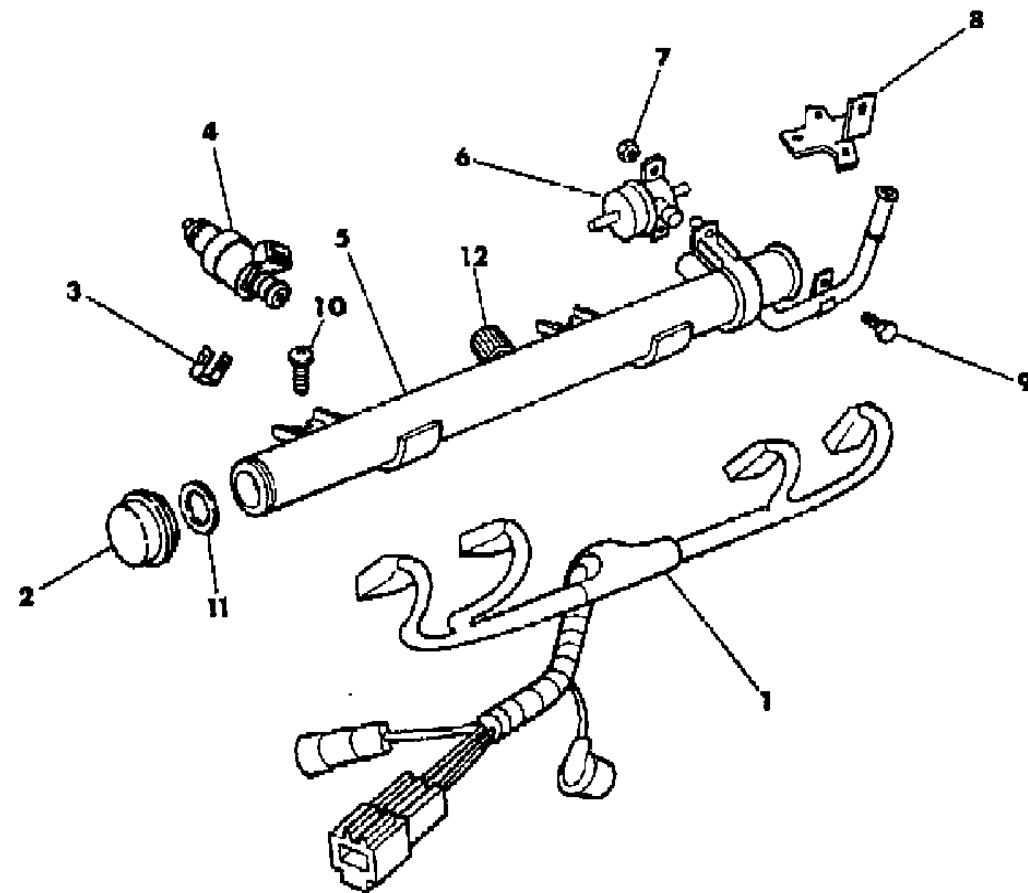
45 = 4-DOOR STATION WAGON

52-53 = FWD WAGON

AR = Use as Required - = Non Illustrated Part P.A.R. = Paint as Required

FUEL RAIL AND RELATED PARTS TURBO CHARGER II - W/WINTER COOLER
Figure 14-3300

7114 3300 B



ITEM	PART NUMBER	QTY	BODY	MODEL	DESCRIPTION
1					WIRING, Injector (Refer to Group 8)
2	4306 016	1			DAMPER, Fuel Pulsation
3	4275 317	4			CLIP, Fuel Injector
4	#4306 018	4			INJECTOR, w/O-RINGS Fuel
5	4418 088	1			RAIL, w/Damper, Fuel
6	4306 015	1			REGULATOR, Fuel Pressure
7	6501 140	2			NUT, Regulator to Fuel Rail
8	4307 225	1			BRACKET, Fuel Rail to Valve Cover
9		1			SCREW, Fuel Rail to Bracket (8-18x.62) (not serviced)
10	6100 296	4			SCREW and WASHER, Fuel Rail to Intake Manifold
11	4306 940	1			WASHER, Damper to Fuel Rail Sealing
12		1			CAP (serviced in item 5)

MODEL CODES

E BODY = (J - CARAVELLE)(E - 600)(T - NEW YORKER)

G BODY = (V24 - DAYTONA)

H BODY = (D44 - LANCER)(C44 - LEBARON GTS)

J BODY = (C - LEBARON)

K BODY = (P - RELIANT)(D - ARIES)(C - LEBAROND)/TOWN & COUNTRY)

L BODY = (M - HORIZON/TURISMO)(Z - OMNI/CHARGER)

M BODY = (B - GRAN FURY)(F - FIFTH AVE/NEWPORT)(G - DIPLOMAT)

P BODY = (P - SUNDANCE)(D - SHADOW)

S BODY = (H - VOYAGER)(K - RAM VAN/CARAVAN)

BODY STYLES

12-13 = FWD VAN

21 = 2-DOOR SEDAN

24 = 2-DOOR HATCHBACK

27 = 2-DOOR CONVERTIBLE

41 = 4-DOOR SEDAN

44 = 4-DOOR HATCHBACK

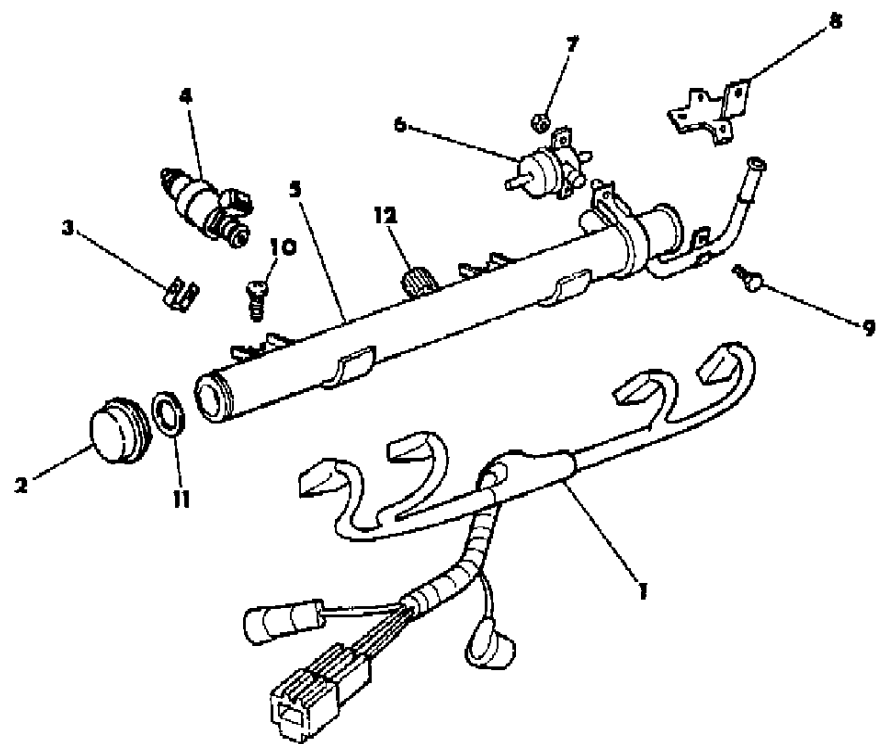
45 = 4-DOOR STATION WAGON

52-53 = FWD WAGON

AR = Use as Required - = Non Illustrated Part P.A.R. = Paint as Required

FUEL RAIL AND RELATED PARTS TURBO CHARGER II L,P AND H BODY SHELBY
Figure 14-3325

7114 3325 A



ITEM	PART NUMBER	QTY	BODY	MODEL	DESCRIPTION
1					WIRING, Injector (Refer to Group 8)
2	4306 016	1			DAMPER, Fuel Pulsation
3	4275 317	4			CLIP, Fuel Injector
4	4306 018	4			INJECTOR, Fuel
5	4418 088	1			RAIL, w/Damper, Fuel
6	4306 015	1			REGULATOR, Fuel Pressure
7	6501 140	2			NUT, Regulator to Fuel Rail
8	4307 225	1			BRACKET, Fuel Rail to Valve Cover
9		1			SCREW, Fuel Rail to Bracket (8-18x.62) (not serviced)
10	6100 296	4			SCREW and WASHER, Fuel Rail to Intake Manifold
11	4306 940	1			WASHER, Damper to Fuel Rail Sealing
12		1			CAP (serviced in item 5)

MODEL CODES

E BODY = (J - CARAVELLE)(E - 600)(T - NEW YORKER)

G BODY = (V24 - DAYTONA)

H BODY = (D44 - LANCER)(C44 - LEBARON GTS)

J BODY = (C - LEBARON)

K BODY = (P - RELIANT)(D - ARIES)(C - LEBAROND)/TOWN & COUNTRY)

L BODY = (M - HORIZON/TURISMO)(Z - OMNI/CHARGER)

M BODY = (B - GRAN FURY)(F - FIFTH AVE/NEWPORT)(G - DIPLOMAT)

P BODY = (P - SUNDANCE)(D - SHADOW)

S BODY = (H - VOYAGER)(K - RAM VAN/CARAVAN)

BODY STYLES

12-13 = FWD VAN

21 = 2-DOOR SEDAN

24 = 2-DOOR HATCHBACK

27 = 2-DOOR CONVERTIBLE

41 = 4-DOOR SEDAN

44 = 4-DOOR HATCHBACK

45 = 4-DOOR STATION WAGON

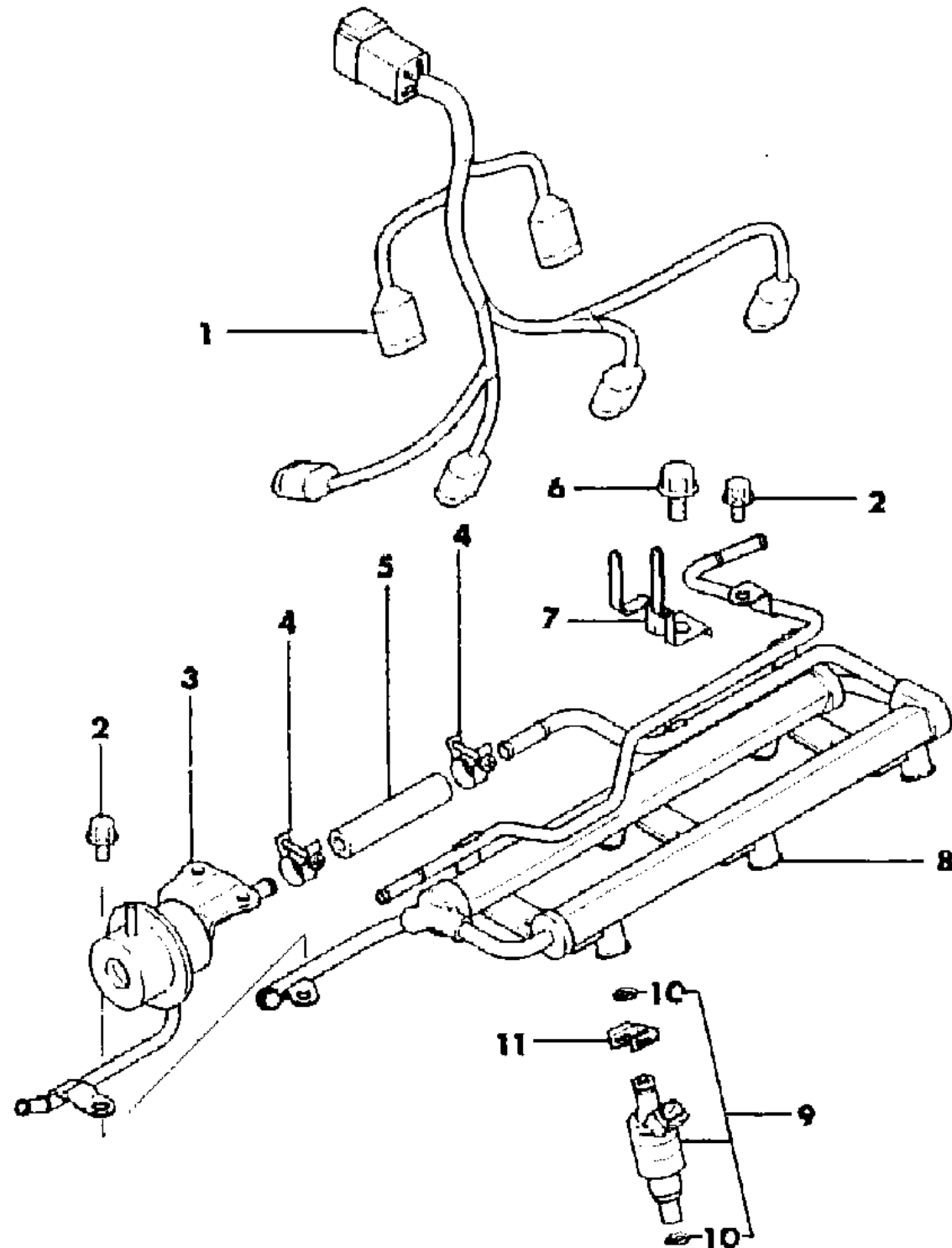
52-53 = FWD WAGON

AR = Use as Required - = Non Illustrated Part P.A.R. = Paint as Required

FUEL RAIL AND RELATED PARTS 3.0L ENGINE

Figure 14-3350

7114 3350



ITEM	PART NUMBER	QTY	BODY	MODEL	DESCRIPTION
1	#MD10 7722	1			HARNESSE, w/Clips Fuel Injector Wiring
2	MF14 0313	4			BOLT, Flange Up To 2/87 (6x12mm)
	MF14 0314	4			After 3/87 (6x14mm)
3	MD10 7719	1			REGULATOR, Fuel Pressure
4	#6500 651	2			CLAMP, Hose
5	MD09 9534	1			HOSE, Fuel Up To 3/87
	MD12 7743	1			After 4/87
6	MF14 0022	3			BOLT, Flange, (8x14mm)
7	MD10 7721	1			CLIP
8	MD11 5742	1			PIPE, Fuel Delivery
9	MD13 2249	6			INJECTOR, Fuel
10	MD62 0064	12			O-RING
11	MD08 9608	6			CLIP, Fuel Injector

MODEL CODES

E BODY = (J - CARAVELLE)(E - 600)(T - NEW YORKER)

G BODY = (V24 - DAYTONA)

H BODY = (D44 - LANCER)(C44 - LEBARON GTS)

J BODY = (C - LEBARON)

K BODY = (P - RELIANT)(D - ARIES)(C - LEBAROND)/TOWN & COUNTRY)

L BODY = (M - HORIZON/TURISMO)(Z - OMNI/CHARGER)

M BODY = (B - GRAN FURY)(F - FIFTH AVE/NEWPORT)(G - DIPLOMAT)

P BODY = (P - SUNDANCE)(D - SHADOW)

S BODY = (H - VOYAGER)(K - RAM VAN/CARAVAN)

BODY STYLES

12-13 = FWD VAN

21 = 2-DOOR SEDAN

24 = 2-DOOR HATCHBACK

27 = 2-DOOR CONVERTIBLE

41 = 4-DOOR SEDAN

44 = 4-DOOR HATCHBACK

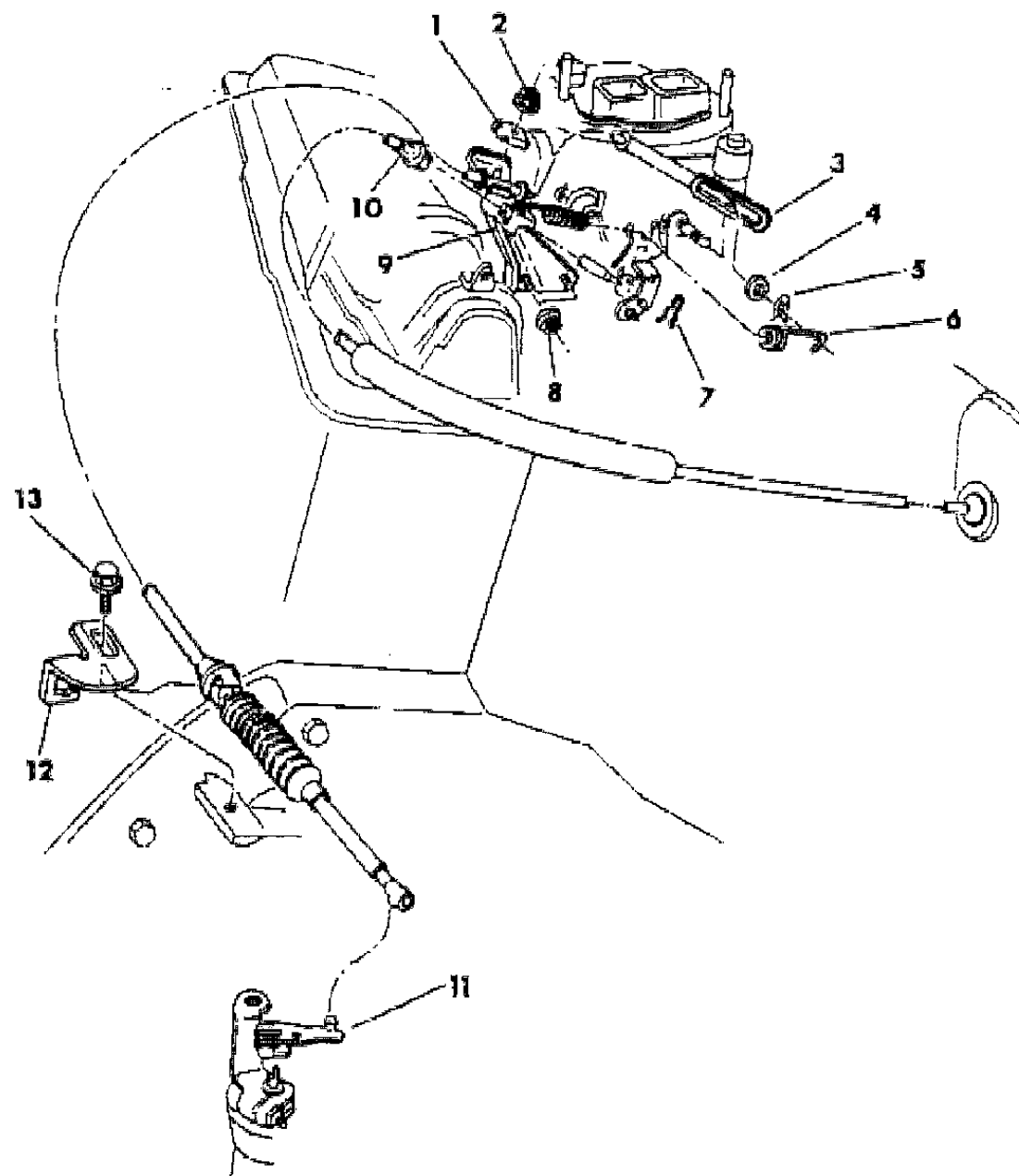
45 = 4-DOOR STATION WAGON

52-53 = FWD WAGON

AR = Use as Required - = Non Illustrated Part P.A.R. = Paint as Required

THROTTLE CONTROL 2.2L ENGINE L BODY
Figure 14-3700

7114 3700



ITEM	PART NUMBER	QTY	BODY	MODEL	DESCRIPTION
1	2402 210	1			CLIP, Auto Trans. Cable Mounting
2	0219 462	1			NUT and WASHER
3	4288 083	1			CABLE, Auto Trans.
4		1			WASHER, Carburetor Lever Stud, Auto Trans. (not serviced)
5	6031 511	1			CLIP, Carburetor Lever Stud, Auto Trans.
6	4288 188				SPRING, Accel. Pedal Return
7	5214 613	1			CLIP, Throttle Control Cable
8	6100 047	2			NUT and WASHER
9	4307 366	1			BRACKET, Cable Mounting
10	4324 593	1			CABLE, Throttle Control
11	5240 826	1			LEVER, Auto Trans. Throttle Control
12	4300 982	1			BRACKET, Auto Trans. Cable Mounting
13	6500 136	1			SCREW and WASHER

MODEL CODES

E BODY = (J - CARAVELLE)(E - 600)(T - NEW YORKER)

G BODY = (V24 - DAYTONA)

H BODY = (D44 - LANCER)(C44 - LEBARON GTS)

J BODY = (C - LEBARON)

K BODY = (P - RELIANT)(D - ARIES)(C - LEBAROND)/TOWN & COUNTRY)

L BODY = (M - HORIZON/TURISMO)(Z - OMNI/CHARGER)

M BODY = (B - GRAN FURY)(F - FIFTH AVE/NEWPORT)(G - DIPLOMAT)

P BODY = (P - SUNDANCE)(D - SHADOW)

S BODY = (H - VOYAGER)(K - RAM VAN/CARAVAN)

BODY STYLES

12-13 = FWD VAN

21 = 2-DOOR SEDAN

24 = 2-DOOR HATCHBACK

27 = 2-DOOR CONVERTIBLE

41 = 4-DOOR SEDAN

44 = 4-DOOR HATCHBACK

45 = 4-DOOR STATION WAGON

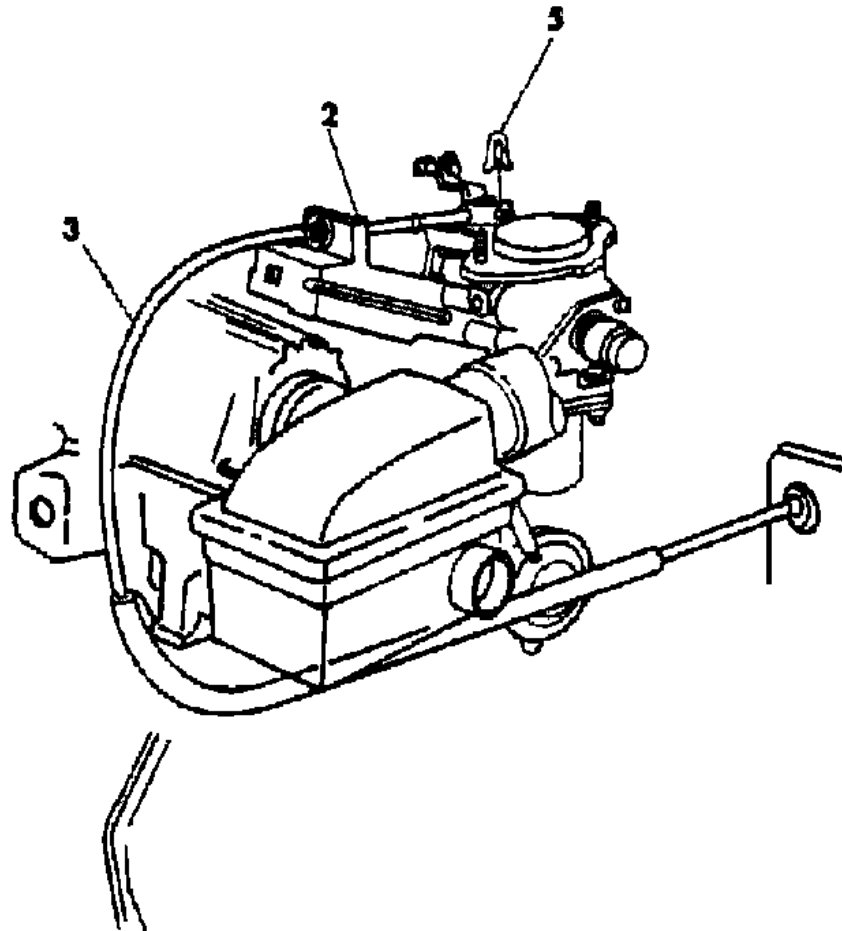
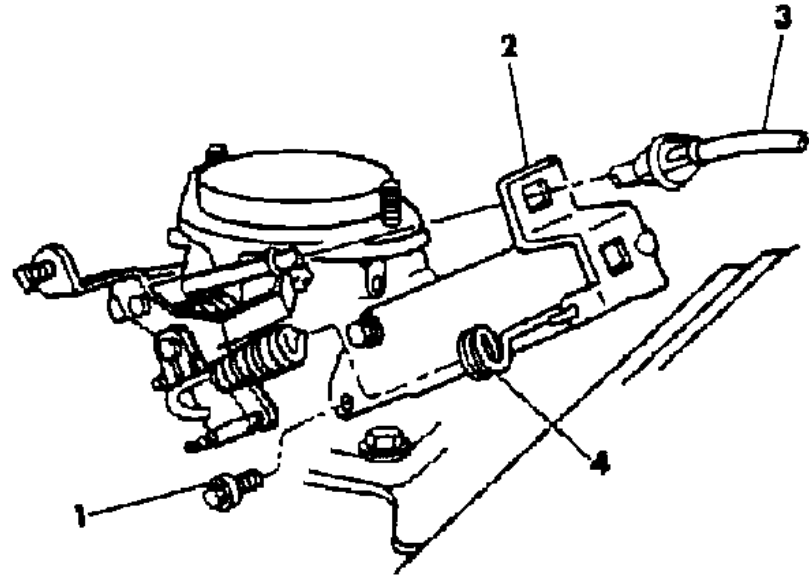
52-53 = FWD WAGON

AR = Use as Required - = Non Illustrated Part P.A.R. = Paint as Required

THROTTLE CONTROL TURBO CHARGER I - W/O INTER COOLER L BODY
Figure 14-3800

7114 3800

ITEM	PART NUMBER	QTY	BODY	MODEL	DESCRIPTION
1	6500 716	2			SCREW and WASHER, Bracket Mounting
2	4288 071	1			BRACKET, Cable Mounting
3	4307 912	1			CABLE, Throttle Control
4	4306 152	1			SPRING, Accel. Pedal Return
5	6031 628	1			CLIP, Throttle Control Cable Pin



MODEL CODES

E BODY = (J - CARAVELLE)(E - 600)(T - NEW YORKER)

G BODY = (V24 - DAYTONA)

H BODY = (D44 - LANCER)(C44 - LEBARON GTS)

J BODY = (C - LEBARON)

K BODY = (P - RELIANT)(D - ARIES)(C - LEBAROND)/TOWN & COUNTRY)

L BODY = (M - HORIZON/TURISMO)(Z - OMNI/CHARGER)

M BODY = (B - GRAN FURY)(F - FIFTH AVE/NEWPORT)(G - DIPLOMAT)

P BODY = (P - SUNDANCE)(D - SHADOW)

S BODY = (H - VOYAGER)(K - RAM VAN/CARAVAN)

BODY STYLES

12-13 = FWD VAN

21 = 2-DOOR SEDAN

24 = 2-DOOR HATCHBACK

27 = 2-DOOR CONVERTIBLE

41 = 4-DOOR SEDAN

44 = 4-DOOR HATCHBACK

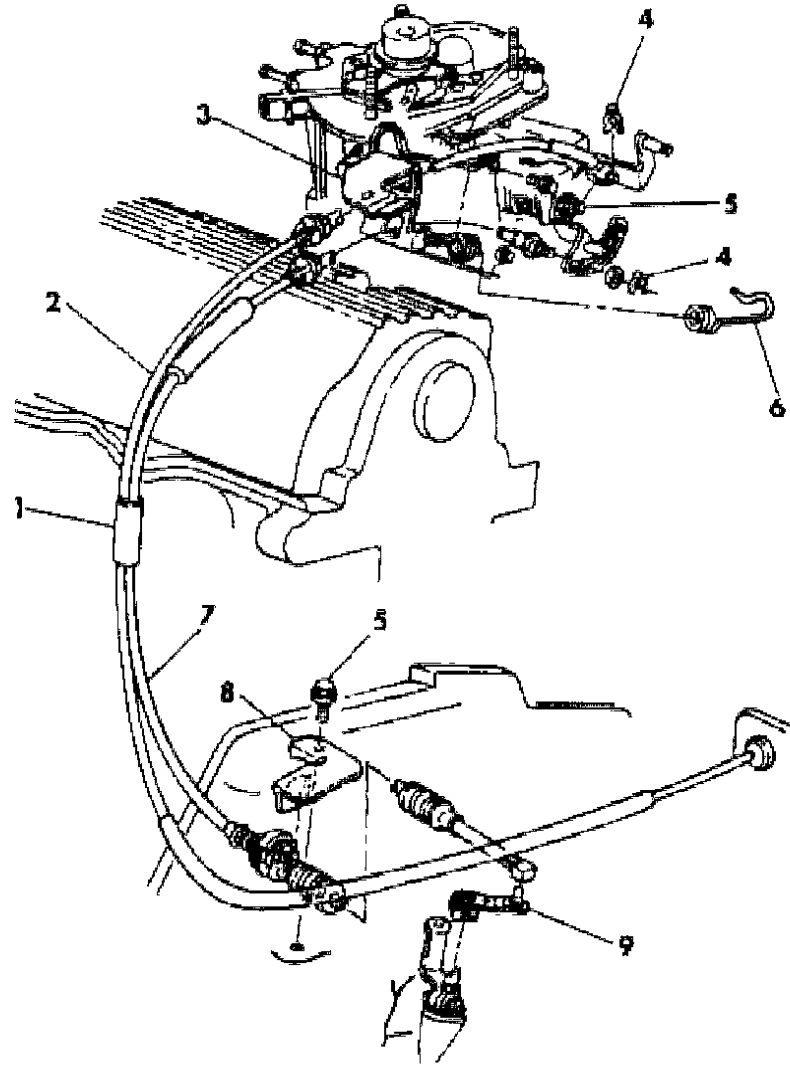
45 = 4-DOOR STATION WAGON

52-53 = FWD WAGON

AR = Use as Required - = Non Illustrated Part P.A.R. = Paint as Required

THROTTLE CONTROLS E.F.I.
Figure 14-3900

7114 3900



ITEM	PART NUMBER	QTY	BODY	MODEL	DESCRIPTION
1	4300 009	1			BUNDLER, Throttle Control Cables
2	4306 188	1			CABLE, Throttle Control
3	4287 550	1			BRACKET, Cable Mounting
4	6031 628	2			CLIP
5	6500 716	AR			SCREW and WASHER
6					SPRING, Accelerator Return
	4287 549	1			(use up to 6/1/87)
	4405 008	1			(use after 6/1/87)
7	4288 196	1			CABLE, Auto Trans.
8	4300 982	1			BRACKET, Auto Trans. Cable
9	5240 826	1			LEVER, Auto Trans. Throttle Control

MODEL CODES

E BODY = (J - CARAVELLE)(E - 600)(T - NEW YORKER)

G BODY = (V24 - DAYTONA)

H BODY = (D44 - LANCER)(C44 - LEBARON GTS)

J BODY = (C - LEBARON)

K BODY = (P - RELIANT)(D - ARIES)(C - LEBAROND)/TOWN & COUNTRY)

L BODY = (M - HORIZON/TURISMO)(Z - OMNI/CHARGER)

M BODY = (B - GRAN FURY)(F - FIFTH AVE/NEWPORT)(G - DIPLOMAT)

P BODY = (P - SUNDANCE)(D - SHADOW)

S BODY = (H - VOYAGER)(K - RAM VAN/CARAVAN)

BODY STYLES

12-13 = FWD VAN

21 = 2-DOOR SEDAN

24 = 2-DOOR HATCHBACK

27 = 2-DOOR CONVERTIBLE

41 = 4-DOOR SEDAN

44 = 4-DOOR HATCHBACK

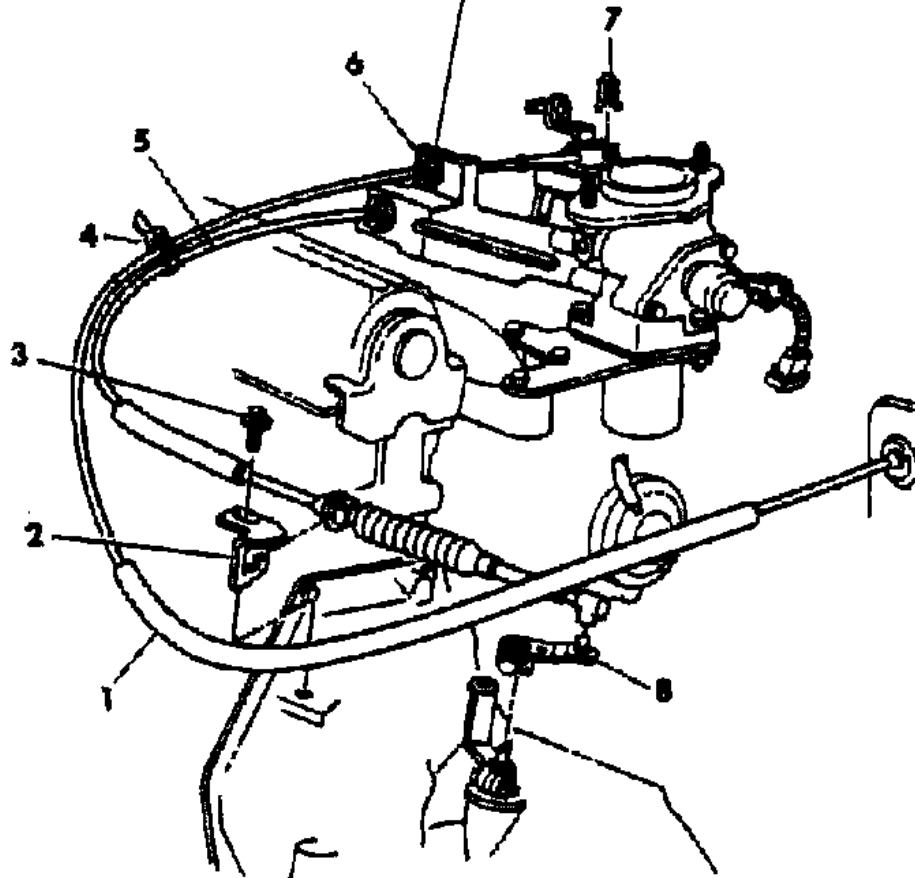
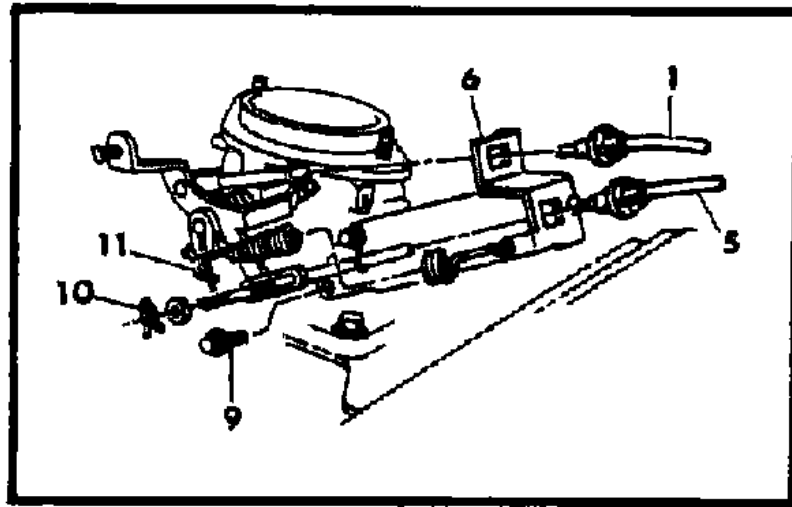
45 = 4-DOOR STATION WAGON

52-53 = FWD WAGON

AR = Use as Required - = Non Illustrated Part P.A.R. = Paint as Required

THROTTLE CONTROLS TURBO CHARGER I - W/O INTER COOLER P,K,G,E,H,J BODY
Figure 14-4000

7114 4000



ITEM	PART NUMBER	QTY	BODY	MODEL	DESCRIPTION
1	4306 190	1			CABLE, Throttle Control
2	4300 982	1			BRACKET, Trans. Cable Mounting
3	6500 716	1			SCREW and WASHER
4	6015 756	2			RETAINER
5	4288 077	1			CABLE, Auto Trans.
6	4268 807	1			BRACKET, Cable Mounting
7	6031 628	1			CLIP, Throttle Control Cable
8	5240 826	1			LEVER, Throttle Control
9	6500 716	2			SCREW and WASHER
10	6031 511	1			CLIP, Auto Trans. Lever
11					SPRING, Accelerator Pedal Return
	4306 152	1	P,J,G,H		w/Manual Trans.
	4288 190	1			w/Auto Trans.

MODEL CODES

E BODY = (J - CARAVELLE)(E - 600)(T - NEW YORKER)

G BODY = (V24 - DAYTONA)

H BODY = (D44 - LANCER)(C44 - LEBARON GTS)

J BODY = (C - LEBARON)

K BODY = (P - RELIANT)(D - ARIES)(C - LEBAROND)/TOWN & COUNTRY)

L BODY = (M - HORIZON/TURISMO)(Z - OMNI/CHARGER)

M BODY = (B - GRAN FURY)(F - FIFTH AVE/NEWPORT)(G - DIPLOMAT)

P BODY = (P - SUNDANCE)(D - SHADOW)

S BODY = (H - VOYAGER)(K - RAM VAN/CARAVAN)

BODY STYLES

12-13 = FWD VAN

21 = 2-DOOR SEDAN

24 = 2-DOOR HATCHBACK

27 = 2-DOOR CONVERTIBLE

41 = 4-DOOR SEDAN

44 = 4-DOOR HATCHBACK

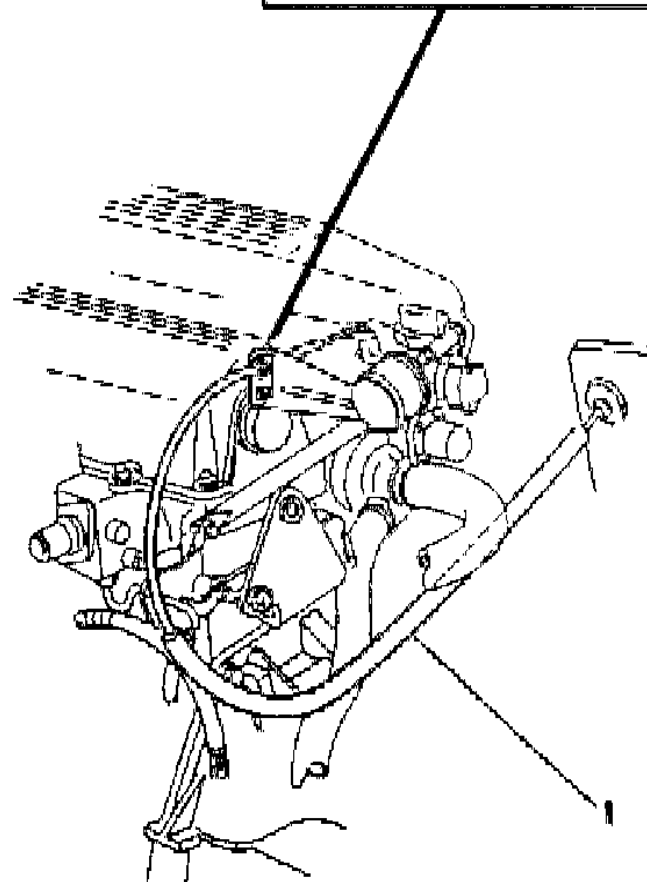
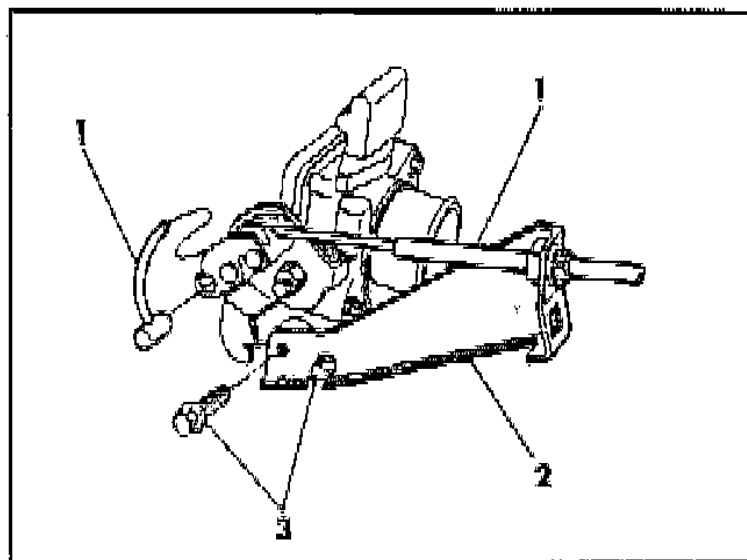
45 = 4-DOOR STATION WAGON

52-53 = FWD WAGON

AR = Use as Required - = Non Illustrated Part P.A.R. = Paint as Required

THROTTLE CONTROLS TURBO CHARGER II - W/WINTER COOLER
Figure 14-4100

7114 4100



ITEM	PART NUMBER	QTY	BODY	MODEL	DESCRIPTION
1	4288 197	1			CABLE, Throttle
2	4288 199	1			BRACKET, Throttle Cable Mounting
3	6500 716	2			SCREW and WASHER, Throttle Cable Bracket Mounting

MODEL CODES

E BODY = (J - CARAVELLE)(E - 600)(T - NEW YORKER)

G BODY = (V24 - DAYTONA)

H BODY = (D44 - LANCER)(C44 - LEBARON GTS)

J BODY = (C - LEBARON)

K BODY = (P - RELIANT)(D - ARIES)(C - LEBAROND)/TOWN & COUNTRY)

L BODY = (M - HORIZON/TURISMO)(Z - OMNI/CHARGER)

M BODY = (B - GRAN FURY)(F - FIFTH AVE/NEWPORT)(G - DIPLOMAT)

P BODY = (P - SUNDANCE)(D - SHADOW)

S BODY = (H - VOYAGER)(K - RAM VAN/CARAVAN)

BODY STYLES

12-13 = FWD VAN

21 = 2-DOOR SEDAN

24 = 2-DOOR HATCHBACK

27 = 2-DOOR CONVERTIBLE

41 = 4-DOOR SEDAN

44 = 4-DOOR HATCHBACK

45 = 4-DOOR STATION WAGON

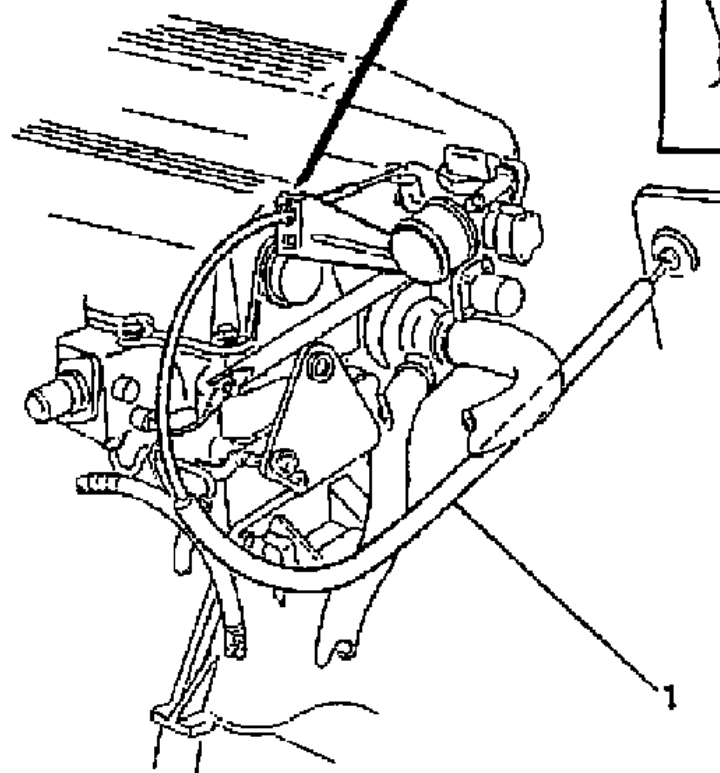
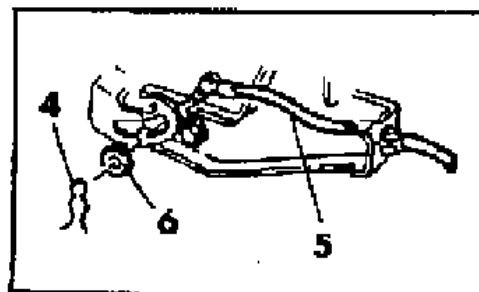
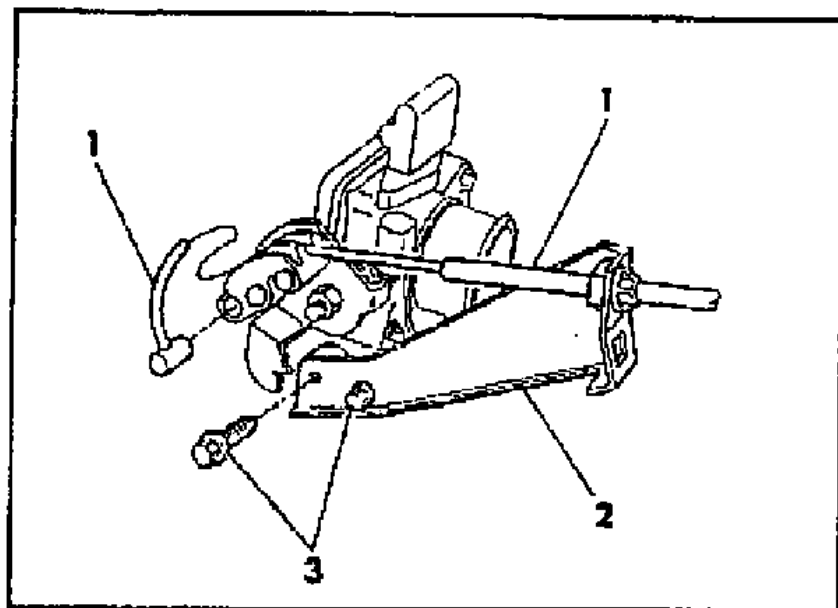
52-53 = FWD WAGON

AR = Use as Required - = Non Illustrated Part P.A.R. = Paint as Required

THROTTLE CONTROLS TURBO CHARGER II L,P AND H BODY SHELBY
Figure 14-4125

7114 4125 A

ITEM	PART NUMBER	QTY	BODY	MODEL	DESCRIPTION
1	4288 197	1			CABLE, Throttle
2	4288 199	1			BRACKET, Throttle Cable Mounting
3	6500 716	2			SCREW and WASHER, Throttle Cable Bracket Mounting
4	6031 628	1			CLIP, Kick Down Cable Retaining Automatic Transmission
5	4306 151	1			CABLE, Kick Down Automatic Transmission
6		1			WASHER (not serviced)



MODEL CODES

E BODY = (J - CARAVELLE)(E - 600)(T - NEW YORKER)

G BODY = (V24 - DAYTONA)

H BODY = (D44 - LANCER)(C44 - LEBARON GTS)

J BODY = (C - LEBARON)

K BODY = (P - RELIANT)(D - ARIES)(C - LEBAROND)/TOWN & COUNTRY)

L BODY = (M - HORIZON/TURISMO)(Z - OMNI/CHARGER)

M BODY = (B - GRAN FURY)(F - FIFTH AVE/NEWPORT)(G - DIPLOMAT)

P BODY = (P - SUNDANCE)(D - SHADOW)

S BODY = (H - VOYAGER)(K - RAM VAN/CARAVAN)

BODY STYLES

12-13 = FWD VAN

21 = 2-DOOR SEDAN

24 = 2-DOOR HATCHBACK

27 = 2-DOOR CONVERTIBLE

41 = 4-DOOR SEDAN

44 = 4-DOOR HATCHBACK

45 = 4-DOOR STATION WAGON

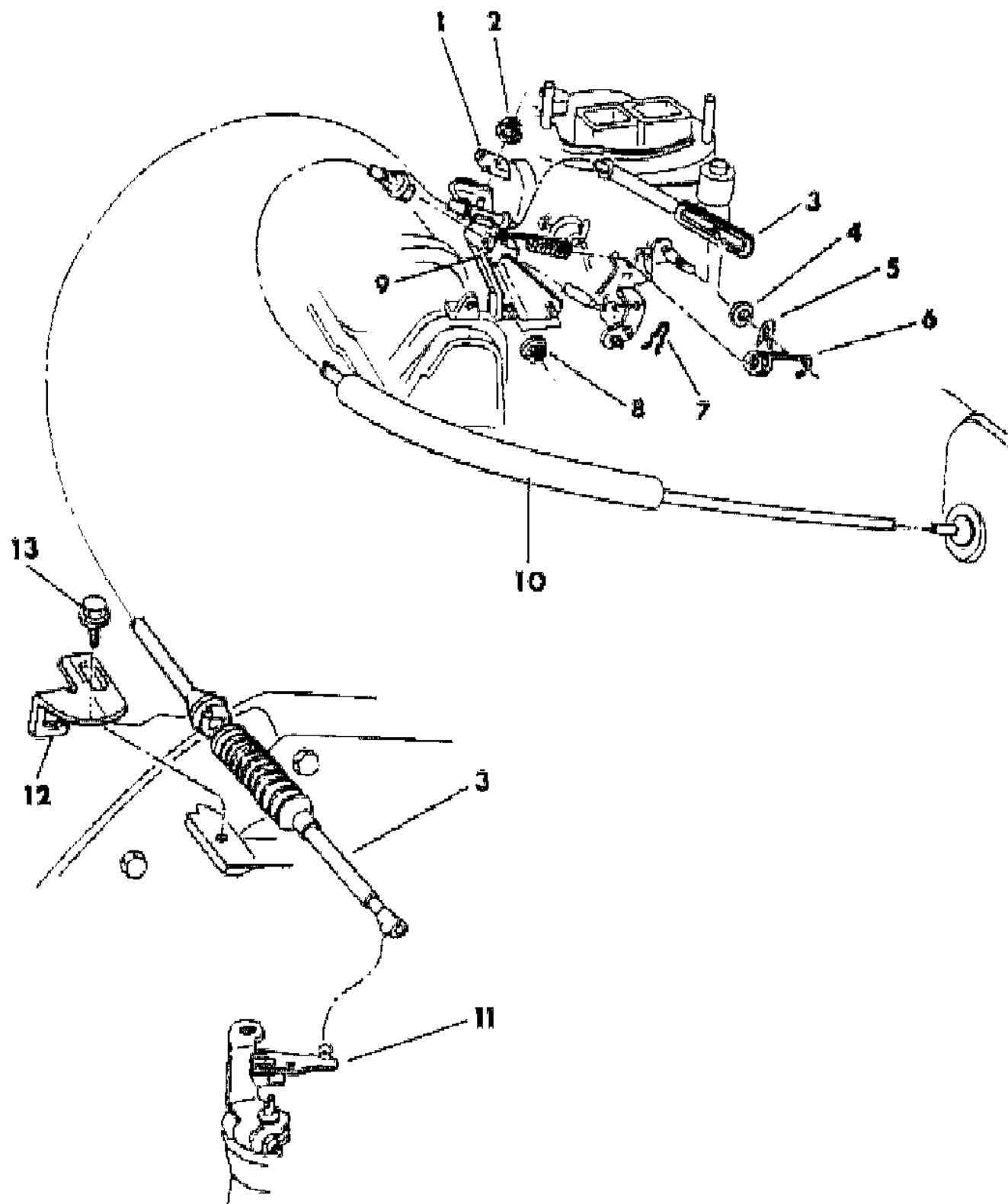
52-53 = FWD WAGON

AR = Use as Required - = Non Illustrated Part P.A.R. = Paint as Required

THROTTLE CONTROL 2.2L ENGINE S BODY

Figure 14-4200

7114 4200



ITEM	PART NUMBER	QTY	BODY	MODEL	DESCRIPTION
1	2402 210	1			CLIP, Auto Trans. Cable Mounting
2	0120 375	1			NUT and WASHER
3	4288 082	1			CABLE, Auto Trans.
4		1			WASHER (not serviced)
5	6031 511	1			CLIP, Carburetor Lever Stud Auto Trans.
6	4288 188				SPRING, Accelerator Pedal Return
7	5214 613	1			CLIP, Throttle Control Cable Pin
8	6100 047	2			NUT and WASHER
9	4307 366	1			BRACKET, Cable Mounting
10	4307 557	1			CABLE, Throttle Control
11	5240 826	1			LEVER, Auto Trans. Throttle Control
12	4300 982	1			BRACKET, Auto Trans. Cable Mounting
13	6500 136	1			SCREW and WASHER

MODEL CODES

E BODY = (J - CARAVELLE)(E - 600)(T - NEW YORKER)

G BODY = (V24 - DAYTONA)

H BODY = (D44 - LANCER)(C44 - LEBARON GTS)

J BODY = (C - LEBARON)

K BODY = (P - RELIANT)(D - ARIES)(C - LEBAROND)/TOWN & COUNTRY)

L BODY = (M - HORIZON/TURISMO)(Z - OMNI/CHARGER)

M BODY = (B - GRAN FURY)(F - FIFTH AVE/NEWPORT)(G - DIPLOMAT)

P BODY = (P - SUNDANCE)(D - SHADOW)

S BODY = (H - VOYAGER)(K - RAM VAN/CARAVAN)

BODY STYLES

12-13 = FWD VAN

21 = 2-DOOR SEDAN

24 = 2-DOOR HATCHBACK

27 = 2-DOOR CONVERTIBLE

41 = 4-DOOR SEDAN

44 = 4-DOOR HATCHBACK

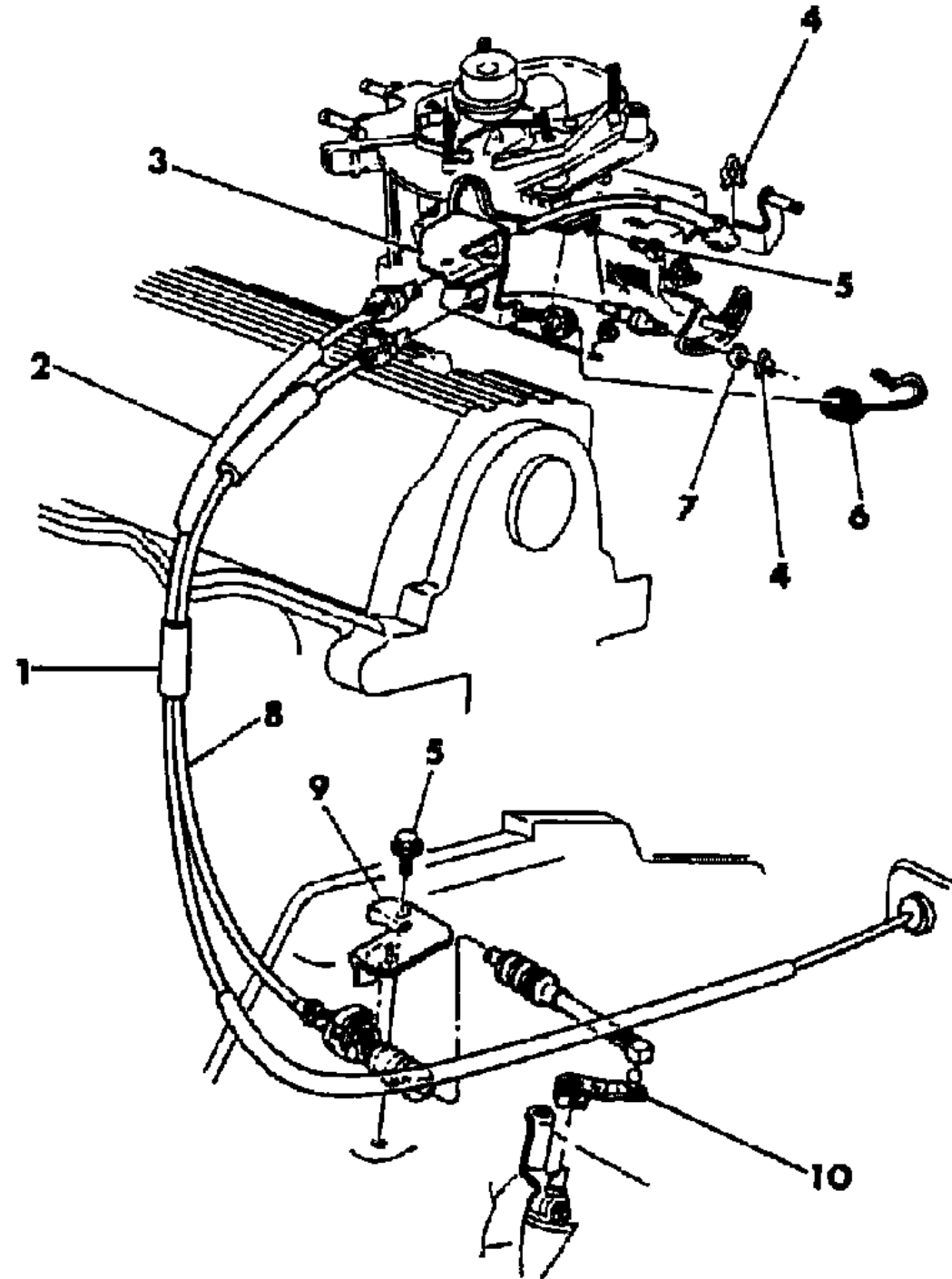
45 = 4-DOOR STATION WAGON

52-53 = FWD WAGON

AR = Use as Required - = Non Illustrated Part P.A.R. = Paint as Required

THROTTLE CONTROL 2.5L E.F.I. S BODY
Figure 14-4300

7114 4300



ITEM	PART NUMBER	QTY	BODY	MODEL	DESCRIPTION
1	4300 009	1			BUNDLER, Throttle Control Cables
2	4307 911	1			CABLE, Throttle Control
3	4287 550	1			BRACKET, Cable Mounting
4	6031 628	2			CLIP
5	6500 716	AR			SCREW and WASHER
6	4287 549	1			SPRING, Accelerator Pedal Return
7					WASHER (not serviced)
8	4288 196	1			CABLE, Automatic Transmission
9	4300 982	1			BRACKET, Automatic Transmission Cable
10	5240 826	1			LEVER, Automatic Transmission Throttle Control

MODEL CODES

E BODY = (J - CARAVELLE)(E - 600)(T - NEW YORKER)

G BODY = (V24 - DAYTONA)

H BODY = (D44 - LANCER)(C44 - LEBARON GTS)

J BODY = (C - LEBARON)

K BODY = (P - RELIANT)(D - ARIES)(C - LEBAROND)/TOWN & COUNTRY)

L BODY = (M - HORIZON/TURISMO)(Z - OMNI/CHARGER)

M BODY = (B - GRAN FURY)(F - FIFTH AVE/NEWPORT)(G - DIPLOMAT)

P BODY = (P - SUNDANCE)(D - SHADOW)

S BODY = (H - VOYAGER)(K - RAM VAN/CARAVAN)

BODY STYLES

12-13 = FWD VAN

21 = 2-DOOR SEDAN

24 = 2-DOOR HATCHBACK

27 = 2-DOOR CONVERTIBLE

41 = 4-DOOR SEDAN

44 = 4-DOOR HATCHBACK

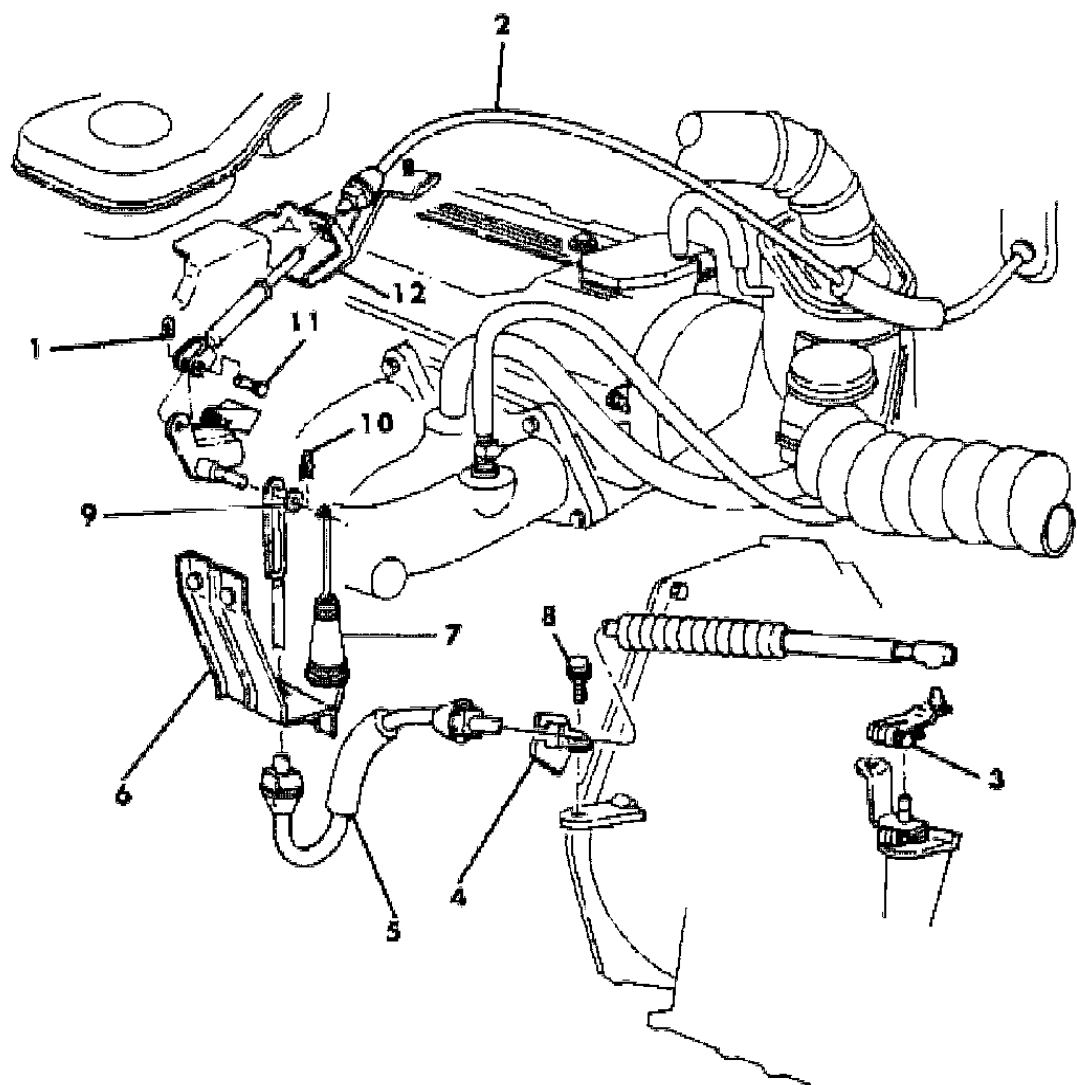
45 = 4-DOOR STATION WAGON

52-53 = FWD WAGON

AR = Use as Required - = Non Illustrated Part P.A.R. = Paint as Required

THROTTLE CONTROL 2.6L ENGINE S BODY
Figure 14-4400

7114 4400



ITEM	PART NUMBER	QTY	BODY	MODEL	DESCRIPTION
1	6023 285	1			CLIP, Throttle Control Cable
2	4288 069	1			CABLE, Throttle Control
3	5240 826	1			LEVER, Throttle Control
4	4306 251	1			BRACKET
5	4288 080	1			CABLE, Auto Trans.
6	MD02 5438				BRACKET
7	4288 189	1			SPRING, Accelerator Pedal Return
8	6501 755	1			SCREW and WASHER
9		1			WASHER (not serviced)
10	6031 511	1			CLIP, Carburetor Lever Stud
11	2264 706	1			PIN, Throttle Control Cable
12	MD60 6949	1			BRACKET, Throttle Control Cable

MODEL CODES

E BODY = (J - CARAVELLE)(E - 600)(T - NEW YORKER)

G BODY = (V24 - DAYTONA)

H BODY = (D44 - LANCER)(C44 - LEBARON GTS)

J BODY = (C - LEBARON)

K BODY = (P - RELIANT)(D - ARIES)(C - LEBAROND)/TOWN & COUNTRY)

L BODY = (M - HORIZON/TURISMO)(Z - OMNI/CHARGER)

M BODY = (B - GRAN FURY)(F - FIFTH AVE/NEWPORT)(G - DIPLOMAT)

P BODY = (P - SUNDANCE)(D - SHADOW)

S BODY = (H - VOYAGER)(K - RAM VAN/CARAVAN)

BODY STYLES

12-13 = FWD VAN

21 = 2-DOOR SEDAN

24 = 2-DOOR HATCHBACK

27 = 2-DOOR CONVERTIBLE

41 = 4-DOOR SEDAN

44 = 4-DOOR HATCHBACK

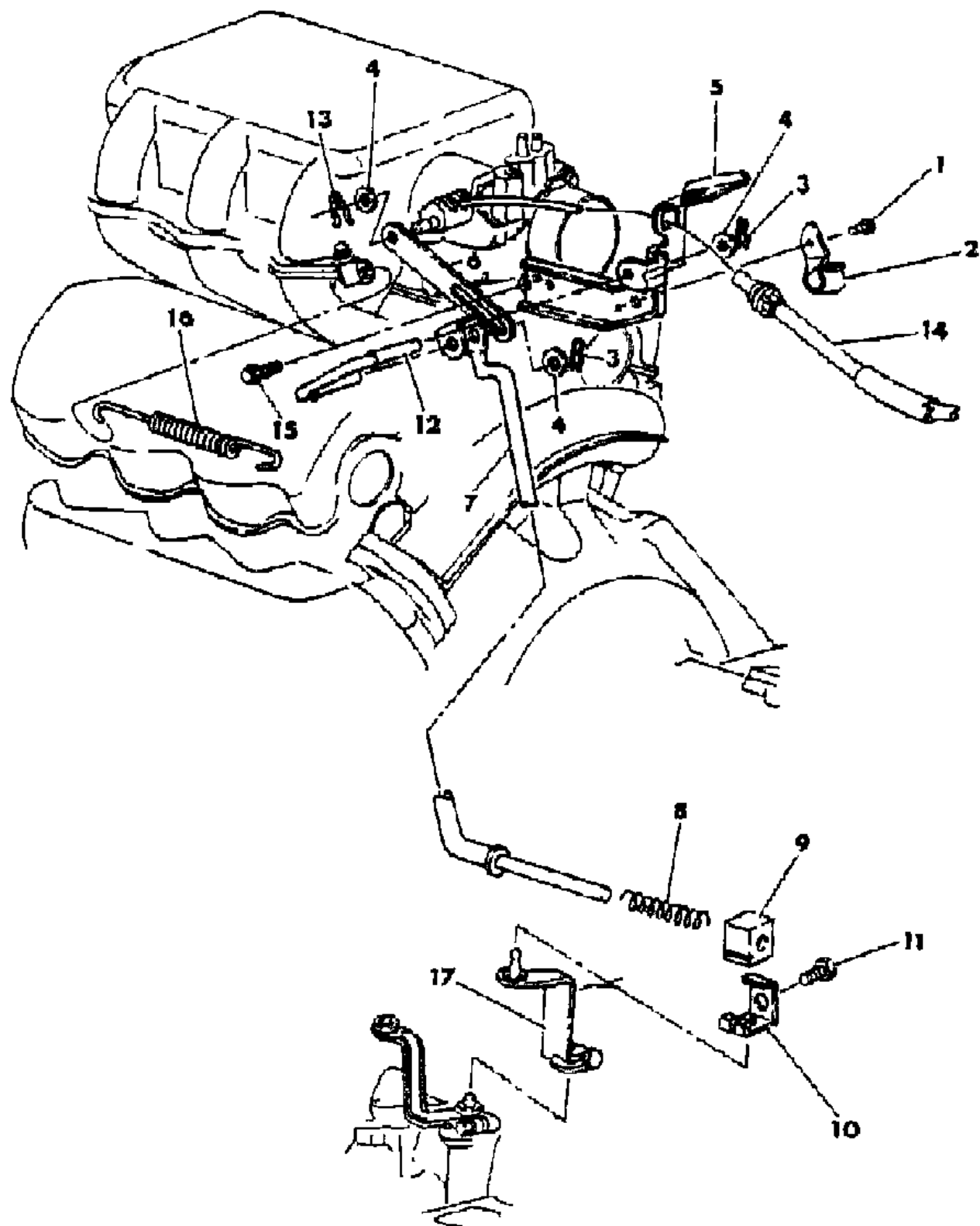
45 = 4-DOOR STATION WAGON

52-53 = FWD WAGON

AR = Use as Required - = Non Illustrated Part P.A.R. = Paint as Required

THROTTLE CONTROL 3.0L ENGINE S BODY
Figure 14-4425

7114 4425



ITEM	PART NUMBER	QTY	BODY	MODEL	DESCRIPTION
1	6100 845	1			SCREW and WASHER
2	4324 150	1			CLIP
3	6025 867	2			CLIP
4		2			WASHER (not serviced)
5	4288 097	1			BRACKET, Cable Mounting
6	4307 574	1			LINK
7	4288 098	1			ROD
8	3769 198	1			SPRING
9	4307 570	1			SWIVEL
10	4307 569	1			CLIP
11	6100 162	1			SCREW
12	3418 807	1			STABILIZER
13	6026 776	1			CLIP
14	4288 096	1			CABLE, Throttle Control
15	6500 714	2			SCREW and WASHER
16	4288 094	1			SPRING, Rod Return
17	4307 554	1			LEVER, Throttle Control Automatic Transmission

MODEL CODES

E BODY = (J - CARAVELLE)(E - 600)(T - NEW YORKER)

G BODY = (V24 - DAYTONA)

H BODY = (D44 - LANCER)(C44 - LEBARON GTS)

J BODY = (C - LEBARON)

K BODY = (P - RELIANT)(D - ARIES)(C - LEBAROND)/TOWN & COUNTRY)

L BODY = (M - HORIZON/TURISMO)(Z - OMNI/CHARGER)

M BODY = (B - GRAN FURY)(F - FIFTH AVE/NEWPORT)(G - DIPLOMAT)

P BODY = (P - SUNDANCE)(D - SHADOW)

S BODY = (H - VOYAGER)(K - RAM VAN/CARAVAN)

BODY STYLES

12-13 = FWD VAN

21 = 2-DOOR SEDAN

24 = 2-DOOR HATCHBACK

27 = 2-DOOR CONVERTIBLE

41 = 4-DOOR SEDAN

44 = 4-DOOR HATCHBACK

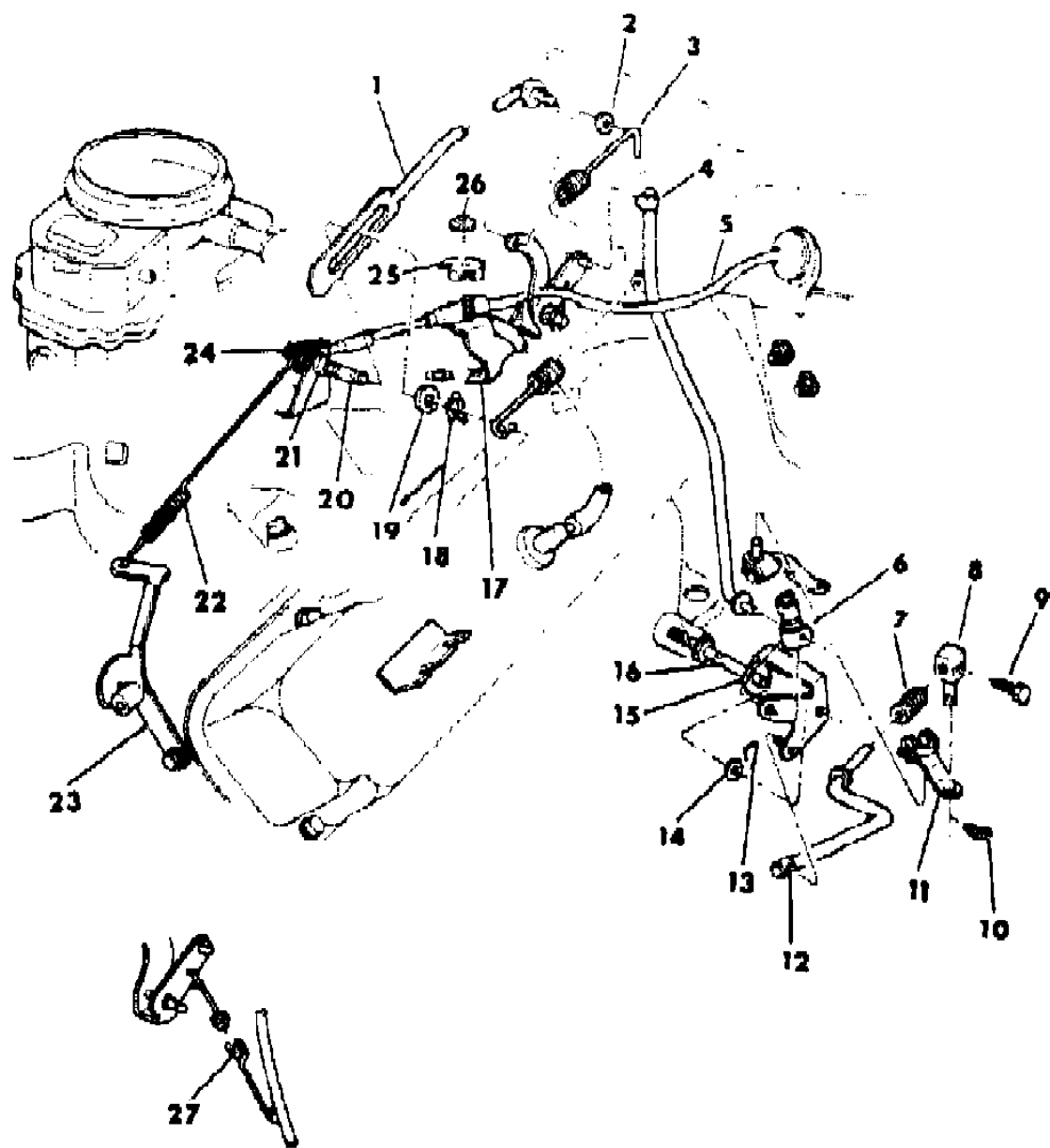
45 = 4-DOOR STATION WAGON

52-53 = FWD WAGON

AR = Use as Required - = Non Illustrated Part P.A.R. = Paint as Required

THROTTLE CONTROL 5.2L-2BBL ENGINE M BODY
Figure 14-4500

7114 4500 A



ITEM	PART NUMBER	QTY	BODY	MODEL	DESCRIPTION
1	3769 872	1			ROD
2	0120 393	1			WASHER
3	3870 696	1			SPRING
4					ROD
	4041 509	1			w/ELA Engine
	4041 520	1			w/ELD Engine (Heavy Duty)
5	4027 358	1			CABLE
6	2899 361	1			CLIP
7	3769 198	1			SPRING
8	4027 374	1			SWIVEL
9	0181 082	1			SCREW
10	6025 867	1			CLIP
11	4071 980	1			LEVER, Trans.
12					ROD
	4071 978	1			w/ELA Engine
	4173 225	1			w/ELD Engine (Heavy Duty)
13	6027 983	1			CLIP
14	0120 394	1			WASHER
15					BELLCRANK
	3751 529	1			w/ELA Engine
	3751 535	1			w/ELD (Heavy Duty)
16	3751 531	1			STUD, Trans. Bellcrank
17	3870 670	1			BRACKET, Cable Mounting
18	6026 776	1			CLIP
19		1			WASHER (not serviced)
20	3418 900	1			STUD
21	6030 607	1			NUT
22					SPRING
	3870 659	1			Inner
	3870 660	1			Outer
23					BRACKET (Refer to Group 25)
24	6023 285	1			CLIP
25	2402 210	1			CLIP
26	6033 561	1			NUT and WASHER
27	3870 666	1			SPRING, Linkage Assist

MODEL CODES

E BODY = (J - CARAVELLE)(E - 600)(T - NEW YORKER)

G BODY = (V24 - DAYTONA)

H BODY = (D44 - LANCER)(C44 - LEBARON GTS)

J BODY = (C - LEBARON)

K BODY = (P - RELIANT)(D - ARIES)(C - LEBAROND)/TOWN & COUNTRY)

L BODY = (M - HORIZON/TURISMO)(Z - OMNI/CHARGER)

M BODY = (B - GRAN FURY)(F - FIFTH AVE/NEWPORT)(G - DIPLOMAT)

P BODY = (P - SUNDANCE)(D - SHADOW)

S BODY = (H - VOYAGER)(K - RAM VAN/CARAVAN)

BODY STYLES

12-13 = FWD VAN

21 = 2-DOOR SEDAN

24 = 2-DOOR HATCHBACK

27 = 2-DOOR CONVERTIBLE

41 = 4-DOOR SEDAN

44 = 4-DOOR HATCHBACK

45 = 4-DOOR STATION WAGON

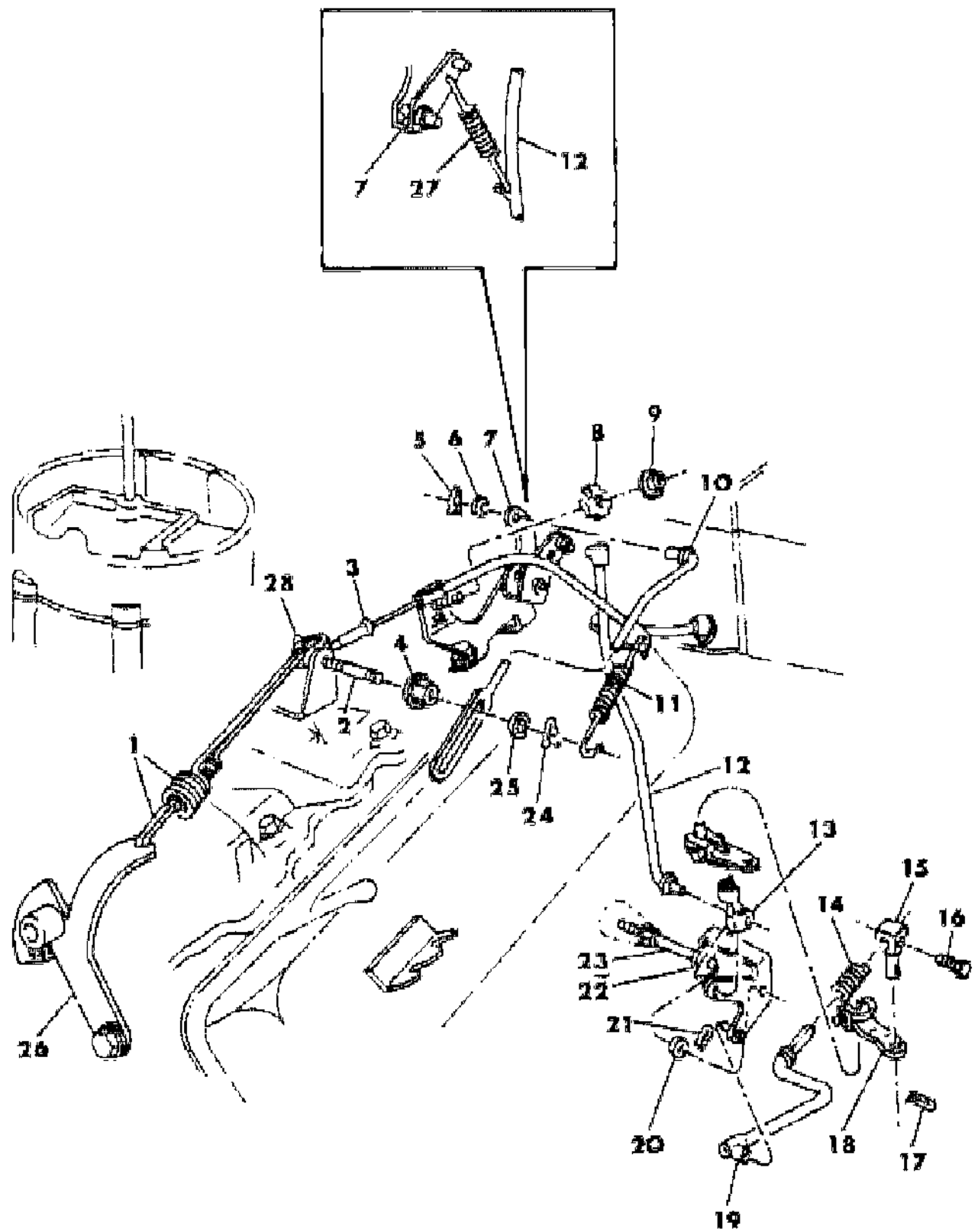
52-53 = FWD WAGON

AR = Use as Required - = Non Illustrated Part P.A.R. = Paint as Required

THROTTLE CONTROL 5.2L-4BBL ENGINE M BODY

Figure 14-4600

7114 4800



ITEM	PART NUMBER	QTY	BODY	MODEL	DESCRIPTION
1					SPRING
	4288 229	1			Inner
	4288 228	1			Outer
2	3418 900	1			STUD
3	4306 179	1			CABLE, Throttle Control
4	6030 607	1			NUT
5	6025 867	1			CLIP
6	0120 393	1			WASHER
7	4287 969	1			BRACKET, Cable Mounting
8	2402 210	1			CLIP
9	0120 375	1			NUT and WASHER
10	4287 971	1			ROD
11	4027 590	1			SPRING
12	4041 509	1			ROD
13	2899 361	1			CLIP
14	3769 198	1			SPRING
15	4027 374	1			SWIVEL
16	0181 082	1			SCREW
17	6025 867	1			CLIP
18	4071 980	1			LEVER, Transmission
19	4071 978	1			ROD
20	0120 394	1			WASHER
21	6027 983	1			CLIP
22	3751 529	1			BELLCRANK
23	3751 531	1			STUD
24	6026 776	1			CLIP
25		1			WASHER (not serviced)
26					BRACKET (Refer to Group 25)
27	3870 666	1			SPRING, Linkage Assist
28	6023 285	1			CLIP, Throttle Control

MODEL CODES

E BODY = (J - CARAVELLE)(E - 600)(T - NEW YORKER)

G BODY = (V24 - DAYTONA)

H BODY = (D44 - LANCER)(C44 - LEBARON GTS)

J BODY = (C - LEBARON)

K BODY = (P - RELIANT)(D - ARIES)(C - LEBAROND)/TOWN & COUNTRY)

L BODY = (M - HORIZON/TURISMO)(Z - OMNI/CHARGER)

M BODY = (B - GRAN FURY)(F - FIFTH AVE/NEWPORT)(G - DIPLOMAT)

P BODY = (P - SUNDANCE)(D - SHADOW)

S BODY = (H - VOYAGER)(K - RAM VAN/CARAVAN)

BODY STYLES

12-13 = FWD VAN

21 = 2-DOOR SEDAN

24 = 2-DOOR HATCHBACK

27 = 2-DOOR CONVERTIBLE

41 = 4-DOOR SEDAN

44 = 4-DOOR HATCHBACK

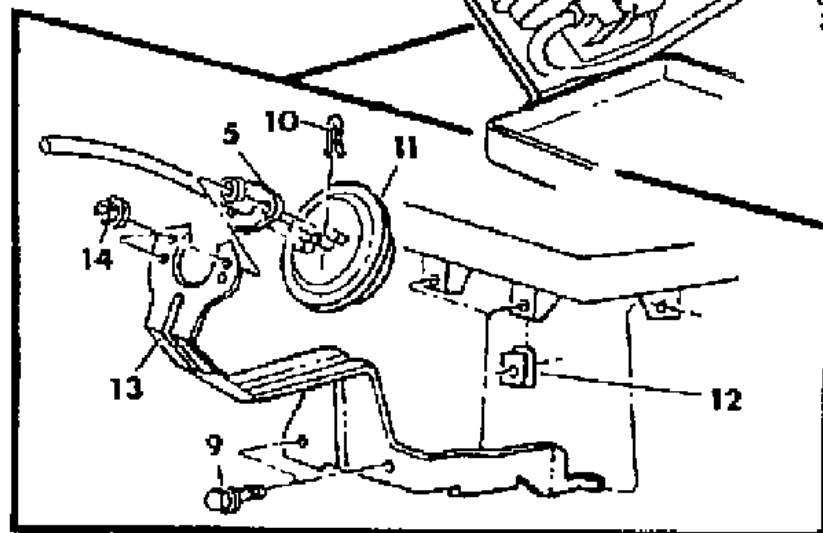
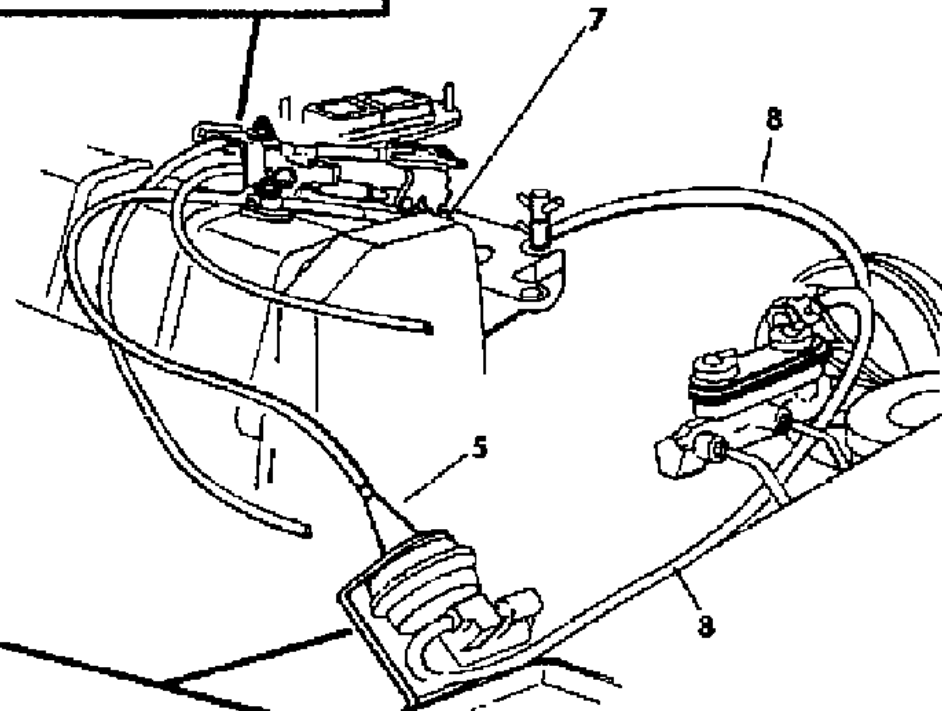
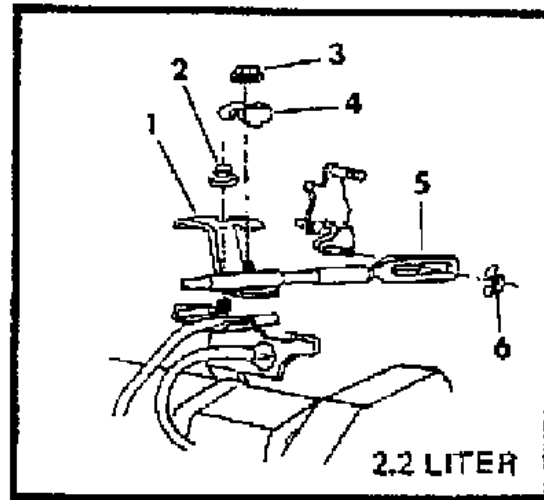
45 = 4-DOOR STATION WAGON

52-53 = FWD WAGON

AR = Use as Required - = Non Illustrated Part P.A.R. = Paint as Required

SPEED CONTROL ELECTRO MECHANICAL L BODY - W/2.2 LITER ENGINE (EXCEPT TURBO) FIELD INSTALATION
Figure 14-4700

7114 4700 A



ITEM	PART NUMBER	QTY	BODY	MODEL	DESCRIPTION
PKG.A	#4397 440	1			SPEED CONTROL PACKAGE (see Note: 1)
1	4275 976	1			BRACKET, Speed Control Cable Mounting
2	6025 004	1			NUT and WASHER
3	0120 375	1			NUT and WASHER
4	2402 210	1			CLIP, Cable Mounting
5	4288 054	1			CABLE, Speed Control
6	6031 629	1			CLIP, Cable to Carburetor
7	0219 462	1			SCREW and WASHER, Cable Mounting Bracket Attaching
8	4203 211	AR			HOSE
9	6025 004	2			NUT and WASHER
10	6025 867	1			CLIP, Cable to Servo
11	4241 551	1			SERVO, Speed Control
12	6500 681	2			U-NUT, Bracket to Battery Tray m6x1.00
13	4307 398	1			BRACKET, Servo Mounting
14	6025 004	2			NUT w/WASHER, Bracket to Battery Tray .25-20 ***

NOTE: 1 Vehicles equipped with a Manual Trans. order 1 of 4221696 Clutch Switch the rear of the carburetor throttle body. A mirror is required to read the no. when the carburetor

MODEL CODES

E BODY = (J - CARAVELLE)(E - 600)(T - NEW YORKER)

G BODY = (V24 - DAYTONA)

H BODY = (D44 - LANCER)(C44 - LEBARON GTS)

J BODY = (C - LEBARON)

K BODY = (P - RELIANT)(D - ARIES)(C - LEBAROND)/TOWN & COUNTRY)

L BODY = (M - HORIZON/TURISMO)(Z - OMNI/CHARGER)

M BODY = (B - GRAN FURY)(F - FIFTH AVE/NEWPORT)(G - DIPLOMAT)

P BODY = (P - SUNDANCE)(D - SHADOW)

S BODY = (H - VOYAGER)(K - RAM VAN/CARAVAN)

BODY STYLES

12-13 = FWD VAN

21 = 2-DOOR SEDAN

24 = 2-DOOR HATCHBACK

27 = 2-DOOR CONVERTIBLE

41 = 4-DOOR SEDAN

44 = 4-DOOR HATCHBACK

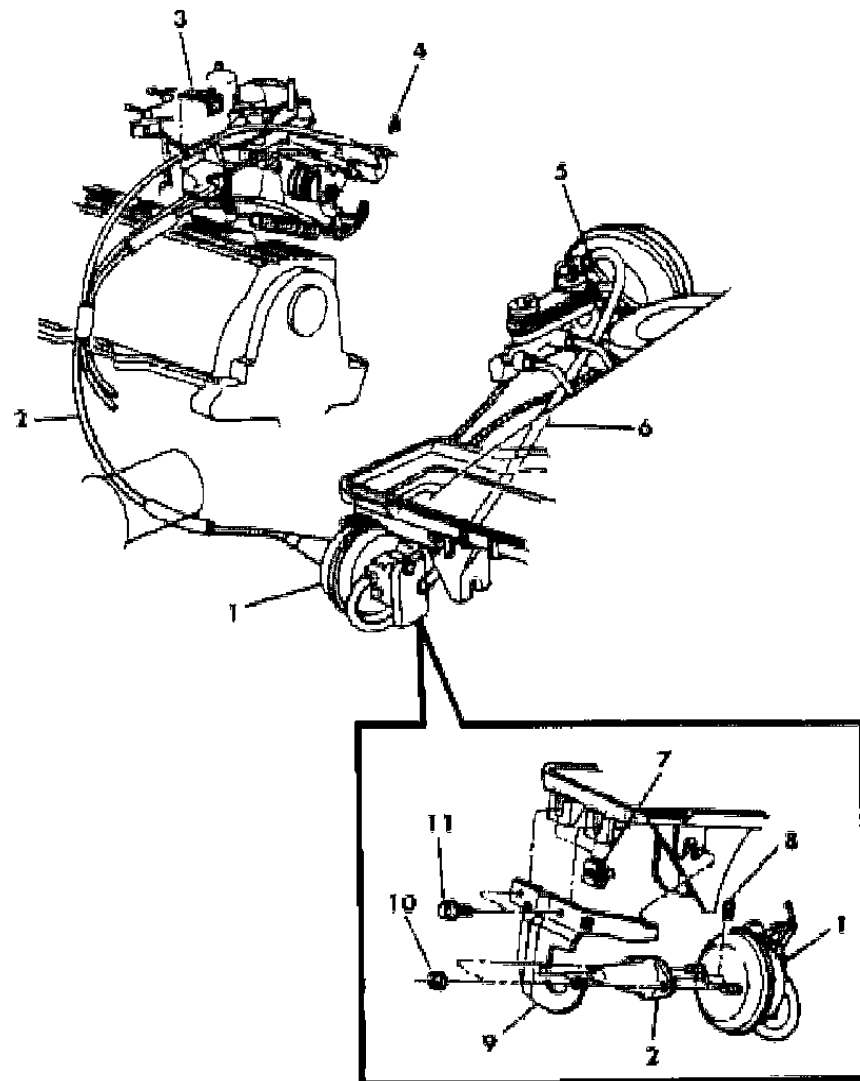
45 = 4-DOOR STATION WAGON

52-53 = FWD WAGON

AR = Use as Required - = Non Illustrated Part P.A.R. = Paint as Required

**SPEED CONTROL E.F.I.
Figure 14-4800**

7114 4800



ITEM	PART NUMBER	QTY	BODY	MODEL	DESCRIPTION
PKG.A	4443 080	1			SPEED CONTROL PACKAGE, (see note: 1)
1					SERVO, Speed Control
	4324 302	1	E,G,J,K		
	4324 102	1	H,P		
2	4307 565	1			CABLE, Speed Control
3	4288 072	1			CLIP, Cable Mounting
4	6031 629	1			CLIP, Carburetor Lever Stud
5	2448 761	1			CLAMP
6	4203 211	AR			HOSE
7	6500 681	2			U-NUT, Bracket to Battery Tray Mounting
8	6025 867	1			CLIP
9					BRACKET
	4241 770	1	E,G,J,K		
	4300 950	1	P,H		
10	6025 004	2			NUT and WASHER
11	6100 288	2			SCREW and WASHER, Bracket to Battery Tray Mounting

NOTE : 1 For vehicles which are not equipped with Intermittent Wipers you must also specify part no.4397433 Intermittent Wiper Conversion Package the rear of the carburetor throttle body. A mirror is required to read the no. when the carburetor

MODEL CODES

E BODY = (J - CARAVELLE)(E - 600)(T - NEW YORKER)

G BODY = (V24 - DAYTONA)

H BODY = (D44 - LANCER)(C44 - LEBARON GTS)

J BODY = (C - LEBARON)

K BODY = (P - RELIANT)(D - ARIES)(C - LEBAROND)/TOWN & COUNTRY)

L BODY = (M - HORIZON/TURISMO)(Z - OMNI/CHARGER)

M BODY = (B - GRAN FURY)(F - FIFTH AVE/NEWPORT)(G - DIPLOMAT)

P BODY = (P - SUNDANCE)(D - SHADOW)

S BODY = (H - VOYAGER)(K - RAM VAN/CARAVAN)

BODY STYLES

12-13 = FWD VAN

21 = 2-DOOR SEDAN

24 = 2-DOOR HATCHBACK

27 = 2-DOOR CONVERTIBLE

41 = 4-DOOR SEDAN

44 = 4-DOOR HATCHBACK

45 = 4-DOOR STATION WAGON

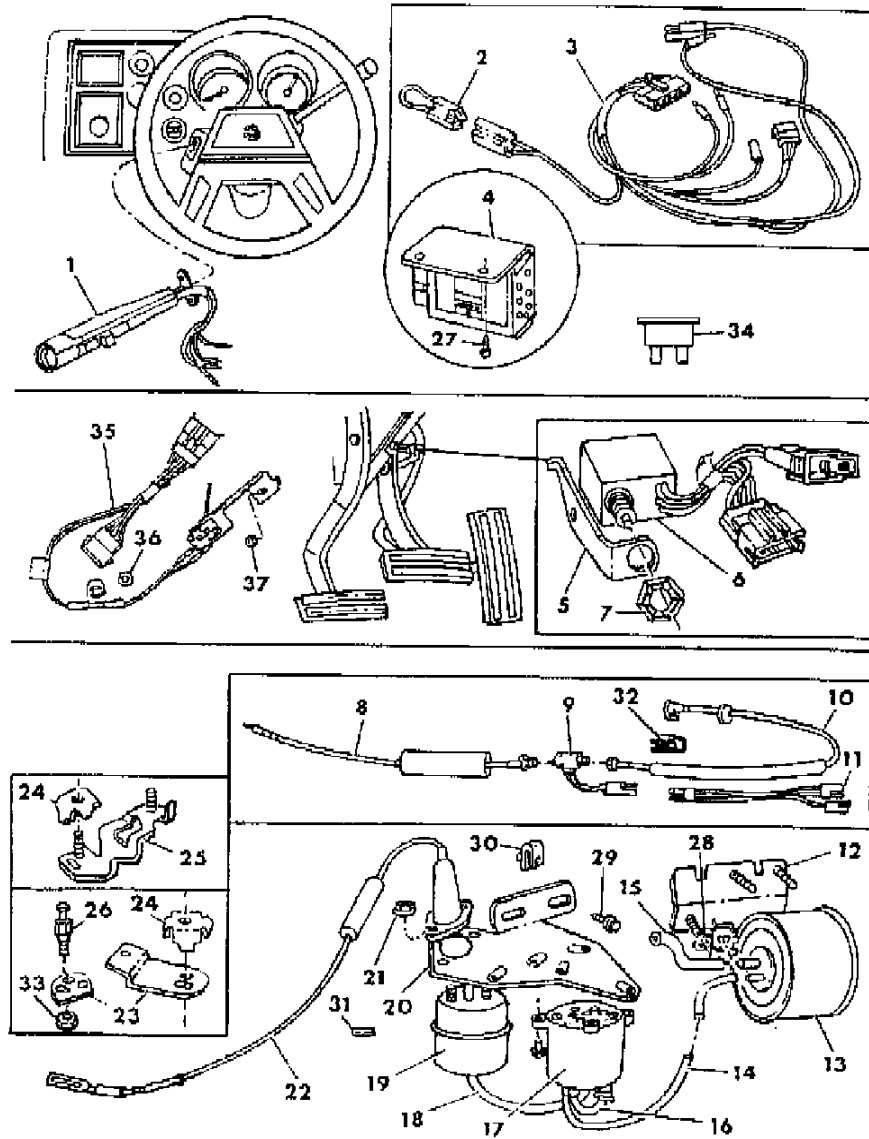
52-53 = FWD WAGON

AR = Use as Required - = Non Illustrated Part P.A.R. = Paint as Required

SPEED CONTROL ELECTRONIC L BODY WITH OR WITHOUT TURBO FIELD INSTALLATION

Figure 14-4850

7114 4850 A



ITEM	PART NUMBER	QTY	BODY	MODEL	DESCRIPTION
PKG.A	4397 441	1			SPEED CONTROL PACKAGE (see note 1)
1	4342 209	1			SWITCH, Control
2	4209 534	1			PLUG, Connector
3	4364 365	1			HARNESS, Master Wire
4	4318 829	1			MODULE, Electronic
5	4221 580	1			BRACKET, Brake Switch
6	4221 980	1			SWITCH, Stop Lamp
7	0107 825	1			NUT, Stop Lamp Switch
8	4312 816	1			CABLE, Sensor to Coupling
9	4312 032	1			SENSOR, w/Auto Trans.
10	4312 328	1			CABLE, Speedo to Coupling
11	4318 842	1			HARNESS, Sensor Adapter
12	4318 823	1			BRACKET, Reservoir
13	4318 821	1			RESERVOIR, w/Bracket
14	4318 826	AR			HOSE, Reservoir to Valve Body, 5/32 ID - 1/2 OD x 36"
15	4318 828	AR			HOSE, Reservoir to Booster Brake or Intake Manifold Fitting, 7/32 ID x 70"
16	4318 822	1			HOSE, Molded Horseshoe
17	4318 818	1			BODY, Valve
18	4318 827	1			HOSE, Vacuum Motor to Valve Body, 5/32 x 50"
19	4318 819	1			MOTOR, Vacuum
20	4318 820	1			BRACKET, Valve Body and Motor Mounting
21	6025 001	2			NUT, Cable Mounting
22	4288 057	1			CABLE, Servo
23	4318 824	1			BRACKET, w/Clamp, Throttle Link, 1.6L Engine
24	2402 210	1			CLAMP, Cable
25	4275 976	1			BRACKET, Clamp, 2.2L Engine
26	5214 596	1			STUD, w/1.6L Engine
27	6032 639	2			SCREW, Module Mounting
28	6024 682	2			SPACER, Reservoir Mounting
29	6100 288	2			SCREW and WASHER, Bracket Mounting
30	6500 681	2			U-Nut, Bracket Mounting
31	6025 867	2			R-CLIP, Servo Cable
32	6015 327	2			CLIP, Servo Cable Harness
33	6100 496	1			NUT
34	6101 133	1			FUSE, ATC 3 Amp
35	4221 696	1			SWITCH, w/Bracket, Clutch
36	6500 512	1			NUT

MODEL CODES

E BODY = (J - CARAVELLE)(E - 600)(T - NEW YORKER)

G BODY = (V24 - DAYTONA)

H BODY = (D44 - LANCER)(C44 - LEBARON GTS)

J BODY = (C - LEBARON)

K BODY = (P - RELIANT)(D - ARIES)(C - LEBAROND)/TOWN & COUNTRY)

L BODY = (M - HORIZON/TURISMO)(Z - OMNI/CHARGER)

M BODY = (B - GRAN FURY)(F - FIFTH AVE/NEWPORT)(G - DIPLOMAT)

P BODY = (P - SUNDANCE)(D - SHADOW)

S BODY = (H - VOYAGER)(K - RAM VAN/CARAVAN)

BODY STYLES

12-13 = FWD VAN

21 = 2-DOOR SEDAN

24 = 2-DOOR HATCHBACK

27 = 2-DOOR CONVERTIBLE

41 = 4-DOOR SEDAN

44 = 4-DOOR HATCHBACK

45 = 4-DOOR STATION WAGON

52-53 = FWD WAGON

AR = Use as Required - = Non Illustrated Part P.A.R. = Paint as Required

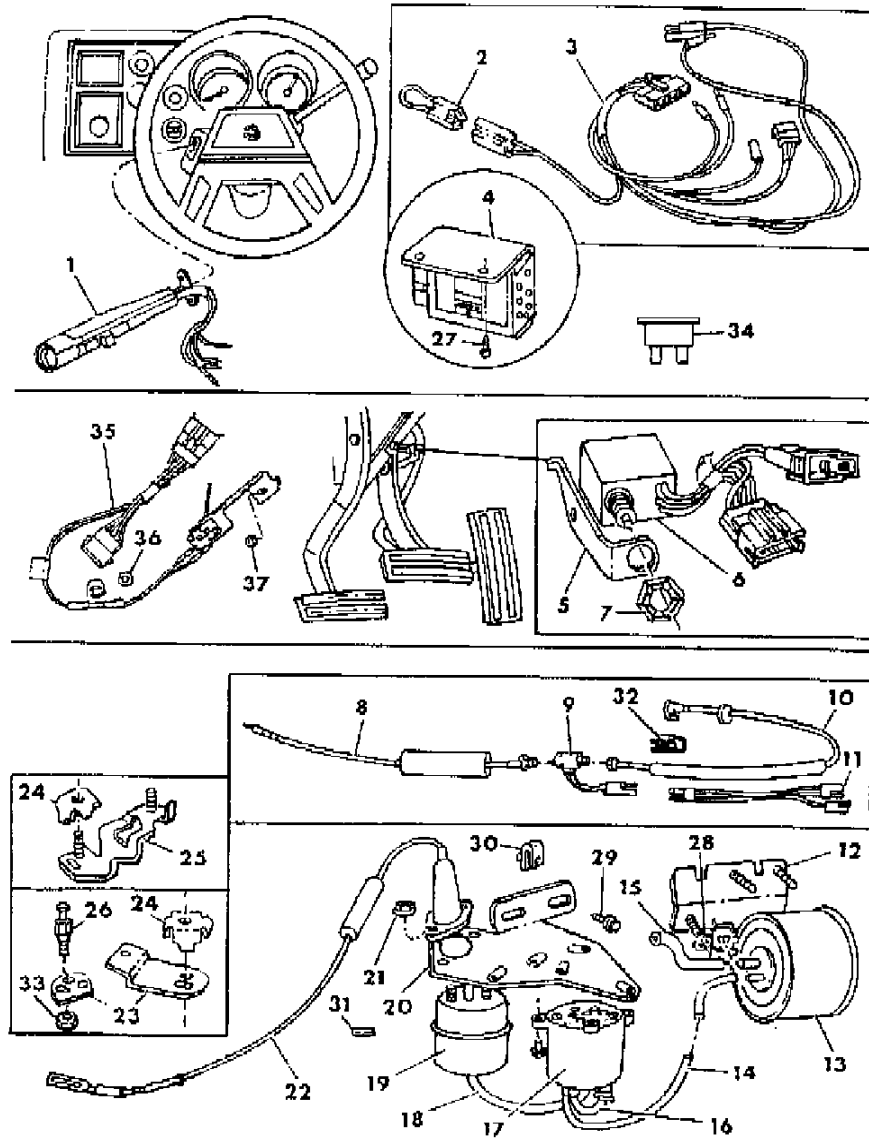
SPEED CONTROL ELECTRONIC L BODY WITH OR WITHOUT TURBO FIELD INSTALLATION
Figure 14-4850

ITEM	PART NUMBER	QTY	BODY	MODEL	DESCRIPTION
------	-------------	-----	------	-------	-------------

37	6100 047	1			NUT
----	----------	---	--	--	-----

NOTE 1: For vehicles equipped with Turbo Charger order 1 of 4397430 Adapter Package the rear of the carburetor throttle body. A mirror is required to read the no. when the carburetor

7114 4850 A



MODEL CODES

E BODY = (J - CARAVELLE)(E - 600)(T - NEW YORKER)

G BODY = (V24 - DAYTONA)

H BODY = (D44 - LANCER)(C44 - LEBARON GTS)

J BODY = (C - LEBARON)

K BODY = (P - RELIANT)(D - ARIES)(C - LEBAROND)/TOWN & COUNTRY)

L BODY = (M - HORIZON/TURISMO)(Z - OMNI/CHARGER)

M BODY = (B - GRAN FURY)(F - FIFTH AVE/NEWPORT)(G - DIPLOMAT)

P BODY = (P - SUNDANCE)(D - SHADOW)

S BODY = (H - VOYAGER)(K - RAM VAN/CARAVAN)

BODY STYLES

12-13 = FWD VAN

21 = 2-DOOR SEDAN

24 = 2-DOOR HATCHBACK

27 = 2-DOOR CONVERTIBLE

41 = 4-DOOR SEDAN

44 = 4-DOOR HATCHBACK

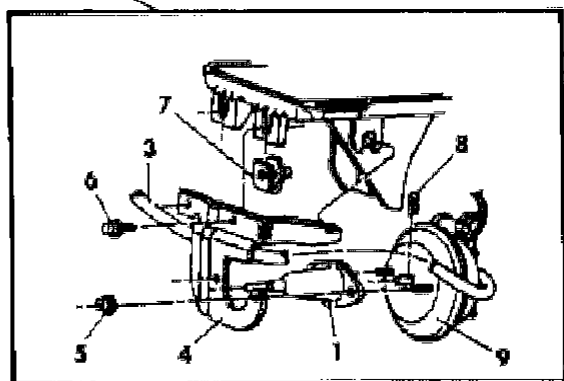
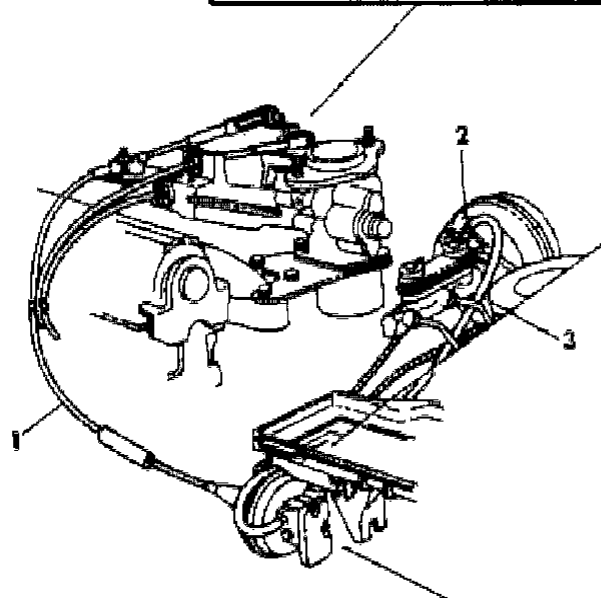
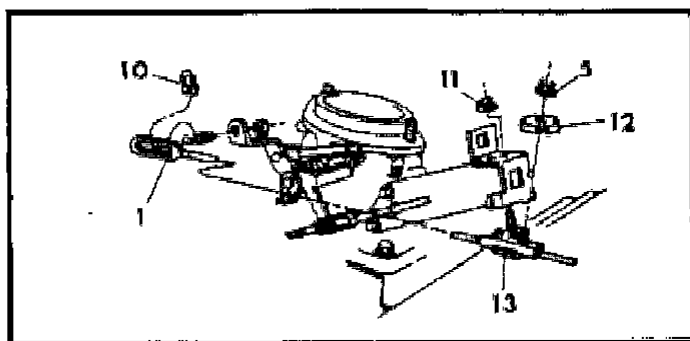
45 = 4-DOOR STATION WAGON

52-53 = FWD WAGON

AR = Use as Required - = Non Illustrated Part P.A.R. = Paint as Required

SPEED CONTROL TURBO CHARGER 1 - W/O INTER COOLER P,J,K,G,E,H BODY
Figure 14-4900

7114 4900



ITEM	PART NUMBER	QTY	BODY	MODEL	DESCRIPTION
PKG.A	4443 080	1			SPEED CONTROL PACKAGE, (see note : 1)
1	4288 058	1			CABLE, Servo
2	2448 761	1			CLAMP
3	4203 211	AR			HOSE
4					BRACKET, Servo Mounting
	4241 770	1	E,G,J,K		
	4300 950	1	P,H		
5	6025 004	3			NUT and WASHER
6	6100 288	2			SCREW and WASHER
7	6500 681	2			U-NUT
8	6025 867	1			CLIP
9					SERVO
	4324 302	1	E,G,J,K		
	4324 102	1	P,H		
10	6031 629	1			CLIP
11	6025 001	1			NUT and WASHER
12	2402 210	1			CLIP, Cable Mounting
13	4287 508	1			BRACKET, Cable Mounting

NOTE : 1 For vehicles which are not equipped with Intermittent Wipers you must also specify part no. 4397433 Intermittent Wiper Conversion Package the rear of the carburetor throttle body. A mirror is required to read the no. when the carburetor

MODEL CODES

E BODY = (J - CARAVELLE)(E - 600)(T - NEW YORKER)

G BODY = (V24 - DAYTONA)

H BODY = (D44 - LANCER)(C44 - LEBARON GTS)

J BODY = (C - LEBARON)

K BODY = (P - RELIANT)(D - ARIES)(C - LEBAROND)/TOWN & COUNTRY)

L BODY = (M - HORIZON/TURISMO)(Z - OMNI/CHARGER)

M BODY = (B - GRAN FURY)(F - FIFTH AVE/NEWPORT)(G - DIPLOMAT)

P BODY = (P - SUNDANCE)(D - SHADOW)

S BODY = (H - VOYAGER)(K - RAM VAN/CARAVAN)

BODY STYLES

12-13 = FWD VAN

21 = 2-DOOR SEDAN

24 = 2-DOOR HATCHBACK

27 = 2-DOOR CONVERTIBLE

41 = 4-DOOR SEDAN

44 = 4-DOOR HATCHBACK

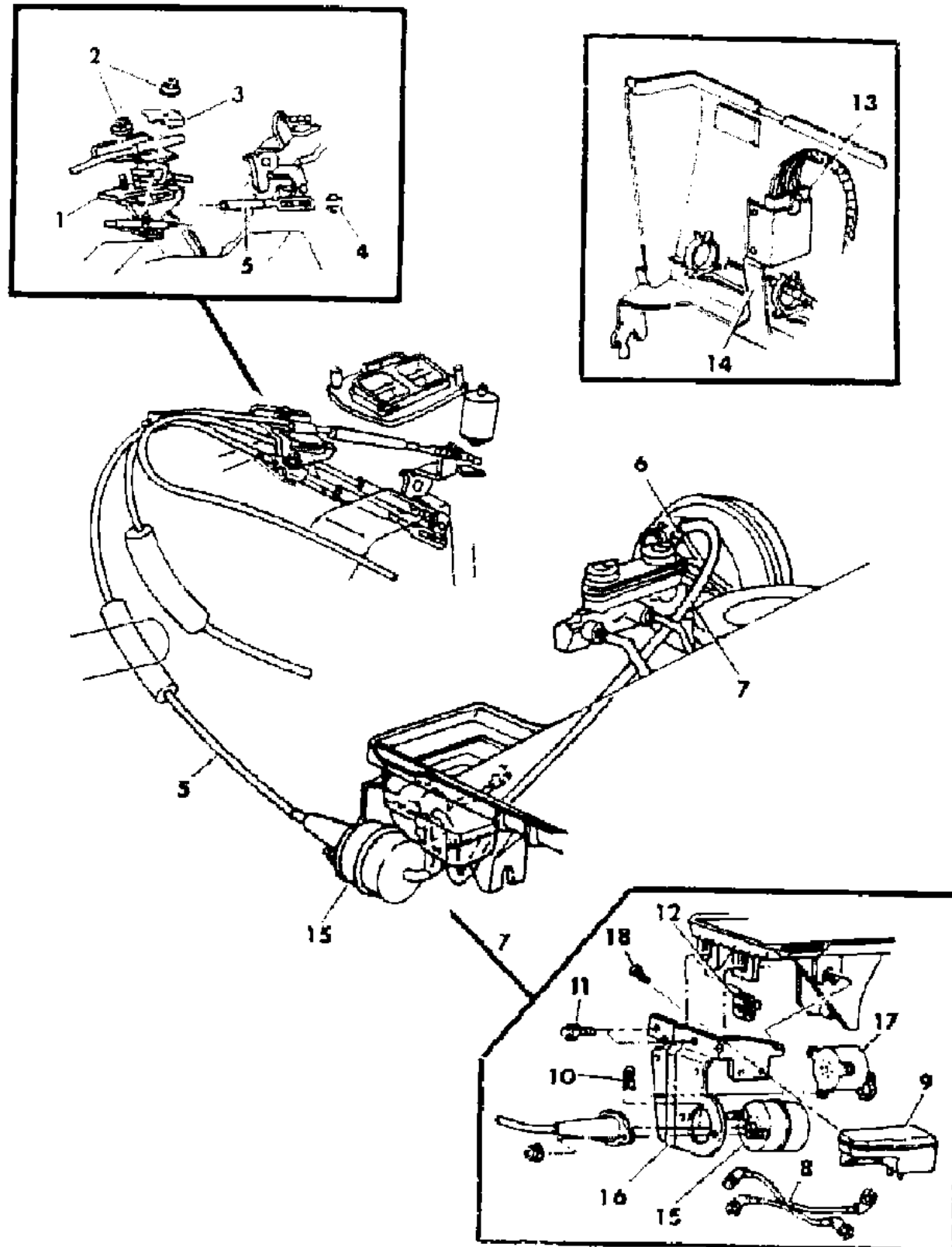
45 = 4-DOOR STATION WAGON

52-53 = FWD WAGON

AR = Use as Required - = Non Illustrated Part P.A.R. = Paint as Required

SPEED CONTROL 2.2L ENGINE S BODY
Figure 14-5000

7114 5000 C



ITEM	PART NUMBER	QTY	BODY	MODEL	DESCRIPTION
PKG.A	4443 077	1			SPEED CONTROL PACKAGE (see notes: 1 and 2)
1	4275 976	1			BRACKET
2	6100 047	4			NUT and WASHER
3	2402 210	1			CLIP, Cable Mounting
4	6031 629	1			CLIP, Cable to Carburetor
5	4307 246	1			CABLE, Speed Control
6	2448 761	1			CLAMP
7	4203 211	AR			HOSE
8	4307 889	1			HARNESS, Vacuum
9	4307 203	1			RESERVOIR
10	6025 867	1			CLIP, Cable to Servo
11	6100 288	2			SCREW and WASHER, Bracket to Battery Tray Mounting
12	6500 681	2			U-NUT, Bracket to Battery Tray Mounting
13	4312 957	1			MODULE, Speed Control
14	4374 027	1			BRACKET, Speed Control Module Mounting
15	4275 443	1			SERVO
16	4307 224	1			BRACKET
17	4307 876	1			BODY, Valve
18	6100 286	2			SCREW

NOTE: 1 For vehicles which are not equipped with Intermittent Wipers you must also specify part no. 4397432 Intermittent Wiper Conversion Package the rear of the carburetor throttle body. A mirror is required to read the no. when the carburetor

NOTE: 2 For vehicles equipped with a Manual Trans you must specify part no 4379039 SWITCH, Clutch the rear of the carburetor throttle body. A mirror is required to read the no. when the carburetor

MODEL CODES

E BODY = (J - CARAVELLE)(E - 600)(T - NEW YORKER)

G BODY = (V24 - DAYTONA)

H BODY = (D44 - LANCER)(C44 - LEBARON GTS)

J BODY = (C - LEBARON)

K BODY = (P - RELIANT)(D - ARIES)(C - LEBAROND)/TOWN & COUNTRY)

L BODY = (M - HORIZON/TURISMO)(Z - OMNI/CHARGER)

M BODY = (B - GRAN FURY)(F - FIFTH AVE/NEWPORT)(G - DIPLOMAT)

P BODY = (P - SUNDANCE)(D - SHADOW)

S BODY = (H - VOYAGER)(K - RAM VAN/CARAVAN)

BODY STYLES

12-13 = FWD VAN

21 = 2-DOOR SEDAN

24 = 2-DOOR HATCHBACK

27 = 2-DOOR CONVERTIBLE

41 = 4-DOOR SEDAN

44 = 4-DOOR HATCHBACK

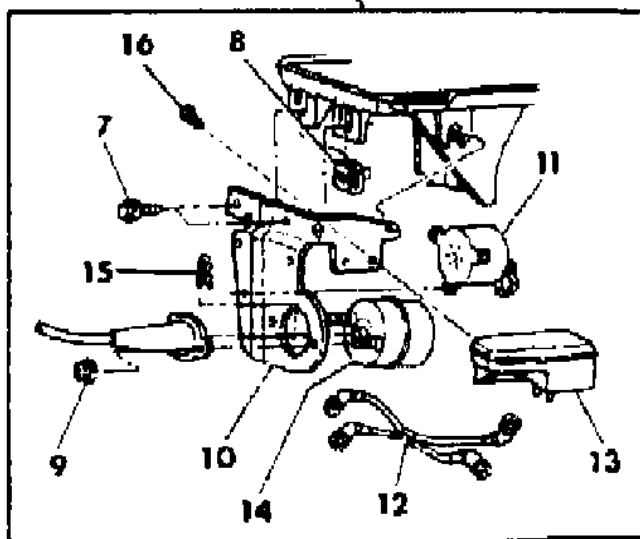
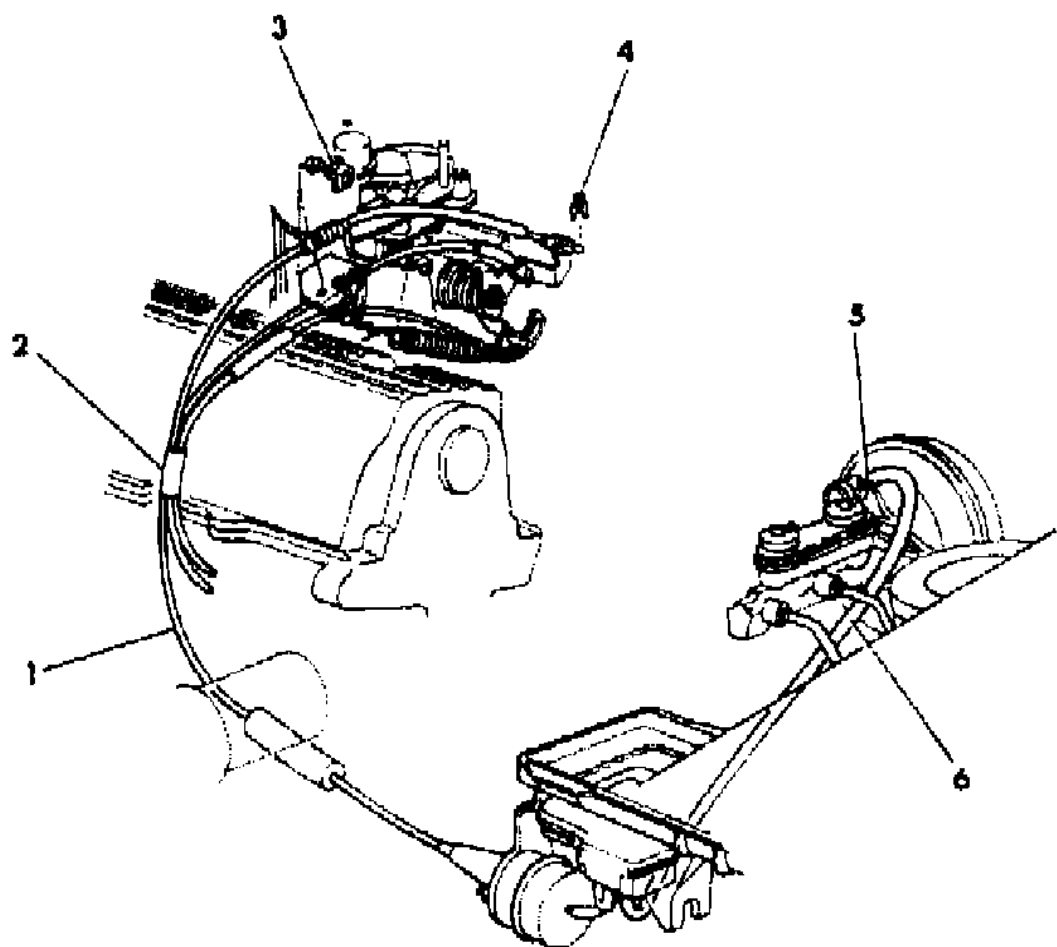
45 = 4-DOOR STATION WAGON

52-53 = FWD WAGON

AR = Use as Required - = Non Illustrated Part P.A.R. = Paint as Required

SPEED CONTROL 2.5L E.F.I. S BODY
Figure 14-5100

7114 5100 B



ITEM	PART NUMBER	QTY	BODY	MODEL	DESCRIPTION
PKG.A	4443 077	1			SPEED CONTROL PACKAGE (see notes: 1 and 2)
1	4307 565	1			CABLE, Speed Control
2	4300 009	1			BUNDLER
3	4288 072	1			CLIP, Cable Mounting
4	6031 629	1			CLIP, Lever Stud
5	2448 761	1			CLAMP
6	4203 211	AR			HOSE
7	6100 288	2			SCREW and WASHER, Bracket Mounting
8	6500 681	2			U-NUT, Bracket Mounting
9	6100 047	2			NUT and WASHER
10	4307 224	1			BRACKET
11	4307 876	1			BODY, Valve
12	4307 889	1			HARNES, Vacuum
13	4307 203	1			RESERVOIR
14	4275 443	1			SERVO
15	6025 867	2			CLIP
16	6100 286	2			SCREW

NOTE: 1 For vehicles which are not equipped with Intermittent Wipers you must also specify part no. 4397432 Intermittent Wiper Conversion Package the rear of the carburetor throttle body. A mirror is required to read the no. when the carburetor

NOTE: 2 For vehicles which are equipped with a Manual Trans you must specify part no 4397039 SWITCH, Clutch the rear of the carburetor throttle body. A mirror is required to read the no. when the carburetor

MODEL CODES

E BODY = (J - CARAVELLE)(E - 600)(T - NEW YORKER)

G BODY = (V24 - DAYTONA)

H BODY = (D44 - LANCER)(C44 - LEBARON GTS)

J BODY = (C - LEBARON)

K BODY = (P - RELIANT)(D - ARIES)(C - LEBAROND)/TOWN & COUNTRY)

L BODY = (M - HORIZON/TURISMO)(Z - OMNI/CHARGER)

M BODY = (B - GRAN FURY)(F - FIFTH AVE/NEWPORT)(G - DIPLOMAT)

P BODY = (P - SUNDANCE)(D - SHADOW)

S BODY = (H - VOYAGER)(K - RAM VAN/CARAVAN)

BODY STYLES

12-13 = FWD VAN

21 = 2-DOOR SEDAN

24 = 2-DOOR HATCHBACK

27 = 2-DOOR CONVERTIBLE

41 = 4-DOOR SEDAN

44 = 4-DOOR HATCHBACK

45 = 4-DOOR STATION WAGON

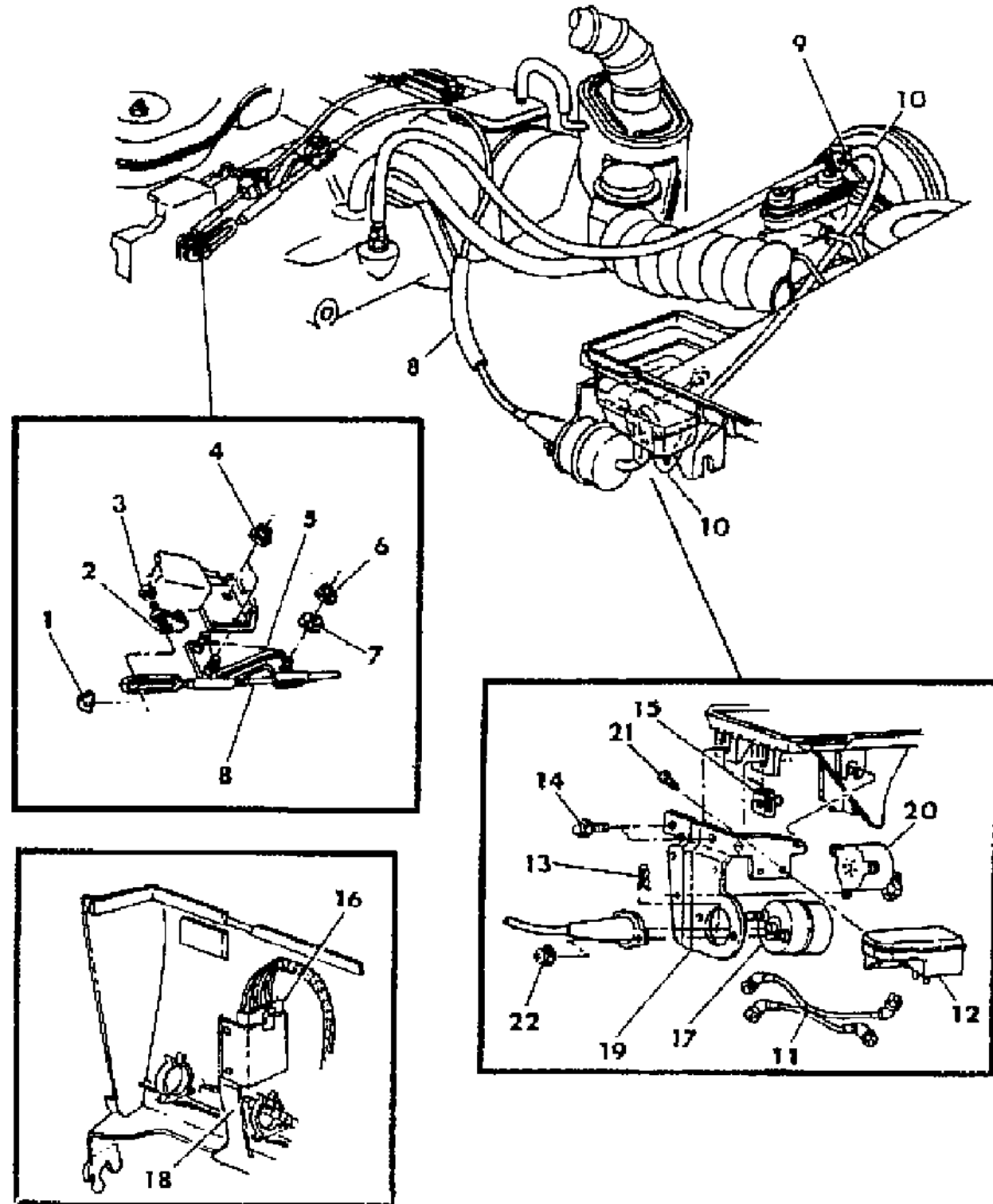
52-53 = FWD WAGON

AR = Use as Required - = Non Illustrated Part P.A.R. = Paint as Required

SPEED CONTROL 2.6L ENGINE S BODY

Figure 14-5200

7114 5200 8



ITEM	PART NUMBER	QTY	BODY	MODEL	DESCRIPTION
PKG.A	4443 077	1			SPEED CONTROL PACKAGE (see notes: 1 and 2)
1	6031 629	1			CLIP
2	5214 596	1			STUD, Carburetor
3	6100 496	1			NUT, Lock
4	6025 001	AR			NUT and WASHER
5	4287 504	1			BRACKET
6	6100 047	AR			NUT and WASHER
7	2402 210	1			CLIP, Cable Mounting
8	4288 059	1			CABLE, Speed Control
9	2448 761	1			CLAMP
10	4203 211	AR			HOSE
11	4307 889	AR			HARNESS, Vacuum
12	4307 203	1			RESERVOIR
13	6025 867	1			CLIP
14	6100 288	2			SCREW and WASHER, Bracket to Battery Tray Mounting
15	6500 681	2			U-NUT, Bracket to Battery Tray Mounting
16	4312 957	1			MODULE, Speed Control
17	4275 443	1			SERVO
18	4374 027	1			BRACKET, Speed Control Module Mounting
19	4307 224	1			BRACKET
20	4307 876	1			BODY, Valve
21	6100 286	2			SCREW
22	6100 047	2			NUT and WASHER

NOTE: 1 For vehicles which are not equipped with Intermittant Wipers you must also specify part no. 4397432 Intermittant Wiper Conversion Pkg. the rear of the carburetor throttle body. A mirror is required to read the no. when the carburetor

NOTE: 2 For vehicles equipped with a Manual Trans you must also specify part no. 4379039 SWITCH, Clutch the rear of the carburetor throttle body. A mirror is required to read the no. when the carburetor

MODEL CODES

E BODY = (J - CARAVELLE)(E - 600)(T - NEW YORKER)

G BODY = (V24 - DAYTONA)

H BODY = (D44 - LANCER)(C44 - LEBARON GTS)

J BODY = (C - LEBARON)

K BODY = (P - RELIANT)(D - ARIES)(C - LEBAROND)/TOWN & COUNTRY)

L BODY = (M - HORIZON/TURISMO)(Z - OMNI/CHARGER)

M BODY = (B - GRAN FURY)(F - FIFTH AVE/NEWPORT)(G - DIPLOMAT)

P BODY = (P - SUNDANCE)(D - SHADOW)

S BODY = (H - VOYAGER)(K - RAM VAN/CARAVAN)

BODY STYLES

12-13 = FWD VAN

21 = 2-DOOR SEDAN

24 = 2-DOOR HATCHBACK

27 = 2-DOOR CONVERTIBLE

41 = 4-DOOR SEDAN

44 = 4-DOOR HATCHBACK

45 = 4-DOOR STATION WAGON

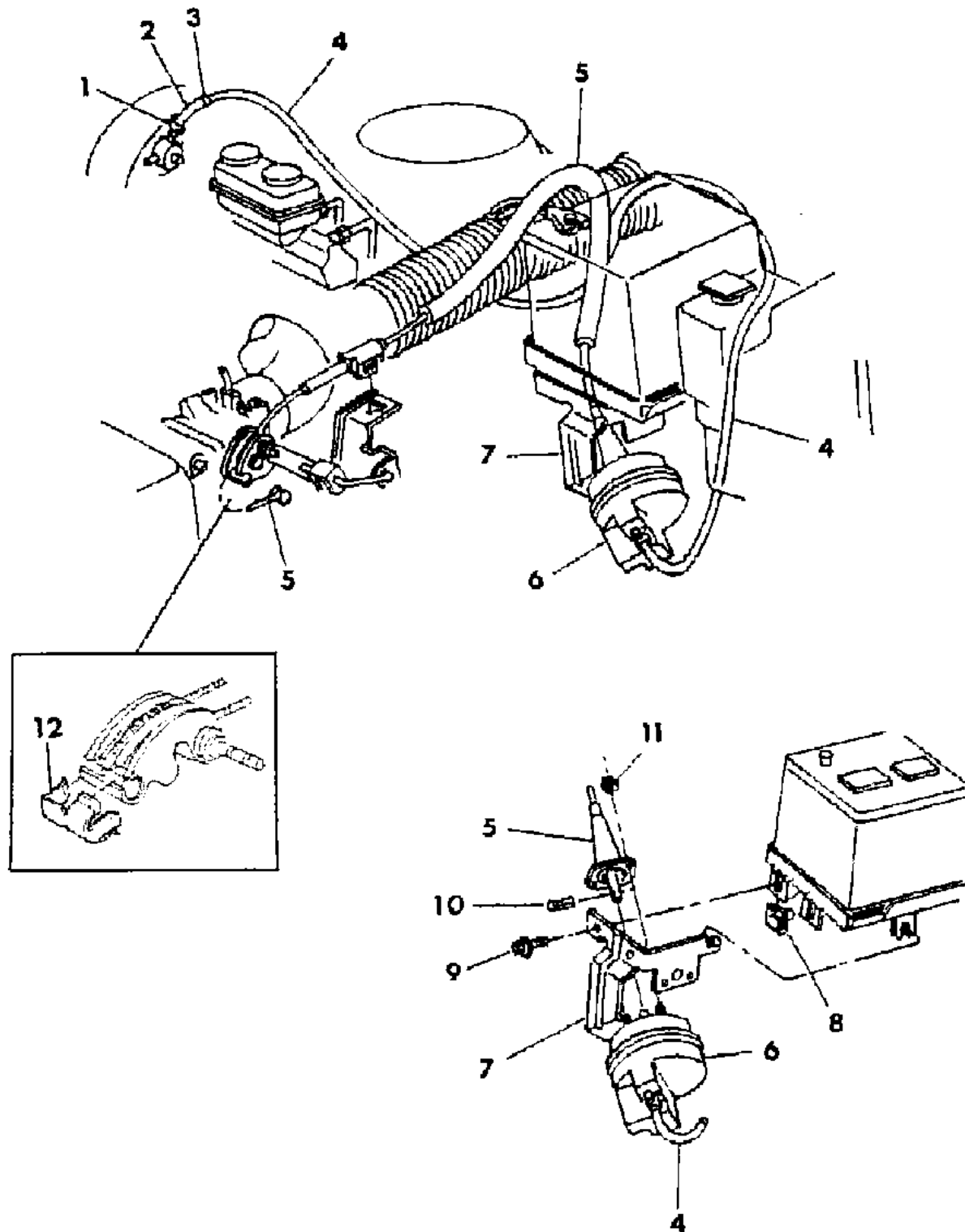
52-53 = FWD WAGON

AR = Use as Required - = Non Illustrated Part P.A.R. = Paint as Required

SPEED CONTROL 3.0L ENGINE S BODY

Figure 14-5250

7114 5250 A



ITEM	PART NUMBER	QTY	BODY	MODEL	DESCRIPTION
PKG.A	4443 087	1			SPEED CONTROL PACKAGE
1	2448 761	1			CLAMP, Vacuum Hose
2	4405 003	1			HOSE, Vacuum Formed
3	4306 923	1			VALVE, Check
4	4443 175	AR			HOSE, Vacuum
5	4324 598	1			CABLE, Speed Control
6	4324 302	1			SERVO, Speed Control
7	4288 498	1			BRACKET, Servo Mounting
8	6500 681	2			U-NUT, Bracket Mounting
9	6100 288	2			SCREW and WASHER, Bracket Mounting
10	6025 867	1			CLIP, Cable Retaining
11		2			NUT and WASHER, Cable Mounting (not serviced)
12	4324 349	1			CLIP, Retaining

MODEL CODES

E BODY = (J - CARAVELLE)(E - 600)(T - NEW YORKER)

G BODY = (V24 - DAYTONA)

H BODY = (D44 - LANCER)(C44 - LEBARON GTS)

J BODY = (C - LEBARON)

K BODY = (P - RELIANT)(D - ARIES)(C - LEBAROND)/TOWN & COUNTRY)

L BODY = (M - HORIZON/TURISMO)(Z - OMNI/CHARGER)

M BODY = (B - GRAN FURY)(F - FIFTH AVE/NEWPORT)(G - DIPLOMAT)

P BODY = (P - SUNDANCE)(D - SHADOW)

S BODY = (H - VOYAGER)(K - RAM VAN/CARAVAN)

BODY STYLES

12-13 = FWD VAN

21 = 2-DOOR SEDAN

24 = 2-DOOR HATCHBACK

27 = 2-DOOR CONVERTIBLE

41 = 4-DOOR SEDAN

44 = 4-DOOR HATCHBACK

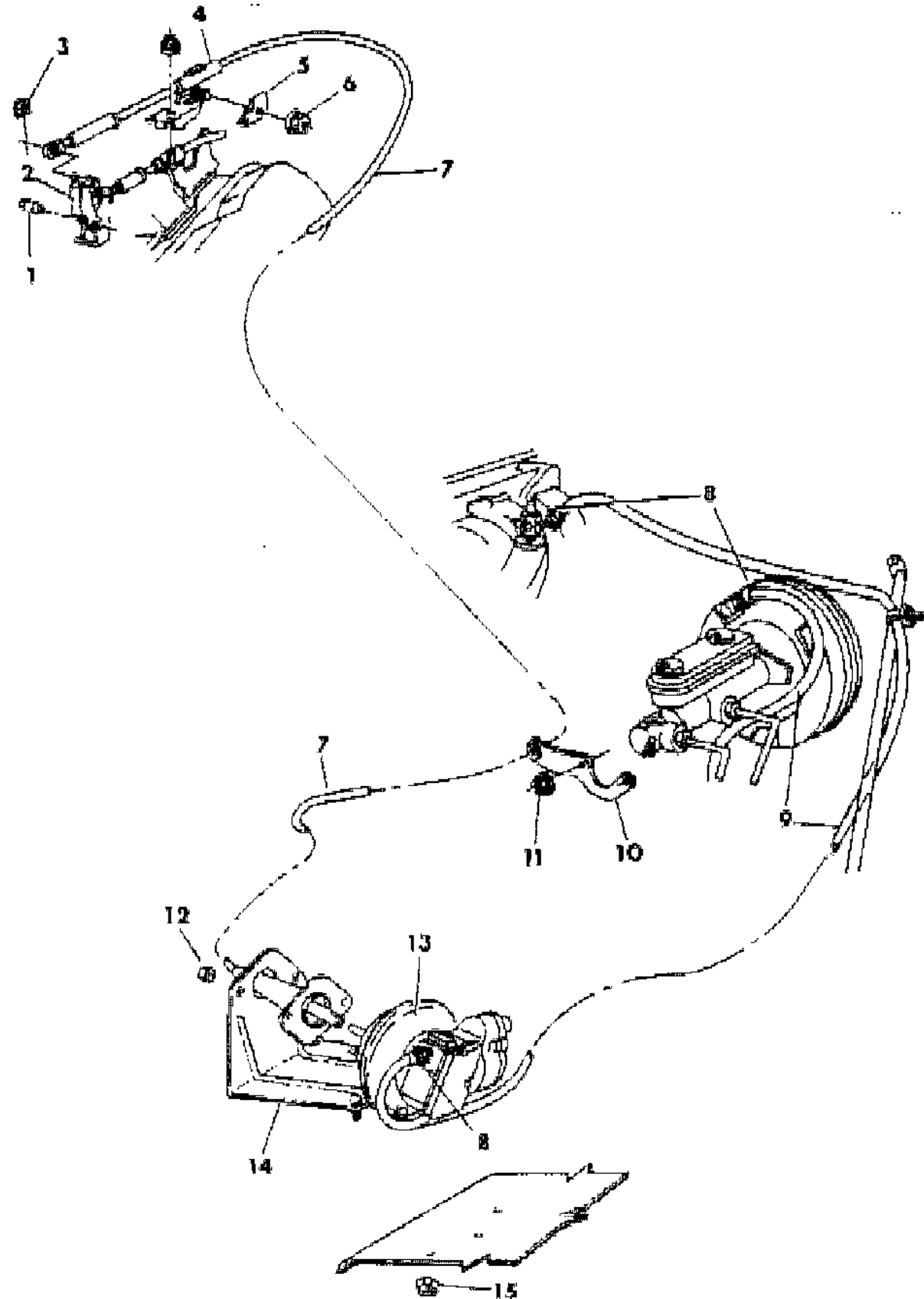
45 = 4-DOOR STATION WAGON

52-53 = FWD WAGON

AR = Use as Required - = Non Illustrated Part P.A.R. = Paint as Required

SPEED CONTROL M BODY
Figure 14-5300

7114 5300



ITEM	PART NUMBER	QTY	BODY	MODEL	DESCRIPTION
PKG.A	4364 355	1			SPEED CONTROL PACKAGE (see note 1)
1	6032 164	1			PIN, Lost Motion Link
2	3769 261	1			LINK, Lost Motion
3	6030 479	1			CLIP
4					BRACKET
	2899 376	1			w/5.2L-2BBL
	3830 868	1			w/5.2L-4BBL
5	2402 210	1			CLIP
6	0120 375	1			NUT and WASHER
7	4241 249	1			CABLE, Speed Control
8	2448 761	AR			CLAMP
9	4203 211	AR			HOSE
10	4173 480	1			BRACKET, Cable Routing
11	0118 614	1			NUT
12	6025 004	2			NUT
13	4241 551	1			SERVO, Speed Control
14	4104 323	1			BRACKET
15	0120 375	3			NUT

NOTE 1: For vehicles which are not equipped with Intermittent Wipers you must also specify part no. 4397431 Intermittent Wiper Conversion Package the rear of the carburetor throttle body. A mirror is required to read the no. when the carburetor

MODEL CODES

E BODY = (J - CARAVELLE)(E - 600)(T - NEW YORKER)

G BODY = (V24 - DAYTONA)

H BODY = (D44 - LANCER)(C44 - LEBARON GTS)

J BODY = (C - LEBARON)

K BODY = (P - RELIANT)(D - ARIES)(C - LEBAROND)/TOWN & COUNTRY)

L BODY = (M - HORIZON/TURISMO)(Z - OMNI/CHARGER)

M BODY = (B - GRAN FURY)(F - FIFTH AVE/NEWPORT)(G - DIPLOMAT)

P BODY = (P - SUNDANCE)(D - SHADOW)

S BODY = (H - VOYAGER)(K - RAM VAN/CARAVAN)

BODY STYLES

12-13 = FWD VAN

21 = 2-DOOR SEDAN

24 = 2-DOOR HATCHBACK

27 = 2-DOOR CONVERTIBLE

41 = 4-DOOR SEDAN

44 = 4-DOOR HATCHBACK

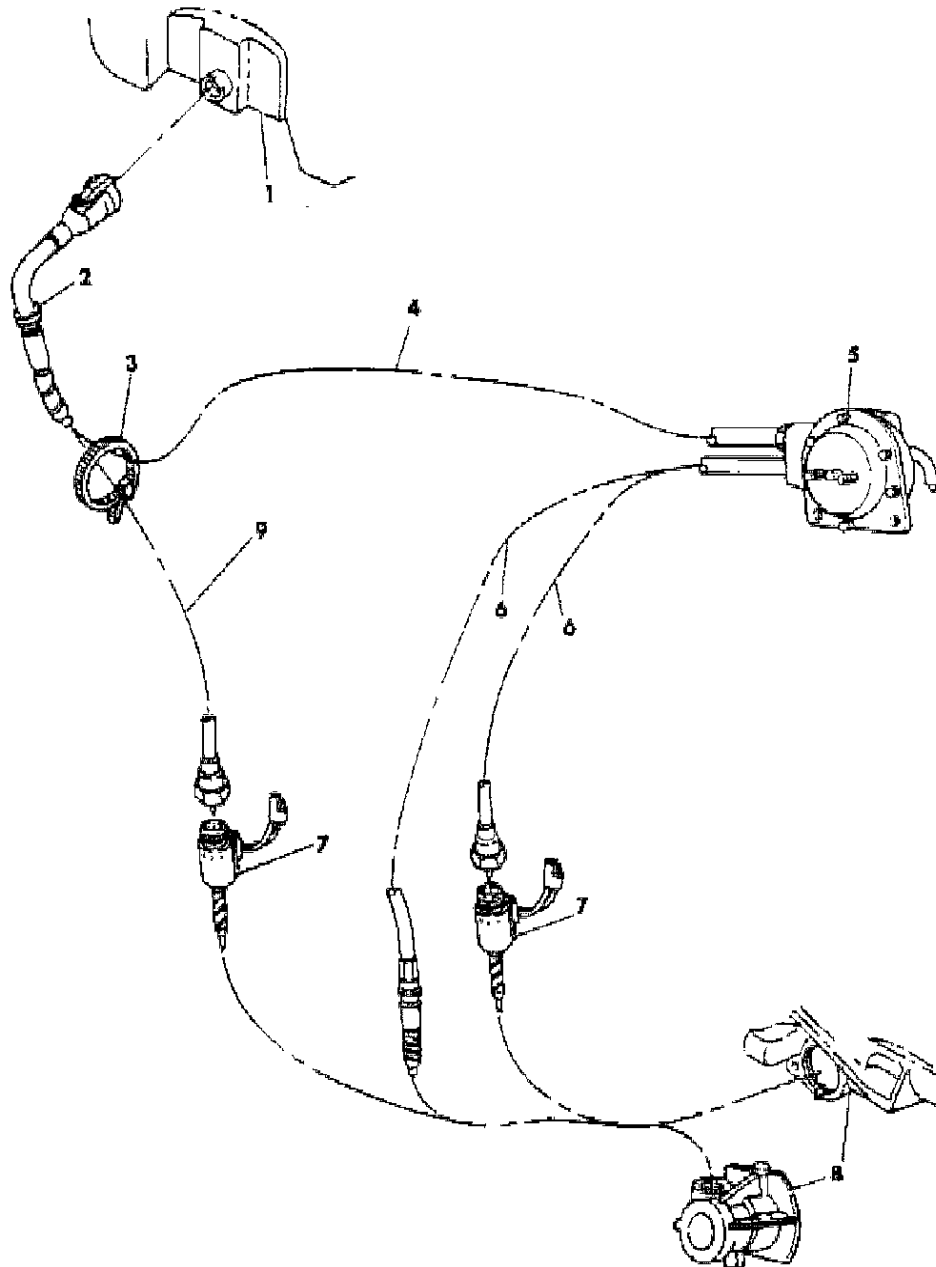
45 = 4-DOOR STATION WAGON

52-53 = FWD WAGON

AR = Use as Required - = Non Illustrated Part P.A.R. = Paint as Required

SPEED CONTROL CABLES Figure 14-5400

7114 5400



ITEM	PART NUMBER	QTY	BODY	MODEL	DESCRIPTION
------	-------------	-----	------	-------	-------------

NOTE: All Vehicles for 1987 except the L and M Bodies use the same Speedometer Cables as listed in Group 21. the rear of the carburetor throttle body. A mirror is required to read the no. when the carburetor

1					SPEEDOMETER, (Reference)
2	3593 446	1			GROMMET, Speedo Cable Dash
3	6015 756	AR			CLIP, Speedo Cable to Heater Hose
4					CABLE, Speedometer to Speed Control
	4312 328	1	L		40" Long
	4312 634	1	M		35" Long
5					SERVO, Speed Control (Reference)
6					CABLE, Speed Control to Sensor
	4312 972	1	L		2.2L Eng., Auto Trans., 31" Long
	4312 821	1	L		2.2L Eng., Manual Trans., 29" Long
	3591 615	1	M		52" Long
7					SWITCH, Speed Sensor (Reference)
8					TRANSMISSION (Reference)
9	4312 819	1			CABLE, Speedometer to Sensor

MODEL CODES

E BODY = (J - CARAVELLE)(E - 600)(T - NEW YORKER)

G BODY = (V24 - DAYTONA)

H BODY = (D44 - LANCER)(C44 - LEBARON GTS)

J BODY = (C - LEBARON)

K BODY = (P - RELIANT)(D - ARIES)(C - LEBAROND)/TOWN & COUNTRY)

L BODY = (M - HORIZON/TURISMO)(Z - OMNI/CHARGER)

M BODY = (B - GRAN FURY)(F - FIFTH AVE/NEWPORT)(G - DIPLOMAT)

P BODY = (P - SUNDANCE)(D - SHADOW)

S BODY = (H - VOYAGER)(K - RAM VAN/CARAVAN)

BODY STYLES

12-13 = FWD VAN

21 = 2-DOOR SEDAN

24 = 2-DOOR HATCHBACK

27 = 2-DOOR CONVERTIBLE

41 = 4-DOOR SEDAN

44 = 4-DOOR HATCHBACK

45 = 4-DOOR STATION WAGON

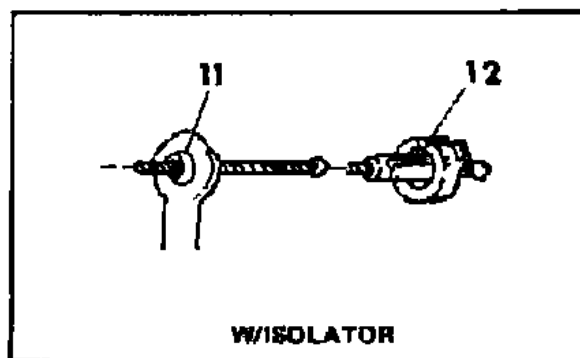
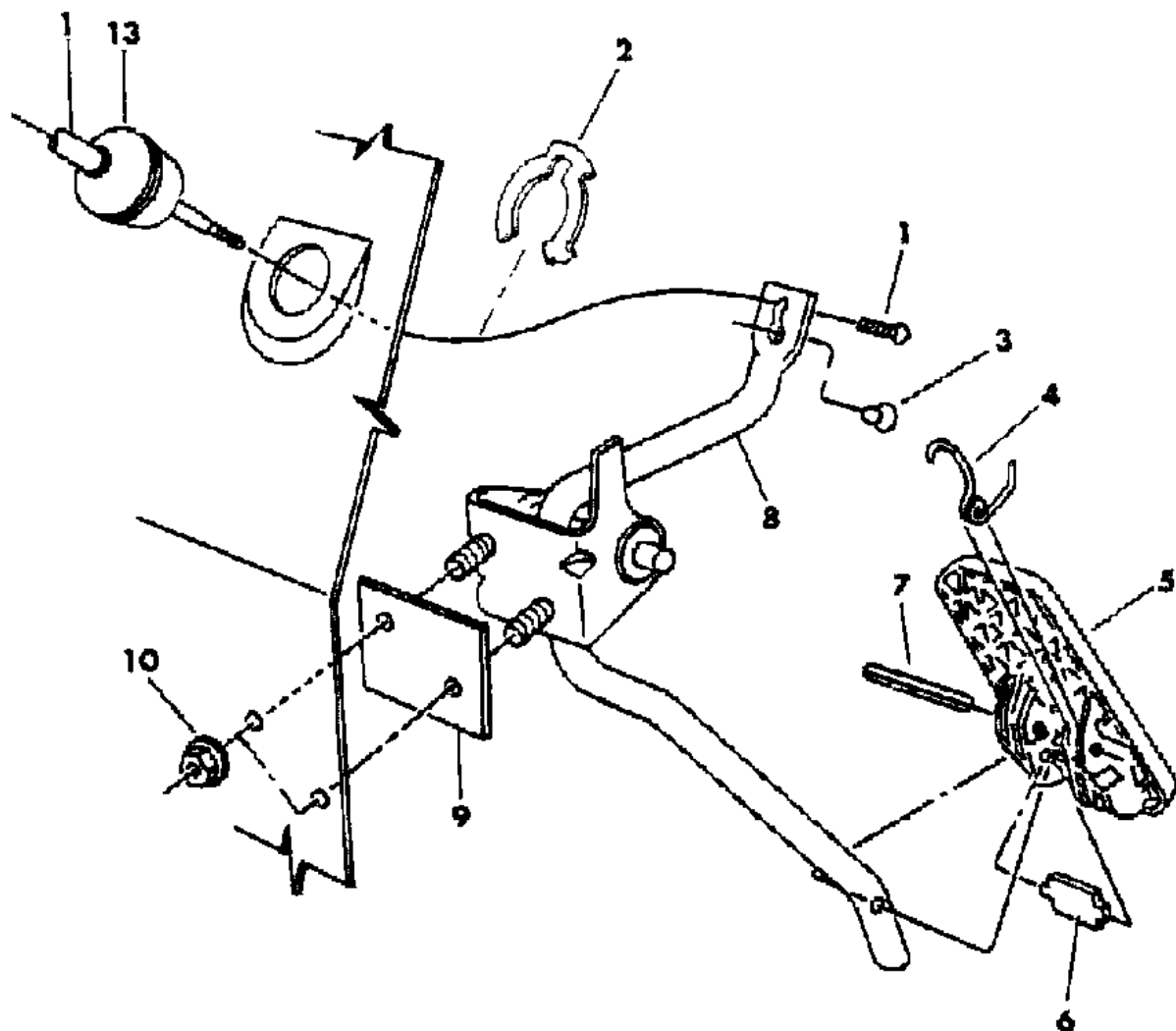
52-53 = FWD WAGON

AR = Use as Required - = Non Illustrated Part P.A.R. = Paint as Required

ACCELERATOR PEDAL L,P,J,K,G,E,H BODY
Figure 14-5500

7114 5500 A

ITEM	PART NUMBER	QTY	BODY	MODEL	DESCRIPTION
1					CABLE, Throttle Control, see Throttle Control Illustration
2	5214 613	1			CLIP, Retainer
3	2465 483	1			PLUG
4	2899 354	1			SPRING
	4104 196	1			w/T.B.I., T.C.
	4104 196	1	L		w/2.2L-HP (EDJ) and T.C.
5					PEDAL, Accelerator
	4105 073	1	L		Exc T.C.
	4227 170	1	L		w/T.C.
	4105 073	1	P		w/E.F.I.
	4105 073	1	P		w/T.C., w/Auto Trans.
	4227 170	1	P		w/T.C., w/Manual Trans.
	4105 073	1	J		w/Auto Trans.
	4227 170	1	J		w/Manual Trans.
	4105 073	1	K,E		w/Auto or Manual Trans.
	4105 073	1	G,H		w/Auto Trans.
	4227 170	1	G,H		w/Manual Trans.
6	2899 342	1			PAD
7	9429 032	1			PIN, Spring
8					BRACKET, Shaft and Pedal, Accelerator
	4307 226	1	L		w/o Performance Package
	4307 227	1	L		w/Performance Package
	4307 228	1	K		
	4307 228	1	P,J,G,H		w/Auto Trans.
					w/Manual Trans.
	4307 229	1	P,J,G,H		(use up to 6/1/87)
	4324 594	1	P,J,G,H		(use after 6/1/87)
	4307 228	1	E		
9	4201 048	1			SEAL, Bracket Mounting
	4275 540	1	L		
10	6500 284	2			NUT and WASHER
11	4306 150	1			ISOLATOR, Throttle Cable
12	4287 736	1			RETAINER, w/Isolator
13	5214 416	1			GROMMET, Throttle Control



MODEL CODES

E BODY = (J - CARAVELLE)(E - 600)(T - NEW YORKER)

G BODY = (V24 - DAYTONA)

H BODY = (D44 - LANCER)(C44 - LEBARON GTS)

J BODY = (C - LEBARON)

K BODY = (P - RELIANT)(D - ARIES)(C - LEBAROND)/TOWN & COUNTRY)

L BODY = (M - HORIZON/TURISMO)(Z - OMNI/CHARGER)

M BODY = (B - GRAN FURY)(F - FIFTH AVE/NEWPORT)(G - DIPLOMAT)

P BODY = (P - SUNDANCE)(D - SHADOW)

S BODY = (H - VOYAGER)(K - RAM VAN/CARAVAN)

BODY STYLES

12-13 = FWD VAN

21 = 2-DOOR SEDAN

24 = 2-DOOR HATCHBACK

27 = 2-DOOR CONVERTIBLE

41 = 4-DOOR SEDAN

44 = 4-DOOR HATCHBACK

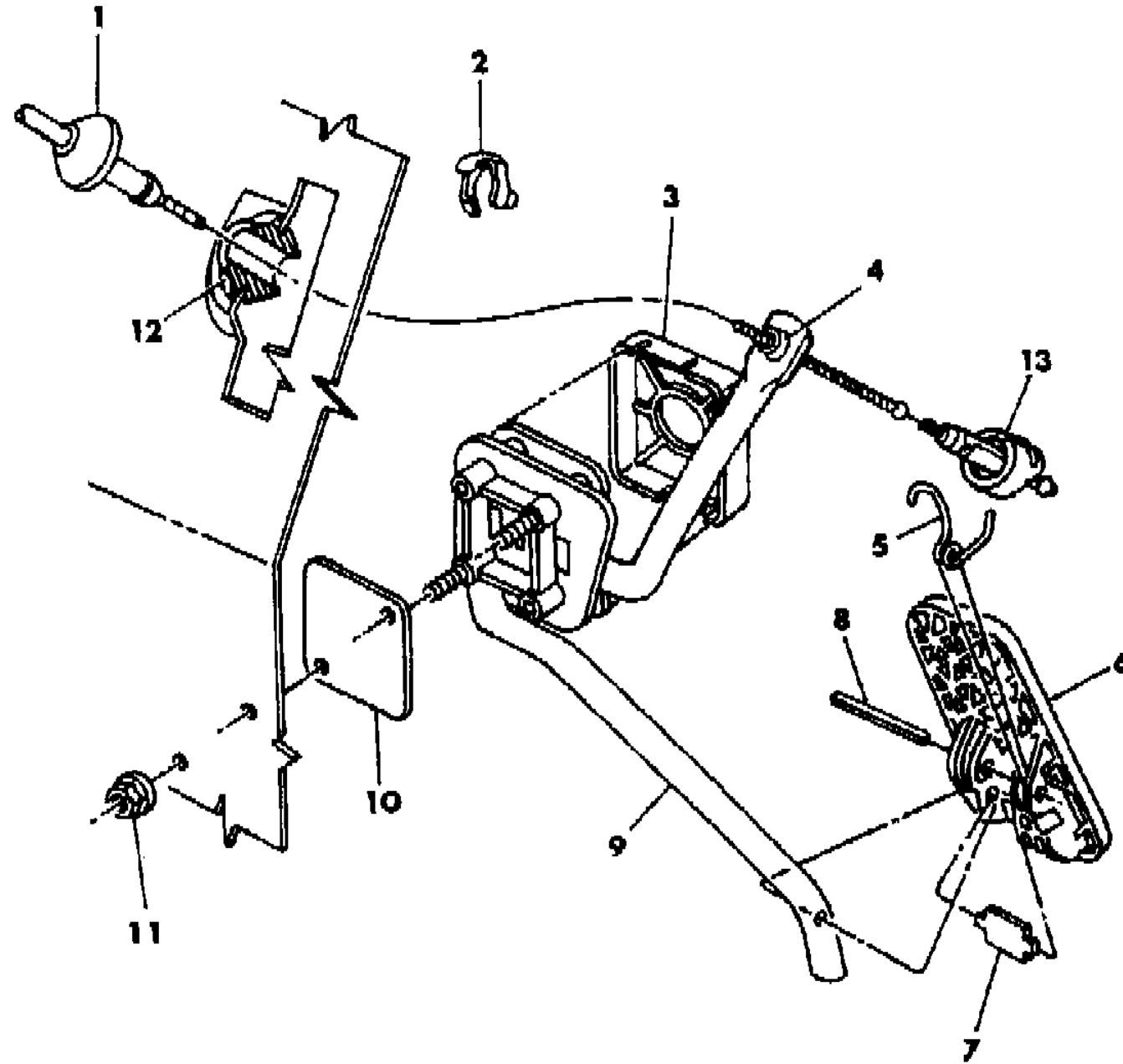
45 = 4-DOOR STATION WAGON

52-53 = FWD WAGON

AR = Use as Required - = Non Illustrated Part P.A.R. = Paint as Required

ACCELERATOR PEDAL S BODY
Figure 14-5600

7114 5800



ITEM	PART NUMBER	QTY	BODY	MODEL	DESCRIPTION
1					CABLE, Throttle Control see Throttle Control Illustration
2	5214 613	1			CLIP, Retainer
3	4275 539	1			COVER, Dress up
4	4306 150	1			ISOLATOR, Throttle Cable
5	2899 354	1			SPRING
6	4105 073	1			PEDAL, Accelerator
7	2899 342	1			PAD
8	9429 032	1			PIN, Spring
9	4307 230	1			BRACKET, Accelerator
10	4275 099	1			SEAL
11	6500 274	2			NUT and WASHER
12	5214 416	1			GROMMET
13	4287 736	1			RETAINER, w/Isolator

MODEL CODES

E BODY = (J - CARAVELLE)(E - 600)(T - NEW YORKER)

G BODY = (V24 - DAYTONA)

H BODY = (D44 - LANCER)(C44 - LEBARON GTS)

J BODY = (C - LEBARON)

K BODY = (P - RELIANT)(D - ARIES)(C - LEBAROND)/TOWN & COUNTRY)

L BODY = (M - HORIZON/TURISMO)(Z - OMNI/CHARGER)

M BODY = (B - GRAN FURY)(F - FIFTH AVE/NEWPORT)(G - DIPLOMAT)

P BODY = (P - SUNDANCE)(D - SHADOW)

S BODY = (H - VOYAGER)(K - RAM VAN/CARAVAN)

BODY STYLES

12-13 = FWD VAN

21 = 2-DOOR SEDAN

24 = 2-DOOR HATCHBACK

27 = 2-DOOR CONVERTIBLE

41 = 4-DOOR SEDAN

44 = 4-DOOR HATCHBACK

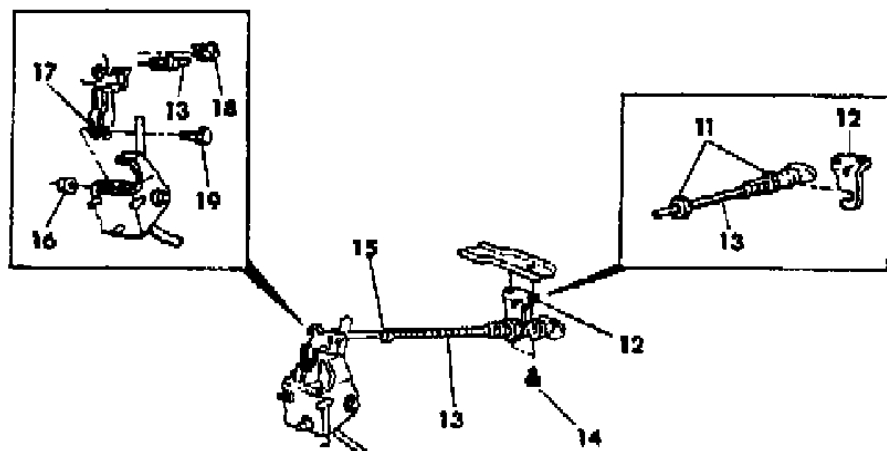
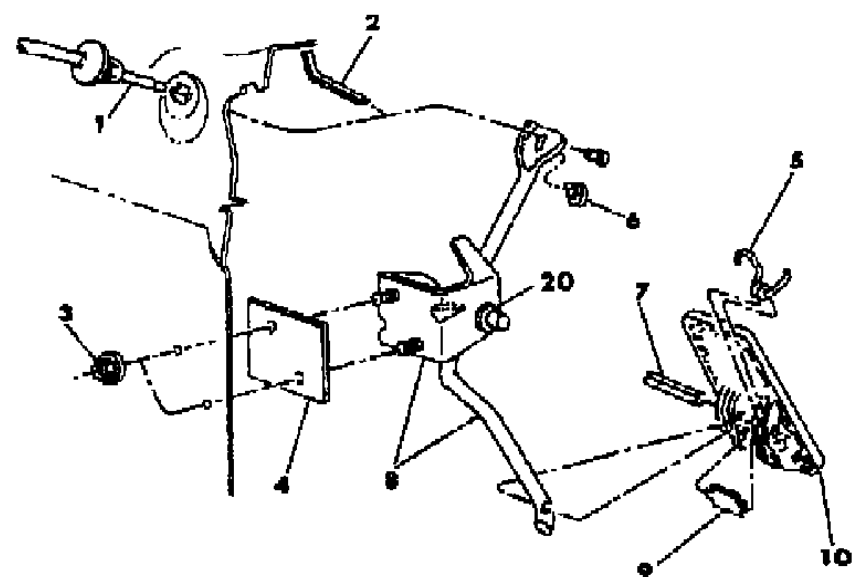
45 = 4-DOOR STATION WAGON

52-53 = FWD WAGON

AR = Use as Required - = Non Illustrated Part P.A.R. = Paint as Required

ACCELERATOR PEDAL M BODY
Figure 14-5700

7114 5700 A



ITEM	PART NUMBER	QTY	BODY	MODEL	DESCRIPTION
1					CABLE, Throttle Control, see Throttle Control Illustration
2	3462 725	1			RETAINER
3	6025 004	2			NUT and WASHER
4	2951 468	1			SEAL
5	2899 354	1			SPRING
6	2465 483	1			PLUG
7	9429 032	1			PIN, Spring
8	3870 689	1			BRACKET, Accelerator Shaft
9	2899 342	1			PAD
10	4105 073	1			PEDAL, Accelerator
11	6030 435	2			NUT
12	4041 546	1			BRACKET, Fast Idle Cable
13	4041 545	1			CABLE
14					SCREW (8-18x3/4) (not serviced)
15	2536 847				COLLAR, Cable Adjusting
16	6025 004				NUT and WASHER
17	4041 547	1			LEVER, Fast Idle Adjusting
18	2465 483				PLUG
19	6027 565	1			BOLT
20	2899 351	1			BUSHING, Accelerator Shaft Bracket

MODEL CODES

E BODY = (J - CARAVELLE)(E - 600)(T - NEW YORKER)

G BODY = (V24 - DAYTONA)

H BODY = (D44 - LANCER)(C44 - LEBARON GTS)

J BODY = (C - LEBARON)

K BODY = (P - RELIANT)(D - ARIES)(C - LEBAROND)/TOWN & COUNTRY)

L BODY = (M - HORIZON/TURISMO)(Z - OMNI/CHARGER)

M BODY = (B - GRAN FURY)(F - FIFTH AVE/NEWPORT)(G - DIPLOMAT)

P BODY = (P - SUNDANCE)(D - SHADOW)

S BODY = (H - VOYAGER)(K - RAM VAN/CARAVAN)

BODY STYLES

12-13 = FWD VAN

21 = 2-DOOR SEDAN

24 = 2-DOOR HATCHBACK

27 = 2-DOOR CONVERTIBLE

41 = 4-DOOR SEDAN

44 = 4-DOOR HATCHBACK

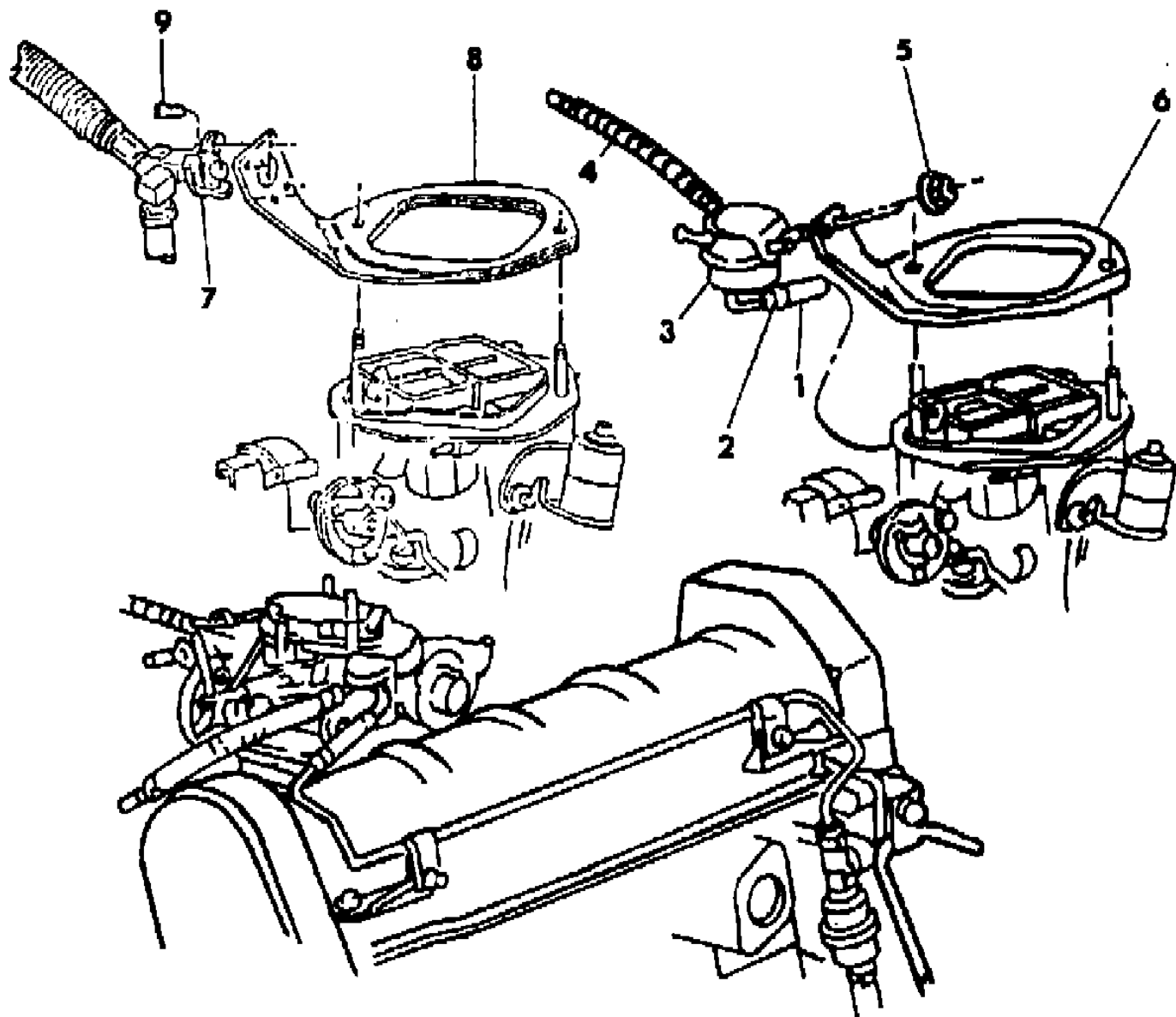
45 = 4-DOOR STATION WAGON

52-53 = FWD WAGON

AR = Use as Required - = Non Illustrated Part P.A.R. = Paint as Required

FUEL RESERVOIR L BODY (EXCEPT TURBO CHARGER)
Figure 14-5800

7114 5800 A



ITEM	PART NUMBER	QTY	BODY	MODEL	DESCRIPTION
1	4203 316	AR			HOSE, 5/16" ID (50ft roll)
2	2448 761	AR			CLAMP
3					RESERVOIR, w/2.2L Engine
	4306 261	1			w/Air Cond. or w/Max Cooling
	4306 262	1			w/o Air Cond. or w/o Max Cooling
	4203 569	AR			HOSE, Fuel Tube to Reservoir
4	1843 252	AR			TUBE, 1/4" OD (25ft. roll)
5	6100 047	2			NUT, Reservoir Mounting
6	4306 932				GASKET, Air Cleaner and Bracket, Fuel Reservoir Mounting
7	4364 382	1			REGULATOR KIT, Fuel Pressure ***
8	4307 885	1			GASKET, Air Cleaner and Bracket Fuel Pressure Regulator
9		AR			SCREW (8-32x5/8) (not serviced)

MODEL CODES

E BODY = (J - CARAVELLE)(E - 600)(T - NEW YORKER)

G BODY = (V24 - DAYTONA)

H BODY = (D44 - LANCER)(C44 - LEBARON GTS)

J BODY = (C - LEBARON)

K BODY = (P - RELIANT)(D - ARIES)(C - LEBAROND)/TOWN & COUNTRY)

L BODY = (M - HORIZON/TURISMO)(Z - OMNI/CHARGER)

M BODY = (B - GRAN FURY)(F - FIFTH AVE/NEWPORT)(G - DIPLOMAT)

P BODY = (P - SUNDANCE)(D - SHADOW)

S BODY = (H - VOYAGER)(K - RAM VAN/CARAVAN)

BODY STYLES

12-13 = FWD VAN

21 = 2-DOOR SEDAN

24 = 2-DOOR HATCHBACK

27 = 2-DOOR CONVERTIBLE

41 = 4-DOOR SEDAN

44 = 4-DOOR HATCHBACK

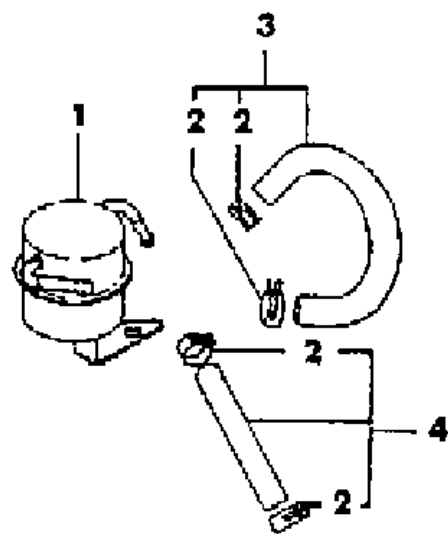
45 = 4-DOOR STATION WAGON

52-53 = FWD WAGON

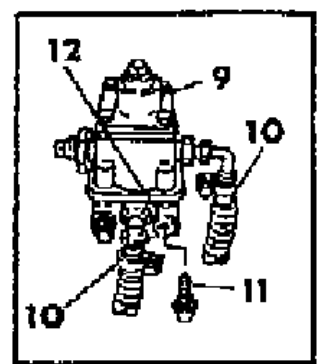
AR = Use as Required - = Non Illustrated Part P.A.R. = Paint as Required

FUEL RESERVOIR 2.6L ENGINE
Figure 14-5900

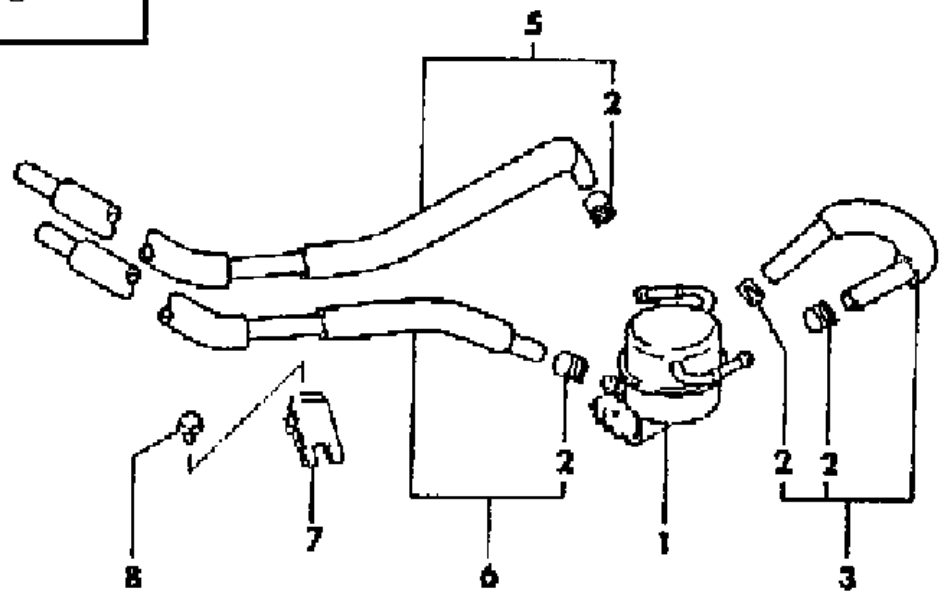
7114 5900 A



ITEM	PART NUMBER	QTY	BODY	MODEL	DESCRIPTION
1					RESERVOIR, Fuel
	MD08 2109	1			Calif.
	MD10 0693	1			High Altitude
2	#MS66 0162	AR			CLIP, Hose (11)
3					HOSE, w/Clip, Fuel
	MD09 3952	1			Calif.
	MD10 0690	1			High Altitude
4	MD08 3895	1			HOSE, w/Clip, Fuel, Calif.
5	MD10 0688	1			HOSE, w/Clip, Fuel, High Altitude
6	MD10 0686	1			HOSE, w/Clip, Fuel, High Altitude
7	MD10 0692	1			SUPPORT, Fuel Hose, High Altitude
8	MF14 0202	1			BOLT, Flange (6 x 10) High Altitude
9	4418 017	1			REGULATOR, Fuel Pressure, High Altitude
10	6500 650	2			CLAMP
11	6032 451	2			SCREW
12	4105 178	2			ISOLATOR, Pressure Regulator



HIGH ALTITUDE



MODEL CODES

E BODY = (J - CARAVELLE)(E - 600)(T - NEW YORKER)

G BODY = (V24 - DAYTONA)

H BODY = (D44 - LANCER)(C44 - LEBARON GTS)

J BODY = (C - LEBARON)

K BODY = (P - RELIANT)(D - ARIES)(C - LEBAROND)/TOWN & COUNTRY)

L BODY = (M - HORIZON/TURISMO)(Z - OMNI/CHARGER)

M BODY = (B - GRAN FURY)(F - FIFTH AVE/NEWPORT)(G - DIPLOMAT)

P BODY = (P - SUNDANCE)(D - SHADOW)

S BODY = (H - VOYAGER)(K - RAM VAN/CARAVAN)

BODY STYLES

12-13 = FWD VAN

41 = 4-DOOR SEDAN

21 = 2-DOOR SEDAN

44 = 4-DOOR HATCHBACK

24 = 2-DOOR HATCHBACK

45 = 4-DOOR STATION WAGON

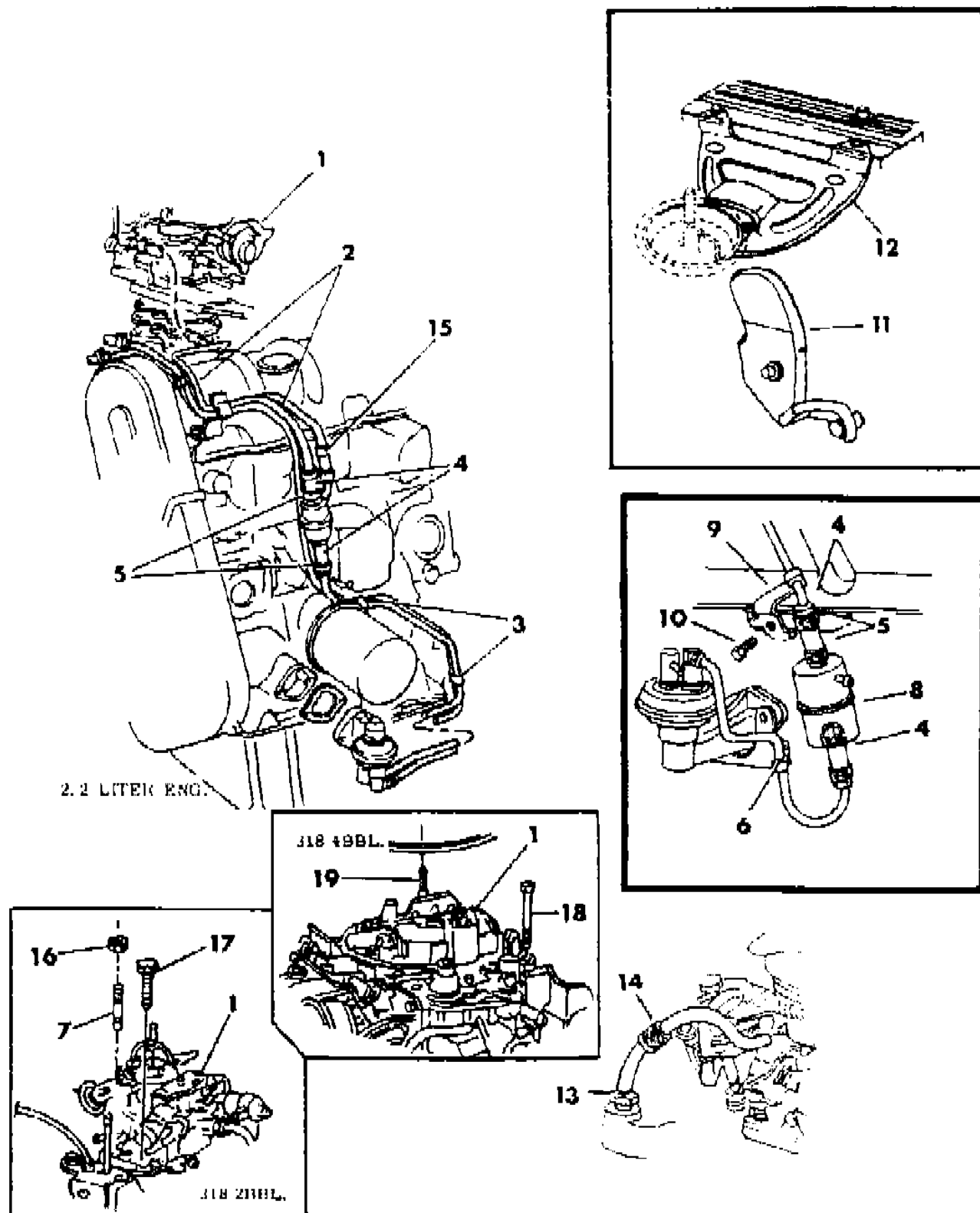
27 = 2-DOOR CONVERTIBLE

52-53 = FWD WAGON

AR = Use as Required - = Non Illustrated Part P.A.R. = Paint as Required

CARBURETOR FUEL FILTER AND RELATED PARTS
Figure 14-5920

7114 5920 A



ITEM	PART NUMBER	QTY	BODY	MODEL	DESCRIPTION
1					CARBURETOR, See Carburetor Charts
2	1843 253	AR			TUBE, Fuel Filter Hose to Carburetor (serviced in 50' roll)
3					TUBE, Fuel Pump to Fuel Filter
4	4027 122	AR			w/318 Eng.
4	4203 316	AR			HOSE, Fuel Filter
5	2463 937	AR			CLAMP
6					CLIP, Fuel Pump to Fuel Filter Hose (not serviced)
7					STUD, Carburetor Attaching
	0152 534	2			w/318 Engine Rear
8					FILTER, Fuel
	4240 102	1			w/2.2 Liter Engine, w/Vapor Separator
	4049 224	1			w/2.2 Liter Engine, w/(SC-EDH), w/Vapor Separator
	4443 159	1			w/2.2 Liter Engine, w/Vapor Separator
	4186 209	1			w/2.2 Liter Engine, w/o Vapor Separator
	4049 224	1			w/318-2bbl. Engine, w/ Vapor Separator
	4186 209	1			w/318-2bbl. Engine, w/o Vapor Separator
	4106 001	1			w/318-4bbl. Engine, w/Vapor Separator
	4186 209	1			w/318-4bbl. Engine, w/o Vapor Separator
9	4179 759	1			CLIP, Fuel Filter Hose to Carburetor Hose Tube
10	6028 370	1			SCREW and WASHER
11	4241 239	1			BLOCKER, Front Impact, w/2.6L Eng.
12	MD07 6040	1			BLOCKER, Rear Impact, w/2.6L Eng.
13	4026 117	1			CONNECTOR, Intake Manifold Vacuum Control, w/2.2L Eng.
14	4213 590	1			VALVE, w/Hose, Flow Control, w/2.2L Eng.
15		2			CLAMP, Fuel Return Hose to Fuel Filter (not serviced)
16					NUT, Carburetor Attaching
	6500 182	4			2.2L Engine
	6032 305	2			318 Engine
17	6032 436	1			SCREW, Carburetor Attaching Front 318 Engine
18	#6033 386	2			BOLT, Carburetor Attaching 318 Engine 4BBL
19	1826 286	2			STUD, Carburetor Attaching 318 Engine 4BBL

MODEL CODES

E BODY = (J - CARAVELLE)(E - 600)(T - NEW YORKER)

G BODY = (V24 - DAYTONA)

H BODY = (D44 - LANCER)(C44 - LEBARON GTS)

J BODY = (C - LEBARON)

K BODY = (P - RELIANT)(D - ARIES)(C - LEBAROND)/TOWN & COUNTRY)

L BODY = (M - HORIZON/TURISMO)(Z - OMNI/CHARGER)

M BODY = (B - GRAN FURY)(F - FIFTH AVE/NEWPORT)(G - DIPLOMAT)

P BODY = (P - SUNDANCE)(D - SHADOW)

S BODY = (H - VOYAGER)(K - RAM VAN/CARAVAN)

BODY STYLES

12-13 = FWD VAN

21 = 2-DOOR SEDAN

24 = 2-DOOR HATCHBACK

27 = 2-DOOR CONVERTIBLE

41 = 4-DOOR SEDAN

44 = 4-DOOR HATCHBACK

45 = 4-DOOR STATION WAGON

52-53 = FWD WAGON

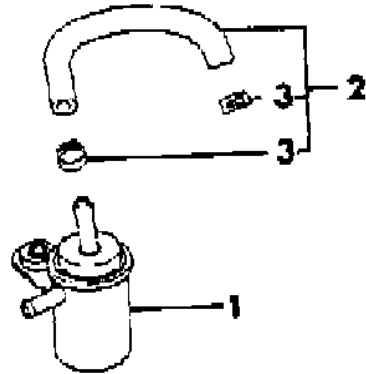
AR = Use as Required - = Non Illustrated Part P.A.R. = Paint as Required

CARBURETOR FUEL FILTER AND RELATED PARTS 2.6L ENGINE

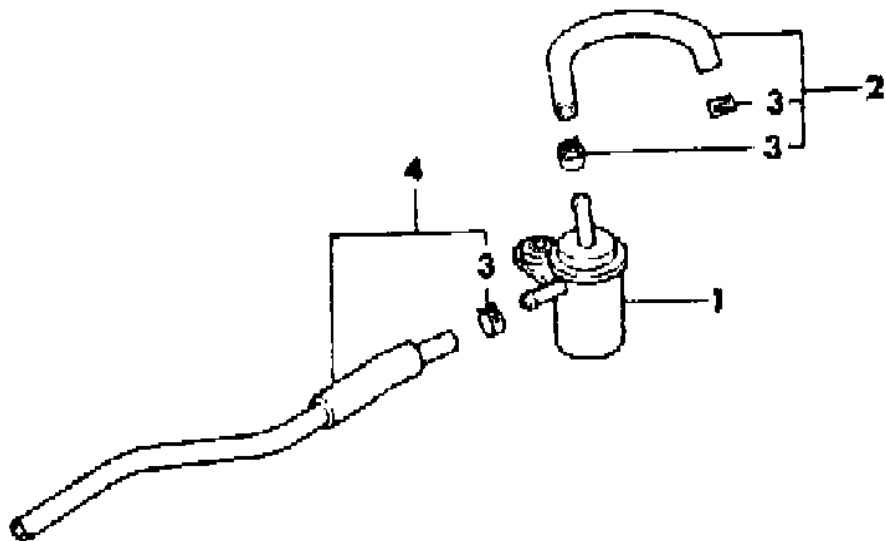
Figure 14-5930

7114 5930

ITEM	PART NUMBER	QTY	BODY	MODEL	DESCRIPTION
1	MD02 6581	1			FILTER, Fuel
2	MD02 6606	1			HOSE, w/Clip, Fuel
3	MS66 0164	2			CLIP, Hose (13.1)
4	MD10 0682	1			HOSE, w/Clip, Fuel, w/High Altitude



HIGH ALTITUDE



MODEL CODES

E BODY = (J - CARAVELLE)(E - 600)(T - NEW YORKER)

G BODY = (V24 - DAYTONA)

H BODY = (D44 - LANCER)(C44 - LEBARON GTS)

J BODY = (C - LEBARON)

K BODY = (P - RELIANT)(D - ARIES)(C - LEBAROND)/TOWN & COUNTRY)

L BODY = (M - HORIZON/TURISMO)(Z - OMNI/CHARGER)

M BODY = (B - GRAN FURY)(F - FIFTH AVE/NEWPORT)(G - DIPLOMAT)

P BODY = (P - SUNDANCE)(D - SHADOW)

S BODY = (H - VOYAGER)(K - RAM VAN/CARAVAN)

BODY STYLES

12-13 = FWD VAN

21 = 2-DOOR SEDAN

24 = 2-DOOR HATCHBACK

27 = 2-DOOR CONVERTIBLE

41 = 4-DOOR SEDAN

44 = 4-DOOR HATCHBACK

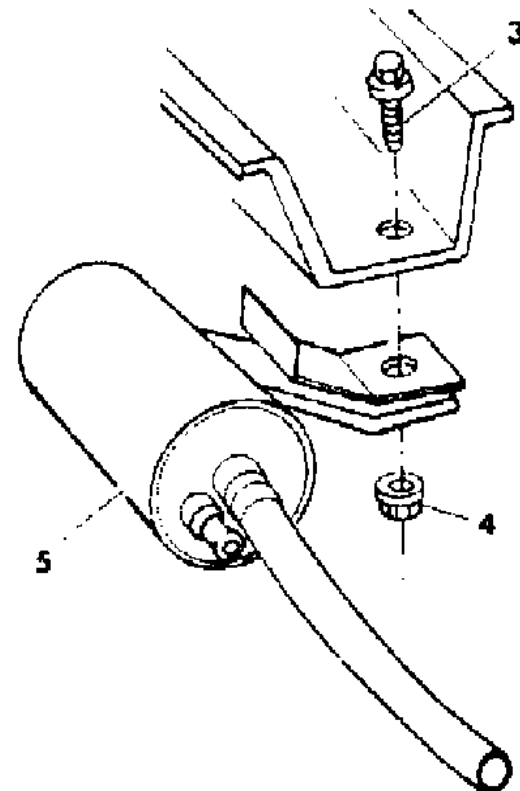
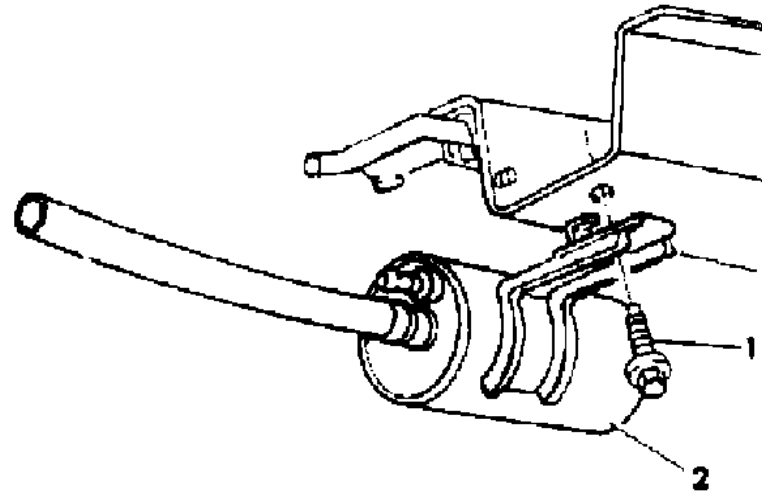
45 = 4-DOOR STATION WAGON

52-53 = FWD WAGON

AR = Use as Required - = Non Illustrated Part P.A.R. = Paint as Required

FUEL FILTER E.F.I. AND TURBO CHARGER
Figure 14-5940

7:14 5040



ITEM	PART NUMBER	QTY	BODY	MODEL	DESCRIPTION
1		1			SCREW, Fuel Filter Mounting (exc L Body)(5/16-18x.75) (not serviced)
2	4279 987	1			FILTER, Fuel (except L Body)
3	0181 063		L		SCREW, Filter Mounting
4	0219 462	1	L		NUT, Filter Mounting Screw
5	4279 898	1	L		FILTER, Fuel

MODEL CODES
 E BODY = (J - CARAVELLE)(E - 600)(T - NEW YORKER)
 G BODY = (V24 - DAYTONA)
 H BODY = (D44 - LANCER)(C44 - LEBARON GTS)
 J BODY = (C - LEBARON)
 K BODY = (P - RELIANT)(D - ARIES)(C - LEBAROND)/TOWN & COUNTRY
 L BODY = (M - HORIZON/TURISMO)(Z - OMNI/CHARGER)
 M BODY = (B - GRAN FURY)(F - FIFTH AVE/NEWPORT)(G - DIPLOMAT)
 P BODY = (P - SUNDANCE)(D - SHADOW)
 S BODY = (H - VOYAGER)(K - RAM VAN/CARAVAN)

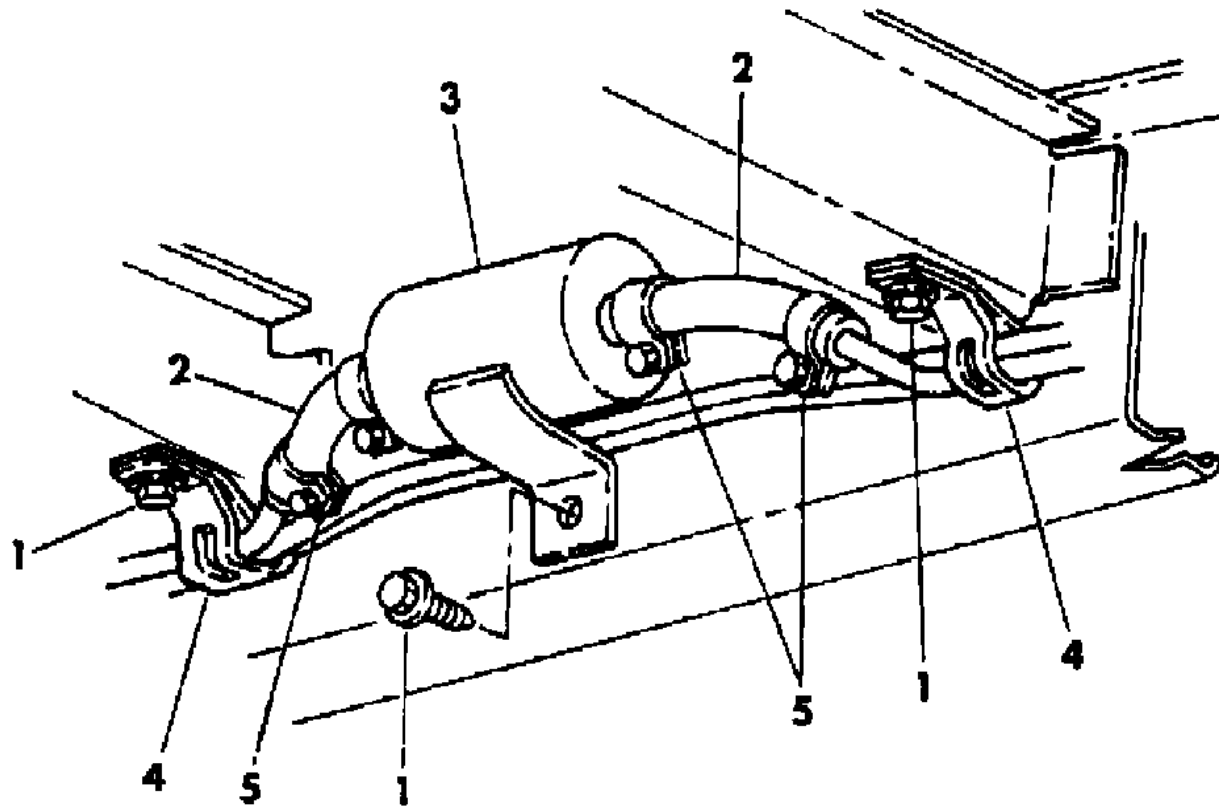
BODY STYLES
 12-13 = FWD VAN
 21 = 2-DOOR SEDAN
 24 = 2-DOOR HATCHBACK
 27 = 2-DOOR CONVERTIBLE
 41 = 4-DOOR SEDAN
 44 = 4-DOOR HATCHBACK
 45 = 4-DOOR STATION WAGON
 52-53 = FWD WAGON

AR = Use as Required - = Non Illustrated Part P.A.R. = Paint as Required

FUEL FILTER S BODY - 2.5L AND 3.0L ENGINE
Figure 14-5950

7114 5950

ITEM	PART NUMBER	QTY	BODY	MODEL	DESCRIPTION
1					SCREW (5/16-18x.75) (not serviced)
2	4443 180	AR			HOSE
3	4418 521	1			FILTER, Fuel
4		AR			CLIP (not serviced)
5	#6500 651	AR			CLAMP



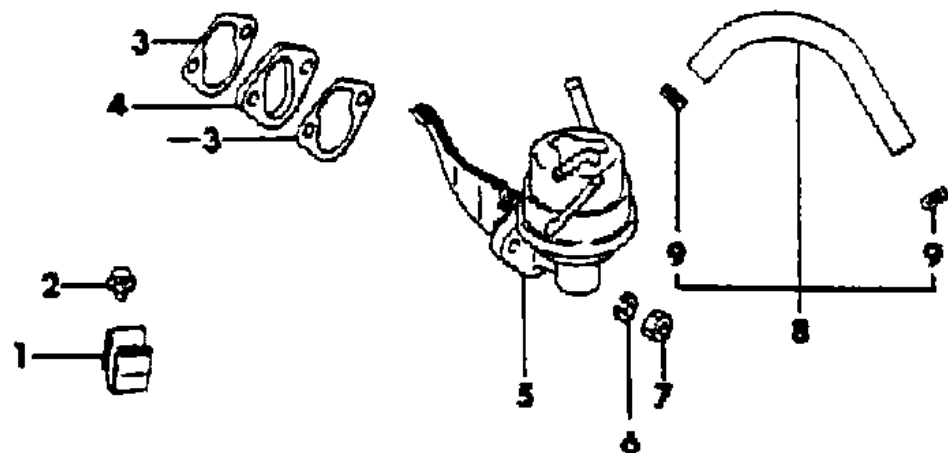
MODEL CODES
 E BODY = (J - CARAVELLE)(E - 600)(T - NEW YORKER)
 G BODY = (V24 - DAYTONA)
 H BODY = (D44 - LANCER)(C44 - LEBARON GTS)
 J BODY = (C - LEBARON)
 K BODY = (P - RELIANT)(D - ARIES)(C - LEBAROND)/TOWN & COUNTRY
 L BODY = (M - HORIZON/TURISMO)(Z - OMNI/CHARGER)
 M BODY = (B - GRAN FURY)(F - FIFTH AVE/NEWPORT)(G - DIPLOMAT)
 P BODY = (P - SUNDANCE)(D - SHADOW)
 S BODY = (H - VOYAGER)(K - RAM VAN/CARAVAN)

BODY STYLES
 12-13 = FWD VAN
 21 = 2-DOOR SEDAN
 24 = 2-DOOR HATCHBACK
 27 = 2-DOOR CONVERTIBLE
 41 = 4-DOOR SEDAN
 44 = 4-DOOR HATCHBACK
 45 = 4-DOOR STATION WAGON
 52-53 = FWD WAGON

AR = Use as Required - = Non Illustrated Part P.A.R. = Paint as Required

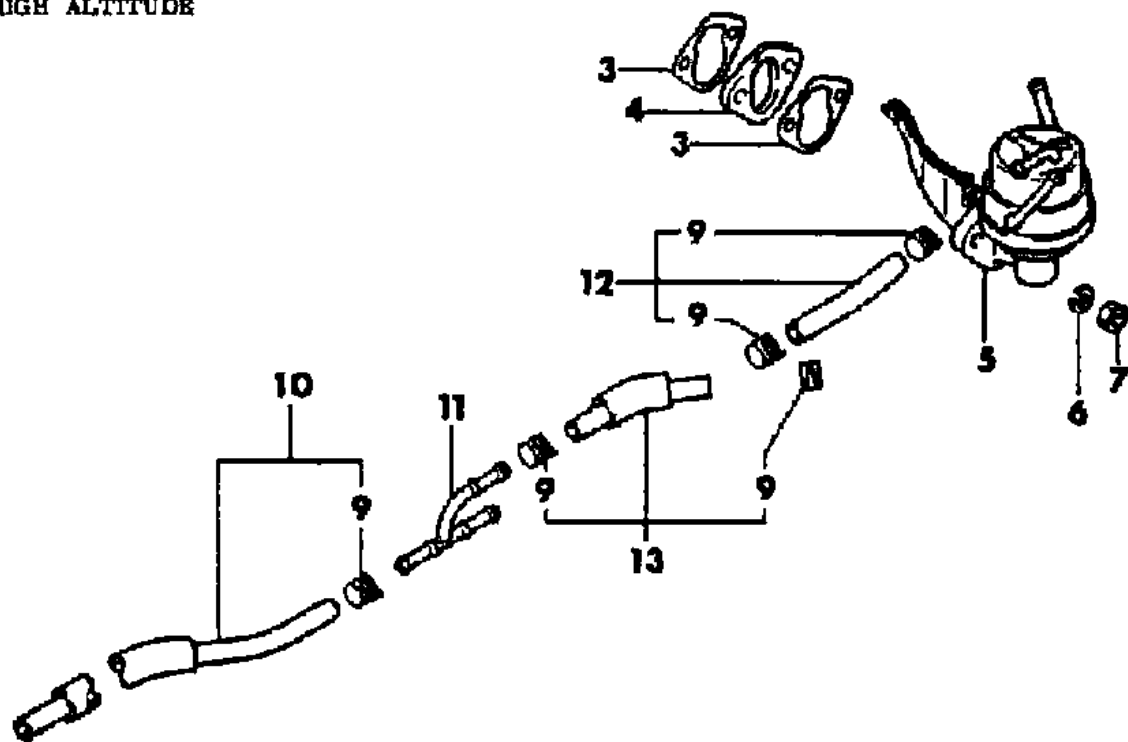
FUEL PUMP 2.6L ENGINE
Figure 14-6000

7114 6000



ITEM	PART NUMBER	QTY	BODY	MODEL	DESCRIPTION
1	MD10 6734	1			SUPPORT, Fuel Hose, Exc. High Altitude
2	MF14 0202	1			BOLT
3	#MD02 3388	2			GASKET, Fuel Pump
4	#MD02 3389	1			INSULATOR, Fuel Pump
5					PUMP, Fuel
	MD02 6591	1			Exc. High Altitude
	MD10 0826	1			High Altitude
6	MF45 0405	2			WASHER, Spring (8)
7	MF43 0005	2			NUT (8)
8	MD02 6607	1			HOSE, w/Clips, Fuel, Exc. Calif. and High Altitude
9	#MS66 0162	2			CLIP, Hose (11)
10	MD10 0684	1			HOSE, w/Clip, Fuel, High Altitude
11	MD10 0694	1			CONNECTOR, Fuel Hose, High Altitude
12	MD10 0681	1			HOSE, w/Clip, Fuel, High Altitude
13	MD10 0680	1			HOSE, w/Clip, Fuel, High Altitude

HIGH ALTITUDE



MODEL CODES

E BODY = (J - CARAVELLE)(E - 600)(T - NEW YORKER)

G BODY = (V24 - DAYTONA)

H BODY = (D44 - LANCER)(C44 - LEBARON GTS)

J BODY = (C - LEBARON)

K BODY = (P - RELIANT)(D - ARIES)(C - LEBAROND)/TOWN & COUNTRY)

L BODY = (M - HORIZON/TURISMO)(Z - OMNI/CHARGER)

M BODY = (B - GRAN FURY)(F - FIFTH AVE/NEWPORT)(G - DIPLOMAT)

P BODY = (P - SUNDANCE)(D - SHADOW)

S BODY = (H - VOYAGER)(K - RAM VAN/CARAVAN)

BODY STYLES

12-13 = FWD VAN

21 = 2-DOOR SEDAN

24 = 2-DOOR HATCHBACK

27 = 2-DOOR CONVERTIBLE

41 = 4-DOOR SEDAN

44 = 4-DOOR HATCHBACK

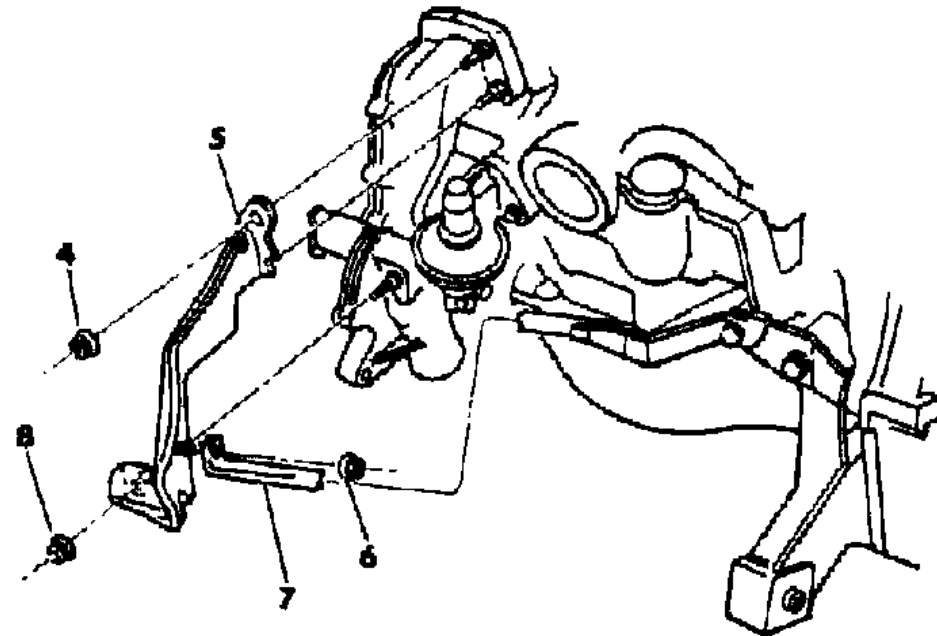
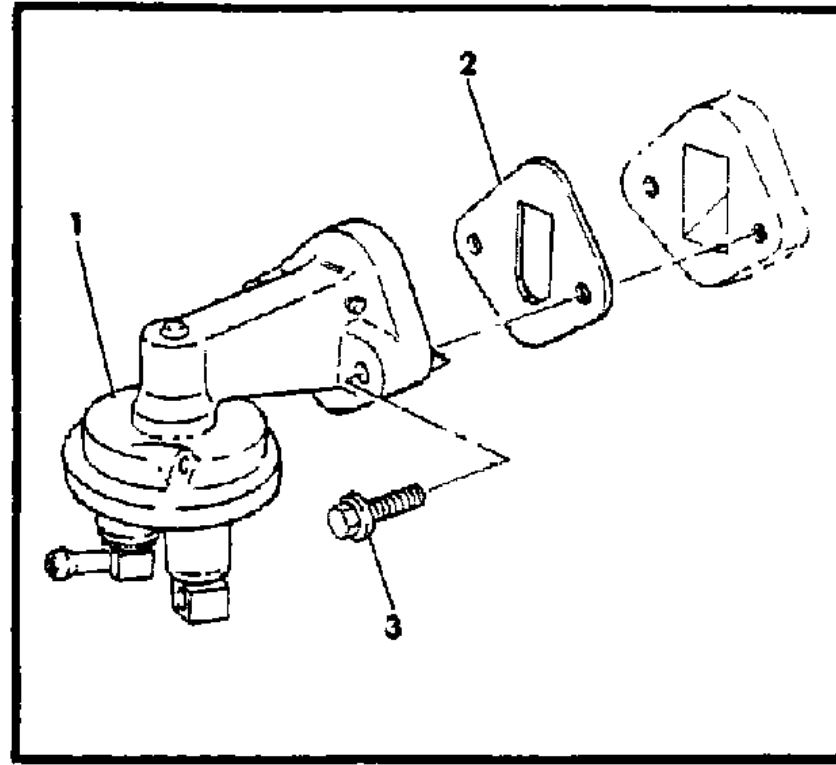
45 = 4-DOOR STATION WAGON

52-53 = FWD WAGON

AR = Use as Required - = Non Illustrated Part P.A.R. = Paint as Required

FUEL PUMP 2.2L AND 5.2L CARBURETED ENGINE
Figure 14-6100

7114 8100



ITEM	PART NUMBER	QTY	BODY	MODEL	DESCRIPTION
1	4419 637	1			PUMP, Fuel w/2.2 Liter Engine
	4293 803	1			w/318 Engine
2	5214 680	1			GASKET, Fuel Pump Flange w/2.2 Liter Engine
	3577 870	1			w/318 Engine
3	6023 526	2			BOLT, Fuel Pump Attaching w/318 Engine
4	6500 363	1			NUT, Hex Lock, w/2.2 Liter Eng.
5	4104 182	1	L		BLOCKER, Fuel Pump, w/2.2 Liter Eng. w/o Air Cond.
	4275 448	1	S		w/Air Cond.
	4307 340	1	S		w/Air Cond.
6	6500 274	1			NUT, Hex Lock, w/2.2 Liter Eng.
7	4418 043	1	L		STRUT, Fuel Pump Blocker, w/2.2 Liter Eng. w/o Air Cond.
	4275 449	1	S		w/o Air Cond.
	4307 339	1	S		w/Air Cond.
8	6500 259	1			NUT, Hex Lock, w/2.2 Liter Eng.

MODEL CODES

E BODY = (J - CARAVELLE)(E - 600)(T - NEW YORKER)

G BODY = (V24 - DAYTONA)

H BODY = (D44 - LANCER)(C44 - LEBARON GTS)

J BODY = (C - LEBARON)

K BODY = (P - RELIANT)(D - ARIES)(C - LEBAROND)/TOWN & COUNTRY)

L BODY = (M - HORIZON/TURISMO)(Z - OMNI/CHARGER)

M BODY = (B - GRAN FURY)(F - FIFTH AVE/NEWPORT)(G - DIPLOMAT)

P BODY = (P - SUNDANCE)(D - SHADOW)

S BODY = (H - VOYAGER)(K - RAM VAN/CARAVAN)

BODY STYLES

12-13 = FWD VAN

21 = 2-DOOR SEDAN

24 = 2-DOOR HATCHBACK

27 = 2-DOOR CONVERTIBLE

41 = 4-DOOR SEDAN

44 = 4-DOOR HATCHBACK

45 = 4-DOOR STATION WAGON

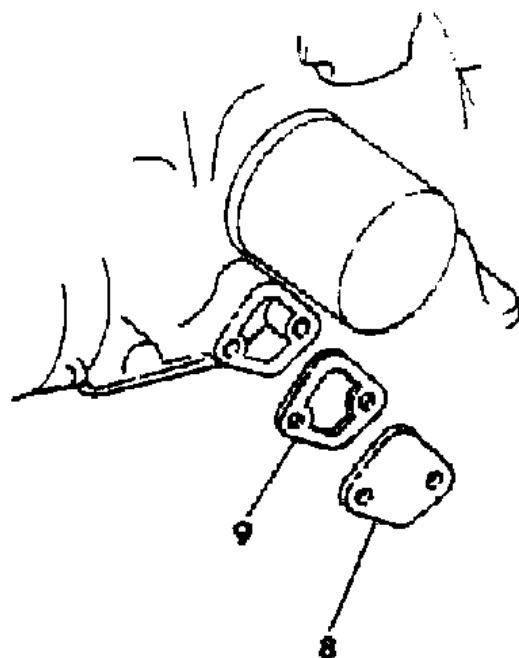
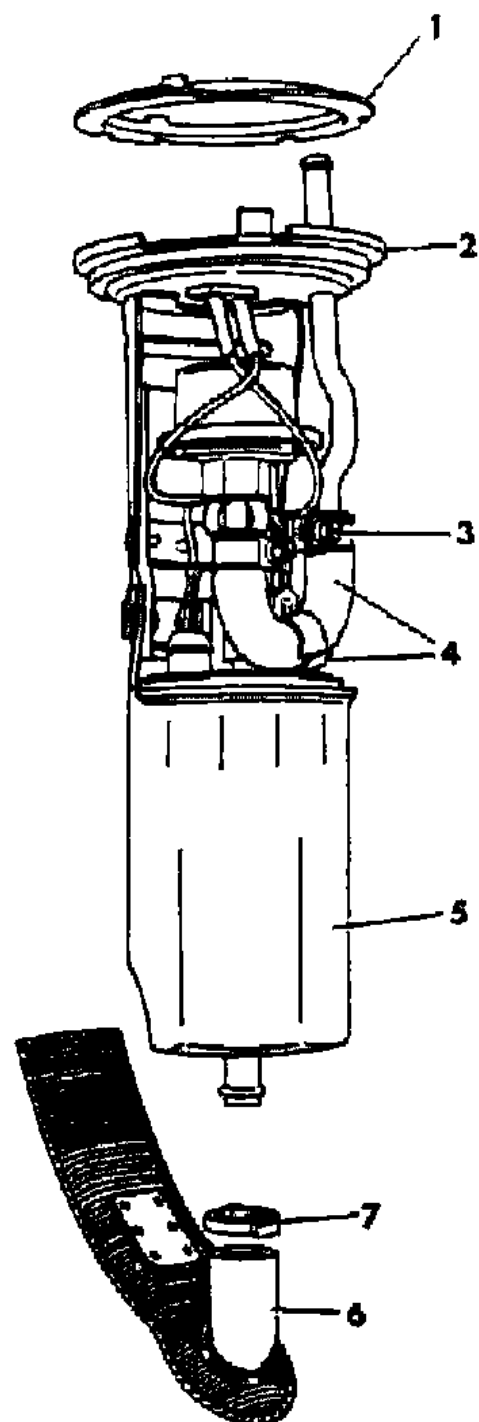
52-53 = FWD WAGON

AR = Use as Required - = Non Illustrated Part P.A.R. = Paint as Required

FUEL PUMP TURBO CHARGER P,J,K,G,E,H BODY
Figure 14-6200

7114 8200

ITEM	PART NUMBER	QTY	BODY	MODEL	DESCRIPTION
1	4279 445	1			RETAINER, Fuel Pump
2	6031 475	1			SEAL, Fuel Pump
3	#6500 651	2			CLAMP
4	4279 405	1			HOSE, w/Sleeve
5	4203 941	1			PUMP, Less Filter, Fuel
6	4279 940	1			FILTER, Fuel Pump
7	6032 263	1			CLAMP, Fuel Pump Filter
8	4275 325	1			COVER, Fuel Pump Pad
9	5214 680	1			GASKET, Fuel Pump Pad Cover



MODEL CODES

E BODY = (J - CARAVELLE)(E - 600)(T - NEW YORKER)

G BODY = (V24 - DAYTONA)

H BODY = (D44 - LANCER)(C44 - LEBARON GTS)

J BODY = (C - LEBARON)

K BODY = (P - RELIANT)(D - ARIES)(C - LEBAROND)/TOWN & COUNTRY)

L BODY = (M - HORIZON/TURISMO)(Z - OMNI/CHARGER)

M BODY = (B - GRAN FURY)(F - FIFTH AVE/NEWPORT)(G - DIPLOMAT)

P BODY = (P - SUNDANCE)(D - SHADOW)

S BODY = (H - VOYAGER)(K - RAM VAN/CARAVAN)

BODY STYLES

12-13 = FWD VAN

21 = 2-DOOR SEDAN

24 = 2-DOOR HATCHBACK

27 = 2-DOOR CONVERTIBLE

41 = 4-DOOR SEDAN

44 = 4-DOOR HATCHBACK

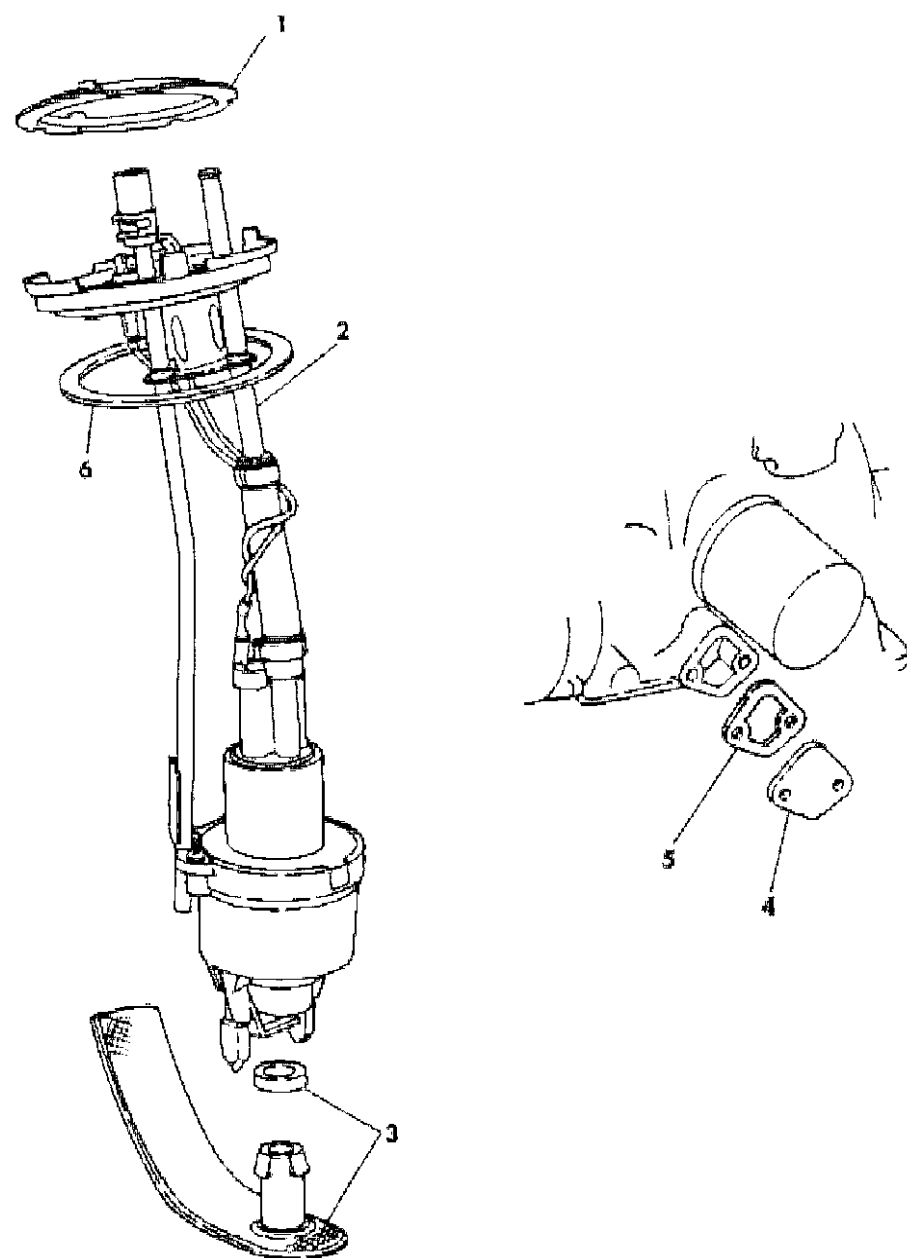
45 = 4-DOOR STATION WAGON

52-53 = FWD WAGON

AR = Use as Required - = Non Illustrated Part P.A.R. = Paint as Required

FUEL PUMP 2.2L AND 2.5L E.F.I. P,J,K,G,E,H BODY
Figure 14-6300

7114 B300A



ITEM	PART NUMBER	QTY	BODY	MODEL	DESCRIPTION
1	4279 445	1			RETAINER, Fuel Pump Mounting
2	4075 445	1			PUMP, Fuel
3	4203 796	1			FILTER, Fuel Pump
4	4275 325	1			COVER, Fuel Pump Pad
5	5214 680	1			GASKET, Fuel Pump Pad Cover
6	6033 095	1			SEAL, Fuel Pump Mounting

MODEL CODES

E BODY = (J - CARAVELLE)(E - 600)(T - NEW YORKER)

G BODY = (V24 - DAYTONA)

H BODY = (D44 - LANCER)(C44 - LEBARON GTS)

J BODY = (C - LEBARON)

K BODY = (P - RELIANT)(D - ARIES)(C - LEBAROND)/TOWN & COUNTRY)

L BODY = (M - HORIZON/TURISMO)(Z - OMNI/CHARGER)

M BODY = (B - GRAN FURY)(F - FIFTH AVE/NEWPORT)(G - DIPLOMAT)

P BODY = (P - SUNDANCE)(D - SHADOW)

S BODY = (H - VOYAGER)(K - RAM VAN/CARAVAN)

BODY STYLES

12-13 = FWD VAN

21 = 2-DOOR SEDAN

24 = 2-DOOR HATCHBACK

27 = 2-DOOR CONVERTIBLE

41 = 4-DOOR SEDAN

44 = 4-DOOR HATCHBACK

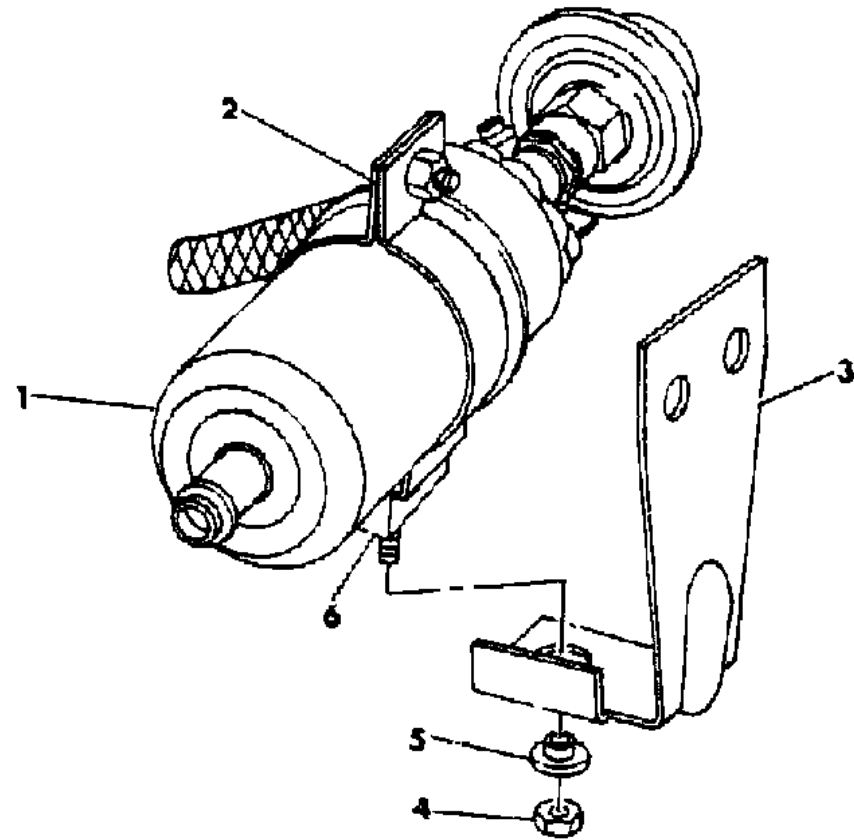
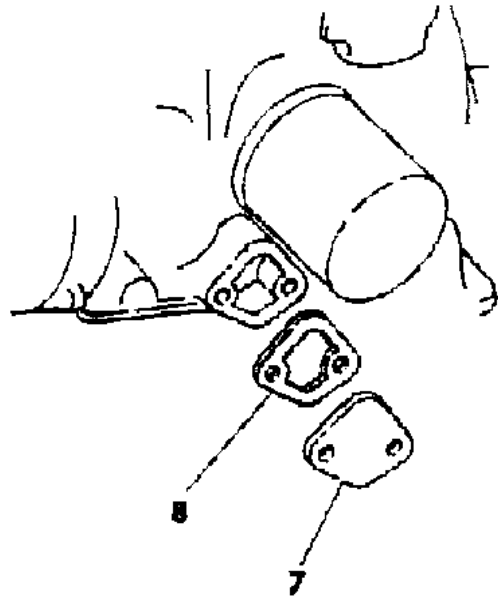
45 = 4-DOOR STATION WAGON

52-53 = FWD WAGON

AR = Use as Required - = Non Illustrated Part P.A.R. = Paint as Required

FUEL PUMP TURBO CHARGER L BODY
Figure 14-6400

7114 8400



ITEM	PART NUMBER	QTY	BODY	MODEL	DESCRIPTION
1	4203 652	1			PUMP, Fuel
2	4279 679	1			CLAMP, Fuel Pump
3	4203 712	1			BRACKET, Fuel Pump Mounting
4					NUT, Fuel Pump to Bracket (not serviced)
5	4279 988	1			ISOLATOR, Fuel Pump
6	4279 681	1			ISOLATOR, Fuel Pump Mounting
7	4275 325	1			COVER, Fuel Pump Pad
8	5214 680	1			GASKET, Fuel Pump Pad Cover

MODEL CODES

E BODY = (J - CARAVELLE)(E - 600)(T - NEW YORKER)

G BODY = (V24 - DAYTONA)

H BODY = (D44 - LANCER)(C44 - LEBARON GTS)

J BODY = (C - LEBARON)

K BODY = (P - RELIANT)(D - ARIES)(C - LEBAROND)/TOWN & COUNTRY)

L BODY = (M - HORIZON/TURISMO)(Z - OMNI/CHARGER)

M BODY = (B - GRAN FURY)(F - FIFTH AVE/NEWPORT)(G - DIPLOMAT)

P BODY = (P - SUNDANCE)(D - SHADOW)

S BODY = (H - VOYAGER)(K - RAM VAN/CARAVAN)

BODY STYLES

12-13 = FWD VAN

21 = 2-DOOR SEDAN

24 = 2-DOOR HATCHBACK

27 = 2-DOOR CONVERTIBLE

41 = 4-DOOR SEDAN

44 = 4-DOOR HATCHBACK

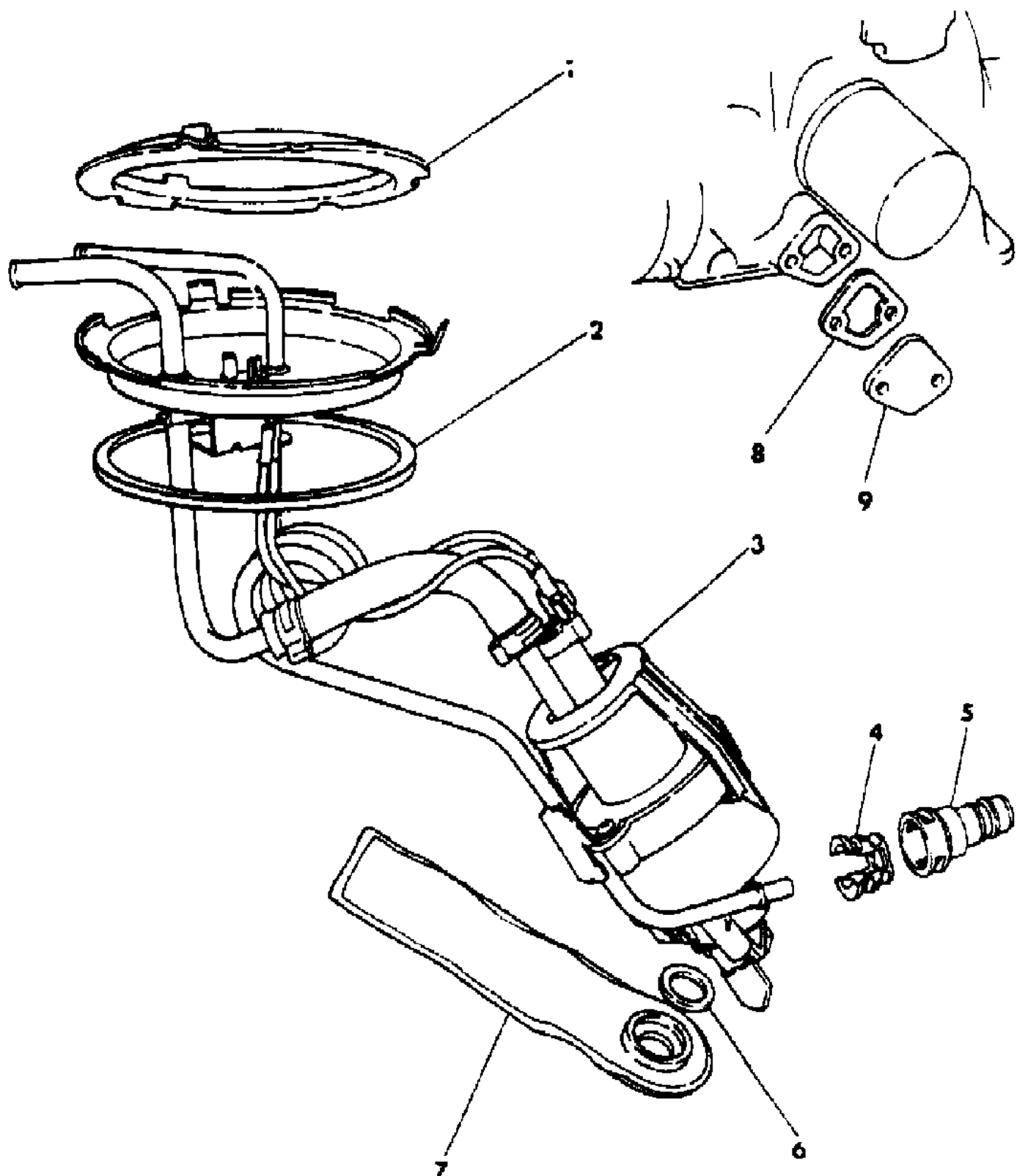
45 = 4-DOOR STATION WAGON

52-53 = FWD WAGON

AR = Use as Required - = Non Illustrated Part P.A.R. = Paint as Required

FUEL PUMP 2.5L AND 3.0L ENGINE S BODY
Figure 14-6450

7114 6450 A



ITEM	PART NUMBER	QTY	BODY	MODEL	DESCRIPTION
1	4203 879	1			RETAINER
2	6501 463	1			SEAL
3					PUMP, Fuel
	4419 617	1			2.5L Engine
	4419 618	1			3.0L Engine
4	4203 912	1			RETAINER, Quick Connect
5	4203 910	1			CONNECTOR, Fuel Tube
6	4203 796	1			SEAL, Filter
7	4203 994	1			FILTER
8	5214 680	1			GASKET, Fuel Pump Pad Cover
9	4275 325	1			COVER, Fuel Pump Pad

MODEL CODES

E BODY = (J - CARAVELLE)(E - 600)(T - NEW YORKER)

G BODY = (V24 - DAYTONA)

H BODY = (D44 - LANCER)(C44 - LEBARON GTS)

J BODY = (C - LEBARON)

K BODY = (P - RELIANT)(D - ARIES)(C - LEBAROND)/TOWN & COUNTRY)

L BODY = (M - HORIZON/TURISMO)(Z - OMNI/CHARGER)

M BODY = (B - GRAN FURY)(F - FIFTH AVE/NEWPORT)(G - DIPLOMAT)

P BODY = (P - SUNDANCE)(D - SHADOW)

S BODY = (H - VOYAGER)(K - RAM VAN/CARAVAN)

BODY STYLES

12-13 = FWD VAN

21 = 2-DOOR SEDAN

24 = 2-DOOR HATCHBACK

27 = 2-DOOR CONVERTIBLE

41 = 4-DOOR SEDAN

44 = 4-DOOR HATCHBACK

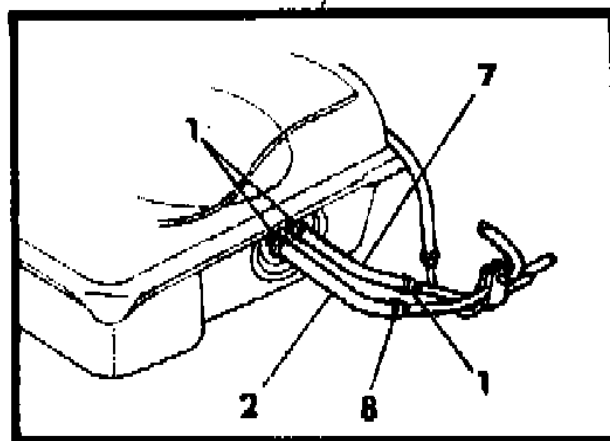
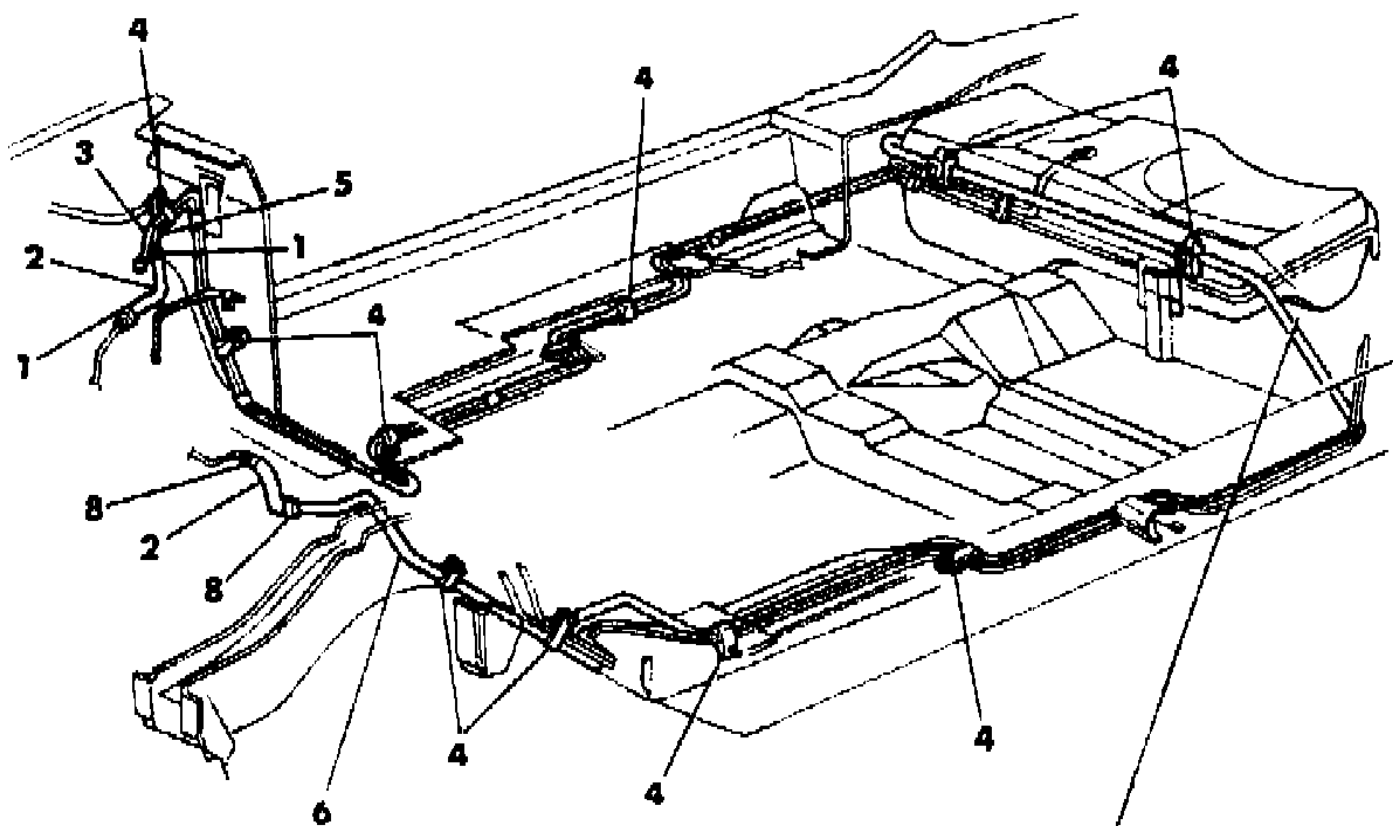
45 = 4-DOOR STATION WAGON

52-53 = FWD WAGON

AR = Use as Required - = Non Illustrated Part P.A.R. = Paint as Required

FUEL LINES 2.2L ENGINE (EXCEPT TURBO CHARGER) L BODY
Figure 14-6500

7114 8500 A



ITEM	PART NUMBER	QTY	BODY	MODEL	DESCRIPTION
1	2448 761	AR			CLAMP
2	4203 569	AR			HOSE Fuel Return Tube to Engine Fuel Tube Rear to Fuel Tank Fuel Supply
3	4279 993	AR			SLEEVE, Fuel Supply Hose
	1843 251	AR			TUBE, 3/16" OD Fuel Vapor
4					CLIP (not serviced)
5	1843 252	AR			TUBE, 1/4" OD Fuel Return
6	1843 253	AR			TUBE, 5/16" OD Fuel Supply
7	4203 553	AR			HOSE, Fuel Return Tube Rear to Fuel Tank
8	3683 823	AR			CLAMP

MODEL CODES

E BODY = (J - CARAVELLE)(E - 600)(T - NEW YORKER)

G BODY = (V24 - DAYTONA)

H BODY = (D44 - LANCER)(C44 - LEBARON GTS)

J BODY = (C - LEBARON)

K BODY = (P - RELIANT)(D - ARIES)(C - LEBAROND)/TOWN & COUNTRY)

L BODY = (M - HORIZON/TURISMO)(Z - OMNI/CHARGER)

M BODY = (B - GRAN FURY)(F - FIFTH AVE/NEWPORT)(G - DIPLOMAT)

P BODY = (P - SUNDANCE)(D - SHADOW)

S BODY = (H - VOYAGER)(K - RAM VAN/CARAVAN)

BODY STYLES

12-13 = FWD VAN

21 = 2-DOOR SEDAN

24 = 2-DOOR HATCHBACK

27 = 2-DOOR CONVERTIBLE

41 = 4-DOOR SEDAN

44 = 4-DOOR HATCHBACK

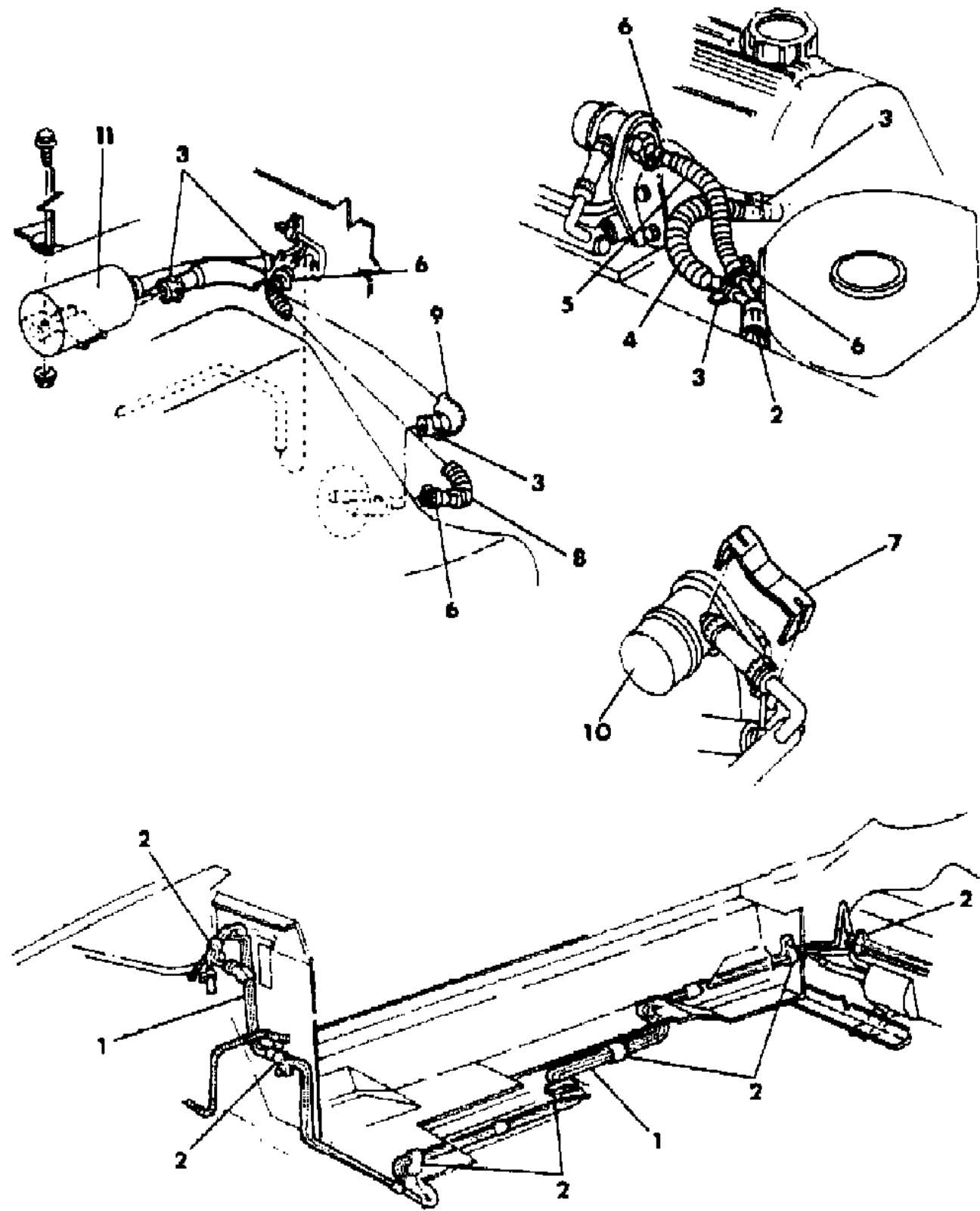
45 = 4-DOOR STATION WAGON

52-53 = FWD WAGON

AR = Use as Required - = Non Illustrated Part P.A.R. = Paint as Required

FUEL LINES TURBO CHARGER L BODY
Figure 14-6600

7114 0000 A



ITEM	PART NUMBER	QTY	BODY	MODEL	DESCRIPTION
1					TUBE, (sold in 24ft roll)
	1843 253	AR			Fuel Supply, 5/16" OD
	1843 252	AR			Fuel Return 1/4" OD
	1843 251	AR			Fuel Vapor 3/16" OD
	3879 283	AR			COVER, Fuel Tubes
2					CLIP (not serviced)
3	#6500 651	5			CLAMP
4	4279 991	AR			HOSE, Fuel Supply Tube Front to Fuel Rail
	4279 993	AR			SLEEVE, Fuel Supply Hose
5	4279 992	AR			HOSE, Fuel Return Tube to Engine
	4279 699	AR			SLEEVE, Fuel Return Hose
6	6500 650	4			CLAMP
7	4306 340	1			SHIELD, Fuel Rail Hose
8	4279 992	AR			HOSE, Fuel Return Tube to Tank
	4279 699	AR			SLEEVE, Fuel Return Tube Hose
9	4418 166	AR			HOSE, Fuel Filter to Tank
	4279 993	AR			SLEEVE, Fuel Filter Hose
10					REGULATOR, Fuel Pressure (refer to Fuel Rail and Related Parts Illustration)
11					FILTER, Fuel (refer to Fuel Filter Illustration)

MODEL CODES

E BODY = (J - CARAVELLE)(E - 600)(T - NEW YORKER)

G BODY = (V24 - DAYTONA)

H BODY = (D44 - LANCER)(C44 - LEBARON GTS)

J BODY = (C - LEBARON)

K BODY = (P - RELIANT)(D - ARIES)(C - LEBAROND)/TOWN & COUNTRY)

L BODY = (M - HORIZON/TURISMO)(Z - OMNI/CHARGER)

M BODY = (B - GRAN FURY)(F - FIFTH AVE/NEWPORT)(G - DIPLOMAT)

P BODY = (P - SUNDANCE)(D - SHADOW)

S BODY = (H - VOYAGER)(K - RAM VAN/CARAVAN)

BODY STYLES

12-13 = FWD VAN

21 = 2-DOOR SEDAN

24 = 2-DOOR HATCHBACK

27 = 2-DOOR CONVERTIBLE

41 = 4-DOOR SEDAN

44 = 4-DOOR HATCHBACK

45 = 4-DOOR STATION WAGON

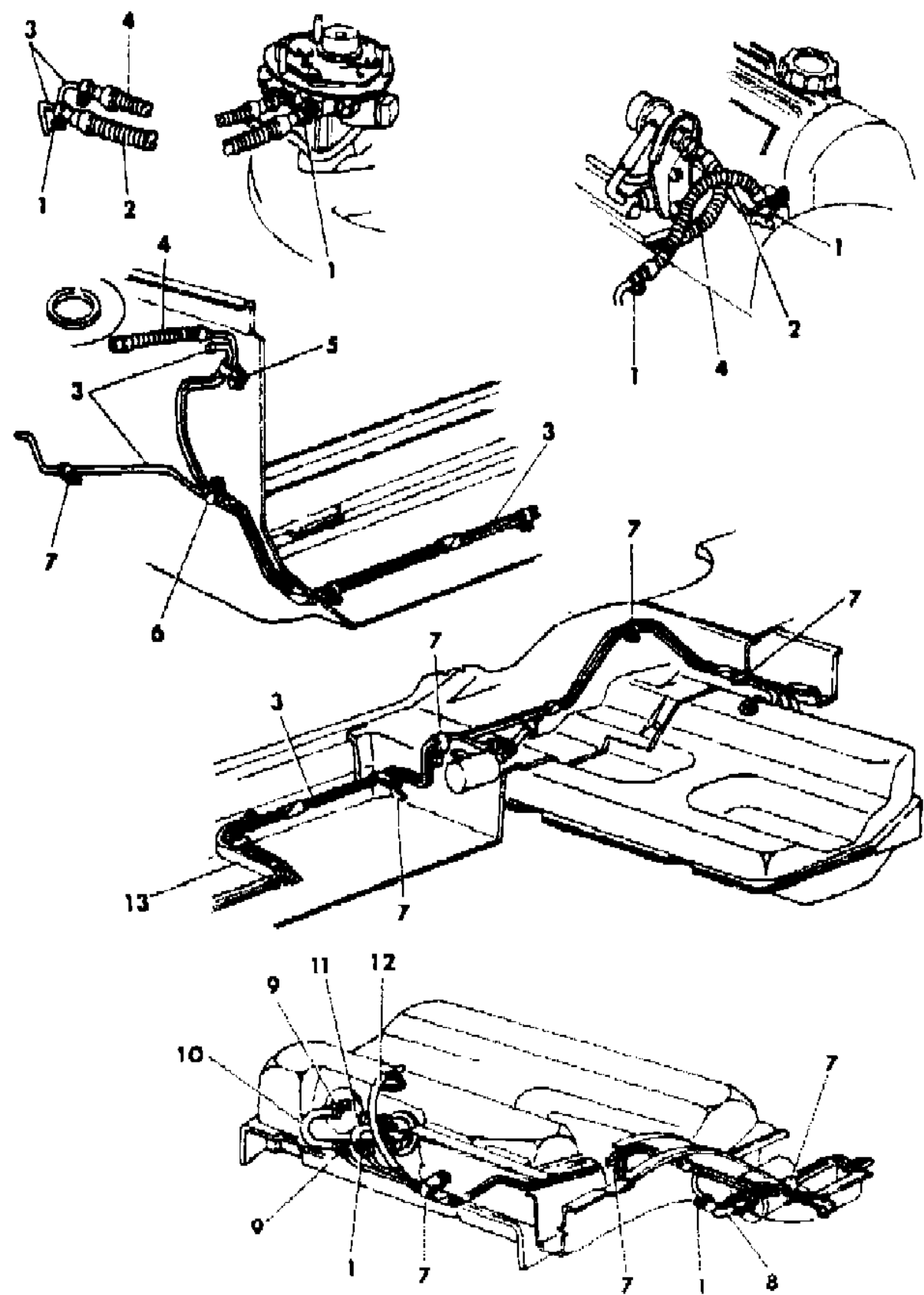
52-53 = FWD WAGON

AR = Use as Required - = Non Illustrated Part P.A.R. = Paint as Required

FUEL LINES P,J,K,G,E,H BODY
Figure 14-6700

7114 6700 A

ITEM	PART NUMBER	QTY	BODY	MODEL	DESCRIPTION
1	#6500 651	6			CLAMP
2	4279 991	AR			HOSE, Fuel Supply, 5/16 ID
	4279 993	AR			SLEEVE, Fuel Supply
	4364 392	AR			E.F.I.
					T.C.
3					TUBE, Fuel
	1843 253	AR			Fuel Supply, 5/16 OD
	1843 252	AR			Fuel Return, 1/4 OD
	1843 251	AR			Fuel Vapor, 3/16 OD
4	4279 992	AR			HOSE, Fuel Return, 1/4 ID
	4279 699	AR			SLEEVE, Fuel Return Hose
5	4418 092	1			CLIP
6	4418 093	1			CLIP
7		AR			CLIP (not serviced)
8	4279 892	1			HOSE, Fuel Filter to Fuel Supply
9	6500 650	3			CLAMP
10	4279 366	1			HOSE, Fuel Return to Fuel Tank
11	4279 877	1			HOSE, Fuel Supply to Fuel Tank
12	4203 106	AR			HOSE, Vapor Tube to Rollover Valve
13		1			STONE SHIELD (not serviced)



MODEL CODES

E BODY = (J - CARAVELLE)(E - 600)(T - NEW YORKER)

G BODY = (V24 - DAYTONA)

H BODY = (D44 - LANCER)(C44 - LEBARON GTS)

J BODY = (C - LEBARON)

K BODY = (P - RELIANT)(D - ARIES)(C - LEBAROND)/TOWN & COUNTRY)

L BODY = (M - HORIZON/TURISMO)(Z - OMNI/CHARGER)

M BODY = (B - GRAN FURY)(F - FIFTH AVE/NEWPORT)(G - DIPLOMAT)

P BODY = (P - SUNDANCE)(D - SHADOW)

S BODY = (H - VOYAGER)(K - RAM VAN/CARAVAN)

BODY STYLES

12-13 = FWD VAN

21 = 2-DOOR SEDAN

24 = 2-DOOR HATCHBACK

27 = 2-DOOR CONVERTIBLE

41 = 4-DOOR SEDAN

44 = 4-DOOR HATCHBACK

45 = 4-DOOR STATION WAGON

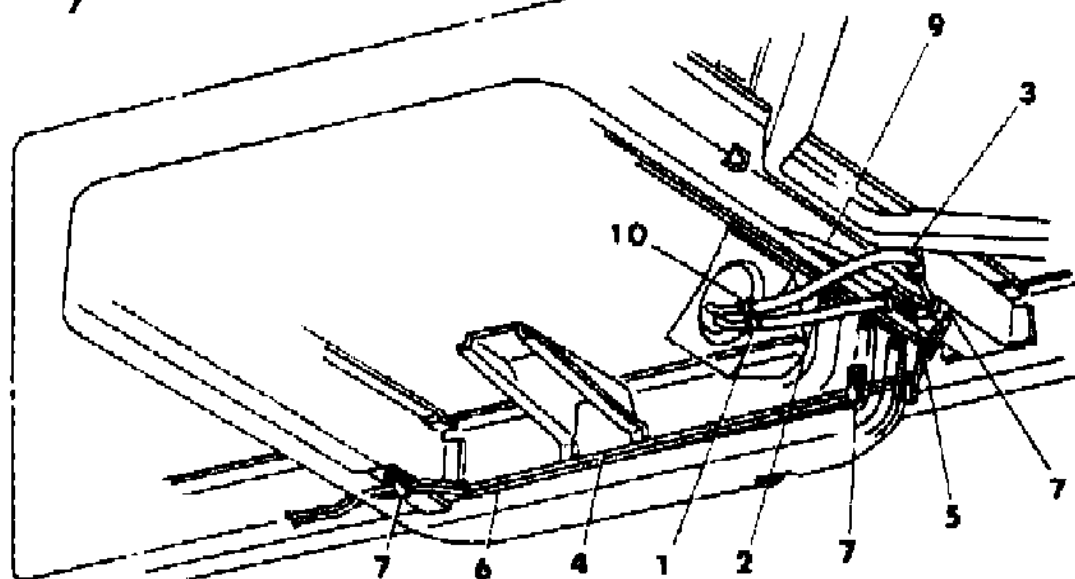
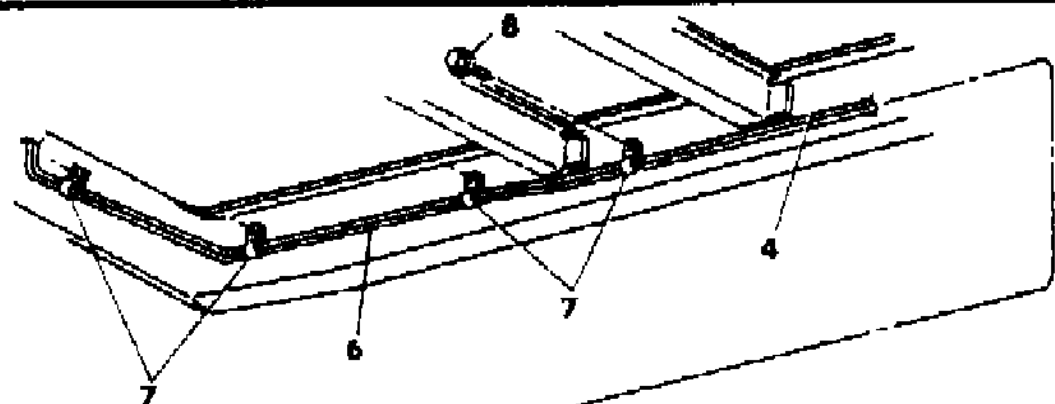
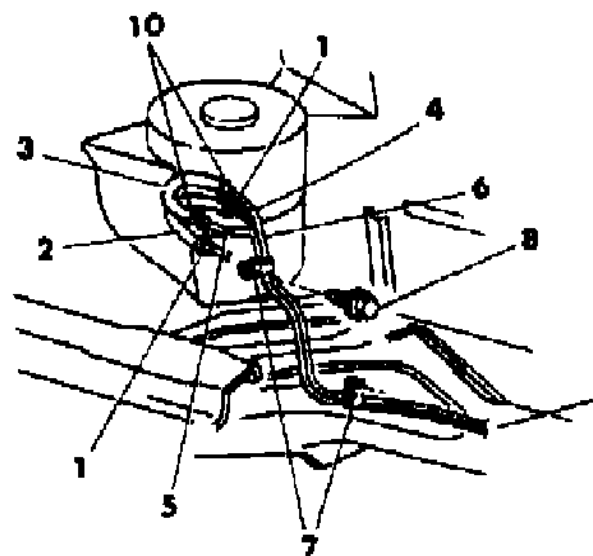
52-53 = FWD WAGON

AR = Use as Required - = Non Illustrated Part P.A.R. = Paint as Required

FUEL LINES 2.2L AND 2.6L ENGINE S BODY
Figure 14-6800

7114 8800 A

ITEM	PART NUMBER	QTY	BODY	MODEL	DESCRIPTION
1	2448 761	AR			CLAMP
2	4203 211	AR			HOSE Fuel Return Tube Front to Engine Fuel Return Tube Rear to Fuel Tank
3	4203 316	AR			HOSE Fuel Supply Tube Front to Engine Fuel Supply Tube Rear to Fuel Tank
4	1843 252	AR			TUBE, Fuel Return (25 Ft. Roll) 1/4 O.D.
5	1843 251	AR			TUBE, Vapor (25 Ft. Roll) 3/16 O.D.
6	1843 253	AR			TUBE, Fuel Supply (25 Ft. Roll) 3/8 O.D.
7					CLIP (not serviced)
8					SCREW (1/4-14x1/2) (not serviced)
9	4203 106	AR			HOSE, Vapor Tube Rear to Rollover Valve
10	3683 823	AR			CLAMP



MODEL CODES

E BODY = (J - CARAVELLE)(E - 600)(T - NEW YORKER)

G BODY = (V24 - DAYTONA)

H BODY = (D44 - LANCER)(C44 - LEBARON GTS)

J BODY = (C - LEBARON)

K BODY = (P - RELIANT)(D - ARIES)(C - LEBAROND)/TOWN & COUNTRY)

L BODY = (M - HORIZON/TURISMO)(Z - OMNI/CHARGER)

M BODY = (B - GRAN FURY)(F - FIFTH AVE/NEWPORT)(G - DIPLOMAT)

P BODY = (P - SUNDANCE)(D - SHADOW)

S BODY = (H - VOYAGER)(K - RAM VAN/CARAVAN)

BODY STYLES

12-13 = FWD VAN

21 = 2-DOOR SEDAN

24 = 2-DOOR HATCHBACK

27 = 2-DOOR CONVERTIBLE

41 = 4-DOOR SEDAN

44 = 4-DOOR HATCHBACK

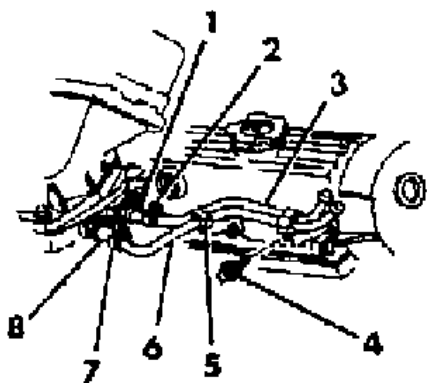
45 = 4-DOOR STATION WAGON

52-53 = FWD WAGON

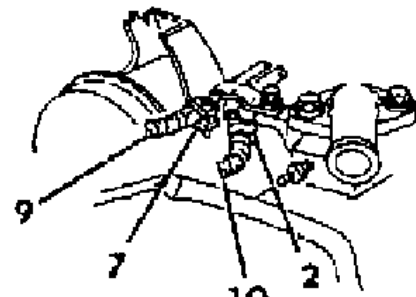
AR = Use as Required - = Non Illustrated Part P.A.R. = Paint as Required

FUEL LINES 2.5L AND 3.0L ENGINE S BODY
Figure 14-6850

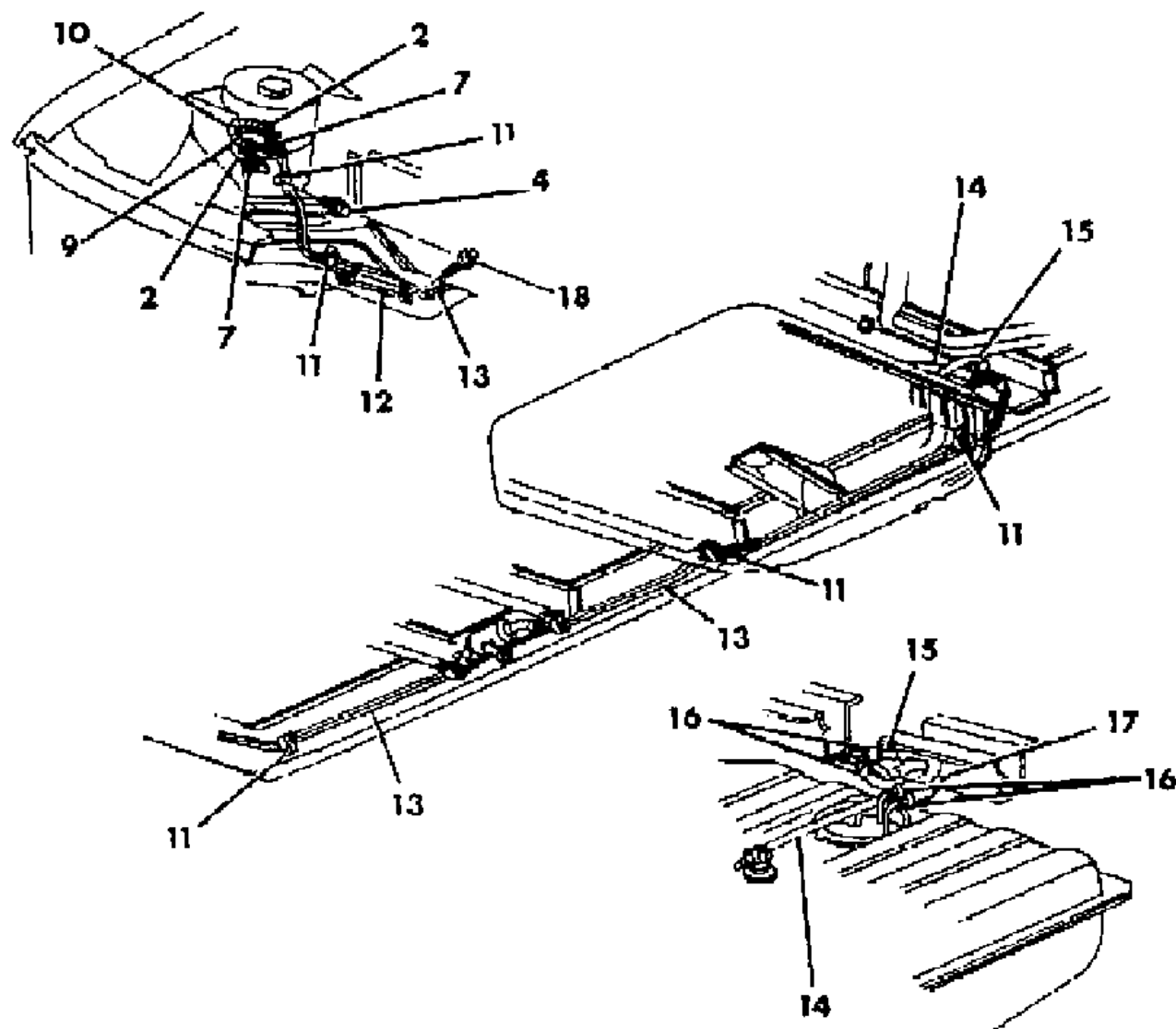
7114 8850 A



2.5L ENGINE



3.0L ENGINE



ITEM	PART NUMBER	QTY	BODY	MODEL	DESCRIPTION
1	#4443 180	AR			HOSE, Fuel Supply
2	#6500 651	AR			CLAMP
3	4418 154	AR			TUBE, Fuel Supply
4					SCREW (1/4-14x1/2) (not serviced)
5					CLIP (not serviced)
6	4418 153	AR			TUBE, Fuel Return
7	6500 650	AR			CLAMP
8	4443 179	AR			HOSE, Fuel Return
9	4443 179	AR			HOSE, Fuel Return
	4279 699	AR			SLEEVE, Fuel Return Hose
10	4443 180	AR			HOSE, Fuel Supply
	4279 993	AR			SLEEVE, Fuel Supply Hose
11					CLIP (not serviced)
12					SHIELD, Heat (not serviced)
13					TUBE, Fuel
	1843 253	AR			5/16" O.D.
	1843 251	AR			3/16" O.D.
14	4443 178	AR			HOSE, Fuel Vapor Tube Rear to Rollover Valve
15	4443 180	AR			HOSE, Fuel Supply from the Fuel Tank
	4279 993	AR			SLEEVE, Fuel Supply Hose from the Fuel Tank
16	2448 761	AR			CLAMP
17	4443 179	AR			HOSE, Fuel Return to Fuel Tank
	4279 699	AR			SLEEVE, Fuel Return Hose to Fuel Tank
18		AR			SCREW (1/4-14x3/4) (not serviced)

MODEL CODES

E BODY = (J - CARAVELLE)(E - 600)(T - NEW YORKER)
G BODY = (V24 - DAYTONA)
H BODY = (D44 - LANCER)(C44 - LEBARON GTS)
J BODY = (C - LEBARON)
K BODY = (P - RELIANT)(D - ARIES)(C - LEBAROND)/TOWN & COUNTRY)

L BODY = (M - HORIZON/TURISMO)(Z - OMNI/CHARGER)
M BODY = (B - GRAN FURY)(F - FIFTH AVE/NEWPORT)(G - DIPLOMAT)
P BODY = (P - SUNDANCE)(D - SHADOW)
S BODY = (H - VOYAGER)(K - RAM VAN/CARAVAN)

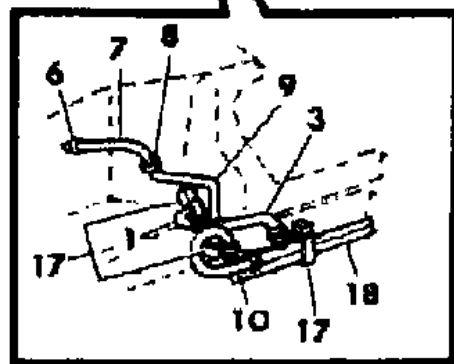
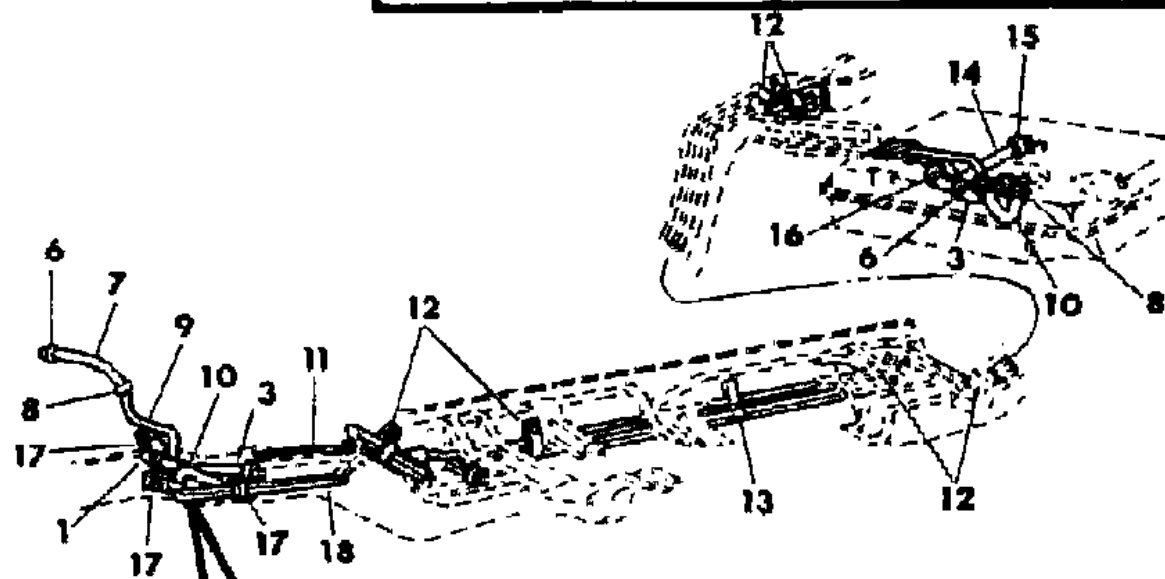
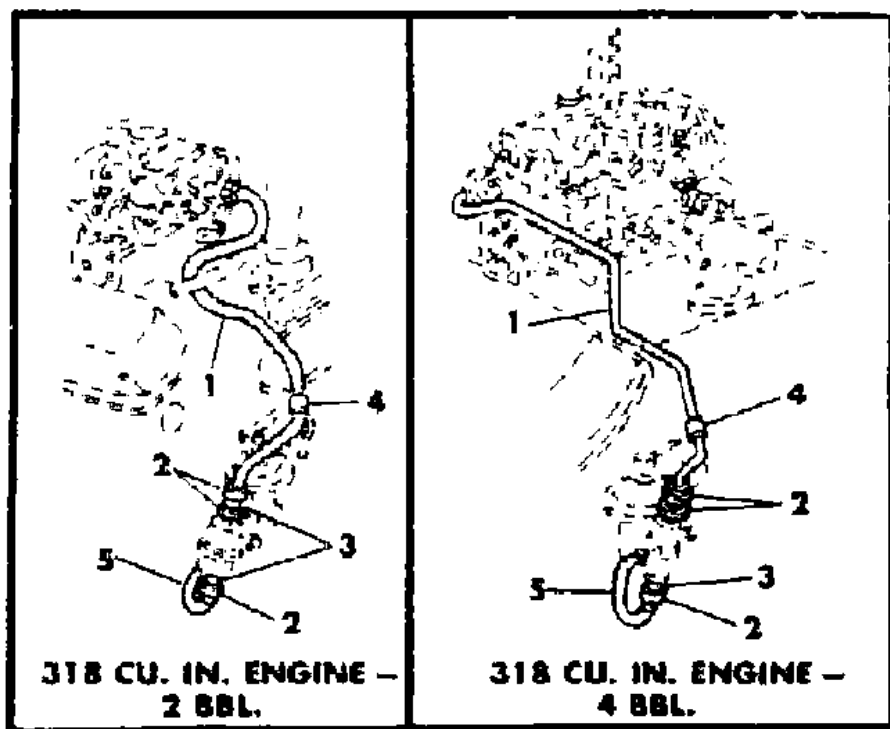
BODY STYLES

12-13 = FWD VAN
21 = 2-DOOR SEDAN
24 = 2-DOOR HATCHBACK
27 = 2-DOOR CONVERTIBLE
41 = 4-DOOR SEDAN
44 = 4-DOOR HATCHBACK
45 = 4-DOOR STATION WAGON
52-53 = FWD WAGON

AR = Use as Required - = Non Illustrated Part P.A.R. = Paint as Required

FUEL LINES M BODY
Figure 14-6900

7114 8900 A



ITEM	PART NUMBER	QTY	BODY	MODEL	DESCRIPTION
1	1843 253	AR			TUBE, (25 ft. roll) 5/16 O.D. Fuel Filter Hose to Carburetor Fuel Pump to Fuel Filter Hose Fuel Front Fuel Rear
2	2463 937	AR			CLAMP
3	4203 316	AR			HOSE, (50 ft. roll) 5/16 Fuel Filter Fuel Pump
4	4179 759	1			Fuel Tube Rear to Tank Front Fuel to Rear CLIP, Fuel Tube Locating
5	4027 122	1			TUBE, Fuel Pump to Fuel Filter Hose
6	2448 761	AR			CLAMP
7	4418 660				HOSE, Vapor Canister to Fuel Tank Vapor Tube Front
8	3683 823	AR			CLAMP
9	1843 251	AR			TUBE, (25 ft. roll) 3/16 O.D. Fuel Vapor Front Fuel Vapor Rear
10	4203 211	AR			HOSE, (50 ft. roll) 1/4 I.D. Fuel Return Tube Front to Filter Separator Fuel Return Tube Rear to Tank Fuel Return Tube Front to Fuel Return Tube Rear
11	4185 424	1			PLATE, Fuel Tube Cover
12	3583 483	AR			CLIP
13		AR			CLIP, Fuel Vapor Tube Sill Push-On (not serviced)
14	4203 106	AR			HOSE, (50 ft. roll) 3/16 I.D. Fuel Vapor Tube Rear to Tank Fuel Vapor Tube Front to Fuel Vapor Tube Rear
15		AR			CLAMP (not serviced)
16	6032 282	AR			CLAMP
17		AR			CLIP (not serviced)
18	1843 252	AR			TUBE, (25 ft. roll) 1/4 O.D. Fuel Return Front Fuel Return Rear Fuel Supply Tube Convoluted
	3879 285	AR			

MODEL CODES

E BODY = (J - CARAVELLE)(E - 600)(T - NEW YORKER)

G BODY = (V24 - DAYTONA)

H BODY = (D44 - LANCER)(C44 - LEBARON GTS)

J BODY = (C - LEBARON)

K BODY = (P - RELIANT)(D - ARIES)(C - LEBAROND)/TOWN & COUNTRY)

L BODY = (M - HORIZON/TURISMO)(Z - OMNI/CHARGER)

M BODY = (B - GRAN FURY)(F - FIFTH AVE/NEWPORT)(G - DIPLOMAT)

P BODY = (P - SUNDANCE)(D - SHADOW)

S BODY = (H - VOYAGER)(K - RAM VAN/CARAVAN)

BODY STYLES

12-13 = FWD VAN

21 = 2-DOOR SEDAN

24 = 2-DOOR HATCHBACK

27 = 2-DOOR CONVERTIBLE

41 = 4-DOOR SEDAN

44 = 4-DOOR HATCHBACK

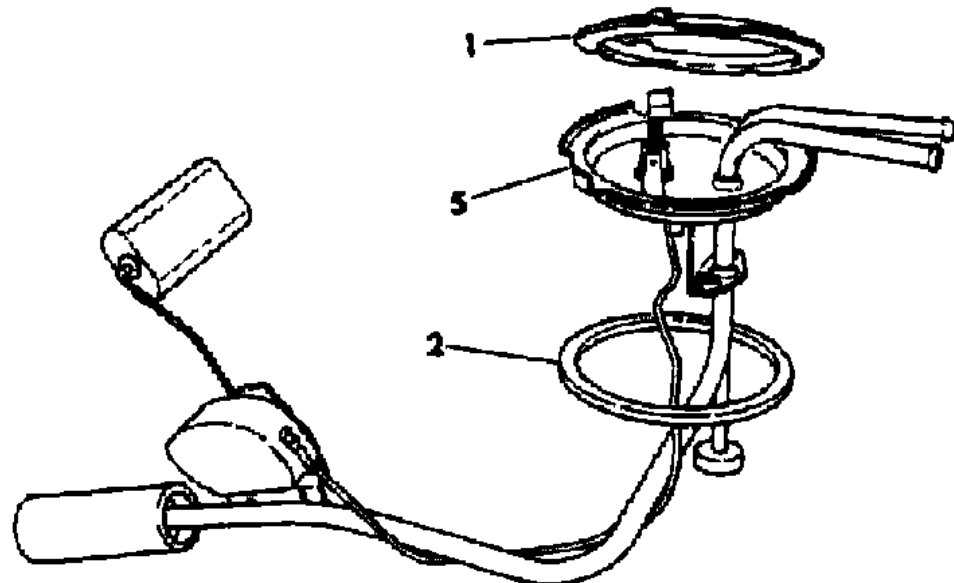
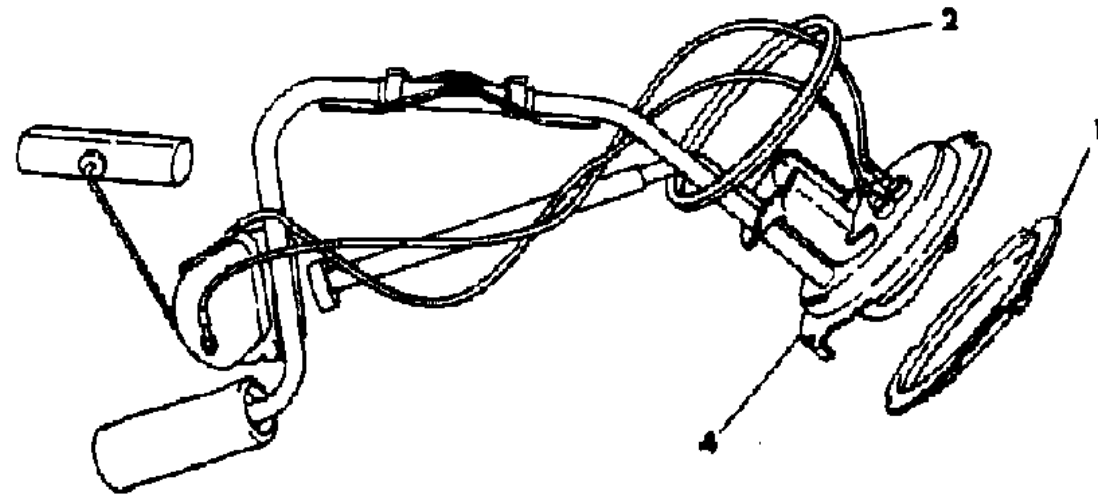
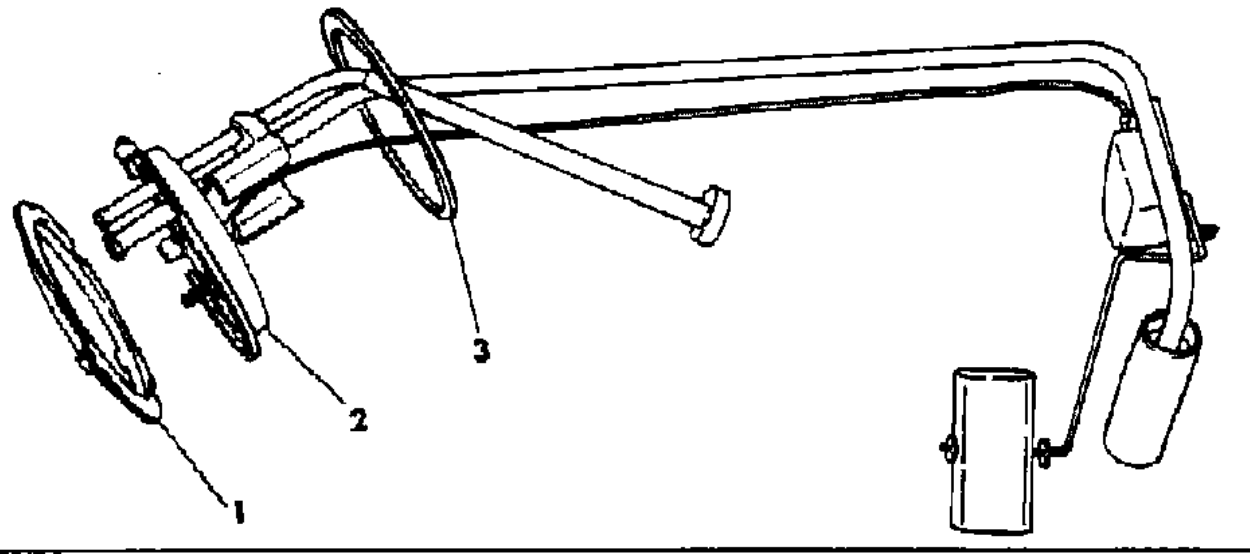
45 = 4-DOOR STATION WAGON

52-53 = FWD WAGON

AR = Use as Required - = Non Illustrated Part P.A.R. = Paint as Required

FUEL TANK SENDING UNITS EXCEPT E.F.I. AND TURBO CHARGER
Figure 14-7000

7114 7000



ITEM	PART NUMBER	QTY	BODY	MODEL	DESCRIPTION
1	4279 445	1			RETAINER, Fuel Tank Sending Unit
2	4203 540	1	L		UNIT, Fuel Tank Sending
3	6033 095	1			SEAL, O-Ring
4					UNIT, Fuel Tank Sending w/Filter
	5217 742	1	S		w/15 Gal. Tank
	5217 743	1	S		w/20 Gal. Tank
5	4051 398	1	M		UNIT, Fuel Tank Sending

MODEL CODES

E BODY = (J - CARAVELLE)(E - 600)(T - NEW YORKER)

G BODY = (V24 - DAYTONA)

H BODY = (D44 - LANCER)(C44 - LEBARON GTS)

J BODY = (C - LEBARON)

K BODY = (P - RELIANT)(D - ARIES)(C - LEBAROND)/TOWN & COUNTRY)

L BODY = (M - HORIZON/TURISMO)(Z - OMNI/CHARGER)

M BODY = (B - GRAN FURY)(F - FIFTH AVE/NEWPORT)(G - DIPLOMAT)

P BODY = (P - SUNDANCE)(D - SHADOW)

S BODY = (H - VOYAGER)(K - RAM VAN/CARAVAN)

BODY STYLES

12-13 = FWD VAN

21 = 2-DOOR SEDAN

24 = 2-DOOR HATCHBACK

27 = 2-DOOR CONVERTIBLE

41 = 4-DOOR SEDAN

44 = 4-DOOR HATCHBACK

45 = 4-DOOR STATION WAGON

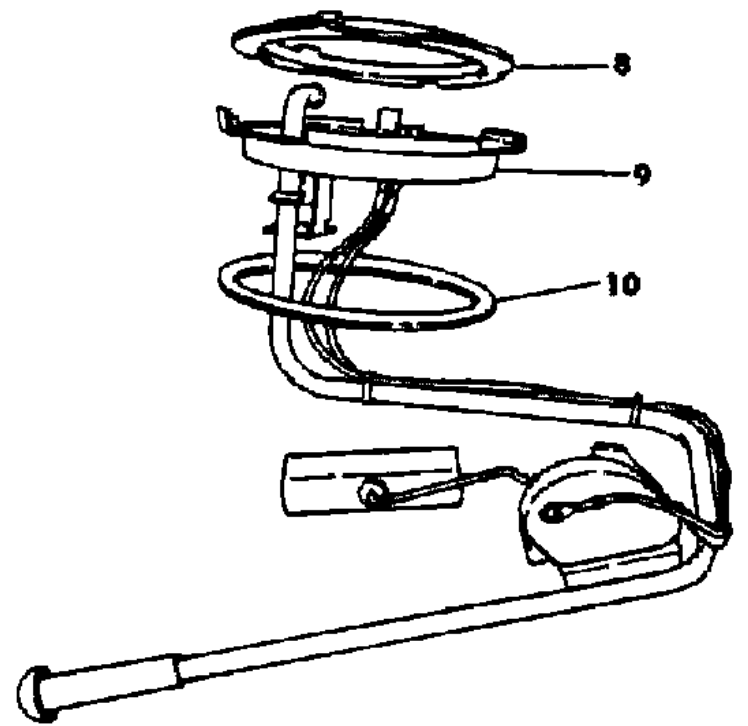
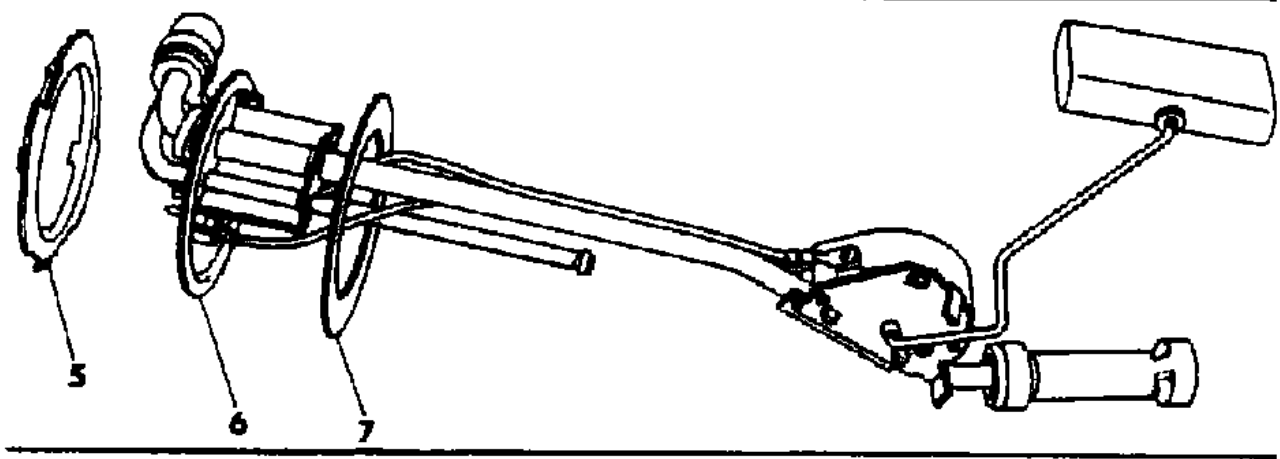
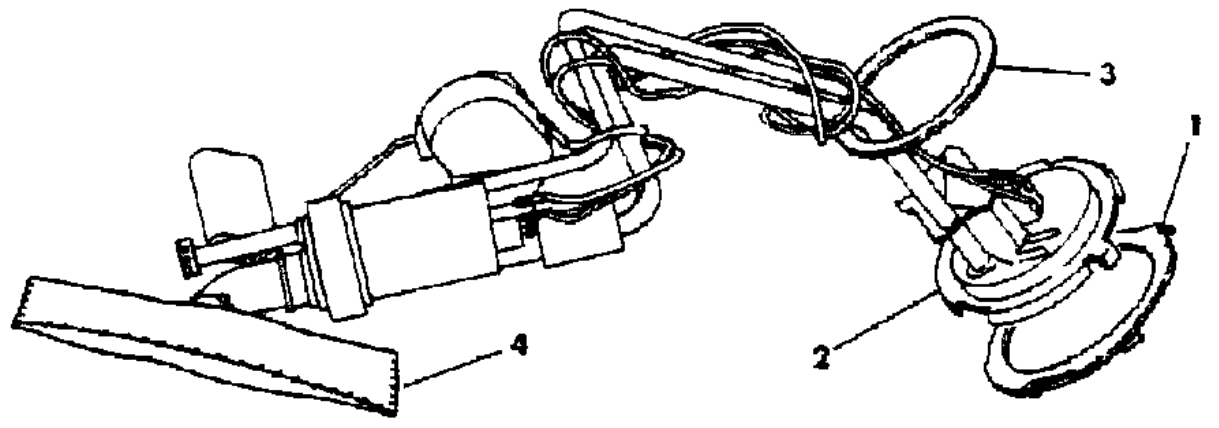
52-53 = FWD WAGON

AR = Use as Required - = Non Illustrated Part P.A.R. = Paint as Required

FUEL TANK SENDING UNITS E.F.I. AND TURBO CHARGER
Figure 14-7100

7114 7100

ITEM	PART NUMBER	QTY	BODY	MODEL	DESCRIPTION
1	4279 445	1	L		RETAINER
2	4279 949	1	L		UNIT, Tank Sending
3	6031 475	1	L		SEAL, O-Ring
4	4203 549	1	L		FILTER, Fuel Tank Sending Unit
5	1730 095	1			RETAINER, Exc. L and S Body
6	4051 663	1			UNIT, Tank Sending, Exc. L and S Body
7	1948 757	1			SEAL, O-Ring, Exc. L and S Body
8	4203 879	1	S		RETAINER, w/2.5L,3.0L Engine
9					UNIT, Fuel Tank Sending
	4419 620	1	S		w/15 Gal. Tank, w/2.5L,3.0L Engine
	4419 619	1	S		w/20 Gal. Tank, w/2.5L,3.0L Engine
10	6501 463	1	S		SEAL, O-Ring



MODEL CODES

E BODY = (J - CARAVELLE)(E - 600)(T - NEW YORKER)

G BODY = (V24 - DAYTONA)

H BODY = (D44 - LANCER)(C44 - LEBARON GTS)

J BODY = (C - LEBARON)

K BODY = (P - RELIANT)(D - ARIES)(C - LEBAROND)/TOWN & COUNTRY)

L BODY = (M - HORIZON/TURISMO)(Z - OMNI/CHARGER)

M BODY = (B - GRAN FURY)(F - FIFTH AVE/NEWPORT)(G - DIPLOMAT)

P BODY = (P - SUNDANCE)(D - SHADOW)

S BODY = (H - VOYAGER)(K - RAM VAN/CARAVAN)

BODY STYLES

12-13 = FWD VAN

21 = 2-DOOR SEDAN

24 = 2-DOOR HATCHBACK

27 = 2-DOOR CONVERTIBLE

41 = 4-DOOR SEDAN

44 = 4-DOOR HATCHBACK

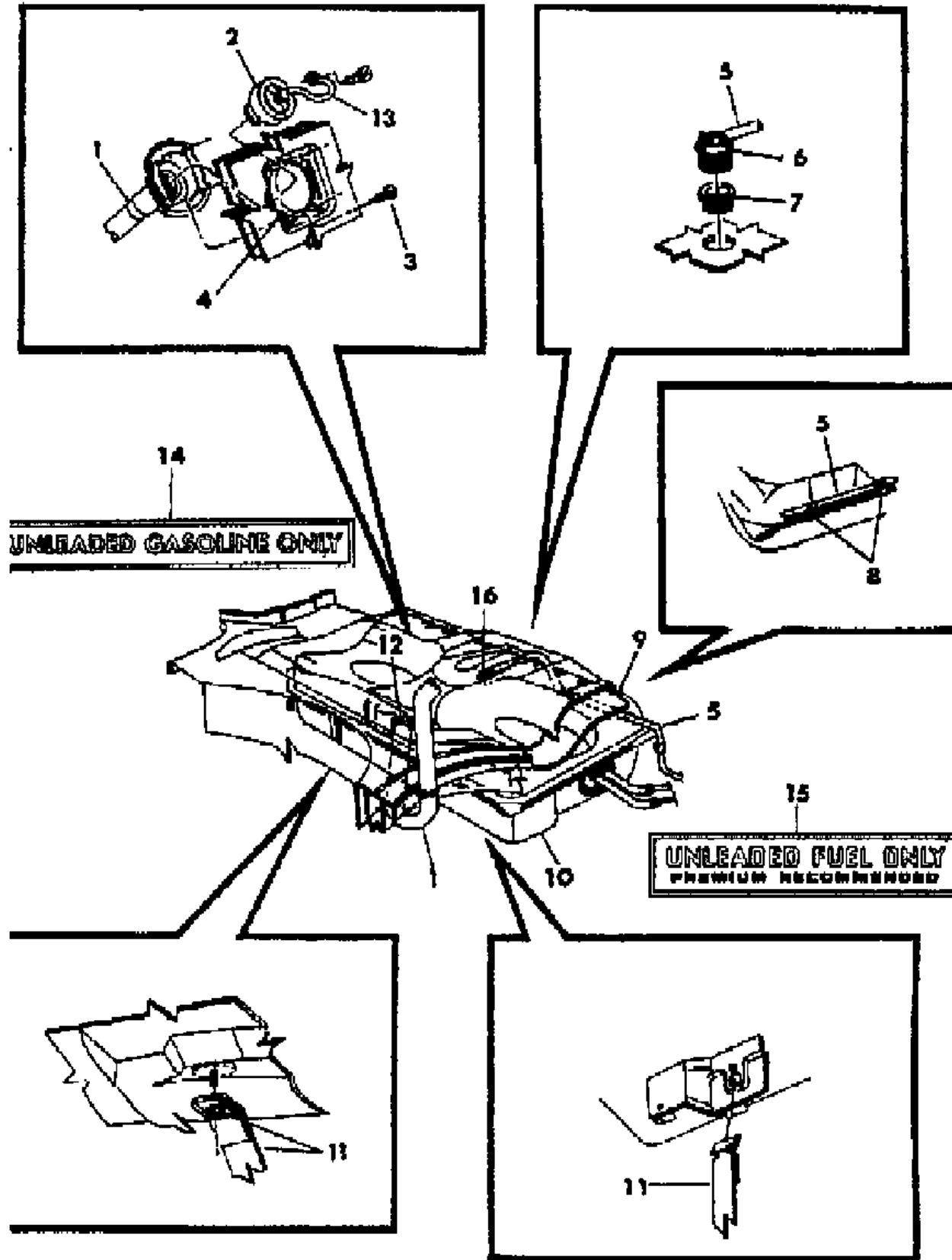
45 = 4-DOOR STATION WAGON

52-53 = FWD WAGON

AR = Use as Required - = Non Illustrated Part P.A.R. = Paint as Required

FUEL TANK AND FUEL FILLER TUBES L BODY (EXCEPT TURBO CHARGER)
Figure 14-7200

7114 7200 B



ITEM	PART NUMBER	QTY	BODY	MODEL	DESCRIPTION
1					TUBE, Fuel Tank Filler
	4279 855	1	44		w/Unleaded Gas
	4279 853	1	24		w/Unleaded Gas
2					CAP, Gas
	4279 839	1	44		Non Locking
	4279 835	1	24		Non Locking
	5217 646	1	24		Locking
3		AR			SCREW (10-16x1) (not serviced)
4	5200 436	1	24		GASKET
5	4203 106	AR			HOSE, Vapor Tube Rear to Rollover Valve
6	4185 254	1			VALVE, Rollover and Vapor Separator
7	4002 149	1			GROMMET, Valve
8	5217 564	AR			CLIP, Vapor Hose to Fuel Tank
9	5217 516	2			INSULATOR, Fuel Tank
10	4279 896	1			TANK, Fuel
11	4185 520-1	1			STRAP, Fuel Tank Support
12	5217 578	1			GROMMET, Tank to Tube
13	4279 144	1			TETHER, Gas Cap
14	3792 550	1			LABEL, Unleaded Fuel Only
15	4304 651	1			LABEL, Unleaded Gas Premium Recommended
16	4419 647	1			VALVE, Tank Vent

MODEL CODES

E BODY = (J - CARAVELLE)(E - 600)(T - NEW YORKER)

G BODY = (V24 - DAYTONA)

H BODY = (D44 - LANCER)(C44 - LEBARON GTS)

J BODY = (C - LEBARON)

K BODY = (P - RELIANT)(D - ARIES)(C - LEBAROND)/TOWN & COUNTRY)

L BODY = (M - HORIZON/TURISMO)(Z - OMNI/CHARGER)

M BODY = (B - GRAN FURY)(F - FIFTH AVE/NEWPORT)(G - DIPLOMAT)

P BODY = (P - SUNDANCE)(D - SHADOW)

S BODY = (H - VOYAGER)(K - RAM VAN/CARAVAN)

BODY STYLES

12-13 = FWD VAN

21 = 2-DOOR SEDAN

24 = 2-DOOR HATCHBACK

27 = 2-DOOR CONVERTIBLE

41 = 4-DOOR SEDAN

44 = 4-DOOR HATCHBACK

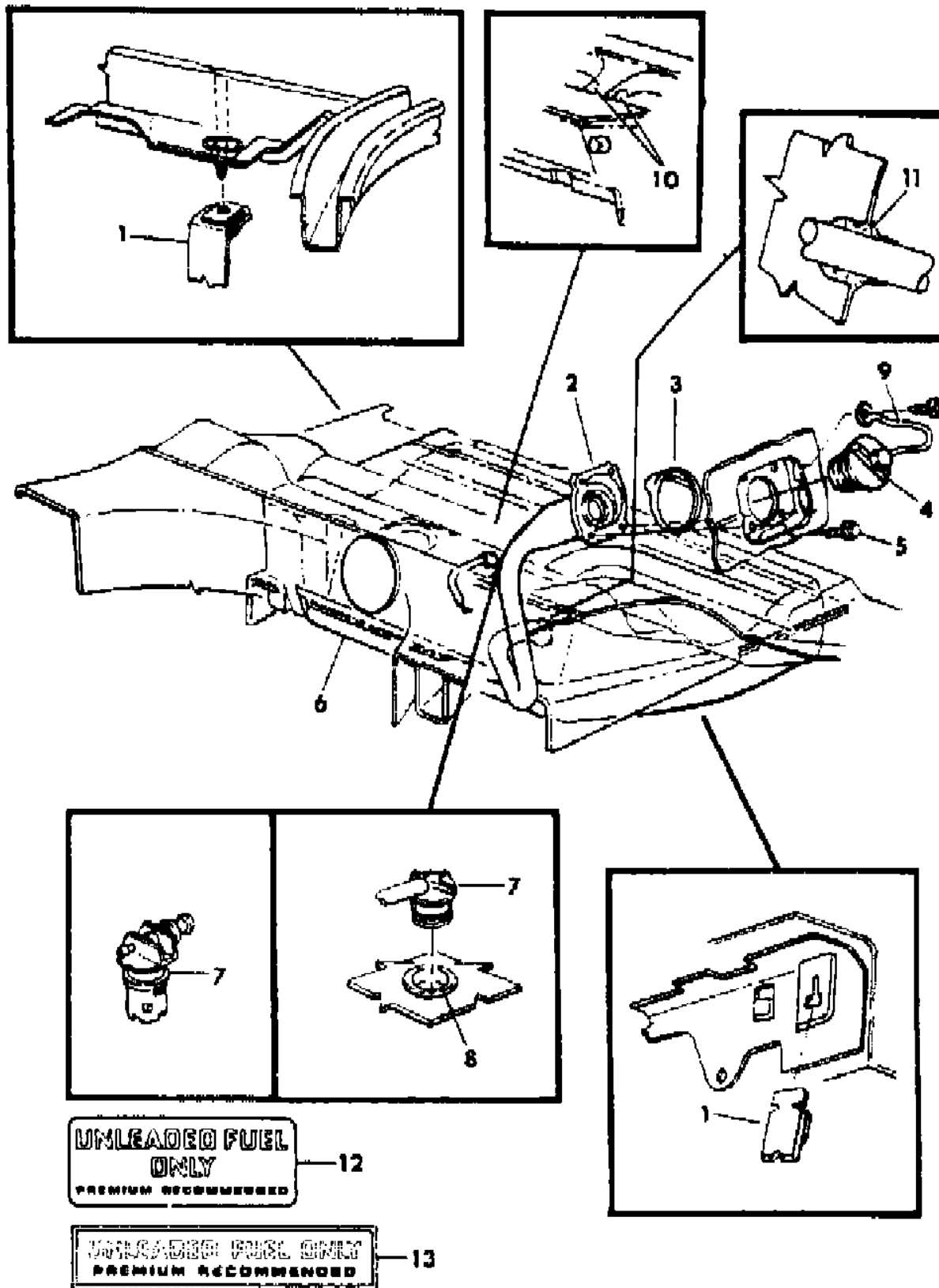
45 = 4-DOOR STATION WAGON

52-53 = FWD WAGON

AR = Use as Required - = Non Illustrated Part P.A.R. = Paint as Required

FUEL TANK AND FILLER TUBES E.F.I. AND TURBO CHARGER
Figure 14-7300

7114 7300 A



ITEM	PART NUMBER	QTY	BODY	MODEL	DESCRIPTION
1					STRAP, Fuel Tank Support
	4279 174-5	1	EGHJKP		
	4185 520-1	1	L		
2					TUBE, Fuel Tank Filler
	4279 855	1	L	44	w/Unleaded Fuel
	4279 853	1	L	24	w/Unleaded Fuel
	4279 594	1	K,E		w/Unleaded Fuel
	4279 595	1	K,E		w/Leaded Fuel
	4279 572	1	H		w/Unleaded Fuel
	4279 573	1	H		w/Leaded Fuel
	4203 626	1	P		w/Unleaded Fuel
	4279 131	1	G		w/Unleaded Fuel
	4279 132	1	G		w/Leaded Fuel
	4203 766	1	J		w/Unleaded Fuel
3					GASKET, Filler Tube to Panel (serviced in Tube)
4					CAP, Gas
	4279 839	1			Non Locking, except L Body
	4279 839	1	L	44	Non Locking
	4279 835	1	L	24	Non Locking
	4279 841	1			Locking
5					SCREW, Filler Tube to Panel (10-16x1) (not serviced)
6					TANK, Fuel
	4203 935	1			w/E.F.I. and T.C., Except L Body
	4203 987	1	L		w/T.C.
7					VALVE, Rollover
	4185 254	1	L		
	4279 941	1			Except L Body
8					GROMMET, Rollover Valve
	4002 149	1			
9					TETHER, Gas Cap
	4279 144	1			
10					PAD, Fuel Tank Positioning
	4185 506	1			
11					GROMMET, Fuel Tank Filler Tube
	5217 578	1			
12					LABEL, Turbo, Unleaded Fuel (English)
	4304 718	1			
13					LABEL, Premium Unleaded Fuel (English)
	4304 651	1			

MODEL CODES

E BODY = (J - CARAVELLE)(E - 600)(T - NEW YORKER)

G BODY = (V24 - DAYTONA)

H BODY = (D44 - LANCER)(C44 - LEBARON GTS)

J BODY = (C - LEBARON)

K BODY = (P - RELIANT)(D - ARIES)(C - LEBAROND)/TOWN & COUNTRY)

L BODY = (M - HORIZON/TURISMO)(Z - OMNI/CHARGER)

M BODY = (B - GRAN FURY)(F - FIFTH AVE/NEWPORT)(G - DIPLOMAT)

P BODY = (P - SUNDANCE)(D - SHADOW)

S BODY = (H - VOYAGER)(K - RAM VAN/CARAVAN)

BODY STYLES

12-13 = FWD VAN

21 = 2-DOOR SEDAN

24 = 2-DOOR HATCHBACK

27 = 2-DOOR CONVERTIBLE

41 = 4-DOOR SEDAN

44 = 4-DOOR HATCHBACK

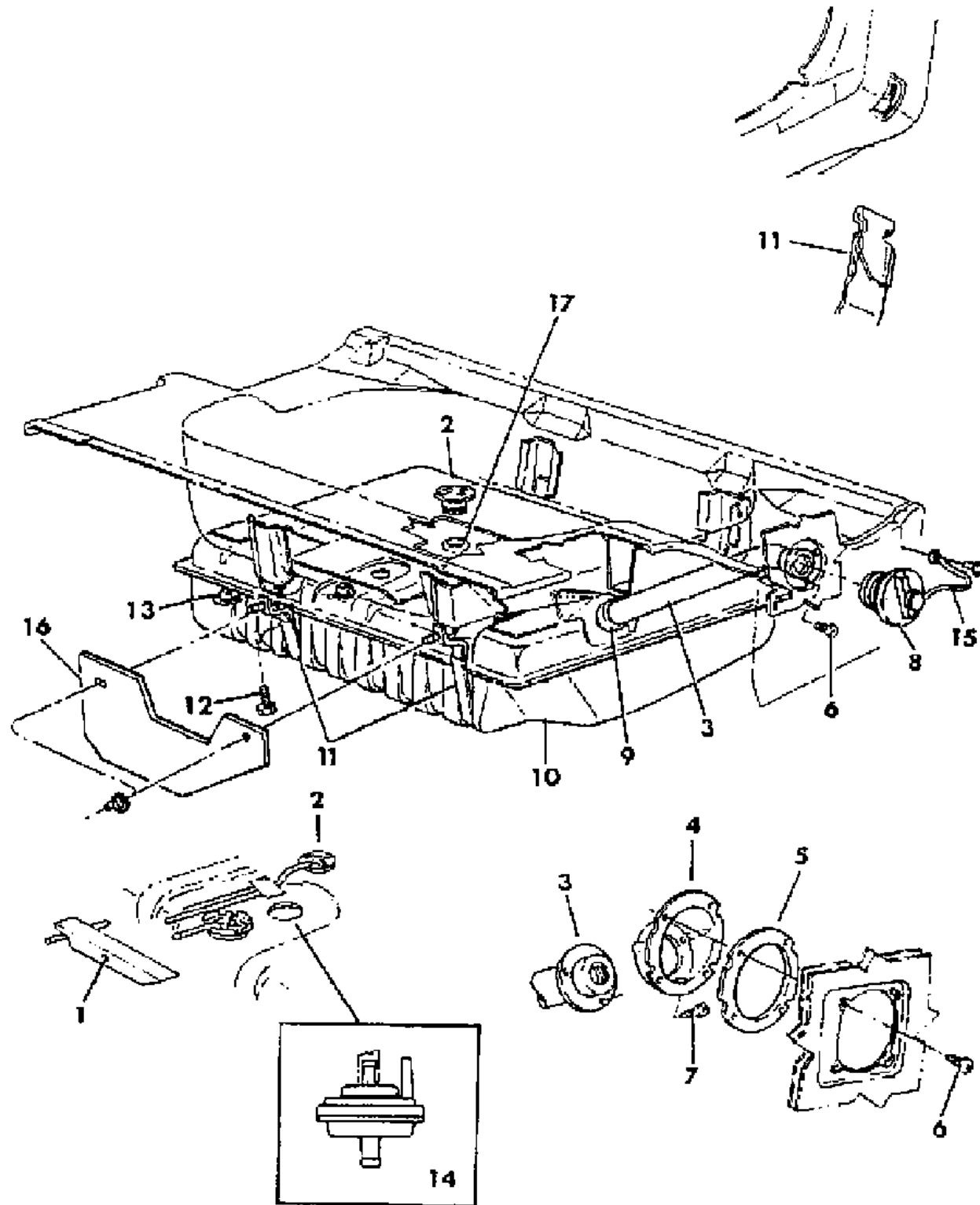
45 = 4-DOOR STATION WAGON

52-53 = FWD WAGON

AR = Use as Required - = Non Illustrated Part P.A.R. = Paint as Required

FUEL TANK AND FUEL FILLER TUBES M BODY
Figure 14-7500

7114 7500 A



ITEM	PART NUMBER	QTY	BODY	MODEL	DESCRIPTION
1	4002 974	1			SHIELD, Fuel Tank to Floor Pan Splash
2	4002 252	1			VALVE, Rollover
3					TUBE, Fuel Tank Filler
	4279 429	1			Unleaded Gas
	4185 312	1			Leaded Gas
4	4185 019	1			HOUSING, Filler Tube
5	4185 037	1			GASKET, Filler Tube to Wheel House Panel
6		4			SCREW, Housing to Body Panel (10-16x1) (not serviced)
7	9414 722	3			SCREW, Housing to Filler Tube
8					CAP, Filler Tube
	4279 839	1			Non Locking
9	4002 010	1			GROMMET, Fuel Tank to Filler Tube
10	4279 479	1			TANK, Fuel
11					STRAP, Fuel Tank Mounting
	4185 452	1			Right
	4185 453	1			Left
12	6031 706	2			BOLT
13		2			U-NUT, (not serviced)
14	4185 414	1			VALVE, Fuel Tank Vent By - Pass
15	4279 144	1			TETHER, Gas Cap
16	4185 449	1			SHIELD
17	4002 149	1			GROMMET, Rollover Valve

MODEL CODES

E BODY = (J - CARAVELLE)(E - 600)(T - NEW YORKER)

G BODY = (V24 - DAYTONA)

H BODY = (D44 - LANCER)(C44 - LEBARON GTS)

J BODY = (C - LEBARON)

K BODY = (P - RELIANT)(D - ARIES)(C - LEBAROND)/TOWN & COUNTRY)

L BODY = (M - HORIZON/TURISMO)(Z - OMNI/CHARGER)

M BODY = (B - GRAN FURY)(F - FIFTH AVE/NEWPORT)(G - DIPLOMAT)

P BODY = (P - SUNDANCE)(D - SHADOW)

S BODY = (H - VOYAGER)(K - RAM VAN/CARAVAN)

BODY STYLES

12-13 = FWD VAN

21 = 2-DOOR SEDAN

24 = 2-DOOR HATCHBACK

27 = 2-DOOR CONVERTIBLE

41 = 4-DOOR SEDAN

44 = 4-DOOR HATCHBACK

45 = 4-DOOR STATION WAGON

52-53 = FWD WAGON

AR = Use as Required - = Non Illustrated Part P.A.R. = Paint as Required

GROUP 16 - PROP.SHAFT

ILLUSTRATION TITLE

GROUP-FIG. NO.

PROPELLER SHAFTS

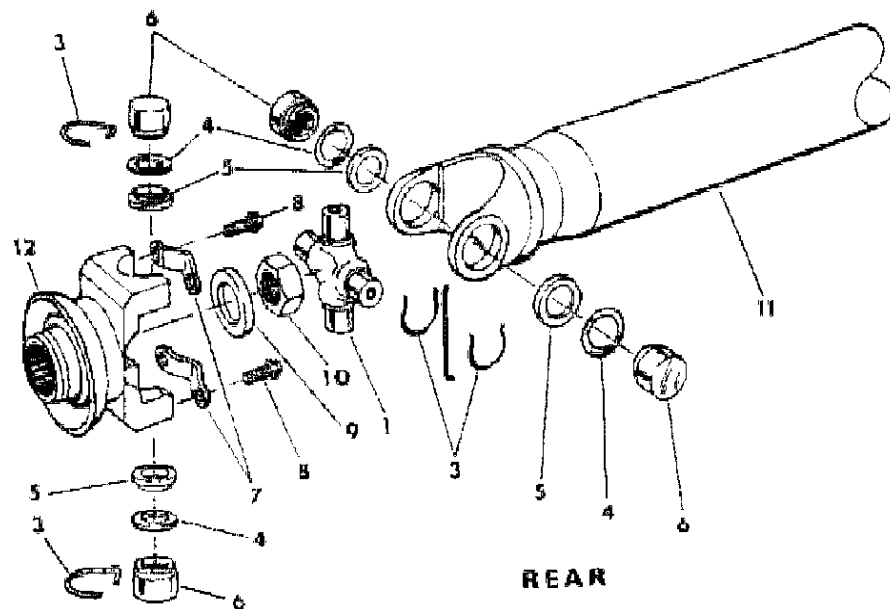
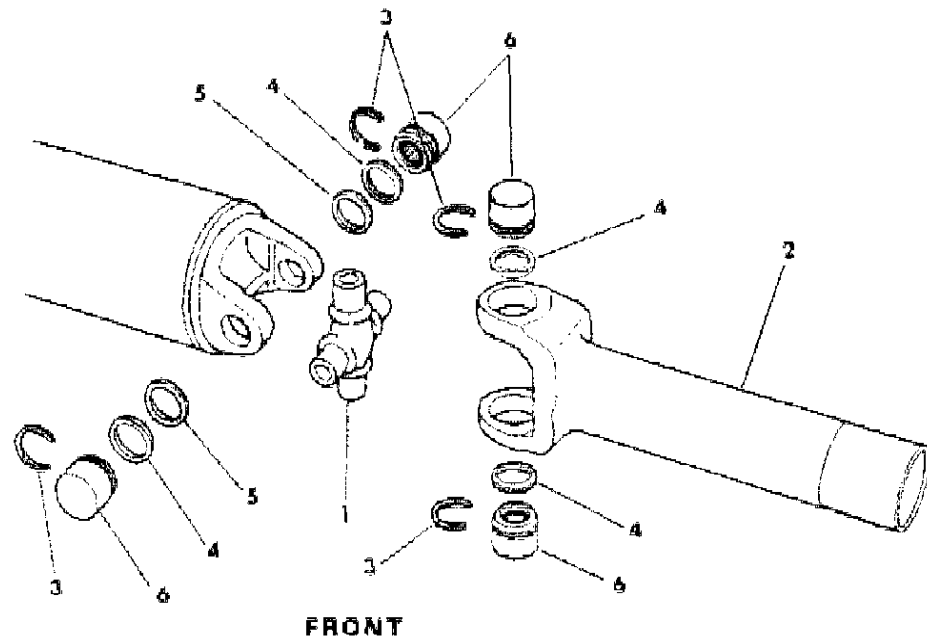
SHAFT, PROPELLER AND UNIVERSAL JOINT Fig. 16-200

ILLUSTRATION NOT AVAILABLE AT TIME OF PUBLICATION

SHAFT, PROPELLER AND UNIVERSAL JOINT

Figure 16-200

7118 200



ITEM	PART NUMBER	QTY	BODY	MODEL	DESCRIPTION
1	4384 514	1			CROSS PKG Consists of: 4- ---- Cross Roller and Bushing 1- ---- Cross 4- ---- Retainer
2	9411 244	AR			FITTING, Grease 1/4-28 (Not Illustrated)
	4137 452	1			YOKE ASSEMBLY, U-Jnt. Slip Spline, 25 Tooth Spline, Except 318 Eng. Heavy Duty w/8 1/4" Axle
	4137 452	1			w/318 Eng. Except Heavy Duty
	4137 456	1			w/318 Eng. Heavy Duty, w/8 1/4" Axle
3	0858 006	AR			RETAINER, U/Jnt. Cross Roller Bushing (Oversize)
	3516 517	AR			RETAINER, U/Jnt. Cross Roller (Serviced in Item #1)
4					SEAL (Serviced in Item #1)
5					RETAINER, Roller Dust Shield (Serviced in Item #1)
6		AR			ROLLER and BUSHING (Serviced in Item # 1)
7	1828 824	2			CLAMP
8	6029 562	4			SCREW
9	2070 117	1			WASHER
10	6028 041	1			NUT
11		1			SHAFT (See Chart)
12	3723 251	1			YOKE ASSEMBLY, Drive Pinion, w/7-1/4", 8-1/4" Axle

MODEL CODES

E BODY = (J - CARAVELLE)(E - 600)(T - NEW YORKER)

G BODY = (V24 - DAYTONA)

H BODY = (D44 - LANCER)(C44 - LEBARON GTS)

J BODY = (C - LEBARON)

K BODY = (P - RELIANT)(D - ARIES)(C - LEBAROND)/TOWN & COUNTRY)

L BODY = (M - HORIZON/TURISMO)(Z - OMNI/CHARGER)

M BODY = (B - GRAN FURY)(F - FIFTH AVE/NEWPORT)(G - DIPLOMAT)

P BODY = (P - SUNDANCE)(D - SHADOW)

S BODY = (H - VOYAGER)(K - RAM VAN/CARAVAN)

BODY STYLES

12-13 = FWD VAN

21 = 2-DOOR SEDAN

24 = 2-DOOR HATCHBACK

27 = 2-DOOR CONVERTIBLE

41 = 4-DOOR SEDAN

44 = 4-DOOR HATCHBACK

45 = 4-DOOR STATION WAGON

52-53 = FWD WAGON

AR = Use as Required - = Non Illustrated Part P.A.R. = Paint as Required

GROUP 17 - REAR SUSPENSION

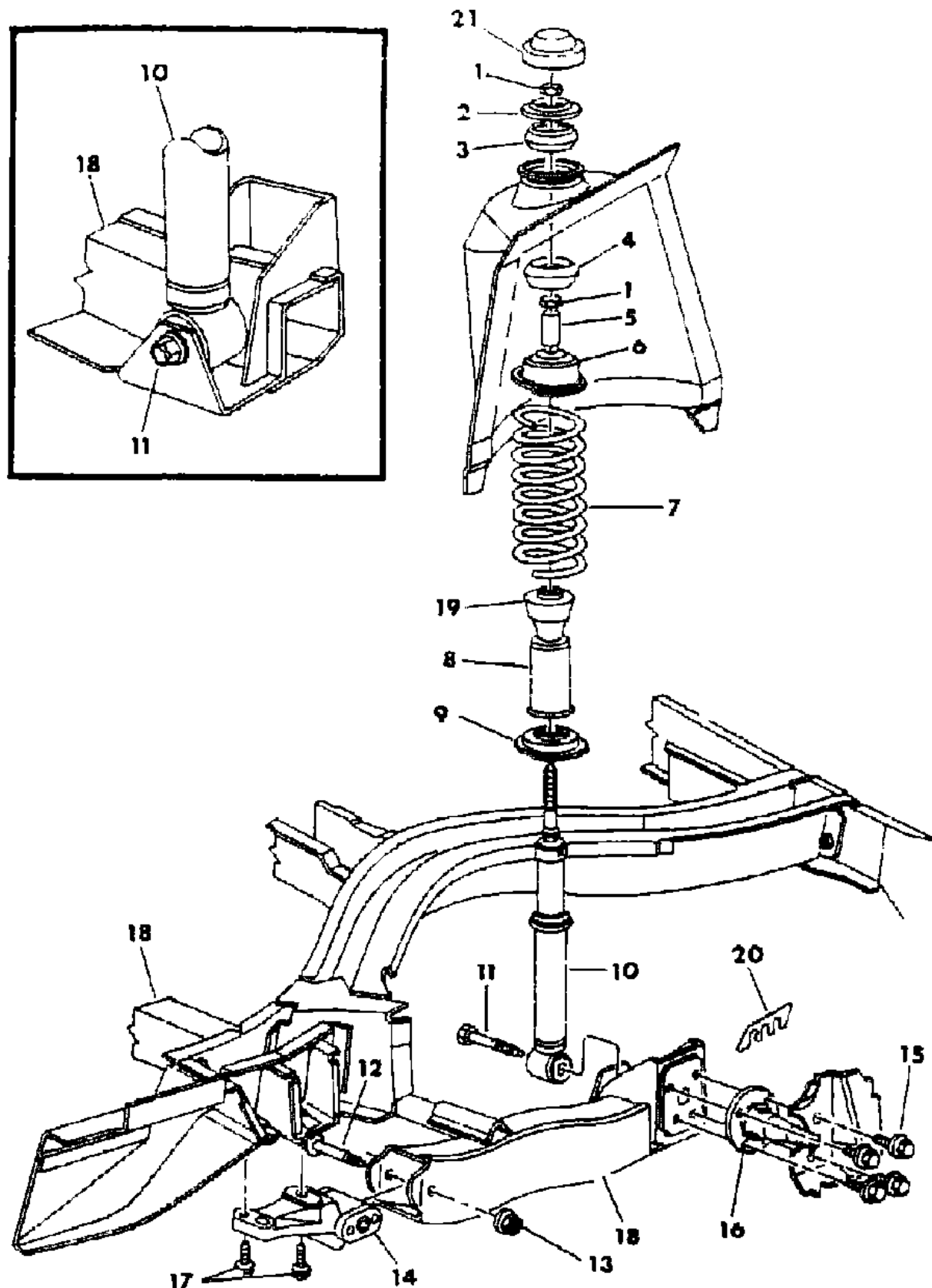
ILLUSTRATION TITLE	GROUP-FIG. NO.
REAR SUSPENSION	
SUSPENSION, REAR L BODY	Fig. 17-100
SUSPENSION, REAR P,J,K,G,E,H BODY	Fig. 17-225
SUSPENSION, REAR S BODY	Fig. 17-325
SUSPENSION, REAR M BODY	Fig. 17-400
SWAY BAR	
SWAY BAR, REAR M BODY	Fig. 17-500
LOAD LEVELER SYSTEM	
ELECTRONIC LOAD LEVELING SYSTEM K & E BODY	Fig. 17-600

ILLUSTRATION NOT AVAILABLE AT TIME OF PUBLICATION

SUSPENSION, REAR L BODY

Figure 17-100

7117 100



ITEM	PART NUMBER	QTY	BODY	MODEL	DESCRIPTION
1	6100 219	4			NUT, Shock Mtg.
2	5205 032	2			RETAINER, Upper
3	5204 969	2			ISOLATOR, Upper
4	5204 932	2			ISOLATOR, Lower
5	5204 939	2			SLEEVE, Seat
6	4228 083	2			SEAT, Upper
7	5205 154	2			SPRING, Rear Std. (Exc. Shelby & Perf. Pkg.)
	5205 174	2			H.D. Or w/Firm Feel Susp. (Exc. Shelby & Perf. Pkg.)
	4228 324	2			Shelby & Perf. Pkg.
8	5204 937	2			SHIELD, Dust
9	5205 186	2			SEAT, Lower
10	5205 194	2	44		SHOCK ABSORBER, Rear, Std.
	5205 195	2	24		STD., Exc. Z-S24
	5205 191	2	24		H.D., Exc. Z-S24
	5205 189	2	44		H.D., Exc. Z-E44
	4228 401	2	Z-S24		(w/Shelby)
	4228 450	2	Z-E44		Perf. Pkg.
	4419 959	2	Z-S24		w/GLHS (KONI)
11	6500 115	2			BOLT, Shock Mtg. Lower
12	6501 337	2			BOLT, Hanger To Cont. Arm
13	6500 259	2			NUT, Bolt
14	4228 562	2			HANGER, w/Bushing, Rear Pivot, Std.
	4228 563	2			w/Firm Feel Suspension
15	6500 844	8			BOLT, Spindle
16	4228 117	2			SPINDLE, Rear Wheel Mtg.
17	6501 165	4			SCREW, w/WASHER, Rear Hanger Mtg.
18	5205 038	1			ARM, Control Rr. Susp. Lwr. w/o Sway Bar (Except Shelby & Perf. Pkg.)
	4228 396	1	Z-S24		w/Firm Feel Susp. (Shelby & Perf. Pkg.)
19	5205 182	2			BUMPER, Jounce (Except Shelby & Perf. Pkg.)
	4228 330	2	Z-S24		w/Firm Feel Susp. (Shelby & Perf. Pkg.)
-	5208 884	2	44		INSULATOR, Rear Shock (In Rear Wheel Well Area) (Not Ill.)
-	5208 537	2	44		COVER, Rear Shock (In Rear Wheel Well Area) (Not Ill.)
20	5205 114	AR			SHIM, Rear Wheel Alignment
21	5205 125	2	24		COVER, Insulator Sound
	5205 126	2	24		RETAINER, Cover Insulator Sound

MODEL CODES

E BODY = (J - CARAVELLE)(E - 600)(T - NEW YORKER)

G BODY = (V24 - DAYTONA)

H BODY = (D44 - LANCER)(C44 - LEBARON GTS)

J BODY = (C - LEBARON)

K BODY = (P - RELIANT)(D - ARIES)(C - LEBAROND)/TOWN & COUNTRY)

L BODY = (M - HORIZON/TURISMO)(Z - OMNI/CHARGER)

M BODY = (B - GRAN FURY)(F - FIFTH AVE/NEWPORT)(G - DIPLOMAT)

P BODY = (P - SUNDANCE)(D - SHADOW)

S BODY = (H - VOYAGER)(K - RAM VAN/CARAVAN)

BODY STYLES

12-13 = FWD VAN

21 = 2-DOOR SEDAN

24 = 2-DOOR HATCHBACK

27 = 2-DOOR CONVERTIBLE

41 = 4-DOOR SEDAN

44 = 4-DOOR HATCHBACK

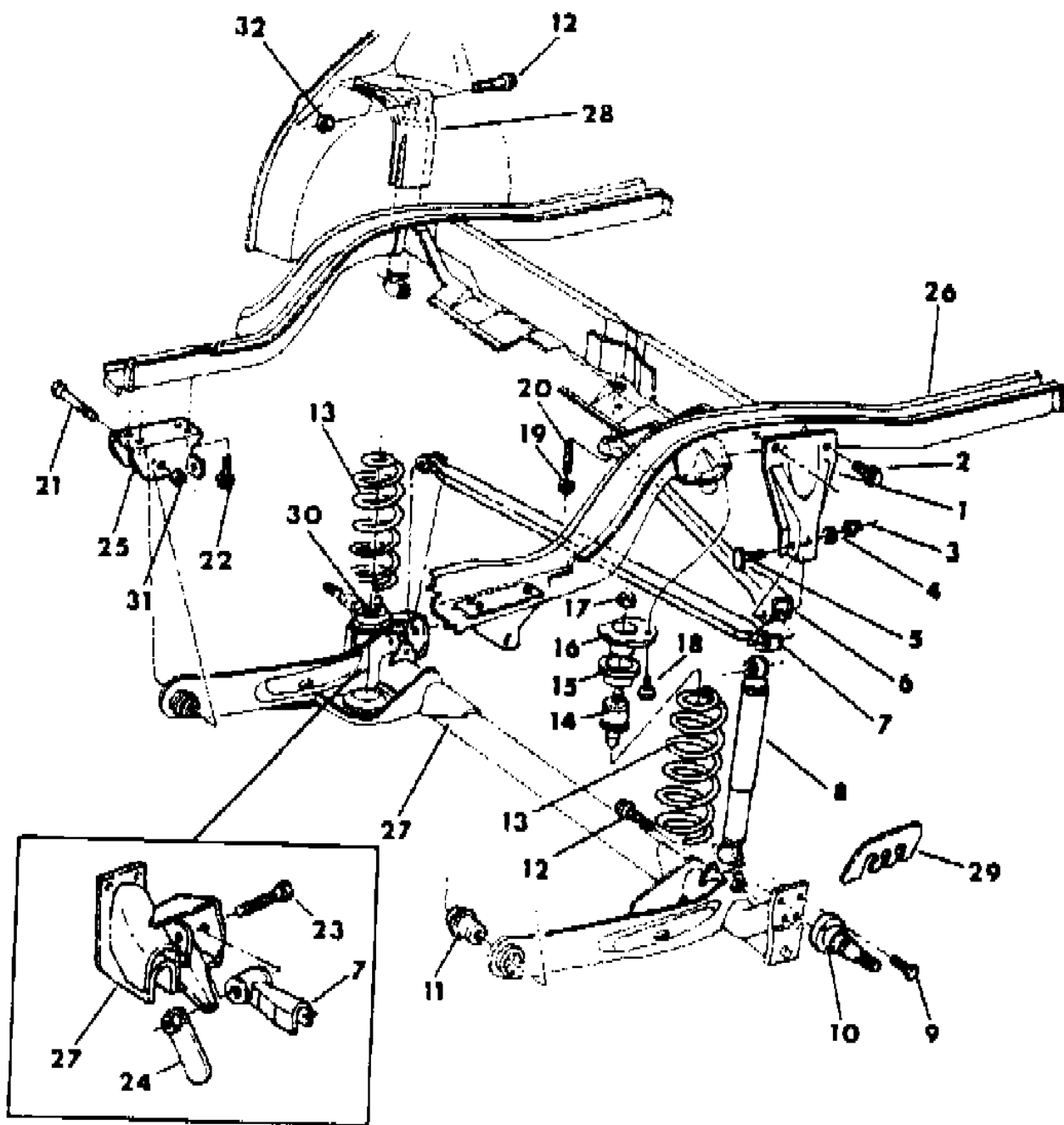
45 = 4-DOOR STATION WAGON

52-53 = FWD WAGON

AR = Use as Required - = Non Illustrated Part P.A.R. = Paint as Required

SUSPENSION, REAR P,J,K,G,E,H BODY
Figure 17-225

7117 225



ITEM	PART NUMBER	QTY	BODY	MODEL	DESCRIPTION
	4397 912	1	KE		MANUAL LOAD LEVELING PACKAGE, Std. Susp.
	4397 913	1	KE		H.D. Susp. Consists Of: 1- 4228269 Fill Valve Assy, Rr. Susp. Manual 1----- Tee Connector & Air Lines 3----- Clip, Wiring Strap, Rr. Susp. Load 5- 4228545 Clips, Air Lines 1- 4228266 LABEL, Rr. Susp. Man. Leveling 2----- AIR SHOCK, Load Leveling (See Item 8) 1 ----- External Tooth Washer, Fill Valve 1----- Instruction Sheet
1	4228 250	1			BRACKET, Track Bar Mtg.
2	6501 225	2			BOLT, Brkt.
3	6500 835	1			NUT, Pivot Bolt
4	6100 132	1			WASHER, Pivot Bolt
5	6500 415	1			PIVOT, BOLT
6	4228 251	1			BRACE, Track Bar Mtg.
7	4228 256	1			TRACK BAR, Rr. Susp.
8	4147 848	2	K		SHOCK ABSORBER & BUSHING, w/Std. Shocks
	4147 878	2	P		w/Std. Shocks
	4228 377	2	PKE		w/Premium Shocks
	4228 261	2	K		w/Extra Heavy Duty Shocks
	4228 335	2	PEH		w/Heavy Duty Shocks
	4228 336	2	H		w/Firm Feel Susp. - Premium Shocks
	4370 273	2	PH		w/Shelby Pkg. (Use With Tool 4467484)
	4228 338	2	J		w/Std. Susp.- Premium Shocks
	4228 339	2	G		w/Std. Susp. - Premium Shocks
	4228 334	2	G		w/Firm Feel Susp.- Premium Shocks
	4228 337	2	G		w/Special Sport Susp. - Special Sport Shocks
	4713 202	1	KE		w/Air Load Leveling Shocks - Std. Susp.(Contains 2-Shocks, 2-Line Pkgs.)
	4228 541	2	KE		w/Air Load Leveling Shocks - H.D. or Firm Feel
	4467 484	2	PH		EXTENSION TOOL, Shock Adjusting Tool, (Koni's)
9	6500 844	8			BOLT, Spindle
10	4228 117	2			SPINDLE, Rear Wheel Mtg.
11	4147 857	2	PJGEH		BUSHING, Cont. Arm Pivot, All Susp.
	4147 857	2	K		w/Std., Firm Feel & H.D. w/o H.D. Serv. Pkg.

MODEL CODES

E BODY = (J - CARAVELLE)(E - 600)(T - NEW YORKER)

G BODY = (V24 - DAYTONA)

H BODY = (D44 - LANCER)(C44 - LEBARON GTS)

J BODY = (C - LEBARON)

K BODY = (P - RELIANT)(D - ARIES)(C - LEBAROND)/TOWN & COUNTRY)

L BODY = (M - HORIZON/TURISMO)(Z - OMNI/CHARGER)

M BODY = (B - GRAN FURY)(F - FIFTH AVE/NEWPORT)(G - DIPLOMAT)

P BODY = (P - SUNDANCE)(D - SHADOW)

S BODY = (H - VOYAGER)(K - RAM VAN/CARAVAN)

BODY STYLES

12-13 = FWD VAN

21 = 2-DOOR SEDAN

24 = 2-DOOR HATCHBACK

27 = 2-DOOR CONVERTIBLE

41 = 4-DOOR SEDAN

44 = 4-DOOR HATCHBACK

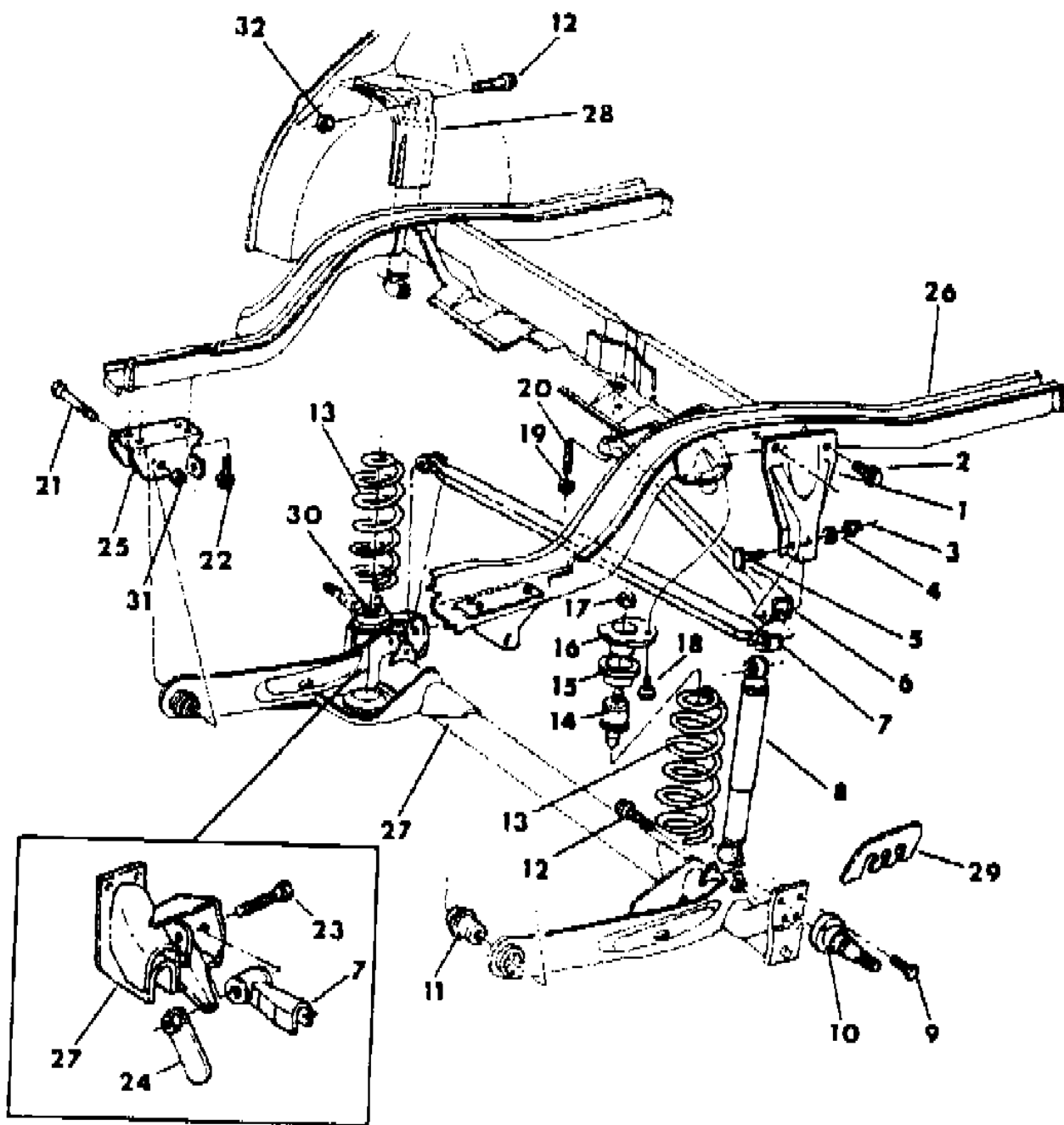
45 = 4-DOOR STATION WAGON

52-53 = FWD WAGON

AR = Use as Required - = Non Illustrated Part P.A.R. = Paint as Required

SUSPENSION, REAR P,J,K,G,E,H BODY
Figure 17-225

7117 225



ITEM	PART NUMBER	QTY	BODY	MODEL	DESCRIPTION
	4147 951	2	K		w/Extra Duty & H.D. w/H.D. Serv. Pkg.
	4147 951	2	G		w/Firm Feel & Special Sport Susp.
12	6101 272	4			BOLT, Shock Mtg.
13	4147 821	2		P,D24	SPRING, Std., Rear w/14" Tires
	4147 823	2		P,D24	Std., Rear w/15" Tires
	4147 823	2		P,D44	Std., Rear w/14" Tires
	4147 824	2		P,D44	Std., Rear w/15" Tires
	4147 823	2		P,D,21	w/Std. Susp.
	4147 833	2		P,D,21	w/H.D Susp.
	4147 897	2		P,D,21	w/Extra Duty Susp.
	4147 824	2		P,D,41	w/Std. Susp.
	4147 834	2		P,D,41	w/H.D. Susp.
	4147 897	1		P,D,41	w/Extra Duty Susp.
	4147 828	2		P,D,45	w/Std. Susp.
	4147 838	2		P,D,45	w/H.D. Susp.
	4147 899	2		P,D,45	w/Extra Duty Susp.
	4147 824	2		C41	STD. or w/Firm Feel Susp.
	4147 834	2		C41	w/H.D. Susp.
	4147 824	2		D,C44	w/Std. Susp.
	4147 834	2		D,C44	w/Firm Feel Susp.
	4228 569	2		P24,D44	w/Sport Susp. (Pacifica)(Shelby)
	4147 829	2		C,45	STD. or w/Firm Feel Susp.
	4147 838	2		C,45	H.D. or w/Extra Duty Susp.
	4147 827	2		J,E,T	w/Std. or Firm Feel Susp.
	4147 836	2		J,E,T	w/H.D. Susp.
	4147 821	2		V24	w/Std. Susp.
	4147 893	2		V24	w/Firm Feel Susp.
14	4228 159	2			BUMPER, Jounce
15	4147 759	2			ISOLATOR, Spring Upper
16	4228 096	2			CUP, Jounce Bumper, w/One Notch Identification
	4228 440	2			w/Three Notch Identification
17	6500 259	2			NUT, Bumper
	6026 648	2			Retainer
18					SCREW, (Not Serviced)
19	6500 691	1			NUT, Stud
20	6500 909	1			STUD, Brace
21	6100 412	1			BOLT, Hanger
22	6501 423	6			BOLT

MODEL CODES

E BODY = (J - CARAVELLE)(E - 600)(T - NEW YORKER)

G BODY = (V24 - DAYTONA)

H BODY = (D44 - LANCER)(C44 - LEBARON GTS)

J BODY = (C - LEBARON)

K BODY = (P - RELIANT)(D - ARIES)(C - LEBAROND)/TOWN & COUNTRY)

L BODY = (M - HORIZON/TURISMO)(Z - OMNI/CHARGER)

M BODY = (B - GRAN FURY)(F - FIFTH AVE/NEWPORT)(G - DIPLOMAT)

P BODY = (P - SUNDANCE)(D - SHADOW)

S BODY = (H - VOYAGER)(K - RAM VAN/CARAVAN)

BODY STYLES

12-13 = FWD VAN

21 = 2-DOOR SEDAN

24 = 2-DOOR HATCHBACK

27 = 2-DOOR CONVERTIBLE

41 = 4-DOOR SEDAN

44 = 4-DOOR HATCHBACK

45 = 4-DOOR STATION WAGON

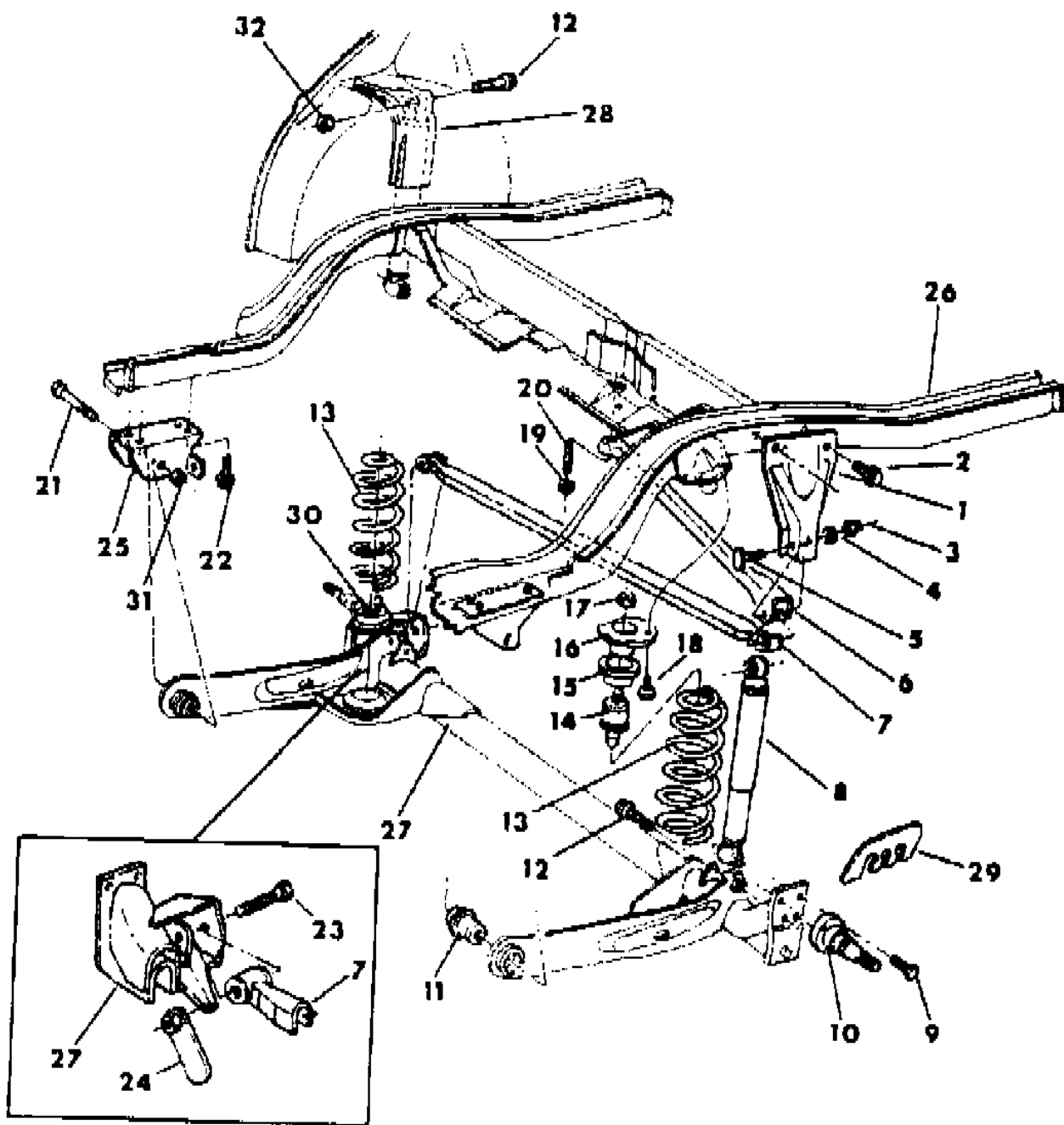
52-53 = FWD WAGON

AR = Use as Required - = Non Illustrated Part P.A.R. = Paint as Required

SUSPENSION, REAR P,J,K,G,E,H BODY
Figure 17-225

7117 225

ITEM	PART NUMBER	QTY	BODY	MODEL	DESCRIPTION
23	6101 364	1			PIVOT BOLT, Track Bar
24	6501 216	1			NUT, Track Bar Pivot Bolt
25	4228 454-5	1	KE		HANGER, Frt. Pivot
	4228 452-3	1	PJGH		
26					FRAME, (Ref.)
27					CROSS MEMBER, Rr. Susp. Control Arm & Axle Channel
	4228 504	1	PKEH		w/Std., H.D. and Firm Feel Susp.
	4228 503	1	KE		w/Extra Duty Susp.
	4228 516	1	H		w/Sport Susp. (Pacifica)
	4370 317	1	H		w/ Shelby
	4397 920	1	J,G		w/Std. & Firm Feel Susp.
	4228 516	1	G		w/Special Sport Susp.
28					REINFORCEMENT, w/House (Ref.)
29	5205 114	AR			SHIM, Rear Wheel Alignment
30	4147 853	2			ISOLATOR, Spring Lower
-	4147 916	1			DAMPER, Axle Torque Shaft, use w/H.D. Service Pkg.(Not Ill.)
31	6500 259	2			NUT
32	6100 518	2	PJKEH		NUT
	6500 801	2	G		



MODEL CODES

E BODY = (J - CARAVELLE)(E - 600)(T - NEW YORKER)

G BODY = (V24 - DAYTONA)

H BODY = (D44 - LANCER)(C44 - LEBARON GTS)

J BODY = (C - LEBARON)

K BODY = (P - RELIANT)(D - ARIES)(C - LEBAROND)/TOWN & COUNTRY)

L BODY = (M - HORIZON/TURISMO)(Z - OMNI/CHARGER)

M BODY = (B - GRAN FURY)(F - FIFTH AVE/NEWPORT)(G - DIPLOMAT)

P BODY = (P - SUNDANCE)(D - SHADOW)

S BODY = (H - VOYAGER)(K - RAM VAN/CARAVAN)

BODY STYLES

12-13 = FWD VAN

21 = 2-DOOR SEDAN

24 = 2-DOOR HATCHBACK

27 = 2-DOOR CONVERTIBLE

41 = 4-DOOR SEDAN

44 = 4-DOOR HATCHBACK

45 = 4-DOOR STATION WAGON

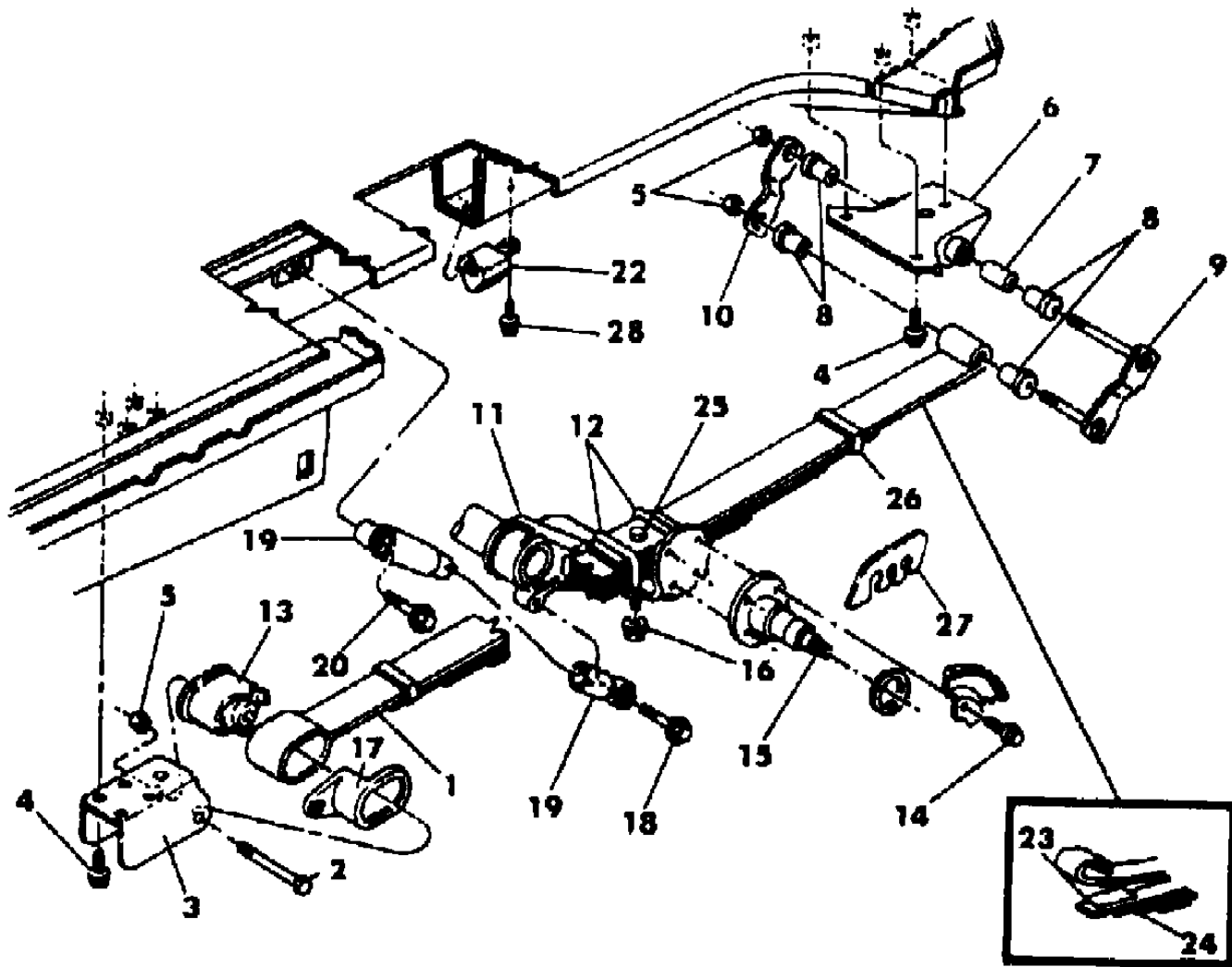
52-53 = FWD WAGON

AR = Use as Required - = Non Illustrated Part P.A.R. = Paint as Required

SUSPENSION, REAR S BODY

Figure 17-325

7117 325



ITEM	PART NUMBER	QTY	BODY	MODEL	DESCRIPTION
1	4228 216	2		H,K52	SPRING, Rr. Leaf 5&6 Pass. - Std.
	4420 406	2		H,K53	
	4228 226	2		H,K52	H.D.
	4228 226	2		H,K52	SPRING, Rr. Leaf 7&8 Pass. - Std.
	4420 416	2		H,K13,5	
	4228 236	2		H,K52	H.D.
	4228 224	2		H,K12	SPRING, Rr. Std. w/1200# Payload
	4228 236	2		H,K12	H.D. w/1700# Payload
	4228 585	2		H,K12	H.D. w/2000# Payload
2	6101 376	2			PIVOT BOLT, Rr. Sprg. Frt. Bushing
3	4147 938	1			HANGER, Rr. Sprg. Frt. Right
	4228 491	1			Left
4	6501 118	14			BOLT, Frt. & Rr. Hanger
5	6100 502	AR			NUT
6	4147 927	2			HANGER, Rr. Sprg. Rr.
7	3722 073	2			INSERT, Rr. Sprg. Shackle Bushing
8	4228 564	8			BUSHING, Rr. Sprg. Shackle
9	4094 060	2			BUSHING PACKAGE, w/Shackle Rr. Spring
10	4014 703	2			PLATE, Rr. Sprg. Shackle - Loose
11	4228 551	1			TUBE, w/Axle Rear w/Std. Susp.
	4228 553	1		H,K13	w/H.D. Susp.
12	4228 565	4			CLIP, Rr. Spring
13	4228 492	2			BUSHING, Rr. Sprg. Frt. Pivot
14	6500 815	8			SCREW, w/Washer, Rr. Susp. Spindle Mtg.
15	4228 120	2			SPINDLE, Rr. Susp. Whl. Mtg. w/Std. Susp.
	4228 124	2		H,K13	w/H.D. Susp.
16	6032 996	8			NUT, w/Washer
17	4383 245	1			BRACKET, Actuator
18	6101 364	2			SCREW, w/WASHER Rr. Shock Lwr.
19	4147 884	2			SHOCK ABSORBER, & Bushing Rr. - Std.
	4147 885	2			H.D.
20	6101 364	2			BOLT, w/Washer, Rr. Shock Abs. Upr. Mtg.
22	#4228 682	2			BUMPER, Rr. Susp., Rr. Axle w/Std. Susp.
	4228 689	2		H,K13	w/H.D. Susp.
23	3638 666	AR			INTERLINER, Leaf Spring - Std.
	4228 030	AR			H.D.
24	2539 512	AR			INTERLEAF, Leaf Spring
25	2953 358	2			BOLT, Rr. Spring Ctr. - Std.

MODEL CODES

E BODY = (J - CARAVELLE)(E - 600)(T - NEW YORKER)

G BODY = (V24 - DAYTONA)

H BODY = (D44 - LANCER)(C44 - LEBARON GTS)

J BODY = (C - LEBARON)

K BODY = (P - RELIANT)(D - ARIES)(C - LEBAROND)/TOWN & COUNTRY)

L BODY = (M - HORIZON/TURISMO)(Z - OMNI/CHARGER)

M BODY = (B - GRAN FURY)(F - FIFTH AVE/NEWPORT)(G - DIPLOMAT)

P BODY = (P - SUNDANCE)(D - SHADOW)

S BODY = (H - VOYAGER)(K - RAM VAN/CARAVAN)

BODY STYLES

12-13 = FWD VAN

21 = 2-DOOR SEDAN

24 = 2-DOOR HATCHBACK

27 = 2-DOOR CONVERTIBLE

41 = 4-DOOR SEDAN

44 = 4-DOOR HATCHBACK

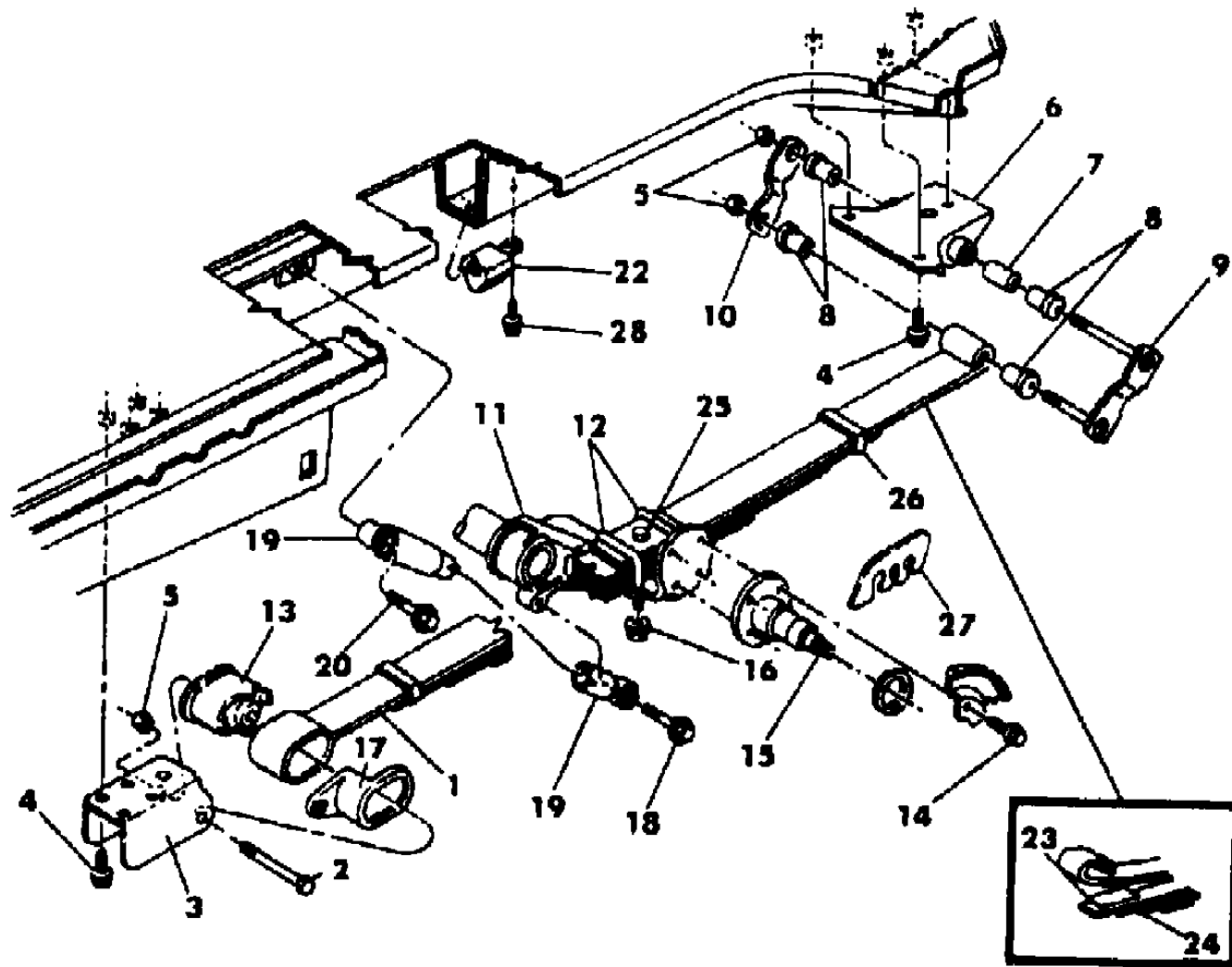
45 = 4-DOOR STATION WAGON

52-53 = FWD WAGON

AR = Use as Required - = Non Illustrated Part P.A.R. = Paint as Required

SUSPENSION, REAR S BODY
Figure 17-325

7117 325



ITEM	PART NUMBER	QTY	BODY	MODEL	DESCRIPTION
	2961 234	2			H.D.
26	2808 399	4			CLAMP PACKAGE, w/Clip CONSIST OF: 1---- Insulator 1---- Clip 1---- Clamp
	4228 129	2			SEAT, Rr. Spring Clip
27	5205 114	2			SHIM, Rr. Wheel Alignment
28		2			SCREW, w/Washer (Not Serv.)

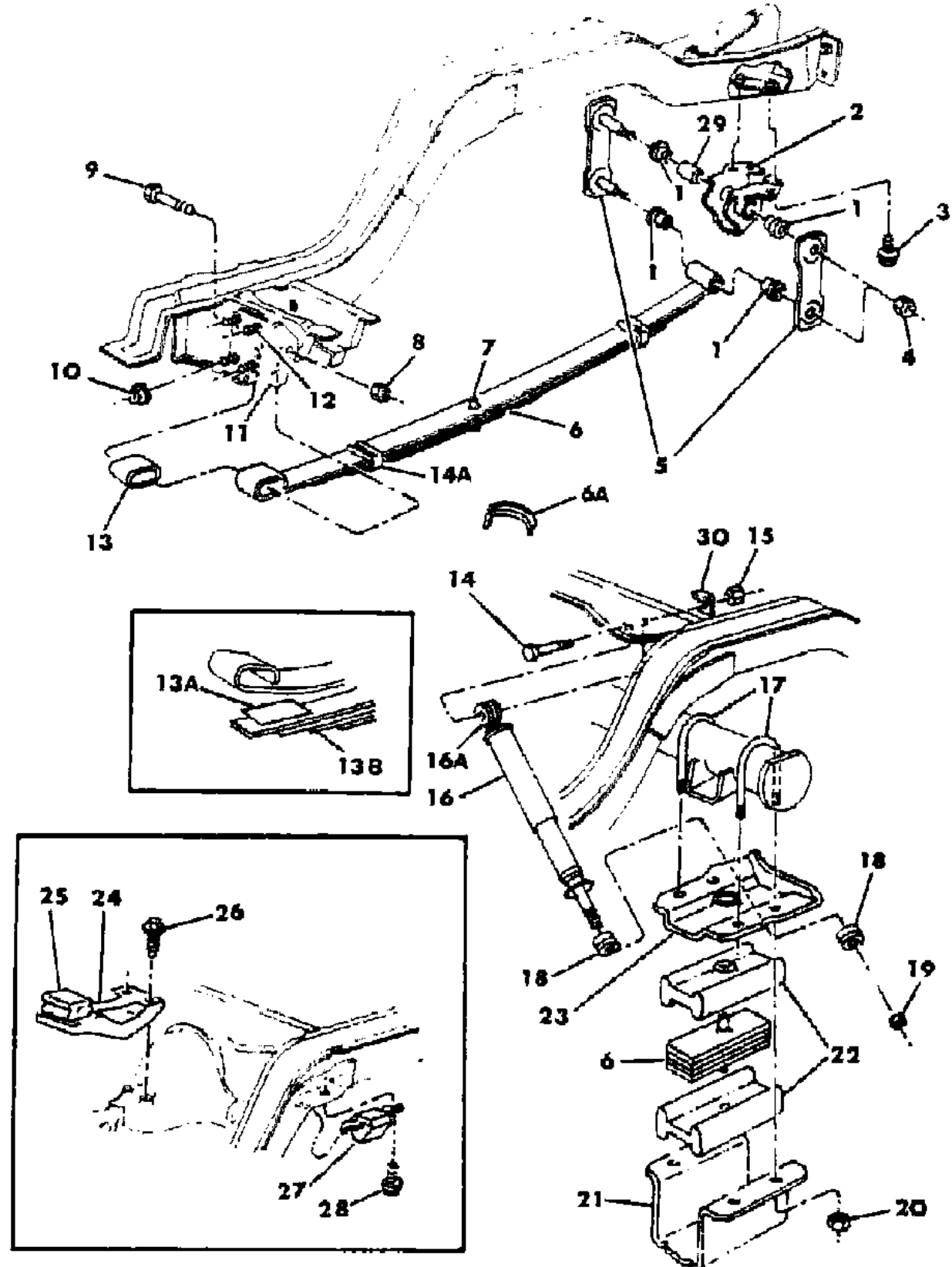
MODEL CODES
 E BODY = (J - CARAVELLE)(E - 600)(T - NEW YORKER)
 G BODY = (V24 - DAYTONA)
 H BODY = (D44 - LANCER)(C44 - LEBARON GTS)
 J BODY = (C - LEBARON)
 K BODY = (P - RELIANT)(D - ARIES)(C - LEBAROND)/TOWN & COUNTRY
 L BODY = (M - HORIZON/TURISMO)(Z - OMNI/CHARGER)
 M BODY = (B - GRAN FURY)(F - FIFTH AVE/NEWPORT)(G - DIPLOMAT)
 P BODY = (P - SUNDANCE)(D - SHADOW)
 S BODY = (H - VOYAGER)(K - RAM VAN/CARAVAN)

BODY STYLES
 12-13 = FWD VAN
 21 = 2-DOOR SEDAN
 24 = 2-DOOR HATCHBACK
 27 = 2-DOOR CONVERTIBLE
 41 = 4-DOOR SEDAN
 44 = 4-DOOR HATCHBACK
 45 = 4-DOOR STATION WAGON
 52-53 = FWD WAGON

AR = Use as Required - = Non Illustrated Part P.A.R. = Paint as Required

SUSPENSION, REAR M BODY
Figure 17-400

7117 400



ITEM	PART NUMBER	QTY	BODY	MODEL	DESCRIPTION
1	3643 989	8			BUSHING, Shackle Pivot
2	4014 634-5	1			HANGER, Rear,Std. Or H.D. w/o Rear Sway Bar
	4014 704-5	1			w/Rear Sway Bar
3	6030 876	4			BOLT, Hanger
4	0271 502	4			NUT, Shackle
5	3780 515	2			BUSHING, w/Shackle Std. Or H.D. w/o Rear Sway Bar
					Consists of:
					1 - ---- Shackle w/Pin
					1 - ---- Plate
					4 - 3643 989 Bushing
					2 - 271 502 Nut
	4094 060	2			BUSHING PACKAGE, w/7 1/4 Or 8 1/4" Axle, w/Rear Sway Bar
					Consists of:
					1 - ---- Shackle w/Pin
					1 - 4014 703 Plate
					4 - 3643 989 Bushing
					2 - 271 502 Nut
6	4026 817	2			SPRING, w/BUSHING, Std. (4 Leaf)
	4131 332	2			H.D. Police Cars Only (5 Leaf)
	4293 178	2			H.D. (5 Leaf)
6A	1829 929	AR			INSULATOR, Alignment Clip
7	3643 558	2			BOLT, Rear Spring Center
8	0152 370	2			NUT, Bolt Pivot
9	0433 179	2			BOLT, Bushing Pivot
10	6025 011	8			NUT, Hanger, Frt.
11	4052 205	2			HANGER, Frt.
12	2403 247	8			BOLT, Hanger, Frt.
13	3815 210	2			BUSHING, Frt. Pivot
	4052 125	2			w/Extra Duty Susp.
13A	3638 666	AR			INTERLINER
13B	2539 512	AR			INTERLEAF
14	0181 173	2			BOLT, Rear Shock Upper Mtg.
14A	2808 399	AR			CLAMP PACKAGE, w/Clip
					Consists of:
					1 - ---- Insulator
					1 - ---- Clip
					1 - ---- Clamp
15	0152 348	2			NUT, Bolt

MODEL CODES

E BODY = (J - CARAVELLE)(E - 600)(T - NEW YORKER)

G BODY = (V24 - DAYTONA)

H BODY = (D44 - LANCER)(C44 - LEBARON GTS)

J BODY = (C - LEBARON)

K BODY = (P - RELIANT)(D - ARIES)(C - LEBAROND)/TOWN & COUNTRY)

L BODY = (M - HORIZON/TURISMO)(Z - OMNI/CHARGER)

M BODY = (B - GRAN FURY)(F - FIFTH AVE/NEWPORT)(G - DIPLOMAT)

P BODY = (P - SUNDANCE)(D - SHADOW)

S BODY = (H - VOYAGER)(K - RAM VAN/CARAVAN)

BODY STYLES

12-13 = FWD VAN

21 = 2-DOOR SEDAN

24 = 2-DOOR HATCHBACK

27 = 2-DOOR CONVERTIBLE

41 = 4-DOOR SEDAN

44 = 4-DOOR HATCHBACK

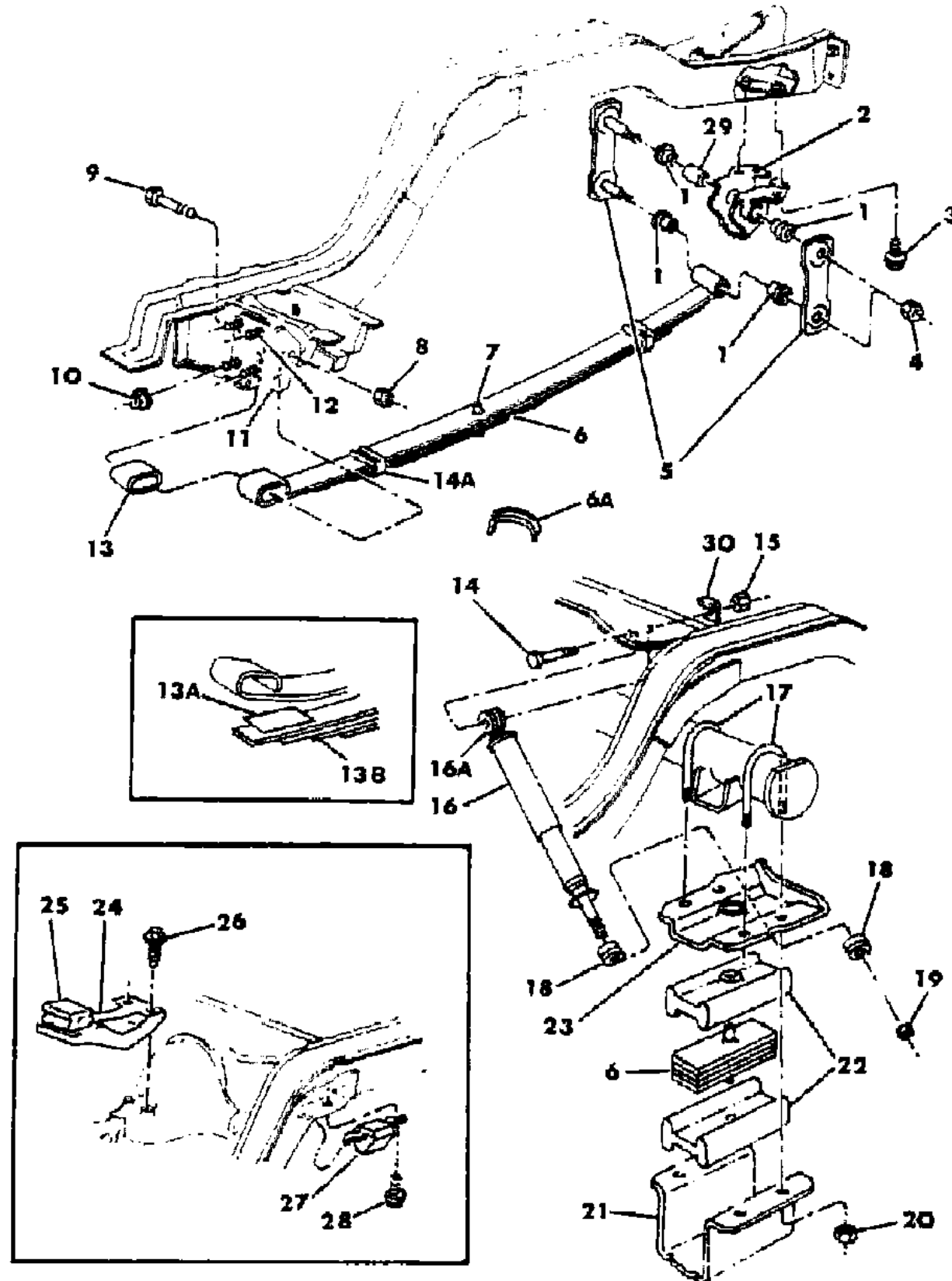
45 = 4-DOOR STATION WAGON

52-53 = FWD WAGON

AR = Use as Required - = Non Illustrated Part P.A.R. = Paint as Required

SUSPENSION, REAR M BODY
Figure 17-400

7117 400



ITEM	PART NUMBER	QTY	BODY	MODEL	DESCRIPTION
16	4419 107	2			SHOCK, Rear, Std.
	4419 108	2			H.D., 1" Dia.
	4057 094	2			H.D., 1-3/8" Dia.
16A	1319 902	2			BUSHING, Rear Shock Upper Mtg., 1"Dia. Std.Or H.D.
17	3845 264	4			CLIP, 4-3/8" Lgh., 7/16-20 Thd.
18	3643 891	4			BUSHING, Lower Mtg.
19	0272 235	2			NUT, Lower Mtg.
20	0152 347	8			NUT, Clip
21	3815 206	2			CLAMP, Spring Isolator, Std.
	3815 309	2			H.D. Or Firm Feel Susp.
22	3815 207	4			ISOLATOR
23	3845 128-9	1			PLATE, 7-1/4" or 8-1/4" Axle w/o Sway Bar
	4014 710-1	1			7-1/4" or 8-1/4" Axle w/Sway Bar
24	3845 249	1			SUPPORT, Pinion Carrier Bumper
25	3845 139	1			BUMPER, w/o Support
26	0181 086	2			SCREW, w/WASHER, Support Mtg.Std.
	0181 112	2			H.D.
27	3845 988	2			BUMPER, w/Support Side Rail, Std. Or H.D., w/o Rear Sway Bar
	4014 503	2			w/Support, w/Rear Sway Bar
	2834 767	2			w/o Support, w/Rear Sway Bar
28		2			SCREW, w/WASHER, Side Rail Att.(Not Serv.)
-	2403 462	4			SPACER, Spring Center Bolt (Not Shown)
-	4014 703	2			PLATE, Spring Shackle, Loose, w/Rear Sway Bar (Not Ill.)
29	3722 073	2			INSERT, Extra Duty
30		2			BRACKET, (Not Serv.)

MODEL CODES

E BODY = (J - CARAVELLE)(E - 600)(T - NEW YORKER)

G BODY = (V24 - DAYTONA)

H BODY = (D44 - LANCER)(C44 - LEBARON GTS)

J BODY = (C - LEBARON)

K BODY = (P - RELIANT)(D - ARIES)(C - LEBAROND)/TOWN & COUNTRY)

L BODY = (M - HORIZON/TURISMO)(Z - OMNI/CHARGER)

M BODY = (B - GRAN FURY)(F - FIFTH AVE/NEWPORT)(G - DIPLOMAT)

P BODY = (P - SUNDANCE)(D - SHADOW)

S BODY = (H - VOYAGER)(K - RAM VAN/CARAVAN)

BODY STYLES

12-13 = FWD VAN

21 = 2-DOOR SEDAN

24 = 2-DOOR HATCHBACK

27 = 2-DOOR CONVERTIBLE

41 = 4-DOOR SEDAN

44 = 4-DOOR HATCHBACK

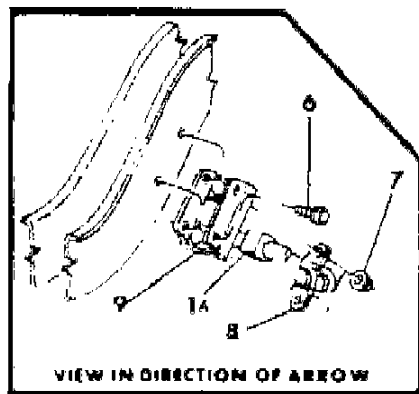
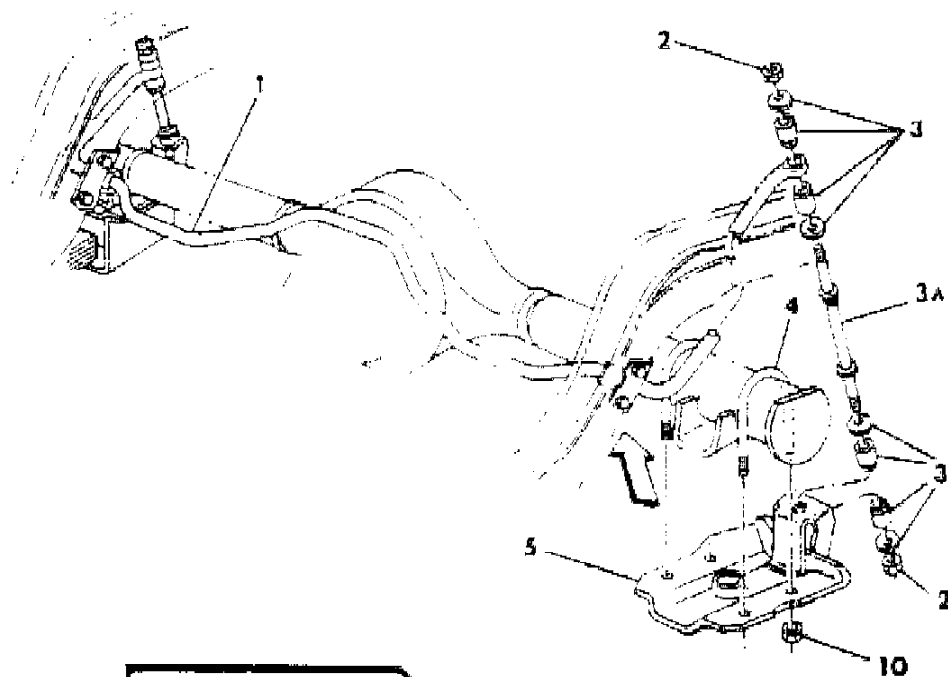
45 = 4-DOOR STATION WAGON

52-53 = FWD WAGON

AR = Use as Required - = Non Illustrated Part P.A.R. = Paint as Required

SWAY BAR, REAR M BODY
Figure 17-500

7117 500



ITEM	PART NUMBER	QTY	BODY	MODEL	DESCRIPTION
1	4014 714	1			SHAFT, Sway Bar, Rear
1A	3722 992	1			BUSHING, Shaft
2	0118 614	4			NUT, Link
3	3879 212	2			ATTACHING PACKAGE, Sway Bar Rear Consists of: 2 - ---- --- Insulator 1 - 118 614 Nut 2 - ---- --- Retainer
3A	4057 086	2			LINK PACKAGE Consists of: 1 - ---- --- Link 4 - ---- --- Insulator 2 - 118 614 Nut
4	3845 264	4			CLIP, 4-3/8" Lgh., 7/16-20 Thd.
5	4014 710-1	2			PLATE, Shaft
6	6030 466	8			SCREW, Brkt. Att.
7	6030 607	8			NUT, Brkt.
8	3643 506	2			STRAP, Shaft Brkt.
9	4014 708-9	1			BRACKET, Shaft
10	6023 018	8			NUT, CLIP

MODEL CODES

E BODY = (J - CARAVELLE)(E - 600)(T - NEW YORKER)

G BODY = (V24 - DAYTONA)

H BODY = (D44 - LANCER)(C44 - LEBARON GTS)

J BODY = (C - LEBARON)

K BODY = (P - RELIANT)(D - ARIES)(C - LEBAROND)/TOWN & COUNTRY)

L BODY = (M - HORIZON/TURISMO)(Z - OMNI/CHARGER)

M BODY = (B - GRAN FURY)(F - FIFTH AVE/NEWPORT)(G - DIPLOMAT)

P BODY = (P - SUNDANCE)(D - SHADOW)

S BODY = (H - VOYAGER)(K - RAM VAN/CARAVAN)

BODY STYLES

12-13 = FWD VAN

21 = 2-DOOR SEDAN

24 = 2-DOOR HATCHBACK

27 = 2-DOOR CONVERTIBLE

41 = 4-DOOR SEDAN

44 = 4-DOOR HATCHBACK

45 = 4-DOOR STATION WAGON

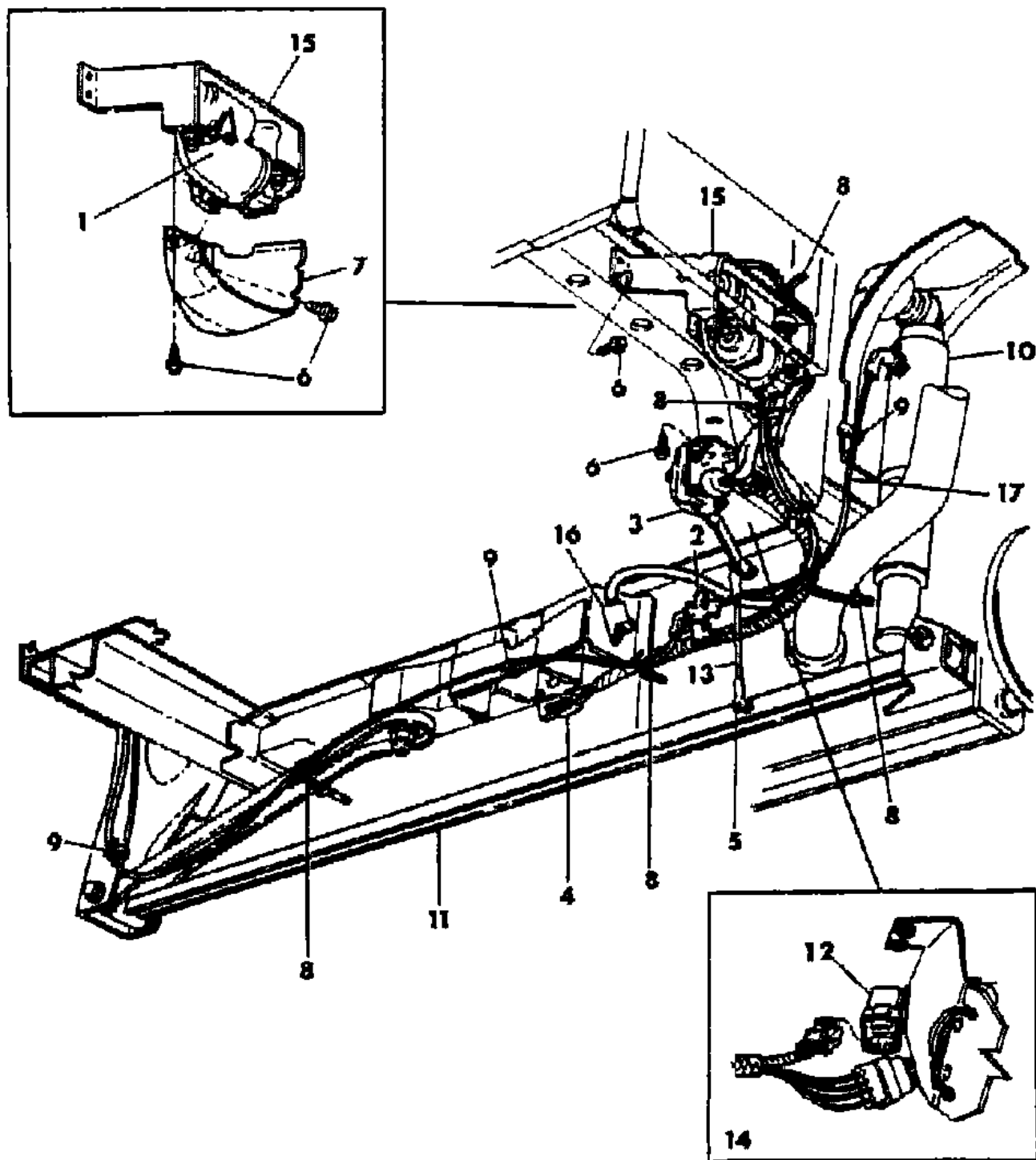
52-53 = FWD WAGON

AR = Use as Required - = Non Illustrated Part P.A.R. = Paint as Required

ELECTRONIC LOAD LEVELING SYSTEM K & E BODY

Figure 17-600

7117 000



ITEM	PART NUMBER	QTY	BODY	MODEL	DESCRIPTION
1	4228 675	1			COMPRESSOR
2	4228 536	1			CONNECTOR, Air Lines
3	4228 530	1			SENSOR, Electric Height
4	4228 532	1			HARNESS, Wiring
5	6501 297	1			BALL STUD, Track Bar Link
6		8			SCREW, w/WASHER (Not Serviced)
7	4228 527	1			COVER, Compressor Bracket
8		5			STRAP, (Not Serviced)
9	4228 545	5			CLIP, Connector and Tubing
10					ABSORBER, w/BUSHING
	4228 540	2			w/Normal Duty Suspension
	4228 541	2			w/Heavy Duty Suspension
11	4228 256	1			TRACK BAR
12	4228 673	1			RELAY, w/BRACKET
13	4228 672	1			LINK, Height Sensor
14	4228 539	1			AIR LINE, Compressor
15	4228 674	1			BRACKET, Compressor Mounting
16	4228 671	1			FILTER
17	4228 537	1			AIR LINE, Right Rear Shock Absorber
	4228 538	1			Left Rear Shock Absorber

MODEL CODES

E BODY = (J - CARAVELLE)(E - 600)(T - NEW YORKER)

G BODY = (V24 - DAYTONA)

H BODY = (D44 - LANCER)(C44 - LEBARON GTS)

J BODY = (C - LEBARON)

K BODY = (P - RELIANT)(D - ARIES)(C - LEBAROND)/TOWN & COUNTRY)

L BODY = (M - HORIZON/TURISMO)(Z - OMNI/CHARGER)

M BODY = (B - GRAN FURY)(F - FIFTH AVE/NEWPORT)(G - DIPLOMAT)

P BODY = (P - SUNDANCE)(D - SHADOW)

S BODY = (H - VOYAGER)(K - RAM VAN/CARAVAN)

BODY STYLES

12-13 = FWD VAN

21 = 2-DOOR SEDAN

24 = 2-DOOR HATCHBACK

27 = 2-DOOR CONVERTIBLE

41 = 4-DOOR SEDAN

44 = 4-DOOR HATCHBACK

45 = 4-DOOR STATION WAGON

52-53 = FWD WAGON

AR = Use as Required - = Non Illustrated Part P.A.R. = Paint as Required

GROUP 19 - STEERING

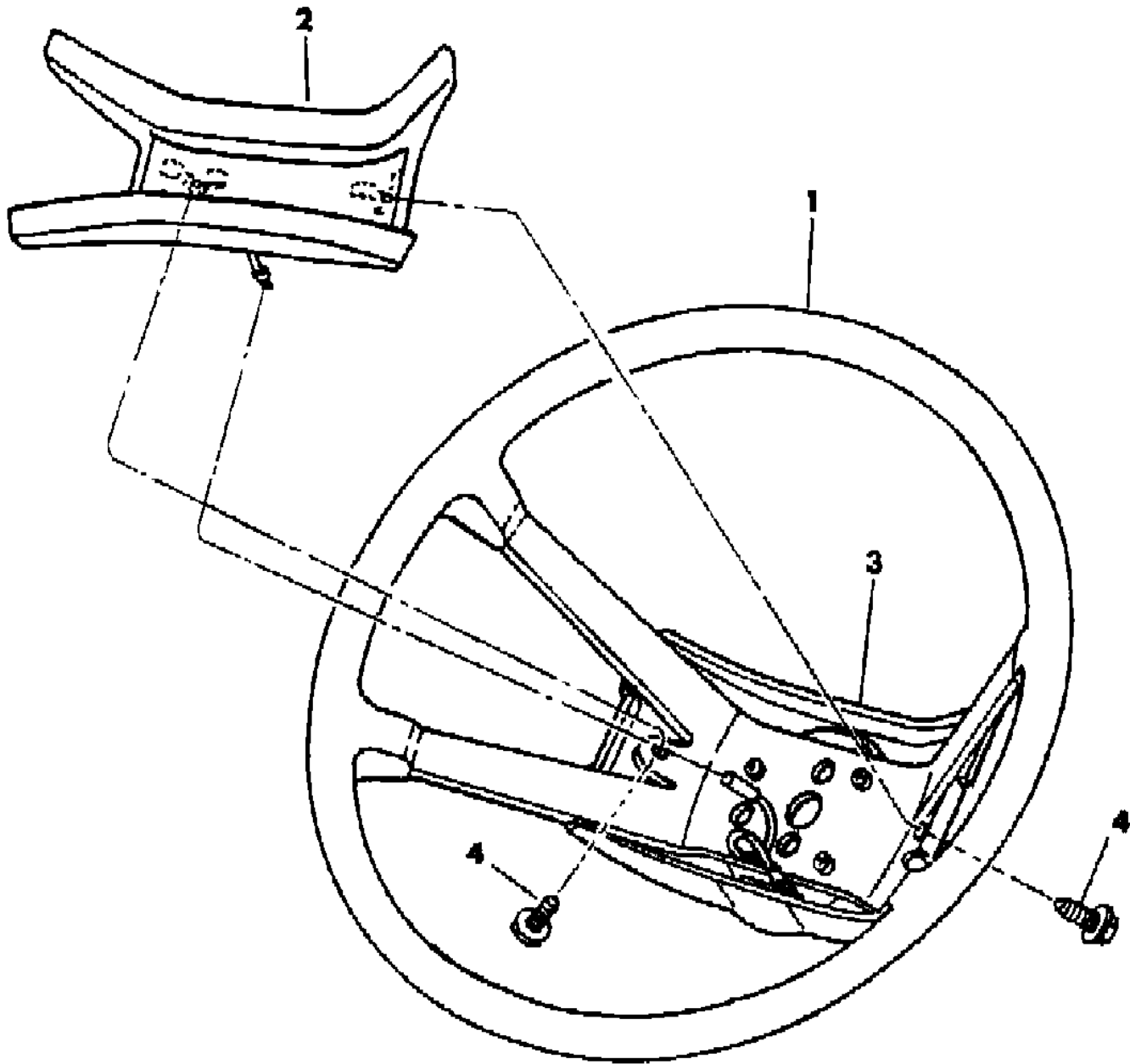
ILLUSTRATION TITLE	GROUP-FIG. NO.
STEERING WHEELS	
WHEEL, STEERING 4 - SPOKE L BODY	Fig. 19-100
WHEEL, STEERING 2 SPOKE P,J,K,H,S BODY	Fig. 19-200
WHEEL, STEERING EURO/SPORT TYPE P,J,K,G,H BODY	Fig. 19-300
WHEEL, STEERING - 2 SPOKE LUXURY WITH OR WITHOUT LEATHER WRAPPED J,K,G,E,H,S,M BODY .	Fig. 19-400
STEERING COLUMNS	
COLUMN ATTACHING PARTS STUDS, BOLTS, COVER, SEAL L BODY	Fig. 19-500
COLUMN, STEERING JACKET SHAFT & COUPLING L BODY	Fig. 19-600
COLUMN, STEERING UPPER FLOOR SHIFT WITHOUT TILT P,J,K,G,H,S BODY	Fig. 19-700
COLUMN, STEERING, UPPER COLUMN SHIFT, WITHOUT TILT K,E,H,S,M BODY	Fig. 19-800
COLUMN, STEERING, LOWER WITHOUT TILT M BODY	Fig. 19-900
COLUMN, STEERING, LOWER WITH OR WITHOUT TILT STRG. P,J,K,G,E,H,S BODY	Fig. 19-1000
COLUMN, STEERING, UPPER WITH TILT P,J,K,G,E,H,S,M BODY	Fig. 19-1100
COLUMN, STEERING, LOWER WITH TILT M BODY	Fig. 19-1200
POWER STEERING PUMPS	
PUMP, POWER STEERING & ATTACHING PARTS WITH 2.2, 2.5, 2.6, 3.0 ENGINE FRONT WHEEL DRIVE	Fig. 19-1225
PUMP, POWER STEERING PULLEY, BRACKETS, OIL COOLER M BODY	Fig. 19-1250
HOSE CHART, POWER STRG. PUMP L,P,J,K,G,E,H,S BODY	Fig. 19-1280
GEAR, RACK & PINION, MANUAL ATTACHING PARTS L,K BODY	Fig. 19-1300
GEAR, RACK & PINION, MANUAL AND ATTACHING PARTS S BODY	Fig. 19-1400
POWER RACK AND PINION GEAR	
GEAR, RACK & PINION, POWER (SAGINAW) AND ATTACHING PARTS L,P-BODY	Fig. 19-1500
GEAR, RACK & PINION, POWER (TRW) AND ATTACHING PARTS L,P,J,K,G,E,H,S BODY	Fig. 19-1600
POWER STEERING GEAR AND LINKAGE	
GEAR, POWER STEERING M BODY	Fig. 19-1700
TIE RODS, STEERING GEAR AND LINKAGE M BODY	Fig. 19-1800

ILLUSTRATION NOT AVAILABLE AT TIME OF PUBLICATION

WHEEL, STEERING 4 - SPOKE L BODY
Figure 19-100

7119 100

ITEM	PART NUMBER	QTY	BODY	MODEL	DESCRIPTION
1	P180 EC7	1			STEERING WHEEL, 4 Spoke, Blue
	P180 EM6	1			Red
	P180 ES8	1			Charcoal
	P203 BC7	1			PAD, Strg. Wheel Horn, Blue
2	P203 AM6	1			Red
	P203 CS8	1			Charcoal
	4188 343	1		Z	SHELBY
	P058 BC7	1			SHROUD, Strg. Wheel Hub, Blue (Izumi, Stamped # 41530)
3	P058 AM6	1			Red
	P058 CS8	1			Charcoal
	P068 BC7	1			Blue (Sheller Globe, Stamped # 26387)
	P068 AM6	1			Red
4	P068 CS8	1			Charcoal
	6031 652	2			SCREW, Strg. Wheel Horn Pad



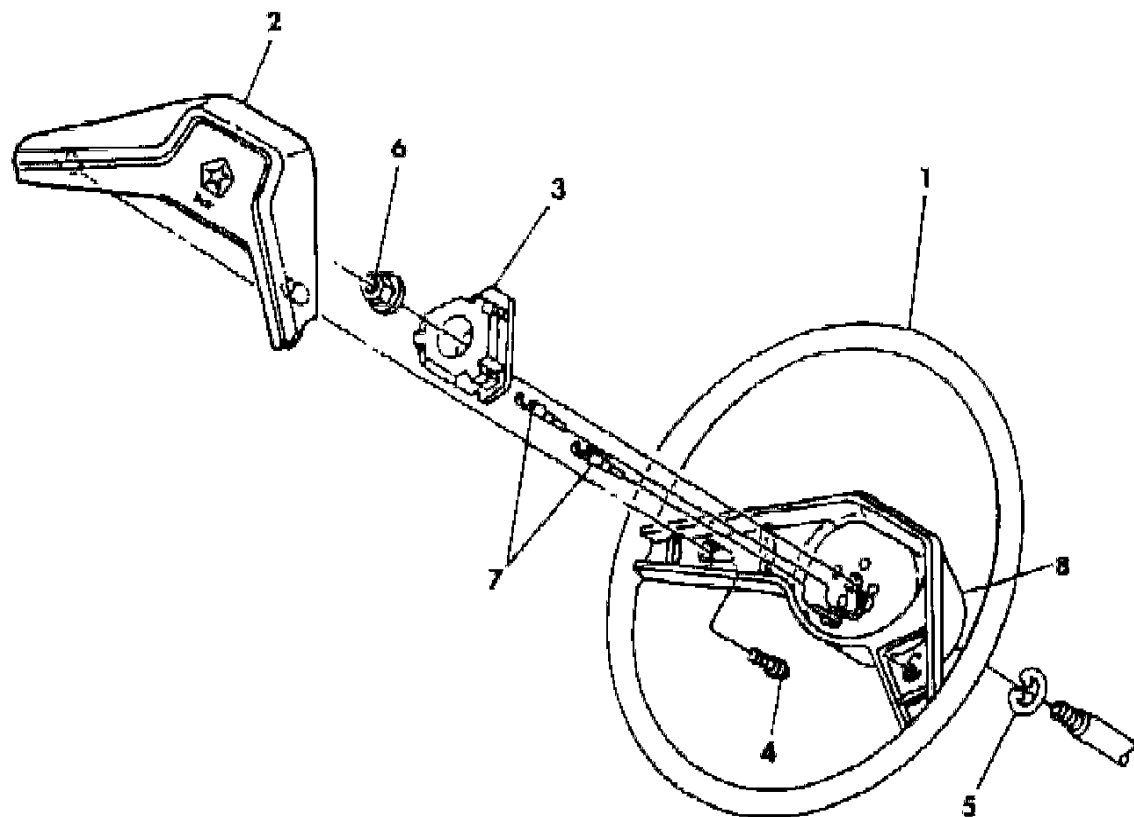
MODEL CODES
 E BODY = (J - CARAVELLE)(E - 600)(T - NEW YORKER)
 G BODY = (V24 - DAYTONA)
 H BODY = (D44 - LANCER)(C44 - LEBARON GTS)
 J BODY = (C - LEBARON)
 K BODY = (P - RELIANT)(D - ARIES)(C - LEBAROND)/TOWN & COUNTRY
 L BODY = (M - HORIZON/TURISMO)(Z - OMNI/CHARGER)
 M BODY = (B - GRAN FURY)(F - FIFTH AVE/NEWPORT)(G - DIPLOMAT)
 P BODY = (P - SUNDANCE)(D - SHADOW)
 S BODY = (H - VOYAGER)(K - RAM VAN/CARAVAN)

BODY STYLES
 12-13 = FWD VAN
 21 = 2-DOOR SEDAN
 24 = 2-DOOR HATCHBACK
 27 = 2-DOOR CONVERTIBLE
 41 = 4-DOOR SEDAN
 44 = 4-DOOR HATCHBACK
 45 = 4-DOOR STATION WAGON
 52-53 = FWD WAGON

AR = Use as Required - = Non Illustrated Part P.A.R. = Paint as Required

WHEEL, STEERING 2 SPOKE P,J,K,H,S BODY
Figure 19-200

7119 200 A



ITEM	PART NUMBER	QTY	BODY	MODEL	DESCRIPTION
1	P080 FC5	1			WHEEL, Strg., Blue, Medium
	P080 DM6	1			Red
	P080 EE8	1			Cordovan
	P080 DS8	1			Charcoal
	P080 DX9	1			Black
2	P080 EK1	1			Almond
	P173 FC5	1			PAD, Strg. Whl., Blue, Medium
	P173 FE8	1			Cordovan
	P173 FK1	1			Almond
	P173 FS8	1			Charcoal
	P173 FX9	1			Black
	P173 FM6	1			Red
3	4147 070	1	JKH		DAMPER, Strg. Whl. (w/Auto Trans.)
4		2			SCREW, (Not Serv.)
5	3747 899	1			CAM, Turn Signal Cancelling (w/o Tilt)
6	6500 906	1			NUT, Strg. Wheel
7	4304 852	2			CONTACT WIRES
8	P193 CB5	1	S		SHROUD, Strg. Whl. Hub, Blue, Medium
	P193 EC5	1			Blue, Medium
	P193 EE8	1			Cordovan
	P193 CS8	1			Charcoal
	P193 EK1	1			Almond
	P193 CX9	1			Black
	P193 CM6	1			Red

MODEL CODES

E BODY = (J - CARAVELLE)(E - 600)(T - NEW YORKER)

G BODY = (V24 - DAYTONA)

H BODY = (D44 - LANCER)(C44 - LEBARON GTS)

J BODY = (C - LEBARON)

K BODY = (P - RELIANT)(D - ARIES)(C - LEBAROND)/TOWN & COUNTRY)

L BODY = (M - HORIZON/TURISMO)(Z - OMNI/CHARGER)

M BODY = (B - GRAN FURY)(F - FIFTH AVE/NEWPORT)(G - DIPLOMAT)

P BODY = (P - SUNDANCE)(D - SHADOW)

S BODY = (H - VOYAGER)(K - RAM VAN/CARAVAN)

BODY STYLES

12-13 = FWD VAN

21 = 2-DOOR SEDAN

24 = 2-DOOR HATCHBACK

27 = 2-DOOR CONVERTIBLE

41 = 4-DOOR SEDAN

44 = 4-DOOR HATCHBACK

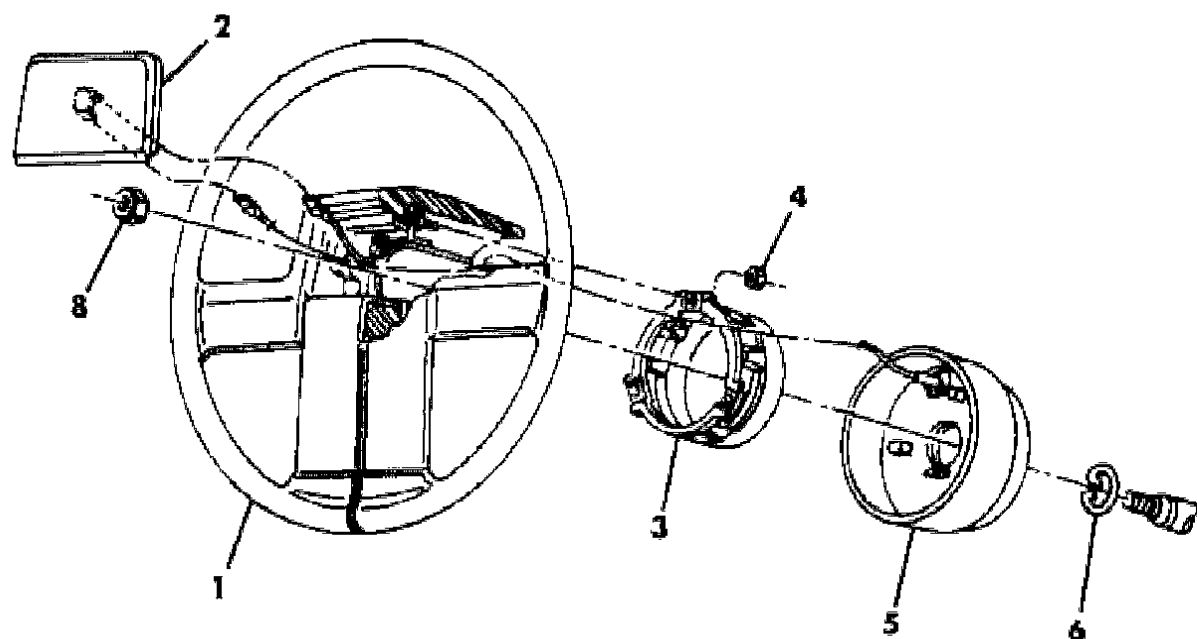
45 = 4-DOOR STATION WAGON

52-53 = FWD WAGON

AR = Use as Required - = Non Illustrated Part P.A.R. = Paint as Required

WHEEL, STEERING EURO/SPORT TYPE P,J,K,G,H BODY
Figure 19-300

7118 300



ITEM	PART NUMBER	QTY	BODY	MODEL	DESCRIPTION
1	P054 EK2	1			WHEEL, Strg. w/Leather Wrap, Almond
	P054 DS9	1			Charcoal
	P054 EE7	1			Cordovan
	P054 FC4	1			Blue
	4467 408	1	H		Black, w/ Shelby
	P078 EE8	1			WHEEL, Strg. w/o Leather Wrap, Cordovan
	P078 DS8	1			Charcoal, (Also w/Shelby P-Body)
	P078 EK1	1			Almond
2	P078 EC5	1			Blue, Medium
	P216 EE8	1			PAD, Strg. Wheel, Cordovan
	P216 DS8	1			Charcoal
	P216 EK1	1			Almond
	P216 EC5	1			Blue, Medium
	4467 424	1	H		Black, w/ Shelby
	4467 408	1	P		
	4467 410	1	H		ORNAMENT, w/ Shelby
3	4467 410	1	P		
	4147 253	1			DAMPER
4	6100 507	3			NUT, Damper
5	4333 410	1			SKIRT, Strg. Whl.
	4467 409	1	H		HUB, w/ Shelby
6	3747 899	1			CAM, Turn Signal Cancelling, w/o Tilt
	3747 988	1			w/Tilt
8	6500 906	1			NUT, Strg. Whl. Shaft

MODEL CODES

E BODY = (J - CARAVELLE)(E - 600)(T - NEW YORKER)

G BODY = (V24 - DAYTONA)

H BODY = (D44 - LANCER)(C44 - LEBARON GTS)

J BODY = (C - LEBARON)

K BODY = (P - RELIANT)(D - ARIES)(C - LEBAROND)/TOWN & COUNTRY)

L BODY = (M - HORIZON/TURISMO)(Z - OMNI/CHARGER)

M BODY = (B - GRAN FURY)(F - FIFTH AVE/NEWPORT)(G - DIPLOMAT)

P BODY = (P - SUNDANCE)(D - SHADOW)

S BODY = (H - VOYAGER)(K - RAM VAN/CARAVAN)

BODY STYLES

12-13 = FWD VAN

21 = 2-DOOR SEDAN

24 = 2-DOOR HATCHBACK

27 = 2-DOOR CONVERTIBLE

41 = 4-DOOR SEDAN

44 = 4-DOOR HATCHBACK

45 = 4-DOOR STATION WAGON

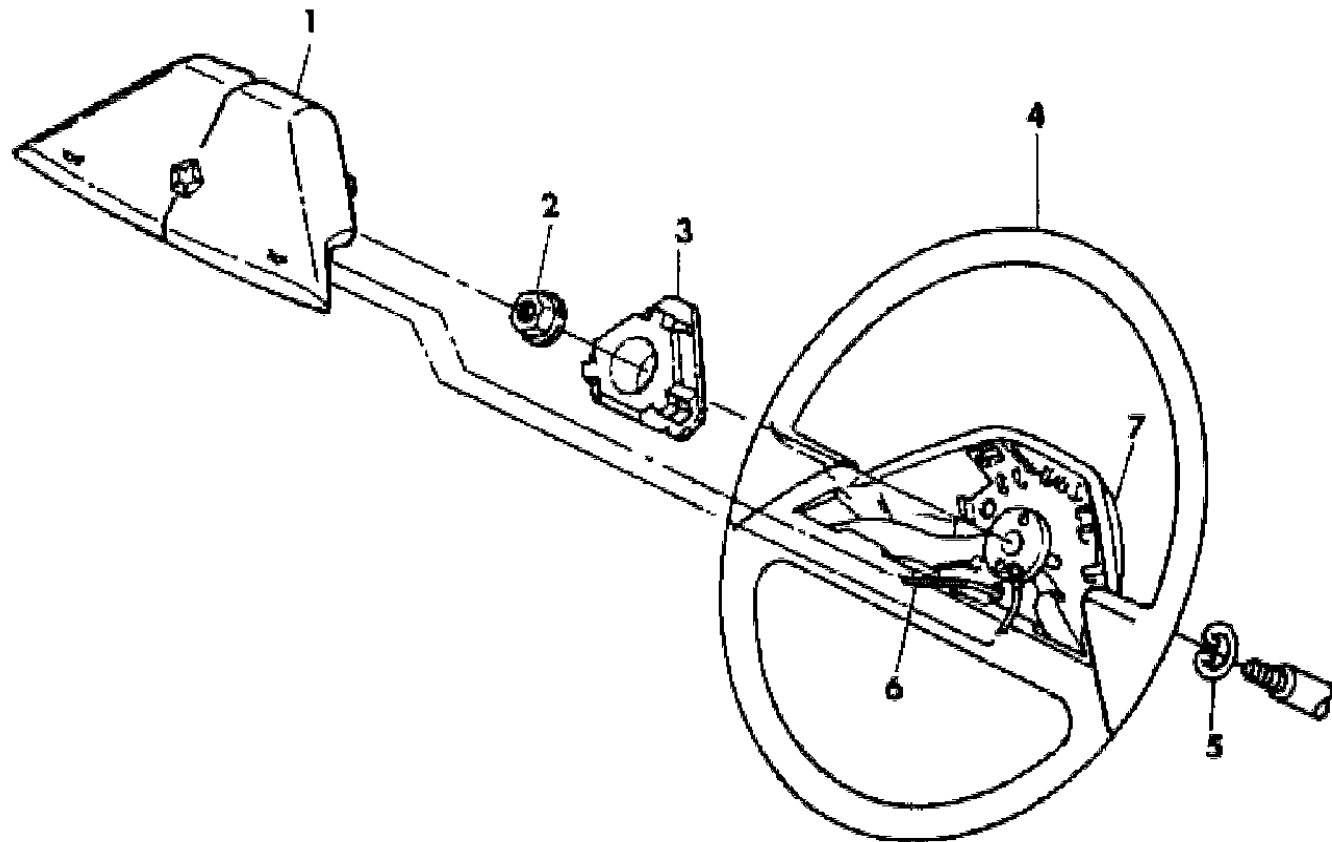
52-53 = FWD WAGON

AR = Use as Required - = Non Illustrated Part P.A.R. = Paint as Required

WHEEL, STEERING - 2 SPOKE LUXURY WITH OR WITHOUT LEATHER WRAPPED J,K,G,E,H,S,M BODY

Figure 19-400

7119 400 A



ITEM	PART NUMBER	QTY	BODY	MODEL	DESCRIPTION
1	P204 FM6	1			PAD, Strg. Whl.w/Bright Penta Star, Red
	P204 FA7	1	M		Silver
	P204 FK1	1	M		Almond
	P204 FC7	1	M		Blue, Dark
	P204 FC5	1			Blue, Medium
	P204 FS8	1			Charcoal
	P204 FE8	1			Cordovan
	P240 FE8	1			PAD, w/Acrylic Crystal Penta Star, Cordovan
	P240 FS8	1			Charcoal
	P240 FC7	1	M		Blue, Dark
	P240 FC5	1			Blue, Medium
	P240 FK1	1			Almond
	P240 FM6	1	M		Red
	P240 FA7	1	M		Silver
4147 425	1			ORNAMENT, Acrylic Crystal	
2	6500 906	1		NUT, Strg. Whl.	
3	4147 070	1		DAMPER, Strg. Whl. (w/Auto Trans.)	
4	P092 FA7	1			WHEEL, w/o Leather Wrap, Silver
	P092 FS8	1			Charcoal
	P092 FK1	1			Almond
	P092 FC5	1			Blue, Medium
	P092 FC7	1	M		Blue, Dark
	P092 FE8	1			Cordovan
	P092 FM6	1			Red
	P091 FK2	1			WHEEL, Strg. Whl. w/Leather Wrap, Almond
	P091 FC4	1			Blue, Medium
	P091 FS9	1			Charcoal
	P091 FE7	1			Cordovan
	P091 FC7	1	M		Blue, Dark
	P091 FA7	1	M		Silver
	P091 FM5	1	M		Red
5	3747 899	1		CAM, Turn Signal Cancelling	
6	4304 852	1		CONTACT WIRES	
7	4147 004	1		SKIRT, Strg. Wheel Hub	

MODEL CODES

E BODY = (J - CARAVELLE)(E - 600)(T - NEW YORKER)

G BODY = (V24 - DAYTONA)

H BODY = (D44 - LANCER)(C44 - LEBARON GTS)

J BODY = (C - LEBARON)

K BODY = (P - RELIANT)(D - ARIES)(C - LEBAROND)/TOWN & COUNTRY)

L BODY = (M - HORIZON/TURISMO)(Z - OMNI/CHARGER)

M BODY = (B - GRAN FURY)(F - FIFTH AVE/NEWPORT)(G - DIPLOMAT)

P BODY = (P - SUNDANCE)(D - SHADOW)

S BODY = (H - VOYAGER)(K - RAM VAN/CARAVAN)

BODY STYLES

12-13 = FWD VAN

21 = 2-DOOR SEDAN

24 = 2-DOOR HATCHBACK

27 = 2-DOOR CONVERTIBLE

41 = 4-DOOR SEDAN

44 = 4-DOOR HATCHBACK

45 = 4-DOOR STATION WAGON

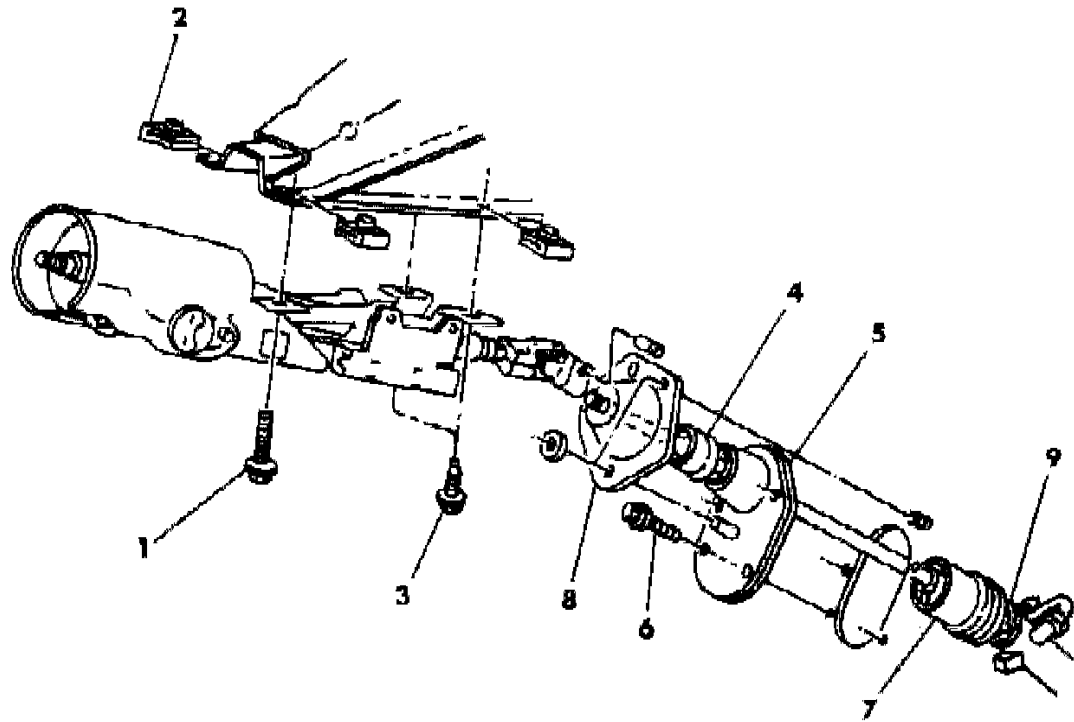
52-53 = FWD WAGON

AR = Use as Required - = Non Illustrated Part P.A.R. = Paint as Required

COLUMN ATTACHING PARTS STUDS, BOLTS, COVER, SEAL L BODY
Figure 19-500

7118 500

ITEM	PART NUMBER	QTY	BODY	MODEL	DESCRIPTION
1	6101 371	2			STUD, Strg. Col. Attaching
2		2			NUT, Strg. Col. Attaching Stud (Not Serv.)
3	6101 370	2			SCREW, w/Washer, Strg. Col. Attaching
4	#5206 038	1			SEAL, Strg. Shaft
5	4147 165	1			COVER, w/Seal Strg. Column Dash
6		4			SCREW, Strg. Col. Dash Cover (Not Serv.)
7	4147 157	1			SHIELD, Strg. Col. Intermediate Shaft Coupling
8	4147 156	1			SHELL, w/Silencer, Dash Pnl.
9	6032 277	1			CLAMP



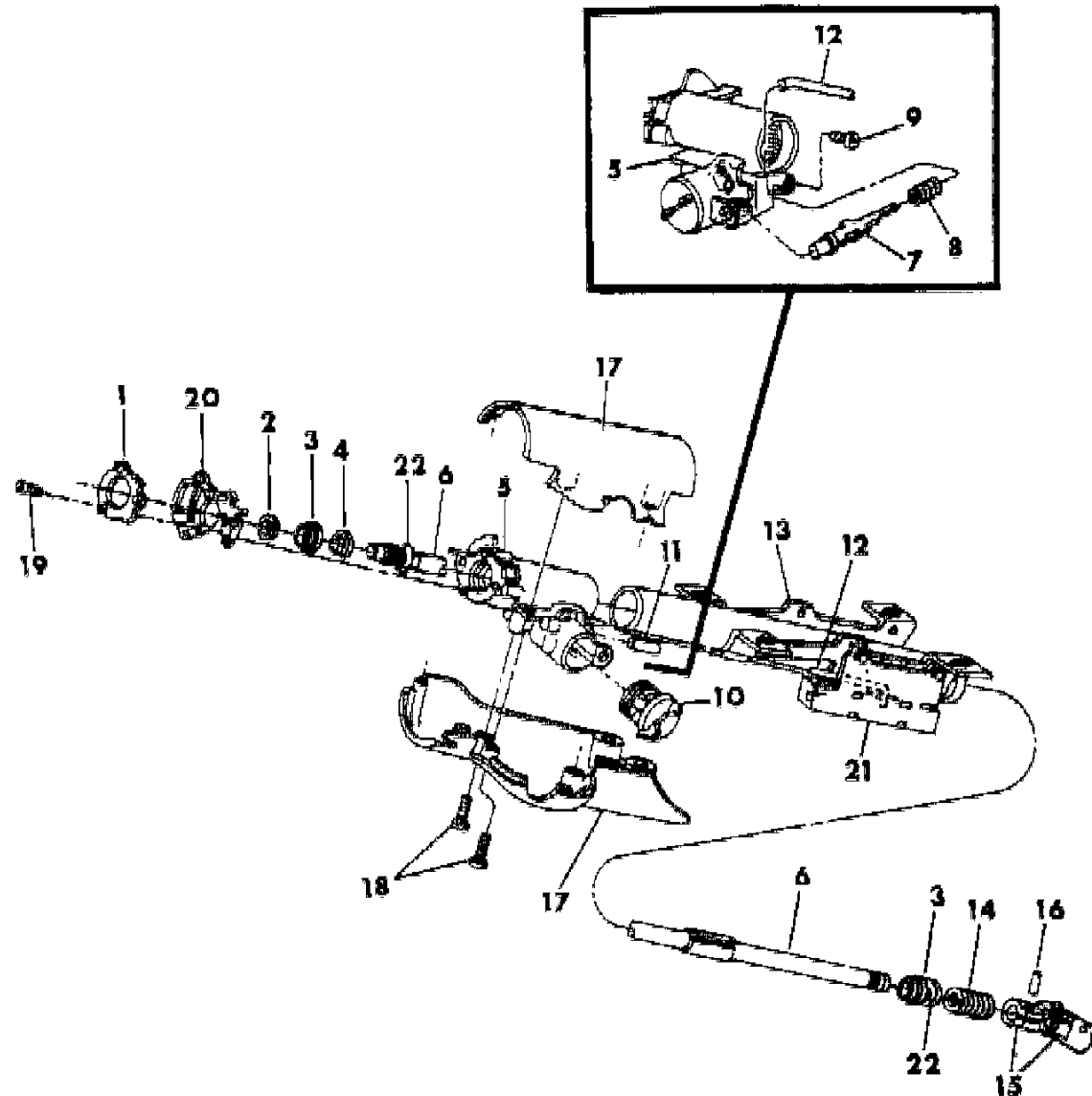
MODEL CODES
 E BODY = (J - CARAVELLE)(E - 600)(T - NEW YORKER)
 G BODY = (V24 - DAYTONA)
 H BODY = (D44 - LANCER)(C44 - LEBARON GTS)
 J BODY = (C - LEBARON)
 K BODY = (P - RELIANT)(D - ARIES)(C - LEBAROND)/TOWN & COUNTRY
 L BODY = (M - HORIZON/TURISMO)(Z - OMNI/CHARGER)
 M BODY = (B - GRAN FURY)(F - FIFTH AVE/NEWPORT)(G - DIPLOMAT)
 P BODY = (P - SUNDANCE)(D - SHADOW)
 S BODY = (H - VOYAGER)(K - RAM VAN/CARAVAN)

BODY STYLES
 12-13 = FWD VAN 41 = 4-DOOR SEDAN
 21 = 2-DOOR SEDAN 44 = 4-DOOR HATCHBACK
 24 = 2-DOOR HATCHBACK 45 = 4-DOOR STATION WAGON
 27 = 2-DOOR CONVERTIBLE 52-53 = FWD WAGON

AR = Use as Required - = Non Illustrated Part P.A.R. = Paint as Required

COLUMN, STEERING JACKET SHAFT & COUPLING L BODY
Figure 19-600

7119 600



ITEM	PART NUMBER	QTY	BODY	MODEL	DESCRIPTION
1	4188 934	1			PLATE, Strg. Column Shaft Bearing Retainer
		3			SCREW, Strg. Column Shaft Bearing Retainer Plate (Not Serviced)
2	6032 364	1			SNAP RING, Strg. Column Shaft Bearing, Upper
3	5211 820	2			BEARING, Strg. Shaft Shift
4	6023 045	1			SNAP RING, Strg. Column Shaft Bearing, Lower
5	4147 001	1			HOUSING, Strg. Lock, Assy.
6	4188 795	1			SHAFT, Strg., Upper, Assy.
7	5206 177	1			LEVER, Lock Inhibitor, Assy.
8	5206 010	1			SPRING, Lock Inhibitor Lever
8	5206 070	1			SPRING, Lock Bolt
9		1			SCREW, Lock Inhibitor Lever (Not Serviced)
10		1			LOCK, Ignition (See Cylinder and Key Illustration in Body Section)
11	6100 685	1			PIN, Ignition Lock Cylinder Spring
12	5206 025	1			ACTUATOR, Ignition Switch
13	5211 956	1			JACKET, Strg. Column, Assy.
14	5206 183	1			SPRING, Strg. Column Lower Bearing
15	4333 496	1			COUPLING, Upper Strg. Shaft, Man. & Pwr. Strg.
	4333 497	1			Manual Strg.
	4333 499	1			w/Lower Strg. Shaft, w/Man. Strg.
	4333 498	1			w/Power Strg.
16	6500 148	3			PIN, Strg. Shaft Coupling Spring
17	P678 VX9	1			SHROUD, Strg. Column, Upper
	P679 VX9	1			Strg. Column, Lower
18	9414 716	4			SCREW, Strg. Column Shroud
19		3			SCREW, Strg. Column Shaft Bearing Retainer Plate (Not Serviced)
20		1			SWITCH, Turn Signal And Hazzard Warning (See Group 8)
21		1			SWITCH, Ignition And Starter (See Group 8)
22	6030 655	1			O RING

MODEL CODES

E BODY = (J - CARAVELLE)(E - 600)(T - NEW YORKER)

G BODY = (V24 - DAYTONA)

H BODY = (D44 - LANCER)(C44 - LEBARON GTS)

J BODY = (C - LEBARON)

K BODY = (P - RELIANT)(D - ARIES)(C - LEBAROND)/TOWN & COUNTRY)

L BODY = (M - HORIZON/TURISMO)(Z - OMNI/CHARGER)

M BODY = (B - GRAN FURY)(F - FIFTH AVE/NEWPORT)(G - DIPLOMAT)

P BODY = (P - SUNDANCE)(D - SHADOW)

S BODY = (H - VOYAGER)(K - RAM VAN/CARAVAN)

BODY STYLES

12-13 = FWD VAN

21 = 2-DOOR SEDAN

24 = 2-DOOR HATCHBACK

27 = 2-DOOR CONVERTIBLE

41 = 4-DOOR SEDAN

44 = 4-DOOR HATCHBACK

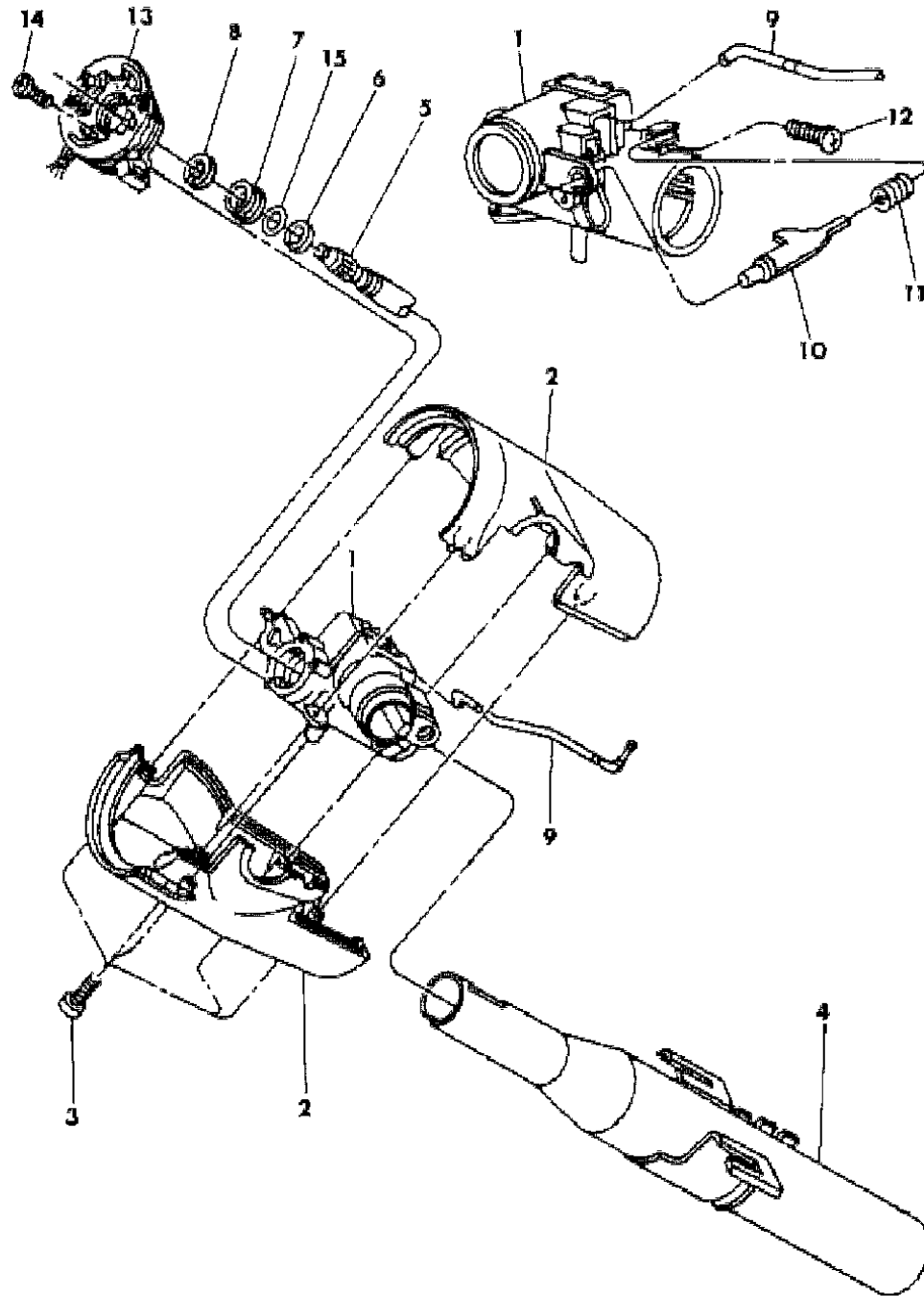
45 = 4-DOOR STATION WAGON

52-53 = FWD WAGON

AR = Use as Required - = Non Illustrated Part P.A.R. = Paint as Required

COLUMN, STEERING UPPER FLOOR SHIFT WITHOUT TILT P,J,K,G,H,S BODY
Figure 19-700

7110 700



ITEM	PART NUMBER	QTY	BODY	MODEL	DESCRIPTION
1	4333 713	1			HOUSING, Lock
2					SHROUD, Column (Serv. Dealer Paint)
	P234 EK1	1			Upper
	P236 EK1	1			Lower
	P771 EK1	1	K		Upper
	P772 EK1	1	K		Lower
	P239 EC5	1	P		SHROUD, Strg. Col. w/Hider Foam, Upper (Serv. Dealer Paint)
3		5			SCREW
4	4333 215	1	P		JACKET, ASSY.
	4333 216	1	KHS		
	4333 217	1	JG		
5	4147 413	1			SHAFT, ASSY. Upper
6	6023 045	1			SNAP RING, Lower
7	2265 656	1			BEARING, Shaft Upper
8	6032 364	1			SNAP RING, Upper
9	4333 768	1	P		ACTUATOR, Ignition Switch
	4333 769	1	KHS		
	4333 220	1	JG		
10	4333 712	1			LEVER, Lock Inhibitor
11	5206 010	1			SPRING
12		1			SCREW, (Not Serviced)
13		1			SWITCH, Turn Signal & Flasher (See Group 8)
14		3			SCREW, (Not Serviced)
15	6030 655	1			O RING, Steering Column Shaft Ring

MODEL CODES

E BODY = (J - CARAVELLE)(E - 600)(T - NEW YORKER)

G BODY = (V24 - DAYTONA)

H BODY = (D44 - LANCER)(C44 - LEBARON GTS)

J BODY = (C - LEBARON)

K BODY = (P - RELIANT)(D - ARIES)(C - LEBAROND)/TOWN & COUNTRY)

L BODY = (M - HORIZON/TURISMO)(Z - OMNI/CHARGER)

M BODY = (B - GRAN FURY)(F - FIFTH AVE/NEWPORT)(G - DIPLOMAT)

P BODY = (P - SUNDANCE)(D - SHADOW)

S BODY = (H - VOYAGER)(K - RAM VAN/CARAVAN)

BODY STYLES

12-13 = FWD VAN

21 = 2-DOOR SEDAN

24 = 2-DOOR HATCHBACK

27 = 2-DOOR CONVERTIBLE

41 = 4-DOOR SEDAN

44 = 4-DOOR HATCHBACK

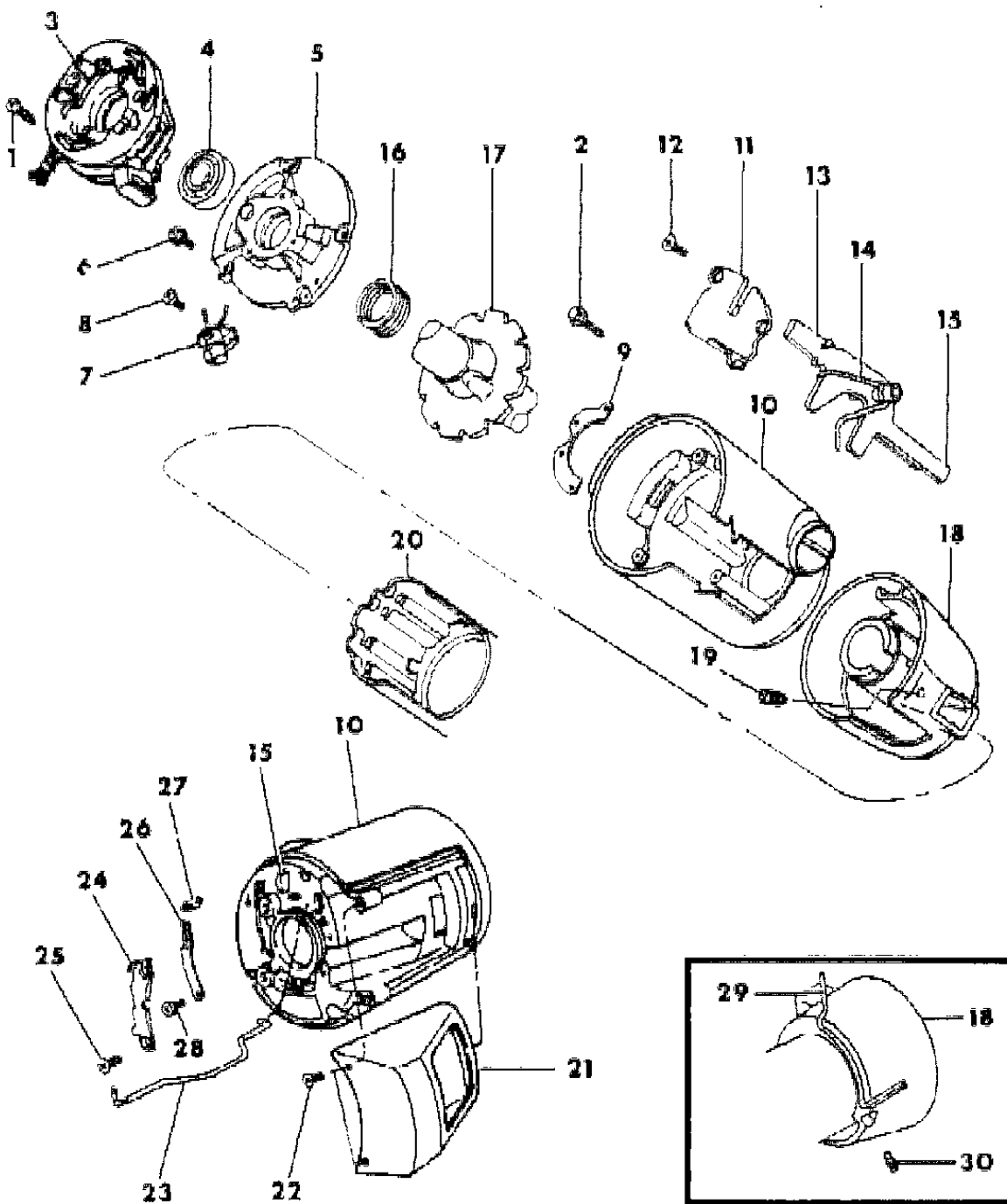
45 = 4-DOOR STATION WAGON

52-53 = FWD WAGON

AR = Use as Required - = Non Illustrated Part P.A.R. = Paint as Required

COLUMN, STEERING, UPPER COLUMN SHIFT, WITHOUT TILT K,E,H,S,M BODY
Figure 19-800

7119 800



ITEM	PART NUMBER	QTY	BODY	MODEL	DESCRIPTION
1		3			SCREW, Turn Signal Switch Mtg. (Not Serviced)
2		4			SCREW, w/WASHER Lock Housing (Not Serviced)
3					SWITCH, Turn Sig. & Flasher (See Group 8)
4	2265 656	1			BEARING, Strg. Col. Upper Shaft
5	4333 038	1			HOUSING, Strg. Col. Shaft Bearing
6		1			SCREW, Bearing Housing (Not Serviced)
7					LAMP, Ign. & Starter Sw. (See Group 8)
8					SCREW, Lamp (See Group 8)
9	4188 076	1			PLATE, Strg. Col. Lock Housing
		4			Screw, Plate (Not Serviced)
10					HOUSING, Strg. Column Lock
	P439 FC5	1			Blue, Medium
	P439 EC7	1			Blue, Dark
	P439 EE8	1			Cordovan
	P439 EK1	1			Almond
	P439 ES8	1			Charcoal
	P439 EA7	1			Silver, Dark
	P439 EX9	1			Black
	P439 EM6	1			Red
11	4333 697	1			BELLCRANK, Ignition Switch
12		4			SCREW, Bellcrank (Not Serviced)
13	2950 840	1			LEVER, Strg. Col. Shaft Lock
14	2996 858				SPRING, Strg. Col. Lock
15	4333 726	1			LEVER, Strg. Col. Gearshift Housing Lock Assy.
16	4019 549	1			SPRING, Strg. Column Shaft Lock Plate
17	4019 612	1			PLATE, Strg. Col. Shaft Lock
18	4147 474	1	KEM		HOUSING, Strg. Col. Gearshift, w/Auto Trans., Col. Shift
	P764 EK1	1	H		Serv. Dealer Paint
	P762 EK1	1	S		Serv. Dealer Paint
19	0125 735	1			SET SCREW, G/Shift Housing
20	4019 897	1	M		JACKET, Strg. Col.
	4333 043	1	KEHS		JACKET, Strg. Col.
	4333 215	1	P		JACKET, Strg. Col.
21					COVER, Strg. Col. Lock
	P440 FC5	1			Blue, Medium
	P440 EC7	1			Blue, Dark
	P440 EE8	1			Cordovan
	P440 EK1	1			Almond

MODEL CODES

E BODY = (J - CARAVELLE)(E - 600)(T - NEW YORKER)

G BODY = (V24 - DAYTONA)

H BODY = (D44 - LANCER)(C44 - LEBARON GTS)

J BODY = (C - LEBARON)

K BODY = (P - RELIANT)(D - ARIES)(C - LEBAROND)/TOWN & COUNTRY)

L BODY = (M - HORIZON/TURISMO)(Z - OMNI/CHARGER)

M BODY = (B - GRAN FURY)(F - FIFTH AVE/NEWPORT)(G - DIPLOMAT)

P BODY = (P - SUNDANCE)(D - SHADOW)

S BODY = (H - VOYAGER)(K - RAM VAN/CARAVAN)

BODY STYLES

12-13 = FWD VAN

21 = 2-DOOR SEDAN

24 = 2-DOOR HATCHBACK

27 = 2-DOOR CONVERTIBLE

41 = 4-DOOR SEDAN

44 = 4-DOOR HATCHBACK

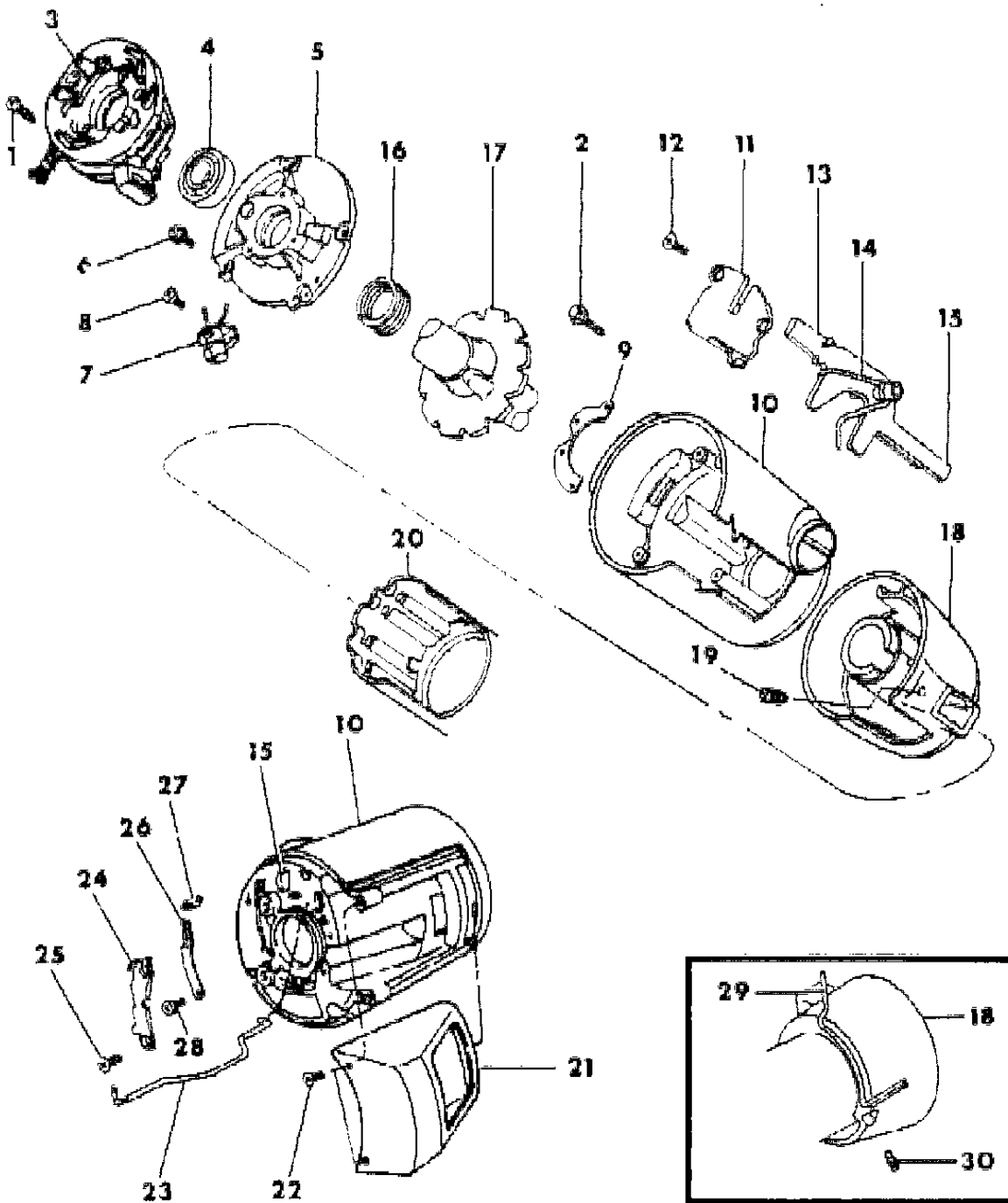
45 = 4-DOOR STATION WAGON

52-53 = FWD WAGON

AR = Use as Required - = Non Illustrated Part P.A.R. = Paint as Required

COLUMN, STEERING, UPPER COLUMN SHIFT, WITHOUT TILT K,E,H,S,M BODY
Figure 19-800

7119 800



ITEM	PART NUMBER	QTY	BODY	MODEL	DESCRIPTION
	P440 ES8	1			Charcoal
	P440 EX9	1			Black
	P440 EM6	1			Red
	P440 EA7	1			Silver, Dark
22	6032 469	2			SCREW, Cover
23	4019 902	1	M		ACTUATOR, Ignition Switch
	4188 291	1	KEHS		
	4333 768	1	P		
24	4188 572	1	M		GATE, Col. Gearshift Lever
	4333 072	1	KEHS		GATE, Col. Gearshift Lever
25					SCREW,(Not Serviced)
26	4019 588	1			SPRING, Lock Cylinder Retainer
27	4019 548	1			PLUNGER, Lock Cylinder Retainer
28					SCREW, (Not Serviced)
29		1			POINTER, Gear Selector Indicator (See Group 21)
30	0125 735	1			SCREW, Set Gearshift Pointer

MODEL CODES

E BODY = (J - CARAVELLE)(E - 600)(T - NEW YORKER)

G BODY = (V24 - DAYTONA)

H BODY = (D44 - LANCER)(C44 - LEBARON GTS)

J BODY = (C - LEBARON)

K BODY = (P - RELIANT)(D - ARIES)(C - LEBAROND)/TOWN & COUNTRY)

L BODY = (M - HORIZON/TURISMO)(Z - OMNI/CHARGER)

M BODY = (B - GRAN FURY)(F - FIFTH AVE/NEWPORT)(G - DIPLOMAT)

P BODY = (P - SUNDANCE)(D - SHADOW)

S BODY = (H - VOYAGER)(K - RAM VAN/CARAVAN)

BODY STYLES

12-13 = FWD VAN

21 = 2-DOOR SEDAN

24 = 2-DOOR HATCHBACK

27 = 2-DOOR CONVERTIBLE

41 = 4-DOOR SEDAN

44 = 4-DOOR HATCHBACK

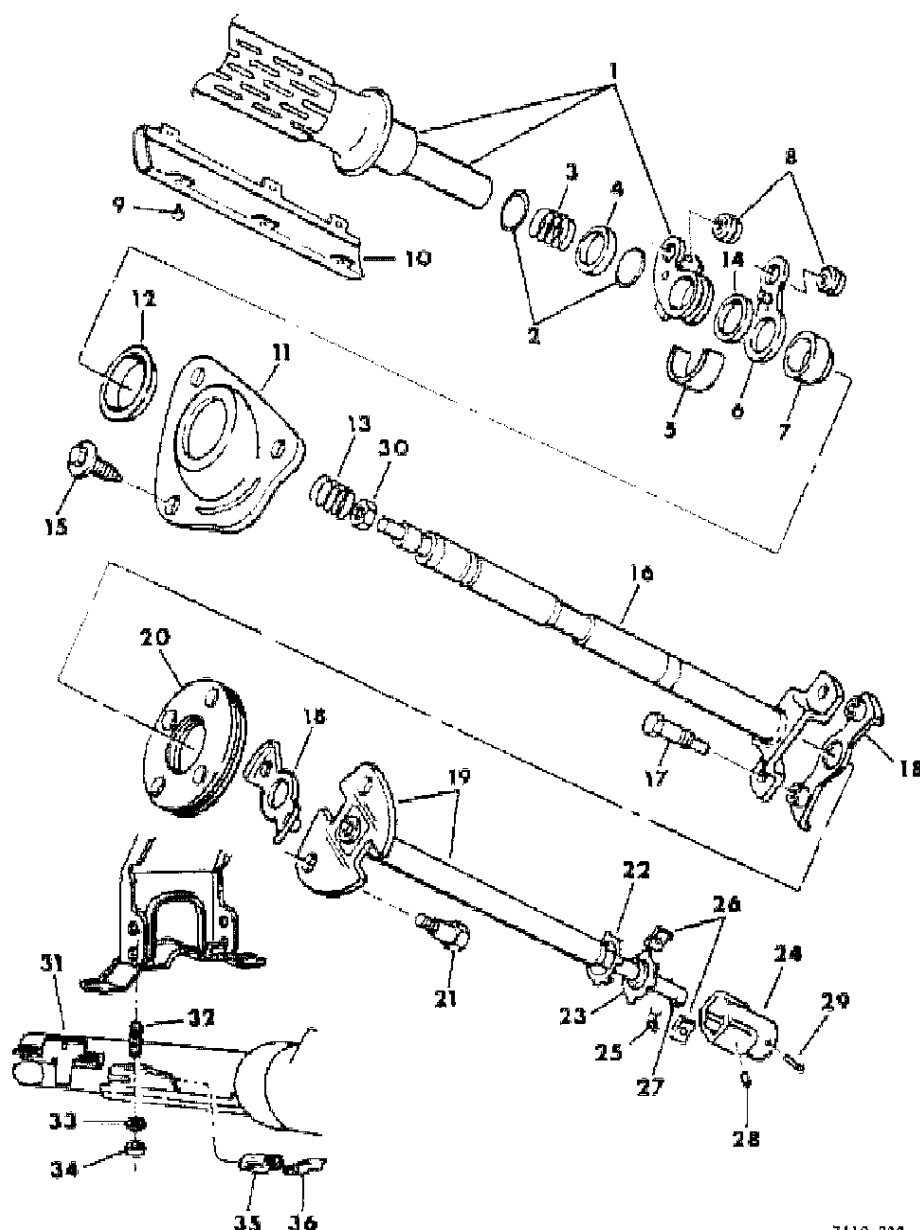
45 = 4-DOOR STATION WAGON

52-53 = FWD WAGON

AR = Use as Required - = Non Illustrated Part P.A.R. = Paint as Required

COLUMN, STEERING, LOWER WITHOUT TILT M BODY
Figure 19-900

7119 800



7119 900

ITEM	PART NUMBER	QTY	BODY	MODEL	DESCRIPTION
1	3748 247	1			TUBE, Strg. Col. Gearshift, w/Auto. Trans., w/Col.Shift
2		2			WASHER, Tube Retainer (Serviced in Tube Assy.)
3		1			SPRING, Tube Retainer (Serviced in Tube Assy.)
4	4147 318	1			BEARING, Strg. Col. Shaft
	4147 319	1			WEDGE, Shaft Bearing
5	4333 108	1			SEAL, Strg. Col. Jacket to Tube
6		1			
7	3748 229	1			SUPPORT, Shaft Bearing (Floor Shift)
8					
9	6015 925	4			RETAINER, Wiring Trough
10	4188 202	1			TROUGH, Strg. Col. Wiring
11	3748 802	1			PLATE, Jacket Support
12	3748 634	1			GROMMET, Strg. Col.
13	3748 242	1			SPRING, Strg. Col. Lower Bearing
14		1			SPACER, (Serv. w/Item 5)
15	0181 088	3			SCREW, w/Washer Jacket Support Plate
16	4333 644	1			COUPLING, Upper
					Consist of:
	4094 080	1			Shaft
		1			Coupling
		2			Strap
		2			Bolt
17	6031 801	2			BOLT, Strg. Col. Shaft Coupling
18	4186 826	2			STRAP PACKAGE, Steering Col. Coupling, w/Bolts
19	4333 643	1			COUPLING, Lower
					Consist of:
	3748 649	1			Shaft
		1			Coupling
20	3748 310	1			COUPLING, Strg. Col. Shaft
21	6031 802	2			BOLT, Strg. Col. Shaft Coupling
22	2530 538	1			COVER, Shaft Coupling Body
23	4019 278	1			SEAL, Shaft Coupling Body
24	3748 268	1			BODY, Strg. Col. Shaft Coupling, w/Power Strg.
25	2925 492	1			SPRING, Shaft Coupling Body
26	2800 738	2			SHOE, Strg. Col. Shaft Coupling Body
27	2266 743	1			PIN, Strg. Col. Intermediate Shaft Coupling
28	6029 951	1			PIN, Coupling Body
29	6028 750	1			PIN, Spring Coupling

MODEL CODES

E BODY = (J - CARAVELLE)(E - 600)(T - NEW YORKER)

G BODY = (V24 - DAYTONA)

H BODY = (D44 - LANCER)(C44 - LEBARON GTS)

J BODY = (C - LEBARON)

K BODY = (P - RELIANT)(D - ARIES)(C - LEBAROND)/TOWN & COUNTRY)

L BODY = (M - HORIZON/TURISMO)(Z - OMNI/CHARGER)

M BODY = (B - GRAN FURY)(F - FIFTH AVE/NEWPORT)(G - DIPLOMAT)

P BODY = (P - SUNDANCE)(D - SHADOW)

S BODY = (H - VOYAGER)(K - RAM VAN/CARAVAN)

BODY STYLES

12-13 = FWD VAN

21 = 2-DOOR SEDAN

24 = 2-DOOR HATCHBACK

27 = 2-DOOR CONVERTIBLE

41 = 4-DOOR SEDAN

44 = 4-DOOR HATCHBACK

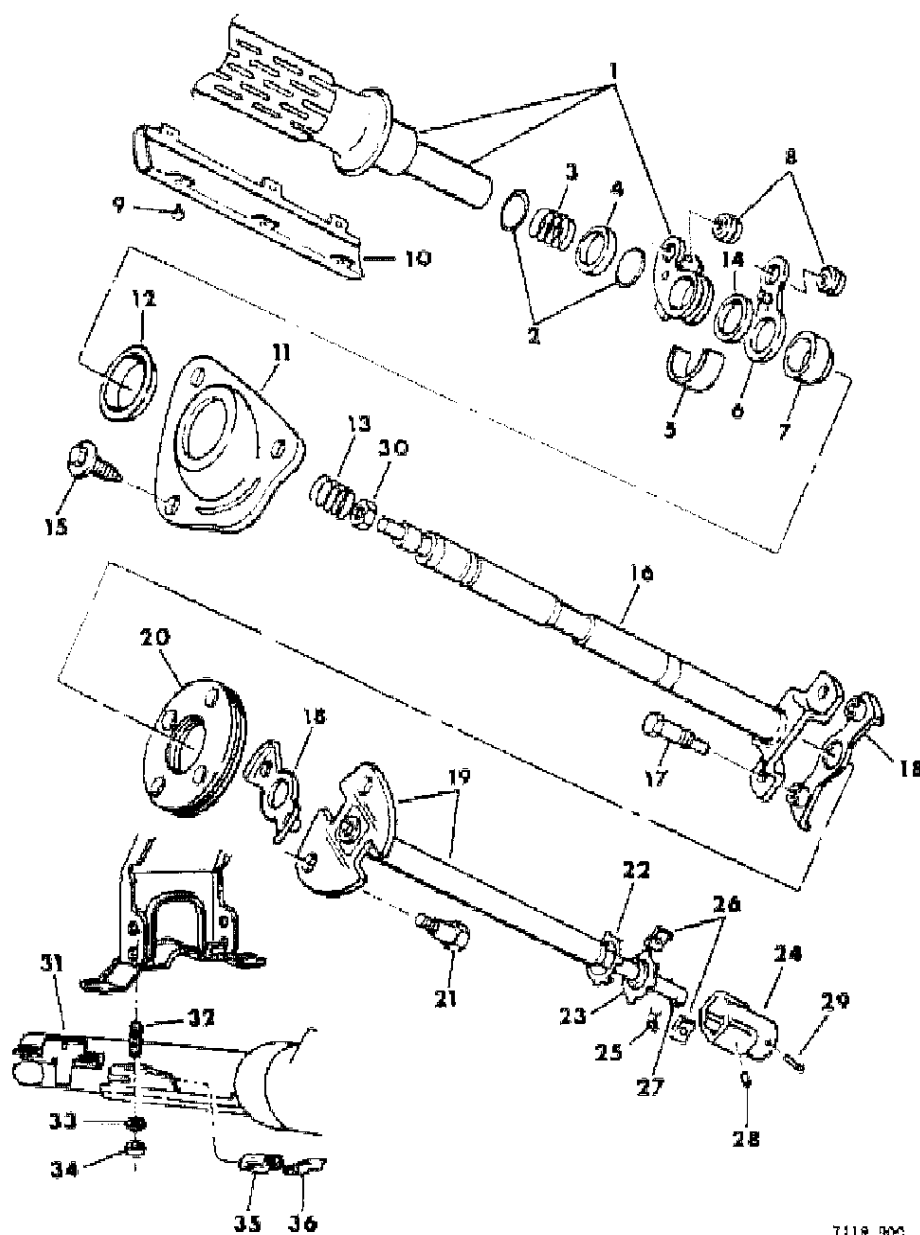
45 = 4-DOOR STATION WAGON

52-53 = FWD WAGON

AR = Use as Required - = Non Illustrated Part P.A.R. = Paint as Required

COLUMN, STEERING, LOWER WITHOUT TILT M BODY
Figure 19-900

7119 800



7119 900

ITEM	PART NUMBER	QTY	BODY	MODEL	DESCRIPTION
30	6500 906	1			NUT, Steering Wheel
31	4019 759	1			PLATE, Strg. Col. Switch Mounting
32	6027 947	2			STUD, Strg. Col. Mounting
33		2			WASHER, Stud (Not Serviced)
34	6027 403	2			NUT, Stud
35	4147 290	1			CLIP, Strg. Col. Ground
36	3748 492	2			SPACER, Strg. Col. Ground Clip
-	5211 212	1			STRAP, Strg. Column Ground (Not Shown)

MODEL CODES

E BODY = (J - CARAVELLE)(E - 600)(T - NEW YORKER)

G BODY = (V24 - DAYTONA)

H BODY = (D44 - LANCER)(C44 - LEBARON GTS)

J BODY = (C - LEBARON)

K BODY = (P - RELIANT)(D - ARIES)(C - LEBAROND)/TOWN & COUNTRY)

L BODY = (M - HORIZON/TURISMO)(Z - OMNI/CHARGER)

M BODY = (B - GRAN FURY)(F - FIFTH AVE/NEWPORT)(G - DIPLOMAT)

P BODY = (P - SUNDANCE)(D - SHADOW)

S BODY = (H - VOYAGER)(K - RAM VAN/CARAVAN)

BODY STYLES

12-13 = FWD VAN

21 = 2-DOOR SEDAN

24 = 2-DOOR HATCHBACK

27 = 2-DOOR CONVERTIBLE

41 = 4-DOOR SEDAN

44 = 4-DOOR HATCHBACK

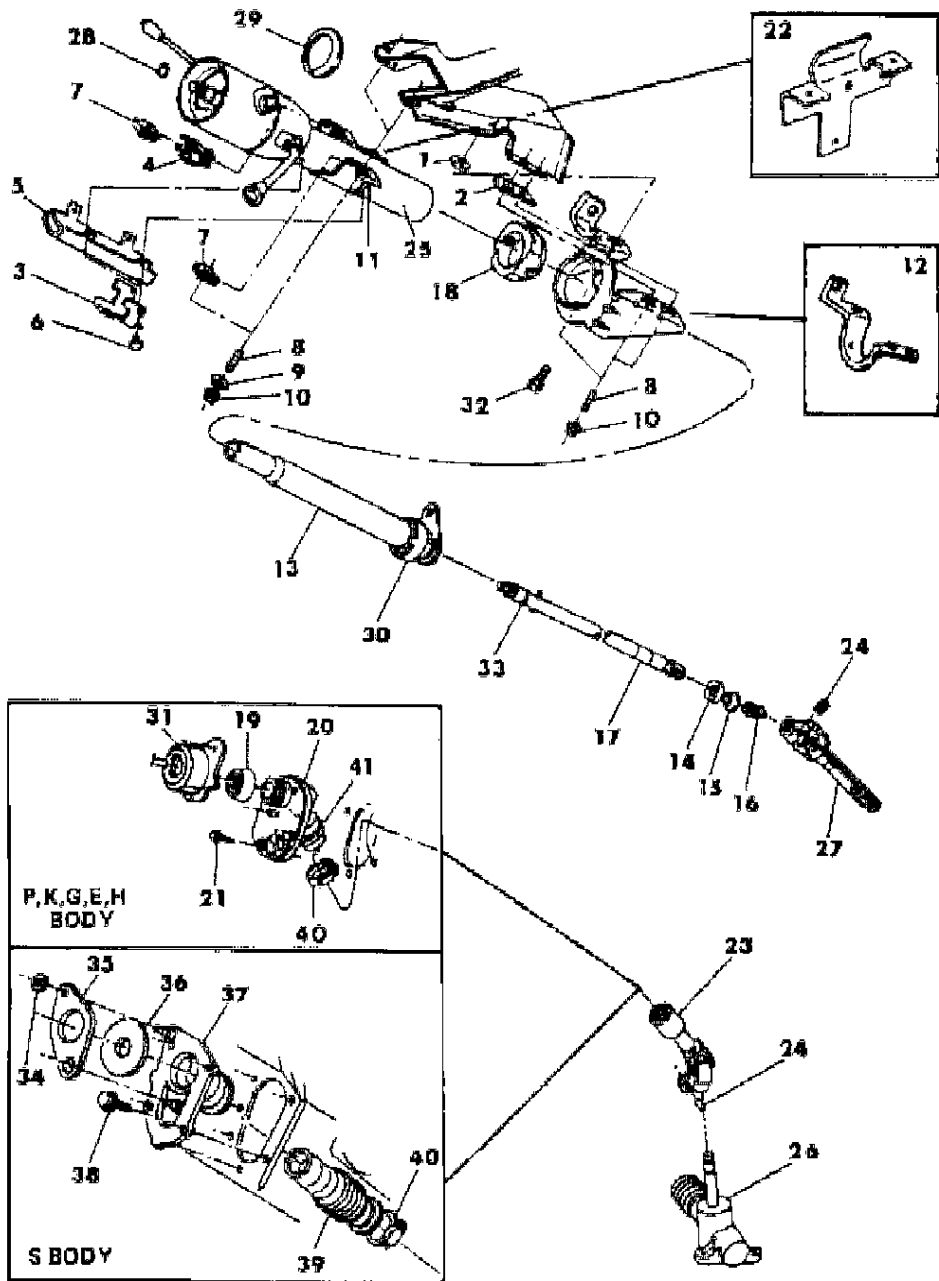
45 = 4-DOOR STATION WAGON

52-53 = FWD WAGON

AR = Use as Required - = Non Illustrated Part P.A.R. = Paint as Required

COLUMN, STEERING, LOWER WITH OR WITHOUT TILT STRG. P,J,K,G,E,H,S BODY
Figure 19-1000

7119 1000



ITEM	PART NUMBER	QTY	BODY	MODEL	DESCRIPTION
1	4333 231	AR			SHIM, Left
2	4333 235	AR			SHIM, Right
3	4147 290	1			CLIP, Strg. Column Grnd.
4	4147 361	1	H		BRACKET, E/Wipe Control Mtg.
5	5211 997	1			TROUGH, Strg. Col. Wiring w/Column Shift
	4333 673	1			w/Floor Shift
	4333 233	1	P		w/Floor Shift
6	6015 925	AR			RETAINER, Trough
7	3748 492	2			SPACER, Strg. Col. Support Bracket
	4147 217	2	PH		
8	6500 240	5			STUD, Strg. Col. Mounting
9					WASHER, (Not Serviced)
10	6500 512	5			NUT, Strg. Col. Mounting Stud
11		1			BRACKET, Strg. Col. Support Upper (Serviced in Jacket Assy.)
12	4147 229	1	PKEH		BRACKET, Strg. Col. Support Lwr. w/o Tilt
	4147 194	1	JG		Strg. Col. Support Lwr. w/o Tilt
	4147 195	1	S		Strg. Col. Support Lwr. w/o Tilt
	4188 284	1	PKEH		Strg. Col. Support Lwr. w/Tilt
	4188 845	1	JG		Strg. Col. Support Lwr. w/Tilt
	4147 020	1	S		Strg. Col. Support Lwr. w/Tilt
13	4147 198	1			TUBE, Strg. Col. g/Shift w/o Tilt Column Shift
	4188 320	1	KEH		w/Tilt, w/o Console
	4147 367	1	S		w/Tilt
14	4147 362	1			BEARING, w/Adapter (Col Shift), w/o Tilt St rg.
	4147 449	1			(w/Floor Shift)
	4188 307	1			w/Tilt Strg.
	4188 314	1			Retainer, Bearing w/Tilt Strg.
15	4147 374	1			WEDGE, Strg. Col. Shaft Lower w/o Tilt
16	5206 183	1			SPRING, Strg. Col. Lower Bearing
17	4147 482	1	KEHS		SHAFT, Strg. Col. Upper, w/o Tilt (Column Shift)
	4147 413	1			w/o Tilt (Floor Shift)
	4188 964	1	S		(Except Tilt Strg.)
18	4333 479	1			ADAPTOR, Strg. Col. Lower w/o Tilt (Column Shift)
	4333 221	1			w/o Tilt (Floor Shift)
19	4188 794	1			SEAL, Strg. Shaft
20	4147 284	1			COVER, Dash Seal
21	6032 332	4			SCREW, Dash Seal Cover
22	4188 283	1	KEHS		PLATE, Strg. Column Switch Mtg.

MODEL CODES

E BODY = (J - CARAVELLE)(E - 600)(T - NEW YORKER)

G BODY = (V24 - DAYTONA)

H BODY = (D44 - LANCER)(C44 - LEBARON GTS)

J BODY = (C - LEBARON)

K BODY = (P - RELIANT)(D - ARIES)(C - LEBAROND)/TOWN & COUNTRY)

L BODY = (M - HORIZON/TURISMO)(Z - OMNI/CHARGER)

M BODY = (B - GRAN FURY)(F - FIFTH AVE/NEWPORT)(G - DIPLOMAT)

P BODY = (P - SUNDANCE)(D - SHADOW)

S BODY = (H - VOYAGER)(K - RAM VAN/CARAVAN)

BODY STYLES

12-13 = FWD VAN

21 = 2-DOOR SEDAN

24 = 2-DOOR HATCHBACK

27 = 2-DOOR CONVERTIBLE

41 = 4-DOOR SEDAN

44 = 4-DOOR HATCHBACK

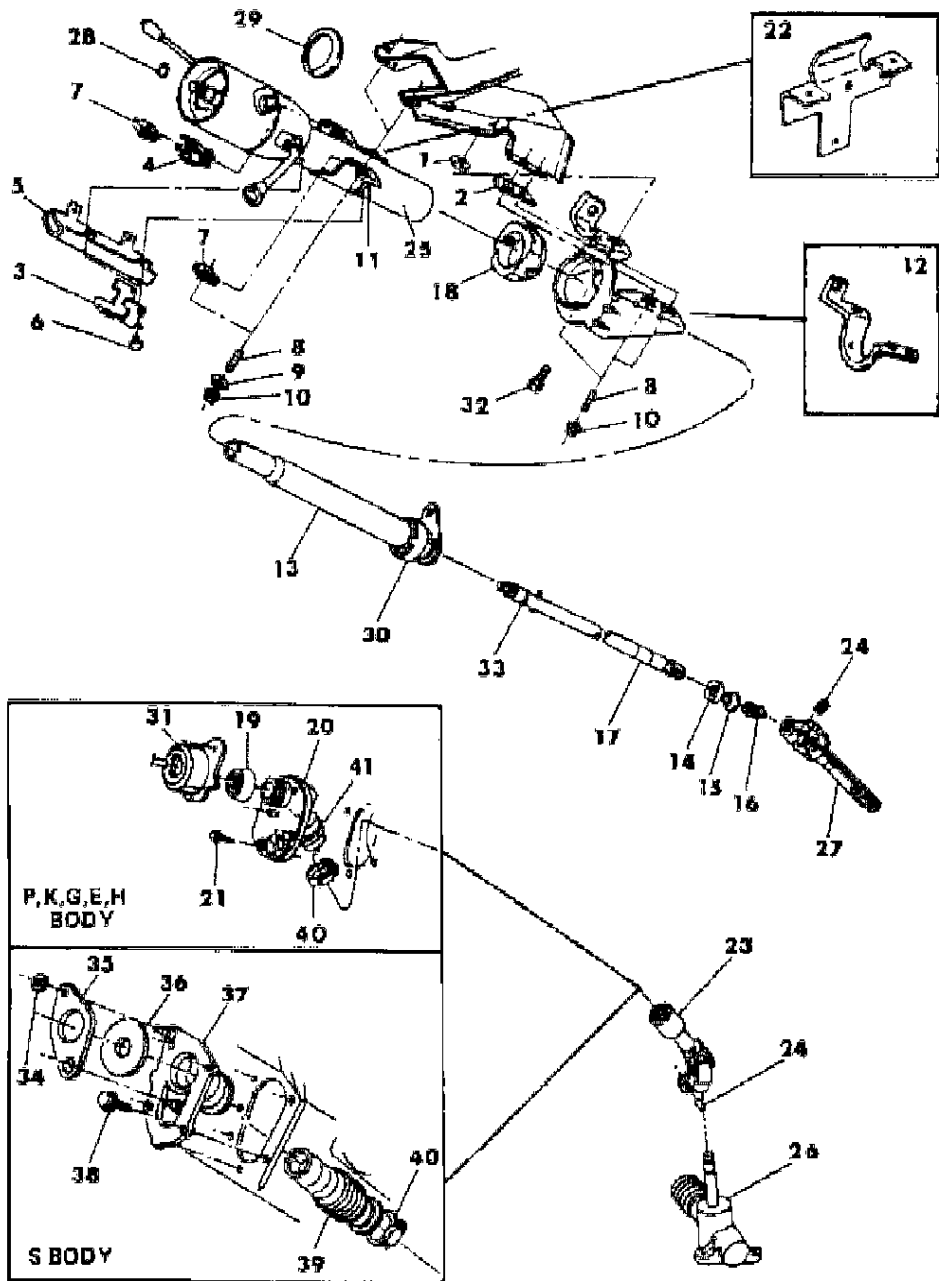
45 = 4-DOOR STATION WAGON

52-53 = FWD WAGON

AR = Use as Required - = Non Illustrated Part P.A.R. = Paint as Required

COLUMN, STEERING, LOWER WITH OR WITHOUT TILT STRG. P,J,K,G,E,H,S BODY
Figure 19-1000

7119 1000



ITEM	PART NUMBER	QTY	BODY	MODEL	DESCRIPTION
23	4333 128	1			COUPLING, Lower Strg. Shaft (Pwr. Strg.)
	4333 129	1			(Man. Strg.)
24	6500 148	1			PIN, Strg. Shaft Coupling
25	4188 312	1	KHS		JACKET, Pwr. Strg. w/Tilt, w/Floor Shift
	4188 311	1	KHS		w/Tilt, w/Column Shift
	4188 311	1	E		w/Tilt, All
	4333 328	1	P		w/Tilt, All
	4188 854	1	JG		w/Tilt, All
26					GEAR, (See Strg. Gear)
27	4333 126	1			COUPLING, Upper Strg. Shaft (Exc. H,K)
	4333 127	1	S		
28	6032 364	1			SNAP RING, Strg. Col. Shaft Bearing Upper
29	P446 FC5	1	KE		SHIELD, Instrument Panel to Steering Column (Paint as required)
					(Stamp #4220241)
30	4333 108	1	KEHS		SEAL, Strg. Col. Jacket to Tube
31	4188 868	1			SHELL, w/Silencer
32	6101 221	2			BOLT, Strg. Col. Support Bracket, w/Tilt Strg.
33	6030 655	1			O RING, Strg. Col. Shaft
34	6031 147	2	S		NUT, Push On
35	4188 993	1	S		RETAINER, Seal & Dash Liner
36	4188 994	1	S		SEAL, Dash
37	4147 355	1	S		COVER, Dash Seal
38	6032 332	4	S		SCREW, Cover To Dash
39	4188 986	1	S		BOOT, Strg. Coupling
40	6032 277	1	S		CLAMP, Boot To Strg. Gear
	4333 524	1			
41	4470 098	1			SHIELD, Strg. Col Cplg.

MODEL CODES

E BODY = (J - CARAVELLE)(E - 600)(T - NEW YORKER)
 G BODY = (V24 - DAYTONA)
 H BODY = (D44 - LANCER)(C44 - LEBARON GTS)
 J BODY = (C - LEBARON)
 K BODY = (P - RELIANT)(D - ARIES)(C - LEBAROND)/TOWN & COUNTRY)

L BODY = (M - HORIZON/TURISMO)(Z - OMNI/CHARGER)
 M BODY = (B - GRAN FURY)(F - FIFTH AVE/NEWPORT)(G - DIPLOMAT)
 P BODY = (P - SUNDANCE)(D - SHADOW)
 S BODY = (H - VOYAGER)(K - RAM VAN/CARAVAN)

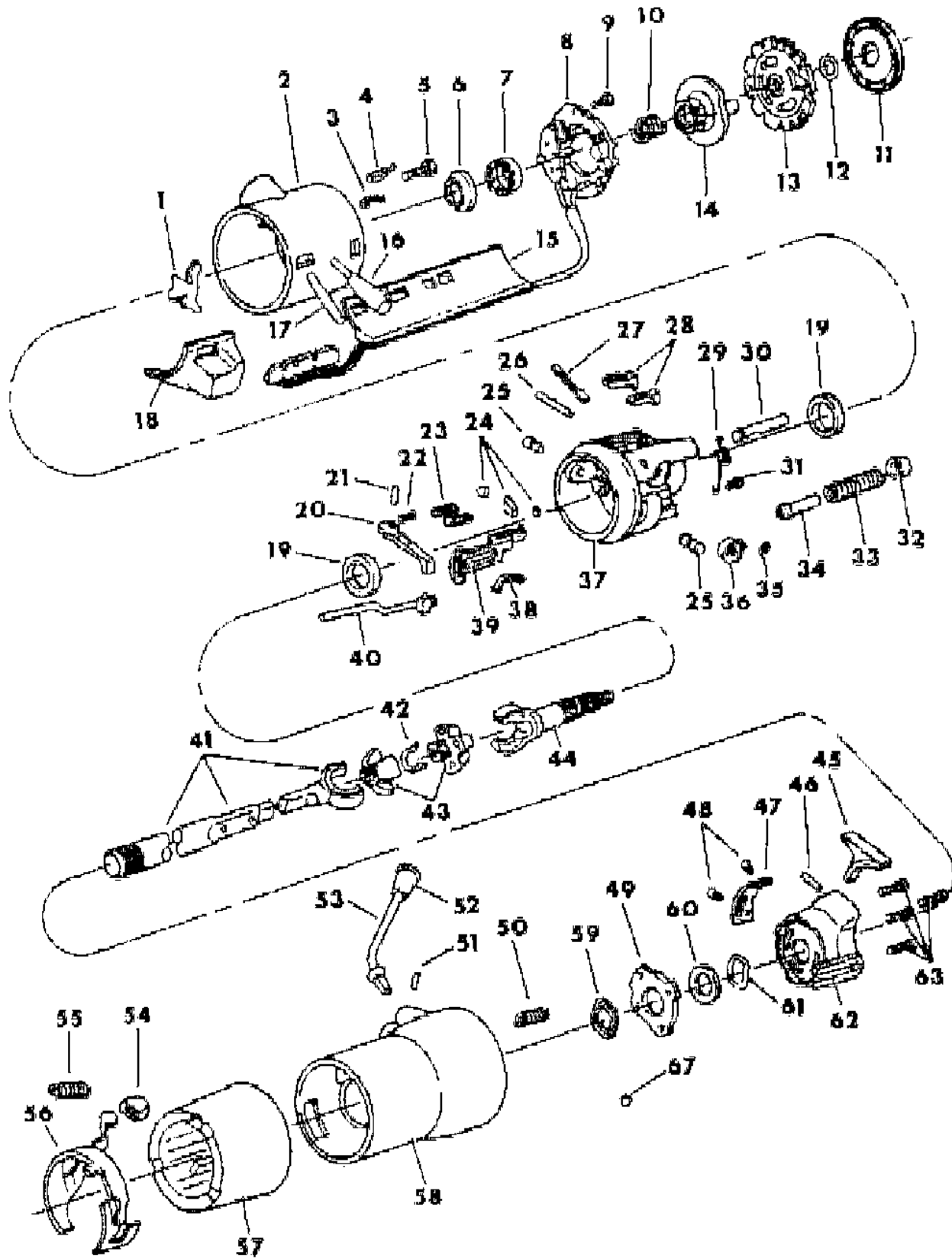
BODY STYLES

12-13 = FWD VAN
 21 = 2-DOOR SEDAN
 24 = 2-DOOR HATCHBACK
 27 = 2-DOOR CONVERTIBLE
 41 = 4-DOOR SEDAN
 44 = 4-DOOR HATCHBACK
 45 = 4-DOOR STATION WAGON
 52-53 = FWD WAGON

AR = Use as Required - = Non Illustrated Part P.A.R. = Paint as Required

COLUMN, STEERING, UPPER WITH TILT P,J,K,G,E,H,S,M BODY
Figure 19-1100

7110 1100



ITEM	PART NUMBER	QTY	BODY	MODEL	DESCRIPTION
1	4019 778	1			SHIELD, Tilt Lever Opening
2	4333 531	1			COVER, Lock Housing
3	4019 793	1			CLIP, Buzzer Switch Retaining
4	3488 432	1			SWITCH, Ignition Key Buzzer
5	3467 402	2			SCREW, Oval Head Cross Recess
6		1			RACE, Inner (Serv. in Kit 4147363)
7		1			SEAT, Upper Bearing Inner Race (Serv. in Kit 4147363)
8		1			SWITCH, Turn Signal & Hazzard Warning (See Group 8)
8A	4019 782	1			ARM, ASSY. Switch (Not Shown)
9	3467 814	3			SCREW, Binding Head Cross Recess
10	3575 981	1			SPRING, Upper Bearing
11		1			COVER, Shaft Lock
12	2925 062	1			RING, Retainer
13	4019 336	1			LOCK, Shaft
14	4188 484	1			CAM, Turn Signal Switch Cancelling
15	4188 202	1	M		TROUGH, Strg. Column Wiring
	5211 997	1			
	4333 233	1	P		
16		1			LEVER, Turn Signal Indicator, (See Group 8)
17	4147 435	1			LEVER, Strg. Col. Release Lock
	4147 436	1	JG		
18	4147 002	1			CAP, End Cover
19		2			BEARING, Strg. Shaft Upper (Serv. in Kit 4147364)
20	4188 478	1			LEVER, Shoe Release
21	2880 259	1			PIN, Shoe Release Lever
22	2880 262	1			SPRING, Shoe Release Lever
23	3467 392	2			SPRING, Shoe
24	3467 378	3			BUMPER
25		2			PIN, Pivot (Serv. in Kit 4147363)
26	3467 382	1			PIN, Dowel
27	4188 835	1			SHAFT, Drive
28	3467 388	1			SHOE, Strg. Wheel Lock, w/3 Position
	4019 785	1			w/4 Position
29		1			SPRING, Lock Bolt (Serv. in Kit 4147364)
30	3467 377	1			BOLT, Lock
31	3467 431	1			SCREW, Hex. Washer Head
		1			SCREW, Hex. Washer Head (Serv. in Kit 4147363)
32		1			RETAINER, Spring (Serv. in Kit 4147363)

MODEL CODES

E BODY = (J - CARAVELLE)(E - 600)(T - NEW YORKER)

G BODY = (V24 - DAYTONA)

H BODY = (D44 - LANCER)(C44 - LEBARON GTS)

J BODY = (C - LEBARON)

K BODY = (P - RELIANT)(D - ARIES)(C - LEBAROND)/TOWN & COUNTRY)

L BODY = (M - HORIZON/TURISMO)(Z - OMNI/CHARGER)

M BODY = (B - GRAN FURY)(F - FIFTH AVE/NEWPORT)(G - DIPLOMAT)

P BODY = (P - SUNDANCE)(D - SHADOW)

S BODY = (H - VOYAGER)(K - RAM VAN/CARAVAN)

BODY STYLES

12-13 = FWD VAN

21 = 2-DOOR SEDAN

24 = 2-DOOR HATCHBACK

27 = 2-DOOR CONVERTIBLE

41 = 4-DOOR SEDAN

44 = 4-DOOR HATCHBACK

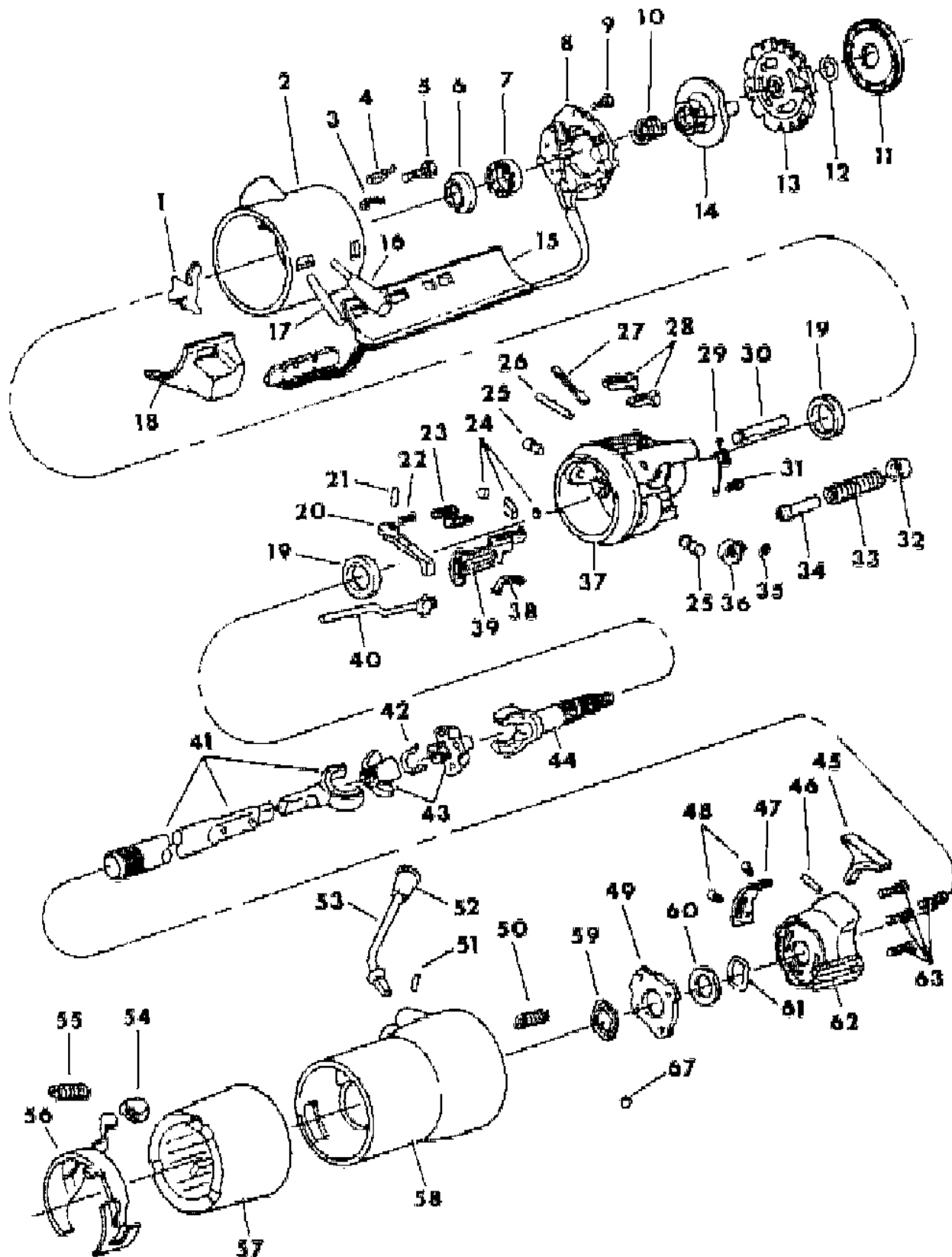
45 = 4-DOOR STATION WAGON

52-53 = FWD WAGON

AR = Use as Required - = Non Illustrated Part P.A.R. = Paint as Required

COLUMN, STEERING, UPPER WITH TILT P,J,K,G,E,H,S,M BODY
Figure 19-1100

7110 1100



ITEM	PART NUMBER	QTY	BODY	MODEL	DESCRIPTION
33		1			SPRING, Wheel Tilt (Serv. in Kit 4147363)
34		1			GUIDE, Spring (Serv. in Kit 4147363)
35	3467 384	1			RING, Retaining
36		1			SECTOR, Switch Actuator (Serv. Kit 4147364)
37	4333 083	1			HOUSING, Steering Col. Shaft, Upper Bearing
38	3467 391	1			SPRING, Rack Preload
39		1			RACK, Switch Actuator (Serv. in Kit 4147364)
40	4188 486	1	M		ACTUATOR, Ignition Switch
	4188 716	1	KH		w/o Console, w/Auto. Trans.
	4188 716	1	E		With or Without Console, All Trans.
	4188 716	1	KHS		w/Auto Trans.
	4188 717	1	KH		w/Console, w/Auto. Trans.
	4188 855	1	JG		w/Console, All Trans. All Eng.
	4188 717	1	KHS		w/Man. Trans.
	4333 327	1	P		All Trans.
41	4188 315	1	M		SHAFT, Strg. Column
	4333 085	1			Strg. Col. (Exc. M BODY)
	4188 476	1	M		SHAFT, Lower
	4333 085	1			Lower (Exc. M BODY)
42		1			SPRING, (Service in Kit 4147365)
43		1			SPHERE, and Spring,(Serv. Kit 4147365)
44	4094 094	1			SHAFT, Upper w/Race, Strg. Column
45	4019 296	1			PLATE, Shroud Retaing, w/Floor Shift (Exc. M BODY)
46	2880 259	1			PIN, Release Lever
47	3748 497	1	M		GATE, Shift Lever
	4147 429	1	KEHS		GATE, Shift Lever
48	3467 402	2			SCREW, Oval Head Cross Recess
49	3748 498	1			PLATE, Lock
50	2880 284	1			SPRING, Strg. Column Shift Lever
51	9412 281	1			PIN, Lever Spring (Exc. P,G, BODY)
52		1			KNOB, Column Shift Lever (See Group 21)
53		1			LEVER, W/Knob Column Gear Shift (See Group 21)
54	4019 619	1			PAD, Key Release Lever, w/Floor Shift
55	4019 298	1			SPRING, Key Release, w/Floor Shift
56	4019 297	1			LEVER, Key Release, w/Floor Shift
57	4188 325	1	K		SHROUD, Col. Housing, w/Floor Shift
	4188 030	1	JGHS		
	4333 329	1	P		

MODEL CODES

E BODY = (J - CARAVELLE)(E - 600)(T - NEW YORKER)

G BODY = (V24 - DAYTONA)

H BODY = (D44 - LANCER)(C44 - LEBARON GTS)

J BODY = (C - LEBARON)

K BODY = (P - RELIANT)(D - ARIES)(C - LEBAROND)/TOWN & COUNTRY)

L BODY = (M - HORIZON/TURISMO)(Z - OMNI/CHARGER)

M BODY = (B - GRAN FURY)(F - FIFTH AVE/NEWPORT)(G - DIPLOMAT)

P BODY = (P - SUNDANCE)(D - SHADOW)

S BODY = (H - VOYAGER)(K - RAM VAN/CARAVAN)

BODY STYLES

12-13 = FWD VAN

21 = 2-DOOR SEDAN

24 = 2-DOOR HATCHBACK

27 = 2-DOOR CONVERTIBLE

41 = 4-DOOR SEDAN

44 = 4-DOOR HATCHBACK

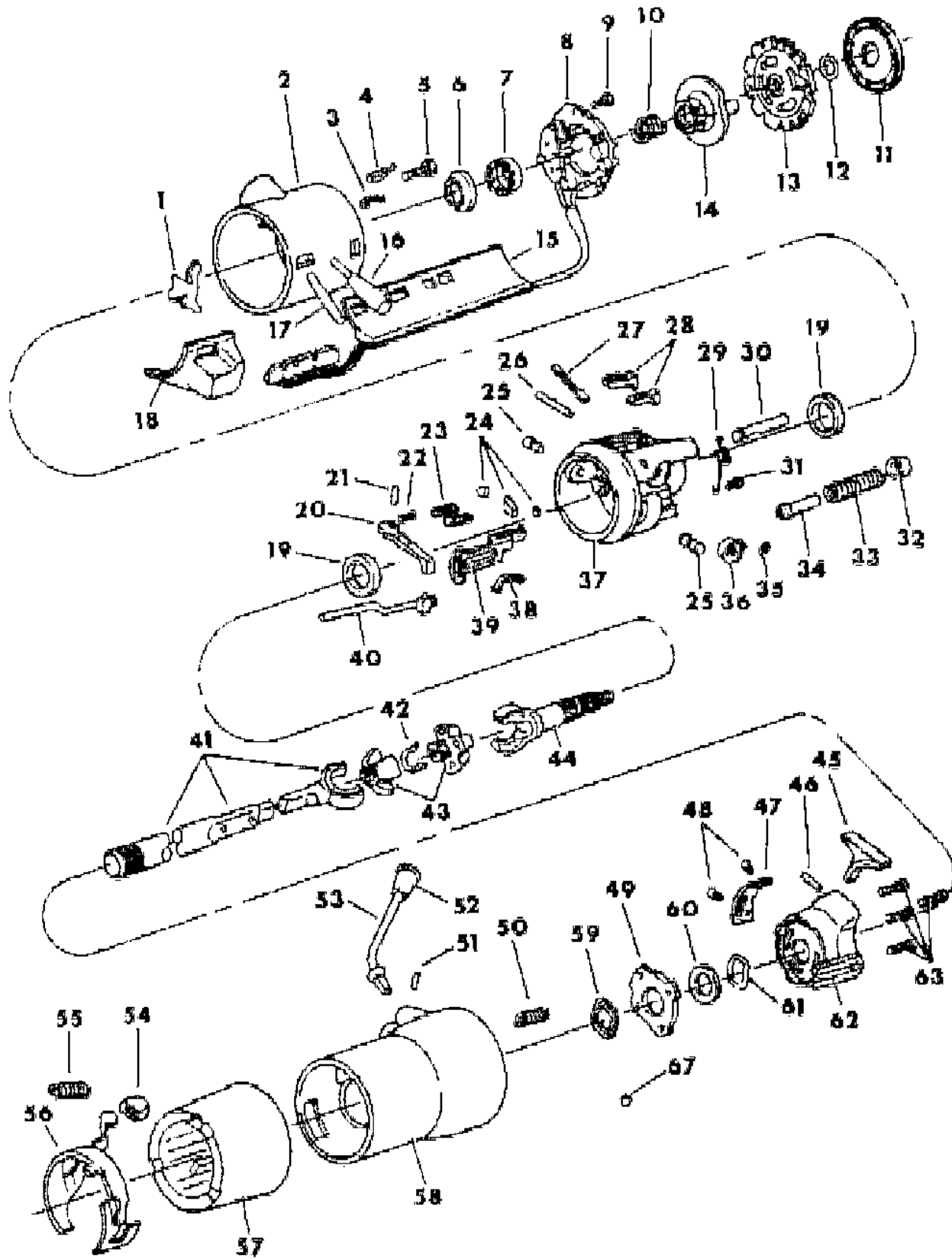
45 = 4-DOOR STATION WAGON

52-53 = FWD WAGON

AR = Use as Required - = Non Illustrated Part P.A.R. = Paint as Required

COLUMN, STEERING, UPPER WITH TILT P,J,K,G,E,H,S,M BODY
Figure 19-1100

7110 1100



ITEM	PART NUMBER	QTY	BODY	MODEL	DESCRIPTION
58	4333 090	1	KEM		BOWL, Gearshift Lever, w/Col. Shift
	4333 091	1	HS		w/Auto Trans.
59	3748 592	1			WASHER, Wave ,Col. Shift
60	3467 423	1			WASHER, Thrust
61	3467 415	1			RING, Shift Tube Retainer
62	4333 088	1	M		SUPPORT, Bearing Housing, w/o Console
	4333 087	1	KH		w/Auto Trans. w/o Console
	4333 087	1	E		w/All Trans.
	4333 087	1	S		w/Auto Trans.
	4333 086	1	KHS		w/Man. Trans.
	4333 086	1	KH		w/Auto Trans., w/Console
	4333 086	1	PJG		w/All Trans.
63	3748 500	4			SCREW, Support
67	6015 925	4			RETAINER, Strg. Col. Wiring Trough
-	4188 872	1			PIN, Switch Actuator Pivot
---	4147 363	1			PARTS PACKAGE, Upper Column
---	4147 364	1			RACK PACKAGE, Column Sector
---	4147 365	1			SPHERE PACKAGE, Tilt Column
---	4470 020	1			SPRING PACKAGE, Tilt

MODEL CODES

E BODY = (J - CARAVELLE)(E - 600)(T - NEW YORKER)

G BODY = (V24 - DAYTONA)

H BODY = (D44 - LANCER)(C44 - LEBARON GTS)

J BODY = (C - LEBARON)

K BODY = (P - RELIANT)(D - ARIES)(C - LEBAROND)/TOWN & COUNTRY)

L BODY = (M - HORIZON/TURISMO)(Z - OMNI/CHARGER)

M BODY = (B - GRAN FURY)(F - FIFTH AVE/NEWPORT)(G - DIPLOMAT)

P BODY = (P - SUNDANCE)(D - SHADOW)

S BODY = (H - VOYAGER)(K - RAM VAN/CARAVAN)

BODY STYLES

12-13 = FWD VAN

21 = 2-DOOR SEDAN

24 = 2-DOOR HATCHBACK

27 = 2-DOOR CONVERTIBLE

41 = 4-DOOR SEDAN

44 = 4-DOOR HATCHBACK

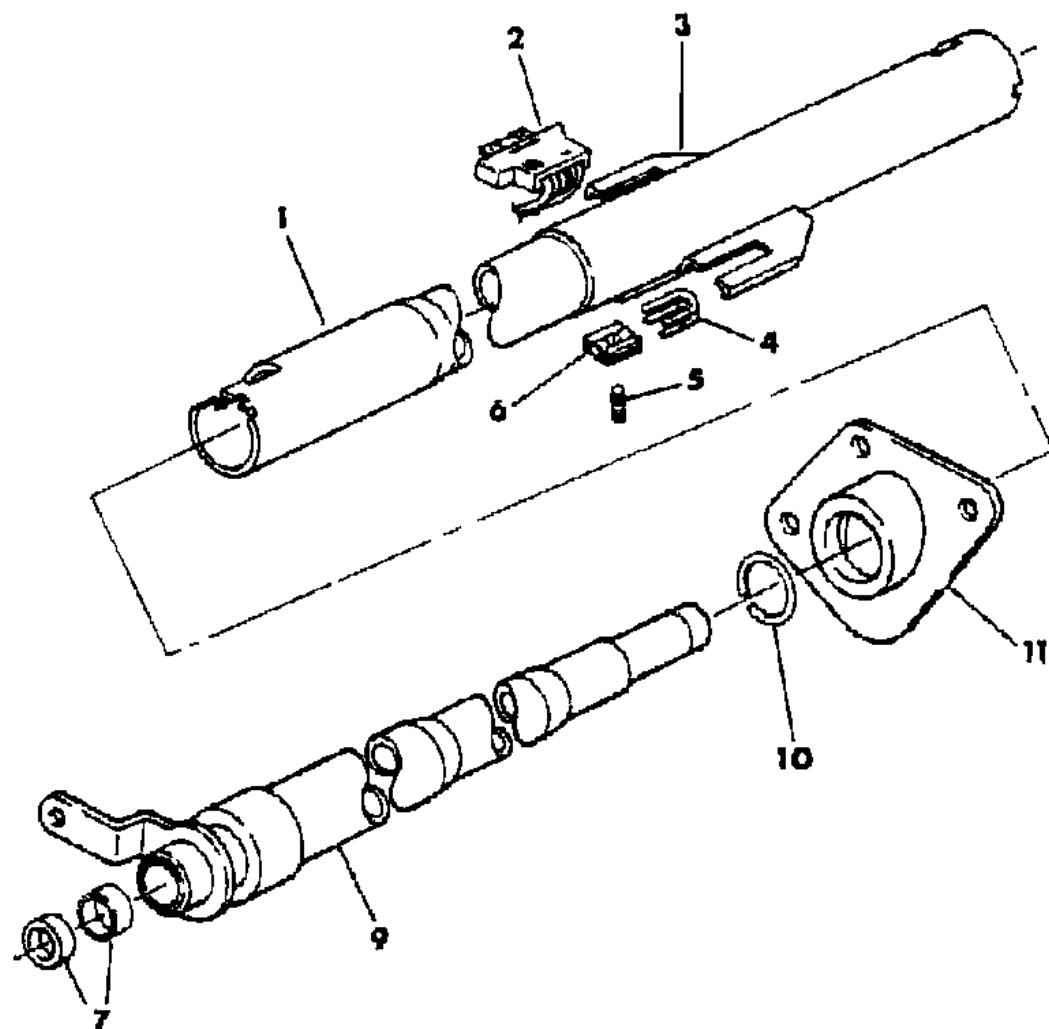
45 = 4-DOOR STATION WAGON

52-53 = FWD WAGON

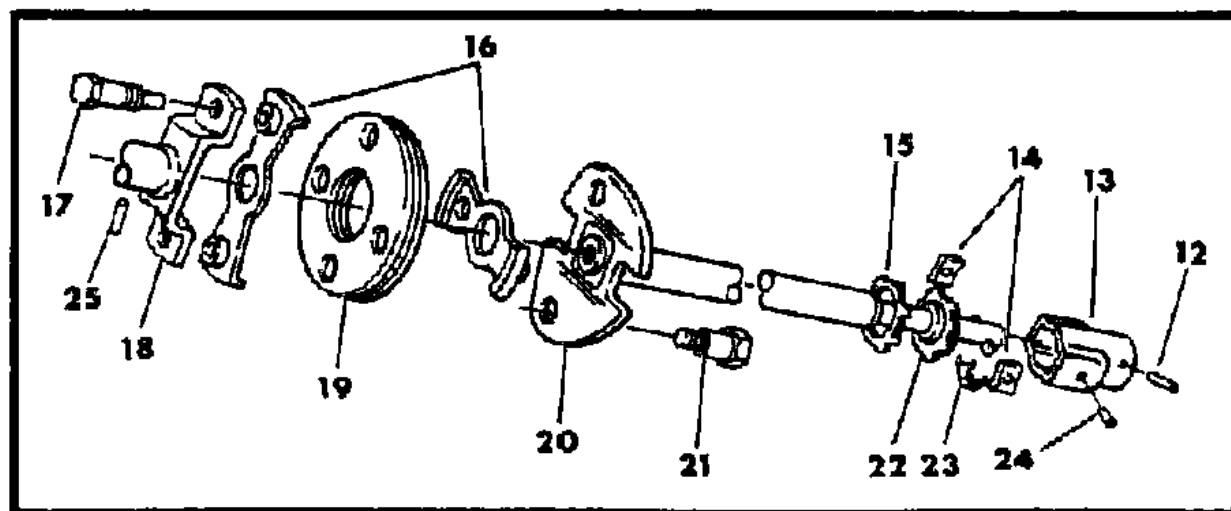
AR = Use as Required - = Non Illustrated Part P.A.R. = Paint as Required

COLUMN, STEERING, LOWER WITH TILT M BODY
Figure 19-1200

7119 1200



ITEM	PART NUMBER	QTY	BODY	MODEL	DESCRIPTION
1	4147 366	1			JACKET, Strg. Col., w/ Col. Shift
2					(See Group 8)
3	4019 271	1			BRACKET, Strg. Col. Support
4		1			CLIP, Strg. Col. Ground (Not Serviced)
5	6500 127	4			SCREW, w/Washer, Bracket To Strg. Col.
	6027 947	2			STUD, Strg. Col. Mounting
6	3748 492	2			SPACER, Strg. Col. Support Bracket
7	4019 501	1			BEARING, w/INSULATOR, Strg. Shaft Lower
9	4188 319	1			TUBE, Strg. Col. Gearshift, w/o Console
10	3748 400	1			GROMMET, Strg. Col.
11	4019 274	1			PLATE, Strg. Col. Jacket Support
12	2266 743	1			PIN, Strg. Col. Shaft Lower Coupling
13	3748 268	1			BODY, Strg. Col. Shaft Coupling
14	2800 738	2			SHOE, Coupling Body
15	2530 538	1			COVER, Coupling Body
16	4186 826	1			STRAP PACKAGE, Strg. Col. Coupling, w/Bolts
17	6031 801	2			BOLT, Coupling
18	3748 271	1			FLANGE, Strg. Col. Shaft Coupling
19	3748 310	1			COUPLING, Strg. Col. Shaft
20	4019 262	1			SHAFT, Strg. Col. Coupling Intermediate, 6.34" Lgh
21	6031 802	2			BOLT, Coupling
22	4019 278	1			SEAL, Coupling Body
23	2925 492	1			SPRING, Strg. Col. Shaft Coupling Body
24	6029 951	1			PIN, Coupling Body
25	6028 750	1			PIN, Coupling Body



MODEL CODES

E BODY = (J - CARAVELLE)(E - 600)(T - NEW YORKER)

G BODY = (V24 - DAYTONA)

H BODY = (D44 - LANCER)(C44 - LEBARON GTS)

J BODY = (C - LEBARON)

K BODY = (P - RELIANT)(D - ARIES)(C - LEBAROND)/TOWN & COUNTRY)

L BODY = (M - HORIZON/TURISMO)(Z - OMNI/CHARGER)

M BODY = (B - GRAN FURY)(F - FIFTH AVE/NEWPORT)(G - DIPLOMAT)

P BODY = (P - SUNDANCE)(D - SHADOW)

S BODY = (H - VOYAGER)(K - RAM VAN/CARAVAN)

BODY STYLES

12-13 = FWD VAN

21 = 2-DOOR SEDAN

24 = 2-DOOR HATCHBACK

27 = 2-DOOR CONVERTIBLE

41 = 4-DOOR SEDAN

44 = 4-DOOR HATCHBACK

45 = 4-DOOR STATION WAGON

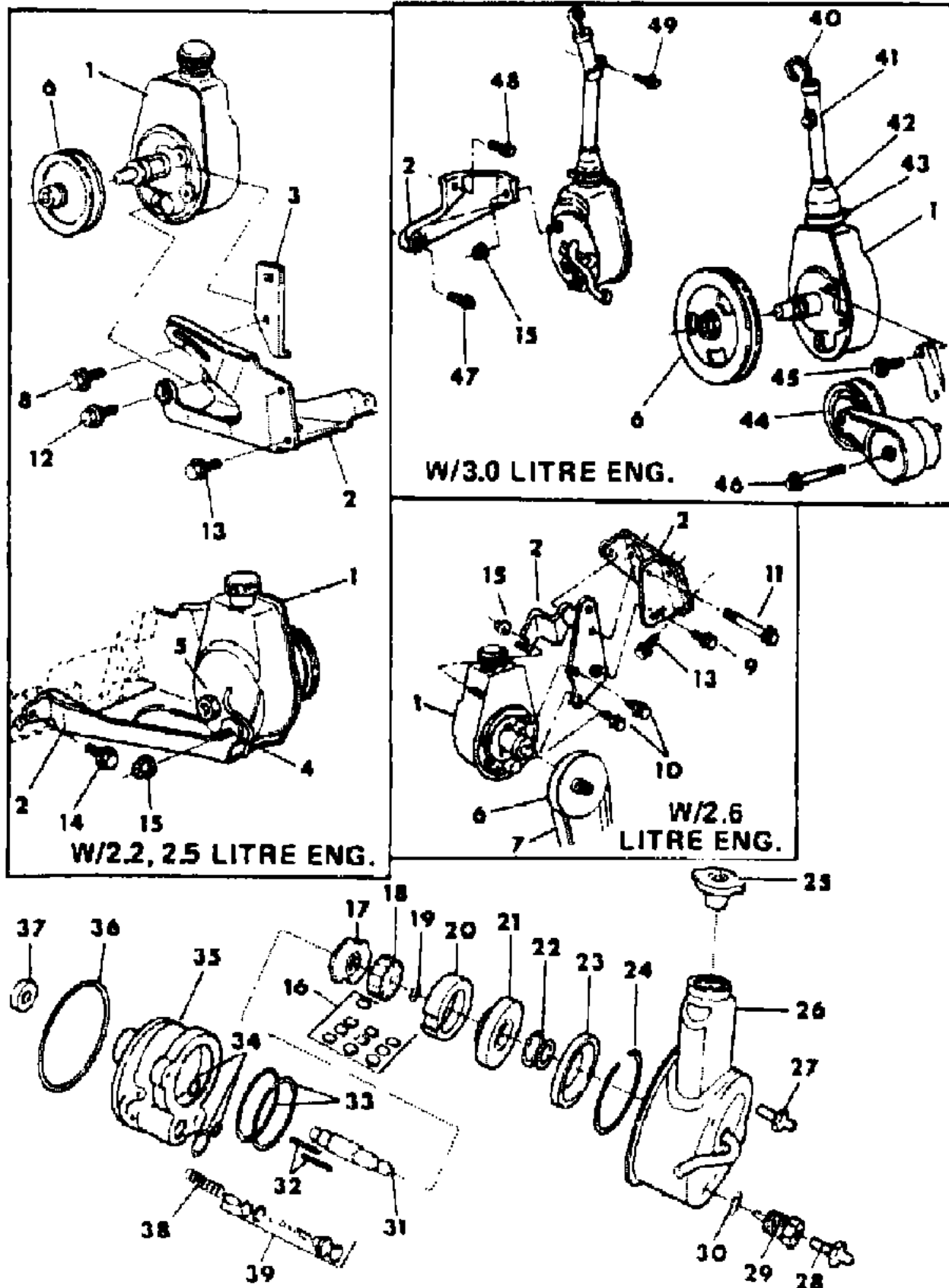
52-53 = FWD WAGON

AR = Use as Required - = Non Illustrated Part P.A.R. = Paint as Required

PUMP, POWER STEERING & ATTACHING PARTS WITH 2.2, 2.5, 2.6, 3.0 ENGINE FRONT WHEEL DRIVE

Figure 19-1225

7110 1225



ITEM	PART NUMBER	QTY	BODY	MODEL	DESCRIPTION
	4333 377	1			SEAL PACKAGE Consists of: 1 ----- Magnet 1 ----- Seal, Drive Shaft 1 ----- Seal, "O"Ring
	3815 961	1			SERVICE PACKAGE, Retaining Ring and DriveShaft Consists of: 1 ----- Ring, Shaft Retaining 1 ----- Shaft, Drive
	3815 960 3815 964	1			SERVICE PACKAGE, Ring Retaining SERVICE PACKAGE, Rotor, Vane and Ring Consists of: 1 ----- Ring, Pump 1 ----- Ring, Shaft Retaining 1 ----- Rotor, Pump 10 ----- Vane, Pump
	3643 453	1			SERVICE PACKAGE, Pump Reservoir Consists of: 1 ----- Reservoir 1 ----- Seal, "O"Ring 1 ----- Seal, "O"Ring 2 ----- Seal, "O"Ring
1	3815 956 4188 832 3815 956	1	L L JKES		PUMP, Power Strg. (Except Shelby & Perf. Pkg.) w/Shelby & Perf. Pkg. w/Std. Or H.D. Susp.
	4188 832 4188 832	1	JKGEH P		w/Firm Feel Or Extra Duty Susp. w/All Susp.
2	5214 491 4105 054	1			BRACKET, Power Strg. Pump Mounting,(w/2.2 & 2.5L Eng.) BRACKET, Power Strg. Mounting, Pump Side, (w/2.6L Eng.)
	4173 238 4343 892	1	S S		BRACKET, Power Strg. Mounting, Eng. Side, (w/2.6L Eng.) BRACKET, Power Strg. Mounting Rear (w/3.0 Eng.)
3	5203 743	1			BRACKET, Power Strg. Pump Adjusting, (w/2.2 & 2.5L Eng.)
4	3815 915	2			STUD, Power Strg. Pump Mounting
5		1			PUMP, Assy. (See Item 1)

MODEL CODES

E BODY = (J - CARAVELLE)(E - 600)(T - NEW YORKER)

G BODY = (V24 - DAYTONA)

H BODY = (D44 - LANCER)(C44 - LEBARON GTS)

J BODY = (C - LEBARON)

K BODY = (P - RELIANT)(D - ARIES)(C - LEBAROND)/TOWN & COUNTRY

L BODY = (M - HORIZON/TURISMO)(Z - OMNI/CHARGER)

M BODY = (B - GRAN FURY)(F - FIFTH AVE/NEWPORT)(G - DIPLOMAT)

P BODY = (P - SUNDANCE)(D - SHADOW)

S BODY = (H - VOYAGER)(K - RAM VAN/CARAVAN)

BODY STYLES

12-13 = FWD VAN

21 = 2-DOOR SEDAN

24 = 2-DOOR HATCHBACK

27 = 2-DOOR CONVERTIBLE

41 = 4-DOOR SEDAN

44 = 4-DOOR HATCHBACK

45 = 4-DOOR STATION WAGON

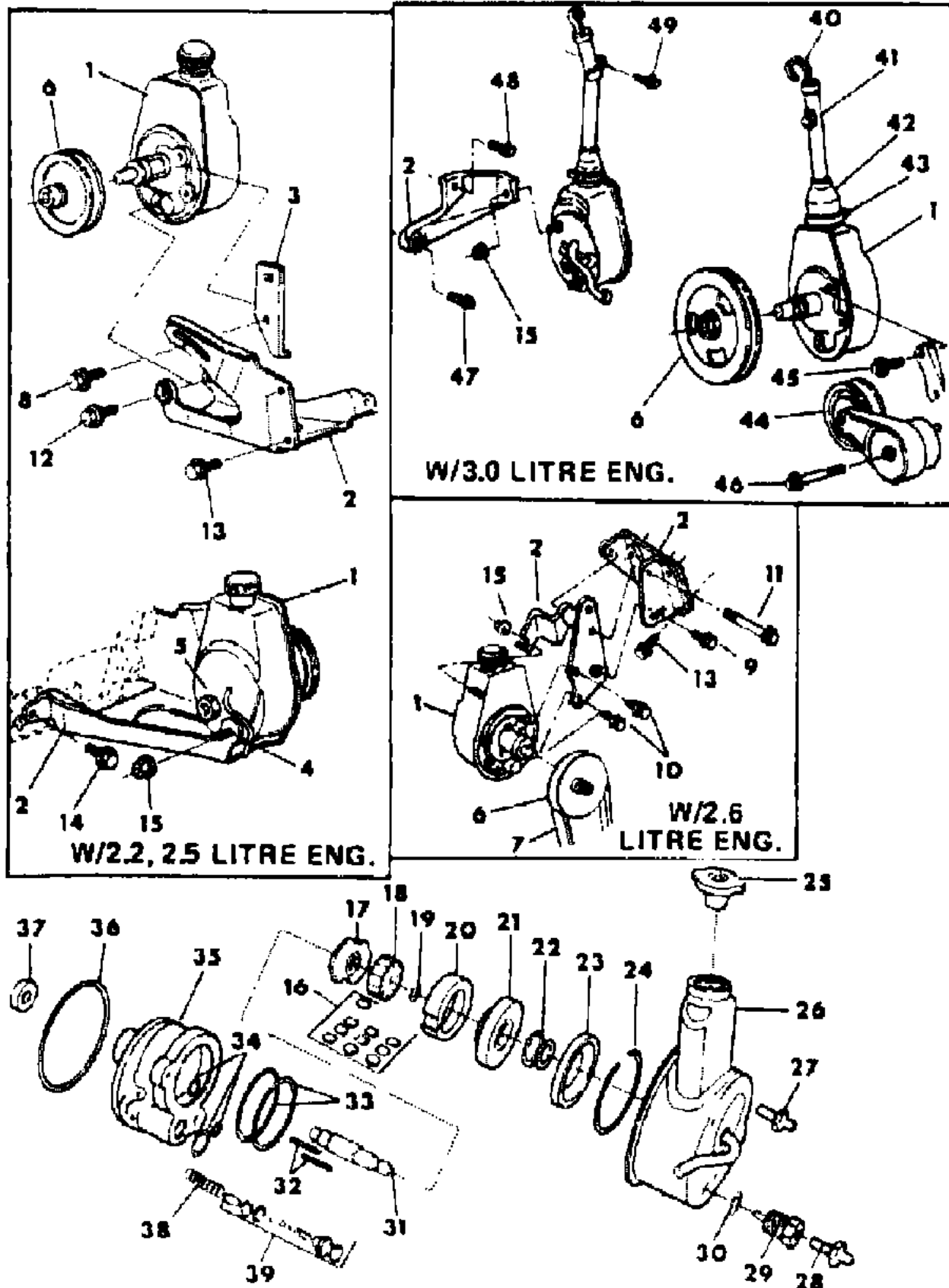
52-53 = FWD WAGON

AR = Use as Required - = Non Illustrated Part P.A.R. = Paint as Required

PUMP, POWER STEERING & ATTACHING PARTS WITH 2.2, 2.5, 2.6, 3.0 ENGINE FRONT WHEEL DRIVE

Figure 19-1225

7110 1225



ITEM	PART NUMBER	QTY	BODY	MODEL	DESCRIPTION
6	5214 734	1			PULLEY, Power Strg. Pump, (w/2.2 & 2.5L Eng.)
	4173 230	1	S		(w/2.6L Eng.)
	4343 951	1	S		(w/3.0 Eng.)
7		1			BELT, Power Strg. Pump, Drive (Refer To Group 7)
8	6500 157	1			SCREW, w/Washer, Mounting Bracket To Cylinder Block
9	6500 157	AR			SCREW, w/Washer, Power Strg. Pump Adjusting Slot
10	6500 267	AR	S		SCREW, w/Washer, Engine Side Bracket To Pump (w/2.6L Eng.)
11	6500 438	AR	S		SCREW, w/Washer, Pump Pivot (w/2.6L Eng.)
	6500 399	AR			w/2.2L Eng.
12	6500 399	1			SCREW, w/Washer, Power Strg. Pump Mounting Bracket To Power Strg. Pump
13	6500 399	1			SCREW, w/Washer, Power Strg. Bracket To Block (w/2.2L)
	6500 399	4			SCREW, w/Washer, Power Strg. Bracket To Cyl. Head (w/2.6L Eng.)
14	6500 399	1			SCREW, w/Washer Power Strg. Pump Mounting Bracket To Block
15	6500 259	1			NUT, Power Strg. Pump Mounting Stud
16		10			VANE, (Serviced in 4031303 Repair Kit)
17	3815 914	1			PLATE, Pump Thrust
18		1			ROTOR, Pump (Serviced in 3815964 Repair Kit)
19	2891 166	1			RING, Pump Drive Shaft Retaining
20		1			RING, Pump (Serviced in 4031303 Repair Kit)
21	3815 967	1			PLATE, Pump Pressure
22	3815 966	1			SPRING, Pump Pressure Plate
23	2537 820	1			PLATE, Pump End
24	2537 823	1			RING, End Plate Retaining
25	4219 036	1			CAP, Oil Pump Reservoir
26	3643 453	1			SERVICE PACKAGE, Reservoir
27	3815 915	1			STUD, Pump Mounting
28	3815 915	1			STUD, Pump Mounting
29	5205 267	1	KES		FITTING, Union Assy. Std. Susp.
	5205 267	1	L		Std. Susp. (Exc. Shelby & Perf. Pkg.)
	3815 983	1	KGEH		w/Firm Feel & Extra Duty Susp.
	3815 983	1	P		w/All Susp.
	3815 983	1	L		w/Shelby & Perf. Pkg.
30	4333 377	1			SERVICE PACKAGE, Seal
31	3815 961	1			SERVICE PACKAGE, Shaft and Retaining Ring
	3815 960	1			SERVICE PACKAGE, Ring Retaining
32	2537 819	2			PIN, Pump Ring Dowel

MODEL CODES

E BODY = (J - CARAVELLE)(E - 600)(T - NEW YORKER)

G BODY = (V24 - DAYTONA)

H BODY = (D44 - LANCER)(C44 - LEBARON GTS)

J BODY = (C - LEBARON)

K BODY = (P - RELIANT)(D - ARIES)(C - LEBAROND)/TOWN & COUNTRY)

L BODY = (M - HORIZON/TURISMO)(Z - OMNI/CHARGER)

M BODY = (B - GRAN FURY)(F - FIFTH AVE/NEWPORT)(G - DIPLOMAT)

P BODY = (P - SUNDANCE)(D - SHADOW)

S BODY = (H - VOYAGER)(K - RAM VAN/CARAVAN)

BODY STYLES

12-13 = FWD VAN

21 = 2-DOOR SEDAN

24 = 2-DOOR HATCHBACK

27 = 2-DOOR CONVERTIBLE

41 = 4-DOOR SEDAN

44 = 4-DOOR HATCHBACK

45 = 4-DOOR STATION WAGON

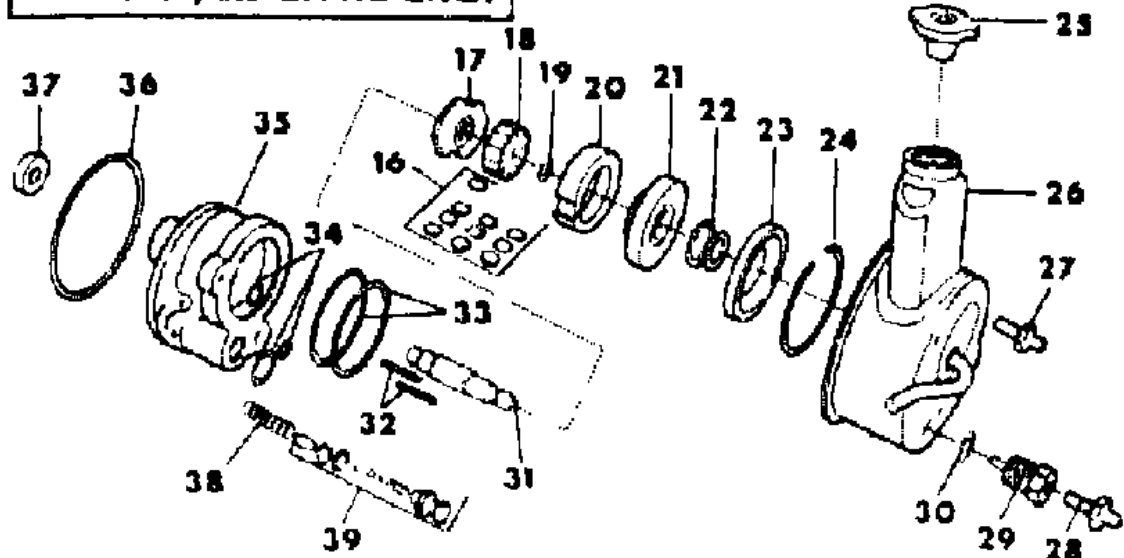
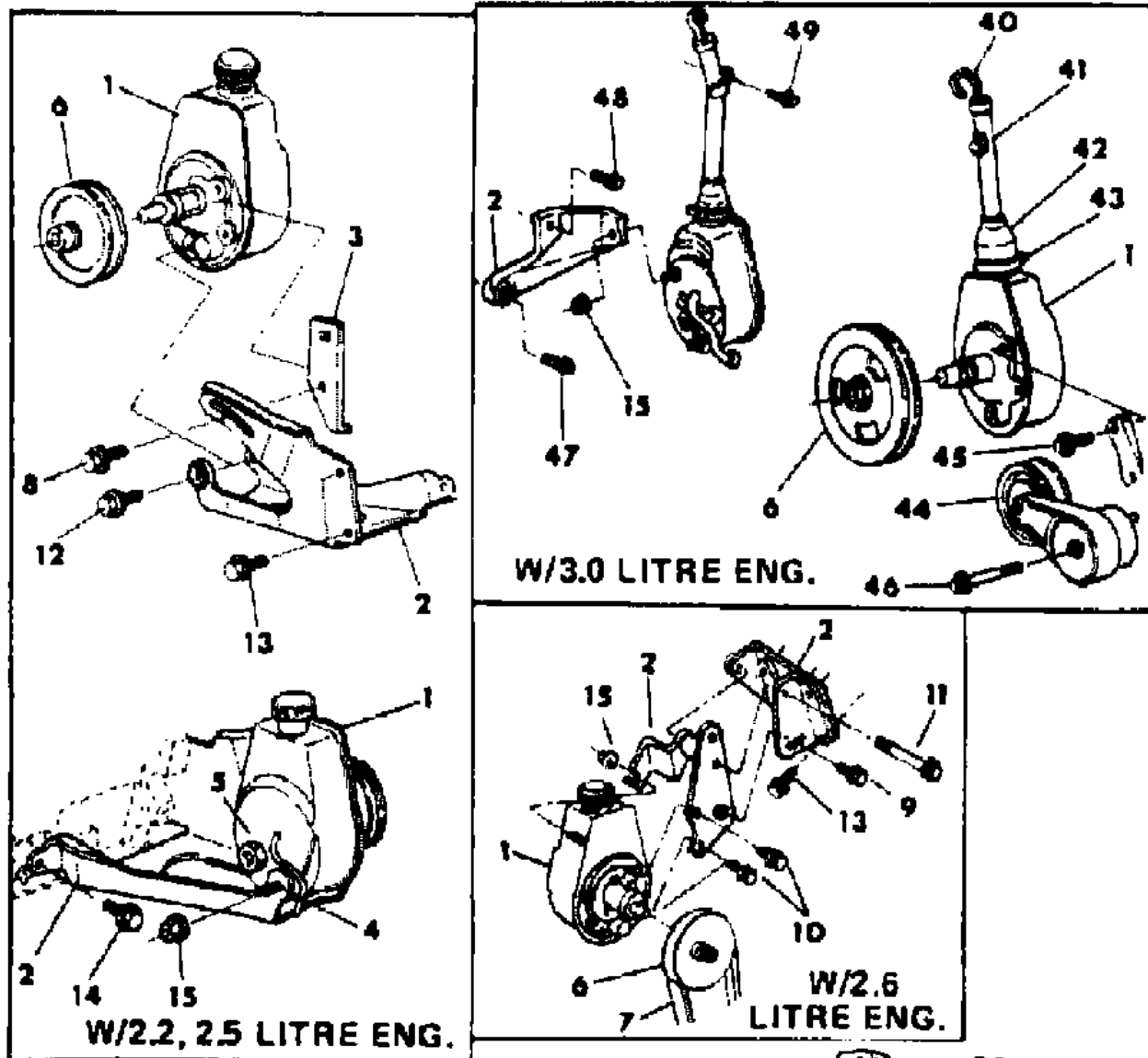
52-53 = FWD WAGON

AR = Use as Required - = Non Illustrated Part P.A.R. = Paint as Required

PUMP, POWER STEERING & ATTACHING PARTS WITH 2.2, 2.5, 2.6, 3.0 ENGINE FRONT WHEEL DRIVE

Figure 19-1225

7110 1225



ITEM	PART NUMBER	QTY	BODY	MODEL	DESCRIPTION
33	4333 377	1			SERVICE PACKAGE, Seal
34	4333 377	1			SERVICE PACKAGE, Seal
35		1			HOUSING, Assy. Pump (Serviced in Pump Assy.)
36	4333 377	1			SEAL, Pump Reservoir "O"Ring
	4333 377	1			SEAL, Pump Reservoir "O"Ring
37	2537 899	1			SEAL, Pump Drive Shaft
38	2537 833	1			SPRING, Pump Flow Control
39	3815 965	1	KES		VALVE, Pump Flow Control, Std. Susp.
	3815 965	1	L		Std. Susp. (Exc. Shelby & Perf. Pkg.)
	2891 695	1	KE		w/Firm Feel Susp. & Extra Duty
	2891 695	1	PJGH		w/All Susp.
	2891 695	1	L		w/Shelby & Perf. Pkg.
40	4333 460	1	S		DIP STICK
41	4333 459	1	S		TUBE
42	4333 475	1	S		BOOT
43	2448 763	1	S		CLAMP
44	4343 896	1	S		TENSIONER
45	6101 050	2	S		SCREW, w/Washer
46	6101 431	1	S		BOLT
47	6101 062	1	S		SCREW, w/Washer
48		1	S		SCREW, w/Washer (Not Serv.)
49	6501 188	1	S		SCREW

MODEL CODES

E BODY = (J - CARAVELLE)(E - 600)(T - NEW YORKER)

G BODY = (V24 - DAYTONA)

H BODY = (D44 - LANCER)(C44 - LEBARON GTS)

J BODY = (C - LEBARON)

K BODY = (P - RELIANT)(D - ARIES)(C - LEBAROND)/TOWN & COUNTRY)

L BODY = (M - HORIZON/TURISMO)(Z - OMNI/CHARGER)

M BODY = (B - GRAN FURY)(F - FIFTH AVE/NEWPORT)(G - DIPLOMAT)

P BODY = (P - SUNDANCE)(D - SHADOW)

S BODY = (H - VOYAGER)(K - RAM VAN/CARAVAN)

BODY STYLES

12-13 = FWD VAN

21 = 2-DOOR SEDAN

24 = 2-DOOR HATCHBACK

27 = 2-DOOR CONVERTIBLE

41 = 4-DOOR SEDAN

44 = 4-DOOR HATCHBACK

45 = 4-DOOR STATION WAGON

52-53 = FWD WAGON

AR = Use as Required - = Non Illustrated Part P.A.R. = Paint as Required

PUMP, POWER STEERING PULLEY, BRACKETS, OIL COOLER M BODY
Figure 19-1250

7119 1250B

ITEM	PART NUMBER	QTY	BODY	MODEL	DESCRIPTION
------	-------------	-----	------	-------	-------------

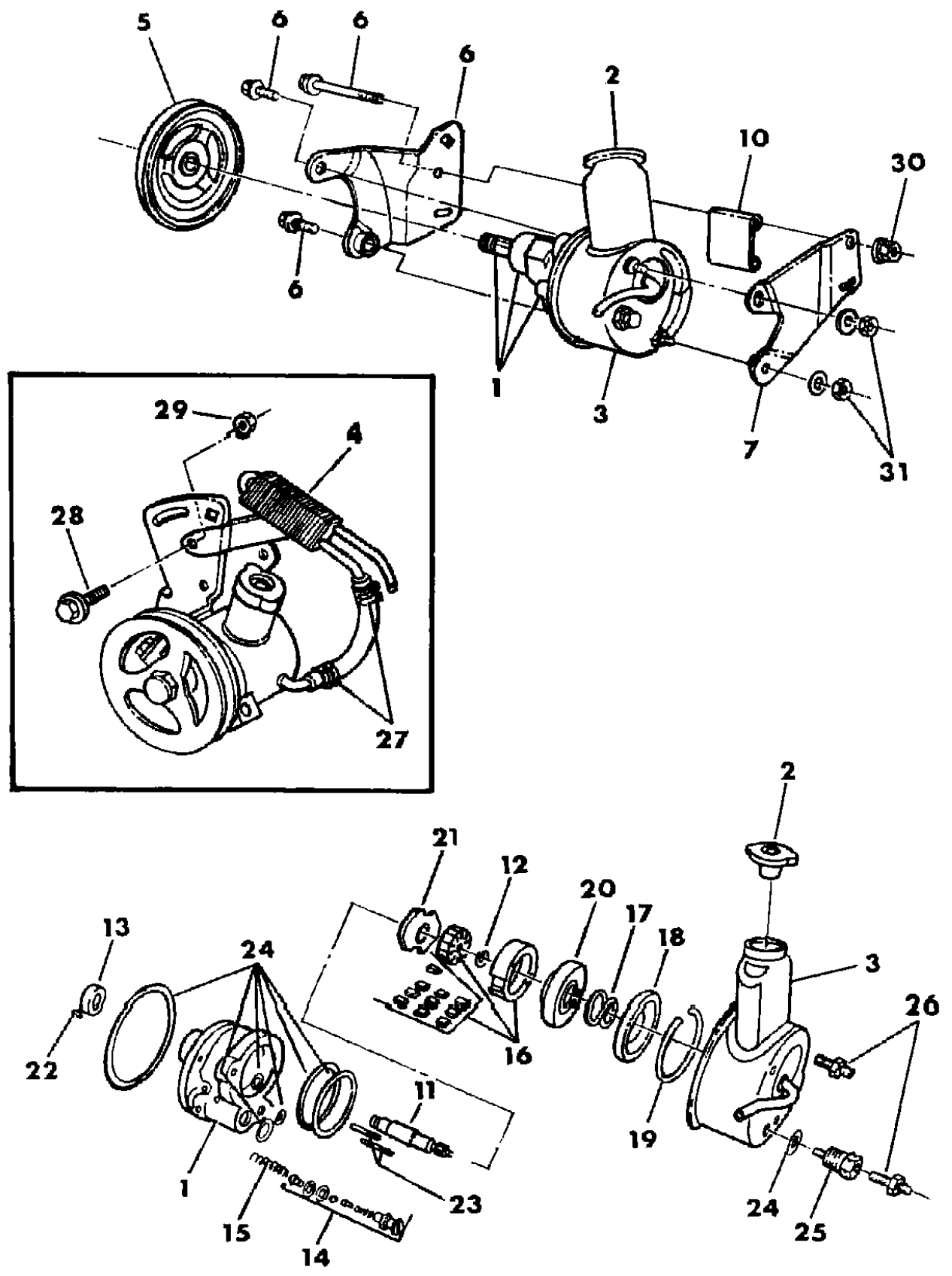
NOTE: Steering pump pulleys can be identified by by the Part No. stamped on the Pulley, the last 2 digits are twice the size of the first 5 digits. the rear of the carburetor throttle body. A mirror is required to read the no. when the carburetor

1	3815 971	1			OIL PUMP, Power Strg.
2	4219 036	1			CAP, Oil Pump Reservoir
3	2891 741	1			RESERVOIR, Power Strg. Oil Pump
4	3643 482	1			COOLER, Power Strg. Pump Oil
5	3870 089	1			PULLEY, Strg. Pump w/318 Eng. (See Note)
6	4179 736	1			BRACKET, Power Strg. Pump, Front, w/318 Eng.
6	6500 374	1			BOLT, Pump Mounting Bracket
	6500 399	1			Pump Mounting Bracket Spacer
	0433 105	1			Pump Mounting Bracket, w/318 Eng.
7	4179 738	1			BRACKET, Power Strg. Pump Rear, w/318 Eng.
10	6029 507	1			SPACER, Pump Mounting Bracket, w/318 Eng.
11	3815 961	1			SHAFT, w/Retaining RING PACKAGE, Pump
	3815 960	1			SERVICE PACKAGE, Ring Retaining
12		1			RING, Pump Dr. Shaft Retaining (Serv. in 3815960 Kit)
13	2537 899	1			SEAL, Pump Drive Shaft
14	2891 460	1			VALVE, Pump Flow Control Pressure Relief
15	2537 833	1			SPRING, Pump Flow Control
16	3815 962	1			REPAIR PACKAGE, Pump Ring and Rotor Vane
17	3815 966	1			SPRING, Pump Pressure Plate
18	2537 820	1			PLATE, Pump End
19	2537 823	1			RING, Pump End Plate Retainer
20	3815 967	1			PLATE, Pump Pressure
21	3815 914	1			PLATE, Pump Thrust
22		1			KEY, Pump Drive Shaft (Not Serviced)
23	2537 819	2			PIN, Pump Ring Dowel
24	#4333 377	1			SEAL PACKAGE, Pump
		1			SEAL, Oil Pump Reservoir (Serv. in 4333377 Pkg.)
		1			O'RING, Oil Pump Reservoir (Serv. in 4333377 Pkg.)
25	3643 493	1			FITTING, Pump Discharge
26	3643 466	2			STUD, Pump Mounting
27		AR			CLAMP, Oil Cooler Hose (Not Serviced)
28		1			BOLT, Oil Cooler Mounting (Not Serviced)
29	6025 020	1			NUT, Oil Cooler Mounting
30	6100 525	2			NUT, Bolt Mounting Bracket
31	6100 053	1			NUT, w/Washer

MODEL CODES
 E BODY = (J - CARAVELLE)(E - 600)(T - NEW YORKER)
 G BODY = (V24 - DAYTONA)
 H BODY = (D44 - LANCER)(C44 - LEBARON GTS)
 J BODY = (C - LEBARON)
 K BODY = (P - RELIANT)(D - ARIES)(C - LEBAROND)/TOWN & COUNTRY
 L BODY = (M - HORIZON/TURISMO)(Z - OMNI/CHARGER)
 M BODY = (B - GRAN FURY)(F - FIFTH AVE/NEWPORT)(G - DIPLOMAT)
 P BODY = (P - SUNDANCE)(D - SHADOW)
 S BODY = (H - VOYAGER)(K - RAM VAN/CARAVAN)

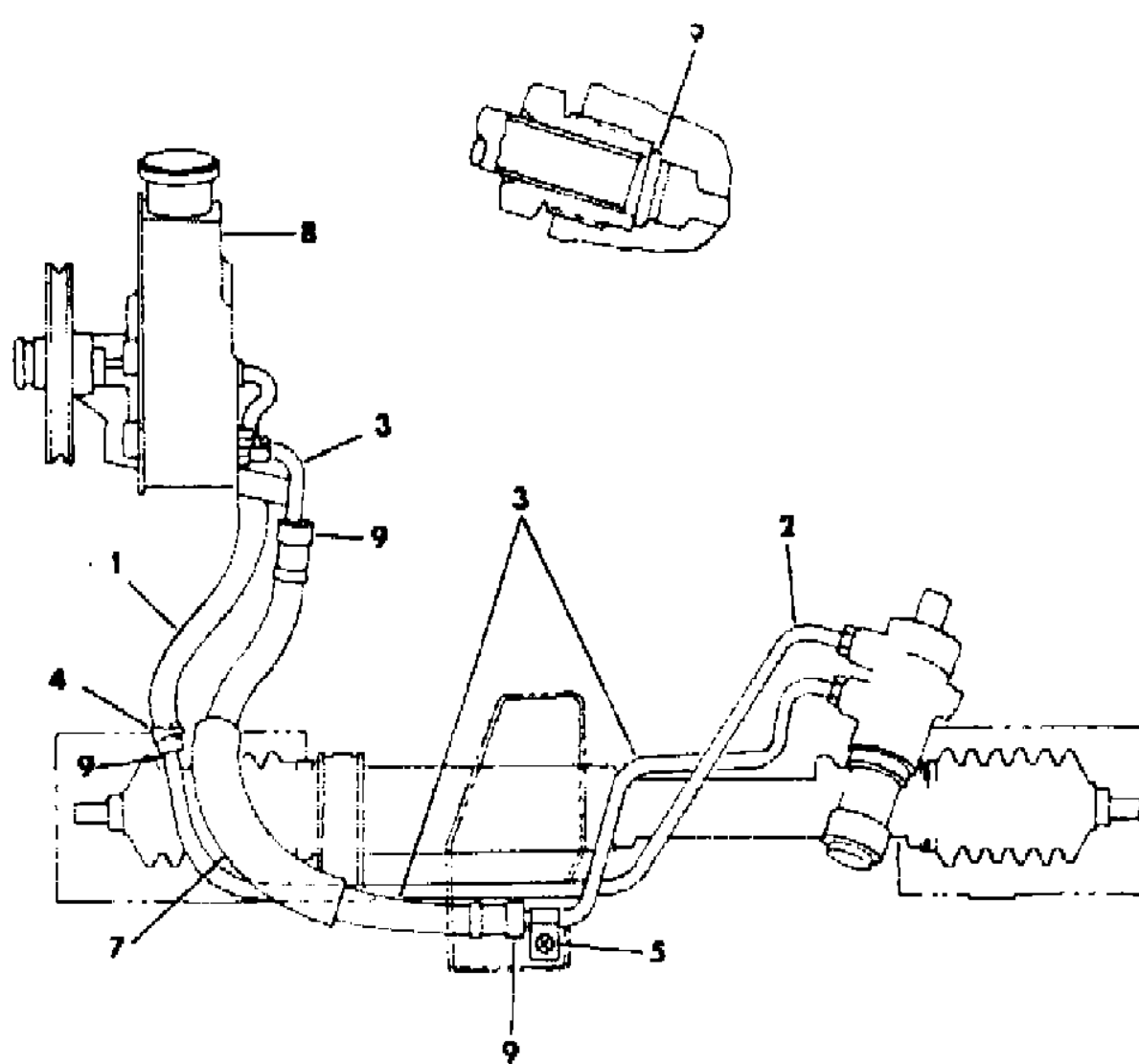
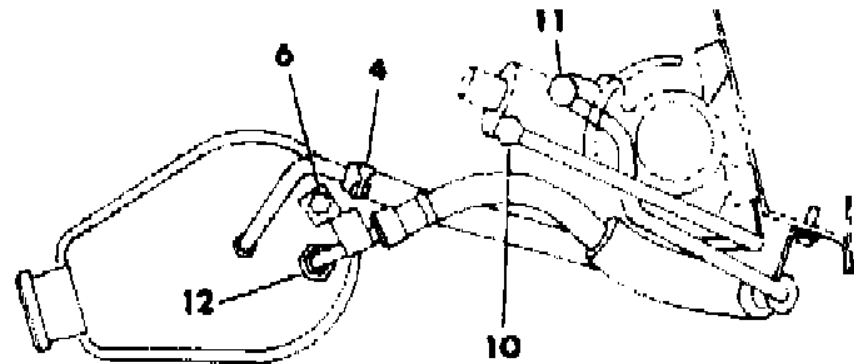
BODY STYLES
 12-13 = FWD VAN
 21 = 2-DOOR SEDAN
 24 = 2-DOOR HATCHBACK
 27 = 2-DOOR CONVERTIBLE
 41 = 4-DOOR SEDAN
 44 = 4-DOOR HATCHBACK
 45 = 4-DOOR STATION WAGON
 52-53 = FWD WAGON

AR = Use as Required - = Non Illustrated Part P.A.R. = Paint as Required



HOSE CHART, POWER STRG. PUMP L,P,J,K,G,E,H,S BODY
Figure 19-1280

7119 1280



ITEM	PART NUMBER	QTY	BODY	MODEL	DESCRIPTION
------	-------------	-----	------	-------	-------------

NOTE 1: Part No. 3879925 Consists of a 50' Foot Roll use as required the rear of the carburetor throttle body. A mirror is required to read the no. when the carburetor

1		1			HOSE, Return, Power Strg. Pump (Cut to 11" From Part No. 3879925 See Note 1)
2	3815 846	1	L		TUBE, w/Nut Power Strg. Pump Return Hose, w/2.2
	4333 577	1	S		TUBE, w/Nut Power Strg. Pump Return Hose
	4333 429	1	S		w/ 3.0 EFI
	4333 240	1	PKGEHJ		w/T.R.W. Strg. Gear
	4333 241	1	PKGEHJ		w/Saginaw Strg. Gear
3	3815 987	1	LS		HOSE, Pressure w/2.2 Eng.
	4333 130	1	PKGEHJ		w/2.2 & 2.5 EFI
	4333 600	1	S		w/2.5, 2.6L
	4470 228	1	S		w/3.0 EFI
4	2448 761	2			CLAMP, Return Hose
5	6500 151	1	L		SCREW, Clamp To Frame
6	0118 615	1			NUT, Pressure Hose Clamp To Power Strg. Pump
7		1			SLEEVE, (Serv. in Pressure Hose)
8		1			PUMP, Power Strg. (See 19-1900)
9	5205 254	3			"O"Ring, Power Strg. Hose
10		1			NUT, (Serv. in Tube Assy.)
11		1			NUT, (Serv. in Pressure Hose)
12		1			NUT, (Serv. in Pressure Hose)

MODEL CODES

E BODY = (J - CARAVELLE)(E - 600)(T - NEW YORKER)

G BODY = (V24 - DAYTONA)

H BODY = (D44 - LANCER)(C44 - LEBARON GTS)

J BODY = (C - LEBARON)

K BODY = (P - RELIANT)(D - ARIES)(C - LEBAROND)/TOWN & COUNTRY)

L BODY = (M - HORIZON/TURISMO)(Z - OMNI/CHARGER)

M BODY = (B - GRAN FURY)(F - FIFTH AVE/NEWPORT)(G - DIPLOMAT)

P BODY = (P - SUNDANCE)(D - SHADOW)

S BODY = (H - VOYAGER)(K - RAM VAN/CARAVAN)

BODY STYLES

12-13 = FWD VAN

21 = 2-DOOR SEDAN

24 = 2-DOOR HATCHBACK

27 = 2-DOOR CONVERTIBLE

41 = 4-DOOR SEDAN

44 = 4-DOOR HATCHBACK

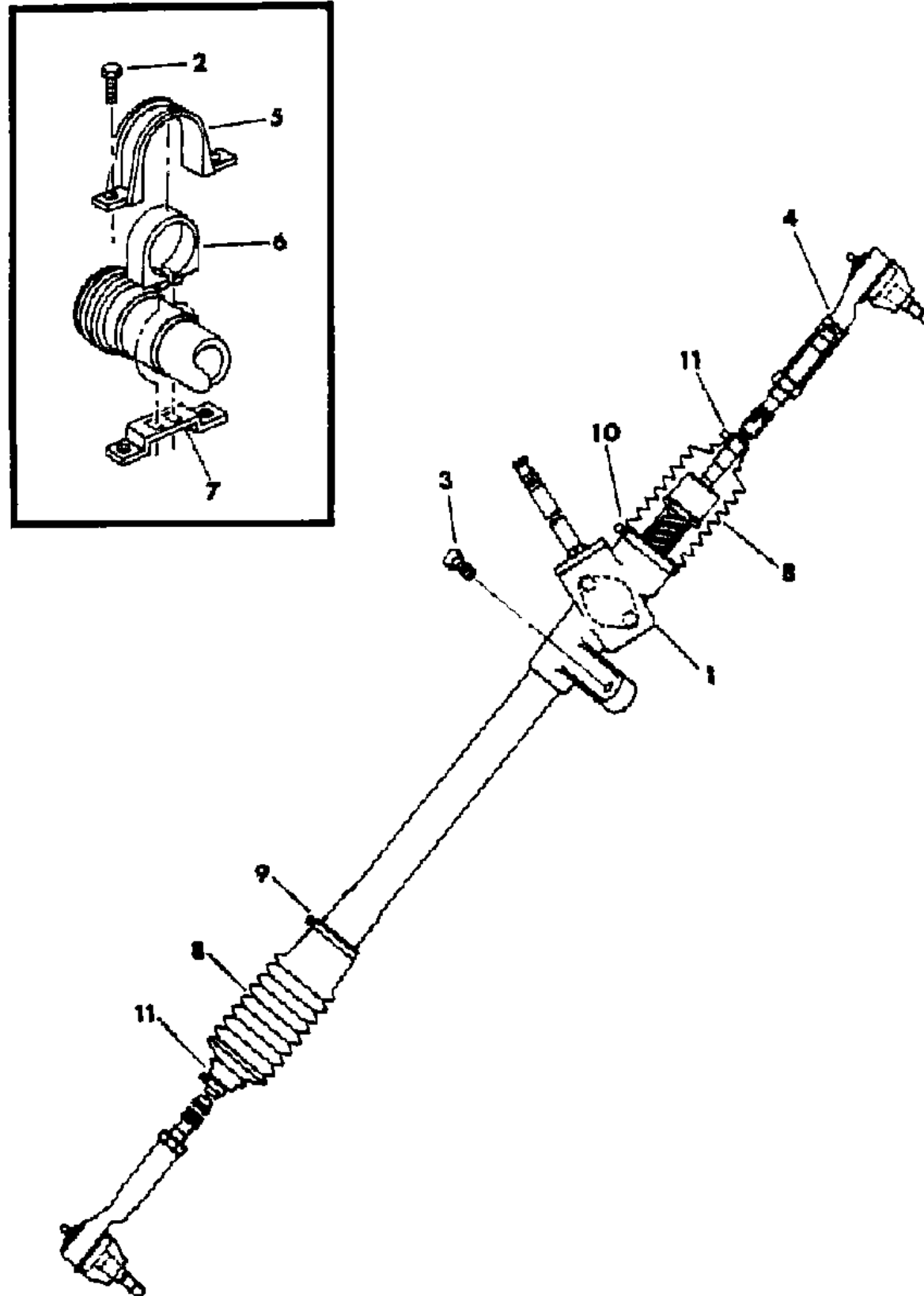
45 = 4-DOOR STATION WAGON

52-53 = FWD WAGON

AR = Use as Required - = Non Illustrated Part P.A.R. = Paint as Required

GEAR, RACK & PINION, MANUAL ATTACHING PARTS L,K BODY
Figure 19-1300

7119 1300



ITEM	PART NUMBER	QTY	BODY	MODEL	DESCRIPTION
1	4147 230	1	L		GEAR, Rack and Pinion (Manual Strg.)
	4147 415	1	K		
2	6101 314	2	L		BOLT, Rack and Pinion Strg. Gear, Rt.
	6101 265	2	K		BOLT, Rack and Pinion Strg. Gear, Rt.
3	6101 265	2			BOLT, Rack and Pinion Strg. Gear, Lt.
4	4106 180	2			TIE ROD, Strg. Gear, Outer End
5	5205 225	1			BRACKET, Rack Pinion Strg. Gear Mounting Outer
6	#5205 227	1			BUSHING, Rack and Pinion Strg. Gear Mounting
7	5205 226	1			BRACKET, Rack and Pinion Strg. Gear Mounting Inner
8	4131 348	1			SERVICE PACKAGE, Boot and Clamp, Rt. Consists of: 1 - 4147138 Boot, Tie Rod to Rack Tube, Rt. 1 - 5205313 Clamp, Boot to Tie Rod
	4147 071	1			1 - 5205315 Clamp, Boot to Tube, Rt. ADAPTER, Tube To Boot - Rt.
	4131 349	1			SERVICE PACKAGE, Boot and Clamp, Lt. Consists of: 1 - 4147137 Boot, Tie Rod to Housing, Lt. 1 - 5205313 Clamp, Boot to Tie Rod 1 - 5205314 Clamp, Boot to Casting, Lt.
9	3815 816	1			CLAMP, Boot to Tube, Rt.
10	3815 811	1			CLAMP, Boot to Tube, Lt. (Gear Housing)
11	3815 811	2			CLAMP, Boot to Tie Rod
	4147 233	1			ADAPTOR, Strg. Gear To Epic Shield (Not Shown)

MODEL CODES

E BODY = (J - CARAVELLE)(E - 600)(T - NEW YORKER)

G BODY = (V24 - DAYTONA)

H BODY = (D44 - LANCER)(C44 - LEBARON GTS)

J BODY = (C - LEBARON)

K BODY = (P - RELIANT)(D - ARIES)(C - LEBAROND)/TOWN & COUNTRY)

L BODY = (M - HORIZON/TURISMO)(Z - OMNI/CHARGER)

M BODY = (B - GRAN FURY)(F - FIFTH AVE/NEWPORT)(G - DIPLOMAT)

P BODY = (P - SUNDANCE)(D - SHADOW)

S BODY = (H - VOYAGER)(K - RAM VAN/CARAVAN)

BODY STYLES

12-13 = FWD VAN

21 = 2-DOOR SEDAN

24 = 2-DOOR HATCHBACK

27 = 2-DOOR CONVERTIBLE

41 = 4-DOOR SEDAN

44 = 4-DOOR HATCHBACK

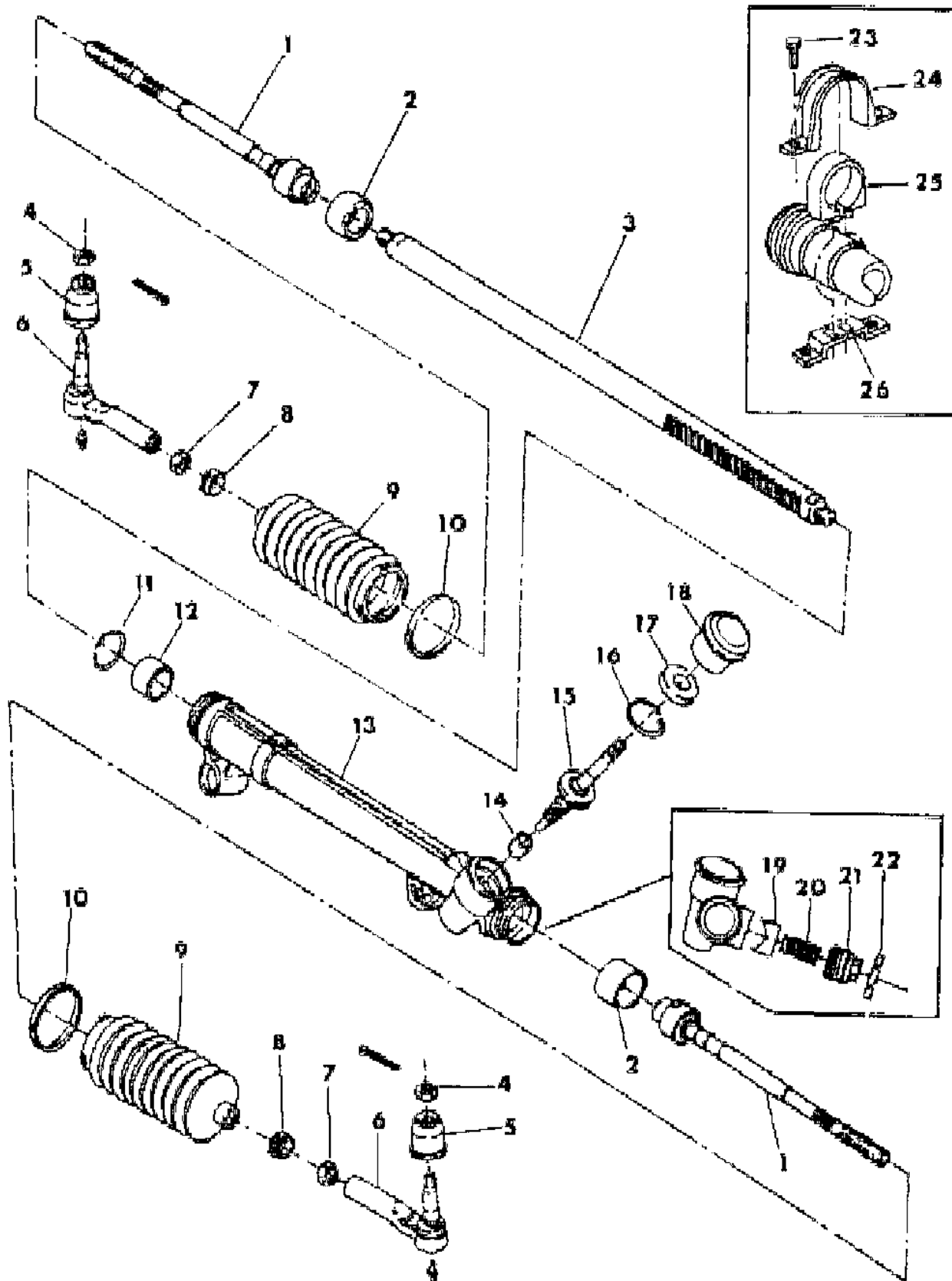
45 = 4-DOOR STATION WAGON

52-53 = FWD WAGON

AR = Use as Required - = Non Illustrated Part P.A.R. = Paint as Required

GEAR, RACK & PINION, MANUAL AND ATTACHING PARTS S BODY
Figure 19-1400

7119 1400



ITEM	PART NUMBER	QTY	BODY	MODEL	DESCRIPTION
---	4147 075	1			GEAR, Rack & Pinion (Manual Strg.)
1	4147 136	1			ROD, ASSY. Inner Tie - Kit
2	5205 287	1			RING, Shock Dampener
3	4147 243	1			RACK, Steering
4	5205 268	1			NUT, Hex Lock
5	4147 241	1			SEAL, Tie Rod
6	4106 180	1			ROD, ASSY. Outer Tie - Kit
7	5205 275	1			NUT, Hex Jam
8	4147 085	1			CLAMP, Boot -(Serv. in Kit 4147245)
9		1			BOOT, Rack & Pinion - (Serv. in Kit 4147245)
10		1			CLAMP, Boot - (Serv. in Kit 4147245)
11	4147 238	1			RING, Bushing Retaining
12	4147 294	1			BUSHING, Rack
13	4147 236	1			HOUSING, ASSY. Rack & Pinion
14	4147 237	1			BEARING, Roller
15	4147 239	1			PINION, Bearing
16	4147 244	1			RING, Retaining
17		1			SEAL, Strg. Pinion - (Serv. in 4147246 Kit)
18	4147 242	1			ADAPTER, Seal
19	5205 282	1			BEARING, Rack
20	5205 280	1			SPRING, Adjuster
21	5205 286	1			PLUG, Adjuster
22	5205 285	1			NUT, Adjuster Plug Lock
23	6101 314	2			BOLT, Rack & Pinion Strg. Gear - Rt.
24	3643 470	1			BRACKET, Rack & Pinion Strg. Gear Mtg.- Outer
25	3643 471	1			BUSHING, Rack & Pinion Strg. Gear Mtg.- Outer
26	3643 469	1			BRACKET, Rack & Pinion Strg. Gear Mtg.

MODEL CODES

E BODY = (J - CARAVELLE)(E - 600)(T - NEW YORKER)

G BODY = (V24 - DAYTONA)

H BODY = (D44 - LANCER)(C44 - LEBARON GTS)

J BODY = (C - LEBARON)

K BODY = (P - RELIANT)(D - ARIES)(C - LEBAROND)/TOWN & COUNTRY)

L BODY = (M - HORIZON/TURISMO)(Z - OMNI/CHARGER)

M BODY = (B - GRAN FURY)(F - FIFTH AVE/NEWPORT)(G - DIPLOMAT)

P BODY = (P - SUNDANCE)(D - SHADOW)

S BODY = (H - VOYAGER)(K - RAM VAN/CARAVAN)

BODY STYLES

12-13 = FWD VAN

21 = 2-DOOR SEDAN

24 = 2-DOOR HATCHBACK

27 = 2-DOOR CONVERTIBLE

41 = 4-DOOR SEDAN

44 = 4-DOOR HATCHBACK

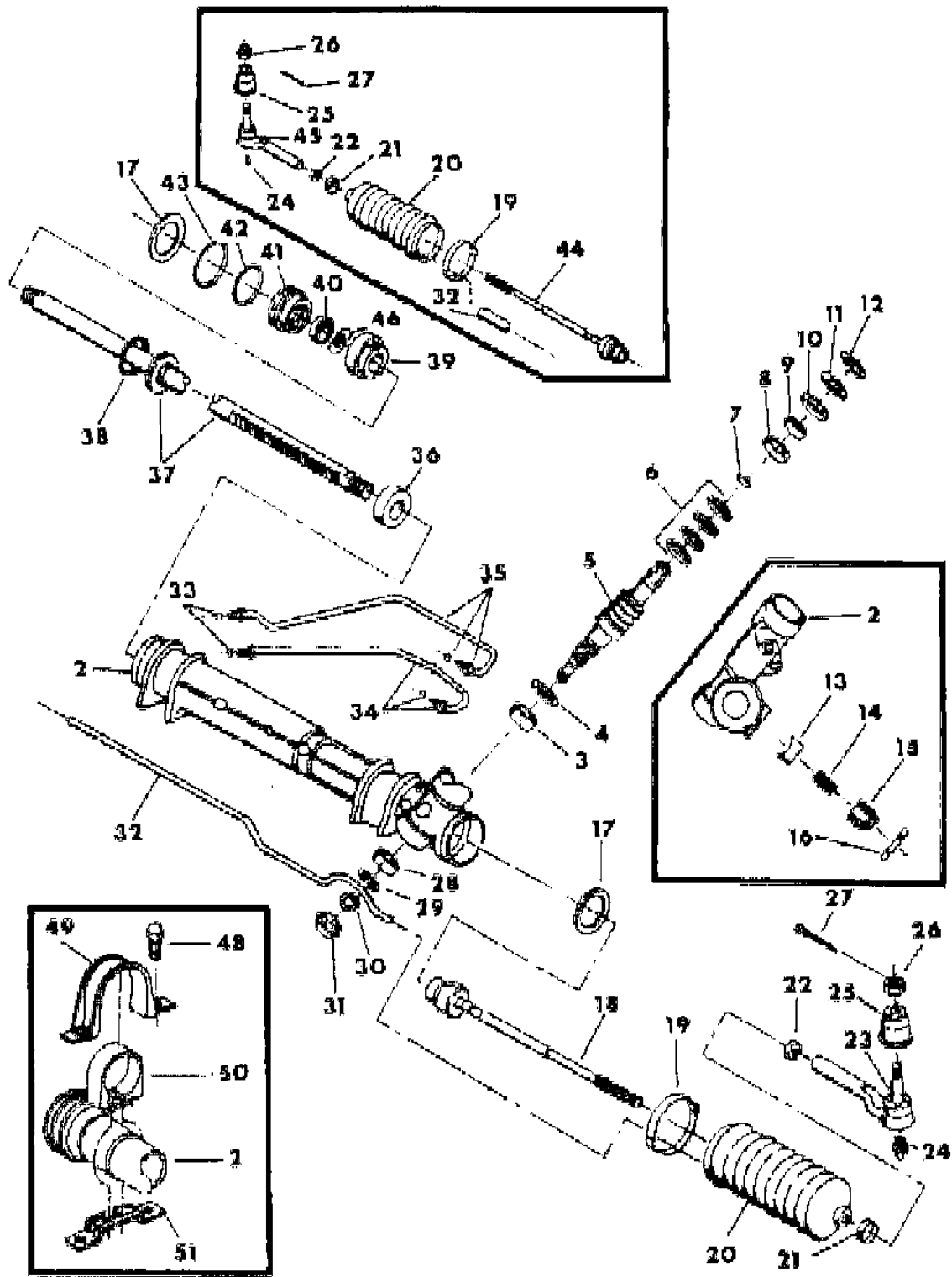
45 = 4-DOOR STATION WAGON

52-53 = FWD WAGON

AR = Use as Required - = Non Illustrated Part P.A.R. = Paint as Required

GEAR, RACK & PINION, POWER (SAGINAW) AND ATTACHING PARTS L,P-BODY
Figure 19-1500

7119 1500



ITEM	PART NUMBER	QTY	BODY	MODEL	DESCRIPTION
A	4106 180	2			SERVICE PACKAGE, Tie Rod, Outer Consists of: 1 ----- Tie Rod, Outer 1- 6500121 Nut 1 ----- Pin, Cotter
B	3815 947	1	LP		SERVICE PACKAGE, Valve Pinion, w/Std. Pwr.Strg. (Except Shelby & Perf. Pkg.)
	4333 340	1	L		w/Shelby & Perf. Pkg. Consists of: 1 ----- Bushing, Upper Pinion 1 ----- Seal, Rack and Pinion 1 ----- Valve Assy. w/Pinion 4 ----- Ring, Valve Body
C	4147 092	1			1- 5205288 Ring, Retaining, Spool Shaft 1 ----- Seal, Stub Shaft 1 ----- Seal, Stub Shaft Dust
	4147 093	1			SERVICE PACKAGE, Boot, Strg. Gear, Right Left Consists, of: 1 ----- Boot, Rack and Pinion 1- ----- Clamp, Boot
D	4147 094	1	L		SERVICE PACKAGE, Inner Tie Rod, Right (Except Shelby & Perf. Pkg.)
	4147 095	1	P		Right
	4147 133	1	L		Left (Except Shelby & Perf. Pkg.)
	4333 104	1	P		Left
	4333 124	1	L		Right, w/Shelby & Perf. Pkg.
	4333 125	1	L		Left, w/Shelby & Perf. Pkg.
E	4147 096	1	LP		SERVICE PACKAGE, Bulkhead, w/Std. Pwr. Strg.
	4333 103	1	L		w/Firm Feel Pwr. Strg.
	4333 147	1	P		Consists, of: 1----- Clamp, Boot 1 ----- Bulkhead, Cylinder Inner 1 ----- Seal, Rack and Pinion (Bulkhead) 1 ----- Seal, "O"Ring 1 ----- Bulkhead, Cylinder Outer 1 ----- Ring, Bulkhead Retaining

MODEL CODES

E BODY = (J - CARAVELLE)(E - 600)(T - NEW YORKER)

G BODY = (V24 - DAYTONA)

H BODY = (D44 - LANCER)(C44 - LEBARON GTS)

J BODY = (C - LEBARON)

K BODY = (P - RELIANT)(D - ARIES)(C - LEBAROND)/TOWN & COUNTRY)

L BODY = (M - HORIZON/TURISMO)(Z - OMNI/CHARGER)

M BODY = (B - GRAN FURY)(F - FIFTH AVE/NEWPORT)(G - DIPLOMAT)

P BODY = (P - SUNDANCE)(D - SHADOW)

S BODY = (H - VOYAGER)(K - RAM VAN/CARAVAN)

BODY STYLES

12-13 = FWD VAN

21 = 2-DOOR SEDAN

24 = 2-DOOR HATCHBACK

27 = 2-DOOR CONVERTIBLE

41 = 4-DOOR SEDAN

44 = 4-DOOR HATCHBACK

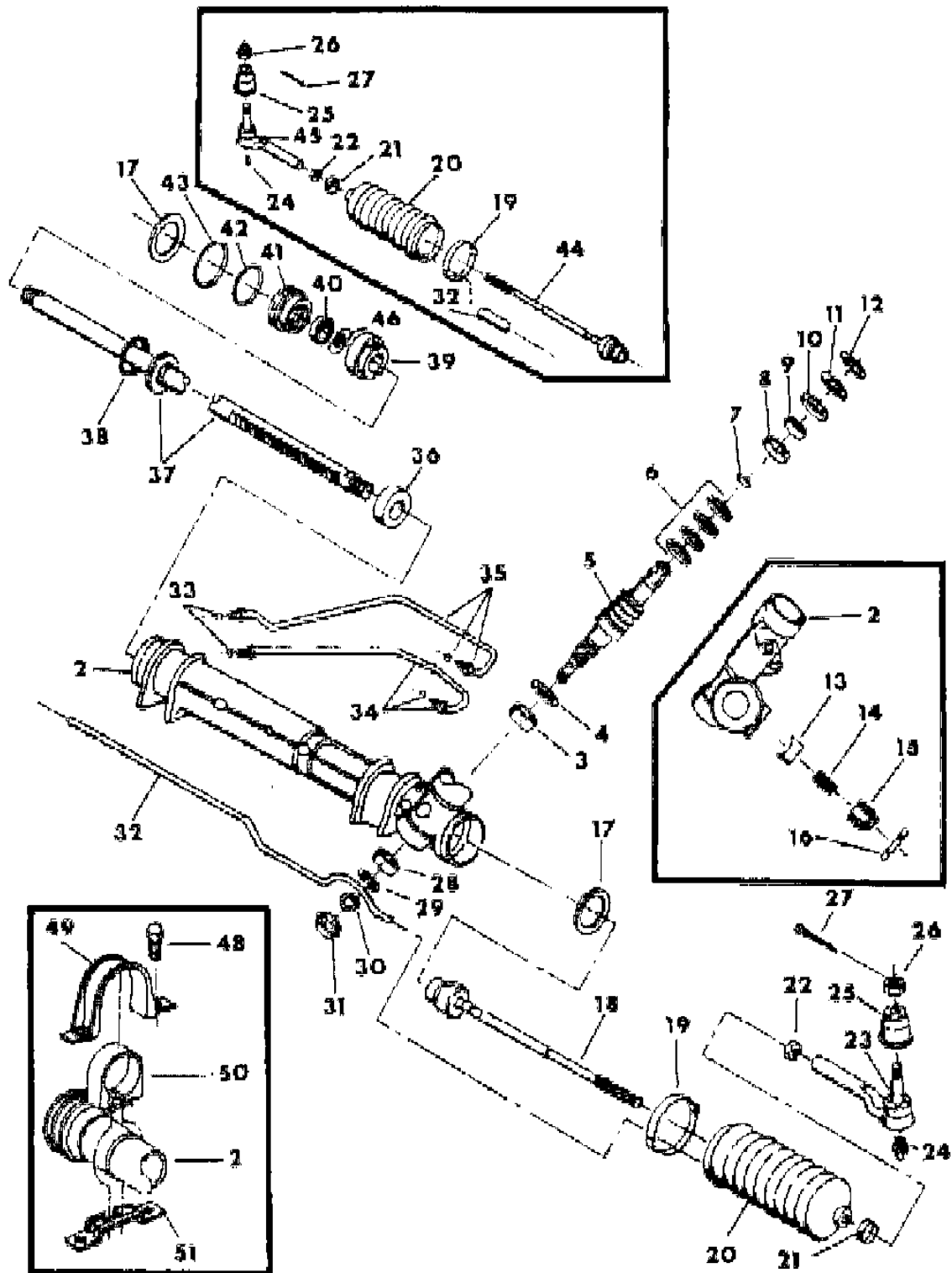
45 = 4-DOOR STATION WAGON

52-53 = FWD WAGON

AR = Use as Required - = Non Illustrated Part P.A.R. = Paint as Required

GEAR, RACK & PINION, POWER (SAGINAW) AND ATTACHING PARTS L,P-BODY
Figure 19-1500

7119 1500



ITEM	PART NUMBER	QTY	BODY	MODEL	DESCRIPTION
					1 ----- Tie Rod, Assy., Inner
					1 ----- Spring, Wave Washer
F	4147 098	1			SERVICE PACKAGE, Seal, Rack and Pinion Consists of: 1----- Clamp, Boot 1 ----- Seal, Inner Rack 1 ----- Ring, Piston 1 ----- Seal, Rack and Pinion (Bulkhead) 1 ----- Seal, "O"Ring
G	4147 099	1			1 ----- Ring, Bulkhead Retaining SERVICE PACKAGE, Seal, Strg. Gear Bulkhead Consists of: 1----- Clamp, Boot 1----- Ring, Bulkhead Retaining 1----- Seal, Outer Rack 1----- Seal, Ring
H	5205 295	1			SERVICE PACKAGE, Pinion Bearing Consists of: 1 ----- Seal, Rack and Pinion 1 ----- Seal, Stub Shaft 1- 5205278 Ring, Seal Retaining
J	5205 296	1			1 ----- Seal, Stub Shaft Dust 1 ----- Bearing, Ball, Assy. SERVICE PACKAGE, Seal Stub Shaft Strg. Gear
K	4147 100	1			SERVICE PACKAGE, Valve Ring Seal Consists of: 4 ----- Ring, Valve Body 1 ----- Seal, Stub Shaft
L	4504 337	1			1 ----- Seal, Stub Shaft Dust SERVICE PACKAGE, Pinion and Shaft Seal Consists of: 1 ----- Bushing Upper Pinion 1 ----- Seal, Rack and Pinion 1 ----- Seal, Stub Shaft 1 ----- Seal, Stub Shaft Dust
M	5205 299	1			SERVICE PACKAGE, Spool Shaft Bearing Consists of:

MODEL CODES

E BODY = (J - CARAVELLE)(E - 600)(T - NEW YORKER)

G BODY = (V24 - DAYTONA)

H BODY = (D44 - LANCER)(C44 - LEBARON GTS)

J BODY = (C - LEBARON)

K BODY = (P - RELIANT)(D - ARIES)(C - LEBAROND)/TOWN & COUNTRY)

L BODY = (M - HORIZON/TURISMO)(Z - OMNI/CHARGER)

M BODY = (B - GRAN FURY)(F - FIFTH AVE/NEWPORT)(G - DIPLOMAT)

P BODY = (P - SUNDANCE)(D - SHADOW)

S BODY = (H - VOYAGER)(K - RAM VAN/CARAVAN)

BODY STYLES

12-13 = FWD VAN

21 = 2-DOOR SEDAN

24 = 2-DOOR HATCHBACK

27 = 2-DOOR CONVERTIBLE

41 = 4-DOOR SEDAN

44 = 4-DOOR HATCHBACK

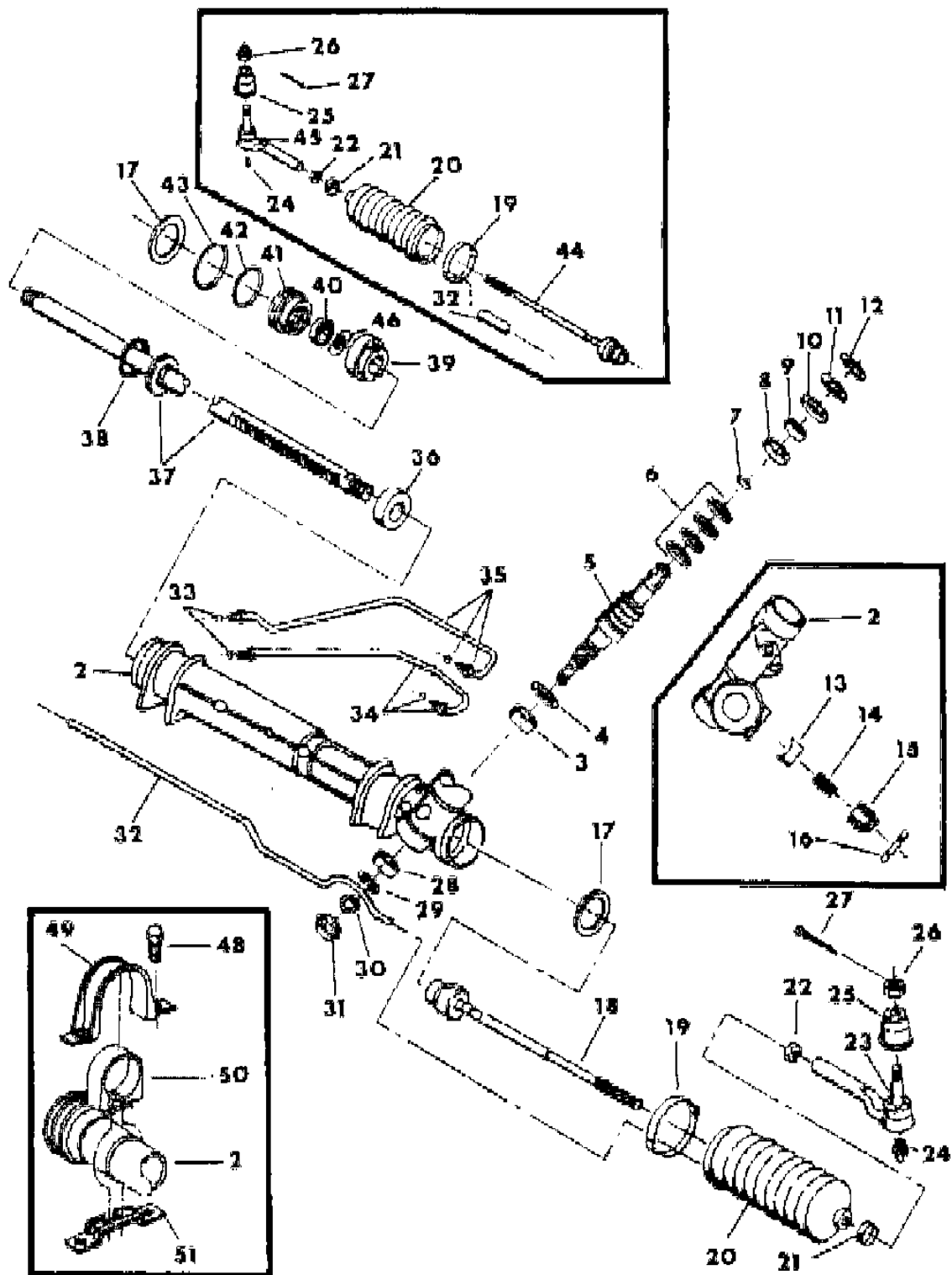
45 = 4-DOOR STATION WAGON

52-53 = FWD WAGON

AR = Use as Required - = Non Illustrated Part P.A.R. = Paint as Required

GEAR, RACK & PINION, POWER (SAGINAW) AND ATTACHING PARTS L,P-BODY
Figure 19-1500

7119 1500



ITEM	PART NUMBER	QTY	BODY	MODEL	DESCRIPTION
					1 ----- Seal, Rack and Pinion
					1 ----- Annulus, Stub Shaft Bearing
					1 ----- Bearing, Needle
					1 ----- Seal, Stub Shaft
					1 ----- Seal, Stub Shaft Dust
1-46	4318 726	1	L		GEAR, Assy. Rack and Pinion w/All Pwr. Strg. (Except Shelby & Perf. Pkg.)
	4364 785	1	P		
	4333 149	1	L		w/Shelby & Perf. Pkg.
2	4147 082	1			HOUSING, Assy.
3		1			BUSHING, Upper Pinion (Serviced Kit B & L)
4		1			SEAL, Rack and Pinion (Serviced Kits B,L & M)
5		1			PINION, w/Valve Assy. (Serviced Kit B)
6		4			RING, Valve Body (Serviced Kits B & K)
7	5205 288	1			RING, Spool Shaft Retaining (Also Serviced in Kit B)
8		1			ANNULUS, Stub Shaft Bearing (Serviced in Kit M)
9		1			BEARING, Needle, Assy. (Serviced in Kit M)
10		1			SEAL, Stub Shaft (Serviced in Kits B,H,L & M)
11		1			SEAL, Stub Shaft Dust (Serviced in Kits B,H,L,K & M)
12	5205 278	1			RING, Seal Retaining (Also Serviced Kit H)
13	5205 282	1			BEARING, Rack
14	5205 280	1			SPRING, Adjuster
15	5205 286	1			PLUG, Adjuster
16	5205 285	1			NUT, Adjuster Plug Lock
17	4147 088	2	L		RING, Shock Dampener
	5205 287	2	P		
18		1			TIE ROD, Assy. Inner (Serviced in Package)
19	4147 084	2			CLAMP, Boot (Also Serviced in Package)
20		1			BOOT, Rack and Pinion (Serviced in Kit C)
21	4147 085	2			CLAMP, Boot (Tie Rod End)
22	5205 275	2			NUT, Hex Jam
23		1			TIE ROD, Outer, Left (Serviced in Kit A)
24		2			FITTING, Lubrication (Not Serviced)
25		2			SEAL, Tie Rod (Serviced in Kit A)
26	6500 121	2			NUT, Outer Tie Rod
27		2			PIN, Cotter (Not Serviced)
28		1			BEARING, Ball, Assy. (Serviced in Kit H)
29	5205 279	1			RING, Pinion Bearing Retaining

MODEL CODES

E BODY = (J - CARAVELLE)(E - 600)(T - NEW YORKER)

G BODY = (V24 - DAYTONA)

H BODY = (D44 - LANCER)(C44 - LEBARON GTS)

J BODY = (C - LEBARON)

K BODY = (P - RELIANT)(D - ARIES)(C - LEBAROND)/TOWN & COUNTRY)

L BODY = (M - HORIZON/TURISMO)(Z - OMNI/CHARGER)

M BODY = (B - GRAN FURY)(F - FIFTH AVE/NEWPORT)(G - DIPLOMAT)

P BODY = (P - SUNDANCE)(D - SHADOW)

S BODY = (H - VOYAGER)(K - RAM VAN/CARAVAN)

BODY STYLES

12-13 = FWD VAN

21 = 2-DOOR SEDAN

24 = 2-DOOR HATCHBACK

27 = 2-DOOR CONVERTIBLE

41 = 4-DOOR SEDAN

44 = 4-DOOR HATCHBACK

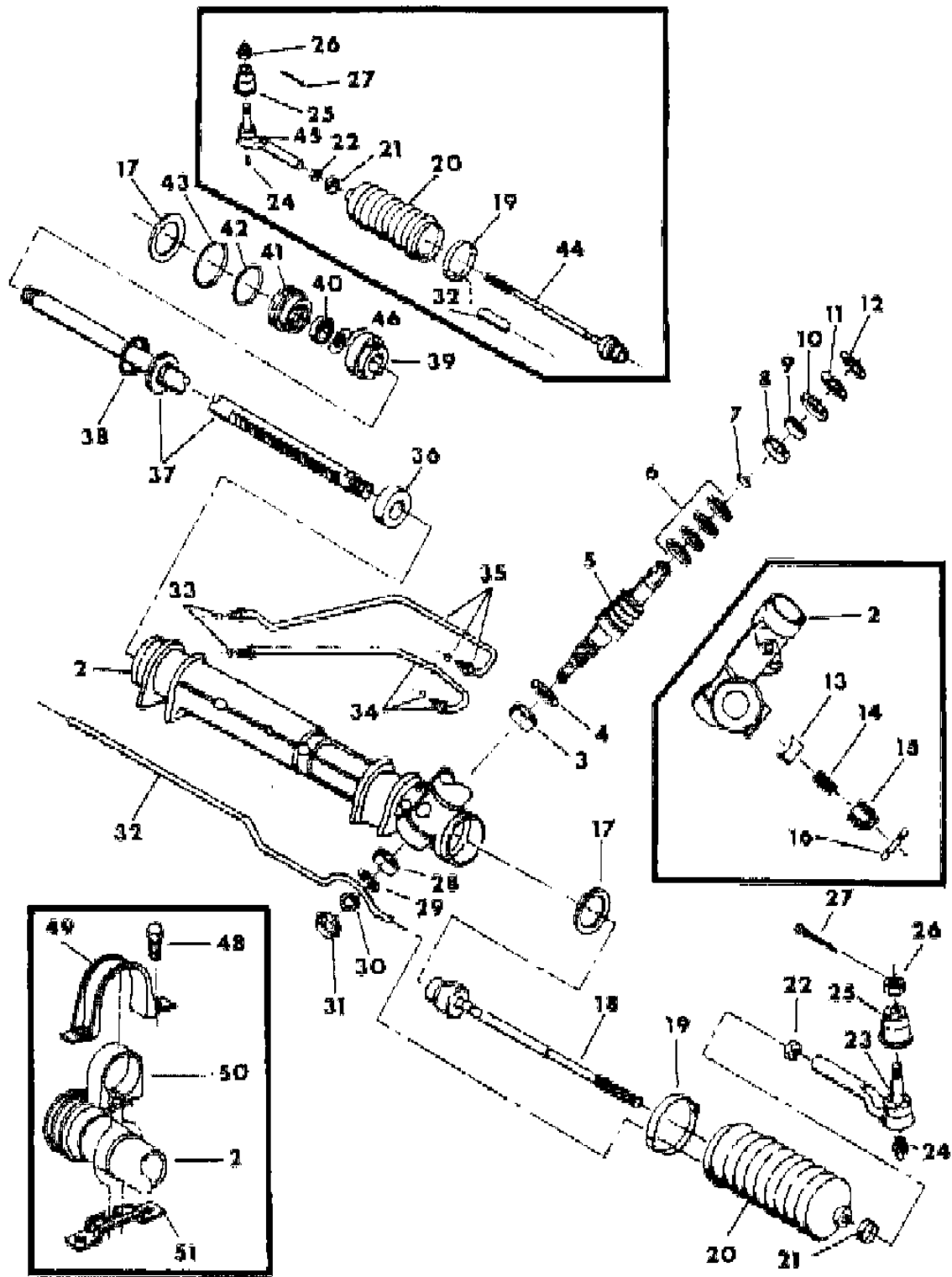
45 = 4-DOOR STATION WAGON

52-53 = FWD WAGON

AR = Use as Required - = Non Illustrated Part P.A.R. = Paint as Required

GEAR, RACK & PINION, POWER (SAGINAW) AND ATTACHING PARTS L,P-BODY
Figure 19-1500

7119 1500



ITEM	PART NUMBER	QTY	BODY	MODEL	DESCRIPTION
30	5205 268	1			NUT, Hex Lock
31	5205 284	1			COVER, Dust
32	4147 086	1	L		TUBE, Breather
	4147 087	1	P		
33	3815 859	4			SEAL, Cylinder Oil Line "O"Ring
34	4147 090	1			PACKAGE, Oil Line, Left, w/"O"Ring Seal
35	4147 089	1			PACKAGE, Oil Line, Right w/"O"Ring Seal
36		1			SEAL, Inner Rack (Serviced in Kit F)
37	4147 079	1	L		RACK, Assy. w/Piston, Strg. (Except Shelby & Perf. Pkg.)
	4147 080	1	P		
	4147 224	1	L		w/Shelby & Perf. Pkg.
38		1			RING, Piston (Serviced in Kit F)
39		1			BULKHEAD, Cylinder Inner (Serviced in Kit E)
40		1			SEAL, Rack and Pinion (Bulkhead) (Serviced in Kits E & F)
41		1			BULKHEAD, Cylinder Outer (Serviced in Kit E)
42		1			SEAL, "O"Ring (Serviced in Kits E & F)
43	4147 097	1			RING, Bulkhead Retaining (Serviced also in Kits E & F)
44		1			TIE ROD, Assy., Inner, Right (Serviced in Kit D)
45		1			TIE ROD, Assy., Outer, Right (Serviced in Kit A)
46		1			SPRING, Wave Washer (Serviced in Kit E)
47	6101 265	2			BOLT, Rack and Pinion Strg. Gear Mounting, Left
48	6101 314	2	L		BOLT, Rack & Pinion, Gear Mtg. Rt.
	6101 265	2	P		
49	3643 424	1			BRACKET, Rack and Pinion Strg. Gear Mounting, Outer, Left
	3643 470	1			Right
50	3643 425	1			BUSHING, Rack and Pinion Strg. Gear, Left
	3643 471	1			Right
51	3643 423	1			BRACKET, Rack and Pinion Strg. Gear Mounting, Inner, Left
	3643 469	1			Right

MODEL CODES

E BODY = (J - CARAVELLE)(E - 600)(T - NEW YORKER)

G BODY = (V24 - DAYTONA)

H BODY = (D44 - LANCER)(C44 - LEBARON GTS)

J BODY = (C - LEBARON)

K BODY = (P - RELIANT)(D - ARIES)(C - LEBAROND)/TOWN & COUNTRY)

L BODY = (M - HORIZON/TURISMO)(Z - OMNI/CHARGER)

M BODY = (B - GRAN FURY)(F - FIFTH AVE/NEWPORT)(G - DIPLOMAT)

P BODY = (P - SUNDANCE)(D - SHADOW)

S BODY = (H - VOYAGER)(K - RAM VAN/CARAVAN)

BODY STYLES

12-13 = FWD VAN

21 = 2-DOOR SEDAN

24 = 2-DOOR HATCHBACK

27 = 2-DOOR CONVERTIBLE

41 = 4-DOOR SEDAN

44 = 4-DOOR HATCHBACK

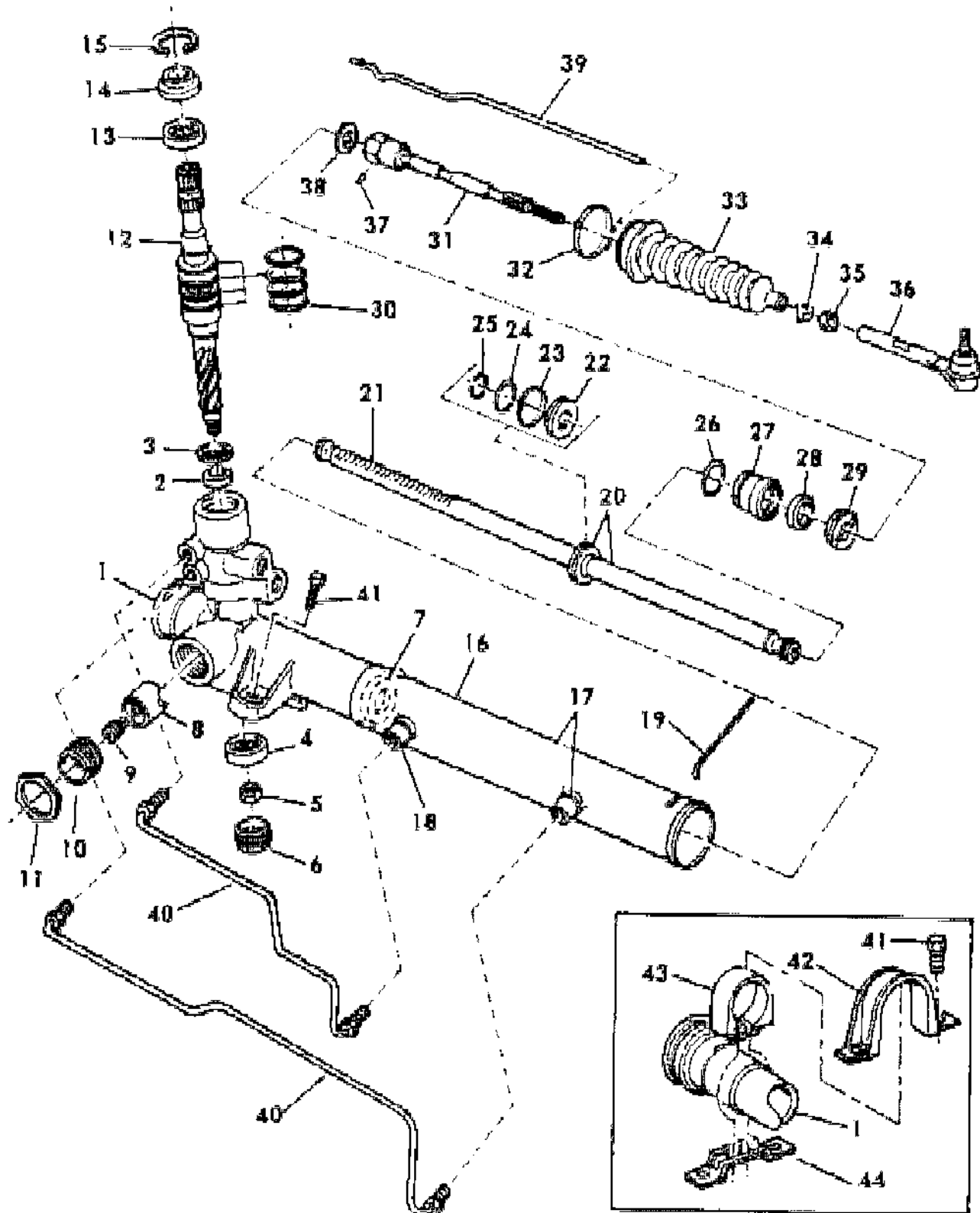
45 = 4-DOOR STATION WAGON

52-53 = FWD WAGON

AR = Use as Required - = Non Illustrated Part P.A.R. = Paint as Required

GEAR, RACK & PINION, POWER (TRW) AND ATTACHING PARTS L,P,J,K,G,E,H,S BODY
Figure 19-1600

7119 1600



ITEM	PART NUMBER	QTY	BODY	MODEL	DESCRIPTION
	4106 180	2			SERVICE PACKAGE, Tie Rod Outer Consists of: 1 ----- Tie Rod Outer 1-6500121 Nut 1 ----- Pin Cotter
	3815 865	1			SERVICE PACKAGE, Yoke Consists of: 1 ----- Bearing, Yoke 1 ----- Spring, Yoke
	3815 866	1			SERVICE PACKAGE, Yoke Plug Consists of: 1 ----- Plug 1 ----- Locknut
	3815 874	2			SERVICE RING PACKAGE, Shock Dampner Consists of: 1 ----- Dampner, Shock 1-3815885 Spring Pin, Inner Tie Rod
	3815 875	1	PKGEHJ		SERVICE PACKAGE, Valve
	4147 352	1	LS		Consists of: 1 ----- Valve Assy. 4 ----- Valve Rings
	4147 421	1			SERVICE PACKAGE, Seal, Pinion & Shaft Consists of: 1 ----- Seal, Input Shaft 1 ----- Seal, Upper Pinion 1 ----- Ring, Retaining 4 ----- Rings, Valve
	3815 878	1			SERVICE PACKAGE, Rack Seal Consists of: 1 ----- Seal, Rack 1 ----- Seal, Rack 1 ----- "O"Ring 1 ----- "O"Ring 1 ----- Ring, Piston
	4147 303	2			SERVICE PACKAGE, Boot (Tapered Boot) 1- 4147301 Clamp, Inboard (After Kit) 1 ----- Bellows

MODEL CODES

E BODY = (J - CARAVELLE)(E - 600)(T - NEW YORKER)

G BODY = (V24 - DAYTONA)

H BODY = (D44 - LANCER)(C44 - LEBARON GTS)

J BODY = (C - LEBARON)

K BODY = (P - RELIANT)(D - ARIES)(C - LEBAROND)/TOWN & COUNTRY)

L BODY = (M - HORIZON/TURISMO)(Z - OMNI/CHARGER)

M BODY = (B - GRAN FURY)(F - FIFTH AVE/NEWPORT)(G - DIPLOMAT)

P BODY = (P - SUNDANCE)(D - SHADOW)

S BODY = (H - VOYAGER)(K - RAM VAN/CARAVAN)

BODY STYLES

12-13 = FWD VAN

21 = 2-DOOR SEDAN

24 = 2-DOOR HATCHBACK

27 = 2-DOOR CONVERTIBLE

41 = 4-DOOR SEDAN

44 = 4-DOOR HATCHBACK

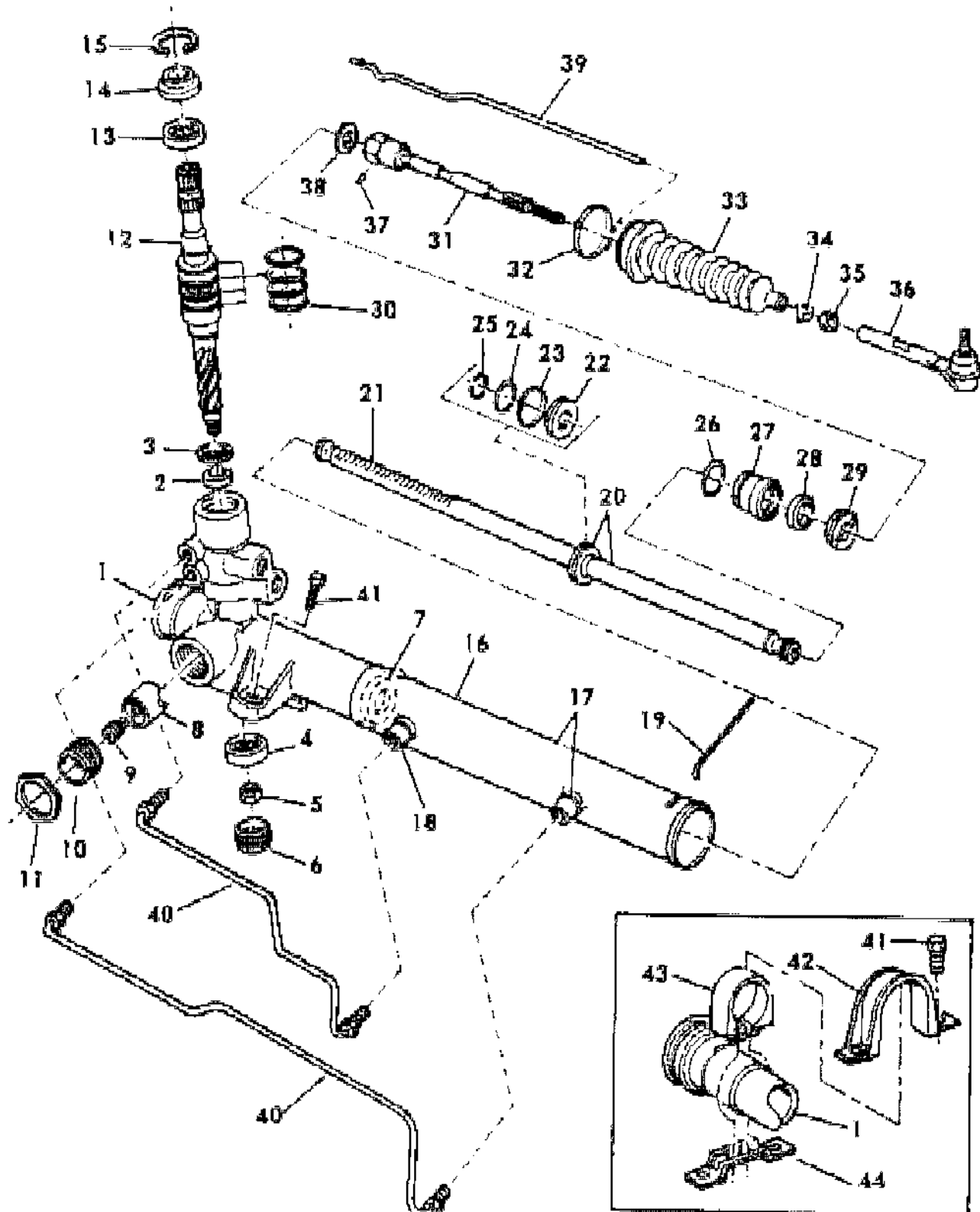
45 = 4-DOOR STATION WAGON

52-53 = FWD WAGON

AR = Use as Required - = Non Illustrated Part P.A.R. = Paint as Required

GEAR, RACK & PINION, POWER (TRW) AND ATTACHING PARTS L,P,J,K,G,E,H,S BODY
Figure 19-1600

7119 1600



ITEM	PART NUMBER	QTY	BODY	MODEL	DESCRIPTION
	3815 881	1			SERVICE PACKAGE, Bushing Rack Consists of: 1 ----- Bushing 1 ----- "O"Ring 1 ----- Seal
	4147 420	1			SERVICE PACKAGE, Pinion Shaft Bearing Consists of: 1 ----- Bearing 1 ----- Bushing 1 ----- Seal 1 ----- Seal
	4318 726	1	L		GEAR, Std. Pwr. Strg.
	4293 164	1	PKE		GEAR, Std. Pwr. Strg.
	4333 670	1	PJKGH		GEAR, w/Firm Feel Pwr. Strg.
	4333 633	1	H		GEAR, w/Firm Feel Pwr. Strg. w/15" Tires
	4333 466	1	JG		GEAR, w/Firm Feel Pwr. Strg. w/15" Tires
	4333 523	1	S		GEAR, Std. Pwr. Strd.
1	4333 556	1	KE		HOUSING, Std. Power Strg.
	4333 275	1	PJKGEH		w/Firm Feel Steering
	4147 285	1	S		w/Std. Power Steering
2	4147 420	1			BUSHING, Pinion
3	4147 420	1			SEAL
4	3815 868	1			BEARING, Pinion (Also Serviced in Hsg.)
5	3815 869	1			NUT, Pinion
6	4147 306	1			PLUG, Pinion
7		1			SEAL, (Serviced in 3815878 Kit)
8		1			BEARING, YOKE (Serviced in 3815865)
9		1			SPRING, (Serviced in 3815865)
10		1			PLUG, (Serviced in 3815866)
11		1			NUT, (Serviced in 3815866)
12		1			VALVE, (Serv. in Kit)
13		1			BEARING, (Serviced in Kit)
14	3815 877	1			SEAL, Shaft (Also Serviced in Kits)
15	3815 886	1			RING, Retaining (Also Serviced in Kit)
16		1			TUBE, (Serviced in Housing)
17		1			TUBE, RACK (Serviced in Housing)
18		1			STUD, Weld (Serviced in Housing)

MODEL CODES

E BODY = (J - CARAVELLE)(E - 600)(T - NEW YORKER)

G BODY = (V24 - DAYTONA)

H BODY = (D44 - LANCER)(C44 - LEBARON GTS)

J BODY = (C - LEBARON)

K BODY = (P - RELIANT)(D - ARIES)(C - LEBAROND)/TOWN & COUNTRY)

L BODY = (M - HORIZON/TURISMO)(Z - OMNI/CHARGER)

M BODY = (B - GRAN FURY)(F - FIFTH AVE/NEWPORT)(G - DIPLOMAT)

P BODY = (P - SUNDANCE)(D - SHADOW)

S BODY = (H - VOYAGER)(K - RAM VAN/CARAVAN)

BODY STYLES

12-13 = FWD VAN

21 = 2-DOOR SEDAN

24 = 2-DOOR HATCHBACK

27 = 2-DOOR CONVERTIBLE

41 = 4-DOOR SEDAN

44 = 4-DOOR HATCHBACK

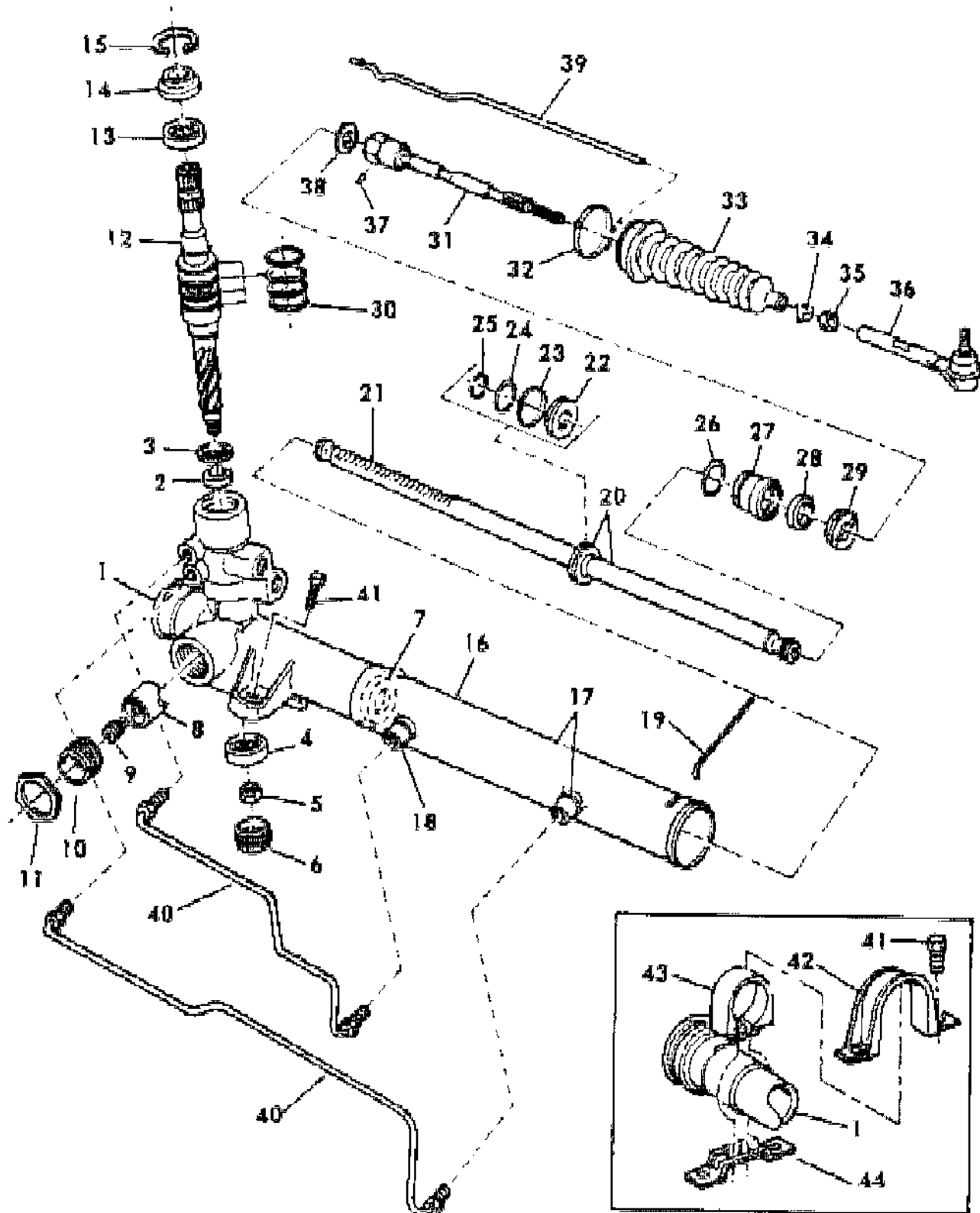
45 = 4-DOOR STATION WAGON

52-53 = FWD WAGON

AR = Use as Required - = Non Illustrated Part P.A.R. = Paint as Required

GEAR, RACK & PINION, POWER (TRW) AND ATTACHING PARTS L,P,J,K,G,E,H,S BODY
Figure 19-1600

7119 1600



ITEM	PART NUMBER	QTY	BODY	MODEL	DESCRIPTION
19	3815 884	1			WIRE, Retaining Lock Ring
20	4333 451	1	KEP		RACK, Std. Power Steering
	4333 449	1	PKGEHJ		w/Firm Feel Power Steering
	4333 453	1	S		w/Std. Power Steering
21		1			RACK, (Serviced in Rack Assy.)
22		1			PISTON, (Serviced in Rack Assy.)
23		1			RING, Piston (Serviced in 3815878 Kit)
24		1			O'RING, (Serviced in 3815878 Kit)
25		1			RING, Retaining (Serviced in Rack Assy.)
26		1			O'RING, Bushing (Serviced in 3815878 Kit)
27		1			BUSHING, Rack (Serviced in 3815881)
28		1			SEAL, (Serviced in 3815878, 3815881)
29	3815 883	1			LOCK RING, Bushing
30		4			VALVE RINGS, (Serviced in Kit)
31	4333 450	2			SOCKET, Horizontal
32	4147 301	2			CLAMP, (Also Serviced in Kit)
33	4147 303	1			BELLOWS, Tapered
34	4147 424	2			CLAMP, Inboard
35	3815 867	2			LOCK NUT
36		2			SOCKET, ASSY. (Serviced in 4106180 Tie RodOuter P kg.)
37	3815 885	2			PIN, Inner Tie Rod (Also Serviced in Kits)
38		2			DAMPER, (Serviced in 3815874 Kit)
39	3815 871	1	PKGEHJ		BREATHER TUBE, Rack
	4147 342	1	LS		
40	4333 360	1	PKGEH		LINE, Cylinder, Left
	4147 346	1	LS		Left
	4333 361	1	PKGEHJ		Right
	4147 351	1	LS		Right
41	6100 576	2			BOLT, Rack and Pinion Power Strg. Gear Mounting, Rt.
	6101 265	2			Lt.
42	3643 470	1			BRACKET, Rack and Pinion Power Strg. Gear Mounting, Outer Rt.
43	3643 471	1			BUSHING, Rack and Pinion Power Strg. Gear Mounting
44	3643 469	1			BRACKET, Rack and Pinion Power Strg. Gear Mounting, Inner RT.

MODEL CODES

E BODY = (J - CARAVELLE)(E - 600)(T - NEW YORKER)

G BODY = (V24 - DAYTONA)

H BODY = (D44 - LANCER)(C44 - LEBARON GTS)

J BODY = (C - LEBARON)

K BODY = (P - RELIANT)(D - ARIES)(C - LEBAROND)/TOWN & COUNTRY)

L BODY = (M - HORIZON/TURISMO)(Z - OMNI/CHARGER)

M BODY = (B - GRAN FURY)(F - FIFTH AVE/NEWPORT)(G - DIPLOMAT)

P BODY = (P - SUNDANCE)(D - SHADOW)

S BODY = (H - VOYAGER)(K - RAM VAN/CARAVAN)

BODY STYLES

12-13 = FWD VAN

21 = 2-DOOR SEDAN

24 = 2-DOOR HATCHBACK

27 = 2-DOOR CONVERTIBLE

41 = 4-DOOR SEDAN

44 = 4-DOOR HATCHBACK

45 = 4-DOOR STATION WAGON

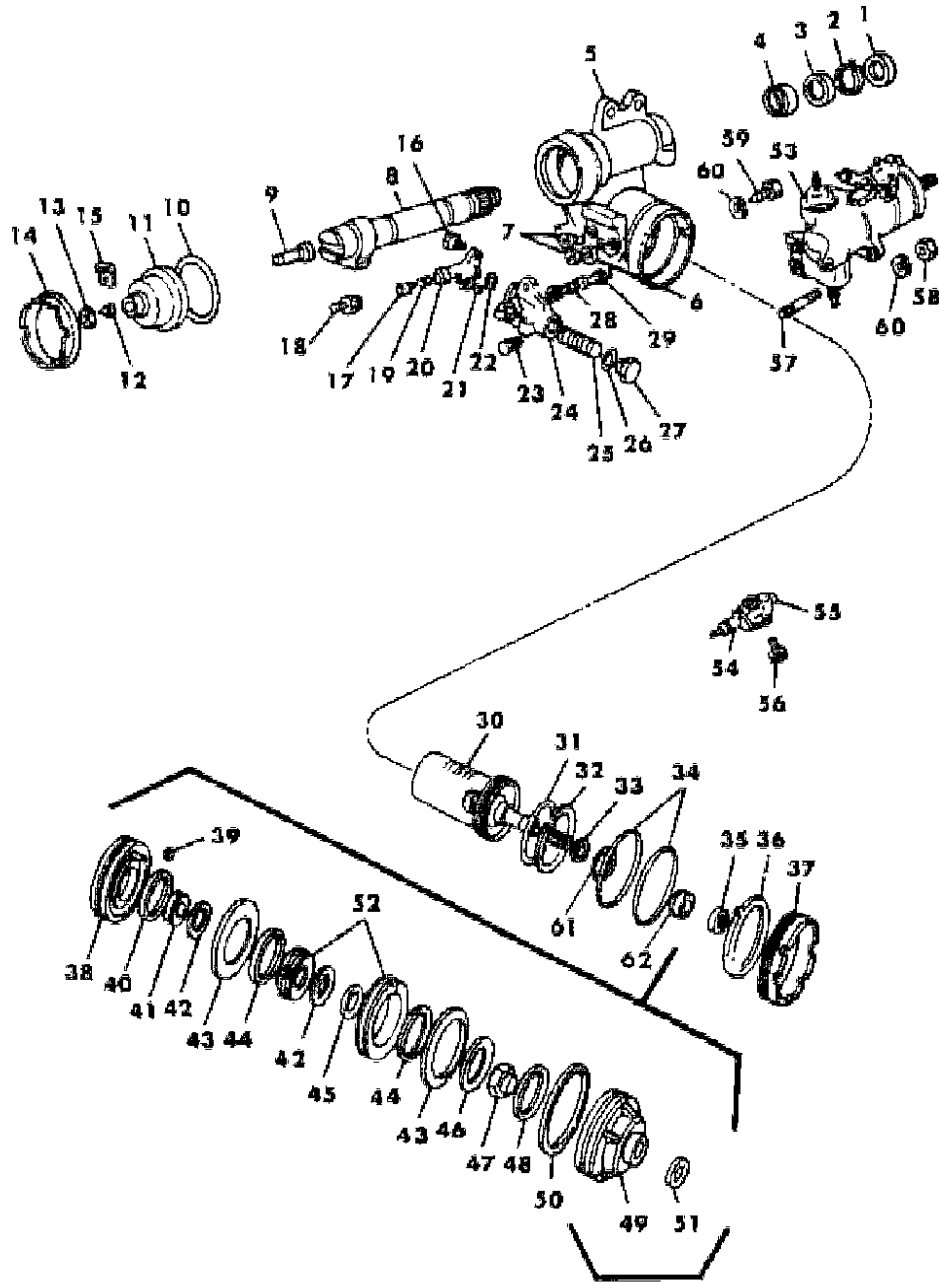
52-53 = FWD WAGON

AR = Use as Required - = Non Illustrated Part P.A.R. = Paint as Required

GEAR, POWER STEERING M BODY

Figure 19-1700

7110 1700



ITEM	PART NUMBER	QTY	BODY	MODEL	DESCRIPTION
	3879 921	1			SERVICE PACKAGE, Strg. Gear Lower Sector Seal Consists of: 1 - Seal, Strg. Gear Shaft Oil 1 - Seal, Strg. Gear Shaft Dust
	3879 920	1			SERVICE PACKAGE, Strg. Gear Sector Cover Seal Consists of: 1 - "O" Ring, Gear Shaft Cvr. 1 - "O" Ring, Gear Shaft Cvr. 1 - "O" Ring, Gear Shaft Cvr.
	4057 085	1			1 - Seal, Adj. Screw 1 - Gasket, Gear Shaft Adjusting Nut SERVICE PACKAGE, Valve and "O" Ring, Strg. Gear Consists of: 1 - 3643281 Valve, Gear Pressure 1 - 6030655 "O" Ring, Gear Valve Hsg. 1 - 6030656 "O" Ring, Gear Pressure Control Valve 1 - Sleeve, Hose Return
	3879 919	1			SERVICE PACKAGE, Strg. Valve Body Seal Consists of: 1 - 6030655 "O" Ring, Gear Valve Hsg. 1 - 6030656 "O" Ring, Gear Press. Control Valve
	3879 924	1			2 - 6030657 "O" Ring, Gear Hsg. Port 1 - 6030658 "O" Ring, Hsg. to Valve SERVICE PACKAGE, Strg. Gear Power Train Consists of: 1 - Ring, Strg. Gear Ferrule 2 - "O" Ring, Strg. Gear Cyl. Head 1 - Seal, Strg. Gear Reaction Upper 1 - 1733602 "O" Ring, Strg. Gear Hsg. Head 1 - Seal, Worm Sleeve 1 - Ring, Worm Seal 1 - Ring, Gear Reaction Lwr. 1 - "O" Ring, Gear Piston Ring
	4057 088	1			1 - Ring, Gear Piston 1 - Washer, Gear Hsg. Head Nut SERVICE PACKAGE, Strg. Gear Valve Housing and Seal Consists of: 1 - Housing, Strg. Gear Valve Assy.

MODEL CODES

E BODY = (J - CARAVELLE)(E - 600)(T - NEW YORKER)

G BODY = (V24 - DAYTONA)

H BODY = (D44 - LANCER)(C44 - LEBARON GTS)

J BODY = (C - LEBARON)

K BODY = (P - RELIANT)(D - ARIES)(C - LEBAROND)/TOWN & COUNTRY)

L BODY = (M - HORIZON/TURISMO)(Z - OMNI/CHARGER)

M BODY = (B - GRAN FURY)(F - FIFTH AVE/NEWPORT)(G - DIPLOMAT)

P BODY = (P - SUNDANCE)(D - SHADOW)

S BODY = (H - VOYAGER)(K - RAM VAN/CARAVAN)

BODY STYLES

12-13 = FWD VAN

21 = 2-DOOR SEDAN

24 = 2-DOOR HATCHBACK

27 = 2-DOOR CONVERTIBLE

41 = 4-DOOR SEDAN

44 = 4-DOOR HATCHBACK

45 = 4-DOOR STATION WAGON

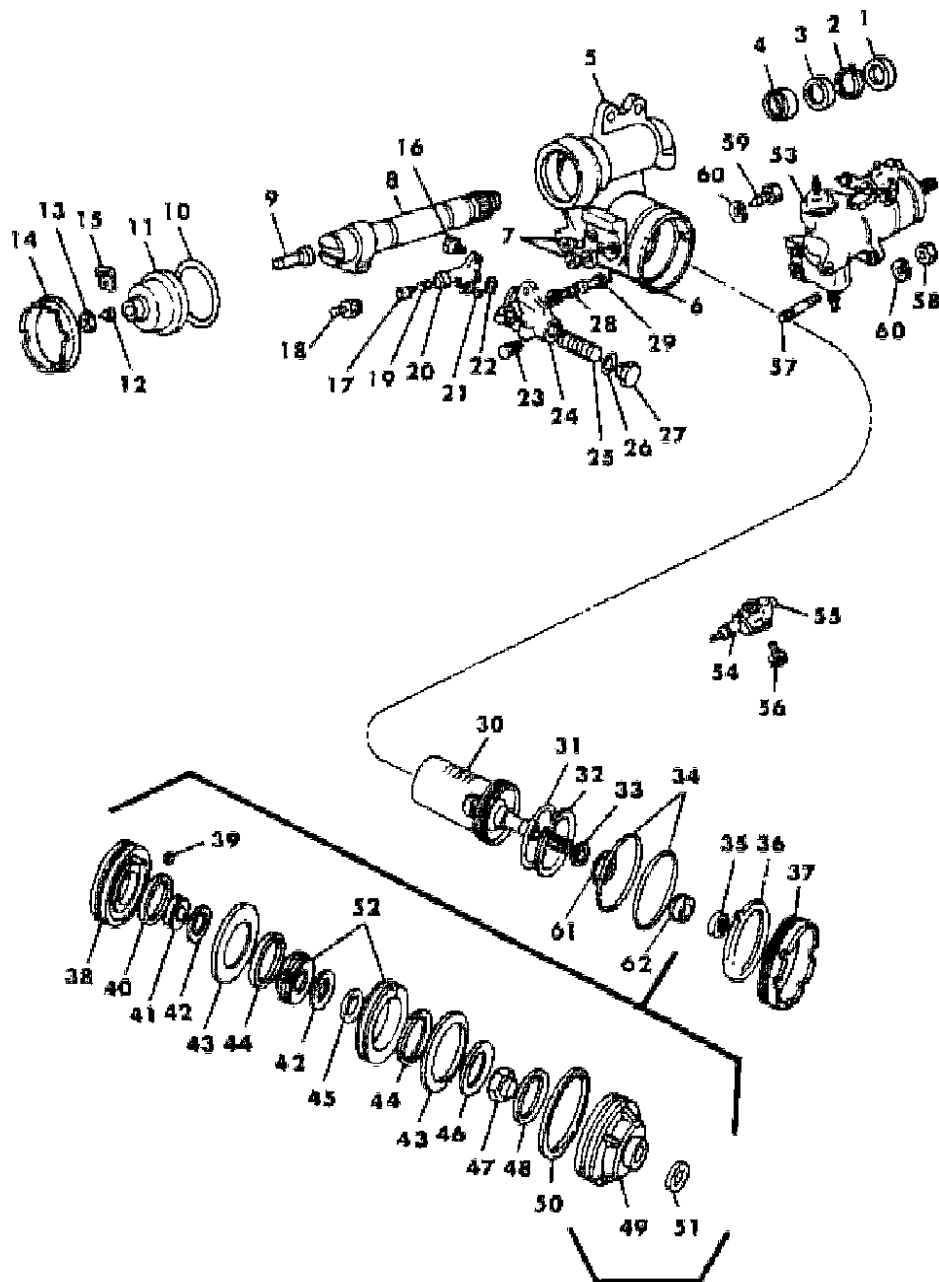
52-53 = FWD WAGON

AR = Use as Required - = Non Illustrated Part P.A.R. = Paint as Required

GEAR, POWER STEERING M BODY

Figure 19-1700

7110 1700



ITEM	PART NUMBER	QTY	BODY	MODEL	DESCRIPTION
					1 - 3879919 Package, Strg. Gear Valve Seal
1		1			SEAL, Dust Strg. Gear Shaft (Serviced in Pkg. 3879921)
2	2127 049	1			SNAP RING, Strg. Gear Shaft Dust Seal
3	1670 356	1			RETAINER, Strg. Gear Shaft Seal
4		1			SEAL, Oil Strg. Gear Shaft (Serviced in Pkg. 3879921)
5	4333 095	1			HOUSING, Strg. Gear
6		1			O'RING, Gear Housing to Valve (Serviced in 3879919)
7	6030 657	2			O'RING, Gear Housing Port (also Serviced in 3879919)
8	3643 302	1			SHAFT, Strg. Gear
9	2948 857	1			SCREW, Gear Shaft Adjusting
10		1			O'RING, Strg. Gear Shaft Cover (Serviced in Pkg.3 879920)
11	3643 301	1			COVER, Strg. Gear Shaft
12		1			BUTTON, Strg. Gear I.D. Tester (Not Service)
13	6028 983	1			NUT, Strg. Gear Shaft Adjusting Screw
14	1733 627	1			NUT, Strg. Gear Shaft Cover
15		1			GASKET, Strg. Shaft Adj. Screw Nut (Serviced in Pkg. 3879920)
16	9408 948	2			SCREW, Pressure Control Valve Att.
17		1			PISTON, Pressure Control Valve (Serviced in 4057085 Valve)
18		1			ADAPTER, Strg. Gear Return Hose (Serviced in Pkg. 4057085)
19		1			SPRING, Pressure Control Valve (Serviced in Pkg. 4057085)
20		1			BODY, Pressure Control Valve (Serviced in Pkg. 4057085)
21		1			O'RING, Strg. Gear Pressure Control Valve (Serviced in Pkg. 3879919)
22	6030 655	1			O'RING, Strg. Gear Valve Housing (also serviced in Pkg. 3879919)
23		1			PLUG, Strg. Gear Valve (Serviced in Housing and Seal Pkg. 3643280)
24		1			HOUSING, Strg. Gear Valve (Serviced in Housing and Seal Pkg. 3643280)
25		1			PISTON, Strg. Gear Valve (Serviced in Housing and Seal Pkg. 3643280)
26	1733 724	1			GASKET, Strg. Gear Valve Plug
27		1			PLUG, Strg. Gear Valve (Serviced in Valve 3643280)
28	1823 151	1			SPRING, Strg. Gear Valve
29	1822 380	1			LEVER, Strg. Gear Valve
30	4342 711	1			WORM, w/Piston Strg. Gear
31		1			RING, Strg. Gear Piston (Serviced in Pkg. 3879924)
32		1			RING, Strg. Gear Piston Sealing (Serviced in Pkg. 3879924)

MODEL CODES

E BODY = (J - CARAVELLE)(E - 600)(T - NEW YORKER)

G BODY = (V24 - DAYTONA)

H BODY = (D44 - LANCER)(C44 - LEBARON GTS)

J BODY = (C - LEBARON)

K BODY = (P - RELIANT)(D - ARIES)(C - LEBAROND)/TOWN & COUNTRY)

L BODY = (M - HORIZON/TURISMO)(Z - OMNI/CHARGER)

M BODY = (B - GRAN FURY)(F - FIFTH AVE/NEWPORT)(G - DIPLOMAT)

P BODY = (P - SUNDANCE)(D - SHADOW)

S BODY = (H - VOYAGER)(K - RAM VAN/CARAVAN)

BODY STYLES

12-13 = FWD VAN

21 = 2-DOOR SEDAN

24 = 2-DOOR HATCHBACK

27 = 2-DOOR CONVERTIBLE

41 = 4-DOOR SEDAN

44 = 4-DOOR HATCHBACK

45 = 4-DOOR STATION WAGON

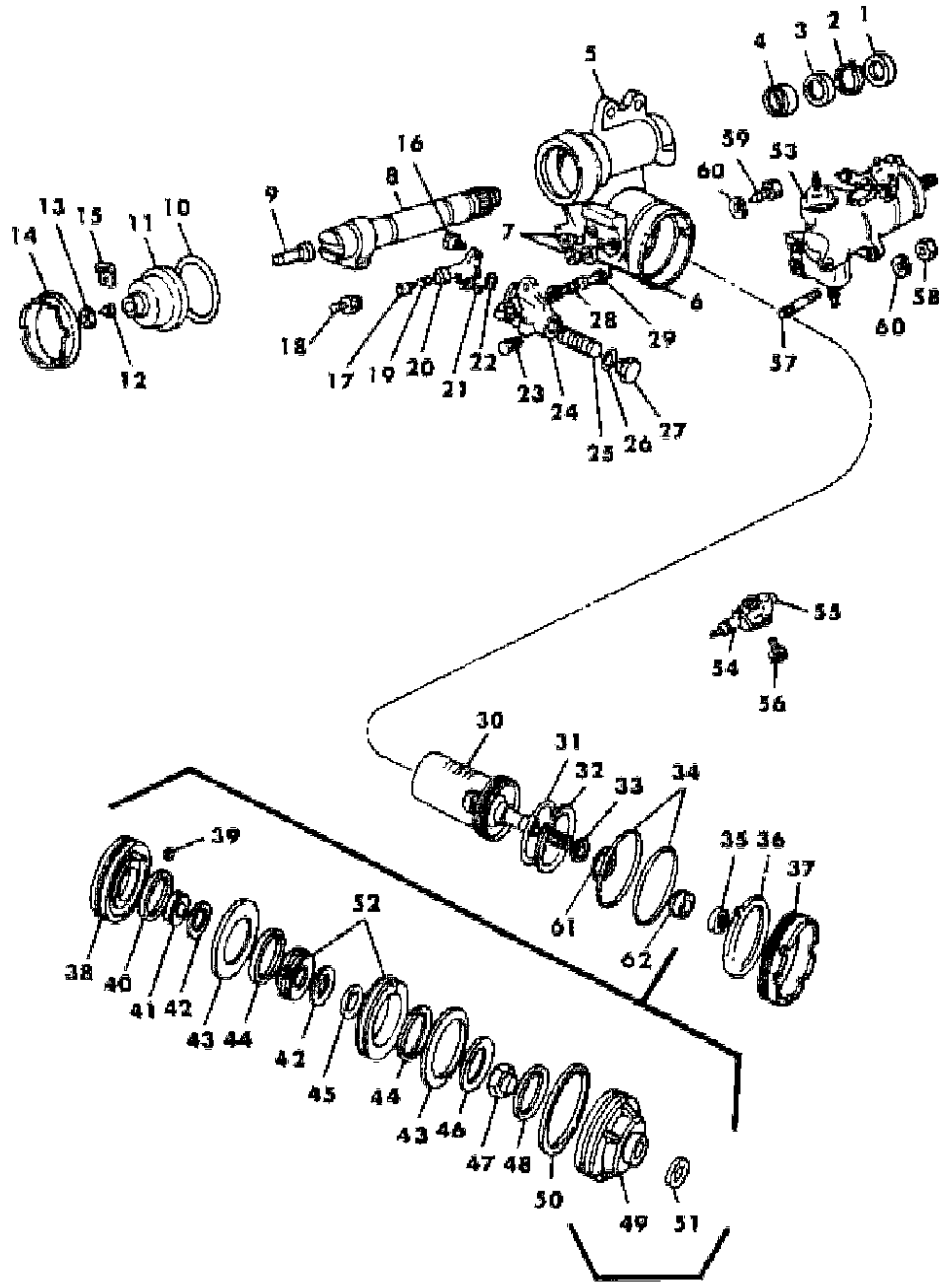
52-53 = FWD WAGON

AR = Use as Required - = Non Illustrated Part P.A.R. = Paint as Required

GEAR, POWER STEERING M BODY

Figure 19-1700

7110 1700



ITEM	PART NUMBER	QTY	BODY	MODEL	DESCRIPTION
33	1822 406	1			RING, Strg. Gear Worm Seal
34		2			O'RING, Strg. Gear Cyl. Head (Serviced in Pkg. 3879924)
35	2537 796	1			BEARING, Strg. Gear Worm
36		1			WASHER, Strg. Gear Hsg. Head Nut (Serviced in Pkg. 3879924)
37	1733 625	1			NUT, Strg. Gear Hsg. Head
38	3643 173	1			HEAD, Strg. Gear Cylinder
39		1			O'RING, Strg. Gear Ferruel (Serv. In Pkg. 3879924)
40		1			O'RING, Strg. Gear Reaction (Serviced in Pkg. 3879924)
41	1856 292	1			RACE, Strg. Gear Thrust Brg., Inner
42	1822 158	2			BEARING, Strg. Gear Thrust
43	3643 129	2			SPRING, Strg. Gear Reaction (Exc. Police Cars)
	3643 169	2			(Police Cars)
44	1822 150	2			RING, Strg. Gear Reaction
45	1822 156	1			RACE, Strg. Gear Thrust Bearing, Outer
46	1733 790	1			WASHER, Strg. Gear Reaction
47	1822 157	1			NUT, Strg. Gear Thrust Bearing
48	1822 151	1			SEAL, Strg. Gear Reaction Upper
49	3643 315	1			HEAD, Strg. Gear Housing
50	1733 602	1			O'RING, Strg. Gear Hsg. Head
51	3643 321	1			SEAL, Strg. Gear Worm Shaft
52	1822 390	1			SPACER, w/Center Race, Strg. Gear
53	4026 481	1			CHUCK, Power Strg. Gear, Exc. Police Cars (Remanufactured Part)
	3643 334	1			(Police Cars)
54	4057 085	1			SERVICE PACKAGE, Valve and O'Ring, Strg. Gear
55	3643 280	1			VALVE, Strg. Gear Assy. (Includes Valve 3643281)
56	0220 800	2			SCREW, Strg. Gear Valve Mounting
57	6030 443	1			STUD, Strg. Gear Mounting
58	0219 467	1			NUT
59	6031 732	2			BOLT, Strg. Gear Mounting
60	6027 224	AR			WASHER, Strg. Gear Mounting
61	1822 321	1			SNAP RING, Strg. Gear Cyl. Head
62	1822 320	1			SLEEVE, Strg. Gear Worm
		1			PLUG, Strg. Gear Recirculating Ball Guide (Not Serv.)

MODEL CODES

E BODY = (J - CARAVELLE)(E - 600)(T - NEW YORKER)

G BODY = (V24 - DAYTONA)

H BODY = (D44 - LANCER)(C44 - LEBARON GTS)

J BODY = (C - LEBARON)

K BODY = (P - RELIANT)(D - ARIES)(C - LEBAROND)/TOWN & COUNTRY)

L BODY = (M - HORIZON/TURISMO)(Z - OMNI/CHARGER)

M BODY = (B - GRAN FURY)(F - FIFTH AVE/NEWPORT)(G - DIPLOMAT)

P BODY = (P - SUNDANCE)(D - SHADOW)

S BODY = (H - VOYAGER)(K - RAM VAN/CARAVAN)

BODY STYLES

12-13 = FWD VAN

21 = 2-DOOR SEDAN

24 = 2-DOOR HATCHBACK

27 = 2-DOOR CONVERTIBLE

41 = 4-DOOR SEDAN

44 = 4-DOOR HATCHBACK

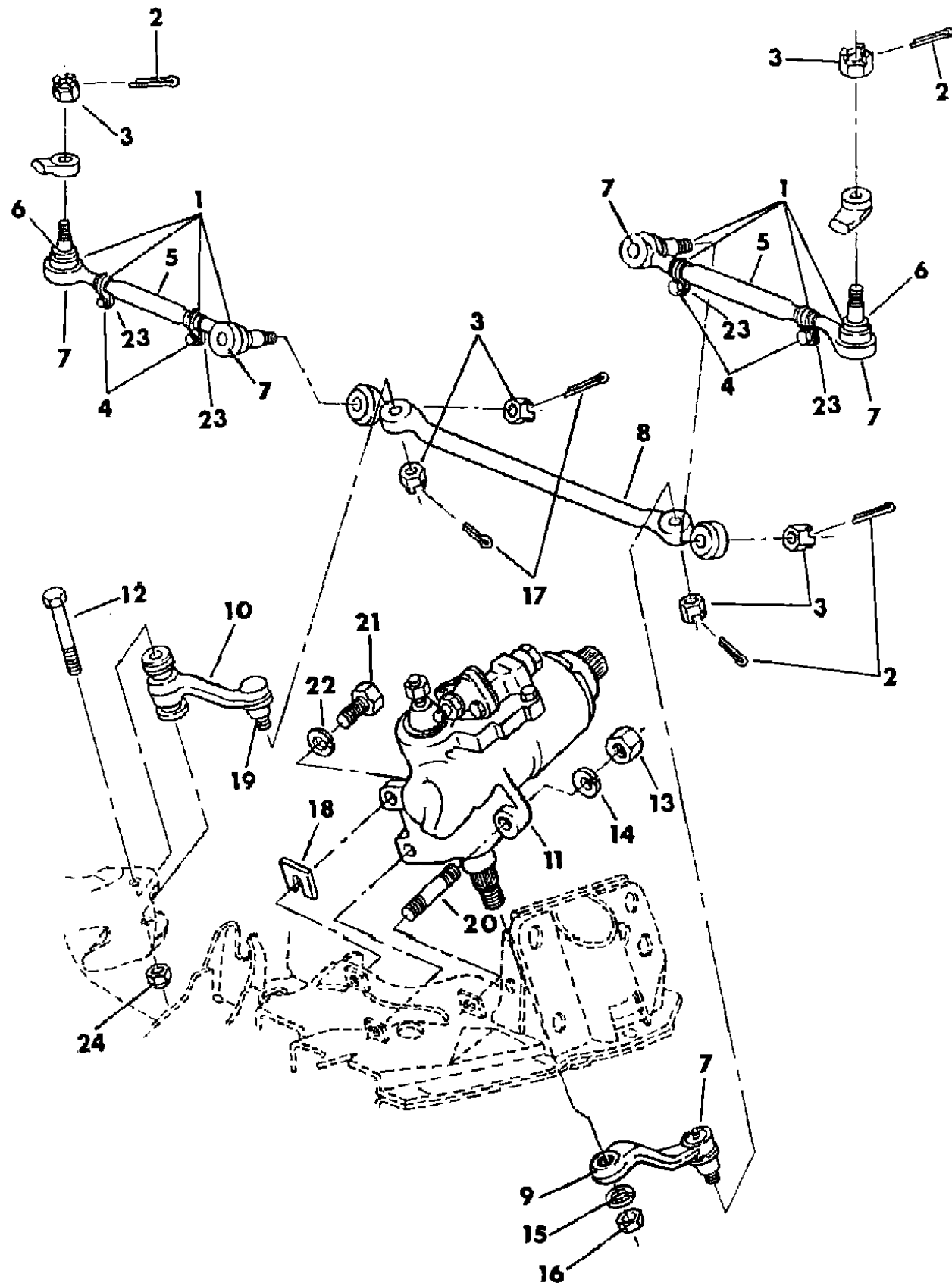
45 = 4-DOOR STATION WAGON

52-53 = FWD WAGON

AR = Use as Required - = Non Illustrated Part P.A.R. = Paint as Required

TIE RODS, STEERING GEAR AND LINKAGE M BODY
Figure 19-1800

7119 1800A



ITEM	PART NUMBER	QTY	BODY	MODEL	DESCRIPTION
1	3420 155	2			END PACKAGE, Tie Rod Inner, L.H. THD. (9/16-18 Thd.) Consists of: 1 - 6028556 Bolt 1 - ---- --- Clamp 1 - ---- --- Clamp 1 - ---- --- End 1 - 9425132 Nut, Stud 1 - 152363 Nut, Clamp Bolt
	3420 154	2			END PACKAGE, Tie Rod Outer, R.H. THD. (9/16-18 Thd.) Consists of: 1 - 6028 556 Bolt 1 - ---- --- Clamp 1 - ---- --- C/Pin 1 - ---- --- End 1 - 9425 132 Nut,Stud 1 - 152 363 Nut,Clamp Bolt
2		AR			PIN, (Not Serv.)
3	9425 132	AR			NUT
4	0153 283	4			BOLT, Strg. Link Tie Rod Tube Clamp
5	4014 085	2			TUBE, Steering Link Tie Rod, (9/16-18 Thd.) w/Green Paint Stripe
6	2835 896	5			SEAL, Tie Rod Dust and Strg. Gear Arm
7	6030 099	5			FITTING, Tie Rod End and Strg. Gear Arm
8	3815 727	1			LINK, Steering Center
9	3815 777	1			ARM, Steering Link Gear, w/Power Strg.
10	4014 089	1			ARM, Steering Link Idler
-	4147 417	1			SHEILD, Heat, Police
11					CHUCK, Steering Gear (See Group 19-1600
12	0182 809	1			BOLT, Strg. Link Idler Arm Pivot Bushing
13	0219 467	1			NUT
14	6028 087	1			WASHER
15	6028 088	1			WASHER
16	6029 964	1			NUT
17		AR			PIN (Not Serv.)
18	6027 224	AR			WASHER
19	2835 895	1			SEAL, Steering Link Idler Arm
20	6030 443	1			STUD, Strg. Gear Mounting
21	6031 732	2			BOLT, Strg. Gear Mounting
22	6028 087	AR			WASHER, Strg. Gear Housing to Frame

MODEL CODES

E BODY = (J - CARAVELLE)(E - 600)(T - NEW YORKER)

G BODY = (V24 - DAYTONA)

H BODY = (D44 - LANCER)(C44 - LEBARON GTS)

J BODY = (C - LEBARON)

K BODY = (P - RELIANT)(D - ARIES)(C - LEBAROND)/TOWN & COUNTRY)

L BODY = (M - HORIZON/TURISMO)(Z - OMNI/CHARGER)

M BODY = (B - GRAN FURY)(F - FIFTH AVE/NEWPORT)(G - DIPLOMAT)

P BODY = (P - SUNDANCE)(D - SHADOW)

S BODY = (H - VOYAGER)(K - RAM VAN/CARAVAN)

BODY STYLES

12-13 = FWD VAN

21 = 2-DOOR SEDAN

24 = 2-DOOR HATCHBACK

27 = 2-DOOR CONVERTIBLE

41 = 4-DOOR SEDAN

44 = 4-DOOR HATCHBACK

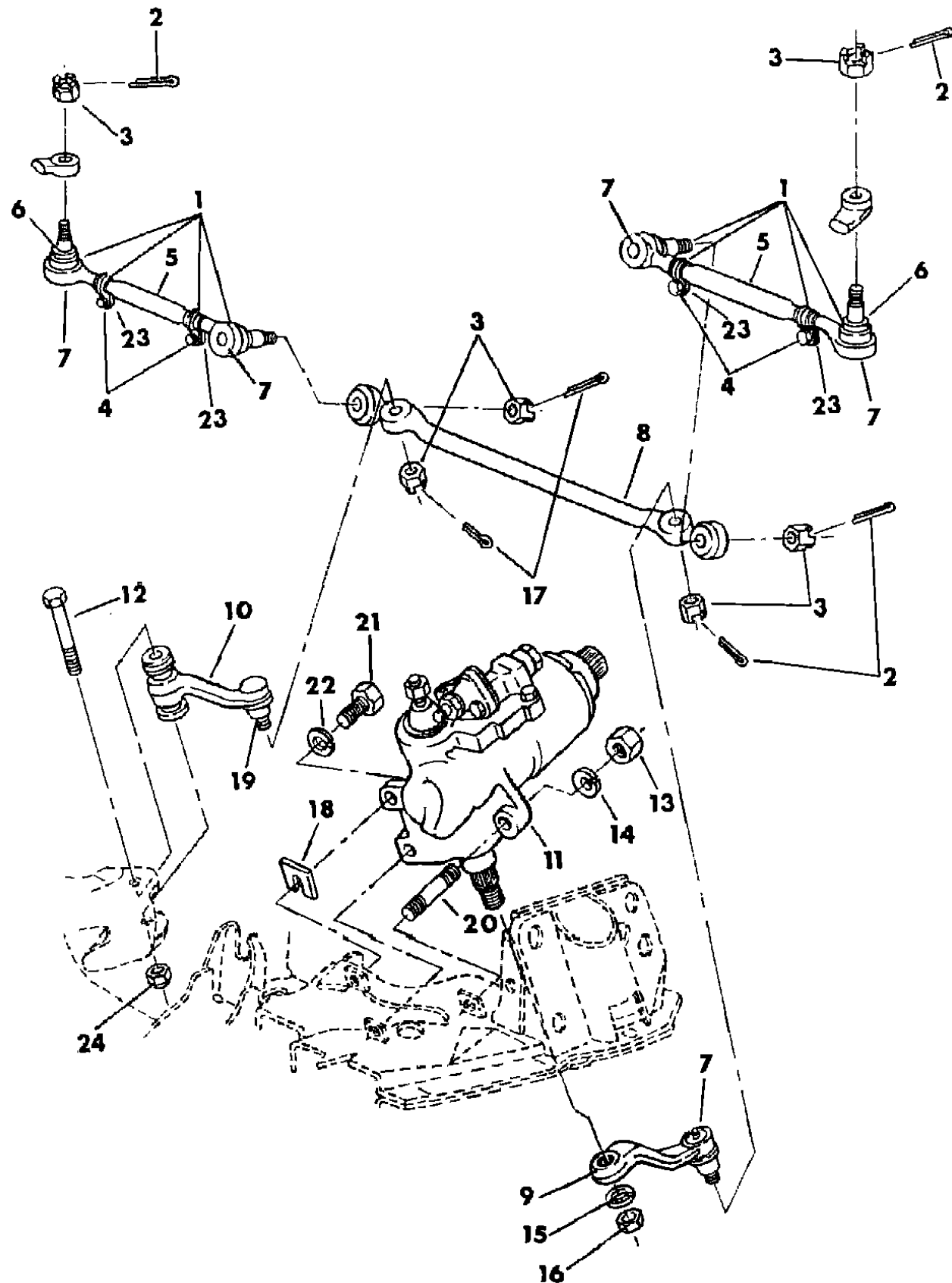
45 = 4-DOOR STATION WAGON

52-53 = FWD WAGON

AR = Use as Required - = Non Illustrated Part P.A.R. = Paint as Required

TIE RODS, STEERING GEAR AND LINKAGE M BODY
Figure 19-1800

7119 1800A



ITEM	PART NUMBER	QTY	BODY	MODEL	DESCRIPTION
------	-------------	-----	------	-------	-------------

23	6030 607	4			NUT, Tube Clamp Bolt
24	6030 585	1			NUT, Pivot Bushing Bolt

MODEL CODES

E BODY = (J - CARAVELLE)(E - 600)(T - NEW YORKER)

G BODY = (V24 - DAYTONA)

H BODY = (D44 - LANCER)(C44 - LEBARON GTS)

J BODY = (C - LEBARON)

K BODY = (P - RELIANT)(D - ARIES)(C - LEBAROND)/TOWN & COUNTRY)

L BODY = (M - HORIZON/TURISMO)(Z - OMNI/CHARGER)

M BODY = (B - GRAN FURY)(F - FIFTH AVE/NEWPORT)(G - DIPLOMAT)

P BODY = (P - SUNDANCE)(D - SHADOW)

S BODY = (H - VOYAGER)(K - RAM VAN/CARAVAN)

BODY STYLES

12-13 = FWD VAN

21 = 2-DOOR SEDAN

24 = 2-DOOR HATCHBACK

27 = 2-DOOR CONVERTIBLE

41 = 4-DOOR SEDAN

44 = 4-DOOR HATCHBACK

45 = 4-DOOR STATION WAGON

52-53 = FWD WAGON

AR = Use as Required - = Non Illustrated Part P.A.R. = Paint as Required

GROUP 21M - TRANSMISSION, MANUAL

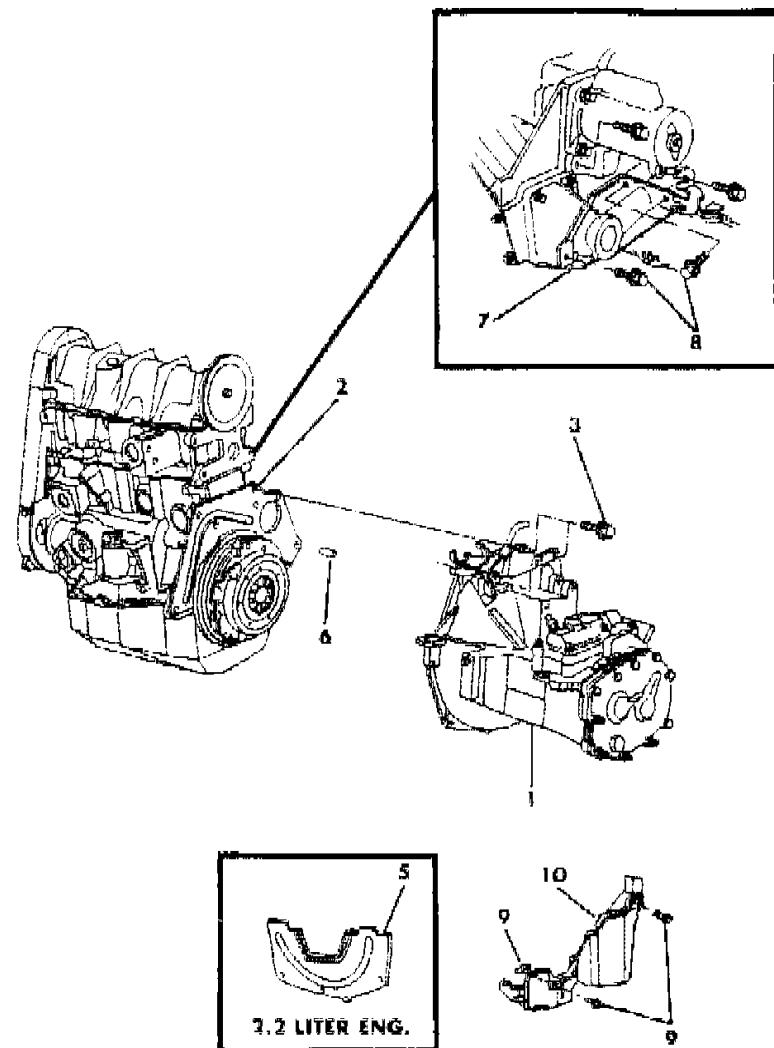
ILLUSTRATION TITLE	GROUP-FIG. NO.
TRANSAXLES	
TRANSAXLE ASSEMBLIES, AND MOUNTING MANUAL CHRYSLER, A520,A525,A555 5-SPEED	Fig. 21M-50
CASE, TRANSAXLE AND RELATED PARTS MANUAL TRANSAXLE, A520,A525,A555 5-SPEED	Fig. 21M-500
GEAR TRAIN MANUAL TRANSAXLE, A520,A525,A555 5-SPEED	Fig. 21M-600
CONTROLS, INTERNAL MANUAL TRANSAXLE, A520,A525,A555 5-SPEED	Fig. 21M-700
DIFFERENTIAL MANUAL TRANSAXLE, A520,A525,A555 5-SPEED	Fig. 21M-800
GEARSHIFT CONTROLS	
CONTROLS, GEARSHIFT MANUAL TRANSAXLE, A525 L BODY	Fig. 21M-900
CONTROLS, GEARSHIFT MANUAL TRANSAXLE, A520,A525 P BODY	Fig. 21M-1000
CONTROLS, GEARSHIFT MANUAL TRANSAXLE, A520,A555 J,G BODY	Fig. 21M-1100
CONTROLS, GEARSHIFT MANUAL TRANSAXLE, A520 H,K BODY	Fig. 21M-1200
CONTROLS, GEARSHIFT MANUAL TRANSAXLE, A520 S BODY	Fig. 21M-1300
SPEEDOMETER CABLES & PINIONS	
CABLE, SPEEDOMETER MANUAL TRANSAXLE	Fig. 21M-1400
PINION, SPEEDOMETER CABLE DRIVE MANUAL TRANSAXLE	Fig. 21M-1500

ILLUSTRATION NOT AVAILABLE AT TIME OF PUBLICATION

TRANSAXLE ASSEMBLIES, AND MOUNTING MANUAL CHRYSLER, A520,A525,A555 5-SPEED

Figure 21M-50

7121 050



ITEM	PART NUMBER	QTY	BODY	MODEL	DESCRIPTION
NOTE: The Transaxle Part No. is Stamped on The Case and Tag the rear of the carburetor throttle body. A mirror is required to read the no. when the carburetor					
1					TRANSAXLE, 5-SPEED
	4377 678	1	L		w/2.2 Liter Eng., w/2.20 Overall Ratio, A525, Up To Approx. 7-23-86
	4446 333	1	L		w/2.2 Liter Eng., w/2.20 Overall Ratio, A525, After Approx. 7-23-86
	4446 334	1		Z-S-24	w/2.2 TURBO-CHARGED Eng., w/2.55 Overall Ratio, A525, SHELBY
	4412 981	1	P		w/2.2 E.F.I. Eng., w/2.57 Overall Ratio, A525, Up To Approx. 8-19-86
	4446 014	1	P		w/2.2 E.F.I. Eng., w/2.51 Overall Ratio, A520, After Approx. 8-19-86
	4446 014	1	K,H		w/2.2 E.F.I. Eng., w/2.51 Overall Ratio, A520
	4412 982	1	P		w/2.2 TURBO-CHARGED Eng., w/2.57 Overall Ratio, A525, Up To Approx. 8-19-86
	4446 016	1	P		w/2.2 TURBO-CHARGED Eng., w/2.51 Overall Ratio, A520, After Approx. 8-19-86
	4446 016	1	J,G,H		w/2.2 TURBO-CHARGED, And 2.5 E.F.I. Eng., w/2.51 Overall Ratio, A520
	4446 015	1		V-S-24	w/2.2 TURBO TWO (EDR) w/INTERCOOLER, w/2.74 Overall Ratio, A555, SHELBY
	4446 024	1	S		w/2.2, 2.5, 2.6L Eng., w/2.76 Overall Ratio, A520
TRANSAXLE ASSY. CROSS REFERENCE					
PRODUCTION NO: SERVICE NO:					
4377678 4377678					
4412981 4412981					
4412982 4412982					
4446333 4446333					
4446334 4446334					
4377813 4446014					
4377814 4446024					
4377815 4446015					
4377816 4446016					
2	4412 526	1			COVER, Case Upper
3	6500 817	AR			SCREW, Trans to Cyl Block, M10x1.25x45
	6500 768	AR			M10x1.25x55
	6500 527	AR			M10x1.25x60

MODEL CODES

E BODY = (J - CARAVELLE)(E - 600)(T - NEW YORKER)

G BODY = (V24 - DAYTONA)

H BODY = (D44 - LANCER)(C44 - LEBARON GTS)

J BODY = (C - LEBARON)

K BODY = (P - RELIANT)(D - ARIES)(C - LEBAROND)/TOWN & COUNTRY)

L BODY = (M - HORIZON/TURISMO)(Z - OMNI/CHARGER)

M BODY = (B - GRAN FURY)(F - FIFTH AVE/NEWPORT)(G - DIPLOMAT)

P BODY = (P - SUNDANCE)(D - SHADOW)

S BODY = (H - VOYAGER)(K - RAM VAN/CARAVAN)

BODY STYLES

12-13 = FWD VAN

21 = 2-DOOR SEDAN

24 = 2-DOOR HATCHBACK

27 = 2-DOOR CONVERTIBLE

41 = 4-DOOR SEDAN

44 = 4-DOOR HATCHBACK

45 = 4-DOOR STATION WAGON

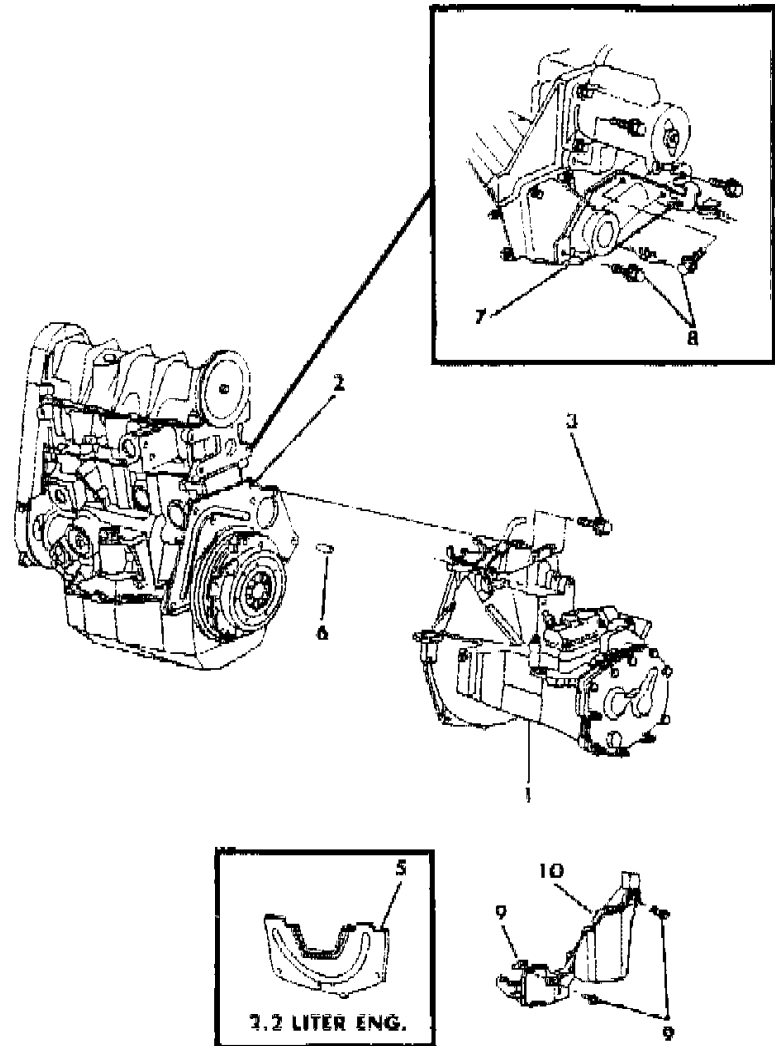
52-53 = FWD WAGON

AR = Use as Required - = Non Illustrated Part P.A.R. = Paint as Required

TRANSAXLE ASSEMBLIES, AND MOUNTING MANUAL CHRYSLER, A520,A525,A555 5-SPEED

Figure 21M-50

7121 050



ITEM	PART NUMBER	QTY	BODY	MODEL	DESCRIPTION
	6501 164	AR			M12x1.75x50
	6100 989	AR			M12x1.75x60
	3759 944	1			RETAINER, Upper Cover, Special Screw
5	4412 528	1			COVER, Case Lower, Except 4377678,4412981,982 Trans.
	5222 453	1			Use w/4377678,4412981,982 Trans.
-	6100 149	AR			SCREW, Case Cover, M6x1x10
-	6500 136	AR			M6x1x14, Except 2.5 Liter Eng.
-	4412 430	1			Retainer, w/2.5 Liter Eng.
-	6500 137	AR			M6x1x16
-	6500 440	AR			M8x1.25x22
6	5240 849	2			DOWEL, Cyl. Block To Cluch Hsg.
7	5224 214	1			STRUT, Trans to Cyl. Block
8	6501 163	3			SCREW, Strut To Case, M12x1.75x30
	6100 350	1			Right, M12x1.75x35
	6100 344	1			w/Turbo, M12x1.75x40
9					SCREW, (Not Serviced)
10					SHIELD, Trans. Appearance
	4296 142	1	L		
	4386 625	1	J,K,G		
	4386 657	1	S		

MODEL CODES

E BODY = (J - CARAVELLE)(E - 600)(T - NEW YORKER)

G BODY = (V24 - DAYTONA)

H BODY = (D44 - LANCER)(C44 - LEBARON GTS)

J BODY = (C - LEBARON)

K BODY = (P - RELIANT)(D - ARIES)(C - LEBAROND)/TOWN & COUNTRY)

L BODY = (M - HORIZON/TURISMO)(Z - OMNI/CHARGER)

M BODY = (B - GRAN FURY)(F - FIFTH AVE/NEWPORT)(G - DIPLOMAT)

P BODY = (P - SUNDANCE)(D - SHADOW)

S BODY = (H - VOYAGER)(K - RAM VAN/CARAVAN)

BODY STYLES

12-13 = FWD VAN

21 = 2-DOOR SEDAN

24 = 2-DOOR HATCHBACK

27 = 2-DOOR CONVERTIBLE

41 = 4-DOOR SEDAN

44 = 4-DOOR HATCHBACK

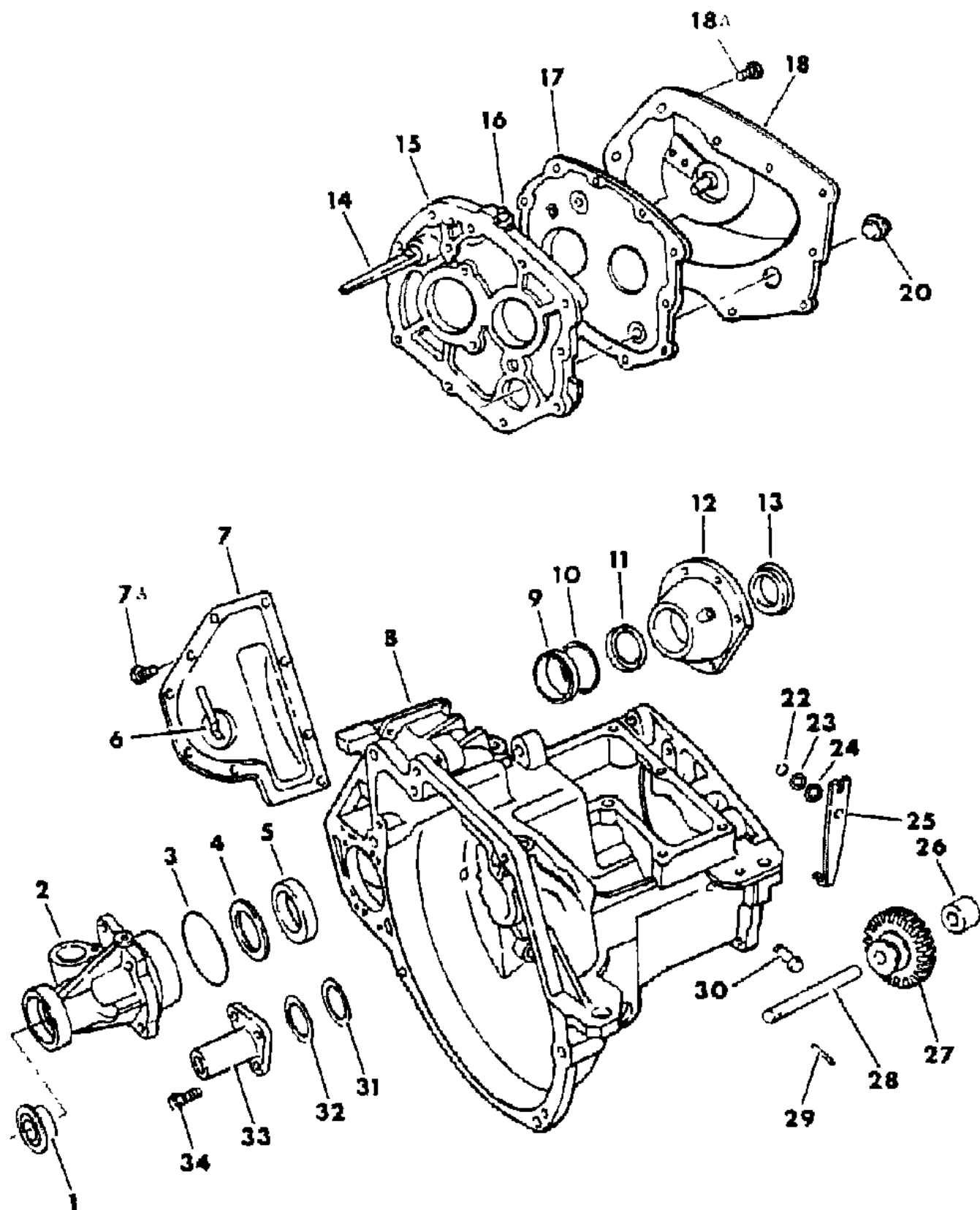
45 = 4-DOOR STATION WAGON

52-53 = FWD WAGON

AR = Use as Required - = Non Illustrated Part P.A.R. = Paint as Required

CASE, TRANSAXLE AND RELATED PARTS MANUAL TRANSAXLE, A520,A525,A555 5-SPEED
Figure 21M-500

7121 500



ITEM	PART NUMBER	QTY	BODY	MODEL	DESCRIPTION
1	4295 904	1			SEAL, Trans. Extension
2	4269 961	1			EXTENSION, w/Bushing, Transaxle, Use w/4446333,334, 4377678,4412981,982 Trans.
	4377 650	1			Except 4446333,334,4377678,4412981,982 Trans.
-	6500 511	4			SCREW, Ext. to Case, M8x1.25x33
3	6500 111	1			O-RING, Trans. Extension
4	5222 255	1			RETAINER, Trans. Extension Oil
5	4269 676	1			CUP, Retainer Differential Bearing
6	3681 601	1			MAGNET, Trans. Chip Collector
7	4329 464	1			PAN, Trans. Diff. Oil, Use w/4446333,334,4377678,4412981,982 Trans.
		1			w/4446014,015,016,024 Trans., (Serviced in Case and Pan Assy. 4348104)
7A	6501 410	5			SCREW, Flange, M8x1.25x14, Use w/4446333,334,4377678 Trans.
	6500 921	3			STUD, Oil Pan To Case, M8x1.25x44
	6501 411	2			STUD, Oil Pan To Case, M8x1.25x41
	6500 470	3			NUT, Oil Pan To Case Stud, M8
	6501 401	2			SCREW, Oil Pan To Case, M10x1.50x40, Except 4446333,334, 4377678 Trans.
	6501 400	4			M10x1.50x65
	6501 416	4			M10x1.50x90
8	4377 710	1			CASE, Transaxle, Use w/4446333,4377678,4412981 Trans.
	4377 709	1			w/4446334,4412982 Trans.
	4348 104	1			CASE, w/Diff. Pan, w/4446014,015,016,024,4412981,982 Trans.
9	4269 676	1			CUP, Diff. Retainer Bearing
10					SPACER, Trans. Final Drive
	4207 134	1			0.50mm (.020")
	4207 135	1			0.55mm (.022")
	4207 136	1			0.60mm (.024")
	4207 137	1			0.65mm (.026")
	4207 138	1			0.70mm (.027")
	4207 139	1			0.75mm (.029")
	4207 140	1			0.80mm (.031")
	4207 141	1			0.85mm (.033")
	4207 142	1			0.90mm (.035")
	4207 143	1			0.95mm (.037")

MODEL CODES

E BODY = (J - CARAVELLE)(E - 600)(T - NEW YORKER)

G BODY = (V24 - DAYTONA)

H BODY = (D44 - LANCER)(C44 - LEBARON GTS)

J BODY = (C - LEBARON)

K BODY = (P - RELIANT)(D - ARIES)(C - LEBAROND)/TOWN & COUNTRY)

L BODY = (M - HORIZON/TURISMO)(Z - OMNI/CHARGER)

M BODY = (B - GRAN FURY)(F - FIFTH AVE/NEWPORT)(G - DIPLOMAT)

P BODY = (P - SUNDANCE)(D - SHADOW)

S BODY = (H - VOYAGER)(K - RAM VAN/CARAVAN)

BODY STYLES

12-13 = FWD VAN

21 = 2-DOOR SEDAN

24 = 2-DOOR HATCHBACK

27 = 2-DOOR CONVERTIBLE

41 = 4-DOOR SEDAN

44 = 4-DOOR HATCHBACK

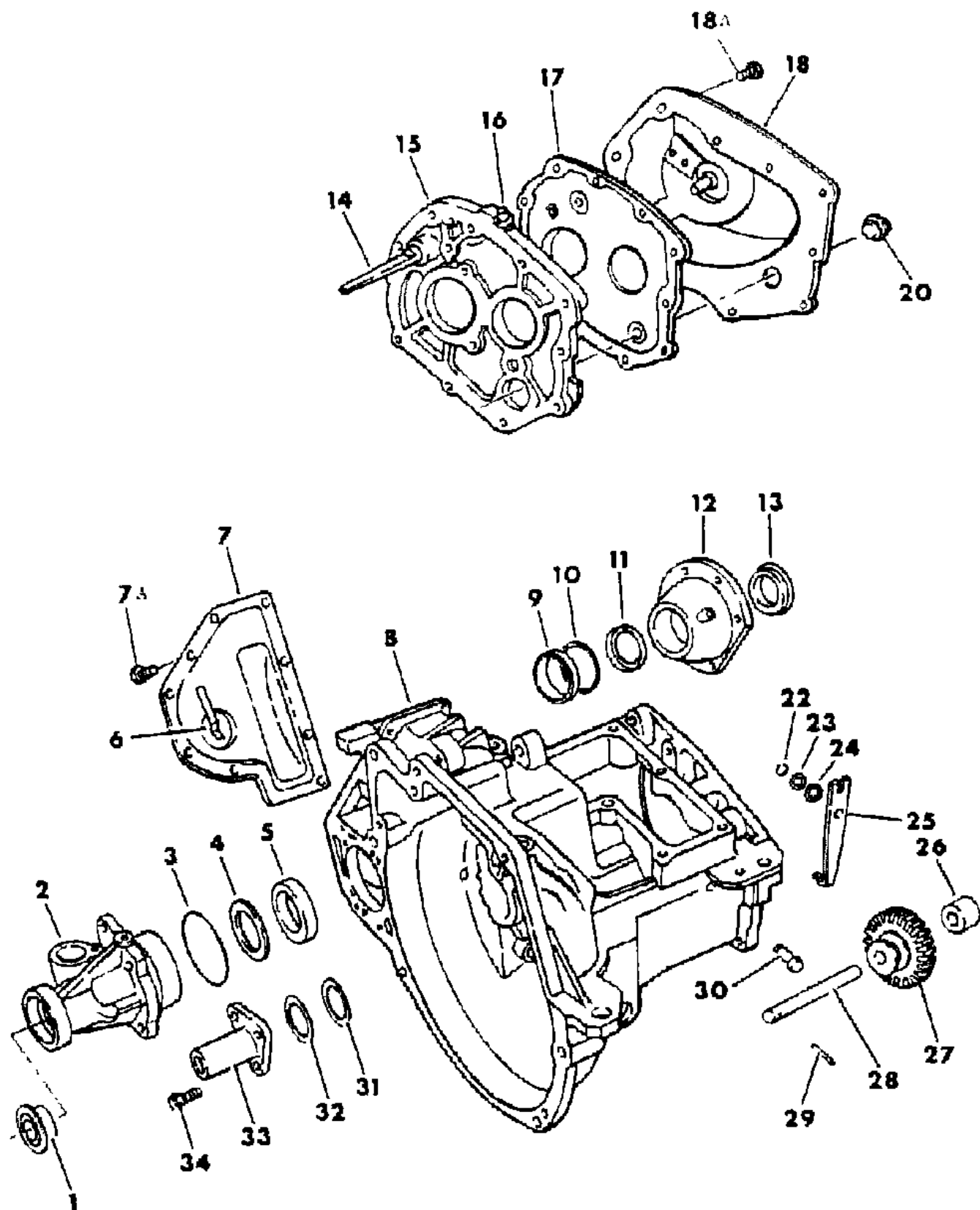
45 = 4-DOOR STATION WAGON

52-53 = FWD WAGON

AR = Use as Required - = Non Illustrated Part P.A.R. = Paint as Required

CASE, TRANSAXLE AND RELATED PARTS MANUAL TRANSAXLE, A520,A525,A555 5-SPEED
Figure 21M-500

7121 500



ITEM	PART NUMBER	QTY	BODY	MODEL	DESCRIPTION
	4207 144	1			1.00mm (.039")
	4207 145	1			1.05mm (.041")
11	5222 256	1			BAFFLE, Oil Feed
12	4377 730	1			RETAINER, Diff. Bearing, 8 Bolt Hole, Use w/4446333,334, 4377678 Trans.
	4377 671	1			Except 4446333,334,4377678 Trans.
-	6501 371	8			SCREW, Diff. Brg. Retainer, M10x1.5x30
13	4295 904	1			SEAL, Bearing Retainer
14	4329 583	1			OIL SCOOP, Trans. Bearing Rear
15	4340 091	1			PLATE, Trans. Bearing Retainer
16	2124 715	1			VENT, Trans.
17	4348 281	1			PLATE, Trans. Bearing Back-Up
18	4348 280	1			COVER, Trans. Oil Feed
18A	6101 235	10			SCREW, Cover, M8x1.25x40
	6500 440	2			M8x1.25x22
20	4348 325	1			PLUG, Drain and Fill, Rubber
22	6026 125	1			E-CLIP, Reverse Lever Pivot
23	0391 888	1			WASHER, Spring Wave
24	5205 609	1			WASHER, Reverse Lever Pivot
25	5222 656	1			LEVER, Gearshift Reverse
26	4202 367	1			SPACER, Reverse Idler
27	5222 651	1			GEAR, Reverse Idler
28	5222 654	1			SHAFT, Reverse Idler
29	6100 234	1			PIN, Reverse Idler, Slotted Spring 4.20x14
30	5205 625	1			PIN, Reverse Lever Clevis
31					SPACER, Input Shaft
	4202 751	1			0.62mm (.024")
	4202 301	1			0.66mm (.026")
	4202 302	1			0.70mm (.028")
	4202 303	1			0.74mm (.029")
	4202 304	1			0.78mm (.031")
	4202 305	1			0.82mm (.032")
	4202 306	1			0.86mm (.034")
	4202 307	1			0.90mm (.035")
	4202 308	1			0.94mm (.037")
	4202 309	1			0.98mm (.039")
	4202 310	1			1.02mm (.040")
	4202 311	1			1.06mm (.042")

MODEL CODES

E BODY = (J - CARAVELLE)(E - 600)(T - NEW YORKER)

G BODY = (V24 - DAYTONA)

H BODY = (D44 - LANCER)(C44 - LEBARON GTS)

J BODY = (C - LEBARON)

K BODY = (P - RELIANT)(D - ARIES)(C - LEBAROND)/TOWN & COUNTRY)

L BODY = (M - HORIZON/TURISMO)(Z - OMNI/CHARGER)

M BODY = (B - GRAN FURY)(F - FIFTH AVE/NEWPORT)(G - DIPLOMAT)

P BODY = (P - SUNDANCE)(D - SHADOW)

S BODY = (H - VOYAGER)(K - RAM VAN/CARAVAN)

BODY STYLES

12-13 = FWD VAN

21 = 2-DOOR SEDAN

24 = 2-DOOR HATCHBACK

27 = 2-DOOR CONVERTIBLE

41 = 4-DOOR SEDAN

44 = 4-DOOR HATCHBACK

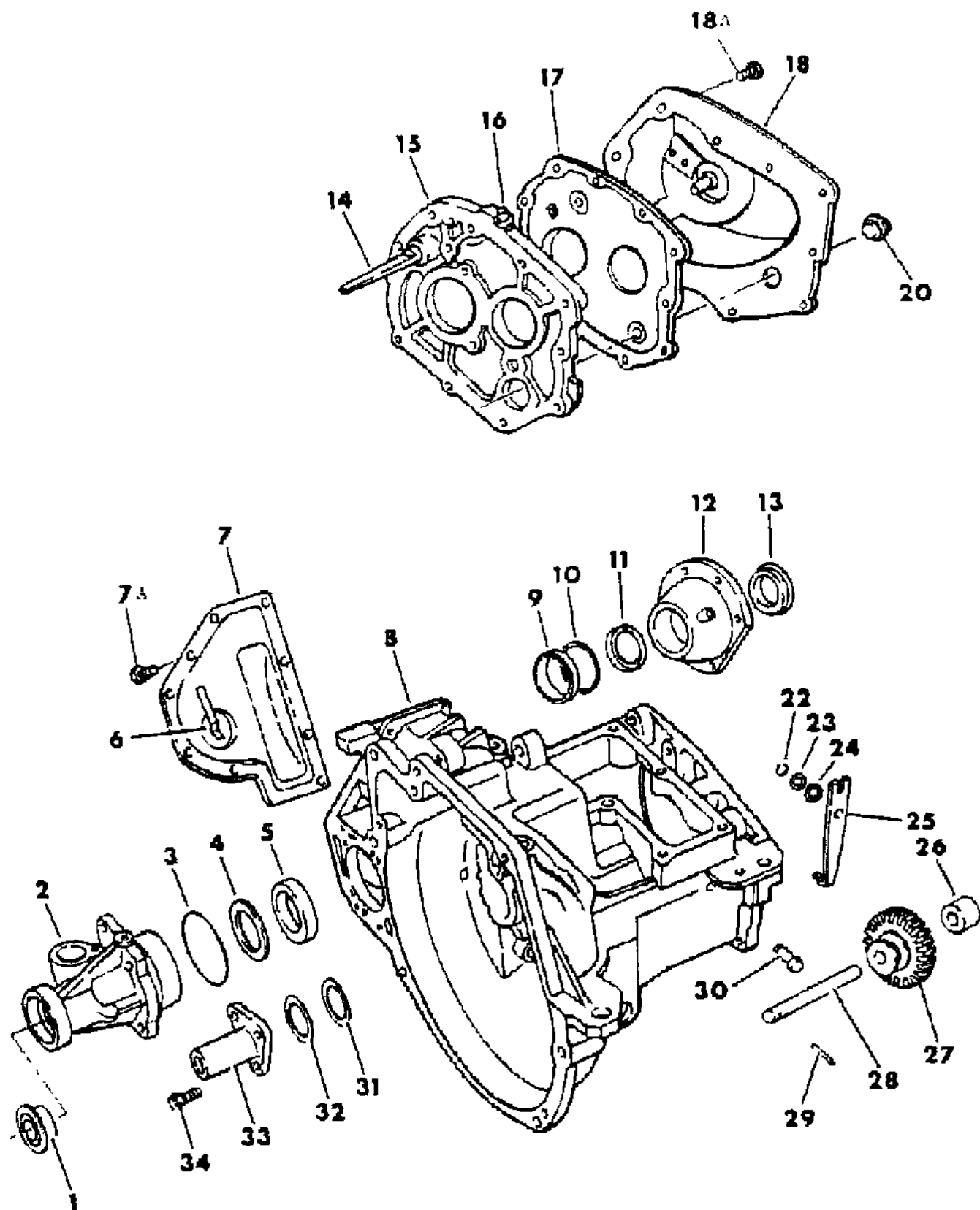
45 = 4-DOOR STATION WAGON

52-53 = FWD WAGON

AR = Use as Required - = Non Illustrated Part P.A.R. = Paint as Required

CASE, TRANSAXLE AND RELATED PARTS MANUAL TRANSAXLE, A520,A525,A555 5-SPEED
Figure 21M-500

7121 500



ITEM	PART NUMBER	QTY	BODY	MODEL	DESCRIPTION
	4202 312	1			1.10mm (.043")
	4202 313	1			1.14mm (.045")
	4202 314	1			1.18mm (.046")
	4202 315	1			1.22mm (.048")
	4202 316	1			1.26mm (.050")
	4202 317	1			1.30mm (.051")
	4202 318	1			1.34mm (.053")
	4202 319	1			1.38mm (.054")
	4202 320	1			1.42mm (.056")
	4202 321	1			1.46mm (.057")
	4202 322	1			1.50mm (.059")
	4202 323	1			1.54mm (.061")
	4202 324	1			1.58mm (.062")
	4202 325	1			1.62mm (.064")
	4202 326	1			1.66mm (.065")
	4202 752	1			1.70mm (.067")
	4202 753	1			1.74mm (.069")
	4202 754	1			1.78mm (.070")
32	5222 721	1			SEAL, Trans. Input Shaft
33	4295 175	1			RETAINER, Trans. Bearing Pilot and Seal
-	4202 093	1			STRAP, Trans. Bearing Retainer
34	6500 318	3			BOLT, Retainer to Case, M8x1.25x25
-	5222 723	1			COVER, Timing Window
-	5222 757	2			DOWEL, Case to Bearing Retainer

MODEL CODES

E BODY = (J - CARAVELLE)(E - 600)(T - NEW YORKER)

G BODY = (V24 - DAYTONA)

H BODY = (D44 - LANCER)(C44 - LEBARON GTS)

J BODY = (C - LEBARON)

K BODY = (P - RELIANT)(D - ARIES)(C - LEBAROND)/TOWN & COUNTRY)

L BODY = (M - HORIZON/TURISMO)(Z - OMNI/CHARGER)

M BODY = (B - GRAN FURY)(F - FIFTH AVE/NEWPORT)(G - DIPLOMAT)

P BODY = (P - SUNDANCE)(D - SHADOW)

S BODY = (H - VOYAGER)(K - RAM VAN/CARAVAN)

BODY STYLES

12-13 = FWD VAN

21 = 2-DOOR SEDAN

24 = 2-DOOR HATCHBACK

27 = 2-DOOR CONVERTIBLE

41 = 4-DOOR SEDAN

44 = 4-DOOR HATCHBACK

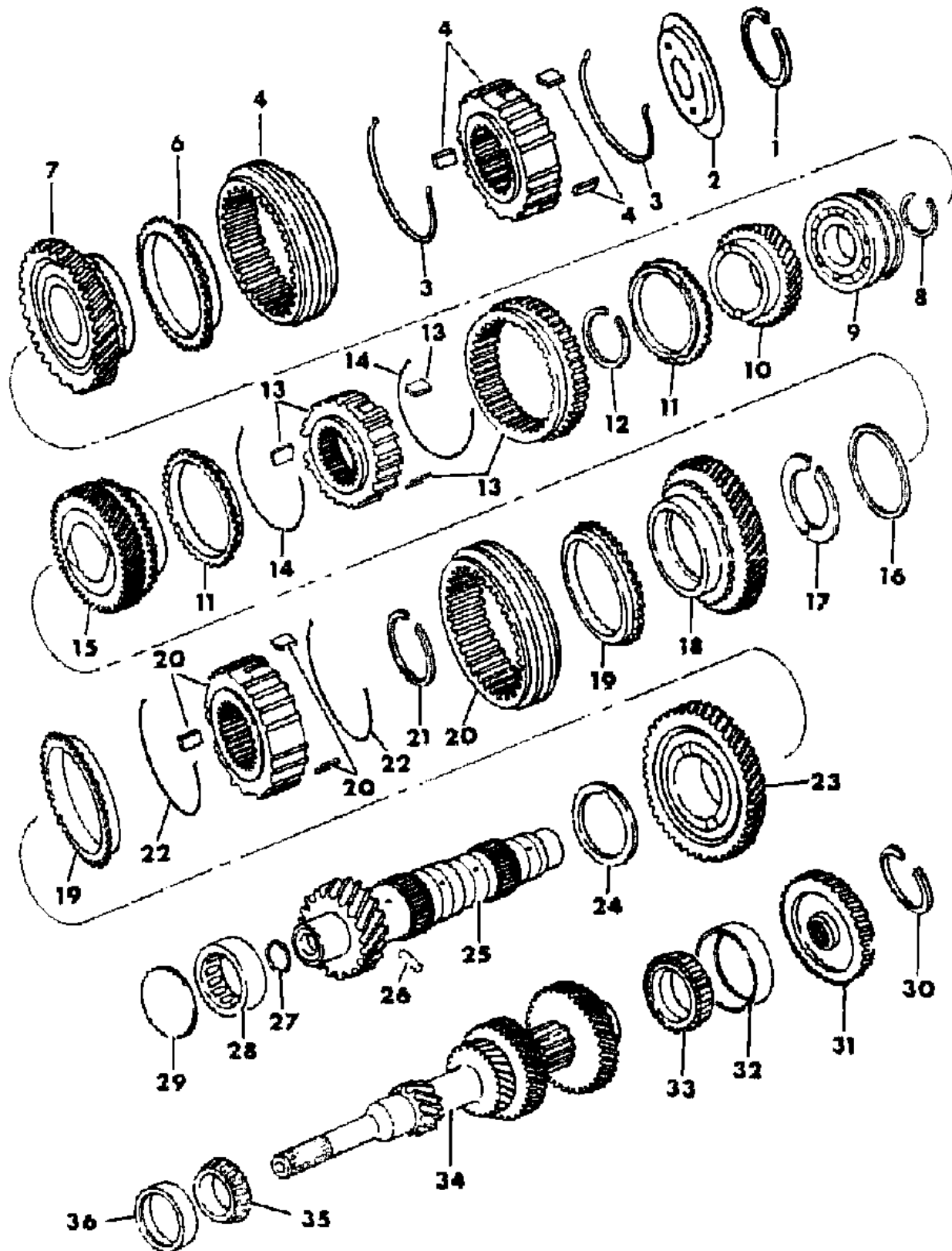
45 = 4-DOOR STATION WAGON

52-53 = FWD WAGON

AR = Use as Required - = Non Illustrated Part P.A.R. = Paint as Required

**GEAR TRAIN MANUAL TRANSAXLE, A520,A525,A555 5-SPEED
Figure 21M-600**

7121 800



ITEM	PART NUMBER	QTY	BODY	MODEL	DESCRIPTION
1	6500 980	1			SNAP RING, Inter Shaft Fifth Speed
2	4431 894	1			PLATE, Fifth Speed Synchronizer Retainer
3	4202 124	2			SPRING, Fifth Speed Synchronizer
4	4411 967	1			SYNCHRONIZER, Fifth Speed
6	4446 061	1			RING, Fifth Speed Synchronizer Stop
7	4329 370	1			GEAR, Fifth Speed, w/2-Oil Grooves, Use w/4377678,4412981 Trans.
	4329 372	1			w/3-Oil Grooves, Except 4377678,4412981,4446015 Trans.
	4348 013	1			w/4446015 Trans.
8	6500 315	1			SNAP RING, Inter Shaft Inner, 27mm I.D.
9	4348 270	1			BEARING, Inter Shaft, Rear, Except 4446015 Trans.
	4348 068	1			Ball, 72mm O.D., w/4446015 Trans.
10	4295 660	1			GEAR, Fourth Speed, 34-48T, Except 4446015 Trans.
	4348 009	1			Use w/4446015 Trans.
11	4446 061	2			RING, Third and Fourth Synchronizer Stop
12	6500 316	1			SNAP RING, Third and Fourth Gear, Inner
13	4411 968	1			SYNCHRONIZER PACKAGE, Third and Fourth Gear
14	4202 124	2			SPRING, Third and Fourth Gear Synchronizer
15	4446 078	1			GEAR, Third Speed, Use w/4446014,016,024,333,334 Trans.
	4295 659	1			w/4377678,4412981,982 Trans., 36-55T
	4348 007	1			w/4446015 Trans.
16	5222 749	1			RING, Washer Retaining, Use w/4377678,4412981,982 Trans.
-	6033 348	1			SNAP RING, Intermediate Shaft, Except 4377678,4412981,982 Trans.
17	4412 082	2			WASHER, Split Thrust, Except 4377678,4412981,982 Trans.
	4202 533	2			Use w/4377678,4412981,982 Trans.
-	6032 705	1			PIN, Split Thrust Washer, Except 4377678,4412981,982 Trans.
18					GEAR, Second Speed
	4295 719	1			w/4377678,4412981 Trans., 2-Oil Grooves, 39-54T
	4295 721	1			w/4412982 Trans., 3-Oil Grooves, 39-54T
	4446 076	1			w/4446016,334 Trans., w/o Oil Grooves, 39-54T
	4446 074	1			w/4446014,024,333 Trans., w/o Oil Grooves, 39-54T
	4348 005	1			w/4446015 Trans.
19	4446 060	2			RING, First and Second Synchronizer Stop
20	4295 725	1			SYNCHRONIZER, First and Second Speed
21	6024 131	1			SNAP RING, First and Second Speed Gear, Inner
22	4269 350	2			SPRING, First and Second Speed Gear Synchronizer
23					GEAR, First Speed

MODEL CODES

E BODY = (J - CARAVELLE)(E - 600)(T - NEW YORKER)

G BODY = (V24 - DAYTONA)

H BODY = (D44 - LANCER)(C44 - LEBARON GTS)

J BODY = (C - LEBARON)

K BODY = (P - RELIANT)(D - ARIES)(C - LEBAROND)/TOWN & COUNTRY)

L BODY = (M - HORIZON/TURISMO)(Z - OMNI/CHARGER)

M BODY = (B - GRAN FURY)(F - FIFTH AVE/NEWPORT)(G - DIPLOMAT)

P BODY = (P - SUNDANCE)(D - SHADOW)

S BODY = (H - VOYAGER)(K - RAM VAN/CARAVAN)

BODY STYLES

12-13 = FWD VAN

21 = 2-DOOR SEDAN

24 = 2-DOOR HATCHBACK

27 = 2-DOOR CONVERTIBLE

41 = 4-DOOR SEDAN

44 = 4-DOOR HATCHBACK

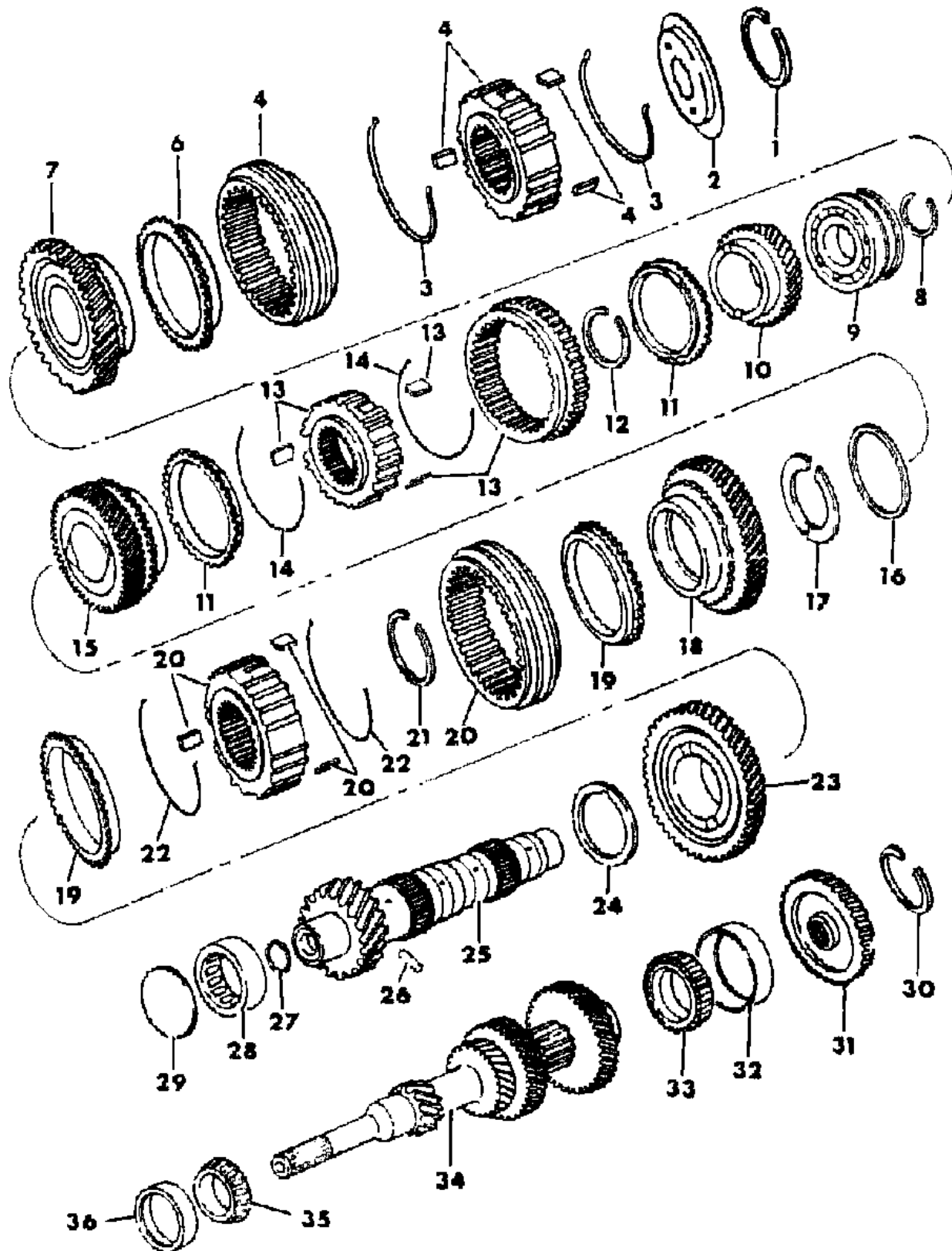
45 = 4-DOOR STATION WAGON

52-53 = FWD WAGON

AR = Use as Required - = Non Illustrated Part P.A.R. = Paint as Required

**GEAR TRAIN MANUAL TRANSAXLE, A520,A525,A555 5-SPEED
Figure 21M-600**

7121 800



ITEM	PART NUMBER	QTY	BODY	MODEL	DESCRIPTION
	4295 714	1			w/4446014,024,333,4377678,4412981 Trans.
	4295 716	1			w/4446016,334,4412982 Trans., 39-46T, 3-Oil Grooves
	4348 003	1			w/4446015 Trans., 33-39T, 2-Oil Grooves
24	4202 534	1			WASHER, Low Gear Thrust
25					SHAFT, Intermediate
	5222 753	1			w/4377678 Trans., 19T
	5222 755	1			w/4412981 Trans., 16T
	4295 420	1			w/4412982 Trans., 16T
	4412 094	1			w/4446333 Trans.
	4412 093	1			w/4446014 Trans., 14T
	4412 083	1			w/4446016 Trans., 14T
	4412 968	1			w/4446334 Trans.
	4412 095	1			w/4446024 Trans., 13T
	4348 015	1			w/4446015 Trans., 13T
26	6032 705	1			PIN, First Gear Thrust Plate Driving
27	5222 959	1			RING, Inter Shaft Oil Retaining, Use w/4377678,4412981,982 Trans.
28	4202 590	1			BEARING, Inter Shaft Roller, Use w/4446333,334,4377678, 4412981,982 Trans.
	4377 723	1			Roller, 57.20mm O.D., w/4446014,015,016,024 Trans.
29	5222 957	1			FEEDER, Inter Shaft Inner Oil, Use w/4446333,334,4377678, 4412981,982 Trans.
	4377 690	1			Except 4446333,334,4377678,4412981,982 Trans.
30	6500 980	1			SNAP RING, Fifth Speed Gear Input Shaft
31	4329 367	1			GEAR, Fifth Speed Input Shaft, Except 4446015 Trans.
	4348 011	1			Use w/4446015 Trans.
32	5205 567	1			CUP, Input Shaft Bearing Rear
33	5205 568	1			CONE, Input Shaft Bearing Rear
34					SHAFT, Input
	4295 657	1			w/4446016,334,4412982 Trans.
	4295 683	1			w/4446014,024,333,4377678,4412981 Trans.
	4348 001	1			w/4446015 Trans.
35	5205 565	1			CONE, Input Shaft Bearing Front
36	5205 564	1			CUP, Input Shaft Bearing Front

MODEL CODES

E BODY = (J - CARAVELLE)(E - 600)(T - NEW YORKER)

G BODY = (V24 - DAYTONA)

H BODY = (D44 - LANCER)(C44 - LEBARON GTS)

J BODY = (C - LEBARON)

K BODY = (P - RELIANT)(D - ARIES)(C - LEBAROND)/TOWN & COUNTRY)

L BODY = (M - HORIZON/TURISMO)(Z - OMNI/CHARGER)

M BODY = (B - GRAN FURY)(F - FIFTH AVE/NEWPORT)(G - DIPLOMAT)

P BODY = (P - SUNDANCE)(D - SHADOW)

S BODY = (H - VOYAGER)(K - RAM VAN/CARAVAN)

BODY STYLES

12-13 = FWD VAN

21 = 2-DOOR SEDAN

24 = 2-DOOR HATCHBACK

27 = 2-DOOR CONVERTIBLE

41 = 4-DOOR SEDAN

44 = 4-DOOR HATCHBACK

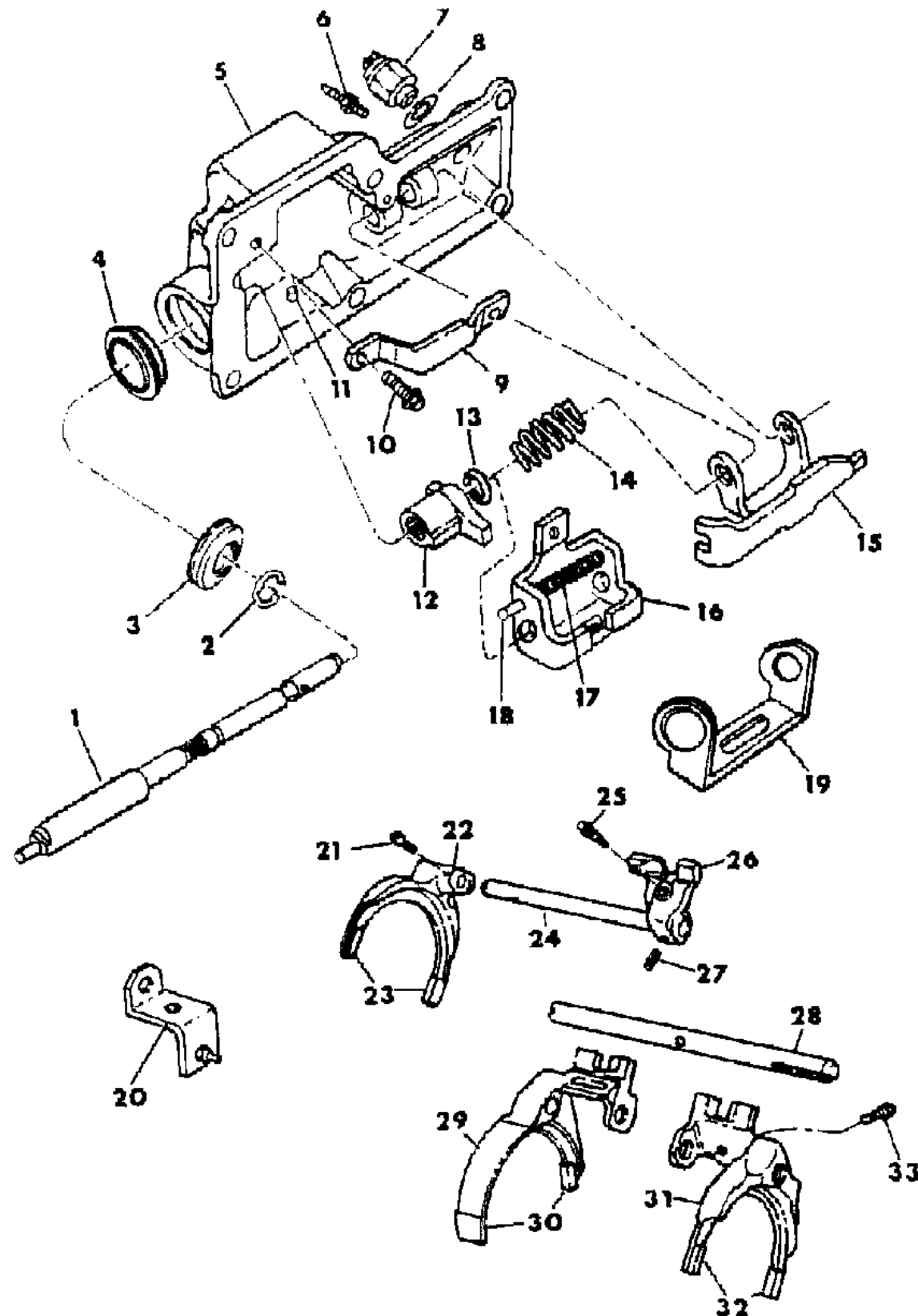
45 = 4-DOOR STATION WAGON

52-53 = FWD WAGON

AR = Use as Required - = Non Illustrated Part P.A.R. = Paint as Required

**CONTROLS, INTERNAL MANUAL TRANSAXLE, A520,A525,A555 5-SPEED
Figure 21M-700**

7121 700



ITEM	PART NUMBER	QTY	BODY	MODEL	DESCRIPTION
1	4269 100	1			SHAFT, Gearshift Selector, Use w/4446333,334,4377678, 4412981,982 Trans.
	4412 040	1			Except 4446333,334,4377678,4412981,982 Trans.
2	6030 595	1			SNAP RING, Selector Shaft
3	4202 486	1			SEAL, Selector Shaft Housing Boot
4	4295 197	1			SEAL, Trans. Gearshift Housing
5	4269 164	1			HOUSING, Gearshift, Use w/4446333,334,4377678,4412981,982 Trans.
	4412 038	1			Except 4446333,334,4377678,4412981,982 Trans.
-	6100 929	2			BOLT, G/Shift Housing to Case, M8x1.25x45
	6500 313	2			M8x1.25x28
	6500 318	2			M8x1.25x25
	6501 564	1			M8x1.25x25
-	6501 438	1			STUD, Double Ended Hex, Except 4446333,334,4377678 Trans.
6	5222 638	1			PLUG, 1ST & 2ND Shift Adjusting, Use w/4446333,334,4377678 Trans.
7	4221 949	1			SWITCH, Back-Up Light
8	1302 807	1			GASKET, Back-Up Light Switch
9	4205 856	1			LEVER and PLATE, Gearshift Fork Stop
10	6500 417	2			BOLT, Stop Plate, M6x1.00x22
11	4130 888	1			PIN, Selector Stop
12	4269 262	1			SELECTOR, Gearshift Detent
13	6500 328	1			E-CLIP, Gearshift
14	4295 731	1			SPRING, Crossover, w/Cable Shift, Except 4446333,334,4377678 Trans.
	4269 236	1			w/Rod Shift, Use w/4446333,334,4377678 Trans.
15	4205 856	1			LEVER and PLATE, Reverse Shift
16	4329 437	1			BLOCKER, w/Spring, Use w/4446333,334,4377678 Trans.
	4412 100	1			Except 4446333,334,4377678 Trans.
17	4295 046	1			SPRING, Fifth Speed Shift Load, Use w/4446333,334,4377678 Trans.
	4295 048	1			Except 4446333,334,4377678 Trans.
18	4295 028	1			PIN, Fifth Speed Shift Load Spring
19	4269 355	1			PLATE, Spring Stop
20	4329 147	1			LEVER, Gearshift Operating, Use w/4446333,334,4377678, 4412981,982 Trans.
	4431 060	1			Except 4446333,334,4377678,4412981,982 Trans.
21	6501 092	1			SET SCREW, 5TH Fork To Rail, M6x1.00x6

MODEL CODES

E BODY = (J - CARAVELLE)(E - 600)(T - NEW YORKER)

G BODY = (V24 - DAYTONA)

H BODY = (D44 - LANCER)(C44 - LEBARON GTS)

J BODY = (C - LEBARON)

K BODY = (P - RELIANT)(D - ARIES)(C - LEBAROND)/TOWN & COUNTRY)

L BODY = (M - HORIZON/TURISMO)(Z - OMNI/CHARGER)

M BODY = (B - GRAN FURY)(F - FIFTH AVE/NEWPORT)(G - DIPLOMAT)

P BODY = (P - SUNDANCE)(D - SHADOW)

S BODY = (H - VOYAGER)(K - RAM VAN/CARAVAN)

BODY STYLES

12-13 = FWD VAN

21 = 2-DOOR SEDAN

24 = 2-DOOR HATCHBACK

27 = 2-DOOR CONVERTIBLE

41 = 4-DOOR SEDAN

44 = 4-DOOR HATCHBACK

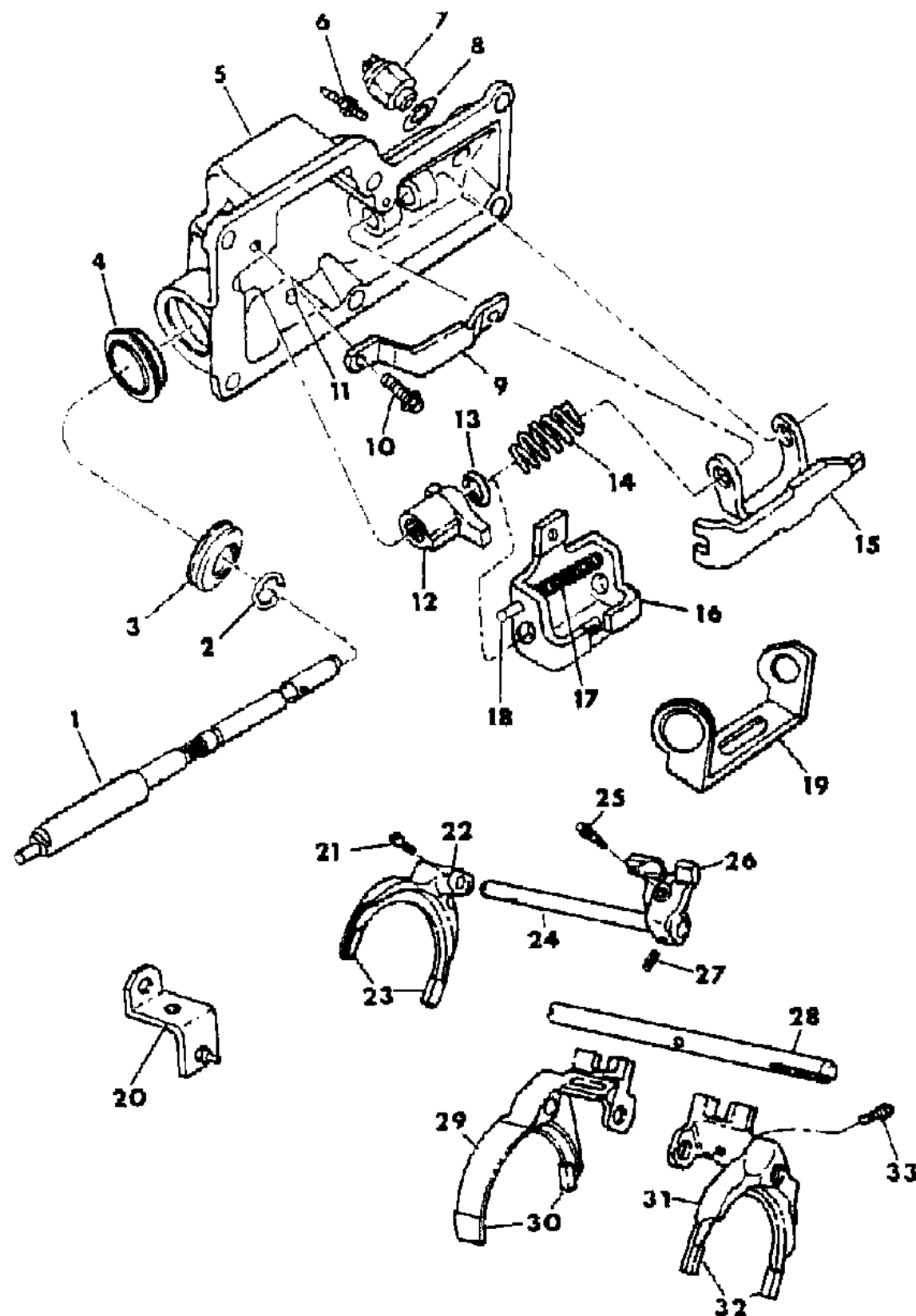
45 = 4-DOOR STATION WAGON

52-53 = FWD WAGON

AR = Use as Required - = Non Illustrated Part P.A.R. = Paint as Required

**CONTROLS, INTERNAL MANUAL TRANSAXLE, A520,A525,A555 5-SPEED
Figure 21M-700**

7121 700



ITEM	PART NUMBER	QTY	BODY	MODEL	DESCRIPTION
22	4340 084	1			FORK, w/Inserts, Fifth Speed
23	4295 519	2			INSERT, Gearshift Fork, 5TH Speed, Except 4377678,4412981, 982 Trans.
	2514 621	2			Use w/4377678,4412981,982 Trans.
24	4340 072	1			RAIL, Gearshift, 5TH Speed
25	6501 142	1			PIN, Shifter Guide, Screw Flanged M8x1.00x21
26	4340 076	1			SHIFTER, 5TH Speed Fork
27	6100 656	1			PIN, 5TH Shifter To Rail, Slotted Spring, 4.20x18
28	4340 098	1			RAIL, Trans. Gearshift Fork
29	4377 463	1			FORK, Trans. Gearshift, 3RD & 4TH Speed
30	4295 519	2			INSERT, Gearshift Fork, 3RD & 4TH Speed, Except 4377678, 4412981,982 Trans.
	2514 621	2			Use w/4377678,4412981,982 Trans.
31	4348 239	1			FORK, Trans. Gearshift, 1ST & 2ND
32	4295 519	2			INSERT, Gearshift Fork, 1ST & 2ND
33	6501 143	1			PIN, 1ST & 2ND Fork, Screw Flanged, M8x1.00x37

MODEL CODES

E BODY = (J - CARAVELLE)(E - 600)(T - NEW YORKER)

G BODY = (V24 - DAYTONA)

H BODY = (D44 - LANCER)(C44 - LEBARON GTS)

J BODY = (C - LEBARON)

K BODY = (P - RELIANT)(D - ARIES)(C - LEBAROND)/TOWN & COUNTRY)

L BODY = (M - HORIZON/TURISMO)(Z - OMNI/CHARGER)

M BODY = (B - GRAN FURY)(F - FIFTH AVE/NEWPORT)(G - DIPLOMAT)

P BODY = (P - SUNDANCE)(D - SHADOW)

S BODY = (H - VOYAGER)(K - RAM VAN/CARAVAN)

BODY STYLES

12-13 = FWD VAN

21 = 2-DOOR SEDAN

24 = 2-DOOR HATCHBACK

27 = 2-DOOR CONVERTIBLE

41 = 4-DOOR SEDAN

44 = 4-DOOR HATCHBACK

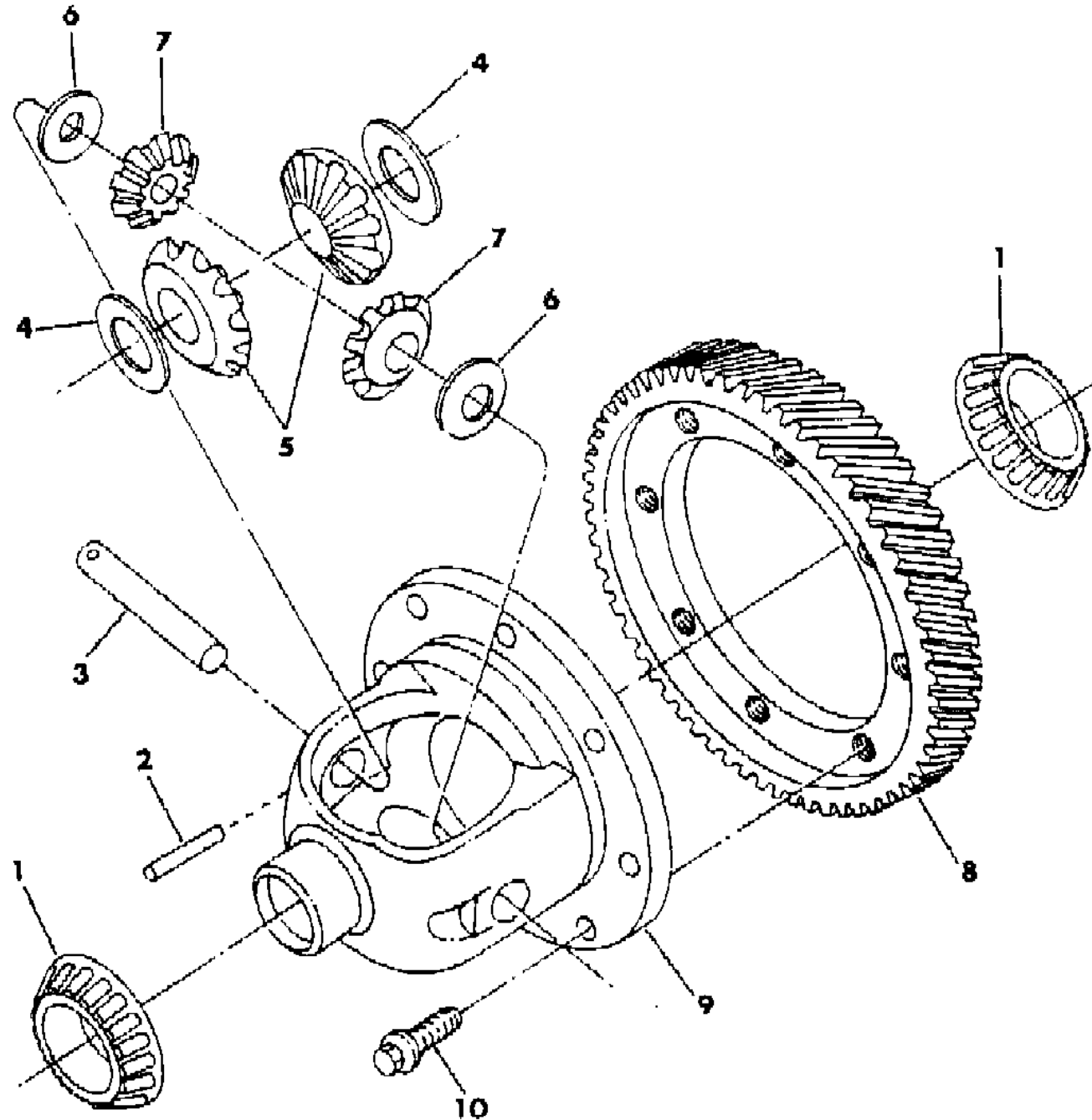
45 = 4-DOOR STATION WAGON

52-53 = FWD WAGON

AR = Use as Required - = Non Illustrated Part P.A.R. = Paint as Required

**DIFFERENTIAL MANUAL TRANSAXLE, A520,A525,A555 5-SPEED
Figure 21M-800**

7121 800



ITEM	PART NUMBER	QTY	BODY	MODEL	DESCRIPTION
1	4269 677	2			CONE, Differential Bearing
2	6101 284	1			PIN, Differential Roll
3	4207 073	1			SHAFT, Differential, Use w/4446333,334,4377678,4412981,982 Trans.
	4348 687	1			w/4446014,016,024 Trans.
	4348 084	1			Short, w/4446015 Trans.
-	4348 077	1			RING, Pinion Shaft Retainer, Use w/4446015 Trans.
4	#5212 212	2			WASHER, Differential Side Gear, Flat, Use w/4446333,334, 4377678,4412981,982 Trans.
-	4131 292	1			WASHER PACKAGE, Diff. Side Gear Flat, Except 4446333,334, 4377678,4412981,982 Trans. Consists Of:
		2			WASHER, Thrust .031 - .033" Thk. (Serv. in Pkg.)
	3723 861	2			.036 - .038" Thk.
		2			.041 - .043" Thk. (Serv. in Pkg.)
	3723 863	2			.046 - .048" Thk.
5	4412 048	2			GEAR, Differential Side, Use w/4446333,334,4377678,4412981, 982 Trans.
	4348 619	2			Except 4446333,334,4377678,4412981,982 Trans.
6	#5212 211	2			WASHER, Pinion, Spherical, Use w/4446333,334,4377678, 4412981,982 Trans.
	4412 521	2			0.79 - 0.84" Thk., Except 4446333,334,4377678,4412981,982 Trans.
7	4412 050	2			PINION, Differential, Use w/4446333,334,4377678,4412981,982 Trans.
	4348 679	2			Except 4446333,334,4377678,4412981,982 Trans.
8					GEAR, Final Drive
	5222 772	1			w/4446333,4377678 Trans., 7-1/2" Dia., 58T
	5222 774	1			w/4412981 Trans., 7-3/4" Dia., 57T
	4295 417	1			w/4446334,4412982 Trans.
	4377 664	1			w/4446016 Trans.
	4377 817	1			w/4446014 Trans.
	4377 666	1			w/4446024 Trans.
	4348 082	1			w/4446015 Trans.
9	5222 775	1			CASE, Differential, Use w/4446333,334,4377678,4412981,982 Trans.
	4348 634	1			w/4446014,016,024 Trans.
	4348 080	1			w/4446015 Trans.

MODEL CODES

E BODY = (J - CARAVELLE)(E - 600)(T - NEW YORKER)

G BODY = (V24 - DAYTONA)

H BODY = (D44 - LANCER)(C44 - LEBARON GTS)

J BODY = (C - LEBARON)

K BODY = (P - RELIANT)(D - ARIES)(C - LEBAROND)/TOWN & COUNTRY)

L BODY = (M - HORIZON/TURISMO)(Z - OMNI/CHARGER)

M BODY = (B - GRAN FURY)(F - FIFTH AVE/NEWPORT)(G - DIPLOMAT)

P BODY = (P - SUNDANCE)(D - SHADOW)

S BODY = (H - VOYAGER)(K - RAM VAN/CARAVAN)

BODY STYLES

12-13 = FWD VAN

21 = 2-DOOR SEDAN

24 = 2-DOOR HATCHBACK

27 = 2-DOOR CONVERTIBLE

41 = 4-DOOR SEDAN

44 = 4-DOOR HATCHBACK

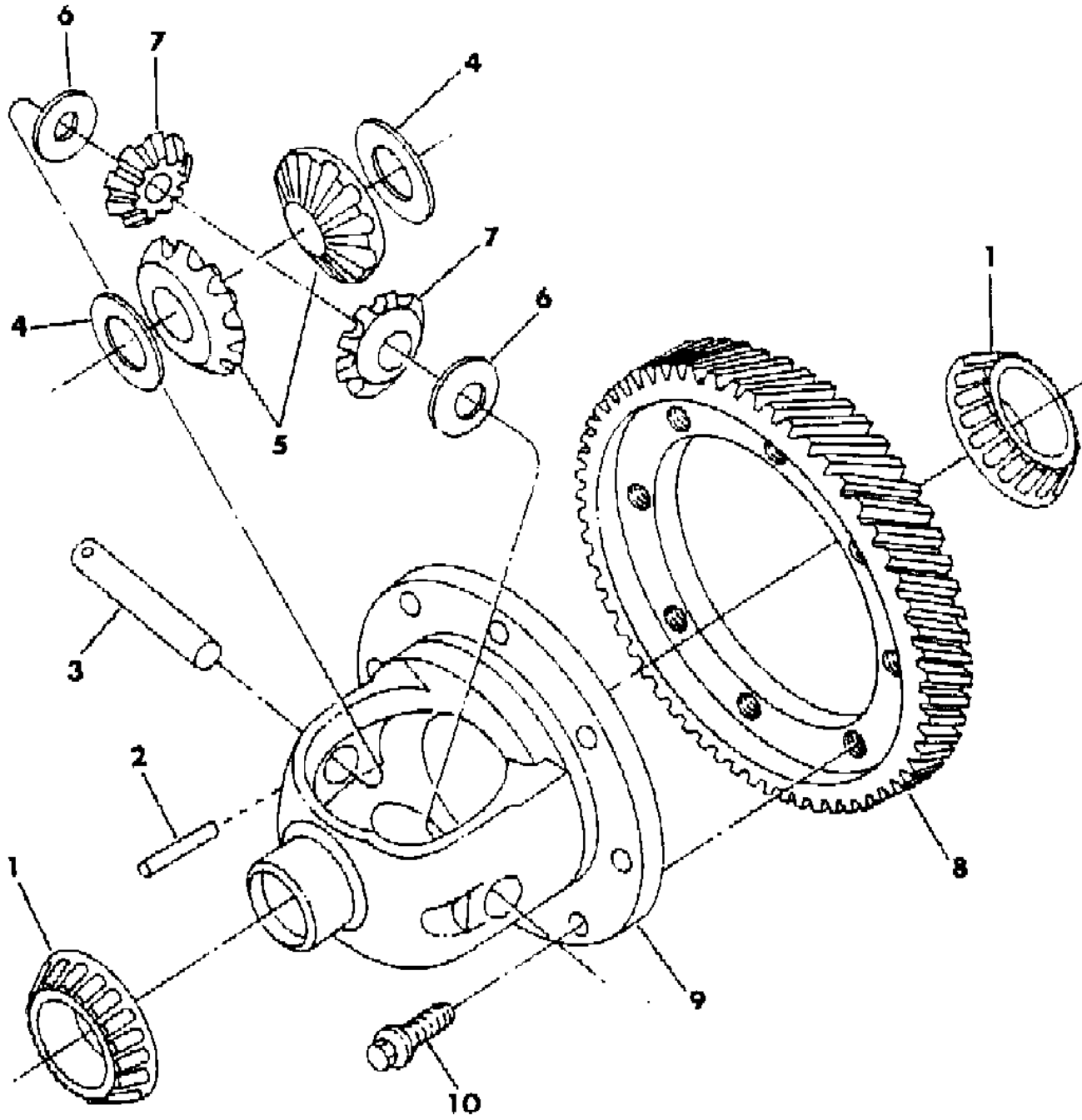
45 = 4-DOOR STATION WAGON

52-53 = FWD WAGON

AR = Use as Required - = Non Illustrated Part P.A.R. = Paint as Required

**DIFFERENTIAL MANUAL TRANSAXLE, A520,A525,A555 5-SPEED
Figure 21M-800**

7121 800



ITEM	PART NUMBER	QTY	BODY	MODEL	DESCRIPTION
10	6501 032	8			BOLT, Drive Gear to Case, M10x1.5x25, Use w/4446333,334, 4377678,4412981,4412982 Trans.
	6501 240	12			M10x1.5x25, Use w/4446014,016,024 Trans.
	6501 103	12			M12x1.5x25, w/4446015 Trans.

MODEL CODES
 E BODY = (J - CARAVELLE)(E - 600)(T - NEW YORKER)
 G BODY = (V24 - DAYTONA)
 H BODY = (D44 - LANCER)(C44 - LEBARON GTS)
 J BODY = (C - LEBARON)
 K BODY = (P - RELIANT)(D - ARIES)(C - LEBAROND)/TOWN & COUNTRY
 L BODY = (M - HORIZON/TURISMO)(Z - OMNI/CHARGER)
 M BODY = (B - GRAN FURY)(F - FIFTH AVE/NEWPORT)(G - DIPLOMAT)
 P BODY = (P - SUNDANCE)(D - SHADOW)
 S BODY = (H - VOYAGER)(K - RAM VAN/CARAVAN)

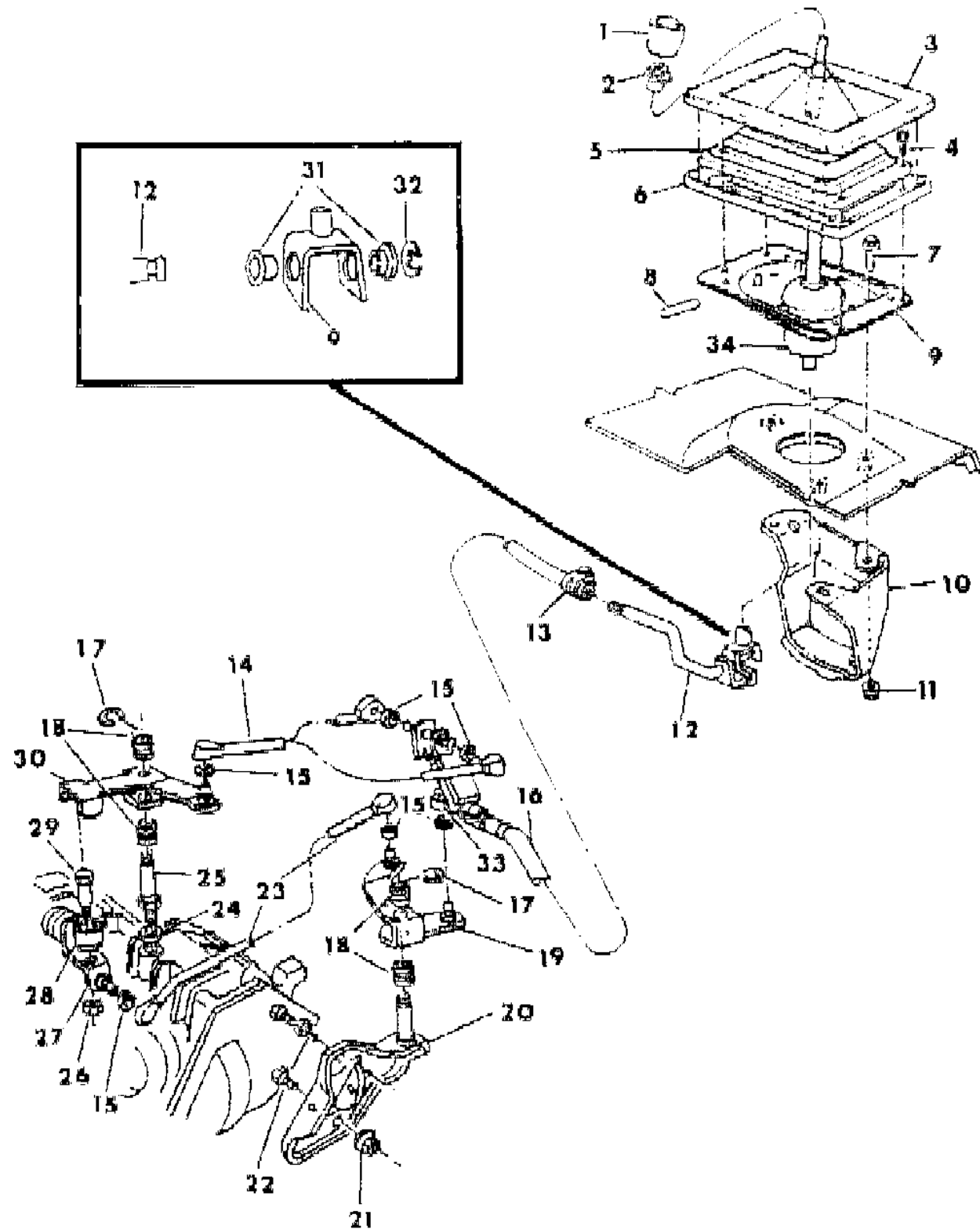
BODY STYLES
 12-13 = FWD VAN 41 = 4-DOOR SEDAN
 21 = 2-DOOR SEDAN 44 = 4-DOOR HATCHBACK
 24 = 2-DOOR HATCHBACK 45 = 4-DOOR STATION WAGON
 27 = 2-DOOR CONVERTIBLE 52-53 = FWD WAGON

AR = Use as Required - = Non Illustrated Part P.A.R. = Paint as Required

CONTROLS, GEARSHIFT MANUAL TRANSAXLE, A525 L BODY
Figure 21M-900

7121 900

ITEM	PART NUMBER	QTY	BODY	MODEL	DESCRIPTION
1	4295 380	1			KNOB, Gearshift Lever
	4419 962	1		Z-S-24	Leather Wrapped, SHELBY
-	4419 971	1		Z-S-24	DECAL, w/Shift Pattern, SHELBY
2	4295 374	1			NUT, G/Shift Lever Knob
3	4295 381	1			BEZEL, Lever Boot Base
4		4			SCREW, Not Serviced
5	4295 392	1			BOOT, G/Shift Mechanism, Upper
6	4295 382	1			PLATE, Lever Boot Base
7	#6100 577	3			SCREW, Pivot Bracket, M8x1.25x35
8	0455 277	1			PIN, Mech. Lever
9	4364 766	1			MECHANISM PACKAGE, w/Reverse Lock-Out Brkt.
10	4348 413	1			BRACKET, Reverse Lock-Out
11	6100 050	3			NUT, w/Washer, Bracket Mtg., M8x1.25
12	4348 409	1			CONNECTOR, Tube To Mech.
13	4329 090	1			CLAMP, Tube Connector
-	6500 247	1			BOLT, Tube Connector Clamp, M8x1.25x40
-	6500 246	1			NUT, Tube Connector Clamp Bolt, M8x1.25
14	4348 402	1			ROD, Crossover, Except Turbo Eng.
	4348 441	1			w/Turbo Eng.
15	4377 239	5			SILENCER, Tube or Rod to Ball Joint
16	4348 414	1			TUBE, Control Selector, Except Turbo Eng.
	4348 439	1			w/Turbo Eng.
17	6500 328	2			E-RING, Pivot Stud Clevis
18	5206 161	4			BEARING, Lever Clevis
19	4348 433	1			CLEVIS, G/Shift Control Lever
20	4329 087	1			BRACKET, Pivot & Eng. Roll Strut Mtg.
21	6100 517	3			NUT, Bracket Mtg. Lock, M8x1.25
22	6500 921	3			STUD, Pivot Bracket To Case, M8x1.25x50
23	4329 034	1			ROD, Control Selector, Blue
24	6100 132	1			WASHER, Pivot Stud Coned
25	4329 051	1			STUD, Pivot
26	#6100 499	1			NUT, Lock, M8x1.25
27	4329 147	1			LEVER, w/Ball Stud, G/Shift Operating
28	4188 456	1			BALL, Selector Crossover Lever
29	6500 562	1			BOLT, Shoulder, M8x1.25x6.50
30	4348 431	1			LEVER, Crossover, Except Turbo Eng.
	4340 126	1			w/Turbo Eng.
31	5206 161	2			BEARING, G/Shift Lever



MODEL CODES

E BODY = (J - CARAVELLE)(E - 600)(T - NEW YORKER)

G BODY = (V24 - DAYTONA)

H BODY = (D44 - LANCER)(C44 - LEBARON GTS)

J BODY = (C - LEBARON)

K BODY = (P - RELIANT)(D - ARIES)(C - LEBAROND)/TOWN & COUNTRY)

L BODY = (M - HORIZON/TURISMO)(Z - OMNI/CHARGER)

M BODY = (B - GRAN FURY)(F - FIFTH AVE/NEWPORT)(G - DIPLOMAT)

P BODY = (P - SUNDANCE)(D - SHADOW)

S BODY = (H - VOYAGER)(K - RAM VAN/CARAVAN)

BODY STYLES

12-13 = FWD VAN

21 = 2-DOOR SEDAN

24 = 2-DOOR HATCHBACK

27 = 2-DOOR CONVERTIBLE

41 = 4-DOOR SEDAN

44 = 4-DOOR HATCHBACK

45 = 4-DOOR STATION WAGON

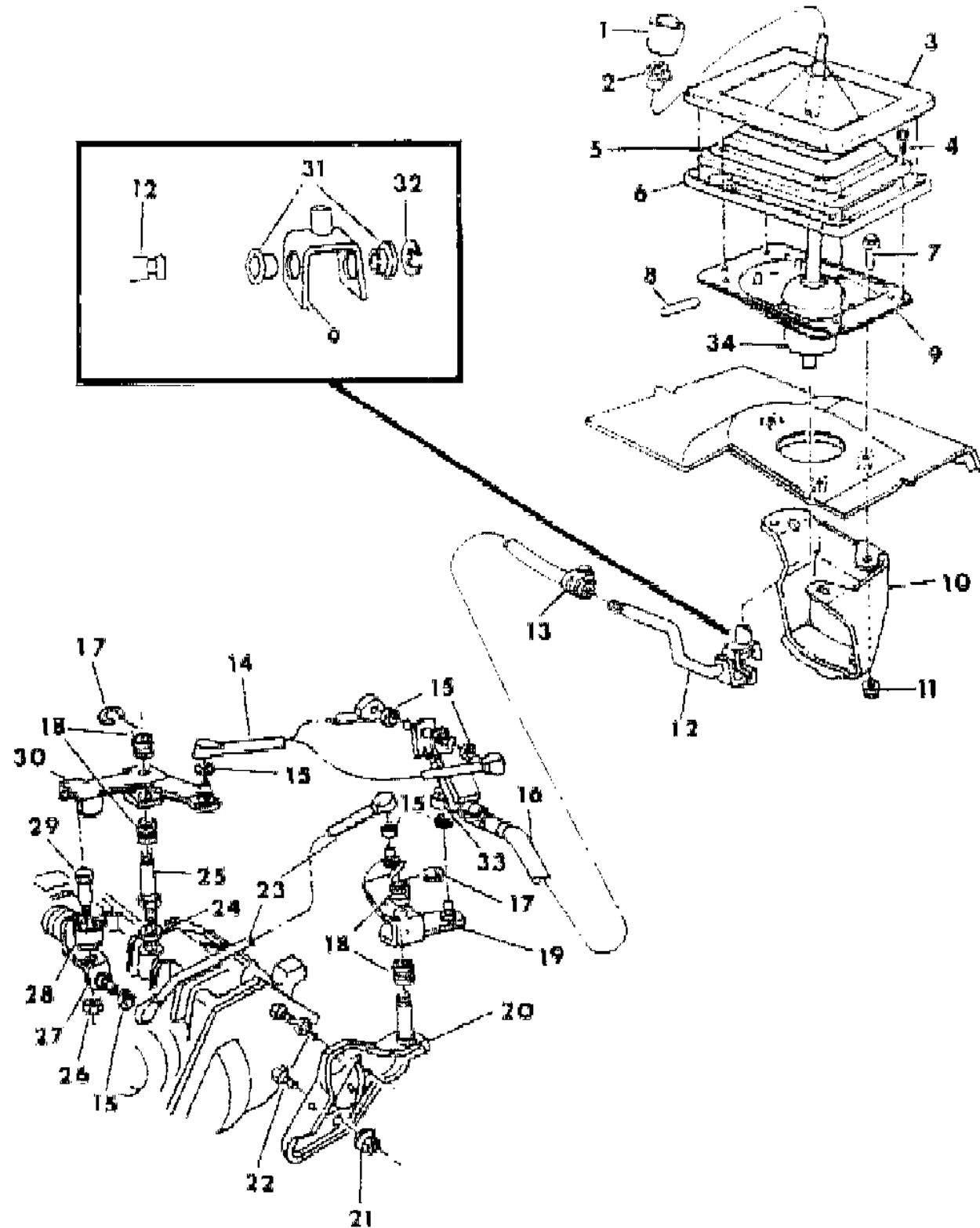
52-53 = FWD WAGON

AR = Use as Required - = Non Illustrated Part P.A.R. = Paint as Required

CONTROLS, GEARSHIFT MANUAL TRANSAXLE, A525 L BODY
Figure 21M-900

7121 900

ITEM	PART NUMBER	QTY	BODY	MODEL	DESCRIPTION
32	6500 328	1			E-RING, G/Shift Lever
33	4348 401	1			BALL JOINT, Tube Clevis
-	6100 525	1			NUT, Ball Joint Clevis, M10x1.50
34	5206 154	1			BOOT, G/Shift Mech., Lower



MODEL CODES

E BODY = (J - CARAVELLE)(E - 600)(T - NEW YORKER)

G BODY = (V24 - DAYTONA)

H BODY = (D44 - LANCER)(C44 - LEBARON GTS)

J BODY = (C - LEBARON)

K BODY = (P - RELIANT)(D - ARIES)(C - LEBAROND)/TOWN & COUNTRY)

L BODY = (M - HORIZON/TURISMO)(Z - OMNI/CHARGER)

M BODY = (B - GRAN FURY)(F - FIFTH AVE/NEWPORT)(G - DIPLOMAT)

P BODY = (P - SUNDANCE)(D - SHADOW)

S BODY = (H - VOYAGER)(K - RAM VAN/CARAVAN)

BODY STYLES

12-13 = FWD VAN

21 = 2-DOOR SEDAN

24 = 2-DOOR HATCHBACK

27 = 2-DOOR CONVERTIBLE

41 = 4-DOOR SEDAN

44 = 4-DOOR HATCHBACK

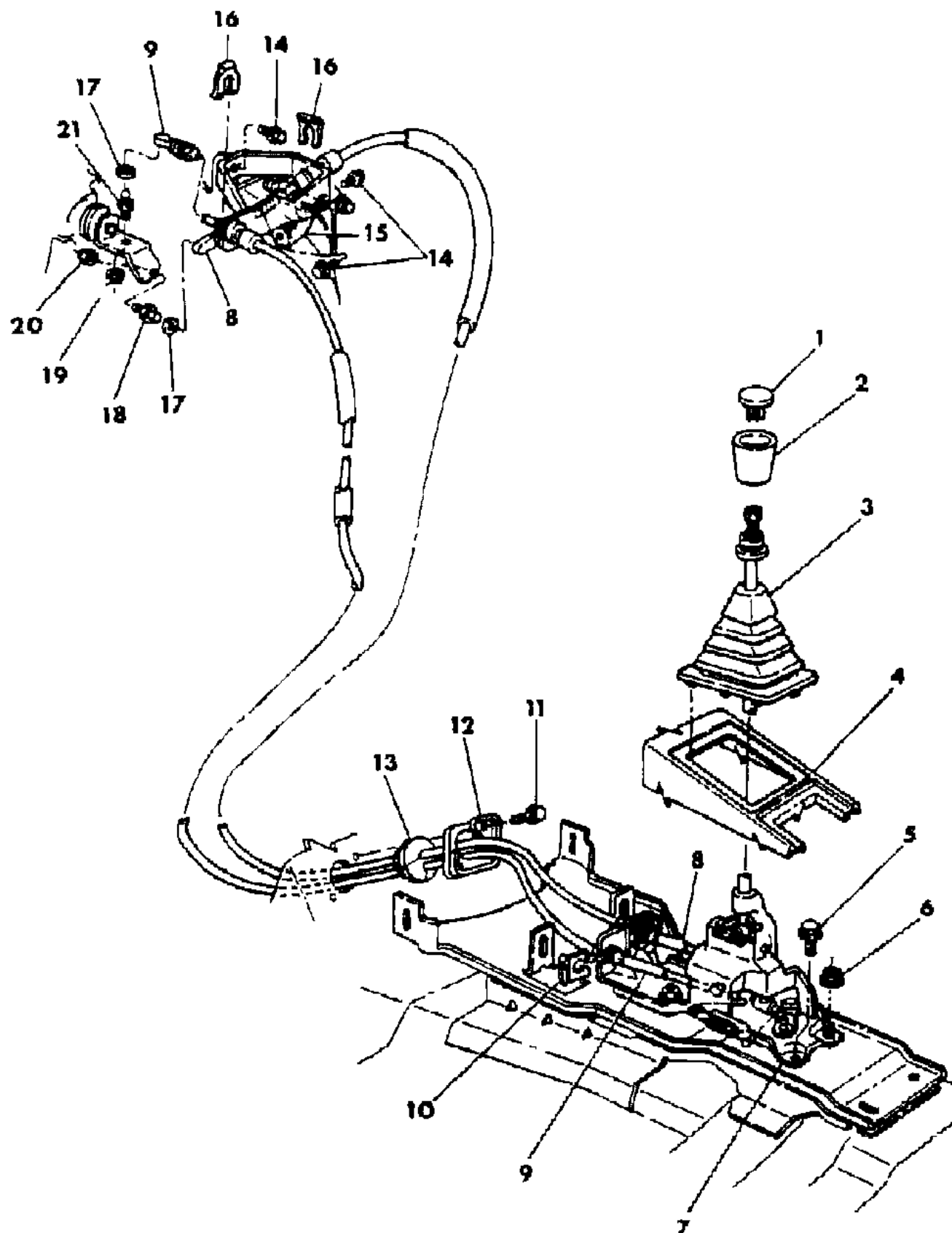
45 = 4-DOOR STATION WAGON

52-53 = FWD WAGON

AR = Use as Required - = Non Illustrated Part P.A.R. = Paint as Required

CONTROLS, GEARSHIFT MANUAL TRANSAXLE, A520,A525 P BODY
Figure 21M-1000

7121 1000



ITEM	PART NUMBER	QTY	BODY	MODEL	DESCRIPTION
1	4295 345	1			RETAINER, w/Decal G/Shift Knob, 5-Speed
2	4431 264	1			KNOB, G/Shift Control Select Lever
-	6500 780	1			NUT, G/Shift Lever Knob, M4x0.70
-	4269 859	1			RING, Pull-Up
3	4348 461	1			BOOT, G/Shift Mechanism
-	4348 463	1			PLATE, Boot Base (Not Shown)
4					CONSOLE, Mechanism Boot (Refer to Group 23)
5		2			SCREW, Mechanism Mtg., Not Serviced
6	6501 483	2			NUT, w/Washer Mechanism Mtg., M8x1.25
7	#4397 901	1			MECHANISM ASSEMBLY, Gearshift, Up To Approx. 8-19-1986
	4419 932	1			After Approx. 8-19-1986
8	#4377 326	1			CABLE, G/Shift Selector, 49.44" Lg.
9	#4412 669	1			CABLE, G/Shift Crossover, 47.48" Lg.
10	6501 431	2			CLIP, Cable Attaching, Rear
11		2			SCREW, Grommet Plate, Not Serviced
12	4329 013	1			PLATE, Cable Grommet
13	4431 274	1			GROMMET, Cable Plate
14	6100 296	3			SCREW, w/Washer Bracket Mtg., M8x1.25x25
15	4412 662	1			BRACKET, Cable Mtg., Front
16	4269 830	2			CLIP, Cable Attaching, Front
17	4377 239	2			SILENCER, G/Shift Cable
18	6501 341	1			STUD, Selector Cable Operating Lever, Ball, M10x1.50x22
19	#6100 499	1			NUT, Crossover Cable Ball Stud, Lock, M8x1.25
20	6500 197	1			NUT, Selector Cable Ball Stud, Lock, M10x1.50
21	4269 461	1			STUD, Crossover Cable Operating Lever, Ball
-	4340 118	1			CLIP, Cable To Operating Lever Retaining, Up To 3-1-87
	4431 318	1			After 3-1-87

MODEL CODES

E BODY = (J - CARAVELLE)(E - 600)(T - NEW YORKER)

G BODY = (V24 - DAYTONA)

H BODY = (D44 - LANCER)(C44 - LEBARON GTS)

J BODY = (C - LEBARON)

K BODY = (P - RELIANT)(D - ARIES)(C - LEBAROND)/TOWN & COUNTRY)

L BODY = (M - HORIZON/TURISMO)(Z - OMNI/CHARGER)

M BODY = (B - GRAN FURY)(F - FIFTH AVE/NEWPORT)(G - DIPLOMAT)

P BODY = (P - SUNDANCE)(D - SHADOW)

S BODY = (H - VOYAGER)(K - RAM VAN/CARAVAN)

BODY STYLES

12-13 = FWD VAN

21 = 2-DOOR SEDAN

24 = 2-DOOR HATCHBACK

27 = 2-DOOR CONVERTIBLE

41 = 4-DOOR SEDAN

44 = 4-DOOR HATCHBACK

45 = 4-DOOR STATION WAGON

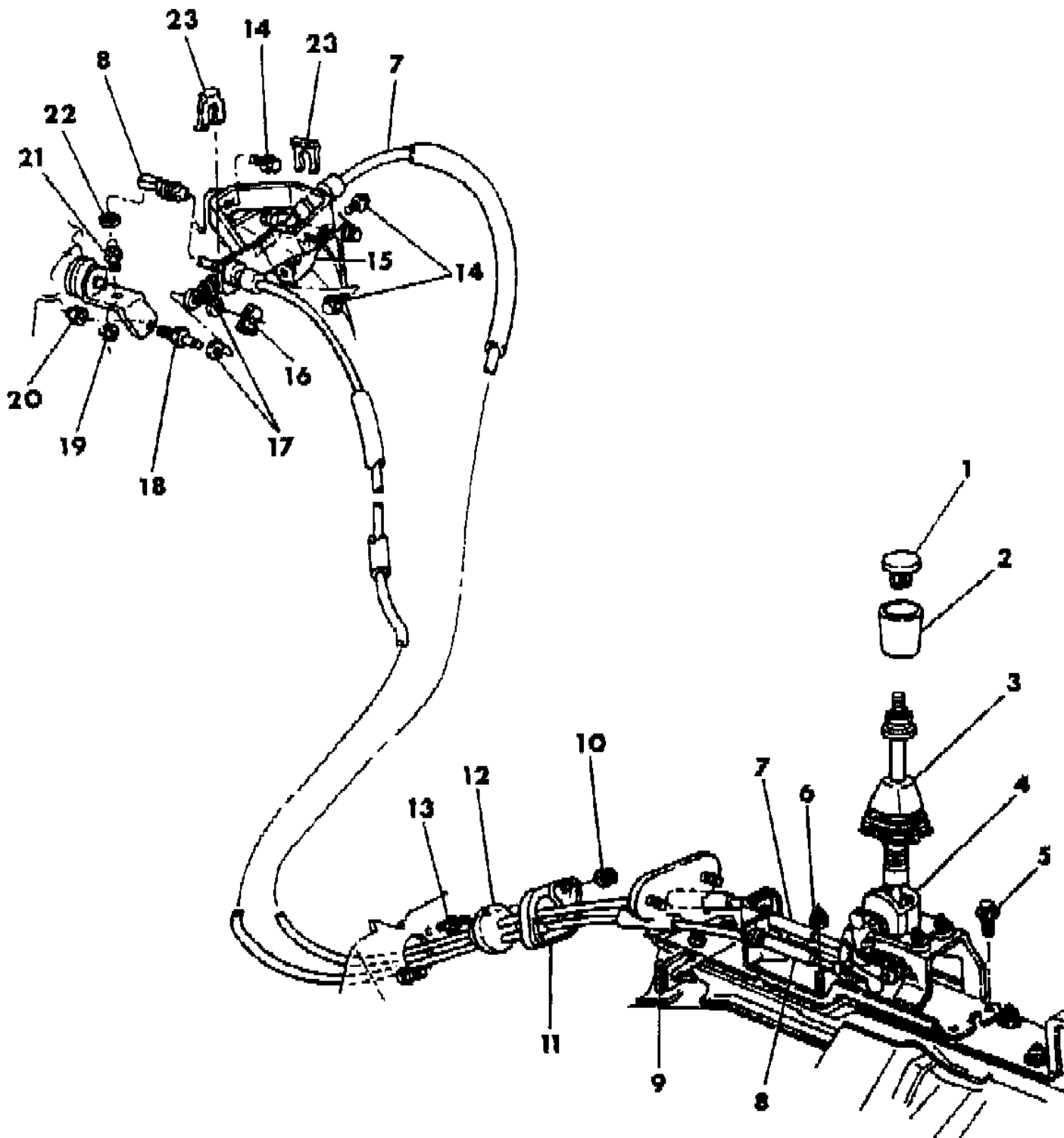
52-53 = FWD WAGON

AR = Use as Required - = Non Illustrated Part P.A.R. = Paint as Required

CONTROLS, GEARSHIFT MANUAL TRANSAXLE, A520,A555 J,G BODY

Figure 21M-1100

7121 1100



ITEM	PART NUMBER	QTY	BODY	MODEL	DESCRIPTION
1	4295 345	1			RETAINER, w/Decal, G/Shift Knob, 5-Speed
2	4431 264	1			KNOB, G/Shift Lever
3	4377 337	1			BOOT, G/Shift Lever
4	4377 340	1	J	27	BOOT, w/Bezel, G/Shift Lever (Bezel Woodgrain)
	4377 227	1			MECHANISM ASSEMBLY, Gearshift
	4443 404	1			RING PACKAGE, Gearshift Lever Pull-Up, Consists of Pull-Up Ring, Strap Rev. L/Out Release, Pin Strap Retaining
5		2			SCREW, Mechanism Mtg., Not Serviced
6	6501 483	2			NUT, w/Washer, Mech. Mtg. Screw, M8x1.25
	6501 483	6	J	27	
7	#4377 318	1			CABLE, G/Shift Control Selector, 53.00" Lg.
8	#4348 495	1			CABLE, G/Shift Control Crossover, 47.48" Lg.
9	6501 431	2			CLIP, Cable Attaching, Rear
10	9420 219	2			NUT, Cable Plate Stud, .190-24
11	4329 013	1			PLATE, Cable Grommet
12	4431 274	1			GROMMET, Cable Plate
13	6032 482	2			STUD, Cable Plate Mtg.
14	6100 296	3			SCREW, Cable Mtg. Bracket, M8x1.25x25
15	4412 662	1			BRACKET, Cable Mounting, Front
16	6501 332	1			CLIP, Cable to Selector Lever Pin Stud
17		2			WASHER, Selector Cable to Lever Pin Stud
18	6501 340	1			STUD, Selector Cable Operating Lever, Pin, M10x1.50x49
19	#6100 499	1			NUT, Cable Crossover Ball Stud Lock, M8x1.25
20	6500 197	1			NUT, Selector Cable Pin Stud, Lock, M10x1.50
21	4269 461	1			STUD, Crossover Cable Operating Lever, Ball
22	4377 239	2			SILENCER, Cable to Ball Stud
23	4269 830	2			CLIP, Cable Attaching, Front

MODEL CODES

E BODY = (J - CARAVELLE)(E - 600)(T - NEW YORKER)

G BODY = (V24 - DAYTONA)

H BODY = (D44 - LANCER)(C44 - LEBARON GTS)

J BODY = (C - LEBARON)

K BODY = (P - RELIANT)(D - ARIES)(C - LEBAROND)/TOWN & COUNTRY)

L BODY = (M - HORIZON/TURISMO)(Z - OMNI/CHARGER)

M BODY = (B - GRAN FURY)(F - FIFTH AVE/NEWPORT)(G - DIPLOMAT)

P BODY = (P - SUNDANCE)(D - SHADOW)

S BODY = (H - VOYAGER)(K - RAM VAN/CARAVAN)

BODY STYLES

12-13 = FWD VAN

21 = 2-DOOR SEDAN

24 = 2-DOOR HATCHBACK

27 = 2-DOOR CONVERTIBLE

41 = 4-DOOR SEDAN

44 = 4-DOOR HATCHBACK

45 = 4-DOOR STATION WAGON

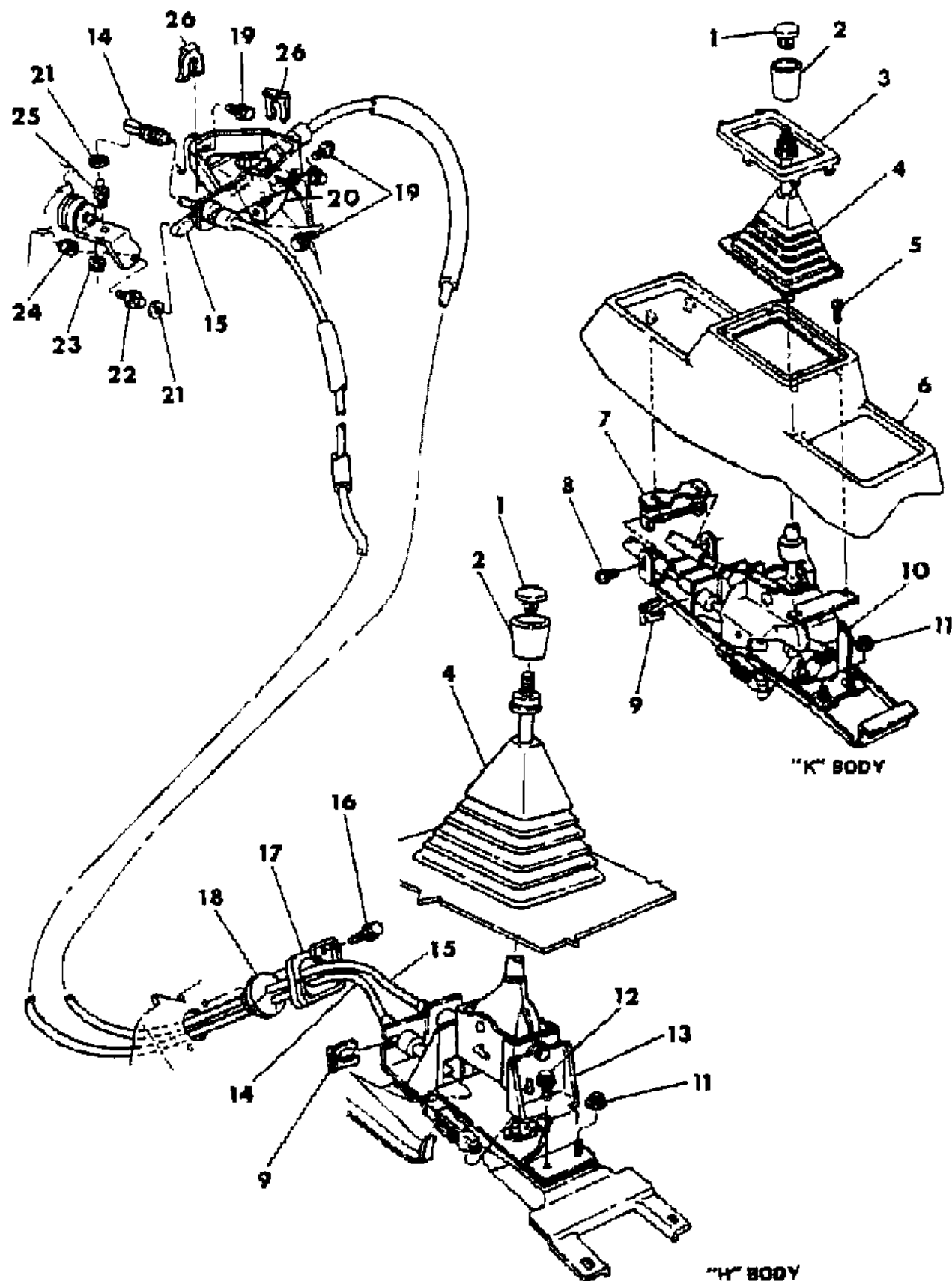
52-53 = FWD WAGON

AR = Use as Required - = Non Illustrated Part P.A.R. = Paint as Required

CONTROLS, GEARSHIFT MANUAL TRANSAXLE, A520 H,K BODY

Figure 21M-1200

7121 1200



ITEM	PART NUMBER	QTY	BODY	MODEL	DESCRIPTION
1	4269 817	1	K		RETAINER, w/Decal, Shift Knob
	4295 345	1	H		
	4269 819	1	K		DECAL, Knob Retainer, 5-Speed
2	4431 264	1			KNOB, G/Shift Lever
	6500 780	1			NUT, G/Shift Lever Knob
-	4269 859	1			RING, Pull-Up
3	4377 348	1	K		BEZEL, Mini Console Boot
4	4269 408	1			BOOT, G/Shift Lever
-	4283 340	1	K		BEZEL, w/Full Length Console
5		2	K		SCREW, Console Mtg. (Not Serviced)
6	V157 FK3	1	K		CONSOLE, Gearshift, Mini
-	4431 278	2	K		CLIP, Mini Console Mtg.
7	4431 236	1	K		INSERT, Mini Console Mechanism Mtg.
8		2	K		SCREW, Insert Mtg. (Not Serviced)
9	6501 431	2			CLIP, Cable Attaching, Rear
10	4419 930	1	K		MECHANISM, Gearshift
11	6501 483	2			NUT, w/Washer, M8x1.25
12		2	H		SCREW, Mechanism Mtg. (Not Serviced)
13	4419 931	1	H		MECHANISM, Gearshift
14	4412 669	1	K		CABLE, Gearshift, Crossover, 47.48" Lg.
	4412 670	1	H		45.67" Lg.
15	4377 321	1	K		CABLE, Gearshift, Selector, 48.85" Lg.
	4377 322	1	H		51.00" Lg.
16		2			SCREW, Plate Mtg. (Not Serviced)
17	4329 013	1			PLATE, Cable Grommet
18	4431 274	1			GROMMET, Cable Dash
19	6100 296	3			SCREW, Cable Bracket Mtg., M8x1.25x25
20	4412 662	1			BRACKET, Cable Mtg., Front
21	4377 239	2			SILENCER, Cable to Stud Pad
22	6501 341	1			STUD, Selector Cable Operating Lever, Ball, M10x1.50x22
23	#6100 499	1			NUT, Crossover Cable Ball Stud, Lock, M8x1.25
24	6500 197	1			NUT, Selector Cable Ball Stud, Lock, M10x1.50
25	4269 461	1			STUD, Crossover Cable Operating Lever, Ball
26	4269 830	2			CLIP, Cable Attaching, Front
-	4340 118	1			CLIP, Cable To Operating Lever Retaining, Up To 3-1-87
	4431 318	1			After 3-1-87

MODEL CODES

E BODY = (J - CARAVELLE)(E - 600)(T - NEW YORKER)

G BODY = (V24 - DAYTONA)

H BODY = (D44 - LANCER)(C44 - LEBARON GTS)

J BODY = (C - LEBARON)

K BODY = (P - RELIANT)(D - ARIES)(C - LEBAROND)/TOWN & COUNTRY)

L BODY = (M - HORIZON/TURISMO)(Z - OMNI/CHARGER)

M BODY = (B - GRAN FURY)(F - FIFTH AVE/NEWPORT)(G - DIPLOMAT)

P BODY = (P - SUNDANCE)(D - SHADOW)

S BODY = (H - VOYAGER)(K - RAM VAN/CARAVAN)

BODY STYLES

12-13 = FWD VAN

21 = 2-DOOR SEDAN

24 = 2-DOOR HATCHBACK

27 = 2-DOOR CONVERTIBLE

41 = 4-DOOR SEDAN

44 = 4-DOOR HATCHBACK

45 = 4-DOOR STATION WAGON

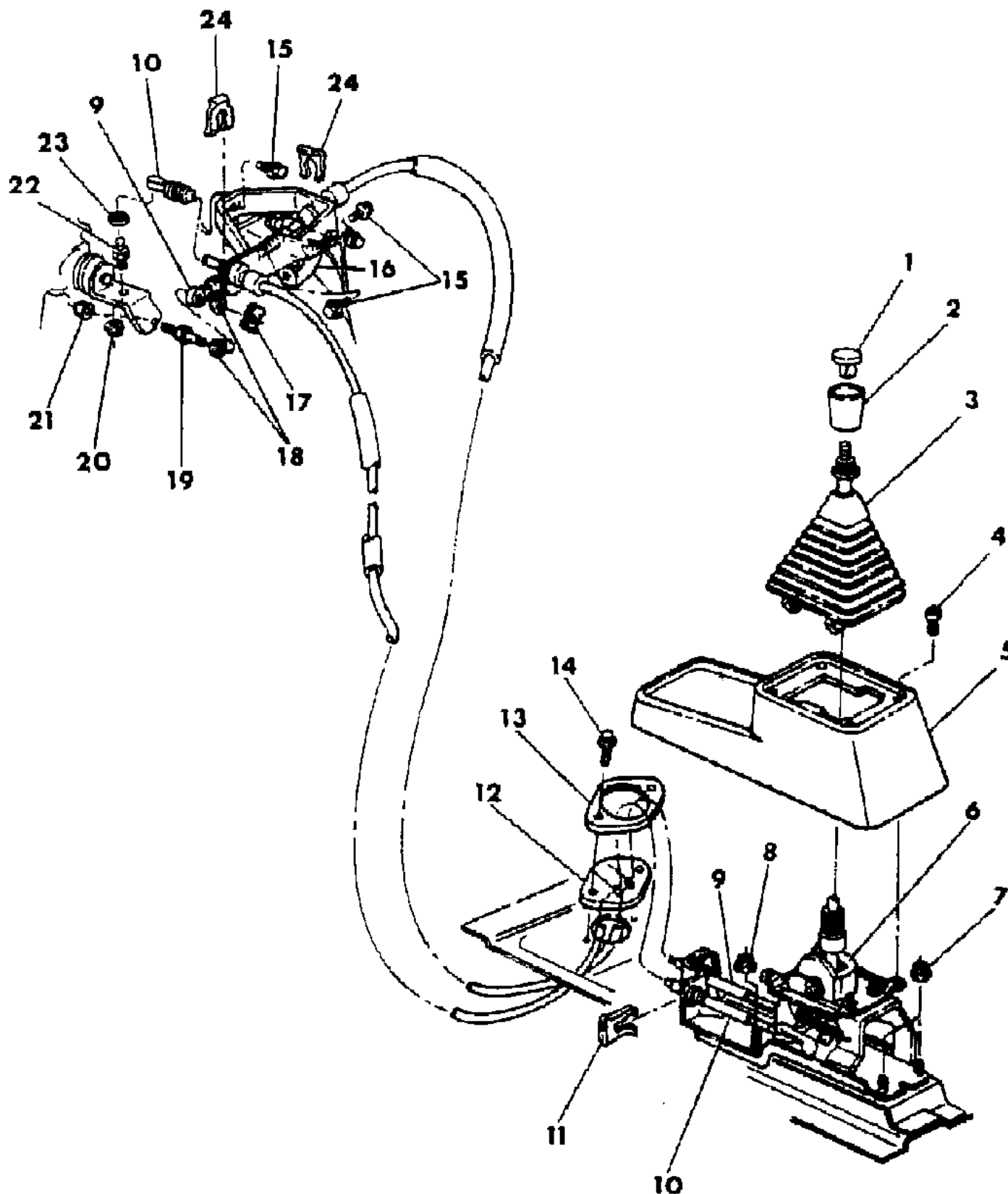
52-53 = FWD WAGON

AR = Use as Required - = Non Illustrated Part P.A.R. = Paint as Required

CONTROLS, GEARSHIFT MANUAL TRANSAXLE, A520 S BODY

Figure 21M-1300

7121 1300



ITEM	PART NUMBER	QTY	BODY	MODEL	DESCRIPTION
1	4269 817	1			RETAINER, w/Decal, G/Shift Knob 5-Speed
-	4269 819	1			DECAL, Knob Retainer, 5-Speed
2	4431 264	1			KNOB, G/Shift Lever
3	4377 331	1			BOOT, G/Shift Lever
4		4			SCREW, Console Mtg. (Not Serviced)
5	F333 FS8	1			BASE, G/Shift Mechanism, Charcoal
	F333 FE8	1			Cordovan
	F333 FK1	1			Light Almond
	F333 FC5	1			Twilight Blue
6	4377 229	1			MECHANISM, Gearshift
-	4443 404	1			RING PACKAGE, Gearshift Lever Pull-Up, Consists of Pull-Up Ring, Strap Rev. L/Out Release, Pin Strap Retaining
7-8	6501 483	4			NUT, w/Washer, M8x1.25
9	#4377 320	1			CABLE, G/Shift Selector, 50.35" Lg.
10	#4377 231	1			CABLE, G/Shift Crossover, 44.00" Lg.
11	6501 431	2			CLIP, Cable to Brkt. Attaching, Rear
12	4431 275	1			GROMMET, Cable Dash
13	4295 319	1			PLATE, Cable Grommet
14	6032 817	2			SCREW, Plate Mtg.
15	6100 296	3			SCREW, Bracket Mtg., M8x1.25x25
16	4412 662	1			BRACKET, Cable Mtg., Front
17	6501 332	1			CLIP, Selector Cable Pin Stud
18		2			WASHER, Selector Cable (Not Serviced)
19	6501 340	1			STUD, Selector Cable Operating Lever, Pin, M10x1.50x49
20	#6100 499	1			NUT, Crossover Cable Ball Stud, Lock M8x1.25
21	6500 197	1			NUT, Selector Cable Pin Stud, Lock, M10x1.50
22	4269 461	1			STUD, Crossover Cable, Ball
23	4377 239	1			SILENCER, Selector Cable to Ball Stud
24	4269 830	2			CLIP, Cable to Bracket Attaching

MODEL CODES

E BODY = (J - CARAVELLE)(E - 600)(T - NEW YORKER)

G BODY = (V24 - DAYTONA)

H BODY = (D44 - LANCER)(C44 - LEBARON GTS)

J BODY = (C - LEBARON)

K BODY = (P - RELIANT)(D - ARIES)(C - LEBAROND)/TOWN & COUNTRY)

L BODY = (M - HORIZON/TURISMO)(Z - OMNI/CHARGER)

M BODY = (B - GRAN FURY)(F - FIFTH AVE/NEWPORT)(G - DIPLOMAT)

P BODY = (P - SUNDANCE)(D - SHADOW)

S BODY = (H - VOYAGER)(K - RAM VAN/CARAVAN)

BODY STYLES

12-13 = FWD VAN

21 = 2-DOOR SEDAN

24 = 2-DOOR HATCHBACK

27 = 2-DOOR CONVERTIBLE

41 = 4-DOOR SEDAN

44 = 4-DOOR HATCHBACK

45 = 4-DOOR STATION WAGON

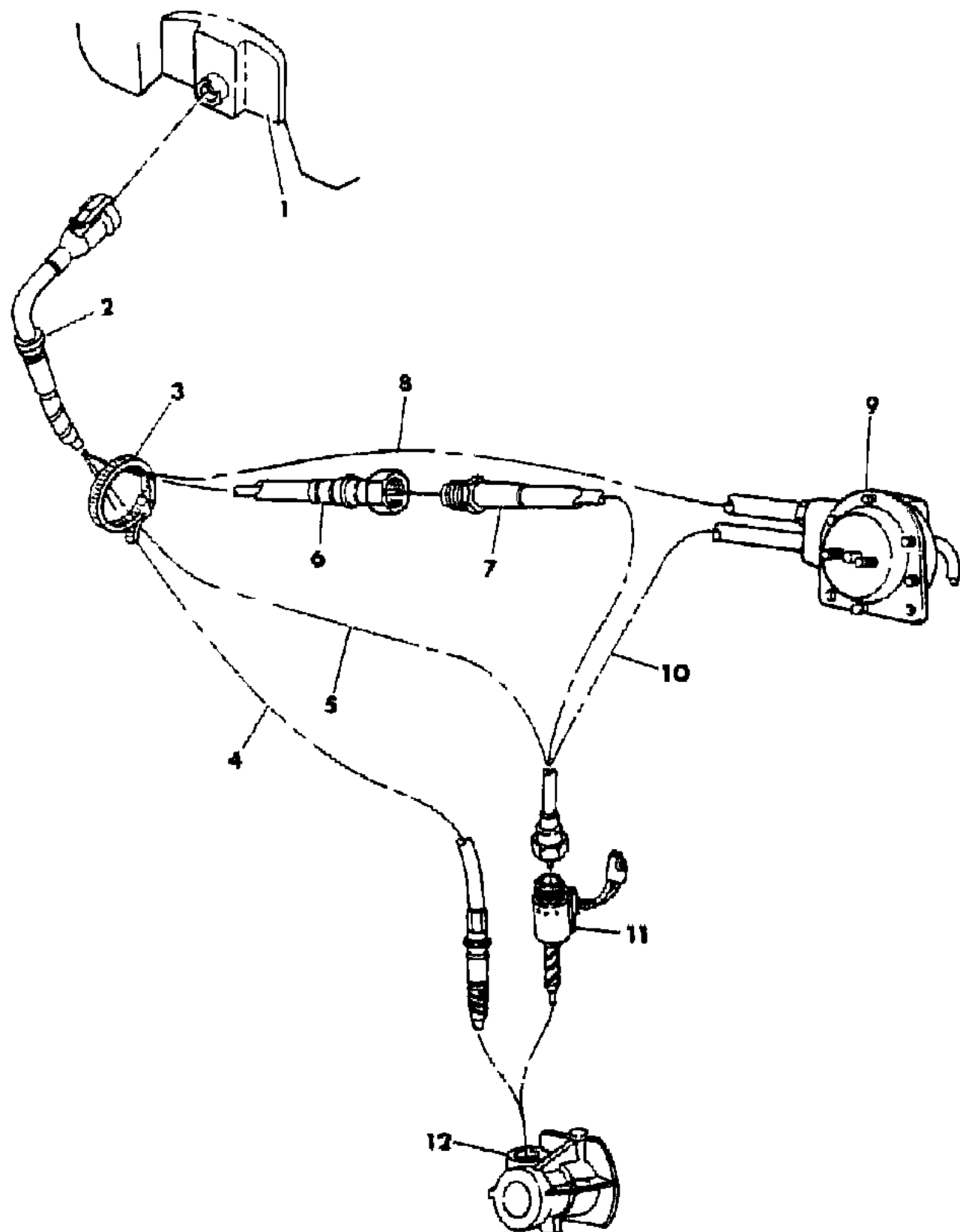
52-53 = FWD WAGON

AR = Use as Required - = Non Illustrated Part P.A.R. = Paint as Required

CABLE, SPEEDOMETER MANUAL TRANSAXLE

Figure 21M-1400

7121 1400



ITEM	PART NUMBER	QTY	BODY	MODEL	DESCRIPTION
1					SPEEDOMETER, (Reference)
2	3593 446	1			GROMMET, Speedo. Cable Dash
-	3445 939	1			PLUG, Speedo. Cable Dash Hole, w/Electronic Inst. Panel
3	6015 756	1			CLIP, Speedo. Cable To Heater Hose
4					CABLE, Speedometer To Transmission
5	4312 819	1	S		41" Long, 1/2" Clip-On Upper, 5/8" Female Lower
6					CABLE, TWO PIECE, Speedometer To Transmission
	4374 386	1	L		42" Long, UPPER, 1/2" Clip-On, 5/8" Female
	4374 767	1	P,H		44" Long, UPPER, 1/2" Clip-On, 5/8" Female
	4312 332	1	K,G		44" Long, UPPER, 1/2" Clip-On, 5/8" Female
7	4312 816	1	Exc. S		22" Long, LOWER, 5/8" Male, 5/8" Female, Up To 12-1-86
	4437 013	1	Exc. S		After 12-1-86
8					CABLE, Speedometer to Speed Control (Refer To Group 14)
9					CONTROL, Speed (Reference)
10					CABLE, Speed Control To Transmission (Refer To Group 14)
11	4312 032	1			SENSOR SWITCH, Distance, Use With L Body
	4437 258	1			Except L Body (Round Electrical Conn., w/2 Male Prongs)
-	5212 152	1			O-RING, Sensor, 1-1/16" I.D.
12					TRANSMISSION, (Reference)
-					SHAFT, Cable Drive, Universal Drive Type
	2448 294	1			80" Long
	2448 295	1			113" Long

MODEL CODES

E BODY = (J - CARAVELLE)(E - 600)(T - NEW YORKER)

G BODY = (V24 - DAYTONA)

H BODY = (D44 - LANCER)(C44 - LEBARON GTS)

J BODY = (C - LEBARON)

K BODY = (P - RELIANT)(D - ARIES)(C - LEBAROND)/TOWN & COUNTRY)

L BODY = (M - HORIZON/TURISMO)(Z - OMNI/CHARGER)

M BODY = (B - GRAN FURY)(F - FIFTH AVE/NEWPORT)(G - DIPLOMAT)

P BODY = (P - SUNDANCE)(D - SHADOW)

S BODY = (H - VOYAGER)(K - RAM VAN/CARAVAN)

BODY STYLES

12-13 = FWD VAN

21 = 2-DOOR SEDAN

24 = 2-DOOR HATCHBACK

27 = 2-DOOR CONVERTIBLE

41 = 4-DOOR SEDAN

44 = 4-DOOR HATCHBACK

45 = 4-DOOR STATION WAGON

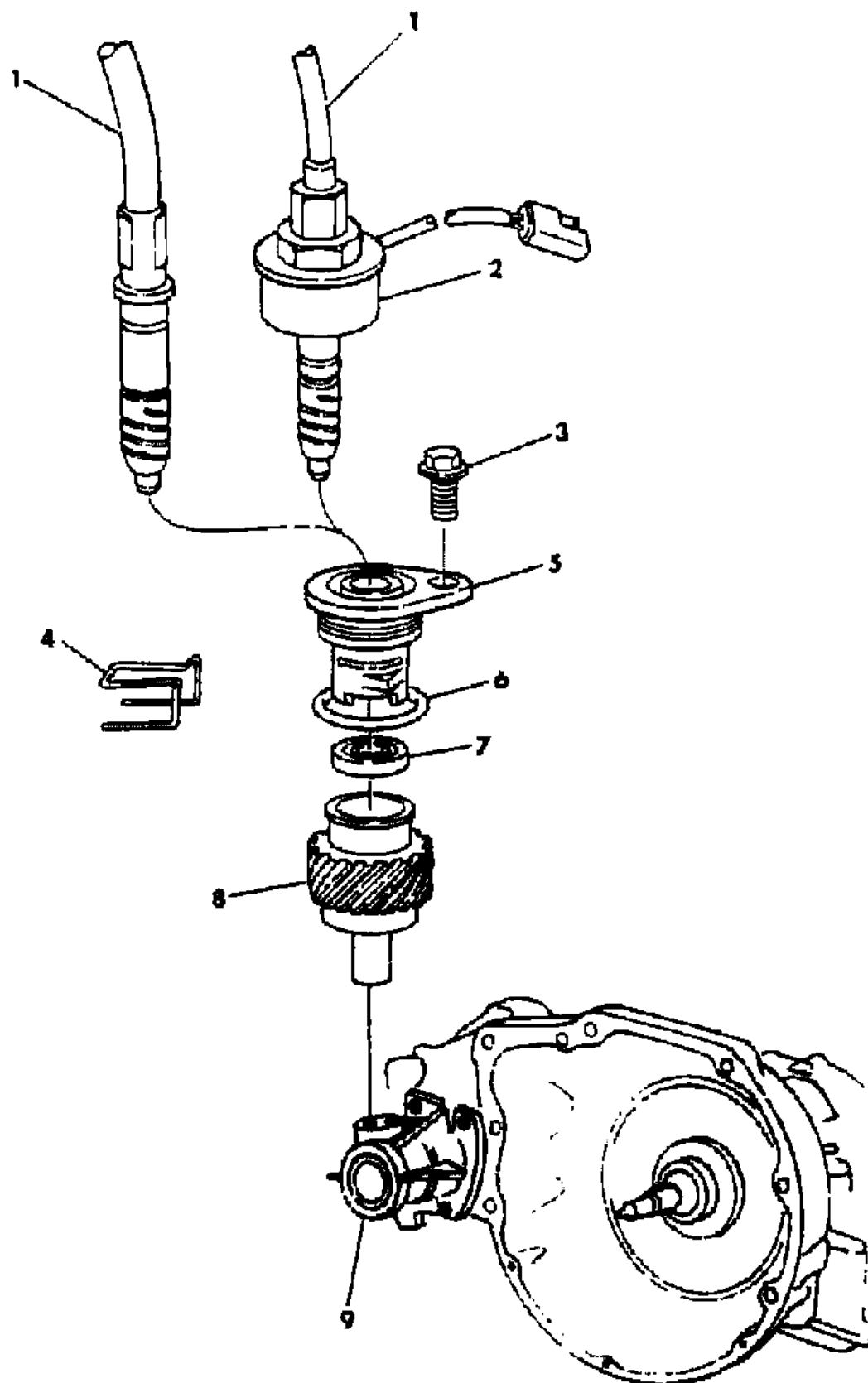
52-53 = FWD WAGON

AR = Use as Required - = Non Illustrated Part P.A.R. = Paint as Required

PINION, SPEEDOMETER CABLE DRIVE MANUAL TRANSAXLE

Figure 21M-1500

7121 1500



ITEM	PART NUMBER	QTY	BODY	MODEL	DESCRIPTION
1					CABLE, w/Housing, Speedometer (Refer to Illus. 1400)
2	4312 032	1			SENSOR SWITCH, Distance, Use w/L Body ***
	4437 258	1			Except L Body, (Round Electrical Conn. w/2 Male Prongs)
3	6500 716	1			SCREW, Pinion Adapter, M6x1.00x16
4	5222 006	1			RETAINER, Speedo. Cable
5	4295 857	1			ADAPTER, Speedo. Drive Pinion
6	5212 152	1			O-RING, Pinion Adapter, 1-1/16" I.D.
7	4028 913	1			SEAL, Speedo. Drive Pinion Adapter
8					PINION, Speedometer Drive
	4269 950	1			19 Teeth, w/P185/75 R14 P/S WSW Misch. Tire, Color Yellow
	4269 950	1			19 Teeth, w/15" Tire
	5222 390	1			20 Teeth, w/13" and 14" Tire, Color Blue
	5222 388	1			21 Teeth, w/15" Tire, Color White
9		1			EXTENSION, Transaxle (Refer to Illus. 100,500)

MODEL CODES

E BODY = (J - CARAVELLE)(E - 600)(T - NEW YORKER)

G BODY = (V24 - DAYTONA)

H BODY = (D44 - LANCER)(C44 - LEBARON GTS)

J BODY = (C - LEBARON)

K BODY = (P - RELIANT)(D - ARIES)(C - LEBAROND)/TOWN & COUNTRY)

L BODY = (M - HORIZON/TURISMO)(Z - OMNI/CHARGER)

M BODY = (B - GRAN FURY)(F - FIFTH AVE/NEWPORT)(G - DIPLOMAT)

P BODY = (P - SUNDANCE)(D - SHADOW)

S BODY = (H - VOYAGER)(K - RAM VAN/CARAVAN)

BODY STYLES

12-13 = FWD VAN

21 = 2-DOOR SEDAN

24 = 2-DOOR HATCHBACK

27 = 2-DOOR CONVERTIBLE

41 = 4-DOOR SEDAN

44 = 4-DOOR HATCHBACK

45 = 4-DOOR STATION WAGON

52-53 = FWD WAGON

AR = Use as Required - = Non Illustrated Part P.A.R. = Paint as Required

GROUP 21A - TRANSMISSION, AUTO.

ILLUSTRATION TITLE

GROUP-FIG. NO.

A904 & A727 TRANSMISSIONS

TRANSMISSION, WITH CASE AND EXTENSION AUTOMATIC, A999,A727 M BODY Fig. 21A-100
PUMP, OIL WITH REACTION SHAFT AUTOMATIC TRANSMISSION, A999,A727 M BODY Fig. 21A-200
GOVERNOR AND PARKING SPRAG AUTOMATIC TRANSMISSION, A999,A727 M BODY Fig. 21A-300
SERVOS, ACCUMULATOR, PISTONS AND SPRINGS AUTOMATIC TRANSMISSION, A999,A727 M BODY . Fig. 21A-400
BANDS, REVERSE AND KICKDOWN WITH LINKAGE AUTOMATIC TRANSMISSION, A999,A727 M BODY . Fig. 21A-500
VALVE BODY AUTOMATIC TRANSMISSION, A999,A727 M BODY Fig. 21A-600
CLUTCH, FRONT AND REAR WITH GEAR TRAIN AUTOMATIC TRANSMISSION, A999 M BODY Fig. 21A-700
CLUTCH, FRONT AND REAR WITH GEAR TRAIN AUTOMATIC TRANSMISSION, A727 M BODY Fig. 21A-750
GEAR TRAIN AND OUTPUT SHAFT AUTOMATIC TRANSMISSION, A999 M BODY Fig. 21A-800
GEAR TRAIN AND OUTPUT SHAFT AUTOMATIC TRANSMISSION, A727 M BODY Fig. 21A-850

A413, A470 ,A670 TRANSAXLES

TRANSAXLE ASSEMBLIES AND MOUNTING AUTOMATIC CHRYSLER, A413,A470,A670 Fig. 21A-900
CASE, EXTENSION AND RETAINER AUTOMATIC TRANSAXLE, A413,A470,A670 Fig. 21A-1000
PUMP, OIL WITH REACTION SHAFT AUTOMATIC TRANSAXLE, A413,A470,A670 Fig. 21A-1100
GOVERNOR AUTOMATIC TRANSAXLE, A413,A470,A670 Fig. 21A-1200
SERVOS, ACCUMULATOR PISTON AND SPRINGS AUTOMATIC TRANSAXLE, A413,A470,A670 Fig. 21A-1300
BANDS, REVERSE AND KICKDOWN WITH PARKING SPRAG AUTOMATIC TRANSAXLE, A413,A470,A670 Fig. 21A-1400
VALVE BODY AUTOMATIC TRANSAXLE, A413,A470,A670 Fig. 21A-1500
SHAFT, TRANSFER AUTOMATIC TRANSAXLE, A413,A470,A670 Fig. 21A-1600
CLUTCH, FRONT AUTOMATIC TRANSAXLE, A413,A470,A670 Fig. 21A-1700
CLUTCH, REAR AND INPUT SHAFT AUTOMATIC TRANSAXLE, A413,A470,A670 Fig. 21A-1800
GEARS, FRONT ANNULUS AND SUN AUTOMATIC TRANSAXLE, A413,A470,A670 Fig. 21A-1900
SHAFT, OUTPUT, REAR CARRIER, REVERSE DRUM, AND OVERRUNING CLUTCH AUTOMATIC
TRANSAXLE, A413,A470,A670 Fig. 21A-2000
DIFFERENTIAL AUTOMATIC TRANSAXLE, A413,A470,A670 Fig. 21A-2100

GEARSHIFT CONTROLS

CONTROLS, GEARSHIFT, FLOOR SHIFT AUTOMATIC TRANSAXLE L BODY Fig. 21A-2200
CONTROLS, GEARSHIFT, COLUMN SHIFT AUTOMATIC TRANSAXLE K,E,S BODY Fig. 21A-2400
CONTROLS, GEARSHIFT, FLOOR SHIFT AUTOMATIC TRANSAXLE P,J,K,G,H BODY Fig. 21A-2500
CONTROLS, GEARSHIFT, LOWER WITH COLUMN SHIFT AUTOMATIC TRANSMISSION, A999,A727 M
BODY Fig. 21A-2600
LEVER, COLUMN SHIFT, AND INDICATOR AUTOMATIC TRANSMISSION K,E,S,M BODY Fig. 21A-2700

SPEEDOMETER CABLES & PINIONS

CABLES, SPEEDOMETER AUTOMATIC TRANSMISSION Fig. 21A-2800

ILLUSTRATION NOT AVAILABLE AT TIME OF PUBLICATION

GROUP 21A - TRANSMISSION, AUTO.

ILLUSTRATION TITLE

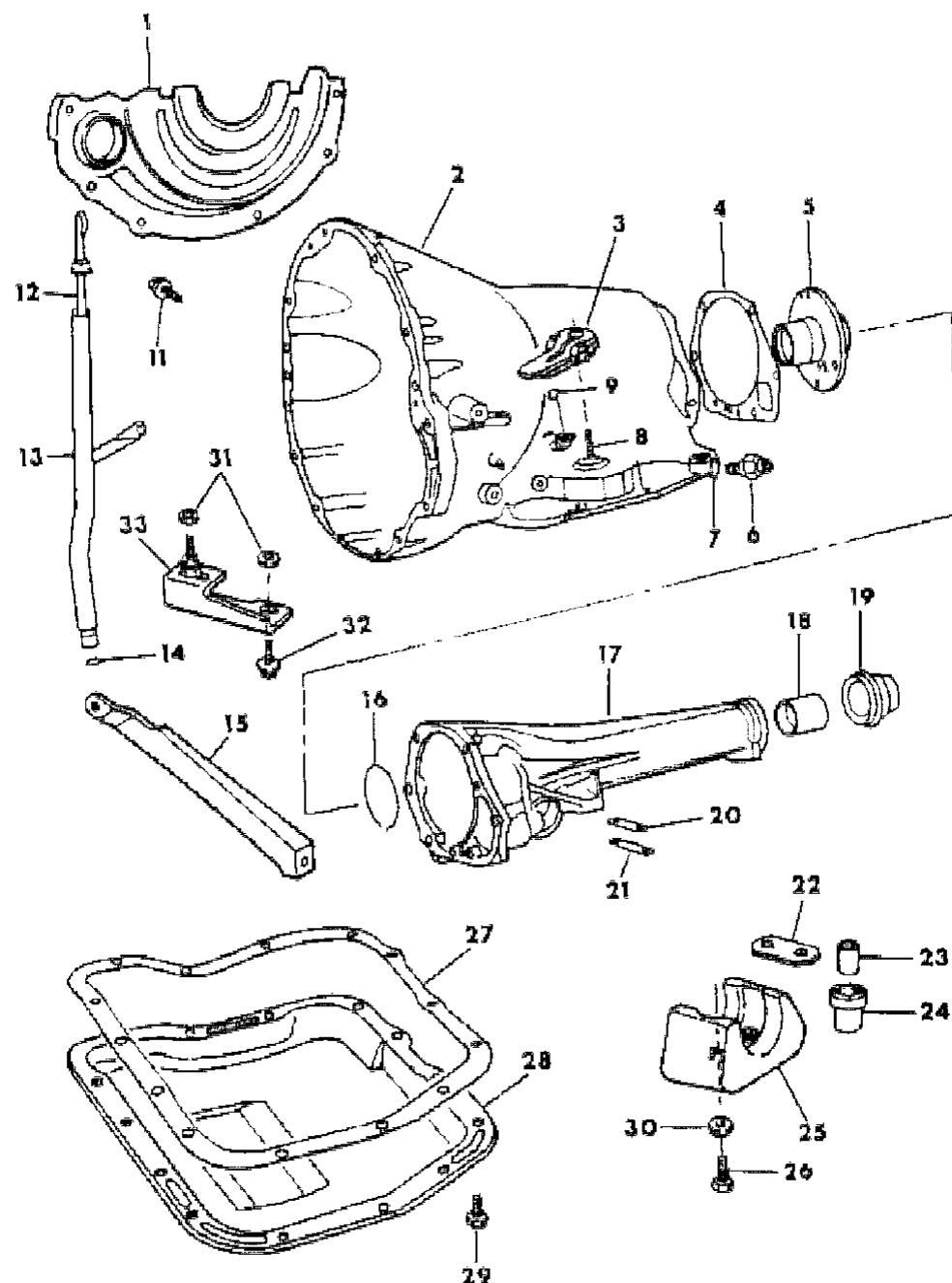
GROUP-FIG. NO.

SPEEDOMETER CABLES & PINIONS (Continued)

CABLES, SPEEDOMETER AUTOMATIC TRANSMISSION	Fig. 21A-2800
PINION AND ADAPTER, SPEEDOMETER CABLE DRIVE AUTOMATIC TRANSAXLE	Fig. 21A-2900
PINION AND ADAPTER, SPEEDOMETER CABLE DRIVE AUTOMATIC TRANSMISSION, M BODY	Fig. 21A-3000

TRANSMISSION, WITH CASE AND EXTENSION AUTOMATIC, A999,A727 M BODY
Figure 21A-100

7151 100



ITEM	PART NUMBER	QTY	BODY	MODEL	DESCRIPTION
NOTE: The Seven Digit Transmission Assembly Part Number is Stamped on the Left Side of the Transmisson Oil Pan Rail. the rear of the carburetor throttle body. A mirror is required to read the no. when the carburetor					
	4186 862	1			GASKET and SEAL PACKAGE, Trans. A999, Major Repair
	4186 864	1			GASKET and SEAL PACKAGE, Trans. A727, Major Repair
	4431 501	1			TRANSMISSION ASSEMBLY, A999 Automatic
	4431 572	1			5.2L w/2BBL, w/2.24 Axle Ratio w/LU, Up To 8-25-19 86
	4431 503	1			After 8-25-1986
	4431 573	1			5.2L w/4BBL, w/2.94 Axle Ratio w/LU Police, Up To 8-18-1986
	4431 573	1			After 8-18-86
	4431 560	1		B,G	TRANSMISSION ASSEMBLY, A727 Automatic
	4431 574	1		B,G	A727, w/5.2L w/2BBL, HD, w/2.24 Axle Ratio, w/LU, Low Stall, Police, Up To 8-11-1986
	4431 574	1		B,G	After 8-11-1986
	TRANSMISSION ASSY. CROSS REFERENCE				
	PRODUCTION NO: SERVICE NO:				
	4412001 4431501				
	4431558 4431572				
	4348703 4431503				
	4431557 4431573				
	4412560 4431560				
	4431553 4431574				
1	4295 849	1			COVER, Case Dust Shield, A999
	4130 503	1			A727
2	4412 578	1			CASE, Transmission, A999
	4377 913	1			A727
-	3681 601	1			MAGNET, Case Chip Collector
-	0118 749	2			CONNECTOR, Oil Cooler Tube Trans. End, 1/8-27 Pipe
-	6033 879	2			Later Model Serv. Trans., May Use Larger Connector, w/1/4-18 Pipe Thread
-	6024 863	AR			SCREW, Cyl. Block to Trans. Case, 7/16"-14 x 2-1/8"
	6027 891	2			7/16"-14 x 1-5/8"
	6024 473	AR			7/16"-14 X 2"
	6024 864	AR			3/8"-16 X 1-7/8"
	6027 865	4			Case to Cyl. Block, 3/8"-16 x 1-3/8"
	6027 252	3			3/8"-16 x 2-5/8"ck, 3/8"-16 x 1-3/8"
3	2538 064	1			LEVER, Manual Control w/1/4" Hole at Rod End, A999
	2801 828	1			A727

MODEL CODES

E BODY = (J - CARAVELLE)(E - 600)(T - NEW YORKER)

G BODY = (V24 - DAYTONA)

H BODY = (D44 - LANCER)(C44 - LEBARON GTS)

J BODY = (C - LEBARON)

K BODY = (P - RELIANT)(D - ARIES)(C - LEBAROND)/TOWN & COUNTRY)

L BODY = (M - HORIZON/TURISMO)(Z - OMNI/CHARGER)

M BODY = (B - GRAN FURY)(F - FIFTH AVE/NEWPORT)(G - DIPLOMAT)

P BODY = (P - SUNDANCE)(D - SHADOW)

S BODY = (H - VOYAGER)(K - RAM VAN/CARAVAN)

BODY STYLES

12-13 = FWD VAN

21 = 2-DOOR SEDAN

24 = 2-DOOR HATCHBACK

27 = 2-DOOR CONVERTIBLE

41 = 4-DOOR SEDAN

44 = 4-DOOR HATCHBACK

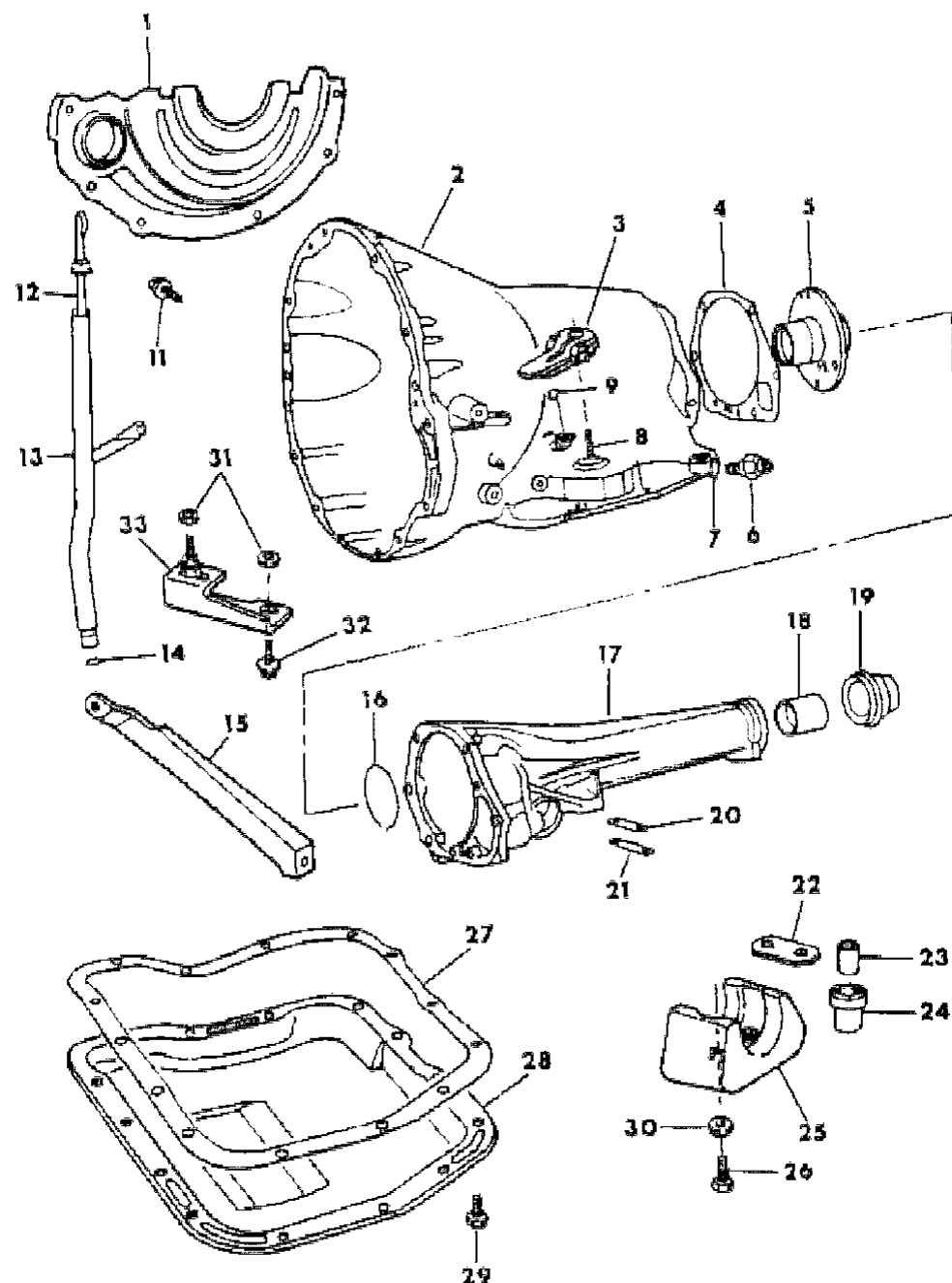
45 = 4-DOOR STATION WAGON

52-53 = FWD WAGON

AR = Use as Required - = Non Illustrated Part P.A.R. = Paint as Required

TRANSMISSION, WITH CASE AND EXTENSION AUTOMATIC, A999,A727 M BODY
Figure 21A-100

7151 100



ITEM	PART NUMBER	QTY	BODY	MODEL	DESCRIPTION
	4071 980	1			Throttle Control, w/o Bolt and Nut, Straight Type , 2.40" Lgh. Center to Center of Large Holes
4	2466 954	1			GASKET, Trans. Extension
5	2466 881	1			SUPPORT, Output Shaft, A999
	2466 882	1			A727
-	0179 818	4			SCREW, Support, 5/16"-18 x 1"
6	#4057 750	1			SWITCH, Trans. Neutral Starter and Back-Up Light, w/3 Prongs
7	2408 143	1			WASHER, Switch Mounting
8	3681 227	1			SHAFT, w/Lever Throttle Valve
9	1942 477	1			SCREW, Kickdown Band Adjusting, 1/2"-20 x 2-7/8", A999
	2400 389	1			1/2"-20 x 2-1/2", A727
		1			NUT, Lock, 1/2"-20 (Not Serviced)
11	6023 092	3			SCREW, w/Washer 1/4"-20 x 1/2"
12	4202 953	1			INDICATOR, Oil Level, A999
	4412 598	1			A727
13	4028 181	1			TUBE, Oil Pan Oil Filler, A999
	4028 308	1			A727
14	1316 815	1			SEAL, Oil Filler Tube
15	4071 089	1			STRUT, Trans. to Cyl. Block, Lt.
	4130 693	1			Trans. to Cyl. Block, Rt.
	6023 143	2			SCREW, Strut to Cyl. Block, 7/16"-14 x 1-1/8"
	0181 112	2			3/8"-16 x 1"
	6024 473	1			Strut to Case, Lt., 7/16"-14 x 2"
	6023 143	AR			Strut to Case, 7/16"-14 x 1-1/8"
	6024 027	1			7/16"-14 x 1-1/4"
16	2400 185	1			SNAP RING, Output Shaft Brg., Outer, A999
	2400 320	1			A727
17	3780 230	1			EXTENSION, w/Bushing Trans. Case, A999
	4028 190	1			A727
-	6027 150	4			SCREW, 3/8"-16 x 1-1/8"
-	6031 229	2			STUD, 3/8"-16 x 2-1/4"
18	2801 726	1			BUSHING, Trans. Extension, A999
	2801 724	1			A727
19	4058 047	1			SEAL, Extension Yoke Oil, A999
	3515 383	1			A727
20	2801 398	1			GASKET, Output Shaft Brg., Inspection Cover
21	2466 957	1			COVER, Output Shaft Brg., Inspection
	6028 022	2			SCREW, 1/4"-20 x 5/8"

MODEL CODES

E BODY = (J - CARAVELLE)(E - 600)(T - NEW YORKER)

G BODY = (V24 - DAYTONA)

H BODY = (D44 - LANCER)(C44 - LEBARON GTS)

J BODY = (C - LEBARON)

K BODY = (P - RELIANT)(D - ARIES)(C - LEBAROND)/TOWN & COUNTRY)

L BODY = (M - HORIZON/TURISMO)(Z - OMNI/CHARGER)

M BODY = (B - GRAN FURY)(F - FIFTH AVE/NEWPORT)(G - DIPLOMAT)

P BODY = (P - SUNDANCE)(D - SHADOW)

S BODY = (H - VOYAGER)(K - RAM VAN/CARAVAN)

BODY STYLES

12-13 = FWD VAN

21 = 2-DOOR SEDAN

24 = 2-DOOR HATCHBACK

27 = 2-DOOR CONVERTIBLE

41 = 4-DOOR SEDAN

44 = 4-DOOR HATCHBACK

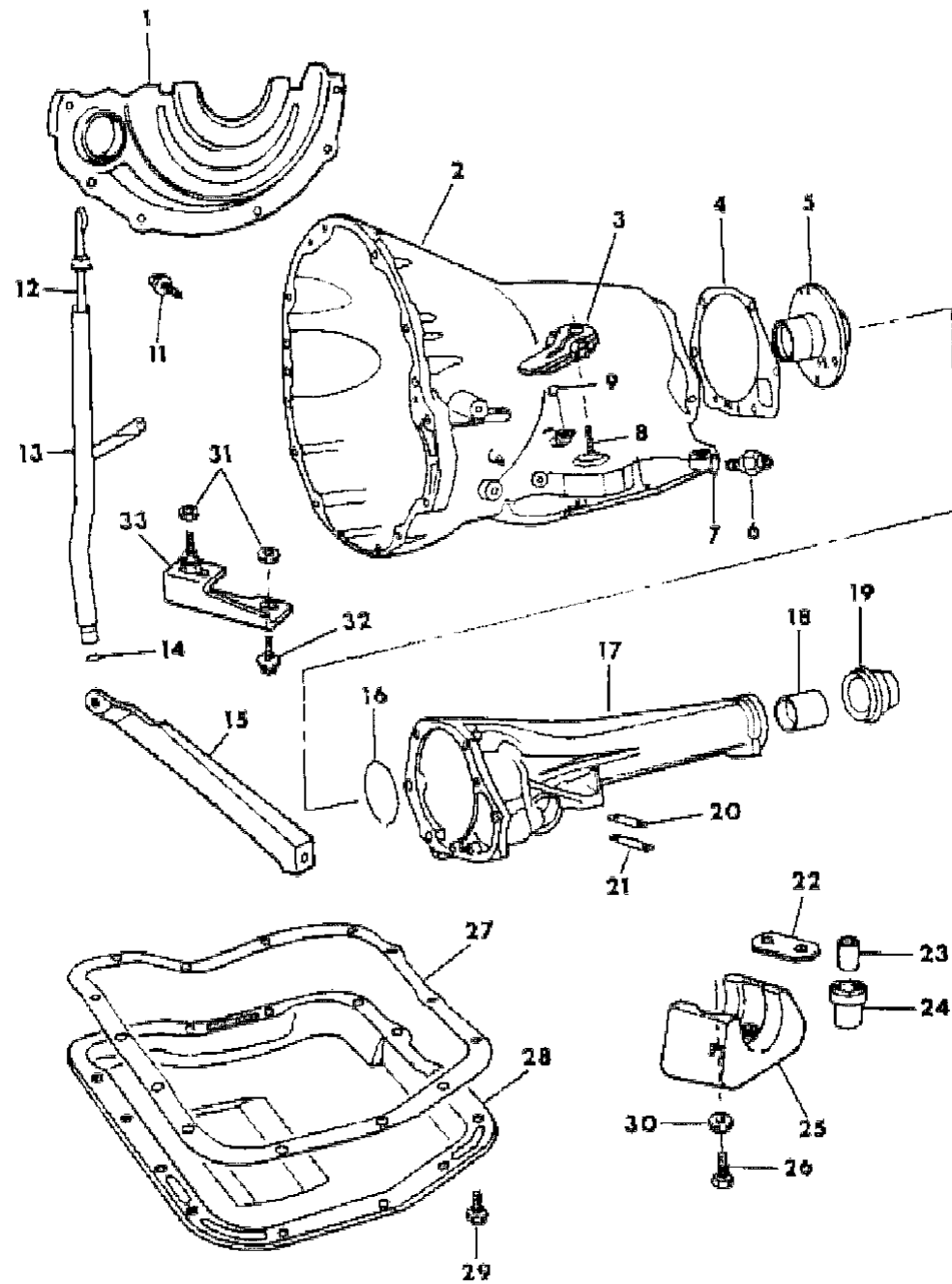
45 = 4-DOOR STATION WAGON

52-53 = FWD WAGON

AR = Use as Required - = Non Illustrated Part P.A.R. = Paint as Required

TRANSMISSION, WITH CASE AND EXTENSION AUTOMATIC, A999,A727 M BODY
Figure 21A-100

7151 100



ITEM	PART NUMBER	QTY	BODY	MODEL	DESCRIPTION
22	3681 614	1			PLATE, Damper Weight, A999
	4431 401	1			A727
23	3681 189	2			SPACER, Damper Weight
	4431 401	1			SPACER, Damper Weight, A727, Police and Taxi
24	#4412 545	2			INSULATOR, Damper Weight, Yellow, A999
	4377 925	2			A727
25	4412 542	1			WEIGHT, w/Spacers and Insulators, A999
	3681 464	1			A727
26	6032 047	2			BOLT, Damper Weight, 5/16"-18 x 1-1/2"
27	4295 875	1			GASKET, Trans. Oil Pan, A999
	2464 324	1			A727
28	4202 005	1			PAN, w/Plug Trans. Oil, A999
	4058 997	1			A727
29	6023 355	14			SCREW, 5/16"-18 x 5/8"
30	6032 046	2			WASHER, Damper Weight Bolt
31		2			SPACER, (Not Serviced)
32	0181 088	2			SCREW, 5/16"-18 x 1"
33	4028 635	1			BRACKET, Trans. Manual Low Blockout
-	4348 719	1			SOLENOID ASSEMBLY, Electronic T/Converter Lock-Up, Mounted on Valve Body, A999
-	4348 945	1			CONNECTOR, Electronic T/Converter Lock-Up, Solenoid, A999

MODEL CODES

E BODY = (J - CARAVELLE)(E - 600)(T - NEW YORKER)

G BODY = (V24 - DAYTONA)

H BODY = (D44 - LANCER)(C44 - LEBARON GTS)

J BODY = (C - LEBARON)

K BODY = (P - RELIANT)(D - ARIES)(C - LEBAROND)/TOWN & COUNTRY)

L BODY = (M - HORIZON/TURISMO)(Z - OMNI/CHARGER)

M BODY = (B - GRAN FURY)(F - FIFTH AVE/NEWPORT)(G - DIPLOMAT)

P BODY = (P - SUNDANCE)(D - SHADOW)

S BODY = (H - VOYAGER)(K - RAM VAN/CARAVAN)

BODY STYLES

12-13 = FWD VAN

21 = 2-DOOR SEDAN

24 = 2-DOOR HATCHBACK

27 = 2-DOOR CONVERTIBLE

41 = 4-DOOR SEDAN

44 = 4-DOOR HATCHBACK

45 = 4-DOOR STATION WAGON

52-53 = FWD WAGON

AR = Use as Required - = Non Illustrated Part P.A.R. = Paint as Required

PUMP, OIL WITH REACTION SHAFT AUTOMATIC TRANSMISSION, A999,A727 M BODY
Figure 21A-200

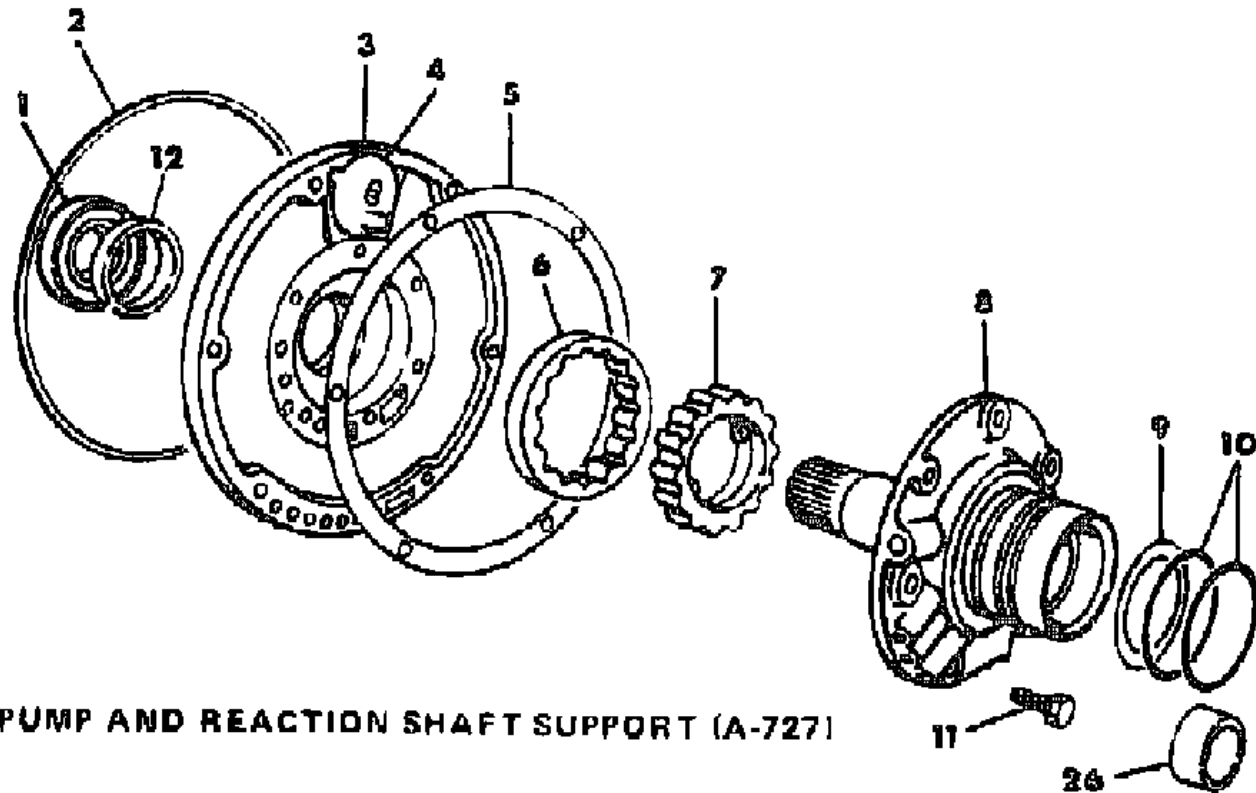
7151 200 A

ITEM	PART NUMBER	QTY	BODY	MODEL	DESCRIPTION
	4131 042	1			GASKET and SEAL PACKAGE, Front Pump, A999
					Consists Of:
					1 - ----- SEAL, T/C Impeller Hub
					1 - ----- SEAL, Oil Pump
					1 - ----- GASKET, T/C Reaction Shaft Support
					2 - ----- RING SEAL, Reaction Shaft Support
					1 - ----- RING SEAL, Input Shaft, Frt.
					1 - ----- RING SEAL, Rr. Clutch Retainer
					1 - ----- RING SEAL, Rr. Clutch Retainer
					1 - ----- Sheet, Instruction
	4057 014	1			GASKET and SEAL PACKAGE, Front Pump, A727
1	3515 137	1			SEAL, T/C Impeller Hub, A727
	4269 057	1			A999
2	1942 021	1			SEAL, O-Ring Front Pump Housing
3	4130 193	1			HOUSING, w/Bushing, Plug and Rotors, Front Pump
4	3420 087	1			BAFFLE, w/Nail, Front Pump Hsg., Vent
5	4028 377	1			GASKET, Front Pump Housing
6		1			ROTOR, (Serviced in Hsg. Assy.)
7		1			ROTOR, (Serviced in Hsg. Assy.)
8	#4471 444	1			SHAFT, w/Support, Reaction w/Lock-Up Torque Converter
9					WASHER, Front Clutch Thrust, Frt., 3-21/64" O.D.
	2204 622	AR			Green, .061" Thk.
	2204 623	AR			Red, .084" Thk.
	2400 284	AR			Yellow, .102" Thk.
10	3743 689	2			RING, Reaction Shaft Support Seal
11	0179 815	6			BOLT, w/Washer, Support, 5/16-18 x 11/16"
12	2466 324	1			BUSHING, Frt. Pump Housing, A727
	2466 796	1			A999
13	2204 709	1			SEAL, Frt. Pump Housing, 8-17/64" O.D.
14		1			HOUSING, w/Bushing, Rotors, Front Pump (Serviced in Assy. Item No. 23)
15		1			ROTOR, (Serviced in Hsg. Assy.)
16		1			ROTOR, (Serviced in Hsg. Assy.)
17	4058 413	1			SHAFT, w/Support, Reaction
18					WASHER, Lock (Not Serviced)
19	0179 815	6			SCREW, w/Washer, 5/16"-18 x 11/16"
20	4028 364	1			GASKET, Reaction Shaft Support
21	1942 389	2			RING, Reaction Shaft Support Seal, 2-1/16" I.D.

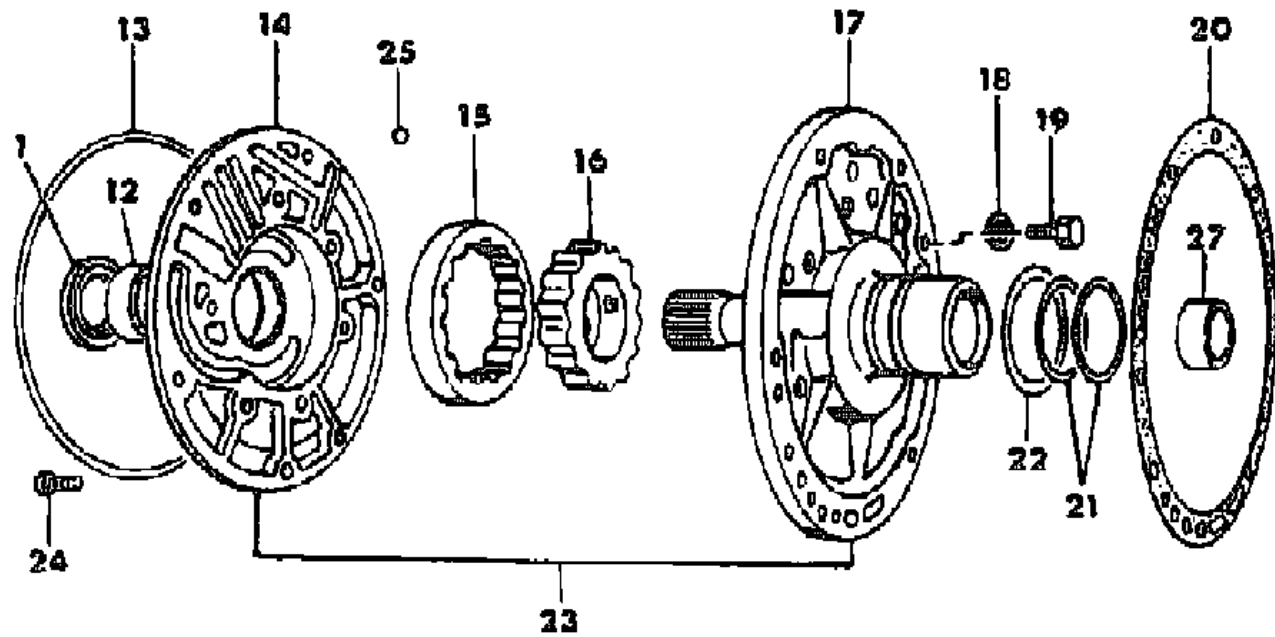
MODEL CODES
 E BODY = (J - CARAVELLE)(E - 600)(T - NEW YORKER)
 G BODY = (V24 - DAYTONA)
 H BODY = (D44 - LANCER)(C44 - LEBARON GTS)
 J BODY = (C - LEBARON)
 K BODY = (P - RELIANT)(D - ARIES)(C - LEBAROND)/TOWN & COUNTRY
 L BODY = (M - HORIZON/TURISMO)(Z - OMNI/CHARGER)
 M BODY = (B - GRAN FURY)(F - FIFTH AVE/NEWPORT)(G - DIPLOMAT)
 P BODY = (P - SUNDANCE)(D - SHADOW)
 S BODY = (H - VOYAGER)(K - RAM VAN/CARAVAN)

BODY STYLES
 12-13 = FWD VAN
 21 = 2-DOOR SEDAN
 24 = 2-DOOR HATCHBACK
 27 = 2-DOOR CONVERTIBLE
 41 = 4-DOOR SEDAN
 44 = 4-DOOR HATCHBACK
 45 = 4-DOOR STATION WAGON
 52-53 = FWD WAGON

AR = Use as Required - = Non Illustrated Part P.A.R. = Paint as Required



OIL PUMP AND REACTION SHAFT SUPPORT (A-727)

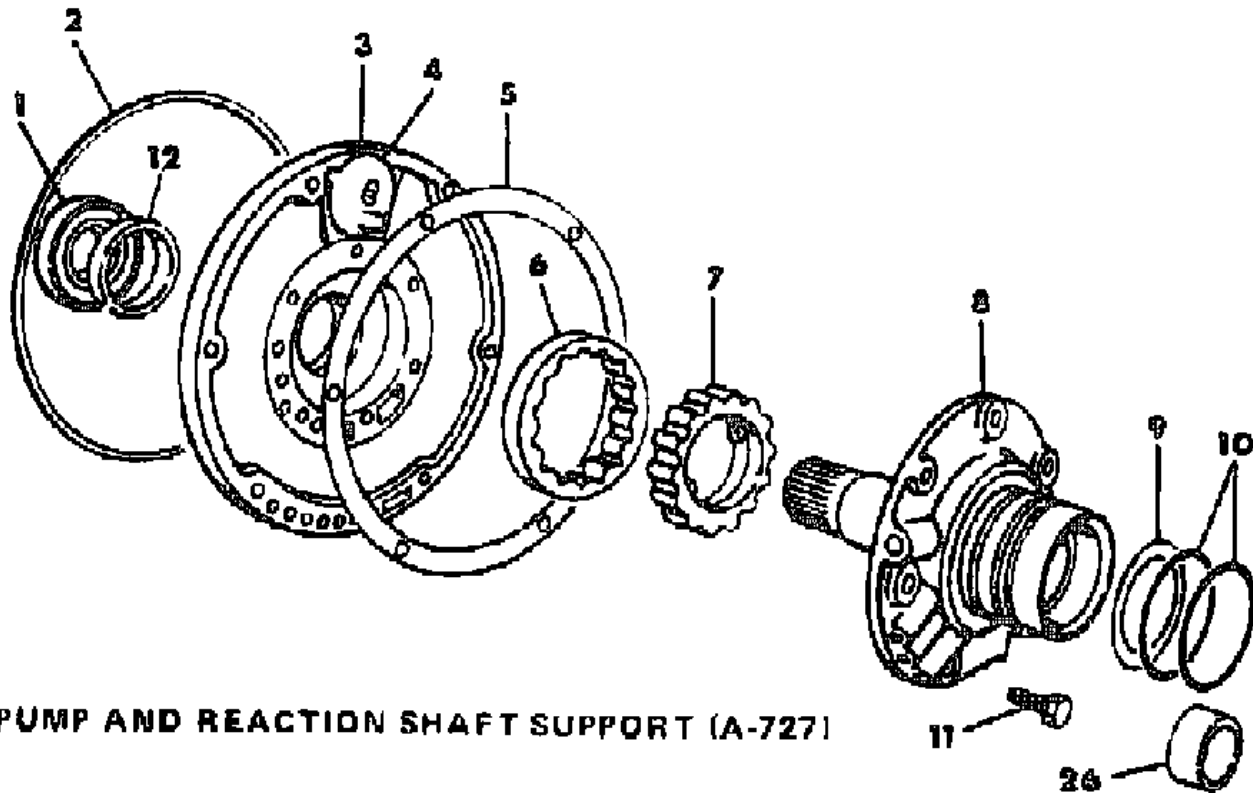


OIL PUMP AND REACTION SHAFT SUPPORT DISASSEMBLED (A999)

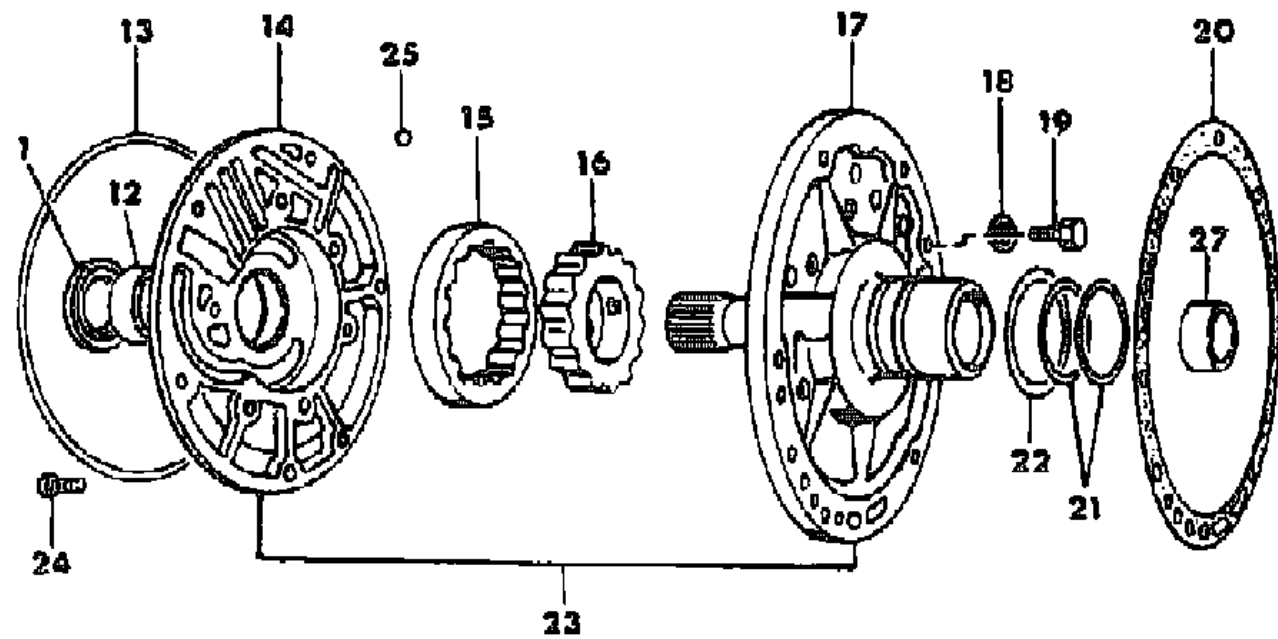
PUMP, OIL WITH REACTION SHAFT AUTOMATIC TRANSMISSION, A999,A727 M BODY
Figure 21A-200

7151 200 A

ITEM	PART NUMBER	QTY	BODY	MODEL	DESCRIPTION
22	3410 572	1			WASHER, Clutch Thrust, 2-5/8" O.D.
23	4202 089	1			HOUSING, w/Support and Reaction Shaft
24	6023 943	6			SCREW, w/Washer, 5/16"-18 x 1-3/8", A999
	6023 943	7			A727
25	0104 918	AR			BALL, 1/4" Dia.
		AR			Support Small 9/32" Dia. (Not Serviced)
	0147 488	AR			Large 11/32" Dia.
26	2801 348	1			BUSHING, Reaction Shaft, A727
27	#4058 635	1			BUSHING, Reaction Shaft, A999



OIL PUMP AND REACTION SHAFT SUPPORT (A-727)



OIL PUMP AND REACTION SHAFT SUPPORT DISASSEMBLED
(A999)

MODEL CODES

E BODY = (J - CARAVELLE)(E - 600)(T - NEW YORKER)

G BODY = (V24 - DAYTONA)

H BODY = (D44 - LANCER)(C44 - LEBARON GTS)

J BODY = (C - LEBARON)

K BODY = (P - RELIANT)(D - ARIES)(C - LEBAROND)/TOWN & COUNTRY)

L BODY = (M - HORIZON/TURISMO)(Z - OMNI/CHARGER)

M BODY = (B - GRAN FURY)(F - FIFTH AVE/NEWPORT)(G - DIPLOMAT)

P BODY = (P - SUNDANCE)(D - SHADOW)

S BODY = (H - VOYAGER)(K - RAM VAN/CARAVAN)

BODY STYLES

12-13 = FWD VAN

21 = 2-DOOR SEDAN

24 = 2-DOOR HATCHBACK

27 = 2-DOOR CONVERTIBLE

41 = 4-DOOR SEDAN

44 = 4-DOOR HATCHBACK

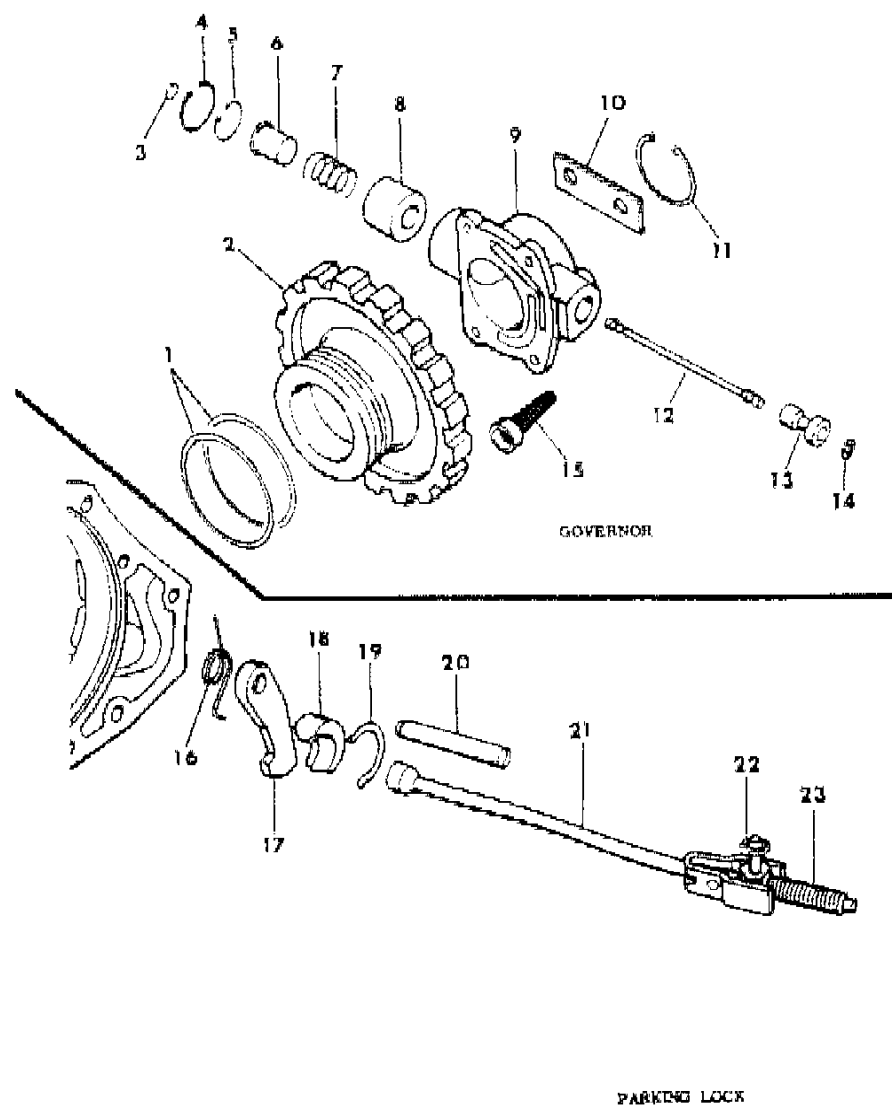
45 = 4-DOOR STATION WAGON

52-53 = FWD WAGON

AR = Use as Required - = Non Illustrated Part P.A.R. = Paint as Required

GOVERNOR AND PARKING SPRAG AUTOMATIC TRANSMISSION, A999,A727 M BODY
Figure 21A-300

7151 300



ITEM	PART NUMBER	QTY	BODY	MODEL	DESCRIPTION
	4740 007	1			BODY PACKAGE, Governor, A999 Consists Of: 1 - ----- BODY, Governor 1 - ----- VALVE, Governor 2 - ----- SEAL RING, Gov. Support 4 - ----- BOLT, Gov. Body 1 - ----- SNAP RING, Gov. Body 1 - ----- SNAP RING, Gov. Weight, Outer 1 - ----- VALVE, Governor
	4740 006	1			1 - ----- SHAFT, Governor Valve 2 - ----- SNAP RING, Gov. Valve Shaft BODY PACKAGE, Governor, A727
	4106 556	1			GASKET and SEAL PACKAGE, Governor, A999 Consists Of: 1 - ----- SPEEDO. PINION Small Parts PKG. 1 - ----- FILTER, Governor 1 - ----- SEAL, Yoke, Small 1 - ----- GASKET, Extension 1 - ----- GASKET, Output Shaft Brg. Cover 1 - ----- SEAL, Oil Filler Tube 2 - ----- RING SEAL, Governor Support
	4106 557	1			GASKET and SEAL PACKAGE, Governor, A727
	4202 658	1			WEIGHT PACKAGE, Governor, A999 Consists of: 1- ----- WEIGHT, Inner 1- ----- WEIGHT, Outer 1- ----- SPRING
	4130 891	1			WEIGHT PACKAGE, Governor, A727
1	1942 109	2			RING, Gov. Support Seal, Frt. and Rr.
2	3743 518	1			SUPPORT, Governor, A999 .
	3743 517	1			A727
3	1638 461	2			SNAP RING, Gov. Valve Shaft
4	6025 031	1			SNAP RING, Gov. Weight, Outer
5	1636 464	1			SNAP RING, Gov. Weight, Inner
6					WEIGHT, Gov., Inner (Serv. in Wt. Pkg. 4202658)
7					SPRING, Gov. Weight (Serv. in Wt. Pkg. 4202658)
8					WEIGHT, Trans. Gov., Outer (Serv. in Wt. Pkg. 4202658)
9		1			BODY, Governor, A999 (Serv. in Pkg. 4186874)

MODEL CODES

E BODY = (J - CARAVELLE)(E - 600)(T - NEW YORKER)

G BODY = (V24 - DAYTONA)

H BODY = (D44 - LANCER)(C44 - LEBARON GTS)

J BODY = (C - LEBARON)

K BODY = (P - RELIANT)(D - ARIES)(C - LEBAROND)/TOWN & COUNTRY)

L BODY = (M - HORIZON/TURISMO)(Z - OMNI/CHARGER)

M BODY = (B - GRAN FURY)(F - FIFTH AVE/NEWPORT)(G - DIPLOMAT)

P BODY = (P - SUNDANCE)(D - SHADOW)

S BODY = (H - VOYAGER)(K - RAM VAN/CARAVAN)

BODY STYLES

12-13 = FWD VAN

21 = 2-DOOR SEDAN

24 = 2-DOOR HATCHBACK

27 = 2-DOOR CONVERTIBLE

41 = 4-DOOR SEDAN

44 = 4-DOOR HATCHBACK

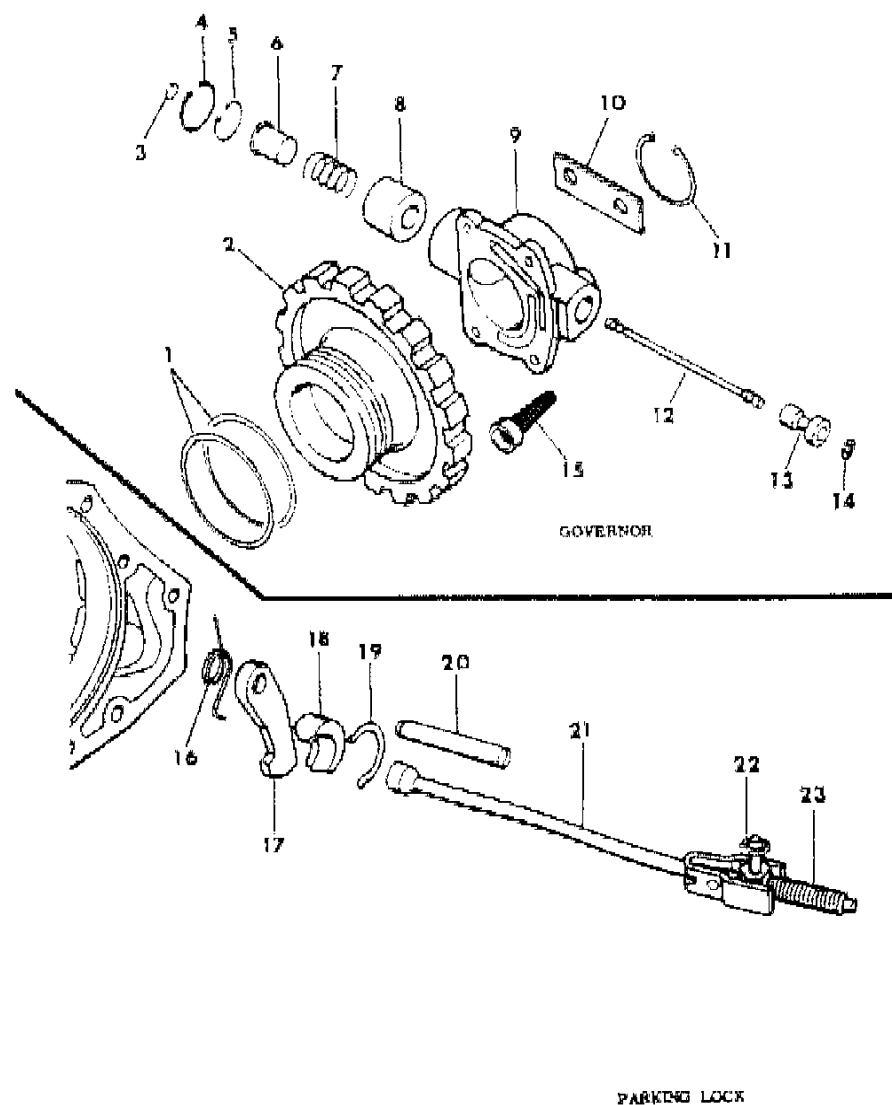
45 = 4-DOOR STATION WAGON

52-53 = FWD WAGON

AR = Use as Required - = Non Illustrated Part P.A.R. = Paint as Required

GOVERNOR AND PARKING SPRAG AUTOMATIC TRANSMISSION, A999,A727 M BODY
Figure 21A-300

7151 300



ITEM	PART NUMBER	QTY	BODY	MODEL	DESCRIPTION
		1			A999 (Serv. in Pkg. 4186875)
	6031 613	4			BOLT, Trans. Governor Body, 1/4"-20 x 5/8"
10	3743 520	2			LOCK, Gov. Body Bolt, Off-Set Type
11	6027 271	1			SNAP RING, Gov. Body, A999
	6022 817	1			A727
12	1556 082	1			SHAFT, Gov. Valve
13	3515 479	1			VALVE, Gov.
14	1638 461	2			SNAP RING, Gov. Valve Shaft
15	3743 519	1			FILTER, Trans. Governor
16	2466 909	1			SPRING, Trans. Parking Sprag, Blue
17	2801 157	1			SPRAG, Trans. Parking
18	2538 042	1			PLUG, Parking, Sprag Reaction
		1			PIN, Parking Sprag Reaction Plug
19	2538 034	1			SNAP RING, Parking Sprag Reaction Plug
20	2466 892	1			SHAFT, Trans. Parking Sprag
21	2466 906	1			ROD ASSEMBLY, Parking Sprag 8" Lg., A999
	2466 894	1			8-3/16" Lg., A727
22	1626 749	1			E-RING, Rod Stud
23		1			SPRING, Parking Rod (Serv. in Parking Sprag Rod Assy.)

MODEL CODES

E BODY = (J - CARAVELLE)(E - 600)(T - NEW YORKER)

G BODY = (V24 - DAYTONA)

H BODY = (D44 - LANCER)(C44 - LEBARON GTS)

J BODY = (C - LEBARON)

K BODY = (P - RELIANT)(D - ARIES)(C - LEBAROND)/TOWN & COUNTRY)

L BODY = (M - HORIZON/TURISMO)(Z - OMNI/CHARGER)

M BODY = (B - GRAN FURY)(F - FIFTH AVE/NEWPORT)(G - DIPLOMAT)

P BODY = (P - SUNDANCE)(D - SHADOW)

S BODY = (H - VOYAGER)(K - RAM VAN/CARAVAN)

BODY STYLES

12-13 = FWD VAN

21 = 2-DOOR SEDAN

24 = 2-DOOR HATCHBACK

27 = 2-DOOR CONVERTIBLE

41 = 4-DOOR SEDAN

44 = 4-DOOR HATCHBACK

45 = 4-DOOR STATION WAGON

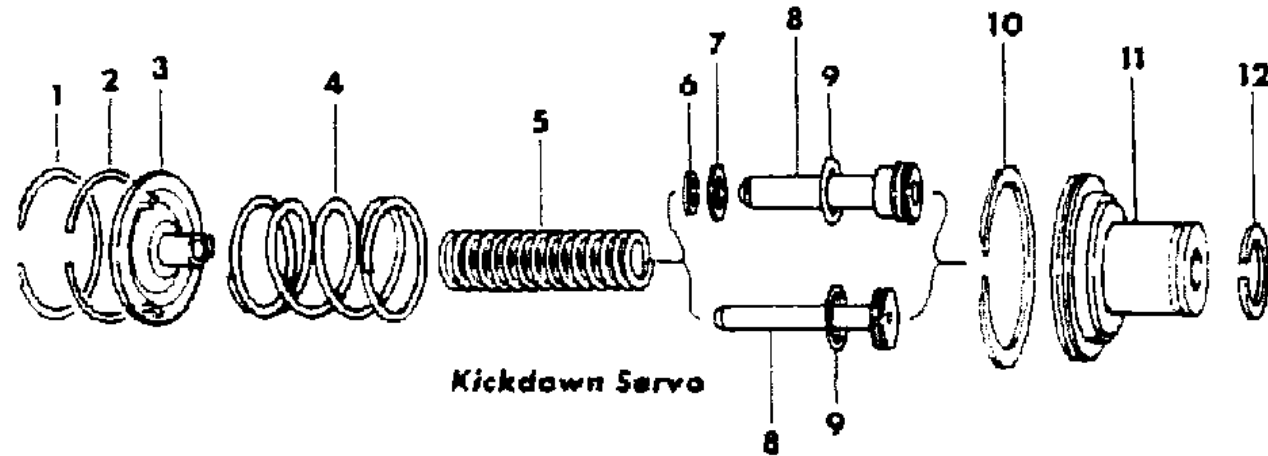
52-53 = FWD WAGON

AR = Use as Required - = Non Illustrated Part P.A.R. = Paint as Required

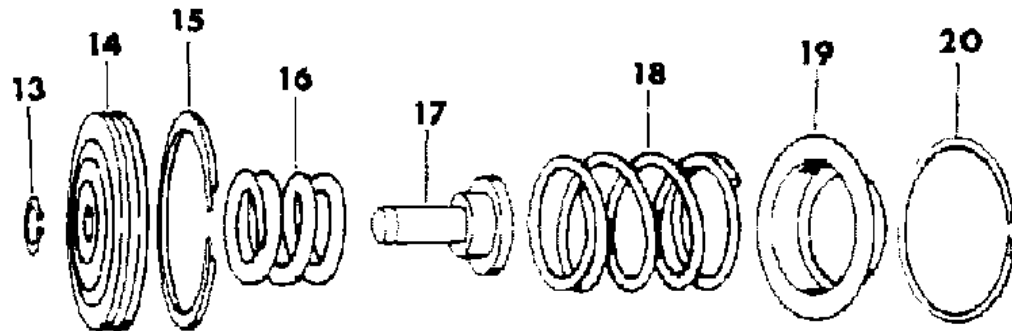
SERVOS, ACCUMULATOR, PISTONS AND SPRINGS AUTOMATIC TRANSMISSION, A999,A727 M BODY

Figure 21A-400

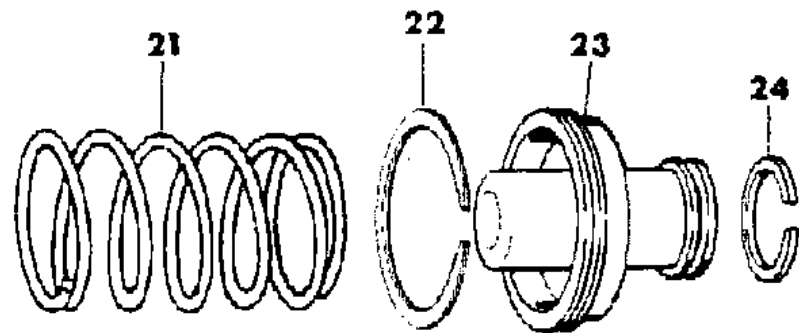
7151 400



Kickdown Servo



Low and Reverse Servo



Accumulator Piston and Spring

ITEM	PART NUMBER	QTY	BODY	MODEL	DESCRIPTION
1	6028 863	1			SNAP RING, Kickdown Servo Guide, 2-3/8" I.D., A999
	1942 130	1			A727
2	3410 372	1			RING, Kickdown Servo Guide Seal, 2-3/8" O.D., A999
	1942 123	1			A727
3	3410 332	1			GUIDE, Kickdown Servo, A999
	3410 441	1			A727
4	4058 885	1			SPRING, Kickdown Servo Piston, Outer 4.5 Coils, 1-3/4" O.D., A999
	3410 518	1			A727
5	3410 444	1			SPRING, Kickdown Servo Piston, Inner 6 Coils, A727
6	6024 336	1			SNAP RING, Piston Rod Inner, 1-1/8" I.D.
7	3410 437	1			RETAINER, Kickdown Piston, Inner, A727
8	4058 780	1			ROD, Kickdown Servo Piston, A999
	3410 445	1			Inner, Rod and Seal, A727
9	6028 864	1			SEAL, Kickdown Inner Piston Rod
10	3410 372	1			RING, Kickdown Servo Piston Seal, 2-3/8" O.D., A999
	1942 123	1			A727
11	4058 777	1			PISTON, Kickdown Servo, A999
	3410 440	1			A727
12	3410 374	1			RING, Kickdown Servo Piston Seal, 1" O.D., A999
	2124 851	1			A727
13	6027 153	1			SNAP RING, Reverse Servo Piston Plug, 7/16" I.D.
14	2801 271	1			PISTON, Reverse Servo, A999
	2801 281	1			A727
15	4202 864	1			SEAL, Reverse Servo Piston, Synthetic Rubber, A999
	4058 741	1			A727
16	4130 824	1			SPRING, Reverse Servo Cushion, Orange, A999
	3743 580	1			A727
17	3743 353	1			PLUG, Reverse Servo Piston
18	2801 274	1			SPRING, Reverse Servo Piston, A999
	2801 241	1			A727
19	2464 463	1			RETAINER, Reverse Servo Piston, A999
	1942 150	1			A727
20	2464 464	1			SNAP RING, Reverse Servo Piston Spring Retainer, A999
	1942 130	1			A727
21	3515 079	1			SPRING, Accumulator Piston
22	3743 013	1			RING, Accumulator Piston Seal, Large
23	3410 908	1			PISTON, Accumulator

MODEL CODES

E BODY = (J - CARAVELLE)(E - 600)(T - NEW YORKER)

G BODY = (V24 - DAYTONA)

H BODY = (D44 - LANCER)(C44 - LEBARON GTS)

J BODY = (C - LEBARON)

K BODY = (P - RELIANT)(D - ARIES)(C - LEBAROND)/TOWN & COUNTRY)

L BODY = (M - HORIZON/TURISMO)(Z - OMNI/CHARGER)

M BODY = (B - GRAN FURY)(F - FIFTH AVE/NEWPORT)(G - DIPLOMAT)

P BODY = (P - SUNDANCE)(D - SHADOW)

S BODY = (H - VOYAGER)(K - RAM VAN/CARAVAN)

BODY STYLES

12-13 = FWD VAN

21 = 2-DOOR SEDAN

24 = 2-DOOR HATCHBACK

27 = 2-DOOR CONVERTIBLE

41 = 4-DOOR SEDAN

44 = 4-DOOR HATCHBACK

45 = 4-DOOR STATION WAGON

52-53 = FWD WAGON

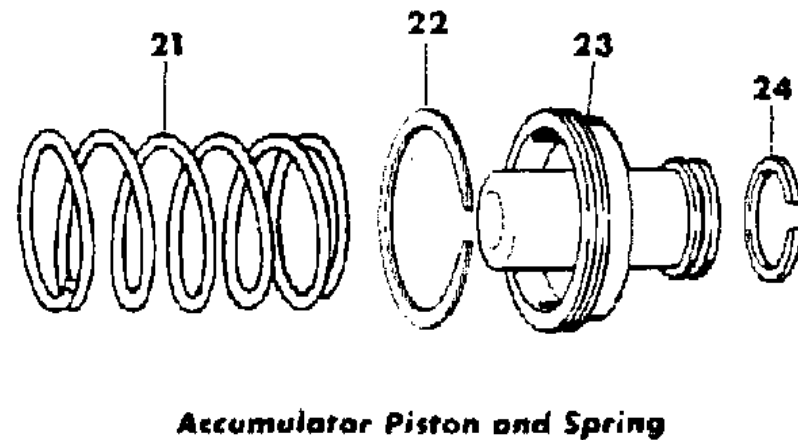
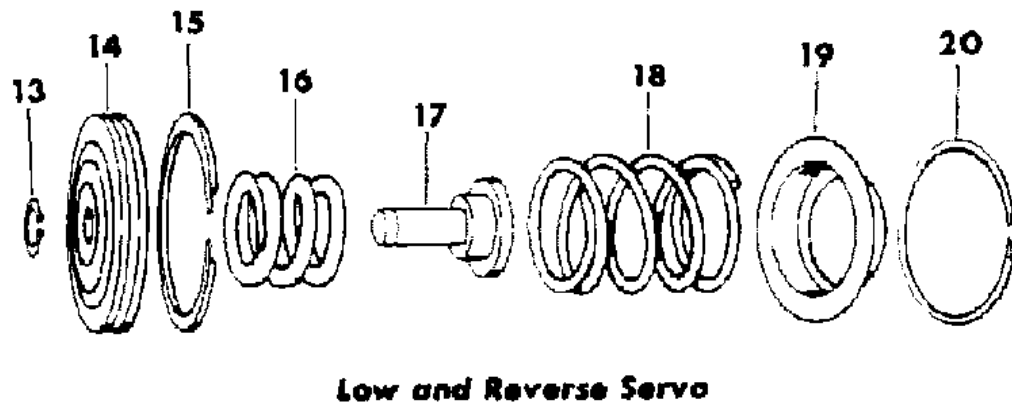
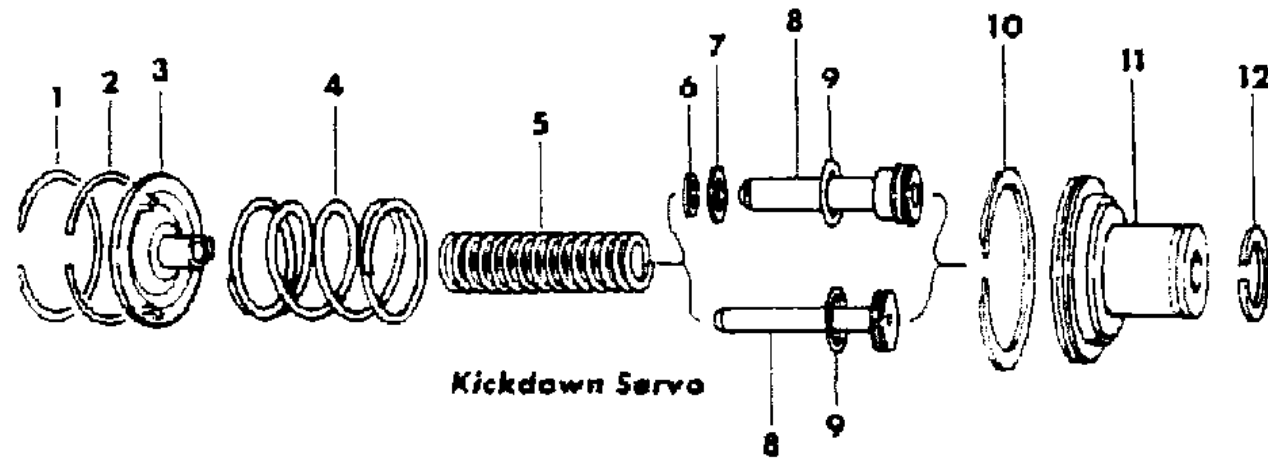
AR = Use as Required - = Non Illustrated Part P.A.R. = Paint as Required

SERVOS, ACCUMULATOR, PISTONS AND SPRINGS AUTOMATIC TRANSMISSION, A999,A727 M BODY
Figure 21A-400

7151 400

ITEM	PART NUMBER	QTY	BODY	MODEL	DESCRIPTION
------	-------------	-----	------	-------	-------------

24	3743 010	1			RING, Accumulator Piston Seal, Small
----	----------	---	--	--	--------------------------------------



MODEL CODES
 E BODY = (J - CARAVELLE)(E - 600)(T - NEW YORKER)
 G BODY = (V24 - DAYTONA)
 H BODY = (D44 - LANCER)(C44 - LEBARON GTS)
 J BODY = (C - LEBARON)
 K BODY = (P - RELIANT)(D - ARIES)(C - LEBAROND)/TOWN & COUNTRY
 L BODY = (M - HORIZON/TURISMO)(Z - OMNI/CHARGER)
 M BODY = (B - GRAN FURY)(F - FIFTH AVE/NEWPORT)(G - DIPLOMAT)
 P BODY = (P - SUNDANCE)(D - SHADOW)
 S BODY = (H - VOYAGER)(K - RAM VAN/CARAVAN)

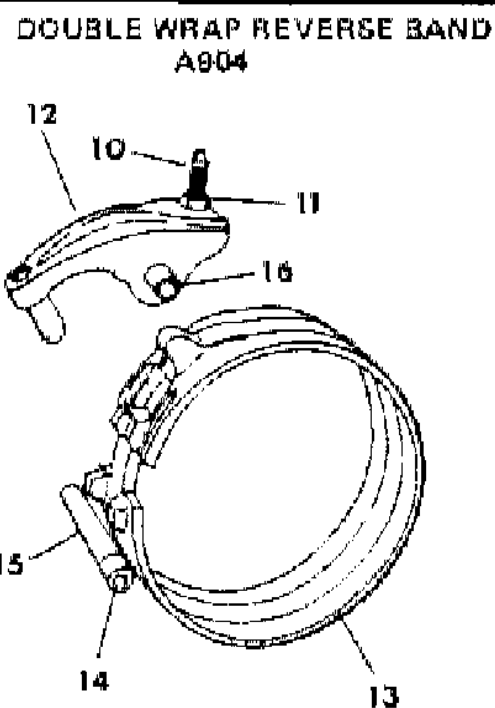
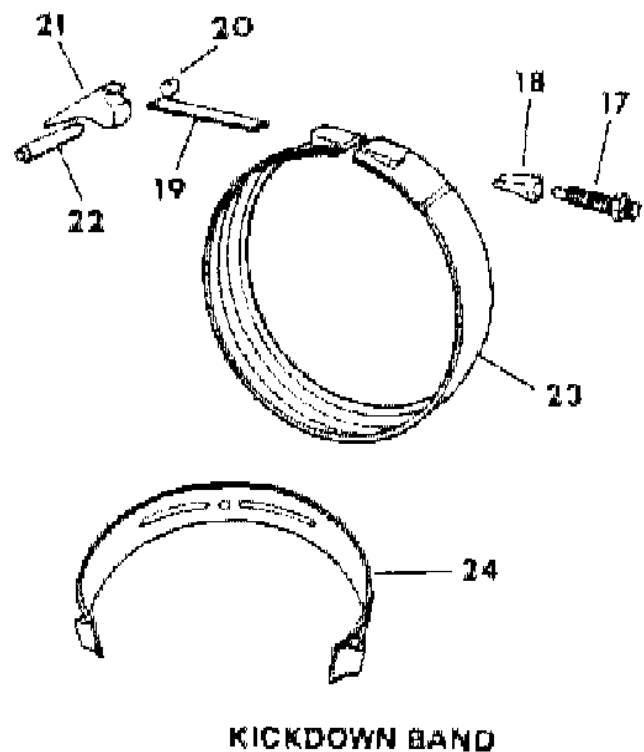
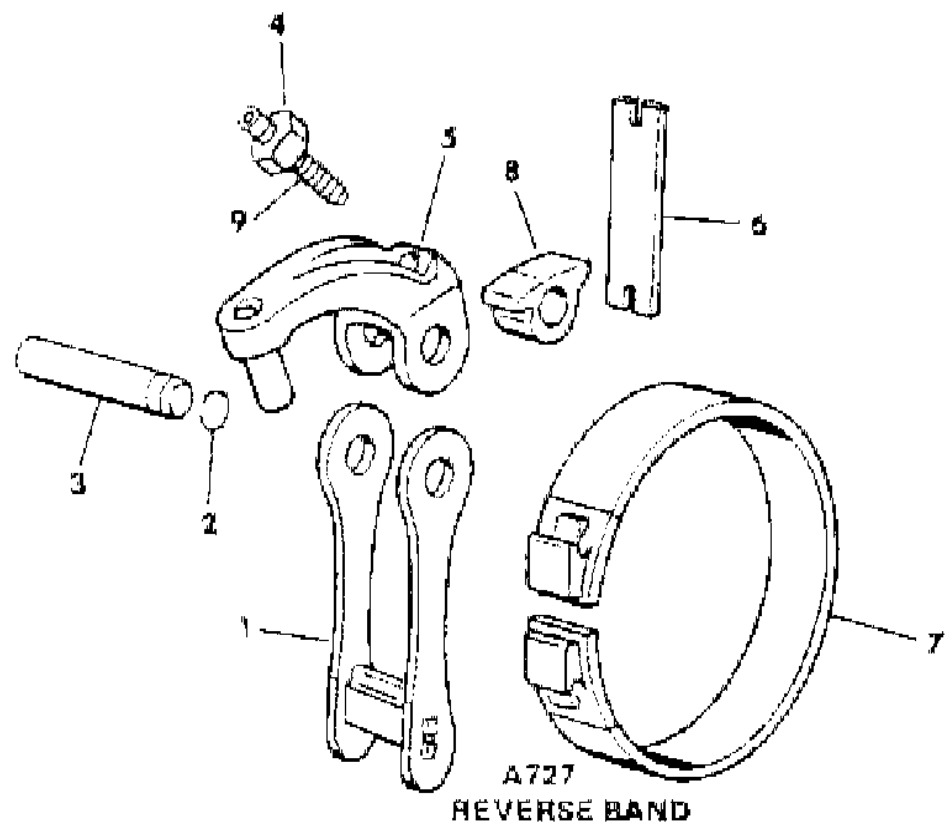
BODY STYLES
 12-13 = FWD VAN
 21 = 2-DOOR SEDAN
 24 = 2-DOOR HATCHBACK
 27 = 2-DOOR CONVERTIBLE
 41 = 4-DOOR SEDAN
 44 = 4-DOOR HATCHBACK
 45 = 4-DOOR STATION WAGON
 52-53 = FWD WAGON

AR = Use as Required - = Non Illustrated Part P.A.R. = Paint as Required

BANDS, REVERSE AND KICKDOWN WITH LINKAGE AUTOMATIC TRANSMISSION, A999,A727 M BODY

Figure 21A-500

7151 500



ITEM	PART NUMBER	QTY	BODY	MODEL	DESCRIPTION
1	2464 439	1			LINK, w/Anchor Reverse Band, A727
2	6030 910	1			SEAL, Reverse Band Lever Shaft, A727
3	2124 857	1			SHAFT, Reverse Band Lever, A727
4	0271 506	1			NUT, Adj. Screw Lock, 7/16"-20, A727
5	1942 137	1			LEVER, w/Stem Reverse Band, A727
6	2204 823	1			STRUT, Reverse Band, A727
7	4443 185	1			BAND, Reverse, A727
8	2892 233	1			LEVER, Reverse Band Short, A727
9	1942 141	1			SCREW, Reverse Band Adjusting, 7/16-20 x 1-1/2", A727
10	2538 472	1			SCREW, Reverse Band Adj., 3/8-24 x 1-7/8", A999
11	0120 369	1			NUT, Adj. Screw Lock 3/8-24, A999
12	#4202 764	1			LEVER, w/Stem, Reverse Band, A999
13	4130 981	1			BAND, Reverse, Use w/4431501,503 Service Assy., A999
	4443 187	1			w/4431572,573 Service Assy., A999
	4443 183	1			BAND and DRUM PACKAGE, Use w/4431501,503 Service Assy., A999
14	6030 657	2			SEAL, Rev. Band Lever Shaft, A999
15	3410 102	1			SHAFT, Rev. Band Reaction, A999
16	3410 102	1			SHAFT, Rev. Band Lever, A999
17	2400 389	1			SCREW, Kickdown Band Adj., 1/2-20 x 2-1/2", A727
	1942 477	1			1/2-20 x 2-7/8", A999
18	3743 338	1			ANCHOR, Kickdown Band, A727
19	2124 848	1			STRUT, Kickdown Band, A727
	3515 084	1			A999
20		1			PLUG, Shaft Lever
21	2124 666	1			LEVER, Kickdown Band (3.2 Ratio Stamped on Part), w/4431501, 572 Trans., A999
	2125 067	1			(3.8 Ratio Stamped on Part), Except 4431501,572 Trans., A999
	2204 952	1			A727
22	1942 132	1			SHAFT, Kickdown Lever
23	4419 646	1			BAND, Kickdown, A999
24	3621 491	1			BAND, Kickdown, A727

MODEL CODES

E BODY = (J - CARAVELLE)(E - 600)(T - NEW YORKER)

G BODY = (V24 - DAYTONA)

H BODY = (D44 - LANCER)(C44 - LEBARON GTS)

J BODY = (C - LEBARON)

K BODY = (P - RELIANT)(D - ARIES)(C - LEBAROND)/TOWN & COUNTRY)

L BODY = (M - HORIZON/TURISMO)(Z - OMNI/CHARGER)

M BODY = (B - GRAN FURY)(F - FIFTH AVE/NEWPORT)(G - DIPLOMAT)

P BODY = (P - SUNDANCE)(D - SHADOW)

S BODY = (H - VOYAGER)(K - RAM VAN/CARAVAN)

BODY STYLES

12-13 = FWD VAN

21 = 2-DOOR SEDAN

24 = 2-DOOR HATCHBACK

27 = 2-DOOR CONVERTIBLE

41 = 4-DOOR SEDAN

44 = 4-DOOR HATCHBACK

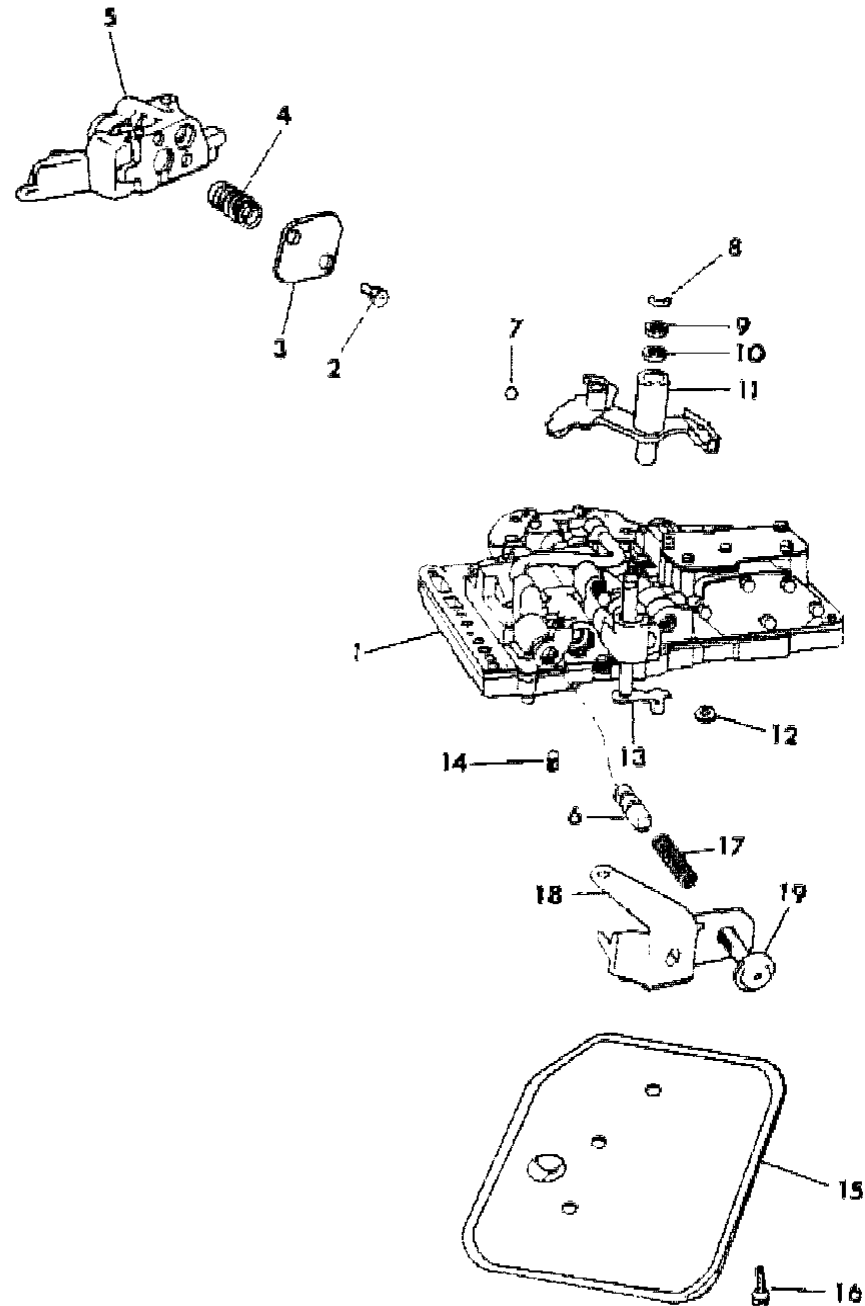
45 = 4-DOOR STATION WAGON

52-53 = FWD WAGON

AR = Use as Required - = Non Illustrated Part P.A.R. = Paint as Required

VALVE BODY AUTOMATIC TRANSMISSION, A999,A727 M BODY
Figure 21A-600

7151 800



ITEM	PART NUMBER	QTY	BODY	MODEL	DESCRIPTION
	4205 872	1			GASKET and SEAL PACKAGE, Valve Body and Servo Consists Of: 1 - ----- SCREEN, Reg. Valve 1 - ----- SEAL, Manual Valve Shaft 1 - ----- SEAL, Reverse Band Lever Shaft 1 - ----- SEAL, Reverse Servo Piston 1 - ----- SEAL, Throttle Lever Shaft 1 - ----- GASKET, Oil Pan 1 - ----- RING SEAL, Kickdown Servo Piston, Small 1 - ----- RING SEAL, Kickdown Servo Piston, Small 2 - ----- RING SEAL, Kickdown Servo Piston, Large 2 - ----- RING SEAL, Kickdown Servo Piston, Large 1 - ----- RING SEAL, Accumulator, Small 1 - ----- RING SEAL, Accumulator, Large 1 - ----- FILTER, Oil
- 1	4057 013	1			GASKET and SEAL PACKAGE, Valve Body and Servo, A727 VALVE BODY, w/Transfer Plate
	4348 759	1			w/4431503,573 Trans., Olive
	4412 488	1			w/4431501,572 Trans., Blue
	4348 961	1			w/4431560,574 Trans., Natural, A727
2	6030 888	2			SCREW, Lock-Up Valve Body Cover, 10-24 x 7/16"
	6030 889	14			10-24 x 1"
3					COVER, (Serviced in Valve Body)
4	4202 642	1			SPRING, Trans. Lock-Up Valve, w/4431503,573 Trans.
	4202 672	1			SPRING, Trans. Lock-Up, 6.2# (Used w/Technical Serv. Bull. No. P-4477, Serv. in Drive Pkg. 4419440)
5		1			BODY, L/U Valve, (Serviced in Valve Body)
6	4202 474	1			VALVE, Trans. Switch
-	6030 366	2			SCREW, L/U Valve Body to T/Plate, 10-24 x 1-1/2"
7	0147 488	1			BALL, Manual Lever Detent, 11/32
8	6025 857	1			E-RING, Throttle Valve Lever Shaft
9	2538 062	1			WASHER, Throttle Valve Lever Shaft
10	2466 548	1			SEAL, Throttle Valve Lever Shaft
11	3410 484	1			LEVER, w/Insulator Manual Valve
12	3878 447	1			SEAL, Manual Valve Shaft
13	3681 227	1			LEVER, Throttle Valve
14	3878 313	1			SCREEN, Regulator Valve
15	3515 996	1			FILTER, Trans. Oil

MODEL CODES

E BODY = (J - CARAVELLE)(E - 600)(T - NEW YORKER)

G BODY = (V24 - DAYTONA)

H BODY = (D44 - LANCER)(C44 - LEBARON GTS)

J BODY = (C - LEBARON)

K BODY = (P - RELIANT)(D - ARIES)(C - LEBAROND)/TOWN & COUNTRY)

L BODY = (M - HORIZON/TURISMO)(Z - OMNI/CHARGER)

M BODY = (B - GRAN FURY)(F - FIFTH AVE/NEWPORT)(G - DIPLOMAT)

P BODY = (P - SUNDANCE)(D - SHADOW)

S BODY = (H - VOYAGER)(K - RAM VAN/CARAVAN)

BODY STYLES

12-13 = FWD VAN

21 = 2-DOOR SEDAN

24 = 2-DOOR HATCHBACK

27 = 2-DOOR CONVERTIBLE

41 = 4-DOOR SEDAN

44 = 4-DOOR HATCHBACK

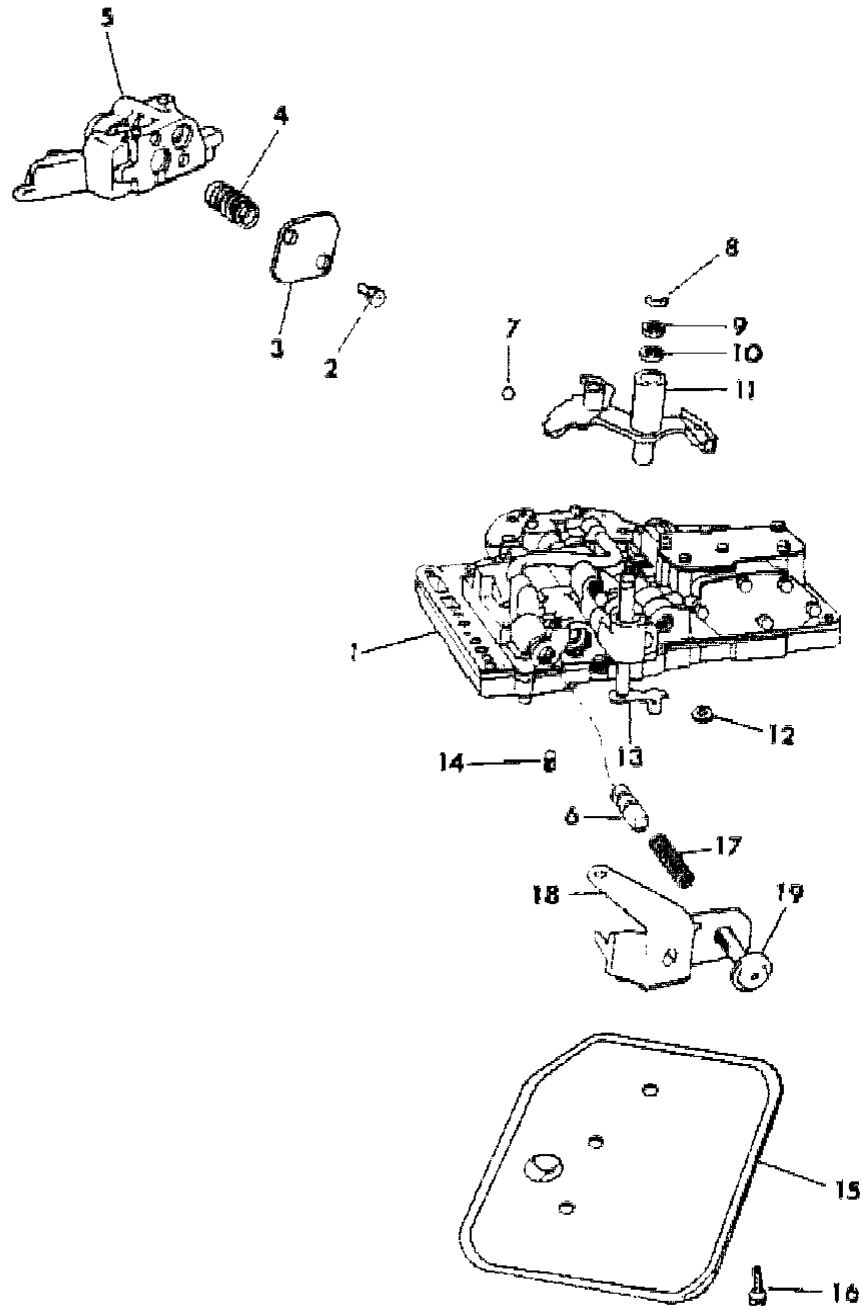
45 = 4-DOOR STATION WAGON

52-53 = FWD WAGON

AR = Use as Required - = Non Illustrated Part P.A.R. = Paint as Required

VALVE BODY AUTOMATIC TRANSMISSION, A999,A727 M BODY
Figure 21A-600

7151 800



ITEM	PART NUMBER	QTY	BODY	MODEL	DESCRIPTION
16	6030 895	3			SCREW, Oil Filter
17	4130 492	1			SPRING, L/U Switch Valve
18	3743 840	1			BRACKET, Throttle Pressure Adj. Screw
19	6030 609	1			SCREW, Throttle Pressure Adjusting, 5/16-24 x 1-1/4"
-	0104 918	AR			BALL, Check Valve, 1/4" Dia.

MODEL CODES

E BODY = (J - CARAVELLE)(E - 600)(T - NEW YORKER)

G BODY = (V24 - DAYTONA)

H BODY = (D44 - LANCER)(C44 - LEBARON GTS)

J BODY = (C - LEBARON)

K BODY = (P - RELIANT)(D - ARIES)(C - LEBAROND)/TOWN & COUNTRY)

L BODY = (M - HORIZON/TURISMO)(Z - OMNI/CHARGER)

M BODY = (B - GRAN FURY)(F - FIFTH AVE/NEWPORT)(G - DIPLOMAT)

P BODY = (P - SUNDANCE)(D - SHADOW)

S BODY = (H - VOYAGER)(K - RAM VAN/CARAVAN)

BODY STYLES

12-13 = FWD VAN

21 = 2-DOOR SEDAN

24 = 2-DOOR HATCHBACK

27 = 2-DOOR CONVERTIBLE

41 = 4-DOOR SEDAN

44 = 4-DOOR HATCHBACK

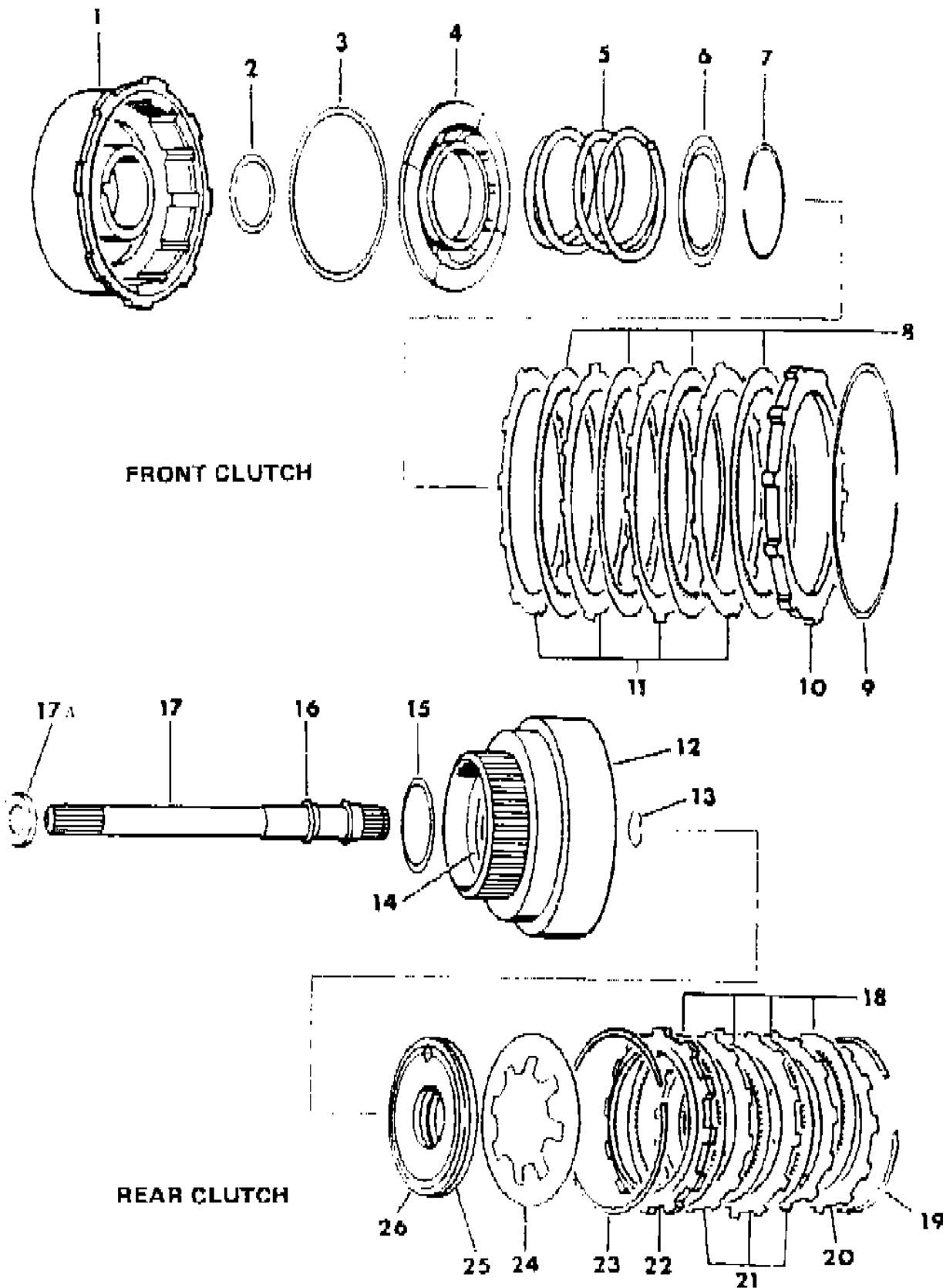
45 = 4-DOOR STATION WAGON

52-53 = FWD WAGON

AR = Use as Required - = Non Illustrated Part P.A.R. = Paint as Required

CLUTCH, FRONT AND REAR WITH GEAR TRAIN AUTOMATIC TRANSMISSION, A999 M BODY
Figure 21A-700

7151 700



ITEM	PART NUMBER	QTY	BODY	MODEL	DESCRIPTION
	4186 058				SEAL and WASHER PACKAGE, Front and Rear Clutch Consists Of: 1 - ----- SEAL, Frt. Clutch Piston, Inner 1 - ----- SEAL, Frt. Clutch Piston, Outer 1 - ----- SEAL, Rear Clutch Piston, Inner 1 - ----- SEAL, Rear Clutch Piston, Outer AR- ----- WASHER, Output Shaft Thrust AR- ----- WASHER, Output Shaft Thrust Flat and Notched
1	3743 382	1			RETAINER, w/Bushing Frt. Clutch
-	2801 727	1			BUSHING, Frt. Clutch Retainer
2	3515 176	1			SEAL, Frt. Clutch Piston, Rubber, Inner
3	4058 487	1			SEAL, Frt. Clutch Piston, Outer
4	3743 384	1			PISTON, Frt. Clutch
-	0147 483	1			BALL, 3/16"
5	3515 054	1			SPRING, Frt. Clutch Piston, 3.25 Coils, 3.38" O.D., 273" Wire, Yellow
6	1942 399	1			RETAINER, Frt. Clutch Piston Spring
-	0147 483	1			BALL, Check Valve, 3/16"
7	1942 400	1			SNAP RING, Frt. Cl., 2-7/16" O.D., .060" Thk., Inner
8	4329 805	5			DISC, Frt. Clutch
9	3410 571	1			SNAP RING, Frt. Clutch, Outer
10	2801 969	1			PLATE, Clutch Pressure
11	1942 403	5			PLATE, Frt. Clutch
12	4186 879	1			RETAINER, Rr. Clutch
	0147 483	1			BALL, Check Valve, 3/16"
13	6022 859	1			SNAP RING, Input Shaft, 57/64, .059" Thk.
14	#4028 333	1			SEAL, Rr. Clutch Retainer Ring, 1-1/2" O.D., .09" Thk.
15	3410 572	2			WASHER, Frt. Clutch Thrust, 5-7/8".O.D.
16	1401 221	2			RING SEAL, Input Shaft, Front and Rear
17	4130 194	1			SHAFT, Input
17A	4058 982	1			PLATE, Input Shaft Thrust, 1" O.D.
18	3780 285	4			DISC, Rr. Clutch
19	4130 761	AR			SNAP RING, Rr. Clutch Retainer, 5-11/32" O.D., .060" Thk.
	4130 762	AR			.076" Thk.
	4130 763	AR			.098" Thk.
20	2801 969	1			PLATE, Rr. Clutch Pressure, Rear
21	1942 403	3			PLATE, Rr. Clutch
22	2466 281	1			PLATE, Rr. Clutch Pressure, Frt.

MODEL CODES

E BODY = (J - CARAVELLE)(E - 600)(T - NEW YORKER)

G BODY = (V24 - DAYTONA)

H BODY = (D44 - LANCER)(C44 - LEBARON GTS)

J BODY = (C - LEBARON)

K BODY = (P - RELIANT)(D - ARIES)(C - LEBAROND)/TOWN & COUNTRY)

L BODY = (M - HORIZON/TURISMO)(Z - OMNI/CHARGER)

M BODY = (B - GRAN FURY)(F - FIFTH AVE/NEWPORT)(G - DIPLOMAT)

P BODY = (P - SUNDANCE)(D - SHADOW)

S BODY = (H - VOYAGER)(K - RAM VAN/CARAVAN)

BODY STYLES

12-13 = FWD VAN

21 = 2-DOOR SEDAN

24 = 2-DOOR HATCHBACK

27 = 2-DOOR CONVERTIBLE

41 = 4-DOOR SEDAN

44 = 4-DOOR HATCHBACK

45 = 4-DOOR STATION WAGON

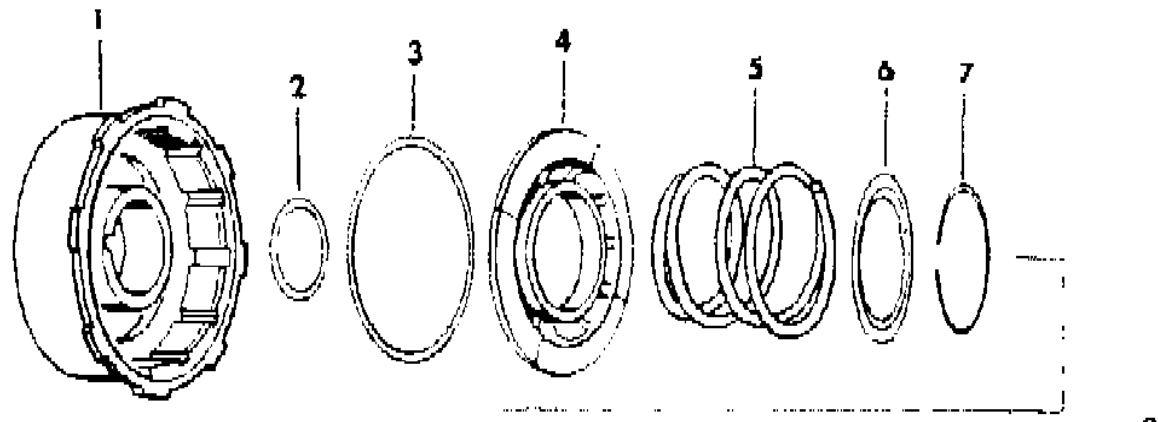
52-53 = FWD WAGON

AR = Use as Required - = Non Illustrated Part P.A.R. = Paint as Required

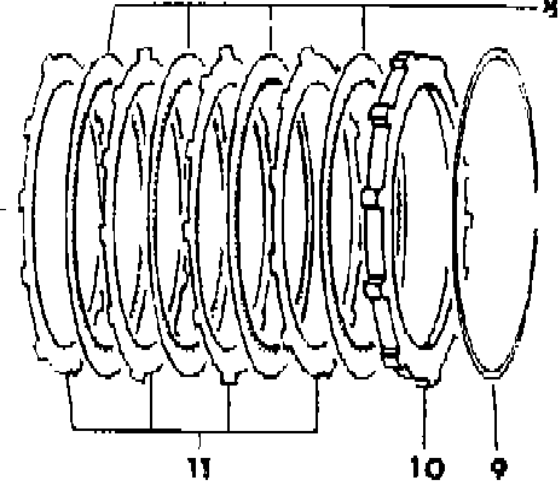
CLUTCH, FRONT AND REAR WITH GEAR TRAIN AUTOMATIC TRANSMISSION, A999 M BODY
Figure 21A-700

7151 700

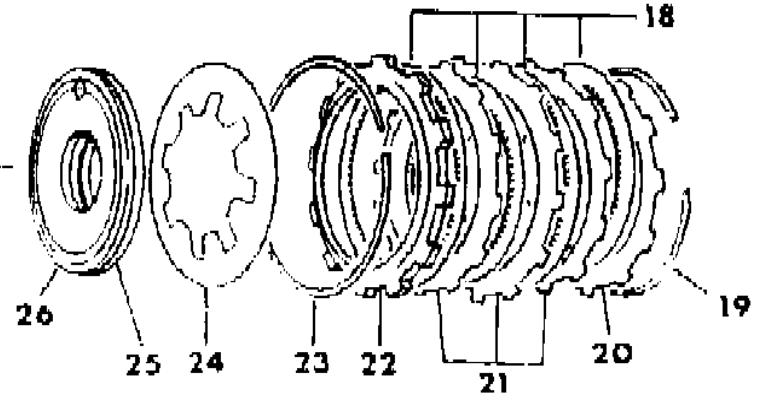
ITEM	PART NUMBER	QTY	BODY	MODEL	DESCRIPTION
23	2466 283	1			SPRING, Rr. Clutch Wave
24	1942 414	1			SPRING, Rr. Clutch Piston
25	2538 695	1			SEAL, Rr. Clutch Piston Rubber, Outer
	2538 510	1			Rr. Clutch Piston, Rubber, Inner
26	3515 716	1			PISTON, Rr. Clutch
-	0147 483	1			BALL, Check Valve, 3/16"



FRONT CLUTCH



REAR CLUTCH



MODEL CODES
 E BODY = (J - CARAVELLE)(E - 600)(T - NEW YORKER)
 G BODY = (V24 - DAYTONA)
 H BODY = (D44 - LANCER)(C44 - LEBARON GTS)
 J BODY = (C - LEBARON)
 K BODY = (P - RELIANT)(D - ARIES)(C - LEBAROND)/TOWN & COUNTRY
 L BODY = (M - HORIZON/TURISMO)(Z - OMNI/CHARGER)
 M BODY = (B - GRAN FURY)(F - FIFTH AVE/NEWPORT)(G - DIPLOMAT)
 P BODY = (P - SUNDANCE)(D - SHADOW)
 S BODY = (H - VOYAGER)(K - RAM VAN/CARAVAN)

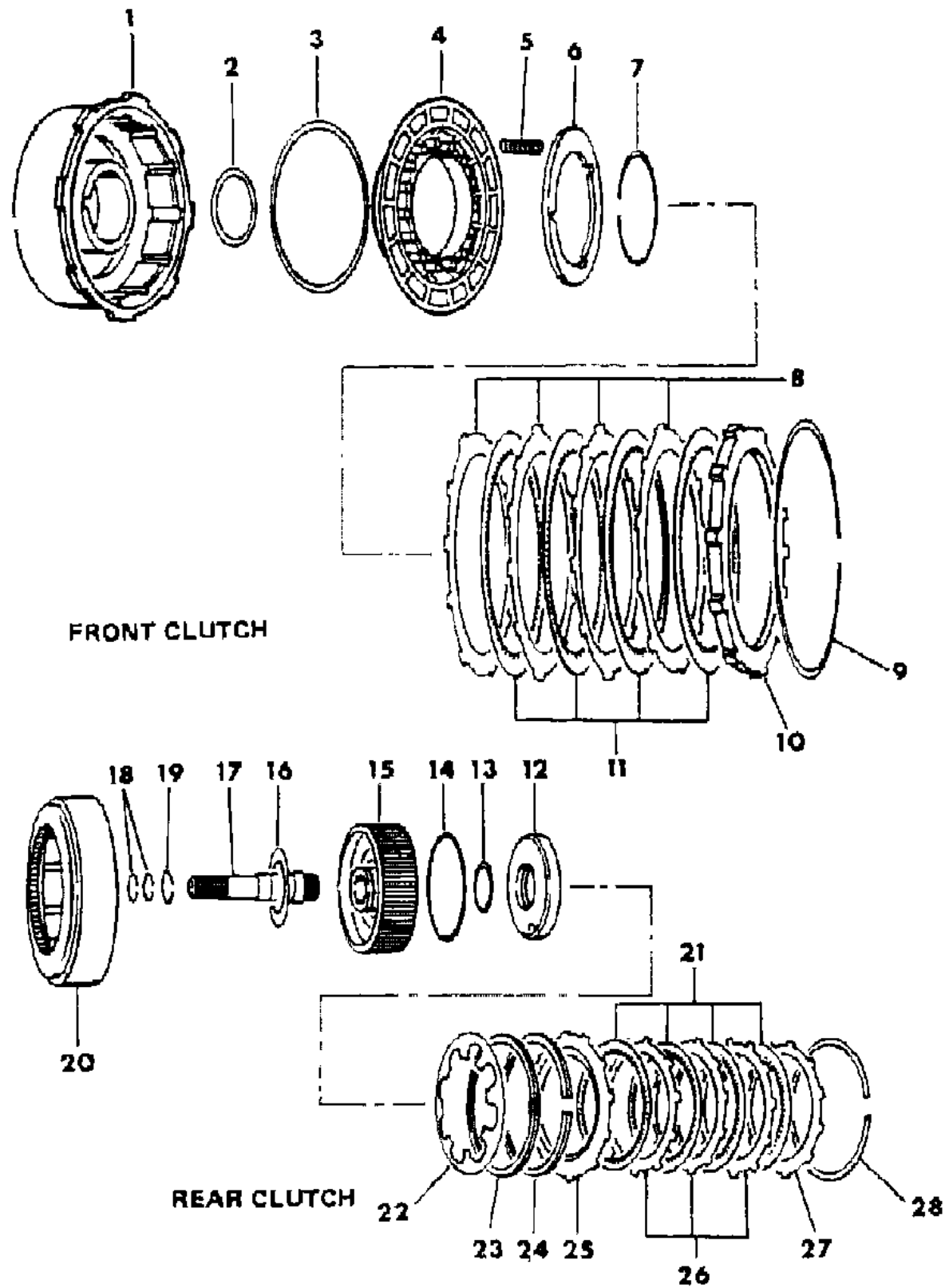
BODY STYLES
 12-13 = FWD VAN
 21 = 2-DOOR SEDAN
 24 = 2-DOOR HATCHBACK
 27 = 2-DOOR CONVERTIBLE
 41 = 4-DOOR SEDAN
 44 = 4-DOOR HATCHBACK
 45 = 4-DOOR STATION WAGON
 52-53 = FWD WAGON

AR = Use as Required - = Non Illustrated Part P.A.R. = Paint as Required

CLUTCH, FRONT AND REAR WITH GEAR TRAIN AUTOMATIC TRANSMISSION, A727 M BODY

Figure 21A-750

7151 750



ITEM	PART NUMBER	QTY	BODY	MODEL	DESCRIPTION
	4106 590	1			GASKET and SEAL PACKAGE, A727, Front and Rear Clutch Consists Of: 1-3410226 SEAL, Front Clutch Piston, Inner 1-3743237 SEAL, Front Clutch Piston, Outer 1-1942054 SEAL, Rear Clutch Piston, Inner 1-2124835 SEAL, Rear Clutch Piston, Outer 1-3681688 WASHER, O/P Shaft Thrust 1-4058946 PLATE, O/P Shaft Thrust
1	#4058 648	1			RETAINER, w/Bushing, Front Clutch
-	#4058 647	1			BUSHING, Front Clutch Retainer
2	3410 226	1			SEAL, Front Clutch Piston, Inner
3	4058 484	1			SEAL, Front Clutch Piston, Outer
4	2464 651	1			PISTON, Front Clutch
-	0147 483	1			BALL, 3/16" Dia.
5	2801 243	11			SPRING, Front Clutch Piston
6	2801 949	1			RETAINER, Front Clutch Piston Spring
-	0147 483	1			BALL, 3/16" Dia.
7	2124 824	1			SNAP RING, Front Clutch Inner, .060" Thk., 3" I.D.
8	2124 826	4			PLATE, Front Clutch
9	3410 570	1			SNAP RING, Front Clutch, .050" Thk., 7-8/64" O.D.
10	2801 961	1			PLATE, Front Clutch Pressure
11	4329 846	4			DISC, Front Clutch
12	3743 624	1			PISTON, Rear Clutch
-	0147 483	1			BALL, 3/16" Dia.
13	1942 054	1			SEAL, Rear Clutch Piston, Inner
14	2124 835	1			SEAL, Rear Clutch Piston, Outer
15	#4028 299	1			RETAINER, Rear Clutch Piston
-	#4058 443	1			RING, Piston Ret. Oil Seal Lock, 1-7/8" O.D.
16	2204 622	1			WASHER, Front Clutch Thrust, Rear
17	#4058 035	1			SHAFT, Input
-	4505 177	1			BUSHING, Input Shaft
-	0147 488	1			BALL, 11/32" Dia.
18	2801 054	2			RING, Input Shaft Seal, 1-3/16" O.D.
19	2124 872	1			SNAP RING, Rear Clutch Piston Retainer, .060" Thk. 1-31/64" O.D.
20	3743 622	1			RETAINER, Rear Clutch
-	#4058 443	1			SNAP RING, Rear Clutch Piston Ret. Seal
21	2801 992	4			DISC, Rear Clutch

MODEL CODES

E BODY = (J - CARAVELLE)(E - 600)(T - NEW YORKER)

G BODY = (V24 - DAYTONA)

H BODY = (D44 - LANCER)(C44 - LEBARON GTS)

J BODY = (C - LEBARON)

K BODY = (P - RELIANT)(D - ARIES)(C - LEBAROND)/TOWN & COUNTRY)

L BODY = (M - HORIZON/TURISMO)(Z - OMNI/CHARGER)

M BODY = (B - GRAN FURY)(F - FIFTH AVE/NEWPORT)(G - DIPLOMAT)

P BODY = (P - SUNDANCE)(D - SHADOW)

S BODY = (H - VOYAGER)(K - RAM VAN/CARAVAN)

BODY STYLES

12-13 = FWD VAN

21 = 2-DOOR SEDAN

24 = 2-DOOR HATCHBACK

27 = 2-DOOR CONVERTIBLE

41 = 4-DOOR SEDAN

44 = 4-DOOR HATCHBACK

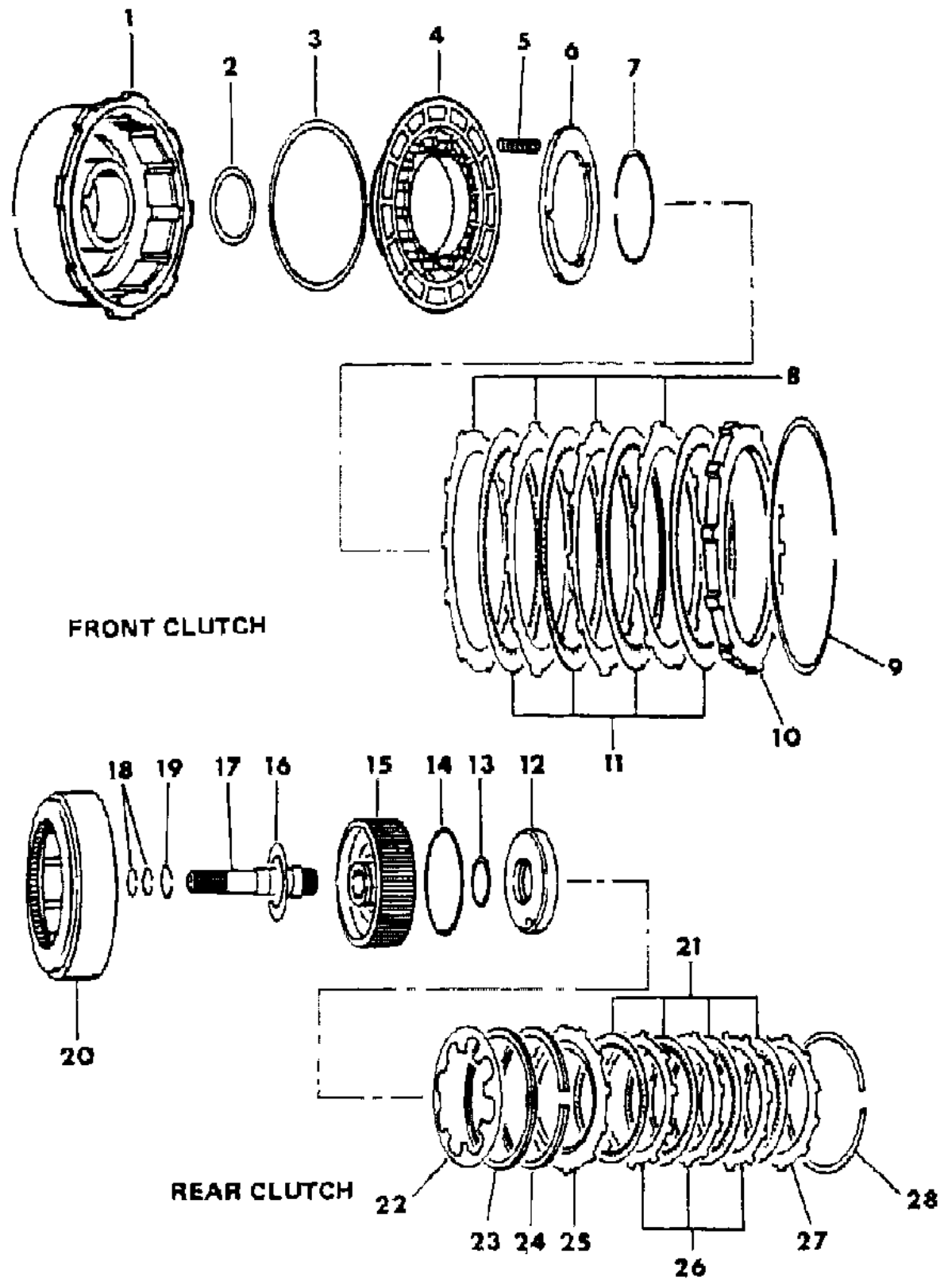
45 = 4-DOOR STATION WAGON

52-53 = FWD WAGON

AR = Use as Required - = Non Illustrated Part P.A.R. = Paint as Required

CLUTCH, FRONT AND REAR WITH GEAR TRAIN AUTOMATIC TRANSMISSION, A727 M BODY
Figure 21A-750

7151 750



ITEM	PART NUMBER	QTY	BODY	MODEL	DESCRIPTION
22	3743 621	1			SPRING, Rear Clutch Piston
23	3515 077	1			SPACER, Rear Clutch Piston Spring, Plastic, 6-13/16" O.D.
24	2466 806	1			SPRING, Rear Clutch Wave
25	2466 803	1			PLATE, Rear Clutch Pressure, Front
26	2124 826	3			PLATE, Rear Clutch
27	2801 961	1			PLATE, Rear Clutch Pressure, Rear
28					SNAP RING, Rear Clutch Retainer, 7" O.D.
	1942 063	AR			.060" Thk.
	1942 064	AR			.074" Thk.
	1942 065	AR			.088" Thk.
	2466 811	AR			.106" Thk.
-	0147 483	1			BALL, Check Valve, 3/16" Dia.

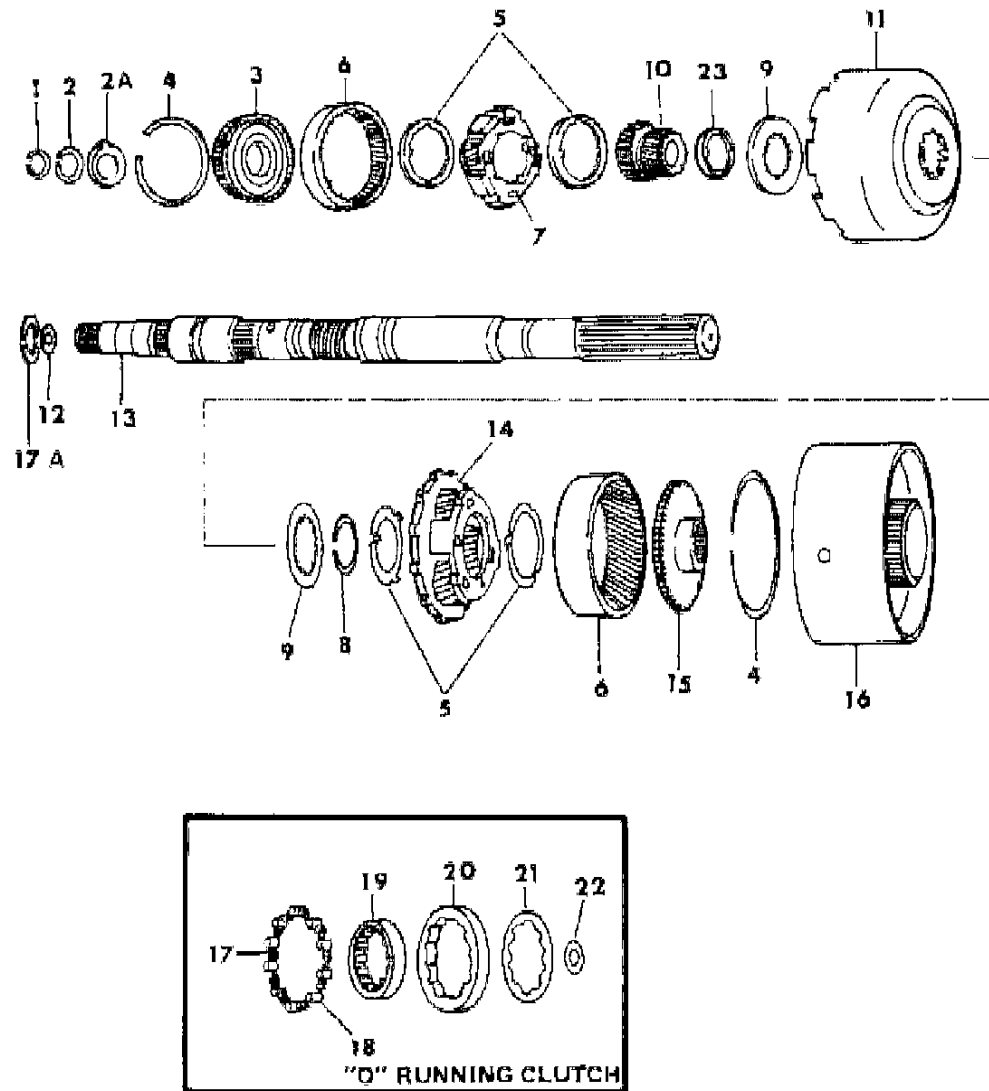
MODEL CODES
 E BODY = (J - CARAVELLE)(E - 600)(T - NEW YORKER)
 G BODY = (V24 - DAYTONA)
 H BODY = (D44 - LANCER)(C44 - LEBARON GTS)
 J BODY = (C - LEBARON)
 K BODY = (P - RELIANT)(D - ARIES)(C - LEBAROND)/TOWN & COUNTRY
 L BODY = (M - HORIZON/TURISMO)(Z - OMNI/CHARGER)
 M BODY = (B - GRAN FURY)(F - FIFTH AVE/NEWPORT)(G - DIPLOMAT)
 P BODY = (P - SUNDANCE)(D - SHADOW)
 S BODY = (H - VOYAGER)(K - RAM VAN/CARAVAN)

BODY STYLES
 12-13 = FWD VAN
 21 = 2-DOOR SEDAN
 24 = 2-DOOR HATCHBACK
 27 = 2-DOOR CONVERTIBLE
 41 = 4-DOOR SEDAN
 44 = 4-DOOR HATCHBACK
 45 = 4-DOOR STATION WAGON
 52-53 = FWD WAGON

AR = Use as Required - = Non Illustrated Part P.A.R. = Paint as Required

GEAR TRAIN AND OUTPUT SHAFT AUTOMATIC TRANSMISSION, A999 M BODY
Figure 21A-800

7151 800



ITEM	PART NUMBER	QTY	BODY	MODEL	DESCRIPTION
	3420 023	1			RACE PACKAGE, w/Roller and Spring, "O" Running Clutch Consists Of: 1 - ----- RACE 10 - ----- ROLLERS 10 - ----- SPRINGS
	3780 221	1			CAM PACKAGE, w/Retainer, Screw and Washer, "O" Running Clutch Consists Of: 1 - ----- RETAINER, "O" Running Clutch Spring 1 - ----- CAM, "O" Running Clutch 7 - ----- SCREWS, "O" Running Clutch Cam 7 - ----- WASHERS, "O" Running Clutch Screw
1	6026 289	AR			SNAP RING, Output Shaft, .946" I.D., .040" Thk.
	6030 938	AR			.910" I.D., .062" Thk., Green
	6030 404	AR			.906" I.D., .084" Thk., White
2	6030 576	1			SNAP RING, Frt. Annulus Gear Support, 1-7/16" I.D.
2A	3681 969	1			WASHER, Frt. Annulus Gear Support Thrust w/Lip, Steel Backed Bronze, 2-1/8" O.D.
3	4130 510	1			SUPPORT, w/Bushing, Front Annulus Gear
4	4130 513	1			SNAP RING, Annulus Gear Front
	1942 444	1			Rear
5	4130 518	2			WASHER, Planet Pinion Carrier Thrust, Front
	3681 935	2			Rear
-	3681 949	8			RING, Planet Pinion Roller Thrust, Front
-	3681 949	8			Rear
6	4130 512	1			GEAR, Annulus, Front
	3743 184	1			Rear
7	4130 514	1			CARRIER ASSEMBLY, Front Planet Pinion, 4 Pinion
8	1942 439	1			RING, Sun Driving Shell Lock, Steel, 1-41/64" O.D.
9	4130 600	2			PLATE, Sun Gear Driving Shell
10	4130 685	1			GEAR, w/Bushing Trans. Sun
11	4130 509	1			SHELL, Sun Gear Driving
12	4269 196	AR			WASHER, Output Shaft Thrust, 7/8" O.D., .052" Thk., Steel Backed Bronze
	4269 197	AR			.068" Thk.
	4269 198	AR			.083" Thk.
13	4186 093	1			SHAFT, w/Plug, Output

MODEL CODES

E BODY = (J - CARAVELLE)(E - 600)(T - NEW YORKER)

G BODY = (V24 - DAYTONA)

H BODY = (D44 - LANCER)(C44 - LEBARON GTS)

J BODY = (C - LEBARON)

K BODY = (P - RELIANT)(D - ARIES)(C - LEBAROND)/TOWN & COUNTRY)

L BODY = (M - HORIZON/TURISMO)(Z - OMNI/CHARGER)

M BODY = (B - GRAN FURY)(F - FIFTH AVE/NEWPORT)(G - DIPLOMAT)

P BODY = (P - SUNDANCE)(D - SHADOW)

S BODY = (H - VOYAGER)(K - RAM VAN/CARAVAN)

BODY STYLES

12-13 = FWD VAN

21 = 2-DOOR SEDAN

24 = 2-DOOR HATCHBACK

27 = 2-DOOR CONVERTIBLE

41 = 4-DOOR SEDAN

44 = 4-DOOR HATCHBACK

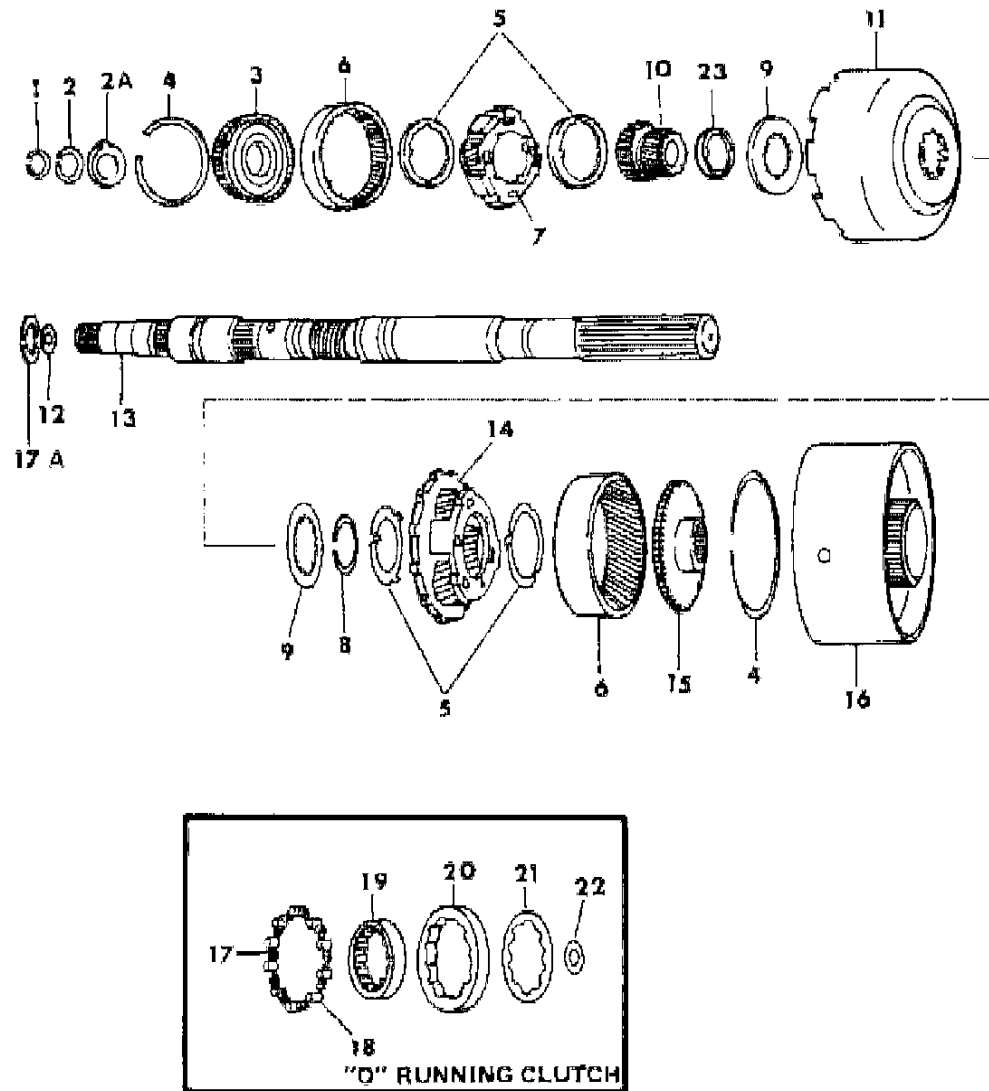
45 = 4-DOOR STATION WAGON

52-53 = FWD WAGON

AR = Use as Required - = Non Illustrated Part P.A.R. = Paint as Required

GEAR TRAIN AND OUTPUT SHAFT AUTOMATIC TRANSMISSION, A999 M BODY
Figure 21A-800

7151 800



ITEM	PART NUMBER	QTY	BODY	MODEL	DESCRIPTION
-	2466 881	1			SUPPORT, O/P Shaft (Not Shown)(See Fig. 21A-100)
-	3410 465	1			BEARING, Output Shaft, 2.44" O.D.
-	6029 675	1			SNAP RING, Brg., 1-37/64" O.D.
14	3681 988	1			CARRIER ASSEMBLY, Rear Planet Pinion, 4 Pinion
15	3515 501	1			SUPPORT, Rr. Annulus Gear, 62T., 28T., 4" O.D.
16	4446 111	1			DRUM, Reverse
17	2464 446	10			SPRING, "O" Running Clutch Roller
17A	4058 982	1			PLATE, Input Shaft Thrust
18	2464 888	10			ROLLER, "O" Running Clutch
19	3420 023	1			RACE PACKAGE, w/Rollers and Springs, "O" Running Clutch 24T
20	3780 221	1			CAM PACKAGE, w/Retainer, Screws and Washers, "O" Running Clutch
21		1			RETAINER, "O" Running Cl. Spring (Serv. in Item No. 20)
22	1559 489	7			WASHER, "O" Running Clutch Cam Screw, 7/16" O.D.
23	4130 736	1			SPACER, Sun Gear, 4 Inner Teeth, 2" O.D.

MODEL CODES

E BODY = (J - CARAVELLE)(E - 600)(T - NEW YORKER)

G BODY = (V24 - DAYTONA)

H BODY = (D44 - LANCER)(C44 - LEBARON GTS)

J BODY = (C - LEBARON)

K BODY = (P - RELIANT)(D - ARIES)(C - LEBAROND)/TOWN & COUNTRY)

L BODY = (M - HORIZON/TURISMO)(Z - OMNI/CHARGER)

M BODY = (B - GRAN FURY)(F - FIFTH AVE/NEWPORT)(G - DIPLOMAT)

P BODY = (P - SUNDANCE)(D - SHADOW)

S BODY = (H - VOYAGER)(K - RAM VAN/CARAVAN)

BODY STYLES

12-13 = FWD VAN

21 = 2-DOOR SEDAN

24 = 2-DOOR HATCHBACK

27 = 2-DOOR CONVERTIBLE

41 = 4-DOOR SEDAN

44 = 4-DOOR HATCHBACK

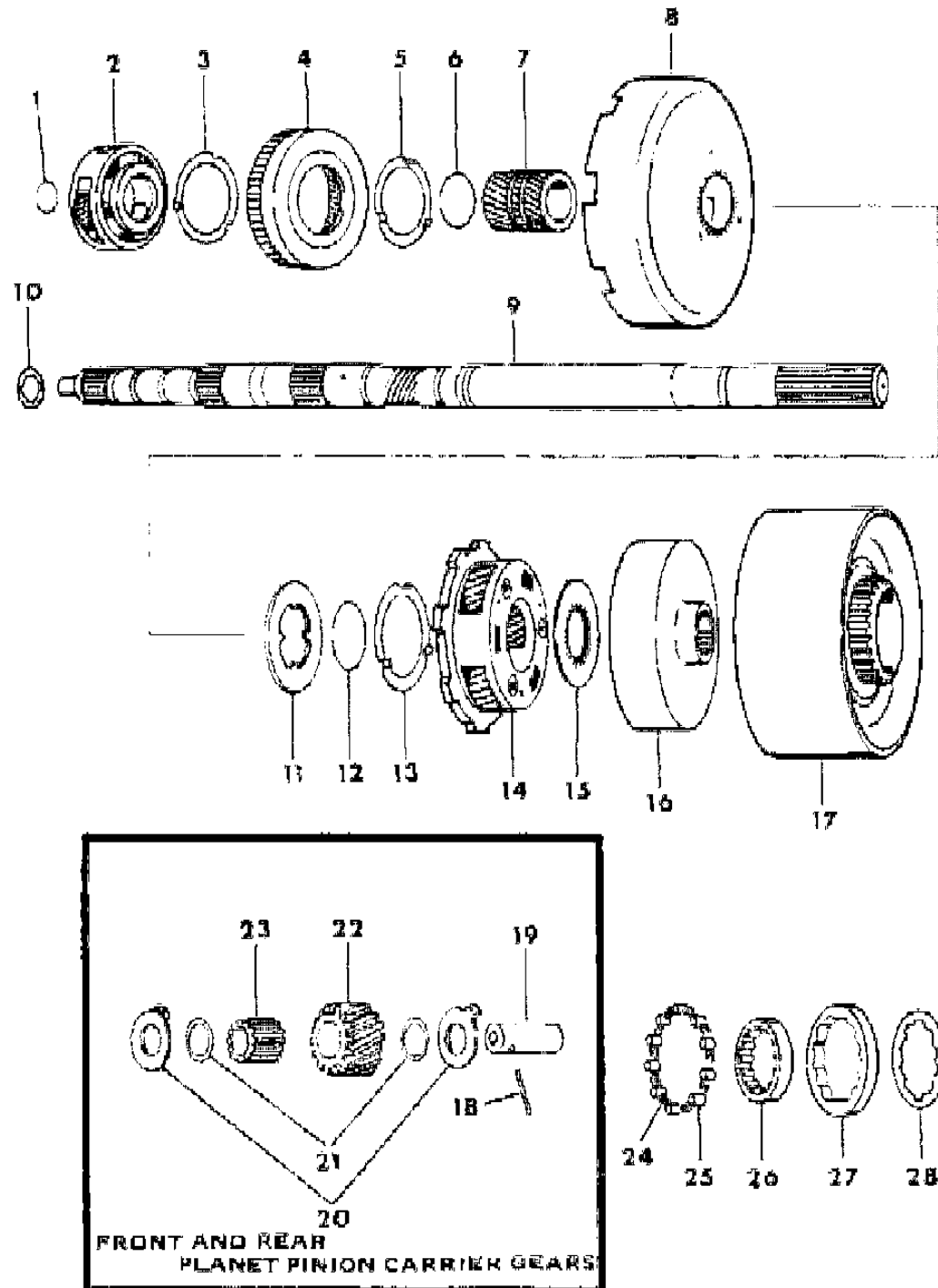
45 = 4-DOOR STATION WAGON

52-53 = FWD WAGON

AR = Use as Required - = Non Illustrated Part P.A.R. = Paint as Required

GEAR TRAIN AND OUTPUT SHAFT AUTOMATIC TRANSMISSION, A727 M BODY
Figure 21A-850

7151 850



ITEM	PART NUMBER	QTY	BODY	MODEL	DESCRIPTION
	2808 673	1			ROLLER and SPRING PACKAGE, "O" Running Clutch Consists Of: 12 - ----- ROLLERS 12 - 1942187 SPRINGS
	3420 100	1			RACE PACKAGE, w/Rollers and Springs Consists Of: 1 - ----- RACE, "O" Running Clutch 12 - ----- ROLLERS, "O" Running Clutch 12 - 1942187 SPRINGS, "O" Running Clutch
1	6030 982	AR			SNAP RING, Output Shaft, .048" - .052" Thk.
	6024 311	AR			.055" - .059" Thk.
	6024 312	AR			.062" - .066" Thk.
2	4028 120	1			CARRIER ASSEMBLY, Front Planet, w/4 Pinions
3	2801 060	1			WASHER, Frt. Carrier Thrust, w/4 Tabs, 3-13/32" O.D.
4	2892 656	1			GEAR, w/Support, Frt. Annulus, 2-1/2" I.D. Center Hole
5	1942 081	1			WASHER, Sun Gear Driving Shell Thrust, w/3 Outside Tabs
6	1736 521	1			RING, Sun Gear Driving Shell, Lock
7	2801 311	1			GEAR, w/Bushing, Sun
8	2400 662	1			SHELL, Sun Gear Driving
9	4106 594	1			SHAFT PACKAGE, Output, Consists Of: Output Shaft, Thrust Washer and Thrust Plate
-	4329 806	1			PLATE, Output Shaft Thrust, .030" Thk.
-	2466 224	1			BEARING, Output Shaft, 2.83" O.D., 1.37" I.D.
-	6025 570	1			SNAP RING, Output Shaft Bearing, Outer, 1.26" I.D.
-	6032 739	1			O-RING, Output Shaft Brg. Anti-Rotation
10	3681 688	1			WASHER, Output Shaft Thrust w/Three Point Bronze Face, .062" Thk.
11	1942 080	1			PLATE, Sun Gear Driving Shell Thrust, w/4 Inside Tongs
12	1736 521	1			RING, Sun Gear Driving Shell, Lock
13	1942 081	1			WASHER, Carrier Thrust, Rear
14	2466 539	1			CARRIER ASSEMBLY, Rear Planet Pinion
15	2400 580	1			PLATE, Rear Annulus Gear Thrust, w/31 Inside Teeth, 3-23/64" O.D.
16	2538 185	1			GEAR, w/Support, Rear Annulus, 3-1/2" I.D. Center Hole
17	4446 112	1			DRUM, Reverse
18	6024 666	AR			PIN, Frt. and Rr. Planet Pinion Shaft
19	4428 223	AR			SHAFT, Frt. and Rr. Planet Pinion
20	2801 315	AR			WASHER, Frt. and Rr. Planet Pinion

MODEL CODES

E BODY = (J - CARAVELLE)(E - 600)(T - NEW YORKER)

G BODY = (V24 - DAYTONA)

H BODY = (D44 - LANCER)(C44 - LEBARON GTS)

J BODY = (C - LEBARON)

K BODY = (P - RELIANT)(D - ARIES)(C - LEBAROND)/TOWN & COUNTRY)

L BODY = (M - HORIZON/TURISMO)(Z - OMNI/CHARGER)

M BODY = (B - GRAN FURY)(F - FIFTH AVE/NEWPORT)(G - DIPLOMAT)

P BODY = (P - SUNDANCE)(D - SHADOW)

S BODY = (H - VOYAGER)(K - RAM VAN/CARAVAN)

BODY STYLES

12-13 = FWD VAN

21 = 2-DOOR SEDAN

24 = 2-DOOR HATCHBACK

27 = 2-DOOR CONVERTIBLE

41 = 4-DOOR SEDAN

44 = 4-DOOR HATCHBACK

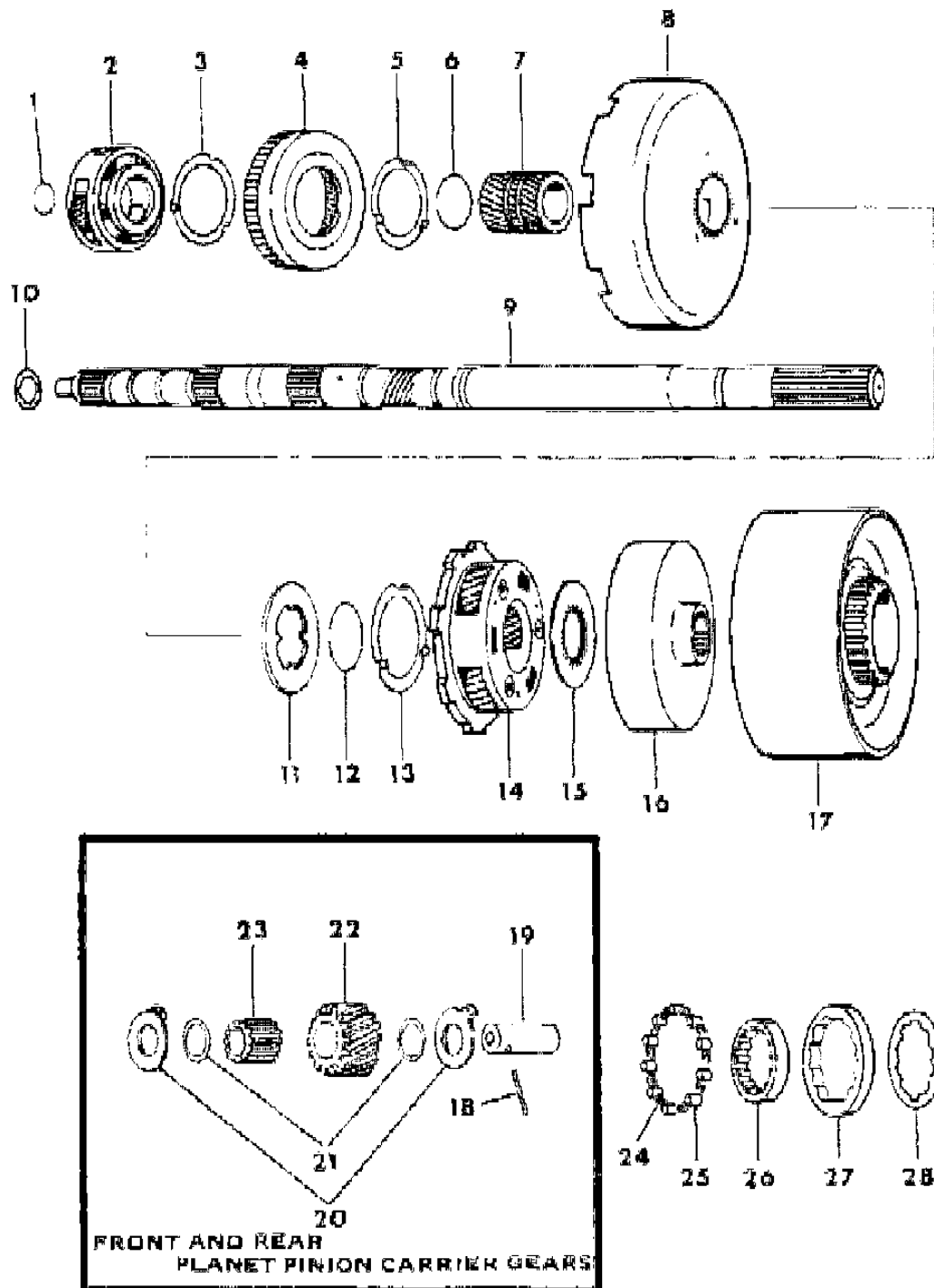
45 = 4-DOOR STATION WAGON

52-53 = FWD WAGON

AR = Use as Required - = Non Illustrated Part P.A.R. = Paint as Required

GEAR TRAIN AND OUTPUT SHAFT AUTOMATIC TRANSMISSION, A727 M BODY
Figure 21A-850

7151 850



ITEM	PART NUMBER	QTY	BODY	MODEL	DESCRIPTION
21	2204 649	AR			RING, Frt. and Rr. Pinion Roller, Thrust
22	2400 667	AR			PINION, Frt. and Rr. Planet
23	2204 647	AR			ROLLER, Frt. and Rr. Pinion
24		12			SPRING, "O" Running Clutch Roller (Serv. in 2808673 Pkg.)
25	2808 673	1			ROLLER and SPRING PACKAGE, "O" Running Clutch
26	3420 100	1			RACE PACKAGE, w/Rollers and Springs, "O" Running Clutch
27	1942 095	1			CAM, "O" Running Clutch
28	2801 426	1			RETAINER, "O" Running Clutch Spring
-	0125 735	1			SCREW, Cam Retaining, Set 1/4-20 x 5/16"

MODEL CODES

E BODY = (J - CARAVELLE)(E - 600)(T - NEW YORKER)

G BODY = (V24 - DAYTONA)

H BODY = (D44 - LANCER)(C44 - LEBARON GTS)

J BODY = (C - LEBARON)

K BODY = (P - RELIANT)(D - ARIES)(C - LEBAROND)/TOWN & COUNTRY)

L BODY = (M - HORIZON/TURISMO)(Z - OMNI/CHARGER)

M BODY = (B - GRAN FURY)(F - FIFTH AVE/NEWPORT)(G - DIPLOMAT)

P BODY = (P - SUNDANCE)(D - SHADOW)

S BODY = (H - VOYAGER)(K - RAM VAN/CARAVAN)

BODY STYLES

12-13 = FWD VAN

41 = 4-DOOR SEDAN

21 = 2-DOOR SEDAN

44 = 4-DOOR HATCHBACK

24 = 2-DOOR HATCHBACK

45 = 4-DOOR STATION WAGON

27 = 2-DOOR CONVERTIBLE

52-53 = FWD WAGON

AR = Use as Required - = Non Illustrated Part P.A.R. = Paint as Required

TRANSAXLE ASSEMBLIES AND MOUNTING AUTOMATIC CHRYSLER, A413,A470,A670
Figure 21A-900

7151 900

ITEM	PART NUMBER	QTY	BODY	MODEL	DESCRIPTION
------	-------------	-----	------	-------	-------------

NOTE: The Transaxle Assembly Part Number is Stamped on the Oil Pan Rail. the rear of the carburetor throttle body. A mirror is required to read the no. when the carburetor

1					TRANSAXLE ASSEMBLY
	4377 954	1	L		w/2.2 Liter Eng., w/2.78 Overall Ratio, Up To Approx. 7-23-86
	4431 483	1	L		w/2.2 Liter Eng., w/2.78 Overall Ratio, From Approx. 7-23-86
	4471 483	1	L		w/2.2 Liter Eng., w/2.78 Overall Ratio, After Approx. 9-19-86
	4377 954	1	P		w/2.2 EFI Liter Eng., w/2.78 Overall Ratio, Up To Approx. 8-19-86
	4431 483	1	P		w/2.2 EFI Liter Eng., w/2.78 Overall Ratio, From Approx. 8-19-86
	4471 483	1	P		w/2.2 EFI Liter Eng., w/2.78 Overall Ratio, After Approx. 9-19-86
	4431 483	1	K		w/2.2 EFI Liter Eng., w/2.78 Overall Ratio
	4471 483	1	K		w/2.2 EFI Liter Eng., w/2.78 Overall Ratio, After Approx. 9-19-86
	4431 483	1		C-41	w/2.2 EFI Liter Eng., w/2.78 Overall Ratio
	4471 483	1		C-41	w/2.2 EFI Liter Eng., w/2.78 Overall Ratio, After Approx. 9-30-86
	4431 484	1		P,D-21,	w/2.2 EFI Liter Eng., w/3.02 Overall Ratio, Except Police & Taxi
	4471 438	1		P,D-21,	w/2.2 EFI Liter Eng., w/3.02 Overall Ratio, Except Police & Taxi
	4431 484	1		C,J,E-4	w/2.2 EFI Liter Eng., w/3.02 Overall Ratio
	4471 438	1		C,J,E-4	w/2.2 EFI Liter Eng., w/3.02 Overall Ratio
	4431 484	1	H		w/2.2 EFI Liter Eng., w/3.02 Overall Ratio, Up To Approx. 9-24-86
	4471 438	1	H		w/2.2 EFI Liter Eng., w/3.02 Overall Ratio, After Approx. 9-24-86
	4431 491	1	JKGEH		w/2.5 EFI Liter Eng., w/3.02 Overall Ratio, w/LU
	4471 491	1	JKGEH		w/2.5 EFI Liter Eng., w/3.02 Overall Ratio, w/LU
	4431 485	1		P,D-21,	w/2.2 EFI Liter Eng., w/3.02 Overall Ratio, w/Police & Taxi
	4471 485	1		P,D-21,	w/2.2 EFI Liter Eng., w/3.02 Overall Ratio, w/Police & Taxi
	4377 955	1	P		w/2.2 EFI-TURBO CHARGED Eng., w/3.02 Overall Ratio, Up To Approx. 8-19-86
	4431 485	1	P		w/2.2 EFI-TURBO CHARGED Eng., w/3.02 Overall Ratio, From Approx. 8-19-86
	4471 485	1	P		w/2.2 EFI-TURBO CHARGED Eng., w/3.02 Overall Ratio, After Approx. 9-19-86
	4431 485	1	JKGEH		w/2.2 EFI-TURBO CHARGED Eng., w/3.02 Overall Ratio
	4471 485	1	JKGEH		w/2.2 EFI-TURBO CHARGED Eng., w/3.02 Overall Ratio

MODEL CODES

E BODY = (J - CARAVELLE)(E - 600)(T - NEW YORKER)

G BODY = (V24 - DAYTONA)

H BODY = (D44 - LANCER)(C44 - LEBARON GTS)

J BODY = (C - LEBARON)

K BODY = (P - RELIANT)(D - ARIES)(C - LEBAROND)/TOWN & COUNTRY)

L BODY = (M - HORIZON/TURISMO)(Z - OMNI/CHARGER)

M BODY = (B - GRAN FURY)(F - FIFTH AVE/NEWPORT)(G - DIPLOMAT)

P BODY = (P - SUNDANCE)(D - SHADOW)

S BODY = (H - VOYAGER)(K - RAM VAN/CARAVAN)

BODY STYLES

12-13 = FWD VAN

21 = 2-DOOR SEDAN

24 = 2-DOOR HATCHBACK

27 = 2-DOOR CONVERTIBLE

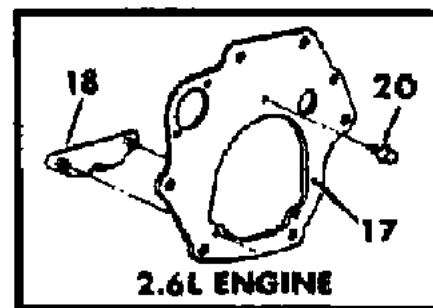
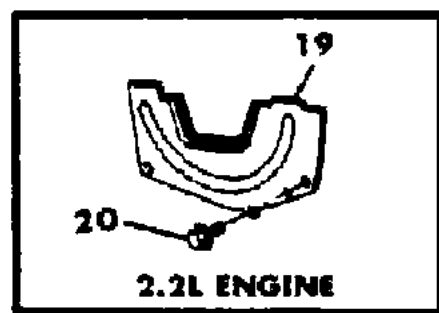
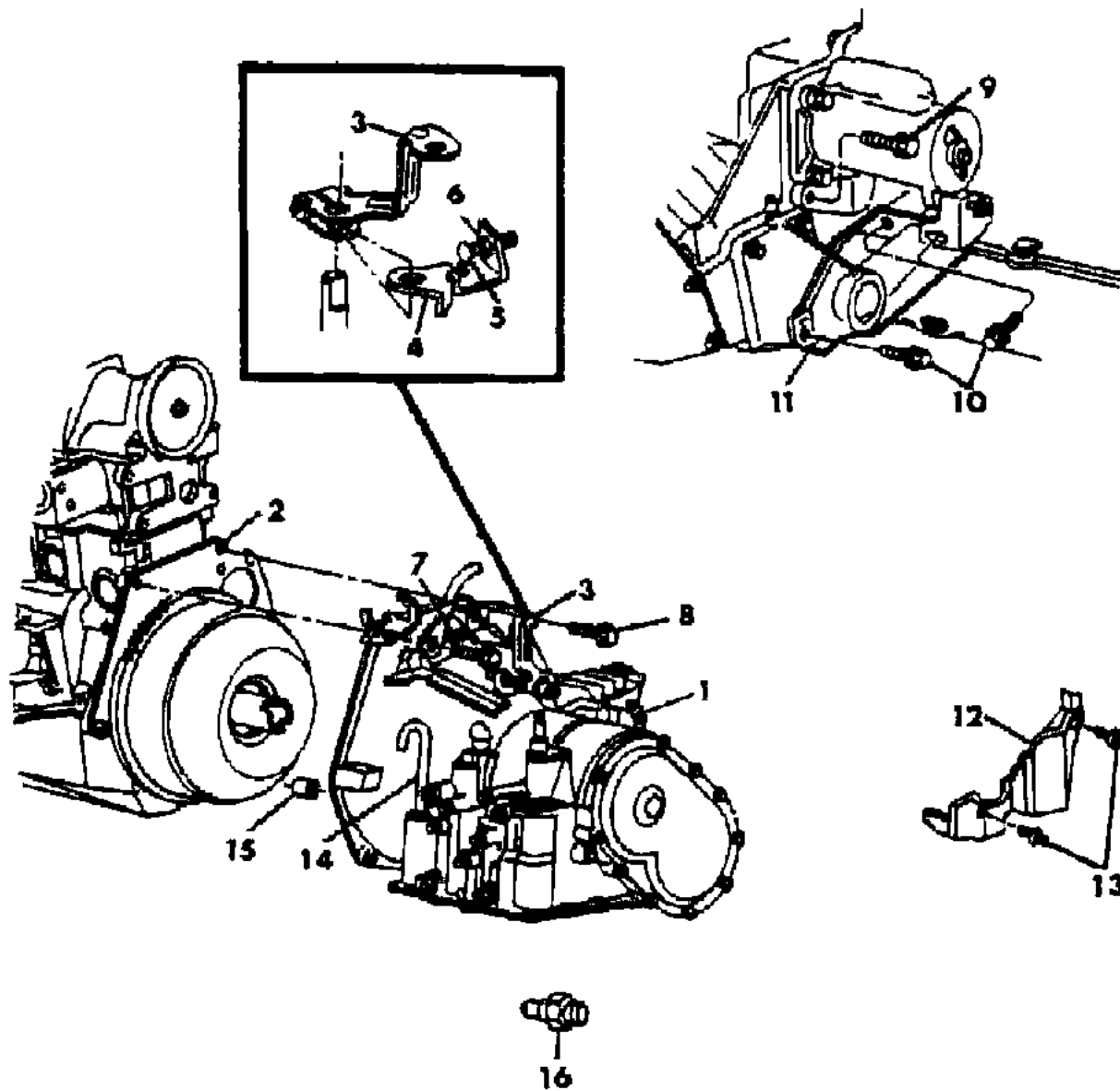
41 = 4-DOOR SEDAN

44 = 4-DOOR HATCHBACK

45 = 4-DOOR STATION WAGON

52-53 = FWD WAGON

AR = Use as Required - = Non Illustrated Part P.A.R. = Paint as Required



TRANSAXLE ASSEMBLIES AND MOUNTING AUTOMATIC CHRYSLER, A413,A470,A670
Figure 21A-900

7151 900

ITEM	PART NUMBER	QTY	BODY	MODEL	DESCRIPTION
	4471 485	1	H		w/2.2 EFI-TURBO CHARGED Eng., w/3.02 Overall Ratio, SHELBY, Late Jan. 87 to Mid May 87
	4431 486	1	S		w/2.2 Liter Eng., w/3.22 Overall Ratio
	4471 486	1	S		w/2.2 Liter Eng., w/3.22 Overall Ratio
	4471 486	1	S		w/2.5 EFI Liter Eng., w/3.22 Overall Ratio
	4431 492	1		P,D-41	w/2.5 EFI Liter Eng., w/3.22 Overall Ratio, w/LU
	4431 492	1		P,D-41	w/2.5 EFI Liter Eng., w/3.22 Overall Ratio, w/LU, Police
	4471 492	1		P,D-41	w/2.5 EFI Liter Eng., w/3.22 Overall Ratio, w/LU
	4471 492	1		P,D-41	w/2.5 EFI Liter Eng., w/3.22 Overall Ratio, w/LU, Police
	4431 492	1	S		w/2.5 EFI Liter Eng., w/3.22 Overall Ratio, w/LU
	4431 490	1	S		w/2.6 Liter Eng., w/3.22 Overall Ratio
	4471 490	1	S		w/2.6 Liter Eng., w/3.22 Overall Ratio
	4431 493	1	S		w/3.0 Liter Eng., w/3.01 Overall Ratio, w/LU
	4471 493	1	S		w/3.0 Liter Eng., w/3.01 Overall Ratio, w/LU
					TRANSAXLE ASSY. CROSS REFERENCE PRODUCTION NO. SERVICE NO.
					4377954 4377954
					4377955 4377955
					4377921 4431483
					4471921 4471483
					4377935 4431484
					4471935 4471438
					4377936 4431485
					4471936 4471485
					4377937 4431486
					4471937 4471486
					4377946 4431490
					4471946 4471490
					4377947 4431491
					4471947 4471491
					4377948 4431492
					4471948 4471492
					4377968 4431493
					4471968 4471493
	4419 616	1			GASKET PACKAGE, Seals, Rings, O-Rings, Gaskets, Transaxle Major Repair
2	4412 526	1			COVER, Case Upper, Except 4377954,955 Trans.
	4329 819	1			Use w/4377954,955 Trans.

MODEL CODES

E BODY = (J - CARAVELLE)(E - 600)(T - NEW YORKER)

G BODY = (V24 - DAYTONA)

H BODY = (D44 - LANCER)(C44 - LEBARON GTS)

J BODY = (C - LEBARON)

K BODY = (P - RELIANT)(D - ARIES)(C - LEBAROND)/TOWN & COUNTRY)

L BODY = (M - HORIZON/TURISMO)(Z - OMNI/CHARGER)

M BODY = (B - GRAN FURY)(F - FIFTH AVE/NEWPORT)(G - DIPLOMAT)

P BODY = (P - SUNDANCE)(D - SHADOW)

S BODY = (H - VOYAGER)(K - RAM VAN/CARAVAN)

BODY STYLES

12-13 = FWD VAN

21 = 2-DOOR SEDAN

24 = 2-DOOR HATCHBACK

27 = 2-DOOR CONVERTIBLE

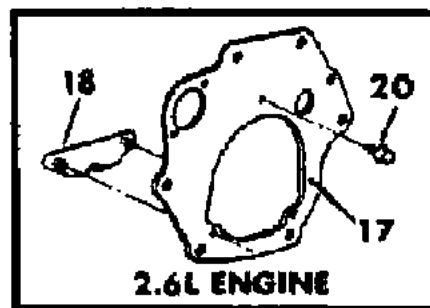
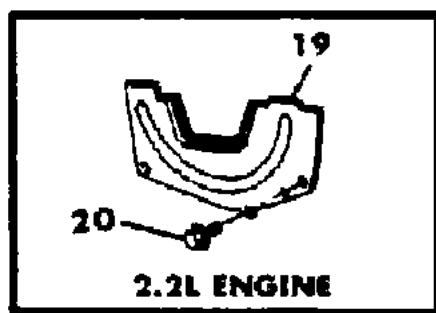
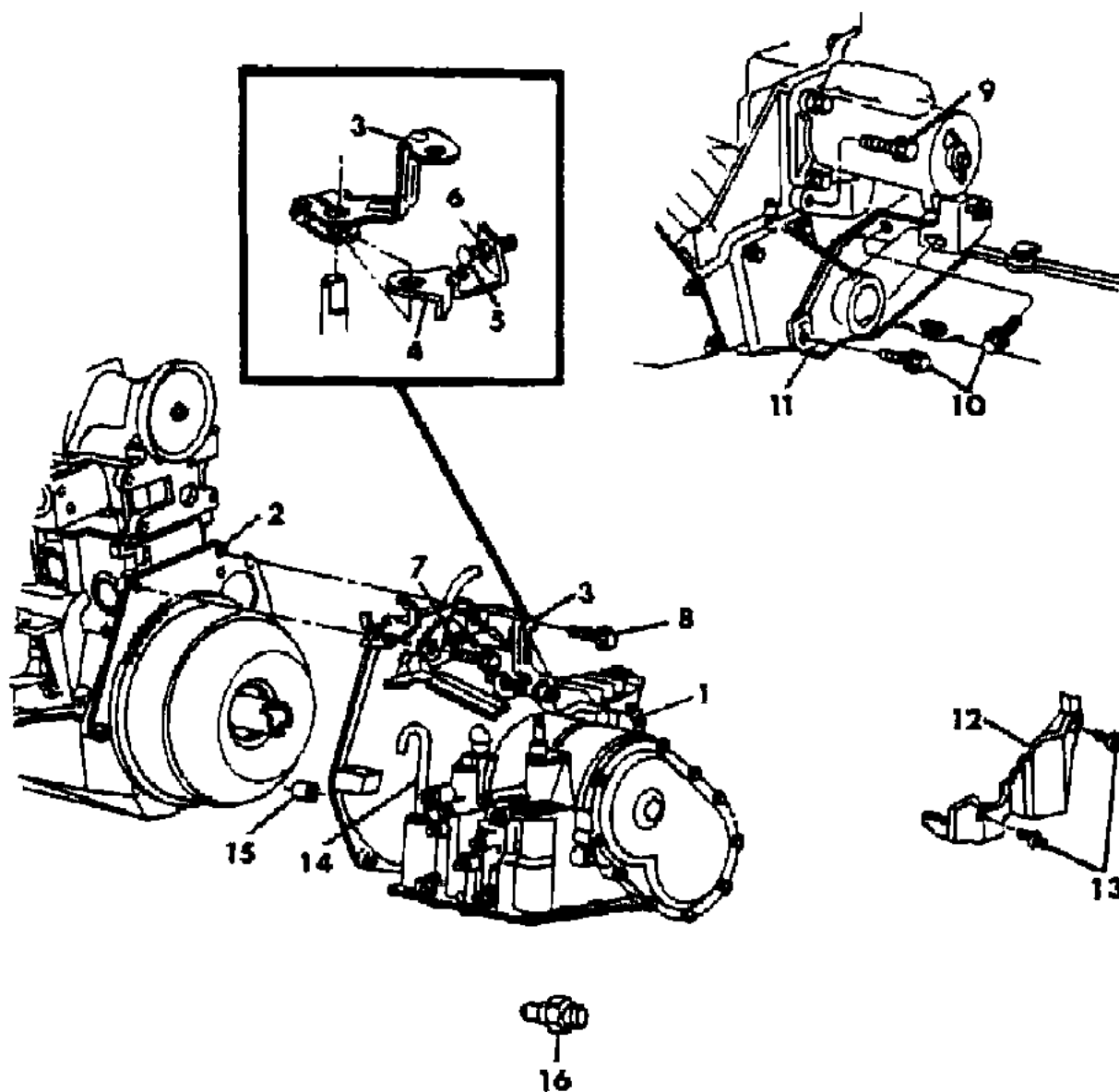
41 = 4-DOOR SEDAN

44 = 4-DOOR HATCHBACK

45 = 4-DOOR STATION WAGON

52-53 = FWD WAGON

AR = Use as Required - = Non Illustrated Part P.A.R. = Paint as Required



TRANSAXLE ASSEMBLIES AND MOUNTING AUTOMATIC CHRYSLER, A413,A470,A670
Figure 21A-900

7151 900

ITEM	PART NUMBER	QTY	BODY	MODEL	DESCRIPTION
-	3759 944	1			RETAINER, Cover, Special Screw M6x1x14
3	5224 266	1			LEVER, Manual Control
	5240 826	1			Throttle Control, Except w/3.0 Liter Eng.
	4307 554	1			w/3.0 Liter Eng.
-	6100 279	1			BOLT, M6x1.00x35
-	5212 384	1			NUT, Lever Bolt, M6x1.00
4	4269 530	1			BRACKET, Low Gear Blockout
5	6500 672	1			BOLT, Brkt. Adjusting, M8x1.25x40
6	6100 218	1			NUT, Brkt. Adjusting Bolt, M8x1.25
7					SCREW, (Refer To Item No. 8)
8	6500 527	3			SCREW, w/Washer, Case to Block M10x1.25x60
	6101 238	AR			M10 x 1.50 x 25
	6501 163	AR			M12 x 1.75 x 30
	6101 377	AR			M12 x 1.75 x 40
	6501 164	AR			M12 x 1.75 x 50
	6100 989	AR			M12 x 1.75 x 65
9					SCREW, (Refer To Item No. 8)
10	6501 163	1			SCREW, Strut To Cyl. Block, M12x1.75x30
11	5224 214	1			STRUT, Trans. Hsg. To Cyl. Block, Rear, Except S Body w/3.0 Liter Eng.
	4348 953	1	S		Front, w/3.0 Liter Eng.
	4348 954	1	S		Rear, w/3.0 Liter Eng.
	6501 514	1	S		STUD, Strut, Front, w/3.0 Liter Eng., M12x1.75x82.50 (Also Shown on 9B-1000)
12	4296 142	1	L		SHIELD, Trans. Appearance, Left
	4386 625	1	JKGE		
	4386 657	1	S		
13					SCREW, w/Washer (Not Serviced)
14	4329 818	1			INDICATOR, Trans. Fluid
15	5240 849	2			DOWEL, Trans. To Eng. Alignment
16	#4057 750	1			SWITCH, Neutral Starter and Back-Up Light
-	2408 143	1			WASHER, Neutral Starter and Back-Up Light Switch
17	5224 388	1			SPACER, Trans. Plate w/2.6 Liter Eng.
18	5224 393	1			COVER, T/C Access, w/2.6 Liter Eng.
19	4412 528	1			COVER, Case Lower, w/2.2, 2.5 Liter Eng., Except 4377954,955 Trans.
	5222 453	1			Use w/4377954,955 Trans.
	4412 523	1	S		w/3.0 Liter Eng.

MODEL CODES

E BODY = (J - CARAVELLE)(E - 600)(T - NEW YORKER)

G BODY = (V24 - DAYTONA)

H BODY = (D44 - LANCER)(C44 - LEBARON GTS)

J BODY = (C - LEBARON)

K BODY = (P - RELIANT)(D - ARIES)(C - LEBAROND)/TOWN & COUNTRY)

L BODY = (M - HORIZON/TURISMO)(Z - OMNI/CHARGER)

M BODY = (B - GRAN FURY)(F - FIFTH AVE/NEWPORT)(G - DIPLOMAT)

P BODY = (P - SUNDANCE)(D - SHADOW)

S BODY = (H - VOYAGER)(K - RAM VAN/CARAVAN)

BODY STYLES

12-13 = FWD VAN

21 = 2-DOOR SEDAN

24 = 2-DOOR HATCHBACK

27 = 2-DOOR CONVERTIBLE

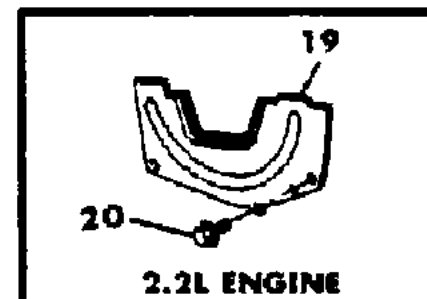
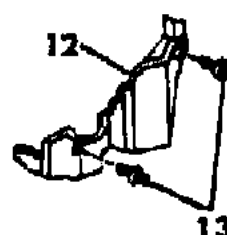
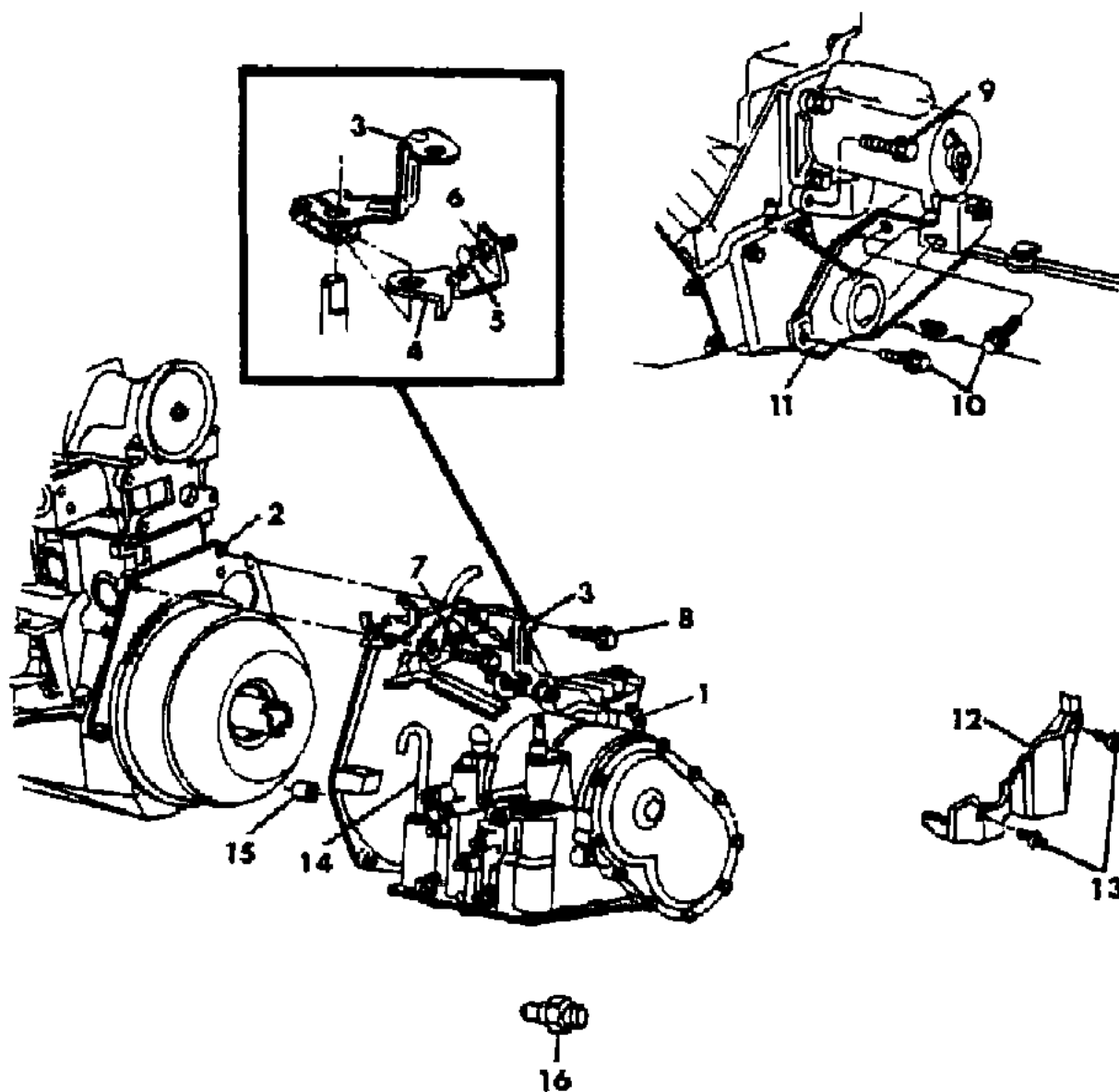
41 = 4-DOOR SEDAN

44 = 4-DOOR HATCHBACK

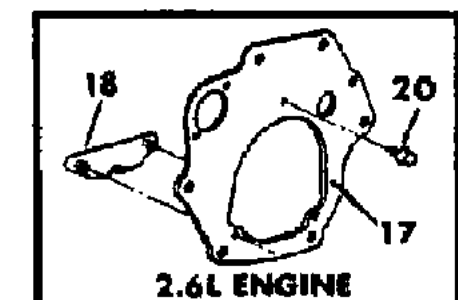
45 = 4-DOOR STATION WAGON

52-53 = FWD WAGON

AR = Use as Required - = Non Illustrated Part P.A.R. = Paint as Required



2.2L ENGINE



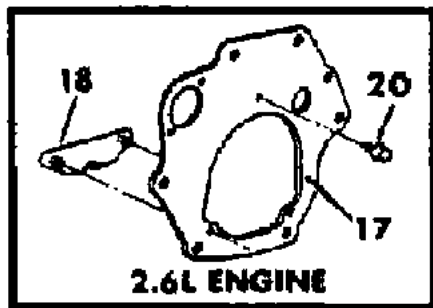
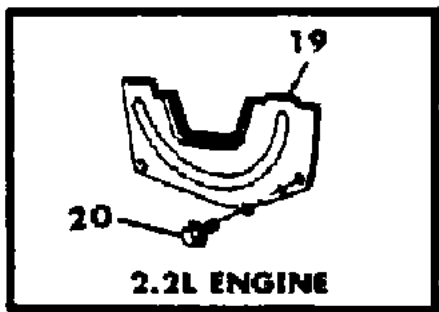
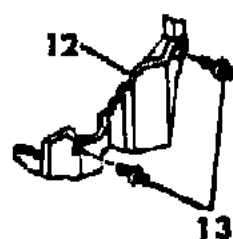
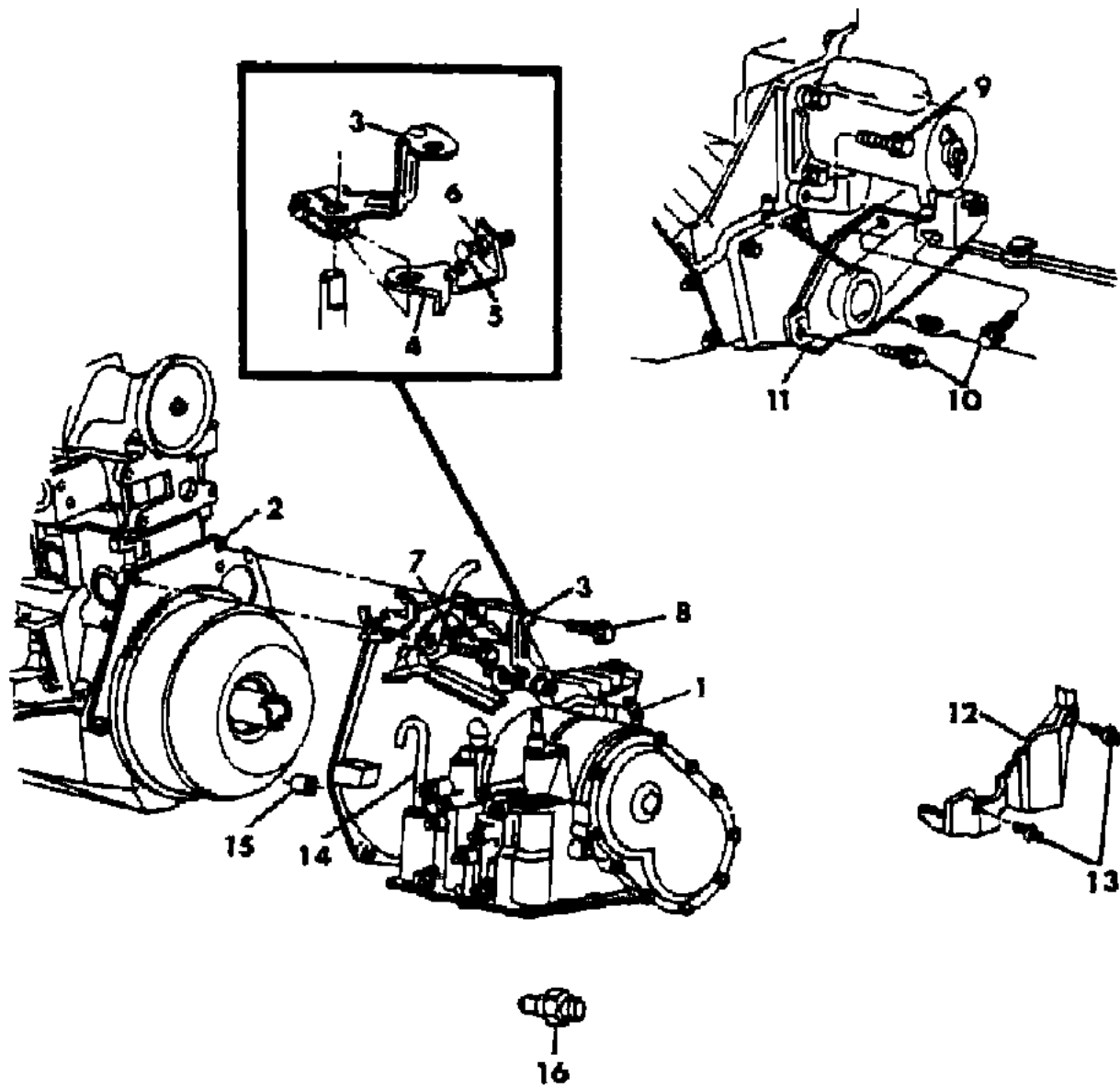
2.6L ENGINE

TRANSAXLE ASSEMBLIES AND MOUNTING AUTOMATIC CHRYSLER, A413,A470,A670

Figure 21A-900

7151 900

ITEM	PART NUMBER	QTY	BODY	MODEL	DESCRIPTION
20	6500 136	1			SCREW, Case Cover, Lower, M6x1.00x14, Except 2.5 Liter Eng.
	6500 137	AR			M6x1.00x16
-	6101 238	3	S		BOLT, Spacer Plate To Trans., M10x1.5x25
-	4412 430	1			RETAINER, Case Cover Lower, Special Screw
-	4221 346	1			SWITCH, Oil Pressure, w/Electronic Message Center
-	6032 269	1			FITTING, Switch, Elbow, 1/8x27 Fem. - 1/16x27 Male Thd.



MODEL CODES

E BODY = (J - CARAVELLE)(E - 600)(T - NEW YORKER)
 G BODY = (V24 - DAYTONA)
 H BODY = (D44 - LANCER)(C44 - LEBARON GTS)
 J BODY = (C - LEBARON)
 K BODY = (P - RELIANT)(D - ARIES)(C - LEBAROND)/TOWN & COUNTRY

L BODY = (M - HORIZON/TURISMO)(Z - OMNI/CHARGER)
 M BODY = (B - GRAN FURY)(F - FIFTH AVE/NEWPORT)(G - DIPLOMAT)
 P BODY = (P - SUNDANCE)(D - SHADOW)
 S BODY = (H - VOYAGER)(K - RAM VAN/CARAVAN)

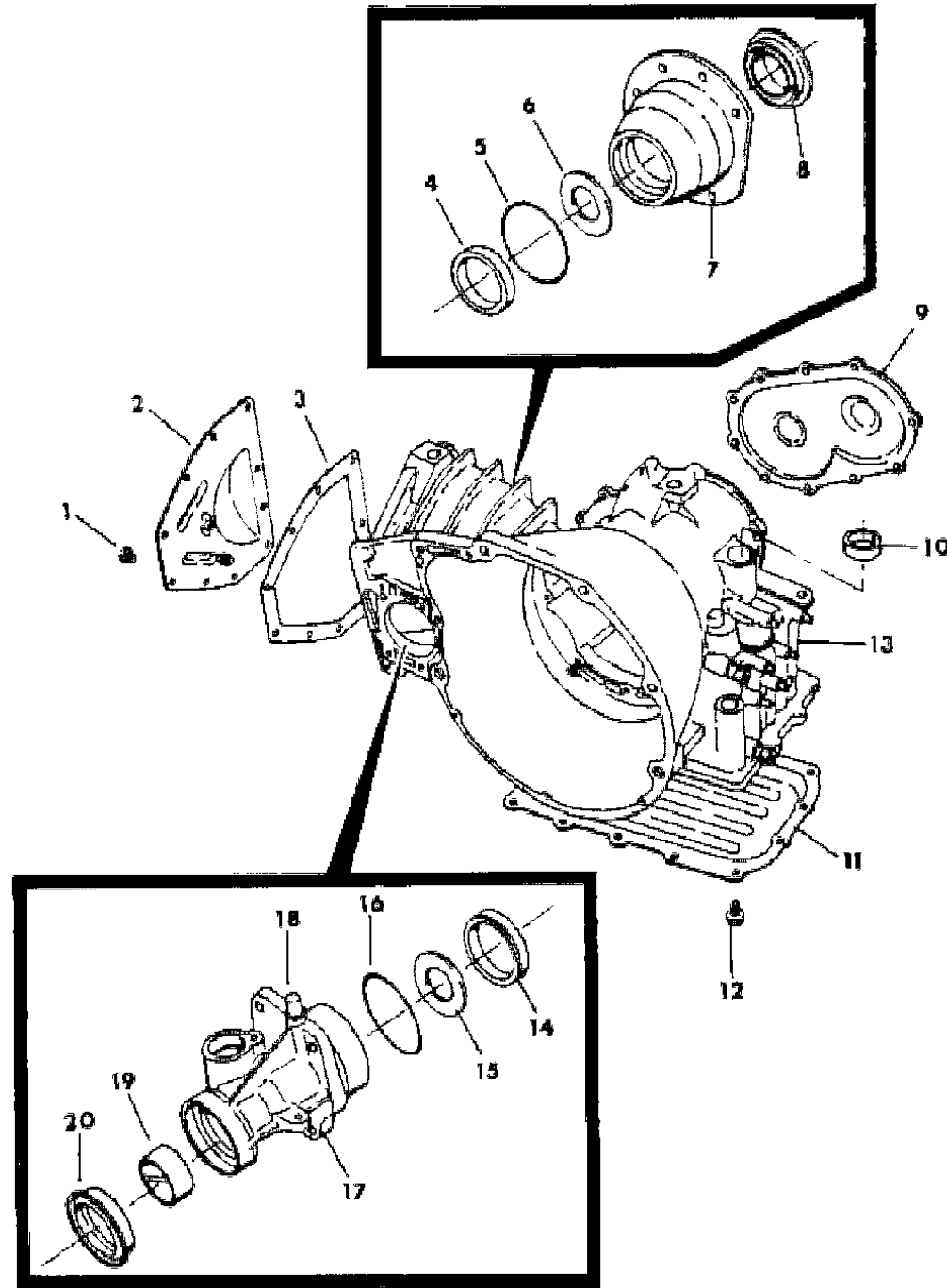
BODY STYLES

12-13 = FWD VAN 41 = 4-DOOR SEDAN
 21 = 2-DOOR SEDAN 44 = 4-DOOR HATCHBACK
 24 = 2-DOOR HATCHBACK 45 = 4-DOOR STATION WAGON
 27 = 2-DOOR CONVERTIBLE 52-53 = FWD WAGON

AR = Use as Required - = Non Illustrated Part P.A.R. = Paint as Required

CASE, EXTENSION AND RETAINER AUTOMATIC TRANSAXLE, A413,A470,A670
Figure 21A-1000

7151 1000



ITEM	PART NUMBER	QTY	BODY	MODEL	DESCRIPTION
1	6500 739	10			SCREW, w/Washer Diff. Oil Pan To Case, M8x1.25x16
2	4269 657	1			PAN, Transaxle Diff. Oil
3		1			GASKET, Trans. Diff. Oil Pan (Use Silicone Adhesive)
4	4269 676	1			CUP, Differential
5					SPACER, Trans. Final Drive
	4207 134	AR			0.50mm(.020")
	4207 135	AR			0.55mm(.022")
	4207 136	AR			0.60mm(.024")
	4207 137	AR			0.65mm(.026")
	4207 138	AR			0.70mm(.027")
	4207 139	AR			0.75mm(.029")
	4207 140	AR			0.80mm(.031")
	4207 141	AR			0.85mm(.033")
	4207 142	AR			0.90mm(.035")
	4207 143	AR			0.95mm(.037")
	4207 144	AR			1.00mm(.039")
	4207 145	AR			1.05mm(.041")
6	4269 787	1			RETAINER, Trans. Diff. Oil
7	4329 829	1			RETAINER, Trans. Diff. Bearing, Except 4377954,955 Trans.
	4205 855	1			Use w/4377954,955 Trans.
-	6500 368	6			SCREW, Diff. Brg. Retainer, M8x1.25x23
8	4412 522	1			SEAL, Trans. Diff. Brg. Retainer, Rubber and Metal
9	4348 974	1			COVER, Trans. End, Rear
-					GASKET, (Use Silicone Adhesive)
	6500 739	10			SCREW, w/Washer, End Cover M8x1.25x16
10	3878 447	1			SEAL, Manual Valve Lever Shaft
11	4431 538	1			PAN, Transaxle Oil, Except 4377954,955 Trans.
	4269 674	1			Use w/4377954,955 Trans.
-	4052 679	1	K		SHIELD, Oil Pan, Hvy. Duty Service Pkg. (Not Shown)
-	3681 601	1			MAGNET, Case Chip Collector
					GASKET, (Use Silicone Adhesive)
12	6500 739	12			SCREW, w/Washer Trans. Oil Pan To Case, M8x1.25x16
	6101 285	1			M6x1x16, w/2.5 Liter Eng.
13	4431 470	1			CASE and COVER PACKAGE, Transaxle, w/2.2,2.2 EFI and 2.2 TURBO Eng., w/Straight Thread Holes For Oil Cooler Line Fittings, Approx. Up To 9-19-86
	4446 766	1			w/2.2,2.2 EFI and 2.2 TURBO Eng., w/Tapered Pipe Thread Holes For Oil Cooler Line Fittings, Approx. After 9-19-86

MODEL CODES

E BODY = (J - CARAVELLE)(E - 600)(T - NEW YORKER)

G BODY = (V24 - DAYTONA)

H BODY = (D44 - LANCER)(C44 - LEBARON GTS)

J BODY = (C - LEBARON)

K BODY = (P - RELIANT)(D - ARIES)(C - LEBAROND)/TOWN & COUNTRY)

L BODY = (M - HORIZON/TURISMO)(Z - OMNI/CHARGER)

M BODY = (B - GRAN FURY)(F - FIFTH AVE/NEWPORT)(G - DIPLOMAT)

P BODY = (P - SUNDANCE)(D - SHADOW)

S BODY = (H - VOYAGER)(K - RAM VAN/CARAVAN)

BODY STYLES

12-13 = FWD VAN

21 = 2-DOOR SEDAN

24 = 2-DOOR HATCHBACK

27 = 2-DOOR CONVERTIBLE

41 = 4-DOOR SEDAN

44 = 4-DOOR HATCHBACK

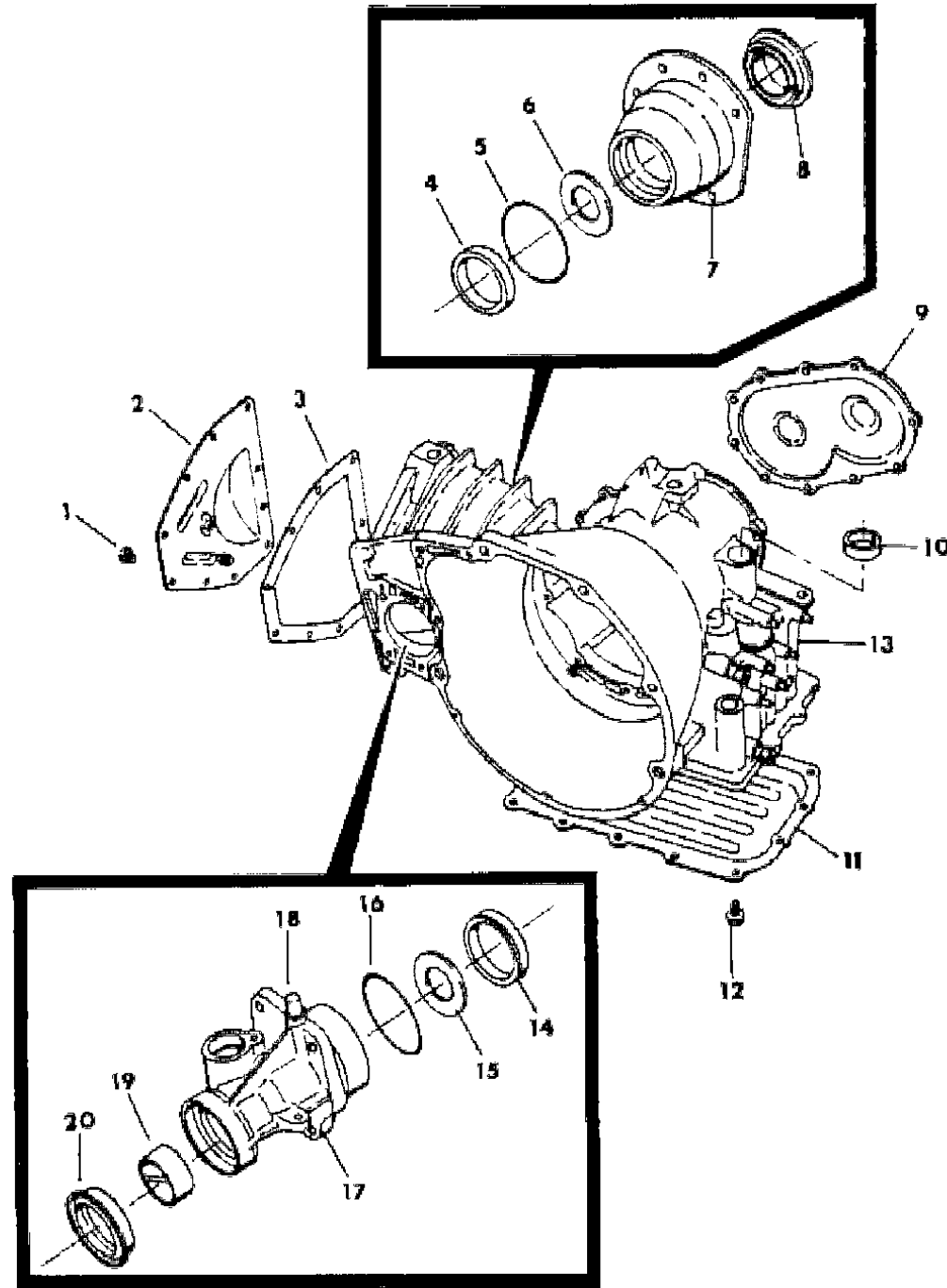
45 = 4-DOOR STATION WAGON

52-53 = FWD WAGON

AR = Use as Required - = Non Illustrated Part P.A.R. = Paint as Required

CASE, EXTENSION AND RETAINER AUTOMATIC TRANSAXLE, A413,A470,A670
Figure 21A-1000

7151 1000



ITEM	PART NUMBER	QTY	BODY	MODEL	DESCRIPTION
	4412 421	1			w/2.5L Eng., w/Straight Thread Holes, For Oil Cooler Line Fittings, Approx. Up To 11-1-86
	4446 768	1			w/2.5L Eng., w/Tapered Pipe Thread Holes, For Oil Cooler Line Fittings, Approx. After 11-1-86
	4411 966	1	S		w/2.6L Eng., w/Straight Thread Holes, For Oil Cooler Line Fittings, Approx. Up To 9-23-86
	4446 772	1	S		w/2.6L Eng., w/Tapered Pipe Thread Holes, For Oil Cooler Line Fittings, Approx. After 9-23-86
	4446 774	1	S		w/3.0L Eng., w/Tapered Pipe Thread Holes, For Oil Cooler Line Fittings, Approx. After 1-12-87
-	6100 994	1			PIN, Dowel, M6x16
-	6030 035	AR			PLUG, 1/16-27 Pipe
-	4329 864	2			FITTING, w/Gasket Seal, Trans. Oil Cooler Line, w/Straight Fine Thread
-	4446 725	2			w/Tapered Pipe Thread
14	4269 676	1			CUP, Extension
15	5222 255	1			RETAINER, Trans. Extension Oil
16	6500 111	1			O-RING, Trans. Extension
17	4549 219	1			EXTENSION PACKAGE, Transaxle (Bushing Not Required) ***
-	6500 511	4			SCREW, Ext. to Case, M8x1.25x33
18	2124 715	1			VENT, Trans. Extension
19		1			BUSHING, Trans. Extension (Not Required)
20	4412 522	1			SEAL, Trans. Extension, Rubber and Metal
-	4377 005	1			SOLENOID ASSEMBLY, T/C Lock-Up
-	4412 305	1			GASKET, Solenoid T/C Lock-Up
-	1316 815	1			O-RING, Solenoid Seal, T/C Lock-Up

MODEL CODES

E BODY = (J - CARAVELLE)(E - 600)(T - NEW YORKER)

G BODY = (V24 - DAYTONA)

H BODY = (D44 - LANCER)(C44 - LEBARON GTS)

J BODY = (C - LEBARON)

K BODY = (P - RELIANT)(D - ARIES)(C - LEBAROND)/TOWN & COUNTRY)

L BODY = (M - HORIZON/TURISMO)(Z - OMNI/CHARGER)

M BODY = (B - GRAN FURY)(F - FIFTH AVE/NEWPORT)(G - DIPLOMAT)

P BODY = (P - SUNDANCE)(D - SHADOW)

S BODY = (H - VOYAGER)(K - RAM VAN/CARAVAN)

BODY STYLES

12-13 = FWD VAN

21 = 2-DOOR SEDAN

24 = 2-DOOR HATCHBACK

27 = 2-DOOR CONVERTIBLE

41 = 4-DOOR SEDAN

44 = 4-DOOR HATCHBACK

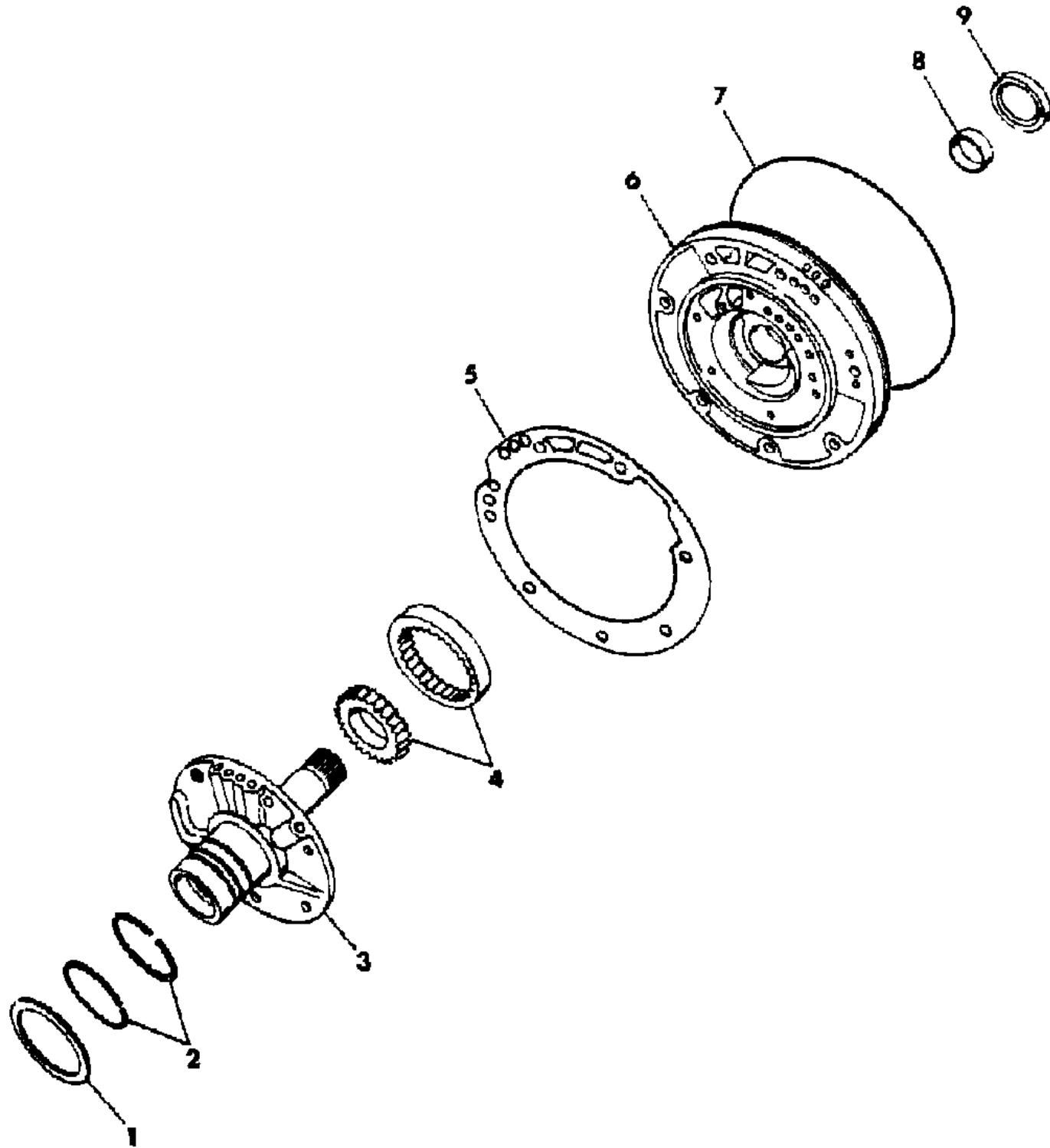
45 = 4-DOOR STATION WAGON

52-53 = FWD WAGON

AR = Use as Required - = Non Illustrated Part P.A.R. = Paint as Required

PUMP, OIL WITH REACTION SHAFT AUTOMATIC TRANSAXLE, A413,A470,A670
Figure 21A-1100

7151 1100



ITEM	PART NUMBER	QTY	BODY	MODEL	DESCRIPTION
NOTE: There is No SEAL and GASKET PACKAGE for the FRONT PUMP, Order Individual Parts. the rear of the carburetor throttle body. A mirror is required to read the no. when the carburetor					
-	#4412 525	1			PUMP ASSEMBLY, Trans. Oil (w/o Seals)
1	#5205 679	1			WASHER, Frt. Clutch Thrust, Frt., Plastic, 71.5 O.D.
2	5212 305	2			RING, Trans. Reaction Shaft Support Seal
3		1			SHAFT, w/Support and Bushing, Reaction (Serviced in 4412525 Pump Assy.)
-	6500 211	6			BOLT, M8x1.25x19
4		1			GEAR and ROTOR, Oil Pump (Serviced in 4412525 Pump Assy.)
5	4269 661	1			GASKET, Transaxle Oil Pump Housing
6		1			HOUSING, w/Bushing and Rotor (Serviced in 4412525 Pump Assy.)
-	6501 106	7			SCREW, w/Washer, Oil Pump to Case, M8x1.25x25
7	5205 660	1			SEAL, Trans. Oil Pump Housing, Rubber
8		1			BUSHING, Oil Pump Housing (Serviced in Assy.)
9	4269 057	1			SEAL, Torque Converter Impeller Hub, Rubber and Steel

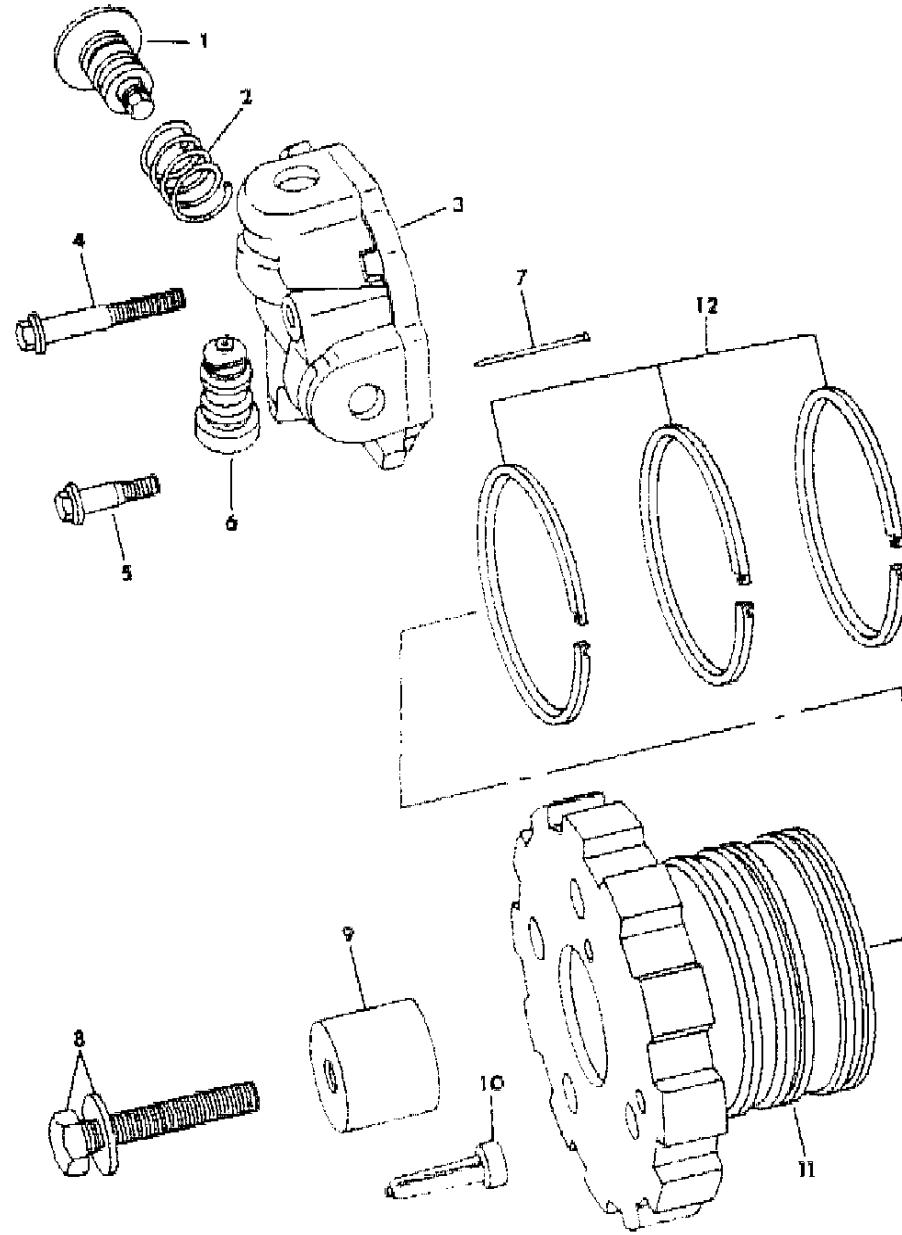
MODEL CODES
 E BODY = (J - CARAVELLE)(E - 600)(T - NEW YORKER)
 G BODY = (V24 - DAYTONA)
 H BODY = (D44 - LANCER)(C44 - LEBARON GTS)
 J BODY = (C - LEBARON)
 K BODY = (P - RELIANT)(D - ARIES)(C - LEBAROND)/TOWN & COUNTRY
 L BODY = (M - HORIZON/TURISMO)(Z - OMNI/CHARGER)
 M BODY = (B - GRAN FURY)(F - FIFTH AVE/NEWPORT)(G - DIPLOMAT)
 P BODY = (P - SUNDANCE)(D - SHADOW)
 S BODY = (H - VOYAGER)(K - RAM VAN/CARAVAN)

BODY STYLES
 12-13 = FWD VAN
 21 = 2-DOOR SEDAN
 24 = 2-DOOR HATCHBACK
 27 = 2-DOOR CONVERTIBLE
 41 = 4-DOOR SEDAN
 44 = 4-DOOR HATCHBACK
 45 = 4-DOOR STATION WAGON
 52-53 = FWD WAGON

AR = Use as Required - = Non Illustrated Part P.A.R. = Paint as Required

GOVERNOR AUTOMATIC TRANSAXLE, A413,A470,A670
Figure 21A-1200

7151 1200



ITEM	PART NUMBER	QTY	BODY	MODEL	DESCRIPTION
1	4207 185	1			VALVE, Gov. Secondary w/4431483,4471483,4377954 Trans.
	4207 183	1			w/4431485,4471485,4377955 Trans.
	4295 956	1			w/4431484,486,490,491,492,493,4471438,486,490,491,492,493 Trans.
2	4207 193	1			SPRING, Gov. Valve Except 4431485,4471485,4377955 Trans.
	4207 194	1			Use w/4431485,4471485,4377955
3	4207 055	1			BODY, Governor
4	6500 209	1			SCREW, Gov. Body, M5x0.8x37
5	6500 208	2			SCREW, Gov. Body, M5x0.8x20
6	4207 186	1			VALVE, Gov. Primary w/4431483,4471483,4377954 Trans.
	4269 641	1			w/4431485,4471485,4377955 Trans.
	4295 955	1			w/4431484,486,490,491,492,493,4471438,486,490,491,492,493 Trans.
7		1			PIN, Gov. Weight Retaining, 3D Finishing Nail 1-1/4" Lg. (Not Serviced)
8	6100 306	1			SCREW, Counterweight to Gov. Support, M8x1.25x35
9	5212 265	1			WEIGHT, Counter Gov.
10	5205 839	1			FILTER, Transaxle Governor
11	5212 249	1			SUPPORT, Governor
12	5212 092	3			RING, Gov. Support Seal

MODEL CODES

E BODY = (J - CARAVELLE)(E - 600)(T - NEW YORKER)

G BODY = (V24 - DAYTONA)

H BODY = (D44 - LANCER)(C44 - LEBARON GTS)

J BODY = (C - LEBARON)

K BODY = (P - RELIANT)(D - ARIES)(C - LEBAROND)/TOWN & COUNTRY)

L BODY = (M - HORIZON/TURISMO)(Z - OMNI/CHARGER)

M BODY = (B - GRAN FURY)(F - FIFTH AVE/NEWPORT)(G - DIPLOMAT)

P BODY = (P - SUNDANCE)(D - SHADOW)

S BODY = (H - VOYAGER)(K - RAM VAN/CARAVAN)

BODY STYLES

12-13 = FWD VAN

21 = 2-DOOR SEDAN

24 = 2-DOOR HATCHBACK

27 = 2-DOOR CONVERTIBLE

41 = 4-DOOR SEDAN

44 = 4-DOOR HATCHBACK

45 = 4-DOOR STATION WAGON

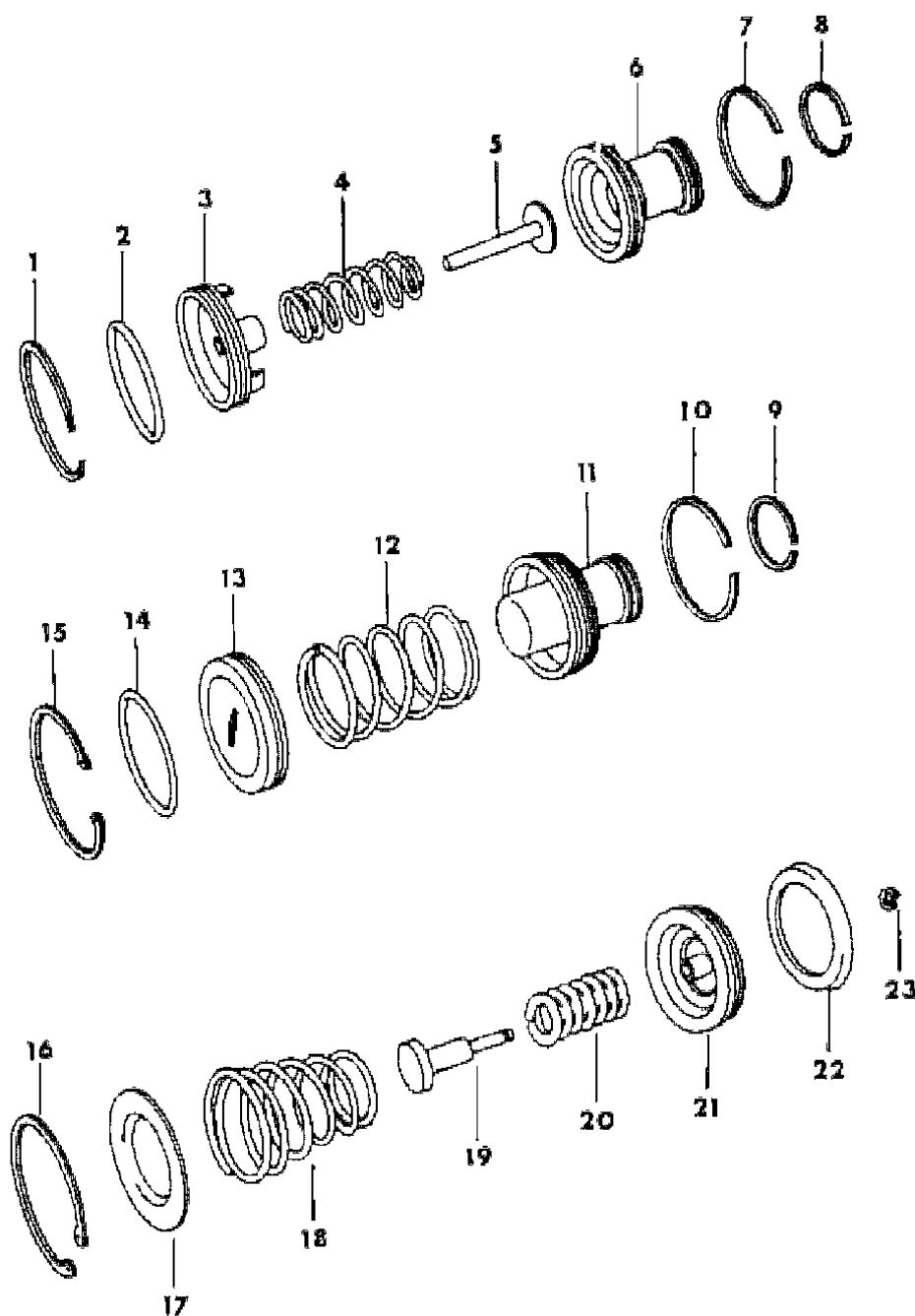
52-53 = FWD WAGON

AR = Use as Required - = Non Illustrated Part P.A.R. = Paint as Required

SERVOS, ACCUMULATOR PISTON AND SPRINGS AUTOMATIC TRANSAXLE, A413,A470,A670

Figure 21A-1300

7151 1300



ITEM	PART NUMBER	QTY	BODY	MODEL	DESCRIPTION
1	6031 765	1			SNAP RING, Kickdown Servo
2	6031 545	1			RING, Kickdown Servo Piston, Seal
3	5224 344	1			GUIDE, Kickdown Servo
4	4207 229	1			SPRING, Kickdown Servo Piston, Except 4431485,4471485, 4377955 Trans.
	4207 205	1			Use w/4431485,4471485,4377955 Trans.
5	4058 943	1			ROD, Kickdown Servo Piston
6	4269 524	1			PISTON, Kickdown Servo
-	6025 031	1			SNAP RING, Inner
-	6031 410	1			SEAL, Kickdown Servo Inner Piston
7	3743 014	1			RING, Kickdown Servo Piston Seal, Large
8	3743 033	1			RING, Kickdown Servo Piston Seal, Small
9	3743 010	1			RING, Accumulator Piston Seal, Small
10	3743 013	1			RING, Accumulator Piston Seal, Large
11	3410 908	1			PISTON, Accumulator
12	4207 211	1			SPRING, Accumulator, Except 4431485,493,4471485,493, 4377955 Trans.
	4329 807	1			Use w/4431485,4471485,4377955 Trans.
	3515 079	1			w/4431493,4471493 Trans.
13	4205 857	1			PLATE, Accumulator
14	6031 545	1			RING, Seal Accumulator Plate
15	5212 252	1			SNAP RING, Accumulator
-	4205 854	1			REVERSE SERVO PACKAGE, Consists Of Items 16,17,18,19,20, 22,23
16	6031 909	1			SNAP RING, Reverse Servo Piston Spring Retainer
17		1			RETAINER, Reverse Servo Piston Spring (Serv. in Pkg.)
18	3681 434	1			SPRING, Reverse Servo Piston
19	4269 707	1			PLUG, Reverse Servo Piston
20		1			SPRING, Reverse Servo Cushion (Serv. in Pkg.)
21	3743 898	1			PISTON, Reverse Servo
22	4269 736	1			SEAL, Reverse Servo Piston, Rubber
23	1638 461	1			E-RING, Reverse Servo Plug

MODEL CODES

E BODY = (J - CARAVELLE)(E - 600)(T - NEW YORKER)

G BODY = (V24 - DAYTONA)

H BODY = (D44 - LANCER)(C44 - LEBARON GTS)

J BODY = (C - LEBARON)

K BODY = (P - RELIANT)(D - ARIES)(C - LEBAROND)/TOWN & COUNTRY)

L BODY = (M - HORIZON/TURISMO)(Z - OMNI/CHARGER)

M BODY = (B - GRAN FURY)(F - FIFTH AVE/NEWPORT)(G - DIPLOMAT)

P BODY = (P - SUNDANCE)(D - SHADOW)

S BODY = (H - VOYAGER)(K - RAM VAN/CARAVAN)

BODY STYLES

12-13 = FWD VAN

21 = 2-DOOR SEDAN

24 = 2-DOOR HATCHBACK

27 = 2-DOOR CONVERTIBLE

41 = 4-DOOR SEDAN

44 = 4-DOOR HATCHBACK

45 = 4-DOOR STATION WAGON

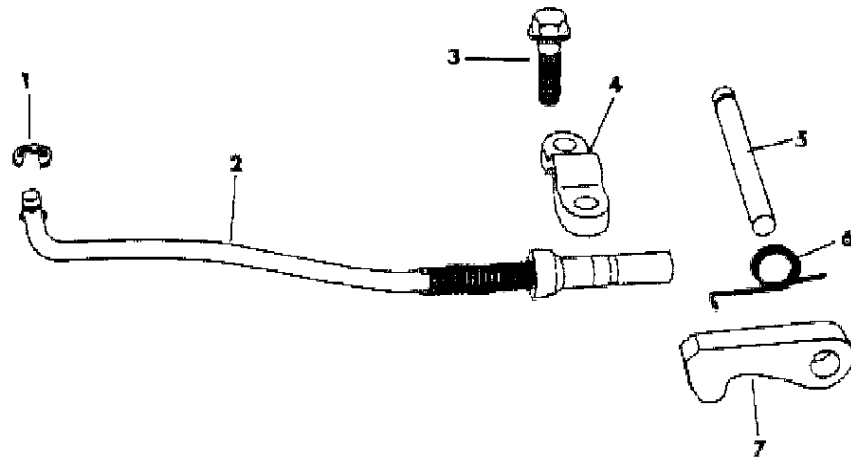
52-53 = FWD WAGON

AR = Use as Required - = Non Illustrated Part P.A.R. = Paint as Required

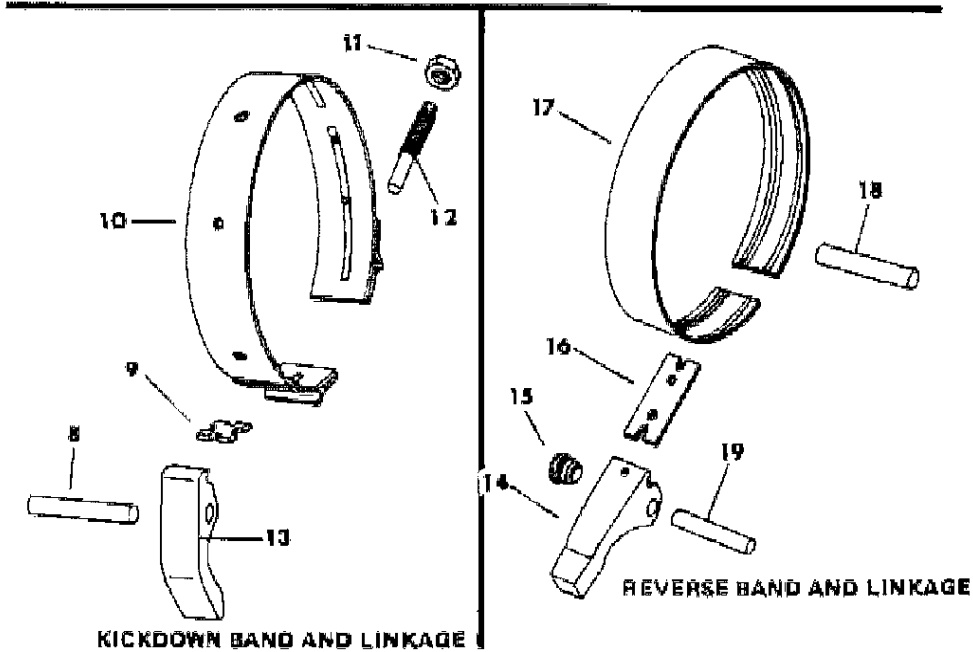
BANDS, REVERSE AND KICKDOWN WITH PARKING SPRAG AUTOMATIC TRANSAXLE, A413,A470,A670

Figure 21A-1400

7151 1400



PARKING SPRAG



KICKDOWN BAND AND LINKAGE

REVERSE BAND AND LINKAGE

ITEM	PART NUMBER	QTY	BODY	MODEL	DESCRIPTION
1	1626 749	1			E-RING, Parking Sprag Rod Retainer
2	4207 130	1			ROD, w/Spring, Sleeve And End, Parking Sprag
3	6500 368	2			BOLT, Parking Sprag Support Attaching, M8x1.25x23
4	5212 296	1			SUPPORT, Parking Sprag Rod
5	5212 010	1			SHAFT, Parking Sprag
6	5222 244	1			SPRING, Parking Sprag Pawl
7	5224 468	1			PAWL, Parking Sprag
8	5212 047	1			SHAFT, Kickdown Band Lever
9	5212 343	1			STRUT, Kickdown Band
10	4269 663	1			BAND, Transaxle Kickdown
11	5212 206	1			NUT, Kickdown Band Adj. Screw Lock
12	5212 255	1			SCREW, Kickdown Band Adjusting
13	4207 009	1			LEVER, w/Pin, Kickdown Band, Except 4431485,493,4471485, 493,4377955 Trans.
	4348 857	1			Use w/4431485,493,4471485,493,4377955 Trans.
14	5224 203	1			LEVER, w/Pin and Stem, Reverse Band, Short
	4207 182	1			INTERGAL
15		1			PLUG, Trans. Pipe 1/4"-18 (Not Serviced)
16	5224 264	1			STRUT, Reverse Band
17	5205 765	1			BAND, Transaxle Reverse
-	5224 140	1			SCREW, Reverse Band Adjusting, M8x1.25x42
18	5212 344	1			ANCHOR, Reverse Band
19	5222 090	1			SHAFT, Reverse Band Lever

MODEL CODES

E BODY = (J - CARAVELLE)(E - 600)(T - NEW YORKER)

G BODY = (V24 - DAYTONA)

H BODY = (D44 - LANCER)(C44 - LEBARON GTS)

J BODY = (C - LEBARON)

K BODY = (P - RELIANT)(D - ARIES)(C - LEBAROND)/TOWN & COUNTRY)

L BODY = (M - HORIZON/TURISMO)(Z - OMNI/CHARGER)

M BODY = (B - GRAN FURY)(F - FIFTH AVE/NEWPORT)(G - DIPLOMAT)

P BODY = (P - SUNDANCE)(D - SHADOW)

S BODY = (H - VOYAGER)(K - RAM VAN/CARAVAN)

BODY STYLES

12-13 = FWD VAN

21 = 2-DOOR SEDAN

24 = 2-DOOR HATCHBACK

27 = 2-DOOR CONVERTIBLE

41 = 4-DOOR SEDAN

44 = 4-DOOR HATCHBACK

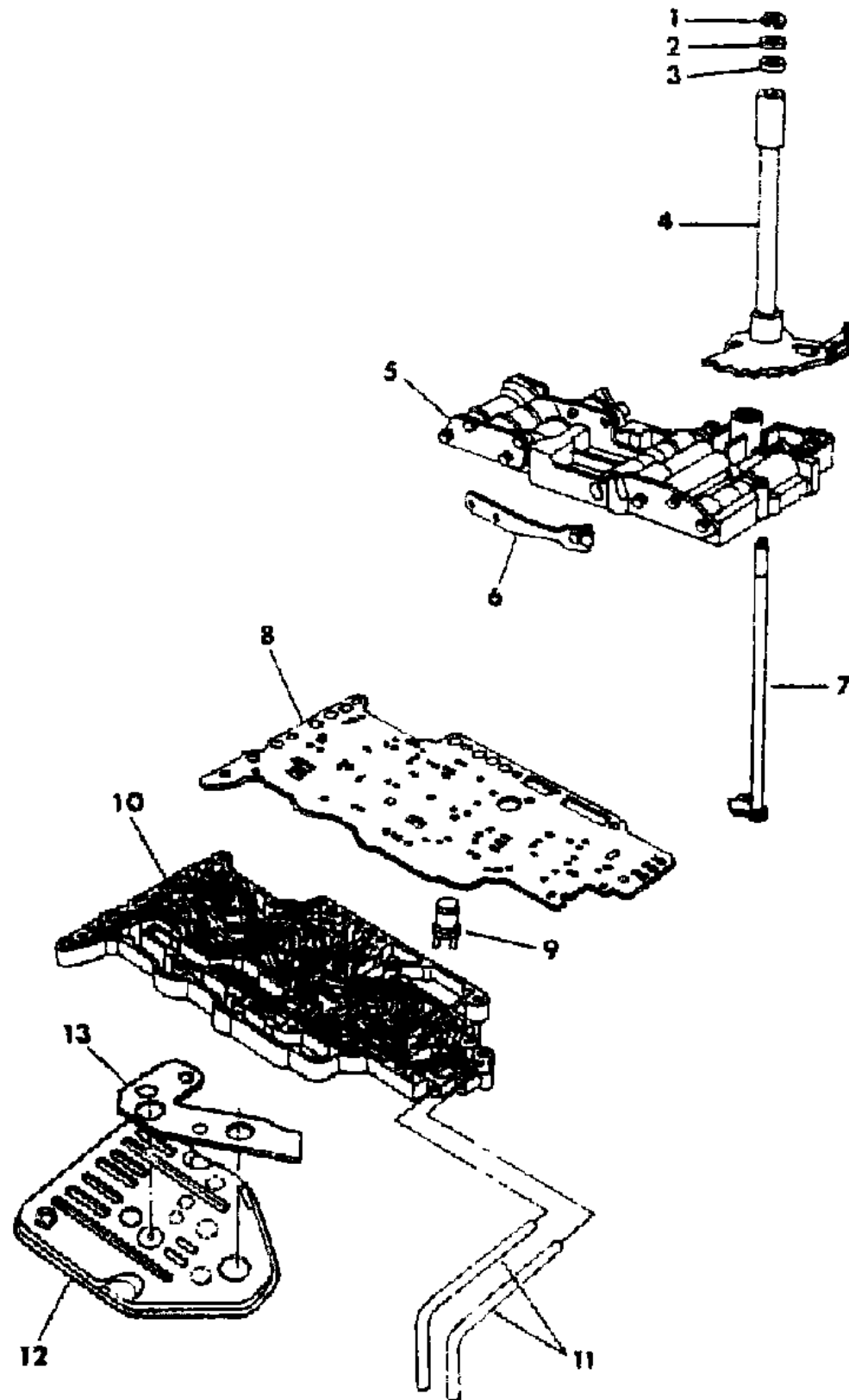
45 = 4-DOOR STATION WAGON

52-53 = FWD WAGON

AR = Use as Required - = Non Illustrated Part P.A.R. = Paint as Required

VALVE BODY AUTOMATIC TRANSAXLE, A413,A470,A670
Figure 21A-1500

7151 1500



ITEM	PART NUMBER	QTY	BODY	MODEL	DESCRIPTION
1	6025 857	1			SNAP RING, Throttle Valve Lever Shaft
2	2538 062	1			WASHER, Throttle Valve Lever Shaft
3	2466 548	1			SEAL, Throttle Shaft
-	6500 207	1			SCREW, Throttle Pressure Adjusting
4	4269 555	1			LEVER, w/Insulator, Manual Valve, Except 4377954,955 Trans.
	4207 093	1			Use w/4377954,955 Trans.
		1			RIVET, (Not Serviced)
5					VALVE BODY, w/Transfer Plate, Transaxle
	4269 716	1			w/4377954 Trans.
	4412 414	1			w/4431483,484,486,490,4471483,438,486,490 Trans.
	4269 929	1			w/4377955 Trans.
	4412 415	1			w/4431485,4471485 Trans.
	4412 407	1			w/4431491,492,4471491,492 Trans.
	4412 408				w/4431493,4471493 Trans.
-	6100 994	1			PIN, Valve Body to Case Dowel, 5.88x16
-	4207 230	1			VALVE, Valve Body Throttle (Not Shown)
6	4269 584	1			DETENT ASSEMBLY, Manual Valve Lever
7	5212 244	1			SHAFT ASSEMBLY, Throttle Valve Lever
8		1			PLATE, Valve Body (Serviced in Valve Body)
-	6500 214	AR			SCREW, w/Washer, M5x0.8x11
-	6500 215	15			SCREW, w/Washer, Valve Body to T/Plate, M5x0.8x25
9	3878 313	1			SCREEN, Regulator Valve
10		1			PLATE, Transfer (Serviced in Valve Body)
-	6100 155	7			SCREW, Transfer Plate to Case, M6x1.00x30
11	5222 020	2			TUBE, Governor Oil
12	4269 649	1			FILTER, Transaxle Oil
-	6500 216	2			SCREW, Oil Filter to Valve Body, M5x0.8x30
13	4269 671	1			GASKET, Oil Filter

MODEL CODES

E BODY = (J - CARAVELLE)(E - 600)(T - NEW YORKER)

G BODY = (V24 - DAYTONA)

H BODY = (D44 - LANCER)(C44 - LEBARON GTS)

J BODY = (C - LEBARON)

K BODY = (P - RELIANT)(D - ARIES)(C - LEBAROND)/TOWN & COUNTRY)

L BODY = (M - HORIZON/TURISMO)(Z - OMNI/CHARGER)

M BODY = (B - GRAN FURY)(F - FIFTH AVE/NEWPORT)(G - DIPLOMAT)

P BODY = (P - SUNDANCE)(D - SHADOW)

S BODY = (H - VOYAGER)(K - RAM VAN/CARAVAN)

BODY STYLES

12-13 = FWD VAN

21 = 2-DOOR SEDAN

24 = 2-DOOR HATCHBACK

27 = 2-DOOR CONVERTIBLE

41 = 4-DOOR SEDAN

44 = 4-DOOR HATCHBACK

45 = 4-DOOR STATION WAGON

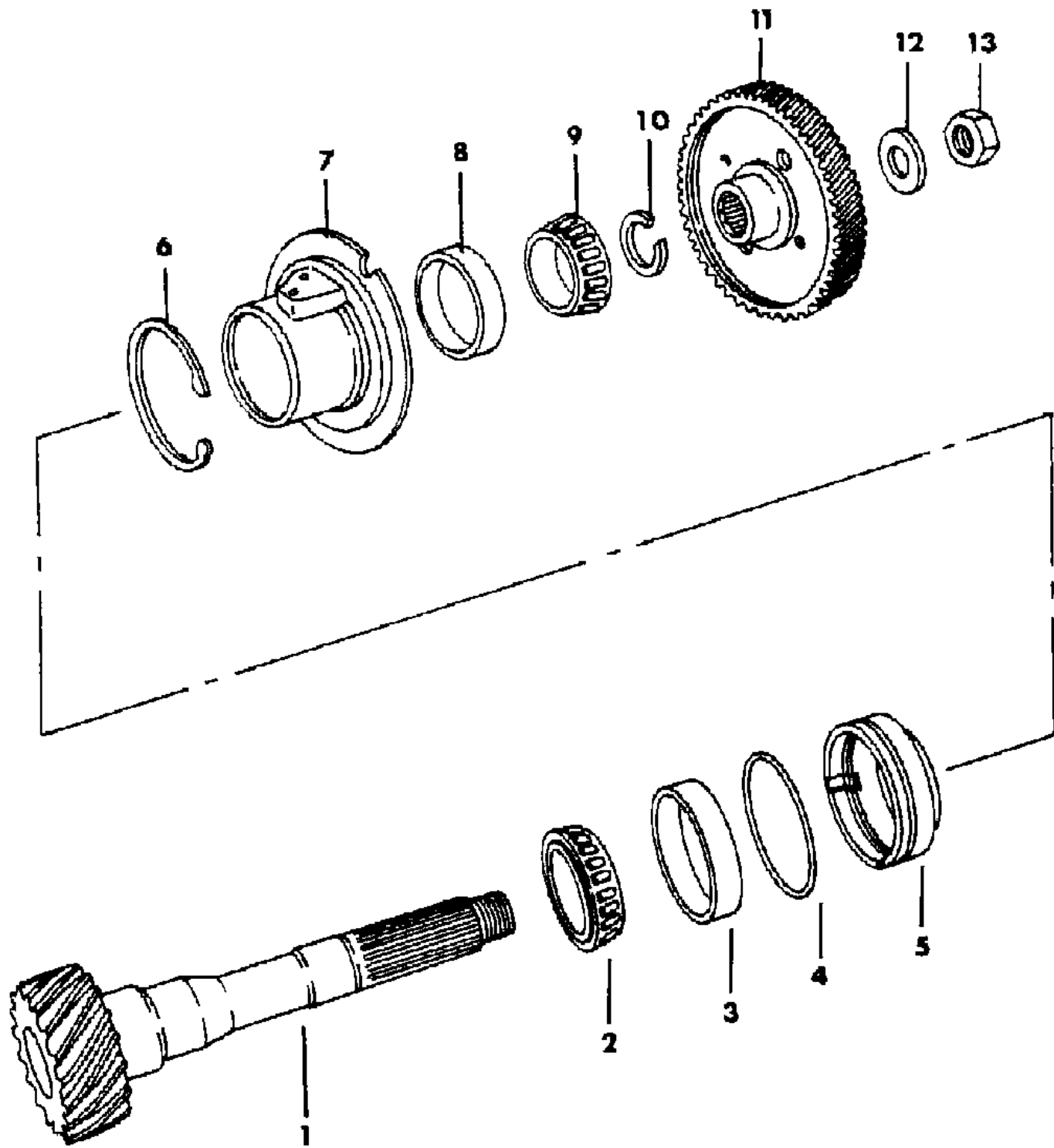
52-53 = FWD WAGON

AR = Use as Required - = Non Illustrated Part P.A.R. = Paint as Required

SHAFT, TRANSFER AUTOMATIC TRANSAXLE, A413,A470,A670

Figure 21A-1600

7151 1800



ITEM	PART NUMBER	QTY	BODY	MODEL	DESCRIPTION
1					SHAFT, Transfer, Transaxle
	5224 211	1			w/4377954 Trans., 20T
	4269 172	1			w/4431483,486,490,492,4471483,486,490,492 Trans., 20T
	4295 842	1			w/4377955 Trans., 21T
	4412 553	1			w/4431484,485,491,4471438,485,491 Trans., 21T
	4348 630	1			w/4431493,4471493 Trans., 21T
2	4269 677	1			CONE, Transfer Shaft
3	4269 676	1			CUP, Transfer Shaft
4	6500 169	1			O-RING, Transfer Shaft Brg. Retainer
5	4269 688	1			RETAINER PACKAGE, Transfer Shaft Bearing
6	5212 353	1			SNAP RING, Transfer Shaft Brg. Retainer
7	5212 371	1			RETAINER, Trans. Governor Support
8	4269 676	1			CUP, Transfer Shaft Gear
9	4269 677	1			CONE, Transfer Shaft Gear
10					SPACER, Transfer Shaft Brg.
	4207 166	AR			0.94mm(.037")
	4207 167	AR			0.99mm(.039")
	4207 168	AR			1.04mm(.041")
	4207 169	AR			1.09mm(.043")
	4207 170	AR			1.14mm(.045")
	4207 171	AR			1.19mm(.047")
	4207 172	AR			1.24mm(.051")
	4207 173	AR			1.29mm
	4207 174	AR			1.34mm(.053")
	4207 175	AR			1.39mm(.055")
	4207 176	AR			1.84mm(.072")
	4207 177	AR			2.29mm(.090")
11	4443 182	1			GEAR SET, Transfer Shaft and Output Shaft, Except 4431483, 493,4471483,493,4377954 Trans., 56T-53T
	4443 181	1			Use w/4431483,4471483,4377954 Trans., 52T-57T
	4443 182	1			w/4431493,4471493 Trans., 56T-53T
12	5222 010	1			WASHER, Transfer Shaft Nut
13	5222 009	1			NUT, Transfer Shaft Gear M20x1.5

MODEL CODES

E BODY = (J - CARAVELLE)(E - 600)(T - NEW YORKER)

G BODY = (V24 - DAYTONA)

H BODY = (D44 - LANCER)(C44 - LEBARON GTS)

J BODY = (C - LEBARON)

K BODY = (P - RELIANT)(D - ARIES)(C - LEBAROND)/TOWN & COUNTRY)

L BODY = (M - HORIZON/TURISMO)(Z - OMNI/CHARGER)

M BODY = (B - GRAN FURY)(F - FIFTH AVE/NEWPORT)(G - DIPLOMAT)

P BODY = (P - SUNDANCE)(D - SHADOW)

S BODY = (H - VOYAGER)(K - RAM VAN/CARAVAN)

BODY STYLES

12-13 = FWD VAN

21 = 2-DOOR SEDAN

24 = 2-DOOR HATCHBACK

27 = 2-DOOR CONVERTIBLE

41 = 4-DOOR SEDAN

44 = 4-DOOR HATCHBACK

45 = 4-DOOR STATION WAGON

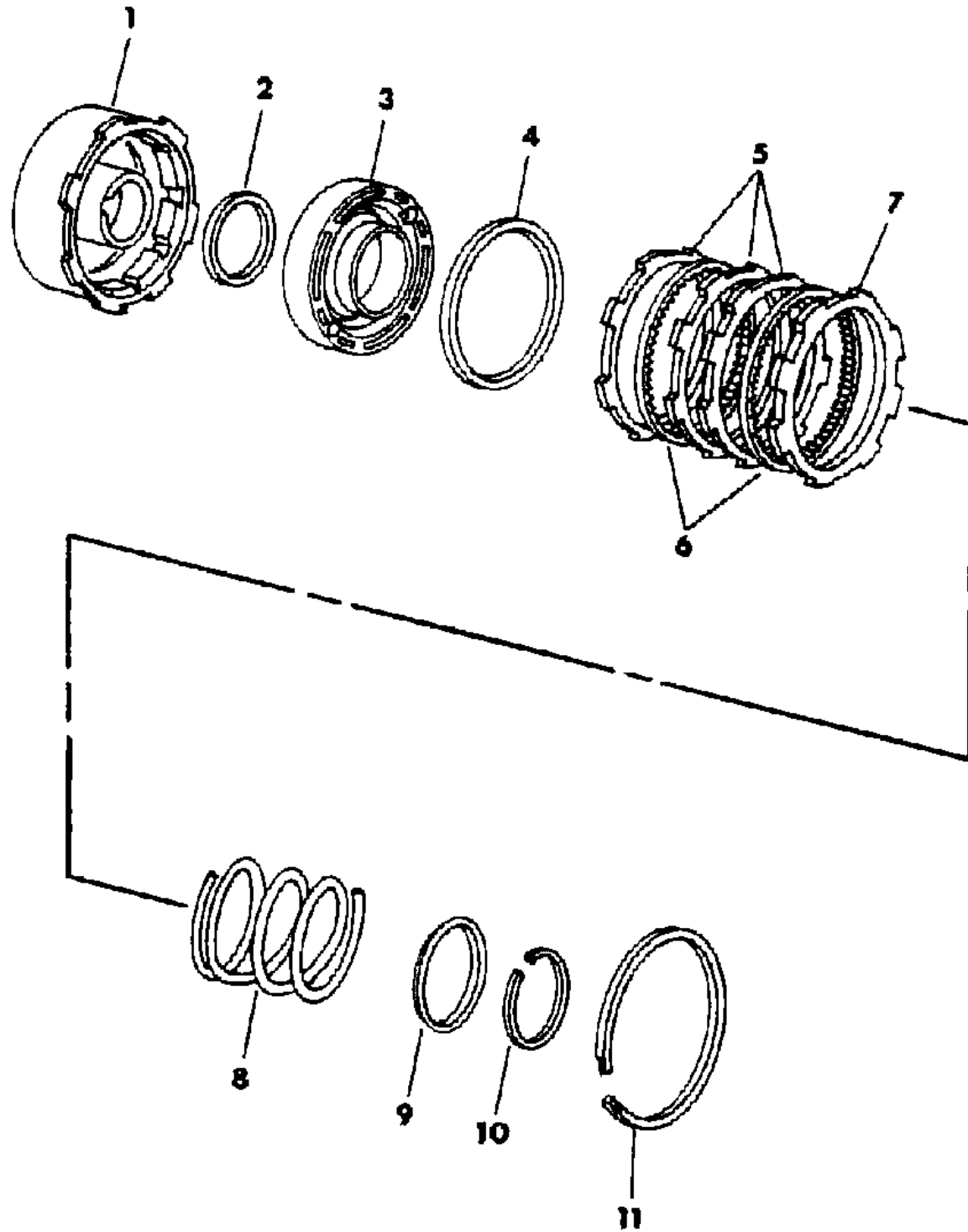
52-53 = FWD WAGON

AR = Use as Required - = Non Illustrated Part P.A.R. = Paint as Required

CLUTCH, FRONT AUTOMATIC TRANSAXLE, A413,A470,A670

Figure 21A-1700

7151 1700



ITEM	PART NUMBER	QTY	BODY	MODEL	DESCRIPTION
1	4348 911	1			RETAINER, w/Bushing, Front Clutch, Except 4431493,4471493 Trans.
	4348 854	1			Use w/4431493,4471493 Trans.
-	0147 483	1			BALL, Frt. Clutch Ret. Check Valve, 3/16" Dia.
2	#5205 670	1			SEAL, Frt. Clutch Piston, Inner
3	4348 855	1			PISTON, Frt. Clutch
4	4058 487	1			SEAL, Frt. Clutch Piston, Outer
5	4207 208	3			PLATE, Frt. Clutch, 1/10" Thk., Except 4431493,4471493 Trans.
	4207 208	4			Use w/4431493,4471493 Trans.
6	5205 675	3			DISC, Transaxle Frt. Clutch
7	4348 888	1			PLATE, Frt. Clutch Reaction, 1/5" Thk., Except 4377954,955 Trans.
	4207 209	1			Use w/4377954,955 Trans.
8	5224 144	1			SPRING, Frt. Clutch Piston, Except 4431485,493,4471485,493, 4377955 Trans.
	4207 227	1			Use w/4431485,493,4471485,493,4377955 Trans.
9	5205 673	1			RETAINER, Frt. Clutch Spring
10	5205 674	1			SNAP RING, Frt. Clutch, Inner
11	5212 096	1			SNAP RING, Frt. Clutch, Outer, Steel

MODEL CODES

E BODY = (J - CARAVELLE)(E - 600)(T - NEW YORKER)

G BODY = (V24 - DAYTONA)

H BODY = (D44 - LANCER)(C44 - LEBARON GTS)

J BODY = (C - LEBARON)

K BODY = (P - RELIANT)(D - ARIES)(C - LEBAROND)/TOWN & COUNTRY)

L BODY = (M - HORIZON/TURISMO)(Z - OMNI/CHARGER)

M BODY = (B - GRAN FURY)(F - FIFTH AVE/NEWPORT)(G - DIPLOMAT)

P BODY = (P - SUNDANCE)(D - SHADOW)

S BODY = (H - VOYAGER)(K - RAM VAN/CARAVAN)

BODY STYLES

12-13 = FWD VAN

21 = 2-DOOR SEDAN

24 = 2-DOOR HATCHBACK

27 = 2-DOOR CONVERTIBLE

41 = 4-DOOR SEDAN

44 = 4-DOOR HATCHBACK

45 = 4-DOOR STATION WAGON

52-53 = FWD WAGON

AR = Use as Required - = Non Illustrated Part P.A.R. = Paint as Required

CLUTCH, REAR AND INPUT SHAFT AUTOMATIC TRANSAXLE, A413,A470,A670
Figure 21A-1800

7151 1800

ITEM	PART NUMBER	QTY	BODY	MODEL	DESCRIPTION
1	4377 047	2			SEAL, Ring, Input Shaft, 1" I.D., Except 4431491,492,493, 4471491,492,493 Trans.
	4377 047	3			Use w/4431491,492,493,4471491,492,493 Trans.
2	4377 106	1			SHAFT, Input, Except 4431491,492,493,4471491,492,493 Trans.
	4348 397	1			Use w/4431491,492,493,4471491,492,493 Trans.
3	4269 593	1			SEAL, Ring, Rr. Clutch Retainer, 1-3/4" O.D., Nylon
4	#5205 680	1			WASHER, Frt. Cl. Thrust, Rr., Nylon, 2-1/2" O.D.
5					RETAINER, Rear Clutch
	4348 916	1			w/4431483,484,491,4471483,438,491,4377954 Trans.
	4348 856	1			w/4431485,486,490,492,493,4471485,486,490,492,493, 4377955 Trans.
6	5205 691	1			SNAP RING, Input Shaft, 7/8" I.D.
7	5224 039	1			WASHER, Output Shaft Thrust 1.98-2.03
	5224 040	1			2.16-2.21
	5224 041	1			2.34-2.39
8	#5212 373	1			SEAL, Rr. Cl. Piston, Inner, Rubber
9	4207 202	1			PISTON, Rr. Clutch
-	0147 483	1			BALL, Rr. Clutch Piston Check Valve, 3/16" Dia.
10	5205 701	1			SEAL, Rr. Cl. Piston, Outer, Rubber
11					SPRING, Rr. Clutch Piston
	4207 246	1			w/4431483,484,491, 4471483,438,491,4377954 Trans.
	4269 623	1			w/4431485,486,490,492,493,4471485,486,490,492,493, 4377955 Trans.
12	4207 265	1			SPRING, Rr. Clutch Wave
13	4269 618	1			PLATE, Rr. Clutch Pressure w/Lip, 3/8" Thk.
14					PLATE, Rear Clutch Plate, 1/16" Thk.
	5224 073	2			w/4431483,484,491,4471483,438,491,4377954 Trans.
	5224 073	3			w/4431485,486,490,492,493,4471485,486,490,492,493, 4377955 Trans.
15					DISC, Rear Clutch
	5224 084	3			w/4431483,484,491,4471483,438,491,4377954 Trans.
	5224 084	4			w/4431485,486,490,492,493,4471485,486,490,492,493, 4377955 Trans.
16	4269 619	1			PLATE, Rr. Clutch Reaction, 1/5" Thk.
17					SNAP RING, Rr. Clutch Retainer
	4269 670	AR			.048 - .050" Thk.
	1942 421	AR			.060 - .062" Thk.
	4130 774	AR			.074 - .076" Thk.

MODEL CODES

E BODY = (J - CARAVELLE)(E - 600)(T - NEW YORKER)

G BODY = (V24 - DAYTONA)

H BODY = (D44 - LANCER)(C44 - LEBARON GTS)

J BODY = (C - LEBARON)

K BODY = (P - RELIANT)(D - ARIES)(C - LEBAROND)/TOWN & COUNTRY)

L BODY = (M - HORIZON/TURISMO)(Z - OMNI/CHARGER)

M BODY = (B - GRAN FURY)(F - FIFTH AVE/NEWPORT)(G - DIPLOMAT)

P BODY = (P - SUNDANCE)(D - SHADOW)

S BODY = (H - VOYAGER)(K - RAM VAN/CARAVAN)

BODY STYLES

12-13 = FWD VAN

21 = 2-DOOR SEDAN

24 = 2-DOOR HATCHBACK

27 = 2-DOOR CONVERTIBLE

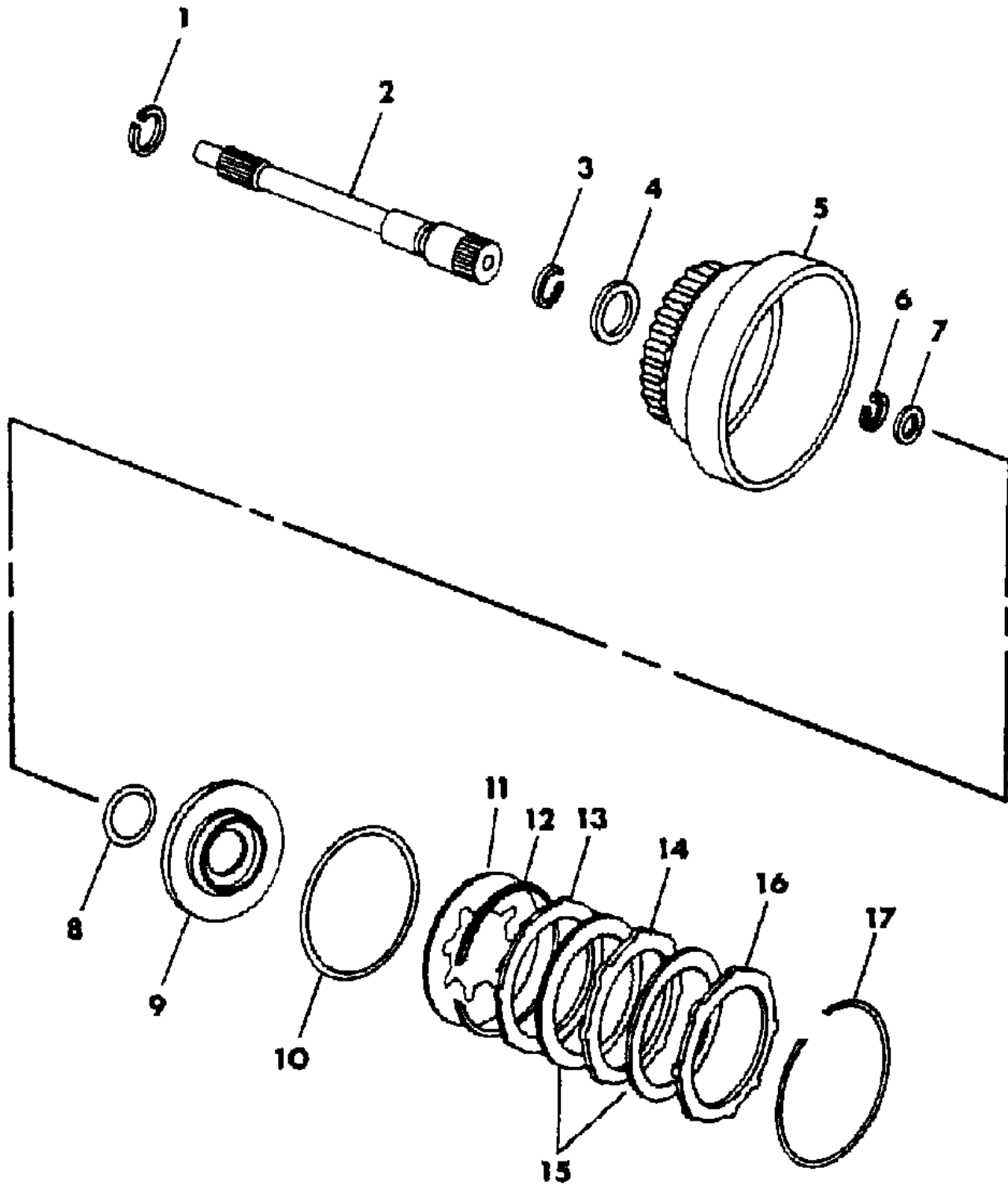
41 = 4-DOOR SEDAN

44 = 4-DOOR HATCHBACK

45 = 4-DOOR STATION WAGON

52-53 = FWD WAGON

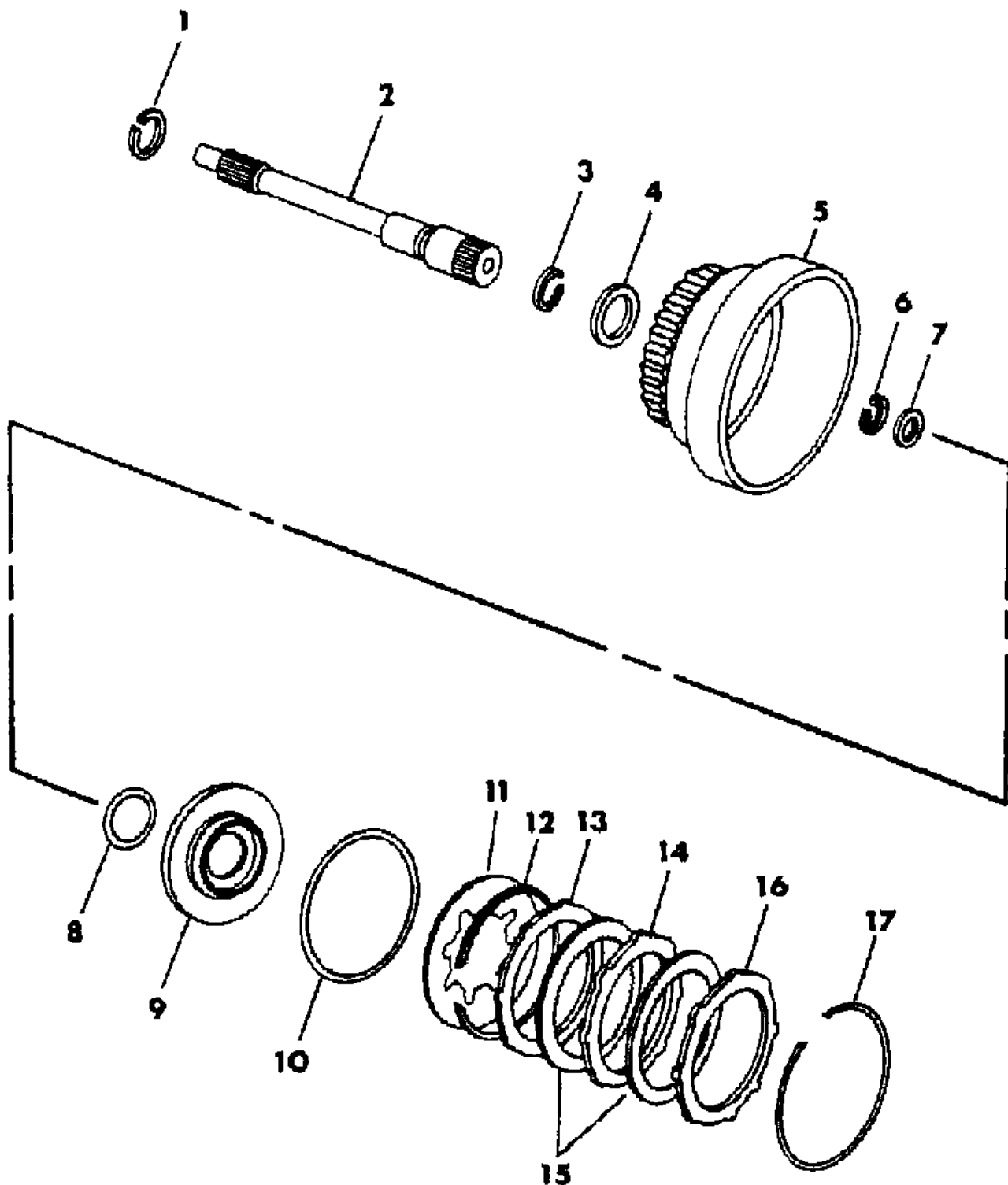
AR = Use as Required - = Non Illustrated Part P.A.R. = Paint as Required



CLUTCH, REAR AND INPUT SHAFT AUTOMATIC TRANSAXLE, A413,A470,A670
Figure 21A-1800

7151 1800

ITEM	PART NUMBER	QTY	BODY	MODEL	DESCRIPTION
	4130 775	AR			.087 - .089" Thk.



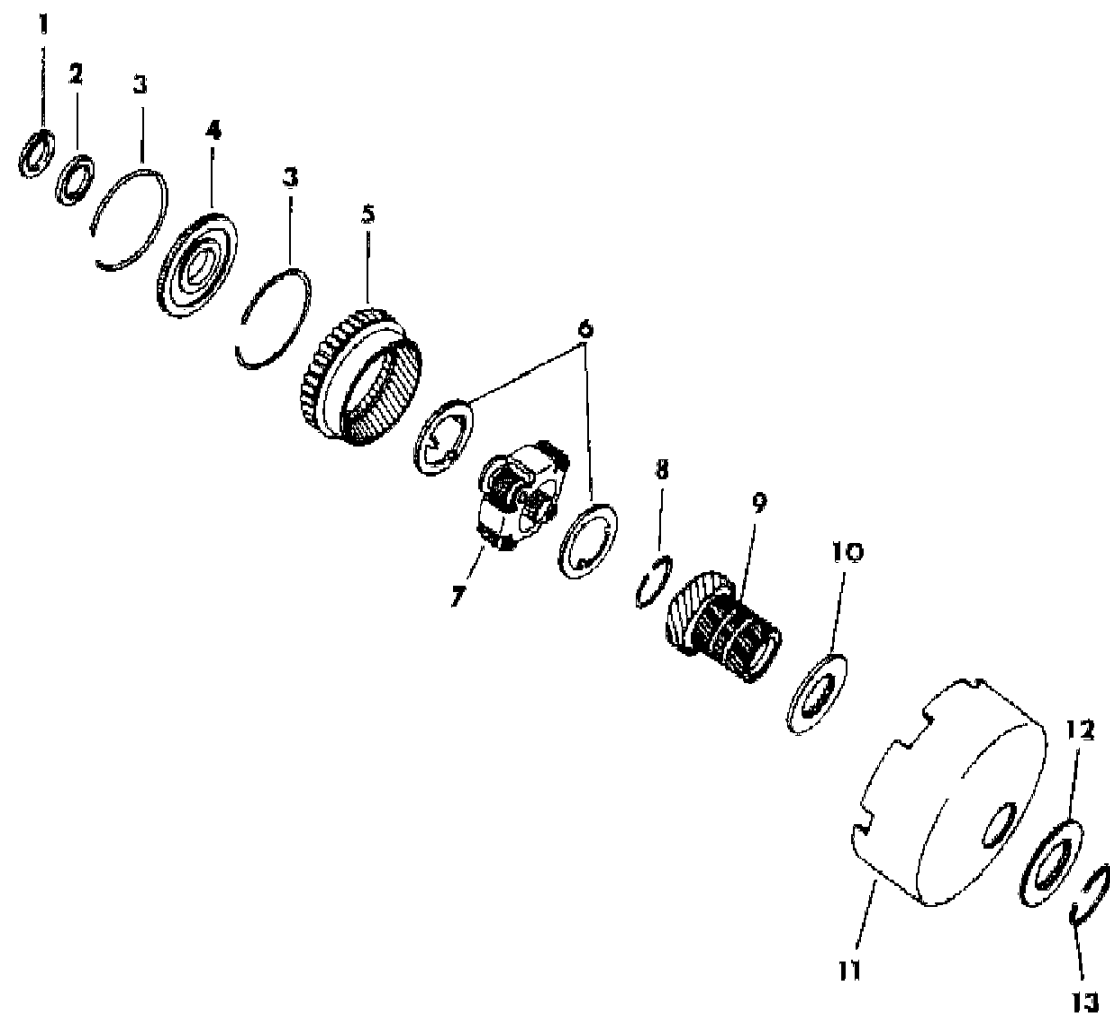
MODEL CODES
 E BODY = (J - CARAVELLE)(E - 600)(T - NEW YORKER)
 G BODY = (V24 - DAYTONA)
 H BODY = (D44 - LANCER)(C44 - LEBARON GTS)
 J BODY = (C - LEBARON)
 K BODY = (P - RELIANT)(D - ARIES)(C - LEBAROND)/TOWN & COUNTRY
 L BODY = (M - HORIZON/TURISMO)(Z - OMNI/CHARGER)
 M BODY = (B - GRAN FURY)(F - FIFTH AVE/NEWPORT)(G - DIPLOMAT)
 P BODY = (P - SUNDANCE)(D - SHADOW)
 S BODY = (H - VOYAGER)(K - RAM VAN/CARAVAN)

BODY STYLES
 12-13 = FWD VAN
 21 = 2-DOOR SEDAN
 24 = 2-DOOR HATCHBACK
 27 = 2-DOOR CONVERTIBLE
 41 = 4-DOOR SEDAN
 44 = 4-DOOR HATCHBACK
 45 = 4-DOOR STATION WAGON
 52-53 = FWD WAGON

AR = Use as Required - = Non Illustrated Part P.A.R. = Paint as Required

GEARS, FRONT ANNULUS AND SUN AUTOMATIC TRANSAXLE, A413,A470,A670
Figure 21A-1900

7151 1900



ITEM	PART NUMBER	QTY	BODY	MODEL	DESCRIPTION
1	5222 022	1			SNAP RING, Frt. Annulus, Inner, 1-1/8" I.D.
2	5222 493	1			WASHER, Frt. Annulus Gear Thrust
3	5224 079	2			SNAP RING, Frt. Annulus, Outer
4	5224 070	1			SUPPORT, w/Bushing, Frt. Annulus Gear
5	4269 620	1			GEAR, Transaxle Frt. Annulus
6	5224 066	2			WASHER, Frt. Planet Pinion Carrier Thrust
7	4567 210	1			CARRIER ASSEMBLY, Front Planet Pinion, 4 Pinion
8	5205 739	1			LOCK RING, Sun Gear Driving Shell
9	5224 192	1			GEAR, w/Bushing, Sun
10	5224 236	1			SPACER, Sun Gear Plate
11	4207 195	1			SHELL, Sun Gear Driving
12	5205 737	1			PLATE, Sun Gear Driving Shell Thrust
13	5205 739	1			LOCK RING, Sun Gear Driving Shell

MODEL CODES

E BODY = (J - CARAVELLE)(E - 600)(T - NEW YORKER)

G BODY = (V24 - DAYTONA)

H BODY = (D44 - LANCER)(C44 - LEBARON GTS)

J BODY = (C - LEBARON)

K BODY = (P - RELIANT)(D - ARIES)(C - LEBAROND)/TOWN & COUNTRY)

L BODY = (M - HORIZON/TURISMO)(Z - OMNI/CHARGER)

M BODY = (B - GRAN FURY)(F - FIFTH AVE/NEWPORT)(G - DIPLOMAT)

P BODY = (P - SUNDANCE)(D - SHADOW)

S BODY = (H - VOYAGER)(K - RAM VAN/CARAVAN)

BODY STYLES

12-13 = FWD VAN

21 = 2-DOOR SEDAN

24 = 2-DOOR HATCHBACK

27 = 2-DOOR CONVERTIBLE

41 = 4-DOOR SEDAN

44 = 4-DOOR HATCHBACK

45 = 4-DOOR STATION WAGON

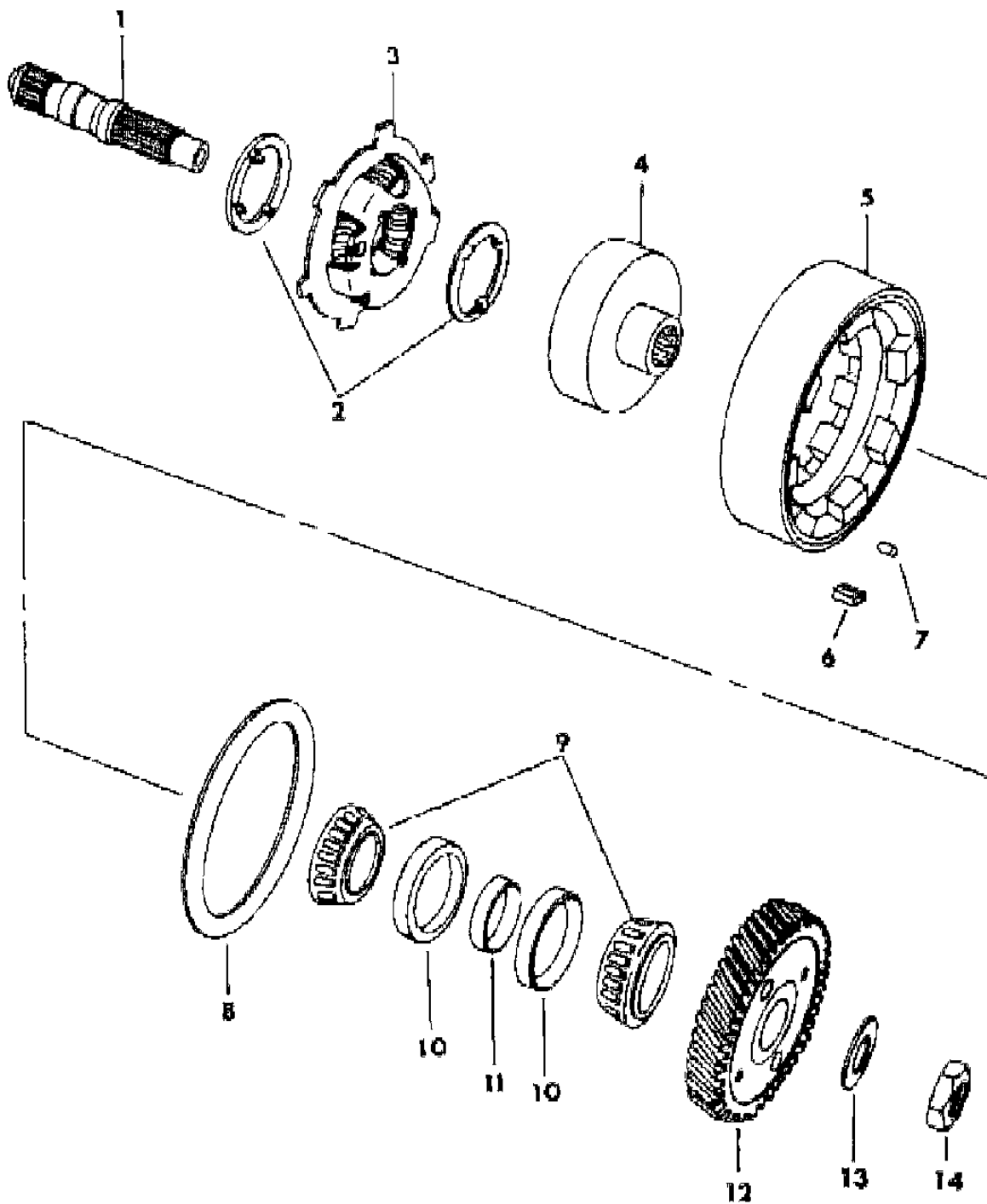
52-53 = FWD WAGON

AR = Use as Required - = Non Illustrated Part P.A.R. = Paint as Required

SHAFT, OUTPUT, REAR CARRIER, REVERSE DRUM, AND OVERRUNNING CLUTCH AUTOMATIC TRANSAXLE, A413,A470,A670

Figure 21A-2000

7151 2000



ITEM	PART NUMBER	QTY	BODY	MODEL	DESCRIPTION
1	4348 932	1			SHAFT, Transaxle Output, Except 4377954,955 Trans.
	4329 822	1			Use w/4377954,955 Trans.
-	5205 691	1			SNAP RING, Output Shaft
2	5205 724	2			WASHER, Rr. Planet Pinion Carrier
3	4269 942	1			CARRIER ASSEMBLY, Rear Planet Pinion, 4 Pinion
4	5222 047	1			GEAR, Rear Annulus
5	4207 117	1			DRUM, w/Cam, Low and Reverse
-	5222 137	1			BUSHING, Low and Reverse Drum
6	4186 886	1			SPRING and ROLLER PACKAGE, "O" Running Clutch
7					ROLLER, "O" Running Clutch Serviced in Spring and Roller Package
8	#5205 772	1			WASHER, "O" Running Clutch Cam Thrust
9	5224 300	2			CONE, Output Shaft
10	5224 299	2			CUP PACKAGE, Output Shaft
11					SPACER, Output Shaft Brg.
	4207 162	AR			12.65
	4207 163	AR			13.15
	4207 164	AR			13.65
	5224 152	AR			14.99
12	4443 182	1			GEAR SET, Output Shaft and Transfer Shaft, Except 4431483, 493,4471483,493,4377954 Trans., 53T-56T
	4443 181	1			Use w/4431483,4471483,4377954 Trans., 57T-52T
	4443 182	1			w/4431493,4471493 Trans., 53T-56T
13	5222 010	1			WASHER, Output Shaft Gear Nut
14	5222 009	1			NUT, Output Shaft Gear M20x1.5

MODEL CODES

E BODY = (J - CARAVELLE)(E - 600)(T - NEW YORKER)

G BODY = (V24 - DAYTONA)

H BODY = (D44 - LANCER)(C44 - LEBARON GTS)

J BODY = (C - LEBARON)

K BODY = (P - RELIANT)(D - ARIES)(C - LEBAROND)/TOWN & COUNTRY)

L BODY = (M - HORIZON/TURISMO)(Z - OMNI/CHARGER)

M BODY = (B - GRAN FURY)(F - FIFTH AVE/NEWPORT)(G - DIPLOMAT)

P BODY = (P - SUNDANCE)(D - SHADOW)

S BODY = (H - VOYAGER)(K - RAM VAN/CARAVAN)

BODY STYLES

12-13 = FWD VAN

21 = 2-DOOR SEDAN

24 = 2-DOOR HATCHBACK

27 = 2-DOOR CONVERTIBLE

41 = 4-DOOR SEDAN

44 = 4-DOOR HATCHBACK

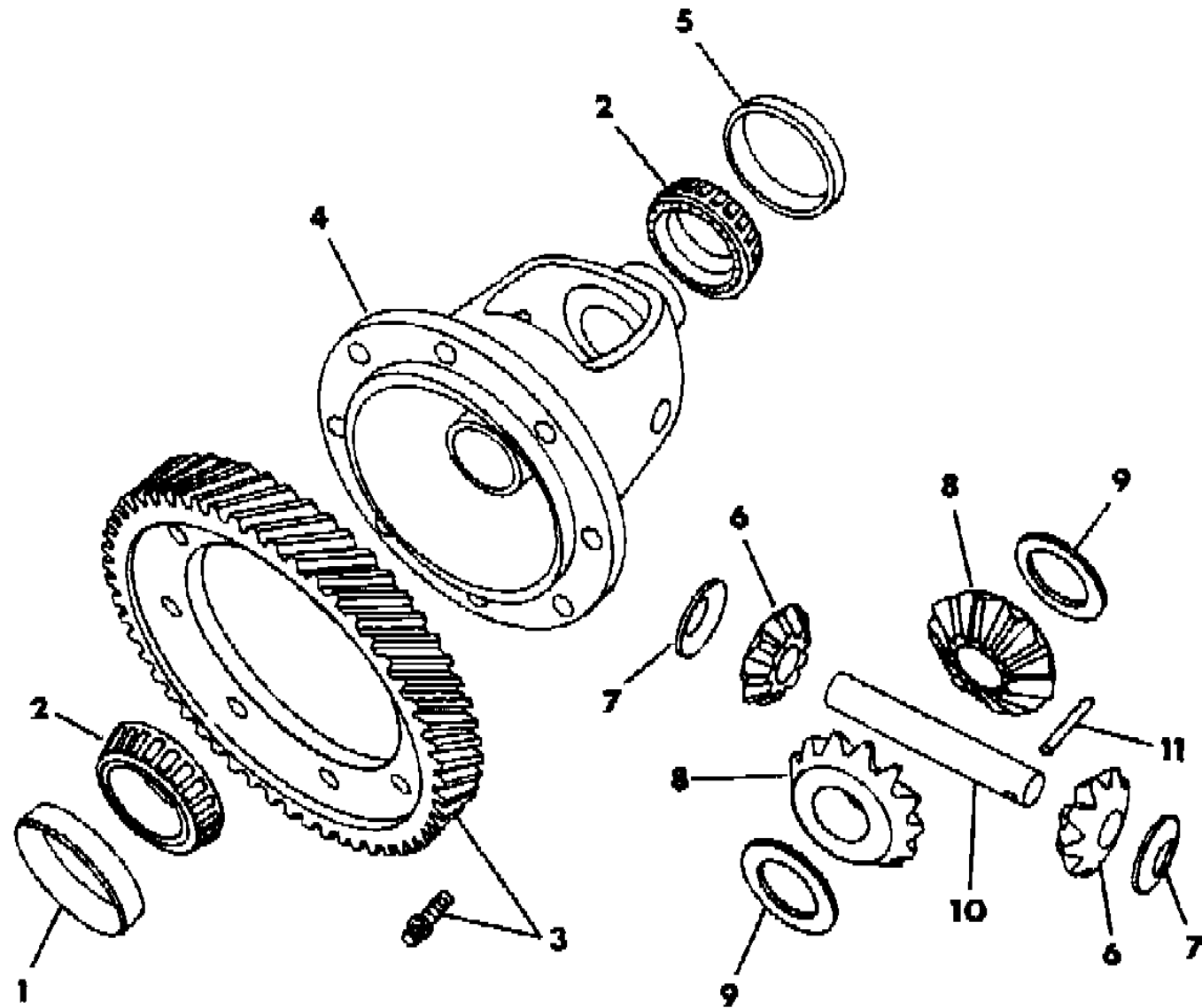
45 = 4-DOOR STATION WAGON

52-53 = FWD WAGON

AR = Use as Required - = Non Illustrated Part P.A.R. = Paint as Required

DIFFERENTIAL AUTOMATIC TRANSAXLE, A413,A470,A670
Figure 21A-2100

7151 2100



ITEM	PART NUMBER	QTY	BODY	MODEL	DESCRIPTION
1	4269 676	1			CUP, Transaxle Extension
2	4269 677	2			CONE, Transaxle Differential
3					GEAR, Final Drive
	4269 171	1			w/4377954 Trans., 8 Bolt Holes, 61T
	4348 922	1			w/4431483,486,490,492,4471483,486,490,492, Trans., 61T
	4348 921	1			w/4431484,485,491,4471438,485,491 Trans., 60T
	4295 841	1			w/4377955 Trans., 8 Bolt Holes, 60T
	4348 626	1			w/4431493,4471493 Trans., 60T
-	6501 240	12			SCREW, Diff. Ring Gear to Diff., M10x1.5x25, Except 4377954, 955 Trans.
-	6501 032	8			M10x1.5x25, Use w/4377954,955 Trans.
4	4348 662	1			CASE, Transaxle Differential, Except 4377954,955 Trans.
	4269 768	1			Use w/4377954,955 Trans.
5	4269 676	1			CUP, Differential
6	4348 679	2			PINION, Differential, Except 4377954,955 Trans.
	4412 050	2			Use w/4377954,955 Trans.
7	4412 521	2			WASHER, Diff. Pinion Thrust, Spherical w/Tab, 0.79-0.84" Thk., Except 4377954,955 Trans.
	4269 755	2			Use w/4377954,955 Trans.
8	4348 619	2			GEAR, Differential Side, Except 4377954,955 Trans.
	4412 048	2			Use w/4377954,955 Trans.
9	4131 292	1			WASHER PACKAGE, Diff. Side Gear Thrust, Flat, Except 4377954,955 Trans.
					Consists Of:
		2			WASHER, .031 - .033" Thk.
		2			.036 - .038" Thk.
		2			.041 - .043" Thk.
		2			.046 - .048" Thk.
	4269 754	1			WASHER, Diff. Side Gear Thrust, Flat w/Tab, w/4377954,955 Trans.
10	4659 142	1			SHAFT, Differential, Except 4377954,955 Trans.
	4207 073	1			Use w/4377954,955 Trans.
11	6101 284	1			PIN, Diff. Shaft Roll

MODEL CODES

E BODY = (J - CARAVELLE)(E - 600)(T - NEW YORKER)

G BODY = (V24 - DAYTONA)

H BODY = (D44 - LANCER)(C44 - LEBARON GTS)

J BODY = (C - LEBARON)

K BODY = (P - RELIANT)(D - ARIES)(C - LEBAROND)/TOWN & COUNTRY)

L BODY = (M - HORIZON/TURISMO)(Z - OMNI/CHARGER)

M BODY = (B - GRAN FURY)(F - FIFTH AVE/NEWPORT)(G - DIPLOMAT)

P BODY = (P - SUNDANCE)(D - SHADOW)

S BODY = (H - VOYAGER)(K - RAM VAN/CARAVAN)

BODY STYLES

12-13 = FWD VAN

21 = 2-DOOR SEDAN

24 = 2-DOOR HATCHBACK

27 = 2-DOOR CONVERTIBLE

41 = 4-DOOR SEDAN

44 = 4-DOOR HATCHBACK

45 = 4-DOOR STATION WAGON

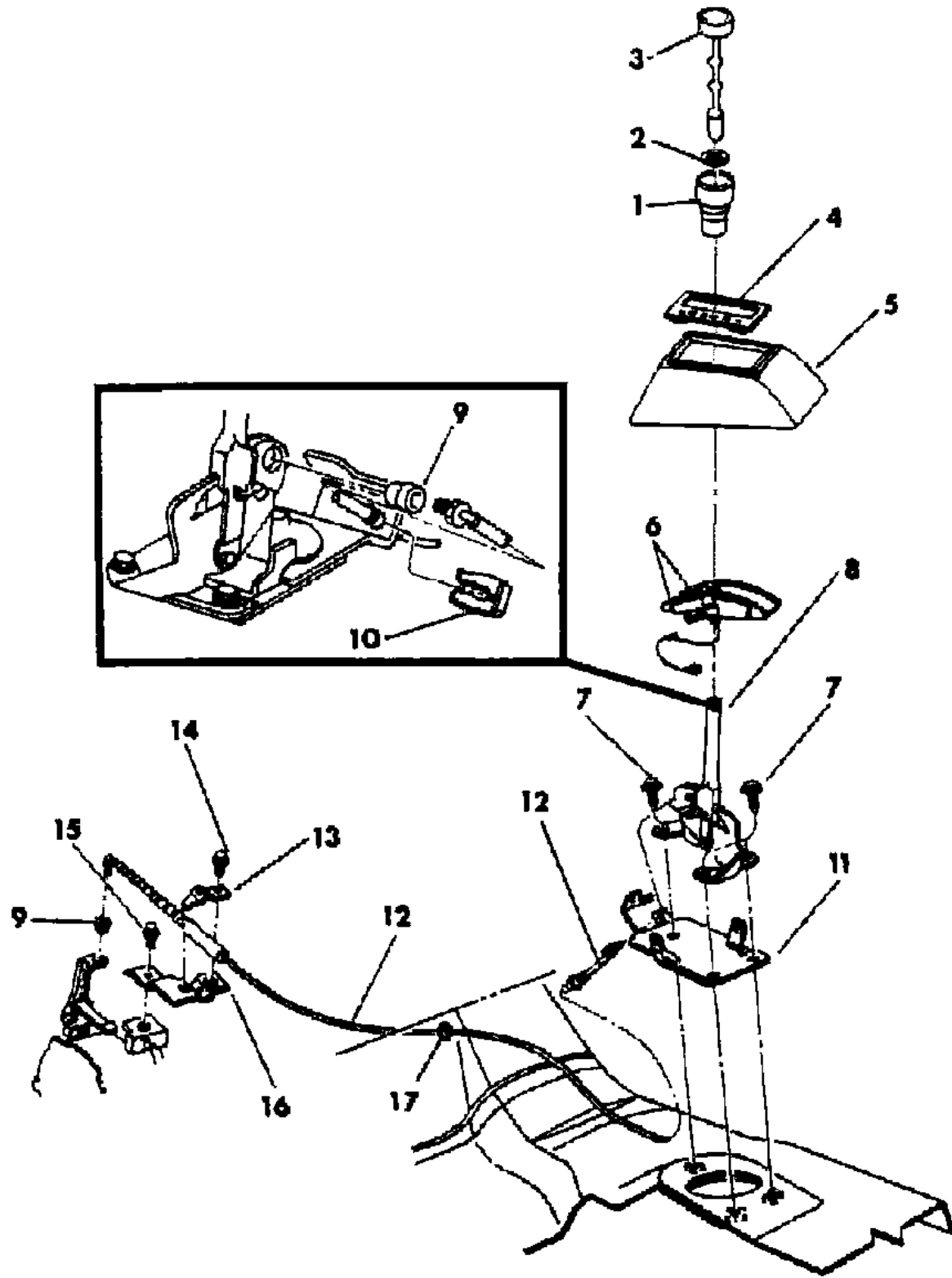
52-53 = FWD WAGON

AR = Use as Required - = Non Illustrated Part P.A.R. = Paint as Required

CONTROLS, GEARSHIFT, FLOOR SHIFT AUTOMATIC TRANSAXLE L BODY
Figure 21A-2200

7151 2200

ITEM	PART NUMBER	QTY	BODY	MODEL	DESCRIPTION
1	5206 117	1			KNOB, Gearshift
2	5211 832	1			CLIP, Gearshift Knob
3	4019 991	1			BUTTON, Gearshift Knob
4	5209 966	1			LENS, Console Gear Selector Indicator
5					CONSOLE, Mini, (Refer to Group 8A)
6	4221 479	1			BRACKET, w/Slide, Lamp and Clip, Console Gearshift Selector Indicator
7	#6100 577	3			SCREW, w/Washer, M8x1.25x35
8	5211 920	1			ACTUATOR, Gearshift Control
9	3575 333	2			GROMMET
10	4295 369	1			CLIP, Gearshift Control Cable
11	5211 875	1			BRACKET, Gearshift Control Mounting
12	4377 308	1			CABLE, Gearshift Control, 52.26" Lg.
13	5211 887	1			CLAMP, Gearshift Control
14	6100 560	1			BOLT, Cable Mounting Front, M6x1.00x35
15	6100 315	1			SCREW, Bracket Mounting Front, M8x1.25x35
16	4269 802	1			BRACKET, Gearshift Control Cable Mounting Front
17	3593 446	1			GROMMET, G/Shift Cable to Dash Panel



MODEL CODES
 E BODY = (J - CARAVELLE)(E - 600)(T - NEW YORKER)
 G BODY = (V24 - DAYTONA)
 H BODY = (D44 - LANCER)(C44 - LEBARON GTS)
 J BODY = (C - LEBARON)
 K BODY = (P - RELIANT)(D - ARIES)(C - LEBAROND)/TOWN & COUNTRY
 L BODY = (M - HORIZON/TURISMO)(Z - OMNI/CHARGER)
 M BODY = (B - GRAN FURY)(F - FIFTH AVE/NEWPORT)(G - DIPLOMAT)
 P BODY = (P - SUNDANCE)(D - SHADOW)
 S BODY = (H - VOYAGER)(K - RAM VAN/CARAVAN)

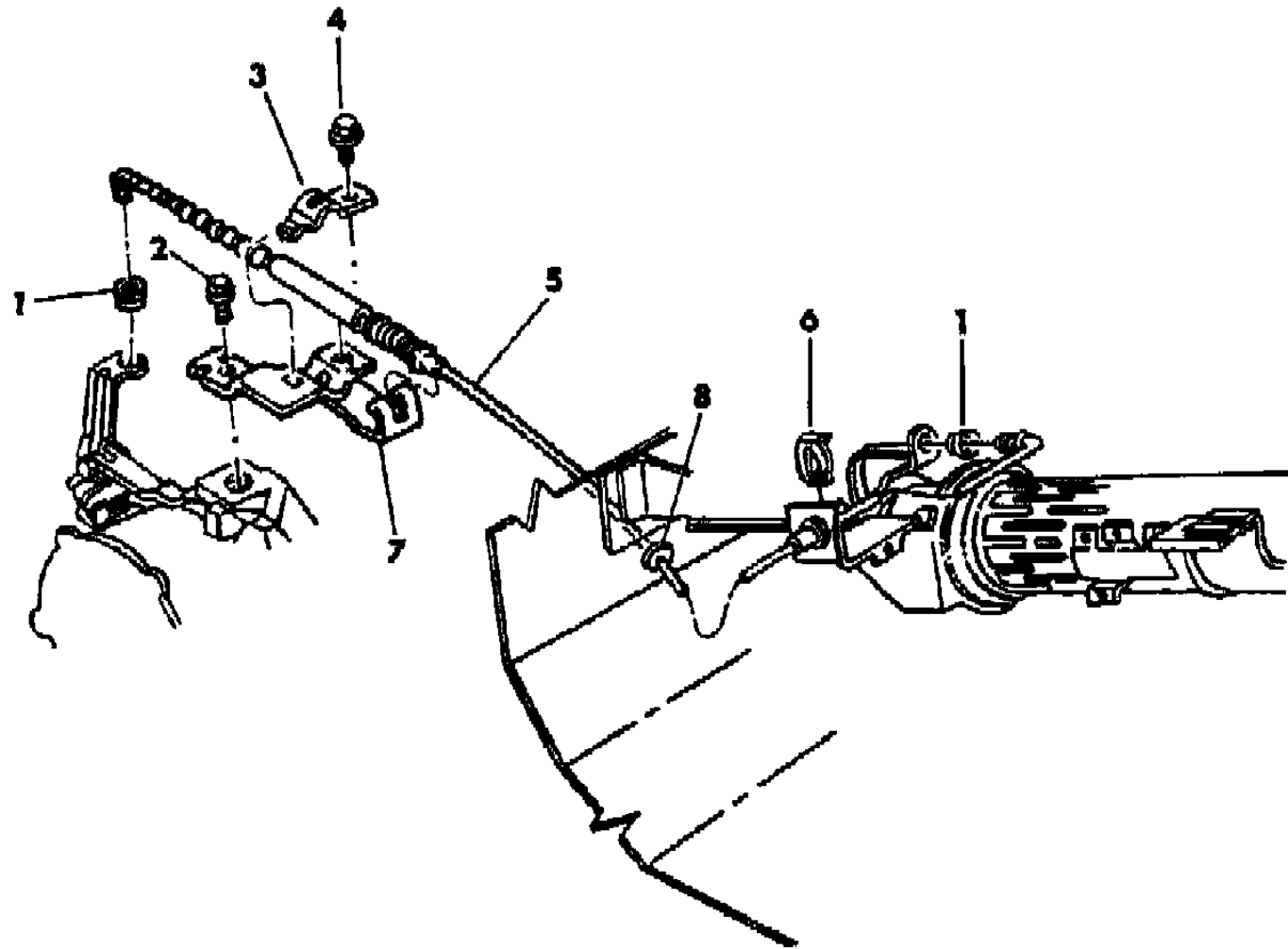
BODY STYLES
 12-13 = FWD VAN
 21 = 2-DOOR SEDAN
 24 = 2-DOOR HATCHBACK
 27 = 2-DOOR CONVERTIBLE
 41 = 4-DOOR SEDAN
 44 = 4-DOOR HATCHBACK
 45 = 4-DOOR STATION WAGON
 52-53 = FWD WAGON

AR = Use as Required - = Non Illustrated Part P.A.R. = Paint as Required

CONTROLS, GEARSHIFT, COLUMN SHIFT AUTOMATIC TRANSAXLE K,E,S BODY
Figure 21A-2400

7151 2400

ITEM	PART NUMBER	QTY	BODY	MODEL	DESCRIPTION
1	3575 333	2			GROMMET
2	6100 315	1			SCREW, Bracket Mounting Front, M8x1.25x35
3	5211 887	1			CLAMP, Control Cable Mounting Front
4	6100 560	1			BOLT, Cable Mounting Clamp, M6x1.00x35
5					CABLE, Gearshift Control
	4377 317	1	K,E		42.13" Lg.
	4412 657	1	S		42.13" Lg.
6	6501 326	1			CLIP, G/Shift Control Cable
7	4329 050	1			BRACKET, Cable Mounting, Front
8	3593 446	1			GROMMET, G/Shift Cable to Dash Panel



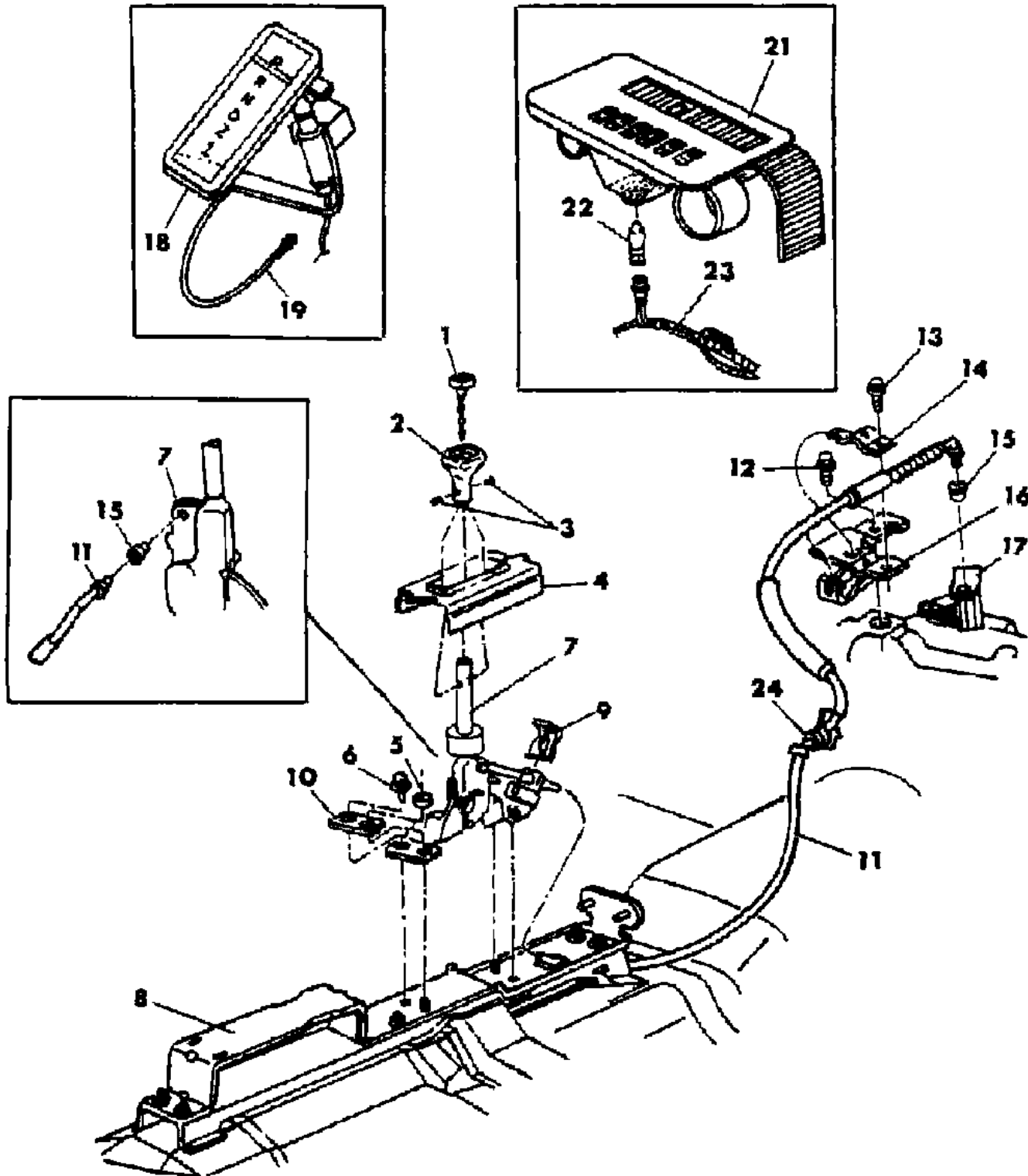
MODEL CODES
 E BODY = (J - CARAVELLE)(E - 600)(T - NEW YORKER)
 G BODY = (V24 - DAYTONA)
 H BODY = (D44 - LANCER)(C44 - LEBARON GTS)
 J BODY = (C - LEBARON)
 K BODY = (P - RELIANT)(D - ARIES)(C - LEBAROND)/TOWN & COUNTRY
 L BODY = (M - HORIZON/TURISMO)(Z - OMNI/CHARGER)
 M BODY = (B - GRAN FURY)(F - FIFTH AVE/NEWPORT)(G - DIPLOMAT)
 P BODY = (P - SUNDANCE)(D - SHADOW)
 S BODY = (H - VOYAGER)(K - RAM VAN/CARAVAN)

BODY STYLES
 12-13 = FWD VAN 41 = 4-DOOR SEDAN
 21 = 2-DOOR SEDAN 44 = 4-DOOR HATCHBACK
 24 = 2-DOOR HATCHBACK 45 = 4-DOOR STATION WAGON
 27 = 2-DOOR CONVERTIBLE 52-53 = FWD WAGON

AR = Use as Required - = Non Illustrated Part P.A.R. = Paint as Required

CONTROLS, GEARSHIFT, FLOOR SHIFT AUTOMATIC TRANSAXLE P,J,K,G,H BODY
Figure 21A-2500

7151 2500



ITEM	PART NUMBER	QTY	BODY	MODEL	DESCRIPTION
1	4340 167	1			BUTTON, w/Rod, G/Shift Knob, Except J,G Body
	4377 264	1			w/J,G Body
2	4340 120	1			KNOB, G/Shift Control Selector Lever, Except J,G Body
	4377 276	1			w/J,G Body
3	6500 870	2			SCREW, Knob To Selector Lever, Except J,G Body
	6501 375	1			w/J,G Body
4		1			CONSOLE, (Refer to Group 8A)
5	6501 483	2			NUT, Actuator Mtg., M8x1.25
6		2			SCREW, Actuator Mtg.
7	4364 847	1	P,K,H		ACTUATOR PACKAGE, Gearshift Control
	4377 265	1		V-24,C-	ACTUATOR, Gearshift Control
	4641 102	1		C-27	
8		1			BRACKET, Rr. Floor Console (Refer to Group 8A)
9	4295 369	1			CLIP, Cable Mounting
10	4377 221	2			PLATE, Gearshift Control Actuator, Except J,G Body
11	4377 303	1	P,K		CABLE, Gearshift Control, 56.10" Lg.
	4377 302	1	J,G		59.13" Lg.
	4377 304	1	H		57.67" Lg.
12	6100 315	1			SCREW, w/Washer, M8x1.25x35
13	6100 560	1			SCREW, w/Washer, M6x1.00x35
14	5211 887	1			CLAMP, Cable Mtg.
15	3575 333	2			GROMMET, Cable End, Except J,G Body
		1			w/J,G Body
16	4329 050	1			BRACKET, Cable Mtg., Front
17	5224 266	1			LEVER, Manual Control
18	4221 802	1		V-24,C-	LAMP ASSEMBLY, Console G/Shift Selector Indicator
	4221 588	1	H		
19	4221 192	1		V-24,C2	CABLE, Console Selector Indicator Lamp
	4221 192	1	H		
		1			
21	4221 882	1	P		BEZEL, w/Lamp, Console G/Shift Selector Indicator
	4221 583	1	K		
	4373 092	1		C-27	
		1	J,K,G		BULB, Console Lamp
	9421 330	1	H		
23		1			WIRING, Console G/Shift Indicator (Refer to Body Wiring)
24	3593 446	1			GROMMET, G/Shift Control Cable To Dash Panel

MODEL CODES

E BODY = (J - CARAVELLE)(E - 600)(T - NEW YORKER)

G BODY = (V24 - DAYTONA)

H BODY = (D44 - LANCER)(C44 - LEBARON GTS)

J BODY = (C - LEBARON)

K BODY = (P - RELIANT)(D - ARIES)(C - LEBAROND)/TOWN & COUNTRY)

L BODY = (M - HORIZON/TURISMO)(Z - OMNI/CHARGER)

M BODY = (B - GRAN FURY)(F - FIFTH AVE/NEWPORT)(G - DIPLOMAT)

P BODY = (P - SUNDANCE)(D - SHADOW)

S BODY = (H - VOYAGER)(K - RAM VAN/CARAVAN)

BODY STYLES

12-13 = FWD VAN

21 = 2-DOOR SEDAN

24 = 2-DOOR HATCHBACK

27 = 2-DOOR CONVERTIBLE

41 = 4-DOOR SEDAN

44 = 4-DOOR HATCHBACK

45 = 4-DOOR STATION WAGON

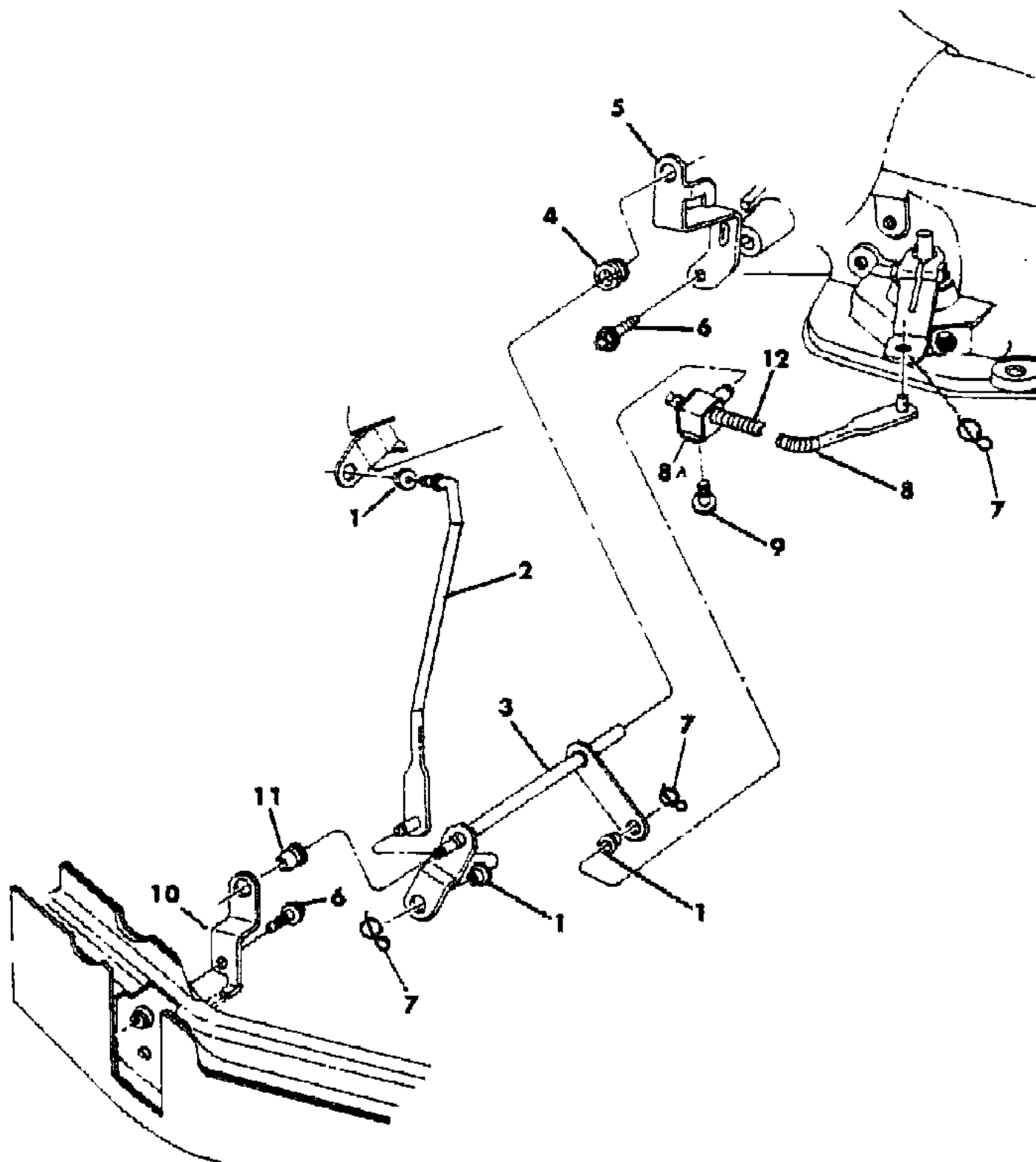
52-53 = FWD WAGON

AR = Use as Required - = Non Illustrated Part P.A.R. = Paint as Required

CONTROLS, GEARSHIFT, LOWER WITH COLUMN SHIFT AUTOMATIC TRANSMISSION, A999,A727 M BODY

Figure 21A-2600

7151 2800



ITEM	PART NUMBER	QTY	BODY	MODEL	DESCRIPTION
1	3575 333	3			GROMMET, Lever Rod
2	4188 469	1			ROD, Gearshift Control Front, A999
	4041 520	1			A727
3	4188 446	1			SHAFT, Torque
4	3575 434	1			BUSHING, Torque Shaft Bracket
5	4019 234	1			BRACKET, Torque Shaft, A999
	4019 237	1			A727
6	0181 088	2			SCREW, w/Washer, 5/16-18 x 1"
7	6500 596	AR			S-CLIP, Rod Frt. and Rear
8	4377 310	1			ROD, Gearshift, Rear, A999
	4173 225	1			A727
8A	4188 437	1			SWIVEL, Gearshift Rod
	4377 309	1			CLAMP, Swivel
9	0181 086	1			SCREW, Swivel Rod Holding, 5/16"-18 x 3/4"
10	4019 233	1			BRACKET, Torque Shaft Frame
11	5211 845	1			GROMMET, Torque Shaft Frame Bracket
12	3575 354	1			SPRING, Control Rod Adjusting

MODEL CODES

E BODY = (J - CARAVELLE)(E - 600)(T - NEW YORKER)

G BODY = (V24 - DAYTONA)

H BODY = (D44 - LANCER)(C44 - LEBARON GTS)

J BODY = (C - LEBARON)

K BODY = (P - RELIANT)(D - ARIES)(C - LEBAROND)/TOWN & COUNTRY)

L BODY = (M - HORIZON/TURISMO)(Z - OMNI/CHARGER)

M BODY = (B - GRAN FURY)(F - FIFTH AVE/NEWPORT)(G - DIPLOMAT)

P BODY = (P - SUNDANCE)(D - SHADOW)

S BODY = (H - VOYAGER)(K - RAM VAN/CARAVAN)

BODY STYLES

12-13 = FWD VAN

21 = 2-DOOR SEDAN

24 = 2-DOOR HATCHBACK

27 = 2-DOOR CONVERTIBLE

41 = 4-DOOR SEDAN

44 = 4-DOOR HATCHBACK

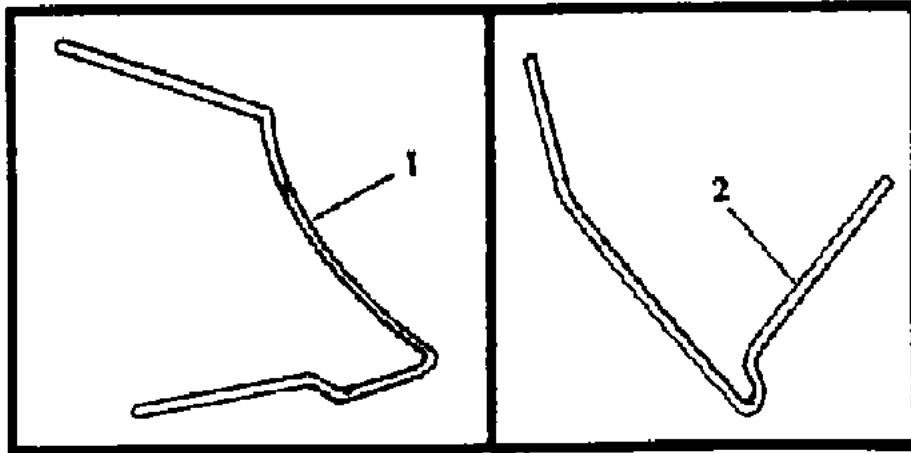
45 = 4-DOOR STATION WAGON

52-53 = FWD WAGON

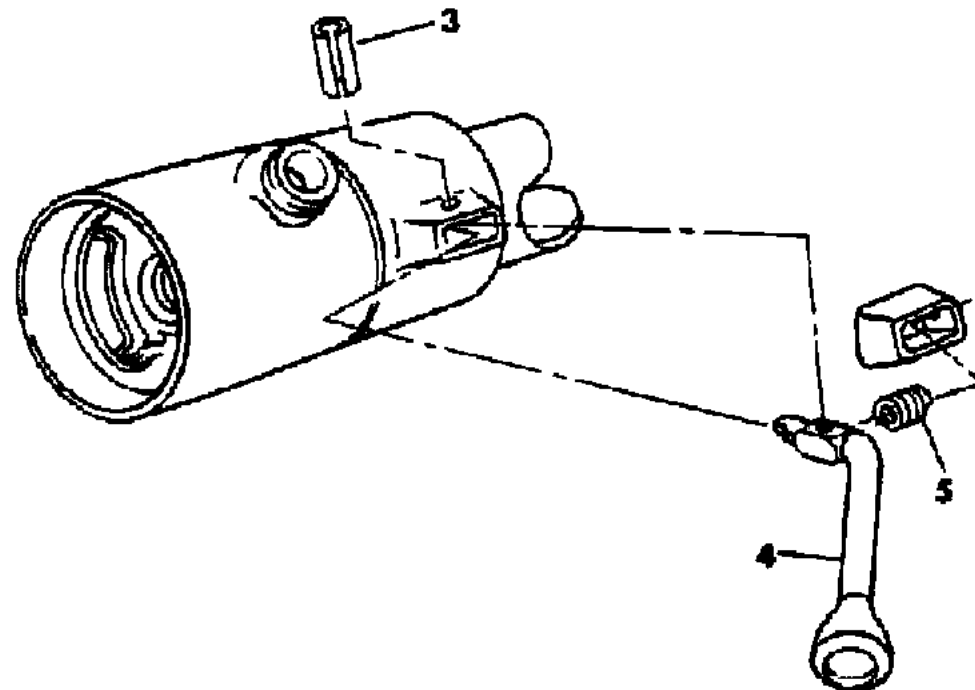
AR = Use as Required - = Non Illustrated Part P.A.R. = Paint as Required

LEVER, COLUMN SHIFT, AND INDICATOR AUTOMATIC TRANSMISSION K,E,S,M BODY
Figure 21A-2700

7151 2700



ITEM	PART NUMBER	QTY	BODY	MODEL	DESCRIPTION
1					POINTER, Gearshift Indicator
	4047 964	1	K,E		w/o Tilt
	4047 965	1	K,E		w/Tilt
2					POINTER, Gearshit Indicator
	3591 595	1	M		w/o Tilt
	4047 722	1	M		w/Tilt
			S		INDICATOR ASSEMBLY, w/Cable (See Group 8A)
3	9412 281	1			PIN, G/Shift Lever, Roll Spring, 1/4" x 1"
4					LEVER, w/Knob, Column Gearshift
	4147 324	1			w/o Tilt
	4147 375	1			w/Tilt, Black Knob
5					SPRING, Gearshift Lever
	4333 500	1			w/o TiIT
	2880 284	1			w/TiIT



MODEL CODES

E BODY = (J - CARAVELLE)(E - 600)(T - NEW YORKER)

G BODY = (V24 - DAYTONA)

H BODY = (D44 - LANCER)(C44 - LEBARON GTS)

J BODY = (C - LEBARON)

K BODY = (P - RELIANT)(D - ARIES)(C - LEBAROND)/TOWN & COUNTRY)

L BODY = (M - HORIZON/TURISMO)(Z - OMNI/CHARGER)

M BODY = (B - GRAN FURY)(F - FIFTH AVE/NEWPORT)(G - DIPLOMAT)

P BODY = (P - SUNDANCE)(D - SHADOW)

S BODY = (H - VOYAGER)(K - RAM VAN/CARAVAN)

BODY STYLES

12-13 = FWD VAN

21 = 2-DOOR SEDAN

24 = 2-DOOR HATCHBACK

27 = 2-DOOR CONVERTIBLE

41 = 4-DOOR SEDAN

44 = 4-DOOR HATCHBACK

45 = 4-DOOR STATION WAGON

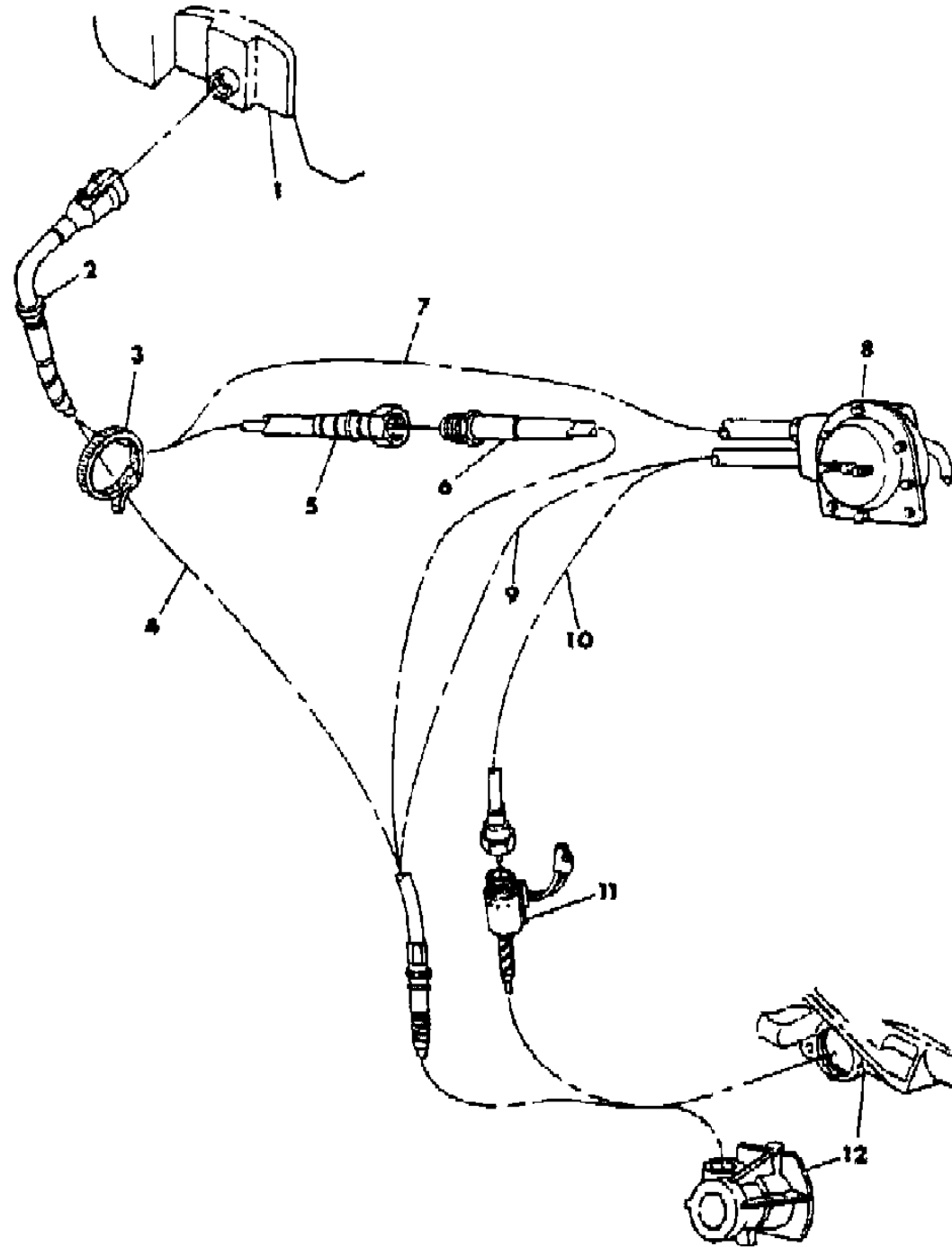
52-53 = FWD WAGON

AR = Use as Required - = Non Illustrated Part P.A.R. = Paint as Required

CABLES, SPEEDOMETER AUTOMATIC TRANSMISSION

Figure 21A-2800

7151 2800



ITEM	PART NUMBER	QTY	BODY	MODEL	DESCRIPTION
1					SPEEDOMETER, (Reference)
2	3593 446	1			GROMMET, Speedo. Cable Dash
-	3445 939	1			PLUG, Speedo Cable Dash Hole, w/Electronic Inst. Panel
3	6015 756	AR			CLIP, Speedo. Cable to Heater Hose
4					CABLE, Speedometer To Transmission
	4312 971	1	L		37" Long, 1/2" Clip-On Upper, 1/2" Push-On Lower
	4312 975	1	S		43" Long, 1/2" Clip-On Upper, 1/2" Push-On Lower, w/2.6L Eng.
	4312 819	1	S		41" Long, 1/2" Clip-On Upper, 5/8" Female Lower, w/2.2,2.5,2.6,3.0L Eng.
5	3591 189	1	M		59" Long, 1/2" Clip-On Upper, 1/2" Push-On Lower
	4374 386	1	L		CABLE, TWO PIECE, Speedometer To Transmission
	4374 767	1	P,H		42" Long, UPPER, 1/2" Clip-On Upper, 5/8" Female
	4312 332	1	K,G,E		44" Long, UPPER, 1/2" Clip-On Upper, 5/8" Female
6	4312 816	1			22" Long, LOWER, 5/8" Male, 5/8" Female Lower, Up To 12-1-86
	4437 013	1			After 12-1-86
	4196 136	1		B,G	Two Piece, 10" Long, 1/2" Clip-On Upper, 5/8" Female, And Connector (FLEET CARS)
	4196 137	1		B,G	47" Long, 5/8" Female, 1/2" Push-On Lower (FLEET CARS)
7					CABLE, Speedometer To Speed Control (Refer To Group 14)
8					SPEED CONTROL, (Reference)
9-10					CABLE, Speed Control To Transmission (Refer To Group 14)
11	4312 032	1			SENSOR SWITCH, Distance, Use With L Body
	4437 258	1			Except L Body, (Round Electrical Conn. w/2 Male Prongs)
12					TRANSMISSION, (Reference)
-					SHAFT, Cable Drive, Universal Drive Type (Not Illustrated)
	2448 294	1			80" Long
	2448 295	1			113" Long

MODEL CODES

E BODY = (J - CARAVELLE)(E - 600)(T - NEW YORKER)

G BODY = (V24 - DAYTONA)

H BODY = (D44 - LANCER)(C44 - LEBARON GTS)

J BODY = (C - LEBARON)

K BODY = (P - RELIANT)(D - ARIES)(C - LEBAROND)/TOWN & COUNTRY)

L BODY = (M - HORIZON/TURISMO)(Z - OMNI/CHARGER)

M BODY = (B - GRAN FURY)(F - FIFTH AVE/NEWPORT)(G - DIPLOMAT)

P BODY = (P - SUNDANCE)(D - SHADOW)

S BODY = (H - VOYAGER)(K - RAM VAN/CARAVAN)

BODY STYLES

12-13 = FWD VAN

21 = 2-DOOR SEDAN

24 = 2-DOOR HATCHBACK

27 = 2-DOOR CONVERTIBLE

41 = 4-DOOR SEDAN

44 = 4-DOOR HATCHBACK

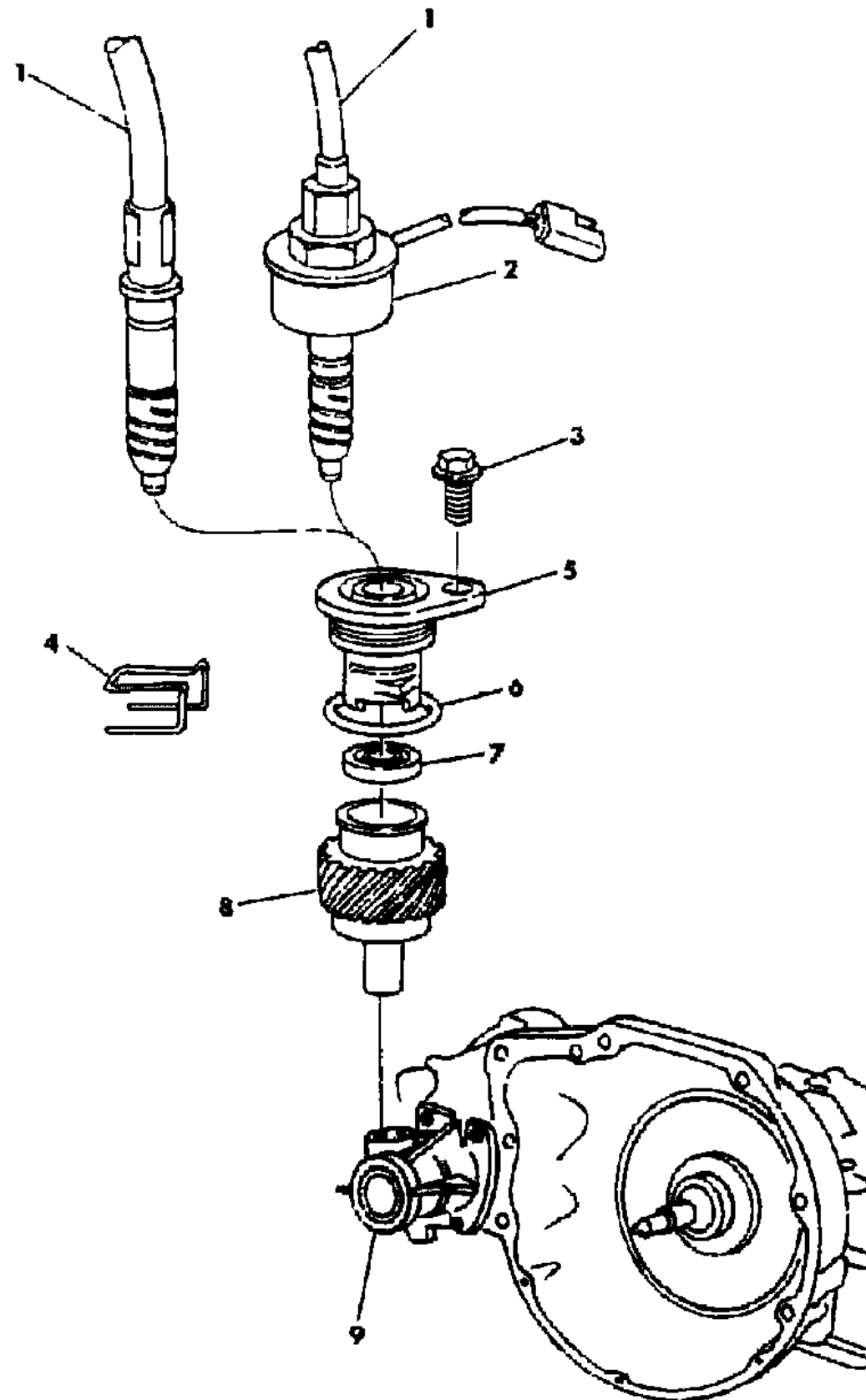
45 = 4-DOOR STATION WAGON

52-53 = FWD WAGON

AR = Use as Required - = Non Illustrated Part P.A.R. = Paint as Required

PINION AND ADAPTER, SPEEDOMETER CABLE DRIVE AUTOMATIC TRANSAXLE
Figure 21A-2900

7151 2900



ITEM	PART NUMBER	QTY	BODY	MODEL	DESCRIPTION
1					CABLE, w/Housing, Speedometer (Refer to Illus. 2800)
2	4312 032	1			SENSOR SWITCH, Distance, Use With L Body
	4437 258	1			Except L Body, (Round Electrical Conn. w/2 Male Prongs)
3	6500 716	1			SCREW, Speedo. Pinion Adapter, M6x1.00x16
4	5222 006	1			RETAINER, Speedo.
5	4295 857	1			ADAPTER, Speedo. Drive Pinion
6	5212 152	1			O-RING, Adapter, Rubber, 1-1/16" I.D.
7	4028 913	1			SEAL, Speedo. Drive Pinion Adapter
8					PINION, Trans. Speedo. Drive
	4269 950	1			19 Teeth w/P185/75 R14 P/S W.S.W. Michelin
	4269 950	1			19 Teeth, w/15" Tire
	5222 390	1			20 Teeth, w/13",14",15" Tire
	5222 388	1			21 Teeth, w/15" Tire
-	4186 884	1			SEAL PACKAGE, Pinion Adapter
9		1			EXTENSION, Trans. (Refer To Illus. 1000)

MODEL CODES

E BODY = (J - CARAVELLE)(E - 600)(T - NEW YORKER)

G BODY = (V24 - DAYTONA)

H BODY = (D44 - LANCER)(C44 - LEBARON GTS)

J BODY = (C - LEBARON)

K BODY = (P - RELIANT)(D - ARIES)(C - LEBAROND)/TOWN & COUNTRY)

L BODY = (M - HORIZON/TURISMO)(Z - OMNI/CHARGER)

M BODY = (B - GRAN FURY)(F - FIFTH AVE/NEWPORT)(G - DIPLOMAT)

P BODY = (P - SUNDANCE)(D - SHADOW)

S BODY = (H - VOYAGER)(K - RAM VAN/CARAVAN)

BODY STYLES

12-13 = FWD VAN

21 = 2-DOOR SEDAN

24 = 2-DOOR HATCHBACK

27 = 2-DOOR CONVERTIBLE

41 = 4-DOOR SEDAN

44 = 4-DOOR HATCHBACK

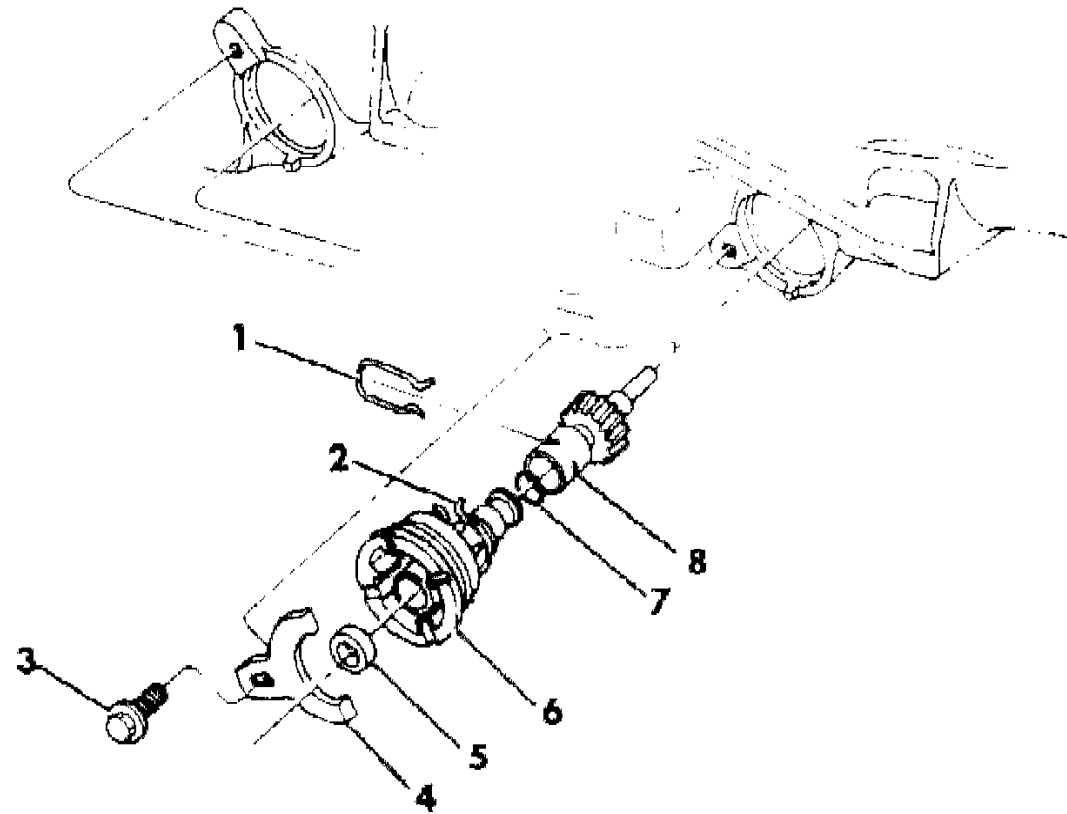
45 = 4-DOOR STATION WAGON

52-53 = FWD WAGON

AR = Use as Required - = Non Illustrated Part P.A.R. = Paint as Required

PINION AND ADAPTER, SPEEDOMETER CABLE DRIVE AUTOMATIC TRANSMISSION, M BODY
Figure 21A-3000

7151 3000



ITEM	PART NUMBER	QTY	BODY	MODEL	DESCRIPTION
------	-------------	-----	------	-------	-------------

NOTE: Items 1 Thru 7 are Common to all Rear Axles the rear of the carburetor throttle body. A mirror is required to read the no. when the carburetor

COLOR OF PINIONS: G = Green; R = Red; Y = Yellow; BL = Black the rear of the carburetor throttle body. A mirror is required to read the no. when the carburetor

NOTE: PG = Glass, PS = Steel, PR = Rayon the rear of the carburetor throttle body. A mirror is required to read the no. when the carburetor

-					the rear of the carburetor throttle body. A mirror is required to read the no. when the carburetor
1					RETAINER, Speedo. Cable Pinion, (Not Serviced) N N N N
2					RETAINER, Speedo. Cable N4058156 N N N
3					SCREW, Clamp, 5/16"-18 x 3/4" N181086 N N N
4					CLAMP, Retainer Holding N2892399 N N N
5					SEAL, Speedo. Drive Pinion N4028913 N N N
-					SEAL and RETAINER PACKAGE, Speedometer Pinion N4057046 N N N
6					ADAPTER, Speedo. Drive Pinion N N N N
	4202 923				22-25 Teeth Pinion Y4202923 N N N
	4202 924				26-33 Teeth Pinion Y4202924 N N N
7					O-RING, Adapter N4130829 N N N
8					PINION, Drive N N N N
					P215/70xHR14-LBL=PS-GDYR N N4058131/31G N N
					P195/75xR15-PG N4058123/23R N4058130/30Y N N
					P205/75xR15-PS N4058122/22G N4058129/29BLN N
					P215/70xR15-PR N4058123/23R N4058129/29BLN N
					P215/70xR15-PS N4058123/23R N4058129/29BLN N
					P215/75xR15-PR N N4058129/29BLN N
					P215/75xR15-PS N N4058129/29BLN N

MODEL CODES

E BODY = (J - CARAVELLE)(E - 600)(T - NEW YORKER)	L BODY = (M - HORIZON/TURISMO)(Z - OMNI/CHARGER)
G BODY = (V24 - DAYTONA)	M BODY = (B - GRAN FURY)(F - FIFTH AVE/NEWPORT)(G - DIPLOMAT)
H BODY = (D44 - LANCER)(C44 - LEBARON GTS)	P BODY = (P - SUNDANCE)(D - SHADOW)
J BODY = (C - LEBARON)	S BODY = (H - VOYAGER)(K - RAM VAN/CARAVAN)
K BODY = (P - RELIANT)(D - ARIES)(C - LEBAROND)/TOWN & COUNTRY)	

BODY STYLES

12-13 = FWD VAN	41 = 4-DOOR SEDAN
21 = 2-DOOR SEDAN	44 = 4-DOOR HATCHBACK
24 = 2-DOOR HATCHBACK	45 = 4-DOOR STATION WAGON
27 = 2-DOOR CONVERTIBLE	52-53 = FWD WAGON

AR = Use as Required - = Non Illustrated Part P.A.R. = Paint as Required

GROUP 22 - WHEELS

ILLUSTRATION TITLE

GROUP-FIG. NO.

WHEELS AND COVERS

WHEELS AND COVERS L BODY	Fig. 22-100
WHEELS AND COVERS P BODY	Fig. 22-200
WHEELS AND COVERS J BODY	Fig. 22-300
WHEELS AND COVERS K BODY - P,D	Fig. 22-400
WHEELS AND COVERS K BODY - C E BODY	Fig. 22-500
WHEELS AND COVERS G BODY	Fig. 22-600
WHEELS AND COVERS H BODY	Fig. 22-700
WHEELS AND COVERS S BODY	Fig. 22-800
WHEELS AND COVERS M BODY	Fig. 22-900

JACK AND SPARE TIRE STORAGE

JACK AND SPARE TIRE STOWAGE L BODY	Fig. 22-1000
JACK AND SPARE TIRE STOWAGE P BODY	Fig. 22-1100
JACK AND SPARE TIRE STOWAGE J BODY - C-27	Fig. 22-1200
JACK AND SPARE TIRE STORAGE J BODY - C-21	Fig. 22-1300
JACK AND SPARE TIRE STOWAGE K,E BODY - EXCEPT 45	Fig. 22-1400
JACK AND SPARE TIRE STOWAGE K BODY - P,D,C-45	Fig. 22-1500
JACK AND SPARE TIRE STOWAGE G BODY	Fig. 22-1600
JACK AND SPARE TIRE STOWAGE H BODY	Fig. 22-1700
JACK STOWAGE S BODY	Fig. 22-1800
SPARE TIRE STORAGE OUTSIDE S BODY	Fig. 22-1900
SPARE TIRE STOWAGE INSIDE S BODY	Fig. 22-1925
JACK AND SPARE TIRE STOWAGE M BODY	Fig. 22-2000

WHEELS MISCELLANEOUS PARTS

WHEEL MISCELLANEOUS ALL BODY	Fig. 22-2100
------------------------------------	--------------

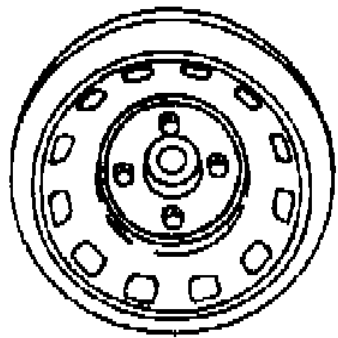
ILLUSTRATION NOT AVAILABLE AT TIME OF PUBLICATION

WHEELS AND COVERS L BODY

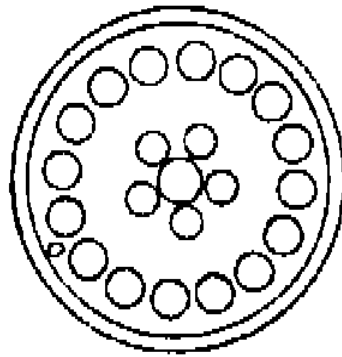
Figure 22-100

ITEM	PART NUMBER	QTY	BODY	MODEL	DESCRIPTION
1	4284 170	4			WHEEL, 13 x 5.0
-	4126 981	4			RING, Trim
-	#5204 013	4			CAP
-	5204 012	4			DOME
-	6029 190	12			SCREW
2	4284 427	4			WHEEL, 15 x 6.0 Cast Aluminum, 5 Stud
-	4284 004	4			CAP
3	4419 987	4			WHEEL, 15x6.0 Cast Alum. Shelby GLH-S Charger 2 Dr.
	4284 004	4			CAP
	4284 170	1			WHEEL, Spare, 13 x 5.0
	4284 373	1			WHEEL, Compact Spare, 14 x 4.0, 5 Stud
-	6500 294	AR			NUT, Chrome

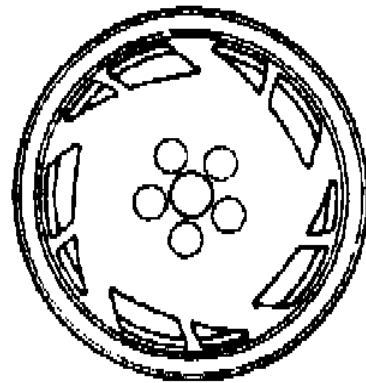
7122 100 A



1



2



3

MODEL CODES

E BODY = (J - CARAVELLE)(E - 600)(T - NEW YORKER)

G BODY = (V24 - DAYTONA)

H BODY = (D44 - LANCER)(C44 - LEBARON GTS)

J BODY = (C - LEBARON)

K BODY = (P - RELIANT)(D - ARIES)(C - LEBAROND)/TOWN & COUNTRY)

L BODY = (M - HORIZON/TURISMO)(Z - OMNI/CHARGER)

M BODY = (B - GRAN FURY)(F - FIFTH AVE/NEWPORT)(G - DIPLOMAT)

P BODY = (P - SUNDANCE)(D - SHADOW)

S BODY = (H - VOYAGER)(K - RAM VAN/CARAVAN)

BODY STYLES

12-13 = FWD VAN

21 = 2-DOOR SEDAN

24 = 2-DOOR HATCHBACK

27 = 2-DOOR CONVERTIBLE

41 = 4-DOOR SEDAN

44 = 4-DOOR HATCHBACK

45 = 4-DOOR STATION WAGON

52-53 = FWD WAGON

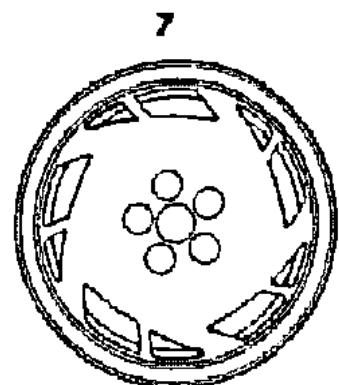
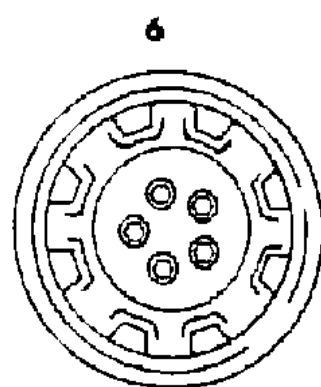
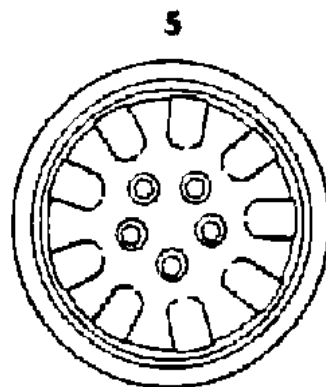
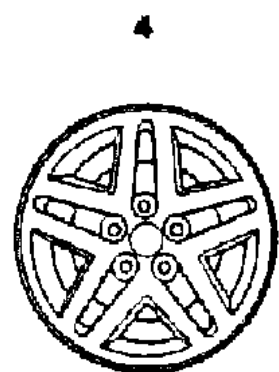
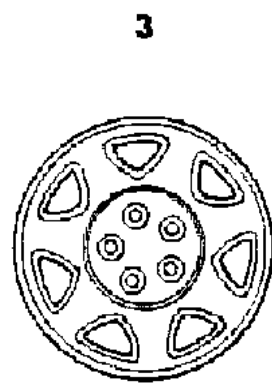
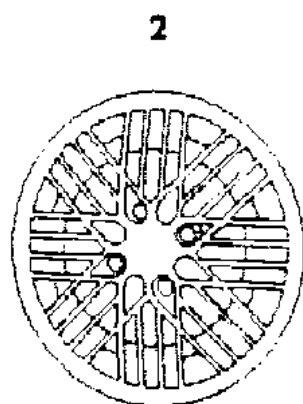
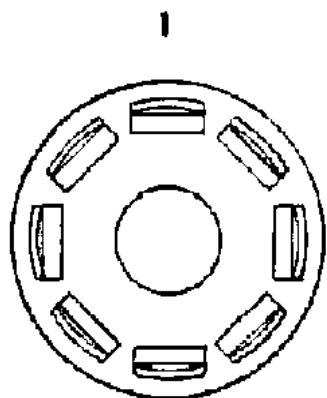
AR = Use as Required - = Non Illustrated Part P.A.R. = Paint as Required

WHEELS AND COVERS P BODY

Figure 22-200

7122 200 B

ITEM	PART NUMBER	QTY	BODY	MODEL	DESCRIPTION
1					COVER, 13" (W3D) Canceled Never Used
2	4284 729	4			COVER, 14" (W4L)
3	4284 244	4			WHEEL, 14 x 5.5, Aero Type
-	4284 363	4			DOVE
-	6029 190	12			SCREW
4	4284 501	4			WHEEL, 14 x 5.5, Aluminum
-	4284 004	4			CAP
5	OX08 7FA1	4			WHEEL, 15 x 6.0, Silver, Cast Aluminum
-	OX08 9EA1	4			CAP, Silver
6	4284 376	4			WHEEL, 14x5.5
-	4284 116	4			DOVE
-	4126 767	4			RING, Trim
-	6029 190	12			SCREW
7	4467 473	4			WHEEL, 15" Cast Aluminum (Shelby)
-	4284 004	4			CAP, Center (Shelby)
	4284 404	4			WHEEL, 13 x 5.0
	4284 390	1			WHEEL, Conventional Spare, 14 x 5.5, Black
	4284 373	1			WHEEL, Compact Spare, 14 x 4.0
-	6500 294	AR			NUT, Chrome
-	6500 092	AR			NUT, Chrome (WAA), w/13" Wheel
-	6500 526	AR			NUT, Standard



MODEL CODES

E BODY = (J - CARAVELLE)(E - 600)(T - NEW YORKER)

G BODY = (V24 - DAYTONA)

H BODY = (D44 - LANCER)(C44 - LEBARON GTS)

J BODY = (C - LEBARON)

K BODY = (P - RELIANT)(D - ARIES)(C - LEBAROND)/TOWN & COUNTRY)

L BODY = (M - HORIZON/TURISMO)(Z - OMNI/CHARGER)

M BODY = (B - GRAN FURY)(F - FIFTH AVE/NEWPORT)(G - DIPLOMAT)

P BODY = (P - SUNDANCE)(D - SHADOW)

S BODY = (H - VOYAGER)(K - RAM VAN/CARAVAN)

BODY STYLES

12-13 = FWD VAN

21 = 2-DOOR SEDAN

24 = 2-DOOR HATCHBACK

27 = 2-DOOR CONVERTIBLE

41 = 4-DOOR SEDAN

44 = 4-DOOR HATCHBACK

45 = 4-DOOR STATION WAGON

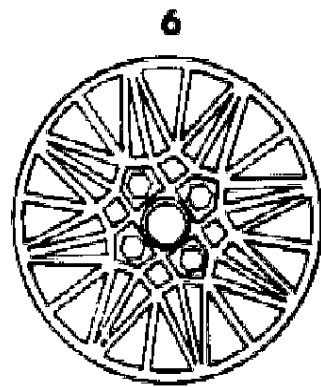
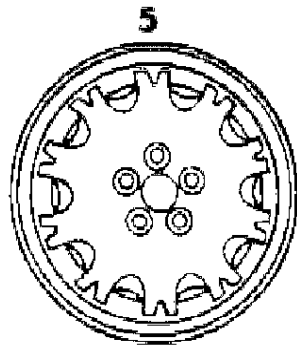
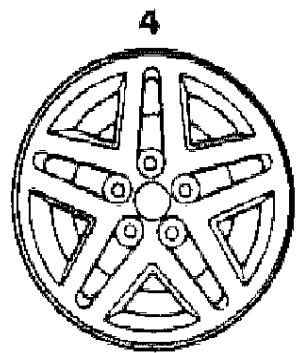
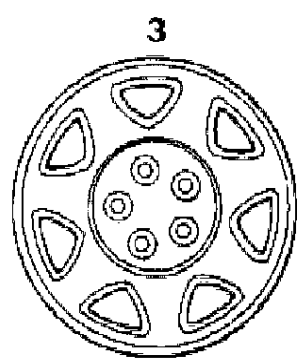
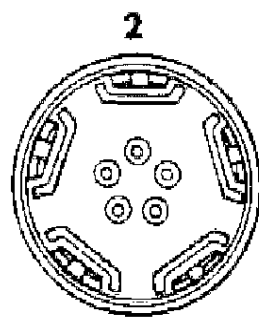
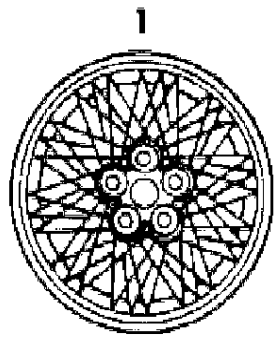
52-53 = FWD WAGON

AR = Use as Required - = Non Illustrated Part P.A.R. = Paint as Required

WHEELS AND COVERS J BODY
Figure 22-300

7122 300 A

ITEM	PART NUMBER	QTY	BODY	MODEL	DESCRIPTION
1	4284 445	4			COVER, (W4T)
2	4284 511	4			COVER, (W5E)
3	4284 244	4			WHEEL, 14 x 5.5, Aero Type
-	4284 363	4			DOME
-	6029 190	12			SCREW
4	4284 501	4			WHEEL, 14 x 5.5, Cast Aluminum
-	4284 004	4			CAP
5	4284 543	4			WHEEL, 15 x 6, Cast Aluminum
-	4284 004	4			CAP
6	4284 415	4			COVER, (W4R)
	4284 390	4			WHEEL, 14 x 5.5
	4284 480	4			WHEEL, 15 x 6.0
	4284 373	1			WHEEL, Compact Spare, 14 x 4.0
-	6500 294	AR			NUT, Chrome
-	6500 526	AR			NUT, Standard



MODEL CODES

E BODY = (J - CARAVELLE)(E - 600)(T - NEW YORKER)

G BODY = (V24 - DAYTONA)

H BODY = (D44 - LANCER)(C44 - LEBARON GTS)

J BODY = (C - LEBARON)

K BODY = (P - RELIANT)(D - ARIES)(C - LEBAROND)/TOWN & COUNTRY)

L BODY = (M - HORIZON/TURISMO)(Z - OMNI/CHARGER)

M BODY = (B - GRAN FURY)(F - FIFTH AVE/NEWPORT)(G - DIPLOMAT)

P BODY = (P - SUNDANCE)(D - SHADOW)

S BODY = (H - VOYAGER)(K - RAM VAN/CARAVAN)

BODY STYLES

12-13 = FWD VAN

21 = 2-DOOR SEDAN

24 = 2-DOOR HATCHBACK

27 = 2-DOOR CONVERTIBLE

41 = 4-DOOR SEDAN

44 = 4-DOOR HATCHBACK

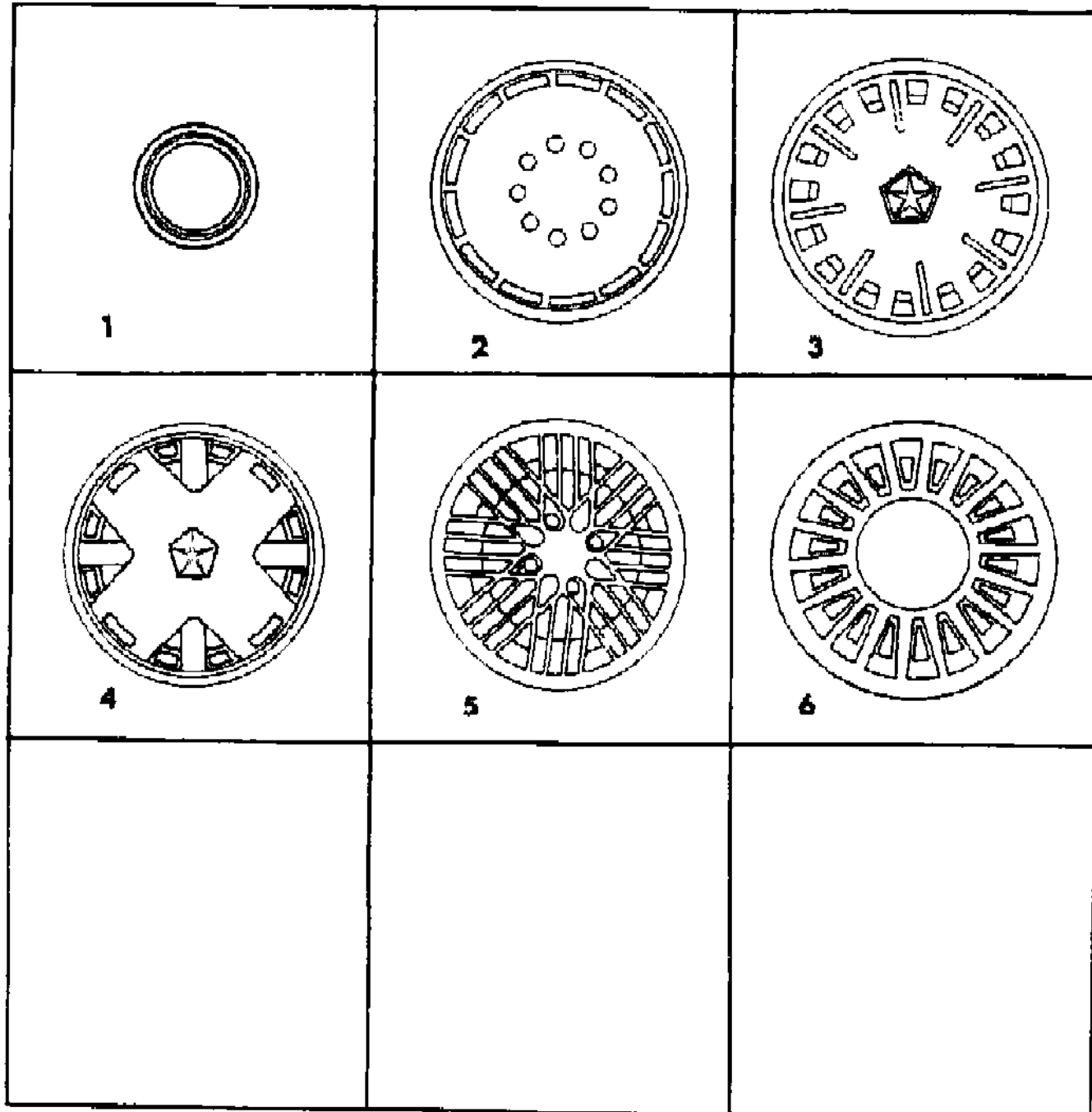
45 = 4-DOOR STATION WAGON

52-53 = FWD WAGON

AR = Use as Required - = Non Illustrated Part P.A.R. = Paint as Required

WHEELS AND COVERS K BODY - P,D
Figure 22-400

7122 400B



ITEM	PART NUMBER	QTY	BODY	MODEL	DESCRIPTION
1	4126 766	4			CAP, Hub, (WMA)
2	4284 117	4			COVER, (W3B)
3	4284 061	4			COVER, (W3A)
4	4284 119	4			COVER, (W4A)
5	4284 729	4			COVER, (W4L)
6	4284 348	4			WHEEL, 14 x 5.5, 18 Spoke, Cast Aluminum
-	4284 255	4			CAP, Black
-	4284 256	4			CAP, Silver, Up to 10-13-86
	4284 653	4			CAP, After 10-13-86
	4284 404	4			WHEEL, 13 x 5.0, 5 Stud, Argent
	4284 390	4			WHEEL, 14 x 5.5, 5 Stud
	4284 434	4			WHEEL, 14x6.0 (Police)
	4284 432	1			WHEEL, Conventional Spare, 13 x 5.0
	4284 390	1			WHEEL, 14 x 5.5, 5 Stud
	4284 373	1			WHEEL, Compact Spare, 14 x 4.0, 5 Stud
-	6500 294	AR			NUT, Chrome
-	6500 526	AR			NUT, Standard

MODEL CODES

E BODY = (J - CARAVELLE)(E - 600)(T - NEW YORKER)

G BODY = (V24 - DAYTONA)

H BODY = (D44 - LANCER)(C44 - LEBARON GTS)

J BODY = (C - LEBARON)

K BODY = (P - RELIANT)(D - ARIES)(C - LEBAROND)/TOWN & COUNTRY)

L BODY = (M - HORIZON/TURISMO)(Z - OMNI/CHARGER)

M BODY = (B - GRAN FURY)(F - FIFTH AVE/NEWPORT)(G - DIPLOMAT)

P BODY = (P - SUNDANCE)(D - SHADOW)

S BODY = (H - VOYAGER)(K - RAM VAN/CARAVAN)

BODY STYLES

12-13 = FWD VAN

21 = 2-DOOR SEDAN

24 = 2-DOOR HATCHBACK

27 = 2-DOOR CONVERTIBLE

41 = 4-DOOR SEDAN

44 = 4-DOOR HATCHBACK

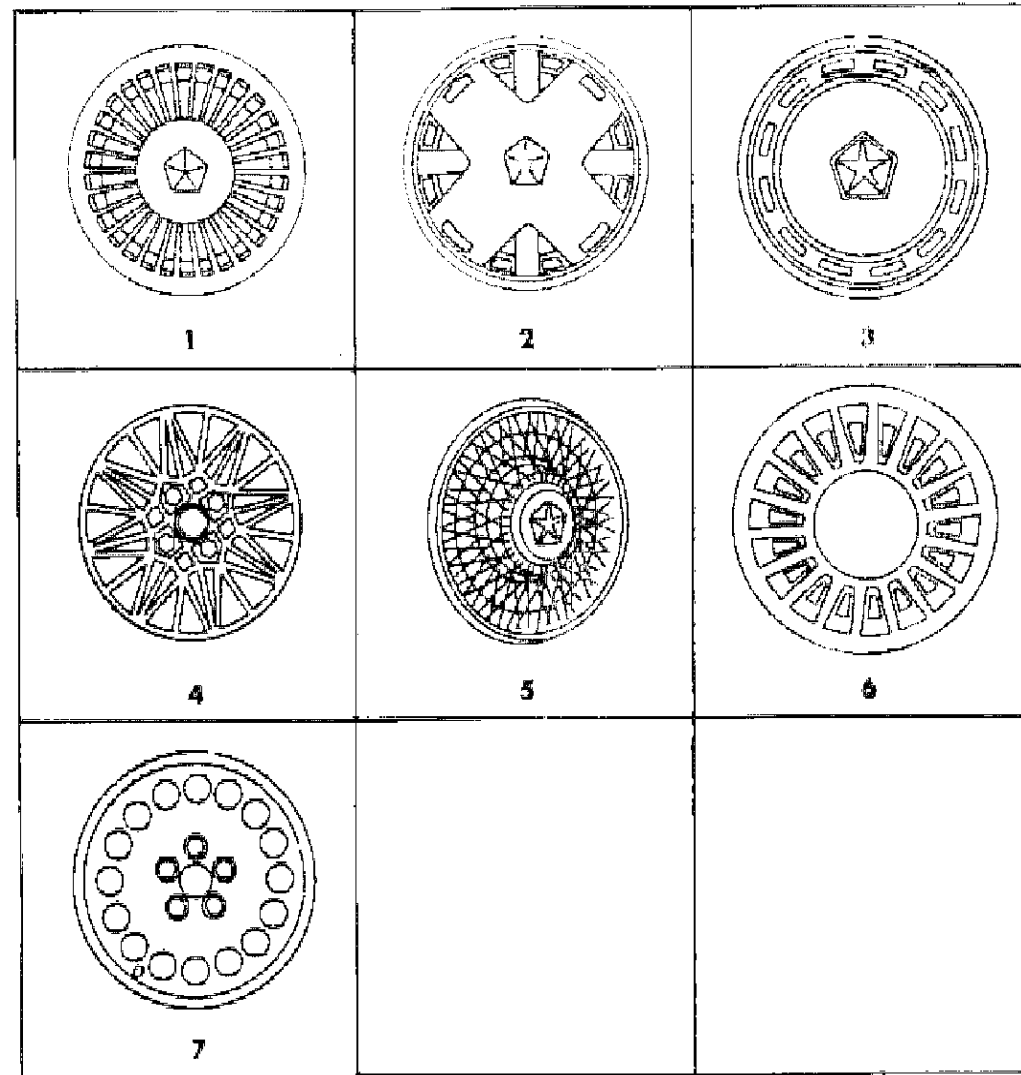
45 = 4-DOOR STATION WAGON

52-53 = FWD WAGON

AR = Use as Required - = Non Illustrated Part P.A.R. = Paint as Required

WHEELS AND COVERS K BODY - C E BODY
Figure 22-500

7122 500



ITEM	PART NUMBER	QTY	BODY	MODEL	DESCRIPTION
1	4284 086	4			COVER, (W4J)
2	4284 119	4			COVER, (W4A)
3	4284 064	4			COVER, (W4C)
4	4284 415	4			COVER, (W4R)
5	4284 439	4			COVER, Wire with Cap, (W4P)
-	4284 457	4			CAP
-	4284 343	4			RETAINER
-	6029 190	16			SCREW
-	4284 052	AR			SPOKE
6	4284 348	4			WHEEL, 14 x 5.5, 18 Spoke, Cast Aluminum
-	4284 255	4			CAP, Black
-	4284 256	4			CAP, Silver, Up to 10-13-86
-	4284 653	4			CAP, After 10-13-86
7	4284 427	4			WHEEL, 15 x 6.0, Cast Aluminum
-	4284 004	4			CAP
-	4284 390	4			WHEEL, 14 x 5.5
-	4284 390	1			WHEEL, Conventional Spare, 14 x 5.5
-	4284 373	1			WHEEL, Compact Spare, 14 x 4.0
-	6500 294	AR			NUT, Chrome
-	6500 526	AR			NUT, Standard
-	6500 092	AR			NUT, Steel (Nose Type)

MODEL CODES

E BODY = (J - CARAVELLE)(E - 600)(T - NEW YORKER)

G BODY = (V24 - DAYTONA)

H BODY = (D44 - LANCER)(C44 - LEBARON GTS)

J BODY = (C - LEBARON)

K BODY = (P - RELIANT)(D - ARIES)(C - LEBAROND)/TOWN & COUNTRY)

L BODY = (M - HORIZON/TURISMO)(Z - OMNI/CHARGER)

M BODY = (B - GRAN FURY)(F - FIFTH AVE/NEWPORT)(G - DIPLOMAT)

P BODY = (P - SUNDANCE)(D - SHADOW)

S BODY = (H - VOYAGER)(K - RAM VAN/CARAVAN)

BODY STYLES

12-13 = FWD VAN

21 = 2-DOOR SEDAN

24 = 2-DOOR HATCHBACK

27 = 2-DOOR CONVERTIBLE

41 = 4-DOOR SEDAN

44 = 4-DOOR HATCHBACK

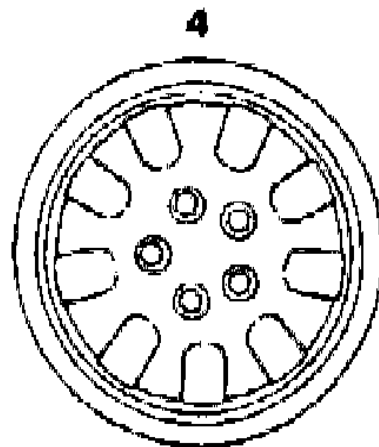
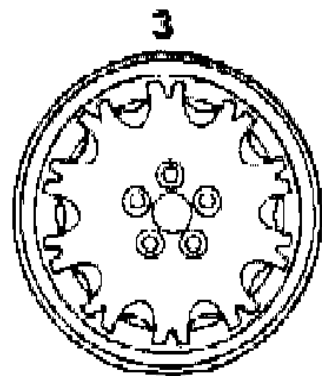
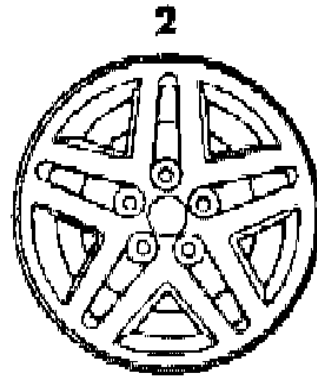
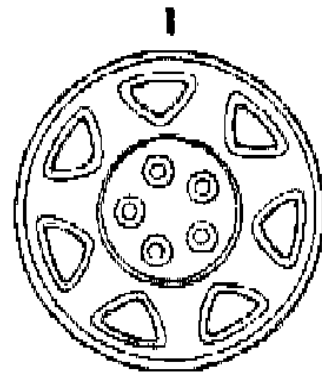
45 = 4-DOOR STATION WAGON

52-53 = FWD WAGON

AR = Use as Required - = Non Illustrated Part P.A.R. = Paint as Required

WHEELS AND COVERS G BODY
Figure 22-600

7122 800



ITEM	PART NUMBER	QTY	BODY	MODEL	DESCRIPTION
1	4284 244	4			WHEEL, 14 x 5.5
-	4284 363	4			DOME
-	6029 190	12			SCREW
2	4284 501	4			WHEEL, 14 x 5.5, Aluminum
-	4284 004	4			CAP
3	4284 543	4			WHEEL, 15 x 6, Cast Alminum
-	4284 004	4			CAP
4	X088 EA1	4			WHEEL, 15 x 6.5, Cast Aluminum
-	X089 EA1	4			CAP, Silver
	4284 435	1			WHEEL, Compact Spare, 15 x 4.0, 5 Studs
	6500 294	AR			NUT, Chrome

MODEL CODES

E BODY = (J - CARAVELLE)(E - 600)(T - NEW YORKER)

G BODY = (V24 - DAYTONA)

H BODY = (D44 - LANCER)(C44 - LEBARON GTS)

J BODY = (C - LEBARON)

K BODY = (P - RELIANT)(D - ARIES)(C - LEBAROND)/TOWN & COUNTRY)

L BODY = (M - HORIZON/TURISMO)(Z - OMNI/CHARGER)

M BODY = (B - GRAN FURY)(F - FIFTH AVE/NEWPORT)(G - DIPLOMAT)

P BODY = (P - SUNDANCE)(D - SHADOW)

S BODY = (H - VOYAGER)(K - RAM VAN/CARAVAN)

BODY STYLES

12-13 = FWD VAN

21 = 2-DOOR SEDAN

24 = 2-DOOR HATCHBACK

27 = 2-DOOR CONVERTIBLE

41 = 4-DOOR SEDAN

44 = 4-DOOR HATCHBACK

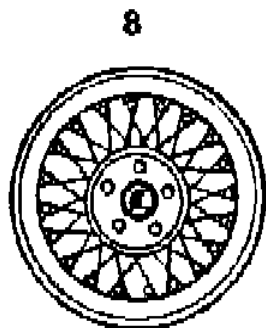
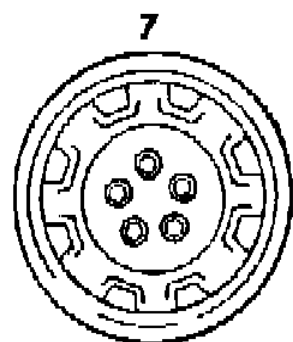
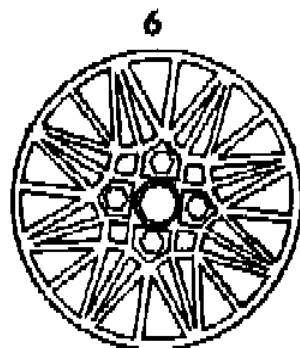
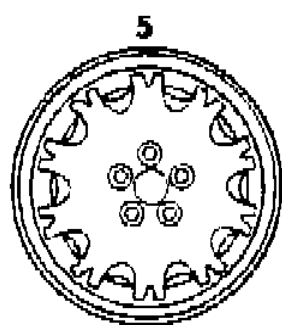
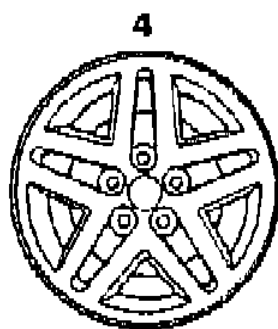
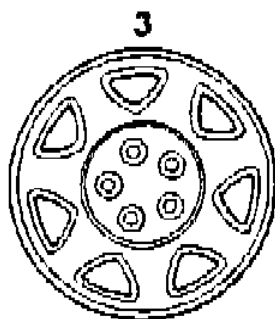
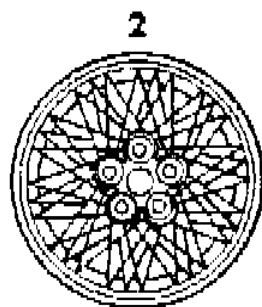
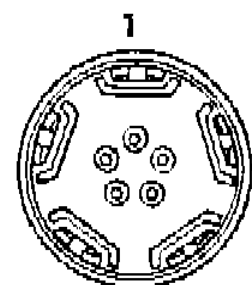
45 = 4-DOOR STATION WAGON

52-53 = FWD WAGON

AR = Use as Required - = Non Illustrated Part P.A.R. = Paint as Required

WHEELS AND COVERS H BODY
Figure 22-700

7122 700 B



ITEM	PART NUMBER	QTY	BODY	MODEL	DESCRIPTION
1	4284 511	4			COVER, (W5E)
2	4284 445	4			COVER, (W4T)
3	4284 244	4			WHEEL, 14 x 5.5
-	4284 363	4			DOME
-	6029 190	12			SCREW
4	4284 501	4			WHEEL, 14 x 5.5, Cast Aluminum
-	4284 004	4			CAP
5	4284 543	4			WHEEL, 15 x 6, Cast Aluminum
-	4284 004	4			CAP
6	4284 415	4			COVER, (W4R)
7	4284 376	4			WHEEL, 14 x 5.5
	4284 116	4			DOME
	4126 767	4			RING, Trim
8	4467 411	4			WHEEL, Cast Alum. (Shelby)
-	4467 413	4			HUB, Wheel Center (Shelby)
-	4467 412	4			MEDALLION, Wheel Hub (Shelby)
-	4284 390	4			WHEEL, 14 x 5.5
-	#4284 480	4			WHEEL, 15 x6.0
-	4284 390	1			WHEEL, Conventional Spare, 14 x 5.5
-	4284 373	1			WHEEL, Compact Spare, 14 x 4.0
-	6500 294	AR			NUT, Chrome
-	6500 526	AR			NUT, Standard
-	4467 866	AR			NUT, (Shelby)

MODEL CODES

E BODY = (J - CARAVELLE)(E - 600)(T - NEW YORKER)

G BODY = (V24 - DAYTONA)

H BODY = (D44 - LANCER)(C44 - LEBARON GTS)

J BODY = (C - LEBARON)

K BODY = (P - RELIANT)(D - ARIES)(C - LEBAROND)/TOWN & COUNTRY)

L BODY = (M - HORIZON/TURISMO)(Z - OMNI/CHARGER)

M BODY = (B - GRAN FURY)(F - FIFTH AVE/NEWPORT)(G - DIPLOMAT)

P BODY = (P - SUNDANCE)(D - SHADOW)

S BODY = (H - VOYAGER)(K - RAM VAN/CARAVAN)

BODY STYLES

12-13 = FWD VAN

21 = 2-DOOR SEDAN

24 = 2-DOOR HATCHBACK

27 = 2-DOOR CONVERTIBLE

41 = 4-DOOR SEDAN

44 = 4-DOOR HATCHBACK

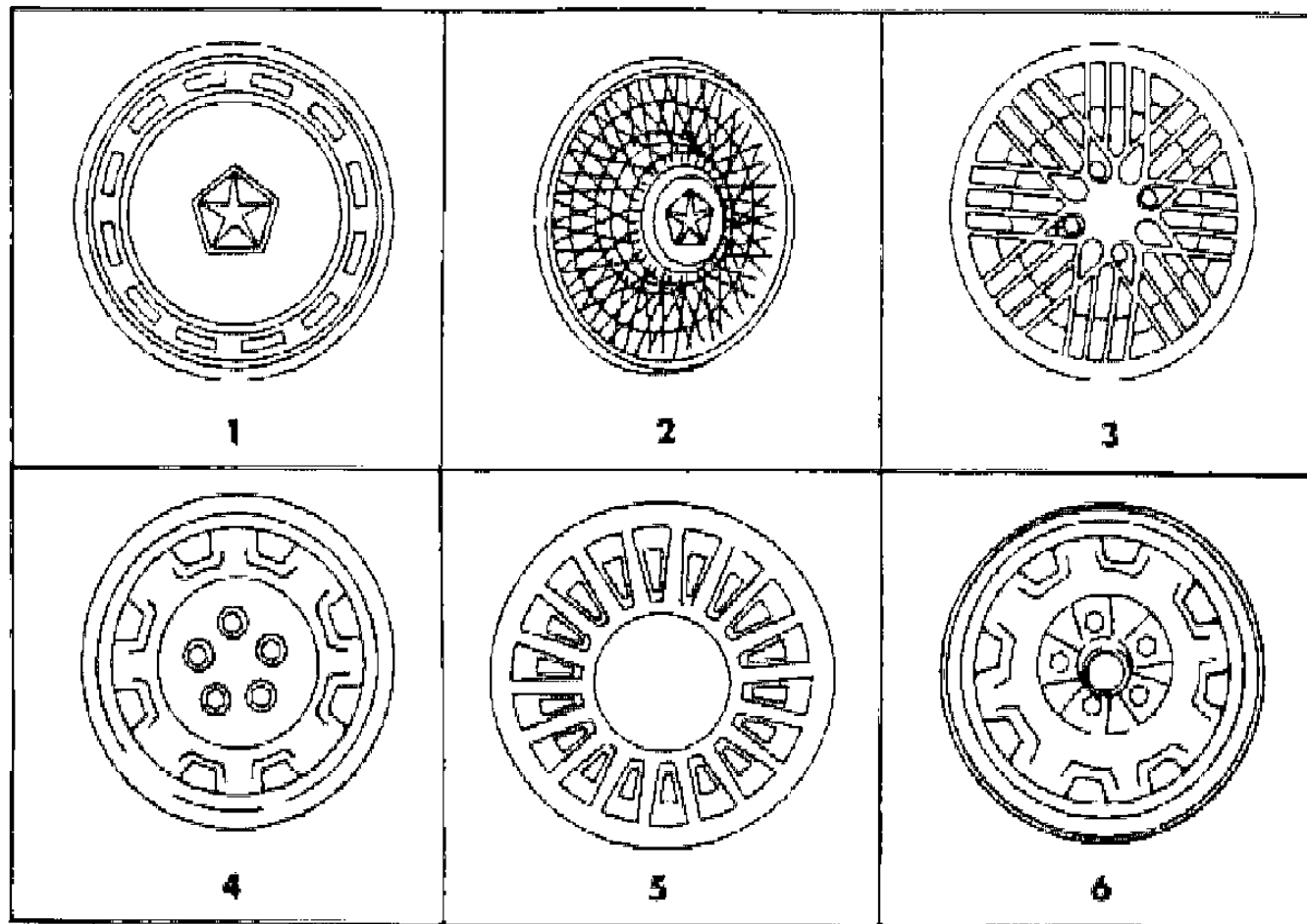
45 = 4-DOOR STATION WAGON

52-53 = FWD WAGON

AR = Use as Required - = Non Illustrated Part P.A.R. = Paint as Required

WHEELS AND COVERS S BODY
Figure 22-800

7122 800



ITEM	PART NUMBER	QTY	BODY	MODEL	DESCRIPTION
1	4284 064	4			COVER, (W4C)
2	4284 439	4			COVER, Wire with Cap, (W4P)
-	4284 457	4			CAP, (W4P)
-	4284 343	4			RETAINER, (W4P)
-	6029 190	16			SCREW, (W4P)
-	4284 052	AR			SPOKE, (W4P)
3	4284 729	4			COVER, (W4L)
4	4284 376	4			WHEEL, 14 x 5.5, Argent w/Black Prime on Backside
-	4126 767	4			RING, Trim
-	4284 116	4			DOME
-	6029 190	12			SCREW
5	4284 348	4			WHEEL, 14 x 5.5, 18 Spoke, Cast Aluminum
-	4284 255	4			CAP, Black
-	4284 256	4			CAP, Silver, Up tp 10-13-86
-	4284 653	4			CAP, After 10-13-86
-	4284 100	1			SOCKET, Dome
-	4284 115	1			CLIP, Socket Retainer
6	4284 376	4			WHEEL, 14 x 5.5
-	4126 767	4			RING, Trim
-	5204 001	4			CAP, Black
-	#4284 618	4			WHEEL, 15x6.0 Argent
-	#4284 651	4			RING, Trim, 15"
-	#4284 659	4			DOME, for 15" Wheel
-	4284 433	4			WHEEL, 14 x 5.5, Heavy Duty CONVENTIONAL SPARE
-	4284 433	1			WHEEL, 14 x 5.5, Heavy Duty
-	4284 376	1			WHEEL, 14 x 5.5
-	4284 618	1			WHEEL, 15 x 6.0, Argent
-	4284 435	1			WHEEL, Compact Spare, 15 x 4.0, 5 Studs
-	6500 294	AR			NUT, Chrome
-	6500 092	AR			NUT, Standard
-	5204 250	AR			CAP, Wheel Nut Black

MODEL CODES

E BODY = (J - CARAVELLE)(E - 600)(T - NEW YORKER)

G BODY = (V24 - DAYTONA)

H BODY = (D44 - LANCER)(C44 - LEBARON GTS)

J BODY = (C - LEBARON)

K BODY = (P - RELIANT)(D - ARIES)(C - LEBAROND)/TOWN & COUNTRY)

L BODY = (M - HORIZON/TURISMO)(Z - OMNI/CHARGER)

M BODY = (B - GRAN FURY)(F - FIFTH AVE/NEWPORT)(G - DIPLOMAT)

P BODY = (P - SUNDANCE)(D - SHADOW)

S BODY = (H - VOYAGER)(K - RAM VAN/CARAVAN)

BODY STYLES

12-13 = FWD VAN

21 = 2-DOOR SEDAN

24 = 2-DOOR HATCHBACK

27 = 2-DOOR CONVERTIBLE

41 = 4-DOOR SEDAN

44 = 4-DOOR HATCHBACK

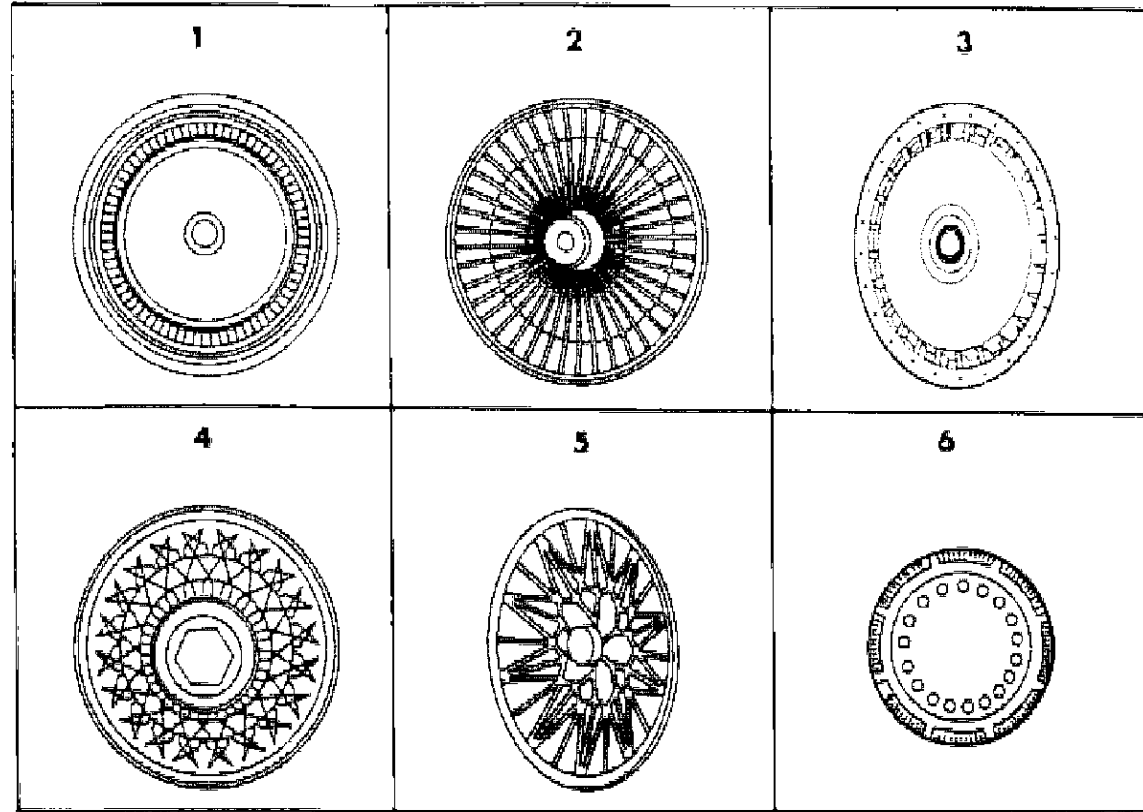
45 = 4-DOOR STATION WAGON

52-53 = FWD WAGON

AR = Use as Required - = Non Illustrated Part P.A.R. = Paint as Required

WHEELS AND COVERS M BODY
Figure 22-900

7122 900 A



ITEM	PART NUMBER	QTY	BODY	MODEL	DESCRIPTION
1	3880 966	4			COVER, (W5B)
-	4126 519	4			DECAL
2	4126 697	4			COVER, (W5H)
-	4126 519	4			DECAL
3	4126 626	4			COVER, (W5J)
-	4126 946	4			DECAL
4	4284 306	4			COVER, (W5P)
-	4126 536	4			CAP
-	4126 541	4			RETAINER
	6031 712	12			SCREW
-	4238 500	12			CLIP, Cap Hold
-	4126 692	4			ADAPTER, Lock Bolt
5	4126 694	4			WHEEL, 15 x 7.0, Cast Aluminum
-	4284 320	5			CAP
6	3699 152	4			CAP, Hub with Holes (WHA)
-	3580 060	4			
	4126 675	4			WHEEL, 15 x 7.0
	3766 077	4			WHEEL, 15 x 7.0, Heavy Duty
	3766 077	4			WHEEL, 15 x 7.0, Heavy Duty, Police
					CONVENTIONAL SPARE
	4126 675	1			WHEEL, 15 x 7.0
	3766 077	1			WHEEL, 15 x 7.0, Heavy Duty
	3880 940	1			WHEEL, Compact Spare, 15 x 4.0
-	6031 535	AR			NUT, Stv. Aluminum
-	2409 826	AR			NUT, Standard

MODEL CODES

E BODY = (J - CARAVELLE)(E - 600)(T - NEW YORKER)

G BODY = (V24 - DAYTONA)

H BODY = (D44 - LANCER)(C44 - LEBARON GTS)

J BODY = (C - LEBARON)

K BODY = (P - RELIANT)(D - ARIES)(C - LEBAROND)/TOWN & COUNTRY)

L BODY = (M - HORIZON/TURISMO)(Z - OMNI/CHARGER)

M BODY = (B - GRAN FURY)(F - FIFTH AVE/NEWPORT)(G - DIPLOMAT)

P BODY = (P - SUNDANCE)(D - SHADOW)

S BODY = (H - VOYAGER)(K - RAM VAN/CARAVAN)

BODY STYLES

12-13 = FWD VAN

21 = 2-DOOR SEDAN

24 = 2-DOOR HATCHBACK

27 = 2-DOOR CONVERTIBLE

41 = 4-DOOR SEDAN

44 = 4-DOOR HATCHBACK

45 = 4-DOOR STATION WAGON

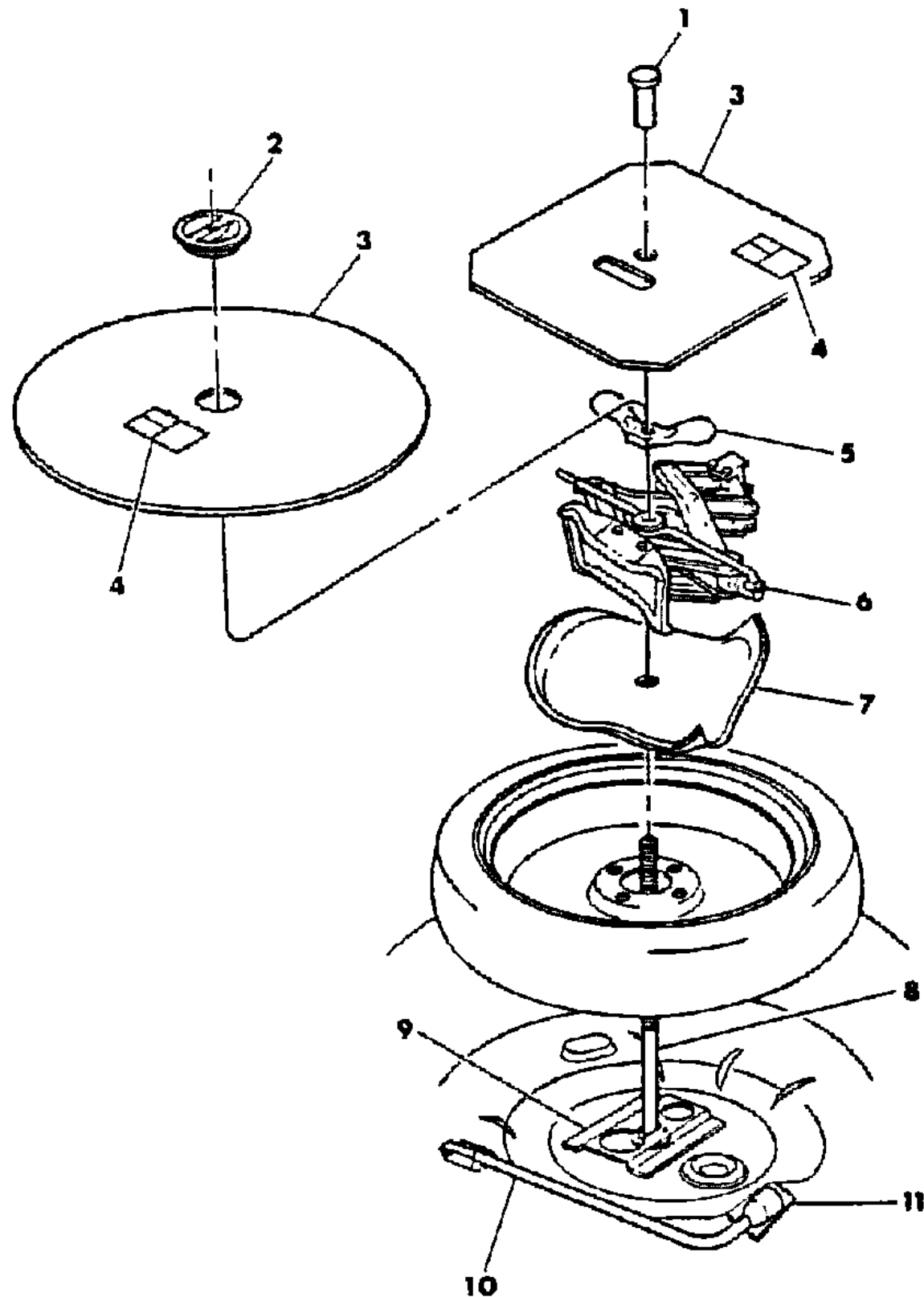
52-53 = FWD WAGON

AR = Use as Required - = Non Illustrated Part P.A.R. = Paint as Required

JACK AND SPARE TIRE STOWAGE L BODY

Figure 22-1000

7122 1000



ITEM	PART NUMBER	QTY	BODY	MODEL	DESCRIPTION
1	4371 128	1			CAP
2	4371 785	1			PLATE
3	4337 716	1			COVER
	4371 125	1	Z,S		COVER
4	4341 397	1			LABEL
5	6032 619	1			WING NUT
6	4341 310	1	Exc.Z,S		JACK
	4341 312	1	Z,S		JACK
7	4337 523	1			PAD
8	6032 744	1			BOLT
9	3791 040	1			BRACKET
10	4341 716	1			WRENCH, Lug
11	4337 798	1			PAD

MODEL CODES

E BODY = (J - CARAVELLE)(E - 600)(T - NEW YORKER)

G BODY = (V24 - DAYTONA)

H BODY = (D44 - LANCER)(C44 - LEBARON GTS)

J BODY = (C - LEBARON)

K BODY = (P - RELIANT)(D - ARIES)(C - LEBAROND)/TOWN & COUNTRY)

L BODY = (M - HORIZON/TURISMO)(Z - OMNI/CHARGER)

M BODY = (B - GRAN FURY)(F - FIFTH AVE/NEWPORT)(G - DIPLOMAT)

P BODY = (P - SUNDANCE)(D - SHADOW)

S BODY = (H - VOYAGER)(K - RAM VAN/CARAVAN)

BODY STYLES

12-13 = FWD VAN

21 = 2-DOOR SEDAN

24 = 2-DOOR HATCHBACK

27 = 2-DOOR CONVERTIBLE

41 = 4-DOOR SEDAN

44 = 4-DOOR HATCHBACK

45 = 4-DOOR STATION WAGON

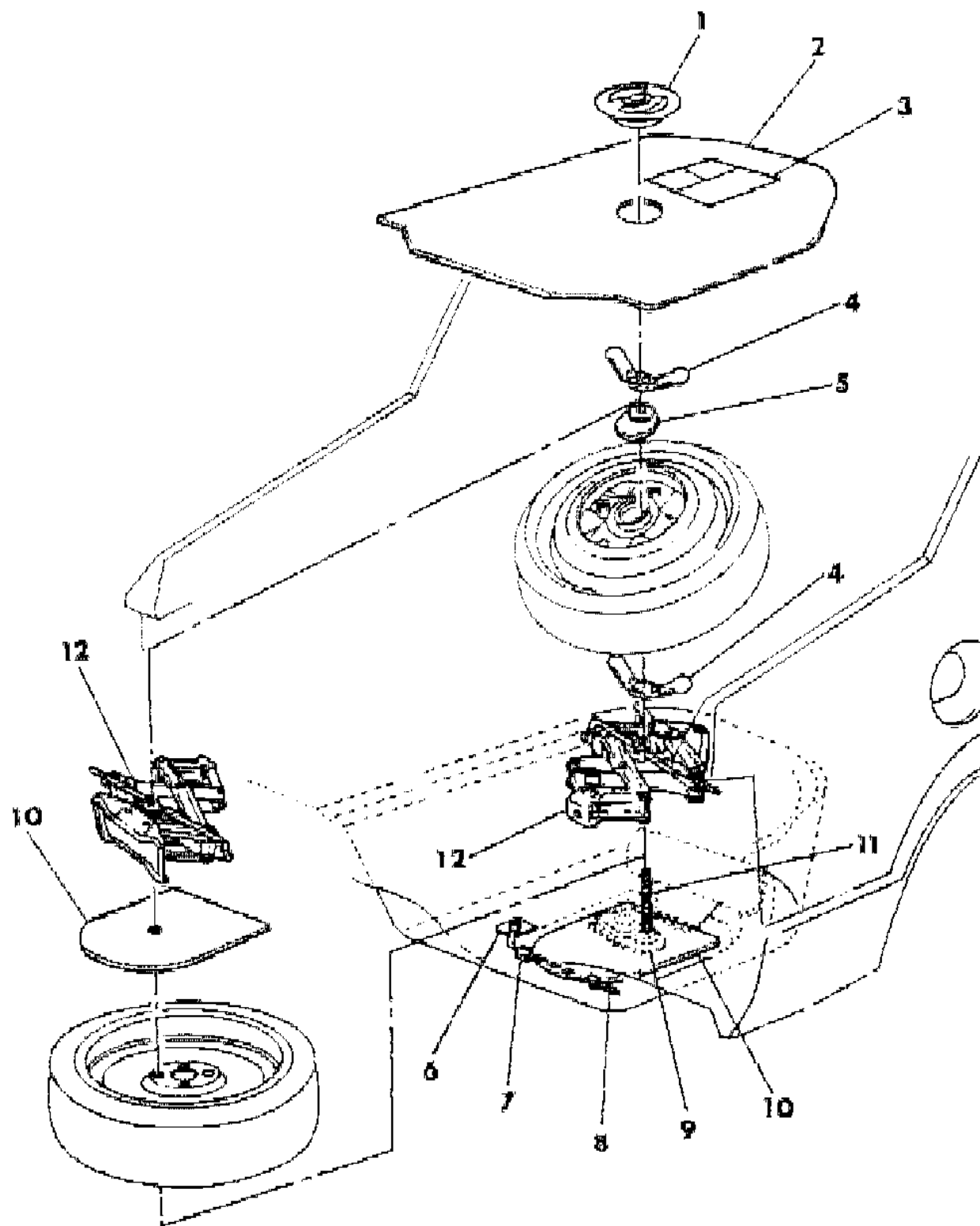
52-53 = FWD WAGON

AR = Use as Required - = Non Illustrated Part P.A.R. = Paint as Required

JACK AND SPARE TIRE STOWAGE P BODY
Figure 22-1100

7122 1100

ITEM	PART NUMBER	QTY	BODY	MODEL	DESCRIPTION
1	4371 785	1			PLATE
2	4410 500	1			COVER
3	4341 578	1			LABEL
4	6032 619	2			WING NUT
5	4314 899	1			PLATE
6	4337 798	1			PAD
7	4337 940	1			CLIP
8	4341 716	1			WRENCH
9		1			BRACKET, (serv. in 23A)
10	4337 523	1			PAD
11	6032 790	1			BOLT
12	4341 311	1			JACK



CONVENTIONAL TIRE

MODEL CODES

E BODY = (J - CARAVELLE)(E - 600)(T - NEW YORKER)

G BODY = (V24 - DAYTONA)

H BODY = (D44 - LANCER)(C44 - LEBARON GTS)

J BODY = (C - LEBARON)

K BODY = (P - RELIANT)(D - ARIES)(C - LEBAROND)/TOWN & COUNTRY)

L BODY = (M - HORIZON/TURISMO)(Z - OMNI/CHARGER)

M BODY = (B - GRAN FURY)(F - FIFTH AVE/NEWPORT)(G - DIPLOMAT)

P BODY = (P - SUNDANCE)(D - SHADOW)

S BODY = (H - VOYAGER)(K - RAM VAN/CARAVAN)

BODY STYLES

12-13 = FWD VAN

21 = 2-DOOR SEDAN

24 = 2-DOOR HATCHBACK

27 = 2-DOOR CONVERTIBLE

41 = 4-DOOR SEDAN

44 = 4-DOOR HATCHBACK

45 = 4-DOOR STATION WAGON

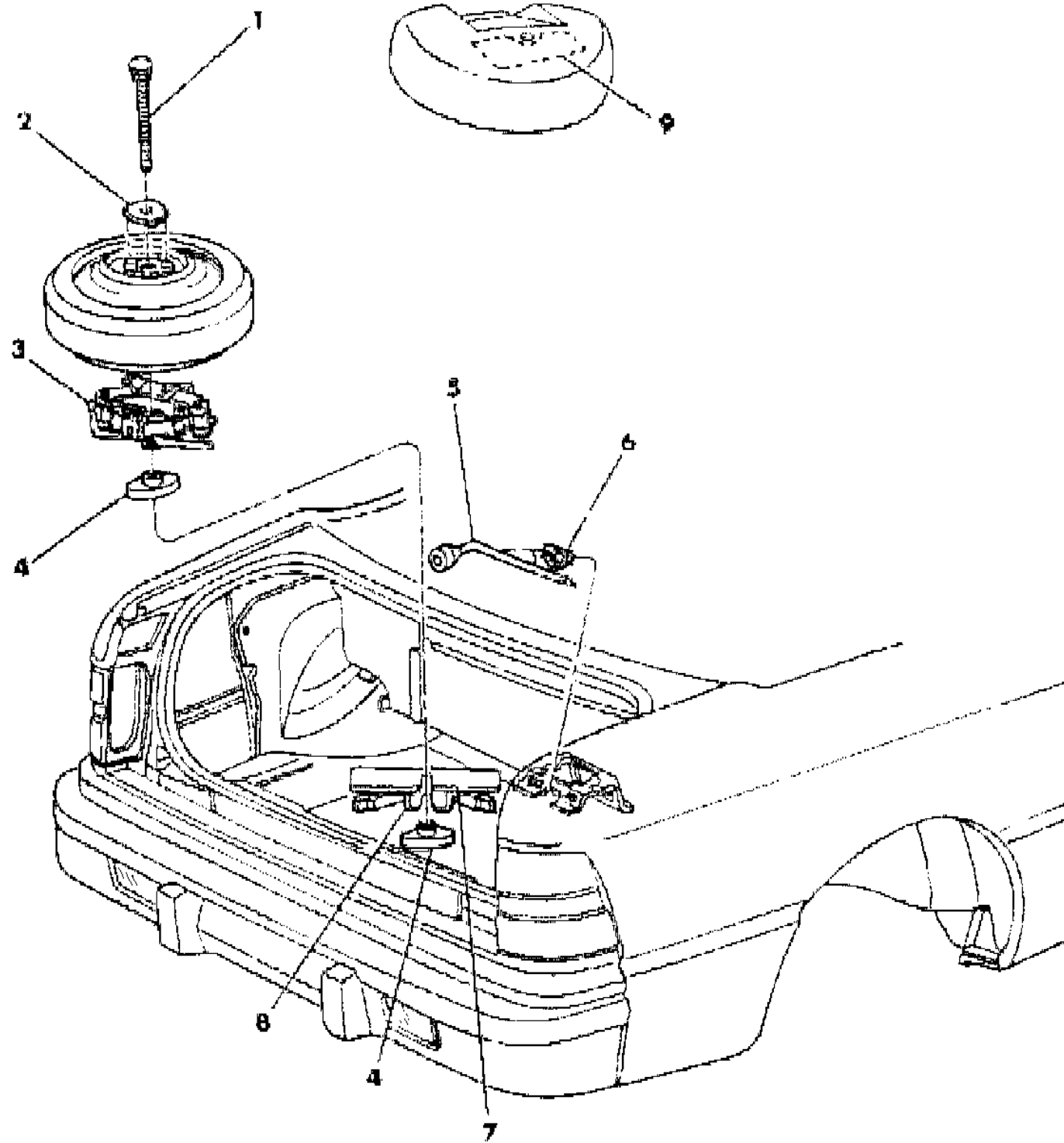
52-53 = FWD WAGON

AR = Use as Required - = Non Illustrated Part P.A.R. = Paint as Required

JACK AND SPARE TIRE STOWAGE J BODY - C-27

Figure 22-1200

7122 1200 A



ITEM	PART NUMBER	QTY	BODY	MODEL	DESCRIPTION
1	6033 334	1			BOLT, Spare Tire and Jack
2	4371 895	1			PLATE, Spare Tire Hold Down Retainer
3	4341 311	1			JACK
4	4416 028	1			WING NUT, Underbody Spare
5	4341 716	1			WRENCH, Wheel Lug
6	4416 086	2			CLIP, Retaining Rear Floor Pan
7	4416 027	1			BRACKET, Compact Spare and Jack Storage
8		1			REINFORCEMENT, Compact Spare and Jack Storage Bracket (serviced in 4416027)
9	4440 292	1			LABEL, Jack and Tire Stowage

MODEL CODES

E BODY = (J - CARAVELLE)(E - 600)(T - NEW YORKER)

G BODY = (V24 - DAYTONA)

H BODY = (D44 - LANCER)(C44 - LEBARON GTS)

J BODY = (C - LEBARON)

K BODY = (P - RELIANT)(D - ARIES)(C - LEBAROND)/TOWN & COUNTRY)

L BODY = (M - HORIZON/TURISMO)(Z - OMNI/CHARGER)

M BODY = (B - GRAN FURY)(F - FIFTH AVE/NEWPORT)(G - DIPLOMAT)

P BODY = (P - SUNDANCE)(D - SHADOW)

S BODY = (H - VOYAGER)(K - RAM VAN/CARAVAN)

BODY STYLES

12-13 = FWD VAN

21 = 2-DOOR SEDAN

24 = 2-DOOR HATCHBACK

27 = 2-DOOR CONVERTIBLE

41 = 4-DOOR SEDAN

44 = 4-DOOR HATCHBACK

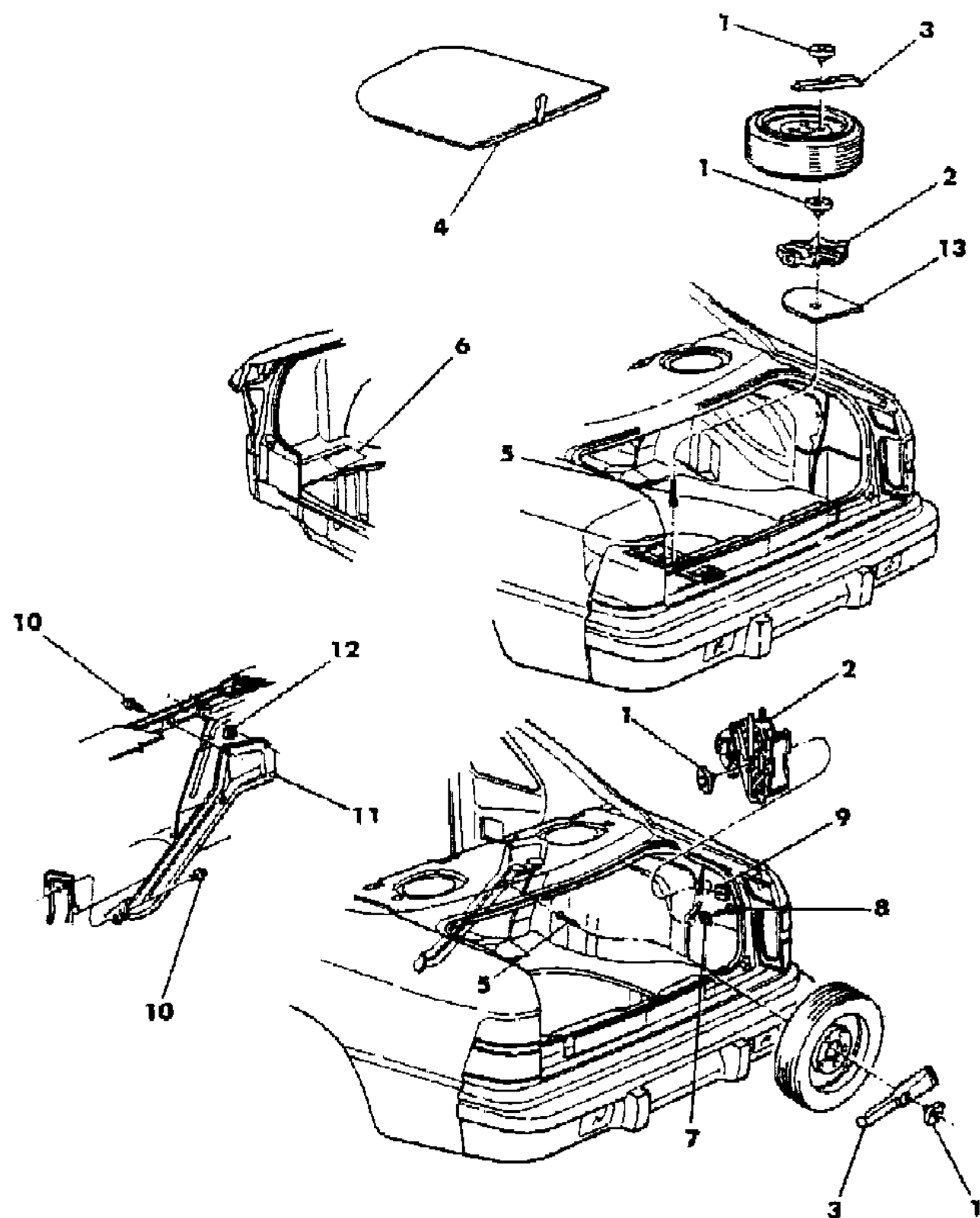
45 = 4-DOOR STATION WAGON

52-53 = FWD WAGON

AR = Use as Required - = Non Illustrated Part P.A.R. = Paint as Required

JACK AND SPARE TIRE STORAGE J BODY - C-21
Figure 22-1300

7122 1300



ITEM	PART NUMBER	QTY	BODY	MODEL	DESCRIPTION
1	#4416 028	1			WING NUT
2	4341 311	1			JACK
3	5216 018	1			HANDLE, Jack
4	4409 902	1			COVER, Spare Tire Carpet Support
5	6033 334	1			BOLT
6	4440 264	1			LABEL, Jack and Tire Stowage
7	4440 052	1			BRACKET, Jack Stowage Bolt
8	6033 118	1			BOLT
9	4440 051	1			CLIP
10	6501 185	1			SCREW and WASHER
11	4386 645	1			BRACKET, Shelf Panel Spare Tire Stowage
12	6100 042	1			U-NUT
13	4337 523	1			PAD, Jack and Wheel Anti-Rattle

MODEL CODES

E BODY = (J - CARAVELLE)(E - 600)(T - NEW YORKER)

G BODY = (V24 - DAYTONA)

H BODY = (D44 - LANCER)(C44 - LEBARON GTS)

J BODY = (C - LEBARON)

K BODY = (P - RELIANT)(D - ARIES)(C - LEBAROND)/TOWN & COUNTRY)

L BODY = (M - HORIZON/TURISMO)(Z - OMNI/CHARGER)

M BODY = (B - GRAN FURY)(F - FIFTH AVE/NEWPORT)(G - DIPLOMAT)

P BODY = (P - SUNDANCE)(D - SHADOW)

S BODY = (H - VOYAGER)(K - RAM VAN/CARAVAN)

BODY STYLES

12-13 = FWD VAN

21 = 2-DOOR SEDAN

24 = 2-DOOR HATCHBACK

27 = 2-DOOR CONVERTIBLE

41 = 4-DOOR SEDAN

44 = 4-DOOR HATCHBACK

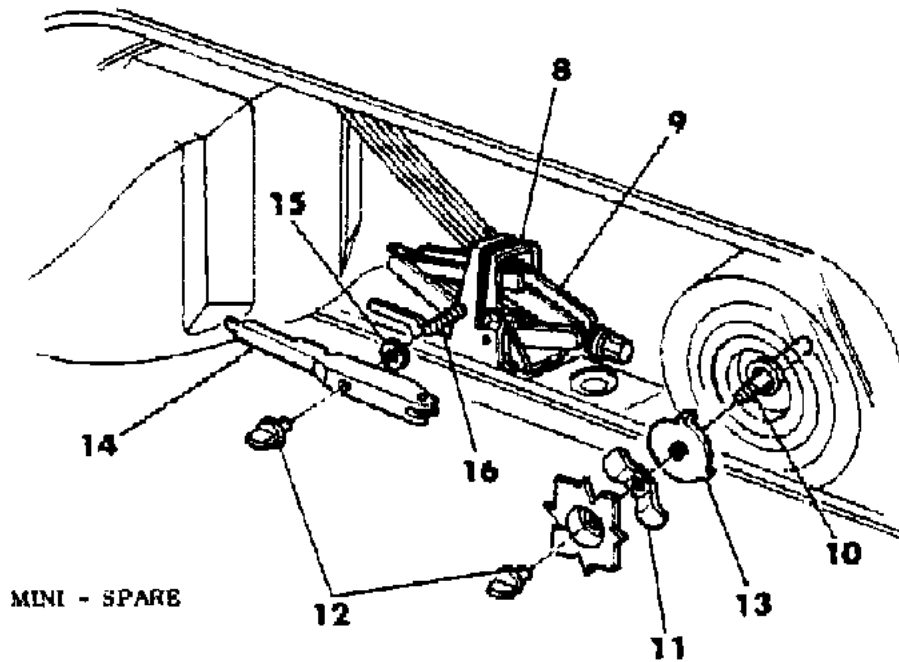
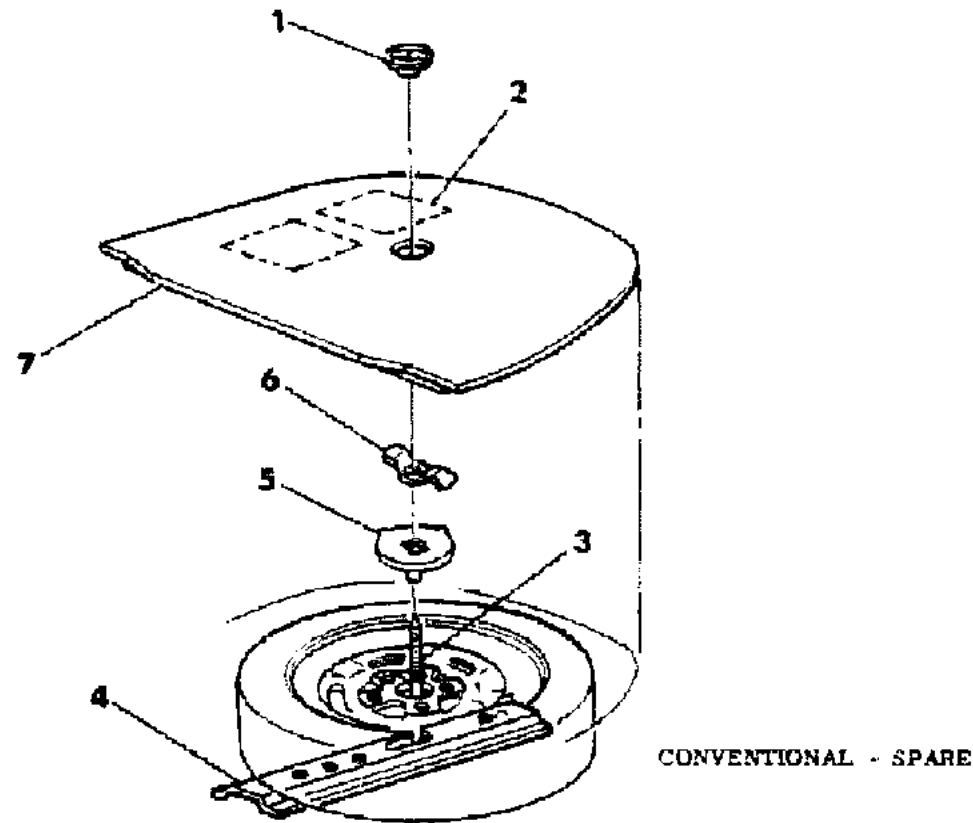
45 = 4-DOOR STATION WAGON

52-53 = FWD WAGON

AR = Use as Required - = Non Illustrated Part P.A.R. = Paint as Required

JACK AND SPARE TIRE STOWAGE K,E BODY - EXCEPT 45
Figure 22-1400

7122 1400 A



ITEM	PART NUMBER	QTY	BODY	MODEL	DESCRIPTION
1	4371 785	1			PLATE, Spare Tire Cover Hold Down
2	4440 250	1			LABEL, Jack and Tire Storage
3	6032 744	1			BOLT, Spare Tire Hold Down
4	4206 628	1			BRACKET, Floor Pan Tire Storage
5	4371 895	1			PLATE, Spare Tire Hold Down
6	6032 619	1			WING NUT, Spare Wheel
7	4453 469	1	K		COVER, Spare Tire Well
	4453 473	1	E		COVER, Spare Tire Well
8	4416 774	1			BRACKET, Jack Mounting
9	4342 463	1			JACK
10	6033 423	1			BOLT, Spare Tire Hold Down
11	6032 619	1			WING NUT, Spare Wheel
12	4223 983	1			FASTENER, Spare Tire
13	4371 895	1			PLATE, Spare Tire Hold Down
14	5216 018	1			HANDLE, Jack
15	6030 592	1			NUT, Spring Push On
16	6033 349	1			BOLT, Round Head Short Square Neck

MODEL CODES

E BODY = (J - CARAVELLE)(E - 600)(T - NEW YORKER)

G BODY = (V24 - DAYTONA)

H BODY = (D44 - LANCER)(C44 - LEBARON GTS)

J BODY = (C - LEBARON)

K BODY = (P - RELIANT)(D - ARIES)(C - LEBAROND)/TOWN & COUNTRY)

L BODY = (M - HORIZON/TURISMO)(Z - OMNI/CHARGER)

M BODY = (B - GRAN FURY)(F - FIFTH AVE/NEWPORT)(G - DIPLOMAT)

P BODY = (P - SUNDANCE)(D - SHADOW)

S BODY = (H - VOYAGER)(K - RAM VAN/CARAVAN)

BODY STYLES

12-13 = FWD VAN

21 = 2-DOOR SEDAN

24 = 2-DOOR HATCHBACK

27 = 2-DOOR CONVERTIBLE

41 = 4-DOOR SEDAN

44 = 4-DOOR HATCHBACK

45 = 4-DOOR STATION WAGON

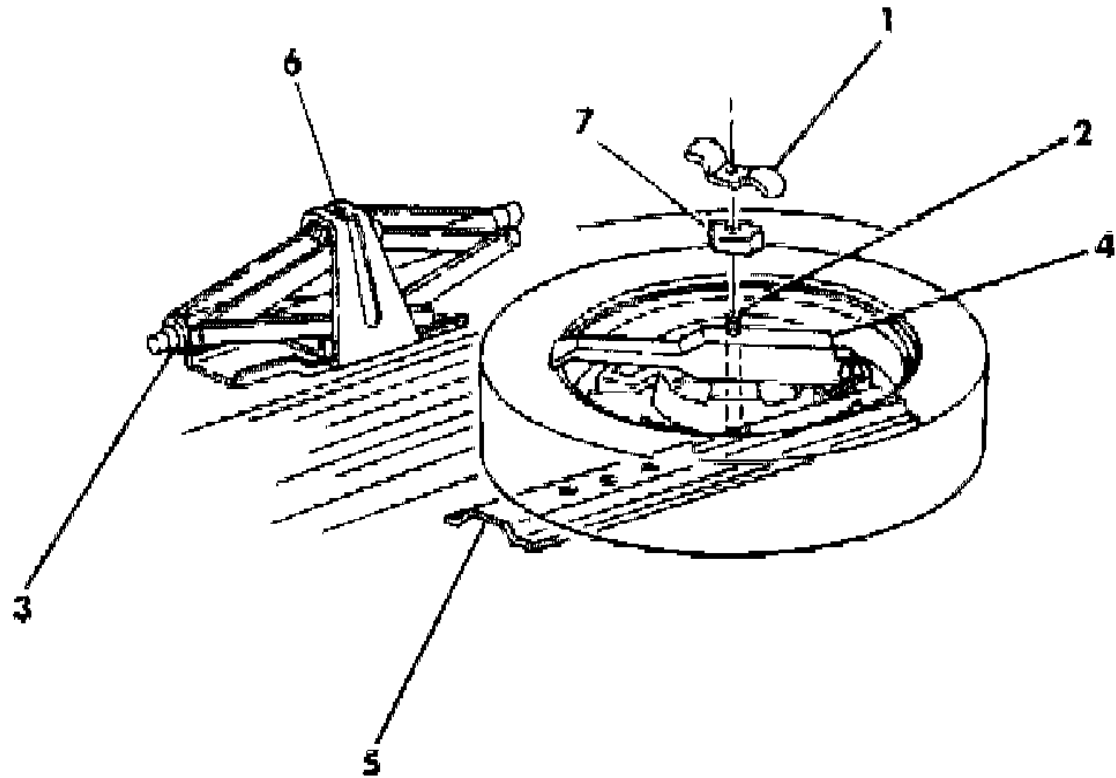
52-53 = FWD WAGON

AR = Use as Required - = Non Illustrated Part P.A.R. = Paint as Required

JACK AND SPARE TIRE STOWAGE K BODY - P,D,C-45
Figure 22-1500

7122 1500

ITEM	PART NUMBER	QTY	BODY	MODEL	DESCRIPTION
1	6032 619	1			WING NUT
2	6032 266	1			BOLT
3	4342 463	1			JACK, Scissors
4	5216 018	1			HANDLE, Jack
5	4206 247	1			BRACKET, Tire Stowage
-	4304 152	1			LABEL, Jack, Tire
6	4206 629	1			BRACKET, Jack Mtg
7	4314 184	1			RETAINER, Jack Handle Storage



MODEL CODES

E BODY = (J - CARAVELLE)(E - 600)(T - NEW YORKER)

G BODY = (V24 - DAYTONA)

H BODY = (D44 - LANCER)(C44 - LEBARON GTS)

J BODY = (C - LEBARON)

K BODY = (P - RELIANT)(D - ARIES)(C - LEBAROND)/TOWN & COUNTRY)

L BODY = (M - HORIZON/TURISMO)(Z - OMNI/CHARGER)

M BODY = (B - GRAN FURY)(F - FIFTH AVE/NEWPORT)(G - DIPLOMAT)

P BODY = (P - SUNDANCE)(D - SHADOW)

S BODY = (H - VOYAGER)(K - RAM VAN/CARAVAN)

BODY STYLES

12-13 = FWD VAN

21 = 2-DOOR SEDAN

24 = 2-DOOR HATCHBACK

27 = 2-DOOR CONVERTIBLE

41 = 4-DOOR SEDAN

44 = 4-DOOR HATCHBACK

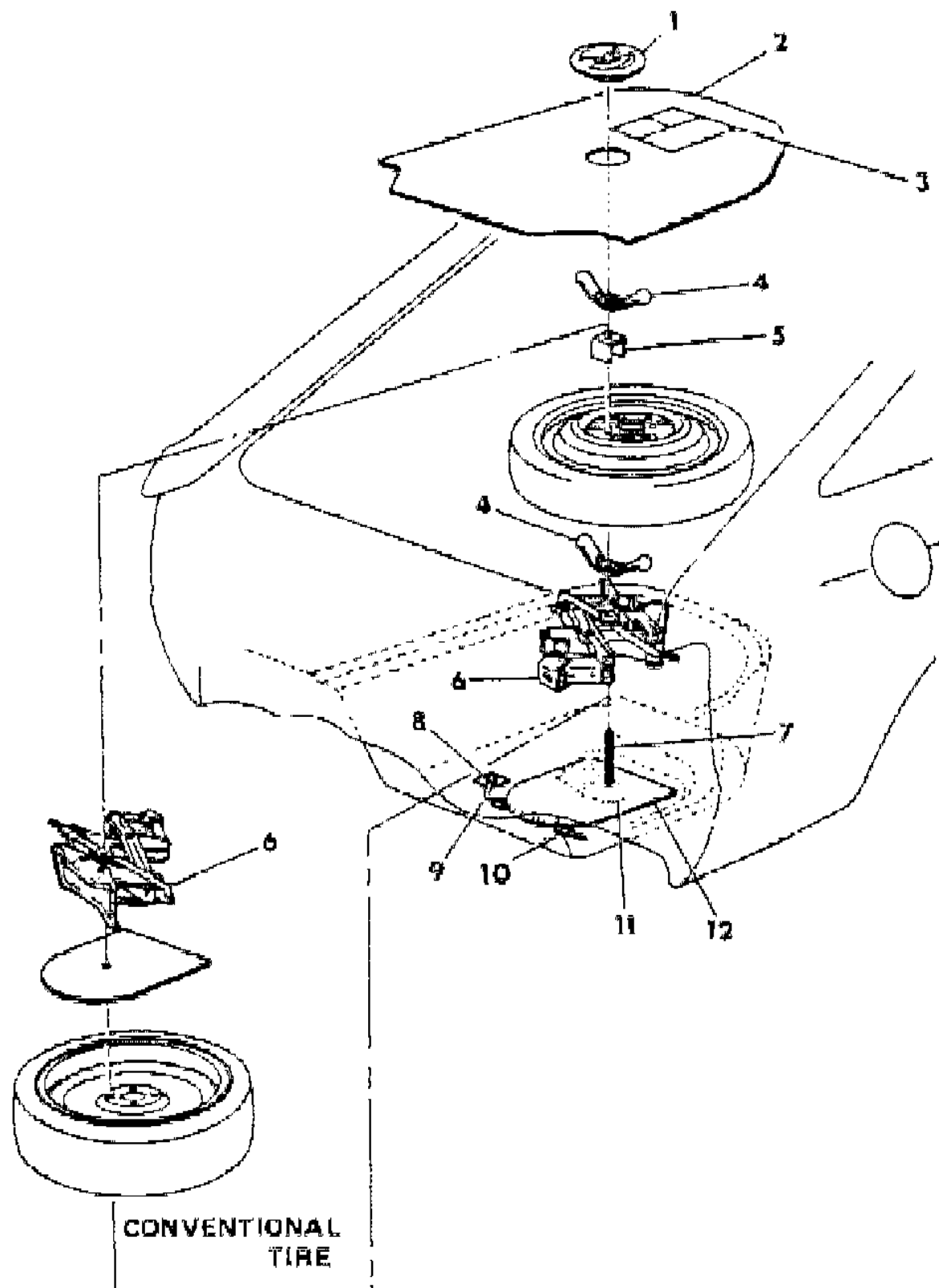
45 = 4-DOOR STATION WAGON

52-53 = FWD WAGON

AR = Use as Required - = Non Illustrated Part P.A.R. = Paint as Required

JACK AND SPARE TIRE STORAGE G BODY
Figure 22-1600

7122 1800



ITEM	PART NUMBER	QTY	BODY	MODEL	DESCRIPTION
1	4371 785	1			PLATE
2	4248 912	1			COVER
3	4341 548	1			LABEL
4	6032 619	1			WING NUT
5	4337 984	1			SPACER
6	4341 311	1			JACK
7	6032 790	1			BOLT
8	4337 798	1			PAD
9	4341 716	1			WRENCH, Lug
10	4337 940	1			CLIP
11		1			BRACKET, (Service in 23C)
12	4337 523	1			PAD

MODEL CODES

E BODY = (J - CARAVELLE)(E - 600)(T - NEW YORKER)

G BODY = (V24 - DAYTONA)

H BODY = (D44 - LANCER)(C44 - LEBARON GTS)

J BODY = (C - LEBARON)

K BODY = (P - RELIANT)(D - ARIES)(C - LEBAROND)/TOWN & COUNTRY)

L BODY = (M - HORIZON/TURISMO)(Z - OMNI/CHARGER)

M BODY = (B - GRAN FURY)(F - FIFTH AVE/NEWPORT)(G - DIPLOMAT)

P BODY = (P - SUNDANCE)(D - SHADOW)

S BODY = (H - VOYAGER)(K - RAM VAN/CARAVAN)

BODY STYLES

12-13 = FWD VAN

21 = 2-DOOR SEDAN

24 = 2-DOOR HATCHBACK

27 = 2-DOOR CONVERTIBLE

41 = 4-DOOR SEDAN

44 = 4-DOOR HATCHBACK

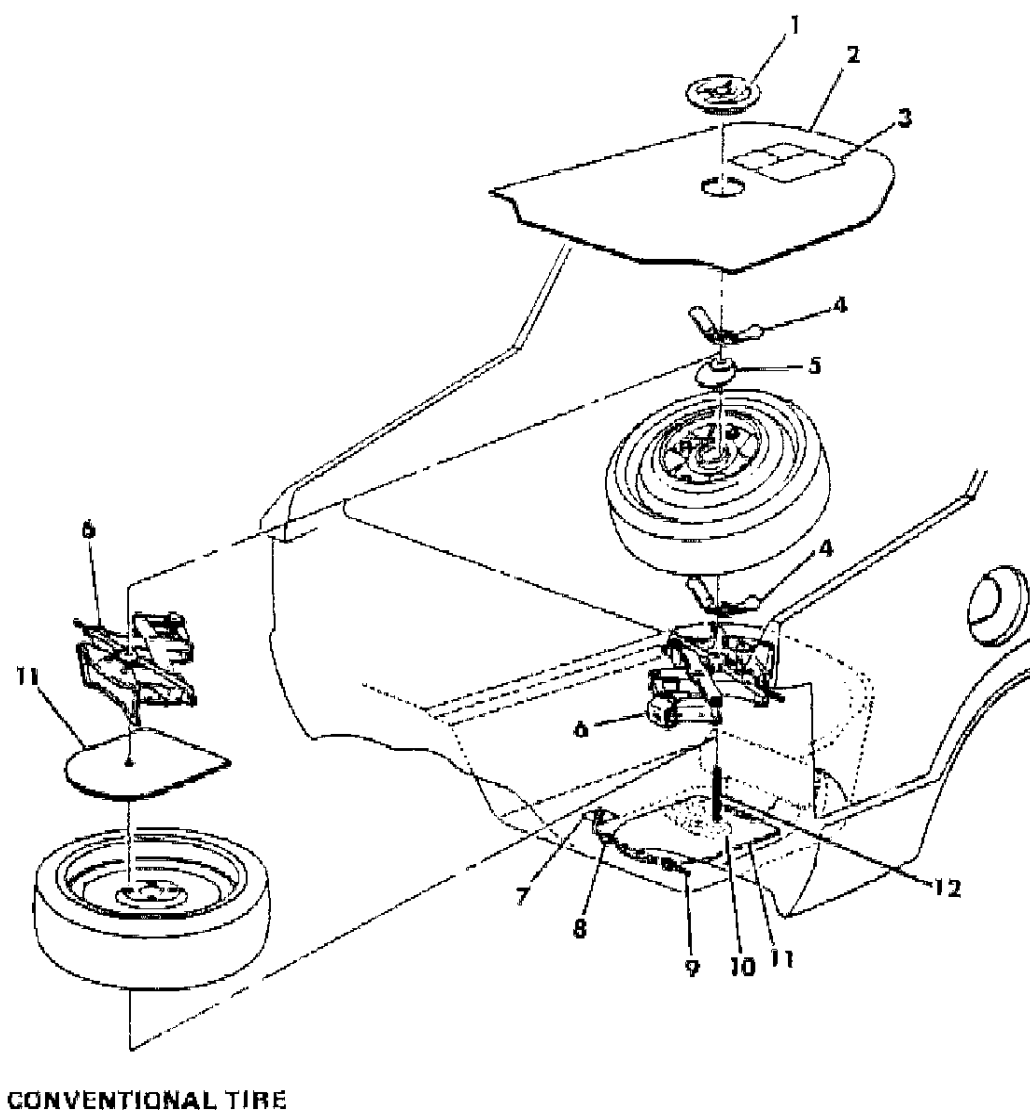
45 = 4-DOOR STATION WAGON

52-53 = FWD WAGON

AR = Use as Required - = Non Illustrated Part P.A.R. = Paint as Required

JACK AND SPARE TIRE STOWAGE H BODY
Figure 22-1700

7122 1700



ITEM	PART NUMBER	QTY	BODY	MODEL	DESCRIPTION
1	4371 785	1			PLATE
2	4248 912	1			COVER
3	4341 578	1			LABEL
	4370 233	1			LABEL, Jack and Tire Stowage (Shelby)
4	6032 619	2			WING NUT
5	4314 899	1			PLATE
6	4341 311	1			JACK
7	4337 798	1			PAD
8	4337 940	2			CLIP
9	4341 716	1			WRENCH, Lug
10		1			BRACKET,(Service in 23C)
11	4337 523	1			PAD
12	6032 790	1			BOLT
	4370 154	1			EXTENSION, Jack Mount, (Shelby)
	6033 243	16			RIVET, Jack Mount Extension (Shelby)

MODEL CODES

E BODY = (J - CARAVELLE)(E - 600)(T - NEW YORKER)

G BODY = (V24 - DAYTONA)

H BODY = (D44 - LANCER)(C44 - LEBARON GTS)

J BODY = (C - LEBARON)

K BODY = (P - RELIANT)(D - ARIES)(C - LEBAROND)/TOWN & COUNTRY)

L BODY = (M - HORIZON/TURISMO)(Z - OMNI/CHARGER)

M BODY = (B - GRAN FURY)(F - FIFTH AVE/NEWPORT)(G - DIPLOMAT)

P BODY = (P - SUNDANCE)(D - SHADOW)

S BODY = (H - VOYAGER)(K - RAM VAN/CARAVAN)

BODY STYLES

12-13 = FWD VAN

21 = 2-DOOR SEDAN

24 = 2-DOOR HATCHBACK

27 = 2-DOOR CONVERTIBLE

41 = 4-DOOR SEDAN

44 = 4-DOOR HATCHBACK

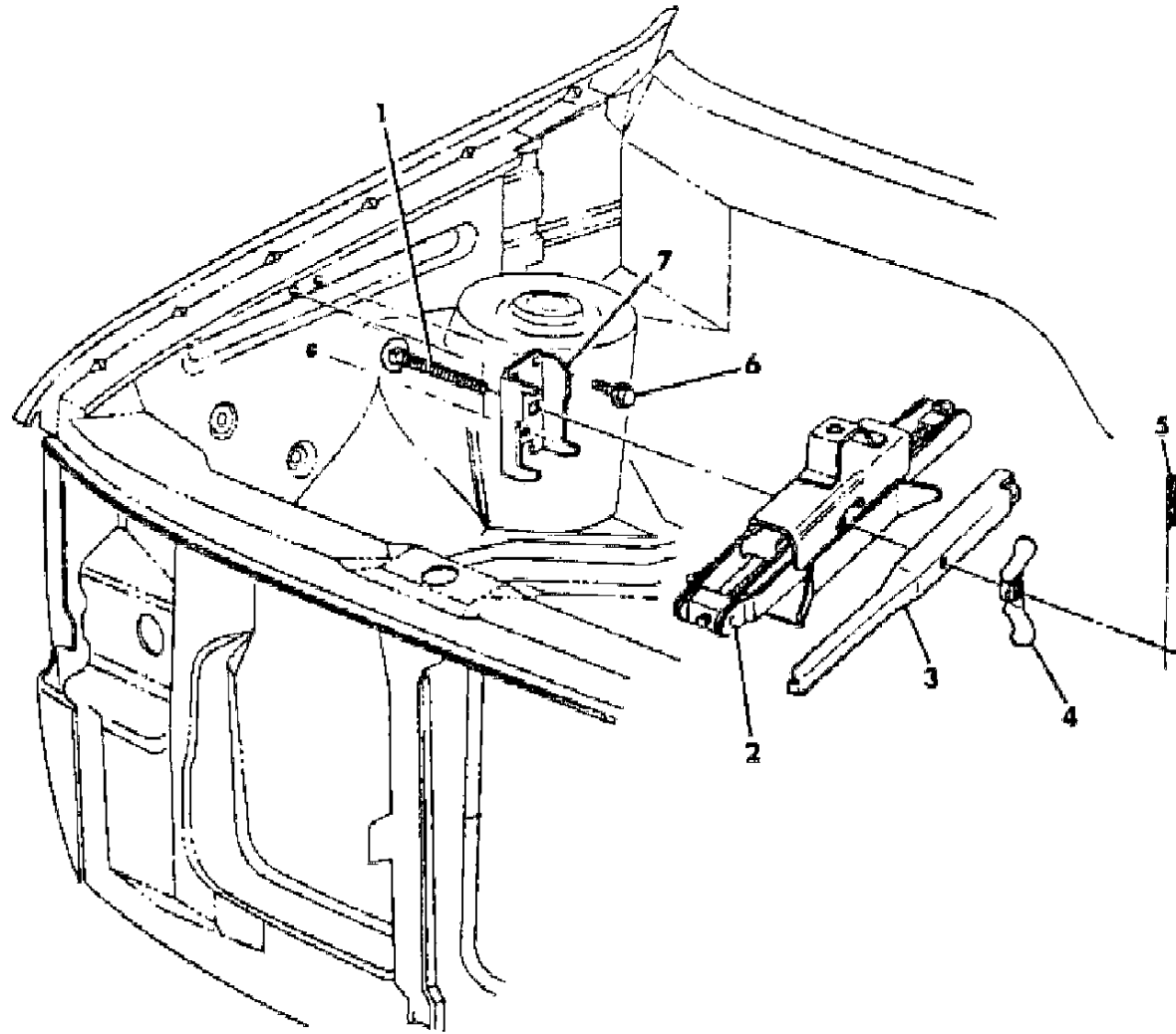
45 = 4-DOOR STATION WAGON

52-53 = FWD WAGON

AR = Use as Required - = Non Illustrated Part P.A.R. = Paint as Required

JACK STOWAGE S BODY
Figure 22-1800

7122 1800



ITEM	PART NUMBER	QTY	BODY	MODEL	DESCRIPTION
1	6032 651	1			BOLT
2	4440 136	1			JACK
3	4341 383	1			HANDLE
4	6032 619	1			WING NUT
5	6027 983	1			CLIP
6	6500 716	3			SCREW, w/Washer
7	4341 078	1			BRACKET, up to 12-15-86
	4440 516	1			after 12-15-86

MODEL CODES

E BODY = (J - CARAVELLE)(E - 600)(T - NEW YORKER)

G BODY = (V24 - DAYTONA)

H BODY = (D44 - LANCER)(C44 - LEBARON GTS)

J BODY = (C - LEBARON)

K BODY = (P - RELIANT)(D - ARIES)(C - LEBAROND)/TOWN & COUNTRY)

L BODY = (M - HORIZON/TURISMO)(Z - OMNI/CHARGER)

M BODY = (B - GRAN FURY)(F - FIFTH AVE/NEWPORT)(G - DIPLOMAT)

P BODY = (P - SUNDANCE)(D - SHADOW)

S BODY = (H - VOYAGER)(K - RAM VAN/CARAVAN)

BODY STYLES

12-13 = FWD VAN

21 = 2-DOOR SEDAN

24 = 2-DOOR HATCHBACK

27 = 2-DOOR CONVERTIBLE

41 = 4-DOOR SEDAN

44 = 4-DOOR HATCHBACK

45 = 4-DOOR STATION WAGON

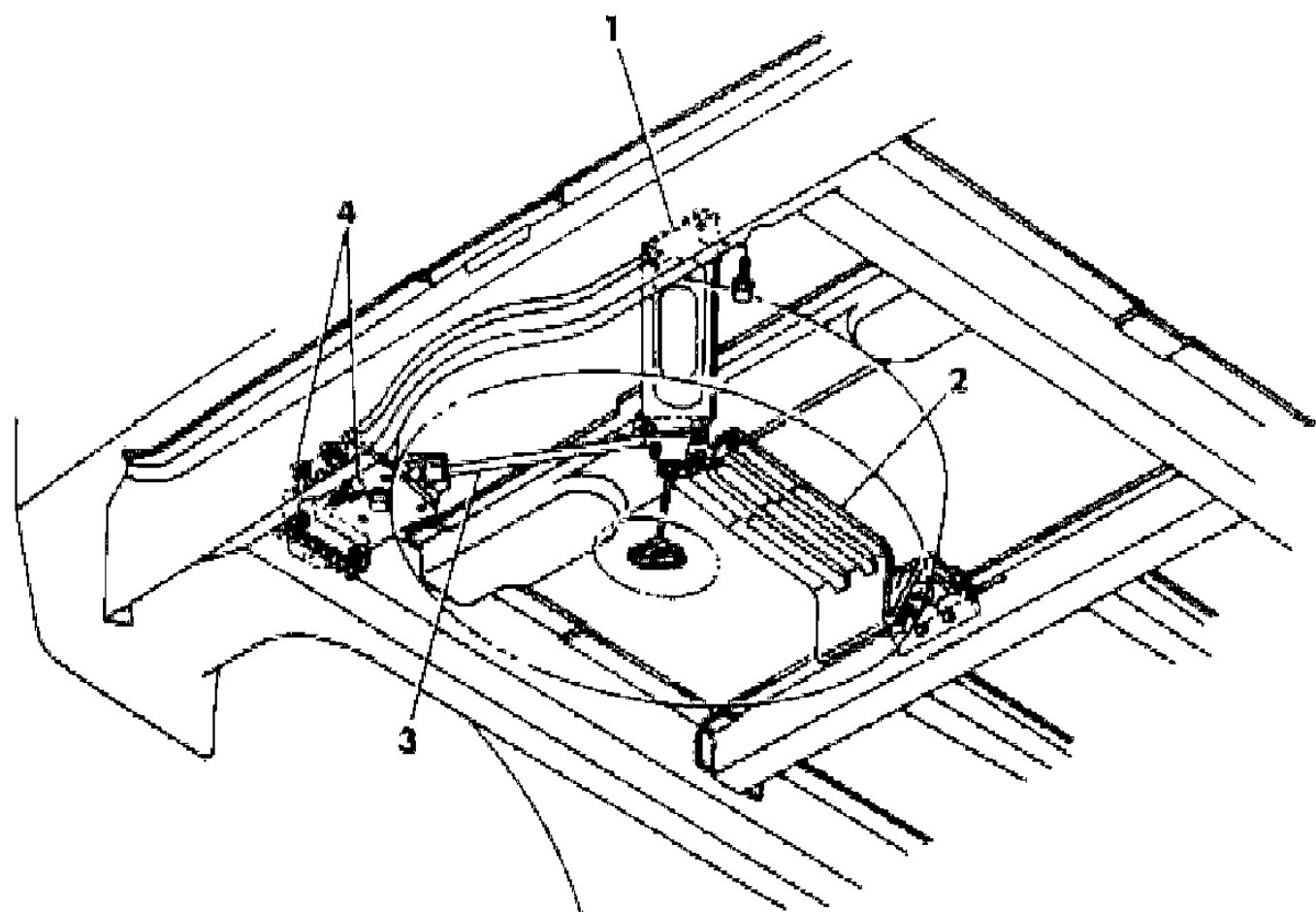
52-53 = FWD WAGON

AR = Use as Required - = Non Illustrated Part P.A.R. = Paint as Required

SPARE TIRE STORAGE OUTSIDE S BODY
Figure 22-1900

7122 1900

ITEM	PART NUMBER	QTY	BODY	MODEL	DESCRIPTION
1	4371 793	1			SUPPORT, w/o 119" Extended Wheel Base
	4385 042	1			SUPPORT, w/119" Extended Wheel Base
	4416 526	1			SUPPORT, Spare Wheel Mtg. (Van Std. Wheel Base)
2	4371 346	1			DEFLECTOR, U/Slung Spare Tire
3	4371 784	1			WINCH, w/o 119" Extended Wheel Base
	4385 033	1			WINCH, w/119" Extended Wheel Base
4	6101 393	AR			SCREW



MODEL CODES

E BODY = (J - CARAVELLE)(E - 600)(T - NEW YORKER)

G BODY = (V24 - DAYTONA)

H BODY = (D44 - LANCER)(C44 - LEBARON GTS)

J BODY = (C - LEBARON)

K BODY = (P - RELIANT)(D - ARIES)(C - LEBAROND)/TOWN & COUNTRY)

L BODY = (M - HORIZON/TURISMO)(Z - OMNI/CHARGER)

M BODY = (B - GRAN FURY)(F - FIFTH AVE/NEWPORT)(G - DIPLOMAT)

P BODY = (P - SUNDANCE)(D - SHADOW)

S BODY = (H - VOYAGER)(K - RAM VAN/CARAVAN)

BODY STYLES

12-13 = FWD VAN

21 = 2-DOOR SEDAN

24 = 2-DOOR HATCHBACK

27 = 2-DOOR CONVERTIBLE

41 = 4-DOOR SEDAN

44 = 4-DOOR HATCHBACK

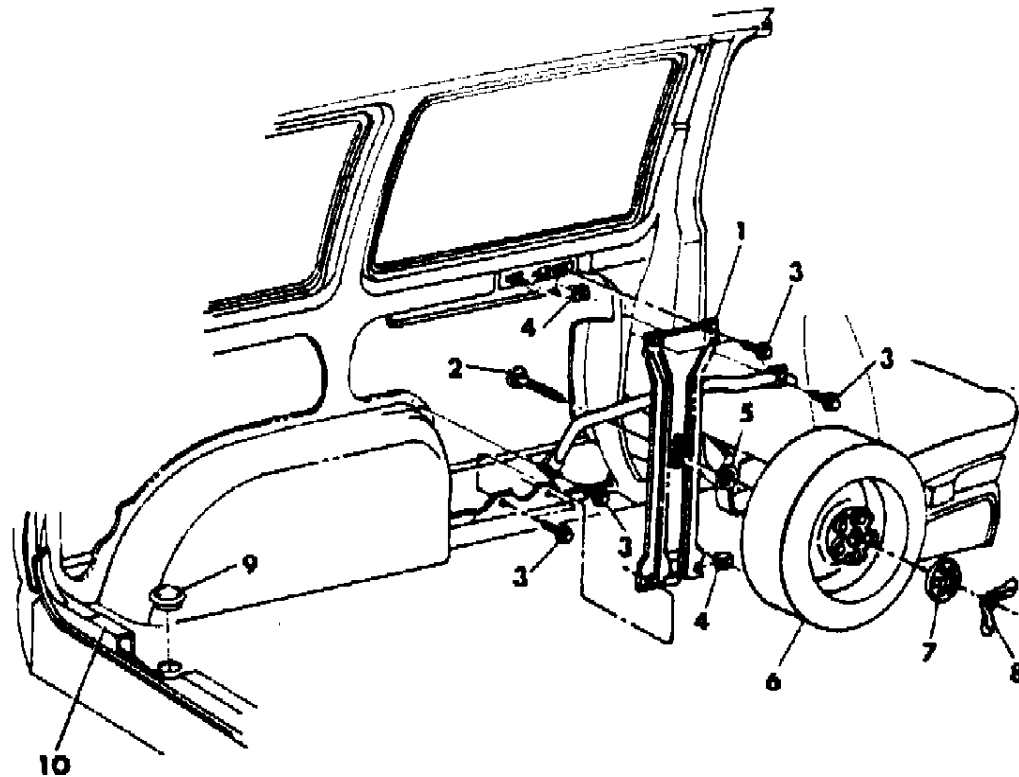
45 = 4-DOOR STATION WAGON

52-53 = FWD WAGON

AR = Use as Required - = Non Illustrated Part P.A.R. = Paint as Required

SPARE TIRE STOWAGE INSIDE S BODY
Figure 22-1925

7122 1925 A



ITEM	PART NUMBER	QTY	BODY	MODEL	DESCRIPTION
1	4416 526	1			SUPPORT, Spare Wheel Mounting with Standard Wheel Base
	4416 528	1			with Extended Wheel Base
2	6033 371	1			BOLT
3	0181 063	8			SCREW
4					U-NUT (not serviced)
5	6026 648	1			RETAINER, Push On
6					WHEEL (reference only)
7	4314 852	1			RETAINER, Spare Wheel I/S Mounting with 14" Wheels
	4440 366	1			with 15" Wheels
8	6032 619	1			WING NUT, Spare Wheel
9	4073 475	1			PLUG, Floor Pan Spare Tire Mounting Hole
10	4296 964	1			LABEL, Tire Stowage

MODEL CODES

E BODY = (J - CARAVELLE)(E - 600)(T - NEW YORKER)

G BODY = (V24 - DAYTONA)

H BODY = (D44 - LANCER)(C44 - LEBARON GTS)

J BODY = (C - LEBARON)

K BODY = (P - RELIANT)(D - ARIES)(C - LEBAROND)/TOWN & COUNTRY)

L BODY = (M - HORIZON/TURISMO)(Z - OMNI/CHARGER)

M BODY = (B - GRAN FURY)(F - FIFTH AVE/NEWPORT)(G - DIPLOMAT)

P BODY = (P - SUNDANCE)(D - SHADOW)

S BODY = (H - VOYAGER)(K - RAM VAN/CARAVAN)

BODY STYLES

12-13 = FWD VAN

21 = 2-DOOR SEDAN

24 = 2-DOOR HATCHBACK

27 = 2-DOOR CONVERTIBLE

41 = 4-DOOR SEDAN

44 = 4-DOOR HATCHBACK

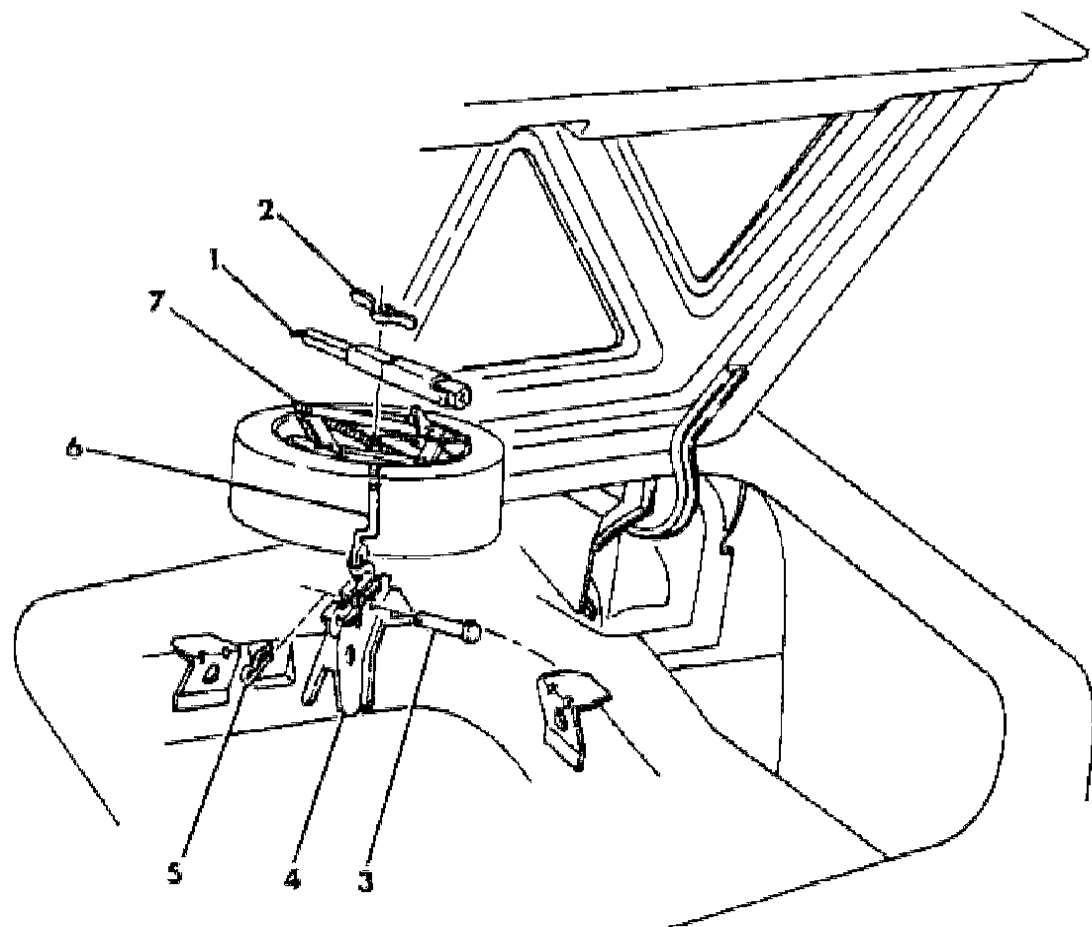
45 = 4-DOOR STATION WAGON

52-53 = FWD WAGON

AR = Use as Required - = Non Illustrated Part P.A.R. = Paint as Required

JACK AND SPARE TIRE STOWAGE M BODY
Figure 22-2000

7122 2000



ITEM	PART NUMBER	QTY	BODY	MODEL	DESCRIPTION
1	5216 018	1			HANDLE
2	6032 619	1			WING NUT
3					PIN,(not serviced)
4	4134 408	1			BRACKET,Anchor Bolt
5	6027 983	1			CLIP
6	4134 409	1			ROD
7	4110 232	1			JACK
	4304 012	1			LABEL, Jack, Tire

MODEL CODES

E BODY = (J - CARAVELLE)(E - 600)(T - NEW YORKER)

G BODY = (V24 - DAYTONA)

H BODY = (D44 - LANCER)(C44 - LEBARON GTS)

J BODY = (C - LEBARON)

K BODY = (P - RELIANT)(D - ARIES)(C - LEBAROND)/TOWN & COUNTRY)

L BODY = (M - HORIZON/TURISMO)(Z - OMNI/CHARGER)

M BODY = (B - GRAN FURY)(F - FIFTH AVE/NEWPORT)(G - DIPLOMAT)

P BODY = (P - SUNDANCE)(D - SHADOW)

S BODY = (H - VOYAGER)(K - RAM VAN/CARAVAN)

BODY STYLES

12-13 = FWD VAN

21 = 2-DOOR SEDAN

24 = 2-DOOR HATCHBACK

27 = 2-DOOR CONVERTIBLE

41 = 4-DOOR SEDAN

44 = 4-DOOR HATCHBACK

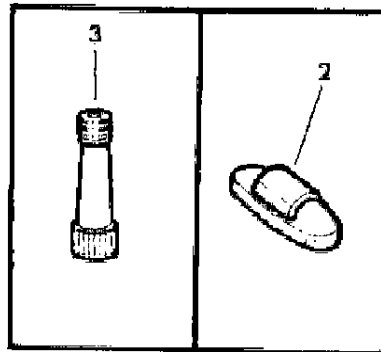
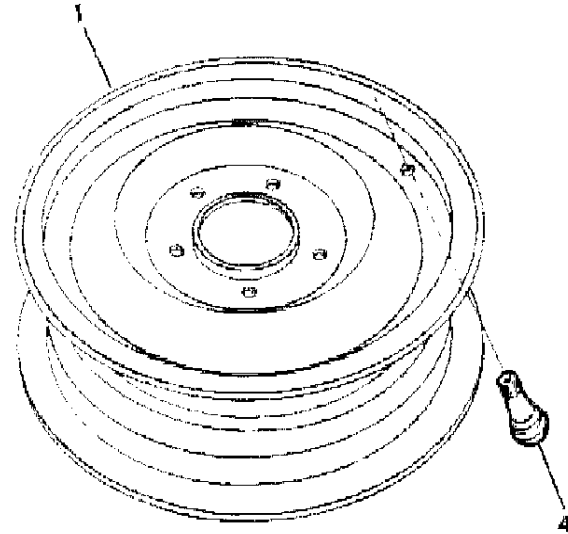
45 = 4-DOOR STATION WAGON

52-53 = FWD WAGON

AR = Use as Required - = Non Illustrated Part P.A.R. = Paint as Required

WHEEL MISCELLANEOUS ALL BODY
Figure 22-2100

1122 2100



ITEM	PART NUMBER	QTY	BODY	MODEL	DESCRIPTION
1					WHEEL, (See wheels and covers)
2	1615 354	AR			WEIGHT, 3 oz.
3	2401 840	1			EXTENSION PACKAGE 3/4"
	3461 079	1			1"
4	2073 355	5			STEM, Valve 1-1/4 Lgh.

MODEL CODES

E BODY = (J - CARAVELLE)(E - 600)(T - NEW YORKER)

G BODY = (V24 - DAYTONA)

H BODY = (D44 - LANCER)(C44 - LEBARON GTS)

J BODY = (C - LEBARON)

K BODY = (P - RELIANT)(D - ARIES)(C - LEBAROND)/TOWN & COUNTRY)

L BODY = (M - HORIZON/TURISMO)(Z - OMNI/CHARGER)

M BODY = (B - GRAN FURY)(F - FIFTH AVE/NEWPORT)(G - DIPLOMAT)

P BODY = (P - SUNDANCE)(D - SHADOW)

S BODY = (H - VOYAGER)(K - RAM VAN/CARAVAN)

BODY STYLES

12-13 = FWD VAN

21 = 2-DOOR SEDAN

24 = 2-DOOR HATCHBACK

27 = 2-DOOR CONVERTIBLE

41 = 4-DOOR SEDAN

44 = 4-DOOR HATCHBACK

45 = 4-DOOR STATION WAGON

52-53 = FWD WAGON

AR = Use as Required - = Non Illustrated Part P.A.R. = Paint as Required

GROUP 23 - BODY - EXTERIOR ORNAMENTATION

ILLUSTRATION TITLE **GROUP-FIG. NO.**

L BODY M,Z

MOULDINGS, WINDSHIELD OUTSIDE L BODY Fig. 23-100

MOULDINGS AND ORNAMENTATION - EXTERIOR VIEW L BODY, 2 DOOR PLYMOUTH TURISMO,
DODGE CHARGER Fig. 23-200

MOULDINGS AND ORNAMENTATION - EXTERIOR VIEW L BODY, 4 DOOR PLYMOUTH HORIZON,
DODGE OMNI Fig. 23-300

TAPE STRIPES AND DECALS - EXTERIOR VIEW L BODY, 2 DOOR PLYMOUTH TURISMO, DODGE
CHARGER Fig. 23-400

TAPE STRIPES AND DECALS - EXTERIOR VIEW L BODY, 2 DOOR DODGE SHELBY CHARGER Fig. 23-500

GROUND EFFECTS PACKAGE - EXTERIOR VIEW L BODY, 2 DOOR DODGE SHELBY CHARGER,
SHELBY GLH-S CHARGER Fig. 23-600

P BODY P,D

MOULDINGS, WINDSHIELD AND REAR WINDOW OUTSIDE P BODY Fig. 23-700

MOULDINGS AND ORNAMENTATION - EXTERIOR VIEW P BODY, 2 DOOR PLYMOUTH SUNDANCE,
DODGE SHADOW Fig. 23-800

MOULDINGS AND ORNAMENTATION - EXTERIOR VIEW P BODY, 4 DOOR PLYMOUTH SUNDANCE,
DODGE SHADOW Fig. 23-900

TAPE STRIPES AND DECALS - EXTERIOR VIEW P BODY PLYMOUTH SUNDANCE, DODGE SHADOW .. Fig. 23-1000

GROUND EFFECTS PACKAGE - EXTERIOR VIEW P BODY DODGE SHELBY SHADOW Fig. 23-1050

J BODY C

MOULDINGS, WINDSHIELD AND REAR WINDOW OUTSIDE J BODY CHRYSLER LEBARON Fig. 23-1100

MOULDINGS AND ORNAMENTATION - EXTERIOR VIEW J BODY, 2 DOOR, CONVERTIBLE CHRYSLER
LEBARON Fig. 23-1200

TAPE STRIPES AND DECALS - EXTERIOR VIEW J BODY, 2 DOOR, CONVERTIBLE CHRYSLER
LEBARON Fig. 23-1300

K BODY P,D,C

MOULDINGS, WINDSHIELD AND REAR WINDOW OUTSIDE K BODY Fig. 23-1400

COVER, ROOF - EXTERIOR VIEW K BODY, 4 DOOR CHRYSLER LEBARON Fig. 23-1500

MOULDINGS AND ORNAMENTATION - EXTERIOR VIEW K BODY, 2 DOOR PLYMOUTH RELIANT, DODGE
ARIES Fig. 23-1600

MOULDINGS AND ORNAMENTATION - EXTERIOR VIEW K BODY, 4 DOOR PLYMOUTH RELIANT, DODGE
ARIES Fig. 23-1700

MOULDINGS AND ORNAMENTATION - EXTERIOR VIEW K BODY, SUBURBAN PLYMOUTH RELIANT,
DODGE ARIES Fig. 23-1800

TAPE STRIPES AND DECALS - EXTERIOR VIEW K BODY PLYMOUTH RELIANT, DODGE ARIES Fig. 23-1900

ILLUSTRATION NOT AVAILABLE AT TIME OF PUBLICATION

GROUP 23 - BODY - EXTERIOR ORNAMENTATION

GROUP 23 - BODY - EXTERIOR ORNAMENTATION

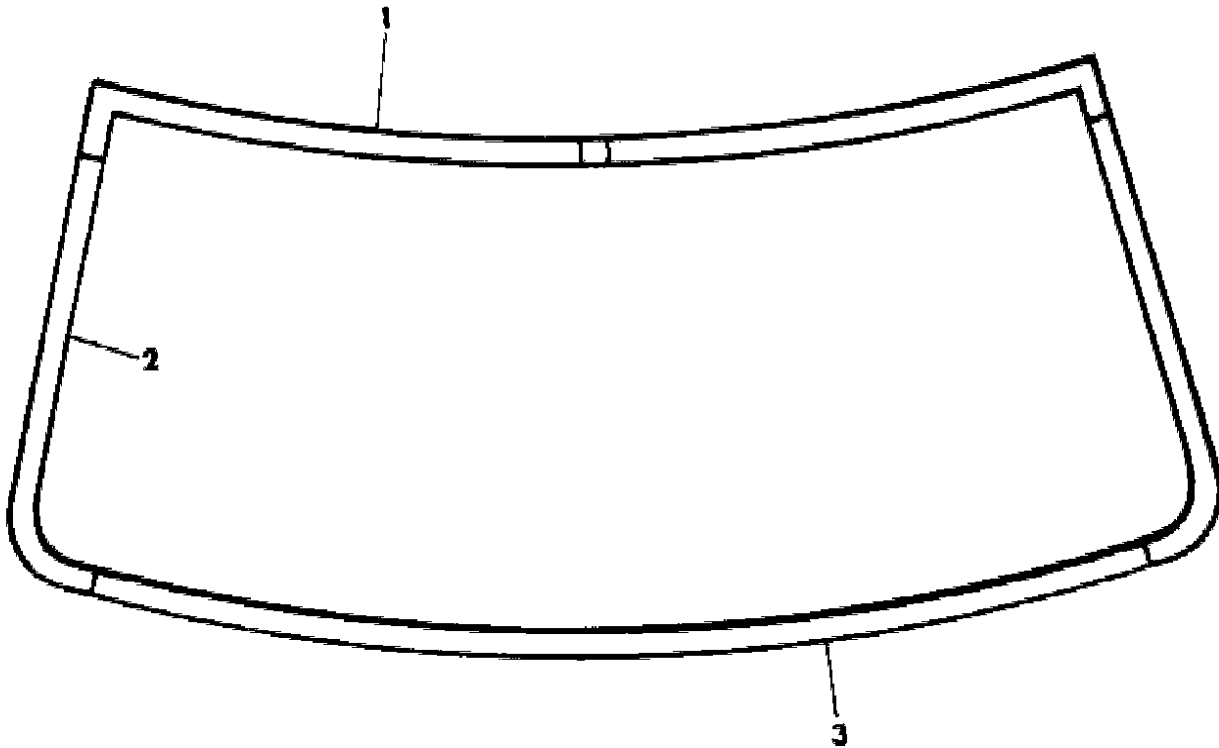
ILLUSTRATION TITLE	GROUP-FIG. NO.
K BODY P,D,C (Continued)	
TAPE STRIPES AND DECALS - EXTERIOR VIEW K BODY PLYMOUTH RELIANT, DODGE ARIES	Fig. 23-1900
MOULDING AND ORNAMENTATION - EXTERIOR VIEW K BODY, 4 DOOR CHRYSLER LEBARON	Fig. 23-2000
MOULDINGS AND ORNAMENTATION - EXTERIOR VIEW K BODY, TOWN AND COUNTRY CHRYSLER ..	Fig. 23-2100
TAPE STRIPES AND DECALS - EXTERIOR VIEW K BODY CHRYSLER LEBARON	Fig. 23-2200
G BODY V	
MOULDINGS, WINDSHIELD OUTSIDE G BODY DODGE DAYTONA	Fig. 23-2300
MOULDINGS AND ORNAMENTATION - EXTERIOR VIEW G BODY DODGE DAYTONA, DAYTONA SHELBY Z, PACIFIC	Fig. 23-2400
TAPE STRIPES AND DECALS - EXTERIOR VIEW G BODY DAYTONA, DAYTONA SHELBY Z, PACIFIC ...	Fig. 23-2500
GROUND EFFECTS PACKAGE - EXTERIOR VIEW G BODY DODGE DAYTONA, DAYTONA SHELBY Z, PACIFIC	Fig. 23-2600
E BODY J,E,T	
MOULDINGS, WINDSHIELD AND REAR WINDOW OUTSIDE E BODY	Fig. 23-2700
MOULDINGS AND ORNAMENTATION - EXTERIOR VIEW E BODY PLYMOUTH CARAVELLE, DODGE 600	Fig. 23-2800
TAPE STRIPES AND DECALS - EXTERIOR VIEW E BODY PLYMOUTH CARAVELLE, DODGE 600	Fig. 23-2900
MOULDINGS AND ORNAMENTATION - EXTERIOR VIEW E BODY CHRYSLER NEW YORKER, T-P	Fig. 23-3000
MOULDINGS AND ORNAMENTATION - EXTERIOR VIEW E BODY CHRYSLER NEW YORKER, PADDED LANDAU ROOF, T-P	Fig. 23-3100
TAPE STRIPES AND DECALS - EXTERIOR VIEW E BODY CHRYSLER NEW YORKER, T-P	Fig. 23-3200
H BODY D,C	
MOULDINGS, WINDSHIELD OUTSIDE H BODY	Fig. 23-3300
MOULDINGS AND ORNAMENTATION - EXTERIOR VIEW H BODY DODGE LANCER	Fig. 23-3400
TAPE STRIPES AND DECALS - EXTERIOR VIEW H BODY DODGE LANCER	Fig. 23-3500
GROUND EFFECTS PACKAGE - EXTERIOR VIEW H BODY DODGE SHELBY LANCER	Fig. 23-3600
MOULDINGS AND ORNAMENTATION - EXTERIOR VIEW H BODY CHRYSLER LEBARON, GTS	Fig. 23-3700
TAPE STRIPES AND DECALS - EXTERIOR VIEW H BODY CHRYSLER LEBARON, GTS	Fig. 23-3800
S BODY H,K	
MOULDINGS AND ORNAMENTATION - EXTERIOR VIEW S BODY PLYMOUTH VOYAGER WAGON, DODGE CARAVAN WAGON	Fig. 23-3900
TAPE STRIPES AND DECALS - EXTERIOR VIEW S BODY PLYMOUTH VOYAGER WAGON, DODGE CARAVAN WAGON	Fig. 23-4000
MOULDINGS AND ORNAMENTATION - EXTERIOR VIEW S BODY DODGE MINI RAM VAN AND ROYAL ..	Fig. 23-4100

ILLUSTRATION TITLE	GROUP-FIG. NO.
M BODY B,G,F	
MOULDINGS, WINDSHIELD AND REAR WINDOW OUTSIDE M BODY	Fig. 23-4200
COVER, ROOF - EXTERIOR VIEW M BODY PLYMOUTH FURY, DODGE DIPLOMAT, CHRYSLER FIFTH AVE.	Fig. 23-4300
MOULDINGS AND ORNAMENTATION - EXTERIOR VIEW M BODY PLYMOUTH GRAN FURY SALON	Fig. 23-4400
TAPE STRIPES AND DECALS - EXTERIOR VIEW M BODY PLYMOUTH GRAN FURY SALON	Fig. 23-4500
MOULDINGS AND ORNAMENTATION - EXTERIOR VIEW M BODY DODGE DIPLOMAT	Fig. 23-4600
TAPE STRIPES AND DECALS - EXTERIOR VIEW M BODY DODGE DIPLOMAT	Fig. 23-4700
MOULDINGS AND ORNAMENTATION - EXTERIOR VIEW M BODY CHRYSLER NEWPORT	Fig. 23-4800
TAPE STRIPES AND DECALS - EXTERIOR VIEW M BODY CHRYSLER NEWPORT	Fig. 23-4900
MOULDINGS AND ORNAMENTATION - EXTERIOR VIEW M BODY CHRYSLER FIFTH AVENUE	Fig. 23-5000
TAPE STRIPES AND DECALS - EXTERIOR VIEW M BODY CHRYSLER FIFTH AVENUE	Fig. 23-5100

MOULDINGS, WINDSHIELD OUTSIDE L BODY
Figure 23-100

ITEM	PART NUMBER	QTY	BODY	MODEL	DESCRIPTION
1	5230 806-7	1		24	MOULDING, W/Shield, Upr., Black
	6003 878	AR		24	RETAINER
	6003 879	AR		24	RETAINER and SCREW
	5209 362-3	1		44	MOULDING, W/Shield, Upr., Black
	6003 878	AR		44	RETAINER
2	6003 304	AR		44	RETAINER and SCREW
	5230 808-9	1		24	MOULDING, W/Shield, Side, Black
	6003 878	AR		24	RETAINER
	6003 879	AR		24	RETAINER and SCREW
	5209 364-5	1		44	MOULDING, W/Shield, Side, Black
3	6003 878	AR		44	RETAINER
	6003 304	AR		44	RETAINER and SCREW
	5230 805	1		24	MOULDING, W/Shield, Lwr., Black
	6003 878	AR		24	RETAINER
	6003 879	AR		24	RETAINER
	5209 339	1		44	MOULDING, W/Shield, Lwr., Black
	6003 878	AR		44	RETAINER
	6003 304	AR		44	RETAINER and SCREW

7188 100



MODEL CODES
E BODY = (J - CARAVELLE)(E - 600)(T - NEW YORKER)
G BODY = (V24 - DAYTONA)
H BODY = (D44 - LANCER)(C44 - LEBARON GTS)
J BODY = (C - LEBARON)
K BODY = (P - RELIANT)(D - ARIES)(C - LEBAROND)/TOWN & COUNTRY

L BODY = (M - HORIZON/TURISMO)(Z - OMNI/CHARGER)
M BODY = (B - GRAN FURY)(F - FIFTH AVE/NEWPORT)(G - DIPLOMAT)
P BODY = (P - SUNDANCE)(D - SHADOW)
S BODY = (H - VOYAGER)(K - RAM VAN/CARAVAN)

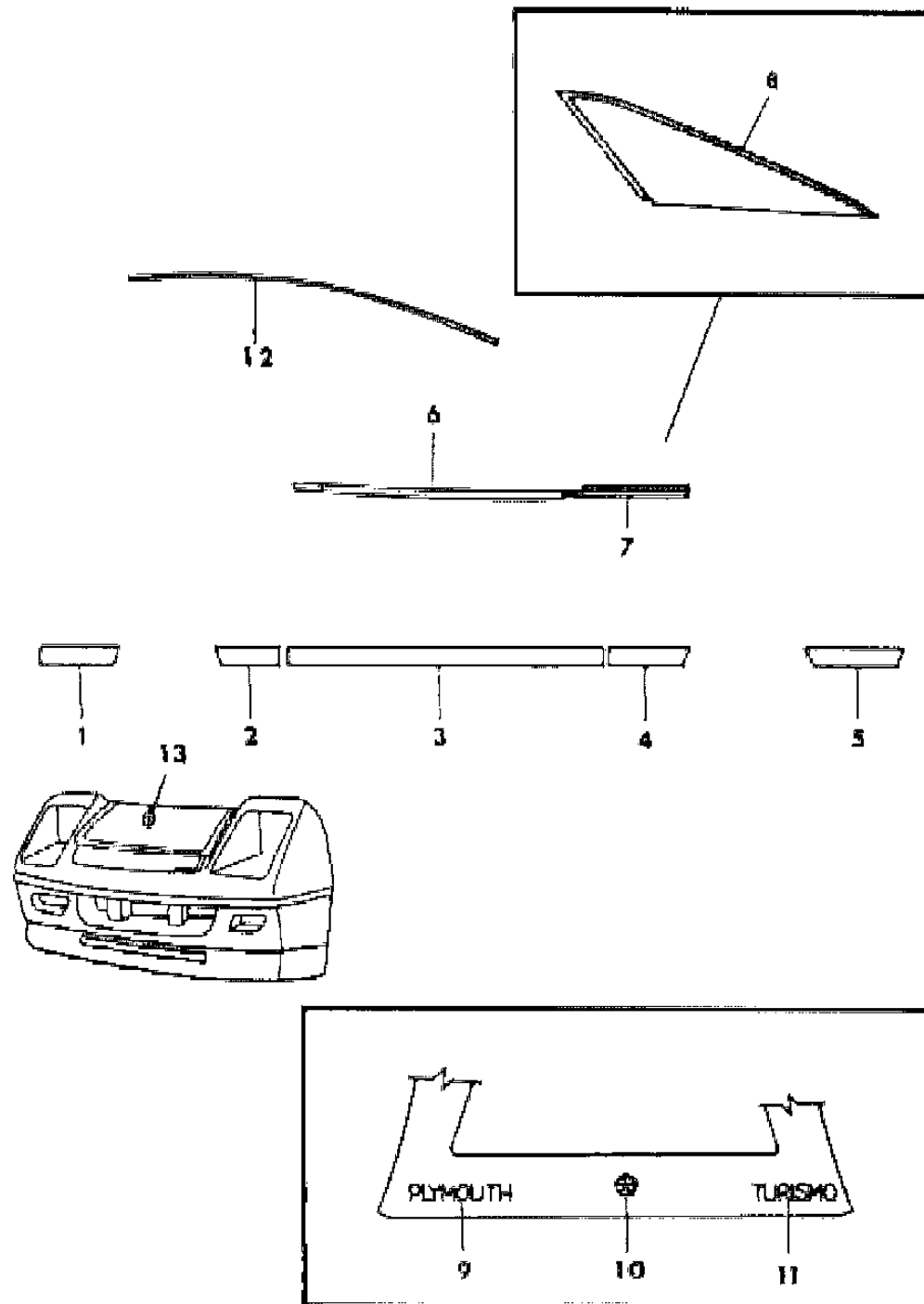
BODY STYLES
12-13 = FWD VAN 41 = 4-DOOR SEDAN
21 = 2-DOOR SEDAN 44 = 4-DOOR HATCHBACK
24 = 2-DOOR HATCHBACK 45 = 4-DOOR STATION WAGON
27 = 2-DOOR CONVERTIBLE 52-53 = FWD WAGON

AR = Use as Required - = Non Illustrated Part P.A.R. = Paint as Required

MOULDINGS AND ORNAMENTATION - EXTERIOR VIEW L BODY, 2 DOOR PLYMOUTH TURISMO, DODGE CHARGER

Figure 23-200

7188 200



ITEM	PART NUMBER	QTY	BODY	MODEL	DESCRIPTION
1	5230 728-9	1			MOULDING, Fndr., Frt.
2	5230 730-1	1			MOULDING, Fndr., Rear
3	5230 732-3	1			MOULDING, Door
4	5230 734-5	1			MOULDING, Qtr., Frt.
5	5230 736-7	1			MOULDING, Qtr., Rear
6	5230 846	1			MOULDING, Door Belt Rt., Black, Use w/Mirror
	5230 847	1			MOULDING, Door Belt, Lt., Black
	5230 850	1			MOULDING, Door Belt, Rt., Black, Use w/o Mirror
7	5230 726-7	1			MOULDING, Qtr. Wdo. Belt, Black
8					APPLIQUE, Qtr. Wdo.
	X604-5 BA1	1			Silver Met.
	X604-5 DB1	1			Ice Blue Met.
	X604-5 DT4	1			Gold Dust Met.
	X604-5 DW2	1			White
	X604-5 CR6	1			Garnet
	X604-5 DR5	1			Graphic Red
	X604-5 DX8	1			Black
	X604-5 DA5	1			Charcoal Gray
	5230 661	AR			RETAINER
					SCREW, (Not Serv.)
	6025 002	AR			NUT
9	4328 876	1			NAMEPLATE, L/Gate, "PLYMOUTH"
	4328 878	1			"DODGE"
10	4319 497	1			MEDALLION, L/Gate Pentastar
	4319 496	1	Z-S		Black
11	5230 876	1			NAMEPLATE, L/Gate, "TURISMO"
	5230 875	1			"CHARGER"
12	5230 654-5	1			MOULDING, Roof Side Drain Trough
13	4270 517	1			PENTASTAR, Fascia, Chrome

MODEL CODES

E BODY = (J - CARAVELLE)(E - 600)(T - NEW YORKER)

G BODY = (V24 - DAYTONA)

H BODY = (D44 - LANCER)(C44 - LEBARON GTS)

J BODY = (C - LEBARON)

K BODY = (P - RELIANT)(D - ARIES)(C - LEBAROND)/TOWN & COUNTRY)

L BODY = (M - HORIZON/TURISMO)(Z - OMNI/CHARGER)

M BODY = (B - GRAN FURY)(F - FIFTH AVE/NEWPORT)(G - DIPLOMAT)

P BODY = (P - SUNDANCE)(D - SHADOW)

S BODY = (H - VOYAGER)(K - RAM VAN/CARAVAN)

BODY STYLES

12-13 = FWD VAN

21 = 2-DOOR SEDAN

24 = 2-DOOR HATCHBACK

27 = 2-DOOR CONVERTIBLE

41 = 4-DOOR SEDAN

44 = 4-DOOR HATCHBACK

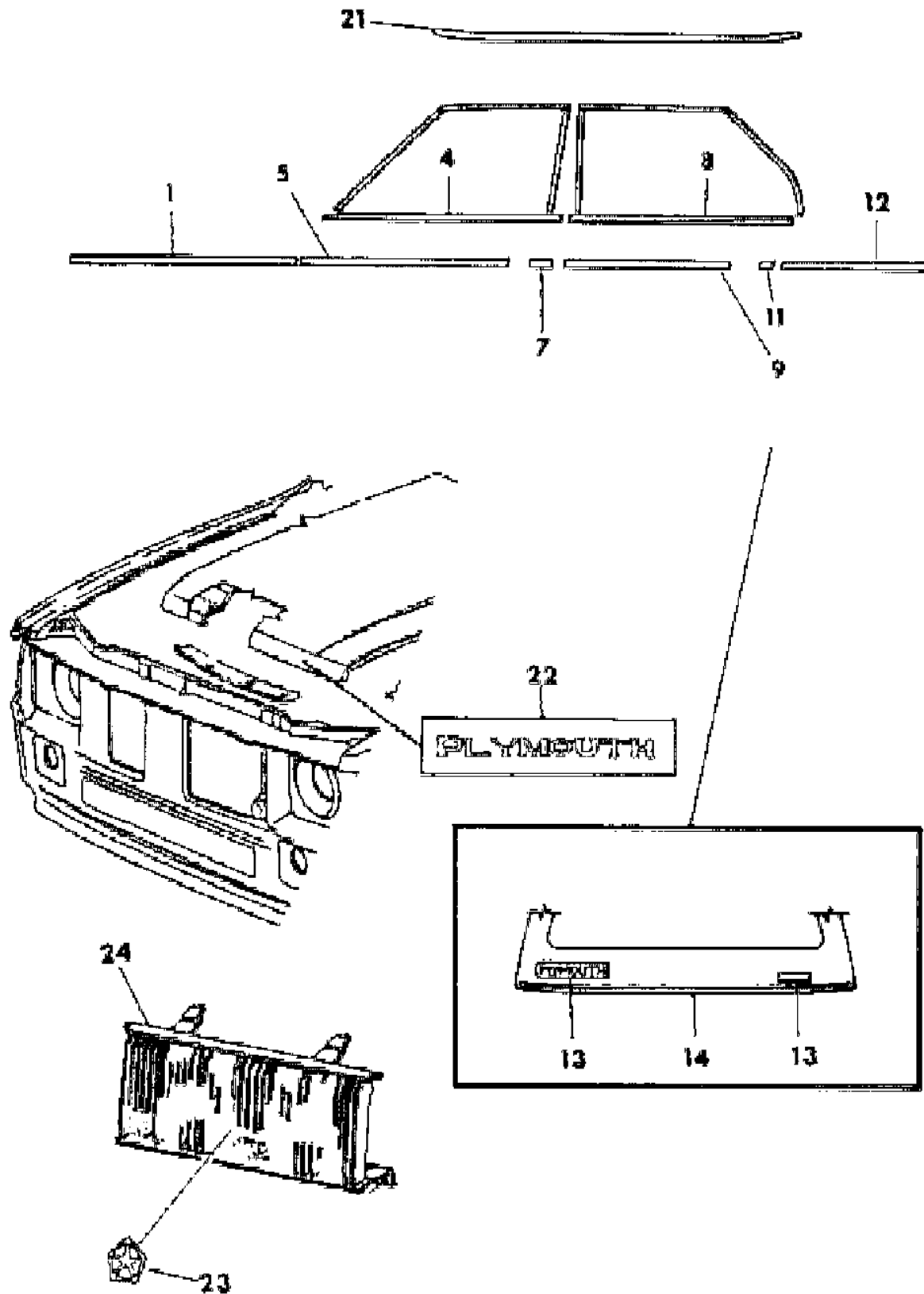
45 = 4-DOOR STATION WAGON

52-53 = FWD WAGON

AR = Use as Required - = Non Illustrated Part P.A.R. = Paint as Required

MOULDINGS AND ORNAMENTATION - EXTERIOR VIEW L BODY, 4 DOOR PLYMOUTH HORIZON, DODGE OMNI
Figure 23-300

7188 300



ITEM	PART NUMBER	QTY	BODY	MODEL	DESCRIPTION
1	5209 280-1	1			MOULDING, Fndr., Black Vinyl (Tape Applied)
4	4280 878-9	1			MOULDING and WEATHERSTRIP, Frt. Door Belt, Outer, Black
5	5209 284-5	1			MOULDING, Frt. Door Frt., Black Vinyl (Tape Applied)
7	5209 288	2			MOULDING, Frt. Door Rear, Black Vinyl (Tape Applied)
8	4280 882-3	1			MOULDING and WEATHERSTRIP, Rear Door Belt, Outer, Black
9	5209 292	2			MOULDING, Rear Door Frt., Black Vinyl (Tape Applied)
11	5209 296-7	1			MOULDING, Rear Door Rear, Black Vinyl (Tape Applied)
12	5209 300-1	1			MOULDING, Qtr., Black Vinyl (Tape Applied)
13	5209 430	1			NAMEPLATE, L/Gate, "HORIZON"
	5209 099	1			"OMNI"
	4328 876	1			NAMEPLATE, L/Gate, "PLYMOUTH"
	4328 878	1			"DODGE"
14	5209 303	1			MOULDING, L/Gate, Black Vinyl (Tape Applied)
21	5209 036	2			MOULDING, Roof Side Drain Trough, Repair, Bright
	5209 222	2			MOULDING, Roof Side Drain Trough, Repair, Black
22	3444 927	1			NAMEPLATE, Hood, "PLYMOUTH"
	5209 376	1			"DODGE"
23	4270 608	1			PENTASTAR, Grille Ornament
24					GRILLE, Radiator (See Illus. in Group 7)

MODEL CODES

E BODY = (J - CARAVELLE)(E - 600)(T - NEW YORKER)

G BODY = (V24 - DAYTONA)

H BODY = (D44 - LANCER)(C44 - LEBARON GTS)

J BODY = (C - LEBARON)

K BODY = (P - RELIANT)(D - ARIES)(C - LEBAROND)/TOWN & COUNTRY)

L BODY = (M - HORIZON/TURISMO)(Z - OMNI/CHARGER)

M BODY = (B - GRAN FURY)(F - FIFTH AVE/NEWPORT)(G - DIPLOMAT)

P BODY = (P - SUNDANCE)(D - SHADOW)

S BODY = (H - VOYAGER)(K - RAM VAN/CARAVAN)

BODY STYLES

12-13 = FWD VAN

21 = 2-DOOR SEDAN

24 = 2-DOOR HATCHBACK

27 = 2-DOOR CONVERTIBLE

41 = 4-DOOR SEDAN

44 = 4-DOOR HATCHBACK

45 = 4-DOOR STATION WAGON

52-53 = FWD WAGON

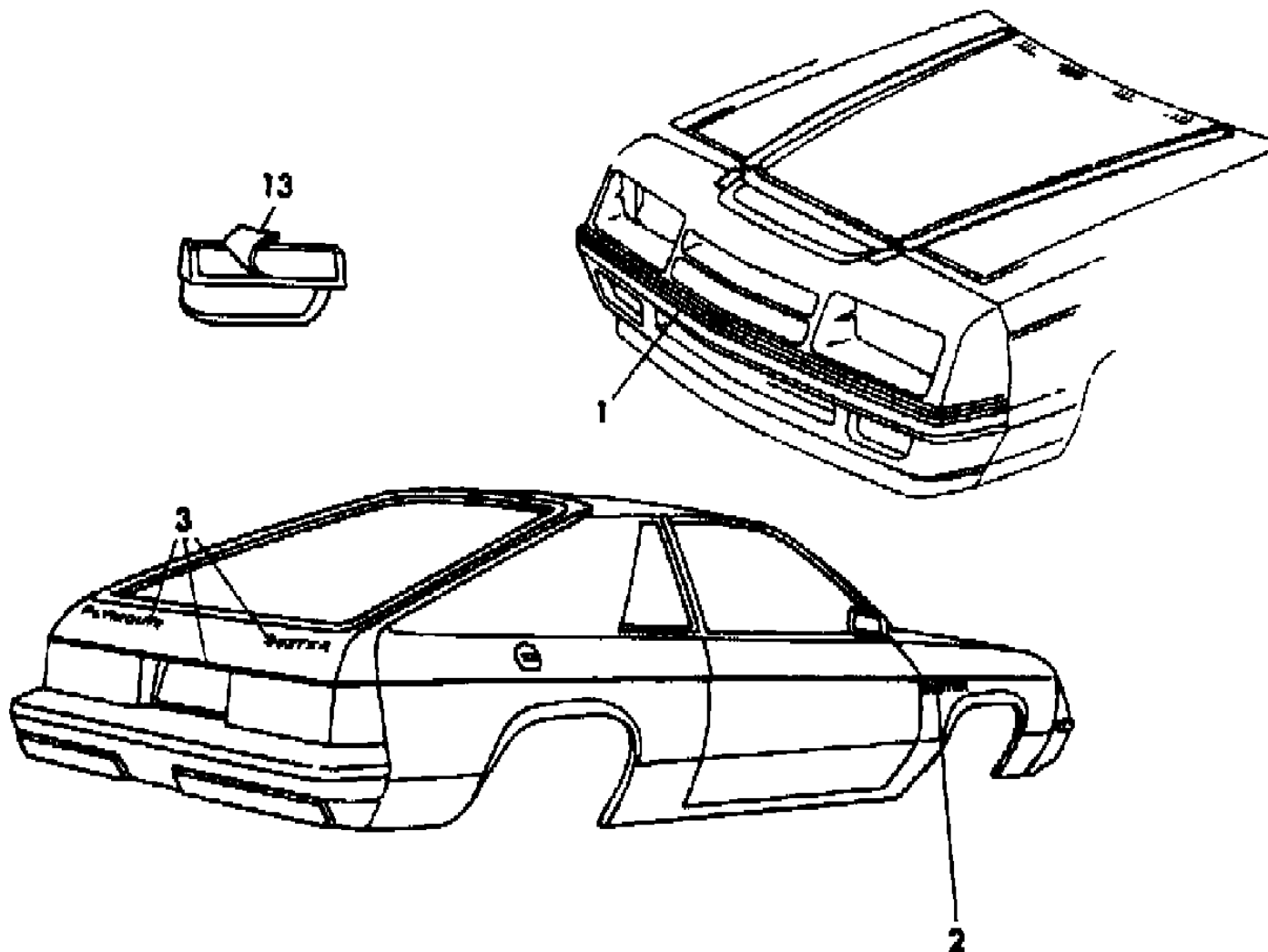
AR = Use as Required - = Non Illustrated Part P.A.R. = Paint as Required

TAPE STRIPES AND DECALS - EXTERIOR VIEW L BODY, 2 DOOR PLYMOUTH TURISMO, DODGE CHARGER

Figure 23-400

7188 400

ITEM	PART NUMBER	QTY	BODY	MODEL	DESCRIPTION
1	4339 023	1			TAPE, Frt. Fascia
2	T580 CA1	2			DECAL, Fndr., "DUSTER", Silver
	T580 CA5	2			Charcoal
3	T582 CA1	1			DECAL, L/Gate, "DUSTER", Silver
	T582 CA5	1			Charcoal
	T583 CA1	1			DECAL, L/Gate, "PLYMOUTH", Silver
	T583 CA5	1			Charcoal
13	4339 239	AR			TAPE, Frt. and Rear Door Handle



MODEL CODES

E BODY = (J - CARAVELLE)(E - 600)(T - NEW YORKER)

G BODY = (V24 - DAYTONA)

H BODY = (D44 - LANCER)(C44 - LEBARON GTS)

J BODY = (C - LEBARON)

K BODY = (P - RELIANT)(D - ARIES)(C - LEBAROND)/TOWN & COUNTRY)

L BODY = (M - HORIZON/TURISMO)(Z - OMNI/CHARGER)

M BODY = (B - GRAN FURY)(F - FIFTH AVE/NEWPORT)(G - DIPLOMAT)

P BODY = (P - SUNDANCE)(D - SHADOW)

S BODY = (H - VOYAGER)(K - RAM VAN/CARAVAN)

BODY STYLES

12-13 = FWD VAN

21 = 2-DOOR SEDAN

24 = 2-DOOR HATCHBACK

27 = 2-DOOR CONVERTIBLE

41 = 4-DOOR SEDAN

44 = 4-DOOR HATCHBACK

45 = 4-DOOR STATION WAGON

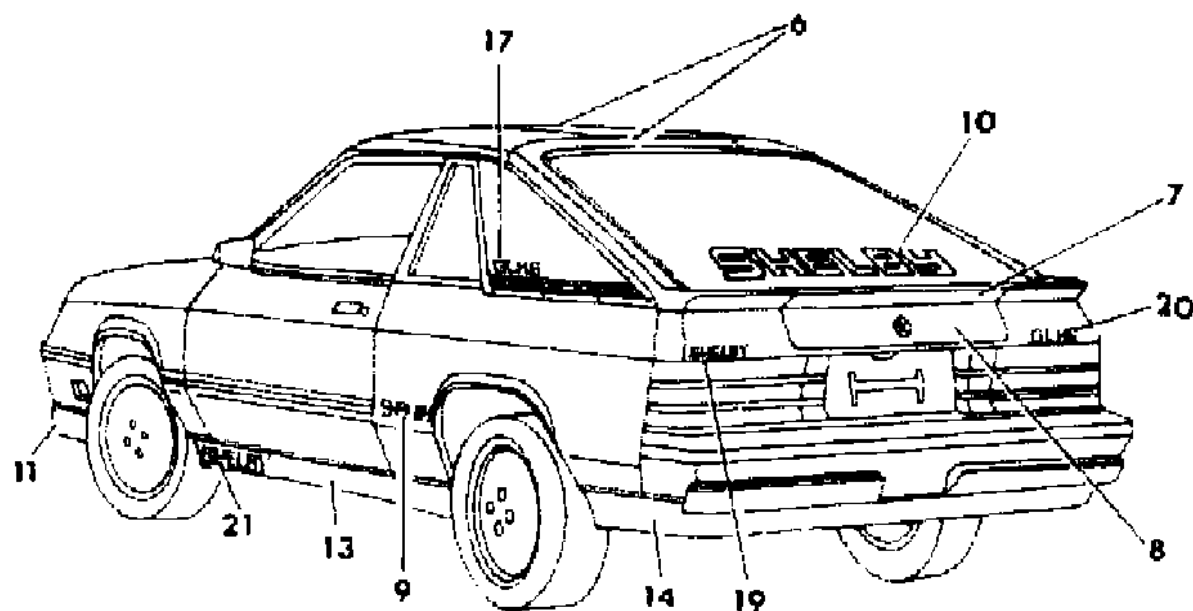
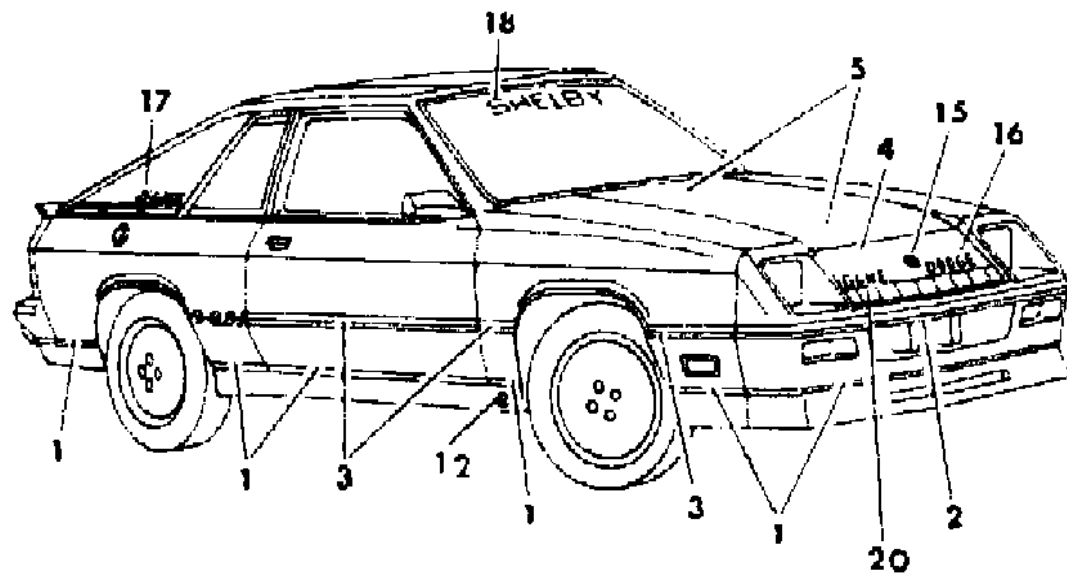
52-53 = FWD WAGON

AR = Use as Required - = Non Illustrated Part P.A.R. = Paint as Required

TAPE STRIPES AND DECALS - EXTERIOR VIEW L BODY, 2 DOOR DODGE SHELBY CHARGER

Figure 23-500

7188 500



ITEM	PART NUMBER	QTY	BODY	MODEL	DESCRIPTION
1	4293 604	1			TAPE, Body Side, Silver, 25' Roll
2					TAPE, Frt. Fascia Nerf
	T870 CR6	1			Red
	T870 CX9	1			Black
3	4293 600-1	1			TAPE PACKAGE, Fndr. Rear, Door, Qtr. Frt., Silver
	4419 991	1			TAPE PACKAGE, Body Frt. and Side, Use on Shelby GLH-S Charger (Rolled Stock)
4					TAPE, Fascia Upr., Frt., Approx. 3/8" WIDE
	T390 CJA	1			Red, Silver
	T390 CJB	1			Black, Silver
5					TAPE PACKAGE, Hood and Cowl
	4411 654	1			Red, Silver
	4411 655	1			Black, Silver
					DECAL, Hood, "TURBO"
	T786-7 DR6	1			Red
	T786-7 DX9	1			Black
	4419 965	2			DECAL, Hood, "Intercooled", Use on Shelby GLH-S Charger
6					TAPE, Roof and L/Gate Upr., Approx. 3/8" Wide
	T394 CJA	1			Red, Silver
	T394 CJB	1			Black, Silver
7					TAPE, L/Gate Air Spoiler Upr., Approx. 3/8" Wide
	T396 CJA	1			Red, Silver
	T396 CJB	1			Black, Silver
8					TAPE, L/Gate Lwr., Approx. 3/8" Wide
	T391 CJA	1			Red, Silver
	T391 CJB	1			Black, Silver
9	T445 BA1	1			DECAL, Qtr. Pnl., "SHELBY", Silver
10					DECAL, L/Gate Glass, "SHELBY"
	T446 CA5	1			Silver
11					SKIRT, Frt. Fndr. (See Illus. 800, Item 11)
12	4270 395	2			DECAL, Pentastar Cover Body Sill
13					COVER, Sill Spoiler (See Illus. 800, Item 13)
14					SKIRT, Rear Aperture (See Illus. 800, Item 14)
15	4270 369	1			PENTASTAR, Frt. Bumper Fascia
16					DECAL, "DODGE"
	T444 CR6	1			Red
	T444 CX9	1			Black
17	4419 990	2			DECAL, Rear Pillar, "GLH-S"

MODEL CODES

E BODY = (J - CARAVELLE)(E - 600)(T - NEW YORKER)

G BODY = (V24 - DAYTONA)

H BODY = (D44 - LANCER)(C44 - LEBARON GTS)

J BODY = (C - LEBARON)

K BODY = (P - RELIANT)(D - ARIES)(C - LEBAROND)/TOWN & COUNTRY)

L BODY = (M - HORIZON/TURISMO)(Z - OMNI/CHARGER)

M BODY = (B - GRAN FURY)(F - FIFTH AVE/NEWPORT)(G - DIPLOMAT)

P BODY = (P - SUNDANCE)(D - SHADOW)

S BODY = (H - VOYAGER)(K - RAM VAN/CARAVAN)

BODY STYLES

12-13 = FWD VAN

21 = 2-DOOR SEDAN

24 = 2-DOOR HATCHBACK

27 = 2-DOOR CONVERTIBLE

41 = 4-DOOR SEDAN

44 = 4-DOOR HATCHBACK

45 = 4-DOOR STATION WAGON

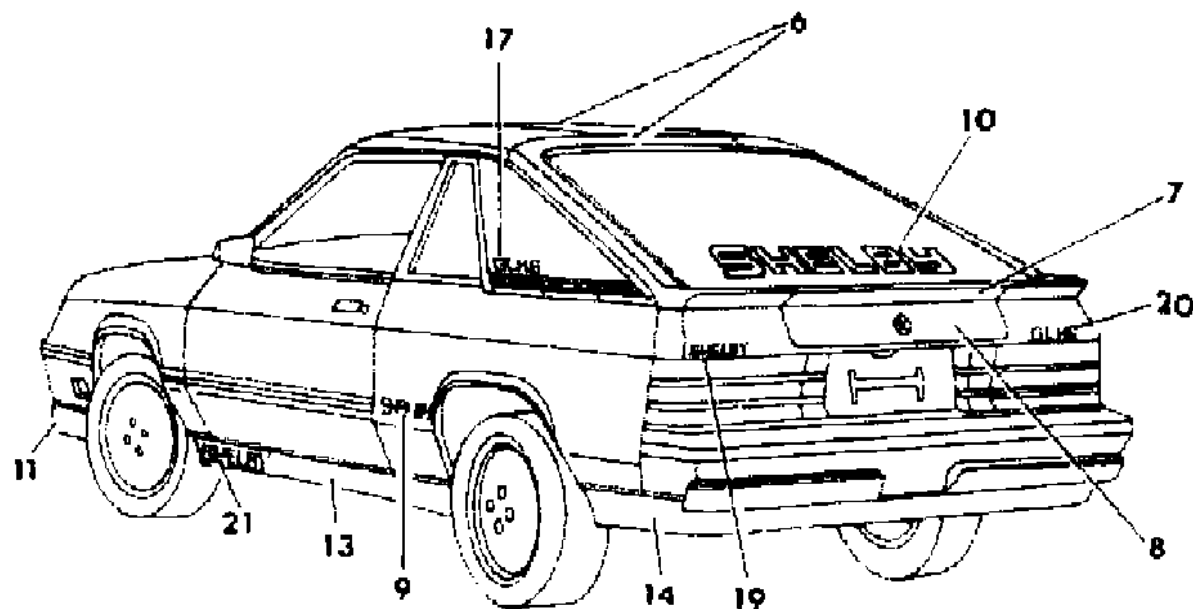
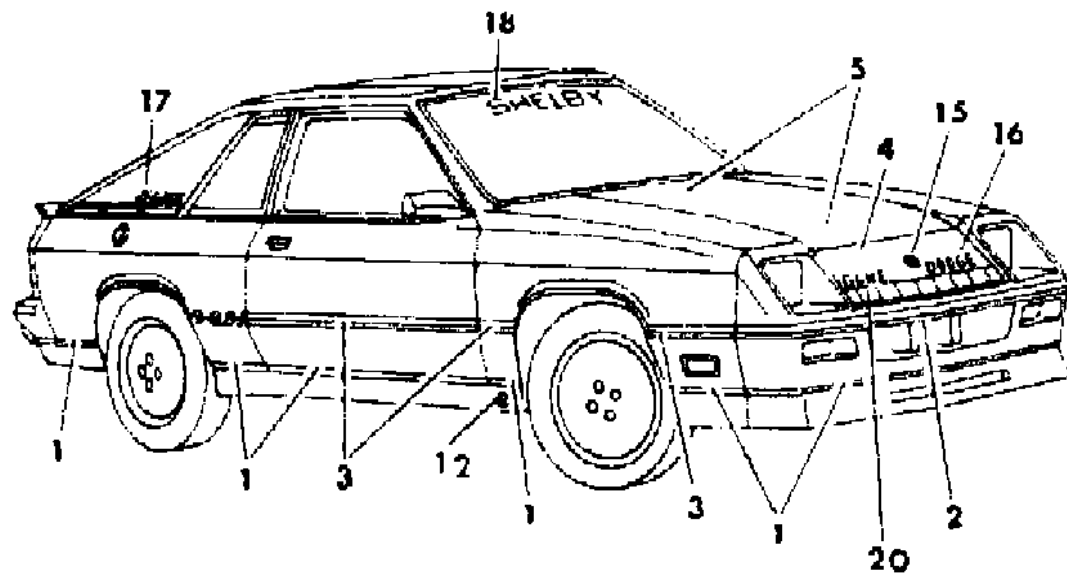
52-53 = FWD WAGON

AR = Use as Required - = Non Illustrated Part P.A.R. = Paint as Required

TAPE STRIPES AND DECALS - EXTERIOR VIEW L BODY, 2 DOOR DODGE SHELBY CHARGER

Figure 23-500

7188 500



ITEM	PART NUMBER	QTY	BODY	MODEL	DESCRIPTION
18	4419 988	1			DECAL, W/Shield, "SHELBY"
19	4419 989	1			DECAL, Rear Hatch Side, "SHELBY"
20	4419 976	2			DECAL, Fascia Frt., Hatch Side, "GLH-S"
21	4419 964	2			DECAL, Side Sill, "SHELBY"

MODEL CODES

E BODY = (J - CARAVELLE)(E - 600)(T - NEW YORKER)

G BODY = (V24 - DAYTONA)

H BODY = (D44 - LANCER)(C44 - LEBARON GTS)

J BODY = (C - LEBARON)

K BODY = (P - RELIANT)(D - ARIES)(C - LEBAROND)/TOWN & COUNTRY)

L BODY = (M - HORIZON/TURISMO)(Z - OMNI/CHARGER)

M BODY = (B - GRAN FURY)(F - FIFTH AVE/NEWPORT)(G - DIPLOMAT)

P BODY = (P - SUNDANCE)(D - SHADOW)

S BODY = (H - VOYAGER)(K - RAM VAN/CARAVAN)

BODY STYLES

12-13 = FWD VAN

21 = 2-DOOR SEDAN

24 = 2-DOOR HATCHBACK

27 = 2-DOOR CONVERTIBLE

41 = 4-DOOR SEDAN

44 = 4-DOOR HATCHBACK

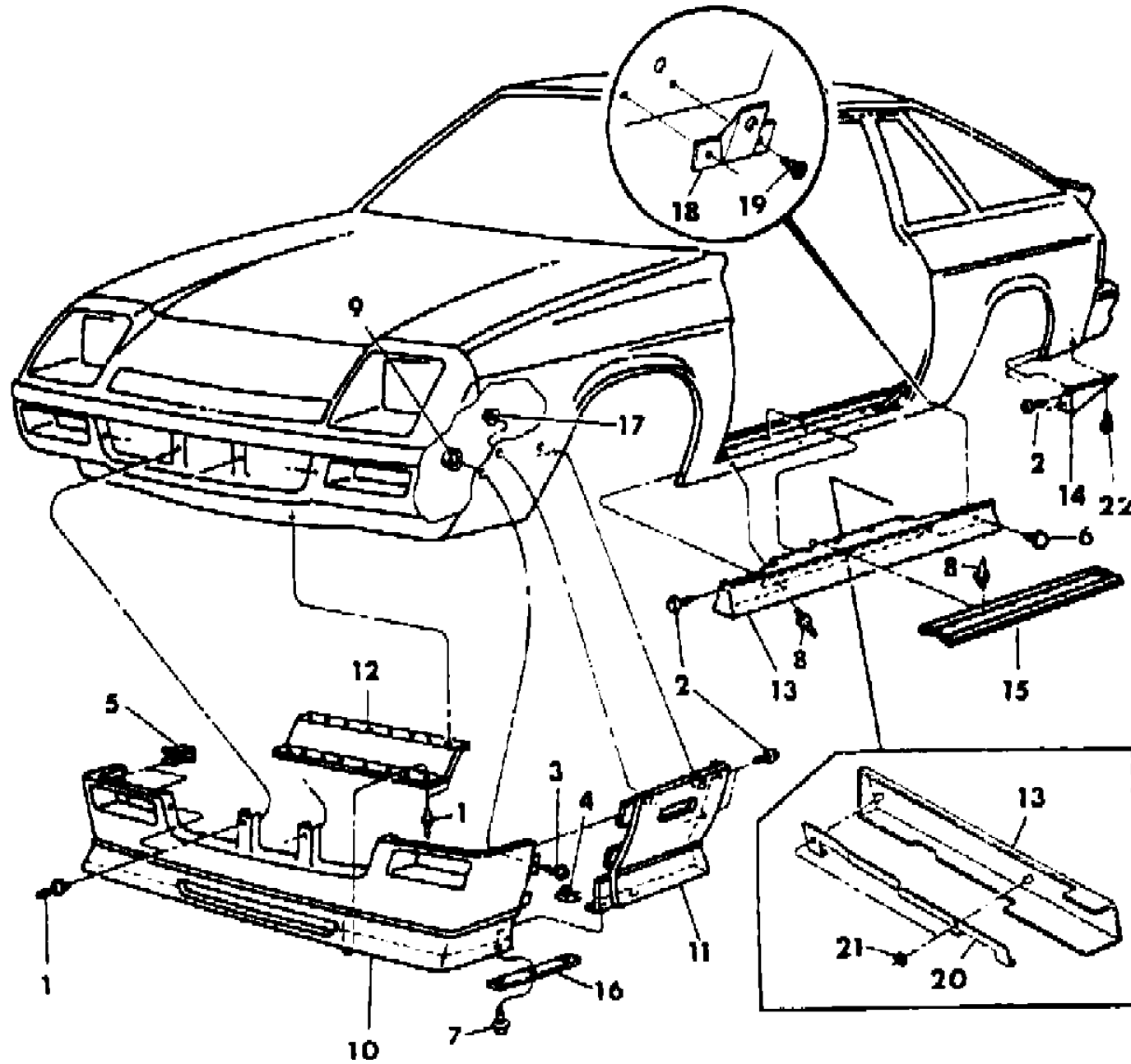
45 = 4-DOOR STATION WAGON

52-53 = FWD WAGON

AR = Use as Required - = Non Illustrated Part P.A.R. = Paint as Required

GROUND EFFECTS PACKAGE - EXTERIOR VIEW L BODY, 2 DOOR DODGE SHELBY CHARGER, SHELBY GLH-S CHARGER
Figure 23-600

7188 800



ITEM	PART NUMBER	QTY	BODY	MODEL	DESCRIPTION
1	6500 898	AR			RIVET
2	6031 694	AR			SCREW and WASHER
3	6023 531	AR			BOLT and WASHER
4	6500 284	AR			NUT and WASHER
5	6500 897	4			CLIP
6	X915 DA1	2			FASTENER, Push Pin, Silver
7	6100 286	AR			SCREW and WASHER
8		AR			RIVET, (Not Serv.)
9		2			NUT and WASHER
10	X901 CAR	1			AIR DAM, Frt. Fascia, Red w/Silver Paint and Tape
	X901 DAX	1			Black w/Silver Paint and Tape
11	X904-5 CAR	1			SKIRT, Fndr., Red w/Silver Paint and Tape
	X904-5 DAX	1			Black w/Silver Paint and Tape
	6033 077	AR			SCREW
12					PANEL, Air Dam Mtg. (Serv. in Item 10)
13	X906-7 BA1	1	Z-S, GLH		COVER, Body Sill, Silver
14	X908-9 BA1	1			SKIRT, Rear Aperture, Silver
15	4319 998-9	1			PLATE, Sill Cover
16	4270 472	2			STRAP, Air Dam to Fndr. Skirt
17	6026 430	4			NUT, Fndr. Skirt to Fndr.
18	4270 473	2			BRACKET, Aperture to Body Sill Cover
19		AR			SCREW, (Not Serv.)
20	4334 058-9	1			SPRING, Body Sill Cover
21	6026 430	AR			RETAINER
22		AR			SCREW, (Not Serv.)
	4419 998-9	1		GLH-S	SKIRT, Frt. Fndr.
	6025 010	AR		GLH-S	NUT and WASHER, Air Dam to Fndr.
	4370 290	1		GLH-S	SKIRT, Rear Aperture, Black, Rt.
	4370 289	1		GLH-S	Lt.
-	X604-5 DX8	1		GLH-S	APPLIQUE, Qtr. Wdo., Black
	5230 661	AR		GLH-S	RETAINER, Qtr. Wdo. Applique
	6025 002	AR		GLH-S	NUT, Qtr. Wdo. Applique
	4370 292	1		GLH-S	RETAINER PACKAGE, Push Nut

MODEL CODES

E BODY = (J - CARAVELLE)(E - 600)(T - NEW YORKER)

G BODY = (V24 - DAYTONA)

H BODY = (D44 - LANCER)(C44 - LEBARON GTS)

J BODY = (C - LEBARON)

K BODY = (P - RELIANT)(D - ARIES)(C - LEBAROND)/TOWN & COUNTRY)

L BODY = (M - HORIZON/TURISMO)(Z - OMNI/CHARGER)

M BODY = (B - GRAN FURY)(F - FIFTH AVE/NEWPORT)(G - DIPLOMAT)

P BODY = (P - SUNDANCE)(D - SHADOW)

S BODY = (H - VOYAGER)(K - RAM VAN/CARAVAN)

BODY STYLES

12-13 = FWD VAN

21 = 2-DOOR SEDAN

24 = 2-DOOR HATCHBACK

27 = 2-DOOR CONVERTIBLE

41 = 4-DOOR SEDAN

44 = 4-DOOR HATCHBACK

45 = 4-DOOR STATION WAGON

52-53 = FWD WAGON

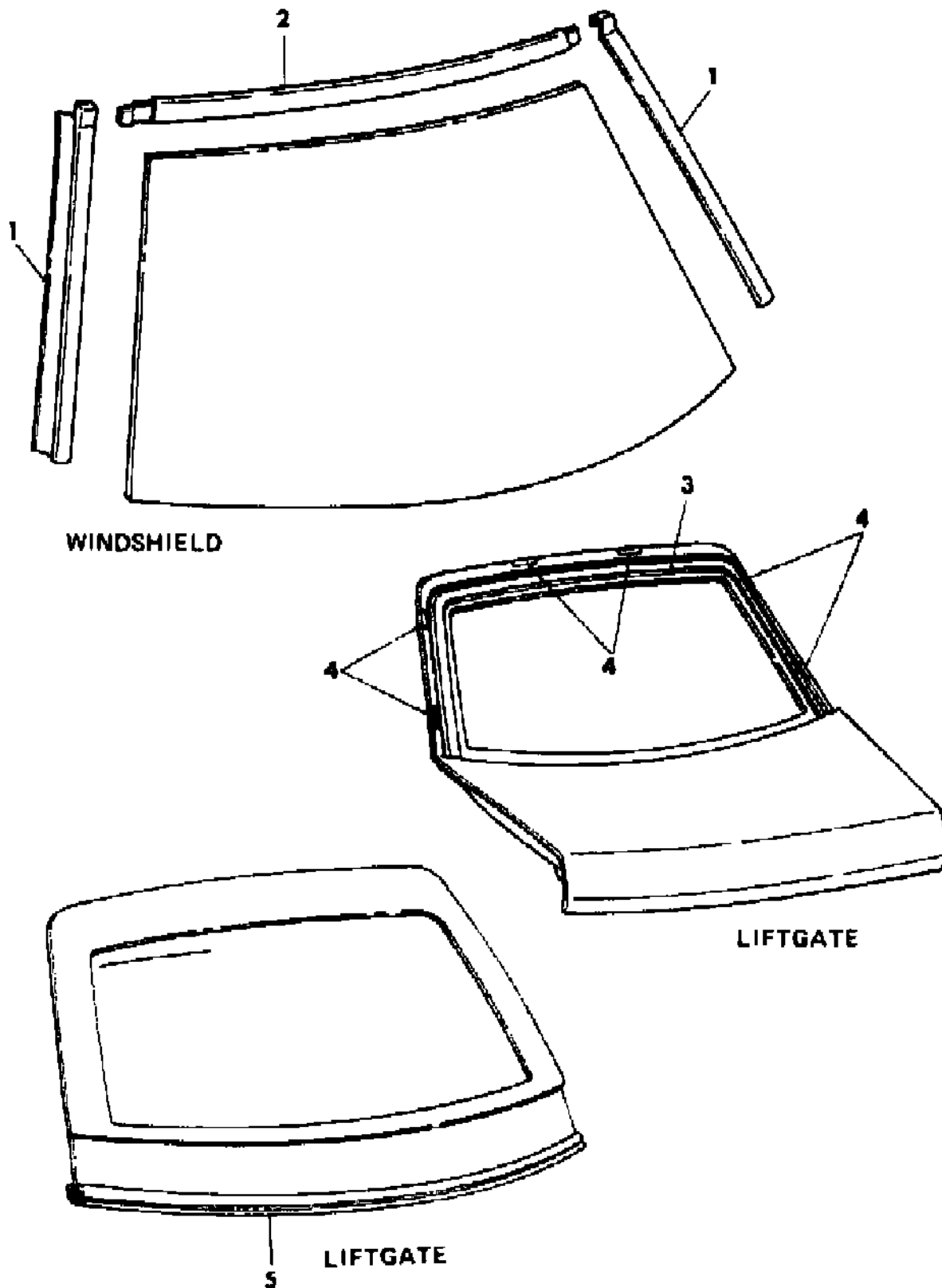
AR = Use as Required - = Non Illustrated Part P.A.R. = Paint as Required

MOULDINGS, WINDSHIELD AND REAR WINDOW OUTSIDE P BODY

Figure 23-700

7188 780

ITEM	PART NUMBER	QTY	BODY	MODEL	DESCRIPTION
1	4422 808-9	1			MOULDING, W/Shield, Side, Use Up to 11-3-86
	4454 444-5	1			MOULDING, W/Shield, Side, use After 11-3-86
2	4422 807	1			MOULDING, W/Shield, Upper
3	4365 804	1			MOULDING, L/Gate Glass, Upper
4	4365 806	6			SPACER, L/Gate Glass Support, Upr. and Sides
5	4396 302	1			MOULDING, L/Gate Glass, Lwr.
	4365 807	1			SPACER, L/Gate Glass, Lwr.



MODEL CODES

E BODY = (J - CARAVELLE)(E - 600)(T - NEW YORKER)

G BODY = (V24 - DAYTONA)

H BODY = (D44 - LANCER)(C44 - LEBARON GTS)

J BODY = (C - LEBARON)

K BODY = (P - RELIANT)(D - ARIES)(C - LEBAROND)/TOWN & COUNTRY)

L BODY = (M - HORIZON/TURISMO)(Z - OMNI/CHARGER)

M BODY = (B - GRAN FURY)(F - FIFTH AVE/NEWPORT)(G - DIPLOMAT)

P BODY = (P - SUNDANCE)(D - SHADOW)

S BODY = (H - VOYAGER)(K - RAM VAN/CARAVAN)

BODY STYLES

12-13 = FWD VAN

21 = 2-DOOR SEDAN

24 = 2-DOOR HATCHBACK

27 = 2-DOOR CONVERTIBLE

41 = 4-DOOR SEDAN

44 = 4-DOOR HATCHBACK

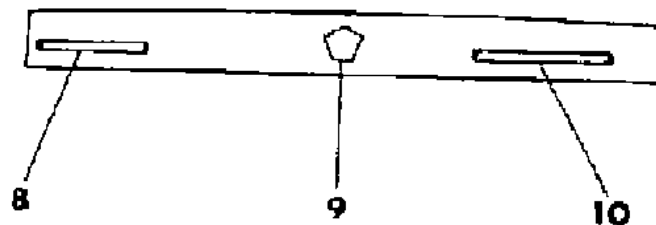
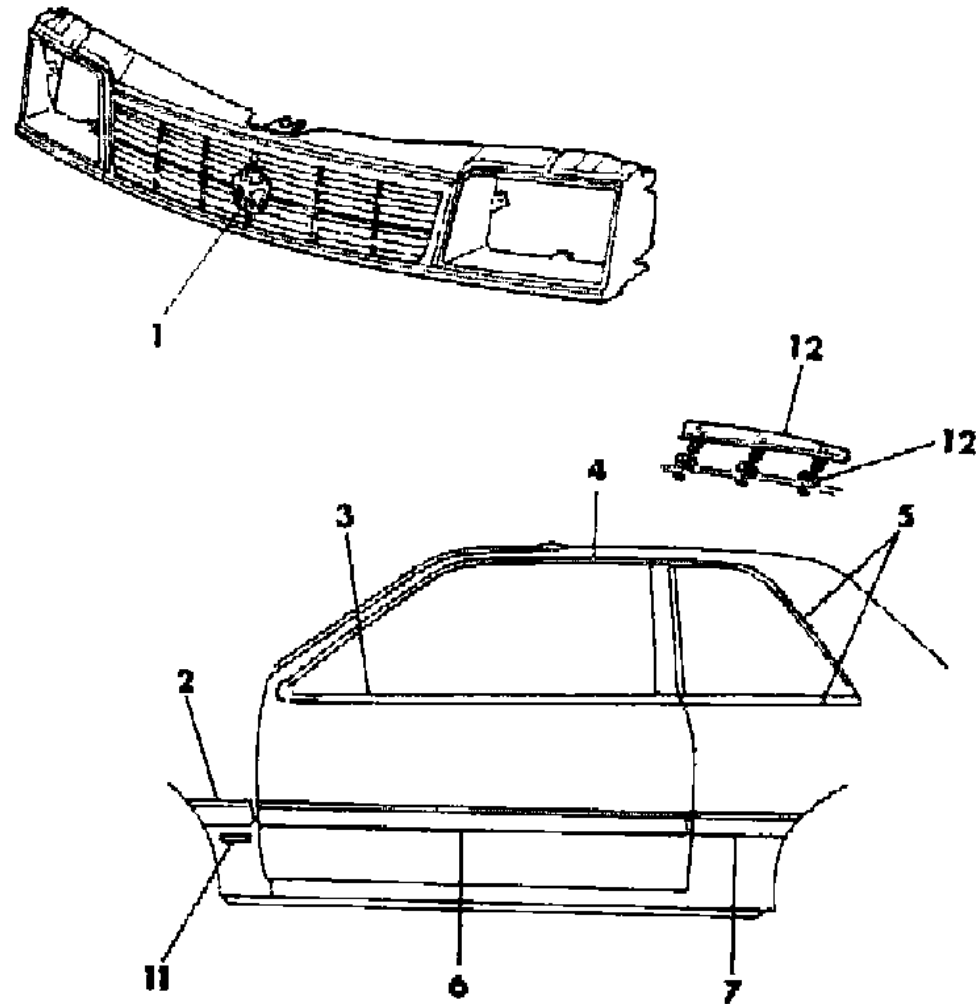
45 = 4-DOOR STATION WAGON

52-53 = FWD WAGON

AR = Use as Required - = Non Illustrated Part P.A.R. = Paint as Required

MOULDINGS AND ORNAMENTATION - EXTERIOR VIEW P BODY, 2 DOOR PLYMOUTH SUNDANCE, DODGE SHADOW
Figure 23-800

7188 800 A



ITEM	PART NUMBER	QTY	BODY	MODEL	DESCRIPTION
1	4270 611	1			PENTASTAR, Radiator Grille
	4388 038	1		D-H	Use w/ES Pkg.
	6100 840	1			NUT, Pentastar to Red. Grille
2	X490-1 EX9	1		P-H,D-H	MOULDING, Fndr. Rear, Black
	X490-1 FAZ	1		P-H,D-H	Charcoal
3	4370 318-9	1		P-H,D-H	Blue, Use on Fleet Sales
	X692-3 EX9	1		D-H	Black, Use w/ES Pkg.
	4455 070-1	1		P-H	MOULDING and WEATHERSTRIP, Door Belt, Bright
	4455 072-3	1		D-H	Black
	4443 701	AR			NUT PACKAGE
4	6003 957	AR			RETAINER
	6003 985	AR			RETAINER
	4455 082-3	1		P-H	MOULDING, Door Wdo. Opng. Frame, Bright
5	4455 084-5	1		D-H	Black
	4454 468-9	1		P-H	MOULDING, Qtr. Wdo., Bright
	4454 470-1	1		D-H	Black
	4057 555	AR			RETAINER PACKAGE
	6033 101	AR			SCREW
6	6033 077	AR			SCREW
	X062-3 EX9	1		P-L,D-L	MOULDING, Door, Black
7	X496-7 EX9	1		P-H,D-H	MOULDING, Door, Black
	X496-7 FAZ	1		P-H,D-H	Charcoal
	4370 320-1	1		P-H,D-H	Blue, Use on Fleet Sales
	X694-5 EX9	1		D-H	Black, Use w/ES Pkg.
	X498-9 EX9	1		P-H,D-H	MOULDING, Qtr. Frt., Black
8	X498-9 FAZ	1		P-H,D-H	Charcoal
	4370 322-3	1		P-H,D-H	Blue, Use on Fleet Sales
	X696-7 EX9	1		D-H	Black, Use w/ES Pkg.
	4398 689	1			NAMEPLATE, L/Gate, "PLYMOUTH"
9	4398 688	1			"DODGE"
	4328 828	1			MEDALLION, L/Gate Pentastar
	X206 ER5	1		D-H	Red, Use on ES Pkg.
	X206 EX8	1		D-H	Black
	X206 FW2	1		D-H	White
10	4366 746	1			NAMEPLATE, L/Gate, "SUNDANCE"
	4366 749	1			"SHADOW"
	4422 105	1			"ES"
11	4319 147	2			NAMEPLATE, Fndr. Side, "TURBO EFI"

MODEL CODES

E BODY = (J - CARAVELLE)(E - 600)(T - NEW YORKER)

G BODY = (V24 - DAYTONA)

H BODY = (D44 - LANCER)(C44 - LEBARON GTS)

J BODY = (C - LEBARON)

K BODY = (P - RELIANT)(D - ARIES)(C - LEBAROND)/TOWN & COUNTRY)

L BODY = (M - HORIZON/TURISMO)(Z - OMNI/CHARGER)

M BODY = (B - GRAN FURY)(F - FIFTH AVE/NEWPORT)(G - DIPLOMAT)

P BODY = (P - SUNDANCE)(D - SHADOW)

S BODY = (H - VOYAGER)(K - RAM VAN/CARAVAN)

BODY STYLES

12-13 = FWD VAN

21 = 2-DOOR SEDAN

24 = 2-DOOR HATCHBACK

27 = 2-DOOR CONVERTIBLE

41 = 4-DOOR SEDAN

44 = 4-DOOR HATCHBACK

45 = 4-DOOR STATION WAGON

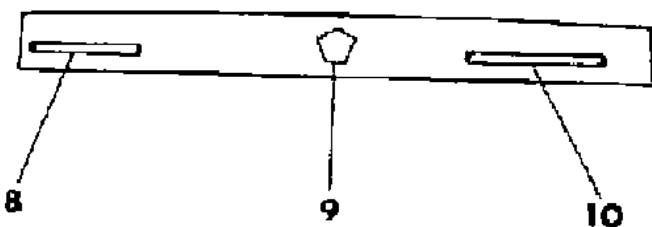
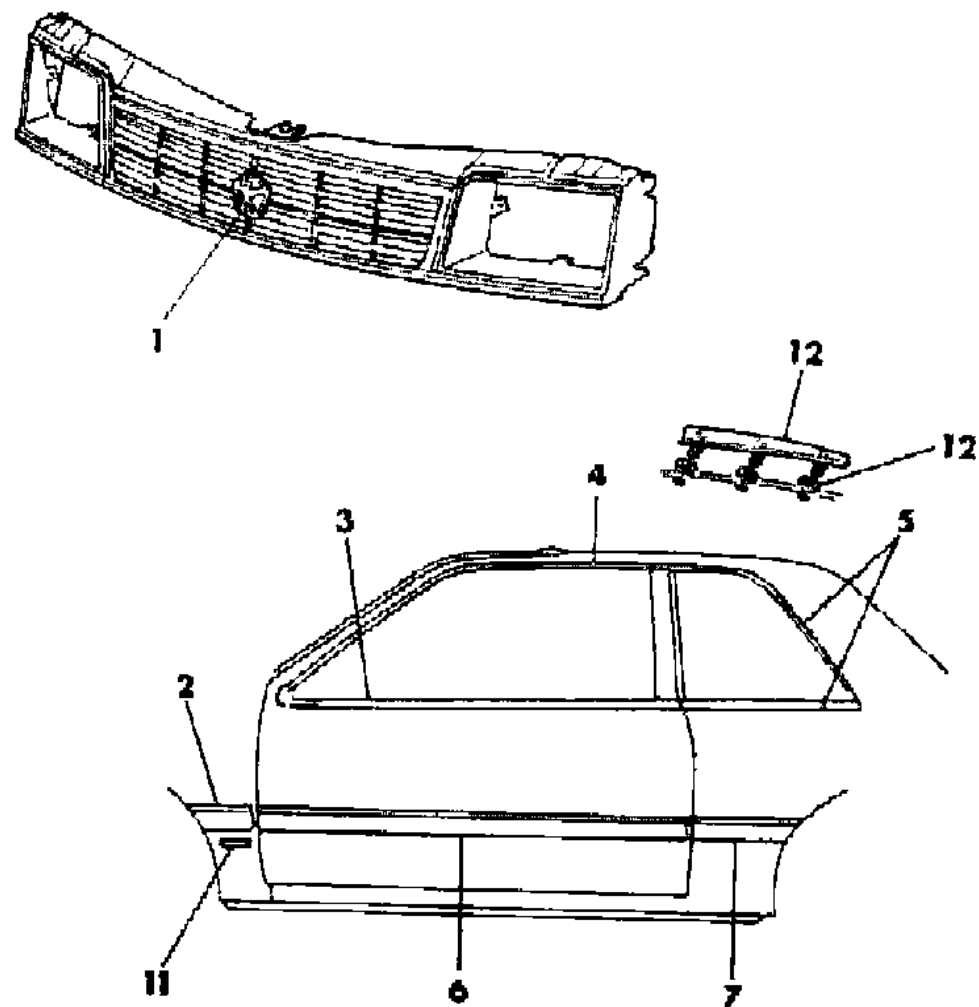
52-53 = FWD WAGON

AR = Use as Required - = Non Illustrated Part P.A.R. = Paint as Required

MOULDINGS AND ORNAMENTATION - EXTERIOR VIEW P BODY, 2 DOOR PLYMOUTH SUNDANCE, DODGE SHADOW
Figure 23-800

7188 800 A

ITEM	PART NUMBER	QTY	BODY	MODEL	DESCRIPTION
12	4386 082-3	1			MOULDING, Roof to Body Side Aperature Joint, Prime
	4386 084-5	1			MOULDING, Roof to Body Side Aperature Joint, Wide, Repair, Prime
	4440 494-5	1			MOULDING and SPACER, Roof to Body Side Aperature Joint, Narrow, Repair, Prime
		6			GASKET, (Not Serv.)



MODEL CODES

E BODY = (J - CARAVELLE)(E - 600)(T - NEW YORKER)

G BODY = (V24 - DAYTONA)

H BODY = (D44 - LANCER)(C44 - LEBARON GTS)

J BODY = (C - LEBARON)

K BODY = (P - RELIANT)(D - ARIES)(C - LEBAROND)/TOWN & COUNTRY)

L BODY = (M - HORIZON/TURISMO)(Z - OMNI/CHARGER)

M BODY = (B - GRAN FURY)(F - FIFTH AVE/NEWPORT)(G - DIPLOMAT)

P BODY = (P - SUNDANCE)(D - SHADOW)

S BODY = (H - VOYAGER)(K - RAM VAN/CARAVAN)

BODY STYLES

12-13 = FWD VAN

21 = 2-DOOR SEDAN

24 = 2-DOOR HATCHBACK

27 = 2-DOOR CONVERTIBLE

41 = 4-DOOR SEDAN

44 = 4-DOOR HATCHBACK

45 = 4-DOOR STATION WAGON

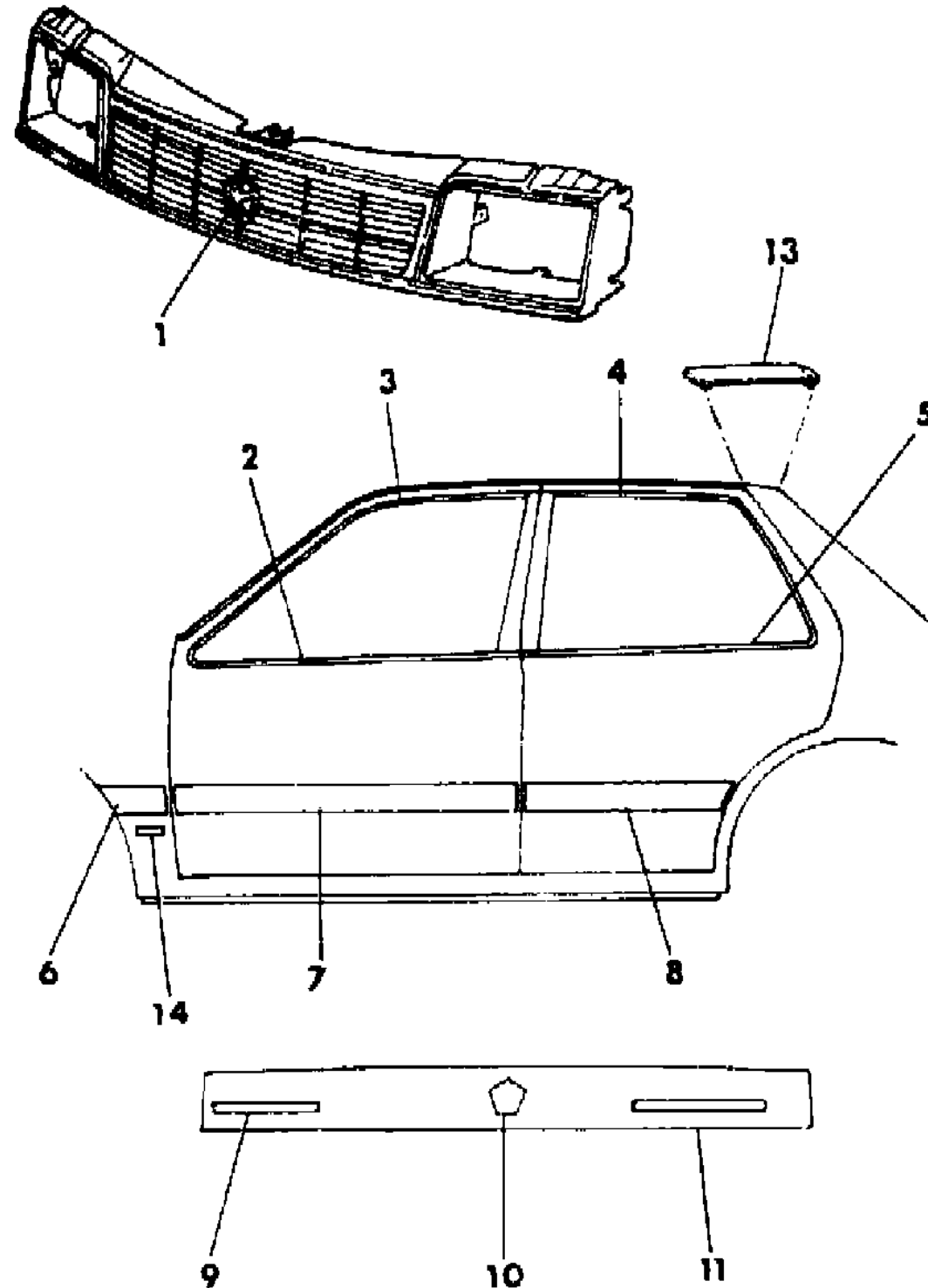
52-53 = FWD WAGON

AR = Use as Required - = Non Illustrated Part P.A.R. = Paint as Required

MOULDINGS AND ORNAMENTATION - EXTERIOR VIEW P BODY, 4 DOOR PLYMOUTH SUNDANCE, DODGE SHADOW

Figure 23-900

7188 000



ITEM	PART NUMBER	QTY	BODY	MODEL	DESCRIPTION
1	4270 611	1			PENTASTAR, Radiator Grille
	4388 038	1		D-H	Use w/ES Pkg.
	6100 840	1			NUT, Pentastar to Rad. Grille
2	4455 074-5	1		P-H	MOULDING and WEATHERSTRIP, Frt. Door Belt, Bright Use Up to 8-26-86
	4454 446-7	1		P-H	MOULDING and WEATHERSTRIP, Frt. Door Belt, Bright, Use After 8-26-86
	4455 076-7	1		D-H	Black
	4443 701	AR			NUT PACKAGE
3	4455 086-7	1		P-H	MOULDING, Frt. Door Wdo. Opng. Frame, Bright, Use Up to 3-16-87
	4454 450-1	1		P-H	MOULDING, Frt. Door Wdo. Opng. Frame, Bright, Use After 3-16-87
4	4455 088-9	1		D-H	Black
	6003 982	AR			RETAINER
	4443 664-5	1		P-H	MOULDING, Rear Door Wdo. Opng. Frame, Bright
	4443 666-7	1		D-H	Black
5	6003 982	AR			RETAINER
	4422 914-5	1		P-H	MOULDING and WEATHERSTRIP, Rear Door Belt, Bright, Use Up to 11-14-86
	4454 436-7	1		P-H	MOULDING and WEATHERSTRIP, Rear Door Belt, Bright, Use After 11-14-86
	4422 916-7	1		D-H	Black
6		AR			SCREW, (Not Serv.)
	X490-1 FAZ	1		P-H,D-H	MOULDING, Fndr. Rear, Charcoal
	X490-1 EX9	1		P-H,D-H	Black
7	X692-3 EX9	1		D-H	Black, Use w/ES Pkg.
	X492-3 FAZ	1		P-H,D-H	MOULDING, Frt. Door, Charcoal
	X492-3 EX9	1		P-H,D-H	Black
8	X698-9 EX9	1		D-H	Black, Use w/ES Pkg.
	X494-5 FAZ	1		P-H,D-H	MOULDING, Rear Door, Charcoal
	X494-5 EX9	1		P-H,D-H	Black
9	X700-1 EX9	1		D-H	Black, Use w/ES Pkg.
	4398 689	1			NAMEPLATE, L/Gate, "PLYMOUTH"
10	4398 688	1			"DODGE"
	4328 828	1			MEDALLION, L/Gate Pentastar

MODEL CODES

E BODY = (J - CARAVELLE)(E - 600)(T - NEW YORKER)

G BODY = (V24 - DAYTONA)

H BODY = (D44 - LANCER)(C44 - LEBARON GTS)

J BODY = (C - LEBARON)

K BODY = (P - RELIANT)(D - ARIES)(C - LEBAROND)/TOWN & COUNTRY)

L BODY = (M - HORIZON/TURISMO)(Z - OMNI/CHARGER)

M BODY = (B - GRAN FURY)(F - FIFTH AVE/NEWPORT)(G - DIPLOMAT)

P BODY = (P - SUNDANCE)(D - SHADOW)

S BODY = (H - VOYAGER)(K - RAM VAN/CARAVAN)

BODY STYLES

12-13 = FWD VAN

21 = 2-DOOR SEDAN

24 = 2-DOOR HATCHBACK

27 = 2-DOOR CONVERTIBLE

41 = 4-DOOR SEDAN

44 = 4-DOOR HATCHBACK

45 = 4-DOOR STATION WAGON

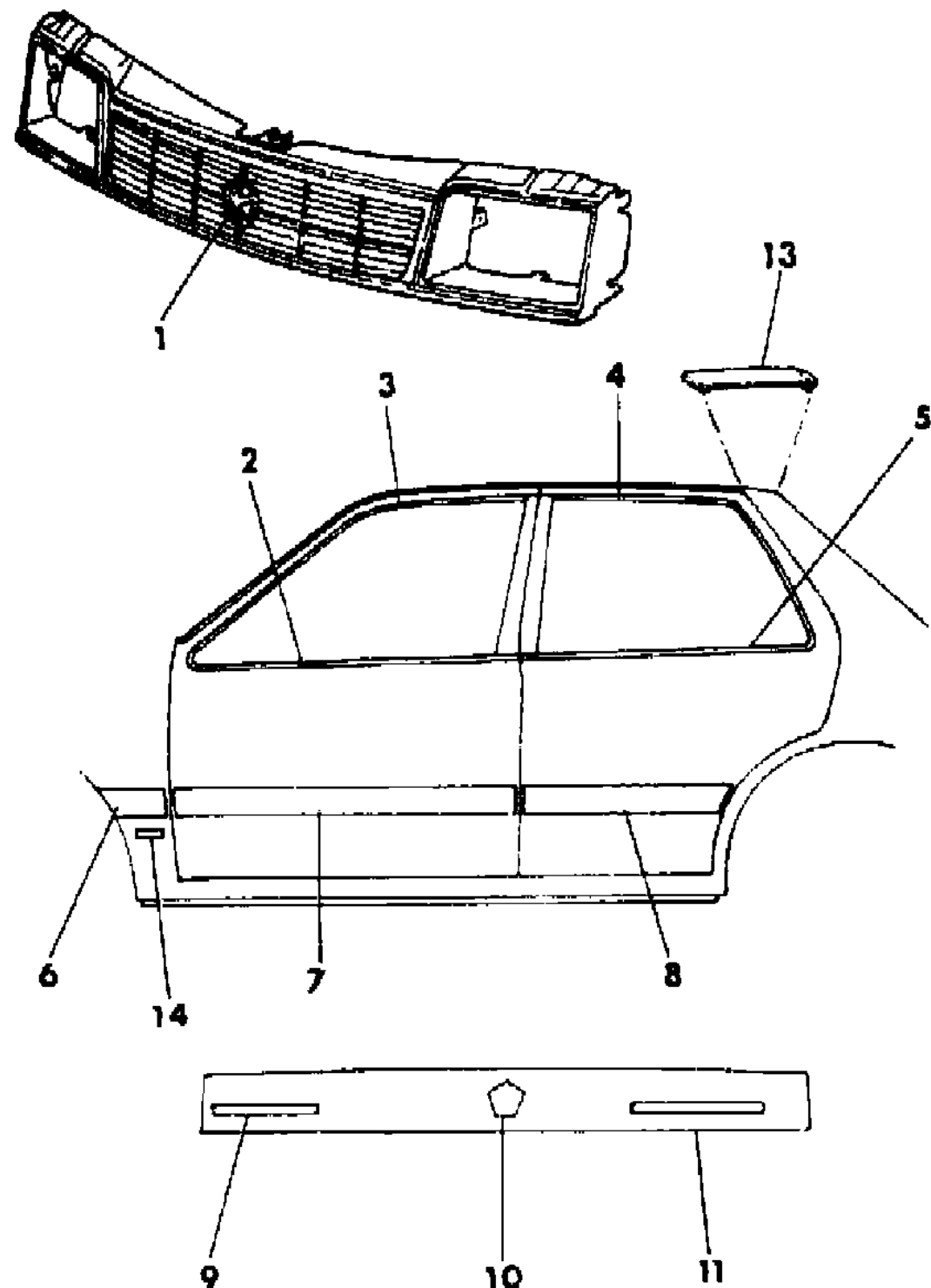
52-53 = FWD WAGON

AR = Use as Required - = Non Illustrated Part P.A.R. = Paint as Required

MOULDINGS AND ORNAMENTATION - EXTERIOR VIEW P BODY, 4 DOOR PLYMOUTH SUNDANCE, DODGE SHADOW

Figure 23-900

7188 000



ITEM	PART NUMBER	QTY	BODY	MODEL	DESCRIPTION
	X206 ER5	1		D-H	Red, Use w/ES Pkg.
	X206 EX8	1		D-H	Black
	X206 FW2	1		D-H	White
11	4366 746	1			NAMEPLATE, L/Gate, "SUNDANCE"
	4366 749	1			"SHADOW"
	4422 105	1			"ES"
13	4386 078-9	1			MOULDING, Roof to Body Side Aperature Joint, Base, Prime
	4386 080-1	1			MOULDING, Roof to Body Side Aperature Joint, Wide, Repair, Prime
	4440 270-1	1			MOULDING and SPACER, Roof to Body Side Aperature Joint, Narrow Repair, Prime
14	4319 147	2			NAMEPLATE, Fndr. Side, "TURBO EFI"

MODEL CODES

E BODY = (J - CARAVELLE)(E - 600)(T - NEW YORKER)

G BODY = (V24 - DAYTONA)

H BODY = (D44 - LANCER)(C44 - LEBARON GTS)

J BODY = (C - LEBARON)

K BODY = (P - RELIANT)(D - ARIES)(C - LEBAROND)/TOWN & COUNTRY)

L BODY = (M - HORIZON/TURISMO)(Z - OMNI/CHARGER)

M BODY = (B - GRAN FURY)(F - FIFTH AVE/NEWPORT)(G - DIPLOMAT)

P BODY = (P - SUNDANCE)(D - SHADOW)

S BODY = (H - VOYAGER)(K - RAM VAN/CARAVAN)

BODY STYLES

12-13 = FWD VAN

21 = 2-DOOR SEDAN

24 = 2-DOOR HATCHBACK

27 = 2-DOOR CONVERTIBLE

41 = 4-DOOR SEDAN

44 = 4-DOOR HATCHBACK

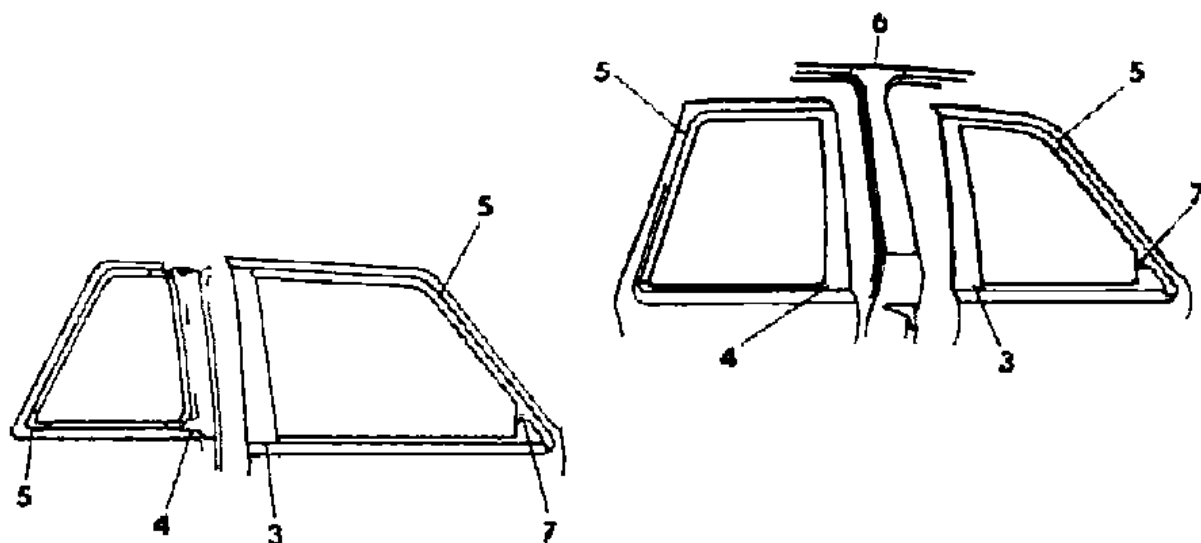
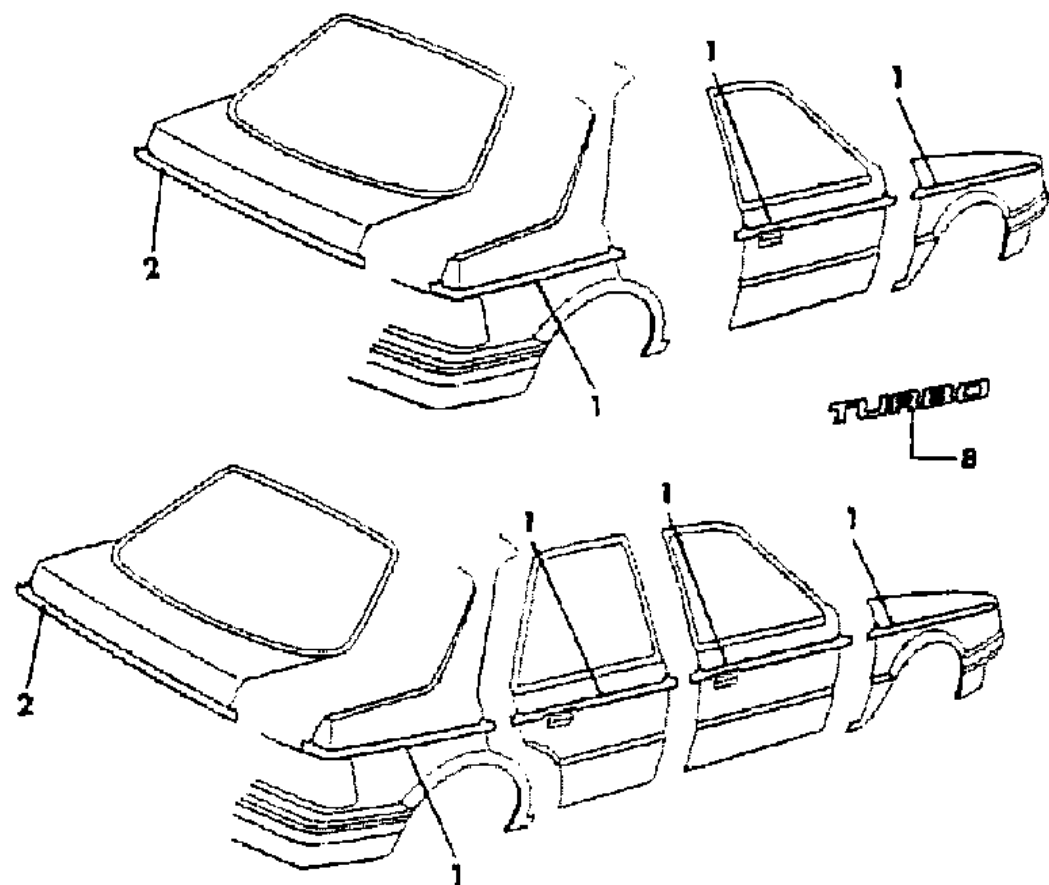
45 = 4-DOOR STATION WAGON

52-53 = FWD WAGON

AR = Use as Required - = Non Illustrated Part P.A.R. = Paint as Required

TAPE STRIPES AND DECALS - EXTERIOR VIEW P BODY PLYMOUTH SUNDANCE, DODGE SHADOW
Figure 23-1000

7188 1000



ITEM	PART NUMBER	QTY	BODY	MODEL	DESCRIPTION
1	4411 850-1	1		44	TAPE PACKAGE, Fndr., Doors, Qtr. Pnl., Red
	4397 592-3	1			Med. Rosewood
	4397 594-5	1			Gold
	4397 596-7	1			Blue
	4397 588-9	1			Silver
	4397 578-9	1		24	TAPE PACKAGE, Fndr., Door, Qtr. Pnl., Silver
	4397 582-3	1			Med. Rosewood
	4397 584-5	1			Gold
	4397 586-7	1			Blue
	4411 848-9	1			Red
2	T794 FR4	1		24,44	TAPE, L/Gate, Red
	T794 EE4	1			Med. Rosewood
	T794 EY1	1			Gold
	T794 EC4	1			Blue
	T794 EA1	1			Silver
3	4366 446-7	1		44	TAPE, Frt. Door Wdo. Opng. Frame, Rear
	4366 396-7	1		24	TAPE, Door Wdo. Opng. Frame, Rear
4	4366 448-9	1		44	TAPE, Rear Door Wdo. Opng. Frame, Frt.
	4366 804-5	1		24	TAPE, "B" Pillar Black Out, Stick on Type, Up to Type
	4443 836-7	1			APPLIQUE, "B" Pillar, After Type w/Screws
5	4364 542-3	1		44	TAPE, Frt. and Rear Door Wdo. Surround
	4398 180-1	1		24	TAPE, Door Wdo. Frame Blackout
	4422 380-1	1		24	TAPE, Qtr. Wdo. Opng. Rear, Blackout
6	4366 802-3	1		44	TAPE, "B" Pillar Blackout
7	4422 202-3	1			TAPE, Lwr. Mirror
8	T412 EBB	2		D-H	DECAL, Hood, "TURBO", Black Outline, Silver Center
-	4278 178	2		44	TAPE, Roof Rail Inner Frt. (Not Shown)
-	4278 178	2		44	TAPE, Center Pillar Lwr. (Not Shown)

MODEL CODES

E BODY = (J - CARAVELLE)(E - 600)(T - NEW YORKER)

G BODY = (V24 - DAYTONA)

H BODY = (D44 - LANCER)(C44 - LEBARON GTS)

J BODY = (C - LEBARON)

K BODY = (P - RELIANT)(D - ARIES)(C - LEBAROND)/TOWN & COUNTRY)

L BODY = (M - HORIZON/TURISMO)(Z - OMNI/CHARGER)

M BODY = (B - GRAN FURY)(F - FIFTH AVE/NEWPORT)(G - DIPLOMAT)

P BODY = (P - SUNDANCE)(D - SHADOW)

S BODY = (H - VOYAGER)(K - RAM VAN/CARAVAN)

BODY STYLES

12-13 = FWD VAN

21 = 2-DOOR SEDAN

24 = 2-DOOR HATCHBACK

27 = 2-DOOR CONVERTIBLE

41 = 4-DOOR SEDAN

44 = 4-DOOR HATCHBACK

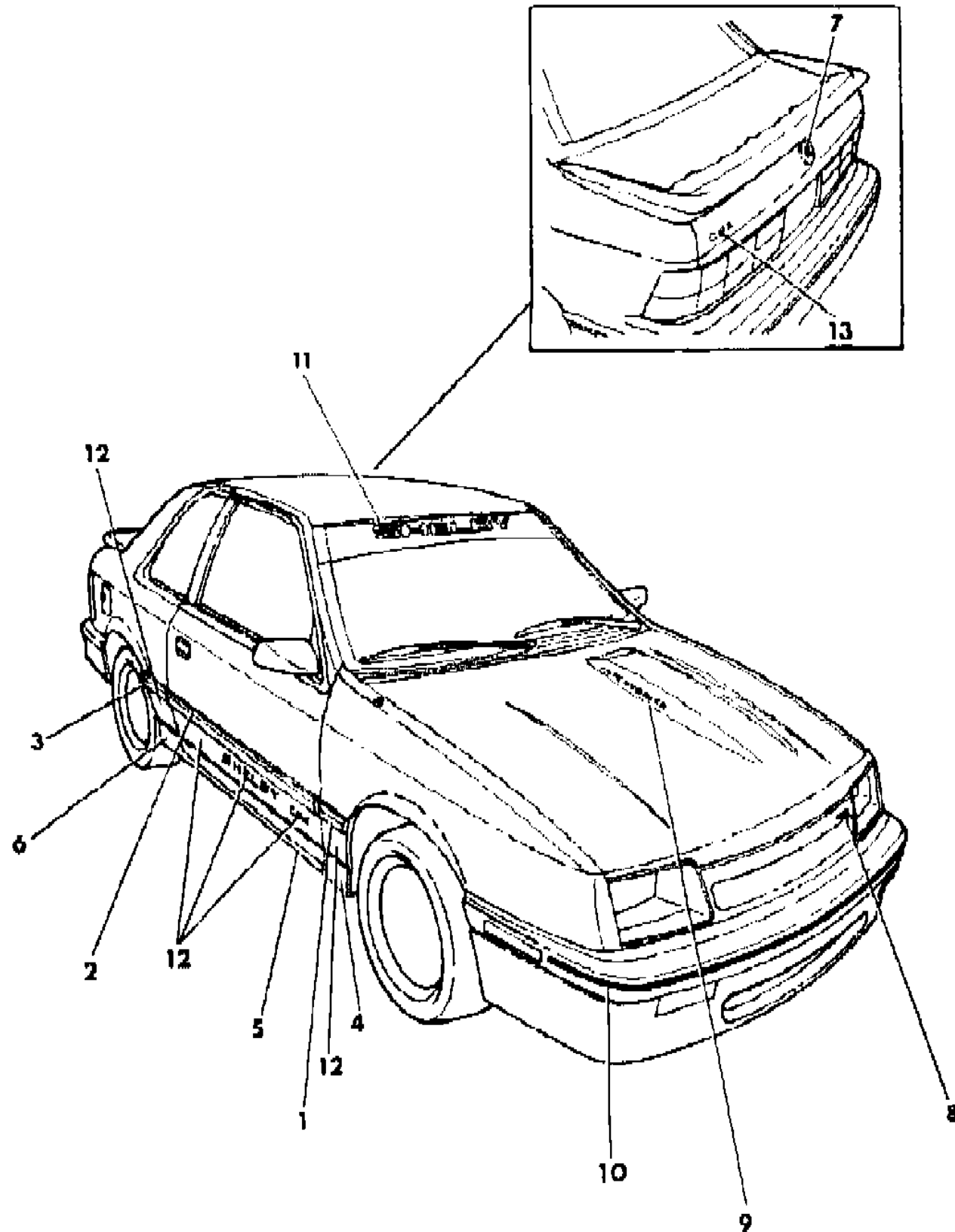
45 = 4-DOOR STATION WAGON

52-53 = FWD WAGON

AR = Use as Required - = Non Illustrated Part P.A.R. = Paint as Required

GROUND EFFECTS PACKAGE - EXTERIOR VIEW P BODY DODGE SHELBY SHADOW
Figure 23-1050

7188 1050



ITEM	PART NUMBER	QTY	BODY	MODEL	DESCRIPTION
1	4370 318-9	1			MOULDING PACKAGE, Fndr. Side Rear, Blue Insert
2	4370 320-1	1			MOULDING PACKAGE, Door, Blue Insert
3	4370 322-3	1			MOULDING PACKAGE, Qtr. Frt., Blue Insert
4	4467 468-9	1			SKIRT, Fndr. Side Rear Lwr.
5	4467 470-1	1			SKIRT, Door Lwr.
6	4467 466-7	1			SKIRT, Rear Lwr. Side
	4467 465	AR			RETAINER, Rear Skirt
7	4467 453	1			MEDALLION, Rear Hatch, Shelby
8	4467 458	1			TAPE STRIPE, Frt. Grille, "GSX"
9	4467 456	1			TAPE STRIPE, Hood, "INTERCOOLED"
10	4467 461	1			TAPE STRIPE, Fascia, Frt. and Rear
11	4467 459	1			TAPE STRIPE, W/Shield, "SHELBY"
12	4467 476-7	1			TAPE STRIPE, Fndr.
	4467 478-9	1			TAPE STRIPE, Door
	4467 480-1	1			TAPE STRIPE, Qtr. Pnl.
13	4467 457	1			TAPE STRIPE, Rear Hatch, "GSX"

MODEL CODES

E BODY = (J - CARAVELLE)(E - 600)(T - NEW YORKER)

G BODY = (V24 - DAYTONA)

H BODY = (D44 - LANCER)(C44 - LEBARON GTS)

J BODY = (C - LEBARON)

K BODY = (P - RELIANT)(D - ARIES)(C - LEBAROND)/TOWN & COUNTRY)

L BODY = (M - HORIZON/TURISMO)(Z - OMNI/CHARGER)

M BODY = (B - GRAN FURY)(F - FIFTH AVE/NEWPORT)(G - DIPLOMAT)

P BODY = (P - SUNDANCE)(D - SHADOW)

S BODY = (H - VOYAGER)(K - RAM VAN/CARAVAN)

BODY STYLES

12-13 = FWD VAN

21 = 2-DOOR SEDAN

24 = 2-DOOR HATCHBACK

27 = 2-DOOR CONVERTIBLE

41 = 4-DOOR SEDAN

44 = 4-DOOR HATCHBACK

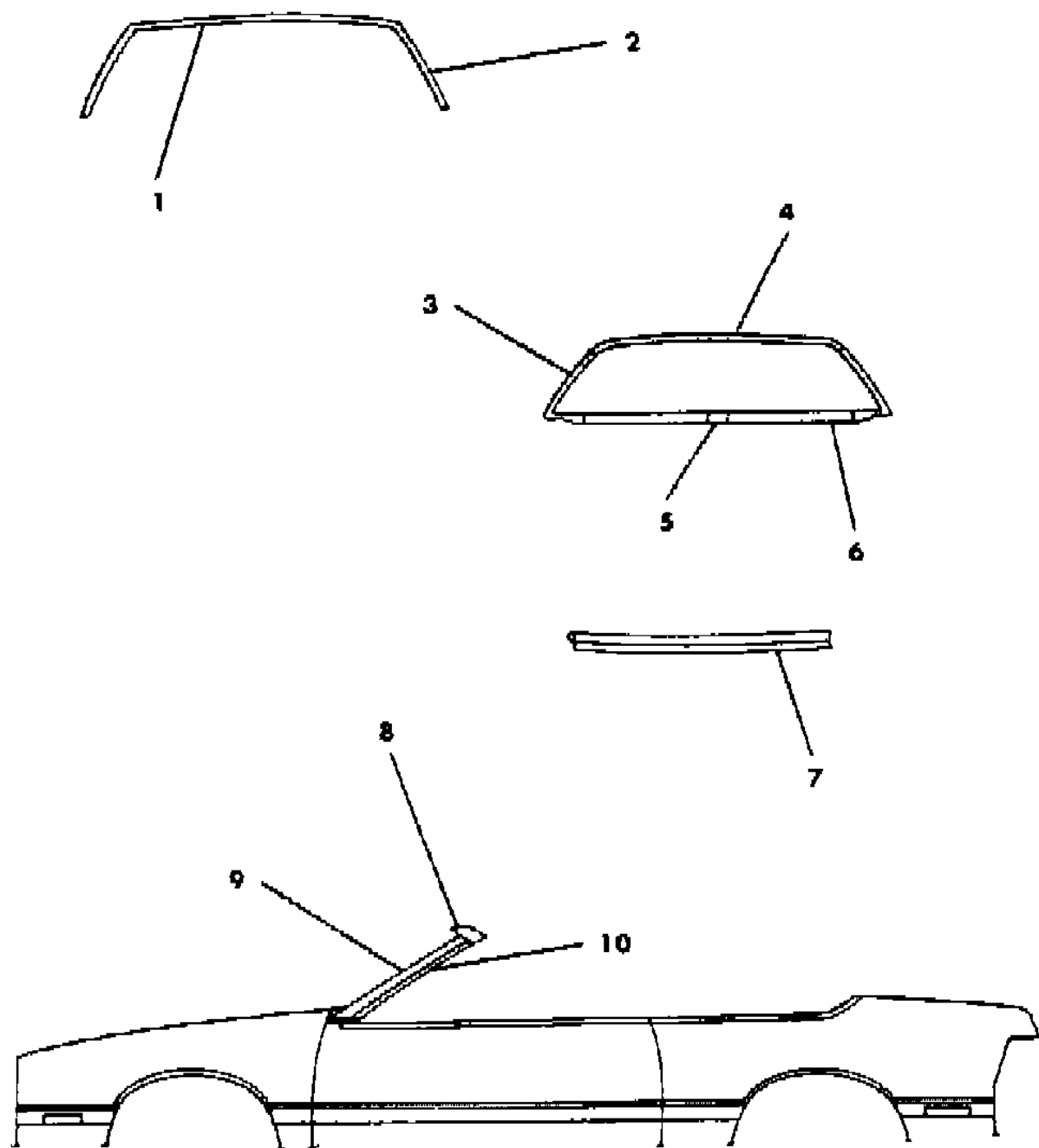
45 = 4-DOOR STATION WAGON

52-53 = FWD WAGON

AR = Use as Required - = Non Illustrated Part P.A.R. = Paint as Required

MOULDINGS, WINDSHIELD AND REAR WINDOW OUTSIDE J BODY CHRYSLER LEBARON
Figure 23-1100

7188 1100



ITEM	PART NUMBER	QTY	BODY	MODEL	DESCRIPTION
1	4366 637	1		21	MOULDING, W/Shield Upr., Black
2	4366 638-9	1		21	MOULDING, W/Shield Side, Black
3	4454 730-1	1		21	MOULDING, Rear Wdo. Side, Bright
	6004 071	AR		21	RETAINER
4	4454 926-7	1		21	MOULDING, Rear Wdo. Upr., Bright
	6004 074	AR		21	RETAINER
5	4398 517	1		21	CAP, Rear Wdo. Lwr. Mldg., Bright, Use Up to 3-16-87
	4454 916	1		21	Use After 3-16-87
	6003 969	AR		21	RETAINER
6	4454 930-1	1		21	MOULDING, Rear Wdo. Lwr., Bright
	6003 969	AR		21	RETAINER
7	4422 196	1		21	FILLER, Rear Wdo. Mldg. to Deck Lid, Bright
8	4398 820-1	1		27	MOULDING, W/Shield Upr., Bright
		AR		27	SCREW, (Not Serv.)
9	4398 814-5	1		27	MOULDING, W/Shield Pillar, Inner
	6004 036	AR		27	RETAINER
10	4398 812-3	1		27	MOULDING, W/Shield Pillar, Outer, Bright
	4398 698-9	1		27	CAP, W/Shield Pillar Outer Mldg. Lwr. End, Bright

MODEL CODES

E BODY = (J - CARAVELLE)(E - 600)(T - NEW YORKER)

G BODY = (V24 - DAYTONA)

H BODY = (D44 - LANCER)(C44 - LEBARON GTS)

J BODY = (C - LEBARON)

K BODY = (P - RELIANT)(D - ARIES)(C - LEBAROND)/TOWN & COUNTRY)

L BODY = (M - HORIZON/TURISMO)(Z - OMNI/CHARGER)

M BODY = (B - GRAN FURY)(F - FIFTH AVE/NEWPORT)(G - DIPLOMAT)

P BODY = (P - SUNDANCE)(D - SHADOW)

S BODY = (H - VOYAGER)(K - RAM VAN/CARAVAN)

BODY STYLES

12-13 = FWD VAN

21 = 2-DOOR SEDAN

24 = 2-DOOR HATCHBACK

27 = 2-DOOR CONVERTIBLE

41 = 4-DOOR SEDAN

44 = 4-DOOR HATCHBACK

45 = 4-DOOR STATION WAGON

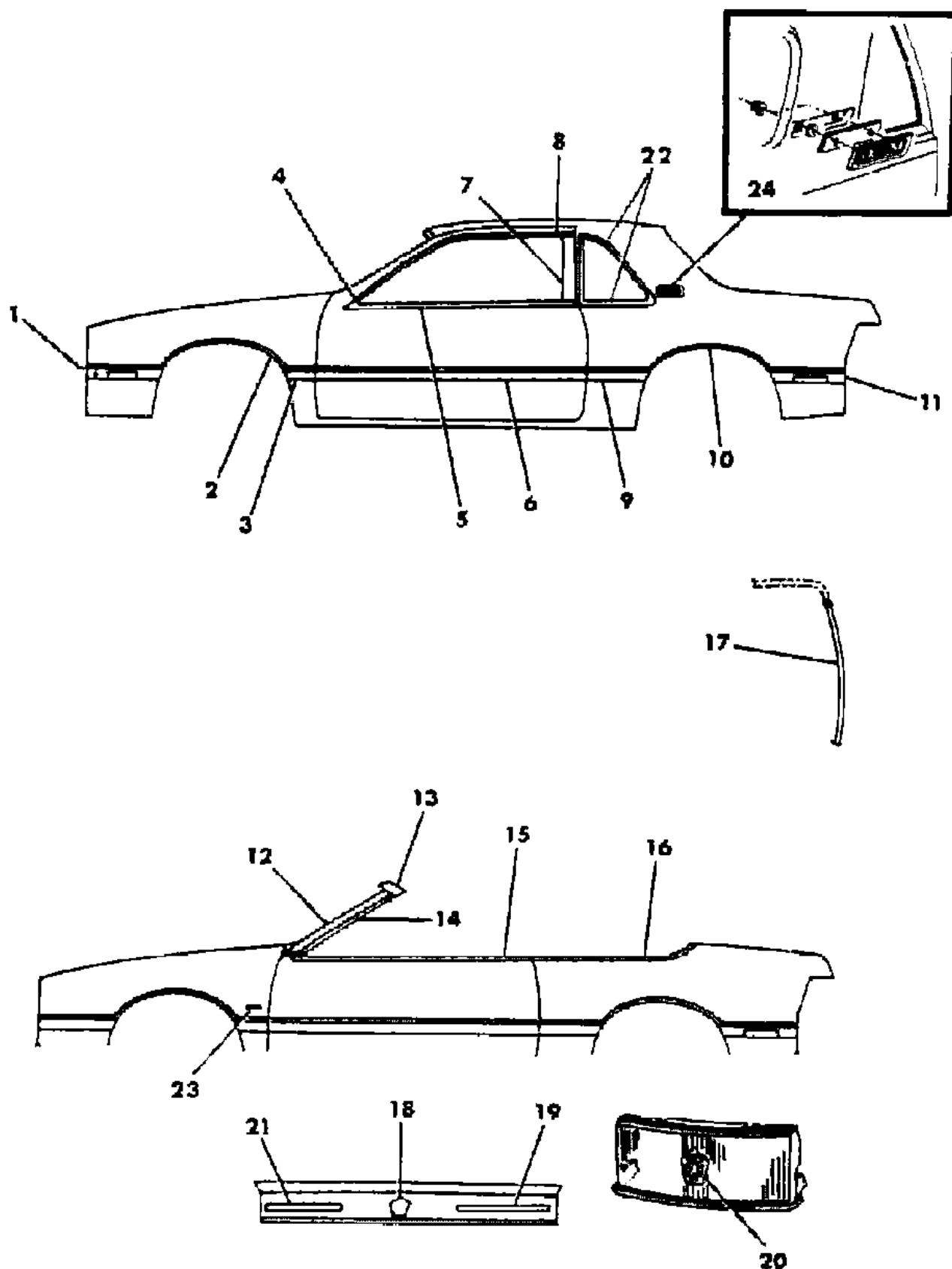
52-53 = FWD WAGON

AR = Use as Required - = Non Illustrated Part P.A.R. = Paint as Required

MOULDINGS AND ORNAMENTATION - EXTERIOR VIEW J BODY, 2 DOOR, CONVERTIBLE CHRYSLER LEBARON

Figure 23-1200

7188 1200



ITEM	PART NUMBER	QTY	BODY	MODEL	DESCRIPTION
1	4321 796-7	1		C-P,21,	MOULDING, Lamp Assy., Fndr. Bumper Nerf Ext. and Side Marker Lamp (P.A.R)
	4321 812-3	1		C-H,21	MOULDING, Lamp Assy., Fndr. Bumper Nerf Ext. and Side Marker Lamp (See Illus. in Group 8)
		AR		21,27	NUT, Sealing (Not Serv.)
2	4411 622-3	1		C-P,21,	MOULDING PACKAGE, Fndr. Wheel Opng.
		AR		C-P,21,	SCREW, (Not Serv.)
3	4366 670-1	1		C-P,21,	MOULDING, Fndr. Side Rear
	4366 920-1	1		C-H,21	MOULDING, Fndr. Rear
4	4366 646-7	1		21	MOULDING, Door Mirror Base, Use Up to 4-1-87
	4454 850-1	1		21	Use After 4-1-87
	6033 101	AR		21	SCREW
5	#4366 652-3	1		21	MOULDING, Door Belt and Weatherstrip, Use Up to 6-15-87
	4491 020-1	1		21	Use After 6-15-87
	4398 566-7	1		21	WEATHERSTRIP, Door Belt Mldg.
	6032 456	AR		21	SCREW
6	4366 922-3	1			MOULDING, Door
7	4366 662-3	1		21	APPLIQUE, Door Frame Rear
	4057 555	AR		21	RETAINER PACKAGE
8	4366 640-1	1		21	MOULDING, Door Frame Up.
	6033 101	AR		21	SCREW
9	4366 682-3	1		C-P,21,	MOULDING, Qtr. Frt.
	4366 924-5	1		C-H,21	MOULDING, Qtr. Frt.
10	4411 624-5	1		C-P,21,	MOULDING PACKAGE, Qtr. Wheel Opng.
		AR		C-P,21,	SCREW, (Not Serv.)
11	4321 804-5	1		C-P,21,	MOULDING, Lamp Assy., Rear Bumper Nerf Ext. and Side Marker Lamp (P.A.R)
	4321 820-1	1		C-H,21	MOULDING, Lamp Assy., Rear Bumper Nerf Ext. and Side Marker Lamp (See Illus. in Group 8)
		AR		21,27	NUT, Sealing, (Not Serv.)
12	4398 814-5	1		27	MOULDING, W/Shield Pillar, Inner
	6004 036	AR		27	RETAINER
13	4398 820-1	1		27	MOULDING, W/Shield Up., Bright
		AR		27	SCREW, (Not Serv.)
14	4398 812-3	1		27	MOULDING, W/Shield Pillar Outer, Bright
	4398 698-9	1		27	CAP, W/Shield Pillar Outer Mldg. Lwr. End, Bright
15	4398 366-7	1		27	MOULDING, Door Belt
	4365 664-5	1		27	WEATHERSTRIP, Door Belt

MODEL CODES

E BODY = (J - CARAVELLE)(E - 600)(T - NEW YORKER)

G BODY = (V24 - DAYTONA)

H BODY = (D44 - LANCER)(C44 - LEBARON GTS)

J BODY = (C - LEBARON)

K BODY = (P - RELIANT)(D - ARIES)(C - LEBAROND)/TOWN & COUNTRY)

L BODY = (M - HORIZON/TURISMO)(Z - OMNI/CHARGER)

M BODY = (B - GRAN FURY)(F - FIFTH AVE/NEWPORT)(G - DIPLOMAT)

P BODY = (P - SUNDANCE)(D - SHADOW)

S BODY = (H - VOYAGER)(K - RAM VAN/CARAVAN)

BODY STYLES

12-13 = FWD VAN

21 = 2-DOOR SEDAN

24 = 2-DOOR HATCHBACK

27 = 2-DOOR CONVERTIBLE

41 = 4-DOOR SEDAN

44 = 4-DOOR HATCHBACK

45 = 4-DOOR STATION WAGON

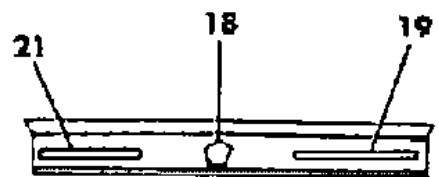
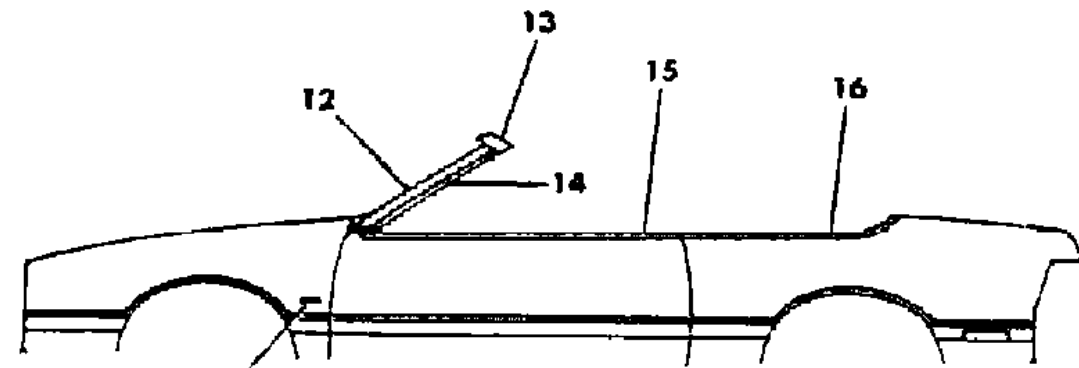
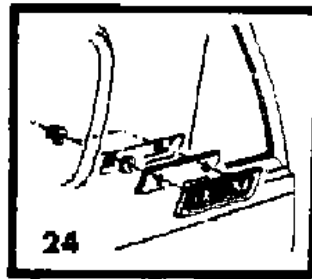
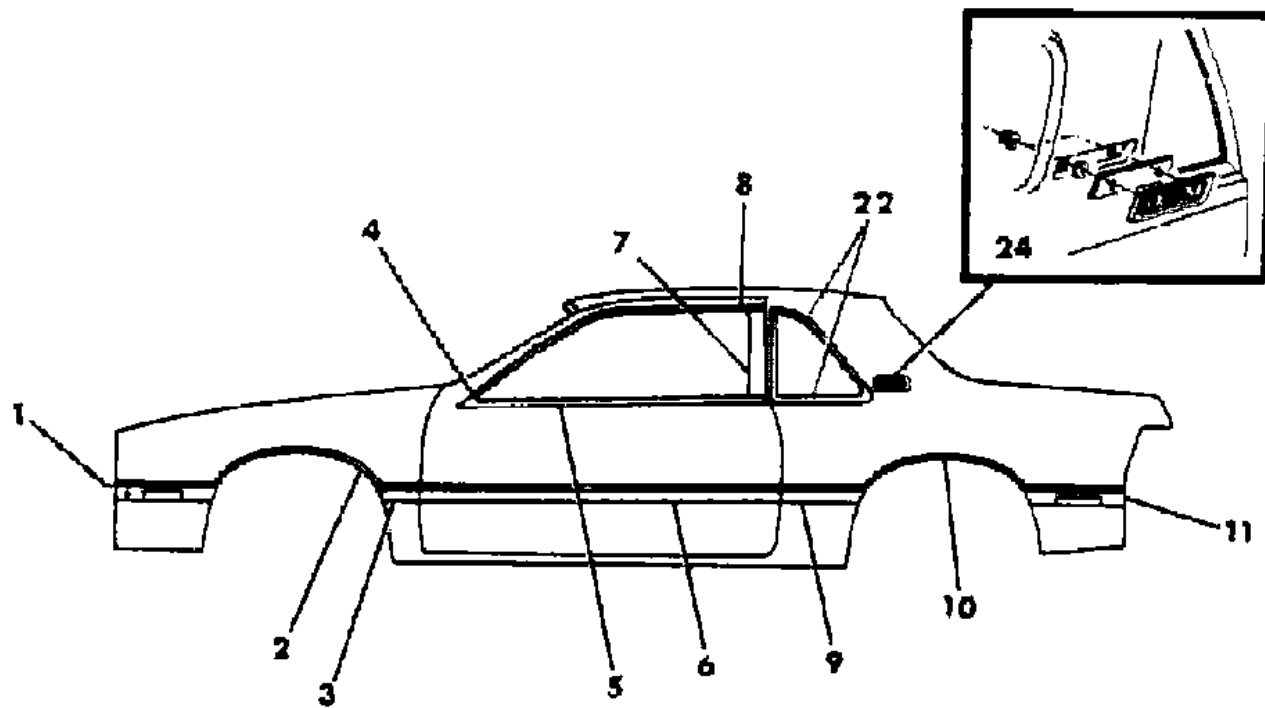
52-53 = FWD WAGON

AR = Use as Required - = Non Illustrated Part P.A.R. = Paint as Required

MOULDINGS AND ORNAMENTATION - EXTERIOR VIEW J BODY, 2 DOOR, CONVERTIBLE CHRYSLER LEBARON

Figure 23-1200

7188 1200



ITEM	PART NUMBER	QTY	BODY	MODEL	DESCRIPTION
	6032 456	AR		27	SCREW
16	4398 372-3	1		27	MOULDING, Qtr. Belt
	4398 376-7	1		27	CAP, Qtr. Belt Mldg. End
				27	RETAINER, (Serv. in 4398372-3 Mldg.)
17	4398 378	1		27	MOULDING, Deck Lid Uptr. Pnl.
	4398 828-9	1		27	CAP, Deck Lid Uptr. Pnl. Mldg. End
	6501 140	AR		27	NUT, Uptr. Deck Pnl Mldg.
				27	RETAINER, (Serv. in 4398378-9 Mldg.)
18	4366 993	1			MEDALLION, Deck Lid Pentastar
19	4398 443	1			NAMEPLATE, Deck Lid, "LE BARON"
20	4270 611	1			PENTASTAR, Rad. Grille
	6100 840	1			NUT
21	4398 442	1			NAMEPLATE, Deck Lid, "CHRYSLER"
22	4419 040-1	1			MOULDING PACKAGE, Qtr. Wdo. Frame and Glass, Bright
23	4319 147	1			NAMEPLATE, Fndr. Side, "TURBO EFI"
24	4440 032-3	1		21	MOULDING, Roof Pnl. to Body Side Aperature (In White)
	4386 863	2		21	INSULATOR, Roof Pnl. to Body Side Aperature Mldg.
	4440 698	4		21	GASKET, Roof Pnl. to Body Side Aperature Joint Mldg.
		4		21	NUT, (Not Serv.)

MODEL CODES

E BODY = (J - CARAVELLE)(E - 600)(T - NEW YORKER)

G BODY = (V24 - DAYTONA)

H BODY = (D44 - LANCER)(C44 - LEBARON GTS)

J BODY = (C - LEBARON)

K BODY = (P - RELIANT)(D - ARIES)(C - LEBAROND)/TOWN & COUNTRY)

L BODY = (M - HORIZON/TURISMO)(Z - OMNI/CHARGER)

M BODY = (B - GRAN FURY)(F - FIFTH AVE/NEWPORT)(G - DIPLOMAT)

P BODY = (P - SUNDANCE)(D - SHADOW)

S BODY = (H - VOYAGER)(K - RAM VAN/CARAVAN)

BODY STYLES

12-13 = FWD VAN

21 = 2-DOOR SEDAN

24 = 2-DOOR HATCHBACK

27 = 2-DOOR CONVERTIBLE

41 = 4-DOOR SEDAN

44 = 4-DOOR HATCHBACK

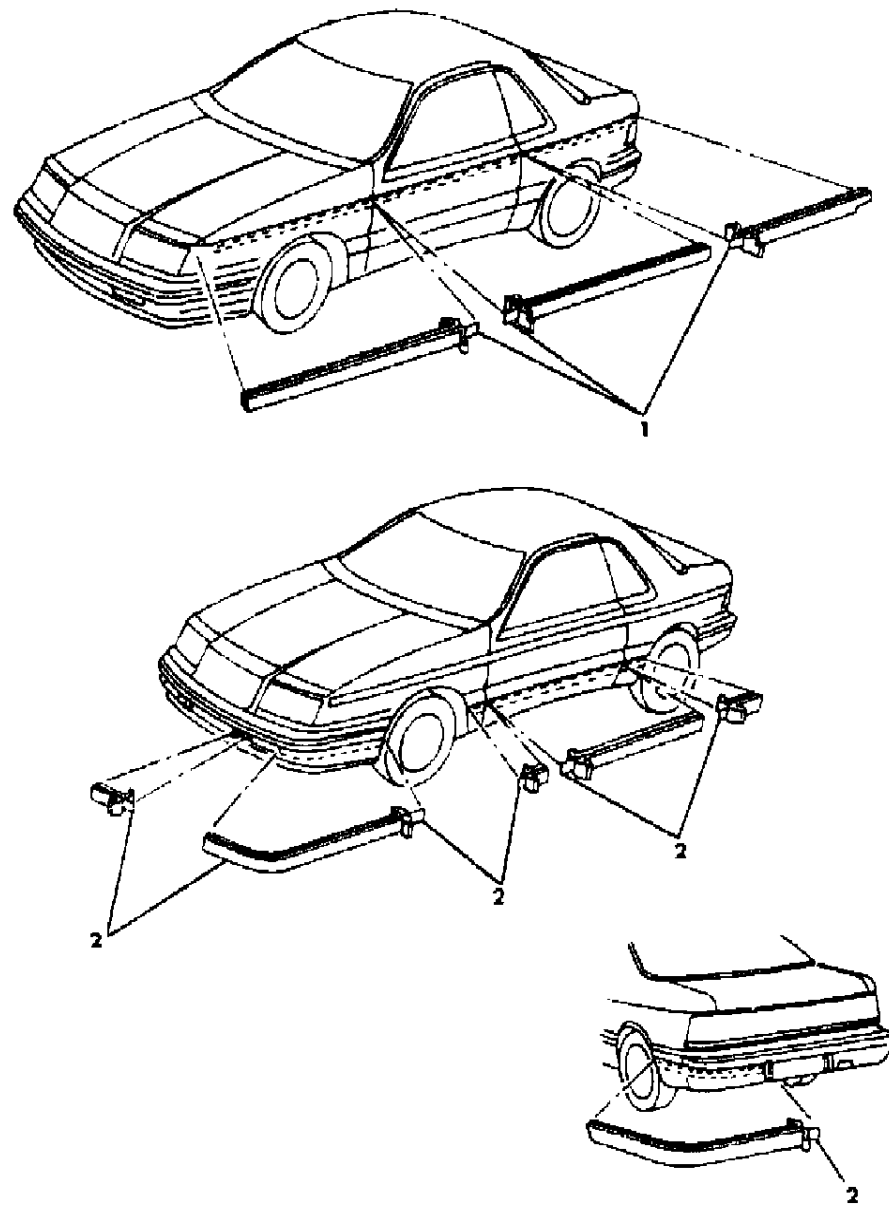
45 = 4-DOOR STATION WAGON

52-53 = FWD WAGON

AR = Use as Required - = Non Illustrated Part P.A.R. = Paint as Required

TAPE STRIPES AND DECALS - EXTERIOR VIEW J BODY, 2 DOOR, CONVERTIBLE CHRYSLER LEBARON
Figure 23-1300

7188 1300



ITEM	PART NUMBER	QTY	BODY	MODEL	DESCRIPTION
1	4443 518-9	1		21,27	TAPE PACKAGE, Fndr., Door, Qtr., Upr., Silver, Use Up to 2-16-87
	4443 520-1	1			Charcoal
	4443 522-3	1			Blue
	4443 524-5	1			Rosewood
	4443 526-7	1			Dark Cordovan
	4443 528-9	1			Black
	4443 530-1	1			Gold
	4443 778-9	1		21,27	Silver, Use After 2-16-87
	4443 780-1	1			Charcoal
	4443 782-3	1			Blue
	4443 784-5	1			Light Rosewood
	4443 786-7	1			Dark Cordovan
	4443 788-9	1			Black
	4443 790-1	1			Gold
2	4411 692	1		C-P,21	TAPE PACKAGE, Body Side Lwr., Silver
	4411 693	1			Ice Blue
	4411 694	1			Twilight Blue
	4411 695	1			Rosewood
	4411 900	1			Dark Cordovan
	4411 697	1			White
-	4443 762-3	1		C-P,21	TAPE PACKAGE, Fndr. Frt., Door, Qtr. Pnl Rear, Dark Cordovan
	4443 764-5	1			White
	4443 766-7	1			Light Rosewood
	4443 768-9	1			Twilight Blue
	4443 770-1	1			Ice Blue
	4443 772-3	1			Silver
	T742-3 FA1	1		C-P,21	TAPE, Frt. Fascia, Silver
	T742-3 FB1	1			Ice Blue
	T742-3 FC7	1			Twilight Blue
	T742-3 FE2	1			Light Rosewood
	T742-3 FW3	1			White
	T742-3 FE8	1			Dark Cordovan
-	4396 716-7	1			TAPE, Door Outer Pnl. Mirror Flag, Blackout
-	4398 180-1	1		C-P,21	TAPE, Door Wdo. Frame, Blackout

MODEL CODES

E BODY = (J - CARAVELLE)(E - 600)(T - NEW YORKER)

G BODY = (V24 - DAYTONA)

H BODY = (D44 - LANCER)(C44 - LEBARON GTS)

J BODY = (C - LEBARON)

K BODY = (P - RELIANT)(D - ARIES)(C - LEBAROND)/TOWN & COUNTRY)

L BODY = (M - HORIZON/TURISMO)(Z - OMNI/CHARGER)

M BODY = (B - GRAN FURY)(F - FIFTH AVE/NEWPORT)(G - DIPLOMAT)

P BODY = (P - SUNDANCE)(D - SHADOW)

S BODY = (H - VOYAGER)(K - RAM VAN/CARAVAN)

BODY STYLES

12-13 = FWD VAN

21 = 2-DOOR SEDAN

24 = 2-DOOR HATCHBACK

27 = 2-DOOR CONVERTIBLE

41 = 4-DOOR SEDAN

44 = 4-DOOR HATCHBACK

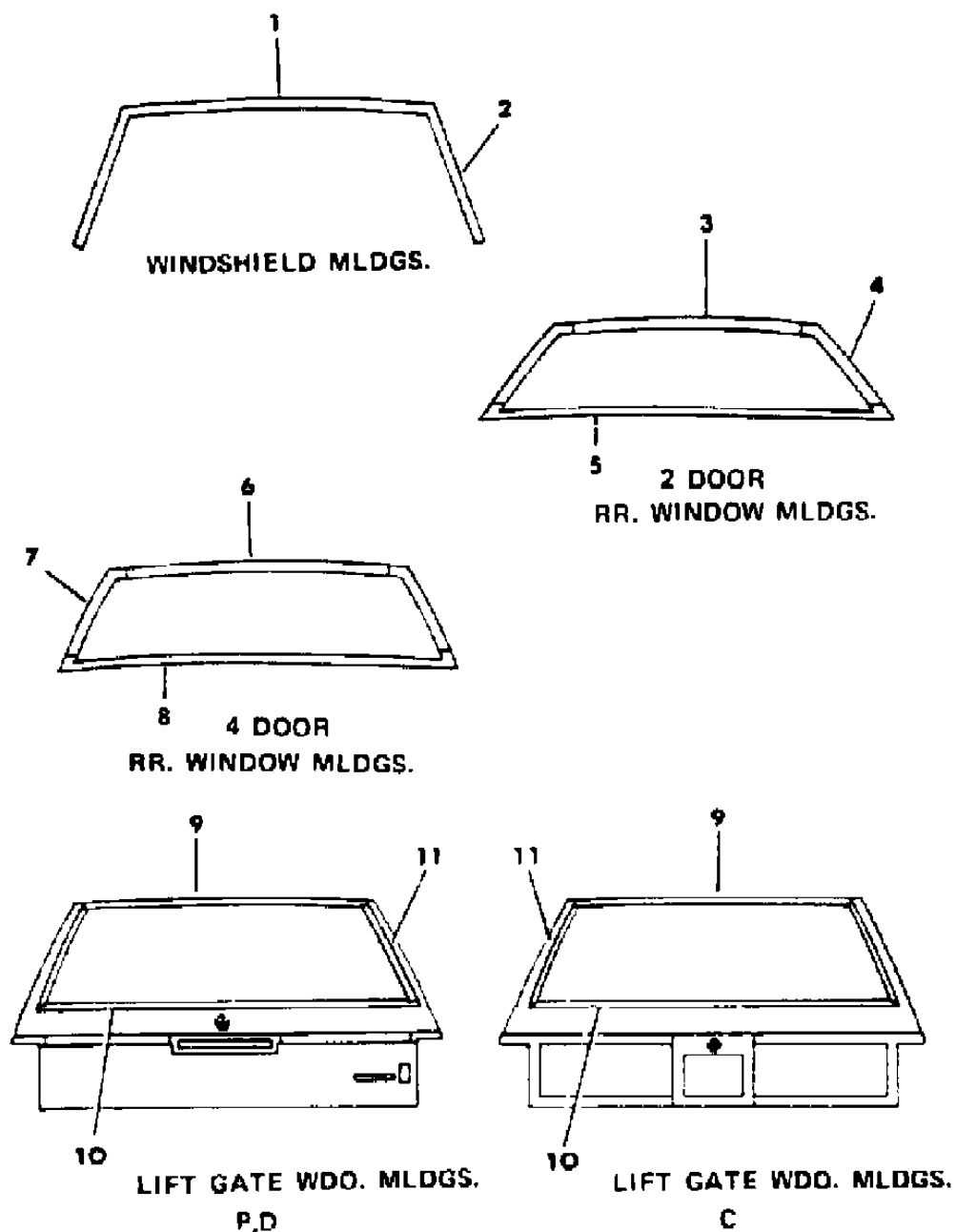
45 = 4-DOOR STATION WAGON

52-53 = FWD WAGON

AR = Use as Required - = Non Illustrated Part P.A.R. = Paint as Required

MOULDINGS, WINDSHIELD AND REAR WINDOW OUTSIDE K BODY
Figure 23-1400

7188 1400



ITEM	PART NUMBER	QTY	BODY	MODEL	DESCRIPTION
1	4319 638	1		P,D,C	MOULDING, W/Shield, Upr., Bright
	6003 753	AR			RETAINER, W/Shield, Upr., Mldg.
2	4319 318-9	1		P,D,C	MOULDING, W/Shield, Side, Bright
	6003 753	AR			RETAINER, W/Shield, Side, Mldg.
	6003 879	AR			RETAINER, W/Shield, Side, Mldg.
3	4319 631	1		P,D,21	MOULDING, Rear Wdo., Upr., Bright
	6003 916	AR		P,D,21	RETAINER
4	4319 308-9	1		P,D,21	MOULDING, Rear Wdo., Side, Bright
	4276 636	2		P,D,21	SPACER, Rear Wdo., Side, Mldg.
	6003 916	AR		P,D,21	RETAINER, Rear Wdo., Side
5	6003 879	AR		P,D,21	RETAINER, Rear Wdo., Side
	4319 306-7	1		P,D,21	MOULDING, Rear Wdo., Lwr., Bright
	6003 916	AR		P,D,21	RETAINER
6	4319 633	1		41	MOULDING, Rear Wdo., Upr., Bright
	6003 916	AR		41	RETAINER
7	4319 316-7	1		41	MOULDING, Rear Wdo. w/Spacer, Side, Bright
	4276 631	2		41	SPACER, Rear Wdo., Side
	6003 916	AR		41	RETAINER
	6003 879	AR		41	RETAINER
8	4319 314-5	1		41	MOULDING, Rear Wdo., Lwr., Bright
	6003 916	AR		41	RETAINER
9	4319 322	1		P,D,C	MOULDING, L/Gate, Upr.
	6003 916	AR		P,D,C	RETAINER
	6003 879	AR		P,D,C	RETAINER
10	4319 323	1		P,D,C	MOULDING, L/Gate, Lwr.
	6003 916	AR		P,D,C	RETAINER
	6003 879	AR		P,D,C	RETAINER
	6003 916	AR		P,D,C	RETAINER
11	4319 324-5	1		P,D,C	MOULDING, L/Gate, Side
	6003 916	AR		P,D,C	RETAINER
	6003 879	AR		P,D,C	RETAINER

MODEL CODES

E BODY = (J - CARAVELLE)(E - 600)(T - NEW YORKER)

G BODY = (V24 - DAYTONA)

H BODY = (D44 - LANCER)(C44 - LEBARON GTS)

J BODY = (C - LEBARON)

K BODY = (P - RELIANT)(D - ARIES)(C - LEBAROND)/TOWN & COUNTRY)

L BODY = (M - HORIZON/TURISMO)(Z - OMNI/CHARGER)

M BODY = (B - GRAN FURY)(F - FIFTH AVE/NEWPORT)(G - DIPLOMAT)

P BODY = (P - SUNDANCE)(D - SHADOW)

S BODY = (H - VOYAGER)(K - RAM VAN/CARAVAN)

BODY STYLES

12-13 = FWD VAN

21 = 2-DOOR SEDAN

24 = 2-DOOR HATCHBACK

27 = 2-DOOR CONVERTIBLE

41 = 4-DOOR SEDAN

44 = 4-DOOR HATCHBACK

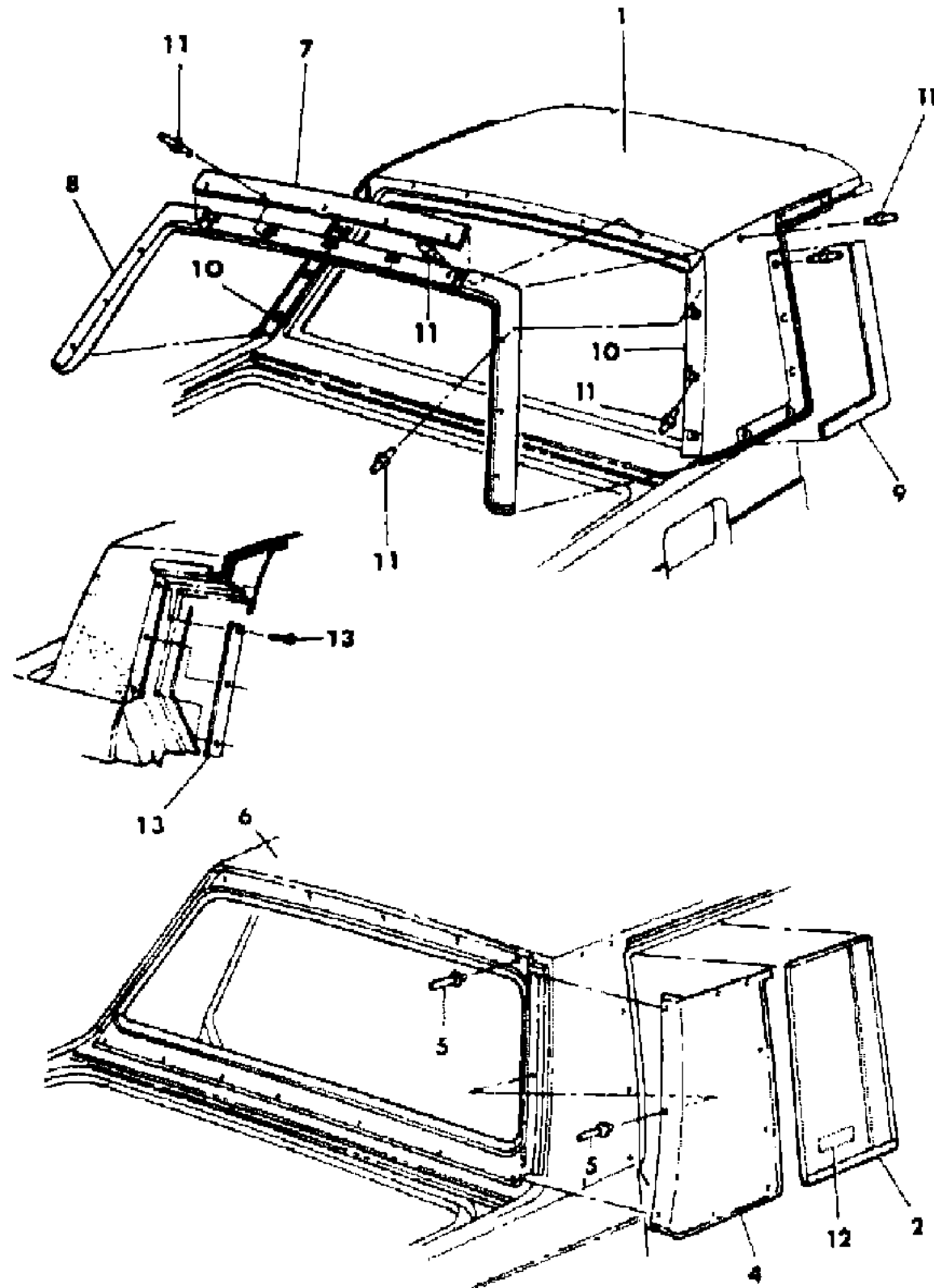
45 = 4-DOOR STATION WAGON

52-53 = FWD WAGON

AR = Use as Required - = Non Illustrated Part P.A.R. = Paint as Required

COVER, ROOF - EXTERIOR VIEW K BODY, 4 DOOR CHRYSLER LEBARON
Figure 23-1500

7188 1500



ITEM	PART NUMBER	QTY	BODY	MODEL	DESCRIPTION
1	T821 GA2	1			COVER, Padded Landau, Silver (Trim Code VCA)
	T821 GC7	1			Twilight Blue (Trim Code VCC)
	T921 EB1	1			Ice Blue (Trim Code VCD)
	T821 GS8	1			Charcoal (Trim Code VCE)
	T921 EE9	1			Dark Cordovan (Trim Code VCE)
	T921 ET5	1			Bronze (Trim Code VCT)
	T921 EW3	1			White (Trim Code VCW)
	T921 EX9	1			Black (Trim Code VCX)
	2	X382-3 EA2	1		
X382-3 FC7		1			Twilight Blue (Trim Code VCC)
X382-3 EB1		1			Ice Blue (Trim Code VCD)
X382-3 FS8		1			Charcoal (Trim Code VCF)
X382-3 EE9		1			Dark Cordovan (Trim Code VCE)
X382-3 ET5		1			Bronze (Trim Code VCT)
X382-3 EW3		1			White (Trim Code VCW)
X382-3 EX9		1			Black (Trim Code VCX)
4		4366 102-3	1		
5		AR			RIVET, (Not Serv.)
6	4366 108	1			PAD, Roof
7	4422 036	1			INSERT ASSEMBLY, Vinyl Roof Rear Wdo. Foundation
8	4366 104	1			FOUNDATION, Vinyl Roof Rear Wdo.
	4422 198-9	1			FILLER, Vinyl Roof Qtr. Foundation
9	4422 035	2			FILLER STRIP, Vinyl Roof Foundation
	4366 102-3	1			FOUNDATION, Vinyl Roof Qtr.
11		AR			RIVET, (Not Serv.)
12	4017 688	2			NAMEPLATE, "LeBaron"
13	X296-7 EA2	1			RETAINER, Rear Door Opng. Vinyl Roof, Silver
	X296-7 EB1	1			Ice Blue Met.
	X296-7 FC7	1			Twilight Blue
	X296-7 EE9	1			Dark Cordovan
	X296-7 FS8	1			Charcoal
	X296-7 ET5	1			Bronze
	X296-7 EW3	1			White
	X296-7 EX9	1			Black
	6032 508	AR			SCREW
-	4365 710-1	1			INSERT ASSEMBLY, Rear Door Inner and Outer Cover Assy. Mtg. (Not Shown on Illus.)

MODEL CODES

E BODY = (J - CARAVELLE)(E - 600)(T - NEW YORKER)

G BODY = (V24 - DAYTONA)

H BODY = (D44 - LANCER)(C44 - LEBARON GTS)

J BODY = (C - LEBARON)

K BODY = (P - RELIANT)(D - ARIES)(C - LEBAROND)/TOWN & COUNTRY)

L BODY = (M - HORIZON/TURISMO)(Z - OMNI/CHARGER)

M BODY = (B - GRAN FURY)(F - FIFTH AVE/NEWPORT)(G - DIPLOMAT)

P BODY = (P - SUNDANCE)(D - SHADOW)

S BODY = (H - VOYAGER)(K - RAM VAN/CARAVAN)

BODY STYLES

12-13 = FWD VAN

21 = 2-DOOR SEDAN

24 = 2-DOOR HATCHBACK

27 = 2-DOOR CONVERTIBLE

41 = 4-DOOR SEDAN

44 = 4-DOOR HATCHBACK

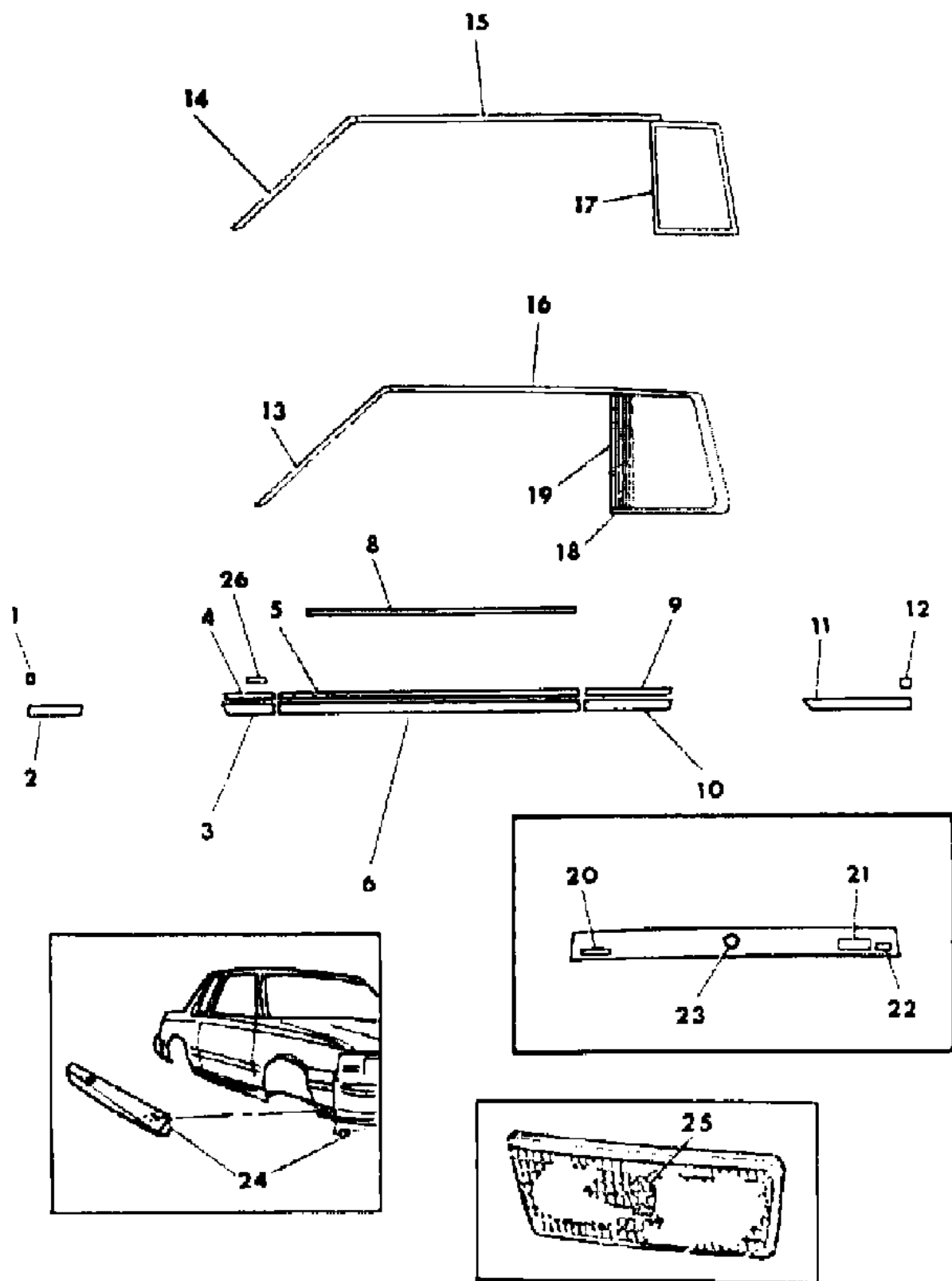
45 = 4-DOOR STATION WAGON

52-53 = FWD WAGON

AR = Use as Required - = Non Illustrated Part P.A.R. = Paint as Required

MOULDINGS AND ORNAMENTATION - EXTERIOR VIEW K BODY, 2 DOOR PLYMOUTH RELIANT, DODGE ARIES
Figure 23-1600

7188 1800



ITEM	PART NUMBER	QTY	BODY	MODEL	DESCRIPTION
1	4339 274-5	1		P-L,D-L	MOULDING PACKAGE, Fndr. Frt. End Cap
					NUT, (Not Serv.)
2	4339 212-3	1		P,D-M-H	MOULDING PACKAGE, Fndr. Side Frt.
					NUT, (Not Serv.)
3	4328 222-3	1		P-M,D-M	MOULDING, Fndr, Side Rear
4	4319 112-3	1		P-L,D-L	MOULDING, Fndr. Side Rear, Black
5	4328 496	2		P-L,D-L	MOULDING, Door, Black
6	4328 224-5	1		P-M,D-M	MOULDING, Door
8	4339 254	1		P-M,D-M	MOULDING PACKAGE, Door Belt, Rt., w/Mirror
	4339 255	1		P-M,D-M	MOULDING PACKAGE, Door Belt, Lt.
	4339 262	1		P-M,D-M	MOULDING PACKAGE, Door Belt, Rt., w/o Mirror
	6003 627	AR			RETAINER
9	4328 502-3	1		P-L,D-L	MOULDING, Qtr. Frt., Black
10	4328 230-1	1		P-M,D-M	MOULDING, Qtr. Frt.
11	4339 224-5	1		P,D-M-H	MOULDING PACKAGE, Qtr. Rear
					NUT, (Not Serv.)
12	4339 276-7	1		P-L,D-L	MOULDING PACKAGE, Qtr. Rear End Cap
					NUT, (Not Serv.)
13	4328 386-7	1		P-M,D-M	MOULDING and SEAL, Body Frt. Pillar Drain Trough
14	4398 192-3	1		P-L,D-L	MOULDING and SEAL, Body Frt. Pillar Drain Trough
	4229 764-5	1			SEAL, Body Frt. Pillar Drain Trough Mldg., Inner
15	4319 378-9	1		P-L,D-L	MOULDING, Roof Side Drain Trough
16	4366 692-3	1		P-M,D-M	MOULDING, Roof Side Drain Trough
17	4328 484-5	1		P-L,D-L	MOULDING, Qtr. Wdo.
18	4366 002-3	1		P-M,D-M	MOULDING, Qtr. Wdo.
	4328 870-1	1		P-M,D-M	SEAL, Qtr. Wdo. Mldg.
	4057 555	AR			RETAINER PACKAGE
	6003 936	AR			RETAINER
19	4398 998-9	1		P,D-M-H	APPLIQUE, Qtr. Wdo. Frt.
		AR			NUT, (Not Serv.)
20	4422 172	1			NAMEPLATE, Deck Lid, "PLYMOUTH"
	4328 878	1			"DODGE"
21	4328 877	1			NAMEPLATE, Deck Lid, "RELIANT"
	4328 879	1			"ARIES"
22	4398 565	1			NAMEPLATE, Deck Lid, "K"
23	X216 EA1	1			MEDALLION, Deck Lid Lock Cyl., Silver, Use Up to 11-14-86
	X216 EB1	1			Ice Blue Met.
	X216 FC7	1			Twilight Blue

MODEL CODES

E BODY = (J - CARAVELLE)(E - 600)(T - NEW YORKER)

G BODY = (V24 - DAYTONA)

H BODY = (D44 - LANCER)(C44 - LEBARON GTS)

J BODY = (C - LEBARON)

K BODY = (P - RELIANT)(D - ARIES)(C - LEBAROND)/TOWN & COUNTRY)

L BODY = (M - HORIZON/TURISMO)(Z - OMNI/CHARGER)

M BODY = (B - GRAN FURY)(F - FIFTH AVE/NEWPORT)(G - DIPLOMAT)

P BODY = (P - SUNDANCE)(D - SHADOW)

S BODY = (H - VOYAGER)(K - RAM VAN/CARAVAN)

BODY STYLES

12-13 = FWD VAN

21 = 2-DOOR SEDAN

24 = 2-DOOR HATCHBACK

27 = 2-DOOR CONVERTIBLE

41 = 4-DOOR SEDAN

44 = 4-DOOR HATCHBACK

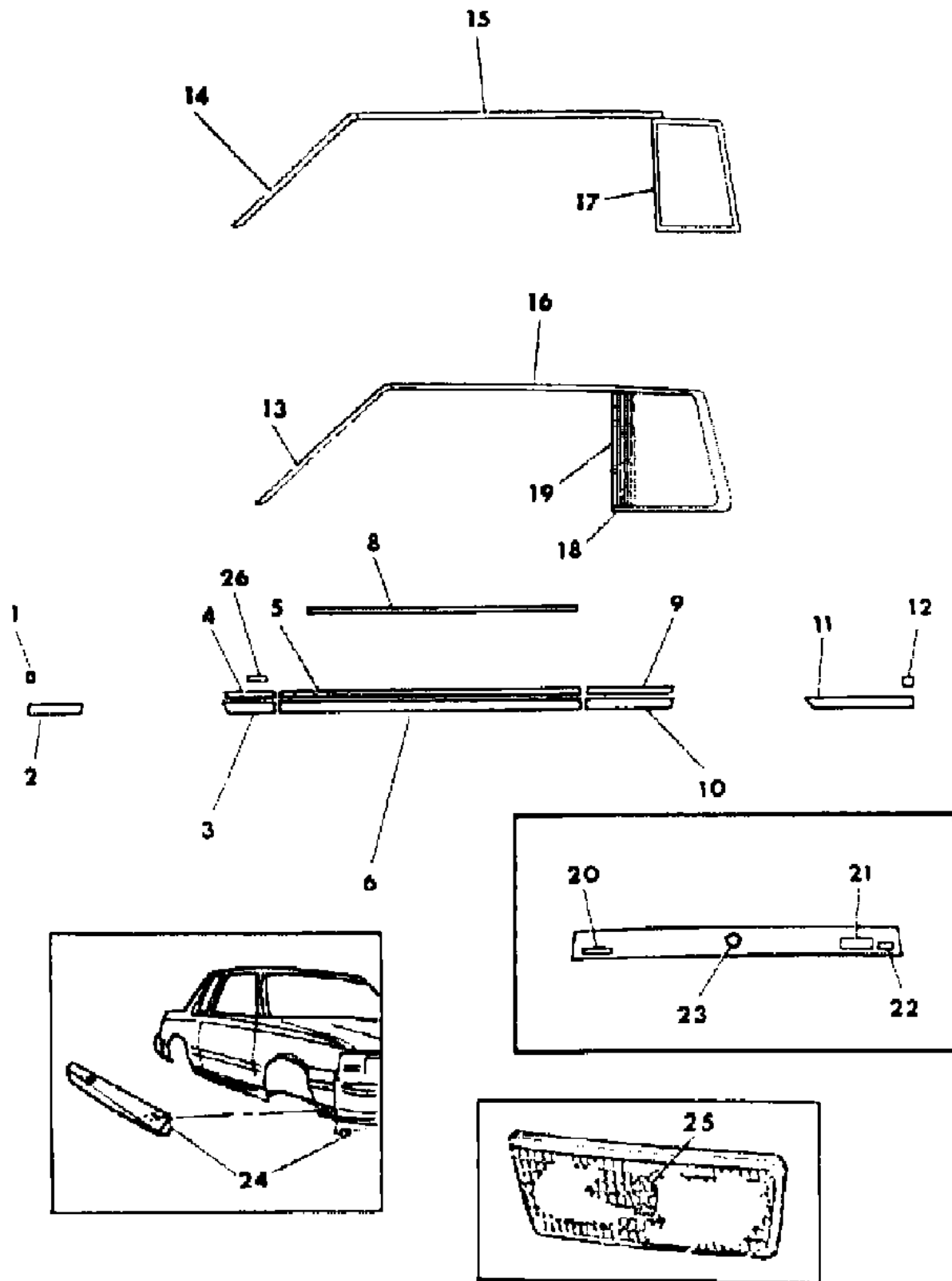
45 = 4-DOOR STATION WAGON

52-53 = FWD WAGON

AR = Use as Required - = Non Illustrated Part P.A.R. = Paint as Required

MOULDINGS AND ORNAMENTATION - EXTERIOR VIEW K BODY, 2 DOOR PLYMOUTH RELIANT, DODGE ARIES
Figure 23-1600

7188 1600



ITEM	PART NUMBER	QTY	BODY	MODEL	DESCRIPTION
	X216 EE9	1			Dark Cordovan
	X216 FS8	1			Charcoal
	X216 ER6	1			Red
	X216 ET1	1			Ivory Cream
	X216 ET5	1			Bronze
	X216 EW2	1			White
	X216 EX8	1			Black
	X924 EA1	1			MEDALLION, Deck Lid Lock Cyl., Silver, Use After 11-14-86
	X924 EB1	1			Ice Blue Met.
	X924 FC7	1			Twilight Blue
	X924 EE9	1			Dark Cordovan
	X924 ER6	1			Red
	X924 ET1	1			Ivory Cream
	X924 FS8	1			Charcoal
	X924 ET5	1			Bronze
	X924 EW2	1			White
	X924 EX8	1			Black
					RIVET, (Not Serv.)
24	X622-3 DW3	1			EXTENSION, Fndr., Mldg., Fascia
	6029 471	AR			NUT, Sealing
25	4334 198	1		P	ORNAMENT, Radiator Grille Pentastar
	4334 016	1		D	
26	4422 402	2			NAMEPLATE, Fndr., "SE"
	4422 403	2			NAMEPLATE, Fndr., "LE"
	4319 147	2			NAMEPLATE, Fndr. Side, "TURBO EFI"

MODEL CODES

E BODY = (J - CARAVELLE)(E - 600)(T - NEW YORKER)

G BODY = (V24 - DAYTONA)

H BODY = (D44 - LANCER)(C44 - LEBARON GTS)

J BODY = (C - LEBARON)

K BODY = (P - RELIANT)(D - ARIES)(C - LEBAROND)/TOWN & COUNTRY)

L BODY = (M - HORIZON/TURISMO)(Z - OMNI/CHARGER)

M BODY = (B - GRAN FURY)(F - FIFTH AVE/NEWPORT)(G - DIPLOMAT)

P BODY = (P - SUNDANCE)(D - SHADOW)

S BODY = (H - VOYAGER)(K - RAM VAN/CARAVAN)

BODY STYLES

12-13 = FWD VAN

21 = 2-DOOR SEDAN

24 = 2-DOOR HATCHBACK

27 = 2-DOOR CONVERTIBLE

41 = 4-DOOR SEDAN

44 = 4-DOOR HATCHBACK

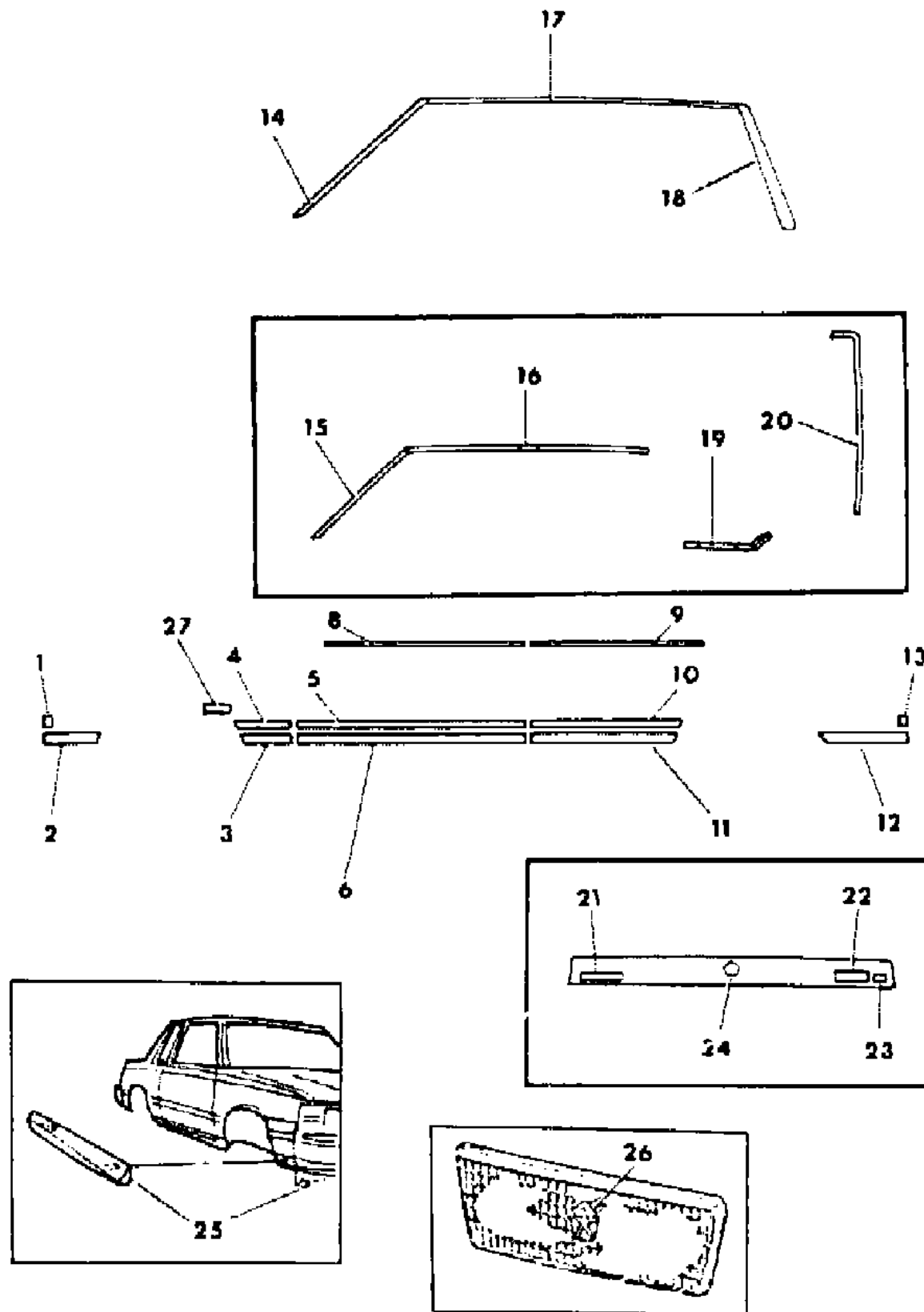
45 = 4-DOOR STATION WAGON

52-53 = FWD WAGON

AR = Use as Required - = Non Illustrated Part P.A.R. = Paint as Required

MOULDINGS AND ORNAMENTATION - EXTERIOR VIEW K BODY, 4 DOOR PLYMOUTH RELIANT, DODGE ARIES
Figure 23-1700

7188 1700



ITEM	PART NUMBER	QTY	BODY	MODEL	DESCRIPTION
1	4339 274-5	1		P-L,D-L	MOULDING PACKAGE, Fndr. Frt. End Cap NUT, (Not Serv.)
2	4339 212-3	1		P,D-M-H	MOULDING PACKAGE, Fndr. Side Frt. NUT, (Not Serv.)
3	4328 222-3	1		P-M,D-M	MOULDING, Fndr. Side Rear
4	4319 112-3	1		P-L,D-L	MOULDING, Fndr. Side Rear, Black
5	4319 114	2		P-L,D-L	MOULDING, Frt. Door, Black
6	4328 226-7	1		P-M,D-M	MOULDING, Frt. Door
8	4339 256	1		P-M,D-M	MOULDING PACKAGE, Frt. Door Belt, Rt., w/Mirror
	4339 257	1		P-M,D-M	MOULDING PACKAGE, Frt. Door Belt, Lt.
	4339 260	1		P-M,D-M	MOULDING PACKAGE, Frt. Door Belt, Rt., w/o Mirror
	6003 627	AR			RETAINER
9	4339 258-9	1		P-M,D-M	MOULDING PACKAGE, Rear Door Belt
	6003 627	AR			RETAINER
10	4328 500-1	1		P-L,D-L	MOULDING, Rear Door, Black
11	4328 228-9	1		P-M,D-M	MOULDING, Rear Door
12	4339 224-5	1		P,D-M-H	MOULDING PACKAGE, Qtr. Rear NUT, (Not Serv.)
13	4339 276-7	1		P-L,D-L	MOULDING PACKAGE, Qtr. Rear End Cap NUT, (Not Serv.)
14	4328 386-7	1		P-M,D-M	MOULDING, Body Frt. Pillar Drain Trough
15	4398 192-3	1		P-L,D-L	MOULDING and SEAL, Body Frt. Pillar Drain Trough
	4229 764-5	1			SEAL, Body Frt. Pillar Drain Trough Mldg., Inner
16	4319 372-3	1		P-L,D-L	MOULDING, Roof Side Drain Trough, Use w/o Full Vinyl Roof, Unpadded
17	4366 698-9	1		P-M,D-M	MOULDING, Roof Side Drain Trough Frt.
18	4328 392-3	1		P-M,D-M	MOULDING, Roof Side Drain Trough Rear
	4057 555	AR			RETAINER PACKAGE
19	4293 630-1	1		P-L,D-L	MOULDING PACKAGE, Qtr. Belt, Use w/Two Tone Paint
	6003 627	AR			RETAINER
20	4293 614-5	1			MOULDING PACKAGE, Deck Opng. Upr. Pnl., Use w/Two Tone Paint
	4293 617	AR			RETAINER PACKAGE
	4293 616	AR			RETAINER PACKAGE
21	4422 172	1			NAMEPLATE, Deck Lid, "PLYMOUTH"
	4328 878	1			"DODGE"
22	4328 877	1			NAMEPLATE, Deck Lid, "RELIANT"
	4328 879	1			"ARIES"

MODEL CODES

E BODY = (J - CARAVELLE)(E - 600)(T - NEW YORKER)

G BODY = (V24 - DAYTONA)

H BODY = (D44 - LANCER)(C44 - LEBARON GTS)

J BODY = (C - LEBARON)

K BODY = (P - RELIANT)(D - ARIES)(C - LEBAROND)/TOWN & COUNTRY)

L BODY = (M - HORIZON/TURISMO)(Z - OMNI/CHARGER)

M BODY = (B - GRAN FURY)(F - FIFTH AVE/NEWPORT)(G - DIPLOMAT)

P BODY = (P - SUNDANCE)(D - SHADOW)

S BODY = (H - VOYAGER)(K - RAM VAN/CARAVAN)

BODY STYLES

12-13 = FWD VAN

21 = 2-DOOR SEDAN

24 = 2-DOOR HATCHBACK

27 = 2-DOOR CONVERTIBLE

41 = 4-DOOR SEDAN

44 = 4-DOOR HATCHBACK

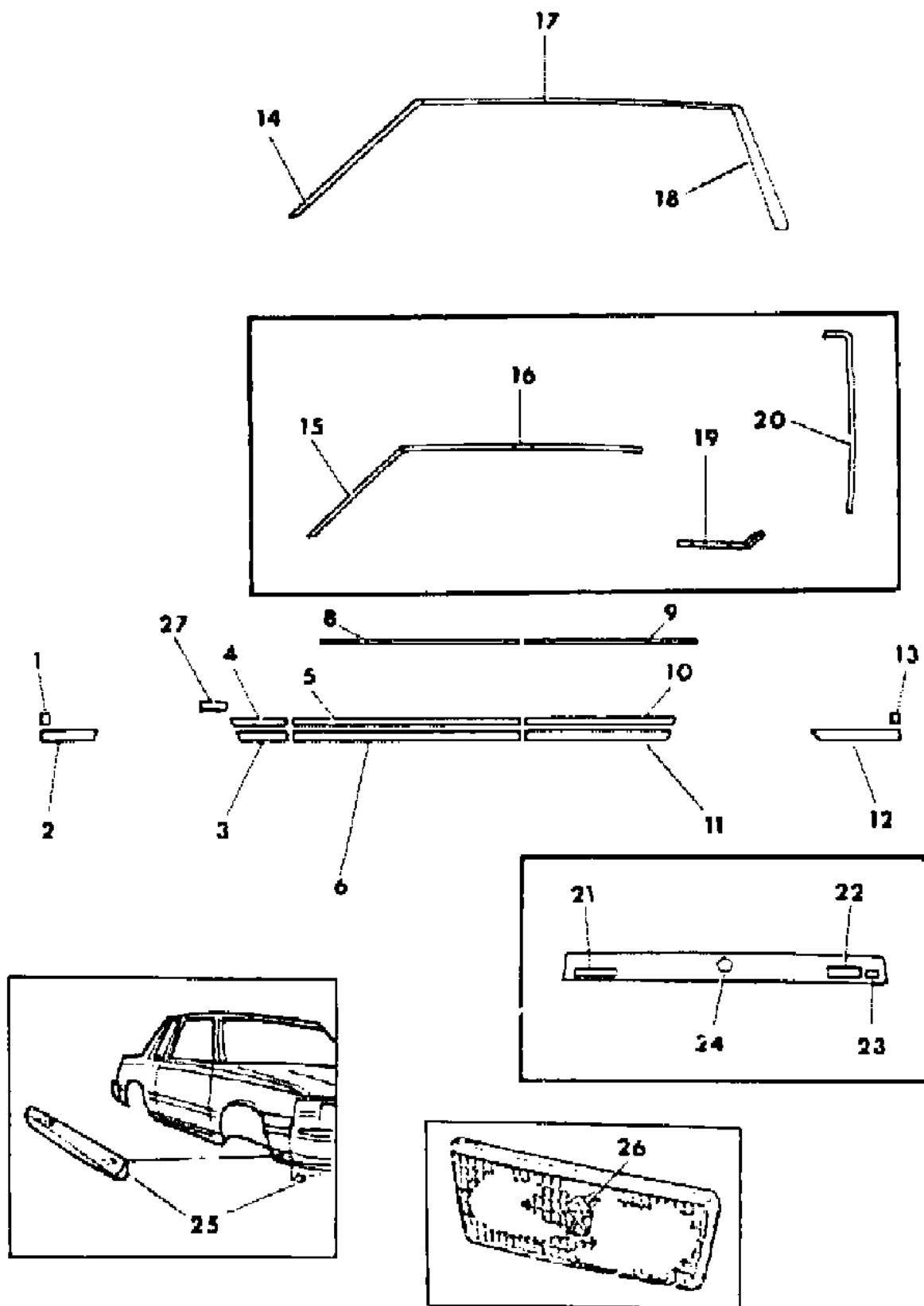
45 = 4-DOOR STATION WAGON

52-53 = FWD WAGON

AR = Use as Required - = Non Illustrated Part P.A.R. = Paint as Required

MOULDINGS AND ORNAMENTATION - EXTERIOR VIEW K BODY, 4 DOOR PLYMOUTH RELIANT, DODGE ARIES
Figure 23-1700

7188 1700



ITEM	PART NUMBER	QTY	BODY	MODEL	DESCRIPTION
23	4398 565	1			NAMEPLATE, Deck Lid, "K"
24	X216 EA1	1			MEDALLION, Deck Lid Lock Cyl., Silver, Use Up to 11-14-86
	X216 FS8	1			Charcoal
	X216 EB1	1			Ice Blue Met.
	X216 FC7	1			Twilight Blue
	X216 EE9	1			Dark Cordovan
	X216 ER6	1			Red
	X216 ET1	1			Ivory Cream
	X216 ET5	1			Bronze
	X216 EW2	1			White
	X216 EX8	1			Black
	X924 EA1	1			MEDALLION, Deck Lid Lock Cyl., Silver, Use After 11-14-86
	X924 EB1	1			Ice Blue Met.
	X924 FC7	1			Twilight Blue
	X924 EE9	1			Dark Cordovan
X924 ER6	1			Red	
X924 ET1	1			Ivory Cream	
X924 FS8	1			Charcoal	
X924 ET5	1			Bronze	
X924 EW2	1			White	
X924 EX8	1			Black	
25	X622-3 DW3	1			RIVET, (Not Serv.)
26	6029 471	AR			EXTENSION, Fndr. Mldg., Fascia
	4334 198	1		P	NUT, Sealing
27	4334 016	1		D	ORNAMENT, Radiator Grille Pentastar
	4422 402	2			NAMEPLATE, Fndr., "SE"
	4422 403	2			NAMEPLATE, Fndr., "LE"
	4319 147	2			NAMEPLATE, Fndr. Side, "TURBO EFI"

MODEL CODES

E BODY = (J - CARAVELLE)(E - 600)(T - NEW YORKER)

G BODY = (V24 - DAYTONA)

H BODY = (D44 - LANCER)(C44 - LEBARON GTS)

J BODY = (C - LEBARON)

K BODY = (P - RELIANT)(D - ARIES)(C - LEBAROND)/TOWN & COUNTRY)

L BODY = (M - HORIZON/TURISMO)(Z - OMNI/CHARGER)

M BODY = (B - GRAN FURY)(F - FIFTH AVE/NEWPORT)(G - DIPLOMAT)

P BODY = (P - SUNDANCE)(D - SHADOW)

S BODY = (H - VOYAGER)(K - RAM VAN/CARAVAN)

BODY STYLES

12-13 = FWD VAN

21 = 2-DOOR SEDAN

24 = 2-DOOR HATCHBACK

27 = 2-DOOR CONVERTIBLE

41 = 4-DOOR SEDAN

44 = 4-DOOR HATCHBACK

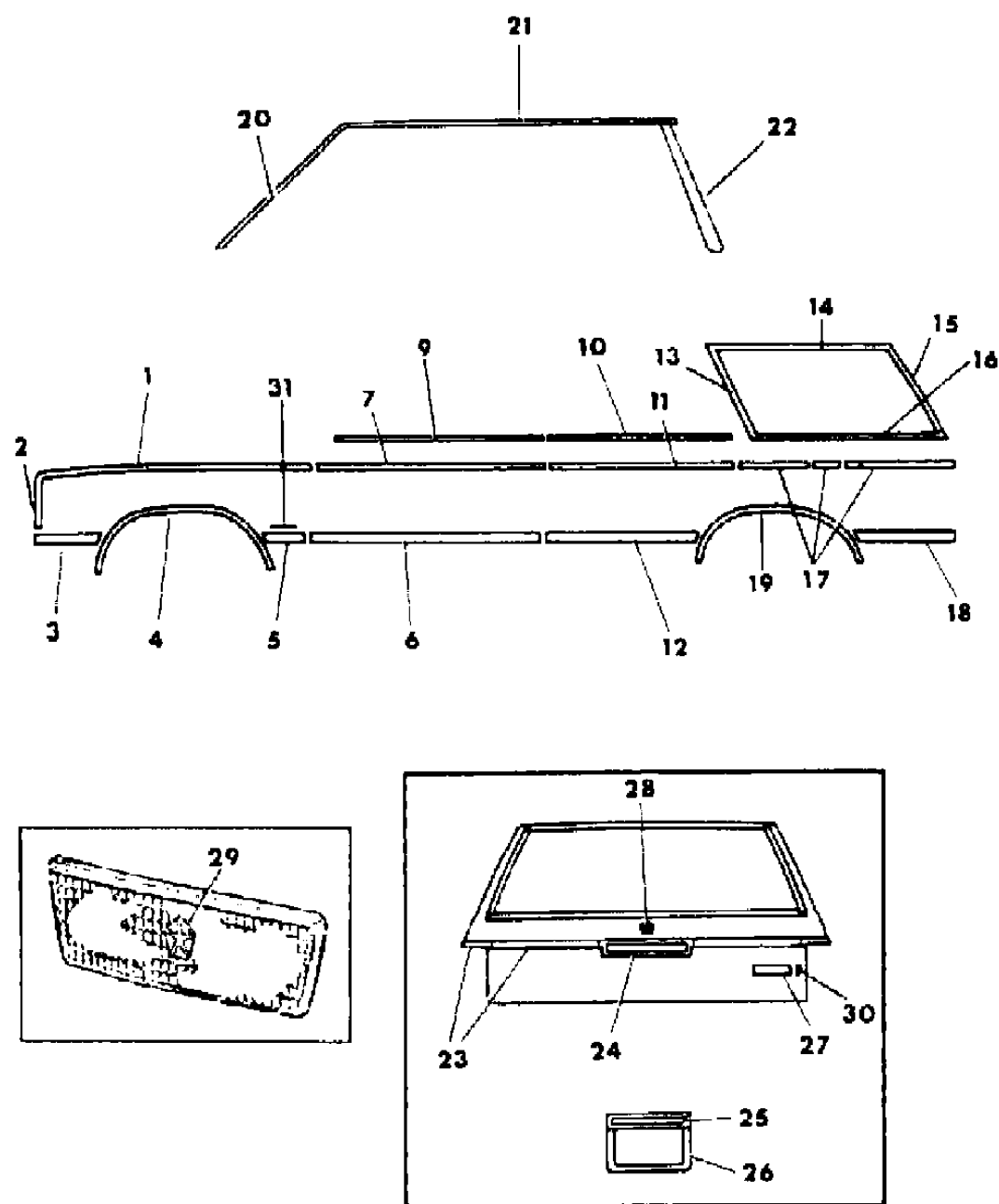
45 = 4-DOOR STATION WAGON

52-53 = FWD WAGON

AR = Use as Required - = Non Illustrated Part P.A.R. = Paint as Required

MOULDINGS AND ORNAMENTATION - EXTERIOR VIEW K BODY, SUBURBAN PLYMOUTH RELIANT, DODGE ARIES
Figure 23-1800

7188 1800



ITEM	PART NUMBER	QTY	BODY	MODEL	DESCRIPTION
1	4339 226-7	1			MOULDING PACKAGE, Fndr. Up., Bright w/Black Edges
	4205 640	AR			RETAINER PACKAGE
	4057 555	AR			RETAINER PACKAGE
2	4339 236-7	1			MOULDING PACKAGE, Fndr. Frt., Bright w/Black Edges
	4057 555	AR			RETAINER PACKAGE
	6003 907	AR			RETAINER
3	4339 212-3	1			MOULDING PACKAGE, Fndr. Side Frt.
					NUT, (Not Serv.)
4	4366 454-5	1			MOULDING, Fndr. Wheel Opng.
					SCREW, (Not Serv.)
5	4328 222-3	1			MOULDING, Fndr. Side Rear
6	4328 226-7	1			MOULDING, Frt. Door
7	4339 228-9	1			MOULDING PACKAGE, Frt. Door Up., Bright w/Black Edges
	4205 637	AR			RETAINER PACKAGE
	4339 256	1			MOULDING PACKAGE, Frt. Door Belt, Rt., w/Mirror
9	4339 257	1			MOULDING PACKAGE, Frt. Door Belt, Rt.
	4339 260	1			MOULDING PACKAGE, Frt. Door Belt, Rt., w/o Mirror
	6003 627	AR			RETAINER
10	4339 258-9	1			MOULDING PACKAGE, Rear Door Belt
	6003 627	AR			RETAINER
11	4411 572-3	1			MOULDING PACKAGE, Rear Door Up., Bright w/Black Edges
	4205 637	AR			RETAINER PACKAGE
12	4328 228-9	1			MOULDING, Rear Door
13	4319 326-7	1			MOULDING, Qtr. Wdo. Frt.
	6003 731	AR			RETAINER
14	4319 328	2			MOULDING, Qtr. Wdo. Up.
	6003 916	AR			RETAINER
15	4319 330-1	1			MOULDING, Qtr. Wdo. Rear
					SCREW, (Not Serv.)
16	4319 332-3	1			MOULDING, Qtr. Wdo. Up.
	6003 916	AR			RETAINER
17	4339 238	1			MOULDING PACKAGE, Qtr. Up. Frt., Rt., Bright w/Black Edges
	4339 209	1			MOULDING PACKAGE, Qtr. Up., Lt., Bright w/Black Edges
	4339 242	1			MOULDING PACKAGE, Qtr. Up. Rear, Rt., Bright w/Black Edges
18	4339 240	1			MOULDING PACKAGE, Qtr. Fuel Filler Door, Bright w/Black Edges
	4205 637	AR			RETAINER PACKAGE

MODEL CODES
 E BODY = (J - CARAVELLE)(E - 600)(T - NEW YORKER)
 G BODY = (V24 - DAYTONA)
 H BODY = (D44 - LANCER)(C44 - LEBARON GTS)
 J BODY = (C - LEBARON)
 K BODY = (P - RELIANT)(D - ARIES)(C - LEBAROND)/TOWN & COUNTRY

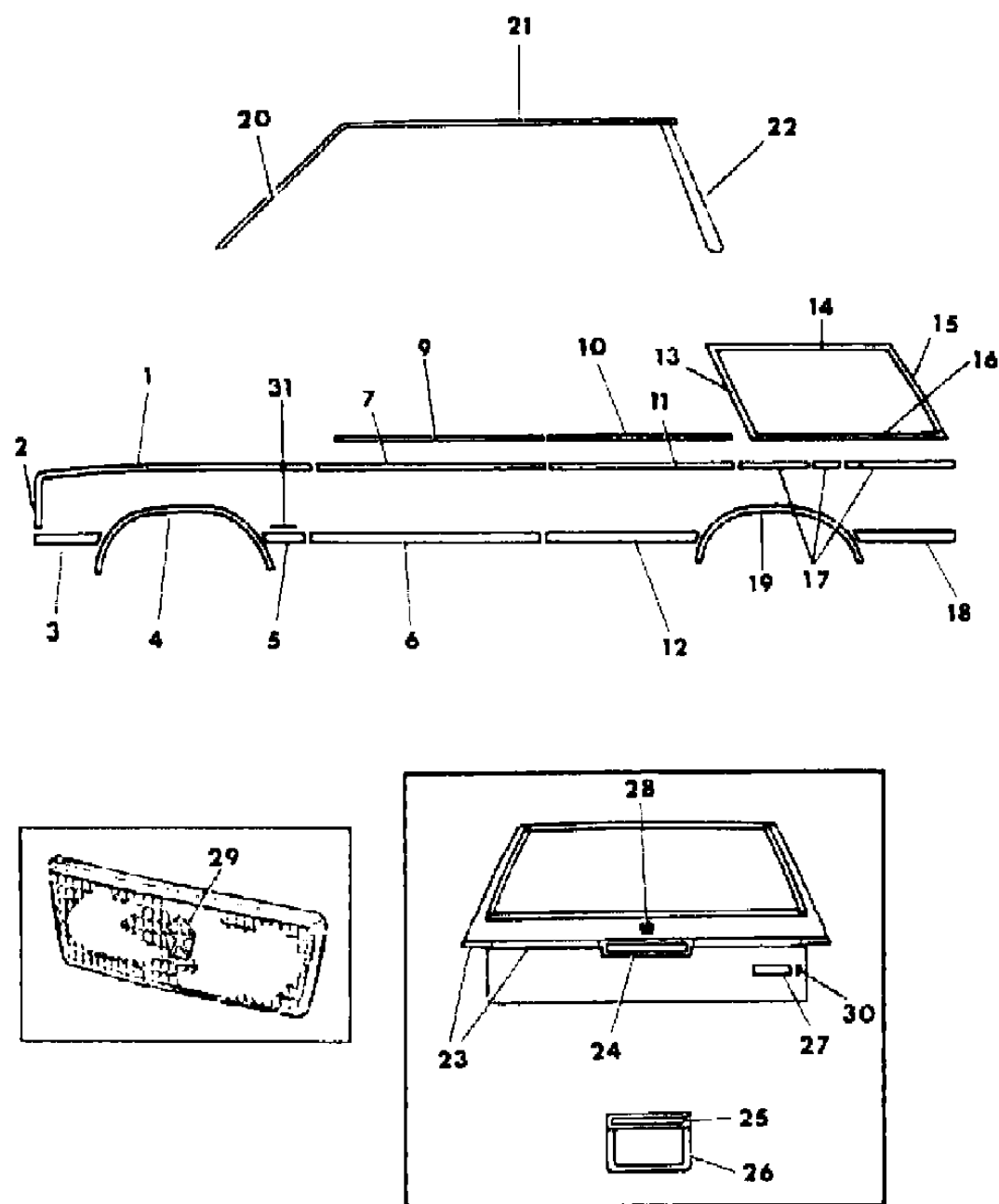
L BODY = (M - HORIZON/TURISMO)(Z - OMNI/CHARGER)
 M BODY = (B - GRAN FURY)(F - FIFTH AVE/NEWPORT)(G - DIPLOMAT)
 P BODY = (P - SUNDANCE)(D - SHADOW)
 S BODY = (H - VOYAGER)(K - RAM VAN/CARAVAN)

BODY STYLES
 12-13 = FWD VAN
 21 = 2-DOOR SEDAN
 24 = 2-DOOR HATCHBACK
 27 = 2-DOOR CONVERTIBLE
 41 = 4-DOOR SEDAN
 44 = 4-DOOR HATCHBACK
 45 = 4-DOOR STATION WAGON
 52-53 = FWD WAGON

AR = Use as Required - = Non Illustrated Part P.A.R. = Paint as Required

MOULDINGS AND ORNAMENTATION - EXTERIOR VIEW K BODY, SUBURBAN PLYMOUTH RELIANT, DODGE ARIES
Figure 23-1800

7188 1800



ITEM	PART NUMBER	QTY	BODY	MODEL	DESCRIPTION
18	4411 856-7	1			MOULDING PACKAGE, Qtr. Rear
	4057 555	AR			RETAINER PACKAGE
	6003 902	AR			RETAINER
19	4319 030-1	1			MOULDING, Qtr. Wheel Opng. SCREW, (Not Serv.)
20	4328 386-7	1			MOULDING, Body Frt. Pillar Drain Trough
	4229 764-5	1			SEAL, Frt. Pillar Drain Trough Mldg., Inner
21	4366 704-5	1			MOULDING, Roof Side Drain Trough Frt.
22	4328 400-1	1			MOULDING, Roof Side Drain Trough Rear
23	4339 232-3	1			MOULDING PACKAGE, L/Gate End, Bright w/Black Edges SCREW, (Not Serv.)
24	4339 205	1		P	MOULDING and HANDLE, L/Gate Plymouth, Bright w/Black Edges
	4339 207			D	
		AR			NUT and WASHER, (Not Serv.)
25	4319 793	1		P	HANDLE and GASKET, L/Gate, PLYMOUTH
	4319 794			D	
		AR			NUT and WASHER, (Not Serv.)
26	4175 749	1			MOULDING, L/Gate Lic. Plate Periphery SCREW, (Not Serv.)
27	4328 877	1			NAMEPLATE, L/Gate, "RELIANT"
	4328 879	1			"ARIES"
28	X562 EA1	1			MEDALLION, L/Gate, Silver
	X562 DB1	1			Ice Blue Met.
	X562 ER6	1			Garnet Red
	X562 ET1	1			Ivory Cream
	X562 ET5	1			Bronze
	X562 FC7	1			Twilight Blue
	X562 DW2	1			White
	X562 FS8	1			Charcoal
29	4334 198	1		P	ORNAMENT, Radiator, "PENTASTAR"
	4334 016	1		D	
30	4398 565	1			NAMEPLATE, L/Gate, "K"
31	4422 402	2			NAMEPLATE, Fndr., "SE"
	4422 403	2			NAMEPLATE, Fndr., "LE"
	4319 147	2			NAMEPLATE, Fndr. Side, "TURBO EFI"

MODEL CODES

E BODY = (J - CARAVELLE)(E - 600)(T - NEW YORKER)

G BODY = (V24 - DAYTONA)

H BODY = (D44 - LANCER)(C44 - LEBARON GTS)

J BODY = (C - LEBARON)

K BODY = (P - RELIANT)(D - ARIES)(C - LEBAROND)/TOWN & COUNTRY)

L BODY = (M - HORIZON/TURISMO)(Z - OMNI/CHARGER)

M BODY = (B - GRAN FURY)(F - FIFTH AVE/NEWPORT)(G - DIPLOMAT)

P BODY = (P - SUNDANCE)(D - SHADOW)

S BODY = (H - VOYAGER)(K - RAM VAN/CARAVAN)

BODY STYLES

12-13 = FWD VAN

21 = 2-DOOR SEDAN

24 = 2-DOOR HATCHBACK

27 = 2-DOOR CONVERTIBLE

41 = 4-DOOR SEDAN

44 = 4-DOOR HATCHBACK

45 = 4-DOOR STATION WAGON

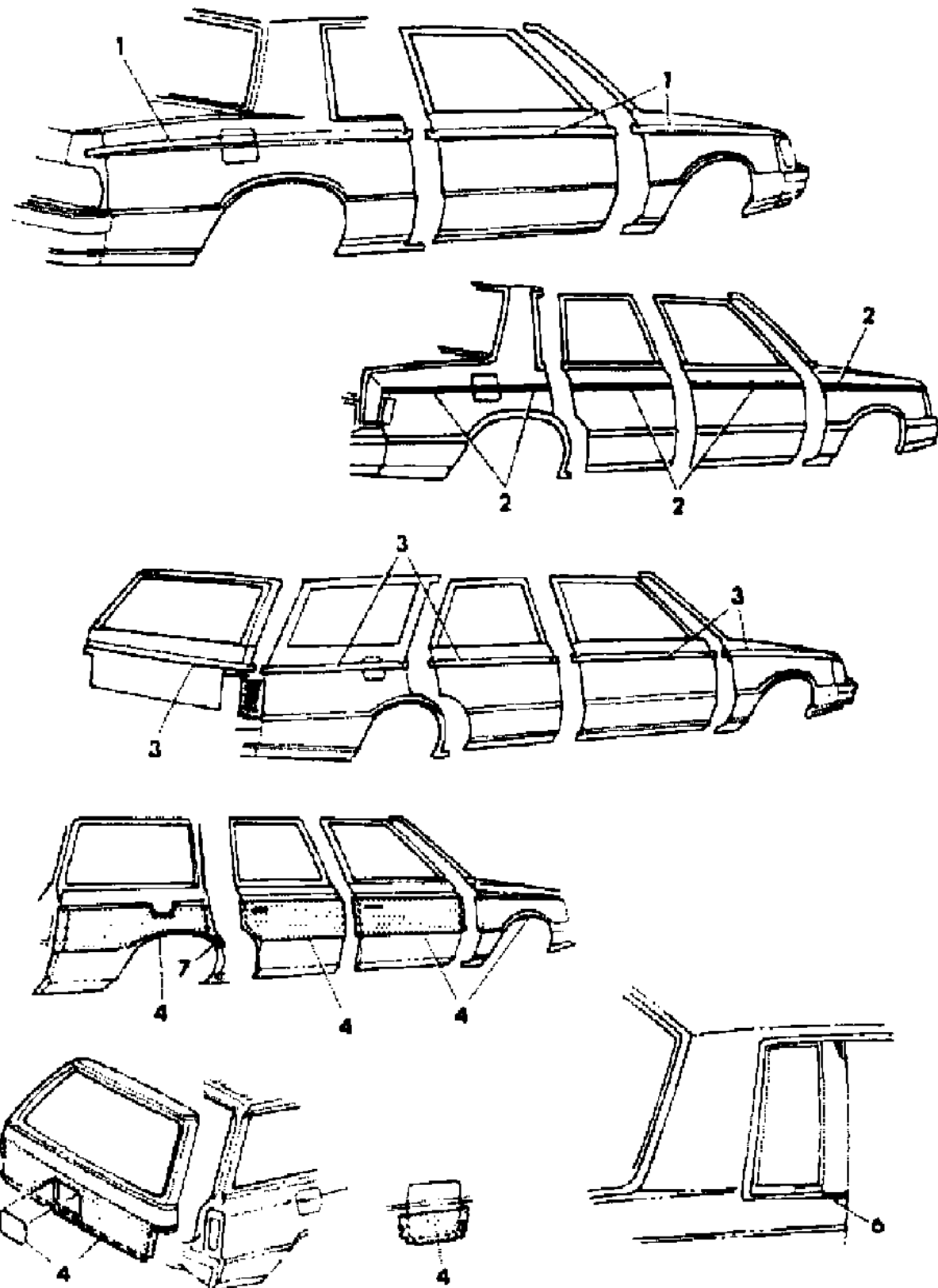
52-53 = FWD WAGON

AR = Use as Required - = Non Illustrated Part P.A.R. = Paint as Required

TAPE STRIPES AND DECALS - EXTERIOR VIEW K BODY PLYMOUTH RELIANT, DODGE ARIES

Figure 23-1900

7188 1980



ITEM	PART NUMBER	QTY	BODY	MODEL	DESCRIPTION	
1	4443 542-3	1		21	TAPE PACKAGE, Fndr., Door, Qtr., Dark Silver	
	4443 544-5	1		21	Blue	
	4443 546-7	1		21	Gold	
	4443 548-9	1		21	Red	
	4443 550-1	1		41,45	TAPE PACKAGE, Fndr., Doors, Dark Silver	
2	4443 552-3	1		41,45	Blue	
	4443 554-5	1		41,45	Gold	
	4443 558-9	1		41,45	Red	
	4443 556-7	1		41,45	Rosewood	
	3	T832-3 FA3	1		45	TAPE, Qtr. Pnl., Dark Silver
		T832-3 FC4	1		45	Blue
		T832-3 FY1	1		45	Gold
T832-3 FE5		1		45	Red	
4	T830-1 FA3	1		41	TAPE, Qtr. Pnl., Dark Silver	
	T830-1 FC4	1		41	Blue	
	T830-1 FE5	1		41	Red	
	T830-1 FY1	1		41	Gold	
	T830-1 FE4	1		41	Rosewood	
	T834-5 FA3	1		45	TAPE, L/Gate, Dark Silver	
	T834-5 FC4	1		45	Blue	
6	T834-5 FE5	1		45	Red	
	T834-5 FY1	1		45	Gold	
	4319 013	AR		45	OVERLAY, Doors, Fuel Filler Door, L/Gate, Lic. Plate Depr.	
7	4319 013	AR		45	OVERLAY, Fndr. Side	
	4319 013	AR		45	OVERLAY, Qtr. Pnl.	
	4366 011	2			DECAL, Qtr. Wdo. Glass Bezel, "RELIANT LE"	
-	4366 009	2			"ARIES LE"	
	4328 688-9	1		45	TAPE, Qtr. Frt., Blackout	
-	4342 951	AR		21,41	TAPE PACKAGE, Frt. and Rear Bumper Fascia, Fndr. Frt., Qtr. Rear, Rolled Stock (Not Shown)	

MODEL CODES

E BODY = (J - CARAVELLE)(E - 600)(T - NEW YORKER)

G BODY = (V24 - DAYTONA)

H BODY = (D44 - LANCER)(C44 - LEBARON GTS)

J BODY = (C - LEBARON)

K BODY = (P - RELIANT)(D - ARIES)(C - LEBAROND)/TOWN & COUNTRY)

L BODY = (M - HORIZON/TURISMO)(Z - OMNI/CHARGER)

M BODY = (B - GRAN FURY)(F - FIFTH AVE/NEWPORT)(G - DIPLOMAT)

P BODY = (P - SUNDANCE)(D - SHADOW)

S BODY = (H - VOYAGER)(K - RAM VAN/CARAVAN)

BODY STYLES

12-13 = FWD VAN

21 = 2-DOOR SEDAN

24 = 2-DOOR HATCHBACK

27 = 2-DOOR CONVERTIBLE

41 = 4-DOOR SEDAN

44 = 4-DOOR HATCHBACK

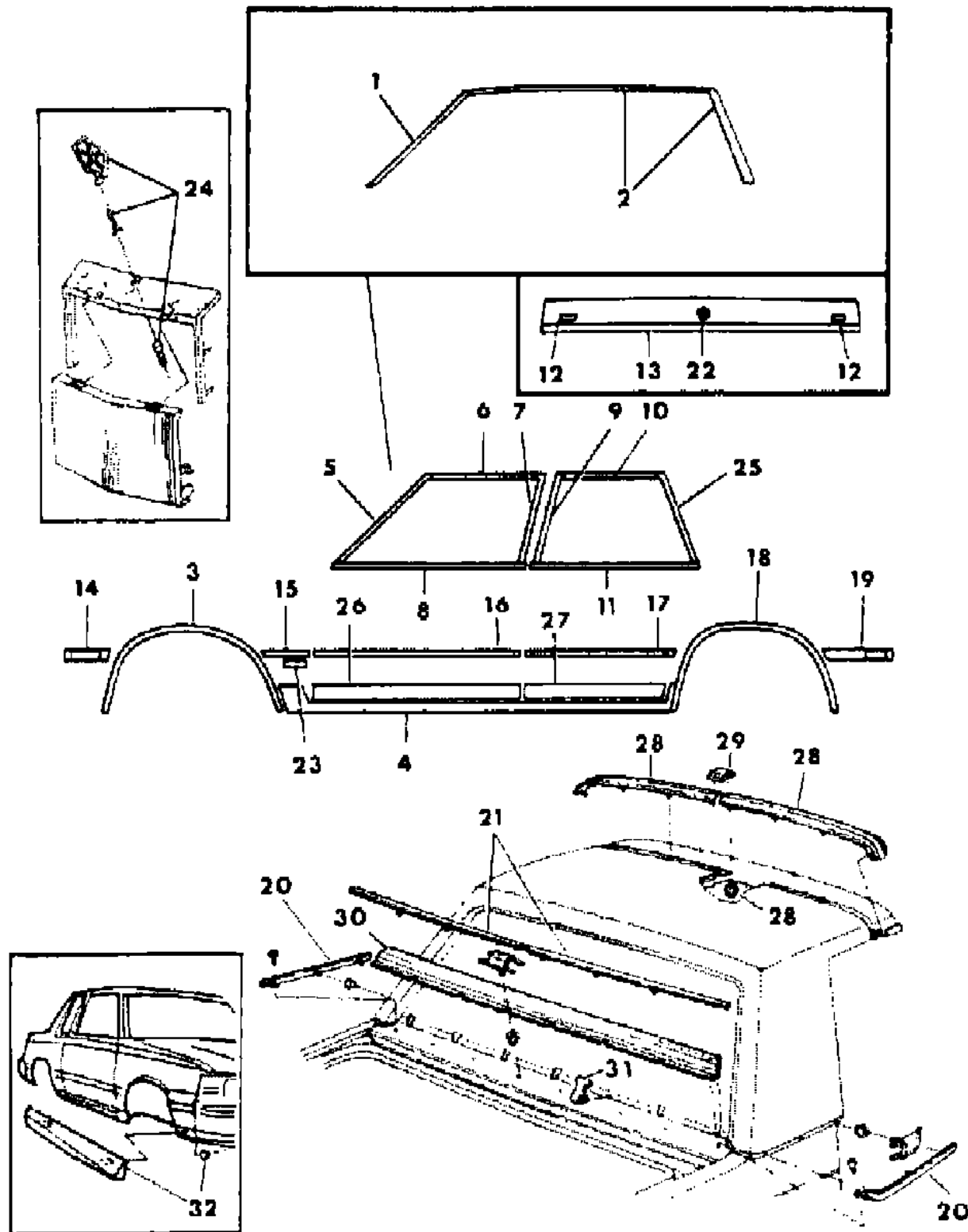
45 = 4-DOOR STATION WAGON

52-53 = FWD WAGON

AR = Use as Required - = Non Illustrated Part P.A.R. = Paint as Required

MOULDING AND ORNAMENTATION - EXTERIOR VIEW K BODY, 4 DOOR CHRYSLER LEBARON
Figure 23-2000

7188 2000



ITEM	PART NUMBER	QTY	BODY	MODEL	DESCRIPTION
1	4328 386-7	1			MOULDING and SEAL, Body Frt. Pillar Drain Trough, Black
	4229 764-5	1			SEAL, Body Frt. Pillar Drain Trough Mldg., Inner SCREW, (Not Serv.)
2	4398 002-3	1			MOULDING, Roof Side Drain Trough, Frt., Black
	4328 400-1	1			MOULDING, Roof Side Drain Trough, Rear, Black
3	4411 552-3	1			MOULDING, Fndr. Wheel Opng.
4	4364 570-1	1			MOULDING PACKAGE, Body Side Sill
	6003 843	AR			RETAINER
	6003 777	AR			RETAINER
	6003 844	AR			RETAINER
5	4366 824-5	1			MOULDING, Frt. Door Wdo. Opng. Frame, Frt., Bright
6	4319 222-3	1			MOULDING, Frt. Door Wdo. Opng. Frame, Upr., Bright
7	4366 812-3	1			MOULDING, Frt. Door Wdo. Opng. Frame, Rear, Bright
8	4339 256-7	1			MOULDING PACKAGE, Frt. Door Belt
	6003 627	AR			RETAINER
9	4366 820-1	1			MOULDING, Rear Door Wdo. Opng. Frame, Frt.
10	4422 060-1	1			MOULDING, Rear Door Wdo. Opng. Frame, Upr., Use w/Full Padded Roof
	4422 068-9	1			MOULDING, Rear Door Wdo. Opng. Frame, Upr., Use w/o Full Padded Vinyl Roof
11	4364 140-1	1			MOULDING PACKAGE, Rear Door Belt, Use w/Full Padded Roof
	4339 258-9	1			MOULDING PACKAGE, Rear Door Belt, Use w/o Full Padded Vinyl Roof
	6003 627	AR			RETAINER
12	4422 173	1			NAMEPLATE, Deck Lid, "LEBARON"
	4422 171	1			NAMEPLATE, Deck Lid, "CHRYSLER"
13	4364 568	1			MOULDING PACKAGE, Deck Lid Lwr.
14	4364 666-7	1			MOULDING, Frt. Bumper Nerf Ext. (Paint as Req.)
	6003 790	AR			RETAINER
15	X434-5 EW4	1			MOULDING, Fndr. Rear, White (Paint as Req.)
16	X438 EW4	2			MOULDING, Frt. Door, White (Paint as Req.)
17	X278-9 EW4	1			MOULDING, Rear Door, White (Paint as Req.)
18	4276 898-9	1			MOULDING, Qtr. Wheel Opng.
19	4411 558-9	1			MOULDING PACKAGE, Rear Bumper Nerf Ext., Dark Cordovan
	4411 560-1	1			Dark Brown
	4411 564-5	1			Dark Gray
	4411 566-7	1			White
	4411 568-9				Night Watch Blue

MODEL CODES

E BODY = (J - CARAVELLE)(E - 600)(T - NEW YORKER)

G BODY = (V24 - DAYTONA)

H BODY = (D44 - LANCER)(C44 - LEBARON GTS)

J BODY = (C - LEBARON)

K BODY = (P - RELIANT)(D - ARIES)(C - LEBAROND)/TOWN & COUNTRY)

L BODY = (M - HORIZON/TURISMO)(Z - OMNI/CHARGER)

M BODY = (B - GRAN FURY)(F - FIFTH AVE/NEWPORT)(G - DIPLOMAT)

P BODY = (P - SUNDANCE)(D - SHADOW)

S BODY = (H - VOYAGER)(K - RAM VAN/CARAVAN)

BODY STYLES

12-13 = FWD VAN

21 = 2-DOOR SEDAN

24 = 2-DOOR HATCHBACK

27 = 2-DOOR CONVERTIBLE

41 = 4-DOOR SEDAN

44 = 4-DOOR HATCHBACK

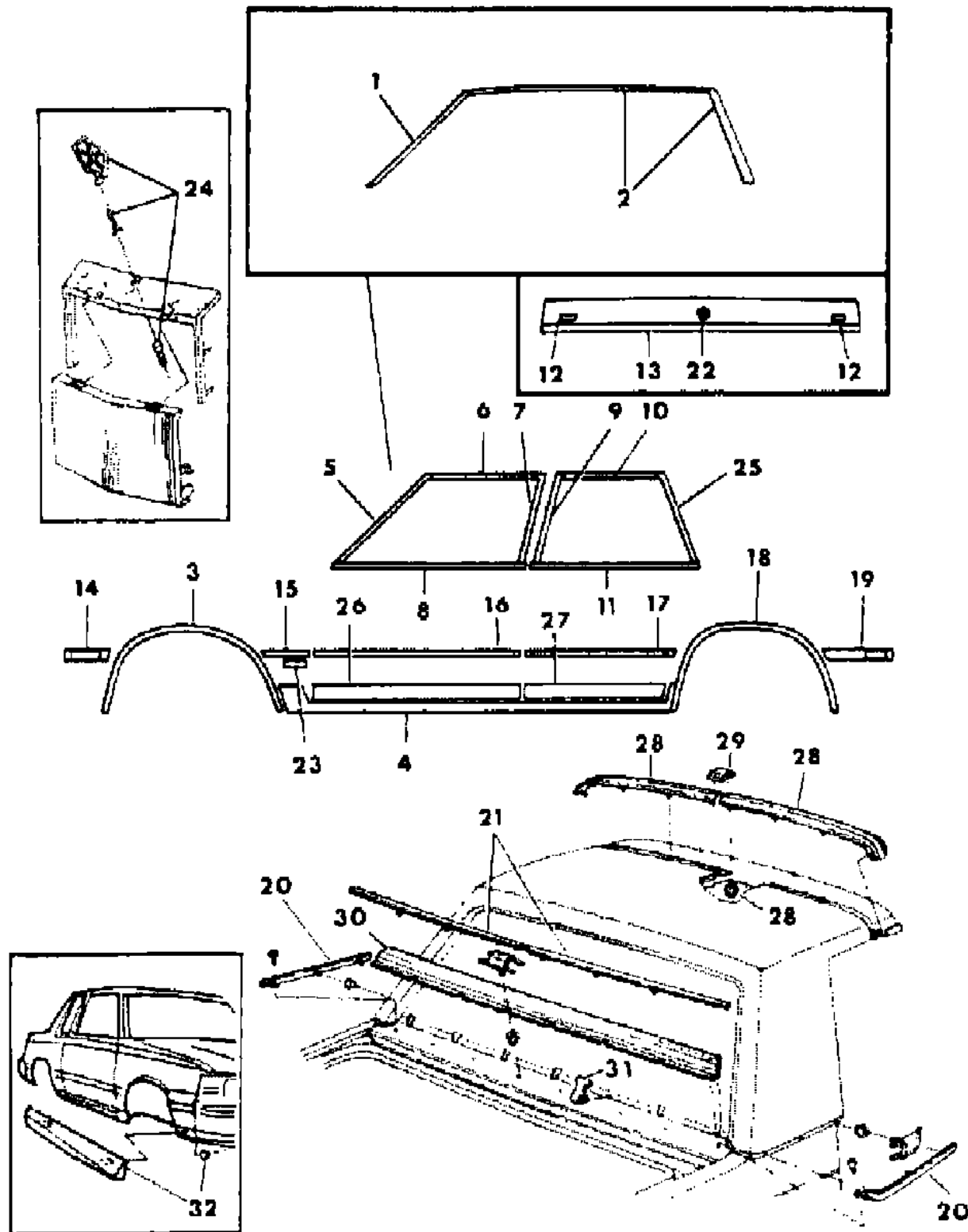
45 = 4-DOOR STATION WAGON

52-53 = FWD WAGON

AR = Use as Required - = Non Illustrated Part P.A.R. = Paint as Required

MOULDING AND ORNAMENTATION - EXTERIOR VIEW K BODY, 4 DOOR CHRYSLER LEBARON
Figure 23-2000

7188 2080



ITEM	PART NUMBER	QTY	BODY	MODEL	DESCRIPTION	
	6003 790	AR			RETAINER	
20	4364 646-7	1			MOULDING, Qtr. Belt, Silver, Use on Padded Vinyl Roof	
	4411 878-9	1			Twilight Blue	
	4364 650-1	1			Ice Blue Met.	
	4364 652-3	1			Dark Cordovan	
	4411 880-1	1			Charcoal	
	4364 656-7	1			Bronze	
	4364 660-1	1			White	
	4364 662-3	1			Black	
	4057 555	AR			RETAINER PACKAGE	
21	6003 953	AR			RETAINER	
	4364 628-9	1			MOULDING, Deck Opng. Upr. Pnl., Silver, Use on Padded Vinyl Roof	
	4411 876-7	1			Charcoal	
	4364 632-3	1			Ice Blue Met.	
	4364 634-5	1			Dark Cordovan	
	4411 874-5	1			Twilight Blue	
	4364 638-9	1			Bronze	
	4364 642-3	1			White	
	4364 644-5	1			Black	
	6004 006	AR			RETAINER	
	22	X216 EA1	1			MEDALLION, Deck Lid Lock Cyl., Silver
		X216 FC7	1			Twilight Blue
X216 EB1		1			Ice Blue Met.	
X216 FS8		1			Charcoal	
X216 ER6		1			Red	
X216 ET1		1			Light Ivory Cream	
X216 EE9		1			Dark Cordovan	
X216 ET5		1			Bronze	
X216 EW2		1			White	
X216 EX8		1			Black	
23	4319 147	2			RIVET, (Not Serv.)	
24	4270 563	1			NAMEPLATE, Fndr. Side, "TURBO EFI"	
	3672 672	1			ORNAMENT, Radiator Grille	
	3672 780	1			SPRING, Ornament	
25	4422 002-3	1			RETAINER	
					MOULDING, Rear Door Wdo. Opng. Frame, Rear, Use w/o Full Padded Vinyl Roof	

MODEL CODES

E BODY = (J - CARAVELLE)(E - 600)(T - NEW YORKER)

G BODY = (V24 - DAYTONA)

H BODY = (D44 - LANCER)(C44 - LEBARON GTS)

J BODY = (C - LEBARON)

K BODY = (P - RELIANT)(D - ARIES)(C - LEBAROND)/TOWN & COUNTRY)

L BODY = (M - HORIZON/TURISMO)(Z - OMNI/CHARGER)

M BODY = (B - GRAN FURY)(F - FIFTH AVE/NEWPORT)(G - DIPLOMAT)

P BODY = (P - SUNDANCE)(D - SHADOW)

S BODY = (H - VOYAGER)(K - RAM VAN/CARAVAN)

BODY STYLES

12-13 = FWD VAN

21 = 2-DOOR SEDAN

24 = 2-DOOR HATCHBACK

27 = 2-DOOR CONVERTIBLE

41 = 4-DOOR SEDAN

44 = 4-DOOR HATCHBACK

45 = 4-DOOR STATION WAGON

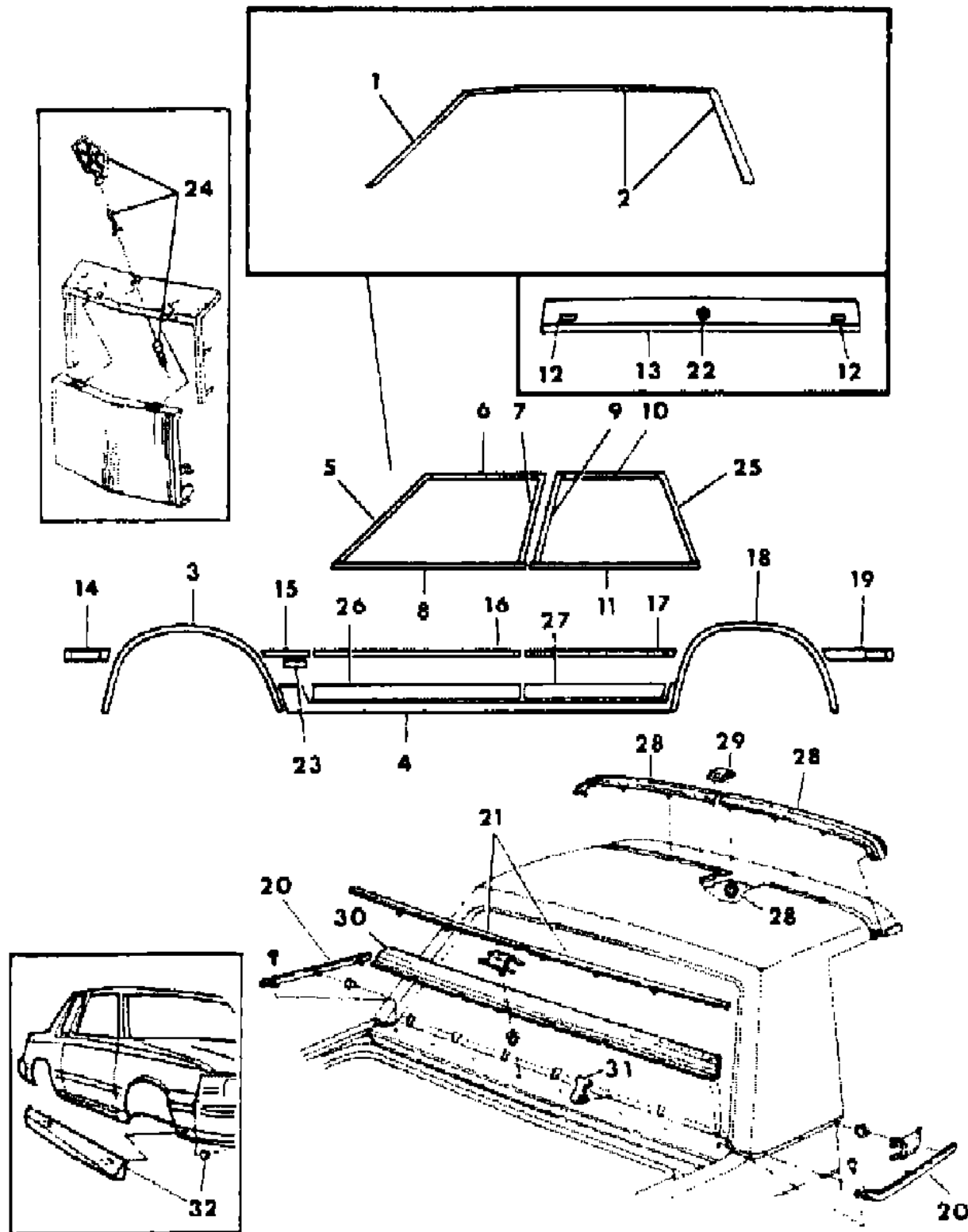
52-53 = FWD WAGON

AR = Use as Required - = Non Illustrated Part P.A.R. = Paint as Required

MOULDING AND ORNAMENTATION - EXTERIOR VIEW K BODY, 4 DOOR CHRYSLER LEBARON

Figure 23-2000

7188 2000



ITEM	PART NUMBER	QTY	BODY	MODEL	DESCRIPTION
26	4411 670-1	1			MOULDING PACKAGE, Frt. Door, Lwr.
	6003 842	AR			RETAINER
	4057 555	AR			RETAINER PACKAGE
27	4411 668-9	1			MOULDING PACKAGE, Rear Door, Lwr.
	6003 842	AR			RETAINER
	4057 555	AR			RETAINER PACKAGE
28	4364 546-7	1			MOULDING PACKAGE, Roof Transverse
	4057 555	AR			RETAINER PACKAGE
	6003 953	AR			RETAINER
		AR			NUT, (Not Serv.)
29	4366 112	1			CAP, Roof Transverse Mldg.
30	X399 EA2	1			MOULDING, Rear Wdo. Lwr., Silver
	X399 EB1	1			Ice Blue Met.
	X399 FC7	1			Twilight Blue
	X399 EE9	1			Dark Cordovan
	X399 FS8	1			Charcoal
	X399 ET5	1			Bronze
	X399 EW3	1			White
	X399 EX9	1			Black
31	6003 954	AR			RETAINER
32	X622-3 DW3	1			EXTENSION, Fndr. Mldg. Fascia
	6029 471	AR			NUT, Sealing

MODEL CODES

E BODY = (J - CARAVELLE)(E - 600)(T - NEW YORKER)

G BODY = (V24 - DAYTONA)

H BODY = (D44 - LANCER)(C44 - LEBARON GTS)

J BODY = (C - LEBARON)

K BODY = (P - RELIANT)(D - ARIES)(C - LEBAROND)/TOWN & COUNTRY)

L BODY = (M - HORIZON/TURISMO)(Z - OMNI/CHARGER)

M BODY = (B - GRAN FURY)(F - FIFTH AVE/NEWPORT)(G - DIPLOMAT)

P BODY = (P - SUNDANCE)(D - SHADOW)

S BODY = (H - VOYAGER)(K - RAM VAN/CARAVAN)

BODY STYLES

12-13 = FWD VAN

21 = 2-DOOR SEDAN

24 = 2-DOOR HATCHBACK

27 = 2-DOOR CONVERTIBLE

41 = 4-DOOR SEDAN

44 = 4-DOOR HATCHBACK

45 = 4-DOOR STATION WAGON

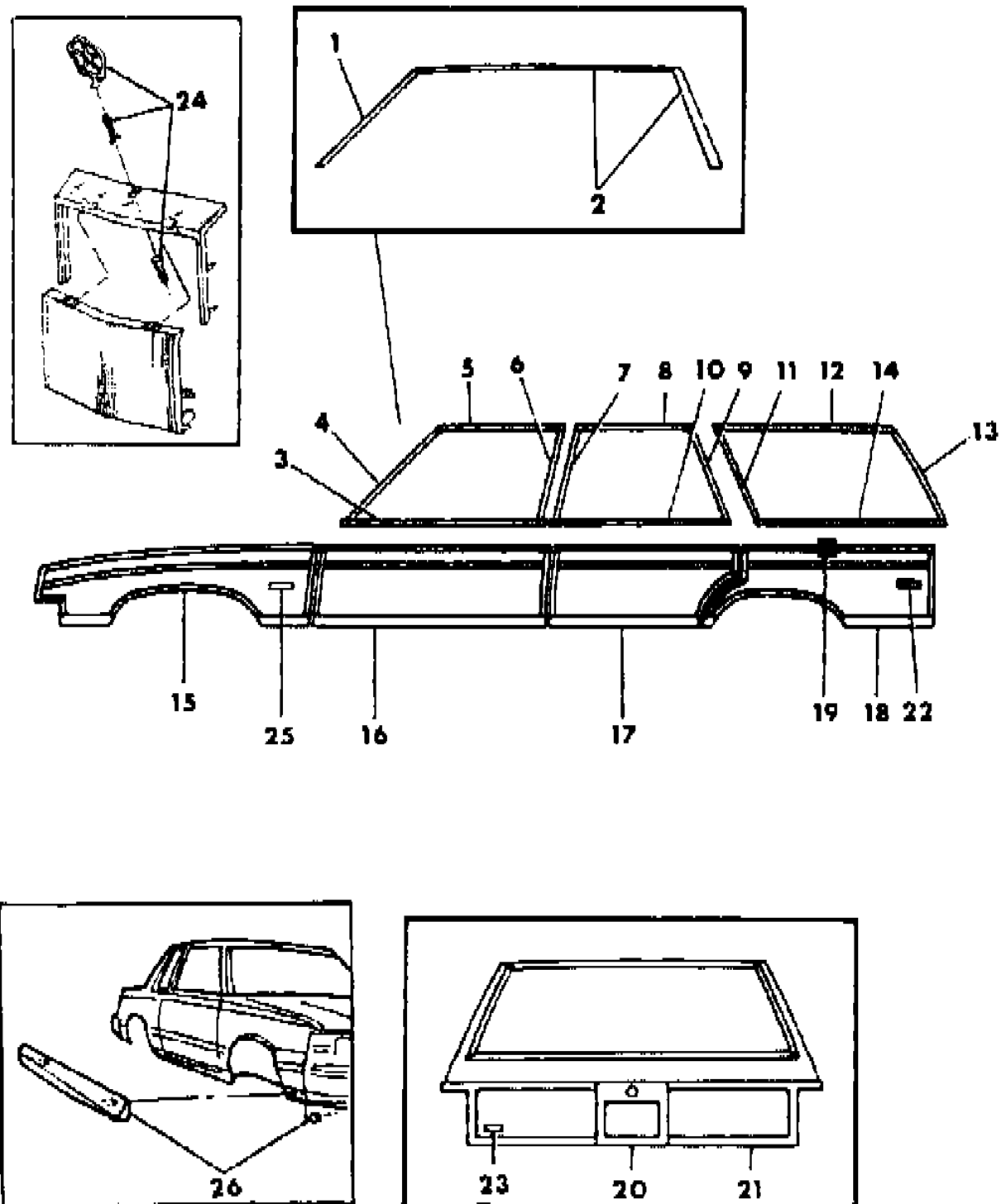
52-53 = FWD WAGON

AR = Use as Required - = Non Illustrated Part P.A.R. = Paint as Required

MOULDINGS AND ORNAMENTATION - EXTERIOR VIEW K BODY, TOWN AND COUNTRY CHRYSLER

Figure 23-2100

7188 2100



ITEM	PART NUMBER	QTY	BODY	MODEL	DESCRIPTION
1	4328 386-7	1			MOULDING and SEAL, Body Frt. Pillar Drain Trough
	4229 764-5	1			SEAL, Body Frt. Pillar Drain Trough Mldg., Inner SCREW, (Not Serv.)
2	4366 704-5	1			MOULDING, Roof Side Drain Trough, Frt.,
	4328 400-1	1			MOULDING, Roof Side Drain Trough, Rear
3	4339 256-7	1			MOULDING PACKAGE, Frt. Door Belt
	6003 627	AR			RETAINER
4	4366 824-5	1			MOULDING, Frt. Door Wdo. Opng. Frame, Frt.
5	4319 222-3	1			MOULDING, Frt. Door Wdo. Opng. Frame, Upr.
6	4366 812-3	1			MOULDING, Frt. Door Wdo. Opng. Frame, Rear
7	4366 820-1	1			MOULDING, Rear Door Wdo. Opng. Frame, Frt.
8	4422 062-3	1			MOULDING, Rear Door Wdo. Opng. Frame, Upr.
9	4366 808-9	1			MOULDING, Rear Door Wdo. Opng. Frame, Rear
10	4339 258-9	1			MOULDING PACKAGE, Rear Door Belt
	6003 627	AR			RETAINER
11	4319 326-7	1			MOULDING, Qtr. Wdo. Frt.
	6003 916	AR			RETAINER
12	6003 879	AR			WELD STUD
	4319 328	2			MOULDING, Qtr. Wdo. Upr.
	6003 916	AR			RETAINER
13	6003 879	AR			RETAINER
	4319 330-1	1			MOULDING, Qtr. Wdo. Rear
					SCREW, (Not Serv.)
14	4319 332-3	1			MOULDING, Qtr. Wdo. Lwr.
	6003 916	AR			RETAINER
	6003 879	AR			RETAINER
15	4411 690-1	1			MOULDING, Fndr. Side, Woodgrain
	4017 657	AR			COVER, Fndr. Side Mldg., Attach.
	4022 878	AR			COVER, Fndr. Side Mldg., Attach.
16	4276 016-7	1			MOULDING, Frt. Door, Woodgrain
	4017 657	AR			COVER, Frt. Door Mldg., Attach.
	4022 878	AR			COVER, Frt. Door Mldg., Attach.
17	4276 020-1	1			MOULDING, Rear Door, Woodgrain
	4017 657	AR			COVER, Rear Door Mldg., Attach.
	4022 878	AR			COVER, Rear Door Mldg., Attach.
18	4276 024-5	1			MOULDING, Qtr., Woodgrain
	4017 657	AR			COVER, Qtr. Mldg., Attach.
	4022 878	AR			COVER, Qtr. Mldg., Attach.

MODEL CODES

E BODY = (J - CARAVELLE)(E - 600)(T - NEW YORKER)

G BODY = (V24 - DAYTONA)

H BODY = (D44 - LANCER)(C44 - LEBARON GTS)

J BODY = (C - LEBARON)

K BODY = (P - RELIANT)(D - ARIES)(C - LEBAROND)/TOWN & COUNTRY)

L BODY = (M - HORIZON/TURISMO)(Z - OMNI/CHARGER)

M BODY = (B - GRAN FURY)(F - FIFTH AVE/NEWPORT)(G - DIPLOMAT)

P BODY = (P - SUNDANCE)(D - SHADOW)

S BODY = (H - VOYAGER)(K - RAM VAN/CARAVAN)

BODY STYLES

12-13 = FWD VAN

21 = 2-DOOR SEDAN

24 = 2-DOOR HATCHBACK

27 = 2-DOOR CONVERTIBLE

41 = 4-DOOR SEDAN

44 = 4-DOOR HATCHBACK

45 = 4-DOOR STATION WAGON

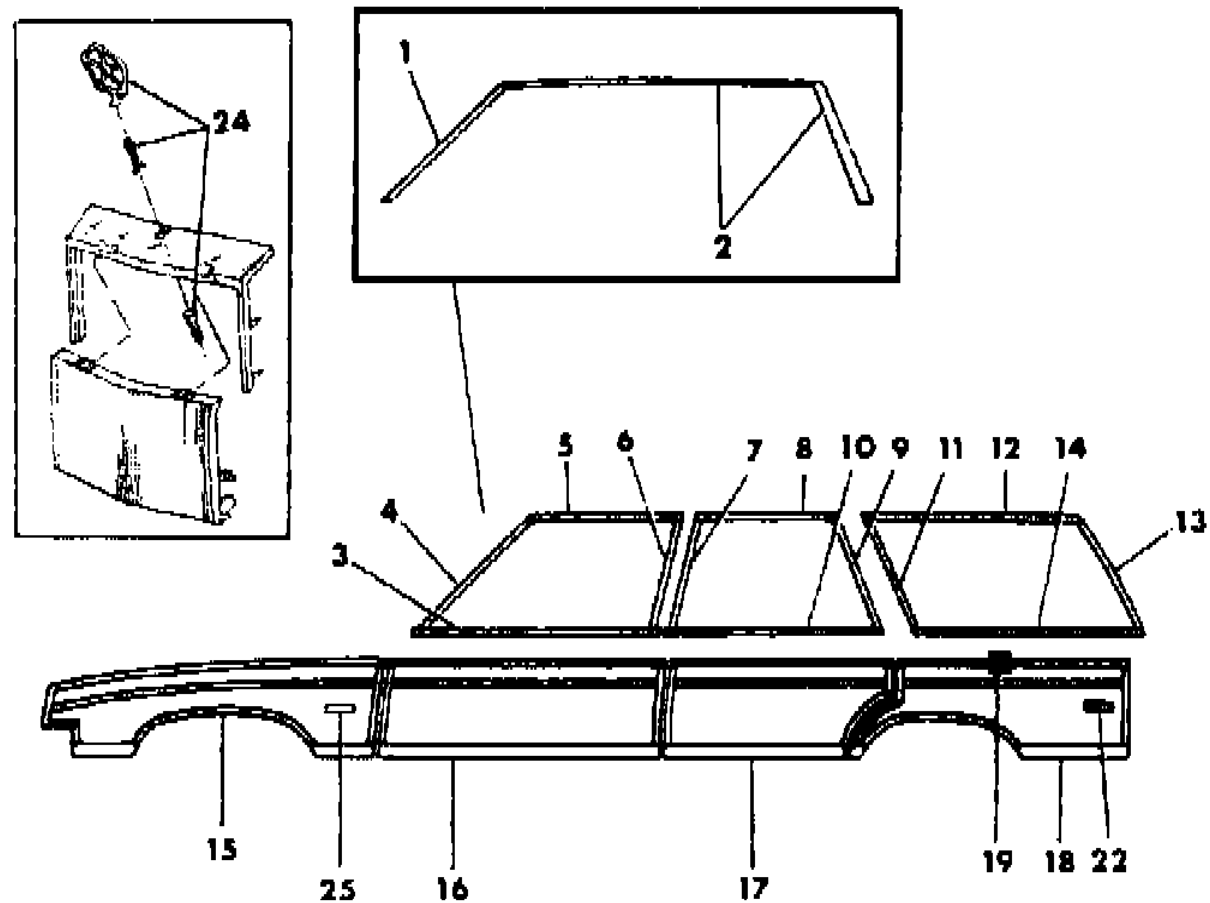
52-53 = FWD WAGON

AR = Use as Required - = Non Illustrated Part P.A.R. = Paint as Required

MOULDINGS AND ORNAMENTATION - EXTERIOR VIEW K BODY, TOWN AND COUNTRY CHRYSLER

Figure 23-2100

7188 2100



ITEM	PART NUMBER	QTY	BODY	MODEL	DESCRIPTION
19	4276 028	1			MOULDING, Qtr. Fuel Filler Door, Woodgrain
	4017 657	AR			COVER, Qtr. Fuel Filler Door Mldg.
					WELD STUD, (Not Serv.)
20	4319 790	1			MOULDING, L/Gate Center, Woodgrain
	4017 657	AR			COVER, L/Gate Center Mldg., Attach.
	4022 878	AR			COVER, L/Gate Center Mldg., Attach.
21	4276 004-5	1			MOULDING, L/Gate Side, Woodgrain
	4017 657	AR			COVER, L/Gate Side Mldg., Attach.
22	4319 753	2			NAMEPLATE, Qtr., "TOWN and COUNTRY"
23	4422 171	1			NAMEPLATE, L/Gate, "CHRYSLER"
24	4270 563	1			ORNAMENT, Radiator Grille
	3672 672	1			SPRING, Ornament
	3672 780	1			RETAINER
25	4319 147	2			NAMEPLATE, Fndr., "TURBO EFI"
26	X622-3 DW3	1			EXTENSION, Fndr. Mldg. Fascia
	6029 471	AR			NUT, Sealing

MODEL CODES

E BODY = (J - CARAVELLE)(E - 600)(T - NEW YORKER)

G BODY = (V24 - DAYTONA)

H BODY = (D44 - LANCER)(C44 - LEBARON GTS)

J BODY = (C - LEBARON)

K BODY = (P - RELIANT)(D - ARIES)(C - LEBAROND)/TOWN & COUNTRY)

L BODY = (M - HORIZON/TURISMO)(Z - OMNI/CHARGER)

M BODY = (B - GRAN FURY)(F - FIFTH AVE/NEWPORT)(G - DIPLOMAT)

P BODY = (P - SUNDANCE)(D - SHADOW)

S BODY = (H - VOYAGER)(K - RAM VAN/CARAVAN)

BODY STYLES

12-13 = FWD VAN

21 = 2-DOOR SEDAN

24 = 2-DOOR HATCHBACK

27 = 2-DOOR CONVERTIBLE

41 = 4-DOOR SEDAN

44 = 4-DOOR HATCHBACK

45 = 4-DOOR STATION WAGON

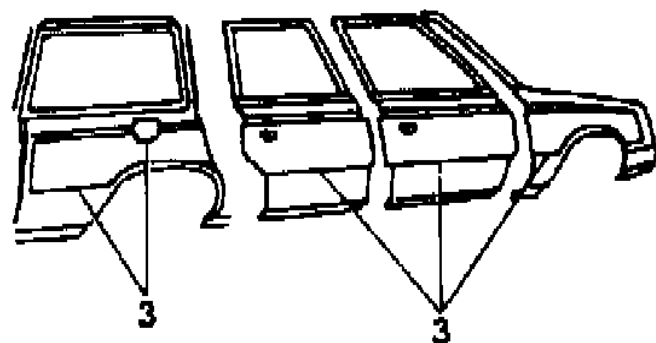
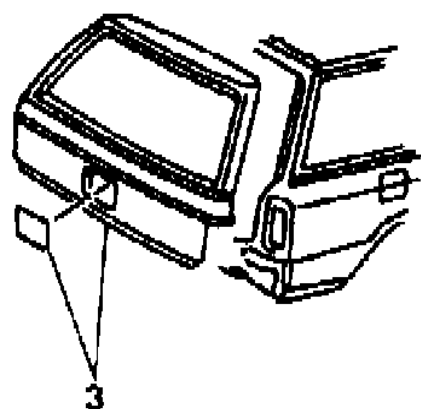
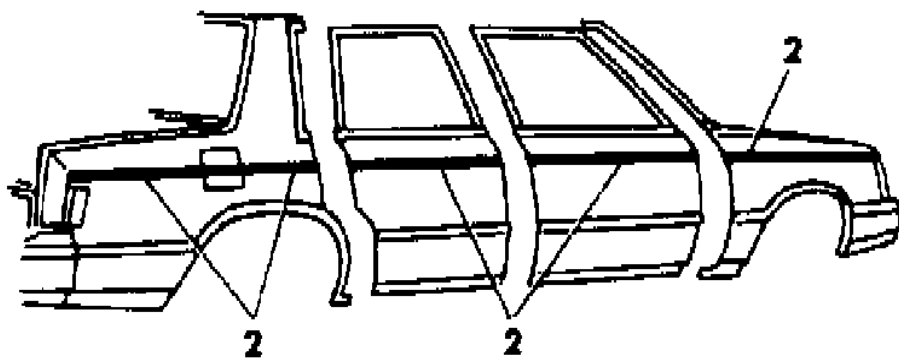
52-53 = FWD WAGON

AR = Use as Required - = Non Illustrated Part P.A.R. = Paint as Required

TAPE STRIPES AND DECALS - EXTERIOR VIEW K BODY CHRYSLER LEBARON
Figure 23-2200

7188 2200

ITEM	PART NUMBER	QTY	BODY	MODEL	DESCRIPTION
2	4443 550-1	1		41	TAPE PACKAGE, Fndr., Doors, Dark Silver
	4443 552-3	1		41	Blue
	4443 554-5	1		41	Gold
	4443 558-9	1		41	Red
	4443 556-7	1		41	Rosewood
T830-1	FA3	1		41	TAPE, Qtr. Pnl., Dark Silver
	FC4	1		41	Blue
	FY1	1		41	Gold
	FE5	1		41	Red
	FE4	1		41	Rosewood
3	4276 103	AR		45	OVERLAY, Fndr., Door, Qtr., Filler Door, L/Gate, Lic. Plate Depr.



MODEL CODES

E BODY = (J - CARAVELLE)(E - 600)(T - NEW YORKER)

G BODY = (V24 - DAYTONA)

H BODY = (D44 - LANCER)(C44 - LEBARON GTS)

J BODY = (C - LEBARON)

K BODY = (P - RELIANT)(D - ARIES)(C - LEBAROND)/TOWN & COUNTRY)

L BODY = (M - HORIZON/TURISMO)(Z - OMNI/CHARGER)

M BODY = (B - GRAN FURY)(F - FIFTH AVE/NEWPORT)(G - DIPLOMAT)

P BODY = (P - SUNDANCE)(D - SHADOW)

S BODY = (H - VOYAGER)(K - RAM VAN/CARAVAN)

BODY STYLES

12-13 = FWD VAN

21 = 2-DOOR SEDAN

24 = 2-DOOR HATCHBACK

27 = 2-DOOR CONVERTIBLE

41 = 4-DOOR SEDAN

44 = 4-DOOR HATCHBACK

45 = 4-DOOR STATION WAGON

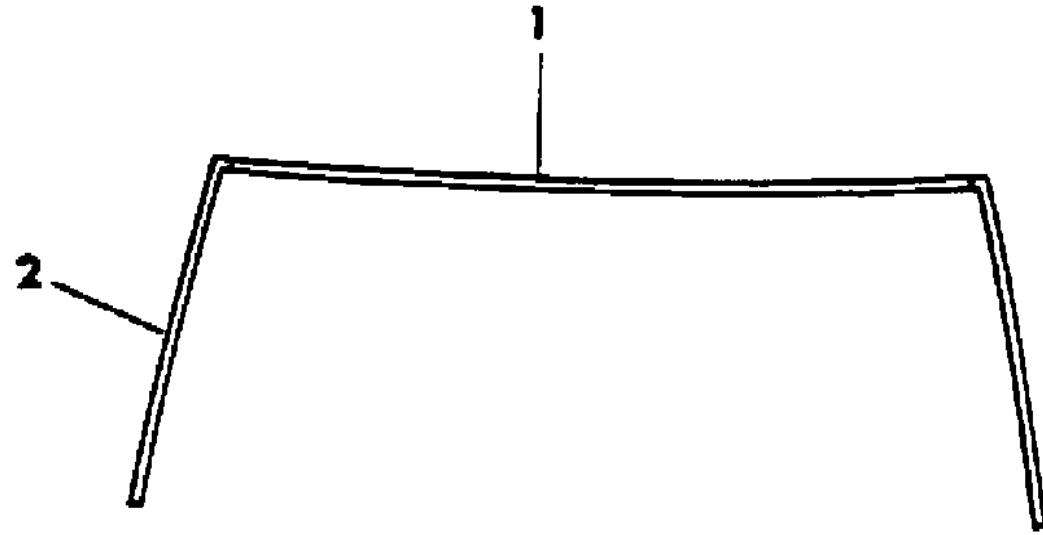
52-53 = FWD WAGON

AR = Use as Required - = Non Illustrated Part P.A.R. = Paint as Required

MOULDINGS, WINDSHIELD OUTSIDE G BODY DODGE DAYTONA
Figure 23-2300

7188 2300

ITEM	PART NUMBER	QTY	BODY	MODEL	DESCRIPTION
1	4276 318	1			MOULDING, Windshield, Upr., Black, Use w/o T/Bar Roof
	6003 827	AR			RETAINER, Use w/o T/Bar Roof
2	4276 320-1	1			MOULDING and SEAL, Windshield, Side, Black, Use w/o T/Bar Roof
					SCREW, (Not Serv.)



MODEL CODES
 E BODY = (J - CARAVELLE)(E - 600)(T - NEW YORKER)
 G BODY = (V24 - DAYTONA)
 H BODY = (D44 - LANCER)(C44 - LEBARON GTS)
 J BODY = (C - LEBARON)
 K BODY = (P - RELIANT)(D - ARIES)(C - LEBAROND)/TOWN & COUNTRY
 L BODY = (M - HORIZON/TURISMO)(Z - OMNI/CHARGER)
 M BODY = (B - GRAN FURY)(F - FIFTH AVE/NEWPORT)(G - DIPLOMAT)
 P BODY = (P - SUNDANCE)(D - SHADOW)
 S BODY = (H - VOYAGER)(K - RAM VAN/CARAVAN)

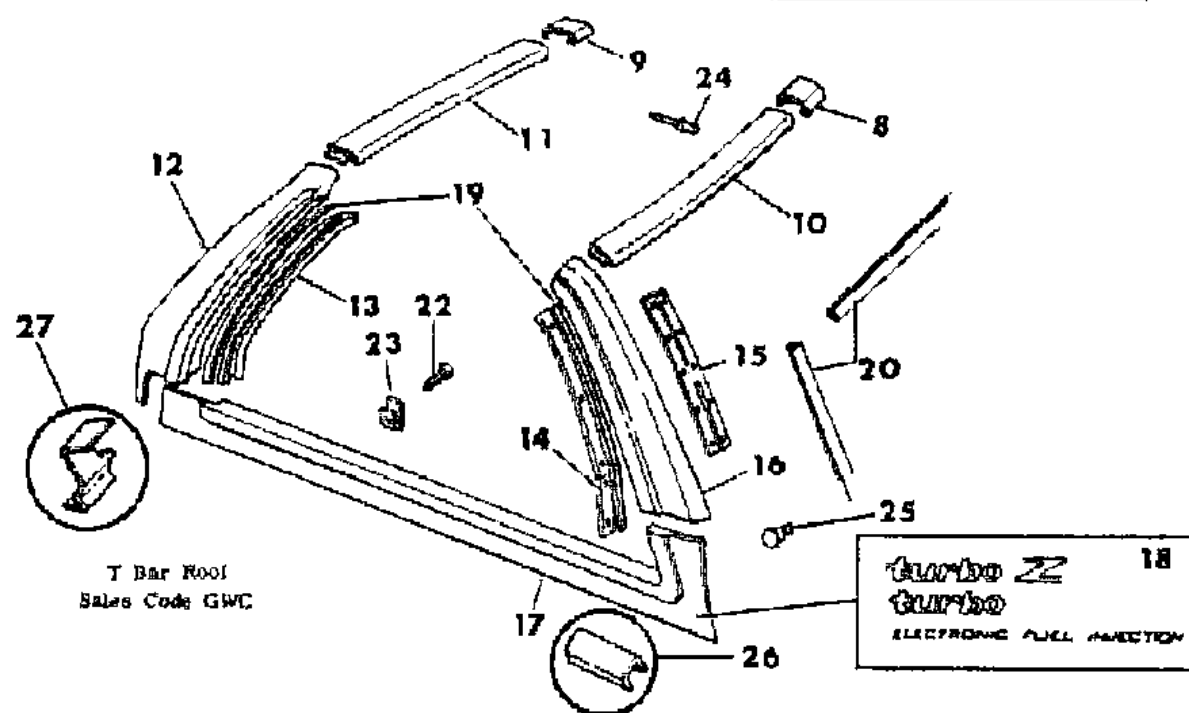
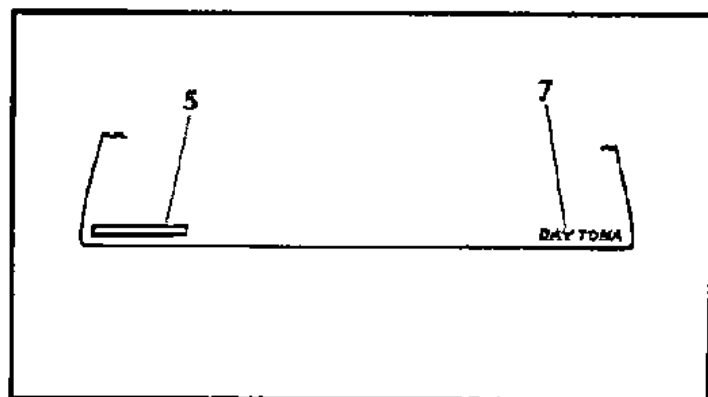
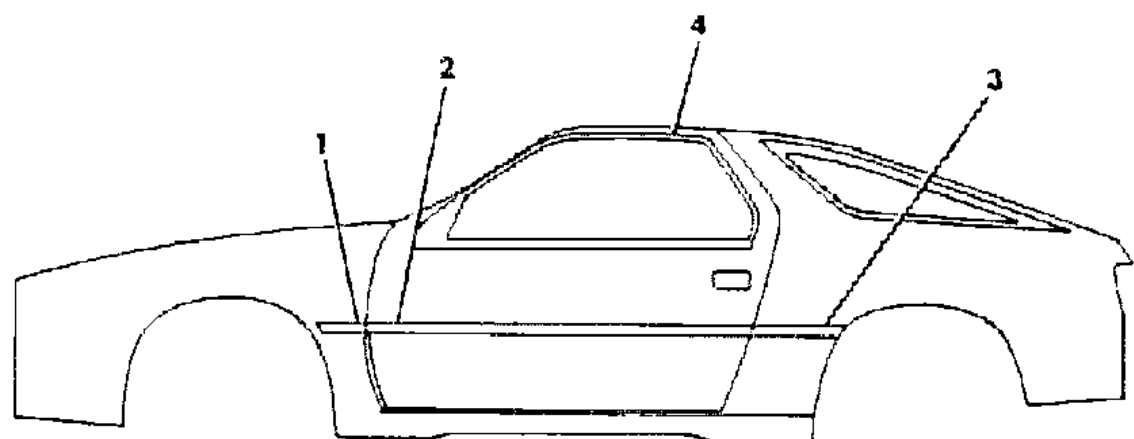
BODY STYLES
 12-13 = FWD VAN 41 = 4-DOOR SEDAN
 21 = 2-DOOR SEDAN 44 = 4-DOOR HATCHBACK
 24 = 2-DOOR HATCHBACK 45 = 4-DOOR STATION WAGON
 27 = 2-DOOR CONVERTIBLE 52-53 = FWD WAGON

AR = Use as Required - = Non Illustrated Part P.A.R. = Paint as Required

MOULDINGS AND ORNAMENTATION - EXTERIOR VIEW G BODY DODGE DAYTONA, DAYTONA SHELBY Z, PACIFIC
Figure 23-2400

7188 2400 A

ITEM	PART NUMBER	QTY	BODY	MODEL	DESCRIPTION
1	4366 830-1	1			MOULDING, Fndr. Rear, Black
	6031 390	AR			RETAINER
2	4366 832-3	1			MOULDING, Door, Black
	6031 390	AR			RETAINER
3	4366 834-5	1			MOULDING, Qtr. Frt., Black
	6031 390	AR			RETAINER
4	4280 148-9	1			MOULDING and CLIP, Door Wdo. Opng. Surround, Black, Use w/o T/Bar Roof
	4198 993	16			CLIP, Door Wdo. Opng., Outer Mldg., Upr., Use w/o T/Bar Roof
5	X510 FR4	1			NAMEPLATE, L/Gate Opng. Lwr. Pnl., "DODGE", Red
7	X507 FR4	1		V-H	NAMEPLATE, L/Gate Opng. Lwr. Pnl., "DAYTONA", Red
	X304 FR4	1		V-S	NAMEPLATE, L/Gate Opng. Lwr. Pnl., "SHELBY Z", Red
	X569 FR4	1		V-P	NAMEPLATE, L/Gate Opng. Lwr. Pnl., "PACIFICA", Red
8	4397 046	1			CAP, Roof Frt. Outer Mldg.
9	4397 047	1			CAP, Roof Rear Outer Mldg.
10	4397 070-1	1			MOULDING, Roof Outer Frt., Black
11	4397 076-7	1			MOULDING, Roof Outer Rear, Black
12	4397 074-5	1			MOULDING, "B" Pillar Reveal, Black
13	4397 082-3	1			RETAINER, "B" Pillar Seal
14	4397 080-1	1			RETAINER, "A" Pillar Seal
15	4397 100-1	1			RETAINER, "A" Pillar Mldg.
16	4397 072-3	1			MOULDING, "A" Pillar Outer, Black
	4397 140-1	1			CLIP, "A" Pillar Mldg. Attach.
17	4397 078-9	1			MOULDING, Door Outer, Black
18	4397 119	1			DECAL PACKAGE, Door, "TURBO", White
	4397 130	1			DECAL PACKAGE, Door, "TURBO Z", Red
	4397 157	1			DECAL PACKAGE, Door, "TURBO Z", Gold
	4422 178	1			DECAL PACKAGE, Door, "EFI"
	4397 131	1			DECAL PACKAGE, "FUEL INJECTION", Red
19	4397 117	AR			SEAL, Weatherstrip Retainer (12 Feet)
20	4397 116	1			SEAL, Windshield Reveal (8 Feet)
22	6032 456	AR			SCREW
23	4397 167	AR			CLIP
24	4397 136	AR			RIVET PACKAGE
25	4397 166	AR			RETAINER
26	4397 132-3	1			SIGHT SHIELD, "A" Pillar
27	4397 134-5	1			SIGHT SHIELD, "B" Pillar



MODEL CODES

E BODY = (J - CARAVELLE)(E - 600)(T - NEW YORKER)
 G BODY = (V24 - DAYTONA)
 H BODY = (D44 - LANCER)(C44 - LEBARON GTS)
 J BODY = (C - LEBARON)
 K BODY = (P - RELIANT)(D - ARIES)(C - LEBAROND)/TOWN & COUNTRY)

L BODY = (M - HORIZON/TURISMO)(Z - OMNI/CHARGER)
 M BODY = (B - GRAN FURY)(F - FIFTH AVE/NEWPORT)(G - DIPLOMAT)
 P BODY = (P - SUNDANCE)(D - SHADOW)
 S BODY = (H - VOYAGER)(K - RAM VAN/CARAVAN)

BODY STYLES

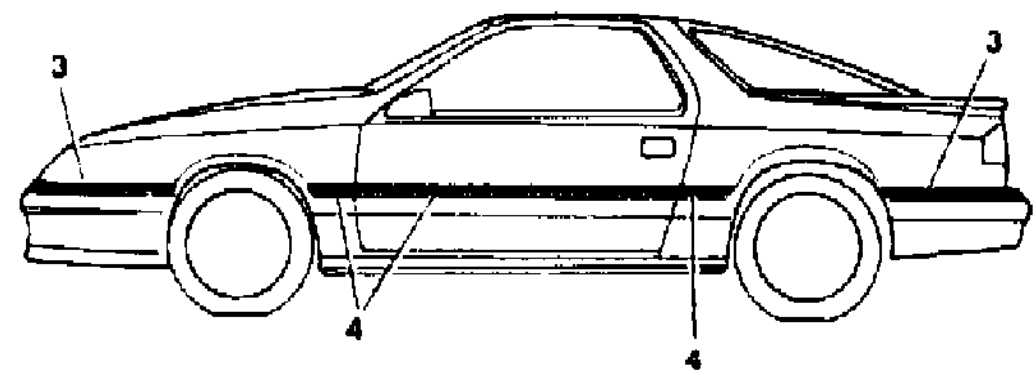
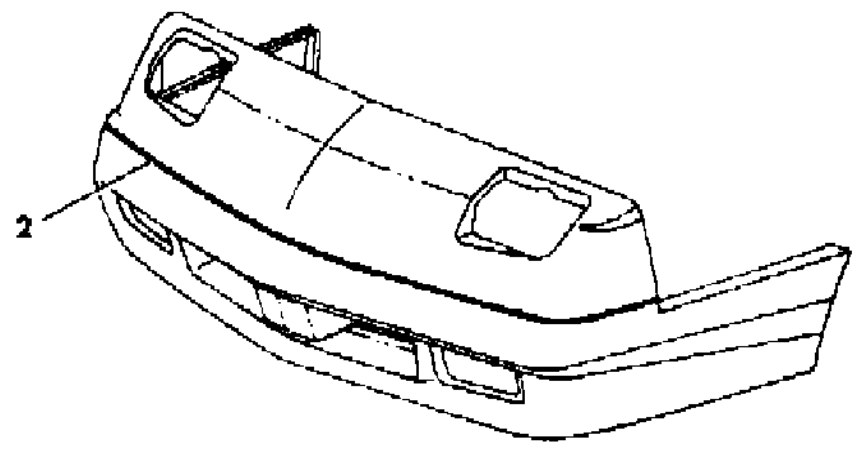
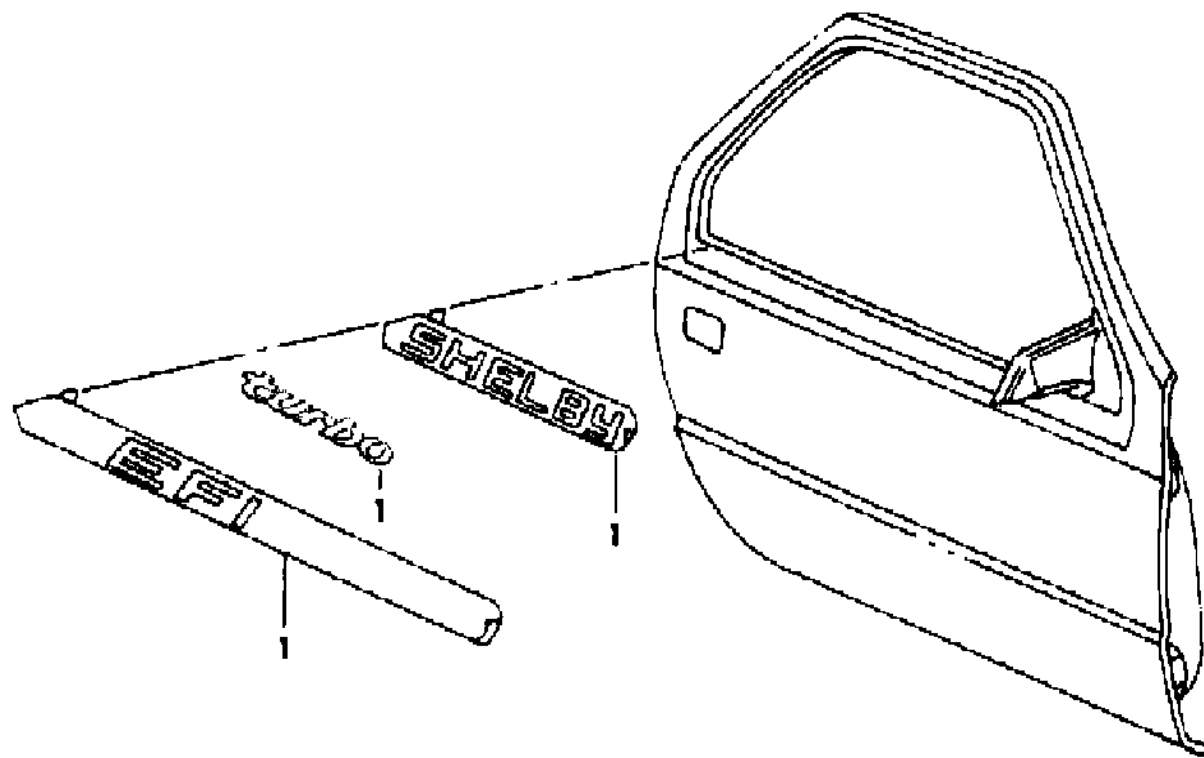
12-13 = FWD VAN
 21 = 2-DOOR SEDAN
 24 = 2-DOOR HATCHBACK
 27 = 2-DOOR CONVERTIBLE
 41 = 4-DOOR SEDAN
 44 = 4-DOOR HATCHBACK
 45 = 4-DOOR STATION WAGON
 52-53 = FWD WAGON

AR = Use as Required - = Non Illustrated Part P.A.R. = Paint as Required

TAPE STRIPES AND DECALS - EXTERIOR VIEW G BODY DAYTONA, DAYTONA SHELBY Z, PACIFIC
Figure 23-2500

7188 2500

ITEM	PART NUMBER	QTY	BODY	MODEL	DESCRIPTION
1	4422 178	2			DECAL, Door Belt Mldg., "EFI"
	4422 179	2		V-S	DECAL, Door Belt Mldg., "SHELBY"
	4422 884	2		V-P	DECAL, Door Belt Mldg., "TURBO"
2	4411 799	1			TAPE PACKAGE, Frt. and Rear Bumper Fascia, Red
3	T840 FR4	2			TAPE, Nerf. Ext. Frt., Red
	T841 FR4	2			TAPE, Nerf. Ext. Rear, Red
4					MOULDING, Fndr., Door, Qtr. Frt. (See Illus. 2400)



MODEL CODES
 E BODY = (J - CARAVELLE)(E - 600)(T - NEW YORKER)
 G BODY = (V24 - DAYTONA)
 H BODY = (D44 - LANCER)(C44 - LEBARON GTS)
 J BODY = (C - LEBARON)
 K BODY = (P - RELIANT)(D - ARIES)(C - LEBAROND)/TOWN & COUNTRY

L BODY = (M - HORIZON/TURISMO)(Z - OMNI/CHARGER)
 M BODY = (B - GRAN FURY)(F - FIFTH AVE/NEWPORT)(G - DIPLOMAT)
 P BODY = (P - SUNDANCE)(D - SHADOW)
 S BODY = (H - VOYAGER)(K - RAM VAN/CARAVAN)

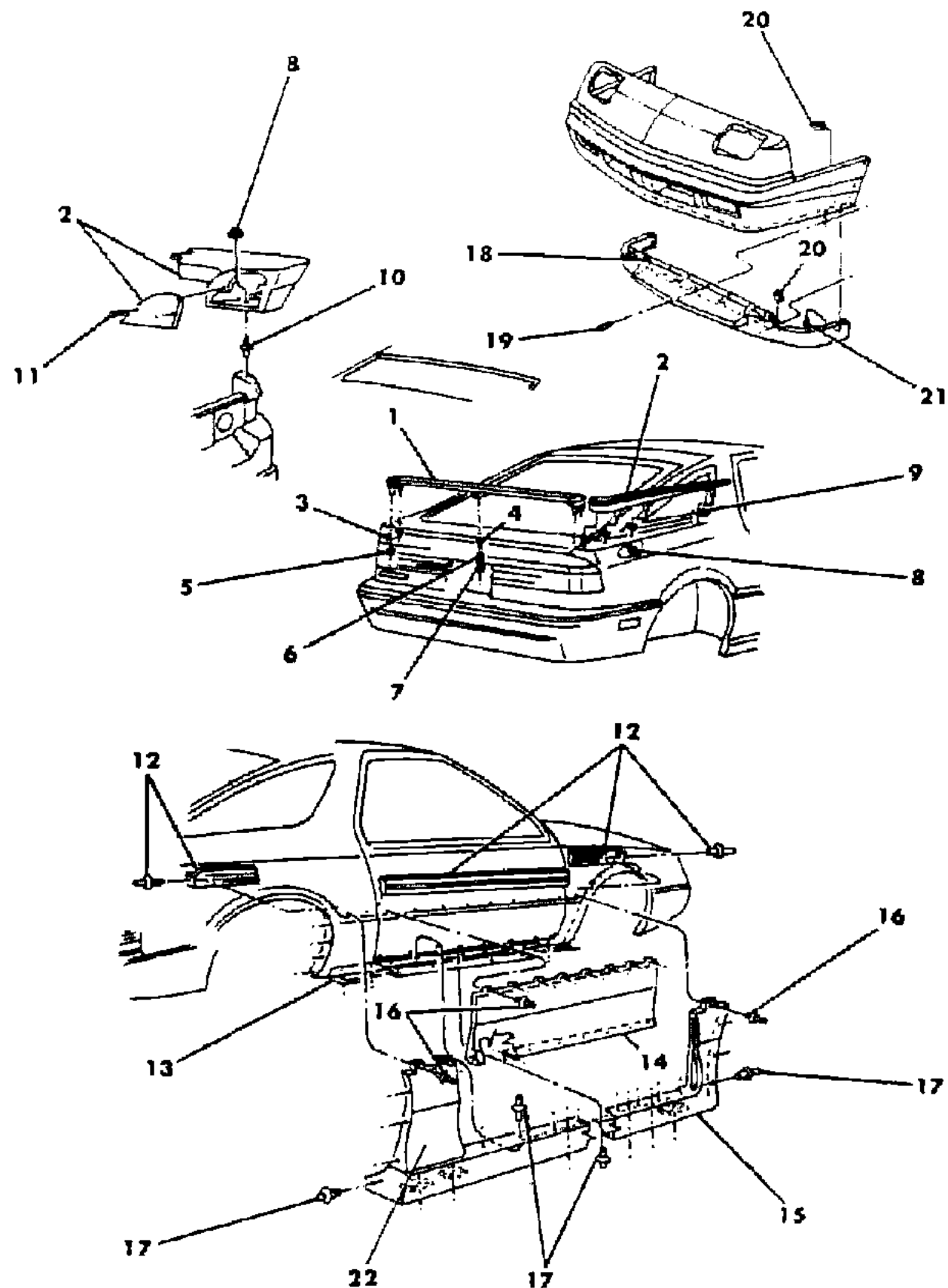
BODY STYLES
 12-13 = FWD VAN
 21 = 2-DOOR SEDAN
 24 = 2-DOOR HATCHBACK
 27 = 2-DOOR CONVERTIBLE
 41 = 4-DOOR SEDAN
 44 = 4-DOOR HATCHBACK
 45 = 4-DOOR STATION WAGON
 52-53 = FWD WAGON

AR = Use as Required - = Non Illustrated Part P.A.R. = Paint as Required

GROUND EFFECTS PACKAGE - EXTERIOR VIEW G BODY DODGE DAYTONA, DAYTONA SHELBY Z, PACIFIC

Figure 23-2600

7188 2800 A



ITEM	PART NUMBER	QTY	BODY	MODEL	DESCRIPTION
1	4365 844	1			SPOILER ASSEMBLY, L/Gate Air
2	X534-5 FA1	1			SPOILER, Body Side Aperture, Silver
3	4365 953	2			REINFORCEMENT, L/Gate Outer Pnl. Spoiler Attach.
4		AR			WASHER, (Not Serv.)
5	6032 538	4			NUT, L/Gate Outer
6		AR			SCREW and WASHER, (Not Serv.)
7		AR			PLUG, L/Gate (Not Serv.)
8	6025 002	8			NUT
9		6			WASHER, (Not Serv.)
10		2			STUD, (Not Serv.)
11		AR			SCREW, (Serv. in Item 2)
12					MOULDING, Fndr., Door, Qtr. (See Illus. 2400)
13	4366 848-9	1			REINFORCEMENT, Side Sill Ext. Applique
14	4366 852-3	1		V-S	APPLIQUE, Door Lwr.
	4366 870-1	1		V-P	
15	4366 846-7	1		V-S	APPLIQUE, Side Sill Ext.
	4366 866-7	1		V-P	
	4398 720-1	1		V-S	TAPE, Side Sill Ext. Applique, Frt.
	4398 726-7	1		V-P	
	4366 842-3	1		V-S	TAPE, Side Sill Ext. Applique, Top
	4366 862-3	1		V-P	
	4366 844-5	1		V-S	TAPE, Side Sill Ext. Applique, Rear
	4366 864-5	1		V-P	
	4398 722-3	1		V-S	PLUG, Side Sill Ext. Applique
16	6033 173	AR			RIVET
17	6031 390	AR			RETAINER
18	4388 324	1		V-P	AIR DAM, Frt. Fascia, Primed
	4388 302-3	1		V-P	TAPE, Frt. Fascia Air Dam, Black
	4388 325	1		V-S	AIR DAM, Frt. Fascia, Primed
-	4388 082	1		V-S	SCOOP ASSEMBLY, Air Dam
19		8			SCREW, (Not Serv.)
20	6101 308	11			U-NUT
21	6100 286	12			SCREW and WASHER
22	#4366 856-7	1		V-S	APPLIQUE, Aperture Pnl. Skirt
	4366 874-5	1		V-P	
	4398 724-5	1		V-S	TAPE, Aperture Pnl. Skirt Applique
	4398 728-9	1		V-P	
	4388 300-1	1			TAPE, Rear Bumper Fascia Wheel Opng., Black

MODEL CODES

E BODY = (J - CARAVELLE)(E - 600)(T - NEW YORKER)

G BODY = (V24 - DAYTONA)

H BODY = (D44 - LANCER)(C44 - LEBARON GTS)

J BODY = (C - LEBARON)

K BODY = (P - RELIANT)(D - ARIES)(C - LEBAROND)/TOWN & COUNTRY)

L BODY = (M - HORIZON/TURISMO)(Z - OMNI/CHARGER)

M BODY = (B - GRAN FURY)(F - FIFTH AVE/NEWPORT)(G - DIPLOMAT)

P BODY = (P - SUNDANCE)(D - SHADOW)

S BODY = (H - VOYAGER)(K - RAM VAN/CARAVAN)

BODY STYLES

12-13 = FWD VAN

21 = 2-DOOR SEDAN

24 = 2-DOOR HATCHBACK

27 = 2-DOOR CONVERTIBLE

41 = 4-DOOR SEDAN

44 = 4-DOOR HATCHBACK

45 = 4-DOOR STATION WAGON

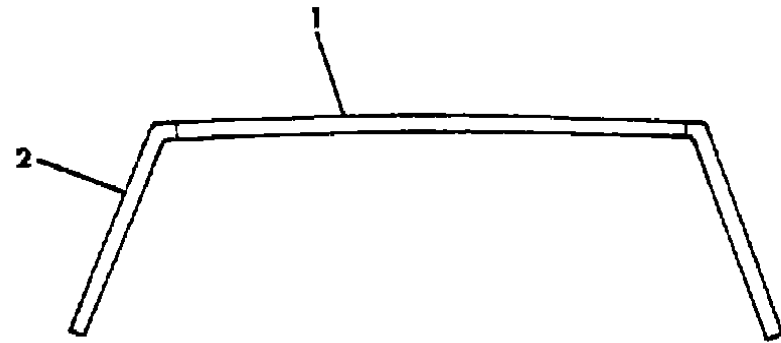
52-53 = FWD WAGON

AR = Use as Required - = Non Illustrated Part P.A.R. = Paint as Required

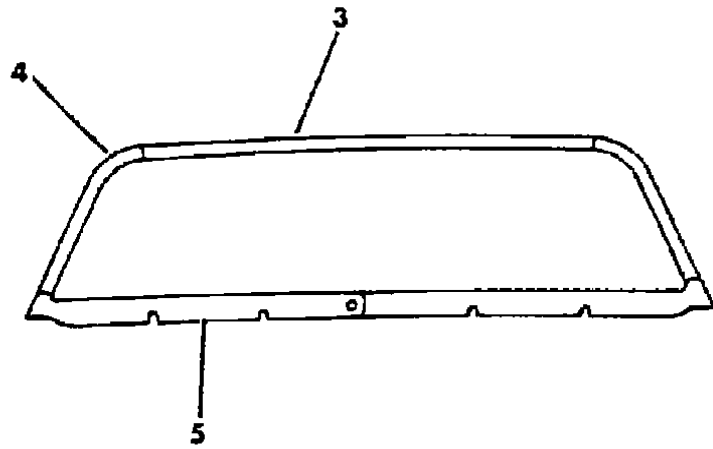
MOULDINGS, WINDSHIELD AND REAR WINDOW OUTSIDE E BODY
Figure 23-2700

7188 2700

ITEM	PART NUMBER	QTY	BODY	MODEL	DESCRIPTION
1	4319 638	1			MOULDING, W/Shield, Upr., Bright
	6003 753	AR			RETAINER
2	4319 318-9	1			MOULDING, W/Shield, Side, Bright
	6003 753	AR			RETAINER
	6003 879	AR			RETAINER
3	4319 334	1		J,E	MOULDING, Rear Wdo., Upr., Bright
	6003 916	AR			RETAINER
4	4319 336-7	1		J,E	MOULDING, Rear Wdo., Side, Bright
	6003 916	AR			RETAINER
	6003 879	AR			RETAINER
5	4319 340-1	1		J,E	MOULDING, Rear Wdo., Lwr., Bright



W/SHLD MLDGS



RR WDO MLDGS

MODEL CODES

E BODY = (J - CARAVELLE)(E - 600)(T - NEW YORKER)

G BODY = (V24 - DAYTONA)

H BODY = (D44 - LANCER)(C44 - LEBARON GTS)

J BODY = (C - LEBARON)

K BODY = (P - RELIANT)(D - ARIES)(C - LEBAROND)/TOWN & COUNTRY)

L BODY = (M - HORIZON/TURISMO)(Z - OMNI/CHARGER)

M BODY = (B - GRAN FURY)(F - FIFTH AVE/NEWPORT)(G - DIPLOMAT)

P BODY = (P - SUNDANCE)(D - SHADOW)

S BODY = (H - VOYAGER)(K - RAM VAN/CARAVAN)

BODY STYLES

12-13 = FWD VAN

21 = 2-DOOR SEDAN

24 = 2-DOOR HATCHBACK

27 = 2-DOOR CONVERTIBLE

41 = 4-DOOR SEDAN

44 = 4-DOOR HATCHBACK

45 = 4-DOOR STATION WAGON

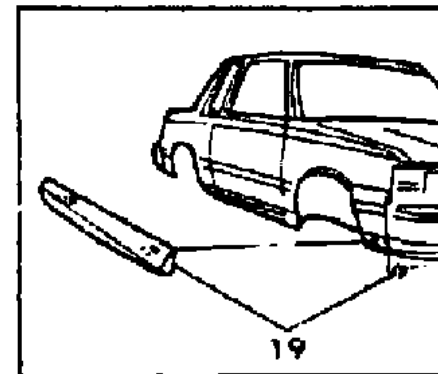
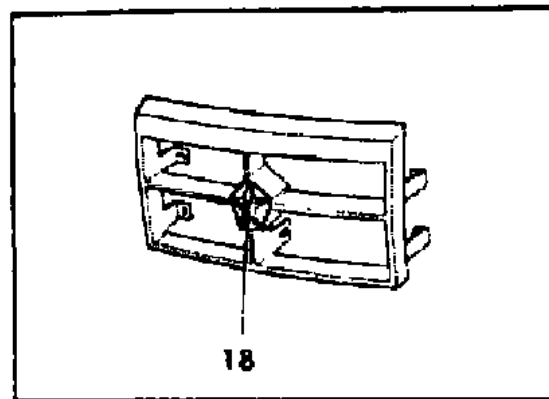
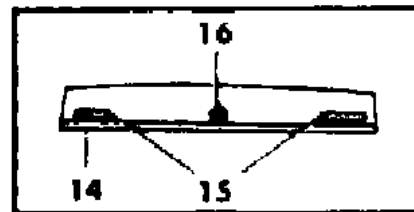
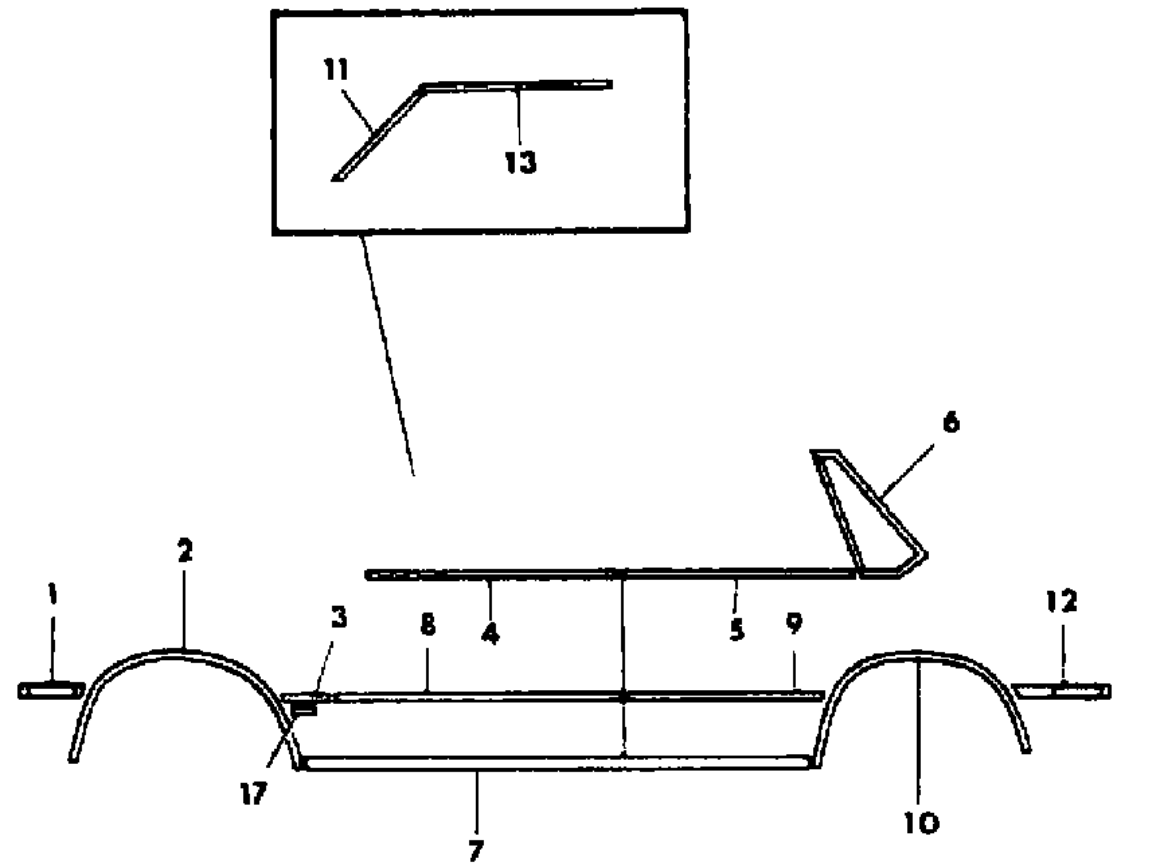
52-53 = FWD WAGON

AR = Use as Required - = Non Illustrated Part P.A.R. = Paint as Required

MOULDINGS AND ORNAMENTATION - EXTERIOR VIEW E BODY PLYMOUTH CARAVELLE, DODGE 600

Figure 23-2800

7188 2800



ITEM	PART NUMBER	QTY	BODY	MODEL	DESCRIPTION
1	4364 666-7	1			MOULDING, Frt. Bumper Nerf Ext.
		AR			NUT, (Not Serv.)
2	4366 454-5	1		J-H,E-H	MOULDING, Fndr. W/Opng.
					SCREW, (Not Serv.)
3	X434-5 EW4	1			MOULDING, Fndr. Rear, White (Paint as Req.)
4	4339 256-7	1			MOULDING PACKAGE, Frt. Door Belt
	6003 627	AR			RETAINER
5	4366 068-9	1			MOULDING, Rear Door Belt
	6003 627	AR			RETAINER
6	4366 052-3	1			MOULDING, Qtr. Wdo.
7	4293 664-5	1		J-H,E-H	MOULDING PACKAGE, Body Side Sill
	6003 777	AR			RETAINER CLIP
	4293 616	AR			WELD STUD
					SCREW, (Not Serv.)
8	X438 EW4	2			MOULDING, Frt. Door, White (Paint as Req.)
9	X442-3 EW4	1			MOULDING, Rear Door, White (Paint as Req.)
10	4319 030-1	1		J-H,E-H	MOULDING, Qtr. W/Opng.
11	4328 386-7	1			MOULDING and SEAL, Body Frt. Pillar Drain Trough, Black
	4229 764-5	1			SEAL, Body Frt. Pillar Drain Trough Mldg., Inner
					SCREW, (Not Serv.)
12	X682-3 EB8	1			MOULDING and LENS, Rear Bumper Nerf Ext., Blue
	X682-3 ET2	1			Light Cream
	X682-3 EA7	1			Dark Gray
	X682-3 EE3	1			Light Rose Wood
	X682-3 EE7	1			Dark Cordovan
	X682-3 ET7	1			Dark Brown
	X682-3 EW4	1			White
		AR			NUT, (Not Serv.)
13	4398 006-7	1			MOULDING, Roof Side Drain Trough, Black and Chrome
14	4364 501	1			MOULDING, Deck Lid Lwr.
					RETAINER, (Serv. in Mldg.)
15	4422 172	1			NAMEPLATE, Deck Lid, "PLYMOUTH"
	4328 878	1			"DODGE"
	4422 174	1			NAMEPLATE, Deck Lid, "CARAVELLE"
	4276 399	1		E-M	"600"
	4422 402	1		J-H	NAMEPLATE, Deck Lid, "SE"
	4398 382	1		E-H	"600SE"
16	X269 EA1	1			MEDALLION, Deck Lid Lock Cyl., Silver, Use Up to 11-14-86

MODEL CODES

E BODY = (J - CARAVELLE)(E - 600)(T - NEW YORKER)

G BODY = (V24 - DAYTONA)

H BODY = (D44 - LANCER)(C44 - LEBARON GTS)

J BODY = (C - LEBARON)

K BODY = (P - RELIANT)(D - ARIES)(C - LEBAROND)/TOWN & COUNTRY)

L BODY = (M - HORIZON/TURISMO)(Z - OMNI/CHARGER)

M BODY = (B - GRAN FURY)(F - FIFTH AVE/NEWPORT)(G - DIPLOMAT)

P BODY = (P - SUNDANCE)(D - SHADOW)

S BODY = (H - VOYAGER)(K - RAM VAN/CARAVAN)

BODY STYLES

12-13 = FWD VAN

21 = 2-DOOR SEDAN

24 = 2-DOOR HATCHBACK

27 = 2-DOOR CONVERTIBLE

41 = 4-DOOR SEDAN

44 = 4-DOOR HATCHBACK

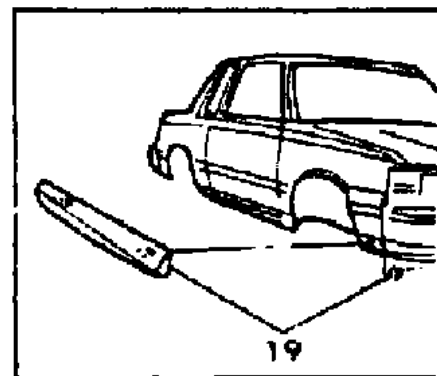
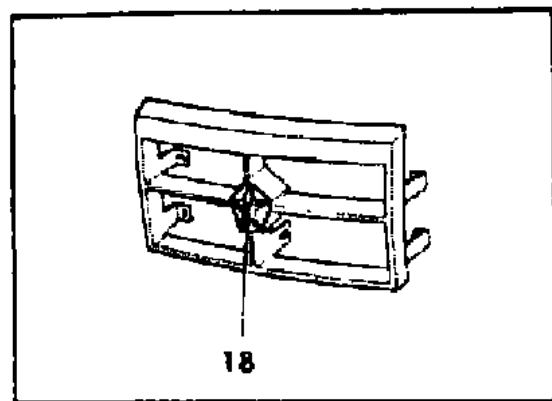
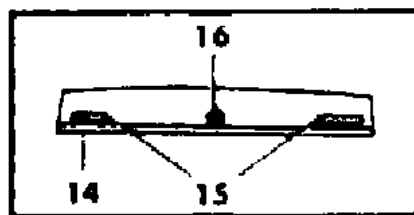
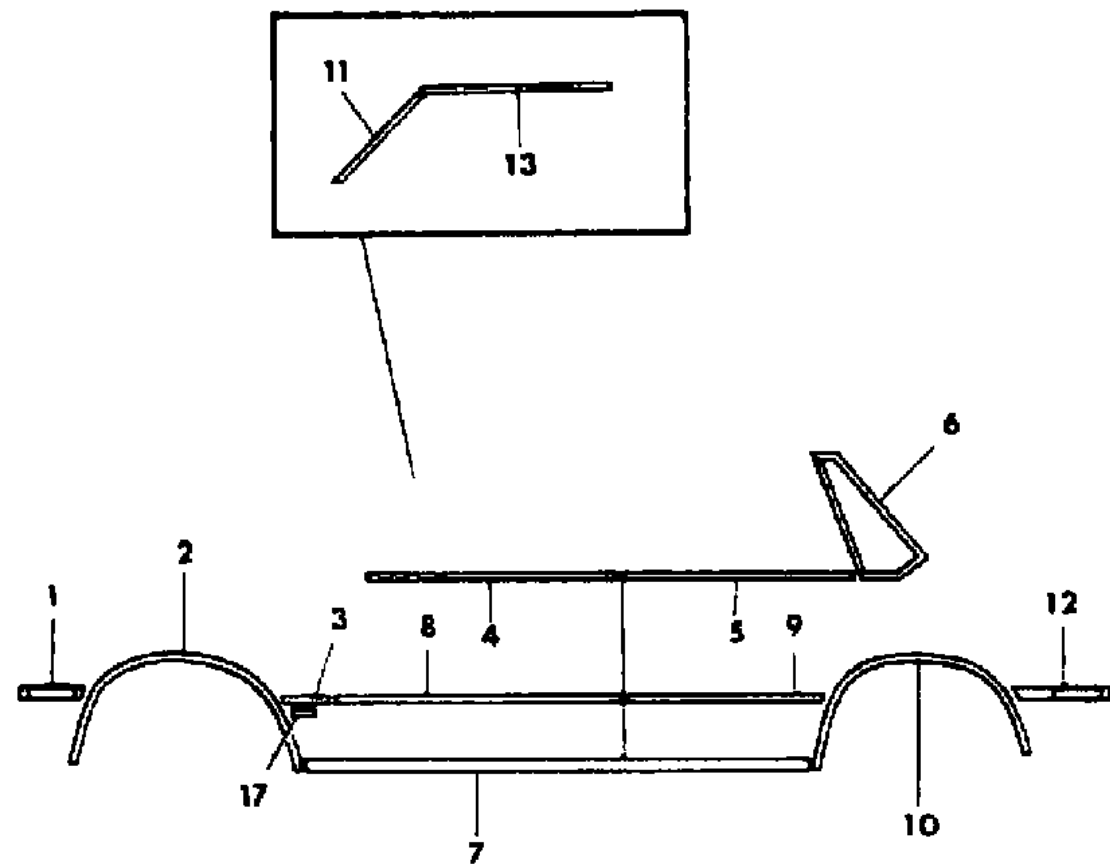
45 = 4-DOOR STATION WAGON

52-53 = FWD WAGON

AR = Use as Required - = Non Illustrated Part P.A.R. = Paint as Required

MOULDINGS AND ORNAMENTATION - EXTERIOR VIEW E BODY PLYMOUTH CARAVELLE, DODGE 600
Figure 23-2800

7188 2800



ITEM	PART NUMBER	QTY	BODY	MODEL	DESCRIPTION
	X269 FS8	1			Charcoal
	X269 DW2	1			White
	X269 EE2	1			Misty Rose
	X269 FC7	1			Twilight Blue
	X269 DX8	1			Black
	X269 ET1	1			Light Ivory Cream
	X269 ET5	1			Bronze
	X269 EE9	1			Dark Cordovan
	X269 DB1	1			Ice Blue Met.
	X923 EA1	1			MEDALLION, Deck Lid Lock Cyl., Silver, Use After 11-14-86
	X923 EB1	1			Ice Blue Met.
	X923 FC7	1			Twilight Blue
	X923 EE2	1			Misty Rose
	X923 EE9	1			Dark Cordovan
	X923 FS8	1			Charcoal
	X923 ET1	1			Light Ivory Cream
	X923 ET5	1			Bronze
	X923 EW2	1			White
	X923 EX8	1			Black
					RIVET, (Not Serv.)
17	4319 147	2			NAMEPLATE, Fndr. Side, "TURBO EFI"
18	4270 611	1			PENTASTAR, Radiator Grille
19	X622-3 DW3	1			EXTENSION, Fndr. Mldg. Fascia
	6029 471	AR			NUT, Sealing

MODEL CODES

E BODY = (J - CARAVELLE)(E - 600)(T - NEW YORKER)

G BODY = (V24 - DAYTONA)

H BODY = (D44 - LANCER)(C44 - LEBARON GTS)

J BODY = (C - LEBARON)

K BODY = (P - RELIANT)(D - ARIES)(C - LEBAROND)/TOWN & COUNTRY)

L BODY = (M - HORIZON/TURISMO)(Z - OMNI/CHARGER)

M BODY = (B - GRAN FURY)(F - FIFTH AVE/NEWPORT)(G - DIPLOMAT)

P BODY = (P - SUNDANCE)(D - SHADOW)

S BODY = (H - VOYAGER)(K - RAM VAN/CARAVAN)

BODY STYLES

12-13 = FWD VAN

21 = 2-DOOR SEDAN

24 = 2-DOOR HATCHBACK

27 = 2-DOOR CONVERTIBLE

41 = 4-DOOR SEDAN

44 = 4-DOOR HATCHBACK

45 = 4-DOOR STATION WAGON

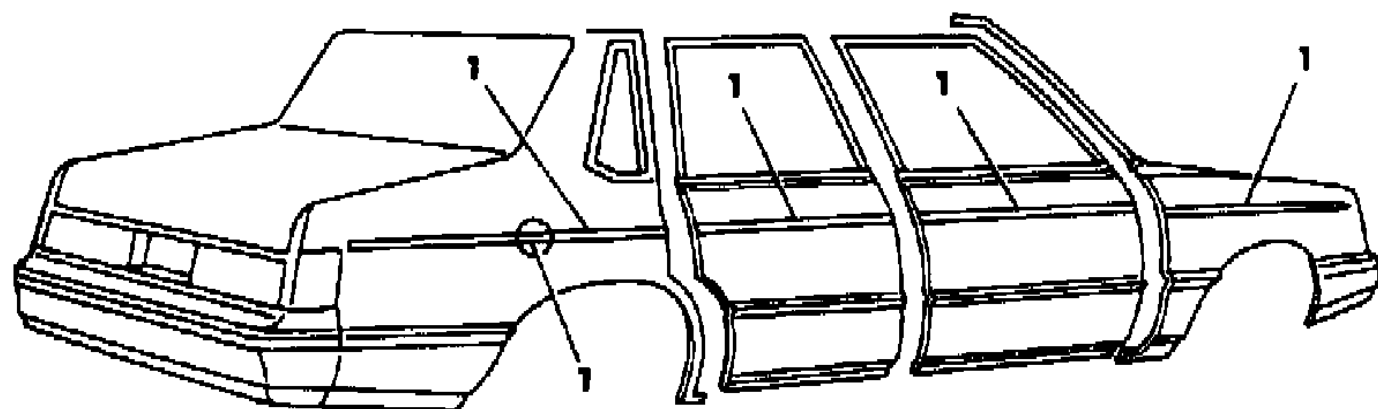
52-53 = FWD WAGON

AR = Use as Required - = Non Illustrated Part P.A.R. = Paint as Required

TAPE STRIPES AND DECALS - EXTERIOR VIEW E BODY PLYMOUTH CARAVELLE, DODGE 600
Figure 23-2900

7188 2900

ITEM	PART NUMBER	QTY	BODY	MODEL	DESCRIPTION
1	4443 532-3	1			TAPE PACKAGE, Fndr., Door, Qtr., Dark Silver
	4443 534-5	1			Blue
	4443 536-7	1			Gold
	4443 538-9	1			Rosewood
	4443 540-1	1			Red



MODEL CODES

E BODY = (J - CARAVELLE)(E - 600)(T - NEW YORKER)

G BODY = (V24 - DAYTONA)

H BODY = (D44 - LANCER)(C44 - LEBARON GTS)

J BODY = (C - LEBARON)

K BODY = (P - RELIANT)(D - ARIES)(C - LEBAROND)/TOWN & COUNTRY)

L BODY = (M - HORIZON/TURISMO)(Z - OMNI/CHARGER)

M BODY = (B - GRAN FURY)(F - FIFTH AVE/NEWPORT)(G - DIPLOMAT)

P BODY = (P - SUNDANCE)(D - SHADOW)

S BODY = (H - VOYAGER)(K - RAM VAN/CARAVAN)

BODY STYLES

12-13 = FWD VAN

21 = 2-DOOR SEDAN

24 = 2-DOOR HATCHBACK

27 = 2-DOOR CONVERTIBLE

41 = 4-DOOR SEDAN

44 = 4-DOOR HATCHBACK

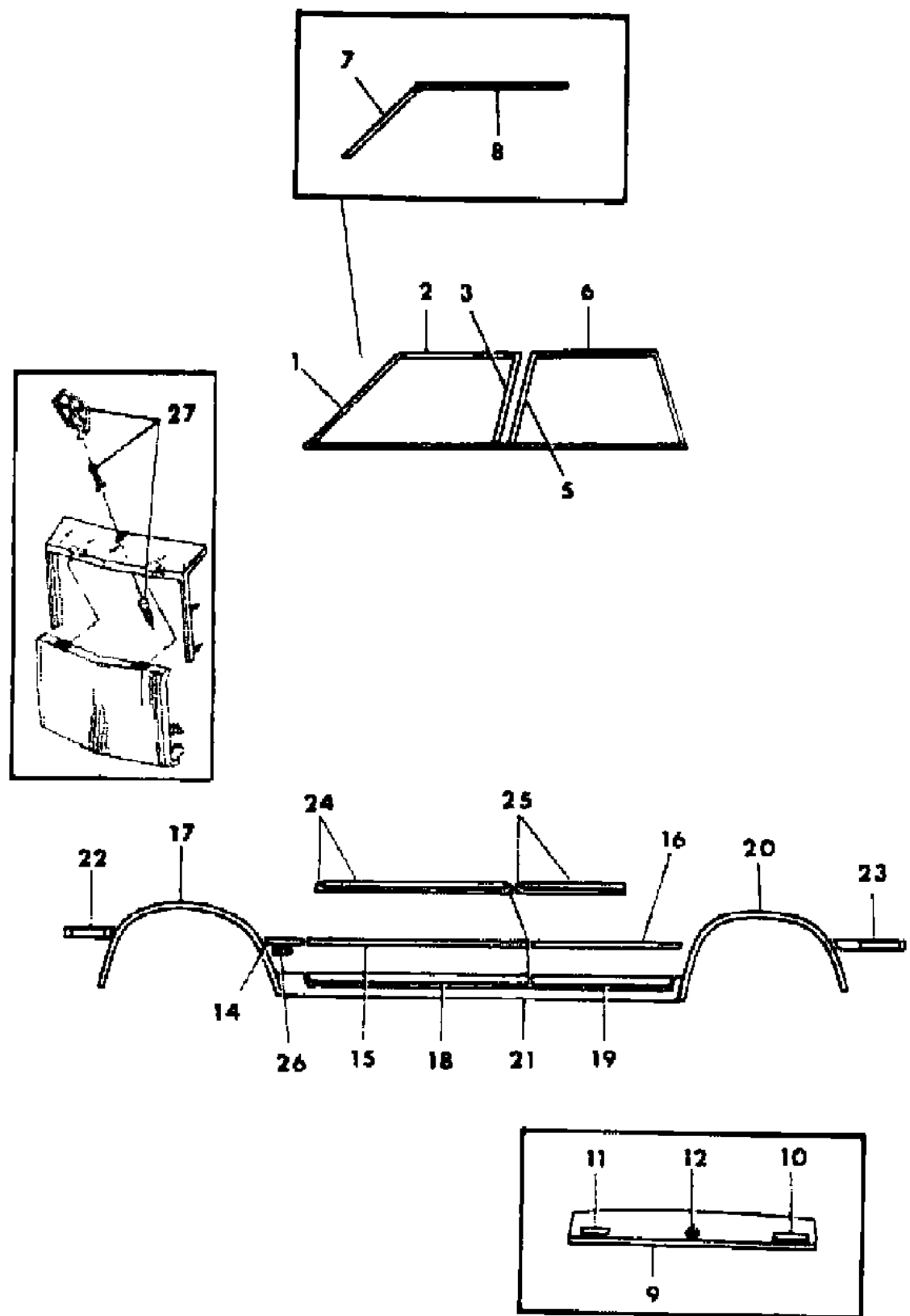
45 = 4-DOOR STATION WAGON

52-53 = FWD WAGON

AR = Use as Required - = Non Illustrated Part P.A.R. = Paint as Required

MOULDINGS AND ORNAMENTATION - EXTERIOR VIEW E BODY CHRYSLER NEW YORKER, T-P
Figure 23-3000

7188 3000



ITEM	PART NUMBER	QTY	BODY	MODEL	DESCRIPTION
1	4366 824-5	1			MOULDING, Frt. Door Wdo. Opng. Frame, Frt.
2	4319 222-3	1			MOULDING, Frt. Door Wdo. Opng. Frame, Upr.
3	4366 812-3	1			MOULDING, Frt. Door Wdo. Opng. Frame, Rear
5	4366 820-1	1			MOULDING, Rear Door Wdo. Opng. Frame, Frt.
6	4319 246-7	1			MOULDING, Rear Door Wdo. Opng. Frame, Upr., Use Up to Feb. 1, 1987
	4457 012-3	1			Use After Feb. 1, 1987
7	4398 192-3	1			MOULDING and SEAL, Body Frt. Pillar Drain Trough
	4229 764-5	1			SEAL, Body Frt. Pillar Drain Trough Mldg., Inner
					SCREW, (Not Serv.)
8	4319 204-5	1			MOULDING, Roof Side Drain Trough
9	4366 152	1			MOULDING, Deck Lid Lwr.
10	4422 175	1			NAMEPLATE, Deck Lid, "NEW YORKER"
11	4422 171	1			NAMEPLATE, Deck Lid, "CHRYSLER"
12	X269 EA1	1			MEDALLION, Deck Lid Lock Cyl., Silver, Use Up to 11-14-86
	X269 FS8	1			Charcoal
	X269 EE2	1			Misty Rose
	X269 FC7	1			Twilight Blue
	X269 DW2	1			White
	X269 DX8	1			Black
	X269 ET1	1			Light Ivory Cream
	X269 ET5	1			Bronze
	X269 EE9	1			Dark Cordovan
	X269 DB1	1			Ice Blue Met.
	X923 EA1	1			MEDALLION, Deck Lid Lock Cyl., Silver, Use After 11-14-86
	X923 EB1	1			Ice Blue Met.
	X923 FC7	1			Twilight Blue
	X923 EE2	1			Misty Rose
	X923 EE9	1			Dark Cordovan
	X923 FS8	1			Charcoal
	X923 ET1	1			Light Ivory Cream
	X923 ET5	1			Bronze
	X923 EW2	1			White
	X923 EX8	1			Black
					RIVET, (Not Serv.)
14	X338-9 EA2	1			MOULDING, Fndr. Rear, Silver, Use Up to 12-11-86
	X338-9 FC7	1			Twilight Blue
	X338-9 FS8	1			Charcoal

MODEL CODES

E BODY = (J - CARAVELLE)(E - 600)(T - NEW YORKER)

G BODY = (V24 - DAYTONA)

H BODY = (D44 - LANCER)(C44 - LEBARON GTS)

J BODY = (C - LEBARON)

K BODY = (P - RELIANT)(D - ARIES)(C - LEBAROND)/TOWN & COUNTRY)

L BODY = (M - HORIZON/TURISMO)(Z - OMNI/CHARGER)

M BODY = (B - GRAN FURY)(F - FIFTH AVE/NEWPORT)(G - DIPLOMAT)

P BODY = (P - SUNDANCE)(D - SHADOW)

S BODY = (H - VOYAGER)(K - RAM VAN/CARAVAN)

BODY STYLES

12-13 = FWD VAN

21 = 2-DOOR SEDAN

24 = 2-DOOR HATCHBACK

27 = 2-DOOR CONVERTIBLE

41 = 4-DOOR SEDAN

44 = 4-DOOR HATCHBACK

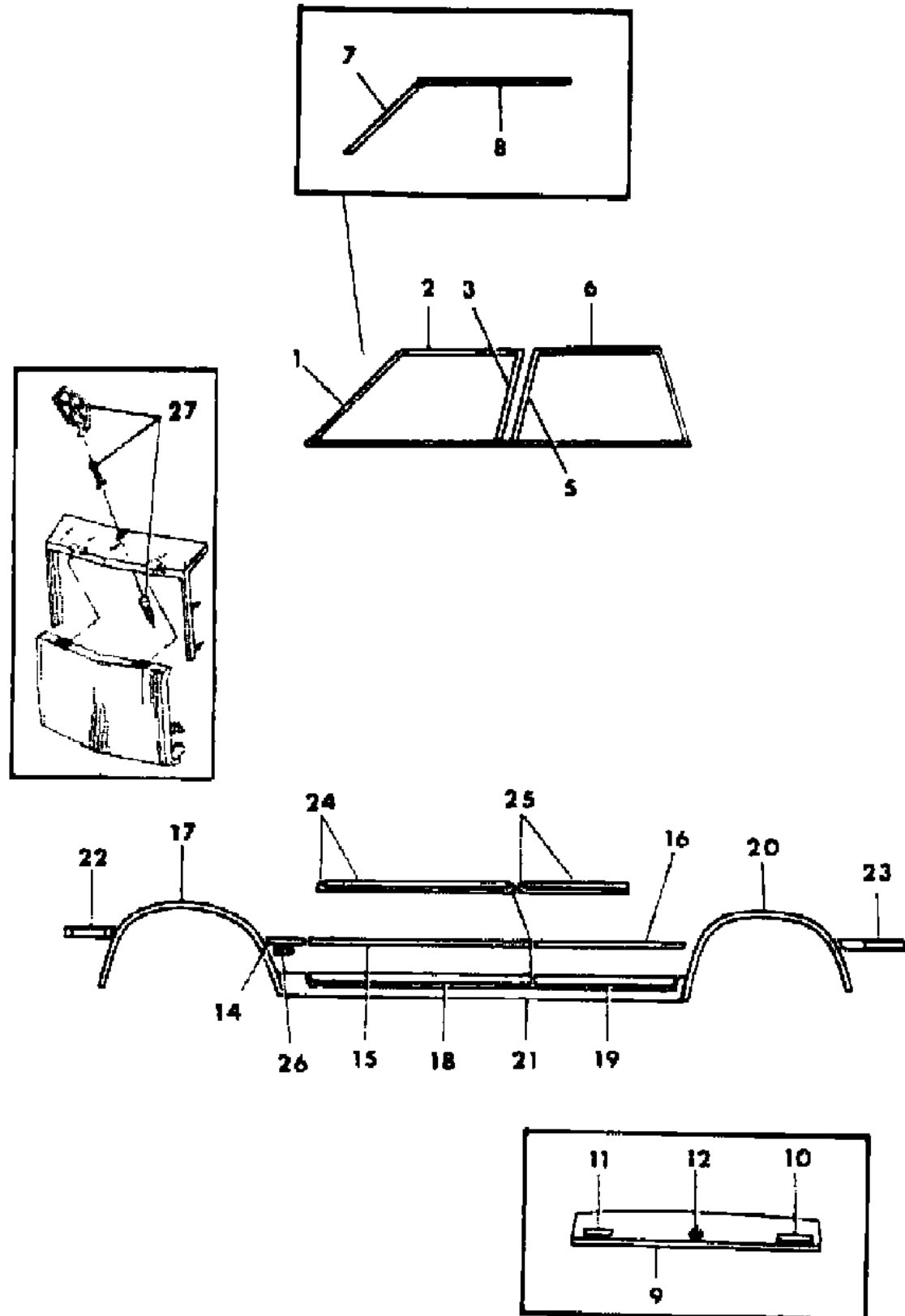
45 = 4-DOOR STATION WAGON

52-53 = FWD WAGON

AR = Use as Required - = Non Illustrated Part P.A.R. = Paint as Required

MOULDINGS AND ORNAMENTATION - EXTERIOR VIEW E BODY CHRYSLER NEW YORKER, T-P
Figure 23-3000

7188 3000



ITEM	PART NUMBER	QTY	BODY	MODEL	DESCRIPTION
	X338-9 EB1	1			Ice Blue Met.
	X338-9 EE2	1			Misty Rose
	X338-9 EE9	1			Dark Cordovan
	X338-9 ET5	1			Bronze
	X338-9 EW3	1			White
	X338-9 EX9	1			Black
	X168-9 FE9	1			Dark Cordovan, Use After 12-11-86
	X168-9 FE2	1			Misty Rose
	X168-9 FT5	1			Bronze
	X168-9 FC7	1			Twilight Blue
	4443 570-1	1			Night Watch Blue
	X168-9 FB1	1			Ice Blue Met.
	4443 574-5	1			Gunmetal Blue
	X168-9 FX9	1			Black
	X168-9 FA2	1			Silver
	X168-9 FW3	1			White
	X168-9 FS8	1			Charcoal
	4443 572-3	1			Light Cream
15	X342 EA2	2			MOULDING, Frt. Door, Silver, Use Up to 12-11-86
	X342 FC7	2			Twilight Blue
	X342 FS8	2			Charcoal
	X342 EB1	2			Ice Blue Met.
	X342 EE2	2			Misty Rose
	X342 EE9	2			Dark Cordovan
	X342 ET5	2			Bronze
	X342 EW3	2			White
	X342 EX9	2			Black
	X170 FE9	2			Dark Cordovan, Use After 12-11-86
	X170 FE2	2			Misty Rose
	X170 FT5	2			Bronze
	X170 FC7	2			Twilight Blue
	4443 583	2			Night Watch Blue
	4443 585	2			Gunmetal Blue
	4443 584	2			Light Cream
	X170 FB1	2			Ice Blue Met.
	X170 FX9	2			Black
	X170 FA2	2			Silver
	X170 FW3	2			White

MODEL CODES

E BODY = (J - CARAVELLE)(E - 600)(T - NEW YORKER)

G BODY = (V24 - DAYTONA)

H BODY = (D44 - LANCER)(C44 - LEBARON GTS)

J BODY = (C - LEBARON)

K BODY = (P - RELIANT)(D - ARIES)(C - LEBAROND)/TOWN & COUNTRY)

L BODY = (M - HORIZON/TURISMO)(Z - OMNI/CHARGER)

M BODY = (B - GRAN FURY)(F - FIFTH AVE/NEWPORT)(G - DIPLOMAT)

P BODY = (P - SUNDANCE)(D - SHADOW)

S BODY = (H - VOYAGER)(K - RAM VAN/CARAVAN)

BODY STYLES

12-13 = FWD VAN

21 = 2-DOOR SEDAN

24 = 2-DOOR HATCHBACK

27 = 2-DOOR CONVERTIBLE

41 = 4-DOOR SEDAN

44 = 4-DOOR HATCHBACK

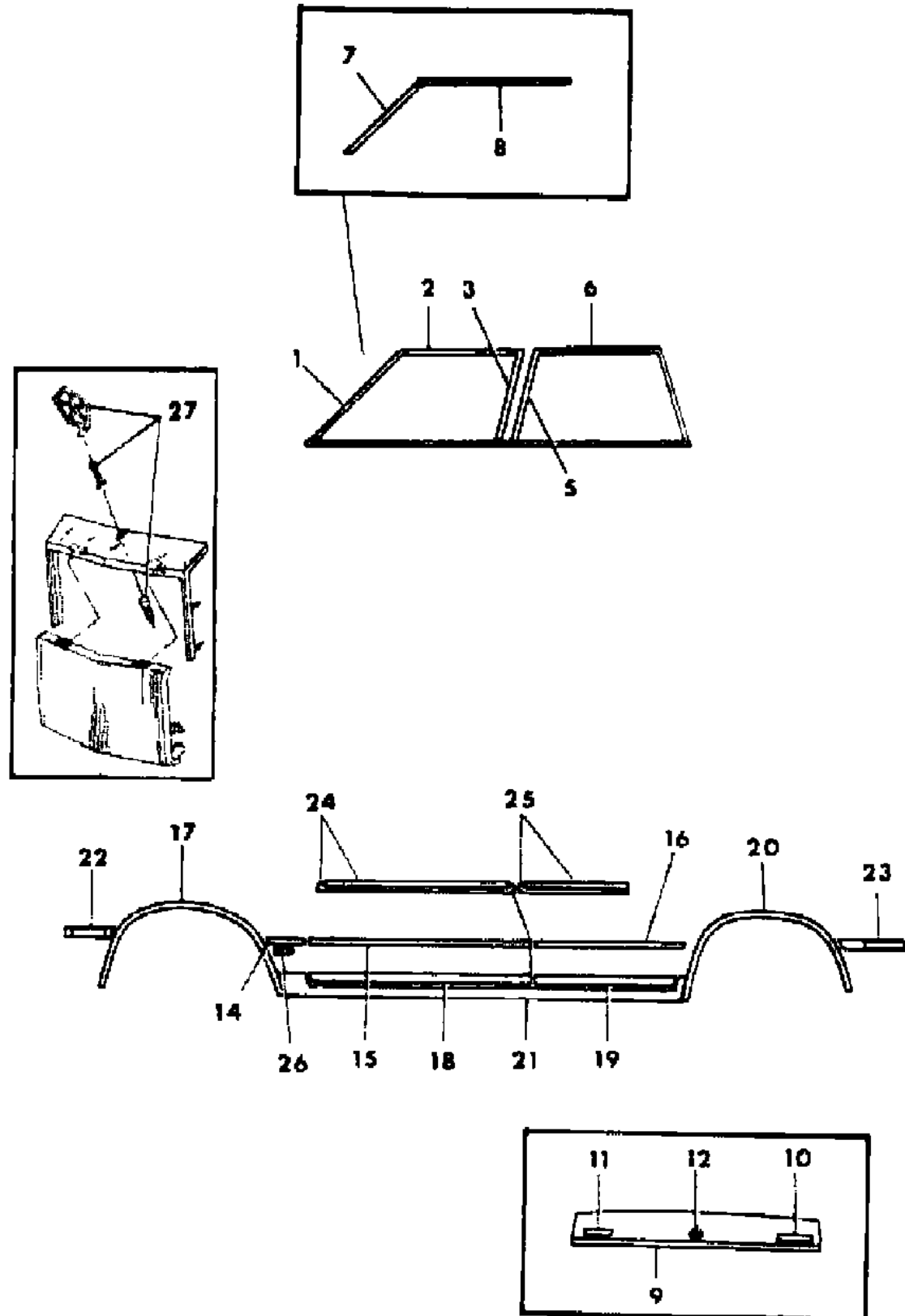
45 = 4-DOOR STATION WAGON

52-53 = FWD WAGON

AR = Use as Required - = Non Illustrated Part P.A.R. = Paint as Required

MOULDINGS AND ORNAMENTATION - EXTERIOR VIEW E BODY CHRYSLER NEW YORKER, T-P
Figure 23-3000

7188 3000



ITEM	PART NUMBER	QTY	BODY	MODEL	DESCRIPTION
	X170 FS8	2			Charcoal
16	X344-5 EA2	1			MOULDING, Rear Door, Silver, Use Up to 12-11-86
	X344-5 FC7	1			Twilight Blue
	X344-5 FS8	1			Charcoal
	X344-5 EB1	1			Ice Blue Met.
	X344-5 EE2	1			Misty Rose
	X344-5 EE9	1			Dark Cordovan
	X344-5 ET5	1			Bronze
	X344-5 EW3	1			White
	X344-5 EX9	1			Black
	X172-3 FE9	1			Dark Cordovan, Use After 12-11-86
X172-3 FE2	1			Misty Rose	
X172-3 FT5	1			Bronze	
X172-3 FC7	1			Twilight Blue	
4443 586-7	1			Night Watch Blue	
X172-3 FB1	1			Ice Blue Met.	
4443 590-1	1			Gunmetal Blue	
X172-3 FX9	1			Black	
X172-3 FA2	1			Silver	
X172-3 FW3	1			White	
X172-3 FS8	1			Charcoal	
4443 588-9	1			Light Cream	
17	4328 138-9	1			MOULDING, Fndr. W/Opng.
18	4411 670-1	1			MOULDING PACKAGE, Frt. Door Lwr.
	6003 845	AR			RETAINER
	4057 555	AR			RETAINER PACKAGE
19	4411 666-7	1			MOULDING, Rear Door Lwr.
	6003 845	AR			RETAINER
	4057 555	AR			RETAINER PACKAGE
20	4328 142-3	1			MOULDING, Qtr. W/Opng.
21	4293 652-3	1			MOULDING PACKAGE, Body Side Sill
	6003 843	AR			RETAINER
	6003 844	AR			RETAINER
22	4293 658-9	1			MOULDING PACKAGE, Fndr. Side
23	4366 070-1	1			MOULDING, Rear Bumper Nerf Ext.
24	4319 096-7	1			MOULDING, Frt. Door Belt
	4411 884-5	1			INSERT PACKAGE, Frt. Door Belt Mldg.
	4057 555	AR			RETAINER PACKAGE

MODEL CODES

E BODY = (J - CARAVELLE)(E - 600)(T - NEW YORKER)

G BODY = (V24 - DAYTONA)

H BODY = (D44 - LANCER)(C44 - LEBARON GTS)

J BODY = (C - LEBARON)

K BODY = (P - RELIANT)(D - ARIES)(C - LEBAROND)/TOWN & COUNTRY)

L BODY = (M - HORIZON/TURISMO)(Z - OMNI/CHARGER)

M BODY = (B - GRAN FURY)(F - FIFTH AVE/NEWPORT)(G - DIPLOMAT)

P BODY = (P - SUNDANCE)(D - SHADOW)

S BODY = (H - VOYAGER)(K - RAM VAN/CARAVAN)

BODY STYLES

12-13 = FWD VAN

21 = 2-DOOR SEDAN

24 = 2-DOOR HATCHBACK

27 = 2-DOOR CONVERTIBLE

41 = 4-DOOR SEDAN

44 = 4-DOOR HATCHBACK

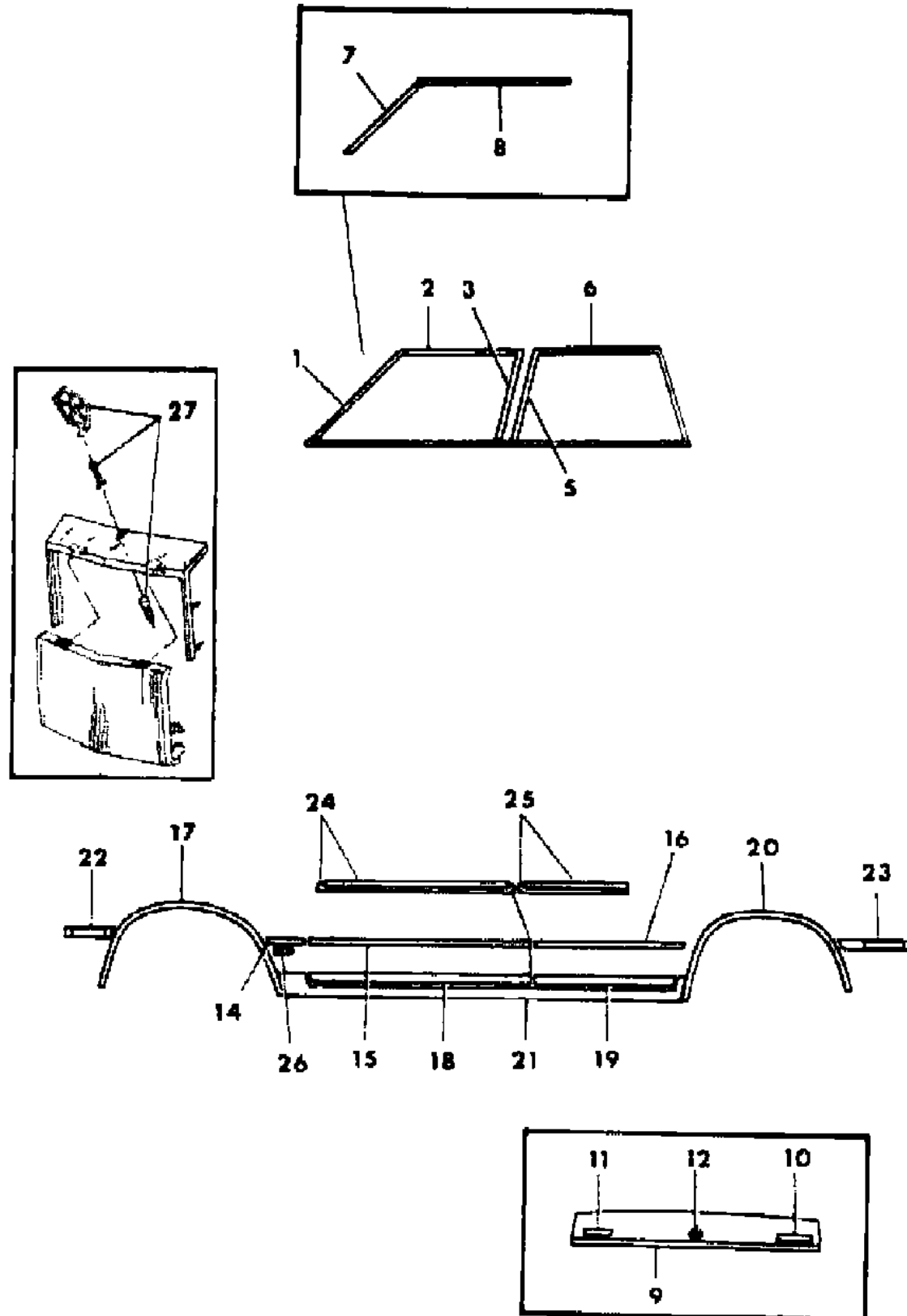
45 = 4-DOOR STATION WAGON

52-53 = FWD WAGON

AR = Use as Required - = Non Illustrated Part P.A.R. = Paint as Required

MOULDINGS AND ORNAMENTATION - EXTERIOR VIEW E BODY CHRYSLER NEW YORKER, T-P
Figure 23-3000

7188 3000



ITEM	PART NUMBER	QTY	BODY	MODEL	DESCRIPTION
	6003 866	AR			RETAINER
					SCREW, (Not Serv.)
25	4319 102-3	1			MOULDING, Rear Door Belt
	4411 882-3	1			INSERT PACKAGE, Rear Door Belt Mldg.
	4057 555	AR			RETAINER PACKAGE
	6003 866	AR			RETAINER
					SCREW, (Not Serv.)
26	4319 147	2			NAMEPLATE, Fndr. Side, "TURBO EFI"
27	4270 563	1			ORNAMENT, Radiator Grille
	3672 672	1			SPRING, Ornament
	3672 780	1			RETAINER

NOTE: See Illus. 4300 for New Yorker Padded Ladau Roof, T-P the rear of the carburetor throttle body. A mirror is required to read the no. when the carburetor

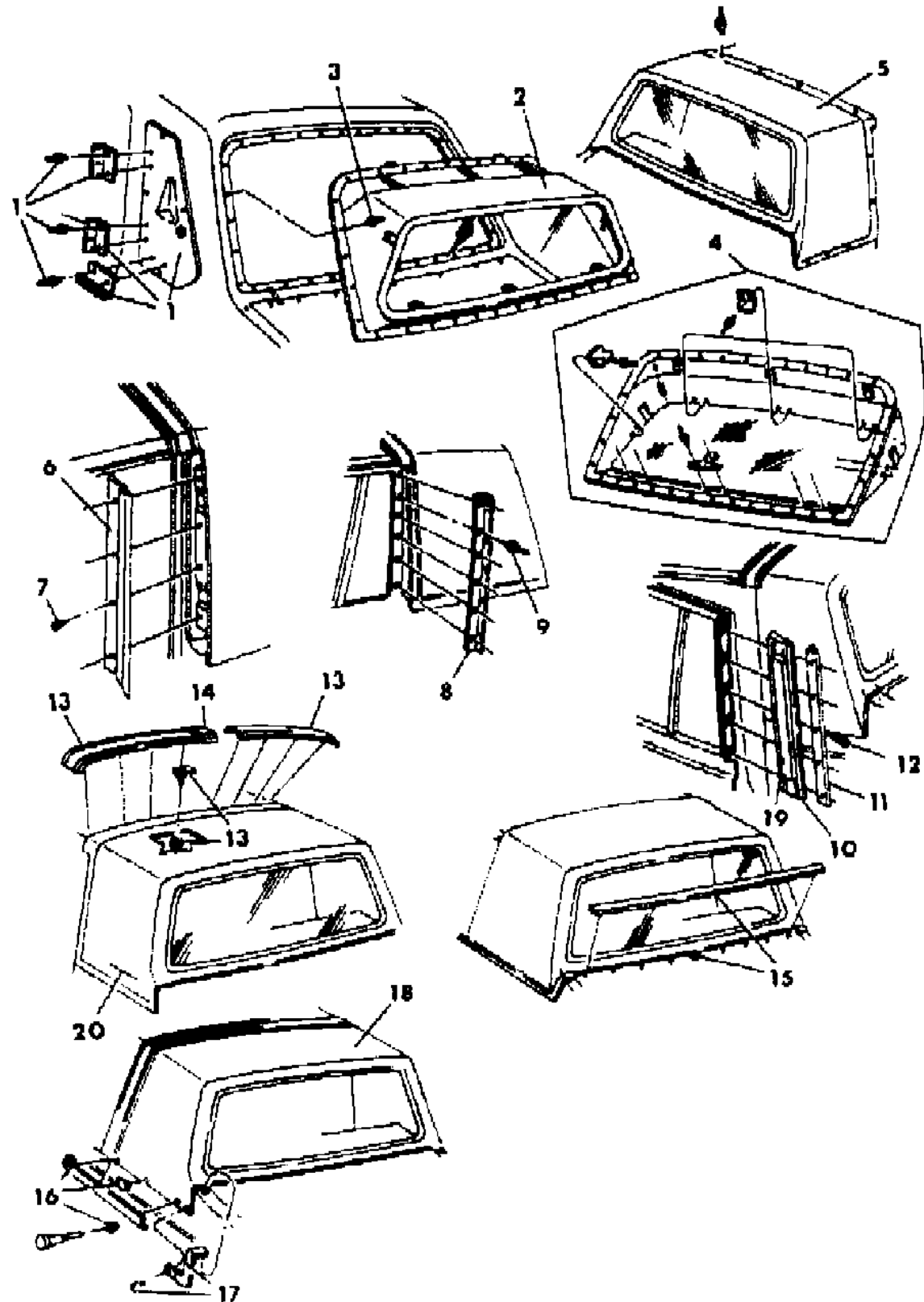
MODEL CODES
 E BODY = (J - CARAVELLE)(E - 600)(T - NEW YORKER)
 G BODY = (V24 - DAYTONA)
 H BODY = (D44 - LANCER)(C44 - LEBARON GTS)
 J BODY = (C - LEBARON)
 K BODY = (P - RELIANT)(D - ARIES)(C - LEBAROND)/TOWN & COUNTRY
 L BODY = (M - HORIZON/TURISMO)(Z - OMNI/CHARGER)
 M BODY = (B - GRAN FURY)(F - FIFTH AVE/NEWPORT)(G - DIPLOMAT)
 P BODY = (P - SUNDANCE)(D - SHADOW)
 S BODY = (H - VOYAGER)(K - RAM VAN/CARAVAN)

BODY STYLES
 12-13 = FWD VAN
 21 = 2-DOOR SEDAN
 24 = 2-DOOR HATCHBACK
 27 = 2-DOOR CONVERTIBLE
 41 = 4-DOOR SEDAN
 44 = 4-DOOR HATCHBACK
 45 = 4-DOOR STATION WAGON
 52-53 = FWD WAGON

AR = Use as Required - = Non Illustrated Part P.A.R. = Paint as Required

MOULDINGS AND ORNAMENTATION - EXTERIOR VIEW E BODY CHRYSLER NEW YORKER, PADDED LANDAU ROOF, T-P
Figure 23-3100

7188 3180



ITEM	PART NUMBER	QTY	BODY	MODEL	DESCRIPTION
1	4339 356-7	1			PANEL PACKAGE, Qtr. Wdo. Closure Consist of: 1-4296380-1 Closure Pnl. 2-4276996 Bracket, Lower
2	4296 489	1			FRAME, Rear Wdo. Opng.
3		AR			RIVET, (Not Serv.)
4	4318 201	1			RETAINER PACKAGE, Rear Wdo. Frame, Attach. Consist of: 2-4296382 Retainer, Upr. 3-4296384 Retainer, Side 3-4296492 Retainer, Lwr.
5	4318 204	1			CAP PACKAGE, Roof Consist of: 1-4319161 Cap 2-4319166 Bracket 2-4319164 Bracket 2-4319666 Reinforcement
	4276 855	1			RETAINER, Roof Cap Rear, Lwr.
	4276 996	2			BRACKET, Roof Cap Attach., Lwr.
6	4328 052-3	1			COVER, Rear Door Opng., C Pillar, Black
7					SCREW, (Not Serv.)
8	4422 140-1	1			BRACKET, Rear Door Wdo. Frame Mldg.
9					RIVET, (Not Serv.)
10	4419 034-5	1			MOULDING PACKAGE, Rear Door Wdo. Frame, Rear
	4454 412-3	1			MOULDING and LAMP ASSEMBLY, Rear Door Wdo. Frame Rear, Use After 3-1-87
	9420 254	4			NUT, Rear Door Wdo. Frame Rear Mldg
11	4328 350-1	1			COVER, Rear Door Wdo. Frame Rear Mldg., Black
12					SCREW, (Not Serv.)
13	4328 340-1	1			MOULDING, Roof Transverse
	6003 642	AR			RETAINER
14	4328 344	1			CAP, Roof Transverse Mldg.
15	4318 258	1			MOULDING PACKAGE, Deck Lid Upr., Silver Met.
	4339 204	1			Ice Blue Met.
	4411 842	1			Twilight Blue
	4411 843	1			Charcoal
	4411 538	1			Misty Rose
	4411 539	1			Dark Cordovan

MODEL CODES

E BODY = (J - CARAVELLE)(E - 600)(T - NEW YORKER)

G BODY = (V24 - DAYTONA)

H BODY = (D44 - LANCER)(C44 - LEBARON GTS)

J BODY = (C - LEBARON)

K BODY = (P - RELIANT)(D - ARIES)(C - LEBAROND)/TOWN & COUNTRY)

L BODY = (M - HORIZON/TURISMO)(Z - OMNI/CHARGER)

M BODY = (B - GRAN FURY)(F - FIFTH AVE/NEWPORT)(G - DIPLOMAT)

P BODY = (P - SUNDANCE)(D - SHADOW)

S BODY = (H - VOYAGER)(K - RAM VAN/CARAVAN)

BODY STYLES

12-13 = FWD VAN

21 = 2-DOOR SEDAN

24 = 2-DOOR HATCHBACK

27 = 2-DOOR CONVERTIBLE

41 = 4-DOOR SEDAN

44 = 4-DOOR HATCHBACK

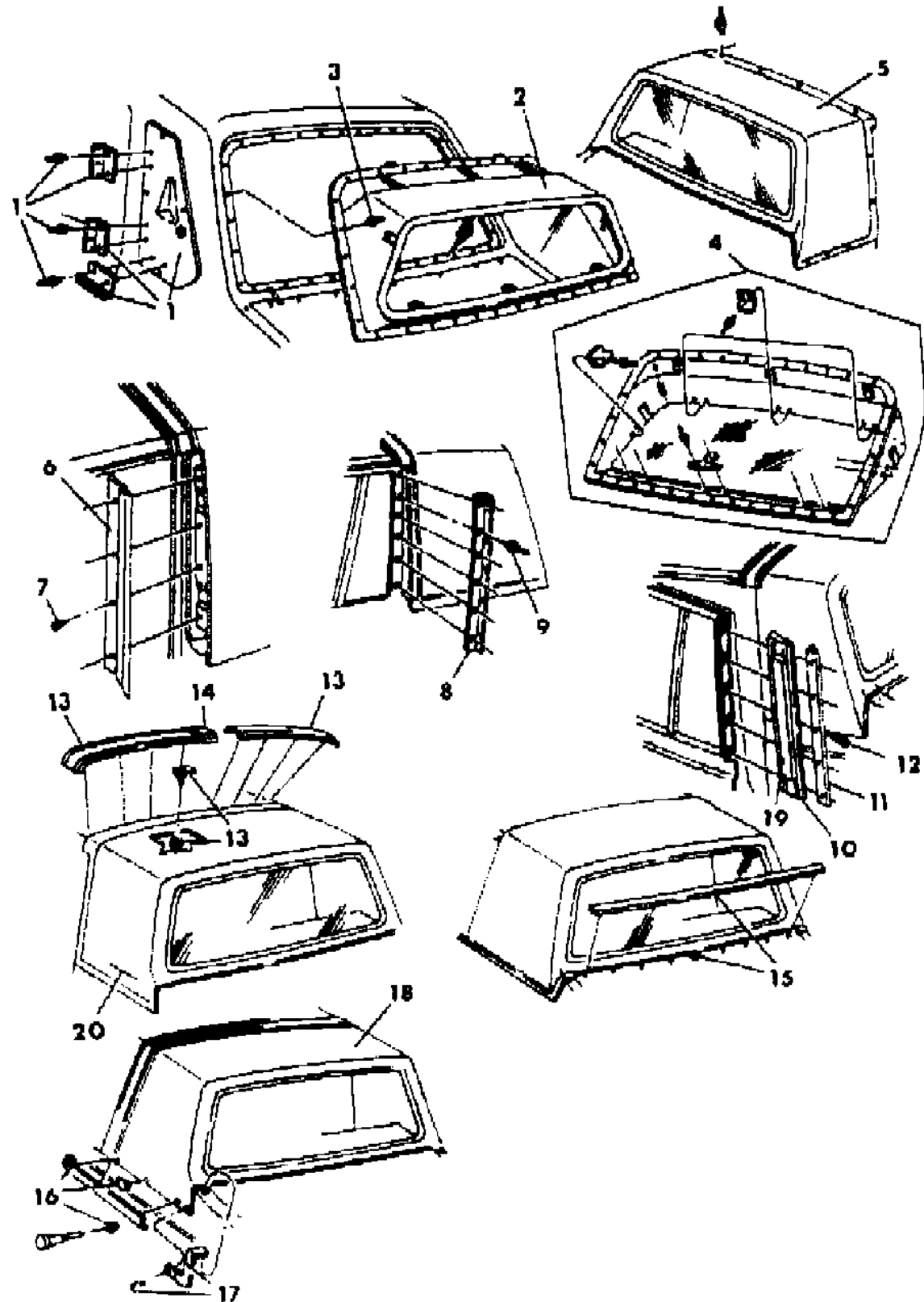
45 = 4-DOOR STATION WAGON

52-53 = FWD WAGON

AR = Use as Required - = Non Illustrated Part P.A.R. = Paint as Required

MOULDINGS AND ORNAMENTATION - EXTERIOR VIEW E BODY CHRYSLER NEW YORKER, PADDED LANDAU ROOF, T-P
Figure 23-3100

7188 3180



ITEM	PART NUMBER	QTY	BODY	MODEL	DESCRIPTION
	4411 541	1			Bronze
	4318 263	1			White
	4318 264	1			Black
	6003 863	AR			RETAINER
16	4318 228-9	1			MOULDING PACKAGE, Qtr. Belt Frt., Silver Met.
	4342 674-5	1			Ice Blue Met.
	4411 834-5	1			Twilight Blue
	4411 836-7	1			Charcoal
	4411 524-5	1			Bronze
	4411 518-9	1			Misty Rose
	4411 520-1	1			Dark Cordovan
	4318 238-9	1			White
	4318 240-1	1			Black
	4057 555	AR			RETAINER, (Serv. in Assy.) BARREL NUT PACKAGE
17	4318 244-5	1			MOULDING PACKAGE, Qtr. Belt Rear, Silver Met.
	4339 198-9	1			Ice Blue Met.
	4411 838-9	1			Twilight Blue
	4411 840-1	1			Charcoal
	4411 510-1	1			Misty Rose
	4411 512-3	1			Dark Cordovan
	4411 516-7	1			Bronze
	4318 254-5	1			White
	4318 256-7	1			Black
	4057 555	AR			RETAINER, (Serv. in Assy.) BARREL NUT PACKAGE
18	4318 208	1			COVER and PAD PACKAGE, Roof, Silver
	4318 434	1			Ice Blue Met.
	4419 046	1			Twilight Blue
	4419 047	1			Charcoal
	4419 021	1			Bronze
	4419 018	1			Misty Rose
	4419 019	1			Dark Cordovan
	4318 213	1			White
	4318 214	1			Black
19					LAMP and WIRE ASSEMBLY, Rear Door Wdo. Frame Rear Mldg. (See Illus. in Group 8)
20	3569 954	2			NAMEPLATE, Roof Cap, "NEW YORKER"

MODEL CODES

E BODY = (J - CARAVELLE)(E - 600)(T - NEW YORKER)

G BODY = (V24 - DAYTONA)

H BODY = (D44 - LANCER)(C44 - LEBARON GTS)

J BODY = (C - LEBARON)

K BODY = (P - RELIANT)(D - ARIES)(C - LEBAROND)/TOWN & COUNTRY)

L BODY = (M - HORIZON/TURISMO)(Z - OMNI/CHARGER)

M BODY = (B - GRAN FURY)(F - FIFTH AVE/NEWPORT)(G - DIPLOMAT)

P BODY = (P - SUNDANCE)(D - SHADOW)

S BODY = (H - VOYAGER)(K - RAM VAN/CARAVAN)

BODY STYLES

12-13 = FWD VAN

21 = 2-DOOR SEDAN

24 = 2-DOOR HATCHBACK

27 = 2-DOOR CONVERTIBLE

41 = 4-DOOR SEDAN

44 = 4-DOOR HATCHBACK

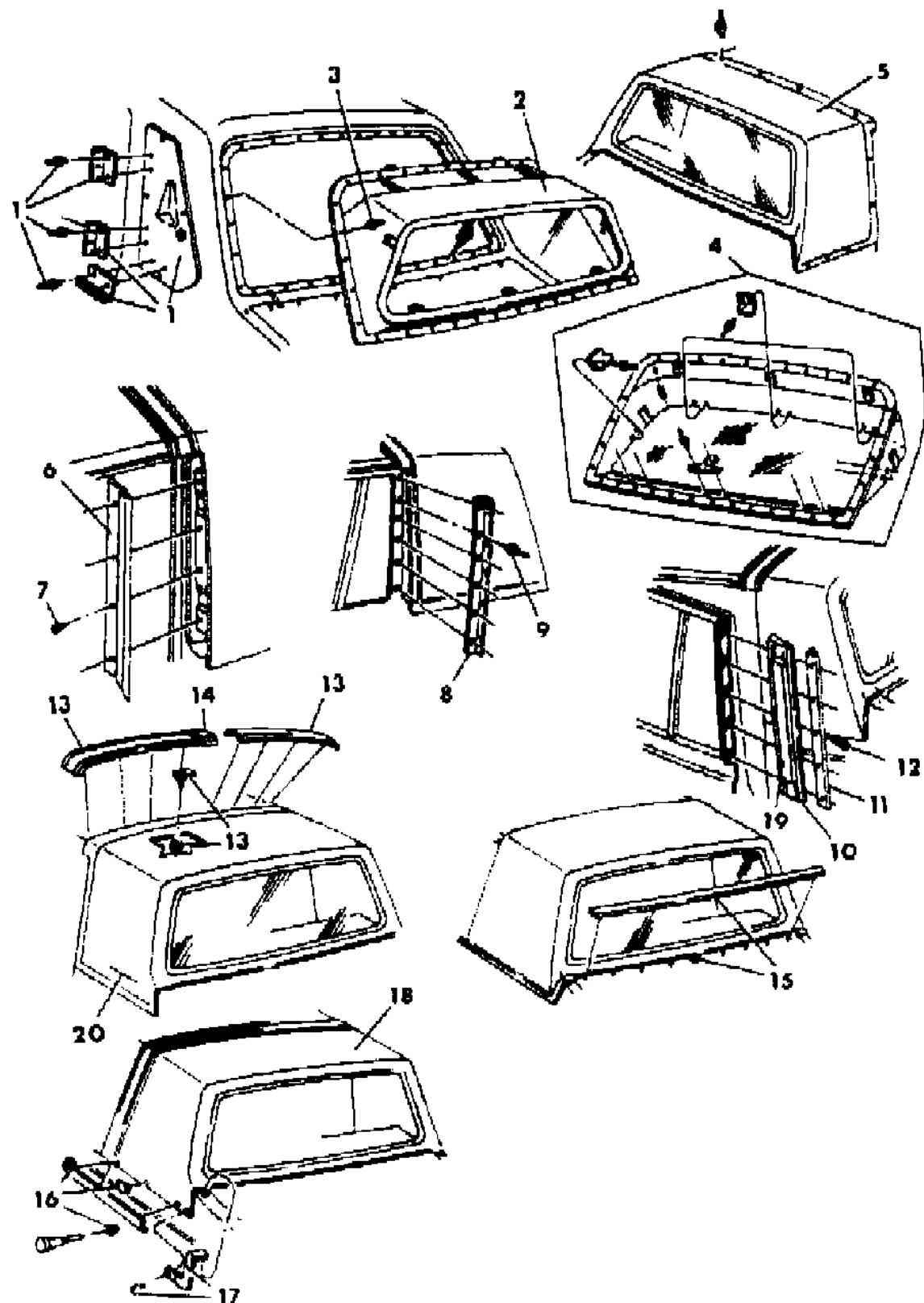
45 = 4-DOOR STATION WAGON

52-53 = FWD WAGON

AR = Use as Required - = Non Illustrated Part P.A.R. = Paint as Required

MOULDINGS AND ORNAMENTATION - EXTERIOR VIEW E BODY CHRYSLER NEW YORKER, PADDED LANDAU ROOF, T-P
 Figure 23-3100

7188 3180



ITEM	PART NUMBER	QTY	BODY	MODEL	DESCRIPTION
	4057 555	4			RETAINER PACKAGE, Roof Cap Nameplate

MODEL CODES

E BODY = (J - CARAVELLE)(E - 600)(T - NEW YORKER)

G BODY = (V24 - DAYTONA)

H BODY = (D44 - LANCER)(C44 - LEBARON GTS)

J BODY = (C - LEBARON)

K BODY = (P - RELIANT)(D - ARIES)(C - LEBAROND)/TOWN & COUNTRY)

L BODY = (M - HORIZON/TURISMO)(Z - OMNI/CHARGER)

M BODY = (B - GRAN FURY)(F - FIFTH AVE/NEWPORT)(G - DIPLOMAT)

P BODY = (P - SUNDANCE)(D - SHADOW)

S BODY = (H - VOYAGER)(K - RAM VAN/CARAVAN)

BODY STYLES

12-13 = FWD VAN

21 = 2-DOOR SEDAN

24 = 2-DOOR HATCHBACK

27 = 2-DOOR CONVERTIBLE

41 = 4-DOOR SEDAN

44 = 4-DOOR HATCHBACK

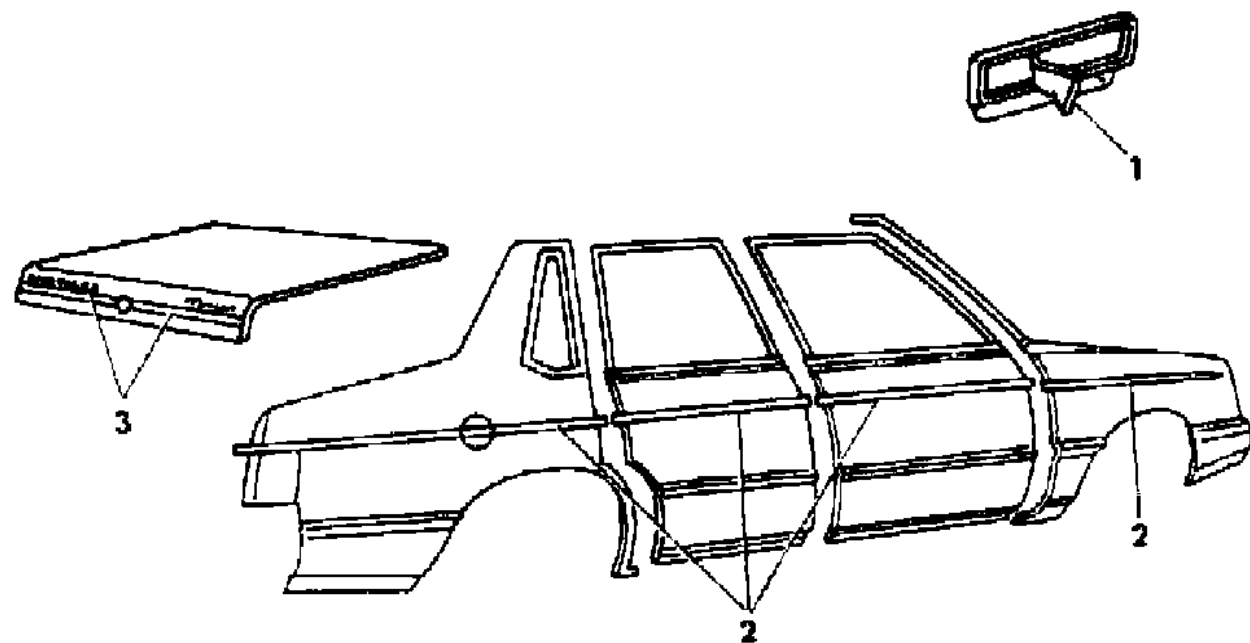
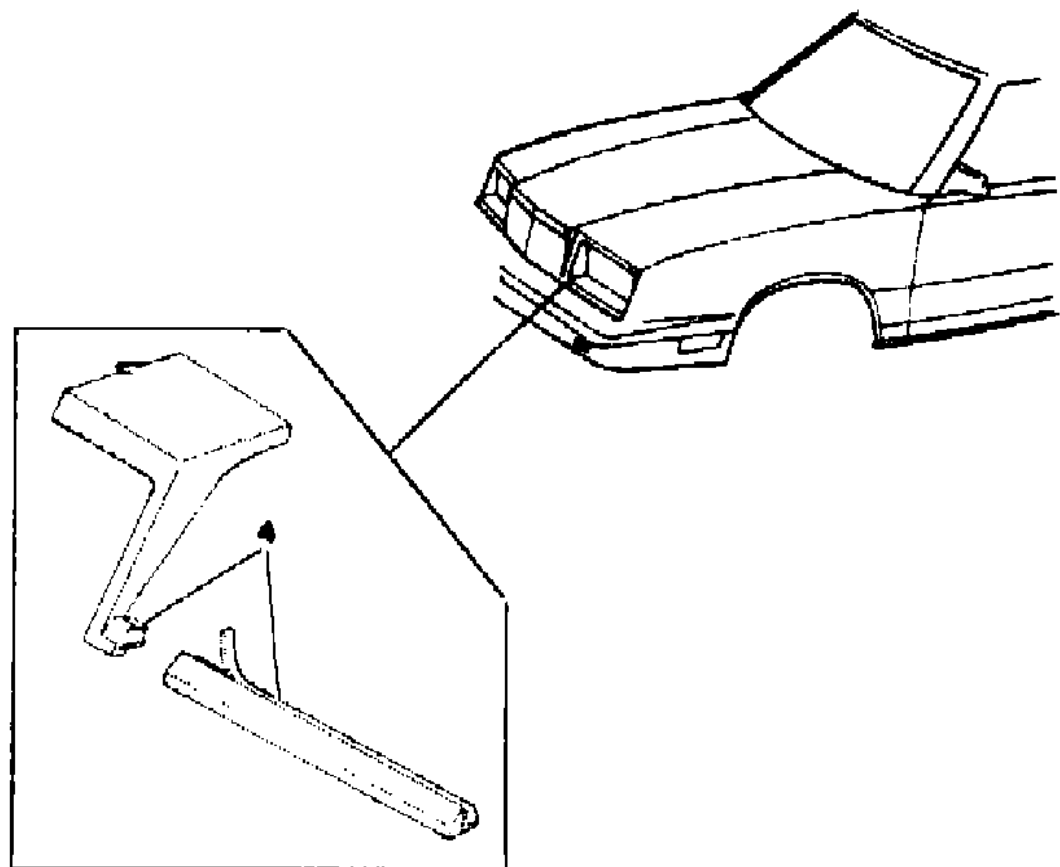
45 = 4-DOOR STATION WAGON

52-53 = FWD WAGON

AR = Use as Required - = Non Illustrated Part P.A.R. = Paint as Required

TAPE STRIPES AND DECALS - EXTERIOR VIEW E BODY CHRYSLER NEW YORKER, T-P
Figure 23-3200

7188 3200



ITEM	PART NUMBER	QTY	BODY	MODEL	DESCRIPTION
1	T752 CA1	2			TAPE, Frt. and Rear Door Handle, Silver
	T752 DB1	2			Ice Blue Met.
	T752 FC7	2			Twilight Blue
	T752 FS8	2			Charcoal
	T752 ET5	2			Bronze
	T752 EE9	2			Dark Cordovan
	T752 BW3	2			White
	T752 BX9	2			Black
	T752 EE2	2			Misty Rose
2	4443 668-9	1			TAPE PACKAGE, Fndr., Door, Qtr., Dark Silver
	4443 670-1	1			Blue
	4443 674-5	1			Rosewood
	4443 672-3	1			Red
	4443 502-3	1			Gold
3	T572 FA3	1			TAPE, Deck Lid, Dark Silver
	T572 FC4	1			Blue
	T572 FE5	1			Red
	T572 FE4	1			Rosewood
	T572 EY1	1			Gold
4	4339 086-7	1			TAPE PACKAGE, Radiator Grille, Lwr. Ext. and Ctr. Mldg., Silver
	4342 620-1	1			Ice Blue Met.
	4411 712-3	1			Twilight Blue
	4411 714-5	1			Charcoal
	4364 682-3	1			Bronze
	4364 676-7	1			Misty Rose
	4364 678-9	1			Dark Cordovan
	4339 102-3	1			White
	4339 104-5	1			Black

MODEL CODES

E BODY = (J - CARAVELLE)(E - 600)(T - NEW YORKER)

G BODY = (V24 - DAYTONA)

H BODY = (D44 - LANCER)(C44 - LEBARON GTS)

J BODY = (C - LEBARON)

K BODY = (P - RELIANT)(D - ARIES)(C - LEBAROND)/TOWN & COUNTRY)

L BODY = (M - HORIZON/TURISMO)(Z - OMNI/CHARGER)

M BODY = (B - GRAN FURY)(F - FIFTH AVE/NEWPORT)(G - DIPLOMAT)

P BODY = (P - SUNDANCE)(D - SHADOW)

S BODY = (H - VOYAGER)(K - RAM VAN/CARAVAN)

BODY STYLES

12-13 = FWD VAN

21 = 2-DOOR SEDAN

24 = 2-DOOR HATCHBACK

27 = 2-DOOR CONVERTIBLE

41 = 4-DOOR SEDAN

44 = 4-DOOR HATCHBACK

45 = 4-DOOR STATION WAGON

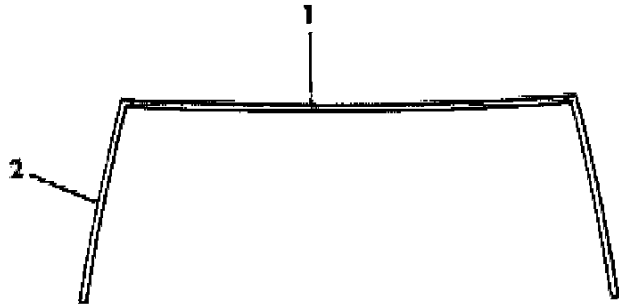
52-53 = FWD WAGON

AR = Use as Required - = Non Illustrated Part P.A.R. = Paint as Required

MOULDINGS, WINDSHIELD OUTSIDE H BODY
Figure 23-3300

ITEM	PART NUMBER	QTY	BODY	MODEL	DESCRIPTION
1	4398 391	1			MOULDING, W/Shield Upr., Black
2	4319 504-5	1			MOULDING, W/Shield Side, Black
		AR			SCREW, (Not Serv.)

7188 3300



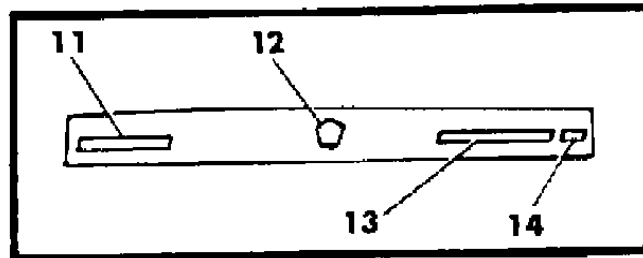
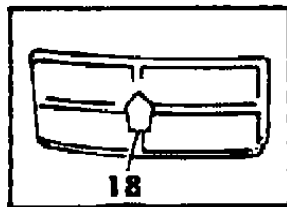
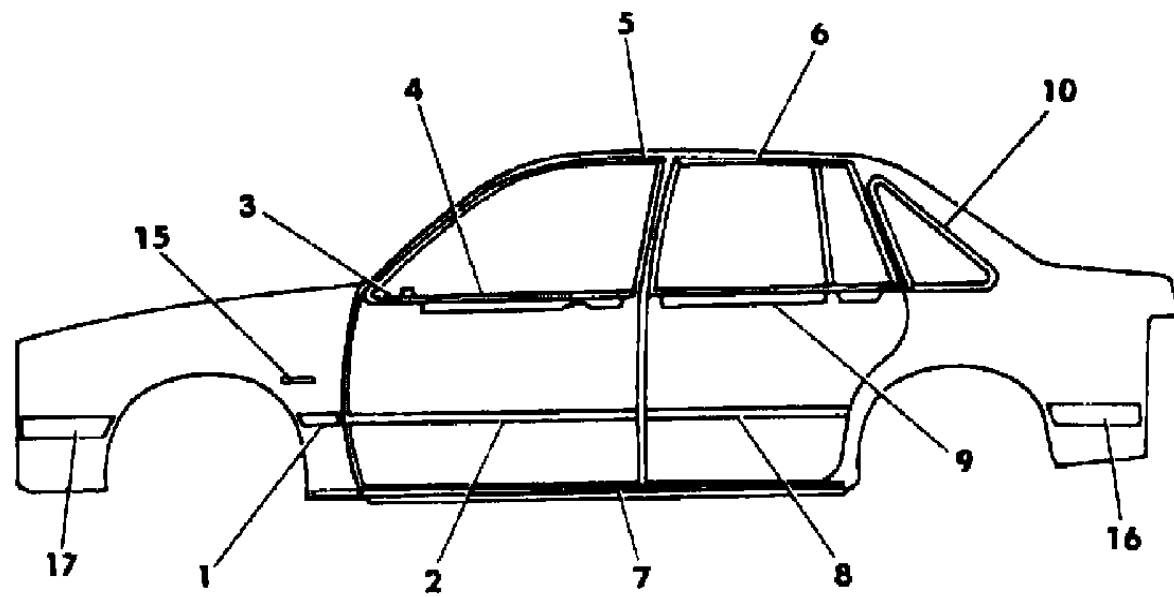
MODEL CODES
 E BODY = (J - CARAVELLE)(E - 600)(T - NEW YORKER)
 G BODY = (V24 - DAYTONA)
 H BODY = (D44 - LANCER)(C44 - LEBARON GTS)
 J BODY = (C - LEBARON)
 K BODY = (P - RELIANT)(D - ARIES)(C - LEBAROND)/TOWN & COUNTRY
 L BODY = (M - HORIZON/TURISMO)(Z - OMNI/CHARGER)
 M BODY = (B - GRAN FURY)(F - FIFTH AVE/NEWPORT)(G - DIPLOMAT)
 P BODY = (P - SUNDANCE)(D - SHADOW)
 S BODY = (H - VOYAGER)(K - RAM VAN/CARAVAN)

BODY STYLES
 12-13 = FWD VAN
 21 = 2-DOOR SEDAN
 24 = 2-DOOR HATCHBACK
 27 = 2-DOOR CONVERTIBLE
 41 = 4-DOOR SEDAN
 44 = 4-DOOR HATCHBACK
 45 = 4-DOOR STATION WAGON
 52-53 = FWD WAGON

AR = Use as Required - = Non Illustrated Part P.A.R. = Paint as Required

MOULDINGS AND ORNAMENTATION - EXTERIOR VIEW H BODY DODGE LANCER
Figure 23-3400

7188 3400



ITEM	PART NUMBER	QTY	BODY	MODEL	DESCRIPTION
1	X674-5 DX9	1			MOULDING, Fndr. Rear, Black
	X674-5 ES7	1			Charcoal
2	X676-7 DX9	1			MOULDING, Frt. Door, Black
	X676-7 ES7	1			Charcoal
3	4398 348-9	1		D-H	MOULDING, Frt. Door Belt, Frt.
	4398 306-7	1		D-S	MOULDING, Frt. Door Belt Frt., Black
4	4398 352-3	1		D-H	MOULDING, Frt. Door Belt and W/Strip
	4398 322-3	1		D-S	MOULDING, Frt. Door Belt and W/Strip, Black
	6032 456	AR			SCREW
5	4319 506-7	1		D-H	MOULDING, Frt. Door Wdo. Opng. Frame, Bright
	4319 514-5	1		D-S	MOULDING, Frt. Door Wdo. Opng. Frame, Black
6	4319 522-3	1		D-H	MOULDING, Rear Door Wdo. Opng. Frame, Bright
	4319 534-5	1		D-S	MOULDING, Rear Door Wdo. Opng. Frame, Black
7	4339 261	2		D-S	MOULDING PACKAGE, Body Side Sill
	6003 896	AR			RETAINER
	4057 555	AR			RETAINER PACKAGE SCREW, (Not Serv.)
8	X678-9 DX9	1			MOULDING, Rear Door, Black
	X678-9 ES7	1			Charcoal
9	4398 358-9	1		D-H	MOULDING, Rear Door Belt and W/Strip
	4398 314-5	1		D-S	MOULDING, Rear Door Belt and W/Strip, Black
	6032 456	AR			SCREW
10	4422 244-5	1		D-H	FRAME and MOULDING, Qtr. Wdo., Bright
	4422 242-3	1		D-S	FRAME and MOULDING, Qtr. Wdo., Black
	4057 555	AR			RETAINER PACKAGE
11	4328 866	1			NAMEPLATE, L/Gate, "DODGE"
12	4328 828	1			MEDALLION, L/Gate, Pentastar
13	4328 702	1			NAMEPLATE, L/Gate, "LANCER"
14	4328 845	1		D-S	NAMEPLATE, L/Gate, "ES"
15	4319 147	2			NAMEPLATE, Fndr., "TURBO EFI"
16	4364 128-9	1			MOULDING PACKAGE, Qtr. Nerf Ext., Black
	4411 626-7	1			Charcoal
17					LAMP ASSEMBLY, Frt. Bumper Nerf Ext. Reflex and Side Marker (See Illus. in Group 8)
	6029 471	AR			NUT
18	4334 464	1			PENTASTAR, Radiator Grille

MODEL CODES

E BODY = (J - CARAVELLE)(E - 600)(T - NEW YORKER)

G BODY = (V24 - DAYTONA)

H BODY = (D44 - LANCER)(C44 - LEBARON GTS)

J BODY = (C - LEBARON)

K BODY = (P - RELIANT)(D - ARIES)(C - LEBAROND)/TOWN & COUNTRY)

L BODY = (M - HORIZON/TURISMO)(Z - OMNI/CHARGER)

M BODY = (B - GRAN FURY)(F - FIFTH AVE/NEWPORT)(G - DIPLOMAT)

P BODY = (P - SUNDANCE)(D - SHADOW)

S BODY = (H - VOYAGER)(K - RAM VAN/CARAVAN)

BODY STYLES

12-13 = FWD VAN

21 = 2-DOOR SEDAN

24 = 2-DOOR HATCHBACK

27 = 2-DOOR CONVERTIBLE

41 = 4-DOOR SEDAN

44 = 4-DOOR HATCHBACK

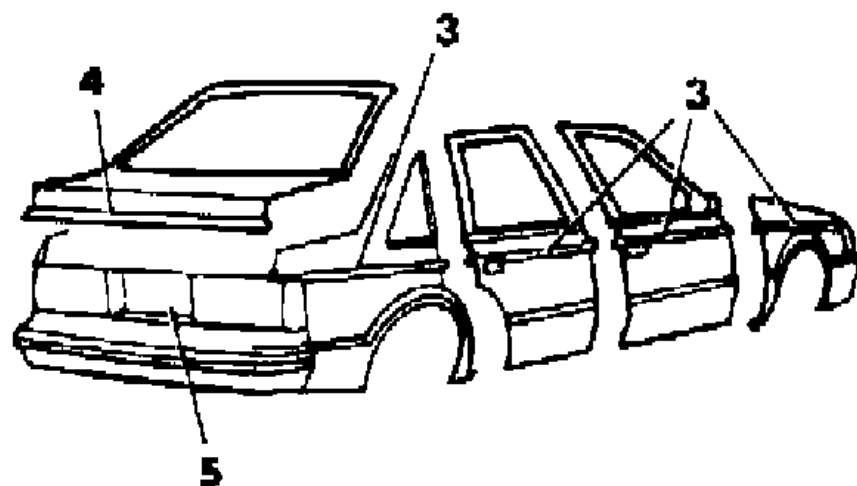
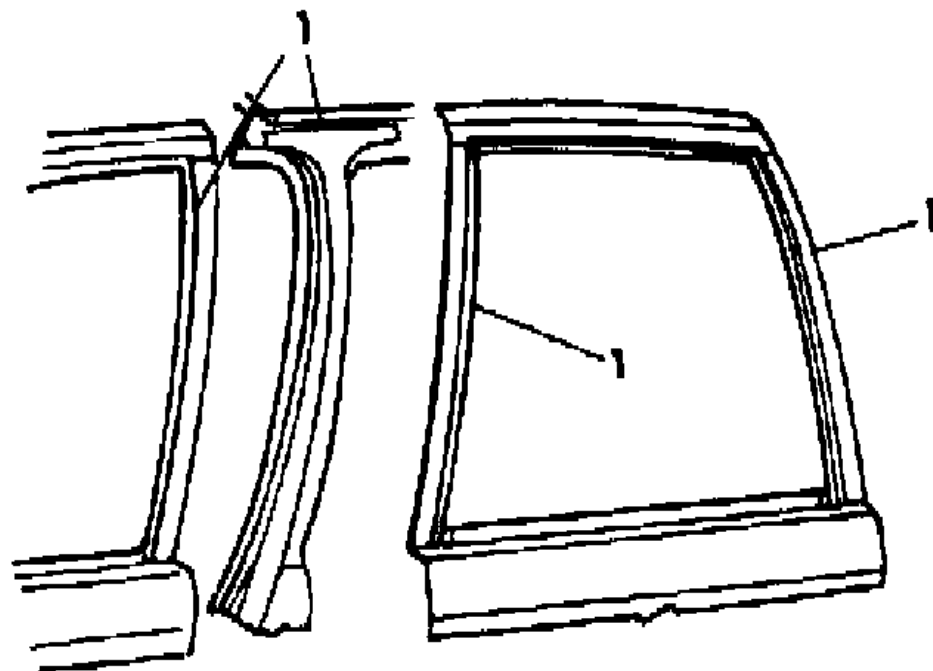
45 = 4-DOOR STATION WAGON

52-53 = FWD WAGON

AR = Use as Required - = Non Illustrated Part P.A.R. = Paint as Required

TAPE STRIPES AND DECALS - EXTERIOR VIEW H BODY DODGE LANCER
Figure 23-3500

7188 3500



ITEM	PART NUMBER	QTY	BODY	MODEL	DESCRIPTION
1	4364 612-3	1		D-S	TAPE, Frt. and Rear Door Wdo. Opng. Frame and B Pillar
3	4443 560-1	1			TAPE PACKAGE, Fndr., Doors, Dark Silver
	4443 562-3	1			Blue
	4443 564-5	1			Gold
	4443 566-7	1			Rosewood
	4443 568-9	1			Red
	4443 694-5	1			Black
	T852-3 FA3	1		D-S	TAPE, Qtr., Dark Silver
	T852-3 FC4	1		D-S	Blue
	T852-3 FE4	1		D-S	Rosewood
	T852-3 FR4	1		D-S	Red
	T852-3 FY1	1		D-S	Gold
	T852-3 FX9	1		D-S	Black
	T854-5 FA3	1		D-H	TAPE, Qtr., Dark Silver
	T854-5 FC4	1		D-H	Blue
	T854-5 FE4	1		D-H	Rosewood
	T854-5 FR4	1		D-H	Red
	T854-5 FY1	1		D-H	Gold
	T854-5 FX9	1		D-H	Black
4	T871 FA3	1		D-S	TAPE, L/Gate, Dark Silver
	T871 FE4	1		D-S	Rosewood
	T871 FR4	1		D-S	Red
	T871 FY1	1		D-S	Gold
	T871 FC4	1		D-S	Blue
	T871 FX9	1		D-S	Black
5	4366 887	1			TAPE, L/Gate Opng. Lwr. Pnl.

MODEL CODES

E BODY = (J - CARAVELLE)(E - 600)(T - NEW YORKER)

G BODY = (V24 - DAYTONA)

H BODY = (D44 - LANCER)(C44 - LEBARON GTS)

J BODY = (C - LEBARON)

K BODY = (P - RELIANT)(D - ARIES)(C - LEBAROND)/TOWN & COUNTRY)

L BODY = (M - HORIZON/TURISMO)(Z - OMNI/CHARGER)

M BODY = (B - GRAN FURY)(F - FIFTH AVE/NEWPORT)(G - DIPLOMAT)

P BODY = (P - SUNDANCE)(D - SHADOW)

S BODY = (H - VOYAGER)(K - RAM VAN/CARAVAN)

BODY STYLES

12-13 = FWD VAN

21 = 2-DOOR SEDAN

24 = 2-DOOR HATCHBACK

27 = 2-DOOR CONVERTIBLE

41 = 4-DOOR SEDAN

44 = 4-DOOR HATCHBACK

45 = 4-DOOR STATION WAGON

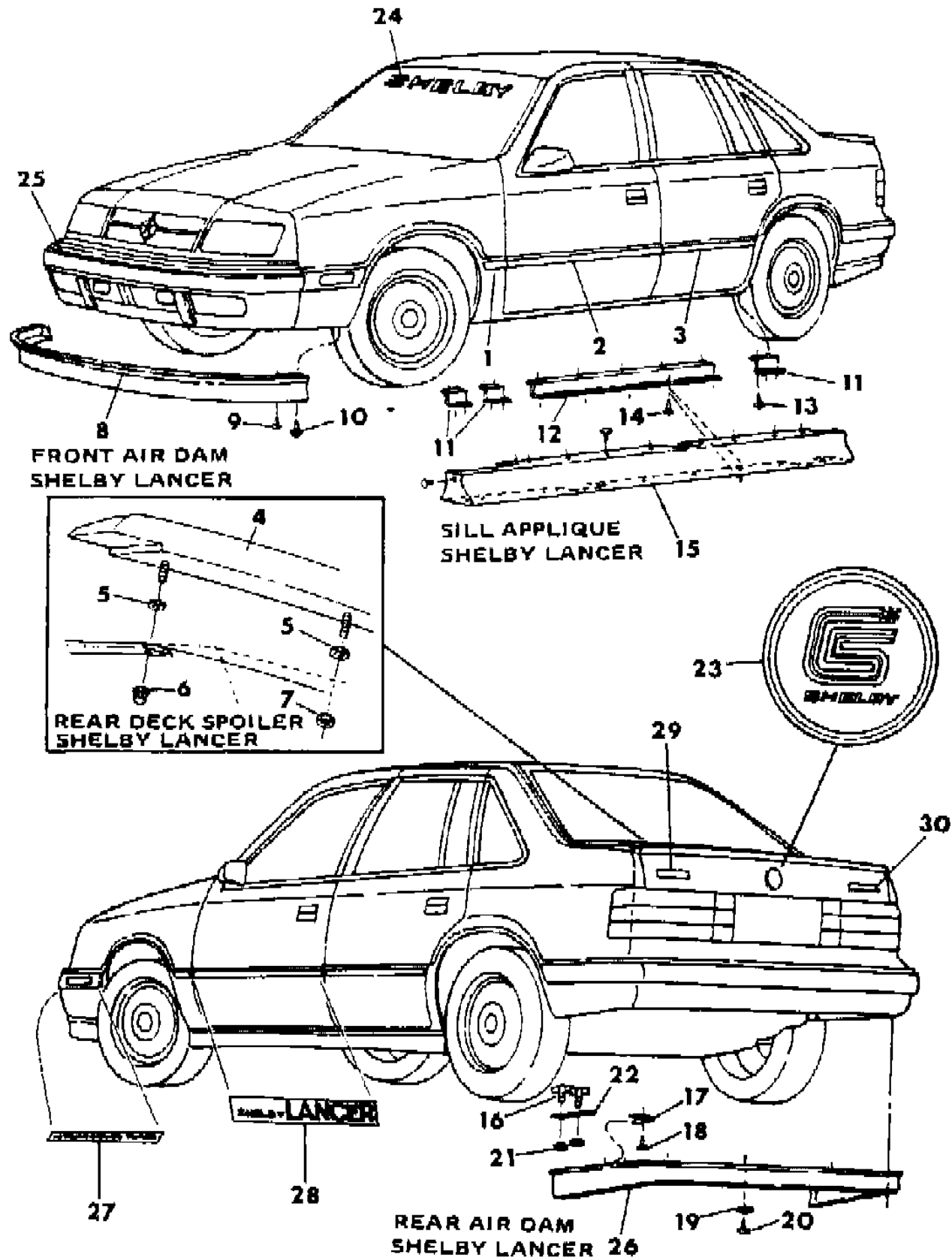
52-53 = FWD WAGON

AR = Use as Required - = Non Illustrated Part P.A.R. = Paint as Required

GROUND EFFECTS PACKAGE - EXTERIOR VIEW H BODY DODGE SHELBY LANCER

Figure 23-3600

7168 3800 A



ITEM	PART NUMBER	QTY	BODY	MODEL	DESCRIPTION
1	4370 250-1	1			MOULDING, Fndr. Rear, w/End Cap, Black
2	4370 252-3	1			MOULDING, Frt. Door, Black
3	4370 254-5	1			MOULDING, Rear Door, w/End Cap, Black
4	4370 155	1			SPOILER, L/Gate, Rear
5		2			WASHER, (Not Serv.)
6	4370 235	2			NUT
7	6500 284	2			NUT
8	4370 142	1			AIR DAM, Frt. Bumper Fascia (Dealer Paint)
9	6032 796	20			SCREW and WASHER, Air Dam to Fascia
10		AR			SCREW and WASHER, (Not Serv.)
11	4370 147	6			RETAINER, Applique Sill, End
12	4370 146	2			RETAINER, Applique Sill, Center
13	6032 473	22			SCREW, Retainer to Sill
14	4370 236	22			RIVET, Side Sill Applique
15	4370 144-5	1			APPLIQUE, Side Sill
16	4370 153	4			RETAINER, Air Dam Rear Bumper
17	4370 141	4			RETAINER
18		4			SCREW, (Not Serv.)
19		4			WASHER, (Not Serv.)
20	6031 091	4			RIVET, Air Dam
21	4370 228	4			NUT
22	4370 229	2			RETAINER
23	4467 425	1			MEDALLION, Shelby, L/Gate
24	4467 872	1			DECAL, W/Shield, "SHELBY", Red
25	4467 422	1			TAPE STRIPE, Frt. Fascia Nerf Ext., Black
26	4370 143	1			AIR DAM, Rear
27	4467 868	2			DECAL, Frt. Fndr. Fascia, "INTERCOOLED TURBO"
28	4467 869	2			DECAL, Frt. Door, "SHELBY LANCER"
29	4467 870	1			DECAL, Rear Hatch, "SHELBY"
30	4467 871	1			DECAL, Rear Hatch, "LANCER"

MODEL CODES

E BODY = (J - CARAVELLE)(E - 600)(T - NEW YORKER)

G BODY = (V24 - DAYTONA)

H BODY = (D44 - LANCER)(C44 - LEBARON GTS)

J BODY = (C - LEBARON)

K BODY = (P - RELIANT)(D - ARIES)(C - LEBAROND)/TOWN & COUNTRY)

L BODY = (M - HORIZON/TURISMO)(Z - OMNI/CHARGER)

M BODY = (B - GRAN FURY)(F - FIFTH AVE/NEWPORT)(G - DIPLOMAT)

P BODY = (P - SUNDANCE)(D - SHADOW)

S BODY = (H - VOYAGER)(K - RAM VAN/CARAVAN)

BODY STYLES

12-13 = FWD VAN

21 = 2-DOOR SEDAN

24 = 2-DOOR HATCHBACK

27 = 2-DOOR CONVERTIBLE

41 = 4-DOOR SEDAN

44 = 4-DOOR HATCHBACK

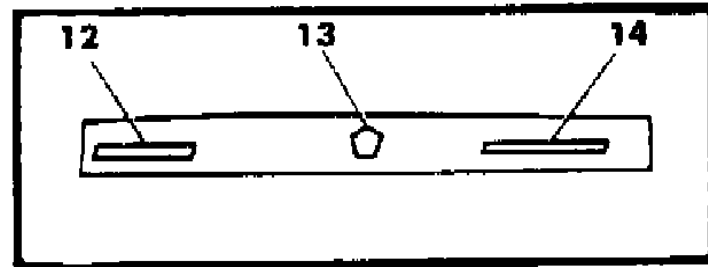
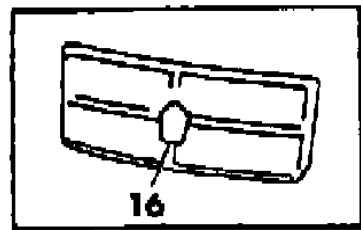
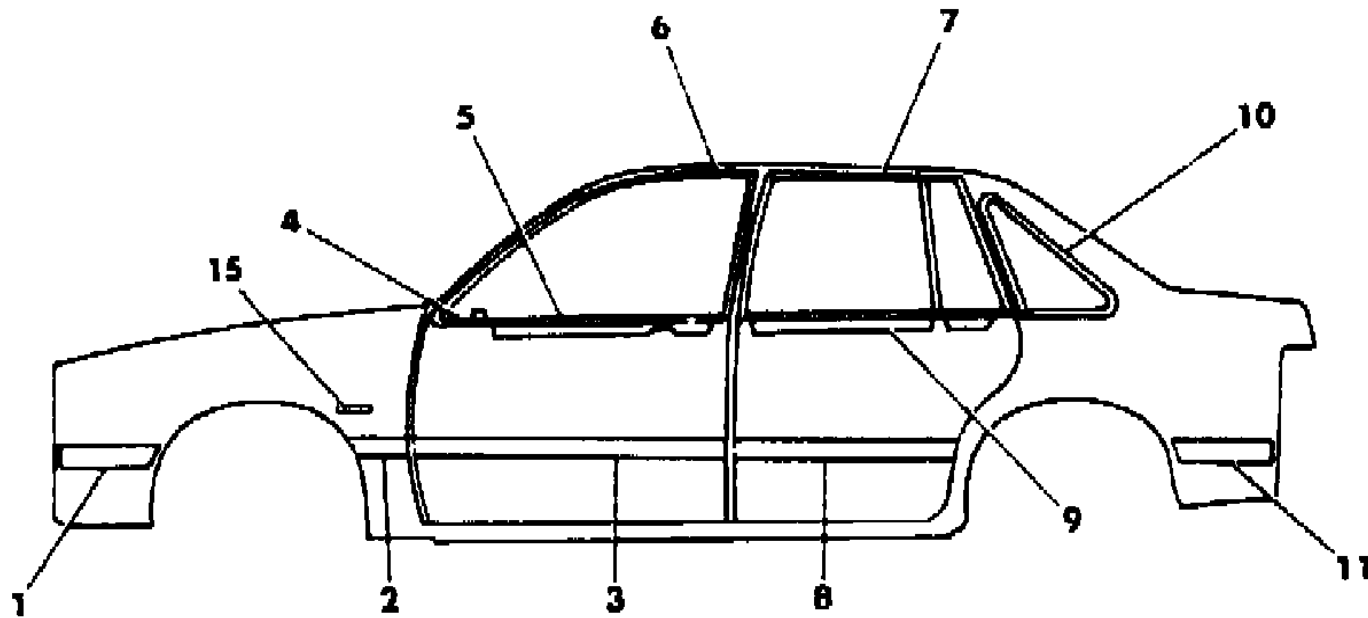
45 = 4-DOOR STATION WAGON

52-53 = FWD WAGON

AR = Use as Required - = Non Illustrated Part P.A.R. = Paint as Required

MOULDINGS AND ORNAMENTATION - EXTERIOR VIEW H BODY CHRYSLER LEBARON, GTS
Figure 23-3700

7188 3700



ITEM	PART NUMBER	QTY	BODY	MODEL	DESCRIPTION
1					LAMP ASSEMBLY, Frt. Bumper Nerf Ext. Reflex and Side Marker (See Illus. in Group 8)
	6029 471	AR			NUT
2	X674-5 DX9	1			MOULDING PACKAGE, Fndr. Side Rear, Black
	X674-5 ES7	1			Charcoal
3	X676-7 DX9	1			MOULDING, Frt. Door, Black
	X676-7 ES7	1			Charcoal
4	4398 348-9	1			MOULDING, Frt. Door Belt Frt.
5	4398 352-3	1			MOULDING, Frt. Door Belt and W/Strip
	6032 456	AR			SCREW
6	4319 506-7	1			MOULDING, Frt. Door Wdo. Opng Frame, Bright
7	4319 522-3	1			MOULDING, Rear Door Wdo. Opng. Frame, Bright
8	X678-9 DX9	1			MOULDING, Rear Door, Black
	X678-9 ES7	1			Charcoal
9	4398 358-9	1			MOULDING, Rear Door Belt and W/Strip
	6032 456	AR			SCREW
10	4422 244-5	1			FRAME and MOULDING, Qtr. Wdo., Bright
	4057 555	AR			RETAINER PACKAGE
11	4364 128-9	1			MOULDING PACKAGE, Qtr. Nerf Ext., Black
	4411 626-7	1			Charcoal
12	4328 867	1			NAMEPLATE, L/Gate, "CHRYSLER"
13	4328 828	1			MEDALLION, L/Gate, Pentastar
14	4366 456	1			NAMEPLATE, L/Gate, "LEBARON GTS"
15	4319 147	2			NAMEPLATE, Fndr., "TURBO EFI"
16	4270 611	1			PENTASTAR, Radiator Grille
	6100 840	1			NUT, Pentastar to Rad. Grille

MODEL CODES

E BODY = (J - CARAVELLE)(E - 600)(T - NEW YORKER)

G BODY = (V24 - DAYTONA)

H BODY = (D44 - LANCER)(C44 - LEBARON GTS)

J BODY = (C - LEBARON)

K BODY = (P - RELIANT)(D - ARIES)(C - LEBAROND)/TOWN & COUNTRY)

L BODY = (M - HORIZON/TURISMO)(Z - OMNI/CHARGER)

M BODY = (B - GRAN FURY)(F - FIFTH AVE/NEWPORT)(G - DIPLOMAT)

P BODY = (P - SUNDANCE)(D - SHADOW)

S BODY = (H - VOYAGER)(K - RAM VAN/CARAVAN)

BODY STYLES

12-13 = FWD VAN

21 = 2-DOOR SEDAN

24 = 2-DOOR HATCHBACK

27 = 2-DOOR CONVERTIBLE

41 = 4-DOOR SEDAN

44 = 4-DOOR HATCHBACK

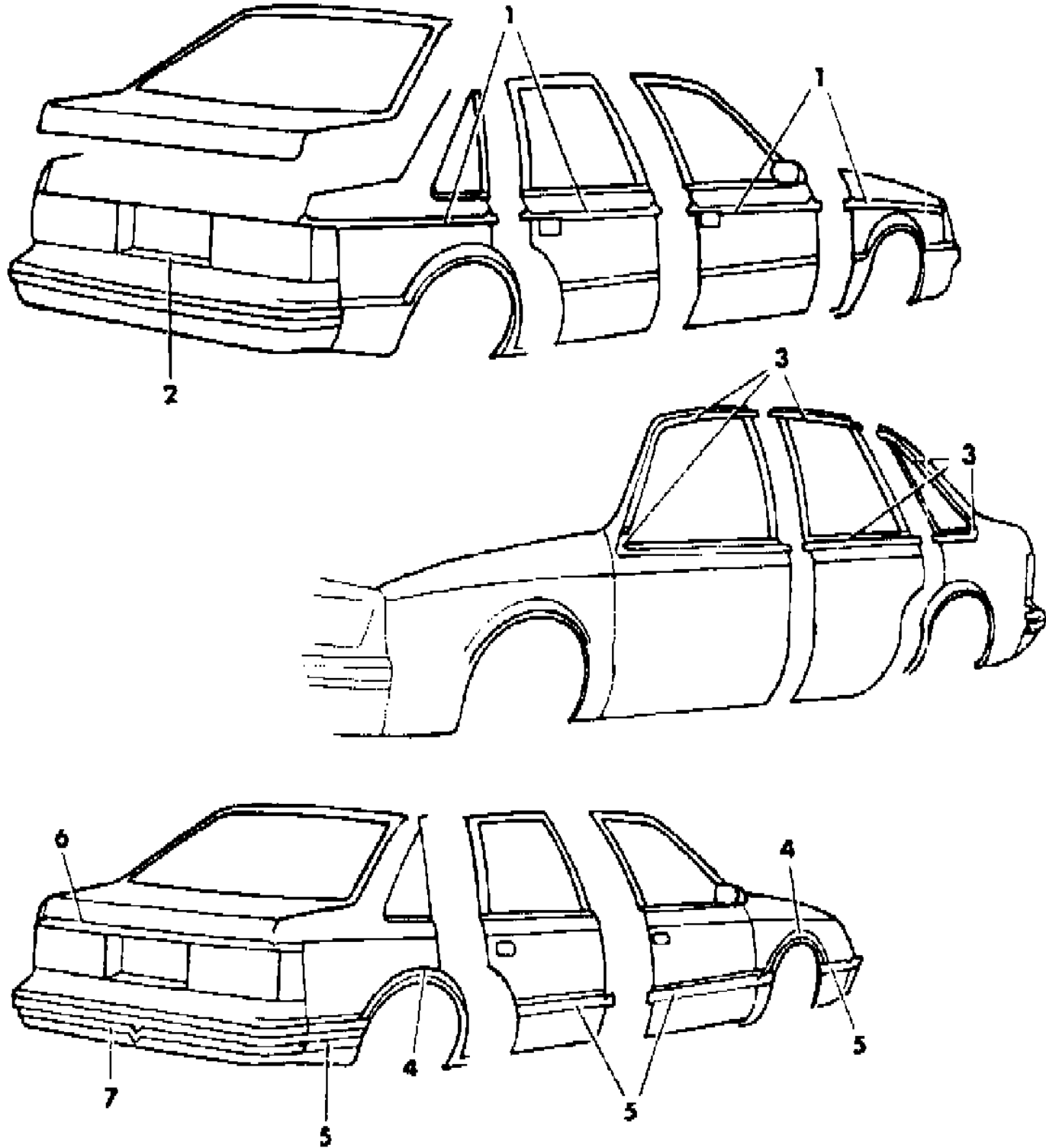
45 = 4-DOOR STATION WAGON

52-53 = FWD WAGON

AR = Use as Required - = Non Illustrated Part P.A.R. = Paint as Required

TAPE STRIPES AND DECALS - EXTERIOR VIEW H BODY CHRYSLER LEBARON, GTS
Figure 23-3800

7188 3800



ITEM	PART NUMBER	QTY	BODY	MODEL	DESCRIPTION
1	4443 560-1	1		C-H	TAPE PACKAGE, Fndr., Doors, Dark Silver
	4443 562-3	1		C-H	Blue
	4443 564-5	1		C-H	Gold
	4443 566-7	1		C-H	Rosewood
	4443 568-9	1		C-H	Red
	4443 694-5	1		C-H	Black
	T854-5 FA3	1		C-H	TAPE, Qtr., Dark Silver
	T854-5 FC4	1		C-H	Blue
	T854-5 FE4	1		C-H	Rosewood
	T854-5 FY1	1		C-H	Gold
T854-5 FR4	1		C-H	Red	
T854-5 FX9	1		C-H	Black	
2	4366 887	1			TAPE, L/Gate Opng. Lwr. Pnl.
3	4411 784-5	1		C-P	TAPE PACKAGE, Frt. Door Wdo. Upr., Lwr., Rear Door Wdo. Upr., Lwr., Qtr. Wdo. Upr., Lwr., Red
	4397 562-3	1		C-P	Gold
	4411 776-7	1		C-P	Dark Silver
	4411 778-9	1		C-P	Blue
	4411 782-3	1		C-P	Rosewood
	4443 698-9	1		C-P	Black
4	4411 750-1	1		C-P	TAPE PACKAGE, Fndr. W/Opng., Qtr. W/Opng., Dark Silver
	4411 754-5	1		C-P	Rosewood
	4397 520-1	1		C-P	Gold
	4411 752-3	1		C-P	Blue
	4411 756-7	1		C-P	Red
	4443 696-7	1		C-P	Black
5	4411 758-9	1		C-P	TAPE PACKAGE, Fndr., Door, Qtr., Dark Silver
	4411 764-5	1		C-P	Red
	4397 526-7	1		C-P	Gold
	4411 760-1	1		C-P	Blue
	4411 762-3	1		C-P	Rosewood
	4443 692-3	1		C-P	Black
6	T263 FA3	1		C-P	TAPE, L/Gate, Dark Silver
	T263 FR4	1		C-P	Red
	T263 EY1	1		C-P	Gold
	T263 FC4	1		C-P	Blue
	T263 FE4	1		C-P	Rosewood
	T263 FX9	1		C-P	Black

MODEL CODES

E BODY = (J - CARAVELLE)(E - 600)(T - NEW YORKER)

G BODY = (V24 - DAYTONA)

H BODY = (D44 - LANCER)(C44 - LEBARON GTS)

J BODY = (C - LEBARON)

K BODY = (P - RELIANT)(D - ARIES)(C - LEBAROND)/TOWN & COUNTRY)

L BODY = (M - HORIZON/TURISMO)(Z - OMNI/CHARGER)

M BODY = (B - GRAN FURY)(F - FIFTH AVE/NEWPORT)(G - DIPLOMAT)

P BODY = (P - SUNDANCE)(D - SHADOW)

S BODY = (H - VOYAGER)(K - RAM VAN/CARAVAN)

BODY STYLES

12-13 = FWD VAN

21 = 2-DOOR SEDAN

24 = 2-DOOR HATCHBACK

27 = 2-DOOR CONVERTIBLE

41 = 4-DOOR SEDAN

44 = 4-DOOR HATCHBACK

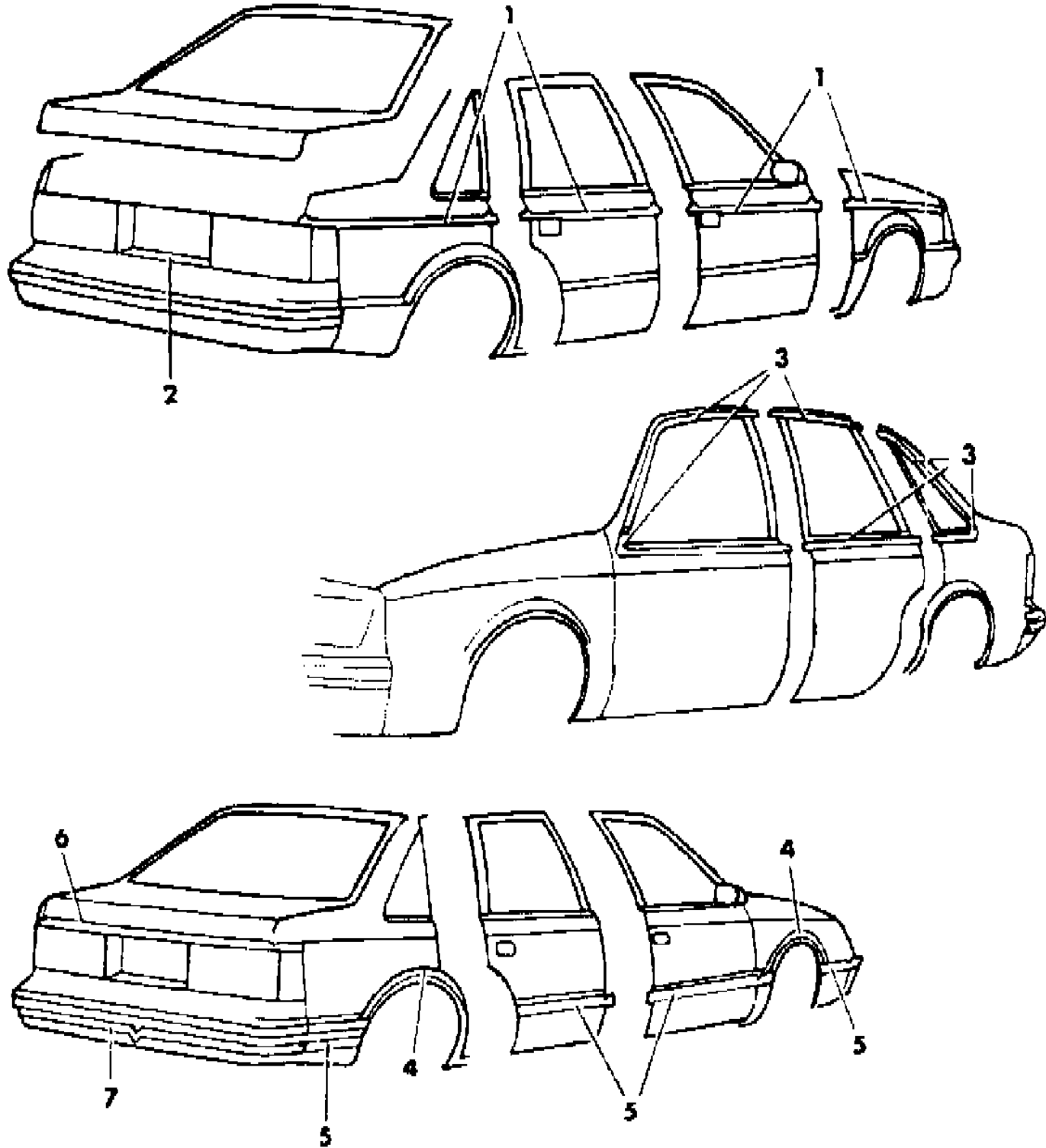
45 = 4-DOOR STATION WAGON

52-53 = FWD WAGON

AR = Use as Required - = Non Illustrated Part P.A.R. = Paint as Required

TAPE STRIPES AND DECALS - EXTERIOR VIEW H BODY CHRYSLER LEBARON, GTS
Figure 23-3800

7188 3800



ITEM	PART NUMBER	QTY	BODY	MODEL	DESCRIPTION
7	T301 FR4	1		C-P	TAPE, Rear Fascia, Red
	T301 FA3	1		C-P	Dark Silver
	T301 EY1	1		C-P	Gold
	T301 FC4	1		C-P	Blue
	T301 FE4	1		C-P	Rosewood
	T301 FX9	1		C-P	Black

MODEL CODES

E BODY = (J - CARAVELLE)(E - 600)(T - NEW YORKER)

G BODY = (V24 - DAYTONA)

H BODY = (D44 - LANCER)(C44 - LEBARON GTS)

J BODY = (C - LEBARON)

K BODY = (P - RELIANT)(D - ARIES)(C - LEBAROND)/TOWN & COUNTRY)

L BODY = (M - HORIZON/TURISMO)(Z - OMNI/CHARGER)

M BODY = (B - GRAN FURY)(F - FIFTH AVE/NEWPORT)(G - DIPLOMAT)

P BODY = (P - SUNDANCE)(D - SHADOW)

S BODY = (H - VOYAGER)(K - RAM VAN/CARAVAN)

BODY STYLES

12-13 = FWD VAN

21 = 2-DOOR SEDAN

24 = 2-DOOR HATCHBACK

27 = 2-DOOR CONVERTIBLE

41 = 4-DOOR SEDAN

44 = 4-DOOR HATCHBACK

45 = 4-DOOR STATION WAGON

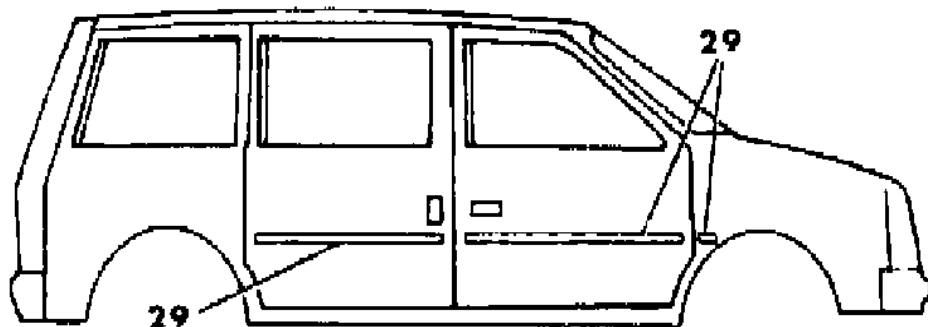
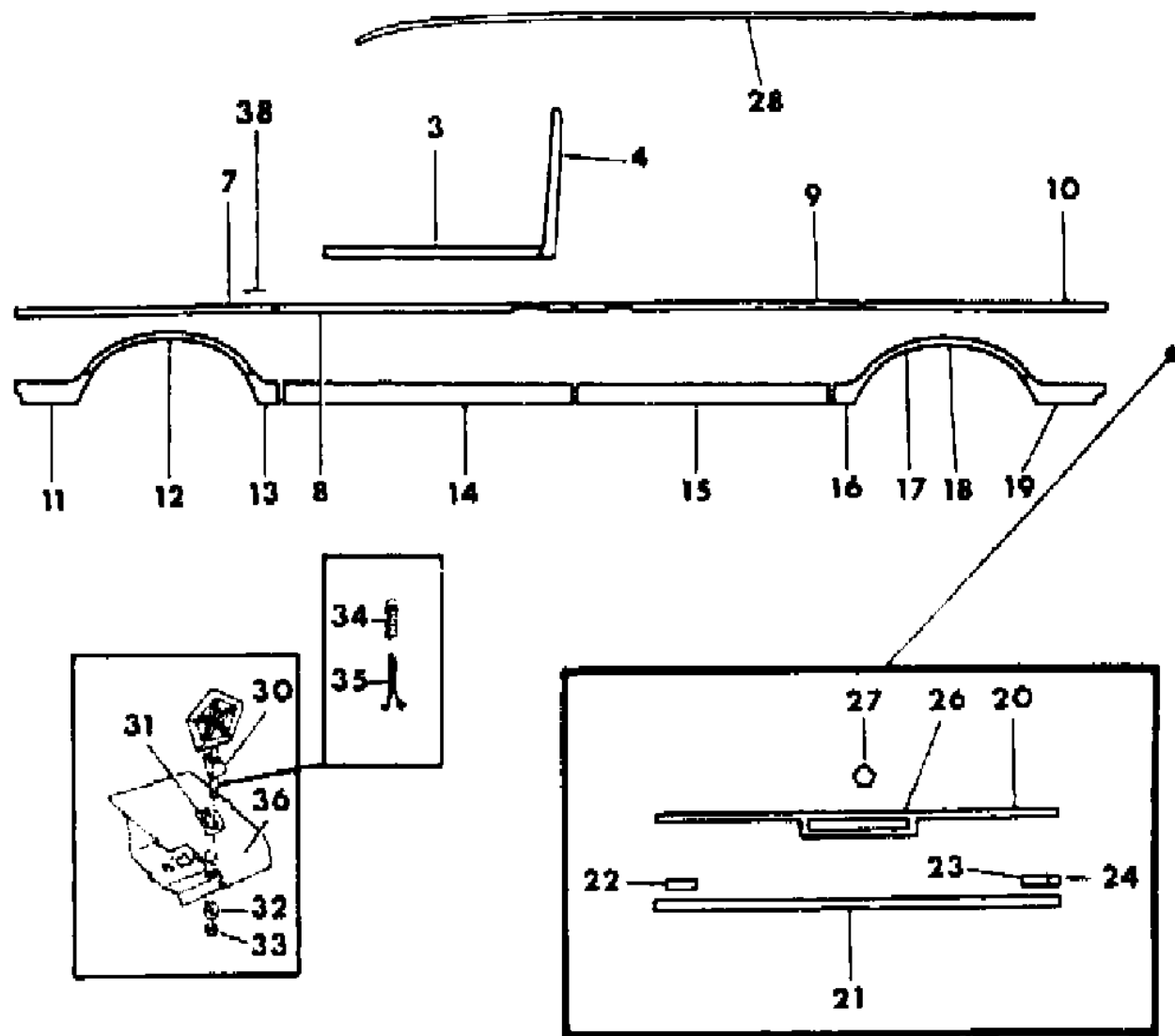
52-53 = FWD WAGON

AR = Use as Required - = Non Illustrated Part P.A.R. = Paint as Required

MOULDINGS AND ORNAMENTATION - EXTERIOR VIEW S BODY PLYMOUTH VOYAGER WAGON, DODGE CARAVAN WAGON

Figure 23-3900

7188 3900



ITEM	PART NUMBER	QTY	BODY	MODEL	DESCRIPTION
3	4319 148-9	1			WEATHERSTRIP, Frt. Door Belt
4	6032 456	AR			SCREW
	4319 152-3	1			MOULDING, Frt. Door Wdo. Opng. Frame, Rear
7	4057 555	AR			RETAINER PACKAGE
	4293 572-3	1			MOULDING PACKAGE, Fndr. Side Upr., Woodgrain
8	4293 606	AR			RETAINER PACKAGE
	4057 555	AR			RETAINER PACKAGE
8	4293 574-5	1			MOULDING PACKAGE, Frt. Door Upr., Woodgrain
	4293 606	AR			RETAINER PACKAGE
9	4057 555	AR			RETAINER PACKAGE
	4364 103	1			MOULDING PACKAGE, Sliding Door Upr., Woodgrain
9	4293 606	AR			RETAINER PACKAGE
	4057 555	AR			RETAINER PACKAGE
10	4293 608-9	1			MOULDING PACKAGE, Qtr. Upr., Rt., Woodgrain, 112.1 W.B.
	4411 656-7	1			MOULDING PACKAGE, Qtr. Upr., Lt., Woodgrain, 119.1 W.B.
10	4293 606	AR			RETAINER PACKAGE
	4057 555	AR			RETAINER PACKAGE
11	4276 724-5	1			MOULDING, Fndr. Frt. Lwr., Woodgrain
	6003 874	AR			RETAINER SCREW, (Not Serv.)
12	4276 726-7	1			MOULDING, Fndr. W/Opng., Woodgrain
					SCREW, (Not Serv.)
13	4319 600-1	1			MOULDING, Fndr. Lwr. Rear, Woodgrain
	4057 555	AR			RETAINER PACKAGE
13	6003 882	AR			RETAINER
					END CAP, (Serv. in Mldg. Assy.) SCREW, (Not Serv.)
14	4276 730-1	1			MOULDING, Frt. Door Lwr., Woodgrain
	6003 855	AR			RETAINER
15	4366 328	1			MOULDING, Sliding Door Lwr., Woodgrain
	6003 855	AR			RETAINER
16	4276 739	1			MOULDING, Qtr. Lwr. Frt., Lt., Woodgrain, 112.1 W.B.
	4411 677	1			MOULDING, Qtr. Lwr. Frt., Lt., Woodgrain, 119.1 W.B.
16	6003 855	AR			RETAINER
					SCREW, (Not Serv.)
17	4276 743	1			MOULDING, Qtr. W/Opng., Lt., Woodgrain
					SCREW, (Not Serv.)

MODEL CODES

E BODY = (J - CARAVELLE)(E - 600)(T - NEW YORKER)

G BODY = (V24 - DAYTONA)

H BODY = (D44 - LANCER)(C44 - LEBARON GTS)

J BODY = (C - LEBARON)

K BODY = (P - RELIANT)(D - ARIES)(C - LEBAROND)/TOWN & COUNTRY)

L BODY = (M - HORIZON/TURISMO)(Z - OMNI/CHARGER)

M BODY = (B - GRAN FURY)(F - FIFTH AVE/NEWPORT)(G - DIPLOMAT)

P BODY = (P - SUNDANCE)(D - SHADOW)

S BODY = (H - VOYAGER)(K - RAM VAN/CARAVAN)

BODY STYLES

12-13 = FWD VAN

21 = 2-DOOR SEDAN

24 = 2-DOOR HATCHBACK

27 = 2-DOOR CONVERTIBLE

41 = 4-DOOR SEDAN

44 = 4-DOOR HATCHBACK

45 = 4-DOOR STATION WAGON

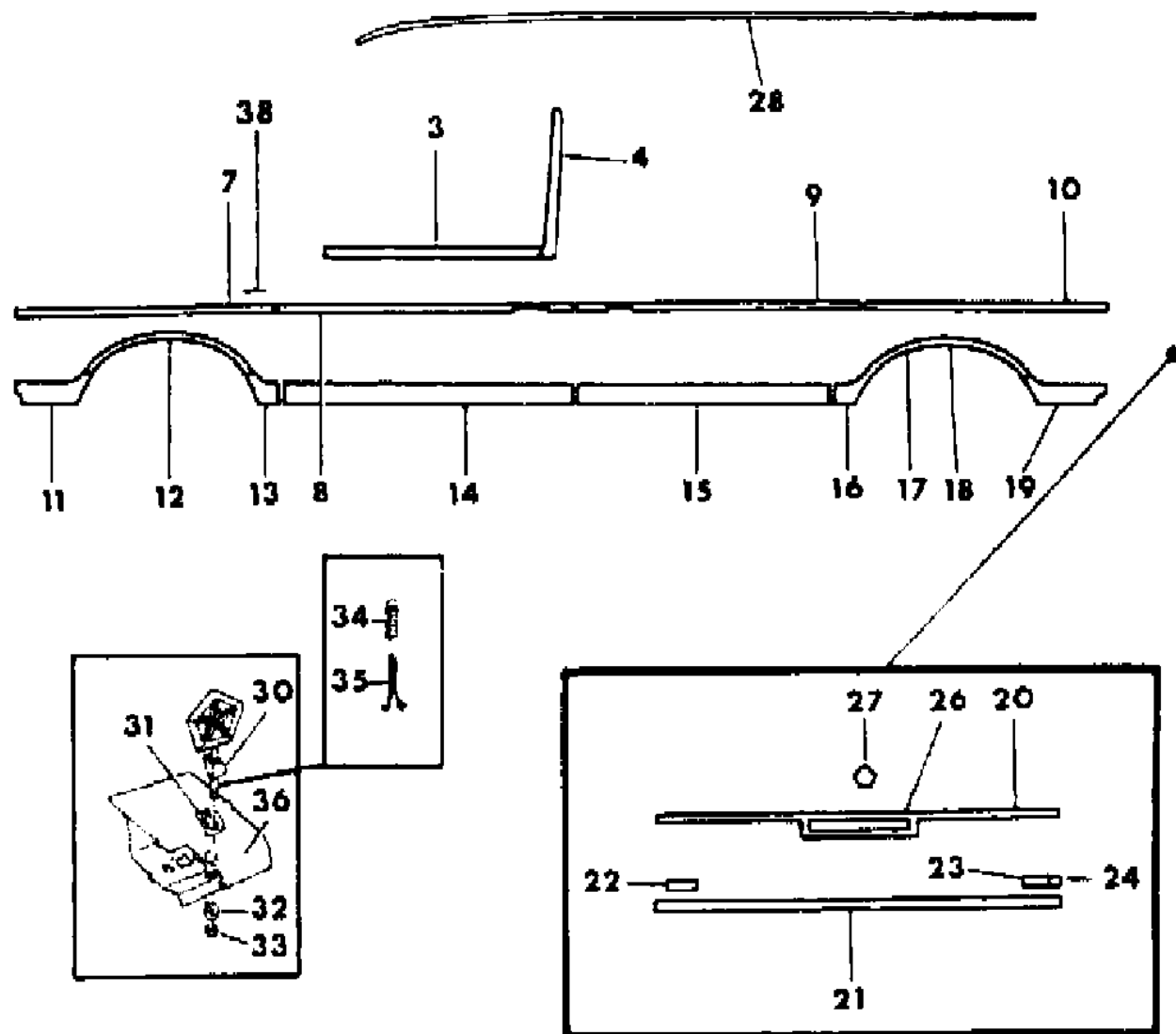
52-53 = FWD WAGON

AR = Use as Required - = Non Illustrated Part P.A.R. = Paint as Required

MOULDINGS AND ORNAMENTATION - EXTERIOR VIEW S BODY PLYMOUTH VOYAGER WAGON, DODGE CARAVAN WAGON

Figure 23-3900

7188 3900



ITEM	PART NUMBER	QTY	BODY	MODEL	DESCRIPTION
18	4319 610	1			MOULDING, Qtr. Lwr. Frt. and W/Opng., Rt., Woodgrain, 112.1 W.B.
	4411 676	1			MOULDING, Qtr. Lwr. Frt. and W/Opng., Rt., Woodgrain, 119.1 W.B.
					SCREW, (Not Serv.)
19	4276 744-5	1			MOULDING, Qtr. Lwr. Rear, Woodgrain, 112.1 W.B.
	4411 674-5	1			MOULDING, Qtr. Lwr. Rear, Woodgrain, 119.1 W.B.
	6003 874	AR			RETAINER SCREW, (Not Serv.)
20	4293 586-7	1			MOULDING PACKAGE, L/Gate Uptr. Outer, Woodgrain
	4293 606	AR			RETAINER PACKAGE
21	4293 588	1			MOULDING, L/Gate Lwr., Woodgrain
	6003 849	AR			RETAINER
22	4328 117	1			NAMEPLATE, L/Gate, "PLYMOUTH"
	4328 118	1			"DODGE"
23	4319 995	1			NAMEPLATE, L/Gate, "VOYAGER"
	4319 993	1			"CARAVAN"
24	4328 383	1			NAMEPLATE, L/Gate, "SE"
	4328 384	1			NAMEPLATE, L/Gate, "LE"
26	4328 156	1			HANDLE ASSEMBLY, L/Gate
		AR			NUT and WASHER, (Not Serv.)
	4328 159	1			HANDLE and MOULDING, L/Gate, Woodgrain
		AR			NUT and WASHER, (Not Serv.)
27	4319 497	1			MEDALLION, L/Gate Pentastar
28	4328 338-9	1			MOULDING, Roof Side Drain Trough, Use w/o Rear Dual Hge.
	4457 044-5	1			Doors, Open End on Mldg., Std. W.B., Approx. 93.5" Long
	4398 450-1	1			Closed End on Mldg., Std. W.B., Approx. 94" Long
					MOULDING, Roof Drain Trough, Use w/Rear Dual Hge. Doors, Std. W.B., Approx. 98.5" Long
	4422 040-1	1			MOULDING, Roof Drain Trough, Use w/o Rear Dual Hge. Doors, Ext. W.B., Approx. 107.92" Long
	4491 140-1	1			MOULDING, Roof Drain Trough, Use w/o Rear Dual Hge. Doors, Ext. W.B., Approx. 108.64" Long
	4422 422-3	1			Use w/Rear Dual Hge. Doors, Ext. W.B., Approx. 113.6" Long
29	X346-7 FS8	1			MOULDING, Fndr. Rear, Charcoal, Use Up to 12-11-86
	X346-7 FC7	1			Twilight Blue
	X346-7 ET5	1			Bronze
	X346-7 EW3	1			White

MODEL CODES

E BODY = (J - CARAVELLE)(E - 600)(T - NEW YORKER)

G BODY = (V24 - DAYTONA)

H BODY = (D44 - LANCER)(C44 - LEBARON GTS)

J BODY = (C - LEBARON)

K BODY = (P - RELIANT)(D - ARIES)(C - LEBAROND)/TOWN & COUNTRY)

L BODY = (M - HORIZON/TURISMO)(Z - OMNI/CHARGER)

M BODY = (B - GRAN FURY)(F - FIFTH AVE/NEWPORT)(G - DIPLOMAT)

P BODY = (P - SUNDANCE)(D - SHADOW)

S BODY = (H - VOYAGER)(K - RAM VAN/CARAVAN)

BODY STYLES

12-13 = FWD VAN

21 = 2-DOOR SEDAN

24 = 2-DOOR HATCHBACK

27 = 2-DOOR CONVERTIBLE

41 = 4-DOOR SEDAN

44 = 4-DOOR HATCHBACK

45 = 4-DOOR STATION WAGON

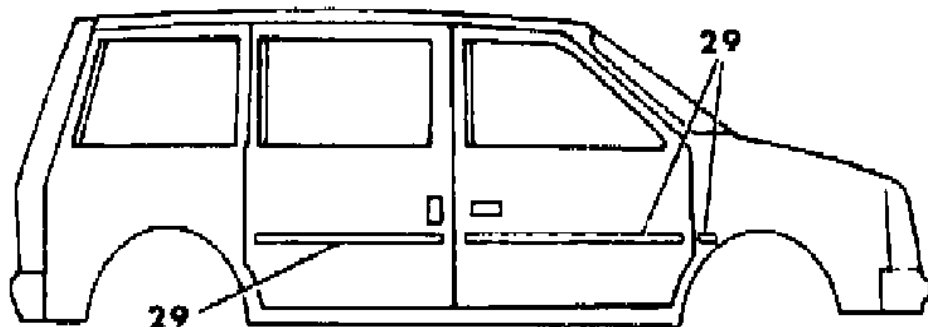
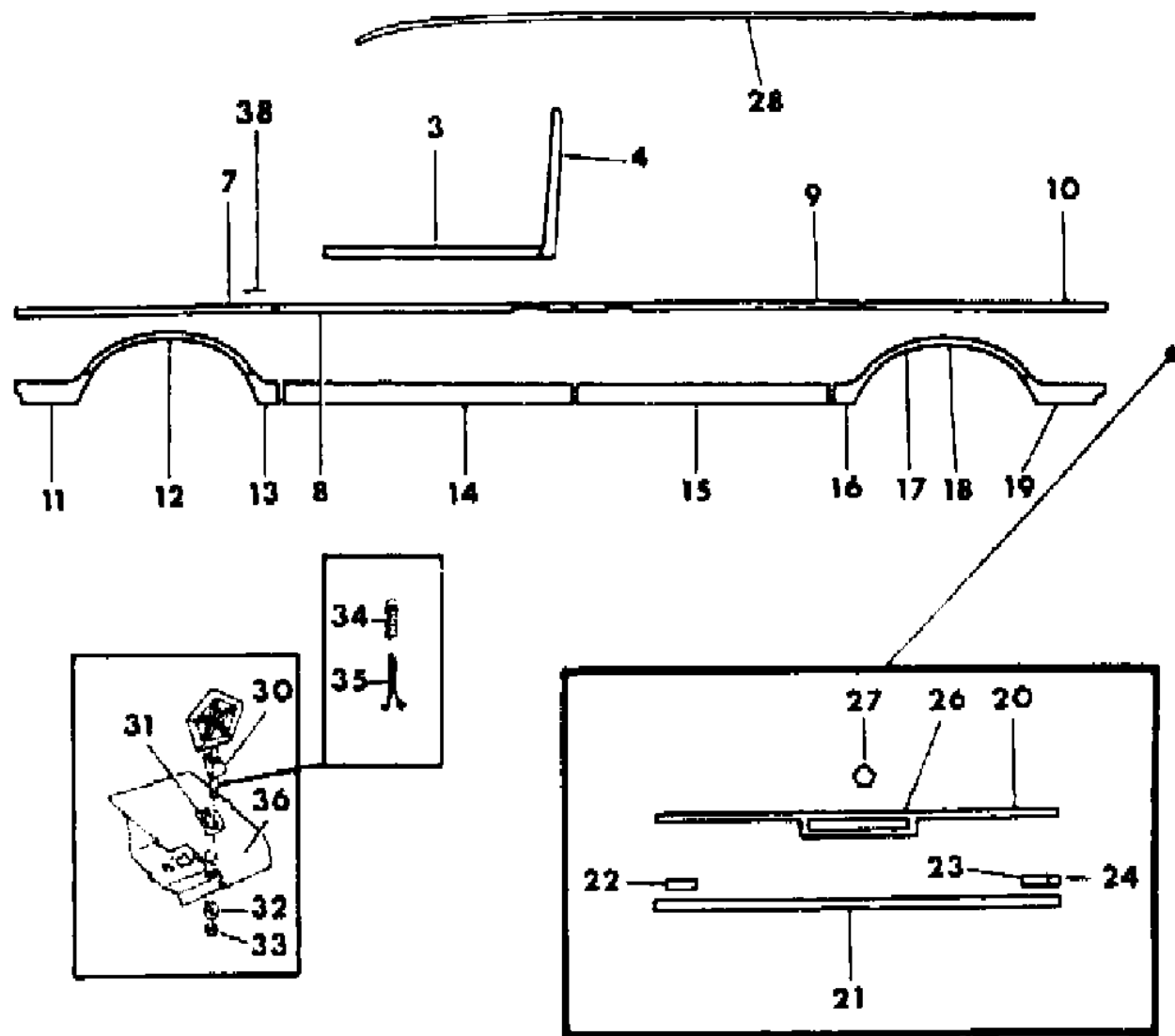
52-53 = FWD WAGON

AR = Use as Required - = Non Illustrated Part P.A.R. = Paint as Required

MOULDINGS AND ORNAMENTATION - EXTERIOR VIEW S BODY PLYMOUTH VOYAGER WAGON, DODGE CARAVAN WAGON

Figure 23-3900

7188 3900



ITEM	PART NUMBER	QTY	BODY	MODEL	DESCRIPTION
	X346-7 FE9	1			Dark Cordovan
	X138-9 FE9	1			Dark Cordovan, Use After 12-11-86
	4443 592-3	1			Black
	4443 594-5	1			Silver
	4443 596-7	1			Gunmetal Blue
	X138-9 FT5	1			Bronze
	X138-9 FC7	1			Twilight Blue
	X138-9 FW3	1			White
	X138-9 FS8	1			Charcoal
	X348 FS8	2			MOULDING, Frt. Door, Charcoal, Use Up to 12-11-86
	X348 FC7	2			Twilight Blue
	X348 ET5	2			Bronze
	X348 EW3	2			White
	X348 FE9	2			Dark Cordovan
	X140 FE9	2			Dark Cordovan, Use After 12-11-86
	4443 598	2			Black
	X140 FT5	2			Bronze
	X140 FC7	2			Twilight Blue
	4443 600	2			Gunmetal Blue
	X140 FW3	2			White
	X140 FS8	2			Charcoal
	4443 599	2			Silver
	X350 FS8	1			MOULDING, Sliding Door, Rt., Charcoal, 112.1 W.B., Use Up to 12-11-86
	X142 FS8	1			Charcoal, Use After 12-11-86
	4443 651	1			Black, Use After 12-11-86
	X500 FS8	1			MOULDING, Sliding Door, Rt., Charcoal, 119.1 W.B. Use Up to 2-6-87
	X164 FS8	1			Charcoal, Use After 2-6-87
	X350 FC7	1			Twilight Blue, 112.1 W.B., Use Up to 12-11-86
	X142 FC7	1			Twilight Blue, Use After 12-11-86
	4443 653	1			Gunmetal Blue, Use After 12-11-86
	X500 FC7	1			Twilight Blue, 119.1 W.B., Use Up to 2-6-87
	X164 FC7	1			Twilight Blue, Use After 2-6-87
	X350 ET5	1			Bronze, 112.1 W.B., Use Up to 12-11-86
	X142 FT5	1			Bronze, Use After 12-11-86
	X500 FT5	1			Bronze, 119.1 W.B., Use Up to 2-6-87
	X164 FT5	1			Bronze, Use After 2-6-87

MODEL CODES

E BODY = (J - CARAVELLE)(E - 600)(T - NEW YORKER)

G BODY = (V24 - DAYTONA)

H BODY = (D44 - LANCER)(C44 - LEBARON GTS)

J BODY = (C - LEBARON)

K BODY = (P - RELIANT)(D - ARIES)(C - LEBAROND)/TOWN & COUNTRY)

L BODY = (M - HORIZON/TURISMO)(Z - OMNI/CHARGER)

M BODY = (B - GRAN FURY)(F - FIFTH AVE/NEWPORT)(G - DIPLOMAT)

P BODY = (P - SUNDANCE)(D - SHADOW)

S BODY = (H - VOYAGER)(K - RAM VAN/CARAVAN)

BODY STYLES

12-13 = FWD VAN

21 = 2-DOOR SEDAN

24 = 2-DOOR HATCHBACK

27 = 2-DOOR CONVERTIBLE

41 = 4-DOOR SEDAN

44 = 4-DOOR HATCHBACK

45 = 4-DOOR STATION WAGON

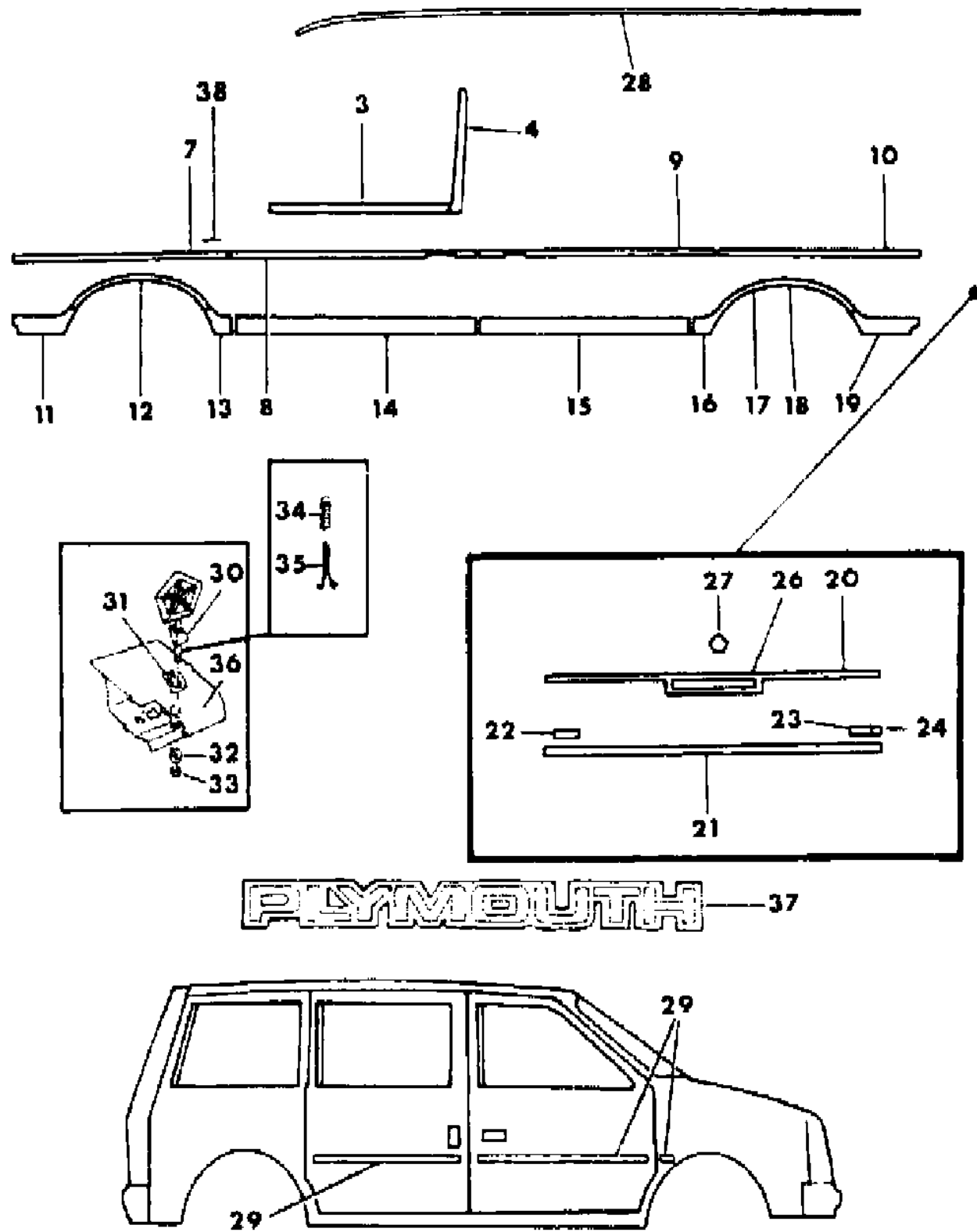
52-53 = FWD WAGON

AR = Use as Required - = Non Illustrated Part P.A.R. = Paint as Required

MOULDINGS AND ORNAMENTATION - EXTERIOR VIEW S BODY PLYMOUTH VOYAGER WAGON, DODGE CARAVAN WAGON

Figure 23-3900

7188 3900



ITEM	PART NUMBER	QTY	BODY	MODEL	DESCRIPTION
	X350 EW3	1			White, 112.1 W.B., Use Up to 12-11-86
	X142 FW3	1			White, Use After 12-11-86
	X500 FW3	1			White, 119.1 W.B., Use Up to 2-6-87
	X164 FW3	1			White, Use After 2-6-87
	X350 FE9	1			Dark Cordovan, 112.1 W.B., Use Up to 12-11-86
	X142 FE9	1			Dark Cordovan, Use After 12-11-86
	4443 652	1			Silver, Use After 12-11-86
	X500 FE9	1			Dark Cordovan, 119.1 W.B., Use Up to 2-6-87
	X142 FE9	1			Dark Cordovan, Use After 2-6-87
	X351 FS8	1			MOULDING, Qtr. Pnl., Lt., Charcoal, 112.1 W.B., Use Up to 11-86
	X165 FS8	1			Charcoal, Use After 12-11-86
	4443 654	1			Black, Use After 12-11-86
	X350 FS8	1			MOULDING, Qtr. Pnl., Lt., Charcoal, 119.1 W.B., Use Up to 11-86
	X142 FS8	1			Charcoal, Use After 12-11-86
	X351 FC7	1			Twilight Blue, 112.1 W.B., Use Up to 12-11-86
	X165 FC7	1			Twilight Blue, Use After 12-11-86
	4443 656	1			Gunmetal Blue, Use After 12-11-86
	X350 FC7	1			Twilight Blue, 119.1 W.B., Use Up to 12-11-86
	X142 FC7	1			Twilight Blue, Use After 12-11-86
	X351 ET5	1			Bronze, 112.1 W.B., Use Up to 12-11-86
	X165 FT5	1			Bronze, Use After 12-11-86
	4443 655	1			Silver, Use After 12-11-86
	X350 ET5	1			Bronze, 119.1 W.B., Use Up to 12-11-86
	X142 FT5	1			Bronze, Use After 12-11-86
	X351 EW3	1			White, 112.1 W.B., Use Up to 12-11-86
	X165 FW3	1			White, Use After 12-11-86
	X350 EW3	1			White, 119.1 W.B., Use Up to 12-11-86
	X142 FW3	1			White, Use After 12-11-86
	X351 FE9	1			Dark Cordovan, 112.1 W.B., Use Up to 12-11-86
	X165 FE9	1			Dark Cordovan, Use After 12-11-86
	X350 FE9	1			Dark Cordovan, 119.1 W.B., Use Up to 12-11-86
	X142 FE9	1			Dark Cordovan, Use After 12-11-86
	X502 FC7	1			MOULDING, Qtr., Rt., Twilight Blue, 119.1 W.B., Use Up to 2-6-87
	X502 FE9	1			Dark Cordovan, 119.1" W.B.
	X502 FS8	1			Charcoal, 119.1" W.B.

MODEL CODES

E BODY = (J - CARAVELLE)(E - 600)(T - NEW YORKER)

G BODY = (V24 - DAYTONA)

H BODY = (D44 - LANCER)(C44 - LEBARON GTS)

J BODY = (C - LEBARON)

K BODY = (P - RELIANT)(D - ARIES)(C - LEBAROND)/TOWN & COUNTRY)

L BODY = (M - HORIZON/TURISMO)(Z - OMNI/CHARGER)

M BODY = (B - GRAN FURY)(F - FIFTH AVE/NEWPORT)(G - DIPLOMAT)

P BODY = (P - SUNDANCE)(D - SHADOW)

S BODY = (H - VOYAGER)(K - RAM VAN/CARAVAN)

BODY STYLES

12-13 = FWD VAN

21 = 2-DOOR SEDAN

24 = 2-DOOR HATCHBACK

27 = 2-DOOR CONVERTIBLE

41 = 4-DOOR SEDAN

44 = 4-DOOR HATCHBACK

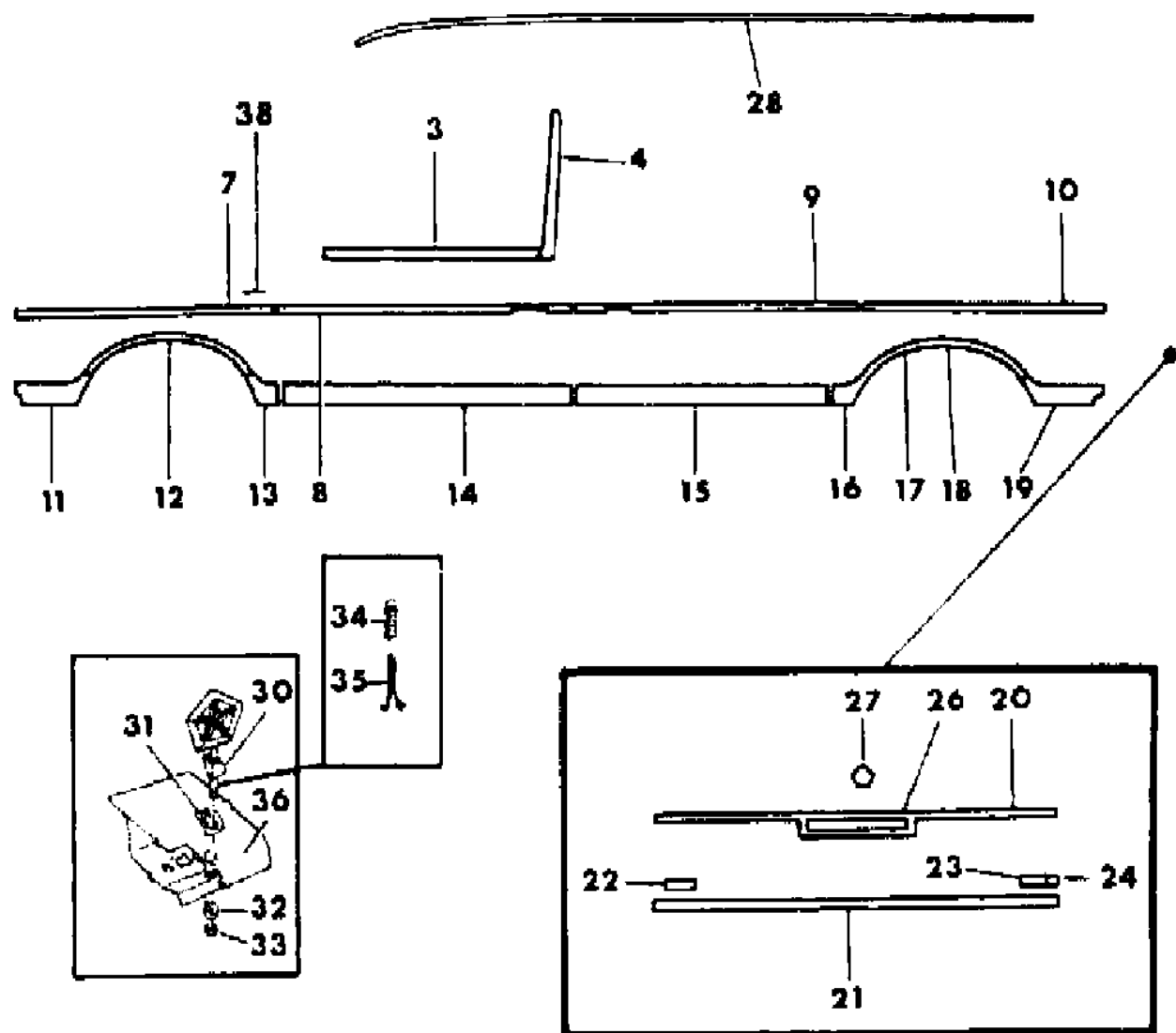
45 = 4-DOOR STATION WAGON

52-53 = FWD WAGON

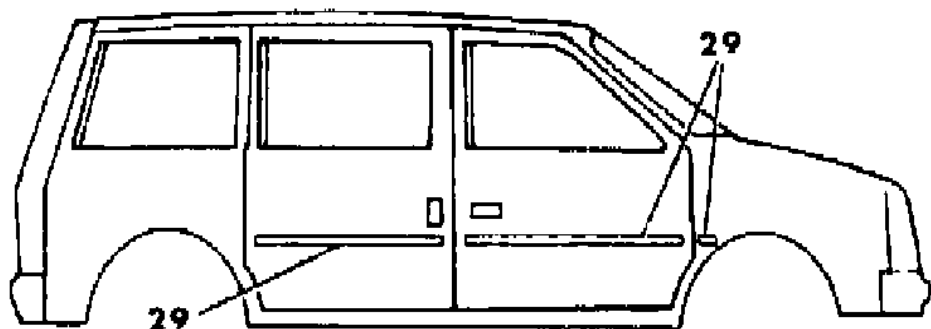
AR = Use as Required - = Non Illustrated Part P.A.R. = Paint as Required

MOULDINGS AND ORNAMENTATION - EXTERIOR VIEW S BODY PLYMOUTH VOYAGER WAGON, DODGE CARAVAN WAGON
Figure 23-3900

7188 3900



PLYMOUTH — 37



ITEM	PART NUMBER	QTY	BODY	MODEL	DESCRIPTION
	X502 FT5	1			Bronze, 119.1" W.B.
	X502 FW3	1			White, 119.1" W.B.
	X166 FC7	1			Twilight Blue, Use After 2-6-87
	X166 FE9	1			Dark Cordovan
	X166 FT5	1			Bronze
	X166 FW3	1			White
	X166 FS8	1			Charcoal
30	4339 013	1			ORNAMENT, Hood (Includes Items 33, 34, 35)
31		1			GASKET, Hood Ornament
32		1			SPACER, Hood Ornament
33	6030 435	1			NUT
34	3672 672	1			SPRING, Hood Ornament
35	3672 780	1			RETAINER, Hood Ornament
36		1			HOOD, (See Illus. in Group 23A)
37	4388 209	1			NAMEPLATE, "PLYMOUTH"
	4339 085	1			"DODGE"
38	4422 582	2			NAMEPLATE, Fndr. "V6 EFI"

MODEL CODES

E BODY = (J - CARAVELLE)(E - 600)(T - NEW YORKER)

G BODY = (V24 - DAYTONA)

H BODY = (D44 - LANCER)(C44 - LEBARON GTS)

J BODY = (C - LEBARON)

K BODY = (P - RELIANT)(D - ARIES)(C - LEBAROND)/TOWN & COUNTRY)

L BODY = (M - HORIZON/TURISMO)(Z - OMNI/CHARGER)

M BODY = (B - GRAN FURY)(F - FIFTH AVE/NEWPORT)(G - DIPLOMAT)

P BODY = (P - SUNDANCE)(D - SHADOW)

S BODY = (H - VOYAGER)(K - RAM VAN/CARAVAN)

BODY STYLES

12-13 = FWD VAN

21 = 2-DOOR SEDAN

24 = 2-DOOR HATCHBACK

27 = 2-DOOR CONVERTIBLE

41 = 4-DOOR SEDAN

44 = 4-DOOR HATCHBACK

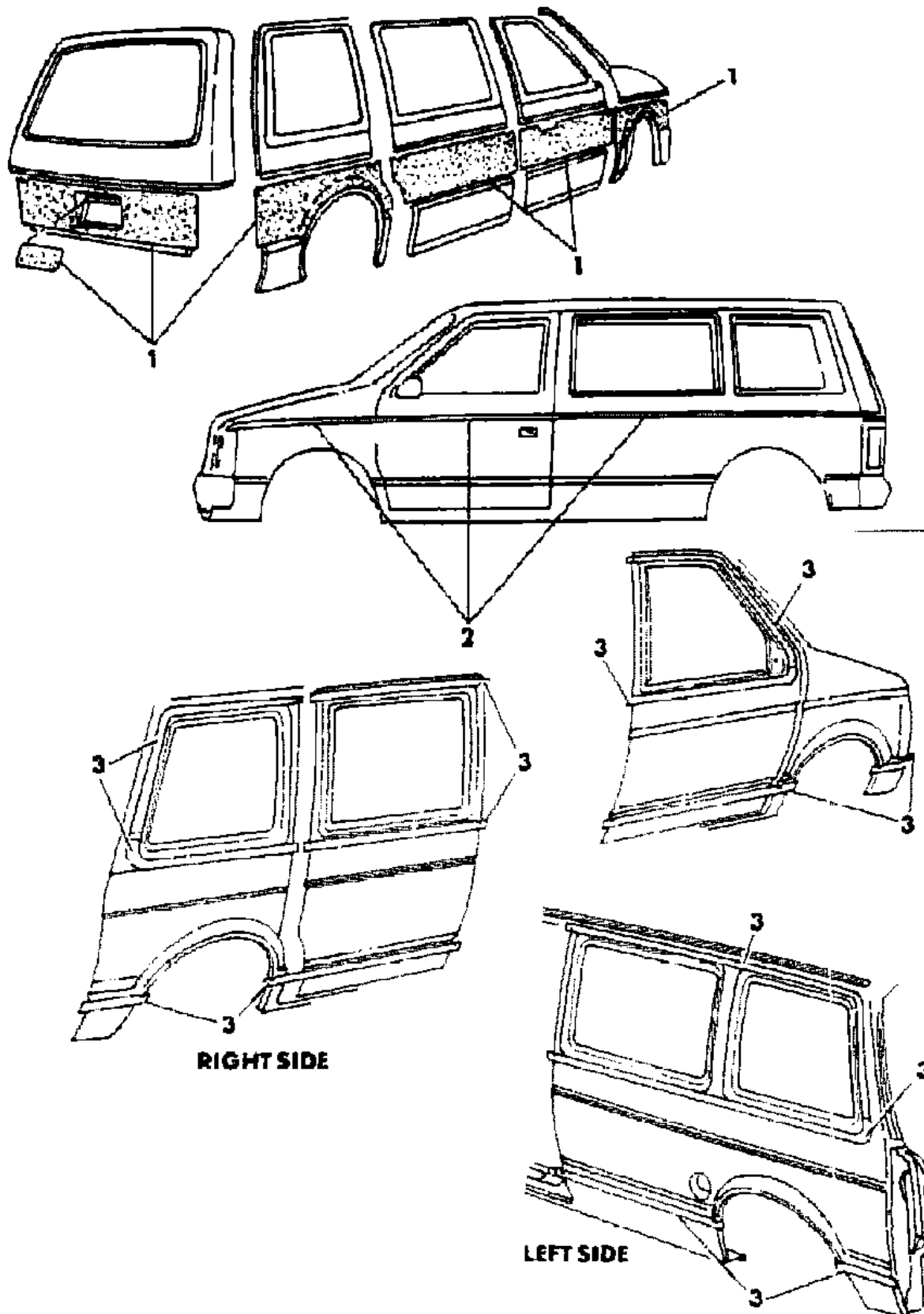
45 = 4-DOOR STATION WAGON

52-53 = FWD WAGON

AR = Use as Required - = Non Illustrated Part P.A.R. = Paint as Required

TAPE STRIPES AND DECALS - EXTERIOR VIEW S BODY PLYMOUTH VOYAGER WAGON, DODGE CARAVAN WAGON
Figure 23-4000

7108 4000



ITEM	PART NUMBER	QTY	BODY	MODEL	DESCRIPTION
1	4276 763	AR			OVERLAY, Fndr. Frt., Door, Sliding Door, Qtr., L/Gate, Lic. Plate Depr., 112.1" W.B.
	4276 763	AR			OVERLAY, Fndr. Frt., Door, Sliding Door, L/Gate Lic. Plate Depr., 119.1" W.B.
	4422 979	AR			OVERLAY, Qtr. Pnl., 119.1" W.B.
2	T352-3 FA3	1			TAPE, Fndr., Dark Silver
	T352-3 FC4	1			Blue
	T352-3 FE3	1			Mauve
	T352-3 FE9	1			Dark Red
	T352-3 FY1	1			Gold
	4443 506	AR			TAPE, Body Side, Rolled Stock, 3 1/2 Yds., Dark Silver
	4443 507	AR			Blue
	4443 508	AR			Gold
	4443 509	AR			Mauve
	4443 510	AR			Dark Red
	T228 FE9	1			TAPE, L/Gate, Dark Red
T228 FE3	1			Mauve	
T228 FY1	1			Gold	
T228 FC4	1			Blue	
T228 FA3	1			Silver	
3	4443 676-7	1			TAPE PACKAGE, Frt. Door Wdo. Lwr., Upr., Sliding Door Wdo. Upr., Lwr., Qtr. Wdo. Upr., Lwr., Red, Orange (Sales Code PR6 QE9)
	4443 678-9	1			Dark Gold, Dark Orange (Sales Code PT1 QT5)
	4443 680-1	1			Light Blue, Dark Rosewood (Sales Code PC7 QX8) (PB1 QC7)
	4443 682-3	1			Silver, Red (Sales Code PA1 QS8)
	4443 684-5	1			TAPE PACKAGE, Qtr. Rear Lwr., Sliding Door and Qtr. Frt., Frt. Door and Fndr. Rear, Fndr. Frt. Lwr., Std. W.B., Red, Orange (Sales Code PR6 QE9)
	4443 686-7	1			Dark Gold, Dark Orange (Sales Code PT1 QT5)
	4443 688-9	1			Light Blue, Dark Rosewood (Sales Code PC7 QX8) (PB1 QC7)
	4443 690-1	1			Silver, Red (Sales Code PA1 QS8)
	4443 706-7	1			TAPE PACKAGE, Qtr. Wdo. Upr. and Lwr., Qtr. Pnl. Upr. and Rear, Ext. W.B., Red, Orange (Sales Code PR6 QE9)
	4443 708-9	1			Dark Gold, Dark Orange (Sales Code PT1 QT5)
	4443 710-1	1			Light Blue, Dark Rosewood (Sales Code PC7 QX8) (PB1 QC7)
4443 712-3	1			Silver, Red (Sales Code PA1 QS8)	

MODEL CODES

E BODY = (J - CARAVELLE)(E - 600)(T - NEW YORKER)

G BODY = (V24 - DAYTONA)

H BODY = (D44 - LANCER)(C44 - LEBARON GTS)

J BODY = (C - LEBARON)

K BODY = (P - RELIANT)(D - ARIES)(C - LEBAROND)/TOWN & COUNTRY)

L BODY = (M - HORIZON/TURISMO)(Z - OMNI/CHARGER)

M BODY = (B - GRAN FURY)(F - FIFTH AVE/NEWPORT)(G - DIPLOMAT)

P BODY = (P - SUNDANCE)(D - SHADOW)

S BODY = (H - VOYAGER)(K - RAM VAN/CARAVAN)

BODY STYLES

12-13 = FWD VAN

21 = 2-DOOR SEDAN

24 = 2-DOOR HATCHBACK

27 = 2-DOOR CONVERTIBLE

41 = 4-DOOR SEDAN

44 = 4-DOOR HATCHBACK

45 = 4-DOOR STATION WAGON

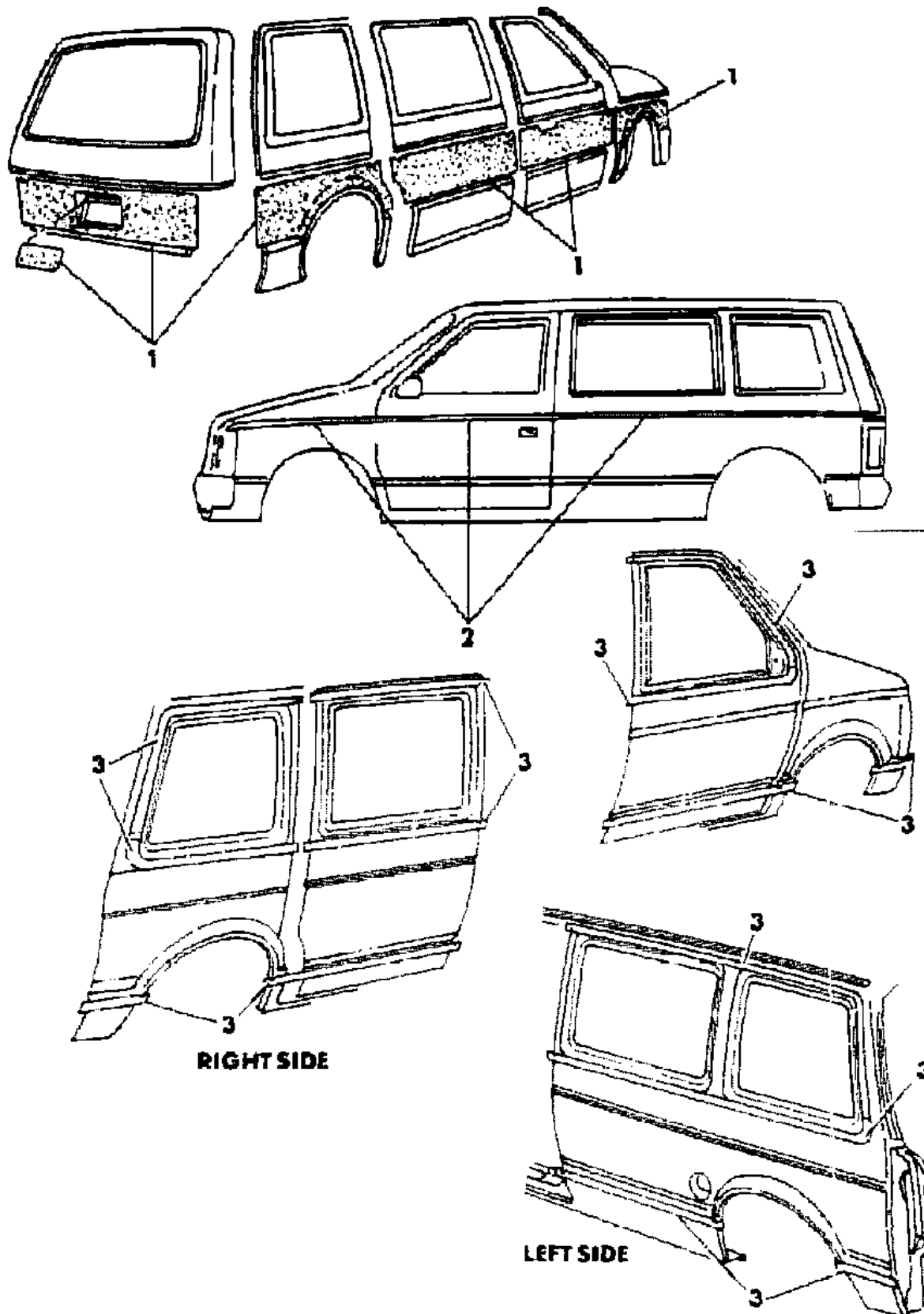
52-53 = FWD WAGON

AR = Use as Required - = Non Illustrated Part P.A.R. = Paint as Required

TAPE STRIPES AND DECALS - EXTERIOR VIEW S BODY PLYMOUTH VOYAGER WAGON, DODGE CARAVAN WAGON
Figure 23-4000

7108 4000

ITEM	PART NUMBER	QTY	BODY	MODEL	DESCRIPTION
	4494 268-9	1			TAPE PACKAGE, Qtr. Rear Lwr., Sliding Door, Qtr. Frt., Ext. W.B., Red, Orange (Sales Code PR6 QE9)
	4494 270-1	1			Dark Gold, Dark Orange (Sales Code PT1 QT5)
	4494 272-3	1			Light Blue, Dark Rosewood (Sales Code PC7 QX8) (PB1 QC7)
	4494 274-5	1			Silver, Red (Sales Code PA1 QS8)



MODEL CODES
 E BODY = (J - CARAVELLE)(E - 600)(T - NEW YORKER)
 G BODY = (V24 - DAYTONA)
 H BODY = (D44 - LANCER)(C44 - LEBARON GTS)
 J BODY = (C - LEBARON)
 K BODY = (P - RELIANT)(D - ARIES)(C - LEBAROND)/TOWN & COUNTRY

L BODY = (M - HORIZON/TURISMO)(Z - OMNI/CHARGER)
 M BODY = (B - GRAN FURY)(F - FIFTH AVE/NEWPORT)(G - DIPLOMAT)
 P BODY = (P - SUNDANCE)(D - SHADOW)
 S BODY = (H - VOYAGER)(K - RAM VAN/CARAVAN)

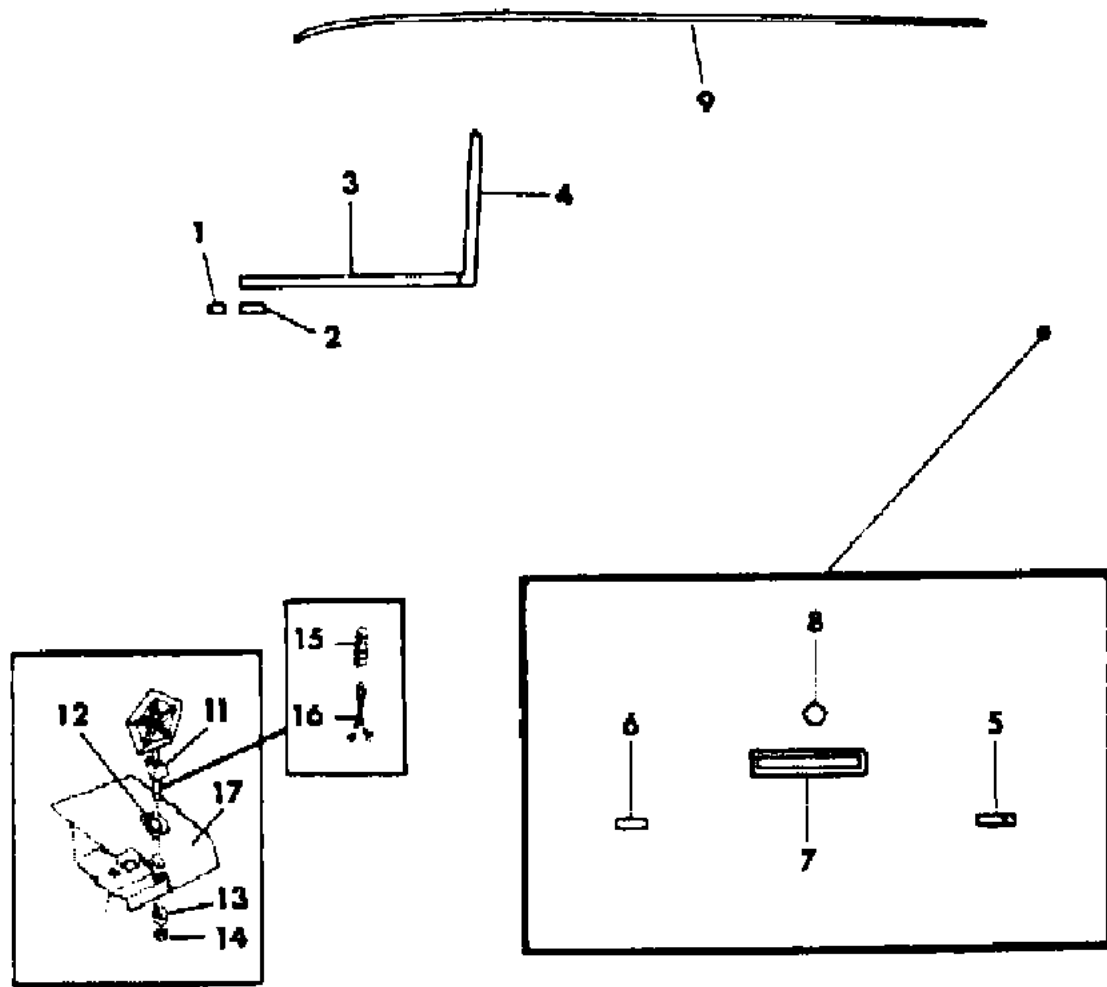
BODY STYLES
 12-13 = FWD VAN
 21 = 2-DOOR SEDAN
 24 = 2-DOOR HATCHBACK
 27 = 2-DOOR CONVERTIBLE
 41 = 4-DOOR SEDAN
 44 = 4-DOOR HATCHBACK
 45 = 4-DOOR STATION WAGON
 52-53 = FWD WAGON

AR = Use as Required - = Non Illustrated Part P.A.R. = Paint as Required

MOULDINGS AND ORNAMENTATION - EXTERIOR VIEW S BODY DODGE MINI RAM VAN AND ROYAL

Figure 23-4100

7188 4180



ITEM	PART NUMBER	QTY	BODY	MODEL	DESCRIPTION
1	4328 544-5	1			MEDALLION, Frt. Door Royal
	4422 582	2			NAMEPLATE, Fndr. "V6 EFI"
2	4328 382	2			NAMEPLATE, Frt. Door, "RAM"
3	4319 148-9	1			WEATHERSTRIP, Frt. Door Belt
	6032 456	AR			SCREW
4	4319 152-3	1			MOULDING, Frt. Door Wdo. Opng. Frame, Rear
	4057 555	AR			RETAINER PACKAGE
5	4319 994	1			NAMEPLATE, L/Gate, "RAM VAN"
6	4328 118	1			NAMEPLATE, L/Gate, "DODGE"
7	4328 156	1			HANDLE ASSEMBLY, L/Gate
		AR			NUT and WASHER, (Not Serv.)
8	4319 497	1			MEDALLION, L/Gate Pentastar
9	4328 338-9	1			MOULDING, Roof Side Drain Trough, Use w/o Rear Dual Hinged
					Doors, Open End on Mldg., Std. W.B., Approx. 91" Long
	4457 044-5	1			Closed End on Mldg., Std. W.B., Approx. 92" Long
	4398 450-1	1			MOULDING, Roof Side Drain Trough, Use w/Rear Dual Hinged
					Doors, Std. W.B., Approx. 96" Long
	4422 040-1	1			MOULDING, Roof Side Drain Trough, Use w/o Rear Dual
					Hinged Doors, Ext. W.B., Approx. 105" Long
	4422 422-3	1			Use w/Rear Dual Hinged Doors, Ext. W.B., Approx. 111" Long
11	4339 013	1			ORNAMENT, Hood (Includes Items 14, 15, 16)
12		1			GASKET, Hood Ornament
13		1			SPACER, Hood Ornament
14	6030 435	1			NUT
15	3672 672	1			SPRING, Hood Ornament
16	3672 780	1			RETAINER, Hood Ornament
17		1			HOOD, (See Illus in Group 23A)
18	4339 085	1			NAMEPLATE, "DODGE"

MODEL CODES

E BODY = (J - CARAVELLE)(E - 600)(T - NEW YORKER)

G BODY = (V24 - DAYTONA)

H BODY = (D44 - LANCER)(C44 - LEBARON GTS)

J BODY = (C - LEBARON)

K BODY = (P - RELIANT)(D - ARIES)(C - LEBAROND)/TOWN & COUNTRY)

L BODY = (M - HORIZON/TURISMO)(Z - OMNI/CHARGER)

M BODY = (B - GRAN FURY)(F - FIFTH AVE/NEWPORT)(G - DIPLOMAT)

P BODY = (P - SUNDANCE)(D - SHADOW)

S BODY = (H - VOYAGER)(K - RAM VAN/CARAVAN)

BODY STYLES

12-13 = FWD VAN

21 = 2-DOOR SEDAN

24 = 2-DOOR HATCHBACK

27 = 2-DOOR CONVERTIBLE

41 = 4-DOOR SEDAN

44 = 4-DOOR HATCHBACK

45 = 4-DOOR STATION WAGON

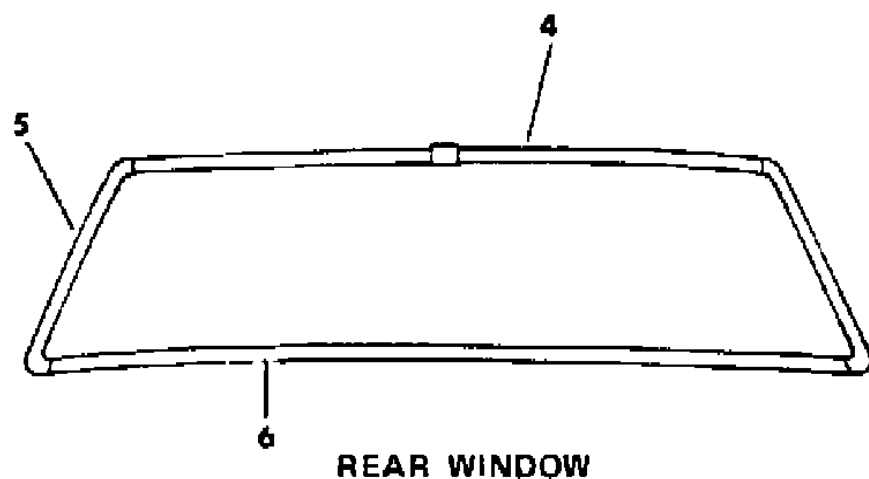
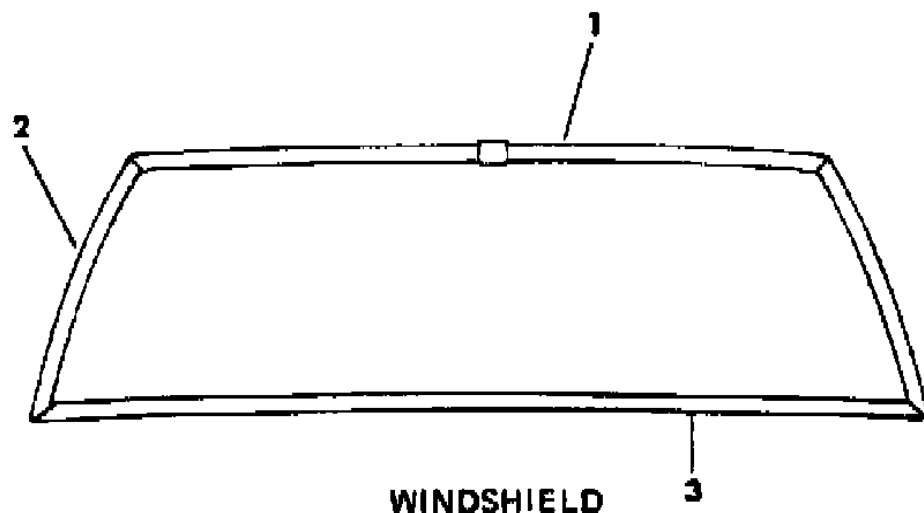
52-53 = FWD WAGON



AR = Use as Required - = Non Illustrated Part P.A.R. = Paint as Required

MOULDINGS, WINDSHIELD AND REAR WINDOW OUTSIDE M BODY
Figure 23-4200

7188 4200



ITEM	PART NUMBER	QTY	BODY	MODEL	DESCRIPTION
1	4022 712-3	1			MOULDING, W/Shield, Upr., Bright
	6003 878	AR			RETAINER, Upr.
	6003 753	AR			RETAINER, Upr.
					WELD NUT, (Not Serv.)
2	4022 714-5	1			MOULDING, W/Shield, Side, Bright
	6003 878	AR			RETAINER, Side
	6003 753	AR			RETAINER
					WELD STUD, (Not Serv.)
3	4022 707	1			MOULDING, W/Shield, Lwr., Bright
	4022 706	AR			SPACER, Lwr.
	6003 753	AR			RETAINER
4	4422 046-7	1		B,G,F-H	MOULDING, Rear Wdo., Upr., Bright
	6003 753	AR			RETAINER
	6003 878	AR			RETAINER
5	4422 042-3	1		B,G,F-H	MOULDING, Rear Wdo., Side, Bright
	6003 753	AR			RETAINER
	6003 878	AR			RETAINER
6	4422 050	1		B,G,F-H	MOULDING, Rear Wdo., Lwr., Bright
	6003 753	AR			RETAINER
	6003 878	AR			RETAINER

MODEL CODES

E BODY = (J - CARAVELLE)(E - 600)(T - NEW YORKER)

G BODY = (V24 - DAYTONA)

H BODY = (D44 - LANCER)(C44 - LEBARON GTS)

J BODY = (C - LEBARON)

K BODY = (P - RELIANT)(D - ARIES)(C - LEBAROND)/TOWN & COUNTRY)

L BODY = (M - HORIZON/TURISMO)(Z - OMNI/CHARGER)

M BODY = (B - GRAN FURY)(F - FIFTH AVE/NEWPORT)(G - DIPLOMAT)

P BODY = (P - SUNDANCE)(D - SHADOW)

S BODY = (H - VOYAGER)(K - RAM VAN/CARAVAN)

BODY STYLES

12-13 = FWD VAN

21 = 2-DOOR SEDAN

24 = 2-DOOR HATCHBACK

27 = 2-DOOR CONVERTIBLE

41 = 4-DOOR SEDAN

44 = 4-DOOR HATCHBACK

45 = 4-DOOR STATION WAGON

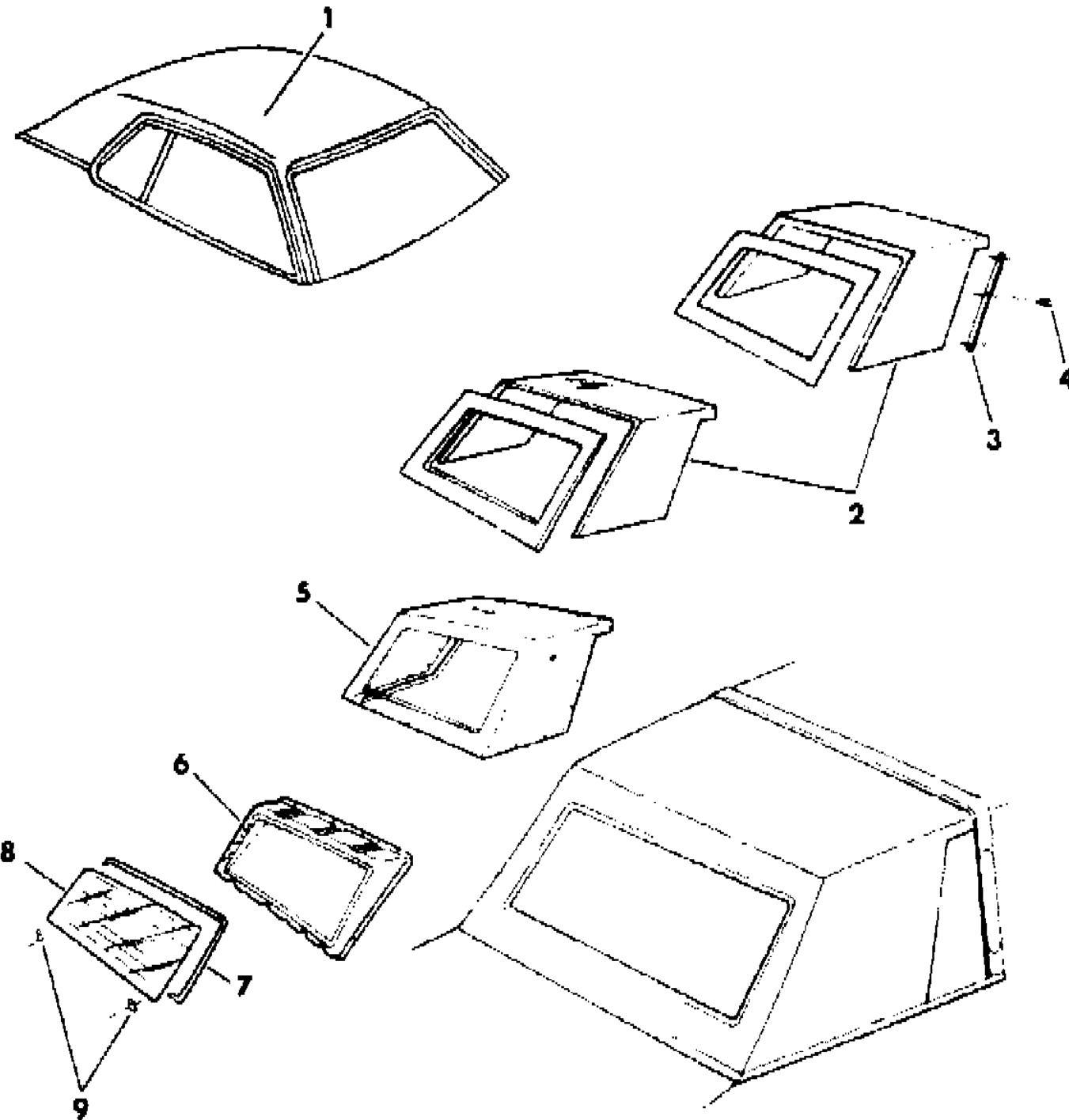
52-53 = FWD WAGON

AR = Use as Required - = Non Illustrated Part P.A.R. = Paint as Required

COVER, ROOF - EXTERIOR VIEW M BODY PLYMOUTH FURY, DODGE DIPLOMAT, CHRYSLER FIFTH AVE.

Figure 23-4300

7188 4300



ITEM	PART NUMBER	QTY	BODY	MODEL	DESCRIPTION
1	T914 BA2	1		B,G,F-H	COVER, Roof, Silver (Trim Code VAA)
	T914 TC9	1		B,G,F-H	Blue (Trim Code VAC)
	T914 CM6	1		B,G,F-H	Red (Trim Code VAM)
	T914 DT5	1		B,G,F-H	Tan (Trim Code VAK)
	T914 FC7	1		B,G,F-H	Twilight Blue, Kenosha Assy., After 2-23-87
2	T944 BA2	1		F-S	COVER ASSEMBLY, Roof, Silver (Trim Code VFA)
	T944 DC6	1		F-S	Gunmetal Blue (Trim Code VFB), St. Louis Assy.
	T944 BC9	1		F-S	Night Watch Blue (Trim Code VFC), St. Louis Assy.
	T944 CM6	1		F-S	Red (Trim Code VFM)
	T944 DT4	1		F-S	Gold Dust (Sales Code VFU), St. Louis Assy.
	T944 DT6	1		F-S	Mink Brown (Sales Code VFT)
	T944 BX9	1		F-S	Black (Sales Code VFX)
	T944 BW3	1		F-S	White (Sales Code VFW)
	T944 FC7	1		F-S	Twilight Blue, Kenosha Assy., After 2-23-87
	T944 FB1	1		F-S	Ice Blue, Kenosha Assy., After 2-23-87
	T944 FS8	1		F-S	Charcoal, Kenosha Assy., After 2-23-87
	4419 236	1		F-S	COVER ASSEMBLY, Roof, Blue, Use on Two Tone Paint Car (Sales Code VGB)
4419 237	1		F-S	Black (Sales Code VGX)	
4419 238	1		F-S	Red (Sales Code VGM)	
3	4229 804-5	1		F-S	RETAINER, Qtr. Wdo. Upr., Vinyl, Use on Monotone or Two Tone Paint Car
4	0153 341	AR		F-S	SCREW
5	4229 802	1		F-S	CAP, Roof Bonnet, Use on Monotone Paint Car
	4366 197	1		F-S	CAP, Roof Bonnet, Use on Two Tone Paint Car
6	4229 998	1		F-S	EXTENSION and SUPPORT, Rear Wdo. Mtg.
7		AR		F-S	TAPE, Butyl, 5/16" Thick
8	4229 801	1		F-S	GLASS ASSEMBLY, Rear Wdo., Heated
9		AR		F-S	RETAINER, (Not Serv.)

MODEL CODES

E BODY = (J - CARAVELLE)(E - 600)(T - NEW YORKER)

G BODY = (V24 - DAYTONA)

H BODY = (D44 - LANCER)(C44 - LEBARON GTS)

J BODY = (C - LEBARON)

K BODY = (P - RELIANT)(D - ARIES)(C - LEBAROND)/TOWN & COUNTRY)

L BODY = (M - HORIZON/TURISMO)(Z - OMNI/CHARGER)

M BODY = (B - GRAN FURY)(F - FIFTH AVE/NEWPORT)(G - DIPLOMAT)

P BODY = (P - SUNDANCE)(D - SHADOW)

S BODY = (H - VOYAGER)(K - RAM VAN/CARAVAN)

BODY STYLES

12-13 = FWD VAN

21 = 2-DOOR SEDAN

24 = 2-DOOR HATCHBACK

27 = 2-DOOR CONVERTIBLE

41 = 4-DOOR SEDAN

44 = 4-DOOR HATCHBACK

45 = 4-DOOR STATION WAGON

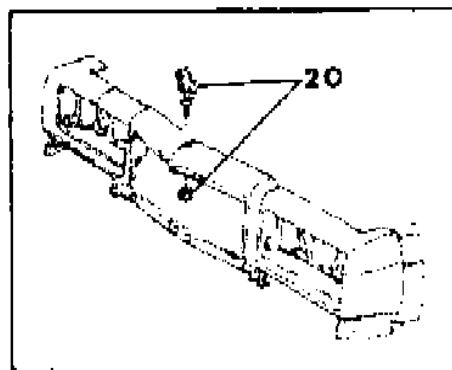
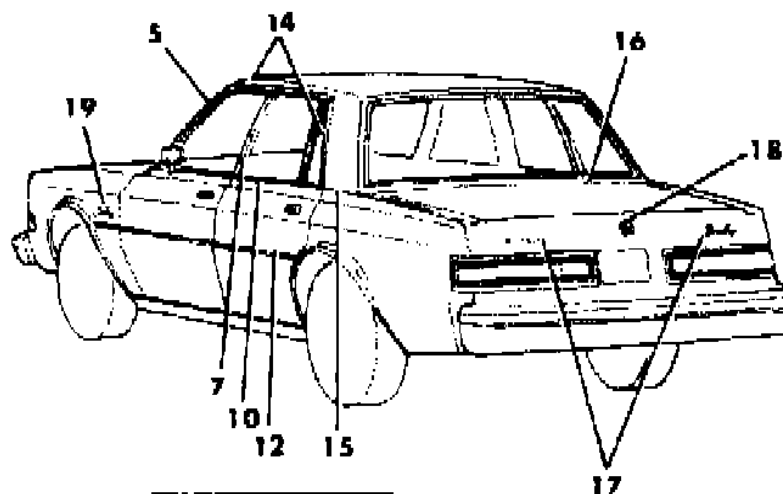
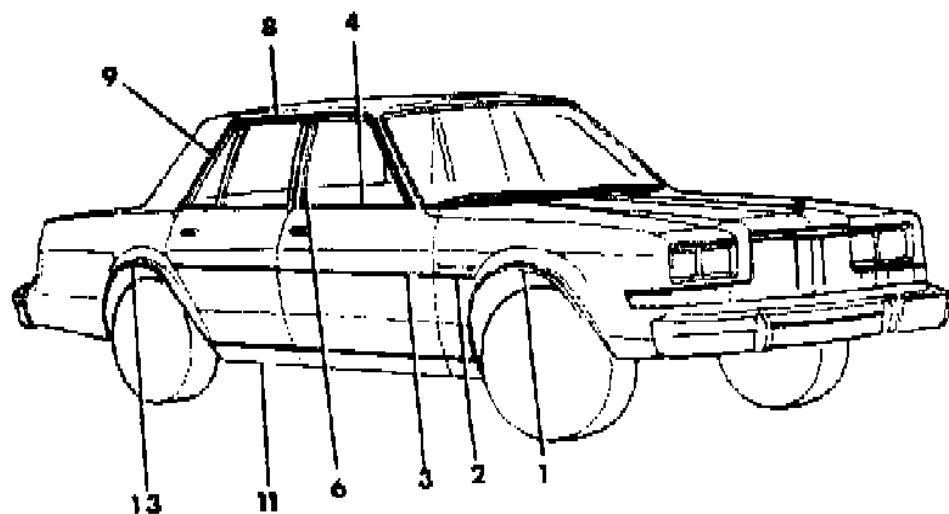
52-53 = FWD WAGON

AR = Use as Required - = Non Illustrated Part P.A.R. = Paint as Required

MOULDINGS AND ORNAMENTATION - EXTERIOR VIEW M BODY PLYMOUTH GRAN FURY SALON

Figure 23-4400

7188 4400



ITEM	PART NUMBER	QTY	BODY	MODEL	DESCRIPTION
1	4175 286-7	1			MOULDING, Fndr. Wheel Opng. SCREW, (Not Serv.)
2	X202-3 DW3	1			MOULDING, Fndr. Side, White, Paint to Color
3	X204-5 DW3	1			MOULDING, Frt. Door, White, Paint to Color
4	3811 794-5	1			MOULDING, Frt. Door Belt
5	4022 052-3	1			MOULDING, Frt. Door Wdo. Opng. Frame, Frt., Bright
6	4022 056-7	1			MOULDING, Frt. Door Wdo. Opng. Frame, Rear, Bright
7	4022 056	1			MOULDING, Rear Door Wdo. Opng. Frame, Frt., Lt., Bright
	4022 057	1			MOULDING, Rear Door Wdo. Opng. Frame, Frt., Rt., Bright
8	4175 100-1	1			MOULDING, Rear Door Wdo. Opng. Frame, Upr., Bright
9	4175 102-3	1			MOULDING, Rear Door Wdo. Opng. Frame, Rear, Bright
10	3811 796-7	1			MOULDING, Rear Door Belt
	3780 999	AR			RETAINER and SEAL PACKAGE
	3780 434	AR			RETAINER and SEAL PACKAGE
11	4175 312-3	1			MOULDING, Body Side Sill
	6003 718	AR			RETAINER
	6028 674	AR			SCREW
12	X208-9 DW3	1			MOULDING, Rear Door, White, Paint to Color
13	4175 290-1	1			MOULDING, Qtr. Wheel Opng. SCREW, (Not Serv.)
14	4175 082-3	1			MOULDING, Roof Side Drain Trough, Frt.
	4175 086-7	1			MOULDING, Roof Side Drain Trough, Rear SCREW, (Not Serv.)
15	4240 996-7	1			MOULDING PACKAGE, Qtr. Belt
	3744 367	AR			RETAINER PACKAGE
	4057 555	AR			RETAINER PACKAGE
	3744 671	AR			RETAINER PACKAGE
16	4186 533	1			MOULDING, Deck Opng. Upr. Pnl.
	3744 671	AR			RETAINER PACKAGE
17	4328 876	1			NAMEPLATE, Deck Lid, "PLYMOUTH"
	4319 757	1			NAMEPLATE, Deck Lid, "GRAN FURY"
18	X561 DA1	1			MEDALLION, Deck Lid Lock Cyl., Silver Met.
	X561 DC6	1			Gunmetal Blue
	X561 DB1	1			Ice Blue Met.
	X561 DB9	1			Night Watch Blue
	X561 DM6	1			Red
	X561 DT4	1			Gold Dust Met.
	X561 DT6	1			Mink Brown

MODEL CODES

E BODY = (J - CARAVELLE)(E - 600)(T - NEW YORKER)

G BODY = (V24 - DAYTONA)

H BODY = (D44 - LANCER)(C44 - LEBARON GTS)

J BODY = (C - LEBARON)

K BODY = (P - RELIANT)(D - ARIES)(C - LEBAROND)/TOWN & COUNTRY)

L BODY = (M - HORIZON/TURISMO)(Z - OMNI/CHARGER)

M BODY = (B - GRAN FURY)(F - FIFTH AVE/NEWPORT)(G - DIPLOMAT)

P BODY = (P - SUNDANCE)(D - SHADOW)

S BODY = (H - VOYAGER)(K - RAM VAN/CARAVAN)

BODY STYLES

12-13 = FWD VAN

21 = 2-DOOR SEDAN

24 = 2-DOOR HATCHBACK

27 = 2-DOOR CONVERTIBLE

41 = 4-DOOR SEDAN

44 = 4-DOOR HATCHBACK

45 = 4-DOOR STATION WAGON

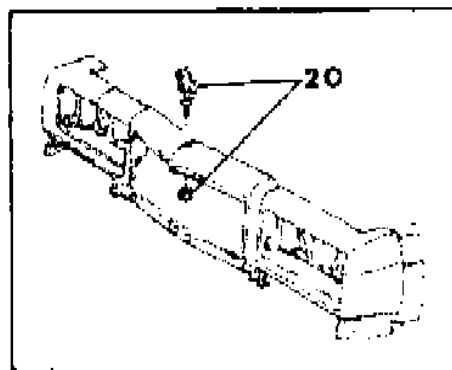
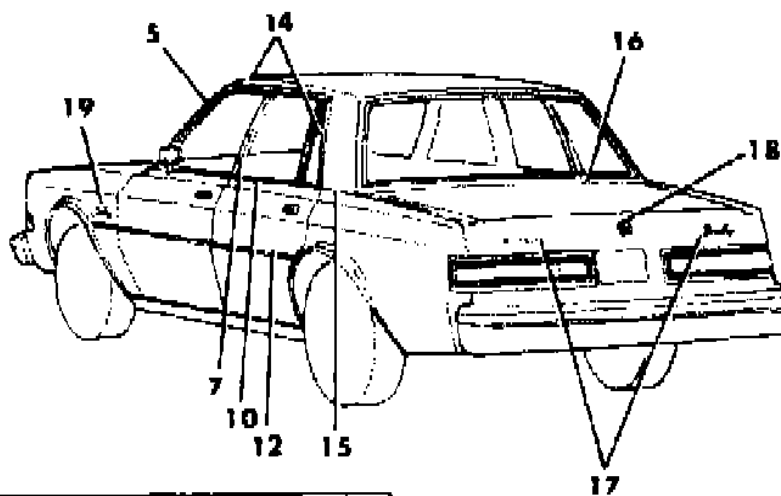
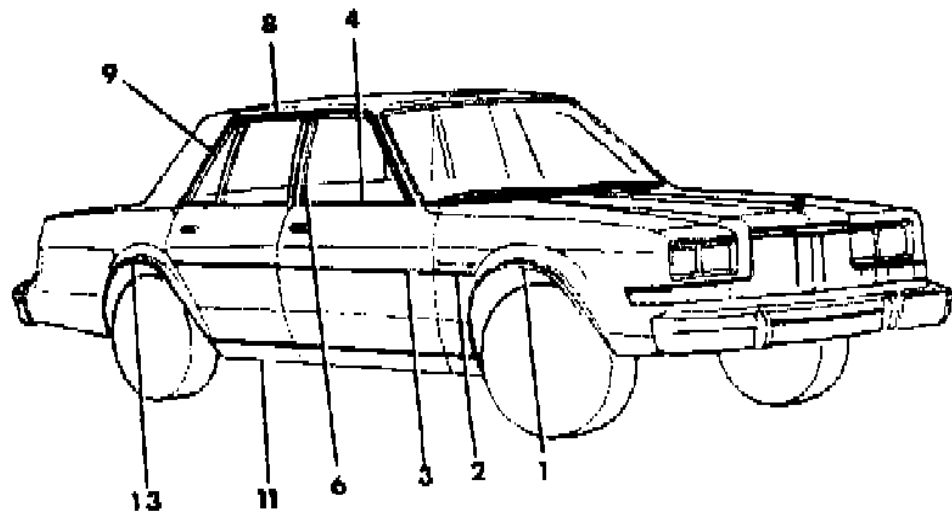
52-53 = FWD WAGON

AR = Use as Required - = Non Illustrated Part P.A.R. = Paint as Required

MOULDINGS AND ORNAMENTATION - EXTERIOR VIEW M BODY PLYMOUTH GRAN FURY SALON

Figure 23-4400

7188 4400



ITEM	PART NUMBER	QTY	BODY	MODEL	DESCRIPTION
	X561 DW2	1			White
	X561 DX8	1			Black
	X925 FC7	1			Twilight Blue, Kenosha Assy., After 2-23-87
	X925 FS8	1			Charcoal, Kenosha Assy., After 2-23-87
19	4319 757	2			NAMEPLATE, Fndr. Side, "GRAN FURY"
20	4103 313	1			ORNAMENT
	6030 435	1			NUT
	3672 780	1			RETAINER

MODEL CODES

E BODY = (J - CARAVELLE)(E - 600)(T - NEW YORKER)

G BODY = (V24 - DAYTONA)

H BODY = (D44 - LANCER)(C44 - LEBARON GTS)

J BODY = (C - LEBARON)

K BODY = (P - RELIANT)(D - ARIES)(C - LEBAROND)/TOWN & COUNTRY)

L BODY = (M - HORIZON/TURISMO)(Z - OMNI/CHARGER)

M BODY = (B - GRAN FURY)(F - FIFTH AVE/NEWPORT)(G - DIPLOMAT)

P BODY = (P - SUNDANCE)(D - SHADOW)

S BODY = (H - VOYAGER)(K - RAM VAN/CARAVAN)

BODY STYLES

12-13 = FWD VAN

21 = 2-DOOR SEDAN

24 = 2-DOOR HATCHBACK

27 = 2-DOOR CONVERTIBLE

41 = 4-DOOR SEDAN

44 = 4-DOOR HATCHBACK

45 = 4-DOOR STATION WAGON

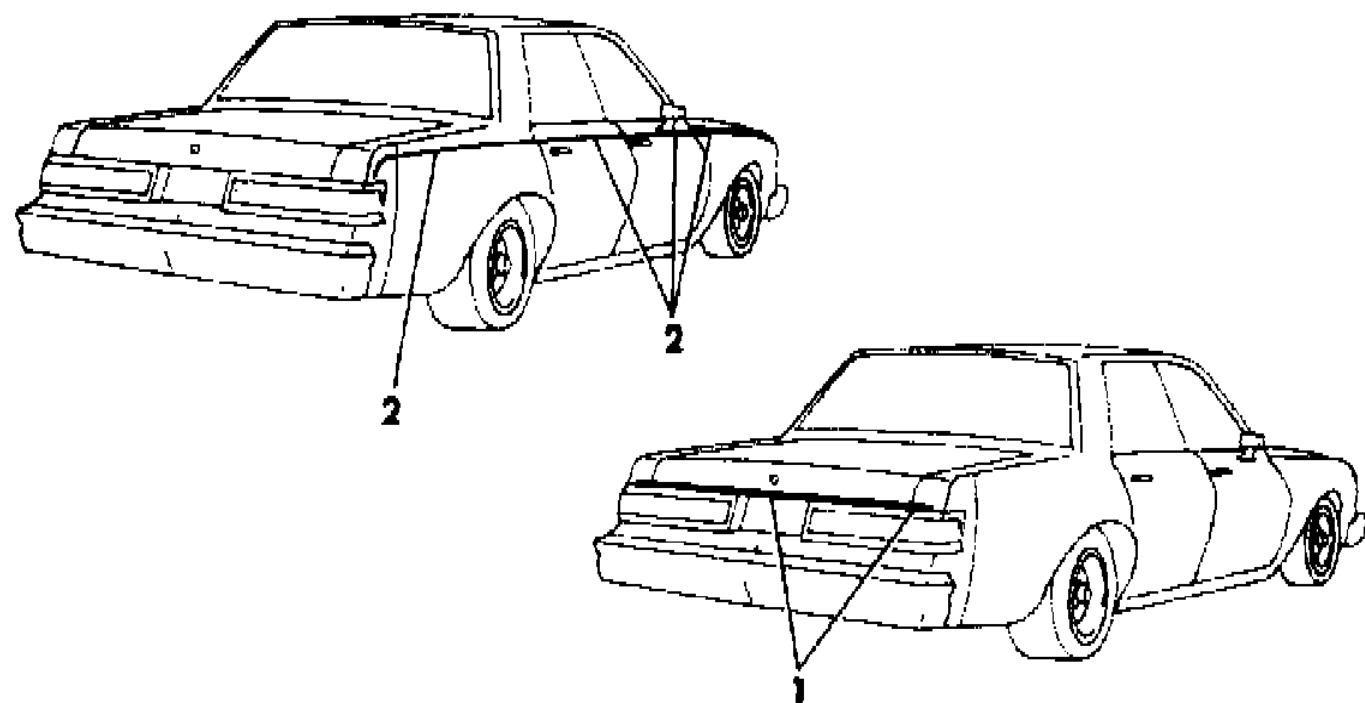
52-53 = FWD WAGON

AR = Use as Required - = Non Illustrated Part P.A.R. = Paint as Required

TAPE STRIPES AND DECALS - EXTERIOR VIEW M BODY PLYMOUTH GRAN FURY SALON
Figure 23-4500

7188 4500

ITEM	PART NUMBER	QTY	BODY	MODEL	DESCRIPTION
1	T086 DR4	1			TAPE, Deck Lid and Qtr. End Ext., Red
	T086 DT2	1			Cream
	T086 DY1	1			Gold
	T086 DB6	1			Blue
	T086 DA1	1			Silver
2	4342 552-3	1			TAPE PACKAGE, Fndr., Door, Qtr., Silver
	4342 560-1	1			Gold
	4342 556-7	1			Red
	4342 558-9	1			Cream
	4342 554-5	1			Blue



MODEL CODES
 E BODY = (J - CARAVELLE)(E - 600)(T - NEW YORKER)
 G BODY = (V24 - DAYTONA)
 H BODY = (D44 - LANCER)(C44 - LEBARON GTS)
 J BODY = (C - LEBARON)
 K BODY = (P - RELIANT)(D - ARIES)(C - LEBAROND)/TOWN & COUNTRY

L BODY = (M - HORIZON/TURISMO)(Z - OMNI/CHARGER)
 M BODY = (B - GRAN FURY)(F - FIFTH AVE/NEWPORT)(G - DIPLOMAT)
 P BODY = (P - SUNDANCE)(D - SHADOW)
 S BODY = (H - VOYAGER)(K - RAM VAN/CARAVAN)

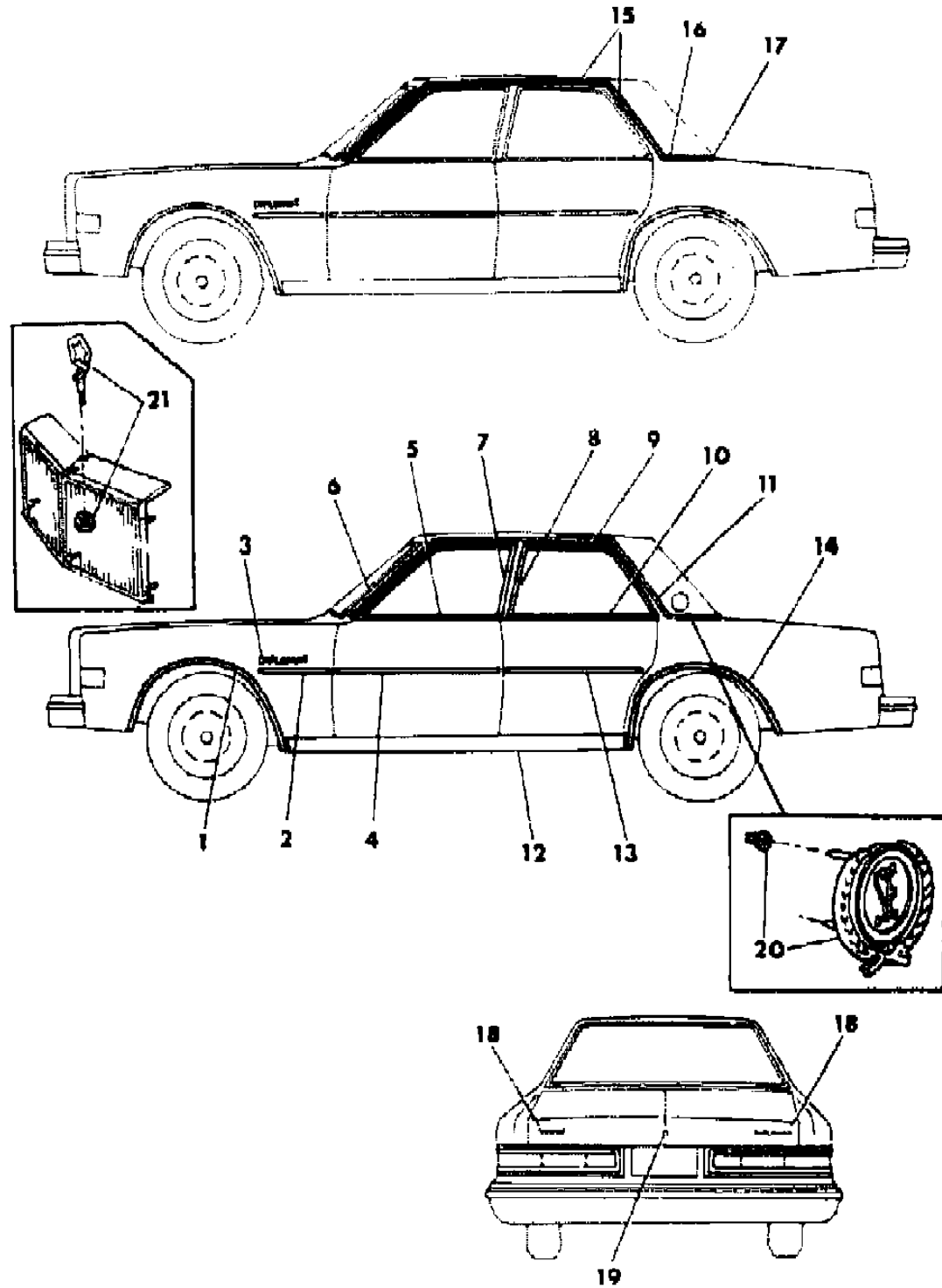
BODY STYLES
 12-13 = FWD VAN
 21 = 2-DOOR SEDAN
 24 = 2-DOOR HATCHBACK
 27 = 2-DOOR CONVERTIBLE

41 = 4-DOOR SEDAN
 44 = 4-DOOR HATCHBACK
 45 = 4-DOOR STATION WAGON
 52-53 = FWD WAGON

AR = Use as Required - = Non Illustrated Part P.A.R. = Paint as Required

MOULDINGS AND ORNAMENTATION - EXTERIOR VIEW M BODY DODGE DIPLOMAT
Figure 23-4600

7188 4800 A



ITEM	PART NUMBER	QTY	BODY	MODEL	DESCRIPTION
1	4175 286-7	1			MOULDING, Fndr. Wheel Opng. SCREW, (Not Serv.)
2	X202-3 DW3	1			MOULDING, Fndr. Side, White, Paint to Color
3	4319 776	2			NAMEPLATE, Fndr. Side. "DIPLOMAT"
4	X204-5 DW3	1			MOULDING, Frt. Door, White, Paint to Color
5	3811 794-5	1			MOULDING, Frt. Door Belt
	3780 434	AR			RETAINER and SEAL PACKAGE
	3780 999	AR			RETAINER and SEAL PACKAGE
6	4022 052-3	1			MOULDING, Frt. Door Wdo Opng. Frame, Frt., Bright
7	4022 056-7	1			MOULDING, Frt. Door Wdo. Opng. Frame, Rear, Bright
8	4022 056	1			MOULDING, Rear Door Wdo. Opng. Frame, Frt., Lt., Bright
	4022 057	1			Rt., Bright
9	4175 100-1	1			MOULDING, Rear Door Wdo. Opng. Frame, Upr., Bright
10	3811 796-7	1			MOULDING, Rear Door Belt
	3780 999	AR			RETAINER and SEAL PACKAGE
	3780 434	AR			RETAINER and SEAL PACKAGE
11	4175 102-3	1			MOULDING, Rear Door Wdo. Opng. Frame, Rear, Bright
12	4175 312-3	1			MOULDING, Body Side Sill
	6028 674	AR			SCREW
13	X208-9 DW3	1			MOULDING, Rear Door, White, Paint to Color
14	4175 290-1	1			MOULDING, Qtr. Pnl. Wheel Opng. SCREW, (Not Serv.)
15	4175 082-3	1			MOULDING, Roof Side Drain Trough, Frt. SCREW, (Not Serv.)
	4175 086-7	1			MOULDING, Roof Side Drain Trough, Rear
16	4240 996-7	1			MOULDING PACKAGE, Qtr. Belt
	3744 367	AR			RETAINER PACKAGE
	4057 555	AR			RETAINER PACKAGE
	3744 671	AR			RETAINER PACKAGE
17	4186 533	1			MOULDING PACKAGE, Deck Opng. Upr. Pnl.
	3744 671	AR			RETAINER PACKAGE
18	4328 878	1			NAMEPLATE, Deck Lid, "DODGE"
	4319 776	1		G-L	"DIPLOMAT"
	4328 561	1		G-P	"DIPLOMAT"
19	X561 DA1	1			MEDALLION, Deck Lid Lock Cyl., Silver Met.
	X561 DC6	1			Gunmetal Blue
	X561 DB1	1			Ice Blue Met.
	X561 DB9	1			Night Watch Blue

MODEL CODES

E BODY = (J - CARAVELLE)(E - 600)(T - NEW YORKER)

G BODY = (V24 - DAYTONA)

H BODY = (D44 - LANCER)(C44 - LEBARON GTS)

J BODY = (C - LEBARON)

K BODY = (P - RELIANT)(D - ARIES)(C - LEBAROND)/TOWN & COUNTRY)

L BODY = (M - HORIZON/TURISMO)(Z - OMNI/CHARGER)

M BODY = (B - GRAN FURY)(F - FIFTH AVE/NEWPORT)(G - DIPLOMAT)

P BODY = (P - SUNDANCE)(D - SHADOW)

S BODY = (H - VOYAGER)(K - RAM VAN/CARAVAN)

BODY STYLES

12-13 = FWD VAN

21 = 2-DOOR SEDAN

24 = 2-DOOR HATCHBACK

27 = 2-DOOR CONVERTIBLE

41 = 4-DOOR SEDAN

44 = 4-DOOR HATCHBACK

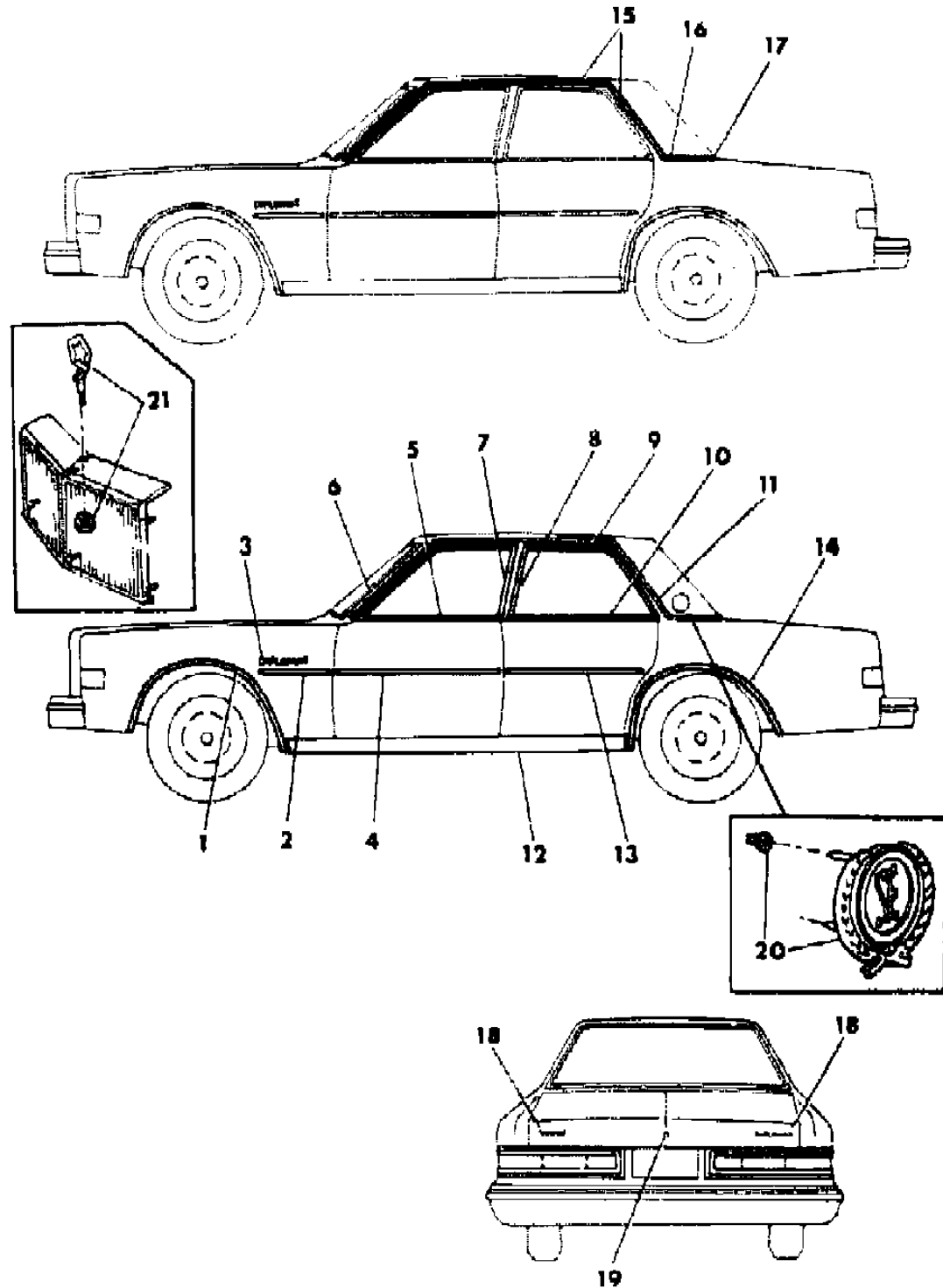
45 = 4-DOOR STATION WAGON

52-53 = FWD WAGON

AR = Use as Required - = Non Illustrated Part P.A.R. = Paint as Required

MOULDINGS AND ORNAMENTATION - EXTERIOR VIEW M BODY DODGE DIPLOMAT
Figure 23-4600

7188 4800 A



ITEM	PART NUMBER	QTY	BODY	MODEL	DESCRIPTION
	X561 DM6	1			Red
	X561 DT4	1			Gold Dust Met.
	X561 DT6	1			Mink Brown
	X561 DW2	1			White
	X561 DX8	1			Black
	X925 FC7	1			Twilight Blue, Kenosha Assy., After 2-23-87
	X925 FS8	1			Charcoal, Kenosha Assy., After 2-23-87
20	4319 752	2		G-P	MEDALLION, Qtr., "SE"
	6003 627	4		G-P	RETAINER, Qtr. Medallion
21	4103 623	1		G-P	BASE, Radiator Grille Mldg. Ctr. Pentastar
	4103 313	1		G-L	ORNAMENT, Pentastar
	4270 561	1		G-P	ORNAMENT, Pentastar
	6030 435	1			NUT
	3672 780	1			RETAINER

MODEL CODES

E BODY = (J - CARAVELLE)(E - 600)(T - NEW YORKER)

G BODY = (V24 - DAYTONA)

H BODY = (D44 - LANCER)(C44 - LEBARON GTS)

J BODY = (C - LEBARON)

K BODY = (P - RELIANT)(D - ARIES)(C - LEBAROND)/TOWN & COUNTRY)

L BODY = (M - HORIZON/TURISMO)(Z - OMNI/CHARGER)

M BODY = (B - GRAN FURY)(F - FIFTH AVE/NEWPORT)(G - DIPLOMAT)

P BODY = (P - SUNDANCE)(D - SHADOW)

S BODY = (H - VOYAGER)(K - RAM VAN/CARAVAN)

BODY STYLES

12-13 = FWD VAN

21 = 2-DOOR SEDAN

24 = 2-DOOR HATCHBACK

27 = 2-DOOR CONVERTIBLE

41 = 4-DOOR SEDAN

44 = 4-DOOR HATCHBACK

45 = 4-DOOR STATION WAGON

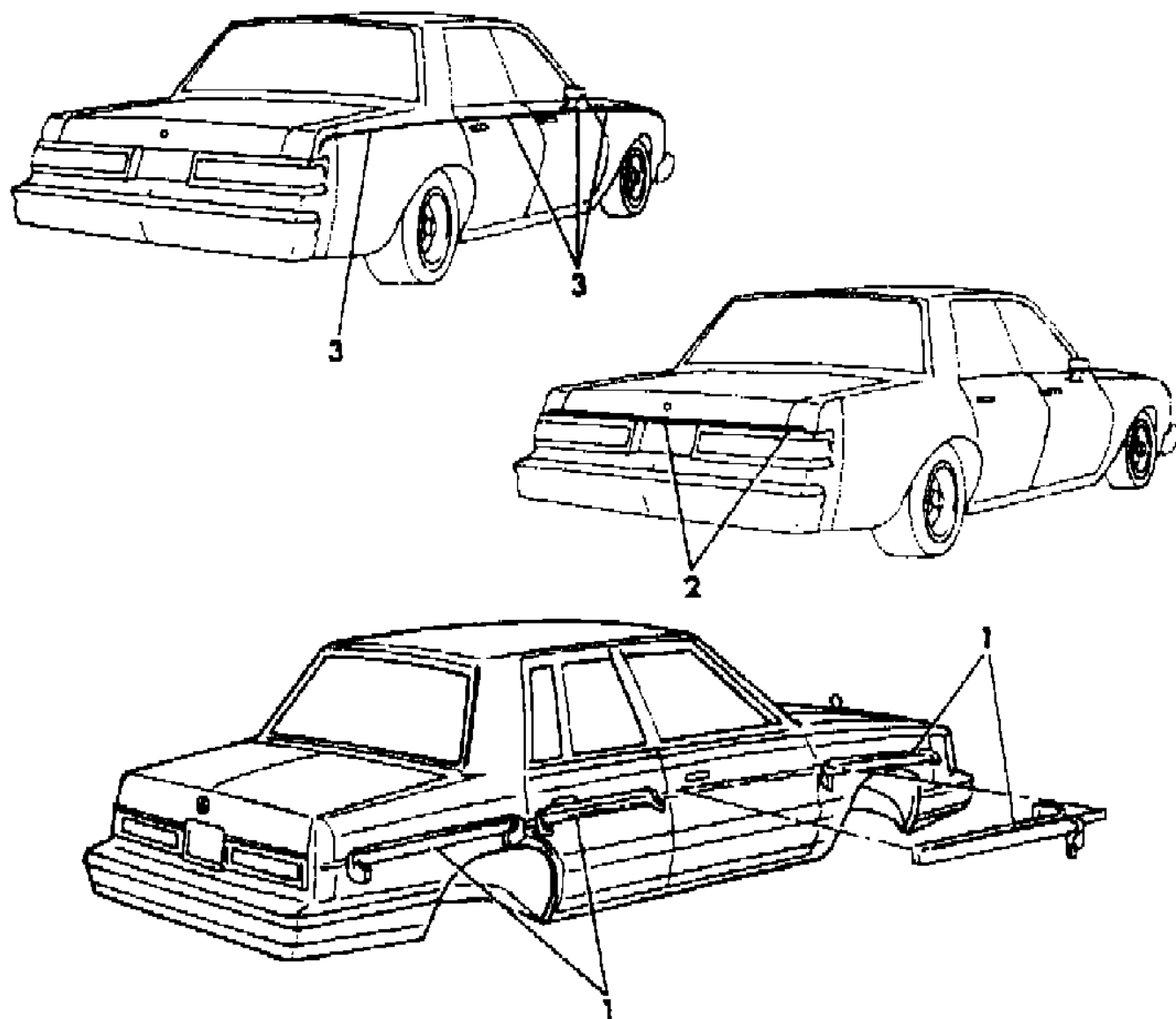
52-53 = FWD WAGON

AR = Use as Required - = Non Illustrated Part P.A.R. = Paint as Required

TAPE STRIPES AND DECALS - EXTERIOR VIEW M BODY DODGE DIPLOMAT
Figure 23-4700

7188 4780

ITEM	PART NUMBER	QTY	BODY	MODEL	DESCRIPTION
1	4342 998-9	1		G-P	TAPE PACKAGE, Fndr., Door, Qtr., Silver
	4342 532-3	1		G-P	Red
	4342 534-5	1		G-P	Cream
	4342 530-1	1		G-P	Blue
	4342 536-7	1		G-P	Palomino Tan
2	T086 DR4	1		G-L	TAPE, Deck Lid and Qtr. Ext., Red
	T086 DT2	1		G-L	Cream
	T086 DY1	1		G-L	Gold
	T086 DB6	1		G-L	Blue
	T086 DA1	1		G-L	Silver
3	4342 552-3	1		G-L	TAPE PACKAGE, Fndr., Door, Qtr., Silver
	4342 560-1	1		G-L	Gold
	4342 556-7	1		G-L	Red
	4342 558-9	1		G-L	Cream
	4342 554-5	1		G-L	Blue



MODEL CODES

E BODY = (J - CARAVELLE)(E - 600)(T - NEW YORKER)

G BODY = (V24 - DAYTONA)

H BODY = (D44 - LANCER)(C44 - LEBARON GTS)

J BODY = (C - LEBARON)

K BODY = (P - RELIANT)(D - ARIES)(C - LEBAROND)/TOWN & COUNTRY)

L BODY = (M - HORIZON/TURISMO)(Z - OMNI/CHARGER)

M BODY = (B - GRAN FURY)(F - FIFTH AVE/NEWPORT)(G - DIPLOMAT)

P BODY = (P - SUNDANCE)(D - SHADOW)

S BODY = (H - VOYAGER)(K - RAM VAN/CARAVAN)

BODY STYLES

12-13 = FWD VAN

21 = 2-DOOR SEDAN

24 = 2-DOOR HATCHBACK

27 = 2-DOOR CONVERTIBLE

41 = 4-DOOR SEDAN

44 = 4-DOOR HATCHBACK

45 = 4-DOOR STATION WAGON

52-53 = FWD WAGON

AR = Use as Required - = Non Illustrated Part P.A.R. = Paint as Required

MOULDINGS AND ORNAMENTATION - EXTERIOR VIEW M BODY CHRYSLER NEWPORT
Figure 23-4800

ILLUSTRATION NOT AVAILABLE AT TIME OF PUBLICATION

ITEM	PART NUMBER	QTY	BODY	MODEL	DESCRIPTION
	4175 286-7	1			MOULDING, Fndr. Wheel Opng.
	X202-3 DW3	1			MOULDING, Fndr. Side, White, Paint to Color
	X204-5 DW3	1			MOULDING, Frt. Door, White, Paint to Color
	3811 794-5	1			MOULDING, Frt. Door Belt
	4022 052-3	1			MOULDING, Frt. Door Wdo. Opng. Frame, Frt., Bright
	4022 056-7	1			MOULDING, Frt. Door Wdo. Opng. Frame, Rear, Bright
	4022 056	1			MOULDING, Rear Door Wdo. Opng. Frame, Frt., Lt., Bright
	4022 057	1			MOULDING, Rear Door Wdo. Opng. Frame, Frt., Rt., Bright
	4175 100-1	1			MOULDING, Rear Door Wdo. Opng. Frame, Upr., Bright
	3811 796-7	1			MOULDING, Rear Door Belt
	4175 102-3	1			MOULDING, Rear Door Wdo. Opng. Frame, Rear, Bright
	4175 312-3	1			MOULDING, Body Side Sill
	X208-9 DW3	1			MOULDING, Rear Door, White, Paint to Color
	4175 290-1	1			MOULDING, Qtr. Pnl. Wheel Opng.
	4175 082-3	1			MOULDING, Roof Side Drain Trough, Frt.
	4175 086-7	1			MOULDING, Roof Side Drain Trough, Rear
	4240 996-7	1			MOULDING PACKAGE, Qtr. Belt
	4186 533	1			MOULDING PACKAGE, Deck Opng. Upr. Pnl.
	X561 DA1	1			MEDALLION, Deck Lid Lock Cyl., Silver
	X561 DB1	1			Ice Blue Met.
	X561 DC6	1			Gunmetal Blue
	X561 DT4	1			Gold Dust Met.
	X561 DT6	1			Mink Brown
	X561 DB9	1			Night Watch Blue
	X561 DM6	1			Red
	X561 DW2	1			White
	X561 DX8	1			Black
	X925 FC7	1			Twilight Blue, Kenosha Assy., After 2-23-87
	X925 FS8	1			Charcoal, Kenosha Assy., After 2-23-87
	4422 171	1			NAMEPLATE, Deck Lid, "CHRYSLER"
	4328 560	1			NAMEPLATE, Deck Lid, "NEWPORT"
	4229 653	1			APPLIQUE, Deck Opng. Lwr. Pnl.
	4328 578	1			INSERT, Deck Opng. Lwr. Pnl. Applique

MODEL CODES

E BODY = (J - CARAVELLE)(E - 600)(T - NEW YORKER)

G BODY = (V24 - DAYTONA)

H BODY = (D44 - LANCER)(C44 - LEBARON GTS)

J BODY = (C - LEBARON)

K BODY = (P - RELIANT)(D - ARIES)(C - LEBAROND)/TOWN & COUNTRY)

L BODY = (M - HORIZON/TURISMO)(Z - OMNI/CHARGER)

M BODY = (B - GRAN FURY)(F - FIFTH AVE/NEWPORT)(G - DIPLOMAT)

P BODY = (P - SUNDANCE)(D - SHADOW)

S BODY = (H - VOYAGER)(K - RAM VAN/CARAVAN)

BODY STYLES

12-13 = FWD VAN

21 = 2-DOOR SEDAN

24 = 2-DOOR HATCHBACK

27 = 2-DOOR CONVERTIBLE

41 = 4-DOOR SEDAN

44 = 4-DOOR HATCHBACK

45 = 4-DOOR STATION WAGON

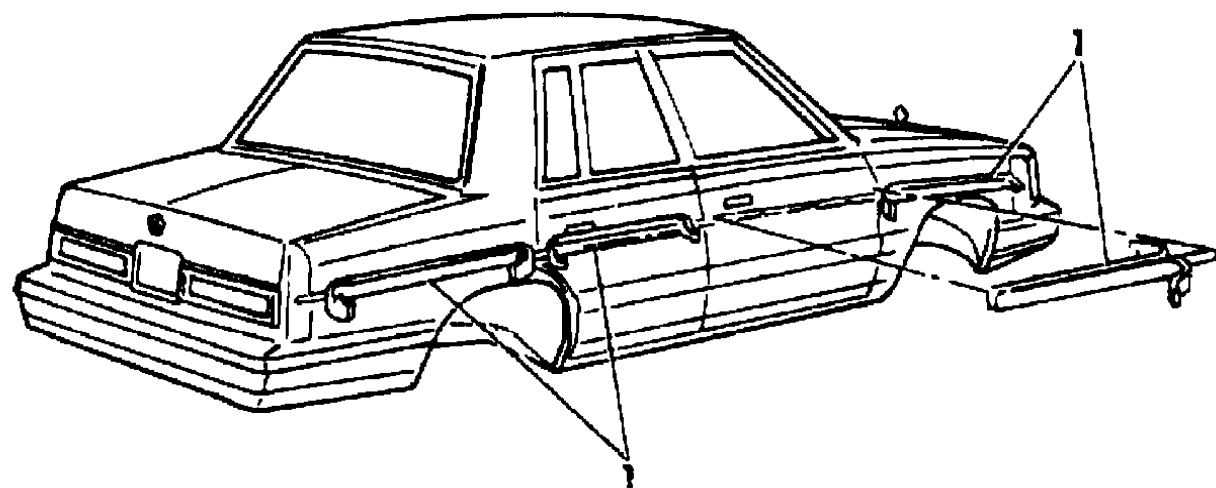
52-53 = FWD WAGON

AR = Use as Required - = Non Illustrated Part P.A.R. = Paint as Required

TAPE STRIPES AND DECALS - EXTERIOR VIEW M BODY CHRYSLER NEWPORT
Figure 23-4900

7188 4900

ITEM	PART NUMBER	QTY	BODY	MODEL	DESCRIPTION
1	4342 998-9	1			TAPE PACKAGE, Fndr., Door, Qtr., Silver
	4342 532-3	1			Red
	4342 534-5	1			Cream
	4342 530-1	1			Blue
	4342 536-7	1			Palomino Tan



MODEL CODES

E BODY = (J - CARAVELLE)(E - 600)(T - NEW YORKER)

G BODY = (V24 - DAYTONA)

H BODY = (D44 - LANCER)(C44 - LEBARON GTS)

J BODY = (C - LEBARON)

K BODY = (P - RELIANT)(D - ARIES)(C - LEBAROND)/TOWN & COUNTRY)

L BODY = (M - HORIZON/TURISMO)(Z - OMNI/CHARGER)

M BODY = (B - GRAN FURY)(F - FIFTH AVE/NEWPORT)(G - DIPLOMAT)

P BODY = (P - SUNDANCE)(D - SHADOW)

S BODY = (H - VOYAGER)(K - RAM VAN/CARAVAN)

BODY STYLES

12-13 = FWD VAN

21 = 2-DOOR SEDAN

24 = 2-DOOR HATCHBACK

27 = 2-DOOR CONVERTIBLE

41 = 4-DOOR SEDAN

44 = 4-DOOR HATCHBACK

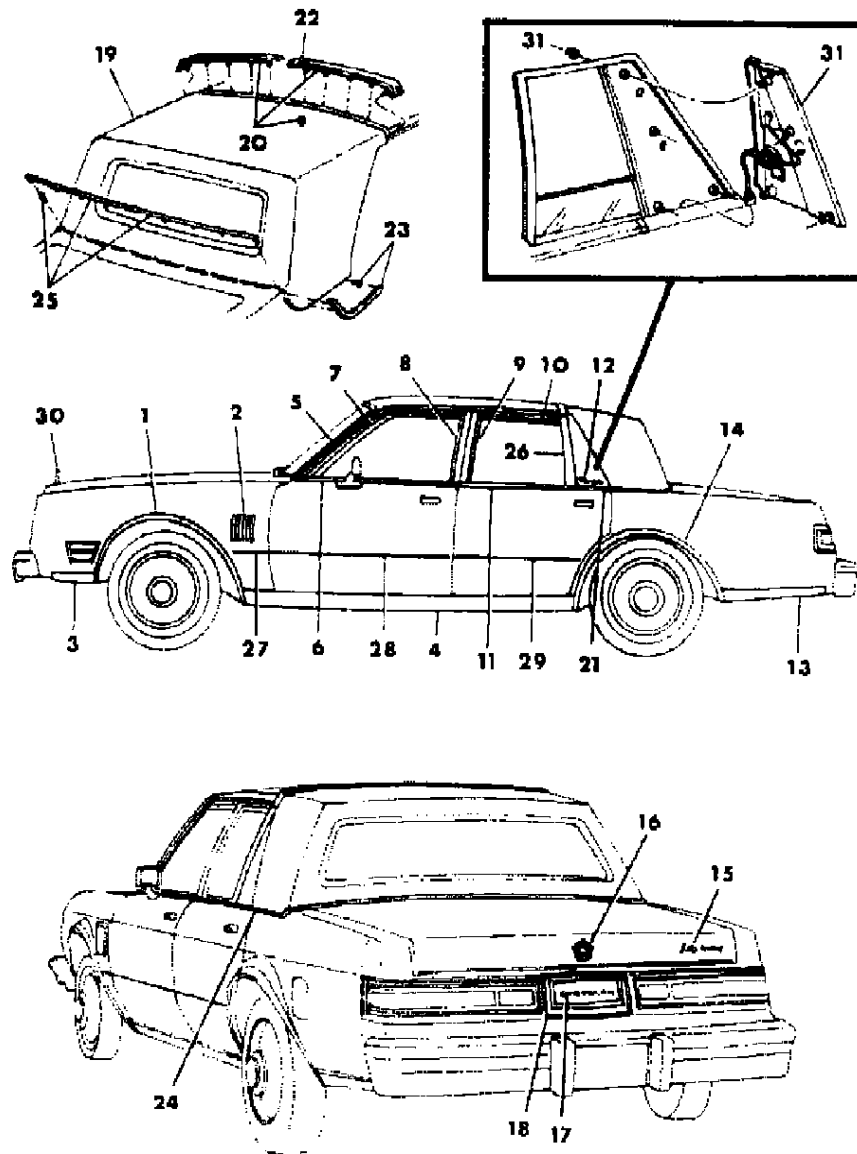
45 = 4-DOOR STATION WAGON

52-53 = FWD WAGON

AR = Use as Required - = Non Illustrated Part P.A.R. = Paint as Required

MOULDINGS AND ORNAMENTATION - EXTERIOR VIEW M BODY CHRYSLER FIFTH AVENUE
Figure 23-5000

7188 5000



ITEM	PART NUMBER	QTY	BODY	MODEL	DESCRIPTION
1	4175 286-7	1			MOULDING, Fndr. Wheel Opng. SCREW, (Not Serv.)
2	X560 CA1	2			LOUVER, Fndr. Side, Silver Met.
	X560 CC6	2			Gunmetal Blue
	X560 DM6	2			Crimson Red
	X560 CT6	2			Mink Brown
	X560 DT4	2			Gold Dust Met.
	X560 DB9	2			Night Watch Blue
	X560 DX8	2			Black
	X560 DW2	2			White
	X560 DB1	2			Ice Blue, Kenosha Assy., After 2-23-87
	X560 FC7	2			Twilight Blue, Kenosha Assy., After 2-23-87
	X560 FS8	2			Charcoal, Kenosha Assy., After 2-23-87
3	4175 314-5	1			NUT, (Not Serv.) MOULDING, Fndr. Side
	6003 673	AR			RETAINER and STUD
	6003 726	AR			RETAINER
	9420 867	AR			NUT
	4175 451	2			PLATE, Fndr. Side Mldg., Attach.
4	4175 312-3	1			MOULDING, Body Side Sill
	6003 718	AR			RETAINER
	6028 674	AR			SCREW STUD, (Not Serv.)
5	4276 154-5	1			MOULDING, Roof Side Drain Trough, Frt. SCREW, (Not Serv.)
6	4328 540-1	1			MOULDING, Frt. Door Belt
	4229 468-9	1			INSERT, Frt. Door Belt Mldg.
7	4022 052-3	1			MOULDING, Frt. Door Wdo. Opng. Frame, Frt.
8	4022 056-7	1			MOULDING, Frt. Door Wdo. Opng. Frame, Rear
9	4022 056	1			MOULDING, Rear Door Wdo. Opng. Frame, Frt., Lt.
	4022 057	1			MOULDING, Rear Door Wdo. Opng. Frame, Frt., Rt.
10	4175 100-1	1			MOULDING, Rear Door Wdo. Opng. Frame, Up.
11	4366 182-3	1			MOULDING, Rear Door Belt, Use w/Padded Landau, w/Qtr. Plug
	4229 758-9	1			MOULDING, Rear Door Belt, Use w/o Padded Landau, w/o Qtr. Plug
	4366 184-5	1			INSERT, Rear Door Belt Mldg., Approx. 22 1/4" Long
	4229 470-1	1			INSERT, Rear Door Belt Mldg., Approx. 25" Long

MODEL CODES

E BODY = (J - CARAVELLE)(E - 600)(T - NEW YORKER)

G BODY = (V24 - DAYTONA)

H BODY = (D44 - LANCER)(C44 - LEBARON GTS)

J BODY = (C - LEBARON)

K BODY = (P - RELIANT)(D - ARIES)(C - LEBAROND)/TOWN & COUNTRY)

L BODY = (M - HORIZON/TURISMO)(Z - OMNI/CHARGER)

M BODY = (B - GRAN FURY)(F - FIFTH AVE/NEWPORT)(G - DIPLOMAT)

P BODY = (P - SUNDANCE)(D - SHADOW)

S BODY = (H - VOYAGER)(K - RAM VAN/CARAVAN)

BODY STYLES

12-13 = FWD VAN

21 = 2-DOOR SEDAN

24 = 2-DOOR HATCHBACK

27 = 2-DOOR CONVERTIBLE

41 = 4-DOOR SEDAN

44 = 4-DOOR HATCHBACK

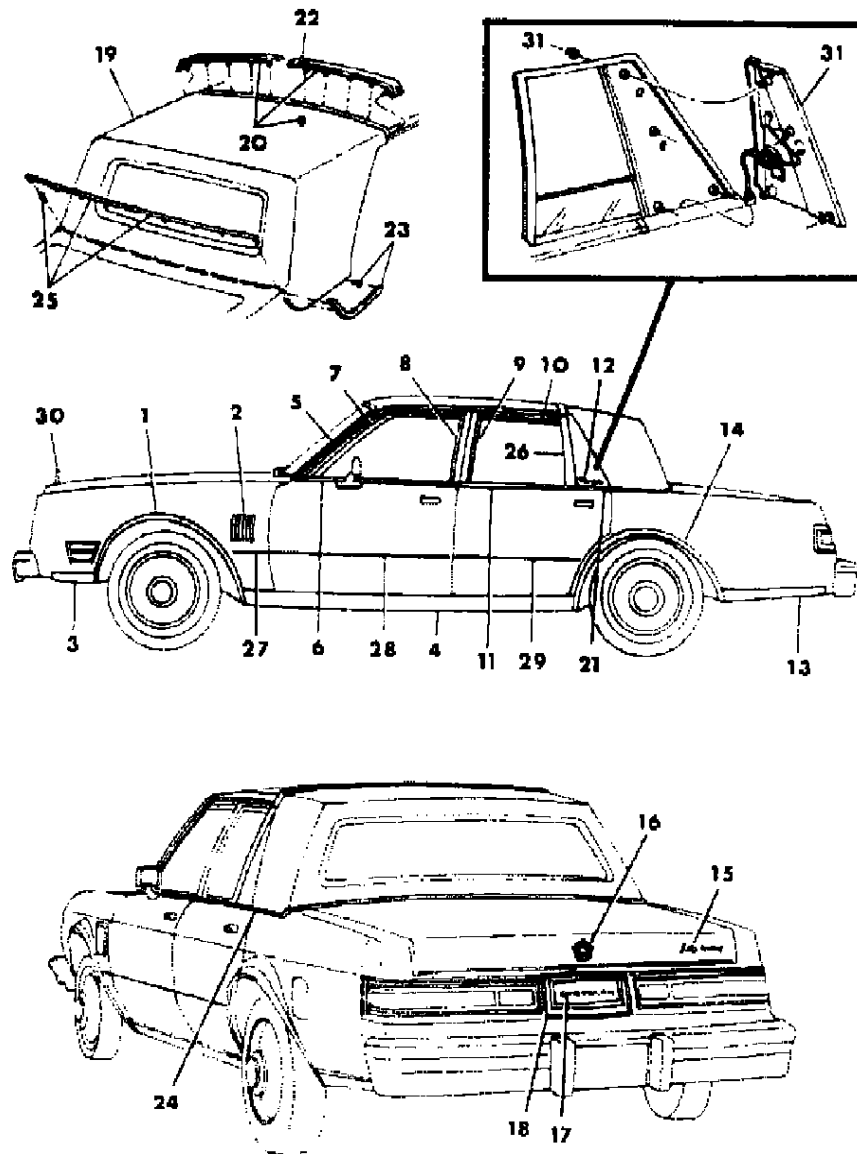
45 = 4-DOOR STATION WAGON

52-53 = FWD WAGON

AR = Use as Required - = Non Illustrated Part P.A.R. = Paint as Required

MOULDINGS AND ORNAMENTATION - EXTERIOR VIEW M BODY CHRYSLER FIFTH AVENUE
Figure 23-5000

7188 5000



ITEM	PART NUMBER	QTY	BODY	MODEL	DESCRIPTION
	4366 186-7	1			CAP, Rear Door Belt Mldg. End, Use w/Padded Landau, w/Qtr. Plug
12	X308 BA2	2			NAMEPLATE, Rear Door Qtr. Wdo. Frame, "FIFTH AVENUE", Silver
	X308 DC6	2			Gunmetal Blue
	X308 BC9	2			Night Watch Blue
	X308 BM5	2			Red
	X308 DT4	2			Gold Dust
	X308 DT6	2			Mink Brown
	X308 BW3	2			White
	X308 BX9	2			Black
	X308 FB1	2			Ice Blue, Kenosha Assy., After 2-23-87
	X308 FC7	2			Twilight Blue, Kenosha Assy., After 2-23-87
13	X308 FS8	2			Charcoal, Kenosha Assy., After 2-23-87
	4175 316-7	1			MOULDING, Qtr. Pnl.
	6003 725	AR			RETAINER
	6003 719	AR			RETAINER
	6003 720	AR			RETAINER
	4175 450	2			PLATE, Qtr. Pnl. Mldg., Attach.
	9420 867	AR			NUT
	6001 927	AR			RETAINER and SEAL
					WELD STUD, (Not Serv.)
14	4175 290-1	1			MOULDING, Qtr. Wheel Opng. SCREW, (Not Serv.)
15	4276 400	1			NAMEPLATE, Deck Lid, "FIFTH AVENUE"
16	X561 DA1	1			MEDALLION, Deck Lid Lock Cyl., Silver Met.
	X561 DC6	1			Gunmetal Blue
	X561 DB1	1			Ice Blue Met.
	X561 DB9	1			Night Watch Blue
	X561 DM6	1			Red
	X561 DT4	1			Gold Dust Met.
	X561 DT6	1			Mink Brown
	X561 DW2	1			White
	X561 DX8	1			Black
	X925 FC7	1			Twilight Blue, Kenosha Assy., After 2-23-87
	X925 FS8	1			Charcoal, Kenosha Assy., After 2-23-87
					RIVET, (Not Serv.)
17	4339 140	1			INSERT PACKAGE, Deck Opng. Lwr. Pnl. Applique

MODEL CODES

E BODY = (J - CARAVELLE)(E - 600)(T - NEW YORKER)

G BODY = (V24 - DAYTONA)

H BODY = (D44 - LANCER)(C44 - LEBARON GTS)

J BODY = (C - LEBARON)

K BODY = (P - RELIANT)(D - ARIES)(C - LEBAROND)/TOWN & COUNTRY)

L BODY = (M - HORIZON/TURISMO)(Z - OMNI/CHARGER)

M BODY = (B - GRAN FURY)(F - FIFTH AVE/NEWPORT)(G - DIPLOMAT)

P BODY = (P - SUNDANCE)(D - SHADOW)

S BODY = (H - VOYAGER)(K - RAM VAN/CARAVAN)

BODY STYLES

12-13 = FWD VAN

21 = 2-DOOR SEDAN

24 = 2-DOOR HATCHBACK

27 = 2-DOOR CONVERTIBLE

41 = 4-DOOR SEDAN

44 = 4-DOOR HATCHBACK

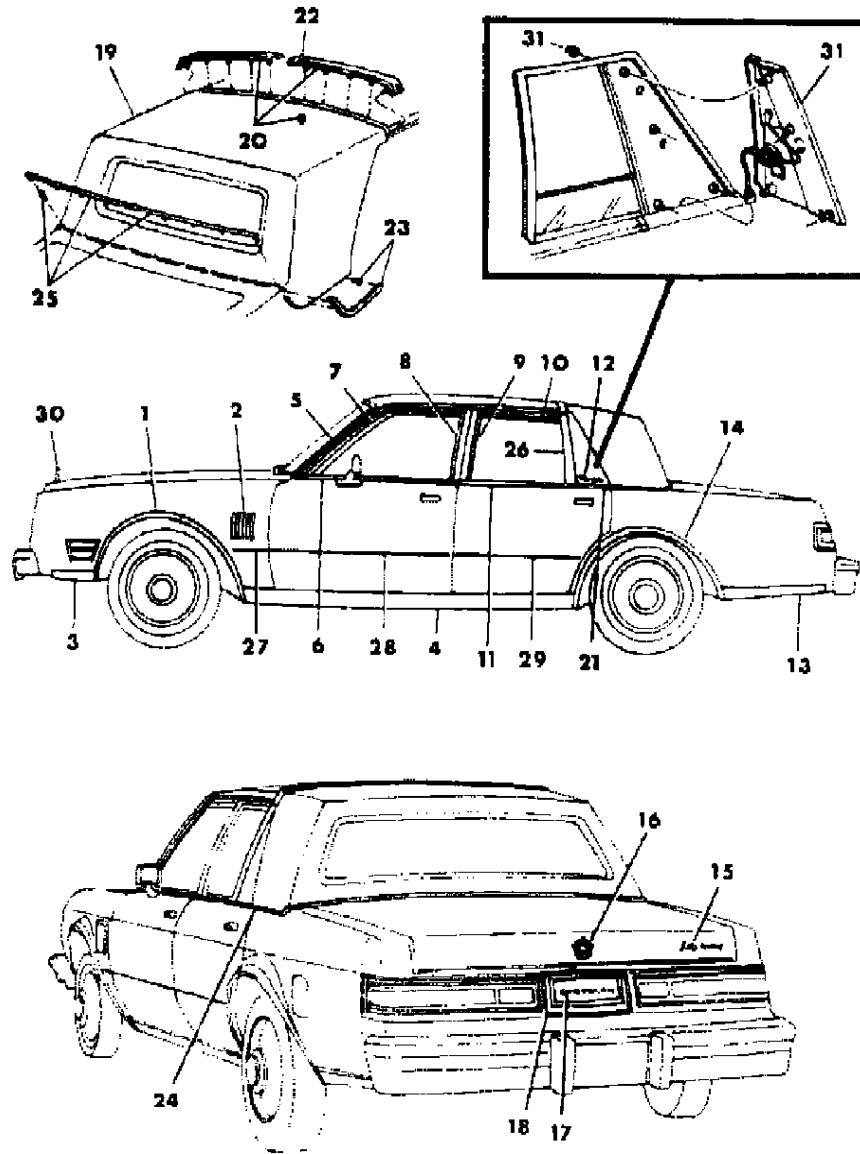
45 = 4-DOOR STATION WAGON

52-53 = FWD WAGON

AR = Use as Required - = Non Illustrated Part P.A.R. = Paint as Required

MOULDINGS AND ORNAMENTATION - EXTERIOR VIEW M BODY CHRYSLER FIFTH AVENUE
Figure 23-5000

7188 5000



ITEM	PART NUMBER	QTY	BODY	MODEL	DESCRIPTION
18	4229 653	1			APPLIQUE, Deck Opng. Lwr. Pnl.
	4229 652	1			SUPPORT, Deck Opng. Lwr. Pnl. Applique
	0445 170	8			NUT
19					CAP, Roof Bonnet (See Illus. 5600, Item 5)
20	4276 814-5	1			MOULDING PACKAGE, Roof Transverse, Complete w/CAP and Attaching Parts, Use on Monotone Paint Car
	X686-7 DC6	1			MOULDING, Roof Transverse, Use on Two Tone Paint Car, Gunmetal Blue
	X686-7 DM5	1			Red
	X686-7 DX9	1			Black
		6			RETAINER and STUD, (Not Serv.)
	4229 755	2			RETAINER and STUD
	4276 119	2			SPACER, Roof Transverse Mldg.
		AR			NUT, Roof Transverse Mldg., Use on Monotone or Two Tone Paint Car (Not Serv.)
	6003 642	AR			RETAINER, Roof Transverse Mldg., Use on Monotone or Two Tone Paint Car
	6003 881	AR			RETAINER, Roof Transverse Mldg.
21	4276 316	2			MOULDING PACKAGE, Rear Door Belt, Rear, Use on Monotone Paint Car
	X476 DC6	2			MOULDING, Rear Door Belt, Rear, Use on Two Tone Paint Car, Gunmetal Blue
	X476 DM5	2			Red
	X476 DX9	2			Black
	4057 555	AR			RETAINER PACKAGE, Use on Monotone Paint Car
	4229 803	AR			RETAINER, Rear Door Belt, Rear, Use on Monotone or Two Tone Paint Car
22	4276 296	1			CAP ASSEMBLY, Roof Transverse Mldg. (Also Serv. in Mldg. Pkg. 4276814-5, Use on Monotone Paint Car
	X688 DC6	1			MOULDING, Roof Transverse Center Cap, Use on Two Tone Paint Car, Gunmetal Blue
	X688 DM5	1			Red
	X688 DX9	1			Black
23	4229 816	2			MOULDING, Qtr. Belt, Use on Monotone Paint Car
	X478-9 DC6	1			MOULDING, Qtr. Belt, Use on Two Tone Paint Car, Gunmetal Blue
	X478-9 DM5	1			Red
	X478-9 DX9	1			Black

MODEL CODES

E BODY = (J - CARAVELLE)(E - 600)(T - NEW YORKER)

G BODY = (V24 - DAYTONA)

H BODY = (D44 - LANCER)(C44 - LEBARON GTS)

J BODY = (C - LEBARON)

K BODY = (P - RELIANT)(D - ARIES)(C - LEBAROND)/TOWN & COUNTRY)

L BODY = (M - HORIZON/TURISMO)(Z - OMNI/CHARGER)

M BODY = (B - GRAN FURY)(F - FIFTH AVE/NEWPORT)(G - DIPLOMAT)

P BODY = (P - SUNDANCE)(D - SHADOW)

S BODY = (H - VOYAGER)(K - RAM VAN/CARAVAN)

BODY STYLES

12-13 = FWD VAN

21 = 2-DOOR SEDAN

24 = 2-DOOR HATCHBACK

27 = 2-DOOR CONVERTIBLE

41 = 4-DOOR SEDAN

44 = 4-DOOR HATCHBACK

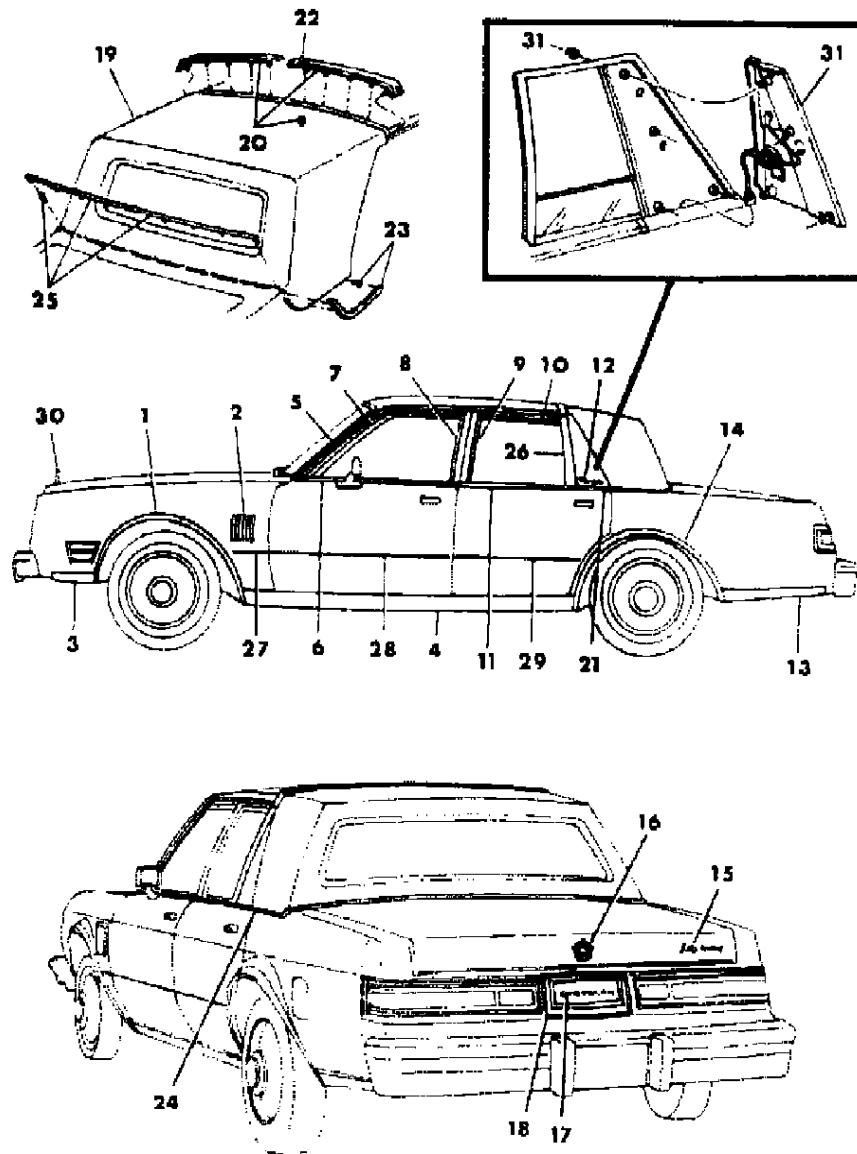
45 = 4-DOOR STATION WAGON

52-53 = FWD WAGON

AR = Use as Required - = Non Illustrated Part P.A.R. = Paint as Required

MOULDINGS AND ORNAMENTATION - EXTERIOR VIEW M BODY CHRYSLER FIFTH AVENUE
Figure 23-5000

7188 5000



ITEM	PART NUMBER	QTY	BODY	MODEL	DESCRIPTION
	4229 803	AR			RETAINER, Qtr. Belt, Use on Monotone or Two Tone Paint Car
	4328 064-5	1			MOULDING PACKAGE, Qtr. Belt and Corner Mldg., Use on Monotone Paint Car
	4057 555	AR			RETAINER PACKAGE
24	4328 580-1	1			CAP, Qtr. Belt Mldg., Frt., Use on Monotone Paint Car
25	4276 310-1	1			MOULDING PACKAGE, Deck Opng. Upr. Pnl. (NOTE: A CAP comes With the Rt. Side Mldg. Pkg. only) Use on Monotone Paint Car
	4229 787	1			MOULDING, Deck Opng. Upr. Pnl., Lt., Use on Monotone Paint Car
	X482-3 DC6	1			MOULDING, Deck Opng. Upr. Pnl., Use on Two Tone Paint Car, Gunmetal Blue
	X482-3 DM5	1			Red
	X482-3 DX9	1			Black
	4057 555	AR			RETAINER PACKAGE, Use on Monotone or Two Tone Paint Car
	4229 803	AR			RETAINER, Deck Opng., Upr. Pnl., Use on Monotone or Two Tone Paint Car
26	4276 462-3	1			MOULDING ASSEMBLY, Rear Door Qtr. Wdo. Frame, Use w/o Lamp. w/o Luxury Equip. Pkg. AFF
	6025 002	AR			NUT
27	X202-3 DW3	1			MOULDING, Fndr. Side, White, Paint to Color
28	X204-5 DW3	1			MOULDING, Frt. Door, White, Paint to Color
29	X208-9 DW3	1			MOULDING, Rear Door, White, Paint to Color
30	4270 563	1			ORNAMENT, Pentastar
	4103 623	1			BASE, Radiator Grille Mldg. Ctr. Pentastar
	6030 435	1			NUT
	3672 780	1			RETAINER
31	X372-3 BA2	1			FRAME, Complete, Rear Door Qtr. Wdo., w/o Lamp, Use on Monotone Paint Car, w/o Luxury Equip. Pkg. AFF, Silver
	X372-3 DC6	1			Gunmetal Blue
	X372-3 BC9	1			Night Watch Blue
	X372-3 CM6	1			Red
	X372-3 DT4	1			Gold Dust
	X372-3 DT6	1			Mink Brown
	X372-3 BW3	1			White
	X372-3 BX9	1			Black
	X372-3 FB1	1			Ice Blue, Kenosha Assy., After 2-23-87

MODEL CODES

E BODY = (J - CARAVELLE)(E - 600)(T - NEW YORKER)

G BODY = (V24 - DAYTONA)

H BODY = (D44 - LANCER)(C44 - LEBARON GTS)

J BODY = (C - LEBARON)

K BODY = (P - RELIANT)(D - ARIES)(C - LEBAROND)/TOWN & COUNTRY)

L BODY = (M - HORIZON/TURISMO)(Z - OMNI/CHARGER)

M BODY = (B - GRAN FURY)(F - FIFTH AVE/NEWPORT)(G - DIPLOMAT)

P BODY = (P - SUNDANCE)(D - SHADOW)

S BODY = (H - VOYAGER)(K - RAM VAN/CARAVAN)

BODY STYLES

12-13 = FWD VAN

21 = 2-DOOR SEDAN

24 = 2-DOOR HATCHBACK

27 = 2-DOOR CONVERTIBLE

41 = 4-DOOR SEDAN

44 = 4-DOOR HATCHBACK

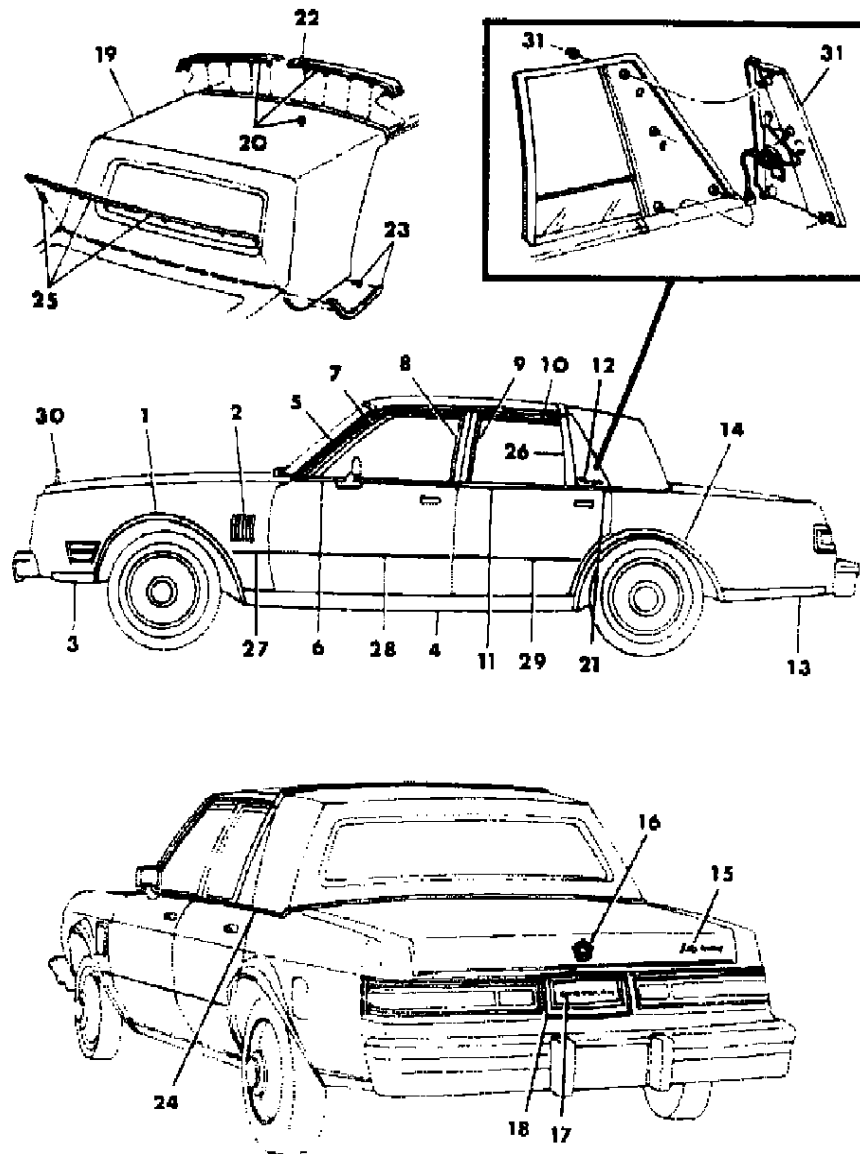
45 = 4-DOOR STATION WAGON

52-53 = FWD WAGON

AR = Use as Required - = Non Illustrated Part P.A.R. = Paint as Required

MOULDINGS AND ORNAMENTATION - EXTERIOR VIEW M BODY CHRYSLER FIFTH AVENUE
Figure 23-5000

7188 5000



ITEM	PART NUMBER	QTY	BODY	MODEL	DESCRIPTION
	X372-3 FC7	1			Twilight Blue, Kenosha Assy., After 2-23-87
	X372-3 FS8	1			Charcoal, Kenosha Assy., After 2-23-87
	X386-7 BA2	1			Use on Monotone Paint Car, w/Lamp, w/Luxury Equip. Pkg. AFF, Silver
	X386-7 DC6	1			Gunmetal Blue
	X386-7 BC9	1			Night Watch Blue
	X386-7 CM6	1			Red
	X386-7 DT4	1			Gold Dust
	X386-7 DT6	1			Mink Brown
	X386-7 BW3	1			White
	X386-7 BX9	1			Black
	X386-7 FB1	1			Ice Blue, Kenosha Assy., After 2-23-87
	X386-7 FC7	1			Twilight Blue, Kenosha Assy., After 2-23-87
	X386-7 FS8	1			Charcoal, Kenosha Assy., After 2-23-87
	T916-7 DC6	1			FRAME, Complete, Rear Door Qtr. Wdo. w/Lamp, Use on Two Tone Paint Car, Gunmetal Blue
	T916-7 DM6	1			Red
	T916-7 DX9	1			Black
	4229 291	2			RETAINER, Rear Door Qtr. Wdo. Frame Inverter
	4229 806-7	1			BEZEL ASSEMBLY, Rear Door Qtr. Wdo. Frame, Use w/Lamp, w/Luxury Equip. Pkg. AFF
	4419 240-1	1			BEZEL ASSEMBLY, Rear Door Qtr. Wdo., Silver and Blue, Use on Two Tone Paint Car
	4419 242-3	1			Silver and Black
	4419 244-5	1			Silver and Red
	AR				NUT, (Not Serv.)
NOTE: The Following Parts are not Illustrated the rear of the carburetor throttle body. A mirror is required to read the no. when the carburetor					
-	4276 471	6			FILLER, Rear Door Opng. Vinyl Roof, Use on Monotone Paint Car
-	4366 122-3	1			SUPPORT, Rear Door Qtr. Wdo. Frame, Use on Monotone or Two Tone Paint Car
-	3792 367	AR			TAPE, Backlite Plug Ext. to Glass

MODEL CODES

E BODY = (J - CARAVELLE)(E - 600)(T - NEW YORKER)

G BODY = (V24 - DAYTONA)

H BODY = (D44 - LANCER)(C44 - LEBARON GTS)

J BODY = (C - LEBARON)

K BODY = (P - RELIANT)(D - ARIES)(C - LEBAROND)/TOWN & COUNTRY)

L BODY = (M - HORIZON/TURISMO)(Z - OMNI/CHARGER)

M BODY = (B - GRAN FURY)(F - FIFTH AVE/NEWPORT)(G - DIPLOMAT)

P BODY = (P - SUNDANCE)(D - SHADOW)

S BODY = (H - VOYAGER)(K - RAM VAN/CARAVAN)

BODY STYLES

12-13 = FWD VAN

21 = 2-DOOR SEDAN

24 = 2-DOOR HATCHBACK

27 = 2-DOOR CONVERTIBLE

41 = 4-DOOR SEDAN

44 = 4-DOOR HATCHBACK

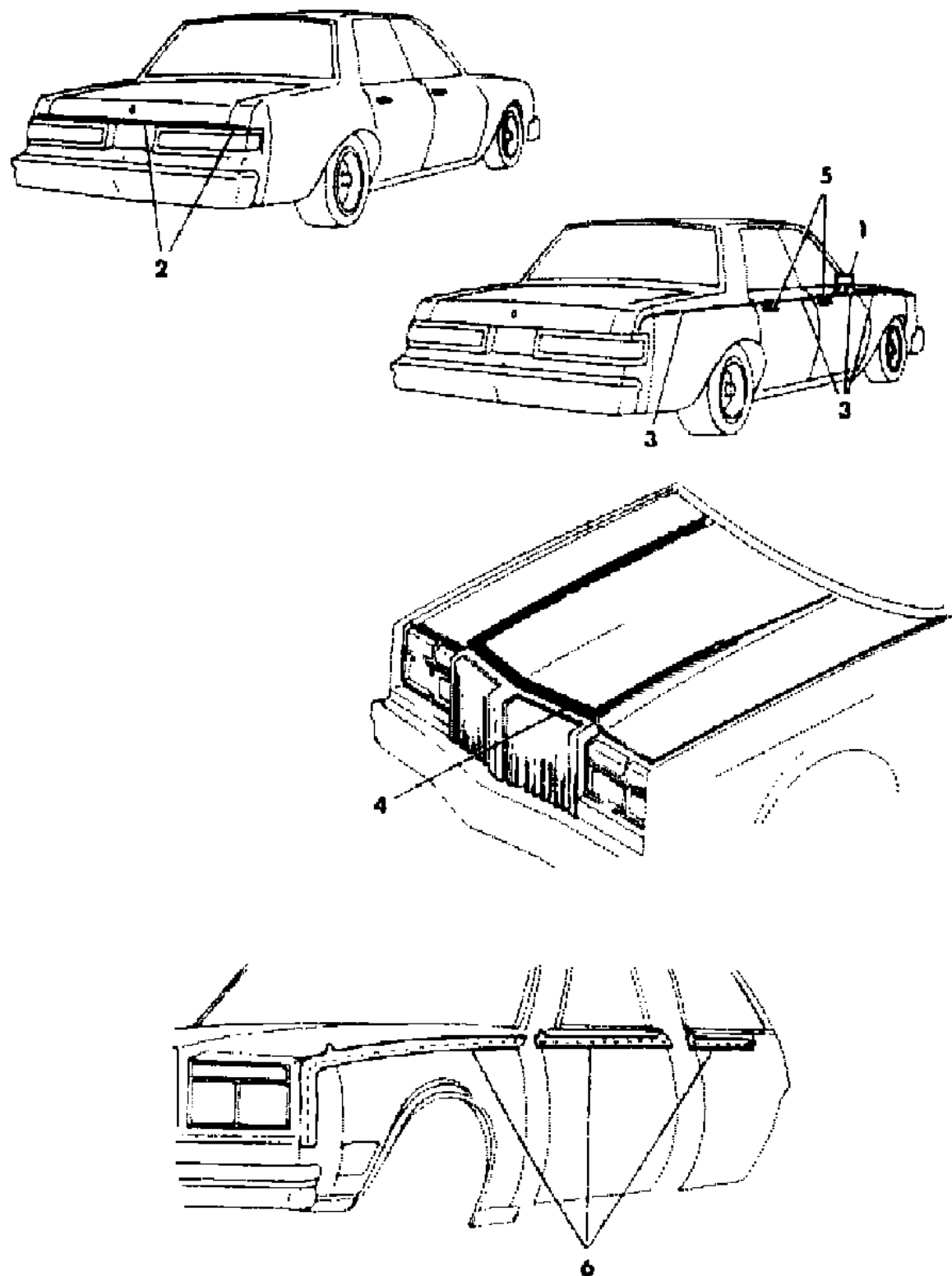
45 = 4-DOOR STATION WAGON

52-53 = FWD WAGON

AR = Use as Required - = Non Illustrated Part P.A.R. = Paint as Required

TAPE STRIPES AND DECALS - EXTERIOR VIEW M BODY CHRYSLER FIFTH AVENUE
Figure 23-5100

7188 5100



ITEM	PART NUMBER	QTY	BODY	MODEL	DESCRIPTION
1	E324-5 CA1	1			TAPE, Door Mirror, Silver Met.
	E324-5 DC6	1			Gunmetal Blue
	E324-5 BM5	1			Red
	E324-5 DT6	1			Mink Brown
	E324-5 AC9	1			Night Watch Blue
	E324-5 DT4	1			Gold Dust Met.
	E324-5 AX9	1			Black
	E324-5 AW3	1			White
	E324-5 FB1	1			Ice Blue, Kenosha Assy., After 2-23-87
2	E324-5 FC7	1			Twilight Blue, Kenosha Assy., After 2-23-87
	E324-5 FS8	1			Charcoal, Kenosha Assy., After 2-23-87
	T086 DR4	1			TAPE, Deck Lid and Qtr. End Ext., Red
	T086 DT2	1			Cream
	T086 DY1	1			Gold
	T086 DB6	1			Blue
	T086 DA1	1			Silver
	3	4342 552-3	1		
4342 560-1		1			Gold
4342 556-7		1			Red
4342 558-9		1			Cream
4342 554-5		1			Blue
4	T088 DY1	1			TAPE, Hood, Gold
	T088 DR4	1			Red
	T088 DB6	1			Blue
	T088 DT2	1			Cream
5	T088 DA1	1			Silver
	T360 CA1	AR			TAPE, Door Handle, Silver Met.
	T360 DC6	AR			Gunmetal Blue
	T360 AC9	AR			Blue
	T360 DT4	AR			Gold Dust Met.
	T360 BM5	AR			Red
	T360 DT6	AR			Mink Brown
	T360 AX9	AR			Black
	T360 AW3	AR			White
	T360 FB1	AR			Ice Blue, Kenosha Assy., After 2-23-87
T360 FC7	AR			Twilight Blue, Kenosha Assy., After 2-23-87	
T360 FS8	AR			Charcoal, Kenosha Assy., After 2-23-87	

MODEL CODES

E BODY = (J - CARAVELLE)(E - 600)(T - NEW YORKER)

G BODY = (V24 - DAYTONA)

H BODY = (D44 - LANCER)(C44 - LEBARON GTS)

J BODY = (C - LEBARON)

K BODY = (P - RELIANT)(D - ARIES)(C - LEBAROND)/TOWN & COUNTRY)

L BODY = (M - HORIZON/TURISMO)(Z - OMNI/CHARGER)

M BODY = (B - GRAN FURY)(F - FIFTH AVE/NEWPORT)(G - DIPLOMAT)

P BODY = (P - SUNDANCE)(D - SHADOW)

S BODY = (H - VOYAGER)(K - RAM VAN/CARAVAN)

BODY STYLES

12-13 = FWD VAN

21 = 2-DOOR SEDAN

24 = 2-DOOR HATCHBACK

27 = 2-DOOR CONVERTIBLE

41 = 4-DOOR SEDAN

44 = 4-DOOR HATCHBACK

45 = 4-DOOR STATION WAGON

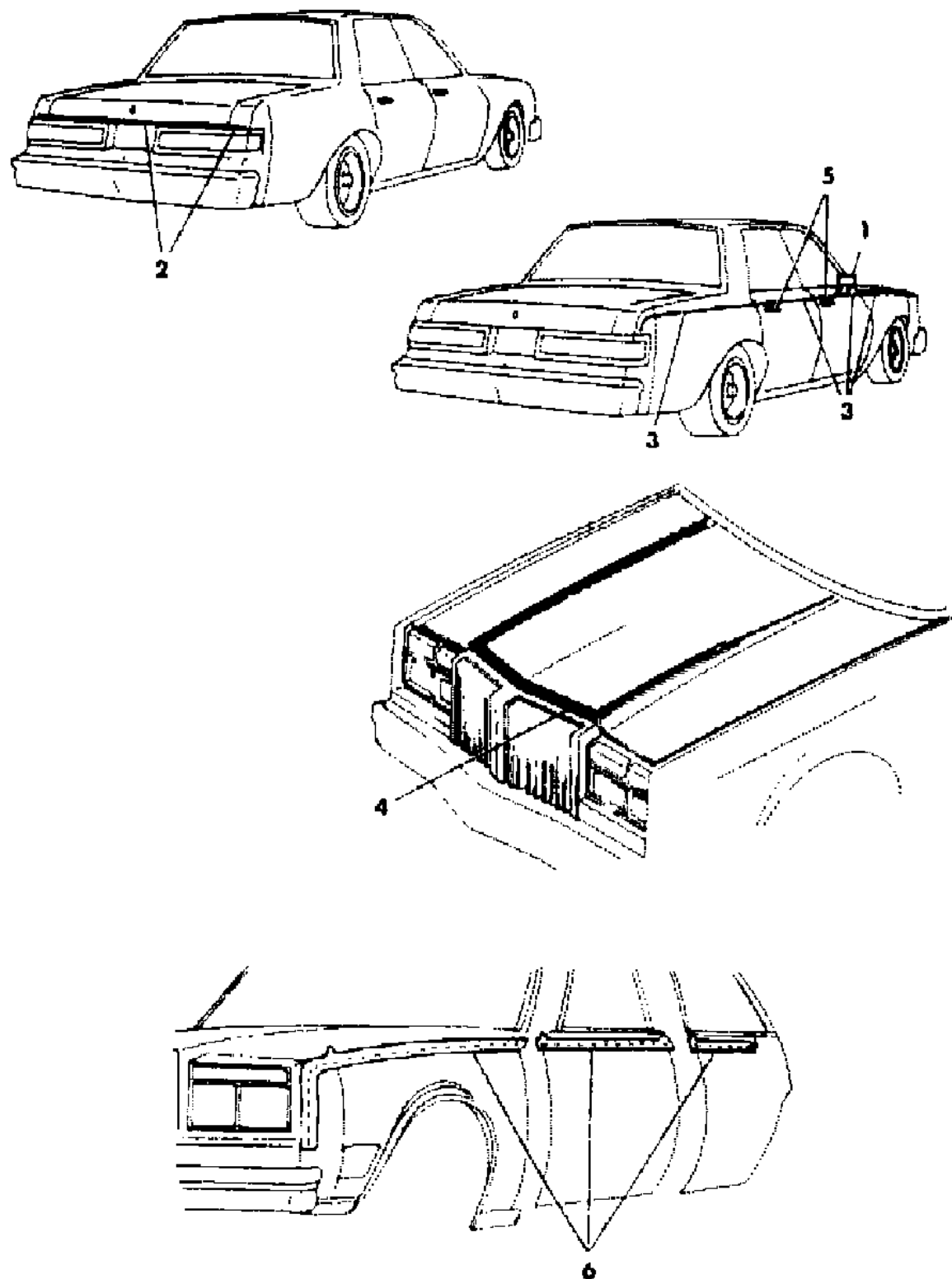
52-53 = FWD WAGON

AR = Use as Required - = Non Illustrated Part P.A.R. = Paint as Required

TAPE STRIPES AND DECALS - EXTERIOR VIEW M BODY CHRYSLER FIFTH AVENUE
Figure 23-5100

7188 5100

ITEM	PART NUMBER	QTY	BODY	MODEL	DESCRIPTION
6	4364 018-9	1			TAPE PACKAGE, Fndr., Door, Silver, Red, Use on Two Tone Paint Car
	4364 020-1	1			Silver, Gunmetal Blue, Use on Two Tone Paint Car
	4364 022-3	1			Silver, Black, Use on Two Tone Paint Car



MODEL CODES
 E BODY = (J - CARAVELLE)(E - 600)(T - NEW YORKER)
 G BODY = (V24 - DAYTONA)
 H BODY = (D44 - LANCER)(C44 - LEBARON GTS)
 J BODY = (C - LEBARON)
 K BODY = (P - RELIANT)(D - ARIES)(C - LEBAROND)/TOWN & COUNTRY
 L BODY = (M - HORIZON/TURISMO)(Z - OMNI/CHARGER)
 M BODY = (B - GRAN FURY)(F - FIFTH AVE/NEWPORT)(G - DIPLOMAT)
 P BODY = (P - SUNDANCE)(D - SHADOW)
 S BODY = (H - VOYAGER)(K - RAM VAN/CARAVAN)

BODY STYLES
 12-13 = FWD VAN
 21 = 2-DOOR SEDAN
 24 = 2-DOOR HATCHBACK
 27 = 2-DOOR CONVERTIBLE
 41 = 4-DOOR SEDAN
 44 = 4-DOOR HATCHBACK
 45 = 4-DOOR STATION WAGON
 52-53 = FWD WAGON

AR = Use as Required - = Non Illustrated Part P.A.R. = Paint as Required

GROUP 23A - BODY - SHEET METAL EXCEPT DOORS

ILLUSTRATION TITLE	GROUP-FIG. NO.
BODY PARTIAL	
BODY CONSTRUCTION PARTIAL LIST OF BODY PANEL	Fig. 23A-10
L BODY	
FLOOR PAN FRONT L BODY	Fig. 23A-100
FLOOR PAN REAR L BODY	Fig. 23A-200
FENDER AND SHIELD L BODY	Fig. 23A-300
HOOD AND HOOD RELEASE L BODY	Fig. 23A-400
COWL AND DASH PANEL L BODY	Fig. 23A-500
GLASS WINDSHIELD AND MIRROR L BODY	Fig. 23A-600
APERTURE PANEL L BODY	Fig. 23A-700
BODY FRONT PILLAR L BODY	Fig. 23A-800
BODY REAR QUARTER L BODY 24	Fig. 23A-900
BODY REAR QUARTER L BODY 44	Fig. 23A-1000
LIFTGATE OPENING PANEL L BODY 24	Fig. 23A-1100
LIFTGATE OPENING PANEL L BODY 44	Fig. 23A-1200
GLASS QUARTER WINDOW L BODY 24	Fig. 23A-1300
ROOF PANEL L BODY	Fig. 23A-1400
SUNROOF L BODY 24	Fig. 23A-1500
LIFTGATE PANEL L BODY 24	Fig. 23A-1600
LIFTGATE PANEL L BODY 44	Fig. 23A-1700
GLASS LIFTGATE L BODY	Fig. 23A-1800
P BODY	
FLOOR PAN FRONT P BODY 24,44	Fig. 23A-1900
PLUGS FRONT FLOOR PAN P BODY 24,44	Fig. 23A-2000
FLOOR PAN REAR P BODY 24,44	Fig. 23A-2100
FENDER AND SHIELD P BODY 24,44	Fig. 23A-2200
HOOD AND HOOD RELEASE P BODY 24,44	Fig. 23A-2300
COWL AND DASH PANEL P BODY 24,44	Fig. 23A-2400
BRACKET AND PLUGS COWL P BODY 24,44	Fig. 23A-2500
GLASS WINDSHIELD AND MIRROR P BODY 24,44	Fig. 23A-2600
APERATURE PANEL P BODY 24,44	Fig. 23A-2700
BODY FRONT PILLAR P BODY 24,44	Fig. 23A-2800
BODY REAR QUARTER P BODY 24,44	Fig. 23A-2900
LIFTGATE RELEASE P BODY 24,44	Fig. 23A-3000
LIFTGATE OPENING PANEL P BODY 24,44	Fig. 23A-3100
GLASS QUARTER WINDOW P BODY 24	Fig. 23A-3200

ILLUSTRATION NOT AVAILABLE AT TIME OF PUBLICATION

GROUP 23A - BODY - SHEET METAL EXCEPT DOORS

GROUP 23A - BODY - SHEET METAL EXCEPT DOORS

ILLUSTRATION TITLE

GROUP-FIG. NO.

ILLUSTRATION TITLE

GROUP-FIG. NO.

P BODY (Continued)

GLASS QUARTER WINDOW P BODY 24
 ROOF PANEL P BODY 24,44
 SUNROOF P BODY 24,44
 LIFTGATE PANEL AND FUEL FILLER DOOR P BODY 24,44
 GLASS LIFTGATE P BODY 24,44

Fig. 23A-3200
 Fig. 23A-3300
 Fig. 23A-3400
 Fig. 23A-3500
 Fig. 23A-3600

J BODY

FLOOR PAN J BODY
 FLOOR PAN TUNNEL J BODY 27
 PLUGS FLOOR PAN J BODY
 FENDER AND SHIELD J BODY
 HOOD AND HOOD RELEASE J BODY
 COWL AND DASH PANEL J BODY
 PLUGS DASH PANEL J BODY
 GLASS WINDSHIELD AND MIRROR J BODY
 APERTURE PANEL AND FRONT PILLAR J BODY 21
 APERTURE PANEL AND FRONT PILLAR J BODY 27
 QUARTER PANEL J BODY 21
 QUARTER PANEL J BODY 27
 FUEL FILLER AND LIFTGATE RELEASE J BODY
 LIFTGATE PANEL J BODY
 GLASS QUARTER WINDOW J BODY 21,27
 CONVERTIBLE TOP J BODY 27
 RAIL, HEADER AND LATCH ASSEMBLY J BODY 27
 CONVERTIBLE MOTOR AND UPPER WEATHERSTRIP J BODY 27
 ROOF PANEL AND WINDSHIELD FRAME J BODY
 SUNROOF J BODY 21
 GLASS LIFTGATE J BODY

Fig. 23A-3700
 Fig. 23A-3800
 Fig. 23A-3900
 Fig. 23A-4000
 Fig. 23A-4100
 Fig. 23A-4200
 Fig. 23A-4300
 Fig. 23A-4400
 Fig. 23A-4500
 Fig. 23A-4600
 Fig. 23A-4700
 Fig. 23A-4800
 Fig. 23A-4900
 Fig. 23A-5000
 Fig. 23A-5100
 Fig. 23A-5200
 Fig. 23A-5250
 Fig. 23A-5300
 Fig. 23A-5400
 Fig. 23A-5450
 Fig. 23A-5500

K,E BODY

FLOOR PAN K,E BODY
 PLUGS FLOOR PAN K,E BODY
 FENDER AND SHIELD K,E BODY
 BUMPERS AND PLUGS, FENDER, HOOD K,E BODY
 HOOD K,E BODY
 HOOD RELEASE REMOTE CONTROL K,E BODY
 COWL AND DASH PANEL K,E BODY

Fig. 23A-5600
 Fig. 23A-5700
 Fig. 23A-5800
 Fig. 23A-5900
 Fig. 23A-6000
 Fig. 23A-6100
 Fig. 23A-6200

K,E BODY (Continued)

COWL AND DASH PANEL K,E BODY
 PLUGS COWL AND DASH K,E BODY
 GLASS WINDSHIELD AND MIRROR K,E BODY
 BODY FRONT PILLAR K,E BODY
 APERTURE PANEL K,E BODY
 PLUGS BODY SIDE K,E BODY
 BODY SIDE K BODY 21
 BODY SIDE K BODY 41
 BODY SIDE E BODY
 BODY SIDE K BODY 45
 SIDE SILL AND CENTER PILLAR K,E BODY
 QUARTER INSIDE AND WHEELHOUSE OUTER PANEL K BODY 21
 QUARTER INSIDE AND WHEELHOUSE OUTER PANEL K BODY 41
 QUARTER INSIDE AND WHEELHOUSE OUTER PANEL E BODY
 QUARTER INSIDE AND WHEELHOUSE OUTER PANEL K BODY 45
 FUEL FILLER AND DECK LID REMOTE RELEASE E BODY
 GLASS QUARTER WINDOW K BODY 21
 GLASS QUARTER WINDOW E BODY
 GLASS QUARTER WINDOW K BODY 45
 ROOF PANEL K,E BODY
 ROOF LUGGAGE RACK K BODY 45
 GLASS REAR WINDOW K BODY 21,41
 GLASS REAR WINDOW E BODY
 DECK OPENING PANEL K BODY
 DECK OPENING PANEL E BODY
 LIFTGATE OPENING PANEL K BODY 45
 DECK LID K BODY
 DECK LID E BODY
 BUMPERS AND PLUGS DECK LID K,E BODY
 DECK LID ELECTRIC RELEASE K BODY
 LIFTGATE PANEL K BODY 45
 PLUGS LIFTGATE K BODY 45

Fig. 23A-6200
 Fig. 23A-6300
 Fig. 23A-6400
 Fig. 23A-6500
 Fig. 23A-6600
 Fig. 23A-6700
 Fig. 23A-6800
 Fig. 23A-6900
 Fig. 23A-7000
 Fig. 23A-7100
 Fig. 23A-7200
 Fig. 23A-7300
 Fig. 23A-7400
 Fig. 23A-7500
 Fig. 23A-7600
 Fig. 23A-7700
 Fig. 23A-7800
 Fig. 23A-7900
 Fig. 23A-8000
 Fig. 23A-8100
 Fig. 23A-8200
 Fig. 23A-8300
 Fig. 23A-8400
 Fig. 23A-8500
 Fig. 23A-8600
 Fig. 23A-8700
 Fig. 23A-8800
 Fig. 23A-8900
 Fig. 23A-9000
 Fig. 23A-9100
 Fig. 23A-9200
 Fig. 23A-9300

G BODY

FLOOR PAN FRONT G BODY 24
 FLOOR PAN REAR G BODY 24
 FENDER AND SHIELD G BODY 24

Fig. 23A-9400
 Fig. 23A-9500
 Fig. 23A-9600

GROUP 23A - BODY - SHEET METAL EXCEPT DOORS

GROUP 23A - BODY - SHEET METAL EXCEPT DOORS

ILLUSTRATION TITLE

GROUP-FIG. NO.

ILLUSTRATION TITLE

GROUP-FIG. NO.

G BODY (Continued)

FENDER AND SHIELD G BODY 24
 HOOD AND HOOD RELEASE G BODY 24
 COWL AND DASH PANEL G BODY 24
 GLASS WINDSHIELD AND MIRROR G BODY 24
 APERTURE PANEL G BODY 24
 BODY FRONT PILLAR AND ROOF PANEL G BODY 24
 BODY REAR QUARTER G BODY 24
 FUEL FILLER AND LIFTGATE REMOTE RELEASE G BODY 24
 LIFTGATE OPENING PANEL G BODY 24
 GLASS QUARTER WINDOW G BODY 24
 ROOF PANEL G BODY 24
 SUNROOF G BODY 24
 T-BAR ROOF G BODY 24
 LIFTGATE PANEL G BODY 24
 GLASS LIFTGATE G BODY 24

H BODY

FLOOR PAN FRONT H BODY
 FLOOR PAN REAR H BODY
 FENDER AND SHIELD H BODY
 HOOD AND HOOD RELEASE H BODY
 COWL AND DASH PANEL H BODY
 GLASS WINDSHIELD AND MIRROR H BODY
 APERTURE PANEL H BODY
 BODY FRONT PILLAR H BODY
 BODY REAR QUARTER H BODY
 FUEL FILLER AND LIFTGATE REMOTE RELEASE H BODY
 LIFTGATE OPENING PANEL H BODY
 GLASS QUARTER WINDOW H BODY
 ROOF PANEL H BODY
 SUNROOF H BODY
 LIFTGATE PANEL H BODY
 GLASS LIFTGATE H BODY

S BODY

FLOOR PAN S BODY
 FENDER AND SHIELD S BODY

S BODY (Continued)

Fig. 23A-9600 FENDER AND SHIELD S BODY
 Fig. 23A-9700 HOOD AND HOOD RELEASE S BODY
 Fig. 23A-9800 COWL AND DASH PANEL S BODY
 Fig. 23A-9900 GLASS WINDSHIELD AND MIRROR S BODY
 Fig. 23A-10000 BODY FRONT PILLAR AND APERTURE PANEL S BODY
 Fig. 23A-10100 BODY REAR QUARTER (RIGHT) S BODY
 Fig. 23A-10200 BODY REAR QUARTER (LEFT) S BODY
 Fig. 23A-10300 PANEL AND EXTENSION DUAL CARGO DOORS S BODY 13,53
 Fig. 23A-10400 FUEL FILLER REMOTE RELEASE S BODY
 Fig. 23A-10500 LIFTGATE OPENING PANEL S BODY
 Fig. 23A-10600 GLASS BODY SIDE APERTURE S BODY
 Fig. 23A-10700 ROOF PANEL S BODY
 Fig. 23A-10800 ROOF LUGGAGE RACK S BODY
 Fig. 23A-10900 LIFTGATE PANEL S BODY
 Fig. 23A-11000 GLASS LIFTGATE S BODY

M BODY

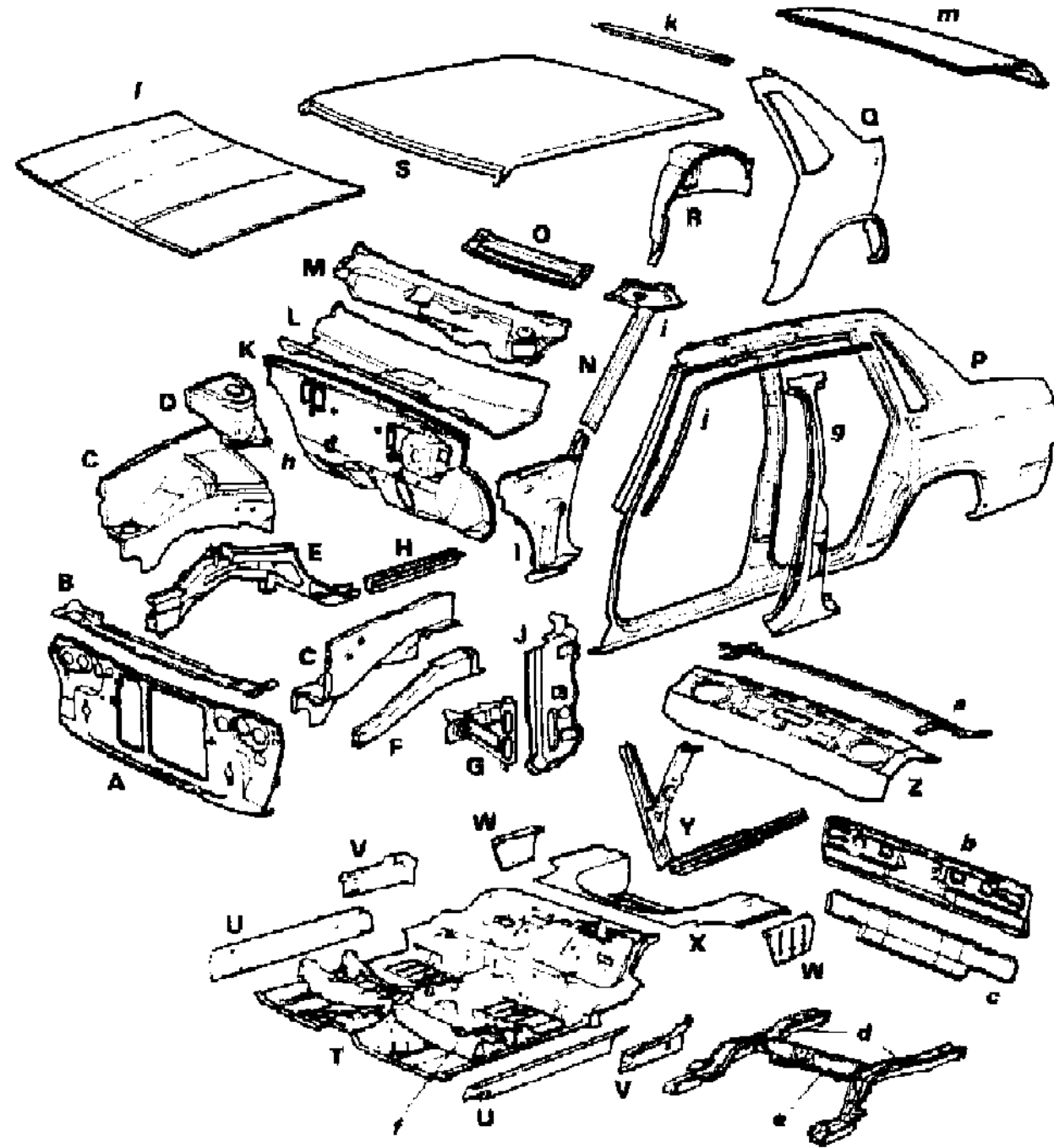
Fig. 23A-11100 FLOOR PAN M BODY
 Fig. 23A-11200 PLUGS FLOOR PAN M BODY
 Fig. 23A-11300 FENDER AND SHIELD M BODY
 Fig. 23A-11400 BUMPERS AND PLUGS, FENDER, HOOD M BODY
 Fig. 23A-11500 HOOD M BODY
 Fig. 23A-11600 HOOD RELEASE REMOTE CONTROL M BODY
 Fig. 23A-11700 COWL AND DASH PANEL M BODY
 Fig. 23A-11800 PLUGS COWL AND DASH M BODY
 Fig. 23A-11900 GLASS WINDSHIELD AND MIRROR M BODY
 Fig. 23A-12000 SIDE SILL AND CENTER PILLAR M BODY
 Fig. 23A-12100 PLUGS BODY SIDE M BODY
 Fig. 23A-12200 QUARTER PANEL M BODY
 Fig. 23A-12300 ROOF PANEL M BODY
 Fig. 23A-12400 SUNROOF M BODY
 Fig. 23A-12500 SUNROOF M BODY
 Fig. 23A-12600 GLASS REAR WINDOW M BODY
 DECK OPENING PANEL M BODY
 DECK LID M BODY
 Fig. 23A-12700 BUMPERS AND PLUGS DECK LID M BODY
 Fig. 23A-12800 DECK LID ELECTRIC RELEASE M BODY

Fig. 23A-12800
 Fig. 23A-12900
 Fig. 23A-13000
 Fig. 23A-13100
 Fig. 23A-13200
 Fig. 23A-13300
 Fig. 23A-13400
 Fig. 23A-13500
 Fig. 23A-13600
 Fig. 23A-13700
 Fig. 23A-13800
 Fig. 23A-13900
 Fig. 23A-14000
 Fig. 23A-14100
 Fig. 23A-14200

Fig. 23A-14300
 Fig. 23A-14400
 Fig. 23A-14500
 Fig. 23A-14600
 Fig. 23A-14700
 Fig. 23A-14800
 Fig. 23A-14900
 Fig. 23A-15000
 Fig. 23A-15100
 Fig. 23A-15200
 Fig. 23A-15300
 Fig. 23A-15400
 Fig. 23A-15500
 Fig. 23A-15600
 Fig. 23A-15700
 Fig. 23A-15800
 Fig. 23A-15900
 Fig. 23A-16000
 Fig. 23A-16100
 Fig. 23A-16200

BODY CONSTRUCTION PARTIAL LIST OF BODY PANEL
Figure 23A-10

7189 10



ITEM	PART NUMBER	QTY	BODY	MODEL	DESCRIPTION
A					Radiator Support (In Group 7)
B					Tie Bar Panel (In Group 7)
C					Fender Inner Shield
D					Strut Tower Reinforcement
E					Front Side Rail
F					Upper Splash Shield Beam
G					Hinge Pillar Extension
H					Front Side Rail Extension
I					Cowl Side Panel
J					Front Hinge Pillar
K					Dash Panel
L					Cowl Plenum
M					Cowl Top
N					Pillar Reinforcement
O					Center Windshield Frame
P					Side Aperture
Q					Inner Quarter/Outer Wheelhouse
R					Inner Wheelhouse
S					Roof Panel
T					Front Side Floor Pan
U					Inner Sill Panel
V					Side Sill Panel Extension
W					Floor Pan Side Extension
X					Rear Floor Pan
Y					Brace Shelf Panel To Floor
Z					Shelf Panel
a					Upper Panel Drain Through
b					Tail Panel
c					Lower Tail Panel
d					Rear Side Rail (In Group 13)
e					Rear Side Rail Crossmember (In Group 13)
f					Front Floor Pan Crossmember, Seat Mount
g					Center Pillar Outer
h					Strut Tower Extension To Dash
i					Upper Windshield Pillar
j					Drip Rail
k					Rear Roof Brace
l					Hood

MODEL CODES

E BODY = (J - CARAVELLE)(E - 600)(T - NEW YORKER)

G BODY = (V24 - DAYTONA)

H BODY = (D44 - LANCER)(C44 - LEBARON GTS)

J BODY = (C - LEBARON)

K BODY = (P - RELIANT)(D - ARIES)(C - LEBAROND)/TOWN & COUNTRY)

L BODY = (M - HORIZON/TURISMO)(Z - OMNI/CHARGER)

M BODY = (B - GRAN FURY)(F - FIFTH AVE/NEWPORT)(G - DIPLOMAT)

P BODY = (P - SUNDANCE)(D - SHADOW)

S BODY = (H - VOYAGER)(K - RAM VAN/CARAVAN)

BODY STYLES

12-13 = FWD VAN

21 = 2-DOOR SEDAN

24 = 2-DOOR HATCHBACK

27 = 2-DOOR CONVERTIBLE

41 = 4-DOOR SEDAN

44 = 4-DOOR HATCHBACK

45 = 4-DOOR STATION WAGON

52-53 = FWD WAGON

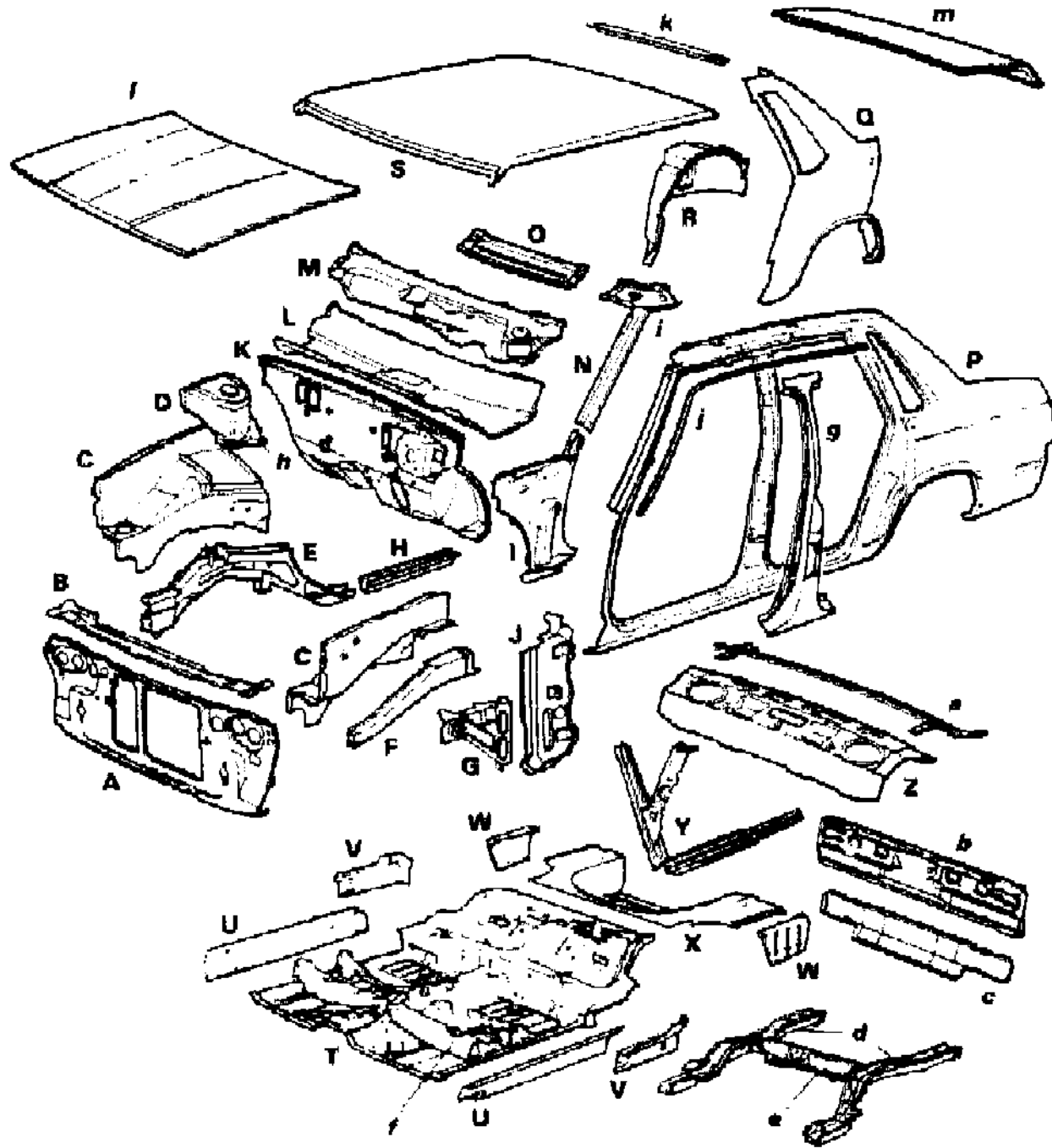
AR = Use as Required - = Non Illustrated Part P.A.R. = Paint as Required

BODY CONSTRUCTION PARTIAL LIST OF BODY PANEL
Figure 23A-10

7189 10

ITEM	PART NUMBER	QTY	BODY	MODEL	DESCRIPTION
------	-------------	-----	------	-------	-------------

m					Deck Lid Or Liftgate
---	--	--	--	--	----------------------



MODEL CODES
 E BODY = (J - CARAVELLE)(E - 600)(T - NEW YORKER)
 G BODY = (V24 - DAYTONA)
 H BODY = (D44 - LANCER)(C44 - LEBARON GTS)
 J BODY = (C - LEBARON)
 K BODY = (P - RELIANT)(D - ARIES)(C - LEBAROND)/TOWN & COUNTRY

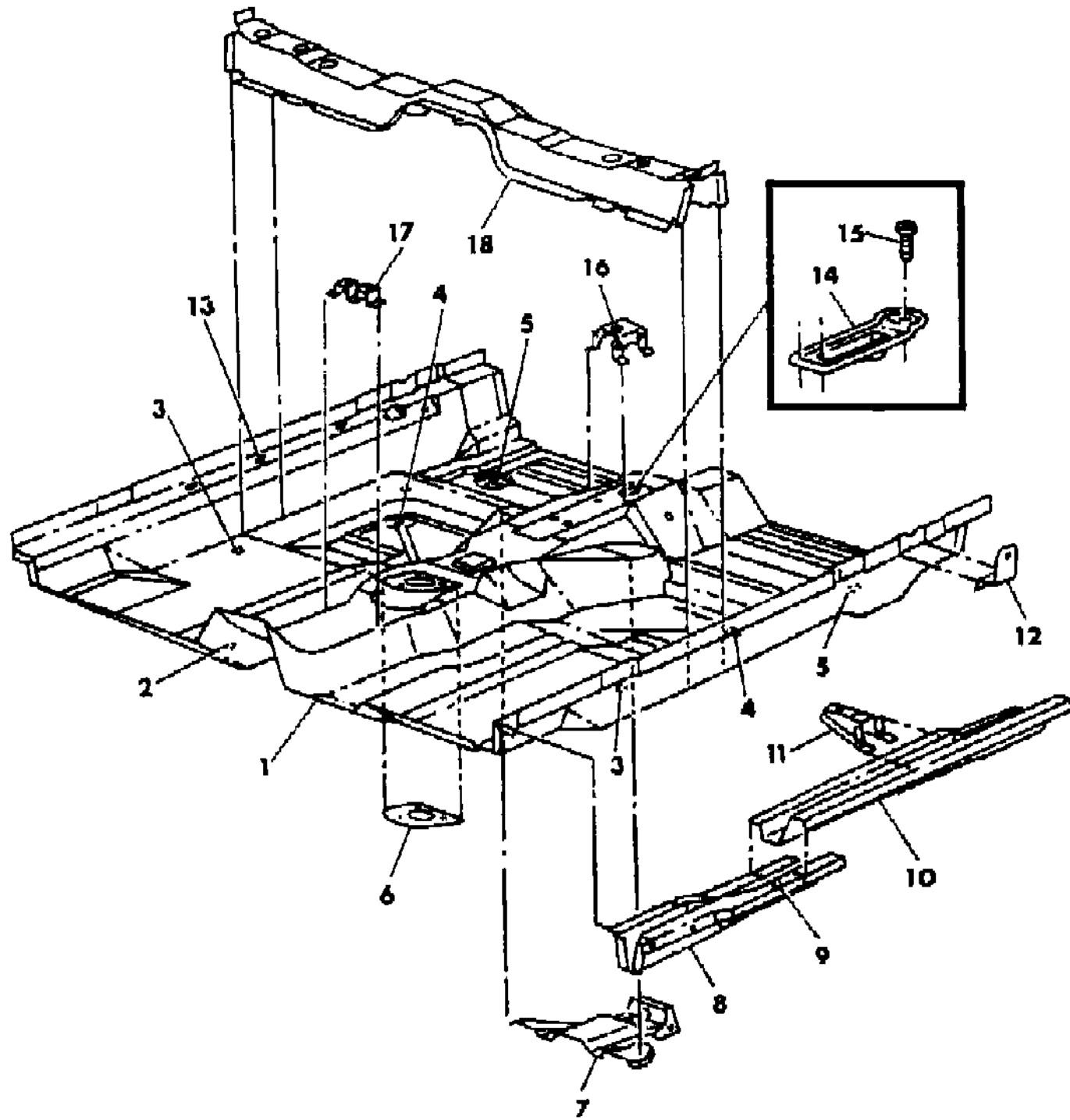
L BODY = (M - HORIZON/TURISMO)(Z - OMNI/CHARGER)
 M BODY = (B - GRAN FURY)(F - FIFTH AVE/NEWPORT)(G - DIPLOMAT)
 P BODY = (P - SUNDANCE)(D - SHADOW)
 S BODY = (H - VOYAGER)(K - RAM VAN/CARAVAN)

BODY STYLES
 12-13 = FWD VAN 41 = 4-DOOR SEDAN
 21 = 2-DOOR SEDAN 44 = 4-DOOR HATCHBACK
 24 = 2-DOOR HATCHBACK 45 = 4-DOOR STATION WAGON
 27 = 2-DOOR CONVERTIBLE 52-53 = FWD WAGON

AR = Use as Required - = Non Illustrated Part P.A.R. = Paint as Required

FLOOR PAN FRONT L BODY
Figure 23A-100

7189 100



ITEM	PART NUMBER	QTY	BODY	MODEL	DESCRIPTION
1	4371 414	1		24	PAN, Front Floor
	4371 417	1		44	
2	2424 864	1	24,44		PLUG, 1.75" Dia./44.5 mm
3	2480 957	2	24,44		PLUG, 1.00" Dia./25.4 mm
4	4073 485	2	24,44		PLUG, 1.50" Dia./38 mm
5	5200 456	2	24,44		PLUG, 2.75" Dia./70 mm
6	4371 415	1	24,44		REINFORCEMENT, Gearshift Mounting
7	5230 421	1	24,44		REINFORCEMENT, Handbrake and Front Seat Inner Track Rear
8	5200 004-5	1	24,44		EXTENSION, Lower Side Sill Front
9	1774 076	10	24,44		PLUG, .630" Dia./16 mm
10	5230 076-7	1	24		PANEL, Side Sill Lower
	5200 006-7	1	44		
11	4050 466-7	1	44		REINFORCEMENT and Sill, Lower Front Seat Rear Outer
	5200 176	2	24,44		REINFORCEMENT, Front Seat Outer Track Rear Mounting
12	5230 006	2	24		REINFORCEMENT, Front Seat Belt Outer Mounting
	5200 205	2	44		
13	2094 631	6	24,44		PLUG, .875" Dia./22.2 mm
14	5200 384	1	24,44		SEAL, Handbrake Cable
15		3	24,44		SCREW, #10-16 x .375" Not Serviced
16	4314 178	1	24,44		BRACKET, Console Rear Armrest
17	4314 177	1	24,44		BRACKET, Console Front
18	5230 314	1	24,44		CROSSMEMBER, Front Seat Track

MODEL CODES

E BODY = (J - CARAVELLE)(E - 600)(T - NEW YORKER)

G BODY = (V24 - DAYTONA)

H BODY = (D44 - LANCER)(C44 - LEBARON GTS)

J BODY = (C - LEBARON)

K BODY = (P - RELIANT)(D - ARIES)(C - LEBAROND)/TOWN & COUNTRY)

L BODY = (M - HORIZON/TURISMO)(Z - OMNI/CHARGER)

M BODY = (B - GRAN FURY)(F - FIFTH AVE/NEWPORT)(G - DIPLOMAT)

P BODY = (P - SUNDANCE)(D - SHADOW)

S BODY = (H - VOYAGER)(K - RAM VAN/CARAVAN)

BODY STYLES

12-13 = FWD VAN

21 = 2-DOOR SEDAN

24 = 2-DOOR HATCHBACK

27 = 2-DOOR CONVERTIBLE

41 = 4-DOOR SEDAN

44 = 4-DOOR HATCHBACK

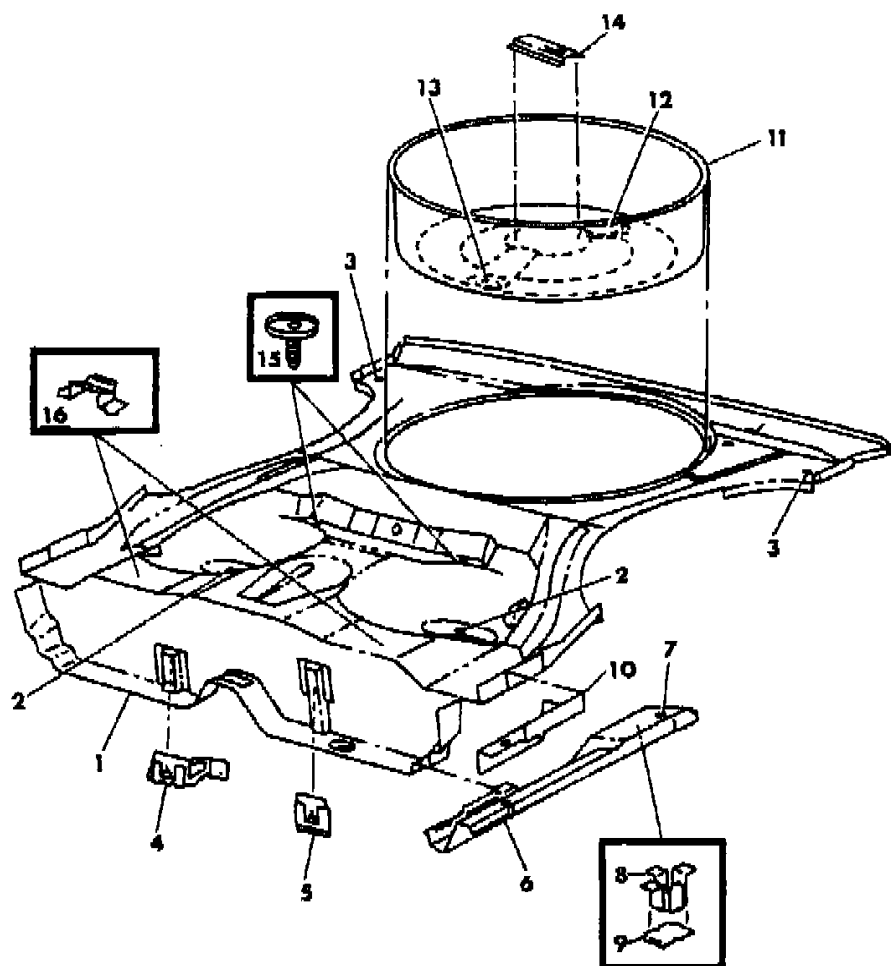
45 = 4-DOOR STATION WAGON

52-53 = FWD WAGON

AR = Use as Required - = Non Illustrated Part P.A.R. = Paint as Required

FLOOR PAN REAR L BODY
Figure 23A-200

7100 200



ITEM	PART NUMBER	QTY	BODY	MODEL	DESCRIPTION
1	4337 416	1		24	PAN, Rear Floor
	4314 878	1		44	
2	5200 474	2		24,44	PLUG, .838" Dia./21.3 mm
3	2480 957	2		24,44	PLUG, 1.00" Dia./25.4 mm
4	5218 306	1		24,44	PLATE, Fuel Tank Strap and Exhaust Hanger
5	5200 266	1		24,44	PLATE, Fuel Tank Strap Hanger
6	5200 162-3	1		24,44	EXTENSION, Lower Side Sill Rear
7	1774 076	2		24,44	PLUG, .630" Dia./16 mm
8	5200 312	2		24,44	BRACKET, Jacking Rear
9		2		24,44	PLATE, Jacking Bracket 5200313 Not Serviced
10	5200 034-5	1		24,44	PANEL, Inner Sill Rear
11	4337 584	1		24,44	PANEL, Tire Stowage
12	2424 864	1		24,44	PLUG, 1.75" Dia./44.5 mm
13	5200 456	1		24,44	PLUG, 2.75" Dia./70 mm
14	3791 040	1		24,44	BRACKET, Tire Stowage
15	4314 256	2		24,44	REINFORCEMENT, Fuel Tank Strap Rear
16	5200 388	2		24,44	RETAINER, Rear Seat Cushion

MODEL CODES

E BODY = (J - CARAVELLE)(E - 600)(T - NEW YORKER)

G BODY = (V24 - DAYTONA)

H BODY = (D44 - LANCER)(C44 - LEBARON GTS)

J BODY = (C - LEBARON)

K BODY = (P - RELIANT)(D - ARIES)(C - LEBAROND)/TOWN & COUNTRY)

L BODY = (M - HORIZON/TURISMO)(Z - OMNI/CHARGER)

M BODY = (B - GRAN FURY)(F - FIFTH AVE/NEWPORT)(G - DIPLOMAT)

P BODY = (P - SUNDANCE)(D - SHADOW)

S BODY = (H - VOYAGER)(K - RAM VAN/CARAVAN)

BODY STYLES

12-13 = FWD VAN

21 = 2-DOOR SEDAN

24 = 2-DOOR HATCHBACK

27 = 2-DOOR CONVERTIBLE

41 = 4-DOOR SEDAN

44 = 4-DOOR HATCHBACK

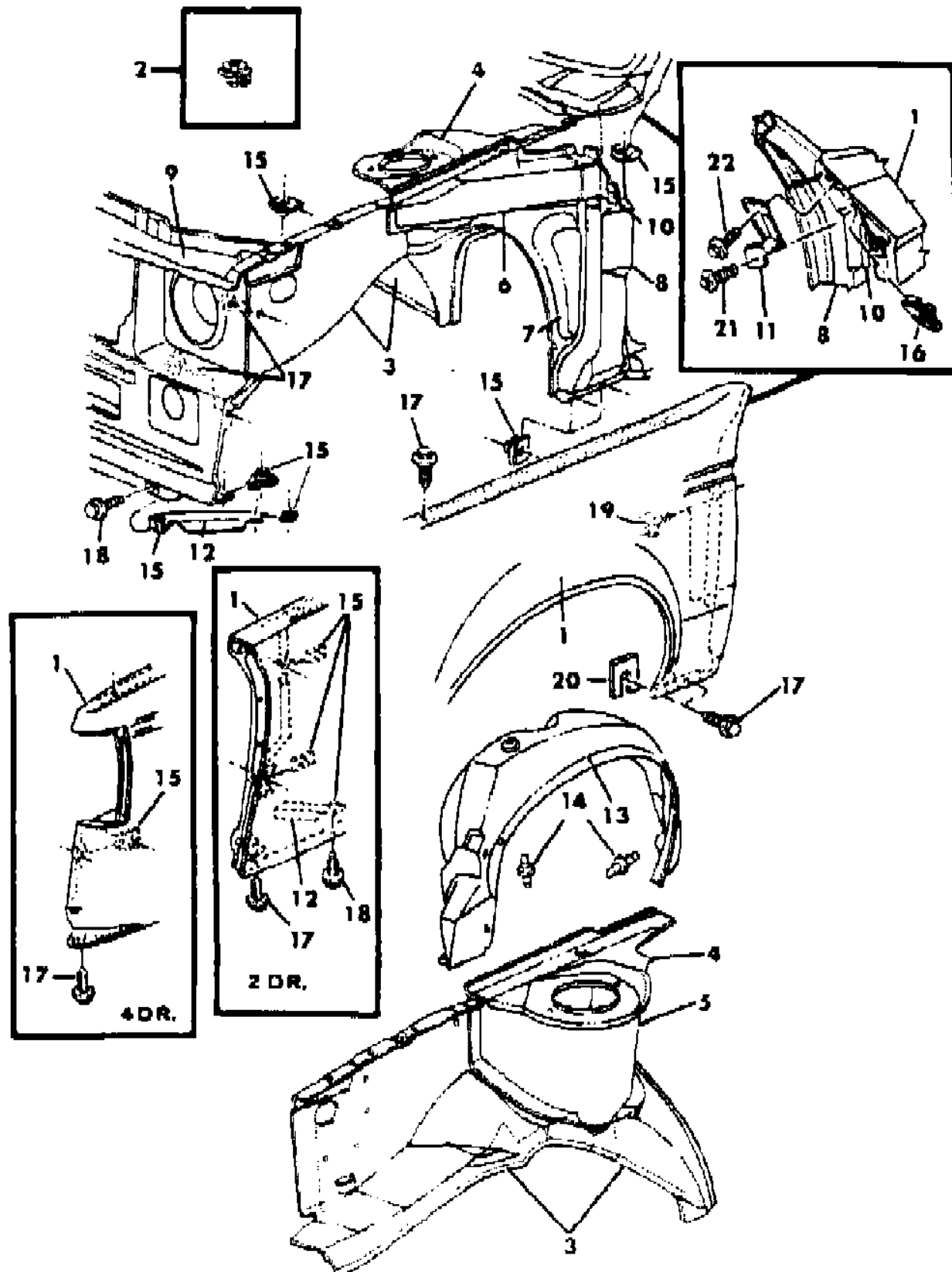
45 = 4-DOOR STATION WAGON

52-53 = FWD WAGON

AR = Use as Required - = Non Illustrated Part P.A.R. = Paint as Required

FENDER AND SHIELD L BODY
Figure 23A-300

7100 300 A



ITEM	PART NUMBER	QTY	BODY	MODEL	DESCRIPTION
1	4318 310-1	1	24		FENDER
	4296 858-9	1	44		
2	4222 731	1	24,44		PLUG, Fender Antenna Hole
3			24,44		PANEL, Fender Shield
	4296 908	1	24,44		Right
	4296 861	1	24,44		Left
4	4296 730-1	1	24,44		REINFORCEMENT, Front Suspension Iso-Strut Tower
5	4296 080-1	1	24,44		TOWER, Front Suspension Iso-Strut
6	5200 804-5	1	24,44		SUPPORT, Cowl Side Panel To Iso-Strut Mounting Tower
7		1	24,44		PANEL, Cowl Side (See Cowl & Dash Panel Illustration)
8		1	24,44		PILLAR, Front Hinge (See Body Front Pillar Illustration)
9		1	24,44		PANEL, Fender Closure & Headlamp Mounting (See Group 7 Illustration)
10	5231 324-5	1	24		BRACKET, Front Hinge Pillar To Iso-Strut Tower Support
	5231 084-5	1	44		
11	4103 438-9	1	24		BRACKET, Fender Rear To Windshield Opening Frame
12	4103 230-1	1	24		BRACE, Fender Closure and Headlamp Mounting Panel
13	5201 336-7	1	24		SHIELD, Fender Splash
	4296 130-1	1	44		
14	6031 390	AR	24,44		RETAINER, Drive Pin Type
15	#6100 041	AR	24,44		U-NUT
16	6100 040	AR	24		U-NUT
17	6100 568	AR	24,44		SCREW and WASHER
18	6100 567	AR	24		SCREW and WASHER
19	6100 302	AR	24,44		SCREW and WASHER
20	6010 031	AR	24,44		SHIM
21		2	24		SCREW, #10-16 x .75" Not Serviced
22	6100 534	2	24		SCREW and WASHER

MODEL CODES

E BODY = (J - CARAVELLE)(E - 600)(T - NEW YORKER)

G BODY = (V24 - DAYTONA)

H BODY = (D44 - LANCER)(C44 - LEBARON GTS)

J BODY = (C - LEBARON)

K BODY = (P - RELIANT)(D - ARIES)(C - LEBAROND)/TOWN & COUNTRY)

L BODY = (M - HORIZON/TURISMO)(Z - OMNI/CHARGER)

M BODY = (B - GRAN FURY)(F - FIFTH AVE/NEWPORT)(G - DIPLOMAT)

P BODY = (P - SUNDANCE)(D - SHADOW)

S BODY = (H - VOYAGER)(K - RAM VAN/CARAVAN)

BODY STYLES

12-13 = FWD VAN

21 = 2-DOOR SEDAN

24 = 2-DOOR HATCHBACK

27 = 2-DOOR CONVERTIBLE

41 = 4-DOOR SEDAN

44 = 4-DOOR HATCHBACK

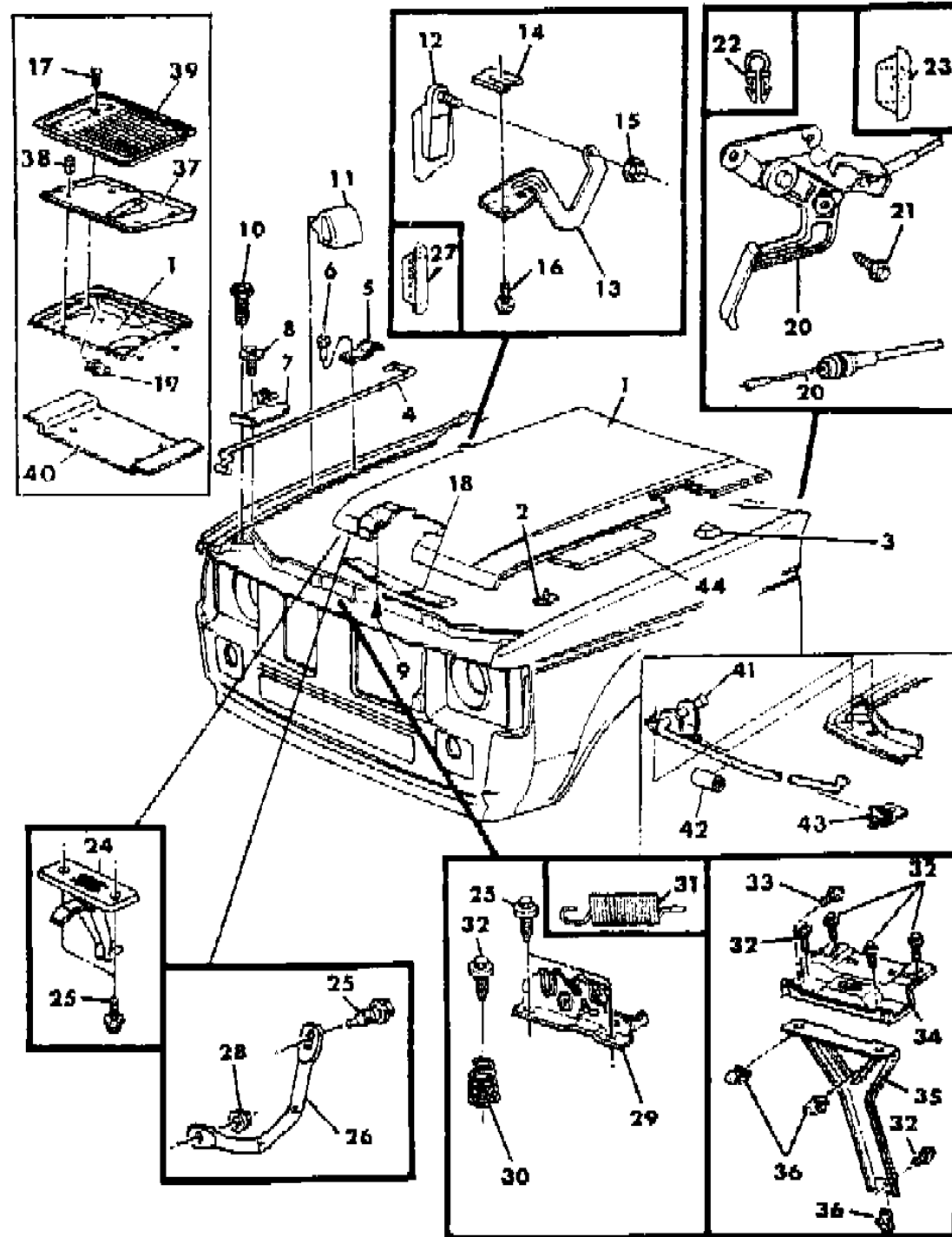
45 = 4-DOOR STATION WAGON

52-53 = FWD WAGON

AR = Use as Required - = Non Illustrated Part P.A.R. = Paint as Required

HOOD AND HOOD RELEASE L BODY Figure 23A-400

7189 400 B



ITEM	PART NUMBER	QTY	BODY	MODEL	DESCRIPTION
1	5218 366	1	24		HOOD, w/o Turbo
	4341 308	1	24		w/Turbo
	4341 910	1	44		w/o Turbo
2	6003 351	AR	24,44		FASTENER, Hood Panel Silencer
3	5201 342	2	24		SEAL, Hood Panel To Fender Edge
	5201 146	2	44		
4	5201 270	1	44		ROD, Hood Panel Prop
5	5201 370	1	44		BRACKET, Hood Panel Prop Rod Anchor
6	6031 115	1	24,44		RIVET
7	5201 356	1	44		CLIP, Hood Panel Prop Rod Stowage
8	6100 568	1	24,44		SCREW and WASHER
9	6501 067	8			RETAINER
10	4103 165	2	24,44		BUMPER, Hood Panel Front
11	5201 343	2	24		BUMPER, Hood Panel To Fender
	5201 051	2	44		
12	5231 228-9	1	24,44		HINGE, w/Screw Hood Panel Body Half
13	#5201 084-5	1	24,44		HINGE, Hood Panel Hood Half
14	6010 031	AR	24,44		SHIM
15	6500 201	2	24,44		NUT and WASHER
16	6100 567	4	24,44		SCREW and WASHER
17		4	24,44		SCREW, #8-18 x .500" Not Serviced
18	5201 375	1	24		SEAL, Turbo Hood To Radiator Yoke Crossmember
19	0445 432	4	24,44		U-NUT
20	5207 049	1	24,44		RELEASE ASSEMBLY, Inside Hood Latch
21	9421 073	3	24,44		SCREW
22		2	24,44		CLIP, Not Serviced
23	5207 294	1	24,44		GROMMET, Inside Hood Latch Release Cable
24	4296 208	1	24		CATCH, Hood Safety (exc. Z-S 24)
	5207 417	1	24,44		
25	6101 339	AR	24,44		SCREW and WASHER
26	5207 038	1	24,44		STRIKER, Hood Latch
27	2860 332	AR	44		PLUG, Hood Hinge Hole Repair
28	6100 047	1	24,44		NUT and WASHER
29	5232 057	1	24		LATCH, Hood Inside Release
	5207 088	1	44		
30	4240 535	1	24		SPRING, Hood Panel Pop-Up
	4240 536	1	44		
31	5207 447	1	24,44		SPRING, Hood Panel Latch Lever

MODEL CODES

E BODY = (J - CARAVELLE)(E - 600)(T - NEW YORKER)

G BODY = (V24 - DAYTONA)

H BODY = (D44 - LANCER)(C44 - LEBARON GTS)

J BODY = (C - LEBARON)

K BODY = (P - RELIANT)(D - ARIES)(C - LEBAROND)/TOWN & COUNTRY)

L BODY = (M - HORIZON/TURISMO)(Z - OMNI/CHARGER)

M BODY = (B - GRAN FURY)(F - FIFTH AVE/NEWPORT)(G - DIPLOMAT)

P BODY = (P - SUNDANCE)(D - SHADOW)

S BODY = (H - VOYAGER)(K - RAM VAN/CARAVAN)

BODY STYLES

12-13 = FWD VAN

21 = 2-DOOR SEDAN

24 = 2-DOOR HATCHBACK

27 = 2-DOOR CONVERTIBLE

41 = 4-DOOR SEDAN

44 = 4-DOOR HATCHBACK

45 = 4-DOOR STATION WAGON

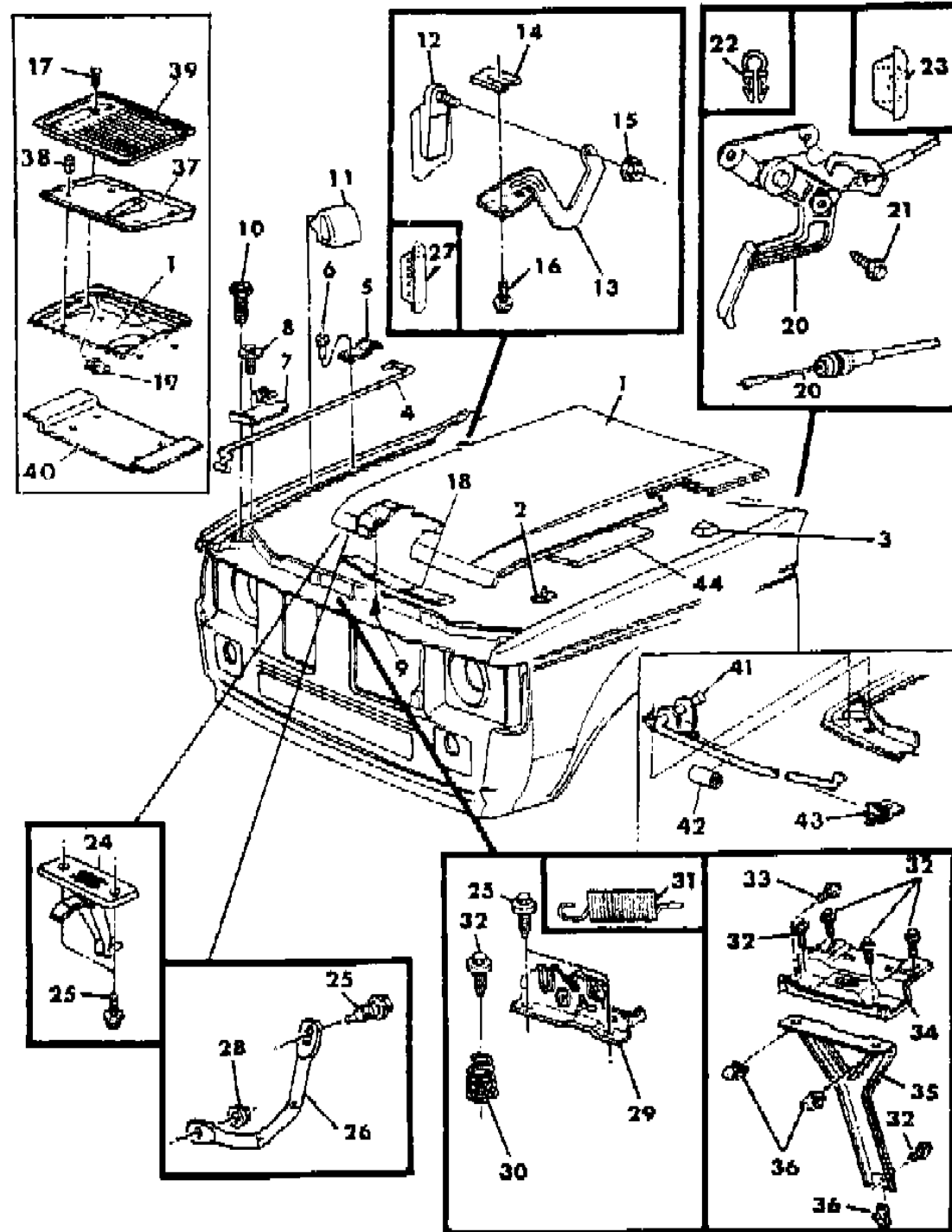
52-53 = FWD WAGON

AR = Use as Required - = Non Illustrated Part P.A.R. = Paint as Required

HOOD AND HOOD RELEASE L BODY

Figure 23A-400

7189 400 B



ITEM	PART NUMBER	QTY	BODY	MODEL	DESCRIPTION
32	6100 566	AR		24,44	SCREW and WASHER
33		AR		24	SCREW and WASHER, Not Serviced
34	5201 326	1		24	PLATE, Hood Lock Support
35	4103 221	1		24	SUPPORT, Hood Vertical Lock
36	#6100 041	3		24	U-NUT
37	4341 410	1		24	INSERT, Turbo Hood Louver Water Tray
38		4		24	FASTENER, Water Tray 6032832 Not Serviced
39	X666 DA1	1		24	LOUVER, Turbo Hood (Silver)
	X666 DX9	1		GLH	LOUVER, (Shelby)
40	4419 995	1			TRAY, Hood Cover (Shelby GLH & CHARGER Z)
41	4386 359	1		24	ROD, Hood w/Bracket
42	4103 280	1		24	SLEEVE, Hood Prop Rod Anti-Rattle
43	4386 361	1		24	PLATE, Hood Prop Rod Stowage w/Clip
44	4049 601	1			SILENCER MATERIAL, Hood Panel Cut To Fit 36" x 72"

MODEL CODES

E BODY = (J - CARAVELLE)(E - 600)(T - NEW YORKER)

G BODY = (V24 - DAYTONA)

H BODY = (D44 - LANCER)(C44 - LEBARON GTS)

J BODY = (C - LEBARON)

K BODY = (P - RELIANT)(D - ARIES)(C - LEBAROND)/TOWN & COUNTRY)

L BODY = (M - HORIZON/TURISMO)(Z - OMNI/CHARGER)

M BODY = (B - GRAN FURY)(F - FIFTH AVE/NEWPORT)(G - DIPLOMAT)

P BODY = (P - SUNDANCE)(D - SHADOW)

S BODY = (H - VOYAGER)(K - RAM VAN/CARAVAN)

BODY STYLES

12-13 = FWD VAN

21 = 2-DOOR SEDAN

24 = 2-DOOR HATCHBACK

27 = 2-DOOR CONVERTIBLE

41 = 4-DOOR SEDAN

44 = 4-DOOR HATCHBACK

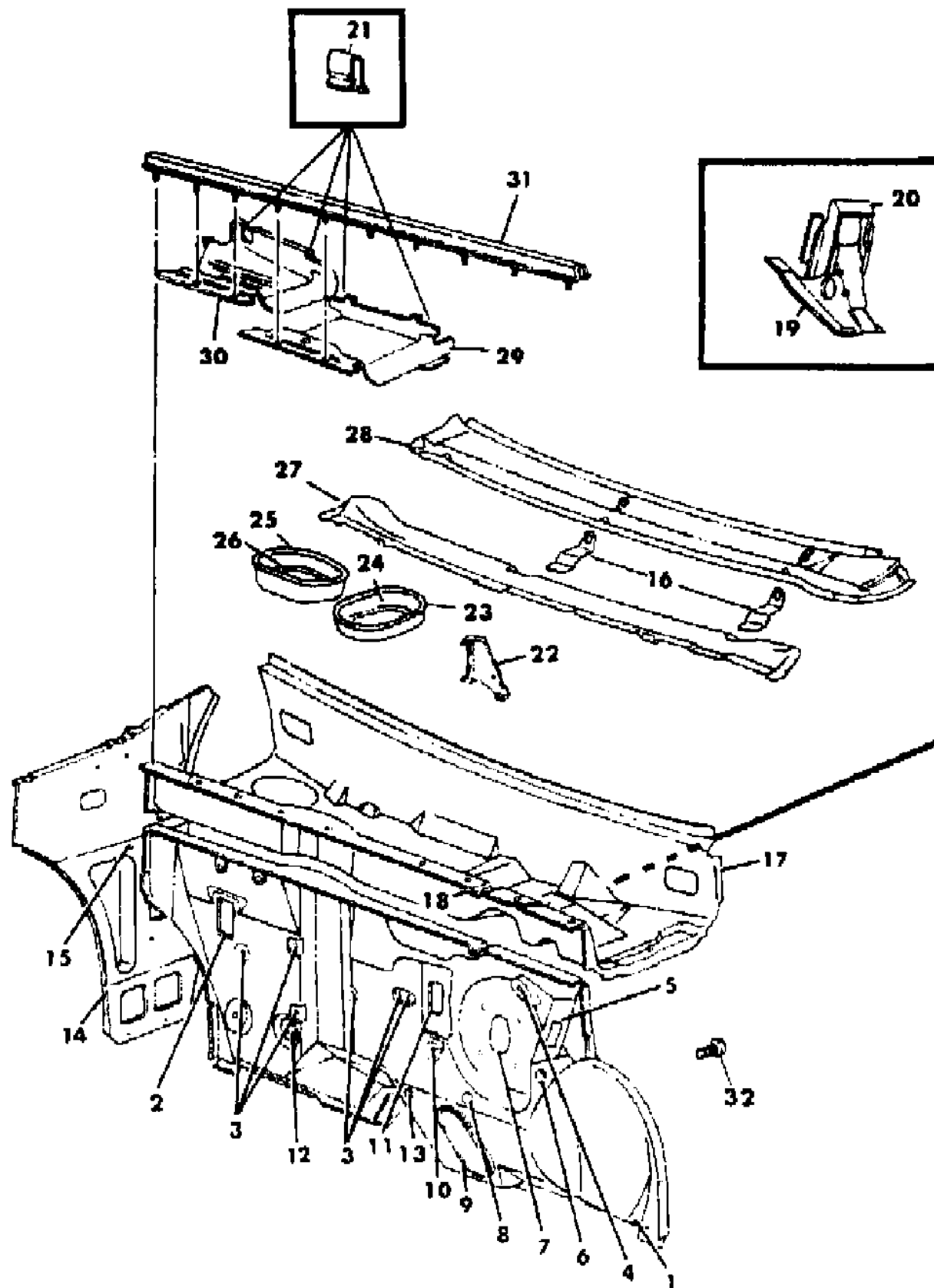
45 = 4-DOOR STATION WAGON

52-53 = FWD WAGON

AR = Use as Required - = Non Illustrated Part P.A.R. = Paint as Required

COWL AND DASH PANEL L BODY
Figure 23A-500

7100 500 A



ITEM	PART NUMBER	QTY	BODY	MODEL	DESCRIPTION
1	4337 655	1		24,44	PANEL, Dash w/A/C
	4337 654	1		24,44	w/o A/C
2		1		24,44	SEAL, A/C Unit Coil To Dash Not Serviced
3		AR		24,44	SEAL, Heater Or A/C Unit Mounting Stud Not Serviced
4	3593 446	1		24,44	GROMMET, Clutch Cable
5		1		24,44	SEAL, Bulkhead Connector Not Serviced
6	5207 294	1		24,44	GROMMET, Inside Hood Latch Release Cable
7	5204 061	1		24,44	GASKET, Power Brake Booster
8	3593 446	1		24,44	GROMMET, Speedometer Cable
9	4147 165	1		24,44	SEAL and COVER, Dash
10	5214 416	1		24,44	GROMMET, Throttle Cable
11	5210 109	1		24,44	SEAL, Heater Core To Dash
12		1		24,44	SEAL, A/C Unit Drain Not Serviced
13	3445 939	1		24,44	PLUG, .906" Dia./23 mm
14					PANEL, Cowl Side
	4337 658	1		24,44	Right
	5231 777	1		24,44	Left
15	2860 332	1		24,44	PLUG, Cowl Side Antenna Hole
16		2		24,44	BRACKET, Cowl Top Wiper Pivot Mounting (Serviced In Item #28)
17	4314 989	1		24,44	PANEL, Cowl Plenum w/o A/C (UP To 10-20-86)
	4416 710	1			After 10-20-86
	4314 988	1		24,44	w/A/C (Up To 10-20-86)
	4416 696	1			After 10-20-86
18		1		24,44	GROMMET, Windshield Wiper Wiring Not Serviced
19	4278 124	1		24,44	SUPPORT, Cowl Plenum Steering Column Bracket
20	5231 746	1		24,44	BRACKET, Steering Column Support To Cowl Plenum
21	5231 620	2		24,44	RETAINER, Cowl Plenum Water Deflector Cover
22	4314 990	1		24,44	SUPPORT, Cowl Plenum To Cowl Top Panel
23		1		24,44	DEFLECTOR, Cowl Plenum Water w/o A/C (Serviced In Item #17)
24	5210 147	1		24,44	COVER, Heater Unit To Plenum
25		1		24,44	DEFLECTOR, Cowl Plenum Water w/A/C (Serviced In Item #17)
26	3848 933	1		24,44	SEAL, A/C Unit To Plenum
27		1		24,44	REINFORCEMENT, Cowl Plenum To Cowl Top Panel 5200514 Not Serviced
28	5218 481	1		24	PANEL, Cowl Top (Includes Item #16)
	5218 480	1		44	

MODEL CODES

E BODY = (J - CARAVELLE)(E - 600)(T - NEW YORKER)

G BODY = (V24 - DAYTONA)

H BODY = (D44 - LANCER)(C44 - LEBARON GTS)

J BODY = (C - LEBARON)

K BODY = (P - RELIANT)(D - ARIES)(C - LEBAROND)/TOWN & COUNTRY)

L BODY = (M - HORIZON/TURISMO)(Z - OMNI/CHARGER)

M BODY = (B - GRAN FURY)(F - FIFTH AVE/NEWPORT)(G - DIPLOMAT)

P BODY = (P - SUNDANCE)(D - SHADOW)

S BODY = (H - VOYAGER)(K - RAM VAN/CARAVAN)

BODY STYLES

12-13 = FWD VAN

21 = 2-DOOR SEDAN

24 = 2-DOOR HATCHBACK

27 = 2-DOOR CONVERTIBLE

41 = 4-DOOR SEDAN

44 = 4-DOOR HATCHBACK

45 = 4-DOOR STATION WAGON

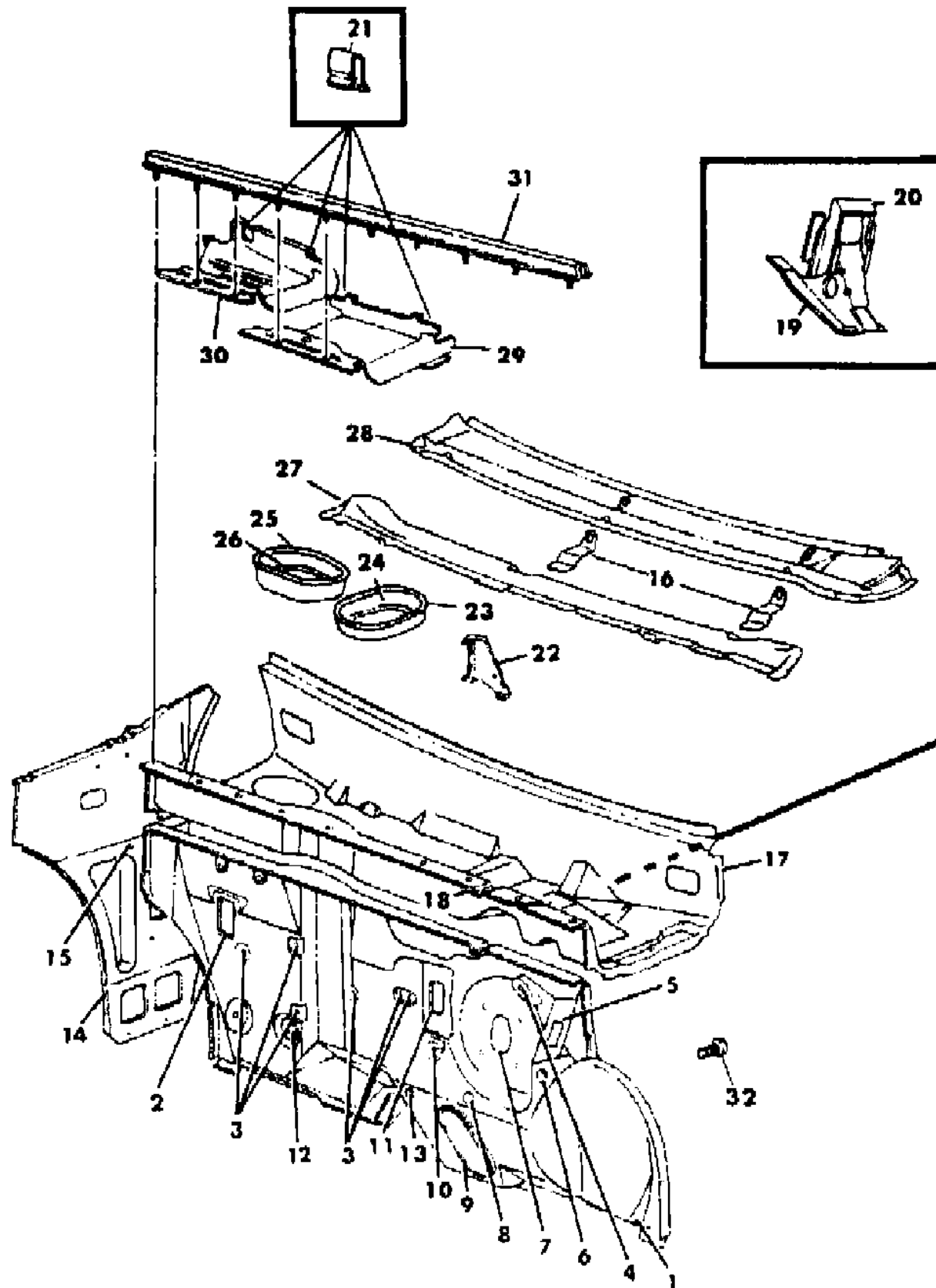
52-53 = FWD WAGON

AR = Use as Required - = Non Illustrated Part P.A.R. = Paint as Required

COWL AND DASH PANEL L BODY
Figure 23A-500

7100 500 A

ITEM	PART NUMBER	QTY	BODY	MODEL	DESCRIPTION
29	#5231 168	1		24,44	COVER, Cowl Plenum Water Deflector w/o A/C
30	5200 988	1		24,44	COVER, Cowl Plenum Water Deflector w/A/C
31	5230 419	1		24,44	SEAL, w/Retainer Cowl Plenum To Hood
32	3759 944	10		24,44	RETAINER, Cowl Plenum To Hood Seal



MODEL CODES

E BODY = (J - CARAVELLE)(E - 600)(T - NEW YORKER)

G BODY = (V24 - DAYTONA)

H BODY = (D44 - LANCER)(C44 - LEBARON GTS)

J BODY = (C - LEBARON)

K BODY = (P - RELIANT)(D - ARIES)(C - LEBAROND)/TOWN & COUNTRY)

L BODY = (M - HORIZON/TURISMO)(Z - OMNI/CHARGER)

M BODY = (B - GRAN FURY)(F - FIFTH AVE/NEWPORT)(G - DIPLOMAT)

P BODY = (P - SUNDANCE)(D - SHADOW)

S BODY = (H - VOYAGER)(K - RAM VAN/CARAVAN)

BODY STYLES

12-13 = FWD VAN

21 = 2-DOOR SEDAN

24 = 2-DOOR HATCHBACK

27 = 2-DOOR CONVERTIBLE

41 = 4-DOOR SEDAN

44 = 4-DOOR HATCHBACK

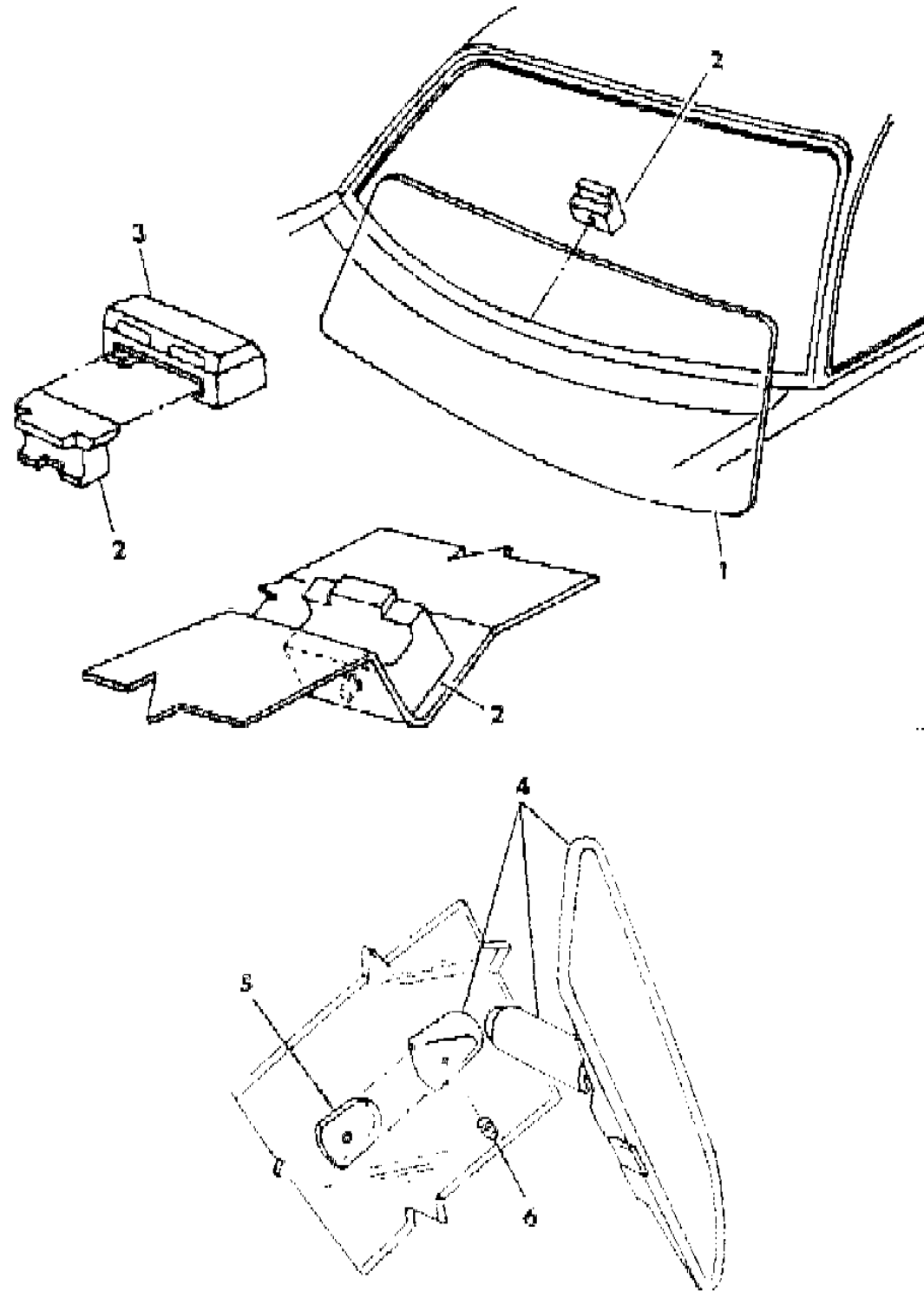
45 = 4-DOOR STATION WAGON

52-53 = FWD WAGON

AR = Use as Required - = Non Illustrated Part P.A.R. = Paint as Required

GLASS WINDSHIELD AND MIRROR L BODY
Figure 23A-600

7189 800



ITEM	PART NUMBER	QTY	BODY	MODEL	DESCRIPTION
------	-------------	-----	------	-------	-------------

NOTE: GLASS, WINDSHIELD - ORDER FROM YOUR LOCAL "MOPAR" GLASS DISTRIBUTOR the rear of the carburetor throttle body. A mirror is required to read the no. when the carburetor

1	4314 788	1	24		GLASS, Windshield Tinted
	4337 861	1	44		Tinted
2	3794 035	AR	24,44		SPACER, Windshield Glass Lower (.39")
	4314 777	AR	24,44		(.31")
3	3767 767	AR	24,44		SHIM, Windshield Glass Spacer (.07")
4	4299 321	1	24,44		MIRROR, Rear View
5	4054 066	1	24,44		BUTTON, Inside Rear View Mirror Mounting
	4293 039	1	24,44		ADHESIVE PACKAGE, Rear View Mirror Button Mounting (Includes Adhesive & Instructions)
6	6031 094	1	24,44		SCREW

NOTE: The following items are not shown on illustration. the rear of the carburetor throttle body. A mirror is required to read the no. when the carburetor

PKG A	4057 957	1	24,44		FIXED GLASS REPAIR PACKAGE CONSISTS OF:
					1- ----- Tape, Butyl (171")
					1- ----- Primer, Glass (1 oz.)
					1- ----- Primer, Fence (2 oz.)
	3674 698				2-Spacer, Rubber, 0.2"
	3793 290				2-Spacer, Rubber, 0.3"
	3767 767				2-Shim, 0.07"
					2- ----- Sponges, Disposable

MODEL CODES

E BODY = (J - CARAVELLE)(E - 600)(T - NEW YORKER)

G BODY = (V24 - DAYTONA)

H BODY = (D44 - LANCER)(C44 - LEBARON GTS)

J BODY = (C - LEBARON)

K BODY = (P - RELIANT)(D - ARIES)(C - LEBAROND)/TOWN & COUNTRY)

L BODY = (M - HORIZON/TURISMO)(Z - OMNI/CHARGER)

M BODY = (B - GRAN FURY)(F - FIFTH AVE/NEWPORT)(G - DIPLOMAT)

P BODY = (P - SUNDANCE)(D - SHADOW)

S BODY = (H - VOYAGER)(K - RAM VAN/CARAVAN)

BODY STYLES

12-13 = FWD VAN

21 = 2-DOOR SEDAN

24 = 2-DOOR HATCHBACK

27 = 2-DOOR CONVERTIBLE

41 = 4-DOOR SEDAN

44 = 4-DOOR HATCHBACK

45 = 4-DOOR STATION WAGON

52-53 = FWD WAGON

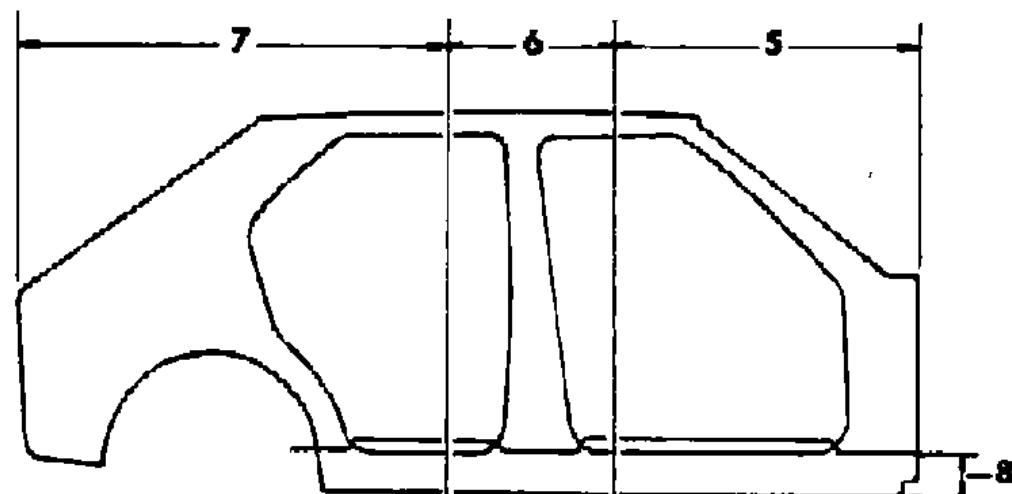
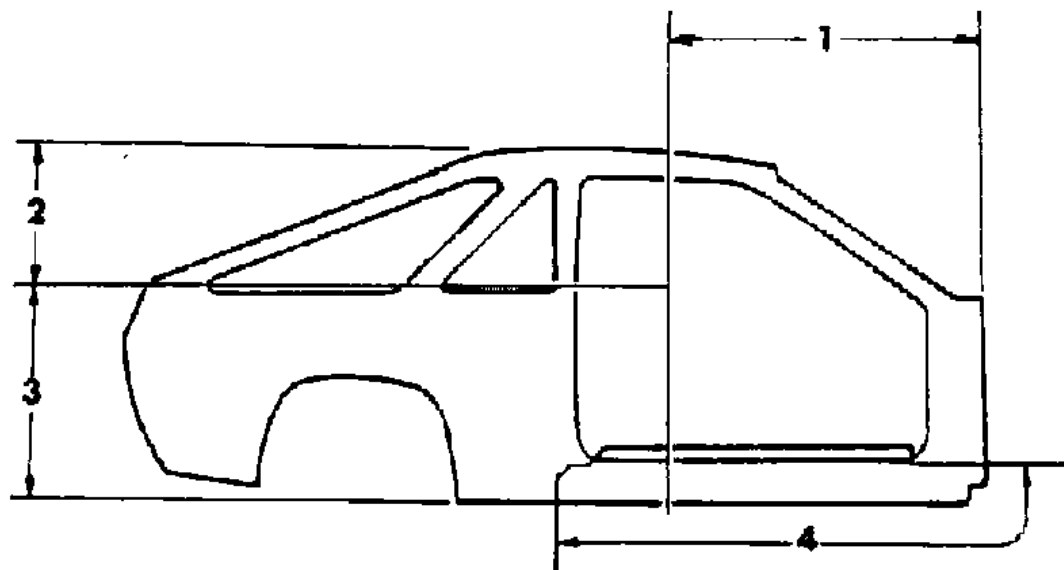
AR = Use as Required - = Non Illustrated Part P.A.R. = Paint as Required

APERTURE PANEL L BODY
Figure 23A-700

7188 700

ITEM	PART NUMBER	QTY	BODY	MODEL	DESCRIPTION
1	4314 630-1	1		24	PANEL, Body Side Aperture Front
2	4314 154-5	1		24	PANEL, Body Side Aperture Rear Upper
3	4337 502-3	1		24	PANEL, Body Side Aperture Rear Lower
4	4337 530-1	1		24	PANEL, Body Side Aperture Sill Outer
5	4314 836-7	1		44	PANEL, Body Side Aperture Front
6	4314 834-5	1		44	PANEL, Body Side Aperture Center
7	4337 414-5	1		44	PANEL, Body Side Aperture Rear
8	4337 528-9	1		44	PANEL, Body Side Aperture Sill Outer

NOTE: The Body Side Aperture Panel as used in production is a one piece stamping. These stampings are cut into several sections for service convenience. This illustration is intended to give the user an approximate location of where these stampings are cut, and their relationship to other body side components can be found on the "Body, Front Pillar" and "Body, Rear Quarter" illustrations elsewhere in this group.



MODEL CODES

E BODY = (J - CARAVELLE)(E - 600)(T - NEW YORKER)

G BODY = (V24 - DAYTONA)

H BODY = (D44 - LANCER)(C44 - LEBARON GTS)

J BODY = (C - LEBARON)

K BODY = (P - RELIANT)(D - ARIES)(C - LEBAROND)/TOWN & COUNTRY)

L BODY = (M - HORIZON/TURISMO)(Z - OMNI/CHARGER)

M BODY = (B - GRAN FURY)(F - FIFTH AVE/NEWPORT)(G - DIPLOMAT)

P BODY = (P - SUNDANCE)(D - SHADOW)

S BODY = (H - VOYAGER)(K - RAM VAN/CARAVAN)

BODY STYLES

12-13 = FWD VAN

21 = 2-DOOR SEDAN

24 = 2-DOOR HATCHBACK

27 = 2-DOOR CONVERTIBLE

41 = 4-DOOR SEDAN

44 = 4-DOOR HATCHBACK

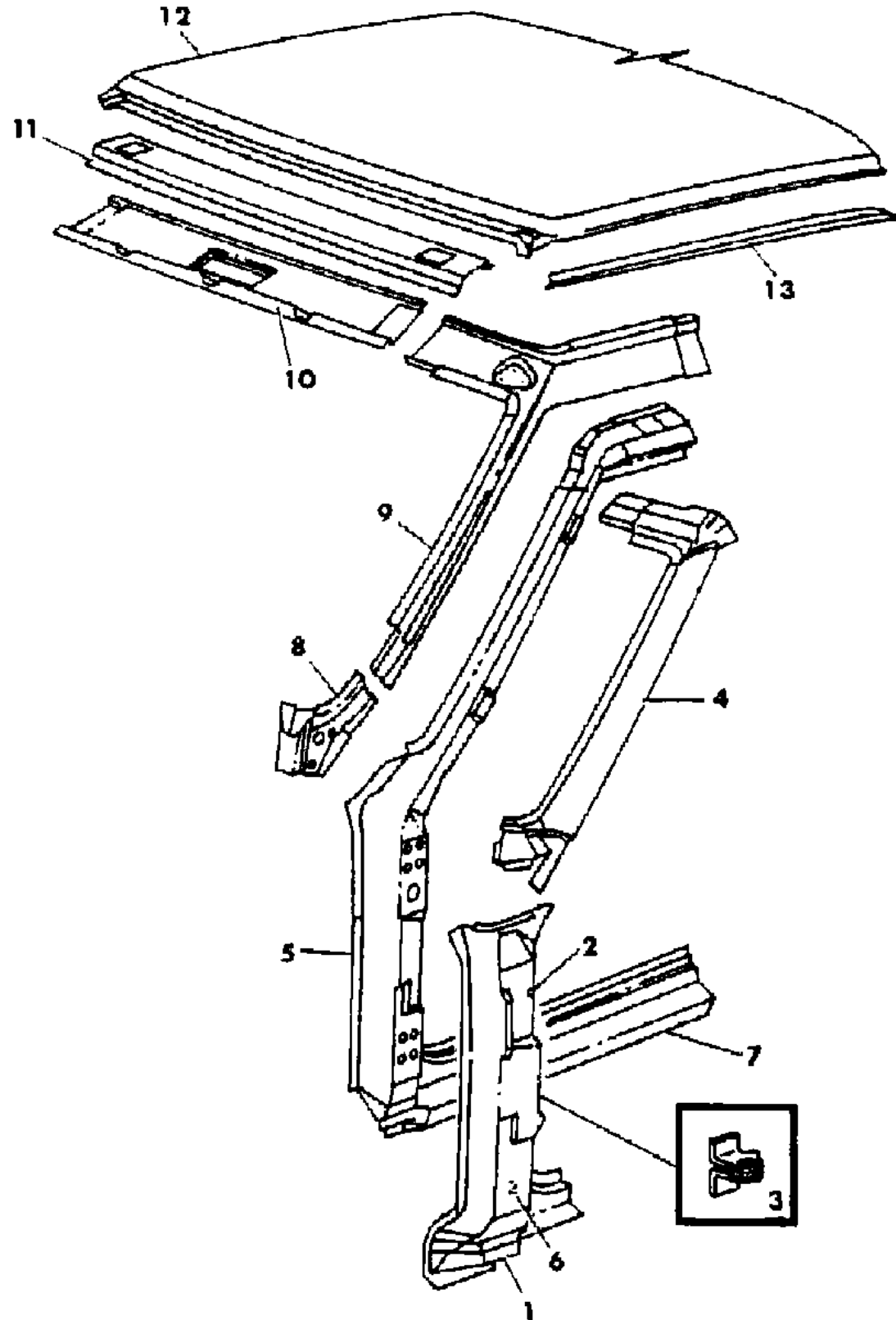
45 = 4-DOOR STATION WAGON

52-53 = FWD WAGON

AR = Use as Required - = Non Illustrated Part P.A.R. = Paint as Required

BODY FRONT PILLAR L BODY
Figure 23A-800

7189 800



ITEM	PART NUMBER	QTY	BODY	MODEL	DESCRIPTION
1	5218 462-3	1		24	PILLAR and PIVOT, Body Front Hinge (Includes Item 3)
	5218 452-3	1		44	
2	2860 332	2		24,44	PLUG, .500" Dia./13 mm
3	5231 576	2		24,44	PIVOT, Front Door Check Strap
4	4314 782-3	1		24	FRAME, Windshield Opening Side Outer
	4314 780-1	1		44	
5	4314 630-1	1		24	PANEL, Body Side Aperture Front
	4314 836-7	1		44	
6	2860 332	2		24,44	PLUG, .500" Dia./13 mm
7	4337 528-9	1		44	PANEL, Body Side Sill Outer
	4337 530-1	1		24	PANEL, Body Side Sill Outer
8	5231 006-7	1		24	EXTENSION, Windshield Opening Side Inner Frame Lower
	5200 902-3	1		44	
9	5231 004-5	1		24	FRAME, Windshield Opening Side Inner
	5200 900-1	1		44	
10	4050 977	1		24	FRAME, w/Reinforcement Windshield Opening Upper (Includes Item 11)
	4050 529	1		44	
11		1		24,44	REINFORCEMENT, Windshield Opening Upper (Serviced In Item #10)
12		1			PANEL and TROUGH, See Roof Illus.
13	5230 496-7	1		24	TROUGH, Roof Side Drain
	5230 498-9	1		44	

MODEL CODES

E BODY = (J - CARAVELLE)(E - 600)(T - NEW YORKER)

G BODY = (V24 - DAYTONA)

H BODY = (D44 - LANCER)(C44 - LEBARON GTS)

J BODY = (C - LEBARON)

K BODY = (P - RELIANT)(D - ARIES)(C - LEBAROND)/TOWN & COUNTRY)

L BODY = (M - HORIZON/TURISMO)(Z - OMNI/CHARGER)

M BODY = (B - GRAN FURY)(F - FIFTH AVE/NEWPORT)(G - DIPLOMAT)

P BODY = (P - SUNDANCE)(D - SHADOW)

S BODY = (H - VOYAGER)(K - RAM VAN/CARAVAN)

BODY STYLES

12-13 = FWD VAN

21 = 2-DOOR SEDAN

24 = 2-DOOR HATCHBACK

27 = 2-DOOR CONVERTIBLE

41 = 4-DOOR SEDAN

44 = 4-DOOR HATCHBACK

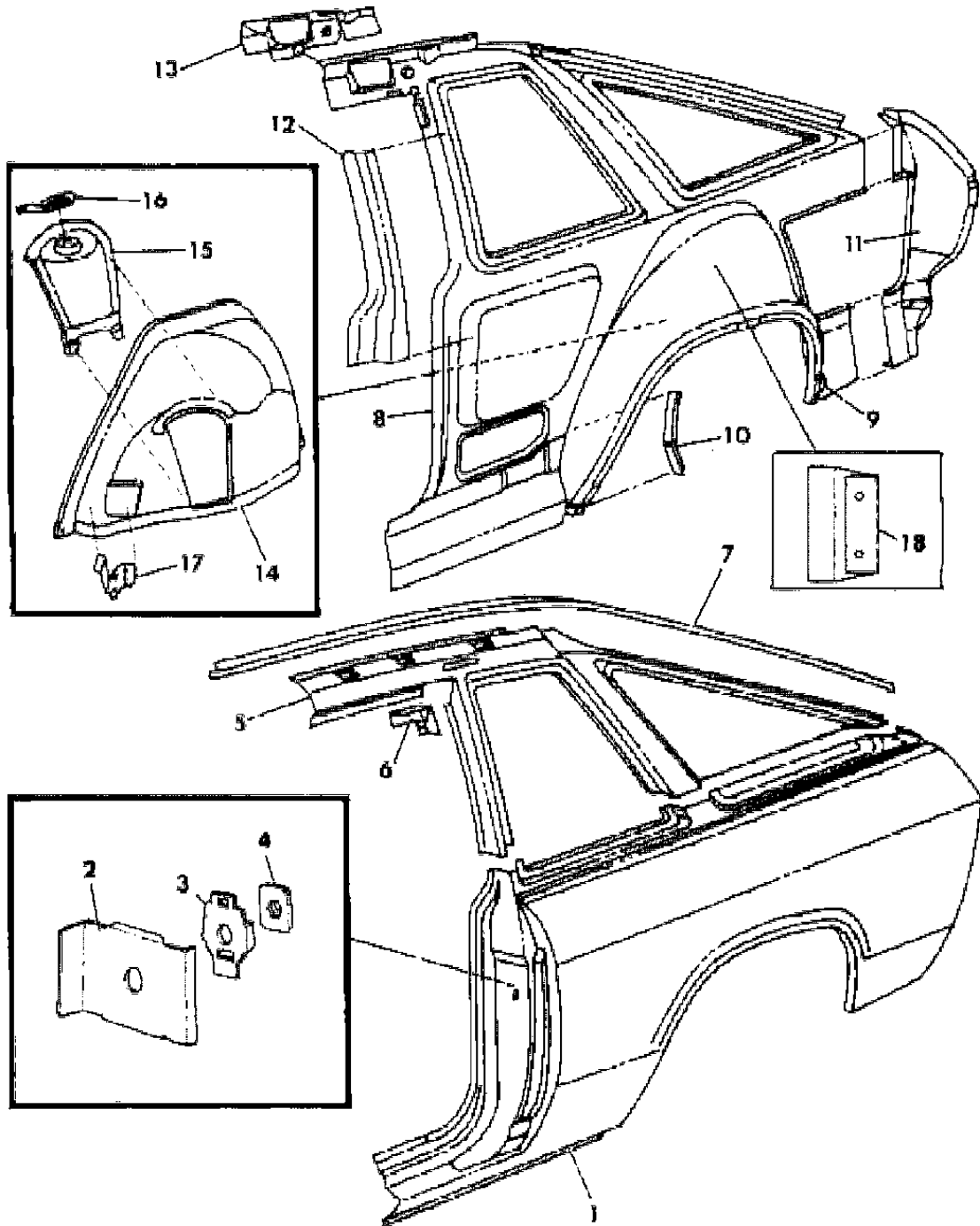
45 = 4-DOOR STATION WAGON

52-53 = FWD WAGON

AR = Use as Required - = Non Illustrated Part P.A.R. = Paint as Required

BODY REAR QUARTER L BODY 24
Figure 23A-900

7189 800 A



ITEM	PART NUMBER	QTY	BODY	MODEL	DESCRIPTION
1	4337 502-3	1		24	PANEL, Body Side Aperture Rear Lower
2	5230 472	2		24	REINFORCEMENT, Door Latch Striker
3	4134 972	2		24	RETAINER, Door Latch Striker Nut
4	6500 483	2		24	NUT, Door Latch Striker
5	4314 154-5	1		24	PANEL, Body Side Aperture Rear Upper
6	4337 260-1	1		24	FILLER, Door Opening Rear Upper
7	5230 496-7	1		24	TROUGH, Roof Side Drain
8	4341 364-5	1		24	PANEL, Quarter Inner and Wheelhouse Outer
9	4073 485	2		24	PLUG, 1.50" Dia./38 mm
10	5230 128-9	1		24	CAP, Quarter Inner To Sill Lower Rear
11	5230 468-9	1		24	EXTENSION, Quarter Inner Panel Rear
12	5230 270-1	1		24	REINFORCEMENT, Quarter Inner Panel Belt
13	5231 614-5	1		24	EXTENSION, Windshield Opening Side Inner Frame Upper
14	5230 180-1	1		24	PANEL, Wheelhouse Inner
15	5200 058-9	1		24	REINFORCEMENT, Shock Absorber Mounting
16	5218 032-3	1		24	BRACKET, w/Reinforcement Shock Absorber Mounting (Includes Item 15)
17	5230 344-5	1		24	BRACKET, Rear Seat Back Hinge Pivot
18	5230 288	2		24	BRACKET, Quarter Panel To Aperture Panel Stab.

MODEL CODES

E BODY = (J - CARAVELLE)(E - 600)(T - NEW YORKER)

G BODY = (V24 - DAYTONA)

H BODY = (D44 - LANCER)(C44 - LEBARON GTS)

J BODY = (C - LEBARON)

K BODY = (P - RELIANT)(D - ARIES)(C - LEBAROND)/TOWN & COUNTRY)

L BODY = (M - HORIZON/TURISMO)(Z - OMNI/CHARGER)

M BODY = (B - GRAN FURY)(F - FIFTH AVE/NEWPORT)(G - DIPLOMAT)

P BODY = (P - SUNDANCE)(D - SHADOW)

S BODY = (H - VOYAGER)(K - RAM VAN/CARAVAN)

BODY STYLES

12-13 = FWD VAN

21 = 2-DOOR SEDAN

24 = 2-DOOR HATCHBACK

27 = 2-DOOR CONVERTIBLE

41 = 4-DOOR SEDAN

44 = 4-DOOR HATCHBACK

45 = 4-DOOR STATION WAGON

52-53 = FWD WAGON

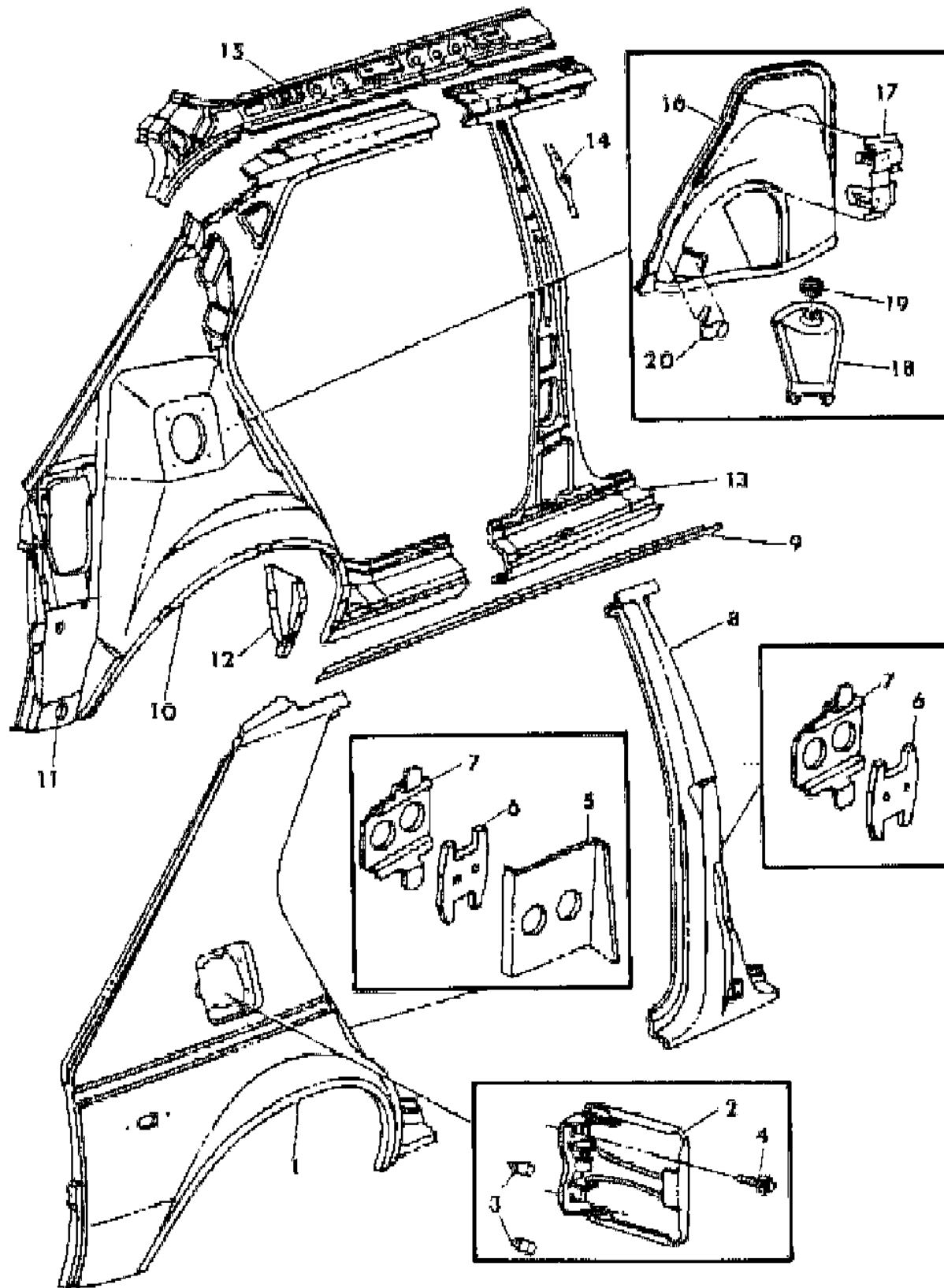
AR = Use as Required - = Non Illustrated Part P.A.R. = Paint as Required

BODY REAR QUARTER L BODY 44

Figure 23A-1000

7189 1000

ITEM	PART NUMBER	QTY	BODY	MODEL	DESCRIPTION
1	4341 520-1	1	44		PANEL, Quarter Outside
2	5215 891	1	44		DOOR, Fuel Filler
3	4337 838	2	44		BUMPER, Fuel Filler Door
4		2	44		SCREW, #10-16 x .50" Not Serviced
5	5215 294-5	1	44		REINFORCEMENT, Rear Door Latch Striker
6	#5200 368	4	44		T-PLATE, Door Latch Striker
7	5200 366	4	44		RETAINER, Door Latch Striker T-Plate
8	5218 450-1	1	44		PILLAR, Center
9	5230 498-9	1	44		TROUGH, Roof Side Drain
10	4337 414-5	1	44		PANEL, Body Side Aperture Rear
11	4073 485	2	44		PLUG, 1.50" Dia./38 mm
12	5200 838-9	1	44		CAP, Body Side To Lower Sill Rear Extension
13	4314 834-5	1	44		PANEL, Body Side Aperture Center
14	5231 102	2	44		REINFORCEMENT, Seat Belt Anchor
15	5231 086-7	1	44		RAIL, Roof Side Inner
16	5200 056-7	1	44		PANEL, Wheelhouse Inner
17	5200 298-9	1	44		SUPPORT, Quarter Trim & Seat Back Latch
18	5200 058-9	1	44		REINFORCEMENT, Shock Absorber Mounting
19	4050 648-9	1	44		CUP, w/Reinforcement Shock Absorber Mounting (Includes Item 18)
20	5230 344-5	1	44		BRACKET, Wheelhouse Rear Seat Back Hinge Pivot



MODEL CODES

E BODY = (J - CARAVELLE)(E - 600)(T - NEW YORKER)

G BODY = (V24 - DAYTONA)

H BODY = (D44 - LANCER)(C44 - LEBARON GTS)

J BODY = (C - LEBARON)

K BODY = (P - RELIANT)(D - ARIES)(C - LEBAROND)/TOWN & COUNTRY)

L BODY = (M - HORIZON/TURISMO)(Z - OMNI/CHARGER)

M BODY = (B - GRAN FURY)(F - FIFTH AVE/NEWPORT)(G - DIPLOMAT)

P BODY = (P - SUNDANCE)(D - SHADOW)

S BODY = (H - VOYAGER)(K - RAM VAN/CARAVAN)

BODY STYLES

12-13 = FWD VAN

21 = 2-DOOR SEDAN

24 = 2-DOOR HATCHBACK

27 = 2-DOOR CONVERTIBLE

41 = 4-DOOR SEDAN

44 = 4-DOOR HATCHBACK

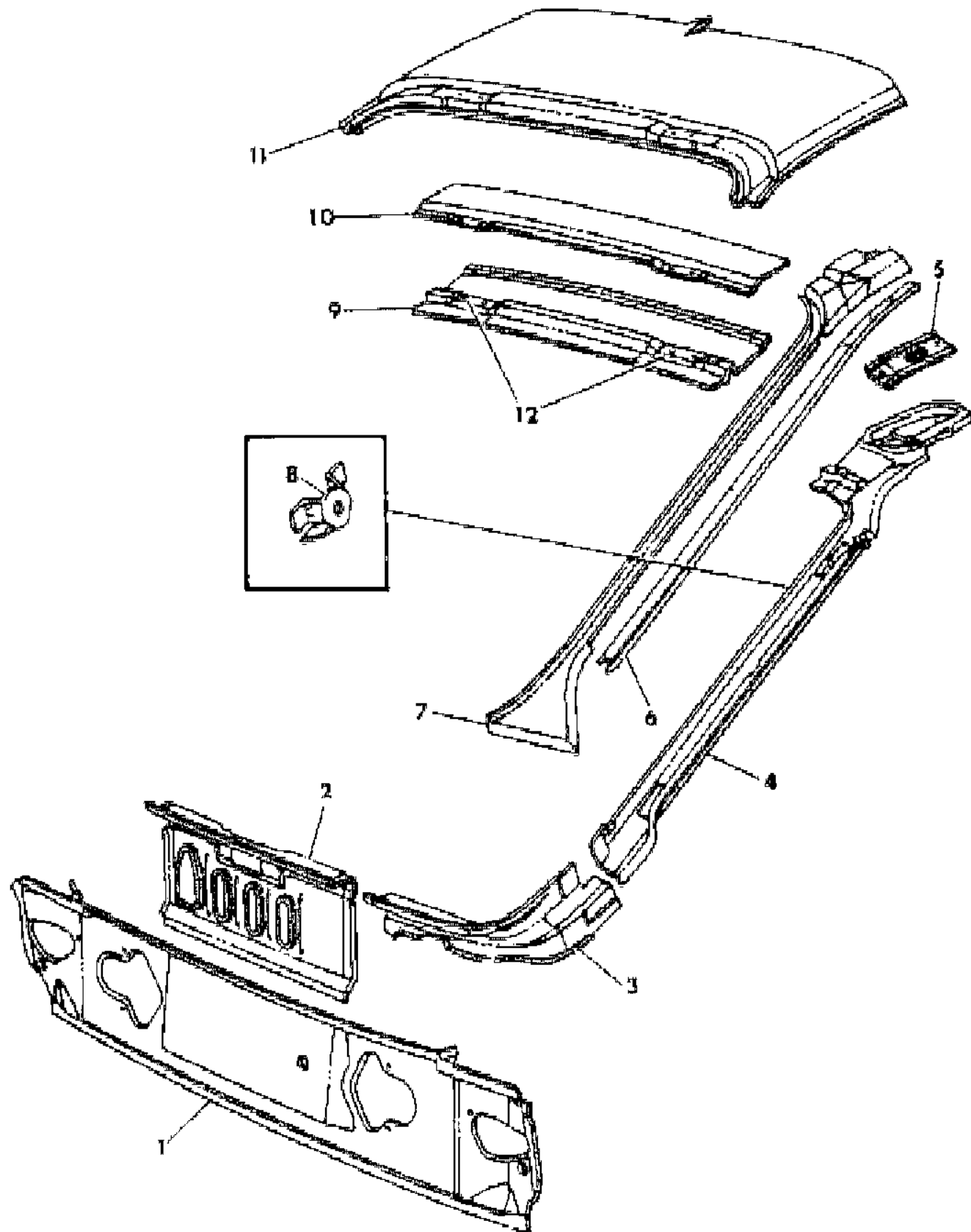
45 = 4-DOOR STATION WAGON

52-53 = FWD WAGON

AR = Use as Required - = Non Illustrated Part P.A.R. = Paint as Required

LIFTGATE OPENING PANEL L BODY 24
Figure 23A-1100

7188 1100



ITEM	PART NUMBER	QTY	BODY	MODEL	DESCRIPTION
1	4296 998	1	24		PANEL, Liftgate Opening Lower
2	5230 424	1	24		REINFORCEMENT, Liftgate Opening Lower Panel
3	5230 026-7	1	24		EXTENSION, Quarter Inner To Liftgate Opening Lower Panel Reinforcement
4	5230 070-1	1	24		REINFORCEMENT, Quarter Inner Panel Liftgate Opening Pillar
5		2	24		PLATE, Shoulder Belt Retractor Not Serviced
6	5230 496-7	1	24		TROUGH, Roof Side Drain
7	5230 078-9	1	24		TROUGH, Quarter Liftgate Side Drain
8	5230 164	2	24		BRACKET, Liftgate Prop Mounting
9	5218 009	1	24		FRAME, w/Reinforcement Roof Liftgate Opening
10		1	24		REINFORCEMENT, Roof Liftgate Opening (Serviced In Item #9)
11		1			PANEL, Roof Outer (See Roof Illus.)
12		2	24		REINFORCEMENT, Liftgate Opening Hinge Mounting (Serviced In Item #9)

MODEL CODES

E BODY = (J - CARAVELLE)(E - 600)(T - NEW YORKER)

G BODY = (V24 - DAYTONA)

H BODY = (D44 - LANCER)(C44 - LEBARON GTS)

J BODY = (C - LEBARON)

K BODY = (P - RELIANT)(D - ARIES)(C - LEBAROND)/TOWN & COUNTRY)

L BODY = (M - HORIZON/TURISMO)(Z - OMNI/CHARGER)

M BODY = (B - GRAN FURY)(F - FIFTH AVE/NEWPORT)(G - DIPLOMAT)

P BODY = (P - SUNDANCE)(D - SHADOW)

S BODY = (H - VOYAGER)(K - RAM VAN/CARAVAN)

BODY STYLES

12-13 = FWD VAN

21 = 2-DOOR SEDAN

24 = 2-DOOR HATCHBACK

27 = 2-DOOR CONVERTIBLE

41 = 4-DOOR SEDAN

44 = 4-DOOR HATCHBACK

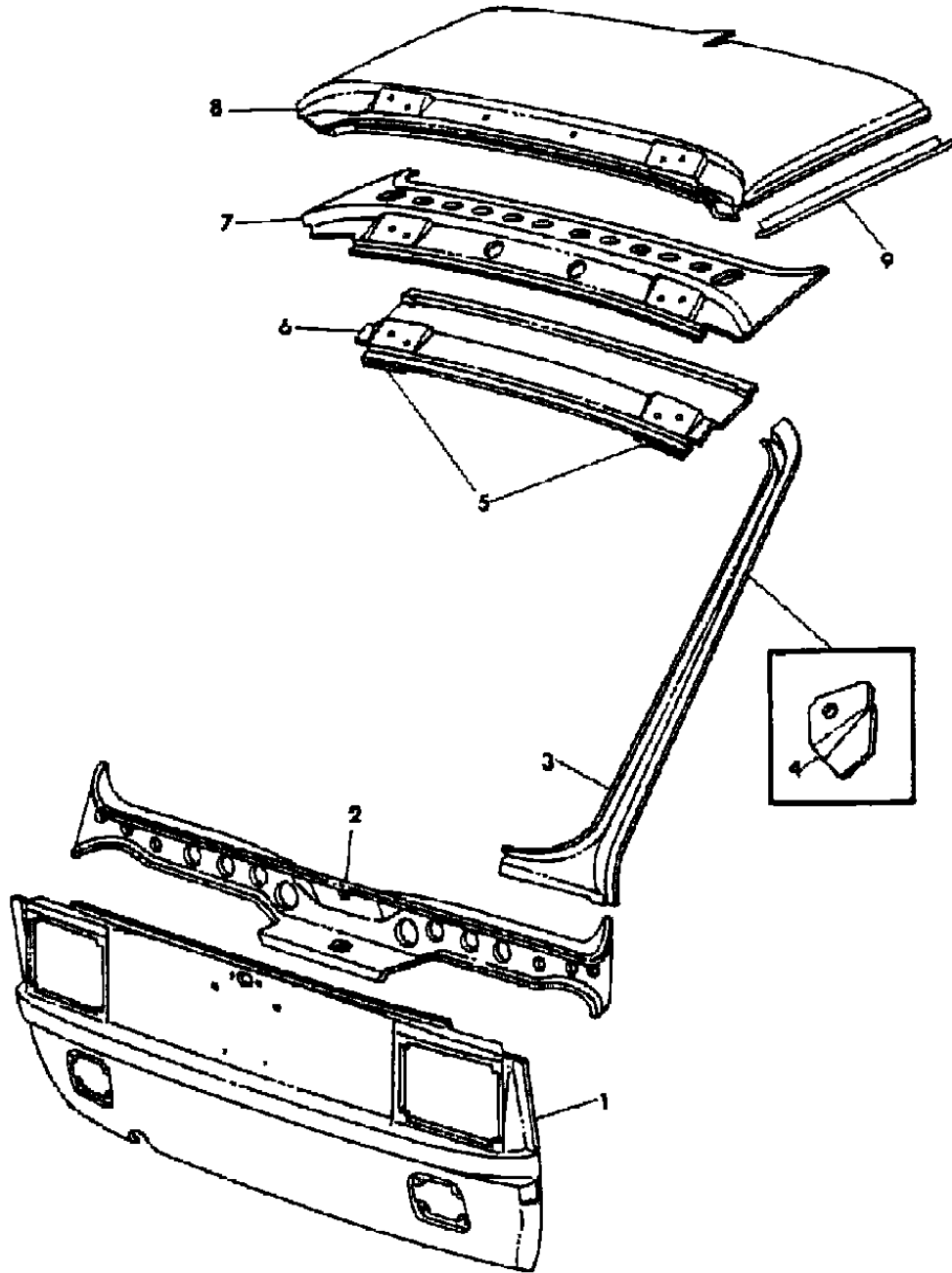
45 = 4-DOOR STATION WAGON

52-53 = FWD WAGON

AR = Use as Required - = Non Illustrated Part P.A.R. = Paint as Required

LIFTGATE OPENING PANEL L BODY 44
Figure 23A-1200

7189 1200



ITEM	PART NUMBER	QTY	BODY	MODEL	DESCRIPTION
1	4296 997	1	44		PANEL, Liftgate Opening Lower
2	5230 450	1	44		REINFORCEMENT, Liftgate Opening Lower Panel
3	4341 104-5	1	44		TROUGH, Quarter Liftgate Side Drain
4	5200 380-1	1	44		REINFORCEMENT, Liftgate Prop To Trough Mounting
5		2	44		SUPPORT, Liftgate Hinge Mounting (Serviced In Item #6)
6	4050 586	1	44		FRAME, w/Reinforcement Liftgate Opening Upper
7		1	44		REINFORCEMENT, Liftgate Opening Frame (Serviced In Item #6)
8		1			PANEL, Roof Outer (See Roof Illus.)
9	5230 498-9	1	44		TROUGH, Roof Side Drain

MODEL CODES

E BODY = (J - CARAVELLE)(E - 600)(T - NEW YORKER)

G BODY = (V24 - DAYTONA)

H BODY = (D44 - LANCER)(C44 - LEBARON GTS)

J BODY = (C - LEBARON)

K BODY = (P - RELIANT)(D - ARIES)(C - LEBAROND)/TOWN & COUNTRY)

L BODY = (M - HORIZON/TURISMO)(Z - OMNI/CHARGER)

M BODY = (B - GRAN FURY)(F - FIFTH AVE/NEWPORT)(G - DIPLOMAT)

P BODY = (P - SUNDANCE)(D - SHADOW)

S BODY = (H - VOYAGER)(K - RAM VAN/CARAVAN)

BODY STYLES

12-13 = FWD VAN

21 = 2-DOOR SEDAN

24 = 2-DOOR HATCHBACK

27 = 2-DOOR CONVERTIBLE

41 = 4-DOOR SEDAN

44 = 4-DOOR HATCHBACK

45 = 4-DOOR STATION WAGON

52-53 = FWD WAGON

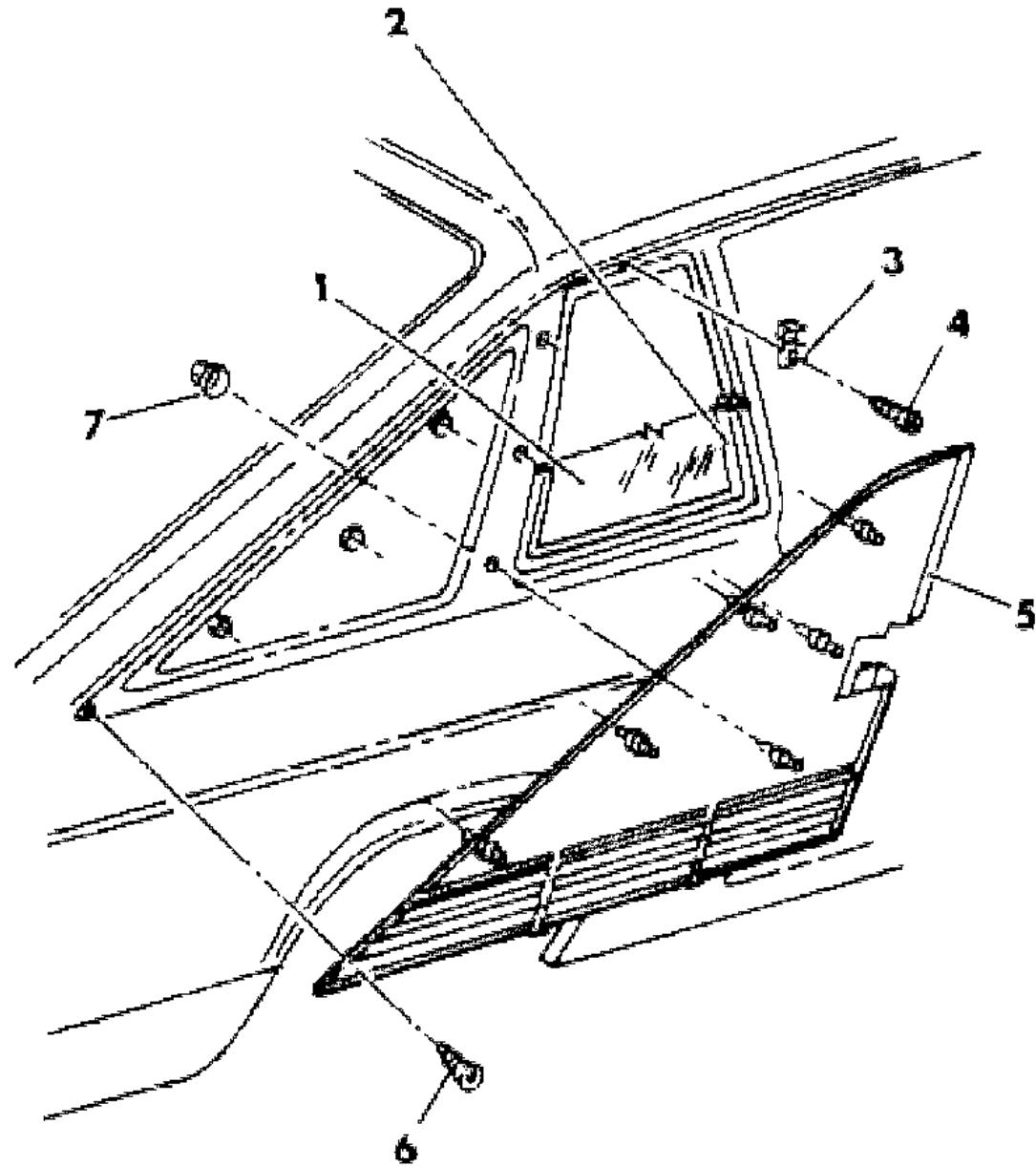
AR = Use as Required - = Non Illustrated Part P.A.R. = Paint as Required

GLASS QUARTER WINDOW L BODY 24

Figure 23A-1300

7189 1300

ITEM	PART NUMBER	QTY	BODY	MODEL	DESCRIPTION
1	5230 404-5	1	24		GLASS, Quarter Window Front
2	5230 150-1	1	24		WEATHERSTRIP, Quarter Window Front
3	5230 661	2	24		RETAINER, Quarter Window Frame Or Applique
4		2	24		SCREW, #8-18 x .50" Not Serviced
5		2	24		APERTURE, Rear Quarter Window (See Exterior Ornamentation)
6		2	24		SCREW, #8-18 x .75" Not Serviced
7	6025 002	12	24		NUT



MODEL CODES

E BODY = (J - CARAVELLE)(E - 600)(T - NEW YORKER)

G BODY = (V24 - DAYTONA)

H BODY = (D44 - LANCER)(C44 - LEBARON GTS)

J BODY = (C - LEBARON)

K BODY = (P - RELIANT)(D - ARIES)(C - LEBAROND)/TOWN & COUNTRY)

L BODY = (M - HORIZON/TURISMO)(Z - OMNI/CHARGER)

M BODY = (B - GRAN FURY)(F - FIFTH AVE/NEWPORT)(G - DIPLOMAT)

P BODY = (P - SUNDANCE)(D - SHADOW)

S BODY = (H - VOYAGER)(K - RAM VAN/CARAVAN)

BODY STYLES

12-13 = FWD VAN

21 = 2-DOOR SEDAN

24 = 2-DOOR HATCHBACK

27 = 2-DOOR CONVERTIBLE

41 = 4-DOOR SEDAN

44 = 4-DOOR HATCHBACK

45 = 4-DOOR STATION WAGON

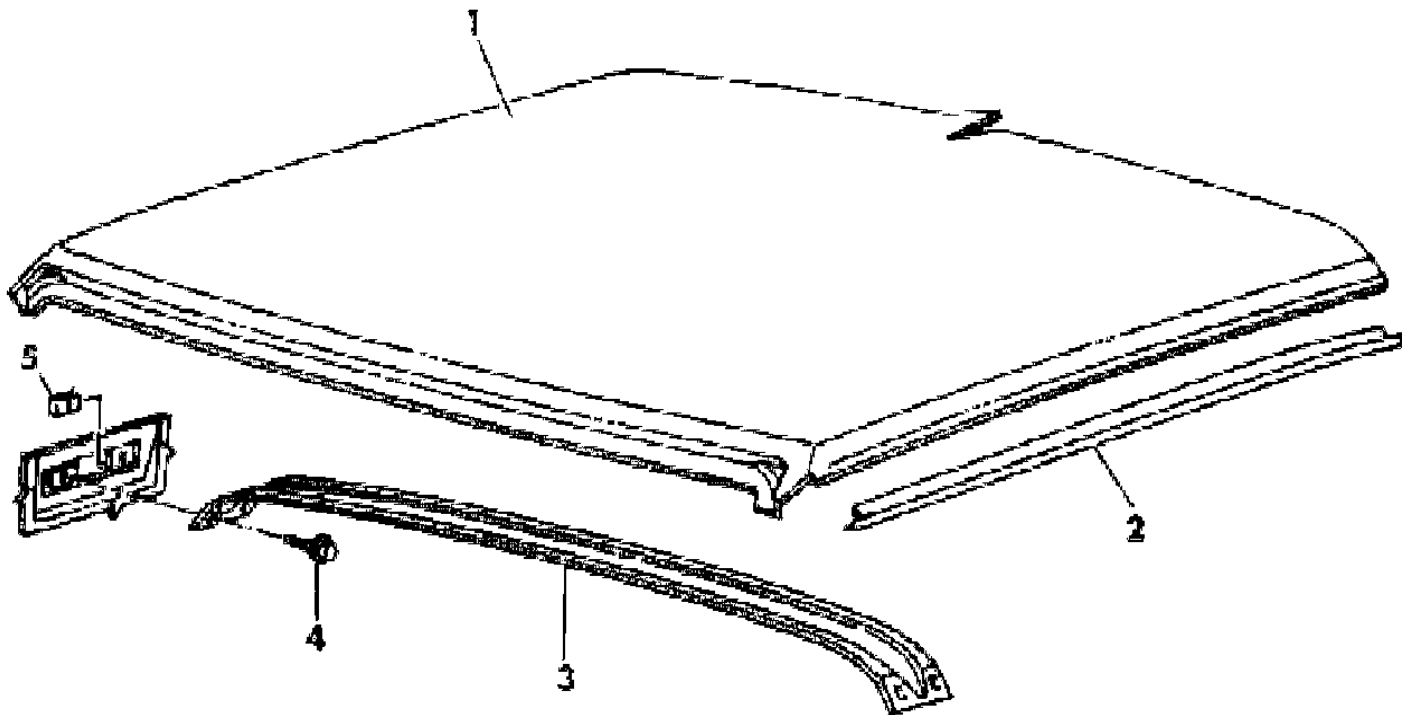
52-53 = FWD WAGON

AR = Use as Required - = Non Illustrated Part P.A.R. = Paint as Required

ROOF PANEL L BODY
Figure 23A-1400

7189 1400

ITEM	PART NUMBER	QTY	BODY	MODEL	DESCRIPTION
1	4341 323	1		24	PANEL, Roof Outer w/o Sunroof
	5200 922	1		44	
	4341 325	1		24	PANEL and TROUGH, Roof w/Sunroof
2	5230 496-7	1		24	TROUGH, Roof Side Drain
	5230 498-9	1		44	
3	5231 029	1		24	BOW, Roof
	5200 521	1		44	
4	6100 565	4		24,44	SCREW
5	#6100 041	4		44	U-NUT



MODEL CODES

E BODY = (J - CARAVELLE)(E - 600)(T - NEW YORKER)

G BODY = (V24 - DAYTONA)

H BODY = (D44 - LANCER)(C44 - LEBARON GTS)

J BODY = (C - LEBARON)

K BODY = (P - RELIANT)(D - ARIES)(C - LEBAROND)/TOWN & COUNTRY)

L BODY = (M - HORIZON/TURISMO)(Z - OMNI/CHARGER)

M BODY = (B - GRAN FURY)(F - FIFTH AVE/NEWPORT)(G - DIPLOMAT)

P BODY = (P - SUNDANCE)(D - SHADOW)

S BODY = (H - VOYAGER)(K - RAM VAN/CARAVAN)

BODY STYLES

12-13 = FWD VAN

21 = 2-DOOR SEDAN

24 = 2-DOOR HATCHBACK

27 = 2-DOOR CONVERTIBLE

41 = 4-DOOR SEDAN

44 = 4-DOOR HATCHBACK

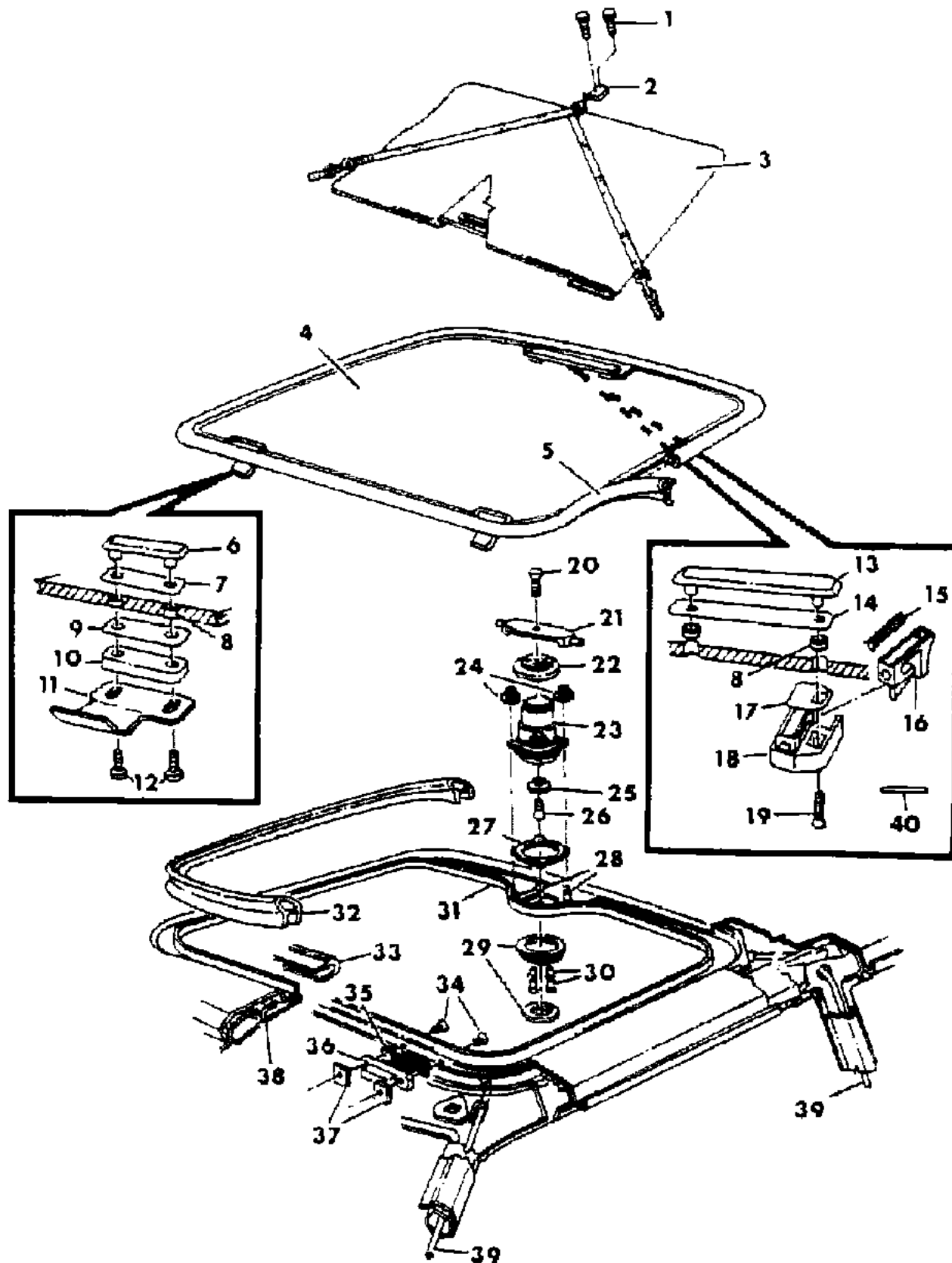
45 = 4-DOOR STATION WAGON

52-53 = FWD WAGON

AR = Use as Required - = Non Illustrated Part P.A.R. = Paint as Required

SUNROOF L BODY 24
Figure 23A-1500

7189 1500 A



ITEM	PART NUMBER	QTY	BODY	MODEL	DESCRIPTION
1	9436 676	6	24		SCREW
2	5216 587	3	24		BRACKET, Stowage Bag D-Ring Retainer
3	E858 BX7	1	24		BAG, Stowage (Black)
4	5232 068	1	24		PANEL, Glass w/Frame (Bonded)
5	5232 046	1	24		SEAL, Sun Roof (Secondary)
6-12	4467 211	2	24		HINGE and T-PLATE, (Includes Item 6-12)
6		2	24		T-PLATE, Serviced In Package #4467211
7		2	24		GASKET, Serviced In Package #4467211
8		6	24		GROMMET, Serviced In Package #4467211
9		2	24		GASKET, Serviced In Package #4467211
10		2	24		SPACER, Serviced In Package #4467211
11		2	24		HINGE, Serviced In Package #4467211
12		4	24		SCREW, Serviced In Package #4467211
13	5207 322	1	24		T-PLATE, Latch
14	5207 368	1	24		GASKET, Latch T-Plate
15-20	4106 872-3	1	24		HOUSING and LATCH, Includes Items 15-19
15		2	24		SPRING, Serviced In Package #4106872-3
16		2	24		LATCH, Serviced In Package #4106872-3
17		2	24		GASKET, Serviced In Package #4106872-3
18		2	24		HOUSING, Serviced In Package #4106872-3
19		2	24		SCREW, Serviced In Package #4106872-3
20		1	24		SCREW, #10-16 x .75" Not Serviced
21	5207 327	1	24		STRIKER, Latch
22	4341 037	1	24		GASKET and RETAINER, Adjuster
23	4341 035	1	24		ADJUSTER, Latch (Includes Items #20-23 & 25,26)
24	6501 140	4	24		NUT
25	5232 094	1	24		WASHER, Latch Striker Stop
26		1	24		SCREW, #8-18 x .75" Not Serviced
27	5232 052	1	24		GASKET, Latch Adjuster To Trough
28		4	24		SCREW, Weld, M5 x 15mm (Serviced In Item #31)
29	H808 BX9	1	24		HANDLE, Latch Adjuster (Complete)
30	6031 171	4	24		SCREW
31	4341 325	1	24		PANEL and TROUGH, Roof (Includes Item 28)
32	5207 319	1	24		SEAL, Sun Roof (Primary)
33					WELT, Headliner Opening
	H611 BA2	1			Silver
	H611 BB5	1	24		Blue
	H611 BM6	1	24		Red

MODEL CODES

E BODY = (J - CARAVELLE)(E - 600)(T - NEW YORKER)

G BODY = (V24 - DAYTONA)

H BODY = (D44 - LANCER)(C44 - LEBARON GTS)

J BODY = (C - LEBARON)

K BODY = (P - RELIANT)(D - ARIES)(C - LEBAROND)/TOWN & COUNTRY)

L BODY = (M - HORIZON/TURISMO)(Z - OMNI/CHARGER)

M BODY = (B - GRAN FURY)(F - FIFTH AVE/NEWPORT)(G - DIPLOMAT)

P BODY = (P - SUNDANCE)(D - SHADOW)

S BODY = (H - VOYAGER)(K - RAM VAN/CARAVAN)

BODY STYLES

12-13 = FWD VAN

21 = 2-DOOR SEDAN

24 = 2-DOOR HATCHBACK

27 = 2-DOOR CONVERTIBLE

41 = 4-DOOR SEDAN

44 = 4-DOOR HATCHBACK

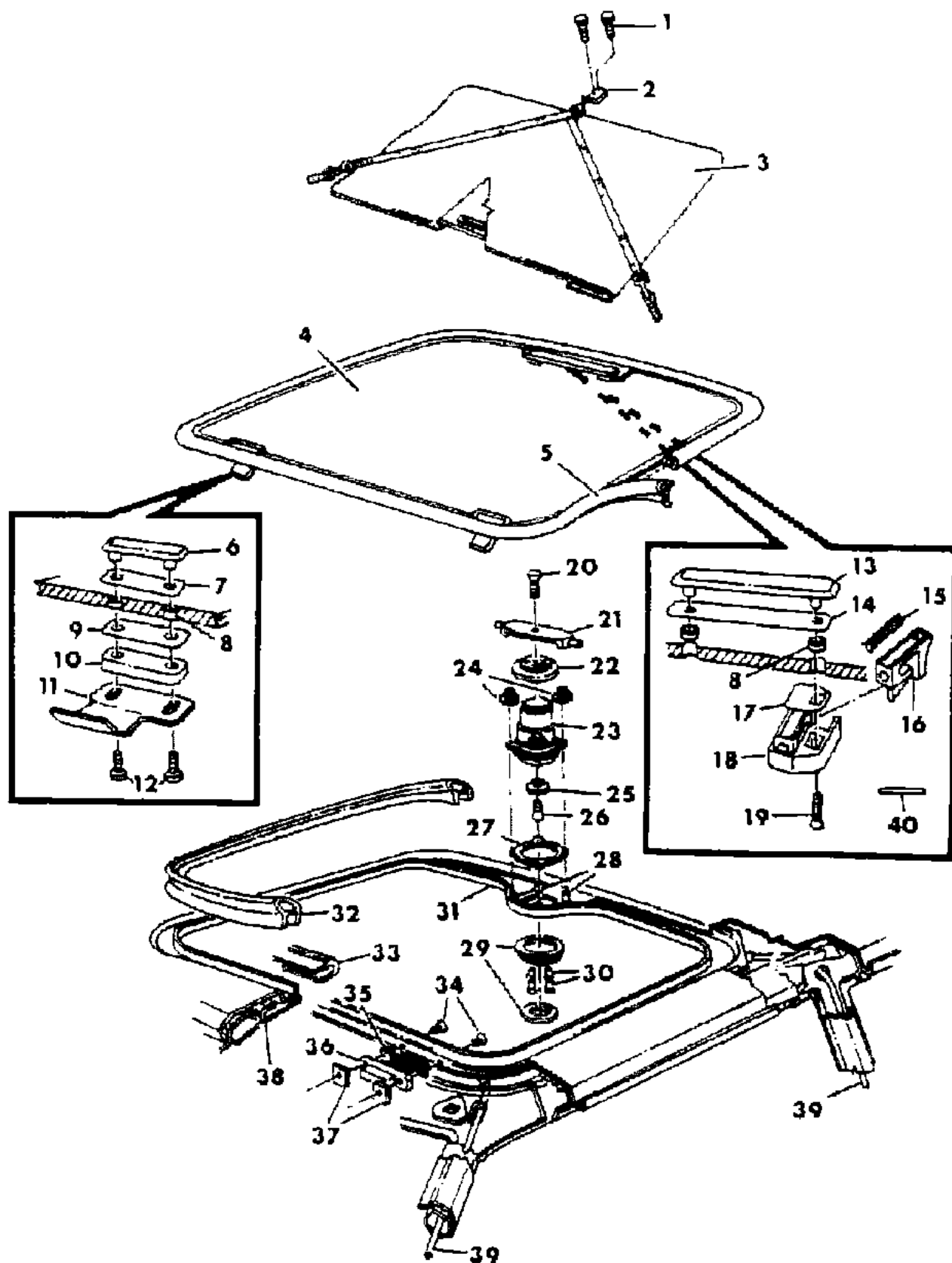
45 = 4-DOOR STATION WAGON

52-53 = FWD WAGON

AR = Use as Required - = Non Illustrated Part P.A.R. = Paint as Required

SUNROOF L BODY 24
Figure 23A-1500

7189 1500 A



ITEM	PART NUMBER	QTY	BODY	MODEL	DESCRIPTION
	H611 CS8	1		24	Charcoal
	H611 DT3	1		24	Tan
34	6101 127	4		24	SCREW
35	5232 050-1	1		24	GASKET, Hinge Receiver
36	5207 374-5	1		24	RECEIVER, Hinge (Includes Items #35 & 37)
37	5207 378	4		24	PLATE, Hinge Receiver
38		1		24	HEADLINER, See Group 23-Interior Illustrations
39		AR		24	HOSE, Drain (3/8 I.D. x 50' Roll Stock) Not Serviced
40	5207 474	2			PIN, Glass Frame Connecting

MODEL CODES

E BODY = (J - CARAVELLE)(E - 600)(T - NEW YORKER)

G BODY = (V24 - DAYTONA)

H BODY = (D44 - LANCER)(C44 - LEBARON GTS)

J BODY = (C - LEBARON)

K BODY = (P - RELIANT)(D - ARIES)(C - LEBAROND)/TOWN & COUNTRY)

L BODY = (M - HORIZON/TURISMO)(Z - OMNI/CHARGER)

M BODY = (B - GRAN FURY)(F - FIFTH AVE/NEWPORT)(G - DIPLOMAT)

P BODY = (P - SUNDANCE)(D - SHADOW)

S BODY = (H - VOYAGER)(K - RAM VAN/CARAVAN)

BODY STYLES

12-13 = FWD VAN

21 = 2-DOOR SEDAN

24 = 2-DOOR HATCHBACK

27 = 2-DOOR CONVERTIBLE

41 = 4-DOOR SEDAN

44 = 4-DOOR HATCHBACK

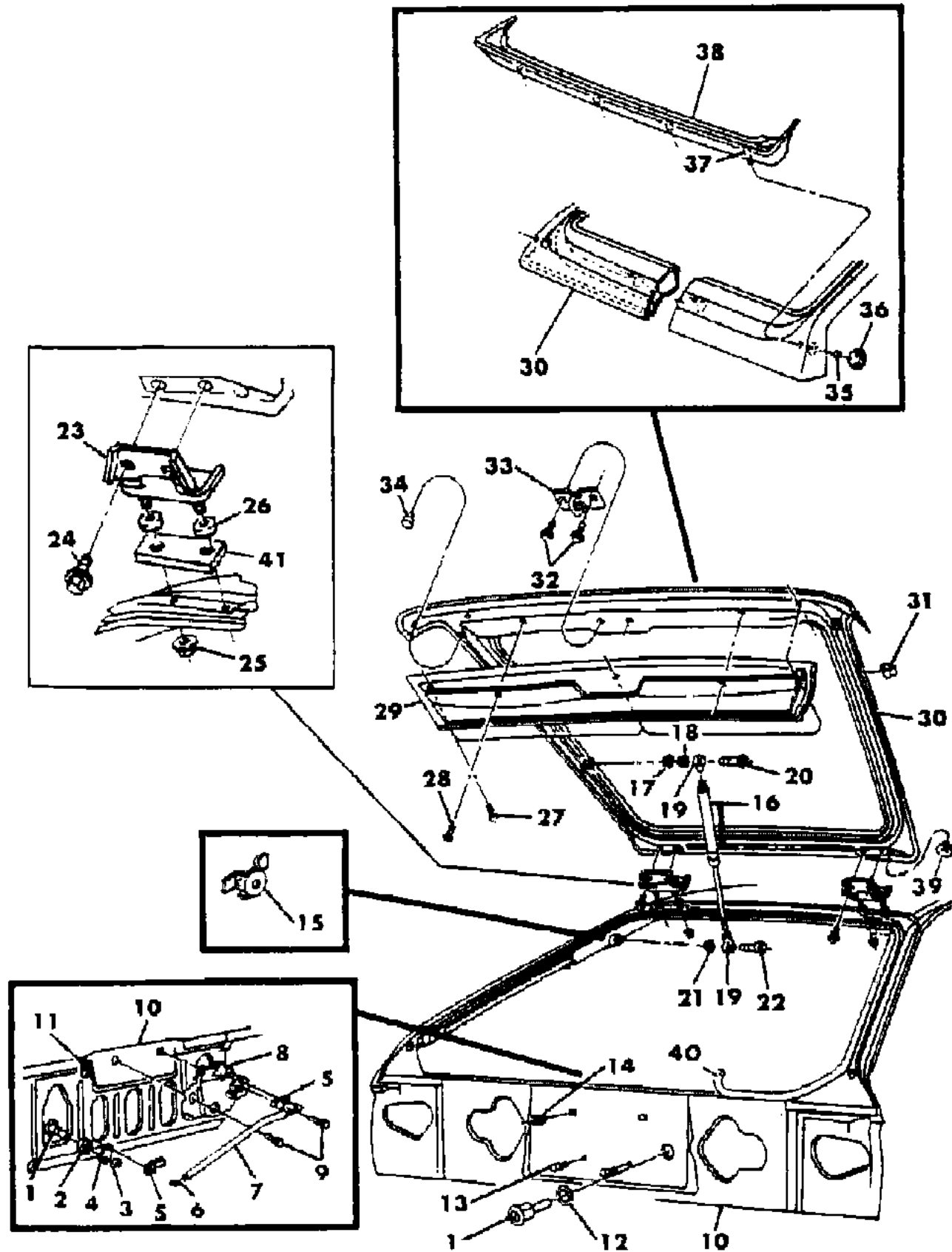
45 = 4-DOOR STATION WAGON

52-53 = FWD WAGON

AR = Use as Required - = Non Illustrated Part P.A.R. = Paint as Required

LIFTGATE PANEL L BODY 24
Figure 23A-1600

7186 1800



ITEM	PART NUMBER	QTY	BODY	MODEL	DESCRIPTION
1		1	24		CYLINDER, Lock (See Group 23D Illustrations)
2	4054 202	1	24		NUT, Lock Cylinder
3	6032 107	1	24		RETAINER, Lock Cylinder Lever
4		1	24		LEVER, Lock Cylinder (Serviced In Item #6)
5	3454 221	2	24		CLIP, Link Attaching
6	4246 648	1	24		LINK, Latch Release (Includes Items #4-7)
7		1	24		SLEEVE, Link (Serviced In Item #6)
8	4246 675	1	24		LATCH, Electric
9	6101 255	2	24		SCREW and WASHER
10		1	24		PANEL, Liftgate Opening (Reference Only)
11		1	24		BUMPER, Latch Link Not Serviced 2" Foam Tape
12	3695 321	1	24		GASKET, Lock Cylinder
13	5200 365	2	24		BUMPER, License Plate
14	6500 229	2	24		NUT, License Plate
15	5230 164	2	24		BRACKET, Prop To Pillar
16	G000 4400	2	24		PROP, Liftgate, w/o Spoiler
	4378 195	2	24		w/Spoiler
17		2	24		NUT and WASHER, Tube End (Serviced In Item 19)
18		2	24		WASHER, Tube End (Serviced In Item #19)
19	4172 829	2	24		CLEVIS, Prop Rod End (Includes Items #21 & 22)
	4172 830	2	24		Tube End (Includes Items #17,18 & 20)
20	6500 457	2	24		SCREW, Tube End
21	6500 159	2	24		NUT and WASHER, Rod End
22	#6500 183	2	24		SCREW, Rod End
23	4246 776	2	24		HINGE, Liftgate
24	#6100 275	4	24		SCREW
25	6500 991	4	24		NUT and WASHER
26	5231 207	4	24		WASHER, Sealing
27		3	24		SCREW, #8-18 x 1.25" Not Serviced
28		2	24		SCREW, #8-18 x 1.75" Not Serviced
29		1			COVER, Liftgate (See Group ITA)
30	5218 420	1	24		LIFTGATE, Primed
31	5207 475	2	24		BUMPER, Anti-Shuffle
32	6101 255	2	24		SCREW and WASHER
33	5207 389	1	24		STRIKER, Latch
34	5230 376	2	24		BUMPER, Inner Panel
35	6027 422	6	24		NUT and SEAL
36	1963 755	4	24		PLUG, Spoiler Access Hole

MODEL CODES

E BODY = (J - CARAVELLE)(E - 600)(T - NEW YORKER)

G BODY = (V24 - DAYTONA)

H BODY = (D44 - LANCER)(C44 - LEBARON GTS)

J BODY = (C - LEBARON)

K BODY = (P - RELIANT)(D - ARIES)(C - LEBAROND)/TOWN & COUNTRY)

L BODY = (M - HORIZON/TURISMO)(Z - OMNI/CHARGER)

M BODY = (B - GRAN FURY)(F - FIFTH AVE/NEWPORT)(G - DIPLOMAT)

P BODY = (P - SUNDANCE)(D - SHADOW)

S BODY = (H - VOYAGER)(K - RAM VAN/CARAVAN)

BODY STYLES

12-13 = FWD VAN

21 = 2-DOOR SEDAN

24 = 2-DOOR HATCHBACK

27 = 2-DOOR CONVERTIBLE

41 = 4-DOOR SEDAN

44 = 4-DOOR HATCHBACK

45 = 4-DOOR STATION WAGON

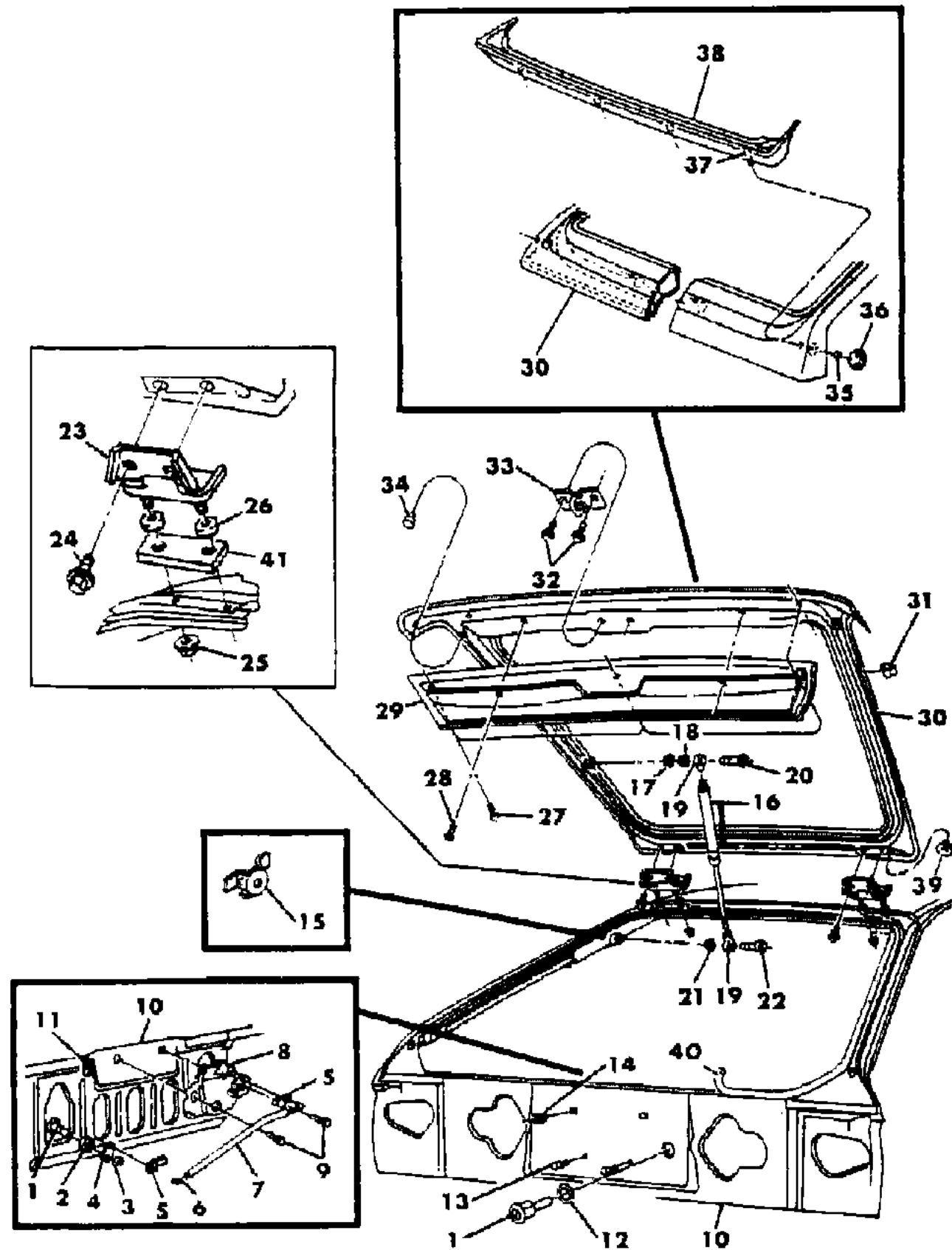
52-53 = FWD WAGON

AR = Use as Required - = Non Illustrated Part P.A.R. = Paint as Required

LIFTGATE PANEL L BODY 24

Figure 23A-1600

7186 1800



ITEM	PART NUMBER	QTY	BODY	MODEL	DESCRIPTION
37		6	24		STUD, (Serviced In Item 38)
38	4280 546	1	24		SPOILER, Liftgate
39	6029 939	2	24		PLUG, .500" Dia./13mm
40	5231 926	1	24		WEATHERSTRIP, Liftgate Opening
41	4336 555	2	24		GASKET, Liftgate Hinge To Body

MODEL CODES

E BODY = (J - CARAVELLE)(E - 600)(T - NEW YORKER)

G BODY = (V24 - DAYTONA)

H BODY = (D44 - LANCER)(C44 - LEBARON GTS)

J BODY = (C - LEBARON)

K BODY = (P - RELIANT)(D - ARIES)(C - LEBAROND)/TOWN & COUNTRY)

L BODY = (M - HORIZON/TURISMO)(Z - OMNI/CHARGER)

M BODY = (B - GRAN FURY)(F - FIFTH AVE/NEWPORT)(G - DIPLOMAT)

P BODY = (P - SUNDANCE)(D - SHADOW)

S BODY = (H - VOYAGER)(K - RAM VAN/CARAVAN)

BODY STYLES

12-13 = FWD VAN

21 = 2-DOOR SEDAN

24 = 2-DOOR HATCHBACK

27 = 2-DOOR CONVERTIBLE

41 = 4-DOOR SEDAN

44 = 4-DOOR HATCHBACK

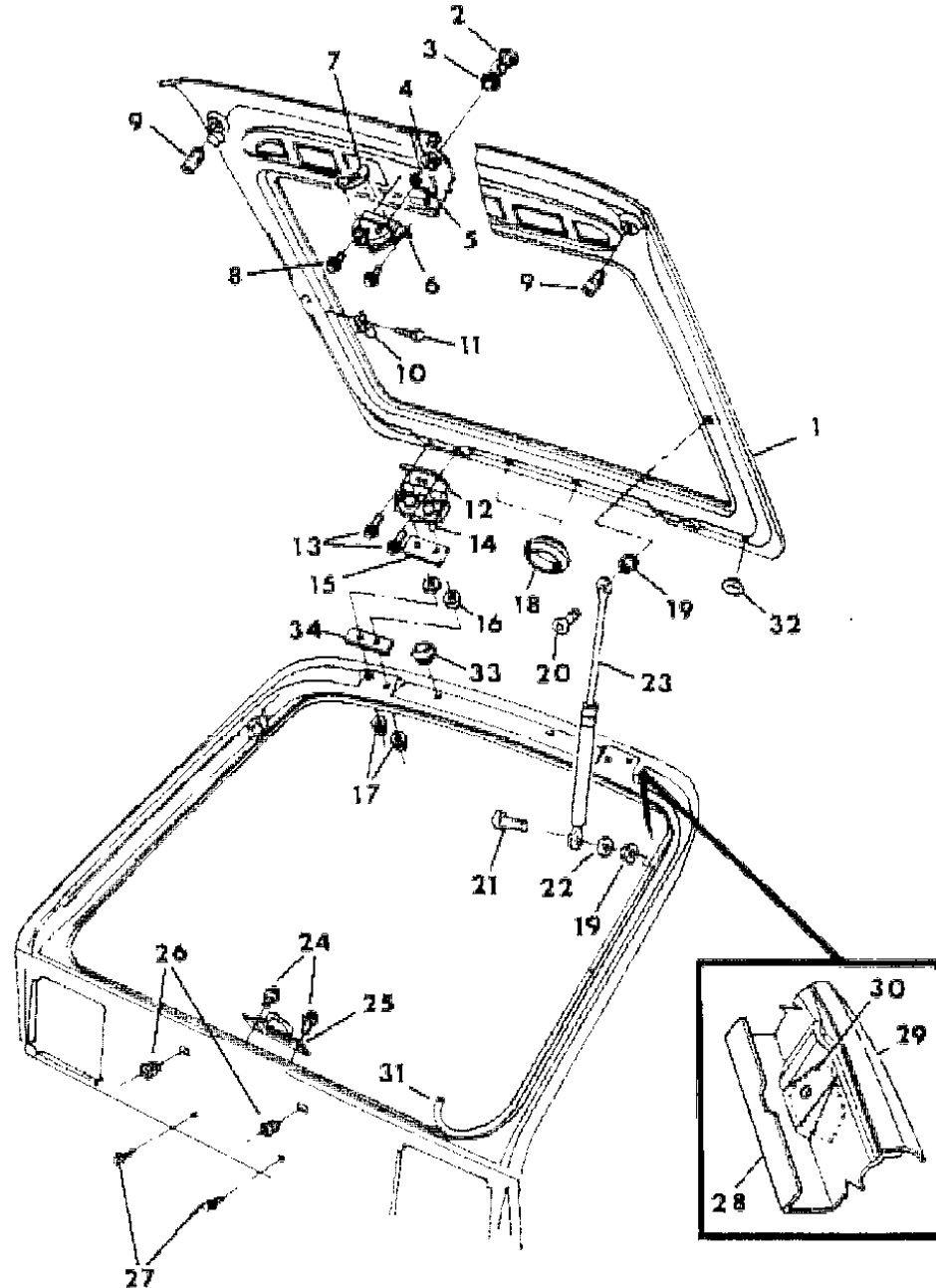
45 = 4-DOOR STATION WAGON

52-53 = FWD WAGON

AR = Use as Required - = Non Illustrated Part P.A.R. = Paint as Required

LIFTGATE PANEL L BODY 44
Figure 23A-1700

7188 1700



ITEM	PART NUMBER	QTY	BODY	MODEL	DESCRIPTION
1	5218 373	1	44		LIFTGATE, Primed
2		1	44		CYLINDER, Lock (See Group 23D Illustrations)
3	3695 321	1	44		GASKET, Lock Cylinder
4	4054 202	1	44		NUT, Lock Cylinder
5	5207 246	1	44		SHIELD, Water
6	5207 383	1	44		LATCH, Liftgate
7	5207 244	1	44		BUMPER, Latch
8	6101 255	2	44		SCREW and WASHER
9	5230 376	2	44		BUMPER, Liftgate
10	5200 311	2	44		BRACKET, Shelf Strap
11		2	44		RIVET, Pop, 3/16" Dia. x 1/8-1/4" Not Serviced
12	4246 774-5	1	44		HINGE, Liftgate (Includes Item #14)
13	#6100 275	4	44		SCREW, w/Washer Gate Half
14		4	44		BOLT, Body Half (Serviced In Item #12)
15		AR	44		SHIM, Not Serviced
16	5231 207	4	44		WASHER
17	6500 991	4	44		NUT and WASHER
18	2574 792	2	44		PLUG, .75" Dia./19.5mm
19	6500 159	4	44		NUT and WASHER
20	6500 142	2	44		SCREW, Rod End
21	#6500 183	2	44		SCREW, Tube End
22		2	44		WASHER, Tube End (Serviced In Item #23)
23	G000 4618	2	44		PROP, Liftgate (Includes Items #19-22)
	4378 195	1	GLH		PROP, (Shelby)
24	6101 255	2	44		SCREW and WASHER
25	5207 184	1	44		STRIKER, Latch
26	6500 229	4	44		NUT, License Plate
27	5200 365	2	44		BUMPER, License Plate
28		1	44		TROUGH, Liftgate Opening (Reference Only)
29		1	44		PANEL, Quarter (Reference Only)
30	5200 380-1	1	44		REINFORCEMENT, Prop Mounting
31	5231 926	1	44		WEATHERSTRIP, Liftgate Opening
32	6029 939	2	44		PLUG, .500" Dia./13mm
33	2574 792	1	44		PLUG, .75" Dia./19.5mm
34	4336 566-7	1	44		GASKET, Liftgate Hinge To Body

MODEL CODES

E BODY = (J - CARAVELLE)(E - 600)(T - NEW YORKER)

G BODY = (V24 - DAYTONA)

H BODY = (D44 - LANCER)(C44 - LEBARON GTS)

J BODY = (C - LEBARON)

K BODY = (P - RELIANT)(D - ARIES)(C - LEBAROND)/TOWN & COUNTRY)

L BODY = (M - HORIZON/TURISMO)(Z - OMNI/CHARGER)

M BODY = (B - GRAN FURY)(F - FIFTH AVE/NEWPORT)(G - DIPLOMAT)

P BODY = (P - SUNDANCE)(D - SHADOW)

S BODY = (H - VOYAGER)(K - RAM VAN/CARAVAN)

BODY STYLES

12-13 = FWD VAN

21 = 2-DOOR SEDAN

24 = 2-DOOR HATCHBACK

27 = 2-DOOR CONVERTIBLE

41 = 4-DOOR SEDAN

44 = 4-DOOR HATCHBACK

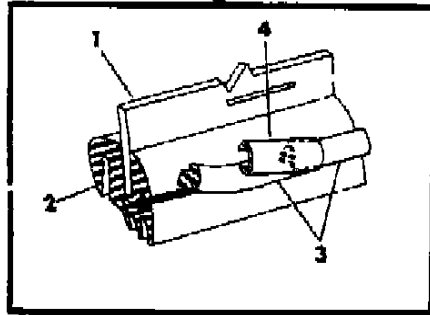
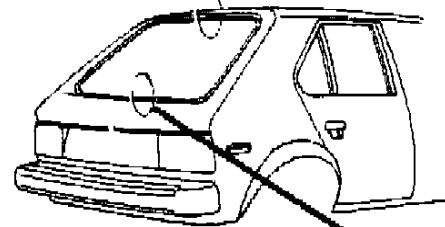
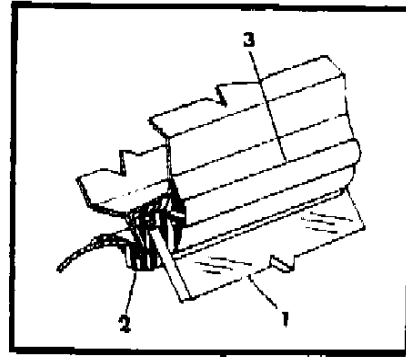
45 = 4-DOOR STATION WAGON

52-53 = FWD WAGON

AR = Use as Required - = Non Illustrated Part P.A.R. = Paint as Required

GLASS LIFTGATE L BODY
Figure 23A-1800

7189 1800



ITEM	PART NUMBER	QTY	BODY	MODEL	DESCRIPTION
1					GLASS, Liftgate
	5230 047	1	24		Tinted
	4198 980	1	24		Tinted Electric Heated
	5231 924	1	44		Tinted
	4198 982	1	44		Tinted Electric Heated
2	4310 953	1	24		WEATHERSTRIP, Liftgate Glass Black
	5208 558	1	44		Use w/Bright Lockstrip
	4310 952	1	44		Use w/o Bright Lockstrip
3	5208 602	1	44		LOCKSTRIP, Liftgate Glass Weatherstrip Bright
4	5208 603	1	44		CAP, Lockstrip Bright
	PKG A 4267 922	1	24,44		ELECTRIC GRID REPAIR PKG. CONSISTS OF: 1- ----- Cement Cho-Bond, 1/2 oz. 1- ----- Instruction Sheet

NOTE: The following items are not shown on illustration. s group.

MODEL CODES
 E BODY = (J - CARAVELLE)(E - 600)(T - NEW YORKER)
 G BODY = (V24 - DAYTONA)
 H BODY = (D44 - LANCER)(C44 - LEBARON GTS)
 J BODY = (C - LEBARON)
 K BODY = (P - RELIANT)(D - ARIES)(C - LEBAROND)/TOWN & COUNTRY
 L BODY = (M - HORIZON/TURISMO)(Z - OMNI/CHARGER)
 M BODY = (B - GRAN FURY)(F - FIFTH AVE/NEWPORT)(G - DIPLOMAT)
 P BODY = (P - SUNDANCE)(D - SHADOW)
 S BODY = (H - VOYAGER)(K - RAM VAN/CARAVAN)

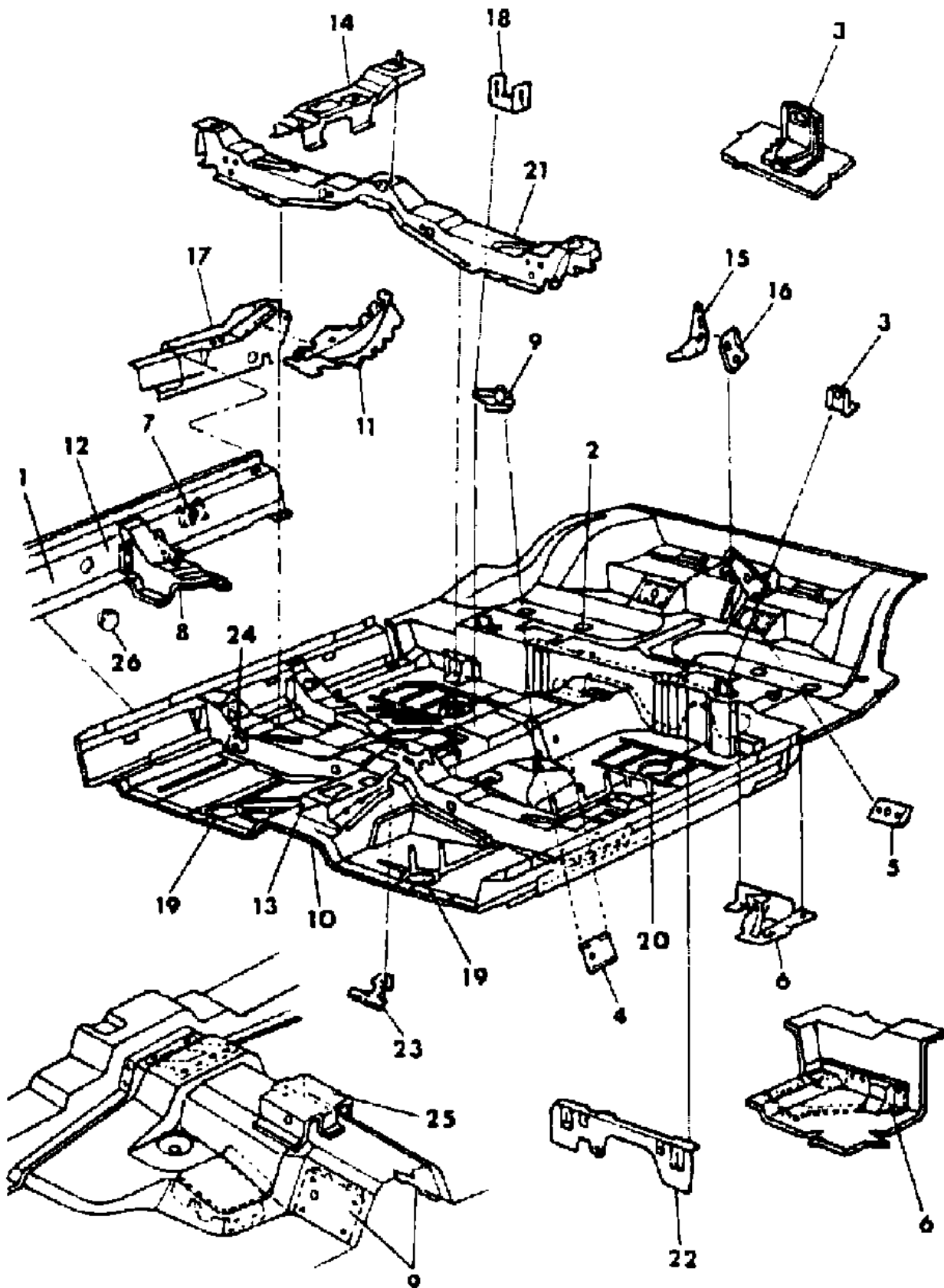
BODY STYLES
 12-13 = FWD VAN
 21 = 2-DOOR SEDAN
 24 = 2-DOOR HATCHBACK
 27 = 2-DOOR CONVERTIBLE
 41 = 4-DOOR SEDAN
 44 = 4-DOOR HATCHBACK
 45 = 4-DOOR STATION WAGON
 52-53 = FWD WAGON

AR = Use as Required - = Non Illustrated Part P.A.R. = Paint as Required

FLOOR PAN FRONT P BODY 24,44

Figure 23A-1900

7100 1900 A



ITEM	PART NUMBER	QTY	BODY	MODEL	DESCRIPTION
1	2574 792	2			PLUG, .75" Dia./19.5 mm
2	4073 475	2			PLUG, 1.50" Dia./38.1 mm
3	4371 289	2			RETAINER, Front Floor Pan Rear Seat Cushion
4	4314 259	2			REINFORCEMENT, Front Floor Pan Front Seat Belt Inner Mounting
5	4314 259	2			REINFORCEMENT, Front Floor Pan Rear Seat Belt Inner Mounting
6	4314 318-9	1			BRACKET, Front Floor Pan Lift Hoisting
7		2			REINFORCEMENT, Front Seat Belt Outer Mounting Serviced In Assy.
8	4206 928-9	1			REINFORCEMENT, Front Floor Pan Front Seat Rear Outer Mounting
9	4278 498-9	1			REINFORCEMENT, Front Floor Pan Front Seat Rear Inner Mounting
10	4371 988	1			PAN, Front Floor
11	4314 866-7	1			REINFORCEMENT, Front Floor Pan Rear Seat Belt Outer Mounting
12	4371 114-5	1			PANEL, Body Side Sill Inner
13	4371 592	1			BRACKET, Console Gear Sel. To Floor Pan Mtg.
14	4371 592	1			BRACKET, Console Gear Sel. To Floor Pan Mtg.
15	4337 933	1			BRACKET, Front Floor Pan Rear Seat Back Center Pivot Mounting, Right
16	4337 941	1			BRACKET, Front Floor Pan Rear Seat Back Center Pivot Mounting, Left
17	4371 522-3	1			EXTENSION, Sill Inner Rear
18		1			BRACKET, Front Floor Pan Center Seat Mounting Not Serviced
19		2			TUBE, 2.75" Dia./69.9 mm Not Serviced
20	2424 864	2			PLUG, 1.75" Dia./44.5 mm
21	4371 490	1			CROSSMEMBER, Front Floor Pan Seat Track Mounting
22	4337 962	1			PLATE, Front Floor Fuel Tank Strap Front Hanger
23	4278 600	1			BRACKET, Front Floor Pan Park Brake Cable
24	#4371 236	1			REINFORCEMENT, Floor Pan Front Seat Crossmember
25	4371 655	1			BRACKET, Floor Pan Center Arm Rest Support
26	3794 032	2			SEAL, Side Sill Inner Panel Drain Hole

MODEL CODES

E BODY = (J - CARAVELLE)(E - 600)(T - NEW YORKER)

G BODY = (V24 - DAYTONA)

H BODY = (D44 - LANCER)(C44 - LEBARON GTS)

J BODY = (C - LEBARON)

K BODY = (P - RELIANT)(D - ARIES)(C - LEBAROND)/TOWN & COUNTRY)

L BODY = (M - HORIZON/TURISMO)(Z - OMNI/CHARGER)

M BODY = (B - GRAN FURY)(F - FIFTH AVE/NEWPORT)(G - DIPLOMAT)

P BODY = (P - SUNDANCE)(D - SHADOW)

S BODY = (H - VOYAGER)(K - RAM VAN/CARAVAN)

BODY STYLES

12-13 = FWD VAN

21 = 2-DOOR SEDAN

24 = 2-DOOR HATCHBACK

27 = 2-DOOR CONVERTIBLE

41 = 4-DOOR SEDAN

44 = 4-DOOR HATCHBACK

45 = 4-DOOR STATION WAGON

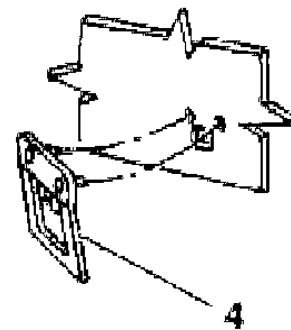
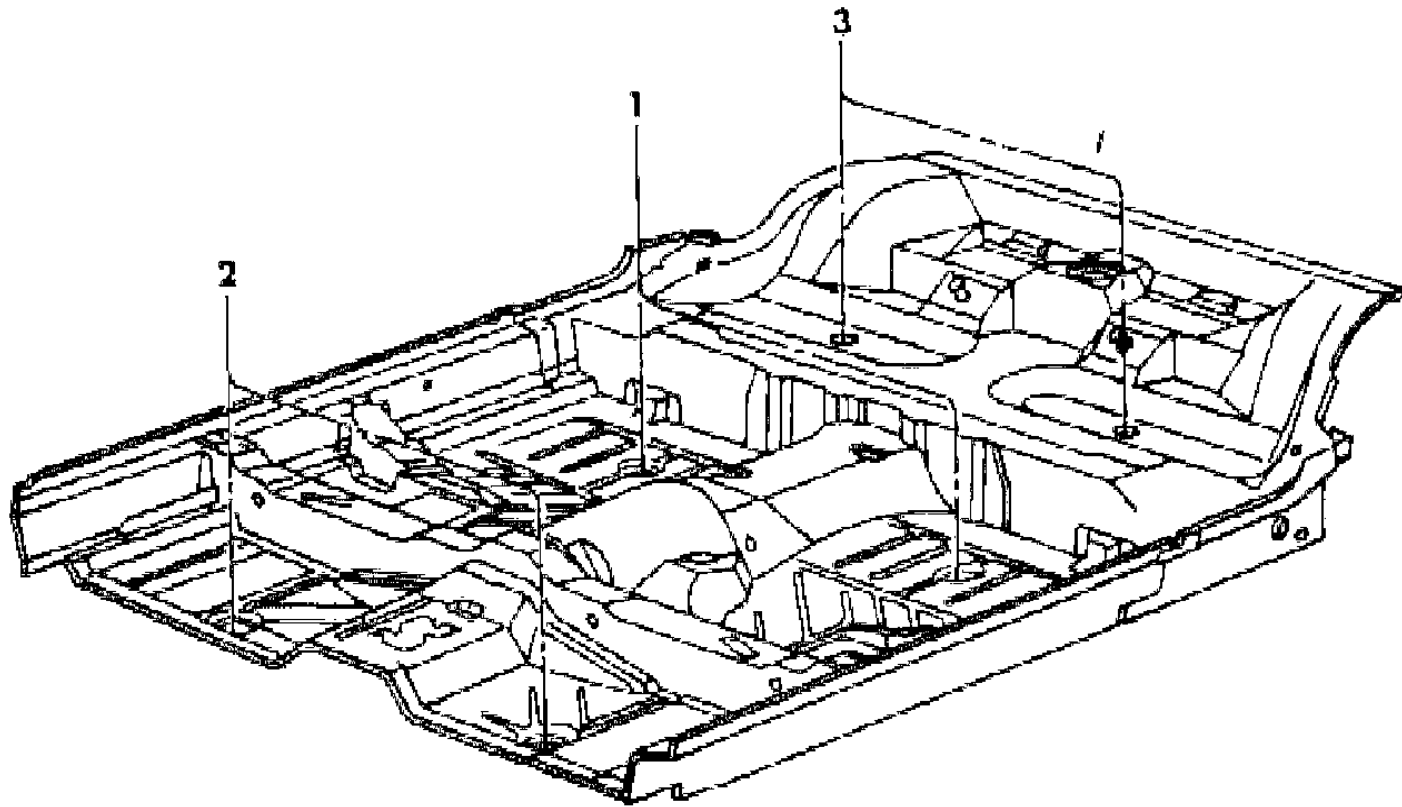
52-53 = FWD WAGON

AR = Use as Required - = Non Illustrated Part P.A.R. = Paint as Required

PLUGS FRONT FLOOR PAN P BODY 24,44
Figure 23A-2000

7189 2000

ITEM	PART NUMBER	QTY	BODY	MODEL	DESCRIPTION
1	2424 864	2			PLUG
2	5200 456	2			PLUG
3	4073 475	1			PLUG
4	3794 032	AR			SEAL, Side Sill Inner



MODEL CODES
 E BODY = (J - CARAVELLE)(E - 600)(T - NEW YORKER)
 G BODY = (V24 - DAYTONA)
 H BODY = (D44 - LANCER)(C44 - LEBARON GTS)
 J BODY = (C - LEBARON)
 K BODY = (P - RELIANT)(D - ARIES)(C - LEBAROND)/TOWN & COUNTRY
 L BODY = (M - HORIZON/TURISMO)(Z - OMNI/CHARGER)
 M BODY = (B - GRAN FURY)(F - FIFTH AVE/NEWPORT)(G - DIPLOMAT)
 P BODY = (P - SUNDANCE)(D - SHADOW)
 S BODY = (H - VOYAGER)(K - RAM VAN/CARAVAN)

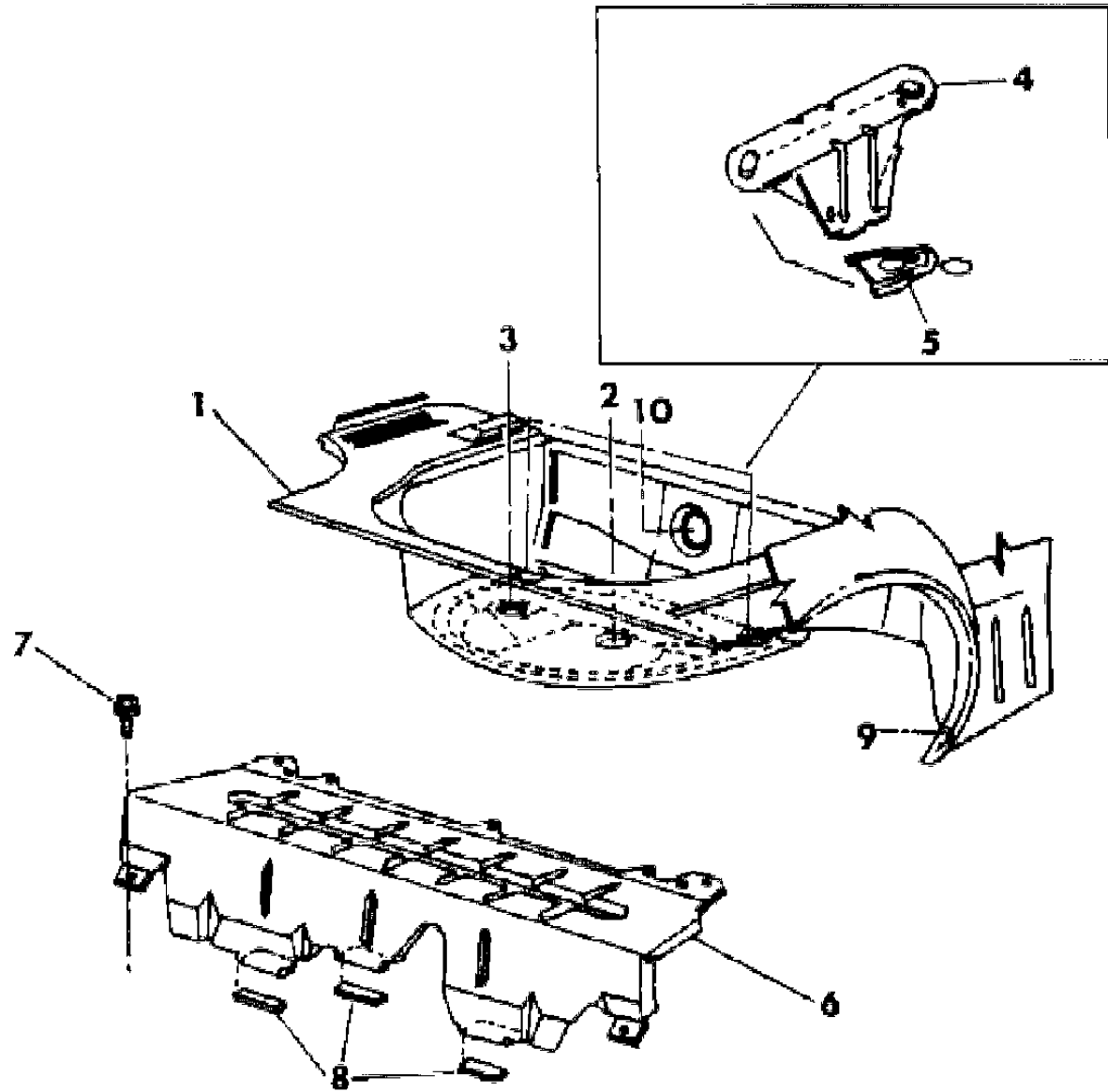
BODY STYLES
 12-13 = FWD VAN
 21 = 2-DOOR SEDAN
 24 = 2-DOOR HATCHBACK
 27 = 2-DOOR CONVERTIBLE
 41 = 4-DOOR SEDAN
 44 = 4-DOOR HATCHBACK
 45 = 4-DOOR STATION WAGON
 52-53 = FWD WAGON

AR = Use as Required - = Non Illustrated Part P.A.R. = Paint as Required

FLOOR PAN REAR P BODY 24,44
Figure 23A-2100

7188 2100 A

ITEM	PART NUMBER	QTY	BODY	MODEL	DESCRIPTION
1	4371 280	1			PAN, Rear Floor
2	2424 864	3			PLUG, 1.75" Dia./44.5 mm
3	6030 773	1			PLUG, 2.25" Dia./57 mm
4	4337 550	1			SUPPORT, Rear Floor Pan Spare Tire Mounting
5	4206 922	1			BRACKET, Rear Floor Pan Spare Tire Anchor Bolt
6	4337 361	1			PANEL, Rear Seat To Floor Pan Filler
7		7			SCREW, #8-18 x .500" Not Serviced
8		3			TAPE, Floor Pan Filler Anti-Squeak Not Serviced
9	4073 485	2			PLUG
10	5200 456	1			PLUG



MODEL CODES

E BODY = (J - CARAVELLE)(E - 600)(T - NEW YORKER)

G BODY = (V24 - DAYTONA)

H BODY = (D44 - LANCER)(C44 - LEBARON GTS)

J BODY = (C - LEBARON)

K BODY = (P - RELIANT)(D - ARIES)(C - LEBAROND)/TOWN & COUNTRY)

L BODY = (M - HORIZON/TURISMO)(Z - OMNI/CHARGER)

M BODY = (B - GRAN FURY)(F - FIFTH AVE/NEWPORT)(G - DIPLOMAT)

P BODY = (P - SUNDANCE)(D - SHADOW)

S BODY = (H - VOYAGER)(K - RAM VAN/CARAVAN)

BODY STYLES

12-13 = FWD VAN

21 = 2-DOOR SEDAN

24 = 2-DOOR HATCHBACK

27 = 2-DOOR CONVERTIBLE

41 = 4-DOOR SEDAN

44 = 4-DOOR HATCHBACK

45 = 4-DOOR STATION WAGON

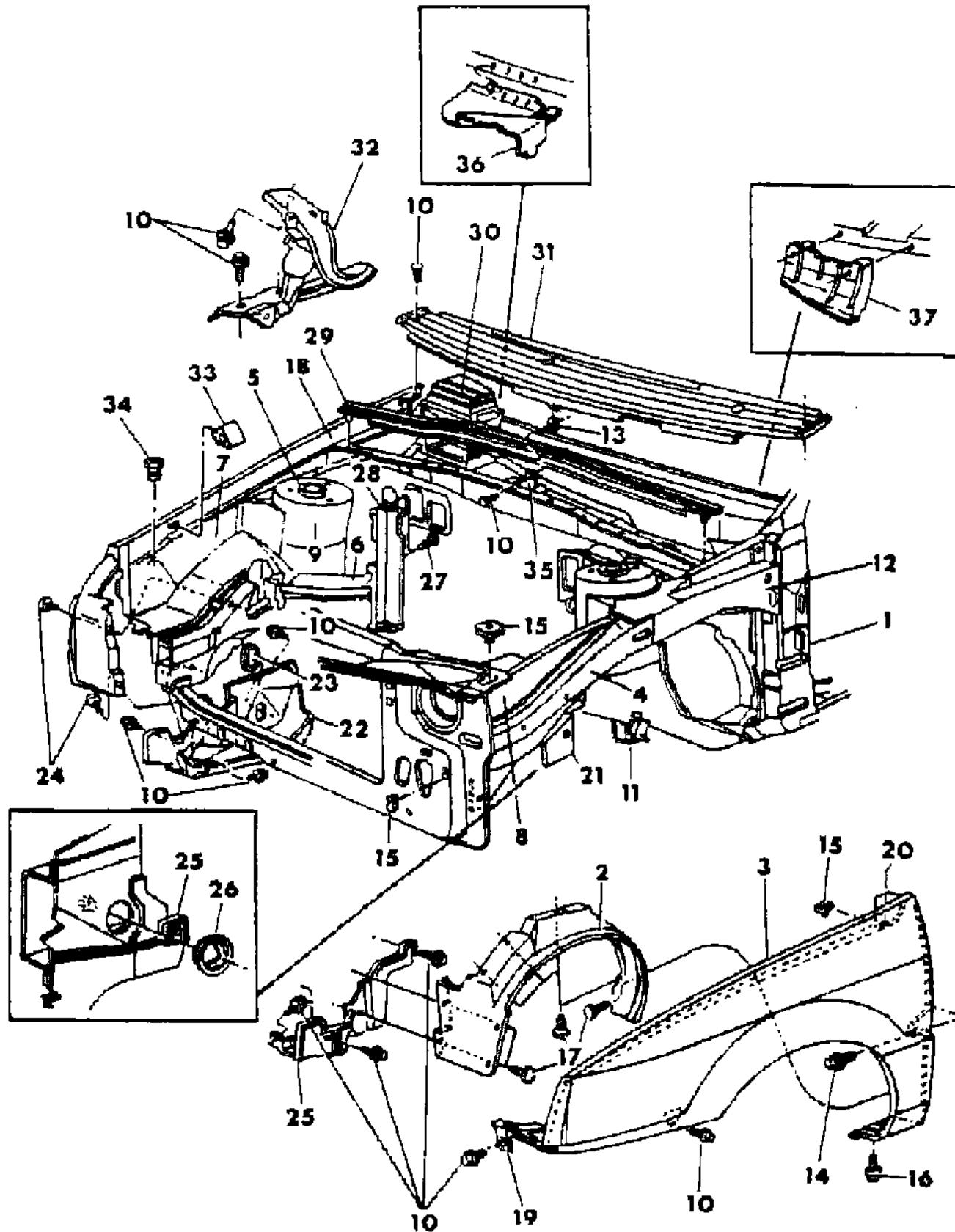
52-53 = FWD WAGON

AR = Use as Required - = Non Illustrated Part P.A.R. = Paint as Required

FENDER AND SHIELD P BODY 24,44

Figure 23A-2200

7189 2200



ITEM	PART NUMBER	QTY	BODY	MODEL	DESCRIPTION
1	4206 553	2			SUPPORT, Front Hinge Pillar To Fender
2	4341 760-1	1			SHIELD, Fender Wheelhouse Splash
3	4397 454-5	1			FENDER
4	4341 334-5	1			BEAM, Front Fender Shield To Front Hinge Pillar Load
5	4440 150-1	1			TOWER, Front Suspension Iso-Strut Mounting Up To 1-29-87
	4440 564-5	1			After 1-29-87
6	4296 808-9	1			EXTENSION, Iso-Strut Tower To Dash Panel Up To 1-27-87
	4440 648-9	1			After 1-27-87
7					PANEL, Front Fender Shield
	4296 516	1			Right
	4341 829	1			Left
8	4341 376	1			PLUG, Front Fender Side Shield Lt.
9	4386 178	2			PLUG, Front Suspension Iso-Strut Tower Sealer
10	6100 568	AR			SCREW
11		1			REINFORCEMENT, Fender Shield Panel Battery Tray (Serviced In Item #7)
12	4341 332-3	1			EXTENSION, Front Fender Shield Load Beam Rear
13		AR			J-NUT, Not Serviced
14		2			SCREW and WASHER, Not Serviced
15	#6100 041	AR			U-NUT
16		4			SCREW and WASHER, Not Serviced
17	6030 441	AR			RETAINER
18	4222 739	1			PLUG, Fender Antenna Hole
19		2			REINFORCEMENT, Front Fender Panel (Serviced In Assy.)
20		1			SUPPORT, Cowl Plenum Grill Not Serviced
21	4341 786-7	1			SUPPORT, Fender Side Shield To Fender Bumper Fascia
22	4386 622	1			SHIELD, Acc. Pulley Splash Rt.
23	2811 825	1			PLUG, Acc. Pulley Rt.
24	6030 441	24			RETAINER
25	4386 625	1			SHIELD, Trans. Appearance Lt.
26	4341 376	1			PLUG, Front Fender Panel
27	6030 538	3			RETAINER
28	4341 750	1			SHIELD, Closure Panel Rad. Air
29	4371 175	1			SEAL, Dash Panel To Hood
30	4371 273	1			SCREEN, Cowl Plenum A/C Intlet
31	4416 118	1			PANEL, Plenum Grille
32	4386 556-7	1			HINGE, Hood
33	4296 227	2			BUMPER

MODEL CODES

E BODY = (J - CARAVELLE)(E - 600)(T - NEW YORKER)

G BODY = (V24 - DAYTONA)

H BODY = (D44 - LANCER)(C44 - LEBARON GTS)

J BODY = (C - LEBARON)

K BODY = (P - RELIANT)(D - ARIES)(C - LEBAROND)/TOWN & COUNTRY)

L BODY = (M - HORIZON/TURISMO)(Z - OMNI/CHARGER)

M BODY = (B - GRAN FURY)(F - FIFTH AVE/NEWPORT)(G - DIPLOMAT)

P BODY = (P - SUNDANCE)(D - SHADOW)

S BODY = (H - VOYAGER)(K - RAM VAN/CARAVAN)

BODY STYLES

12-13 = FWD VAN

21 = 2-DOOR SEDAN

24 = 2-DOOR HATCHBACK

27 = 2-DOOR CONVERTIBLE

41 = 4-DOOR SEDAN

44 = 4-DOOR HATCHBACK

45 = 4-DOOR STATION WAGON

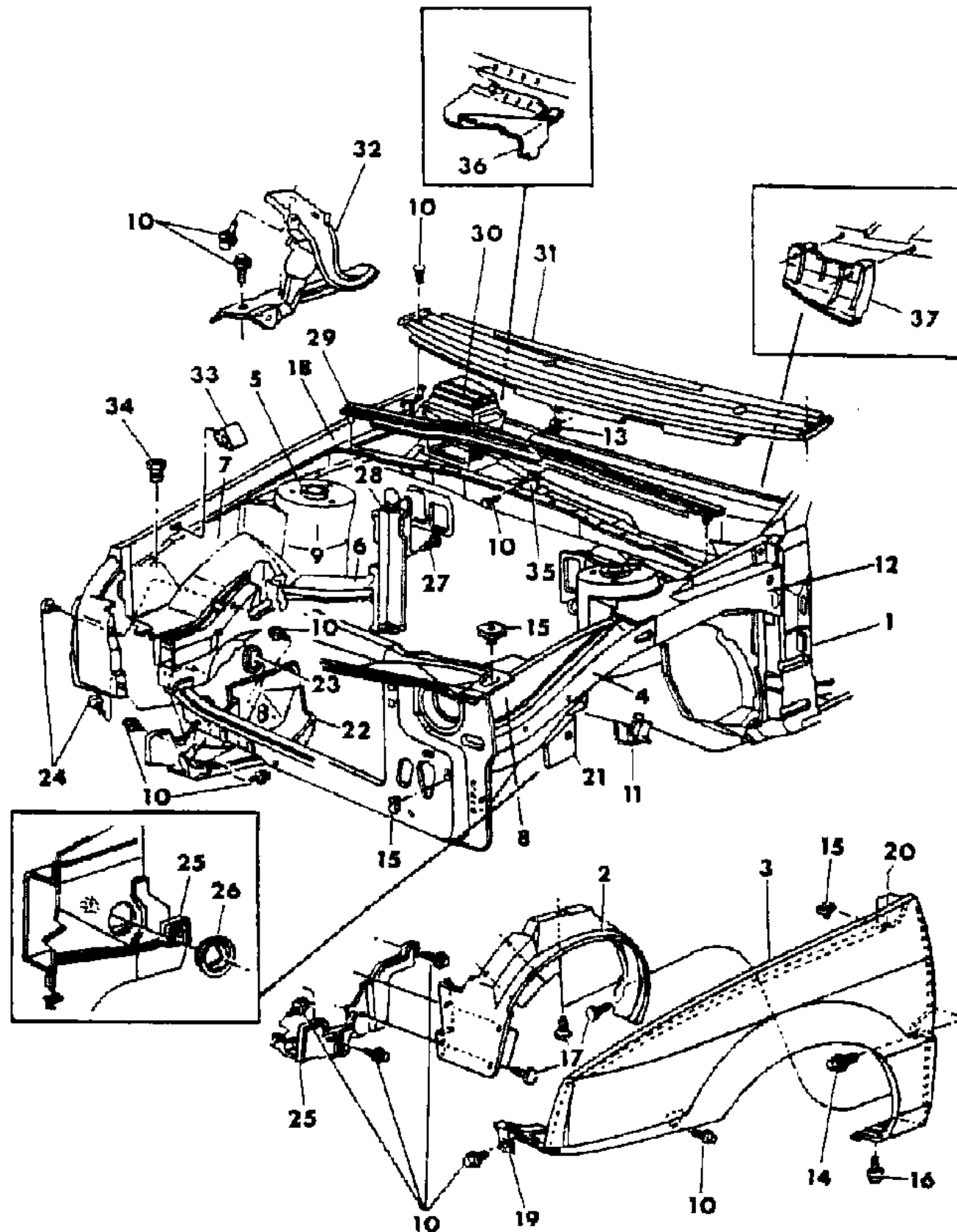
52-53 = FWD WAGON

AR = Use as Required - = Non Illustrated Part P.A.R. = Paint as Required

FENDER AND SHIELD P BODY 24,44

Figure 23A-2200

7189 2200



ITEM	PART NUMBER	QTY	BODY	MODEL	DESCRIPTION
34	4103 165	2			BUMPER
35	4371 623	1			SUPPORT, Cowl Plenum To Cowl
36	3849 570	1			SHIELD, Air/Intake Rt.
37	3849 395	1			SHIELD, Intake Vent Lt.

MODEL CODES

E BODY = (J - CARAVELLE)(E - 600)(T - NEW YORKER)

G BODY = (V24 - DAYTONA)

H BODY = (D44 - LANCER)(C44 - LEBARON GTS)

J BODY = (C - LEBARON)

K BODY = (P - RELIANT)(D - ARIES)(C - LEBAROND)/TOWN & COUNTRY)

L BODY = (M - HORIZON/TURISMO)(Z - OMNI/CHARGER)

M BODY = (B - GRAN FURY)(F - FIFTH AVE/NEWPORT)(G - DIPLOMAT)

P BODY = (P - SUNDANCE)(D - SHADOW)

S BODY = (H - VOYAGER)(K - RAM VAN/CARAVAN)

BODY STYLES

12-13 = FWD VAN

21 = 2-DOOR SEDAN

24 = 2-DOOR HATCHBACK

27 = 2-DOOR CONVERTIBLE

41 = 4-DOOR SEDAN

44 = 4-DOOR HATCHBACK

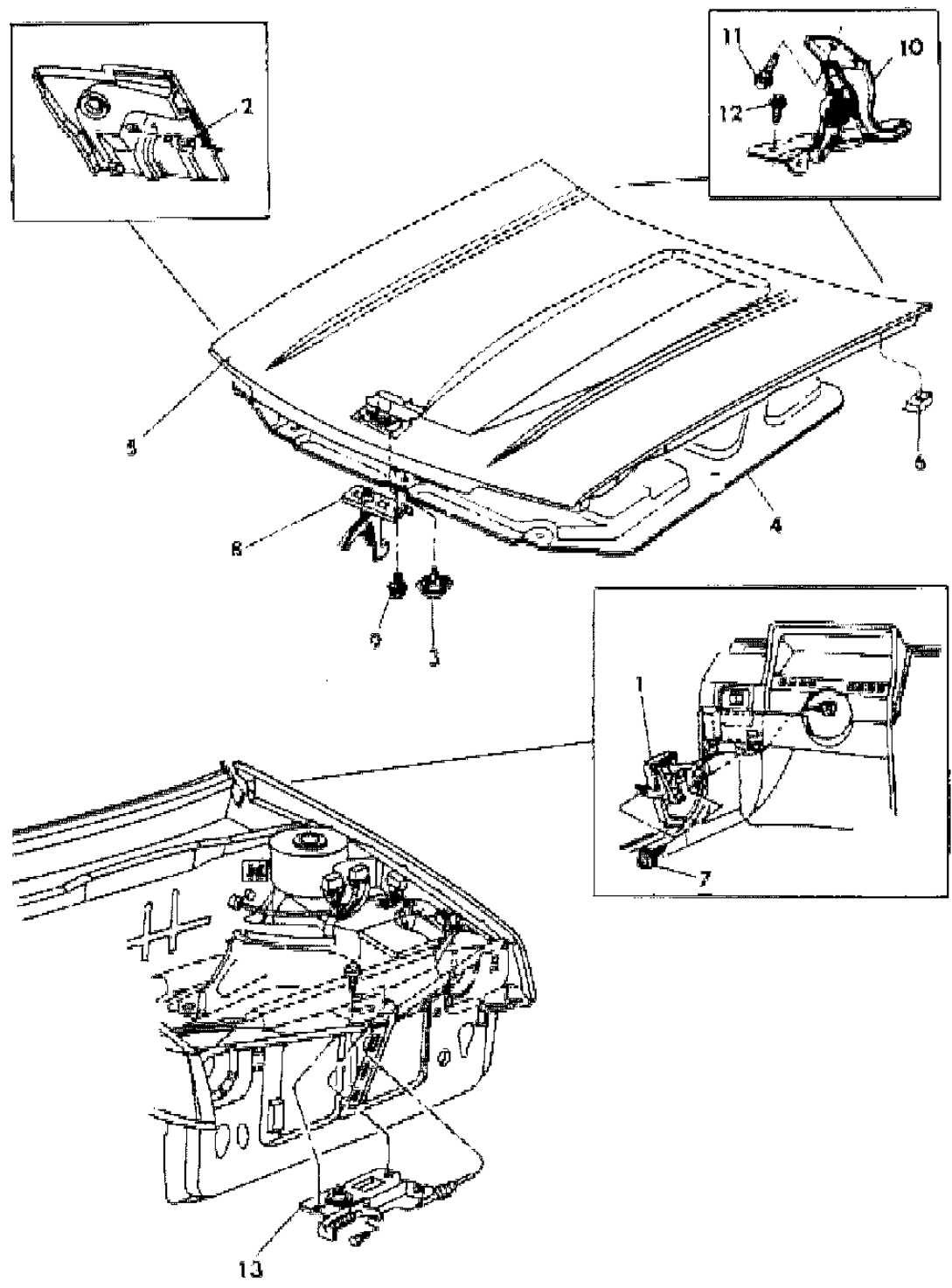
45 = 4-DOOR STATION WAGON

52-53 = FWD WAGON

AR = Use as Required - = Non Illustrated Part P.A.R. = Paint as Required

HOOD AND HOOD RELEASE P BODY 24,44
Figure 23A-2300

7188 2300



ITEM	PART NUMBER	QTY	BODY	MODEL	DESCRIPTION
1	4341 462	1			HANDLE, Hood Latch Release w/Cable
2	2895 126	4			PLUG, Hood Inner Panel Sealing
3	4341 060	16			FASTENER, Hood Panel Silencer
4	4049 601	AR			SILENCER MATERIAL, Hood Panel Cut To Fit 36" x 72"
5					HOOD
	4440 465	1		P	w/Turbo Or w/o Turbo
	4440 465	1		D	w/o Turbo
	4440 466	1		D	w/Turbo
6	4341 443	2			SEAL, Hood To Fender Ledge
7		4			SCREW, Not Serviced
8	4386 874	1			STRIKER, Safety Catch Hood
9	6100 566	2			SCREW and WASHER
10	4386 808-9	1			HINGE, Hood Up To 3-17-86
	4440 824-5	1			After 3-17-86
11		4			SCREW and WASHER, Not Serviced
12		4			SCREW and WASHER, Not Serviced
13	4341 952	1			LATCH, Hood w/Locator Plate

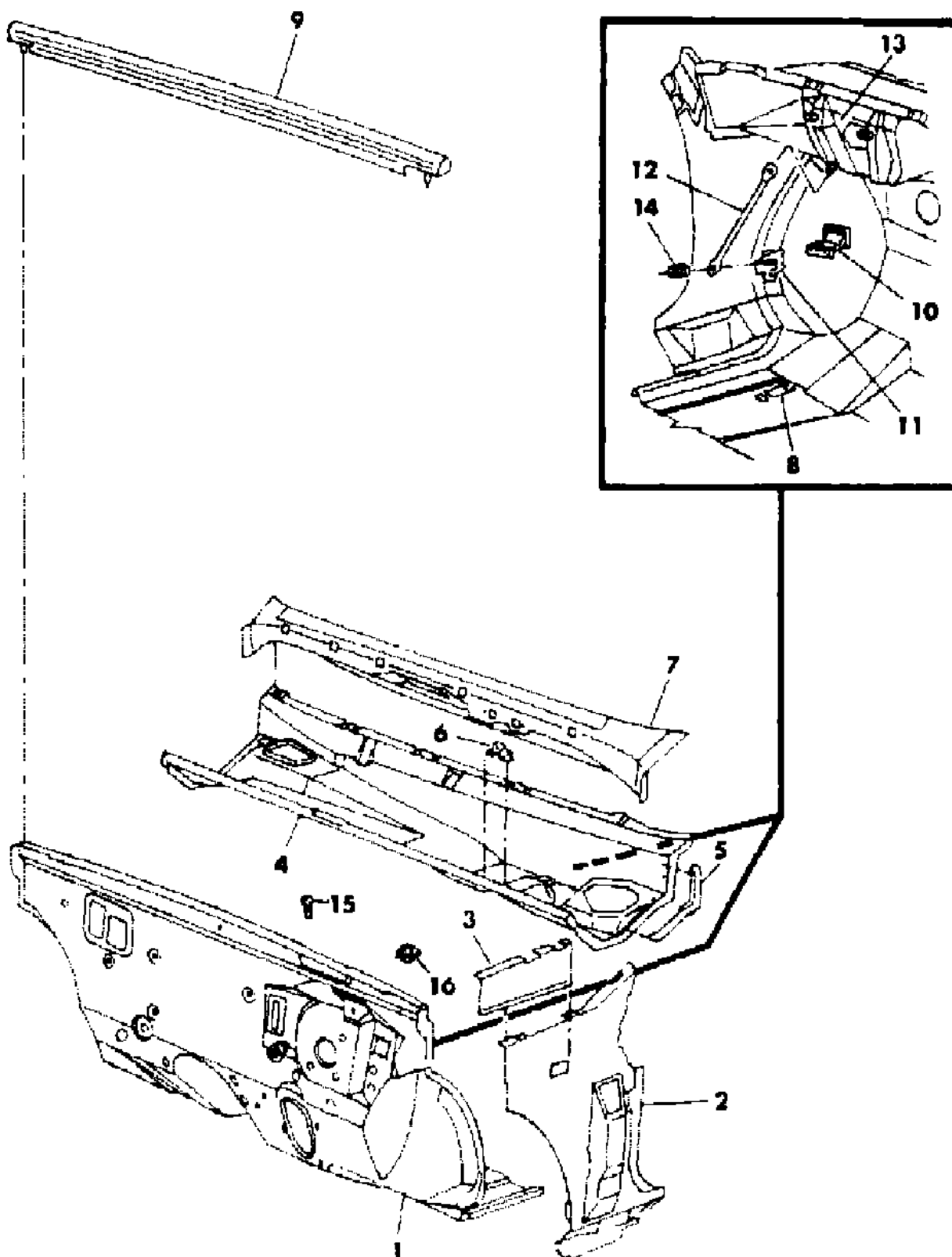
MODEL CODES
 E BODY = (J - CARAVELLE)(E - 600)(T - NEW YORKER)
 G BODY = (V24 - DAYTONA)
 H BODY = (D44 - LANCER)(C44 - LEBARON GTS)
 J BODY = (C - LEBARON)
 K BODY = (P - RELIANT)(D - ARIES)(C - LEBAROND)/TOWN & COUNTRY
 L BODY = (M - HORIZON/TURISMO)(Z - OMNI/CHARGER)
 M BODY = (B - GRAN FURY)(F - FIFTH AVE/NEWPORT)(G - DIPLOMAT)
 P BODY = (P - SUNDANCE)(D - SHADOW)
 S BODY = (H - VOYAGER)(K - RAM VAN/CARAVAN)

BODY STYLES
 12-13 = FWD VAN
 21 = 2-DOOR SEDAN
 24 = 2-DOOR HATCHBACK
 27 = 2-DOOR CONVERTIBLE
 41 = 4-DOOR SEDAN
 44 = 4-DOOR HATCHBACK
 45 = 4-DOOR STATION WAGON
 52-53 = FWD WAGON

AR = Use as Required - = Non Illustrated Part P.A.R. = Paint as Required

COWL AND DASH PANEL P BODY 24,44
Figure 23A-2400

7180 2400 B



ITEM	PART NUMBER	QTY	BODY	MODEL	DESCRIPTION
1	4416 345	1			PANEL, Dash
2	4371 254-5	1			PANEL, Cowl Side
3		1			SILENCER, Cowl Plenum Not Serviced
3		1			REINFORCEMENT, Cowl Side Panel Hood Hinge 4314546-7 Not Serviced
4	4371 918	1			PANEL, Cowl Plenum
5					SEAL, w/Retainer Cowl Plenum To Cowl Side
	4337 931	1			Left
	4337 930	1			Right
6	4371 112	1			BRACKET, Cowl Plenum Panel Wiper Moter Mounting
7	4371 916	1			REINFORCEMENT, Cowl Plenum Panel
8	5200 384	1			SEAL, Parking Brake Cable
9	4371 175	1			SEAL, Dash Panel To Hood (Up To 1-5-87)
	4416 779	1			After 1-5-87
10	4248 703	1			BRACKET, Floor Panel Footrest Mounting Upper
11	4206 641	1			BRACKET, Dash To Plenum Panel Brace Mounting Lt.
12	4371 203	1			BRACE, Dash To Plenum Panel Lt.
13		1			SUPPORT, Cowl Plenum Steering Column Bracket Serviced Assy.
	4294 429	1			SUPPORT, Brake Pedal To Plenum
14	6500 532	2			NUT and WASHER
15	3759 944	6			RETAINER, Cowl Plenum To Cowl Side Seal
16	4371 786	AR			RETAINER, To Dash Panel Hood Side

MODEL CODES

E BODY = (J - CARAVELLE)(E - 600)(T - NEW YORKER)

G BODY = (V24 - DAYTONA)

H BODY = (D44 - LANCER)(C44 - LEBARON GTS)

J BODY = (C - LEBARON)

K BODY = (P - RELIANT)(D - ARIES)(C - LEBAROND)/TOWN & COUNTRY)

L BODY = (M - HORIZON/TURISMO)(Z - OMNI/CHARGER)

M BODY = (B - GRAN FURY)(F - FIFTH AVE/NEWPORT)(G - DIPLOMAT)

P BODY = (P - SUNDANCE)(D - SHADOW)

S BODY = (H - VOYAGER)(K - RAM VAN/CARAVAN)

BODY STYLES

12-13 = FWD VAN

21 = 2-DOOR SEDAN

24 = 2-DOOR HATCHBACK

27 = 2-DOOR CONVERTIBLE

41 = 4-DOOR SEDAN

44 = 4-DOOR HATCHBACK

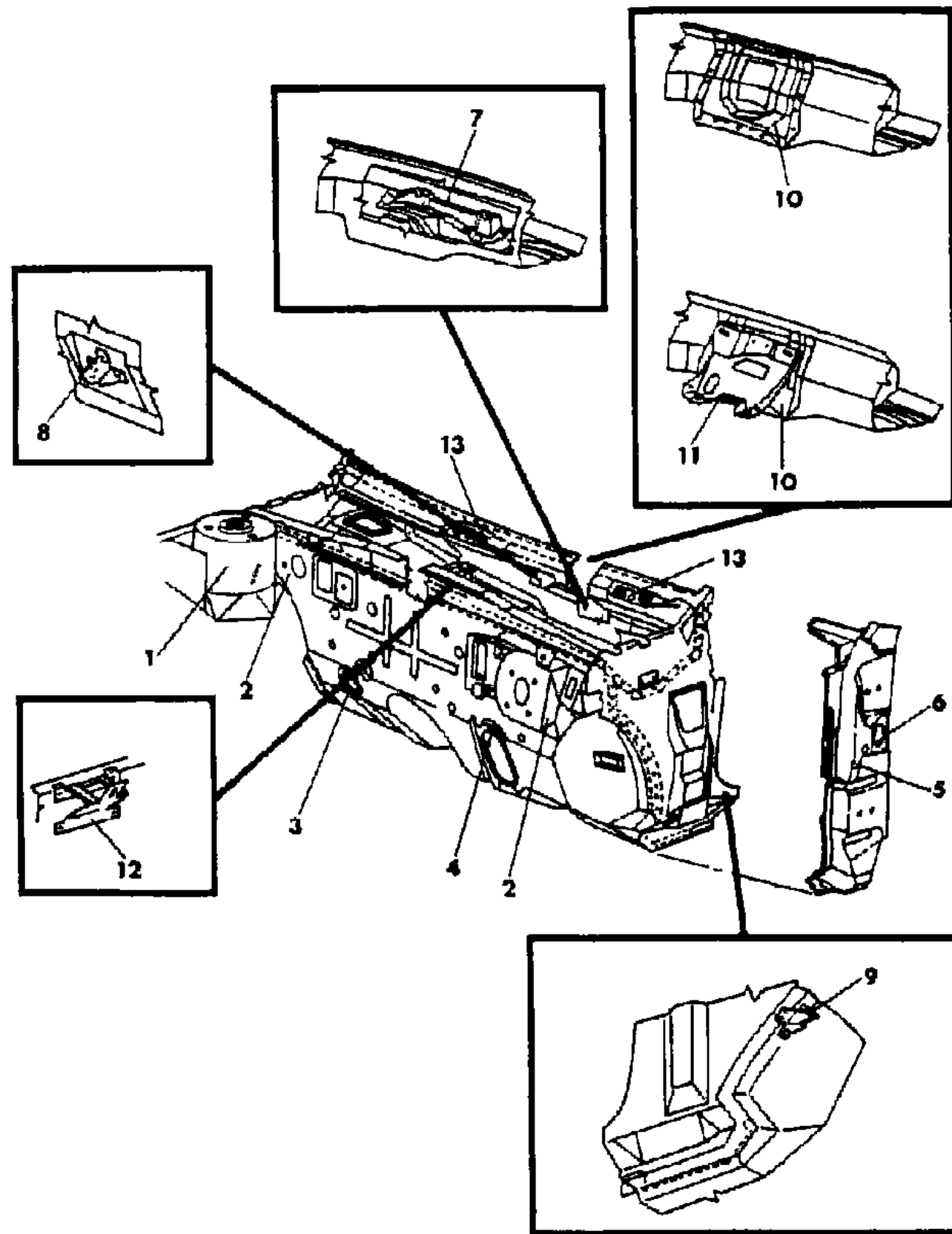
45 = 4-DOOR STATION WAGON

52-53 = FWD WAGON

AR = Use as Required - = Non Illustrated Part P.A.R. = Paint as Required

BRACKET AND PLUGS COWL P BODY 24,44
Figure 23A-2500

7188 2500



ITEM	PART NUMBER	QTY	BODY	MODEL	DESCRIPTION
1	4386 178	1			PLUG
2	2483 571	2			PLUG
3	5200 456	1			PLUG
4	3445 939	1			PLUG
5	2860 332	1			PLUG
6	4368 560	2			PLUG
7	4371 112	1			BRACKET, Cowl Plenum w/Wiper Motor Mtg.
8	4371 339	1			BRACKET, Cowl Plenum Reinf. w/Wiper Motor Mtg.
9	4206 641	2			BRACKET, Dash Panel To Plenum Brace Mtg.
10	4337 643	1			SUPPORT, Cowl Plenum Strg. Col. Bracket
11	4294 429	1			SUPPORT, Brake Pedal To Plenum
12	4371 623	1			SUPPORT, Cowl Plenum Grille
13	4371 464	1			PLATE, Weld Stud Cowl Plenum Panel Reinf. w/Wiper Pivot Mtg.

MODEL CODES

E BODY = (J - CARAVELLE)(E - 600)(T - NEW YORKER)

G BODY = (V24 - DAYTONA)

H BODY = (D44 - LANCER)(C44 - LEBARON GTS)

J BODY = (C - LEBARON)

K BODY = (P - RELIANT)(D - ARIES)(C - LEBAROND)/TOWN & COUNTRY)

L BODY = (M - HORIZON/TURISMO)(Z - OMNI/CHARGER)

M BODY = (B - GRAN FURY)(F - FIFTH AVE/NEWPORT)(G - DIPLOMAT)

P BODY = (P - SUNDANCE)(D - SHADOW)

S BODY = (H - VOYAGER)(K - RAM VAN/CARAVAN)

BODY STYLES

12-13 = FWD VAN

21 = 2-DOOR SEDAN

24 = 2-DOOR HATCHBACK

27 = 2-DOOR CONVERTIBLE

41 = 4-DOOR SEDAN

44 = 4-DOOR HATCHBACK

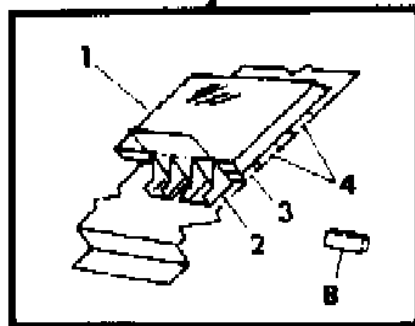
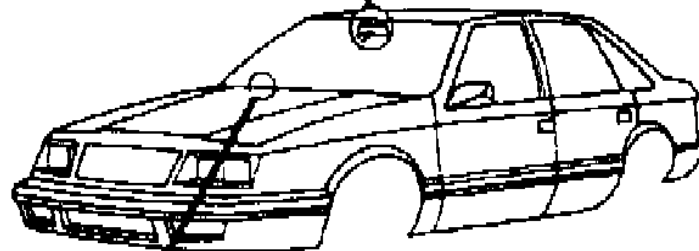
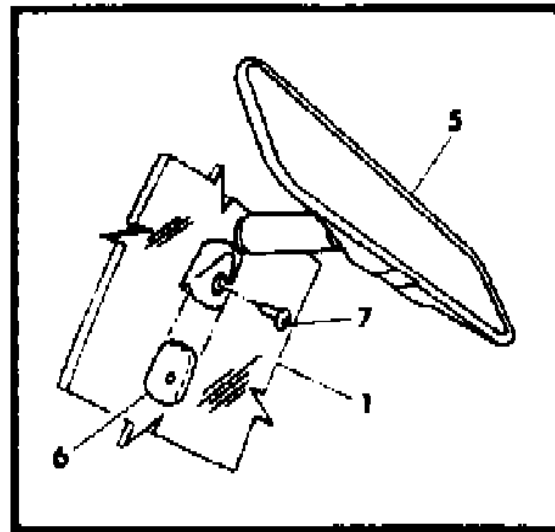
45 = 4-DOOR STATION WAGON

52-53 = FWD WAGON

AR = Use as Required - = Non Illustrated Part P.A.R. = Paint as Required

GLASS WINDSHIELD AND MIRROR P BODY 24,44
Figure 23A-2600

7169 2600 A



ITEM	PART NUMBER	QTY	BODY	MODEL	DESCRIPTION
NOTE: GLASS, WINDSHIELD - ORDER FROM YOUR LOCAL "MOPAR" GLASS DISTRIBUTOR s group.					
1	4337 645	1			GLASS, Windshield Tinted
	4314 545	1			GLASS, Windshield Clear
2	4206 543	2			SPACER, Windshield Glass Lower
3		AR			SPACER, Windshield Glass Support Not Serviced
4		AR			POLYURETHANE, Windshield (Serviced In Package 4267906)
5	4299 321	1			MIRROR, Rear View
6	4054 066	1			BUTTON, Inside Rear View Mounting
	4293 039	AR			ADHESIVE PACKAGE, Includes Adhesive & Instructions
7	6031 094	1			SCREW
8	3767 767	AR			SHIM, Windshield .07
NOTE: The following items are not shown on illustration. s group.					
PKG A	4267 906	1			REPAIR PACKAGE, Windshield & Rear Window

CONSISTS OF:

- 1- ----- Polyurethane, 11.5 oz.
- 1- ----- Fence Primer, 1 oz.
- 1- ----- Glass Wiper-Off Primer, 1 oz.
- 1- ----- Glass Wiper-Out Primer, 1 oz.
- 1- ----- Dabbers
- 1- ----- Nozzle

MODEL CODES

E BODY = (J - CARAVELLE)(E - 600)(T - NEW YORKER)

G BODY = (V24 - DAYTONA)

H BODY = (D44 - LANCER)(C44 - LEBARON GTS)

J BODY = (C - LEBARON)

K BODY = (P - RELIANT)(D - ARIES)(C - LEBAROND)/TOWN & COUNTRY)

L BODY = (M - HORIZON/TURISMO)(Z - OMNI/CHARGER)

M BODY = (B - GRAN FURY)(F - FIFTH AVE/NEWPORT)(G - DIPLOMAT)

P BODY = (P - SUNDANCE)(D - SHADOW)

S BODY = (H - VOYAGER)(K - RAM VAN/CARAVAN)

BODY STYLES

12-13 = FWD VAN

21 = 2-DOOR SEDAN

24 = 2-DOOR HATCHBACK

27 = 2-DOOR CONVERTIBLE

41 = 4-DOOR SEDAN

44 = 4-DOOR HATCHBACK

45 = 4-DOOR STATION WAGON

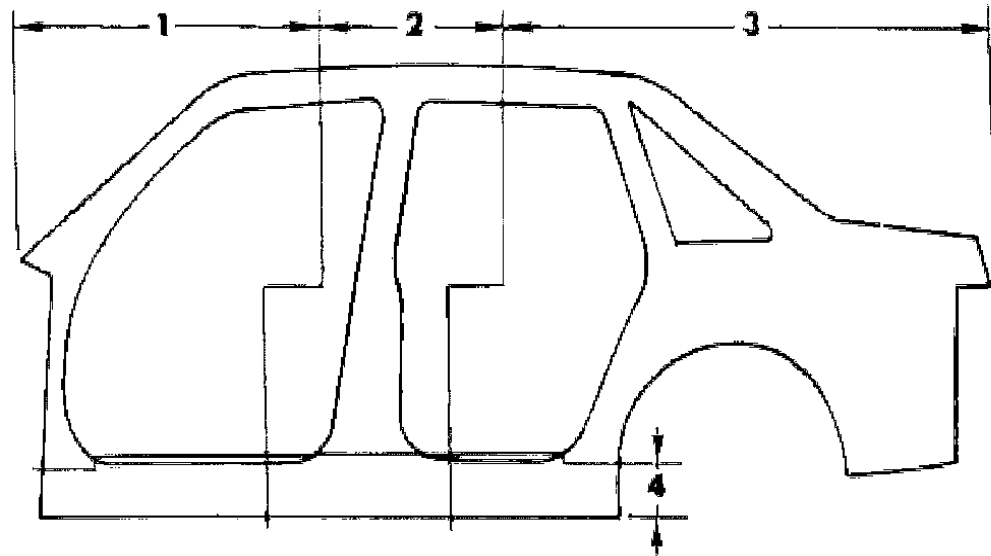
52-53 = FWD WAGON

AR = Use as Required - = Non Illustrated Part P.A.R. = Paint as Required

APERATURE PANEL P BODY 24,44
Figure 23A-2700

7189 2700

ITEM	PART NUMBER	QTY	BODY	MODEL	DESCRIPTION
1	4371 676-7	1		24,44	PANEL, Body Side Aperture Front
2	4371 678-9	1		44	PANEL, Body Side Aperture Center
3	4371 680-1	1		44	PANEL, Body Side Aperture Rear
4	4371 682-3	1		24	PANEL, Body Side Aperture Sill Outer
	4371 686-7	1		44	
	4371 684-5	1		24	



MODEL CODES

E BODY = (J - CARAVELLE)(E - 600)(T - NEW YORKER)

G BODY = (V24 - DAYTONA)

H BODY = (D44 - LANCER)(C44 - LEBARON GTS)

J BODY = (C - LEBARON)

K BODY = (P - RELIANT)(D - ARIES)(C - LEBAROND)/TOWN & COUNTRY)

L BODY = (M - HORIZON/TURISMO)(Z - OMNI/CHARGER)

M BODY = (B - GRAN FURY)(F - FIFTH AVE/NEWPORT)(G - DIPLOMAT)

P BODY = (P - SUNDANCE)(D - SHADOW)

S BODY = (H - VOYAGER)(K - RAM VAN/CARAVAN)

BODY STYLES

12-13 = FWD VAN

21 = 2-DOOR SEDAN

24 = 2-DOOR HATCHBACK

27 = 2-DOOR CONVERTIBLE

41 = 4-DOOR SEDAN

44 = 4-DOOR HATCHBACK

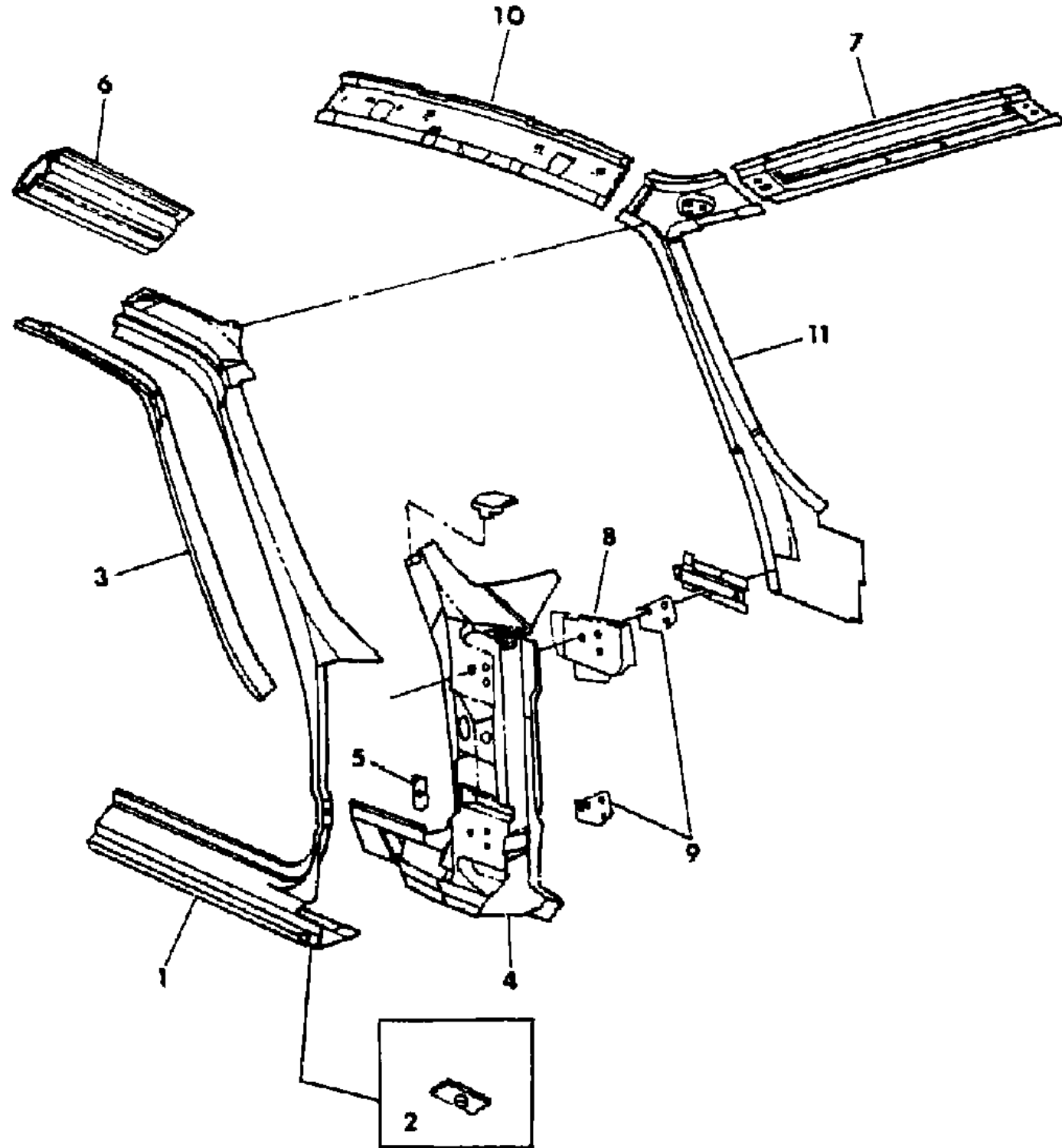
45 = 4-DOOR STATION WAGON

52-53 = FWD WAGON

AR = Use as Required - = Non Illustrated Part P.A.R. = Paint as Required

BODY FRONT PILLAR P BODY 24,44
Figure 23A-2800

7188 2800



ITEM	PART NUMBER	QTY	BODY	MODEL	DESCRIPTION
1	4371 676-7	1		24,44	PANEL, Body Side Aperture Front
2	4314 277	2			PLATE, Body Side Aperture Jack Locator
3	4296 518-9	1		44	TROUGH, Roof Side Drain
	4341 140-1	1		24	
4	4416 292-3	1			PILLAR, Body Front Hinge
5	4206 553	2			SUPPORT, Front Hinge Pillar To Fender
6	4314 539	1			FRAME, Windshield Opening Upper
7	4314 524-5	1			FRAME, Windshield Opening Side Outer
8	4416 294	1			REINFORCEMENT, Body Front Hinge Pillar Upper Rt.
	4416 297	1			REINFORCEMENT, Body Front Hinge Pillar Upper Lt.
9	4314 558-9	2			PLATE, Body Front Hinge Pillar Hinge
10	4296 528-9	1		44	RAIL, Roof Side Inner
	4341 142-3	1		24	
11	4314 522-3	1			FRAME, Windshield Opening Side Inner

MODEL CODES

E BODY = (J - CARAVELLE)(E - 600)(T - NEW YORKER)

G BODY = (V24 - DAYTONA)

H BODY = (D44 - LANCER)(C44 - LEBARON GTS)

J BODY = (C - LEBARON)

K BODY = (P - RELIANT)(D - ARIES)(C - LEBAROND)/TOWN & COUNTRY)

L BODY = (M - HORIZON/TURISMO)(Z - OMNI/CHARGER)

M BODY = (B - GRAN FURY)(F - FIFTH AVE/NEWPORT)(G - DIPLOMAT)

P BODY = (P - SUNDANCE)(D - SHADOW)

S BODY = (H - VOYAGER)(K - RAM VAN/CARAVAN)

BODY STYLES

12-13 = FWD VAN

21 = 2-DOOR SEDAN

24 = 2-DOOR HATCHBACK

27 = 2-DOOR CONVERTIBLE

41 = 4-DOOR SEDAN

44 = 4-DOOR HATCHBACK

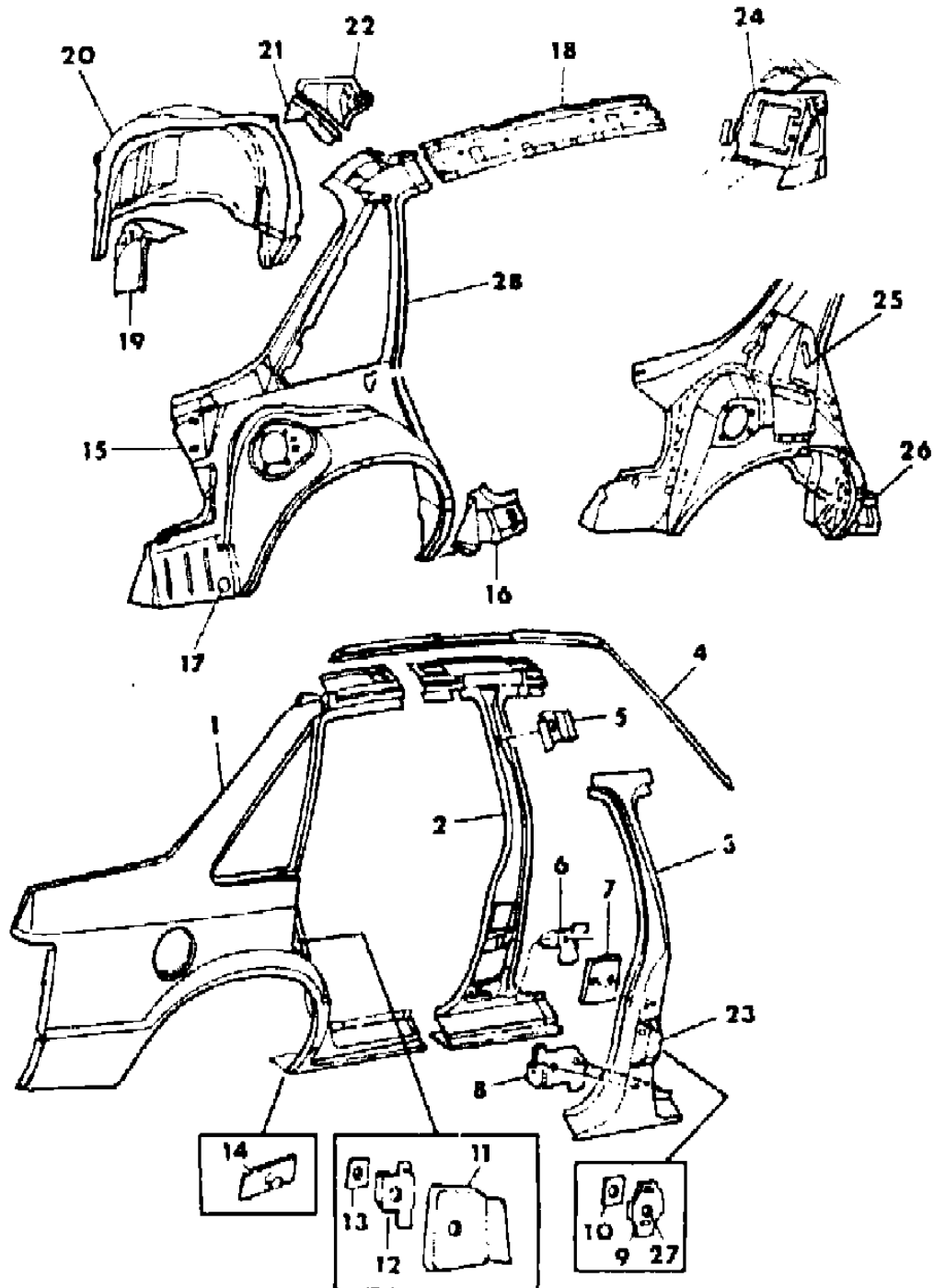
45 = 4-DOOR STATION WAGON

52-53 = FWD WAGON

AR = Use as Required - = Non Illustrated Part P.A.R. = Paint as Required

BODY REAR QUARTER P BODY 24,44
Figure 23A-2900

7100 2900 A



ITEM	PART NUMBER	QTY	BODY	MODEL	DESCRIPTION
1	4371 680-1	1	44		PANEL, Body Side Aperture Rear
	4371 682-3	1	24		
2	4371 678-9	1	44		PANEL, Body Side Aperture Center
3	4416 136-7	1	44		PILLAR, Body Center Outer
4	4296 518-9	1	44		TROUGH, Roof Side Drain
	4341 140-1	1	24		
5	4337 978-9	2	44		REINFORCEMENT, Body Side Seat Belt Anchor Upper
6	4371 370-1	2	44		REINFORCEMENT, Body Side Aperture Seat Belt Anchor Lower
7	4337 048	2	44		T-PLATE, Rear Door Upper Hinge
8	4416 542	2	24,44		T-PLATE, Rear Door Lower Hinge
9	4134 972	2	24,44		RETAINER, Body Center Outer Pillar Door Latch Striker T-Plate
10	4314 743	2	24,44		T-PLATE, Front Door Latch Striker
11	4337 746-7	1	44		REINFORCEMENT, w/Retainer Body Side Aperture Rear Door Latch Striker (Includes Item 12)
	4371 088-9	1	24		REINFORCEMENT, Body Side Aperture Door Latch Striker (Includes Item 12)
12		2			RETAINER, Body Side Aperture Rear Door Latch Striker T-Plate (Serviced In Item #11)
13	4314 743	2	24,44		T-PLATE, Rear Door Latch Striker
14	4314 277	2	24,44		PLATE, Body Side Aperture Jack Locator
15	4386 614-5	1	44		PANEL, Quarter Inner and Wheelhouse Outer
	4440 692-3	1	24		
16	#4296 726-7	1	24,44		SUPPORT, Quarter Inner Panel Sill Jacking
17	4073 485	2	24,44		PLUG, 1.50" Dia./38mm
18	4296 528-9	1	44		RAIL, Roof Side Inner
	4341 142-3	1	24		
19	4134 686-7	1	24,44		REINFORCEMENT, Wheelhouse Inner Panel Shock Absorber Mounting
20	4386 618-9	1	24,44		PANEL, Rear Wheelhouse Inner
21	4341 638-9	1	24,44		GUSSET, Rear Wheelhouse Inner To Rear Seat Back Pivot Lower
22	4341 636-7	1	24,44		GUSSET, Rear Wheelhouse Inner To Rear Seat Back Pivot Upper
23	2480 957	2	24,44		PLUG, 1.00" Dia./25.4mm
	6025 871	2	44		Plug Center Pillar Switch Hole
	4337 950	4			Plug Front and Rear Door Ajar Switch
24	4440 228-9	1	24,44		BRACKET, Rear Seat Back Striker & Radio Speaker Mtg.
25	4314 962-3	1	24,44		SUPPORT, Quarter In Side w/House Quarter Panel

MODEL CODES

E BODY = (J - CARAVELLE)(E - 600)(T - NEW YORKER)

G BODY = (V24 - DAYTONA)

H BODY = (D44 - LANCER)(C44 - LEBARON GTS)

J BODY = (C - LEBARON)

K BODY = (P - RELIANT)(D - ARIES)(C - LEBAROND)/TOWN & COUNTRY)

L BODY = (M - HORIZON/TURISMO)(Z - OMNI/CHARGER)

M BODY = (B - GRAN FURY)(F - FIFTH AVE/NEWPORT)(G - DIPLOMAT)

P BODY = (P - SUNDANCE)(D - SHADOW)

S BODY = (H - VOYAGER)(K - RAM VAN/CARAVAN)

BODY STYLES

12-13 = FWD VAN

21 = 2-DOOR SEDAN

24 = 2-DOOR HATCHBACK

27 = 2-DOOR CONVERTIBLE

41 = 4-DOOR SEDAN

44 = 4-DOOR HATCHBACK

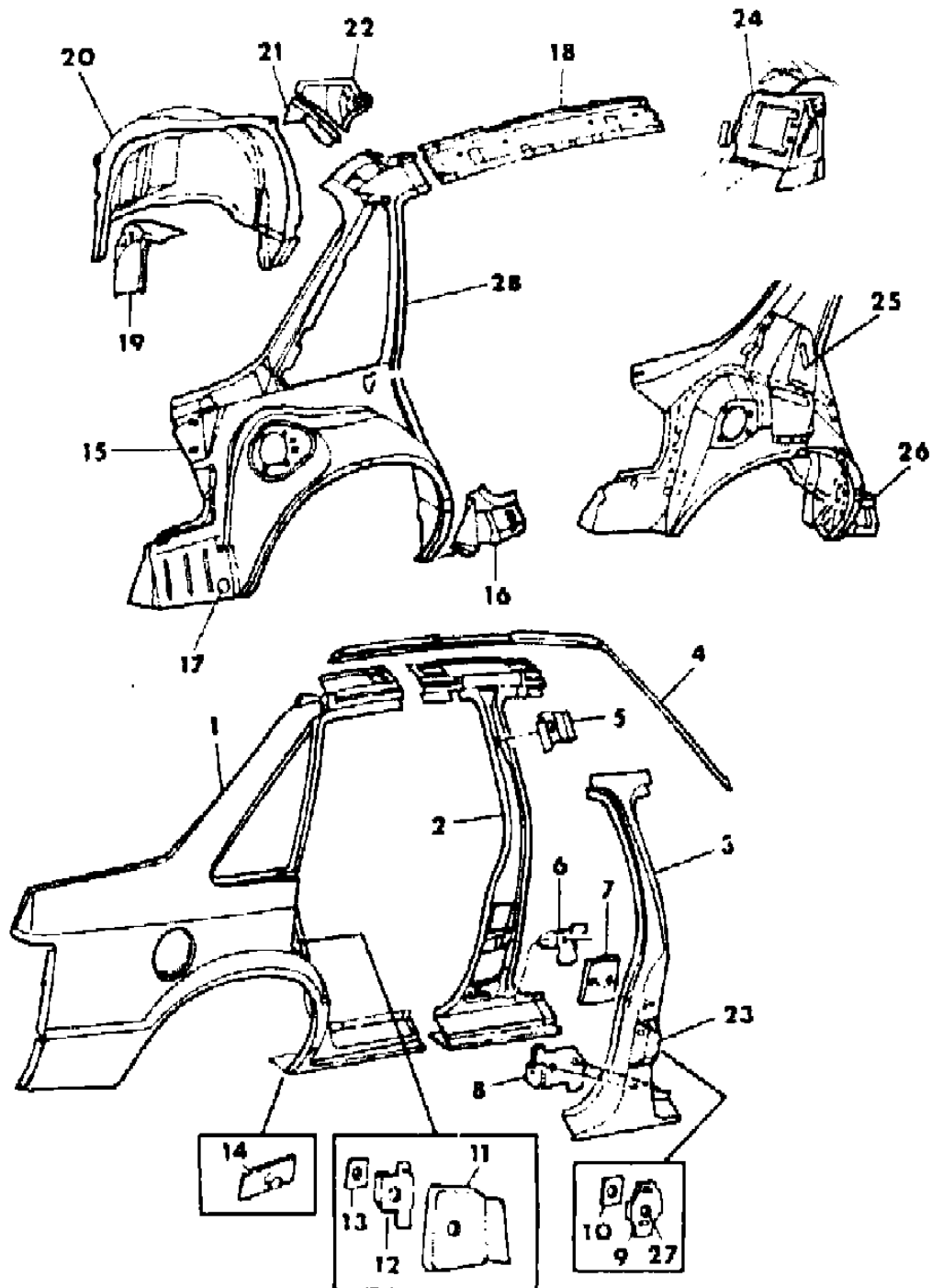
45 = 4-DOOR STATION WAGON

52-53 = FWD WAGON

AR = Use as Required - = Non Illustrated Part P.A.R. = Paint as Required

BODY REAR QUARTER P BODY 24,44
Figure 23A-2900

7100 2900 A



ITEM	PART NUMBER	QTY	BODY	MODEL	DESCRIPTION
26	4296 726-7	1		24,44	SUPPORT, Quarter In Side Panel Sill Jacking
27	6500 483	2			NUT, Body Center Outer Latch Striker Pillar
28	#4341 854-5	1		24	REINFORCEMENT, Quarter Inner and Wheelhouse Outer To Aperture Up To 5-9-88
	4440 502-3	1		24	After 5-9-99

MODEL CODES

E BODY = (J - CARAVELLE)(E - 600)(T - NEW YORKER)

G BODY = (V24 - DAYTONA)

H BODY = (D44 - LANCER)(C44 - LEBARON GTS)

J BODY = (C - LEBARON)

K BODY = (P - RELIANT)(D - ARIES)(C - LEBAROND)/TOWN & COUNTRY)

L BODY = (M - HORIZON/TURISMO)(Z - OMNI/CHARGER)

M BODY = (B - GRAN FURY)(F - FIFTH AVE/NEWPORT)(G - DIPLOMAT)

P BODY = (P - SUNDANCE)(D - SHADOW)

S BODY = (H - VOYAGER)(K - RAM VAN/CARAVAN)

BODY STYLES

12-13 = FWD VAN

21 = 2-DOOR SEDAN

24 = 2-DOOR HATCHBACK

27 = 2-DOOR CONVERTIBLE

41 = 4-DOOR SEDAN

44 = 4-DOOR HATCHBACK

45 = 4-DOOR STATION WAGON

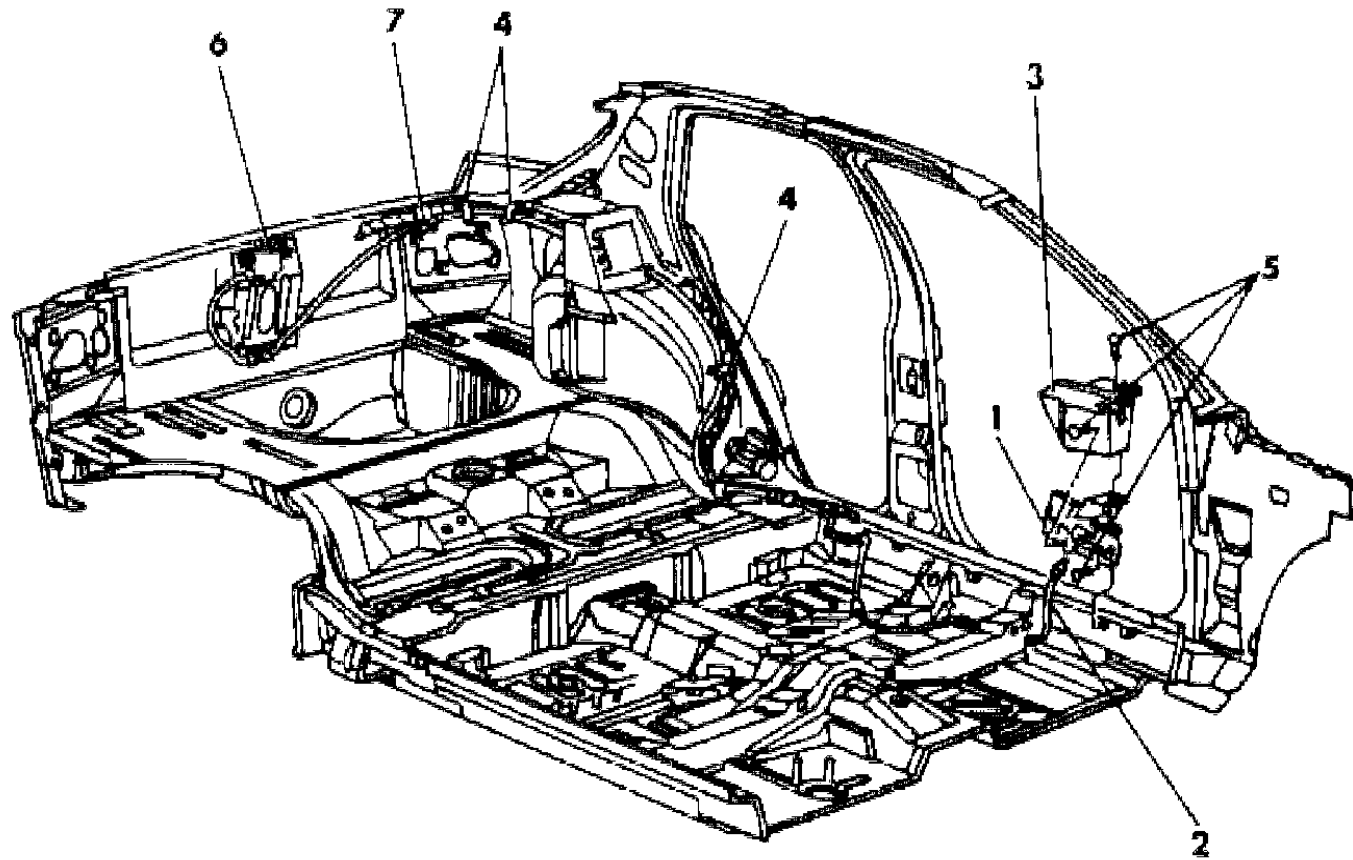
52-53 = FWD WAGON

AR = Use as Required - = Non Illustrated Part P.A.R. = Paint as Required

LIFTGATE RELEASE P BODY 24,44
Figure 23A-3000

7189 3000

ITEM	PART NUMBER	QTY	BODY	MODEL	DESCRIPTION
1	4337 180	1			HANDLE, Liftgate Remote Release
2	4337 179	1			CABLE, Liftgate Remote Release
3					COVER, Liftgate Release Handle
	H127 EE8	1			Cordovan
	H127 EA3	1			Silver
	H127 EK1	1			Light Almond
	H127 EC5	1			Blue
4	6015 756	3			STRAP
5	6032 456	3			SCREW
6	4378 239	1			LATCH ASSEMBLY, Liftgate
7					CLIP, Not Serviced



MODEL CODES

E BODY = (J - CARAVELLE)(E - 600)(T - NEW YORKER)

G BODY = (V24 - DAYTONA)

H BODY = (D44 - LANCER)(C44 - LEBARON GTS)

J BODY = (C - LEBARON)

K BODY = (P - RELIANT)(D - ARIES)(C - LEBAROND)/TOWN & COUNTRY)

L BODY = (M - HORIZON/TURISMO)(Z - OMNI/CHARGER)

M BODY = (B - GRAN FURY)(F - FIFTH AVE/NEWPORT)(G - DIPLOMAT)

P BODY = (P - SUNDANCE)(D - SHADOW)

S BODY = (H - VOYAGER)(K - RAM VAN/CARAVAN)

BODY STYLES

12-13 = FWD VAN

21 = 2-DOOR SEDAN

24 = 2-DOOR HATCHBACK

27 = 2-DOOR CONVERTIBLE

41 = 4-DOOR SEDAN

44 = 4-DOOR HATCHBACK

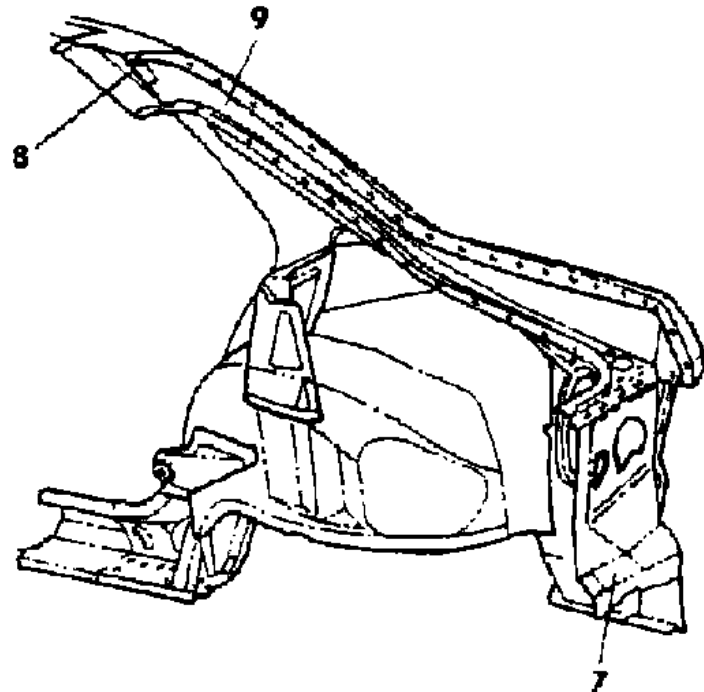
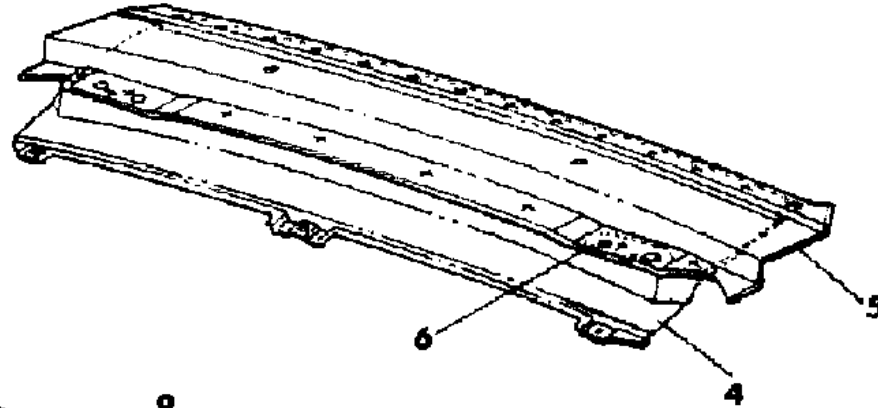
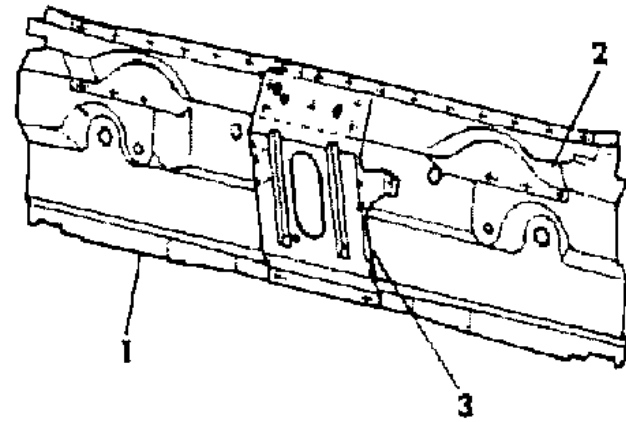
45 = 4-DOOR STATION WAGON

52-53 = FWD WAGON

AR = Use as Required - = Non Illustrated Part P.A.R. = Paint as Required

LIFTGATE OPENING PANEL P BODY 24,44
Figure 23A-3100

7188 3100



ITEM	PART NUMBER	QTY	BODY	MODEL	DESCRIPTION
1	4440 135	1			PANEL, Liftgate Opening Lower
2	4296 521	1			REINFORCEMENT, Liftgate Opening Lower Panel
3	4341 261	1			SUPPORT, Liftgate Opening Lower Panel Latch
4	4296 512	1			FRAME, Liftgate Opening Upper
5	4296 524	1			REINFORCEMENT, Liftgate Opening Upper Frame
6	4386 050	2			REINFORCEMENT, Liftgate Opening Upper Frame Hinge Mounting
7	4341 264-5	1			EXTENSION, Liftgate Opening Lower Panel Lower
8	4386 632-3	1			TROUGH, Liftgate Opening Side Drain Up To 12-1-86
	4440 662-3	1			After 12-1-86
9	4386 048	2			BRACKET, Opening Side Trough Prop
10	4341 262-3	1			EXTENSION, Liftgate Opening Lower Panel Upper
11	4386 398-9	1			SEAL, w/Shield Liftgate Opening Lower Panel Upper Extension

MODEL CODES

E BODY = (J - CARAVELLE)(E - 600)(T - NEW YORKER)

G BODY = (V24 - DAYTONA)

H BODY = (D44 - LANCER)(C44 - LEBARON GTS)

J BODY = (C - LEBARON)

K BODY = (P - RELIANT)(D - ARIES)(C - LEBAROND)/TOWN & COUNTRY)

L BODY = (M - HORIZON/TURISMO)(Z - OMNI/CHARGER)

M BODY = (B - GRAN FURY)(F - FIFTH AVE/NEWPORT)(G - DIPLOMAT)

P BODY = (P - SUNDANCE)(D - SHADOW)

S BODY = (H - VOYAGER)(K - RAM VAN/CARAVAN)

BODY STYLES

12-13 = FWD VAN

21 = 2-DOOR SEDAN

24 = 2-DOOR HATCHBACK

27 = 2-DOOR CONVERTIBLE

41 = 4-DOOR SEDAN

44 = 4-DOOR HATCHBACK

45 = 4-DOOR STATION WAGON

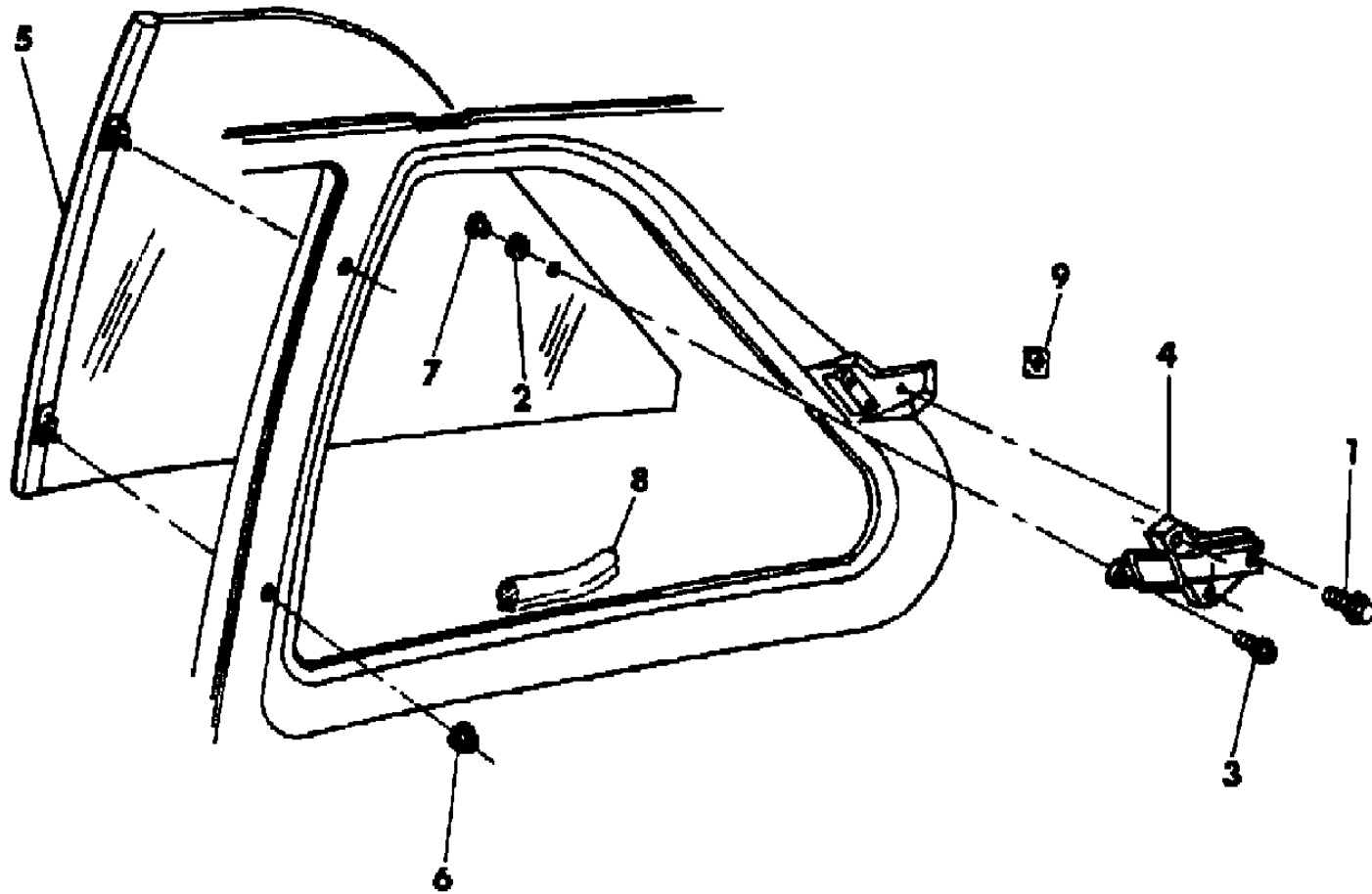
52-53 = FWD WAGON

AR = Use as Required - = Non Illustrated Part P.A.R. = Paint as Required

GLASS QUARTER WINDOW P BODY 24
Figure 23A-3200

7189 3200 A

ITEM	PART NUMBER	QTY	BODY	MODEL	DESCRIPTION
1	6501 037	6			SCREW and WASHER
2	4371 717	2			GASKET
3	6033 040	2			SCREW
4	4416 088-9	1			BRACKET
5	4416 908-9	1			FRAME and GLASS ASSEMBLY
6	6501 038	4			NUT
7	4339 313	2			RETAINER
8	4371 062-3	1			WEATHERSTRIP
9	4341 494-5	1			T-PLATE, Quarter Window



MODEL CODES

E BODY = (J - CARAVELLE)(E - 600)(T - NEW YORKER)

G BODY = (V24 - DAYTONA)

H BODY = (D44 - LANCER)(C44 - LEBARON GTS)

J BODY = (C - LEBARON)

K BODY = (P - RELIANT)(D - ARIES)(C - LEBAROND)/TOWN & COUNTRY)

L BODY = (M - HORIZON/TURISMO)(Z - OMNI/CHARGER)

M BODY = (B - GRAN FURY)(F - FIFTH AVE/NEWPORT)(G - DIPLOMAT)

P BODY = (P - SUNDANCE)(D - SHADOW)

S BODY = (H - VOYAGER)(K - RAM VAN/CARAVAN)

BODY STYLES

12-13 = FWD VAN

21 = 2-DOOR SEDAN

24 = 2-DOOR HATCHBACK

27 = 2-DOOR CONVERTIBLE

41 = 4-DOOR SEDAN

44 = 4-DOOR HATCHBACK

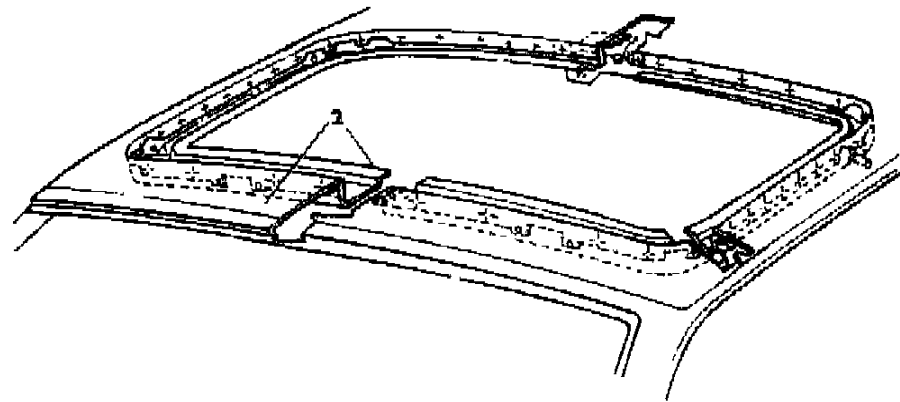
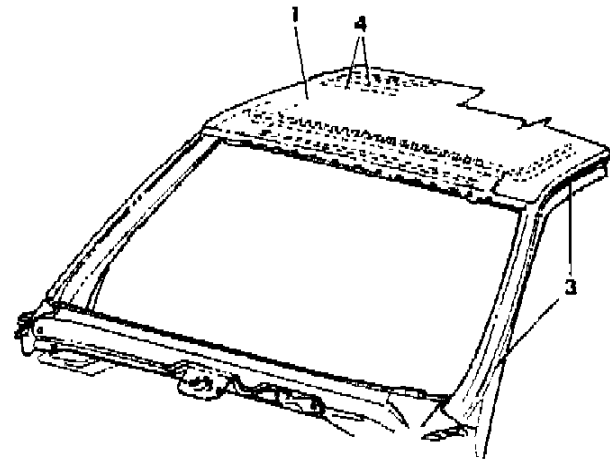
45 = 4-DOOR STATION WAGON

52-53 = FWD WAGON

AR = Use as Required - = Non Illustrated Part P.A.R. = Paint as Required

ROOF PANEL P BODY 24,44
Figure 23A-3300

7188 3300



ITEM	PART NUMBER	QTY	BODY	MODEL	DESCRIPTION
1	4296 525	1		44	PANEL, Roof Outer w/o Sunroof
	4341 138	1		24	
2	4386 333	1		44	PANEL and TROUGH, Outer w/Sunroof
	4386 332	1		24	
3	4296 518-9	1		44	TROUGH, Roof Side Drain
	4341 140-1	1		24	
4	4440 019	2			BOW, Roof

MODEL CODES

E BODY = (J - CARAVELLE)(E - 600)(T - NEW YORKER)

G BODY = (V24 - DAYTONA)

H BODY = (D44 - LANCER)(C44 - LEBARON GTS)

J BODY = (C - LEBARON)

K BODY = (P - RELIANT)(D - ARIES)(C - LEBAROND)/TOWN & COUNTRY)

L BODY = (M - HORIZON/TURISMO)(Z - OMNI/CHARGER)

M BODY = (B - GRAN FURY)(F - FIFTH AVE/NEWPORT)(G - DIPLOMAT)

P BODY = (P - SUNDANCE)(D - SHADOW)

S BODY = (H - VOYAGER)(K - RAM VAN/CARAVAN)

BODY STYLES

12-13 = FWD VAN

21 = 2-DOOR SEDAN

24 = 2-DOOR HATCHBACK

27 = 2-DOOR CONVERTIBLE

41 = 4-DOOR SEDAN

44 = 4-DOOR HATCHBACK

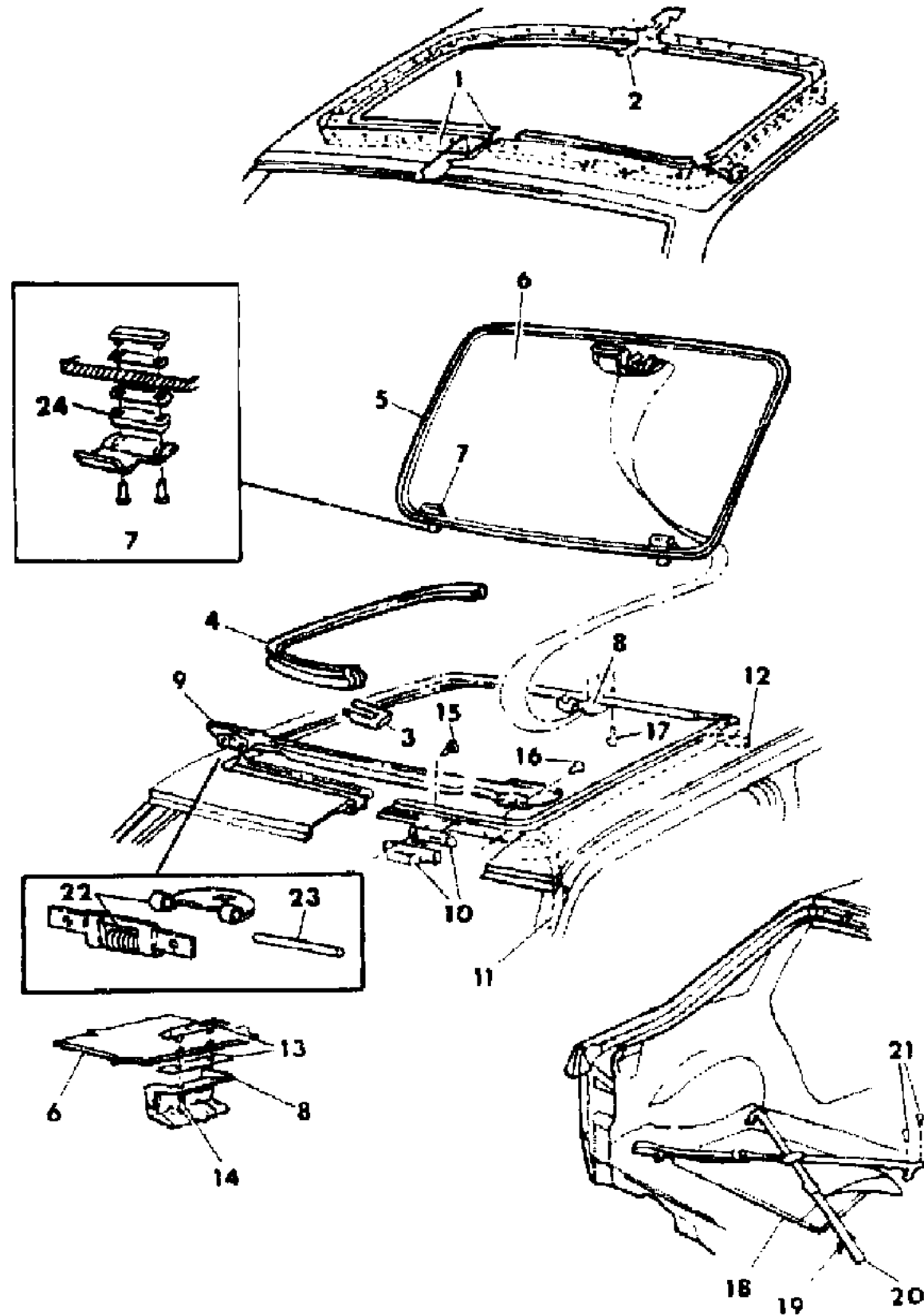
45 = 4-DOOR STATION WAGON

52-53 = FWD WAGON

AR = Use as Required - = Non Illustrated Part P.A.R. = Paint as Required

SUNROOF P BODY 24,44
Figure 23A-3400

7100 3400 B



ITEM	PART NUMBER	QTY	BODY	MODEL	DESCRIPTION
1	4386 333	1		44	PANEL and TROUGH, Roof Outer w/Sunroof
	4386 332	1		24	
2	4440 020	1			SUPPORT, Sunroof Drain Trough Reinforcement To Roof Bow
3		1			WELT, Headline Panel Sunroof (See Group 23T)
4	4341 860	1			SEAL, Sunroof Primary (On Trough)
5	4172 849	1			SEAL, Sunroof Secondary (On Glass Panel)
6	4386 104	1			GLASS and PANEL, Sunroof
7	4467 211	2			HINGE and T-PLATE, Package
		4			Screw (Serviced In 4467211)
		4			Grommet (Serviced In 4467211)
		4			Gasket (Serviced In 4467211)
		2			Hinge (Serviced In 4467211)
		2			Plate (Serviced In 4467211)
8	4341 532	1			HANDLE and BASE, Sunroof
9	4341 295	1			DEFLECTOR, Sunroof Air
	4467 212	2			CAP, NUT and SCREW (Package)
10	4341 402-3	1			RETAINER, Sunroof Panel Hinge
11		2			HOSE, Sunroof Drain Serviced In Roll Stock
12		2			HOSE, Sunroof Drain Serviced In Roll Stock
13	4341 418	1			T-PLATE, Sunroof Latch Handle
14		AR			SCREW, Not Serviced
15		4			SCREW, Not Serviced
16		4			SCREW, Not Serviced
17		3			SCREW, Not Serviced
18	H609 DX7	1			BAG, Stowage (Black)
19	4248 818	4			ANCHOR, Tie Down Strap To Floor Pan
20	H349 CX9	1			STRAP, Sunroof Panel Stowage Tie Down
21		8			SCREW, Not Serviced
22	4341 530-1	1			HINGE
23	6501 111	2			PIN
24	4341 340-1	1			SPACER

MODEL CODES

E BODY = (J - CARAVELLE)(E - 600)(T - NEW YORKER)

G BODY = (V24 - DAYTONA)

H BODY = (D44 - LANCER)(C44 - LEBARON GTS)

J BODY = (C - LEBARON)

K BODY = (P - RELIANT)(D - ARIES)(C - LEBAROND)/TOWN & COUNTRY)

L BODY = (M - HORIZON/TURISMO)(Z - OMNI/CHARGER)

M BODY = (B - GRAN FURY)(F - FIFTH AVE/NEWPORT)(G - DIPLOMAT)

P BODY = (P - SUNDANCE)(D - SHADOW)

S BODY = (H - VOYAGER)(K - RAM VAN/CARAVAN)

BODY STYLES

12-13 = FWD VAN

21 = 2-DOOR SEDAN

24 = 2-DOOR HATCHBACK

27 = 2-DOOR CONVERTIBLE

41 = 4-DOOR SEDAN

44 = 4-DOOR HATCHBACK

45 = 4-DOOR STATION WAGON

52-53 = FWD WAGON

AR = Use as Required - = Non Illustrated Part P.A.R. = Paint as Required

LIFTGATE PANEL AND FUEL FILLER DOOR P BODY 24,44

Figure 23A-3500

7100 3500 C

ITEM	PART NUMBER	QTY	BODY	MODEL	DESCRIPTION
1	4365 830	1			PANEL, Liftgate
	4378 521	1			PANEL, Liftgate (Shelby Shadow)
2	4378 021	1			STRIKER, Liftgate Latch
3	6100 592	2			SCREW, w/Washer Liftgate Latch Striker Mounting
4	4396 304	2			BUMPER, Liftgate Inner Panel Overslam
5	4378 374	AR			SPACER, Liftgate Opening Stabilizer Wedge
6	4246 860	2			STRIKER, Liftgate Opening Stabilizer
7		4			SCREW, Not Serviced
8	4378 250	2			PROP, Liftgate
9	1774 076	4			PLUG, Liftgate Inner Panel Drain Hole
	1774 076	1			PLUG, Liftgate Drain Trough Rt.
10	#6100 275	4			SCREW, w/Washer Liftgate Hinge To Liftgate
11	4378 038-9	1			HINGE, Liftgate
12	6100 049	4			NUT and WASHER, Liftgate Hinge To Body
13	4246 931	1			LEVER, Liftgate Lock Cylinder
14	4054 202	1			NUT, Liftgate Lock Cylinder Mounting
15	6501 569	2			NUT and WASHER, Liftgate Latch
16	4378 239	1			LATCH ASSEMBLY, Liftgate
17	4246 942	1			LINK, Liftgate Lock Cylinder To Latch
18	6032 107	1			CLIP, Liftgate Lock Cylinder To Latch Link
19		4			SCREW, Not Serviced
20	4337 182	1			SHIELD, w/House Fuel Filler Tube
21	4246 980	1			SEAL
22	4440 560	1			WEATHERSTRIP, Liftgate Opening
23	2945 109	2			CLIP
24	4246 341	2			WEDGE, Liftgate Opening Stabilizer Wedge
25	6029 939	2			PLUG, Liftgate Drain Hole
26	6500 142	4			SCREW, Liftgate Prop Mounting
27		1			BRACKET, Cyl. Key Liftgate Serviced In Assembly
28	4378 075	1			RETAINER
29	4378 057	1			CYLINDER and BRACKET
30	4246 981	1			GASKET
31	6500 524	4			NUT, License Plate
	5230 376	AR			BUMPER, License
32		AR			NUT, Not Serviced
33	6501 347	AR			SCREW
34	4246 123	2			PIN
35	6032 029	1			CLIP

MODEL CODES

E BODY = (J - CARAVELLE)(E - 600)(T - NEW YORKER)

G BODY = (V24 - DAYTONA)

H BODY = (D44 - LANCER)(C44 - LEBARON GTS)

J BODY = (C - LEBARON)

K BODY = (P - RELIANT)(D - ARIES)(C - LEBAROND)/TOWN & COUNTRY)

L BODY = (M - HORIZON/TURISMO)(Z - OMNI/CHARGER)

M BODY = (B - GRAN FURY)(F - FIFTH AVE/NEWPORT)(G - DIPLOMAT)

P BODY = (P - SUNDANCE)(D - SHADOW)

S BODY = (H - VOYAGER)(K - RAM VAN/CARAVAN)

BODY STYLES

12-13 = FWD VAN

21 = 2-DOOR SEDAN

24 = 2-DOOR HATCHBACK

27 = 2-DOOR CONVERTIBLE

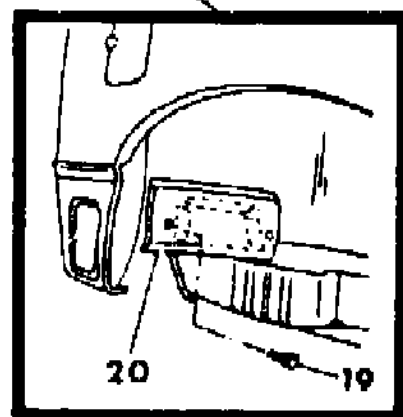
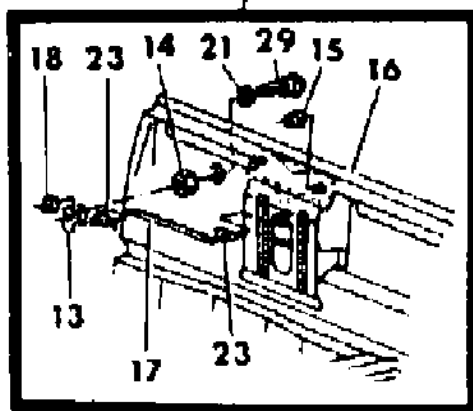
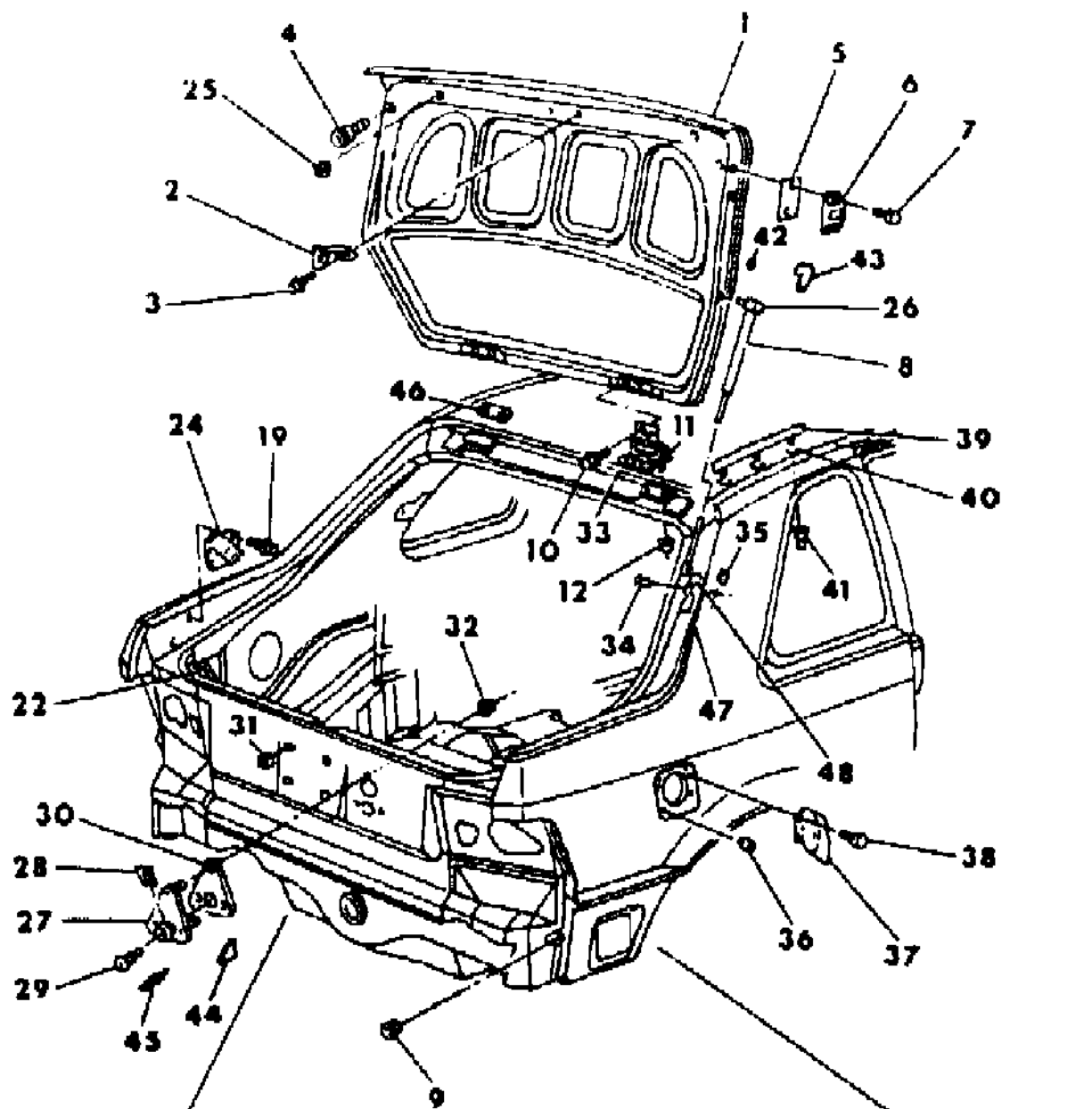
41 = 4-DOOR SEDAN

44 = 4-DOOR HATCHBACK

45 = 4-DOOR STATION WAGON

52-53 = FWD WAGON

AR = Use as Required - = Non Illustrated Part P.A.R. = Paint as Required

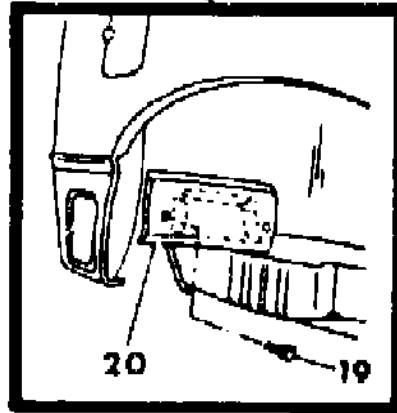
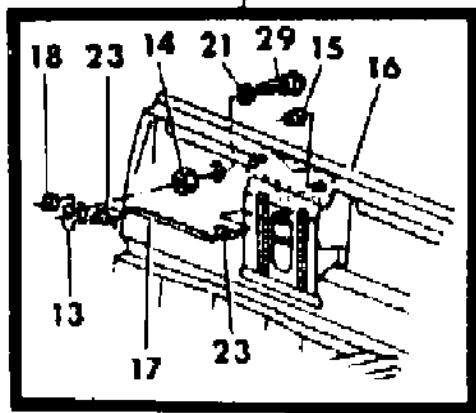
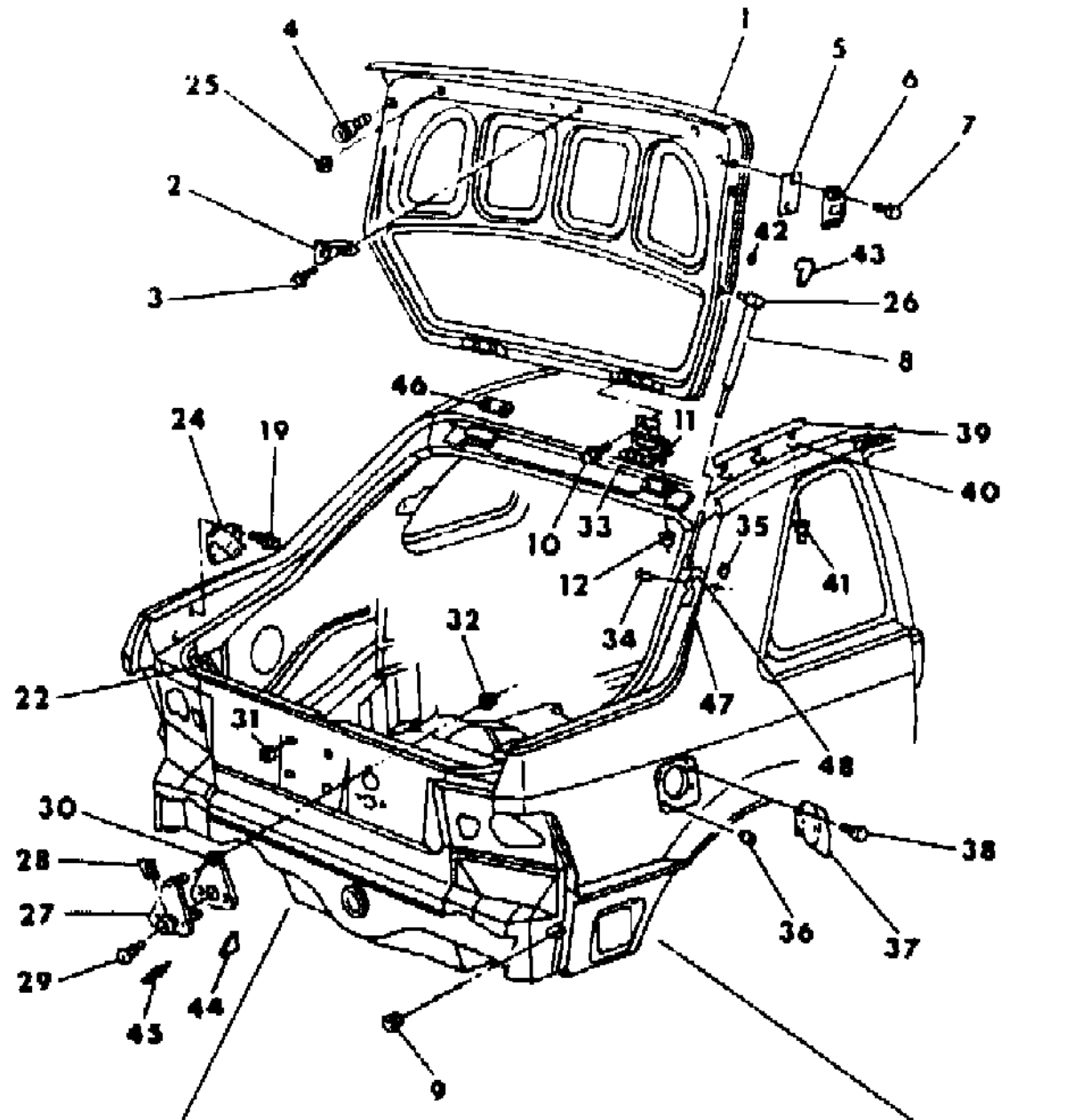


LIFTGATE PANEL AND FUEL FILLER DOOR P BODY 24,44

Figure 23A-3500

7100 3500 C

ITEM	PART NUMBER	QTY	BODY	MODEL	DESCRIPTION
36	4337 938	1			BUMPER, Up To 2-1-87
	4416 985	2			After 2-1-87
37	4371 664	1			DOOR, Fuel Filler
38		AR			SCREW, Not Serviced
39		2			MOULDING, Roof (See Group 23)
40		2			GASKET, See Group 23
41		AR			NUT, See Group 23
42	4246 676	4			WASHER, Liftgate Prop Clevis
43	4445 368	2			BRACKET
44	4378 011	1			COVER, Liftgate Latch Non Override Lever (Plastic)
45	4172 592	1			SPRING, Liftgate Latch Pawl
46	4365 796-7	1			GASKET, Liftgate Hinge To Body
47	#4386 048	2			BRACKET, Opening Side Trough Prop
48	#4378 088	2			BOOT, Liftgate Prop



MODEL CODES

E BODY = (J - CARAVELLE)(E - 600)(T - NEW YORKER)

G BODY = (V24 - DAYTONA)

H BODY = (D44 - LANCER)(C44 - LEBARON GTS)

J BODY = (C - LEBARON)

K BODY = (P - RELIANT)(D - ARIES)(C - LEBAROND)/TOWN & COUNTRY)

L BODY = (M - HORIZON/TURISMO)(Z - OMNI/CHARGER)

M BODY = (B - GRAN FURY)(F - FIFTH AVE/NEWPORT)(G - DIPLOMAT)

P BODY = (P - SUNDANCE)(D - SHADOW)

S BODY = (H - VOYAGER)(K - RAM VAN/CARAVAN)

BODY STYLES

12-13 = FWD VAN

21 = 2-DOOR SEDAN

24 = 2-DOOR HATCHBACK

27 = 2-DOOR CONVERTIBLE

41 = 4-DOOR SEDAN

44 = 4-DOOR HATCHBACK

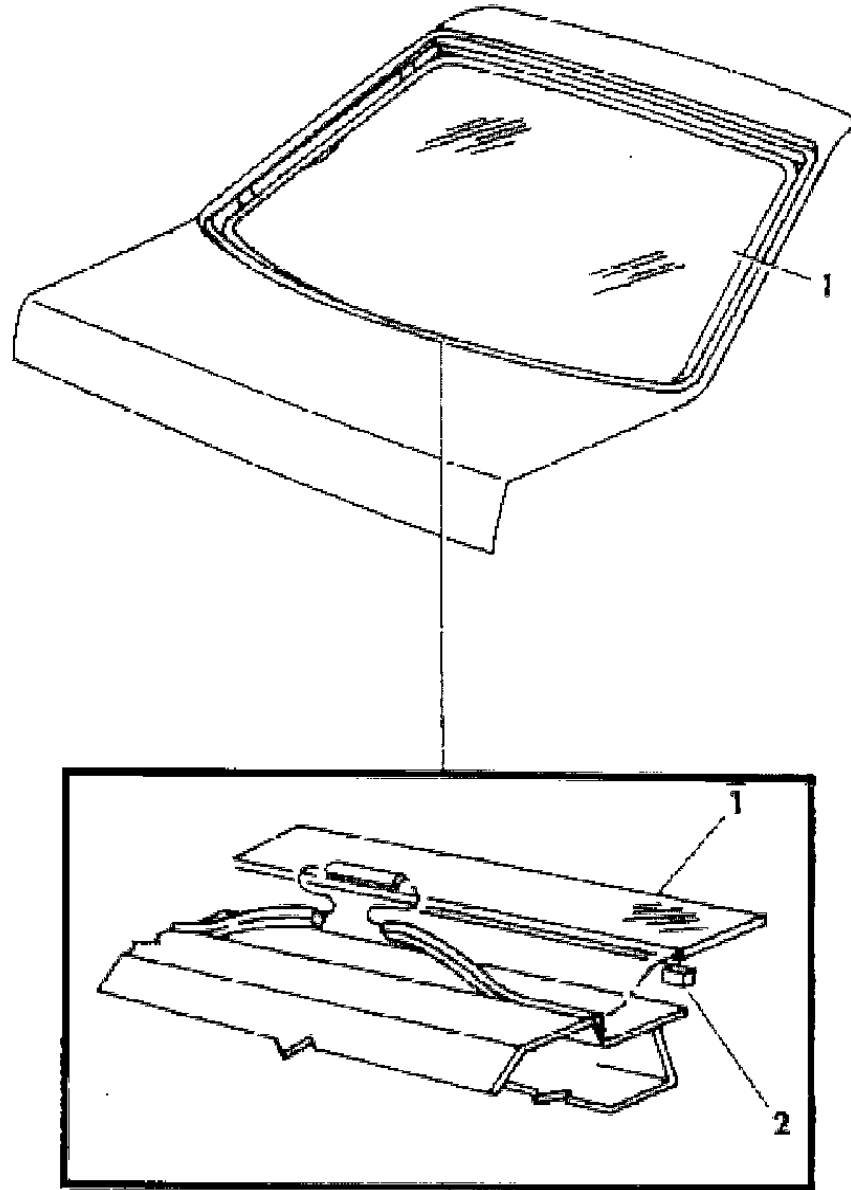
45 = 4-DOOR STATION WAGON

52-53 = FWD WAGON

AR = Use as Required - = Non Illustrated Part P.A.R. = Paint as Required

GLASS LIFTGATE P BODY 24,44
Figure 23A-3600

7188 3800



ITEM	PART NUMBER	QTY	BODY	MODEL	DESCRIPTION
1	4365 763	1			GLASS, Liftgate Tinted
	4415 956	1			Tinted & Heated
2	4365 806	AR			SPACER, Liftgate Glass Support
		1			MOULDING, Liftgate Pinch Weld
	H702 EE8				Cordovan
	H702 EC7				Blue
	H702 EK9				Almond
	H702 ES8				Charcoal

NOTE: The following items are not shown on illustration. s group.

PKG A	4267 906	1			REPAIR PACKAGE, Windshield & Rear Window
					CONSISTS OF:
					1- ----- Polyurethane, 11.5 oz.
					1- ----- Fence Primer, 1 oz.
					1- ----- Glass Wipe-Off Primer, 1 oz.
					1- ----- Glass Wipe-Out Primer, 1 oz.
					1- ----- Dabbers
					1- ----- Nozzle

MODEL CODES

E BODY = (J - CARAVELLE)(E - 600)(T - NEW YORKER)

G BODY = (V24 - DAYTONA)

H BODY = (D44 - LANCER)(C44 - LEBARON GTS)

J BODY = (C - LEBARON)

K BODY = (P - RELIANT)(D - ARIES)(C - LEBAROND)/TOWN & COUNTRY)

L BODY = (M - HORIZON/TURISMO)(Z - OMNI/CHARGER)

M BODY = (B - GRAN FURY)(F - FIFTH AVE/NEWPORT)(G - DIPLOMAT)

P BODY = (P - SUNDANCE)(D - SHADOW)

S BODY = (H - VOYAGER)(K - RAM VAN/CARAVAN)

BODY STYLES

12-13 = FWD VAN

21 = 2-DOOR SEDAN

24 = 2-DOOR HATCHBACK

27 = 2-DOOR CONVERTIBLE

41 = 4-DOOR SEDAN

44 = 4-DOOR HATCHBACK

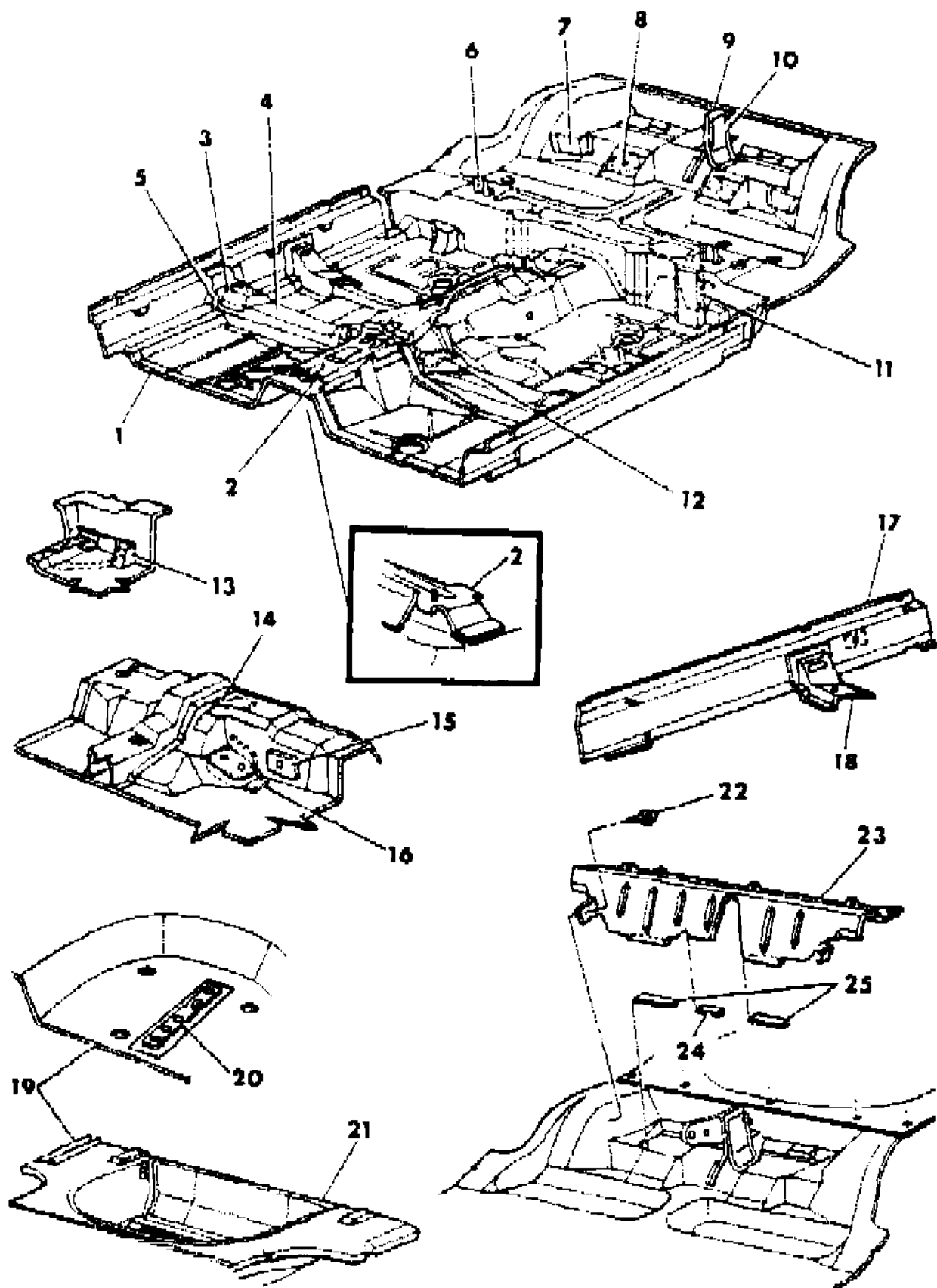
45 = 4-DOOR STATION WAGON

52-53 = FWD WAGON

AR = Use as Required - = Non Illustrated Part P.A.R. = Paint as Required

FLOOR PAN J BODY
Figure 23A-3700

7189 3700 8



ITEM	PART NUMBER	QTY	BODY	MODEL	DESCRIPTION
1	4371 110	1			FLOOR PAN FRONT
2	4416 037	1			BRACKET, Front Console
3	4371 652	1			REINFORCEMENT, Pan Crossmember
4	4325 836	1			CROSSMEMBER, Seat
5	4371 106	1			CROSSMEMBER, Seat Track
6	4134 647	1			RETAINER, Rear Seat
7	4134 938-9	1			BRACKET, Seat
8	4314 260	2			REINFORCEMENT, Rear Seat Belt
9	#4371 278	1		21	SUPPORT, Front Floor Pan Rear Seat Center Pivot and Spare Tire Stowage Brace Inner
10	#4371 279	1		21	SUPPORT, Front Floor Pan Rear Seat Center Pivot and Spare Tire Stowage Brace Outer
11	4337 962	1			PLATE, Fuel Tank Hanger
12	4371 818	1			REINFORCEMENT, Front Seat Crossmember Inner
13	4314 318-9	1			BRACKET, Lift Hoisting
14	4416 060	1			BRACKET, Brake Cable Guide
15	4314 260	2			REINFORCEMENT, Front Seat Belt
16	4371 816-7	1			REINFORCEMENT, Front Seat Rear Inner
17	#4325 844-5	1			PANEL, Side Sill Inner
	4512 754-5	1			Outer
18	4206 928-9	1			REINFORCEMENT
19	#4416 883	1			FLOOR PAN REAR
20	4206 247	1			BRACKET, Spare Wheel
21	4371 862	1			CROSSMEMBER, Rear Floor
22		7			SCREW, Not Serviced
23	4371 275	1			PANEL, Rear Seat
24		1			SEAL, Rear Seat Not Serviced
25		2			SEAL, Rear Seat Not Serviced

MODEL CODES

E BODY = (J - CARAVELLE)(E - 600)(T - NEW YORKER)

G BODY = (V24 - DAYTONA)

H BODY = (D44 - LANCER)(C44 - LEBARON GTS)

J BODY = (C - LEBARON)

K BODY = (P - RELIANT)(D - ARIES)(C - LEBAROND)/TOWN & COUNTRY)

L BODY = (M - HORIZON/TURISMO)(Z - OMNI/CHARGER)

M BODY = (B - GRAN FURY)(F - FIFTH AVE/NEWPORT)(G - DIPLOMAT)

P BODY = (P - SUNDANCE)(D - SHADOW)

S BODY = (H - VOYAGER)(K - RAM VAN/CARAVAN)

BODY STYLES

12-13 = FWD VAN

41 = 4-DOOR SEDAN

21 = 2-DOOR SEDAN

44 = 4-DOOR HATCHBACK

24 = 2-DOOR HATCHBACK

45 = 4-DOOR STATION WAGON

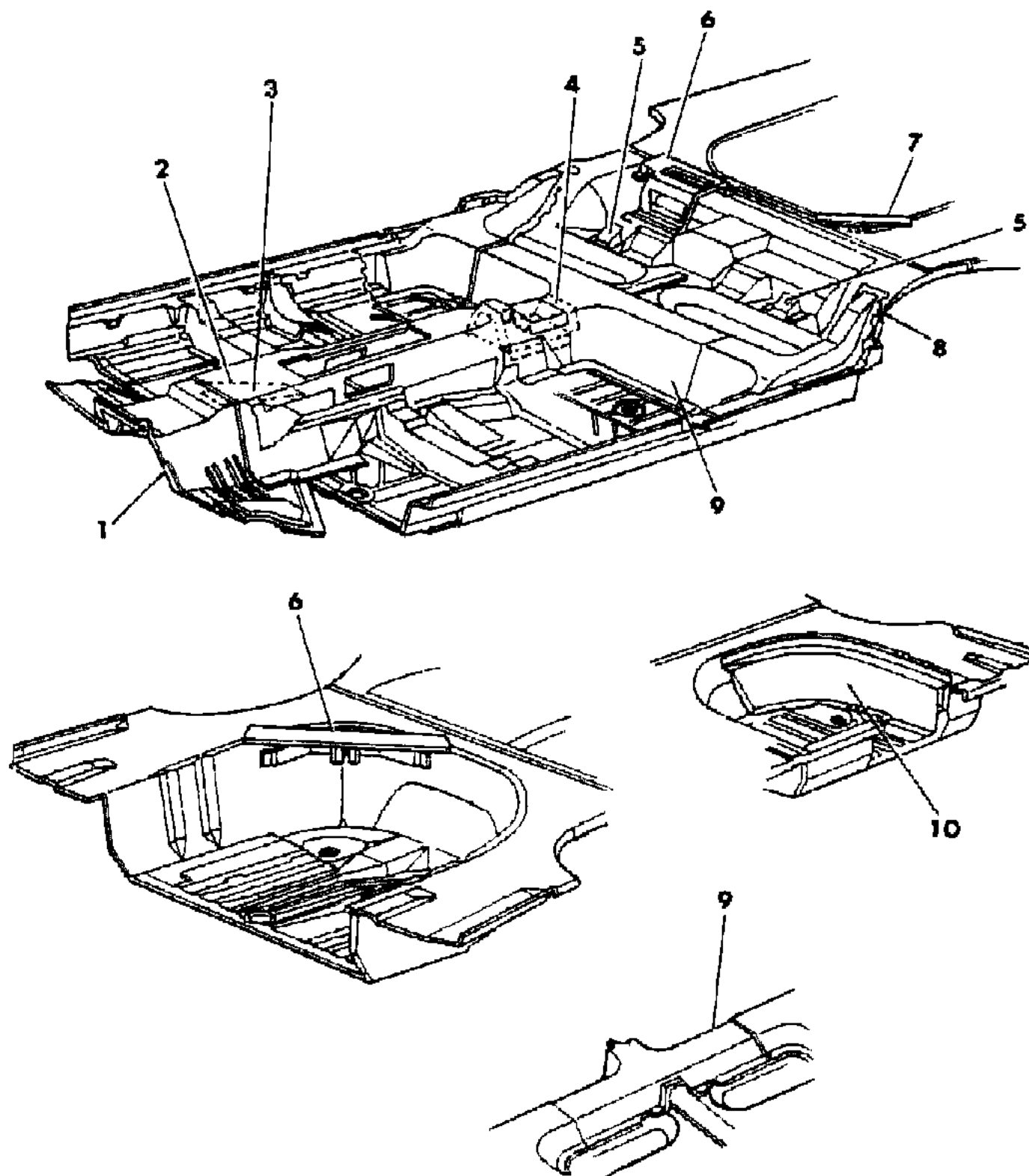
27 = 2-DOOR CONVERTIBLE

52-53 = FWD WAGON

AR = Use as Required - = Non Illustrated Part P.A.R. = Paint as Required

FLOOR PAN TUNNEL J BODY 27
Figure 23A-3800

7182 3800 A



ITEM	PART NUMBER	QTY	BODY	MODEL	DESCRIPTION
1	4371 375	1			REINFORCEMENT, Tunnel Front
2	4416 635	1			TUNNEL ASSEMBLY
3	4371 827	1			DEFLECTOR
4	4416 428	1			REINFORCEMENT, Pan Tunnel Rear
5	4371 894	2			BRACKET, Rear Seat Inner
6	4371 731	1			BRACKET
7	4416 027	1			BRACKET, Spare Tire
8	4416 578-9	1			REINFORCEMENT
9	4371 711	1			REINFORCEMENT
10	4416 424	1			REINFORCEMENT

MODEL CODES

E BODY = (J - CARAVELLE)(E - 600)(T - NEW YORKER)

G BODY = (V24 - DAYTONA)

H BODY = (D44 - LANCER)(C44 - LEBARON GTS)

J BODY = (C - LEBARON)

K BODY = (P - RELIANT)(D - ARIES)(C - LEBAROND)/TOWN & COUNTRY)

L BODY = (M - HORIZON/TURISMO)(Z - OMNI/CHARGER)

M BODY = (B - GRAN FURY)(F - FIFTH AVE/NEWPORT)(G - DIPLOMAT)

P BODY = (P - SUNDANCE)(D - SHADOW)

S BODY = (H - VOYAGER)(K - RAM VAN/CARAVAN)

BODY STYLES

12-13 = FWD VAN

21 = 2-DOOR SEDAN

24 = 2-DOOR HATCHBACK

27 = 2-DOOR CONVERTIBLE

41 = 4-DOOR SEDAN

44 = 4-DOOR HATCHBACK

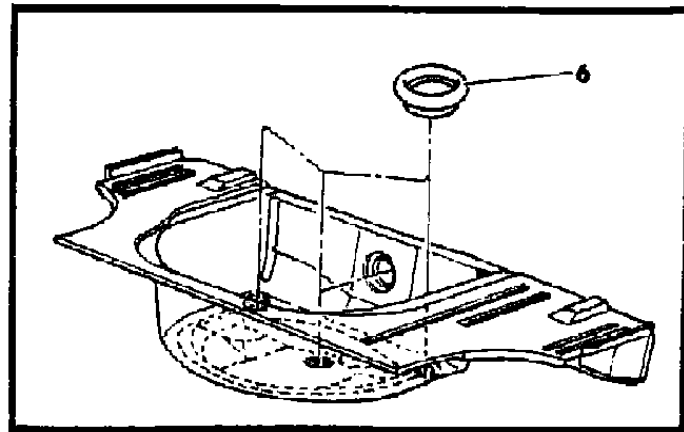
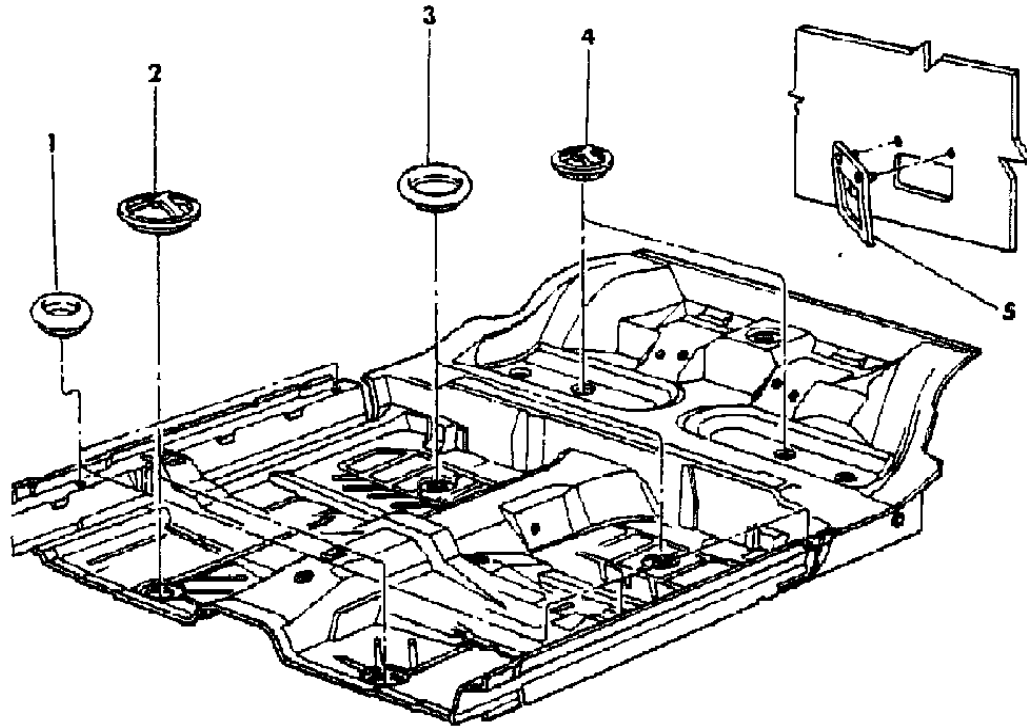
45 = 4-DOOR STATION WAGON

52-53 = FWD WAGON

AR = Use as Required - = Non Illustrated Part P.A.R. = Paint as Required

PLUGS FLOOR PAN J BODY
Figure 23A-3900

7169 3900



ITEM	PART NUMBER	QTY	BODY	MODEL	DESCRIPTION
1	2860 332	AR			PLUG
2	5200 456	AR			PLUG
3	2424 864	AR			PLUG
4	4073 475	AR			PLUG
5	3794 032	AR			SEAL
6	6030 773	AR			PLUG

MODEL CODES

E BODY = (J - CARAVELLE)(E - 600)(T - NEW YORKER)

G BODY = (V24 - DAYTONA)

H BODY = (D44 - LANCER)(C44 - LEBARON GTS)

J BODY = (C - LEBARON)

K BODY = (P - RELIANT)(D - ARIES)(C - LEBAROND)/TOWN & COUNTRY)

L BODY = (M - HORIZON/TURISMO)(Z - OMNI/CHARGER)

M BODY = (B - GRAN FURY)(F - FIFTH AVE/NEWPORT)(G - DIPLOMAT)

P BODY = (P - SUNDANCE)(D - SHADOW)

S BODY = (H - VOYAGER)(K - RAM VAN/CARAVAN)

BODY STYLES

12-13 = FWD VAN

21 = 2-DOOR SEDAN

24 = 2-DOOR HATCHBACK

27 = 2-DOOR CONVERTIBLE

41 = 4-DOOR SEDAN

44 = 4-DOOR HATCHBACK

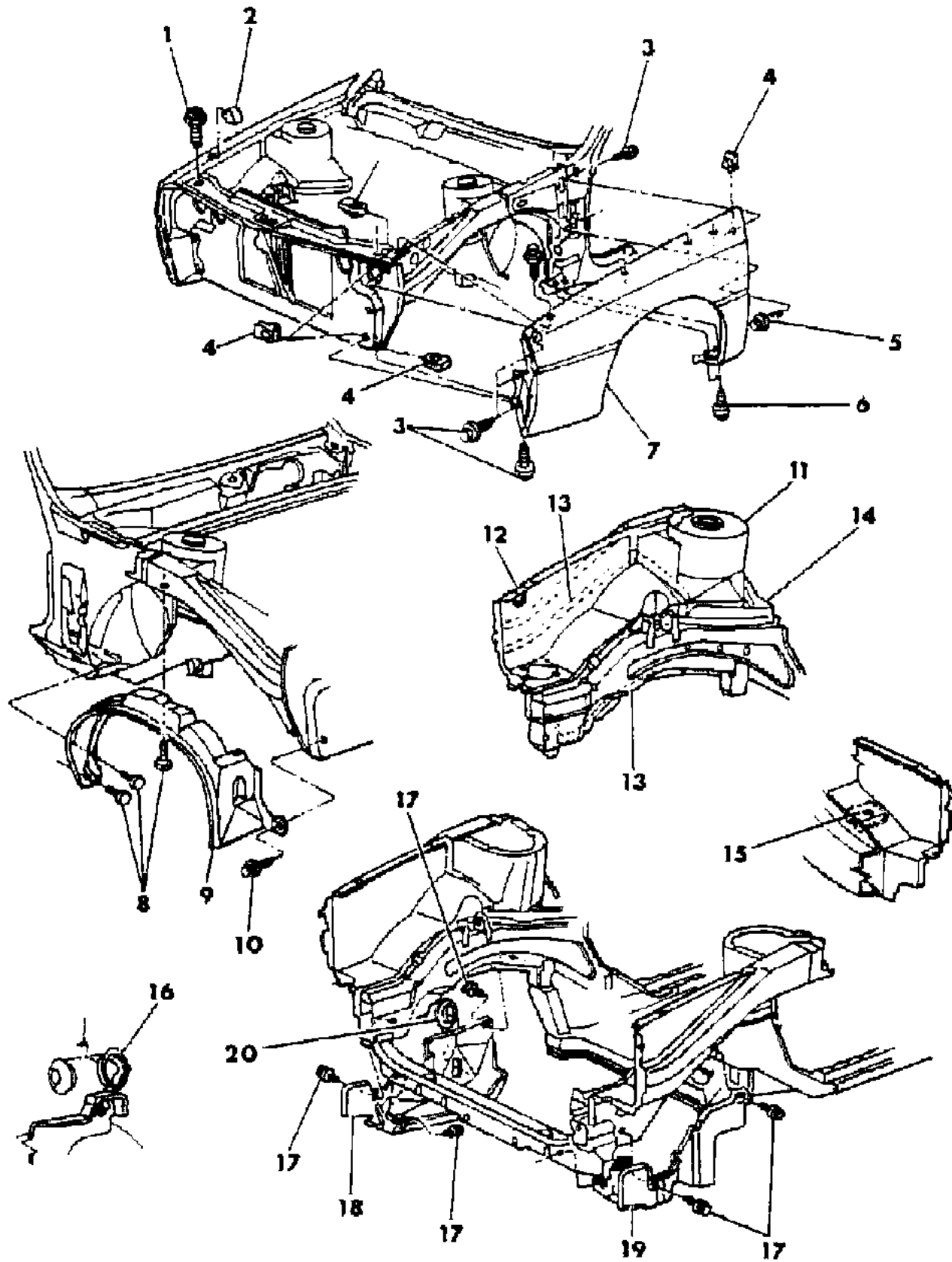
45 = 4-DOOR STATION WAGON

52-53 = FWD WAGON

AR = Use as Required - = Non Illustrated Part P.A.R. = Paint as Required

FENDER AND SHIELD J BODY
Figure 23A-4000

7189 4000



ITEM	PART NUMBER	QTY	BODY	MODEL	DESCRIPTION
1	4103 165	2			BUMPER
2	4296 227	2			BUMPER
3	6100 568	20			SCREW
4	#6100 041	18			U-NUT
5	6501 212	8			SCREW
6		4			SCREW, Not Serviced
7	4411 918-9	1			FENDER, w/o Cornering Lamp
	4411 920-1	1			FENDER, w/Cornering Lamp
8	6030 441	40			RETAINER
9	4386 262-3	1			SHIELD
10	6030 012	6			SCREW
11	4440 150-1	1			TOWER, Front Suspension Iso-Strut Mounting Up To 1-29-87
	4440 564-5	1			After 1-29-87
12	4386 124	1			PANEL, Front Fender Shield Rt.
	4386 607	1			Left
13	4386 286-7	1			BEAM, Front Fender Shield
14	4296 808-9	1			EXTENSION, Iso Strut Tower To Dash Panel Up To 1-27-87
	4440 648-9	1			After 1-27-87
15		AR			REINFORCEMENT, Battery Tray Not Serviced
16	4341 376	1			PLUG
17		6			SCREW, Not Serviced
18	4386 622	1			SHIELD ACCESSORY, Pulley Shield
19	4386 625	1			SHIELD, Trans.
20	2811 825	1			PLUG

MODEL CODES

E BODY = (J - CARAVELLE)(E - 600)(T - NEW YORKER)

G BODY = (V24 - DAYTONA)

H BODY = (D44 - LANCER)(C44 - LEBARON GTS)

J BODY = (C - LEBARON)

K BODY = (P - RELIANT)(D - ARIES)(C - LEBAROND)/TOWN & COUNTRY)

L BODY = (M - HORIZON/TURISMO)(Z - OMNI/CHARGER)

M BODY = (B - GRAN FURY)(F - FIFTH AVE/NEWPORT)(G - DIPLOMAT)

P BODY = (P - SUNDANCE)(D - SHADOW)

S BODY = (H - VOYAGER)(K - RAM VAN/CARAVAN)

BODY STYLES

12-13 = FWD VAN

21 = 2-DOOR SEDAN

24 = 2-DOOR HATCHBACK

27 = 2-DOOR CONVERTIBLE

41 = 4-DOOR SEDAN

44 = 4-DOOR HATCHBACK

45 = 4-DOOR STATION WAGON

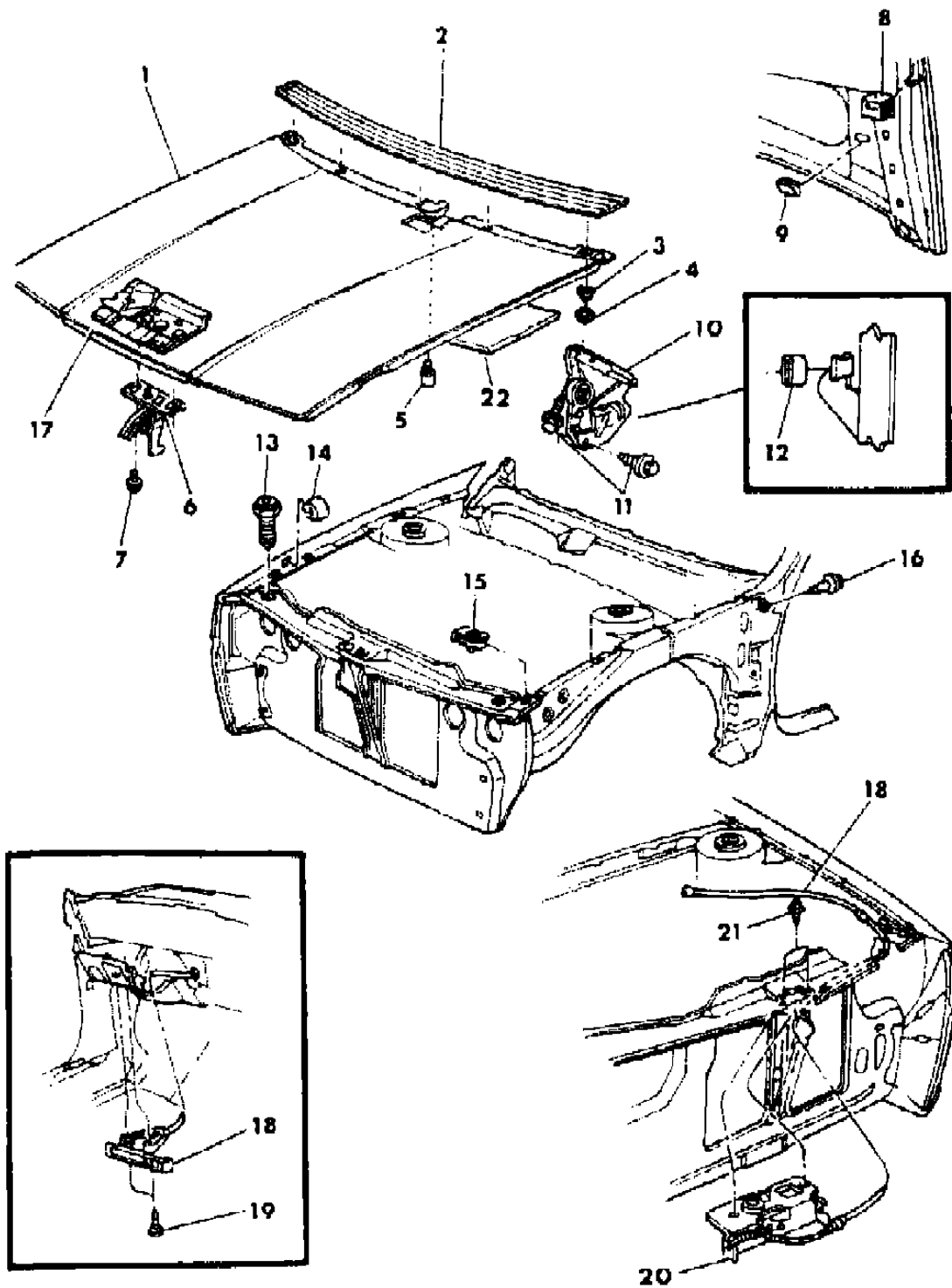
52-53 = FWD WAGON

AR = Use as Required - = Non Illustrated Part P.A.R. = Paint as Required

HOOD AND HOOD RELEASE J BODY

Figure 23A-4100

7189 4100 A



ITEM	PART NUMBER	QTY	BODY	MODEL	DESCRIPTION
1	4341 510	1			HOOD
2	4440 552	1			APPLIQUE, Hood Panel
3		5			NUT, Not Serviced
4		5			PLUG, Not Serviced
5		AR			SPACER, Hood Not Serviced
6	4386 874	1			STRIKER, Hood Safety Catch
7	6501 501	2			SCREW
8	4386 437	2			SEAL, Hood
9	6029 939	2			PLUG, Hood
10	4440 244-5	1			HINGE, Hood
11	6501 212	8			SCREW
12	4296 105	2			BUMPER, Hood Hinge Stop
13	4103 165	2			BUMPER
14	4296 227	2			BUMPER
15	#6100 041	18			U-NUT
16	6100 568	20			SCREW
17	4386 173	1			REINFORCEMENT, Hood Inner Panel
18	4386 862	1			RELEASE, Hood Latch
19		2			SCREW, Not Serviced
20	4341 952	1			LATCH ASSEMBLY, Hood
21		2			SCREW, Not Serviced
22	4049 601	1			SILENCER MATERIAL, Hood Panel Cut To Fit 36" x 72"
	4341 060	AR			RETAINER

MODEL CODES

E BODY = (J - CARAVELLE)(E - 600)(T - NEW YORKER)

G BODY = (V24 - DAYTONA)

H BODY = (D44 - LANCER)(C44 - LEBARON GTS)

J BODY = (C - LEBARON)

K BODY = (P - RELIANT)(D - ARIES)(C - LEBAROND)/TOWN & COUNTRY)

L BODY = (M - HORIZON/TURISMO)(Z - OMNI/CHARGER)

M BODY = (B - GRAN FURY)(F - FIFTH AVE/NEWPORT)(G - DIPLOMAT)

P BODY = (P - SUNDANCE)(D - SHADOW)

S BODY = (H - VOYAGER)(K - RAM VAN/CARAVAN)

BODY STYLES

12-13 = FWD VAN

21 = 2-DOOR SEDAN

24 = 2-DOOR HATCHBACK

27 = 2-DOOR CONVERTIBLE

41 = 4-DOOR SEDAN

44 = 4-DOOR HATCHBACK

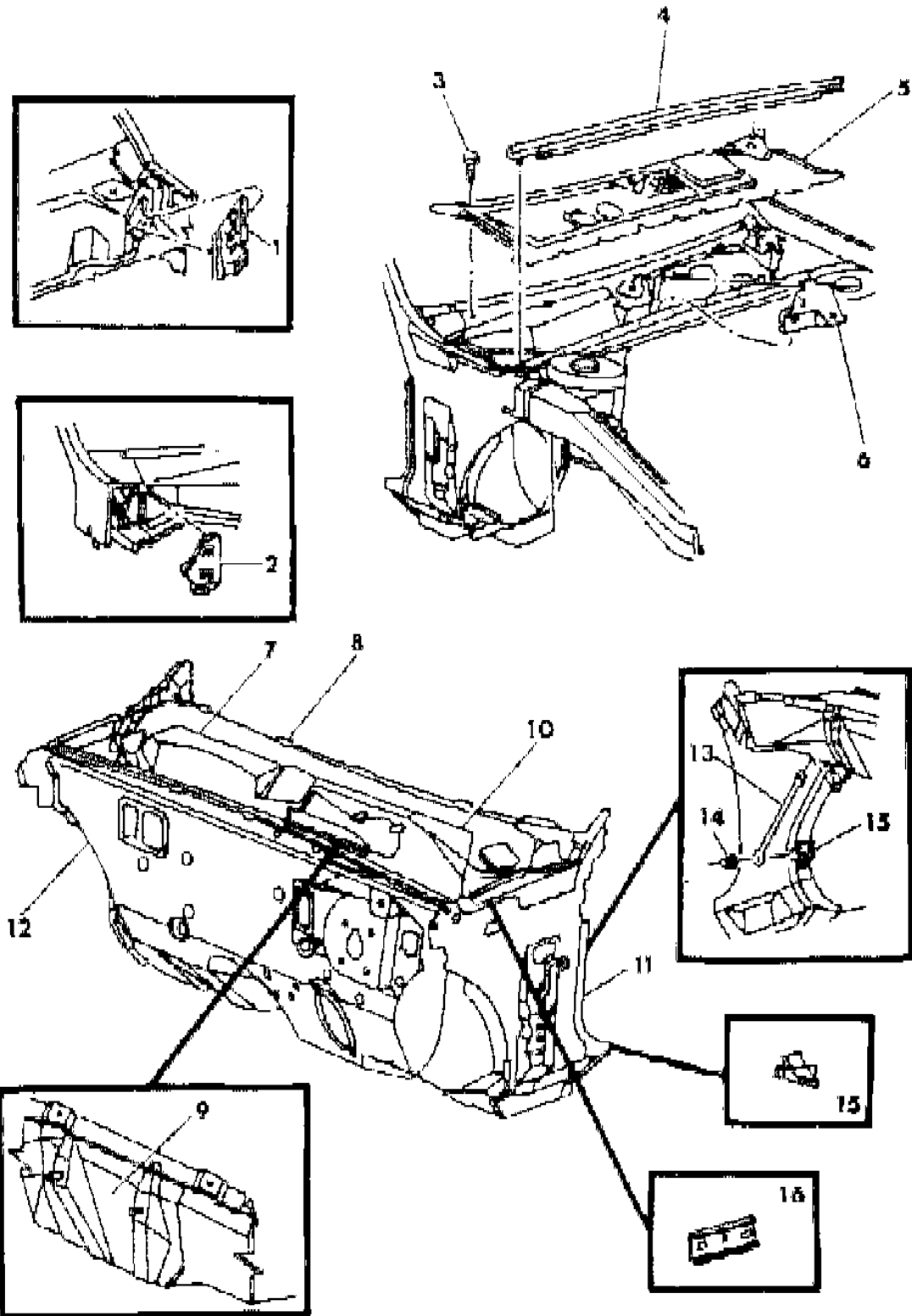
45 = 4-DOOR STATION WAGON

52-53 = FWD WAGON

AR = Use as Required - = Non Illustrated Part P.A.R. = Paint as Required

COWL AND DASH PANEL J BODY
Figure 23A-4200

7189 4200



ITEM	PART NUMBER	QTY	BODY	MODEL	DESCRIPTION
1	4314 477	1			SCREEN, Cowl Top Lt.
2	4314 476	1			SCREEN, Cowl Top Rt.
3	6030 441	40			RETAINER
4	4371 145	1			SEAL
5	4371 838	1			SCREEN, Cowl Plenum Water Deflector
	4416 472	1			SCREEN ASSEMBLY, w/Rt. & Lt. Shield w/Part # 4416470 & 4416471
6	4314 475	1			SCREEN, Cowl Top Center
7	4371 358	1			PANEL, Cowl Top
8	4371 795	1			PANEL, Cowl Plenum
9	4371 696	1			REINFORCEMENT, Cowl Top w/Shield Wiper Motor
10	4278 589	1			SUPPORT, Plenum Panel Strg.
11	4371 096-7	1			PANEL, Cowl Side
12	4371 357	1			PANEL, Dash
13	4314 879	1			BRACE, Dash To Plenum Panel Lt.
14	6500 532	2			NUT and WASHER
15	4206 641	1			BRACKET, Dash Panel To Plenum Panel Brace Lt.
16	4103 122	2			REINFORCEMENT, Cowl Side Hood Hinge

MODEL CODES

E BODY = (J - CARAVELLE)(E - 600)(T - NEW YORKER)

G BODY = (V24 - DAYTONA)

H BODY = (D44 - LANCER)(C44 - LEBARON GTS)

J BODY = (C - LEBARON)

K BODY = (P - RELIANT)(D - ARIES)(C - LEBAROND)/TOWN & COUNTRY)

L BODY = (M - HORIZON/TURISMO)(Z - OMNI/CHARGER)

M BODY = (B - GRAN FURY)(F - FIFTH AVE/NEWPORT)(G - DIPLOMAT)

P BODY = (P - SUNDANCE)(D - SHADOW)

S BODY = (H - VOYAGER)(K - RAM VAN/CARAVAN)

BODY STYLES

12-13 = FWD VAN

21 = 2-DOOR SEDAN

24 = 2-DOOR HATCHBACK

27 = 2-DOOR CONVERTIBLE

41 = 4-DOOR SEDAN

44 = 4-DOOR HATCHBACK

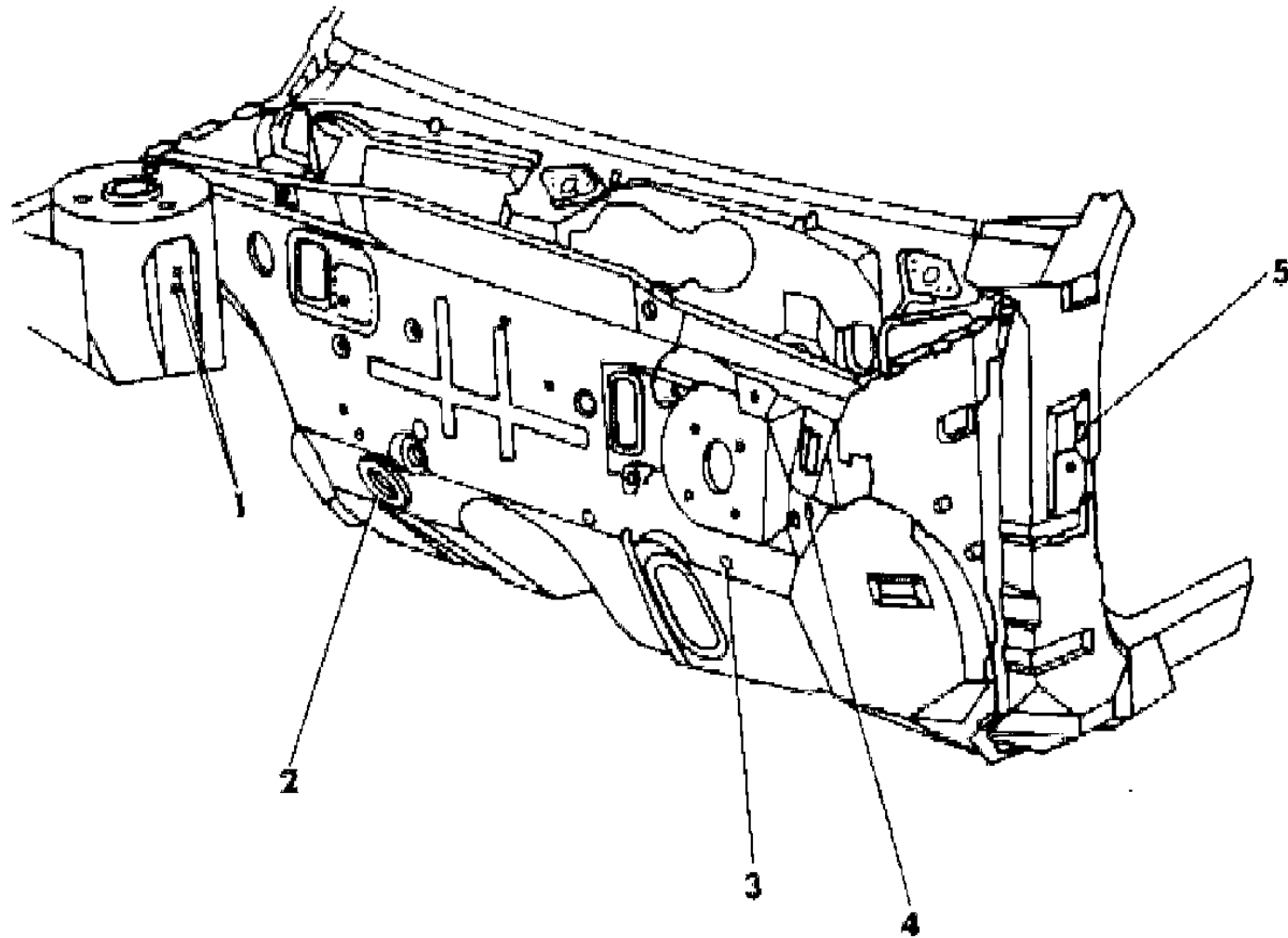
45 = 4-DOOR STATION WAGON

52-53 = FWD WAGON

AR = Use as Required - = Non Illustrated Part P.A.R. = Paint as Required

PLUGS DASH PANEL J BODY
Figure 23A-4300

7189 4300



ITEM	PART NUMBER	QTY	BODY	MODEL	DESCRIPTION
1	4386 178	AR			PLUG
2	5200 456	AR			PLUG
3	3445 939	AR			PLUG
4	3445 939	AR			PLUG
5	4400 049	AR			PLUG

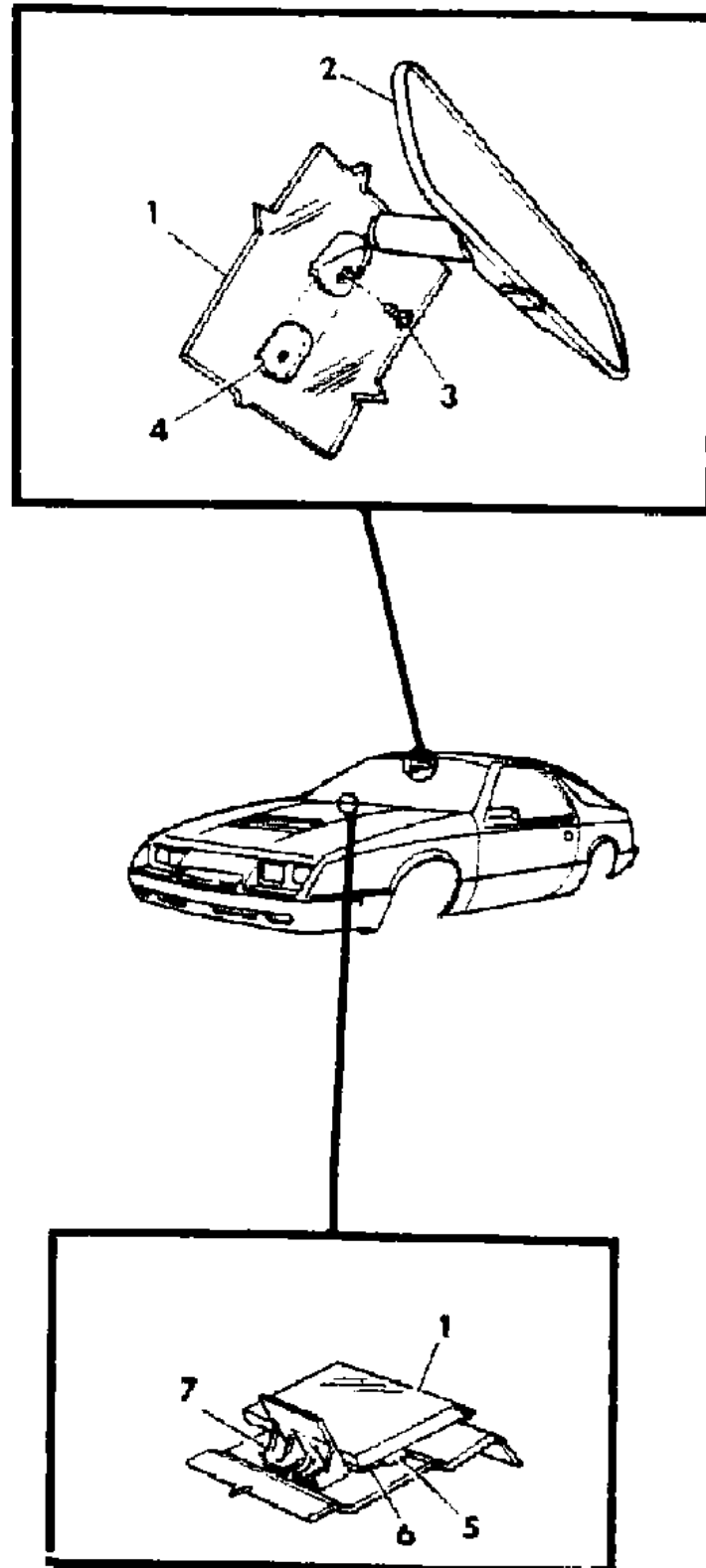
MODEL CODES
 E BODY = (J - CARAVELLE)(E - 600)(T - NEW YORKER)
 G BODY = (V24 - DAYTONA)
 H BODY = (D44 - LANCER)(C44 - LEBARON GTS)
 J BODY = (C - LEBARON)
 K BODY = (P - RELIANT)(D - ARIES)(C - LEBAROND)/TOWN & COUNTRY
 L BODY = (M - HORIZON/TURISMO)(Z - OMNI/CHARGER)
 M BODY = (B - GRAN FURY)(F - FIFTH AVE/NEWPORT)(G - DIPLOMAT)
 P BODY = (P - SUNDANCE)(D - SHADOW)
 S BODY = (H - VOYAGER)(K - RAM VAN/CARAVAN)

BODY STYLES
 12-13 = FWD VAN 41 = 4-DOOR SEDAN
 21 = 2-DOOR SEDAN 44 = 4-DOOR HATCHBACK
 24 = 2-DOOR HATCHBACK 45 = 4-DOOR STATION WAGON
 27 = 2-DOOR CONVERTIBLE 52-53 = FWD WAGON

AR = Use as Required - = Non Illustrated Part P.A.R. = Paint as Required

GLASS WINDSHIELD AND MIRROR J BODY
Figure 23A-4400

7189 4400



ITEM	PART NUMBER	QTY	BODY	MODEL	DESCRIPTION
------	-------------	-----	------	-------	-------------

NOTE: GLASS, WINDSHIELD - ORDER FROM YOUR LOCAL "MOPER" GLASS DISTRIBUTOR s group.

1	4371 532	1			GLASS, Windshield Tinted
2	4299 321	1			MIRROR, Rear View
3	6031 094	1			SCREW, Inside Rear View Mirror Mounting
4	4054 066	1			BUTTON, Rear View Mirror Mounting
	4293 039	1			ADHESIVE PACKAGE, Rear View Mirror Button
5		AR			POLYURETHANE, (Serviced In Package 4267906)
6		10			SPACER, (Not Serviced)
7	4206 543	2			SPACER, Windshield Glass Lower

NOTE: The Following Item Are Not Shown On Illustration. s group.

PKG A	4267 906	1			REPAIR PACKAGE, Windshield & Rear Window
Consists Of					
1- ----- Polyurethane, 11.5oz					
1- ----- Fence Primer, 1 oz.					
1- ----- Glass Wipe-off Primer, 1 oz					
1- ----- Glass Black-Out Primer, 1 oz					
3- ----- Dabbers					
1- ----- Nozzle					

MODEL CODES

E BODY = (J - CARAVELLE)(E - 600)(T - NEW YORKER)

G BODY = (V24 - DAYTONA)

H BODY = (D44 - LANCER)(C44 - LEBARON GTS)

J BODY = (C - LEBARON)

K BODY = (P - RELIANT)(D - ARIES)(C - LEBAROND)/TOWN & COUNTRY)

L BODY = (M - HORIZON/TURISMO)(Z - OMNI/CHARGER)

M BODY = (B - GRAN FURY)(F - FIFTH AVE/NEWPORT)(G - DIPLOMAT)

P BODY = (P - SUNDANCE)(D - SHADOW)

S BODY = (H - VOYAGER)(K - RAM VAN/CARAVAN)

BODY STYLES

12-13 = FWD VAN

21 = 2-DOOR SEDAN

24 = 2-DOOR HATCHBACK

27 = 2-DOOR CONVERTIBLE

41 = 4-DOOR SEDAN

44 = 4-DOOR HATCHBACK

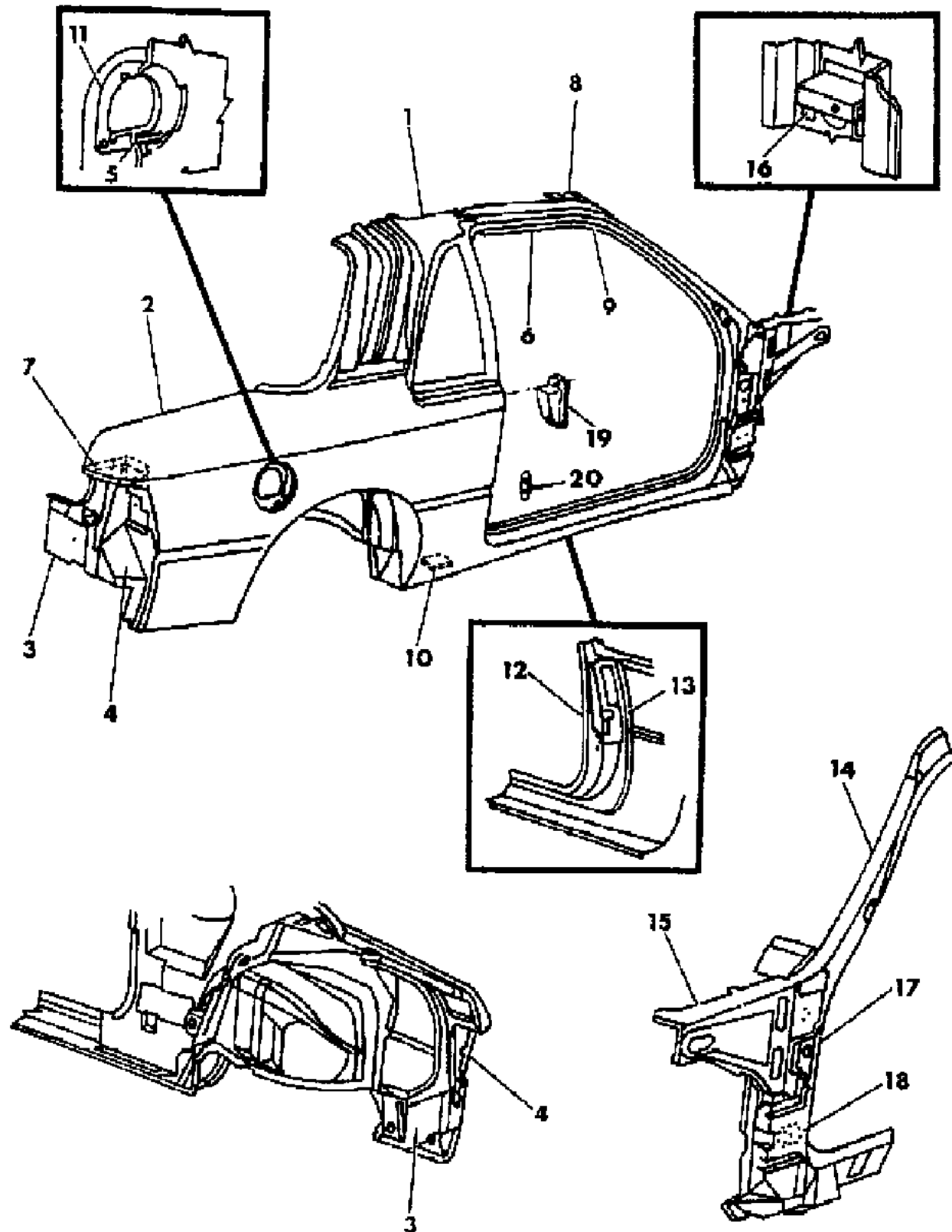
45 = 4-DOOR STATION WAGON

52-53 = FWD WAGON

AR = Use as Required - = Non Illustrated Part P.A.R. = Paint as Required

APERTURE PANEL AND FRONT PILLAR J BODY 21
Figure 23A-4500

7189 4500 A



ITEM	PART NUMBER	QTY	BODY	MODEL	DESCRIPTION
1	4371 830-1	1			APERTURE PANEL, Front
2	4371 832-3	1			APERTURE PANEL, Rear
3	4337 980-1	1			TROUGH, Body Side
4	4341 682-3	1			EXTENSION, Deck Opening Lower Panel
5	4337 876	1			REINFORCEMENT
6	4341 390-1	1			RAIL, Roof Side Inner
7	4341 684-5	1			EXTENSION, Deck Opening Lower Panel Upper
8	4337 510-1	1			FRAME, w/Shield Opening Side
9	#4337 880-1	1			RETAINER, Body Side Aperture Secondary Seal
10	4314 277	4			PLATE, Jack Locator
11	4371 337	1			ADHESIVE, Fuel Filler Door
12	4371 944-5	1			REINFORCEMENT, Door Latch Striker
13	4134 972	1			RETAINER, Door Lock Stricker
14	4371 320-1	1			PILLAR, Front Hinge
15					EXTENSION
	4297 956	1			Right, w/Reinforcement
	4314 183	1			Left
16					REINFORCEMENT, Body Front Hinge To w/Shield Frame
	4206 876	1			Right
	4278 599	1			Left
17	4206 553	2			SUPPORT, Front Hinge
18	4314 086	4			PLATE, Front Hinge
19	4371 974-5	1			EXHAUSTER, Body Side Aperture
	6500 787	AR			Rivet
20	4172 612	2			PLUG, Door Ajar Switch

MODEL CODES

E BODY = (J - CARAVELLE)(E - 600)(T - NEW YORKER)

G BODY = (V24 - DAYTONA)

H BODY = (D44 - LANCER)(C44 - LEBARON GTS)

J BODY = (C - LEBARON)

K BODY = (P - RELIANT)(D - ARIES)(C - LEBAROND)/TOWN & COUNTRY)

L BODY = (M - HORIZON/TURISMO)(Z - OMNI/CHARGER)

M BODY = (B - GRAN FURY)(F - FIFTH AVE/NEWPORT)(G - DIPLOMAT)

P BODY = (P - SUNDANCE)(D - SHADOW)

S BODY = (H - VOYAGER)(K - RAM VAN/CARAVAN)

BODY STYLES

12-13 = FWD VAN

21 = 2-DOOR SEDAN

24 = 2-DOOR HATCHBACK

27 = 2-DOOR CONVERTIBLE

41 = 4-DOOR SEDAN

44 = 4-DOOR HATCHBACK

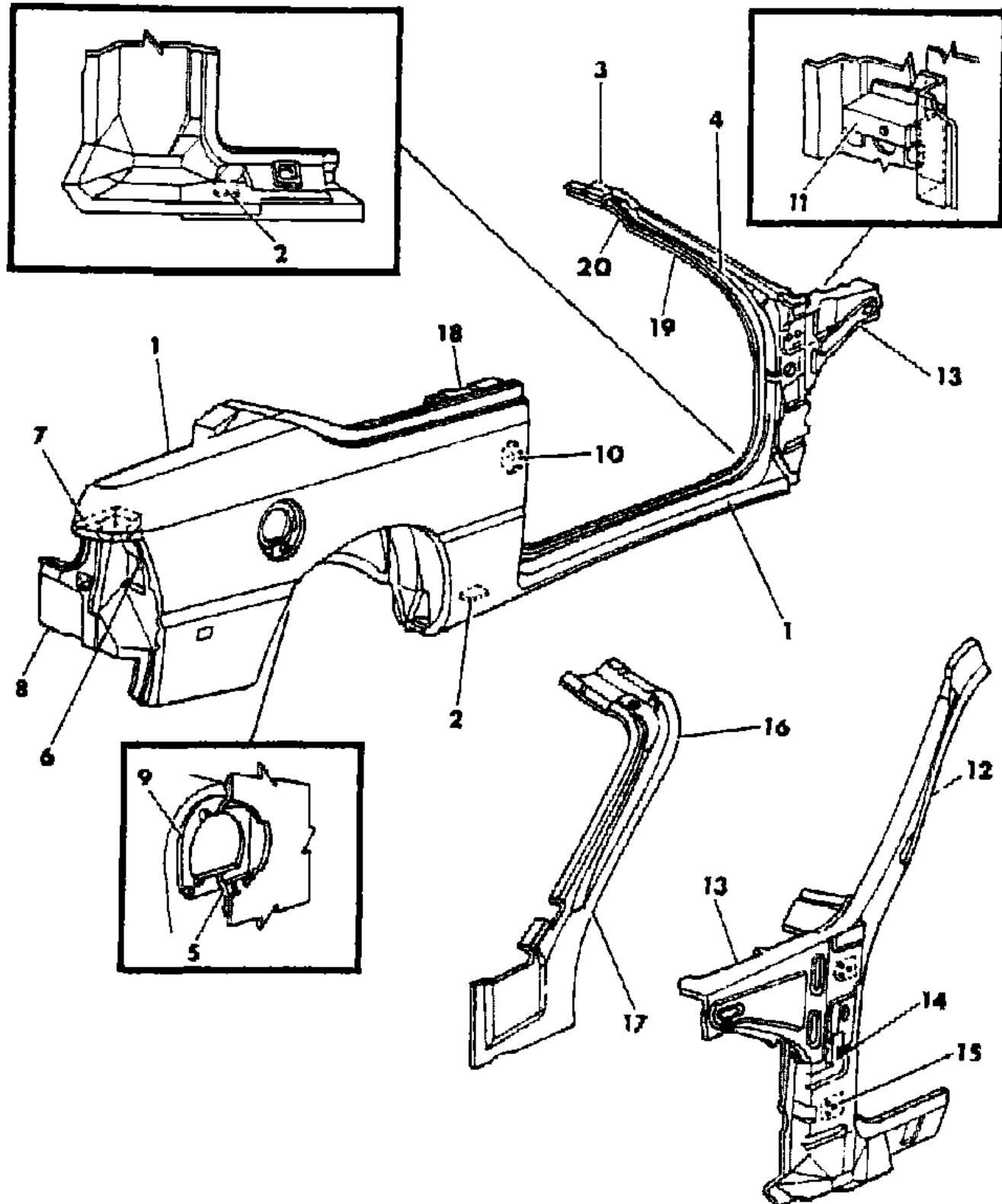
45 = 4-DOOR STATION WAGON

52-53 = FWD WAGON

AR = Use as Required - = Non Illustrated Part P.A.R. = Paint as Required

APERTURE PANEL AND FRONT PILLAR J BODY 27
Figure 23A-4600

7189 4600 A



ITEM	PART NUMBER	QTY	BODY	MODEL	DESCRIPTION
1	4416 164-5	1			APERTURE PANEL, Rear
	4416 166-7	1			APERTURE PANEL, Front
2	4314 277	4			PLATE, Jack Locator
3	4371 658-9	1			FRAME, w/Shield Opening Side Outer
4	4371 660-1	1			EXTENSION, w/Shield Opening Outer
5	4337 876	1			REINFORCEMENT, Aperture Fuel Filler Door
6	4341 682-3	1			EXTENSION, Deck Opening Lower
7	4341 684-5	1			EXTENSION, Deck Opening Lower
8	4337 980-1	1			TROUGH, Body Side Drain
9	4371 337	1			ADHESIVE, Fuel Filler Door
10	4134 972	2			RETAINER, Door Latch Striker
11	4206 876	1			REINFORCEMENT, Body Front Hinge To w/Shield Frame Rt.
	4278 599	1			REINFORCEMENT, Body Front Hinge To w/Shield Frame Lt.
12	#4371 320-1	1			PILLAR, Body Front Hinge
13					EXTENSION
	4297 956	1			Right, w/Reinforcement
	4314 183	1			Left
14	4206 553	2			SUPPORT, Body Front Front Hinge
15	4314 086	2			PLATE, Body Front Hinge Plate Tapping
16	4416 492-3	1			FRAME and PLATE
17	4371 386-7	1			FRAME, w/Shield
18	#4440 142-3	1			WEATHERSTRIP, Qtr. Window
19	4416 866-7	1			WEATHERSTRIP, Body Side Aperture Panel Door Opening
20	#4396 314-5	1			RETAINER and SEAL, Body Front Hinge

MODEL CODES

E BODY = (J - CARAVELLE)(E - 600)(T - NEW YORKER)

G BODY = (V24 - DAYTONA)

H BODY = (D44 - LANCER)(C44 - LEBARON GTS)

J BODY = (C - LEBARON)

K BODY = (P - RELIANT)(D - ARIES)(C - LEBAROND)/TOWN & COUNTRY)

L BODY = (M - HORIZON/TURISMO)(Z - OMNI/CHARGER)

M BODY = (B - GRAN FURY)(F - FIFTH AVE/NEWPORT)(G - DIPLOMAT)

P BODY = (P - SUNDANCE)(D - SHADOW)

S BODY = (H - VOYAGER)(K - RAM VAN/CARAVAN)

BODY STYLES

12-13 = FWD VAN

21 = 2-DOOR SEDAN

24 = 2-DOOR HATCHBACK

27 = 2-DOOR CONVERTIBLE

41 = 4-DOOR SEDAN

44 = 4-DOOR HATCHBACK

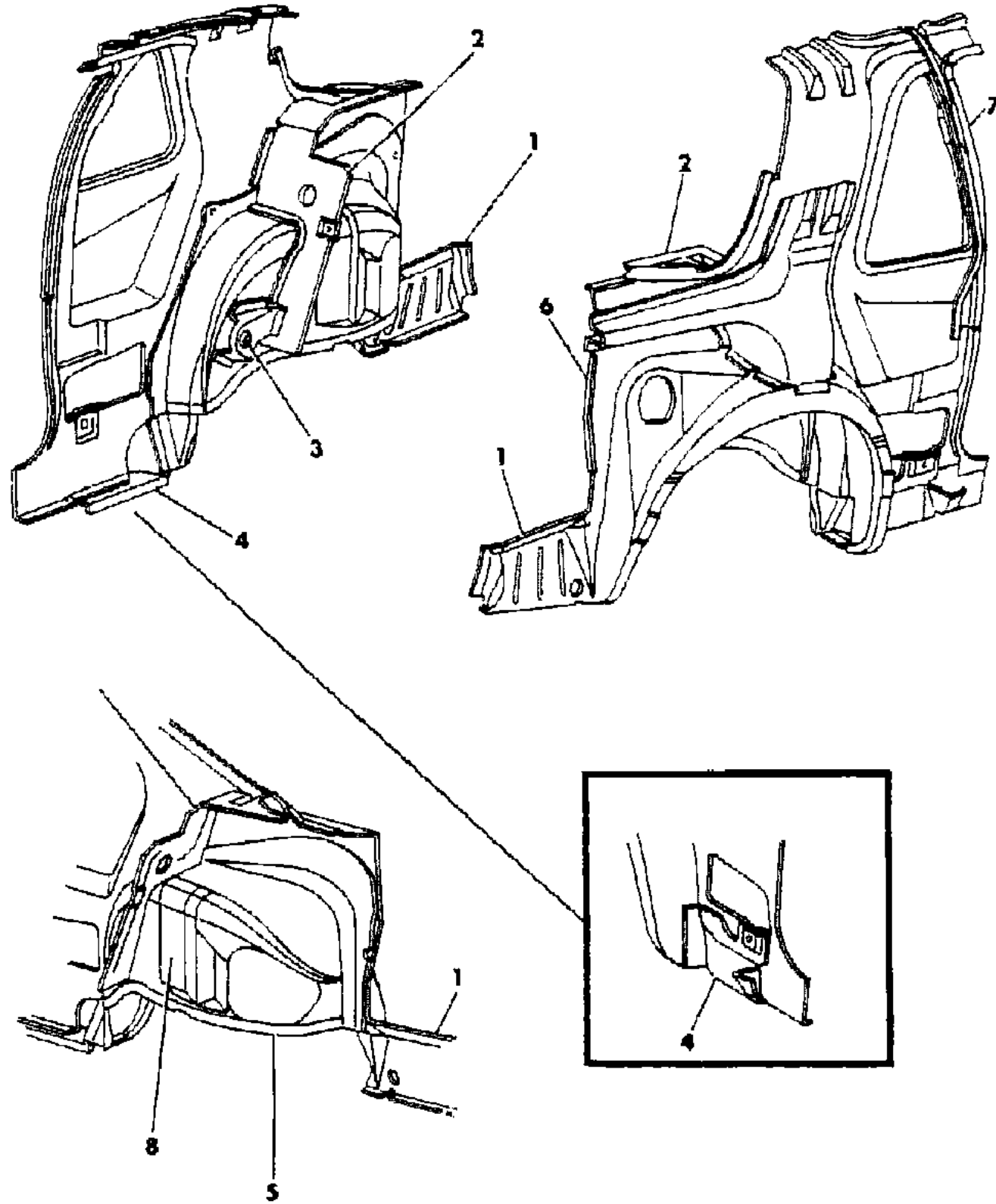
45 = 4-DOOR STATION WAGON

52-53 = FWD WAGON

AR = Use as Required - = Non Illustrated Part P.A.R. = Paint as Required

QUARTER PANEL J BODY 21
Figure 23A-4700

7188 4700



ITEM	PART NUMBER	QTY	BODY	MODEL	DESCRIPTION
1	4440 296-7	1			PANEL, Quarter Inner and Wheelhouse Outer
2	4341 688-9	1			PANEL, Shelf Extension Side
3	4386 168-9	1			BRACKET, Rear Seat Back Pivot
4	4341 698-9	1			REINFORCEMENT
5	4440 242-3	1			PANEL, Rear w/House Inner
6	4337 518-9	1			REINFORCEMENT, Body Side Aperture
7	4341 694-5	1			REINFORCEMENT, Quarter Inner Panel Upper Front
8	4134 686-7	1			REINFORCEMENT, w/House Inner Panel Shock

MODEL CODES

E BODY = (J - CARAVELLE)(E - 600)(T - NEW YORKER)

G BODY = (V24 - DAYTONA)

H BODY = (D44 - LANCER)(C44 - LEBARON GTS)

J BODY = (C - LEBARON)

K BODY = (P - RELIANT)(D - ARIES)(C - LEBAROND)/TOWN & COUNTRY)

L BODY = (M - HORIZON/TURISMO)(Z - OMNI/CHARGER)

M BODY = (B - GRAN FURY)(F - FIFTH AVE/NEWPORT)(G - DIPLOMAT)

P BODY = (P - SUNDANCE)(D - SHADOW)

S BODY = (H - VOYAGER)(K - RAM VAN/CARAVAN)

BODY STYLES

12-13 = FWD VAN

21 = 2-DOOR SEDAN

24 = 2-DOOR HATCHBACK

27 = 2-DOOR CONVERTIBLE

41 = 4-DOOR SEDAN

44 = 4-DOOR HATCHBACK

45 = 4-DOOR STATION WAGON

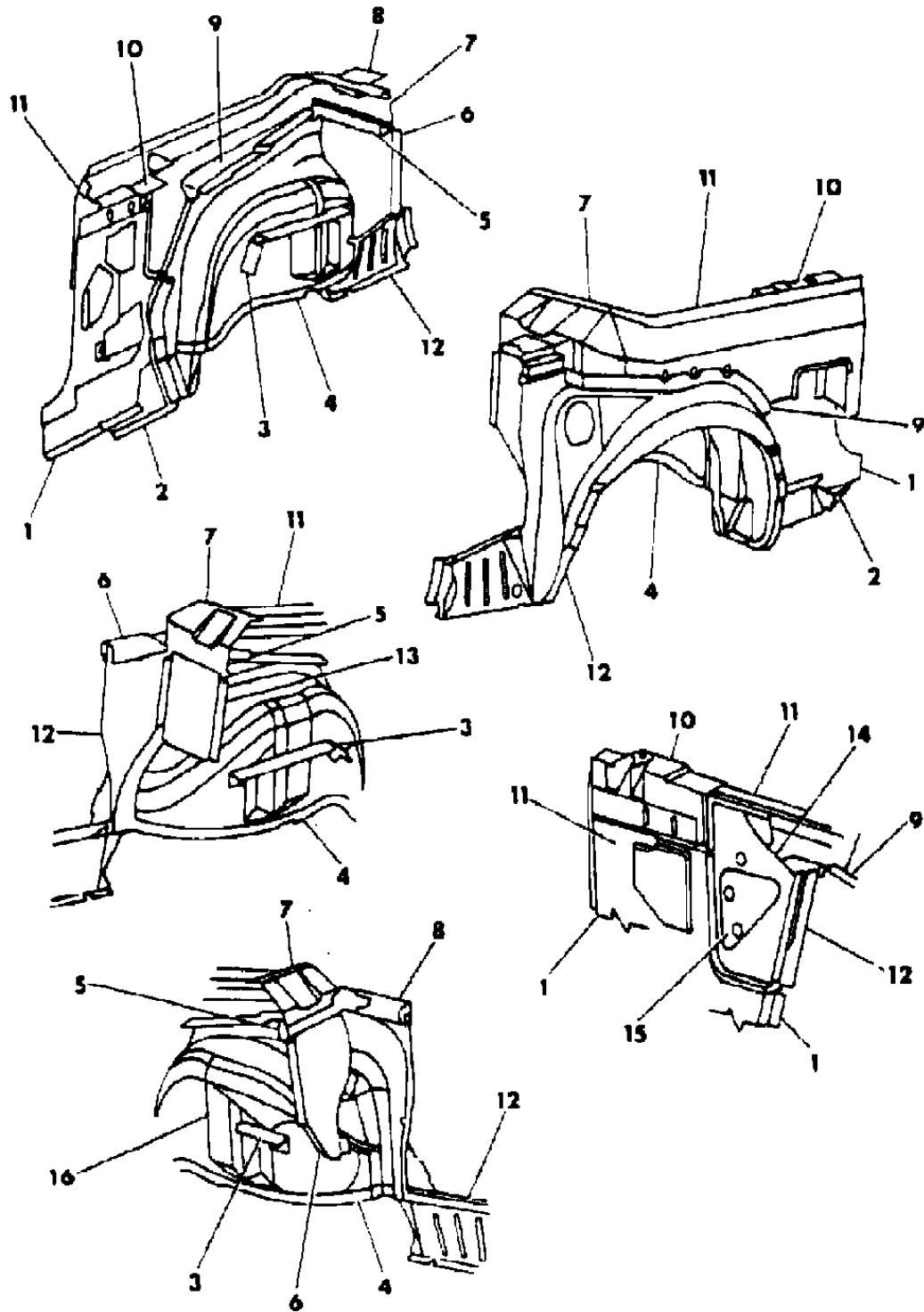
52-53 = FWD WAGON

AR = Use as Required - = Non Illustrated Part P.A.R. = Paint as Required

QUARTER PANEL J BODY 27

Figure 23A-4800

7188 4800



ITEM	PART NUMBER	QTY	BODY	MODEL	DESCRIPTION
1	4341 770-1	1			EXTENSION, Quarter Inner Panel
2	4341 698-9	1			REINFORCEMENT, Quarter Panel
3	4386 066-7	1			BRACKET, Rear w/House Inner Floor
4	4440 242-3	1			PANEL, Rear w/House Inner
5	4386 058-9	1			EXTENSION, Deck Opening Panel Drain Trough Lower
6	4386 056	1			EXTENSION, Deck Opening Upper Panel
7	4440 830-1	1			EXTENSION, Deck Opening Panel Drain Trough Upper
8	4371 032-3	1			BRACE, Quarter Inner Panel
9	#4416 650-1	1			REINFORCEMENT, Belt Bar Lower
10	4371 742-3	1			BRACE, Belt Bar Reinforcement
11	4371 740-1	1			REINFORCEMENT, Belt Bar Upper
12	4386 668-9	1			PANEL, Quarter Inner and w/House Outer
13	4386 057	1			EXTENSION, Deck Opening Upper Panel
14	4371 400-1	1			EXTENSION, Belt Reinforcement
15	4371 734	1			PLATE, Belt Bar Reinforcement To w/House
16	4134 686-7	1			REINFORCEMENT, Rear w/House Inner Panel

MODEL CODES

E BODY = (J - CARAVELLE)(E - 600)(T - NEW YORKER)

G BODY = (V24 - DAYTONA)

H BODY = (D44 - LANCER)(C44 - LEBARON GTS)

J BODY = (C - LEBARON)

K BODY = (P - RELIANT)(D - ARIES)(C - LEBAROND)/TOWN & COUNTRY)

L BODY = (M - HORIZON/TURISMO)(Z - OMNI/CHARGER)

M BODY = (B - GRAN FURY)(F - FIFTH AVE/NEWPORT)(G - DIPLOMAT)

P BODY = (P - SUNDANCE)(D - SHADOW)

S BODY = (H - VOYAGER)(K - RAM VAN/CARAVAN)

BODY STYLES

12-13 = FWD VAN

21 = 2-DOOR SEDAN

24 = 2-DOOR HATCHBACK

27 = 2-DOOR CONVERTIBLE

41 = 4-DOOR SEDAN

44 = 4-DOOR HATCHBACK

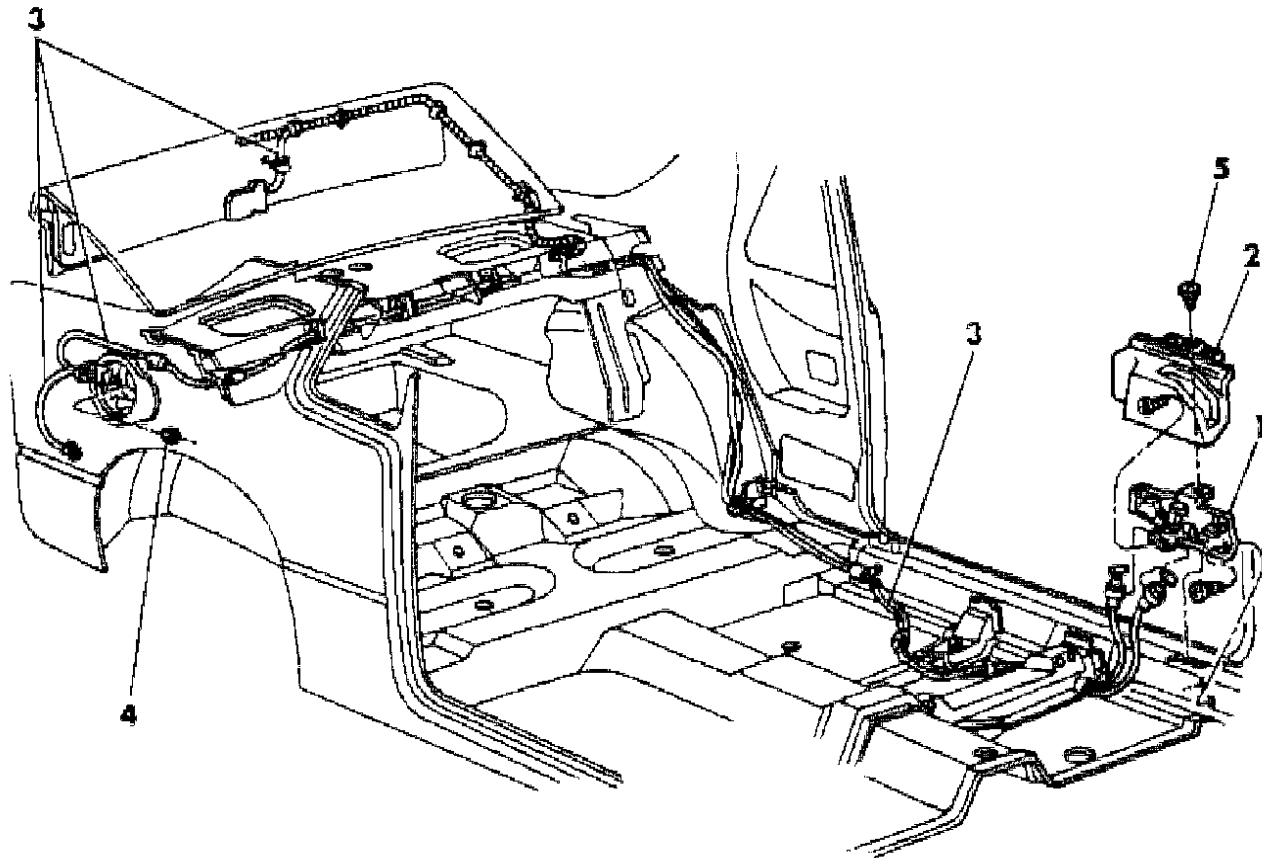
45 = 4-DOOR STATION WAGON

52-53 = FWD WAGON

AR = Use as Required - = Non Illustrated Part P.A.R. = Paint as Required

FUEL FILLER AND LIFTGATE RELEASE J BODY
Figure 23A-4900

7188 4800



ITEM	PART NUMBER	QTY	BODY	MODEL	DESCRIPTION
1	4371 488	1			HANDLE, Fuel Filler and Liftgate Remote Release
2	S990 EE8	1			COVER Cordovan
	S990 EK1				Light Almond
	S990 DS8				Charcoal
	S990 FC5				Blue
3	#4400 945	1		21	CABLE and WIRING ASSEMBLY
	4414 743	1		27	
	4371 600	1		21	CABLE, Deck Latch Release
	4416 393	1		27	
	4416 757	1		21	CABLE, Fuel Filler Release
	4416 389	1		27	
4		1			NUT, Not Serviced
5	6032 456	3			CLIP

MODEL CODES

E BODY = (J - CARAVELLE)(E - 600)(T - NEW YORKER)

G BODY = (V24 - DAYTONA)

H BODY = (D44 - LANCER)(C44 - LEBARON GTS)

J BODY = (C - LEBARON)

K BODY = (P - RELIANT)(D - ARIES)(C - LEBAROND)/TOWN & COUNTRY)

L BODY = (M - HORIZON/TURISMO)(Z - OMNI/CHARGER)

M BODY = (B - GRAN FURY)(F - FIFTH AVE/NEWPORT)(G - DIPLOMAT)

P BODY = (P - SUNDANCE)(D - SHADOW)

S BODY = (H - VOYAGER)(K - RAM VAN/CARAVAN)

BODY STYLES

12-13 = FWD VAN

21 = 2-DOOR SEDAN

24 = 2-DOOR HATCHBACK

27 = 2-DOOR CONVERTIBLE

41 = 4-DOOR SEDAN

44 = 4-DOOR HATCHBACK

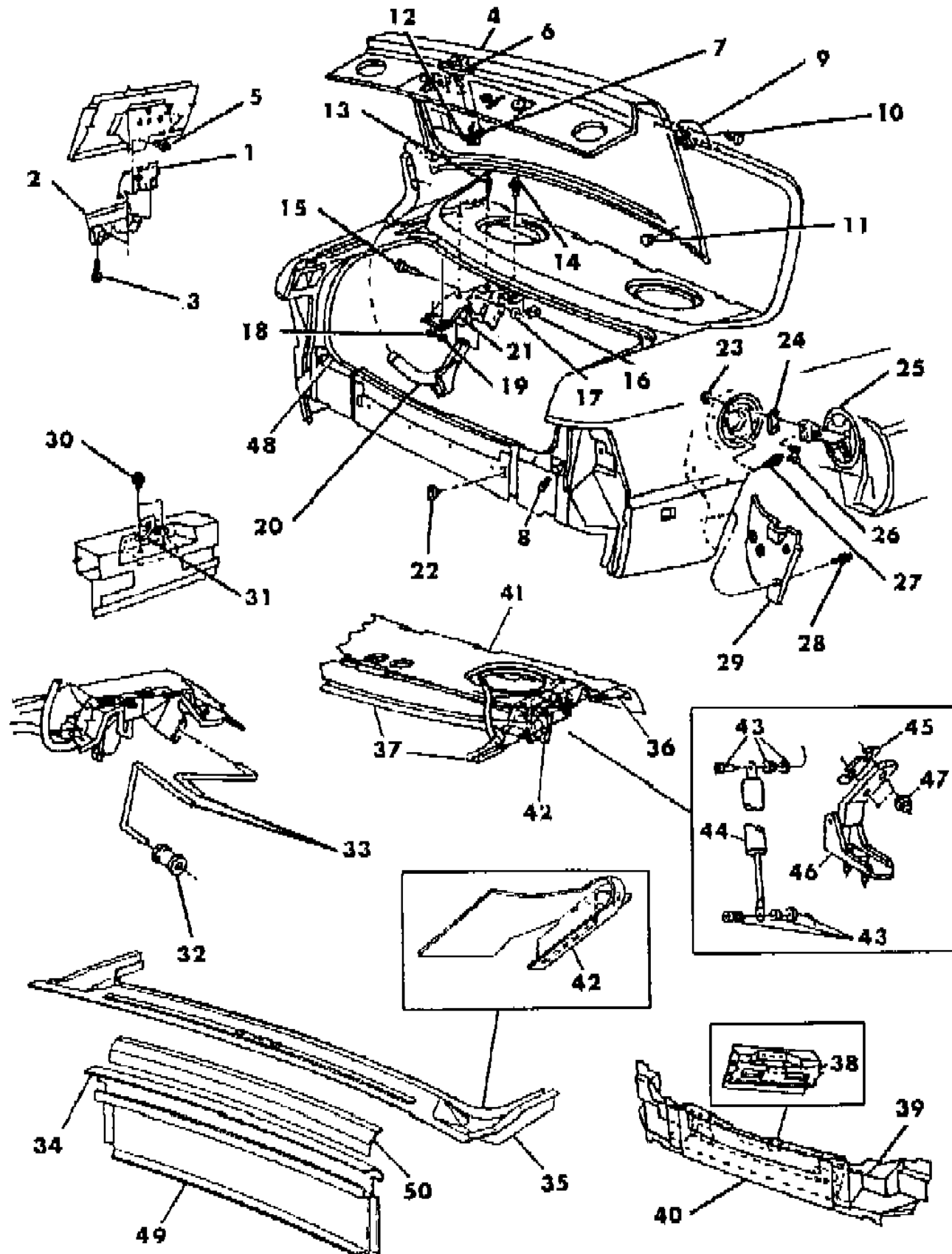
45 = 4-DOOR STATION WAGON

52-53 = FWD WAGON

AR = Use as Required - = Non Illustrated Part P.A.R. = Paint as Required

LIFTGATE PANEL J BODY
Figure 23A-5000

87169 5000E



ITEM	PART NUMBER	QTY	BODY	MODEL	DESCRIPTION
1	4378 062	1			LATCH, Deck Lid
2	4378 288	1			COVER, Deck Lid Latch
3		AR			SCREW, Deck Lid Cover Not Serviced
4	4371 149	1		21	PANEL ASSEMBLY, Deck Lid
	4371 476	1		27	
	4490 401	1		27	FILLER, Deck Lid Opening Upper Panel To Backlite
5	6100 312	2			SCREW and WASHER
6	4378 084	1			CYLINDER and BRACKET
7	6100 815	3			NUT
8	4336 077	2			BUMPER, Deck Lid Overslam
	6023 531	2			SCREW, Deck Lid Overslam
9	4371 760-1	1			COVER, Deck Lid Inner Panel Tail Lamp Filler Up To 1-5-87
	4416 766-7	1			After 1-5-87
10	6501 477	4			RETAINER
11	6029 939	2			PLUG
12		4		21	SCREW, Not Serviced
13		4		21	SCREW, Not Serviced
14		2		21	SCREW, Not Serviced
15	4206 243	2		21	PIN, Deck Lid
16	6100 042	2		21	U-NUT
17	6022 149	2		21	NUT
18	4337 874	AR		21	BUMPER, Deck Lid
19	6100 050	2		21	NUT
20	4371 482-3	1		21	HINGE, Deck Lid
21	4341 696-7	1		21	SUPPORT, Deck Lid Hinge To Shelf Panel
22	4440 294	2			PLUG, Deck Opening Lower
23	6032 641	2			NUT and WASHER
24	4337 145	AR			SHIM
25	4337 875	1			DOOR, Fuel Filler
26	4337 155	AR			PLATE, Fuel Filler Door
27	4337 144	2			BUMPER
28		8			SCREW, Not Serviced
29	4371 598-9	1			SHIELD, Rear w/House Inner Panel
30		2			SCREW and WASHER, Not Serviced
31	4378 085	1			STRIKER, Deck Lid
32	4416 514	2			ROLLER, Deck Lid Torsion Bar
33	4371 484-5	1			BAR, Deck Lid Hinge Torsion
34	4341 774	1		27	TROUGH, Deck Opening Upper Panel Drain

MODEL CODES

E BODY = (J - CARAVELLE)(E - 600)(T - NEW YORKER)

G BODY = (V24 - DAYTONA)

H BODY = (D44 - LANCER)(C44 - LEBARON GTS)

J BODY = (C - LEBARON)

K BODY = (P - RELIANT)(D - ARIES)(C - LEBAROND)/TOWN & COUNTRY)

L BODY = (M - HORIZON/TURISMO)(Z - OMNI/CHARGER)

M BODY = (B - GRAN FURY)(F - FIFTH AVE/NEWPORT)(G - DIPLOMAT)

P BODY = (P - SUNDANCE)(D - SHADOW)

S BODY = (H - VOYAGER)(K - RAM VAN/CARAVAN)

BODY STYLES

12-13 = FWD VAN

21 = 2-DOOR SEDAN

24 = 2-DOOR HATCHBACK

27 = 2-DOOR CONVERTIBLE

41 = 4-DOOR SEDAN

44 = 4-DOOR HATCHBACK

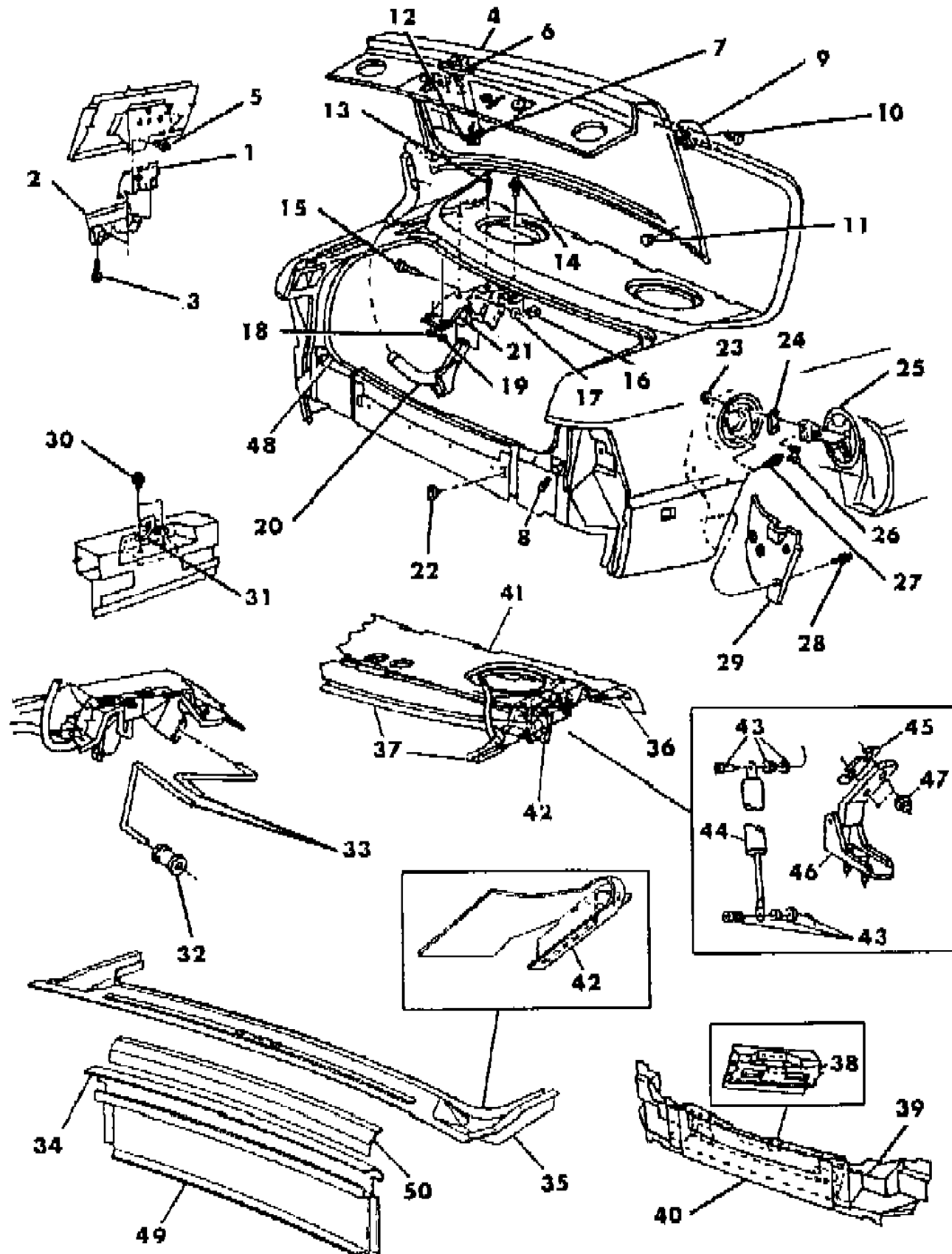
45 = 4-DOOR STATION WAGON

52-53 = FWD WAGON

AR = Use as Required - = Non Illustrated Part P.A.R. = Paint as Required

LIFTGATE PANEL J BODY
Figure 23A-5000

87169 5000E



ITEM	PART NUMBER	QTY	BODY	MODEL	DESCRIPTION
35	#4341 779	1		27	TROUGH, Deck Opening Upper Drain
36	4341 692	1			REINFORCEMENT, Shelf Panel Front
37	4341 693	1			TROUGH, Deck Opening Upper Drain Up To 11-4-86
	4440 474	1			After 11-4-86
38	4386 086	1			REINFORCEMENT, Deck Opening Lower Panel Striker
39	4341 690	1			REINFORCEMENT, Opening Lower Panel
40	4341 681	1			PANEL, Deck Opening Lower
41					PANEL Not Serviced
42	4440 260-1	1		27	BRACKET, Door Opening Upper Panel Prop
43		AR		27	SCREW and WASHER, Not Serviced
44	4371 038	2		27	PROP
45		AR		27	SHIM, Not Serviced
46	4416 156	2		27	HINGE ASSEMBLY
47	6500 284	4		27	NUT and WASHER
48	4386 818	1			WEATHERSTRIP, Deck Lid Opening
49	4440 332	1		27	PANEL, Deck Lid Opening Upper Rear
50	4440 152	1		27	BRACE, Deck Opening Drain Trough to Closure Panel

MODEL CODES

E BODY = (J - CARAVELLE)(E - 600)(T - NEW YORKER)

G BODY = (V24 - DAYTONA)

H BODY = (D44 - LANCER)(C44 - LEBARON GTS)

J BODY = (C - LEBARON)

K BODY = (P - RELIANT)(D - ARIES)(C - LEBAROND)/TOWN & COUNTRY)

L BODY = (M - HORIZON/TURISMO)(Z - OMNI/CHARGER)

M BODY = (B - GRAN FURY)(F - FIFTH AVE/NEWPORT)(G - DIPLOMAT)

P BODY = (P - SUNDANCE)(D - SHADOW)

S BODY = (H - VOYAGER)(K - RAM VAN/CARAVAN)

BODY STYLES

12-13 = FWD VAN

21 = 2-DOOR SEDAN

24 = 2-DOOR HATCHBACK

27 = 2-DOOR CONVERTIBLE

41 = 4-DOOR SEDAN

44 = 4-DOOR HATCHBACK

45 = 4-DOOR STATION WAGON

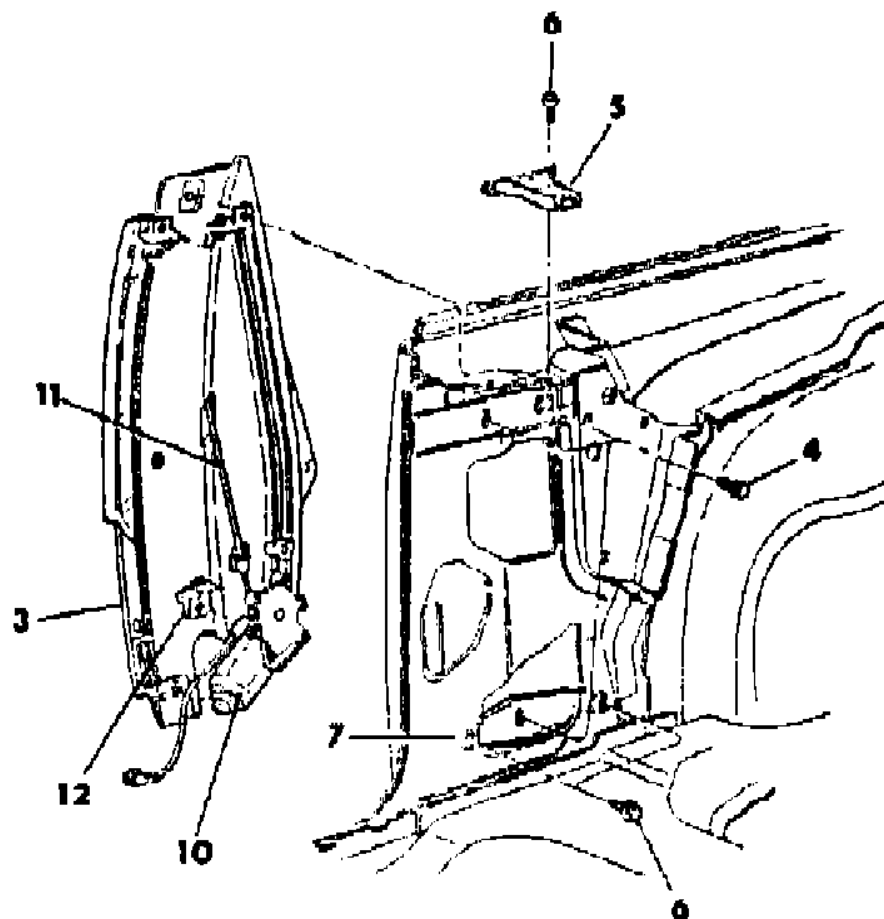
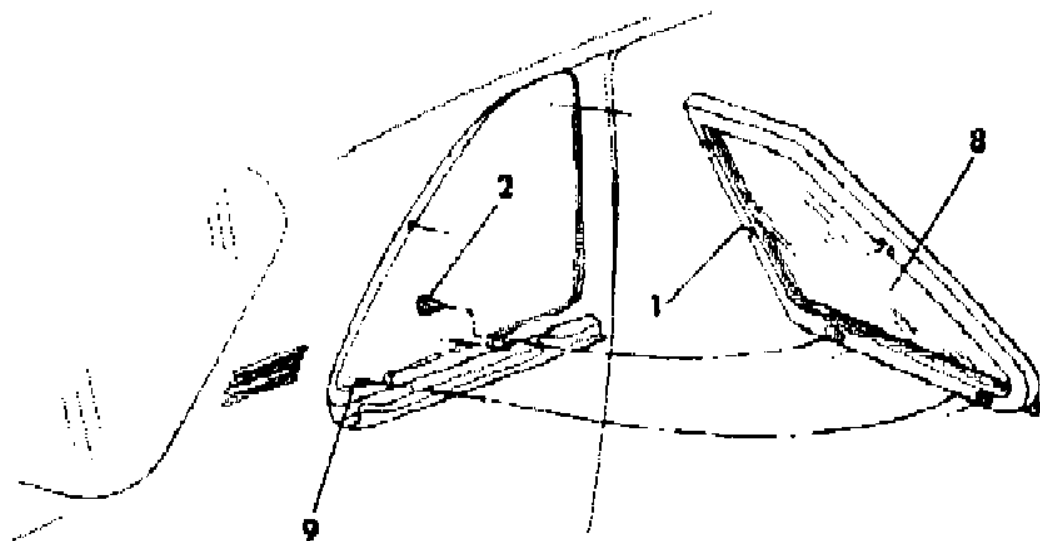
52-53 = FWD WAGON

AR = Use as Required - = Non Illustrated Part P.A.R. = Paint as Required

GLASS QUARTER WINDOW J BODY 21,27
Figure 23A-5100

7188 5100 B

ITEM	PART NUMBER	QTY	BODY	MODEL	DESCRIPTION
1	4337 890-1	1		21	FRAME and GLASS ASSEMBLY
2		4		21	SCREW, Not Serviced
3	4480 828-9	1		27	REGULATOR ASSEMBLY, w/Motor & Cable (w/Out Glass)
4	6100 565	3		27	SCREW
5	4445 106	2		27	STABILIZER, Inner Belt Quarter Glass
6		3		27	SCREW, Not Serviced
7	4415 198-9	1		27	BRACE, Quarter Window
8	4415 084-5	1		27	GLASS, Quarter Window Tinted
	4415 086-7	1		27	RETAINER
9	4415 088-9	1		27	WEATHERSTRIP, Quarter Window Glass Front
10		1		27	MOTOR, Quarter Window (Only Service In Item #3)
11		2		27	CABLE, (Upper and Lower) (Only Service In Item #3)
12		1		27	LIFTPLATE, (Only Service In Item #3)



MODEL CODES

E BODY = (J - CARAVELLE)(E - 600)(T - NEW YORKER)

G BODY = (V24 - DAYTONA)

H BODY = (D44 - LANCER)(C44 - LEBARON GTS)

J BODY = (C - LEBARON)

K BODY = (P - RELIANT)(D - ARIES)(C - LEBAROND)/TOWN & COUNTRY)

L BODY = (M - HORIZON/TURISMO)(Z - OMNI/CHARGER)

M BODY = (B - GRAN FURY)(F - FIFTH AVE/NEWPORT)(G - DIPLOMAT)

P BODY = (P - SUNDANCE)(D - SHADOW)

S BODY = (H - VOYAGER)(K - RAM VAN/CARAVAN)

BODY STYLES

12-13 = FWD VAN

21 = 2-DOOR SEDAN

24 = 2-DOOR HATCHBACK

27 = 2-DOOR CONVERTIBLE

41 = 4-DOOR SEDAN

44 = 4-DOOR HATCHBACK

45 = 4-DOOR STATION WAGON

52-53 = FWD WAGON

AR = Use as Required - = Non Illustrated Part P.A.R. = Paint as Required

CONVERTIBLE TOP J BODY 27
Figure 23A-5200

7189 5200 A

ITEM	PART NUMBER	QTY	BODY	MODEL	DESCRIPTION
1		1			COVER ASSEMBLY
	T903 FC4				Blue
	T903 FE7				Cordovan
	T903 FK1				Almond
	T903 FW3				White
	T903 FX9				Black
2		1			BOW ASSEMBLY
	4490 133				#1 Bow
	4490 134				#2 Bow
	4490 135				#3 Bow
3		2			SCREW, Not Serviced
4	4386 408	2			HEADER and LATCH
5		1			STRIP
	T928 FC4				Blue
	T898 FE7				Cordovan
	T898 FK1				Almond
	T898 FW3				White
	T898 FX9				Black
6	4097 591	2			CAP
7	4097 784	1			PAD, Header
8	#4454 921	2			STAY, Side
9	#4386 412-3				RAIL ASSEMBLY
10	#4422 810	2			CABLE
	4305 011	2			Spring
11		1			WELTING, f/Top Header
	T902 FC4				Blue
	T902 FE7				Cordovan
	T902 FK1				Almond
	T902 FW3				White
	T902 FX9				Black
12		1			WINDOW, Rear f/Top Heated
	T922 FC4				Blue
	T922 FE7				Cordovan
	T922 FK1				Almond
	T922 FW3				White
	T922 FX9				Black
13		1			BOOT, f/Top
	T967 FC7				Twilight Blue

MODEL CODES

E BODY = (J - CARAVELLE)(E - 600)(T - NEW YORKER)

G BODY = (V24 - DAYTONA)

H BODY = (D44 - LANCER)(C44 - LEBARON GTS)

J BODY = (C - LEBARON)

K BODY = (P - RELIANT)(D - ARIES)(C - LEBAROND)/TOWN & COUNTRY)

L BODY = (M - HORIZON/TURISMO)(Z - OMNI/CHARGER)

M BODY = (B - GRAN FURY)(F - FIFTH AVE/NEWPORT)(G - DIPLOMAT)

P BODY = (P - SUNDANCE)(D - SHADOW)

S BODY = (H - VOYAGER)(K - RAM VAN/CARAVAN)

BODY STYLES

12-13 = FWD VAN

21 = 2-DOOR SEDAN

24 = 2-DOOR HATCHBACK

27 = 2-DOOR CONVERTIBLE

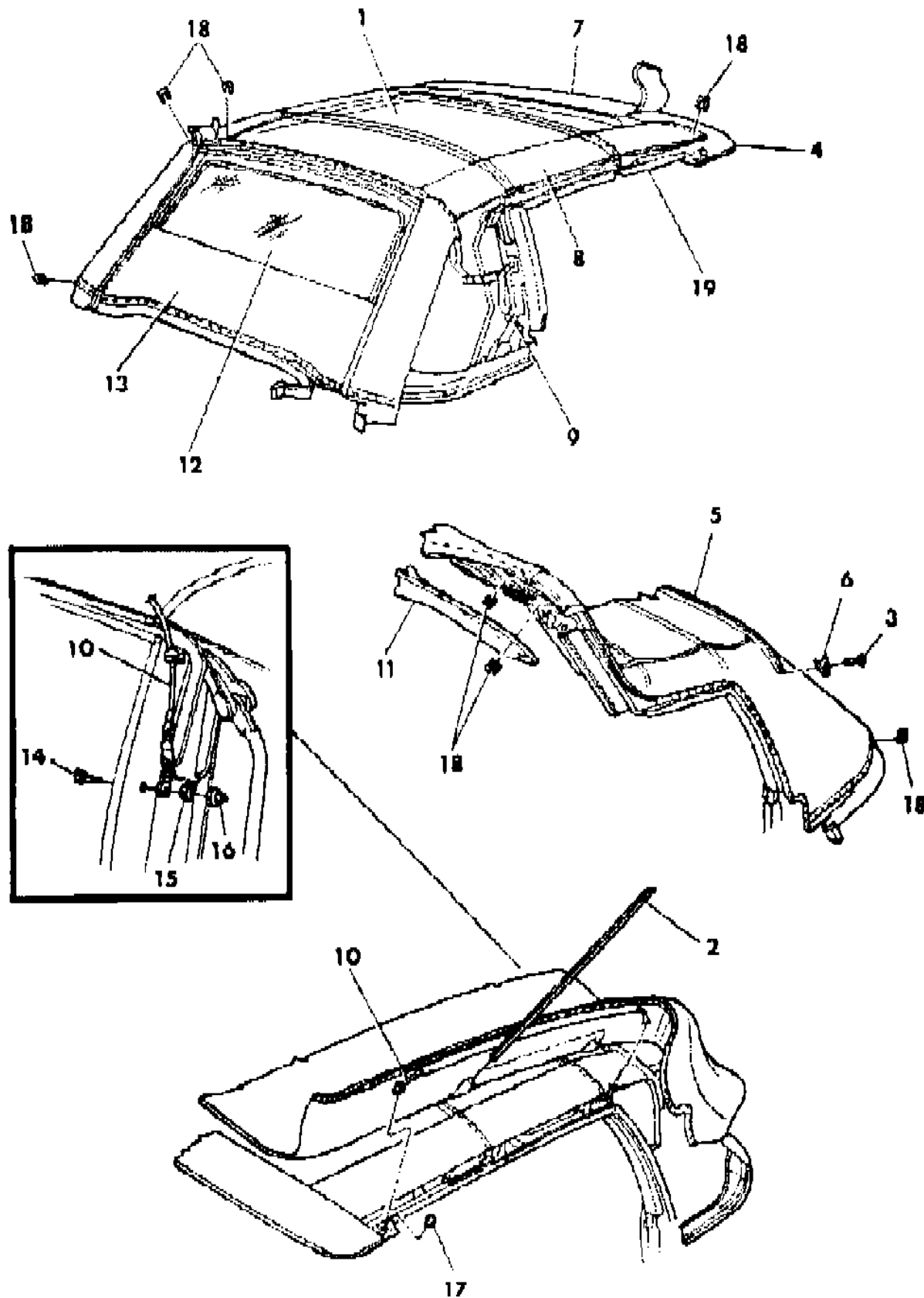
41 = 4-DOOR SEDAN

44 = 4-DOOR HATCHBACK

45 = 4-DOOR STATION WAGON

52-53 = FWD WAGON

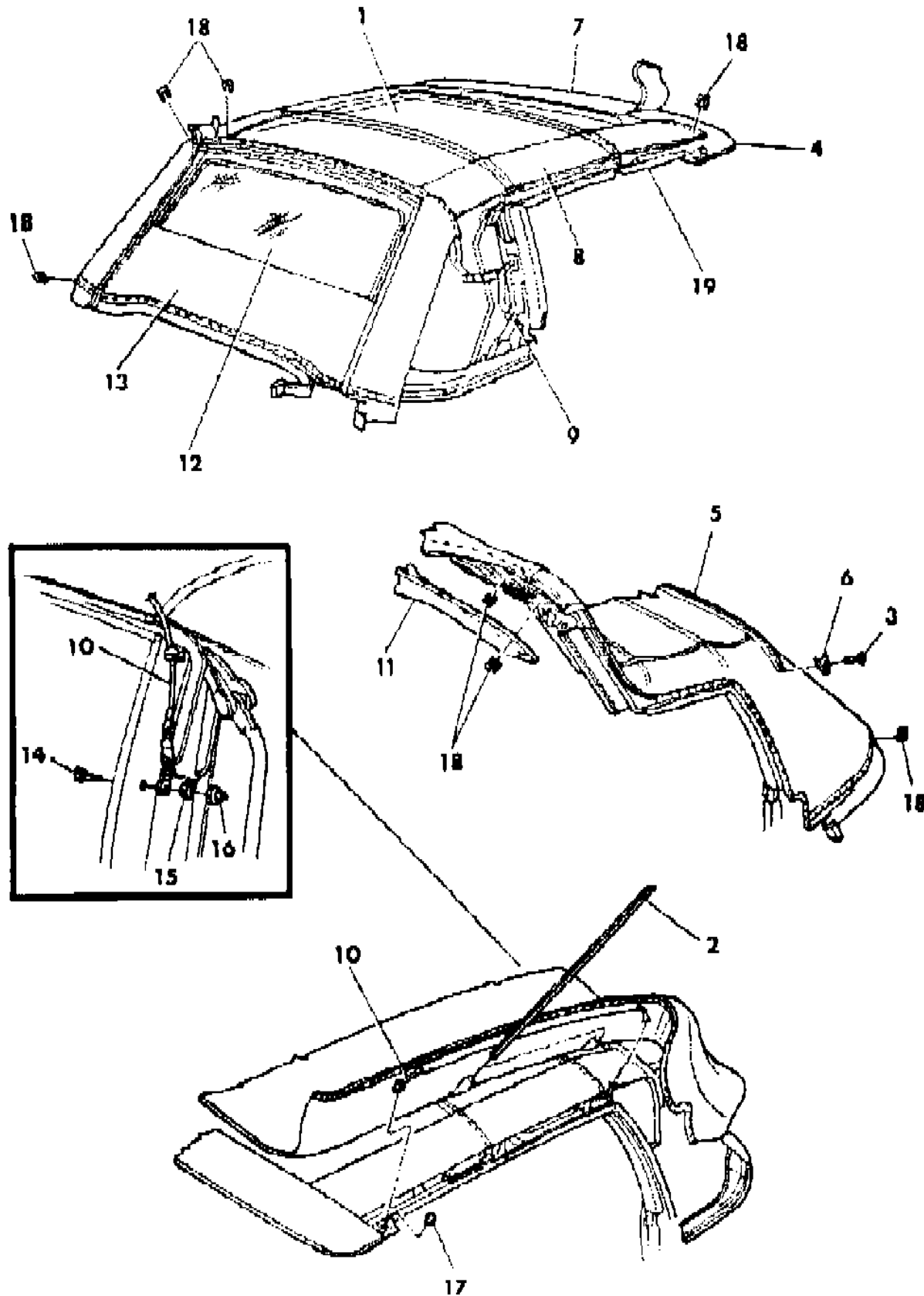
AR = Use as Required - = Non Illustrated Part P.A.R. = Paint as Required



CONVERTIBLE TOP J BODY 27
Figure 23A-5200

7189 5200 A

ITEM	PART NUMBER	QTY	BODY	MODEL	DESCRIPTION
	T967 FW3				White
	T967 FA2				Silver
	T967 FR3				Red Flash
	T967 FX9				Black
14					SCREW, Not Serviced
15		2			NUT, Not Serviced
16	4491 698	2			CAP
17	#4454 701	2			RETAINER PLUG
18					STAPLE, Not Serviced
19		1			COVER ASSEMBLY, Headliner
	H883 FS8				Charcoal
	H883 FC5				Blue
	H883 FE8				Cordovan
	H883 FK1				Light Almond
20	4114 785	4			FASTENER, Headliner
	4491 775	2			STAY, Rear



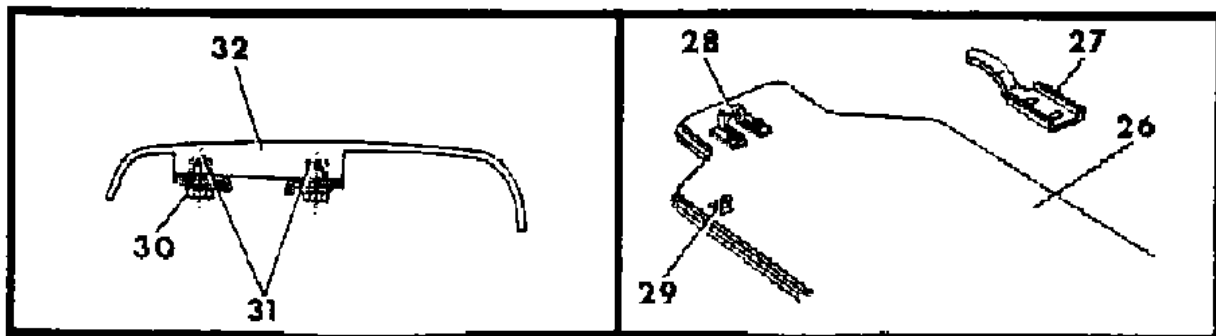
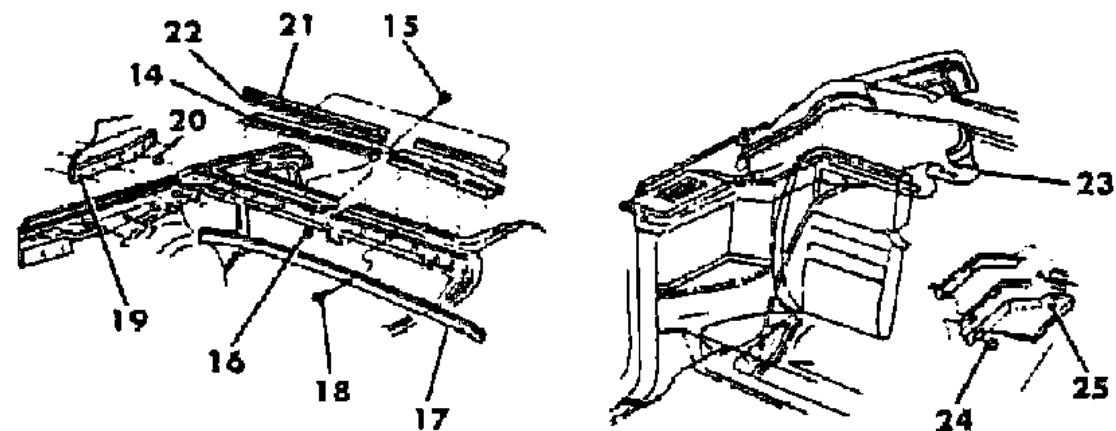
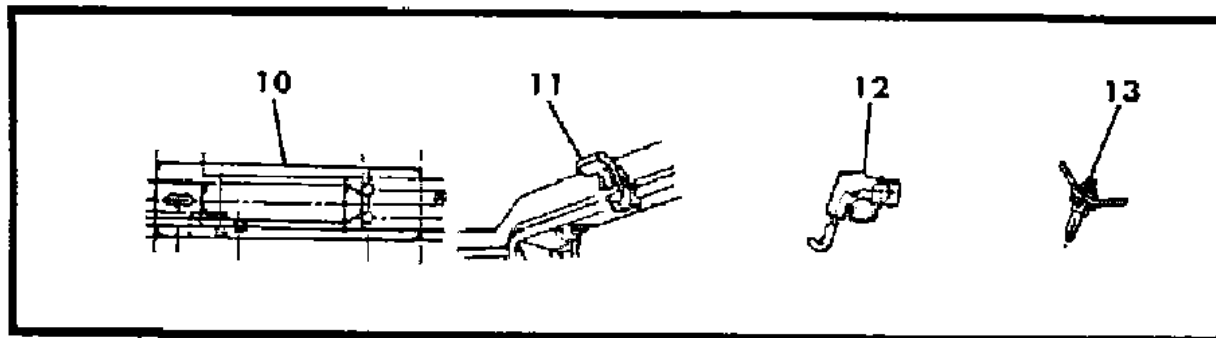
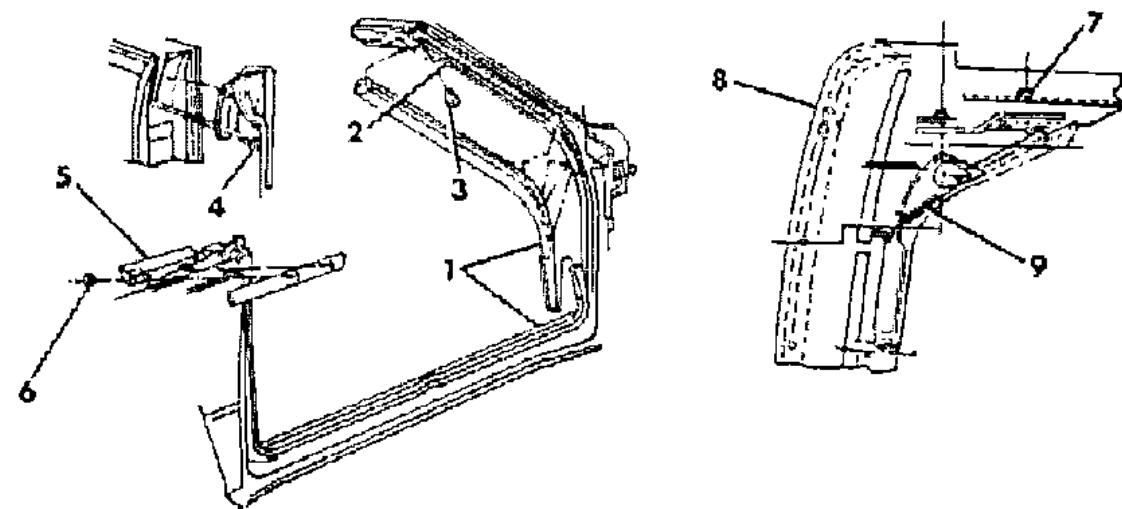
MODEL CODES
 E BODY = (J - CARAVELLE)(E - 600)(T - NEW YORKER)
 G BODY = (V24 - DAYTONA)
 H BODY = (D44 - LANCER)(C44 - LEBARON GTS)
 J BODY = (C - LEBARON)
 K BODY = (P - RELIANT)(D - ARIES)(C - LEBAROND)/TOWN & COUNTRY
 L BODY = (M - HORIZON/TURISMO)(Z - OMNI/CHARGER)
 M BODY = (B - GRAN FURY)(F - FIFTH AVE/NEWPORT)(G - DIPLOMAT)
 P BODY = (P - SUNDANCE)(D - SHADOW)
 S BODY = (H - VOYAGER)(K - RAM VAN/CARAVAN)

BODY STYLES
 12-13 = FWD VAN
 21 = 2-DOOR SEDAN
 24 = 2-DOOR HATCHBACK
 27 = 2-DOOR CONVERTIBLE
 41 = 4-DOOR SEDAN
 44 = 4-DOOR HATCHBACK
 45 = 4-DOOR STATION WAGON
 52-53 = FWD WAGON

AR = Use as Required - = Non Illustrated Part P.A.R. = Paint as Required

RAIL, HEADER AND LATCH ASSEMBLY J BODY 27
Figure 23A-5250

7189 5250



ITEM	PART NUMBER	QTY	BODY	MODEL	DESCRIPTION
1	#4475 060-1	1			WEATHERSTRIP, Body Side Aperture Panel Door Opening
2	#4396 314-5	1			RETAINER and SEAL
3		5			SCREW, Not Serviced
4		8			SCREW, Not Serviced
5	#4440 142-3	1			WEATHERSTRIP, Qtr. Window Belt
6	4381 690-1	1			WEATHERSTRIP, Qtr. Top Inner Belt
6	6501 140	AR			NUT
7	#4386 412-3	1			RAIL ASSEMBLY
8	#4386 408	1			HEADER and LATCH ASSEMBLY
9		2			SPRING (Serviced in Header Assembly) ***
10	#4422 290-1	1			BASE
11	#4386 748-9	1			LATCH and BASE
12	4341 706	2			HOOK
13	4341 707	2			PIN, Locating
14	#4341 778	1			FILLER, Deck Lid Opening Upper Panel To Backlite
15		3			SCREW, Not Serviced
16	6501 140	9			NUT and WASHER
17	#4422 417	1			RETAINER and EXTENSION
18	6500 354	13			SCREW and WASHER
19	#4422 420-1	1			EXTENSION, Body Aperture Belt Bar
20	6501 279	8			NUT and WASHER
21	#4398 378	1			MOULDING, Deck Upper Panel
22	#4422 054	1			RETAINER, Deck Opening Upper Boot
23	#4410 576	1			SLINGWELL
	4410 579	1			SILENCER, Slingwell
24	6025 002	6			NUT
25	6002 972	2			CLIP, Slingwell
26		1			BOOT, f/Top
	T967 FC7				Blue
	T967 GL2				Pewter Light
	T967 GM4				Red Claret
	T967 GM9				Black Cherry
	T967 GW7				White
	T967 FA2				Silver
	T967 GL8				Pewter Dark
	T967 FR3				Red Flash
	T967 FX9				Black
27	#4454 348-9	1			RETAINER, f/Top Boot Foundation

MODEL CODES

E BODY = (J - CARAVELLE)(E - 600)(T - NEW YORKER)

G BODY = (V24 - DAYTONA)

H BODY = (D44 - LANCER)(C44 - LEBARON GTS)

J BODY = (C - LEBARON)

K BODY = (P - RELIANT)(D - ARIES)(C - LEBAROND)/TOWN & COUNTRY)

L BODY = (M - HORIZON/TURISMO)(Z - OMNI/CHARGER)

M BODY = (B - GRAN FURY)(F - FIFTH AVE/NEWPORT)(G - DIPLOMAT)

P BODY = (P - SUNDANCE)(D - SHADOW)

S BODY = (H - VOYAGER)(K - RAM VAN/CARAVAN)

BODY STYLES

12-13 = FWD VAN

21 = 2-DOOR SEDAN

24 = 2-DOOR HATCHBACK

27 = 2-DOOR CONVERTIBLE

41 = 4-DOOR SEDAN

44 = 4-DOOR HATCHBACK

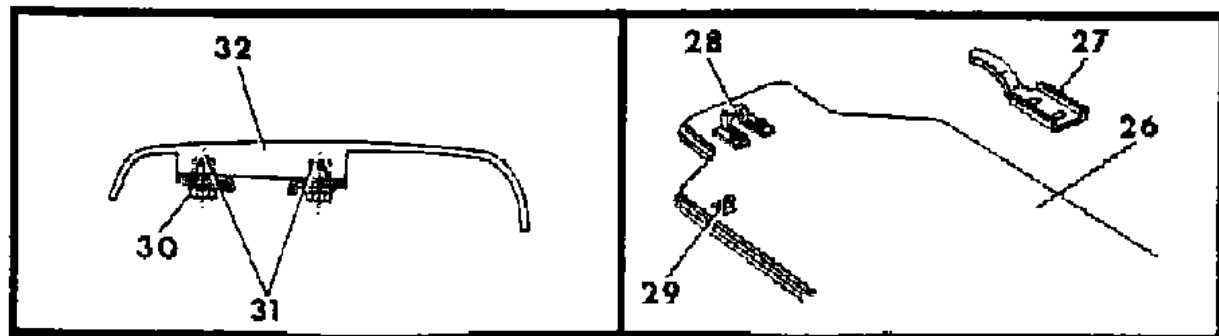
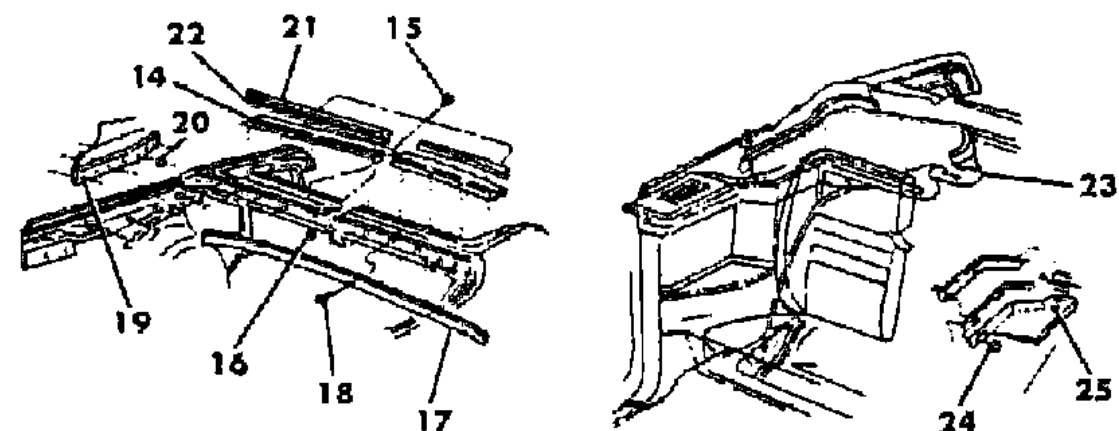
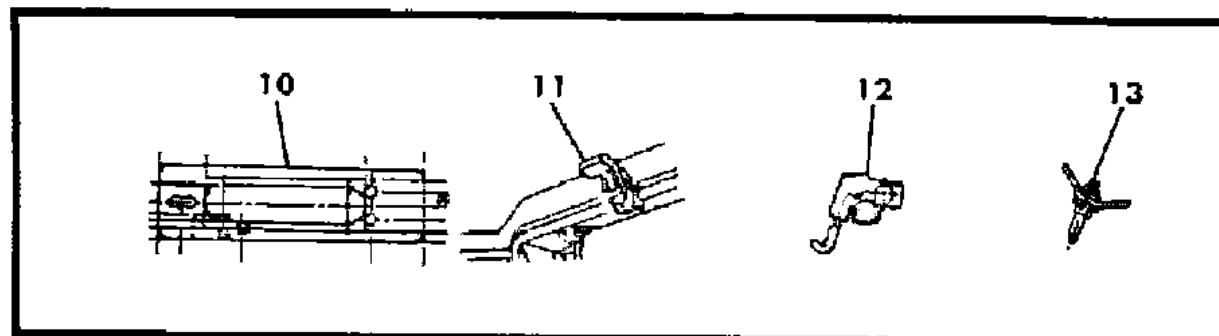
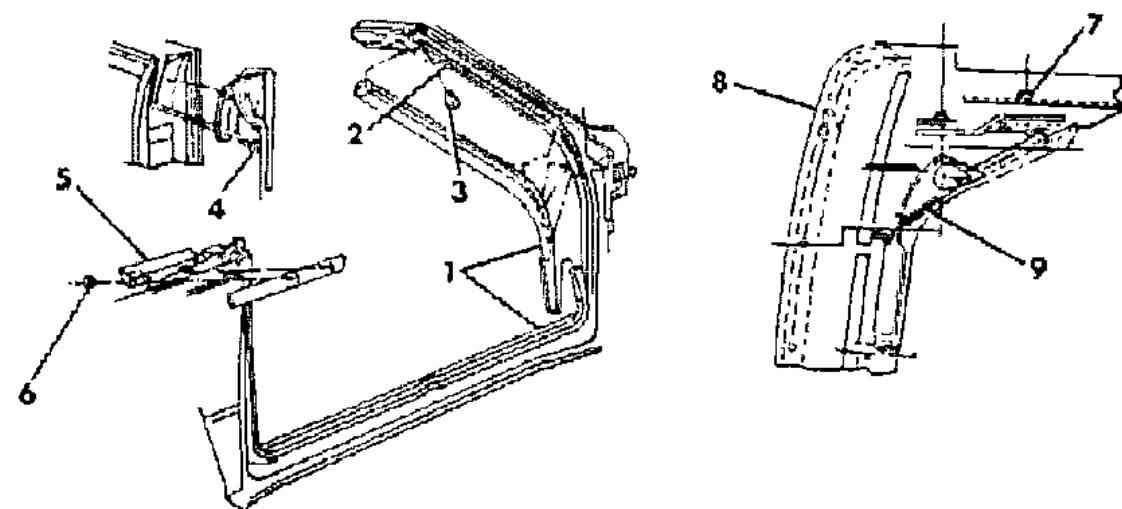
45 = 4-DOOR STATION WAGON

52-53 = FWD WAGON

AR = Use as Required - = Non Illustrated Part P.A.R. = Paint as Required

RAIL, HEADER AND LATCH ASSEMBLY J BODY 27
Figure 23A-5250

7189 5250



ITEM	PART NUMBER	QTY	BODY	MODEL	DESCRIPTION
	4328 880	4			RETAINER, f/Top To Quarter Trim Moulding
28	4422 264	2			CATCH, f/Top Boot Front
29	4422 571	6			LOCATOR, f/Top Boot To Quarter Belt Moulding
30	6101 254	8			SCREW and WASHER
31	#6501 533	8			INSERT, f/Top Boot For Foundation
32	4422 058-9	1			FOUNDATION, f/Top Boot

MODEL CODES

E BODY = (J - CARAVELLE)(E - 600)(T - NEW YORKER)

G BODY = (V24 - DAYTONA)

H BODY = (D44 - LANCER)(C44 - LEBARON GTS)

J BODY = (C - LEBARON)

K BODY = (P - RELIANT)(D - ARIES)(C - LEBAROND)/TOWN & COUNTRY)

L BODY = (M - HORIZON/TURISMO)(Z - OMNI/CHARGER)

M BODY = (B - GRAN FURY)(F - FIFTH AVE/NEWPORT)(G - DIPLOMAT)

P BODY = (P - SUNDANCE)(D - SHADOW)

S BODY = (H - VOYAGER)(K - RAM VAN/CARAVAN)

BODY STYLES

12-13 = FWD VAN

21 = 2-DOOR SEDAN

24 = 2-DOOR HATCHBACK

27 = 2-DOOR CONVERTIBLE

41 = 4-DOOR SEDAN

44 = 4-DOOR HATCHBACK

45 = 4-DOOR STATION WAGON

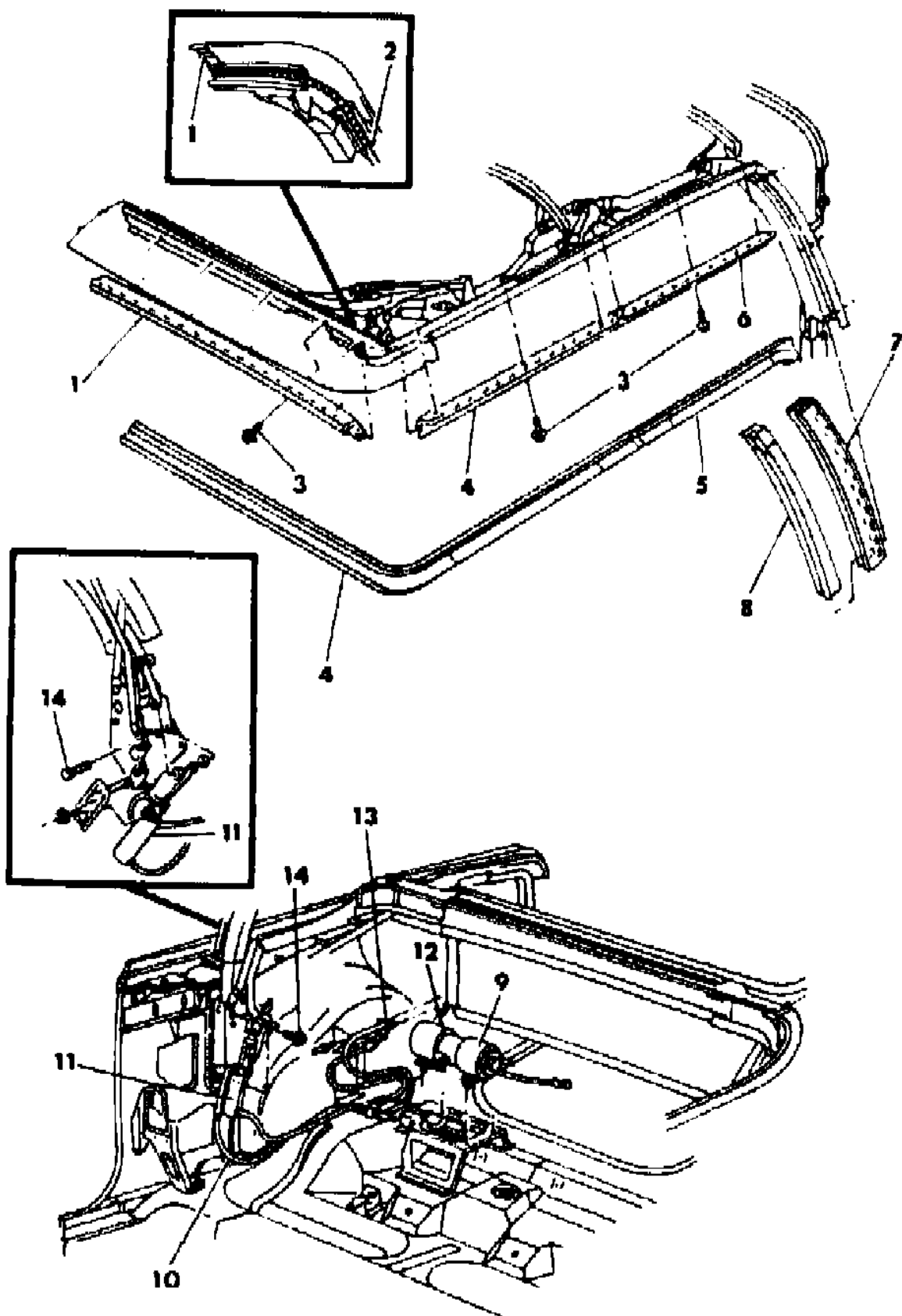
52-53 = FWD WAGON

AR = Use as Required - = Non Illustrated Part P.A.R. = Paint as Required

CONVERTIBLE MOTOR AND UPPER WEATHERSTRIP J BODY 27
Figure 23A-5300

7189 5300 B

ITEM	PART NUMBER	QTY	BODY	MODEL	DESCRIPTION
1	#4396 305	1			RETAINER and SEAL, f/Top Header w/Strip
2	4396 308-9	1			RETAINER and SEAL, f/Top Side Rail Front w/Strip
3		29			SCREW, (Not Serviced)
4	4365 629	1			WEATHERSTRIP, f/Top Side Rail and Front Header
5	4365 644-5	1			WEATHERSTRIP, f/Top Side Rail Center
6	4396 310-1	1			RETAINER and SEAL, f/Top Side Rail Center
7	4396 312-3	1			RETAINER and SEAL, f/Top Rail Rear
8	4490 068-9	1			WEATHERSTRIP, f/Top Side Rail Rear
9	4386 415	1			MOTOR and PUMP
	4097 654	AR			SEAL, Motor and Pump
10	#4386 416	AR			HOSE and VALVE ASSEMBLY
	4097 663	AR			SEAL, Cyl. To Hose
11	4490 592	2			CYLINDER, Folding Top
12	4490 593	1			PLUG, Motor
13	4490 351	1			KNOB, Valve Hose
14		AR			SCREW, Not Serviced
		1			SPRING PACKAGE. Bow Return Part # C3940296
					CONSISTS OF
	4490 557	2			Spring
	4490 558	2			Bracket
	4490 559	2			Spacer
	4490 568	2			Cover
	9428 273	2			Screw



MODEL CODES

E BODY = (J - CARAVELLE)(E - 600)(T - NEW YORKER)

G BODY = (V24 - DAYTONA)

H BODY = (D44 - LANCER)(C44 - LEBARON GTS)

J BODY = (C - LEBARON)

K BODY = (P - RELIANT)(D - ARIES)(C - LEBAROND)/TOWN & COUNTRY)

L BODY = (M - HORIZON/TURISMO)(Z - OMNI/CHARGER)

M BODY = (B - GRAN FURY)(F - FIFTH AVE/NEWPORT)(G - DIPLOMAT)

P BODY = (P - SUNDANCE)(D - SHADOW)

S BODY = (H - VOYAGER)(K - RAM VAN/CARAVAN)

BODY STYLES

12-13 = FWD VAN

21 = 2-DOOR SEDAN

24 = 2-DOOR HATCHBACK

27 = 2-DOOR CONVERTIBLE

41 = 4-DOOR SEDAN

44 = 4-DOOR HATCHBACK

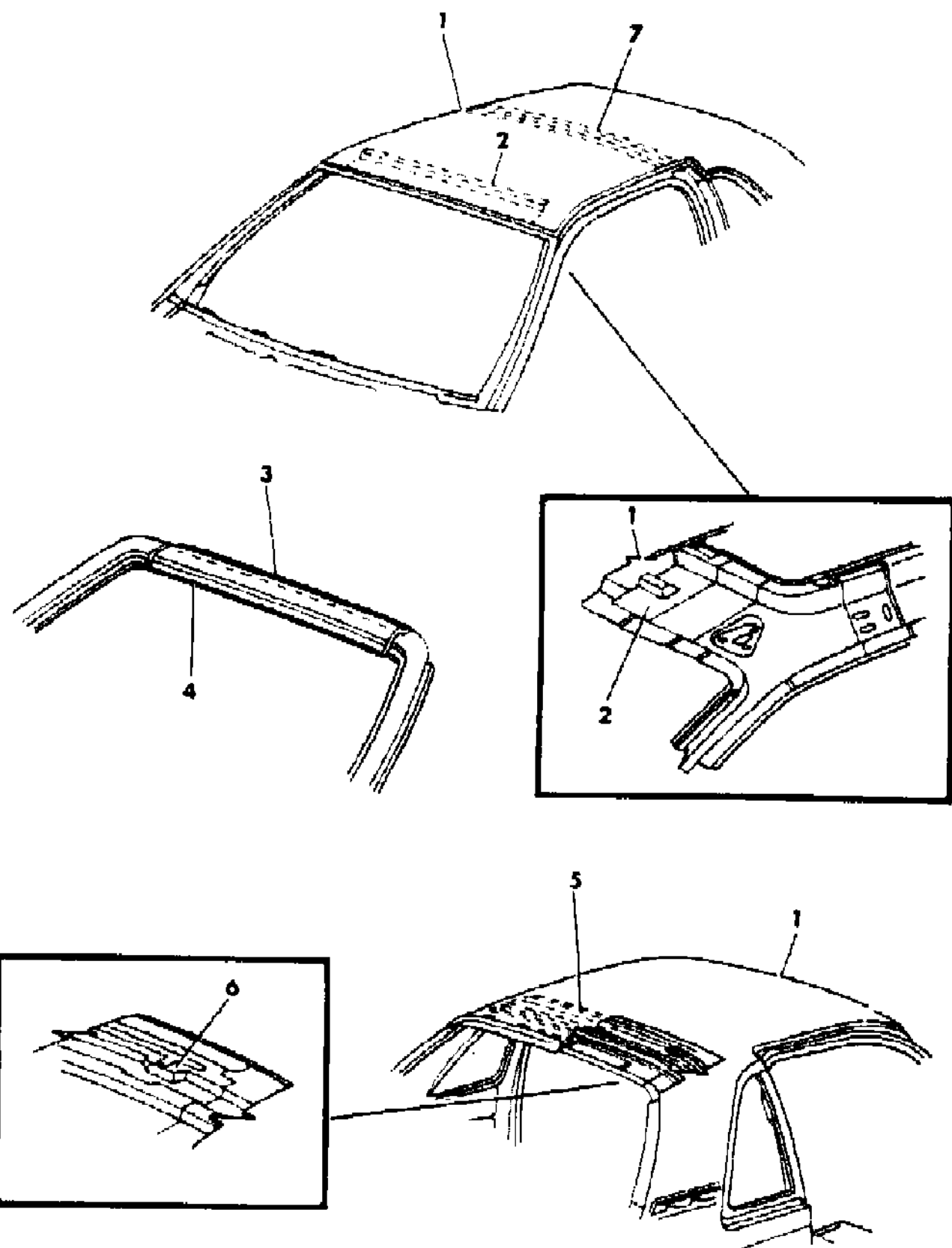
45 = 4-DOOR STATION WAGON

52-53 = FWD WAGON

AR = Use as Required - = Non Illustrated Part P.A.R. = Paint as Required

ROOF PANEL AND WINDSHIELD FRAME J BODY
Figure 23A-5400

7189 5400 A



ITEM	PART NUMBER	QTY	BODY	MODEL	DESCRIPTION
1	4341 414	1			PANEL ROOF
2	4416 061	1			FRAME, w/Shield Opening Upper
3	4371 025	1			FRAME, w/Shield Header Outer
4	4371 024	1			FRAME, w/Shield Header Inner
5	4341 679	1			FRAME, Rear Window Opening Upper
6	6032 934	6			FASTENER
7	#4440 445	1			BOW

MODEL CODES

E BODY = (J - CARAVELLE)(E - 600)(T - NEW YORKER)

G BODY = (V24 - DAYTONA)

H BODY = (D44 - LANCER)(C44 - LEBARON GTS)

J BODY = (C - LEBARON)

K BODY = (P - RELIANT)(D - ARIES)(C - LEBAROND)/TOWN & COUNTRY)

L BODY = (M - HORIZON/TURISMO)(Z - OMNI/CHARGER)

M BODY = (B - GRAN FURY)(F - FIFTH AVE/NEWPORT)(G - DIPLOMAT)

P BODY = (P - SUNDANCE)(D - SHADOW)

S BODY = (H - VOYAGER)(K - RAM VAN/CARAVAN)

BODY STYLES

12-13 = FWD VAN

21 = 2-DOOR SEDAN

24 = 2-DOOR HATCHBACK

27 = 2-DOOR CONVERTIBLE

41 = 4-DOOR SEDAN

44 = 4-DOOR HATCHBACK

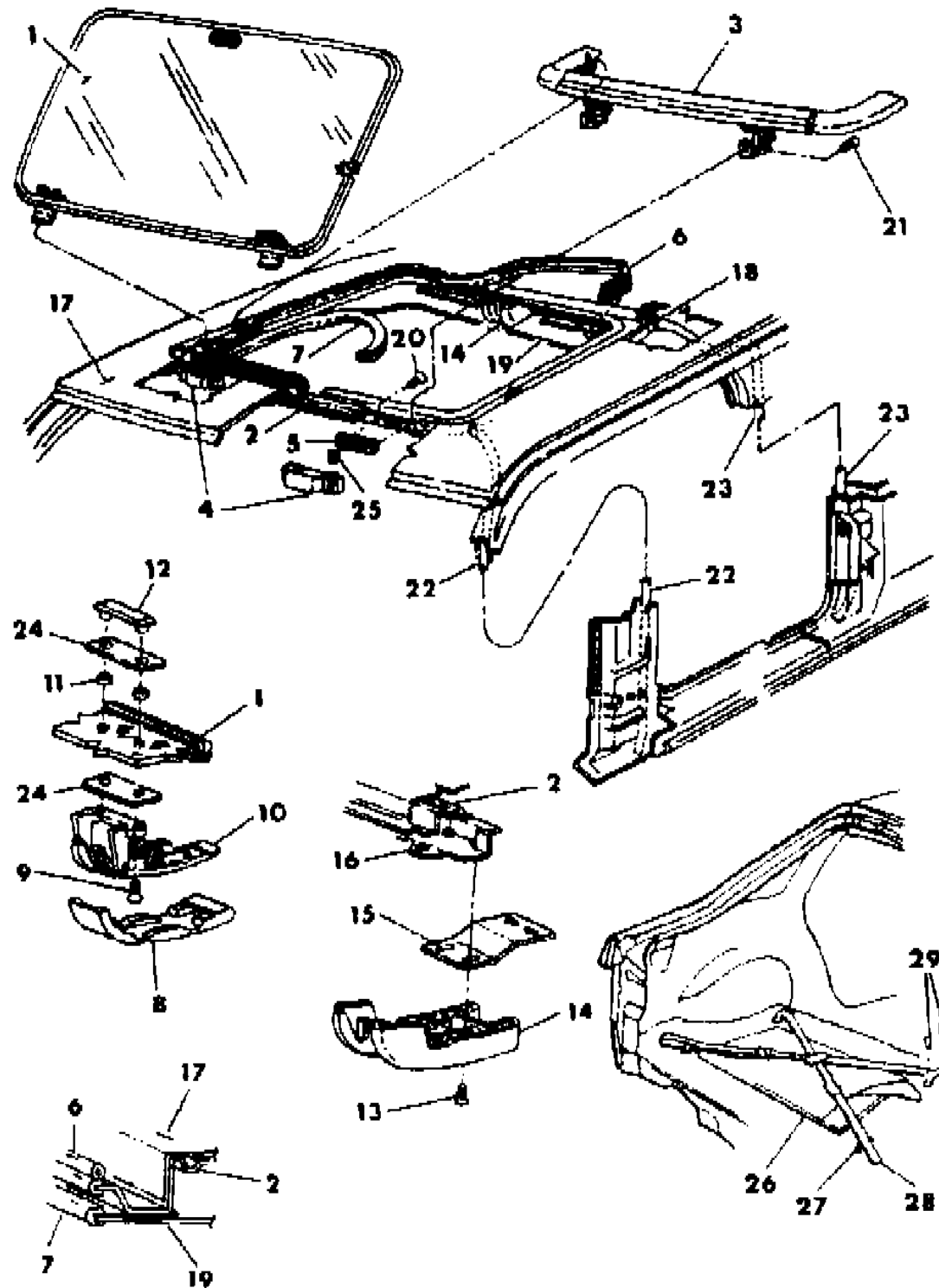
45 = 4-DOOR STATION WAGON

52-53 = FWD WAGON

AR = Use as Required - = Non Illustrated Part P.A.R. = Paint as Required

SUNROOF J BODY 21
Figure 23A-5450

7169 5450 A



ITEM	PART NUMBER	QTY	BODY	MODEL	DESCRIPTION
1	4440 762	1			GLASS AND HANDLE ASSEMBLY
	4172 849	1			SEAL, Secondray
2	4386 604	1			PANEL ROOF and TROUGH ASSEMBLY
3	4440 080	1			DEFLECTOR ASSEMBLY
4	4341 402-3	1			RETAINER ASSEMBLY, Hinge
5		2			GASKET, Serviced In Item 4
6	4440 978	1			SEAL PRIMARY
7		1			WELT
	H612 FS8	1			Charcoal
	H612 FC5	1			Blue
	H612 FE8	1			Cordovan
	H612 FK1	1			Tan
8					COVER, Latch Handle
	H798 FS8	1			Charcoal
	H798 FC5	1			Blue Twilight
	H798 FE8	1			Cordovan
	H798 FK1	1			Taupe
9		2			SCREW, Serviced In 4467211 Package
10	#4440 080	1			HANDLE ASSEMBLY
11		2			GROMMET, Not Serviced
12	4467 211	1			HINGE and T-PLATE, Package
		1			T-Plate
		1			Gasket
		1			Grommet
		1			Gasket
		1			Spacer
		1			Hinge
		1			Screw
13		3			SCREW, Not Serviced
14					BASE ASSEMBLY
	H799 FS8	1			Charcoal
	H799 FC5	1			Blue Twilight
	H799 FE8	1			Cordovan
	H799 FK1	1			Taupe
15	4440 092	1			SUPPORT, Sunroof Trough To Roof Bow
16		1			REINFORCEMENT, Drain Trough Not Serviced
17	#4341 414	1			PANEL, Roof
18	2448 761	4			CLAMP, Sunroof Drain Hose

MODEL CODES

E BODY = (J - CARAVELLE)(E - 600)(T - NEW YORKER)

G BODY = (V24 - DAYTONA)

H BODY = (D44 - LANCER)(C44 - LEBARON GTS)

J BODY = (C - LEBARON)

K BODY = (P - RELIANT)(D - ARIES)(C - LEBAROND)/TOWN & COUNTRY)

L BODY = (M - HORIZON/TURISMO)(Z - OMNI/CHARGER)

M BODY = (B - GRAN FURY)(F - FIFTH AVE/NEWPORT)(G - DIPLOMAT)

P BODY = (P - SUNDANCE)(D - SHADOW)

S BODY = (H - VOYAGER)(K - RAM VAN/CARAVAN)

BODY STYLES

12-13 = FWD VAN

21 = 2-DOOR SEDAN

24 = 2-DOOR HATCHBACK

27 = 2-DOOR CONVERTIBLE

41 = 4-DOOR SEDAN

44 = 4-DOOR HATCHBACK

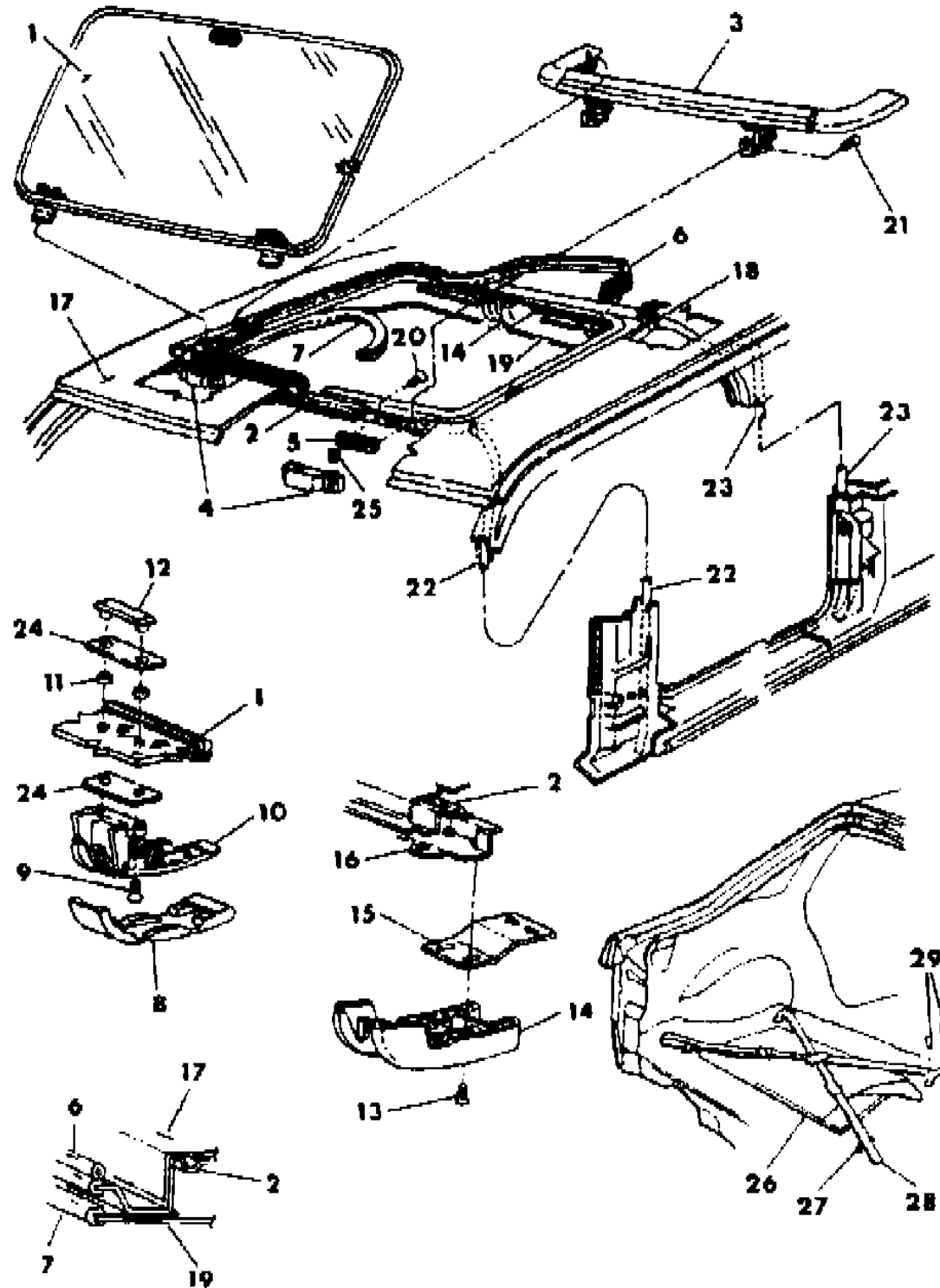
45 = 4-DOOR STATION WAGON

52-53 = FWD WAGON

AR = Use as Required - = Non Illustrated Part P.A.R. = Paint as Required

SUNROOF J BODY 21
Figure 23A-5450

7169 5450 A



ITEM	PART NUMBER	QTY	BODY	MODEL	DESCRIPTION
19		1			HEADLINER
	H087 FS8	1			Charcoal
	H087 FC5	1			Blue
	H087 FE8	1			Cordovan
	H087 FK1	1			Tan
20		2			SCREW, Not Serviced
21		2			SCREW, Deflector Hinge Retainer
22	4278 799	2			HOSE, Front
23	#4026 151	2			HOSE, Rear
24		2			GASKET, Handle Serviced In 4467211 Package
25		4			NUT, Serviced In Item 4
26	H608 CX7	1			BAG, Stowage (Black)
27	4248 818	4			ANCHOR, Tie Down Strap To Floor Pan
28	H349 CX9	1			STRAP, Sun Roof Stowage Tie-Down
29		8			SCREW, #8-18 x.75" Not Serviced

MODEL CODES

E BODY = (J - CARAVELLE)(E - 600)(T - NEW YORKER)

G BODY = (V24 - DAYTONA)

H BODY = (D44 - LANCER)(C44 - LEBARON GTS)

J BODY = (C - LEBARON)

K BODY = (P - RELIANT)(D - ARIES)(C - LEBAROND)/TOWN & COUNTRY)

L BODY = (M - HORIZON/TURISMO)(Z - OMNI/CHARGER)

M BODY = (B - GRAN FURY)(F - FIFTH AVE/NEWPORT)(G - DIPLOMAT)

P BODY = (P - SUNDANCE)(D - SHADOW)

S BODY = (H - VOYAGER)(K - RAM VAN/CARAVAN)

BODY STYLES

12-13 = FWD VAN

21 = 2-DOOR SEDAN

24 = 2-DOOR HATCHBACK

27 = 2-DOOR CONVERTIBLE

41 = 4-DOOR SEDAN

44 = 4-DOOR HATCHBACK

45 = 4-DOOR STATION WAGON

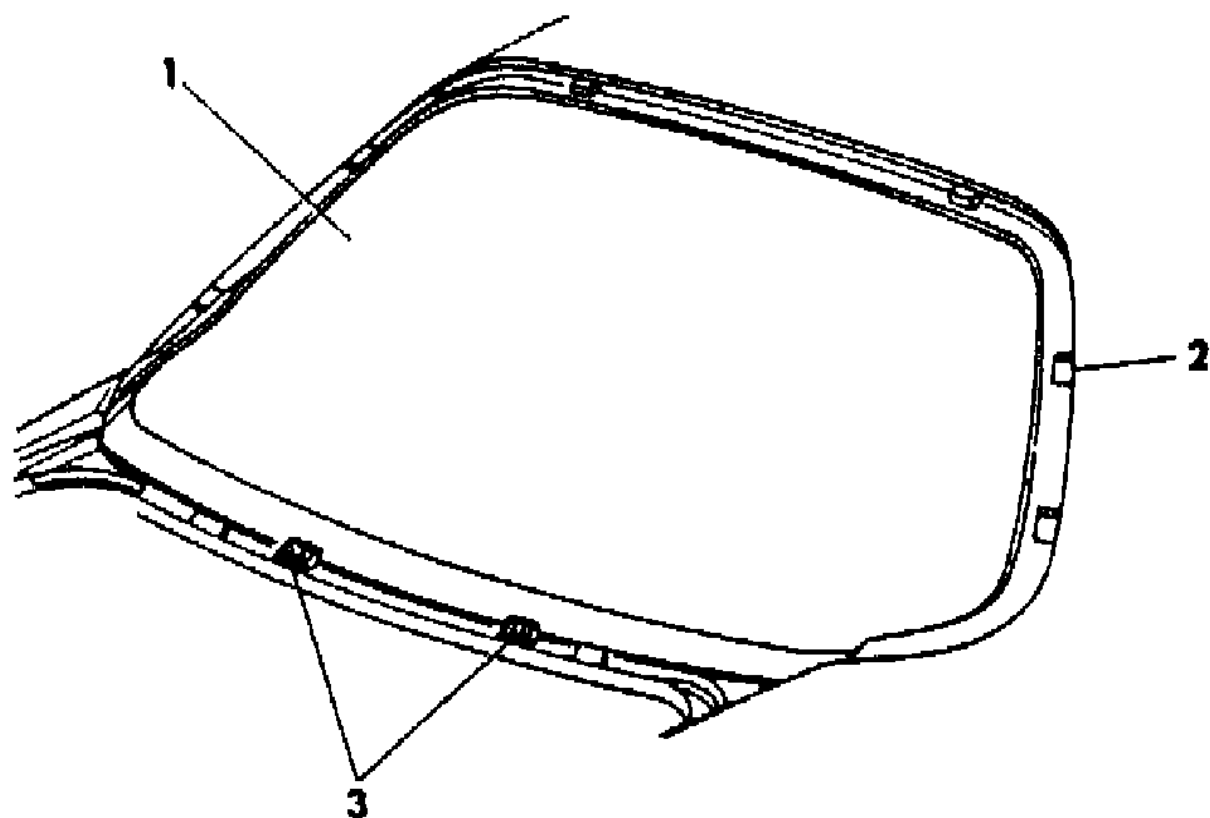
52-53 = FWD WAGON

AR = Use as Required - = Non Illustrated Part P.A.R. = Paint as Required

GLASS LIFTGATE J BODY
Figure 23A-5500

7189 5500

ITEM	PART NUMBER	QTY	BODY	MODEL	DESCRIPTION
1		1			GLASS, Liftgate
	4371 166				Tinted and Heated
	4337 960				Tinted
2		8			SPACER, Not Serviced
3	4416 112	2			SPACER



MODEL CODES

E BODY = (J - CARAVELLE)(E - 600)(T - NEW YORKER)

G BODY = (V24 - DAYTONA)

H BODY = (D44 - LANCER)(C44 - LEBARON GTS)

J BODY = (C - LEBARON)

K BODY = (P - RELIANT)(D - ARIES)(C - LEBAROND)/TOWN & COUNTRY)

L BODY = (M - HORIZON/TURISMO)(Z - OMNI/CHARGER)

M BODY = (B - GRAN FURY)(F - FIFTH AVE/NEWPORT)(G - DIPLOMAT)

P BODY = (P - SUNDANCE)(D - SHADOW)

S BODY = (H - VOYAGER)(K - RAM VAN/CARAVAN)

BODY STYLES

12-13 = FWD VAN

21 = 2-DOOR SEDAN

24 = 2-DOOR HATCHBACK

27 = 2-DOOR CONVERTIBLE

41 = 4-DOOR SEDAN

44 = 4-DOOR HATCHBACK

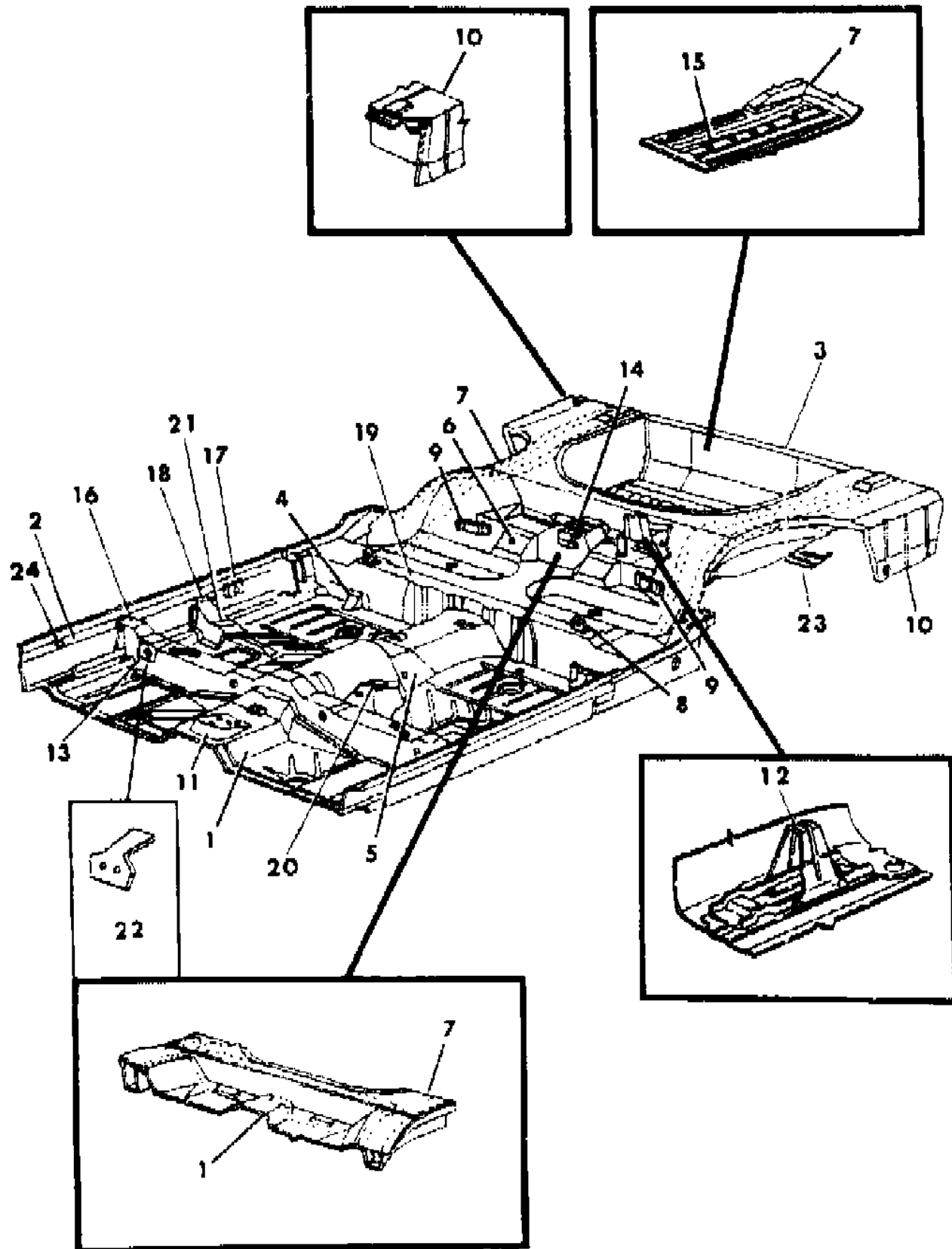
45 = 4-DOOR STATION WAGON

52-53 = FWD WAGON

AR = Use as Required - = Non Illustrated Part P.A.R. = Paint as Required

FLOOR PAN K,E BODY
Figure 23A-5600

7188 5800 A



ITEM	PART NUMBER	QTY	BODY	MODEL	DESCRIPTION
1	4314 773	1		P,D,C	PAN, Front Floor
2	4337 918	1		J,E,T	PANEL, Body Side Sill Inner
	4337 078-9	1		P,D,C	
	4337 916-7	1		J,E,T	
	4337 540-1	1		21	
3	4337 526-7	1		41,45	PANEL, Body Side Sill
	4416 178-9	1		E	
	4325 902	1			
	4314 318-9	1			
4	4314 259	2			CROSSMEMBER, Rear Floor Pan Rear
5	4314 259	2			BRACKET, Front Floor Pan Lift Hoisting
6	4314 259	2			REINFORCEMENT, Front Floor Pan Front Seat Belt Inner Mounting
	4314 260	2			REINFORCEMENT, Front Floor Pan Rear Seat Belt Inner Mounting
7	4314 934	1		P,D,C	PAN, Rear Floor
	4314 936	1		J,E,T	
8	4134 647	2		P,D,C	RETAINER, Front Floor Pan Rear Seat Cushion
	4206 904	2		J,E,T	
9	4134 938-9	1		21,41	BRACKET, Front Floor Pan Rear Seat Back Mounting
10	4134 674-5	1		P,D,C	EXTENSION, Rear Floor Pan Side
11	4206 988-9	1		J,E,T	BRACKET, Console Mounting
	4337 549	1			
12	4206 628	1		exc. 45	BRACKET, Front Floor Pan Jack Stowage
	4206 629	1		45	
13	4371 236	2			BRACKET, Rear Floor Pan Jack Stowage
14	4206 216	1		45	REINFORCEMENT, Front Floor Pan
15	4206 247	1			SUPPORT, Front Floor Pan Seat Back Center
16	4325 673	1			BRACKET, Spare Wheel Anchor Bolt
17	4314 326	2			CROSSMEMBER, Floor Pan Seat Track Mounting
18	4314 494-5	1			REINFORCEMENT, Front Seat Belt Outer Anchor
					REINFORCEMENT, Front Floor Pan Front Seat Rear Outer Attaching
19		1			PLATE, Front Floor Pan Fuel Tank Strap Front Hanger 4314257 Not Serviced
20	4314 502-3	1			REINFORCEMENT, Front Floor Pan Front Seat Rear Inner Attaching, w/Reclining Seats
	4314 866-7	1			REINFORCEMENT, Front Floor Pan Rear Seat Belt Anchor Outer
21	4278 574	2			PLATE, Front Floor Pan Front Seat Rear Outer Attaching Reinforcement (w/Heavy Service Pkg.)

MODEL CODES

E BODY = (J - CARAVELLE)(E - 600)(T - NEW YORKER)

G BODY = (V24 - DAYTONA)

H BODY = (D44 - LANCER)(C44 - LEBARON GTS)

J BODY = (C - LEBARON)

K BODY = (P - RELIANT)(D - ARIES)(C - LEBAROND)/TOWN & COUNTRY)

L BODY = (M - HORIZON/TURISMO)(Z - OMNI/CHARGER)

M BODY = (B - GRAN FURY)(F - FIFTH AVE/NEWPORT)(G - DIPLOMAT)

P BODY = (P - SUNDANCE)(D - SHADOW)

S BODY = (H - VOYAGER)(K - RAM VAN/CARAVAN)

BODY STYLES

12-13 = FWD VAN

21 = 2-DOOR SEDAN

24 = 2-DOOR HATCHBACK

27 = 2-DOOR CONVERTIBLE

41 = 4-DOOR SEDAN

44 = 4-DOOR HATCHBACK

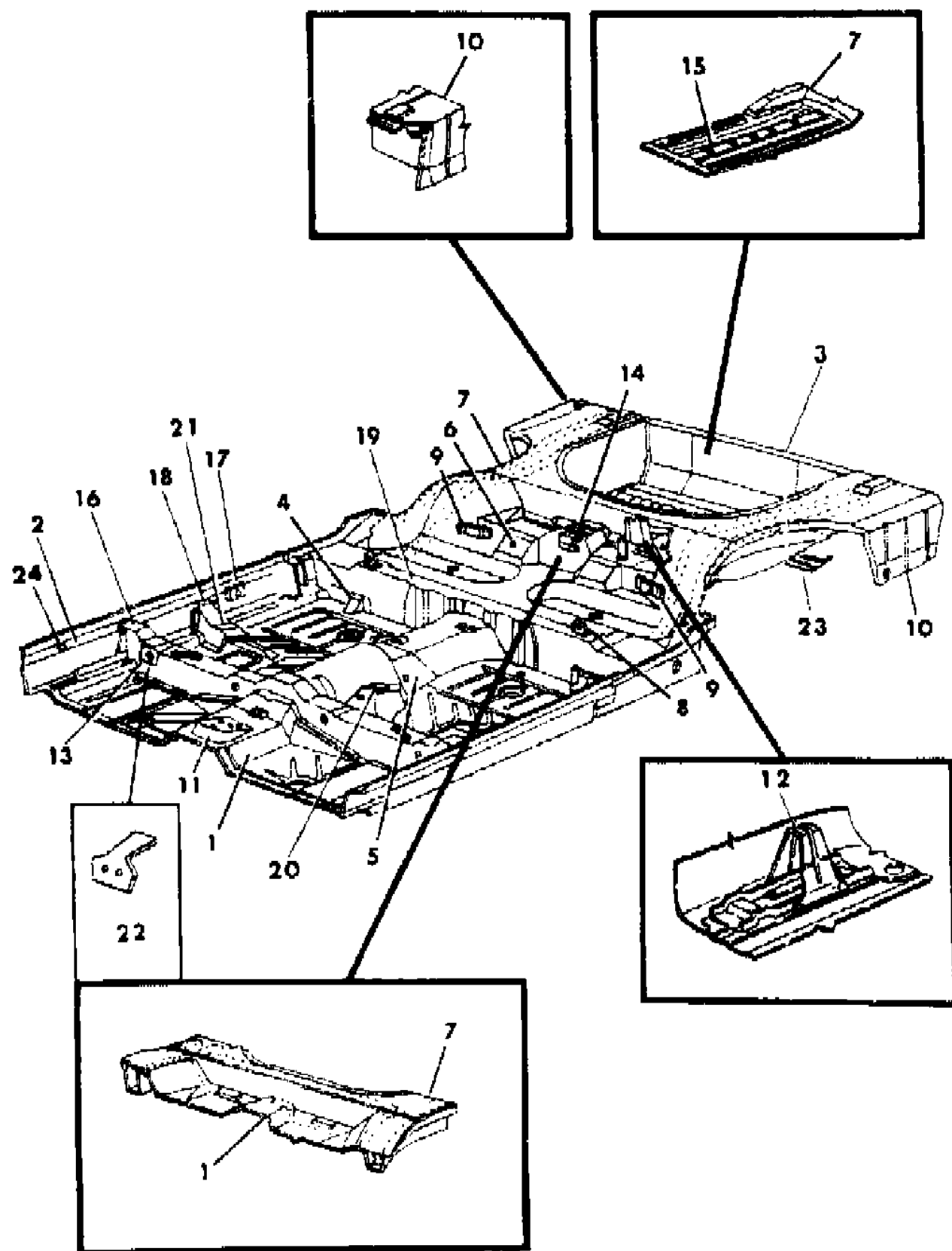
45 = 4-DOOR STATION WAGON

52-53 = FWD WAGON

AR = Use as Required - = Non Illustrated Part P.A.R. = Paint as Required

FLOOR PAN K,E BODY
Figure 23A-5600

7188 5800 A



ITEM	PART NUMBER	QTY	BODY	MODEL	DESCRIPTION
22	4337 480	2			REINFORCEMENT, Front Floor Pan Seat Track Mounting Crossmember (w/Heavy Service Pkg.)
23	4337 565	1			REINFORCEMENT, Rear Floor Pan Tire Well (w/Heavy Service Package)
24	3794 032	2			SEAL, Side Sill Inner Panel Drain Hole

MODEL CODES

E BODY = (J - CARAVELLE)(E - 600)(T - NEW YORKER)

G BODY = (V24 - DAYTONA)

H BODY = (D44 - LANCER)(C44 - LEBARON GTS)

J BODY = (C - LEBARON)

K BODY = (P - RELIANT)(D - ARIES)(C - LEBAROND)/TOWN & COUNTRY)

L BODY = (M - HORIZON/TURISMO)(Z - OMNI/CHARGER)

M BODY = (B - GRAN FURY)(F - FIFTH AVE/NEWPORT)(G - DIPLOMAT)

P BODY = (P - SUNDANCE)(D - SHADOW)

S BODY = (H - VOYAGER)(K - RAM VAN/CARAVAN)

BODY STYLES

12-13 = FWD VAN

21 = 2-DOOR SEDAN

24 = 2-DOOR HATCHBACK

27 = 2-DOOR CONVERTIBLE

41 = 4-DOOR SEDAN

44 = 4-DOOR HATCHBACK

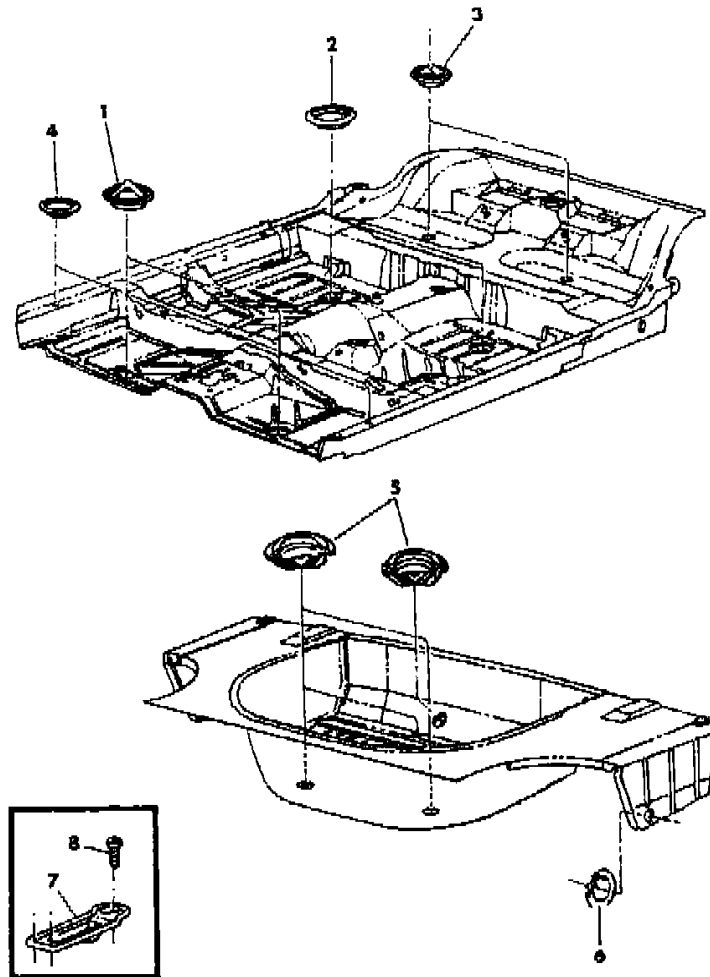
45 = 4-DOOR STATION WAGON

52-53 = FWD WAGON

AR = Use as Required - = Non Illustrated Part P.A.R. = Paint as Required

PLUGS FLOOR PAN K,E BODY
Figure 23A-5700

7189 5700



ITEM	PART NUMBER	QTY	BODY	MODEL	DESCRIPTION
1	5200 456	2			PLUG
2	2424 864	2			PLUG
3	4073 475	2			PLUG
4	2574 792	2			PLUG
5	6030 773	4			PLUG
6	4073 485	2			PLUG
7	5200 384	1			SEAL, Front Floor Pan, Parking Brake Cable
8	9414 722	3			SCREW, Parking Brake Cable Seal

MODEL CODES

E BODY = (J - CARAVELLE)(E - 600)(T - NEW YORKER)

G BODY = (V24 - DAYTONA)

H BODY = (D44 - LANCER)(C44 - LEBARON GTS)

J BODY = (C - LEBARON)

K BODY = (P - RELIANT)(D - ARIES)(C - LEBAROND)/TOWN & COUNTRY)

L BODY = (M - HORIZON/TURISMO)(Z - OMNI/CHARGER)

M BODY = (B - GRAN FURY)(F - FIFTH AVE/NEWPORT)(G - DIPLOMAT)

P BODY = (P - SUNDANCE)(D - SHADOW)

S BODY = (H - VOYAGER)(K - RAM VAN/CARAVAN)

BODY STYLES

12-13 = FWD VAN

21 = 2-DOOR SEDAN

24 = 2-DOOR HATCHBACK

27 = 2-DOOR CONVERTIBLE

41 = 4-DOOR SEDAN

44 = 4-DOOR HATCHBACK

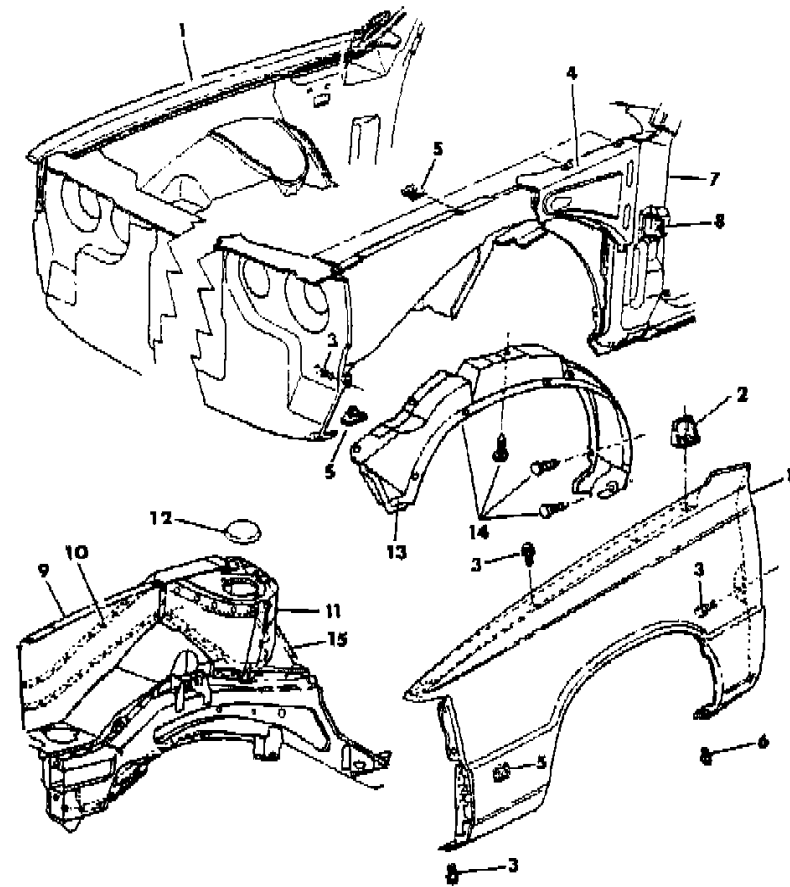
45 = 4-DOOR STATION WAGON

52-53 = FWD WAGON

AR = Use as Required - = Non Illustrated Part P.A.R. = Paint as Required

FENDER AND SHIELD K,E BODY
Figure 23A-5800

7160 5800 B



ITEM	PART NUMBER	QTY	BODY	MODEL	DESCRIPTION
1	4342 476-7	1			FENDER, w/o Cornering Lamps
	4411 904-5	1	E	J,E-H	w/Cornering Lamps
	4411 902-3	1	E	T-P	w/Corner Lamps and Side Marker
2	4296 538	2			STABILIZER, Fender To Hood
3	6100 568	AR			SCREW, w/Washer
4	4314 183	1			EXTENSION, Iso-Strut Tower To Dash Panel Lt.
	4297 956	1			EXTENSION, w/Reinforcement Strut Tower To Body Front Hinge Pillar Rt.
5	#6100 041	AR			U-NUT
6		AR			SCREW and WASHER, Not Serviced
7	4314 272-3	1			PILLAR, Body Front Hinge
8	4206 553	2			SUPPORT, Body Front Hinge Pillar To Fender
9					PANEL, Front Fender Shield
	4386 337	1			Left
	4386 174	1			Right
		1			REINFORCEMENT, Fender Side Shield Panel Battery Tray (Serviced In Item 9)
10	4386 286-7	1			BEAM, Front Fender Shield Upper Load Path
11	4440 150-1	1			TOWER, Front Suspension Iso-Strut Mounting Up To 1-29-87
	4440 564-5	1			After 1-29-87
12	4341 714	2			CAP, Frt. Susp. Isolator Strut Mounting Tower
13	4103 308-9	1	K	P,D	SHIELD, Fender Wheelhouse Splash
	4341 814-5	1		C,J,E,T	
14	6030 441	AR			RETAINER
15	4296 808-9	1			EXTENSION, Iso-Strut Tower To Dash Panel 1-27-87
	4440 648-9	1			After 1-27-87

MODEL CODES

E BODY = (J - CARAVELLE)(E - 600)(T - NEW YORKER)

G BODY = (V24 - DAYTONA)

H BODY = (D44 - LANCER)(C44 - LEBARON GTS)

J BODY = (C - LEBARON)

K BODY = (P - RELIANT)(D - ARIES)(C - LEBAROND)/TOWN & COUNTRY)

L BODY = (M - HORIZON/TURISMO)(Z - OMNI/CHARGER)

M BODY = (B - GRAN FURY)(F - FIFTH AVE/NEWPORT)(G - DIPLOMAT)

P BODY = (P - SUNDANCE)(D - SHADOW)

S BODY = (H - VOYAGER)(K - RAM VAN/CARAVAN)

BODY STYLES

12-13 = FWD VAN

21 = 2-DOOR SEDAN

24 = 2-DOOR HATCHBACK

27 = 2-DOOR CONVERTIBLE

41 = 4-DOOR SEDAN

44 = 4-DOOR HATCHBACK

45 = 4-DOOR STATION WAGON

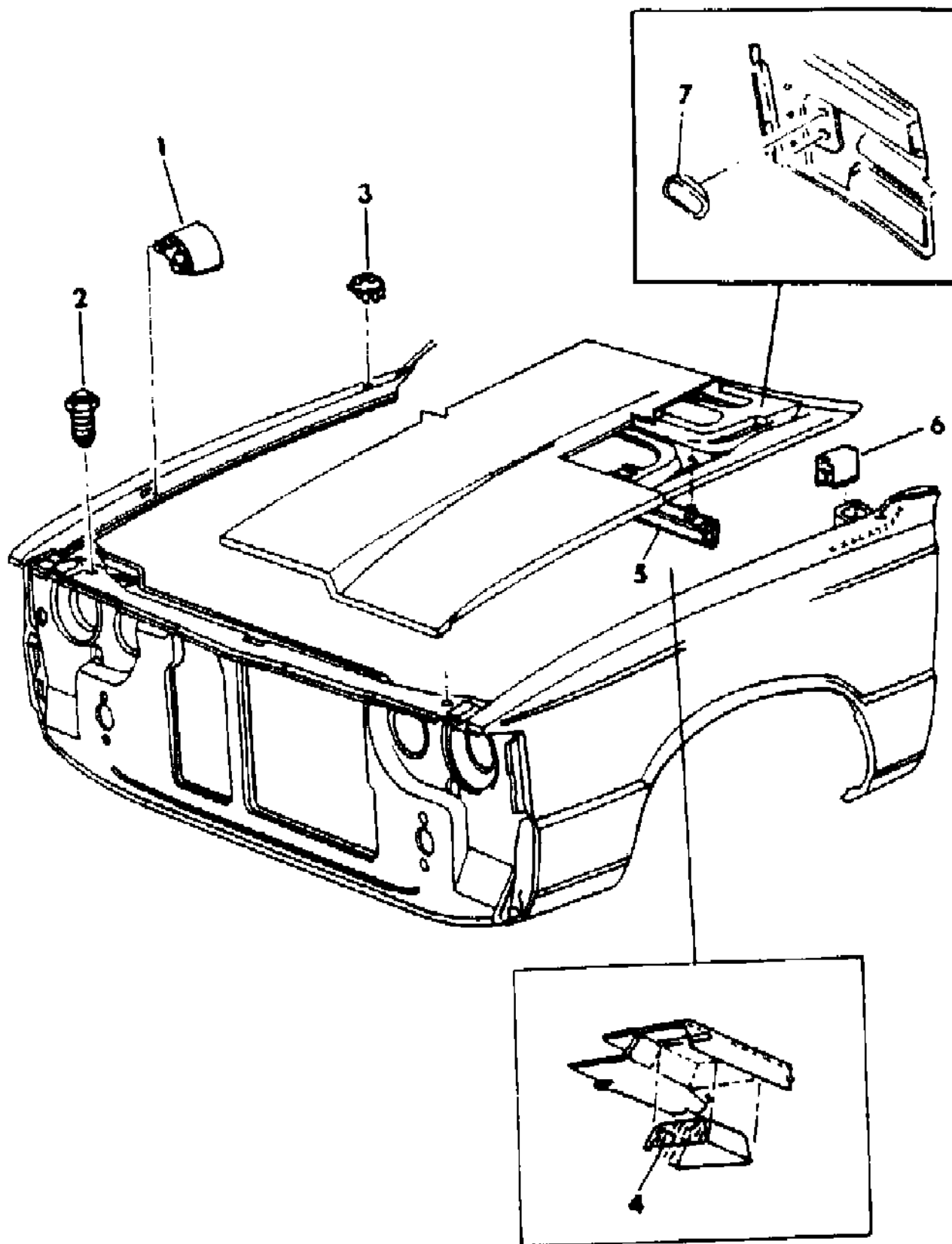
52-53 = FWD WAGON

AR = Use as Required - = Non Illustrated Part P.A.R. = Paint as Required

BUMPERS AND PLUGS, FENDER, HOOD K,E BODY
Figure 23A-5900

7188 5800

ITEM	PART NUMBER	QTY	BODY	MODEL	DESCRIPTION
1	5201 343	2			BUMPER, Fender Hood Side
2	4103 165	2			BUMPER, Crossmember To Hood
3	4222 731	1			PLUG, Fender Antenna Hole
	4341 376	1			PLUG, Front Fender Side Shield Lt.
4	4103 134	2			SEAL, Hood To Cowl
5	4371 145	1			SEAL, Dash Panel To Hood
6		2			BUMPER, Not Serviced
7	2895 126	4			PLUG, Hood Inner Panel Sealing



MODEL CODES

E BODY = (J - CARAVELLE)(E - 600)(T - NEW YORKER)

G BODY = (V24 - DAYTONA)

H BODY = (D44 - LANCER)(C44 - LEBARON GTS)

J BODY = (C - LEBARON)

K BODY = (P - RELIANT)(D - ARIES)(C - LEBAROND)/TOWN & COUNTRY)

L BODY = (M - HORIZON/TURISMO)(Z - OMNI/CHARGER)

M BODY = (B - GRAN FURY)(F - FIFTH AVE/NEWPORT)(G - DIPLOMAT)

P BODY = (P - SUNDANCE)(D - SHADOW)

S BODY = (H - VOYAGER)(K - RAM VAN/CARAVAN)

BODY STYLES

12-13 = FWD VAN

21 = 2-DOOR SEDAN

24 = 2-DOOR HATCHBACK

27 = 2-DOOR CONVERTIBLE

41 = 4-DOOR SEDAN

44 = 4-DOOR HATCHBACK

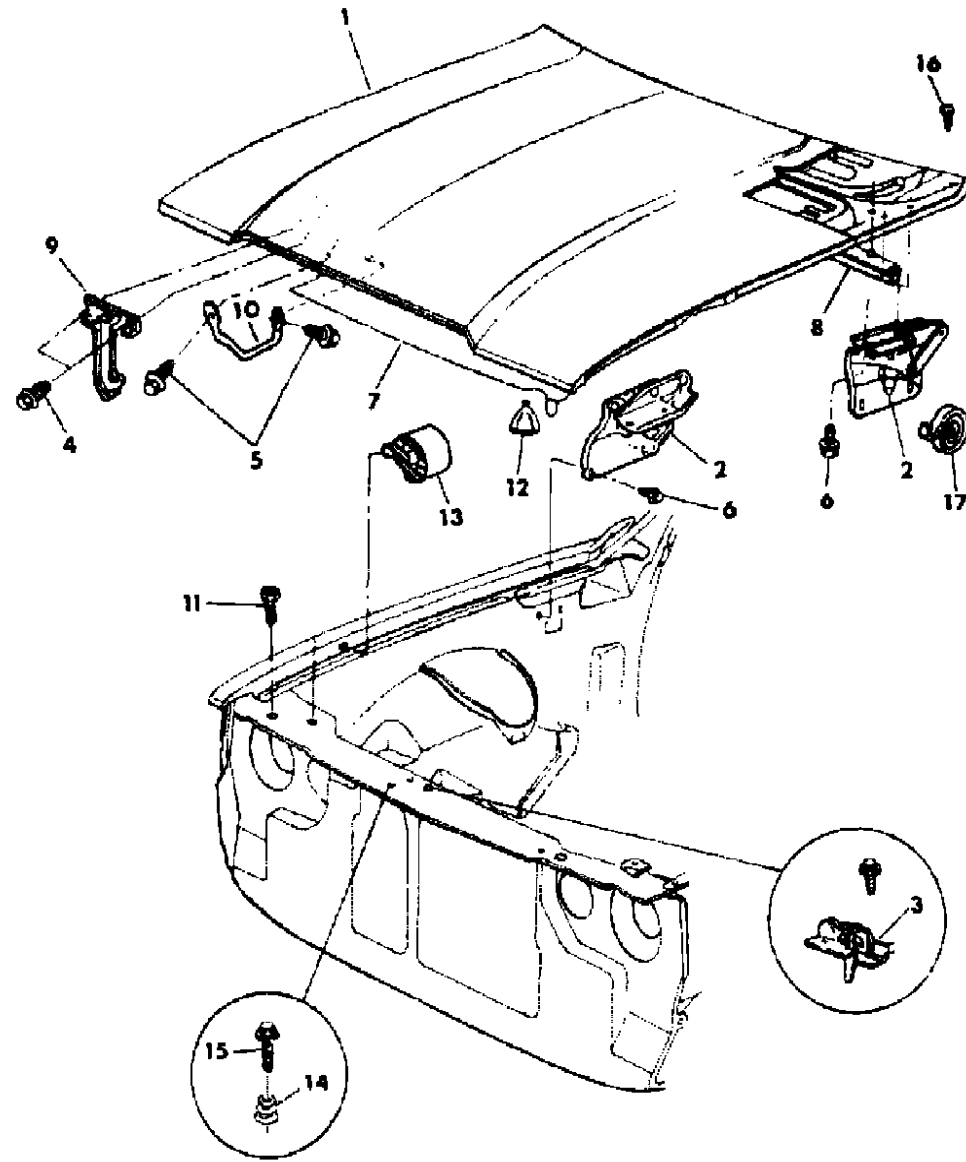
45 = 4-DOOR STATION WAGON

52-53 = FWD WAGON

AR = Use as Required - = Non Illustrated Part P.A.R. = Paint as Required

HOOD K,E BODY
Figure 23A-6000

7188 8000A



ITEM	PART NUMBER	QTY	BODY	MODEL	DESCRIPTION
1	4386 103	1		P,D	HOOD
	4440 360	1		C,J,E,T	
2	4103 760-1	1			HINGE, Hood
3	5232 057	1			LATCH, Hood
4		AR			SCREW and WASHER, Not Serviced
5		AR			SCREW and WASHER, Not Serviced
6		AR			SCREW and WASHER, Not Serviced
7	4049 601	1			SILENCER, Hood Inner Panel Cut To Fit 36" x 72"
8	4371 145	1			SEAL, Dash Panel To Hood
9	4103 194	1			CATCH, Hood Safety
10	4296 046	1			STRIKER, Hood Latch
11	4103 165	2			BUMPER, Crossmember To Hood
12	6003 351	AR			FASTENER, Hood Inner Panel Silencer (w/Metal Hood)
	4341 060	AR			FASTENER, Hood Inner Panel Silencer (w/Plastic Hood)
	6003 423	4			FASTENER, Hood Silencer To Shield
13	5201 343	2			BUMPER, Fender Hood Side
14	4103 288	1			SPRING, Hood Pop-Up
15	6500 191	AR			SCREW and WASHER
16	3759 944	11			RETAINER, Dash Panel To Hood Seal
17	4270 152	2			SPRING, Hood Hinge

MODEL CODES

E BODY = (J - CARAVELLE)(E - 600)(T - NEW YORKER)

G BODY = (V24 - DAYTONA)

H BODY = (D44 - LANCER)(C44 - LEBARON GTS)

J BODY = (C - LEBARON)

K BODY = (P - RELIANT)(D - ARIES)(C - LEBAROND)/TOWN & COUNTRY)

L BODY = (M - HORIZON/TURISMO)(Z - OMNI/CHARGER)

M BODY = (B - GRAN FURY)(F - FIFTH AVE/NEWPORT)(G - DIPLOMAT)

P BODY = (P - SUNDANCE)(D - SHADOW)

S BODY = (H - VOYAGER)(K - RAM VAN/CARAVAN)

BODY STYLES

12-13 = FWD VAN

21 = 2-DOOR SEDAN

24 = 2-DOOR HATCHBACK

27 = 2-DOOR CONVERTIBLE

41 = 4-DOOR SEDAN

44 = 4-DOOR HATCHBACK

45 = 4-DOOR STATION WAGON

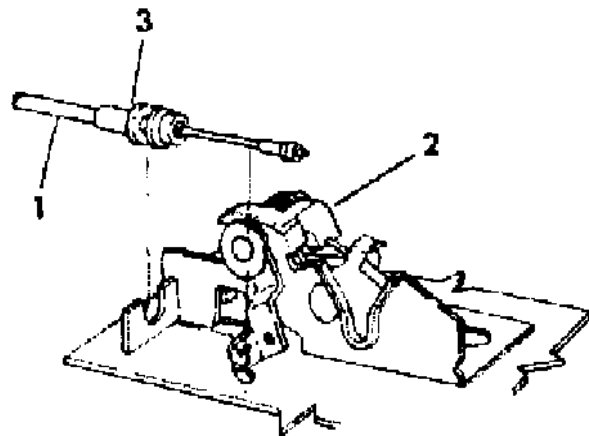
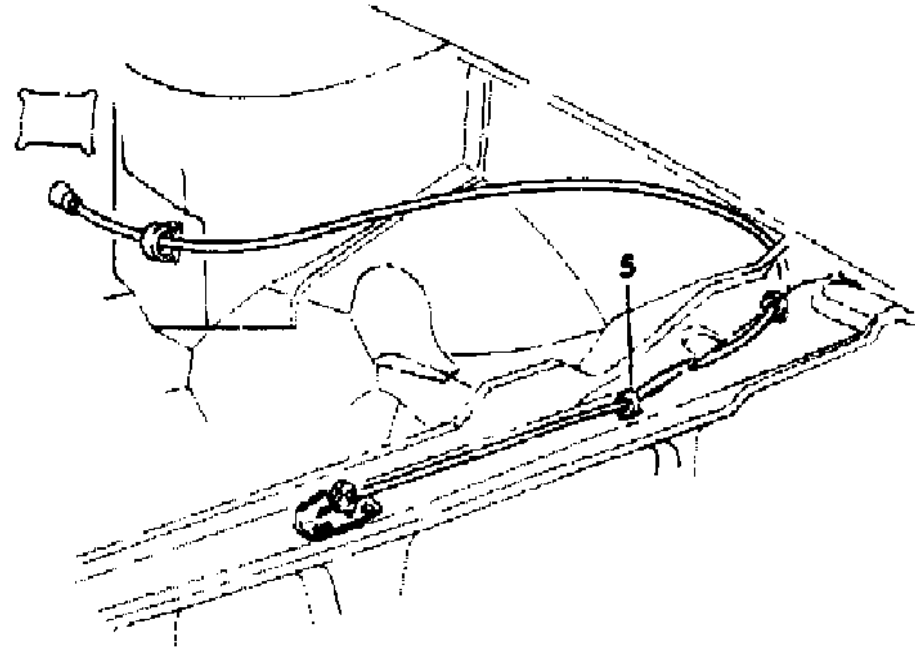
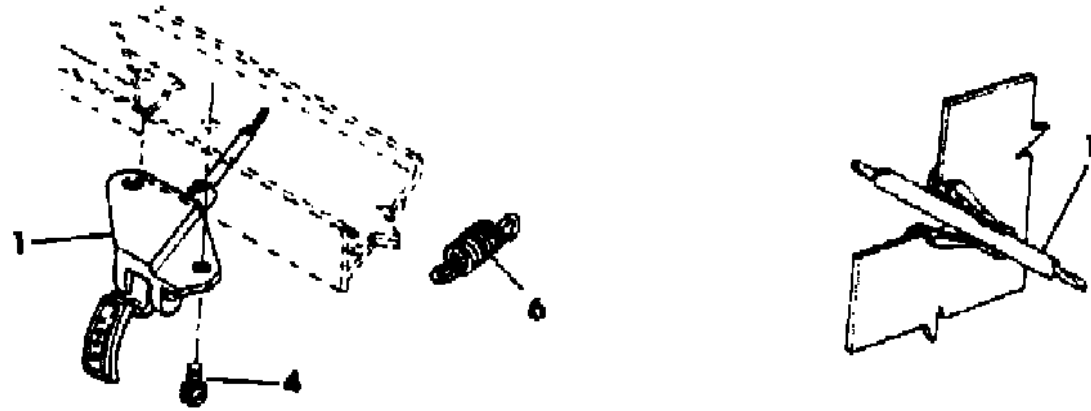
52-53 = FWD WAGON

AR = Use as Required - = Non Illustrated Part P.A.R. = Paint as Required

HOOD RELEASE REMOTE CONTROL K,E BODY
Figure 23A-6100

7169 5100 A

ITEM	PART NUMBER	QTY	BODY	MODEL	DESCRIPTION
1	4172 527	1			RELEASE, Inside Hood Latch
2	5232 057	1			LATCH, Hood Inside Release
3	5207 294	1			GROMMET, Instrument Panel Hood Latch Release Cable
4		AR			SCREW, Not Serviced
5		2			CLIP, Not Serviced
6	5207 447	1			SPRING, Hood Latch Inside Release Lever



MODEL CODES

E BODY = (J - CARAVELLE)(E - 600)(T - NEW YORKER)

G BODY = (V24 - DAYTONA)

H BODY = (D44 - LANCER)(C44 - LEBARON GTS)

J BODY = (C - LEBARON)

K BODY = (P - RELIANT)(D - ARIES)(C - LEBAROND)/TOWN & COUNTRY)

L BODY = (M - HORIZON/TURISMO)(Z - OMNI/CHARGER)

M BODY = (B - GRAN FURY)(F - FIFTH AVE/NEWPORT)(G - DIPLOMAT)

P BODY = (P - SUNDANCE)(D - SHADOW)

S BODY = (H - VOYAGER)(K - RAM VAN/CARAVAN)

BODY STYLES

12-13 = FWD VAN

21 = 2-DOOR SEDAN

24 = 2-DOOR HATCHBACK

27 = 2-DOOR CONVERTIBLE

41 = 4-DOOR SEDAN

44 = 4-DOOR HATCHBACK

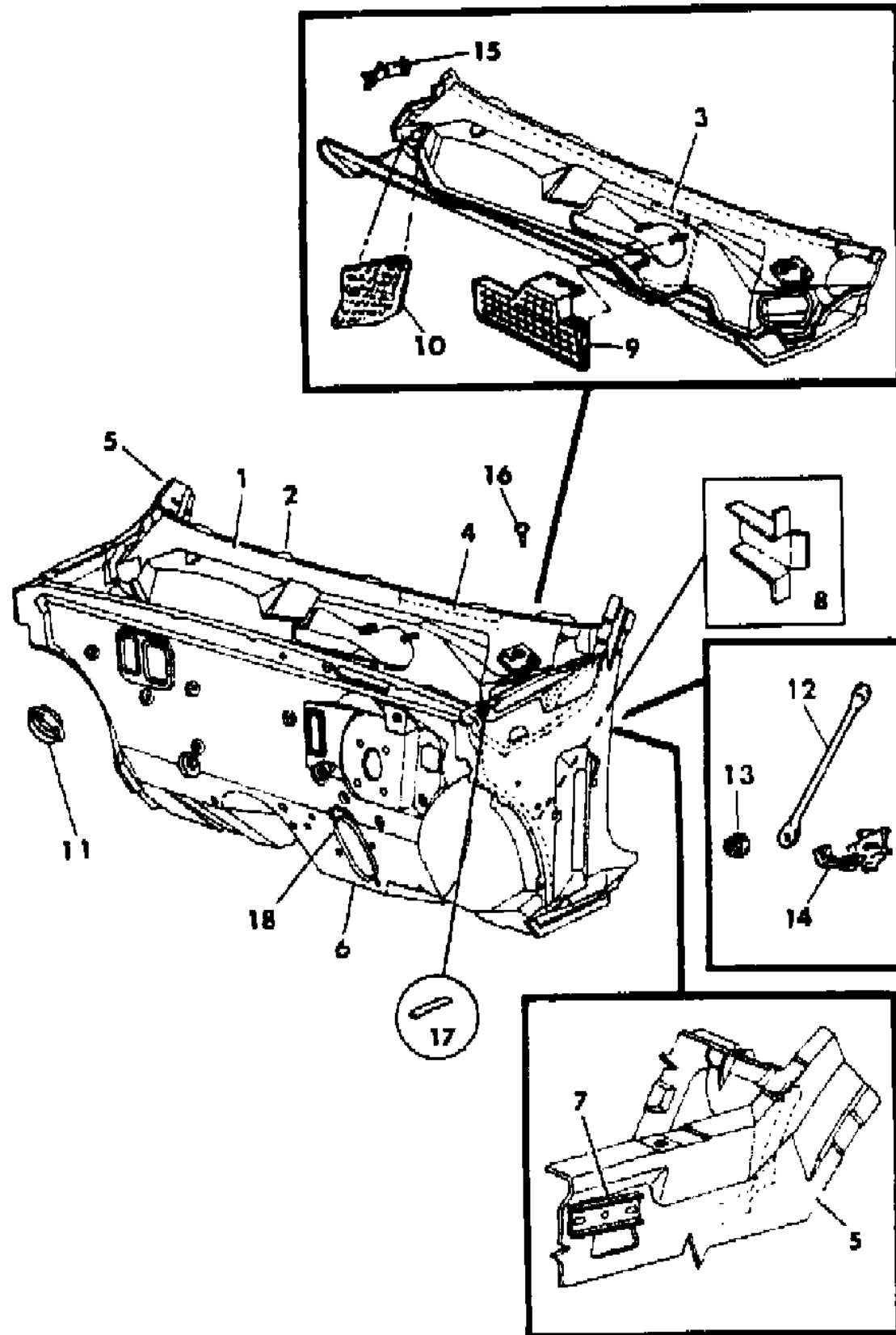
45 = 4-DOOR STATION WAGON

52-53 = FWD WAGON

AR = Use as Required - = Non Illustrated Part P.A.R. = Paint as Required

COWL AND DASH PANEL K,E BODY
Figure 23A-6200

7189 8280 A



ITEM	PART NUMBER	QTY	BODY	MODEL	DESCRIPTION
1	4371 428	1			PANEL, Cowl Top
2	4371 795	1			PANEL, Cowl Plenum
3	4371 696	1			REINFORCEMENT, Cowl Top Wiper Motor Mounting
4	4278 589	1			SUPPORT, Cowl Plenum Steering Column Bracket
5	4371 726-7	1			PANEL, Cowl Side
6	#4416 163	1			PANEL, Dash
7	4103 122	2			REINFORCEMENT, Hood Hinge
8	4206 641	1			BRACKET, Dash Panel To Plenum Panel Brace Mounting Lt.
9	4198 378	1			SCREEN, Cowl Plenum
10					SCREEN, Cowl Plenum Top
	4314 618	1			Right
	4314 477	1			Left
11	2483 571	1			PLUG, 2.5 Dia. w/o Turbo
12	4314 879	1			BRACE, Dash To Plenum Panel Lt.
13	6500 532	2			NUT, w/Washer Dash Panel To Plenum Lt.
14		AR			CLIP, Hood Release Cable Not Serviced
15	4337 341	1			SEAL, w/Retainer Cowl Plenum To Cowl Lt.
	4337 342	1			Right
16	3759 944	6			RETAINER, Cowl Plenum To Cowl Side Seal
17	4198 305	2			SEAL, Cowl Side To Cowl Plenum Panel
18	4337 274	1			PLATE, Dash Panel Accelerator (w/Heavy Service Pkg.)

MODEL CODES

E BODY = (J - CARAVELLE)(E - 600)(T - NEW YORKER)

G BODY = (V24 - DAYTONA)

H BODY = (D44 - LANCER)(C44 - LEBARON GTS)

J BODY = (C - LEBARON)

K BODY = (P - RELIANT)(D - ARIES)(C - LEBAROND)/TOWN & COUNTRY)

L BODY = (M - HORIZON/TURISMO)(Z - OMNI/CHARGER)

M BODY = (B - GRAN FURY)(F - FIFTH AVE/NEWPORT)(G - DIPLOMAT)

P BODY = (P - SUNDANCE)(D - SHADOW)

S BODY = (H - VOYAGER)(K - RAM VAN/CARAVAN)

BODY STYLES

12-13 = FWD VAN

21 = 2-DOOR SEDAN

24 = 2-DOOR HATCHBACK

27 = 2-DOOR CONVERTIBLE

41 = 4-DOOR SEDAN

44 = 4-DOOR HATCHBACK

45 = 4-DOOR STATION WAGON

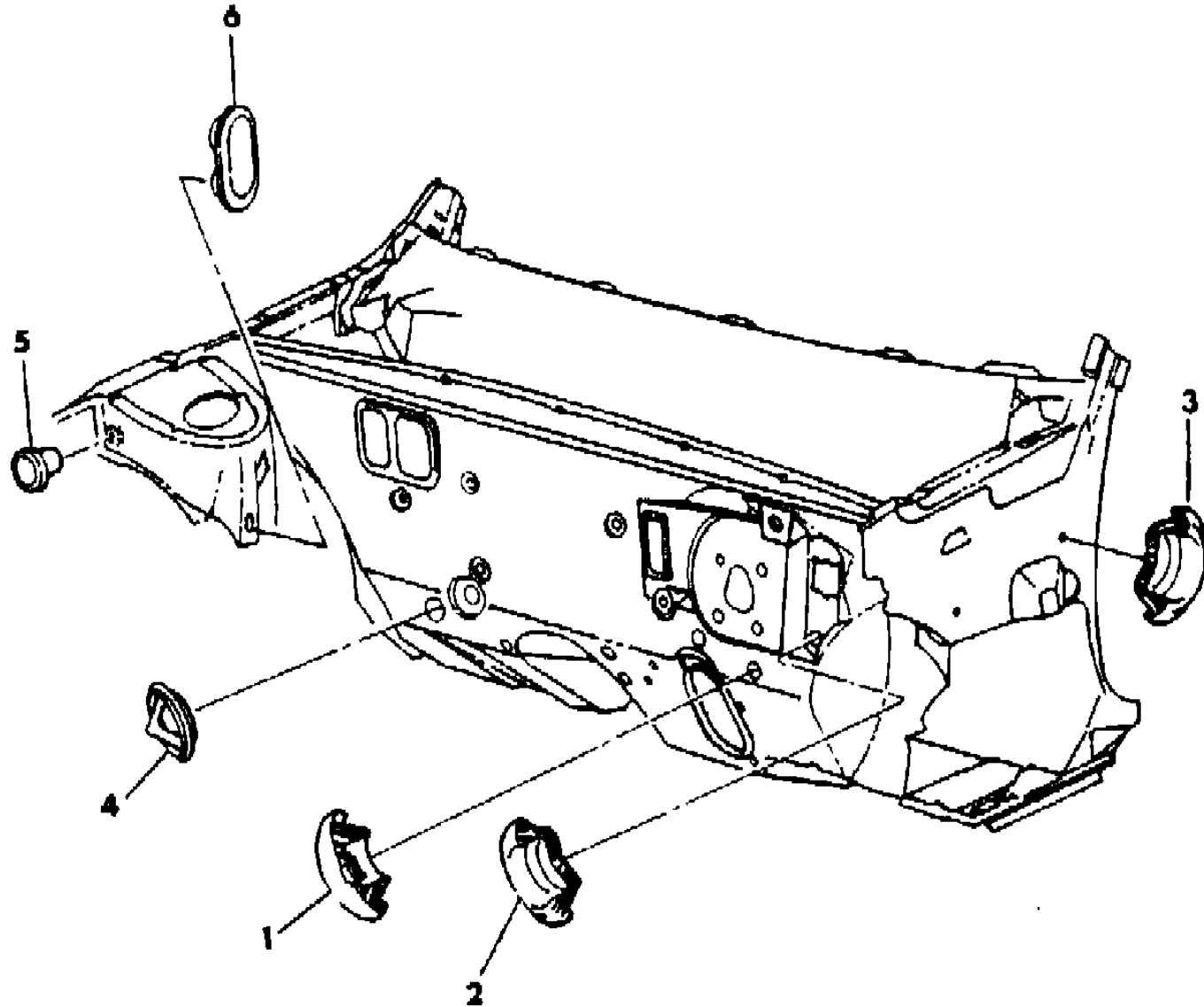
52-53 = FWD WAGON

AR = Use as Required - = Non Illustrated Part P.A.R. = Paint as Required

PLUGS COWL AND DASH K,E BODY
Figure 23A-6300

7189 6300

ITEM	PART NUMBER	QTY	BODY	MODEL	DESCRIPTION
1	3445 939	1			PLUG, .906 Dia./23 mm
2	2860 332	1			PLUG, Hood Release Cable
3	2860 332	1			PLUG, Antenna Hole
4	5200 456	1			PLUG, Drain Hole
5	2423 737	1			PLUG, Strut Mounting Tower Lt.
6	4386 178	1			PLUG, Front Sunsp., Strut Mounting Tower Hole
	4206 515	1			PLUG, Dash Panel Wiper Support Attaching Hole



MODEL CODES

E BODY = (J - CARAVELLE)(E - 600)(T - NEW YORKER)

G BODY = (V24 - DAYTONA)

H BODY = (D44 - LANCER)(C44 - LEBARON GTS)

J BODY = (C - LEBARON)

K BODY = (P - RELIANT)(D - ARIES)(C - LEBAROND)/TOWN & COUNTRY)

L BODY = (M - HORIZON/TURISMO)(Z - OMNI/CHARGER)

M BODY = (B - GRAN FURY)(F - FIFTH AVE/NEWPORT)(G - DIPLOMAT)

P BODY = (P - SUNDANCE)(D - SHADOW)

S BODY = (H - VOYAGER)(K - RAM VAN/CARAVAN)

BODY STYLES

12-13 = FWD VAN

21 = 2-DOOR SEDAN

24 = 2-DOOR HATCHBACK

27 = 2-DOOR CONVERTIBLE

41 = 4-DOOR SEDAN

44 = 4-DOOR HATCHBACK

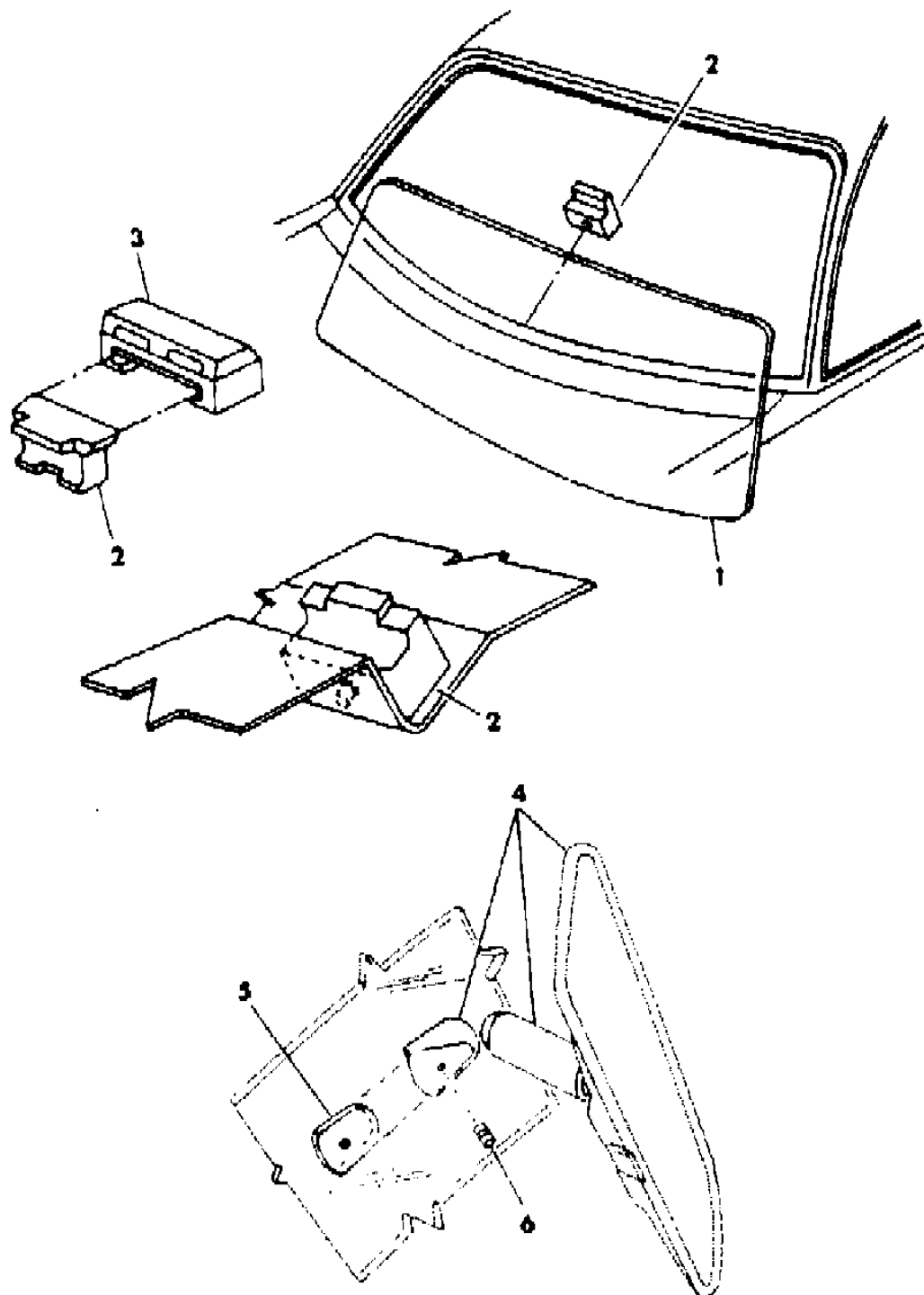
45 = 4-DOOR STATION WAGON

52-53 = FWD WAGON

AR = Use as Required - = Non Illustrated Part P.A.R. = Paint as Required

GLASS WINDSHIELD AND MIRROR K,E BODY
Figure 23A-6400

7188 6400



ITEM	PART NUMBER	QTY	BODY	MODEL	DESCRIPTION
NOTE: GLASS, WINDSHIELD - ORDER FROM YOUR LOCAL "MOPAR" GLASS DISTRIBUTOR s group.					
1					GLASS, Windshield
	4337 471	1			Clear
	4337 474	1			Tinted
2	4206 543	2			SPACER, Windshield Glass Lower
	4336 513	3	21		SPACER, Windshield Support
3	3767 767	AR			SHIM, Windshield Glass Spacer Lower (0.02" Thick)
	3767 196	AR			(.106" Thick)
4	4082 199	1			MIRROR, Rear View
5	4054 066	1			BUTTON, Rear View Mirror Mounting
	4293 039	1			ADHESIVE PACKAGE, Rear View Mirror Button Mounting (Includes Adhesive & Instructions)
6	6031 094	1			SCREW, Rear View Mirror Mounting

NOTE: The following items are not shown on illustration. s group.					
PKG A	4267 906	1			REPAIR PACKAGE, Windshield & Rear Window
CONSISTS OF:					
1- ----- Polyurethane, 11.5 Oz.					
1- ----- Primer, Fence, 1 Oz.					
1- ----- Primer, Wipe Off, 1 Oz.					
1- ----- Primer, Blackout 1 Oz.					
3- ----- Dabbers					
1- ----- Nozzle					
1- ----- Instruction Sheet					
PKG B	4057 957	1			FIXED GLASS REPAIR PACKAGE
CONSISTS OF:					
1- ----- Tape, Butyl, 171.00"					
1- ----- Primer, Glass					
1- ----- Primer, Fence					
3674 698					2-Spacer, Rubber, 0.2"
3793 290					2-Spacer, Rubber, 0.3"
3767 767					2-Shim 0.07"
2- ----- Sponges, Disposable					
1- ----- Instruction Sheet					

MODEL CODES
E BODY = (J - CARAVELLE)(E - 600)(T - NEW YORKER)
G BODY = (V24 - DAYTONA)
H BODY = (D44 - LANCER)(C44 - LEBARON GTS)
J BODY = (C - LEBARON)
K BODY = (P - RELIANT)(D - ARIES)(C - LEBAROND)/TOWN & COUNTRY
L BODY = (M - HORIZON/TURISMO)(Z - OMNI/CHARGER)
M BODY = (B - GRAN FURY)(F - FIFTH AVE/NEWPORT)(G - DIPLOMAT)
P BODY = (P - SUNDANCE)(D - SHADOW)
S BODY = (H - VOYAGER)(K - RAM VAN/CARAVAN)

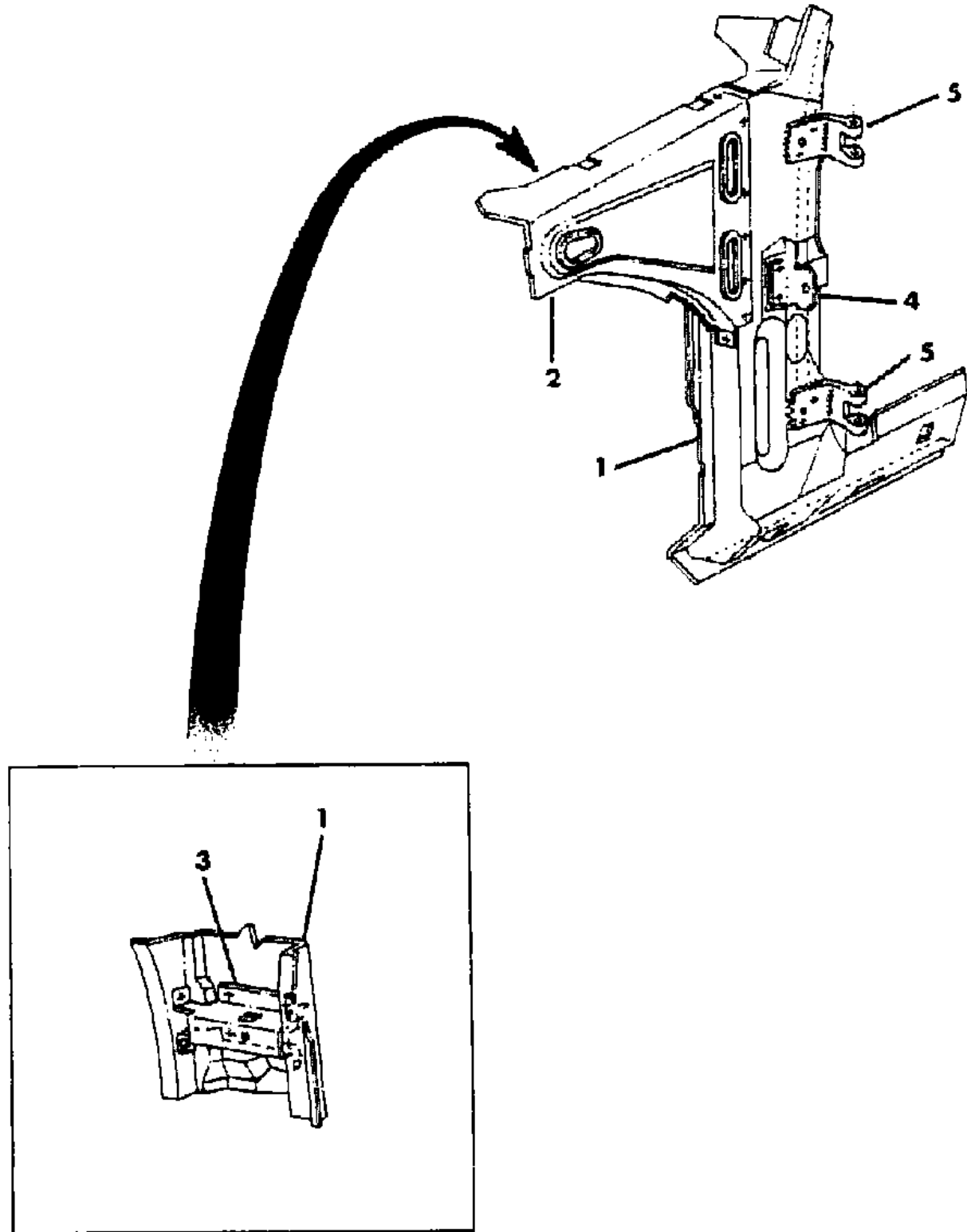
BODY STYLES
12-13 = FWD VAN
21 = 2-DOOR SEDAN
24 = 2-DOOR HATCHBACK
27 = 2-DOOR CONVERTIBLE
41 = 4-DOOR SEDAN
44 = 4-DOOR HATCHBACK
45 = 4-DOOR STATION WAGON
52-53 = FWD WAGON

AR = Use as Required - = Non Illustrated Part P.A.R. = Paint as Required

BODY FRONT PILLAR K,E BODY
Figure 23A-6500

7189 8500

ITEM	PART NUMBER	QTY	BODY	MODEL	DESCRIPTION
1	4314 272-3	1			PILLAR, Body Front Hinge
2	4297 956	1			EXTENSION, Strut Tower to Body Front Hinge Pillar Right
	4314 183	1			Left
3	4198 175	1			REINFORCEMENT, Pillar To Cowl Side Parking Brake Bracket Lt.
4	4206 553	2			SUPPORT, Body Front Hinge Pillar To Fender
5		2			HINGE, See Door Illustration



MODEL CODES

E BODY = (J - CARAVELLE)(E - 600)(T - NEW YORKER)

G BODY = (V24 - DAYTONA)

H BODY = (D44 - LANCER)(C44 - LEBARON GTS)

J BODY = (C - LEBARON)

K BODY = (P - RELIANT)(D - ARIES)(C - LEBAROND)/TOWN & COUNTRY)

L BODY = (M - HORIZON/TURISMO)(Z - OMNI/CHARGER)

M BODY = (B - GRAN FURY)(F - FIFTH AVE/NEWPORT)(G - DIPLOMAT)

P BODY = (P - SUNDANCE)(D - SHADOW)

S BODY = (H - VOYAGER)(K - RAM VAN/CARAVAN)

BODY STYLES

12-13 = FWD VAN

21 = 2-DOOR SEDAN

24 = 2-DOOR HATCHBACK

27 = 2-DOOR CONVERTIBLE

41 = 4-DOOR SEDAN

44 = 4-DOOR HATCHBACK

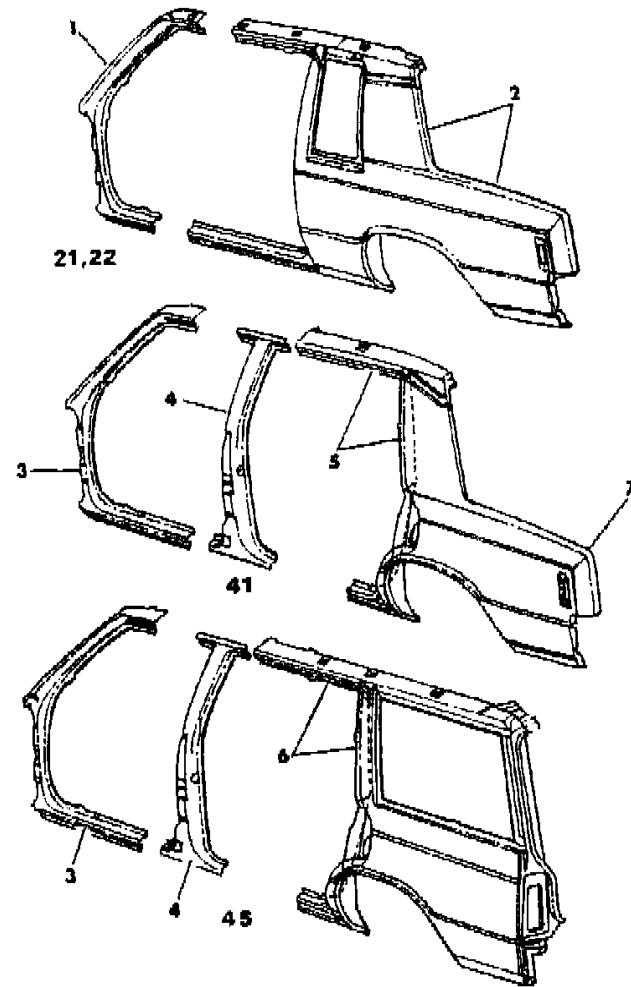
45 = 4-DOOR STATION WAGON

52-53 = FWD WAGON

AR = Use as Required - = Non Illustrated Part P.A.R. = Paint as Required

APERTURE PANEL K,E BODY
Figure 23A-6600

7189 8800



ITEM	PART NUMBER	QTY	BODY	MODEL	DESCRIPTION
1	4314 446-7	1		21	PANEL, Body Side Aperture Front
2	4337 222-3	1		21	PANEL, Body Side Aperture Rear
3	4314 438-9	1		41,45	PANEL, Body Side Aperture Front
4	4337 088-9	1		P,D,C	PANEL, Body Side Aperture Center
	4314 444-5	1		J,E,T	
5	4314 954-5	1		P,D,C 4	PANEL, Body Side Aperture Rear
	4371 594-5	1		J,E,T	Rear
6	4314 440-1	1		P,D,C-4	PANEL, Body Side Aperture Rear
7	4416 132-3	1		J,E	EXTENSION, Body Side Aperture Rear
	4337 708-9	1		T	
	4337 112-3	1		P,D-21	
	4337 114-5	1		P,D-41	
	4416 128-9	1		C-41	

MODEL CODES

E BODY = (J - CARAVELLE)(E - 600)(T - NEW YORKER)

G BODY = (V24 - DAYTONA)

H BODY = (D44 - LANCER)(C44 - LEBARON GTS)

J BODY = (C - LEBARON)

K BODY = (P - RELIANT)(D - ARIES)(C - LEBAROND)/TOWN & COUNTRY)

L BODY = (M - HORIZON/TURISMO)(Z - OMNI/CHARGER)

M BODY = (B - GRAN FURY)(F - FIFTH AVE/NEWPORT)(G - DIPLOMAT)

P BODY = (P - SUNDANCE)(D - SHADOW)

S BODY = (H - VOYAGER)(K - RAM VAN/CARAVAN)

BODY STYLES

12-13 = FWD VAN

21 = 2-DOOR SEDAN

24 = 2-DOOR HATCHBACK

27 = 2-DOOR CONVERTIBLE

41 = 4-DOOR SEDAN

44 = 4-DOOR HATCHBACK

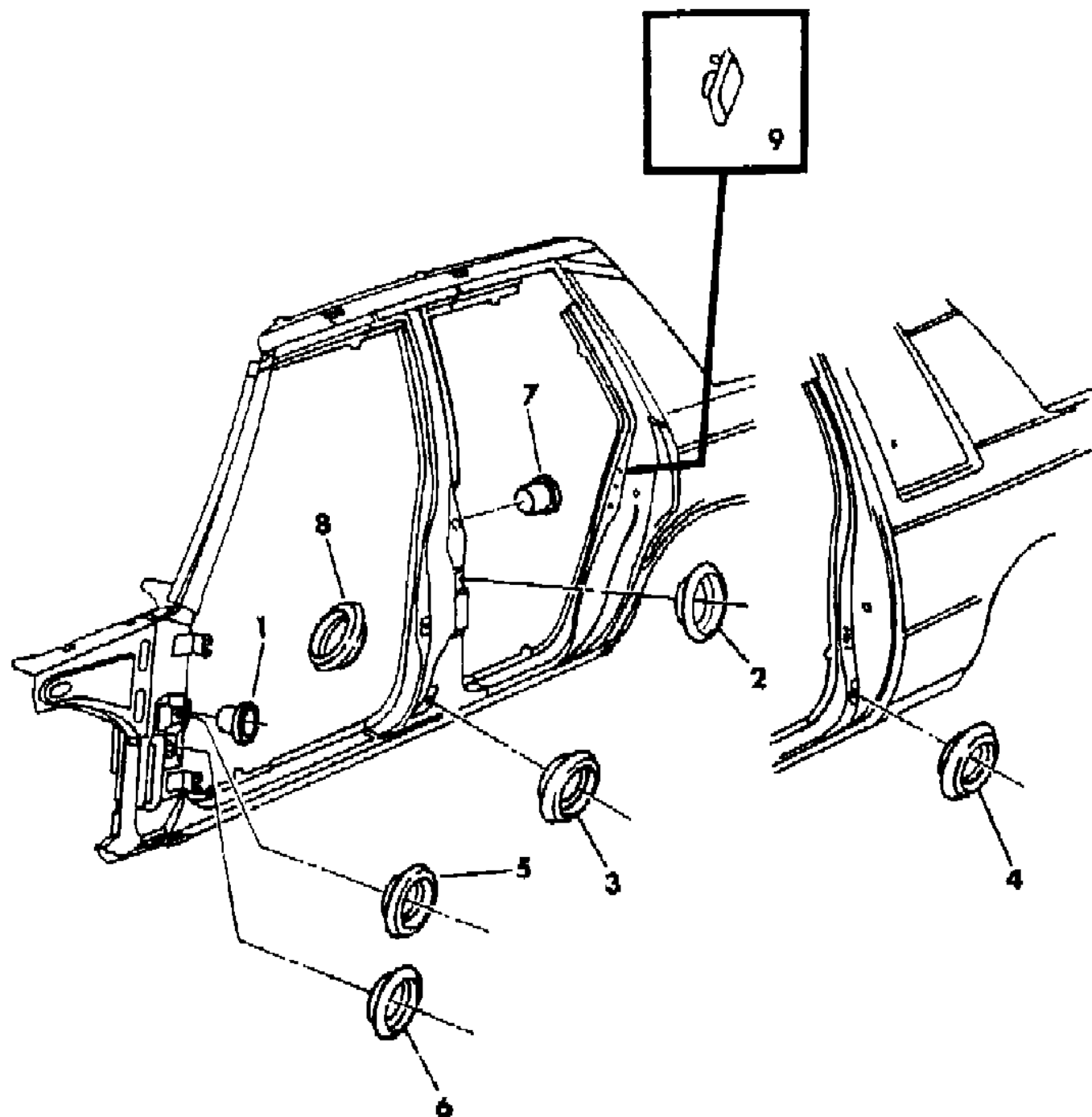
45 = 4-DOOR STATION WAGON

52-53 = FWD WAGON

AR = Use as Required - = Non Illustrated Part P.A.R. = Paint as Required

PLUGS BODY SIDE K,E BODY
Figure 23A-6700

7189 8700



ITEM	PART NUMBER	QTY	BODY	MODEL	DESCRIPTION
1	6025 871	1			PLUG
2	2480 957	2			PLUG
3	4172 862	2			PLUG
4	4172 862	2			PLUG
5	2860 332	1			PLUG
6		2			PLUG, Not Serviced
7	6025 871	2			PLUG
8	2574 792	2			PLUG
9	4337 950	2			PLUG, w/o Door Ajar Switch

MODEL CODES

E BODY = (J - CARAVELLE)(E - 600)(T - NEW YORKER)

G BODY = (V24 - DAYTONA)

H BODY = (D44 - LANCER)(C44 - LEBARON GTS)

J BODY = (C - LEBARON)

K BODY = (P - RELIANT)(D - ARIES)(C - LEBAROND)/TOWN & COUNTRY)

L BODY = (M - HORIZON/TURISMO)(Z - OMNI/CHARGER)

M BODY = (B - GRAN FURY)(F - FIFTH AVE/NEWPORT)(G - DIPLOMAT)

P BODY = (P - SUNDANCE)(D - SHADOW)

S BODY = (H - VOYAGER)(K - RAM VAN/CARAVAN)

BODY STYLES

12-13 = FWD VAN

21 = 2-DOOR SEDAN

24 = 2-DOOR HATCHBACK

27 = 2-DOOR CONVERTIBLE

41 = 4-DOOR SEDAN

44 = 4-DOOR HATCHBACK

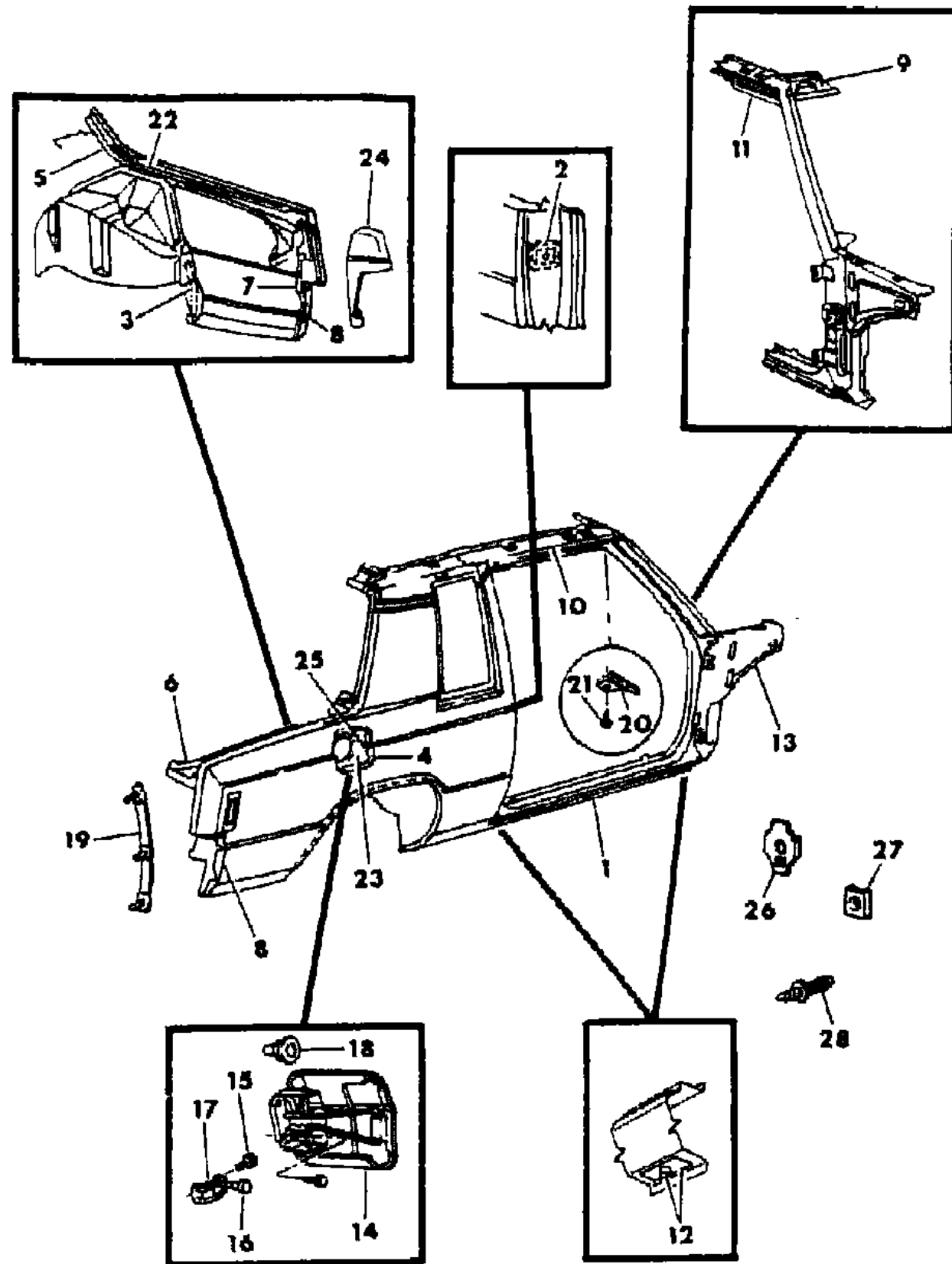
45 = 4-DOOR STATION WAGON

52-53 = FWD WAGON

AR = Use as Required - = Non Illustrated Part P.A.R. = Paint as Required

BODY SIDE K BODY 21
Figure 23A-6800

7169 8808 A



ITEM	PART NUMBER	QTY	BODY	MODEL	DESCRIPTION
1	4314 446-7	1		21	PANEL, Body Side Aperture Front
	4337 222-3	1		P,D-21	Rear
2	4200 774-5	1			REINFORCEMENT, w/Retainer Body Side Aperture Door Latch Striker Nut
3	4206 690-1	1			REINFORCEMENT, Body Side Aperture Panel
4	4314 298	1			REINFORCEMENT, Body Side Aperture Fuel Filler Door Opening
5	4134 852-3	1			REINFORCEMENT, Aperture Panel Lower Corner Back Lite Opening to Quarter Inside Panel
6	4296 834-5	1			TROUGH, Body Side Aperture Side Drain
7	4296 836-7	1			EXTENSION, Deck Opening Lower Panel Side Drain Trough
8	4416 124-5	1		C	EXTENSION, Body Side aperture
9	4416 446-7	1			FRAME, w/Shield Opening Side Inner
10	4136 944-5	1		21	TROUGH, Roof Panel Aperture Side Drain
11	4136 952-3	1			REINFORCEMENT, Windshield Opening Side Inner Frame
12	4314 277	4			PLATE, Body Side Aperture Jack Locator
13		1			PILLAR, See Body Front Hinge Pillar Illustration
14	4314 484	1			DOOR and HINGE, Body Aperture Fuel Filler
15		4			SCREW, Not Serviced
16	5200 365	2			BUTTON, Body Side Aperture Fuel Filler Door Stop Bumper
17	4314 302	1			BRACKET, Body Side Aperture Fuel Filler Door Stop
18		2			NUT, Body Side Aperture Fuel Filler Door Attaching Not Serviced
19		2			RETAINER, w/Studs Quarter Outside Panel Rear Bumper Fascia (Serviced in Item #24)
20	4337 136-7	1			FILLER, w/Tape Drain Trough Front End To "A" Pillar
21	6032 650	2			SCREW, w/Washer Drain Trough To "A" Pillar Filler Mounting
22	4206 237	2			SEAL, Quarter Outside Aperture Panel to Back Lite Lower Corner Reinforcement
23	4337 395	1		21	ADHESIVE, Inner Panel to Fuel Filler
24	4337 112-3	1		P,D	EXTENSION, w/Stud Body Side Aperture Panel Quarter End
25	4314 299	1		C	BEZEL, Quarter Outside Fuel Filler Opening (Town & Country)
26	4134 972	2			RETAINER, Body Side Aperture Door Latch Striker Nut
27	6500 483	2			NUT, Striker
28	6031 107	6			STUD, Body Side Aperture Panel Quarter End Extension

MODEL CODES

E BODY = (J - CARAVELLE)(E - 600)(T - NEW YORKER)

G BODY = (V24 - DAYTONA)

H BODY = (D44 - LANCER)(C44 - LEBARON GTS)

J BODY = (C - LEBARON)

K BODY = (P - RELIANT)(D - ARIES)(C - LEBAROND)/TOWN & COUNTRY)

L BODY = (M - HORIZON/TURISMO)(Z - OMNI/CHARGER)

M BODY = (B - GRAN FURY)(F - FIFTH AVE/NEWPORT)(G - DIPLOMAT)

P BODY = (P - SUNDANCE)(D - SHADOW)

S BODY = (H - VOYAGER)(K - RAM VAN/CARAVAN)

BODY STYLES

12-13 = FWD VAN

21 = 2-DOOR SEDAN

24 = 2-DOOR HATCHBACK

27 = 2-DOOR CONVERTIBLE

41 = 4-DOOR SEDAN

44 = 4-DOOR HATCHBACK

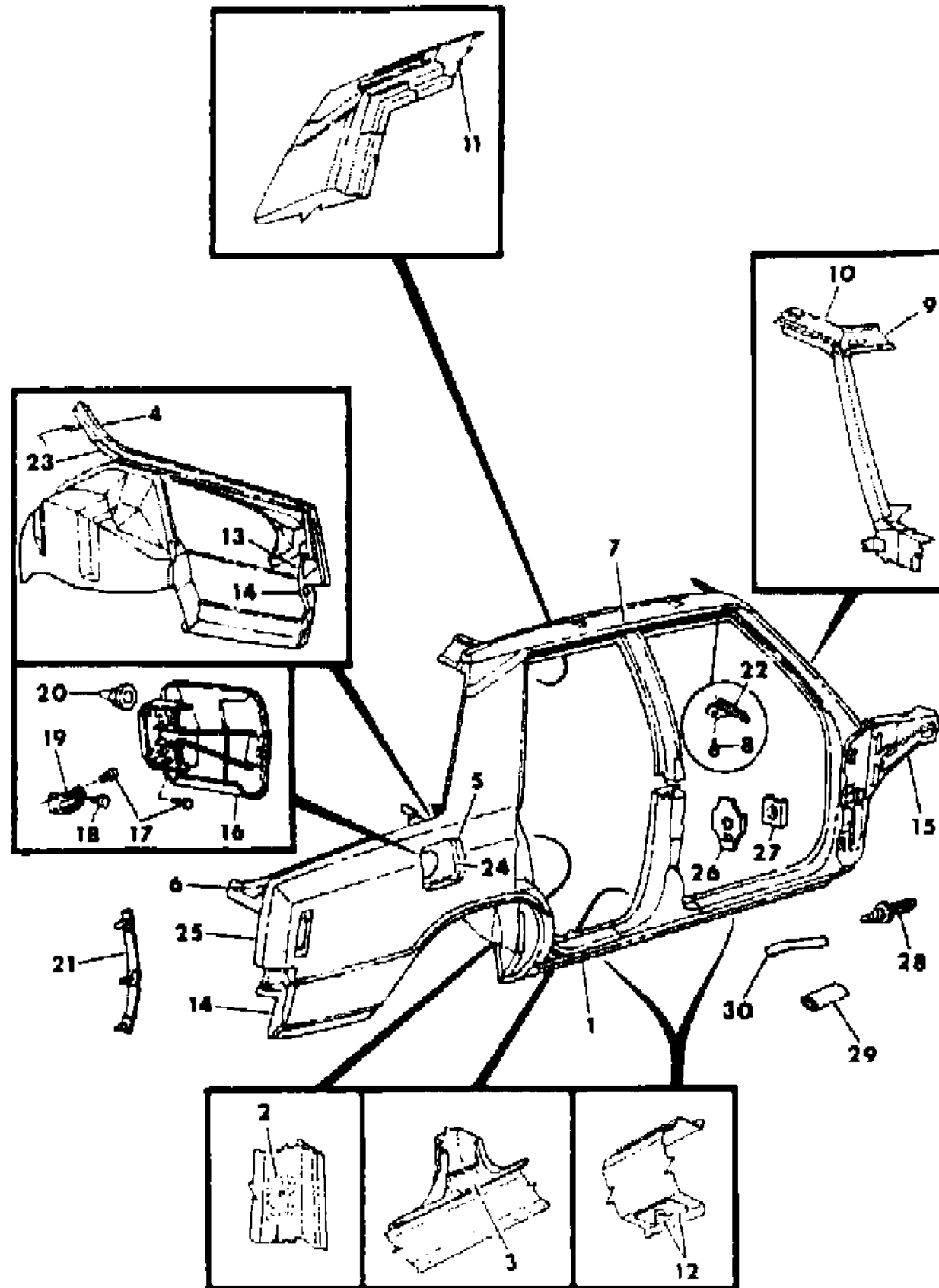
45 = 4-DOOR STATION WAGON

52-53 = FWD WAGON

AR = Use as Required - = Non Illustrated Part P.A.R. = Paint as Required

BODY SIDE K BODY 41
Figure 23A-6900

7169 6900 A



ITEM	PART NUMBER	QTY	BODY	MODEL	DESCRIPTION
1	4314 438-9	1			PANEL, Body Side Aperture Front
	4337 088-9	1			Center
	4314 954-5	1			Rear
2	4297 188-9	1			REINFORCEMENT, w/Retainer Body Side Aperture Door Latch Striker Nut
3	4337 226	2			REINFORCEMENT, Body Side Aperture Seat Belt Anchor Lower
	4206 198-9	1			Upper
4	4134 830-1	1			REINFORCEMENT, Aperture Panel Lower Corner Back Lite To Quarter Inside Panel
5	4314 298	1			REINFORCEMENT, Body Side Aperture Fuel Filler Door Opening
	4206 410-1	1			REINFORCEMENT, Body Front Pillar (Spot Light) w/Police Pkg.
6	4296 834-5	1			TROUGH, Body Side Aperture Side Drain
7	4296 986-7	1			TROUGH, Aperture Panel Roof Side Drain
8	6032 650	2			SCREW, w/Washer Drain Trough To "A" Pillar Filler Mounting
9	4314 738-9	1			FRAME, Windshield Opening Side Inner
10	4371 714-5	1			FRAME, Windshield Opening Side Aperture Upper
11	4386 610-1	1			RAIL, Roof Side Inner
12	4314 277	4			PLATE, Body Side Aperture Jack Locator
13	4296 836-7	1			EXTENSION, Deck Opening Lower Panel Side Drain Trough
14	4296 836-7	1	C		EXTENSION, Deck Opening Lower Panel Side Drain Trough
					Lower
15		1			PILLAR, See Body Front Hinge Pillar Illustration
16	4314 486	1			DOOR, Body Aperture Fuel Filler
17		4			SCREW, Not Serviced
18	5200 365	2			BUTTON, Fuel Filler Door
19	4314 302	1			BRACKET, Body Side Aperture Fuel Filler Door Stop
20		2			NUT, Body Side Aperture Fuel Filler Door Attaching Not Serviced
21		1			RETAINER, w/Studs Outside Rear Panel Fascia (Serviced in Item #25)
22	4337 136-7	1			FILLER, w/Tape Drain Trough Front End To "A" Pillar
23	4206 237	2			SEAL, Quarter Outside Aperture Panel To Back Lite Lower
					Corner Reinforcement
24	4337 395	1			ADHESIVE and FASTENER, Inner Panel To Fuel Filler Opening Reinforcement
25	4337 114-5	1	P,D		EXTENSION, w/Stud Body Side Aperture Panel Quarter End
					C
26	4134 972	2			RETAINER, Body Side Aperture Door Latch Striker Nut

MODEL CODES

E BODY = (J - CARAVELLE)(E - 600)(T - NEW YORKER)

G BODY = (V24 - DAYTONA)

H BODY = (D44 - LANCER)(C44 - LEBARON GTS)

J BODY = (C - LEBARON)

K BODY = (P - RELIANT)(D - ARIES)(C - LEBAROND)/TOWN & COUNTRY)

L BODY = (M - HORIZON/TURISMO)(Z - OMNI/CHARGER)

M BODY = (B - GRAN FURY)(F - FIFTH AVE/NEWPORT)(G - DIPLOMAT)

P BODY = (P - SUNDANCE)(D - SHADOW)

S BODY = (H - VOYAGER)(K - RAM VAN/CARAVAN)

BODY STYLES

12-13 = FWD VAN

21 = 2-DOOR SEDAN

24 = 2-DOOR HATCHBACK

27 = 2-DOOR CONVERTIBLE

41 = 4-DOOR SEDAN

44 = 4-DOOR HATCHBACK

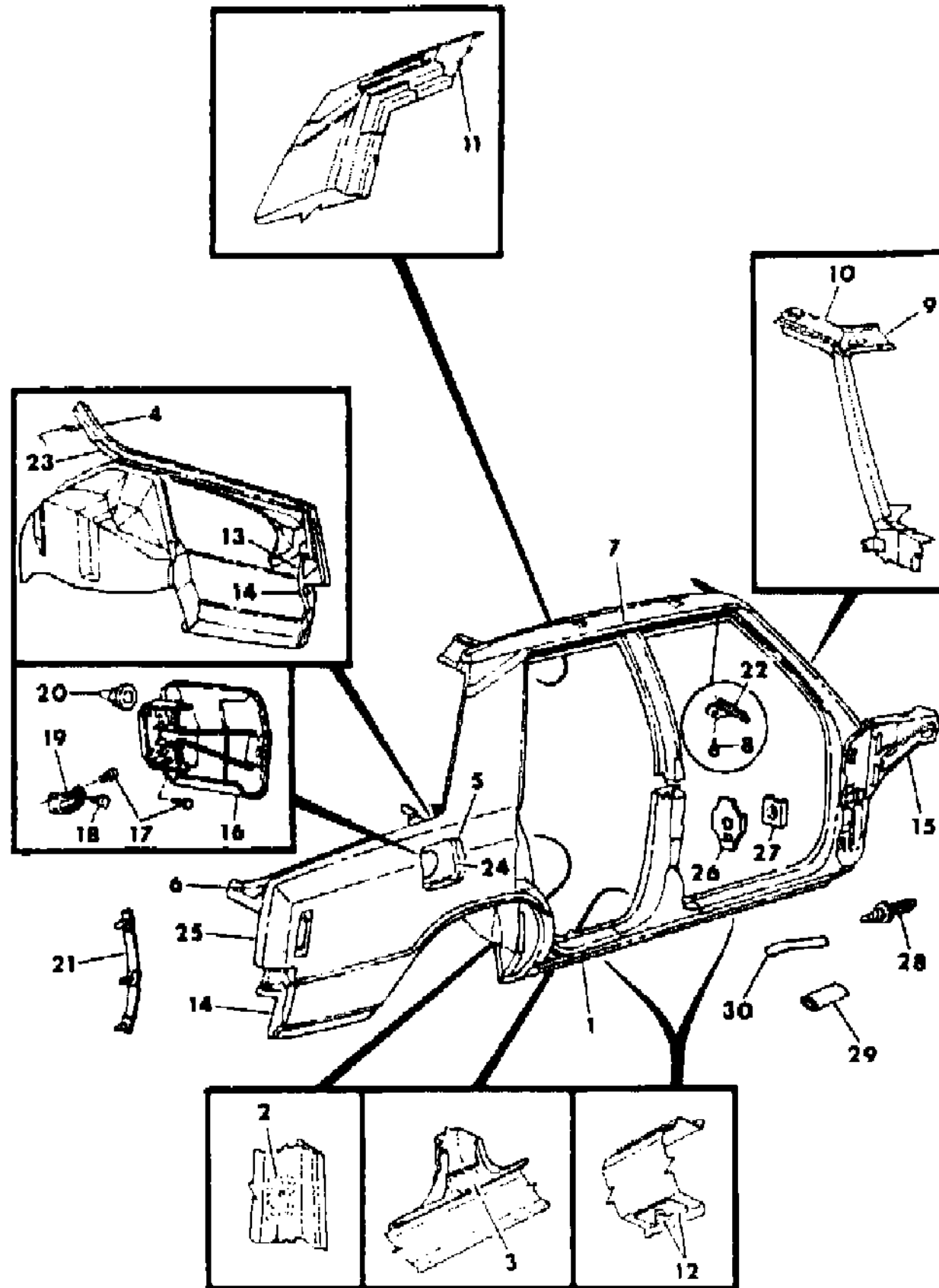
45 = 4-DOOR STATION WAGON

52-53 = FWD WAGON

AR = Use as Required - = Non Illustrated Part P.A.R. = Paint as Required

BODY SIDE K BODY 41
Figure 23A-6900

7169 6900 A



ITEM	PART NUMBER	QTY	BODY	MODEL	DESCRIPTION
27	6500 483	2			NUT, Striker
28	6031 107	6		P,D	STUD, Body Side Aperture Panel Quarter End Extension
29	4206 746	1			BAND, Fuel Filler Door Hinge Spring Pin Noise Dampener
30	4206 487	2			SEAL, Center Pillar To Drain Trough

MODEL CODES

E BODY = (J - CARAVELLE)(E - 600)(T - NEW YORKER)

G BODY = (V24 - DAYTONA)

H BODY = (D44 - LANCER)(C44 - LEBARON GTS)

J BODY = (C - LEBARON)

K BODY = (P - RELIANT)(D - ARIES)(C - LEBAROND)/TOWN & COUNTRY)

L BODY = (M - HORIZON/TURISMO)(Z - OMNI/CHARGER)

M BODY = (B - GRAN FURY)(F - FIFTH AVE/NEWPORT)(G - DIPLOMAT)

P BODY = (P - SUNDANCE)(D - SHADOW)

S BODY = (H - VOYAGER)(K - RAM VAN/CARAVAN)

BODY STYLES

12-13 = FWD VAN

21 = 2-DOOR SEDAN

24 = 2-DOOR HATCHBACK

27 = 2-DOOR CONVERTIBLE

41 = 4-DOOR SEDAN

44 = 4-DOOR HATCHBACK

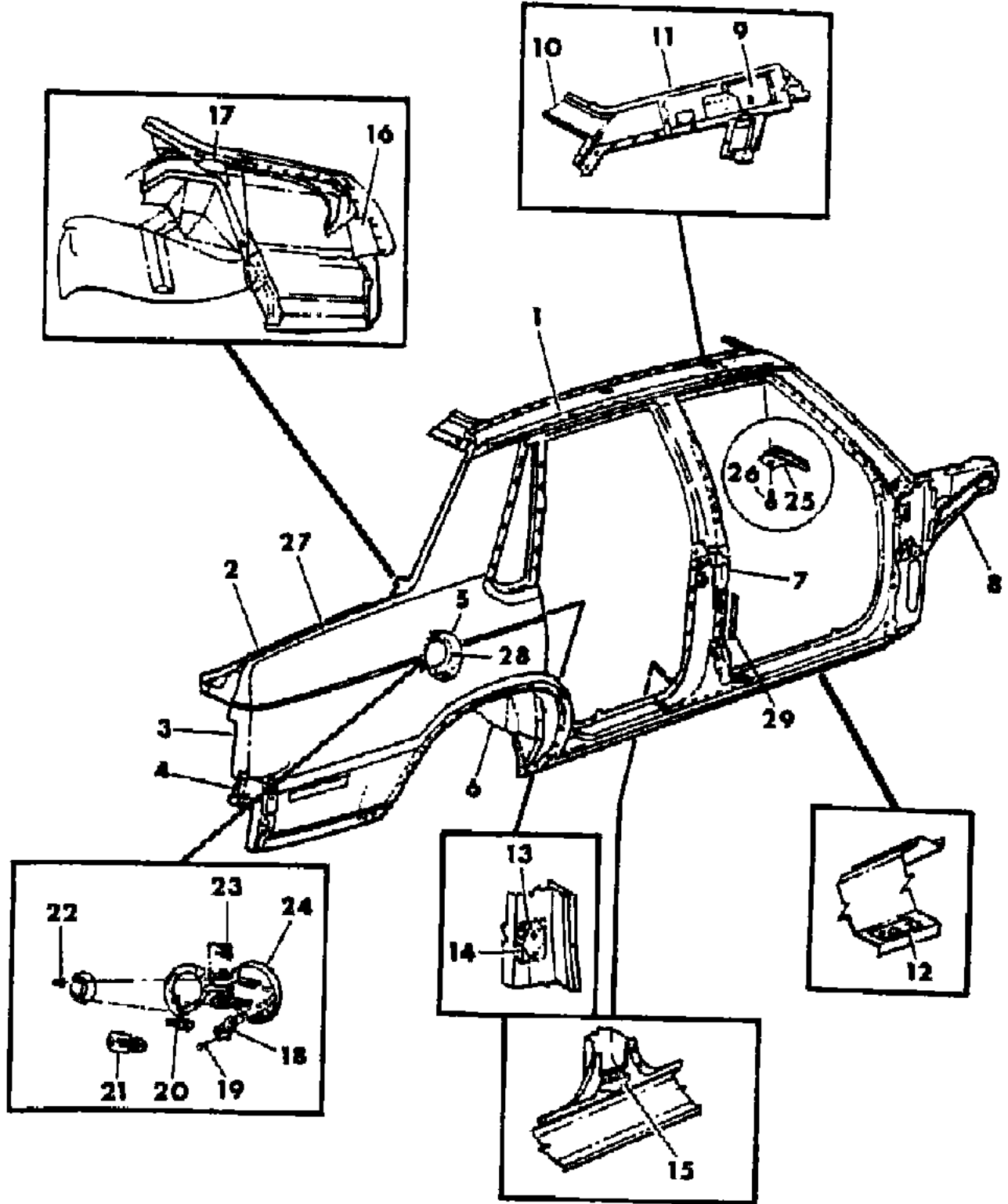
45 = 4-DOOR STATION WAGON

52-53 = FWD WAGON

AR = Use as Required - = Non Illustrated Part P.A.R. = Paint as Required

BODY SIDE E BODY
Figure 23A-7000

7189 7000 A



ITEM	PART NUMBER	QTY	BODY	MODEL	DESCRIPTION
1	4296 988-9	1			TROUGH, Roof Side Drain
2	4337 710-1	1			TROUGH, Body Side Aperture Drain
3	4314 438-9	1			PANEL, Body Side Aperture Front
	4314 444-5	1			Center
	4371 594-5	1			Rear
4	4341 642-3	1			EXTENSION, Deck Opening Lower Panel Side Drain Trough Upper
5	4337 205	1			REINFORCEMENT, Body Side Aperture Fuel Filler Door Opening
6		1			PANEL, See Qtr. Inside and Wheelhouse Outer Illustration
7		1			PILLAR, See Side Sill and Center Pillar Illustration
8		1			PILLAR, See Body Front Hinge Pillar Illustration
9	4341 604-5	1			RAIL, Roof Side Inner
10	4371 714-5	1			FRAME, Windshield Opening Side Inner
11	4337 272-3	1			REINFORCEMENT, Windshield Opening Side Aperture Upper
12	4314 277	4			PLATE, Body Side Aperture Jack Locator
13	4134 972	2			RETAINER, Body Side Aperture Panel Door Lock Striker Nut
14	4297 188-9	1			REINFORCEMENT, w/Retainer Body Side Aperture Door Latch Striker Nut
15	4337 226	2			REINFORCEMENT, Body Side Aperture Seat Belt Anchor Lower
	4206 198-9	1			Upper
16	4341 642-3	1			EXTENSION, Deck Opening Lower Panel Side Drain Trough Upper
17	4206 942-3	1			REINFORCEMENT, Body Side Aperture Lower Corner Back Lite
18	4337 194	1			LATCH, Fuel Filler Door
19		2			SCREW, Not Serviced
20		AR			SCREW, Not Serviced
21	4314 923	1			BUMPER, Body Side Aperture Fuel Filler Door Remote
22	6032 641	2			NUT and WASHER
23	4337 147	1			PLATE, Fuel Filler Door and Hinge Mounting
24	4337 200	1			DOOR, Body Aperture Fuel Filler
25	4337 136-7	1			FILLER, w/Tape Drain Trough Front End To "A" Pillar
26	6032 650	2			SCREW, w/Washer Drain Trough To "A" Pillar Filler Mounting
27	4206 970	1			TROUGH, Deck Opening Upper Drain
28	4337 395	1			ADHESIVE and FASTENER, Inner Panel To Fuel Filler Opening Reinforcement
29	4206 487	2			SEAL, Center Pillar To Drain Trough
	4206 486	2			SEAL, Body Side Aperture To Lower Front Pillar

MODEL CODES

E BODY = (J - CARAVELLE)(E - 600)(T - NEW YORKER)
 G BODY = (V24 - DAYTONA)
 H BODY = (D44 - LANCER)(C44 - LEBARON GTS)
 J BODY = (C - LEBARON)
 K BODY = (P - RELIANT)(D - ARIES)(C - LEBAROND)/TOWN & COUNTRY

L BODY = (M - HORIZON/TURISMO)(Z - OMNI/CHARGER)
 M BODY = (B - GRAN FURY)(F - FIFTH AVE/NEWPORT)(G - DIPLOMAT)
 P BODY = (P - SUNDANCE)(D - SHADOW)
 S BODY = (H - VOYAGER)(K - RAM VAN/CARAVAN)

BODY STYLES

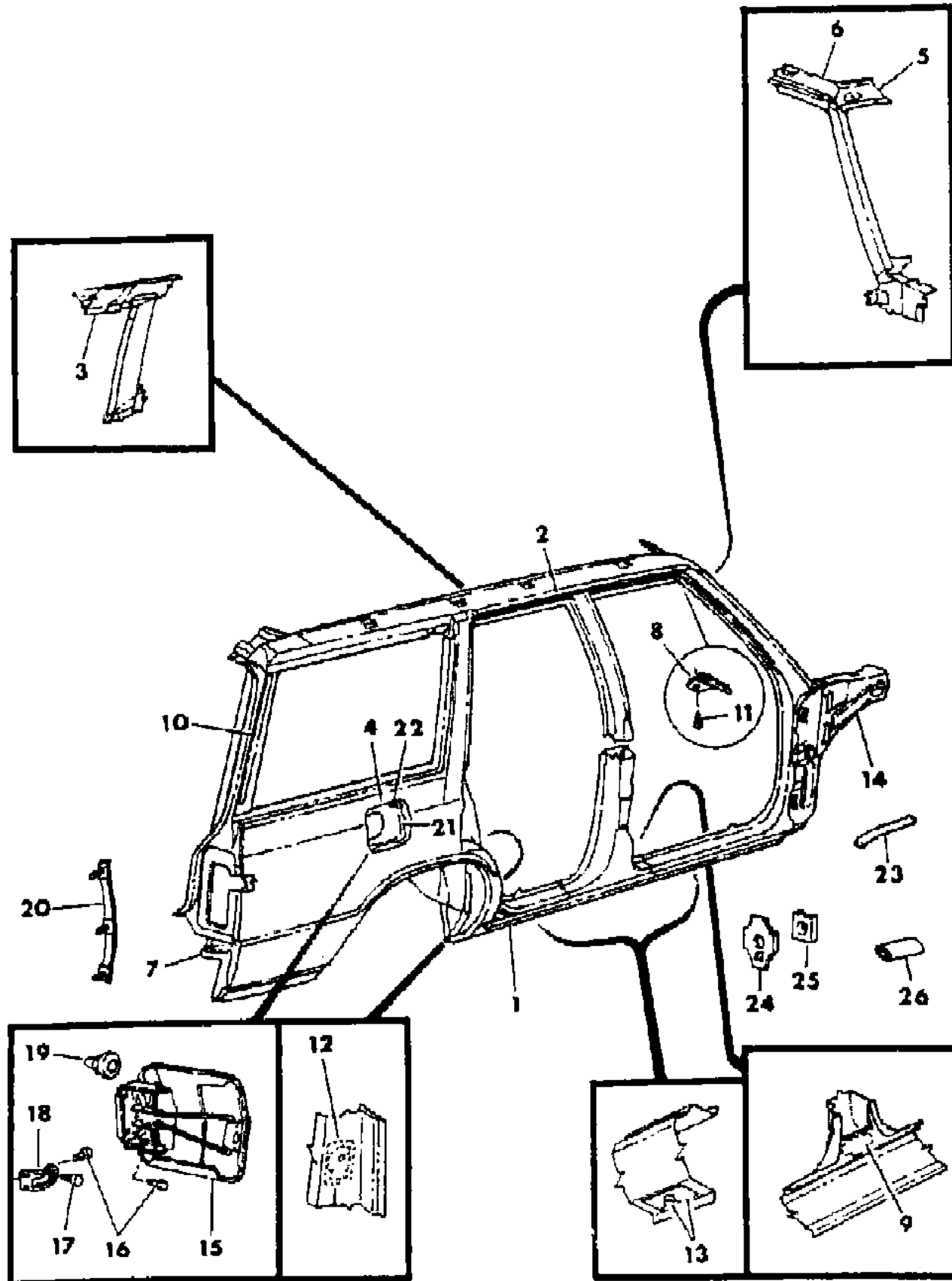
12-13 = FWD VAN
 21 = 2-DOOR SEDAN
 24 = 2-DOOR HATCHBACK
 27 = 2-DOOR CONVERTIBLE

41 = 4-DOOR SEDAN
 44 = 4-DOOR HATCHBACK
 45 = 4-DOOR STATION WAGON
 52-53 = FWD WAGON

AR = Use as Required - = Non Illustrated Part P.A.R. = Paint as Required

BODY SIDE K BODY 45
Figure 23A-7100

7189 7100 A



ITEM	PART NUMBER	QTY	BODY	MODEL	DESCRIPTION
1	4314 438-9	1			PANEL, Body Side Aperture Front
	4337 088-9	1			Center
	4314 440-1	1			Rear
2	4296 990-1	1			TROUGH, Aperture Panel Roof Side Drain
3	4341 738-9	1			RAIL, Roof Side Inner Front
4	4314 298	1			REINFORCEMENT, Body Side Aperture Fuel Filler Door Opening
5	4371 714-5	1			FRAME, Windshield Opening Side Inner
6	4337 272-3	1			REINFORCEMENT, Windshield Opening Side Aperture Upper
7	4206 130-1	1			EXTENSION, Body Side Aperture Panel Lower Rear
8	4337 136-7	1			FILLER, w/Tape Drain Trough Front End To "A" Pillar
9	4337 226	2			REINFORCEMENT, Body Side Aperture Panel Seat Belt Anchor
					Lower
	4206 198-9	1			Upper
10	4278 643	2			SUPPORT, Aperture Panel Quarter Window Rear Moulding
11	6032 650	2			SCREW, w/Washer Drain Trough To "A" Pillar Filler Mounting
12	4297 188-9	1			REINFORCEMENT, Body Side Aperture Panel Dr. Latch Striker Nut
13	4314 277	4			PLATE, Body Side Aperture Jack Locator
14		1			PILLAR, See Body Front Hinge Pillar Illustration
15	4314 488	1			DOOR, Body Aperture Fuel Filler
16		4			SCREW, Not Serviced
17	5200 365	2			BUTTON, Body Side Aperture Fuel Filler Door Stop Bumper
18	4314 302	1			BRACKET, Body Side Aperture Fuel Filler Door Stop
19		2			NUT, Body Side Aperture Fuel Filler Door Attaching Not Serviced
20	4206 956	2			RETAINER, w/Studs Quarter Outside Panel Rear Bumper Fascia
21	4337 001	1			BEZEL, Fuel Filler Door Opening
22	4337 395	1			ADHESIVE and FASTENER, Inner Panel to Fuel Filler Opening Reinforcement
23	4206 487	2			SEAL, Center Pillar To Drain Trough
24	4134 972	2			RETAINER, Body Side Aperture Door Latch Striker Nut
25	6500 483	2			NUT, Striker
26	4206 746	1			BAND, Fuel Filler Hinge Spring Pin Noise Dampener

MODEL CODES

E BODY = (J - CARAVELLE)(E - 600)(T - NEW YORKER)

G BODY = (V24 - DAYTONA)

H BODY = (D44 - LANCER)(C44 - LEBARON GTS)

J BODY = (C - LEBARON)

K BODY = (P - RELIANT)(D - ARIES)(C - LEBAROND)/TOWN & COUNTRY)

L BODY = (M - HORIZON/TURISMO)(Z - OMNI/CHARGER)

M BODY = (B - GRAN FURY)(F - FIFTH AVE/NEWPORT)(G - DIPLOMAT)

P BODY = (P - SUNDANCE)(D - SHADOW)

S BODY = (H - VOYAGER)(K - RAM VAN/CARAVAN)

BODY STYLES

12-13 = FWD VAN

21 = 2-DOOR SEDAN

24 = 2-DOOR HATCHBACK

27 = 2-DOOR CONVERTIBLE

41 = 4-DOOR SEDAN

44 = 4-DOOR HATCHBACK

45 = 4-DOOR STATION WAGON

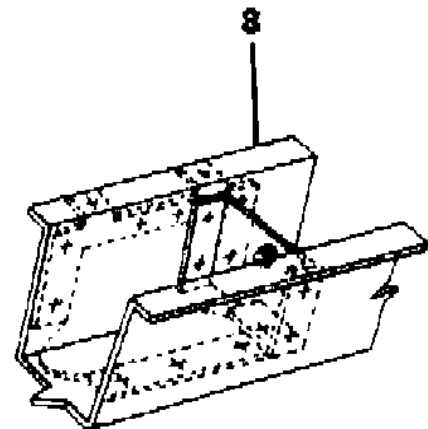
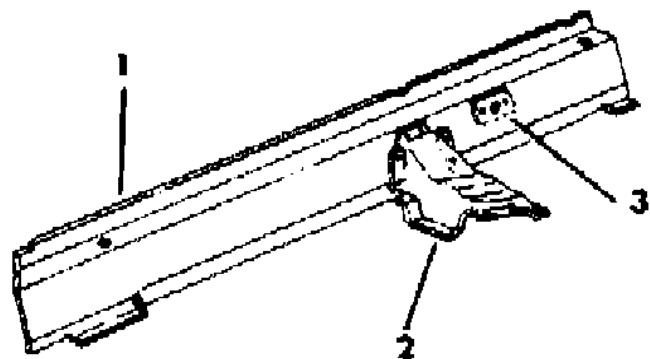
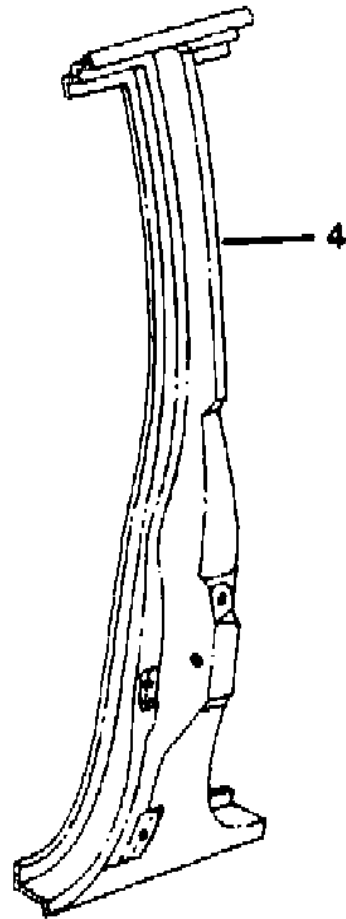
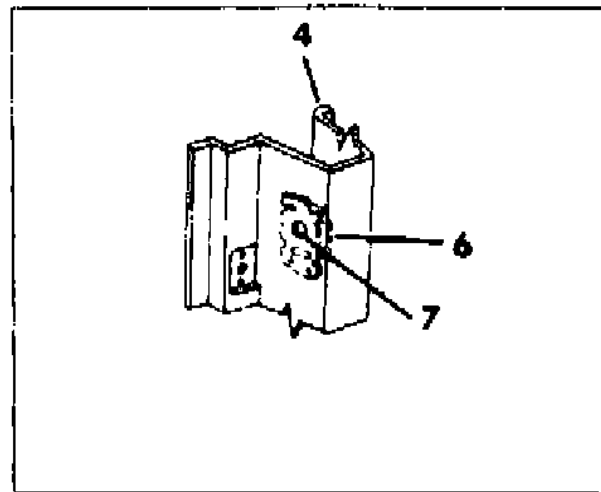
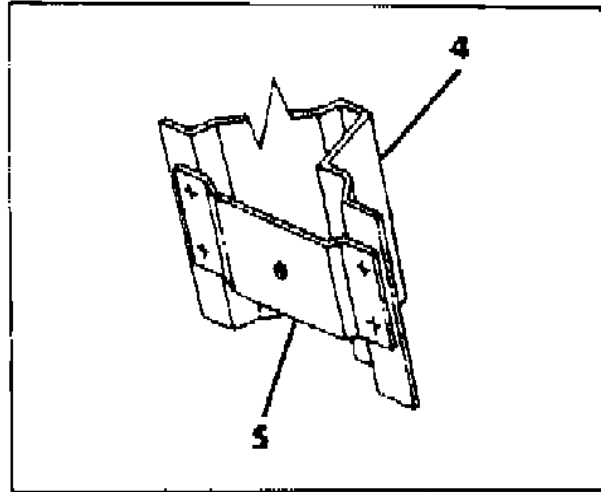
52-53 = FWD WAGON

AR = Use as Required - = Non Illustrated Part P.A.R. = Paint as Required

SIDE SILL AND CENTER PILLAR K,E BODY
Figure 23A-7200

7189 7200

ITEM	PART NUMBER	QTY	BODY	MODEL	DESCRIPTION
1	4337 078-9	1		P,D,C	PANEL, Body Side Sill Inner
	4337 916-7	1		J,E,T	
2	4314 494-5	1			REINFORCEMENT, Front Floor Pan Front Seat Rear Outer Attaching
3	4314 326	2			REINFORCEMENT, Floor Pan Side Sill Inner Front Seat Belt
4	4371 788-9	1		41,45	PILLAR, Body Center Outer
5	4206 198-9	1		41,45	REINFORCEMENT, Body Side Aperture Seat Belt Anchor Upper
6	4134 972	2			RETAINER, Body Side Aperture Panel Door Lock Striker Nut
7	6500 483	2			NUT, Body Side Aperture Panel Door Lock Striker
8	4371 522-3	1			EXTENSION, Sill Inner Rear



MODEL CODES

E BODY = (J - CARAVELLE)(E - 600)(T - NEW YORKER)

G BODY = (V24 - DAYTONA)

H BODY = (D44 - LANCER)(C44 - LEBARON GTS)

J BODY = (C - LEBARON)

K BODY = (P - RELIANT)(D - ARIES)(C - LEBAROND)/TOWN & COUNTRY)

L BODY = (M - HORIZON/TURISMO)(Z - OMNI/CHARGER)

M BODY = (B - GRAN FURY)(F - FIFTH AVE/NEWPORT)(G - DIPLOMAT)

P BODY = (P - SUNDANCE)(D - SHADOW)

S BODY = (H - VOYAGER)(K - RAM VAN/CARAVAN)

BODY STYLES

12-13 = FWD VAN

21 = 2-DOOR SEDAN

24 = 2-DOOR HATCHBACK

27 = 2-DOOR CONVERTIBLE

41 = 4-DOOR SEDAN

44 = 4-DOOR HATCHBACK

45 = 4-DOOR STATION WAGON

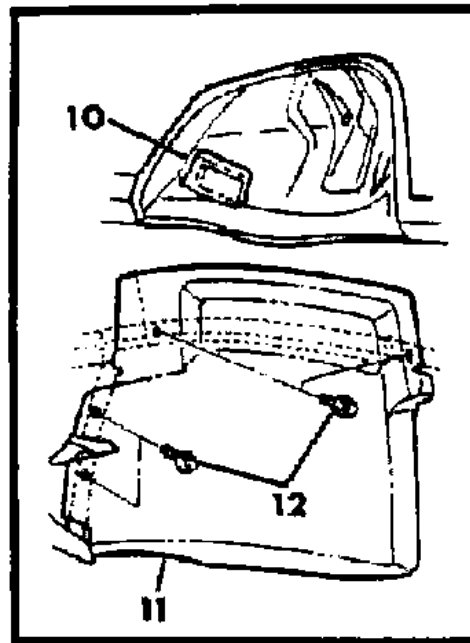
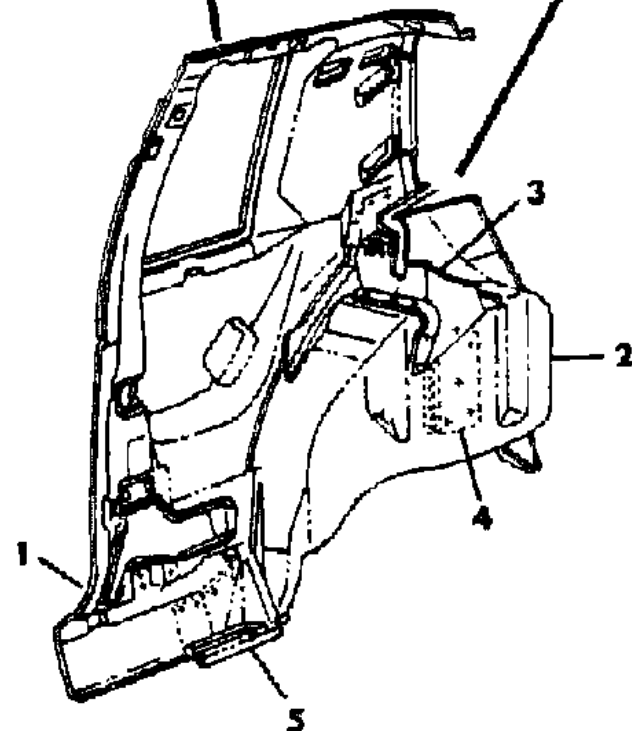
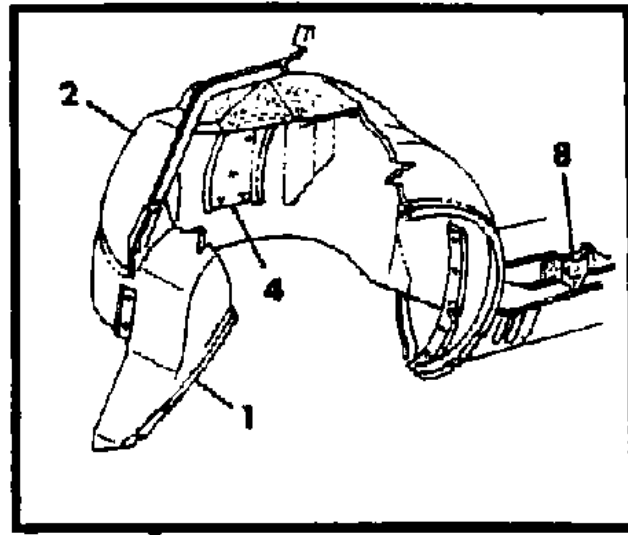
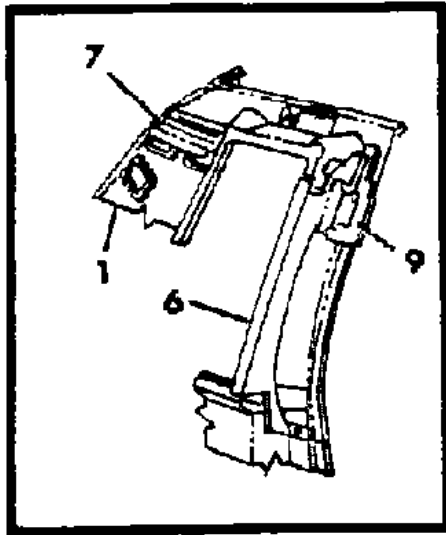
52-53 = FWD WAGON

AR = Use as Required - = Non Illustrated Part P.A.R. = Paint as Required

QUARTER INSIDE AND WHEELHOUSE OUTER PANEL K BODY 21
Figure 23A-7300

7189 7300

ITEM	PART NUMBER	QTY	BODY	MODEL	DESCRIPTION
1	4341 052-3	1			PANEL, Quarter Inside and Wheelhouse Outer
2	4386 200-1	1			PANEL, Rear Wheelhouse Inner
3		1			EXTENSION, Shelf Panel Not Serviced
4	4134 686-7	1			REINFORCEMENT, W/House Inner Panel Shock Absorber Mounting
5	4206 156-7	1			REINFORCEMENT, Quarter Inner Panel Sill Jacking
6	4325 258-9	1			REINFORCEMENT, Quarter Inside Panel To Body Side Aperture Panel Front
7	4341 086-7	1			SUPPORT, Quarter Inside and Wheelhouse Outer To Side Aperture Panel
8	4341 097	2			REINFORCEMENT, Qtr. Inside Wheelhouse Qtr. Panel Seat Belt Retractor
9	4314 326	2			REINFORCEMENT, Quarter Inside Panel Upper Shoulder Belt Anchor
10	4371 494	1		P,D	SHIELD, W/House Inner Panel Fuel Filler Tube Rt.
11	4371 492-3	1		C	SHIELD, Rear W/House Inner Panel Appearance
12		AR			SCREW, Not Serviced



MODEL CODES

E BODY = (J - CARAVELLE)(E - 600)(T - NEW YORKER)

G BODY = (V24 - DAYTONA)

H BODY = (D44 - LANCER)(C44 - LEBARON GTS)

J BODY = (C - LEBARON)

K BODY = (P - RELIANT)(D - ARIES)(C - LEBAROND)/TOWN & COUNTRY)

L BODY = (M - HORIZON/TURISMO)(Z - OMNI/CHARGER)

M BODY = (B - GRAN FURY)(F - FIFTH AVE/NEWPORT)(G - DIPLOMAT)

P BODY = (P - SUNDANCE)(D - SHADOW)

S BODY = (H - VOYAGER)(K - RAM VAN/CARAVAN)

BODY STYLES

12-13 = FWD VAN

21 = 2-DOOR SEDAN

24 = 2-DOOR HATCHBACK

27 = 2-DOOR CONVERTIBLE

41 = 4-DOOR SEDAN

44 = 4-DOOR HATCHBACK

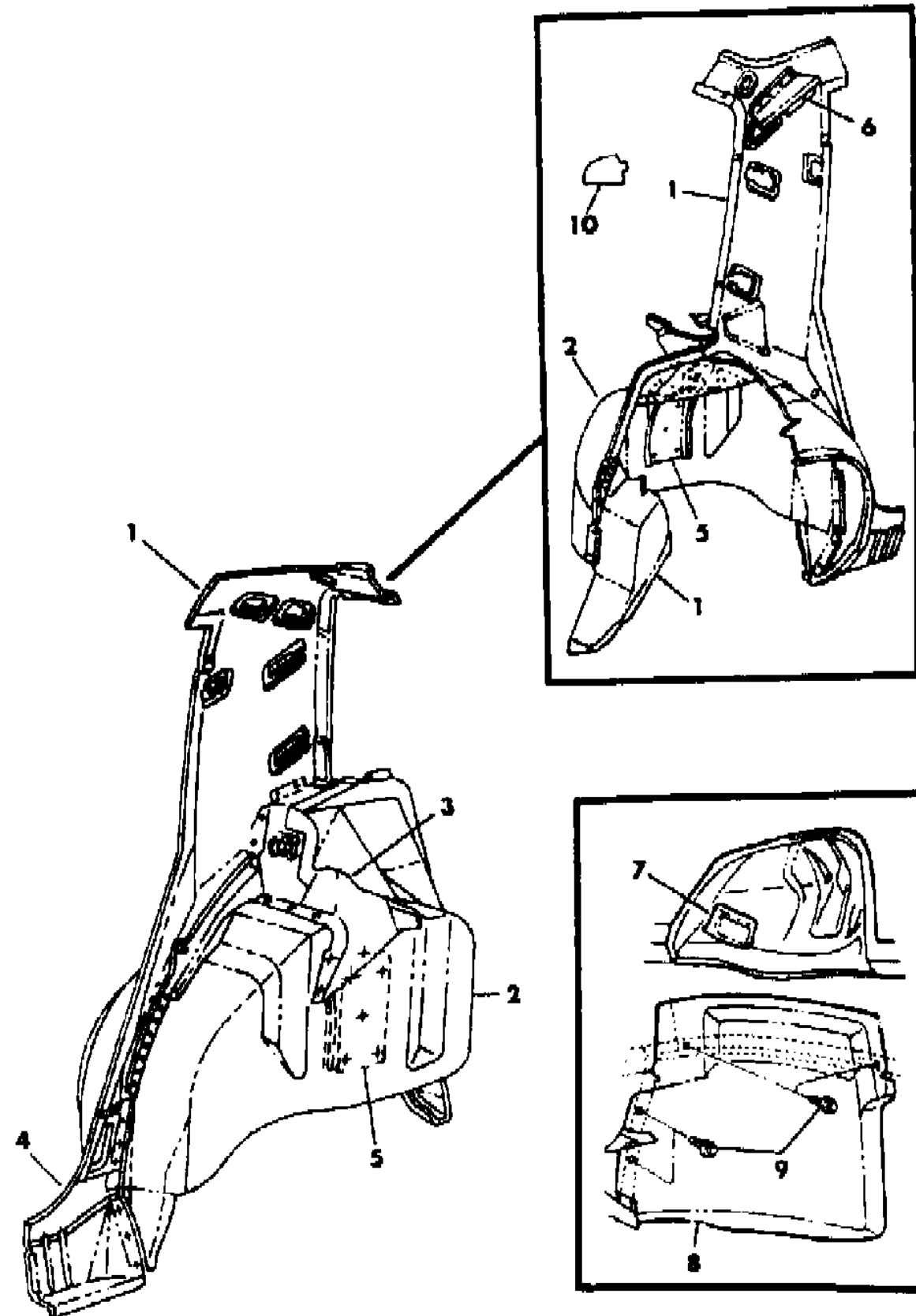
45 = 4-DOOR STATION WAGON

52-53 = FWD WAGON

AR = Use as Required - = Non Illustrated Part P.A.R. = Paint as Required

QUARTER INSIDE AND WHEELHOUSE OUTER PANEL K BODY 41
Figure 23A-7400

7189 7400 A



ITEM	PART NUMBER	QTY	BODY	MODEL	DESCRIPTION
1	4296 414-5	1			PANEL, Quarter Inside and Wheelhouse Outer
2	4386 200-1	1			PANEL, Rear Wheelhouse Inner
3		1			EXTENSION, Shelf Panel Not Serviced
4	4206 074-5	1			REINFORCEMENT, Quarter Inner Panel Sill Jacking
5	4134 686-7	1			REINFORCEMENT, W/House Inner Panel Shock Absorber
6	4341 088-9	1			Mounting SUPPORT, Quarter Inside and Wheelhouse Outer To Side Aperture Panel
7	4371 494	1			SHIELD, W/House Inner Panel Fuel Filler Tube Rt.
8	4371 492-3	1		C	SHIELD, Rear W/House Inner Panel Appearance
9		AR			SCREW, Not Serviced
10	4206 218	2			SEAL, Quarter Outside Panel To Deck Lower Panel Extension

MODEL CODES

E BODY = (J - CARAVELLE)(E - 600)(T - NEW YORKER)

G BODY = (V24 - DAYTONA)

H BODY = (D44 - LANCER)(C44 - LEBARON GTS)

J BODY = (C - LEBARON)

K BODY = (P - RELIANT)(D - ARIES)(C - LEBAROND)/TOWN & COUNTRY)

L BODY = (M - HORIZON/TURISMO)(Z - OMNI/CHARGER)

M BODY = (B - GRAN FURY)(F - FIFTH AVE/NEWPORT)(G - DIPLOMAT)

P BODY = (P - SUNDANCE)(D - SHADOW)

S BODY = (H - VOYAGER)(K - RAM VAN/CARAVAN)

BODY STYLES

12-13 = FWD VAN

21 = 2-DOOR SEDAN

24 = 2-DOOR HATCHBACK

27 = 2-DOOR CONVERTIBLE

41 = 4-DOOR SEDAN

44 = 4-DOOR HATCHBACK

45 = 4-DOOR STATION WAGON

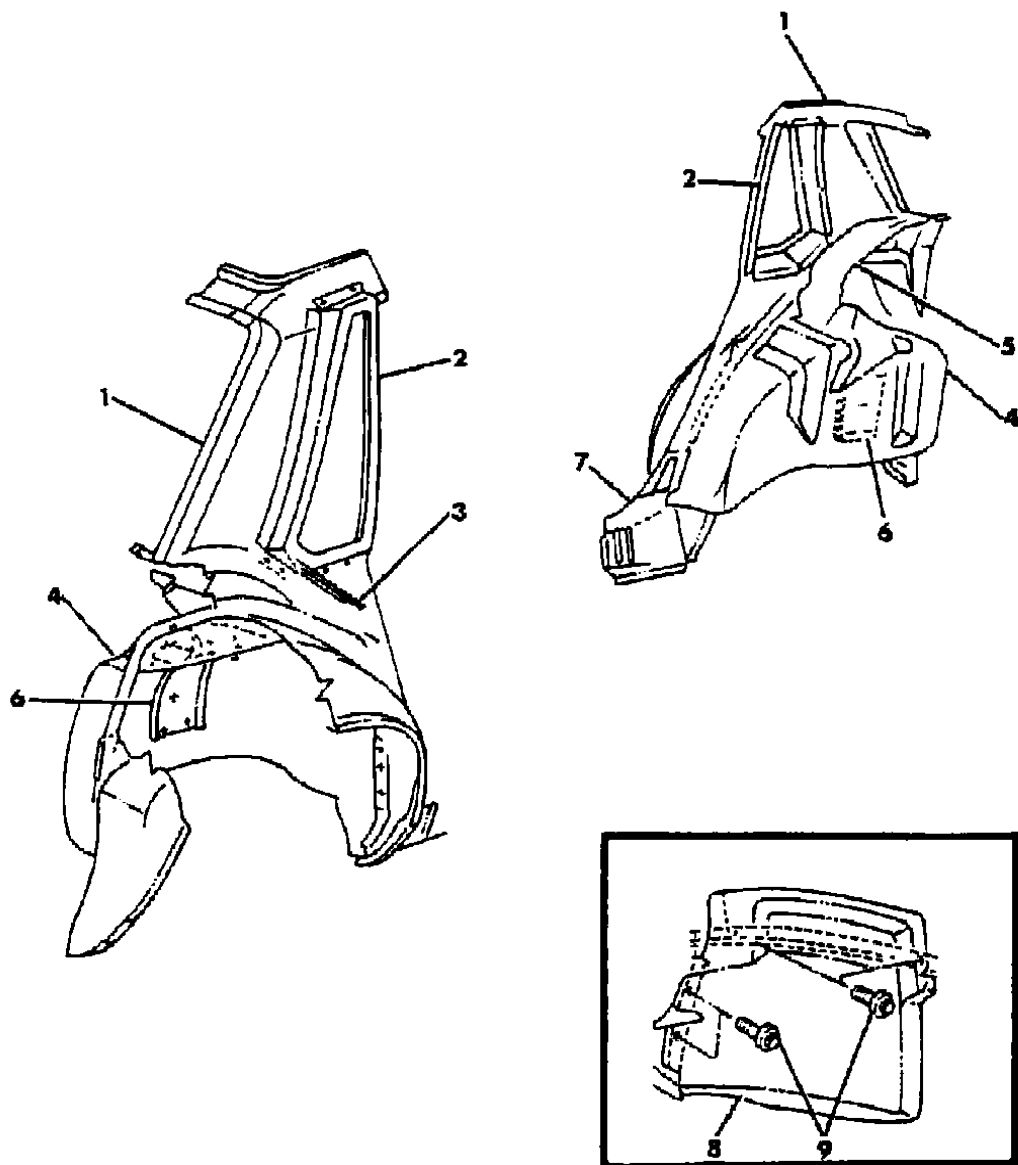
52-53 = FWD WAGON

AR = Use as Required - = Non Illustrated Part P.A.R. = Paint as Required

QUARTER INSIDE AND WHEELHOUSE OUTER PANEL E BODY
Figure 23A-7500

7189 7500

ITEM	PART NUMBER	QTY	BODY	MODEL	DESCRIPTION
1	4341 708-9	1			PANEL, Quarter Inside and Wheelhouse Outer
2	4314 252-3	1			REINFORCEMENT, Body Side Aperture To Quarter Inside
3	4296 288-9	1			TROUGH, Quarter Inside Panel Wdo. Reinforcement Drain
4	4386 200-1	1			PANEL, Rear Wheelhouse Inner
5		1			EXTENSION, Shelf Panel Not Serviced
6	4134 686-7	1			REINFORCEMENT, Wheelhouse Inner Panel Shock Absorber Mounting
7	4206 074-5	1			REINFORCEMENT, Quarter Inner Panel Sill Jacking
8	4371 492-3	1			SHIELD, Rear Wheelhouse Inner Panel Appearance
9		AR			SCREW, Not Serviced



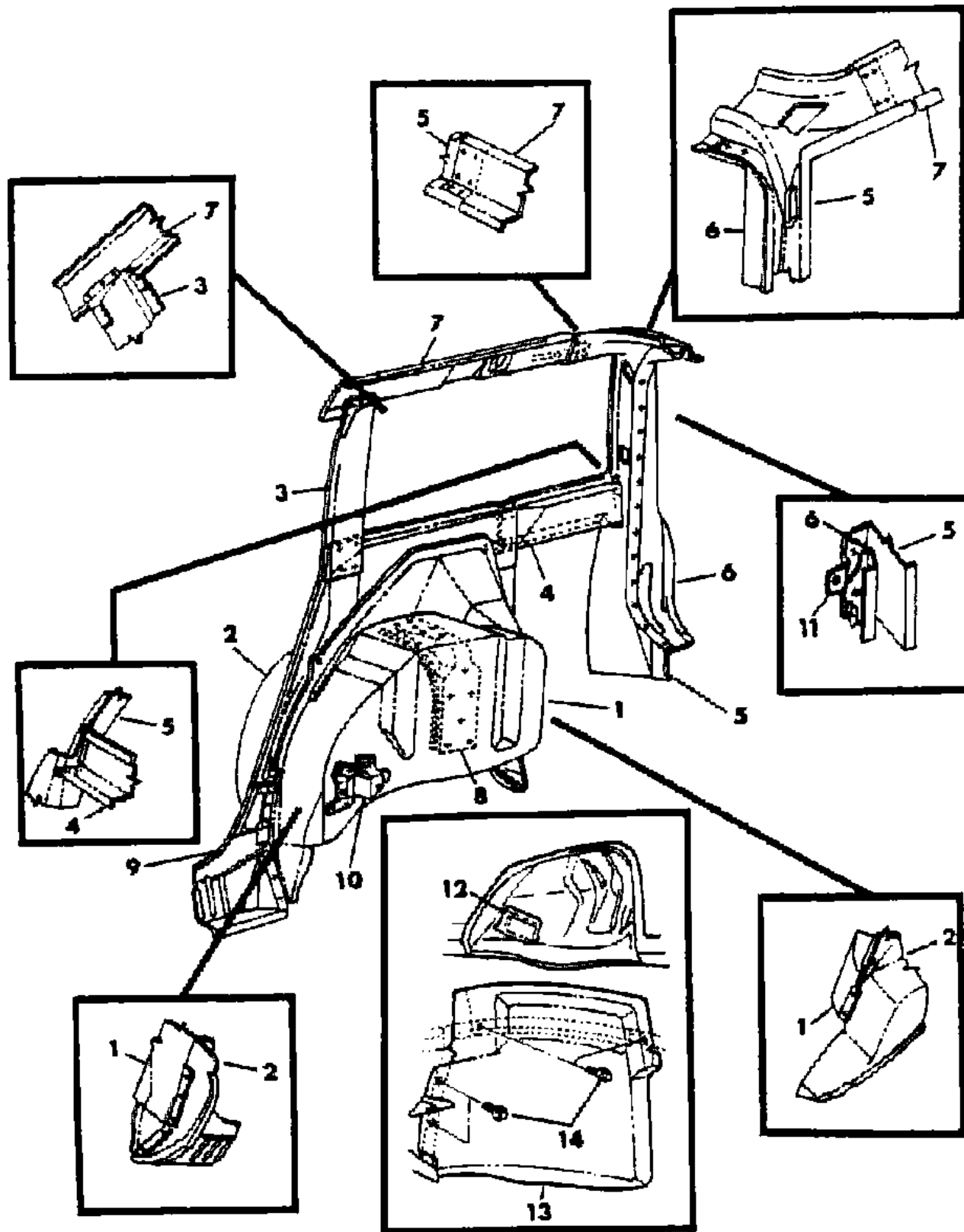
MODEL CODES
 E BODY = (J - CARAVELLE)(E - 600)(T - NEW YORKER) L BODY = (M - HORIZON/TURISMO)(Z - OMNI/CHARGER)
 G BODY = (V24 - DAYTONA) M BODY = (B - GRAN FURY)(F - FIFTH AVE/NEWPORT)(G - DIPLOMAT)
 H BODY = (D44 - LANCER)(C44 - LEBARON GTS) P BODY = (P - SUNDANCE)(D - SHADOW)
 J BODY = (C - LEBARON) S BODY = (H - VOYAGER)(K - RAM VAN/CARAVAN)
 K BODY = (P - RELIANT)(D - ARIES)(C - LEBAROND)/TOWN & COUNTRY

BODY STYLES
 12-13 = FWD VAN 41 = 4-DOOR SEDAN
 21 = 2-DOOR SEDAN 44 = 4-DOOR HATCHBACK
 24 = 2-DOOR HATCHBACK 45 = 4-DOOR STATION WAGON
 27 = 2-DOOR CONVERTIBLE 52-53 = FWD WAGON

AR = Use as Required - = Non Illustrated Part P.A.R. = Paint as Required

QUARTER INSIDE AND WHEELHOUSE OUTER PANEL K BODY 45
Figure 23A-7600

7180 7800



ITEM	PART NUMBER	QTY	BODY	MODEL	DESCRIPTION
1	4386 200-1	1			PANEL, Rear Wheelhouse Inner
2	4296 412-3	1			PANEL, Quarter Inside and Wheelhouse Outer
3	4134 814-5	1			PANEL, Body Rear Lock Pillar Upper Inner
4	4134 822-3	1			REINFORCEMENT, Quarter Panel Belt
5	4134 824-5	1			PILLAR, Quarter Outside Panel Liftgate Opening Front
6	4134 826-7	1			PILLAR, Quarter Outside Panel Liftgate Opening Rear
7	4206 150-1	1			RAIL, Roof Side Inner Rear
8	4134 686-7	1			REINFORCEMENT, W/House Inner Panel Shock Absorber Mounting
9	4206 074-5	1			REINFORCEMENT, Quarter Inner Panel Sill Jacking
10	4206 220-1	1			BRACKET, Wheelhouse Inner Panel Rear, Folding Seat Back Hinge Mounting
11	4296 404	2			BRACKET, Liftgate Opening Pillar Prop Attaching
12	4371 494	1		P,D	SHIELD, W/House Inner Panel Fuel Filler Tube Rt.
13	4371 492-3	1		C	SHIELD, Rear Wheelhouse Inner Panel Appearance
14		AR			SCREW, Not Serviced

MODEL CODES

E BODY = (J - CARAVELLE)(E - 600)(T - NEW YORKER)

G BODY = (V24 - DAYTONA)

H BODY = (D44 - LANCER)(C44 - LEBARON GTS)

J BODY = (C - LEBARON)

K BODY = (P - RELIANT)(D - ARIES)(C - LEBAROND)/TOWN & COUNTRY)

L BODY = (M - HORIZON/TURISMO)(Z - OMNI/CHARGER)

M BODY = (B - GRAN FURY)(F - FIFTH AVE/NEWPORT)(G - DIPLOMAT)

P BODY = (P - SUNDANCE)(D - SHADOW)

S BODY = (H - VOYAGER)(K - RAM VAN/CARAVAN)

BODY STYLES

12-13 = FWD VAN

21 = 2-DOOR SEDAN

24 = 2-DOOR HATCHBACK

27 = 2-DOOR CONVERTIBLE

41 = 4-DOOR SEDAN

44 = 4-DOOR HATCHBACK

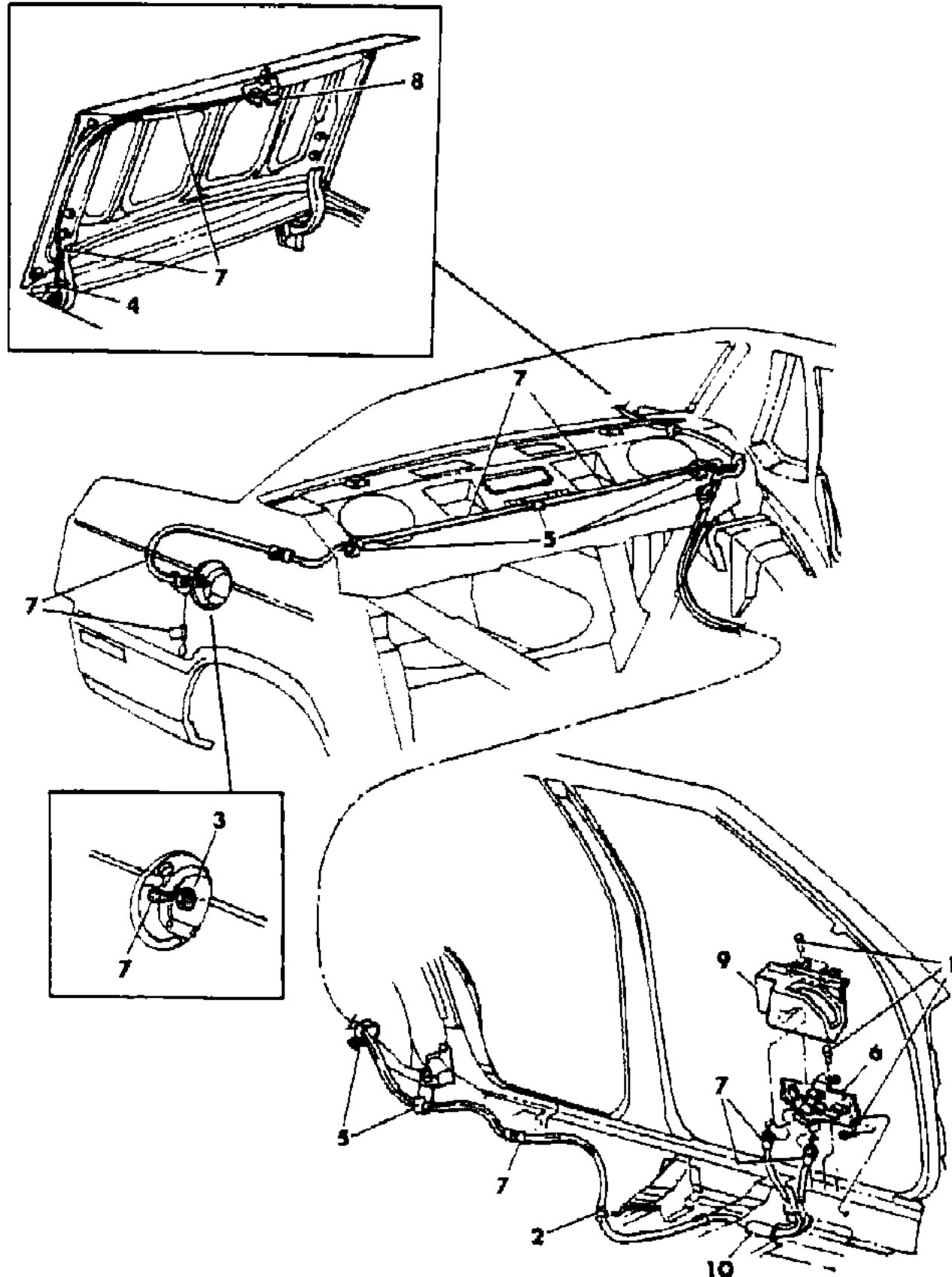
45 = 4-DOOR STATION WAGON

52-53 = FWD WAGON

AR = Use as Required - = Non Illustrated Part P.A.R. = Paint as Required

FUEL FILLER AND DECK LID REMOTE RELEASE E BODY
Figure 23A-7700

7189 7700



ITEM	PART NUMBER	QTY	BODY	MODEL	DESCRIPTION
1	6032 456	5	41		SCREW
2		1	41		CLIP, Not Serviced
3		1	41		NUT, M12 x 1.75" Not Serviced
4	6016 059	1	41		CLIP
5		AR	41		CLIP, Not Serviced
6					HANDLE, Fuel Filler & Deck Lid Remote Release
	4371 488	1	41		w/Cable Release Deck Lid
	4416 146	1	41		w/o Cable Release Deck Lid
7	4337 383	1			CABLE, Fuel Filler and Deck Lid Remote Release
	4371 430	1			CABLE, Body Side Aperture Fuel Filler Door
8	4378 053	1			LATCH, Deck Lid
9					COVER, Fuel Filler and Deck Lid Remote Release Handle
	S990 FC5	1			Blue
	S990 EE8	1			Cordovan
	S990 DS8	1			Charcoal
	S990 EK1	1			Almond
10	4371 202	1			CONDUIT, Fuel Filler and Deck Lid Remote Release Cable

MODEL CODES

E BODY = (J - CARAVELLE)(E - 600)(T - NEW YORKER)

G BODY = (V24 - DAYTONA)

H BODY = (D44 - LANCER)(C44 - LEBARON GTS)

J BODY = (C - LEBARON)

K BODY = (P - RELIANT)(D - ARIES)(C - LEBAROND)/TOWN & COUNTRY)

L BODY = (M - HORIZON/TURISMO)(Z - OMNI/CHARGER)

M BODY = (B - GRAN FURY)(F - FIFTH AVE/NEWPORT)(G - DIPLOMAT)

P BODY = (P - SUNDANCE)(D - SHADOW)

S BODY = (H - VOYAGER)(K - RAM VAN/CARAVAN)

BODY STYLES

12-13 = FWD VAN

21 = 2-DOOR SEDAN

24 = 2-DOOR HATCHBACK

27 = 2-DOOR CONVERTIBLE

41 = 4-DOOR SEDAN

44 = 4-DOOR HATCHBACK

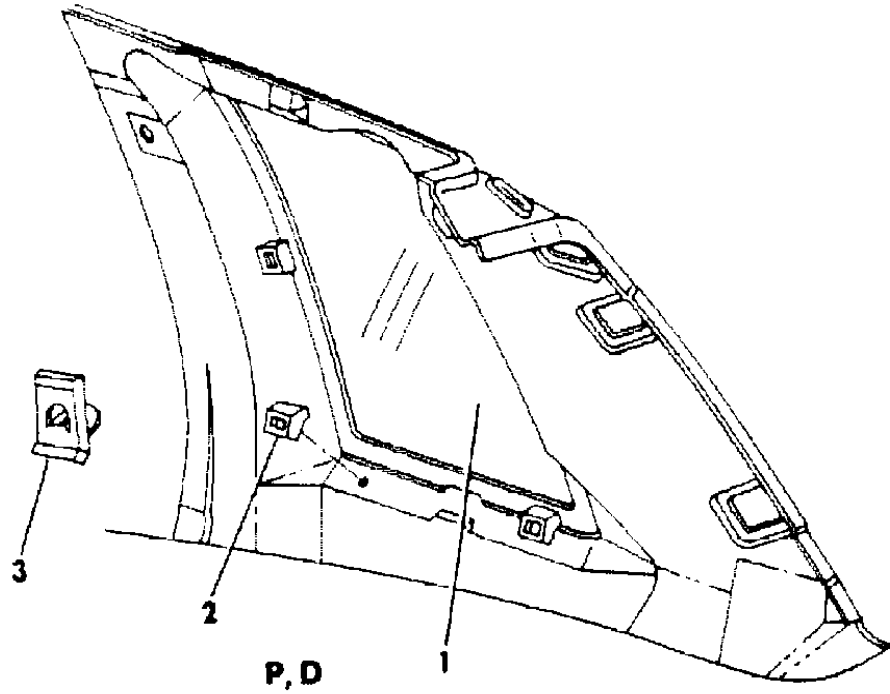
45 = 4-DOOR STATION WAGON

52-53 = FWD WAGON

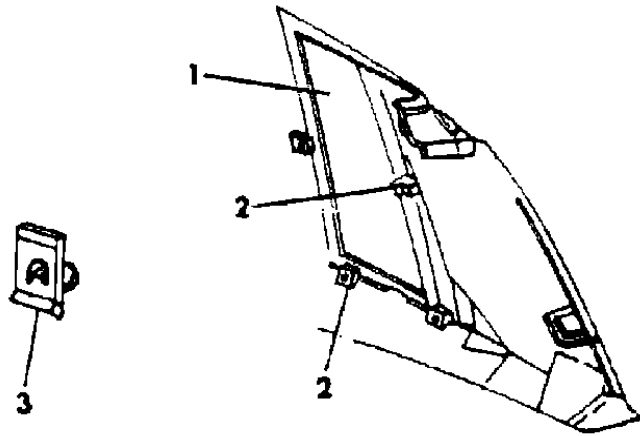
AR = Use as Required - = Non Illustrated Part P.A.R. = Paint as Required

GLASS QUARTER WINDOW K BODY 21
Figure 23A-7800

7189 7800



P, D



V, C

ITEM	PART NUMBER	QTY	BODY	MODEL	DESCRIPTION
1	4337 116-7	1		P,D-M	GLASS and FRAME, Window Tinted
	4337 190-1	1		P,D-L	GLASS, Quarter Window Tinted
2	4206 362	AR			SPACER, Quarter Window Glass
3	4206 852	2			RETAINER, Quarter Window Glass Upper
	4206 852	2			Lower

NOTE: The following items are not shown on illustration. s group.

PKG A	4057 957	1			FIXED GLASS REPAIR PACKAGE CONSISTS OF:
					1- ----- Tape, Butyl, 171.00"
					1- ----- Primer, Glass
					1- ----- PRIMER, Fence
	3674 698				2-Spacer, Rubber, 0.2"
	3793 290				2-Spacer, Rubber, 0.3"
	3767 767				2-Shim, 0.07"
					2- ----- Sponges, Disposable

MODEL CODES

E BODY = (J - CARAVELLE)(E - 600)(T - NEW YORKER)

G BODY = (V24 - DAYTONA)

H BODY = (D44 - LANCER)(C44 - LEBARON GTS)

J BODY = (C - LEBARON)

K BODY = (P - RELIANT)(D - ARIES)(C - LEBAROND)/TOWN & COUNTRY)

L BODY = (M - HORIZON/TURISMO)(Z - OMNI/CHARGER)

M BODY = (B - GRAN FURY)(F - FIFTH AVE/NEWPORT)(G - DIPLOMAT)

P BODY = (P - SUNDANCE)(D - SHADOW)

S BODY = (H - VOYAGER)(K - RAM VAN/CARAVAN)

BODY STYLES

12-13 = FWD VAN

21 = 2-DOOR SEDAN

24 = 2-DOOR HATCHBACK

27 = 2-DOOR CONVERTIBLE

41 = 4-DOOR SEDAN

44 = 4-DOOR HATCHBACK

45 = 4-DOOR STATION WAGON

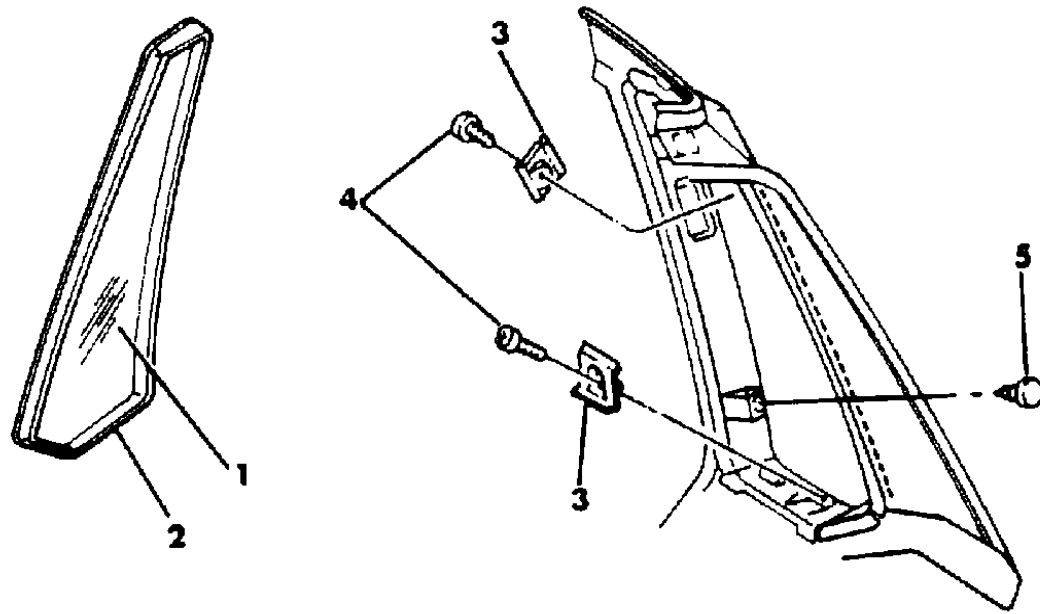
52-53 = FWD WAGON

AR = Use as Required - = Non Illustrated Part P.A.R. = Paint as Required

GLASS QUARTER WINDOW E BODY
Figure 23A-7900

7109 7900

ITEM	PART NUMBER	QTY	BODY	MODEL	DESCRIPTION
1	4206 890-1	1		exc. T-	GLASS, Quarter Window Tinted
2	4206 323	AR			SEAL, Quarter Window Glass Frame
3	4206 852	2			RETAINER, Quarter Window Glass Upper
	4206 852	2			Lower
4		4			SCREW, Not Serviced
5	4278 856	10			SPACER, Quarter Window Glass
NOTE: The following items are not shown on illustration. s group.					
PKG A	4057 957	1			FIXED GLASS REPAIR PACKAGE CONSISTS OF:
					1- ----- Tape, Butyl, 171.00"
					1- ----- Primer, Glass
					1- ----- Primer, Fence
	3674 698				2-Spacer, Rubber, 0.2"
	3793 290				2-Spacer, Rubber, 0.3"
	3767 767				2-Shim, 0.07"
					2- ----- Sponges, Disposable



MODEL CODES

E BODY = (J - CARAVELLE)(E - 600)(T - NEW YORKER)

G BODY = (V24 - DAYTONA)

H BODY = (D44 - LANCER)(C44 - LEBARON GTS)

J BODY = (C - LEBARON)

K BODY = (P - RELIANT)(D - ARIES)(C - LEBAROND)/TOWN & COUNTRY)

L BODY = (M - HORIZON/TURISMO)(Z - OMNI/CHARGER)

M BODY = (B - GRAN FURY)(F - FIFTH AVE/NEWPORT)(G - DIPLOMAT)

P BODY = (P - SUNDANCE)(D - SHADOW)

S BODY = (H - VOYAGER)(K - RAM VAN/CARAVAN)

BODY STYLES

12-13 = FWD VAN

21 = 2-DOOR SEDAN

24 = 2-DOOR HATCHBACK

27 = 2-DOOR CONVERTIBLE

41 = 4-DOOR SEDAN

44 = 4-DOOR HATCHBACK

45 = 4-DOOR STATION WAGON

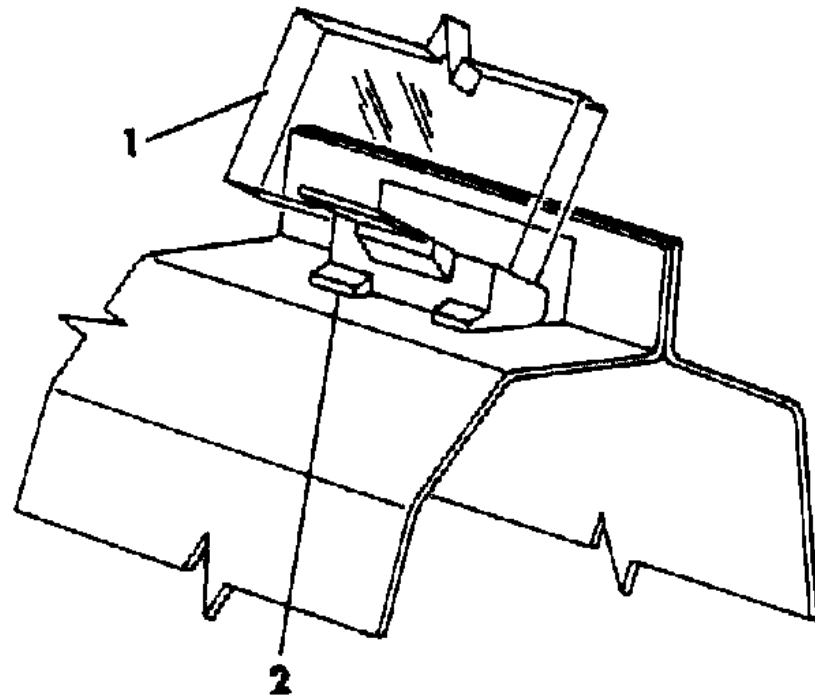
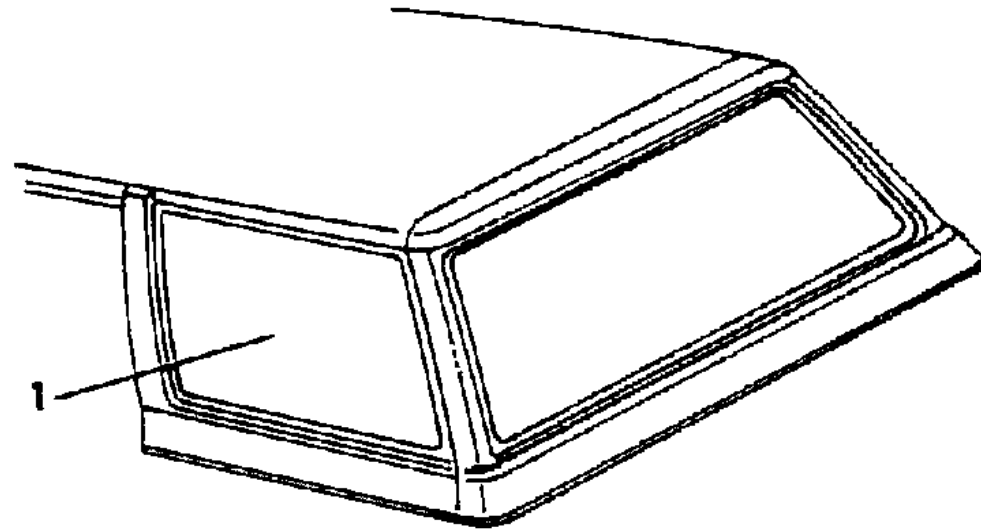
52-53 = FWD WAGON

AR = Use as Required - = Non Illustrated Part P.A.R. = Paint as Required

GLASS QUARTER WINDOW K BODY 45
Figure 23A-8000

7189 8000

ITEM	PART NUMBER	QTY	BODY	MODEL	DESCRIPTION
1	4206 170-1	1			GLASS, Quarter Window Clear
	4206 172-3	1			Tinted
2	4206 693	2			SPACER, Quarter Window Glass Rear
	4206 517	4			Lower (Plastic)
NOTE: The following items are not shown on illustration. s group.					
PKG A	4057 957	1			FIXED GLASS REPAIR PACKAGE
					CONSISTS OF:
					1- ----- Tape, Butyl, 171.00"
					1- ----- Primer, Glass
					1- ----- Primer, Fence
	3674 698				2-Spacer, Rubber, 0.2"
	3793 290				2-Spacer, Rubber, 0.3"
	3767 767				2-Shim, 0.07"
					2- ----- Sponges, Disposable



MODEL CODES

E BODY = (J - CARAVELLE)(E - 600)(T - NEW YORKER)

G BODY = (V24 - DAYTONA)

H BODY = (D44 - LANCER)(C44 - LEBARON GTS)

J BODY = (C - LEBARON)

K BODY = (P - RELIANT)(D - ARIES)(C - LEBAROND)/TOWN & COUNTRY)

L BODY = (M - HORIZON/TURISMO)(Z - OMNI/CHARGER)

M BODY = (B - GRAN FURY)(F - FIFTH AVE/NEWPORT)(G - DIPLOMAT)

P BODY = (P - SUNDANCE)(D - SHADOW)

S BODY = (H - VOYAGER)(K - RAM VAN/CARAVAN)

BODY STYLES

12-13 = FWD VAN

21 = 2-DOOR SEDAN

24 = 2-DOOR HATCHBACK

27 = 2-DOOR CONVERTIBLE

41 = 4-DOOR SEDAN

44 = 4-DOOR HATCHBACK

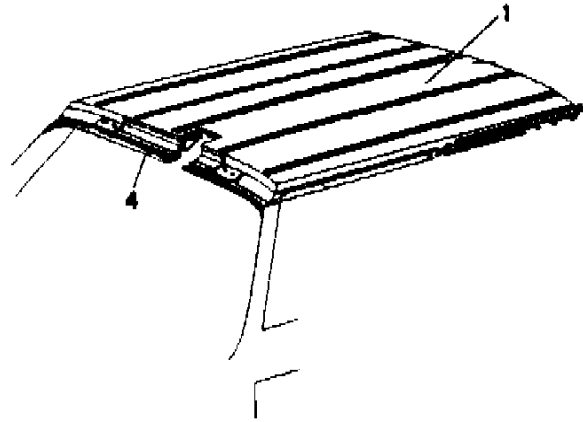
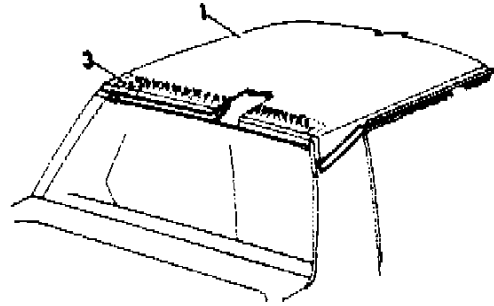
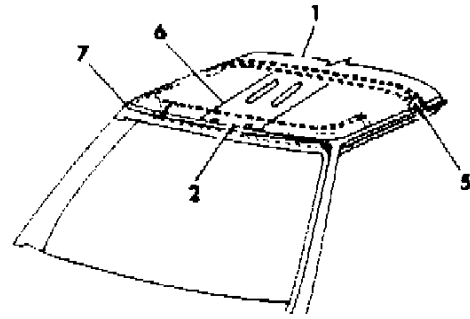
45 = 4-DOOR STATION WAGON

52-53 = FWD WAGON

AR = Use as Required - = Non Illustrated Part P.A.R. = Paint as Required

ROOF PANEL K,E BODY
Figure 23A-8100

7100 8100



ITEM	PART NUMBER	QTY	BODY	MODEL	DESCRIPTION
1	4136 800	1		21	PANEL, Roof
	4136 801	1		P,D,C 4	
	4206 806	1		J,E,T	
	4206 950	1		45	
2	4371 256	1		21	FRAME, w/Shield Opening Upper
	4371 712	1		41,45	
3	4136 912	1		21	FRAME, Rear Window Opening Upper
	4136 950	1		P,D,C 4	
	4206 854	1		J,E,T	
4	4129 748	1		45	FRAME, w/Reinforcement Liftgate Opening Upper
5	4341 399	2		21,41	BOW, Roof Panel
	4341 401	3		45	BOW, Roof Panel
6	4278 835	1			SUPPORT, Roof Panel Outside Flasher Light Or Siren
7	6003 423	AR			FASTENER, w/Shield Upper Frame To w/Shield Side Frame

MODEL CODES

E BODY = (J - CARAVELLE)(E - 600)(T - NEW YORKER)

G BODY = (V24 - DAYTONA)

H BODY = (D44 - LANCER)(C44 - LEBARON GTS)

J BODY = (C - LEBARON)

K BODY = (P - RELIANT)(D - ARIES)(C - LEBAROND)/TOWN & COUNTRY)

L BODY = (M - HORIZON/TURISMO)(Z - OMNI/CHARGER)

M BODY = (B - GRAN FURY)(F - FIFTH AVE/NEWPORT)(G - DIPLOMAT)

P BODY = (P - SUNDANCE)(D - SHADOW)

S BODY = (H - VOYAGER)(K - RAM VAN/CARAVAN)

BODY STYLES

12-13 = FWD VAN

21 = 2-DOOR SEDAN

24 = 2-DOOR HATCHBACK

27 = 2-DOOR CONVERTIBLE

41 = 4-DOOR SEDAN

44 = 4-DOOR HATCHBACK

45 = 4-DOOR STATION WAGON

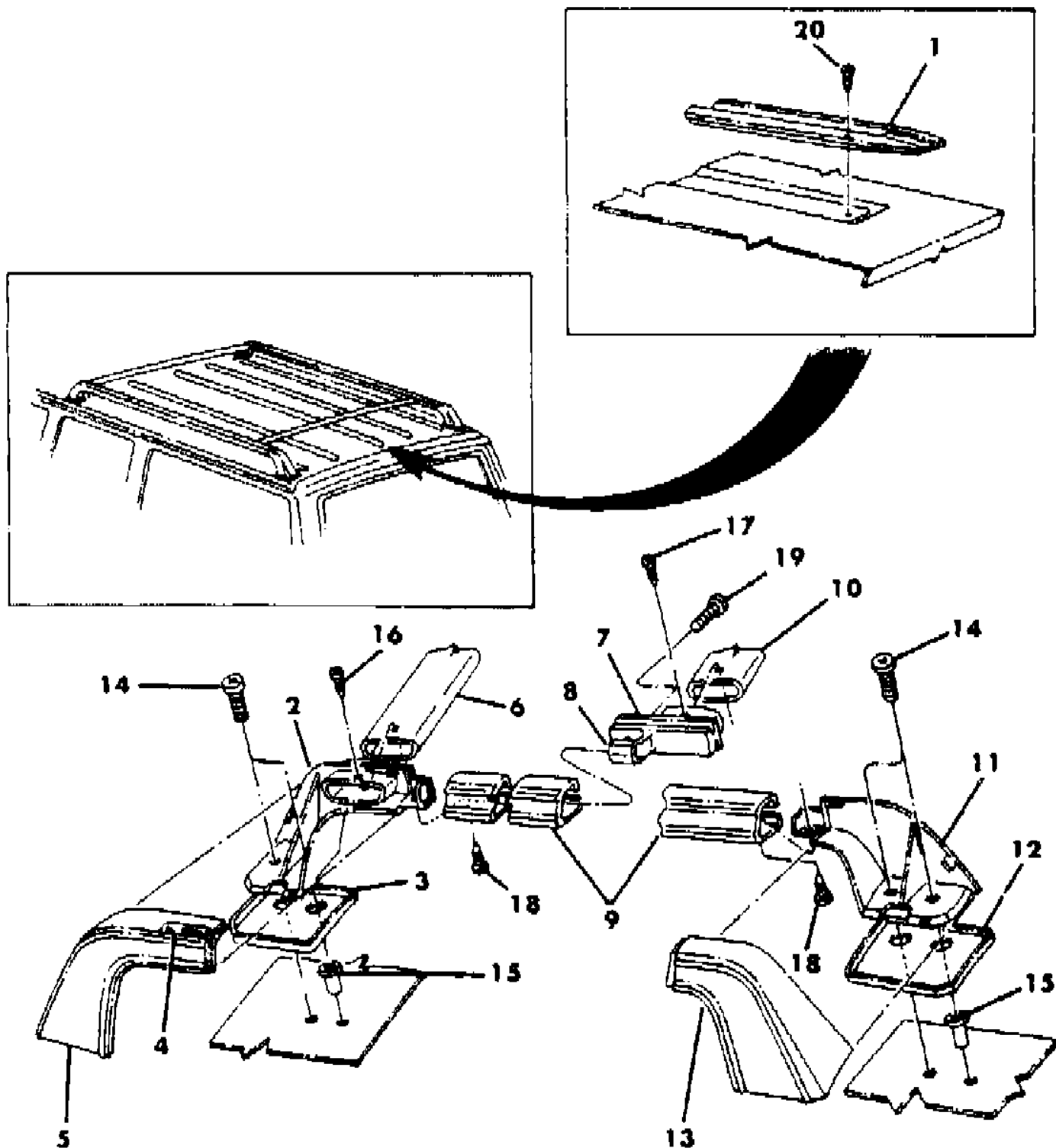
52-53 = FWD WAGON

AR = Use as Required - = Non Illustrated Part P.A.R. = Paint as Required

ROOF LUGGAGE RACK K BODY 45

Figure 23A-8200

7188 8200



ITEM	PART NUMBER	QTY	BODY	MODEL	DESCRIPTION
1-2	4366 021	1			LUGGAGE RACK PACKAGE, Roof (Feild Installed)
					CONSISTS OF:
		2			Rail w/Overlay
		1			Support, Side Rail, Front
		1			Support, Side Rail, Rear
		2			Cross Bar, Front and Rear
		2			Bracket, Cross Bar Front
		4			Retainer, Roof Rack Cross Bar
		4			Tapping, Roof Rack Cross Bar
		1			Cover Cap, Side Rail Support, Front
		1			Cover Cap, Side Rail Support, Rear
		1			Spacer, Side Rail Support, Front
		1			Spacer, Side Rail Support, Rear
		2			2- ----- Screw, Rear Cross Bar Not Serviced
		2			Screw, Front Cross Bar
		8			Blind Nut, Side Rail to Roof Panel
		8			Screw, Side Rail to Roof Panel
		4			4- ----- Screw, Side Rail Support to Cap (Not Serviced)
		4			Loop, Roof Luggage Rack Cross Bar
1	4398 176	5			SKID STRIP
2	4319 786-7	1			SUPPORT, Side Rail Front
3	4229 044-5	1			SPACER, Side Rail Support Front
4		2			LABEL, Not Serviced
5	4366 550-1	1			COVER CAP, Side Rail Support Front
6	4366 019	2			CROSS BAR, Front
7	4366 018	2			BRACKET, Cross Bar Front
8	4229 322	2			RETAINER, Roof Rack Cross Bar
9	4229 034	2			RAIL and OVERLAY, Side
10	4366 019	1			CROSS BAR, Rear
11	4319 780-1	1			SUPPORT, Side Rail Rear
12	4229 046-7	1			SPACER, Side Rail Support Rear
13	4366 552-3	1			COVER CAP, Side Rail Support Rear
14	6032 500	8			SCREW
15	2094 869	8			NUT, Side Rail to Roof Panel
16	9414 722	2			SCREW, Cross Bar Front
17		2			SCREW, Not Serviced
18		4			SCREW, Not Serviced
19		2			SCREW, Not Serviced

MODEL CODES

E BODY = (J - CARAVELLE)(E - 600)(T - NEW YORKER)

G BODY = (V24 - DAYTONA)

H BODY = (D44 - LANCER)(C44 - LEBARON GTS)

J BODY = (C - LEBARON)

K BODY = (P - RELIANT)(D - ARIES)(C - LEBAROND)/TOWN & COUNTRY)

L BODY = (M - HORIZON/TURISMO)(Z - OMNI/CHARGER)

M BODY = (B - GRAN FURY)(F - FIFTH AVE/NEWPORT)(G - DIPLOMAT)

P BODY = (P - SUNDANCE)(D - SHADOW)

S BODY = (H - VOYAGER)(K - RAM VAN/CARAVAN)

BODY STYLES

12-13 = FWD VAN

21 = 2-DOOR SEDAN

24 = 2-DOOR HATCHBACK

27 = 2-DOOR CONVERTIBLE

41 = 4-DOOR SEDAN

44 = 4-DOOR HATCHBACK

45 = 4-DOOR STATION WAGON

52-53 = FWD WAGON

AR = Use as Required - = Non Illustrated Part P.A.R. = Paint as Required

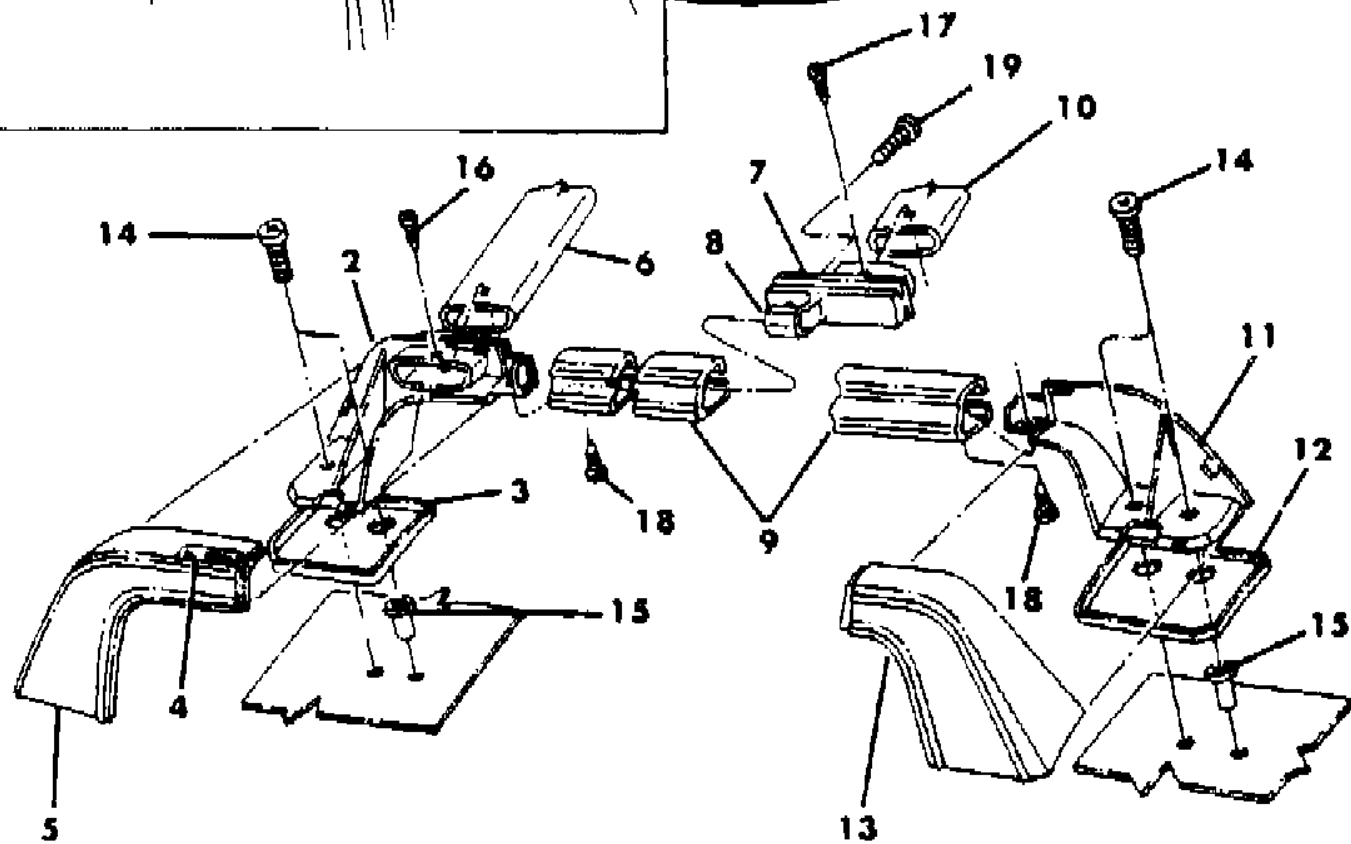
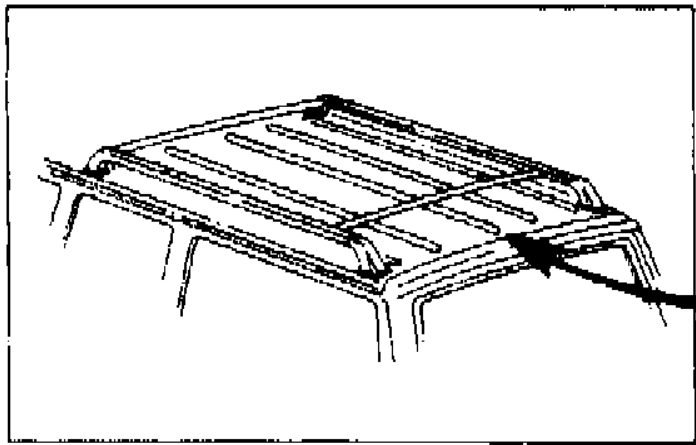
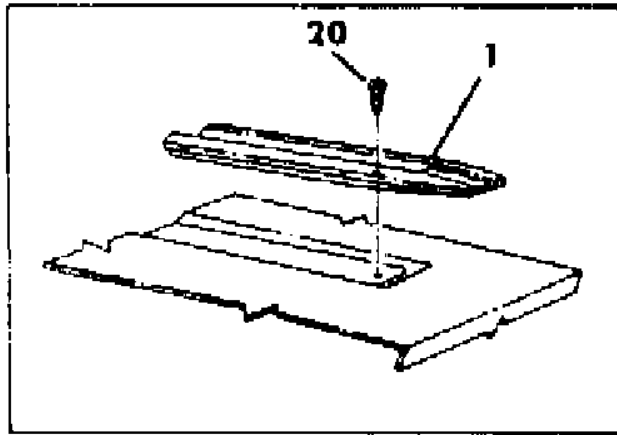
ROOF LUGGAGE RACK K BODY 45

Figure 23A-8200

7189 8200

ITEM	PART NUMBER	QTY	BODY	MODEL	DESCRIPTION
------	-------------	-----	------	-------	-------------

20		15			SCREW, #8-18 x .625" Not Serviced
----	--	----	--	--	-----------------------------------



MODEL CODES

E BODY = (J - CARAVELLE)(E - 600)(T - NEW YORKER)

G BODY = (V24 - DAYTONA)

H BODY = (D44 - LANCER)(C44 - LEBARON GTS)

J BODY = (C - LEBARON)

K BODY = (P - RELIANT)(D - ARIES)(C - LEBAROND)/TOWN & COUNTRY)

L BODY = (M - HORIZON/TURISMO)(Z - OMNI/CHARGER)

M BODY = (B - GRAN FURY)(F - FIFTH AVE/NEWPORT)(G - DIPLOMAT)

P BODY = (P - SUNDANCE)(D - SHADOW)

S BODY = (H - VOYAGER)(K - RAM VAN/CARAVAN)

BODY STYLES

12-13 = FWD VAN

21 = 2-DOOR SEDAN

24 = 2-DOOR HATCHBACK

27 = 2-DOOR CONVERTIBLE

41 = 4-DOOR SEDAN

44 = 4-DOOR HATCHBACK

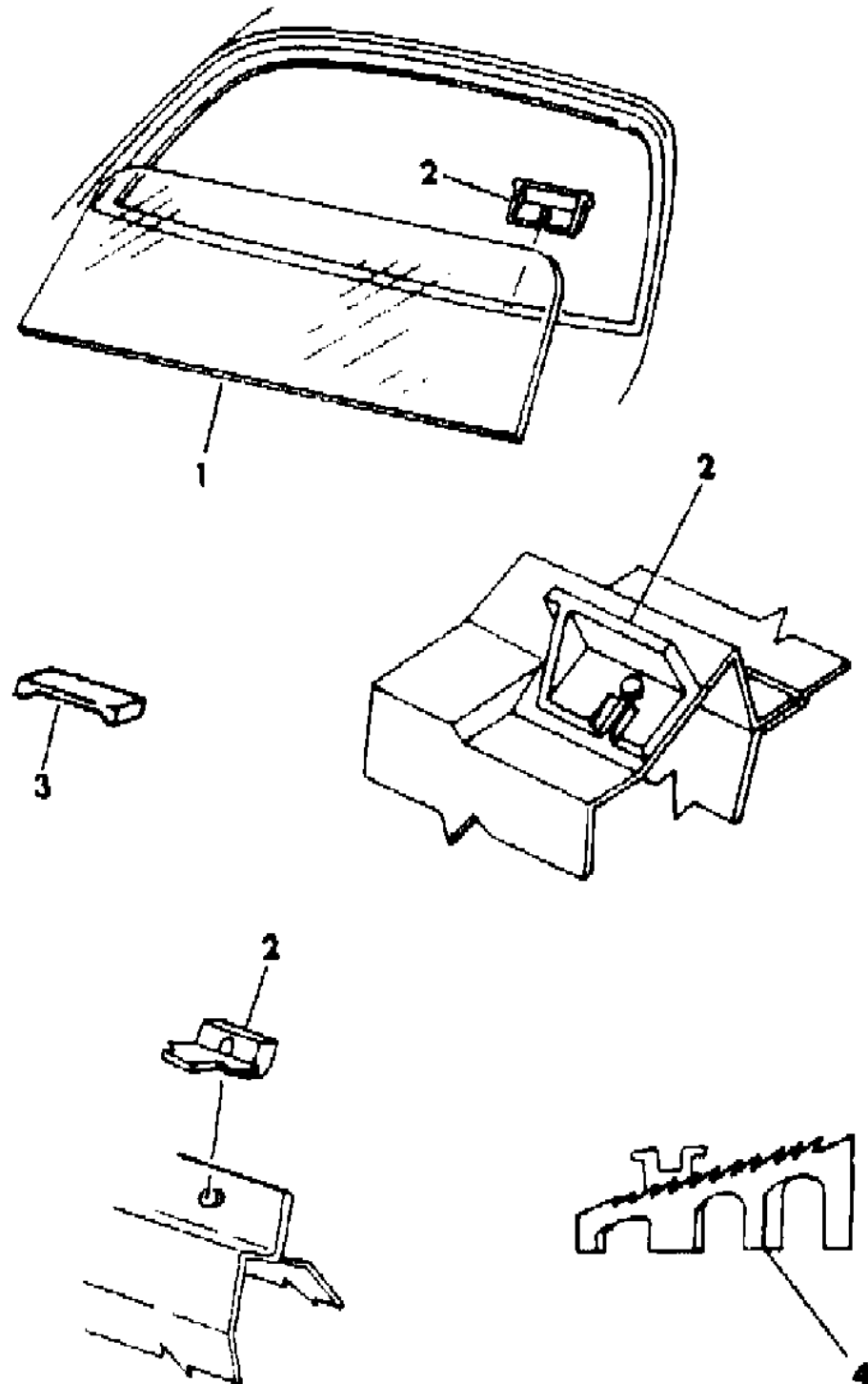
45 = 4-DOOR STATION WAGON

52-53 = FWD WAGON

AR = Use as Required - = Non Illustrated Part P.A.R. = Paint as Required

GLASS REAR WINDOW K BODY 21,41
Figure 23A-8300

7189 8300



ITEM	PART NUMBER	QTY	BODY	MODEL	DESCRIPTION
------	-------------	-----	------	-------	-------------

NOTE: GLASS, REAR WINDOW - ORDER FROM YOUR LOCAL "MOPAR" GLASS DISTRIBUTOR s group.

1					GLASS, Rear Window
	4136 934	1		P,D,21	Clear
	4136 935	1		P,D,21	Tinted
	4278 210	1		P,D,21	Tinted Electric Heated
	4136 954	1		P,D,41	Clear
	4136 955	1		P,D,41	Tinted
	4278 216	1		P,D,41	Tinted Electric Heated
	4416 092	1		C 41	Clear
	4416 093	1		C 41	Tinted
	4337 998	1		C 41	Tinted Electric Heated
2					SPACER, Rear Wdo. Glass Lower
	4136 335	2			w/o Vinyl Roof
	4206 514	2			w/Vinyl Roof
3					SHIM, Rear Wdo. Lower Spacer
	3767 767	AR			Approximately .218" Thick
	3767 196	AR			Approximately .106" Thick
	4278 511	AR		21,41	Approximately .2875" Thick
	4278 077	AR		21,41	Approximately .2187" Thick
4					SPACER, Rear w/Padded Landau Vinyl Roof Pkg.
	4278 755	AR			

NOTE: The following items are not shown on illustration. s group.

PKG A	4267 906	1			REPAIR PACKAGE, Windshield & Rear Window
					CONSISTS OF:
					1- ----- Polyurethane, 11.5 Oz.
					1- ----- Primer, Fence, 1 Oz. .
					1- ----- Primer, Wipe Off, 1 Oz.
					1- ----- Primer, Blackout 1 Oz.
					3- ----- Dabbers
					1- ----- Nozzle
					1- ----- Instruction Sheet
PKG B	4057 957	1			FIXED GLASS REPAIR PACKAGE
					CONSISTS OF:
					1- ----- Tape, Butyl, 171.00"
					1- ----- Primer, Glass
					1- ----- Primer, Fence
	3674 698				2-Spacer, Rubber, 0.2"
	3793 290				2-Spacer, Rubber, 0.3"
	3767 767				2-Shim, 0.07"

MODEL CODES

E BODY = (J - CARAVELLE)(E - 600)(T - NEW YORKER)

G BODY = (V24 - DAYTONA)

H BODY = (D44 - LANCER)(C44 - LEBARON GTS)

J BODY = (C - LEBARON)

K BODY = (P - RELIANT)(D - ARIES)(C - LEBAROND)/TOWN & COUNTRY)

L BODY = (M - HORIZON/TURISMO)(Z - OMNI/CHARGER)

M BODY = (B - GRAN FURY)(F - FIFTH AVE/NEWPORT)(G - DIPLOMAT)

P BODY = (P - SUNDANCE)(D - SHADOW)

S BODY = (H - VOYAGER)(K - RAM VAN/CARAVAN)

BODY STYLES

12-13 = FWD VAN

21 = 2-DOOR SEDAN

24 = 2-DOOR HATCHBACK

27 = 2-DOOR CONVERTIBLE

41 = 4-DOOR SEDAN

44 = 4-DOOR HATCHBACK

45 = 4-DOOR STATION WAGON

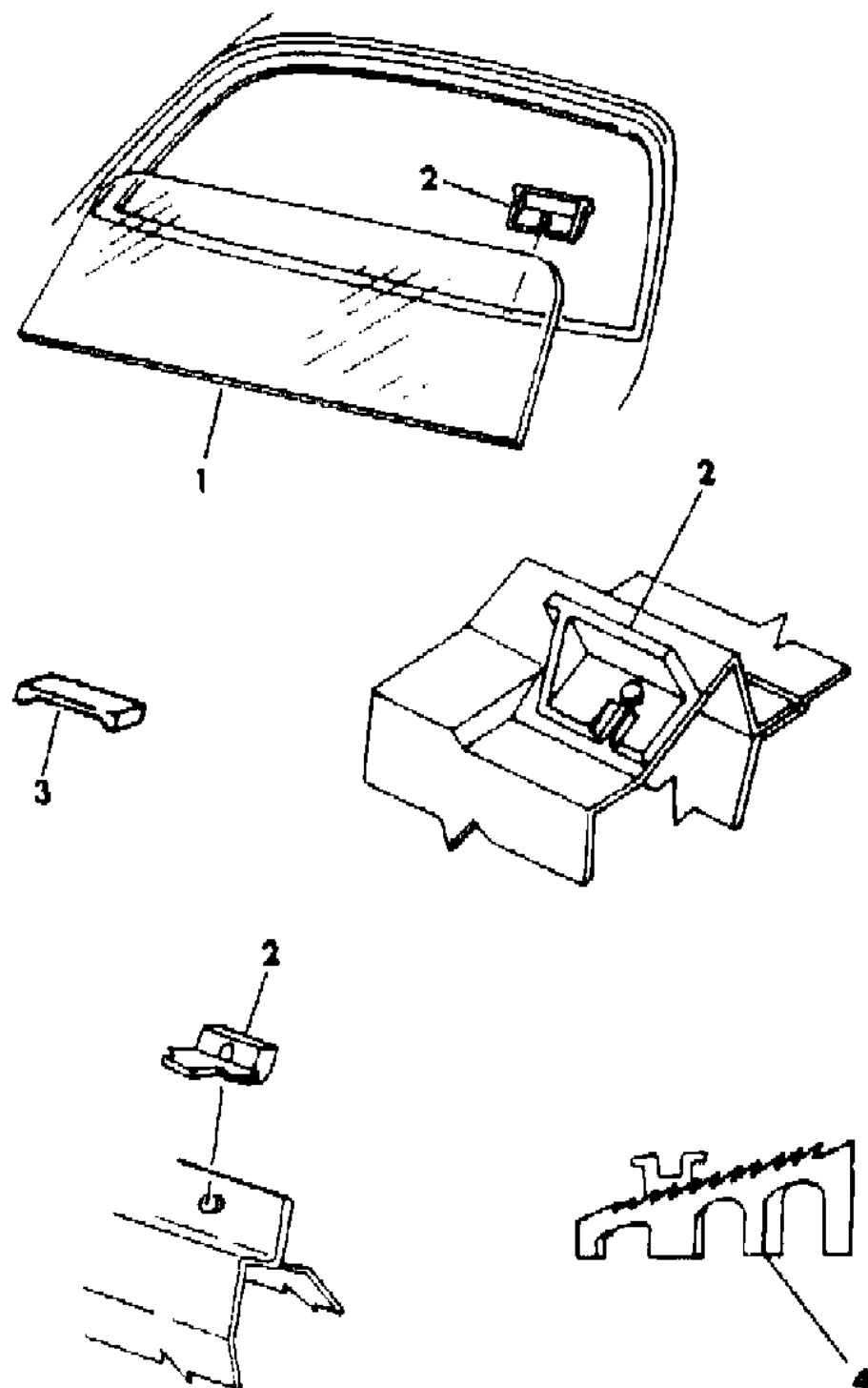
52-53 = FWD WAGON

AR = Use as Required - = Non Illustrated Part P.A.R. = Paint as Required

GLASS REAR WINDOW K BODY 21,41
Figure 23A-8300

7189 8300

ITEM	PART NUMBER	QTY	BODY	MODEL	DESCRIPTION
					2- ----- Sponges, Disposable
PKG C	4267 922	1			REPAIR PACKAGE, Back Lite Grid & Pigtail



MODEL CODES

E BODY = (J - CARAVELLE)(E - 600)(T - NEW YORKER)

G BODY = (V24 - DAYTONA)

H BODY = (D44 - LANCER)(C44 - LEBARON GTS)

J BODY = (C - LEBARON)

K BODY = (P - RELIANT)(D - ARIES)(C - LEBAROND)/TOWN & COUNTRY)

L BODY = (M - HORIZON/TURISMO)(Z - OMNI/CHARGER)

M BODY = (B - GRAN FURY)(F - FIFTH AVE/NEWPORT)(G - DIPLOMAT)

P BODY = (P - SUNDANCE)(D - SHADOW)

S BODY = (H - VOYAGER)(K - RAM VAN/CARAVAN)

BODY STYLES

12-13 = FWD VAN

21 = 2-DOOR SEDAN

24 = 2-DOOR HATCHBACK

27 = 2-DOOR CONVERTIBLE

41 = 4-DOOR SEDAN

44 = 4-DOOR HATCHBACK

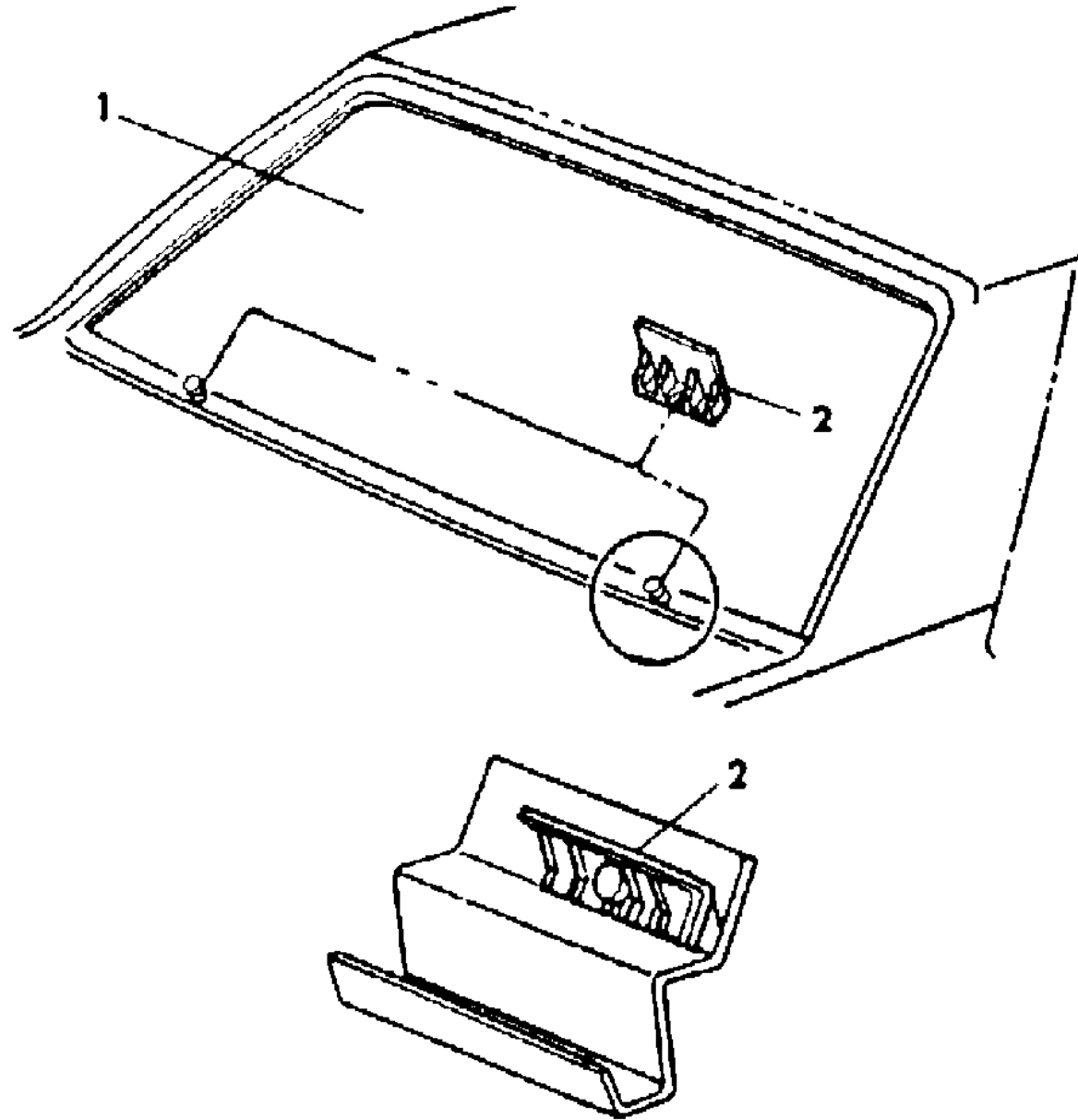
45 = 4-DOOR STATION WAGON

52-53 = FWD WAGON

AR = Use as Required - = Non Illustrated Part P.A.R. = Paint as Required

GLASS REAR WINDOW E BODY
Figure 23A-8400

7188 8400



ITEM	PART NUMBER	QTY	BODY	MODEL	DESCRIPTION
------	-------------	-----	------	-------	-------------

NOTE: GLASS, REAR WINDOW - ORDER FROM YOUR LOCAL "MOPAR" GLASS DISTRIBUTOR s group.

1					GLASS, Rear Window
	4206 892	1		exc. T-	Tinted
	4337 729	1		T-P	Tinted
	4206 893	1		exc. T-	Tinted Electric Heated
	4337 730	1		T-P	Tinted Electric Heated
2	4206 543	2		exc. T-	SPACER, Rear Wdo. Glass Lower

NOTE: The following items are not shown on illustration. s group.

PKG A	4267 906	1			REPAIR PACKAGE, Windshield & Rear Window
					CONSISTS OF:
					1- ----- Polyurethane, 11.5 Oz.
					1- ----- Primer, Fence, 1 Oz.
					1- ----- Primer, Wipe Off, 1 Oz.
					1- ----- Primer, Blackout 1 Oz.
					3- ----- Dabbers
					1- ----- Nozzle
					1- ----- Instruction Sheet

PKG B	4057 957	1			FIXED GLASS REPAIR PACKAGE
					CONSISTS OF:
					1- ----- Tape, Butyl, 171.00"
					1- ----- Primer, Glass
					1- ----- Primer, Fence
	3674 698				2-Spacer, Rubber, 0.2"
	3793 290				2-Spacer, Rubber, 0.3"
	3767 767				2-Shim, 0.07"
					2- ----- Sponges, Disposable

PKG C	4267 922	1			REPAIR PACKAGE, Back Lite Grid & Pigtail
-------	----------	---	--	--	--

MODEL CODES

E BODY = (J - CARAVELLE)(E - 600)(T - NEW YORKER)

G BODY = (V24 - DAYTONA)

H BODY = (D44 - LANCER)(C44 - LEBARON GTS)

J BODY = (C - LEBARON)

K BODY = (P - RELIANT)(D - ARIES)(C - LEBAROND)/TOWN & COUNTRY)

L BODY = (M - HORIZON/TURISMO)(Z - OMNI/CHARGER)

M BODY = (B - GRAN FURY)(F - FIFTH AVE/NEWPORT)(G - DIPLOMAT)

P BODY = (P - SUNDANCE)(D - SHADOW)

S BODY = (H - VOYAGER)(K - RAM VAN/CARAVAN)

BODY STYLES

12-13 = FWD VAN

21 = 2-DOOR SEDAN

24 = 2-DOOR HATCHBACK

27 = 2-DOOR CONVERTIBLE

41 = 4-DOOR SEDAN

44 = 4-DOOR HATCHBACK

45 = 4-DOOR STATION WAGON

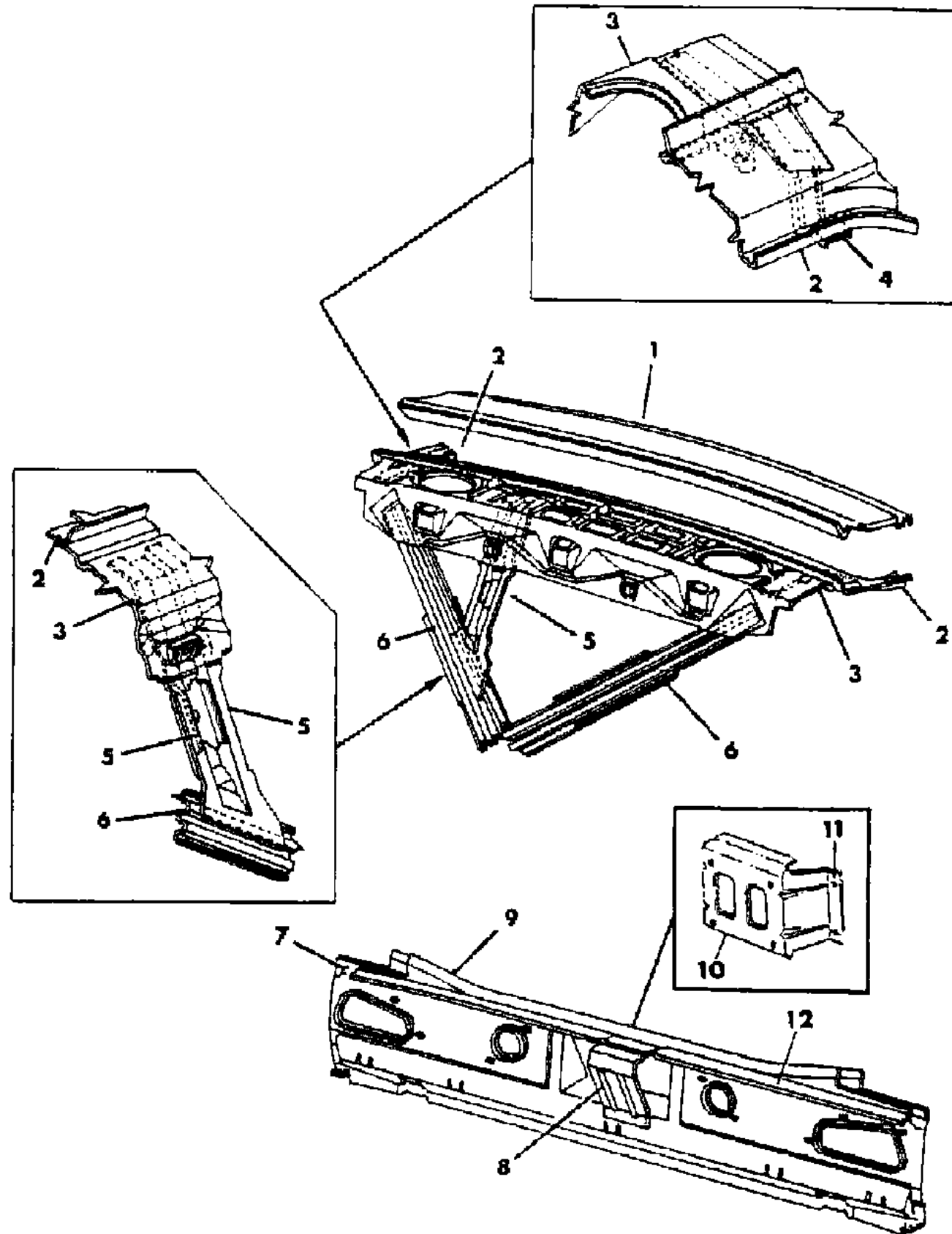
52-53 = FWD WAGON

AR = Use as Required - = Non Illustrated Part P.A.R. = Paint as Required

DECK OPENING PANEL K BODY

Figure 23A-8500

7188 8500



ITEM	PART NUMBER	QTY	BODY	MODEL	DESCRIPTION
1	4134 801	1			PANEL, Deck Opening Upper
2	4278 250	1			TROUGH, Deck Opening Upper Drain
3		1			PANEL, Shelf Not Serviced
4	4206 326-7	1			SUPPORT, Deck Opening Upper Trough Hinge
5	4297 903	1			BRACKET, w/Reinforcement Shelf Panel Spare Tire Stowage
6		2			BRACE, Shelf Panel To Floor Pan Diagonal Not Serviced
7	4386 374	1			PANEL, Deck Opening Lower
8	4386 376	1	P,D,C		SUPPORT, Deck Opening Lower Panel
9	4296 839	1			REINFORCEMENT, Deck Opening Lower Panel
10	4341 214	1	P,D,C		PANEL, Deck Opening Lower License Plate Mounting Adapter
11	3679 333	1	C		RIVET, License Plate Mounting Bracket To Deck Opening Lower Panel
12	4278 578	1			REINFORCEMENT, Shelf Panel To Floor Pan Diagonal Brace Lower (w/Heavy Service Pkg.)

MODEL CODES

E BODY = (J - CARAVELLE)(E - 600)(T - NEW YORKER)

G BODY = (V24 - DAYTONA)

H BODY = (D44 - LANCER)(C44 - LEBARON GTS)

J BODY = (C - LEBARON)

K BODY = (P - RELIANT)(D - ARIES)(C - LEBAROND)/TOWN & COUNTRY)

L BODY = (M - HORIZON/TURISMO)(Z - OMNI/CHARGER)

M BODY = (B - GRAN FURY)(F - FIFTH AVE/NEWPORT)(G - DIPLOMAT)

P BODY = (P - SUNDANCE)(D - SHADOW)

S BODY = (H - VOYAGER)(K - RAM VAN/CARAVAN)

BODY STYLES

12-13 = FWD VAN

21 = 2-DOOR SEDAN

24 = 2-DOOR HATCHBACK

27 = 2-DOOR CONVERTIBLE

41 = 4-DOOR SEDAN

44 = 4-DOOR HATCHBACK

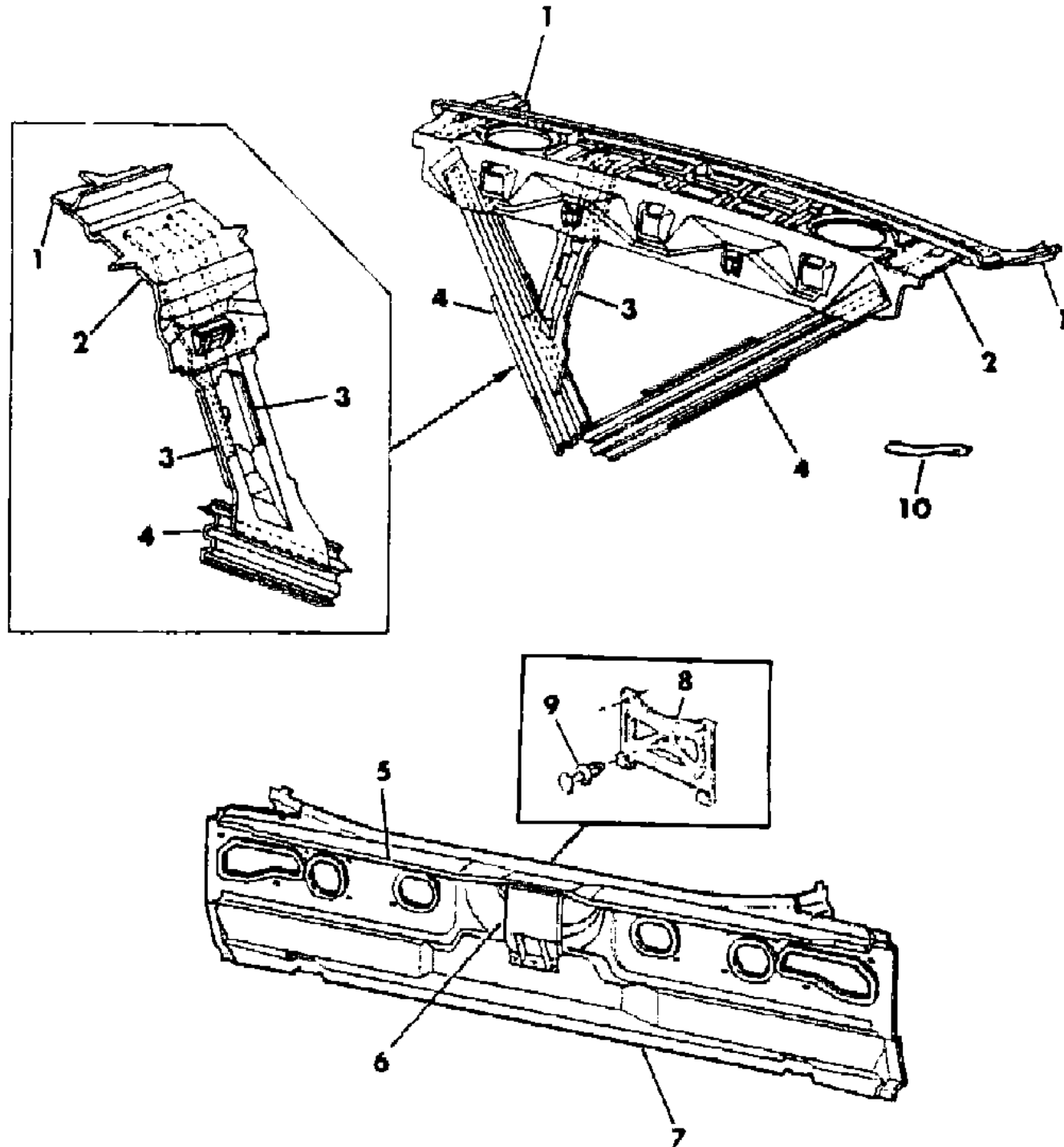
45 = 4-DOOR STATION WAGON

52-53 = FWD WAGON

AR = Use as Required - = Non Illustrated Part P.A.R. = Paint as Required

DECK OPENING PANEL E BODY
Figure 23A-8600

7189 8000 A



ITEM	PART NUMBER	QTY	BODY	MODEL	DESCRIPTION
1	4206 970	1			TROUGH, Deck Opening Upper Drain
2		1			PANEL, Shelf Not Serviced
3	4297 903	1			BRACKET, w/Reinforcement Shelf Panel Spare Tire Stowage
4		2			BRACE, Shelf Panel To Floor Pan Diagonal Not Serviced
5	4341 833	1			REINFORCEMENT, Deck Opening Lower Panel
	4278 578	1			REINFORCEMENT, Shelf Panel To Floor Pan Diagonal Brace (w/Heavy Service Pkg.)
6	4206 357	1			SUPPORT, Deck Opening Lower Panel Striker
	4296 282	2			SUPPORT, Deck Lid Hinge To Shelf Panel
	4321 707	1			SUPPORT, Lower Deck Opening Panel Applique
7	4341 832	1			PANEL, Deck Opening Lower
8	4341 075	1			BRACKET, License Plate Mounting Rear
9	3679 333	1			RIVET, License Plate Mounting Bracket To Deck Opening Lower Panel
10	4206 487	AR			SEAL, Deck Opening Lower Drain Trough Extension

MODEL CODES

E BODY = (J - CARAVELLE)(E - 600)(T - NEW YORKER)

G BODY = (V24 - DAYTONA)

H BODY = (D44 - LANCER)(C44 - LEBARON GTS)

J BODY = (C - LEBARON)

K BODY = (P - RELIANT)(D - ARIES)(C - LEBAROND)/TOWN & COUNTRY)

L BODY = (M - HORIZON/TURISMO)(Z - OMNI/CHARGER)

M BODY = (B - GRAN FURY)(F - FIFTH AVE/NEWPORT)(G - DIPLOMAT)

P BODY = (P - SUNDANCE)(D - SHADOW)

S BODY = (H - VOYAGER)(K - RAM VAN/CARAVAN)

BODY STYLES

12-13 = FWD VAN

21 = 2-DOOR SEDAN

24 = 2-DOOR HATCHBACK

27 = 2-DOOR CONVERTIBLE

41 = 4-DOOR SEDAN

44 = 4-DOOR HATCHBACK

45 = 4-DOOR STATION WAGON

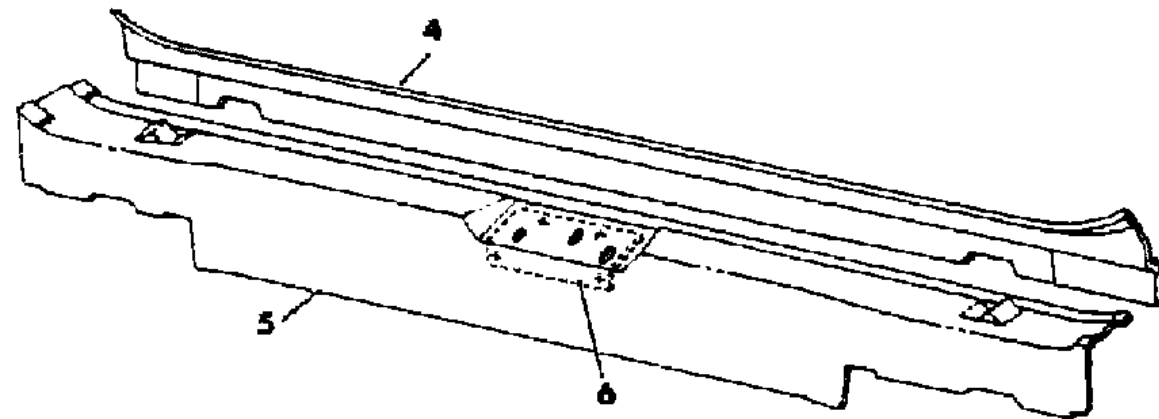
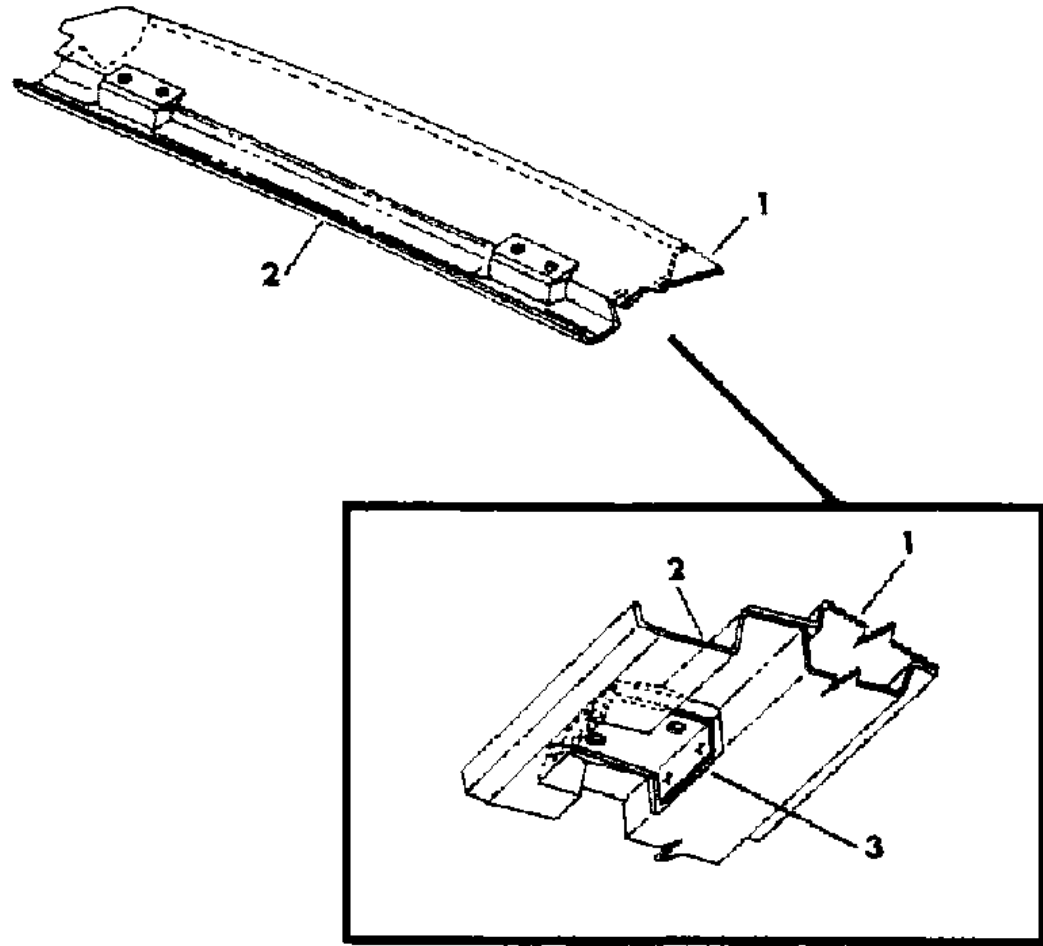
52-53 = FWD WAGON

AR = Use as Required - = Non Illustrated Part P.A.R. = Paint as Required

LIFTGATE OPENING PANEL K BODY 45
Figure 23A-8700

7169 8700

ITEM	PART NUMBER	QTY	BODY	MODEL	DESCRIPTION
1	4134 832	1			REINFORCEMENT, Liftgate Opening Upper Frame
2	4129 748	1			FRAME, w/Reinforcement Liftgate Opening Upper Hinge (Body Half)
3		1			REINFORCEMENT, (Serviced In Item 2)
4	4134 835	1			PANEL, Liftgate Opening Lower
5	4206 965	1			REINFORCEMENT, Liftgate Opening Lower Panel
6	4206 209	1			REINFORCEMENT, Liftgate Latch Striker



MODEL CODES

E BODY = (J - CARAVELLE)(E - 600)(T - NEW YORKER)

G BODY = (V24 - DAYTONA)

H BODY = (D44 - LANCER)(C44 - LEBARON GTS)

J BODY = (C - LEBARON)

K BODY = (P - RELIANT)(D - ARIES)(C - LEBAROND)/TOWN & COUNTRY)

L BODY = (M - HORIZON/TURISMO)(Z - OMNI/CHARGER)

M BODY = (B - GRAN FURY)(F - FIFTH AVE/NEWPORT)(G - DIPLOMAT)

P BODY = (P - SUNDANCE)(D - SHADOW)

S BODY = (H - VOYAGER)(K - RAM VAN/CARAVAN)

BODY STYLES

12-13 = FWD VAN

21 = 2-DOOR SEDAN

24 = 2-DOOR HATCHBACK

27 = 2-DOOR CONVERTIBLE

41 = 4-DOOR SEDAN

44 = 4-DOOR HATCHBACK

45 = 4-DOOR STATION WAGON

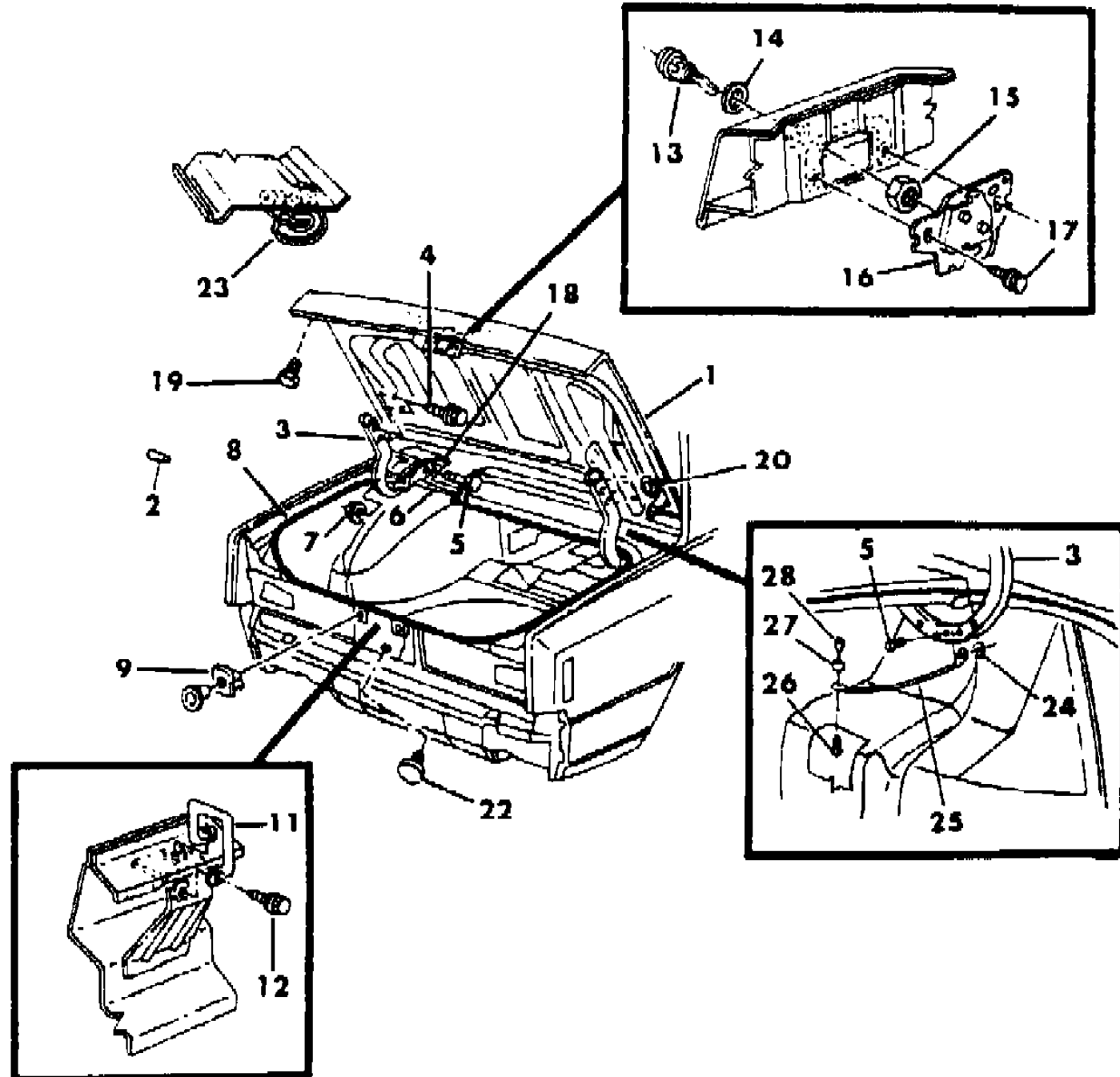
52-53 = FWD WAGON

AR = Use as Required - = Non Illustrated Part P.A.R. = Paint as Required

DECK LID K BODY
Figure 23A-8800

7100 8800C

ITEM	PART NUMBER	QTY	BODY	MODEL	DESCRIPTION
1	4371 445	1		P,D-21,	LID, Deck
	4371 445	1		C,41	
2	4206 796	2			SLEEVE, Deck Lid Hinge Torsion Bar
3	4371 420-1	1		21,41	HINGE, Deck Lid
4		4		21,41	SCREW and WASHER, Not Serviced
5	4278 463	2		21,41	PIN, Deck Lid Hinge Pivot
6	4134 808-9	1		21,41	BAR, Deck Lid Hinge Torsion Up To 2-3-87
	4475 198-9	1		21,41	After 2-3-87
7	6022 149	2		21,41	NUT, Deck Lid Hinge Pivot Pin
8	4278 176	1		P,D	WEATHERSTRIP, Deck Lid Opening
	4337 275	1		C	
9	6500 524	4		All	NUT, License Plate Mounting
11	4172 986	1		All	STRIKER, Deck Lid Latch
12	6101 339	2		All	SCREW and WASHER
13		1		All	CYLINDER, Deck Lid Lock (See Group 23D-Illustrations)
14	3695 321	1		All	GASKET, Deck Lid Lock Cylinder
15	4054 202	1		All	NUT, Deck Lid Lock Cylinder
16	4054 825	1		All	LATCH, Deck Lid, Manual
	4054 962	1		All	Electric
17	6025 346	2		All	SCREW and WASHER
18	4206 326-7	1		21,41	SUPPORT, Deck Opening Upper Trough Hinge
19	5230 376	2		All	BUMPER, Deck Lid Inside Adjustable
20	6029 939	AR		All	PLUG, .500" Dia./13mm
22	5200 365	AR			BUTTON, License
23		1		21,41	RETAINER, Deck Lid Hinge Torsion Bar Not Serviced
24	6022 149	1		21,41	NUT
25	4206 751	1		21,41	CABLE, Wheelhouse Inner To Deck Lid Hinge Restrainer
26	6032 214	1		21,41	SCREW
27	6032 057	1		21,41	NUT
28	4073 281	2		21,41	CAP, Deck Lid Cable



MODEL CODES

E BODY = (J - CARAVELLE)(E - 600)(T - NEW YORKER)

G BODY = (V24 - DAYTONA)

H BODY = (D44 - LANCER)(C44 - LEBARON GTS)

J BODY = (C - LEBARON)

K BODY = (P - RELIANT)(D - ARIES)(C - LEBAROND)/TOWN & COUNTRY)

L BODY = (M - HORIZON/TURISMO)(Z - OMNI/CHARGER)

M BODY = (B - GRAN FURY)(F - FIFTH AVE/NEWPORT)(G - DIPLOMAT)

P BODY = (P - SUNDANCE)(D - SHADOW)

S BODY = (H - VOYAGER)(K - RAM VAN/CARAVAN)

BODY STYLES

12-13 = FWD VAN

21 = 2-DOOR SEDAN

24 = 2-DOOR HATCHBACK

27 = 2-DOOR CONVERTIBLE

41 = 4-DOOR SEDAN

44 = 4-DOOR HATCHBACK

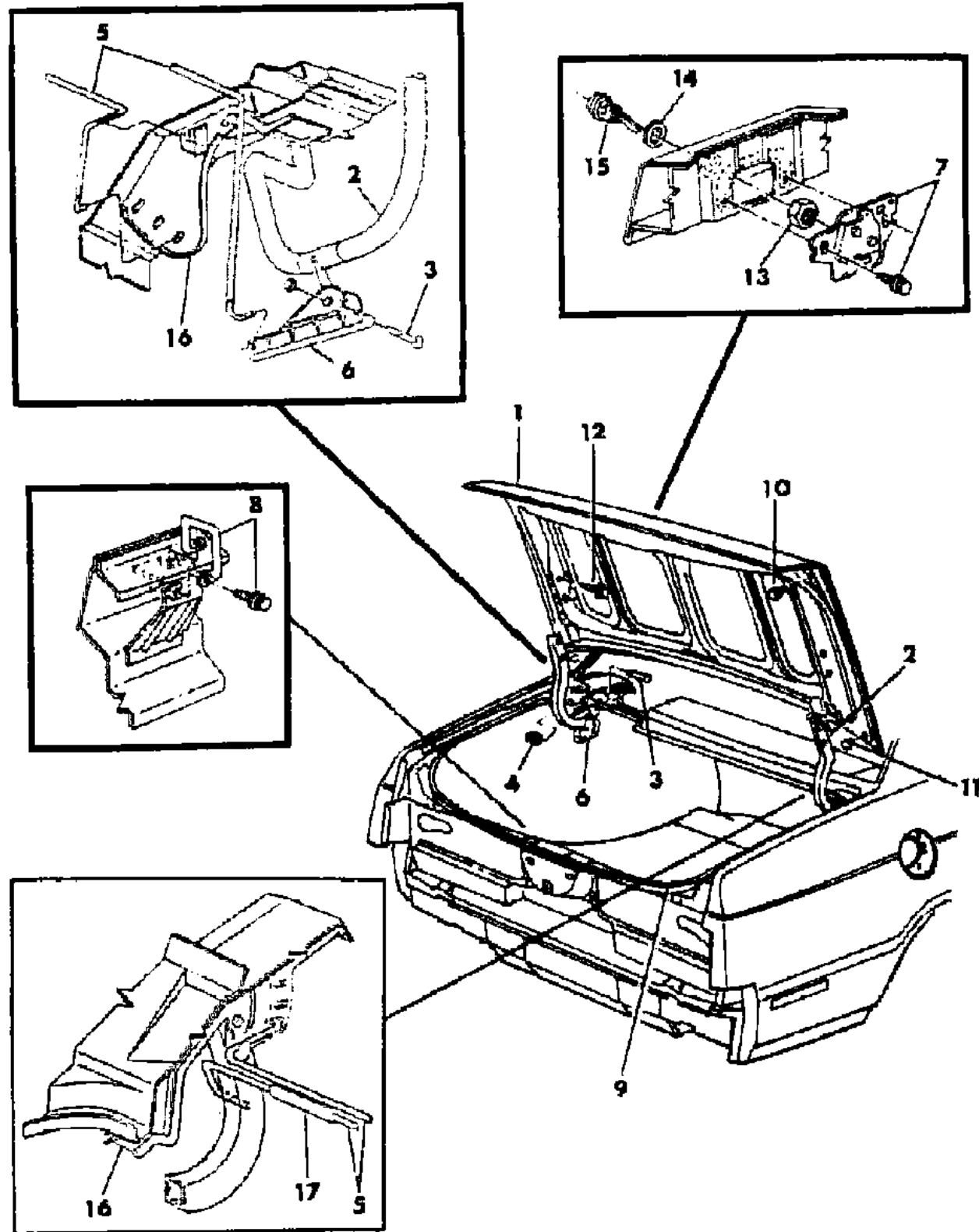
45 = 4-DOOR STATION WAGON

52-53 = FWD WAGON

AR = Use as Required - = Non Illustrated Part P.A.R. = Paint as Required

DECK LID E BODY
Figure 23A-8900

7180 8900



ITEM	PART NUMBER	QTY	BODY	MODEL	DESCRIPTION
1	4337 866	1			LID, Deck
2	4371 930-1	1			HINGE, Deck Lid
3	4278 463	2			PIN, Deck Lid Hinge Pivot
4	4278 463	2			PIN, Deck Lid Hinge To Torsion Bar Link
	6022 149	2			NUT, Deck Lid Hinge Pivot
5	6022 149	2			NUT, Deck Lid Hinge Torsion Bar Link Pin
	4314 196-7	1			BAR, Deck Lid Hinge Torsion
6	4314 198	2			LINK, Deck Lid Hinge Torsion Bar
7	4378 053	1			LATCH, Deck Lid (Cable Release)
8	4172 986	1			STRIKER, Deck Lid Latch
9	4278 776	1			WEATHERSTRIP, Deck Lid Opening (Closed Loop)
10	5230 376	2			BUMPER, Deck Lid Inside (Adjustable)
	4314 192	2			BUMPER, Deck Lid Hinge Support Slam
11	6029 939	2			PLUG, Deck Lid Inner Panel Drain Hole
	2895 126	2			PLUG, Deck Lid Rear
12	6025 002	2			NUT
13		1			NUT, (See Cylinder and Key Illustration)
14		1			GASKET, (See Cylinder and Key Illustration)
15		1			CYLINDER, (See Cylinder and Key Illustration)
16	4296 282	2			SUPPORT, Deck Lid Hinge To Shelf Panel
17	4206 796	2			SLEEVE, Deck Lid Hinge Torsion Bar

MODEL CODES

E BODY = (J - CARAVELLE)(E - 600)(T - NEW YORKER)

G BODY = (V24 - DAYTONA)

H BODY = (D44 - LANCER)(C44 - LEBARON GTS)

J BODY = (C - LEBARON)

K BODY = (P - RELIANT)(D - ARIES)(C - LEBAROND)/TOWN & COUNTRY)

L BODY = (M - HORIZON/TURISMO)(Z - OMNI/CHARGER)

M BODY = (B - GRAN FURY)(F - FIFTH AVE/NEWPORT)(G - DIPLOMAT)

P BODY = (P - SUNDANCE)(D - SHADOW)

S BODY = (H - VOYAGER)(K - RAM VAN/CARAVAN)

BODY STYLES

12-13 = FWD VAN

21 = 2-DOOR SEDAN

24 = 2-DOOR HATCHBACK

27 = 2-DOOR CONVERTIBLE

41 = 4-DOOR SEDAN

44 = 4-DOOR HATCHBACK

45 = 4-DOOR STATION WAGON

52-53 = FWD WAGON

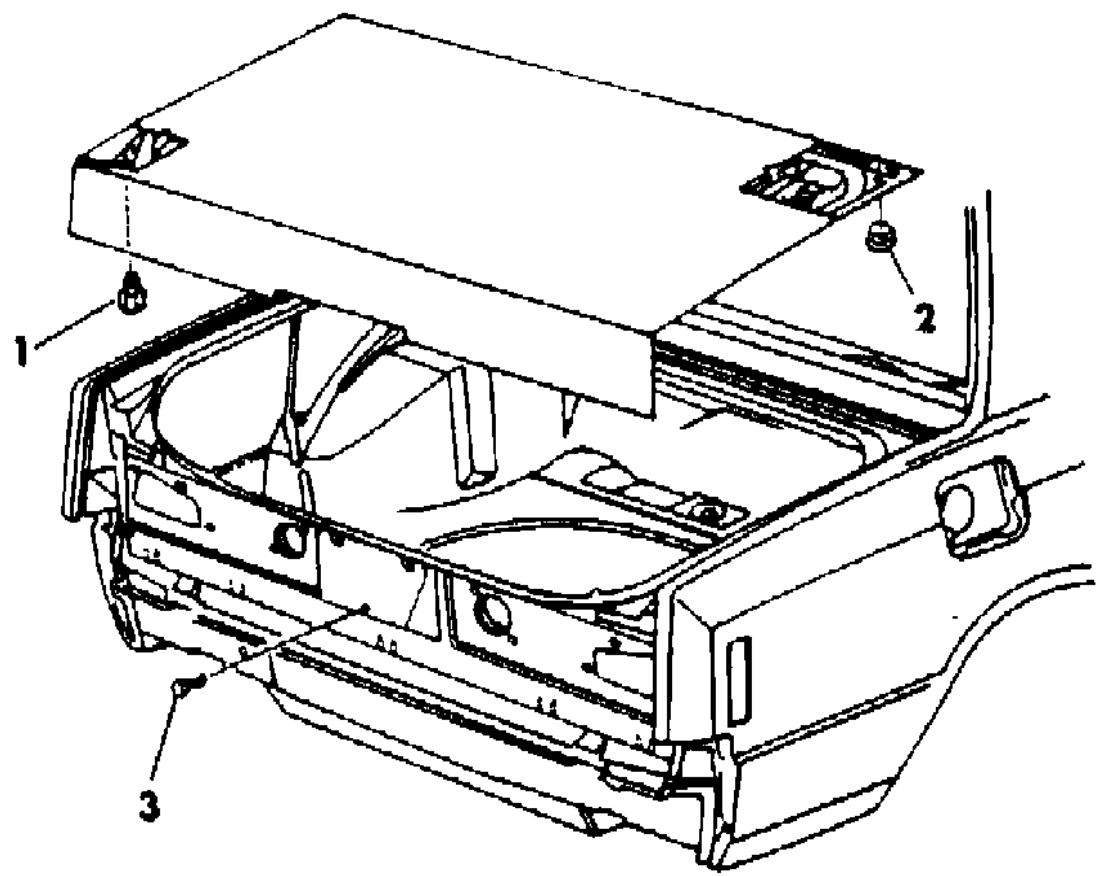
AR = Use as Required - = Non Illustrated Part P.A.R. = Paint as Required

BUMPERS AND PLUGS DECK LID K,E BODY
Figure 23A-9000

7189 8000

ITEM	PART NUMBER	QTY	BODY	MODEL	DESCRIPTION
------	-------------	-----	------	-------	-------------

1	5230 376	2			BUMPER
2	6029 939	AR			PLUG
3	5200 365	1			BUTTON



MODEL CODES
 E BODY = (J - CARAVELLE)(E - 600)(T - NEW YORKER)
 G BODY = (V24 - DAYTONA)
 H BODY = (D44 - LANCER)(C44 - LEBARON GTS)
 J BODY = (C - LEBARON)
 K BODY = (P - RELIANT)(D - ARIES)(C - LEBAROND)/TOWN & COUNTRY
 L BODY = (M - HORIZON/TURISMO)(Z - OMNI/CHARGER)
 M BODY = (B - GRAN FURY)(F - FIFTH AVE/NEWPORT)(G - DIPLOMAT)
 P BODY = (P - SUNDANCE)(D - SHADOW)
 S BODY = (H - VOYAGER)(K - RAM VAN/CARAVAN)

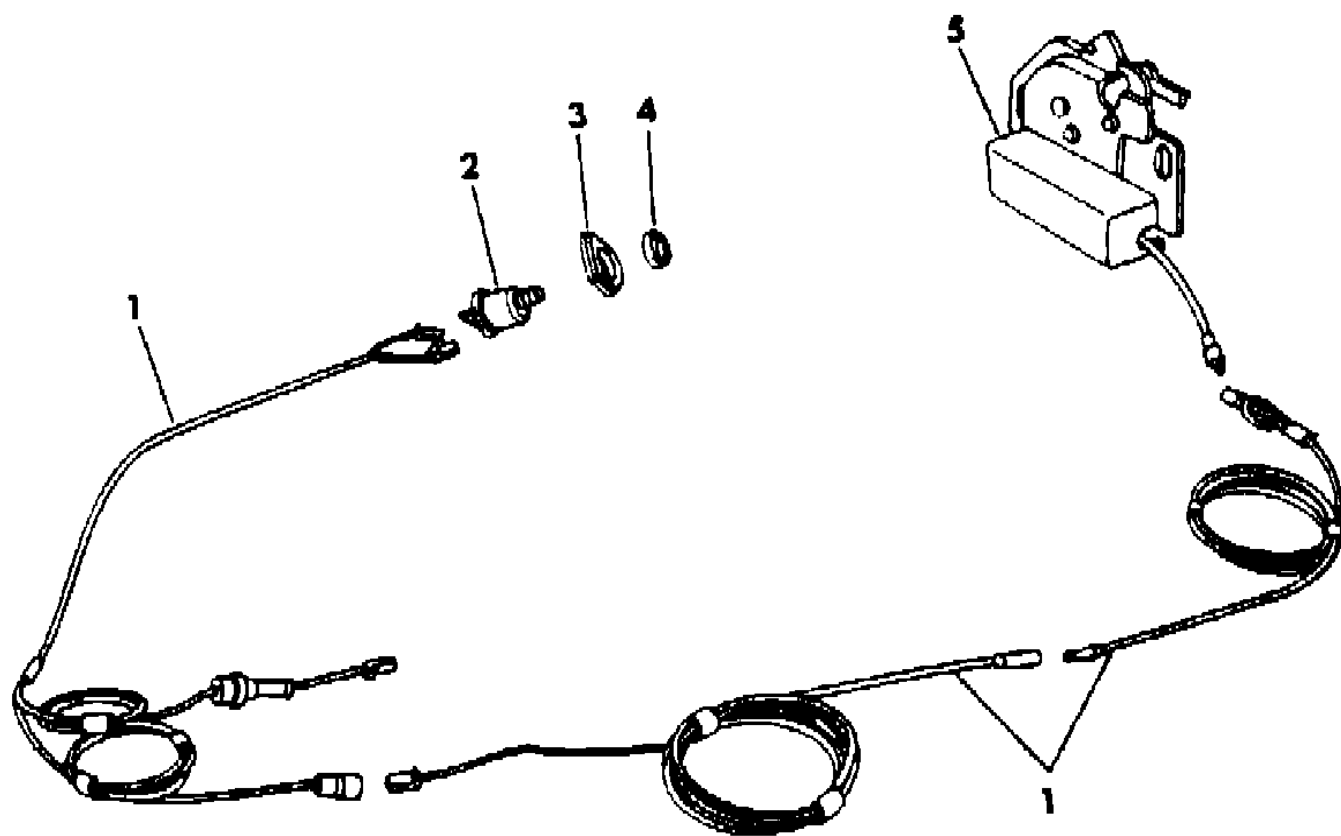
BODY STYLES
 12-13 = FWD VAN 41 = 4-DOOR SEDAN
 21 = 2-DOOR SEDAN 44 = 4-DOOR HATCHBACK
 24 = 2-DOOR HATCHBACK 45 = 4-DOOR STATION WAGON
 27 = 2-DOOR CONVERTIBLE 52-53 = FWD WAGON

AR = Use as Required - = Non Illustrated Part P.A.R. = Paint as Required

DECK LID ELECTRIC RELEASE K BODY
Figure 23A-9100

7189 9100

ITEM	PART NUMBER	QTY	BODY	MODEL	DESCRIPTION
1					WIRING, See Group 8 Body Wiring
2	3747 154	1			SWITCH, Remote Deck Lid Release Or Instrument Panel Mtg.
3	3747 875	1			BEZEL, Electric Release Switch
4	6028 824	1			NUT, Electric Release Swich Mtg.
5	4054 962	1			LATCH, Electric Deck Lid
PKG A	4131 515	1			LATCH PACKAGE ELECTRIC



MODEL CODES

E BODY = (J - CARAVELLE)(E - 600)(T - NEW YORKER)

G BODY = (V24 - DAYTONA)

H BODY = (D44 - LANCER)(C44 - LEBARON GTS)

J BODY = (C - LEBARON)

K BODY = (P - RELIANT)(D - ARIES)(C - LEBAROND)/TOWN & COUNTRY)

L BODY = (M - HORIZON/TURISMO)(Z - OMNI/CHARGER)

M BODY = (B - GRAN FURY)(F - FIFTH AVE/NEWPORT)(G - DIPLOMAT)

P BODY = (P - SUNDANCE)(D - SHADOW)

S BODY = (H - VOYAGER)(K - RAM VAN/CARAVAN)

BODY STYLES

12-13 = FWD VAN

21 = 2-DOOR SEDAN

24 = 2-DOOR HATCHBACK

27 = 2-DOOR CONVERTIBLE

41 = 4-DOOR SEDAN

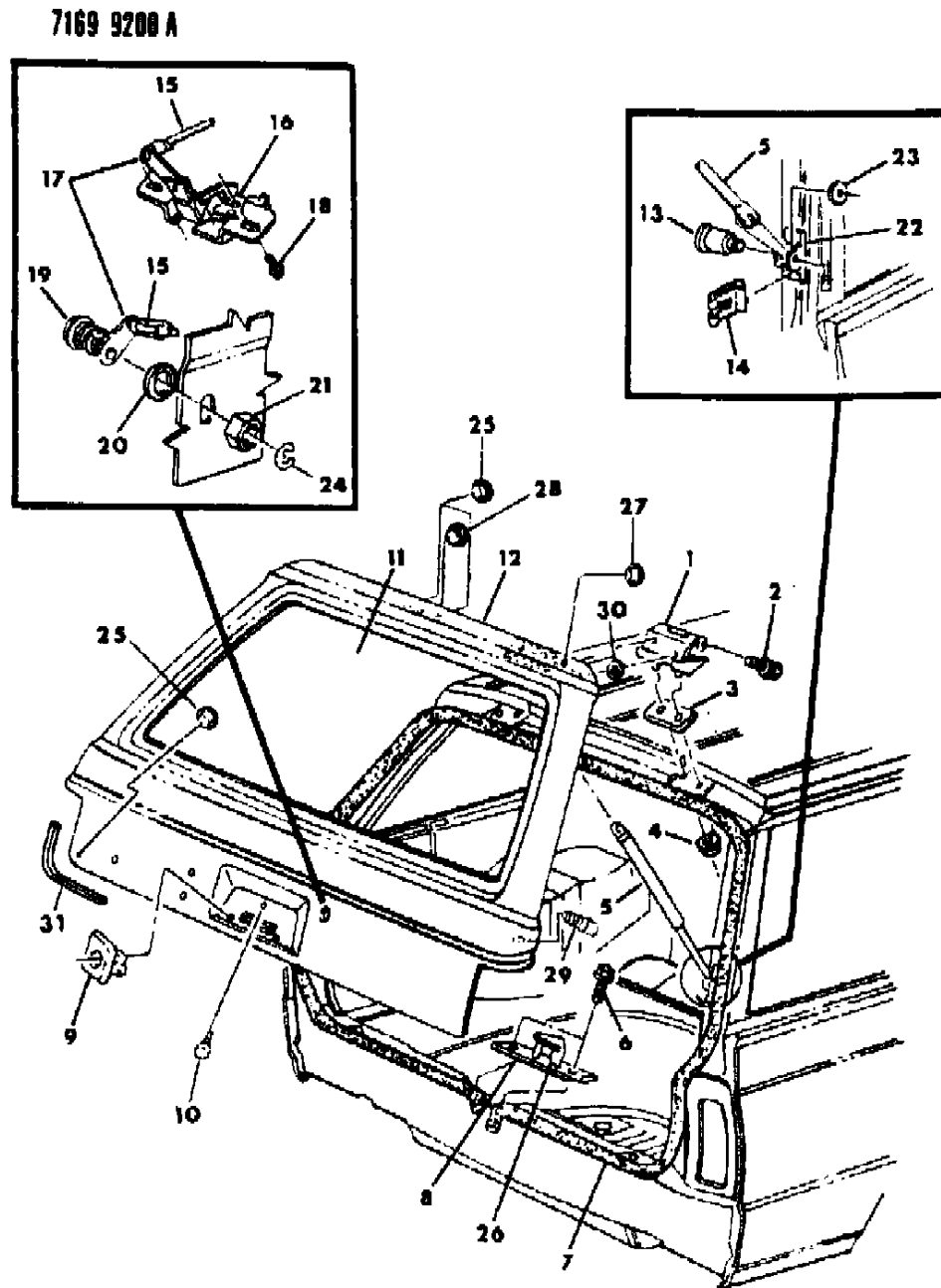
44 = 4-DOOR HATCHBACK

45 = 4-DOOR STATION WAGON

52-53 = FWD WAGON

AR = Use as Required - = Non Illustrated Part P.A.R. = Paint as Required

LIFTGATE PANEL K BODY 45
Figure 23A-9200



ITEM	PART NUMBER	QTY	BODY	MODEL	DESCRIPTION
1	4246 837	2			HINGE, Liftgate
2	#6100 275	4			SCREW and WASHER
3	4246 359	AR			SHIM, Liftgate Hinge (Body Half)
4	6100 049	4			NUT and WASHER
5	G000 4442	2			PROP, Liftgate Hold-Open
6	6025 346	2			SCREW and WASHER
7	5231 926	1			WEATHERSTRIP, Liftgate Opening
8	4246 310	1			STRIKER, Liftgate Latch
9	6500 524	2			NUT
10	5200 365	2			BUTTON, Liftgate Outer Panel License Plate Mtg. Bumper
11	4198 837	1			GLASS, Liftgate Clear
	4198 838	1			Tinted
	4198 955	1			Tinted Electric Heated
	4198 396	2			SPACER, Liftgate Glass Lower
12	4365 760	1			PANEL, Liftgate
13	4246 123	4			PIN, Liftgate Prop Mounting
14	6032 029	4			CLIP, Liftgate Prop Mounting Pin
15	4378 020	1			LINK and SLEEVE, Liftgate
16	4246 597	1			LATCH, Liftgate (Includes Cargo Lamp Switch) Manual
	4246 596	1			Electric
17	3454 220	2			CLIP, Latch Release Link Attaching
18	6025 346	2			SCREW and WASHER
19		1			CYLINDER, (In Cylinder and Key Illustration)
20		1			GASKET, (In Cylinder and Key Illustration)
21	4054 202	1			NUT
22	4296 404	2			BRACKET, Liftgate Opening Pillar Prop Attaching
23	4246 243	2			BUMPER, Liftgate Prop Anti-Rattle
24	6032 107	1			CLIP, Liftgate Lock Cylinder Retainer
25	6031 044	4			PLUG, Liftgate Inner Panel Hole
26	4246 321	1			BUMPER, Liftgate Latch Striker
27	2094 631	1			PLUG, Liftgate Inner
28	2860 332	1			PLUG, Liftgate Inner Washer Hose Hole
29	4103 165	2			BUMPER
	4396 256	2			BUMPER, Liftgate Inner Panel
	6033 034	2			SCREW, Bumper Liftgate
30	5231 207	4			WASHER, Liftgate Hinge (Body Half)
31	4078 959	AR			WELT, Liftgate Trim

NOTE: The following items are not shown on illustration. s group.

PKG A	4267 922	1			ELECTRIC GRID REPAIR PKG.
-------	----------	---	--	--	---------------------------

MODEL CODES

E BODY = (J - CARAVELLE)(E - 600)(T - NEW YORKER)

G BODY = (V24 - DAYTONA)

H BODY = (D44 - LANCER)(C44 - LEBARON GTS)

J BODY = (C - LEBARON)

K BODY = (P - RELIANT)(D - ARIES)(C - LEBAROND)/TOWN & COUNTRY)

L BODY = (M - HORIZON/TURISMO)(Z - OMNI/CHARGER)

M BODY = (B - GRAN FURY)(F - FIFTH AVE/NEWPORT)(G - DIPLOMAT)

P BODY = (P - SUNDANCE)(D - SHADOW)

S BODY = (H - VOYAGER)(K - RAM VAN/CARAVAN)

BODY STYLES

12-13 = FWD VAN

21 = 2-DOOR SEDAN

24 = 2-DOOR HATCHBACK

27 = 2-DOOR CONVERTIBLE

41 = 4-DOOR SEDAN

44 = 4-DOOR HATCHBACK

45 = 4-DOOR STATION WAGON

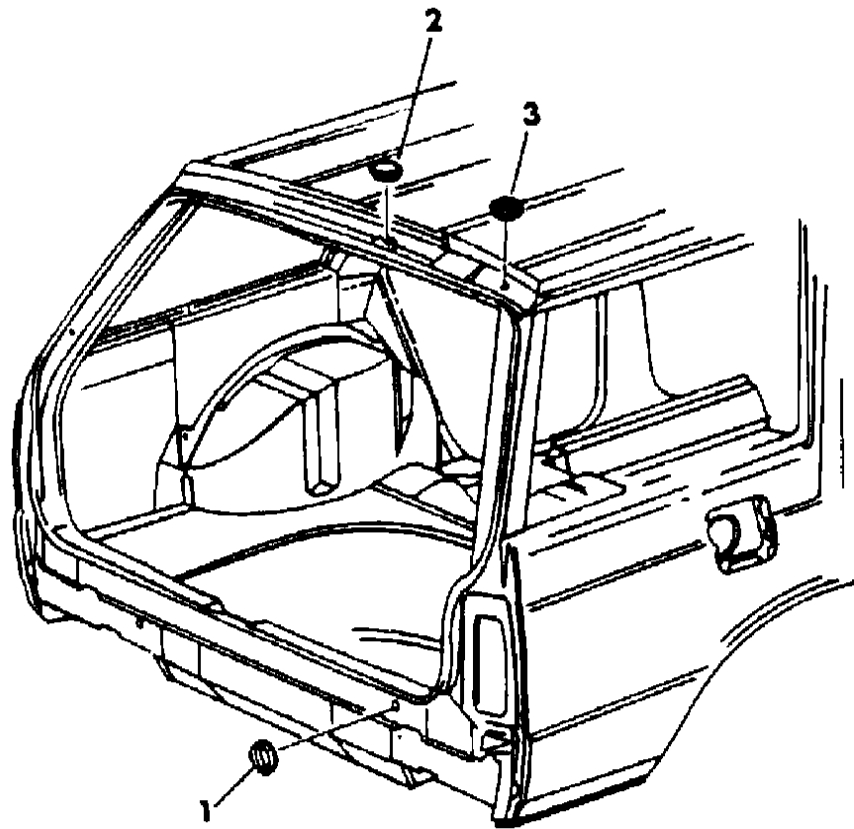
52-53 = FWD WAGON

AR = Use as Required - = Non Illustrated Part P.A.R. = Paint as Required

PLUGS LIFTGATE K BODY 45
Figure 23A-9300

7189 9300

ITEM	PART NUMBER	QTY	BODY	MODEL	DESCRIPTION
1	1774 076	1			PLUG
2	1774 076	1			PLUG
3	2574 792	1			PLUG



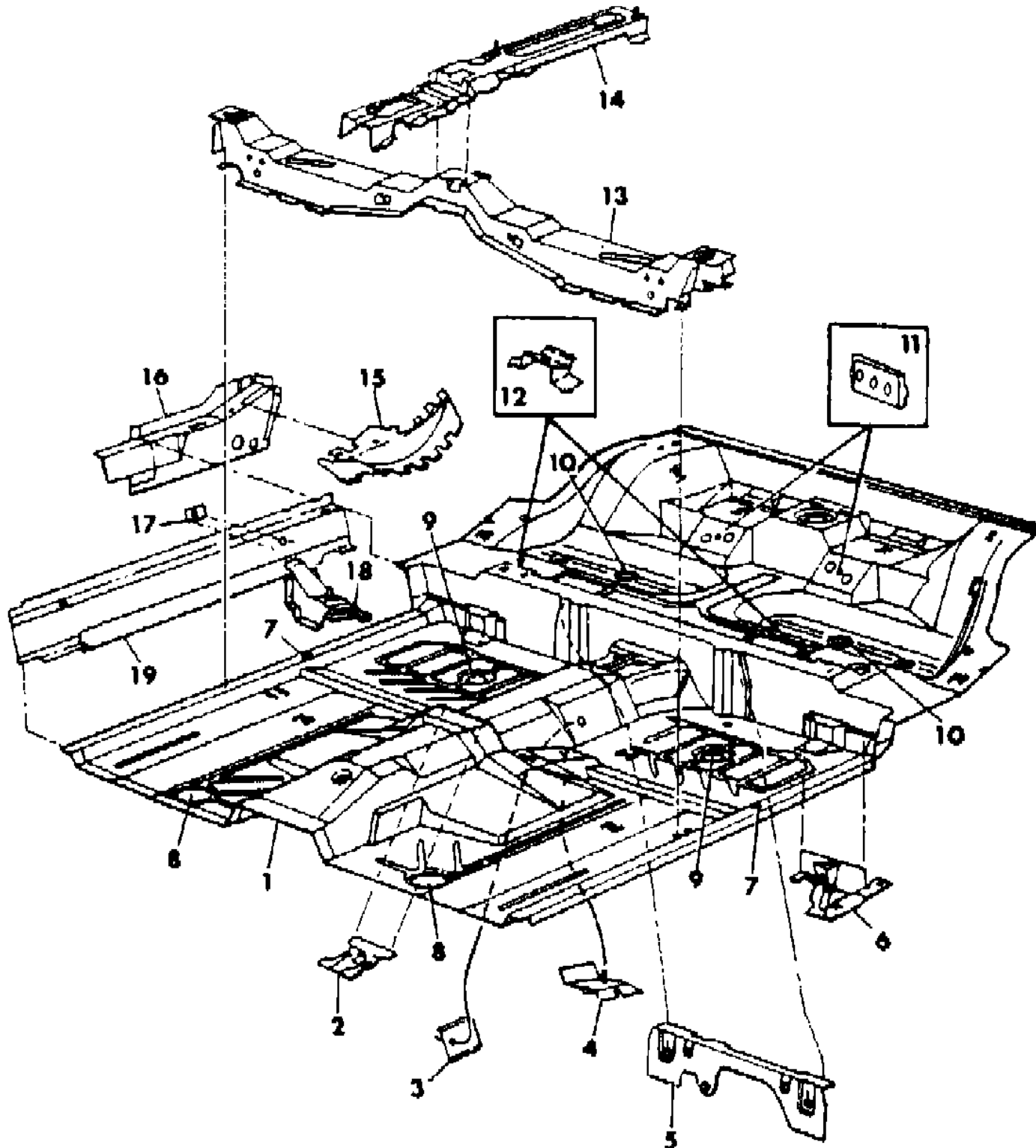
MODEL CODES
 E BODY = (J - CARAVELLE)(E - 600)(T - NEW YORKER)
 G BODY = (V24 - DAYTONA)
 H BODY = (D44 - LANCER)(C44 - LEBARON GTS)
 J BODY = (C - LEBARON)
 K BODY = (P - RELIANT)(D - ARIES)(C - LEBAROND)/TOWN & COUNTRY
 L BODY = (M - HORIZON/TURISMO)(Z - OMNI/CHARGER)
 M BODY = (B - GRAN FURY)(F - FIFTH AVE/NEWPORT)(G - DIPLOMAT)
 P BODY = (P - SUNDANCE)(D - SHADOW)
 S BODY = (H - VOYAGER)(K - RAM VAN/CARAVAN)

BODY STYLES
 12-13 = FWD VAN
 21 = 2-DOOR SEDAN
 24 = 2-DOOR HATCHBACK
 27 = 2-DOOR CONVERTIBLE
 41 = 4-DOOR SEDAN
 44 = 4-DOOR HATCHBACK
 45 = 4-DOOR STATION WAGON
 52-53 = FWD WAGON

AR = Use as Required - = Non Illustrated Part P.A.R. = Paint as Required

FLOOR PAN FRONT G BODY 24
Figure 23A-9400

7189 9400



ITEM	PART NUMBER	QTY	BODY	MODEL	DESCRIPTION
1	4337 973	1			PAN, Front Floor
2	4278 600	1			BRACKET, Front Floor Pan Park Brake Cable Guide
3	4314 259	2			REINFORCEMENT, Front Floor Pan Front Seat Belt Inner Mounting
4	4278 498-9	1			REINFORCEMENT, Front Floor Pan Front Seat Rear Inner Mounting
5		1			PLATE, Front Floor Pan Fuel Tank Strap & Exhaust Hanger Not Serviced
6	4314 318-9	1			BRACKET, Front Floor Pan Lift Hoisting
7	2574 792	2			PLUG, .75" Dia./19.5 mm
8	5200 456	2			PLUG, 2.75" Dia./70 mm
9	2424 864	2			PLUG, 1.75" Dia./44.5 mm
10	4073 475	2			PLUG, 1.50" Dia./38 mm
11	4314 260	2			REINFORCEMENT, Front Floor Pan Rear Seat & Seat Belt Inner Mounting
12	5200 388	2			RETAINER, Front Floor Pan Rear Seat Cushion
13	4325 654	1			CROSSMEMBER, Front Floor Pan Front Seat Track
14	4371 514	1			BRACKET, Console Gear Selector To Floor Pan Mounting
15	4314 866-7	1			REINFORCEMENT, Front Floor Pan Rear Seat Belt Outer Mounting
16	4371 522-3	1			EXTENSION, Side Sill Inner Rear
17	4314 326	2			REINFORCEMENT, Front Seat Belt Outer Mounting
18	4371 812-3	1			REINFORCEMENT, Front Floor Pan Front Seat Rear Outer Mounting
19	4371 956-7	1			PANEL, Body Side Sill Inner

MODEL CODES

E BODY = (J - CARAVELLE)(E - 600)(T - NEW YORKER)

G BODY = (V24 - DAYTONA)

H BODY = (D44 - LANCER)(C44 - LEBARON GTS)

J BODY = (C - LEBARON)

K BODY = (P - RELIANT)(D - ARIES)(C - LEBAROND)/TOWN & COUNTRY)

L BODY = (M - HORIZON/TURISMO)(Z - OMNI/CHARGER)

M BODY = (B - GRAN FURY)(F - FIFTH AVE/NEWPORT)(G - DIPLOMAT)

P BODY = (P - SUNDANCE)(D - SHADOW)

S BODY = (H - VOYAGER)(K - RAM VAN/CARAVAN)

BODY STYLES

12-13 = FWD VAN

21 = 2-DOOR SEDAN

24 = 2-DOOR HATCHBACK

27 = 2-DOOR CONVERTIBLE

41 = 4-DOOR SEDAN

44 = 4-DOOR HATCHBACK

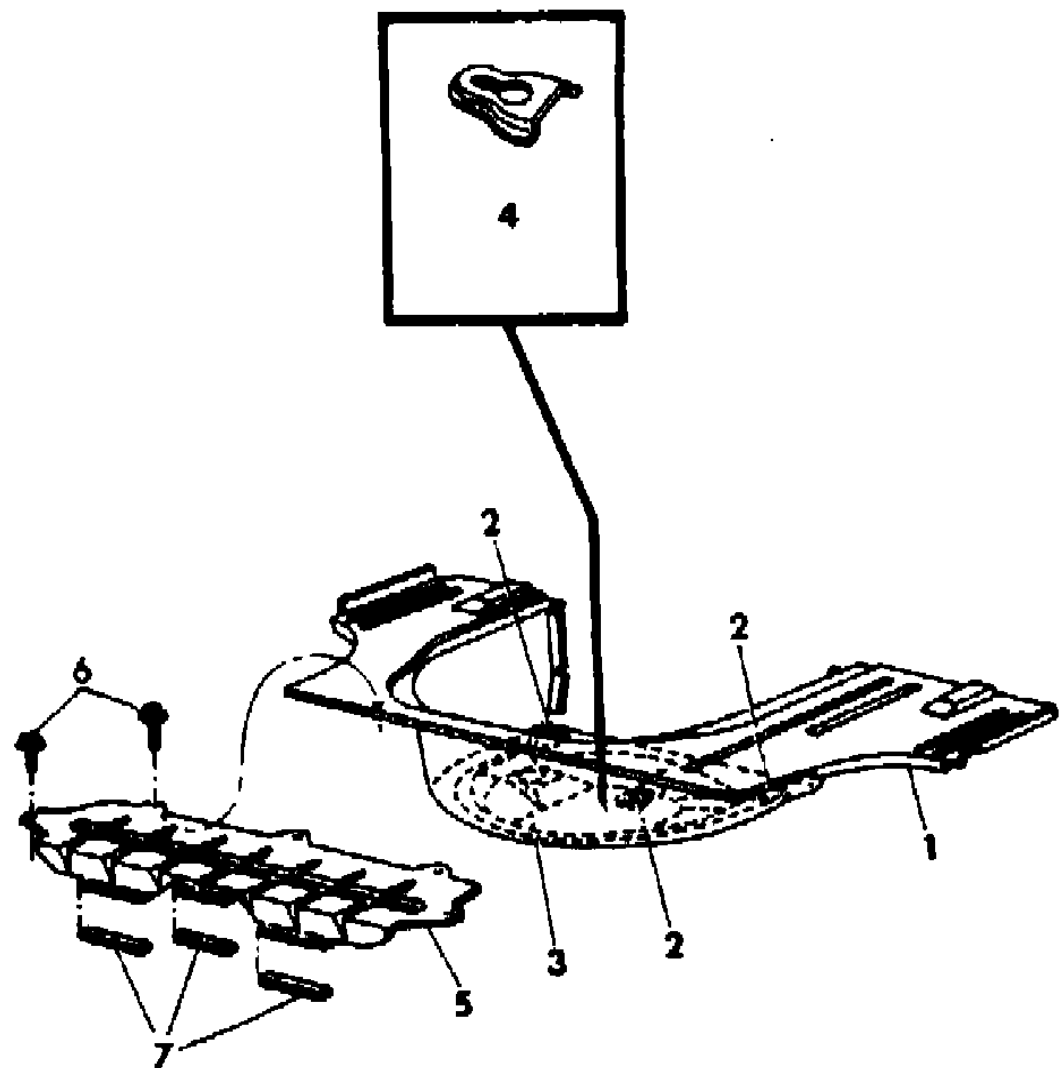
45 = 4-DOOR STATION WAGON

52-53 = FWD WAGON

AR = Use as Required - = Non Illustrated Part P.A.R. = Paint as Required

FLOOR PAN REAR G BODY 24
Figure 23A-9500

7188 9500



ITEM	PART NUMBER	QTY	BODY	MODEL	DESCRIPTION
1	4371 280	1			PAN, Rear Floor
2	2424 864	3			PLUG, 1.75" Dia./44.5 mm
3	6030 773	1			PLUG, 2.25" Dia./57 mm
4	4206 922	1			BRACKET, Rear Floor Pan Spare Tire Anchor Bolt
5	4314 058	1			PANEL, Rear Seat To Floor Pan Filler
6		5			SCREW, #8-18 x .50" Not Serviced
7		3			TAPE, Floor Pan Filler Anti-Squeak Not Serviced

MODEL CODES

E BODY = (J - CARAVELLE)(E - 600)(T - NEW YORKER)

G BODY = (V24 - DAYTONA)

H BODY = (D44 - LANCER)(C44 - LEBARON GTS)

J BODY = (C - LEBARON)

K BODY = (P - RELIANT)(D - ARIES)(C - LEBAROND)/TOWN & COUNTRY)

L BODY = (M - HORIZON/TURISMO)(Z - OMNI/CHARGER)

M BODY = (B - GRAN FURY)(F - FIFTH AVE/NEWPORT)(G - DIPLOMAT)

P BODY = (P - SUNDANCE)(D - SHADOW)

S BODY = (H - VOYAGER)(K - RAM VAN/CARAVAN)

BODY STYLES

12-13 = FWD VAN

21 = 2-DOOR SEDAN

24 = 2-DOOR HATCHBACK

27 = 2-DOOR CONVERTIBLE

41 = 4-DOOR SEDAN

44 = 4-DOOR HATCHBACK

45 = 4-DOOR STATION WAGON

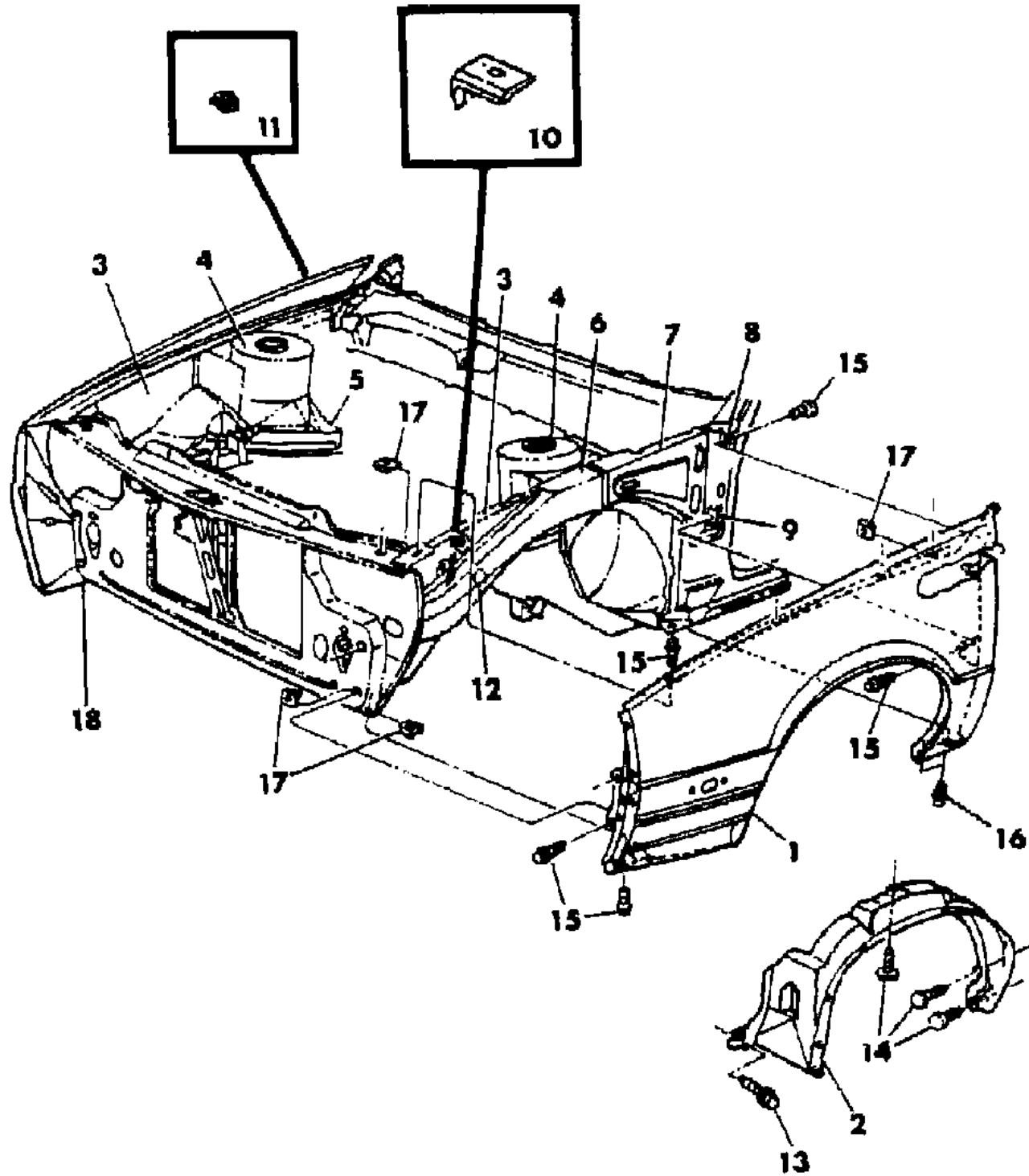
52-53 = FWD WAGON

AR = Use as Required - = Non Illustrated Part P.A.R. = Paint as Required

FENDER AND SHIELD G BODY 24
Figure 23A-9600

7189 9800 A

ITEM	PART NUMBER	QTY	BODY	MODEL	DESCRIPTION
1	4411 914-5	1			FENDER
2	#4386 126-7	1			SHIELD, Fender Wheelhouse Splash
3	4386 124	1			PANEL, Front Fender Shield Rt.
	4386 607	1			PANEL, Front Fender Shield Lt.
4	4440 150-1	1			TOWER, Front Suspension Iso-Strut Mounting Up To 1-29-87
	4440 564-5	1			After 1-29-87
5	4296 808-9	1			EXTENSION, Iso-Strut Tower To Dash Panel Up To 1-27-87
	4440 648-9	1			After 1-27-87
6	4386 286-7	1			BEAM, Front Fender Upper Load Path Front
7	4297 956	1			EXTENSION, w/Reinforcement Body Front Hinge Pillar To Strut Tower Right
	4314 183	1			EXTENSION, Body Front Hinge Pillar To Strut Tower Lt.
8		2			TAB, Front Fender Upper Rear Mounting (Serviced In Panel, Body Side Aperture Front - See "Body, Front Pillar" Illustration)
9	4206 553	2			SUPPORT, Body Front Hinge Pillar to Fender
10		1			REINFORCEMENT, Front Fender Shield Battery Tray (Serviced In Item #3)
11	4222 731	1			PLUG, Fender Antenna Hole
12	4341 376	1			PLUG, 1.50" Dia./38 mm
13		2			SCREW, 1/4-14 x .875" Not Serviced
14	6030 441	25			RETAINER, Fender Splash Shield Mounting
15	6100 568	18			SCREW and WASHER
16		4			SCREW and WASHER, Not Serviced
17	#6100 041	18			U-NUT
18		1			REINFORCEMENT, Front Serviced w/Fender



MODEL CODES

E BODY = (J - CARAVELLE)(E - 600)(T - NEW YORKER)

G BODY = (V24 - DAYTONA)

H BODY = (D44 - LANCER)(C44 - LEBARON GTS)

J BODY = (C - LEBARON)

K BODY = (P - RELIANT)(D - ARIES)(C - LEBAROND)/TOWN & COUNTRY)

L BODY = (M - HORIZON/TURISMO)(Z - OMNI/CHARGER)

M BODY = (B - GRAN FURY)(F - FIFTH AVE/NEWPORT)(G - DIPLOMAT)

P BODY = (P - SUNDANCE)(D - SHADOW)

S BODY = (H - VOYAGER)(K - RAM VAN/CARAVAN)

BODY STYLES

12-13 = FWD VAN

21 = 2-DOOR SEDAN

24 = 2-DOOR HATCHBACK

27 = 2-DOOR CONVERTIBLE

41 = 4-DOOR SEDAN

44 = 4-DOOR HATCHBACK

45 = 4-DOOR STATION WAGON

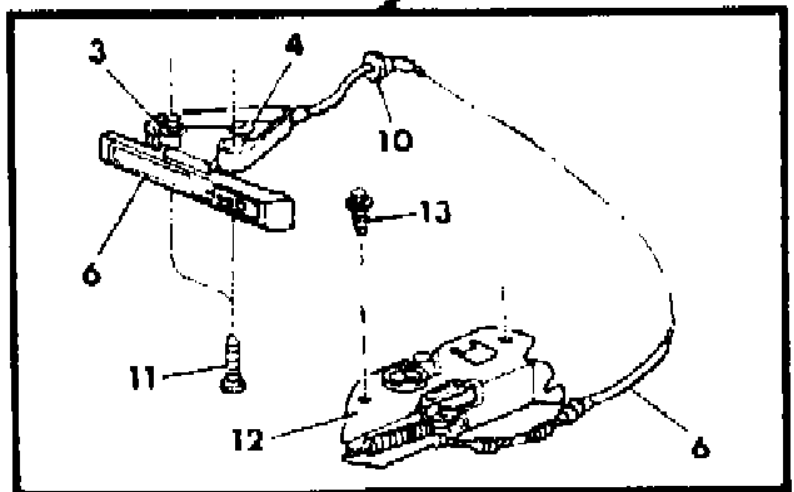
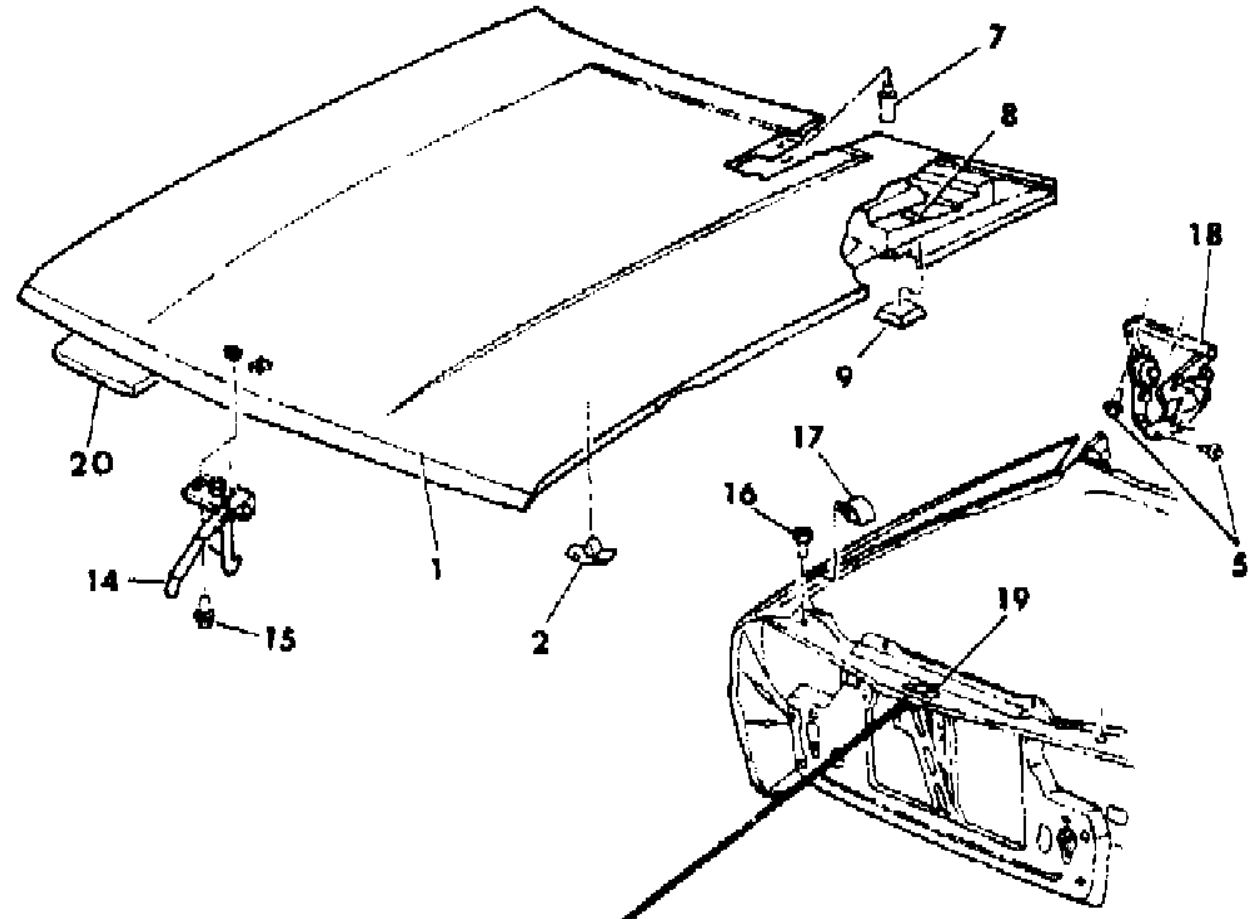
52-53 = FWD WAGON

AR = Use as Required - = Non Illustrated Part P.A.R. = Paint as Required

HOOD AND HOOD RELEASE G BODY 24
Figure 23A-9700

7189 9700 B

ITEM	PART NUMBER	QTY	BODY	MODEL	DESCRIPTION
1	4341 509	1		H,P	HOOD
	4341 524	1		S	
2	6003 351	15			RETAINER, Hood Panel Silencer
3	6024 203	1			PUSHNUT, Hood Release Handle To Bracket
4	6031 147	1			SPRING NUT, Inside Hood Release Cable To Handle
5		AR			SCREW and WASHER, Not Serviced
6	#4386 862	1			RELEASE, Inside Hood
7		1			SPACER, Hood Rear To Cowl Top 4296096 Not Serviced
8	2895 126	2			PLUG, Hood Inner Panel Sealing
9	4341 611	2			SEAL, Hood To Fender Ledge
10	5207 294	1			GROMMET, Dash Panel Hood Release Cable
11		2			SCREW, #10-16 x 1.50" Not Serviced
12	#4341 952	1			LATCH ASSEMBLY, Hood
13	6501 373	4			SCREW and WASHER
14	#4386 874	1			STRIKER and SAFETY CATCH, Hood
15	6501 373	4			SCREW and WASHER
16	4103 165	2			BUMPER, Crossmember To Hood Adjustable
17	4296 227	2			BUMPER, Fender Hood Side
18	#4440 244-5	1			HINGE, Hood
19	4341 871	1			REINFORCEMENT, Crossmember Radiator Hood Latch
20					SILENCER, Hood Panel
	4386 072	1		S	
	4386 683	1		H,P	



MODEL CODES

E BODY = (J - CARAVELLE)(E - 600)(T - NEW YORKER)

G BODY = (V24 - DAYTONA)

H BODY = (D44 - LANCER)(C44 - LEBARON GTS)

J BODY = (C - LEBARON)

K BODY = (P - RELIANT)(D - ARIES)(C - LEBAROND)/TOWN & COUNTRY)

L BODY = (M - HORIZON/TURISMO)(Z - OMNI/CHARGER)

M BODY = (B - GRAN FURY)(F - FIFTH AVE/NEWPORT)(G - DIPLOMAT)

P BODY = (P - SUNDANCE)(D - SHADOW)

S BODY = (H - VOYAGER)(K - RAM VAN/CARAVAN)

BODY STYLES

12-13 = FWD VAN

21 = 2-DOOR SEDAN

24 = 2-DOOR HATCHBACK

27 = 2-DOOR CONVERTIBLE

41 = 4-DOOR SEDAN

44 = 4-DOOR HATCHBACK

45 = 4-DOOR STATION WAGON

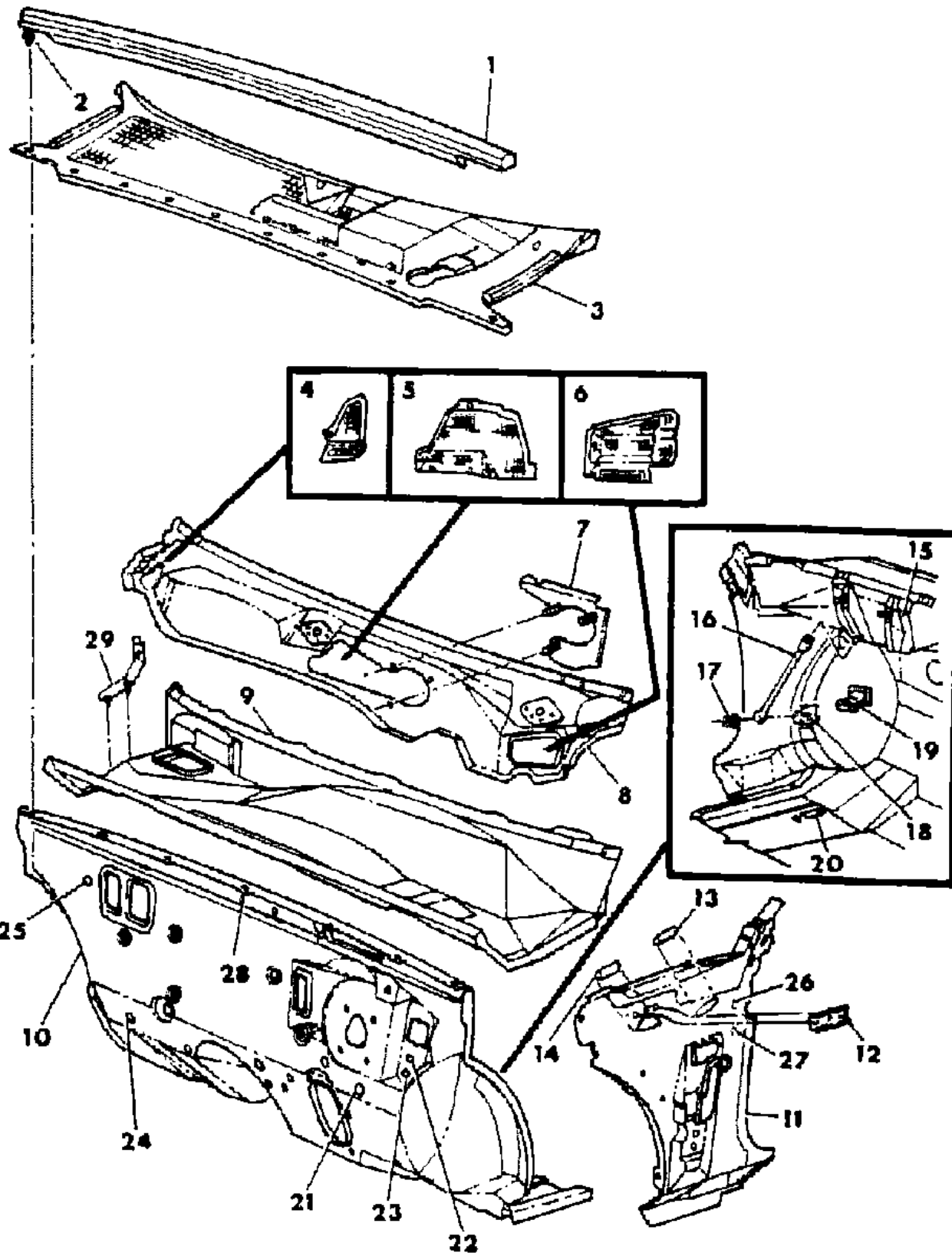
52-53 = FWD WAGON

AR = Use as Required - = Non Illustrated Part P.A.R. = Paint as Required

COWL AND DASH PANEL G BODY 24

Figure 23A-9800

7189 9800



ITEM	PART NUMBER	QTY	BODY	MODEL	DESCRIPTION
1	#4371 145	1			SEAL, Dash Panel To Hood (Includes Item #2)
2	3759 944	11			RETAINER, Dash Panel To Hood Seal
3	#4371 838	1			SCREEN, Cowl Plenum Water Deflector
4	4314 476	1			SCREEN, Cowl Plenum Rt.
5	4314 475	1			SCREEN, Cowl Plenum Center
6	4314 477	1			SCREEN, Cowl Plenum Lt.
7	4371 696	1			REINFORCEMENT, Cowl Top Wiper Motor Mounting
8	4371 358	1			PANEL, Cowl Top
9	#4371 795	1			PANEL, Cowl Plenum
10	#4371 357	1			PANEL, Dash
11	4371 096-7	1			PANEL, Cowl Side
12	4103 122	2			REINFORCEMENT, Cowl Side Hood Hinge
13	4198 305	2			SEAL, Cowl Side To Cowl Plenum
14		2			SEAL, Cowl Plenum Lower Drain Hole Not Serviced
15	4278 589	1			SUPPORT, Cowl Plenum Steering Column Bracket
16	4314 879	1			BRACE, Dash To Plenum Panel Lt.
17	6500 532	2			NUT and WASHER
18	4206 641	1			BRACKET, Dash To Plenum Panel Brace Mounting
19	#4410 559	1			BRACKET, Dash Panel Footrest Mounting Upper
20	5200 384	1			SEAL, Dash Panel Parking Brake Cable
21	3445 939	1			PLUG, .906" Dia./23 mm
22	3445 939	1			PLUG, .906" Dia./23 mm
23	2860 332	1			PLUG, .500" Dia./13 mm
24	5200 456	1			PLUG, 2.75" Dia./70 mm
25	2483 571	1			PLUG, 2.50" Dia./63 mm
26		2			PLUG, 1.62" Dia./41 mm Not Serviced
27	2860 332	1			PLUG, Right Side Only, .500" Dia./13 mm
28	4206 515	1			PLUG, Dash Panel Wiper Support Mounting Hole
29	4337 341	1			SEAL, w/Retainer Cowl Plenum To Cowl Side Lt.
	4337 342	1			SEAL, w/Retainer Cowl Plenum To Cowl Side Rt.

MODEL CODES

E BODY = (J - CARAVELLE)(E - 600)(T - NEW YORKER)

G BODY = (V24 - DAYTONA)

H BODY = (D44 - LANCER)(C44 - LEBARON GTS)

J BODY = (C - LEBARON)

K BODY = (P - RELIANT)(D - ARIES)(C - LEBAROND)/TOWN & COUNTRY)

L BODY = (M - HORIZON/TURISMO)(Z - OMNI/CHARGER)

M BODY = (B - GRAN FURY)(F - FIFTH AVE/NEWPORT)(G - DIPLOMAT)

P BODY = (P - SUNDANCE)(D - SHADOW)

S BODY = (H - VOYAGER)(K - RAM VAN/CARAVAN)

BODY STYLES

12-13 = FWD VAN

21 = 2-DOOR SEDAN

24 = 2-DOOR HATCHBACK

27 = 2-DOOR CONVERTIBLE

41 = 4-DOOR SEDAN

44 = 4-DOOR HATCHBACK

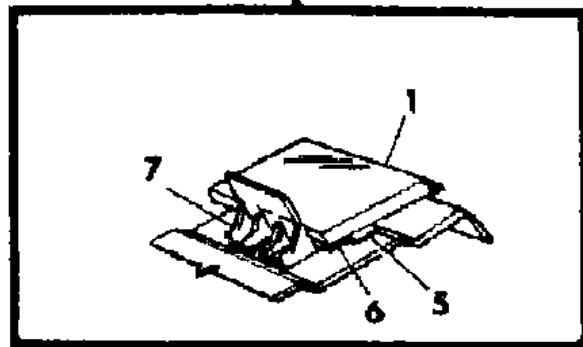
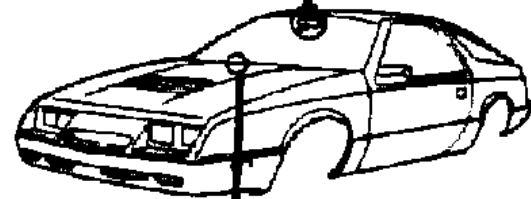
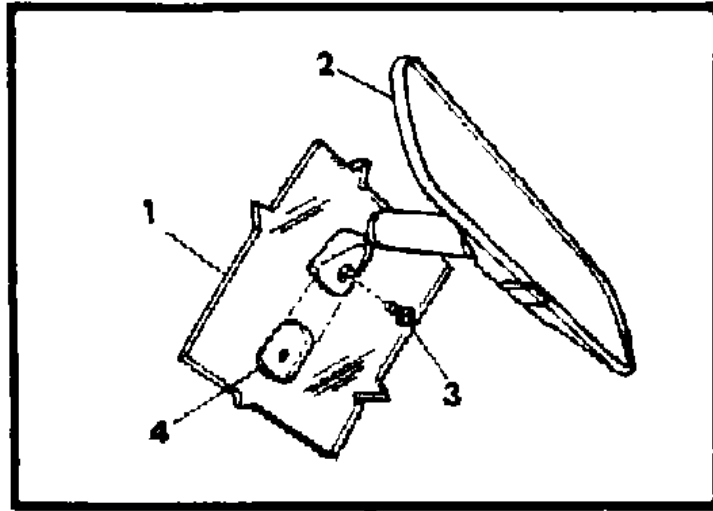
45 = 4-DOOR STATION WAGON

52-53 = FWD WAGON

AR = Use as Required - = Non Illustrated Part P.A.R. = Paint as Required

GLASS WINDSHIELD AND MIRROR G BODY 24
Figure 23A-9900

7100 9900



ITEM	PART NUMBER	QTY	BODY	MODEL	DESCRIPTION
------	-------------	-----	------	-------	-------------

NOTE: GLASS, WINDSHIELD - ORDER FROM YOUR LOCAL "MOPAR" GLASS DISTRIBUTOR s group.

1	4416 391	1			GLASS, Windshield Tinted
2	4299 321	1			MIRROR, Rear View
3	6031 094	1			SCREW, Inside Rear View Mirror Mounting
4	4054 066	1			BUTTON, Rear View Mirror Mounting
	4293 039	1			ADHESIVE PACKAGE, Rear View Mirror Button Mounting (Includes Adhesive & Instructions)
5		AR			POLYURETHANE, Windshield (Serviced In Package #4267906)
6		10			SPACER, Windshield Glass Support Not Serviced
7	4206 543	2			SPACER, Windshield Glass Lower

NOTE: The following items are not shown on illustration. s group.

PKG A 4267 906 1 REPAIR PACKAGE, Windshield & Rear Window
CONSISTS OF:

- 1- ----- Polyurethane, 11.5 oz.
- 1- ----- Fence Primer, 1 oz.
- 1- ----- Glass Wipe-Off Primer, 1 oz.
- 1- ----- Glass Black-Out Primer, 1 oz.
- 3- ----- Dabbers
- 1- ----- Nozzle

MODEL CODES

E BODY = (J - CARAVELLE)(E - 600)(T - NEW YORKER)

G BODY = (V24 - DAYTONA)

H BODY = (D44 - LANCER)(C44 - LEBARON GTS)

J BODY = (C - LEBARON)

K BODY = (P - RELIANT)(D - ARIES)(C - LEBAROND)/TOWN & COUNTRY)

L BODY = (M - HORIZON/TURISMO)(Z - OMNI/CHARGER)

M BODY = (B - GRAN FURY)(F - FIFTH AVE/NEWPORT)(G - DIPLOMAT)

P BODY = (P - SUNDANCE)(D - SHADOW)

S BODY = (H - VOYAGER)(K - RAM VAN/CARAVAN)

BODY STYLES

12-13 = FWD VAN

21 = 2-DOOR SEDAN

24 = 2-DOOR HATCHBACK

27 = 2-DOOR CONVERTIBLE

41 = 4-DOOR SEDAN

44 = 4-DOOR HATCHBACK

45 = 4-DOOR STATION WAGON

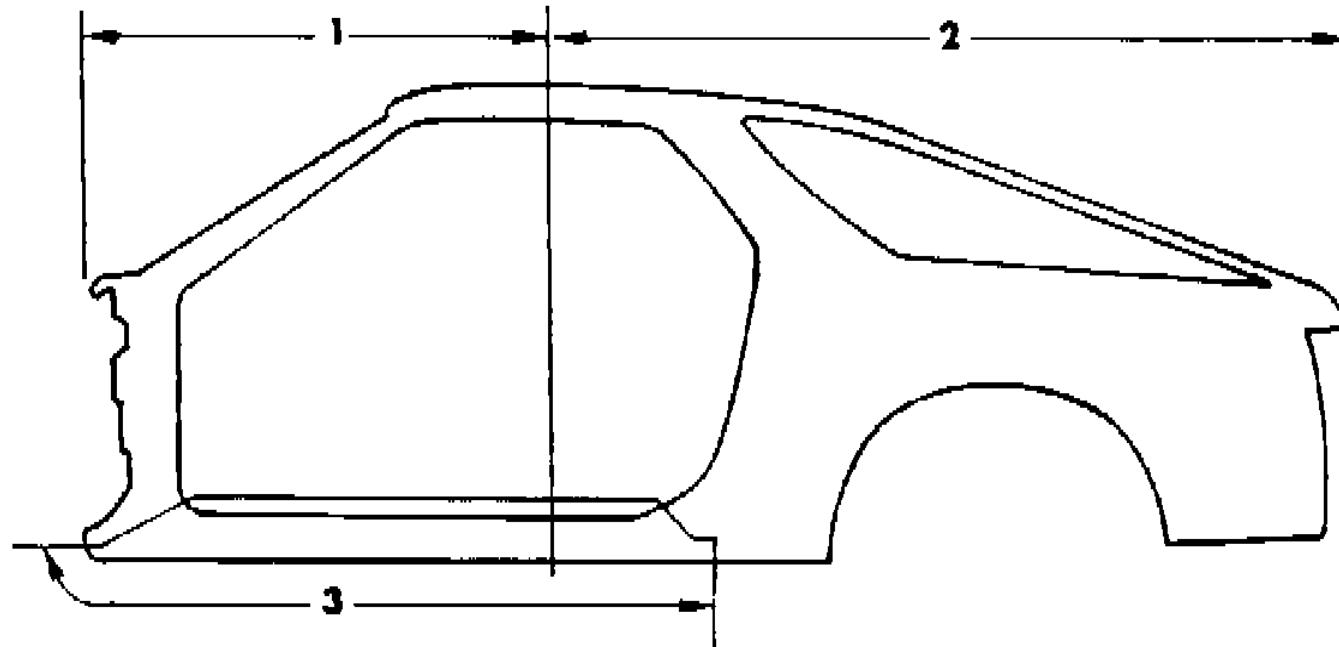
52-53 = FWD WAGON

AR = Use as Required - = Non Illustrated Part P.A.R. = Paint as Required

APERATURE PANEL G BODY 24
Figure 23A-1000

7188 10000

ITEM	PART NUMBER	QTY	BODY	MODEL	DESCRIPTION
1	4278 914-5	1			PANEL, Body Side Aperture Front
2	#4371 950-1	1			PANEL, Body Side Aperture Rear
3	4337 532-3	1			PANEL, Body Side Aperture Sill Outer



MODEL CODES

E BODY = (J - CARAVELLE)(E - 600)(T - NEW YORKER)

G BODY = (V24 - DAYTONA)

H BODY = (D44 - LANCER)(C44 - LEBARON GTS)

J BODY = (C - LEBARON)

K BODY = (P - RELIANT)(D - ARIES)(C - LEBAROND)/TOWN & COUNTRY)

L BODY = (M - HORIZON/TURISMO)(Z - OMNI/CHARGER)

M BODY = (B - GRAN FURY)(F - FIFTH AVE/NEWPORT)(G - DIPLOMAT)

P BODY = (P - SUNDANCE)(D - SHADOW)

S BODY = (H - VOYAGER)(K - RAM VAN/CARAVAN)

BODY STYLES

12-13 = FWD VAN

21 = 2-DOOR SEDAN

24 = 2-DOOR HATCHBACK

27 = 2-DOOR CONVERTIBLE

41 = 4-DOOR SEDAN

44 = 4-DOOR HATCHBACK

45 = 4-DOOR STATION WAGON

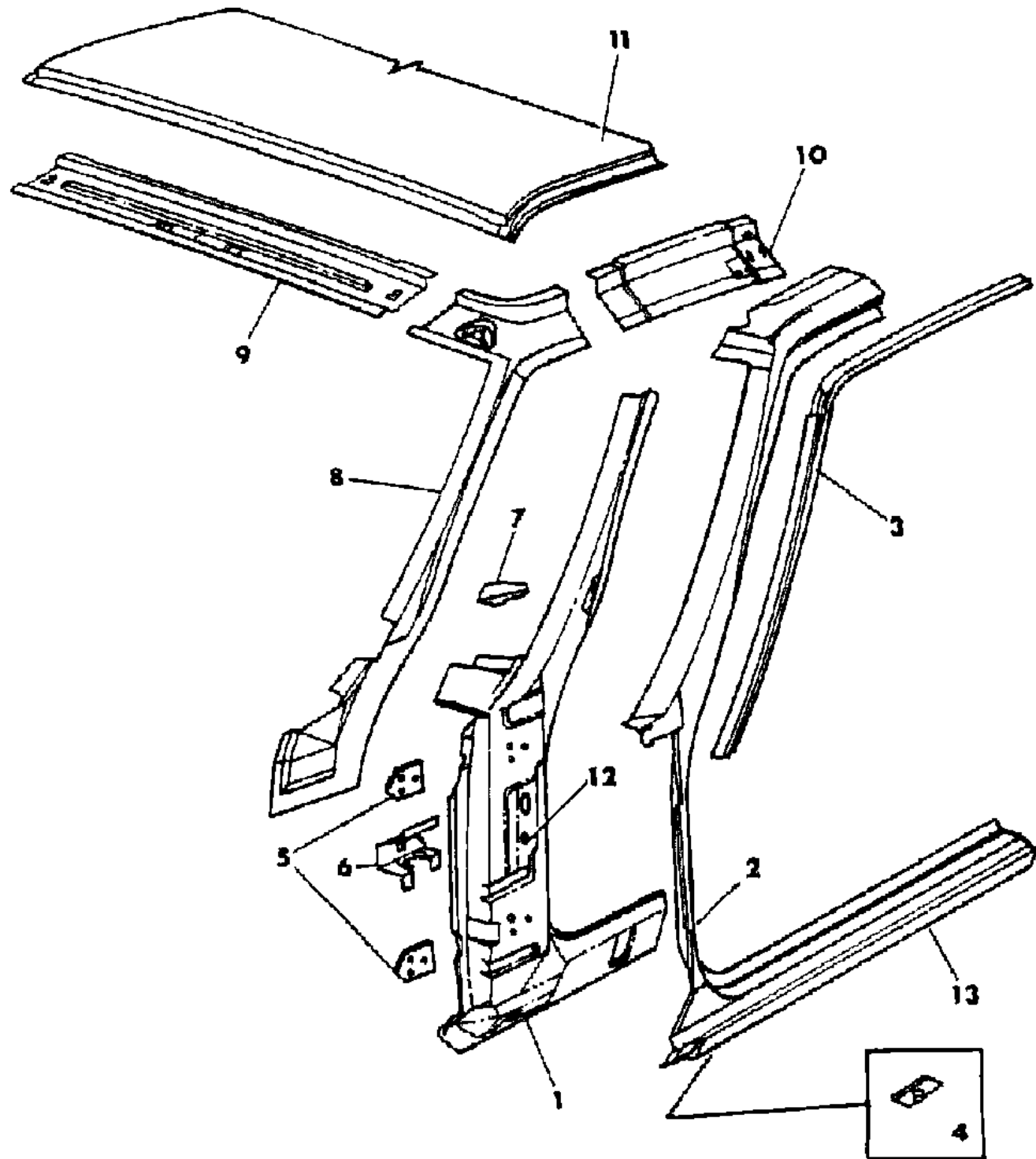
52-53 = FWD WAGON

AR = Use as Required - = Non Illustrated Part P.A.R. = Paint as Required

BODY FRONT PILLAR AND ROOF PANEL G BODY 24

Figure 23A-1010

7189 10100



ITEM	PART NUMBER	QTY	BODY	MODEL	DESCRIPTION
1	#4416 454-5	1			PILLAR, Body Front Hinge
2	4278 914-5	1			PANEL, Body Side Aperture Front
3	4206 824-5	1			RETAINER, Body Side Aperture Secondary Seal
4	4314 277	2			PLATE, Body Side Aperture Jack Locator
5	4314 086	4			PLATE, Body Front Hinge Pillar Door Hinge Tapping
6	4206 876	1			REINFORCEMENT, Hinge Pillar To Windshield Frame Rt.
	4278 599	1			REINFORCEMENT, Hinge Pillar To Windshield Frams Lt.
7		1			SEAL, Body Front Hinge Pillar To Windshield Opening Side Inner Frame (Not Serviced)
8	4371 068-9	1			FRAME, Windshield Opening Side Inner
9	#4416 061	1			FRAME, Windshield Opening Upper
10	4341 758-9	1			RAIL, Roof Side Inner
11	4206 821	1			PANEL, Roof Outer w/o Sunroof
	4341 728	1			PANEL and TROUGH, Roof Outer w/Sunroof
12	2860 332	1			PLUG, Body Front Hinge Pillar Antenna Hole (Right Side Only)
13	4337 532-3	1			PANEL, Body Side Aperture Sill Outer

MODEL CODES

E BODY = (J - CARAVELLE)(E - 600)(T - NEW YORKER)

G BODY = (V24 - DAYTONA)

H BODY = (D44 - LANCER)(C44 - LEBARON GTS)

J BODY = (C - LEBARON)

K BODY = (P - RELIANT)(D - ARIES)(C - LEBAROND)/TOWN & COUNTRY)

L BODY = (M - HORIZON/TURISMO)(Z - OMNI/CHARGER)

M BODY = (B - GRAN FURY)(F - FIFTH AVE/NEWPORT)(G - DIPLOMAT)

P BODY = (P - SUNDANCE)(D - SHADOW)

S BODY = (H - VOYAGER)(K - RAM VAN/CARAVAN)

BODY STYLES

12-13 = FWD VAN

21 = 2-DOOR SEDAN

24 = 2-DOOR HATCHBACK

27 = 2-DOOR CONVERTIBLE

41 = 4-DOOR SEDAN

44 = 4-DOOR HATCHBACK

45 = 4-DOOR STATION WAGON

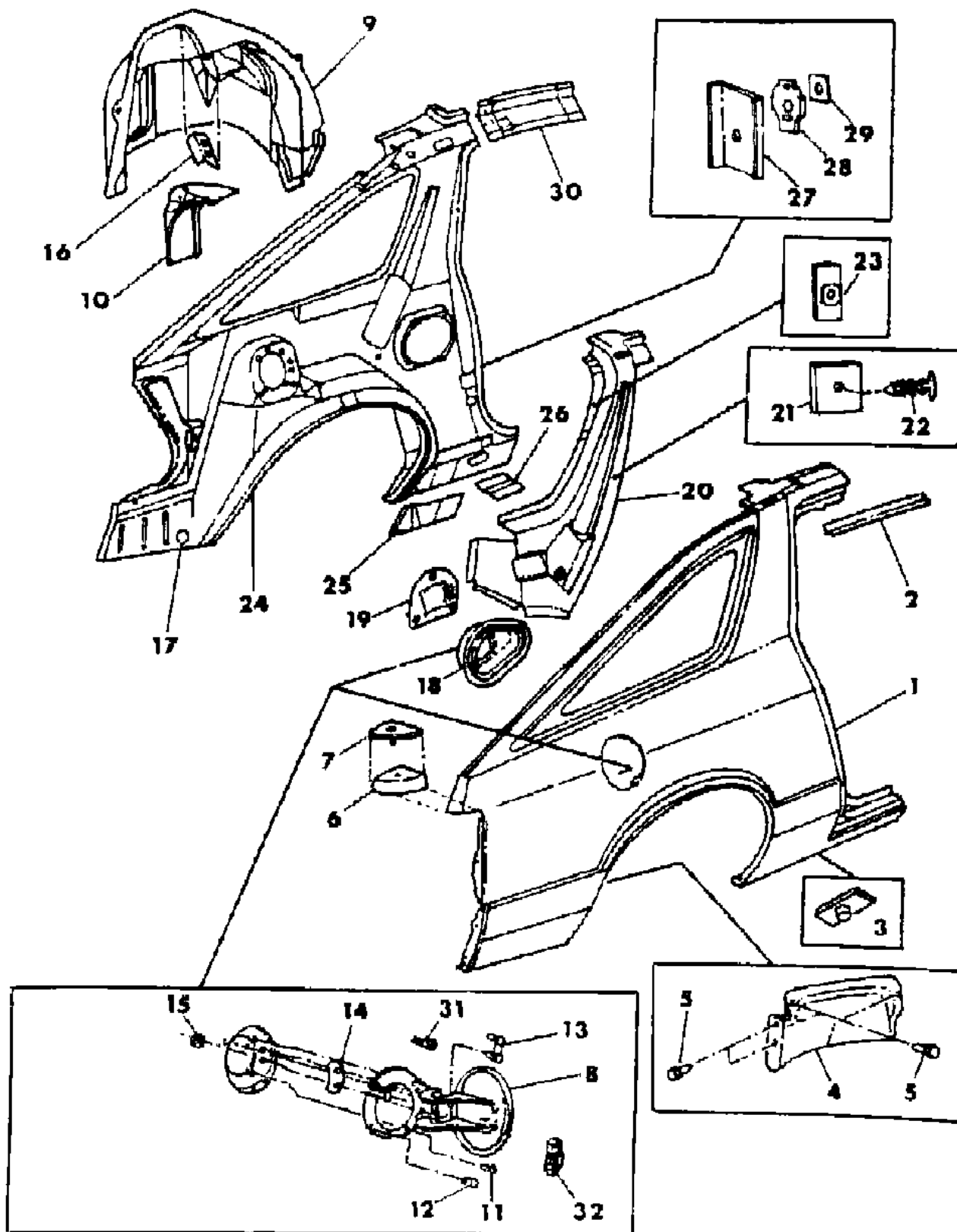
52-53 = FWD WAGON

AR = Use as Required - = Non Illustrated Part P.A.R. = Paint as Required

BODY REAR QUARTER G BODY 24

Figure 23A-1020

7189 10200 A



ITEM	PART NUMBER	QTY	BODY	MODEL	DESCRIPTION
1	#4371 950-1	1			PANEL, Body Side Aperture Rear
2	4206 824-5	1			RETAINER, Body Side Aperture Secondary Seal
3	4314 277	2			PLATE, Body Side Aperture Jack Locator
4	4314 104-5	1			SHIELD, Rear Wheelhouse Inner Panel Appearance
5		8			SCREW, #10-16 x .50" Not Serviced
6	4206 974-5	1			EXTENSION, Liftgate Opening Lower Panel Upper
7	4314 121	2			SEAL, Liftgate Opening Lower Panel Upper Extension
8	4364 448	1			DOOR and SUPPORT, Body Side Aperture Fuel Filler Door
9	4206 832-3	1			PANEL, Rear Wheelhouse Inner
10	4134 686-7	1			REINFORCEMENT, Rear Wheelhouse Inner Panel Shock Absorber Mounting
11		3			SCREW, #10-16 x 1.00" Not Serviced
12	#4015 682	2			BUMPER
13	4337 147	1			PLATE, Fuel Filler Door Mounting
14	4314 601	AR			SHIM
15	6032 641	2			NUT
16	4278 630	2			REINFORCEMENT, Wheelhouse Rear Seat Back Latch
17	4073 485	2			PLUG, 1.50" Dia./38 mm
18	4337 219	1			REINFORCEMENT, Body Side Aperture Fuel Filler Door Opening
19	4337 398	1			GASKET, Inner To Fuel Filler Door
20	4386 266-7	1			SUPPORT, Quarter Inner & Wheelhouse Outer To Aperture
21		2			SPACER, Quarter Inner Panel Support To Aperture Not Serviced
22	5208 743	2			RETAINER
23	4314 326	2			REINFORCEMENT, Quarter Inner Panel Upper Shoulder Harness
24	4386 264-5	1			PANEL, Quarter Inner and Wheelhouse Outer
25	4278 596-7	1			REINFORCEMENT, Quarter Inner Panel Sill Jacking
26	4278 573	2			REINFORCEMENT, Aperture To Quarter Inner & Wheelhouse Outer Panel
27	4325 188	2			REINFORCEMENT, w/Retainer Aperture Door Lock Striker Includes Item 28
28	4134 972	2			RETAINER, Aperture Door Lock Striker T-Plate
29	4314 743	2			T-PLATE, Aperture Door Lock Striker
30	4341 758-9	1			RAIL, Roof Side Inner
31	6032 280	1			SCREW, Shoulder Gas Cap Tether Mounting
32	4337 194	1			LATCH, Body Side Aperture Fuel Filler Door

MODEL CODES

E BODY = (J - CARAVELLE)(E - 600)(T - NEW YORKER)

G BODY = (V24 - DAYTONA)

H BODY = (D44 - LANCER)(C44 - LEBARON GTS)

J BODY = (C - LEBARON)

K BODY = (P - RELIANT)(D - ARIES)(C - LEBAROND)/TOWN & COUNTRY)

L BODY = (M - HORIZON/TURISMO)(Z - OMNI/CHARGER)

M BODY = (B - GRAN FURY)(F - FIFTH AVE/NEWPORT)(G - DIPLOMAT)

P BODY = (P - SUNDANCE)(D - SHADOW)

S BODY = (H - VOYAGER)(K - RAM VAN/CARAVAN)

BODY STYLES

12-13 = FWD VAN

21 = 2-DOOR SEDAN

24 = 2-DOOR HATCHBACK

27 = 2-DOOR CONVERTIBLE

41 = 4-DOOR SEDAN

44 = 4-DOOR HATCHBACK

45 = 4-DOOR STATION WAGON

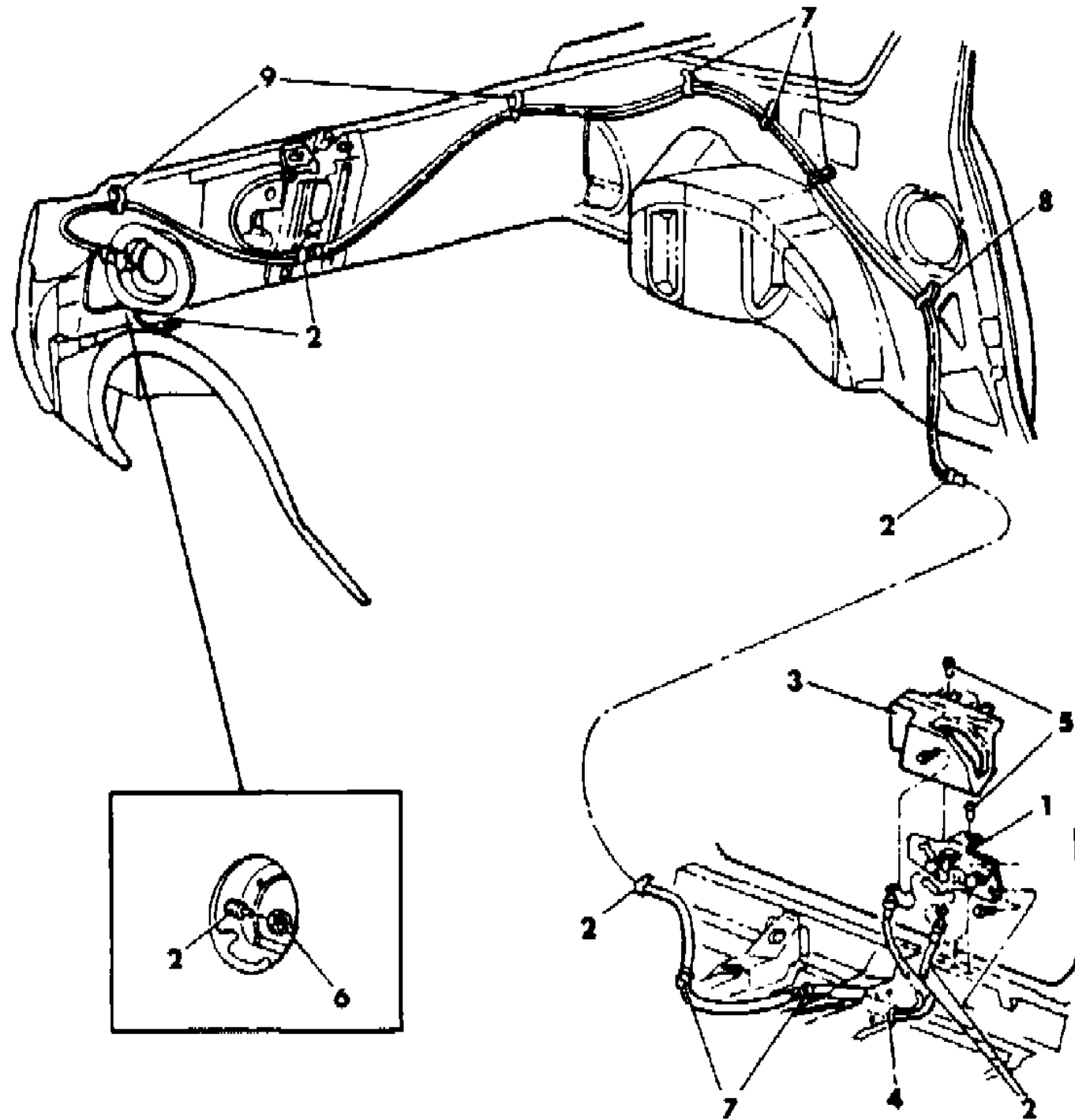
52-53 = FWD WAGON

AR = Use as Required - = Non Illustrated Part P.A.R. = Paint as Required

FUEL FILLER AND LIFTGATE REMOTE RELEASE G BODY 24

Figure 23A-1030

7188 10300



ITEM	PART NUMBER	QTY	BODY	MODEL	DESCRIPTION
1	4371 488	1			HANDLE, Body Side Aperture Fuel Filler & Liftgate Remote Release
2	4337 385	1			CABLE, Body Side Aperture Fuel Filler & Liftgate Remote Release (Includes Auxilliary Cable)
3					COVER, Remote Release Handle
	S990 EE8	1			Cordovan
	S990 FC5	1			Blue
	S990 EK1	1			Light Almond
	S990 DS8	1			Charcoal
	S990 DX9	1			Black
4	4371 202	1			CONDUIT, Body Side Aperture Fuel Filler & Liftgate Remote Release Cable
5	6032 456	4			SCREW, Remote Release Cover and Handle to Sill
6		AR			NUT, Fuel Door Remote Release 6500993 Not Serviced
7		AR			CLIP, 6015237 Not Serviced
8		AR			CLIP, Wiring Not Serviced
9		AR			CLIP, Wiring Not Serviced

MODEL CODES

E BODY = (J - CARAVELLE)(E - 600)(T - NEW YORKER)

G BODY = (V24 - DAYTONA)

H BODY = (D44 - LANCER)(C44 - LEBARON GTS)

J BODY = (C - LEBARON)

K BODY = (P - RELIANT)(D - ARIES)(C - LEBAROND)/TOWN & COUNTRY)

L BODY = (M - HORIZON/TURISMO)(Z - OMNI/CHARGER)

M BODY = (B - GRAN FURY)(F - FIFTH AVE/NEWPORT)(G - DIPLOMAT)

P BODY = (P - SUNDANCE)(D - SHADOW)

S BODY = (H - VOYAGER)(K - RAM VAN/CARAVAN)

BODY STYLES

12-13 = FWD VAN

21 = 2-DOOR SEDAN

24 = 2-DOOR HATCHBACK

27 = 2-DOOR CONVERTIBLE

41 = 4-DOOR SEDAN

44 = 4-DOOR HATCHBACK

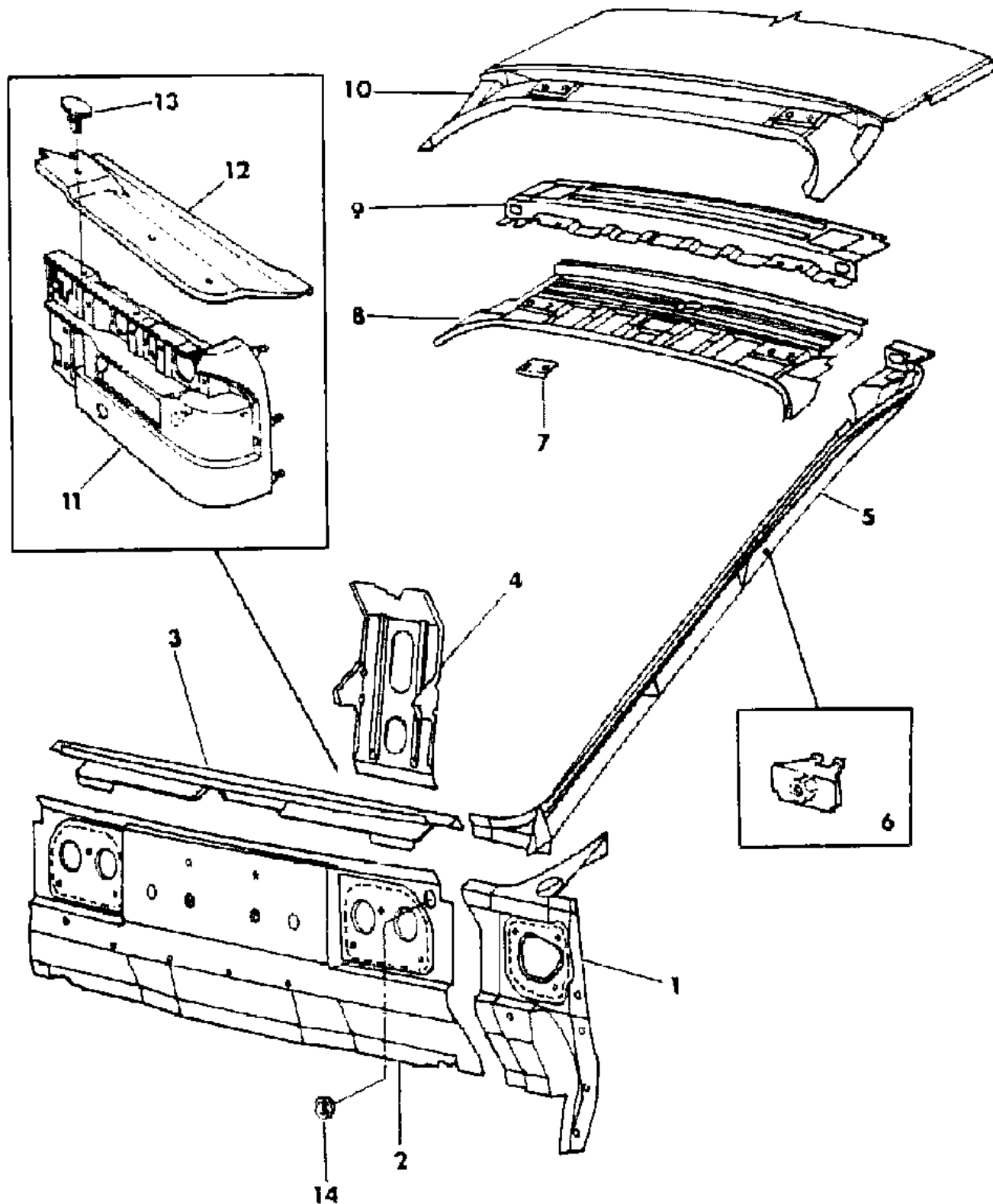
45 = 4-DOOR STATION WAGON

52-53 = FWD WAGON

AR = Use as Required - = Non Illustrated Part P.A.R. = Paint as Required

LIFTGATE OPENING PANEL G BODY 24
Figure 23A-1040

7189 10400 A



ITEM	PART NUMBER	QTY	BODY	MODEL	DESCRIPTION
1	#4341 974-5	1			EXTENSION, Liftgate Opening Lower Panel
2	#4341 963	1			PANEL, Liftgate Opening Lower
3	4341 392	1			REINFORCEMENT, Liftgate Opening Lower Panel
4	#4365 712	1			SUPPORT, Liftgate Opening Lower Panel Latch Striker
5	#4341 536-7	1			TROUGH, Liftgate Opening Side Drain
6	4336 398	2			REINFORCEMENT, Liftgate Opening Trough Prop
7	4206 976	2			REINFORCEMENT, Liftgate Opening Upper Frame Hinge Mounting
8	#4386 786	1			FRAME, Liftgate Opening Upper
9	4206 917	1			REINFORCEMENT, Liftgate Opening Upper Frame
10	4206 821	1			PANEL, Roof Outer w/o Sunroof
	4341 728	1			PANEL and TROUGH, Roof Outer w/Sunroof
11	4440 647	1			PANEL, Liftgate Opening Lower Closure
12	#4386 594	1			PLATE, Tail Lamp Scuff Plate
13	6501 630	6			PLUG
14	6500 229	4			NUT

MODEL CODES

E BODY = (J - CARAVELLE)(E - 600)(T - NEW YORKER)

G BODY = (V24 - DAYTONA)

H BODY = (D44 - LANCER)(C44 - LEBARON GTS)

J BODY = (C - LEBARON)

K BODY = (P - RELIANT)(D - ARIES)(C - LEBAROND)/TOWN & COUNTRY)

L BODY = (M - HORIZON/TURISMO)(Z - OMNI/CHARGER)

M BODY = (B - GRAN FURY)(F - FIFTH AVE/NEWPORT)(G - DIPLOMAT)

P BODY = (P - SUNDANCE)(D - SHADOW)

S BODY = (H - VOYAGER)(K - RAM VAN/CARAVAN)

BODY STYLES

12-13 = FWD VAN

21 = 2-DOOR SEDAN

24 = 2-DOOR HATCHBACK

27 = 2-DOOR CONVERTIBLE

41 = 4-DOOR SEDAN

44 = 4-DOOR HATCHBACK

45 = 4-DOOR STATION WAGON

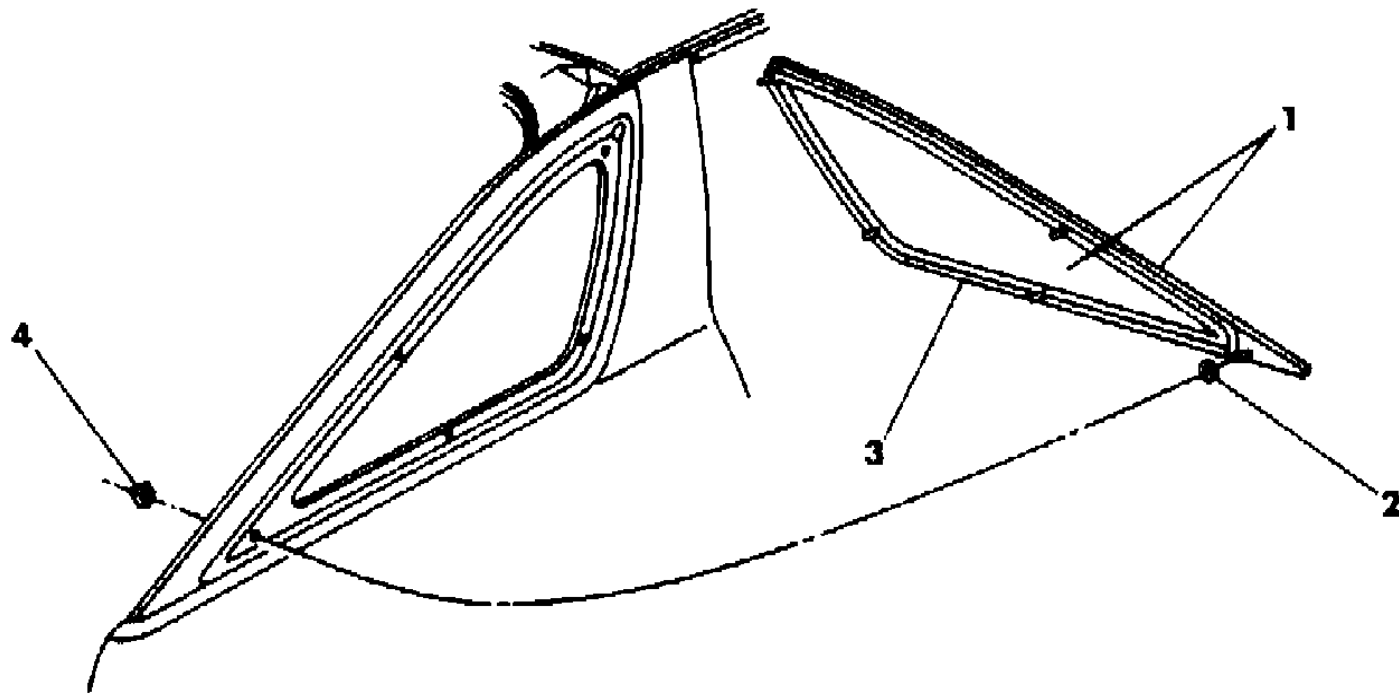
52-53 = FWD WAGON

AR = Use as Required - = Non Illustrated Part P.A.R. = Paint as Required

GLASS QUARTER WINDOW G BODY 24
Figure 23A-1050

7189 10500

ITEM	PART NUMBER	QTY	BODY	MODEL	DESCRIPTION
1	4416 956-7	1			FRAME and GLASS, Window Tinted
2		2			SEALING WASHER, Quarter Window Mounting Stud Not Serviced
3	4206 323	AR			SEAL, Quarter Window (Butyl Tape (187"))
4	6100 775	8			NUT and WASHER
NOTE: The following items are not shown on illustration. s group.					
PKG A	4057 957	1			FIXED GLASS REPAIR PACKAGE CONSISTS OF:
					1- ----- Tape, Butyl (171")
					1- ----- Primer, Glass (1 oz.)
					1- ----- Primer, Fence (2 oz.)
	3674 698				2-Spacer, Rubber, 0.2"
	3793 290				2-Spacer, Rubber 0.3"
	3767 767				2-Shim, 0.07"
					2- ----- Sponges, Disposable



MODEL CODES

E BODY = (J - CARAVELLE)(E - 600)(T - NEW YORKER)

G BODY = (V24 - DAYTONA)

H BODY = (D44 - LANCER)(C44 - LEBARON GTS)

J BODY = (C - LEBARON)

K BODY = (P - RELIANT)(D - ARIES)(C - LEBAROND)/TOWN & COUNTRY)

L BODY = (M - HORIZON/TURISMO)(Z - OMNI/CHARGER)

M BODY = (B - GRAN FURY)(F - FIFTH AVE/NEWPORT)(G - DIPLOMAT)

P BODY = (P - SUNDANCE)(D - SHADOW)

S BODY = (H - VOYAGER)(K - RAM VAN/CARAVAN)

BODY STYLES

12-13 = FWD VAN

21 = 2-DOOR SEDAN

24 = 2-DOOR HATCHBACK

27 = 2-DOOR CONVERTIBLE

41 = 4-DOOR SEDAN

44 = 4-DOOR HATCHBACK

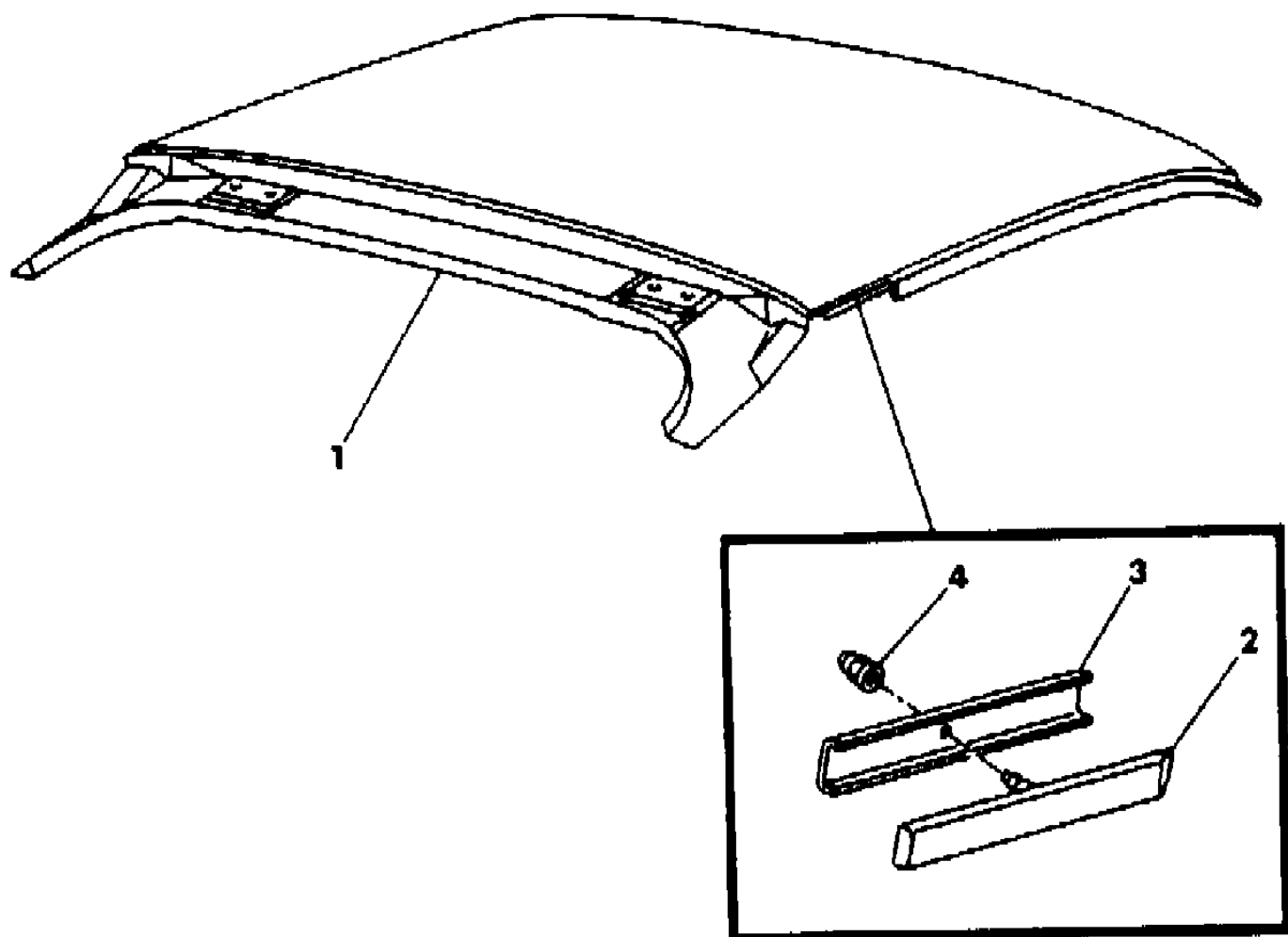
45 = 4-DOOR STATION WAGON

52-53 = FWD WAGON

AR = Use as Required - = Non Illustrated Part P.A.R. = Paint as Required

ROOF PANEL G BODY 24
Figure 23A-1060

7189 10800



ITEM	PART NUMBER	QTY	BODY	MODEL	DESCRIPTION
1	4206 821	1			PANEL, Roof Outer w/o Sunroof
	4341 728	1			PANEL and TROUGH, Roof Outer w/Sunroof
2	4364 016-7	1			MOULDING, Roof To Body Side Aperture Joint Includes Items 3-4
3		2			GASKET, Roof Panel to Aperture Joint Moulding (Served In Item #2)
4	6032 929	2			NUT and SEAL, (Includes Item 2)

MODEL CODES

E BODY = (J - CARAVELLE)(E - 600)(T - NEW YORKER)

G BODY = (V24 - DAYTONA)

H BODY = (D44 - LANCER)(C44 - LEBARON GTS)

J BODY = (C - LEBARON)

K BODY = (P - RELIANT)(D - ARIES)(C - LEBAROND)/TOWN & COUNTRY)

L BODY = (M - HORIZON/TURISMO)(Z - OMNI/CHARGER)

M BODY = (B - GRAN FURY)(F - FIFTH AVE/NEWPORT)(G - DIPLOMAT)

P BODY = (P - SUNDANCE)(D - SHADOW)

S BODY = (H - VOYAGER)(K - RAM VAN/CARAVAN)

BODY STYLES

12-13 = FWD VAN

21 = 2-DOOR SEDAN

24 = 2-DOOR HATCHBACK

27 = 2-DOOR CONVERTIBLE

41 = 4-DOOR SEDAN

44 = 4-DOOR HATCHBACK

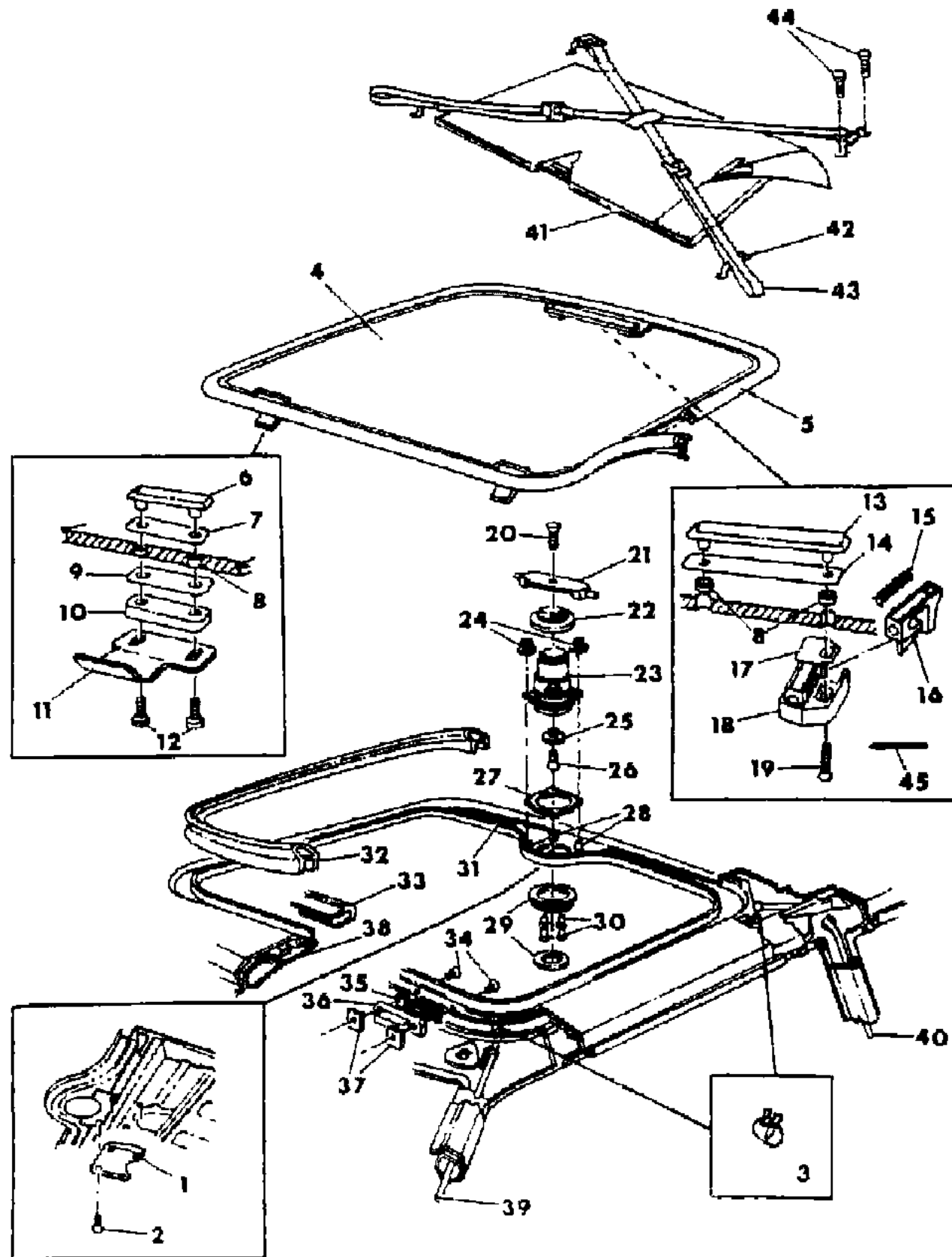
45 = 4-DOOR STATION WAGON

52-53 = FWD WAGON

AR = Use as Required - = Non Illustrated Part P.A.R. = Paint as Required

SUNROOF G BODY 24
Figure 23A-1070

7189 10700 A



ITEM	PART NUMBER	QTY	BODY	MODEL	DESCRIPTION
1	4278 794	1			SUPPORT, Sun Roof Opening Drain Trough
2	9421 073	4			SCREW
3	2448 761	4			CLAMP, Drain Hose To Trough
4	4296 034	1			PANEL, Sun Roof Glass w/Frame (Bonded)
5	4172 849	1			SEAL, Sun Roof (Secondary)
6-12	4467 211	2			HINGE and T-PLATE, Includes Item 6-12
6		2			T-PLATE, Serviced In Package #4467211
7		2			GASKET, Serviced In Package #4467211
8		6			GROMMET, Serviced In Package #4467211
9		2			GASKET, Serviced In Package #4467211
10		2			SPACER, Serviced In Package #4467211
11		2			HINGE, Serviced In Package #4467211
12		4			SCREW, Serviced In Package #4467211
13	5207 322	1			T-PLATE, Latch
14	5207 368	1			GASKET, Latch T-Plate
15	4106 872-3	1			HOUSING and LATCH, Sun Roof (Includes Item 15-19)
15		2			SPRING, Serviced In Package #4106872-3
16		2			LATCH, Serviced In Package #4106872-3
17		2			GASKET, Serviced In Package #4106872-3
18		2			HOUSING, Serviced In Package #4106872-3
19		2			SCREW, Serviced In Package #4106872-3
20		1			SCREW, #10-16 x .75" Not Serviced
21	5207 327	1			STRIKER, Latch
22	4341 037	1			GASKET and RETAINER, Adjuster
23	4341 035	1			ADJUSTER, Latch (Includes Items #20-23 & 25,26)
24	6501 140	4			NUT
25	5232 094	1			WASHER, Latch Striker Stop
26		1			SCREW, #8-18 x .75" Not Serviced
27	5232 052	1			GASKET, Latch Adjuster To Trough
28		4			SCREW, Weld, M5 x 15mm (Serviced in Item #31)
29					HANDLE, Tilting Roof Pnl. Riser Control
	H808 CA3	1			Silver
	H808 EE8	1			Cordovan
	H808 EK1	1			Light Almond
	H808 BX9	1			Black
30	#6031 171	4			SCREW
31	4341 728	1			PANEL and TROUGH, Outer w/Sun Roof (Includes Item 28)
32	4278 800	1			SEAL, Sun Roof (Primary)

MODEL CODES

E BODY = (J - CARAVELLE)(E - 600)(T - NEW YORKER)

G BODY = (V24 - DAYTONA)

H BODY = (D44 - LANCER)(C44 - LEBARON GTS)

J BODY = (C - LEBARON)

K BODY = (P - RELIANT)(D - ARIES)(C - LEBAROND)/TOWN & COUNTRY)

L BODY = (M - HORIZON/TURISMO)(Z - OMNI/CHARGER)

M BODY = (B - GRAN FURY)(F - FIFTH AVE/NEWPORT)(G - DIPLOMAT)

P BODY = (P - SUNDANCE)(D - SHADOW)

S BODY = (H - VOYAGER)(K - RAM VAN/CARAVAN)

BODY STYLES

12-13 = FWD VAN

21 = 2-DOOR SEDAN

24 = 2-DOOR HATCHBACK

27 = 2-DOOR CONVERTIBLE

41 = 4-DOOR SEDAN

44 = 4-DOOR HATCHBACK

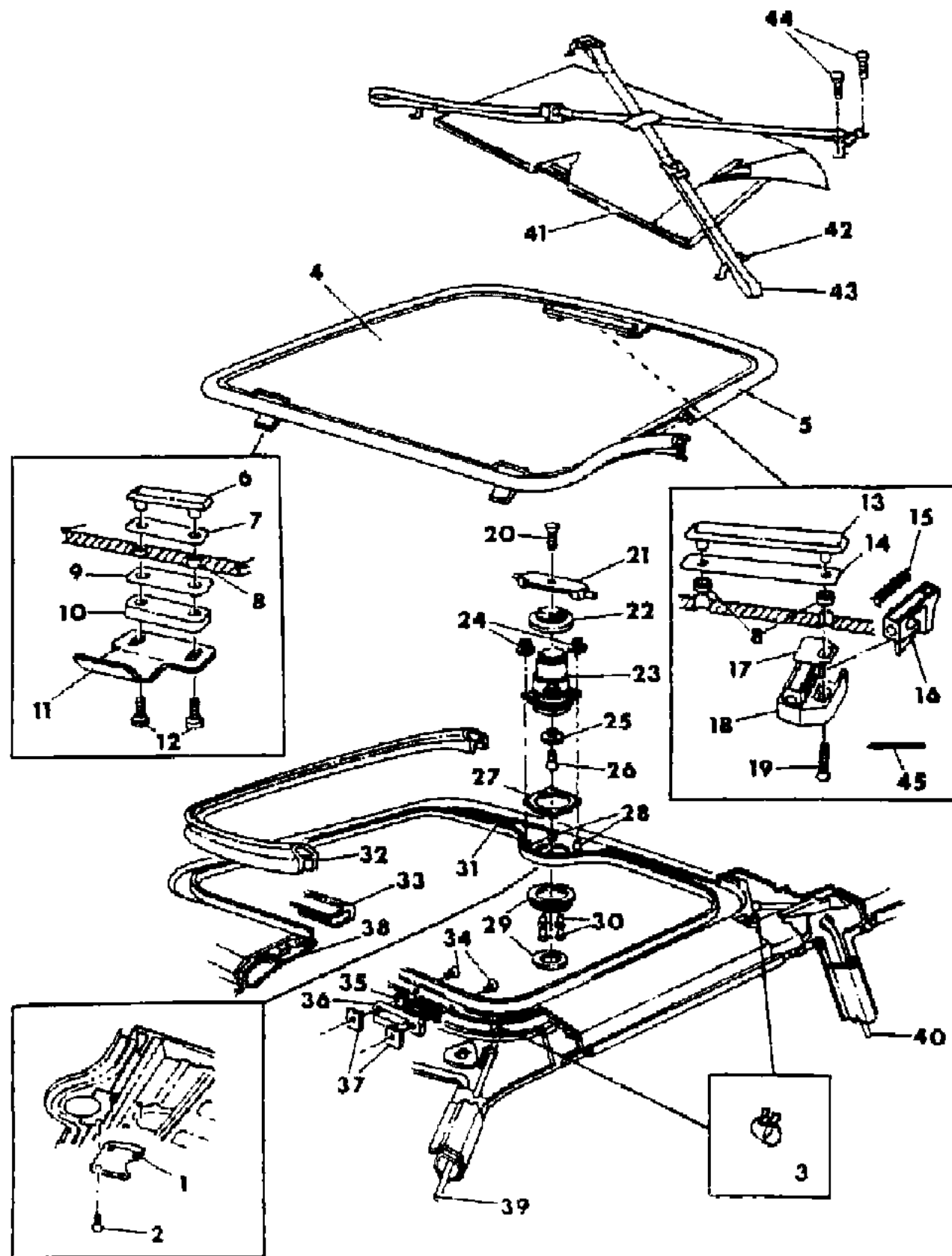
45 = 4-DOOR STATION WAGON

52-53 = FWD WAGON

AR = Use as Required - = Non Illustrated Part P.A.R. = Paint as Required

SUNROOF G BODY 24
Figure 23A-1070

7189 10700 A



ITEM	PART NUMBER	QTY	BODY	MODEL	DESCRIPTION
33					WELT, Sun Roof Headliner Opening
	H594 FS8	1			Charcoal Up To 5-8-87
	H594 EE8	1			Cordovan Up To 5-1-87
	H594 EK1	1			Light Almond Up To 6-26-87
	H594 FC5	1			Blue
	H737 FS8	1			Charcoal After 5-8-87
	H737 FE8	1			Cordovan After 5-1-87
	H737 FK1	1			Light Almond After 6-26-87
34	6101 127	4			SCREW
35	5232 050-1	1			GASKET, Hinge Receiver
36	4172 966-7	1			RECEIVER, Hinge (Includes Items #35 & 37)
37	5207 378	4			PLATE, Hinge Receiver
38		1			HEADLINER, See Group 23-Interior Trim Illustrations
39	4278 798	2			HOSE, Sun Roof Drain Trough Front
40	4278 799	2			HOSE, Sun Roof Drain Trough Rear
41	H608 CX7	1			BAG, Stowage (Black)
42	4248 818	4			ANCHOR, Tie-Down Strap To Floor Pan
43	H349 CX9	1			STRAP, Sun Roof Stowage Tie-Down
44		8			SCREW, #8-18 x .75" Not Serviced
45	5207 474	2			PIN, Glass Frame Connecting

MODEL CODES

E BODY = (J - CARAVELLE)(E - 600)(T - NEW YORKER)

G BODY = (V24 - DAYTONA)

H BODY = (D44 - LANCER)(C44 - LEBARON GTS)

J BODY = (C - LEBARON)

K BODY = (P - RELIANT)(D - ARIES)(C - LEBAROND)/TOWN & COUNTRY)

L BODY = (M - HORIZON/TURISMO)(Z - OMNI/CHARGER)

M BODY = (B - GRAN FURY)(F - FIFTH AVE/NEWPORT)(G - DIPLOMAT)

P BODY = (P - SUNDANCE)(D - SHADOW)

S BODY = (H - VOYAGER)(K - RAM VAN/CARAVAN)

BODY STYLES

12-13 = FWD VAN

21 = 2-DOOR SEDAN

24 = 2-DOOR HATCHBACK

27 = 2-DOOR CONVERTIBLE

41 = 4-DOOR SEDAN

44 = 4-DOOR HATCHBACK

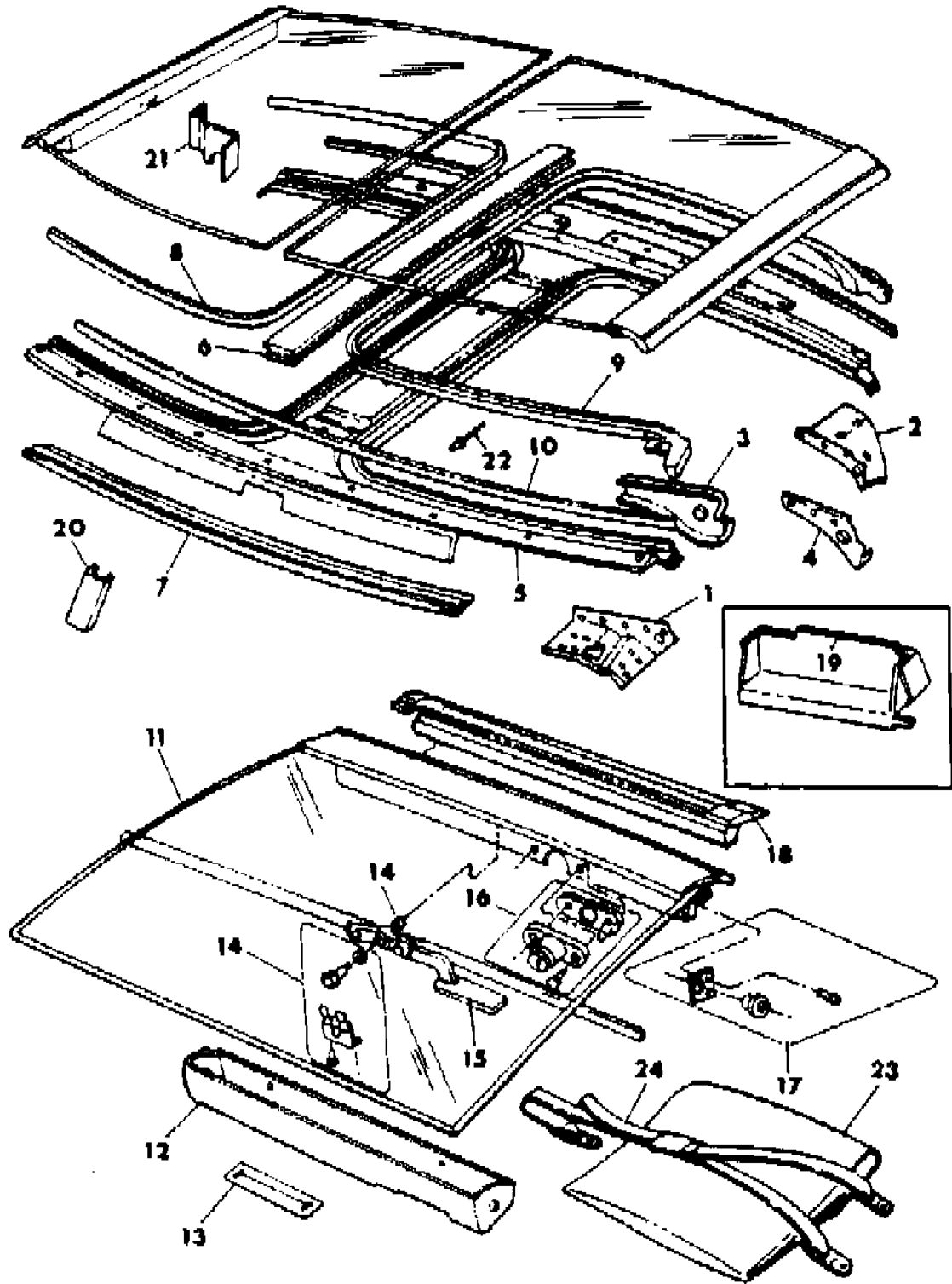
45 = 4-DOOR STATION WAGON

52-53 = FWD WAGON

AR = Use as Required - = Non Illustrated Part P.A.R. = Paint as Required

T-BAR ROOF G BODY 24
Figure 23A-1080

7188 10800 A



ITEM	PART NUMBER	QTY	BODY	MODEL	DESCRIPTION
1	4397 014-5	1			BRACKET, "A" Pillar Cap
2	4397 016-7	1			BRACKET, "B" Pillar Cap
3					CAP, "A" Pillar
	4397 174-5	1			Charcoal
	4397 172-3	1			Blue
4					CAP, "B" Pillar
	4397 178-9	1			Charcoal
	4397 176-7	1			Blue
5	4397 045	1			FRAME, Roof Insert
6	4397 054	1			MOULDING, Center Frame Glass Panel Black
7	4397 055	1			REINFORCEMENT, Header
8	4397 060	1			MOULDING, Headliner Locking Black
9					WEATHERSTRIP, Door and Glass Panel Complete
	4397 092-3	1			Up A Pillar Down B Pillar Cross Top
10	4397 098	1			SEAL, Roof Mldg. "P" Section
11	4397 190-1	1			PANEL, Glass T-Bar Complete
12					COVER, Latch Glass Panel
	4397 182-3	1			Charcoal
	4397 180-1	1			Blue
13	4397 044	1			COVER, Latch Shield
14	4397 061	1			BOLT, Shoulder Latch Handle
15	4397 086-7	1			LATCH ASSEMBLY, T-Bar Roof Panel
16	4397 088	1			LOCK ASSEMBLY, T-Bar Roof Panel
17	4397 089	1			BUSHING, Latch Rod Guide
18	4397 090-1	1			SEAL, Side Rail
19	4397 170-1	1			REINFORCEMENT, "B" Pillar To Wheel Housing
20	4397 132-3	1			SIGHT SHIELD, "A" Pillar (Also See Exterior Ornmentation)
21	4397 134-5	1			SIGHT SHIELD, "B" Pillar (Also See Exterior Ornmentation)
22	4397 136	1			RIVET PACKAGE, Moulding Attachment Black
23	4397 108	1			BAG, T-Bar Roof
24	4397 109	AR			ANCHOR, Tie Down

MODEL CODES

E BODY = (J - CARAVELLE)(E - 600)(T - NEW YORKER)

G BODY = (V24 - DAYTONA)

H BODY = (D44 - LANCER)(C44 - LEBARON GTS)

J BODY = (C - LEBARON)

K BODY = (P - RELIANT)(D - ARIES)(C - LEBAROND)/TOWN & COUNTRY)

L BODY = (M - HORIZON/TURISMO)(Z - OMNI/CHARGER)

M BODY = (B - GRAN FURY)(F - FIFTH AVE/NEWPORT)(G - DIPLOMAT)

P BODY = (P - SUNDANCE)(D - SHADOW)

S BODY = (H - VOYAGER)(K - RAM VAN/CARAVAN)

BODY STYLES

12-13 = FWD VAN

21 = 2-DOOR SEDAN

24 = 2-DOOR HATCHBACK

27 = 2-DOOR CONVERTIBLE

41 = 4-DOOR SEDAN

44 = 4-DOOR HATCHBACK

45 = 4-DOOR STATION WAGON

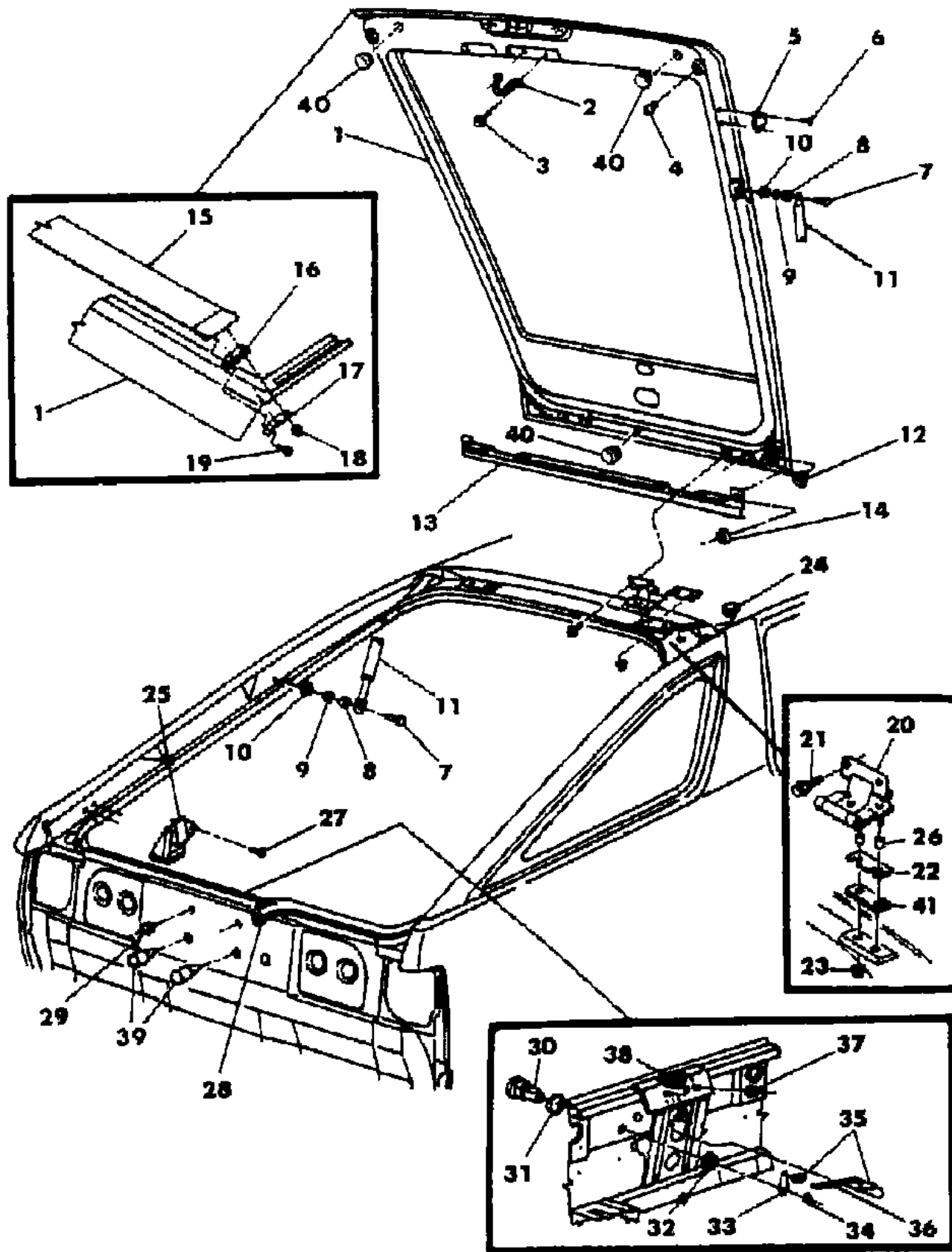
52-53 = FWD WAGON

AR = Use as Required - = Non Illustrated Part P.A.R. = Paint as Required

LIFTGATE PANEL G BODY 24

Figure 23A-1090

7180 10900



ITEM	PART NUMBER	QTY	BODY	MODEL	DESCRIPTION
1	4365 272	1			PANEL, Liftgate
2	#4378 046	1			STRIKER, Liftgate Latch
3	6100 592	2			SCREW, w/Washer
4	4336 014	2			BUMPER, Liftgate Inside Panel Corner
5	4246 860	2			STRIKER, Liftgate Stabilizer
6		4			SCREW, #10-16 x .75" Not Serviced
7		4			SCREW, M8 x 1.25" (Serviced in Item #11)
8	4246 676	4			WASHER, Liftgate Prop Clevis
9		4			WASHER, (Serviced in Item #11)
10	6500 159	4			NUT and WASHER
11	4246 673	2			PROP, Liftgate (Includes Items #7-10)
12	2574 792	1			PLUG, .75" Dia./19.5 mm
13	4280 831	1			WEATHERSTRIP, Liftgate Secondary
14	6025 160	7			RETAINER
15		1			SPOILER, Liftgate (See Group 23)
16		AR			GASKET, Liftgate Spoiler Mounting (See Group 23)
17		AR			REINFORCEMENT, Liftgate Spoiler Mounting (See Group 23)
18		AR			NUT, (See Group 23)
19		AR			SCREW, (See Group 23)
20	4246 782	2			HINGE, Liftgate
21	#6100 275	4			SCREW and WASHER
22	4246 832	AR			SHIM, Liftgate Hinge
23	6501 569	4			NUT and WASHER
24	1774 076	1			PLUG, .630" Dia./16 mm
25	4246 341	2			WEDGE, Liftgate Opening Stabilizer
26	5231 207	4			WASHER, Liftgate Hinge To Body Sealing
27		4			SCREW, #10-16 x .50" (Not Serviced)
28	4198 930	1			WEATHERSTRIP, Liftgate Opening
29	6500 524	4			NUT, License Plate Mounting
30	4378 090	1			CYLINDER and BRACKET
31	3695 321	1			GASKET, Lock Cylinder Mounting
32	4054 202	1			NUT, Lock Cylinder Mounting
33	4378 015	1			LEVER, Liftgate Lock Cylinder
34	6032 107	1			RETAINER, Lock Cylinder Lever
35	3454 220	2			CLIP, Lock To Latch Link
36	4378 016	1			LINK, Lock Cylinder To Latch
37	6501 569	2			NUT and WASHER
38	4246 827	1			LATCH, Liftgate (Cable Release)

MODEL CODES

E BODY = (J - CARAVELLE)(E - 600)(T - NEW YORKER)

G BODY = (V24 - DAYTONA)

H BODY = (D44 - LANCER)(C44 - LEBARON GTS)

J BODY = (C - LEBARON)

K BODY = (P - RELIANT)(D - ARIES)(C - LEBAROND)/TOWN & COUNTRY)

L BODY = (M - HORIZON/TURISMO)(Z - OMNI/CHARGER)

M BODY = (B - GRAN FURY)(F - FIFTH AVE/NEWPORT)(G - DIPLOMAT)

P BODY = (P - SUNDANCE)(D - SHADOW)

S BODY = (H - VOYAGER)(K - RAM VAN/CARAVAN)

BODY STYLES

12-13 = FWD VAN

21 = 2-DOOR SEDAN

24 = 2-DOOR HATCHBACK

27 = 2-DOOR CONVERTIBLE

41 = 4-DOOR SEDAN

44 = 4-DOOR HATCHBACK

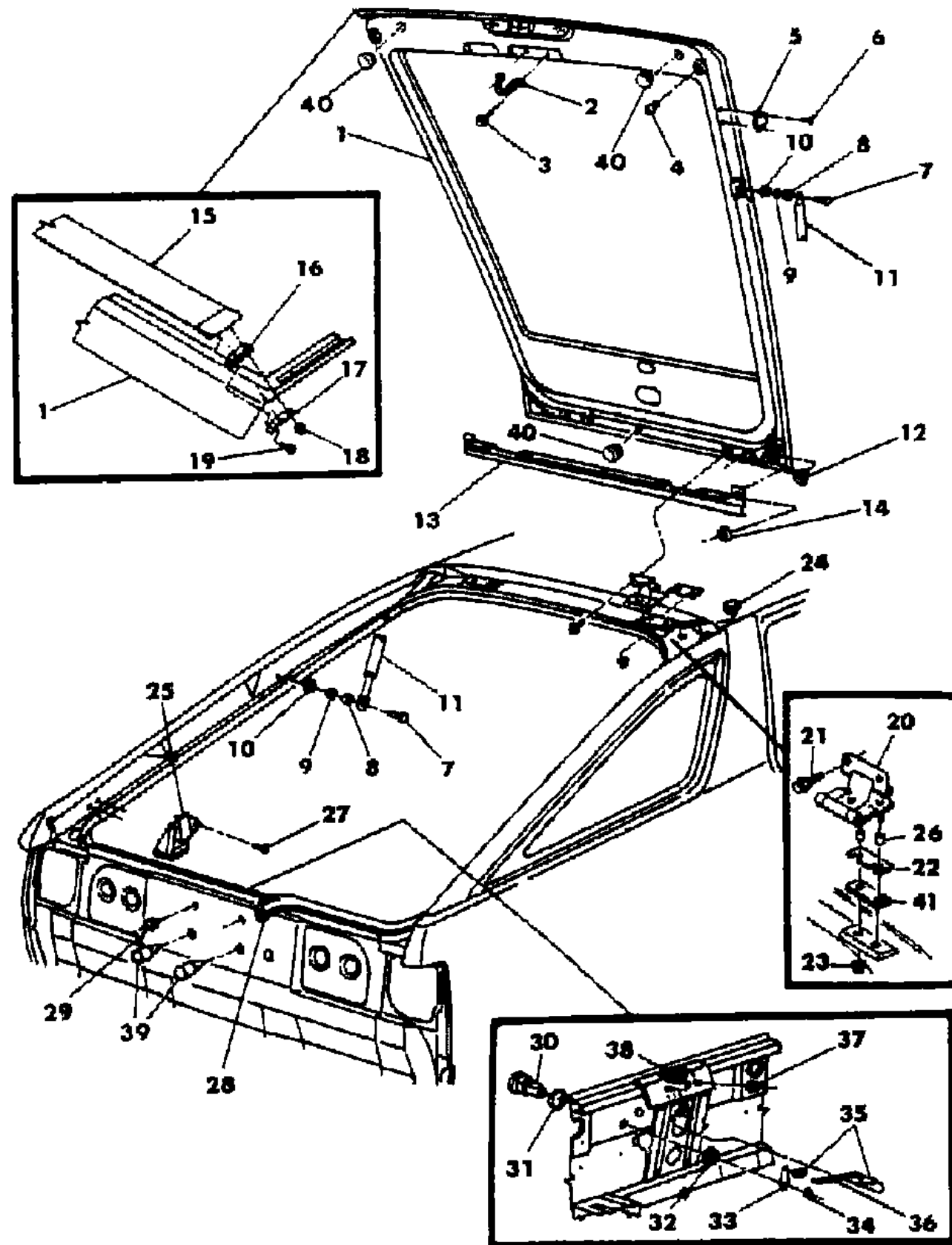
45 = 4-DOOR STATION WAGON

52-53 = FWD WAGON

AR = Use as Required - = Non Illustrated Part P.A.R. = Paint as Required

LIFTGATE PANEL G BODY 24
Figure 23A-1090

7180 10900



ITEM	PART NUMBER	QTY	BODY	MODEL	DESCRIPTION
------	-------------	-----	------	-------	-------------

39	5200 365	2			BUMPER, Liftgate Opening Lower Panel License Plate
40	6029 939	3			PLUG, Liftgate Inner Panel Hole
41	4365 698	2			GASKET, Liftgate Hinge To Body

MODEL CODES

E BODY = (J - CARAVELLE)(E - 600)(T - NEW YORKER)

G BODY = (V24 - DAYTONA)

H BODY = (D44 - LANCER)(C44 - LEBARON GTS)

J BODY = (C - LEBARON)

K BODY = (P - RELIANT)(D - ARIES)(C - LEBAROND)/TOWN & COUNTRY)

L BODY = (M - HORIZON/TURISMO)(Z - OMNI/CHARGER)

M BODY = (B - GRAN FURY)(F - FIFTH AVE/NEWPORT)(G - DIPLOMAT)

P BODY = (P - SUNDANCE)(D - SHADOW)

S BODY = (H - VOYAGER)(K - RAM VAN/CARAVAN)

BODY STYLES

12-13 = FWD VAN

21 = 2-DOOR SEDAN

24 = 2-DOOR HATCHBACK

27 = 2-DOOR CONVERTIBLE

41 = 4-DOOR SEDAN

44 = 4-DOOR HATCHBACK

45 = 4-DOOR STATION WAGON

52-53 = FWD WAGON

AR = Use as Required - = Non Illustrated Part P.A.R. = Paint as Required

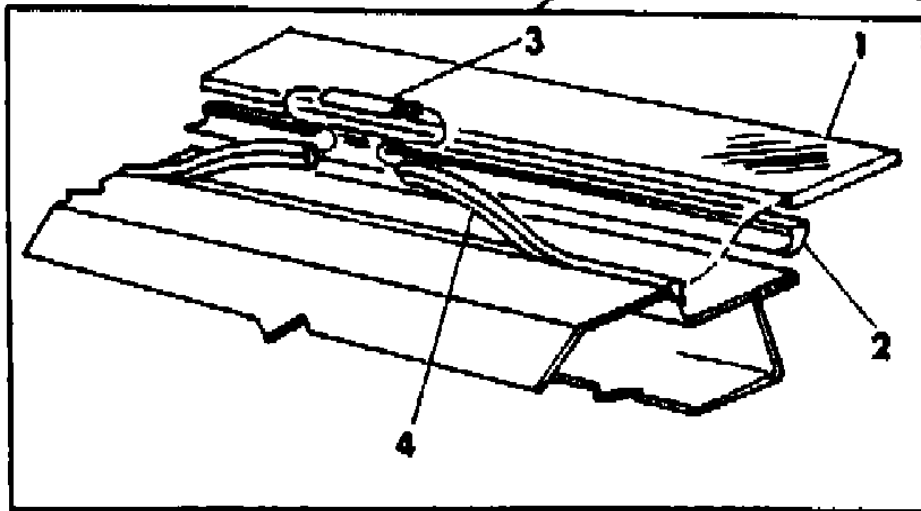
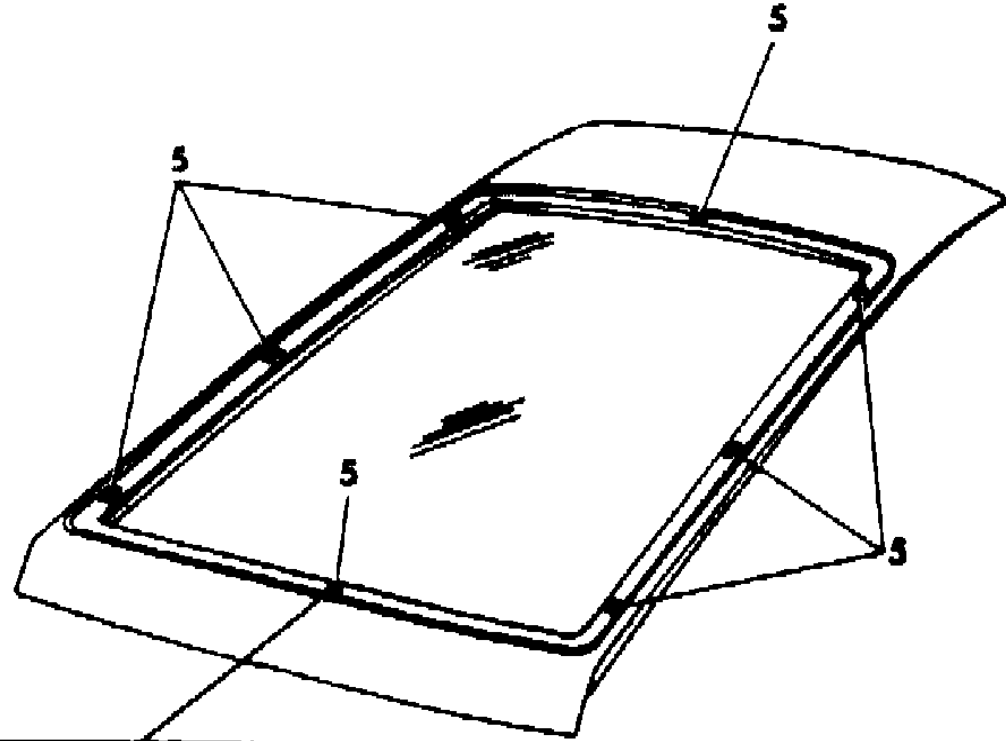
GLASS LIFTGATE G BODY 24
Figure 23A-1100

7188 11000

ITEM	PART NUMBER	QTY	BODY	MODEL	DESCRIPTION
1	4198 723	1			GLASS, Liftgate, Tinted, w/o Liftgate Wiper w/o Electric Heated
	4198 721	1			Tinted, w/o Liftgate Wiper w/Electric Heated
	4280 189	1			Tinted, w/Liftgate Wiper w/Electric Heated
2	4206 848	1			DAM, Glass Adhesive (119")
3	4198 929	1			CAP, Liftgate Glass Lockstrip End
4	4365 563	1			MOULDING, Liftgate Glass To Outer Pnl.
	4336 631	1			MOULDING, Liftgate Repair
5	4365 854	8			SPACER, Liftgate Glass Support

NOTE: The following items are not shown on illustration. s group.

PKG A	4267 906	1			REPAIR PACKAGE, Windshield & Rear Window CONSISTS OF: 1- ----- Polyurethane, 11.5 oz. 1- ----- Fence Primer, 1 oz. 1- ----- Glass Wipe-Off Primer, 1 oz. 1- ----- Glass Black-Out Primer, 1 oz. 3- ----- Dabbers 1- ----- Nozzle
PKG B	4267 922	1			REPAIR PACKAGE, Back Lite Grid & Pigtail CONSISTS OF: 1- ----- Cement, Cho-Bond, 1/2 oz. 1- ----- Instruction Sheet



MODEL CODES

E BODY = (J - CARAVELLE)(E - 600)(T - NEW YORKER)

G BODY = (V24 - DAYTONA)

H BODY = (D44 - LANCER)(C44 - LEBARON GTS)

J BODY = (C - LEBARON)

K BODY = (P - RELIANT)(D - ARIES)(C - LEBAROND)/TOWN & COUNTRY)

L BODY = (M - HORIZON/TURISMO)(Z - OMNI/CHARGER)

M BODY = (B - GRAN FURY)(F - FIFTH AVE/NEWPORT)(G - DIPLOMAT)

P BODY = (P - SUNDANCE)(D - SHADOW)

S BODY = (H - VOYAGER)(K - RAM VAN/CARAVAN)

BODY STYLES

12-13 = FWD VAN

21 = 2-DOOR SEDAN

24 = 2-DOOR HATCHBACK

27 = 2-DOOR CONVERTIBLE

41 = 4-DOOR SEDAN

44 = 4-DOOR HATCHBACK

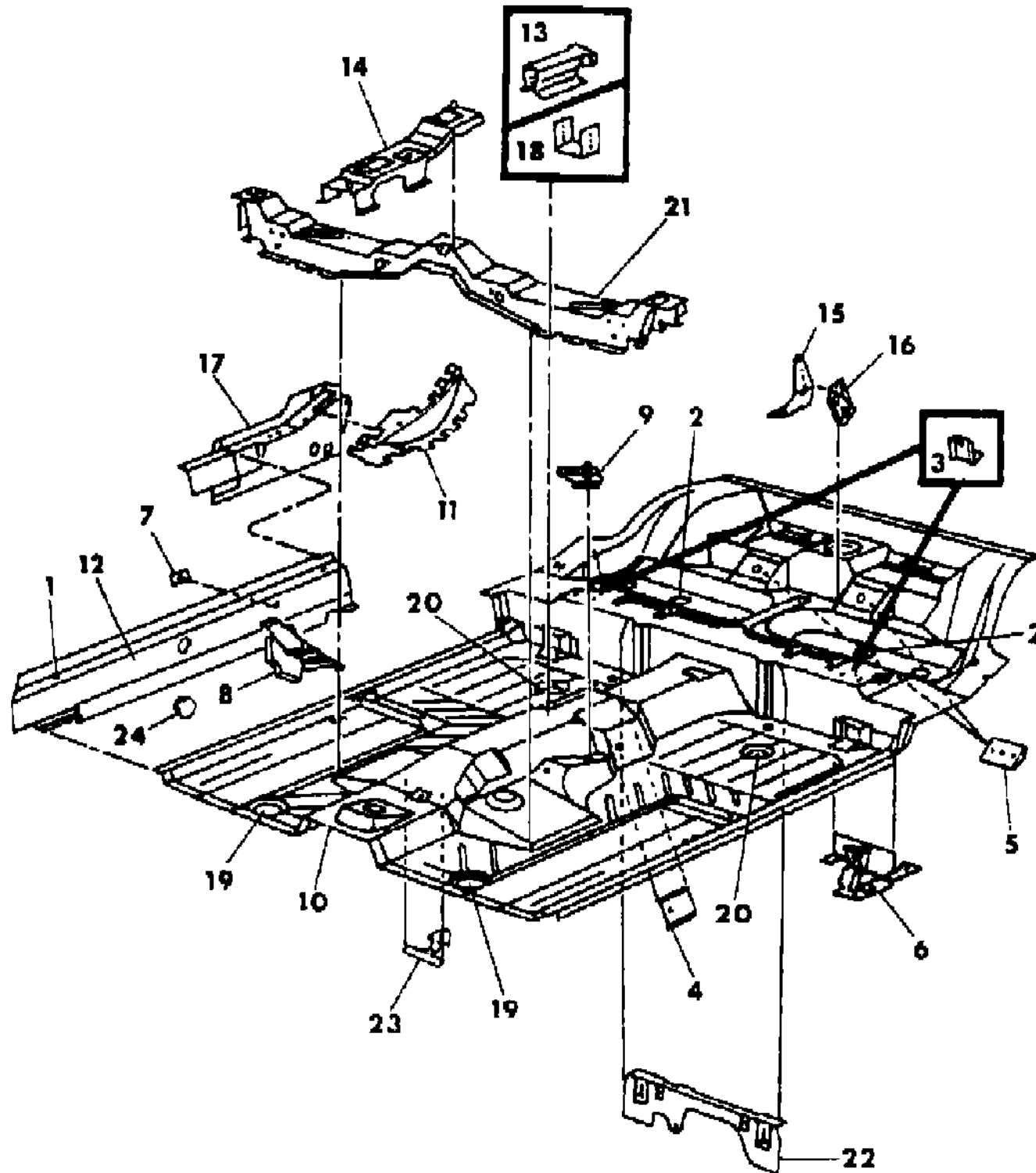
45 = 4-DOOR STATION WAGON

52-53 = FWD WAGON

AR = Use as Required - = Non Illustrated Part P.A.R. = Paint as Required

FLOOR PAN FRONT H BODY
Figure 23A-1110

7189 11100 A



ITEM	PART NUMBER	QTY	BODY	MODEL	DESCRIPTION
1	2574 792	2			PLUG, .75" Dia./19.5 mm
2	4073 475	2			PLUG, 1.50" Dia./38.1 mm
3	4206 904	2			RETAINER, Front Floor Pan Rear Seat Cushion
4	4314 259	2			REINFORCEMENT, Front Floor Pan Front Seat Belt Inner Mounting
5	4314 260	2			REINFORCEMENT, Front Floor Pan Rear Seat Belt Inner Mounting
6	4314 318-9	1			BRACKET, Front Floor Pan Lift Hoisting
7	4314 326	2			REINFORCEMENT, Front Seat Belt Outer Mounting
8	4314 494-5	1			REINFORCEMENT, Front Floor Pan Front Seat Rear Outer Mounting
9	4314 502-3	1			REINFORCEMENT, Front Floor Pan Front Seat Rear Inner Mounting
10	#4337 972	1			PAN, Front Floor
11	4314 866-7	1			REINFORCEMENT, Front Floor Pan Rear Seat Belt Outer Mounting
12	#4371 114-5	1			PANEL, Body Side Sill Inner
13	4337 945	1			BRACKET, Rear Console To Floor Pan Mounting
14	4314 937	1			BRACKET, Front Console To Front Floor Pan
15	4337 106	1			BRACKET, Front Floor Pan Rear Seat Back Center Pivot Mounting Right
16	4337 161	1			BRACKET, Front Floor Pan Rear Seat Back Center Pivot Mounting Left
17	#4371 522-3	1			EXTENSION, Sill Inner Rear
18	4337 948	1			BRACKET, Front Floor Pan Center Seat Mounting
19	5200 456	2			PLUG, 2.75" Dia./69.9 mm
20	2424 864	2			PLUG, 1.75" Dia./44.5 mm
21	#4325 673	1			CROSSMEMBER, Front Floor Pan Seat Track Mounting
22		1			PLATE, Front Floor Fuel Tank Strap Front Hanger 4314257 Not Serviced
23		1			BRACKET, Front Floor Pan Parking Brake Cable 4314263 Not Serviced
24	3794 032	2			SEAL, Side Sill Inner Panel Drian Hole

MODEL CODES

E BODY = (J - CARAVELLE)(E - 600)(T - NEW YORKER)

G BODY = (V24 - DAYTONA)

H BODY = (D44 - LANCER)(C44 - LEBARON GTS)

J BODY = (C - LEBARON)

K BODY = (P - RELIANT)(D - ARIES)(C - LEBAROND)/TOWN & COUNTRY)

L BODY = (M - HORIZON/TURISMO)(Z - OMNI/CHARGER)

M BODY = (B - GRAN FURY)(F - FIFTH AVE/NEWPORT)(G - DIPLOMAT)

P BODY = (P - SUNDANCE)(D - SHADOW)

S BODY = (H - VOYAGER)(K - RAM VAN/CARAVAN)

BODY STYLES

12-13 = FWD VAN

21 = 2-DOOR SEDAN

24 = 2-DOOR HATCHBACK

27 = 2-DOOR CONVERTIBLE

41 = 4-DOOR SEDAN

44 = 4-DOOR HATCHBACK

45 = 4-DOOR STATION WAGON

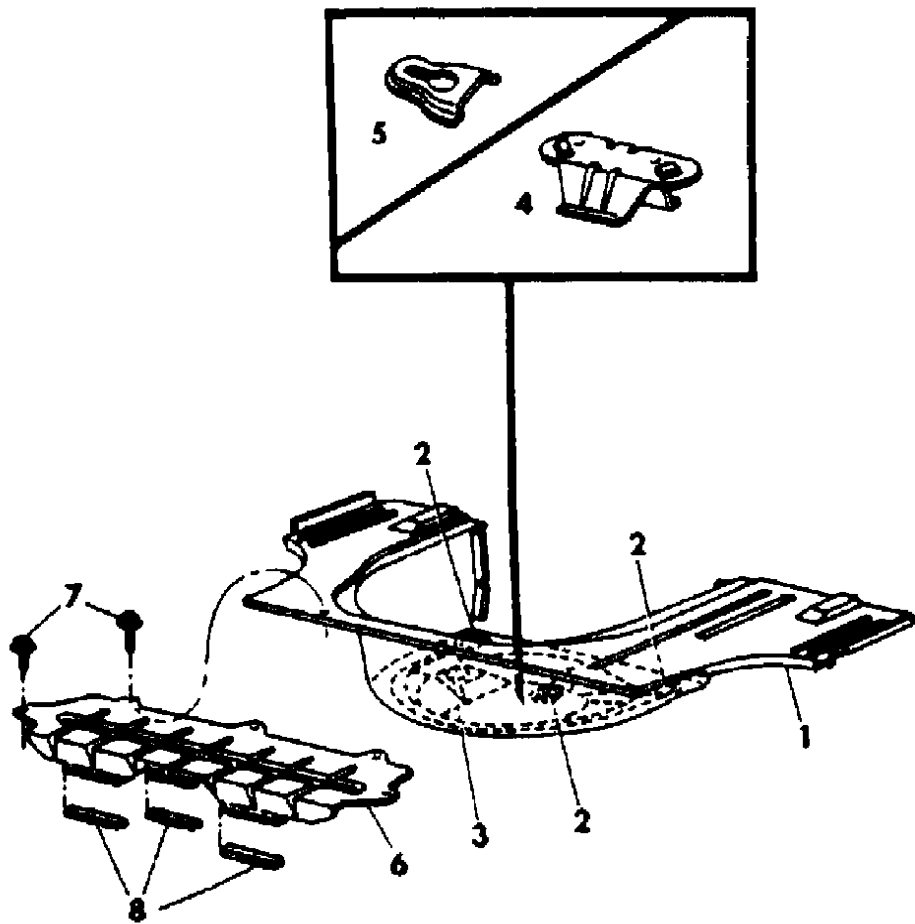
52-53 = FWD WAGON

AR = Use as Required - = Non Illustrated Part P.A.R. = Paint as Required

FLOOR PAN REAR H BODY
Figure 23A-1120

7189 11200

ITEM	PART NUMBER	QTY	BODY	MODEL	DESCRIPTION
1	#4371 280	1			PAN, Rear Floor
2	2424 864	3			PLUG, 1.75" Dia./44.5 mm
3	6030 773	1			PLUG, 2.25" Dia./57 mm
4	4337 550	1			SUPPORT, Rear Floor Pan Spare Tire Mounting
5	4206 922	1			BRACKET, Rear Floor Pan Spare Tire Anchor Bolt
6	4337 166	1			PANEL, Rear Seat To Floor Pan Filler
7		5			SCREW, #8-18 x .500" Not Serviced
8		3			TAPE, Floor Pan Filler Anti-Squeak Not Serviced



MODEL CODES

E BODY = (J - CARAVELLE)(E - 600)(T - NEW YORKER)

G BODY = (V24 - DAYTONA)

H BODY = (D44 - LANCER)(C44 - LEBARON GTS)

J BODY = (C - LEBARON)

K BODY = (P - RELIANT)(D - ARIES)(C - LEBAROND)/TOWN & COUNTRY)

L BODY = (M - HORIZON/TURISMO)(Z - OMNI/CHARGER)

M BODY = (B - GRAN FURY)(F - FIFTH AVE/NEWPORT)(G - DIPLOMAT)

P BODY = (P - SUNDANCE)(D - SHADOW)

S BODY = (H - VOYAGER)(K - RAM VAN/CARAVAN)

BODY STYLES

12-13 = FWD VAN

21 = 2-DOOR SEDAN

24 = 2-DOOR HATCHBACK

27 = 2-DOOR CONVERTIBLE

41 = 4-DOOR SEDAN

44 = 4-DOOR HATCHBACK

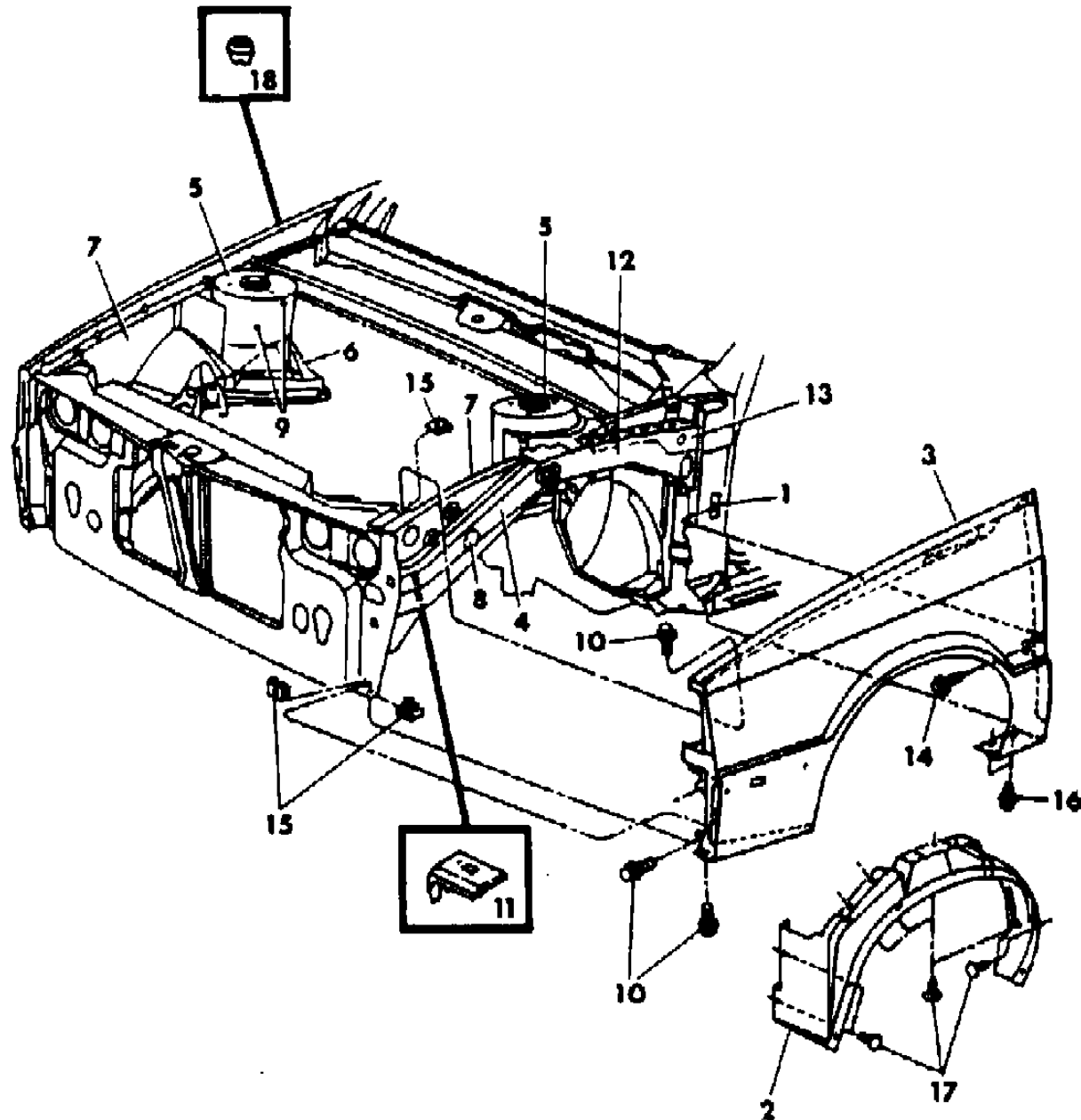
45 = 4-DOOR STATION WAGON

52-53 = FWD WAGON

AR = Use as Required - = Non Illustrated Part P.A.R. = Paint as Required

FENDER AND SHIELD H BODY
Figure 23A-1130

7100 11300



ITEM	PART NUMBER	QTY	BODY	MODEL	DESCRIPTION
1	4206 553	2			SUPPORT, Front Hinge Pillar To Fender
2	4296 176-7	1			SHIELD, Fender Wheelhouse Splash
3	4342 478-9	1			FENDER
4	4296 878-9	1			BEAM, Front Fender Shield To Front Hinge Pillar Load
5	4440 150-1	1			TOWER, Front Suspension Iso-Strut Mounting 1-29-87
	4440 564-5	1			After 1-29-87
6	4296 808-9	1			EXTENSION, Iso-Strut Tower To Dash Panel 1-27-87
	4440 648-9	1			After 1-27-87
7		1			PANEL, Front Fender Shield
	4386 124				Right
	4386 607				Left
8	4341 376	1			PLUG, Front Fender Side Shield Lt.
9	#4386 178	2			PLUG, Front Suspension Iso-Strut Tower Sealer
10	6100 568	AR			SCREW and WASHER
11		1			REINFORCEMENT, Fender Shield Panel Battery Tray (Serviced In Item #7)
12	#4386 170-1	1			EXTENSION, Front Fender Shield Load Beam Rear
13	#4296 926-7	1			REINFORCEMENT, Front Fender Shield Load Beam Rear Extension
14		2			SCREW and WASHER, Not Serviced
15	#6100 041	AR			U-NUT
16		4			SCREW and WASHER, Not Serviced
17	6030 441	AR			RETAINER
18	4222 739	1			PLUG, Fender Antenna Hole

MODEL CODES

E BODY = (J - CARAVELLE)(E - 600)(T - NEW YORKER)

G BODY = (V24 - DAYTONA)

H BODY = (D44 - LANCER)(C44 - LEBARON GTS)

J BODY = (C - LEBARON)

K BODY = (P - RELIANT)(D - ARIES)(C - LEBAROND)/TOWN & COUNTRY)

L BODY = (M - HORIZON/TURISMO)(Z - OMNI/CHARGER)

M BODY = (B - GRAN FURY)(F - FIFTH AVE/NEWPORT)(G - DIPLOMAT)

P BODY = (P - SUNDANCE)(D - SHADOW)

S BODY = (H - VOYAGER)(K - RAM VAN/CARAVAN)

BODY STYLES

12-13 = FWD VAN

21 = 2-DOOR SEDAN

24 = 2-DOOR HATCHBACK

27 = 2-DOOR CONVERTIBLE

41 = 4-DOOR SEDAN

44 = 4-DOOR HATCHBACK

45 = 4-DOOR STATION WAGON

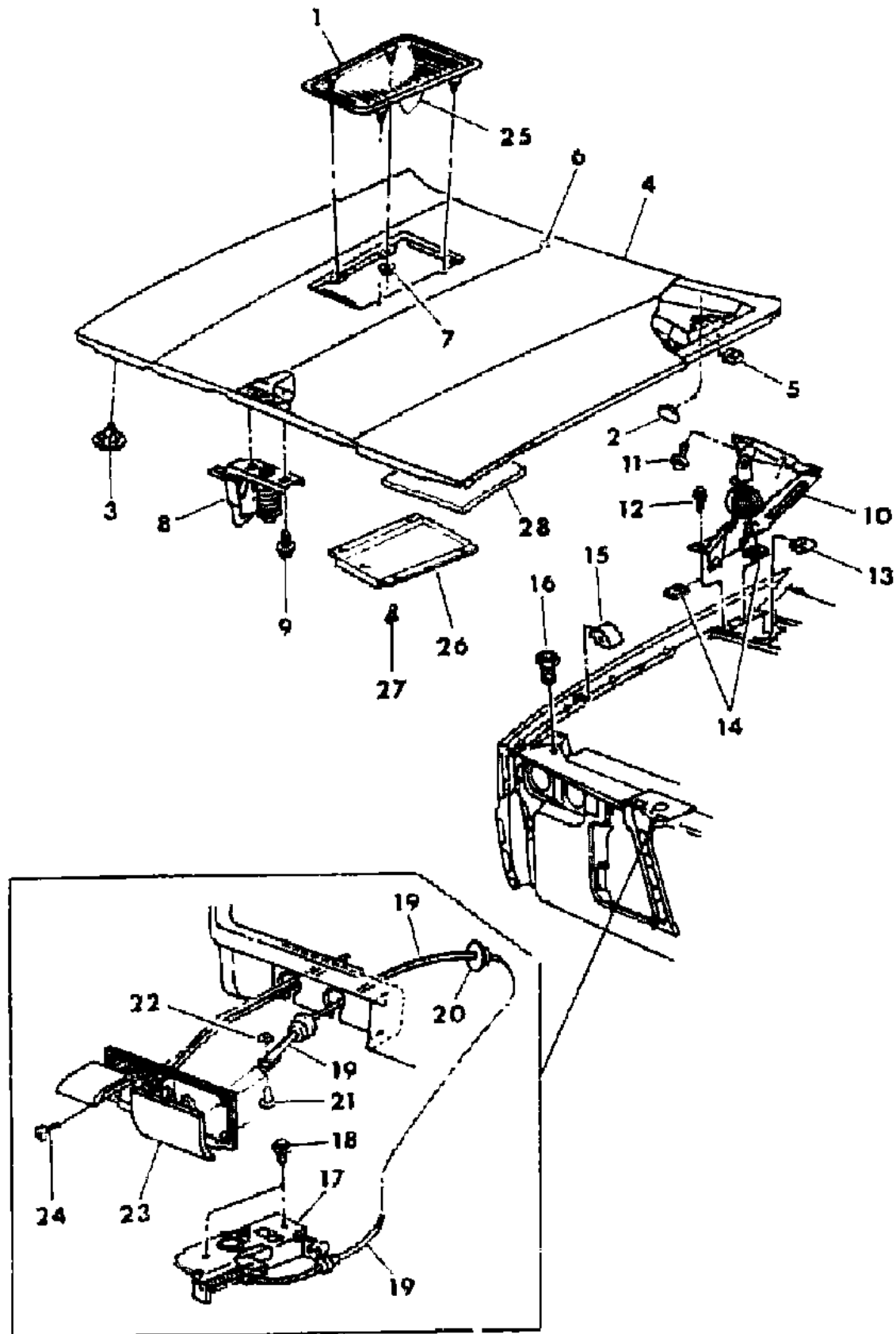
52-53 = FWD WAGON

AR = Use as Required - = Non Illustrated Part P.A.R. = Paint as Required

HOOD AND HOOD RELEASE H BODY

Figure 23A-1140

7189 11400 8



ITEM	PART NUMBER	QTY	BODY	MODEL	DESCRIPTION
1	X570 DA1	1			LOUVER, Turbo Hood Panel
2	2895 126	2			PLUG, Hood Inner Panel Sealing
3	4341 060	16			FASTENER, Hood Panel Silencer
4	#4386 089	1			HOOD, w/o Turbo
	4386 090	1			w/Turbo
5	4341 675	2			SEAL, Hood to Fender Ledge
6	4206 515	1			PLUG, Hood Inner Panel Drain Hole
7		4			NUT and WASHER, M5 Not Serviced
8	4341 891	1			STRIKER and SAFETY CATCH, Hood
9	6100 566	2			SCREW and WASHER
10	4296 170-1	1			HINGE, Hood
11		4			SCREW and WASHER, Not Serviced
12		4			SCREW and WASHER, Not Serviced
13	#6100 041	4			U-NUT
14	4341 468	AR			SHIM, Hood Hinge To Body
15	4103 968	2			BUMPER, Fender Hood Side
16	4103 165	2			BUMPER, Crossmember to Hood
17	4296 593	1			LATCH ASSEMBLY, w/Plate and Locator Safety Catch
		1			REINFORCEMENT, Crossmember Rad. Closure Panel Latch (See Group 7)
18	6100 566	2			SCREW and WASHER
19	4296 712	1			CABLE, Hood Latch Release Handle
20	5207 294	1			GROMMET, Hood Latch Release Cable
21	4054 965	1			PIN, Hood Latch Release Cable Handle Retaining
22	6031 147	1			NUT, Push
23					HANDLE, Park Brake and Hood Latch Release
	P400 DX9	1			Black
	P400 EE8	1			Cordovan
	P400 DS8	1			Charcoal
	P400 EK1	1			Light Almond
24		4			SCREW, #8-15 x .625" Not Serviced
25	4341 587	1			DEFLECTOR, Hood Turbo Louver Water Tray
	4386 910	1			DEFLECTOR and SEAL, Hood Inner Panel Water
26	4467 423	1			DEFLECTOR, Water Hood Vent (Shelby)
27		2			RIVET, Hood Vent Not Serviced
28	4049 601	1			SILENCER MATERIAL, Hood Panel Cut To Fit 36" x 72"

MODEL CODES

E BODY = (J - CARAVELLE)(E - 600)(T - NEW YORKER)

G BODY = (V24 - DAYTONA)

H BODY = (D44 - LANCER)(C44 - LEBARON GTS)

J BODY = (C - LEBARON)

K BODY = (P - RELIANT)(D - ARIES)(C - LEBAROND)/TOWN & COUNTRY)

L BODY = (M - HORIZON/TURISMO)(Z - OMNI/CHARGER)

M BODY = (B - GRAN FURY)(F - FIFTH AVE/NEWPORT)(G - DIPLOMAT)

P BODY = (P - SUNDANCE)(D - SHADOW)

S BODY = (H - VOYAGER)(K - RAM VAN/CARAVAN)

BODY STYLES

12-13 = FWD VAN

21 = 2-DOOR SEDAN

24 = 2-DOOR HATCHBACK

27 = 2-DOOR CONVERTIBLE

41 = 4-DOOR SEDAN

44 = 4-DOOR HATCHBACK

45 = 4-DOOR STATION WAGON

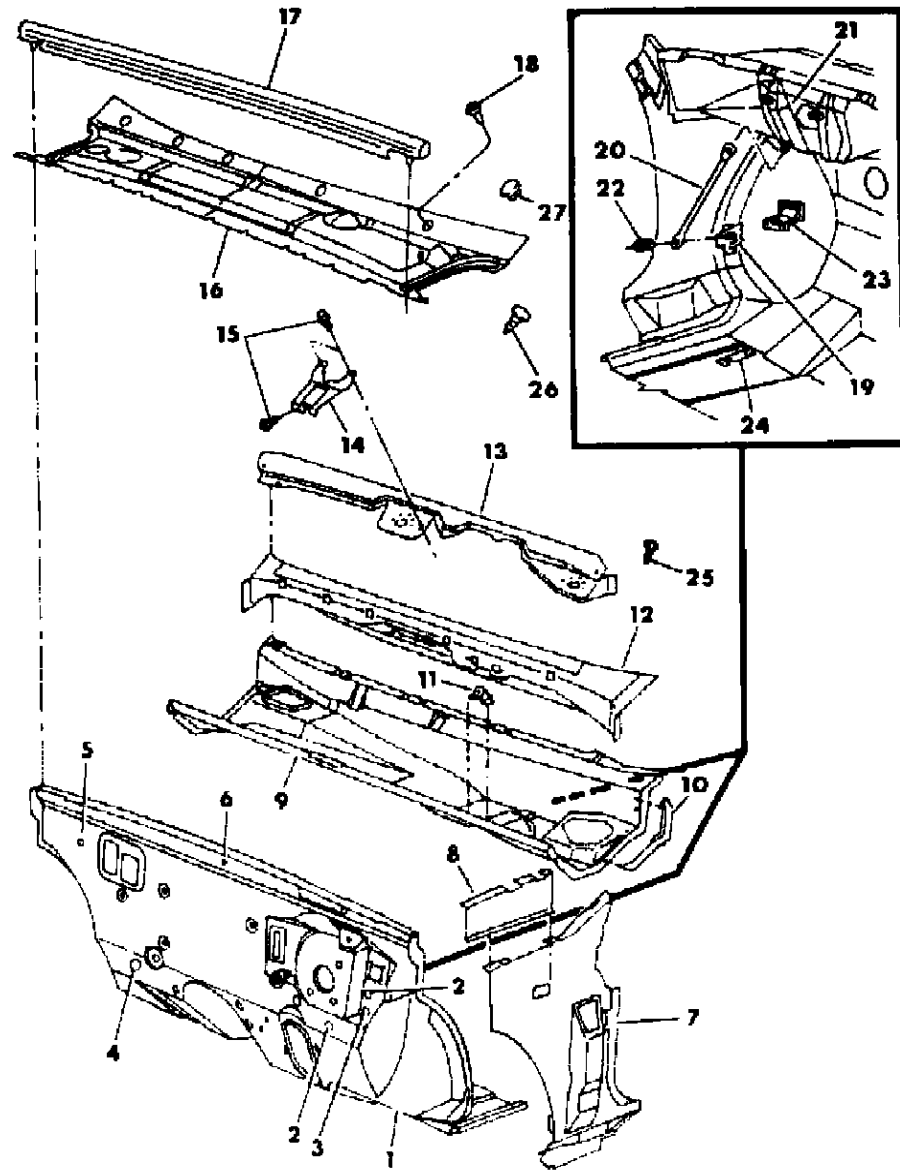
52-53 = FWD WAGON

AR = Use as Required - = Non Illustrated Part P.A.R. = Paint as Required

COWL AND DASH PANEL H BODY

Figure 23A-1150

7160 11500 A



ITEM	PART NUMBER	QTY	BODY	MODEL	DESCRIPTION
1	#4416 163	1			PANEL, Dash
2	3445 939	2			PLUG, .906" Dia./23 mm
3	2860 332	1			PLUG, .500" Dia./13 mm
4	5200 456	1			PLUG, 2.75" Dia./70 mm
5	2483 571	1			PLUG, 2.50" Dia./63 mm
6	4206 515	1			PLUG, .430" Dia./11 mm
7	#4371 962-3	1			PANEL, Cowl Side Up To 1-5-87
	4416 458-9	1			After 1-5-87
8	4314 546-7	1			REINFORCEMENT, Cowl Side Panel Hood Hinge
9	#4371 134	1			PANEL, Cowl Plenum
10					SEAL, w/Retainer Cowl Plenum To Cowl Side
	4371 365	1			Left
11	4337 249	1			BRACKET, Cowl Plenum Panel Lower Wiper Motor Mounting
12	#4371 332	1			REINFORCEMENT, Cowl Plenum Panel
13	#4371 618	1			SUPPORT, Cowl Top Screen Mounting
14	#4371 136	1			SUPPORT, Cowl Top Support To Dash Panel Wiper Pivot
15		3			SCREW and WASHER, Not Serviced
16	#4416 210	1			SCREEN, Cowl Top
17	#4371 144	1			SEAL, Dash Panel To Hood
18		5			SCREW, #8-18 x .500" Not Serviced
19	4206 641	1			BRACKET, Dash To Plenum Panel Brace Mounting Lt.
20	4314 879	1			BRACE, Dash To Plenum Panel Lt.
21	4278 979	1			SUPPORT, Cowl Plenum Steering Column Bracket
22	6500 532	2			NUT and WASHER
23	#4410 559	1			BRACKET, Floor Panel Footrest Mounting Upper
24	5200 384	1			SEAL, Park Brake Cable
25	3759 944	AR			RETAINER, Cowl Plenum To Cowl Side Seal
26	6501 387	2			RETAINER, Cowl Top Screen
27	6501 152	10			PLUG

MODEL CODES

E BODY = (J - CARAVELLE)(E - 600)(T - NEW YORKER)

G BODY = (V24 - DAYTONA)

H BODY = (D44 - LANCER)(C44 - LEBARON GTS)

J BODY = (C - LEBARON)

K BODY = (P - RELIANT)(D - ARIES)(C - LEBAROND)/TOWN & COUNTRY)

L BODY = (M - HORIZON/TURISMO)(Z - OMNI/CHARGER)

M BODY = (B - GRAN FURY)(F - FIFTH AVE/NEWPORT)(G - DIPLOMAT)

P BODY = (P - SUNDANCE)(D - SHADOW)

S BODY = (H - VOYAGER)(K - RAM VAN/CARAVAN)

BODY STYLES

12-13 = FWD VAN

21 = 2-DOOR SEDAN

24 = 2-DOOR HATCHBACK

27 = 2-DOOR CONVERTIBLE

41 = 4-DOOR SEDAN

44 = 4-DOOR HATCHBACK

45 = 4-DOOR STATION WAGON

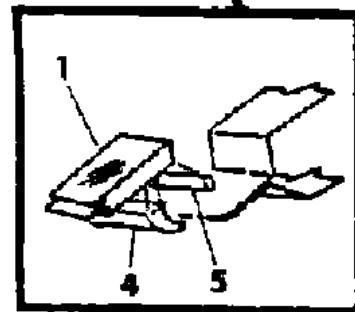
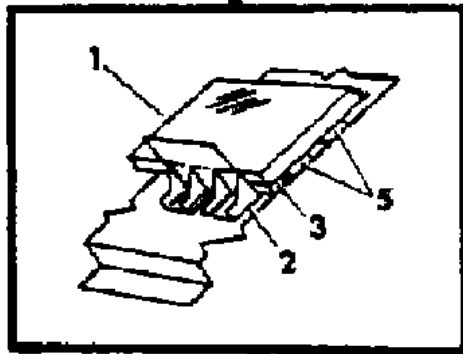
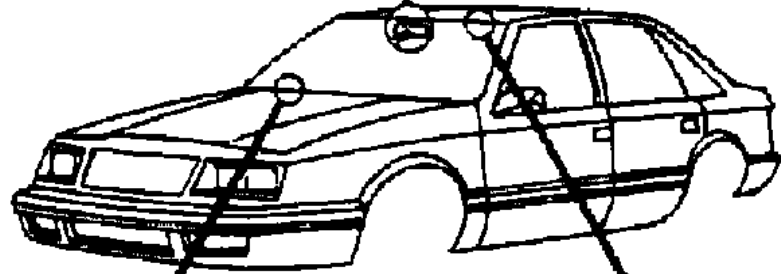
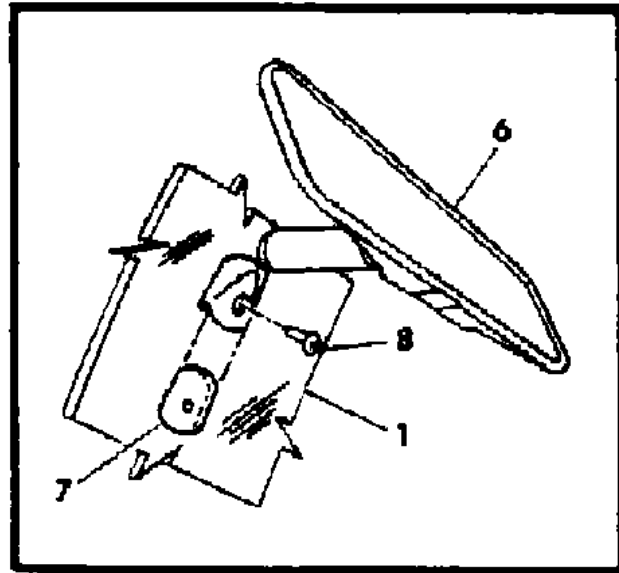
52-53 = FWD WAGON

AR = Use as Required - = Non Illustrated Part P.A.R. = Paint as Required

GLASS WINDSHIELD AND MIRROR H BODY

Figure 23A-1160

7189 11800



ITEM	PART NUMBER	QTY	BODY	MODEL	DESCRIPTION
NOTE: GLASS, WINDSHIELD - ORDER FROM YOUR LOCAL "MOPAR" GLASS DISTRIBUTOR s group.					
1	4278 986	1			GLASS, Windshield Tinted
2	4206 543	2			SPACER, Windshield Glass Lower
	3767 767	AR			SHIM, Windshield Glass Spacer Lower (.07")
3		6			SPACER, Windshield Glass Support Not Serviced
4	4206 848	AR			DAM, Windshield Glass Adhesive (119")
5		AR			POLYURETHANE, Windshield (Serviced In Package #4267906)
6	4299 321	1			MIRROR, Rear View
7	4054 066	1			BUTTON, Inside Rear View Mirror Mounting
	4293 039	AR			ADHESIVE PACKAGE, Inside Rear View Mirror Button (Includes Adhesive & Instructions)
8	6031 094	1			SCREW

NOTE: The following items are not shown on illustration. s group.

PKG A	4267 906	1			REPAIR PACKAGE, Windshield & Rear Window CONSISTS OF: 1- ----- Polyurethane, 11.5 oz. 1- ----- Fence Primer, 1 oz. 1- ----- Glass Wipe-Off Primer, 1 oz. 1- ----- Glass Black-Out Primer, 1 oz. 3- ----- Dabbers 1- ----- Nozzle
-------	----------	---	--	--	---

MODEL CODES

E BODY = (J - CARAVELLE)(E - 600)(T - NEW YORKER)

G BODY = (V24 - DAYTONA)

H BODY = (D44 - LANCER)(C44 - LEBARON GTS)

J BODY = (C - LEBARON)

K BODY = (P - RELIANT)(D - ARIES)(C - LEBAROND)/TOWN & COUNTRY)

L BODY = (M - HORIZON/TURISMO)(Z - OMNI/CHARGER)

M BODY = (B - GRAN FURY)(F - FIFTH AVE/NEWPORT)(G - DIPLOMAT)

P BODY = (P - SUNDANCE)(D - SHADOW)

S BODY = (H - VOYAGER)(K - RAM VAN/CARAVAN)

BODY STYLES

12-13 = FWD VAN

21 = 2-DOOR SEDAN

24 = 2-DOOR HATCHBACK

27 = 2-DOOR CONVERTIBLE

41 = 4-DOOR SEDAN

44 = 4-DOOR HATCHBACK

45 = 4-DOOR STATION WAGON

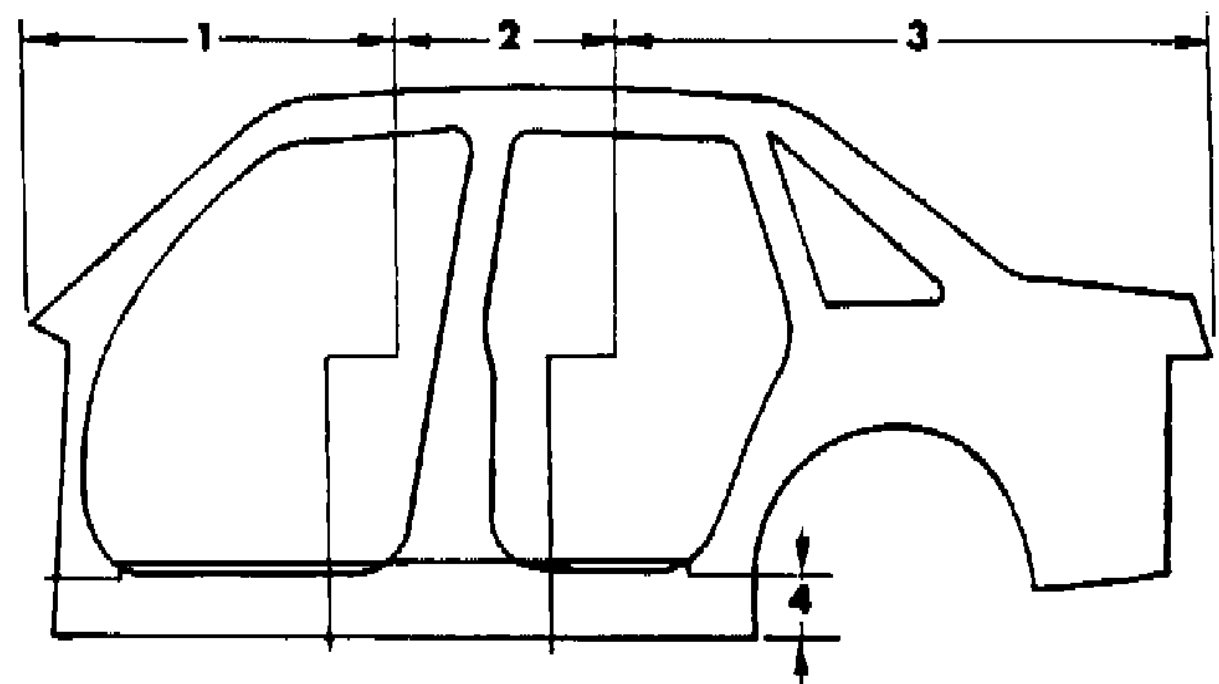
52-53 = FWD WAGON

AR = Use as Required - = Non Illustrated Part P.A.R. = Paint as Required

APERTURE PANEL H BODY
Figure 23A-1170

7189 11700

ITEM	PART NUMBER	QTY	BODY	MODEL	DESCRIPTION
1	4278 982-3	1			PANEL, Body Side Aperture Front
2	4278 984-5	1			PANEL, Body Side Aperture Center
3	4278 980-1	1			PANEL, Body Side Aperture Rear
4	4337 536-7	1			PANEL, Body Side Aperture Sill Outer



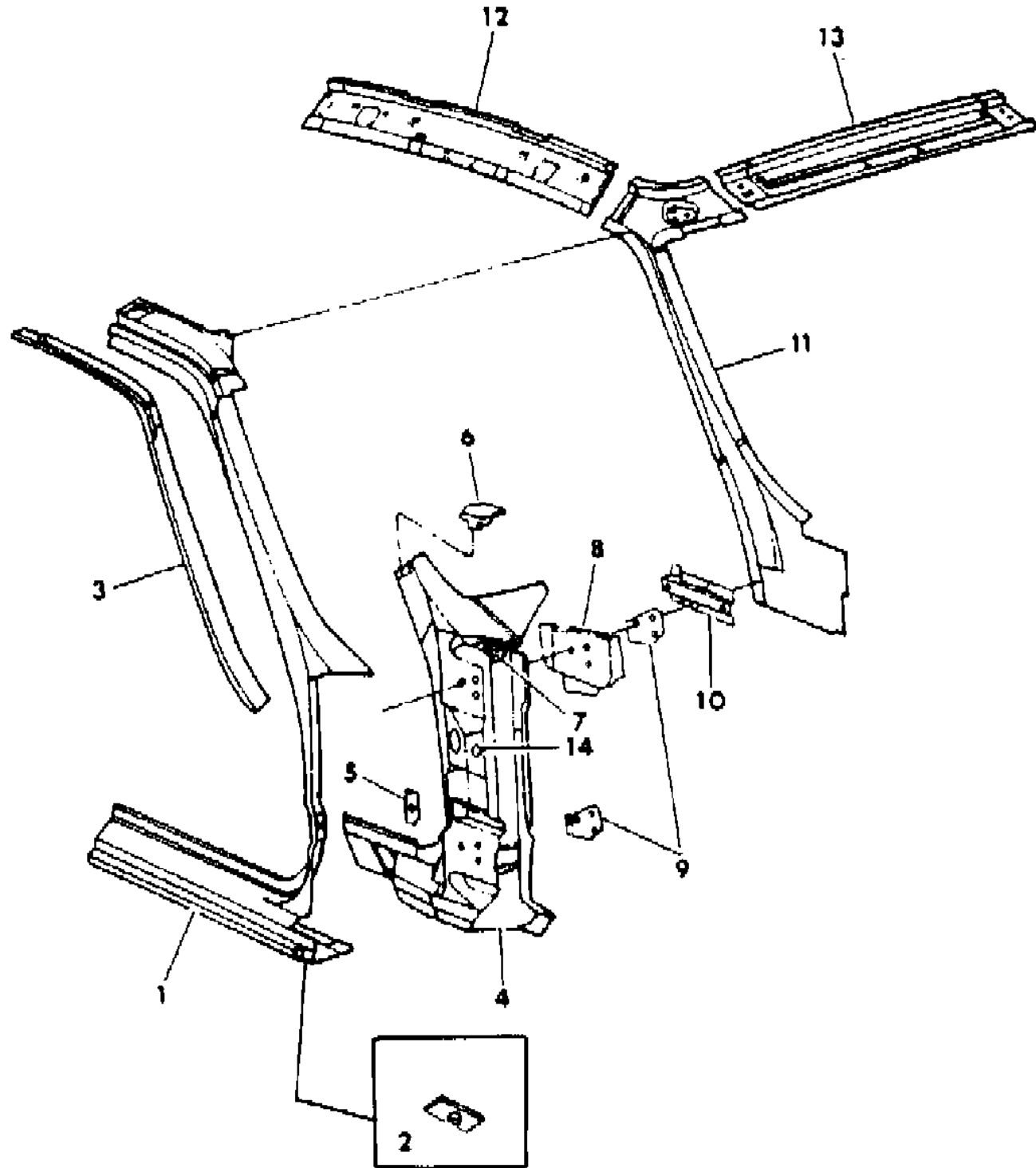
MODEL CODES
 E BODY = (J - CARAVELLE)(E - 600)(T - NEW YORKER)
 G BODY = (V24 - DAYTONA)
 H BODY = (D44 - LANCER)(C44 - LEBARON GTS)
 J BODY = (C - LEBARON)
 K BODY = (P - RELIANT)(D - ARIES)(C - LEBAROND)/TOWN & COUNTRY
 L BODY = (M - HORIZON/TURISMO)(Z - OMNI/CHARGER)
 M BODY = (B - GRAN FURY)(F - FIFTH AVE/NEWPORT)(G - DIPLOMAT)
 P BODY = (P - SUNDANCE)(D - SHADOW)
 S BODY = (H - VOYAGER)(K - RAM VAN/CARAVAN)

BODY STYLES
 12-13 = FWD VAN
 21 = 2-DOOR SEDAN
 24 = 2-DOOR HATCHBACK
 27 = 2-DOOR CONVERTIBLE
 41 = 4-DOOR SEDAN
 44 = 4-DOOR HATCHBACK
 45 = 4-DOOR STATION WAGON
 52-53 = FWD WAGON

AR = Use as Required - = Non Illustrated Part P.A.R. = Paint as Required

BODY FRONT PILLAR H BODY
Figure 23A-1180

7189 11800



ITEM	PART NUMBER	QTY	BODY	MODEL	DESCRIPTION
1	4278 982-3	1			PANEL, Body Side Aperture Front
2	4314 277	2			PLATE, Body Side Aperture Jack Locator
3	4278 906-7	1			TROUGH, Roof Side Drain
4	4278 904-5	1			PILLAR, Body Front Hinge
5	4206 553	2			SUPPORT, Front Hinge Pillar To Fender
6	4337 018-9	1			SEAL, Body Front Hinge Pillar To Windshield Opening Side Frame
7	4337 856	2			SEAL, Body Front Hinge Pillar To Iso-Strut Tower Extension
8	4314 894	1			REINFORCEMENT, Body Front Hinge Pillar Upper Rt. Up To 12-3-86
	4416 694	1			After 12-3-86
	4314 967	1			REINFORCEMENT, Body Front Hinge Pillar Upper Lt. Up To 12-3-86
	4416 697	1			After 12-3-86
9	4314 558-9	2			PLATE, Body Front Hinge Pillar Hinge
10	#4337 026-7	1			REINFORCEMENT, Windshield Opening Side Frame
11	4278 888-9	1			FRAME, Windshield Side Inner
12	#4341 640-1	1			RAIL, Roof Side Inner
13	4314 203	1			FRAME, Windshield Opening Upper Outer
14	2860 332	1			PLUG, Body Front Hinge Pillar Antenna Hole
	5200 456	2			PLUG, Body Front Hinge Pillar Wiring Hole

MODEL CODES

E BODY = (J - CARAVELLE)(E - 600)(T - NEW YORKER)

G BODY = (V24 - DAYTONA)

H BODY = (D44 - LANCER)(C44 - LEBARON GTS)

J BODY = (C - LEBARON)

K BODY = (P - RELIANT)(D - ARIES)(C - LEBAROND)/TOWN & COUNTRY)

L BODY = (M - HORIZON/TURISMO)(Z - OMNI/CHARGER)

M BODY = (B - GRAN FURY)(F - FIFTH AVE/NEWPORT)(G - DIPLOMAT)

P BODY = (P - SUNDANCE)(D - SHADOW)

S BODY = (H - VOYAGER)(K - RAM VAN/CARAVAN)

BODY STYLES

12-13 = FWD VAN

21 = 2-DOOR SEDAN

24 = 2-DOOR HATCHBACK

27 = 2-DOOR CONVERTIBLE

41 = 4-DOOR SEDAN

44 = 4-DOOR HATCHBACK

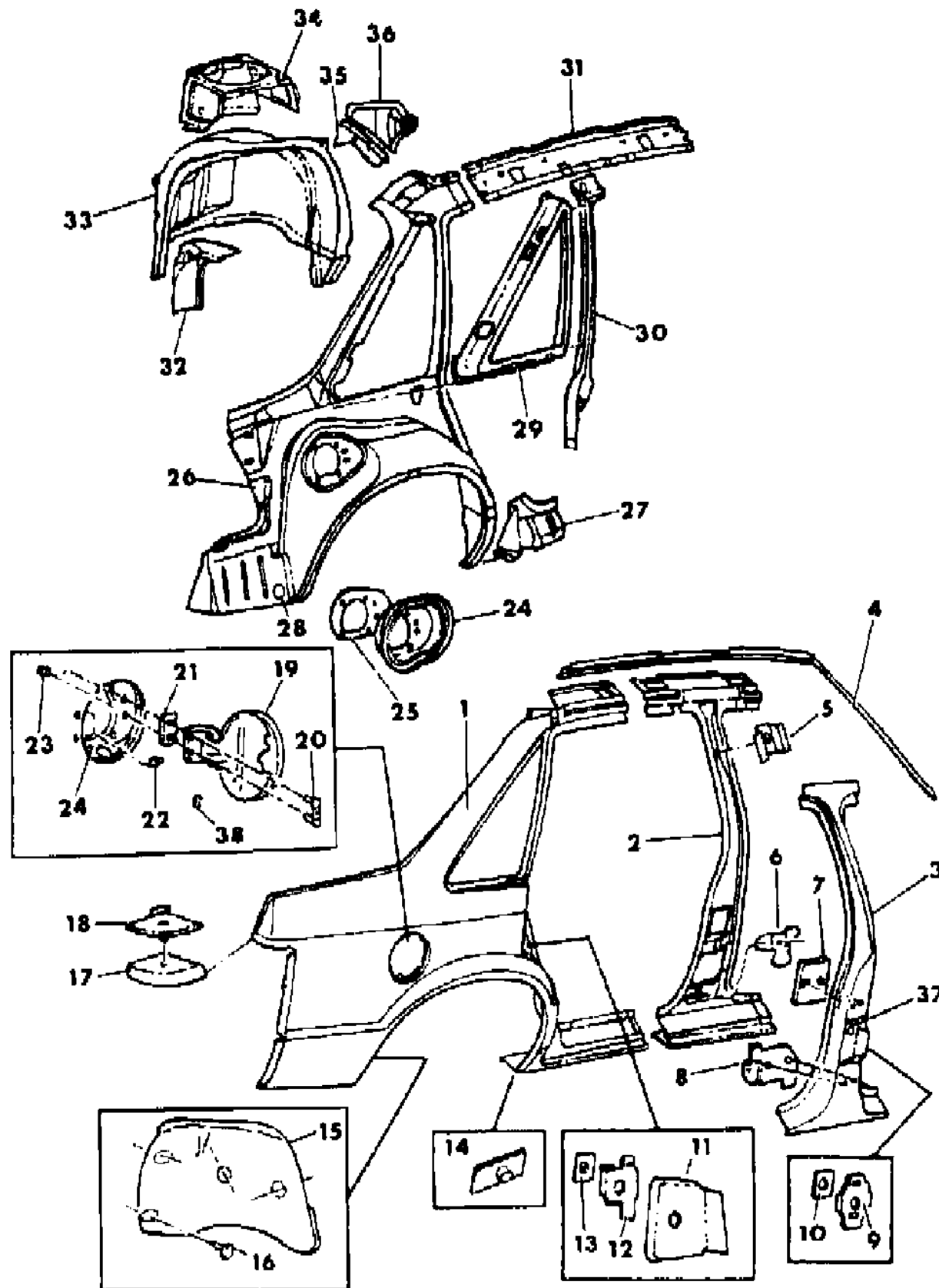
45 = 4-DOOR STATION WAGON

52-53 = FWD WAGON

AR = Use as Required - = Non Illustrated Part P.A.R. = Paint as Required

BODY REAR QUARTER H BODY
Figure 23A-1190

7189 11880 A



ITEM	PART NUMBER	QTY	BODY	MODEL	DESCRIPTION
1	4278 980-1	1	44		PANEL, Body Side Aperture Rear
2	4278 984-5	1	44		PANEL, Body Side Aperture Center
3	4280 692-3	1	44		PILLAR, Body Center Outer
4	4278 906-7	1	44		TROUGH, Roof Side Drain
5	4314 815	2	44		REINFORCEMENT, Body Side Aperture Front Shoulder Belt Mounting
6	4314 814	2	44		REINFORCEMENT, Body Side Aperture Seat Belt Anchor Lower
7	4314 762	2	44		T-PLATE, Rear Door Upper Hinge
8	4416 542	2	44		T-PLATE, Rear Door Lower Hinge
9	4134 972	2	44		RETAINER, Body Center Outer Pillar Door Latch Striker T-Plate
10	4314 743	2	44		T-PLATE, Front Door Latch Striker
11	4337 744-5	1	44		REINFORCEMENT, w/Retainer Body Side Aperture Rear Door Latch Striker (Includes Item 12)
12		1			RETAINER, Body Side Aperture Rear Door Latch Striker T-Plate (Serviced In Item #11)
13	4314 743	2	44		T-PLATE, Rear Door Latch Striker
14	4314 277	2	44		PLATE, Body Side Aperture Jack Locator
15	4337 036-7	1	44		SHIELD, Rear Wheelhouse Front Appearance
16		8	44		SCREW, #10-16 x .500" Not Serviced
17	4314 020-1	1	44		EXTENSION, Liftgate Opening Lower Panel Upper
18	4371 196-7	1	44		SEAL, w/Shield Liftgate Opening Lower Panel Upper Extension
	4337 410	2	44		SEAL, Liftgate Opening Lower Panel Upper Extension
19	4371 700	1	44		DOOR, Body Side Aperture Fuel Filler
20	4337 155	1	44		PLATE, Fuel Filler Door Hinge Mounting
21	4337 145	AR	44		SHIM, Body Side Aperture Fuel Filler Door
22	4337 144	2	44		BUMPER, Body Side Aperture Fuel Filler Door
23	6032 641	2	44		NUT and WASHER
24	4371 124	1	44		REINFORCEMENT, Body Side Aperture Fuel Filler Door Mounting
25		1	44		ADHESIVE and FASTENER, Inner To Fuel Filler Opening Reinforcement Gasket 4337029 Not Serviced
26	4341 818-9	1	44		PANEL, Quarter Inner and Wheelhouse Outer
27	#4296 726-7	1	44		SUPPORT, Quarter Inner Panel Sill Jacking
28	4073 485	2	44		PLUG, 1.50" Dia./38mm
29	4314 190-1	1	44		REINFORCEMENT, Quarter Inner Panel Quarter Window
30	4314 026-7	1	44		SUPPORT, Quarter Inner Panel To Body Side Aperture
31	4341 640-1	1	44		RAIL, Roof Side Inner

MODEL CODES

E BODY = (J - CARAVELLE)(E - 600)(T - NEW YORKER)

G BODY = (V24 - DAYTONA)

H BODY = (D44 - LANCER)(C44 - LEBARON GTS)

J BODY = (C - LEBARON)

K BODY = (P - RELIANT)(D - ARIES)(C - LEBAROND)/TOWN & COUNTRY)

L BODY = (M - HORIZON/TURISMO)(Z - OMNI/CHARGER)

M BODY = (B - GRAN FURY)(F - FIFTH AVE/NEWPORT)(G - DIPLOMAT)

P BODY = (P - SUNDANCE)(D - SHADOW)

S BODY = (H - VOYAGER)(K - RAM VAN/CARAVAN)

BODY STYLES

12-13 = FWD VAN

21 = 2-DOOR SEDAN

24 = 2-DOOR HATCHBACK

27 = 2-DOOR CONVERTIBLE

41 = 4-DOOR SEDAN

44 = 4-DOOR HATCHBACK

45 = 4-DOOR STATION WAGON

52-53 = FWD WAGON

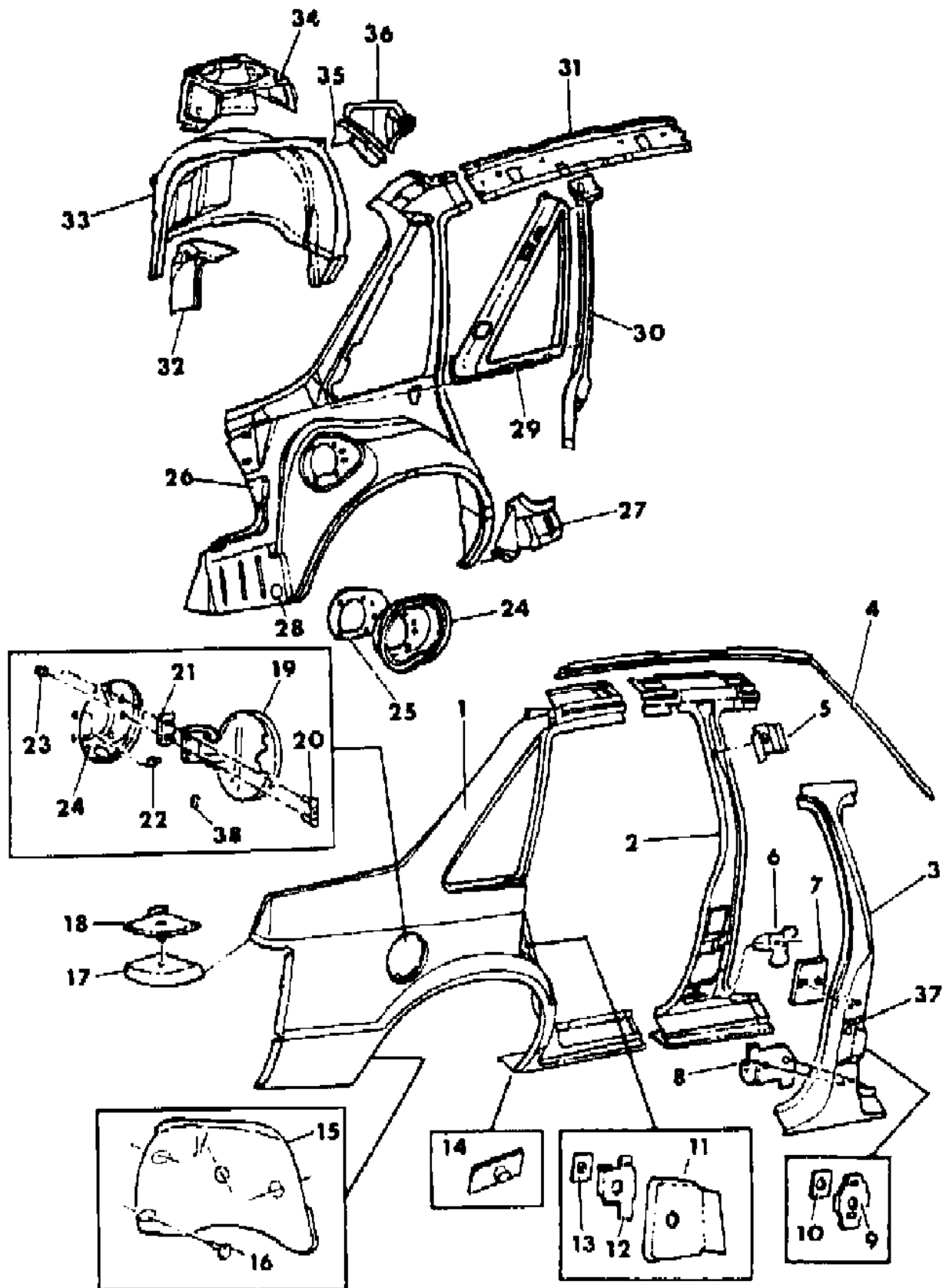
AR = Use as Required - = Non Illustrated Part P.A.R. = Paint as Required

BODY REAR QUARTER H BODY

Figure 23A-1190

7189 11880 A

ITEM	PART NUMBER	QTY	BODY	MODEL	DESCRIPTION
32	4134 686-7	1	44		REINFORCEMENT, Wheelhouse Inner Panel Shock Absorber Mounting
33	4278 894-5	1	44		PANEL, Rear Wheelhouse Inner
34	4296 910-1	1	44		EXTENSION, Shelf Panel
35	4296 754-5	1	44		GUSSET, Rear Wheelhouse Inner To Rear Seat Back Pivot Lower
36	4341 028-9	1	44		GUSSET, Rear Wheelhouse Inner To Rear Seat Back Pivot Upper
37	2480 957	2	44		PLUG, 1.00" Dia./25.4mm
38	1626 749	1			E-RING, Fuel Filler Door Hinge
39	4430 053	2			BRACKET, w/Infinity Sound System Speaker



MODEL CODES

E BODY = (J - CARAVELLE)(E - 600)(T - NEW YORKER)

G BODY = (V24 - DAYTONA)

H BODY = (D44 - LANCER)(C44 - LEBARON GTS)

J BODY = (C - LEBARON)

K BODY = (P - RELIANT)(D - ARIES)(C - LEBAROND)/TOWN & COUNTRY)

L BODY = (M - HORIZON/TURISMO)(Z - OMNI/CHARGER)

M BODY = (B - GRAN FURY)(F - FIFTH AVE/NEWPORT)(G - DIPLOMAT)

P BODY = (P - SUNDANCE)(D - SHADOW)

S BODY = (H - VOYAGER)(K - RAM VAN/CARAVAN)

BODY STYLES

12-13 = FWD VAN

21 = 2-DOOR SEDAN

24 = 2-DOOR HATCHBACK

27 = 2-DOOR CONVERTIBLE

41 = 4-DOOR SEDAN

44 = 4-DOOR HATCHBACK

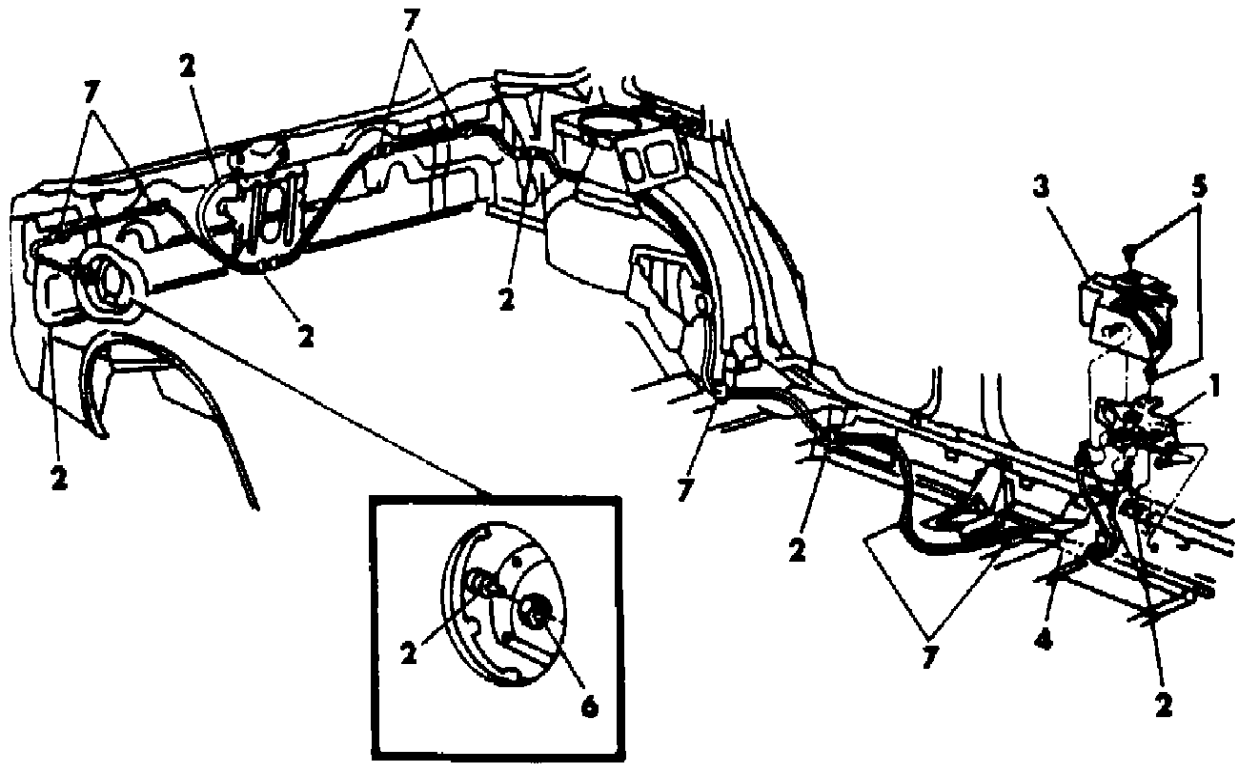
45 = 4-DOOR STATION WAGON

52-53 = FWD WAGON

AR = Use as Required - = Non Illustrated Part P.A.R. = Paint as Required

FUEL FILLER AND LIFTGATE REMOTE RELEASE H BODY
Figure 23A-1200

7189 12000



ITEM	PART NUMBER	QTY	BODY	MODEL	DESCRIPTION
1	4371 488	1		44	HANDLE, Fuel Filler and Liftgate Remote Release
2	4337 384	1		44	CABLE, Fuel Filler & Liftgate Remote Release (Includes Auxilliary Release Cable)
3					COVER, Fuel Filler and Liftgate Remote Release Handle
	S990 EE8	1		44	Cordovan
	S990 FC5	1		44	Blue
	S990 DS8	1		44	Charcoal
	S990 EK1	1		44	Light Almond
4	4371 202	1		44	CONDUIT, Fuel Filler & Liftgate Remote Release Cable
5	6032 456	5		44	SCREW
6		1		44	NUT, M12 x 1.75" Not Serviced
7		AR		44	CLIP, Not Serviced

MODEL CODES

E BODY = (J - CARAVELLE)(E - 600)(T - NEW YORKER)

G BODY = (V24 - DAYTONA)

H BODY = (D44 - LANCER)(C44 - LEBARON GTS)

J BODY = (C - LEBARON)

K BODY = (P - RELIANT)(D - ARIES)(C - LEBAROND)/TOWN & COUNTRY)

L BODY = (M - HORIZON/TURISMO)(Z - OMNI/CHARGER)

M BODY = (B - GRAN FURY)(F - FIFTH AVE/NEWPORT)(G - DIPLOMAT)

P BODY = (P - SUNDANCE)(D - SHADOW)

S BODY = (H - VOYAGER)(K - RAM VAN/CARAVAN)

BODY STYLES

12-13 = FWD VAN

21 = 2-DOOR SEDAN

24 = 2-DOOR HATCHBACK

27 = 2-DOOR CONVERTIBLE

41 = 4-DOOR SEDAN

44 = 4-DOOR HATCHBACK

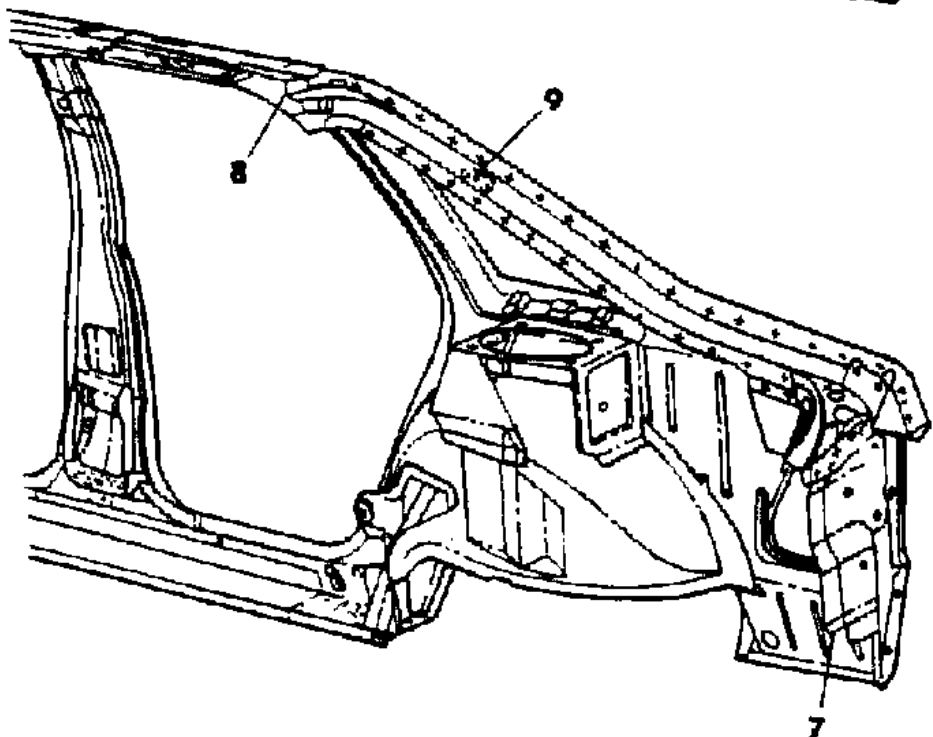
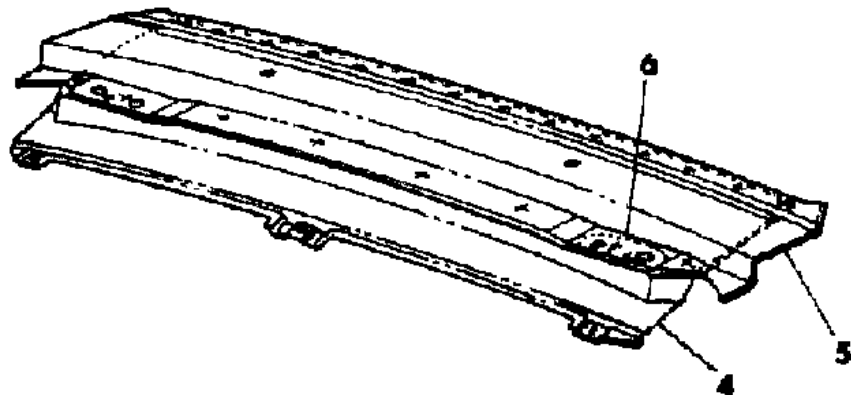
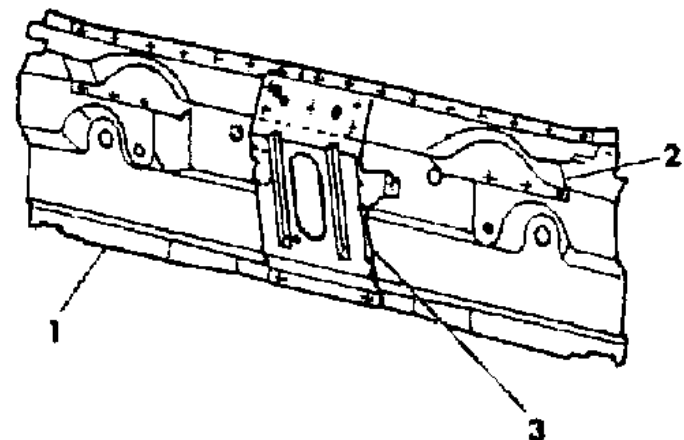
45 = 4-DOOR STATION WAGON

52-53 = FWD WAGON

AR = Use as Required - = Non Illustrated Part P.A.R. = Paint as Required

LIFTGATE OPENING PANEL H BODY
Figure 23A-1210

7189 12100



ITEM	PART NUMBER	QTY	BODY	MODEL	DESCRIPTION
1	4278 896	1	44		PANEL, Liftgate Opening Lower
2	4278 897	1	44		REINFORCEMENT, Liftgate Opening Lower Panel
3	4314 024	1	44		SUPPORT, Liftgate Opening Lower Panel Latch
4	4314 004	1	44		FRAME, Liftgate Opening Upper
5	4314 005	1	44		REINFORCEMENT, Liftgate Opening Upper Frame
6	4314 002	2	44		REINFORCEMENT, Liftgate Opening Upper Frame Hinge Mounting
7	4314 018-9	1	44		EXTENSION, Liftgate Opening Lower Panel Lower
8	4371 120-1	1	44		TROUGH, Body Side Aperture Liftgate Drain
9	4336 398	2	44		REINFORCEMENT, Liftgate Trough Prop Attach.

MODEL CODES

E BODY = (J - CARAVELLE)(E - 600)(T - NEW YORKER)

G BODY = (V24 - DAYTONA)

H BODY = (D44 - LANCER)(C44 - LEBARON GTS)

J BODY = (C - LEBARON)

K BODY = (P - RELIANT)(D - ARIES)(C - LEBAROND)/TOWN & COUNTRY)

L BODY = (M - HORIZON/TURISMO)(Z - OMNI/CHARGER)

M BODY = (B - GRAN FURY)(F - FIFTH AVE/NEWPORT)(G - DIPLOMAT)

P BODY = (P - SUNDANCE)(D - SHADOW)

S BODY = (H - VOYAGER)(K - RAM VAN/CARAVAN)

BODY STYLES

12-13 = FWD VAN

21 = 2-DOOR SEDAN

24 = 2-DOOR HATCHBACK

27 = 2-DOOR CONVERTIBLE

41 = 4-DOOR SEDAN

44 = 4-DOOR HATCHBACK

45 = 4-DOOR STATION WAGON

52-53 = FWD WAGON

AR = Use as Required - = Non Illustrated Part P.A.R. = Paint as Required

GLASS QUARTER WINDOW H BODY

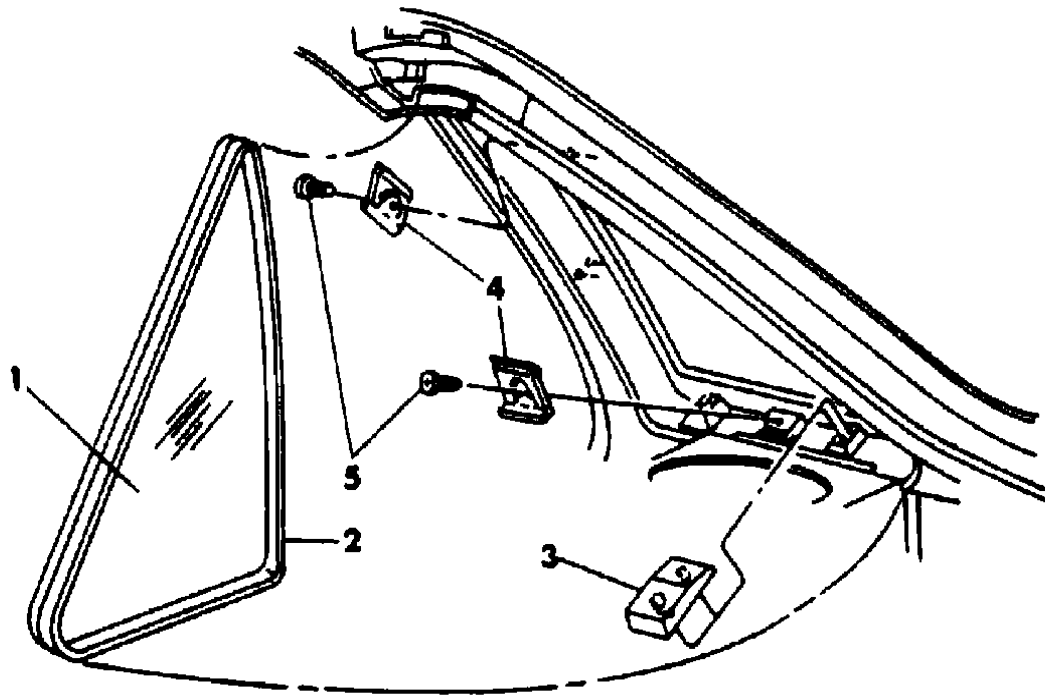
Figure 23A-1220

7109 12200

ITEM	PART NUMBER	QTY	BODY	MODEL	DESCRIPTION
1	4278 998-9	1		44	GLASS, Quarter Window Tinted
2	4206 323	AR		44	SEAL, Quarter Window Glass Bonding (187" Butyl)
3	4337 011	8		44	SPACER, Quarter Window Glass
4	4206 852	4		44	RETAINER, Quarter Window Glass
5		4		44	SCREW, #8-18 x .625" Not Serviced

NOTE: The following items are not shown on illustration. s group.

PKG A	4057 957	1		44	FIXED GLASS REPAIR PACKAGE CONSISTS OF:
					1- ----- Tape, Butyl (171")
					1- ----- Primer, Glass (1 oz.)
					1- ----- Primer, Fence (2 oz.)
	3674 698				2-Spacer, Rubber, 0.2"
	3793 290				2-Spacer, Rubber, 0.3"
	3767 767				2-Shim, 0.07"
					2- ----- Sponges, Disposable



MODEL CODES

E BODY = (J - CARAVELLE)(E - 600)(T - NEW YORKER)

G BODY = (V24 - DAYTONA)

H BODY = (D44 - LANCER)(C44 - LEBARON GTS)

J BODY = (C - LEBARON)

K BODY = (P - RELIANT)(D - ARIES)(C - LEBAROND)/TOWN & COUNTRY)

L BODY = (M - HORIZON/TURISMO)(Z - OMNI/CHARGER)

M BODY = (B - GRAN FURY)(F - FIFTH AVE/NEWPORT)(G - DIPLOMAT)

P BODY = (P - SUNDANCE)(D - SHADOW)

S BODY = (H - VOYAGER)(K - RAM VAN/CARAVAN)

BODY STYLES

12-13 = FWD VAN

21 = 2-DOOR SEDAN

24 = 2-DOOR HATCHBACK

27 = 2-DOOR CONVERTIBLE

41 = 4-DOOR SEDAN

44 = 4-DOOR HATCHBACK

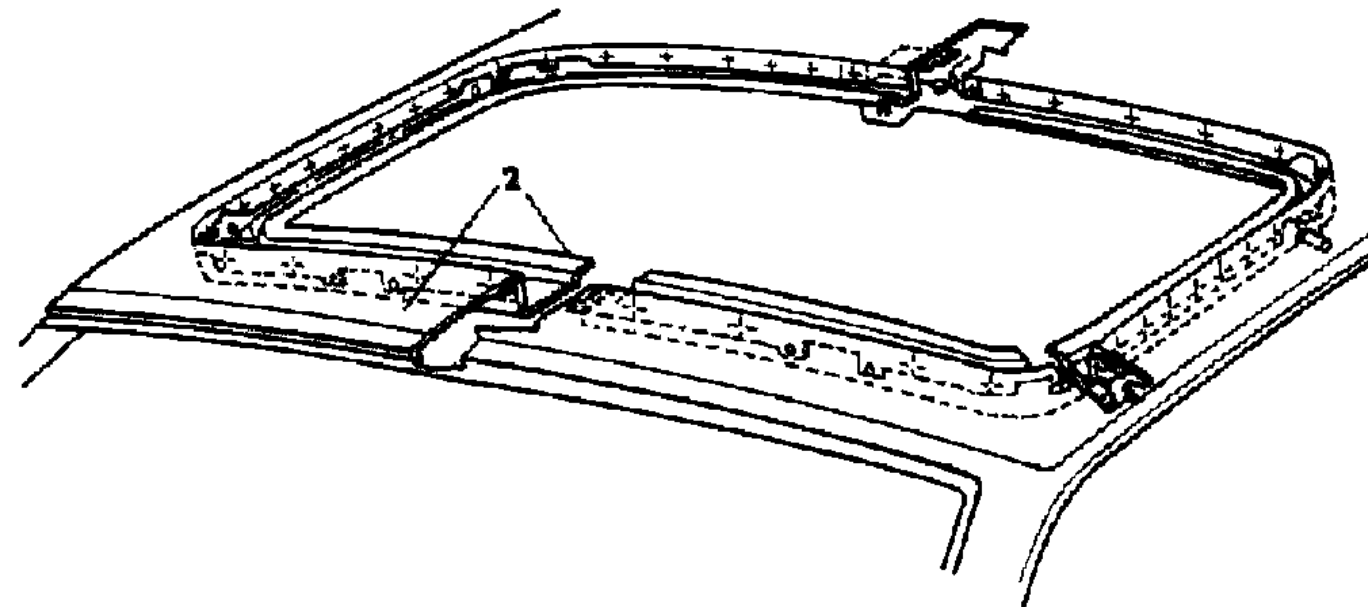
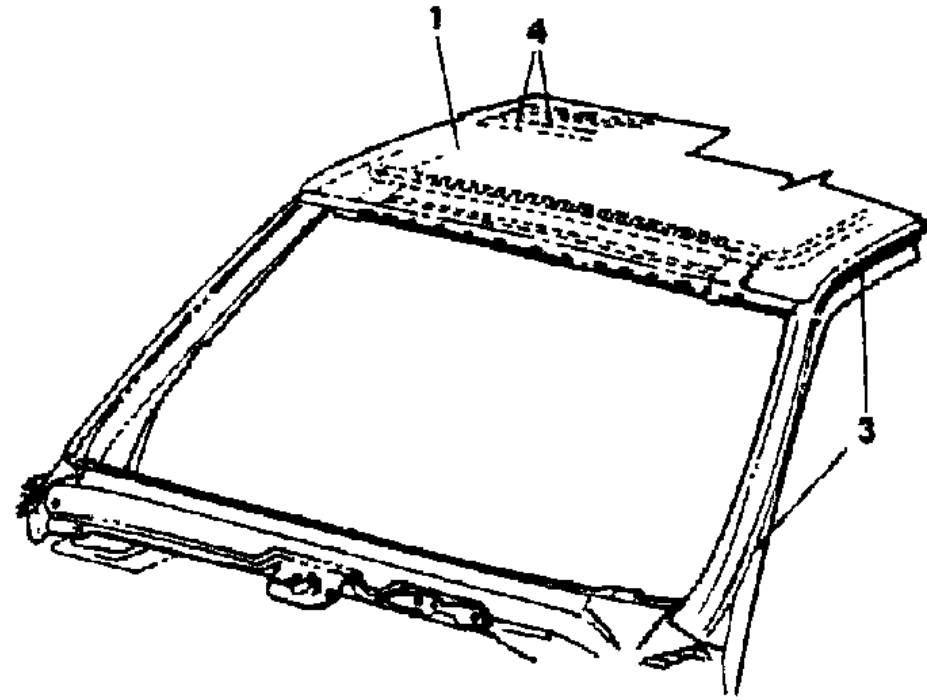
45 = 4-DOOR STATION WAGON

52-53 = FWD WAGON

AR = Use as Required - = Non Illustrated Part P.A.R. = Paint as Required

ROOF PANEL H BODY
Figure 23A-1230

7100 12300



ITEM	PART NUMBER	QTY	BODY	MODEL	DESCRIPTION
1	4278 887	1		44	PANEL, Roof Outer w/o Sunroof
2	4341 544	1		44	PANEL and TROUGH, Roof Outer w/Sunroof
3	4278 906-7	1		44	TROUGH, Roof Side Drain
4	4314 006	2		44	BOW, Roof

MODEL CODES

E BODY = (J - CARAVELLE)(E - 600)(T - NEW YORKER)

G BODY = (V24 - DAYTONA)

H BODY = (D44 - LANCER)(C44 - LEBARON GTS)

J BODY = (C - LEBARON)

K BODY = (P - RELIANT)(D - ARIES)(C - LEBAROND)/TOWN & COUNTRY)

L BODY = (M - HORIZON/TURISMO)(Z - OMNI/CHARGER)

M BODY = (B - GRAN FURY)(F - FIFTH AVE/NEWPORT)(G - DIPLOMAT)

P BODY = (P - SUNDANCE)(D - SHADOW)

S BODY = (H - VOYAGER)(K - RAM VAN/CARAVAN)

BODY STYLES

12-13 = FWD VAN

21 = 2-DOOR SEDAN

24 = 2-DOOR HATCHBACK

27 = 2-DOOR CONVERTIBLE

41 = 4-DOOR SEDAN

44 = 4-DOOR HATCHBACK

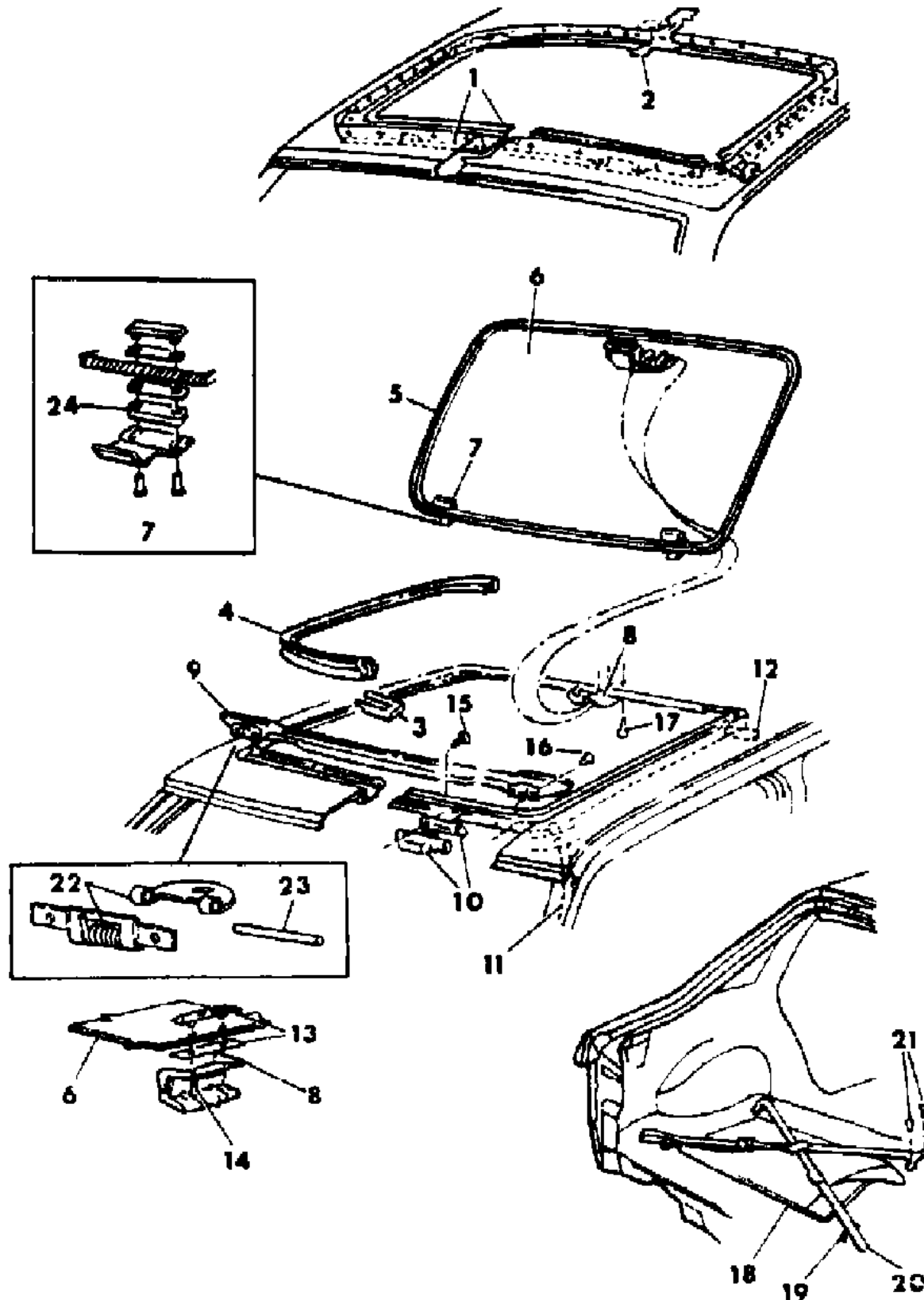
45 = 4-DOOR STATION WAGON

52-53 = FWD WAGON

AR = Use as Required - = Non Illustrated Part P.A.R. = Paint as Required

SUNROOF H BODY
Figure 23A-1240

7188 12400 B



ITEM	PART NUMBER	QTY	BODY	MODEL	DESCRIPTION
1	4341 544	1	44		PANEL and TROUGH, Roof Outer w/Sunroof
2	4341 816	1	44		SUPPORT, Sunroof Drain Trough Reinforcement To Roof Bow
3		1	44		WELT, Headliner Panel Sunroof Opening
	H516 FC5	1			Blue
	H516 EE8	1	44		Cordovan
	H516 EK1	1	44		Light Almond
	H516 FS8	1	44		Charcoal
4	4341 960	1	44		SEAL, Sunroof Primary (On Trough)
5	4172 849	1	44		SEAL, Sunroof Secondary (On Glass Panel)
6	4341 610	1	44		PANEL and FRAME, Sunroof Glass
7	4467 211	2	44		HINGE and T-PLATE, Package
		4	44		SCREW, Serviced In 4467211 Pkg.
		4	44		GROMMET, Serviced In 4467211 Pkg.
		4	44		GASKET, Serviced In 4467211 Pkg.
		2	44		HINGE, Serviced In 4467211 Pkg.
8	4341 532	1	44		HANDLE and BASE, Sunroof Latch
9	4341 295	1	44		DEFLECTOR, Sunroof Air
	4467 212	2	44		CAP, NUT and SCREW, Package
10	4341 402-3	1	44		RETAINER, Sunroof Panel Hinge On Trough
11	4278 798	2	44		HOSE, Sunroof Drain Front
12		AR	44		HOSE, Sunroof Drain Rear 3/8" I.D. x 50' Roll Stock Not Serviced
13	4341 418	1	44		T-PLATE, Sunroof Latch Handle
14		2	44		SCREW, Not Serviced
15		4	44		SCREW, Not Serviced
16		4	44		SCREW, Not Serviced
17		3	44		SCREW, Not Serviced
18	H609 DX7	1	44		BAG, Stowage (Black)
19	4248 818	4	44		ANCHOR, Tie-Down Strap To Floor Pan
20	H349 CX9	1	44		STRAP, Sunroof Pnl. Stowage Tie Down
21		8			SCREW, Not Serviced
22	4341 530-1	1			HINGE, Sunroof Air Deflector
23	6501 111	2			PIN, Sunroof Air Deflector
24	4341 340-1	1			SPACER, Sunroof Hinge T-Plate

MODEL CODES

E BODY = (J - CARAVELLE)(E - 600)(T - NEW YORKER)

G BODY = (V24 - DAYTONA)

H BODY = (D44 - LANCER)(C44 - LEBARON GTS)

J BODY = (C - LEBARON)

K BODY = (P - RELIANT)(D - ARIES)(C - LEBAROND)/TOWN & COUNTRY)

L BODY = (M - HORIZON/TURISMO)(Z - OMNI/CHARGER)

M BODY = (B - GRAN FURY)(F - FIFTH AVE/NEWPORT)(G - DIPLOMAT)

P BODY = (P - SUNDANCE)(D - SHADOW)

S BODY = (H - VOYAGER)(K - RAM VAN/CARAVAN)

BODY STYLES

12-13 = FWD VAN

21 = 2-DOOR SEDAN

24 = 2-DOOR HATCHBACK

27 = 2-DOOR CONVERTIBLE

41 = 4-DOOR SEDAN

44 = 4-DOOR HATCHBACK

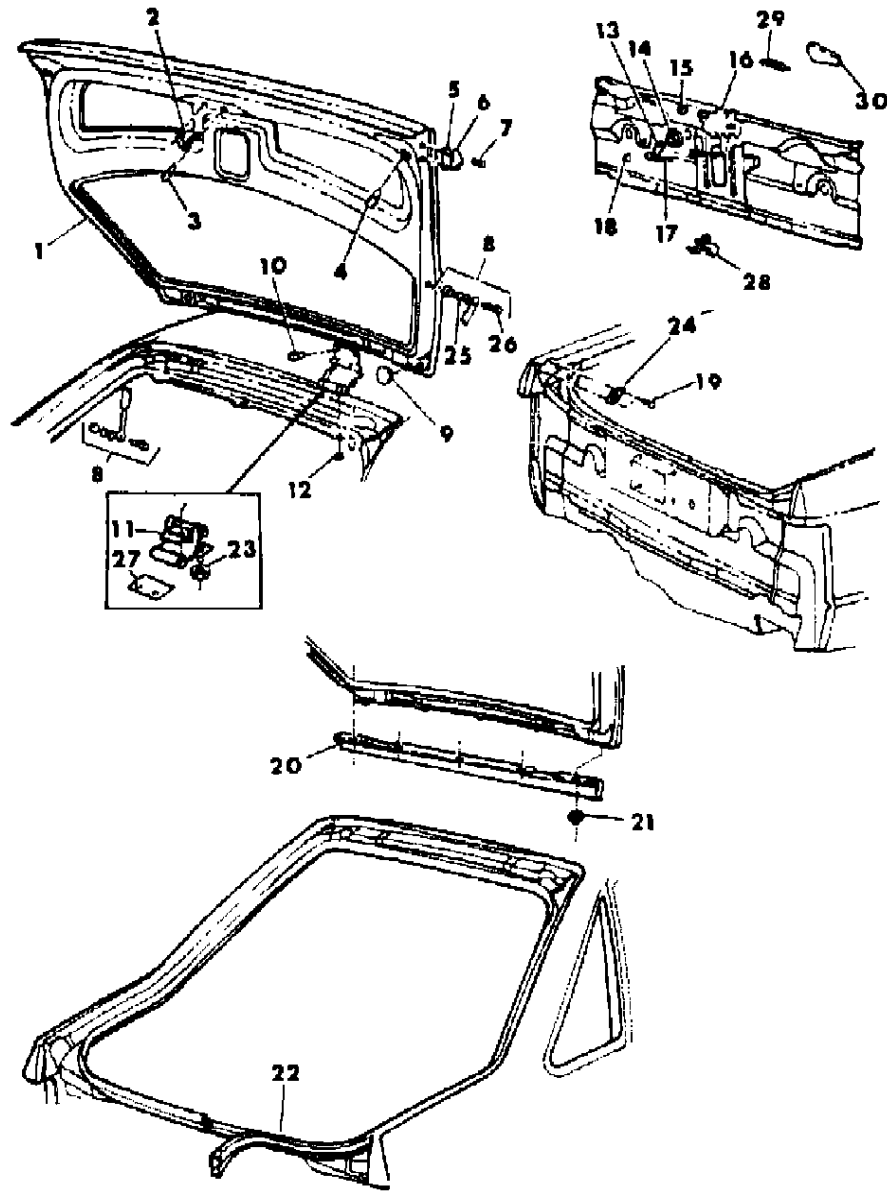
45 = 4-DOOR STATION WAGON

52-53 = FWD WAGON

AR = Use as Required - = Non Illustrated Part P.A.R. = Paint as Required

LIFTGATE PANEL H BODY
Figure 23A-1250

7188 12500 A



ITEM	PART NUMBER	QTY	BODY	MODEL	DESCRIPTION
1	4365 259	1		44	PANEL, Liftgate
2	4378 047	1		44	STRIKER, Liftgate Latch
3	6100 592	2		44	SCREW, w/Washer Liftgate Latch Striker Mounting
4	4336 014	2		44	BUMPER, Liftgate Inner Panel Adjustable
5	4246 753	AR		44	SPACER, Liftgate Opening Stabilizer Wedge
6	4378 183	2		44	WEDGE, Liftgate Opening Stabilizer
7		4		44	SCREW, Not Serviced
8	4378 324	2		44	PROP, Liftgate
9	1774 076	2		44	PLUG, Liftgate Inner Panel Drain Hole
	1774 076	1		44	PLUG, Liftgate Drain Trough Rt. Up To 11-17-86
	2889 843	1		44	After 11-17-86
10	#6100 275	4		44	SCREW, w/Washer Liftgate Hinge To Liftgate
11	4317 030-1	1		44	HINGE, Liftgate
12	6100 049	4		44	NUT and WASHER, Liftgate Hinge To Body
13	4246 835	1		44	LEVER, Liftgate Lock Cylinder
14	4054 202	1		44	NUT, Liftgate Lock Cylinder Mounting
15	6501 569	2		44	NUT and WASHER, Liftgate Latch
16	4317 001	1		44	LATCH, Liftgate
17	4246 758	1		44	LINK, Liftgate Lock Cylinder To Latch
18	6032 107	1		44	CLIP, Liftgate Lock Cylinder To Latch Link
19		4		44	SCREW, Not Serviced
20	4310 172	1		44	WEATHERSTRIP, Liftgate Upper To Roof (Secondary)
21	6025 160	5		44	RETAINER, Liftgate Secondary Weatherstrip
22	4310 470	1		44	WEATHERSTRIP, Liftgate Opening
23	4337 900	4		44	WASHER, Liftgate Hinge To Body Sealing
24	4317 007	2		44	STRIKER, Liftgate Opening Stabilizer Wedge
25	4246 676	AR			WASHER, Liftgate Prop Clevis
26	#6500 183	4			SCREW, Liftgate Prop Mounting
27	4365 796-7	1			GASKET, Liftgate Hinge To Body
28	4378 033	1			CLIP, Liftgate Latch Link
29	4172 592	1			SPRING, Liftgate Latch Paw
30	4378 011	1			COVER, Liftgate Latch Non-Override Lever (Plastic)

MODEL CODES

E BODY = (J - CARAVELLE)(E - 600)(T - NEW YORKER)

G BODY = (V24 - DAYTONA)

H BODY = (D44 - LANCER)(C44 - LEBARON GTS)

J BODY = (C - LEBARON)

K BODY = (P - RELIANT)(D - ARIES)(C - LEBAROND)/TOWN & COUNTRY)

L BODY = (M - HORIZON/TURISMO)(Z - OMNI/CHARGER)

M BODY = (B - GRAN FURY)(F - FIFTH AVE/NEWPORT)(G - DIPLOMAT)

P BODY = (P - SUNDANCE)(D - SHADOW)

S BODY = (H - VOYAGER)(K - RAM VAN/CARAVAN)

BODY STYLES

12-13 = FWD VAN

21 = 2-DOOR SEDAN

24 = 2-DOOR HATCHBACK

27 = 2-DOOR CONVERTIBLE

41 = 4-DOOR SEDAN

44 = 4-DOOR HATCHBACK

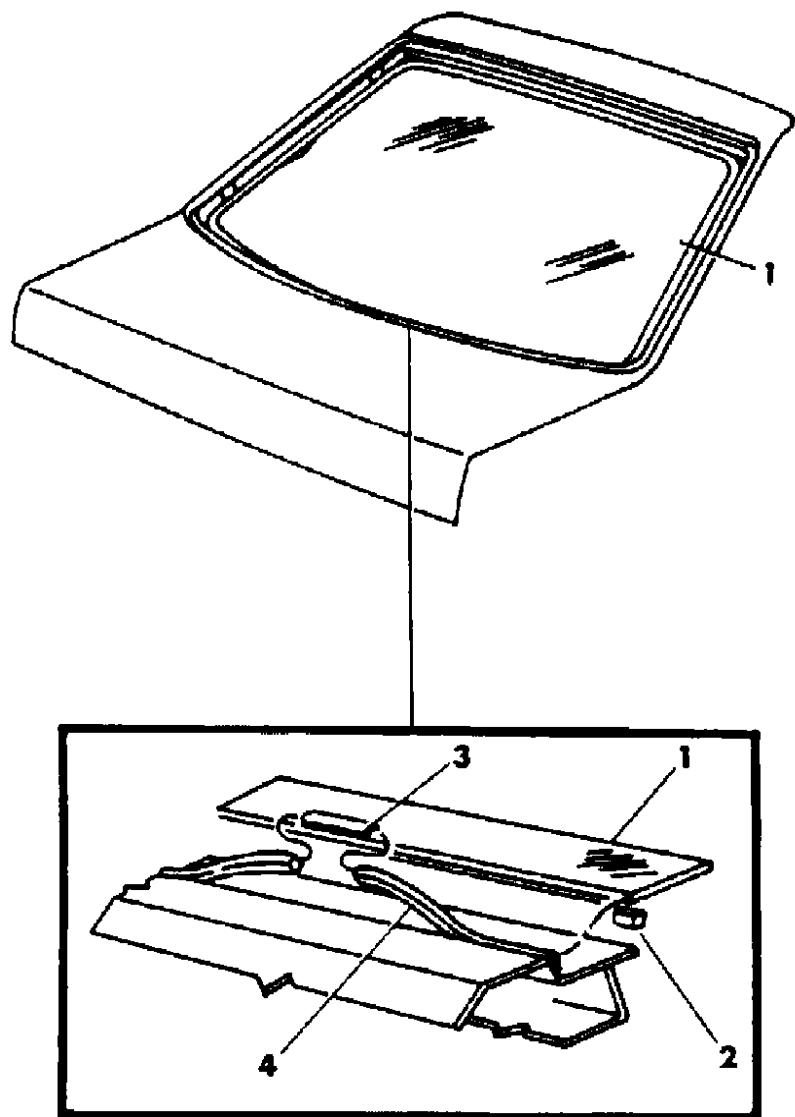
45 = 4-DOOR STATION WAGON

52-53 = FWD WAGON

AR = Use as Required - = Non Illustrated Part P.A.R. = Paint as Required

GLASS LIFTGATE H BODY
Figure 23A-1260

7189 12600



ITEM	PART NUMBER	QTY	BODY	MODEL	DESCRIPTION
1	4396 001	1		44	GLASS, Liftgate Tinted
	4396 010	1		44	Tinted & Heated
2		13		44	SPACER, Liftgate Glass Support Not Serviced
3	4198 929	1		44	CAP, Liftgate Glass Moulding
4	4365 732	1		44	MOULDING, Liftgate Glass
	4336 631	1		44	MOULDING, Liftgate Repair

NOTE: The following items are not shown on illustration. s group.

PKG A	4267 906	1		44	REPAIR PACKAGE, Windshield & Rear Window CONSISTS OF:
					1- ----- Polyurethane, 11.5 oz.
					1- ----- Fence Primer, 1 oz.
					1- ----- Glass Wipe-Off Primer, 1 oz.
					1- ----- Glass Black-Out Primer, 1 oz.
					3- ----- Dabbers
					1- ----- Nozzle

MODEL CODES

E BODY = (J - CARAVELLE)(E - 600)(T - NEW YORKER)

G BODY = (V24 - DAYTONA)

H BODY = (D44 - LANCER)(C44 - LEBARON GTS)

J BODY = (C - LEBARON)

K BODY = (P - RELIANT)(D - ARIES)(C - LEBAROND)/TOWN & COUNTRY)

L BODY = (M - HORIZON/TURISMO)(Z - OMNI/CHARGER)

M BODY = (B - GRAN FURY)(F - FIFTH AVE/NEWPORT)(G - DIPLOMAT)

P BODY = (P - SUNDANCE)(D - SHADOW)

S BODY = (H - VOYAGER)(K - RAM VAN/CARAVAN)

BODY STYLES

12-13 = FWD VAN

21 = 2-DOOR SEDAN

24 = 2-DOOR HATCHBACK

27 = 2-DOOR CONVERTIBLE

41 = 4-DOOR SEDAN

44 = 4-DOOR HATCHBACK

45 = 4-DOOR STATION WAGON

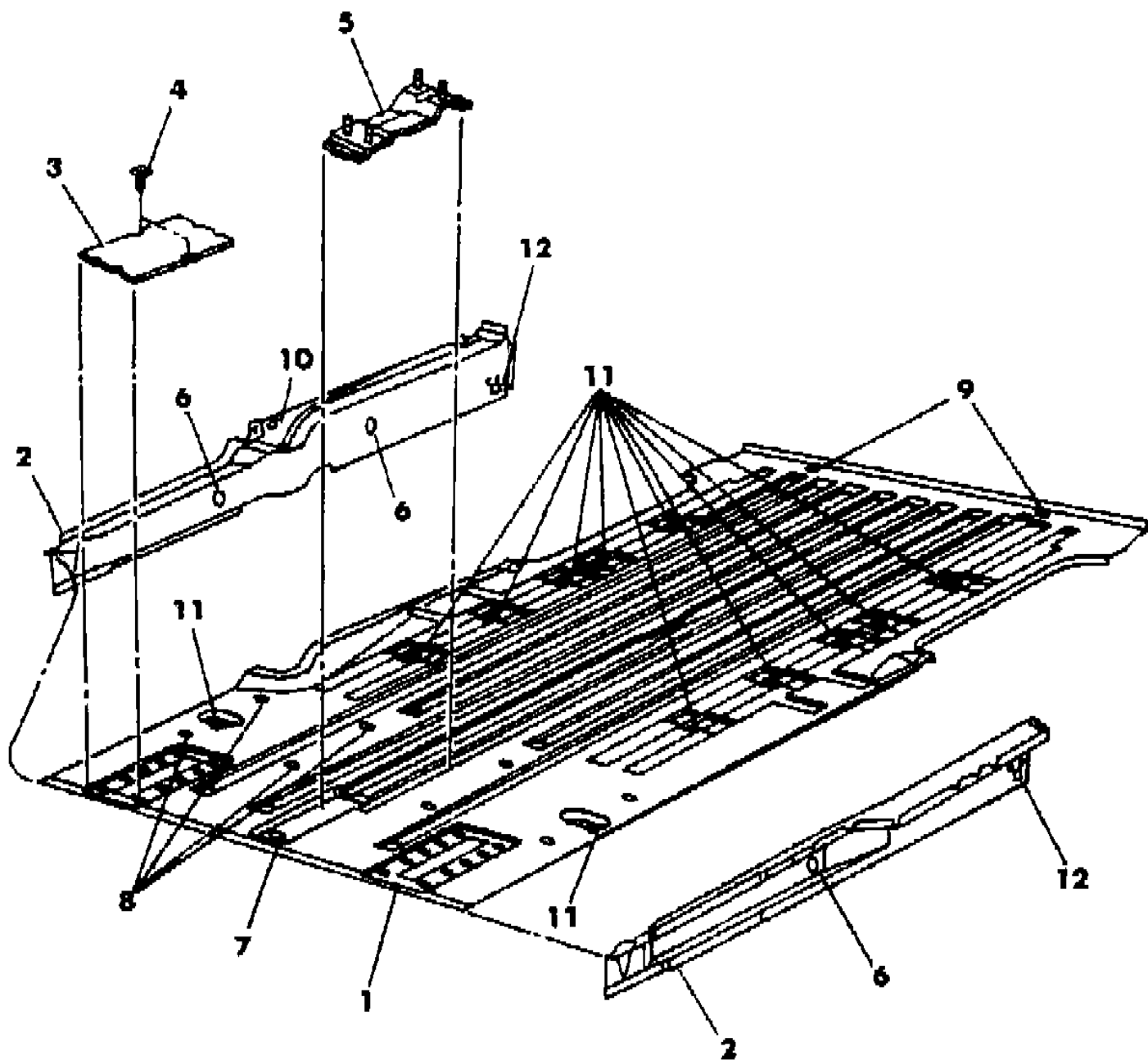
52-53 = FWD WAGON

AR = Use as Required - = Non Illustrated Part P.A.R. = Paint as Required

FLOOR PAN S BODY

Figure 23A-1270

7188 12700



ITEM	PART NUMBER	QTY	BODY	MODEL	DESCRIPTION
1	4416 191	1		12	PAN, Floor
	4416 094	1		52	
	4337 574	1		13	
	4385 013	1		53	
2					PANEL, Body Side Sill Inner
	4337 256	1		12,52	Right
	4416 361	1		12,52	Left
	4385 052	1		13,53	Right
	4385 053	1		13,53	Left
3		2			COVER, Floor Pan Side Rail Weld Access Not Serviced
4		4			SCREW, #10 x .625" Not Serviced
5	4371 819	1			BRACKET, Floor Pan Shifter Mounting
6	4073 485	3			PLUG, 1.50" Dia./38mm
7	4073 475	1			PLUG, 1.50" Dia./38mm
8	1774 076	4			PLUG, .630" Dia./16mm
9	2860 332	2			PLUG, .500" Dia./13mm
	3726 319	2			PLUG
10	1950 477	1			PLUG, Body Side Sill Inner Rt.
11		2			PLUG, .250" Dia./6mm Not Serviced
	4314 223	2			PLUG, Floor Pan Rear Hanger Front Bracket
12	3794 032	2			SEAL, Body Side Sill Inner Panel

MODEL CODES

E BODY = (J - CARAVELLE)(E - 600)(T - NEW YORKER)

G BODY = (V24 - DAYTONA)

H BODY = (D44 - LANCER)(C44 - LEBARON GTS)

J BODY = (C - LEBARON)

K BODY = (P - RELIANT)(D - ARIES)(C - LEBAROND)/TOWN & COUNTRY)

L BODY = (M - HORIZON/TURISMO)(Z - OMNI/CHARGER)

M BODY = (B - GRAN FURY)(F - FIFTH AVE/NEWPORT)(G - DIPLOMAT)

P BODY = (P - SUNDANCE)(D - SHADOW)

S BODY = (H - VOYAGER)(K - RAM VAN/CARAVAN)

BODY STYLES

12-13 = FWD VAN

21 = 2-DOOR SEDAN

24 = 2-DOOR HATCHBACK

27 = 2-DOOR CONVERTIBLE

41 = 4-DOOR SEDAN

44 = 4-DOOR HATCHBACK

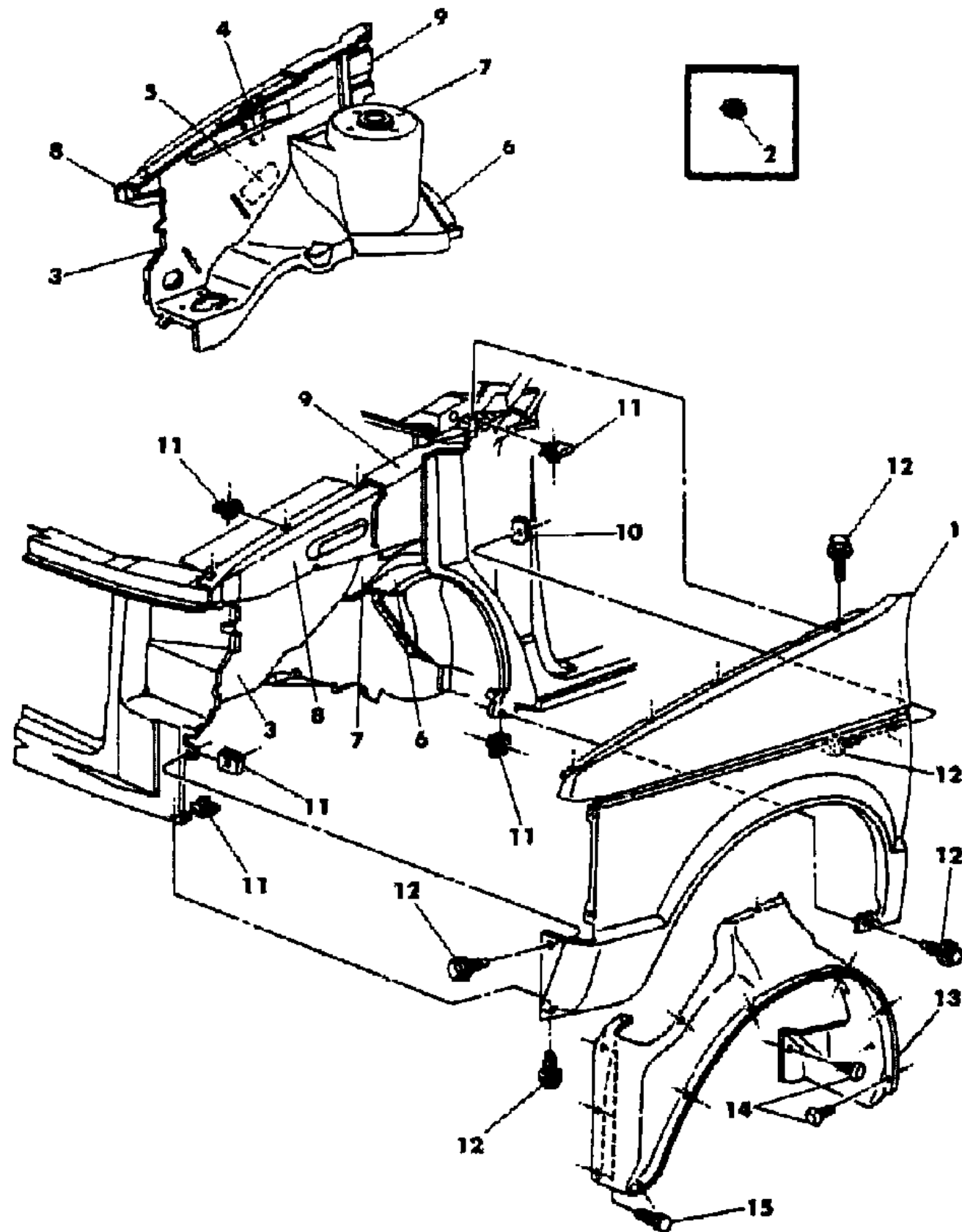
45 = 4-DOOR STATION WAGON

52-53 = FWD WAGON

AR = Use as Required - = Non Illustrated Part P.A.R. = Paint as Required

FENDER AND SHIELD S BODY
Figure 23A-1280

7100 12800



ITEM	PART NUMBER	QTY	BODY	MODEL	DESCRIPTION
1	4411 912-3	1			FENDER
2	4222 739	1			PLUG, Fender Antenna Hole
3	4386 658	1			PANEL, Front Fender Shield Rt. Up To 1-12-87
	4440 338	1			After 1-12-87
	4490 192	1			From 4-6-87
	4440 339	1			PANEL, Front Fender Shield Lt. Up To 8-4-86
	4440 685	1			After 8-4-86
	4490 193	1			From 4-6-87
4	4341 023	1			BRACKET, Jack Stowage Mount Reinforcement
5	4220 849	1			PLATE, Horn Mounting
6	4296 812-3	1			EXTENSION, Iso-Strut Tower To Dash Panel
7	4296 118-9	1			TOWER, Iso-Strut Mounting Up To 1-12-87
	4440 336-7	1			After 1-12-87
8	4270 074-5	1			BEAM, Front Fender Shield
9	4386 162-3	1			EXTENSION, Body Side Aperture To Front Fender Shield Beam
10	4314 093	2			BRACKET, Body Side Aperture To Fender Center
11	#6100 041	14			U-NUT
12	6100 567	16			SCREW and WASHER
13	4296 218-9	1			SHIELD, Fender Wheelhouse Splash
14	6030 441	22			RETAINER
15		6			SCREW, 1/4"-14 x .875" Not Serviced

MODEL CODES

E BODY = (J - CARAVELLE)(E - 600)(T - NEW YORKER)

G BODY = (V24 - DAYTONA)

H BODY = (D44 - LANCER)(C44 - LEBARON GTS)

J BODY = (C - LEBARON)

K BODY = (P - RELIANT)(D - ARIES)(C - LEBAROND)/TOWN & COUNTRY)

L BODY = (M - HORIZON/TURISMO)(Z - OMNI/CHARGER)

M BODY = (B - GRAN FURY)(F - FIFTH AVE/NEWPORT)(G - DIPLOMAT)

P BODY = (P - SUNDANCE)(D - SHADOW)

S BODY = (H - VOYAGER)(K - RAM VAN/CARAVAN)

BODY STYLES

12-13 = FWD VAN

21 = 2-DOOR SEDAN

24 = 2-DOOR HATCHBACK

27 = 2-DOOR CONVERTIBLE

41 = 4-DOOR SEDAN

44 = 4-DOOR HATCHBACK

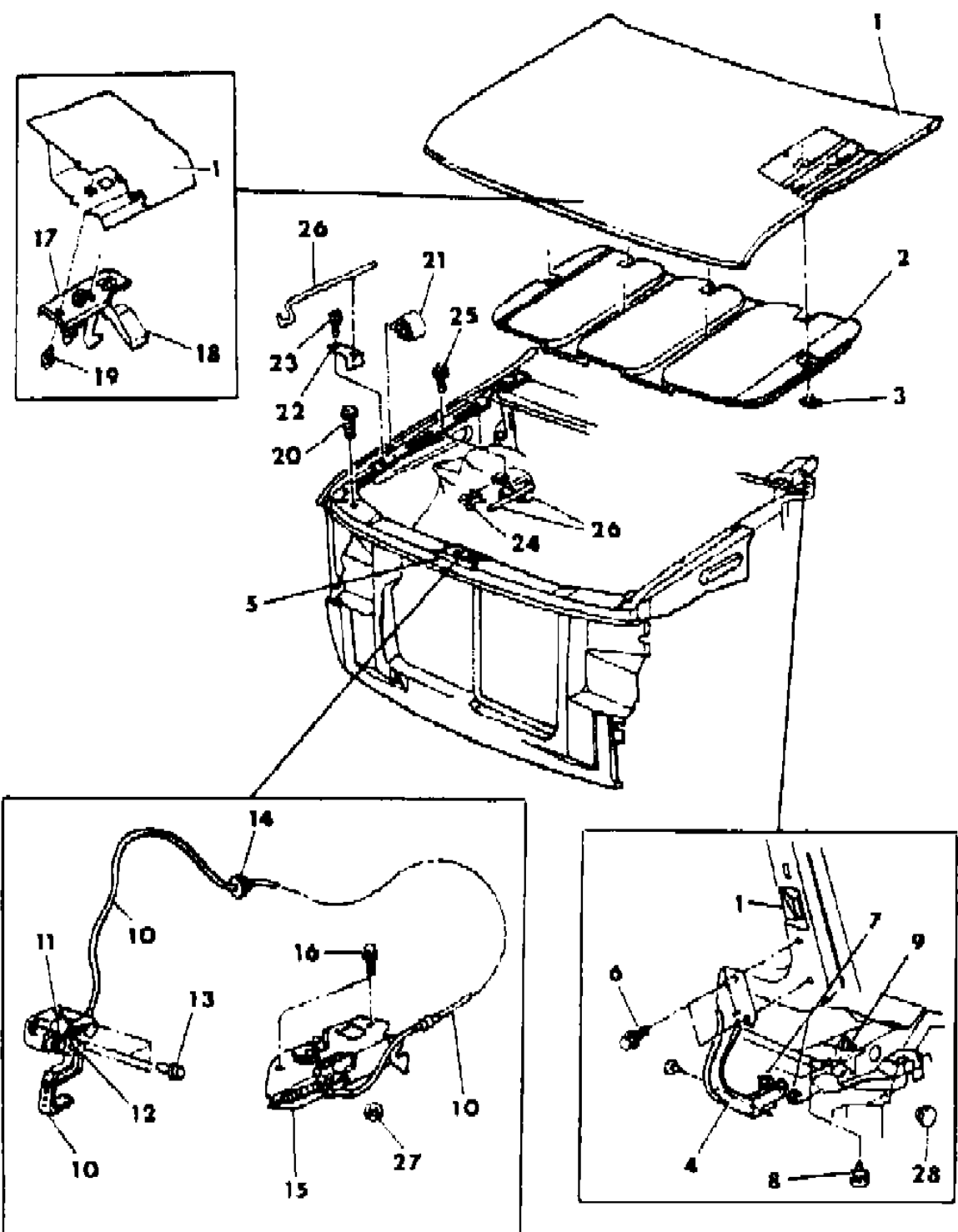
45 = 4-DOOR STATION WAGON

52-53 = FWD WAGON

AR = Use as Required - = Non Illustrated Part P.A.R. = Paint as Required

HOOD AND HOOD RELEASE S BODY
Figure 23A-1290

7189 12900 B



ITEM	PART NUMBER	QTY	BODY	MODEL	DESCRIPTION
1	4325 179	1			HOOD
		AR			SHIM, Washer Hood Not Serviced
2	4049 601	AR			SILENCER MATERIAL, Hood Panel Cut To Fit 36" x 72" (w/Metal Hood)
	4341 384	1			SILENCER, Hood Panel (w/Plastic Hood)
3	6003 351	7			FASTENER, Hood Panel Silencer (w/Metal Hood)
	4341 060	17			FASTENER, Hood Panel Silencer (w/Plastic Hood)
4	4341 726-7	1			ARM and BUSHING, Hood Hinge
5	4341 871	1			REINFORCEMENT, Crossmember Radiator Hood Latch
6	6500 515	4			SCREW and WASHER
7	6030 592	2			NUT, Spring
8	4270 218	1			BUMPER, Hood Hinge Up Stop (Right Side Only)
9	4341 381	2			REINFORCEMENT, w/Pin Cowl Plenum Side Inner Hood Hinge
					Mounting
10	4270 039	1			RELEASE, Inside Hood Latch (Includes Items #11,12 & 14)
11	6022 149	1			NUT, Inside Hood Release Handle To Bracket
12	6031 147	1			NUT, Inside Hood Release Cable To Handle
13	9421 073	3			SCREW
14	5207 294	1			GROMMET, Inside Hood Release Cable To Dash Panel
15	4296 593	1			LATCH, Hood (Body Half)
		1			PLATE and LOCATOR, Hood Latch Safety Catch Serviced In 4296593
16	6501 373	4			SCREW and WASHER
17		1			PLATE, Hood Latch Serviced In 4341849
18	4341 849	1			LATCH and CATCH, Hood Half (Includes Item 17)
19	6101 339	4			SCREW and WASHER
20	4103 165	2			BUMPER, Crossmember to Hood Adjustable
21	4296 227	2			BUMPER, Fender To Hood Side
22	4296 437	1			CLIP, Hood Prop Rod Stowage
23		1			SCREW, #10-16 x .500" Not Serviced
24	#6100 041	AR			U-NUT
25	6501 212	AR			SCREW, w/Washer
26	4296 737	1			ROD and BRACKET, Hood Prop
27	6101 289	AR			NUT, Hood Latch Body Half Screw Repair
28	4296 757	2			BUTTON, Hood Hinge Arm

MODEL CODES

E BODY = (J - CARAVELLE)(E - 600)(T - NEW YORKER)

G BODY = (V24 - DAYTONA)

H BODY = (D44 - LANCER)(C44 - LEBARON GTS)

J BODY = (C - LEBARON)

K BODY = (P - RELIANT)(D - ARIES)(C - LEBAROND)/TOWN & COUNTRY)

L BODY = (M - HORIZON/TURISMO)(Z - OMNI/CHARGER)

M BODY = (B - GRAN FURY)(F - FIFTH AVE/NEWPORT)(G - DIPLOMAT)

P BODY = (P - SUNDANCE)(D - SHADOW)

S BODY = (H - VOYAGER)(K - RAM VAN/CARAVAN)

BODY STYLES

12-13 = FWD VAN

21 = 2-DOOR SEDAN

24 = 2-DOOR HATCHBACK

27 = 2-DOOR CONVERTIBLE

41 = 4-DOOR SEDAN

44 = 4-DOOR HATCHBACK

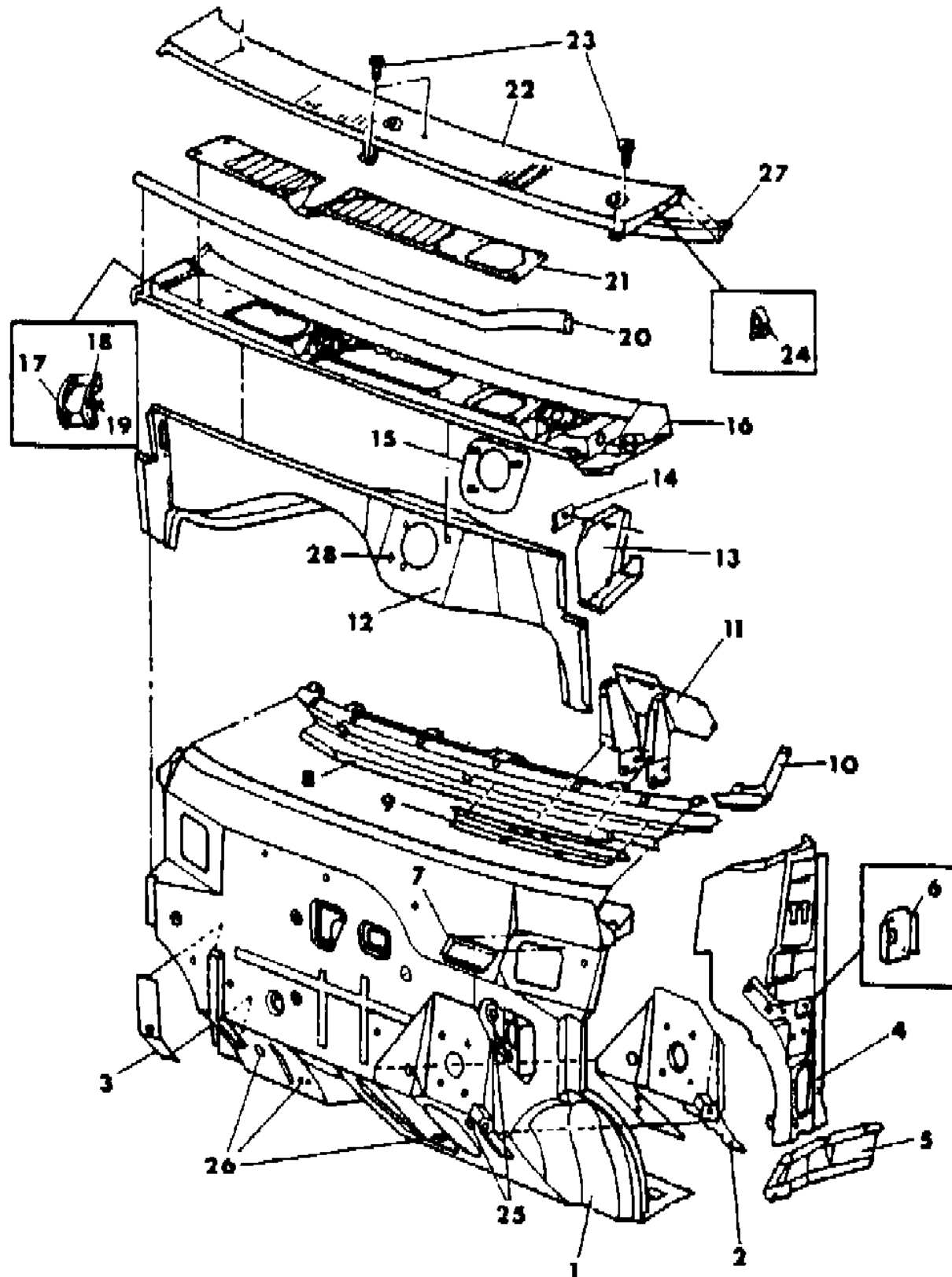
45 = 4-DOOR STATION WAGON

52-53 = FWD WAGON

AR = Use as Required - = Non Illustrated Part P.A.R. = Paint as Required

COWL AND DASH PANEL S BODY
Figure 23A-1300

7188 13000



ITEM	PART NUMBER	QTY	BODY	MODEL	DESCRIPTION
1	4337 360	1			PANEL, Dash
2	4337 329	1			REINFORCEMENT, Dash Panel Accelerator and Brake Pedal
3	4337 276	1			REINFORCEMENT, Dash Panel To Front Side Rail Upper Rt.
4	4278 968-9	1			PANEL, Cowl Side
5	4278 046-7	1			EXTENSION, Body Side Sill Inner Panel
6	4278 733	1			REINFORCEMENT, Cowl Side Park Brake Mounting Bracket
7	4278 415	1			BRACKET, Cowl Plenum Water Deflector Lt.
8	4278 051	1			REINFORCEMENT, Dash Panel Belt
9	4278 675	1			SUPPORT, Dash Panel Belt Reinforcement Steering Column
10	4278 386-7	1			REINFORCEMENT, Dash Panel Belt To Windshield Frame Inner
11	4314 210	1			BRACKET, Dash Panel Steering Column Mounting Support
12	4371 906	1			PANEL, Cowl Plenum Lower Up To 1-12-87
	4416 558	1			After 1-12-87
13	4278 148-9	1			PANEL, Cowl Plenum Side Inner
14	4341 381	2			REINFORCEMENT, w/Pin Cowl Plenum Side Inner Hood Hinge
15	4371 698	1			REINFORCEMENT, Cowl Lower Plenum Windshield Wiper Motor
16	4278 056	1			PANEL, Cowl Plenum Upper
17		2			SEAL, Cowl Top To Body Side Aperture Panel Not Serviced
18	4314 806-7	1			RETAINER, w/Fastener Cowl Top To Body Side Aperture Panel
					Seal (Includes Item 19)
19	6003 808	2			FASTENER
20	4371 542	1			SEAL, Cowl Plenum To Hood
21	4314 059	1			SCREEN, w/Seal Cowl Plenum Upper
22	4371 656	1			PANEL, Cowl Plenum Grille
23		6			SCREW, #8-18 x .625" Not Serviced
24	6032 281	2			CLIP, Cowl Plenum Grille Mounting
25	3445 939	1			PLUG, .906" Dia./23 mm
26	5200 456	3			PLUG, 2.75" Dia./70 mm
27		1			SEAL, Cowl Plenum Grille Panel To Windshield Not Serviced
28	6030 441	1			PLUG, Cowl Plenum Lower Windshield Wiper Motor Mounting P/
					Nut

MODEL CODES

E BODY = (J - CARAVELLE)(E - 600)(T - NEW YORKER)

G BODY = (V24 - DAYTONA)

H BODY = (D44 - LANCER)(C44 - LEBARON GTS)

J BODY = (C - LEBARON)

K BODY = (P - RELIANT)(D - ARIES)(C - LEBAROND)/TOWN & COUNTRY)

L BODY = (M - HORIZON/TURISMO)(Z - OMNI/CHARGER)

M BODY = (B - GRAN FURY)(F - FIFTH AVE/NEWPORT)(G - DIPLOMAT)

P BODY = (P - SUNDANCE)(D - SHADOW)

S BODY = (H - VOYAGER)(K - RAM VAN/CARAVAN)

BODY STYLES

12-13 = FWD VAN

21 = 2-DOOR SEDAN

24 = 2-DOOR HATCHBACK

27 = 2-DOOR CONVERTIBLE

41 = 4-DOOR SEDAN

44 = 4-DOOR HATCHBACK

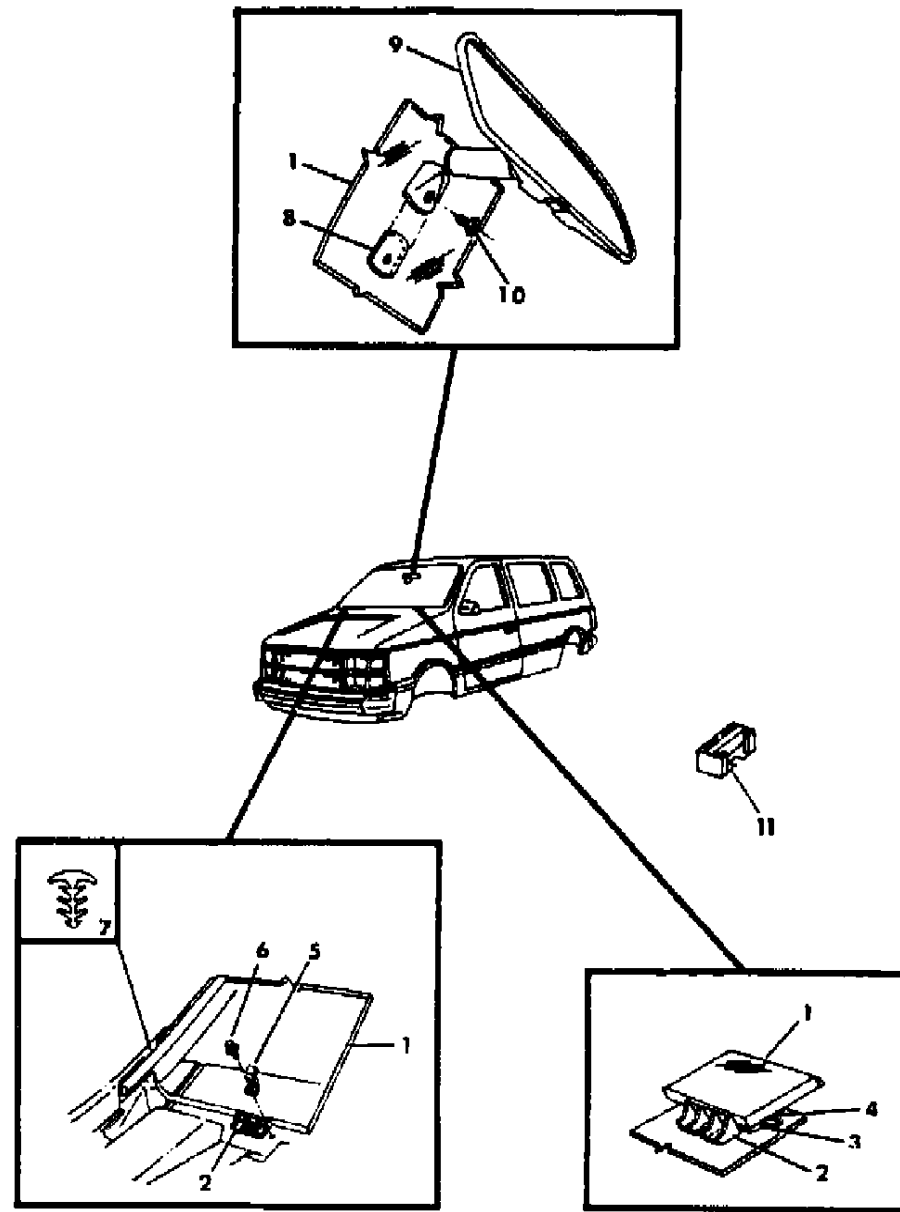
45 = 4-DOOR STATION WAGON

52-53 = FWD WAGON

AR = Use as Required - = Non Illustrated Part P.A.R. = Paint as Required

GLASS WINDSHIELD AND MIRROR S BODY
Figure 23A-1310

7100 13100A



ITEM	PART NUMBER	QTY	BODY	MODEL	DESCRIPTION
------	-------------	-----	------	-------	-------------

NOTE: GLASS, WINDSHIELD - ORDER FROM YOUR LOCAL "MOPAR" GLASS DISTRIBUTOR s group.

1	4278 865	1			GLASS, Windshield Tinted (E-Marked)
2	4206 543	2			SPACER, Windshield Lower
3		AR			ADHESIVE, Windshield Polyurethane (Serviced in Package #4267906)
4	4206 848	AR			DAM, Windshield Glass Adhesive (119")
5	4337 032	2			CLIP, Windshield Hold-Down
6		2			SCREW, #8-18 x .375" Not Serviced
7	4314 873	AR			MOULDING, Windshield Glass Repair (114")
8	4054 098	1			BUTTON, Inside Rear View Mirror Mounting
	4293 039	1			ADHESIVE PACKAGE, Rear View Mirror Button Mounting (Includes Adhesive & Instructions)
9	4299 325	1			MIRROR, Rear View
10	6031 094	1			SCREW
11	3767 767	AR			SHIM, Windshield Lower Spacer (.07)
	3767 196	AR			SHIM, Windshield Lower Spscer (.106)

NOTE: The following items are not shown on illustrstion. s group.

PKG A	4267 906	1			REPAIR PACKAGE, Windshield & Rear Window CONSISTS OF: 1- ----- Polyurethane, 11.5 oz. 1- ----- Fence Primer, 1 oz. 1- ----- Glass Wipe-Off Primer, 1 oz. 1- ----- Glass Black-Out Primer, 1 oz. 1- ----- Nozzle
-------	----------	---	--	--	---

MODEL CODES

E BODY = (J - CARAVELLE)(E - 600)(T - NEW YORKER)

G BODY = (V24 - DAYTONA)

H BODY = (D44 - LANCER)(C44 - LEBARON GTS)

J BODY = (C - LEBARON)

K BODY = (P - RELIANT)(D - ARIES)(C - LEBAROND)/TOWN & COUNTRY)

L BODY = (M - HORIZON/TURISMO)(Z - OMNI/CHARGER)

M BODY = (B - GRAN FURY)(F - FIFTH AVE/NEWPORT)(G - DIPLOMAT)

P BODY = (P - SUNDANCE)(D - SHADOW)

S BODY = (H - VOYAGER)(K - RAM VAN/CARAVAN)

BODY STYLES

12-13 = FWD VAN

21 = 2-DOOR SEDAN

24 = 2-DOOR HATCHBACK

27 = 2-DOOR CONVERTIBLE

41 = 4-DOOR SEDAN

44 = 4-DOOR HATCHBACK

45 = 4-DOOR STATION WAGON

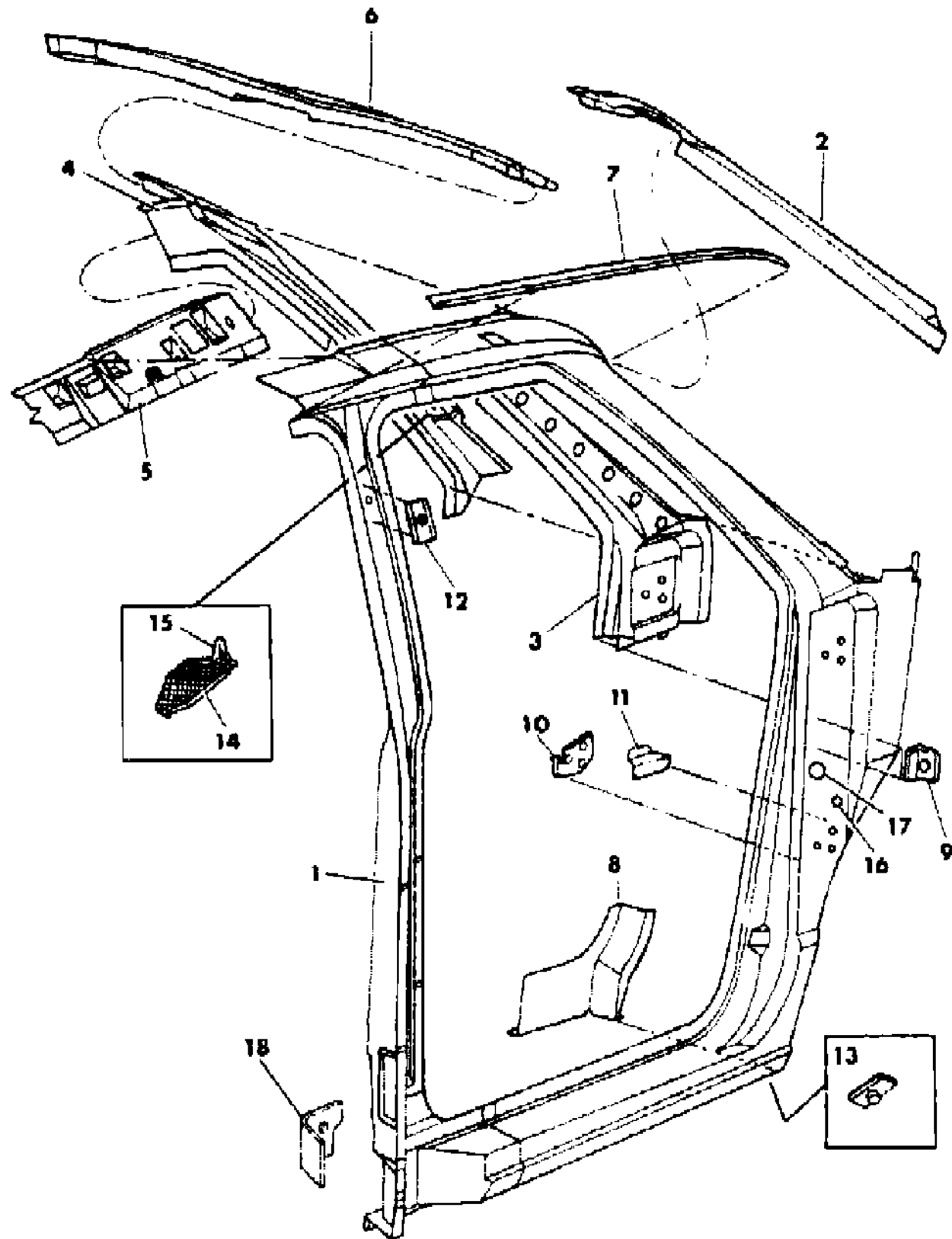
52-53 = FWD WAGON

AR = Use as Required - = Non Illustrated Part P.A.R. = Paint as Required

BODY FRONT PILLAR AND APERTURE PANEL S BODY

Figure 23A-1320

7189 13200 A



ITEM	PART NUMBER	QTY	BODY	MODEL	DESCRIPTION
1	4416 212	1			PANEL, Body Side Aperture Front Rt.
	4337 801	1			PANEL, Body Side Aperture Lt.
2	4314 850-1	1			PANEL, Windshield Opening Side
3	4371 460-1	1			FRAME, Windshield Side Outer
4	4416 216-7	1			FRAME, Windshield Side Inner
5					RAIL, Roof Side Inner
	4337 252	1			Right
	4386 699	1			Left
6	4416 211	1			FRAME, Windshield Opening Upper
7	4278 006-7	1		12,52	TROUGH, Roof Side Drain
	4385 010-1	1		13,53	
8	4278 612-3	1			REINFORCEMENT, Jacking Pad Locator Front
9	4314 093	2			BRACKET, Body Side Aperture Front To Fender Center
10	4314 558-9	2			PLATE, Body Front Pillar Hinge Tapping
11	4278 408-9	1			REINFORCEMENT, Body Side Aperture Front Door Lower Hinge Mounting
12	4337 394	2			REINFORCEMENT, Body Side Aperture Front Shoulder Belt Mounting Rt.
13	4314 277	4			PLATE, Body Side Aperture Jack Locator
14	4337 388-9	1		52,53	SEAL, Windshield Side Frame Outer To Inner (Includes Item #15)
15		AR			FASTENER, Not Serviced
16	2860 332	1			PLUG, .500" Dia./13mm
17	6030 773	2			PLUG, 2.25" Dia./57mm
18	4416 231	1			REINFORCEMENT, Body Side Aperture Seat Belt

MODEL CODES

E BODY = (J - CARAVELLE)(E - 600)(T - NEW YORKER)

G BODY = (V24 - DAYTONA)

H BODY = (D44 - LANCER)(C44 - LEBARON GTS)

J BODY = (C - LEBARON)

K BODY = (P - RELIANT)(D - ARIES)(C - LEBAROND)/TOWN & COUNTRY)

L BODY = (M - HORIZON/TURISMO)(Z - OMNI/CHARGER)

M BODY = (B - GRAN FURY)(F - FIFTH AVE/NEWPORT)(G - DIPLOMAT)

P BODY = (P - SUNDANCE)(D - SHADOW)

S BODY = (H - VOYAGER)(K - RAM VAN/CARAVAN)

BODY STYLES

12-13 = FWD VAN

21 = 2-DOOR SEDAN

24 = 2-DOOR HATCHBACK

27 = 2-DOOR CONVERTIBLE

41 = 4-DOOR SEDAN

44 = 4-DOOR HATCHBACK

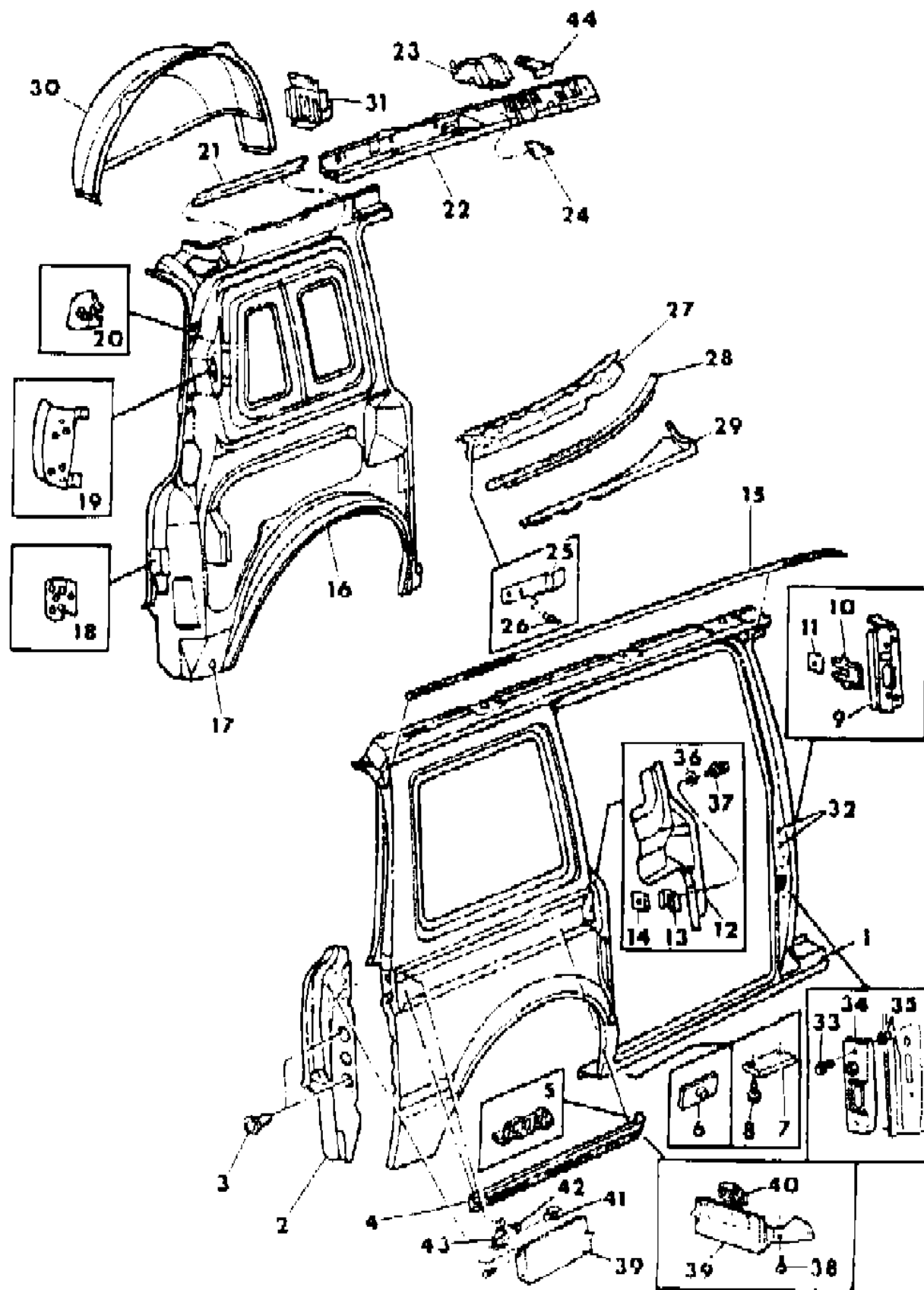
45 = 4-DOOR STATION WAGON

52-53 = FWD WAGON

AR = Use as Required - = Non Illustrated Part P.A.R. = Paint as Required

BODY REAR QUARTER (RIGHT) S BODY
Figure 23A-1330

7189 13300 A



ITEM	PART NUMBER	QTY	BODY	MODEL	DESCRIPTION
1					PANEL, Body Side Aperture Rear
	4416 048	1		12	
	4416 050	1		52	
	4385 014	1		13	
	4385 016	1		53	
2	4337 910	1			PANEL, Body Side Aperture Rear Extension
3	4314 044	2			CUP, w/Seal Body Side Aperture Rear Extension
4	4341 162	1			TRACK and BRACKET, Sliding Door Center Includes Item 5
	4385 080	1			TRACK, Center Sliding Door Center
5	4314 609	1			BRACKET, Sliding Door Center Track Cover Front
	4385 088	1			BRACKET, Sliding Door Center Track Over Travel Stop
	4341 977	AR			BRACKET, Sliding Door Upper Front
6	4314 277	4			PLATE, Body Side Aperture Jack Locator
7	4385 108	AR			PAD, Body Side Aperture Rear Hoisting
8		2			SCREW and WASHER, Not Serviced
9	4278 066	1			REINFORCEMENT, Body Side Aperture Front Door Latch Striker
10	4314 092	1			RETAINER, Body Side Aperture Front Door Latch Striker T-Plate
11	4314 743	1			T-PLATE, Body Side Aperture Front Door Latch Striker
12	4385 078	1			REINFORCEMENT, Body Side Aperture Sliding Door Latch Striker
	4440 542	1			BRACE, Bodyside Aperture To Bodyside Sill Inner
13	4337 153	1			RETAINER, Body Side Aperture Sliding Door Latch Striker T-Plate
14	4337 152	1			T-PLATE, Body Side Aperture Sliding Door Latch Striker
15	4278 006	1		12,52	TROUGH, Roof Side Drain
	4385 010	1		13,53	
16		1			PANEL, Quarter Inner & Wheelhouse Outer
	4385 102	1		12	Up To 9-25-86
	4440 468	1			After 9-25-86
	4385 104	1		52	Up To 9-25-86
	4440 470	1			After 9-25-86
	4385 006	1		13	
	4385 008	1		53	
17	4073 485	1			PLUG, 1.50" Dia./38 mm
18	4314 049	1			REINFORCEMENT, Quarter Inner Panel Liftgate Stabilizer
19	4341 062	1			T-PLATE, Rear Quarter Window Latch
20	4336 398	1			REINFORCEMENT, Quarter Inner Panel Liftgate Prop Mounting

MODEL CODES

E BODY = (J - CARAVELLE)(E - 600)(T - NEW YORKER)

G BODY = (V24 - DAYTONA)

H BODY = (D44 - LANCER)(C44 - LEBARON GTS)

J BODY = (C - LEBARON)

K BODY = (P - RELIANT)(D - ARIES)(C - LEBAROND)/TOWN & COUNTRY)

L BODY = (M - HORIZON/TURISMO)(Z - OMNI/CHARGER)

M BODY = (B - GRAN FURY)(F - FIFTH AVE/NEWPORT)(G - DIPLOMAT)

P BODY = (P - SUNDANCE)(D - SHADOW)

S BODY = (H - VOYAGER)(K - RAM VAN/CARAVAN)

BODY STYLES

12-13 = FWD VAN

21 = 2-DOOR SEDAN

24 = 2-DOOR HATCHBACK

27 = 2-DOOR CONVERTIBLE

41 = 4-DOOR SEDAN

44 = 4-DOOR HATCHBACK

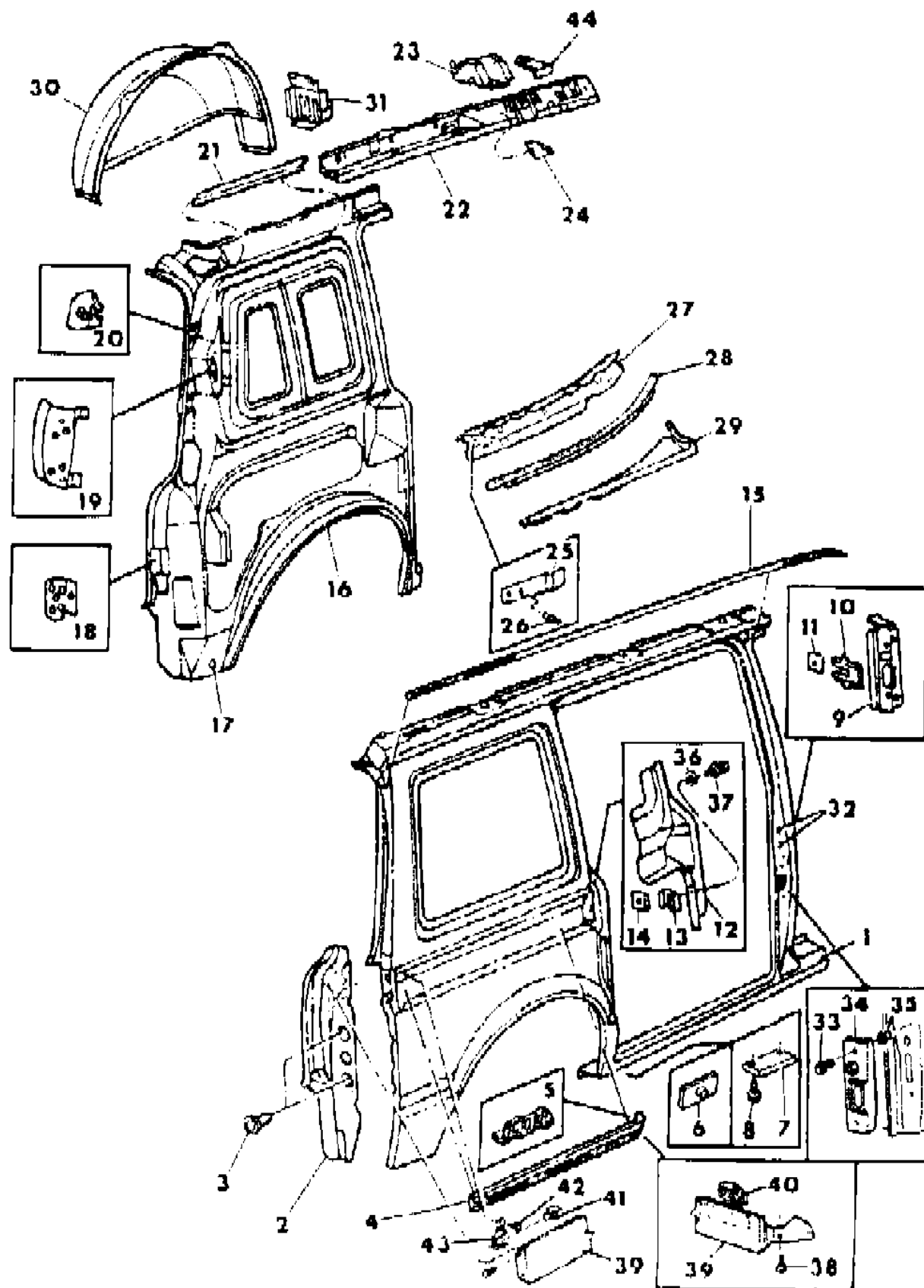
45 = 4-DOOR STATION WAGON

52-53 = FWD WAGON

AR = Use as Required - = Non Illustrated Part P.A.R. = Paint as Required

BODY REAR QUARTER (RIGHT) S BODY
Figure 23A-1330

7189 13300 A



ITEM	PART NUMBER	QTY	BODY	MODEL	DESCRIPTION
21	4337 110	1		12,13	REINFORCEMENT, Body Side Aperture To Quarter Inner Panel Rear
	4385 054	1		13	REINFORCEMENT, Body Side Aperture To Quarter Inner Rt.
22	4337 252	1			RAIL, Roof Side Inner
23	4337 253	1			SUPPORT, Roof Side Rail Inner To Sliding Door Upper Track
24	4314 508	1			SEAL, Body Side Aperture To Roof Side Rail Inner
25	4280 966	1			SPRING, Sliding Door Lower Stop Hold-Open Up To 12-10-86
	4475 128	1			After 12-10-86
26		2			RIVET, 1/8" Dia. x 3/16" Grip Range Not Serviced
27	4337 254	1			REINFORCEMENT, Sliding Door Lower Track
28	4296 286	1			TRACK, Sliding Door Lower Up To 1-5-87
	4490 003	1			After 1-5-87
29	4341 428	1			SUPPORT, Sliding Door Lower Track
30	4385 018-9	1			PANEL, Wheelhouse Inner
31	4278 556	1			REINFORCEMENT, Wheelhouse Inner To Sill Inner
	4385 048	1			REINFORCEMENT, Body Side Aperture Jacking
32	6025 871	2			PLUG, Body Side Aperture Sliding Door Dome Lamp & Door Ajar Switch Holes
33	6500 827	2			SCREW and WASHER
34	4280 768	1			GUIDE, Stabilizer
	4280 781	1			SEAL, Guide Bracket
35		1			RIVET, Nut Not Serviced
36	4184 105	AR			SPACER, Striker
37	4336 826	1			STRIKER, Door
38		4			SCREW, Track Cover Not Serviced
39	4385 094	1			PANEL, Body Side Aperture Sliding Door Track Cover Short Wheel Base
	4385 050	1			Long Wheel Base
40	6501 071	4			RETAINER, Track Cover
41	4365 225	1			BUMPER, Over Travel Stop Bracket
42		1			SCREW, Not Serviced
43	4336 569	1			BRACKET, Over Travel Stop
44	4445 440	1			BRACKET, Sliding Door Upper Track To Rail

MODEL CODES

E BODY = (J - CARAVELLE)(E - 600)(T - NEW YORKER)

G BODY = (V24 - DAYTONA)

H BODY = (D44 - LANCER)(C44 - LEBARON GTS)

J BODY = (C - LEBARON)

K BODY = (P - RELIANT)(D - ARIES)(C - LEBAROND)/TOWN & COUNTRY)

L BODY = (M - HORIZON/TURISMO)(Z - OMNI/CHARGER)

M BODY = (B - GRAN FURY)(F - FIFTH AVE/NEWPORT)(G - DIPLOMAT)

P BODY = (P - SUNDANCE)(D - SHADOW)

S BODY = (H - VOYAGER)(K - RAM VAN/CARAVAN)

BODY STYLES

12-13 = FWD VAN

21 = 2-DOOR SEDAN

24 = 2-DOOR HATCHBACK

27 = 2-DOOR CONVERTIBLE

41 = 4-DOOR SEDAN

44 = 4-DOOR HATCHBACK

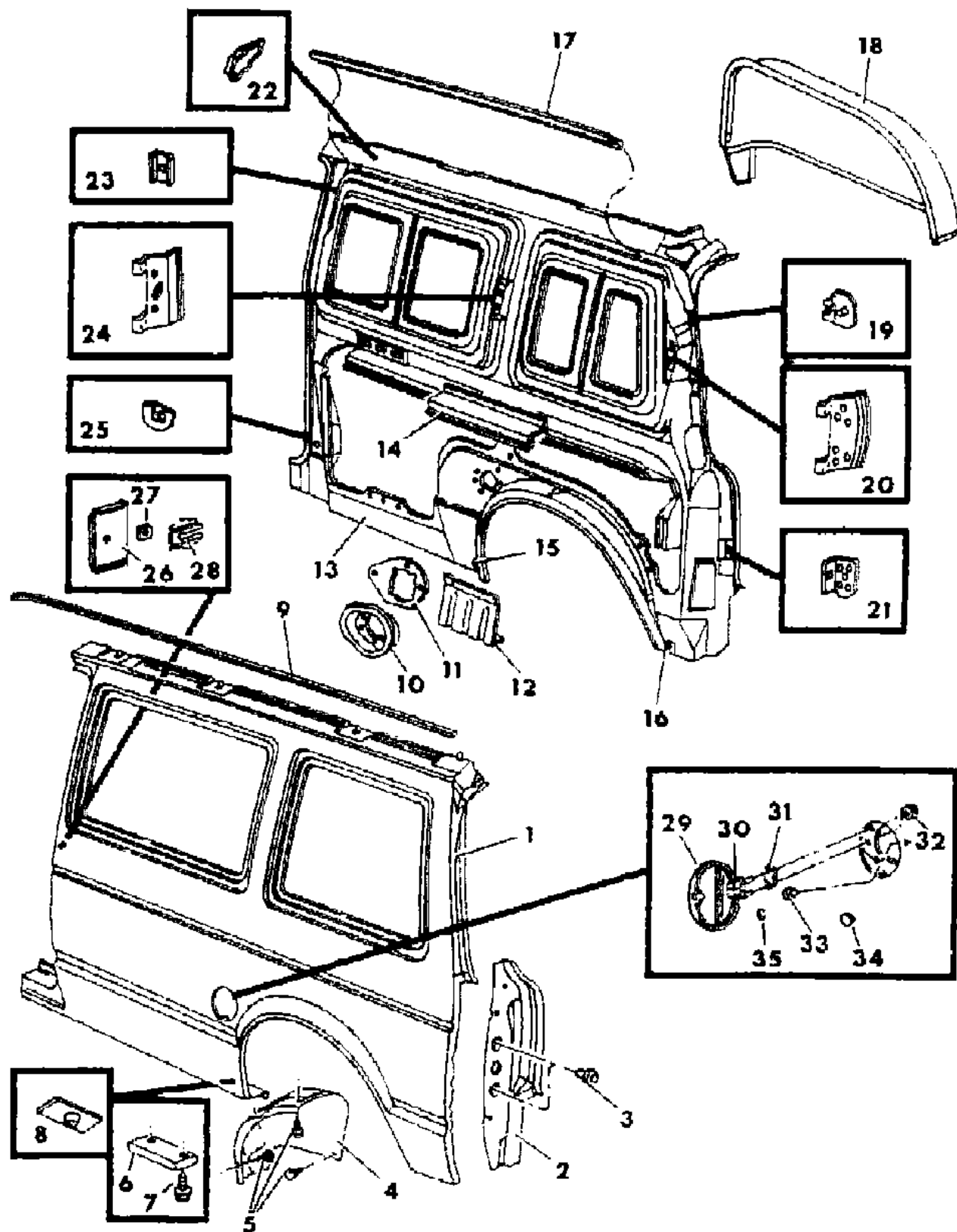
45 = 4-DOOR STATION WAGON

52-53 = FWD WAGON

AR = Use as Required - = Non Illustrated Part P.A.R. = Paint as Required

BODY REAR QUARTER (LEFT) S BODY
Figure 23A-1340

7189 13400 A



ITEM	PART NUMBER	QTY	BODY	MODEL	DESCRIPTION
1					PANEL, Body Side Aperture Rear
	4416 233	1		12	
	4416 051	1		52	
	4385 015	1		13	
	4385 017	1		53	
2	4337 911	1			PANEL, Body Side Aperture Rear Extension
3	4314 044	2			CUP, w/Seal Body Side Aperture Rear Extension
4	4314 541	1			SHIELD, Rear Wheelhouse Front
5		4			SCREW, 1/4"-14 x .875" Not Serviced
6	4385 108	AR			PAD, Body Side Aperture Rear Hoisting Not Serviced
7		2			SCREW and WASHER, Not Serviced
8	4314 277	1			PLATE, Body Side Aperture Jack Locator
9	4278 007	1		12,52	TROUGH, Roof Side Drain
	4385 011	1		13,53	
10	4278 389	1			REINFORCEMENT, Body Side Aperture Fuel Filler Door Opening
11	4337 399	1			ADHESIVE, Inner To Fuel Filler
	6032 294	3			FASTENER, Adhesive Gasket
12	4278 553	1			REINFORCEMENT, Body Side Aperture Jacking Bracket
13		1			PANEL, Quarter Inner and Wheelhouse Outer
	4385 103	1		12	Up To 10-6-86
	4440 469	1			After 10-6-86
	4385 105	1		52	Up To 9-25-86
	4440 471	1			After 9-25-86
	4385 007	1		13	
	4385 009	1		53	
14	4341 559	1			REINFORCEMENT, Quarter Inner & Wheelhouse Outer
15	4073 485	1			PLUG, 1.50" Dia./38mm
16	4073 485	1			PLUG, 1.50" Dia./38mm
17	4337 109	1		12	REINFORCEMENT, Body Side Aperture Rear To Quarter Inner Panel
	4385 055	1		13	
18	4385 019	1			PANEL, Wheelhouse Inner
19	4336 398	1			REINFORCEMENT, Quarter Inner Panel Liftgate Prop Mounting
20	4341 063	1		52,53	T-PLATE, Rear Quarter Window Latch
21	4314 049	1			REINFORCEMENT, Quarter Inner Panel Liftgate Stabilizer
22	4337 111	1		52,53	SEAL, Body Side Aperture To Quarter Inner Panel
23	4337 394	1			REINFORCEMENT, Body Side Aperture Front Shoulder Belt Mounting

MODEL CODES

E BODY = (J - CARAVELLE)(E - 600)(T - NEW YORKER)

G BODY = (V24 - DAYTONA)

H BODY = (D44 - LANCER)(C44 - LEBARON GTS)

J BODY = (C - LEBARON)

K BODY = (P - RELIANT)(D - ARIES)(C - LEBAROND)/TOWN & COUNTRY)

L BODY = (M - HORIZON/TURISMO)(Z - OMNI/CHARGER)

M BODY = (B - GRAN FURY)(F - FIFTH AVE/NEWPORT)(G - DIPLOMAT)

P BODY = (P - SUNDANCE)(D - SHADOW)

S BODY = (H - VOYAGER)(K - RAM VAN/CARAVAN)

BODY STYLES

12-13 = FWD VAN

21 = 2-DOOR SEDAN

24 = 2-DOOR HATCHBACK

27 = 2-DOOR CONVERTIBLE

41 = 4-DOOR SEDAN

44 = 4-DOOR HATCHBACK

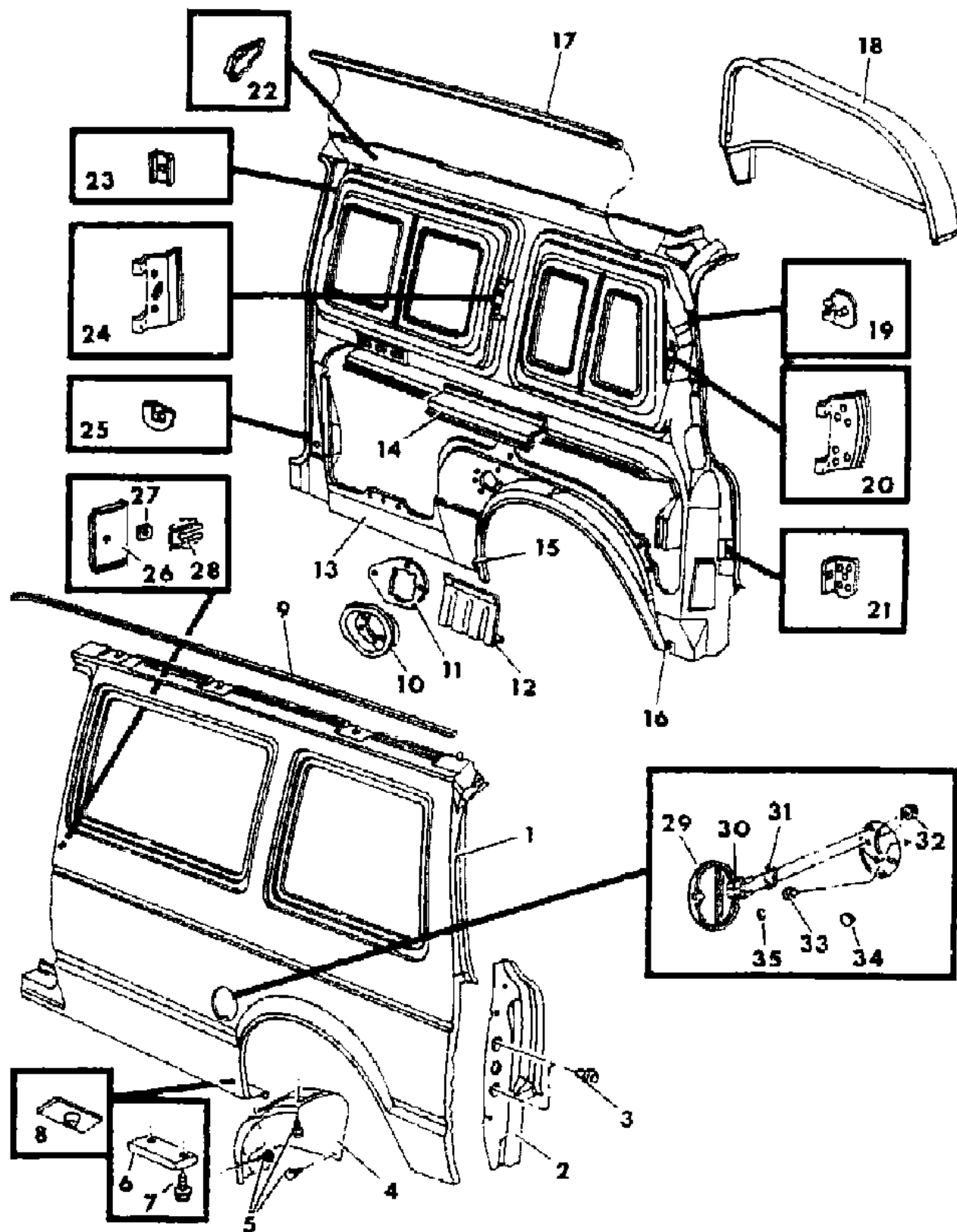
45 = 4-DOOR STATION WAGON

52-53 = FWD WAGON

AR = Use as Required - = Non Illustrated Part P.A.R. = Paint as Required

BODY REAR QUARTER (LEFT) S BODY
Figure 23A-1340

7188 13400 A



ITEM	PART NUMBER	QTY	BODY	MODEL	DESCRIPTION
24	4341 061	1		52,53	T-PLATE, Front Quarter Window Latch
25	4337 267	1			REINFORCEMENT, Body Side Aperture Front Shoulder Belt Retractor Mounting
26	4278 067	1			REINFORCEMENT, Body Side Aperture Front Door Striker
27	4314 743	1			T-PLATE, Body Side Aperture Front Door Striker
28	4314 092	1			RETAINER, Body Side Aperture Front Door Striker T-Plate
29	4371 447	1			DOOR and HINGE, Body Aperture Fuel Filler Manual Remote
30	4371 910	1			Remote
30	4337 155	1			PLATE, Body Side Aperture Fuel Filler Door
31		AR			SHIM, Body Side Aperture Fuel Filler Door Not Serviced
32	6032 641	2			NUT and WASHER
33	4314 923	1			BUMPER, Body Side Aperture Fuel Filler Door Remote Up To 2-1-87
	4416 985	2			After 2-1-87
34	3760 482	1			PLUG, Fuel Filler Opening
35	1626 749	1			E-RING, (Clip) Fuel Filler Opening

MODEL CODES

E BODY = (J - CARAVELLE)(E - 600)(T - NEW YORKER)

G BODY = (V24 - DAYTONA)

H BODY = (D44 - LANCER)(C44 - LEBARON GTS)

J BODY = (C - LEBARON)

K BODY = (P - RELIANT)(D - ARIES)(C - LEBAROND)/TOWN & COUNTRY)

L BODY = (M - HORIZON/TURISMO)(Z - OMNI/CHARGER)

M BODY = (B - GRAN FURY)(F - FIFTH AVE/NEWPORT)(G - DIPLOMAT)

P BODY = (P - SUNDANCE)(D - SHADOW)

S BODY = (H - VOYAGER)(K - RAM VAN/CARAVAN)

BODY STYLES

12-13 = FWD VAN

41 = 4-DOOR SEDAN

21 = 2-DOOR SEDAN

44 = 4-DOOR HATCHBACK

24 = 2-DOOR HATCHBACK

45 = 4-DOOR STATION WAGON

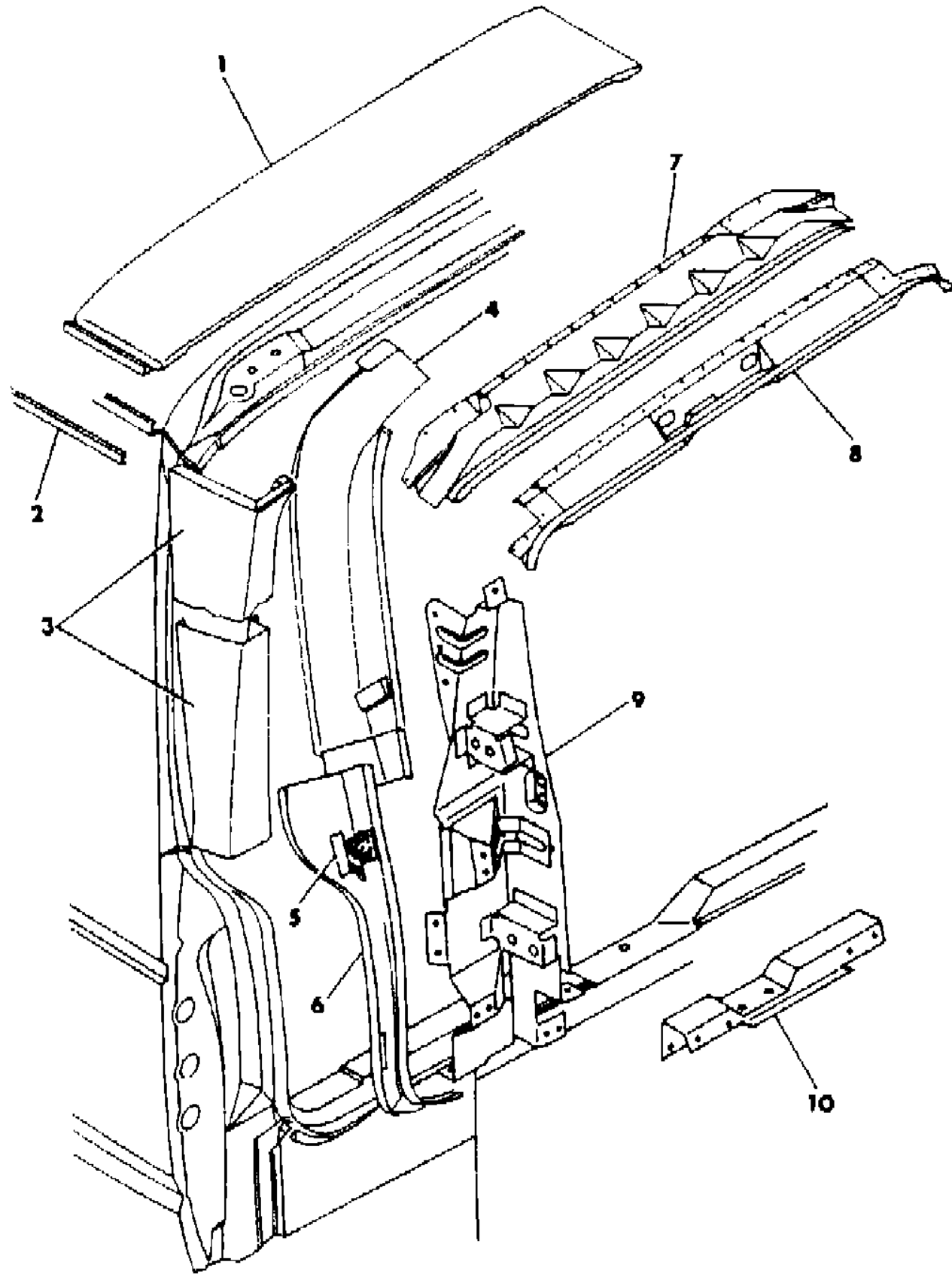
27 = 2-DOOR CONVERTIBLE

52-53 = FWD WAGON

AR = Use as Required - = Non Illustrated Part P.A.R. = Paint as Required

PANEL AND EXTENSION DUAL CARGO DOORS S BODY 13,53
Figure 23A-1350

7189 13500



ITEM	PART NUMBER	QTY	BODY	MODEL	DESCRIPTION
1	4386 426	1			PANEL, Roof Extension Rear
2	4398 450-1	1			MOULDING, Roof Side Drain Trough
3	4371 756-7	1			PANEL and EXTENSION
4		1			PANEL, Quarter Inner Upper Extension Not Serviced
5	4386 642-3	2			EXTENSION, Roof Drain Trough
6	4386 420-1	1			PANEL, Quarter Inner Lower Extension
7	4386 424	1			REINFORCEMENT, Liftgate Header Extension
8	4386 425	1			FRAME, Liftgate Header Extension
9	4386 422-3	1			REINFORCEMENT, Quarter Inner Extension
10	4386 479	1			PANEL and T-PLATE, Sill

MODEL CODES

E BODY = (J - CARAVELLE)(E - 600)(T - NEW YORKER)

G BODY = (V24 - DAYTONA)

H BODY = (D44 - LANCER)(C44 - LEBARON GTS)

J BODY = (C - LEBARON)

K BODY = (P - RELIANT)(D - ARIES)(C - LEBAROND)/TOWN & COUNTRY)

L BODY = (M - HORIZON/TURISMO)(Z - OMNI/CHARGER)

M BODY = (B - GRAN FURY)(F - FIFTH AVE/NEWPORT)(G - DIPLOMAT)

P BODY = (P - SUNDANCE)(D - SHADOW)

S BODY = (H - VOYAGER)(K - RAM VAN/CARAVAN)

BODY STYLES

12-13 = FWD VAN

21 = 2-DOOR SEDAN

24 = 2-DOOR HATCHBACK

27 = 2-DOOR CONVERTIBLE

41 = 4-DOOR SEDAN

44 = 4-DOOR HATCHBACK

45 = 4-DOOR STATION WAGON

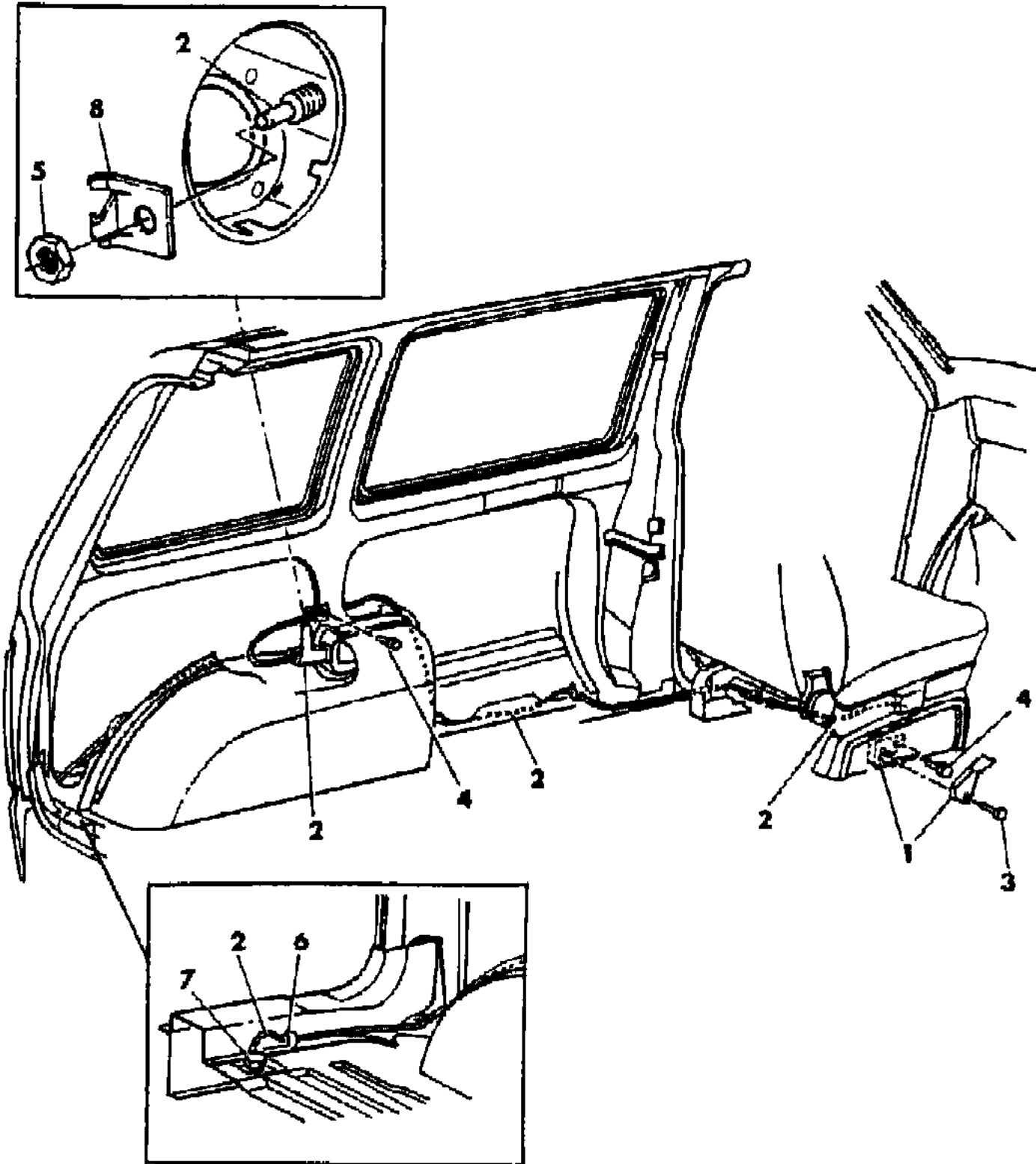
52-53 = FWD WAGON

AR = Use as Required - = Non Illustrated Part P.A.R. = Paint as Required

FUEL FILLER REMOTE RELEASE S BODY

Figure 23A-1360

7189 13600 A



ITEM	PART NUMBER	QTY	BODY	MODEL	DESCRIPTION
1	4314 969	1			HANDLE, w/Bracker Body Side Aperture Remote Fuel Filler Door Release
2	4314 498	1			CABLE, w/Bracket Body Side Aperture Remote Fuel Filler Door Release (Includes Auxilliary Release Cable)
3	6500 981	1			SCREW
4	6032 196	2			SCREW
5		1			NUT, M12 x 1.75" Not Serviced
6		1			CLIP, Not Serviced
7		1			BOLT, Spare Tire Winch (See Group 22-Illustrations)
8	4371 896	1			SPRING, Body Side Fuel Filler Door Remote

MODEL CODES

E BODY = (J - CARAVELLE)(E - 600)(T - NEW YORKER)

G BODY = (V24 - DAYTONA)

H BODY = (D44 - LANCER)(C44 - LEBARON GTS)

J BODY = (C - LEBARON)

K BODY = (P - RELIANT)(D - ARIES)(C - LEBAROND)/TOWN & COUNTRY)

L BODY = (M - HORIZON/TURISMO)(Z - OMNI/CHARGER)

M BODY = (B - GRAN FURY)(F - FIFTH AVE/NEWPORT)(G - DIPLOMAT)

P BODY = (P - SUNDANCE)(D - SHADOW)

S BODY = (H - VOYAGER)(K - RAM VAN/CARAVAN)

BODY STYLES

12-13 = FWD VAN

21 = 2-DOOR SEDAN

24 = 2-DOOR HATCHBACK

27 = 2-DOOR CONVERTIBLE

41 = 4-DOOR SEDAN

44 = 4-DOOR HATCHBACK

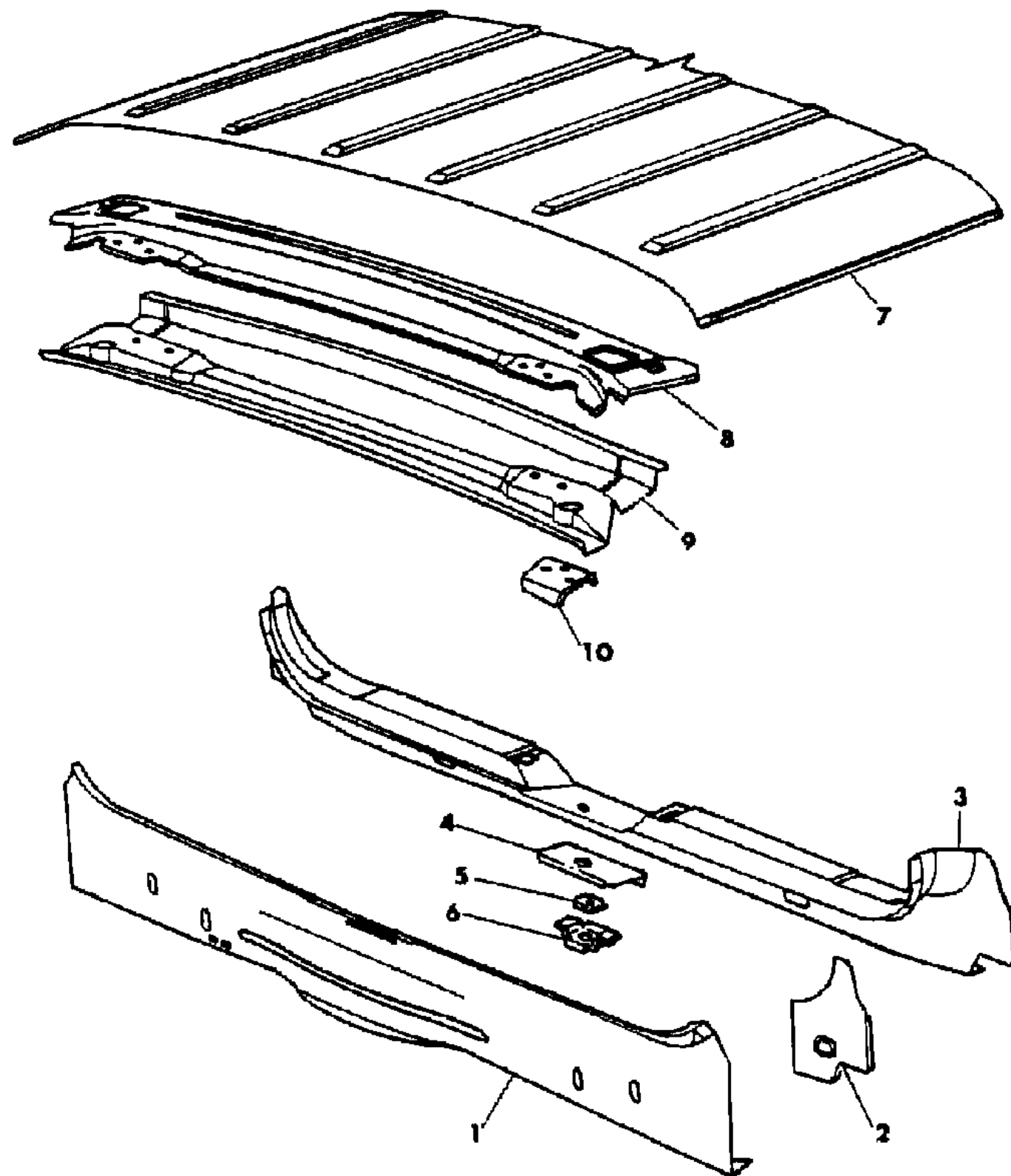
45 = 4-DOOR STATION WAGON

52-53 = FWD WAGON

AR = Use as Required - = Non Illustrated Part P.A.R. = Paint as Required

LIFTGATE OPENING PANEL S BODY
Figure 23A-1370

7188 13700



ITEM	PART NUMBER	QTY	BODY	MODEL	DESCRIPTION
1	4296 698	1		12,52	PANEL, Liftgate Opening Lower
	4385 027	1		13,53	PANEL, w/P-Nut Liftgate Opening Panel
2	4337 012-3	1		12,52	SUPPORT, Liftgate Opening Lower Reinforcement
	4385 060-1	1		13,53	
3	4337 025	1		12,52	REINFORCEMENT, Liftgate Opening Lower Panel
	4385 028	1		13,53	
4	4278 187	1		12,52	REINFORCEMENT, Liftgate Opening Lower Panel Latch Striker
	4385 029	1		13,53	
5		1			T-PLATE, Liftgate Latch Striker (6500791 Not Serviced)
6	4278 557	1			RETAINER, Liftgate Latch Striker T-Plate
7					PANEL, Roof Outer (See Roof Panel Illus.)
8	4386 729	1			REINFORCEMENT, Liftgate Opening Upper Frame
9	4386 727	1			FRAME, Liftgate Opening Upper Up To 2-6-87
	4490 005	1			After 2-6-87
10	4386 754-5	1			REINFORCEMENT, Liftgate Opening Upper Frame Hinge

MODEL CODES

E BODY = (J - CARAVELLE)(E - 600)(T - NEW YORKER)

G BODY = (V24 - DAYTONA)

H BODY = (D44 - LANCER)(C44 - LEBARON GTS)

J BODY = (C - LEBARON)

K BODY = (P - RELIANT)(D - ARIES)(C - LEBAROND)/TOWN & COUNTRY)

L BODY = (M - HORIZON/TURISMO)(Z - OMNI/CHARGER)

M BODY = (B - GRAN FURY)(F - FIFTH AVE/NEWPORT)(G - DIPLOMAT)

P BODY = (P - SUNDANCE)(D - SHADOW)

S BODY = (H - VOYAGER)(K - RAM VAN/CARAVAN)

BODY STYLES

12-13 = FWD VAN

21 = 2-DOOR SEDAN

24 = 2-DOOR HATCHBACK

27 = 2-DOOR CONVERTIBLE

41 = 4-DOOR SEDAN

44 = 4-DOOR HATCHBACK

45 = 4-DOOR STATION WAGON

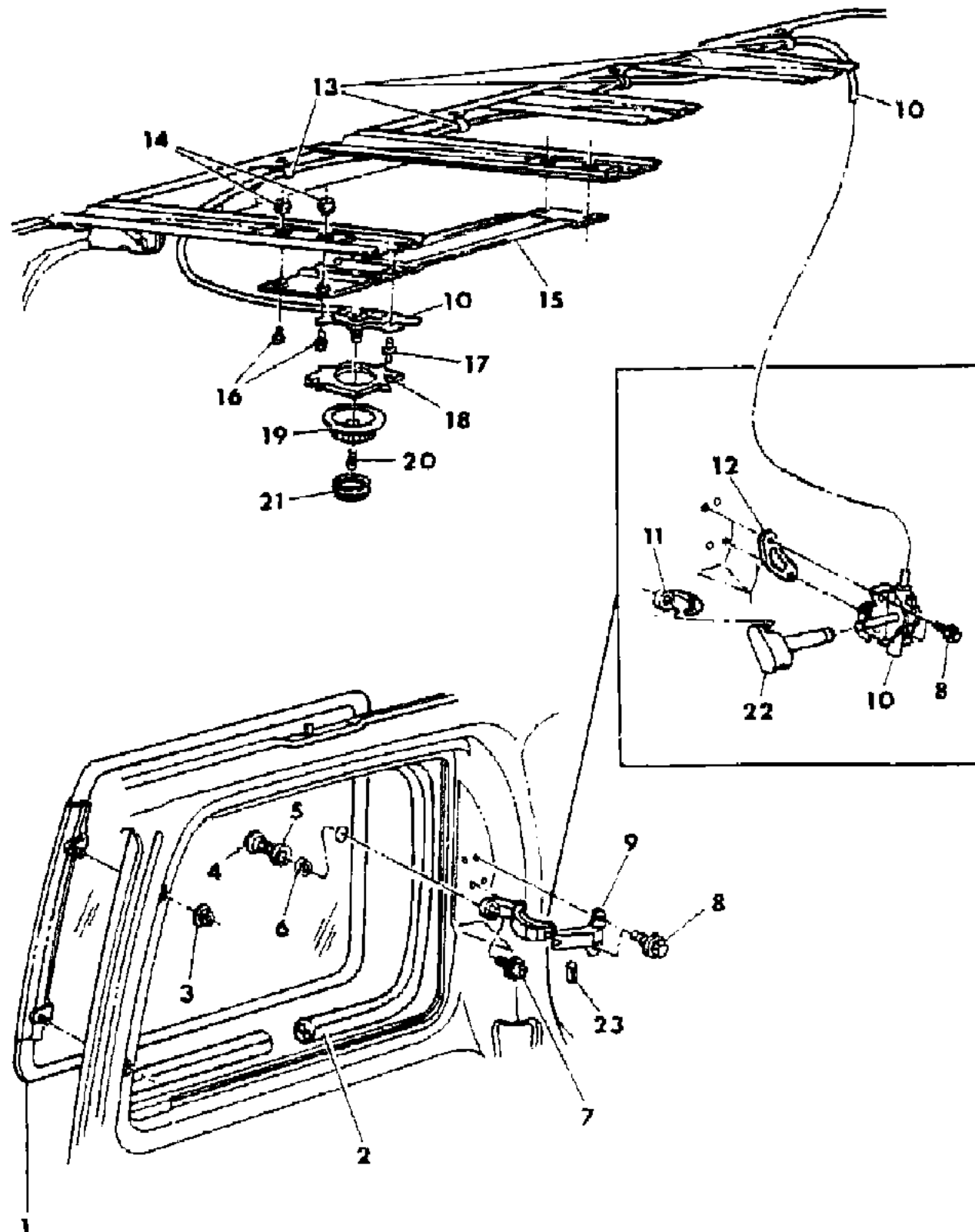
52-53 = FWD WAGON

AR = Use as Required - = Non Illustrated Part P.A.R. = Paint as Required

GLASS BODY SIDE APERTURE S BODY

Figure 23A-1380

7189 13800 A



ITEM	PART NUMBER	QTY	BODY	MODEL	DESCRIPTION
1	4337 438-9	1	52		GLASS, FRAME and HINGE, Body Side Rear Tinted
	4337 430-1	1	52		Sunscreen
	4385 038-9	1	53		GLASS, FRAME and HINGE, Body Side Rear Tinted
	4385 040-1	1	53		Sunscreen
	4336 405	1			GLASS, HINGE and FRAME, Body Side Lt. Tinted
	4336 407	1			Sunscreen
	4336 404	1			GLASS, HINGE and FRAME, Sliding Door Rt. Tinted
	4336 406	1			Sunscreen
2	4337 546-7	1	52		WEATHERSTRIP, Rear Quarter Window
	4336 475	1			WEATHERSTRIP, Body Side Window Opening Lt.
	4385 084-5	1	53		WEATHERSTRIP, Body Side Aperture Panel Rear Glass
3	6501 038	6	52		NUT
	4184 688	2			PLUG, Sliding Door Vent Window
	4339 313	3			RETAINER, Quarter Window Glass To Latch Includes Item 4-7
4		3			RETAINER, Quarter Window Glass (Serviced In Package #4339313)
5		3			GASKET, Quarter Window Glass Retainer (Serviced In Package #4339313)
6		3			SPACER, Quarter Window Glass Retainer (Serviced In Package #4339313)
7		3			SCREW, 1/4"-20 x .375" (Serviced In Package #4339313)
8	6501 037	6			SCREW and WASHER
9	4365 418	2			LATCH, Quarter Vent Window Manual
	4365 799	1			LATCH, Sliding Door Vent Window
	4365 419	1			LATCH, Side Vent Window
10	4396 626-7	1	52		HANDLE and ACTUATOR, Quarter Window Remote (Includes Item 22)
	4396 724-5	1	53		
11	4365 746	2			BRACKET, Rear Quarter Window Remote Latch To Glass
12	4337 227	2			SPACER, Rear Quarter Window Remote Latch To Body
13	3766 495	8			CLIP, Rear Quarter Window Remote Cable Routing
14	6032 304	8			FASTENER
15	4386 757	2			BRACKET, Rear Quarter Window Remote Actuator To Roof Bow
16		8			SCREW, Not Serviced
17	6031 115	4			RIVET
18		1			HEADLINER, Roof Inside (See Group 23IT - Headliner Illustration)
19					HANDLE, Rear Quarter Window Remote Actuator

MODEL CODES

E BODY = (J - CARAVELLE)(E - 600)(T - NEW YORKER)

G BODY = (V24 - DAYTONA)

H BODY = (D44 - LANCER)(C44 - LEBARON GTS)

J BODY = (C - LEBARON)

K BODY = (P - RELIANT)(D - ARIES)(C - LEBAROND)/TOWN & COUNTRY)

L BODY = (M - HORIZON/TURISMO)(Z - OMNI/CHARGER)

M BODY = (B - GRAN FURY)(F - FIFTH AVE/NEWPORT)(G - DIPLOMAT)

P BODY = (P - SUNDANCE)(D - SHADOW)

S BODY = (H - VOYAGER)(K - RAM VAN/CARAVAN)

BODY STYLES

12-13 = FWD VAN

21 = 2-DOOR SEDAN

24 = 2-DOOR HATCHBACK

27 = 2-DOOR CONVERTIBLE

41 = 4-DOOR SEDAN

44 = 4-DOOR HATCHBACK

45 = 4-DOOR STATION WAGON

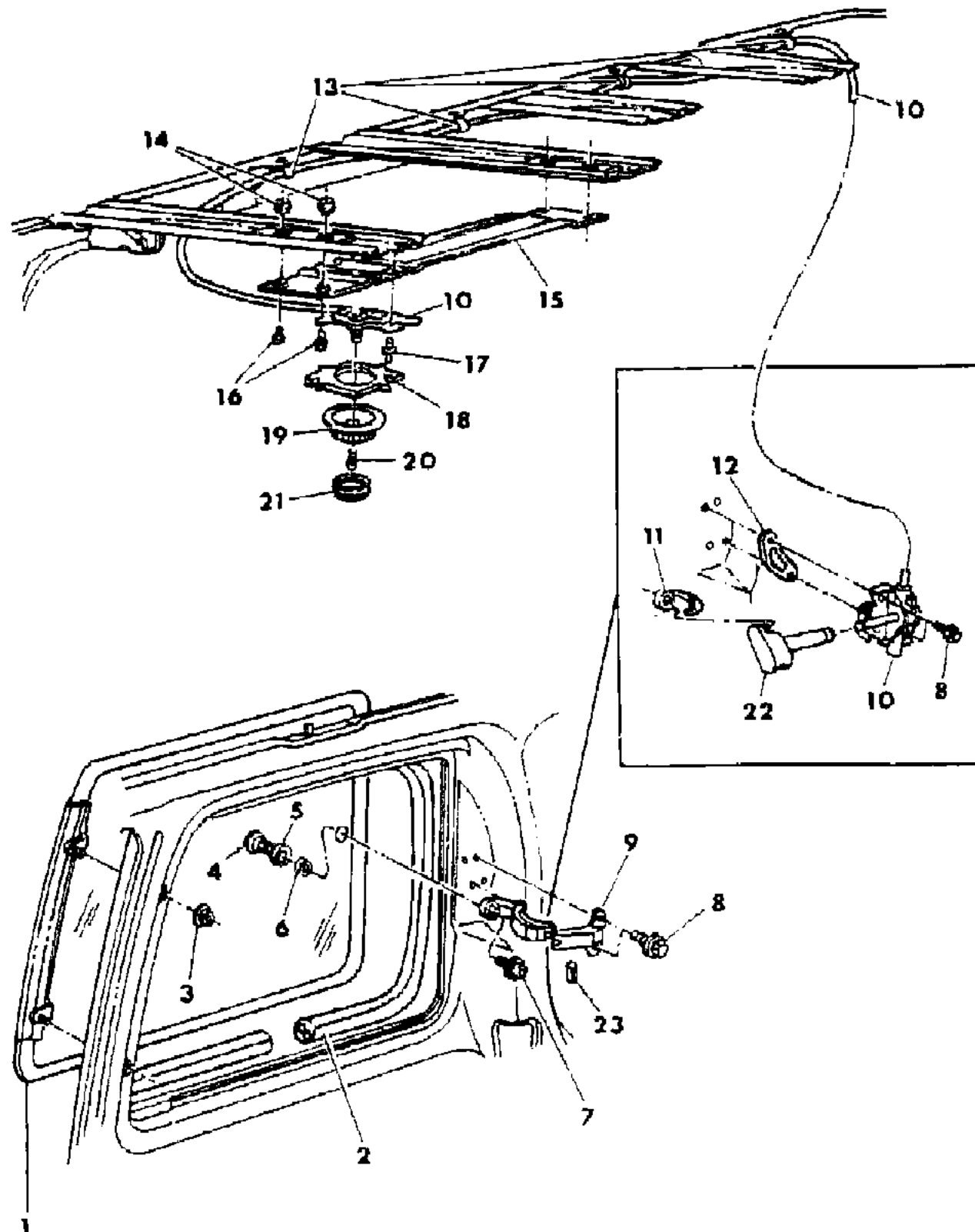
52-53 = FWD WAGON

AR = Use as Required - = Non Illustrated Part P.A.R. = Paint as Required

GLASS BODY SIDE APERTURE S BODY

Figure 23A-1380

7189 13800 A



ITEM	PART NUMBER	QTY	BODY	MODEL	DESCRIPTION
	H305 CA3	1			Silver
	H305 CB5	2			Blue
	H305 EE8	2			Cordovan
	H305 EK1	2			Light Almond
20	6500 846	2			SCREW
21					COVER, Rear Quarter Window Remote Handle
	H296 CA3	2			Silver
	H296 CB5	2			Blue
	H296 EK1	2			Light Almond
	H296 EE8	2			Cordovan
22	4310 970-1	1			HANDLE, Quarter Vent Window Remote Latch (Included In Item #10)
23	9414 469	2			SPRING PIN, Quarter Vent Window Actuator Handle To Link

MODEL CODES

E BODY = (J - CARAVELLE)(E - 600)(T - NEW YORKER)

G BODY = (V24 - DAYTONA)

H BODY = (D44 - LANCER)(C44 - LEBARON GTS)

J BODY = (C - LEBARON)

K BODY = (P - RELIANT)(D - ARIES)(C - LEBAROND)/TOWN & COUNTRY)

L BODY = (M - HORIZON/TURISMO)(Z - OMNI/CHARGER)

M BODY = (B - GRAN FURY)(F - FIFTH AVE/NEWPORT)(G - DIPLOMAT)

P BODY = (P - SUNDANCE)(D - SHADOW)

S BODY = (H - VOYAGER)(K - RAM VAN/CARAVAN)

BODY STYLES

12-13 = FWD VAN

21 = 2-DOOR SEDAN

24 = 2-DOOR HATCHBACK

27 = 2-DOOR CONVERTIBLE

41 = 4-DOOR SEDAN

44 = 4-DOOR HATCHBACK

45 = 4-DOOR STATION WAGON

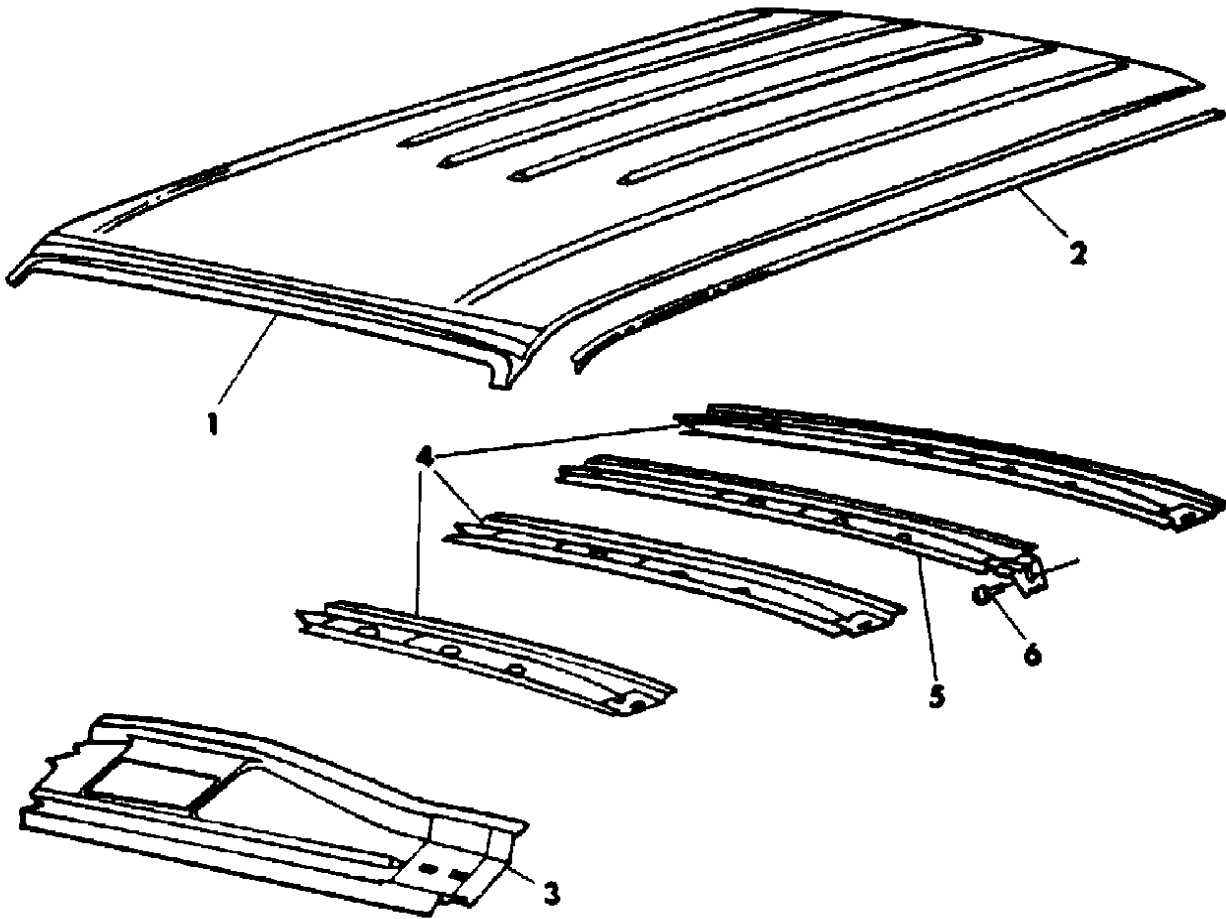
52-53 = FWD WAGON

AR = Use as Required - = Non Illustrated Part P.A.R. = Paint as Required

ROOF PANEL S BODY
Figure 23A-1390

7189 13900

ITEM	PART NUMBER	QTY	BODY	MODEL	DESCRIPTION
1	4386 726	1		12,52	PANEL, Roof Outer
	4385 005	1		13,53	
2	4278 006-7	1		12,52	TROUGH, Roof Side Drain
	4385 010-1	1		13,53	
3	4416 211	1			FRAME, Windshield Opening Upper
4	4341 623	3		12,52	BOW, Roof #1,2, & 4
	4341 623	3		13,53	BOW, Roof #1,3, & 5
5	4278 779	1		12,52	BOW, Roof #3
	4278 779	1		13,53	BOW, Roof #4
	4385 045	1		13,53	BOW, Roof #2
6		2			SCREW, #10-16 x .625" Not Serviced



MODEL CODES
 E BODY = (J - CARAVELLE)(E - 600)(T - NEW YORKER)
 G BODY = (V24 - DAYTONA)
 H BODY = (D44 - LANCER)(C44 - LEBARON GTS)
 J BODY = (C - LEBARON)
 K BODY = (P - RELIANT)(D - ARIES)(C - LEBAROND)/TOWN & COUNTRY
 L BODY = (M - HORIZON/TURISMO)(Z - OMNI/CHARGER)
 M BODY = (B - GRAN FURY)(F - FIFTH AVE/NEWPORT)(G - DIPLOMAT)
 P BODY = (P - SUNDANCE)(D - SHADOW)
 S BODY = (H - VOYAGER)(K - RAM VAN/CARAVAN)

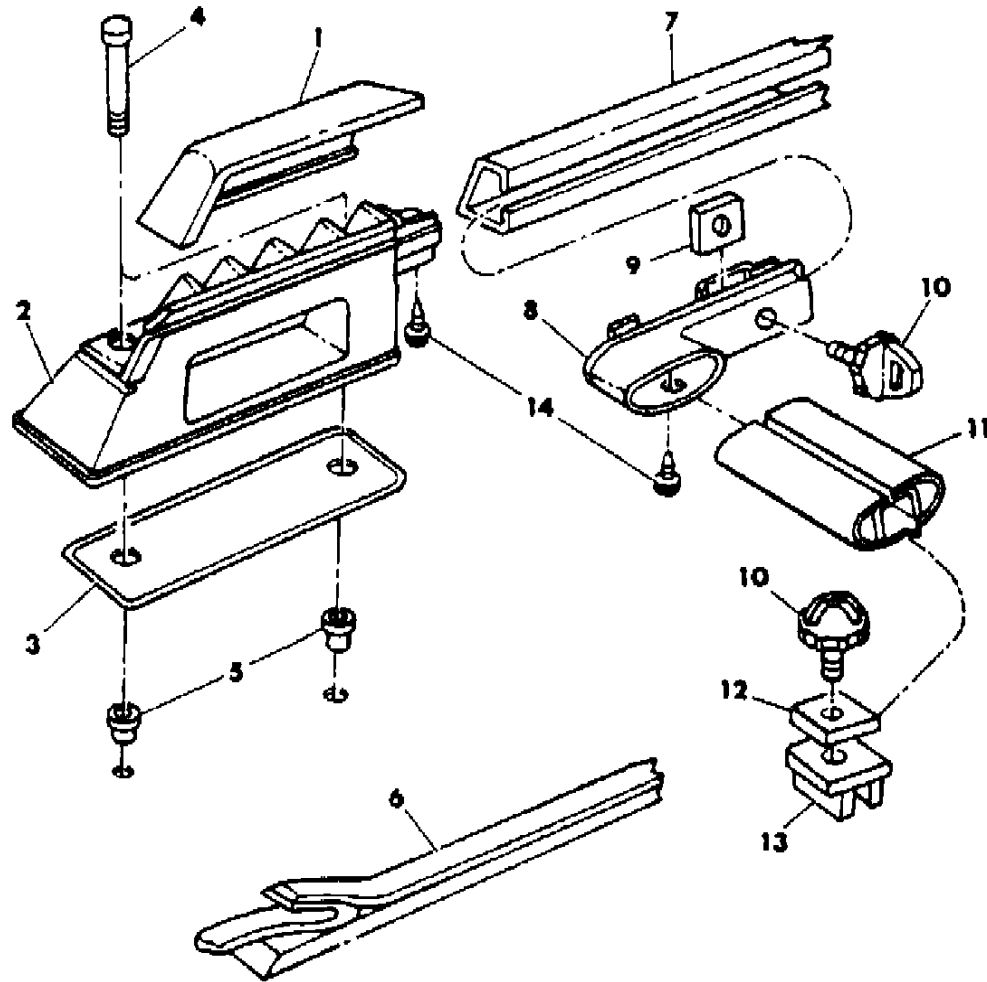
BODY STYLES
 12-13 = FWD VAN
 21 = 2-DOOR SEDAN
 24 = 2-DOOR HATCHBACK
 27 = 2-DOOR CONVERTIBLE
 41 = 4-DOOR SEDAN
 44 = 4-DOOR HATCHBACK
 45 = 4-DOOR STATION WAGON
 52-53 = FWD WAGON

AR = Use as Required - = Non Illustrated Part P.A.R. = Paint as Required

ROOF LUGGAGE RACK S BODY
Figure 23A-1400

7188 14000

ITEM	PART NUMBER	QTY	BODY	MODEL	DESCRIPTION
	4454 430	1			LUGGAGE RACK PACKAGE, Roof (Field Installed)
1	4366 544	2			LABEL, Roof Luggage Rack Side Rail Overload Caution
					COVER, Roof Luggage Rack Side Rail Support
	4319 811	2			Rt. Front, Lt. Rear
	4319 810	2			Lt. Front, Rt. Rear
2	4319 850-1	2			SUPPORT, w/Pad Roof Luggage Rack Side Rail
3		4			PAD, Roof Luggage Rack Side Rail Support (Serviced In Item #2)
4		8			SCREW, 1/4"-20 x 2.125" Not Serviced
5	2094 869	8			NUT, Blind
6	4319 815	6			STRIP, w/Pad Roof Luggage Rack Skid
7	4319 802	2			RAIL, Roof Luggage Rack Side
8					BRACKET, Roof Luggage Rack Cross Bar
	4319 804	2			Rt. Front, Lt. Rear
	4319 805	2			Lt. Front, Rt. Rear
9	4229 321	4			T-PLATE, Roof Luggage Rack Side Rail Loop
10	4229 334	8			LOOP, Roof Luggage Rack Tie-Down
11	4319 803	2			BAR, Roof Luggage Rack Cross
12	4229 321	4			T-PLATE, Roof Luggage Rack Cross Bar Loop
13	4229 322	4			RETAINER, Roof Luggage Rack Cross Bar Loop T-Plate
14		4			SCREW, #10-16 x .500" Not Serviced



MODEL CODES

E BODY = (J - CARAVELLE)(E - 600)(T - NEW YORKER)

G BODY = (V24 - DAYTONA)

H BODY = (D44 - LANCER)(C44 - LEBARON GTS)

J BODY = (C - LEBARON)

K BODY = (P - RELIANT)(D - ARIES)(C - LEBAROND)/TOWN & COUNTRY)

L BODY = (M - HORIZON/TURISMO)(Z - OMNI/CHARGER)

M BODY = (B - GRAN FURY)(F - FIFTH AVE/NEWPORT)(G - DIPLOMAT)

P BODY = (P - SUNDANCE)(D - SHADOW)

S BODY = (H - VOYAGER)(K - RAM VAN/CARAVAN)

BODY STYLES

12-13 = FWD VAN

21 = 2-DOOR SEDAN

24 = 2-DOOR HATCHBACK

27 = 2-DOOR CONVERTIBLE

41 = 4-DOOR SEDAN

44 = 4-DOOR HATCHBACK

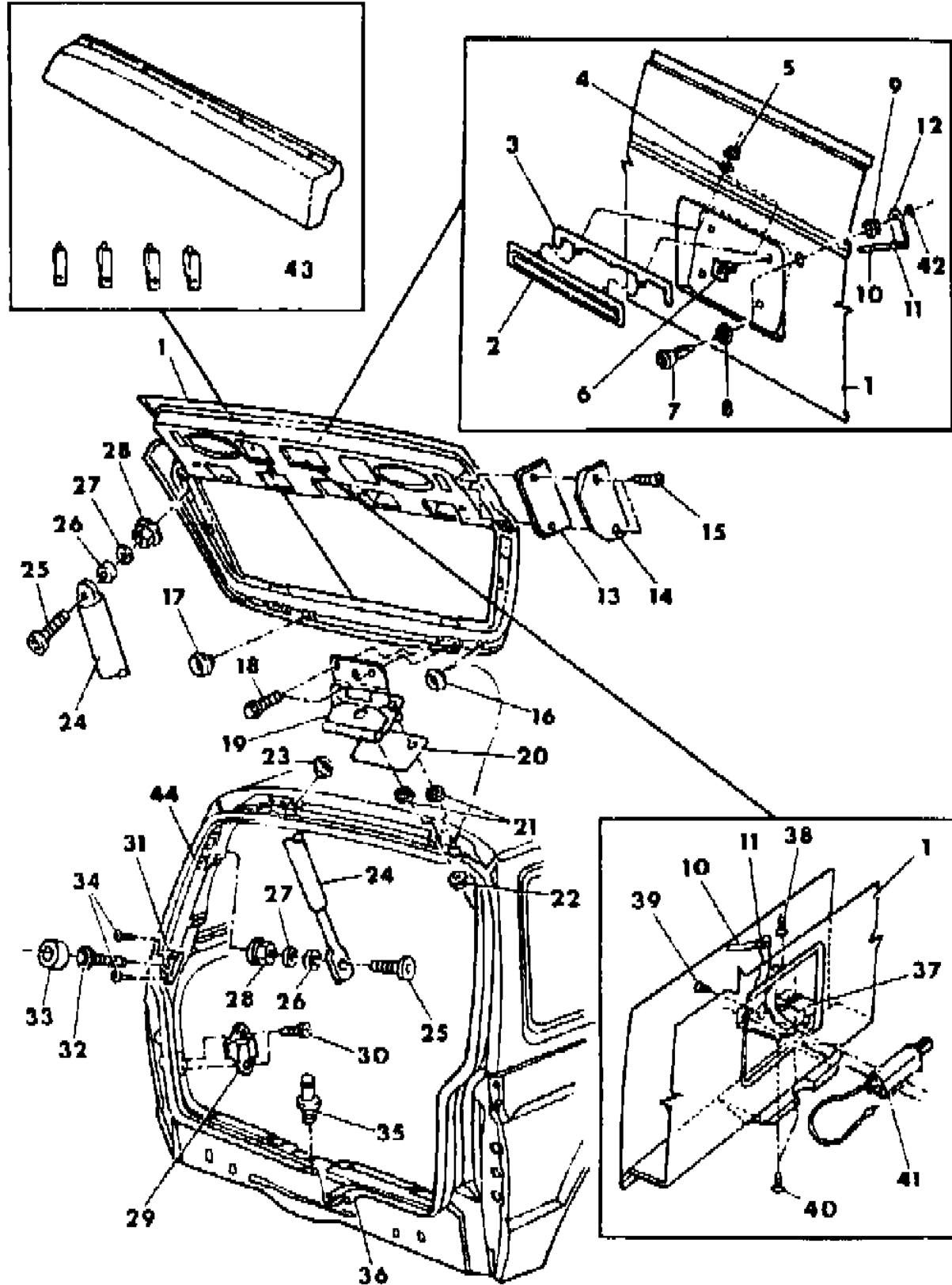
45 = 4-DOOR STATION WAGON

52-53 = FWD WAGON

AR = Use as Required - = Non Illustrated Part P.A.R. = Paint as Required

LIFTGATE PANEL S BODY
Figure 23A-1410

7100 14100 B



ITEM	PART NUMBER	QTY	BODY	MODEL	DESCRIPTION
1	4415 044	1			PANEL, Liftgate
2	4328 156	1			HANDLE, Liftgate
	4328 159	1			HANDLE and MOULDING, Liftgate
3		1			GASKET, (Serviced In Item 2)
4		2			GASKET, (Serviced IN Item 2)
5		4			NUT, Not Serviced
6		4			NUT, License Plate Mounting (Not Serviced)
7		1			CYLINDER, Liftgate Lock (See Group 23D-Illustrations)
8	3695 321	1			GASKET, Liftgate Lock Cylinder
9	4054 202	1			NUT, Liftgate Lock Cylinder
10	4246 539	1			LINK, Liftgate Lock Cylinder To Latch
11	3454 221	2			CLIP, Liftgate Lock Cylinder To Latch Link
12	4246 815	1			LEVER, Liftgate Lock Cylinder
13	4378 218	AR			SHIM, Liftgate Stabilizer Striker (1.50mm)
	4378 219	AR			(.75mm)
14	4378 200	2			STRIKER, Liftgate Stabilizer
15		4			SCREW, #10-16 x .75" Not Serviced
16	2094 631	2			PLUG, .875" Dia./22.2mm
17	2574 792	1			PLUG, .75" Dia./19.5mm
18		4			SCREW and WASHER, Not Serviced
19	4378 210-1	2			HINGE, Liftgate
20	4246 359	AR			SHIM, Liftgate Hinge To Body
21	5231 207	4			WASHER, Liftgate Hinge To Body Sealing
22	6100 049	4			NUT and WASHER
23	1774 076	1			PLUG, .630" Dia./16mm
24	G000 4775	2			PROP, Liftgate
	4246 672	2			w/Wiper and/or w/Stereo
25	6500 142	4			SCREW
26		4			BUMPER, Serviced In Item 24
27		4			WASHER, Serviced In Item 24
28	6500 159	4			NUT and WASHER
29	4378 079	2			WEDGE, Liftgate Opening Stabilizer
30		4			SCREW, #10-16 x .75" Not Serviced
31	4341 426-7	1			BRACKET, Liftgate Overslam Bumper
32	6023 531	2			SCREW, Liftgate Overslam Bumper
33	4336 077	2			BUMPER, Liftgate Overslam
34		4			SCREW, #10-16 x .675" Not Serviced
35	4246 586	1			STRIKER, Liftgate Latch

MODEL CODES

E BODY = (J - CARAVELLE)(E - 600)(T - NEW YORKER)

G BODY = (V24 - DAYTONA)

H BODY = (D44 - LANCER)(C44 - LEBARON GTS)

J BODY = (C - LEBARON)

K BODY = (P - RELIANT)(D - ARIES)(C - LEBAROND)/TOWN & COUNTRY)

L BODY = (M - HORIZON/TURISMO)(Z - OMNI/CHARGER)

M BODY = (B - GRAN FURY)(F - FIFTH AVE/NEWPORT)(G - DIPLOMAT)

P BODY = (P - SUNDANCE)(D - SHADOW)

S BODY = (H - VOYAGER)(K - RAM VAN/CARAVAN)

BODY STYLES

12-13 = FWD VAN

21 = 2-DOOR SEDAN

24 = 2-DOOR HATCHBACK

27 = 2-DOOR CONVERTIBLE

41 = 4-DOOR SEDAN

44 = 4-DOOR HATCHBACK

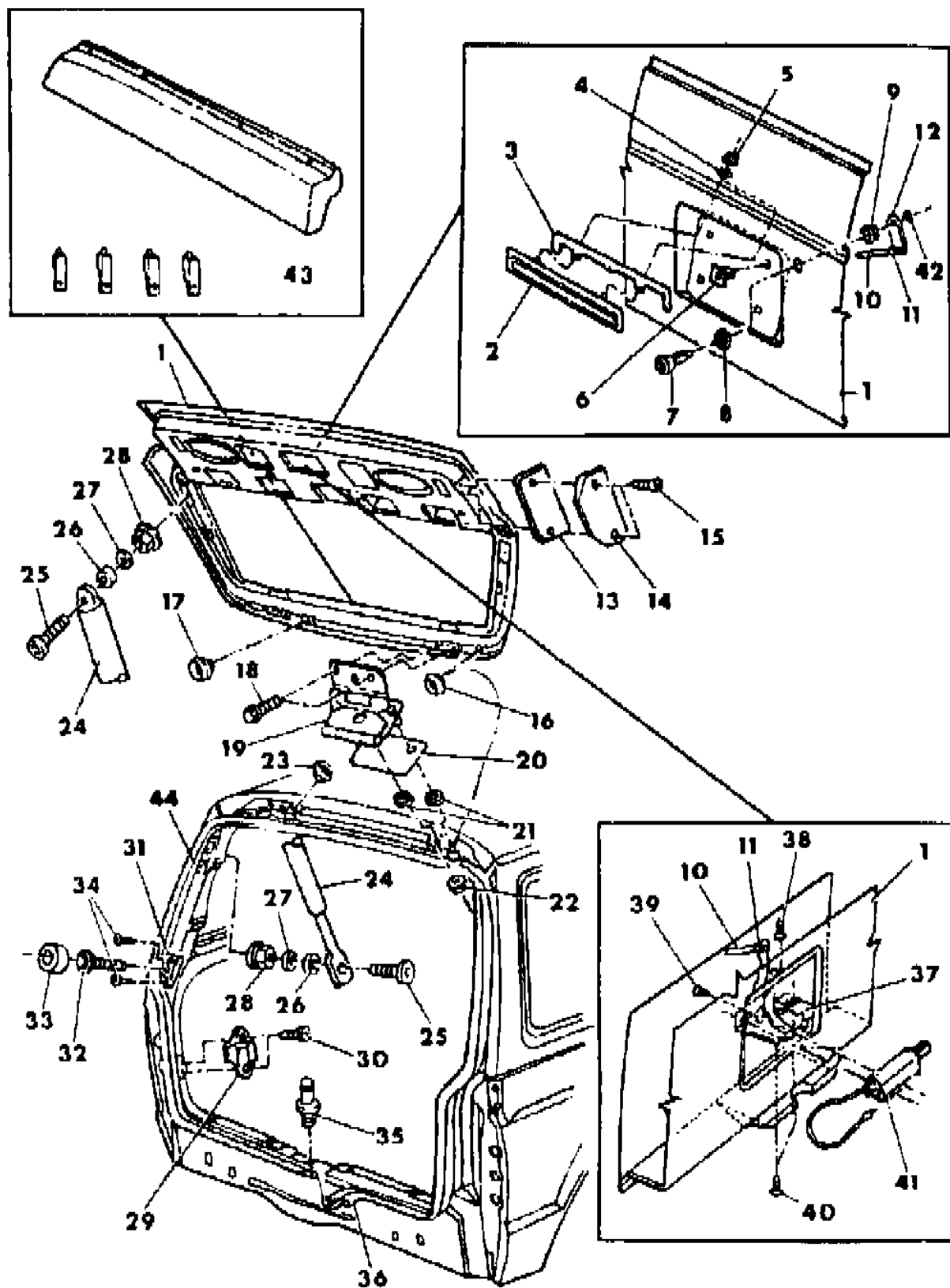
45 = 4-DOOR STATION WAGON

52-53 = FWD WAGON

AR = Use as Required - = Non Illustrated Part P.A.R. = Paint as Required

LIFTGATE PANEL S BODY
Figure 23A-1410

7100 14100 B



ITEM	PART NUMBER	QTY	BODY	MODEL	DESCRIPTION
	6033 350	4			SCREW, Liftgate Striker
36	4280 063	1			WEATHERSTRIP, Liftgate Opening
37	4246 540	1			LATCH, Liftgate
38		1			SLEEVE, Electric Liftgate Latch Release Pawl Not Serviced
39	9421 073	2			SCREW, .190-16x.500
40	6501 563	2			SCREW, M6.3x1.41x 15.9mm
41	4246 874	1			SOLENOID, w/Bracket Electric Liftgate Release
42	6032 107	1			CLIP, Liftgate Lock Cylinder Lever Retainer
43	P434 9819	1			AIR DEFLECTOR
44	4336 734	2			T-PLATE, Liftgate Prop

MODEL CODES

E BODY = (J - CARAVELLE)(E - 600)(T - NEW YORKER)

G BODY = (V24 - DAYTONA)

H BODY = (D44 - LANCER)(C44 - LEBARON GTS)

J BODY = (C - LEBARON)

K BODY = (P - RELIANT)(D - ARIES)(C - LEBAROND)/TOWN & COUNTRY)

L BODY = (M - HORIZON/TURISMO)(Z - OMNI/CHARGER)

M BODY = (B - GRAN FURY)(F - FIFTH AVE/NEWPORT)(G - DIPLOMAT)

P BODY = (P - SUNDANCE)(D - SHADOW)

S BODY = (H - VOYAGER)(K - RAM VAN/CARAVAN)

BODY STYLES

12-13 = FWD VAN

21 = 2-DOOR SEDAN

24 = 2-DOOR HATCHBACK

27 = 2-DOOR CONVERTIBLE

41 = 4-DOOR SEDAN

44 = 4-DOOR HATCHBACK

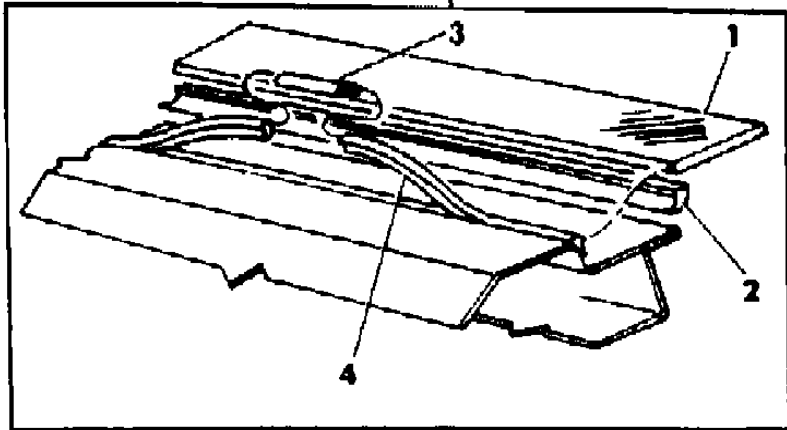
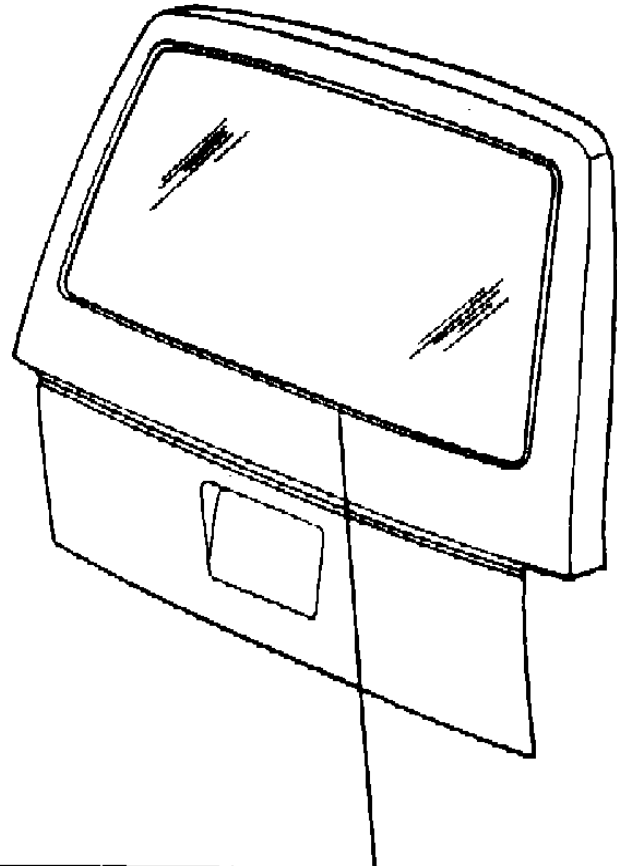
45 = 4-DOOR STATION WAGON

52-53 = FWD WAGON

AR = Use as Required - = Non Illustrated Part P.A.R. = Paint as Required

GLASS LIFTGATE S BODY
Figure 23A-1420

7169 14200



ITEM	PART NUMBER	QTY	BODY	MODEL	DESCRIPTION
1	4280 070	1			GLASS, Liftgate Tinted
	4280 071	1			Sunscreen
	4415 040	1			Tinted Electric Heated
	4415 042	1			Sunscreen Electric Heated
2	4206 848	AR			DAM, Glass Adhesive (119")
3	4198 929	1			CAP, Liftgate Glass Lock Strip
4	4365 614	1			MOULDING, Liftgate Glass To Outer Panel
NOTE: The following items are not shown on illustration. s group.					
PKG A	4267 906	1			REPAIR PACKAGE, Windshield & Rear Window
CONSISTS OF:					
1- ----- Polyurethane, 11.5 oz.					
1- ----- Fence Primer, 1 oz.					
1- ----- Glass Wipe-Off Primer, 1 oz.					
1- ----- Glass Black-Out Primer, 1 oz.					
3- ----- Dabbers					
1- ----- Nozzle					
PKG B	4267 922	1			REPAIR PACKAGE, Back Lite Grid & Pigtail
CONSISTS OF:					
1- ----- Cement, Cho-Bond, 1/2 oz.					
1- ----- Instruction Sheet					

MODEL CODES

E BODY = (J - CARAVELLE)(E - 600)(T - NEW YORKER)

G BODY = (V24 - DAYTONA)

H BODY = (D44 - LANCER)(C44 - LEBARON GTS)

J BODY = (C - LEBARON)

K BODY = (P - RELIANT)(D - ARIES)(C - LEBAROND)/TOWN & COUNTRY)

L BODY = (M - HORIZON/TURISMO)(Z - OMNI/CHARGER)

M BODY = (B - GRAN FURY)(F - FIFTH AVE/NEWPORT)(G - DIPLOMAT)

P BODY = (P - SUNDANCE)(D - SHADOW)

S BODY = (H - VOYAGER)(K - RAM VAN/CARAVAN)

BODY STYLES

12-13 = FWD VAN

21 = 2-DOOR SEDAN

24 = 2-DOOR HATCHBACK

27 = 2-DOOR CONVERTIBLE

41 = 4-DOOR SEDAN

44 = 4-DOOR HATCHBACK

45 = 4-DOOR STATION WAGON

52-53 = FWD WAGON

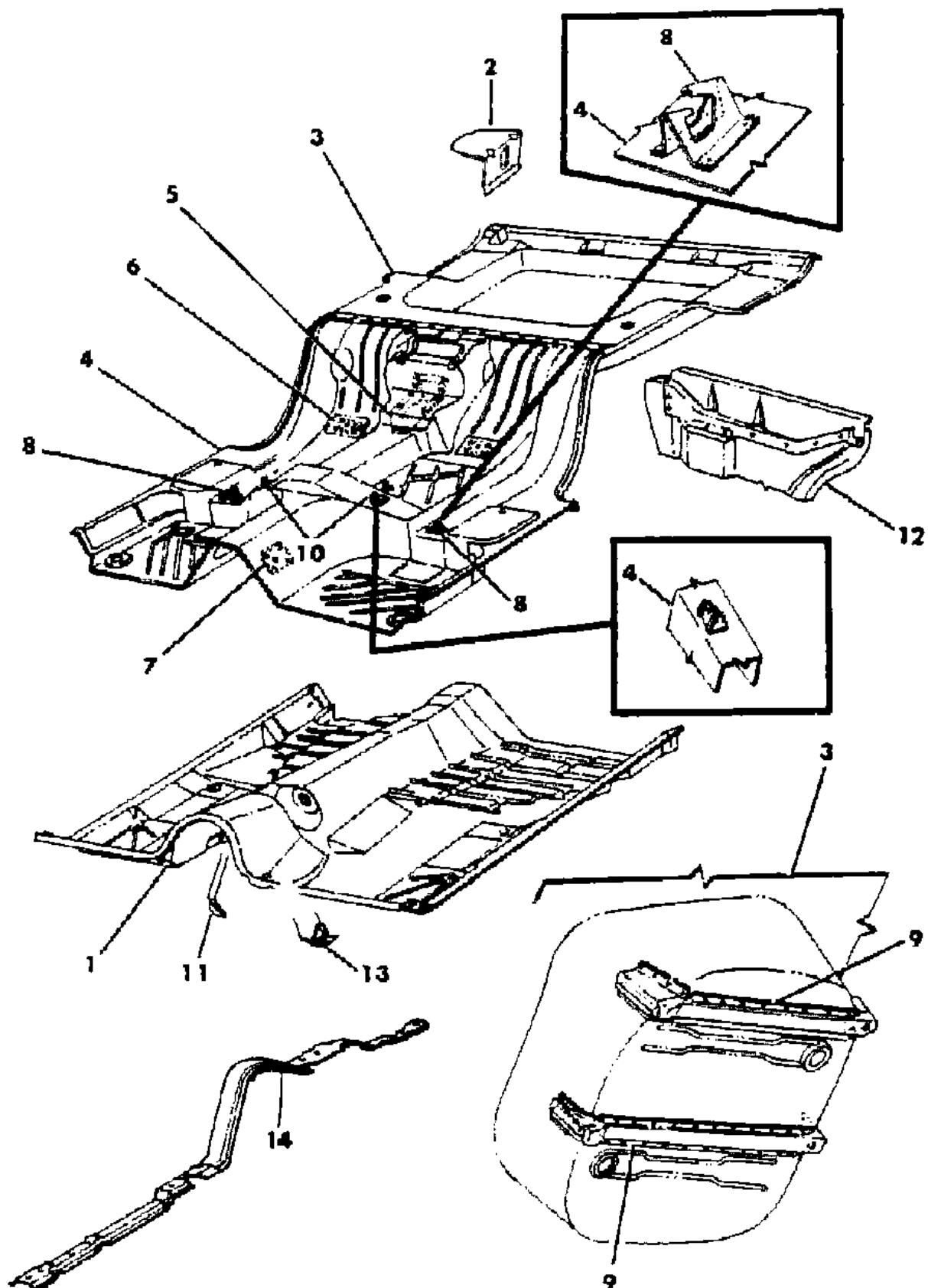
AR = Use as Required - = Non Illustrated Part P.A.R. = Paint as Required

FLOOR PAN M BODY

Figure 23A-1430

7189 14300 A

ITEM	PART NUMBER	QTY	BODY	MODEL	DESCRIPTION
1	4314 619	1			PAN, Front Floor
2	4134 424	1			SUPPORT, Rear Floor Pan Spare Wheel Side Or Center
3	4314 668	1			PAN, Rear Floor
4	4314 669	1			PAN, Center Floor
5	4314 670	1			REINFORCEMENT, Center Floor Pan Pinion Carrier Bumper
6	4314 260	2			REINFORCEMENT, Center Floor Pan Rear Seat Belt Inner
7	4314 259	2			REINFORCEMENT, Center Floor Pan Front Seat Belt Inner
8	3446 302	2			RETAINER, Center Floor Pan Rear Seat Cushion (w/o Heavy Duty Rear Seat Springs)
9					STRAINER, w/Reinforcement Fuel Tank Front and Rear
	4325 156	1			Right
	4325 155	1			Left
10	4134 377	2			BRACKET, Center Floor Pan Rear Seat Cushion (w/Heavy Duty Rear Seat Springs)
11	4314 642-3	1			REINFORCEMENT, Seat Guide Front Outer
12	4337 268-9	1			EXTENSION, Rear Floor Pan Side Up To 2-23-87
	4416 990-1	1			After 2-23-87
13	4314 644-5	1			REINFORCEMENT, Seat Guide Outer Rear
14	4200 001	1			CROSSMEMBER, Reinforcement Front Floor Pan Anti-Seat Shake



MODEL CODES

E BODY = (J - CARAVELLE)(E - 600)(T - NEW YORKER)

G BODY = (V24 - DAYTONA)

H BODY = (D44 - LANCER)(C44 - LEBARON GTS)

J BODY = (C - LEBARON)

K BODY = (P - RELIANT)(D - ARIES)(C - LEBAROND)/TOWN & COUNTRY)

L BODY = (M - HORIZON/TURISMO)(Z - OMNI/CHARGER)

M BODY = (B - GRAN FURY)(F - FIFTH AVE/NEWPORT)(G - DIPLOMAT)

P BODY = (P - SUNDANCE)(D - SHADOW)

S BODY = (H - VOYAGER)(K - RAM VAN/CARAVAN)

BODY STYLES

12-13 = FWD VAN

21 = 2-DOOR SEDAN

24 = 2-DOOR HATCHBACK

27 = 2-DOOR CONVERTIBLE

41 = 4-DOOR SEDAN

44 = 4-DOOR HATCHBACK

45 = 4-DOOR STATION WAGON

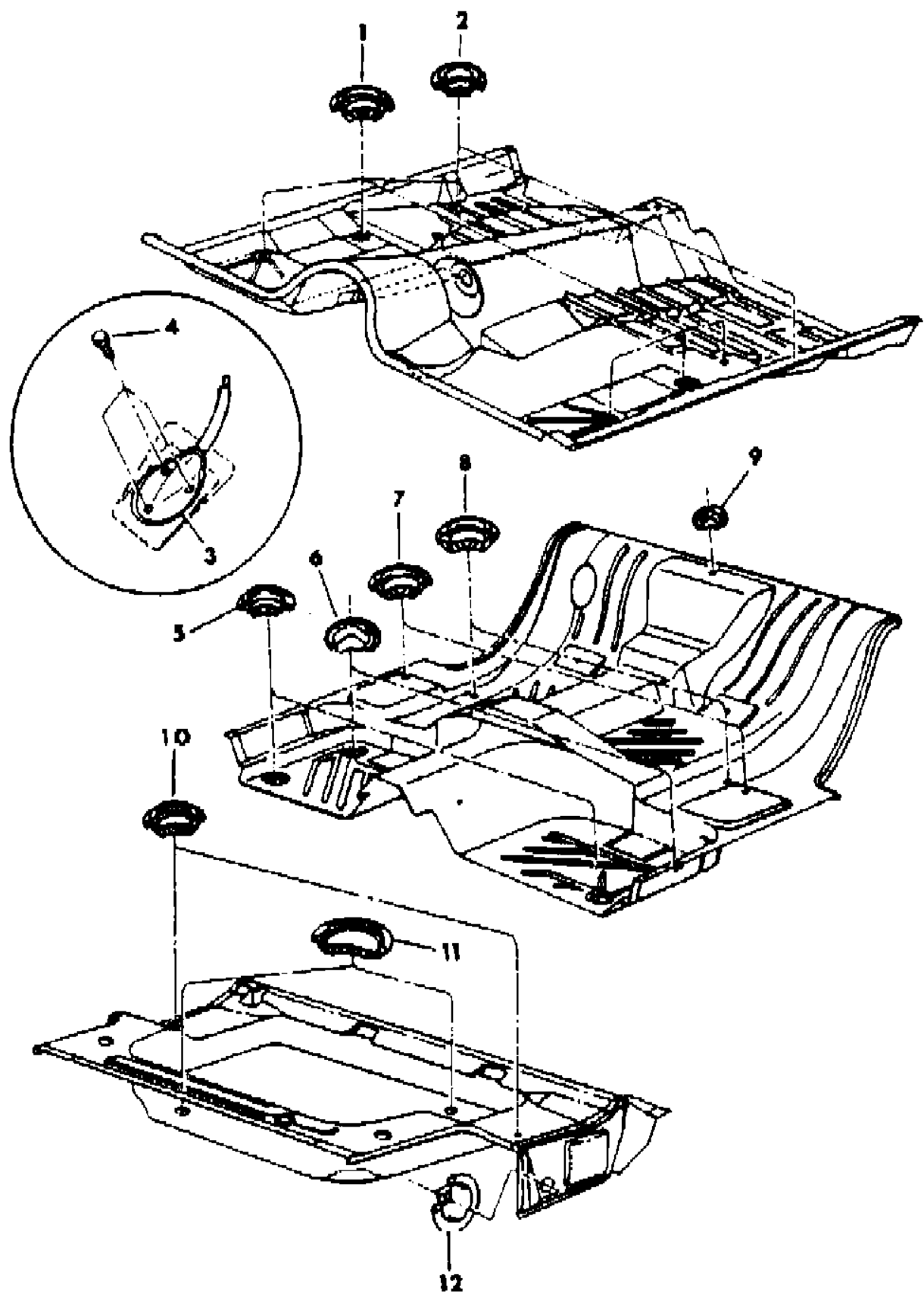
52-53 = FWD WAGON

AR = Use as Required - = Non Illustrated Part P.A.R. = Paint as Required

PLUGS FLOOR PAN M BODY
Figure 23A-1440

7189 14480

ITEM	PART NUMBER	QTY	BODY	MODEL	DESCRIPTION
1	2480 957	6			PLUG
2	1774 076	2			PLUG
3	2259 118	1			SEAL, Parking Brake Cable
4		3			SCREW, Not Serviced
5	6030 773	2			PLUG
6	4073 475	2			PLUG
7	2480 957	2			PLUG
8	2480 957	2			PLUG
9	4073 474	1			PLUG
10	2480 957	2			PLUG
11	6030 773	2			PLUG
12	4073 485	2			PLUG
	1774 076	4			PLUG, Front Floor Pan Seat Track Holes w/Split Back Bench w/Center Arm Rest



MODEL CODES

E BODY = (J - CARAVELLE)(E - 600)(T - NEW YORKER)

G BODY = (V24 - DAYTONA)

H BODY = (D44 - LANCER)(C44 - LEBARON GTS)

J BODY = (C - LEBARON)

K BODY = (P - RELIANT)(D - ARIES)(C - LEBAROND)/TOWN & COUNTRY)

L BODY = (M - HORIZON/TURISMO)(Z - OMNI/CHARGER)

M BODY = (B - GRAN FURY)(F - FIFTH AVE/NEWPORT)(G - DIPLOMAT)

P BODY = (P - SUNDANCE)(D - SHADOW)

S BODY = (H - VOYAGER)(K - RAM VAN/CARAVAN)

BODY STYLES

12-13 = FWD VAN

21 = 2-DOOR SEDAN

24 = 2-DOOR HATCHBACK

27 = 2-DOOR CONVERTIBLE

41 = 4-DOOR SEDAN

44 = 4-DOOR HATCHBACK

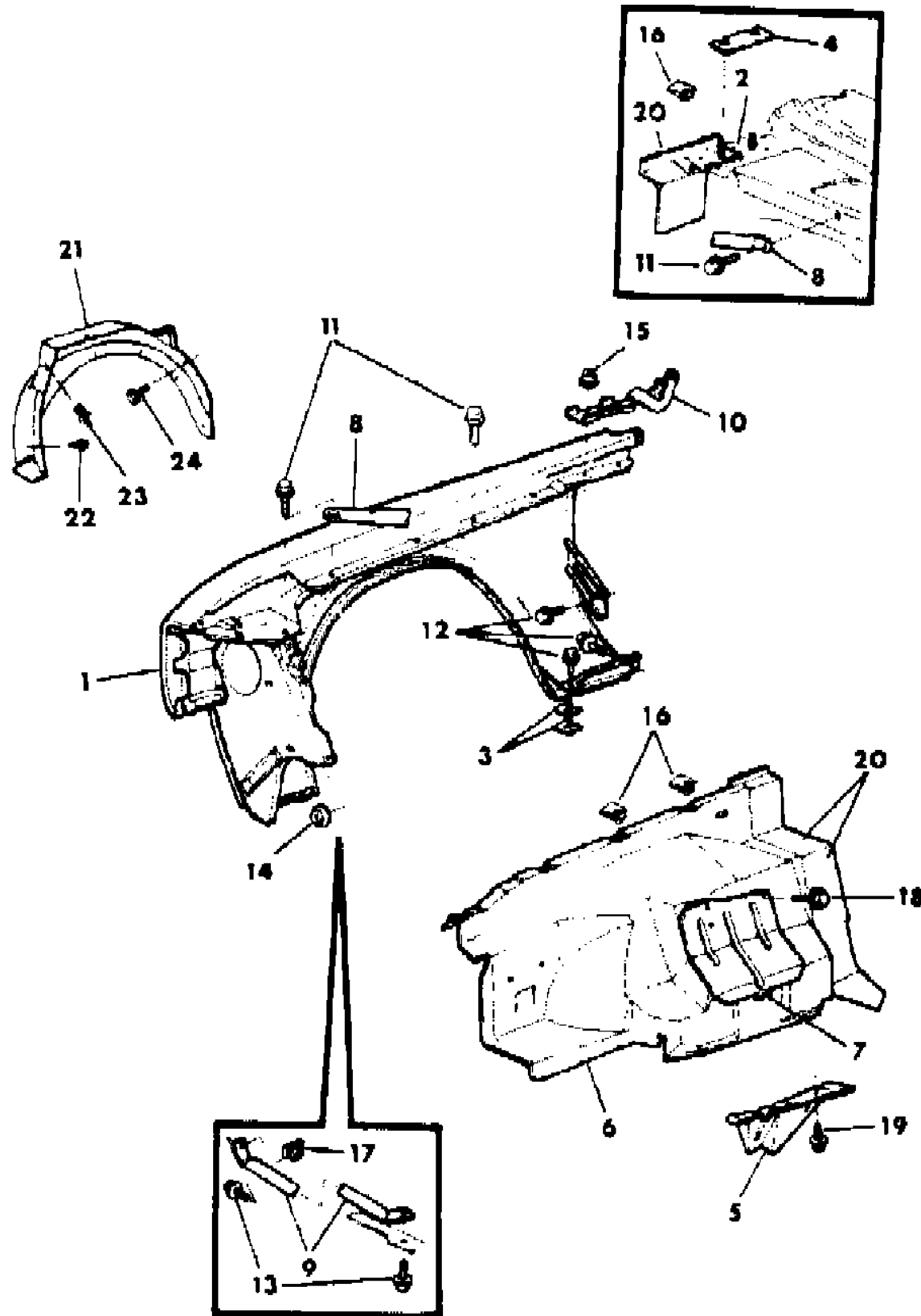
45 = 4-DOOR STATION WAGON

52-53 = FWD WAGON

AR = Use as Required - = Non Illustrated Part P.A.R. = Paint as Required

FENDER AND SHIELD M BODY
Figure 23A-1450

7189 14500A



ITEM	PART NUMBER	QTY	BODY	MODEL	DESCRIPTION
1	4443 878-9	1		B,F,G	FENDER
2	4136 191	2			REINFORCEMENT, Dash Pnl. Hood Hge.
3	6010 031	AR			SHIM
4	6010 031	AR			SHIM, Fender To Cowl Side
5	4005 081	1			SHIELD, Frt. Side Rail Lwr. Splash Lt.
6		1			PANEL, Fender Shield
	4296 894				Right
	4296 897				Left
7	4005 108	2			COVER, Fndr. Shield Pnl. Upr. Control Arm, Alum.
8	3868 634	1			STRUT, Fndr. Cowl Top Rt. (w/o Heavy Serviced Pkg.)
	3868 979	1			STRUT, Fndr. Cowl Top Lt. (w/o Heavy Serviced Pkg.)
	4103 066-7	1			w/Heavy Service Pkg.
9	3868 966-7	1			BRACE, Fndr. Lwr. Flange
10		1			HINGE and PROP, Hood Complete (See Hood Illus.)
11	9425 118	AR			SCREW and WASHER
12		AR			SCREW and WASHER, Not Serviced
13		AR			SCREW and WASHER, Not Serviced
14	0118 614	AR			NUT and WASHER
15	0118 614	AR			NUT and WASHER
16	0153 294	AR			U-NUT
17	0152 454	AR			U-NUT
18		AR			SCREW, Not Serviced
19		AR			SCREW and WASHER, Not Serviced
20		2			SUPPORT, Dash Pnl. To Fndr. S/Shield Upr.(See Cowl Illus.)
21	3868 968-9	1			SHIELD, Fndr. Splash
22		AR			SCREW, Not Serviced
23	6031 390	AR			RETAINER
24	6030 441	AR			RETAINER, Fender Splash Shield to Front Side Shield Panel

MODEL CODES

E BODY = (J - CARAVELLE)(E - 600)(T - NEW YORKER)

G BODY = (V24 - DAYTONA)

H BODY = (D44 - LANCER)(C44 - LEBARON GTS)

J BODY = (C - LEBARON)

K BODY = (P - RELIANT)(D - ARIES)(C - LEBAROND)/TOWN & COUNTRY)

L BODY = (M - HORIZON/TURISMO)(Z - OMNI/CHARGER)

M BODY = (B - GRAN FURY)(F - FIFTH AVE/NEWPORT)(G - DIPLOMAT)

P BODY = (P - SUNDANCE)(D - SHADOW)

S BODY = (H - VOYAGER)(K - RAM VAN/CARAVAN)

BODY STYLES

12-13 = FWD VAN

21 = 2-DOOR SEDAN

24 = 2-DOOR HATCHBACK

27 = 2-DOOR CONVERTIBLE

41 = 4-DOOR SEDAN

44 = 4-DOOR HATCHBACK

45 = 4-DOOR STATION WAGON

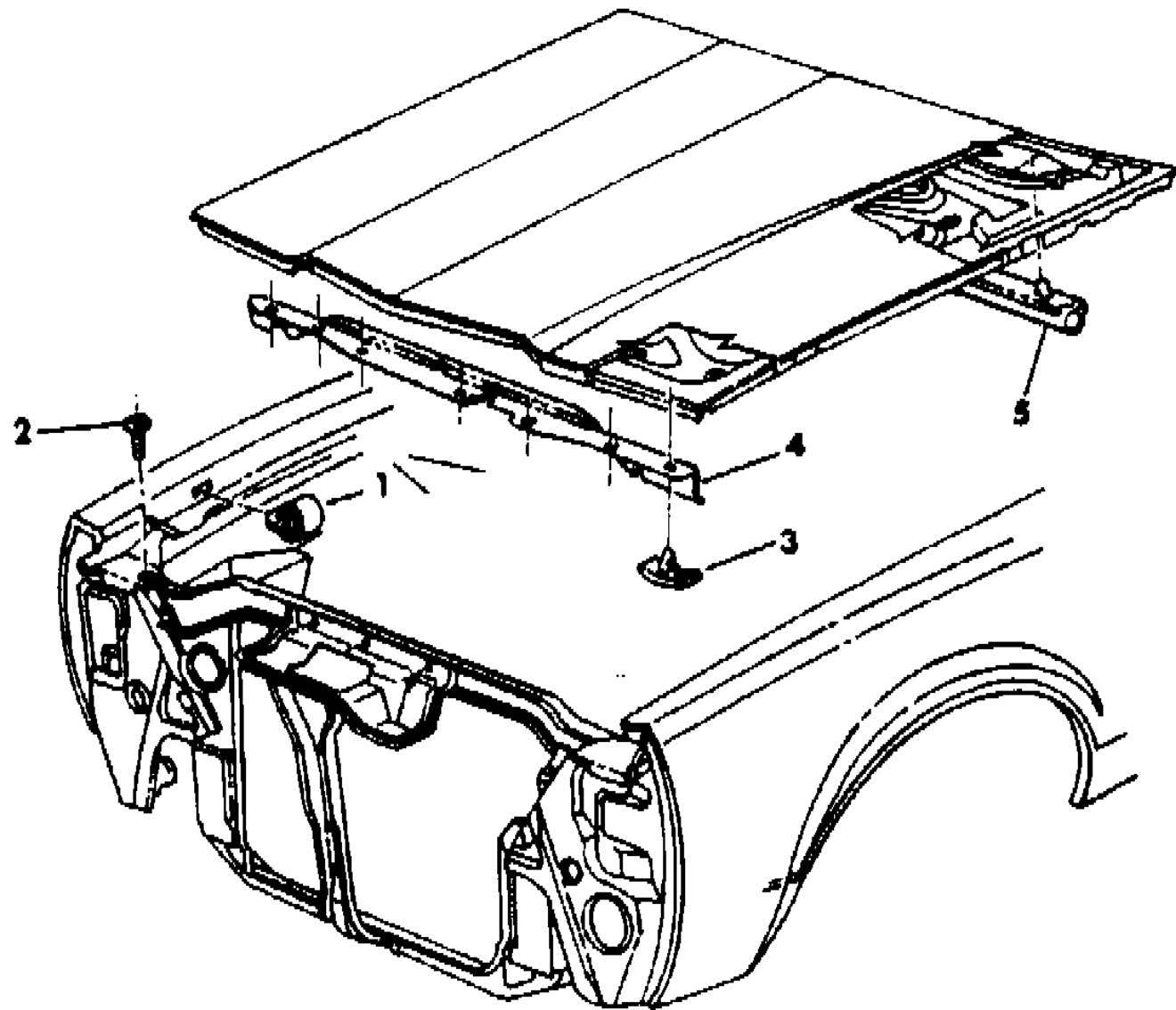
52-53 = FWD WAGON

AR = Use as Required - = Non Illustrated Part P.A.R. = Paint as Required

BUMPERS AND PLUGS, FENDER, HOOD M BODY
Figure 23A-1460

7189 14800

ITEM	PART NUMBER	QTY	BODY	MODEL	DESCRIPTION
1	3443 894	2			BUMPER, Fender Hood
2	6023 531	2			SCREW
3	6003 351	7			FASTENER
4	4074 857	1			SEAL, Hood Yoke
5	3868 603	1			SEAL, Hood To Cowl



MODEL CODES

E BODY = (J - CARAVELLE)(E - 600)(T - NEW YORKER)

G BODY = (V24 - DAYTONA)

H BODY = (D44 - LANCER)(C44 - LEBARON GTS)

J BODY = (C - LEBARON)

K BODY = (P - RELIANT)(D - ARIES)(C - LEBAROND)/TOWN & COUNTRY)

L BODY = (M - HORIZON/TURISMO)(Z - OMNI/CHARGER)

M BODY = (B - GRAN FURY)(F - FIFTH AVE/NEWPORT)(G - DIPLOMAT)

P BODY = (P - SUNDANCE)(D - SHADOW)

S BODY = (H - VOYAGER)(K - RAM VAN/CARAVAN)

BODY STYLES

12-13 = FWD VAN

21 = 2-DOOR SEDAN

24 = 2-DOOR HATCHBACK

27 = 2-DOOR CONVERTIBLE

41 = 4-DOOR SEDAN

44 = 4-DOOR HATCHBACK

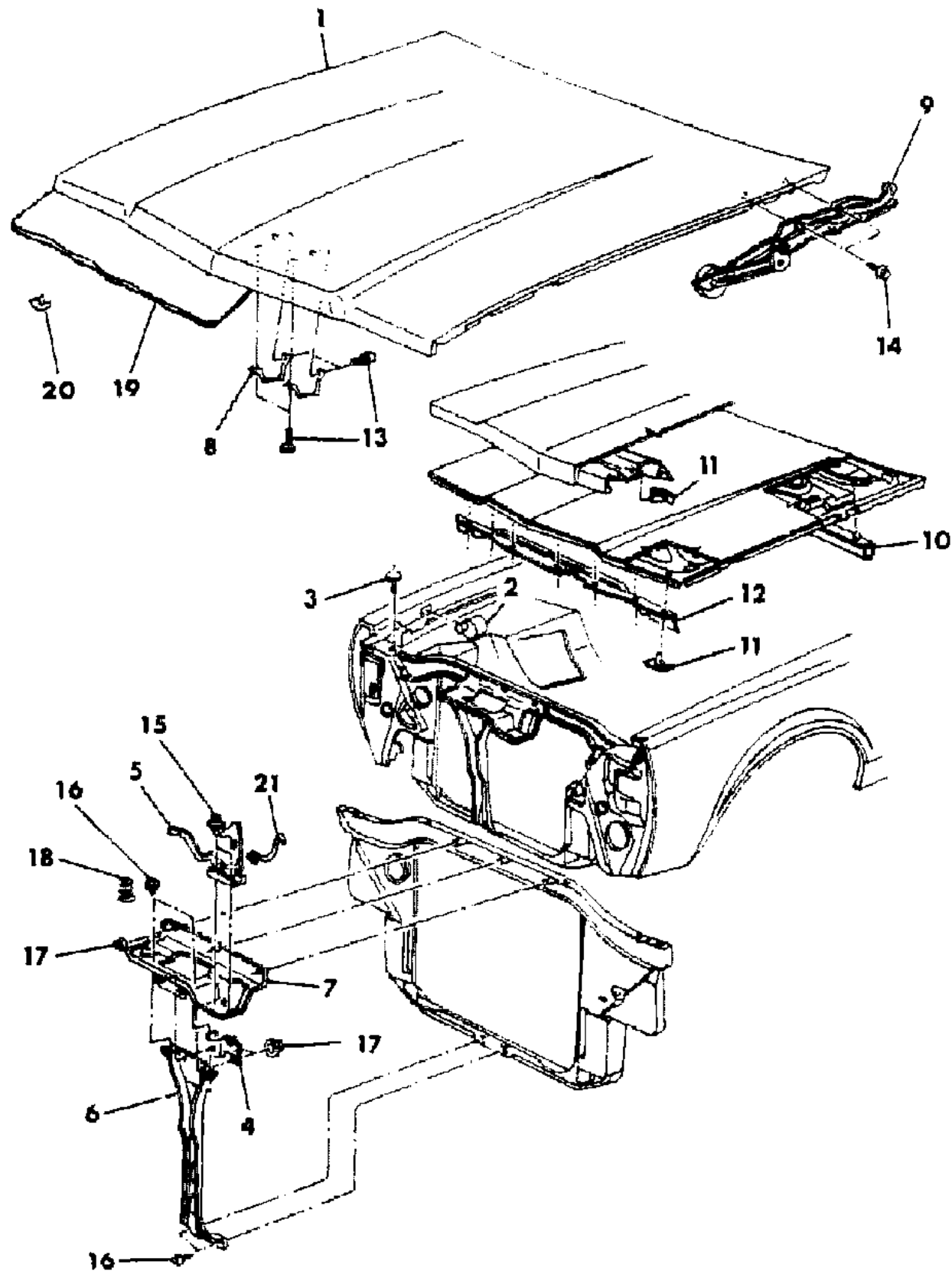
45 = 4-DOOR STATION WAGON

52-53 = FWD WAGON

AR = Use as Required - = Non Illustrated Part P.A.R. = Paint as Required

HOOD M BODY
Figure 23A-1470

7189 14700 A



ITEM	PART NUMBER	QTY	BODY	MODEL	DESCRIPTION
1	4325 200	1			HOOD
2	3443 894	2			BUMPER, Fender Hood Side
3	6023 531	AR			SCREW, Fender Flange Hood Adj. Bumper
4	3861 819	1			LATCH, Hood
5	4296 934	1			CATCH, Hood Safety Complete
6	4074 810	1			SUPPORT, Hood Lock Vertical
7	4103 490	1			PLATE, Hood Lock
8	4054 003	1			STRIKER, Hood Safety Catch
9	4103 428-9	1			HINGE and PROP, Hood
10	3868 603	1			SEAL, Hood Cowl
11	6003 351	7			FASTENER, Seal Hood To Yoke Seal
	6003 568	14			FASTENER
12	4074 857	1			SEAL, Hood Inner Pnl. To Yoke
13	0181 063	AR			SCREW and WASHER
14		AR			SCREW and WASHER, Not Serviced
15	0181 063	AR			SCREW and WASHER
16	9425 118	AR			SCREW and WASHER
17	0118 614	AR			NUT and WASHER
18	4240 535	1			SPRING, Hood Pop-Up Eyelet Type
19	4049 601	1			SILENCER, Hood Inner Pnl. 36" x 72" Cut To Fit
20	6003 351	13			FASTENER, Hood Inner Pnl. Silencer
21	4296 933	1			SPRING, Hood Safety Catch Anti-Vibration

MODEL CODES

E BODY = (J - CARAVELLE)(E - 600)(T - NEW YORKER)

G BODY = (V24 - DAYTONA)

H BODY = (D44 - LANCER)(C44 - LEBARON GTS)

J BODY = (C - LEBARON)

K BODY = (P - RELIANT)(D - ARIES)(C - LEBAROND)/TOWN & COUNTRY)

L BODY = (M - HORIZON/TURISMO)(Z - OMNI/CHARGER)

M BODY = (B - GRAN FURY)(F - FIFTH AVE/NEWPORT)(G - DIPLOMAT)

P BODY = (P - SUNDANCE)(D - SHADOW)

S BODY = (H - VOYAGER)(K - RAM VAN/CARAVAN)

BODY STYLES

12-13 = FWD VAN

21 = 2-DOOR SEDAN

24 = 2-DOOR HATCHBACK

27 = 2-DOOR CONVERTIBLE

41 = 4-DOOR SEDAN

44 = 4-DOOR HATCHBACK

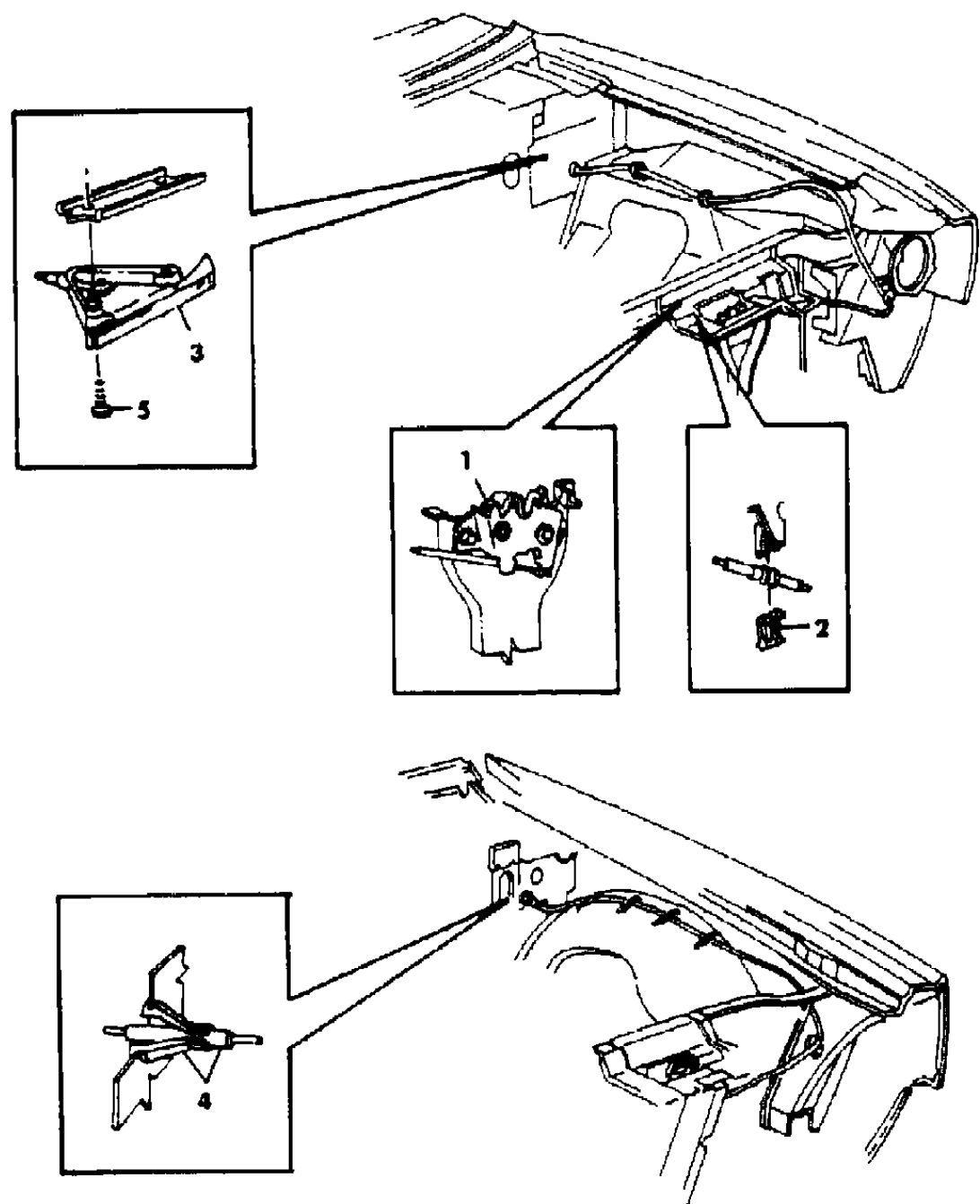
45 = 4-DOOR STATION WAGON

52-53 = FWD WAGON

AR = Use as Required - = Non Illustrated Part P.A.R. = Paint as Required

HOOD RELEASE REMOTE CONTROL M BODY
Figure 23A-1480

7100 14800



ITEM	PART NUMBER	QTY	BODY	MODEL	DESCRIPTION
1	3861 819	1			LATCH, Hood
2	3861 231	1			CLIP, Hood Latch Rel. Cable Ret.
3	3882 085	1			RELEASE, Inst. Pnl. Hood Latch
4	3695 100	1			GROMMET, Hood Latch Rel. Handle Cable
5		AR			SCREW, Not Serviced

MODEL CODES

E BODY = (J - CARAVELLE)(E - 600)(T - NEW YORKER)

G BODY = (V24 - DAYTONA)

H BODY = (D44 - LANCER)(C44 - LEBARON GTS)

J BODY = (C - LEBARON)

K BODY = (P - RELIANT)(D - ARIES)(C - LEBAROND)/TOWN & COUNTRY)

L BODY = (M - HORIZON/TURISMO)(Z - OMNI/CHARGER)

M BODY = (B - GRAN FURY)(F - FIFTH AVE/NEWPORT)(G - DIPLOMAT)

P BODY = (P - SUNDANCE)(D - SHADOW)

S BODY = (H - VOYAGER)(K - RAM VAN/CARAVAN)

BODY STYLES

12-13 = FWD VAN

21 = 2-DOOR SEDAN

24 = 2-DOOR HATCHBACK

27 = 2-DOOR CONVERTIBLE

41 = 4-DOOR SEDAN

44 = 4-DOOR HATCHBACK

45 = 4-DOOR STATION WAGON

52-53 = FWD WAGON

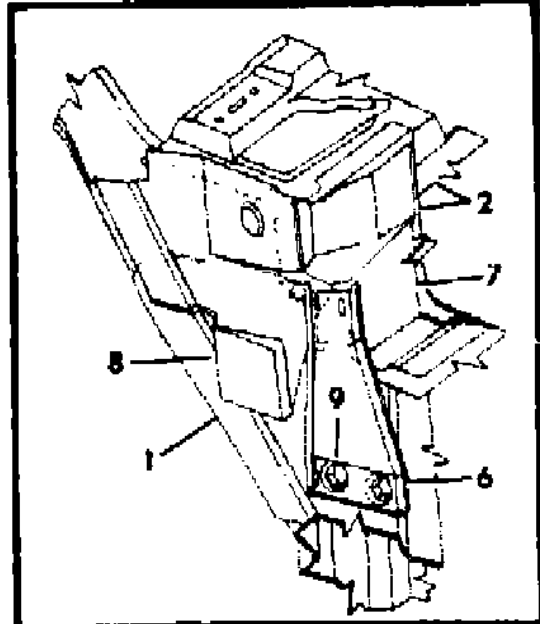
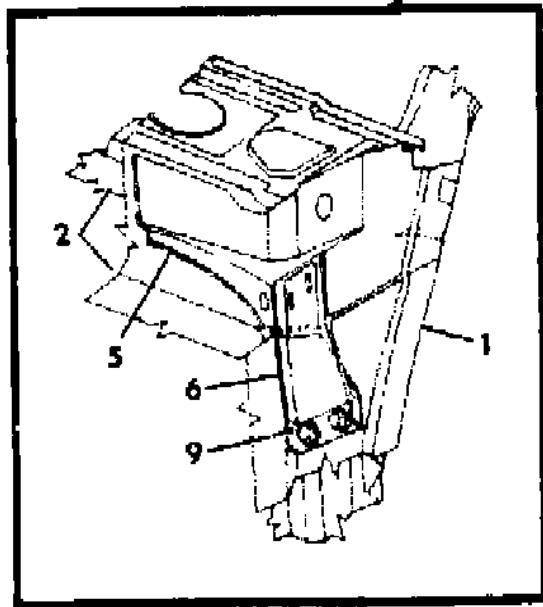
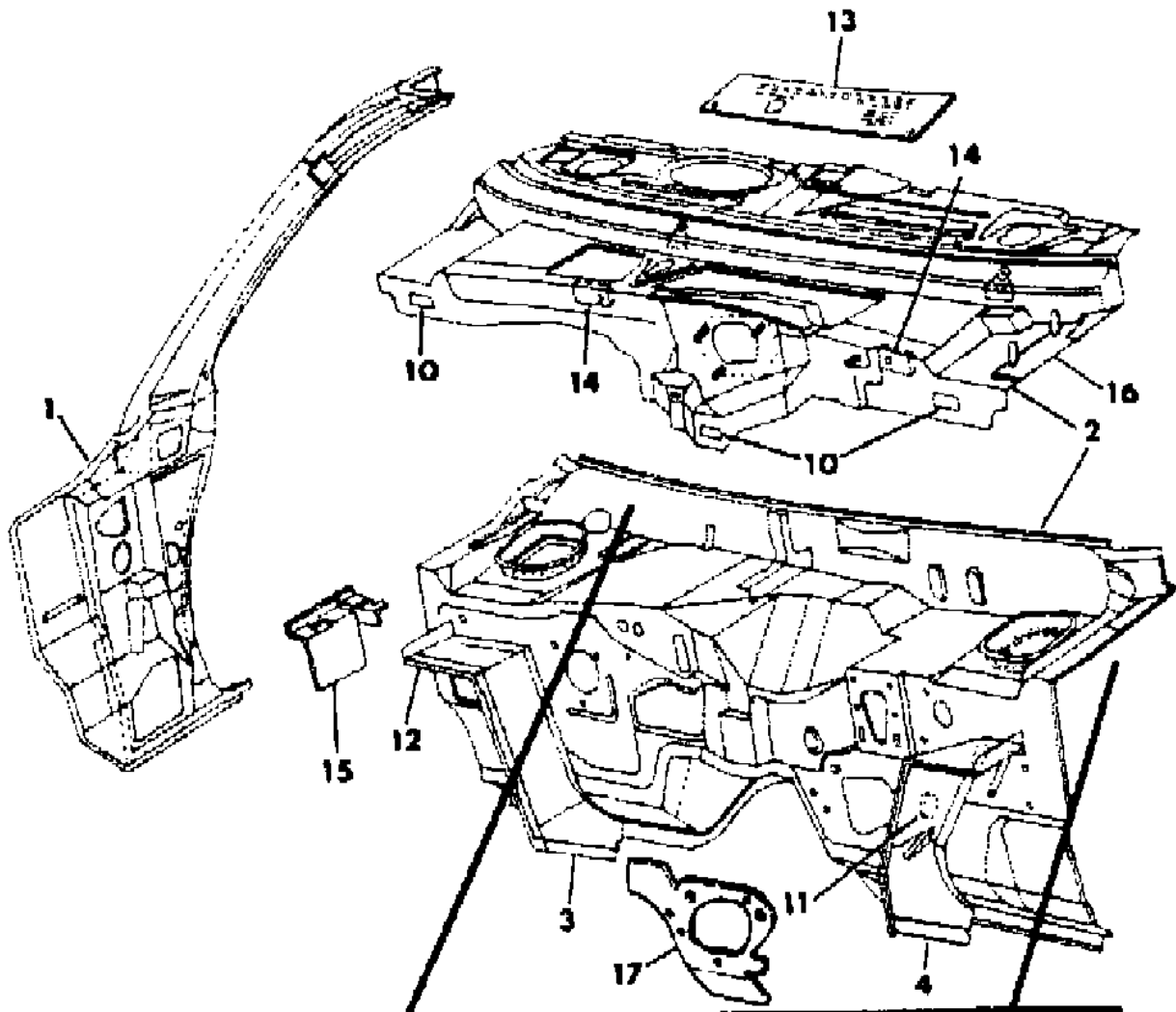
AR = Use as Required - = Non Illustrated Part P.A.R. = Paint as Required

COWL AND DASH PANEL M BODY

Figure 23A-1490

7189 14900 A

ITEM	PART NUMBER	QTY	BODY	MODEL	DESCRIPTION
1	4325 186-7	1			PANEL, Cowl Side
2	4337 567	1			PANEL, Cowl Top & Dash w/o A/C
	4337 566	1			w/A/C
3	4198 190	1			SUPPORT, Dash Pnl. To Fender Side Shield Lower Rt.
4	4198 191	1			SUPPORT, Dash Pnl. To Fender Side Shield Lower Lt.
5	4136 542	1			REINFORCEMENT, Dash Pnl. To Cowl Side Rt.
6	3793 882	1			BRACKET, Cowl Side To Windshield Lower Corner Rt.
	4040 697	1			Left
7	3793 421	1			BRACKET, Dash Pnl. To Steering Column Reinforcement & Lower Corner Gusset Lt.
8	4136 543	1			GUSSET, Windshield Lower Coner Lt.
9	0181 086	4			BOLT
10	3794 032	3			SEAL, Cowl Top Drain Hole
	3875 949	2			SEAL, Cowl Top Pnl. To w/Shield Outer Frame
11	2811 825	1			PLUG, Clutch Rod Hole
12	4198 188-9	1			BRACKET, Dash Pnl. To Fender Side Shield To Rail Support w/ Heavy Service Package
13	3794 196	1			SCREEN, Cowl Top Fresh Air Opening
14	4040 880-1	1			BRACKET, Cowl Top Pnl. To Fender Strut w/Heavy Service Package
15	4136 186-7	1			SUPPORT, Dash Pnl. To Fender Side Shield Upper
16	4136 191	2			REINFORCEMENT, Dash Pnl. Hood Hinge
17	4136 041	1			REINFORCEMENT, Dash Panel Accelerator Pedal (w/Heavy Serviced Package)



MODEL CODES

E BODY = (J - CARAVELLE)(E - 600)(T - NEW YORKER)

G BODY = (V24 - DAYTONA)

H BODY = (D44 - LANCER)(C44 - LEBARON GTS)

J BODY = (C - LEBARON)

K BODY = (P - RELIANT)(D - ARIES)(C - LEBAROND)/TOWN & COUNTRY)

L BODY = (M - HORIZON/TURISMO)(Z - OMNI/CHARGER)

M BODY = (B - GRAN FURY)(F - FIFTH AVE/NEWPORT)(G - DIPLOMAT)

P BODY = (P - SUNDANCE)(D - SHADOW)

S BODY = (H - VOYAGER)(K - RAM VAN/CARAVAN)

BODY STYLES

12-13 = FWD VAN

21 = 2-DOOR SEDAN

24 = 2-DOOR HATCHBACK

27 = 2-DOOR CONVERTIBLE

41 = 4-DOOR SEDAN

44 = 4-DOOR HATCHBACK

45 = 4-DOOR STATION WAGON

52-53 = FWD WAGON

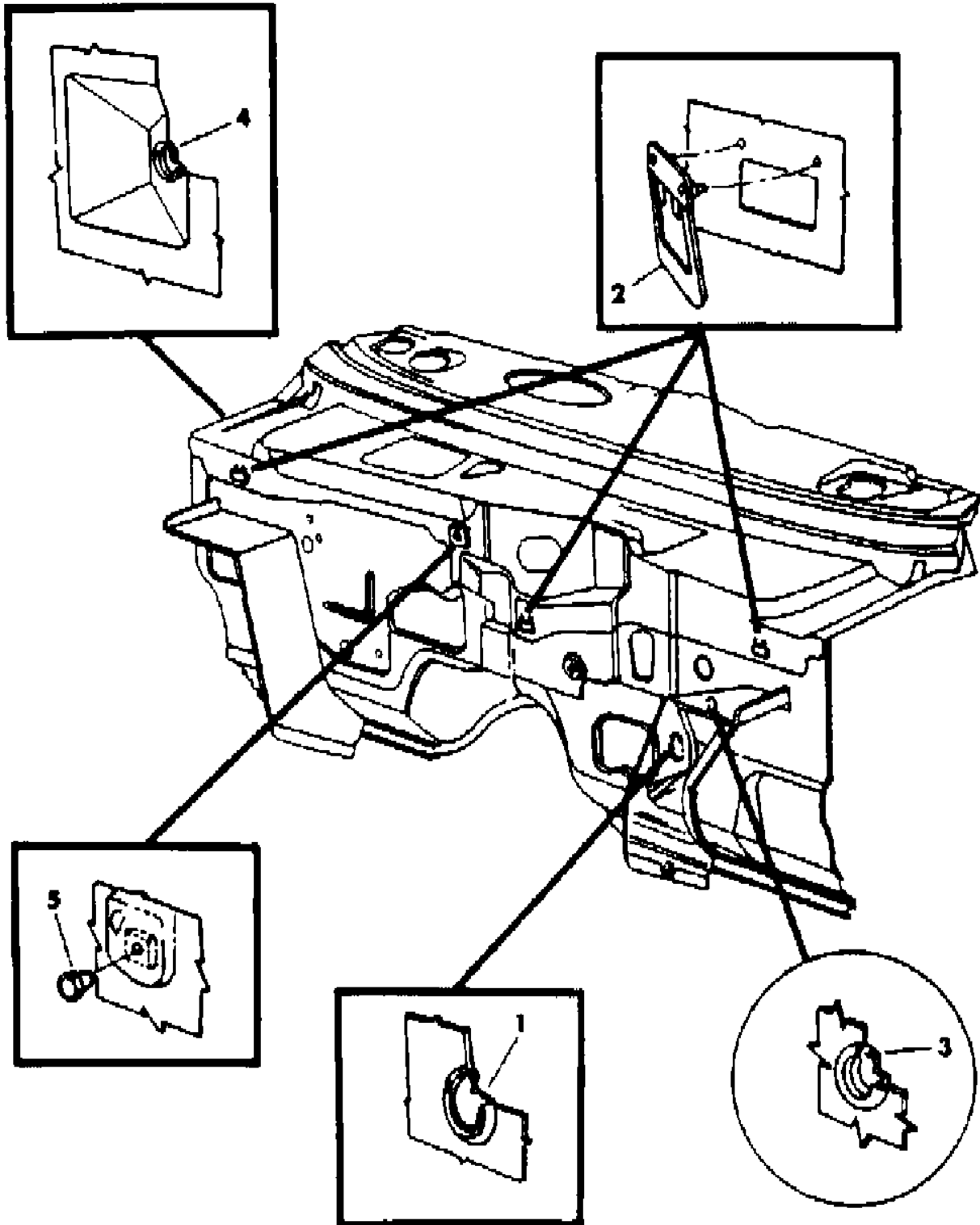
AR = Use as Required - = Non Illustrated Part P.A.R. = Paint as Required

PLUGS COWL AND DASH M BODY

Figure 23A-1500

7189 15000

ITEM	PART NUMBER	QTY	BODY	MODEL	DESCRIPTION
1		1			PLUG, Not Serviced
2	3794 032	3			SEAL, Cowl Top
3	1774 076	1			PLUG, Hood Release Cable
4	2860 332	1			PLUG, Antenna Hole
5	2423 737	1			PLUG, Cowl Top
	2423 737	1			PLUG, Ballast Resistor Mounting Hole w/318 Eng.
	2423 737	2			PLUG, E.C.U. Mounting Hole w/318 Eng.
	2423 737	2			PLUG, Electronic Throttle Control Mounting Hole w/318 Eng.
	6030 773	AR			PLUG, Cowl Top Panel Repair



MODEL CODES

E BODY = (J - CARAVELLE)(E - 600)(T - NEW YORKER)

G BODY = (V24 - DAYTONA)

H BODY = (D44 - LANCER)(C44 - LEBARON GTS)

J BODY = (C - LEBARON)

K BODY = (P - RELIANT)(D - ARIES)(C - LEBAROND)/TOWN & COUNTRY)

L BODY = (M - HORIZON/TURISMO)(Z - OMNI/CHARGER)

M BODY = (B - GRAN FURY)(F - FIFTH AVE/NEWPORT)(G - DIPLOMAT)

P BODY = (P - SUNDANCE)(D - SHADOW)

S BODY = (H - VOYAGER)(K - RAM VAN/CARAVAN)

BODY STYLES

12-13 = FWD VAN

21 = 2-DOOR SEDAN

24 = 2-DOOR HATCHBACK

27 = 2-DOOR CONVERTIBLE

41 = 4-DOOR SEDAN

44 = 4-DOOR HATCHBACK

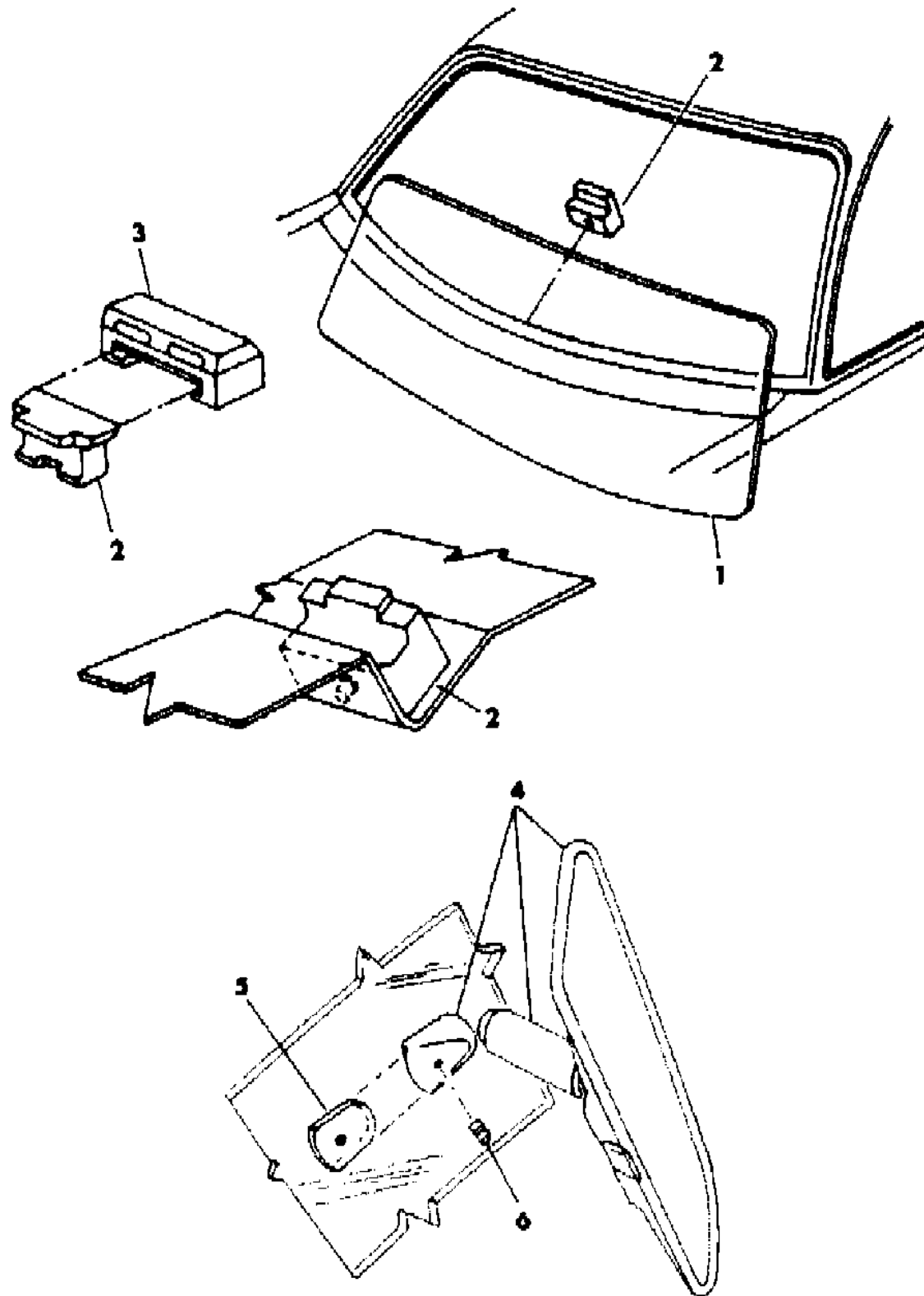
45 = 4-DOOR STATION WAGON

52-53 = FWD WAGON

AR = Use as Required - = Non Illustrated Part P.A.R. = Paint as Required

GLASS WINDSHIELD AND MIRROR M BODY
Figure 23A-1510

7189 15100



ITEM	PART NUMBER	QTY	BODY	MODEL	DESCRIPTION
------	-------------	-----	------	-------	-------------

NOTE: GLASS, WINDSHIELD - ORDER FROM YOUR LOCAL "MOPAR" GLASS DISTRIBUTOR s group.

1	3795 695	1			GLASS, Windshield Tinted
2	4314 872	2			SPACER, Windshield Glass Lower, Approximately .230" Thick
	3767 820	AR			Approximately .150" Thick
3	3767 767	AR			SHIM, Windshield Glass Spacer Lower, Approximately.218" Thick
4	4082 199	1			MIRROR, Rear View
5	4054 066	1			BUTTON, Rear View Mirror Mounting
	4293 039	1			ADHESIVE PACKAGE, Rear View Mirror Button Mounting (Includes Adhesive & Instructions)

6 6031 094 1 SCREW, Rear View Mirror Mounting

NOTE: The following items are not shown on illustration. s group.

PKG A	4057 957	1			FIXED GLASS REPAIR PACKAGE CONSISTS OF:
					1- ----- Tape, Butyl, 171.00"
					1- ----- Primer, Glass
					1- ----- Primer, Fence
	3674 698				2-Spacer, Rubber, 0.2"
	3793 290				2-Spacer, Rubber, 0.3"
	3767 767				2-Shim, 0.07"
					2- ----- Sponges, Disposable

MODEL CODES

E BODY = (J - CARAVELLE)(E - 600)(T - NEW YORKER)

G BODY = (V24 - DAYTONA)

H BODY = (D44 - LANCER)(C44 - LEBARON GTS)

J BODY = (C - LEBARON)

K BODY = (P - RELIANT)(D - ARIES)(C - LEBAROND)/TOWN & COUNTRY)

L BODY = (M - HORIZON/TURISMO)(Z - OMNI/CHARGER)

M BODY = (B - GRAN FURY)(F - FIFTH AVE/NEWPORT)(G - DIPLOMAT)

P BODY = (P - SUNDANCE)(D - SHADOW)

S BODY = (H - VOYAGER)(K - RAM VAN/CARAVAN)

BODY STYLES

12-13 = FWD VAN

21 = 2-DOOR SEDAN

24 = 2-DOOR HATCHBACK

27 = 2-DOOR CONVERTIBLE

41 = 4-DOOR SEDAN

44 = 4-DOOR HATCHBACK

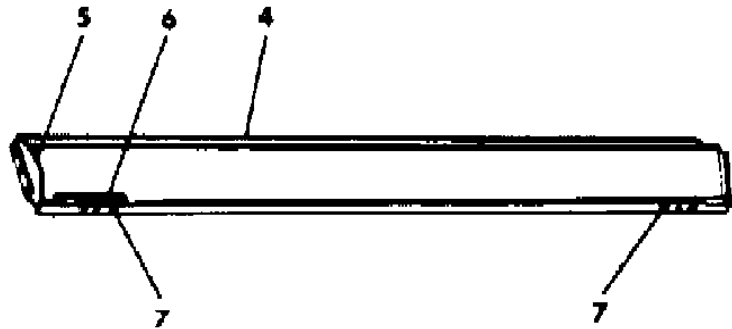
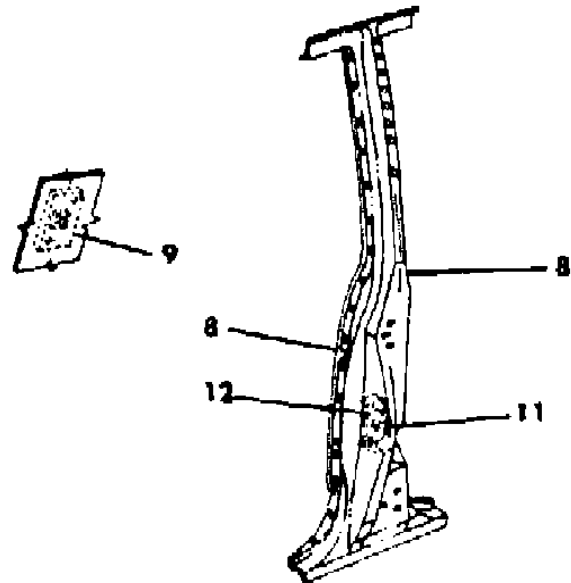
45 = 4-DOOR STATION WAGON

52-53 = FWD WAGON

AR = Use as Required - = Non Illustrated Part P.A.R. = Paint as Required

SIDE SILL AND CENTER PILLAR M BODY
Figure 23A-1520

7180 15200



ITEM	PART NUMBER	QTY	BODY	MODEL	DESCRIPTION
1	4475 168-9	1			PANEL, Side Sill Inner Front
2	4314 642-3	1			REINFORCEMENT, Front Floor Pan Seat Guide Front Outer
3	4314 644-5	1			REINFORCEMENT, Front Floor Pan Seat Guide Rear Outer
4	4015 558-9	1			PANEL, Side Sill Outer
5	3791 060-1	1			CAP, Side Sill Panel Front
6	4134 534	2			REINFORCEMENT, Side Sill Outer Jacking Front
7	4134 416	4			BRACKET, Outer Sill Jack Locator
8	4325 166-7	1			PILLAR, Body Center
9	4314 326	4			REINFORCEMENT, Body Center Pillar Seat Shoulder Belt Hanger
10	4416 988-9	1			PANEL, Side Sill Inner Rear
11	3445 952	2			PLATE, Body Lock Pillar Striker
12	3752 366	2			REINFORCEMENT, w/T-Plate Body Center Pillar and Retainer

MODEL CODES

E BODY = (J - CARAVELLE)(E - 600)(T - NEW YORKER)

G BODY = (V24 - DAYTONA)

H BODY = (D44 - LANCER)(C44 - LEBARON GTS)

J BODY = (C - LEBARON)

K BODY = (P - RELIANT)(D - ARIES)(C - LEBAROND)/TOWN & COUNTRY)

L BODY = (M - HORIZON/TURISMO)(Z - OMNI/CHARGER)

M BODY = (B - GRAN FURY)(F - FIFTH AVE/NEWPORT)(G - DIPLOMAT)

P BODY = (P - SUNDANCE)(D - SHADOW)

S BODY = (H - VOYAGER)(K - RAM VAN/CARAVAN)

BODY STYLES

12-13 = FWD VAN

21 = 2-DOOR SEDAN

24 = 2-DOOR HATCHBACK

27 = 2-DOOR CONVERTIBLE

41 = 4-DOOR SEDAN

44 = 4-DOOR HATCHBACK

45 = 4-DOOR STATION WAGON

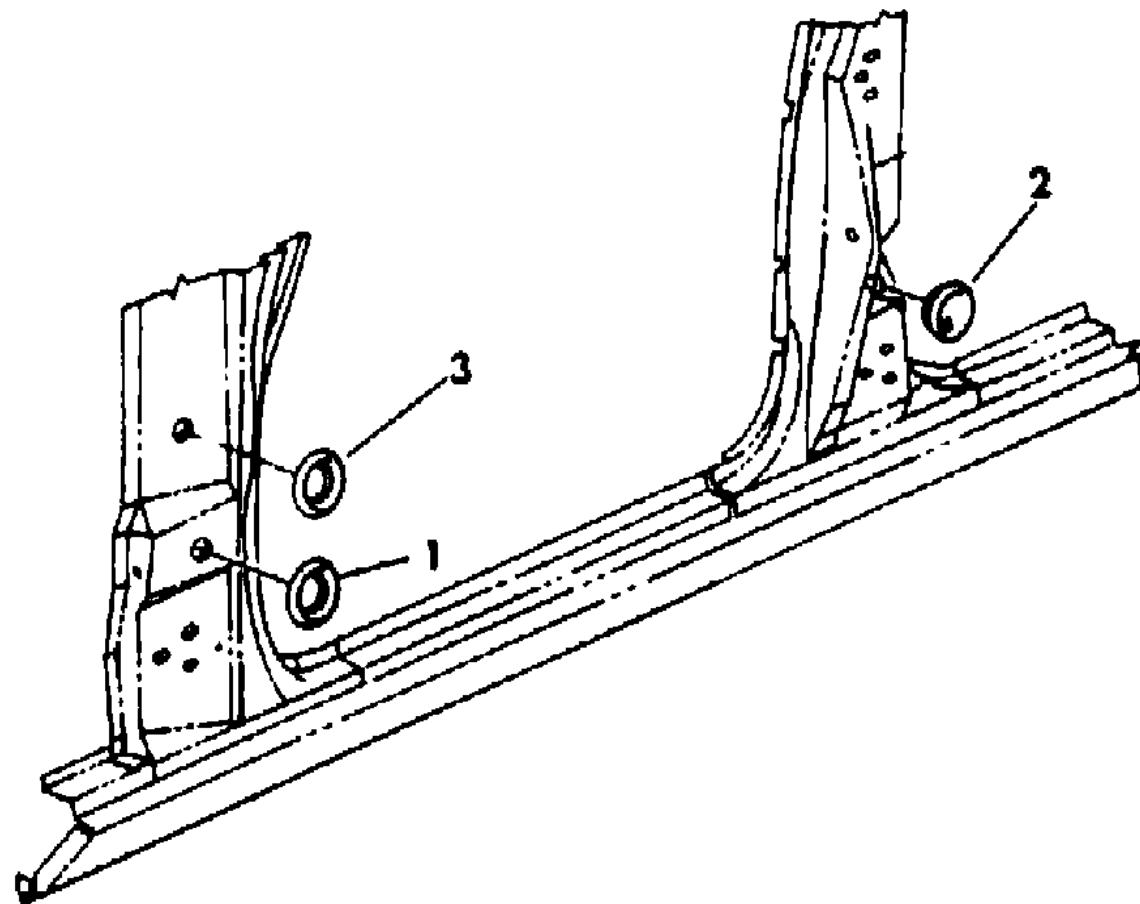
52-53 = FWD WAGON

AR = Use as Required - = Non Illustrated Part P.A.R. = Paint as Required

PLUGS BODY SIDE M BODY
Figure 23A-1530

7189 15300

ITEM	PART NUMBER	QTY	BODY	MODEL	DESCRIPTION
1	6030 773	2			PLUG
2	2480 957	2			PLUG
3	2860 332	1			PLUG



MODEL CODES

E BODY = (J - CARAVELLE)(E - 600)(T - NEW YORKER)

G BODY = (V24 - DAYTONA)

H BODY = (D44 - LANCER)(C44 - LEBARON GTS)

J BODY = (C - LEBARON)

K BODY = (P - RELIANT)(D - ARIES)(C - LEBAROND)/TOWN & COUNTRY)

L BODY = (M - HORIZON/TURISMO)(Z - OMNI/CHARGER)

M BODY = (B - GRAN FURY)(F - FIFTH AVE/NEWPORT)(G - DIPLOMAT)

P BODY = (P - SUNDANCE)(D - SHADOW)

S BODY = (H - VOYAGER)(K - RAM VAN/CARAVAN)

BODY STYLES

12-13 = FWD VAN

21 = 2-DOOR SEDAN

24 = 2-DOOR HATCHBACK

27 = 2-DOOR CONVERTIBLE

41 = 4-DOOR SEDAN

44 = 4-DOOR HATCHBACK

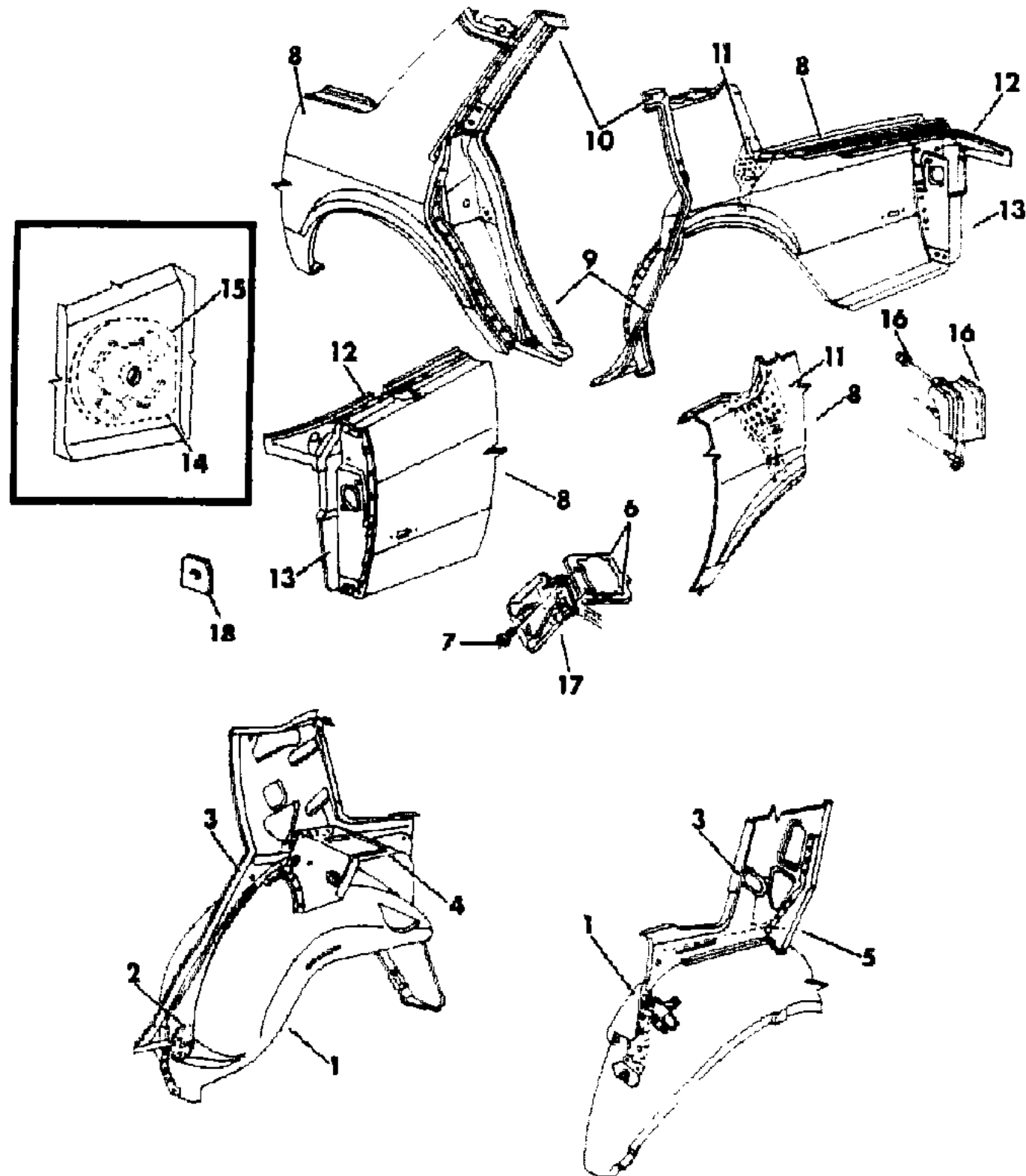
45 = 4-DOOR STATION WAGON

52-53 = FWD WAGON

AR = Use as Required - = Non Illustrated Part P.A.R. = Paint as Required

QUARTER PANEL M BODY
Figure 23A-1540

7189 15400 A



ITEM	PART NUMBER	QTY	BODY	MODEL	DESCRIPTION
1	4134 064-5	1			PANEL, Qtr. W/House Inner
2	4206 262-3	1			REINFORCEMENT, W/House Inner Panel Rear Seat Belt
3	4134 182-3	1			PANEL, Qtr. Inside and W/House Outer
4		1			EXTENSION, Shelf Panel Not Serviced
5	4134 420-1	1			SUPPORT, Body Lock Pillar To W/House
6	5220 250	2			BUMPER, Qtr. Outside Panel Fuel Filler Door
7		2			SCREW, Not Serviced
8	4337 458-9	1			PANEL, Quarter Outside
9	4341 546-7	1			PILLAR, Body Lock Lower
10	4134 290-1	1			PILLAR, Qtr. Panel Body Lock Upper
11		1			FILLER, Outside Panel Rear Wdo. Not Serviced
12	4134 130-1	1			TROUGH, Qtr. Side Drain
13	4341 540-1	1			REINFORCEMENT, Qtr. Outside Panel End
14	3791 078	2			REINFORCEMENT, Body Lock Pillar Lock Striker
15		2			RETAINER, Not Serviced
16	4134 260-1	1			EXTENSION, Qtr. Outside Panel End
17	4278 911	1			DOOR, Qtr. Outside Panel Fuel Filler
18	3445 952	2			PLATE, Body Lock Pillar Lock Striker

MODEL CODES

E BODY = (J - CARAVELLE)(E - 600)(T - NEW YORKER)

G BODY = (V24 - DAYTONA)

H BODY = (D44 - LANCER)(C44 - LEBARON GTS)

J BODY = (C - LEBARON)

K BODY = (P - RELIANT)(D - ARIES)(C - LEBAROND)/TOWN & COUNTRY)

L BODY = (M - HORIZON/TURISMO)(Z - OMNI/CHARGER)

M BODY = (B - GRAN FURY)(F - FIFTH AVE/NEWPORT)(G - DIPLOMAT)

P BODY = (P - SUNDANCE)(D - SHADOW)

S BODY = (H - VOYAGER)(K - RAM VAN/CARAVAN)

BODY STYLES

12-13 = FWD VAN

21 = 2-DOOR SEDAN

24 = 2-DOOR HATCHBACK

27 = 2-DOOR CONVERTIBLE

41 = 4-DOOR SEDAN

44 = 4-DOOR HATCHBACK

45 = 4-DOOR STATION WAGON

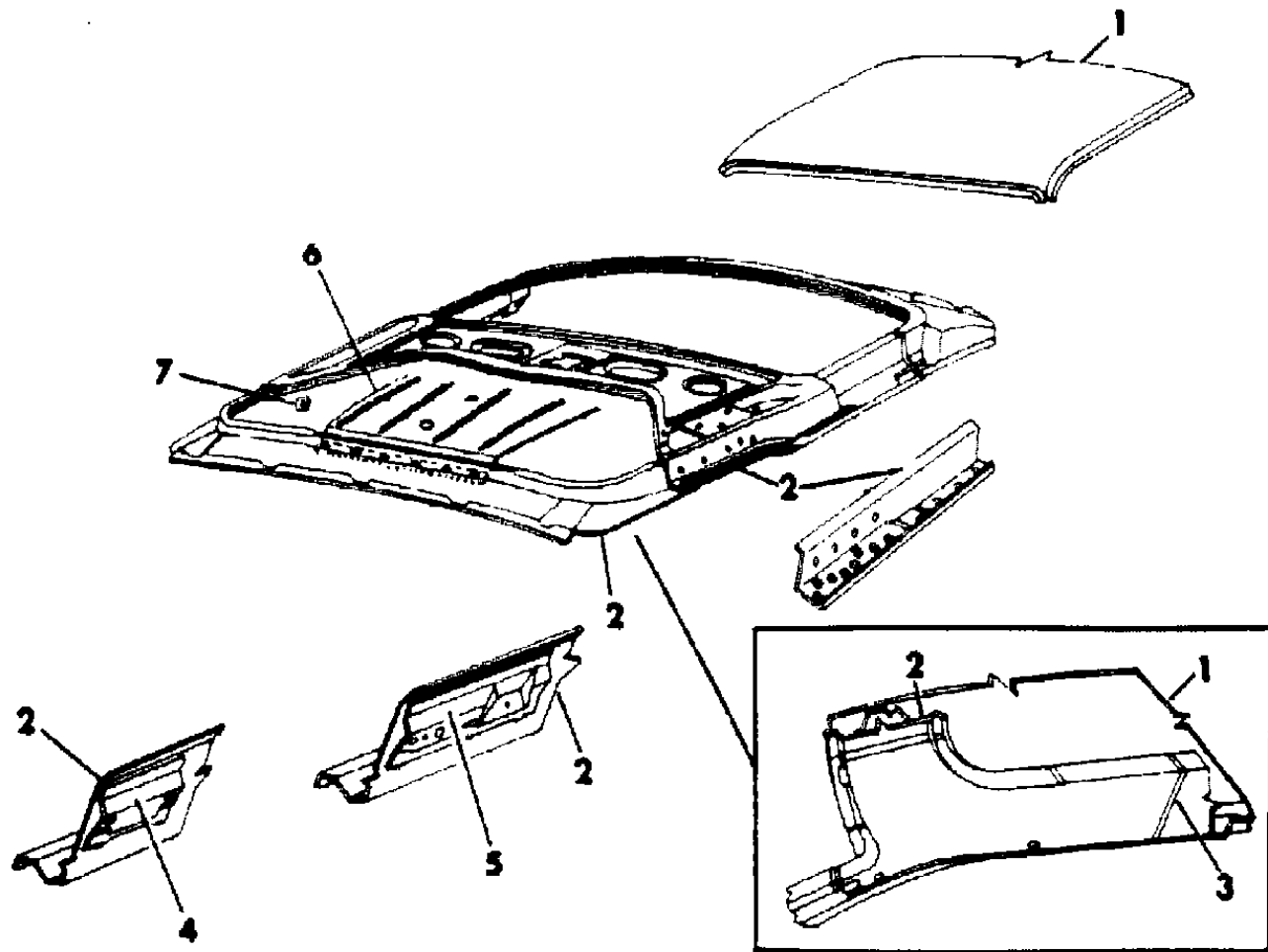
52-53 = FWD WAGON

AR = Use as Required - = Non Illustrated Part P.A.R. = Paint as Required

ROOF PANEL M BODY
Figure 23A-1550

7189 15500

ITEM	PART NUMBER	QTY	BODY	MODEL	DESCRIPTION
1	4136 087	1			PANEL, Roof Outer
2	4136 082	1			PANEL, Roof Inner
3	3795 832-3	1			EXTENSION, W/Shield Opening Side Frame Upper Corner
4	4040 875	2		F-S	REINFORCEMENT, Roof Inner Panel Assist Strap Front
5	4136 296-7	1		F-S	REINFORCEMENT, Roof Inner Panel Assist Strap Rear
6	4206 716	1			SUPPORT, Roof Panel Outside Flasher Light Or Siren
7	6031 160	AR		F-S	U-NUT, Roof Inner Panel Assist Strap Reinforcement Front Or Rear



MODEL CODES

E BODY = (J - CARAVELLE)(E - 600)(T - NEW YORKER)

G BODY = (V24 - DAYTONA)

H BODY = (D44 - LANCER)(C44 - LEBARON GTS)

J BODY = (C - LEBARON)

K BODY = (P - RELIANT)(D - ARIES)(C - LEBAROND)/TOWN & COUNTRY)

L BODY = (M - HORIZON/TURISMO)(Z - OMNI/CHARGER)

M BODY = (B - GRAN FURY)(F - FIFTH AVE/NEWPORT)(G - DIPLOMAT)

P BODY = (P - SUNDANCE)(D - SHADOW)

S BODY = (H - VOYAGER)(K - RAM VAN/CARAVAN)

BODY STYLES

12-13 = FWD VAN

21 = 2-DOOR SEDAN

24 = 2-DOOR HATCHBACK

27 = 2-DOOR CONVERTIBLE

41 = 4-DOOR SEDAN

44 = 4-DOOR HATCHBACK

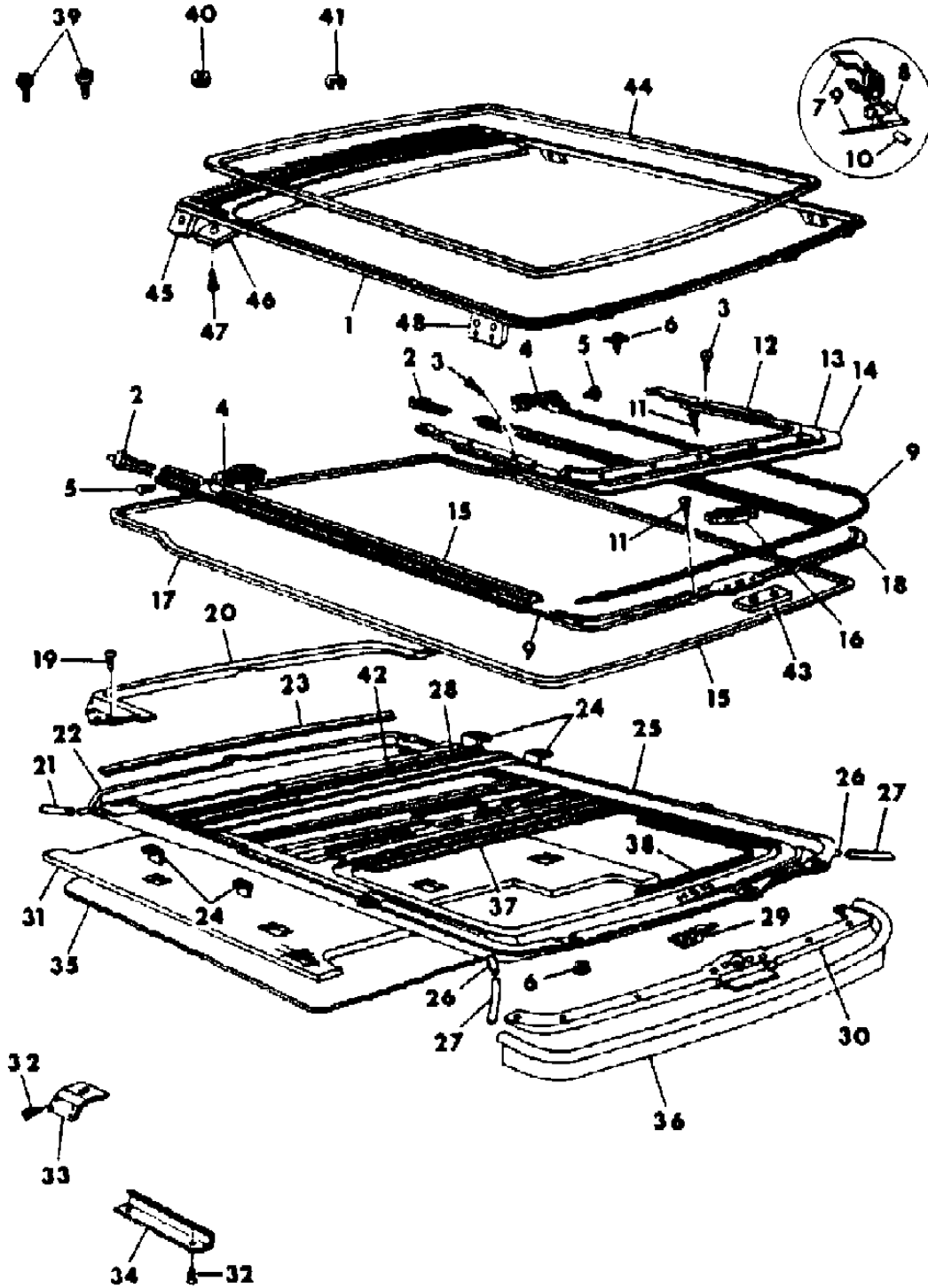
45 = 4-DOOR STATION WAGON

52-53 = FWD WAGON

AR = Use as Required - = Non Illustrated Part P.A.R. = Paint as Required

SUNROOF M BODY
Figure 23A-1560

7100 15800



ITEM	PART NUMBER	QTY	BODY	MODEL	DESCRIPTION
1		1			REINFORCEMENT, Roof Panel Opening Not Serviced
2	4172 893	1			RETAINER, Track
3		AR			SCREW, Not Serviced
4	4172 896-7	1			GUIDE ASSEMBLY, Rear
5		AR			SCREW, (8x18.31) Not Serviced
6		AR			NUT, 1/4-20 Not Serviced
7		1			ADJUSTER, Not Serviced
8		1			HOUSING, Not Serviced
9		1			CABLE, (Serviced In Item 4)
10		2			PIN, Not Serviced
11		AR			SCREW, Not Serviced
12	4246 023	1			CABLE SIDE COVER, Paint As Required
13	4172 899	1			COVER, Front Paint As Required
14		1			TAPE, Not Serviced
15	4172 894-5	1			TRACK, Paint As Required
16	4246 414	1			RETAINER, Cable Guide Lower
17		1			TAPE, Not Serviced
18	4246 412-3	1			GUIDE, Cable Front Lower
19		AR			SCREW, Not Serviced
20		AR			SPACER, Not Serviced
21		2			HOSE, Not Serviced
22		2			TUBE, (Serviced In Item 25)
23		2			BRACKET, (Serviced In Item 25)
24		2			BRACKET, (Serviced In Item 25)
25	4246 432	1			HOUSING ASSEMBLY
26		2			TUBE, (Serviced In Item 25)
27		2			HOSE, Not Serviced
28	4172 903	1			REINFORCEMENT, Roof Upper
29		2			BRACKET, (Serviced In Item 25)
30	4172 902	1			PAD, Front Safety
31		1			SILENCER, Not Serviced
32		AR			SCREW, Not Serviced
33	4172 905	AR			BRACKET, Housing To Side Rail
34					RETAINER, Not Serviced
35					HEADLINER
	4246 467	1			Dark Blue
	4246 468	1			Dark Red
	4246 469	1			Light Cashmere

MODEL CODES

E BODY = (J - CARAVELLE)(E - 600)(T - NEW YORKER)

G BODY = (V24 - DAYTONA)

H BODY = (D44 - LANCER)(C44 - LEBARON GTS)

J BODY = (C - LEBARON)

K BODY = (P - RELIANT)(D - ARIES)(C - LEBAROND)/TOWN & COUNTRY)

L BODY = (M - HORIZON/TURISMO)(Z - OMNI/CHARGER)

M BODY = (B - GRAN FURY)(F - FIFTH AVE/NEWPORT)(G - DIPLOMAT)

P BODY = (P - SUNDANCE)(D - SHADOW)

S BODY = (H - VOYAGER)(K - RAM VAN/CARAVAN)

BODY STYLES

12-13 = FWD VAN

21 = 2-DOOR SEDAN

24 = 2-DOOR HATCHBACK

27 = 2-DOOR CONVERTIBLE

41 = 4-DOOR SEDAN

44 = 4-DOOR HATCHBACK

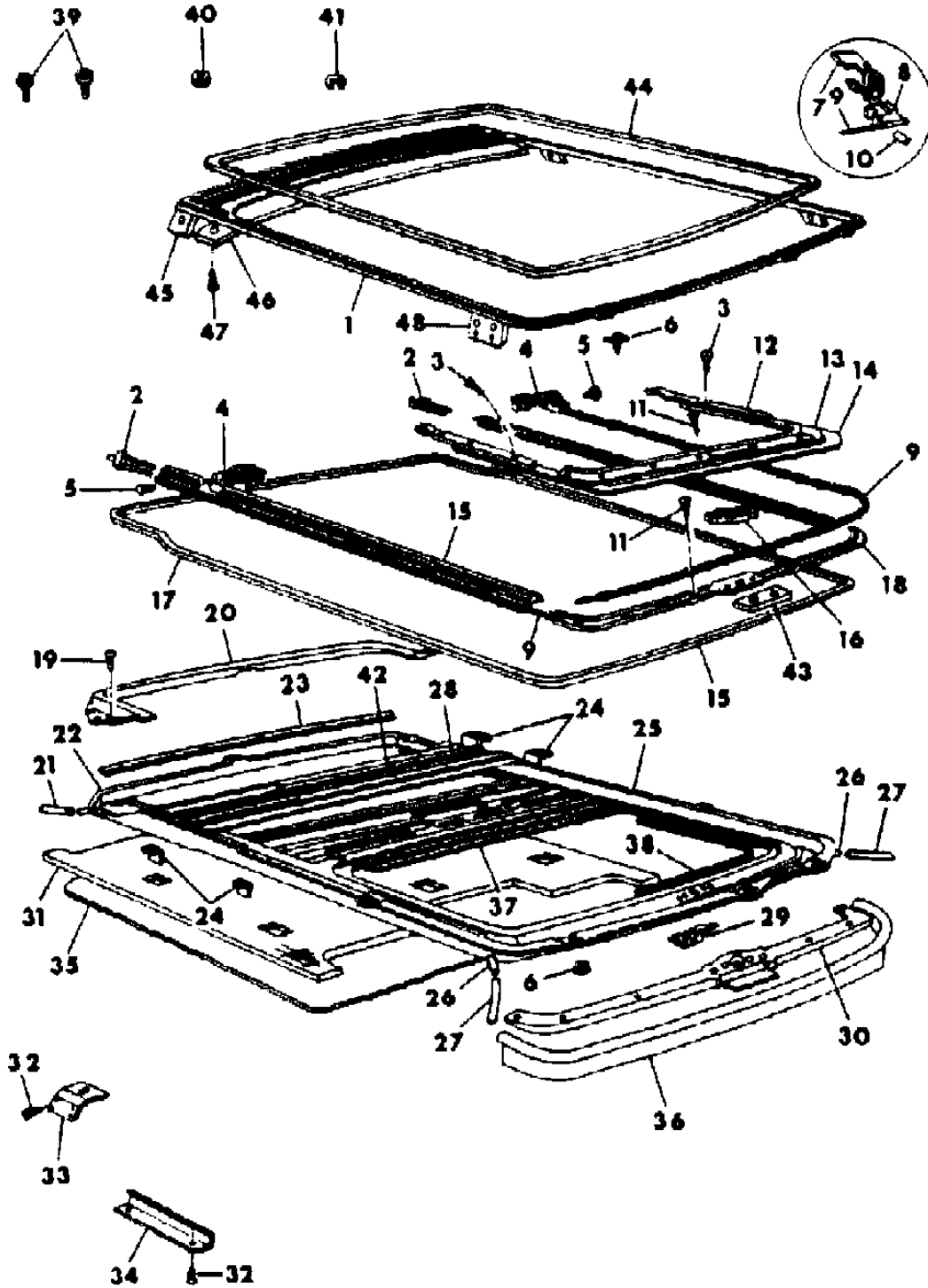
45 = 4-DOOR STATION WAGON

52-53 = FWD WAGON

AR = Use as Required - = Non Illustrated Part P.A.R. = Paint as Required

SUNROOF M BODY
Figure 23A-1560

7100 15800



ITEM	PART NUMBER	QTY	BODY	MODEL	DESCRIPTION
	4296 058	1			Silver
	4296 059	1			Mahogany
	4296 496	1			Beige
	4467 955	1			Almond
36					SEAL
	4054 484	AR			Seal, Roof Glass Slideing Panel (4.5 mm)
	4246 416	AR			Seal, Roof Glass Slideing Panel (6.8 mm) Front
	4246 416	AR			Seal, Roof Glass Slideing Panel (6.8 mm) Rear
37		1			REINFORCEMENT, Housing Opening Lower (Serviced In Item 25)
38					WELT, Heading Opening
	4246 424	1			Blue
	4246 423	1			Dark Red
	4246 425	1			Light Cashmere
	4296 063	1			Silver
	4296 064	1			Mahogany
	4296 498	1			Beige
	4339 362	1			Black
	4467 923	1			Almond
39	4172 801	AR			SCREW, Motor Clutch
40	3788 436	AR			GEAR, Drive Pinion
41	3788 435	AR			RETAINER, Drive Pinion
42		1			TAPE, Not Serviced
43	4246 415	1			COVER, Lower Cable Guide Retainer
44	4296 100	1			MOULDING, Roof Opening Reval
45		1			BRACKET, Reinforcement To Rail Not Serviced
46	4296 101	1			SHIM, Rear Plate To Ring
47		AR			RIVET, Not Serviced
48		1			BRACKET, Housing To Header Mounting Not Serviced

MODEL CODES

E BODY = (J - CARAVELLE)(E - 600)(T - NEW YORKER)

G BODY = (V24 - DAYTONA)

H BODY = (D44 - LANCER)(C44 - LEBARON GTS)

J BODY = (C - LEBARON)

K BODY = (P - RELIANT)(D - ARIES)(C - LEBAROND)/TOWN & COUNTRY)

L BODY = (M - HORIZON/TURISMO)(Z - OMNI/CHARGER)

M BODY = (B - GRAN FURY)(F - FIFTH AVE/NEWPORT)(G - DIPLOMAT)

P BODY = (P - SUNDANCE)(D - SHADOW)

S BODY = (H - VOYAGER)(K - RAM VAN/CARAVAN)

BODY STYLES

12-13 = FWD VAN

21 = 2-DOOR SEDAN

24 = 2-DOOR HATCHBACK

27 = 2-DOOR CONVERTIBLE

41 = 4-DOOR SEDAN

44 = 4-DOOR HATCHBACK

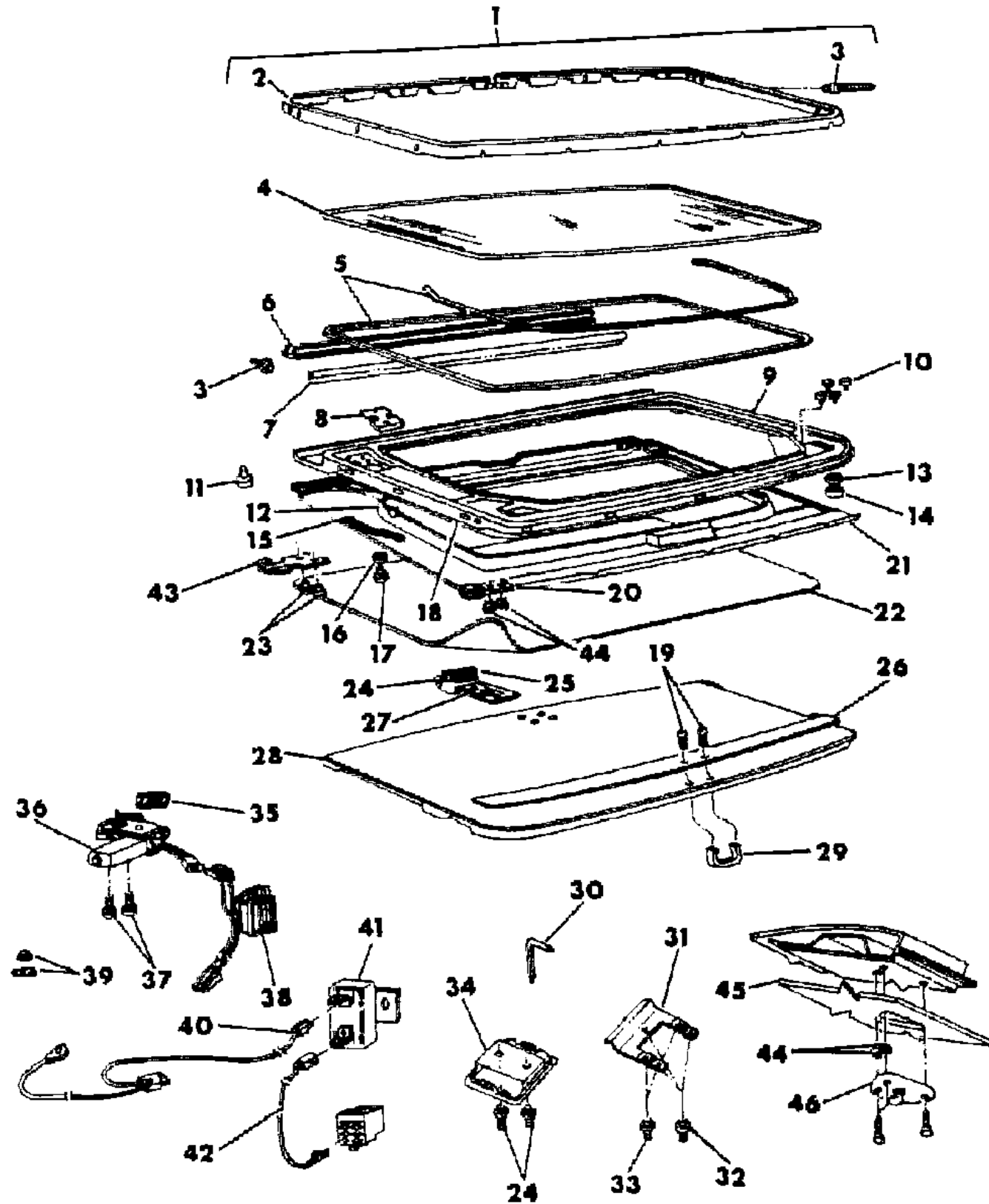
45 = 4-DOOR STATION WAGON

52-53 = FWD WAGON

AR = Use as Required - = Non Illustrated Part P.A.R. = Paint as Required

SUNROOF M BODY
Figure 23A-1560

7189 15700



ITEM	PART NUMBER	QTY	BODY	MODEL	DESCRIPTION
1	4172 907	1			PANEL, Glass, Silver
2					MOULDING, Periphery (Serviced In Item 1)
3					RIVET, (Serviced In Item 1)
4					GLASS, (Serviced In Item 1)
5					SEALER, (Serviced In Item 1)
6	4054 457	1			WEATHERSTRIP, Rear
7	4054 484	AR			SEAL, Panel Front (4.5 mm)
	4246 416	AR			SEAL, Panel Rear (4.5 mm)
8					PLATE, Guide (Serviced In Item 1)
9					ARMATURE, (Serviced In Item 1)
10					RIVET, (Serviced In Item 1)
11	3759 648	1			BUTTON, Slide
12					COVER, Opening Side Tab Not Serviced
13					STUD, Front Adjuster (Serviced In Item 1)
14					NUT, Front Adjuster (Serviced In Item 1)
15					SPRING, Rear (Serviced In Item 1)
16					WASHER, (Serviced In Item 1)
17					RIVET, (Serviced In Item 1)
18					STIFFENER, Not Serviced
19					SCREW, (Serviced In Item 28)
20	3795 595	1			GUIDE ASSEMBLY, Front
21	4172 908	1			HALO, Paint As Required
22					LINING, Sun Screen (Serviced In Item 28)
23					SCREW, Not Serviced
24					RIVET, Not Serviced
25	4054 467	1			CATCH, Sun Screen Magnet
26					REINFORCEMENT, (Serviced In Item 28)
27	4172 877	1			BRACKET, Sun Screen Catch
28					SUN SCREEN ASSEMBLY
	4246 471	1			Dark Blue
	4246 472	1			Dark Red
	4246 473	1			Light Cashmere
	4296 061	1			Silver
	4296 062	1			Mahogany
	4296 497	1			Beige
	4467 924	1			Almond
29	4172 909	1			HANDLE, Sun Screen
30	3788 431	1			HANDLE

MODEL CODES

E BODY = (J - CARAVELLE)(E - 600)(T - NEW YORKER)

G BODY = (V24 - DAYTONA)

H BODY = (D44 - LANCER)(C44 - LEBARON GTS)

J BODY = (C - LEBARON)

K BODY = (P - RELIANT)(D - ARIES)(C - LEBAROND)/TOWN & COUNTRY)

L BODY = (M - HORIZON/TURISMO)(Z - OMNI/CHARGER)

M BODY = (B - GRAN FURY)(F - FIFTH AVE/NEWPORT)(G - DIPLOMAT)

P BODY = (P - SUNDANCE)(D - SHADOW)

S BODY = (H - VOYAGER)(K - RAM VAN/CARAVAN)

BODY STYLES

12-13 = FWD VAN

21 = 2-DOOR SEDAN

24 = 2-DOOR HATCHBACK

27 = 2-DOOR CONVERTIBLE

41 = 4-DOOR SEDAN

44 = 4-DOOR HATCHBACK

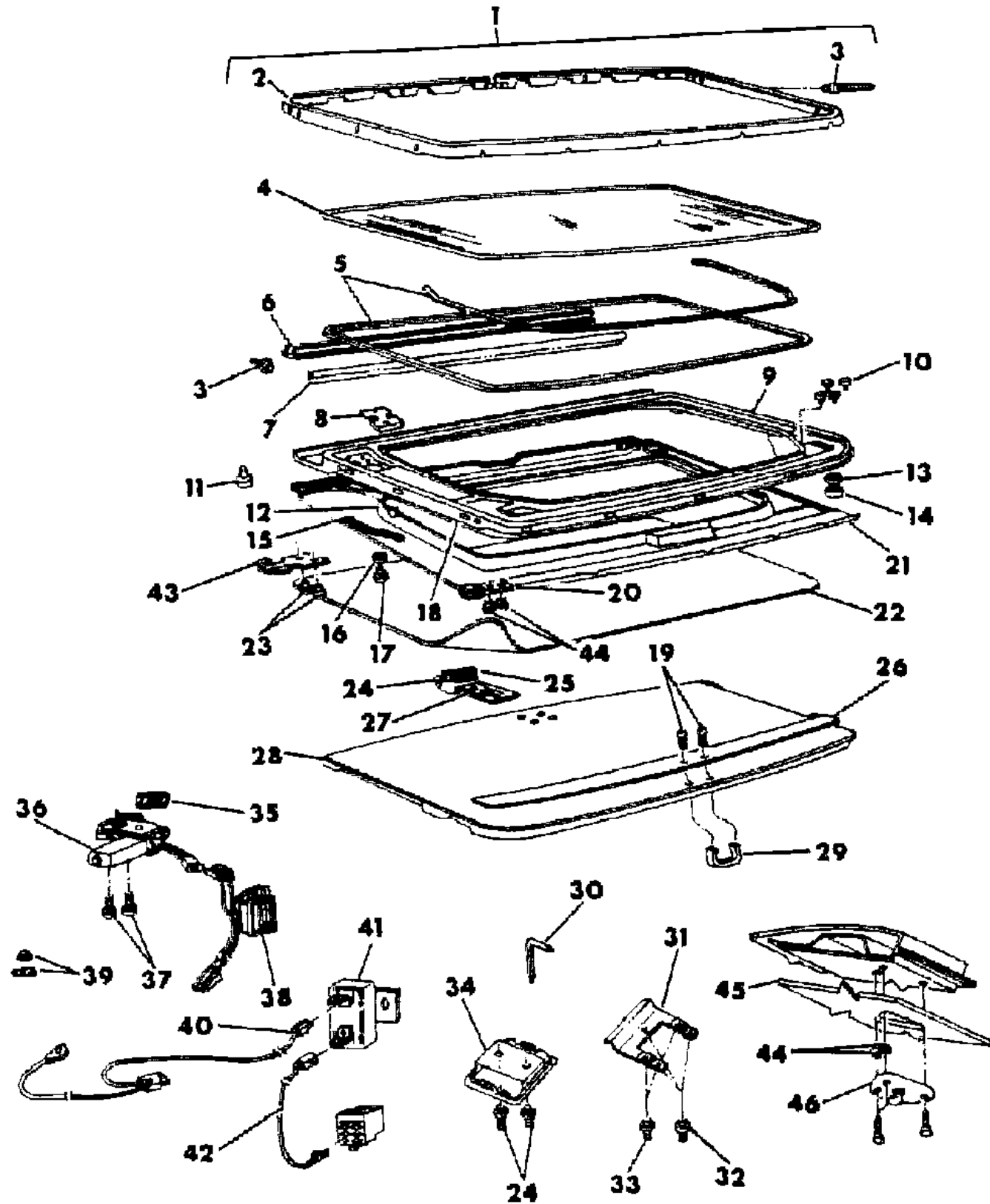
45 = 4-DOOR STATION WAGON

52-53 = FWD WAGON

AR = Use as Required - = Non Illustrated Part P.A.R. = Paint as Required

SUNROOF M BODY
Figure 23A-1560

7189 15700



ITEM	PART NUMBER	QTY	BODY	MODEL	DESCRIPTION
31	4296 493	1			BRACKET, Dome Lamp Mounting
32					RIVET, Not Serviced
33					RIVET, Not Serviced
34	4172 268	1			BRACKET, Dome Lamp Mounting
35	4172 243	1			SPACER, Drive Assy. To Housing
36	3795 592	1			DRIVE ASSEMBLY
37					SCREW, Not Serviced
38	3795 589	1			SWITCH ASSEMBLY
39	4054 445	1			BUTTON and COVER
40					WIRING ASSEMBLY, Not Serviced
41	3674 933	1			CIRCUIT BREAKER, 15 Amp.
42					WIRING ASSEMBLY, Not Serviced
43					RETAINER, Rear Guide Plate Not Serviced
44					WASHER, Not Serviced
45					HEADLINER, Ref.
46					BRACKET, Visor Arm

MODEL CODES

E BODY = (J - CARAVELLE)(E - 600)(T - NEW YORKER)

G BODY = (V24 - DAYTONA)

H BODY = (D44 - LANCER)(C44 - LEBARON GTS)

J BODY = (C - LEBARON)

K BODY = (P - RELIANT)(D - ARIES)(C - LEBAROND)/TOWN & COUNTRY)

L BODY = (M - HORIZON/TURISMO)(Z - OMNI/CHARGER)

M BODY = (B - GRAN FURY)(F - FIFTH AVE/NEWPORT)(G - DIPLOMAT)

P BODY = (P - SUNDANCE)(D - SHADOW)

S BODY = (H - VOYAGER)(K - RAM VAN/CARAVAN)

BODY STYLES

12-13 = FWD VAN

21 = 2-DOOR SEDAN

24 = 2-DOOR HATCHBACK

27 = 2-DOOR CONVERTIBLE

41 = 4-DOOR SEDAN

44 = 4-DOOR HATCHBACK

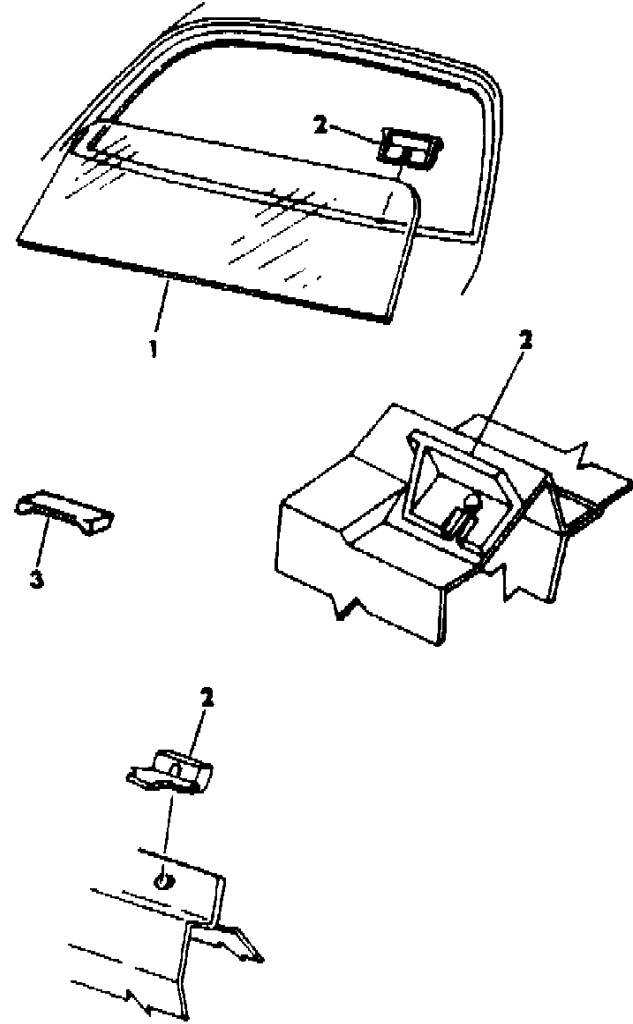
45 = 4-DOOR STATION WAGON

52-53 = FWD WAGON

AR = Use as Required - = Non Illustrated Part P.A.R. = Paint as Required

GLASS REAR WINDOW M BODY
Figure 23A-1580

7100 15800



ITEM	PART NUMBER	QTY	BODY	MODEL	DESCRIPTION
------	-------------	-----	------	-------	-------------

NOTE: GLASS, REAR WINDOW - ORDER FROM YOUR LOCAL "MOPAR" GLASS DISTRIBUTOR s group.

1	4136 303	1		B,G,F-H	GLASS, Rear Window Tinted
	4136 304	1		B,G,F-H	Tinted Electric Heated
	4229 801	1		F-S	Tinted, Electric Heated w/Padded Landau Vinyl Roof w/Qtr. Plug

2	4136 335	2		All	SPACER, Rear Wdo. Glass Lower
3	3767 196	AR		All	SHIM, Rear Wdo Lower Spacer

NOTE: The following items are not shown on illustration. s group.

PKG A	4057 957	1		All	FIXED GLASS REPAIR PACKAGE
CONSISTS OF:					
1- ----- Tape, Butyl, 171.00"					
1- ----- Primer, Glass					
1- ----- Primer, Fence					
	3674 698				2-Spacer, Rubber, 0.2"
	3793 290				2-Spacer, Rubber, 0.3"
	3767 767				2-Shim, 0.07"
					2- ----- Sponges, Disposable
PKG B	4267 922	1			REPAIR PACKAGE, Back Lite Grid & Pigtail

MODEL CODES

E BODY = (J - CARAVELLE)(E - 600)(T - NEW YORKER)

G BODY = (V24 - DAYTONA)

H BODY = (D44 - LANCER)(C44 - LEBARON GTS)

J BODY = (C - LEBARON)

K BODY = (P - RELIANT)(D - ARIES)(C - LEBAROND)/TOWN & COUNTRY)

L BODY = (M - HORIZON/TURISMO)(Z - OMNI/CHARGER)

M BODY = (B - GRAN FURY)(F - FIFTH AVE/NEWPORT)(G - DIPLOMAT)

P BODY = (P - SUNDANCE)(D - SHADOW)

S BODY = (H - VOYAGER)(K - RAM VAN/CARAVAN)

BODY STYLES

12-13 = FWD VAN

21 = 2-DOOR SEDAN

24 = 2-DOOR HATCHBACK

27 = 2-DOOR CONVERTIBLE

41 = 4-DOOR SEDAN

44 = 4-DOOR HATCHBACK

45 = 4-DOOR STATION WAGON

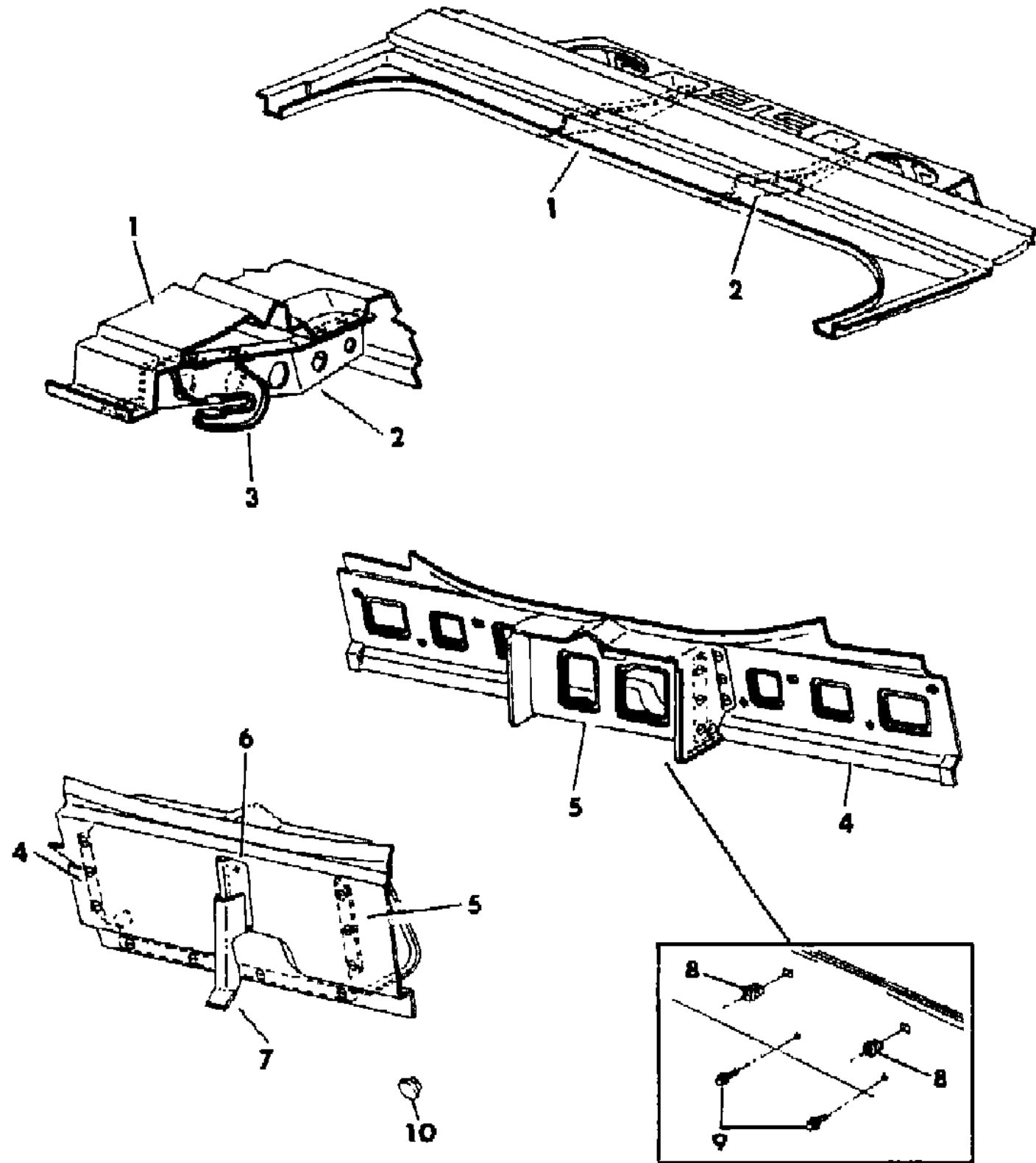
52-53 = FWD WAGON

AR = Use as Required - = Non Illustrated Part P.A.R. = Paint as Required

DECK OPENING PANEL M BODY

Figure 23A-1590

7168 15900 B



ITEM	PART NUMBER	QTY	BODY	MODEL	DESCRIPTION
1	4386 575	1			PANEL, Deck Opening Upper Drain Trough And Shelf
2		2			SUPPORT, Not Serviced
3		1			RETAINER, Not Serviced
4	4206 020	1			REINFORCEMENT, Deck Opening Lower Panel
5	4206 737	1			PANEL, Deck Opening Lower Pnl. License Plate Mounting
6	4206 119	1			EXTENSION, Deck Lid Latch Striker Support
7	4134 166	1			SUPPORT, Deck Lid Latch Striker
8	6027 958	4			NUT, License Plate
9	6027 937	4			SCREW, License Plate
10	0432 396	2		F-S	PLUG, License Plate

MODEL CODES

E BODY = (J - CARAVELLE)(E - 600)(T - NEW YORKER)

G BODY = (V24 - DAYTONA)

H BODY = (D44 - LANCER)(C44 - LEBARON GTS)

J BODY = (C - LEBARON)

K BODY = (P - RELIANT)(D - ARIES)(C - LEBAROND)/TOWN & COUNTRY)

L BODY = (M - HORIZON/TURISMO)(Z - OMNI/CHARGER)

M BODY = (B - GRAN FURY)(F - FIFTH AVE/NEWPORT)(G - DIPLOMAT)

P BODY = (P - SUNDANCE)(D - SHADOW)

S BODY = (H - VOYAGER)(K - RAM VAN/CARAVAN)

BODY STYLES

12-13 = FWD VAN

21 = 2-DOOR SEDAN

24 = 2-DOOR HATCHBACK

27 = 2-DOOR CONVERTIBLE

41 = 4-DOOR SEDAN

44 = 4-DOOR HATCHBACK

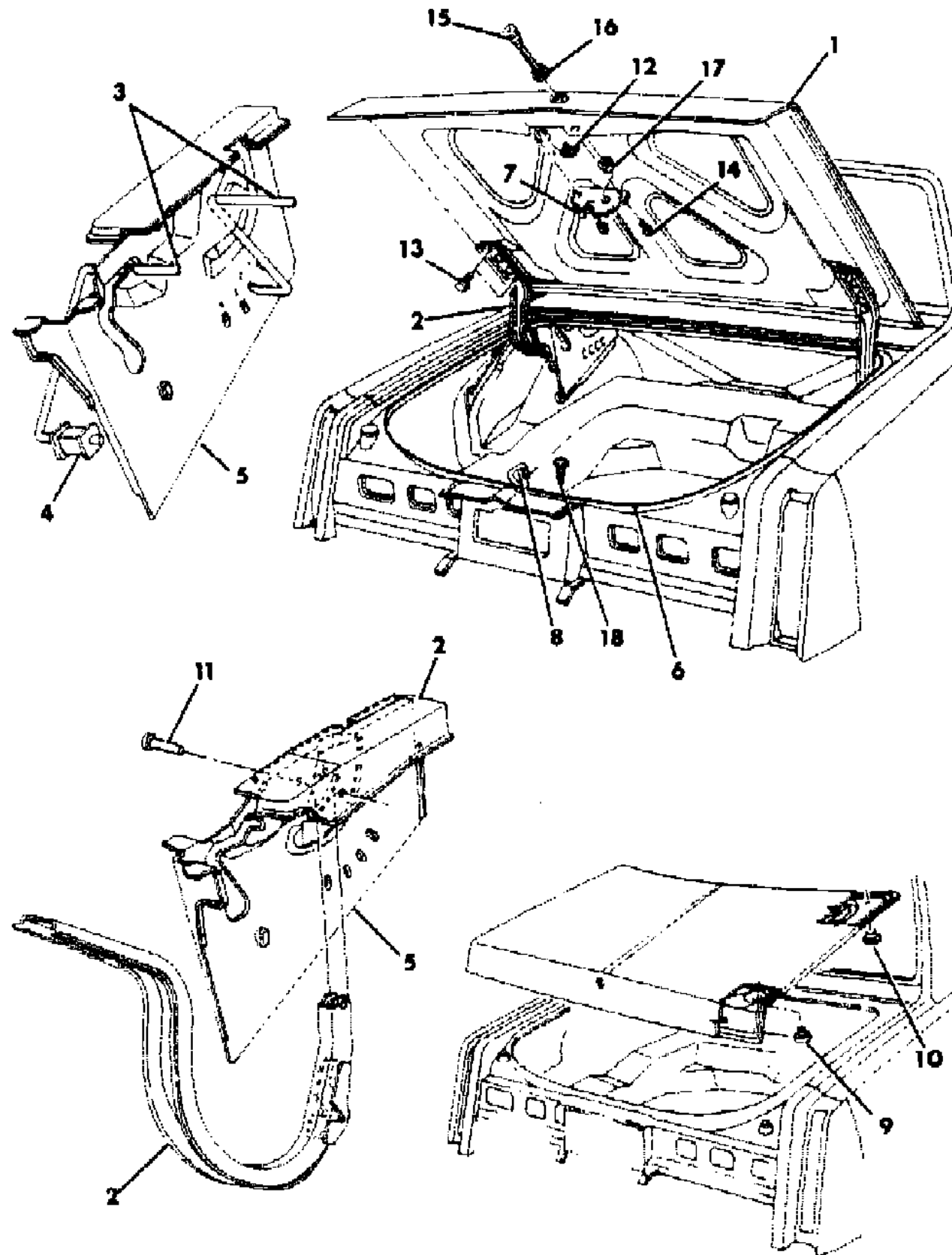
45 = 4-DOOR STATION WAGON

52-53 = FWD WAGON

AR = Use as Required - = Non Illustrated Part P.A.R. = Paint as Required

DECK LID M BODY
Figure 23A-1600

7188 18008A



ITEM	PART NUMBER	QTY	BODY	MODEL	DESCRIPTION
1	4297 073	1			LID, Deck Complete
2	4134 518-9	1			HINGE, Deck Lid
	4129 804-5	1			HINGE ASSEMBLY, Deck Lid Upper Pivot Mounting
3	4134 520-1	1			BAR, Deck Lid Hinge Torsion
4	2480 230	2			SLIDE, Deck Lid Hinge Torsion Bar
5	4129 804-5	1			HINGE ASSEMBLY, Pivot, Deck Lid Upr. Mtg.
	4134 516-7	1			Lower
6	4354 073	1			WEATHERSTRIP, Deck Lid
7	4054 825	1			LATCH, Deck Lid Manual
	4054 962	1			Electric
8	4172 676	1			STRIKER, Deck Lid Latch
9	5230 376	2			BUMPER, Deck Lid Inside Panel
10	6029 939	2			PLUG, Deck Lid Inner Panel Drain Hole
11		AR			RIVET, Not Serviced
12		AR			U-NUT, Not Serviced
13	0181 088	4			SCREW and WASHER
14	0181 088	2			BOLT
15		1			CYLINDER, (See Cylinder and Key Illustration)
16		1			GASKET, (See Cylinder and Key Illustration)
17		1			NUT, (See Cylinder and Key Illustration)
18	0181 063	2			SCREW and WASHER

MODEL CODES

E BODY = (J - CARAVELLE)(E - 600)(T - NEW YORKER)

G BODY = (V24 - DAYTONA)

H BODY = (D44 - LANCER)(C44 - LEBARON GTS)

J BODY = (C - LEBARON)

K BODY = (P - RELIANT)(D - ARIES)(C - LEBAROND)/TOWN & COUNTRY)

L BODY = (M - HORIZON/TURISMO)(Z - OMNI/CHARGER)

M BODY = (B - GRAN FURY)(F - FIFTH AVE/NEWPORT)(G - DIPLOMAT)

P BODY = (P - SUNDANCE)(D - SHADOW)

S BODY = (H - VOYAGER)(K - RAM VAN/CARAVAN)

BODY STYLES

12-13 = FWD VAN

21 = 2-DOOR SEDAN

24 = 2-DOOR HATCHBACK

27 = 2-DOOR CONVERTIBLE

41 = 4-DOOR SEDAN

44 = 4-DOOR HATCHBACK

45 = 4-DOOR STATION WAGON

52-53 = FWD WAGON

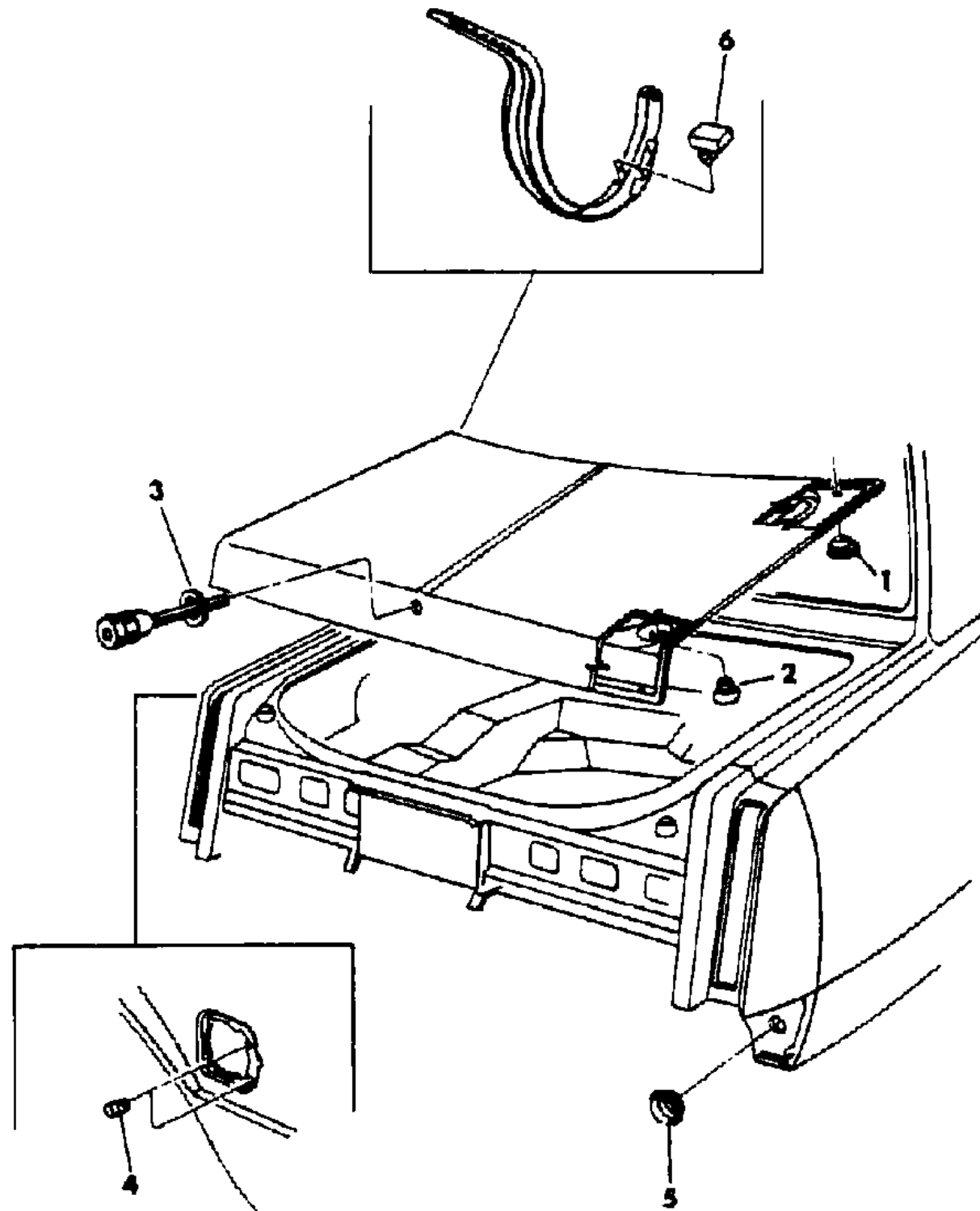
AR = Use as Required - = Non Illustrated Part P.A.R. = Paint as Required

BUMPERS AND PLUGS DECK LID M BODY

Figure 23A-1610

7189 18100

ITEM	PART NUMBER	QTY	BODY	MODEL	DESCRIPTION
1	6029 939	2			PLUG
2	5230 376	2			BUMPER
3	3695 321	1			GASKET
4	5220 250	2			BUMPER
5	1774 076	2			PLUG
6	4206 399	2			BUMPER



MODEL CODES

E BODY = (J - CARAVELLE)(E - 600)(T - NEW YORKER)

G BODY = (V24 - DAYTONA)

H BODY = (D44 - LANCER)(C44 - LEBARON GTS)

J BODY = (C - LEBARON)

K BODY = (P - RELIANT)(D - ARIES)(C - LEBAROND)/TOWN & COUNTRY)

L BODY = (M - HORIZON/TURISMO)(Z - OMNI/CHARGER)

M BODY = (B - GRAN FURY)(F - FIFTH AVE/NEWPORT)(G - DIPLOMAT)

P BODY = (P - SUNDANCE)(D - SHADOW)

S BODY = (H - VOYAGER)(K - RAM VAN/CARAVAN)

BODY STYLES

12-13 = FWD VAN

21 = 2-DOOR SEDAN

24 = 2-DOOR HATCHBACK

27 = 2-DOOR CONVERTIBLE

41 = 4-DOOR SEDAN

44 = 4-DOOR HATCHBACK

45 = 4-DOOR STATION WAGON

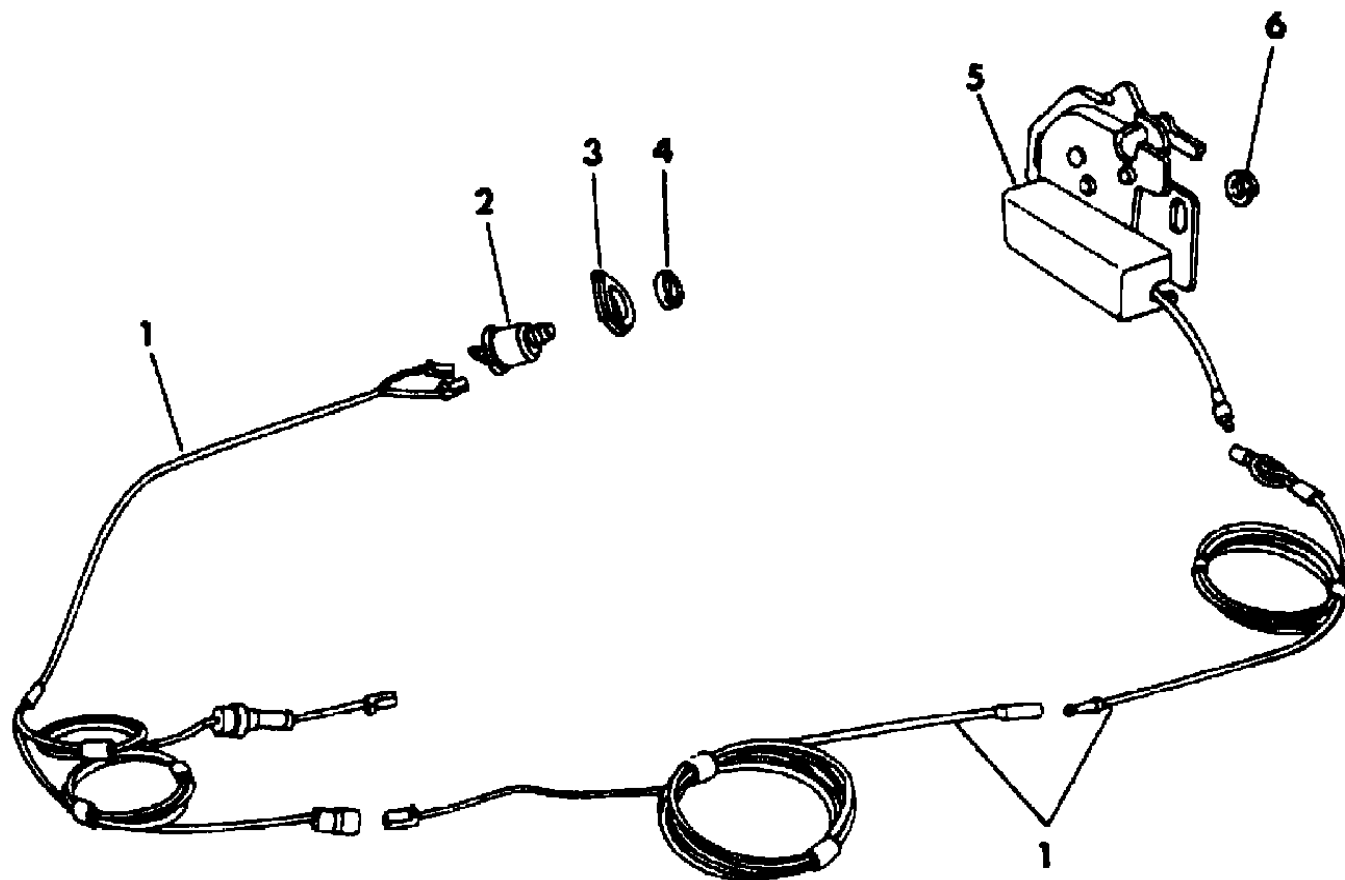
52-53 = FWD WAGON

AR = Use as Required - = Non Illustrated Part P.A.R. = Paint as Required

DECK LID ELECTRIC RELEASE M BODY
Figure 23A-1620

7188 16200A

ITEM	PART NUMBER	QTY	BODY	MODEL	DESCRIPTION
1		1			WIRING, See Group 8 Body Wiring
2	3747 154	1			SWITCH, Remote Deck Lid Release Or Instrument Panel Mounting
3	3747 390	1			BEZEL, Electric Release Switch
4	6028 824	1			NUT, Electric Release Switch Mounting
5	4054 962	1			LATCH, Electric Deck Lid
	4131 515	1			LATCH PACKAGE, Electric
6	6028 976	1			PUSHNUT, Electric Deck Lid Latch Spring



MODEL CODES

E BODY = (J - CARAVELLE)(E - 600)(T - NEW YORKER)

G BODY = (V24 - DAYTONA)

H BODY = (D44 - LANCER)(C44 - LEBARON GTS)

J BODY = (C - LEBARON)

K BODY = (P - RELIANT)(D - ARIES)(C - LEBAROND)/TOWN & COUNTRY)

L BODY = (M - HORIZON/TURISMO)(Z - OMNI/CHARGER)

M BODY = (B - GRAN FURY)(F - FIFTH AVE/NEWPORT)(G - DIPLOMAT)

P BODY = (P - SUNDANCE)(D - SHADOW)

S BODY = (H - VOYAGER)(K - RAM VAN/CARAVAN)

BODY STYLES

12-13 = FWD VAN

21 = 2-DOOR SEDAN

24 = 2-DOOR HATCHBACK

27 = 2-DOOR CONVERTIBLE

41 = 4-DOOR SEDAN

44 = 4-DOOR HATCHBACK

45 = 4-DOOR STATION WAGON

52-53 = FWD WAGON

AR = Use as Required - = Non Illustrated Part P.A.R. = Paint as Required

GROUP 23C - BODY - DOORS AND RELATED PARTS

ILLUSTRATION TITLE	GROUP-FIG. NO.
L BODY	
DOOR, FRONT SHELL, HANDLES AND CONTROLS L BODY 24	Fig. 23C-100
DOOR, FRONT GLASS AND REGULATORS L BODY 24	Fig. 23C-200
DOOR, FRONT SIDE RAIL AND DOOR WEATHERSTRIPS L BODY 24	Fig. 23C-300
MIRRORS, EXTERIOR L BODY 24	Fig. 23C-400
DOOR, FRONT SHELL, REGULATOR, CONTROLS AND LOCKS L BODY 44	Fig. 23C-500
DOOR, FRONT GLASS, HANDLES AND HARDWARE L BODY 44	Fig. 23C-600
DOOR, REAR SHELL, REGULATOR AND CONTROLS L BODY 44	Fig. 23C-700
DOOR, REAR GLASS, HANDLE AND LOCK L BODY 44	Fig. 23C-800
DOOR, FRONT AND REAR WEATHERSTRIPS AND RUNS L BODY 44	Fig. 23C-900
MIRROR, EXTERIOR L BODY 44	Fig. 23C-1000
P BODY	
DOOR, FRONT SHELL, HANDLES AND LOCKS P BODY 24	Fig. 23C-1100
DOOR, FRONT GLASS, REGULATORS AND SPEAKERS P BODY 24	Fig. 23C-1200
DOOR, FRONT SHELL, HANDLE AND LOCK P BODY 44	Fig. 23C-1300
DOOR, FRONT GLASS AND REGULATOR P BODY 44	Fig. 23C-1400
DOOR, REAR SHELL, HANDLE AND CONTROLS P BODY 44	Fig. 23C-1500
DOOR, REAR GLASS, REGULATOR AND LOCKS P BODY 44	Fig. 23C-1600
DOOR, FRONT AND REAR WEATHERSTRIPS P BODY	Fig. 23C-1700
DOOR, FRONT AND REAR RUN AND SEALS P BODY	Fig. 23C-1800
MIRROR, EXTERIOR P BODY	Fig. 23C-1900
J BODY	
DOOR, FRONT COMPLETE LESS WEATHERSTRIPS AND RUNS J BODY 21	Fig. 23C-2000
DOOR, FRONT WEATHERSTRIPS AND RUNS J BODY 21	Fig. 23C-2100
DOOR, FRONT COMPLETE, LESS WEATHERSTRIPS AND RUNS J BODY 27	Fig. 23C-2200
DOOR, FRONT WEATHERSTRIPS AND SEALS J BODY 27	Fig. 23C-2300
MIRRORS, EXTERIOR J BODY	Fig. 23C-2400
K, E BODY	
DOOR, FRONT SHELL, HANDLE AND CONTROL K BODY 21	Fig. 23C-2500
DOOR, FRONT GLASS AND REGULATOR K BODY 21	Fig. 23C-2600
DOOR, FRONT SHELL, CONTROL AND HARDWARE K,E BODY 41,45	Fig. 23C-2700
DOOR, FRONT GLASS AND REGULATOR K,E BODY 41,45	Fig. 23C-2800
DOOR, REAR SHELL, HANDLE AND CONTROL K,E BODY 41,45	Fig. 23C-2900
DOOR, REAR GLASS AND REGULATOR K,E BODY 41,45	Fig. 23C-3000
DOOR, FRONT AND REAR WEATHERSTRIP AND RUN K,E BODY	Fig. 23C-3100

ILLUSTRATION NOT AVAILABLE AT TIME OF PUBLICATION

GROUP 23C - BODY - DOORS AND RELATED PARTS

ILLUSTRATION TITLE

GROUP-FIG. NO.

K, E BODY (Continued)

DOOR, FRONT AND REAR WEATHERSTRIP AND RUN K,E BODY	Fig. 23C-3100
MIRRORS, EXTERIOR K,E BODY	Fig. 23C-3200

G BODY

DOOR, FRONT COMPLETE LESS WEATHERSTRIP AND RUN G BODY	Fig. 23C-3300
DOOR, FRONT WITH T BAR ROOF G BODY	Fig. 23C-3400
DOOR, FRONT WEATHERSTRIP AND RUN G BODY	Fig. 23C-3500
MIRROR, EXTERIOR G BODY	Fig. 23C-3600

H BODY

DOOR, FRONT SHELL, HANDLE AND CONTROL H BODY	Fig. 23C-3700
DOOR, FRONT HANDLE AND REGULATOR H BODY	Fig. 23C-3800
DOOR, REAR SHELL, HANDLE, GLASS AND CONTROLS H BODY	Fig. 23C-3900
DOOR, FRONT AND REAR WEATHERSTRIPS AND RUNS H BODY	Fig. 23C-4000
MIRROR, EXTERIOR H BODY	Fig. 23C-4100

S BODY

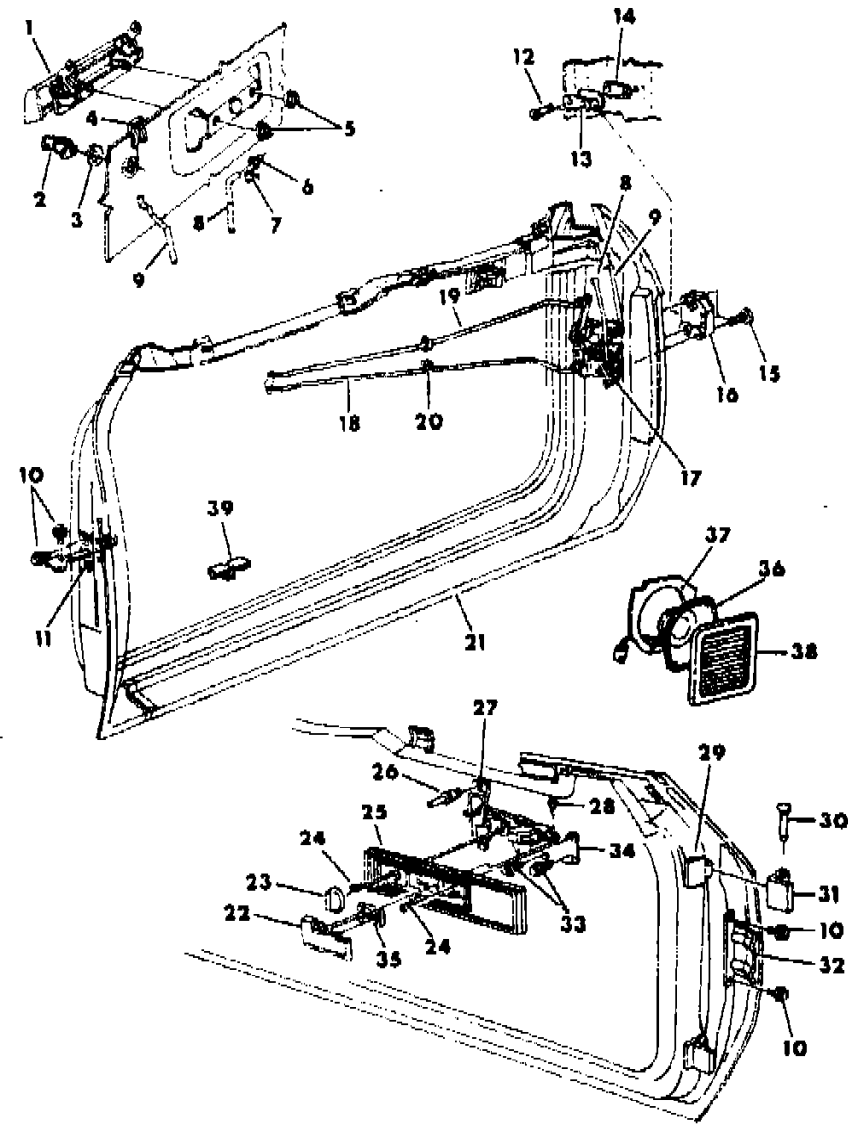
DOOR, FRONT COMPLETE LESS WEATHERSTRIPS AND RUNS S BODY	Fig. 23C-4200
DOOR, SLIDING SHELL, GLASS AND CONTROLS S BODY	Fig. 23C-4300
DOOR, SLIDING HANDLE, CONTROL AND LOCK S BODY	Fig. 23C-4400
DOOR, SLIDING TRACK S BODY	Fig. 23C-4500
DOOR, REAR CARGO HINGED SHELL, GLASS AND WEATHERSTRIP S BODY	Fig. 23C-4600
DOOR, REAR CARGO HINGED HANDLE, CONTROLS AND LINKS S BODY	Fig. 23C-4700
DOOR, FRONT AND SIDE WEATHERSTRIPS S BODY	Fig. 23C-4800
MIRROR, EXTERIOR S BODY	Fig. 23C-4900

M BODY

DOOR, FRONT SHELL, HANDLE, LOCK AND CONTROLS M BODY	Fig. 23C-5000
DOOR, FRONT GLASS AND REGULATOR M BODY	Fig. 23C-5100
DOOR, REAR SHELL, HANDLE AND CONTROLS M BODY	Fig. 23C-5200
DOOR, REAR GLASS AND REGULATOR M BODY	Fig. 23C-5300
DOOR, REAR GLASS AND WEATHERSTRIPS M BODY	Fig. 23C-5400
DOOR, FRONT AND REAR WEATHERSTRIPS AND RUNS M BODY	Fig. 23C-5500
MIRROR, EXTERIOR M BODY	Fig. 23C-5600

DOOR, FRONT SHELL, HANDLES AND CONTROLS L BODY 24
Figure 23C-100

7171 100 A



ITEM	PART NUMBER	QTY	BODY	MODEL	DESCRIPTION
1	4310 010	2			HANDLE, Front Door Exterior
2					CYLINDER, Door, Refer to 23D
3					GASKET, Door Cylinder, Refer to 23D
4					RETAINER, Door Cylinder, Refer to 23D
5	6500 274	AR			NUT
6	3882 762	AR			CLIP
7	2862 758	AR			CLIP
8	5231 466-7	1			LINK, Exterior Handle to Latch
9	4184 760-1	1			LINK, Door Lock Key Cylinder to Latch
10		AR			SCREW (DNS)
11	4310 096	2			ARM, Door Check
12	6500 295	AR			SCREW
13	4184 756	2			STRIKER, Door Latch
14	4184 105	AR			SPACER, Latch Striker
15	6100 866	AR			SCREW
16	4184 776-7	1			LATCH, Door Outside
17					LATCH, Door Inside
	4184 747	1			Left, Override
	4184 748	1			Right, Non Override
18	4184 762-3	1			LINK and SLEEVE
19	4184 764-5	1			LINK and SLEEVE
20	3882 620	4			CLIP, Anti Rattle
21	4297 862-3	1			SHELL, Front Door
	4297 860-1	1			PANEL, Repair
22	#5200 878-9	1			HANDLE, Remote Control
23	4336 574-5	1			KNOB, Locking Control
24	6100 903	AR			SCREW
25					BEZEL, Remote Control Handle
	D476-7 CB5	1			Blue
	D476-7 CM6	1			Red
	D476-7 CS8	1			Charcoal
	D476-7 CA3	1			Silver
26	6031 115	AR			RIVET
27	4310 777	2			SUPPORT, Arm Rest
28	6031 318	AR			SCREW
29	5231 595	4			LEAF, Hinge Door Half
30	6500 361	4			PIN, Hinge
	6500 803	4			CLIP, Pin

MODEL CODES

E BODY = (J - CARAVELLE)(E - 600)(T - NEW YORKER)

G BODY = (V24 - DAYTONA)

H BODY = (D44 - LANCER)(C44 - LEBARON GTS)

J BODY = (C - LEBARON)

K BODY = (P - RELIANT)(D - ARIES)(C - LEBAROND)/TOWN & COUNTRY)

L BODY = (M - HORIZON/TURISMO)(Z - OMNI/CHARGER)

M BODY = (B - GRAN FURY)(F - FIFTH AVE/NEWPORT)(G - DIPLOMAT)

P BODY = (P - SUNDANCE)(D - SHADOW)

S BODY = (H - VOYAGER)(K - RAM VAN/CARAVAN)

BODY STYLES

12-13 = FWD VAN

21 = 2-DOOR SEDAN

24 = 2-DOOR HATCHBACK

27 = 2-DOOR CONVERTIBLE

41 = 4-DOOR SEDAN

44 = 4-DOOR HATCHBACK

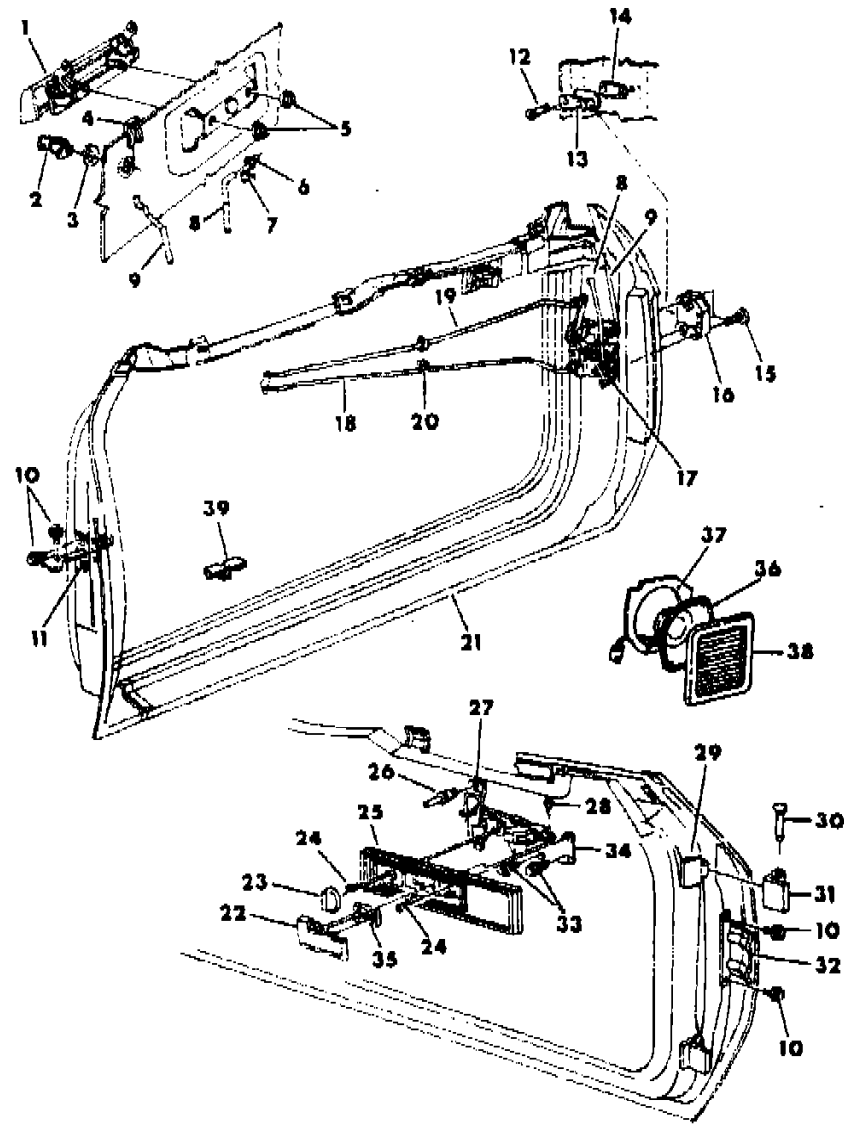
45 = 4-DOOR STATION WAGON

52-53 = FWD WAGON

AR = Use as Required - = Non Illustrated Part P.A.R. = Paint as Required

DOOR, FRONT SHELL, HANDLES AND CONTROLS L BODY 24
Figure 23C-100

7171 100 A



ITEM	PART NUMBER	QTY	BODY	MODEL	DESCRIPTION
31	5231 594	4			LEAF, Hinge Body Half
32	5231 368	2			STOP, Door
33		AR			SCREW (DNS)
34	5231 314-5	1			CONTROL, Remote Door
35	5231 135	2			GASKET, Inside Handle
36	4222 776	2			SPEAKER, Door
37	4222 575	2			ADAPTOR, Door Speaker
38	D460 DT5	2			GRILLE, Door Spaeker
39	4184 754	2			DEFLECTOR, Drain Hole

MODEL CODES

E BODY = (J - CARAVELLE)(E - 600)(T - NEW YORKER)

G BODY = (V24 - DAYTONA)

H BODY = (D44 - LANCER)(C44 - LEBARON GTS)

J BODY = (C - LEBARON)

K BODY = (P - RELIANT)(D - ARIES)(C - LEBAROND)/TOWN & COUNTRY)

L BODY = (M - HORIZON/TURISMO)(Z - OMNI/CHARGER)

M BODY = (B - GRAN FURY)(F - FIFTH AVE/NEWPORT)(G - DIPLOMAT)

P BODY = (P - SUNDANCE)(D - SHADOW)

S BODY = (H - VOYAGER)(K - RAM VAN/CARAVAN)

BODY STYLES

12-13 = FWD VAN

21 = 2-DOOR SEDAN

24 = 2-DOOR HATCHBACK

27 = 2-DOOR CONVERTIBLE

41 = 4-DOOR SEDAN

44 = 4-DOOR HATCHBACK

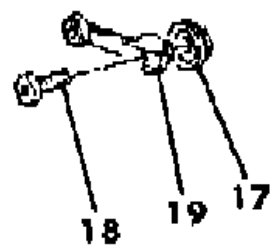
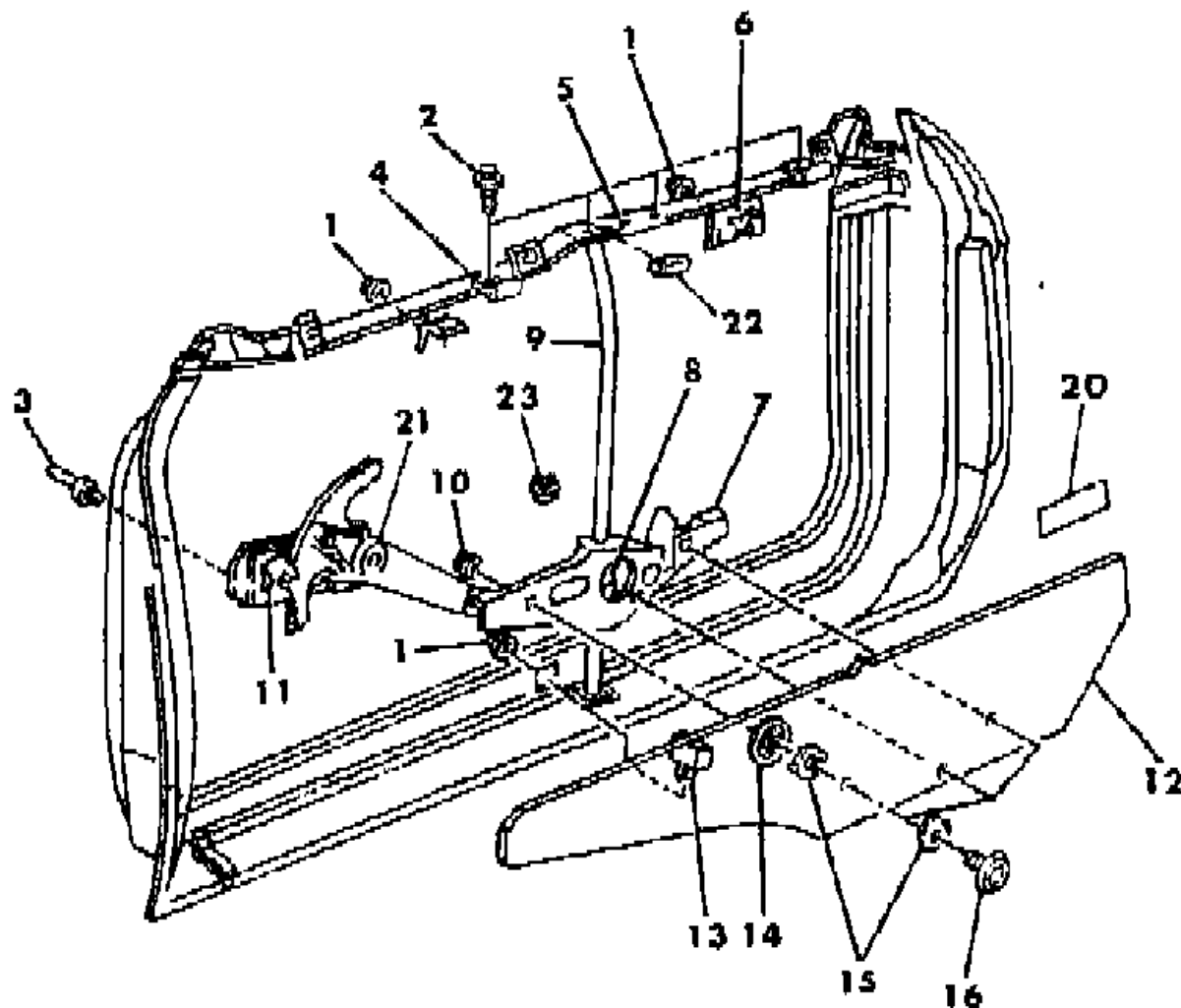
45 = 4-DOOR STATION WAGON

52-53 = FWD WAGON

AR = Use as Required - = Non Illustrated Part P.A.R. = Paint as Required

DOOR, FRONT GLASS AND REGULATORS L BODY 24
Figure 23C-200

7171 200A



ITEM	PART NUMBER	QTY	BODY	MODEL	DESCRIPTION
1	6100 047	AR			NUT and WASHER
2		AR			SCREW (DNS)
3	6031 115	AR			RIVET
4	4040 294	4			STABILIZER, Door Glass
5	5231 424	2			BRACKET and LINER, Glass Guide
6	5231 423	4			UPSTOP, Door Glass
7	4310 334-5	1			PLATE and CHANNEL, Glass Lift
8	3788 080	2			SLEEVE, Glass Track
9	4310 340-1	1			TRACK, Glass Guide
10					NUT (DNS)
11	5231 046-7	1			REGULATOR, Manual Window
	4339 301	2			SLIDE PACKAGE, Manual Regulator
12	5231 072-3	1			GLASS, Front Door
13	5231 058	2			BUMPER, Glass Downstop
14	6028 587	AR			T-Nut
15	5231 769	AR			GASKET
16	6029 998	AR			WASHER and STUD
17	3882 767	2			SPACER, Window Regulator Handle
18	6031 644	AR			SCREW, Handle Attach
19	4310 824	2			HANDLE, Window Manual Regulator
20	4365 683	1			DECAL, Seat Belt Safety
21	3760 506	2			SPRING, Regulator Assist
22	3696 433	4			GUIDE, Upper Glass
23	3788 273	2			GUIDE, Lower Glass

MODEL CODES

E BODY = (J - CARAVELLE)(E - 600)(T - NEW YORKER)

G BODY = (V24 - DAYTONA)

H BODY = (D44 - LANCER)(C44 - LEBARON GTS)

J BODY = (C - LEBARON)

K BODY = (P - RELIANT)(D - ARIES)(C - LEBAROND)/TOWN & COUNTRY)

L BODY = (M - HORIZON/TURISMO)(Z - OMNI/CHARGER)

M BODY = (B - GRAN FURY)(F - FIFTH AVE/NEWPORT)(G - DIPLOMAT)

P BODY = (P - SUNDANCE)(D - SHADOW)

S BODY = (H - VOYAGER)(K - RAM VAN/CARAVAN)

BODY STYLES

12-13 = FWD VAN

21 = 2-DOOR SEDAN

24 = 2-DOOR HATCHBACK

27 = 2-DOOR CONVERTIBLE

41 = 4-DOOR SEDAN

44 = 4-DOOR HATCHBACK

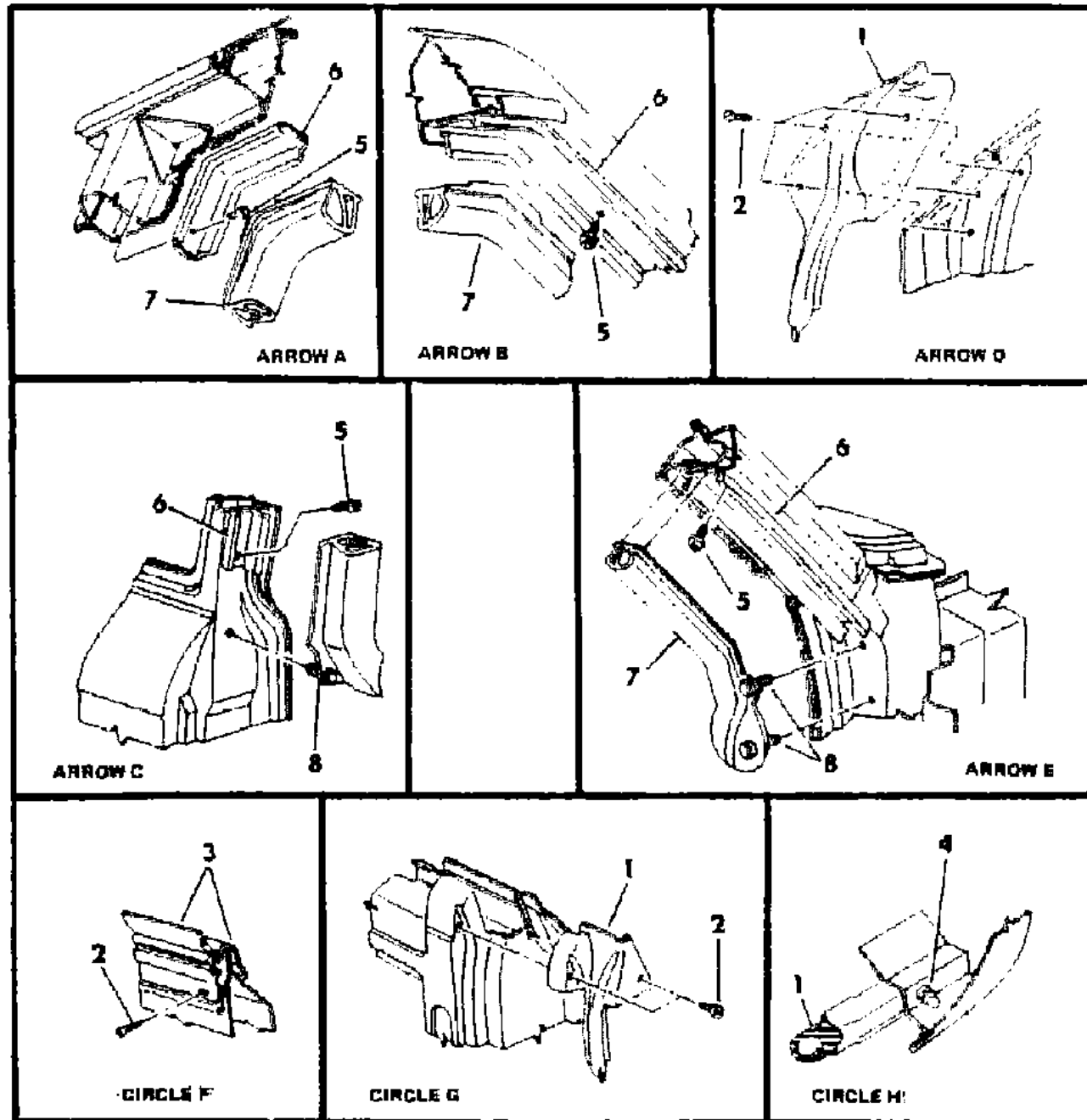
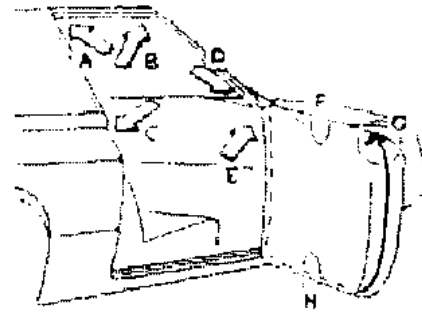
45 = 4-DOOR STATION WAGON

52-53 = FWD WAGON

AR = Use as Required - = Non Illustrated Part P.A.R. = Paint as Required

DOOR, FRONT SIDE RAIL AND DOOR WEATHERSTRIPS L BODY 24
Figure 23C-300

7171 300



ITEM	PART NUMBER	QTY	BODY	MODEL	DESCRIPTION
1	5231 284-5	1			WEATHERSTRIP, On Front Door
2		AR			SCREW (DNS)
3					WEATHERSTRIP, Window Belt
	5208 832-3	1			Inner
	4198 618	1			Outer Right, w/Remote Mirror
	4198 618	1			Outer Right, w/o Remote Mirror
	4198 579	1			Outer Left
4	4040 732	AR			FASTENER, Door Weatherstrip
5		AR			SCREW (DNS)
6	5231 260-1	1			RETAINER, Roof Side Rail Weatherstrip
7	5231 274-5	1			WEATHERSTRIP, Roof Side Rail
8	3759 944	6			RETAINER, Roof Side Rail Weatherstrip Att.

MODEL CODES

E BODY = (J - CARAVELLE)(E - 600)(T - NEW YORKER)

G BODY = (V24 - DAYTONA)

H BODY = (D44 - LANCER)(C44 - LEBARON GTS)

J BODY = (C - LEBARON)

K BODY = (P - RELIANT)(D - ARIES)(C - LEBAROND)/TOWN & COUNTRY)

L BODY = (M - HORIZON/TURISMO)(Z - OMNI/CHARGER)

M BODY = (B - GRAN FURY)(F - FIFTH AVE/NEWPORT)(G - DIPLOMAT)

P BODY = (P - SUNDANCE)(D - SHADOW)

S BODY = (H - VOYAGER)(K - RAM VAN/CARAVAN)

BODY STYLES

12-13 = FWD VAN

21 = 2-DOOR SEDAN

24 = 2-DOOR HATCHBACK

27 = 2-DOOR CONVERTIBLE

41 = 4-DOOR SEDAN

44 = 4-DOOR HATCHBACK

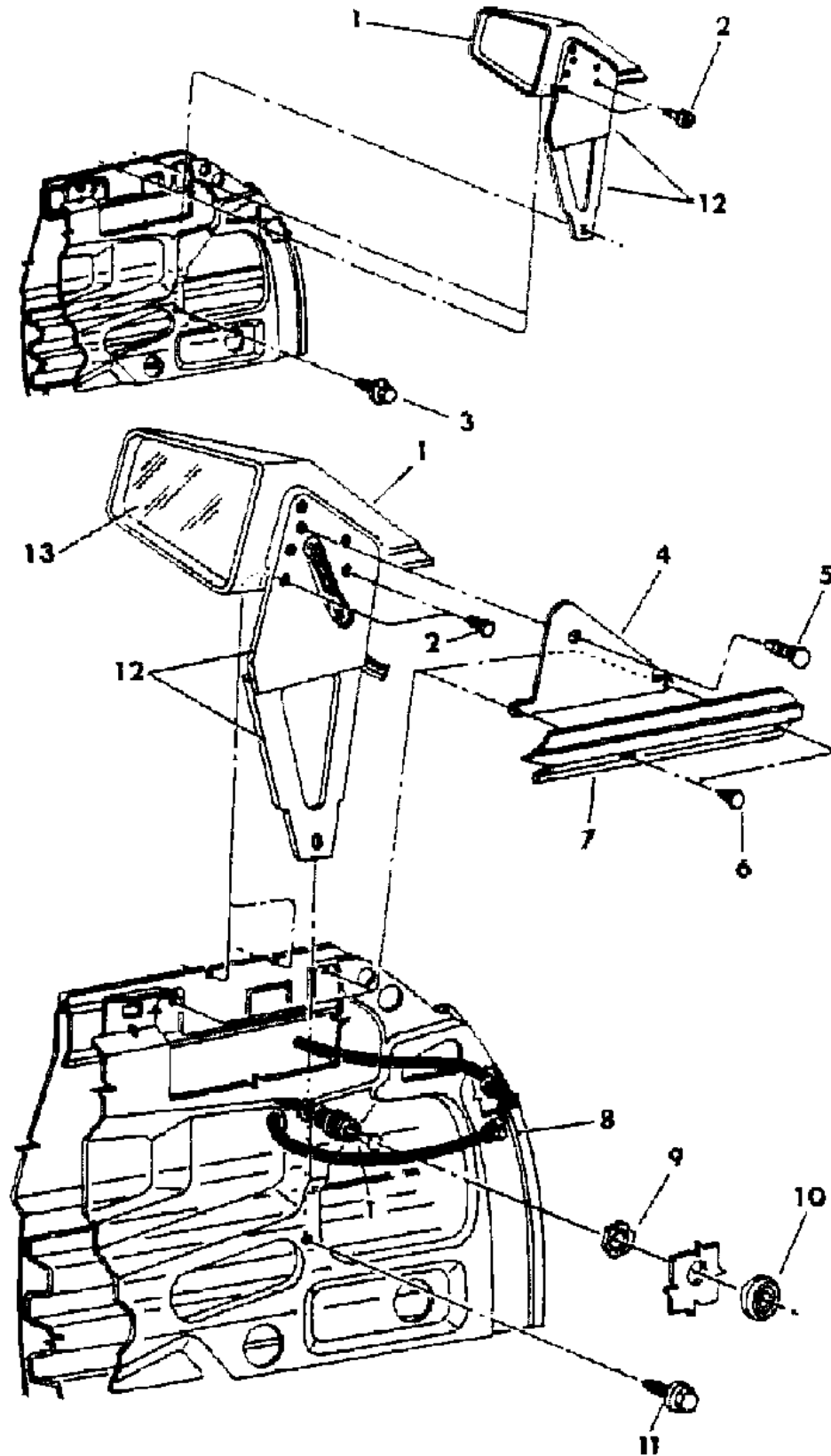
45 = 4-DOOR STATION WAGON

52-53 = FWD WAGON

AR = Use as Required - = Non Illustrated Part P.A.R. = Paint as Required

MIRRORS, EXTERIOR L BODY 24
Figure 23C-400

7171 400



ITEM	PART NUMBER	QTY	BODY	MODEL	DESCRIPTION
1					MIRROR PACKAGE, Remote Control
	4299 222	1			Racing (Painted Convex) Right
	4419 271	1			Conv., Black, Right
	5232 183	1			Conv., Black, Left
	4299 223	1			Racing (Painted) Left
	6031 869	1			GROMMET, Reinforcement
2		AR			SCREW (DNS)
3		AR			SCREW (DNS)
4	5207 356-7	1			COVER, Remote Control Mtg. Bracket, Exterior
5	3759 944	2			RETAINER, Plastic
6					SCREW (DNS)
7					WEATHERSTRIP, Refer to Door Weatherstrip Illus.
8					CLIP (DNS)
9	6030 356	2			NUT, Control Index
10	5207 280	2			NUT, Remote Control Mirror Control Att.
11					SCREW (DNS)
12					BRACKET and SUPPORT, Mirror
	5207 362	1			Remote Control Mirror, Right
	5207 363	1			Manual or Remote Control Mirror, Left
13	4267 868-9	1			REPLACEMENT GLASS PACKAGE, Mirror

MODEL CODES

E BODY = (J - CARAVELLE)(E - 600)(T - NEW YORKER)

G BODY = (V24 - DAYTONA)

H BODY = (D44 - LANCER)(C44 - LEBARON GTS)

J BODY = (C - LEBARON)

K BODY = (P - RELIANT)(D - ARIES)(C - LEBAROND)/TOWN & COUNTRY)

L BODY = (M - HORIZON/TURISMO)(Z - OMNI/CHARGER)

M BODY = (B - GRAN FURY)(F - FIFTH AVE/NEWPORT)(G - DIPLOMAT)

P BODY = (P - SUNDANCE)(D - SHADOW)

S BODY = (H - VOYAGER)(K - RAM VAN/CARAVAN)

BODY STYLES

12-13 = FWD VAN

21 = 2-DOOR SEDAN

24 = 2-DOOR HATCHBACK

27 = 2-DOOR CONVERTIBLE

41 = 4-DOOR SEDAN

44 = 4-DOOR HATCHBACK

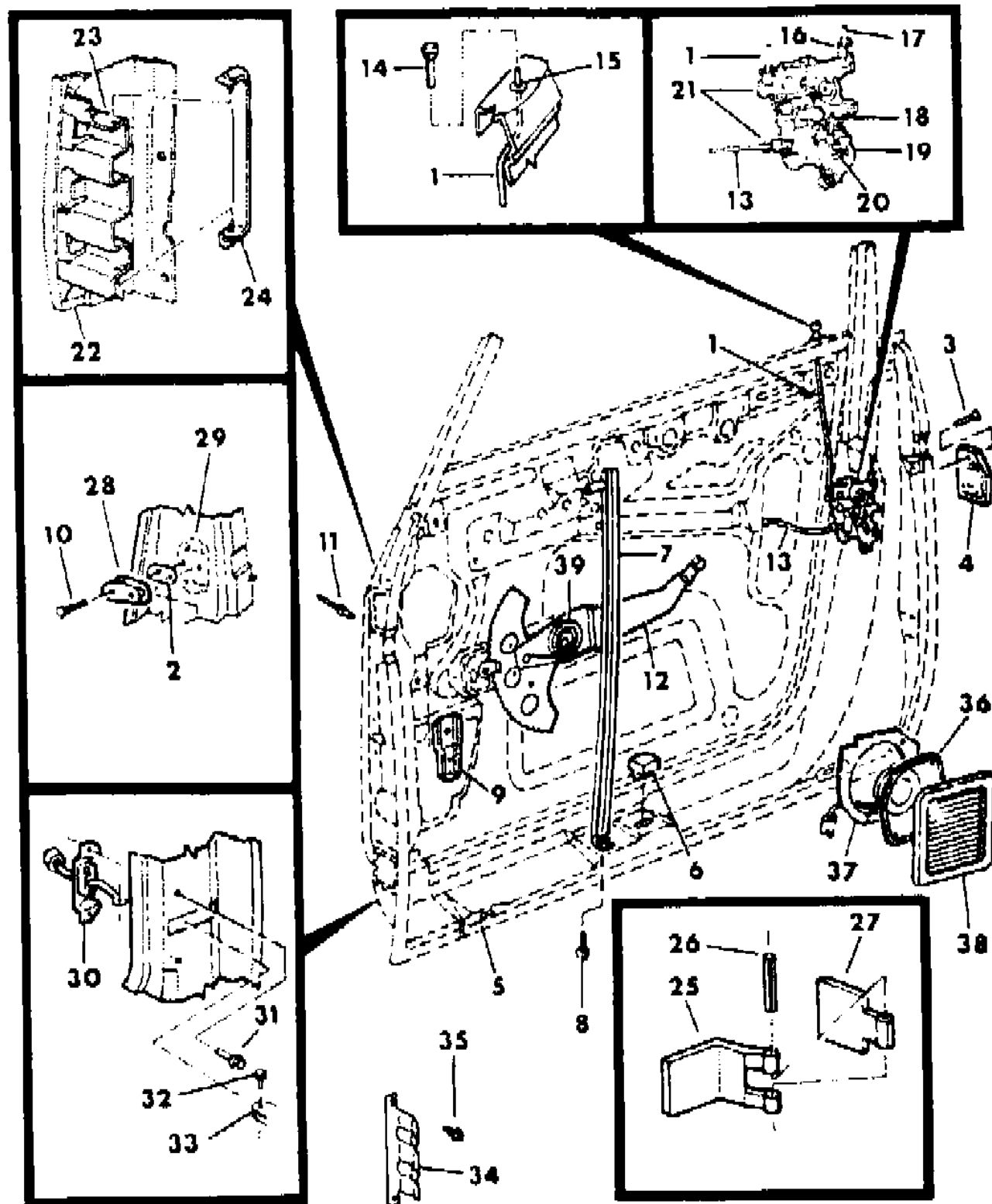
45 = 4-DOOR STATION WAGON

52-53 = FWD WAGON

AR = Use as Required - = Non Illustrated Part P.A.R. = Paint as Required

DOOR, FRONT SHELL, REGULATOR, CONTROLS AND LOCKS L BODY 44
Figure 23C-500

7171 500 A



ITEM	PART NUMBER	QTY	BODY	MODEL	DESCRIPTION
1	#5200 970	2			ROD, Door Latch Locking Control Push
2	5231 368	2			STOP, Door
3	6100 866	AR			SCREW
4	4184 776-7	1			LATCH, Front Door Exterior
5	4297 856-7	1			SHELL, Front Door
6	4310 022-3	1			PANEL, Repair
7	3759 910	2			BUMPER, Glass Down Stop
8	4280 580-1	1			CHANNEL and BRACKET, Door Glass
9	6500 191	AR			SCREW
10	6500 295	AR			BRACKET, Mirror Control Mtg., Refer to Mirror Illus.
11	6031 115	AR			SCREW
12	5231 742-3	1			RIVET
13	4339 301	2			REGULATOR, Front Door Window
14	#5231 220-1	1			SLIDE PACKAGE, Manual Regulator
15	4049 609	AR			LINK, Door Latch Remote Control to Latch
16	3510 447	2			KNOB PACKAGE, Latch Lockig
17	3760 130-1	AR			GROMMET, Trim Panel Lock Knob
18	3760 130-1	AR			CLIP
19	5231 480-1	1			LINK, Door Lock Key Cylinder to Latch
20	4336 294-5	1			LINK, Exterior Handle to Latch
21	4184 750	1			LATCH, Front Door Inside
22	4184 753	1			Right, Non Override
23	2945 108-9	AR			Left, Override
24	3454 220-1	AR			CLIP
25					CLIP
26					PILLAR, Serviced in Door Shell
27					REINFORCEMENT, Serviced in Door Shell
28	5231 294	2			BUMPER and RETAINER, Door Impact Bar
29	5231 594	4			LEAF, Front Door Fixed Hinge, Body Half
30	6500 361	4			PIN, Door Hinge
31	6500 803	4			CLIP, Pin
32	5231 595	4			LEAF, Front Door Moving Hinge, Door Half
33	5200 875	2			STRIKER, Front Door Latch
34	5231 564	AR			SPACER, Door Latch Striker
35	#5200 368	2			T-PLATE, Body Center Pillar Outer Latch Striker
36	4293 244	2			ARM, Front Door Check
37		AR			SCREW (DNS)
38					RIVET (DNS)

MODEL CODES

E BODY = (J - CARAVELLE)(E - 600)(T - NEW YORKER)

G BODY = (V24 - DAYTONA)

H BODY = (D44 - LANCER)(C44 - LEBARON GTS)

J BODY = (C - LEBARON)

K BODY = (P - RELIANT)(D - ARIES)(C - LEBAROND)/TOWN & COUNTRY)

L BODY = (M - HORIZON/TURISMO)(Z - OMNI/CHARGER)

M BODY = (B - GRAN FURY)(F - FIFTH AVE/NEWPORT)(G - DIPLOMAT)

P BODY = (P - SUNDANCE)(D - SHADOW)

S BODY = (H - VOYAGER)(K - RAM VAN/CARAVAN)

BODY STYLES

12-13 = FWD VAN

21 = 2-DOOR SEDAN

24 = 2-DOOR HATCHBACK

27 = 2-DOOR CONVERTIBLE

41 = 4-DOOR SEDAN

44 = 4-DOOR HATCHBACK

45 = 4-DOOR STATION WAGON

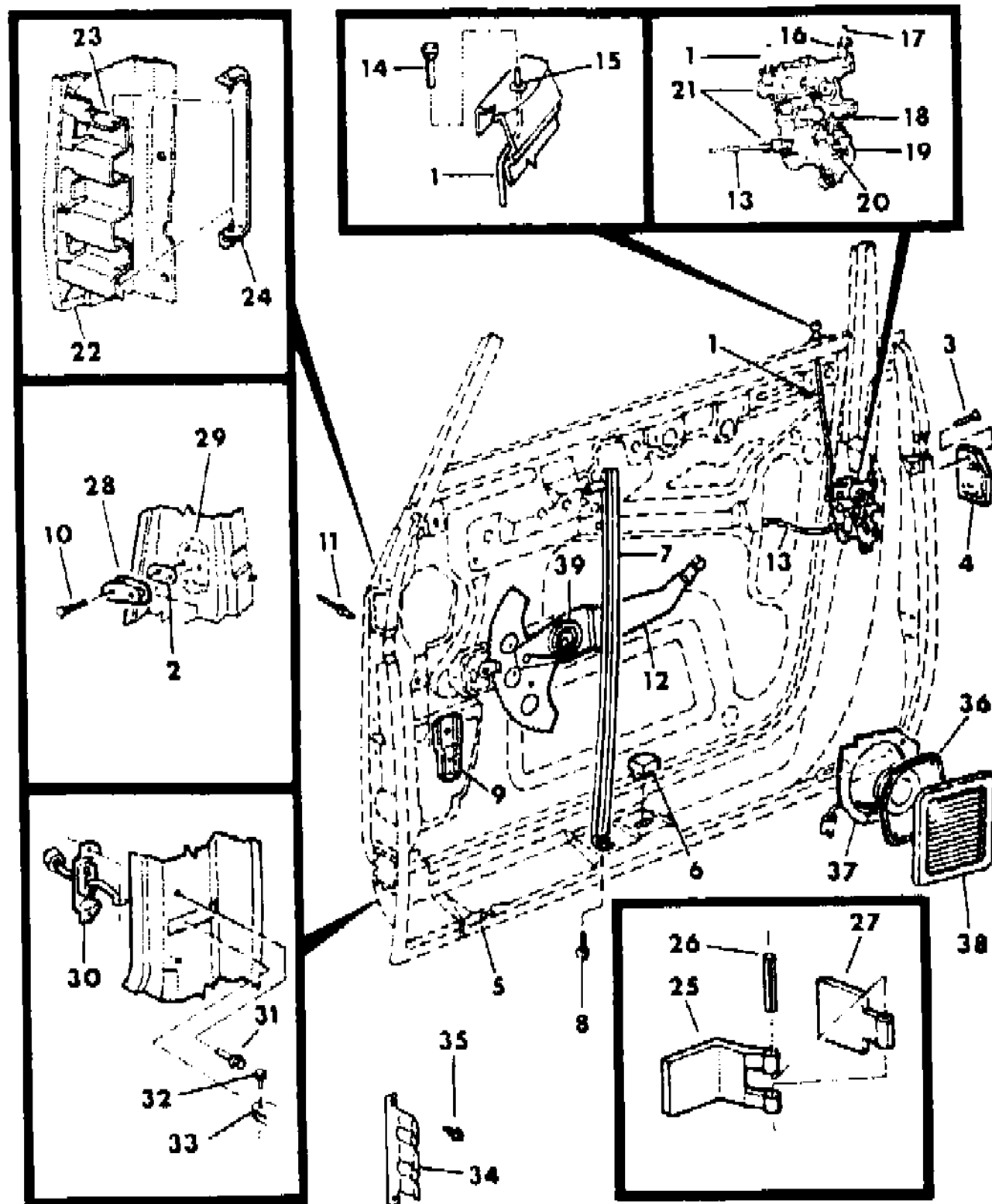
52-53 = FWD WAGON

AR = Use as Required - = Non Illustrated Part P.A.R. = Paint as Required

DOOR, FRONT SHELL, REGULATOR, CONTROLS AND LOCKS L BODY 44

Figure 23C-500

7171 500 A



ITEM	PART NUMBER	QTY	BODY	MODEL	DESCRIPTION
33					BRACKET, Check Arm, Serviced in Pillar
34	5231 368	2			STOP, Front Door
35		4			SCREW (DNS)
36	4222 776	2			SPEAKER, Door
37	4222 575	2			ADAPTER, Door Speaker
38	D460 DT5	2			GRILLE, Door Speaker
39	3508 121	2			SPRING, Regulator Assist

MODEL CODES

E BODY = (J - CARAVELLE)(E - 600)(T - NEW YORKER)

G BODY = (V24 - DAYTONA)

H BODY = (D44 - LANCER)(C44 - LEBARON GTS)

J BODY = (C - LEBARON)

K BODY = (P - RELIANT)(D - ARIES)(C - LEBAROND)/TOWN & COUNTRY)

L BODY = (M - HORIZON/TURISMO)(Z - OMNI/CHARGER)

M BODY = (B - GRAN FURY)(F - FIFTH AVE/NEWPORT)(G - DIPLOMAT)

P BODY = (P - SUNDANCE)(D - SHADOW)

S BODY = (H - VOYAGER)(K - RAM VAN/CARAVAN)

BODY STYLES

12-13 = FWD VAN

21 = 2-DOOR SEDAN

24 = 2-DOOR HATCHBACK

27 = 2-DOOR CONVERTIBLE

41 = 4-DOOR SEDAN

44 = 4-DOOR HATCHBACK

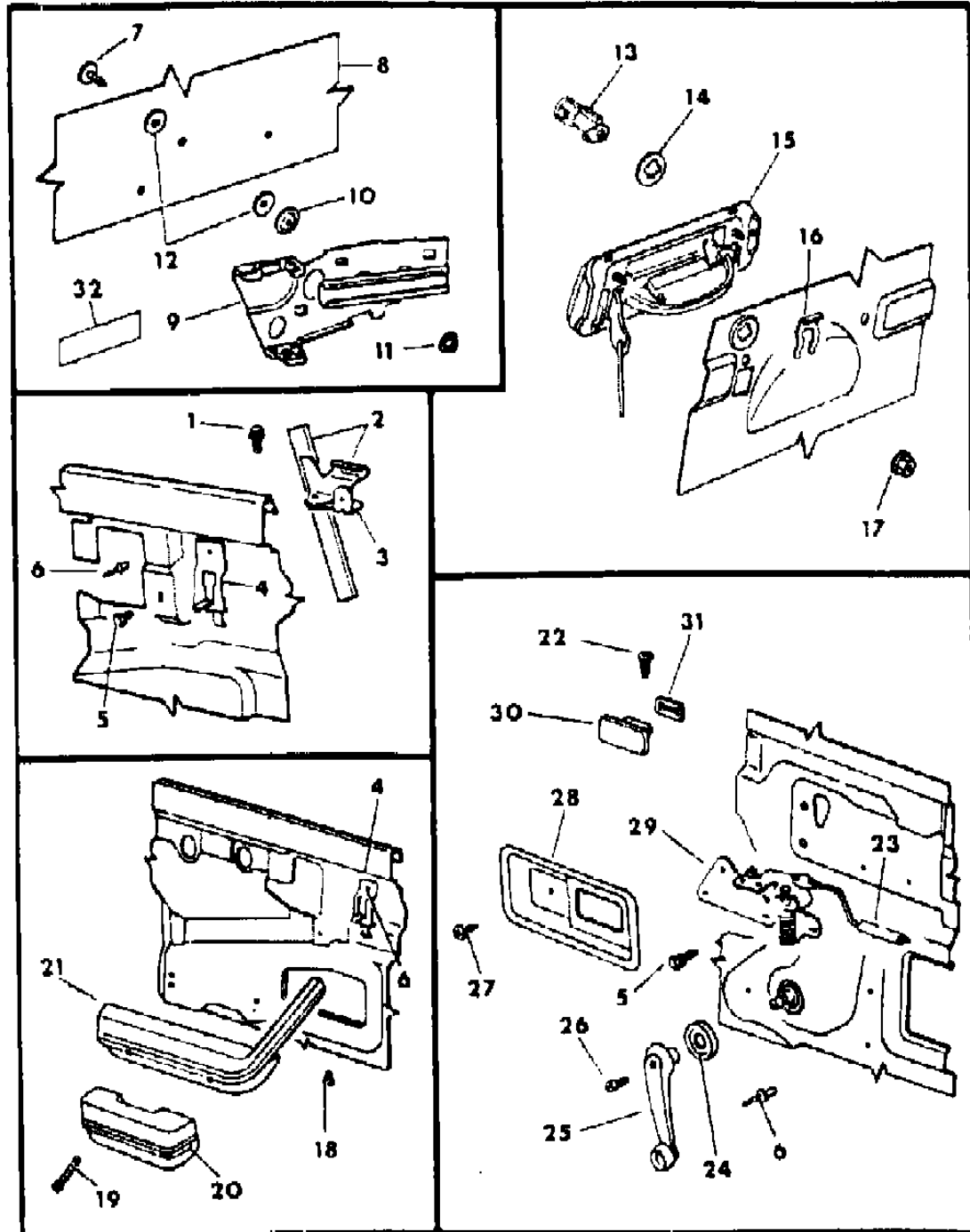
45 = 4-DOOR STATION WAGON

52-53 = FWD WAGON

AR = Use as Required - = Non Illustrated Part P.A.R. = Paint as Required

DOOR, FRONT GLASS, HANDLES AND HARDWARE L BODY 44
Figure 23C-600

7171 800A



ITEM	PART NUMBER	QTY	BODY	MODEL	DESCRIPTION
1	6500 191	AR			SCREW and WASHER
2	4280 580-1	1			CHANNEL and BRACKET, Glass
3		1			BRACKET, Glass Track Channel, Serviced in Item #2
4	4310 778	2			SUPPORT, Door Inside Panel Arm Rest
5		AR			SCREW (DNS)
6	6031 115	AR			RIVET
7	6029 998	AR			STUD and WASHER
8	5200 780-1	1			GLASS, Front Door
9	4336 508-9	1			PLATE and CHANNEL, Glass Track, w/Upper and Lower Guide
10		AR			T-NUT (DNS)
11					NUT (DNS)
12	5231 769	AR			GASKET, Door Glass
13					CYLINDER, Lock, Refer to 23D
14					GASKET, Cylinder, Refer to 23D
15	4310 010	2			HANDLE, Front Door Exterior
16					RETAINER, Refer to 23D
17	6500 274	AR			NUT
18	#6500 141	AR			SCREW
19		AR			SCREW (DNS)
20					ARM REST, Refer to IT Section
21					ARM REST, Long, Refer to IT Section
22	6031 318	AR			SCREW
23	#5231 220-1	1			LINK, Door Latch Remote Control to Latch
24	3882 768	AR			SPACER, Manual Window Regulator Handle
25	4310 824	2			HANDLE, Front Door Window Regulator
26		2			SCREW (DNS)
27	6100 903	2			SCREW
28					BEZEL, Front Door Latch Remote Control Handle
	D459 AA3	2			Silver
	D459 BB5	2			Blue
	D459 VM6	2			Red
	D459 DT3	2			Brown
29	5231 930-1	1			REMOTE CONTROL, Front Door Latch
30	#5200 878-9	1			HANDLE, Front Door Latch Remote Control
31	5231 135	2			SEAL, Door Latch Remote Control Handle
32	4365 683	1			DECAL, Seat Belt Safety

MODEL CODES

E BODY = (J - CARAVELLE)(E - 600)(T - NEW YORKER)

G BODY = (V24 - DAYTONA)

H BODY = (D44 - LANCER)(C44 - LEBARON GTS)

J BODY = (C - LEBARON)

K BODY = (P - RELIANT)(D - ARIES)(C - LEBAROND)/TOWN & COUNTRY)

L BODY = (M - HORIZON/TURISMO)(Z - OMNI/CHARGER)

M BODY = (B - GRAN FURY)(F - FIFTH AVE/NEWPORT)(G - DIPLOMAT)

P BODY = (P - SUNDANCE)(D - SHADOW)

S BODY = (H - VOYAGER)(K - RAM VAN/CARAVAN)

BODY STYLES

12-13 = FWD VAN

21 = 2-DOOR SEDAN

24 = 2-DOOR HATCHBACK

27 = 2-DOOR CONVERTIBLE

41 = 4-DOOR SEDAN

44 = 4-DOOR HATCHBACK

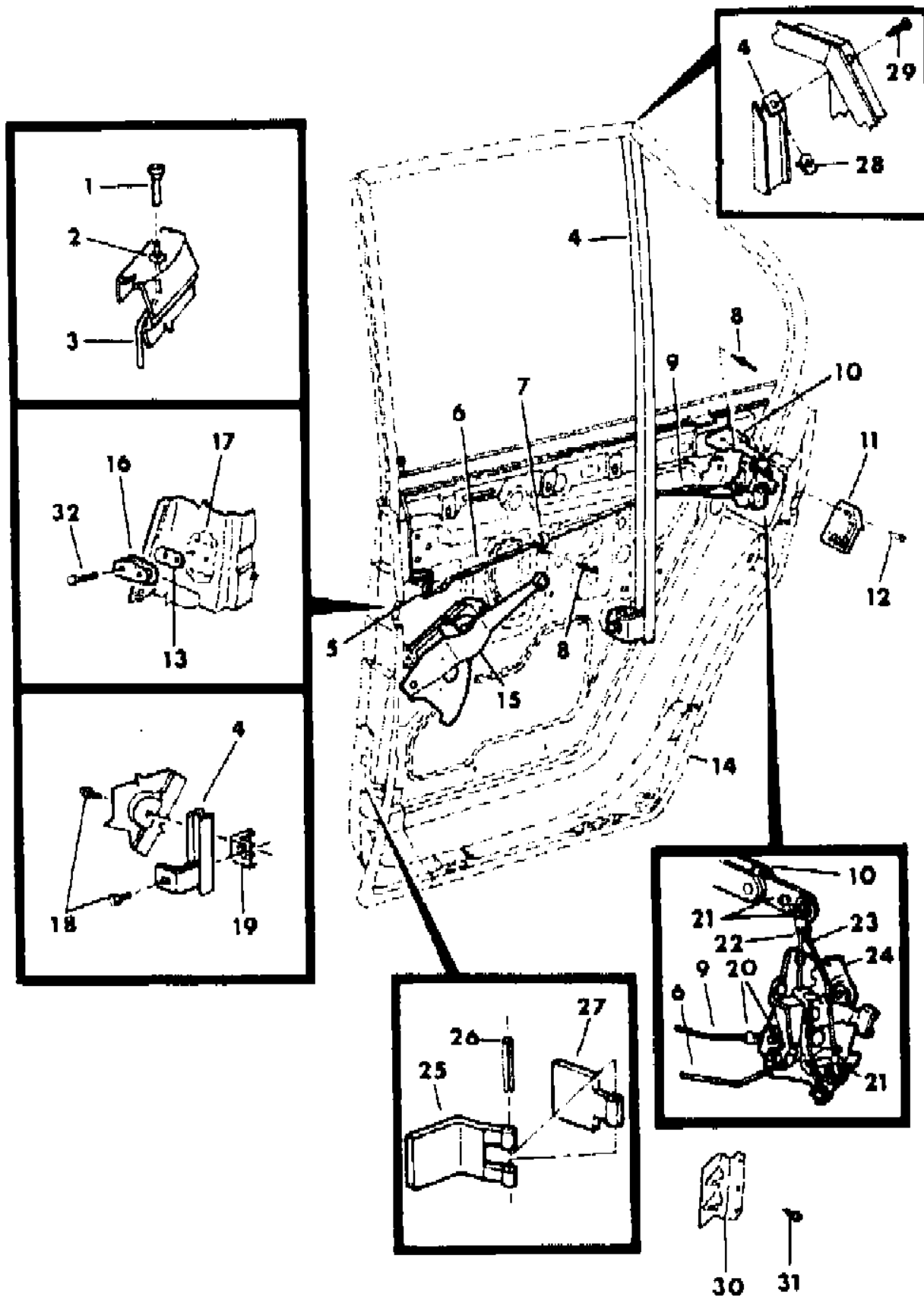
45 = 4-DOOR STATION WAGON

52-53 = FWD WAGON

AR = Use as Required - = Non Illustrated Part P.A.R. = Paint as Required

DOOR, REAR SHELL, REGULATOR AND CONTROLS L BODY 44
Figure 23C-700

7171 700



ITEM	PART NUMBER	QTY	BODY	MODEL	DESCRIPTION
1	4049 609	2			KNOB PACKAGE, Latch Locking
2	3510 447	2			GROMMET, Trim Panel Lock Knob
3	#5200 909	2			ROD, Latch Locking Control Push
4	4310 282-3	1			CHANNEL and BRACKET, w/Run Door Glass
5	3871 044	2			LEVER, Door Latch Locking Control
6	5231 563	2			LINK, Door Latch Locking Control to Latch
7	3882 620	AR			CLIP, Anti Rattle
8	6031 115	AR			RIVET
9	#5231 222-3	1			LINK, Door Latch Remote Control to Latch
10	4336 613	2			BRACKET and LEVER, Door Latch Actuating
11	4184 776-7	1			LATCH, Rear Door Outside
12	6100 866	AR			SCREW
13	5231 564	AR			SPACER, Door Striker
14	4297 850-1	1			SHELL, Rear Door
	4310 024-5	1			PANEL, Repair
15	5200 722-3	1			REGULATOR, Rear Door Window
	4339 301	2			SLIDE PACKAGE, Manual Regulator
16	5200 875	2			STRIKER, Door Latch
17	#5200 368	2			T-PLATE, Latch Striker
18		AR			SCREW (DNS)
19	5231 136	2			BRACKET, Fixed Vent Window Division Channel Att.
20	3454 220-1	AR			CLIP
21	2945 108-9	AR			CLIP
22	4310 892-3	1			LINK, Exterior Handle to Actg. Lever
23	5231 523	2			LINK, Door Latch to Actg. Lever
24	5231 650-1	1			LATCH, Rear Door Inside
25	5231 594	4			LEAF, Rear Door Fixed Hinge, Body Half
26	6500 361	4			PIN, Hinge
27	5231 595	4			LEAF, Rear Door Moving Hinge, Door Half
28		2			U-NUT (DNS)
29					SCREW (DNS)
30	5231 369	2			STOP, Rear Door
31		4			SCREW (DNS)
32	6500 295	AR			SCREW

MODEL CODES

E BODY = (J - CARAVELLE)(E - 600)(T - NEW YORKER)

G BODY = (V24 - DAYTONA)

H BODY = (D44 - LANCER)(C44 - LEBARON GTS)

J BODY = (C - LEBARON)

K BODY = (P - RELIANT)(D - ARIES)(C - LEBAROND)/TOWN & COUNTRY)

L BODY = (M - HORIZON/TURISMO)(Z - OMNI/CHARGER)

M BODY = (B - GRAN FURY)(F - FIFTH AVE/NEWPORT)(G - DIPLOMAT)

P BODY = (P - SUNDANCE)(D - SHADOW)

S BODY = (H - VOYAGER)(K - RAM VAN/CARAVAN)

BODY STYLES

12-13 = FWD VAN

21 = 2-DOOR SEDAN

24 = 2-DOOR HATCHBACK

27 = 2-DOOR CONVERTIBLE

41 = 4-DOOR SEDAN

44 = 4-DOOR HATCHBACK

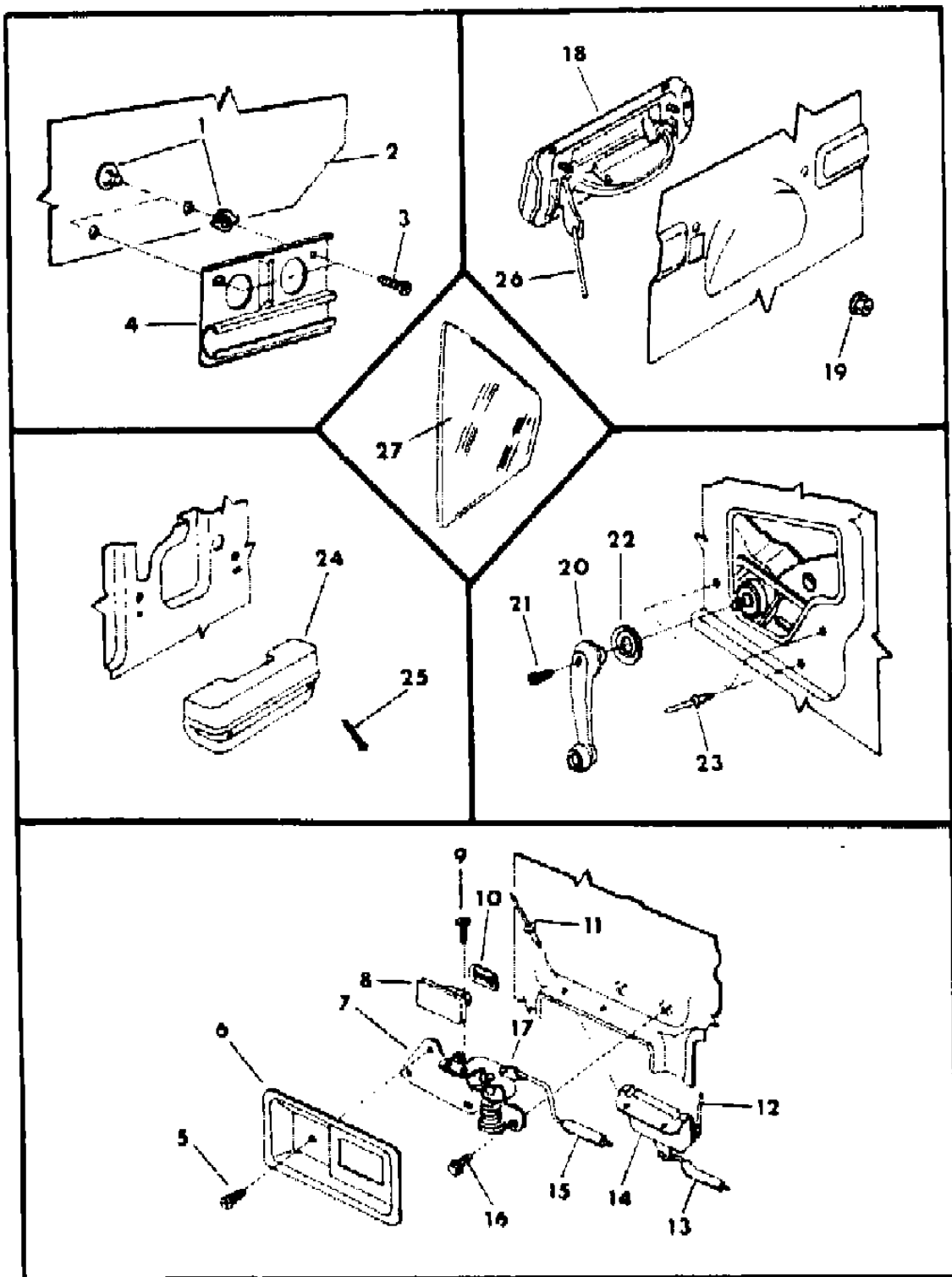
45 = 4-DOOR STATION WAGON

52-53 = FWD WAGON

AR = Use as Required - = Non Illustrated Part P.A.R. = Paint as Required

DOOR, REAR GLASS, HANDLE AND LOCK L BODY 44
Figure 23C-800

7171 800



ITEM	PART NUMBER	QTY	BODY	MODEL	DESCRIPTION
1	3744 734	AR			BUSHING and FASTENER PKG., Glass Lift
2	5231 732-3	1			GLASS, Rear Door, Movable
3	6030 182	AR			SCREW
4	5215 364	2			CHANNEL, Door Glass Track
5	6100 903	AR			SCREW
6					BEZEL, Rear Door Latch Remote Control Handle
	D459 AA3	2			Silver
	D459 BB5	2			Blue
	D459 VM6	2			Red
	D459 DT3	2			Brown
7	5231 930-1	1			REMOTE CONTROL, Rear Door Latch
8	#5200 878-9	1			HANDLE, Rear Door Latch Remote Control
9	6031 318	AR			SCREW
10	5231 135	2			SEAL, Door Latch Remote Control Handle
11	6031 115	AR			RIVET
12	#5200 909	2			ROD, Door Latch Locking Control Push
13	5231 563	2			LINK, Door Latch Locking Control to Latch
14	5215 338-9	1			SUPPORT, Door Latch Locking Control Lever
15	#5231 222-3	1			LINK, Door Latch Remote Control to Latch
16		AR			SCREW (DNS)
17	2945 108-9	AR			CLIP
18	4310 010	2			HANDLE, Rear Door Exterior
19	6500 274	4			NUT and WASHER
20	4310 824	2			HANDLE, Rear Door Window Regulator
21	6031 644	2			SCREW
22	3882 768	2			SPACER, Manual Window Regulator Handle
23	6031 115	AR			RIVET
24					ARM REST, Refer to IT Section
25		AR			SCREW (DNS)
26	5231 523	2			LINK, Exterior Handle to Actg. Lever
27					GLASS, Rear Door Stationary
	5231 894-5	1			Clear
	5231 896-7	1			Tinted

MODEL CODES

E BODY = (J - CARAVELLE)(E - 600)(T - NEW YORKER)

G BODY = (V24 - DAYTONA)

H BODY = (D44 - LANCER)(C44 - LEBARON GTS)

J BODY = (C - LEBARON)

K BODY = (P - RELIANT)(D - ARIES)(C - LEBAROND)/TOWN & COUNTRY)

L BODY = (M - HORIZON/TURISMO)(Z - OMNI/CHARGER)

M BODY = (B - GRAN FURY)(F - FIFTH AVE/NEWPORT)(G - DIPLOMAT)

P BODY = (P - SUNDANCE)(D - SHADOW)

S BODY = (H - VOYAGER)(K - RAM VAN/CARAVAN)

BODY STYLES

12-13 = FWD VAN

21 = 2-DOOR SEDAN

24 = 2-DOOR HATCHBACK

27 = 2-DOOR CONVERTIBLE

41 = 4-DOOR SEDAN

44 = 4-DOOR HATCHBACK

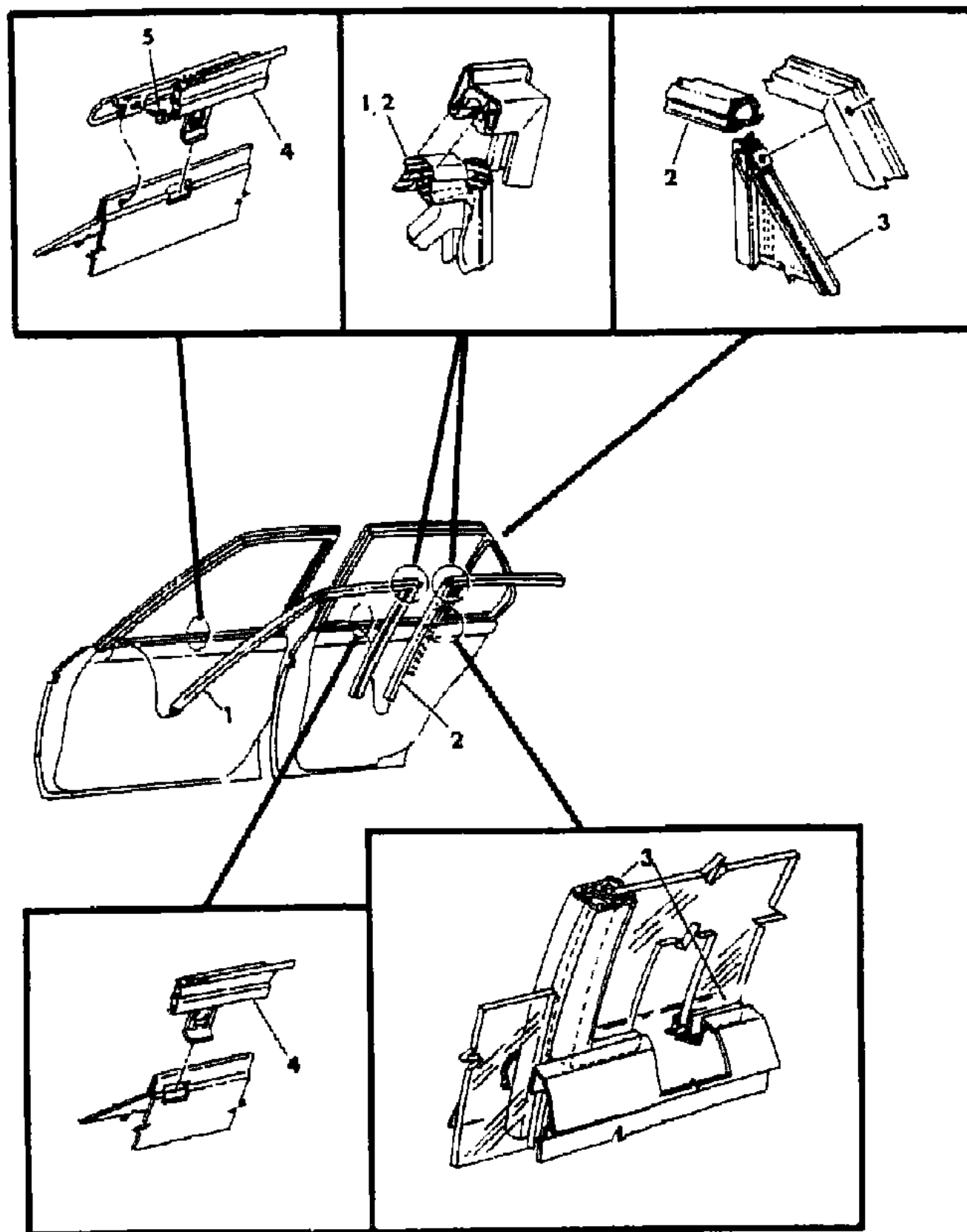
45 = 4-DOOR STATION WAGON

52-53 = FWD WAGON

AR = Use as Required - = Non Illustrated Part P.A.R. = Paint as Required

DOOR, FRONT AND REAR WEATHERSTRIPS AND RUNS L BODY 44
Figure 23C-900

7171 900



ITEM	PART NUMBER	QTY	BODY	MODEL	DESCRIPTION
NOTE: Front and Rear Door Opening Weatherstrip. Refer to IT Section, Pinchweld Weatherstrip Body Mounted s group.					
1	4310 058	2			RUN and CLIP, Glass
2	5231 367	2			RUN, Rear Door Glass
3	5200 770	2			WEATHERSTRIP, Rear Door Fixed Vent Window
4					WEATHERSTRIP and CLIPS, Window Belt
					Front Door
					Outer, Belt, Refer to Exterior Ornaminations
	5231 886-7	1			Inner
					Rear Door
					Outer, Belt, Refer to Exterior Ornaminations
	5208 624-5	1			Inner
5		AR			SCREW (DNS)

MODEL CODES

E BODY = (J - CARAVELLE)(E - 600)(T - NEW YORKER)

G BODY = (V24 - DAYTONA)

H BODY = (D44 - LANCER)(C44 - LEBARON GTS)

J BODY = (C - LEBARON)

K BODY = (P - RELIANT)(D - ARIES)(C - LEBAROND)/TOWN & COUNTRY)

L BODY = (M - HORIZON/TURISMO)(Z - OMNI/CHARGER)

M BODY = (B - GRAN FURY)(F - FIFTH AVE/NEWPORT)(G - DIPLOMAT)

P BODY = (P - SUNDANCE)(D - SHADOW)

S BODY = (H - VOYAGER)(K - RAM VAN/CARAVAN)

BODY STYLES

12-13 = FWD VAN

21 = 2-DOOR SEDAN

24 = 2-DOOR HATCHBACK

27 = 2-DOOR CONVERTIBLE

41 = 4-DOOR SEDAN

44 = 4-DOOR HATCHBACK

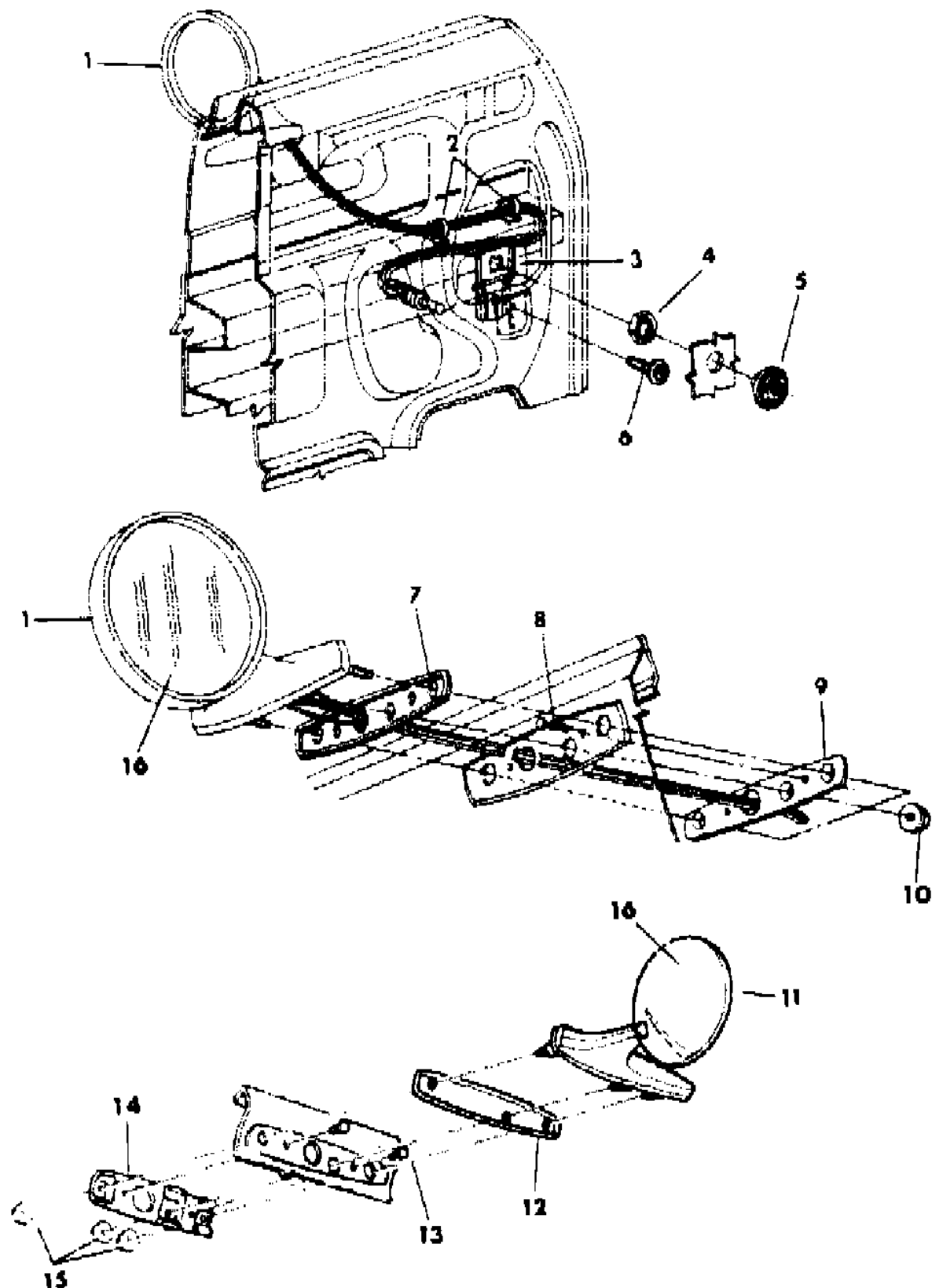
45 = 4-DOOR STATION WAGON

52-53 = FWD WAGON

AR = Use as Required - = Non Illustrated Part P.A.R. = Paint as Required

MIRROR, EXTERIOR L BODY 44
Figure 23C-1000

7171 1000



ITEM	PART NUMBER	QTY	BODY	MODEL	DESCRIPTION
1					MIRROR PACKAGE, Remote Control
	4299 224-5	1			Round, Chrome
	5232 182-3	1			Round, Black
	4419 271	1			Conv., Black, Right
	3882 071	1			Manual, Chrome, Left
2					CLIP, Serviced in Mirror Package
3	5207 214	2			BRACKET, Remote Control Mtg.
4	6030 356	AR			NUT, Control Index
5	2999 001	1			BEZEL, Remote Control Mirror Control Att.
6		AR			SCREW (DNS)
7	4054 132	1			GASKET, Remote Control, Right
8		AR			RETAINER (DNS)
9	4299 126-7	1			REINFORCEMENT, Mirror
10	6025 001	AR			NUT
11					MIRROR PACKAGE, Manual Round Chrome
	3882 071	1			Left
	4267 927	1			Right
12					GASKET, Serviced in Package
13	3759 944	AR			RETAINER CLIP, Mirror Mounting Reinforcement
14	3861 805	1			REINFORCEMENT, Mirror
15	6025 001	AR			NUT
16					REPLACEMENT GLASS PACKAGE, Mirror
	4267 870-1	1			Remote Control
	4267 884	1			Manual Glass

MODEL CODES

E BODY = (J - CARAVELLE)(E - 600)(T - NEW YORKER)

G BODY = (V24 - DAYTONA)

H BODY = (D44 - LANCER)(C44 - LEBARON GTS)

J BODY = (C - LEBARON)

K BODY = (P - RELIANT)(D - ARIES)(C - LEBAROND)/TOWN & COUNTRY)

L BODY = (M - HORIZON/TURISMO)(Z - OMNI/CHARGER)

M BODY = (B - GRAN FURY)(F - FIFTH AVE/NEWPORT)(G - DIPLOMAT)

P BODY = (P - SUNDANCE)(D - SHADOW)

S BODY = (H - VOYAGER)(K - RAM VAN/CARAVAN)

BODY STYLES

12-13 = FWD VAN

21 = 2-DOOR SEDAN

24 = 2-DOOR HATCHBACK

27 = 2-DOOR CONVERTIBLE

41 = 4-DOOR SEDAN

44 = 4-DOOR HATCHBACK

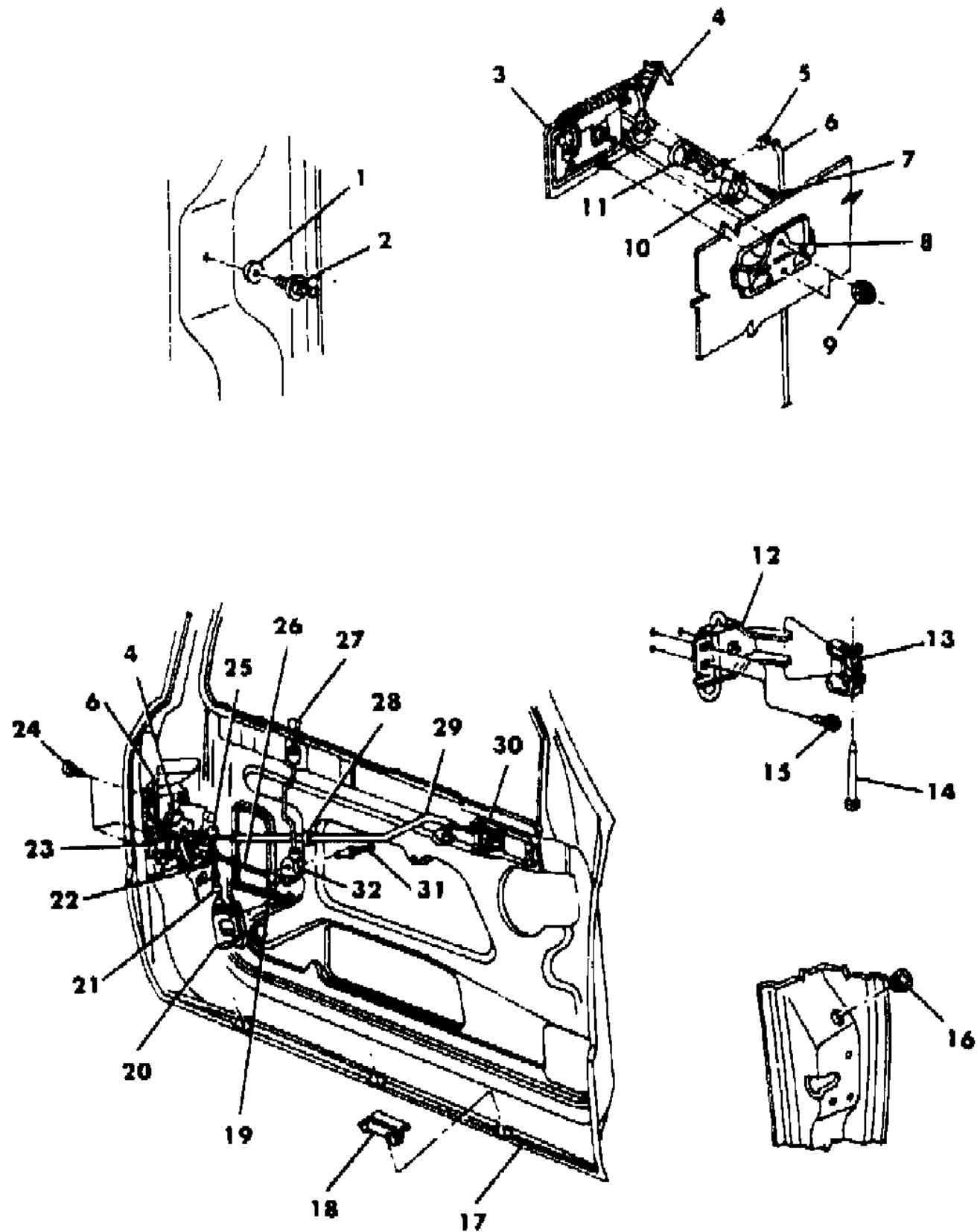
45 = 4-DOOR STATION WAGON

52-53 = FWD WAGON

AR = Use as Required - = Non Illustrated Part P.A.R. = Paint as Required

DOOR, FRONT SHELL, HANDLES AND LOCKS P BODY 24
Figure 23C-1100

7171 1100



ITEM	PART NUMBER	QTY	BODY	MODEL	DESCRIPTION
1	4184 105	AR			SPACER, Striker
2	4310 543	2			STRIKER, Latch
3	4419 028-9	1			HANDLE, Exterior
4	4365 194-5	1			LINK, Handle to Latch
5	4336 136	2			CLIP
6	4365 196-7	1			LINK, Cylinder to Latch
7					SCREW (DNS)
8	4419 012-3	1			HANDLE and BRACKET, Exterior
9	6500 284	2			NUT
10	4184 684-5	1			RETAINER, Lock Cylinder
11					CYLINDER, Lock, Refer to 23D
12					HINGE, Body Half
	4365 815	2			Upper, Three Hole
	4365 850	2			Upper, Two Hole
	4365 813	2			Lower, Three Hole
	4365 852	2			Lower, Two Hole
13					HINGE, Door Half
	4280 730	2			Upper
	4365 026	2			Lower
14	4280 727	4			PIN, Hinge
15	6500 354	AR			SCREW
16					PLUG (DNS)
17	4397 464-5	1			DOOR SHELL
	4415 554-5	1			PANEL, Repair
18					PLUG (DNS)
19	6031 115	4			RIVET
20	4396 017	2			SOLENOID, Lock
21	4184 172	2			CLIP, Solenoid
22	4365 202	2			LINK, Solenoid to Latch
23					LOCK, Door
	4336 377	1			Left
	4336 378	1			Right
24	6501 220	6			SCREW
25					CLIP
	4184 244	1			Left
	4184 245	1			Right
26	4365 694	2			LEVER, Latch Lock
27					KNOB and ROD, Locking

MODEL CODES

E BODY = (J - CARAVELLE)(E - 600)(T - NEW YORKER)

G BODY = (V24 - DAYTONA)

H BODY = (D44 - LANCER)(C44 - LEBARON GTS)

J BODY = (C - LEBARON)

K BODY = (P - RELIANT)(D - ARIES)(C - LEBAROND)/TOWN & COUNTRY)

L BODY = (M - HORIZON/TURISMO)(Z - OMNI/CHARGER)

M BODY = (B - GRAN FURY)(F - FIFTH AVE/NEWPORT)(G - DIPLOMAT)

P BODY = (P - SUNDANCE)(D - SHADOW)

S BODY = (H - VOYAGER)(K - RAM VAN/CARAVAN)

BODY STYLES

12-13 = FWD VAN

21 = 2-DOOR SEDAN

24 = 2-DOOR HATCHBACK

27 = 2-DOOR CONVERTIBLE

41 = 4-DOOR SEDAN

44 = 4-DOOR HATCHBACK

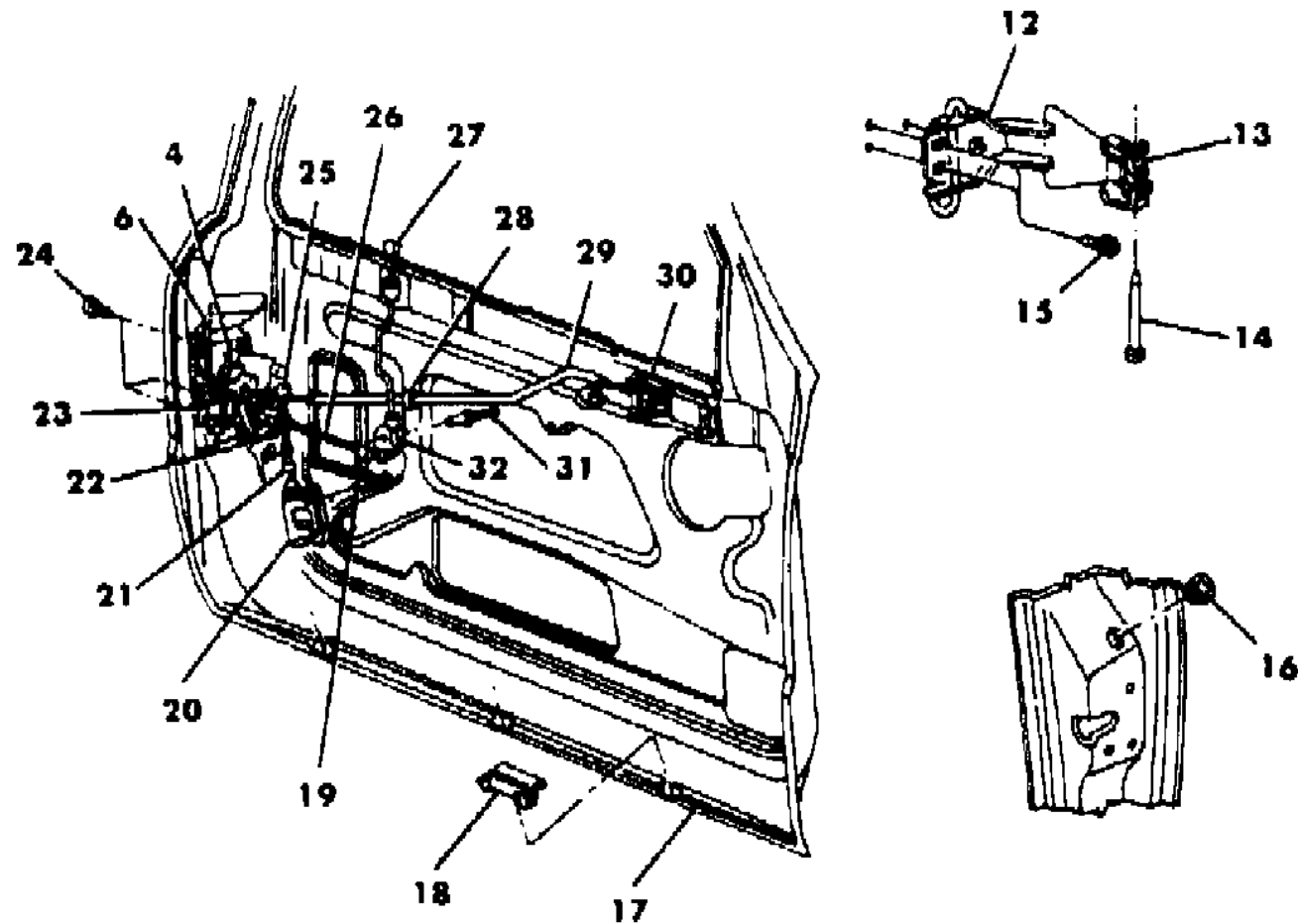
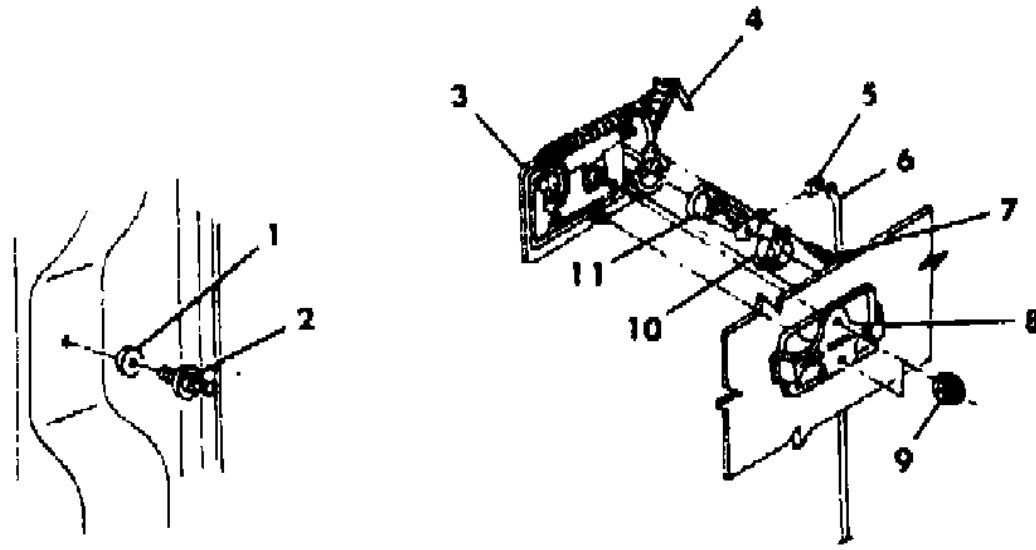
45 = 4-DOOR STATION WAGON

52-53 = FWD WAGON

AR = Use as Required - = Non Illustrated Part P.A.R. = Paint as Required

DOOR, FRONT SHELL, HANDLES AND LOCKS P BODY 24
Figure 23C-1100

7171 1100



ITEM	PART NUMBER	QTY	BODY	MODEL	DESCRIPTION
	D634 EA3	2			Silver
	D634 EC5	2			Blue
	D634 EE8	2			Cordovan
	D634 EK1	2			Almond
28	3882 620	2			CLIP, Antirattle
29	4365 184-5	1			LINK, R/Control Handle to Latch
30	4445 002-3	1			HOUSING, R/Control
31	6501 509	2			RIVET
32	4415 514-5	1			LEVER and CLIP, Latch to Lock

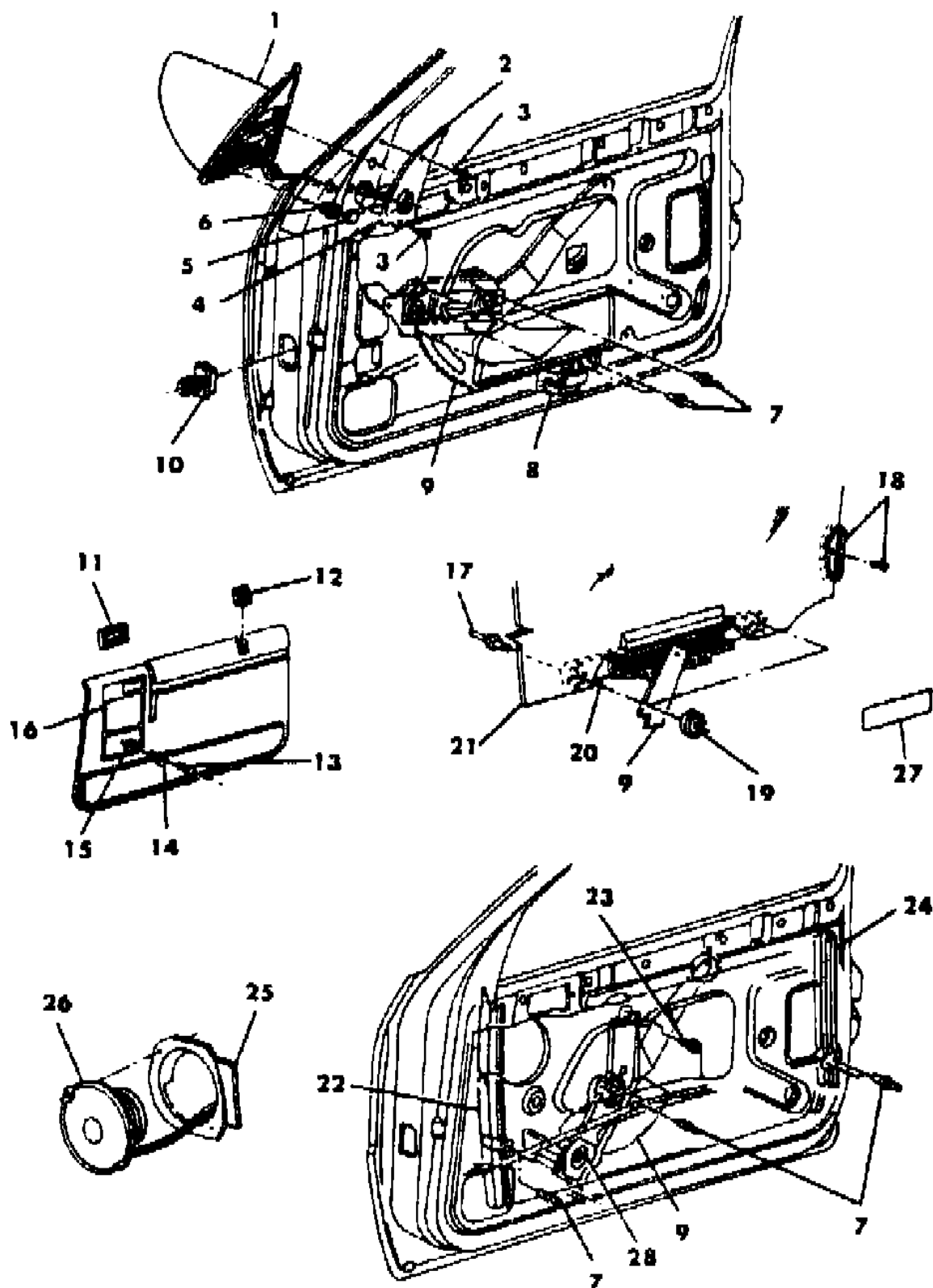
MODEL CODES
 E BODY = (J - CARAVELLE)(E - 600)(T - NEW YORKER)
 G BODY = (V24 - DAYTONA)
 H BODY = (D44 - LANCER)(C44 - LEBARON GTS)
 J BODY = (C - LEBARON)
 K BODY = (P - RELIANT)(D - ARIES)(C - LEBAROND)/TOWN & COUNTRY
 L BODY = (M - HORIZON/TURISMO)(Z - OMNI/CHARGER)
 M BODY = (B - GRAN FURY)(F - FIFTH AVE/NEWPORT)(G - DIPLOMAT)
 P BODY = (P - SUNDANCE)(D - SHADOW)
 S BODY = (H - VOYAGER)(K - RAM VAN/CARAVAN)

BODY STYLES
 12-13 = FWD VAN
 21 = 2-DOOR SEDAN
 24 = 2-DOOR HATCHBACK
 27 = 2-DOOR CONVERTIBLE
 41 = 4-DOOR SEDAN
 44 = 4-DOOR HATCHBACK
 45 = 4-DOOR STATION WAGON
 52-53 = FWD WAGON

AR = Use as Required - = Non Illustrated Part P.A.R. = Paint as Required

DOOR, FRONT GLASS, REGULATORS AND SPEAKERS P BODY 24
Figure 23C-1200

7171 1200 8



ITEM	PART NUMBER	QTY	BODY	MODEL	DESCRIPTION
1-6					MIRROR, Refer to Mirror Illustration
7	6031 115	AR			RIVET
8	#4415 572	2			DOWN STOP, Glass
9					REGULATOR, Glass
	4396 700-1	1			Manual
	4415 510-1	1			Electric
	4396 699	2			SPRING, Manual Regulator Assist
	4415 184-5	1			PLATE, Electric Regulator
10	4368 560	2			GROMMET
11	4336 732	2			BEZEL, R/Control
12					BEZEL, Locking Knob
	D444 DA3	2			Silver
	D444 EC5	2			Blue
	D444 EE8	2			Cordovan
	D444 EK1	2			Almond
13	6033 000	2			SCREW
14	4310 825	2			HANDLE, Glass Regulator
15	2935 231	2			SPACER, Regulator Handle
16	D236 EA3-4	1			BEZEL, Speaker
	D456 EK1	2			COVER, Manual Regulator Hole
17					RIVET (DNS)
18	4339 372	2			SLIDE PACKAGE, Glass Edge
19	4396 734	4			GASKET and WASHER, Glass Att.
20	4396 736	2			CHANNEL, Glass Lift
21					GLASS, Door
	4336 954-5	1			Clear
	4336 956-7	1			Tinted
22	4445 048-9	1			RETAINER and BRACKET, Glass Run Lower Front
23	6100 557	2			SCREW
24	4336 970-1	1			RETAINER and BRACKET, Glass Run Lower Rear
25	4311 906-7	1			ADAPTOR, Speaker
26	4222 776	2			SPEAKER, Door
27	4365 683	1			DECAL, Seat Belt Safety
28	4415 186-7	1			MOTOR and MECHANISM, Electric Regulator
					GEAR and SEAL KIT, Motor
	4339 433	2			Short Shaft
	4468 350	2			Long Shaft

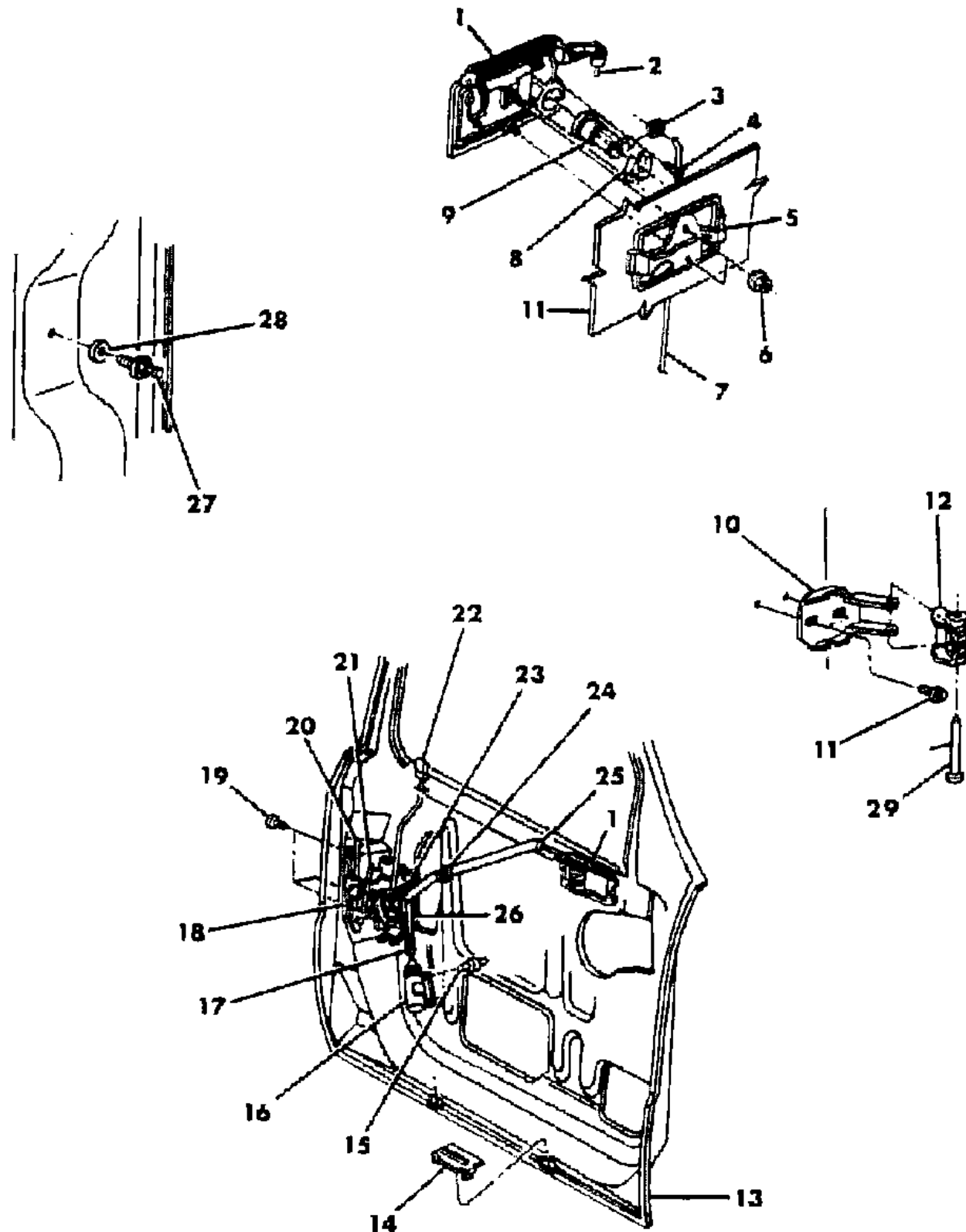
MODEL CODES
 E BODY = (J - CARAVELLE)(E - 600)(T - NEW YORKER)
 G BODY = (V24 - DAYTONA)
 H BODY = (D44 - LANCER)(C44 - LEBARON GTS)
 J BODY = (C - LEBARON)
 K BODY = (P - RELIANT)(D - ARIES)(C - LEBAROND)/TOWN & COUNTRY
 L BODY = (M - HORIZON/TURISMO)(Z - OMNI/CHARGER)
 M BODY = (B - GRAN FURY)(F - FIFTH AVE/NEWPORT)(G - DIPLOMAT)
 P BODY = (P - SUNDANCE)(D - SHADOW)
 S BODY = (H - VOYAGER)(K - RAM VAN/CARAVAN)

BODY STYLES
 12-13 = FWD VAN
 21 = 2-DOOR SEDAN
 24 = 2-DOOR HATCHBACK
 27 = 2-DOOR CONVERTIBLE
 41 = 4-DOOR SEDAN
 44 = 4-DOOR HATCHBACK
 45 = 4-DOOR STATION WAGON
 52-53 = FWD WAGON

AR = Use as Required - = Non Illustrated Part P.A.R. = Paint as Required

DOOR, FRONT SHELL, HANDLE AND LOCK P BODY 44
Figure 23C-1300

7171 1300A



ITEM	PART NUMBER	QTY	BODY	MODEL	DESCRIPTION
1	4419 012-3	1			HANDLE, Exterior
2	4365 006-7	1			LINK, Handle to Latch
3	4336 136	2			CLIP, Lock Cylinder to Lever
4					SCREW (DNS)
5					BRACKET and ISOLATOR, Serviced in Item 1
6	6500 284	4			SCREW
7	4365 004-5	1			LINK, Cylinder to Latch
8					RETAINER, Lock Cylinder, Refer to 23D
9					CYLINDER, Lock, Refer to 23D
10					HINGE, Body Half
	4365 815	2			Upper, Three Hole
	4365 850	2			Upper, Two Hole
	4365 813	2			Lower, Three Hole
	4365 852	2			Lower, Two Hole
11	6501 155	8			SCREW, Hinge
12					HINGE, Door Half
	4280 730	2			Upper
	4365 026	2			Lower
13	4397 466-7	1			DOOR SHELL
	4415 560-1	1			PANEL, Repair
14		4			PLUG, Drain (DNS)
15	6031 115	AR			RIVET
16	4396 017	2			SOLENOID, Door Lock
17	4184 172	2			CLIP, Solenoid
18	4365 414-5	1			LATCH
19	6501 220	6			SCREW, Latch Mtg.
20	4365 004-5	1			LINK, Lock Cylinder to Latch
21	4365 006-7	1			LINK, Handle to Latch
22					KNOB and PUSH ROD, Locking
	D632-3 EA3	1			Silver
	D632-3 EC5	1			Blue
	D632-3 EE8	1			Cordovan
	D632-3 EK1	1			Almond
23	4184 244-5	1			CLIP
24	3882 620	2			CLIP, Anti Rattle
25	4336 728-9	1			LINK, Remote Control Handle to Latch
26	4336 750	2			LINK, Solenoid to Latch
27	4310 543	2			STRIKER, Latch

MODEL CODES

E BODY = (J - CARAVELLE)(E - 600)(T - NEW YORKER)

G BODY = (V24 - DAYTONA)

H BODY = (D44 - LANCER)(C44 - LEBARON GTS)

J BODY = (C - LEBARON)

K BODY = (P - RELIANT)(D - ARIES)(C - LEBAROND)/TOWN & COUNTRY)

L BODY = (M - HORIZON/TURISMO)(Z - OMNI/CHARGER)

M BODY = (B - GRAN FURY)(F - FIFTH AVE/NEWPORT)(G - DIPLOMAT)

P BODY = (P - SUNDANCE)(D - SHADOW)

S BODY = (H - VOYAGER)(K - RAM VAN/CARAVAN)

BODY STYLES

12-13 = FWD VAN

21 = 2-DOOR SEDAN

24 = 2-DOOR HATCHBACK

27 = 2-DOOR CONVERTIBLE

41 = 4-DOOR SEDAN

44 = 4-DOOR HATCHBACK

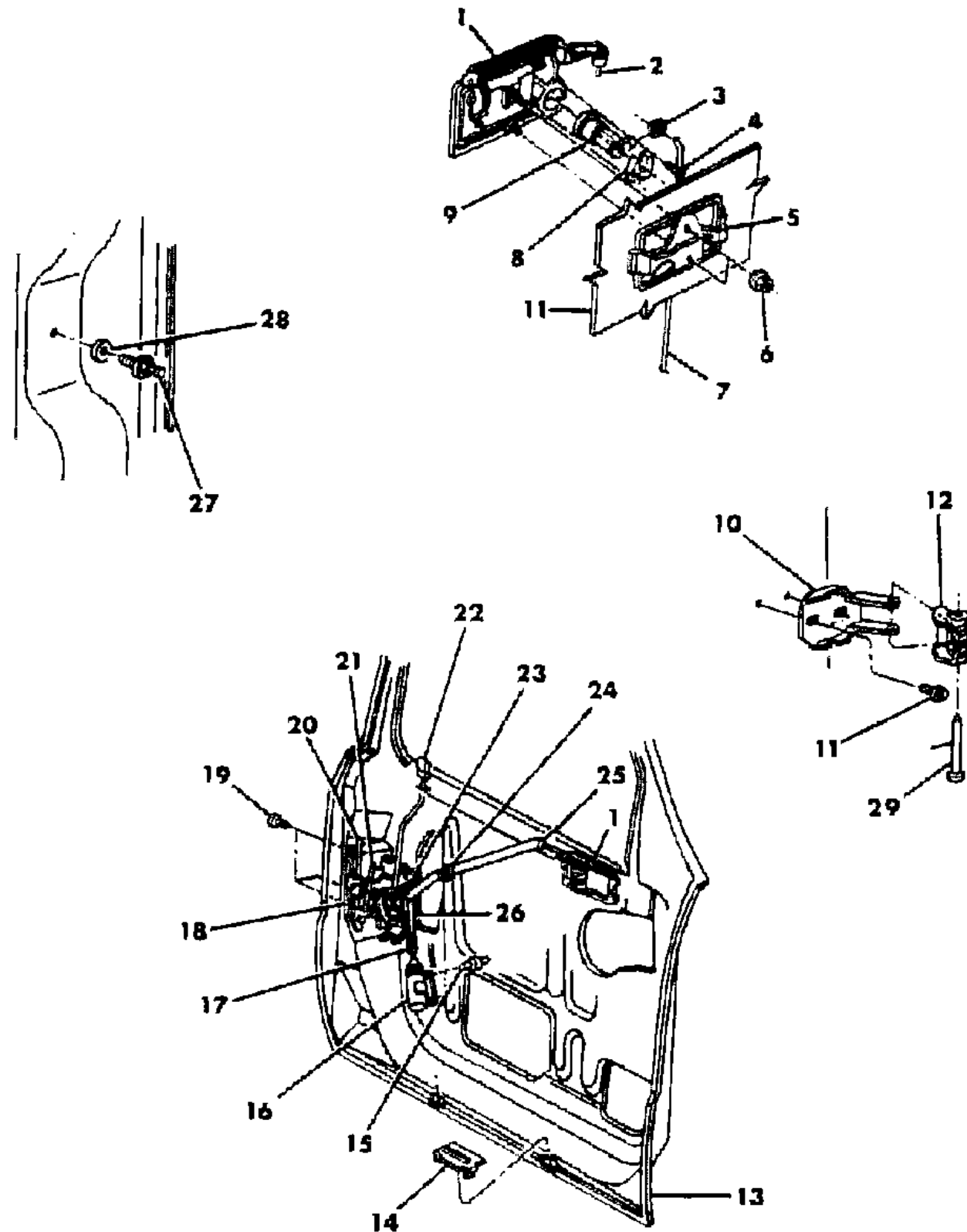
45 = 4-DOOR STATION WAGON

52-53 = FWD WAGON

AR = Use as Required - = Non Illustrated Part P.A.R. = Paint as Required

DOOR, FRONT SHELL, HANDLE AND LOCK P BODY 44
Figure 23C-1300

7171 1300A



ITEM	PART NUMBER	QTY	BODY	MODEL	DESCRIPTION
28	4184 105	AR			SPACER, Door Striker
29	4280 727	4			PIN, Hinge

MODEL CODES
 E BODY = (J - CARAVELLE)(E - 600)(T - NEW YORKER)
 G BODY = (V24 - DAYTONA)
 H BODY = (D44 - LANCER)(C44 - LEBARON GTS)
 J BODY = (C - LEBARON)
 K BODY = (P - RELIANT)(D - ARIES)(C - LEBAROND)/TOWN & COUNTRY
 L BODY = (M - HORIZON/TURISMO)(Z - OMNI/CHARGER)
 M BODY = (B - GRAN FURY)(F - FIFTH AVE/NEWPORT)(G - DIPLOMAT)
 P BODY = (P - SUNDANCE)(D - SHADOW)
 S BODY = (H - VOYAGER)(K - RAM VAN/CARAVAN)

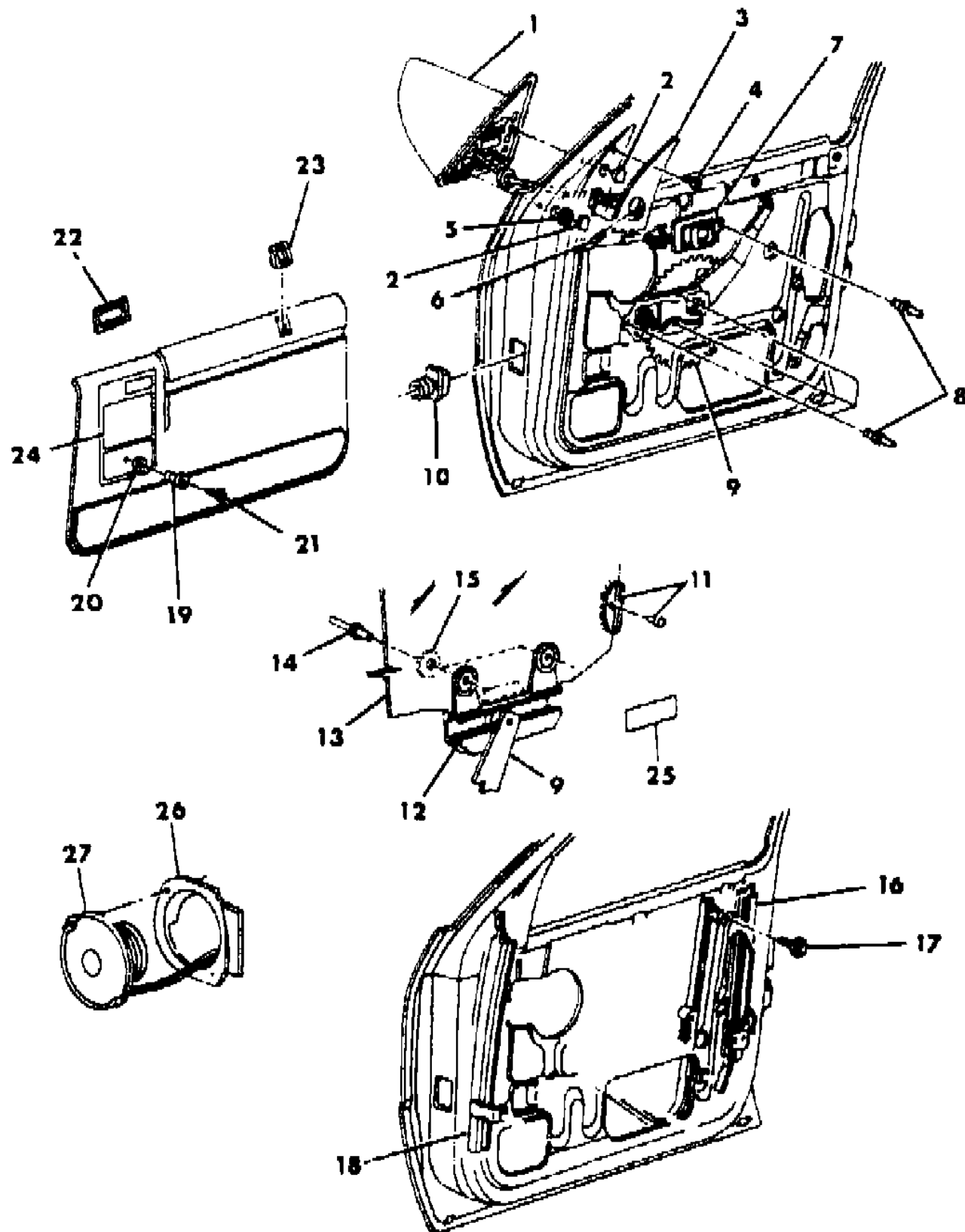
BODY STYLES
 12-13 = FWD VAN
 21 = 2-DOOR SEDAN
 24 = 2-DOOR HATCHBACK
 27 = 2-DOOR CONVERTIBLE
 41 = 4-DOOR SEDAN
 44 = 4-DOOR HATCHBACK
 45 = 4-DOOR STATION WAGON
 52-53 = FWD WAGON

AR = Use as Required - = Non Illustrated Part P.A.R. = Paint as Required

DOOR, FRONT GLASS AND REGULATOR P BODY 44

Figure 23C-1400

7171 1400 B



ITEM	PART NUMBER	QTY	BODY	MODEL	DESCRIPTION
1-6					MIRROR, Exterior, Refer to Mirror Illustration
7	4445 002-3	1			HOUSING, Remote Control
8	6031 115	AR			RIVET
9	#4336 452-3	1			REGULATOR, Window
	D456 EK1	2			COVER, Window Regulator Bezel
10	4368 560	1			FLEX TUBE, w/o Wiring
11	4339 372	4			SLIDE PACKAGE, Glass
12	4396 688	2			CHANNEL, Glass Lift
13					GLASS, Door
	4310 622-3	1			Clear
	4310 624-5	1			Tinted
	4336 853	2			BUMPER, Glass Downstop
14		4			RIVET (DNS)
15	4310 149	4			GASKET
16	4336 866-7	1			RETAINER and BRACKET, Glass Run Lower Rear
	4445 098	2			BUMPER, Glass Run Rear Retainer
17	6100 557	2			SCREW
18	4445 050-1	1			RETAINER and BRACKET, Glass Run Lower Front
19	4310 825	2			HANDLE, Window Regulator
20	2935 231	2			SPACER, Window Regulator Handle
21	6033 000	2			SCREW
22	4336 732	2			BEZEL, Remote Control
23					BEZEL, Locking Knob
	D444 DA3	2			Silver
	D444 EC5	2			Blue
	D444 EE8	2			Cordovan
	D444 EK1	2			Almond
24	D236-7 EA3	1			BEZEL, Speaker
25	4365 683	1			DECAL, Seat Belt Safety
26	4311 906-7	1			ADAPTOR, Speaker
27	4222 776	2			SPEAKER, Door

MODEL CODES

E BODY = (J - CARAVELLE)(E - 600)(T - NEW YORKER)

G BODY = (V24 - DAYTONA)

H BODY = (D44 - LANCER)(C44 - LEBARON GTS)

J BODY = (C - LEBARON)

K BODY = (P - RELIANT)(D - ARIES)(C - LEBAROND)/TOWN & COUNTRY)

L BODY = (M - HORIZON/TURISMO)(Z - OMNI/CHARGER)

M BODY = (B - GRAN FURY)(F - FIFTH AVE/NEWPORT)(G - DIPLOMAT)

P BODY = (P - SUNDANCE)(D - SHADOW)

S BODY = (H - VOYAGER)(K - RAM VAN/CARAVAN)

BODY STYLES

12-13 = FWD VAN

21 = 2-DOOR SEDAN

24 = 2-DOOR HATCHBACK

27 = 2-DOOR CONVERTIBLE

41 = 4-DOOR SEDAN

44 = 4-DOOR HATCHBACK

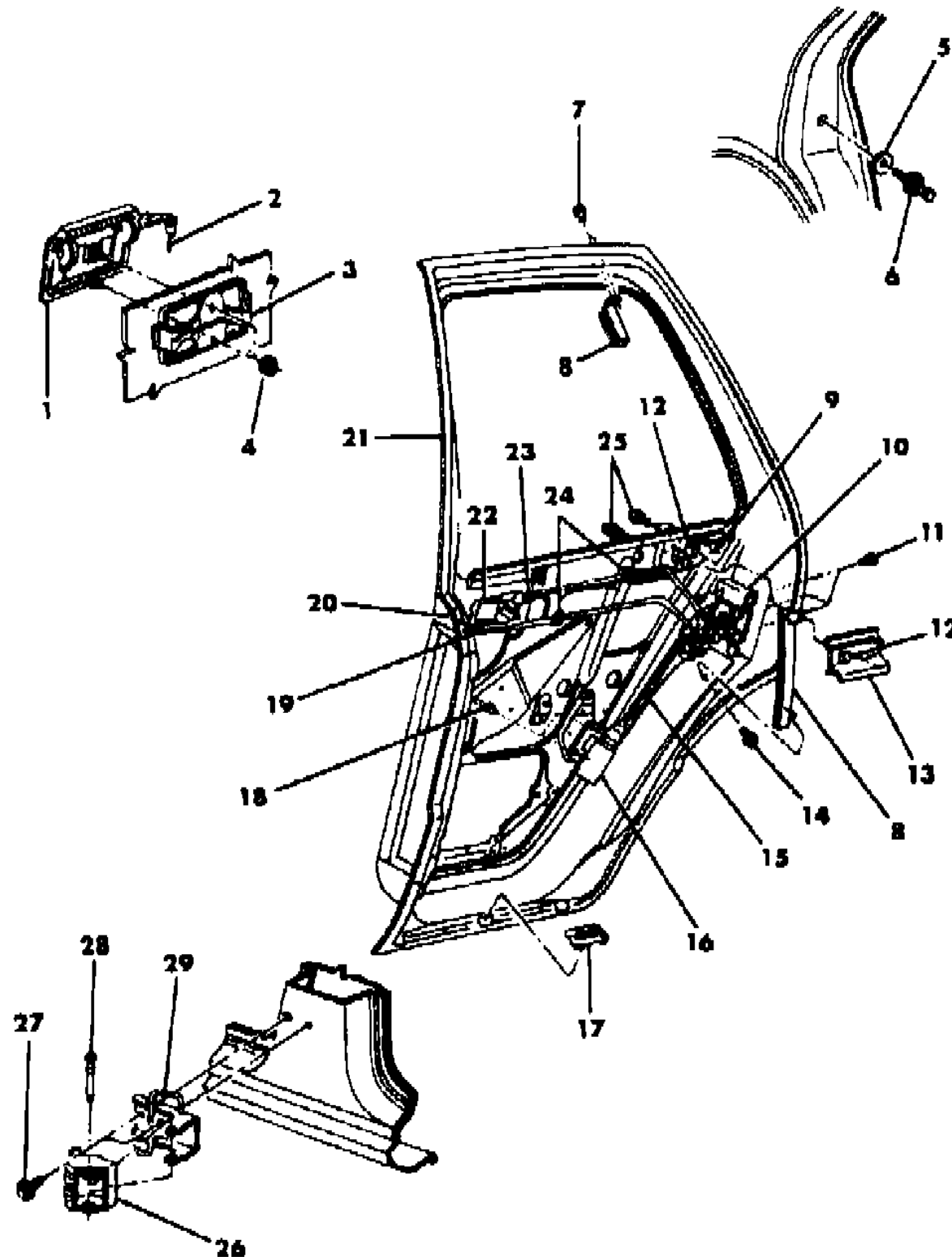
45 = 4-DOOR STATION WAGON

52-53 = FWD WAGON

AR = Use as Required - = Non Illustrated Part P.A.R. = Paint as Required

DOOR, REAR SHELL, HANDLE AND CONTROLS P BODY 44
Figure 23C-1500

7171 1500



ITEM	PART NUMBER	QTY	BODY	MODEL	DESCRIPTION
1	4419 014-5	1			HANDLE, Exterior
2	4336 386-7	1			LINK, Handle to Latch
3		2			BRACKET and INSULATOR, Handle, Serviced in Item 1
4	6500 284	4			NUT
5	4184 105	AR			SPACER, Striker
6	4310 543	2			STRIKER, Latch
7		2			SCREW (DNS)
8	4445 370-1	1			CHANNEL, Glass Division
	4365 054-5	1			REINFORCEMENT, Division Channel to Inner Panel
9	4336 682	2			BRACKET, Fixed Glass Support
10	4415 410-1	1			LATCH
11	6501 220	6			SCREW, Latch Mtg.
12	#6100 041	2			U-NUT
13		2			REINFORCEMENT, Outer Panel Belt, Serviced in #21
14	6024 067	2			SCREW, Division Channel
15	4336 403	2			LINK, Solenoid to Latch
16	4396 737	2			SOLENOID, Door Lock
17		2			PLUG, Drain (DNS)
18	6031 115	AR			RIVET
19	4336 840-1	1			LINK, Latch Locking
20	4336 824-5	1			LEVER, Latch Locking
21	4397 468-9	1			DOOR SHELL
	4415 575	2			REINFORCEMENT, Inner Panel
	4415 566-7	1			PANEL, Repair
22	4336 730-1	1			HOUSING, Remote Control
23	4336 836-7	1			LINK, Remote Control
24	3882 620	4			CLIP, Anti Rattle
25	6100 567	AR			SCREW
26	4415 932	2			HINGE, Door Half, Lower
	4415 934	2			Upper
27	6500 300	AR			SCREW, Body Half Hinge
28	4280 727	4			PIN, Hinge
29	4310 182	2			HINGE, Body Half, Lower
	4310 933	2			Upper

MODEL CODES

E BODY = (J - CARAVELLE)(E - 600)(T - NEW YORKER)

G BODY = (V24 - DAYTONA)

H BODY = (D44 - LANCER)(C44 - LEBARON GTS)

J BODY = (C - LEBARON)

K BODY = (P - RELIANT)(D - ARIES)(C - LEBAROND)/TOWN & COUNTRY)

L BODY = (M - HORIZON/TURISMO)(Z - OMNI/CHARGER)

M BODY = (B - GRAN FURY)(F - FIFTH AVE/NEWPORT)(G - DIPLOMAT)

P BODY = (P - SUNDANCE)(D - SHADOW)

S BODY = (H - VOYAGER)(K - RAM VAN/CARAVAN)

BODY STYLES

12-13 = FWD VAN

21 = 2-DOOR SEDAN

24 = 2-DOOR HATCHBACK

27 = 2-DOOR CONVERTIBLE

41 = 4-DOOR SEDAN

44 = 4-DOOR HATCHBACK

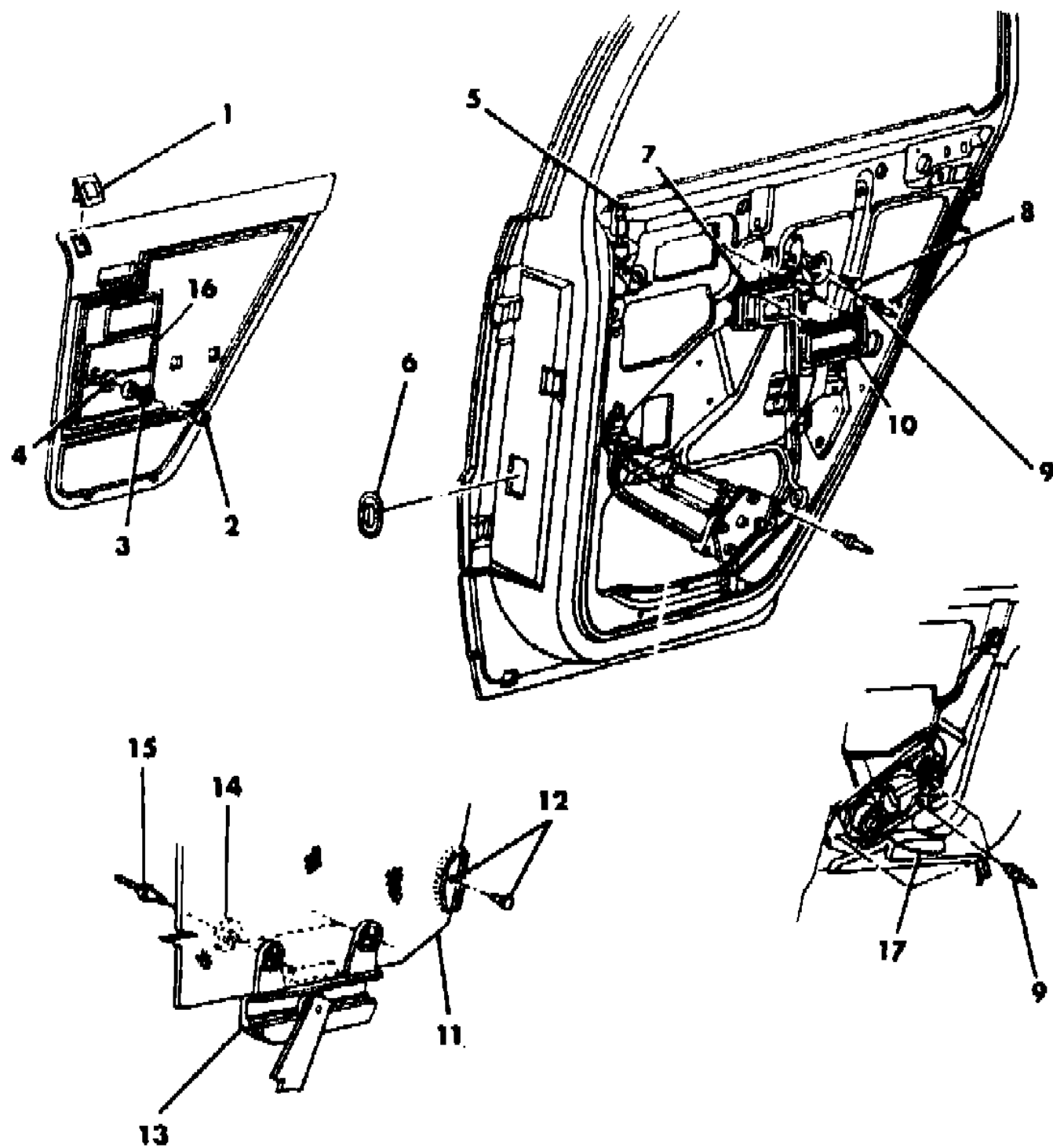
45 = 4-DOOR STATION WAGON

52-53 = FWD WAGON

AR = Use as Required - = Non Illustrated Part P.A.R. = Paint as Required

DOOR, REAR GLASS, REGULATOR AND LOCKS P BODY 44
Figure 23C-1600

7171 1800 D



ITEM	PART NUMBER	QTY	BODY	MODEL	DESCRIPTION
1					BEZEL, Door Lock Knob
	D444 DA3	2			Silver
	D444 EC5	2			Blue
	D444 EE8	2			Cordovan
	D444 EK1	2			Almond
2	6033 000	2			SCREW, Window Regulator Handle
3	4310 825	2			HANDLE, Window Regulator
4	2935 231	2			SPACER, Window Regulator Handle
5					KNOB, Latch Locking
	D604 EA3	2			Silver
	D604 EC5	2			Blue
	D604 EE8	2			Cordovan
	D604 EK1	2			Almond
	4336 843	2			PUSH ROD, Latch Locking
6	6031 488	2			PLUG, Hinge Pillar
7	4445 002-3	1			HOUSING, Remote Control
8	6100 557	2			SCREW, Regulator Att.
9	6031 115	AR			RIVET
10	4336 732	2			BEZEL, Remote Control
11					GLASS, Movable
	4310 618-9	1			Clear
	4310 620-1	1			Tinted
	4310 626-7	1			Fixed, Clear
	4310 628-9	1			Tinted
	4396 294	2			STABILIZER, Glass
12	4339 372	2			SLIDE PACKAGE, Glass
13	4336 997	2			CHANNEL, Glass Lift, w/Manual Regulator
14	4310 149	4			GASKET, Lift Channel
15		4			RIVET (DNS)
16	D238-9 EA3	1			BEZEL, Trim Panel
17	#4336 456-7	1			REGULATOR, Window

MODEL CODES

E BODY = (J - CARAVELLE)(E - 600)(T - NEW YORKER)

G BODY = (V24 - DAYTONA)

H BODY = (D44 - LANCER)(C44 - LEBARON GTS)

J BODY = (C - LEBARON)

K BODY = (P - RELIANT)(D - ARIES)(C - LEBAROND)/TOWN & COUNTRY)

L BODY = (M - HORIZON/TURISMO)(Z - OMNI/CHARGER)

M BODY = (B - GRAN FURY)(F - FIFTH AVE/NEWPORT)(G - DIPLOMAT)

P BODY = (P - SUNDANCE)(D - SHADOW)

S BODY = (H - VOYAGER)(K - RAM VAN/CARAVAN)

BODY STYLES

12-13 = FWD VAN

21 = 2-DOOR SEDAN

24 = 2-DOOR HATCHBACK

27 = 2-DOOR CONVERTIBLE

41 = 4-DOOR SEDAN

44 = 4-DOOR HATCHBACK

45 = 4-DOOR STATION WAGON

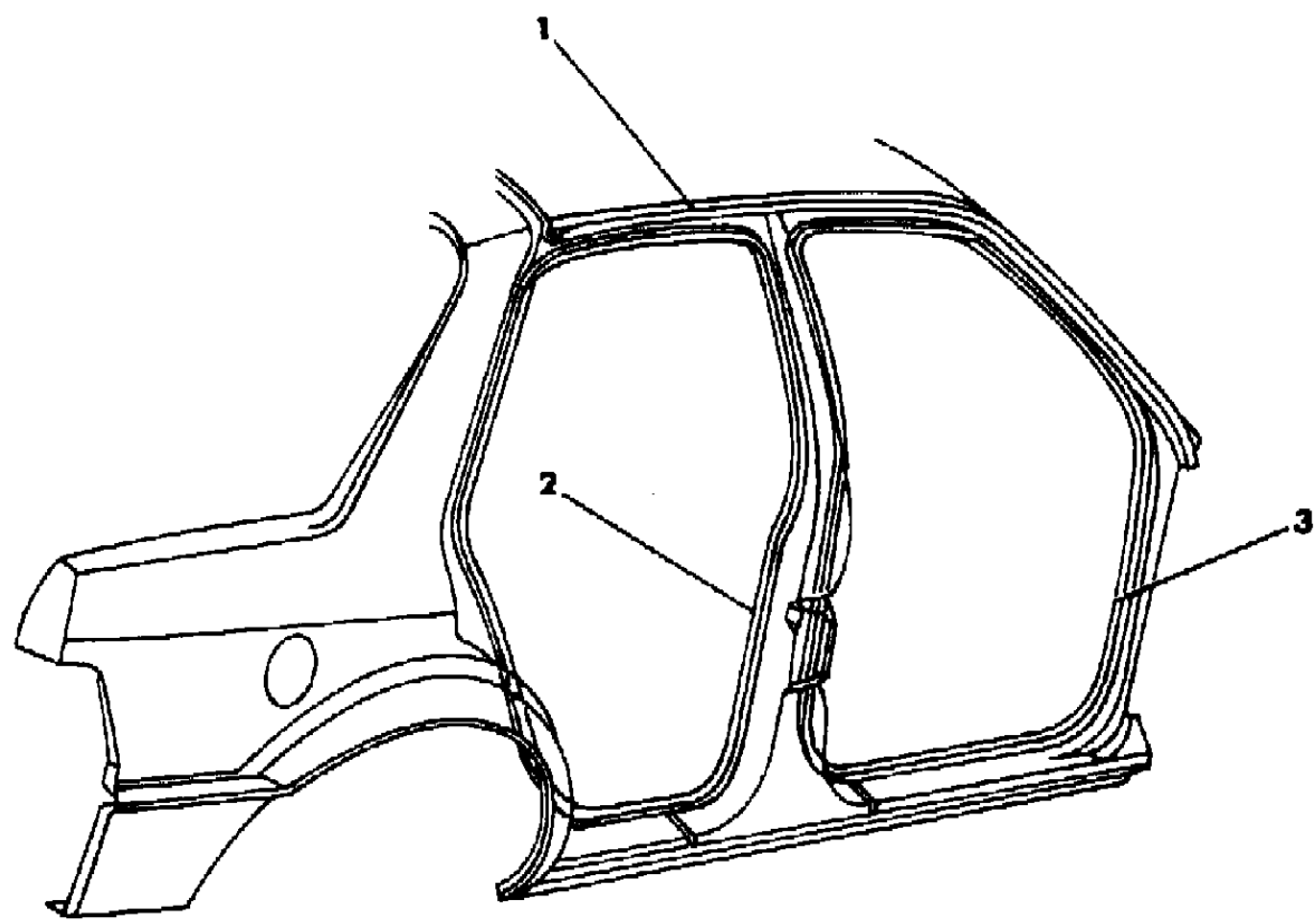
52-53 = FWD WAGON

AR = Use as Required - = Non Illustrated Part P.A.R. = Paint as Required

DOOR, FRONT AND REAR WEATHERSTRIPS P BODY
Figure 23C-1700

7171 1700

ITEM	PART NUMBER	QTY	BODY	MODEL	DESCRIPTION
1				44	WEATHERSTRIP, Front and Rear Door Drip Secondary
	4415 958-9	2			Up to 4-6-87
	4445 952	4			After 4-6-87
2	4415 960-1	1		24	
	4336 926-7	1			WEATHERSTRIP, Rear Door Opening
3	4381 900-1	1			WEATHERSTRIP, Rear Door
	4336 928-9	1		44	WEATHERSTRIP, Front Door Opening
	4336 974-5	1		24	



MODEL CODES
 E BODY = (J - CARAVELLE)(E - 600)(T - NEW YORKER)
 G BODY = (V24 - DAYTONA)
 H BODY = (D44 - LANCER)(C44 - LEBARON GTS)
 J BODY = (C - LEBARON)
 K BODY = (P - RELIANT)(D - ARIES)(C - LEBAROND)/TOWN & COUNTRY
 L BODY = (M - HORIZON/TURISMO)(Z - OMNI/CHARGER)
 M BODY = (B - GRAN FURY)(F - FIFTH AVE/NEWPORT)(G - DIPLOMAT)
 P BODY = (P - SUNDANCE)(D - SHADOW)
 S BODY = (H - VOYAGER)(K - RAM VAN/CARAVAN)

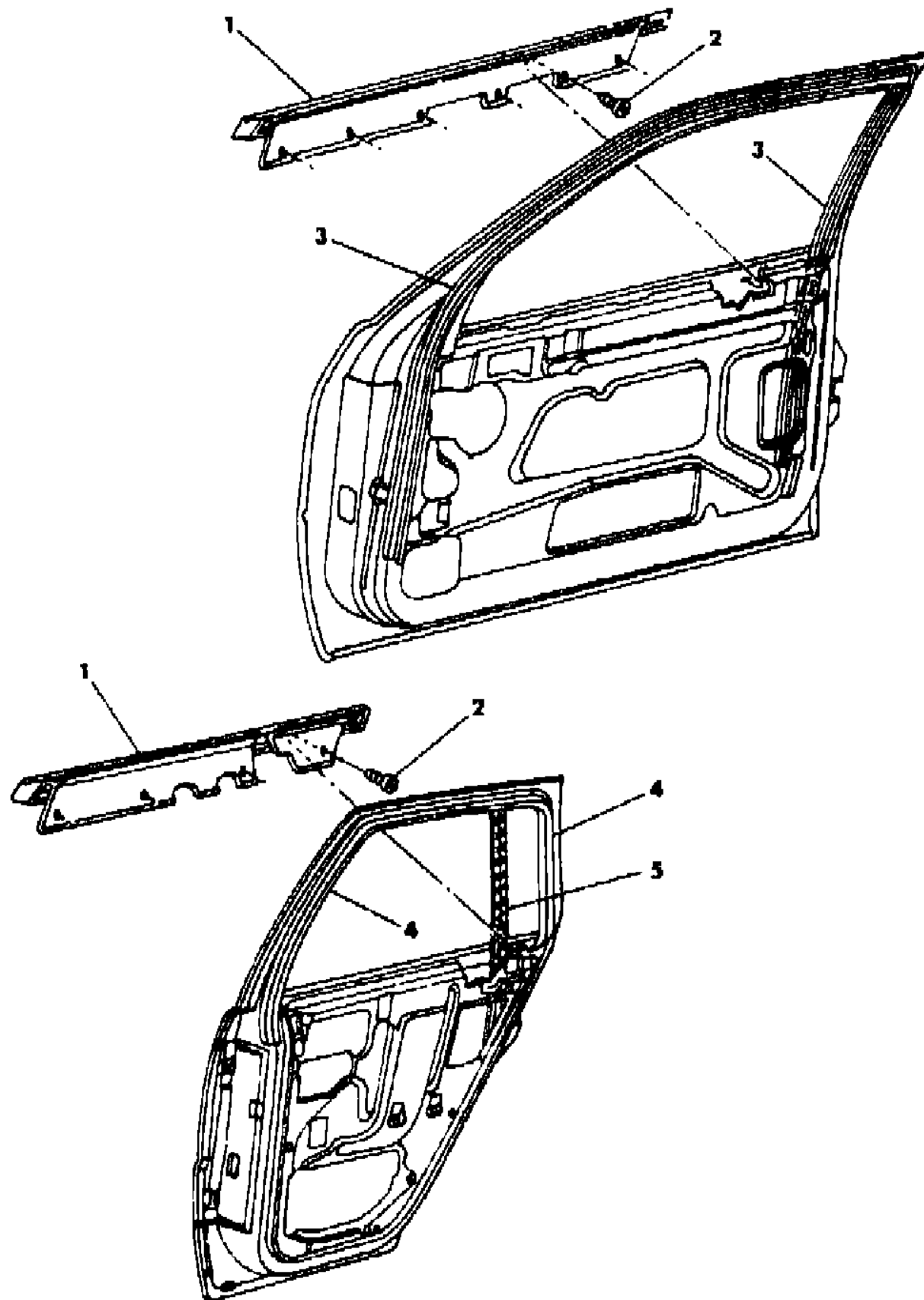
BODY STYLES
 12-13 = FWD VAN
 21 = 2-DOOR SEDAN
 24 = 2-DOOR HATCHBACK
 27 = 2-DOOR CONVERTIBLE
 41 = 4-DOOR SEDAN
 44 = 4-DOOR HATCHBACK
 45 = 4-DOOR STATION WAGON
 52-53 = FWD WAGON

AR = Use as Required - = Non Illustrated Part P.A.R. = Paint as Required

DOOR, FRONT AND REAR RUN AND SEALS P BODY

Figure 23C-1800

7171 1800 A



ITEM	PART NUMBER	QTY	BODY	MODEL	DESCRIPTION
1					MOULDING and WEATHERSTRIP, Refer to Exterior Ornamentation
2	6032 456	AR			SCREW
3	4415 342-3	1		44	RUN, Front Door Glass
	4415 346-7	1		24	
	4336 704-5	1			RETAINER, Front Door Glass Run Rear, Upper
4	4445 372-3	1			RUN, Rear Door Glass
5	4396 972-3	1			WEATHERSTRIP, Rear Door Division Channel

MODEL CODES

E BODY = (J - CARAVELLE)(E - 600)(T - NEW YORKER)

G BODY = (V24 - DAYTONA)

H BODY = (D44 - LANCER)(C44 - LEBARON GTS)

J BODY = (C - LEBARON)

K BODY = (P - RELIANT)(D - ARIES)(C - LEBAROND)/TOWN & COUNTRY)

L BODY = (M - HORIZON/TURISMO)(Z - OMNI/CHARGER)

M BODY = (B - GRAN FURY)(F - FIFTH AVE/NEWPORT)(G - DIPLOMAT)

P BODY = (P - SUNDANCE)(D - SHADOW)

S BODY = (H - VOYAGER)(K - RAM VAN/CARAVAN)

BODY STYLES

12-13 = FWD VAN

21 = 2-DOOR SEDAN

24 = 2-DOOR HATCHBACK

27 = 2-DOOR CONVERTIBLE

41 = 4-DOOR SEDAN

44 = 4-DOOR HATCHBACK

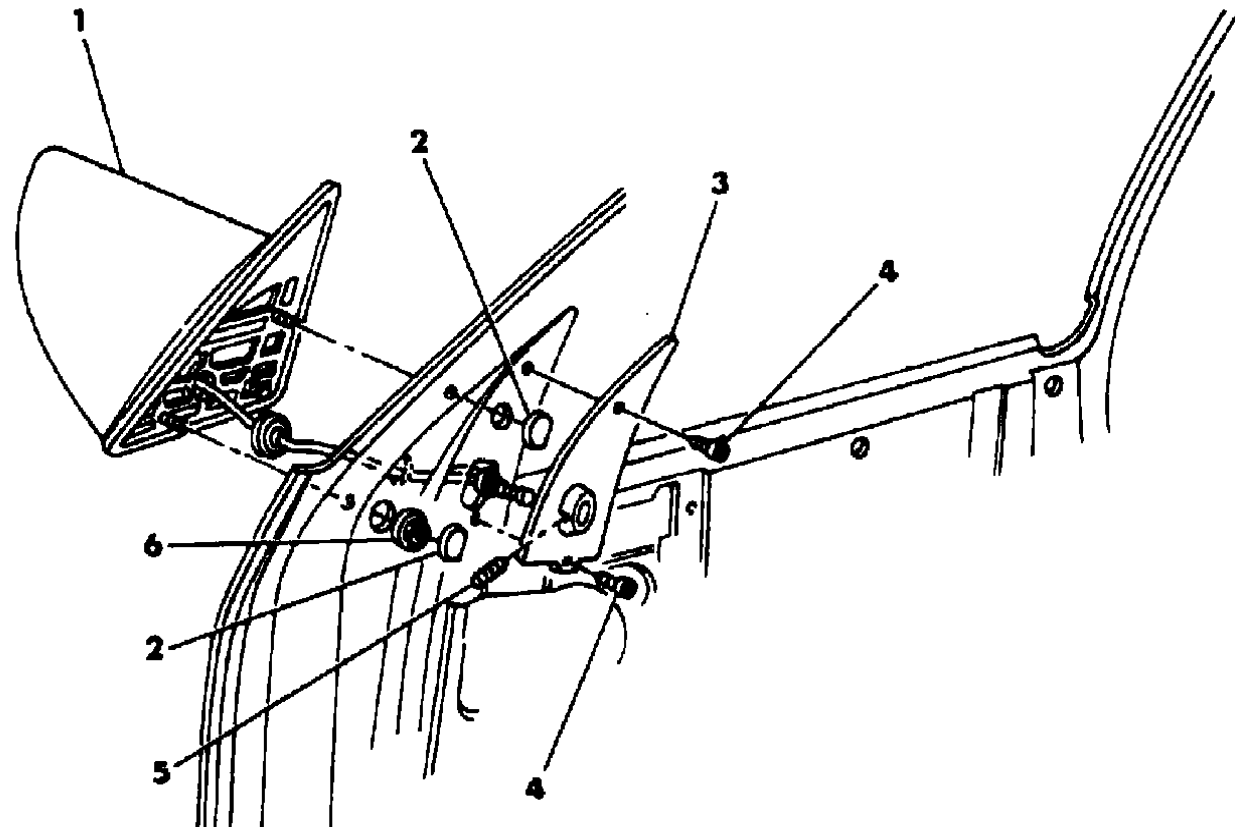
45 = 4-DOOR STATION WAGON

52-53 = FWD WAGON

AR = Use as Required - = Non Illustrated Part P.A.R. = Paint as Required

MIRROR, EXTERIOR P BODY
Figure 23C-1900

7171 1900



ITEM	PART NUMBER	QTY	BODY	MODEL	DESCRIPTION
1					MIRROR, Exterior
	4299 412-3	1			Remote Control
	4299 570-1	1			Electric
	4339 360-1	1			GLASS, Mirror Replacement
2	4415 888	2			PLUG, Mirror, Inside Att.
3	4299 378-9	1			BEZEL, Inside, w/Remote Control Mirrors
	4299 380-1	1			w/Electric Mirrors
4		2			SCREW (DNS)
5		2			SCREW (DNS)
6		2			NUT (DNS)
	6029 940	4			GROMMET, w/Left Remote Control Mirror

MODEL CODES

E BODY = (J - CARAVELLE)(E - 600)(T - NEW YORKER)

G BODY = (V24 - DAYTONA)

H BODY = (D44 - LANCER)(C44 - LEBARON GTS)

J BODY = (C - LEBARON)

K BODY = (P - RELIANT)(D - ARIES)(C - LEBAROND)/TOWN & COUNTRY)

L BODY = (M - HORIZON/TURISMO)(Z - OMNI/CHARGER)

M BODY = (B - GRAN FURY)(F - FIFTH AVE/NEWPORT)(G - DIPLOMAT)

P BODY = (P - SUNDANCE)(D - SHADOW)

S BODY = (H - VOYAGER)(K - RAM VAN/CARAVAN)

BODY STYLES

12-13 = FWD VAN

21 = 2-DOOR SEDAN

24 = 2-DOOR HATCHBACK

27 = 2-DOOR CONVERTIBLE

41 = 4-DOOR SEDAN

44 = 4-DOOR HATCHBACK

45 = 4-DOOR STATION WAGON

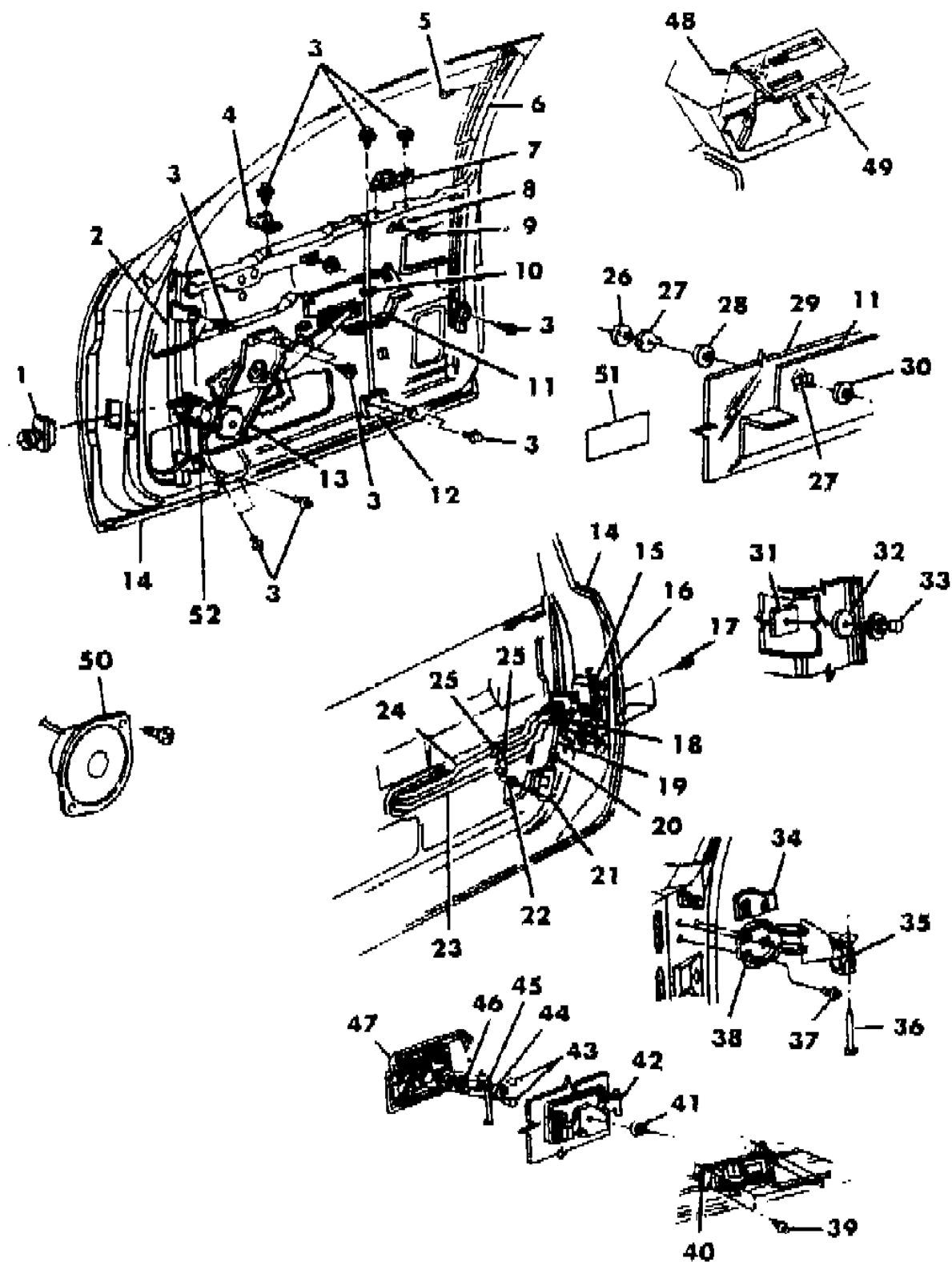
52-53 = FWD WAGON

AR = Use as Required - = Non Illustrated Part P.A.R. = Paint as Required

DOOR, FRONT COMPLETE LESS WEATHERSTRIPS AND RUNS J BODY 21

Figure 23C-2000

7171 2000 B



ITEM	PART NUMBER	QTY	BODY	MODEL	DESCRIPTION
1	4400 049	2			GROMMET, Door
2	4365 864-5	1			CHANNEL and BRACKET, Glass, Front
3		AR			SCREW (DNS)
4	4365 862	2			STABILIZER, Glass
5	6032 456	2			SCREW
6	4445 172-3	1			CHANNEL and BRACKET, Glass, Rear
7	4365 984-5	1			BRACKET and LINER, Glass Guide
8	4365 959	4			BRACKET, Upstop
9	6500 284	4			NUT and WASHER
10	3788 079	2			SLEEVE, Guide Post
11	#4365 878-9	1			LIFT PLATE, Glass
	3788 272	2			GUIDE, Liftplate Lower
	4365 978	4			BUMPER, Liftplate Downstop
12	4365 916	2			GUIDE POST and BRACKET
13					REGULATOR, Glass
	4365 914-5	1			Manual
	4415 878-9	1			Electric
	4365 888	2			SPRING, Regulator Assist
	4310 825	2			HANDLE, Regulator
	4396 002	2			SPACER, Regulator Handle
	6031 644	2			SCREW, Regulator Handle
14	#4443 640-1				DOOR SHELL
	4415 590-1	1			PANEL, Repair
15	4396 082-3	1			LINK, Cylinder to Latch
16					LATCH, Door
	4396 246	1			Right
	4396 249	1			Left
17	6501 220	6			SCREW
18	4184 244-5	1			CLIP, Lock Link Att.
19	4184 172	2			CLIP, Solenoid
20	4184 172	2			CLIP
21	4396 015	2			SOLENOID, Lock
22	6031 115	AR			RIVET
23	4396 124-5	1			LINK and SLEEVE, Latch Locking
	4396 106	2			LINK, Solenoid to Latch
24	4396 128-9	1			LINK and SLEEVE, Latch R/Control
25	3882 620	4			CLIP, Antirattle
26	6029 998	6			WASHER and STUD, Glass

MODEL CODES

E BODY = (J - CARAVELLE)(E - 600)(T - NEW YORKER)

G BODY = (V24 - DAYTONA)

H BODY = (D44 - LANCER)(C44 - LEBARON GTS)

J BODY = (C - LEBARON)

K BODY = (P - RELIANT)(D - ARIES)(C - LEBAROND)/TOWN & COUNTRY)

L BODY = (M - HORIZON/TURISMO)(Z - OMNI/CHARGER)

M BODY = (B - GRAN FURY)(F - FIFTH AVE/NEWPORT)(G - DIPLOMAT)

P BODY = (P - SUNDANCE)(D - SHADOW)

S BODY = (H - VOYAGER)(K - RAM VAN/CARAVAN)

BODY STYLES

12-13 = FWD VAN

21 = 2-DOOR SEDAN

24 = 2-DOOR HATCHBACK

27 = 2-DOOR CONVERTIBLE

41 = 4-DOOR SEDAN

44 = 4-DOOR HATCHBACK

45 = 4-DOOR STATION WAGON

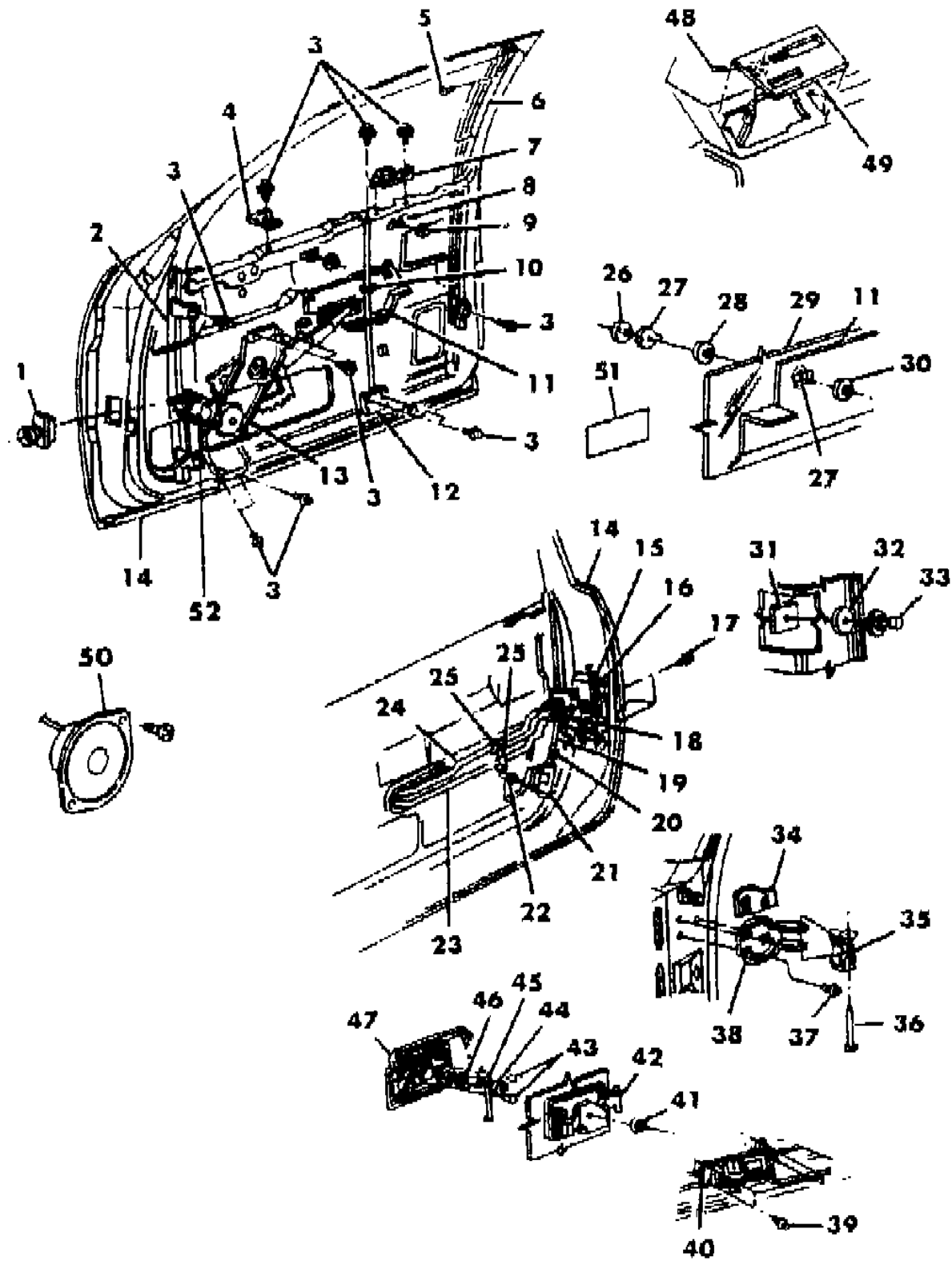
52-53 = FWD WAGON

AR = Use as Required - = Non Illustrated Part P.A.R. = Paint as Required

DOOR, FRONT COMPLETE LESS WEATHERSTRIPS AND RUNS J BODY 21

Figure 23C-2000

7171 2000 B



ITEM	PART NUMBER	QTY	BODY	MODEL	DESCRIPTION
27	5231 769	12			GASKET, Glass Isolator
28	6028 587	6			T-NUT
29					GLASS, Door
	4365 980-1	1			Up to 7-14-87
	4480 496-7	1			After 7-14-87
30		2			NUT (DNS)
31	4314 743	2			PLATE, Striker
32	4184 105	2			SPACER, Striker
33	4310 543	2			STRIKER, Latch
34	4336 288	AR			SHIM, Hinge
35					HINGE, Door Half
	4280 730	2			Upper
	4280 732	2			Lower
36	4280 727	4			PIN, Hinge
37	6500 354	12			SCREW, Hinge
38					HINGE, Body Half
	4365 815	2			Upper
	4365 813	2			Lower
39	6032 985	8			SCREW
40	4396 018-9	1			REMOTE CONTROL, Door
41	6031 029	2			NUT and WASHER
42	4396 472-3	1			BRACKET, w/Isolator
43		AR			SCREW (DNS)
44	4184 684-5	1			RETAINER, Lock Cylinder
45	4336 136	2			CLIP, Link to Cylinder
46		2			CYLINDER, Door Lock, Refer to 23D
47	4419 026-7	1			HANDLE, Exterior
48	0140 854	2			SCREW
49					BEZEL, Trim Panel
	4381 848-9	1			w/Remote Mirror
	4381 850	1			Right, w/Power Door Locks
	4381 851	1			Left, w/Power Door Locks and Electric Mirrors
	4381 852	1			Left, w/Remote Mirrors and Electric Seat
	4381 853	1			Left, w/Door Locks, Electric Mirrors and Electric Seat
	4247 211	AR			CATCH, Bezel Att.
50					SPEAKER, Door
	4430 066	2			w/Four Speaker System
	4430 065	2			w/Six Speaker System

MODEL CODES

E BODY = (J - CARAVELLE)(E - 600)(T - NEW YORKER)

G BODY = (V24 - DAYTONA)

H BODY = (D44 - LANCER)(C44 - LEBARON GTS)

J BODY = (C - LEBARON)

K BODY = (P - RELIANT)(D - ARIES)(C - LEBAROND)/TOWN & COUNTRY)

L BODY = (M - HORIZON/TURISMO)(Z - OMNI/CHARGER)

M BODY = (B - GRAN FURY)(F - FIFTH AVE/NEWPORT)(G - DIPLOMAT)

P BODY = (P - SUNDANCE)(D - SHADOW)

S BODY = (H - VOYAGER)(K - RAM VAN/CARAVAN)

BODY STYLES

12-13 = FWD VAN

21 = 2-DOOR SEDAN

24 = 2-DOOR HATCHBACK

27 = 2-DOOR CONVERTIBLE

41 = 4-DOOR SEDAN

44 = 4-DOOR HATCHBACK

45 = 4-DOOR STATION WAGON

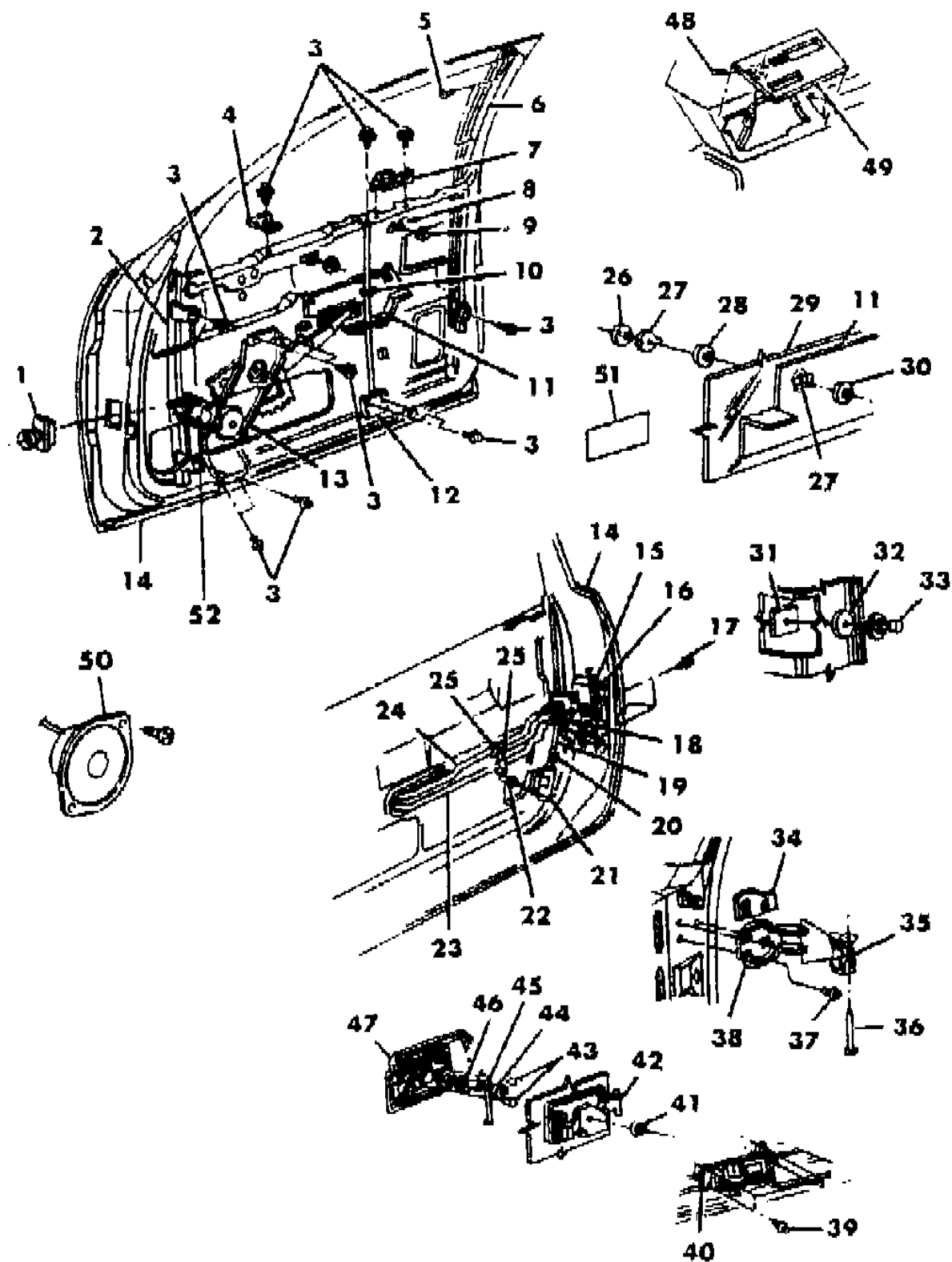
52-53 = FWD WAGON

AR = Use as Required - = Non Illustrated Part P.A.R. = Paint as Required

DOOR, FRONT COMPLETE LESS WEATHERSTRIPS AND RUNS J BODY 21

Figure 23C-2000

7171 2000 B



ITEM	PART NUMBER	QTY	BODY	MODEL	DESCRIPTION
	4372 600-1	1			ENCLOSURE, Speaker
	D708-9 FK1	1			GRILLE, Speaker
51	4365 683	1			DECAL, Seat Belt Safety
52	4415 168-9	1			MOTOR and MECHANISM, Electric Regulator
	4339 433	2			Short Shaft
	4467 350	2			Long Shaft

MODEL CODES

E BODY = (J - CARAVELLE)(E - 600)(T - NEW YORKER)

G BODY = (V24 - DAYTONA)

H BODY = (D44 - LANCER)(C44 - LEBARON GTS)

J BODY = (C - LEBARON)

K BODY = (P - RELIANT)(D - ARIES)(C - LEBAROND)/TOWN & COUNTRY)

L BODY = (M - HORIZON/TURISMO)(Z - OMNI/CHARGER)

M BODY = (B - GRAN FURY)(F - FIFTH AVE/NEWPORT)(G - DIPLOMAT)

P BODY = (P - SUNDANCE)(D - SHADOW)

S BODY = (H - VOYAGER)(K - RAM VAN/CARAVAN)

BODY STYLES

12-13 = FWD VAN

21 = 2-DOOR SEDAN

24 = 2-DOOR HATCHBACK

27 = 2-DOOR CONVERTIBLE

41 = 4-DOOR SEDAN

44 = 4-DOOR HATCHBACK

45 = 4-DOOR STATION WAGON

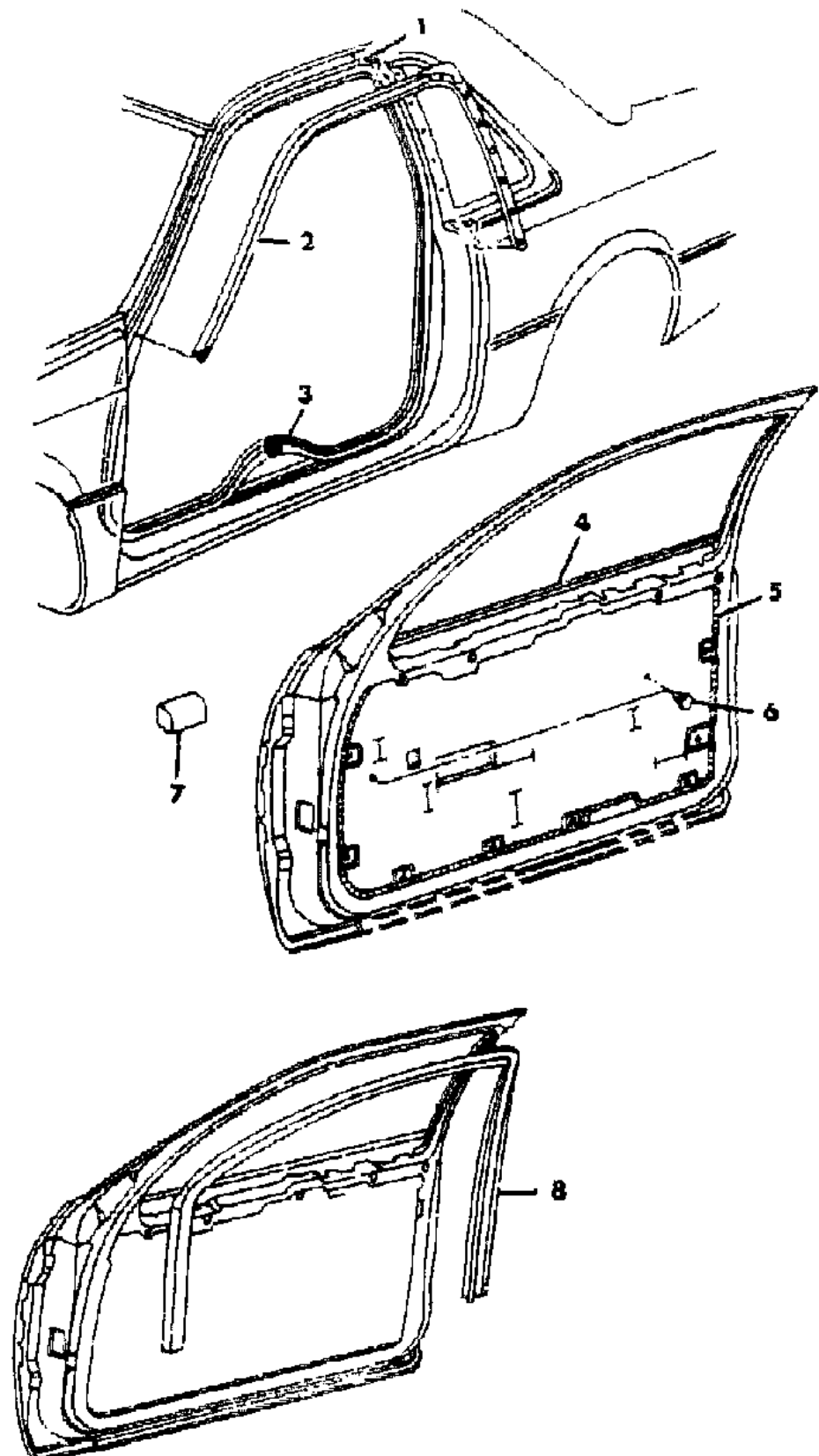
52-53 = FWD WAGON

AR = Use as Required - = Non Illustrated Part P.A.R. = Paint as Required

DOOR, FRONT WEATHERSTRIPS AND RUNS J BODY 21

Figure 23C-2100

7171 2100 A



ITEM	PART NUMBER	QTY	BODY	MODEL	DESCRIPTION
1	4057 555	AR			RETAINER, Weatherstrip
2	4396 386-7	1			WEATHERSTRIP, Door Opening Drip
3	4365 938-9	1			WEATHERSTRIP, Door Opening
4	4398 566-7	1			WEATHERSTRIP, Outside Belt Moulding
5		2			LINER, Door (DNS)
6	6016 144	4			FASTENER, Liner
7	4396 374	2			SEAL, Belt, Rear
	4445 174-5	1			Front
8	4396 376-7	1			RUN, Glass
	4445 172-3	1			BRACKET, Glass Run Rear

MODEL CODES

E BODY = (J - CARAVELLE)(E - 600)(T - NEW YORKER)

G BODY = (V24 - DAYTONA)

H BODY = (D44 - LANCER)(C44 - LEBARON GTS)

J BODY = (C - LEBARON)

K BODY = (P - RELIANT)(D - ARIES)(C - LEBAROND)/TOWN & COUNTRY)

L BODY = (M - HORIZON/TURISMO)(Z - OMNI/CHARGER)

M BODY = (B - GRAN FURY)(F - FIFTH AVE/NEWPORT)(G - DIPLOMAT)

P BODY = (P - SUNDANCE)(D - SHADOW)

S BODY = (H - VOYAGER)(K - RAM VAN/CARAVAN)

BODY STYLES

12-13 = FWD VAN

21 = 2-DOOR SEDAN

24 = 2-DOOR HATCHBACK

27 = 2-DOOR CONVERTIBLE

41 = 4-DOOR SEDAN

44 = 4-DOOR HATCHBACK

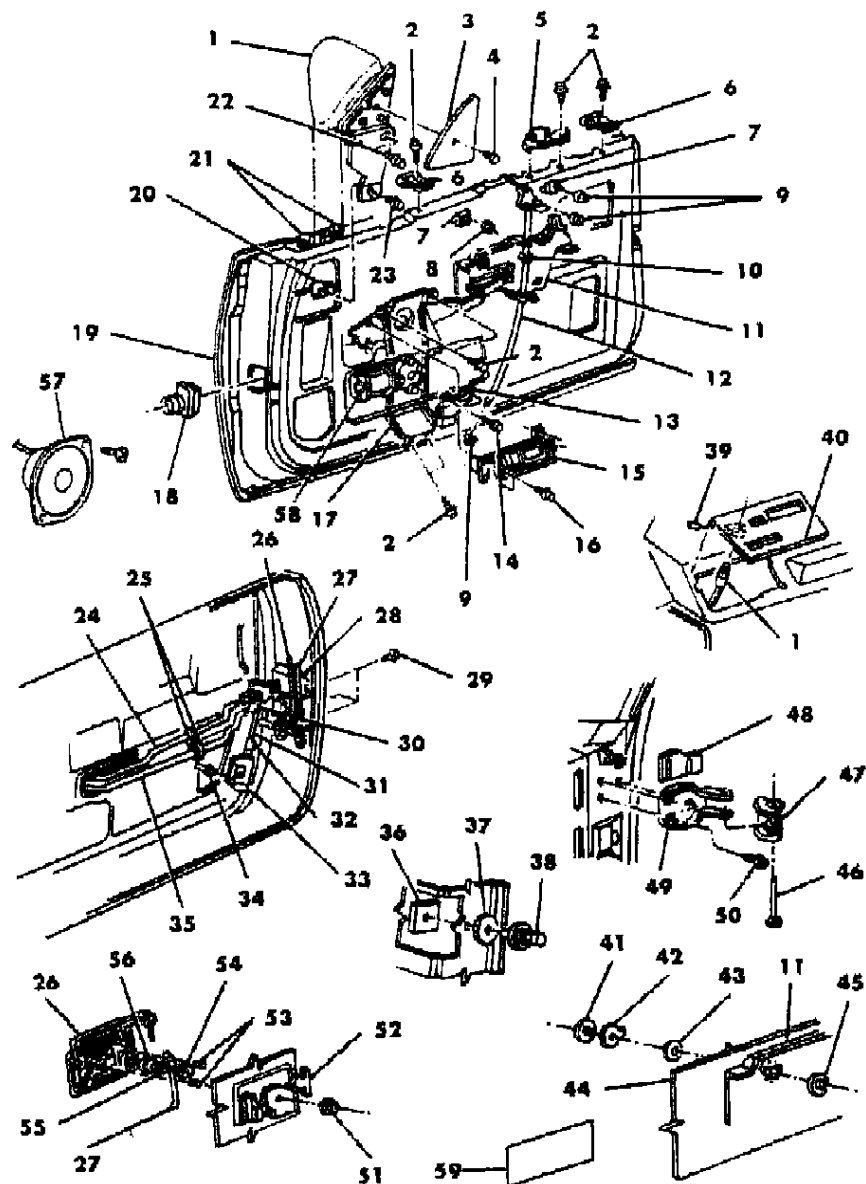
45 = 4-DOOR STATION WAGON

52-53 = FWD WAGON

AR = Use as Required - = Non Illustrated Part P.A.R. = Paint as Required

DOOR, FRONT COMPLETE, LESS WEATHERSTRIPS AND RUNS J BODY 27
Figure 23C-2200

7171 2200 B



ITEM	PART NUMBER	QTY	BODY	MODEL	DESCRIPTION
1					MIRROR, Exterior, Refer to Mirror Illus.
2		AR			SCREW (DNS)
3					COVER, Refer to Mirror Illus.
4					SCREW, Refer to Mirror Illus.
5	4365 984-5	1			BRACKET, Glass Guide Hook
6	4365 862	4			STABILIZER, Glass
7	4365 959	4			BRACKET, Upstop
8					SCREW (DNS)
9	6100 047	AR			NUT and WASHER
10	3788 079	2			SLEEVE, Post
11	4396 510-1	1			LIFT PLATE, Glass
	3788 272	2			GUIDE, Liftplate Lower
12	4396 162-3	1			GUIDE POST, Glass
13	4415 473	2			BRACKET, Downstop
14	6032 114	4			SCREW
15	4396 018-9	1			REMOTE CONTROL, Door
16	6032 985	8			SCREW
17	4415 880-1	1			REGULATOR, Glass
	4365 888	2			SPRING, Regulator Assist
18	4400 049	2			GROMMET
19	4411 924-5	1			DOOR SHELL
	4365 564-5	1			PANEL, Repair
20	6101 398	2			U-NUT
21					U-NUT (DNS)
22					SCREW (DNS)
23	6100 286	2			SCREW and WASHER
24	4396 128-9	1			LINK and SLEEVE, Remote Control Latch
25	3882 620	4			CLIP, Antirattle
26	4419 026-7	1			HANDLE, Exterior
27	4396 082-3	1			LINK, Lock Cylinder to Latch
28					LATCH, Door
	4396 249	1			Left
	4396 246	1			Right
29	6501 220	6			SCREW
30	4184 244-5	1			CLIP, Lock Link Att.
31					NUT (DNS)
32	4184 172	2			CLIP
33	4396 015	2			SOLENOID, Lock

MODEL CODES

E BODY = (J - CARAVELLE)(E - 600)(T - NEW YORKER)

G BODY = (V24 - DAYTONA)

H BODY = (D44 - LANCER)(C44 - LEBARON GTS)

J BODY = (C - LEBARON)

K BODY = (P - RELIANT)(D - ARIES)(C - LEBAROND)/TOWN & COUNTRY)

L BODY = (M - HORIZON/TURISMO)(Z - OMNI/CHARGER)

M BODY = (B - GRAN FURY)(F - FIFTH AVE/NEWPORT)(G - DIPLOMAT)

P BODY = (P - SUNDANCE)(D - SHADOW)

S BODY = (H - VOYAGER)(K - RAM VAN/CARAVAN)

BODY STYLES

12-13 = FWD VAN

21 = 2-DOOR SEDAN

24 = 2-DOOR HATCHBACK

27 = 2-DOOR CONVERTIBLE

41 = 4-DOOR SEDAN

44 = 4-DOOR HATCHBACK

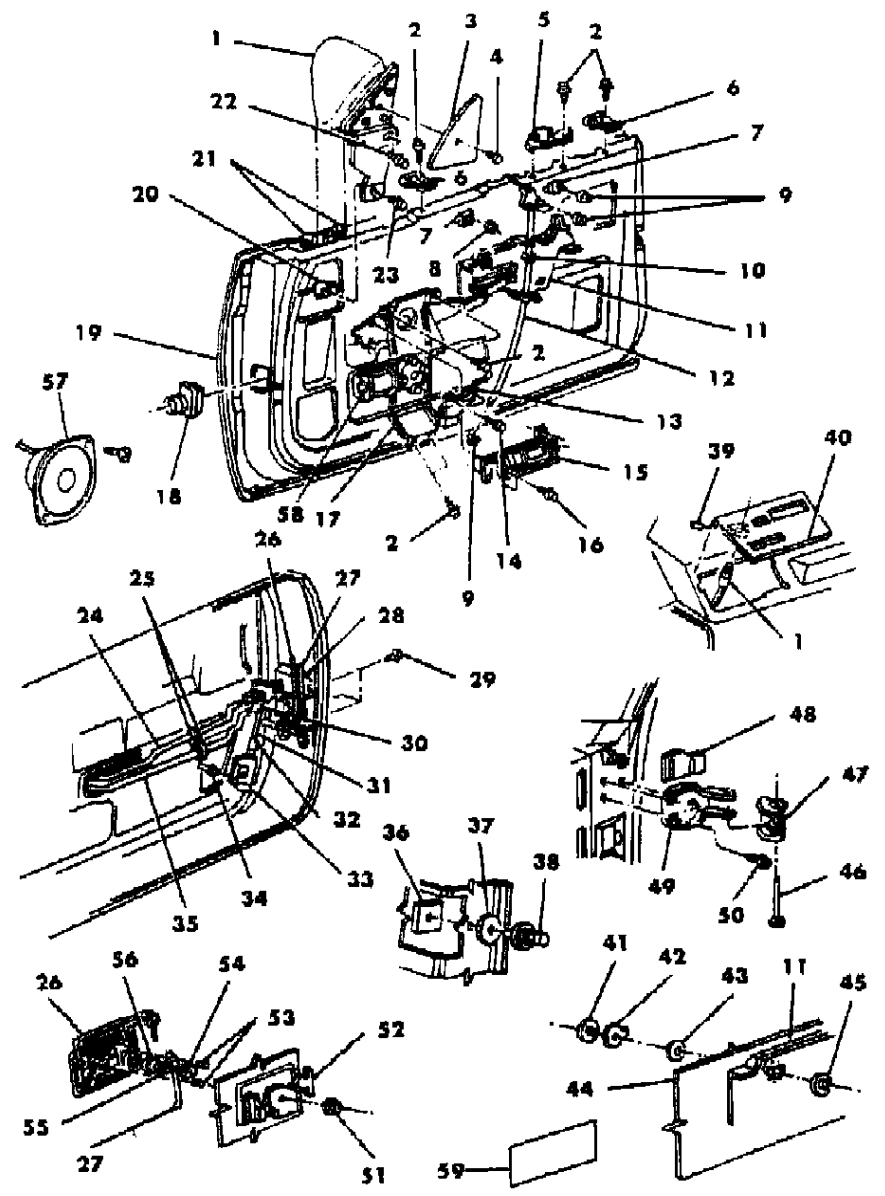
45 = 4-DOOR STATION WAGON

52-53 = FWD WAGON

AR = Use as Required - = Non Illustrated Part P.A.R. = Paint as Required

DOOR, FRONT COMPLETE, LESS WEATHERSTRIPS AND RUNS J BODY 27
Figure 23C-2200

7171 2200 B



ITEM	PART NUMBER	QTY	BODY	MODEL	DESCRIPTION
34	6031 115	AR			RIVET
35	4396 124-5	1			LINK and SLEEVE, Latch Locking
36	4314 743	2			PLATE, Striker
37	4184 105	AR			SPACER, Striker
38	4310 543	2			STRIKER, Latch
39	0140 854	2			SCREW
40					BEZEL, Trim Panel
	4381 848-9	1			w/Remote Mirror
	4381 850	1			Right, w/Power Door Locks
	4381 851	1			Left, w/power Door Locks and Electric Mirrors
	4381 852	1			Left, w/Remote Mirrors and Electric Seat
	4381 853	1			Left, w/Door Locks, Electric Mirrors and Electric Seat
	4247 211	AR			CATCH, Bezel Att.
41	6029 998	6			STUD, Glass Liftplate Att.
42	5231 769	12			GASKET, Glass Isolator
43	6028 587	6			T-NUT
44	4396 110-1	1			GLASS, Door
45					NUT (DNS)
46	4280 727	4			PIN, Hinge
47		4			HINGE, Door Half, Serviced in Door Shell
48	4336 288	AR			SHIM, Hinge
49					HINGE, Body Half
	4365 815	2			Upper
	4365 813	2			Lower
	4396 496-7	1			WEDGE, Body Half Hinge
	4396 498-9	1			Door Half Hinge
50	6500 354	12			BOLT
51	6031 029	2			NUT and WASHER, Handle
52	4396 472-3	1			BRACKET, w/Isolator
53					SCREW (DNS)
54	4184 684-5	1			RETAINER, Lock Cylinder
55	4336 136	2			CLIP, Link to Lock Cylinder
56					CYLINDER, Lock, Refer to 23D
57					SPEAKER, Door
	4430 066	2			w/Four Speaker System
	4430 065	2			w/Six Speaker System
	4372 600-1	1			ENCLOSURE, Speaker
	D708-9 FK1	1			GRILLE, Speaker

MODEL CODES

E BODY = (J - CARAVELLE)(E - 600)(T - NEW YORKER)

G BODY = (V24 - DAYTONA)

H BODY = (D44 - LANCER)(C44 - LEBARON GTS)

J BODY = (C - LEBARON)

K BODY = (P - RELIANT)(D - ARIES)(C - LEBAROND)/TOWN & COUNTRY)

L BODY = (M - HORIZON/TURISMO)(Z - OMNI/CHARGER)

M BODY = (B - GRAN FURY)(F - FIFTH AVE/NEWPORT)(G - DIPLOMAT)

P BODY = (P - SUNDANCE)(D - SHADOW)

S BODY = (H - VOYAGER)(K - RAM VAN/CARAVAN)

BODY STYLES

12-13 = FWD VAN

21 = 2-DOOR SEDAN

24 = 2-DOOR HATCHBACK

27 = 2-DOOR CONVERTIBLE

41 = 4-DOOR SEDAN

44 = 4-DOOR HATCHBACK

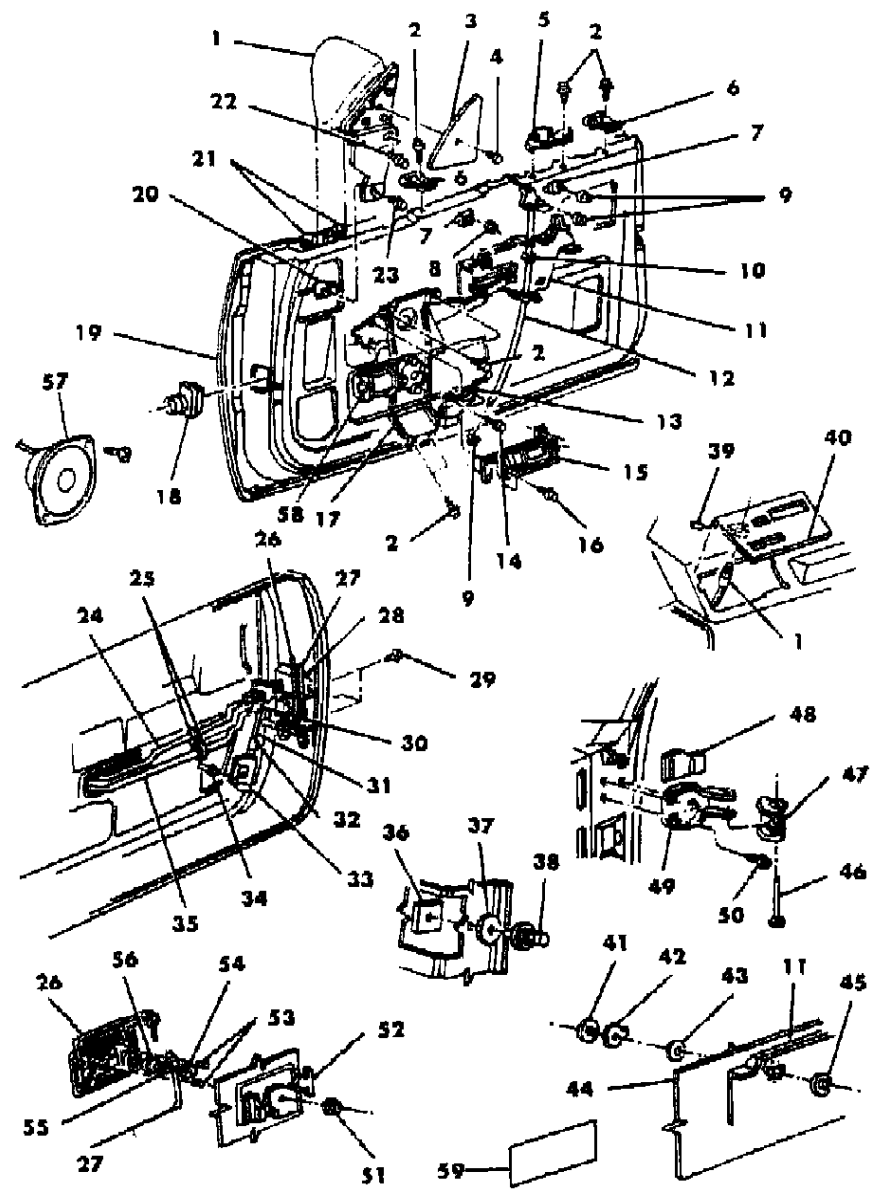
45 = 4-DOOR STATION WAGON

52-53 = FWD WAGON

AR = Use as Required - = Non Illustrated Part P.A.R. = Paint as Required

DOOR, FRONT COMPLETE, LESS WEATHERSTRIPS AND RUNS J BODY 27
Figure 23C-2200

7171 2200 B



ITEM	PART NUMBER	QTY	BODY	MODEL	DESCRIPTION
58	4415 168-9	1			MOTOR and MECHANISM, Electric Regulator
					GEAR and SEAL KIT, Motor
	4339 433	2			Short Shaft
	4467 350	2			Long Shaft
59	4365 683	1			DECAL, Seat Belt Safety

MODEL CODES
 E BODY = (J - CARAVELLE)(E - 600)(T - NEW YORKER)
 G BODY = (V24 - DAYTONA)
 H BODY = (D44 - LANCER)(C44 - LEBARON GTS)
 J BODY = (C - LEBARON)
 K BODY = (P - RELIANT)(D - ARIES)(C - LEBAROND)/TOWN & COUNTRY
 L BODY = (M - HORIZON/TURISMO)(Z - OMNI/CHARGER)
 M BODY = (B - GRAN FURY)(F - FIFTH AVE/NEWPORT)(G - DIPLOMAT)
 P BODY = (P - SUNDANCE)(D - SHADOW)
 S BODY = (H - VOYAGER)(K - RAM VAN/CARAVAN)

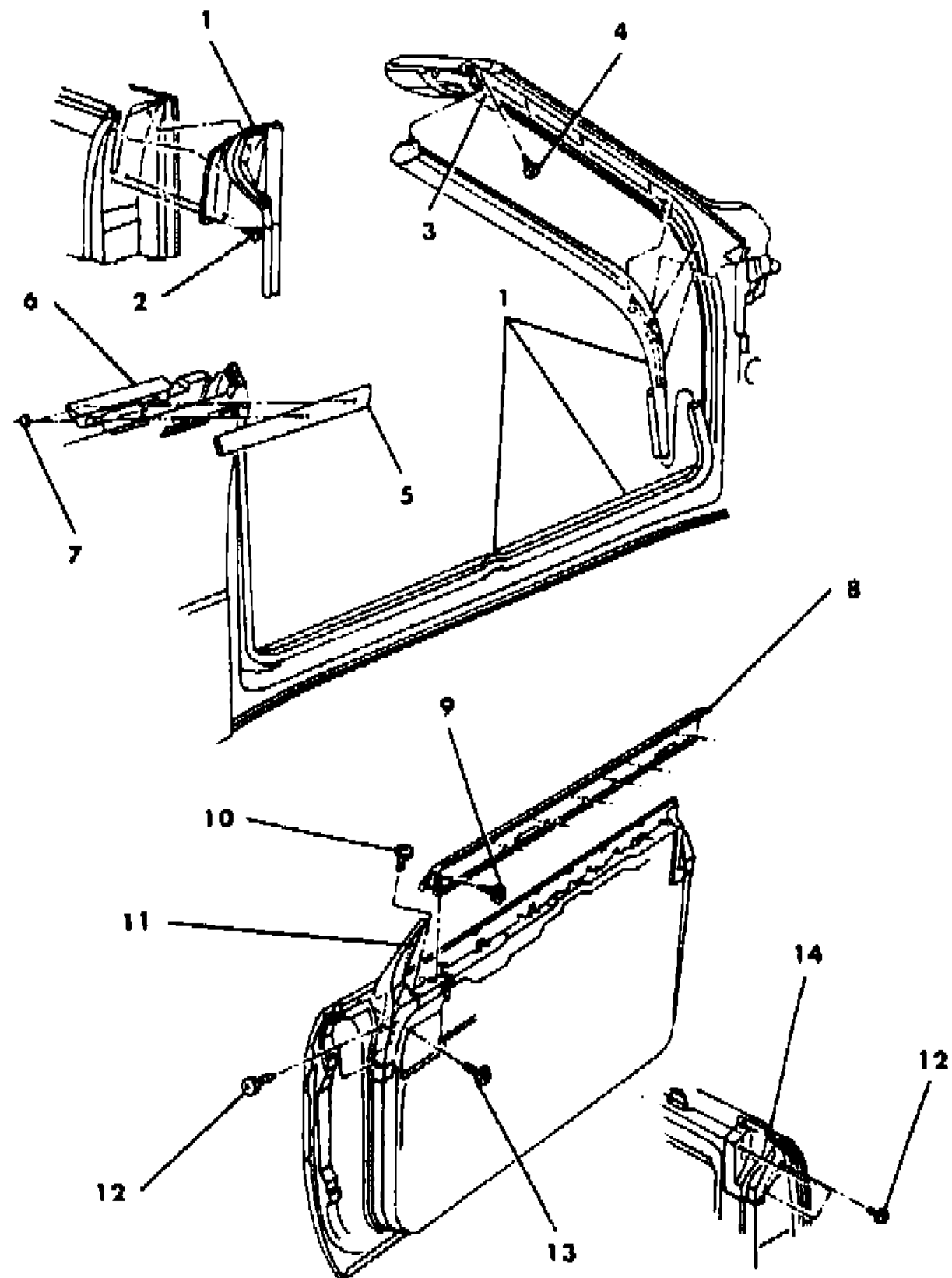
BODY STYLES
 12-13 = FWD VAN
 21 = 2-DOOR SEDAN
 24 = 2-DOOR HATCHBACK
 27 = 2-DOOR CONVERTIBLE
 41 = 4-DOOR SEDAN
 44 = 4-DOOR HATCHBACK
 45 = 4-DOOR STATION WAGON
 52-53 = FWD WAGON

AR = Use as Required - = Non Illustrated Part P.A.R. = Paint as Required

DOOR, FRONT WEATHERSTRIPS AND SEALS J BODY 27

Figure 23C-2300

7171 2300



ITEM	PART NUMBER	QTY	BODY	MODEL	DESCRIPTION
1	4365 658-9	1			WEATHERSTRIP, Door Opening
2					SCREW (DNS)
3	4396 314-5	1			RETAINER and SEAL, Weatherstrip
4					SCREW (DNS)
5					MOULDING, Quarter, Refer to Ext. Ornamentation
6	4440 142-3	1			WEATHERSTRIP, Quarter Window Belt
7					NUT (DNS)
8					MOULDING, Door, Refer to Ext. Ornamentation
9					SCREW, Refer to Ext. Ornamentation
10					SCREW (DNS)
11	4365 656-7	1			SEAL, Hinge Pillar Belt
12					SCREW (DNS)
13					SCREW (DNS)
14	4365 662-3	1			SEAL, Lock Pillar Belt

MODEL CODES

E BODY = (J - CARAVELLE)(E - 600)(T - NEW YORKER)

G BODY = (V24 - DAYTONA)

H BODY = (D44 - LANCER)(C44 - LEBARON GTS)

J BODY = (C - LEBARON)

K BODY = (P - RELIANT)(D - ARIES)(C - LEBAROND)/TOWN & COUNTRY)

L BODY = (M - HORIZON/TURISMO)(Z - OMNI/CHARGER)

M BODY = (B - GRAN FURY)(F - FIFTH AVE/NEWPORT)(G - DIPLOMAT)

P BODY = (P - SUNDANCE)(D - SHADOW)

S BODY = (H - VOYAGER)(K - RAM VAN/CARAVAN)

BODY STYLES

12-13 = FWD VAN

21 = 2-DOOR SEDAN

24 = 2-DOOR HATCHBACK

27 = 2-DOOR CONVERTIBLE

41 = 4-DOOR SEDAN

44 = 4-DOOR HATCHBACK

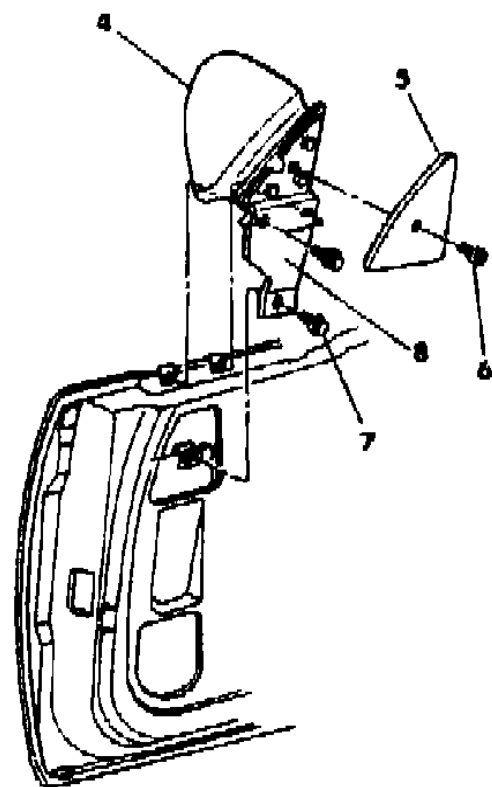
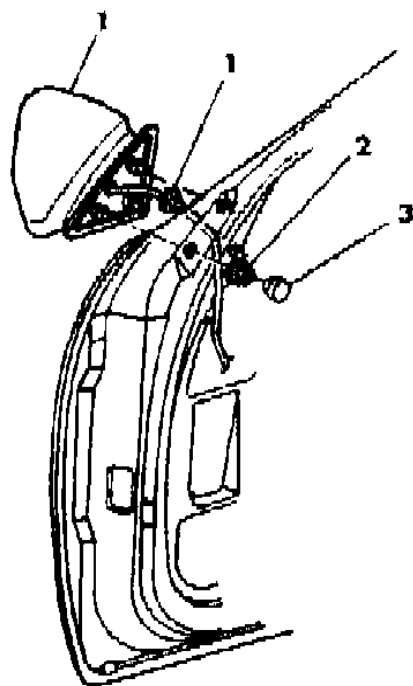
45 = 4-DOOR STATION WAGON

52-53 = FWD WAGON

AR = Use as Required - = Non Illustrated Part P.A.R. = Paint as Required

MIRRORS, EXTERIOR J BODY
Figure 23C-2400

7171 2400 A



ITEM	PART NUMBER	QTY	BODY	MODEL	DESCRIPTION
1					MIRROR, Exterior
	4299 546-7	1		21	Remote Control
	4299 548-9	1		21	Electric
	4419 036-7	1			GLASS, Mirror
2				21	NUT (DNS)
3	4184 688	4		21	PLUG, Access Hole
4					MIRROR, Exterior
	4299 550-1	1		27	Remote Control
	4299 552-3	1		27	Electric
	4373 120	1			KNOB, Electric Mirror
5	4299 446-7	1		27	COVER, Mtg. Plate
6				27	SCREW (DNS)
7	6100 286	2		27	SCREW
8	4299 444-5	1		27	PLATE, Mirror Mtg.

MODEL CODES

E BODY = (J - CARAVELLE)(E - 600)(T - NEW YORKER)

G BODY = (V24 - DAYTONA)

H BODY = (D44 - LANCER)(C44 - LEBARON GTS)

J BODY = (C - LEBARON)

K BODY = (P - RELIANT)(D - ARIES)(C - LEBAROND)/TOWN & COUNTRY)

L BODY = (M - HORIZON/TURISMO)(Z - OMNI/CHARGER)

M BODY = (B - GRAN FURY)(F - FIFTH AVE/NEWPORT)(G - DIPLOMAT)

P BODY = (P - SUNDANCE)(D - SHADOW)

S BODY = (H - VOYAGER)(K - RAM VAN/CARAVAN)

BODY STYLES

12-13 = FWD VAN

21 = 2-DOOR SEDAN

24 = 2-DOOR HATCHBACK

27 = 2-DOOR CONVERTIBLE

41 = 4-DOOR SEDAN

44 = 4-DOOR HATCHBACK

45 = 4-DOOR STATION WAGON

52-53 = FWD WAGON

AR = Use as Required - = Non Illustrated Part P.A.R. = Paint as Required

DOOR, FRONT SHELL, HANDLE AND CONTROL K BODY 21
Figure 23C-2500

7171 2500

ITEM	PART NUMBER	QTY	BODY	MODEL	DESCRIPTION
1	6031 115	AR			RIVET
2	6100 274	4			SCREW
3	4184 252	2			PLATE, Door Latch Remote Control
4	4184 281	4			CLIP, Anti Rattle
5	4184 702-3	1			LINK and SLEEVE
6	4184 272-3	1			LINK and SLEEVE
7	4184 228	2			HANDLE, Exterior Door
	6028 674	4			SCREW, Handle
8					CYLINDER, Lock, Refer to 23D
9					GASKET, Cylinder, Refer to 23D
10	4411 952-3	1			DOOR SHELL
	4310 060-1				PANEL, Repair
11					RETAINER, Cylinder, Refer to 23D
12	4184 016-7	1			LINK, Cylinder to Latch
13	4184 024-5	1			LINK, Exterior Handle to Latch
14	2945 108-9	1			CLIP
15	6025 004	4			NUT
16	6501 299	4			PIN, Hinge
	4336 115	2			BUSHING, Hinge
	6500 803	4			CLIP, Hinge Pin
17	4318 350	4			HINGE, Door Body Half
	4318 301	4			Door Half
18		4			SCREW (DNS)
19	4184 117	4			CHECK SPRING, Body Half
20	4396 570-1				CONTROL, Black w/Chrome Handle, Push & Locked
21	4336 390	2			PLUG
22	4184 244-5	1			CLIP
23	4336 826	2			STRIKER, Door
	6500 483	2			NUT, Striker
24	4184 105	AR			SPACER, Door
25	4396 015	2			SOLENOID, Power Door Lock
	4184 172	2			CLIP, Solenoid
26	4184 072	2			LINK, Electric Motor to Latch
27	6100 565	2			SCREW and WASHER
28	5231 294	2			BUMPER and RETAINER
29	D405 CX9	2		PL,DL	BEZEL, Door Lock Handle
	4184 723	2		PH,DH	
	4310 656-7	1		C	Chrome w/Finish Plate

MODEL CODES

E BODY = (J - CARAVELLE)(E - 600)(T - NEW YORKER)

G BODY = (V24 - DAYTONA)

H BODY = (D44 - LANCER)(C44 - LEBARON GTS)

J BODY = (C - LEBARON)

K BODY = (P - RELIANT)(D - ARIES)(C - LEBAROND)/TOWN & COUNTRY)

L BODY = (M - HORIZON/TURISMO)(Z - OMNI/CHARGER)

M BODY = (B - GRAN FURY)(F - FIFTH AVE/NEWPORT)(G - DIPLOMAT)

P BODY = (P - SUNDANCE)(D - SHADOW)

S BODY = (H - VOYAGER)(K - RAM VAN/CARAVAN)

BODY STYLES

12-13 = FWD VAN

21 = 2-DOOR SEDAN

24 = 2-DOOR HATCHBACK

27 = 2-DOOR CONVERTIBLE

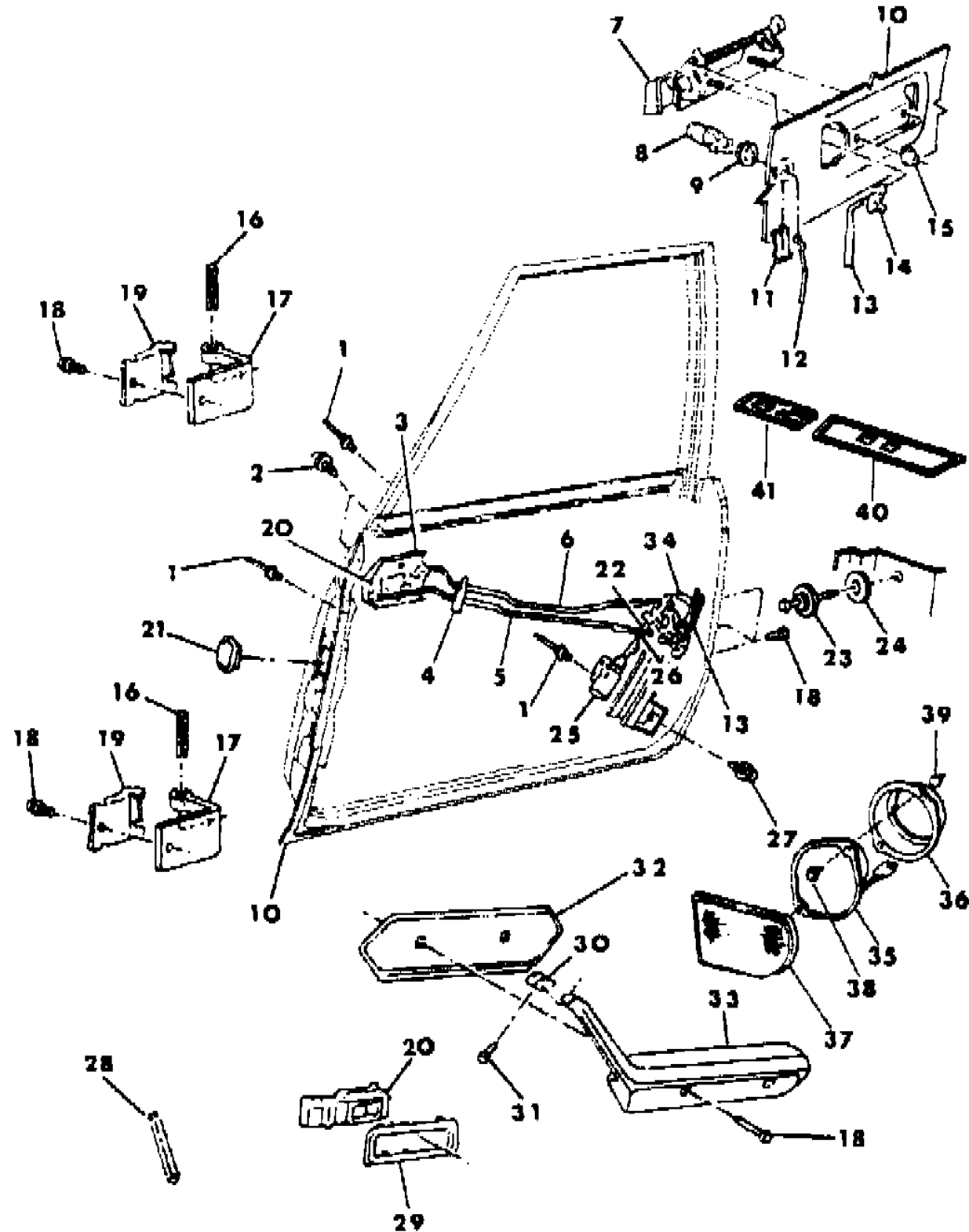
41 = 4-DOOR SEDAN

44 = 4-DOOR HATCHBACK

45 = 4-DOOR STATION WAGON

52-53 = FWD WAGON

AR = Use as Required - = Non Illustrated Part P.A.R. = Paint as Required



DOOR, FRONT SHELL, HANDLE AND CONTROL K BODY 21
Figure 23C-2500

7171 2500

ITEM	PART NUMBER	QTY	BODY	MODEL	DESCRIPTION
	4310 652	2		C	APPLIQUE, Remote Control Bezel
30				P,D	BEZEL, Refer to IT Section
31				P,D	SCREW, Refer to IT Section
32	4077 894-5	1		P,D	PLATE, Arm Rest Back
33		1			ARM REST, Refer to IT Section
34					LATCH, Door
	4336 377	1			Left, Override
	4336 378	1			Right, Non Override
	6501 220	AR			SCREW, Latch Att.
35	4430 178	2			SPEAKERS, Door
36	4372 482-3	1			ADAPTOR, Speaker
37				C	GRILLE, Speaker
	P504-5 EA3	1			Silver
	P504-5 EC7	1			Blue
	P504-5 EE8	1			Cordovan
	P504-5 ES8	1			Charcoal
	P504-5 EK1	1			Almond
	P504-5 ET8	1			Brown
38		4			SCREW (DNS)
39	6032 527	4			NUT
40				C	BEZEL, Electric Window
	4283 860	1			Single, Right
	4283 861	1			Two Gang, Left
41				C	BEZEL, Armrest
	4283 885	1			w/Door Locks, Electric Mirror, Left
	4247 409	1			w/o Door Locks, Electric Mirror, Left
	4283 884	2			w/Door Locks

MODEL CODES

E BODY = (J - CARAVELLE)(E - 600)(T - NEW YORKER)

G BODY = (V24 - DAYTONA)

H BODY = (D44 - LANCER)(C44 - LEBARON GTS)

J BODY = (C - LEBARON)

K BODY = (P - RELIANT)(D - ARIES)(C - LEBAROND)/TOWN & COUNTRY)

L BODY = (M - HORIZON/TURISMO)(Z - OMNI/CHARGER)

M BODY = (B - GRAN FURY)(F - FIFTH AVE/NEWPORT)(G - DIPLOMAT)

P BODY = (P - SUNDANCE)(D - SHADOW)

S BODY = (H - VOYAGER)(K - RAM VAN/CARAVAN)

BODY STYLES

12-13 = FWD VAN

21 = 2-DOOR SEDAN

24 = 2-DOOR HATCHBACK

27 = 2-DOOR CONVERTIBLE

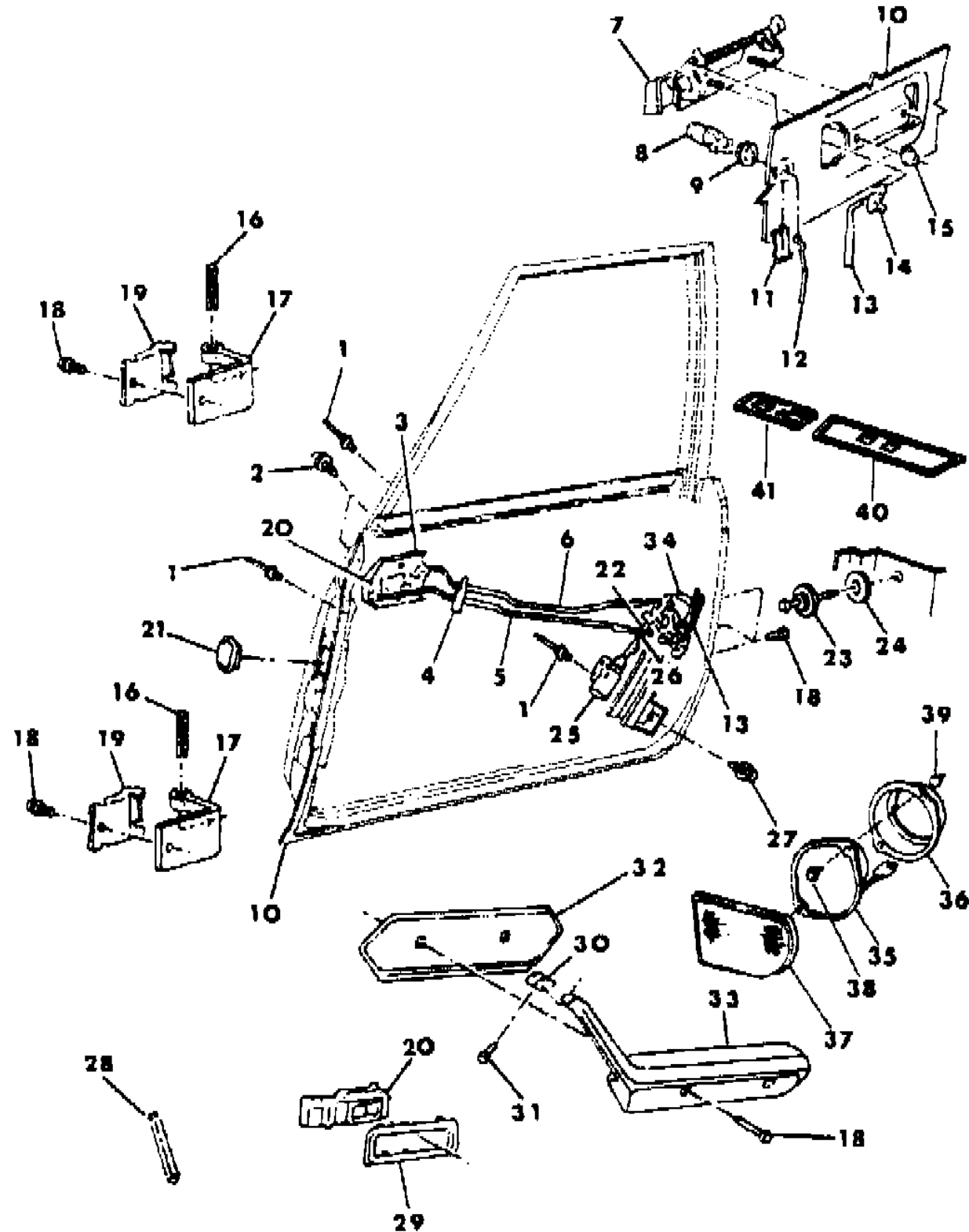
41 = 4-DOOR SEDAN

44 = 4-DOOR HATCHBACK

45 = 4-DOOR STATION WAGON

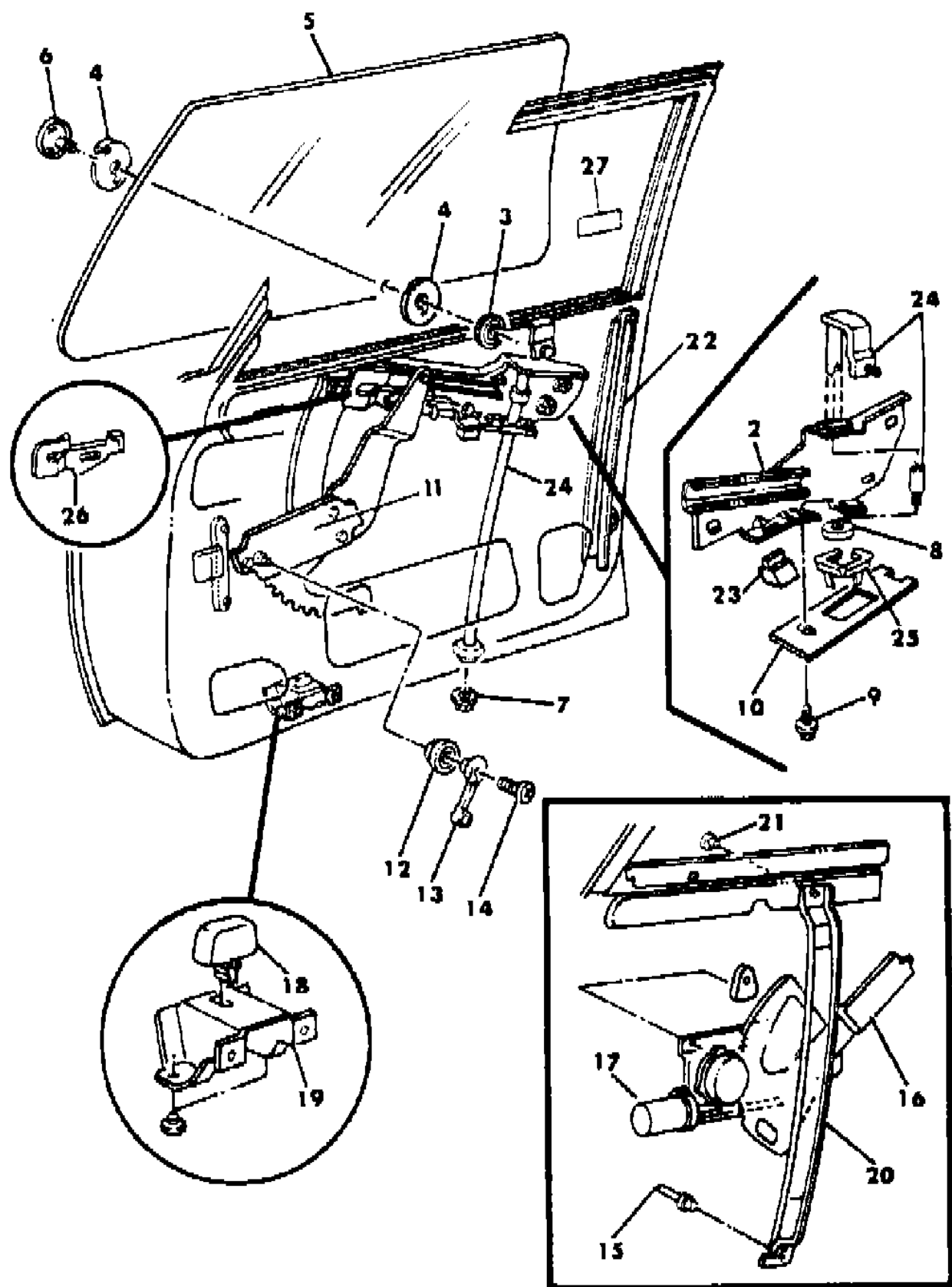
52-53 = FWD WAGON

AR = Use as Required - = Non Illustrated Part P.A.R. = Paint as Required



DOOR, FRONT GLASS AND REGULATOR K BODY 21
Figure 23C-2600

7171 2808 A



ITEM	PART NUMBER	QTY	BODY	MODEL	DESCRIPTION
2	4310 368-9	1			PLATE and CHANNEL, Glass Lift
3	6028 587	6			T-NUT
4	5231 769	AR			GASKET, Glass Isolator
5					GLASS, Door
	4136 918	1		P,D	Clear Right, w/o Mirror
	4198 401	1		P,D,C	Clear Left
	4136 920	1		P,D	Tinted Right, w/o Mirror
	4198 403	1		P,D,C	Tinted Left
	4198 400	1		P,D,C	Clear Right w/Mirror
	4198 402	1		P,D,C	Tinted Right w/Mirror
6	6029 998	6			WASHER and STUD
7	6100 049	4			NUT and WASHER
8	3788 079	2			SLEEVE, Glass Track Lower
9		4			SCREW (DNS)
10	4310 922-3	2			RETAINER
11	4184 018-9	1			REGULATOR, Manual Window
	3760 506	2			SPRING, Manual Regulator Assist
	4339 301	2			SLIDE PACKAGE, Manual and Electric Regulator
12	3882 767	AR			SPACER, Regulator Handle
13	4310 824	2			HANDLE, Window Regulator
14	6027 221	2			SCREW
15		AR			RIVET (DNS)
16	4280 432-3	1			REGULATOR, Electric Window
	2999 467	2			SPACER, Electric Regulator
17	4336 600-1	2			MOTOR and MECHANISM, Electric Window
	4339 433	2			GEAR and SEAL KIT, Motor
18	3875 997	AR			BUMPER, Glass Downstop Electric
19	4310 378	2			BRACKET, Electric Window Downstop Bumper
20	4310 380	2			SUPPORT, Electric Regulator Mounting
21	6100 566	AR			SCREW
22	4310 384-5	1			CHANNEL and BRACKET, Glass Run Rear
23	3759 566	2			BUMPER, Downstop
24	4310 381	2			TRACK and BRACKET, Glass
25	4136 914	2			GUIDE, Front Door Glass
26	4310 376-7	1			BRACKET, Electric Window Upstop
27	4365 683	1			DECAL, Seat Belt Safety

MODEL CODES

E BODY = (J - CARAVELLE)(E - 600)(T - NEW YORKER)

G BODY = (V24 - DAYTONA)

H BODY = (D44 - LANCER)(C44 - LEBARON GTS)

J BODY = (C - LEBARON)

K BODY = (P - RELIANT)(D - ARIES)(C - LEBAROND)/TOWN & COUNTRY)

L BODY = (M - HORIZON/TURISMO)(Z - OMNI/CHARGER)

M BODY = (B - GRAN FURY)(F - FIFTH AVE/NEWPORT)(G - DIPLOMAT)

P BODY = (P - SUNDANCE)(D - SHADOW)

S BODY = (H - VOYAGER)(K - RAM VAN/CARAVAN)

BODY STYLES

12-13 = FWD VAN

21 = 2-DOOR SEDAN

24 = 2-DOOR HATCHBACK

27 = 2-DOOR CONVERTIBLE

41 = 4-DOOR SEDAN

44 = 4-DOOR HATCHBACK

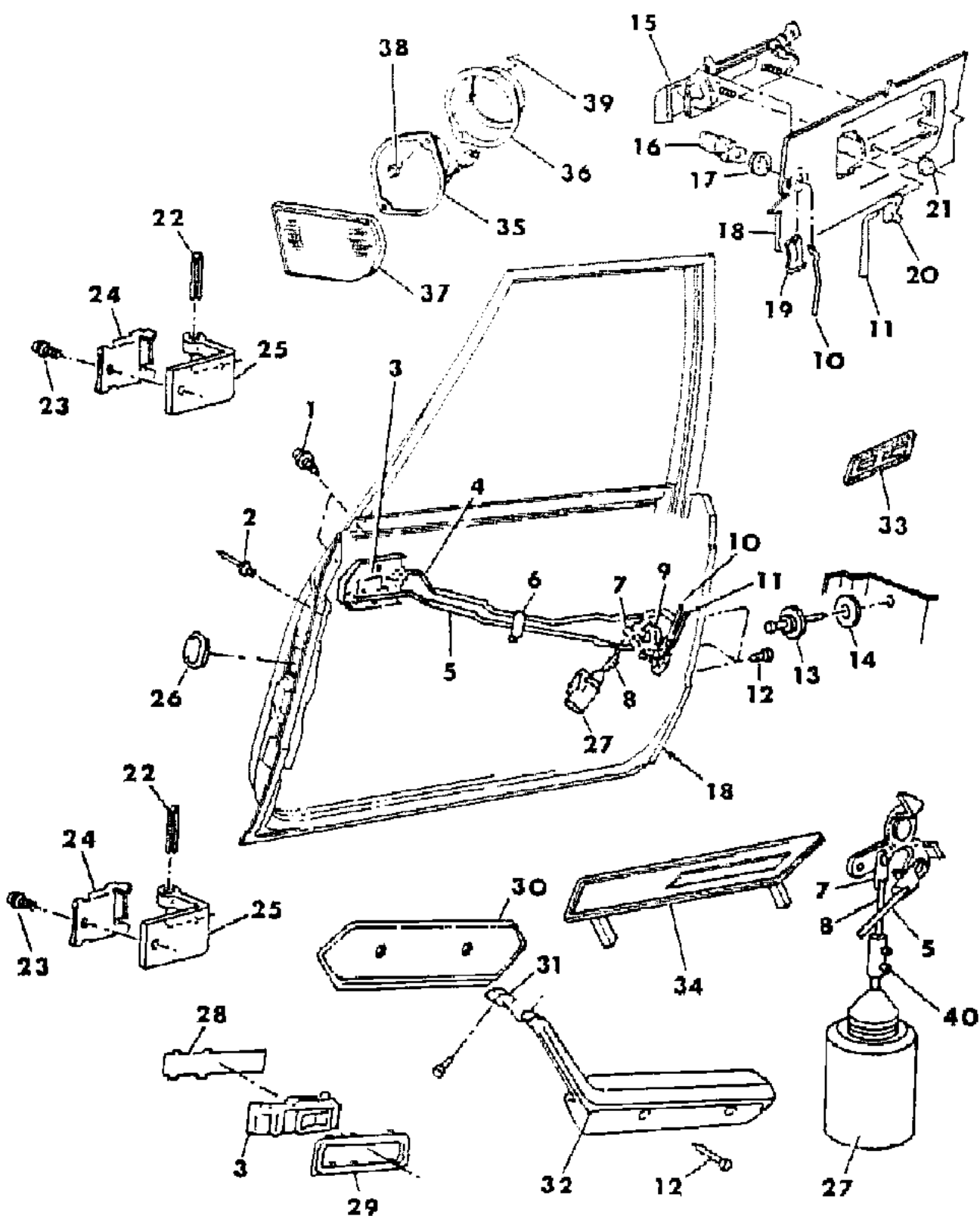
45 = 4-DOOR STATION WAGON

52-53 = FWD WAGON

AR = Use as Required - = Non Illustrated Part P.A.R. = Paint as Required

DOOR, FRONT SHELL, CONTROL AND HARDWARE K,E BODY 41,45
Figure 23C-2700

7171 2700 B



ITEM	PART NUMBER	QTY	BODY	MODEL	DESCRIPTION
1		2			SCREW (DNS)
2	6031 115	AR			RIVET
3	4396 570-1				HOUSING, Remote Control
4	4184 268-9	1			LINK
5	4184 274-5	1			LINK
6	4184 280	AR			CLIP, Anti Rattle
7					CLIP
	4184 244-5	1			w/Electric Locks
	3454 220-1	1			w/o Electric Locks
8	4184 072	1			LINK, Motor to Latch
9					LATCH, Front Door
	4336 377	1			Left Override
	4336 378	1			Right Non override
	6501 220	AR			SCREW, Latch Att.
10	4184 016-7	1			LINK, Cylinder to Latch
11	4184 024-5	1			LINK, Handle
12		AR			SCREW (DNS)
13	4336 826	2			STRIKER, Door
	6500 483	2			NUT, Striker
14	4184 105	AR			SPACER, Door
15	4184 228	2			HANDLE, Exterior
	6028 674	4			SCREW, Handle
16					CYLINDER, Refer to 23D
17					GASKET, Refer to 23D
18	4397 470-1	1			DOOR SHELL
	4310 062-3	1			PANEL, Repair
19					RETAINER, Refer to 23D
20	2945 108-9	1			CLIP
21	6025 004	2			NUT
22	6501 299	2			PIN, Hinge
	4336 115	2			BUSHING, Hinge
	6500 803	4			CLIP, Hinge Pin
23	#6100 275	4			SCREW
24	4184 117	4			CHECK SPRING, Body Half
25	4318 350	4			HINGE, Body Half
	4318 301	4			Door Half
26	4336 390	2			PLUG
27	4396 015	2			SOLENOID, Power Door Lock

MODEL CODES

E BODY = (J - CARAVELLE)(E - 600)(T - NEW YORKER)

G BODY = (V24 - DAYTONA)

H BODY = (D44 - LANCER)(C44 - LEBARON GTS)

J BODY = (C - LEBARON)

K BODY = (P - RELIANT)(D - ARIES)(C - LEBAROND)/TOWN & COUNTRY)

L BODY = (M - HORIZON/TURISMO)(Z - OMNI/CHARGER)

M BODY = (B - GRAN FURY)(F - FIFTH AVE/NEWPORT)(G - DIPLOMAT)

P BODY = (P - SUNDANCE)(D - SHADOW)

S BODY = (H - VOYAGER)(K - RAM VAN/CARAVAN)

BODY STYLES

12-13 = FWD VAN

21 = 2-DOOR SEDAN

24 = 2-DOOR HATCHBACK

27 = 2-DOOR CONVERTIBLE

41 = 4-DOOR SEDAN

44 = 4-DOOR HATCHBACK

45 = 4-DOOR STATION WAGON

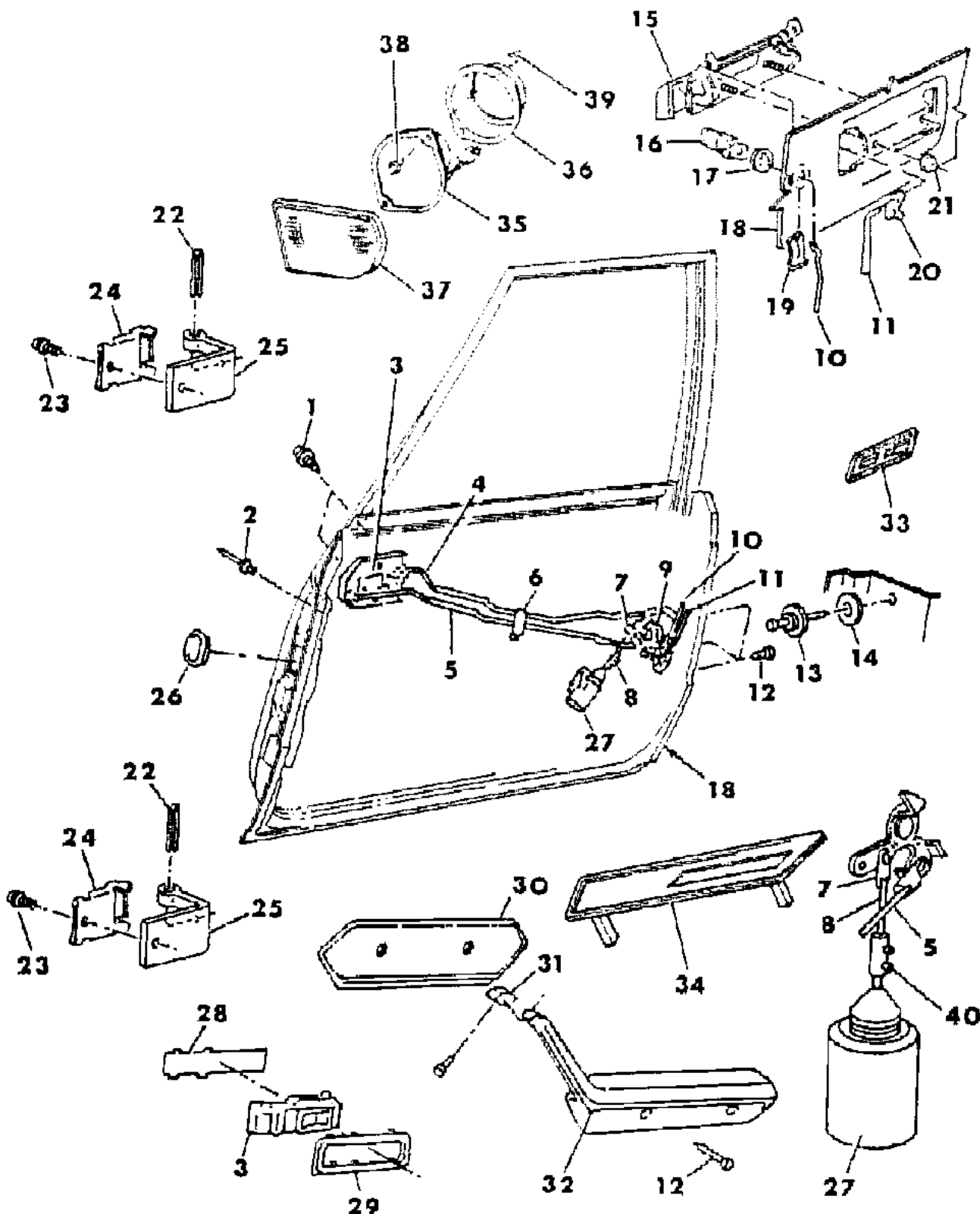
52-53 = FWD WAGON

AR = Use as Required - = Non Illustrated Part P.A.R. = Paint as Required

DOOR, FRONT SHELL, CONTROL AND HARDWARE K,E BODY 41,45

Figure 23C-2700

7171 2700 B



ITEM	PART NUMBER	QTY	BODY	MODEL	DESCRIPTION
28	4184 252	2			PLATE, Door Latch
	4280 840	2		J,E,T	SEAL, Door Latch
29					BEZEL, Remote Control Latch
	D405 CX9	1		PL,DL,P	Black
	4310 654-5	1		C,E,T	Chrome w/Finish Plate
	4310 648-9	1		C,E,T	APPLIQUE, Remote Control Bezel
	4184 723	2		PH,PP,D	
30	4077 894-5	1		P,D	PLATE, Arm Rest Back
31					BEZEL, Refer to IT Section
32					ARM REST, Refer to IT Section
33					BEZEL, Armrest
	4283 885	2			w/Door Locks and Electric Mirrors
	4247 409	2			w/o Door Locks and Electric Mirrors
	4283 884	2			w/Door Locks
34					BEZEL and FINISH PLATE
	4283 860	1			Single, Right
	4283 879	1			Five Gang, Left
35	4430 178	2			SPEAKERS, Door
	4372 154	2		J,E,T	w/Infinity Sound System
36	4372 482-3	1			ADAPTOR, Speaker
37				C,J,E,T	GRILLE, Speaker
	P504-5 EA3	1			Silver
	P504-5 FC5	1			Blue
	P504-5 EE8	1			Cordovan
	P504-5 ES8	1			Charcoal
	P504-5 EK1	1			Almond
38		4			SCREW (DNS)
39	6032 527	4			NUT
40	4184 172	2			CLIP, Solenoid

MODEL CODES

E BODY = (J - CARAVELLE)(E - 600)(T - NEW YORKER)

G BODY = (V24 - DAYTONA)

H BODY = (D44 - LANCER)(C44 - LEBARON GTS)

J BODY = (C - LEBARON)

K BODY = (P - RELIANT)(D - ARIES)(C - LEBAROND)/TOWN & COUNTRY)

L BODY = (M - HORIZON/TURISMO)(Z - OMNI/CHARGER)

M BODY = (B - GRAN FURY)(F - FIFTH AVE/NEWPORT)(G - DIPLOMAT)

P BODY = (P - SUNDANCE)(D - SHADOW)

S BODY = (H - VOYAGER)(K - RAM VAN/CARAVAN)

BODY STYLES

12-13 = FWD VAN

21 = 2-DOOR SEDAN

24 = 2-DOOR HATCHBACK

27 = 2-DOOR CONVERTIBLE

41 = 4-DOOR SEDAN

44 = 4-DOOR HATCHBACK

45 = 4-DOOR STATION WAGON

52-53 = FWD WAGON

AR = Use as Required - = Non Illustrated Part P.A.R. = Paint as Required

DOOR, FRONT GLASS AND REGULATOR K,E BODY 41,45
Figure 23C-2800

7171 2800A

ITEM	PART NUMBER	QTY	BODY	MODEL	DESCRIPTION
1	4310 374-5	1			PLATE and CHANNEL, Glass Lift
2					GLASS, Door
	4280 562	1			Clear Right w/o Mirror
	4280 566	1			Clear Right w/Mirror
	4280 567	1			Clear Left
	4280 564	1			Tinted Right w/o Mirror
	4280 568	1			Tinted Right w/Mirror
	4280 569	1			Tinted Left
3	3759 566	AR			BUMPER, Glass Downstop
4	6028 587	6			T-NUT
5	5231 769	AR			GASKET, Glass Isolator
6	6029 998	6			WASHER
7	6100 049	4			NUT
8	3788 079	2			SLEEVE, Track Lower
9	4184 060-1	1			REGULATOR, Window, Manual
	3508 121	2			SPRING, Manual Regulator Assist
	4339 301	2			SLIDE PACKAGE, Manual and Electric Regulator
10	4310 382	2			TRACK and BRACKET
11	3882 767	AR			SPACER, Regulator Handle
12	4310 824	2			HANDLE, Front Door Window Regulator
13	6027 221	2			SCREW
14	6031 115	AR			RIVET
15	6100 566	2			SCREW
16	4280 432-3	1			REGULATOR, Window, Electric
	2999 467	2			SPACER, Electric Regulator
17	4396 402-3				MOTOR and MECHANISM, Window Lift
	4339 433	1			GEAR and SEAL KIT, Motor
18	4310 380	2			SUPPORT and NUT
19	4136 914	2			GUIDE, Door Glass
	4280 711	4			PAD, Glass Guide Plate
20	4280 696-7	1			BRACKET, Electric Window Upstop
21	4365 683	1			DECAL, Seat Belt Safety

MODEL CODES

E BODY = (J - CARAVELLE)(E - 600)(T - NEW YORKER)

G BODY = (V24 - DAYTONA)

H BODY = (D44 - LANCER)(C44 - LEBARON GTS)

J BODY = (C - LEBARON)

K BODY = (P - RELIANT)(D - ARIES)(C - LEBAROND)/TOWN & COUNTRY)

L BODY = (M - HORIZON/TURISMO)(Z - OMNI/CHARGER)

M BODY = (B - GRAN FURY)(F - FIFTH AVE/NEWPORT)(G - DIPLOMAT)

P BODY = (P - SUNDANCE)(D - SHADOW)

S BODY = (H - VOYAGER)(K - RAM VAN/CARAVAN)

BODY STYLES

12-13 = FWD VAN

21 = 2-DOOR SEDAN

24 = 2-DOOR HATCHBACK

27 = 2-DOOR CONVERTIBLE

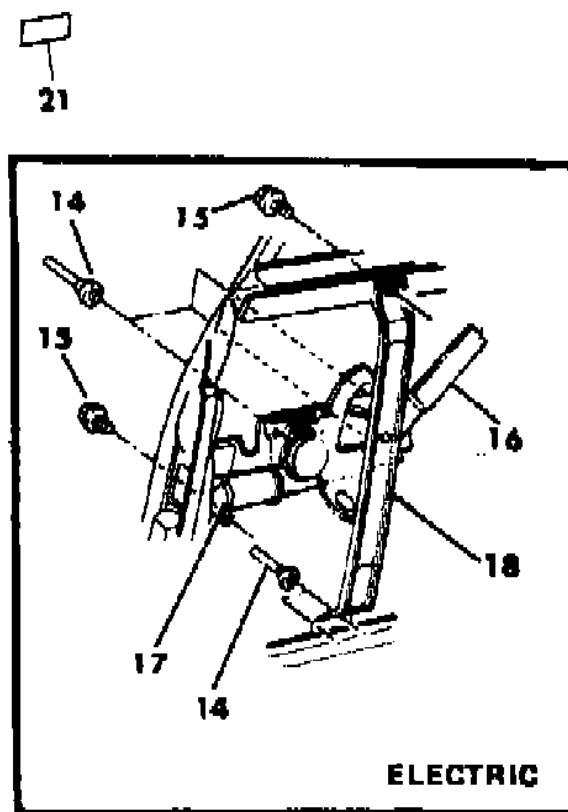
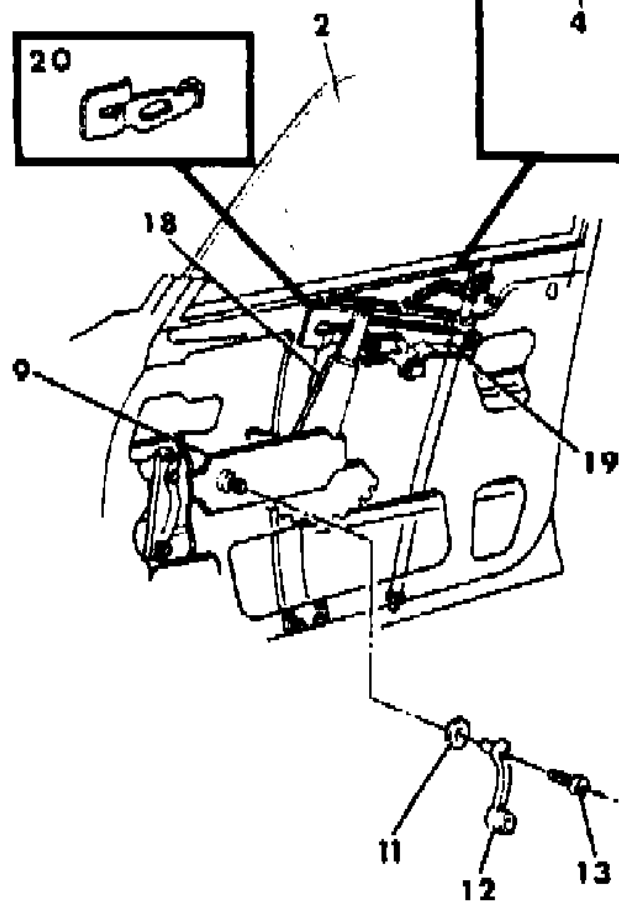
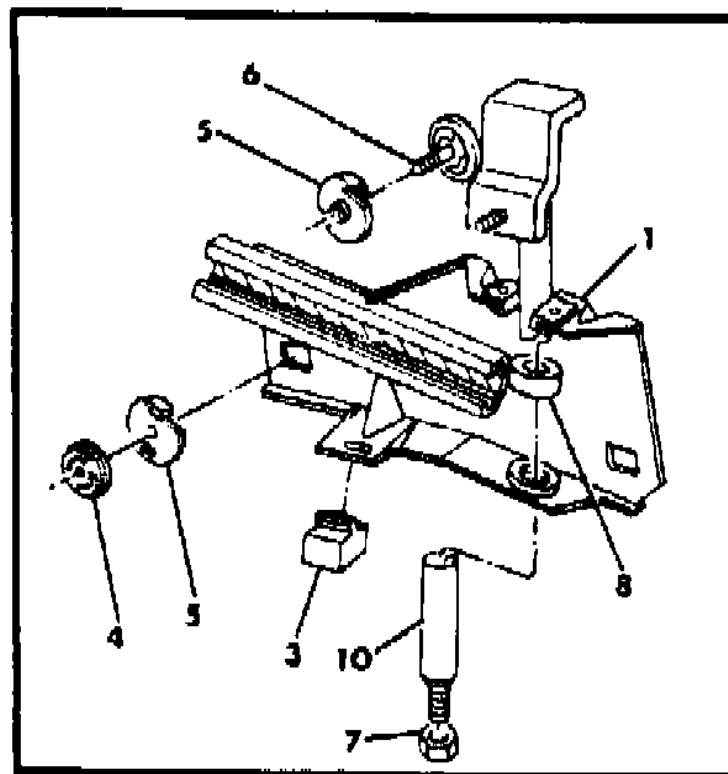
41 = 4-DOOR SEDAN

44 = 4-DOOR HATCHBACK

45 = 4-DOOR STATION WAGON

52-53 = FWD WAGON

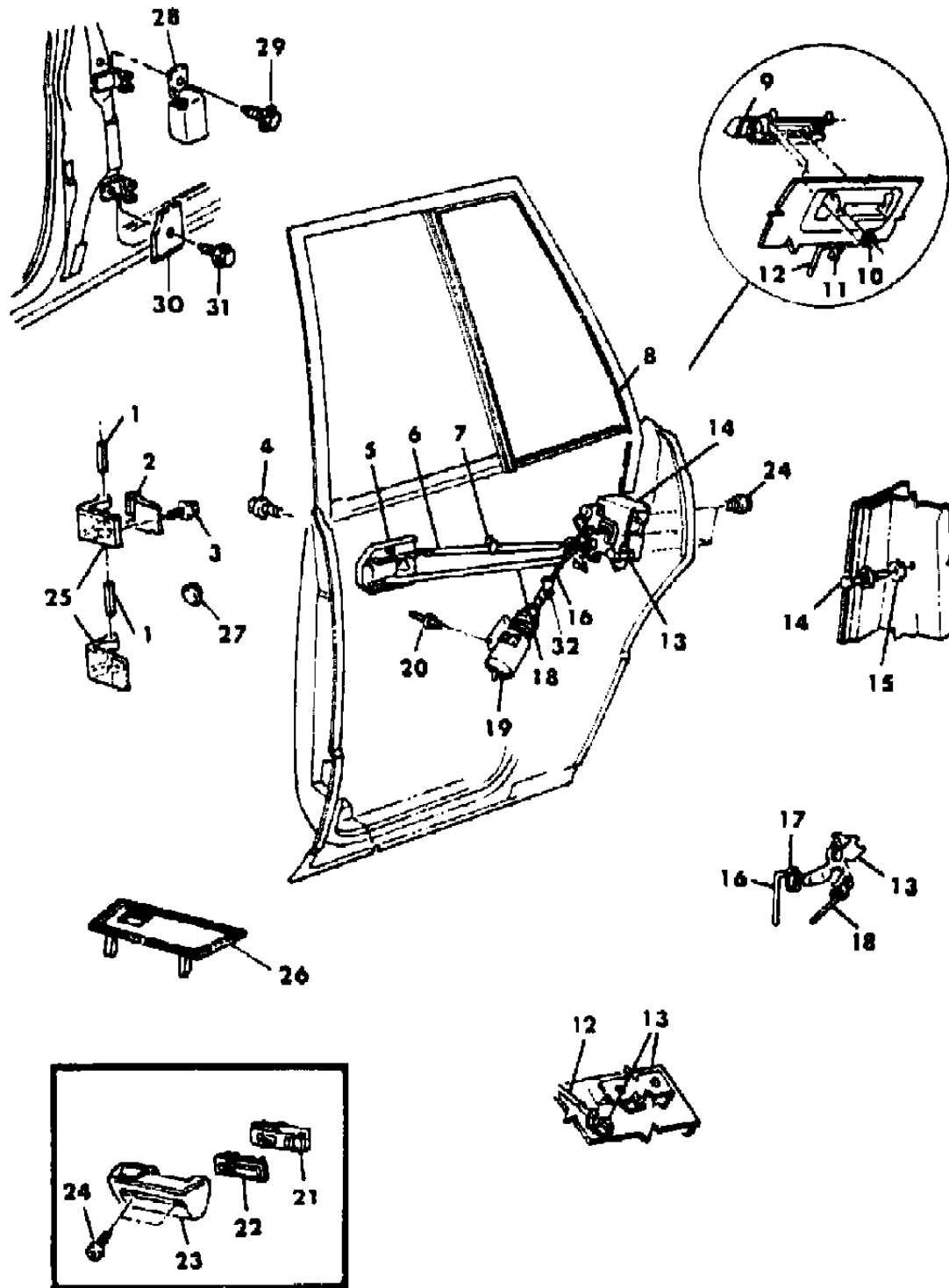
AR = Use as Required - = Non Illustrated Part P.A.R. = Paint as Required



ELECTRIC

DOOR, REAR SHELL, HANDLE AND CONTROL K,E BODY 41,45
Figure 23C-2900

7171 2900 A



ITEM	PART NUMBER	QTY	BODY	MODEL	DESCRIPTION
1	6501 299	2			PIN, Hinge
	4336 115	2			BUSHING, Hinge
	6500 803	2			CLIP, Hinge Pin
2	4184 117	1			CHECK SPRING
	6100 557	2			SCREW
4	6100 274	2			SCREW
5	4184 252	2			PLATE and NUT, Mtg.
	4365 428-9	1		P,D,C	LINK and SLEEVE
6	4184 530-1	1		J,E,T	
	3882 620	2			CLIP, Anti Rattle
8	4397 476-7	1		P,D,C,4	DOOR SHELL
	4397 480-1	1		J,E,T 4	
	4397 478-9	1		P,D,C 4	
9	4310 064-5	1		PDC 41,	PANEL, Repair
	4310 066-7	1		J,E,T 4	
9	4184 228	2			HANDLE, Exterior Door
	6028 674	4			SCREW, Handle
10	6025 004	2			NUT
11	3882 762	2			CLIP, Link to Handle
12	4184 118	2		P,D,C	LINK, Outside Handle to Latch
	4184 598	2		J,E,T	
13	4336 380-1	1			LATCH
	6501 220	AR			SCREW, Latch Att.
	4280 842	2		J,E,T	SEAL, Door Latch
14	4336 826	2			STRIKER
	6500 483	2			NUT, Striker
15	4184 105	AR			SPACER
16	4365 424	2		P,D,C	LINK, Electric Latch to Motor
	4184 742-3	2		J,E,T	
17	4184 244-5	1			CLIP, Latch to Electric Motor Link
	3454 220-1	1		P,D,C	w/o Electric Locks
18	4184 698-9	1		P,D,C	LINK
	4184 540-1	1		J,E,T	
19	#4396 015	2			SOLENOID, Power Door Lock
20	6031 115	AR			RIVET
21	4396 570-1				HOUSING, Remote Control
22					BEZEL, Remote Control Housing
	D405 CX9	2		PL,DL	

MODEL CODES

E BODY = (J - CARAVELLE)(E - 600)(T - NEW YORKER)

G BODY = (V24 - DAYTONA)

H BODY = (D44 - LANCER)(C44 - LEBARON GTS)

J BODY = (C - LEBARON)

K BODY = (P - RELIANT)(D - ARIES)(C - LEBAROND)/TOWN & COUNTRY)

L BODY = (M - HORIZON/TURISMO)(Z - OMNI/CHARGER)

M BODY = (B - GRAN FURY)(F - FIFTH AVE/NEWPORT)(G - DIPLOMAT)

P BODY = (P - SUNDANCE)(D - SHADOW)

S BODY = (H - VOYAGER)(K - RAM VAN/CARAVAN)

BODY STYLES

12-13 = FWD VAN

21 = 2-DOOR SEDAN

24 = 2-DOOR HATCHBACK

27 = 2-DOOR CONVERTIBLE

41 = 4-DOOR SEDAN

44 = 4-DOOR HATCHBACK

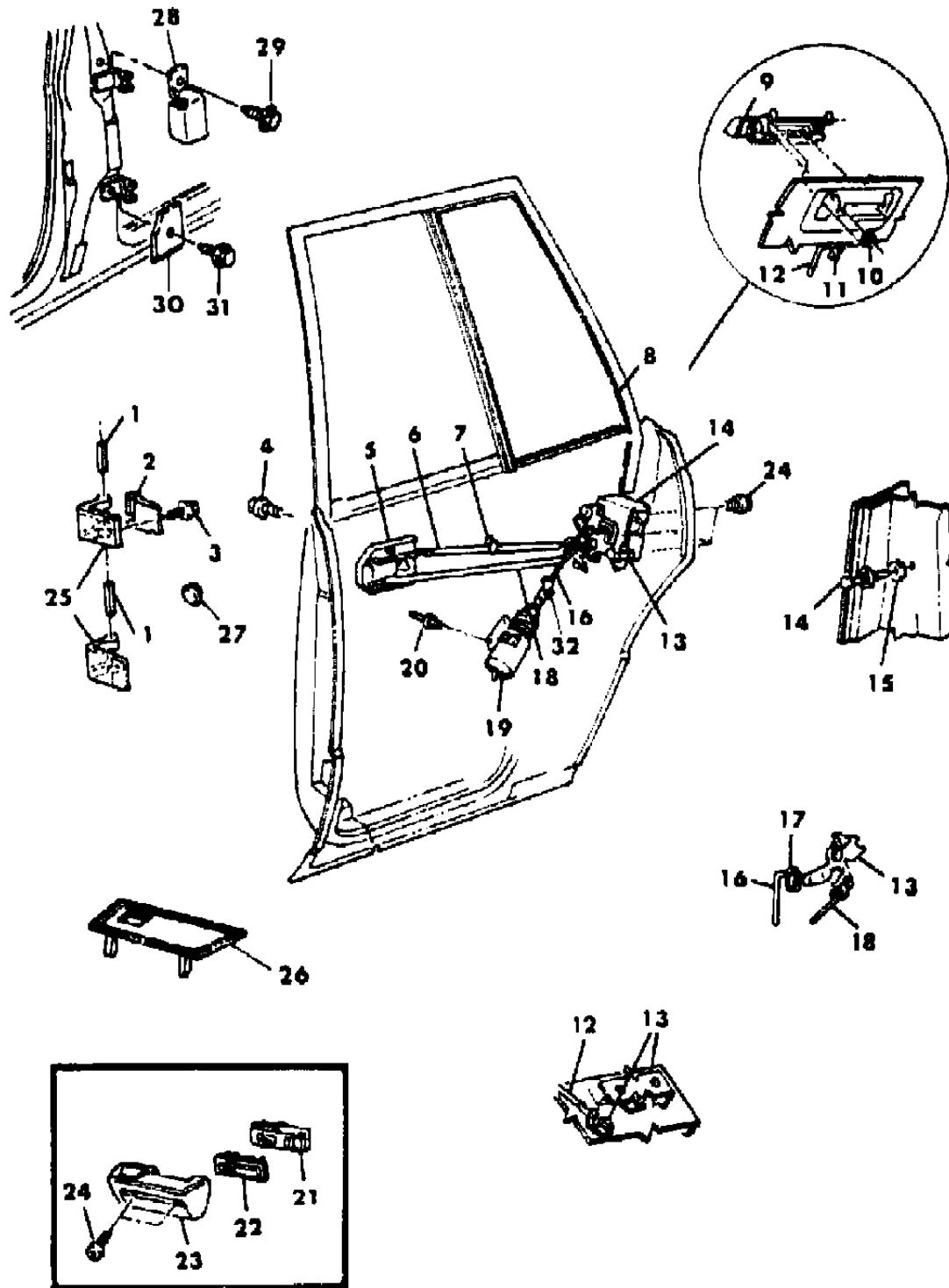
45 = 4-DOOR STATION WAGON

52-53 = FWD WAGON

AR = Use as Required - = Non Illustrated Part P.A.R. = Paint as Required

DOOR, REAR SHELL, HANDLE AND CONTROL K,E BODY 41,45
Figure 23C-2900

7171 2900 A



ITEM	PART NUMBER	QTY	BODY	MODEL	DESCRIPTION
	4184 723	2		PH,PP,D	
	4310 656-7	1		C,J,E,T	Chrome, w/Finish Plate
	4310 652	1		C,J,E,T	APPLIQUE, Remote Control Bezel
23					ARM REST, Refer to IT Section
24		AR			SCREW (DNS)
25	4318 350	4			HINGE, Body Half
	4318 301	4			Door Half
26	4283 894-5	1			BEZEL and FACE PLATE, Door
27	6031 488	2		P,D	PLUG, Door
28	X144-5 BT8	1			COVER, Hinge, Upper
29	6032 509	AR			SCREW
30	X146-7 BT8	2			COVER, Hinge, Lower
31	#6100 275	AR			SCREW
32	4184 172	2			CLIP, Solenoid

MODEL CODES

E BODY = (J - CARAVELLE)(E - 600)(T - NEW YORKER)

G BODY = (V24 - DAYTONA)

H BODY = (D44 - LANCER)(C44 - LEBARON GTS)

J BODY = (C - LEBARON)

K BODY = (P - RELIANT)(D - ARIES)(C - LEBAROND)/TOWN & COUNTRY)

L BODY = (M - HORIZON/TURISMO)(Z - OMNI/CHARGER)

M BODY = (B - GRAN FURY)(F - FIFTH AVE/NEWPORT)(G - DIPLOMAT)

P BODY = (P - SUNDANCE)(D - SHADOW)

S BODY = (H - VOYAGER)(K - RAM VAN/CARAVAN)

BODY STYLES

12-13 = FWD VAN

21 = 2-DOOR SEDAN

24 = 2-DOOR HATCHBACK

27 = 2-DOOR CONVERTIBLE

41 = 4-DOOR SEDAN

44 = 4-DOOR HATCHBACK

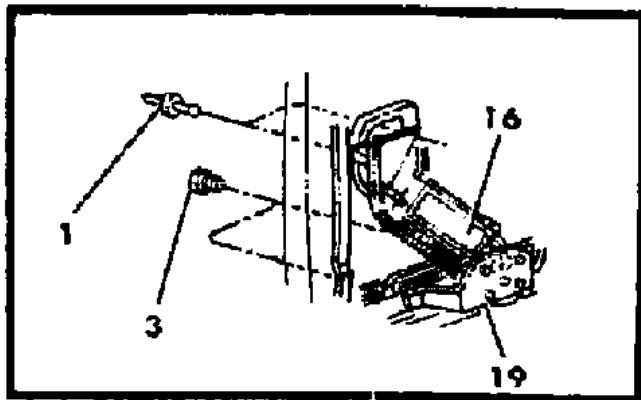
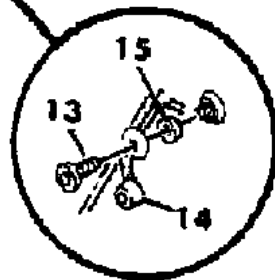
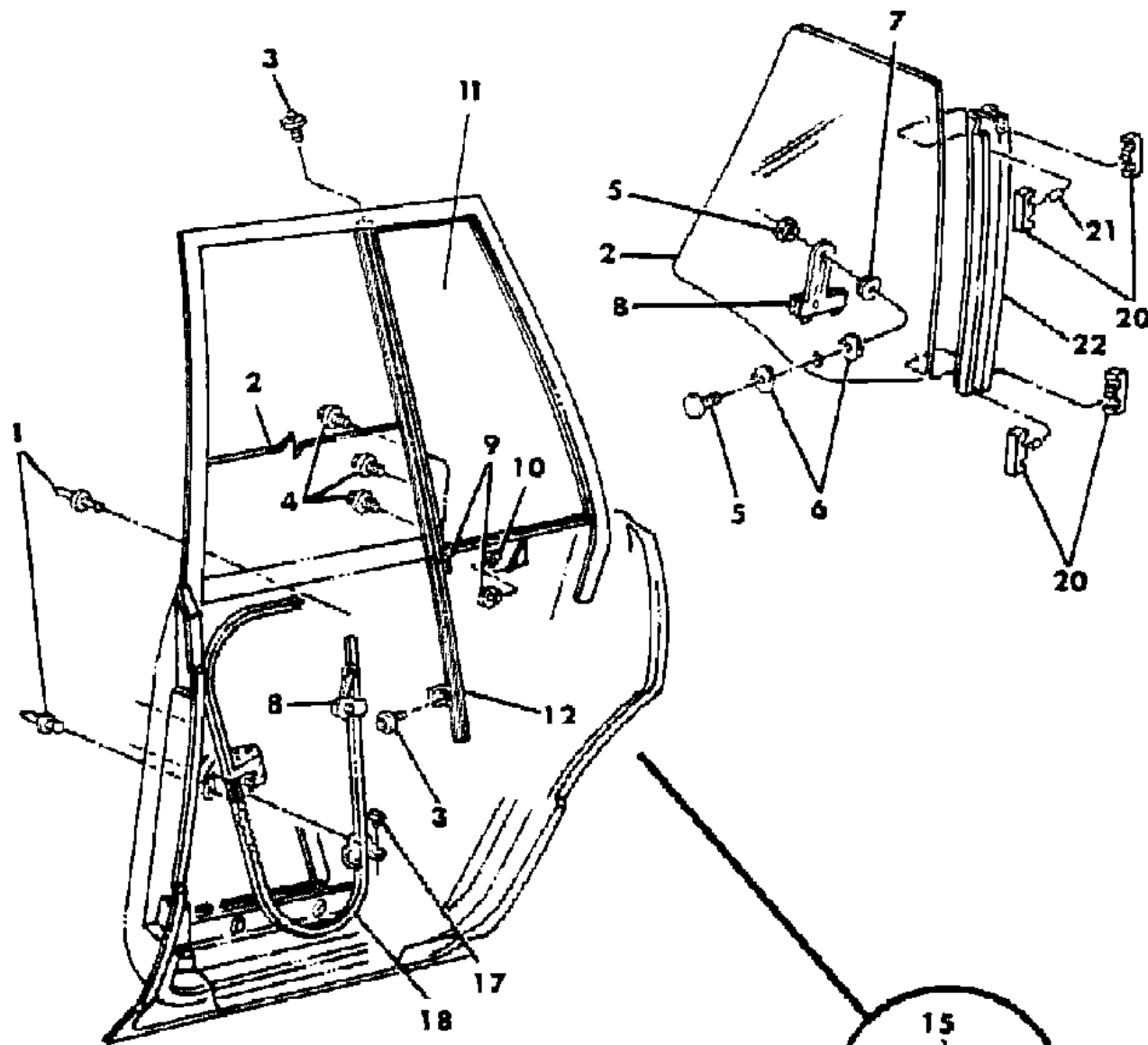
45 = 4-DOOR STATION WAGON

52-53 = FWD WAGON

AR = Use as Required - = Non Illustrated Part P.A.R. = Paint as Required

DOOR, REAR GLASS AND REGULATOR K,E BODY 41,45
Figure 23C-3000

7171 3000



ITEM	PART NUMBER	QTY	BODY	MODEL	DESCRIPTION
1	6031 115	AR			RIVET
2	4365 114-5	1		P,D,C	GLASS Clear
	4198 866-7	1		J,E,T	Clear
	4365 116-7	1		P,D,C	Tinted
	4198 868-9	1		J,E,T	Tinted
3					SCREW (DNS)
4	6100 274	AR			SCREW
5-7	4267 907	AR			HARDWARE PACKAGE
6	5231 769	AR			GASKET
7	6028 587	AR			T-NUT
8	4336 532-3	1			ARM and NUT, Regulator Drive
9	#6100 041	AR			U-NUT
10	4396 293	2			BRACKET, Fixed Window Support
11					GLASS, Stationary
	4365 124-5	1		P,D,C 4	
	4365 132-3	1		P,D,C 4	
	4198 728-9	1		J,E,T 4	w/o Padded Landau Roof
	4280 870-1	1		T-P 41	w/Padded Landau Roof
12					CHANNEL, Divisional Glass
	4365 140-1	1		P,D,C	
	4198 858-9	1		J,E,T	
	4365 404-5	1			BRACKET and NUT, Lower Channel
13	6100 566	AR		J,E,T	SCREW
	6100 567	AR		P,D,C	
14	4310 824	2			HANDLE, Manual Window Regulator
15	3882 767	AR			SPACER
16	4310 938-9	1			MOTOR and MECHANISM, Electric Window
	4467 214	2			GEAR PACKAGE, Regulator Flexrack
17	4184 575	AR			BUMPER, Downstop
18					REGULATOR, Window
	4365 464-5	1			Manual
	4365 474-5	1			Electric
19	4336 338-9	1			BRACKET, Motor Mtg.
20	4198 752	AR			RETAINER, Divisional Glass Weatherstrip
21	2861 744	AR			PIN, Glass Edge Slide
22	4198 750-1	1			WEATHERSTRIP, Divisional Glass Channel

MODEL CODES

E BODY = (J - CARAVELLE)(E - 600)(T - NEW YORKER)

G BODY = (V24 - DAYTONA)

H BODY = (D44 - LANCER)(C44 - LEBARON GTS)

J BODY = (C - LEBARON)

K BODY = (P - RELIANT)(D - ARIES)(C - LEBAROND)/TOWN & COUNTRY)

L BODY = (M - HORIZON/TURISMO)(Z - OMNI/CHARGER)

M BODY = (B - GRAN FURY)(F - FIFTH AVE/NEWPORT)(G - DIPLOMAT)

P BODY = (P - SUNDANCE)(D - SHADOW)

S BODY = (H - VOYAGER)(K - RAM VAN/CARAVAN)

BODY STYLES

12-13 = FWD VAN

21 = 2-DOOR SEDAN

24 = 2-DOOR HATCHBACK

27 = 2-DOOR CONVERTIBLE

41 = 4-DOOR SEDAN

44 = 4-DOOR HATCHBACK

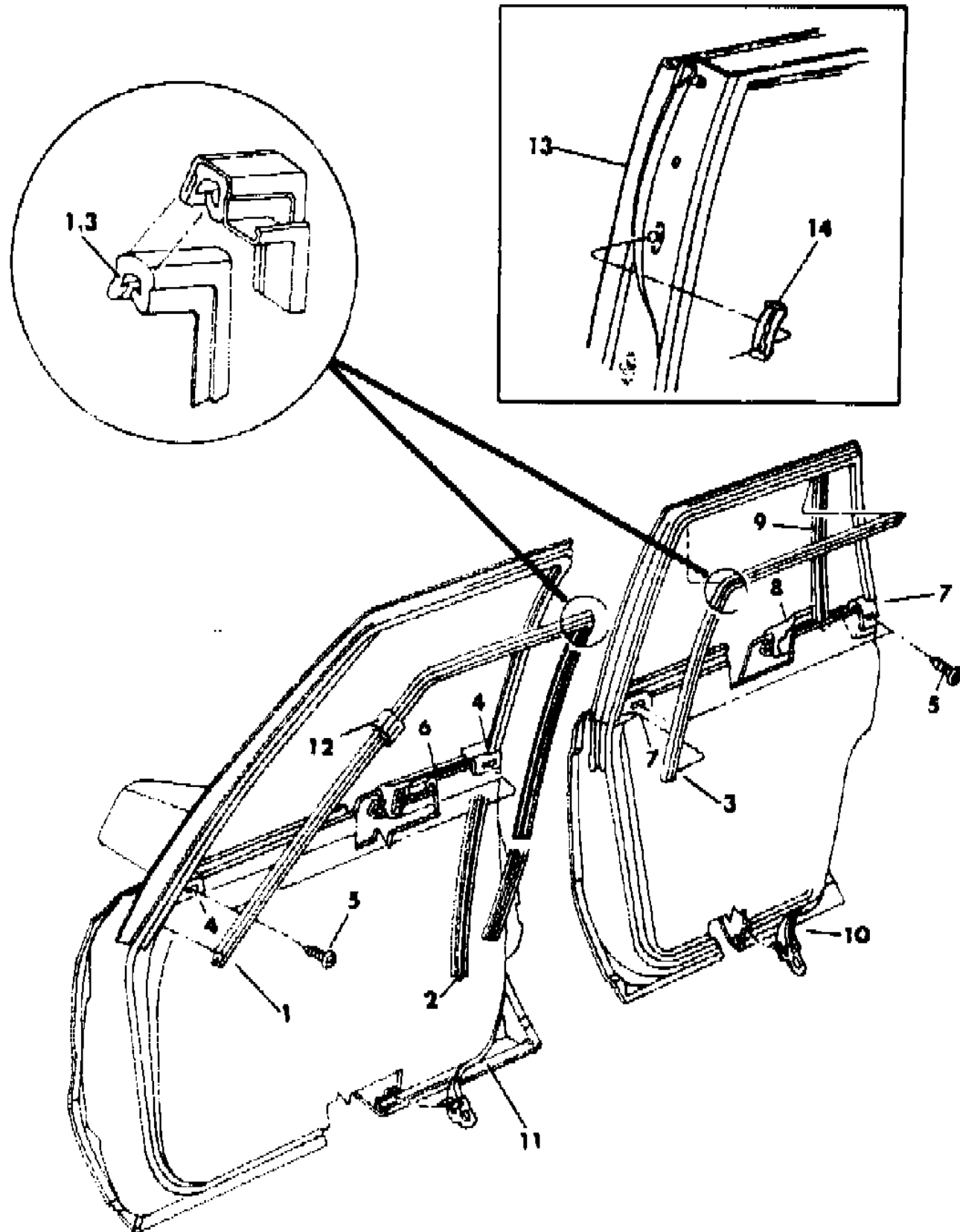
45 = 4-DOOR STATION WAGON

52-53 = FWD WAGON

AR = Use as Required - = Non Illustrated Part P.A.R. = Paint as Required

DOOR, FRONT AND REAR WEATHERSTRIP AND RUN K,E BODY
Figure 23C-3100

7171 3100



ITEM	PART NUMBER	QTY	BODY	MODEL	DESCRIPTION
1					RUN, Front Door Glass
	4310 764	1	21		Right w/o Mirror
	4310 762-3	1	21		w/Mirror
	4310 766	1	41,45		Right w/o Mirror
	4310 760-1	1	41,45		w/Mirror
2	4310 384-5	1	21		CHANNEL, Front Door, Rear
3					RUN, Rear Door Glass
	4280 856-7	1	J,E,T 4		
	4365 112-3	1	P,D,C 4		
4	4198 382-3	1			SEAL, Front Door Belt, Front
	4198 384-5	1	21		Rear
	4310 632-3	1	41,45		Rear
5		2			SCREW (DNS)
6					WEATHERSTRIP, Front Door Belt, Outer
	4198 512-3	1	21		
	4198 514-5	1	41,45		
		1			Inner, Serviced on Door Trim Panel
7	4280 134-5	1	41,45		SEAL, Rear Door Belt, Front
	4198 388-9	1	41,45		Rear
8	4198 754-5	1	J,E,T		WEATHERSTRIP, Rear Door Belt, Outer
	4415 282-3	1	P,D,C 4		
9					WEATHERSTRIP, Rear Door Glass, Stationary
	4198 730-1	1	J,E,T		
	4365 106-7	1	P,D,C 4		
	4365 108-9	1	P,D,C 4		
10					WEATHERSTRIP, Rear Door
	4365 230-1	1	P,D,C		
	4365 380-1	1	J,E,T		
11					WEATHERSTRIP, Front Door
	4280 172-3	1	21		
	4415 258-9	1	41,45		
	2217 508	AR			CLIP, Outer Weatherstrip Att.
	4040 732	AR			RETAINER, Door Opening Weatherstrip Att.
12	4310 059	2			CLIP, Glass Run Roll-off
13	4365 541	4	E,C, 41		SEAL, Front and Rear Door Frame, Secondary
	4280 458-9	1	41,45		Rear Door Sound
14	6003 693	AR			CLIP, Seal Att.

MODEL CODES

E BODY = (J - CARAVELLE)(E - 600)(T - NEW YORKER)

G BODY = (V24 - DAYTONA)

H BODY = (D44 - LANCER)(C44 - LEBARON GTS)

J BODY = (C - LEBARON)

K BODY = (P - RELIANT)(D - ARIES)(C - LEBAROND)/TOWN & COUNTRY)

L BODY = (M - HORIZON/TURISMO)(Z - OMNI/CHARGER)

M BODY = (B - GRAN FURY)(F - FIFTH AVE/NEWPORT)(G - DIPLOMAT)

P BODY = (P - SUNDANCE)(D - SHADOW)

S BODY = (H - VOYAGER)(K - RAM VAN/CARAVAN)

BODY STYLES

12-13 = FWD VAN

21 = 2-DOOR SEDAN

24 = 2-DOOR HATCHBACK

27 = 2-DOOR CONVERTIBLE

41 = 4-DOOR SEDAN

44 = 4-DOOR HATCHBACK

45 = 4-DOOR STATION WAGON

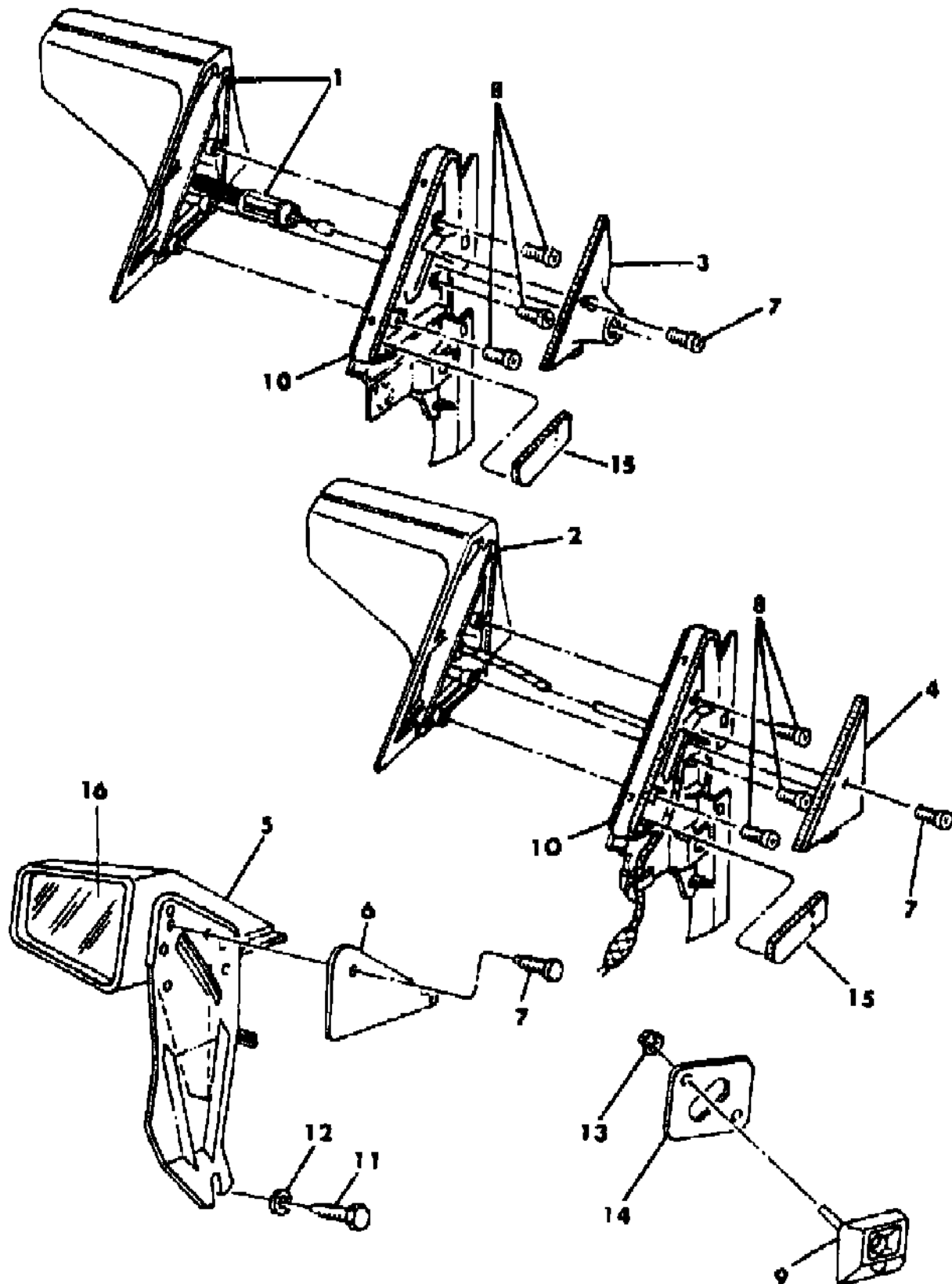
52-53 = FWD WAGON

AR = Use as Required - = Non Illustrated Part P.A.R. = Paint as Required

MIRRORS, EXTERIOR K,E BODY
Figure 23C-3200

7171 3200 A

ITEM	PART NUMBER	QTY	BODY	MODEL	DESCRIPTION
NOTE: Right Mirror is for Replacement of Factory Installed Original Equipment Only. s group.					
1					MIRROR PACKAGE, Rectangular Remote Control
	4318 280-1	1			Chrome
	4318 439	1			Black, Aerodynamic, Left
	4318 438	1			Black, Aerodynamic, Right
	4339 302	1			MIRROR PACKAGE, Manual Left
	4339 340	1			Black, Left
	4299 416	1			Black, Right
	4318 282-3	1			Chrome
2					MIRROR PACKAGE, Electric
	4299 560-1	1			Black
	4299 558-9	1			Chrome
3	4299 056-7	1			BEZEL, Remote Control Mirror, Inside
4	4299 054-5	1			BEZEL, w/Manual and Electric Mirror, Inside
5	4097 632-3	1	27		MIRROR PACKAGE, Remote Control
	6015 640	2	27		CLIP, Remote Control Cable Retention
	4299 052-3	1			SEAL, Bezel to Support
	4246 204-5	1			SEAL, Mirror Bracket Inner Bezel
6	5207 356-7	1	27		COVER, Mirror
7		AR			SCREW (DNS)
	3759 944	2	27		RETAINER
8	6032 121	AR			SCREW
9			27		BEZEL, Remote Control Mirror
	4097 701	1			Right
10	4299 352-3	1	Exc. 27		SUPPORT PACKAGE, Mirror Attaching
	4299 058	2			SPACER, Mirror Support to Door Lower Attaching
11	0273 229	1	27		SCREW
12	0120 392	1	27		WASHER
13			27		NUT (DNS)
14	4097 792	2	27		PLATE, Mirror Control
15		1			SEAL, Serviced in Item 10
16	4267 872-3	1			GLASS REPLACEMENT PACKAGE, Mirror



MODEL CODES

E BODY = (J - CARAVELLE)(E - 600)(T - NEW YORKER)

G BODY = (V24 - DAYTONA)

H BODY = (D44 - LANCER)(C44 - LEBARON GTS)

J BODY = (C - LEBARON)

K BODY = (P - RELIANT)(D - ARIES)(C - LEBAROND)/TOWN & COUNTRY)

L BODY = (M - HORIZON/TURISMO)(Z - OMNI/CHARGER)

M BODY = (B - GRAN FURY)(F - FIFTH AVE/NEWPORT)(G - DIPLOMAT)

P BODY = (P - SUNDANCE)(D - SHADOW)

S BODY = (H - VOYAGER)(K - RAM VAN/CARAVAN)

BODY STYLES

12-13 = FWD VAN

21 = 2-DOOR SEDAN

24 = 2-DOOR HATCHBACK

27 = 2-DOOR CONVERTIBLE

41 = 4-DOOR SEDAN

44 = 4-DOOR HATCHBACK

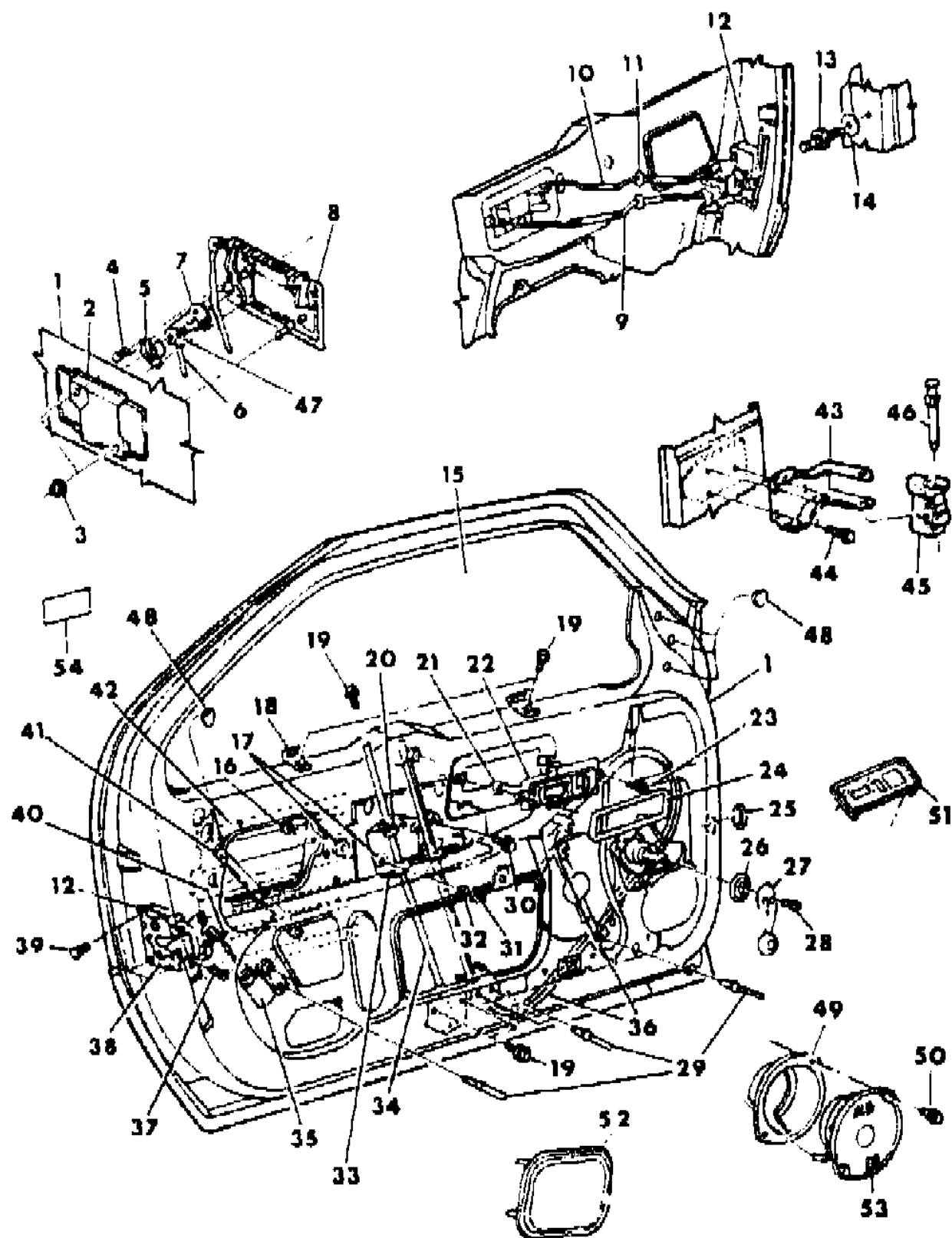
45 = 4-DOOR STATION WAGON

52-53 = FWD WAGON

AR = Use as Required - = Non Illustrated Part P.A.R. = Paint as Required

DOOR, FRONT COMPLETE LESS WEATHERSTRIP AND RUN G BODY
Figure 23C-3300

7171 3300 A



ITEM	PART NUMBER	QTY	BODY	MODEL	DESCRIPTION
1	4411 916-7	1			DOOR SHELL
	4397 112-3	1			PANEL, Repair
2	4336 200-1	1			BRACKET and ISOLATOR, Exterior Handle
3	6031 029	2			NUT, Exterior Handle Att.
4		2			SCREW (DNS)
5		1			RETAINER, Lock Cylinder, Refer to 23D
6	4184 690-1	1			LINK, Lock Cylinder to Latch
7		1			CYLINDER and KEY, Refer to 23D
8					HANDLE, Exterior
	4336 192-3	1			w/Illuminated Entry
	4336 196-7	1			w/o Illuminated Entry
	4336 222	1			STRAP, Exterior Handle Housing
9	4336 166-7	1			LINK, Latch Locking
10	4336 168-9	1			LINK, Remote Control Latch
11	3882 620	2			CLIP, Anti Rattle
12					LATCH, Door
	4336 377	1			Override, Left
	4336 378	1			Non Override, Right
	6501 220	AR			SCREW, Latch Att.
13	4310 543	2			STRIKER, Latch
14	4184 105	AR			SPACER, Striker
15					GLASS, Door
	4198 680-1	1			Clear
	4198 682-3	1			Tinted
16	6029 998	3			WASHER and STUD
17	5231 769	2			GASKET
18	#4365 862	4			STABILIZER, Glass
	3788 273	2			GUIDE, Lower Glass
19		AR			SCREW (DNS)
20	3788 080	2			SLEEVE, Glass Track Tube
21		6			U-NUT (DNS)
22	4396 572-3				HOUSING, Remote Control
23		6			SCREW (DNS)
24	4415 426-7	1			BEZEL, Remote Control Handle
25	6031 488	2			PLUG, Hinge Pillar
26	4184 405	2			SPACER, Window Regulator Handle
27	4310 825	2			HANDLE, Window Regulator
28	6031 644	2			SCREW

MODEL CODES

E BODY = (J - CARAVELLE)(E - 600)(T - NEW YORKER)

G BODY = (V24 - DAYTONA)

H BODY = (D44 - LANCER)(C44 - LEBARON GTS)

J BODY = (C - LEBARON)

K BODY = (P - RELIANT)(D - ARIES)(C - LEBAROND)/TOWN & COUNTRY)

L BODY = (M - HORIZON/TURISMO)(Z - OMNI/CHARGER)

M BODY = (B - GRAN FURY)(F - FIFTH AVE/NEWPORT)(G - DIPLOMAT)

P BODY = (P - SUNDANCE)(D - SHADOW)

S BODY = (H - VOYAGER)(K - RAM VAN/CARAVAN)

BODY STYLES

12-13 = FWD VAN

21 = 2-DOOR SEDAN

24 = 2-DOOR HATCHBACK

27 = 2-DOOR CONVERTIBLE

41 = 4-DOOR SEDAN

44 = 4-DOOR HATCHBACK

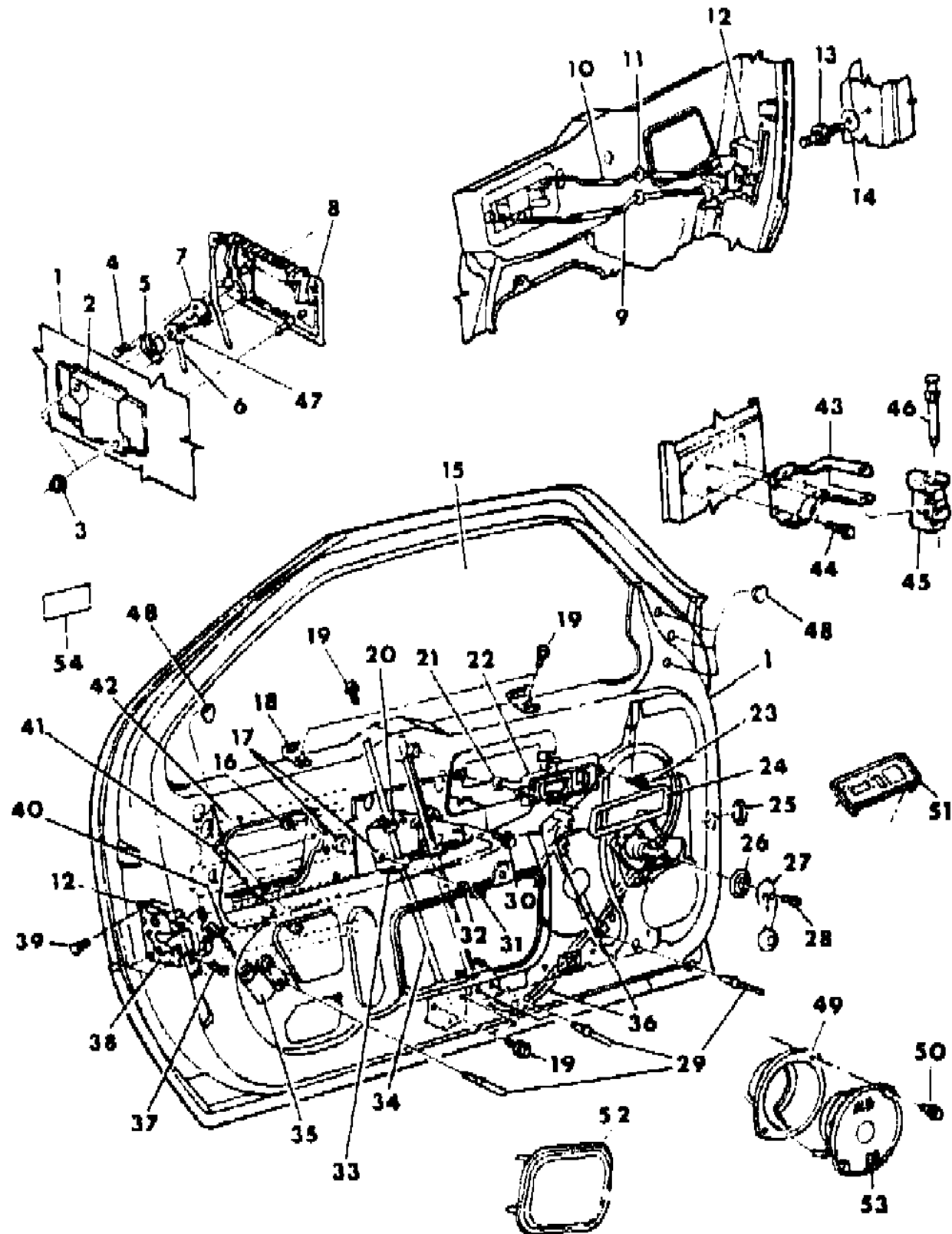
45 = 4-DOOR STATION WAGON

52-53 = FWD WAGON

AR = Use as Required - = Non Illustrated Part P.A.R. = Paint as Required

DOOR, FRONT COMPLETE LESS WEATHERSTRIP AND RUN G BODY
Figure 23C-3300

7171 3300 A



ITEM	PART NUMBER	QTY	BODY	MODEL	DESCRIPTION
29	6031 115	AR			RIVET
30	6500 912	2			SCREW
31		6			NUT and WASHER (DNS)
32	6028 587	6			T-NUT
33	4198 676-7	1			PLATE, Glass Lift
	4280 711	2			PAD, Plate
34	4198 688-9	1			TRACK, Glass Guide
35	4396 015	2			SOLENOID, Power Door Lock
	4184 172	2			CLIP, Solenoid
36					REGULATOR, Window
	4336 394-5	1			Manual
	4336 444-5	1			Electric
	4467 214	2			GEAR PACKAGE, Regulator Flexrack
	4365 062-3	1			MOTOR and MECHANISM, Electric Regulator
	4184 410	2			BRACKET, Motor Mtg.
	4184 575	4			BUMPER, Regulator Downstop
	4396 502-3				SPRING, Manual Regulator Assist
37	6032 079	2			SCREW, Filler
38	4184 378-9	1			FILLER, Latch to Inner Panel
39		3			SCREW (DNS)
40	4415 951	2			LINK, Solenoid to Latch
41	5231 294	2			BUMPER and RETAINER, Impact Bar
42		2			REINFORCEMENT, Impact Bar, Serviced in Item #1
43					HINGE, Body Half
	4365 815	2			Upper
	4365 813	2			Lower
44	6500 300	AR			SCREW, Hinge
	4336 288	AR			SHIM, Hinge
45	4280 730	2			HINGE, Door Half, Upper
	4280 732	2			Lower
46	4280 727	4			PIN, Hinge
47	3760 131	1			CLIP, Door Latch Locking Lever to Key Cylinder Link, Right
	3760 130	1			Left
48	4184 688	AR			PLUG
49	4372 481	2			ADAPTOR PLATE, Speaker
50		4			SCREW (DNS)
51					BEZEL, Armrest Switch
	4309 490	2			w/Door Locks

MODEL CODES

E BODY = (J - CARAVELLE)(E - 600)(T - NEW YORKER)

G BODY = (V24 - DAYTONA)

H BODY = (D44 - LANCER)(C44 - LEBARON GTS)

J BODY = (C - LEBARON)

K BODY = (P - RELIANT)(D - ARIES)(C - LEBAROND)/TOWN & COUNTRY)

L BODY = (M - HORIZON/TURISMO)(Z - OMNI/CHARGER)

M BODY = (B - GRAN FURY)(F - FIFTH AVE/NEWPORT)(G - DIPLOMAT)

P BODY = (P - SUNDANCE)(D - SHADOW)

S BODY = (H - VOYAGER)(K - RAM VAN/CARAVAN)

BODY STYLES

12-13 = FWD VAN

21 = 2-DOOR SEDAN

24 = 2-DOOR HATCHBACK

27 = 2-DOOR CONVERTIBLE

41 = 4-DOOR SEDAN

44 = 4-DOOR HATCHBACK

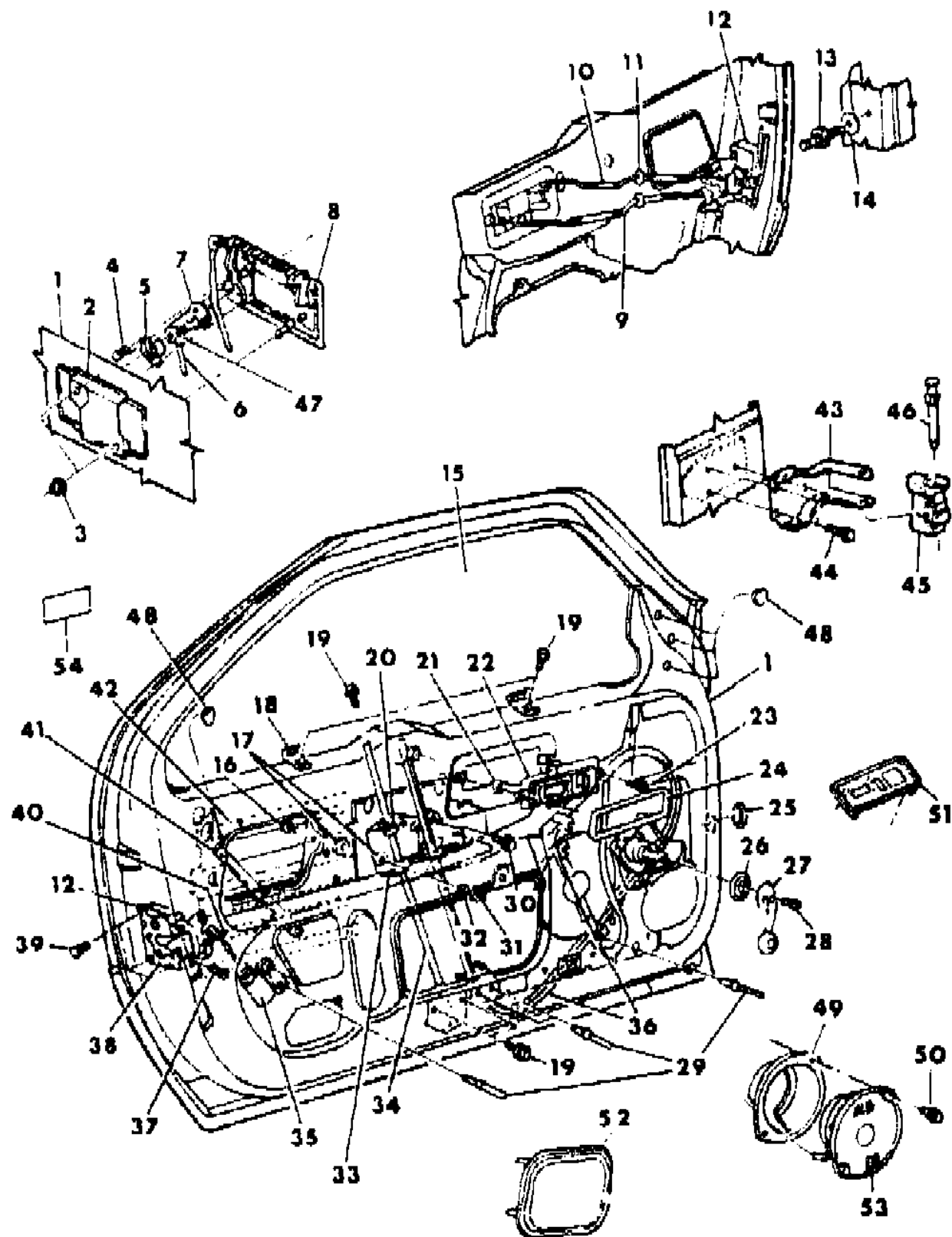
45 = 4-DOOR STATION WAGON

52-53 = FWD WAGON

AR = Use as Required - = Non Illustrated Part P.A.R. = Paint as Required

DOOR, FRONT COMPLETE LESS WEATHERSTRIP AND RUN G BODY
Figure 23C-3300

7171 3300 A



ITEM	PART NUMBER	QTY	BODY	MODEL	DESCRIPTION
	4309 491	1			Left, w/Door Locks and Electric Mirrors
	4247 711	1			Left, w/Electric Mirrors
	4309 492	2			w/Door Locks and Manual Remote Control Mirror
	4247 709	2			w/Manual Remote Control Mirrors
	4283 842	2			w/o Openings
52	4247 211	4			RETAINER, Armrest Switch Bezel
	P481 EE8	2			Cordovan
	P481 EX9	2			Black
	P481 EK3	2			Almond
	P481 ES8	2			Charcoal
53	4430 065	2			SPEAKER, Door
54	4365 683	1			DECAL, Seat Belt Safety

MODEL CODES

E BODY = (J - CARAVELLE)(E - 600)(T - NEW YORKER)

G BODY = (V24 - DAYTONA)

H BODY = (D44 - LANCER)(C44 - LEBARON GTS)

J BODY = (C - LEBARON)

K BODY = (P - RELIANT)(D - ARIES)(C - LEBAROND)/TOWN & COUNTRY)

L BODY = (M - HORIZON/TURISMO)(Z - OMNI/CHARGER)

M BODY = (B - GRAN FURY)(F - FIFTH AVE/NEWPORT)(G - DIPLOMAT)

P BODY = (P - SUNDANCE)(D - SHADOW)

S BODY = (H - VOYAGER)(K - RAM VAN/CARAVAN)

BODY STYLES

12-13 = FWD VAN

21 = 2-DOOR SEDAN

24 = 2-DOOR HATCHBACK

27 = 2-DOOR CONVERTIBLE

41 = 4-DOOR SEDAN

44 = 4-DOOR HATCHBACK

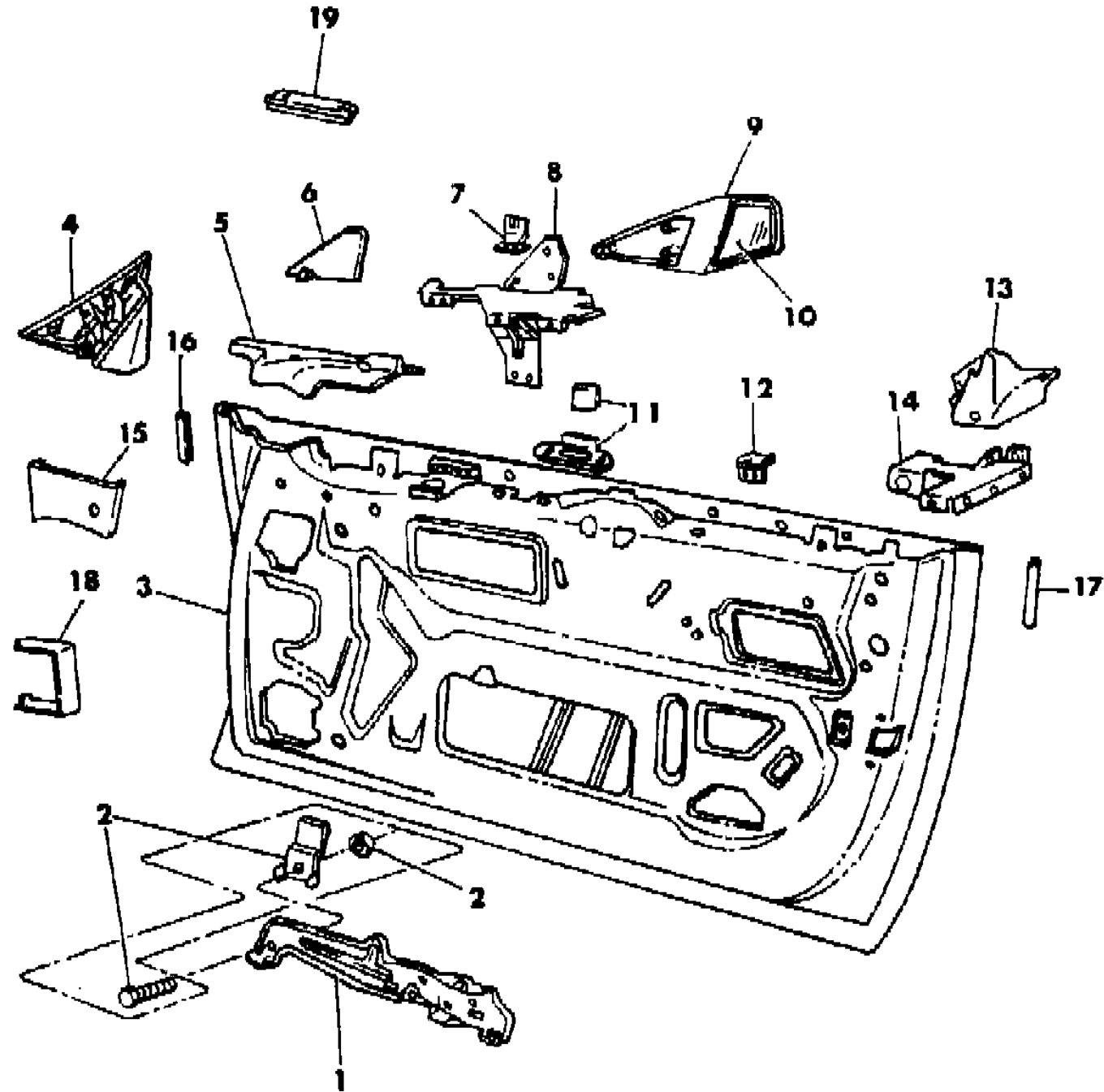
45 = 4-DOOR STATION WAGON

52-53 = FWD WAGON

AR = Use as Required - = Non Illustrated Part P.A.R. = Paint as Required

DOOR, FRONT WITH T BAR ROOF G BODY
Figure 23C-3400

7171 3400 A



ITEM	PART NUMBER	QTY	BODY	MODEL	DESCRIPTION
1	4397 106-7	1			STOP ASSEMBLY
2	4397 104	1			STABILIZER PACKAGE, Window Liftplate
3	4397 164-5	1			DOOR SHELL
4	4397 112-3	1			REPAIR PANEL PACKAGE, Door
5	4397 084-5	1			PANEL, "A" Pillar Lower Seal
6	4397 094-5	1			SEAL, Door Frame, Front
7	4397 066-7	1			BEZEL, Mirror
8	4397 018-9	1			REINFORCEMENT, Belt Moulding, Front
9	4397 068-9	1			BRACKET, Mirror Mtg.
10					MIRROR, Refer to Mirror Illustration
11					GLASS, Servied in #9
12	4397 099	2			BRACKET, Adjusting
13	4397 105	2			BRACKET, Window Upstop
14	4397 196-7	1			SEAL, Door Frame, Rear
15	4397 102-3	1			REINFORCEMENT, Belt, Rear
16	4397 162-3	1			COVER, Inner Belt Moulding
17	4397 126-7	1			TAPE, Blackout, Belt Front
18	4397 128-9	1			TAPE, Blackout, Belt Rear
19	4397 124-5	1			REINFORCEMENT, Hinge
	4397 118	2			RETAINER, Lower "A" Pillar Seal

MODEL CODES

E BODY = (J - CARAVELLE)(E - 600)(T - NEW YORKER)

G BODY = (V24 - DAYTONA)

H BODY = (D44 - LANCER)(C44 - LEBARON GTS)

J BODY = (C - LEBARON)

K BODY = (P - RELIANT)(D - ARIES)(C - LEBAROND)/TOWN & COUNTRY)

L BODY = (M - HORIZON/TURISMO)(Z - OMNI/CHARGER)

M BODY = (B - GRAN FURY)(F - FIFTH AVE/NEWPORT)(G - DIPLOMAT)

P BODY = (P - SUNDANCE)(D - SHADOW)

S BODY = (H - VOYAGER)(K - RAM VAN/CARAVAN)

BODY STYLES

12-13 = FWD VAN

21 = 2-DOOR SEDAN

24 = 2-DOOR HATCHBACK

27 = 2-DOOR CONVERTIBLE

41 = 4-DOOR SEDAN

44 = 4-DOOR HATCHBACK

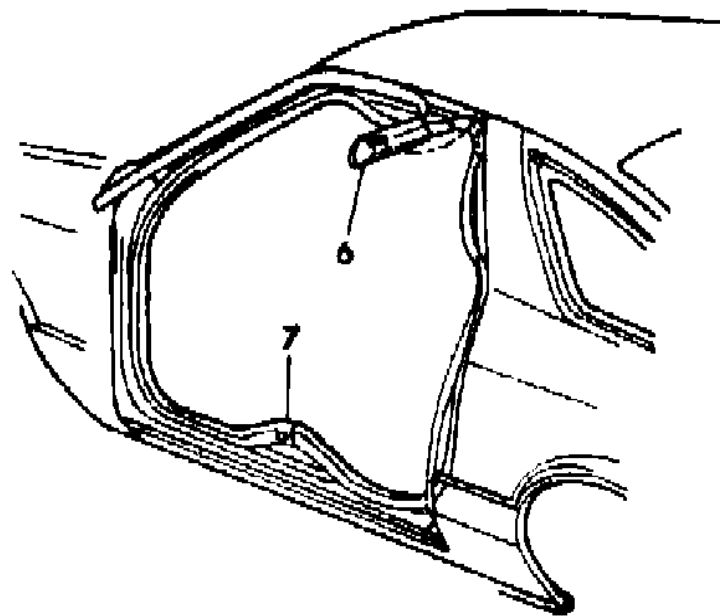
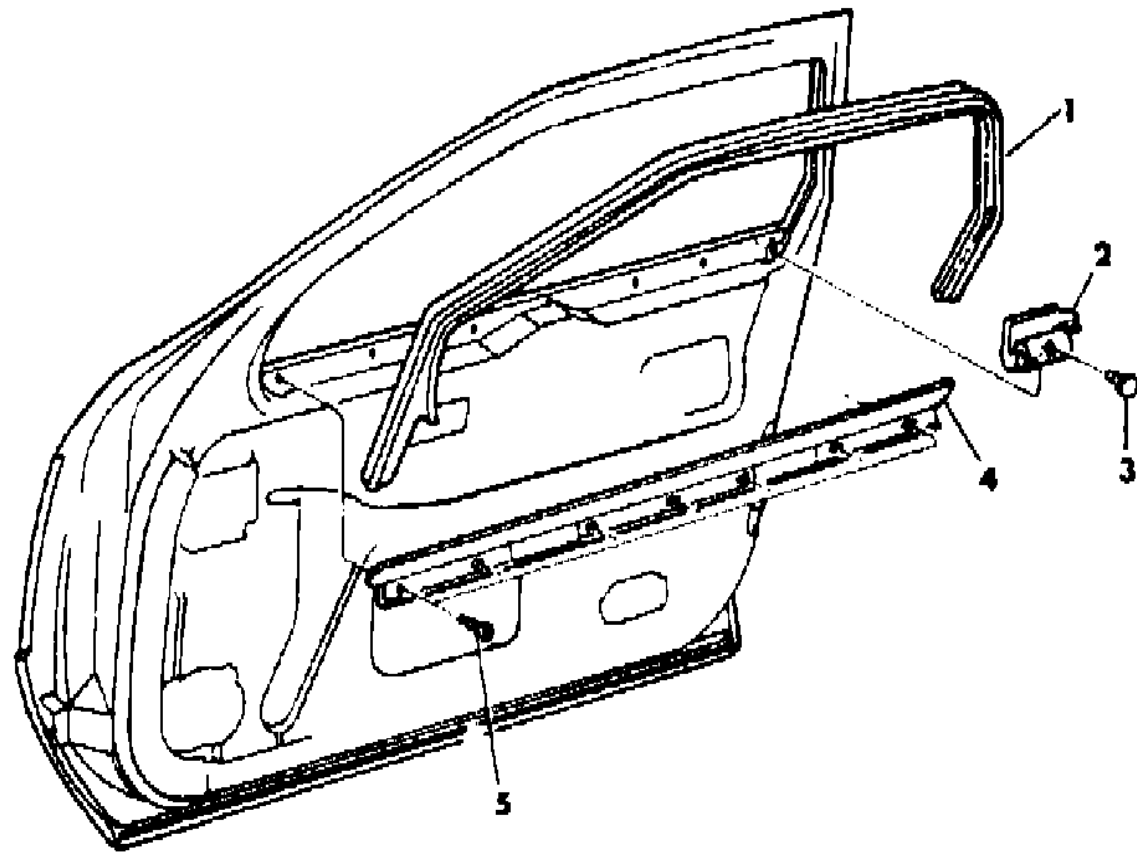
45 = 4-DOOR STATION WAGON

52-53 = FWD WAGON

AR = Use as Required - = Non Illustrated Part P.A.R. = Paint as Required

DOOR, FRONT WEATHERSTRIP AND RUN G BODY
Figure 23C-3500

7171 3500



ITEM	PART NUMBER	QTY	BODY	MODEL	DESCRIPTION
1		1			RUN, Door Glass
	4198 664-5	1			w/o Passive Restraint System
	4415 580-1	1			w/Passive Restraint System
2	4198 910-1	1			SEAL, Belt Weatherstrip, Rear
3	4280 811	2			RETAINER, Seal
4					WEATHERSTRIP, Belt
	4397 158-9	1			Outer
	4248 492-3	1			Inner, w/Muppet
	4280 142-3	1			BRACKET, Weatherstrip Retainer, Lower Rear
	4280 152-3	1			RETAINER, Weatherstrip
5	6032 456	14			SCREW, Belt Weatherstrip
6	4396 060	2			WEATHERSTRIP, Door Opening Drip
7	4396 466-7	1			WEATHERSTRIP, Door Opening

MODEL CODES

E BODY = (J - CARAVELLE)(E - 600)(T - NEW YORKER)

G BODY = (V24 - DAYTONA)

H BODY = (D44 - LANCER)(C44 - LEBARON GTS)

J BODY = (C - LEBARON)

K BODY = (P - RELIANT)(D - ARIES)(C - LEBAROND)/TOWN & COUNTRY)

L BODY = (M - HORIZON/TURISMO)(Z - OMNI/CHARGER)

M BODY = (B - GRAN FURY)(F - FIFTH AVE/NEWPORT)(G - DIPLOMAT)

P BODY = (P - SUNDANCE)(D - SHADOW)

S BODY = (H - VOYAGER)(K - RAM VAN/CARAVAN)

BODY STYLES

12-13 = FWD VAN

21 = 2-DOOR SEDAN

24 = 2-DOOR HATCHBACK

27 = 2-DOOR CONVERTIBLE

41 = 4-DOOR SEDAN

44 = 4-DOOR HATCHBACK

45 = 4-DOOR STATION WAGON

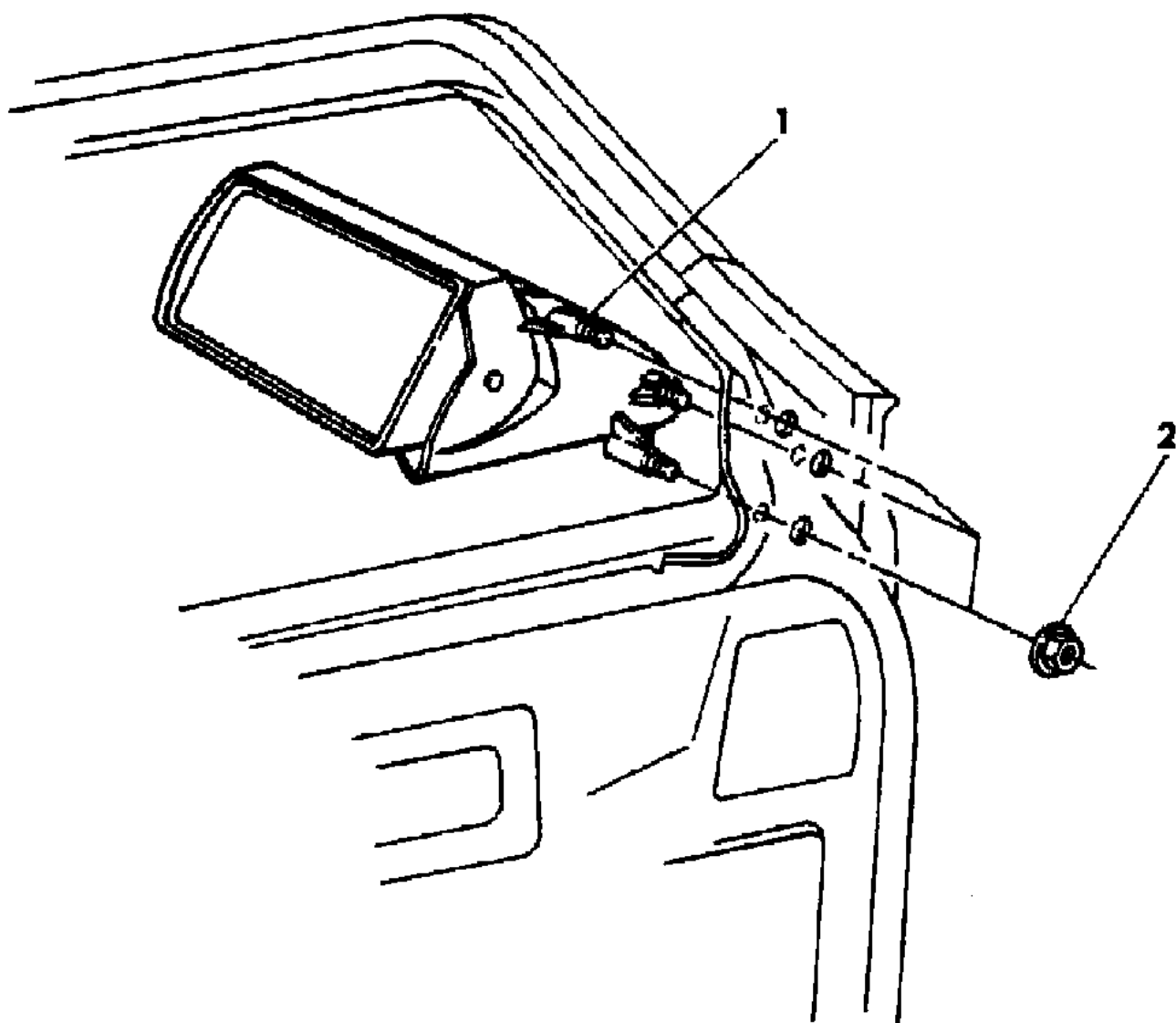
52-53 = FWD WAGON

AR = Use as Required - = Non Illustrated Part P.A.R. = Paint as Required

MIRROR, EXTERIOR G BODY
Figure 23C-3600

7171 3800

ITEM	PART NUMBER	QTY	BODY	MODEL	DESCRIPTION
1					MIRROR PACKAGE
	4299 532-3	1			Prime, Remote Control
	4299 534-5	1			Prime, Electric
	4397 168-9	1			w/T Bar Roof
	4318 288-9	1			GLASS REPLACEMENT PACKAGE, Mirror, w/o T-Bar Roof
2	6100 044	AR			NUT, Mirror Att.
	4299 028	2			Remote Control Knob



MODEL CODES

E BODY = (J - CARAVELLE)(E - 600)(T - NEW YORKER)

G BODY = (V24 - DAYTONA)

H BODY = (D44 - LANCER)(C44 - LEBARON GTS)

J BODY = (C - LEBARON)

K BODY = (P - RELIANT)(D - ARIES)(C - LEBAROND)/TOWN & COUNTRY)

L BODY = (M - HORIZON/TURISMO)(Z - OMNI/CHARGER)

M BODY = (B - GRAN FURY)(F - FIFTH AVE/NEWPORT)(G - DIPLOMAT)

P BODY = (P - SUNDANCE)(D - SHADOW)

S BODY = (H - VOYAGER)(K - RAM VAN/CARAVAN)

BODY STYLES

12-13 = FWD VAN

21 = 2-DOOR SEDAN

24 = 2-DOOR HATCHBACK

27 = 2-DOOR CONVERTIBLE

41 = 4-DOOR SEDAN

44 = 4-DOOR HATCHBACK

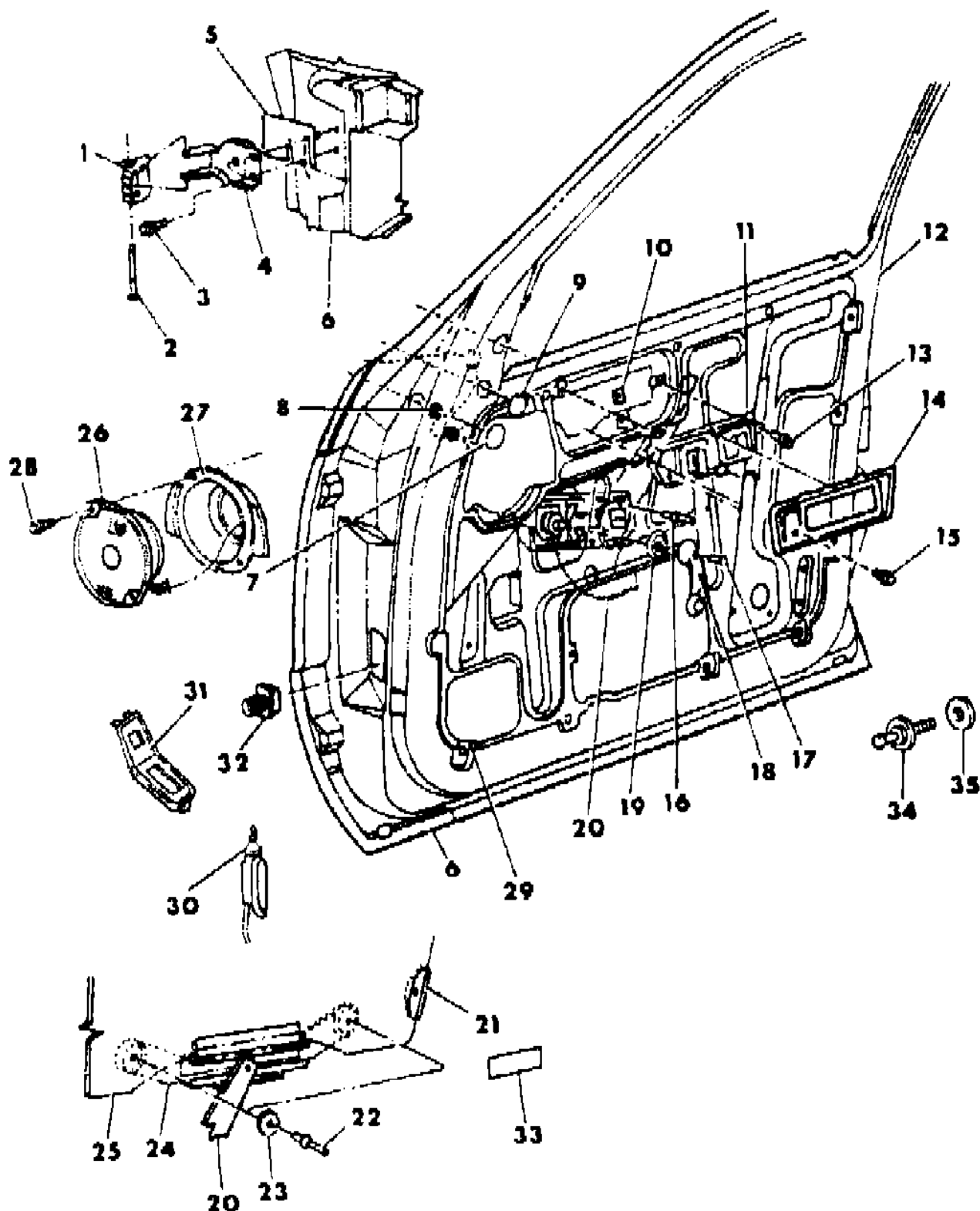
45 = 4-DOOR STATION WAGON

52-53 = FWD WAGON

AR = Use as Required - = Non Illustrated Part P.A.R. = Paint as Required

DOOR, FRONT SHELL, HANDLE AND CONTROL H BODY
Figure 23C-3700

7171 3700 A



ITEM	PART NUMBER	QTY	BODY	MODEL	DESCRIPTION
1	4365 028	2			HINGE, Door Half, Upper
	4365 026	2			Lower
2	4280 727	2			PIN, Hinge
3	6500 354	6			SCREW, Hinge Att.
4	4365 815	2			HINGE, Body Half, Upper
	4365 813	2			Lower
5	4336 288	AR			SHIM, Hinge
6					PILLAR, Hinge, Refer to 23A
7	4299 334	2			PLUG, Trim Panel, Front
8		AR			NUT (DNS)
9	2860 332	2			PLUG
10		3			U-NUT (DNS)
11	4396 576-7				HOUSING, Remote Control
12	4411 958-9	1			DOOR SHELL
	4280 670-1	1			PANEL, Repair
13		3			SCREW (DNS)
14	4310 486-7	1			BEZEL, Remote Control
					APPLIQUE, Remote Control Bezel
	4336 093	1			Left, w/Electric Mirror
	4310 492	1			Right, w/Electric Mirror or w/o Mirror
	4310 490	2			w/Dual Remote Control Mirrors
15		2			SCREW, Bezel Att.(DNS)
16	6031 115	14			RIVET
17	6027 221	2			SCREW, Window Regulator Handle
18	4310 824	2			HANDLE, Window Regulator
19	3882 768	2			SPACER, Window Regulator Handle
20					REGULATOR, Window
	4310 200-1	1			Manual
	4445 386-7	1			Electric
	4467 214	AR			GEAR PACKAGE, Regulator Flexrack
	4310 574	2			SLIDE, Electric Window Regulator
	6032 029	2			CLIP, Slide Retaining
	3508 121	2			SPRING, Manual Regulator Assist
21	4339 372	2			SLIDE PACKAGE, Glass Rear Edge
22-23	4365 679	2			ATTACHING PACKAGE, Glass to Lift Channel
22		2			RIVET, Serviced in Package
23	4310 149	2			GASKET, Glass
24	4310 147	2			CHANNEL and WASHER, Glass Lift

MODEL CODES

E BODY = (J - CARAVELLE)(E - 600)(T - NEW YORKER)

G BODY = (V24 - DAYTONA)

H BODY = (D44 - LANCER)(C44 - LEBARON GTS)

J BODY = (C - LEBARON)

K BODY = (P - RELIANT)(D - ARIES)(C - LEBAROND)/TOWN & COUNTRY)

L BODY = (M - HORIZON/TURISMO)(Z - OMNI/CHARGER)

M BODY = (B - GRAN FURY)(F - FIFTH AVE/NEWPORT)(G - DIPLOMAT)

P BODY = (P - SUNDANCE)(D - SHADOW)

S BODY = (H - VOYAGER)(K - RAM VAN/CARAVAN)

BODY STYLES

12-13 = FWD VAN

21 = 2-DOOR SEDAN

24 = 2-DOOR HATCHBACK

27 = 2-DOOR CONVERTIBLE

41 = 4-DOOR SEDAN

44 = 4-DOOR HATCHBACK

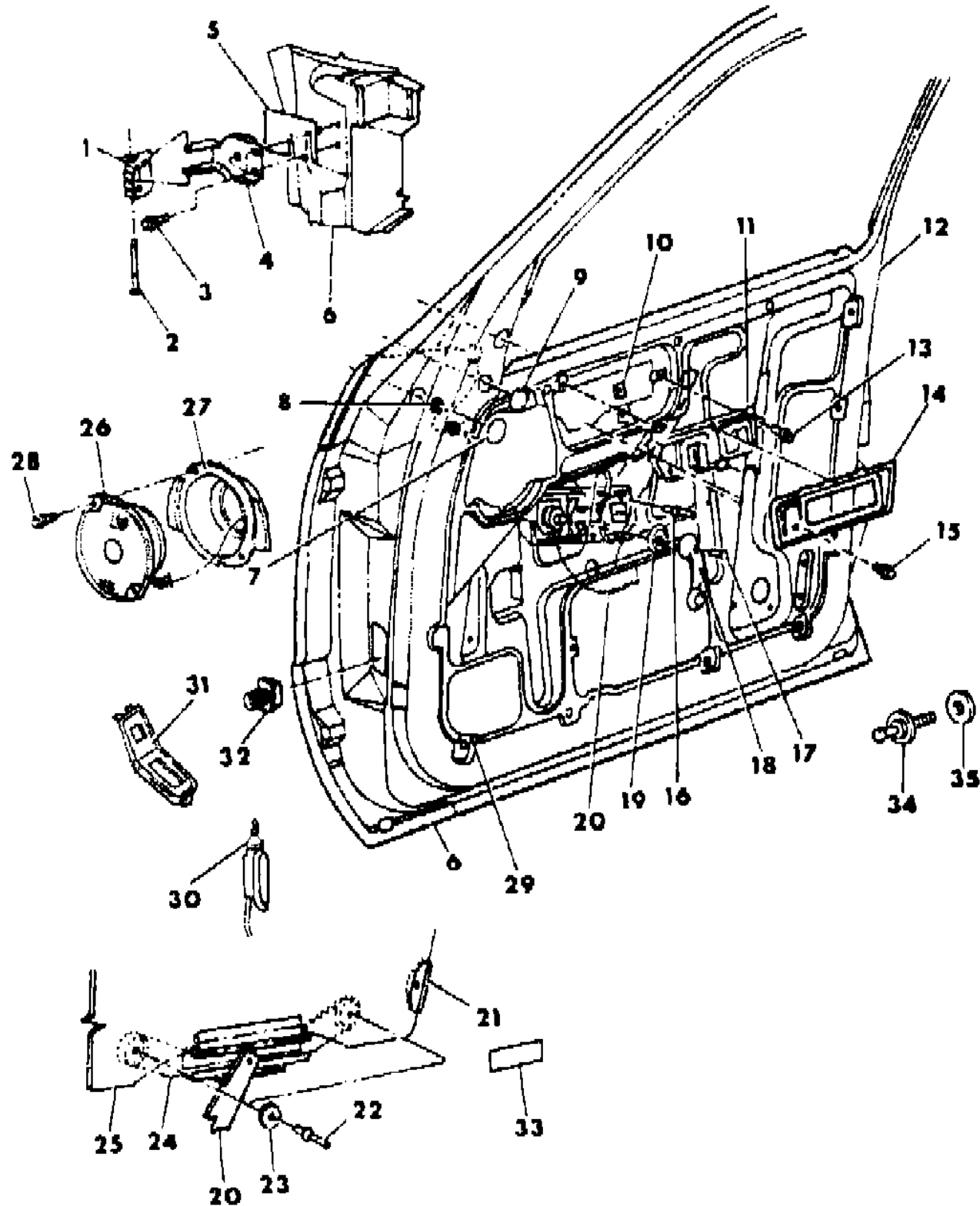
45 = 4-DOOR STATION WAGON

52-53 = FWD WAGON

AR = Use as Required - = Non Illustrated Part P.A.R. = Paint as Required

DOOR, FRONT SHELL, HANDLE AND CONTROL H BODY
Figure 23C-3700

7171 3700 A



ITEM	PART NUMBER	QTY	BODY	MODEL	DESCRIPTION
25					GLASS, Front Door
	4310 784-5	1			Clear
	4415 208-9				Tinted
26					SPEAKER, Door
	4372 156	2			w/Infinity Sound System
	4430 067	2			w/Four Speaker System
	4430 179	2			w/Six Speaker System
	4467 417	2			PLATE, Speaker Mtg., Shelby Lanser
	4453 432-3	1			GASKET, Speaker
27	4372 484-5	1			ADAPTOR, Speaker
28		4			SCREW, Speaker Att. (DNS)
29	4331 726	2			CUP, Wiring
30	4396 016	2			SOLENOID, Power Door Lock
31					BEZEL and FINISH PLATE, Pocket Panel
	4283 385	1			w/Electric Windows and Door Locks, Left
	4283 386	1			w/Electric Windows and Door Locks, Right
	4283 389	1			w/Electric Windows, w/o Door Locks, Left
	4283 390	1			w/Electric Windows, w/o Door Locks, Right
32	4368 560	2			TUBE, Wiring Hole Flex
33	4365 683	1			DECAL, Seat Belt Safety
34	4310 543	2			STRIKER, Latch
35	4184 105	AR			SPACER, Latch Striker

MODEL CODES

E BODY = (J - CARAVELLE)(E - 600)(T - NEW YORKER)

G BODY = (V24 - DAYTONA)

H BODY = (D44 - LANCER)(C44 - LEBARON GTS)

J BODY = (C - LEBARON)

K BODY = (P - RELIANT)(D - ARIES)(C - LEBAROND)/TOWN & COUNTRY)

L BODY = (M - HORIZON/TURISMO)(Z - OMNI/CHARGER)

M BODY = (B - GRAN FURY)(F - FIFTH AVE/NEWPORT)(G - DIPLOMAT)

P BODY = (P - SUNDANCE)(D - SHADOW)

S BODY = (H - VOYAGER)(K - RAM VAN/CARAVAN)

BODY STYLES

12-13 = FWD VAN

21 = 2-DOOR SEDAN

24 = 2-DOOR HATCHBACK

27 = 2-DOOR CONVERTIBLE

41 = 4-DOOR SEDAN

44 = 4-DOOR HATCHBACK

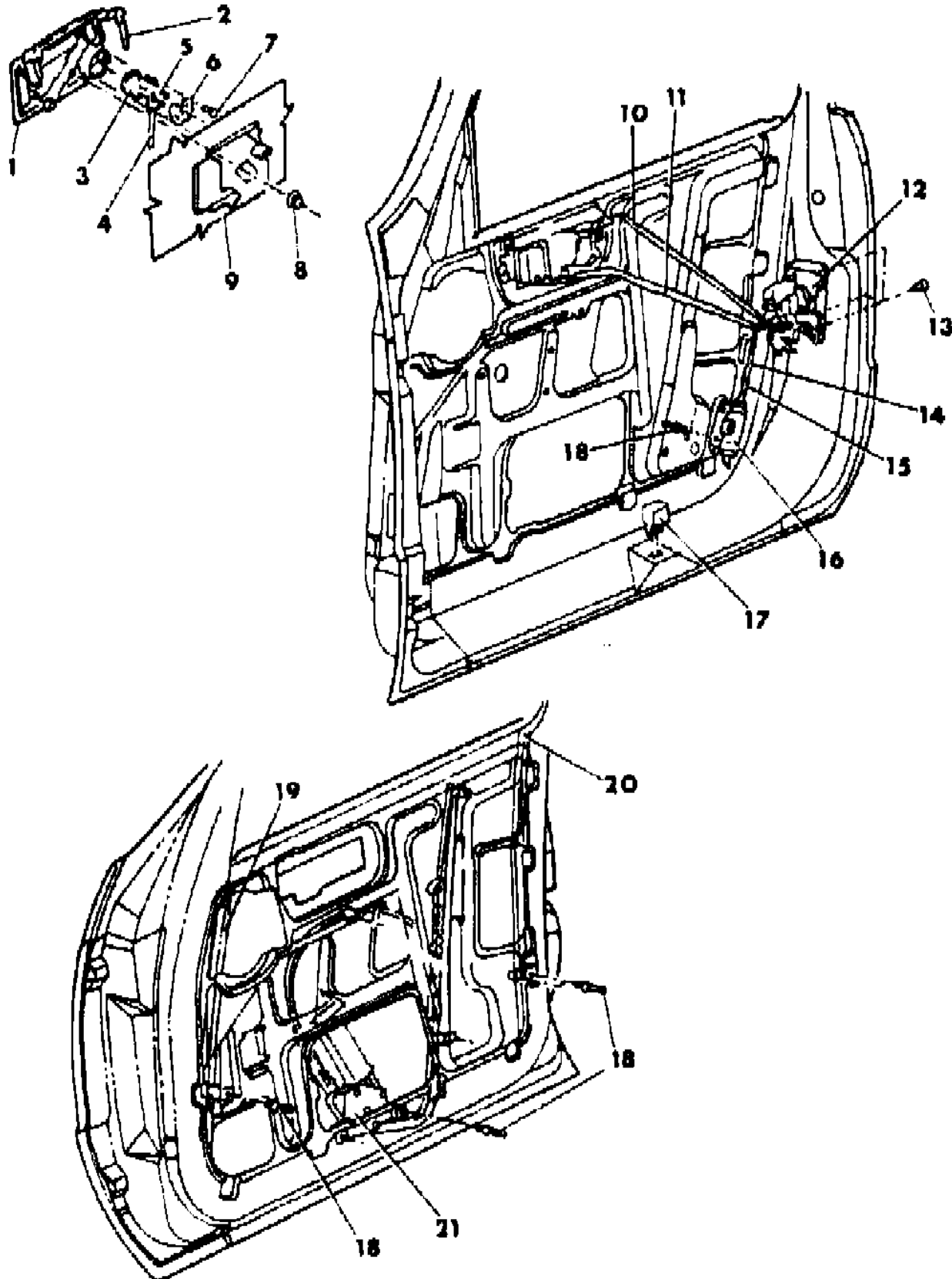
45 = 4-DOOR STATION WAGON

52-53 = FWD WAGON

AR = Use as Required - = Non Illustrated Part P.A.R. = Paint as Required

DOOR, FRONT HANDLE AND REGULATOR H BODY
Figure 23C-3800

7171 3800



ITEM	PART NUMBER	QTY	BODY	MODEL	DESCRIPTION
1	4419 008-9	1			HANDLE, Exterior Door
	6031 029	4			NUT, Handle Att.
2	4280 890-1	1			LINK, Handle to Latch
3					CYLINDER, Lock, Refer to 23D
4	4280 894-5	1			LINK, Cylinder to Latch
5					LEVER, Cylinder to Latch, Serviced in Item #3
6		1			RETAINER, Lock Cylinder, Refer to 23D
7		2			SCREW (DNS)
8	6031 029	2			NUT
9	4336 200-1	1			BRACKET and INSULATOR, Exterior Handle
10	4280 904-5	1			LINK, Latch Locking
11	4280 908-9	1			LINK, Latch Locking
12					LATCH, Front Door
	4336 377	1			Left
	4336 378	1			Right
	6501 220	AR			SCREW, Latch Att.
13		AR			SCREW (DNS)
14	4280 924	2			LINK, Power Locking
15	4184 244	2			CLIP
16	4396 016	2			SOLENOID, Door Lock
17	4396 189	2			BUMPER, Glass Downstop
18	6031 115	AR			RIVET
19	4310 150-1	1			CHANNEL and BRACKET, Glass Run Front
20	4365 036-7	1			RETAINER and BRACKET, Glass Run Lower, Rear
	4310 768-9	1			RETAINER, Glass Run Upper Rear
	4206 246	2			BUMPER, Glass Run Rear Retainer Lower Support
21	4310 576-7	1			MOTOR and MECHANISM, Electric Window
	4310 572-3	1			BRACKET, Motor Mtg.

MODEL CODES

E BODY = (J - CARAVELLE)(E - 600)(T - NEW YORKER)

G BODY = (V24 - DAYTONA)

H BODY = (D44 - LANCER)(C44 - LEBARON GTS)

J BODY = (C - LEBARON)

K BODY = (P - RELIANT)(D - ARIES)(C - LEBAROND)/TOWN & COUNTRY)

L BODY = (M - HORIZON/TURISMO)(Z - OMNI/CHARGER)

M BODY = (B - GRAN FURY)(F - FIFTH AVE/NEWPORT)(G - DIPLOMAT)

P BODY = (P - SUNDANCE)(D - SHADOW)

S BODY = (H - VOYAGER)(K - RAM VAN/CARAVAN)

BODY STYLES

12-13 = FWD VAN

21 = 2-DOOR SEDAN

24 = 2-DOOR HATCHBACK

27 = 2-DOOR CONVERTIBLE

41 = 4-DOOR SEDAN

44 = 4-DOOR HATCHBACK

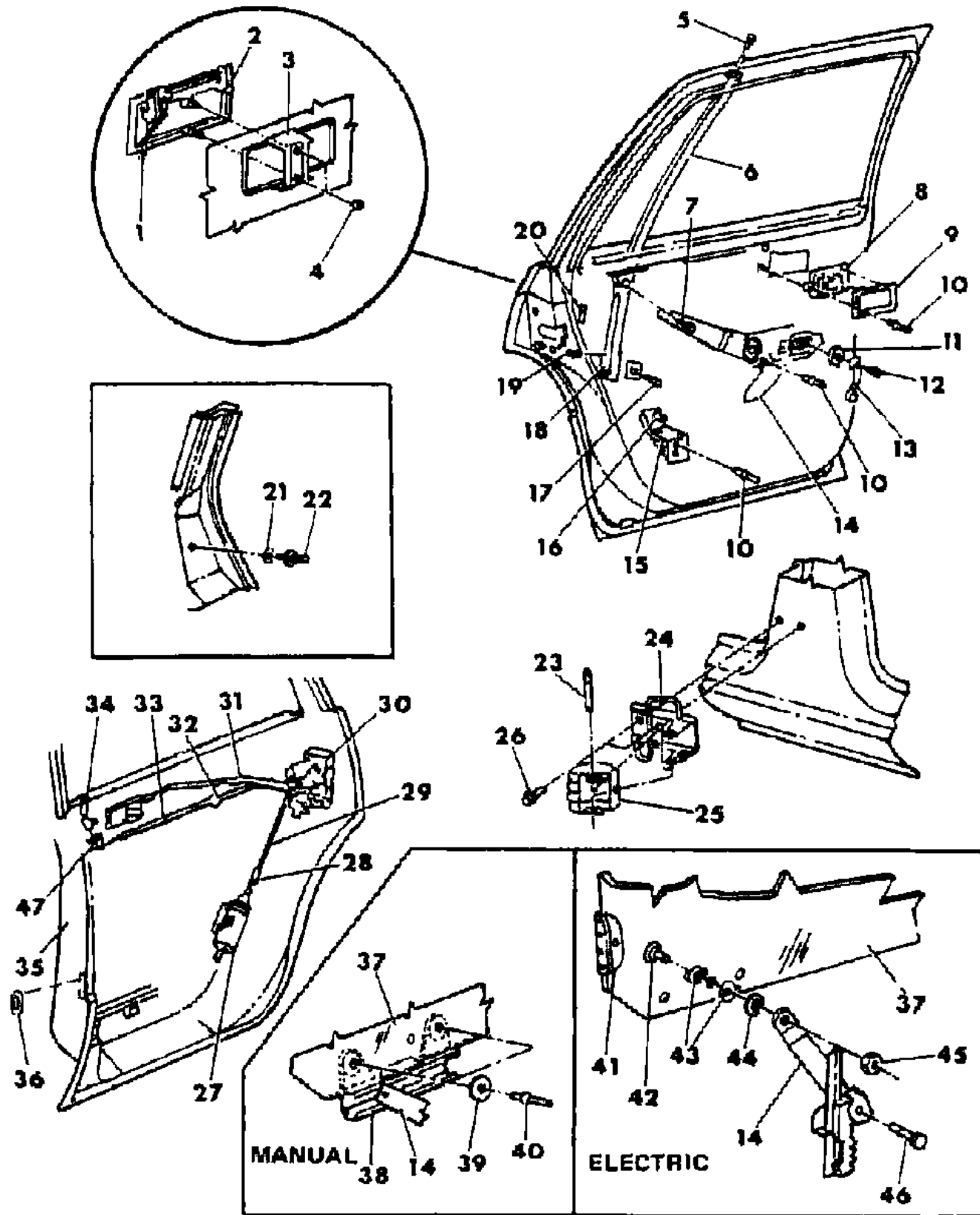
45 = 4-DOOR STATION WAGON

52-53 = FWD WAGON

AR = Use as Required - = Non Illustrated Part P.A.R. = Paint as Required

DOOR, REAR SHELL, HANDLE, GLASS AND CONTROLS H BODY
Figure 23C-3900

7171 3900



ITEM	PART NUMBER	QTY	BODY	MODEL	DESCRIPTION
1	4280 900-1	1			LINK, Exterior Handle Latch
2	4419 010-1	1			HANDLE, Exterior
3		1			BRACKET and INSULATOR, Serviced in Item 2
4	6500 284	4			NUT, Exterior Handle Mtg.
5		2			SCREW (DNS)
6	4396 990-1				CHANNEL and GLASS, Division
7	6100 566	2			SCREW
8	4310 798-9	1			HOUSING, Remote Control
9	4310 800	2			BEZEL, Remote Control
10	6031 115	AR			RIVET
11	3882 768	2			SPACER, Window Regulator Handle
12	6027 221	2			SCREW
13	4310 824	2			HANDLE, Window Regulator
14					REGULATOR, Window
	4310 206	2			Manual
	4415 482				Electric
	4419 044-5	1			REGULATOR ASSEMBLY PACKAGE, Electric Windows
	4467 214	2			GEAR PACKAGE, Regulator Flexrack
	4415 456-7	1			ARM, Electric Window Regulator
	4310 642-3	1			MOTOR and MECHANISM, Electric Window
	4310 646-7	1			BRACKET, Motor and Track Mtg.
15	4310 588-9	1			BRACKET, Glass Downstop
16	4184 575	2			BUMPER, Glass Regulator Stop
17	6100 566	2			SCREW
18	4310 670-1	1			BRACKET, Division Bar Lower
19	#6100 041	2			U-NUT
20	6501 013	2			SCREW
21	4184 105	AR			SPACER, Striker
22	4310 543	2			STRIKER, Latch
23	4280 727	2			PIN, Hinge
24	4310 182	2			HINGE, Body Half, Lower
	4310 933	2			Upper
25	4415 934	2			HINGE, Door Half, Upper
	4415 932	2			Lower
26	6500 354	2			SCREW, Hinge
27	4396 016	2			SOLENOID, Door Lock
28	4184 172	2			CLIP
29	4280 926	2			LINK, Electric Locking

MODEL CODES

E BODY = (J - CARAVELLE)(E - 600)(T - NEW YORKER)

G BODY = (V24 - DAYTONA)

H BODY = (D44 - LANCER)(C44 - LEBARON GTS)

J BODY = (C - LEBARON)

K BODY = (P - RELIANT)(D - ARIES)(C - LEBAROND)/TOWN & COUNTRY)

L BODY = (M - HORIZON/TURISMO)(Z - OMNI/CHARGER)

M BODY = (B - GRAN FURY)(F - FIFTH AVE/NEWPORT)(G - DIPLOMAT)

P BODY = (P - SUNDANCE)(D - SHADOW)

S BODY = (H - VOYAGER)(K - RAM VAN/CARAVAN)

BODY STYLES

12-13 = FWD VAN

21 = 2-DOOR SEDAN

24 = 2-DOOR HATCHBACK

27 = 2-DOOR CONVERTIBLE

41 = 4-DOOR SEDAN

44 = 4-DOOR HATCHBACK

45 = 4-DOOR STATION WAGON

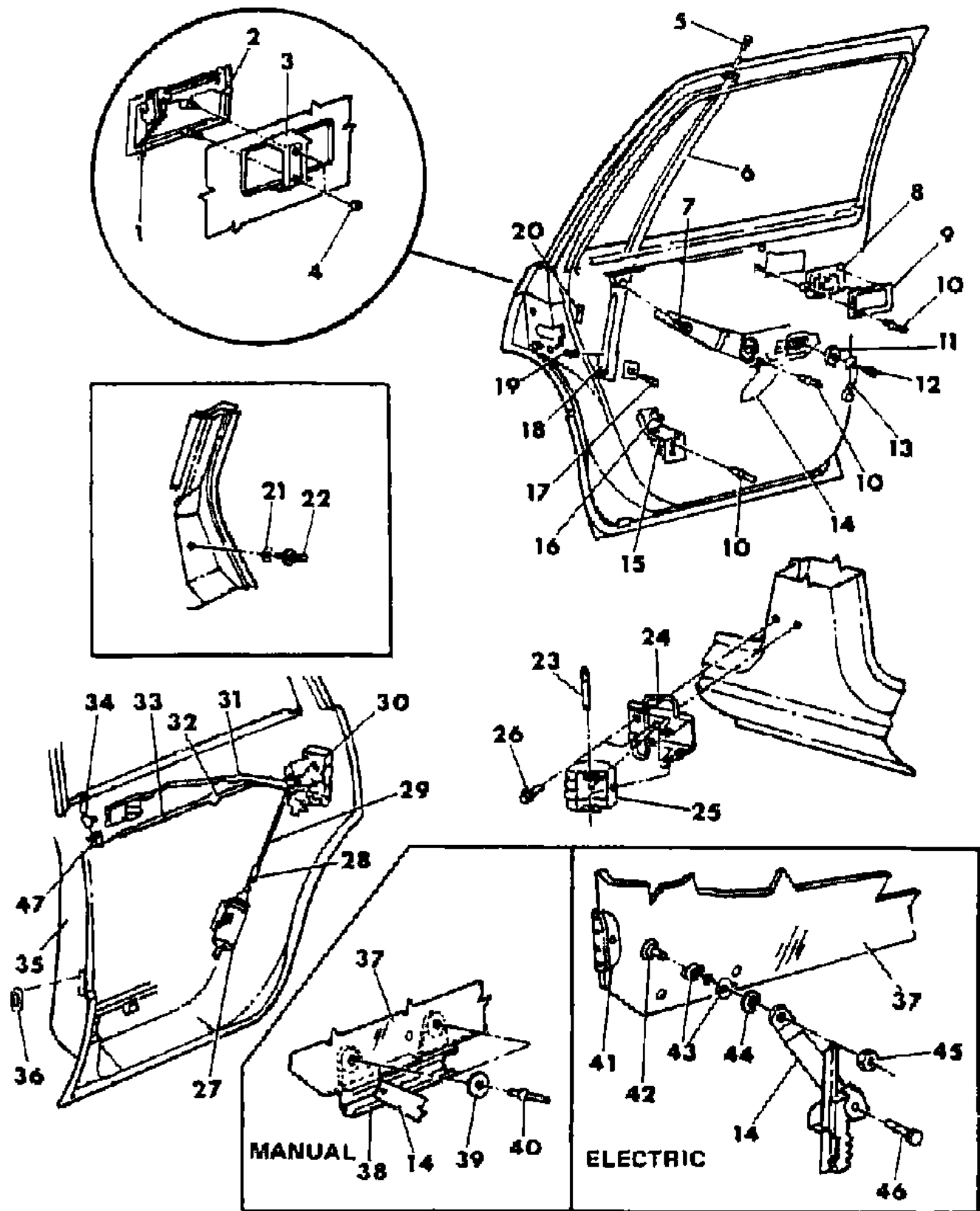
52-53 = FWD WAGON

AR = Use as Required - = Non Illustrated Part P.A.R. = Paint as Required

DOOR, REAR SHELL, HANDLE, GLASS AND CONTROLS H BODY

Figure 23C-3900

7171 3900



ITEM	PART NUMBER	QTY	BODY	MODEL	DESCRIPTION
30	4365 928-9	1			LATCH, Door
	6501 220	AR			SCREW, Latch Att.
31	4280 916-7	1			LINK, Remote Control Latch
32	4365 384-5	1			LINK, Latch Locking
33	3882 620	2			CLIP, Anti Rattle
34					KNOB, Locking
	D439 DA3	2			Silver
	D439 EE8	2			Cordovan
	D439 EK1	2			Almond
	D439 DX9	2			Black
					BEZEL, Locking Knob
	D444 DA3	2			Silver
	D444 EE8	2			Cordovan
	D444 EK1	2			Almond
	D444 DX9	2			Black
35	4397 482-3	1			SHELL, Door
	4280 674-5	1			PANEL, Repair
36	6031 488	2			PLUG
37					GLASS, Movable
	4280 684-5	1			Clear
	4280 686-7	1			Tinted
38	4310 216	2			CHANNEL, Glass Lift
39-40	4365 679	2			ATTACHING PACKAGE, Glass to Lift Channel
39	4310 149	2			GASKET
40		2			RIVET, Serviced in Package
41	4339 372	2			SLIDE PACKAGE, Glass Rear Edge
42	6032 124	2			WASHER and STUD
43	5231 769	2			GASKET, Glass Insulator
44	6028 587	2			T-NUT
45	6032 125	1			NUT, Sleeve
46	6500 617	1			BOLT
47	4336 824-5	1			LEVER, Latch Locking

MODEL CODES

E BODY = (J - CARAVELLE)(E - 600)(T - NEW YORKER)

G BODY = (V24 - DAYTONA)

H BODY = (D44 - LANCER)(C44 - LEBARON GTS)

J BODY = (C - LEBARON)

K BODY = (P - RELIANT)(D - ARIES)(C - LEBAROND)/TOWN & COUNTRY)

L BODY = (M - HORIZON/TURISMO)(Z - OMNI/CHARGER)

M BODY = (B - GRAN FURY)(F - FIFTH AVE/NEWPORT)(G - DIPLOMAT)

P BODY = (P - SUNDANCE)(D - SHADOW)

S BODY = (H - VOYAGER)(K - RAM VAN/CARAVAN)

BODY STYLES

12-13 = FWD VAN

21 = 2-DOOR SEDAN

24 = 2-DOOR HATCHBACK

27 = 2-DOOR CONVERTIBLE

41 = 4-DOOR SEDAN

44 = 4-DOOR HATCHBACK

45 = 4-DOOR STATION WAGON

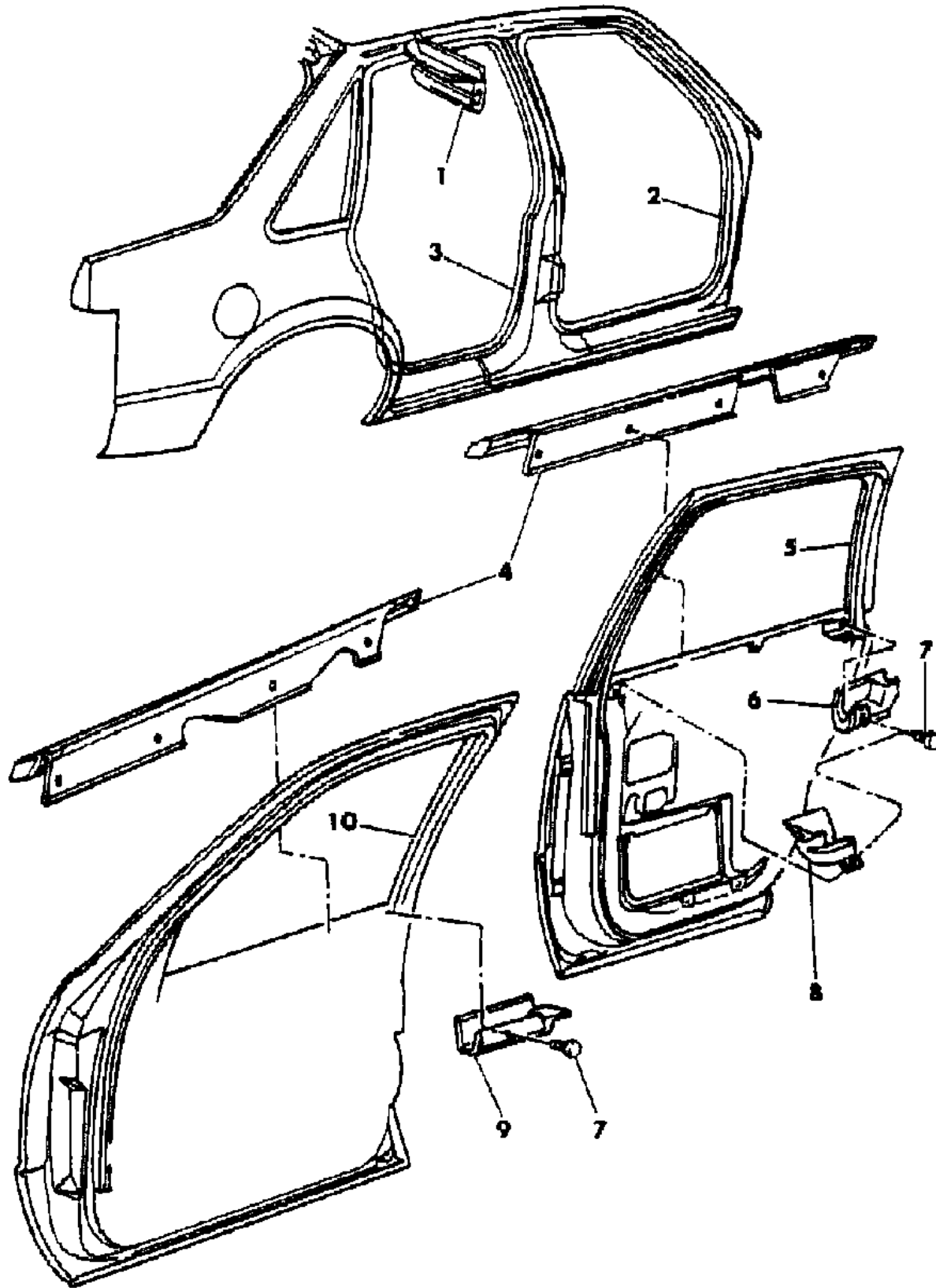
52-53 = FWD WAGON

AR = Use as Required - = Non Illustrated Part P.A.R. = Paint as Required

DOOR, FRONT AND REAR WEATHERSTRIPS AND RUNS H BODY
Figure 23C-4000

7171 4000

ITEM	PART NUMBER	QTY	BODY	MODEL	DESCRIPTION
1	4396 940	2			WEATHERSTRIP, Front and Rear Door Opening, Drip
2	4310 924-5	1			WEATHERSTRIP, Front Door Opening
3	4310 926-7	1			WEATHERSTRIP, Rear Door Opening
4					MOULDING, Refer to Ext. Ornamentation
5	4310 134-5	1			RUN, Rear Door Glass
6	4310 142-3	1			SEAL, Rear Door Belt, Rear End
7	4280 811	4			RETAINER, Front and Rear Seal
8	4310 140-1	1			SEAL, Rear Door Belt, Front End
9	4310 126-7	1			SEAL, Front Door Belt, Rear End
	4310 124-5	1			Front End
10	4415 236-7				RUN, Front Door Glass



MODEL CODES

E BODY = (J - CARAVELLE)(E - 600)(T - NEW YORKER)

G BODY = (V24 - DAYTONA)

H BODY = (D44 - LANCER)(C44 - LEBARON GTS)

J BODY = (C - LEBARON)

K BODY = (P - RELIANT)(D - ARIES)(C - LEBAROND)/TOWN & COUNTRY)

L BODY = (M - HORIZON/TURISMO)(Z - OMNI/CHARGER)

M BODY = (B - GRAN FURY)(F - FIFTH AVE/NEWPORT)(G - DIPLOMAT)

P BODY = (P - SUNDANCE)(D - SHADOW)

S BODY = (H - VOYAGER)(K - RAM VAN/CARAVAN)

BODY STYLES

12-13 = FWD VAN

21 = 2-DOOR SEDAN

24 = 2-DOOR HATCHBACK

27 = 2-DOOR CONVERTIBLE

41 = 4-DOOR SEDAN

44 = 4-DOOR HATCHBACK

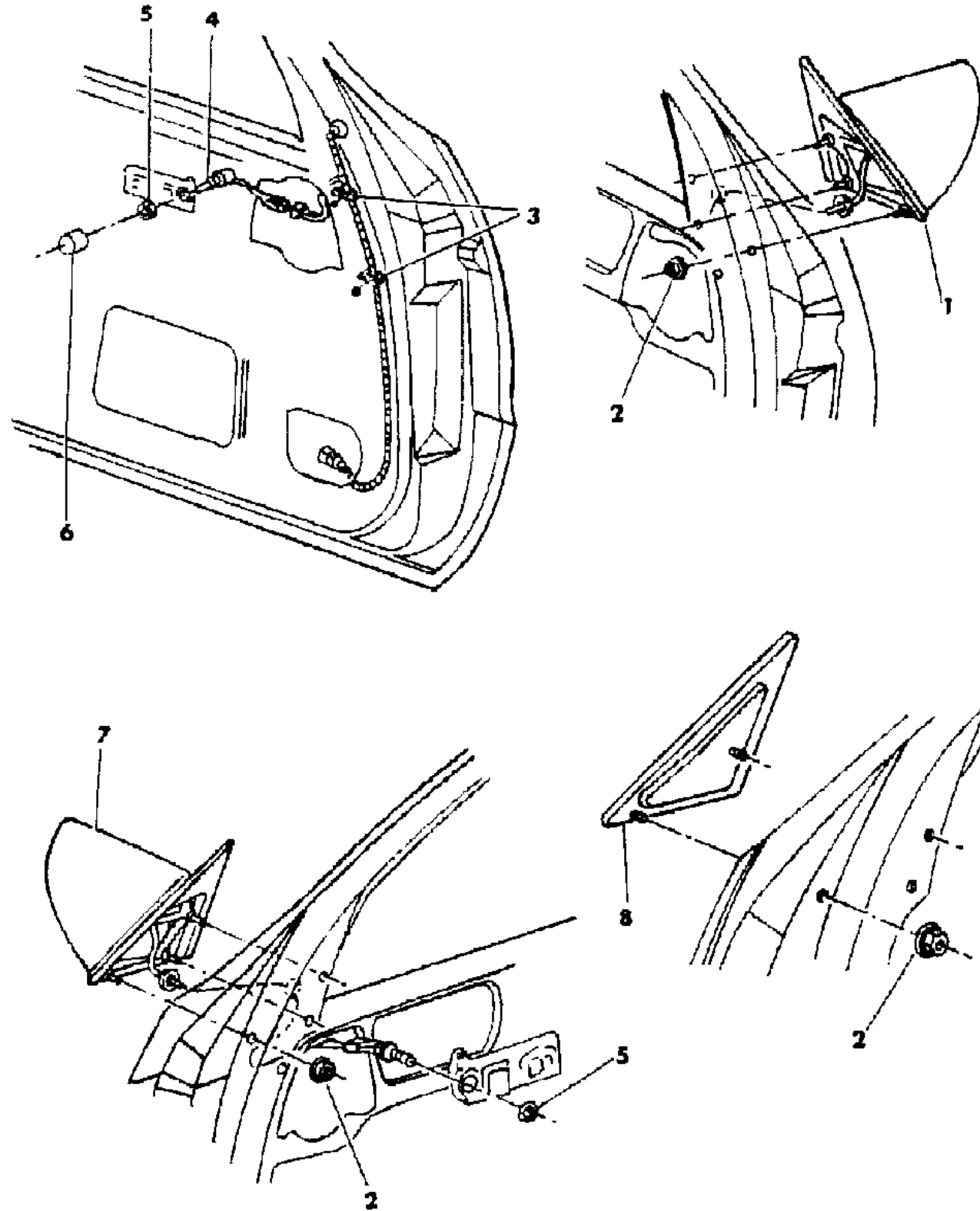
45 = 4-DOOR STATION WAGON

52-53 = FWD WAGON

AR = Use as Required - = Non Illustrated Part P.A.R. = Paint as Required

MIRROR, EXTERIOR H BODY
Figure 23C-4100

7171 4100



ITEM	PART NUMBER	QTY	BODY	MODEL	DESCRIPTION
1					MIRROR PACKAGE, Electric
	4299 418	1			Right
	4339 315	1			Left
	4370 136-7	1			w/Pacifica Pkg.
	4339 320-1	1			GLASS REPLACEMENT PACKAGE
2	6100 044	AR			NUT and WASHER, Mirror Att.
3	6016 123	4			CLIP, Electric Mirror Attaching
4					SWITCH, Electric Mirror, Refer to Group 8
5	4299 281	1			NUT
6	4221 622	1			KNOB, Electric Mirror Control
7	4299 638-9	1			MIRROR PACKAGE, Remote Control
8	4299 260	1			BEZEL, Mirror, Right
	4299 370	1			SEAL, Bezel, Right

MODEL CODES

E BODY = (J - CARAVELLE)(E - 600)(T - NEW YORKER)

G BODY = (V24 - DAYTONA)

H BODY = (D44 - LANCER)(C44 - LEBARON GTS)

J BODY = (C - LEBARON)

K BODY = (P - RELIANT)(D - ARIES)(C - LEBAROND)/TOWN & COUNTRY)

L BODY = (M - HORIZON/TURISMO)(Z - OMNI/CHARGER)

M BODY = (B - GRAN FURY)(F - FIFTH AVE/NEWPORT)(G - DIPLOMAT)

P BODY = (P - SUNDANCE)(D - SHADOW)

S BODY = (H - VOYAGER)(K - RAM VAN/CARAVAN)

BODY STYLES

12-13 = FWD VAN

21 = 2-DOOR SEDAN

24 = 2-DOOR HATCHBACK

27 = 2-DOOR CONVERTIBLE

41 = 4-DOOR SEDAN

44 = 4-DOOR HATCHBACK

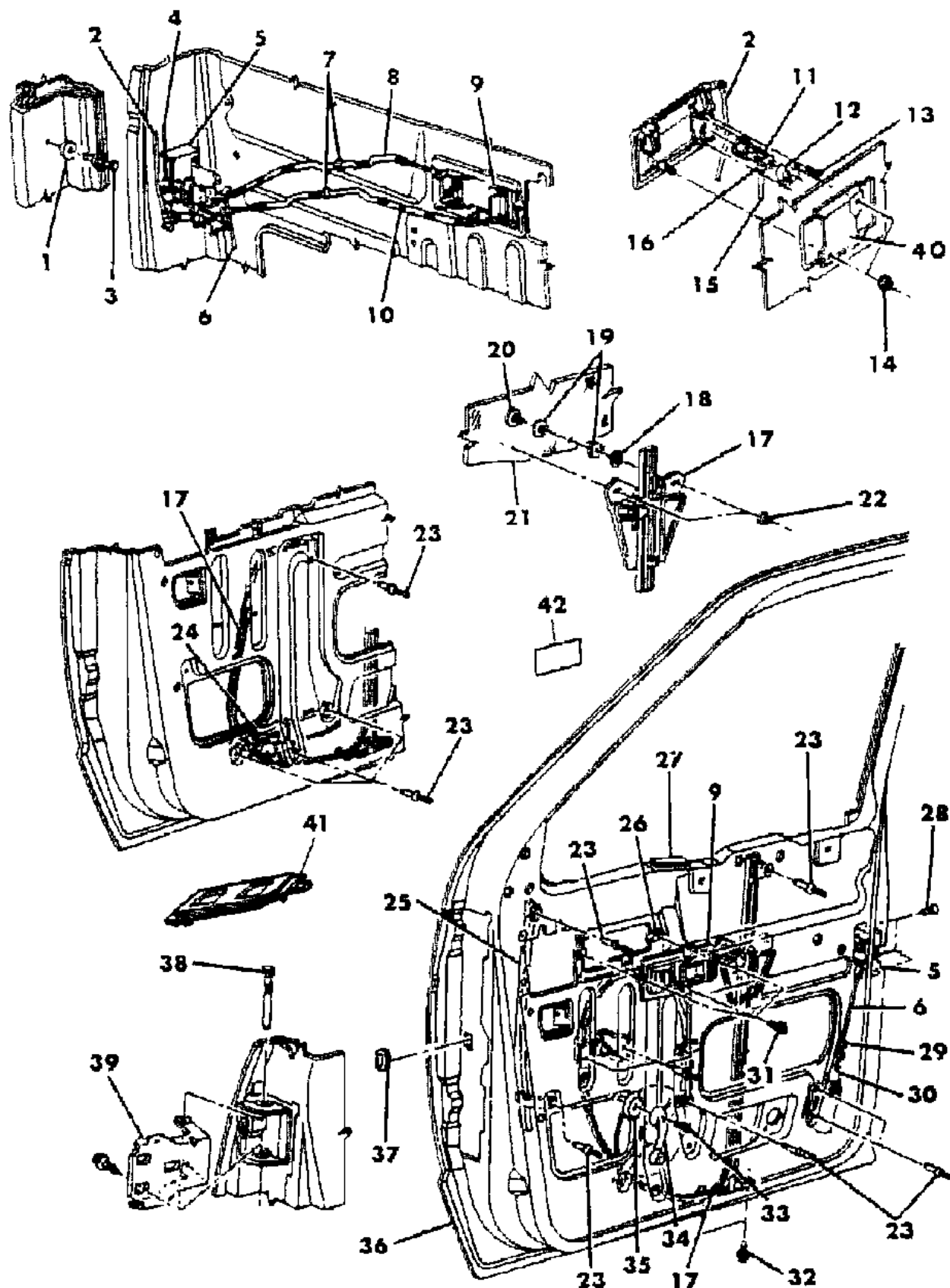
45 = 4-DOOR STATION WAGON

52-53 = FWD WAGON

AR = Use as Required - = Non Illustrated Part P.A.R. = Paint as Required

DOOR, FRONT COMPLETE LESS WEATHERSTRIPS AND RUNS S BODY
Figure 23C-4200

7171 4200A



ITEM	PART NUMBER	QTY	BODY	MODEL	DESCRIPTION
1	4184 105	AR			SPACER, Striker
2	4336 236-7	1			HANDLE, Exterior Door
	4336 222	2			STRAP, Exterior Handle Housing
	4280 506-7	1			LINK, Handle to Latch
3	4310 543	2			STRIKER, Latch
4	4280 508-9	1			LINK, Key Cylinder to Latch
					LATCH, Door
	4336 378	1			Non Override, Right
	4336 377	1			Override, Left
6	6501 220	AR			SCREW, Latch Att.
	4280 332	2			LINK, Solenoid to Latch
	3882 620	4			CLIP, Anti Rattle
8	4365 388-9	1			LINK, Remote Control to Latch
9	4396 574-5				HOUSING, Remote Control
					BEZEL, Remote Control
	4184 790	2			Black and Bright
	D405 CX9	2			Black
10	4365 392-3	1			LINK, Latch Locking
11		2			CYLINDER, Lock, Refer to 23D
12		2			RETAINER, Cylinder, Refer to 23D
13		4			SCREW (DNS)
14	6031 029	4			NUT
15	4280 508-9	1			LINK, Cylinder to Latch
16	3760 130-1	1			CLIP, Cylinder to Link
17					REGULATOR, Window
					Manual, w/Lift Plate
	4280 280-1	1			Electric
	4310 444-5	1			GEAR PACKAGE, Regulator Flexrack
	4467 214	2			LIFT PLATE, Window Regulator
	4280 280-1	1			SPRING, Manual Window Regulator
18	6028 587	4			TEE NUT
19	5231 769	8			GASKET
20		4			WASHER (DNS)
	4280 046-7	1			GLASS, Door
	4310 996-7	1			UPSTOP, Glass
	3759 944	6			RETAINER, Upstop
22		4			NUT (DNS)
					RIVET
23	6031 115	AR			RIVET

MODEL CODES

E BODY = (J - CARAVELLE)(E - 600)(T - NEW YORKER)

G BODY = (V24 - DAYTONA)

H BODY = (D44 - LANCER)(C44 - LEBARON GTS)

J BODY = (C - LEBARON)

K BODY = (P - RELIANT)(D - ARIES)(C - LEBAROND)/TOWN & COUNTRY)

L BODY = (M - HORIZON/TURISMO)(Z - OMNI/CHARGER)

M BODY = (B - GRAN FURY)(F - FIFTH AVE/NEWPORT)(G - DIPLOMAT)

P BODY = (P - SUNDANCE)(D - SHADOW)

S BODY = (H - VOYAGER)(K - RAM VAN/CARAVAN)

BODY STYLES

12-13 = FWD VAN

21 = 2-DOOR SEDAN

24 = 2-DOOR HATCHBACK

27 = 2-DOOR CONVERTIBLE

41 = 4-DOOR SEDAN

44 = 4-DOOR HATCHBACK

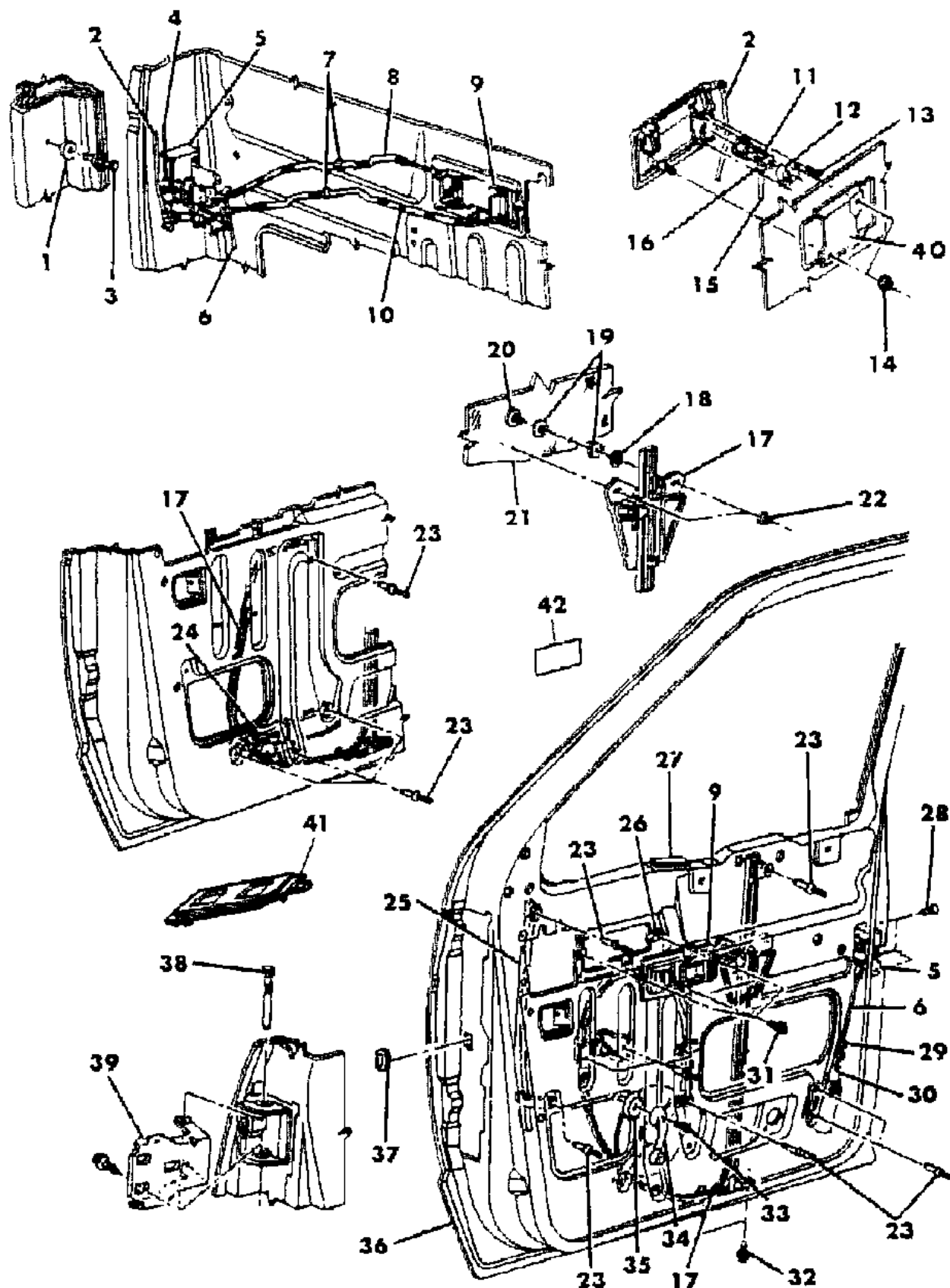
45 = 4-DOOR STATION WAGON

52-53 = FWD WAGON

AR = Use as Required - = Non Illustrated Part P.A.R. = Paint as Required

DOOR, FRONT COMPLETE LESS WEATHERSTRIPS AND RUNS S BODY
Figure 23C-4200

7171 4200 A



ITEM	PART NUMBER	QTY	BODY	MODEL	DESCRIPTION
24	4310 942-3	1			MOTOR and MECHANISM, Electric Window
25	4512 992-3	1			CHANNEL, w/Bracket
	6501 350	AR			SCREW, Channel Att.
26		6			U-NUT (DNS)
27	4336 076	2			BUMPER, Glass Anti Rattle
28		6			SCREW (DNS)
29	4184 244-5	1			CLIP, Electric Locking Link Att.
30	4396 017	2			SOLENOID, Door Lock
31		3			SCREW (DNS)
32	6100 566	4			SCREW
33	6031 644	2			SCREW, Window Regulator Handle
34	4310 824	2			HANDLE, Window Regulator
35					SPACER, Window Regulator Handle
	3882 767	2			w/Carpeted Panel
	3882 768	2			w/o Carpeted Panel
36	4411 926-7	1			DOOR SHELL
	4310 986-7	1			PANEL, Repair
37	6031 488	2			PLUG
38	4280 727	4			PIN, Hinge
39					HINGE, Body Half
	4365 815	2			Upper
	4365 813	2			Lower
	4280 730	2			Upper
	4280 720	2			Lower
	4336 288	AR			SHIM, Hinge
40	4336 536-7	1			BRACKET and INSULATOR, Exterior Handle
41	4283 868-9	1			BEZEL, Window Lift and Door Lock Switch
	4283 866-7	1			Door Lock
	4247 211	4			RETAINER, Armrest Switch Bezel
42	4365 683	1			DECAL, Seat Belt Safety

MODEL CODES

E BODY = (J - CARAVELLE)(E - 600)(T - NEW YORKER)

G BODY = (V24 - DAYTONA)

H BODY = (D44 - LANCER)(C44 - LEBARON GTS)

J BODY = (C - LEBARON)

K BODY = (P - RELIANT)(D - ARIES)(C - LEBAROND)/TOWN & COUNTRY)

L BODY = (M - HORIZON/TURISMO)(Z - OMNI/CHARGER)

M BODY = (B - GRAN FURY)(F - FIFTH AVE/NEWPORT)(G - DIPLOMAT)

P BODY = (P - SUNDANCE)(D - SHADOW)

S BODY = (H - VOYAGER)(K - RAM VAN/CARAVAN)

BODY STYLES

12-13 = FWD VAN

21 = 2-DOOR SEDAN

24 = 2-DOOR HATCHBACK

27 = 2-DOOR CONVERTIBLE

41 = 4-DOOR SEDAN

44 = 4-DOOR HATCHBACK

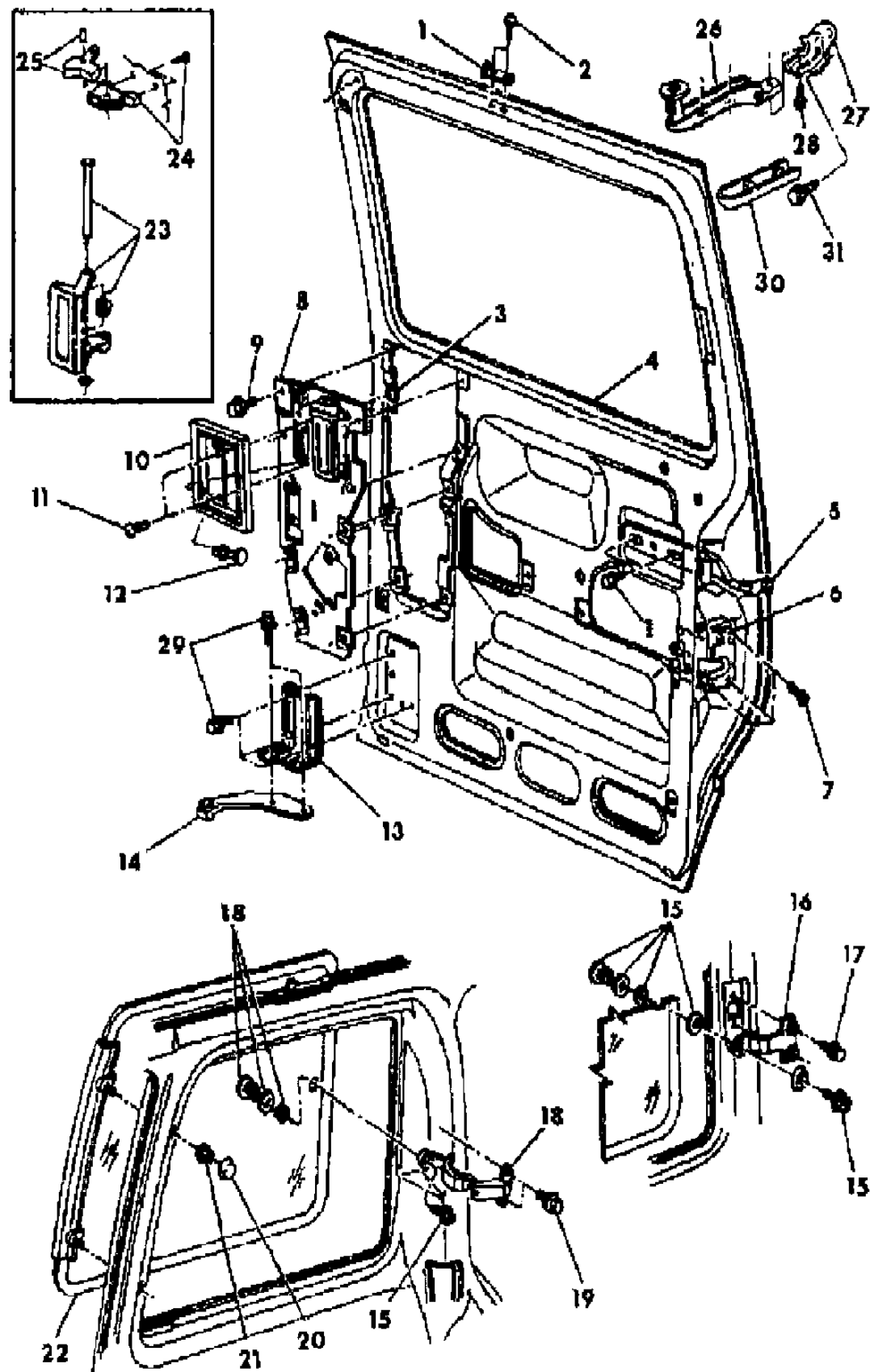
45 = 4-DOOR STATION WAGON

52-53 = FWD WAGON

AR = Use as Required - = Non Illustrated Part P.A.R. = Paint as Required

DOOR, SLIDING SHELL, GLASS AND CONTROLS S BODY
Figure 23C-4300

7171 4300 B



ITEM	PART NUMBER	QTY	BODY	MODEL	DESCRIPTION
1					WEDGE, Door
	4445 982	1			Upper Center
	4445 981	1			Upper Rear
2		2			SCREW (DNS)
3	6101 308	8			U-NUT
4					DOOR SHELL
	4415 204	1			w/o Window, Short W.B.
	4445 452	1			w/o Window, Long W.B.
	4415 202	1			w/Window, Short W.B.
	4445 450	1			w/Window, Long W.B.
	4365 362	1			PANEL, Repair, w/o Window
	4365 360	1			w/Window
5	4415 649	1			HINGE, Center
					BUSHING, Center Hinge, Serviced in Item #8
	6032 975	1			PIN, Center Hinge
6	4339 358	1			LATCH, Remote Control
	6501 220	AR			SCREW, Latch Att.
7		3			SCREW (DNS)
8	4365 701	1			CONTROL, Remote and Locking
	6026 625	4			SCREW, Adjusting
	4280 345	1			LINK, Remote Control Handle to Act. Lever
	4280 348	1			Locking Control Lever to Adj. Lever
	4184 244	1			CLIP, Stabilizer Adj. Lever
9	6100 276	8			SCREW
10	4280 631	1	L, Van		BEZEL, Remote Control
	4280 632	1	L, Wagon		
	4280 633	1	H, P		
11	0152 748	2			SCREW
12	F155 CX9	1			FASTENER, Remote Control Bezel
13	4280 482	1			SUPPORT, Door to Hinge Mtg.
14					HINGE, Body Half, Lower
	4336 611	1			Up to 1-12-87
	4480 286	1			After 1-12-87
15	4339 313	1			ATTACHING PACKAGE, Vent and Stationary Glass
16	4336 305	1			STRAP, Stationary Glass Retention
17	6501 037	2			SCREW
18	4365 799	1			LATCH, Vent Window
	4365 801	1			GASKET, Vent Window Latch

MODEL CODES

E BODY = (J - CARAVELLE)(E - 600)(T - NEW YORKER)

G BODY = (V24 - DAYTONA)

H BODY = (D44 - LANCER)(C44 - LEBARON GTS)

J BODY = (C - LEBARON)

K BODY = (P - RELIANT)(D - ARIES)(C - LEBAROND)/TOWN & COUNTRY)

L BODY = (M - HORIZON/TURISMO)(Z - OMNI/CHARGER)

M BODY = (B - GRAN FURY)(F - FIFTH AVE/NEWPORT)(G - DIPLOMAT)

P BODY = (P - SUNDANCE)(D - SHADOW)

S BODY = (H - VOYAGER)(K - RAM VAN/CARAVAN)

BODY STYLES

12-13 = FWD VAN

21 = 2-DOOR SEDAN

24 = 2-DOOR HATCHBACK

27 = 2-DOOR CONVERTIBLE

41 = 4-DOOR SEDAN

44 = 4-DOOR HATCHBACK

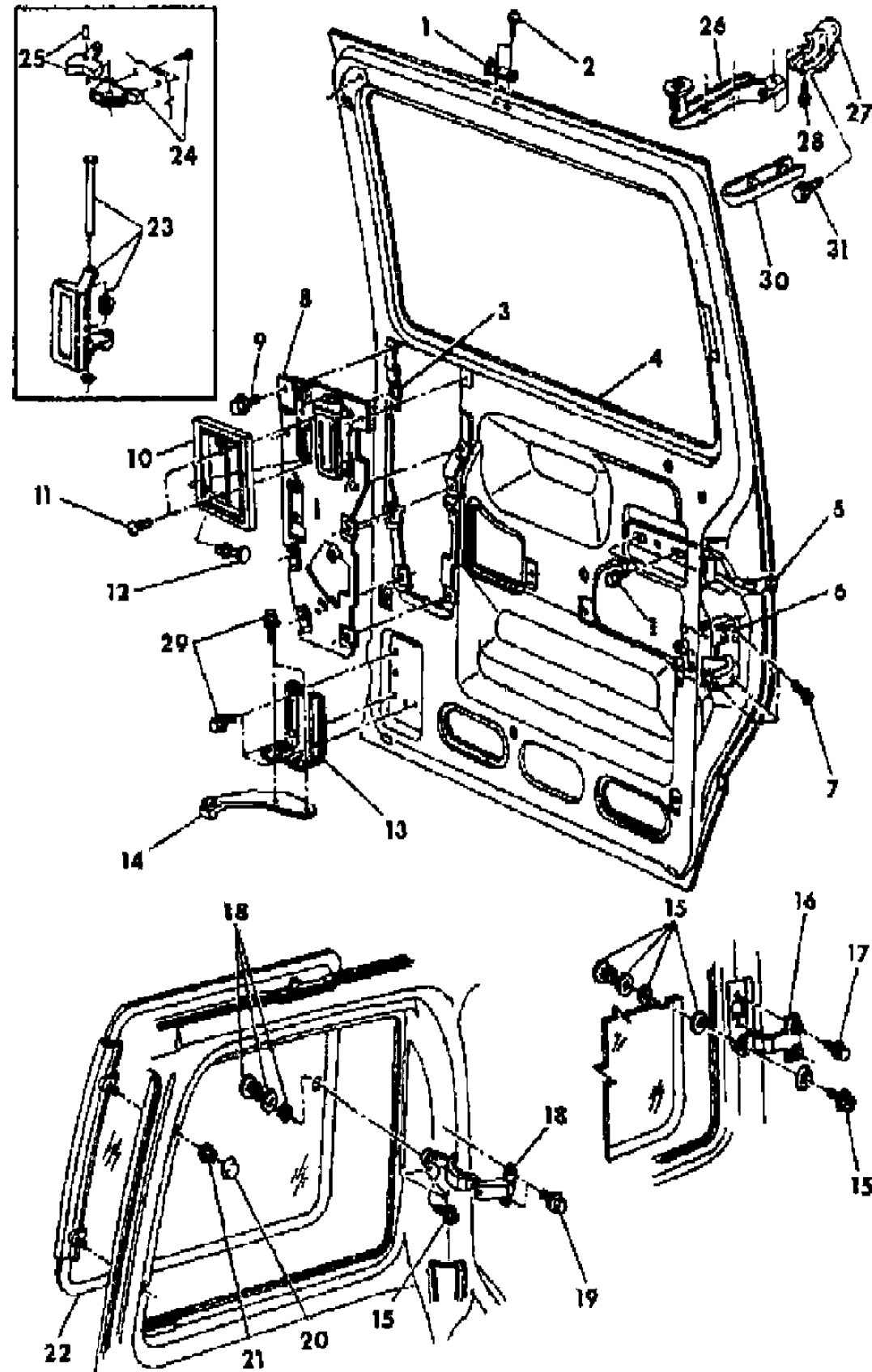
45 = 4-DOOR STATION WAGON

52-53 = FWD WAGON

AR = Use as Required - = Non Illustrated Part P.A.R. = Paint as Required

DOOR, SLIDING SHELL, GLASS AND CONTROLS S BODY
Figure 23C-4300

7171 4300 B



ITEM	PART NUMBER	QTY	BODY	MODEL	DESCRIPTION
19		2			SCREW (DNS)
20	4184 688	2			PLUG
21		2			SCREW (DNS)
22					GLASS, Hinge and Frame
	4336 404	1			Tinted
	4336 406	1			Sunscreen
	4280 961	2			REINFORCEMENT, Hinge and Frame
	4336 474	1			WEATHERSTRIP, Glass
23	4267 929	1			HANDLE PACKAGE, Inside
24	4267 930	1			BLOCK and SCREW PACKAGE, Locking Knob Mtg.
25	4267 928	1			KNOB, Locking
26	4415 999	1			HINGE ARM, Upper, Body Half
27	4445 305	1			HINGE ARM, Upper, Door Half
28	#6100 265	1			SCREW
29	6100 275	2			SCREW
30	4409 550	1			COVER, Arm
31	6101 278	1			SCREW

MODEL CODES

E BODY = (J - CARAVELLE)(E - 600)(T - NEW YORKER)

G BODY = (V24 - DAYTONA)

H BODY = (D44 - LANCER)(C44 - LEBARON GTS)

J BODY = (C - LEBARON)

K BODY = (P - RELIANT)(D - ARIES)(C - LEBAROND)/TOWN & COUNTRY)

L BODY = (M - HORIZON/TURISMO)(Z - OMNI/CHARGER)

M BODY = (B - GRAN FURY)(F - FIFTH AVE/NEWPORT)(G - DIPLOMAT)

P BODY = (P - SUNDANCE)(D - SHADOW)

S BODY = (H - VOYAGER)(K - RAM VAN/CARAVAN)

BODY STYLES

12-13 = FWD VAN

21 = 2-DOOR SEDAN

24 = 2-DOOR HATCHBACK

27 = 2-DOOR CONVERTIBLE

41 = 4-DOOR SEDAN

44 = 4-DOOR HATCHBACK

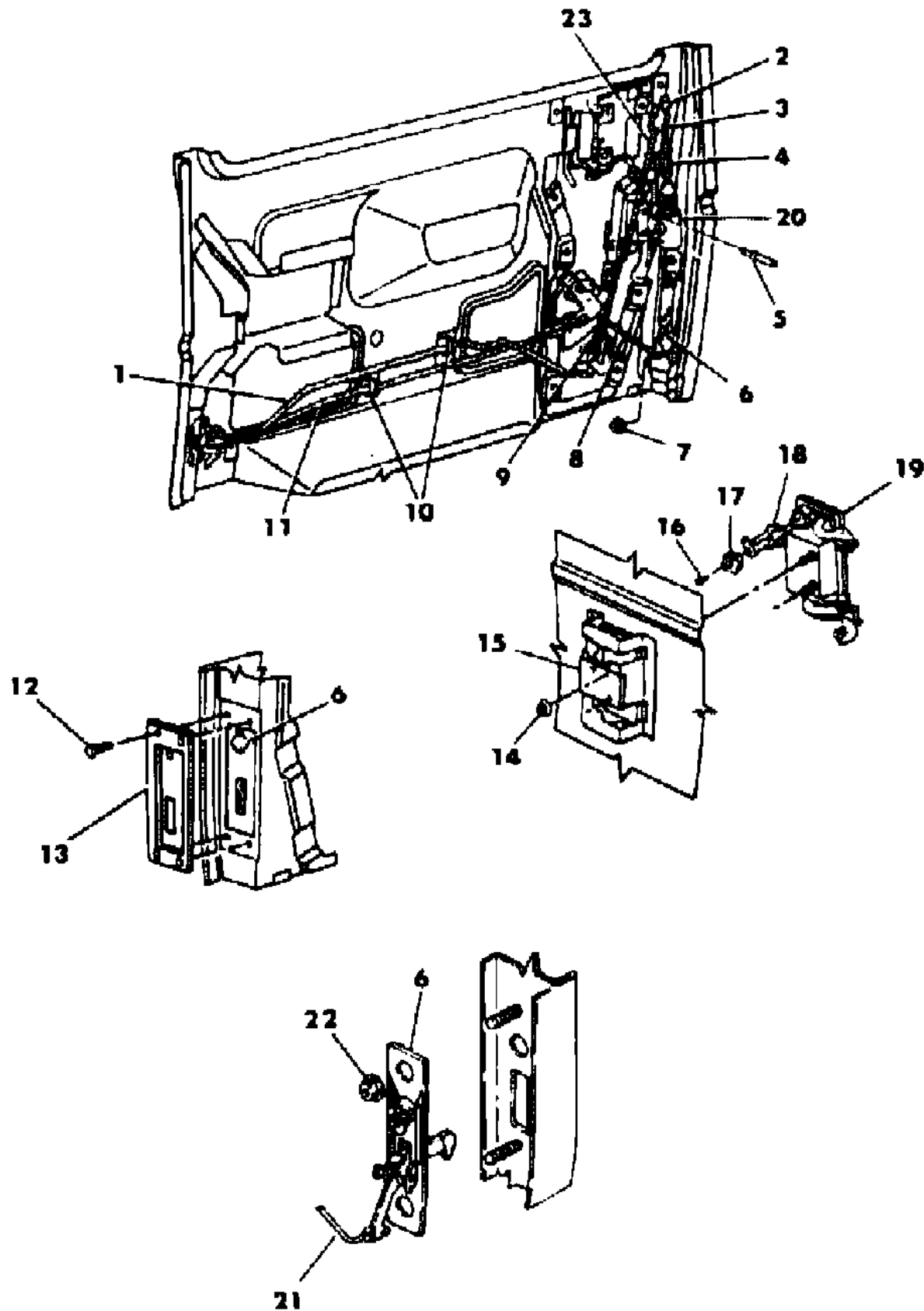
45 = 4-DOOR STATION WAGON

52-53 = FWD WAGON

AR = Use as Required - = Non Illustrated Part P.A.R. = Paint as Required

DOOR, SLIDING HANDLE, CONTROL AND LOCK S BODY
Figure 23C-4400

7171 4400 C



ITEM	PART NUMBER	QTY	BODY	MODEL	DESCRIPTION
1	4365 616	1			LINK, Latch Locking
2	2945 108	1			CLIP
3	4310 948	1			LINK, Solenoid to Latch Locking Lever
4		1			CLIP, Serviced in Item #3
5	6031 115	1			RIVET
6	4280 769	1			STABILIZER ASSEMBLY
	4280 593	1			BUMPER, Stabilizer Bracket
	4310 631	4			RETAINER, Stabilizer Seal Att.
	4280 782	1			SEAL, Stabilizer
7	6100 051	2			NUT
8	4336 798	1			LINK, Stabilizer
9	4365 267	1			LINK, Actuator to Lock Cylinder
10	3882 620	2			CLIP, Anti Rattle
11	4280 352	1			LINK and SLEEVE, Latch Release
12		4			RETAINER, Serviced in Item #13
13	4280 768	1			GUIDE, Stabilizer
	4310 631	4			RETAINER, Stabilizer Seal Att.
14	6500 284	2			NUT
15	4280 661	1			PLATE, Exterior Handle
16		2			SCREW (DNS)
17		1			RETAINER, Lock Cylinder, Refer to 23D
18		1			CYLINDER, Lock, Refer to 23D
19					HANDLE, Exterior
	4280 646	1			w/o Key Cylinder
	4280 353	1			w/Key Cylinder
	4365 516	1			GASKET, Exterior Handle
	4280 660	1			BRACKET, Exterior Handle
20	4396 016	1			SOLENOID, Power Door Lock
21	4336 798	1			LINK, Stabilizer Act.
22	6501 291	2			NUT, Stabilizer Att.
23	4365 270	1			LINK, Latch Locking Control Lever To Adj. Lever

MODEL CODES

E BODY = (J - CARAVELLE)(E - 600)(T - NEW YORKER)

G BODY = (V24 - DAYTONA)

H BODY = (D44 - LANCER)(C44 - LEBARON GTS)

J BODY = (C - LEBARON)

K BODY = (P - RELIANT)(D - ARIES)(C - LEBAROND)/TOWN & COUNTRY)

L BODY = (M - HORIZON/TURISMO)(Z - OMNI/CHARGER)

M BODY = (B - GRAN FURY)(F - FIFTH AVE/NEWPORT)(G - DIPLOMAT)

P BODY = (P - SUNDANCE)(D - SHADOW)

S BODY = (H - VOYAGER)(K - RAM VAN/CARAVAN)

BODY STYLES

12-13 = FWD VAN

21 = 2-DOOR SEDAN

24 = 2-DOOR HATCHBACK

27 = 2-DOOR CONVERTIBLE

41 = 4-DOOR SEDAN

44 = 4-DOOR HATCHBACK

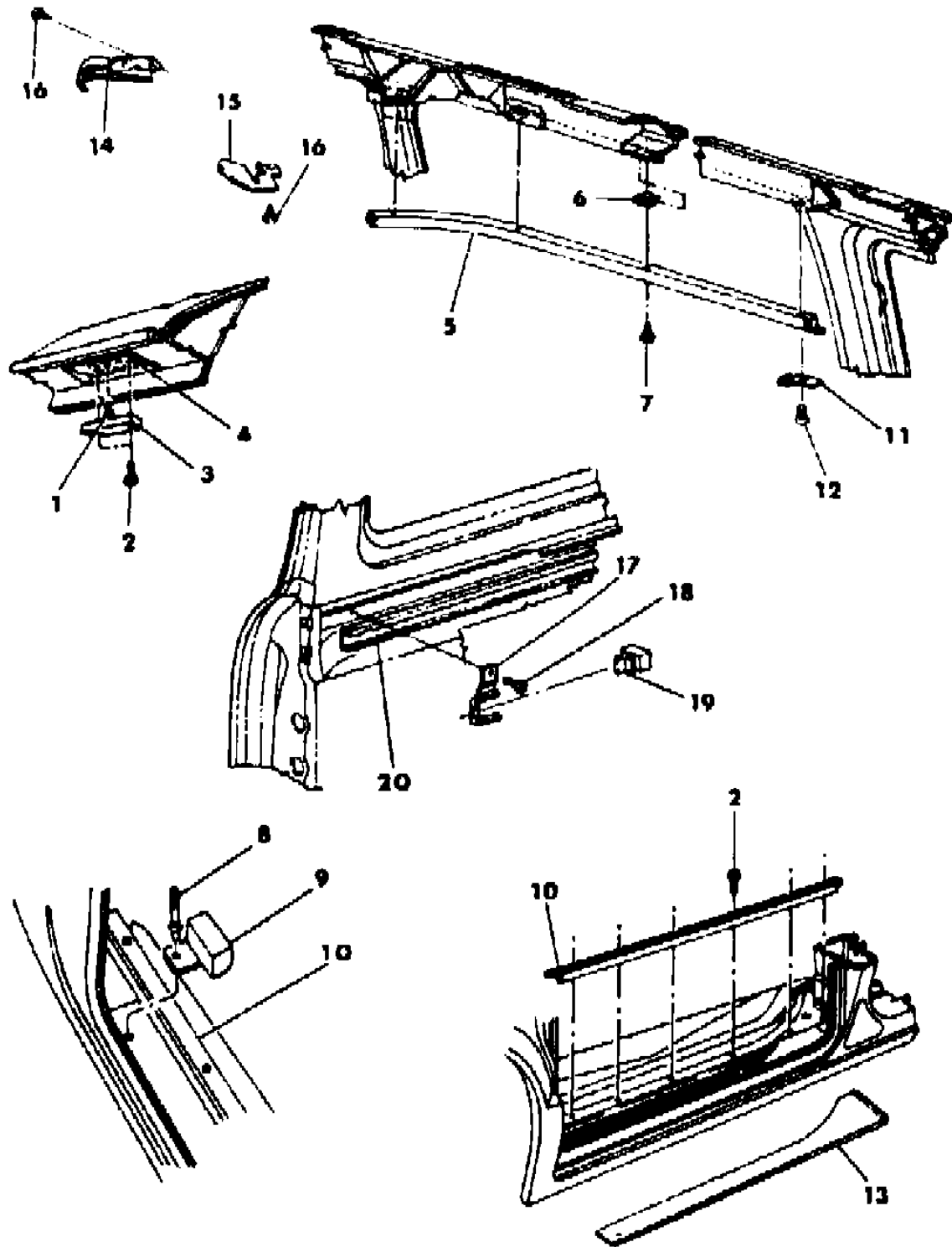
45 = 4-DOOR STATION WAGON

52-53 = FWD WAGON

AR = Use as Required - = Non Illustrated Part P.A.R. = Paint as Required

DOOR, SLIDING TRACK S BODY
Figure 23C-4500

7171 4500 C



ITEM	PART NUMBER	QTY	BODY	MODEL	DESCRIPTION
1	4310 631	1			RETAINER
2		2			SCREW (DNS)
3					STRIKER, Stabilizer
	4365 836	1			Short W.B.
	4445 498	1			Long W.B.
4					T-PLATE, Stabilizer Striker
	4310 738	1			Short W.B.
	4445 436	1			Long W.B.
5	4337 251				TRACK, Upper
6	#6100 041	4			U-NUT
7		4			SCREW (DNS)
8		1			RIVET (DNS)
9	4280 964	1			STOP, Lower Hinge Arm
10	4278 762	1			REINFORCEMENT, Inner Panel
11	4445 187	1			BRACKET, Upper Hinge Over Travel Stop
	4336 568	1			BUMPER, Upper Hinge Over Travel Stop Bracket
12		1			SCREW, Bumper (DNS)
13	4336 250	1			HINGE MAT
14	4337 404	1			SHIELD, Upper Track Front, Short W.B.
15	4296 815	1			SHIELD, Upper Track Front, Long W.B.
16		AR			SCREW (DNS)
17					BRACKET, Center Track Over Travel Stop
	4385 088	1			Long W.B.
	4337 041	1			Short W.B.
18		AR			SCREW (DNS)
19					BUMPER, Over Travel Stop Bracket
	4365 225	1			Long W.B.
	4337 050	1			Short W.B.
20					PANEL, Track
	4385 094	1			Short W.B.
	4385 050	1			Long W.B.

MODEL CODES

E BODY = (J - CARAVELLE)(E - 600)(T - NEW YORKER)

G BODY = (V24 - DAYTONA)

H BODY = (D44 - LANCER)(C44 - LEBARON GTS)

J BODY = (C - LEBARON)

K BODY = (P - RELIANT)(D - ARIES)(C - LEBAROND)/TOWN & COUNTRY)

L BODY = (M - HORIZON/TURISMO)(Z - OMNI/CHARGER)

M BODY = (B - GRAN FURY)(F - FIFTH AVE/NEWPORT)(G - DIPLOMAT)

P BODY = (P - SUNDANCE)(D - SHADOW)

S BODY = (H - VOYAGER)(K - RAM VAN/CARAVAN)

BODY STYLES

12-13 = FWD VAN

21 = 2-DOOR SEDAN

24 = 2-DOOR HATCHBACK

27 = 2-DOOR CONVERTIBLE

41 = 4-DOOR SEDAN

44 = 4-DOOR HATCHBACK

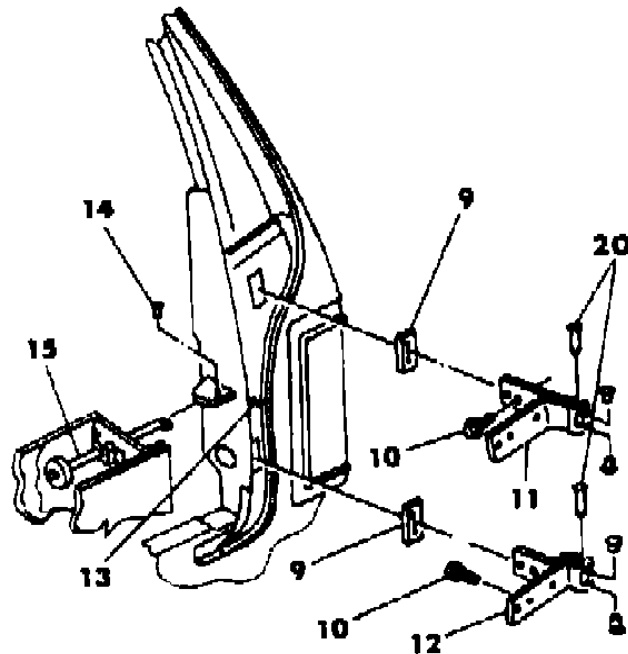
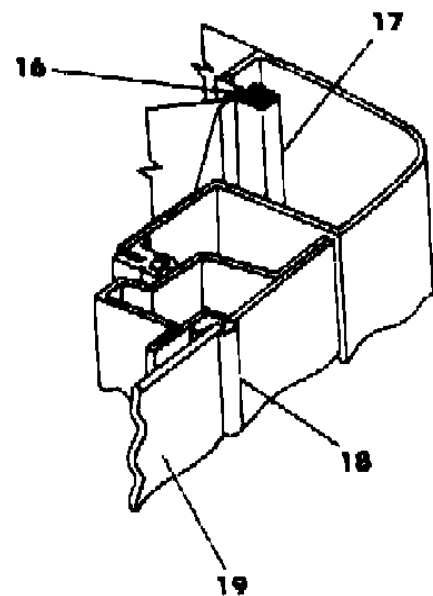
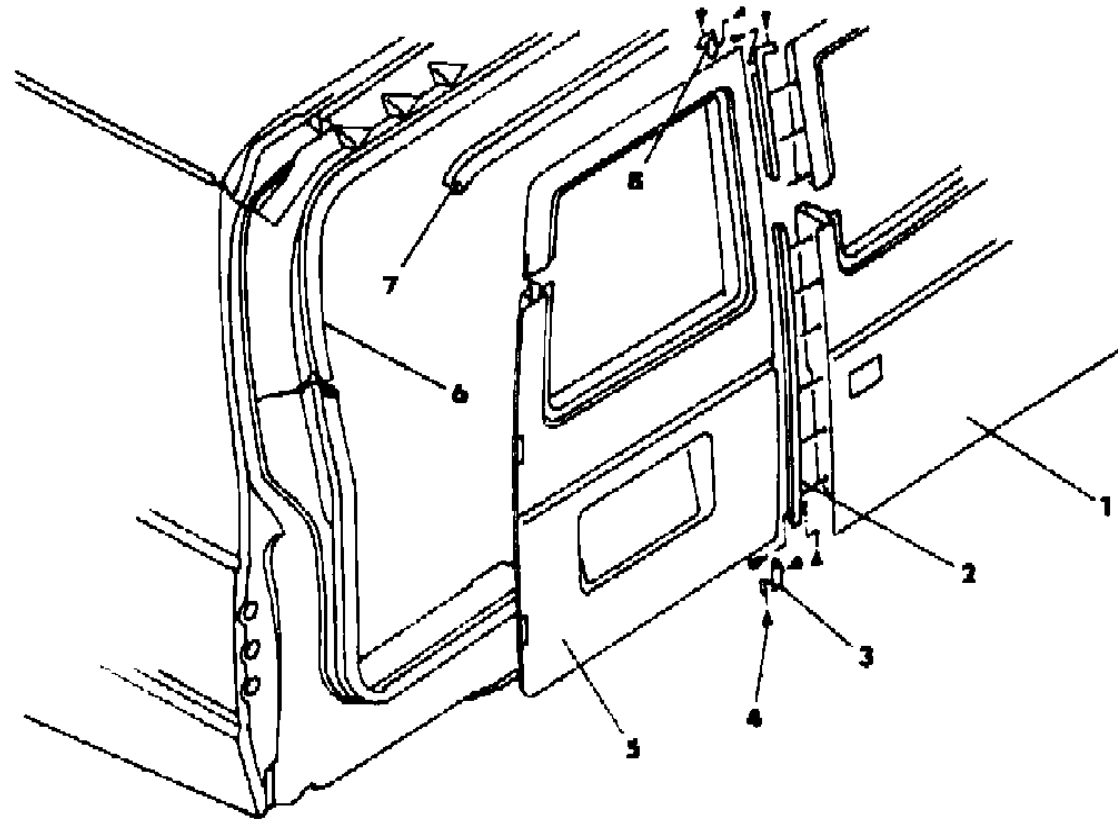
45 = 4-DOOR STATION WAGON

52-53 = FWD WAGON

AR = Use as Required - = Non Illustrated Part P.A.R. = Paint as Required

DOOR, REAR CARGO HINGED SHELL, GLASS AND WEATHERSTRIP S BODY
Figure 23C-4600

7171 4808



ITEM	PART NUMBER	QTY	BODY	MODEL	DESCRIPTION
1					DOOR SHELL, Right
	4396 020	1			w/Glass
	4396 022	1			w/o Glass
2	4396 026	1			WEATHERSTRIP, Door
3	4396 899	1			SEAL, Left Door, Lower
4		AR			SCREW (DNS)
5					DOOR SHELL, Left
	4396 021	1			w/Glass
	4396 023	1			w/o Glass
6	4396 024	1			WEATHERSTRIP, Door Opening
7	4396 025	1			WEATHERSTRIP, Secondary
8	4396 898	1			SEAL, Left Door, Upper
9	4396 037	4			SEAL, Hinge to Body
10	#6100 293	10			SCREW, Hinge
11	4396 048-9	1			HINGE, Upper
12	4415 980-1	1			HINGE, Lower
13		1			SWITCH, Cargo Lamp, Refer to Group 8
14		1			RIVET (DNS)
15	4396 043	2			CHECK ARM, Door
16		AR			RIVET (DNS)
17	4396 045	AR			COVER, Pinch Weld
18	4396 030	2			MOULDING, Door Glass
19	4396 028-9	1			GLASS, Door
20		4			PIN, Hinge, Serviced in Hinge
		4			BUSHING, Hinge Pin, Serviced in Hinge

MODEL CODES

E BODY = (J - CARAVELLE)(E - 600)(T - NEW YORKER)

G BODY = (V24 - DAYTONA)

H BODY = (D44 - LANCER)(C44 - LEBARON GTS)

J BODY = (C - LEBARON)

K BODY = (P - RELIANT)(D - ARIES)(C - LEBAROND)/TOWN & COUNTRY)

L BODY = (M - HORIZON/TURISMO)(Z - OMNI/CHARGER)

M BODY = (B - GRAN FURY)(F - FIFTH AVE/NEWPORT)(G - DIPLOMAT)

P BODY = (P - SUNDANCE)(D - SHADOW)

S BODY = (H - VOYAGER)(K - RAM VAN/CARAVAN)

BODY STYLES

12-13 = FWD VAN

21 = 2-DOOR SEDAN

24 = 2-DOOR HATCHBACK

27 = 2-DOOR CONVERTIBLE

41 = 4-DOOR SEDAN

44 = 4-DOOR HATCHBACK

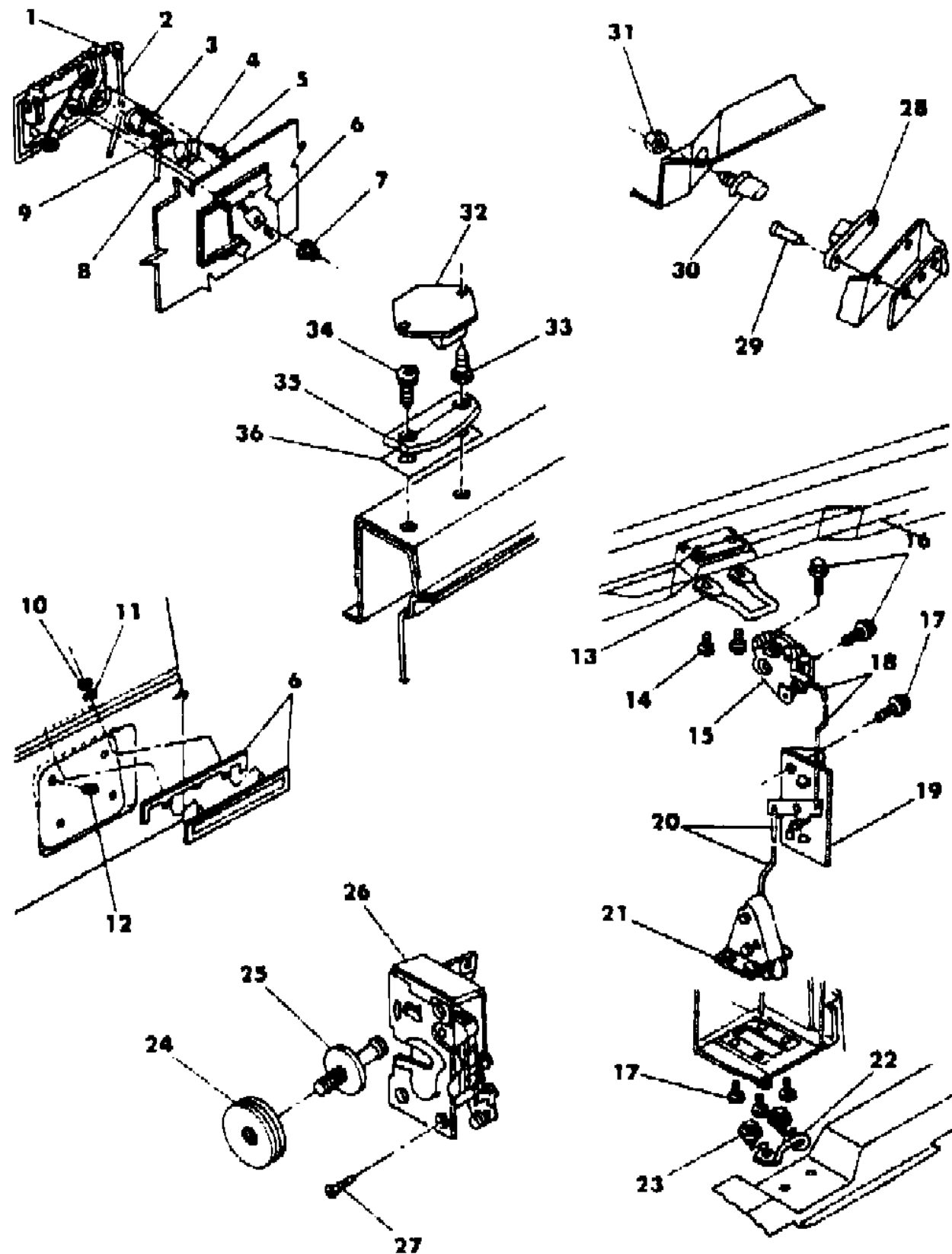
45 = 4-DOOR STATION WAGON

52-53 = FWD WAGON

AR = Use as Required - = Non Illustrated Part P.A.R. = Paint as Required

DOOR, REAR CARGO HINGED HANDLE, CONTROLS AND LINKS S BODY
Figure 23C-4700

7171 4700



ITEM	PART NUMBER	QTY	BODY	MODEL	DESCRIPTION
1	#4422 425	1			HANDLE, Exterior Door
2	4396 031	1			LINK, Handle to Latch
3		1			CYLINDER and KEY, Refer to 23D
4		1			RETAINER, Cylinder, Refer to 23D
5		2			SCREW (DNS)
6	4336 200	1			BRACKET, Exterior Handle
7	6031 029	AR			NUT
8	4396 032	1			LINK, Lock Cylinder to Latch
9	3760 130	1			CLIP, Link to Cylinder
10		2			NUT (DNS)
11		2			GASKET, Exterior Handle, Serviced in Item 1
12		4			NUT, License Plate (DNS)
13	4378 155	1			STRIKER, Upper Latch
14		2			SCREW (DNS)
15	4396 027	1			LATCH, Upper
16	6100 573	AR			SCREW
17	6100 557	6			SCREW
18	4396 039	1			LINK, Latch to Handle, Upper
19	4396 041	1			HANDLE, Latch Release
20	4396 040	1			LINK, Latch to Handle, Lower
21	4396 038	1			LATCH, Lower
22	4378 154	1			STRIKER, Lower Latch
23		4			SCREW (DNS)
24	4184 105	AR			SPACER, Latch Striker
25	4336 826	1			STRIKER, Latch
26	4336 378	1			LATCH, Right Door
27	6501 220	3			SCREW
28	4396 042	2			GUIDE, Stabilizer Pin
29		4			RIVET (DNS)
30	4378 156	2			PIN, Stabilizer
31		2			NUT (DNS)
32	4378 079	2			WEDGE
33	0152 383	4			SCREW
34		4			SCREW (DNS)
35	4378 086	2			STRIKER, Wedge
36	4378 218	AR			SHIM, Striker
	4378 219	AR			

MODEL CODES

E BODY = (J - CARAVELLE)(E - 600)(T - NEW YORKER)

G BODY = (V24 - DAYTONA)

H BODY = (D44 - LANCER)(C44 - LEBARON GTS)

J BODY = (C - LEBARON)

K BODY = (P - RELIANT)(D - ARIES)(C - LEBAROND)/TOWN & COUNTRY)

L BODY = (M - HORIZON/TURISMO)(Z - OMNI/CHARGER)

M BODY = (B - GRAN FURY)(F - FIFTH AVE/NEWPORT)(G - DIPLOMAT)

P BODY = (P - SUNDANCE)(D - SHADOW)

S BODY = (H - VOYAGER)(K - RAM VAN/CARAVAN)

BODY STYLES

12-13 = FWD VAN

21 = 2-DOOR SEDAN

24 = 2-DOOR HATCHBACK

27 = 2-DOOR CONVERTIBLE

41 = 4-DOOR SEDAN

44 = 4-DOOR HATCHBACK

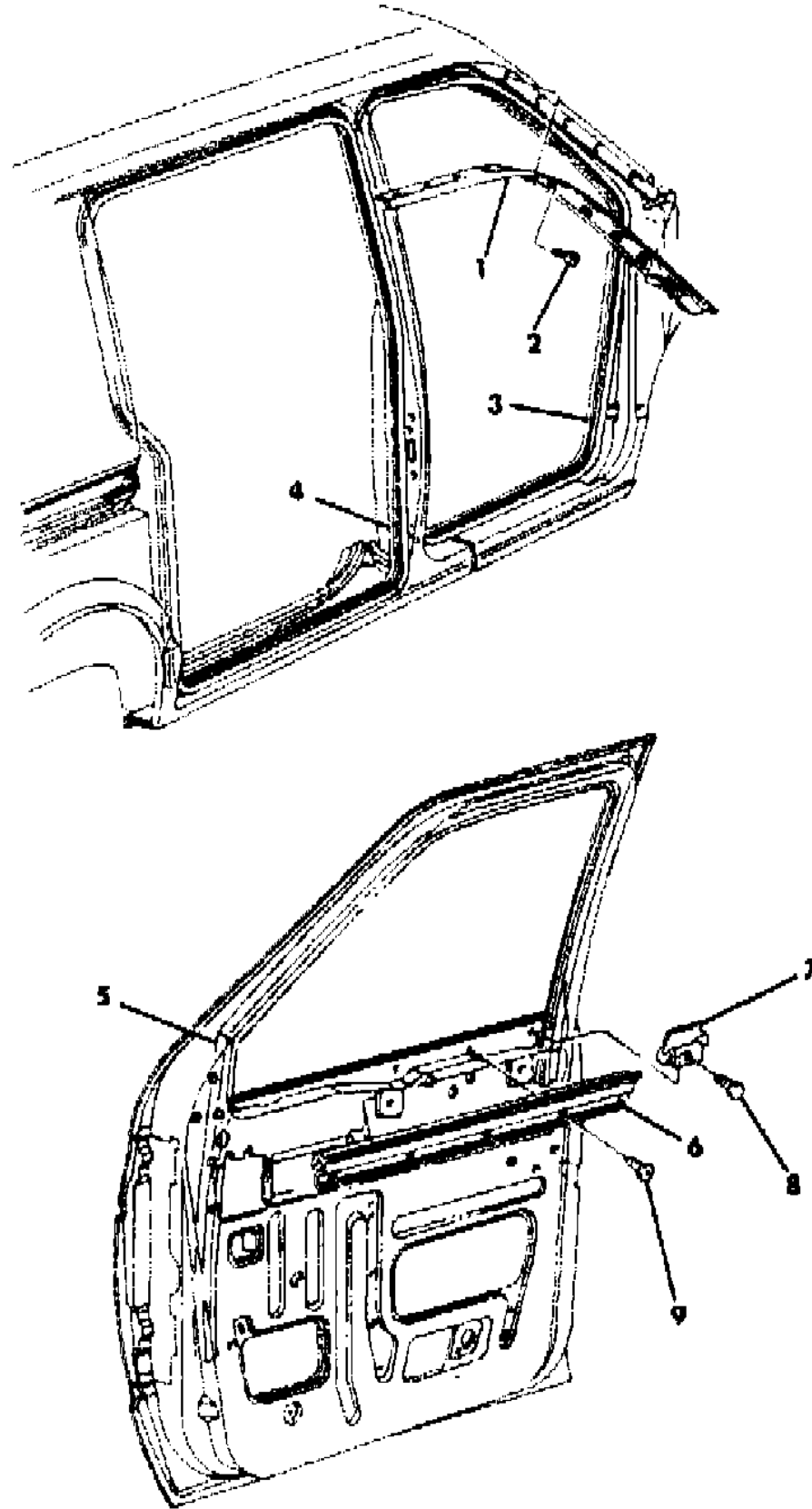
45 = 4-DOOR STATION WAGON

52-53 = FWD WAGON

AR = Use as Required - = Non Illustrated Part P.A.R. = Paint as Required

DOOR, FRONT AND SIDE WEATHERSTRIPS S BODY
Figure 23C-4800

7171 4800



ITEM	PART NUMBER	QTY	BODY	MODEL	DESCRIPTION
1	4336 596-7	1			WEATHERSTRIP, Front Pillar to Front Door
2		AR			SCREW (DNS)
3	4336 470-1	1			WEATHERSTRIP, Front Door Opening
4	4365 831	1			WEATHERSTRIP, Sliding Door Opening
5	4280 036-7	1			RUN, Front Door Glass
6	4319 148-9	1			WEATHERSTRIP, Front Door Exterior Belt
7	4198 910-1	1			SEAL, Front Door Belt, Rear
	4445 341	2			Rear Flag Area
8	4280 811	2			RETAINER
9		10			SCREW, Belt Weatherstrip (DNS)

MODEL CODES

E BODY = (J - CARAVELLE)(E - 600)(T - NEW YORKER)

G BODY = (V24 - DAYTONA)

H BODY = (D44 - LANCER)(C44 - LEBARON GTS)

J BODY = (C - LEBARON)

K BODY = (P - RELIANT)(D - ARIES)(C - LEBAROND)/TOWN & COUNTRY)

L BODY = (M - HORIZON/TURISMO)(Z - OMNI/CHARGER)

M BODY = (B - GRAN FURY)(F - FIFTH AVE/NEWPORT)(G - DIPLOMAT)

P BODY = (P - SUNDANCE)(D - SHADOW)

S BODY = (H - VOYAGER)(K - RAM VAN/CARAVAN)

BODY STYLES

12-13 = FWD VAN

21 = 2-DOOR SEDAN

24 = 2-DOOR HATCHBACK

27 = 2-DOOR CONVERTIBLE

41 = 4-DOOR SEDAN

44 = 4-DOOR HATCHBACK

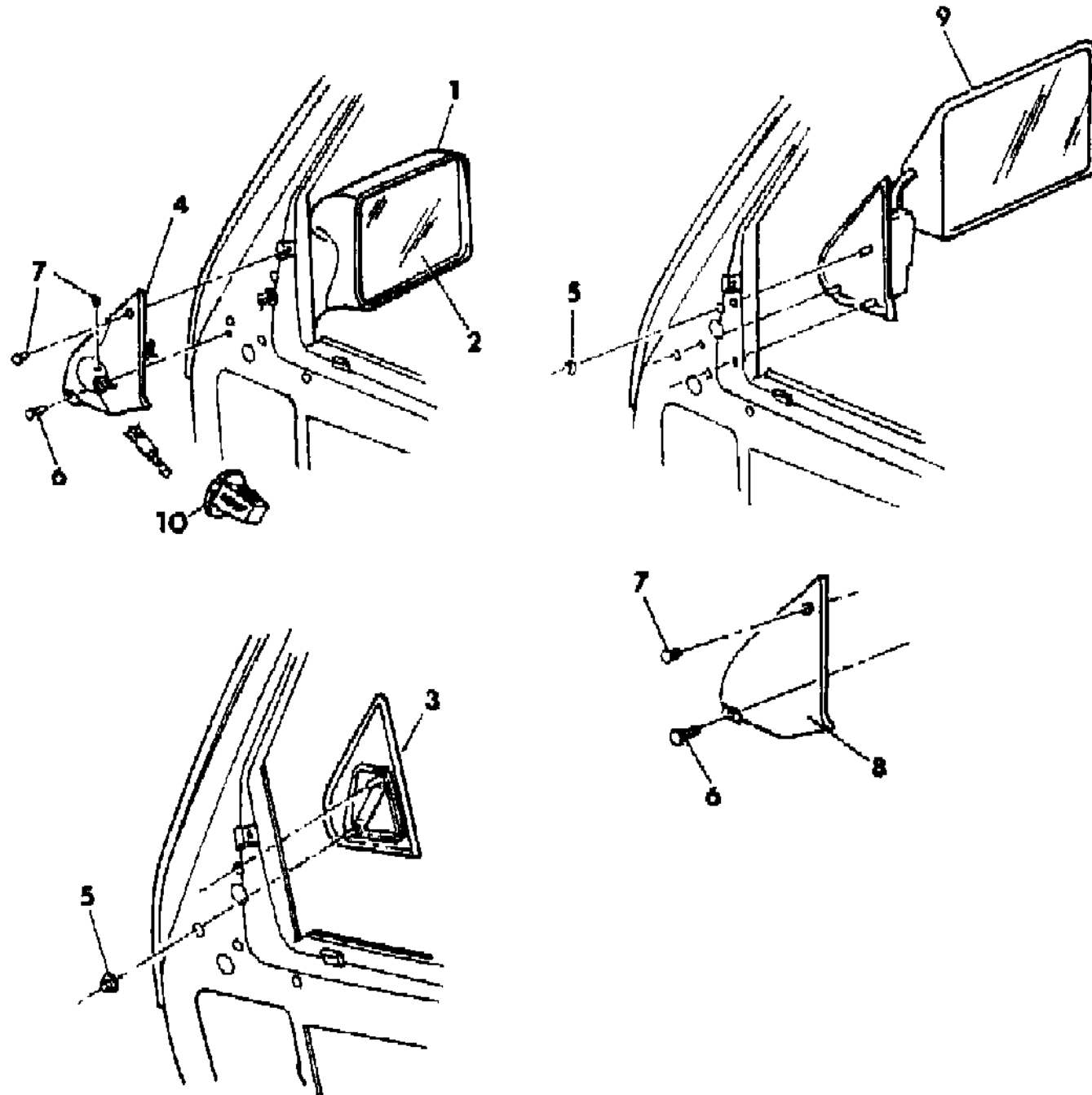
45 = 4-DOOR STATION WAGON

52-53 = FWD WAGON

AR = Use as Required - = Non Illustrated Part P.A.R. = Paint as Required

MIRROR, EXTERIOR S BODY
Figure 23C-4900

7171 4900 A



ITEM	PART NUMBER	QTY	BODY	MODEL	DESCRIPTION
1					MIRROR PACKAGE
	4318 274-5	1			Remote Control
	4299 676-7	1			Electric
	4299 016-7	1			SEAL, Mirror Flag to Door
	4299 034-5	1			w/Electric Mirrors
2					GLASS, Replacement, Remote Mirror
	4267 932	1			Right
	4267 931	1			Left
3	4299 164	1			BEZEL, Outer Opening, w/o Mirror, Right
4	4299 158-9	1			BEZEL, Inside w/Remote Mirror
	4299 159	1			w/Electric Mirrors, Left
	4299 160	1			w/Electric Mirrors, Right
5	6100 044	1			NUT, Mirror Attaching
6		AR			SCREW (DNS)
7	F245 CA3	AR			PLUG
8	4299 328-9	1			BEZEL, Inside w/6x9 Mirrors
	4299 160	1			Inside, w/o Right Mirror
9	4318 292-3	1			MIRROR PACKAGE, 6x9 Foldaway, Black
	4299 248	2			HEAD, w/6x9 Mirror
	4339 307	2			GLASS REPLACEMENT PACKAGE, w/6x9 Mirror
	4299 246-7	1			COVER, Outside w/6x9 Mirror
10	4221 623	2			KNOB, w/Electric Mirrors

MODEL CODES

E BODY = (J - CARAVELLE)(E - 600)(T - NEW YORKER)

G BODY = (V24 - DAYTONA)

H BODY = (D44 - LANCER)(C44 - LEBARON GTS)

J BODY = (C - LEBARON)

K BODY = (P - RELIANT)(D - ARIES)(C - LEBAROND)/TOWN & COUNTRY)

L BODY = (M - HORIZON/TURISMO)(Z - OMNI/CHARGER)

M BODY = (B - GRAN FURY)(F - FIFTH AVE/NEWPORT)(G - DIPLOMAT)

P BODY = (P - SUNDANCE)(D - SHADOW)

S BODY = (H - VOYAGER)(K - RAM VAN/CARAVAN)

BODY STYLES

12-13 = FWD VAN

21 = 2-DOOR SEDAN

24 = 2-DOOR HATCHBACK

27 = 2-DOOR CONVERTIBLE

41 = 4-DOOR SEDAN

44 = 4-DOOR HATCHBACK

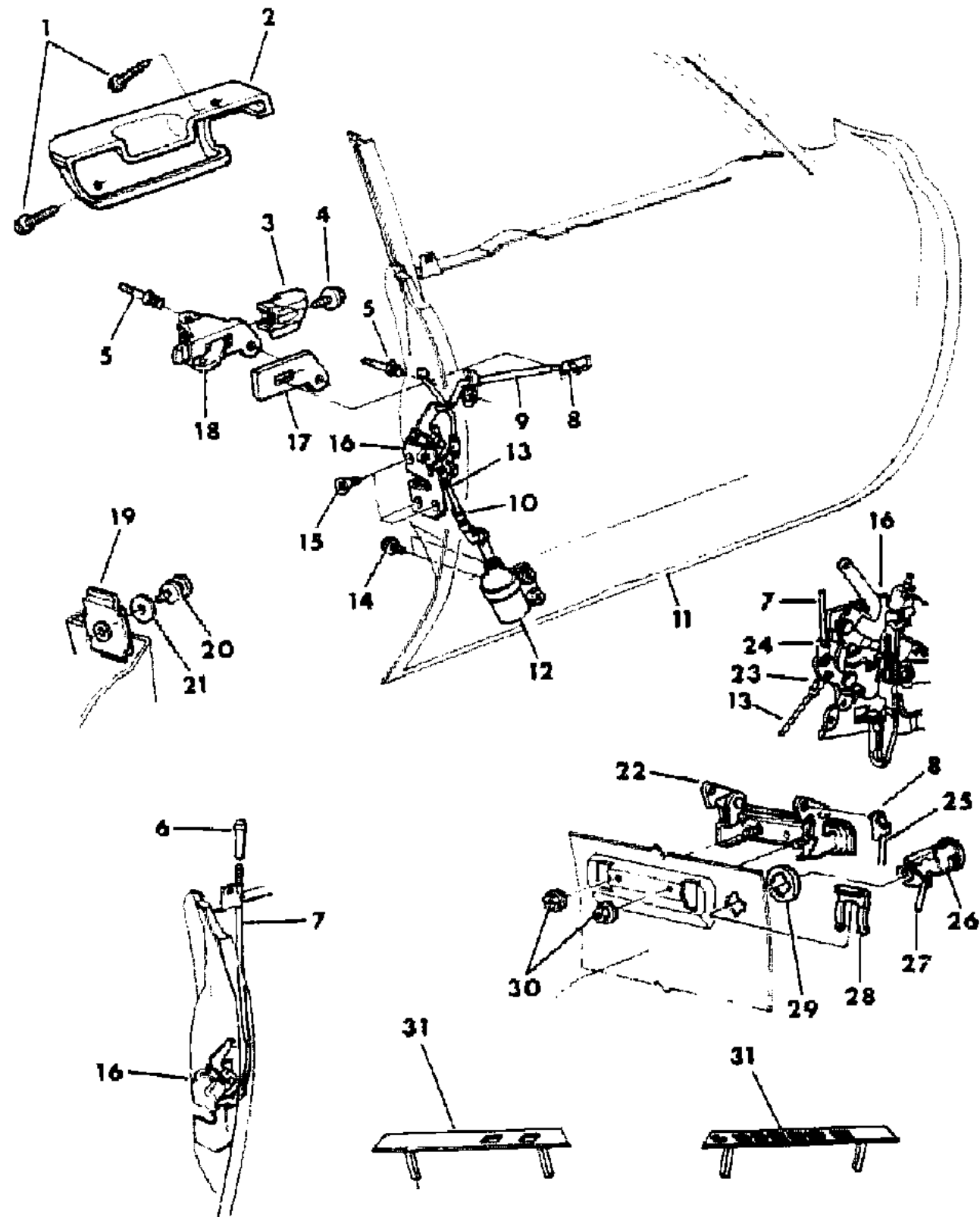
45 = 4-DOOR STATION WAGON

52-53 = FWD WAGON

AR = Use as Required - = Non Illustrated Part P.A.R. = Paint as Required

DOOR, FRONT SHELL, HANDLE, LOCK AND CONTROLS M BODY
Figure 23C-5000

7171 5000



ITEM	PART NUMBER	QTY	BODY	MODEL	DESCRIPTION
1		AR			SCREW (DNS)
2					ARM REST, Refer to IT Section
3	4184 140-1	1			HANDLE, Remote Control
4	0181 063	AR			NUT and WASHER
5	6031 115	AR			RIVET
6	4049 609	2			KNOB PACKAGE, Latch Locking
	3510 447	2			GROMMET, Lock Knob
7	3882 414-5	1			ROD, Door Latch Locking Push
8					CLIP, Exterior Handle to Latch
	2945 109	AR			Right
	2945 108	AR			Left
9	3871 038-9	1			LINK, Remote Control to Latch
10					CLIP, Solenoid Link
	0629 792	AR			Right
	0612 492	AR			Left
11	4325 260-1	1			DOOR SHELL
	3875 010-1	1			PANEL, Repair
12	4396 015	2			SOLENOID, Door Lock
13	4184 161	2			LINK, Door Lock Latch to Solenoid
14		AR			SCREW (DNS)
15	0166 412	AR			SCREW
16					LATCH, Door
	4310 526	1			Right, Non Override
	4310 529	1			Left, Override
	3882 816-7	1			SHIELD, Latch
17	3871 322-3	1			SEAL, Remote Control Inside Panel
	4336 074-5	1			Inner Remote Control Handle
18	3871 274-5	1			REMOTE CONTROL, Door Latch
	3871 282-3	1			SPRING, Remote Control Door Latch
19	3752 366	2			REINFORCEMENT, Center Pillar Retainer
20	4184 222	2			STRIKER, Door
21	6026 361	AR			WASHER, Door Striker
22	3882 621	2			HANDLE, Exterior
	3454 572	4			GASKET, Exterior Handle
23	4184 244-5	1			CLIP, Lock Solenoid Link to Latch
24	4184 244	1			CLIP, Locking Push Rod to Latch
25	3871 140-1	1			LINK, Exterior Handle to Latch
26					CYLINDER, Door, Refer to 23D

MODEL CODES

E BODY = (J - CARAVELLE)(E - 600)(T - NEW YORKER)

G BODY = (V24 - DAYTONA)

H BODY = (D44 - LANCER)(C44 - LEBARON GTS)

J BODY = (C - LEBARON)

K BODY = (P - RELIANT)(D - ARIES)(C - LEBAROND)/TOWN & COUNTRY)

L BODY = (M - HORIZON/TURISMO)(Z - OMNI/CHARGER)

M BODY = (B - GRAN FURY)(F - FIFTH AVE/NEWPORT)(G - DIPLOMAT)

P BODY = (P - SUNDANCE)(D - SHADOW)

S BODY = (H - VOYAGER)(K - RAM VAN/CARAVAN)

BODY STYLES

12-13 = FWD VAN

21 = 2-DOOR SEDAN

24 = 2-DOOR HATCHBACK

27 = 2-DOOR CONVERTIBLE

41 = 4-DOOR SEDAN

44 = 4-DOOR HATCHBACK

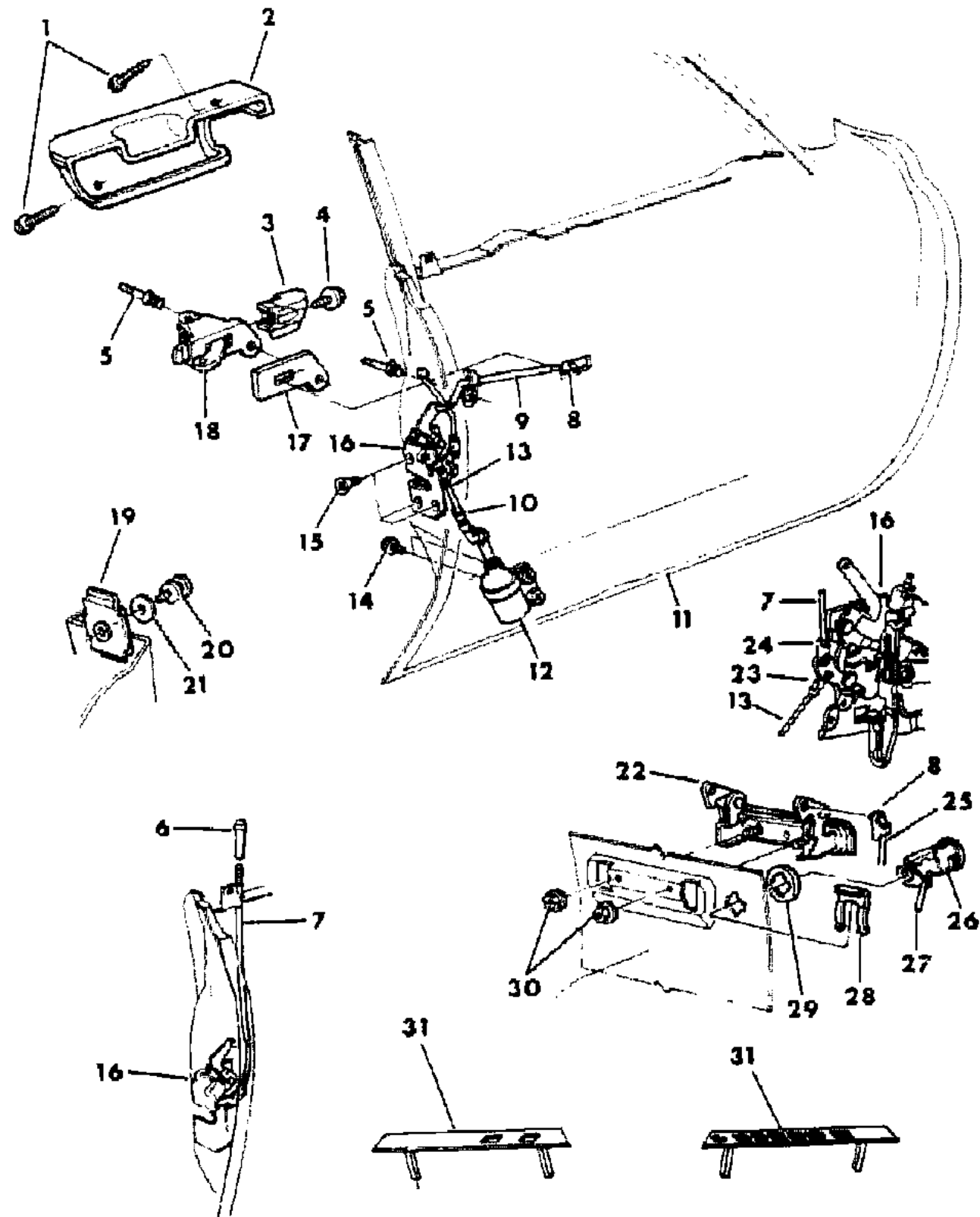
45 = 4-DOOR STATION WAGON

52-53 = FWD WAGON

AR = Use as Required - = Non Illustrated Part P.A.R. = Paint as Required

DOOR, FRONT SHELL, HANDLE, LOCK AND CONTROLS M BODY
Figure 23C-5000

7171 5000



ITEM	PART NUMBER	QTY	BODY	MODEL	DESCRIPTION
27	3871 030-1	1			LINK, Lock Cylinder
28					RETAINER, Lock Cylinder, Refer to 23D
29					GASKET, Lock Cylinder, Refer to 23D
30	6025 004	AR			NUT
31					BEZEL and FINISH PLATE, Armrest
	4078 346-7	1			w/o Electric Windows, w/o Door Locks, Bright
	4078 352	1			w/Door Locks, Bright, Right
	4078 339	1			w/Remote Mirror, Bright, Left
	4078 348	1			w/Electric Windows, w/o Door Locks, Right, Bright
	4078 350	1			w/Electric Windows, w/Door Locks, Bright, Right
	4223 416	1		F-S	w/Electric Windows, w/Door Locks, Woodgrain, Right
	4223 417	1		F-S	w/Electric Windows, w/Door Locks, w/Remote Mirror, Woodgrain, Left
	4078 327	1			w/Remote Mirror, w/Door Locks, Bright, Left
	4078 329	1			w/Electric Windows, w/Door Locks, w/Remote Mirror, Bright, Left
	4078 325	1			w/Electric Windows, w/Remote Mirrors, Bright, Left

MODEL CODES

E BODY = (J - CARAVELLE)(E - 600)(T - NEW YORKER)

G BODY = (V24 - DAYTONA)

H BODY = (D44 - LANCER)(C44 - LEBARON GTS)

J BODY = (C - LEBARON)

K BODY = (P - RELIANT)(D - ARIES)(C - LEBAROND)/TOWN & COUNTRY)

L BODY = (M - HORIZON/TURISMO)(Z - OMNI/CHARGER)

M BODY = (B - GRAN FURY)(F - FIFTH AVE/NEWPORT)(G - DIPLOMAT)

P BODY = (P - SUNDANCE)(D - SHADOW)

S BODY = (H - VOYAGER)(K - RAM VAN/CARAVAN)

BODY STYLES

12-13 = FWD VAN

21 = 2-DOOR SEDAN

24 = 2-DOOR HATCHBACK

27 = 2-DOOR CONVERTIBLE

41 = 4-DOOR SEDAN

44 = 4-DOOR HATCHBACK

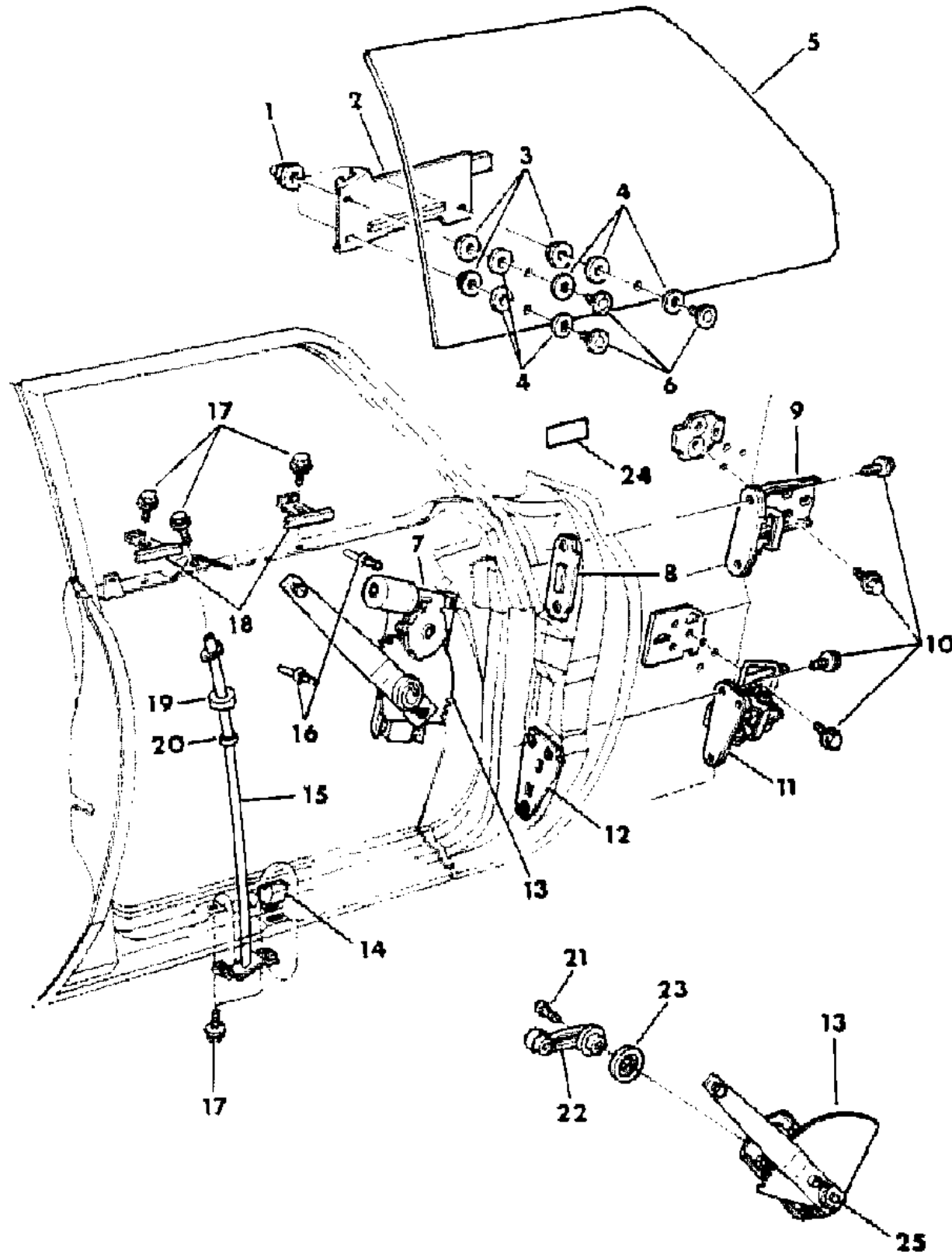
45 = 4-DOOR STATION WAGON

52-53 = FWD WAGON

AR = Use as Required - = Non Illustrated Part P.A.R. = Paint as Required

DOOR, FRONT GLASS AND REGULATOR M BODY
Figure 23C-5100

7171 5100 A



ITEM	PART NUMBER	QTY	BODY	MODEL	DESCRIPTION
1	6031 115	AR			RIVET
2	4310 430-1	1			PLATE and CHANNEL, Glass Guide
	4280 711	4			PAD, Glass Guide Plate
3	6028 587	AR			T-NUT
4	5231 769	AR			GASKET, Glass Guide Bracket to Glass
5	4136 434-5	1			GLASS, Door
6	6029 998	AR			STUD and WASHER
7					MOTOR and MECHANISM, Electric Window
	4240 519	1			Left
	4240 520	1			Right
8					T-PLATE, Serviced in Door Shell
9	4336 636-7	1			HINGE, Upper
10	6031 069	AR			SCREW
11	4336 640-1	1			HINGE, Lower w/Check Arm
	3875 350-1	1			BAR, Lower Hinge Torsion
12					T-PLATE, Serviced in Door Shell
13					REGULATOR, Window
	3882 274-5	1			Manual
	3882 350-1	1			Electric
		2			SCREW, Electric Window Regulator Mechanism Housing (DNS)
	9416 992	2			NUT, Electric Window Regulator Mechanism Set Screw
	4339 301	2			SLIDE PACKAGE, Regulator
	2999 467	2			SPACER, Electric Window Regulator Mechanism Locking
14	3875 974	2			BUMPER, Glass Downstop
15	4310 436-7	1			TRACK, Glass Guide Tube
16	6031 115	AR			RIVET
17	6030 649	AR			SCREW
18	4040 663	4			STABILIZER, Glass
19	3788 080	2			SLEEVE, Glass Track Tube
20	3788 273	2			GUIDE, Glass Lift, Lower
21	6027 221	AR			SCREW
22	4310 824	2			HANDLE, Window Regulator
23	3882 768	2			SPACER, Window Regulator Handle
24	4365 683	1			DECAL, Seat Belt Safety
25	3875 678	2			SPRING, Manual Regulator Assist

MODEL CODES

E BODY = (J - CARAVELLE)(E - 600)(T - NEW YORKER)

G BODY = (V24 - DAYTONA)

H BODY = (D44 - LANCER)(C44 - LEBARON GTS)

J BODY = (C - LEBARON)

K BODY = (P - RELIANT)(D - ARIES)(C - LEBAROND)/TOWN & COUNTRY)

L BODY = (M - HORIZON/TURISMO)(Z - OMNI/CHARGER)

M BODY = (B - GRAN FURY)(F - FIFTH AVE/NEWPORT)(G - DIPLOMAT)

P BODY = (P - SUNDANCE)(D - SHADOW)

S BODY = (H - VOYAGER)(K - RAM VAN/CARAVAN)

BODY STYLES

12-13 = FWD VAN

21 = 2-DOOR SEDAN

24 = 2-DOOR HATCHBACK

27 = 2-DOOR CONVERTIBLE

41 = 4-DOOR SEDAN

44 = 4-DOOR HATCHBACK

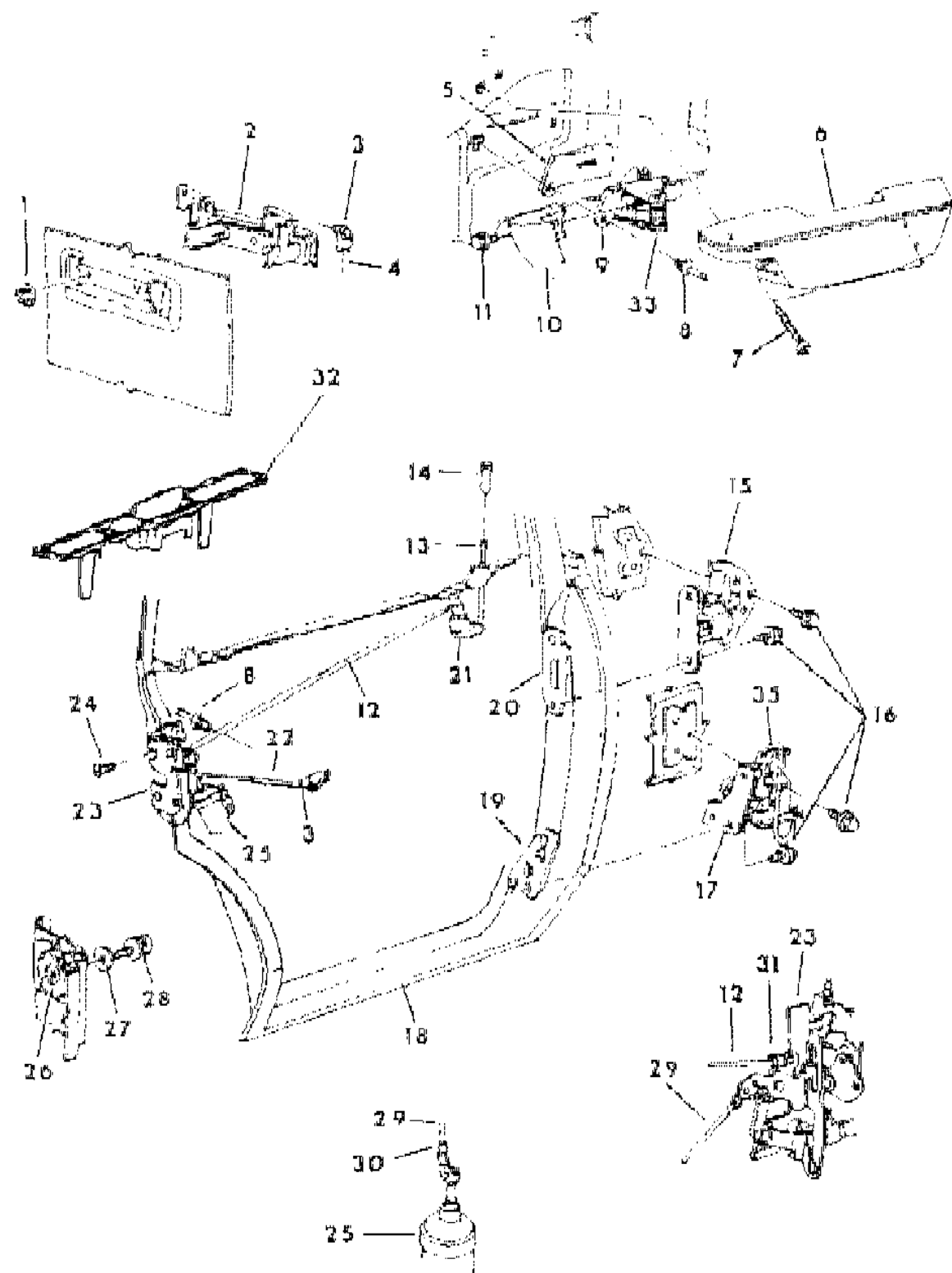
45 = 4-DOOR STATION WAGON

52-53 = FWD WAGON

AR = Use as Required - = Non Illustrated Part P.A.R. = Paint as Required

DOOR, REAR SHELL, HANDLE AND CONTROLS M BODY
Figure 23C-5200

7171 5200 B



ITEM	PART NUMBER	QTY	BODY	MODEL	DESCRIPTION
1	6025 004	AR			NUT
2	3882 621	2			HANDLE, Exterior
	3454 572	2			GASKET, Exterior Handle Base
3	2945 108-9	AR			CLIP, Remote Control Lever
4	3882 418-9	1			LINK, Latch to Exterior Handle
5	3871 322-3	1			SEAL, Remote Control Inside Panel
6					ARM REST, Refer to IT Section
7		AR			SCREW (DNS)
8	6031 115	AR			RIVET
9	3871 274-5	1			REMOTE CONTROL
10	4184 140-1	1			HANDLE, Remote Control
11	0181 063	AR			SCREW
12	3871 188	2			LINK, Latch Locking Control
13	3882 301	2			ROD, Latch Locking Control Push
14	4049 609	AR			KNOB PACKAGE, Latch Locking
	3510 447	2			GROMMET, Trim Panel Lock Knob
15	4336 638-9	1			HINGE, Upper
16	6031 069	AR			SCREW
17	4336 642-3	1			HINGE, Lower
18	4297 942-3	1			DOOR SHELL
	3875 044-5	1			PANEL, Repair
19					T-Plate, Serviced in Door Shell
20					T-Plate, Serviced in Door Shell
21	3871 044	2			LEVER, Latch Locking Control
22	3871 060-1	1			LINK, Latch Remote Control
23					LATCH, Door
	4310 530-1	1			w/o Door Locks
	4310 532-3	1			w/Door Locks
	3454 220-1	1			CLIP, Inside Release Lever Latch
24	0166 412	AR			SCREW
25	4396 015	2			SOLENOID, Door Lock
26	3445 952	2			T-PLATE, Body Lock Pillar Lock Striker
27	6026 361	AR			WASHER, Latch Striker
28	4184 222	2			STRIKER, Door Latch
29	4184 712	2			LINK, Solenoid to Latch
30	4184 172	2			CLIP, Locking Solenoid
31	4184 244-5	1			CLIP, Lock Solenoid to Latch
32	4184 244	1			CLIP, Locking Link To Latch

MODEL CODES

E BODY = (J - CARAVELLE)(E - 600)(T - NEW YORKER)

G BODY = (V24 - DAYTONA)

H BODY = (D44 - LANCER)(C44 - LEBARON GTS)

J BODY = (C - LEBARON)

K BODY = (P - RELIANT)(D - ARIES)(C - LEBAROND)/TOWN & COUNTRY)

L BODY = (M - HORIZON/TURISMO)(Z - OMNI/CHARGER)

M BODY = (B - GRAN FURY)(F - FIFTH AVE/NEWPORT)(G - DIPLOMAT)

P BODY = (P - SUNDANCE)(D - SHADOW)

S BODY = (H - VOYAGER)(K - RAM VAN/CARAVAN)

BODY STYLES

12-13 = FWD VAN

21 = 2-DOOR SEDAN

24 = 2-DOOR HATCHBACK

27 = 2-DOOR CONVERTIBLE

41 = 4-DOOR SEDAN

44 = 4-DOOR HATCHBACK

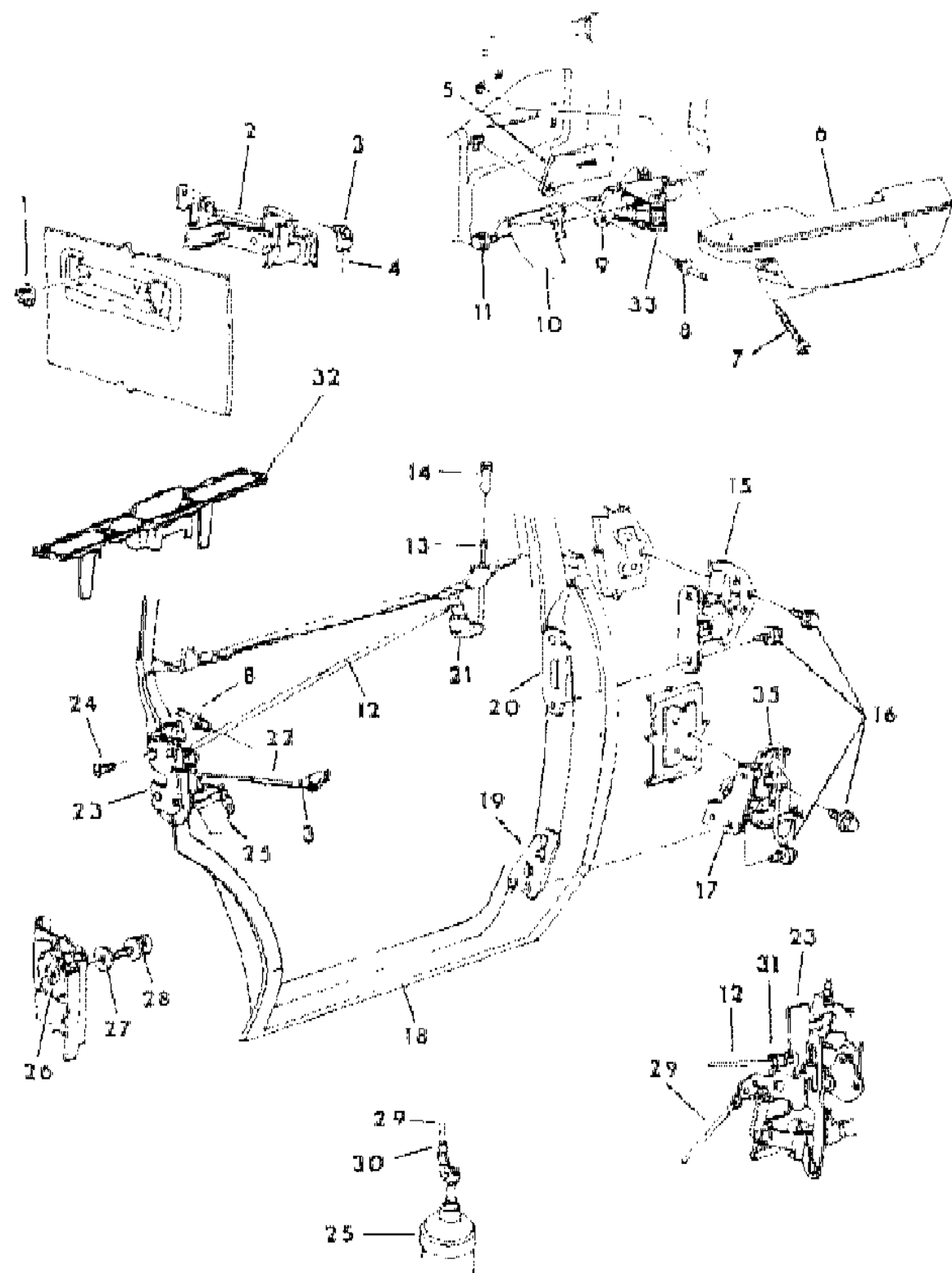
45 = 4-DOOR STATION WAGON

52-53 = FWD WAGON

AR = Use as Required - = Non Illustrated Part P.A.R. = Paint as Required

DOOR, REAR SHELL, HANDLE AND CONTROLS M BODY
Figure 23C-5200

7171 5200 B



ITEM	PART NUMBER	QTY	BODY	MODEL	DESCRIPTION
33					BEZEL and FINISH PLATE, Armrest
	4078 382-3	1			w/o Electric Windows, Bright
	4078 384-5	1			w/Electric Windows, Bright
	4223 426-7	1			w/Electric Windows, Woodgrain
	1639 961	2			BUMPER, Ash Receiver Lid
	9417 252	4			PIN, Ash Receiver Lid
34	3871 282-3	1			SPRING, Remote Control
35	3875 344-5	2			BAR, Lower Hinge Torsion

MODEL CODES

E BODY = (J - CARAVELLE)(E - 600)(T - NEW YORKER)

G BODY = (V24 - DAYTONA)

H BODY = (D44 - LANCER)(C44 - LEBARON GTS)

J BODY = (C - LEBARON)

K BODY = (P - RELIANT)(D - ARIES)(C - LEBAROND)/TOWN & COUNTRY)

L BODY = (M - HORIZON/TURISMO)(Z - OMNI/CHARGER)

M BODY = (B - GRAN FURY)(F - FIFTH AVE/NEWPORT)(G - DIPLOMAT)

P BODY = (P - SUNDANCE)(D - SHADOW)

S BODY = (H - VOYAGER)(K - RAM VAN/CARAVAN)

BODY STYLES

12-13 = FWD VAN

21 = 2-DOOR SEDAN

24 = 2-DOOR HATCHBACK

27 = 2-DOOR CONVERTIBLE

41 = 4-DOOR SEDAN

44 = 4-DOOR HATCHBACK

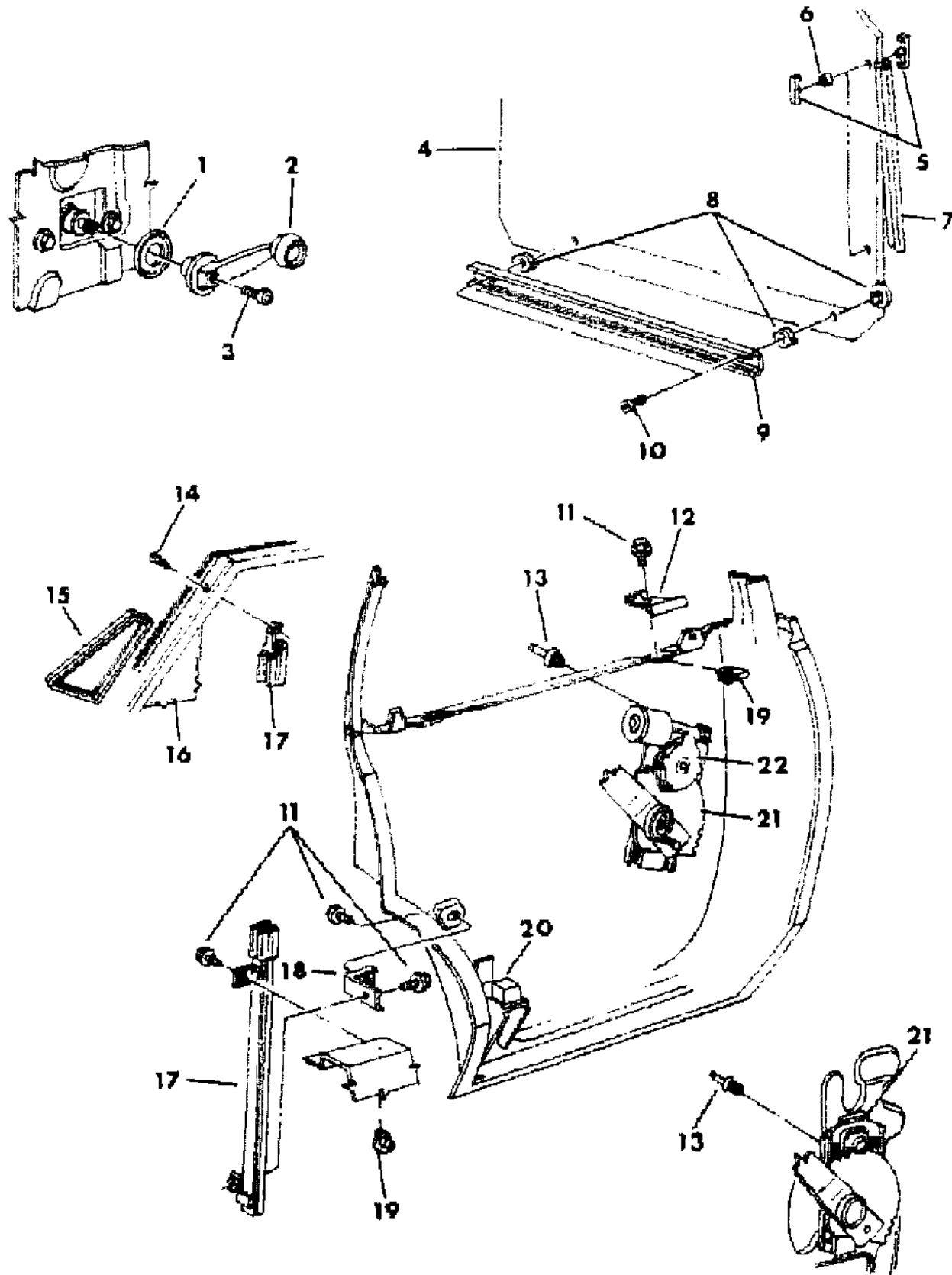
45 = 4-DOOR STATION WAGON

52-53 = FWD WAGON

AR = Use as Required - = Non Illustrated Part P.A.R. = Paint as Required

DOOR, REAR GLASS AND REGULATOR M BODY
Figure 23C-5300

7171 5300



ITEM	PART NUMBER	QTY	BODY	MODEL	DESCRIPTION
1	3882 768	2			SPACER, Window Regulator Handle
2	4310 824	2			HANDLE, Window Regulator
3	6027 221	AR			SCREW
4	4136 332-3	1			GLASS, Door
5	3582 315	8			RETAINER, Glass Rear Edge
6	2861 744	4			PIN, Glass Rear Edge Slide
7	4136 166	1			WEATHERSTRIP PACKAGE, On Rear Edge Of Glass
8	3744 734	1			FASTENER PACKAGE, w/Bushing, Glass Lift
9	3875 083	2			CHANNEL, Window Glass Lift
10	6030 182	AR			SCREW
11	6030 649	AR			SCREW
12	4040 663	2			STABILIZER, Glass
13	6031 115	AR			RIVET
14	0181 063	2			SCREW
15	4136 160-1	1			WEATHERSTRIP, Stationary Glass
16					GLASS, Stationary
	4136 180-1	1			Tinted
17	4136 170-1	1			CHANNEL, Glass Division
	4198 848-9	1		F-S	
18	4310 896	2			BRACKET, Inside Panel to Division Channel
19	0152 454	AR			U-NUT
20	3440 270	2			BUMPER, Glass Downstop
21					REGULATOR, Window
	3882 290-1	1			Manual
	3882 350-1	1			Electric
	2999 467	AR			SPACER, Electric Window Regulator Mechanism Locking
	4339 301	2			SLIDE PACKAGE, Regulator
22					MOTOR and MECHANISM, Electric Window
	4240 519	1			Left
	4240 520	1			Right

MODEL CODES

E BODY = (J - CARAVELLE)(E - 600)(T - NEW YORKER)

G BODY = (V24 - DAYTONA)

H BODY = (D44 - LANCER)(C44 - LEBARON GTS)

J BODY = (C - LEBARON)

K BODY = (P - RELIANT)(D - ARIES)(C - LEBAROND)/TOWN & COUNTRY)

L BODY = (M - HORIZON/TURISMO)(Z - OMNI/CHARGER)

M BODY = (B - GRAN FURY)(F - FIFTH AVE/NEWPORT)(G - DIPLOMAT)

P BODY = (P - SUNDANCE)(D - SHADOW)

S BODY = (H - VOYAGER)(K - RAM VAN/CARAVAN)

BODY STYLES

12-13 = FWD VAN

21 = 2-DOOR SEDAN

24 = 2-DOOR HATCHBACK

27 = 2-DOOR CONVERTIBLE

41 = 4-DOOR SEDAN

44 = 4-DOOR HATCHBACK

45 = 4-DOOR STATION WAGON

52-53 = FWD WAGON

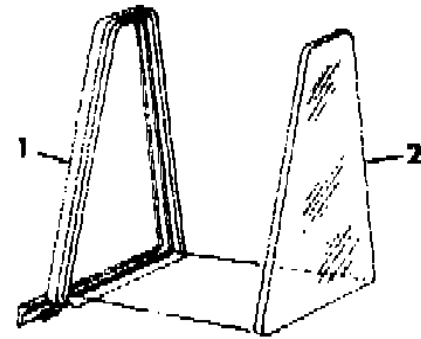
AR = Use as Required - = Non Illustrated Part P.A.R. = Paint as Required

DOOR, REAR GLASS AND WEATHERSTRIPS M BODY

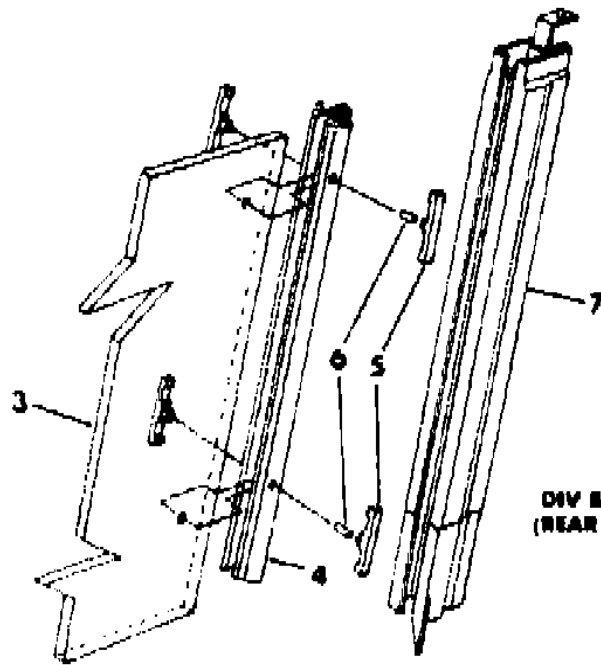
Figure 23C-5400

7171 5400

ITEM	PART NUMBER	QTY	BODY	MODEL	DESCRIPTION
1	4136 160-1	1			WEATHERSTRIP, Stationary Glass
2	4136 180-1	1			GLASS, Stationary
3	4136 332-3	1			GLASS, Window
4-6	4136 166	2			WEATHERSTRIP PACKAGE, On Rear Edge Of Glass
5	3582 315	8			RETAINER, Glass Rear Edge
6	2861 744	4			PIN, Glass Rear Edge Slide
7	4136 170-1	1			CHANNEL, Division



WEATHERSTRIP & GLASS
REAR DOOR (STATIONARY)



DIV BAR & GLASS
(REAR DOOR WDO)

MODEL CODES

E BODY = (J - CARAVELLE)(E - 600)(T - NEW YORKER)

G BODY = (V24 - DAYTONA)

H BODY = (D44 - LANCER)(C44 - LEBARON GTS)

J BODY = (C - LEBARON)

K BODY = (P - RELIANT)(D - ARIES)(C - LEBAROND)/TOWN & COUNTRY)

L BODY = (M - HORIZON/TURISMO)(Z - OMNI/CHARGER)

M BODY = (B - GRAN FURY)(F - FIFTH AVE/NEWPORT)(G - DIPLOMAT)

P BODY = (P - SUNDANCE)(D - SHADOW)

S BODY = (H - VOYAGER)(K - RAM VAN/CARAVAN)

BODY STYLES

12-13 = FWD VAN

21 = 2-DOOR SEDAN

24 = 2-DOOR HATCHBACK

27 = 2-DOOR CONVERTIBLE

41 = 4-DOOR SEDAN

44 = 4-DOOR HATCHBACK

45 = 4-DOOR STATION WAGON

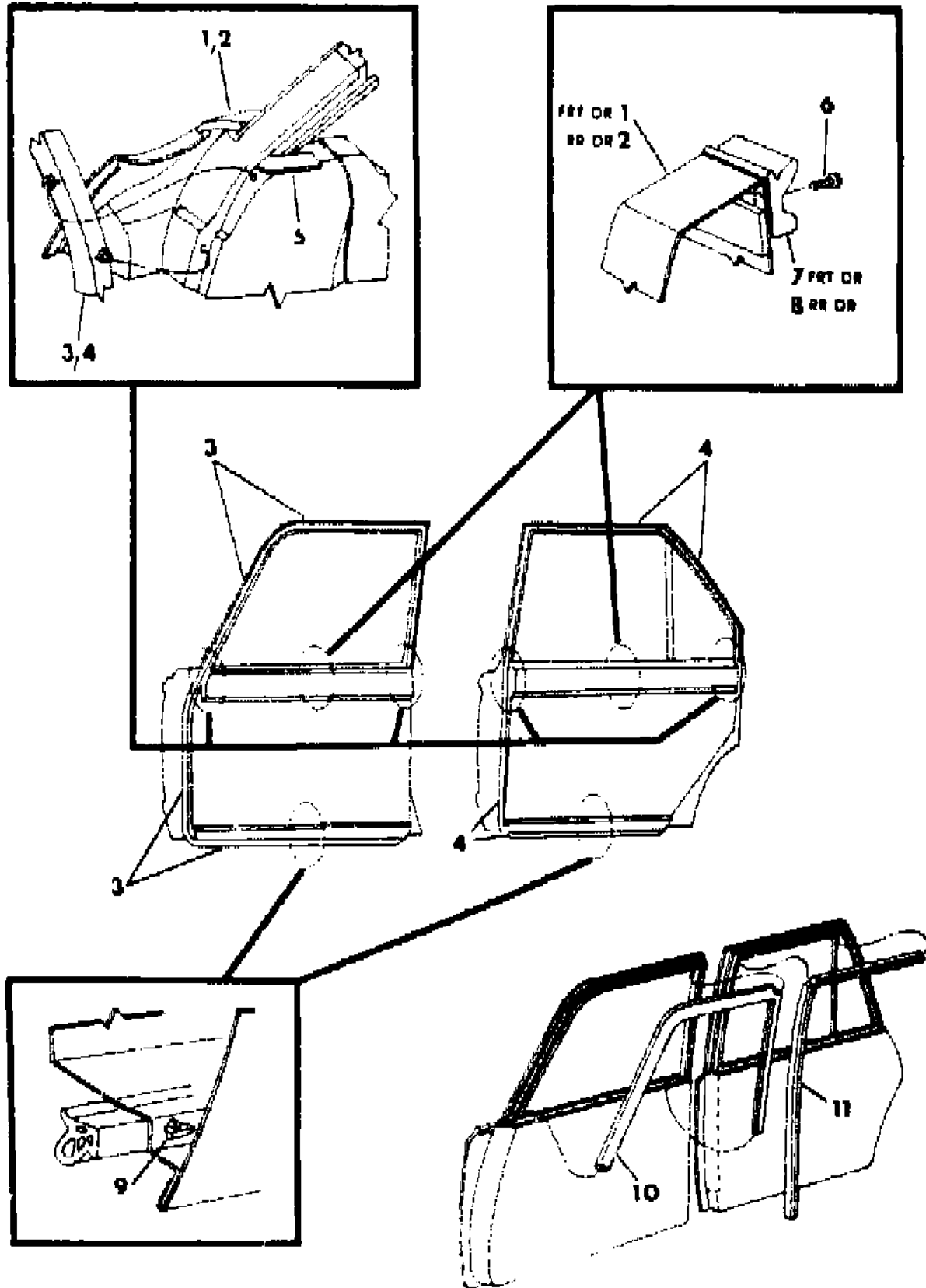
52-53 = FWD WAGON

AR = Use as Required - = Non Illustrated Part P.A.R. = Paint as Required

DOOR, FRONT AND REAR WEATHERSTRIPS AND RUNS M BODY
Figure 23C-5500

7171 5500

ITEM	PART NUMBER	QTY	BODY	MODEL	DESCRIPTION
1					DOOR SHELL, Front, Refer to Door Illustration
2					DOOR SHELL, Rear, Refer to Door Illustration
3	3875 392-3	1			WEATHERSTRIP, On Front Door
4	4136 290-1	1			WEATHERSTRIP, On Rear Door
5					SEAL, Window Frame to Inner Panel, Front and Rear (DNS)
6					SCREW (DNS)
7	4310 712-3	1			WEATHERSTRIP, Front Door Window Belt, Outer
8	3875 422-3	1			WEATHERSTRIP, Rear Door Window Belt, Outer
9	4040 732	AR			FASTENER, Door to Inside Panel
10	4198 637	2			RUN, Front Door Glass
11	4198 638	2			RUN, Rear Door Glass



MODEL CODES

E BODY = (J - CARAVELLE)(E - 600)(T - NEW YORKER)

G BODY = (V24 - DAYTONA)

H BODY = (D44 - LANCER)(C44 - LEBARON GTS)

J BODY = (C - LEBARON)

K BODY = (P - RELIANT)(D - ARIES)(C - LEBAROND)/TOWN & COUNTRY)

L BODY = (M - HORIZON/TURISMO)(Z - OMNI/CHARGER)

M BODY = (B - GRAN FURY)(F - FIFTH AVE/NEWPORT)(G - DIPLOMAT)

P BODY = (P - SUNDANCE)(D - SHADOW)

S BODY = (H - VOYAGER)(K - RAM VAN/CARAVAN)

BODY STYLES

12-13 = FWD VAN

21 = 2-DOOR SEDAN

24 = 2-DOOR HATCHBACK

27 = 2-DOOR CONVERTIBLE

41 = 4-DOOR SEDAN

44 = 4-DOOR HATCHBACK

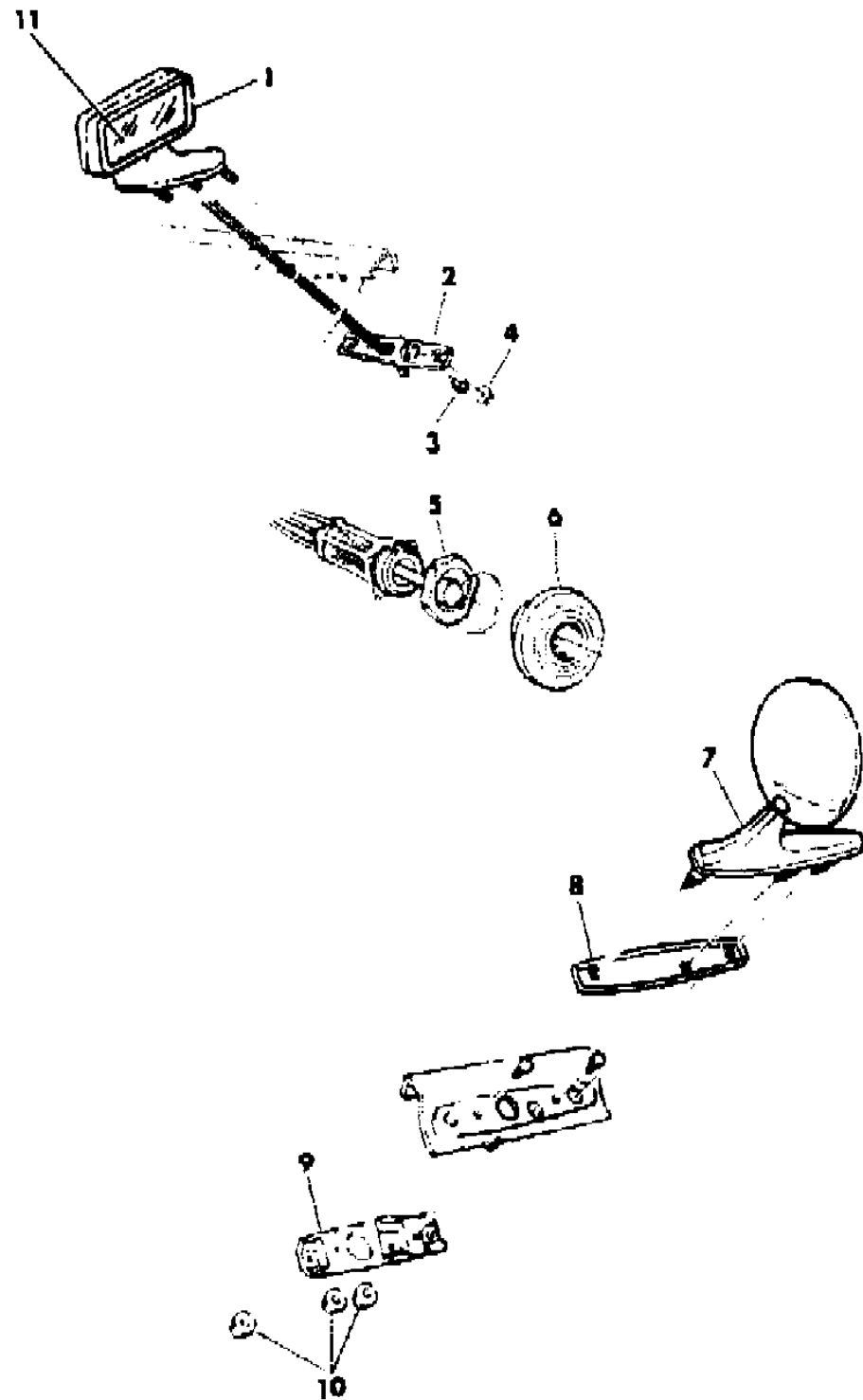
45 = 4-DOOR STATION WAGON

52-53 = FWD WAGON

AR = Use as Required - = Non Illustrated Part P.A.R. = Paint as Required

MIRROR, EXTERIOR M BODY
Figure 23C-5600

7171 5800



ITEM	PART NUMBER	QTY	BODY	MODEL	DESCRIPTION
1					MIRROR PACKAGE, Remote Control
	4299 234-5	1			Rectangular, Chrome
2	4299 126-7	1			REINFORCEMENT, Remote Control Mirror
3	3759 944	2			RETAINER, Mirror Mtg. Reinforcement
4	6025 001	AR			NUT
5	6030 356	2			NUT, Remote Control Mirror Index
6	3760 795	1			NUT, Remote Control Mirror, Left
	P631 MX9	1			BEZEL, Remote Control Mirror, Right
					NUT (DNS)
7	4299 237	1			MIRROR PACKAGE, Manual Chrome, Left
8					GASKET, Mirror, Serviced in Mirror Package
	4054 149	1			GASKET, Remote Control Mirror, Right
9	3861 805	1			REINFORCEMENT, Mirror
10	6025 001	AR			NUT
11					GLASS REPLACEMENT PACKAGE, Mirror
	4267 874-5	1			Remote Control
	4267 883	1			Manual, Left
	4097 761	1			Left

MODEL CODES

E BODY = (J - CARAVELLE)(E - 600)(T - NEW YORKER)

G BODY = (V24 - DAYTONA)

H BODY = (D44 - LANCER)(C44 - LEBARON GTS)

J BODY = (C - LEBARON)

K BODY = (P - RELIANT)(D - ARIES)(C - LEBAROND)/TOWN & COUNTRY)

L BODY = (M - HORIZON/TURISMO)(Z - OMNI/CHARGER)

M BODY = (B - GRAN FURY)(F - FIFTH AVE/NEWPORT)(G - DIPLOMAT)

P BODY = (P - SUNDANCE)(D - SHADOW)

S BODY = (H - VOYAGER)(K - RAM VAN/CARAVAN)

BODY STYLES

12-13 = FWD VAN

21 = 2-DOOR SEDAN

24 = 2-DOOR HATCHBACK

27 = 2-DOOR CONVERTIBLE

41 = 4-DOOR SEDAN

44 = 4-DOOR HATCHBACK

45 = 4-DOOR STATION WAGON

52-53 = FWD WAGON

AR = Use as Required - = Non Illustrated Part P.A.R. = Paint as Required

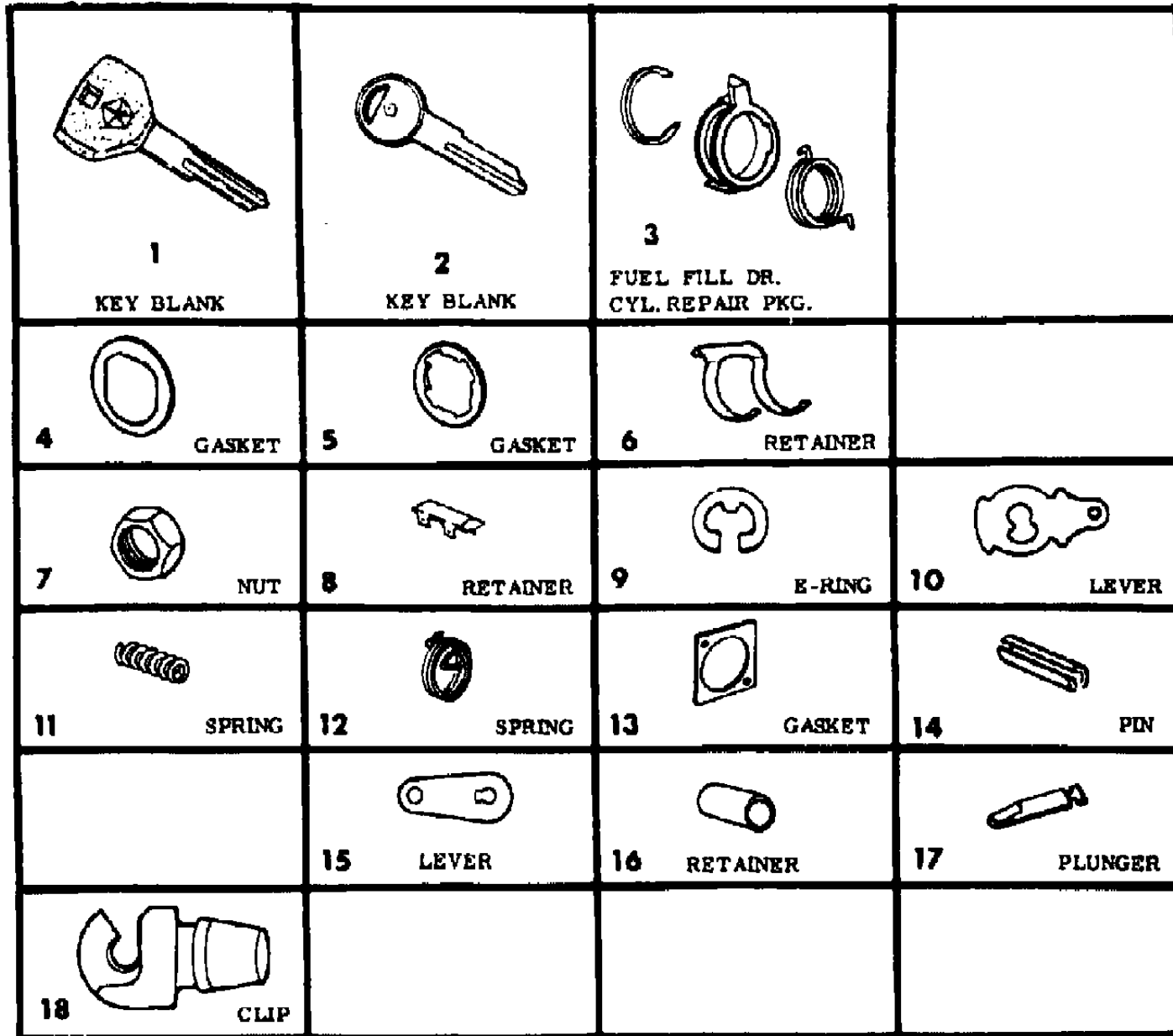
GROUP 23D - WIPER & WASHER AND CYLINDER & KEYS

ILLUSTRATION TITLE	GROUP-FIG. NO.
ALL MODELS	
LOCK CYLINDERS AND KEYS	Fig. 23D-100
L BODY	
WINDSHIELD WIPER SYSTEM L BODY	Fig. 23D-200
WINDSHIELD WASHER SYSTEM L BODY	Fig. 23D-300
LIFTGATE WIPER AND WASHER SYSTEM L BODY	Fig. 23D-400
P BODY	
WINDSHIELD WIPER AND WASHER SYSTEM P BODY	Fig. 23D-500
J BODY	
WINDSHIELD WIPER AND WASHER SYSTEM J BODY	Fig. 23D-600
K,E BODY	
WINDSHIELD WIPER AND WASHER SYSTEM K,E BODY	Fig. 23D-700
LIFTGATE WIPER AND WASHER SYSTEM K BODY	Fig. 23D-800
G BODY	
WINDSHIELD WIPER SYSTEM G BODY	Fig. 23D-900
WINDSHIELD WASHER SYSTEM G BODY	Fig. 23D-1000
LIFTGATE WIPER AND WASHER SYSTEM G BODY	Fig. 23D-1100
H BODY	
WINDSHIELD WIPER SYSTEM H BODY	Fig. 23D-1200
WINDSHIELD WASHER SYSTEM H BODY	Fig. 23D-1300
LIFTGATE WIPER AND WASHER SYSTEM H BODY	Fig. 23D-1400
S BODY	
WINDSHIELD WIPER SYSTEM S BODY	Fig. 23D-1500
WINDSHIELD WASHER SYSTEM S BODY	Fig. 23D-1600
LIFTGATE WIPER AND WASHER SYSTEM S BODY	Fig. 23D-1700
M BODY	
WINDSHIELD WIPER SYSTEM M BODY	Fig. 23D-1800
WINDSHIELD WASHER SYSTEM M BODY	Fig. 23D-1900

ILLUSTRATION NOT AVAILABLE AT TIME OF PUBLICATION

LOCK CYLINDERS AND KEYS
Figure 23D-100

7172 100



ITEM	PART NUMBER	QTY	BODY	MODEL	DESCRIPTION
					LOCK CYLINDER and KEY
	4378 167	1	LKESM		Ignition Lock, Bright
	4378 166	1	PJGH		Ignition Lock, Black
	4378 168	1	KESM		Ignition Lock, Bright, w/Tilt Steering
	4378 169	1	PJGH		Ignition Lock, Black, w/Tilt Steering
	4378 171	1	LKESM		Door Lock, Bright
	4378 172	1	KEM		Door Lock, Bright, w/Illuminated Entry
	4378 173	1	PJGH		Door Lock, Black
	4378 278	1	JG		Door Lock, Black, w/Illuminated Entry
	4378 175	1	LKS		Liftgate and Deck Lid, Bright
	4378 290	1	G		Lifgate, Black
	4378 177	1	P,S		Lifgate, Black
	4378 182	1	HS		Glove Box and Console
	4246 645	1	LJG		Glove Box
	4054 081	1	KEM		Glove Box
	4246 855	1	S		Console and Pass. Seat Comp.
	4378 325	1	J		Rear Seat Back Latch Locking
	4246 892	1	H		Liftgate and Glove Box
	4246 646	1	L	44	Liftgate and Glove Box
	4246 793	1	KE		Deck Lid and Glove Box
	4378 291	1	J		Deck Lid
	4267 850	1	M		Deck Lid and Glove Box
	4246 926	1	S		Cargo Door, Liftgate and Pass. Seat Comp.
	4419 033	1			Deck Lid Cylinder Key and Shaft Pkg.
	4372 710	1	T		Instrument Panel Console
	4370 068	1	M		w/Single Key, w/Tilt Steering
	4370 069	1	M		w/Universal Key, w/Tilt Steering
	4378 184	1			CYLINDER, Ignition, Bright
	4378 185	1			Black
	4419 007	1			SERVICE and REPAIR PACKAGE, Lock Cylinder
1	4246 904	1			KEY, Ignition and Door (Capsulated)
	3454 493	3	KM		Door, Ignition w/Single and Universal Key
2	2999 041	1			KEY, Deck Lid, Liftgate and Glove Box
3	4378 035	1	G		FUEL FILLER LATCH PACKAGE, Repair
	4378 034	1	E		
4	3695 321	1	KEM		GASKET, Deck Lid Lock Cylinder
	3695 321	1			Liftgate Lock Cylinder
5	2583 860	2			GASKET, Door Lock Cylinder

MODEL CODES

E BODY = (J - CARAVELLE)(E - 600)(T - NEW YORKER)

G BODY = (V24 - DAYTONA)

H BODY = (D44 - LANCER)(C44 - LEBARON GTS)

J BODY = (C - LEBARON)

K BODY = (P - RELIANT)(D - ARIES)(C - LEBAROND)/TOWN & COUNTRY)

L BODY = (M - HORIZON/TURISMO)(Z - OMNI/CHARGER)

M BODY = (B - GRAN FURY)(F - FIFTH AVE/NEWPORT)(G - DIPLOMAT)

P BODY = (P - SUNDANCE)(D - SHADOW)

S BODY = (H - VOYAGER)(K - RAM VAN/CARAVAN)

BODY STYLES

12-13 = FWD VAN

21 = 2-DOOR SEDAN

24 = 2-DOOR HATCHBACK

27 = 2-DOOR CONVERTIBLE

41 = 4-DOOR SEDAN

44 = 4-DOOR HATCHBACK

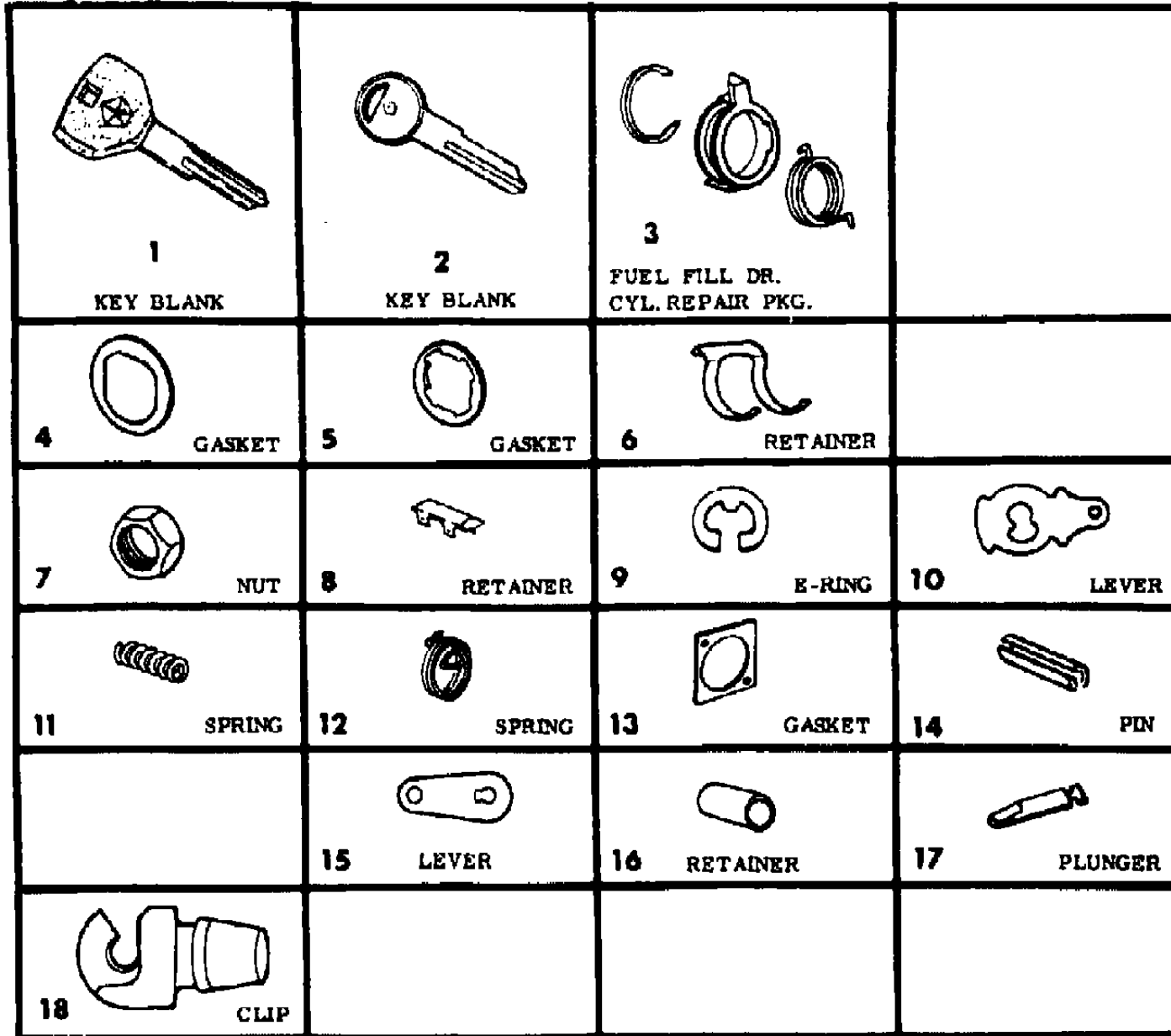
45 = 4-DOOR STATION WAGON

52-53 = FWD WAGON

AR = Use as Required - = Non Illustrated Part P.A.R. = Paint as Required

LOCK CYLINDERS AND KEYS
Figure 23D-100

7172 100



ITEM	PART NUMBER	QTY	BODY	MODEL	DESCRIPTION
6	2583 377	2	LKEM		RETAINER, Door Lock Cylinder
	4184 686-7	1	GH		w/Illuminated Entry
	4184 684-5	1	GHS		w/o Illuminated Entry
	4415 724-5	1	S		
7	4054 202	1			NUT, Deck Lid and Liftgate Lock Cylinder Retainer
8	2765 069	2			RETAINER, Door Lock Cylinder Tumbler
9	6026 125	2			RETAINER, Lock Cylinder Lever and Reverse Lever Pivot
	6026 125	1	S		Sliding Door Outside Handle Key Lever
	6026 125	1			Front Door Lock Cylinder Lever
	4280 659	1	S		Sliding Door Outside Handle Cylinder
	6032 107	1	LK	24,45	CLIP, Liftgate Lock Cylinder Lever Retainer
10	2802 124	2			LEVER, Door Lock Cylinder
11	2765 073	AR			SPRING, Door, Deck Lid and Liftgate Lock Cylinder Tumbler
12	3861 746	1	JEM		SPRING, Deck Lid Lock Cylinder Shaft Retaining
13	4276 999	1	KEM		GASKET, Deck Lid Lock Cylinder Medallion
14	9431 636	1			PIN, Ignition and Steering Column Lock Cylinder Buzzer Switch Actuating Arm
	9431 637	1			Ignition and Steering Column Lock Cylinder to Driver
15	4246 496	1	K		LEVER, Liftgate Lock Cylinder
	4378 015	1	G		Liftgate Lock Cylinder
	4246 815	1	KS		Liftgate Lock Cylinder
	4246 790	1	H		Liftgate Lock Cylinder
	4378 093	1	G		Cylinder Lock Shaft to Link
16	3454 517	1			RETAINER, Ignition and Steering Column Lock Cylinder Actuating Arm Spring
17	4019 548	1	KEM		PLUNGER, Lock Cylinder Retainer, w/o Tilt Steering
18	3760 130-1	1	LK		CLIP, Door Lock Cylinder Retainer

MODEL CODES

E BODY = (J - CARAVELLE)(E - 600)(T - NEW YORKER)

G BODY = (V24 - DAYTONA)

H BODY = (D44 - LANCER)(C44 - LEBARON GTS)

J BODY = (C - LEBARON)

K BODY = (P - RELIANT)(D - ARIES)(C - LEBAROND)/TOWN & COUNTRY)

L BODY = (M - HORIZON/TURISMO)(Z - OMNI/CHARGER)

M BODY = (B - GRAN FURY)(F - FIFTH AVE/NEWPORT)(G - DIPLOMAT)

P BODY = (P - SUNDANCE)(D - SHADOW)

S BODY = (H - VOYAGER)(K - RAM VAN/CARAVAN)

BODY STYLES

12-13 = FWD VAN

21 = 2-DOOR SEDAN

24 = 2-DOOR HATCHBACK

27 = 2-DOOR CONVERTIBLE

41 = 4-DOOR SEDAN

44 = 4-DOOR HATCHBACK

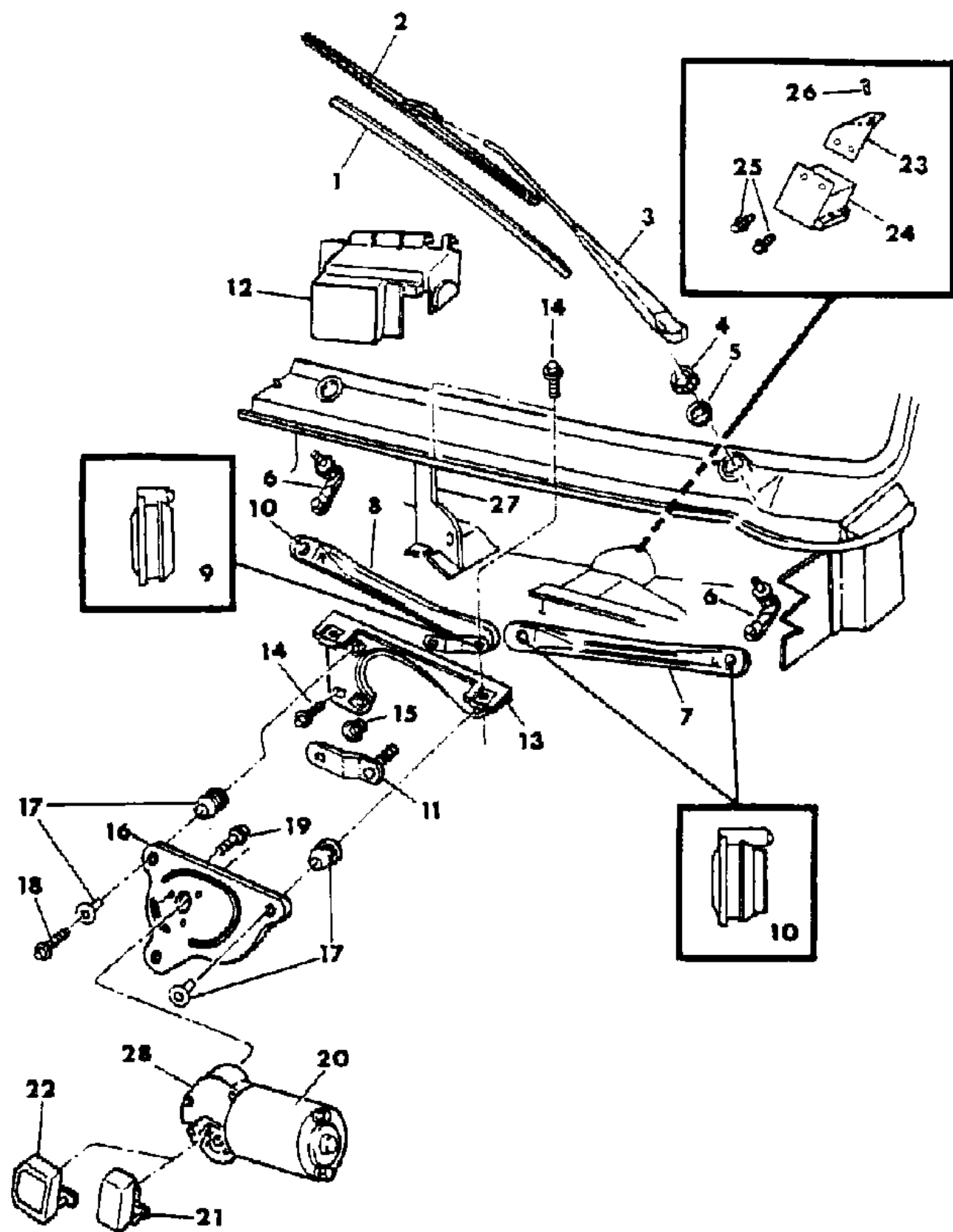
45 = 4-DOOR STATION WAGON

52-53 = FWD WAGON

AR = Use as Required - = Non Illustrated Part P.A.R. = Paint as Required

WINDSHIELD WIPER SYSTEM L BODY
Figure 23D-200

7172 200



ITEM	PART NUMBER	QTY	BODY	MODEL	DESCRIPTION
1					REFILL, Wiper Blade
	5211 129	2			Anco
	5211 132	2			Trico
2	5211 128	2			BLADE, w/Refill
3	3799 861	2			ARM, Wiper
4	5211 098	2			NUT, Pivot Mtg.
5	5211 099	2			WASHER, Pivot Mtg.
6	5211 008-9	1			PIVOT, Wiper
7	5211 003	1			LINK, w/BUSHING, Wiper Drive, Left
8	5211 004	1			LINK and CRANK, Wiper Drive, Right
9	5211 015	1			BUSHING, Wiper Drive Link Crank
10	3799 089	3			BUSHING, Wiper Drive Link
11		1			CRANK, Wiper Drive, Serviced in Item #8
12	3799 867	1			COVER, Wiper Motor
13	4270 987	1			BRACKET and NUTS, Motor Mtg.
14	6500 254	3			SCREW
15	6031 096	1			NUT, Motor Crank Mtg.
16	4339 445	1			BRACKET, Motor Mtg.
17	4339 452	1			GROMMET and SPACER PACKAGE, Motor Mtg.
18	6501 154	3			SCREW
19		3			SCREW (DNS)
20	4339 449	1			MOTOR, Wiper
21	4270 869	1			COVER, Motor Terminal
22	4342 226	1			SUPPRESSOR, Motor Radio Noise
23	4222 794	1			BRACKET, Intermittent Wipe Control
24	4222 060	1			CONTROL, Intermittent Wipe
25		2			SCREW (DNS)
26		1			SCREW (DNS)
27	4314 990	1			SUPPORT, Plenum to Cowl Top Panel
28	4270 813	1			COVER, Motor Gearbox

MODEL CODES

E BODY = (J - CARAVELLE)(E - 600)(T - NEW YORKER)

G BODY = (V24 - DAYTONA)

H BODY = (D44 - LANCER)(C44 - LEBARON GTS)

J BODY = (C - LEBARON)

K BODY = (P - RELIANT)(D - ARIES)(C - LEBAROND)/TOWN & COUNTRY)

L BODY = (M - HORIZON/TURISMO)(Z - OMNI/CHARGER)

M BODY = (B - GRAN FURY)(F - FIFTH AVE/NEWPORT)(G - DIPLOMAT)

P BODY = (P - SUNDANCE)(D - SHADOW)

S BODY = (H - VOYAGER)(K - RAM VAN/CARAVAN)

BODY STYLES

12-13 = FWD VAN

21 = 2-DOOR SEDAN

24 = 2-DOOR HATCHBACK

27 = 2-DOOR CONVERTIBLE

41 = 4-DOOR SEDAN

44 = 4-DOOR HATCHBACK

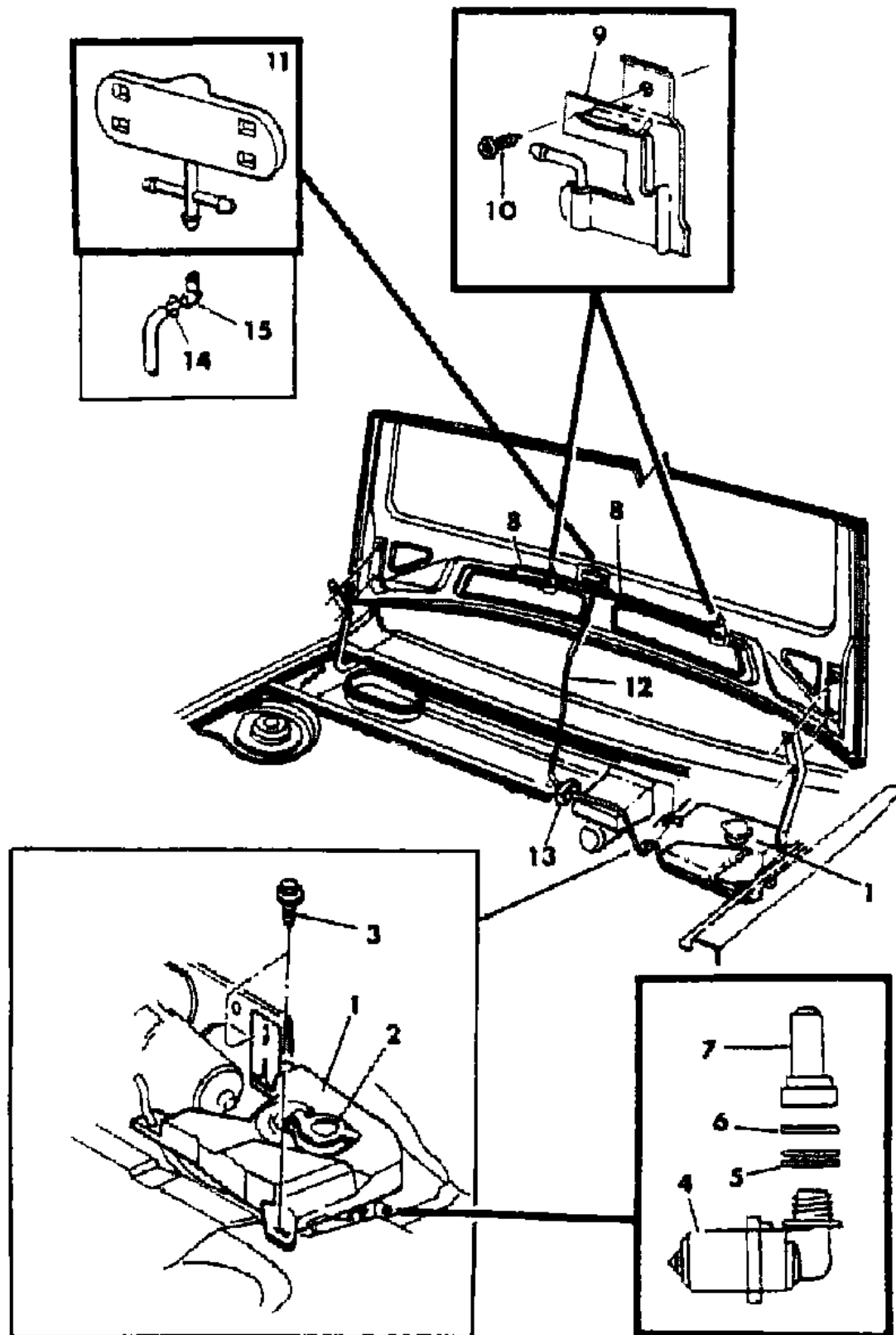
45 = 4-DOOR STATION WAGON

52-53 = FWD WAGON

AR = Use as Required - = Non Illustrated Part P.A.R. = Paint as Required

WINDSHIELD WASHER SYSTEM L BODY
Figure 23D-300

7172 300



ITEM	PART NUMBER	QTY	BODY	MODEL	DESCRIPTION
1	4334 190	1			RESERVOIR and CAP, Washer
2	3799 789	1			CAP, Reservoir
3	6031 951	2			SCREW
4	3799 090	1			PUMP, Washer
5		1			SEAL, Pump to Reservoir, Serviced in Items #1,4
6		1			WASHER (DNS)
7	3799 324	1			FILTER, Pump
8	3837 036	AR			HOSE, Washer
	4334 799	1			CONNECTOR, Hose
9	4176 769	2			NOZZLE and BRACKET, Washer
10		2			SCREW (DNS)
11	3799 790	1			TEE, Hose Connector
12	4203 421	AR			HOSE, Washer
13	6015 412	1			CLIP, Hose Routing
14	4334 799	1			CONNECTOR, Hose to Elbow
15	4213 774	1			ELBOW, Connector

MODEL CODES

E BODY = (J - CARAVELLE)(E - 600)(T - NEW YORKER)

G BODY = (V24 - DAYTONA)

H BODY = (D44 - LANCER)(C44 - LEBARON GTS)

J BODY = (C - LEBARON)

K BODY = (P - RELIANT)(D - ARIES)(C - LEBAROND)/TOWN & COUNTRY)

L BODY = (M - HORIZON/TURISMO)(Z - OMNI/CHARGER)

M BODY = (B - GRAN FURY)(F - FIFTH AVE/NEWPORT)(G - DIPLOMAT)

P BODY = (P - SUNDANCE)(D - SHADOW)

S BODY = (H - VOYAGER)(K - RAM VAN/CARAVAN)

BODY STYLES

12-13 = FWD VAN

21 = 2-DOOR SEDAN

24 = 2-DOOR HATCHBACK

27 = 2-DOOR CONVERTIBLE

41 = 4-DOOR SEDAN

44 = 4-DOOR HATCHBACK

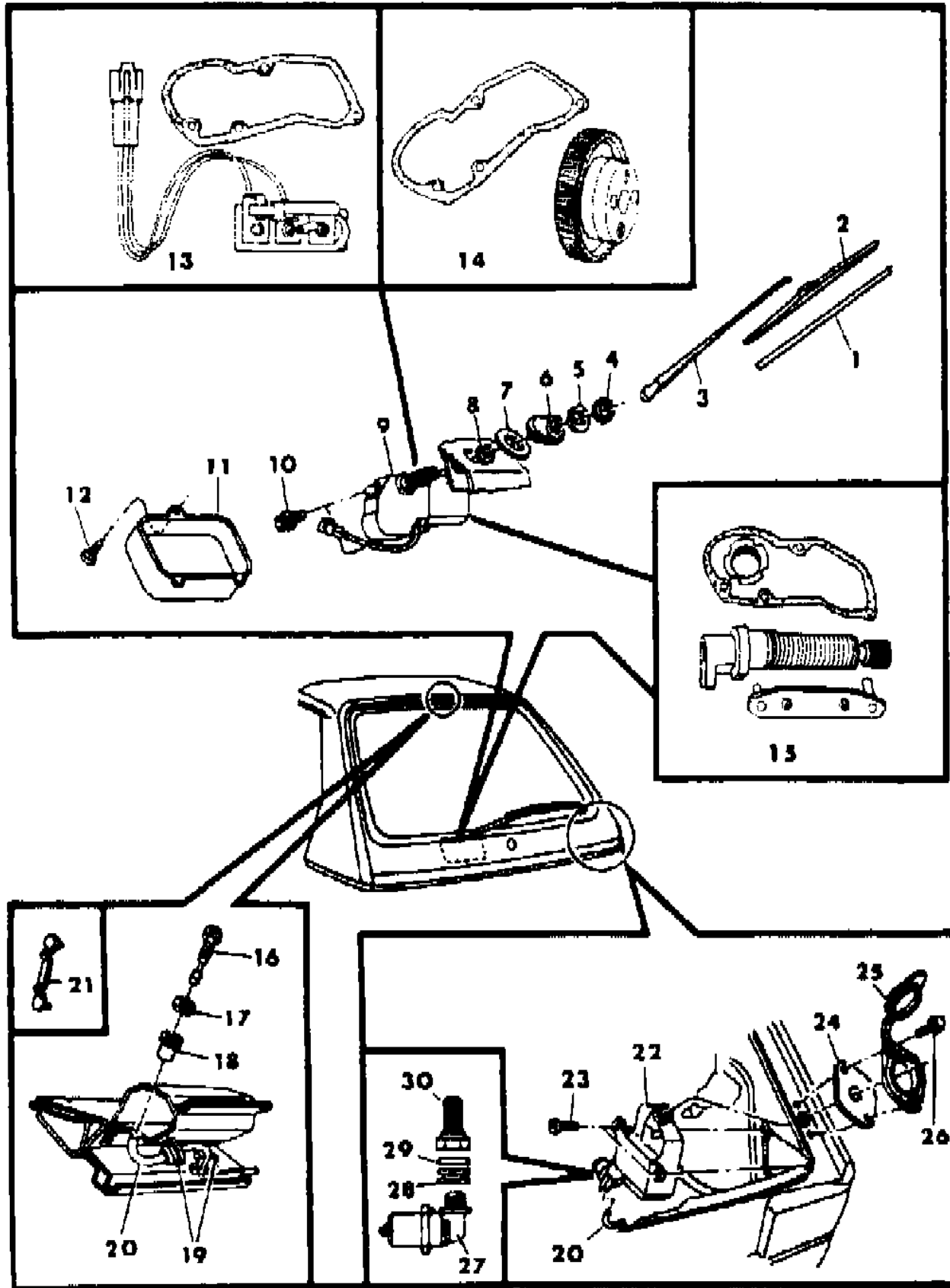
45 = 4-DOOR STATION WAGON

52-53 = FWD WAGON

AR = Use as Required - = Non Illustrated Part P.A.R. = Paint as Required

LIFTGATE WIPER AND WASHER SYSTEM L BODY
Figure 23D-400

7172 400



ITEM	PART NUMBER	QTY	BODY	MODEL	DESCRIPTION
1					REFILL, Wiper Blade
	3799 654	1			ANCO
	3799 685	1			Trico
2	4169 537				BLADE and REFILL, Wiper
3	4334 724	1			ARM, Wiper
4	5211 098	1			NUT, Pivot Mtg.
5	5211 099	1			WASHER, Pivot Mtg.
6		1			ESCUTCHEON, Pivot, Serviced in Item 7
7	3799 757	1			SEAL and ESCUTCHEON, Pivot
8	6031 538	1			WASHER, Driveshaft Sealing
9	4240 492	1			MOTOR, Wiper
10		2			SCREW (DNS)
11	#5208 536	1			COVER, Motor
12		1			SCREW (DNS)
13	4240 491	1			SWITCH PLATE, Motor
14	4131 386	1			GEAR and DRIVE PLATE PACKAGE, Motor
15	4131 387	1			DRIVESHAFT and LINK PACKAGE, Motor
16	3799 740	1			NOZZLE, Washer
17	6032 097	1			WASHER, Nozzle
18	6028 008	1			NUT, Nozzle
19	5211 041	2			GROMMET, Hose
20	3780 798	AR			HOSE, Washer
21	6015 544	1			STRAP, Hose to Header
22	5211 087	1			RESERVOIR, Washer
23	6031 951	2			SCREW
24		1			GASKET, Reservoir Cap, Serviced in Item #25
25	5211 105	1			CAP, Reservoir
26		2			SCREW (DNS)
27	4762 319	1			PUMP and SEAL PACKAGE, Washer
28		1			SEAL, Pump to Reservoir, Serviced in Item #22,27
29		1			WASHER, Pump (DNS)
30	3799 324	1			FILTER, Pump

MODEL CODES

E BODY = (J - CARAVELLE)(E - 600)(T - NEW YORKER)

G BODY = (V24 - DAYTONA)

H BODY = (D44 - LANCER)(C44 - LEBARON GTS)

J BODY = (C - LEBARON)

K BODY = (P - RELIANT)(D - ARIES)(C - LEBAROND)/TOWN & COUNTRY)

L BODY = (M - HORIZON/TURISMO)(Z - OMNI/CHARGER)

M BODY = (B - GRAN FURY)(F - FIFTH AVE/NEWPORT)(G - DIPLOMAT)

P BODY = (P - SUNDANCE)(D - SHADOW)

S BODY = (H - VOYAGER)(K - RAM VAN/CARAVAN)

BODY STYLES

12-13 = FWD VAN

21 = 2-DOOR SEDAN

24 = 2-DOOR HATCHBACK

27 = 2-DOOR CONVERTIBLE

41 = 4-DOOR SEDAN

44 = 4-DOOR HATCHBACK

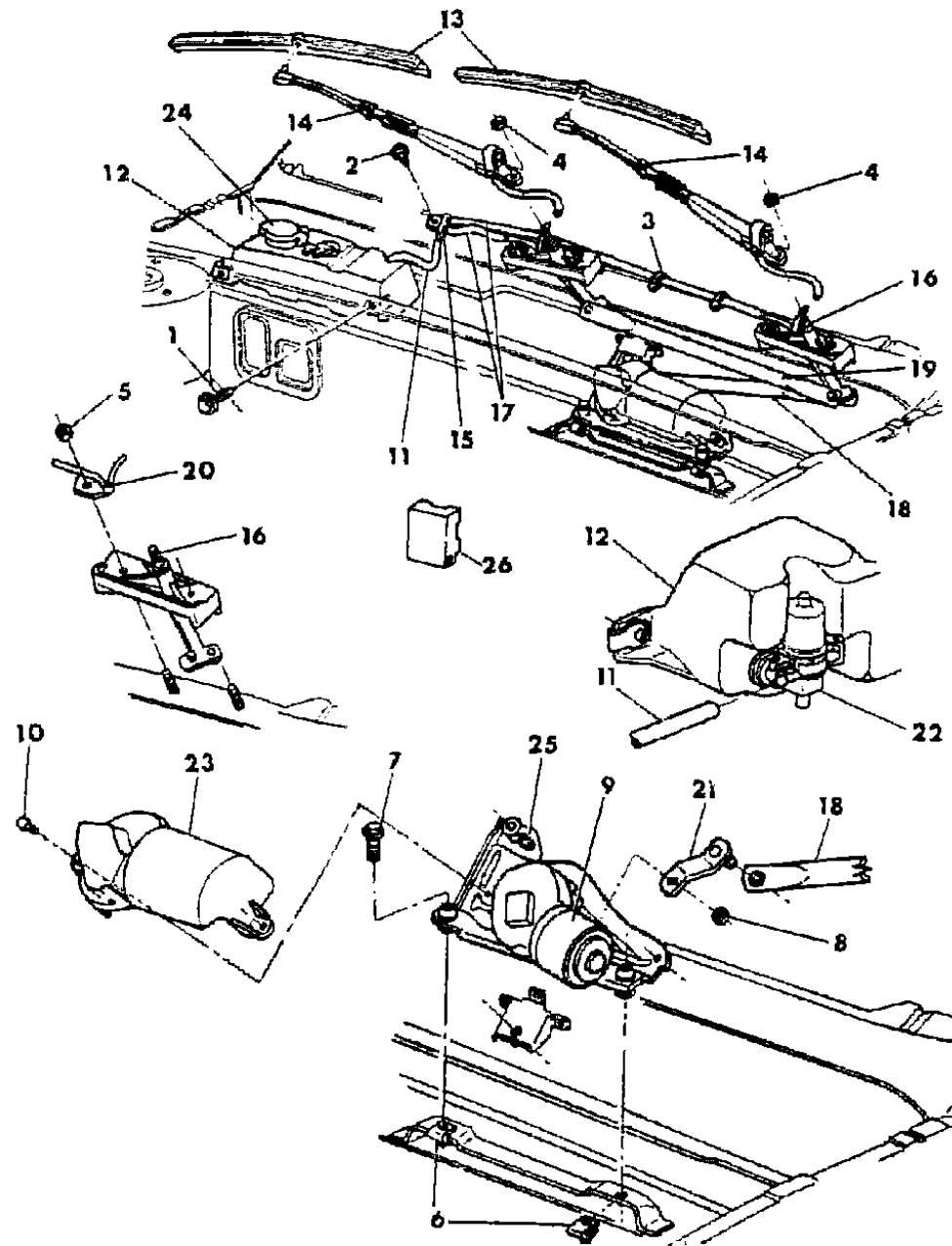
45 = 4-DOOR STATION WAGON

52-53 = FWD WAGON

AR = Use as Required - = Non Illustrated Part P.A.R. = Paint as Required

WINDSHIELD WIPER AND WASHER SYSTEM P BODY
Figure 23D-500

7172 500 A



ITEM	PART NUMBER	QTY	BODY	MODEL	DESCRIPTION
1		2			SCREW (DNS)
2		1			SCREW (DNS)
3	6015 776	2			CLIP, Hose Retaining
4	6501 002	2			NUT, Wiper Arm Mtg.
5	6100 047	4			NUT, Pivot Mtg.
6	6101 283	2			NUT, Wiper Motor Bracket Mtg.
7	6501 160	3			SCREW, Motor Bracket Mtg.
8	6031 096	1			NUT, Wiper Drive Crank Mtg.
9					MOTOR, Wiper
	4339 450	1			Up to 3-3-87
	4389 072	1			After 3-3-87
	4270 881	1			SEAL, Motor
	4342 226	1			SUPPRESSOR, Motor Radio Noise
10	6031 951	2			SCREW, Motor Cover Mtg.
11	3780 798	AR			HOSE, Reservoir to Connector
12					RESERVOIR, Washer
	4334 562	1			w/o Sensor
	4334 564	1			w/Sensor
	4270 609	1			SENSOR, Fluid Level
13	4389 062	2			BLADE, Wiper
	3799 335	2			REFILL, Blade
14	4388 465	2			ARM, Wiper
	4334 956	2			NOZZLE, Washer
	4026 130	AR			HOSE, Washer
	4389 008	2			GUARD, Hose
	4334 111	2			COVER, Head
15	4334 274	1			CONNECTOR, Hose
16	4334 544-5	1			PIVOT, Wiper
17	3837 036	AR			HOSE, Washer
18	4334 542	1			LINK, Drive
19	4334 540	1			LINK, Connecting
	4389 013	AR			BUSHING, Black
20	4388 467	2			CONNECTOR, Hose
21	4334 550	1			CRANK and PIN, Drive
22	4334 569	1			PUMP, Washer
23	4270 813	1			COVER ASSEMBLY, Motor
	4334 566	1			COVER, Motor
	4270 869	1			COVER, Terminal

MODEL CODES

E BODY = (J - CARAVELLE)(E - 600)(T - NEW YORKER)

G BODY = (V24 - DAYTONA)

H BODY = (D44 - LANCER)(C44 - LEBARON GTS)

J BODY = (C - LEBARON)

K BODY = (P - RELIANT)(D - ARIES)(C - LEBAROND)/TOWN & COUNTRY)

L BODY = (M - HORIZON/TURISMO)(Z - OMNI/CHARGER)

M BODY = (B - GRAN FURY)(F - FIFTH AVE/NEWPORT)(G - DIPLOMAT)

P BODY = (P - SUNDANCE)(D - SHADOW)

S BODY = (H - VOYAGER)(K - RAM VAN/CARAVAN)

BODY STYLES

12-13 = FWD VAN

21 = 2-DOOR SEDAN

24 = 2-DOOR HATCHBACK

27 = 2-DOOR CONVERTIBLE

41 = 4-DOOR SEDAN

44 = 4-DOOR HATCHBACK

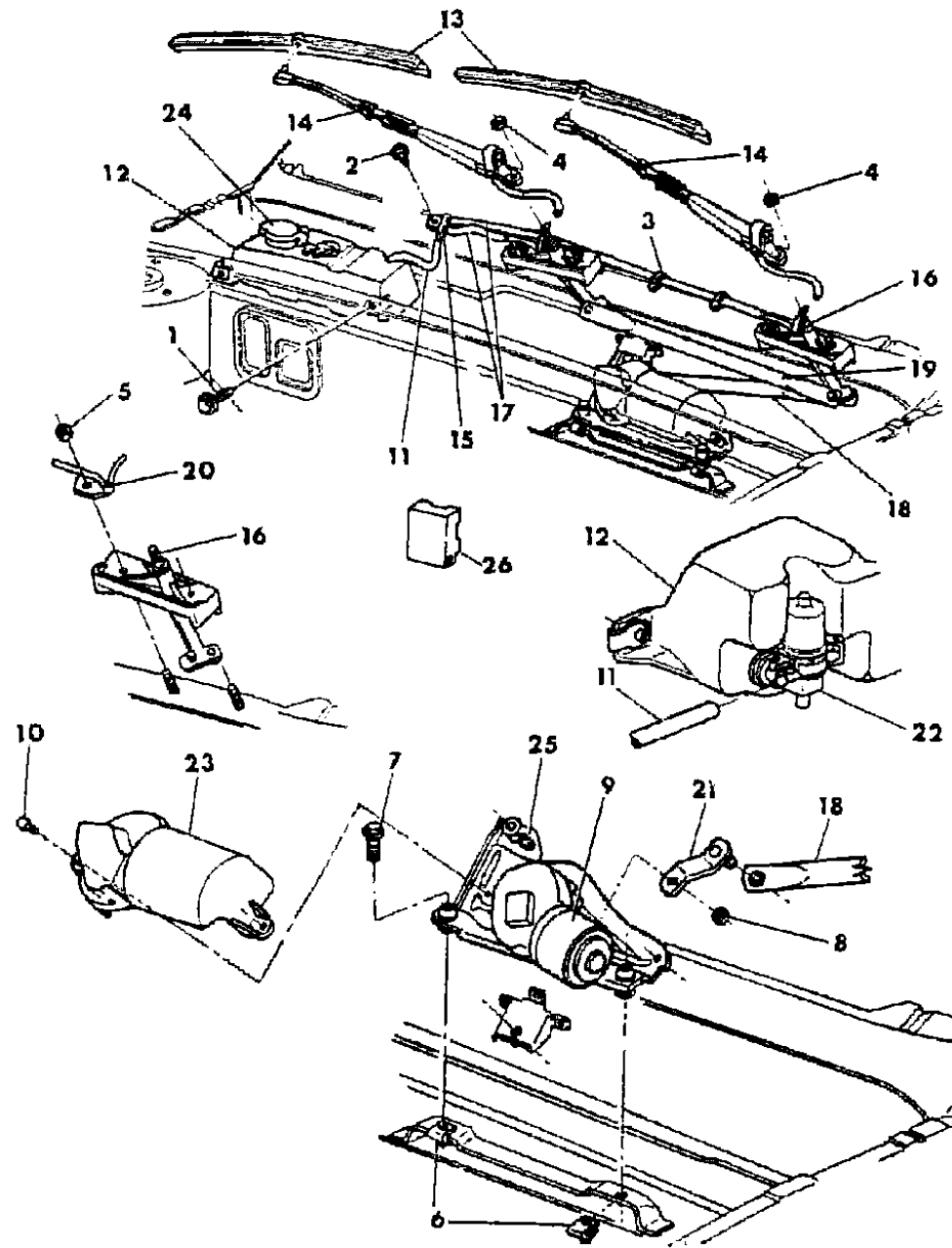
45 = 4-DOOR STATION WAGON

52-53 = FWD WAGON

AR = Use as Required - = Non Illustrated Part P.A.R. = Paint as Required

WINDSHIELD WIPER AND WASHER SYSTEM P BODY
Figure 23D-500

7172 500 A



ITEM	PART NUMBER	QTY	BODY	MODEL	DESCRIPTION
------	-------------	-----	------	-------	-------------

24	4334 707	1			CAP, Reservoir
25	4364 864	1			BRACKET, Motor Mtg.
26	4312 002	1			CONTROL, Intermittent Wiper

MODEL CODES

E BODY = (J - CARAVELLE)(E - 600)(T - NEW YORKER)

G BODY = (V24 - DAYTONA)

H BODY = (D44 - LANCER)(C44 - LEBARON GTS)

J BODY = (C - LEBARON)

K BODY = (P - RELIANT)(D - ARIES)(C - LEBAROND)/TOWN & COUNTRY)

L BODY = (M - HORIZON/TURISMO)(Z - OMNI/CHARGER)

M BODY = (B - GRAN FURY)(F - FIFTH AVE/NEWPORT)(G - DIPLOMAT)

P BODY = (P - SUNDANCE)(D - SHADOW)

S BODY = (H - VOYAGER)(K - RAM VAN/CARAVAN)

BODY STYLES

12-13 = FWD VAN

21 = 2-DOOR SEDAN

24 = 2-DOOR HATCHBACK

27 = 2-DOOR CONVERTIBLE

41 = 4-DOOR SEDAN

44 = 4-DOOR HATCHBACK

45 = 4-DOOR STATION WAGON

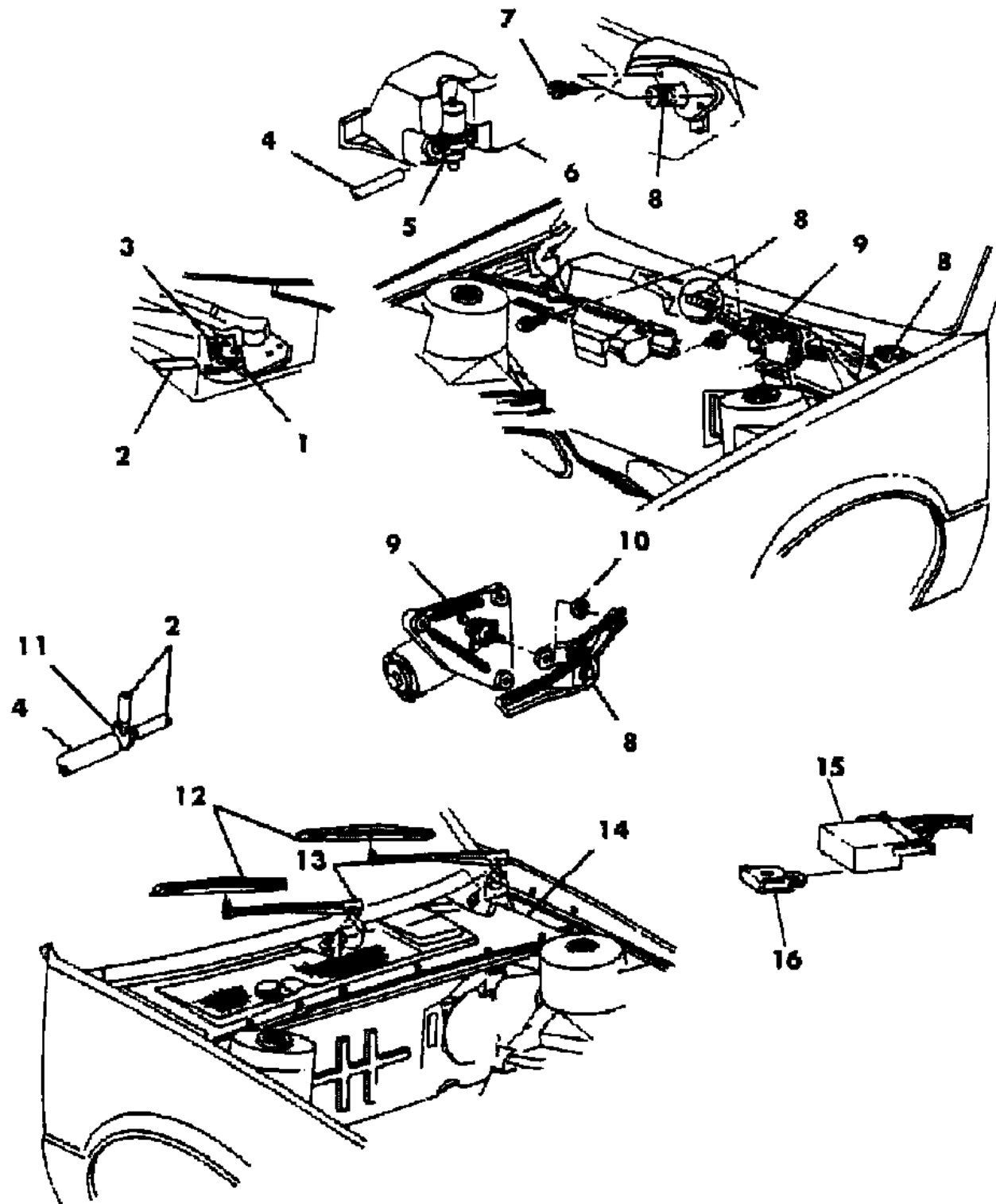
52-53 = FWD WAGON

AR = Use as Required - = Non Illustrated Part P.A.R. = Paint as Required

WINDSHIELD WIPER AND WASHER SYSTEM J BODY
Figure 23D-600

7172 800 A

ITEM	PART NUMBER	QTY	BODY	MODEL	DESCRIPTION
1	4334 574	2			CONNECTOR, Washer Hose Elbow
2	3837 036	AR			HOSE, Tee Connector to Connector
3	4389 006	2			CONNECTOR, Push Pin
4	3780 798	AR			HOSE, Reservoir to Tee Connector
5	4419 161	1			PUMP, Washer
6					RESERVOIR, Washer
	4334 562	1			w/o Sensor
	4334 564	1			w/Sensor
	4270 609	1			SENSOR, Reservoir
	4334 707	1			CAP, Reservoir
7	6031 754	4			SCREW, Pivot Mtg.
8					PIVOT, Wiper
	4240 511	1			Right
	4240 512	1			Left
	3799 597	1			CRANK and PIN, Wiper
					LINK and BUSHING, Wiper
	3799 595	1			Right
	3799 600	1			Left
9	4339 449	1			MOTOR, Wiper
	4339 448	1			BRACKET, Wiper Motor
10	6031 096	1			NUT, Crank Arm Mtg.
11	4334 112	1			CONNECTOR, Washer Tee
12	4389 062	2			BLADE, Wiper
	3799 335	2			REFILL, Blade
13	4334 702	2			ARM, Wiper
14					SCREEN, Water Deflector, Refer to 23A
15	4312 002	1			CONTROL, Intermittent Wiper
16	4312 004	1			BRACKET, Intermittent Wiper Control



MODEL CODES

E BODY = (J - CARAVELLE)(E - 600)(T - NEW YORKER)

G BODY = (V24 - DAYTONA)

H BODY = (D44 - LANCER)(C44 - LEBARON GTS)

J BODY = (C - LEBARON)

K BODY = (P - RELIANT)(D - ARIES)(C - LEBAROND)/TOWN & COUNTRY)

L BODY = (M - HORIZON/TURISMO)(Z - OMNI/CHARGER)

M BODY = (B - GRAN FURY)(F - FIFTH AVE/NEWPORT)(G - DIPLOMAT)

P BODY = (P - SUNDANCE)(D - SHADOW)

S BODY = (H - VOYAGER)(K - RAM VAN/CARAVAN)

BODY STYLES

12-13 = FWD VAN

21 = 2-DOOR SEDAN

24 = 2-DOOR HATCHBACK

27 = 2-DOOR CONVERTIBLE

41 = 4-DOOR SEDAN

44 = 4-DOOR HATCHBACK

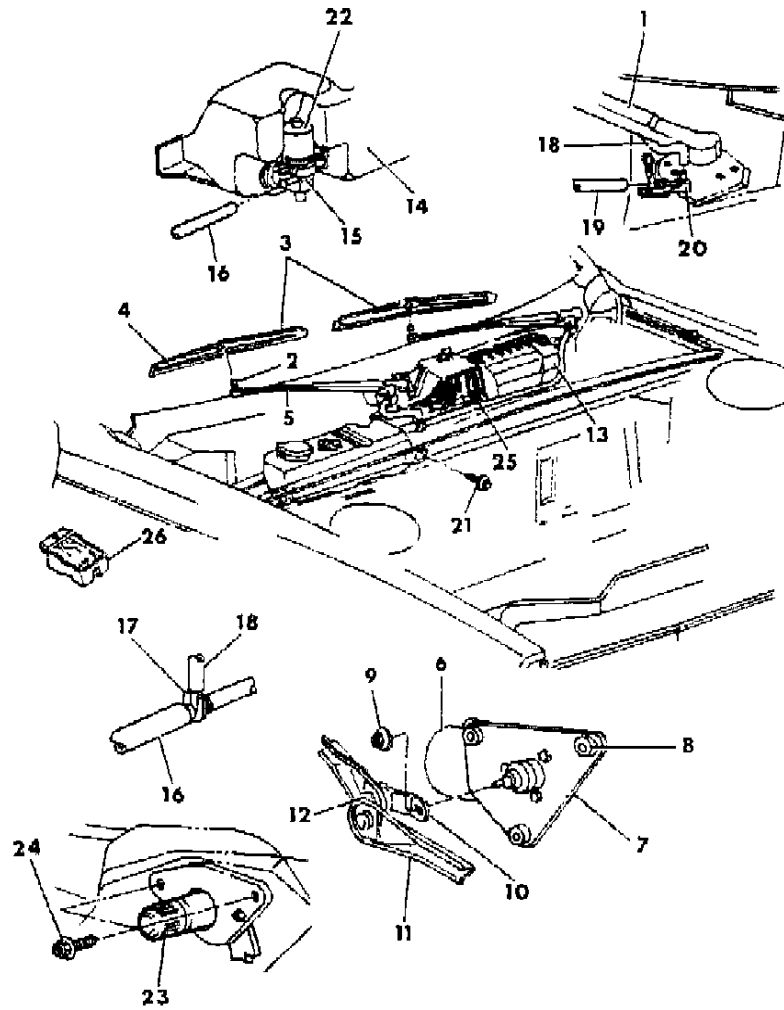
45 = 4-DOOR STATION WAGON

52-53 = FWD WAGON

AR = Use as Required - = Non Illustrated Part P.A.R. = Paint as Required

WINDSHIELD WIPER AND WASHER SYSTEM K,E BODY
Figure 23D-700

7172 700 A



ITEM	PART NUMBER	QTY	BODY	MODEL	DESCRIPTION
1					ARM, Wiper
	3799 694	2			w/o Nozzle
	3799 865	2			w/Nozzle
2	3799 695	2			NOZZLE, Wiper
3	4334 773	2			BLADE and REFILL, Wiper
4	#5211 078	2			REFILL, Wiper Blade
5	3799 697	2			GUARD, Hose
6	4339 449	1			MOTOR and SEAL, Wiper
	6500 502	3			NUT, Motor Mtg.
7	4339 448	1			BRACKET, Motor Mtg.
8	4339 452	1			GROMMET and SPACER PACKAGE, Motor
9	6031 096	1			NUT, Crank Mtg.
10	3799 597	1			CRANK and PIN, Drive
11					LINK, Wiper
	3799 600	1			Left
	3799 595	1			Right
12	5211 015	1			BUSHING, Drive Link Crank
	3799 089	1			Drive Link
13	3799 859	1			COVER and SEAL, Wiper
	4270 869	1			COVER, Motor Terminal
	4270 813	1			COVER, Motor Gearbox
	6031 951	2			SCREW, Motor Cover Mtg.
14					RESERVOIR, Washer
	4334 562	1			w/o Sensor
	4334 564	1			w/Sensor
	3799 174	1			CAP, Reservoir
15	4270 609	1			SENSOR, Fluid Level
16	3780 798	AR			HOSE, Reservoir to Tee
17	3799 721	1			CONNECTOR, Tee
18	3837 036	AR			HOSE, Tee to Right Connector
19	3837 036	AR			HOSE, Tee to Left Connector
20	4334 574	2			CONNECTOR, Hose Elbow
21		2			SCREW (DNS)
22	4334 569	1			PUMP, Washer
23					PIVOT, Wiper
	4240 511	1			Right
	4240 512	1			Left
24	6031 754	4			SCREW

MODEL CODES

E BODY = (J - CARAVELLE)(E - 600)(T - NEW YORKER)

G BODY = (V24 - DAYTONA)

H BODY = (D44 - LANCER)(C44 - LEBARON GTS)

J BODY = (C - LEBARON)

K BODY = (P - RELIANT)(D - ARIES)(C - LEBAROND)/TOWN & COUNTRY)

L BODY = (M - HORIZON/TURISMO)(Z - OMNI/CHARGER)

M BODY = (B - GRAN FURY)(F - FIFTH AVE/NEWPORT)(G - DIPLOMAT)

P BODY = (P - SUNDANCE)(D - SHADOW)

S BODY = (H - VOYAGER)(K - RAM VAN/CARAVAN)

BODY STYLES

12-13 = FWD VAN

21 = 2-DOOR SEDAN

24 = 2-DOOR HATCHBACK

27 = 2-DOOR CONVERTIBLE

41 = 4-DOOR SEDAN

44 = 4-DOOR HATCHBACK

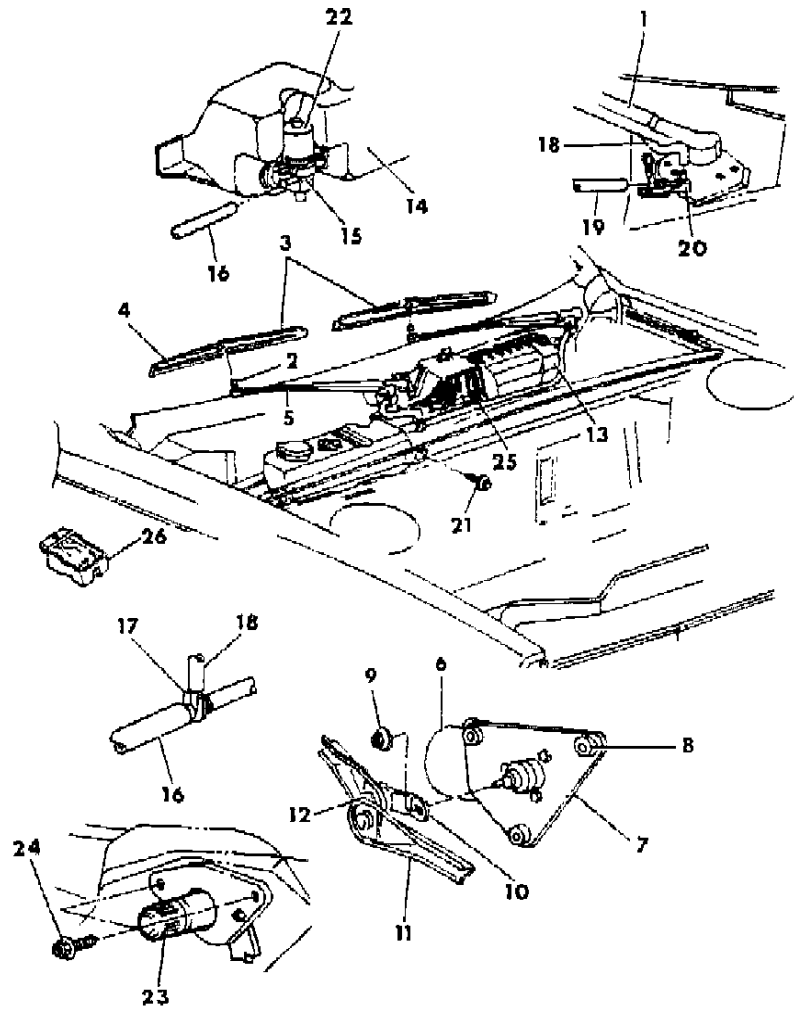
45 = 4-DOOR STATION WAGON

52-53 = FWD WAGON

AR = Use as Required - = Non Illustrated Part P.A.R. = Paint as Required

WINDSHIELD WIPER AND WASHER SYSTEM K,E BODY
Figure 23D-700

7172 700 A



ITEM	PART NUMBER	QTY	BODY	MODEL	DESCRIPTION
25	4198 378	1			SCREEN, Cowl Plenum
26	4312 002	1			CONTROL, Intermittent Wiper

MODEL CODES

E BODY = (J - CARAVELLE)(E - 600)(T - NEW YORKER)

G BODY = (V24 - DAYTONA)

H BODY = (D44 - LANCER)(C44 - LEBARON GTS)

J BODY = (C - LEBARON)

K BODY = (P - RELIANT)(D - ARIES)(C - LEBAROND)/TOWN & COUNTRY)

L BODY = (M - HORIZON/TURISMO)(Z - OMNI/CHARGER)

M BODY = (B - GRAN FURY)(F - FIFTH AVE/NEWPORT)(G - DIPLOMAT)

P BODY = (P - SUNDANCE)(D - SHADOW)

S BODY = (H - VOYAGER)(K - RAM VAN/CARAVAN)

BODY STYLES

12-13 = FWD VAN

21 = 2-DOOR SEDAN

24 = 2-DOOR HATCHBACK

27 = 2-DOOR CONVERTIBLE

41 = 4-DOOR SEDAN

44 = 4-DOOR HATCHBACK

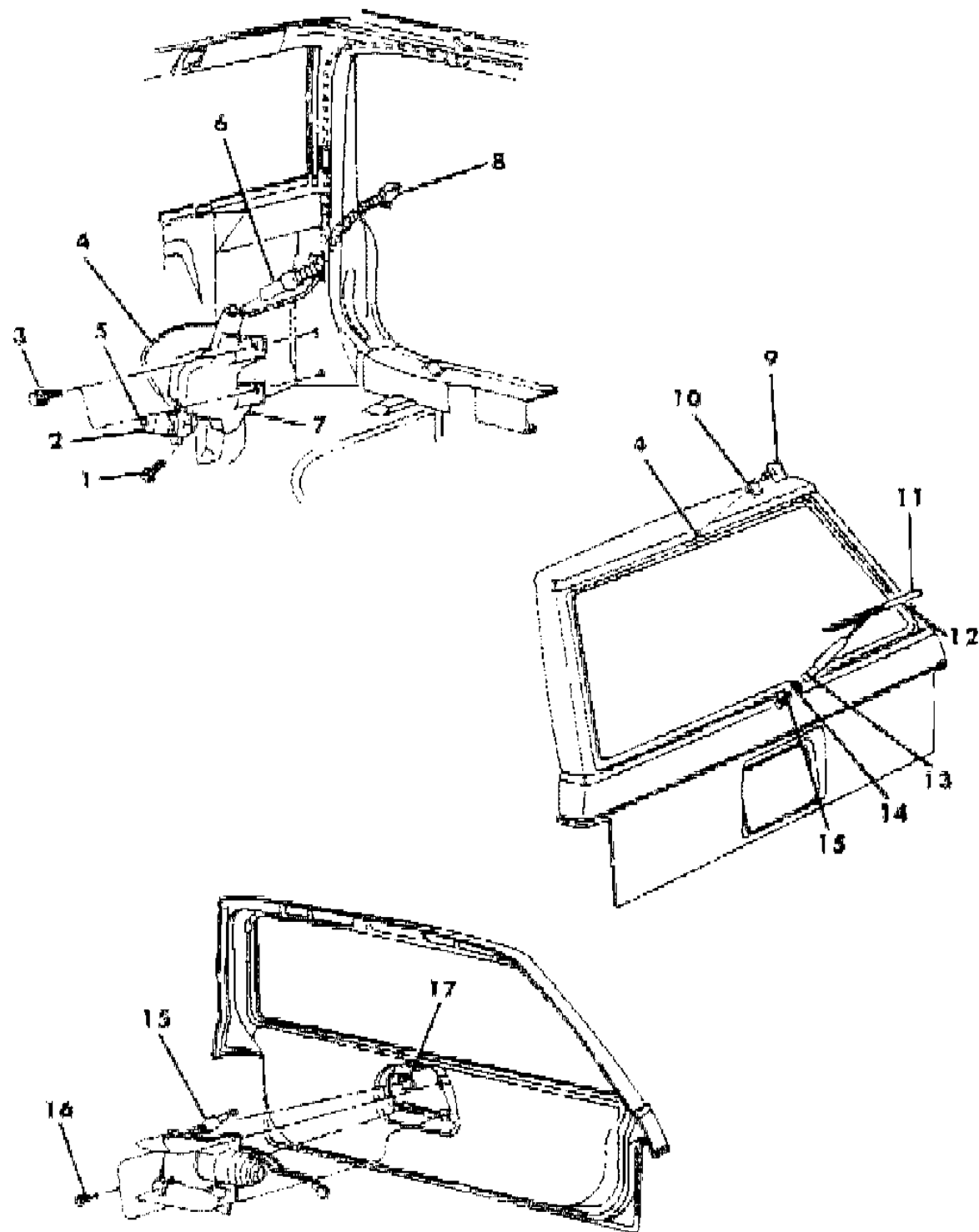
45 = 4-DOOR STATION WAGON

52-53 = FWD WAGON

AR = Use as Required - = Non Illustrated Part P.A.R. = Paint as Required

LIFTGATE WIPER AND WASHER SYSTEM K BODY
Figure 23D-800

7172 800



ITEM	PART NUMBER	QTY	BODY	MODEL	DESCRIPTION
1	3799 324	1			FILTER, Pump
2	3799 090	1			PUMP and SEAL PACKAGE, Reservoir
3	6031 951	2			SCREW
4	3780 798	AR			HOSE, Reservoir to Nozzle
5	5211 041	2			GROMMET, Hose to Nozzle
	3799 520	1			Hose to Reservoir
6	3799 679	1			TUBE, Reservoir Filler
7	3799 684	1			RESERVOIR, Washer
8	3799 726	1			CAP, Reservoir
9	3799 682	1			NOZZLE, Washer
10	3799 683	1			GROMMET, Nozzle
11	3799 792	1			BLADE and REFILL, Wiper
12	3799 794	1			REFILL, Wiper Blade
13	3799 866	1			ARM, Wiper
14	3799 675	1			ESCUTCHEON, Pivot
15	4240 484	1			MOTOR and BRACKET, Wiper
	W661 CA3	1			COVER, Motor
	3799 673	AR			SEAL, Motor
16		4			SCREW (DNS)
17		4			NUT (DNS)

MODEL CODES

E BODY = (J - CARAVELLE)(E - 600)(T - NEW YORKER)

G BODY = (V24 - DAYTONA)

H BODY = (D44 - LANCER)(C44 - LEBARON GTS)

J BODY = (C - LEBARON)

K BODY = (P - RELIANT)(D - ARIES)(C - LEBAROND)/TOWN & COUNTRY)

L BODY = (M - HORIZON/TURISMO)(Z - OMNI/CHARGER)

M BODY = (B - GRAN FURY)(F - FIFTH AVE/NEWPORT)(G - DIPLOMAT)

P BODY = (P - SUNDANCE)(D - SHADOW)

S BODY = (H - VOYAGER)(K - RAM VAN/CARAVAN)

BODY STYLES

12-13 = FWD VAN

21 = 2-DOOR SEDAN

24 = 2-DOOR HATCHBACK

27 = 2-DOOR CONVERTIBLE

41 = 4-DOOR SEDAN

44 = 4-DOOR HATCHBACK

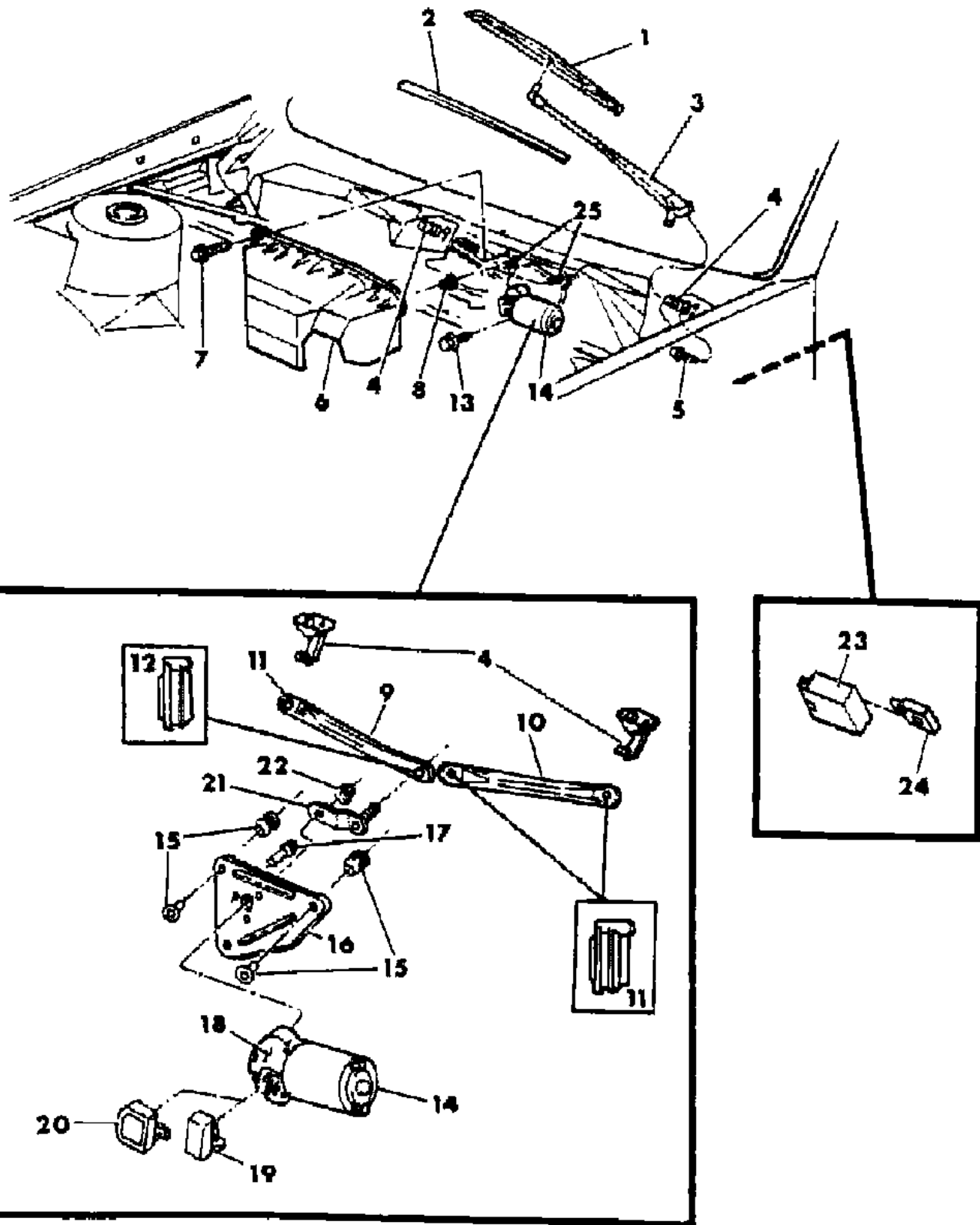
45 = 4-DOOR STATION WAGON

52-53 = FWD WAGON

AR = Use as Required - = Non Illustrated Part P.A.R. = Paint as Required

WINDSHIELD WIPER SYSTEM G BODY
Figure 23D-900

7172 900



ITEM	PART NUMBER	QTY	BODY	MODEL	DESCRIPTION
1	3799 850	2			BLADE and REFILL, Wiper
2	3799 335	2			REFILL, Wiper Blade
3	4334 704	2			ARM, Wiper w/o Nozzle
	4334 702	2			w/Nozzle
4					PIVOT, Wiper
	4240 511	1			Right
	4240 512	1			Left
5	6031 754	4			SCREW
6	3799 859	1			COVER and SEAL, Wiper Motor
7	6031 951	2			SCREW
8	6500 502	2			NUT
	6501 154	1			SCREW
9	3799 595	1			LINK, Wiper, Right
10	3799 600	1			LINK, Wiper, Left
11	3799 089	3			BUSHING, Wiper Link
12	5211 015	1			BUSHING, Wiper Link
13	6501 154	1			SCREW
14	4339 449	1			MOTOR, Wiper
15	4339 452	1			GROMMET and SPACER PACKAGE, Motor
16	4339 448	1			BRACKET, Motor Mtg.
17		AR			BOLT (DNS)
18	4270 813	1			COVER, Motor Gearbox
19	4270 869	1			COVER, Motor Terminal
20	4342 226	1			SUPPRESSOR, Motor Radio Noise
21	3799 597	1			CRANK and PIN, Drive
22	6031 096	1			NUT, Drive Crank
23	4312 002	1			CONTROL, Intermittent Wipe
24	4312 004	1			BRACKET, Intermittent Wipe Control
25	4371 696	1			REINFORCEMENT, Motor Mtg.

MODEL CODES

E BODY = (J - CARAVELLE)(E - 600)(T - NEW YORKER)

G BODY = (V24 - DAYTONA)

H BODY = (D44 - LANCER)(C44 - LEBARON GTS)

J BODY = (C - LEBARON)

K BODY = (P - RELIANT)(D - ARIES)(C - LEBAROND)/TOWN & COUNTRY)

L BODY = (M - HORIZON/TURISMO)(Z - OMNI/CHARGER)

M BODY = (B - GRAN FURY)(F - FIFTH AVE/NEWPORT)(G - DIPLOMAT)

P BODY = (P - SUNDANCE)(D - SHADOW)

S BODY = (H - VOYAGER)(K - RAM VAN/CARAVAN)

BODY STYLES

12-13 = FWD VAN

21 = 2-DOOR SEDAN

24 = 2-DOOR HATCHBACK

27 = 2-DOOR CONVERTIBLE

41 = 4-DOOR SEDAN

44 = 4-DOOR HATCHBACK

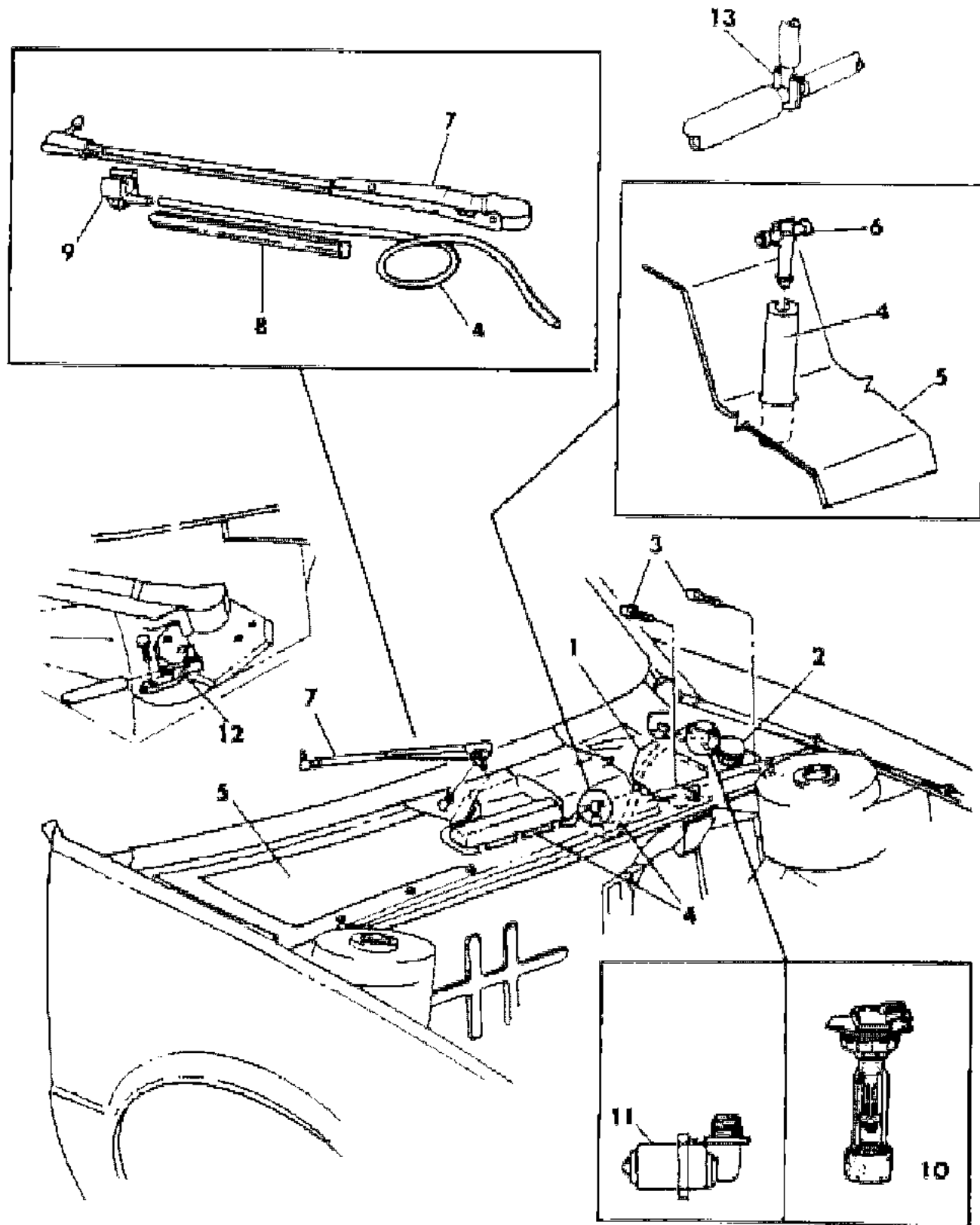
45 = 4-DOOR STATION WAGON

52-53 = FWD WAGON

AR = Use as Required - = Non Illustrated Part P.A.R. = Paint as Required

WINDSHIELD WASHER SYSTEM G BODY
Figure 23D-1000

7172 1000 8



ITEM	PART NUMBER	QTY	BODY	MODEL	DESCRIPTION
1					RESERVOIR, Washer
	4334 562	1			w/o Sensor
	4334 564	1			w/Sensor
2	3799 174	1			CAP, Reservoir
3	6031 954	2			SCREW
4					HOSE, Washer
	4026 130	AR			3/32" I.D.
	3780 798	AR			5/32" I.D.
5	4371 838	1			SCREEN, Water Deflector
6	3799 721	1			CONNECTOR, Hose Tee
7					ARM, Wiper
	4334 704	2			w/o Nozzle
	4334 702	2			w/Nozzle
8	3799 833	2			GUARD, Hose
9	4334 705	2			NOZZLE, Washer
10	3799 814	1			SENSOR, Fluid Level
11	4419 161	1			PUMP, Washer
12	4334 574	2			CONNECTOR, Washer Hose Elbow
13	4334 112	1			CONNECTOR, Washer Tee

MODEL CODES

E BODY = (J - CARAVELLE)(E - 600)(T - NEW YORKER)

G BODY = (V24 - DAYTONA)

H BODY = (D44 - LANCER)(C44 - LEBARON GTS)

J BODY = (C - LEBARON)

K BODY = (P - RELIANT)(D - ARIES)(C - LEBAROND)/TOWN & COUNTRY)

L BODY = (M - HORIZON/TURISMO)(Z - OMNI/CHARGER)

M BODY = (B - GRAN FURY)(F - FIFTH AVE/NEWPORT)(G - DIPLOMAT)

P BODY = (P - SUNDANCE)(D - SHADOW)

S BODY = (H - VOYAGER)(K - RAM VAN/CARAVAN)

BODY STYLES

12-13 = FWD VAN

21 = 2-DOOR SEDAN

24 = 2-DOOR HATCHBACK

27 = 2-DOOR CONVERTIBLE

41 = 4-DOOR SEDAN

44 = 4-DOOR HATCHBACK

45 = 4-DOOR STATION WAGON

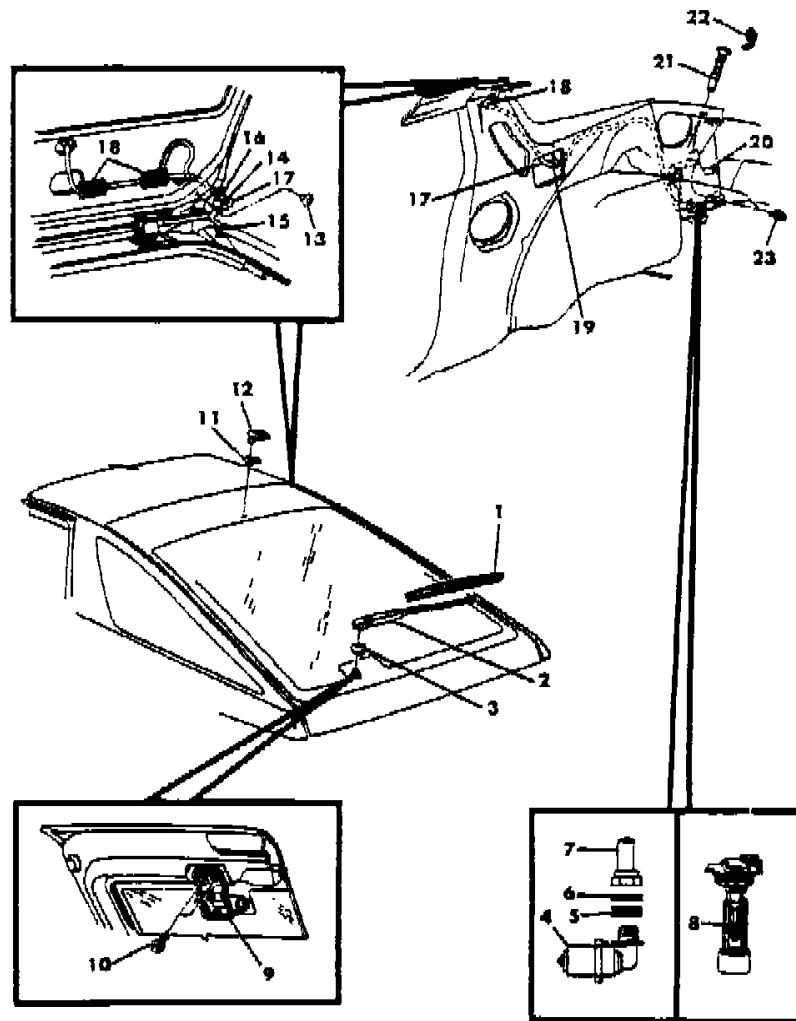
52-53 = FWD WAGON

AR = Use as Required - = Non Illustrated Part P.A.R. = Paint as Required

LIFTGATE WIPER AND WASHER SYSTEM G BODY

Figure 23D-1100

7172 1100



ITEM	PART NUMBER	QTY	BODY	MODEL	DESCRIPTION
1	3799 850	1			BLADE and REFILL, Wiper
	3799 335	1			REFILL, Wiper Blade
2	3799 766	1			ARM, Wiper
3	3799 824	1			GROMMET, Driveshaft to Glass
4	4762 319	1			PUMP, Washer
5		1			SEAL, Pump, Serviced in Item #4
6		1			WASHER, Pump (DNS)
7	3799 324	1			FILTER, Pump
8	3746 813	1			SENSOR, Fluid Level
9	3799 837	1			MOTOR, Wiper
10		2			SCREW (DNS)
11	3799 772	1			GROMMET, Nozzle
12	3799 682	1			NOZZLE, Washer
13	6031 044	1			PLUG
14		1			CLIP, Hose Routing (DNS)
15	3799 520	1			GROMMET, Hose to Body
16	5211 041	1			GROMMET, Hose to Liftgate
17	3780 798	AR			HOSE, Washer
18		AR			TAPE (DNS)
19	6015 776	1			CLIP, Hose Routing
20	4389 252	1			RESERVOIR, Washer
21	4389 010	1			TUBE, Filler
22	4389 011	1			CAP, Reservoir
23	6031 951	2			SCREW

MODEL CODES

E BODY = (J - CARAVELLE)(E - 600)(T - NEW YORKER)

G BODY = (V24 - DAYTONA)

H BODY = (D44 - LANCER)(C44 - LEBARON GTS)

J BODY = (C - LEBARON)

K BODY = (P - RELIANT)(D - ARIES)(C - LEBAROND)/TOWN & COUNTRY)

L BODY = (M - HORIZON/TURISMO)(Z - OMNI/CHARGER)

M BODY = (B - GRAN FURY)(F - FIFTH AVE/NEWPORT)(G - DIPLOMAT)

P BODY = (P - SUNDANCE)(D - SHADOW)

S BODY = (H - VOYAGER)(K - RAM VAN/CARAVAN)

BODY STYLES

12-13 = FWD VAN

21 = 2-DOOR SEDAN

24 = 2-DOOR HATCHBACK

27 = 2-DOOR CONVERTIBLE

41 = 4-DOOR SEDAN

44 = 4-DOOR HATCHBACK

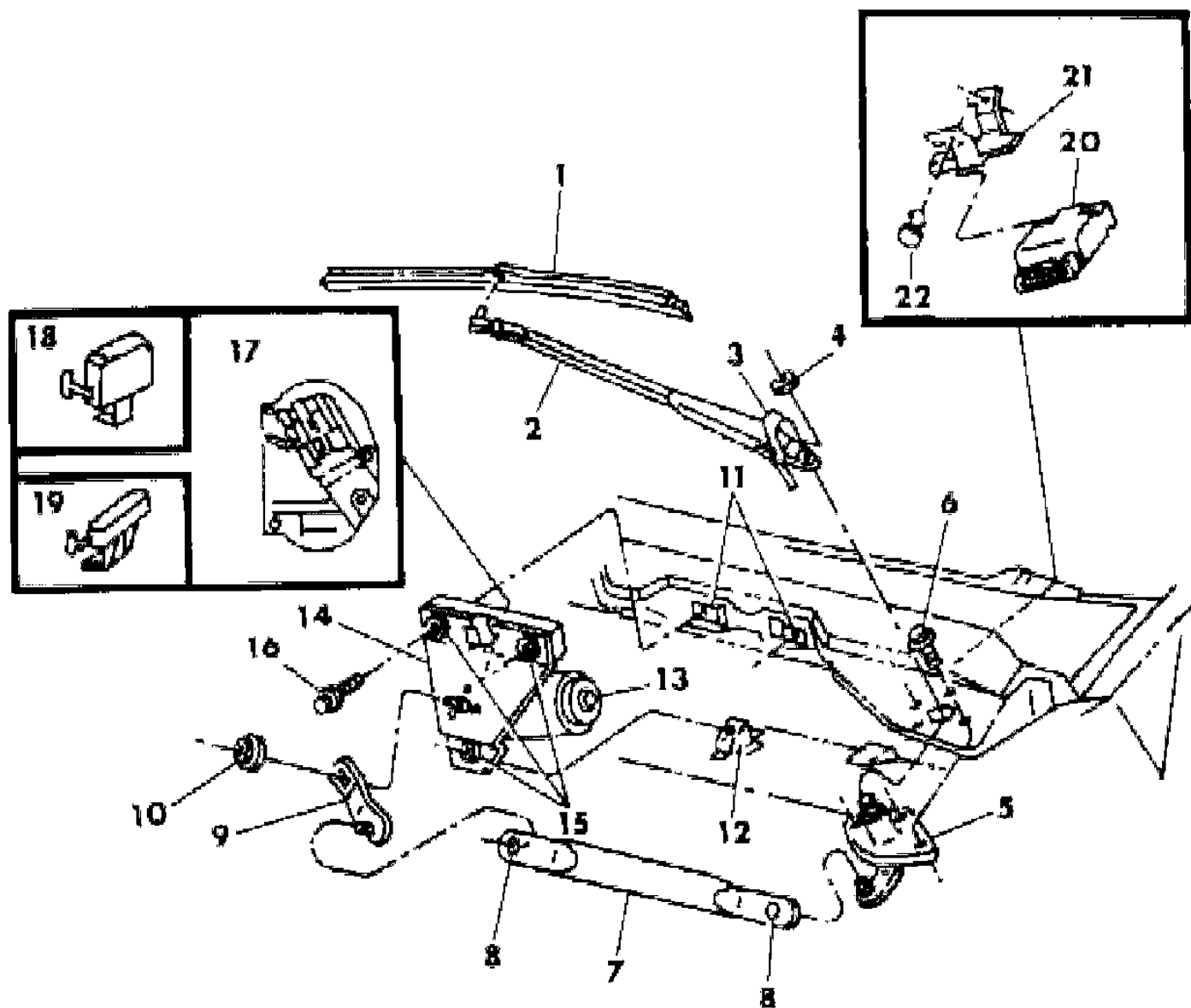
45 = 4-DOOR STATION WAGON

52-53 = FWD WAGON

AR = Use as Required - = Non Illustrated Part P.A.R. = Paint as Required

WINSHIELD WIPER SYSTEM H BODY
Figure 23D-1200

7172 1200



ITEM	PART NUMBER	QTY	BODY	MODEL	DESCRIPTION
1	4334 667	2			BLADE and REFILL, Wiper
	4334 803	2			REFILL, Wiper Blade
2	4334 770	2			ARM, Wiper w/o Nozzle
	4334 768	2			w/Nozzle
3	4334 111	2			COVER, Head
4	6501 002	2			NUT
5	4334 131	1			PIVOT, Wiper Left
	4334 132	1			Right
6	6031 754	6			SCREW
7	4270 976	1			LINK, Wiper Left
	4270 980	1			Right
8	3799 089	3			BUSHING, Drive Link
	5211 015	1			Drive Link Crank
9	4270 978	1			CRANK and PIN, Wiper
10	6031 096	1			NUT
11	6101 283	2			NUT
12	4337 249	1			BRACKET, Plenum Panel Lower Motor Mtg.
13	4339 450	1			MOTOR, Wiper
	4270 881	1			SEAL, Motor
14	4339 444	1			BRACKET, Motor Mtg.
15	4339 452	1			GROMMET and SPACER, Motor Mtg.
16	6501 160	3			SCREW
17	4270 813	1			COVER, Motor
18	4342 226	1			SUPPRESSOR, Motor Radio Noise
19	4270 869	1			SUPPRESSOR, Motor Terminal
20	4312 002	1			CONTROL, Intermittent Wipe
21	4147 361	1			BRACKET, Intermittent Wipe Control
22		2			RETAINER (DNS)

MODEL CODES

E BODY = (J - CARAVELLE)(E - 600)(T - NEW YORKER)

G BODY = (V24 - DAYTONA)

H BODY = (D44 - LANCER)(C44 - LEBARON GTS)

J BODY = (C - LEBARON)

K BODY = (P - RELIANT)(D - ARIES)(C - LEBAROND)/TOWN & COUNTRY)

L BODY = (M - HORIZON/TURISMO)(Z - OMNI/CHARGER)

M BODY = (B - GRAN FURY)(F - FIFTH AVE/NEWPORT)(G - DIPLOMAT)

P BODY = (P - SUNDANCE)(D - SHADOW)

S BODY = (H - VOYAGER)(K - RAM VAN/CARAVAN)

BODY STYLES

12-13 = FWD VAN

21 = 2-DOOR SEDAN

24 = 2-DOOR HATCHBACK

27 = 2-DOOR CONVERTIBLE

41 = 4-DOOR SEDAN

44 = 4-DOOR HATCHBACK

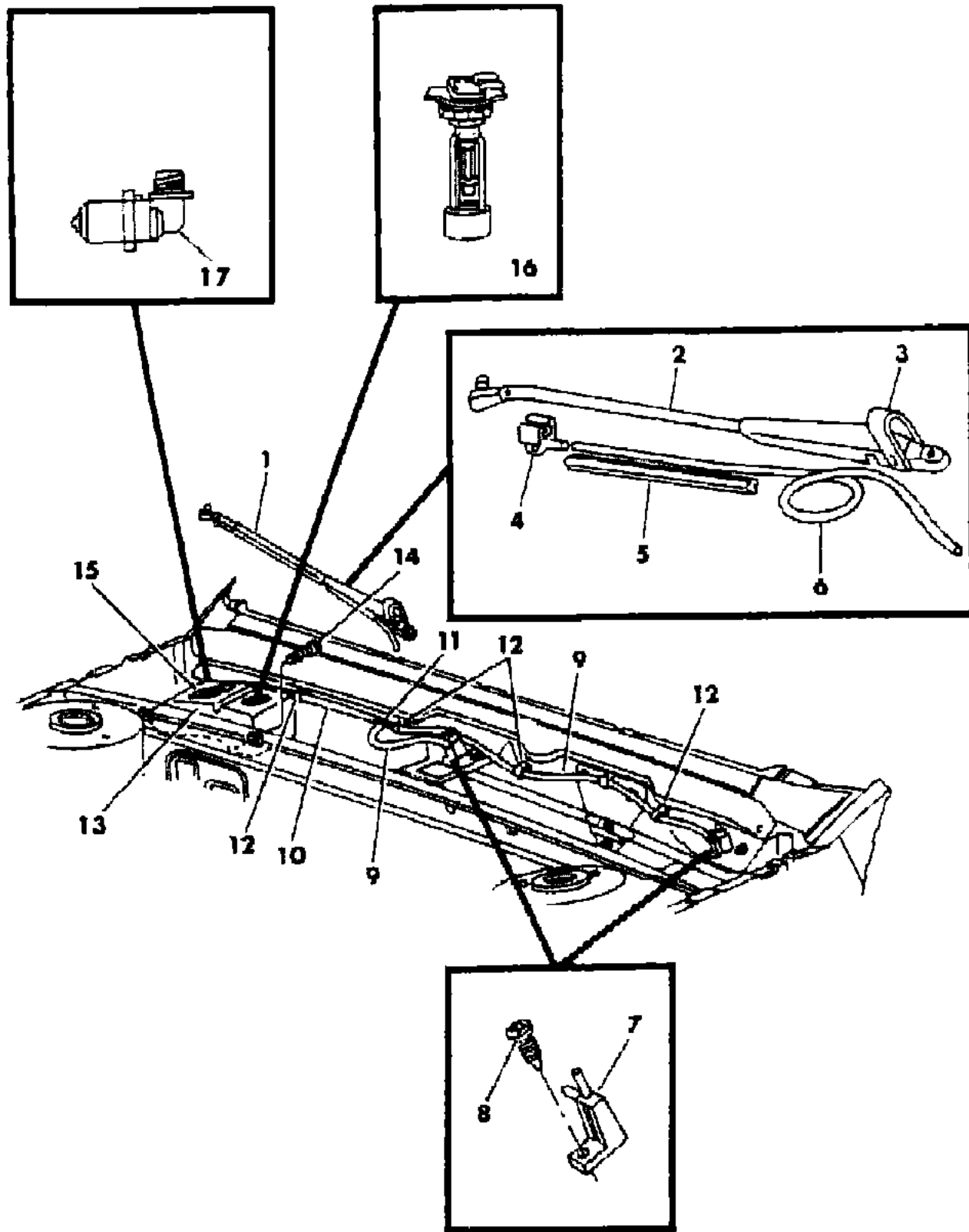
45 = 4-DOOR STATION WAGON

52-53 = FWD WAGON

AR = Use as Required - = Non Illustrated Part P.A.R. = Paint as Required

WINDSHIELD WASHER SYSTEM H BODY
Figure 23D-1300

7172 1300 A



ITEM	PART NUMBER	QTY	BODY	MODEL	DESCRIPTION
1	4334 768	2			ARM and NOZZLE, Wiper
2	4334 770	2			ARM, Wiper
3	4334 111	2			COVER, Head
4	4334 956	2			NOZZLE, Washer
5	4334 958	2			GUARD, Hose
6	4026 130	AR			HOSE, Washer
7	4334 113	2			CONNECTOR, Elbow
8		2			SCREW (DNS)
9	3837 036	AR			HOSE, Washer
10	3780 798	AR			HOSE, Washer
11	4334 112	1			CONNECTOR, Tee
12	6015 776	1			CLIP, Hose
13	4334 564	1			RESERVOIR, Washer
14	6031 951	2			SCREW
15	3799 789	1			CAP, Reservoir
16	4270 609	1			SENSOR, Fluid Level
17	4334 569	1			PUMP, Washer

MODEL CODES

E BODY = (J - CARAVELLE)(E - 600)(T - NEW YORKER)

G BODY = (V24 - DAYTONA)

H BODY = (D44 - LANCER)(C44 - LEBARON GTS)

J BODY = (C - LEBARON)

K BODY = (P - RELIANT)(D - ARIES)(C - LEBAROND)/TOWN & COUNTRY)

L BODY = (M - HORIZON/TURISMO)(Z - OMNI/CHARGER)

M BODY = (B - GRAN FURY)(F - FIFTH AVE/NEWPORT)(G - DIPLOMAT)

P BODY = (P - SUNDANCE)(D - SHADOW)

S BODY = (H - VOYAGER)(K - RAM VAN/CARAVAN)

BODY STYLES

12-13 = FWD VAN

21 = 2-DOOR SEDAN

24 = 2-DOOR HATCHBACK

27 = 2-DOOR CONVERTIBLE

41 = 4-DOOR SEDAN

44 = 4-DOOR HATCHBACK

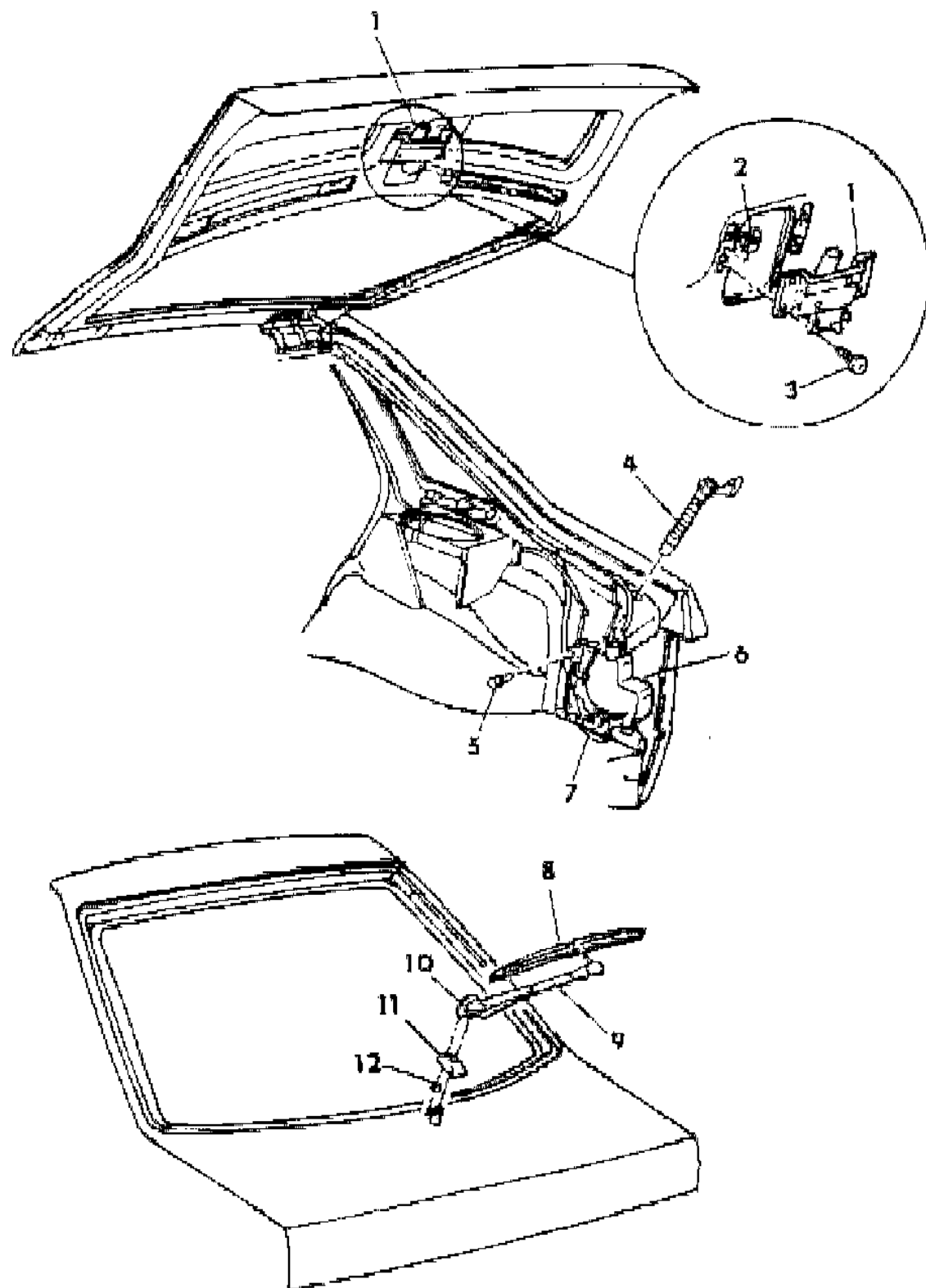
45 = 4-DOOR STATION WAGON

52-53 = FWD WAGON

AR = Use as Required - = Non Illustrated Part P.A.R. = Paint as Required

LIFTGATE WIPER AND WASHER SYSTEM H BODY
Figure 23D-1400

7172 1400



ITEM	PART NUMBER	QTY	BODY	MODEL	DESCRIPTION
1	4270 773	1			MOTOR, Wiper
	4339 484	1			CONNECTOR REPAIR PACKAGE, Motor
	4339 482	1			WASHER, Motor Washer Connector
2	6032 711	4			NUT, Motor Mtg.
3		4			SCREW (DNS)
4	3799 679	1			TUBE, Filler
	2889 843	1			PLUG, w/o Washer
5	6031 951	2			SCREW, Reservoir Mtg.
6	3799 795	1			RESERVOIR, Washer
7	3799 822	1			CAP, Reservoir
	4762 319	1			PUMP, Washer
	3799 324	1			FILTER, Pump
	3780 798	AR			HOSE, Washer
8	5211 041	1			GROMMET, Hose to Liftgate
	3799 520	1			Hose to Body
9	4334 667	1			BLADE and REFILL, Wiper
	4334 803	1			REFILL, Wiper Blade
10	4334 576	1			ARM and NOZZLE, Wiper
	4334 956	1			NOZZLE, Washer
	4334 958	1			GUARD, Hose
	4026 130	AR			HOSE, Arm Washer
11	4169 571	1			GUARD, Hose
12	4270 992	1			ESCUTCHEON, Motor
	4270 998	1			GROMMET, Motor Sleeve

MODEL CODES

E BODY = (J - CARAVELLE)(E - 600)(T - NEW YORKER)

G BODY = (V24 - DAYTONA)

H BODY = (D44 - LANCER)(C44 - LEBARON GTS)

J BODY = (C - LEBARON)

K BODY = (P - RELIANT)(D - ARIES)(C - LEBAROND)/TOWN & COUNTRY)

L BODY = (M - HORIZON/TURISMO)(Z - OMNI/CHARGER)

M BODY = (B - GRAN FURY)(F - FIFTH AVE/NEWPORT)(G - DIPLOMAT)

P BODY = (P - SUNDANCE)(D - SHADOW)

S BODY = (H - VOYAGER)(K - RAM VAN/CARAVAN)

BODY STYLES

12-13 = FWD VAN

21 = 2-DOOR SEDAN

24 = 2-DOOR HATCHBACK

27 = 2-DOOR CONVERTIBLE

41 = 4-DOOR SEDAN

44 = 4-DOOR HATCHBACK

45 = 4-DOOR STATION WAGON

52-53 = FWD WAGON

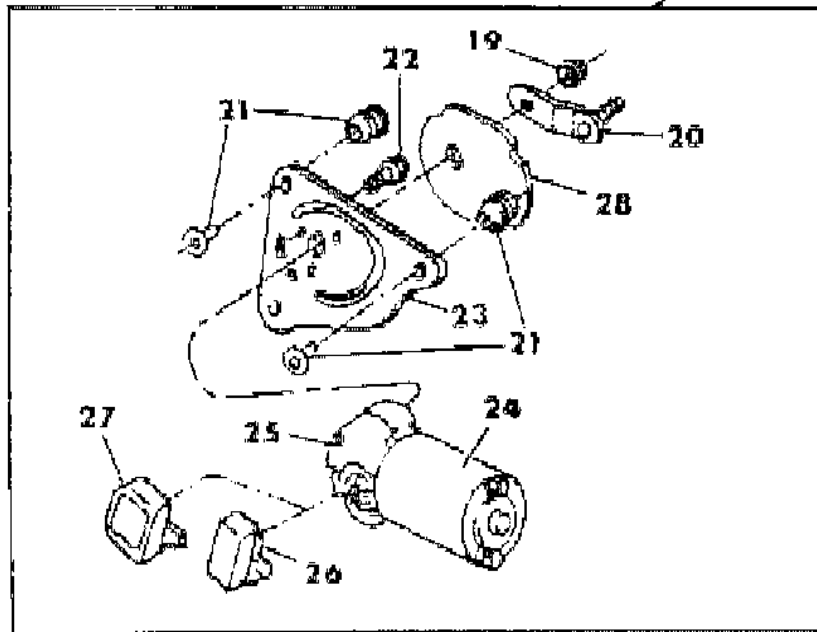
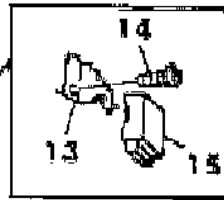
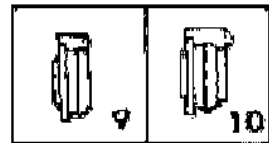
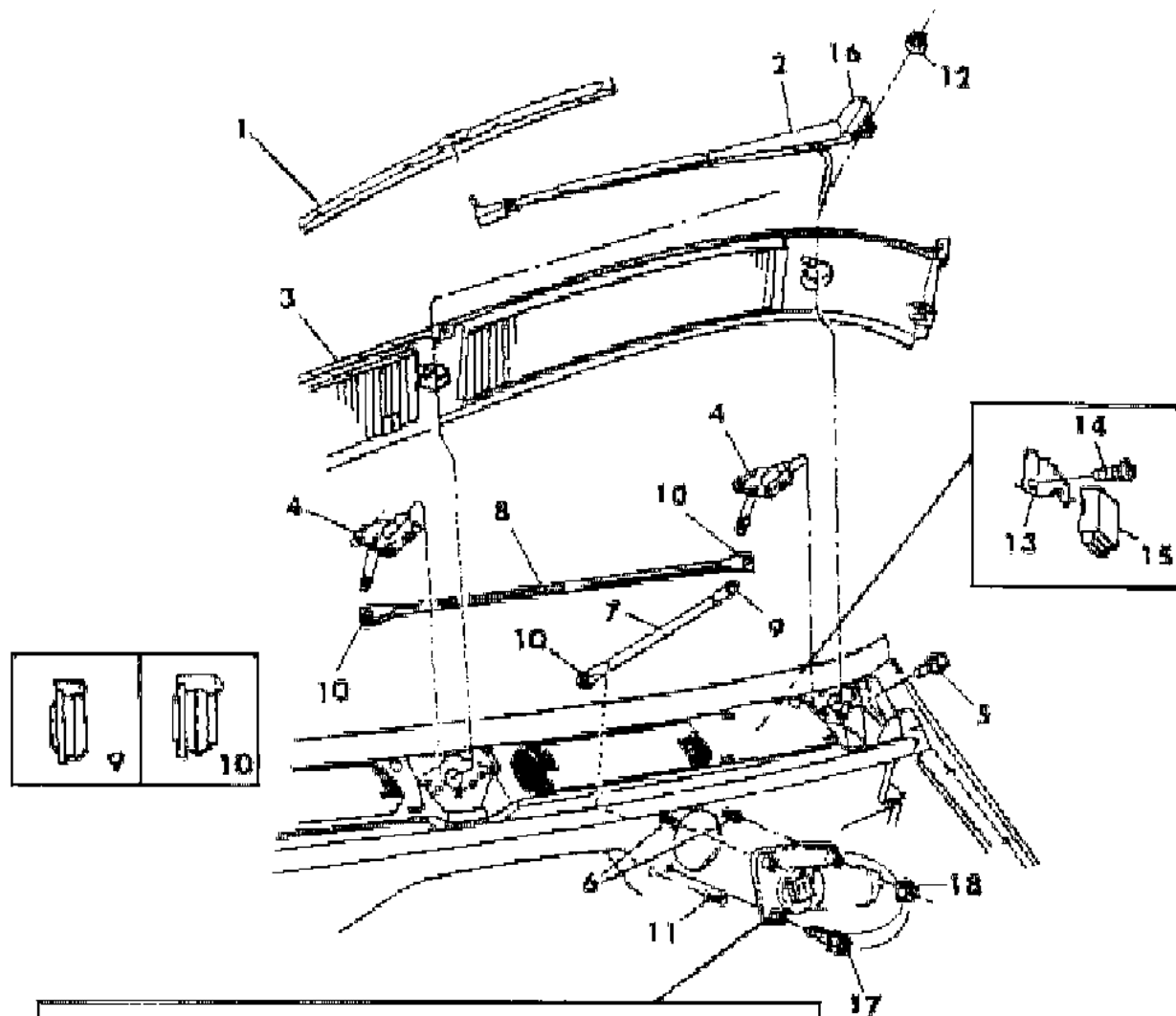
AR = Use as Required - = Non Illustrated Part P.A.R. = Paint as Required

WINDSHIELD WIPER SYSTEM S BODY

Figure 23D-1500

7172 1500

ITEM	PART NUMBER	QTY	BODY	MODEL	DESCRIPTION
1	3799 875	2			BLADE and REFILL, Wiper
	3799 876	2			REFILL, Wiper Blade
2	4334 959	2			ARM, Wiper w/o Nozzle
	4334 954	2			w/Nozzle
3		1			PANEL, Cowl Plenum Grille, See Group 23A
4					PIVOT, Wiper
	3799 845	1			Left
	3799 841	1			Right
5	6031 754	6			SCREW
6	4371 698	1			REINFORCEMENT, Cowl Lower Plenum Motor Mtg.
7	4270 445	1			LINK, Wiper Drive
8	4270 414	1			LINK, Wiper Connecting
9	5211 015	1			BUSHING, Drive Link Crank
10	3799 089	1			BUSHING, Wiper Link
11	6030 441	1			PLUG, Cowl Plenum Lower Motor Mtg. Nut
12	6501 002	2			NUT, Wiper Arm to Pivot
13	4312 005	1			BRACKET, Intermittent Wipe Control
14		1			SCREW (DNS)
15	4312 002	1			CONTROL, Intermittent Wipe
16	4334 111	2			COVER, Wiper Arm Head
17	6501 154	1			SCREW
18	6500 502	2			NUT
19	6031 096	1			NUT
20	4270 418	1			CRANK and PIN, Motor Drive
21	4339 452	1			GROMMET and SPACER PACKAGE, Wiper Mtg.
22		3			SCREW (DNS)
23	4339 446	1			BRACKET, Motor Mtg.
24	4339 449	1			MOTOR, Wiper
	4270 881	1			SEAL, Motor
25	4270 813	1			COVER, Motor Gearbox
26	4270 869	1			COVER, Motor Terminal
27	4342 226	1			SUPPRESSOR, Motor Radio Noise
28	4270 855	1			SEAL, Motor Bracket to Body



MODEL CODES

E BODY = (J - CARAVELLE)(E - 600)(T - NEW YORKER)

G BODY = (V24 - DAYTONA)

H BODY = (D44 - LANCER)(C44 - LEBARON GTS)

J BODY = (C - LEBARON)

K BODY = (P - RELIANT)(D - ARIES)(C - LEBAROND)/TOWN & COUNTRY)

L BODY = (M - HORIZON/TURISMO)(Z - OMNI/CHARGER)

M BODY = (B - GRAN FURY)(F - FIFTH AVE/NEWPORT)(G - DIPLOMAT)

P BODY = (P - SUNDANCE)(D - SHADOW)

S BODY = (H - VOYAGER)(K - RAM VAN/CARAVAN)

BODY STYLES

12-13 = FWD VAN

21 = 2-DOOR SEDAN

24 = 2-DOOR HATCHBACK

27 = 2-DOOR CONVERTIBLE

41 = 4-DOOR SEDAN

44 = 4-DOOR HATCHBACK

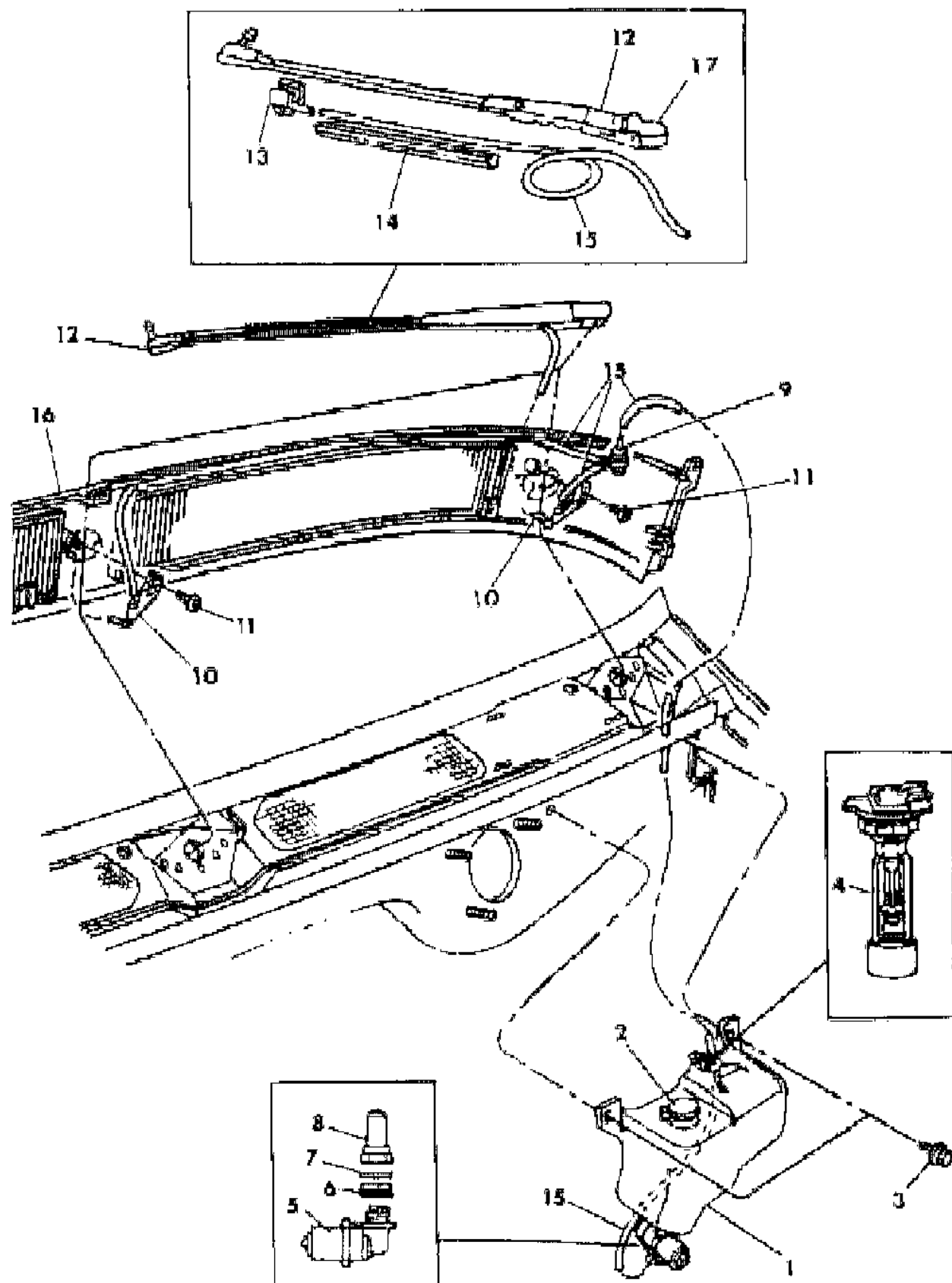
45 = 4-DOOR STATION WAGON

52-53 = FWD WAGON

AR = Use as Required - = Non Illustrated Part P.A.R. = Paint as Required

WINDSHIELD WASHER SYSTEM S BODY
Figure 23D-1600

7172 1000



ITEM	PART NUMBER	QTY	BODY	MODEL	DESCRIPTION
1					RESERVOIR, Washer
	4270 435	1			w/o Sensor
	4270 434	1			w/Sensor
2	3799 174	1			CAP, Reservoir
3	6032 473	2			SCREW
4	3746 813	1			SENSOR, Fluid Level
5	4762 319	1			PUMP, Washer
6		1			SEAL, Pump, Serviced in Item #5
7		1			WASHER, Pump (DNS)
8	3799 324	1			FILTER, Pump
9	4270 456	1			CONNECTOR, Turret
10	4334 723	2			CONNECTOR, Cowl Grille
11		2			SCREW (DNS)
12					ARM, Wiper
	4334 959	2			w/o Nozzle
	4334 954	2			w/Nozzle
13	4334 956	2			NOZZLE, Washer
14	4334 958	2			GUARD, Hose
15					HOSE, Washer
	4026 130	AR			3/32" I.D.
	3837 036	AR			1/8" I.D.
	3780 798	AR			5/32" I.D.
16	4278 057	1			PANEL, Plenum Grille
17	4334 111	2			COVER, Arm Head

MODEL CODES

E BODY = (J - CARAVELLE)(E - 600)(T - NEW YORKER)

G BODY = (V24 - DAYTONA)

H BODY = (D44 - LANCER)(C44 - LEBARON GTS)

J BODY = (C - LEBARON)

K BODY = (P - RELIANT)(D - ARIES)(C - LEBAROND)/TOWN & COUNTRY)

L BODY = (M - HORIZON/TURISMO)(Z - OMNI/CHARGER)

M BODY = (B - GRAN FURY)(F - FIFTH AVE/NEWPORT)(G - DIPLOMAT)

P BODY = (P - SUNDANCE)(D - SHADOW)

S BODY = (H - VOYAGER)(K - RAM VAN/CARAVAN)

BODY STYLES

12-13 = FWD VAN

21 = 2-DOOR SEDAN

24 = 2-DOOR HATCHBACK

27 = 2-DOOR CONVERTIBLE

41 = 4-DOOR SEDAN

44 = 4-DOOR HATCHBACK

45 = 4-DOOR STATION WAGON

52-53 = FWD WAGON

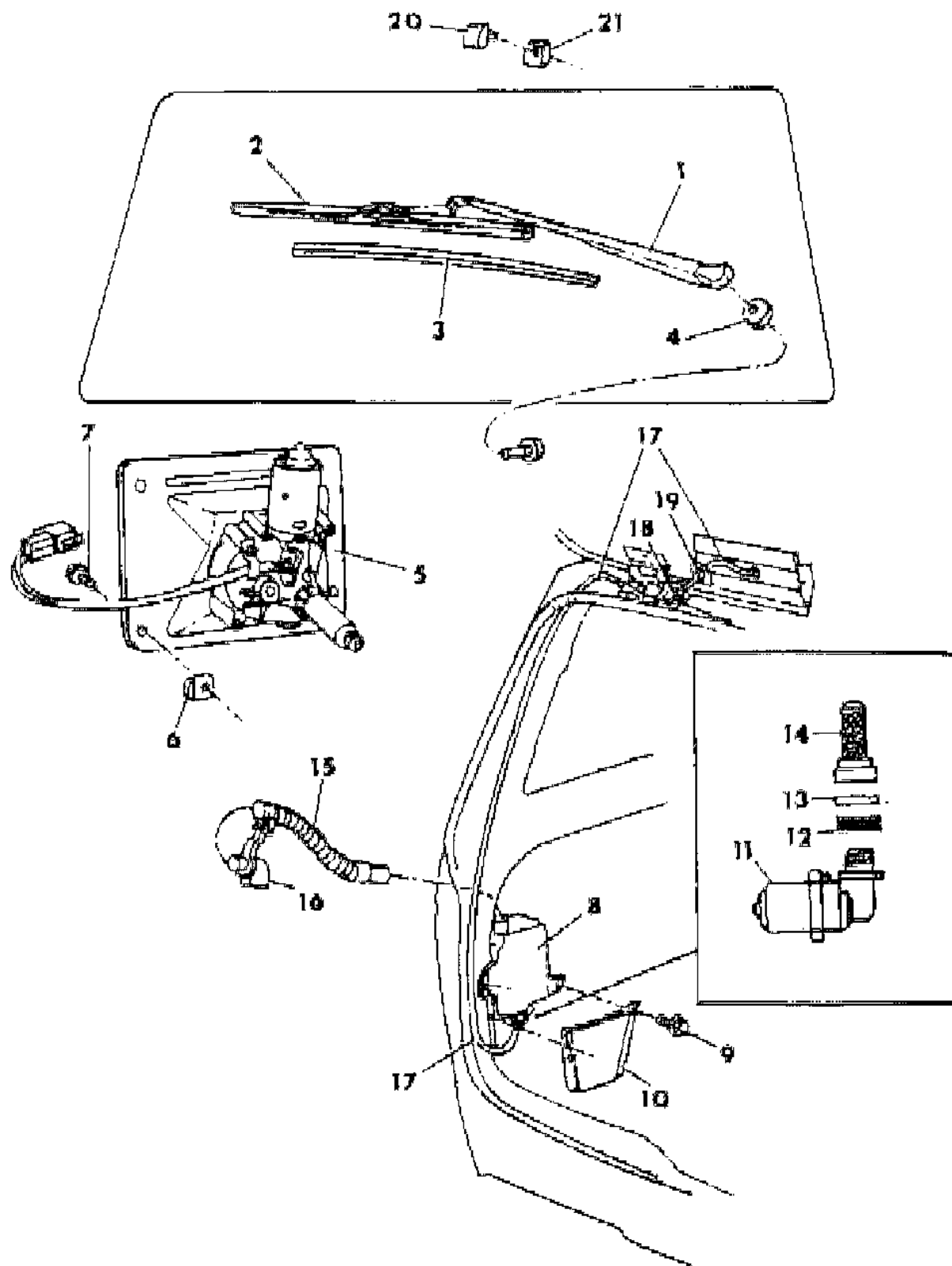
AR = Use as Required - = Non Illustrated Part P.A.R. = Paint as Required

LIFTGATE WIPER AND WASHER SYSTEM S BODY

Figure 23D-1700

7172 1700

ITEM	PART NUMBER	QTY	BODY	MODEL	DESCRIPTION
1	4270 441	1			ARM, Wiper
2	4334 773	1			BLADE and REFILL, Wiper
3	4270 471	1			REFILL, Wiper Blade
4	4270 459	1			GROMMET, Wiper Drive
5	4270 437	1			MOTOR, Wiper
6		4			NUT (DNS)
7		4			SCREW (DNS)
8	4270 448	1			RESERVOIR, Washer
9	6031 951	3			SCREW
10	4270 799	1			COVER, Reservoir Pump
11	4762 319	1			PUMP, Washer
12		1			SEAL, Pump, Serviced in Item #11
13		1			WASHER (DNS)
14	3799 324	1			FILTER, Pump
15	3799 679	1			TUBE, Filler
16	3799 726	1			CAP, Reservoir
17	3780 798	AR			HOSE, Washer
18	3799 520	1			GROMMET, Hose to Body
19	5211 041	1			GROMMET, Hose to Liftgate
20	3799 682	1			NOZZLE, Washer
21	4270 428	1			GROMMET, Nozzle



MODEL CODES

E BODY = (J - CARAVELLE)(E - 600)(T - NEW YORKER)

G BODY = (V24 - DAYTONA)

H BODY = (D44 - LANCER)(C44 - LEBARON GTS)

J BODY = (C - LEBARON)

K BODY = (P - RELIANT)(D - ARIES)(C - LEBAROND)/TOWN & COUNTRY)

L BODY = (M - HORIZON/TURISMO)(Z - OMNI/CHARGER)

M BODY = (B - GRAN FURY)(F - FIFTH AVE/NEWPORT)(G - DIPLOMAT)

P BODY = (P - SUNDANCE)(D - SHADOW)

S BODY = (H - VOYAGER)(K - RAM VAN/CARAVAN)

BODY STYLES

12-13 = FWD VAN

21 = 2-DOOR SEDAN

24 = 2-DOOR HATCHBACK

27 = 2-DOOR CONVERTIBLE

41 = 4-DOOR SEDAN

44 = 4-DOOR HATCHBACK

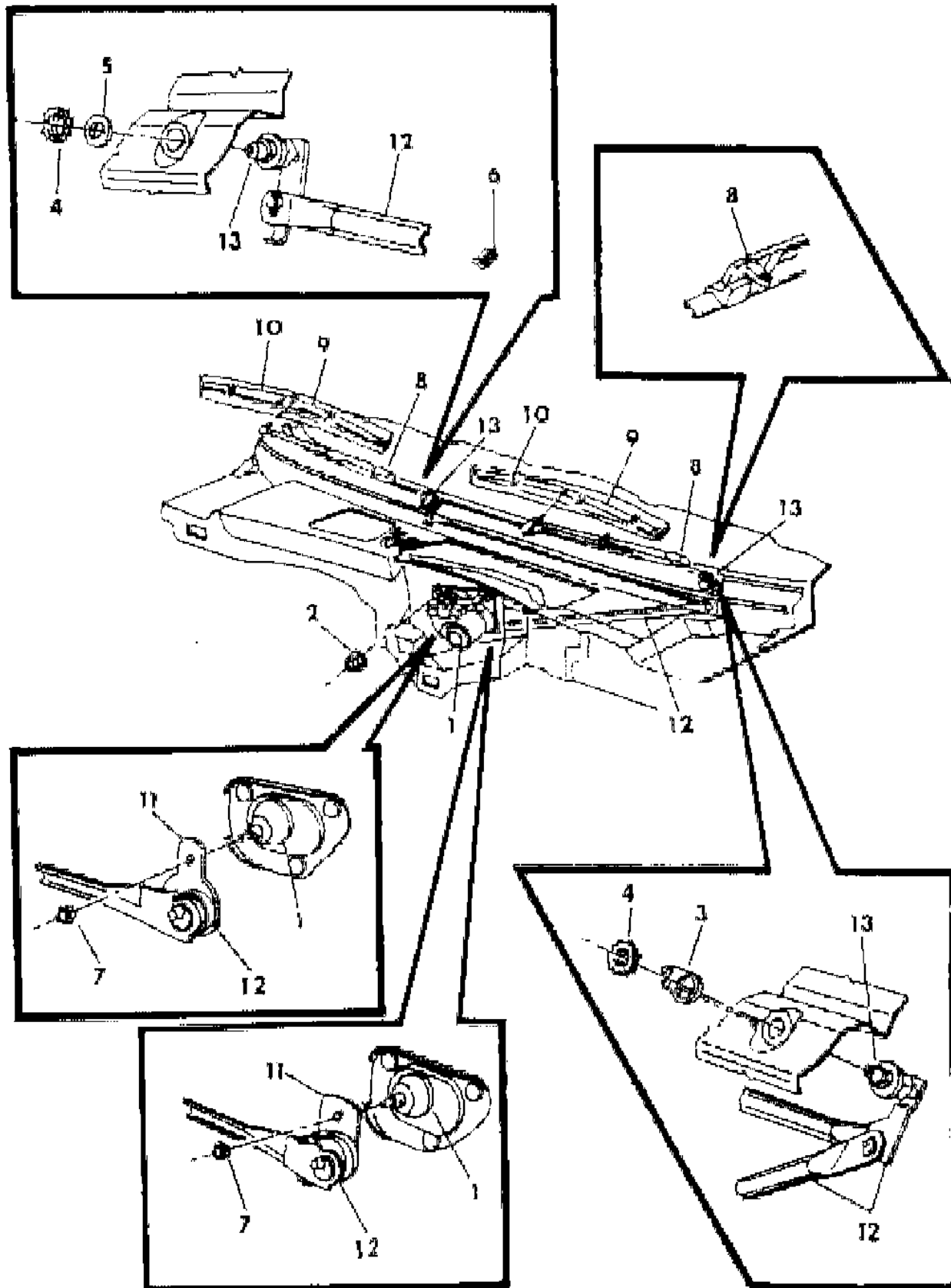
45 = 4-DOOR STATION WAGON

52-53 = FWD WAGON

AR = Use as Required - = Non Illustrated Part P.A.R. = Paint as Required

WINDSHIELD WIPER SYSTEM M BODY
Figure 23D-1800

7172 1800



ITEM	PART NUMBER	QTY	BODY	MODEL	DESCRIPTION
1	4339 449	1			MOTOR, Wiper
	4339 452	1			GROMMET and SPACER PACKAGE, Motor Mtg.
	4270 869	1			COVER, Motor Terminal
	4270 813	1			COVER, Motor Gearbox
	4222 060	1			CONTROL, Intermittent Wipe
	4048 579	1			BRACKET, Intermittent Wipe Control
	4342 226	1			SUPPRESSOR, Motor Radio Noise
	4270 855	1			SEAL, Motor Mtg.
	4339 447	1			BRACKET, Motor Mtg.
	2	6025 413	3		
3	3799 827	1			PLATE, Pivot Mtg., Left
4	5211 098	2			NUT, Pivot Mtg.
5	5211 099	1			WASHER, Pivot Mtg.
6	3799 089	4			BUSHING, Wiper Linkage
7	6031 096	1			NUT, Crank Mtg.
8	3799 862-3	1			ARM, Wiper
9	3799 828	2			BLADE and REFILL, Wiper
10	3799 685	2			REFILL, Wiper Blade
11	3799 105	1			CRANK and PIN, Drive
12	3799 101	1			LINK, Wiper Pivot Connecting
13	4334 106	1			Wiper Drive
	4026 046	1			PIVOT, Wiper Right
	3799 479	1			Left

MODEL CODES

E BODY = (J - CARAVELLE)(E - 600)(T - NEW YORKER)

G BODY = (V24 - DAYTONA)

H BODY = (D44 - LANCER)(C44 - LEBARON GTS)

J BODY = (C - LEBARON)

K BODY = (P - RELIANT)(D - ARIES)(C - LEBAROND)/TOWN & COUNTRY)

L BODY = (M - HORIZON/TURISMO)(Z - OMNI/CHARGER)

M BODY = (B - GRAN FURY)(F - FIFTH AVE/NEWPORT)(G - DIPLOMAT)

P BODY = (P - SUNDANCE)(D - SHADOW)

S BODY = (H - VOYAGER)(K - RAM VAN/CARAVAN)

BODY STYLES

12-13 = FWD VAN

21 = 2-DOOR SEDAN

24 = 2-DOOR HATCHBACK

27 = 2-DOOR CONVERTIBLE

41 = 4-DOOR SEDAN

44 = 4-DOOR HATCHBACK

45 = 4-DOOR STATION WAGON

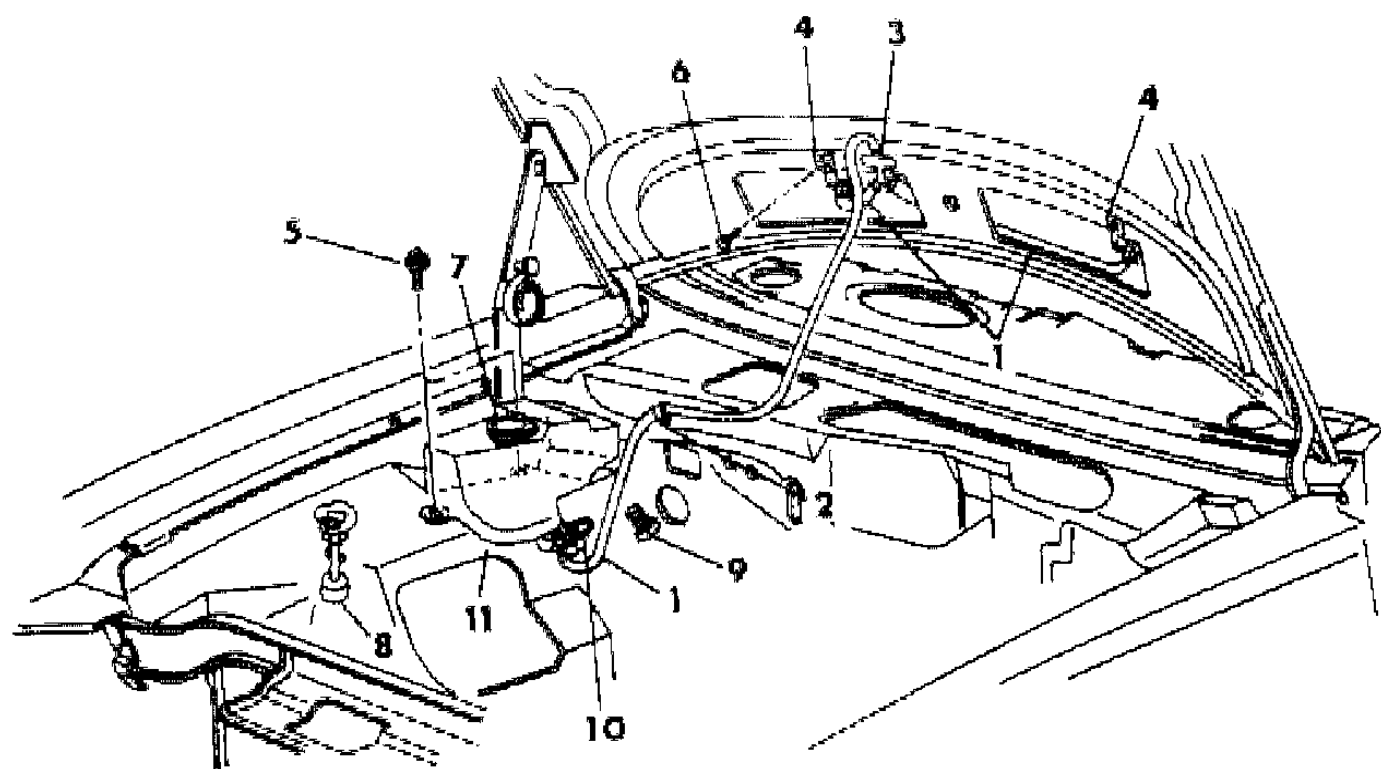
52-53 = FWD WAGON

AR = Use as Required - = Non Illustrated Part P.A.R. = Paint as Required

WINDSHIELD WASHER SYSTEM M BODY
Figure 23D-1900

7172 1900

ITEM	PART NUMBER	QTY	BODY	MODEL	DESCRIPTION
1					HOSE, Washer
	3780 798	AR			5/32" I.D.
	3837 036	AR			1/8" I.D.
2	6015 776	1			CLIP
3	5211 126	1			CONNECTOR, Hose
4	3799 133	2			NOZZLE, Washer
5	6031 951	2			SCREW
6		2			SCREW (DNS)
7	2497 500	1			CAP, Reservoir
8	3746 813	1			SENSOR, Fluid Level
9	3799 324	1			FILTER, Washer
10	4762 319	1			PUMP and SEAL PACKAGE, Washer
11	3799 542	1			RESERVOIR, Washer



MODEL CODES

E BODY = (J - CARAVELLE)(E - 600)(T - NEW YORKER)

G BODY = (V24 - DAYTONA)

H BODY = (D44 - LANCER)(C44 - LEBARON GTS)

J BODY = (C - LEBARON)

K BODY = (P - RELIANT)(D - ARIES)(C - LEBAROND)/TOWN & COUNTRY)

L BODY = (M - HORIZON/TURISMO)(Z - OMNI/CHARGER)

M BODY = (B - GRAN FURY)(F - FIFTH AVE/NEWPORT)(G - DIPLOMAT)

P BODY = (P - SUNDANCE)(D - SHADOW)

S BODY = (H - VOYAGER)(K - RAM VAN/CARAVAN)

BODY STYLES

12-13 = FWD VAN

21 = 2-DOOR SEDAN

24 = 2-DOOR HATCHBACK

27 = 2-DOOR CONVERTIBLE

41 = 4-DOOR SEDAN

44 = 4-DOOR HATCHBACK

45 = 4-DOOR STATION WAGON

52-53 = FWD WAGON

AR = Use as Required - = Non Illustrated Part P.A.R. = Paint as Required

GROUP 24 - HEATER AND AIR CONDITIONING

ILLUSTRATION TITLE	GROUP-FIG. NO.
HEATER CONTROLS	
CONTROLS, HEATER L,S,M BODY	Fig. 24-100
CONTROLS, HEATER P,J,K,G,E,H BODY	Fig. 24-200
HEATER UNIT	
HEATER UNIT L BODY	Fig. 24-300
HEATER UNIT P BODY P,D-22,44 H BODY D,C,-44	Fig. 24-400
HEATER UNIT J,K,G,E BODY	Fig. 24-500
HEATER UNIT S BODY	Fig. 24-600
HEATER UNIT, AUXILIARY S BODY 52 MODEL	Fig. 24-625
HEATER UNIT M BODY	Fig. 24-700
HEATER PLUMBING	
PLUMBING, HEATER L BODY	Fig. 24-800
PLUMBING, HEATER P BODY P,D,22,44 J BODY	Fig. 24-900
PLUMBING, HEATER K,G,E BODY	Fig. 24-1000
PLUMBING, HEATER H BODY	Fig. 24-1100
PLUMBING, HEATER S BODY	Fig. 24-1200
PLUMBING HEATER, AUXILIARY UNDERBODY S BODY 52 MODEL	Fig. 24-1225
PLUMBING, HEATER M BODY B,G	Fig. 24-1300
AIR CONDITIONER CONTROLS	
CONTROL, AIR CONDITIONER L,S,M BODY	Fig. 24-1400
CONTROL, AIR CONDITIONER P BODY	Fig. 24-1500
CONTROL, AIR CONDITIONER J,K,G,E,H BODY	Fig. 24-1600
AIR CONDITIONING AND HEATER UNIT	
AIR CONDITIONING AND HEATER UNIT L BODY	Fig. 24-1700
AIR CONDITIONING AND HEATER UNIT P BODY P,D-22,44 H BODY D,C-44	Fig. 24-1800
AIR CONDITIONING AND HEATER UNIT J,K,G,E BODY	Fig. 24-1900
AIR CONDITIONING AND HEATER UNIT S Body	Fig. 24-2000
AIR CONDITIONING AND HEATER UNIT M BODY	Fig. 24-2100
PLUMBING AIR CONDITIONING AND HEATER	
PLUMBING, AIR CONDITIONING AND HEATER L,K,G,E BODY	Fig. 24-2200
PLUMBING, AIR CONDITIONING AND HEATER P BODY P,D,22,44 J BODY	Fig. 24-2300
PLUMBING, AIR CONDITIONING AND HEATER H BODY	Fig. 24-2400
PLUMBING, AIR CONDITIONING AND HEATER S BODY 2.2,2.5 LITER ENGINE	Fig. 24-2500
PLUMBING, AIR CONDITIONING AND HEATER S BODY 2.6 LITER ENGINE	Fig. 24-2600

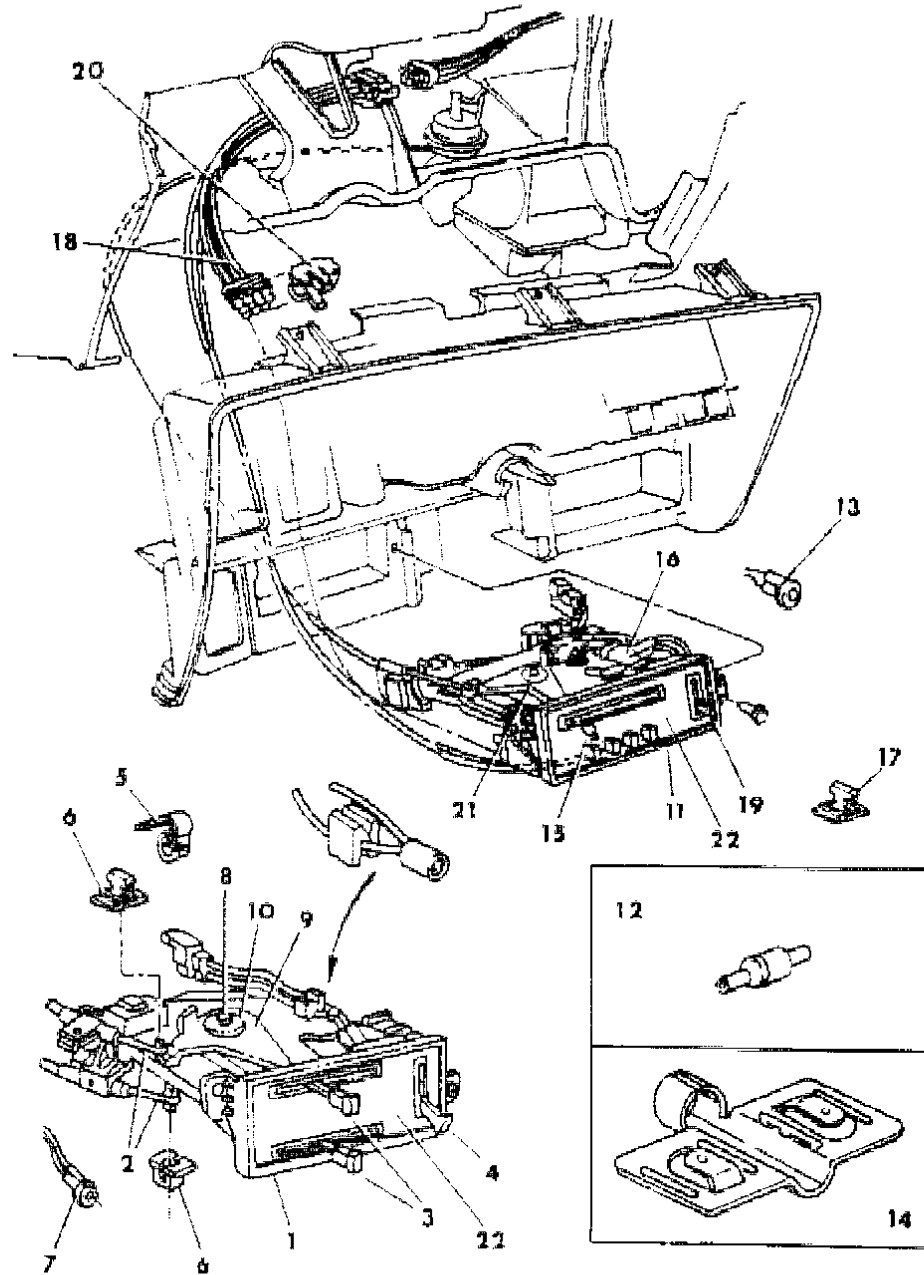
ILLUSTRATION NOT AVAILABLE AT TIME OF PUBLICATION

GROUP 24 - HEATER AND AIR CONDITIONING

ILLUSTRATION TITLE	GROUP-FIG. NO.
PLUMBING AIR CONDITIONING AND HEATER (Continued)	
PLUMBING, AIR CONDITIONING AND HEATER S BODY 2.6 LITER ENGINE	Fig. 24-2600
PLUMBING, AIR CONDITIONING AND HEATER S BODY 3.0 LITER ENGINE	Fig. 24-2650
PLUMBING, AIR CONDITIONING AND HEATER M BODY	Fig. 24-2700
COMPRESSOR AND MOUNTING	
AIR CONDITIONING COMPRESSOR	Fig. 24-2800
AIR CONDITIONING COMPRESSOR MOUNTING L,P,J,K,G,E,H,S,M BODY	Fig. 24-2900
AIR CONDITIONING COMPRESSOR MOUNTING M BODY (318 ENGINE)	Fig. 24-3000
AIR DUCTS, OUTLET AND LOUVER	
AIR DISTRIBUTION, DUCT, OUTLET, LOUVER L BODY	Fig. 24-3100
AIR DISTRIBUTION, DUCT, OUTLET, VENT HSG. P BODY P,D 22,44	Fig. 24-3200
DEMISTER, HOSE, OUTLET, ADAPTER P BODY P,D 22,44	Fig. 24-3300
AIR DISTRIBUTION, DUCT, OUTLET, LOUVER, HOUSING K,E BODY	Fig. 24-3400
AIR DISTRIBUTION DUCTS, OUTLETS J BODY, G BODY	Fig. 24-3500
DEMISTER, HOSE, OUTLET, ADAPTER J BODY, G BODY	Fig. 24-3600
AIR DISTRIBUTION DUCTS, OUTLET, LOUVER, VENT HSG. H BODY	Fig. 24-3700
DEMISTER, HOSE, OUTLET, ADAPTOR H BODY	Fig. 24-3800
AIR DISTRIBUTION DUCTS, OUTLETS, LOUVER S BODY	Fig. 24-3900
DEMISTER, HOSE, OUTLET, DUCT S BODY	Fig. 24-4000
AIR DISTRIBUTION, DUCT, LOUVER M BODY	Fig. 24-4100

CONTROLS, HEATER L,S,M BODY
Figure 24-100

7124 100



ITEM	PART NUMBER	QTY	BODY	MODEL	DESCRIPTION
1	3848 001	1	L		CONTROL, Base Heater
2					CABLE
	5210 362	1	L		Heater Control Mode
	3847 432	1	M		Heater Control Temperature
	5210 360	1	L		Heater Control Temp. w/o Upr. Level Vent.
	3848 319	1	S		Heater Control Temperature
3					KNOB
	3847 447	1	L		Heater Temperature Control & Mode up to 11-3-86
	3849 810	1	L		Heater Temperature Control and Mode (Chrome) after 11-3-86
	3847 445	1	S		Heater Temperature Control & Mode
4					SWITCH
	3847 940	1			Heater Control Blower
	3848 645	1	S		Bi-Level Heater Control Blower
5	3849 739	1			CLIP, Heater Control Cable
6	6029 889	1			NUT
7	4131 388	1			SOCKET, Heater Control Lamp Cable
8					PIN
	3503 326	1	L		Heater Control Lever Pivot
	3503 317	1	S,M		Heater Control Lever Pivot
9					LEVER
	3848 232	1	L		Heater Control Temperature
	3848 316	1	S		Heater Control Temperature
	3847 014	1	M		Heater Control Temperature
	4443 106	1	L		LEVER and KNOB PACKAGE, (Chrome) Heater Control Mode
	4443 105	1	L		LEVER and KNOB PACKAGE, (Chrome) Htr. Temp. Control
	4443 104	1	M		LEVER and KNOB PACKAGE, (Black) Heater Control
	3848 233	1	L		Heater Control Mode
10					CLIP
	2820 453	1	L,M		Heater Lever Return
	3849 122	1	S		Heater Lever Return
11					CONTROL
	3848 002	1	M		Base Htr. Bi-Level (use 3847658 Decal)
	3848 002	1	S		Base Htr. Bi-Level
12					CHECK VALVE
	3441 609	1	M		Htr. Vac. Hose, w/Upr. Level Vent.
	3441 609	1	S		Heater Vacuum Hose
13	4131 388	1			SOCKET and BULB PACKAGE, Heater Control Lamp
14	6031 132	1			CLIP, Heater Control Temperature Adjustment

MODEL CODES

E BODY = (J - CARAVELLE)(E - 600)(T - NEW YORKER)

G BODY = (V24 - DAYTONA)

H BODY = (D44 - LANCER)(C44 - LEBARON GTS)

J BODY = (C - LEBARON)

K BODY = (P - RELIANT)(D - ARIES)(C - LEBAROND)/TOWN & COUNTRY)

L BODY = (M - HORIZON/TURISMO)(Z - OMNI/CHARGER)

M BODY = (B - GRAN FURY)(F - FIFTH AVE/NEWPORT)(G - DIPLOMAT)

P BODY = (P - SUNDANCE)(D - SHADOW)

S BODY = (H - VOYAGER)(K - RAM VAN/CARAVAN)

BODY STYLES

12-13 = FWD VAN

21 = 2-DOOR SEDAN

24 = 2-DOOR HATCHBACK

27 = 2-DOOR CONVERTIBLE

41 = 4-DOOR SEDAN

44 = 4-DOOR HATCHBACK

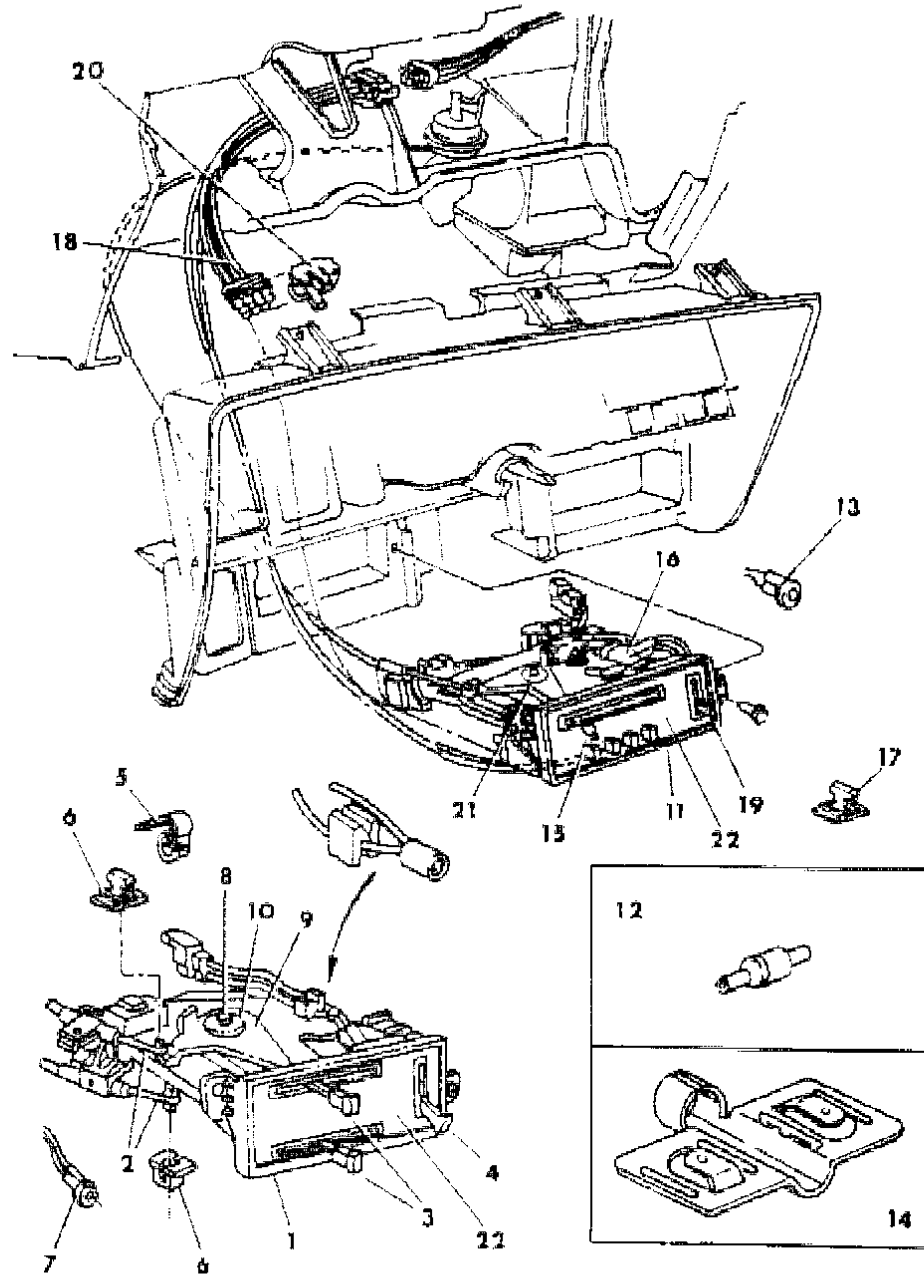
45 = 4-DOOR STATION WAGON

52-53 = FWD WAGON

AR = Use as Required - = Non Illustrated Part P.A.R. = Paint as Required

CONTROLS, HEATER L,S,M BODY
Figure 24-100

7124 100



ITEM	PART NUMBER	QTY	BODY	MODEL	DESCRIPTION
15					KNOB
	3847 447	1	L		Heater Control Temperature Mode, up to 11-3-86
	3849 810	1	L		after 11-3-86
	3847 445	1	S		Heater Control Temperature, Mode
	3849 810	1	M		Heater Control Temperature Mode
16	3846 895	1	M		SWITCH, Heater Control Vacuum w/Upr. Level Vent.
17	6029 889	1			NUT, Heater Control Temperature Cable Return
18	3847 629	1			HOSE, Heater Control Vacuum Extension
19					SWITCH
	3847 510	1	M		Htr. Control 4 P/Button (H-Lo) w/Upr LevelVent
	3848 910	1	S		Heater Control 4 P/Button Bi-Level
	4373 119	1	S		Auxiliary Rear Heater
	4221 475	1	S		Bezel, Auxiliary Rear Heater Switch
	4221 612	1	S		Hood, Auxiliary Rear Heater Switch
20		1	M		CLIP, Htr. Cont. Hi/Lo Vac. Hose Conn Ret. (Not Serviced)
21	2820 453	1			CLIP, Lever Return
-					HOSE
	3780 794	AR			Heater Control Vacuum (Roll Stock)
-	3848 924	1	S		Heater Vacuum
-	3847 622	1			Heater Control, Vacuum Extension
22					DECAL
	3848 635	1	L		Heater Control Lens
	3848 909	1	S		Heater Control Lens
	3848 636	1	M		Heater Control Bi-Level
	6015 778	1	S		CLIP, Heater Vacuum Hose Retaining
	6006 041	2	S,M		SCREW, Heater Control P/Button Switch Mounting

MODEL CODES

E BODY = (J - CARAVELLE)(E - 600)(T - NEW YORKER)

G BODY = (V24 - DAYTONA)

H BODY = (D44 - LANCER)(C44 - LEBARON GTS)

J BODY = (C - LEBARON)

K BODY = (P - RELIANT)(D - ARIES)(C - LEBAROND)/TOWN & COUNTRY)

L BODY = (M - HORIZON/TURISMO)(Z - OMNI/CHARGER)

M BODY = (B - GRAN FURY)(F - FIFTH AVE/NEWPORT)(G - DIPLOMAT)

P BODY = (P - SUNDANCE)(D - SHADOW)

S BODY = (H - VOYAGER)(K - RAM VAN/CARAVAN)

BODY STYLES

12-13 = FWD VAN

21 = 2-DOOR SEDAN

24 = 2-DOOR HATCHBACK

27 = 2-DOOR CONVERTIBLE

41 = 4-DOOR SEDAN

44 = 4-DOOR HATCHBACK

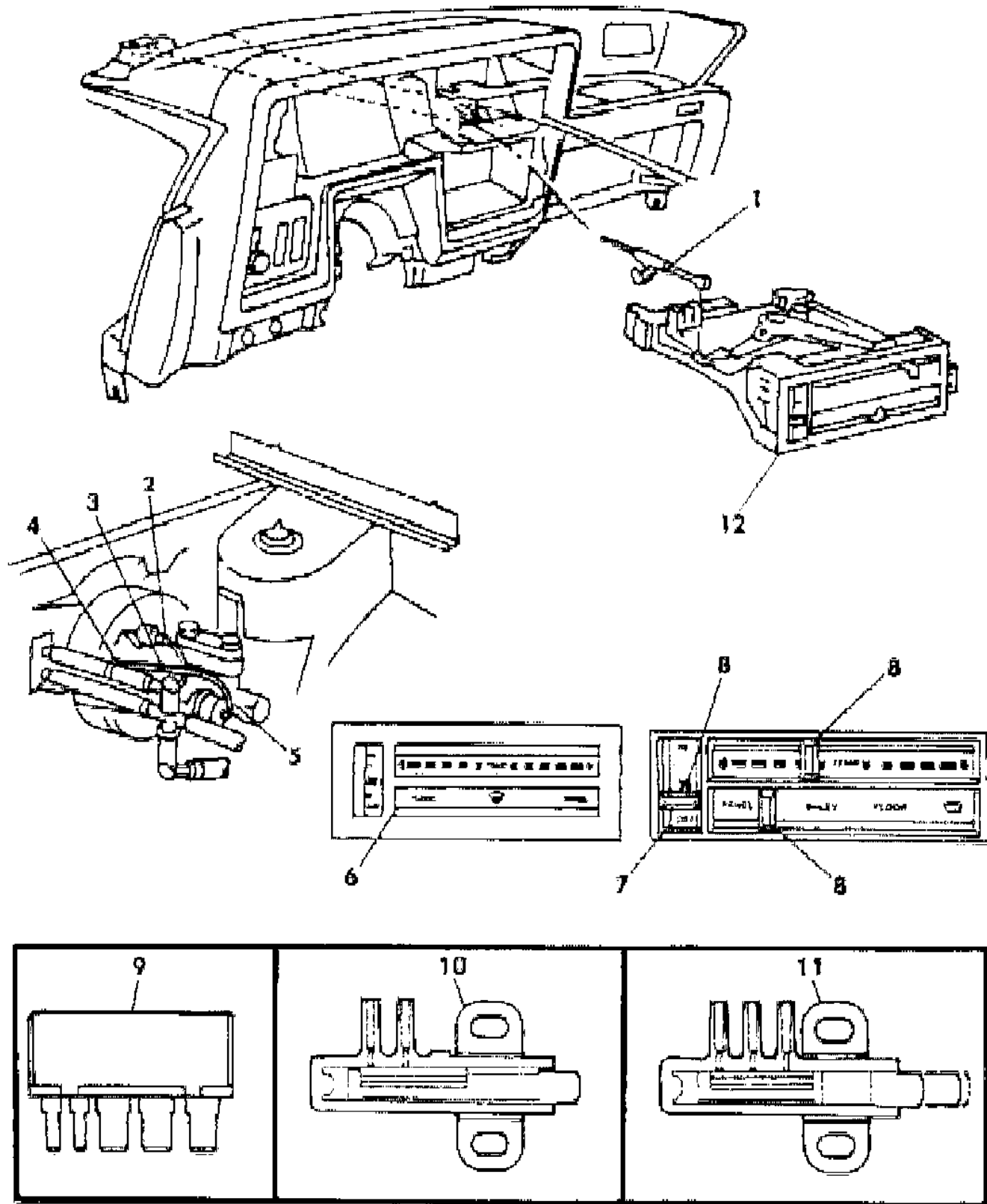
45 = 4-DOOR STATION WAGON

52-53 = FWD WAGON

AR = Use as Required - = Non Illustrated Part P.A.R. = Paint as Required

CONTROLS, HEATER P,J,K,G,E,H BODY
Figure 24-200

7124 200



ITEM	PART NUMBER	QTY	BODY	MODEL	DESCRIPTION
1					CABLE
	3849 795	1			Heater Control Temperature
-	3849 739	1			CLIP, Heater Control Temp. Cable (Adj.)
2	3847 935	1			CONNECTOR, Heater Vacuum Hose To Booster P/Brake
3	2837 876	1			CONNECTOR, Vacuum Line Extension To Water Valve
4	6015 945	1			STRAP, Vacuum Harness
5	3780 508	AR			HOSE, Htr. Vac. Line Ext. Water Val(Serv. in Roll)
6					PLATE and DECAL, Heater Control Face
	3849 164	1	P		Black
	3849 164	1	K	P,D	Black
	3849 164	1	J,G		Black
	3849 166	1	E		Bright
	3849 166	1	K	C	Bright
7	3849 164	1	H		PLATE and DECAL, Htr. Cont. Bi-Level Face (Black)
8					KNOB, Heater Control
	3849 148	AR	K	P,D	Black
	3849 148	AR	J,G		Black
	3849 148	AR	H		Black
	3849 148	AR	P		Black
	3849 156	AR	E		Bright
	3849 156	AR	K	C	Bright
9	3849 160	1			SWITCH, Heater Control Fan
10	3849 161	1			SWITCH, Heater Control Vacuum (2 Port)
11	3849 162	1			SWITCH, Heater Control Vacuum (3 Port)
-	4364 859	1			HARNESS, Heater Control Vacuum
12	3849 158	1			HOUSING, w/LEVER, Heater Control
-	3849 163	1			SOCKET, Heater Control Lamp

MODEL CODES

E BODY = (J - CARAVELLE)(E - 600)(T - NEW YORKER)

G BODY = (V24 - DAYTONA)

H BODY = (D44 - LANCER)(C44 - LEBARON GTS)

J BODY = (C - LEBARON)

K BODY = (P - RELIANT)(D - ARIES)(C - LEBAROND)/TOWN & COUNTRY)

L BODY = (M - HORIZON/TURISMO)(Z - OMNI/CHARGER)

M BODY = (B - GRAN FURY)(F - FIFTH AVE/NEWPORT)(G - DIPLOMAT)

P BODY = (P - SUNDANCE)(D - SHADOW)

S BODY = (H - VOYAGER)(K - RAM VAN/CARAVAN)

BODY STYLES

12-13 = FWD VAN

21 = 2-DOOR SEDAN

24 = 2-DOOR HATCHBACK

27 = 2-DOOR CONVERTIBLE

41 = 4-DOOR SEDAN

44 = 4-DOOR HATCHBACK

45 = 4-DOOR STATION WAGON

52-53 = FWD WAGON

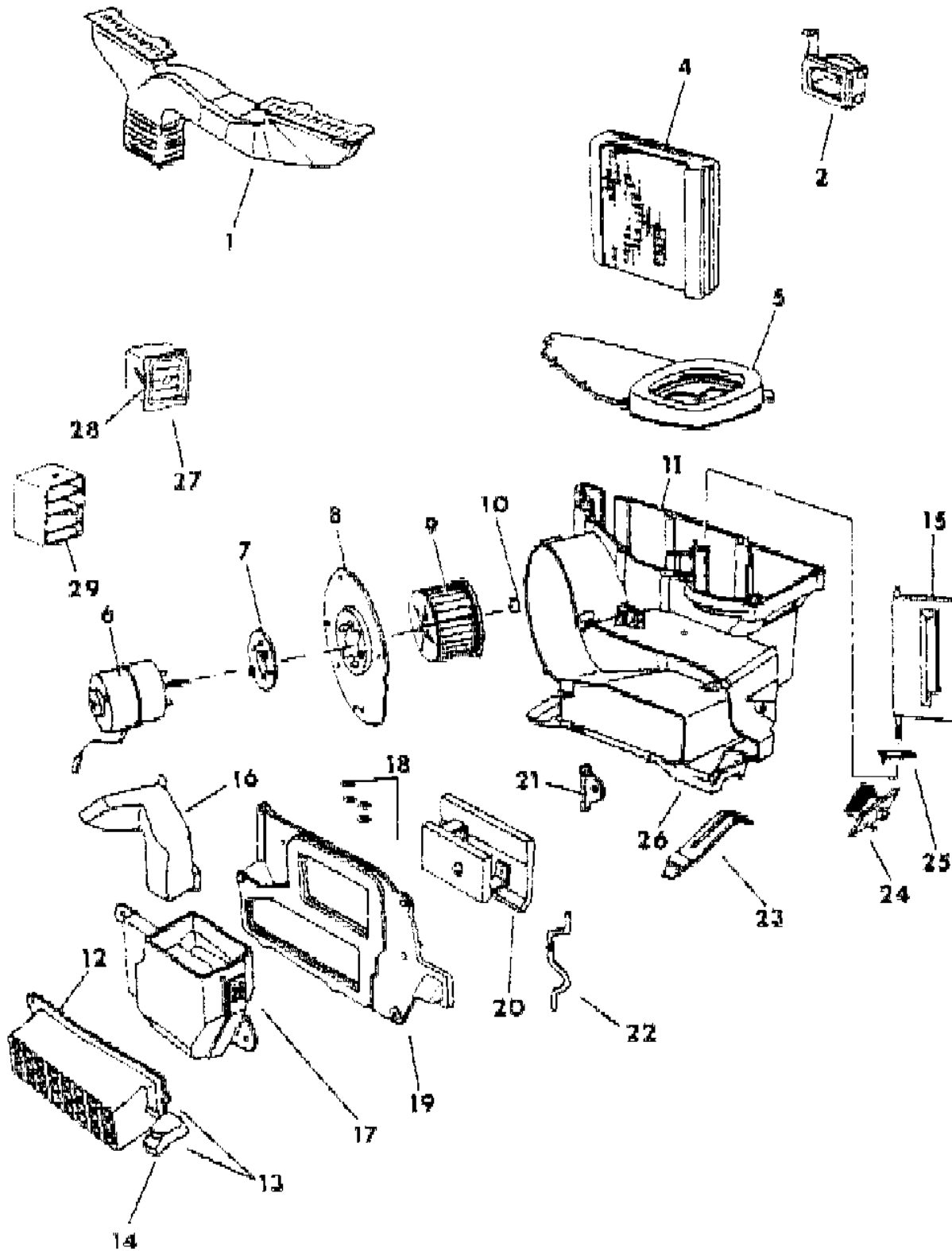
AR = Use as Required - = Non Illustrated Part P.A.R. = Paint as Required

HEATER UNIT L BODY

Figure 24-300

7124 300

ITEM	PART NUMBER	QTY	BODY	MODEL	DESCRIPTION
1	3848 831	1			DUCT, Heater Defroster
2	#5210 182-3	1			ADAPTER, Vent
4	4240 448	1			CORE and SEAL, Heater
5	5210 147	1			COVER, Heater Top
6	#4057 933	1			MOTOR, Heater Blower
-	4274 936	1			INSULATOR, Heater Motor
7	2485 429	1			GASKET, Heater Blower Motor Mounting
8	5210 152	1			PLATE, Back Heater Motor
9	5210 001	1			WHEEL, Heater Blower Motor Wheel
10	2837 680	1			CLAMP, Heater Blower Motor Wheel
11	5210 136	1			HOUSING, Heater
12	#5210 169	1			DUCT, Heater Air Vent
13	5210 168	1			DUCT, KNOB and DOOR, Heater Air Vent
14	5210 188	1			KNOB, Heater Door Vent Control
15	5210 140	1			DOOR and SEAL, Heater Temperature
16	5210 251	1			DUCT, Heater Outlet Left
17	5210 040	1			ADAPTER, Heater Defroster Duct
18	6006 065	4			WASHER, Heater Blower Motor Mounting
19	5210 190	1			COVER, Heater Rear
20	5210 215	1			DOOR and VANE, Heater Mode
21	5210 316	1			CLAMP, Heater Mode Door
22		1			SHAFT, Heater Mode Door (Not Service)
23	5210 135	1			STRAP, Heater Support
24	5210 365	1			RESISTOR, Heater Blower Motor
25	5210 176	1			CRANK, Heater Temperature Door
26	5210 193	1			DUCT, Heater Distribution
27	5210 002-3	1			OUTLET, Heater Vent w/Door
28	5210 018	4			CLIP, Heater Vent Housing Mounting
29	3502 905	2			LOUVER, Vent Outlet



MODEL CODES

E BODY = (J - CARAVELLE)(E - 600)(T - NEW YORKER)

G BODY = (V24 - DAYTONA)

H BODY = (D44 - LANCER)(C44 - LEBARON GTS)

J BODY = (C - LEBARON)

K BODY = (P - RELIANT)(D - ARIES)(C - LEBAROND)/TOWN & COUNTRY)

L BODY = (M - HORIZON/TURISMO)(Z - OMNI/CHARGER)

M BODY = (B - GRAN FURY)(F - FIFTH AVE/NEWPORT)(G - DIPLOMAT)

P BODY = (P - SUNDANCE)(D - SHADOW)

S BODY = (H - VOYAGER)(K - RAM VAN/CARAVAN)

BODY STYLES

12-13 = FWD VAN

21 = 2-DOOR SEDAN

24 = 2-DOOR HATCHBACK

27 = 2-DOOR CONVERTIBLE

41 = 4-DOOR SEDAN

44 = 4-DOOR HATCHBACK

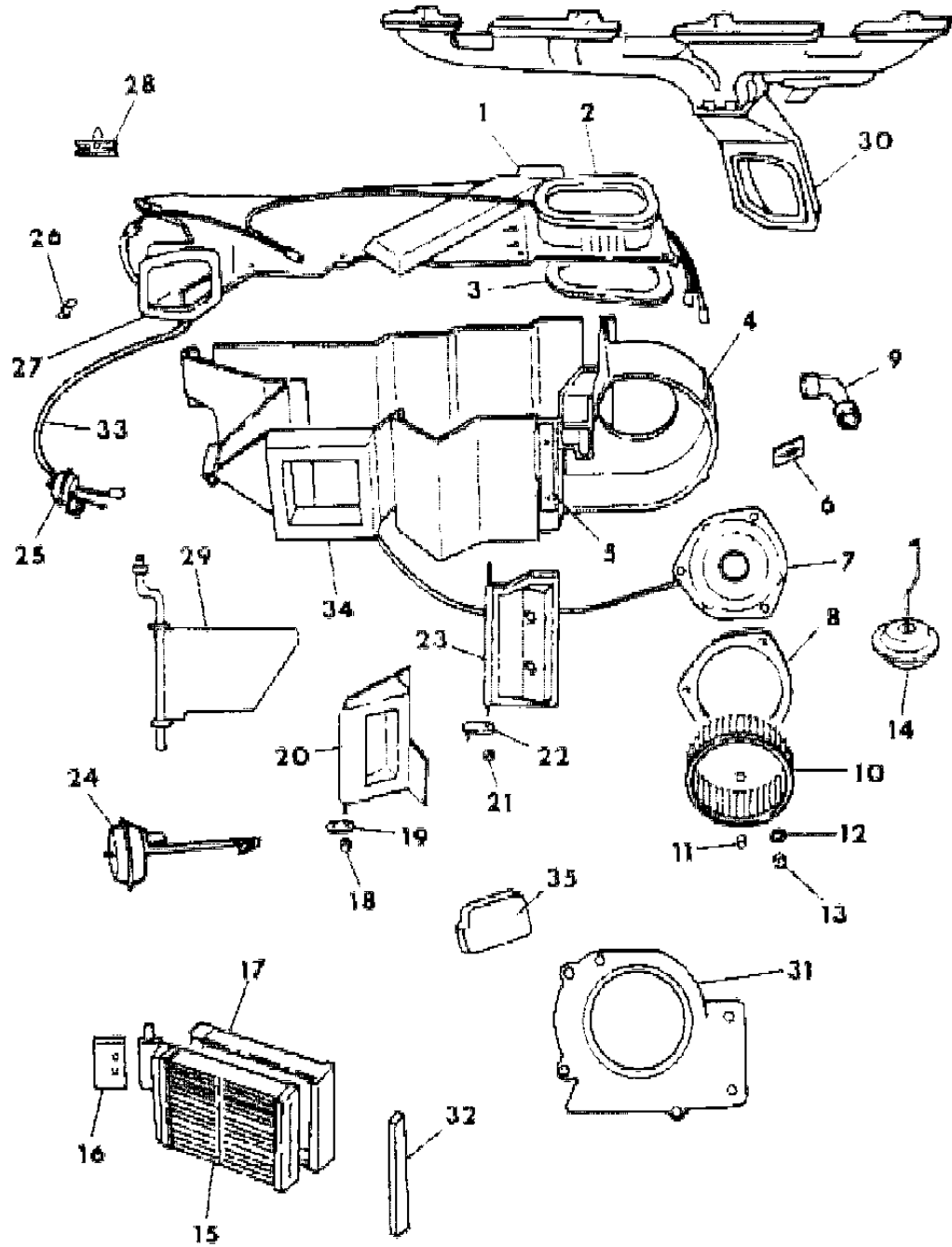
45 = 4-DOOR STATION WAGON

52-53 = FWD WAGON

AR = Use as Required - = Non Illustrated Part P.A.R. = Paint as Required

**HEATER UNIT P BODY P,D-22,44 H BODY D,C,-44
Figure 24-400**

7124 400



ITEM	PART NUMBER	QTY	BODY	MODEL	DESCRIPTION
1	3849 369	1			COVER, Heater Evaporator Housing
-	3847 721	1			SEAL, Heater Housing Cover, Left
-	3847 720	1			SEAL, Heater Housing Cover, Right
2	3847 605	1			SEAL, A/C. Heater Evaporator Cover To Plenum
3	3847 720	1			SEAL, Heater Evaporator Housing Mounting Center
4	3848 418	1			HOUSING, w/Stud Package Heater Evaporator Scroll
5	3848 238	1			BRACE, Heater Unit Mounting to Plenum Support
6	3849 235	1			RESISTOR, Heater Blower Motor
7	3849 575	1			MOTOR, Heater Blower
8	3847 476	1			SEAL, Heater Blower Motor Mounting To Scroll
9	5210 066	1			TUBE, Heater Blower Motor
10	5210 234	1			WHEEL, Heater Blower Motor
11	2837 680	1			CLAMP, Heater Blower Wheel Motor Mounting
12	6500 376	1			NUT, Heater Blower Motor J Type
13	6031 694	1			SCREW, w/Washer Heater Blower Motor Mounting
14	5210 111	1			ACTUATOR, Heater Recirculate & Fresh Air door
15	3847 943	1			CORE, Heater
16	5210 109	1			SEAL, Heater Unit To Dash At Core Tubes
17	3848 093	1			SEAL, Heater Core
18	0219 462	1			NUT, Door Shaft Lever
19	3847 858	1			LEVER, Mode Door Shaft
20	3847 848	1			DOOR, w/Seal Heater Mode
-	3847 853	1			SPRING, Heater Mode Door
21	0219 462	1			NUT, Door Shaft Lever
22	5210 113	1			LEVER, Heater Blend Air Door
23	5210 395	1			DOOR, Heater Blend Door
24	3847 849	1			ACTUATOR, Heater Mode Door
25	5210 068	1			ACTUATOR, Heater Defroster Door
	6031 147	1			NUT, Defroster Actuator Rod Retaining
26	2521 336	2			CLIP, Heater Evaporator Housing Cover Mounting
27	3847 606	1			SEAL, Heater Unit to Defroster Duct
28	6015 778	2			CLIP, Heater Vacuum Hose Retaining
29	5210 093	1			DOOR and SHAFT, Heater Defroster
30	3848 486	1	H		DUCT, Heater Defroster
	3849 174	1	P		
31	3848 991	1			HOUSING, Heater Inlet
32	3847 681	1			SEAL, Heater Core End
33	3849 127	1			HARNES, Heater Vacuum

MODEL CODES

E BODY = (J - CARAVELLE)(E - 600)(T - NEW YORKER)

G BODY = (V24 - DAYTONA)

H BODY = (D44 - LANCER)(C44 - LEBARON GTS)

J BODY = (C - LEBARON)

K BODY = (P - RELIANT)(D - ARIES)(C - LEBAROND)/TOWN & COUNTRY)

L BODY = (M - HORIZON/TURISMO)(Z - OMNI/CHARGER)

M BODY = (B - GRAN FURY)(F - FIFTH AVE/NEWPORT)(G - DIPLOMAT)

P BODY = (P - SUNDANCE)(D - SHADOW)

S BODY = (H - VOYAGER)(K - RAM VAN/CARAVAN)

BODY STYLES

12-13 = FWD VAN

21 = 2-DOOR SEDAN

24 = 2-DOOR HATCHBACK

27 = 2-DOOR CONVERTIBLE

41 = 4-DOOR SEDAN

44 = 4-DOOR HATCHBACK

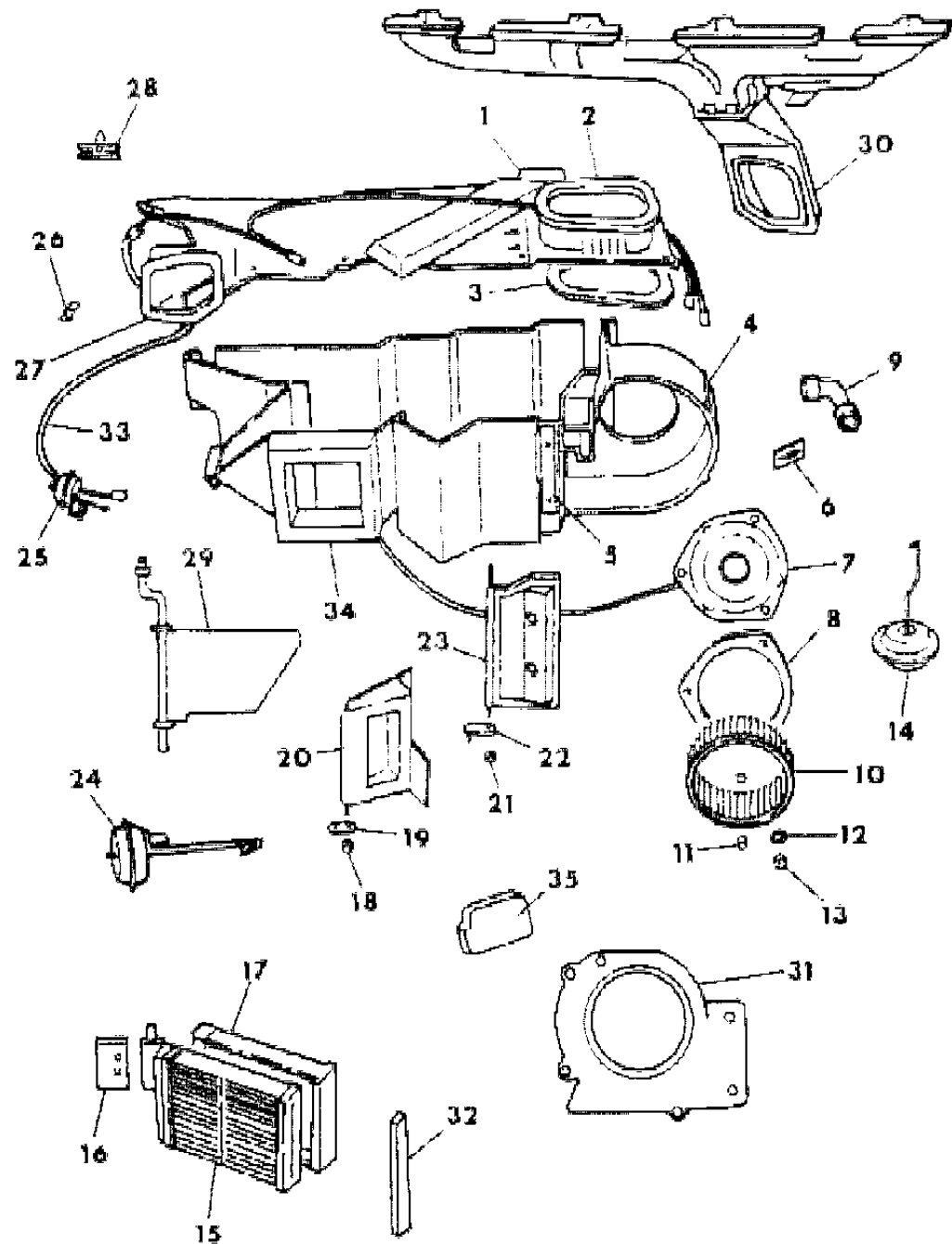
45 = 4-DOOR STATION WAGON

52-53 = FWD WAGON

AR = Use as Required - = Non Illustrated Part P.A.R. = Paint as Required

HEATER UNIT P BODY P,D-22,44 H BODY D,C,-44
Figure 24-400

7124 400



ITEM	PART NUMBER	QTY	BODY	MODEL	DESCRIPTION
-	3441 609	1			VALVE, Heater Vacuum Hose Check
34	5210 336	1			SEAL, Heater Center Air Distribution Duct
35	3848 880	1			SEAL, Heater to Dash (Evap Hole)

MODEL CODES

E BODY = (J - CARAVELLE)(E - 600)(T - NEW YORKER)

G BODY = (V24 - DAYTONA)

H BODY = (D44 - LANCER)(C44 - LEBARON GTS)

J BODY = (C - LEBARON)

K BODY = (P - RELIANT)(D - ARIES)(C - LEBAROND)/TOWN & COUNTRY)

L BODY = (M - HORIZON/TURISMO)(Z - OMNI/CHARGER)

M BODY = (B - GRAN FURY)(F - FIFTH AVE/NEWPORT)(G - DIPLOMAT)

P BODY = (P - SUNDANCE)(D - SHADOW)

S BODY = (H - VOYAGER)(K - RAM VAN/CARAVAN)

BODY STYLES

12-13 = FWD VAN

21 = 2-DOOR SEDAN

24 = 2-DOOR HATCHBACK

27 = 2-DOOR CONVERTIBLE

41 = 4-DOOR SEDAN

44 = 4-DOOR HATCHBACK

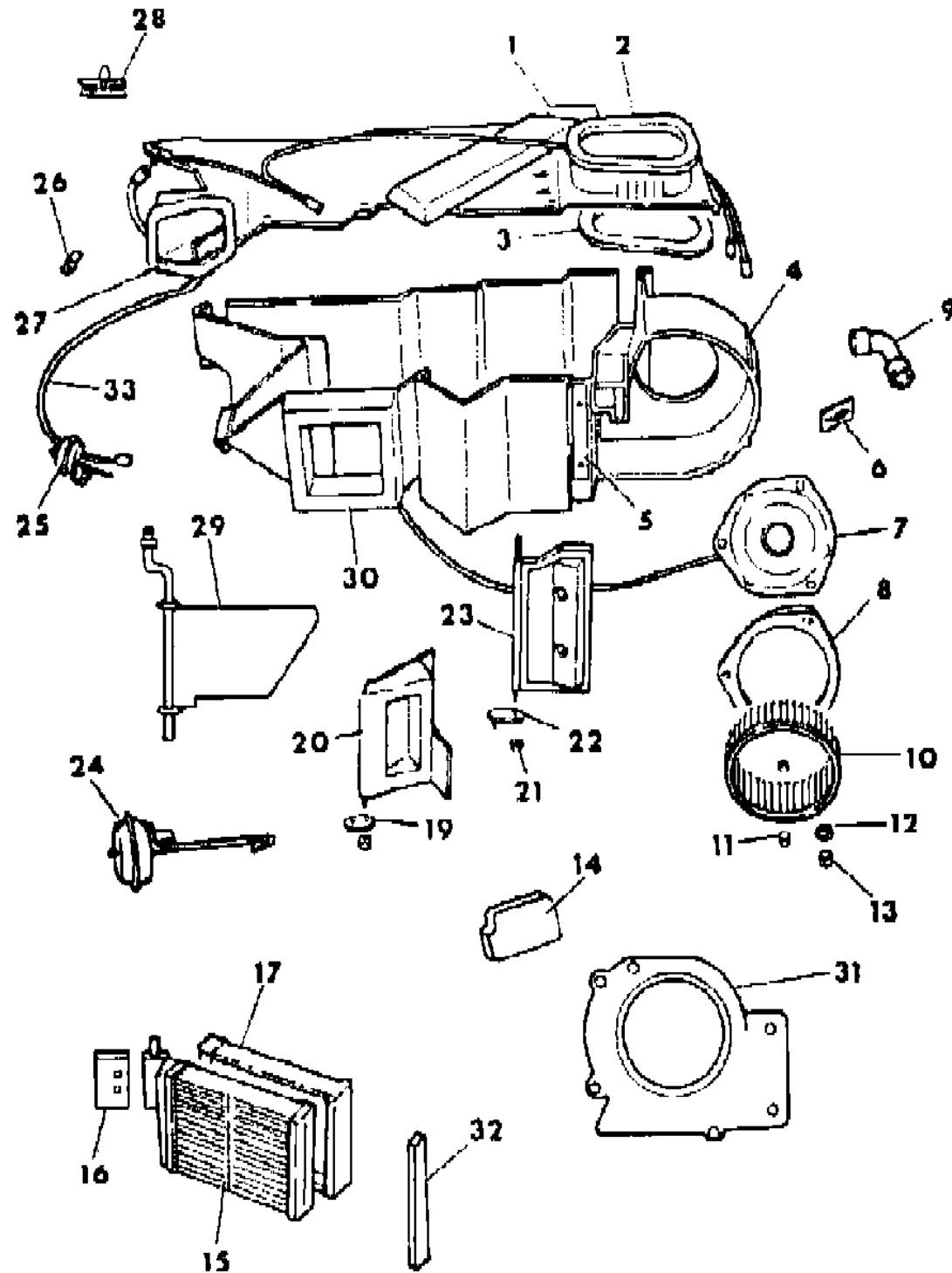
45 = 4-DOOR STATION WAGON

52-53 = FWD WAGON

AR = Use as Required - = Non Illustrated Part P.A.R. = Paint as Required

HEATER UNIT J,K,G,E BODY
Figure 24-500

7124 500 A



ITEM	PART NUMBER	QTY	BODY	MODEL	DESCRIPTION
1	3849 369	1			COVER, Heater Housing
-	3847 721	1			SEAL, Heater Housing Cover, Left
-	3847 720	1			SEAL, Heater Housing Cover, Right
2	3847 605	1			SEAL, A/C., Heater Evaporator Cover To Plenum
3	3847 720	1			SEAL, Heater Evaporator Housing Mounting Center
4	3848 418	1			HOUSING, w/STUD, Heater Evaporator Scroll
5	3848 238	1			BRACE, Heater Unit Mounting To Plenum Support
6	3849 235	1			RESISTOR, Heater Blower Motor
7	3849 575	1			MOTOR, w/SEAL, Heater Blower
8	3847 476	1			SEAL, Heater Blower Motor Mounting
9	5210 066	1			TUBE, Heater Blower Motor
10	5210 234	1			WHEEL, Heater Blower Motor
11	2837 680	1			CLAMP, Heater Blower Wheel Motor Mounting
12	6500 376	1			NUT, Heater Blower Motor J-Type
13	6031 694	1			SCREW, w/Washer Heater Blower Motor Mounting
14	3848 880	1			SEAL, Heater To Dash (Evap Hole)
15	3847 943	1			CORE, Heater
16	5210 109	1			SEAL, Heater Unit To Dash At Core Tubes
17	3848 093	1			SEAL, Heater Core
19	3847 858	1			LEVER, Mode Door Shaft
20	3849 511	1			DOOR, w/Seal Heater Mode
21	0219 462	1			NUT, Door Shaft Lever
22	5210 113	1			LEVER, Heater Blend Air Door
23	5210 395	1			DOOR, Heater Blend Door
	0219 462	1			NUT, w/WASHER, Heater Blend Door Mounting
24	3847 849	1			ACTUATOR, Heater Mode Door
25	5210 068	1			ACTUATOR, Heater Defroster Door
	6031 147	1			NUT, Defroster Actuator Rod Retaining
26	2521 336	1			CLIP, Heater Evaporator Housing Cover Mounting
27	3847 606	1			SEAL, Heater Unit To Defroster Duct
28	6015 778	1			CLIP, Heater Vacuum Hose Retaining
29	5210 093	1			DOOR and SHAFT, Heater Defroster
30	5210 336	1			SEAL, Heater Center Air Distribution Duct
31	3849 288	1			HOUSING, Heater Air Inlet
32	3847 681	1			SEAL, Heater Core End
33	3849 127	1			VACUUM HARNESS, Heater
-	3441 609	1			VALVE, Heater Vacuum Hose Check
-	4274 936	1			INSULATOR, Heater Blower Motor

MODEL CODES

E BODY = (J - CARAVELLE)(E - 600)(T - NEW YORKER)

G BODY = (V24 - DAYTONA)

H BODY = (D44 - LANCER)(C44 - LEBARON GTS)

J BODY = (C - LEBARON)

K BODY = (P - RELIANT)(D - ARIES)(C - LEBAROND)/TOWN & COUNTRY)

L BODY = (M - HORIZON/TURISMO)(Z - OMNI/CHARGER)

M BODY = (B - GRAN FURY)(F - FIFTH AVE/NEWPORT)(G - DIPLOMAT)

P BODY = (P - SUNDANCE)(D - SHADOW)

S BODY = (H - VOYAGER)(K - RAM VAN/CARAVAN)

BODY STYLES

12-13 = FWD VAN

21 = 2-DOOR SEDAN

24 = 2-DOOR HATCHBACK

27 = 2-DOOR CONVERTIBLE

41 = 4-DOOR SEDAN

44 = 4-DOOR HATCHBACK

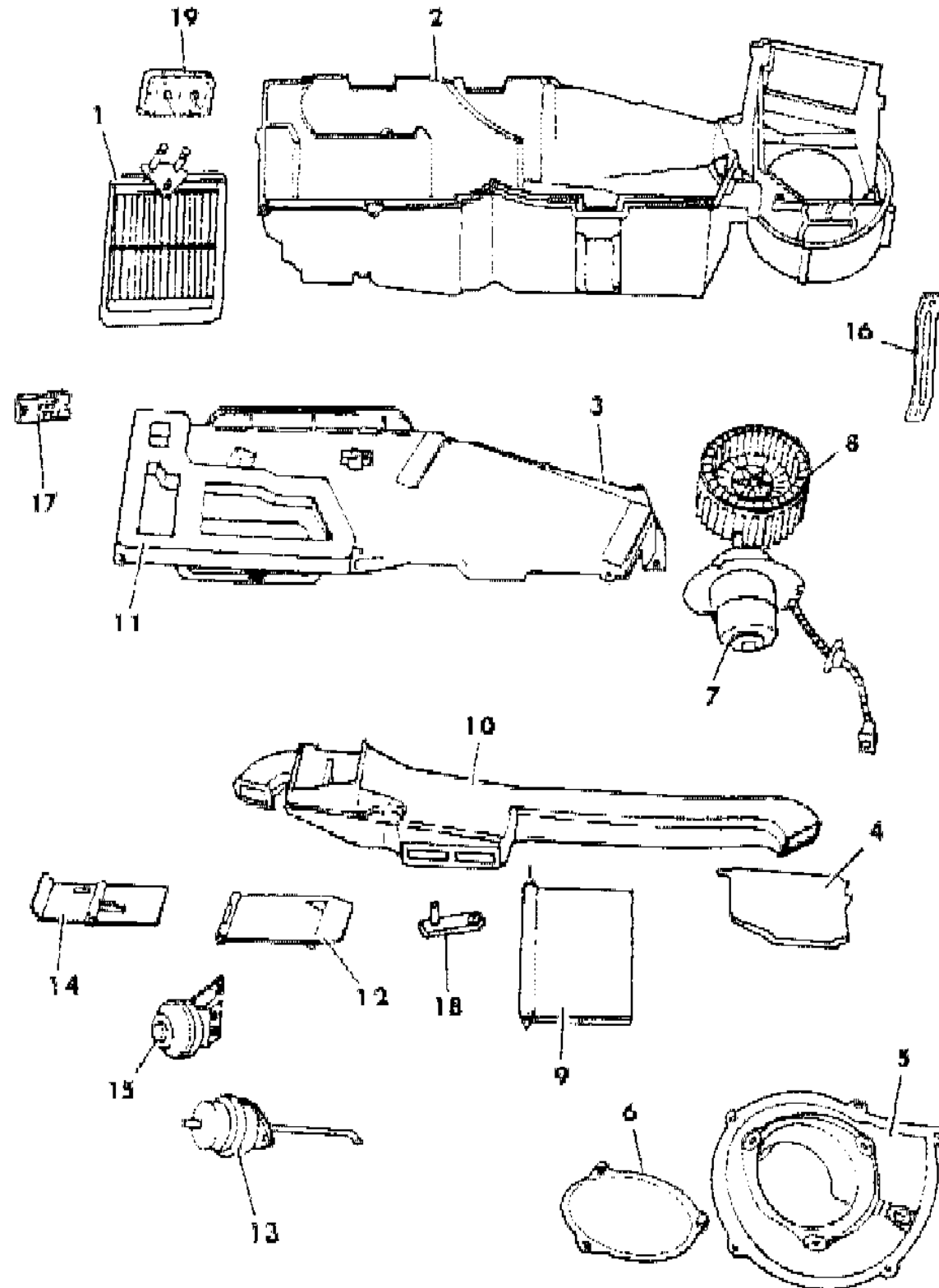
45 = 4-DOOR STATION WAGON

52-53 = FWD WAGON

AR = Use as Required - = Non Illustrated Part P.A.R. = Paint as Required

HEATER UNIT S BODY
Figure 24-600

7124 800



ITEM	PART NUMBER	QTY	BODY	MODEL	DESCRIPTION
1	3848 300	1			CORE, Heater
2	3848 261	1			HOUSING, Heater
3	3848 263	1			COVER, Heater
4	3848 432	1			COVER, Heater Recirculate
5	3848 272	1			COVER ASSEMBLY, Heater Motor
	3848 273	1			COVER, Heater Motor
6	3847 476	1			SEAL, Heater Blower Motor
7	4339 459	1			MOTOR, Heater Blower
	4274 936	1			INSULATOR, Heater Blower Motor
	6031 694	1			SCREW, w/WASHER, Heater Blower Motor Mounting
	2837 680	1			CLAMP, Htr. Blwr. Mtr. Whl. Mtg.
8	3503 859	1			WHEEL, Heater Motor
9	3848 873	1			DOOR, w/SEAL, Heater Temperature
10	3849 219	1			DUCT, Heater Temperature Distribution
11	3848 266	1			SEAL, Heater Cover to Ducts
12	3849 476	1			DOOR, Heater Mode
	6031 147	1			RETAINER, Heater Defroster Mode Door Shaft
-	3849 476	1			DOOR, Heater Mode
	0219 462	1			NUT, w/WASHER, Htr. Blend Door Mounting
13	3848 259	1			ACTUATOR, Mode Door
14	3848 227	1			DOOR, Heater Defroster
-	4163 735	1			SHAFT, Heater Mode Door
-	4163 735	1			SHAFT, Heater Defroster Door
-	9420 262	1			NUT, Heater Mode, Defroster Door Lever Motor
15	3848 260	1			ACTUATOR, Heater, Defroster Door
16	3848 251	1			BRACE, Unit Heater
17	3848 998	1			RESISTOR, Heater Blower
18	3848 878	1			LEVER, Heater Temperature Door
19	3848 254	1			SEAL, Heater Core Tubes to Dash
	3848 924	1			HOSE, Heater Vac.
	3848 389	1			SEAL, Heater Header Opng. (to Dash)

MODEL CODES

E BODY = (J - CARAVELLE)(E - 600)(T - NEW YORKER)

G BODY = (V24 - DAYTONA)

H BODY = (D44 - LANCER)(C44 - LEBARON GTS)

J BODY = (C - LEBARON)

K BODY = (P - RELIANT)(D - ARIES)(C - LEBAROND)/TOWN & COUNTRY)

L BODY = (M - HORIZON/TURISMO)(Z - OMNI/CHARGER)

M BODY = (B - GRAN FURY)(F - FIFTH AVE/NEWPORT)(G - DIPLOMAT)

P BODY = (P - SUNDANCE)(D - SHADOW)

S BODY = (H - VOYAGER)(K - RAM VAN/CARAVAN)

BODY STYLES

12-13 = FWD VAN

21 = 2-DOOR SEDAN

24 = 2-DOOR HATCHBACK

27 = 2-DOOR CONVERTIBLE

41 = 4-DOOR SEDAN

44 = 4-DOOR HATCHBACK

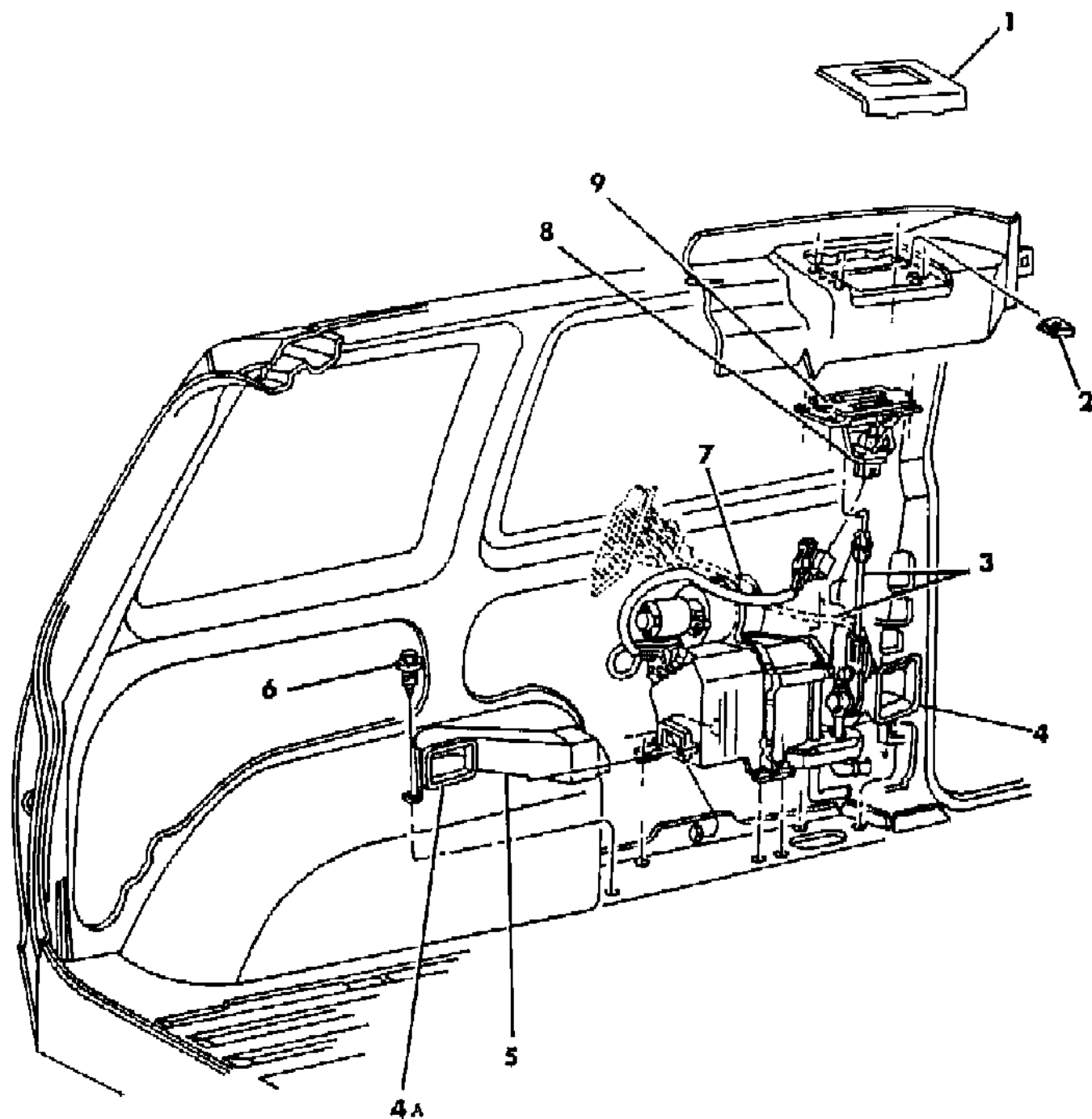
45 = 4-DOOR STATION WAGON

52-53 = FWD WAGON

AR = Use as Required - = Non Illustrated Part P.A.R. = Paint as Required

HEATER UNIT, AUXILIARY S BODY 52 MODEL
Figure 24-625

7124 625 A



ITEM	PART NUMBER	QTY	BODY	MODEL	DESCRIPTION
1					BEZEL, Aux. Heater Control
	K668 FA3	1			Silver
	K668 FC5	1			Twilight Blue
	K668 FE8	1			Cordovan
	K668 FK1	1			Almond
2	0152 490	4			CLIP, Aux, Heater Control
3	3849 465	1			CABLE, Aux Heater Water Valve
4	4443 148	1			GRILL, Aux Heater Air Outlet, Front
-	4443 143	1			GRILL, Aux. Heater Air Inlet
4A	4494 304	1			GRILL, Aux. Heater Air Outlet Rear
-	3849 710	1			SEAL, Aux. Heater Air Outlet
5	3849 458	1			DUCT, Aux Heater Air Outlet Rear
6	6032 473	1			SCREW, Aux Heater Housing and Duct
7					HEATER, Aux Rear
					Consists fo The Following:
-	3849 465	1			CABLE, Aux Heater Water Valve Control
-	3849 942	1			CORE and SEAL, Aux Heater
-	3849 686	1			BRACKET, Aux Heater Blower Motor Mounting
-	3849 683	AR			CLIP, Aux Heater Housing
-	3849 684	1			COVER, Aux Heater Core Case
-	3849 457	1			DUCT, Aux Heater Front
-	3849 689	1			GASKET, Aux Heater Core Tubes
-	3849 681	1			HOUSING, Aux Heater Blower Rear
-	#3849 682	1			HOUSING, Aux Heater Blower Front
-	3849 456	1			HOSE, Aux Heater Inlet
-	3849 453	1			MOTOR, Aux Heater Blower
-	3849 459	1			RESISTOR, Aux Heater Switch to Blower Motor
-	3849 687	1			SEAL, Aux Heater Blower Mounting Bracket
-	3849 943	1			VALVE, Aux Heater Water Control
-	3849 454	1			WHEEL, Aux Heater Blower
-	3849 543	1			HARNES, Aux Heater Blower Motor
-	2448 770	AR			CLAMP, Hose
8	3849 464	1			SWITCH, Aux Heater Blower Control
9	3849 690	2			KNOB, Aux Heater Reg. Control
9A	#3849 913	1			CONTROL, Aux. Heater (Complete)

MODEL CODES

E BODY = (J - CARAVELLE)(E - 600)(T - NEW YORKER)

G BODY = (V24 - DAYTONA)

H BODY = (D44 - LANCER)(C44 - LEBARON GTS)

J BODY = (C - LEBARON)

K BODY = (P - RELIANT)(D - ARIES)(C - LEBAROND)/TOWN & COUNTRY)

L BODY = (M - HORIZON/TURISMO)(Z - OMNI/CHARGER)

M BODY = (B - GRAN FURY)(F - FIFTH AVE/NEWPORT)(G - DIPLOMAT)

P BODY = (P - SUNDANCE)(D - SHADOW)

S BODY = (H - VOYAGER)(K - RAM VAN/CARAVAN)

BODY STYLES

12-13 = FWD VAN

21 = 2-DOOR SEDAN

24 = 2-DOOR HATCHBACK

27 = 2-DOOR CONVERTIBLE

41 = 4-DOOR SEDAN

44 = 4-DOOR HATCHBACK

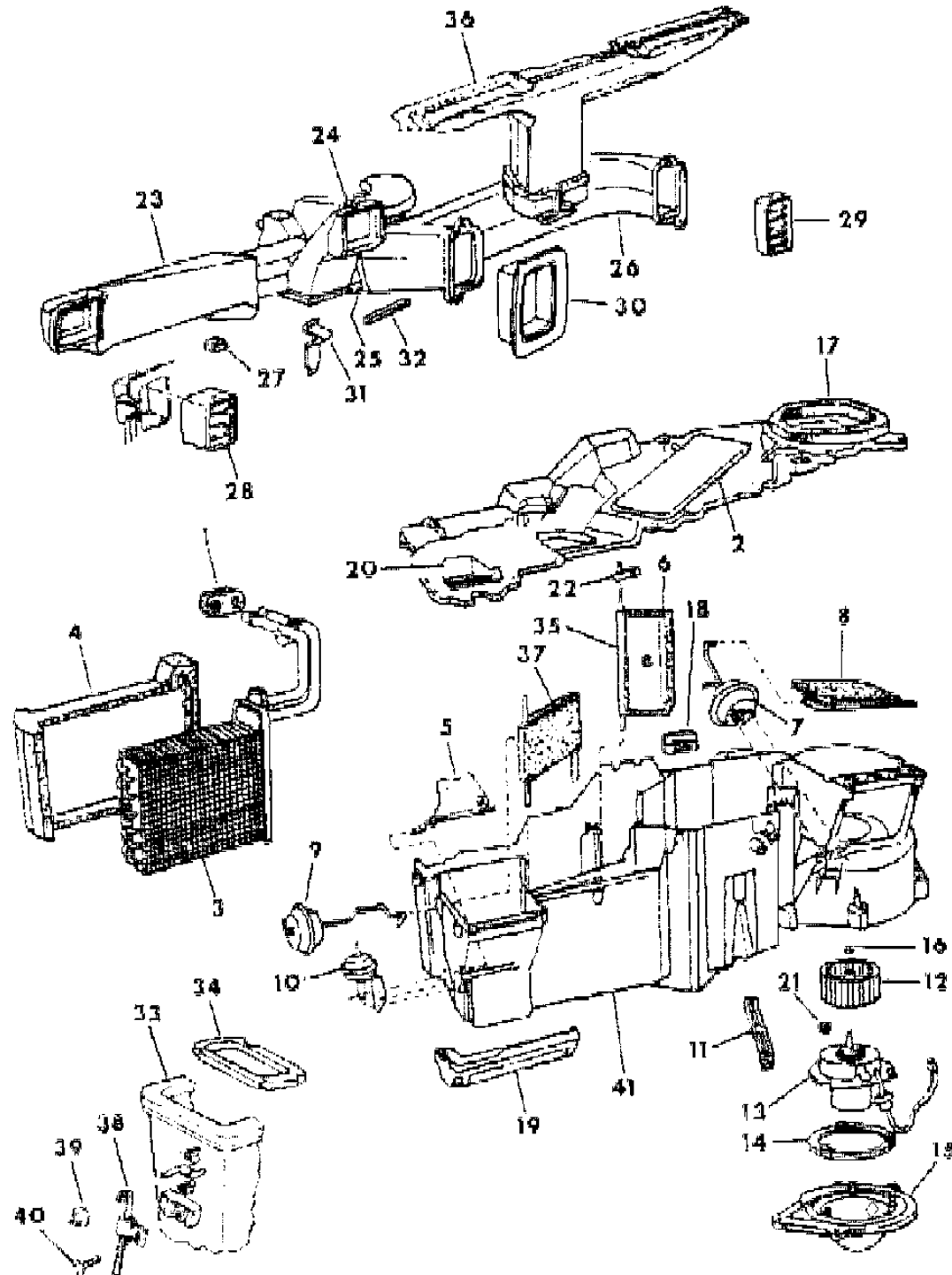
45 = 4-DOOR STATION WAGON

52-53 = FWD WAGON

AR = Use as Required - = Non Illustrated Part P.A.R. = Paint as Required

HEATER UNIT M BODY
Figure 24-700

7124 700



ITEM	PART NUMBER	QTY	BODY	MODEL	DESCRIPTION
1	3846 740	1			SEAL, Heater To Dash At Heater Core Tubes
2	3849 097	1			COVER, Heater Housing
3	4339 438	1			CORE, Heater Complete
4	3849 100	1			SEAL, Heater Core To Housing
5	3847 478	1			DOOR, Heater Defroster Door Complete
-	1279 332	1			BUMPER, Heater Defroster Door
6	3847 223	1			DOOR, Heater Temperature Complete Blend Air
7	3847 216	1			ACTUATOR, Heater Shut off Door
8	3847 217	1			DOOR, Heater Shut off Complete
9	3847 230	1			ACTUATOR, Heater Mode Door, Upper
10	3847 211	1			ACTUATOR, Heater, Deforster
11	3847 202	1			BRACE, Heater Mounting Left (to Plenum)
12	3503 037	1			WHEEL, Heater Blower Motor Mounting
13	4419 318	1			MOTOR, Heater Blower
14	3847 476	1			SEAL, Heater Blower Motor (to Scroll)
15	3847 207	1			COVER, Heater Blower Scroll
					SEAL
	3773 192	1			Heater Blower Scroll Cover To Housing
	3847 205	1			Heater Cover To Scroll
16	2837 680	1			CLAMP, Heater Blower Motor Wheel
17	3847 243	1			SEAL, Heater Unit To Plenum
18	3848 996	1			RESISTOR, Heater Blower Motor
19	3847 297	1			DUCT, Heater Distribution
20	3503 999	1			SEAL, Heater Cover to Defroster Duct
21	6031 694	AR			SCREW, w/WASHER, Heater Blower Motor Mounting
22	3847 301	1			LEVER, w/PIN, Heater Temperature Control
	0219 462	1			NUT, w/WASHER, Htr. Blend Door Mtg.
23	3846 421	1			DUCT, Heater Air Outlet Left Spot Cooler Mounting
24	3847 401	1			DUCT, Heater Bi-Level Air Outlet Left Center
25	3847 404	1			DUCT, Heater Air Outlet Right Center
26	3846 418	1			DUCT, Heater Air Outlet Right Spot Cooler
27	0152 490	2			U-NUT
28	3502 905	2			LOUVER, Heater Air Outlet
29	3502 934	2			LOUVER, Heater Air Outlet
30	3846 422	2			BEZEL, Heater Air Outlet
31	#3846 412	1			CLIP
32	3593 396	2			SEAL
33	3846 462	1			HOUSING, Vent Left Complete

MODEL CODES

E BODY = (J - CARAVELLE)(E - 600)(T - NEW YORKER)

G BODY = (V24 - DAYTONA)

H BODY = (D44 - LANCER)(C44 - LEBARON GTS)

J BODY = (C - LEBARON)

K BODY = (P - RELIANT)(D - ARIES)(C - LEBAROND)/TOWN & COUNTRY)

L BODY = (M - HORIZON/TURISMO)(Z - OMNI/CHARGER)

M BODY = (B - GRAN FURY)(F - FIFTH AVE/NEWPORT)(G - DIPLOMAT)

P BODY = (P - SUNDANCE)(D - SHADOW)

S BODY = (H - VOYAGER)(K - RAM VAN/CARAVAN)

BODY STYLES

12-13 = FWD VAN

21 = 2-DOOR SEDAN

24 = 2-DOOR HATCHBACK

27 = 2-DOOR CONVERTIBLE

41 = 4-DOOR SEDAN

44 = 4-DOOR HATCHBACK

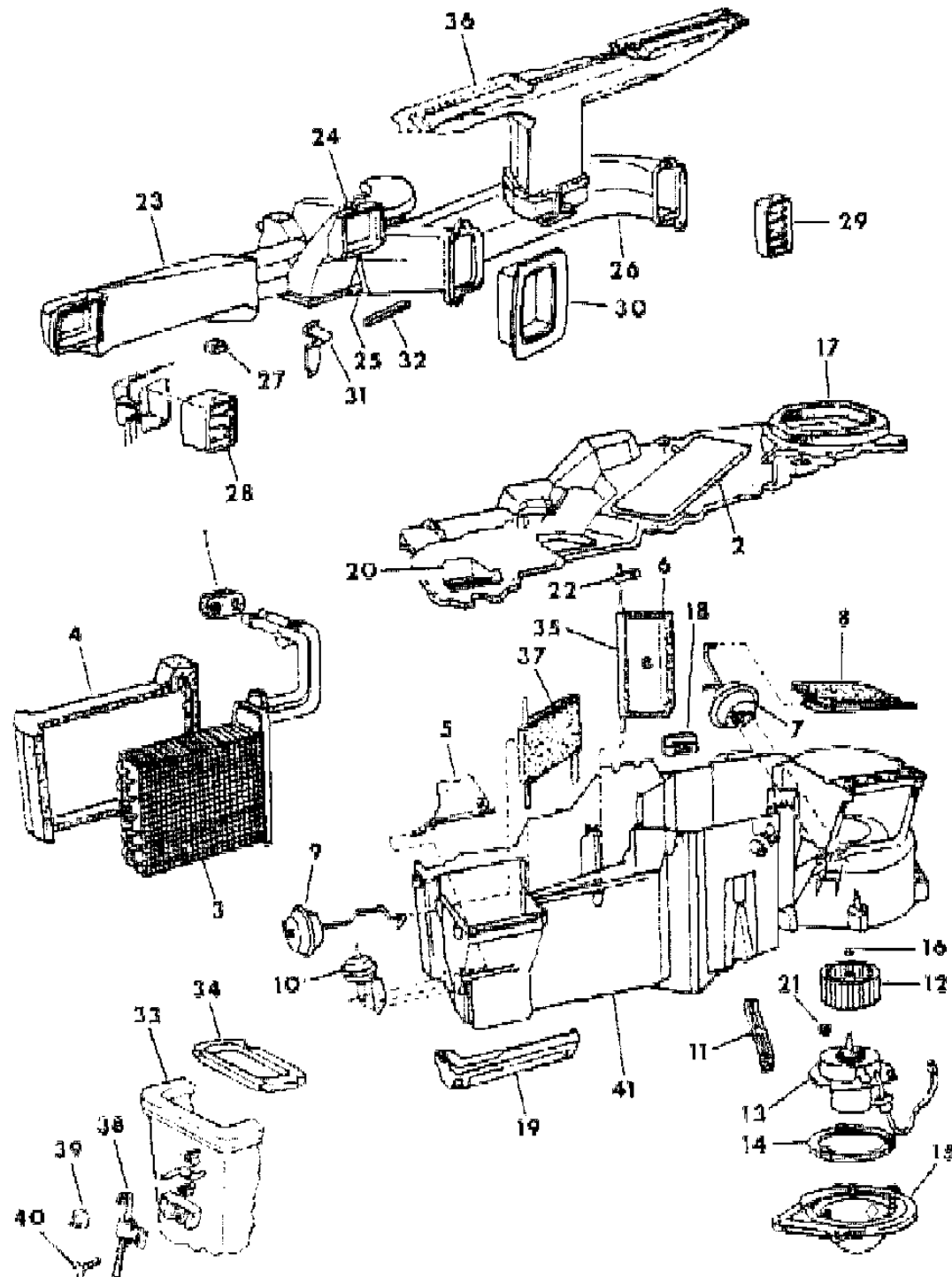
45 = 4-DOOR STATION WAGON

52-53 = FWD WAGON

AR = Use as Required - = Non Illustrated Part P.A.R. = Paint as Required

HEATER UNIT M BODY
Figure 24-700

7124 700



ITEM	PART NUMBER	QTY	BODY	MODEL	DESCRIPTION
34	3846 465	1			SEAL, Vent Housing Mounting Left
35	3847 225	1			DEFLECTOR, Heater Temperature Door
36	3503 863	1			DUCT, Heater Defroster
37	3847 420	1			DOOR, Heater Mode Complete
38	3846 071	1			CABLE, Left Vent Control to Heater
39	2076 405	1			RETAINER, Vent Housing Door
40					SCREW (not serviced)
41	3849 095	1			HOUSING and STUD, Heater
	6015 778	1			CLIP, Heater Vacuum Harness Mounting

MODEL CODES

E BODY = (J - CARAVELLE)(E - 600)(T - NEW YORKER)

G BODY = (V24 - DAYTONA)

H BODY = (D44 - LANCER)(C44 - LEBARON GTS)

J BODY = (C - LEBARON)

K BODY = (P - RELIANT)(D - ARIES)(C - LEBAROND)/TOWN & COUNTRY)

L BODY = (M - HORIZON/TURISMO)(Z - OMNI/CHARGER)

M BODY = (B - GRAN FURY)(F - FIFTH AVE/NEWPORT)(G - DIPLOMAT)

P BODY = (P - SUNDANCE)(D - SHADOW)

S BODY = (H - VOYAGER)(K - RAM VAN/CARAVAN)

BODY STYLES

12-13 = FWD VAN

21 = 2-DOOR SEDAN

24 = 2-DOOR HATCHBACK

27 = 2-DOOR CONVERTIBLE

41 = 4-DOOR SEDAN

44 = 4-DOOR HATCHBACK

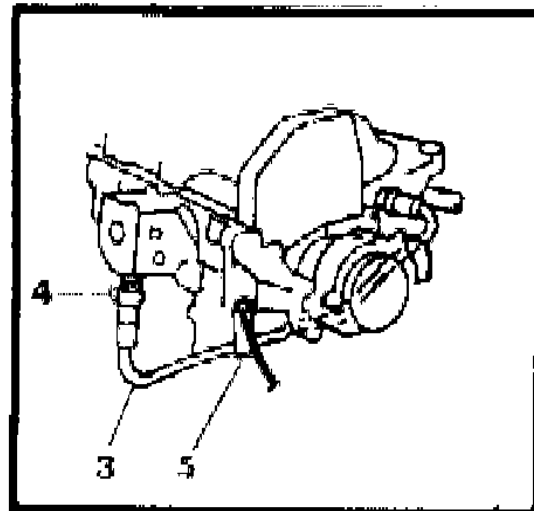
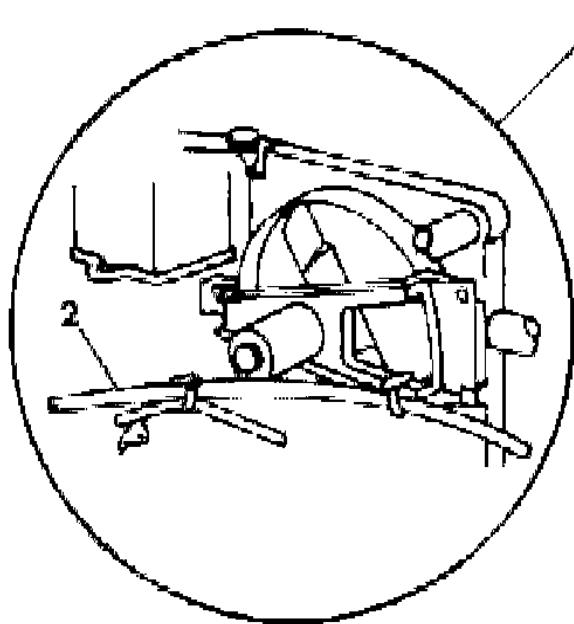
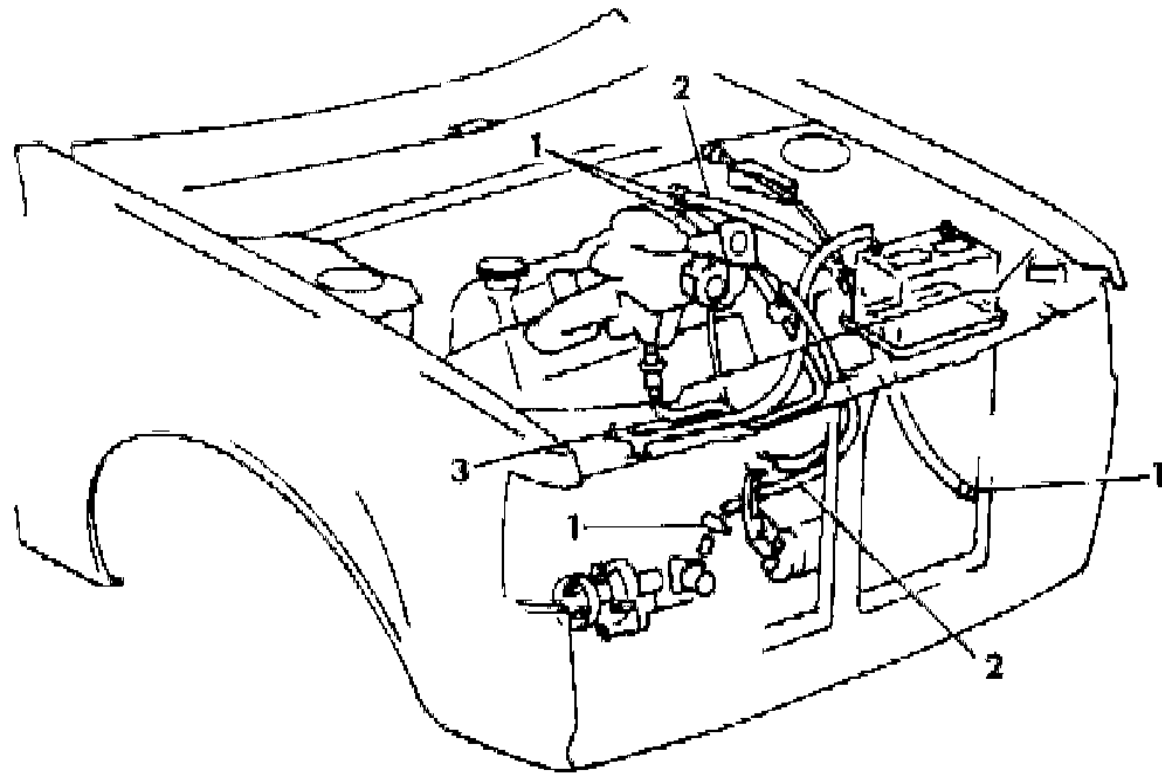
45 = 4-DOOR STATION WAGON

52-53 = FWD WAGON

AR = Use as Required - = Non Illustrated Part P.A.R. = Paint as Required

PLUMBING, HEATER L BODY
Figure 24-800

7124 800



ITEM	PART NUMBER	QTY	BODY	MODEL	DESCRIPTION
1	2448 770	AR			CLAMP, Heater Hose
2	1315 466	AR			HOSE, Heater Core To Radiator 5/8" I.D.
-	4273 488	1			HOSE, Heater Engine To Tube
-	4273 486	1			TUBE, Thermo, Water By-Pass
-	3847 998	1			HOSE, Heater Engine To Core, w/2.2 Engine
-	3849 170	1			HOSE and TUBE, Htr. Eng. Core 2.2w/T.C.
3	4273 488	1			HOSE, Water By Pass Tube
4	0153 640	AR			CLAMP, Heater Hose
5	4273 487	1			BRACKET, Water By-Pass Tube

MODEL CODES

E BODY = (J - CARAVELLE)(E - 600)(T - NEW YORKER)

G BODY = (V24 - DAYTONA)

H BODY = (D44 - LANCER)(C44 - LEBARON GTS)

J BODY = (C - LEBARON)

K BODY = (P - RELIANT)(D - ARIES)(C - LEBAROND)/TOWN & COUNTRY)

L BODY = (M - HORIZON/TURISMO)(Z - OMNI/CHARGER)

M BODY = (B - GRAN FURY)(F - FIFTH AVE/NEWPORT)(G - DIPLOMAT)

P BODY = (P - SUNDANCE)(D - SHADOW)

S BODY = (H - VOYAGER)(K - RAM VAN/CARAVAN)

BODY STYLES

12-13 = FWD VAN

21 = 2-DOOR SEDAN

24 = 2-DOOR HATCHBACK

27 = 2-DOOR CONVERTIBLE

41 = 4-DOOR SEDAN

44 = 4-DOOR HATCHBACK

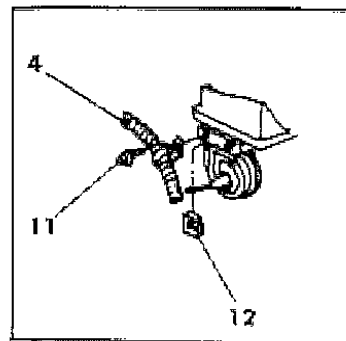
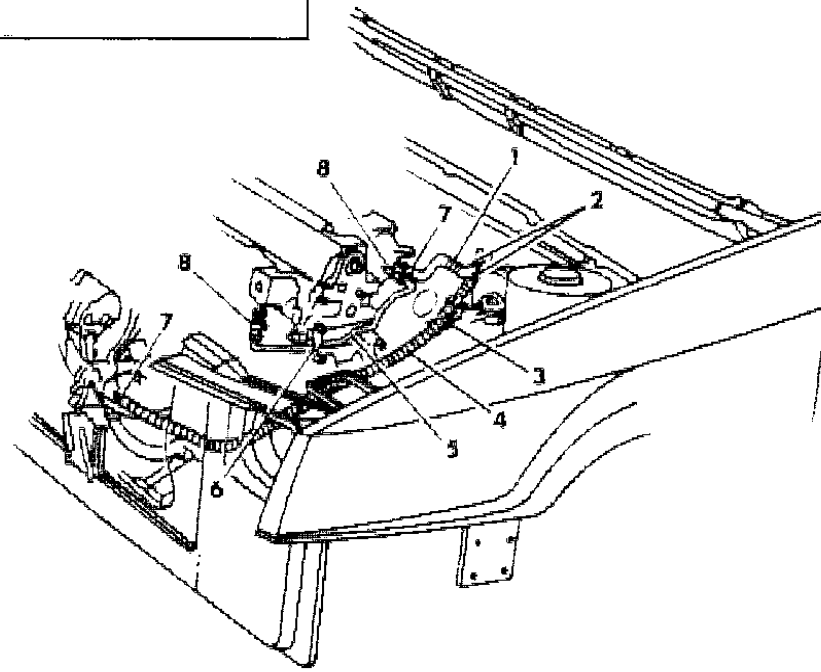
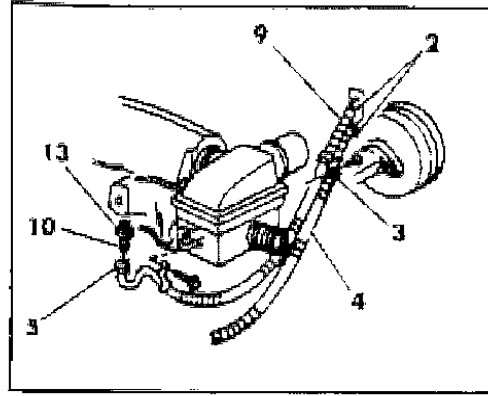
45 = 4-DOOR STATION WAGON

52-53 = FWD WAGON

AR = Use as Required - = Non Illustrated Part P.A.R. = Paint as Required

PLUMBING, HEATER P BODY P,D,22,44 J BODY
Figure 24-900

7124 900



ITEM	PART NUMBER	QTY	BODY	MODEL	DESCRIPTION
1	3849 334	1			HOSE, Heater Engine To Core
2	2448 770	2			CLAMP, Heater Hose
3	3849 243	1			CLIP, Heater Hose Mounting (Single Booster)
4	3849 303	1			HOSE, Heater Core To Pump
5	4273 488	1			HOSE, Water By-Pass Tube
6	4273 487	1			BRACKET, Water By-Pass
7	0153 640	AR			CLAMP, Heater Hose
8	0153 640	AR			CLAMP, Thermo-Hose By-Pass
9	1315 466	AR			HOSE, 5/8" I.D. x 50 Ft. Roll
10	3848 948	1			WASHER, Heater Tube Flare
11	6100 288	1			SCREW and WASHER, Heater Hose Clip Mounting
12	6500 681	1			J-NUT, Heater Hose Clip Mounting
13	6032 290	1			CONNECTOR, Inverted Flare Tube

MODEL CODES

E BODY = (J - CARAVELLE)(E - 600)(T - NEW YORKER)

G BODY = (V24 - DAYTONA)

H BODY = (D44 - LANCER)(C44 - LEBARON GTS)

J BODY = (C - LEBARON)

K BODY = (P - RELIANT)(D - ARIES)(C - LEBAROND)/TOWN & COUNTRY)

L BODY = (M - HORIZON/TURISMO)(Z - OMNI/CHARGER)

M BODY = (B - GRAN FURY)(F - FIFTH AVE/NEWPORT)(G - DIPLOMAT)

P BODY = (P - SUNDANCE)(D - SHADOW)

S BODY = (H - VOYAGER)(K - RAM VAN/CARAVAN)

BODY STYLES

12-13 = FWD VAN

21 = 2-DOOR SEDAN

24 = 2-DOOR HATCHBACK

27 = 2-DOOR CONVERTIBLE

41 = 4-DOOR SEDAN

44 = 4-DOOR HATCHBACK

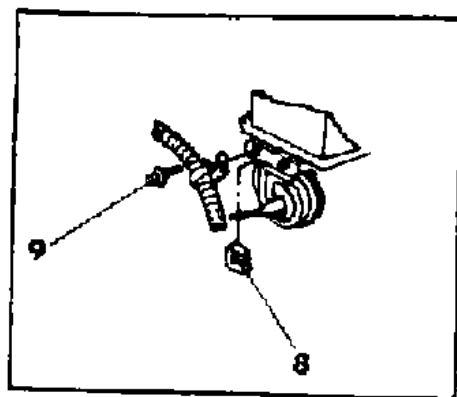
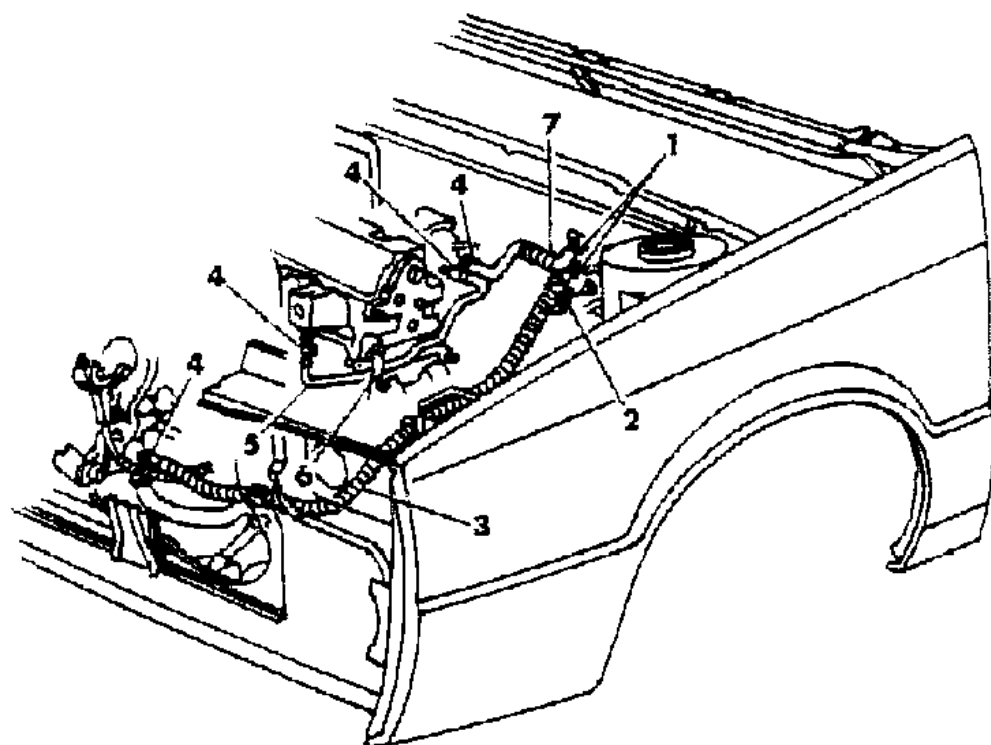
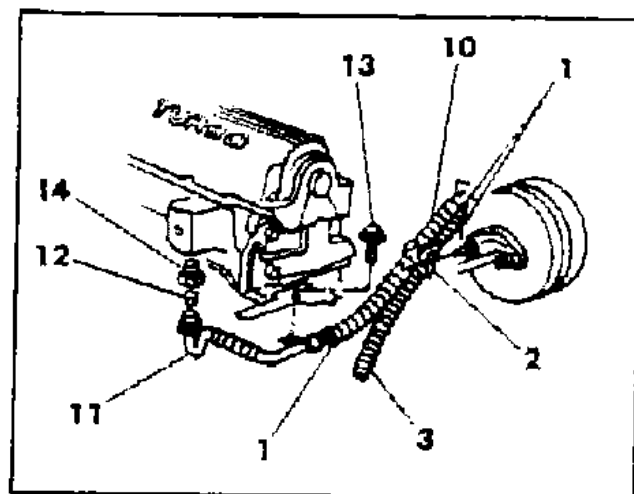
45 = 4-DOOR STATION WAGON

52-53 = FWD WAGON

AR = Use as Required - = Non Illustrated Part P.A.R. = Paint as Required

PLUMBING, HEATER K,G,E BODY
Figure 24-1000

7124 1000



ITEM	PART NUMBER	QTY	BODY	MODEL	DESCRIPTION
1	2448 770	AR			CLAMP
2	3849 243	1			CLIP, Heater Hose Mounting (Single Booster)
3	3849 303	1			HOSE, Heater Core To Pump
	3849 340	1	G		HOSE, Heater Core to Pump with T.C.
4	0153 640	AR			CLAMP
5	4273 486	1			TUBE, Thermo Water By-Pass
-	4273 488	1			HOSE, Water By-Pass Tube
6	4273 487	1			BRACKET, Water By-Pass Tube
7	3849 334	1			HOSE, Heater Engine To Core
8	6500 681	1			NUT, Heater Hose Clip Mounting
9	6100 288	1			SCREW and WASHER, Heater Hose Clip Mounting
10	1315 466	AR			HOSE, Heater Tube To Core (Serviced in Roll)
-	3849 601	1	G		BRACKET, Heater Hose Retaining with T.C.
11	#3849 633	1			HOSE and TUBE, A/C, Heater Engine to Valve w/T.C.
-	3849 342	1			TUBE, Heater Engine with T.C.
12	3848 948	1			WASHER, Heater Tube Flare
13	6031 951	1			SCREW and WASHER, Heater Hose & Tube Mounting
14	6032 290	1			CONNECTOR, Inverted Flare Tube

MODEL CODES

E BODY = (J - CARAVELLE)(E - 600)(T - NEW YORKER)

G BODY = (V24 - DAYTONA)

H BODY = (D44 - LANCER)(C44 - LEBARON GTS)

J BODY = (C - LEBARON)

K BODY = (P - RELIANT)(D - ARIES)(C - LEBAROND)/TOWN & COUNTRY)

L BODY = (M - HORIZON/TURISMO)(Z - OMNI/CHARGER)

M BODY = (B - GRAN FURY)(F - FIFTH AVE/NEWPORT)(G - DIPLOMAT)

P BODY = (P - SUNDANCE)(D - SHADOW)

S BODY = (H - VOYAGER)(K - RAM VAN/CARAVAN)

BODY STYLES

12-13 = FWD VAN

21 = 2-DOOR SEDAN

24 = 2-DOOR HATCHBACK

27 = 2-DOOR CONVERTIBLE

41 = 4-DOOR SEDAN

44 = 4-DOOR HATCHBACK

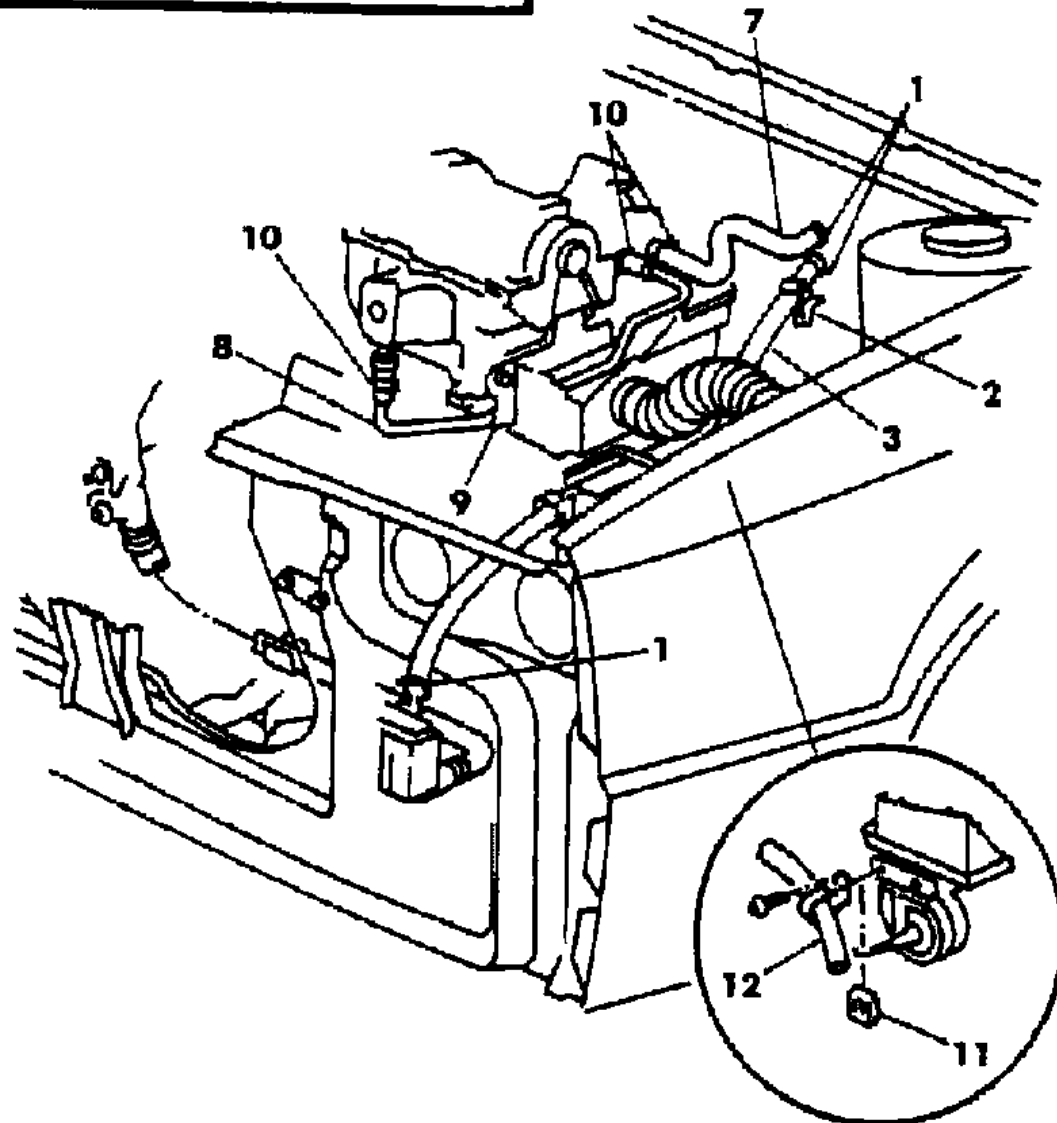
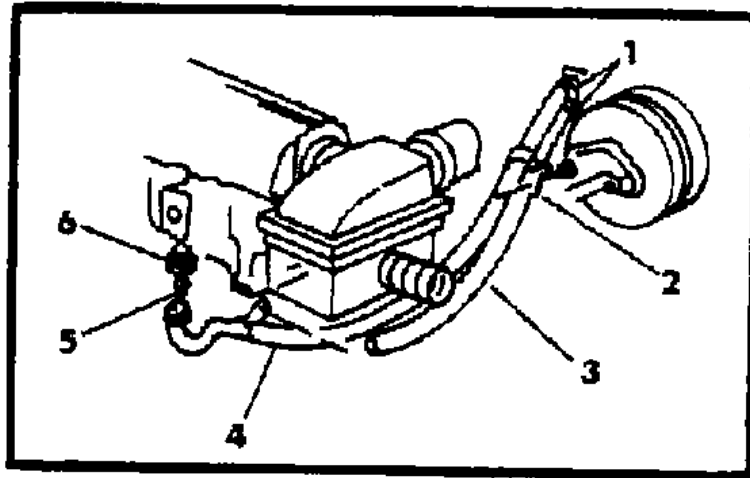
45 = 4-DOOR STATION WAGON

52-53 = FWD WAGON

AR = Use as Required - = Non Illustrated Part P.A.R. = Paint as Required

PLUMBING, HEATER H BODY
Figure 24-1100

7124 1100



ITEM	PART NUMBER	QTY	BODY	MODEL	DESCRIPTION
1	2448 770	3			CLAMP, Heater Hose 15/16" I.D.
2	3849 243	1			CLIP, Heater Hose Mounting (Tandem Booster)
3	3849 303	1			HOSE, Sleeve Heater Core To Tee
-	4397 809	1			SLEEVE, Heater Hose
4	3849 048	1			HOSE, w/Tube Heater Engine To Core, w/T.c.
5	3848 948	1			WASHER, Heater Tube Flare
6	6032 290	1			CONNECTOR, Inverted Flare Tube
7	3849 334	1			HOSE, Heater Engine To Core
8	4273 488	1			HOSE, Water By-Pass to Tube
9	4273 487	1			BRACKET, Water By-Pass Att.
10	0153 640	1			CLAMP, Thermo Hose By-Pass
11	6500 681	1			NUT, J, Heater Hose Clip Mounting
12	6100 288	1			SCREW, w/Washer Heater Hose Clip Mounting

MODEL CODES

E BODY = (J - CARAVELLE)(E - 600)(T - NEW YORKER)

G BODY = (V24 - DAYTONA)

H BODY = (D44 - LANCER)(C44 - LEBARON GTS)

J BODY = (C - LEBARON)

K BODY = (P - RELIANT)(D - ARIES)(C - LEBAROND)/TOWN & COUNTRY)

L BODY = (M - HORIZON/TURISMO)(Z - OMNI/CHARGER)

M BODY = (B - GRAN FURY)(F - FIFTH AVE/NEWPORT)(G - DIPLOMAT)

P BODY = (P - SUNDANCE)(D - SHADOW)

S BODY = (H - VOYAGER)(K - RAM VAN/CARAVAN)

BODY STYLES

12-13 = FWD VAN

21 = 2-DOOR SEDAN

24 = 2-DOOR HATCHBACK

27 = 2-DOOR CONVERTIBLE

41 = 4-DOOR SEDAN

44 = 4-DOOR HATCHBACK

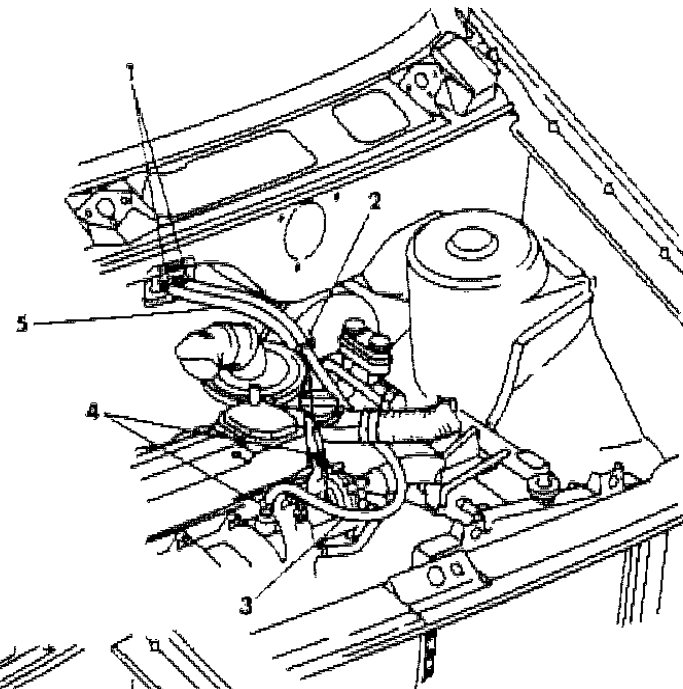
45 = 4-DOOR STATION WAGON

52-53 = FWD WAGON

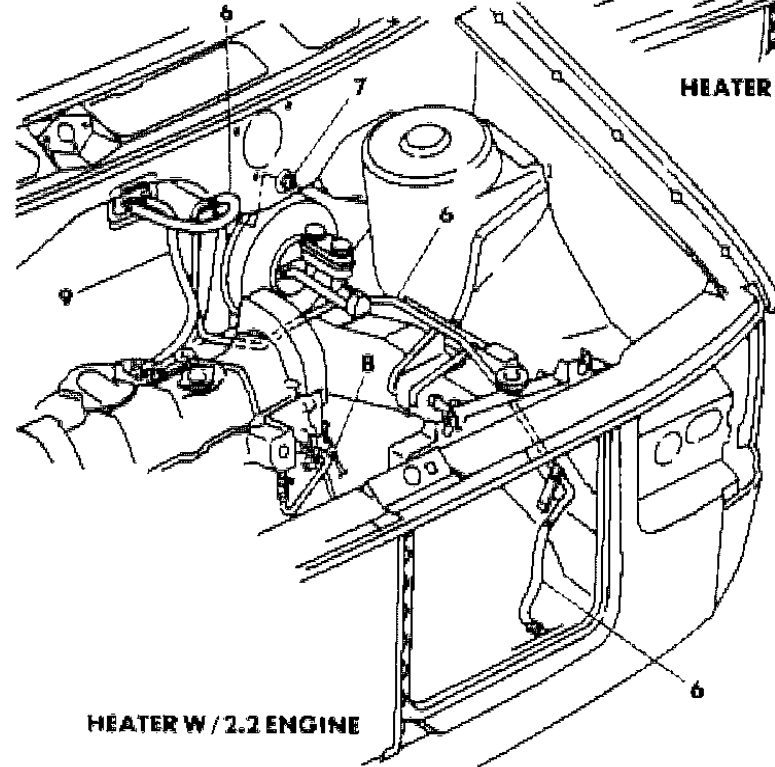
AR = Use as Required - = Non Illustrated Part P.A.R. = Paint as Required

PLUMBING, HEATER S BODY
Figure 24-1200

7124 1200



HEATER W / 2.6 ENGINE



HEATER W / 2.2 ENGINE

ITEM	PART NUMBER	QTY	BODY	MODEL	DESCRIPTION
1	2448 770	AR			CLAMP, Heater Hose
2	6015 756	1			STRAP, Heater Hose Support
3	3848 728	1			HOSE, Heater Engine To Core
-	1595 160	1			HOSE, Heater Tube To Pump
-	3848 726	1			HOSE, Heater Core To Engine, w/2.6 Engine
-	4462 035	1			HOSE and SLEEVE, Aux. Htr. Eng. to Core Rear Tube,
-	3848 924	1			HOSE, Heater Vacuum
-	4273 486	1			TUBE, Thermostat By-Pass
-	4397 809	1			SLEEVE, Heater Hose
4	0153 640	AR			CLAMP, Heater Hose
5	3848 726	1			HOSE, Heater
	4462 037	1			HOSE and SLEEVE, Aux. Htr. Core and Rear Tube to Pump 2.6 Engine
6	3849 063	1			HOSE, w/Tube, Heater Core To Hose, w/2.2, 2.5 Engine
7	0219 462	1			NUT
8	4273 487	1			BRACKET, Water By-Pass Tube
9	3849 076	1			HOSE, Heater Engine To Core

MODEL CODES

E BODY = (J - CARAVELLE)(E - 600)(T - NEW YORKER)

G BODY = (V24 - DAYTONA)

H BODY = (D44 - LANCER)(C44 - LEBARON GTS)

J BODY = (C - LEBARON)

K BODY = (P - RELIANT)(D - ARIES)(C - LEBAROND)/TOWN & COUNTRY)

L BODY = (M - HORIZON/TURISMO)(Z - OMNI/CHARGER)

M BODY = (B - GRAN FURY)(F - FIFTH AVE/NEWPORT)(G - DIPLOMAT)

P BODY = (P - SUNDANCE)(D - SHADOW)

S BODY = (H - VOYAGER)(K - RAM VAN/CARAVAN)

BODY STYLES

12-13 = FWD VAN

21 = 2-DOOR SEDAN

24 = 2-DOOR HATCHBACK

27 = 2-DOOR CONVERTIBLE

41 = 4-DOOR SEDAN

44 = 4-DOOR HATCHBACK

45 = 4-DOOR STATION WAGON

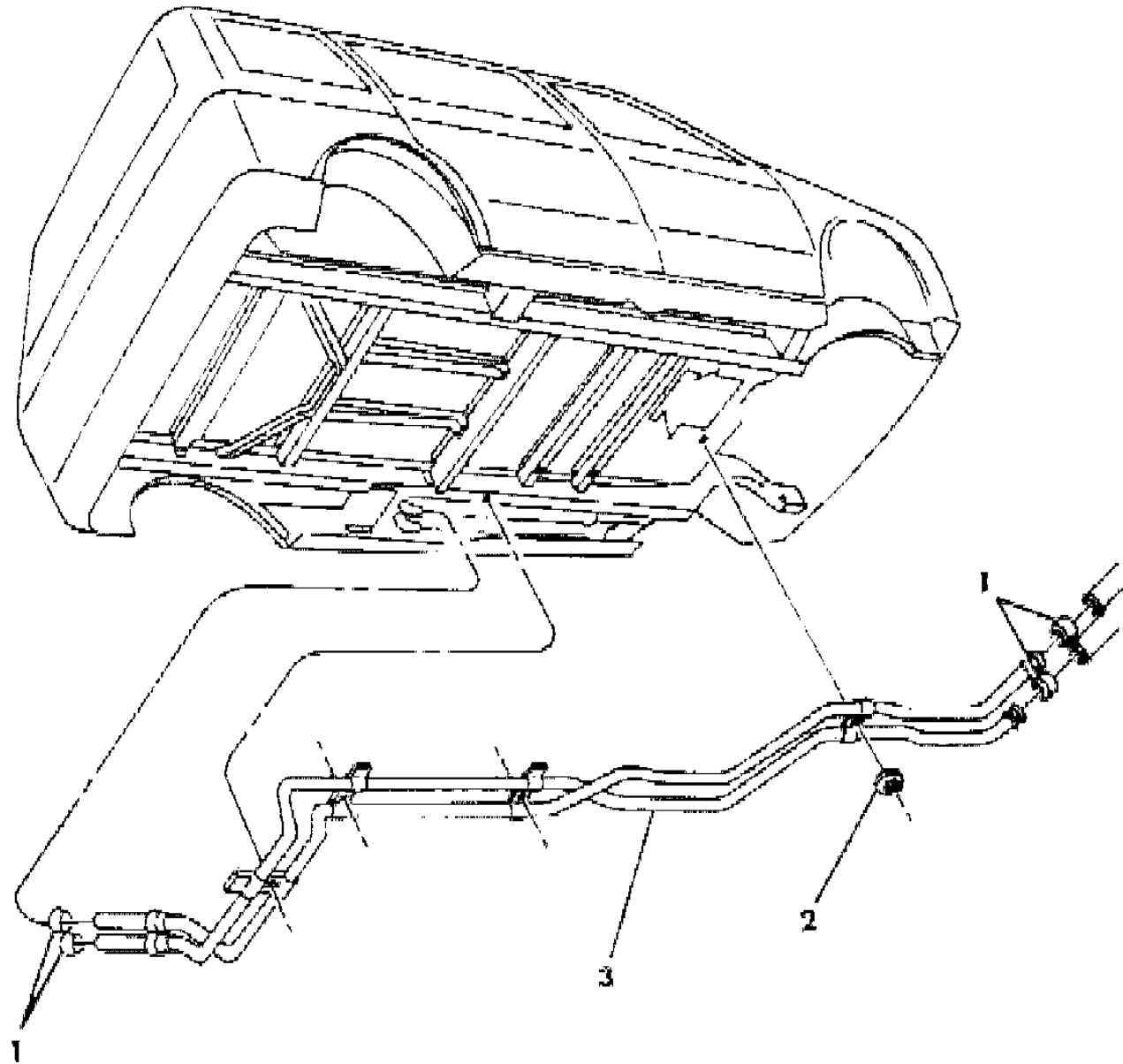
52-53 = FWD WAGON

AR = Use as Required - = Non Illustrated Part P.A.R. = Paint as Required

PLUMBING HEATER, AUXILIARY UNDERBODY S BODY 52 MODEL
Figure 24-1225

7124 1225

ITEM	PART NUMBER	QTY	BODY	MODEL	DESCRIPTION
1	2448 770	AR			CLAMP
2	0219 462	1			NUT, w/WASHER
3	3849 912	1			HOSE and TUBE, Aux Heater Underbody, up to 12-15-86
	4443 133	1			after 12-15-86
	3849 915	AR			HOSE, Aux Heater Water Underbody Return
	3849 916	AR			HOSE, Aux Heater Water Underbody Supply



MODEL CODES
 E BODY = (J - CARAVELLE)(E - 600)(T - NEW YORKER)
 G BODY = (V24 - DAYTONA)
 H BODY = (D44 - LANCER)(C44 - LEBARON GTS)
 J BODY = (C - LEBARON)
 K BODY = (P - RELIANT)(D - ARIES)(C - LEBAROND)/TOWN & COUNTRY
 L BODY = (M - HORIZON/TURISMO)(Z - OMNI/CHARGER)
 M BODY = (B - GRAN FURY)(F - FIFTH AVE/NEWPORT)(G - DIPLOMAT)
 P BODY = (P - SUNDANCE)(D - SHADOW)
 S BODY = (H - VOYAGER)(K - RAM VAN/CARAVAN)

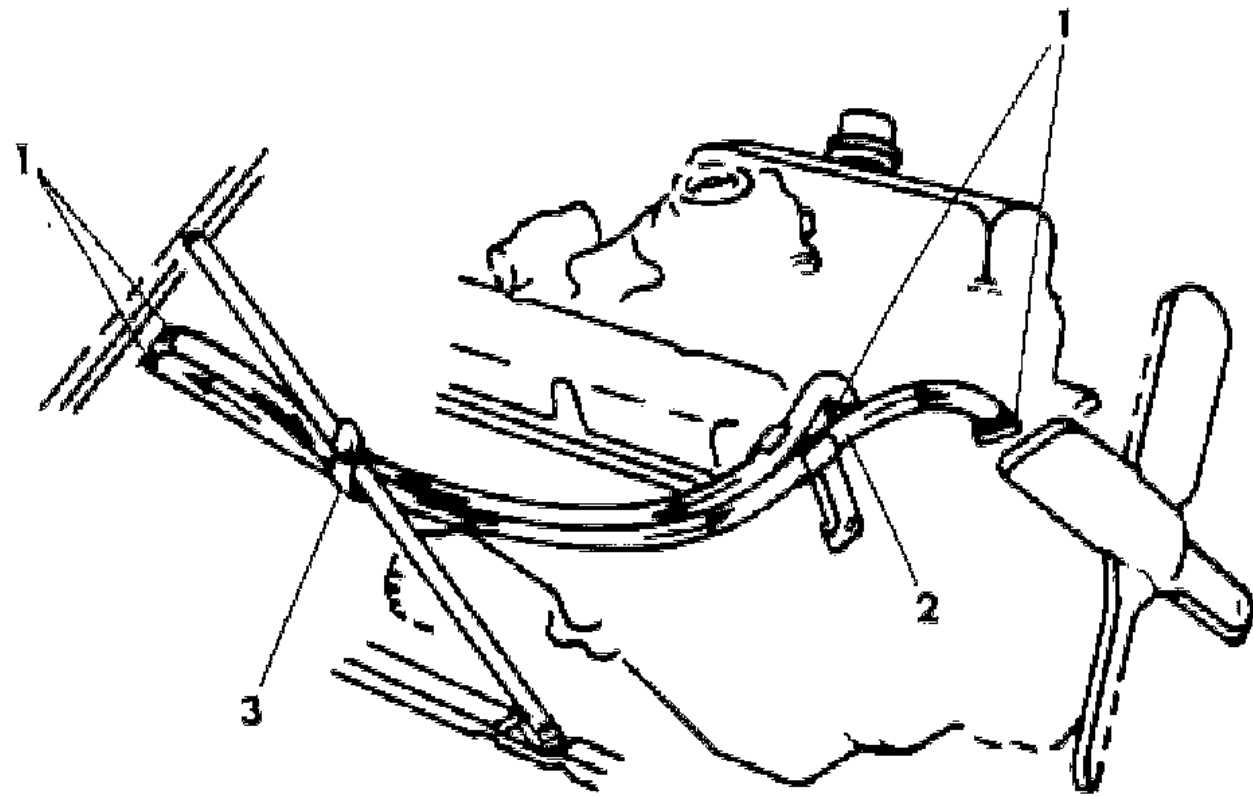
BODY STYLES
 12-13 = FWD VAN 41 = 4-DOOR SEDAN
 21 = 2-DOOR SEDAN 44 = 4-DOOR HATCHBACK
 24 = 2-DOOR HATCHBACK 45 = 4-DOOR STATION WAGON
 27 = 2-DOOR CONVERTIBLE 52-53 = FWD WAGON

AR = Use as Required - = Non Illustrated Part P.A.R. = Paint as Required

PLUMBING, HEATER M BODY B,G
Figure 24-1300

7124 1300

ITEM	PART NUMBER	QTY	BODY	MODEL	DESCRIPTION
1	2448 770	AR			CLAMP, Heater Hose 15/16" I.D.
	4041 604	AR			s/Steel Screw Type
2	1779 258	1			NIPPLE, Htr., Hose to Eng., 2" Lgh. 3/8 Thd.
3	6015 945	1			STRAP, Heater Vacuum Hose Support
-	4339 457	1			VALVE, Heater Water w/Upr. Level Vent.



8 CYLINDER

MODEL CODES

E BODY = (J - CARAVELLE)(E - 600)(T - NEW YORKER)

G BODY = (V24 - DAYTONA)

H BODY = (D44 - LANCER)(C44 - LEBARON GTS)

J BODY = (C - LEBARON)

K BODY = (P - RELIANT)(D - ARIES)(C - LEBAROND)/TOWN & COUNTRY)

L BODY = (M - HORIZON/TURISMO)(Z - OMNI/CHARGER)

M BODY = (B - GRAN FURY)(F - FIFTH AVE/NEWPORT)(G - DIPLOMAT)

P BODY = (P - SUNDANCE)(D - SHADOW)

S BODY = (H - VOYAGER)(K - RAM VAN/CARAVAN)

BODY STYLES

12-13 = FWD VAN

21 = 2-DOOR SEDAN

24 = 2-DOOR HATCHBACK

27 = 2-DOOR CONVERTIBLE

41 = 4-DOOR SEDAN

44 = 4-DOOR HATCHBACK

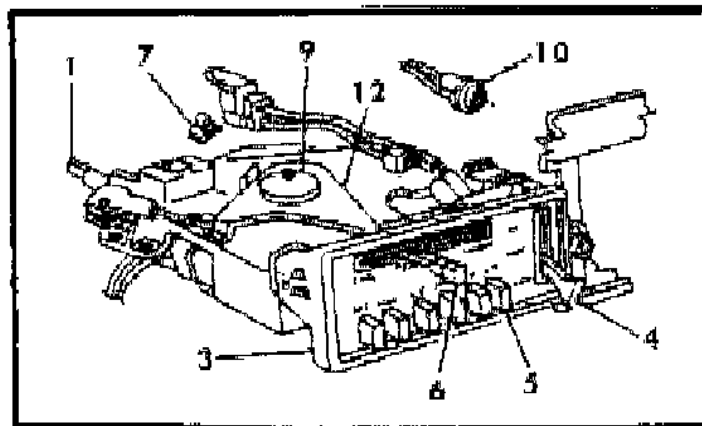
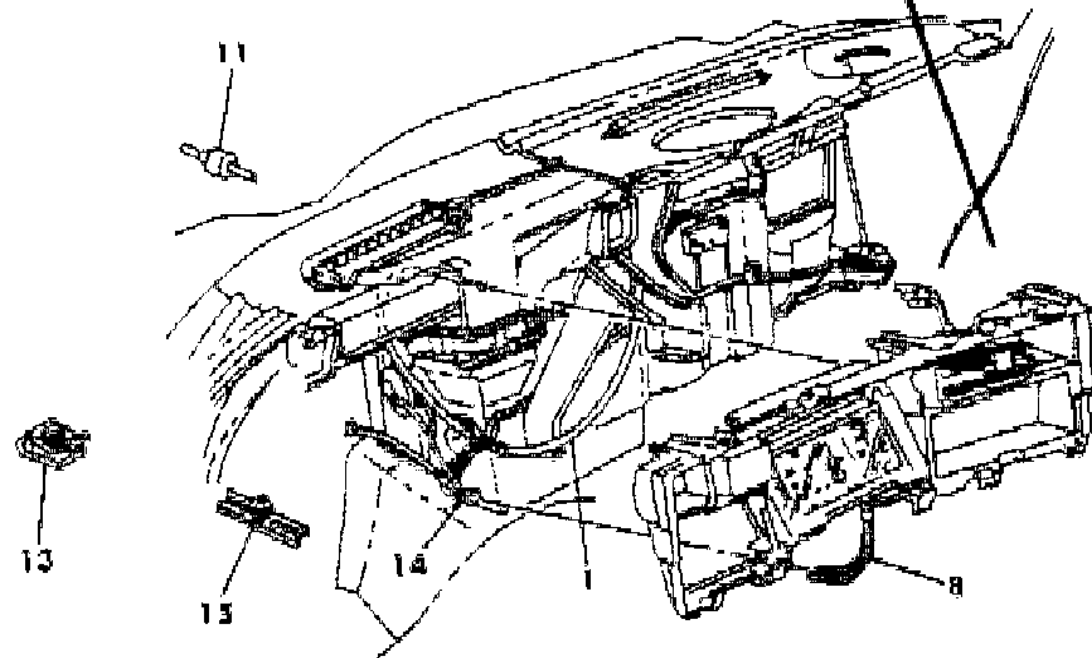
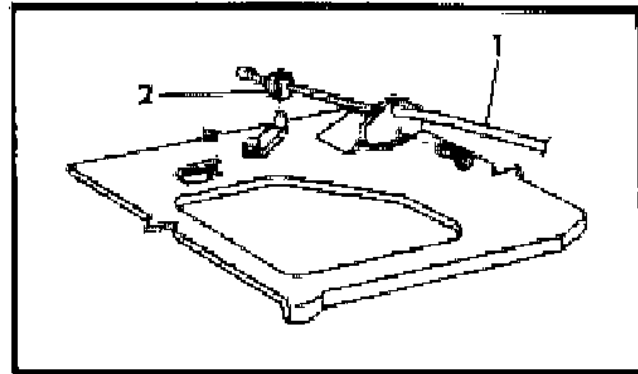
45 = 4-DOOR STATION WAGON

52-53 = FWD WAGON

AR = Use as Required - = Non Illustrated Part P.A.R. = Paint as Required

CONTROL, AIR CONDITIONER L,S,M BODY
Figure 24-1400

7124 1400



ITEM	PART NUMBER	QTY	BODY	MODEL	DESCRIPTION
1	5210 360	1	L		CABLE, A/C. Temp. Control
	3848 319	1	S		CABLE, A/C. Temp. Control
2	3849 739	1			CLIP, A/C. Temp. Control Cable Adjusting
3	3848 002	1	L,S		BASE, A/C. Temp. Control
	3848 002	1	M		BASE, A/C. Temp. Control
-	3848 637	1	S		DECAL, A/C. Control Bi-Level
	3848 002	1	M		BASE, A/C. Temp. Control Bi-Level
	3848 002	1	M		w/A.T.C.
-	3848 634	1	M		DECAL, A/C. Control Bi-Level, A.T.C. (Black)
-	3848 630	1	M		DECAL, A.T.C. Control Bi-Level (Silver)
-	3848 633	1	L		DECAL, A/C. Control
4	3847 940	1	All		SWITCH, A/C. Blower Control
	3848 645	1	S		
5	3847 512	1	L		SWITCH, A/C. Control Vacuum 6 P/Button
	3847 742	1	M		SWITCH, A/C. Control Vacuum 6 P/Button
	3848 654	1	S		SWITCH, A/C. Control Vacuum 6 P/Button
6	3847 447	1	L,M		KNOB, A/C. Temp. Control Lever, up to 11-3-86
	3849 810	1			after 11-3-86
	3847 445	1	S		Black
7	6029 889	1	Exc. S		NUT, A/C. Control Cable Retaining
8	3847 622	1			HOSE, A/C. Vacuum Extension
9	2820 453	1	Exc. S		CLIP, A/C. Temp. Lever Retaining
	3849 122	1	S		
-	3503 317	1			PIN, A/C. Control Lever Pivot
10	4131 388	1			SOCKET and BULB PACKAGE, A/C., Heater Control Lamp
11	3441 609	1			VALVE, Two Port Check Vacuum Hose
-	2837 876	1	L		CONNECTOR, A/C. Vac. Hose (In Line)
12	3848 232	1	L		LEVER, A/C. Temp. Control
	3848 316	1	S		LEVER, A/C. Temp. Control
	4443 105	1	L		LEVER and KNOB PACKAGE, (Chrome)
	4443 107	1	M		LEVER and KNOB PACKAGE, A.T.C. (Black)
	4443 108	1	M		LEVER and KNOB PACKAGE, A.T.C. (Chrome)
13	6025 147	1	M		NUT, A/C. Control Cable Mtg.
14	3848 311	1	L		HOSE and CONNECTOR, A/C. Vacuum
	3847 627	1	M		HOSE and CONNECTOR, A/C. Vacuum
15	6015 778	AR			CLIP, A/C. Vacuum Hose Retaining
-	3847 435	1	M		RHEOSTAT, A.T.C. (Hi-Lo) Sliding Diode
-	3780 794	1			HOSE, A/C. Cont. Vac. .073/.081 I.D. 50 Ft. Roll

MODEL CODES

E BODY = (J - CARAVELLE)(E - 600)(T - NEW YORKER)

G BODY = (V24 - DAYTONA)

H BODY = (D44 - LANCER)(C44 - LEBARON GTS)

J BODY = (C - LEBARON)

K BODY = (P - RELIANT)(D - ARIES)(C - LEBAROND)/TOWN & COUNTRY)

L BODY = (M - HORIZON/TURISMO)(Z - OMNI/CHARGER)

M BODY = (B - GRAN FURY)(F - FIFTH AVE/NEWPORT)(G - DIPLOMAT)

P BODY = (P - SUNDANCE)(D - SHADOW)

S BODY = (H - VOYAGER)(K - RAM VAN/CARAVAN)

BODY STYLES

12-13 = FWD VAN

21 = 2-DOOR SEDAN

24 = 2-DOOR HATCHBACK

27 = 2-DOOR CONVERTIBLE

41 = 4-DOOR SEDAN

44 = 4-DOOR HATCHBACK

45 = 4-DOOR STATION WAGON

52-53 = FWD WAGON

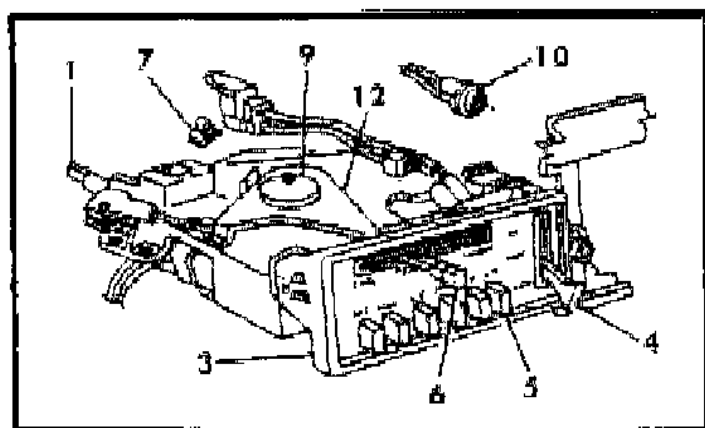
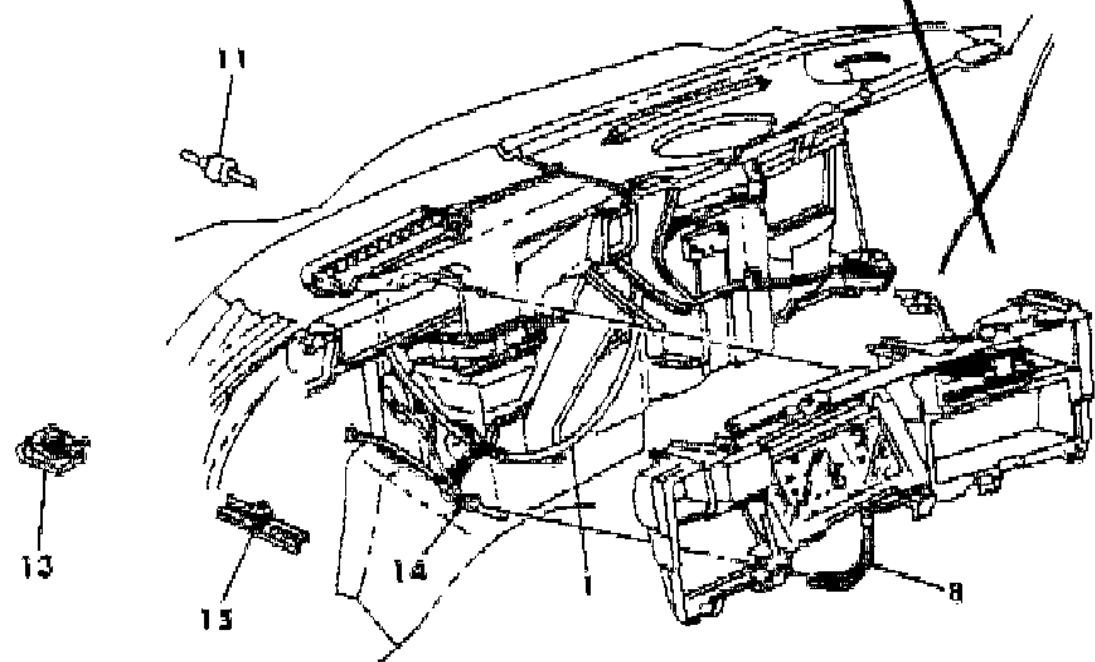
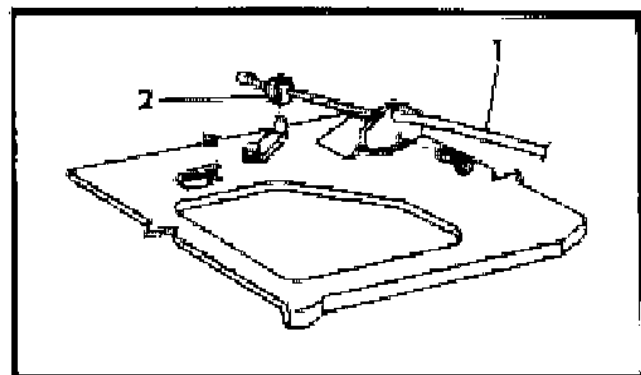
AR = Use as Required - = Non Illustrated Part P.A.R. = Paint as Required

CONTROL, AIR CONDITIONER L,S,M BODY
Figure 24-1400

7124 1400

ITEM	PART NUMBER	QTY	BODY	MODEL	DESCRIPTION
------	-------------	-----	------	-------	-------------

-	4124 747	1	M		WIRING, A.T.C. Unit
---	----------	---	---	--	---------------------



MODEL CODES

E BODY = (J - CARAVELLE)(E - 600)(T - NEW YORKER)

G BODY = (V24 - DAYTONA)

H BODY = (D44 - LANCER)(C44 - LEBARON GTS)

J BODY = (C - LEBARON)

K BODY = (P - RELIANT)(D - ARIES)(C - LEBAROND)/TOWN & COUNTRY)

L BODY = (M - HORIZON/TURISMO)(Z - OMNI/CHARGER)

M BODY = (B - GRAN FURY)(F - FIFTH AVE/NEWPORT)(G - DIPLOMAT)

P BODY = (P - SUNDANCE)(D - SHADOW)

S BODY = (H - VOYAGER)(K - RAM VAN/CARAVAN)

BODY STYLES

12-13 = FWD VAN

21 = 2-DOOR SEDAN

24 = 2-DOOR HATCHBACK

27 = 2-DOOR CONVERTIBLE

41 = 4-DOOR SEDAN

44 = 4-DOOR HATCHBACK

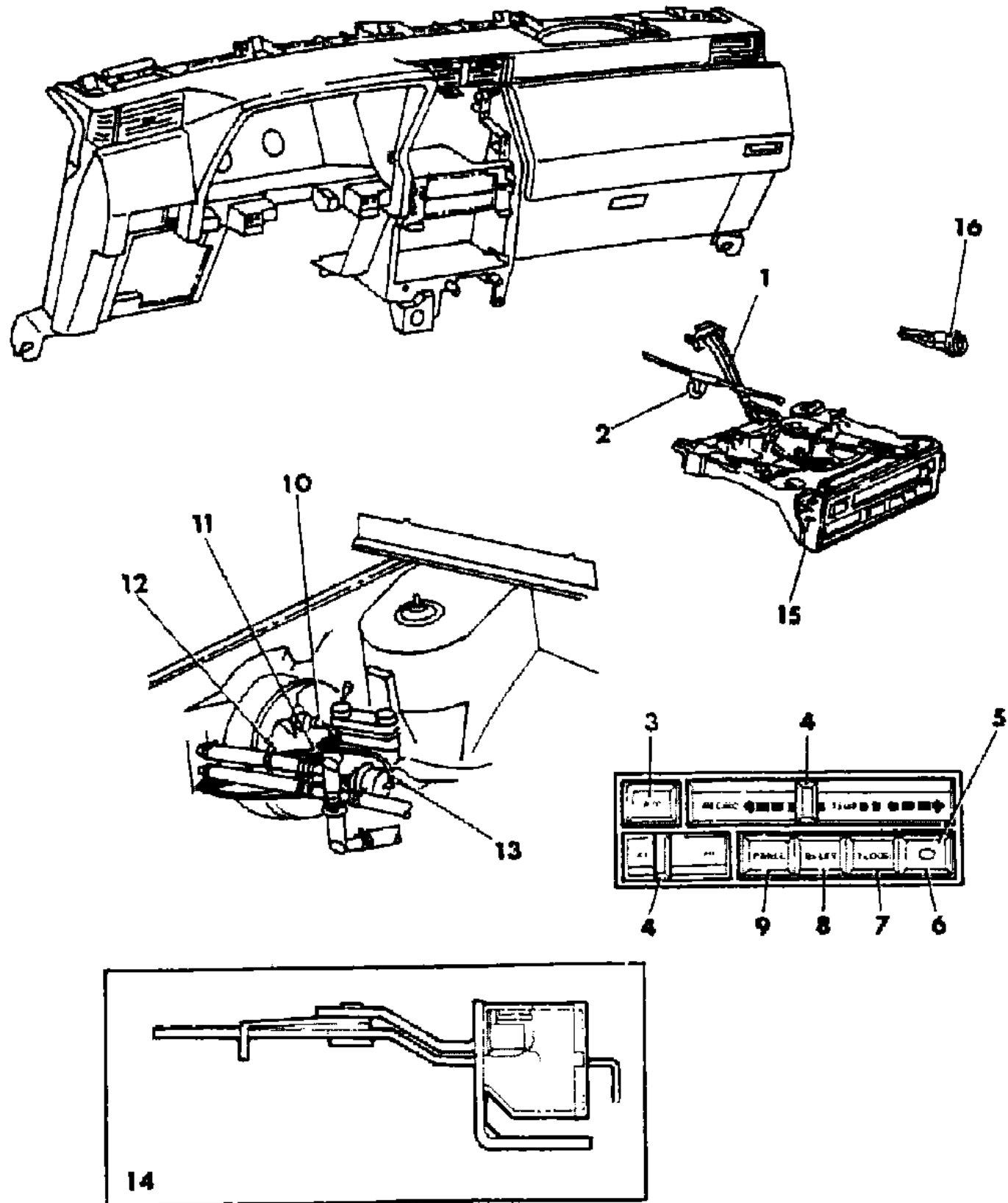
45 = 4-DOOR STATION WAGON

52-53 = FWD WAGON

AR = Use as Required - = Non Illustrated Part P.A.R. = Paint as Required

CONTROL, AIR CONDITIONER P BODY
Figure 24-1500

7124 1500 A



ITEM	PART NUMBER	QTY	BODY	MODEL	DESCRIPTION
1	3849 140	1			SWITCH, Control and Vacuum Hose
2	3849 714	1			CABLE, Control Temp.
	3849 739	1			CLIP, Control Temp. Cable Self (Adj.)
3	3849 142	1			SWITCH, A/C. Control
4	3849 148	1			KNOB, A/C. Control
5	3849 143	1			FACE PLATE and DECAL, A/C. Control
6	3849 147	1			PUSH BUTTON, A/C. Control Defroster
7	3849 146	1			PUSH BUTTON, A/C. Control Floor
8	3849 145	1			PUSH BUTTON, A/C. Control Bi-Level
9	3849 144	1			PUSH BUTTON, A/C. Control Panel
10	3847 935	1			CONNECTOR, A/C. Vacuum Hose to Booster
11	2837 876	1			CONNECTOR, A/C. Vac. Line Ext. to Water Valve
12	6015 945	1			STRAP
13	3780 508	1			HOSE, Vacuum Extension (Serviced in Roll Stock)
14	3849 139	1			SWITCH, Control Fan
15	3849 138	1			HOUSING and LEVER
16	3849 141	1			LAMP, Socket A/C. Control

MODEL CODES

E BODY = (J - CARAVELLE)(E - 600)(T - NEW YORKER)

G BODY = (V24 - DAYTONA)

H BODY = (D44 - LANCER)(C44 - LEBARON GTS)

J BODY = (C - LEBARON)

K BODY = (P - RELIANT)(D - ARIES)(C - LEBAROND)/TOWN & COUNTRY)

L BODY = (M - HORIZON/TURISMO)(Z - OMNI/CHARGER)

M BODY = (B - GRAN FURY)(F - FIFTH AVE/NEWPORT)(G - DIPLOMAT)

P BODY = (P - SUNDANCE)(D - SHADOW)

S BODY = (H - VOYAGER)(K - RAM VAN/CARAVAN)

BODY STYLES

12-13 = FWD VAN

21 = 2-DOOR SEDAN

24 = 2-DOOR HATCHBACK

27 = 2-DOOR CONVERTIBLE

41 = 4-DOOR SEDAN

44 = 4-DOOR HATCHBACK

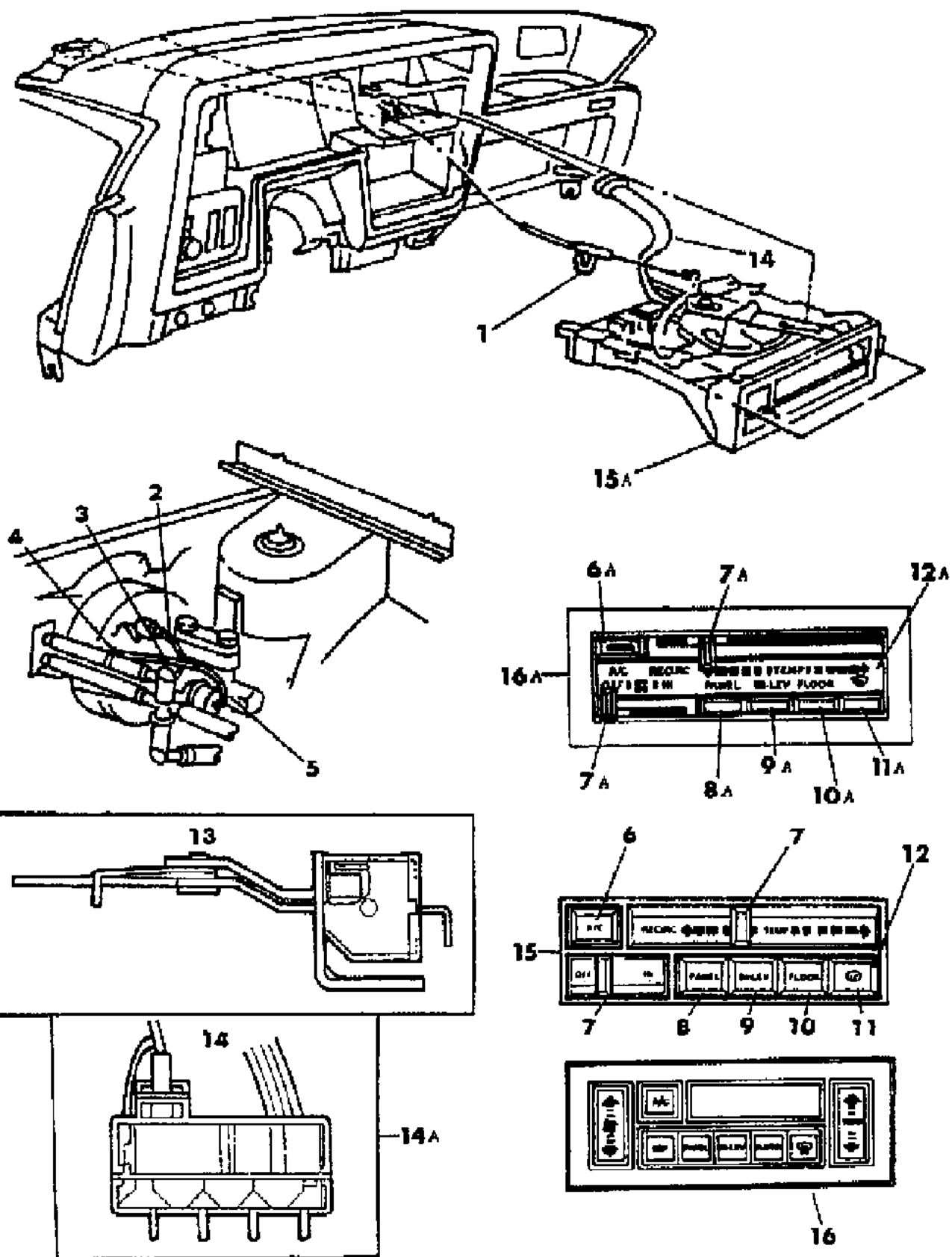
45 = 4-DOOR STATION WAGON

52-53 = FWD WAGON

AR = Use as Required - = Non Illustrated Part P.A.R. = Paint as Required

CONTROL, AIR CONDITIONER J,K,G,E,H BODY
Figure 24-1600

7124 1600 D



ITEM	PART NUMBER	QTY	BODY	MODEL	DESCRIPTION
1	3849 714	1			CABLE, A/C. Temp. Control
	3849 739	1			CLIP, A/C. Temp. Control Cable Adjusting
2	3847 935	1			CONNECTOR, A/C. Vac. Hose to Booster P/Brake
3	2837 876	1			CONNECTOR, Vacuum Hose, In-Line
4	6015 945	1			CLIP, Strap
5	3780 508	AR			HOSE, Vacuum Ext. (Serv. in Roll Stock 1/8)
	4105 167	AR			HOSE, Vacuum Ext. (Serv. in Roll Stock 3/16)
6	3849 150	1	E		SWITCH, A/C. Control (Bright)
	3849 150	1	K	C	SWITCH, A/C. Control (Bright)
	3849 142	1	H		SWITCH, A/C. Control (Black)
					SWITCH, A/C. Control (Black)
	3849 142	1	K	P,D	up to 4-1-87
	3849 142	1	J,G		up to 4-1-87
6A			K	P,D	SWITCH, A/C. Control (Black)
			J,G		after 4-1-87 (Serviced in #16A)
7	3849 156	AR	E		KNOB, A/C. Control (Bright)
	3849 156	AR	K	C	KNOB, A/C. Control (Bright)
	3849 148	AR	H		KNOB, A/C. Control (Black)
					KNOB, A/C. Control (Black)
	3849 148	AR	K	P,D	up to 4-1-87
			J,G		up to 4-1-87
	3849 878	AR	K	P,D	KNOB, A/C. Control (Black)
	3849 878	AR	J,G		after 4-1-87
8	3849 152	1	E		PUSH BUTTON, A/C. Control Panel (Bright)
	3849 152	1	K	C	PUSH BUTTON, A/C. Control Panel (Bright)
	3849 144	1	H		PUSH BUTTON, A/C. Control Panel (Black)
					PUSH BUTTON, A/C. Control Panel (lack)
	3849 144	1	K	P,D	up to 4-1-87
	3849 144	1	J,G		up to 4-1-87
8A					PUSH BUTTON, A/C. Control Panel (Black)
	3849 863	1	K	P,D	after 4-1-87
	3849 863	1	J,G		after 4-1-87
9	3849 153	1	E		PUSH BUTTON, A/C. Control Bi-Level (Bright)
	3849 153	1	K	C	PUSH BUTTON, A/C. Control Bi-Level (Bright)
	3849 145	1	H		PUSH BUTTON, A/C. Control Bi-Level (Black)
					PUSH BUTTON, A/C. Control Bi-Level (Black)

MODEL CODES

E BODY = (J - CARAVELLE)(E - 600)(T - NEW YORKER)

G BODY = (V24 - DAYTONA)

H BODY = (D44 - LANCER)(C44 - LEBARON GTS)

J BODY = (C - LEBARON)

K BODY = (P - RELIANT)(D - ARIES)(C - LEBAROND)/TOWN & COUNTRY)

L BODY = (M - HORIZON/TURISMO)(Z - OMNI/CHARGER)

M BODY = (B - GRAN FURY)(F - FIFTH AVE/NEWPORT)(G - DIPLOMAT)

P BODY = (P - SUNDANCE)(D - SHADOW)

S BODY = (H - VOYAGER)(K - RAM VAN/CARAVAN)

BODY STYLES

12-13 = FWD VAN

21 = 2-DOOR SEDAN

24 = 2-DOOR HATCHBACK

27 = 2-DOOR CONVERTIBLE

41 = 4-DOOR SEDAN

44 = 4-DOOR HATCHBACK

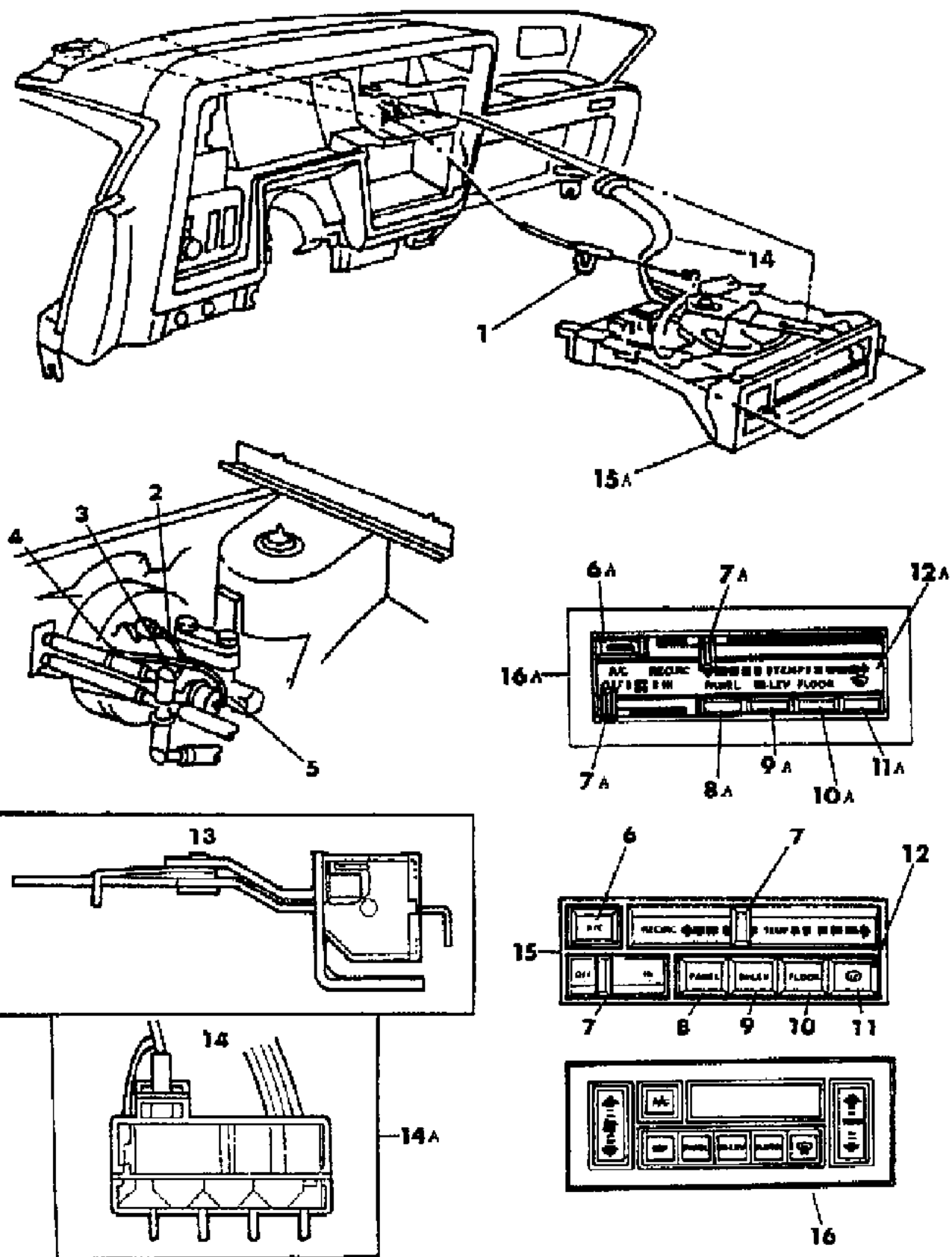
45 = 4-DOOR STATION WAGON

52-53 = FWD WAGON

AR = Use as Required - = Non Illustrated Part P.A.R. = Paint as Required

CONTROL, AIR CONDITIONER J,K,G,E,H BODY
Figure 24-1600

7124 1600 D



ITEM	PART NUMBER	QTY	BODY	MODEL	DESCRIPTION
	3849 145	1	K	P,D	up to 4-1-87
	3849 145	1	J,G		up to 4-1-87
9A	3849 863	1	K	P,D	PUSH BUTTON, A/C. Control Bi Level (Black) after 4-1-87
	3849 863	1	J,G		after 4-1-87
10	3849 154	1	E		PUSH BUTTON, A/C. Control Floor (Bright)
	3849 154	1	K	C	PUSH BUTTON, A/C. Control Floor (Bright)
	3849 146	1	H		PUSH BUTTON, A/C. Control Floor (Black) PUSH BUTTON, A/C. Control Floor (Black)
	3849 146	1	K	P,D	up to 4-1-87
	3849 146	1	J,G		up to 4-1-87
10A		1			PUSH BUTTON, A/C. Control Floor (Black)
	3849 863	1	K	P,D	after 4-1-87
	3849 863	1	J,G		after 4-1-87
11	3849 155	1	E		PUSH BUTTON, A/C. Control Defroster (Bright)
	3849 155	1	K	C	PUSH BUTTON, A/C. Control Defroster (Bright)
	3849 147	1	H		PUSH BUTTON, A/C. Control Defroster (Black)
	3849 147	1	K	P,D	up to 4-1-87
	3849 147	1	J,G		up to 4-1-87
11A					PUSH BUTTON, A/C. Control Defroster (Black)
	3849 863	1	K	P,D	after 4-1-87
	3849 863	1	J,G		after 4-1-87
12	3849 151	1	E		FACE PLATE and DECAL, A/C. Control (Bright)
	3849 151	1	K	C	FACE PLATE and DECAL, A/C. Control (Bright)
	3849 143	1	H		FACE PLATE and DECAL, A/C. Control (Black)
					FACE PLATE and Decal, A/C. Control (Black)
	3849 143	1	K	P,D	up to 4-1-87
	3849 143	1	J,G		up to 4-1-87
12A					FACE PLATE, and Decal, A/C. Control (Black)
	4462 338	1	K	P,D	after 4-1-87
	4462 338	1	J,G		after 4-1-87
13	3849 139	1	E,H		SWITCH, Control Fan
	3849 139	1	K	C	SWITCH, Control Fan
			K	P,D	SWITCH, Control Fan after 4-1-87 (Served in #16A)
			J,G		after 4-1-87 (Served in #16A)
14	3849 140	1	E,H		SWITCH, Control w/Vacuum Hose
	3849 140	1	K	C	SWITCH, Control with Vacuum Hose

MODEL CODES

E BODY = (J - CARAVELLE)(E - 600)(T - NEW YORKER)

G BODY = (V24 - DAYTONA)

H BODY = (D44 - LANCER)(C44 - LEBARON GTS)

J BODY = (C - LEBARON)

K BODY = (P - RELIANT)(D - ARIES)(C - LEBARON)/TOWN & COUNTRY)

L BODY = (M - HORIZON/TURISMO)(Z - OMNI/CHARGER)

M BODY = (B - GRAN FURY)(F - FIFTH AVE/NEWPORT)(G - DIPLOMAT)

P BODY = (P - SUNDANCE)(D - SHADOW)

S BODY = (H - VOYAGER)(K - RAM VAN/CARAVAN)

BODY STYLES

12-13 = FWD VAN

21 = 2-DOOR SEDAN

24 = 2-DOOR HATCHBACK

27 = 2-DOOR CONVERTIBLE

41 = 4-DOOR SEDAN

44 = 4-DOOR HATCHBACK

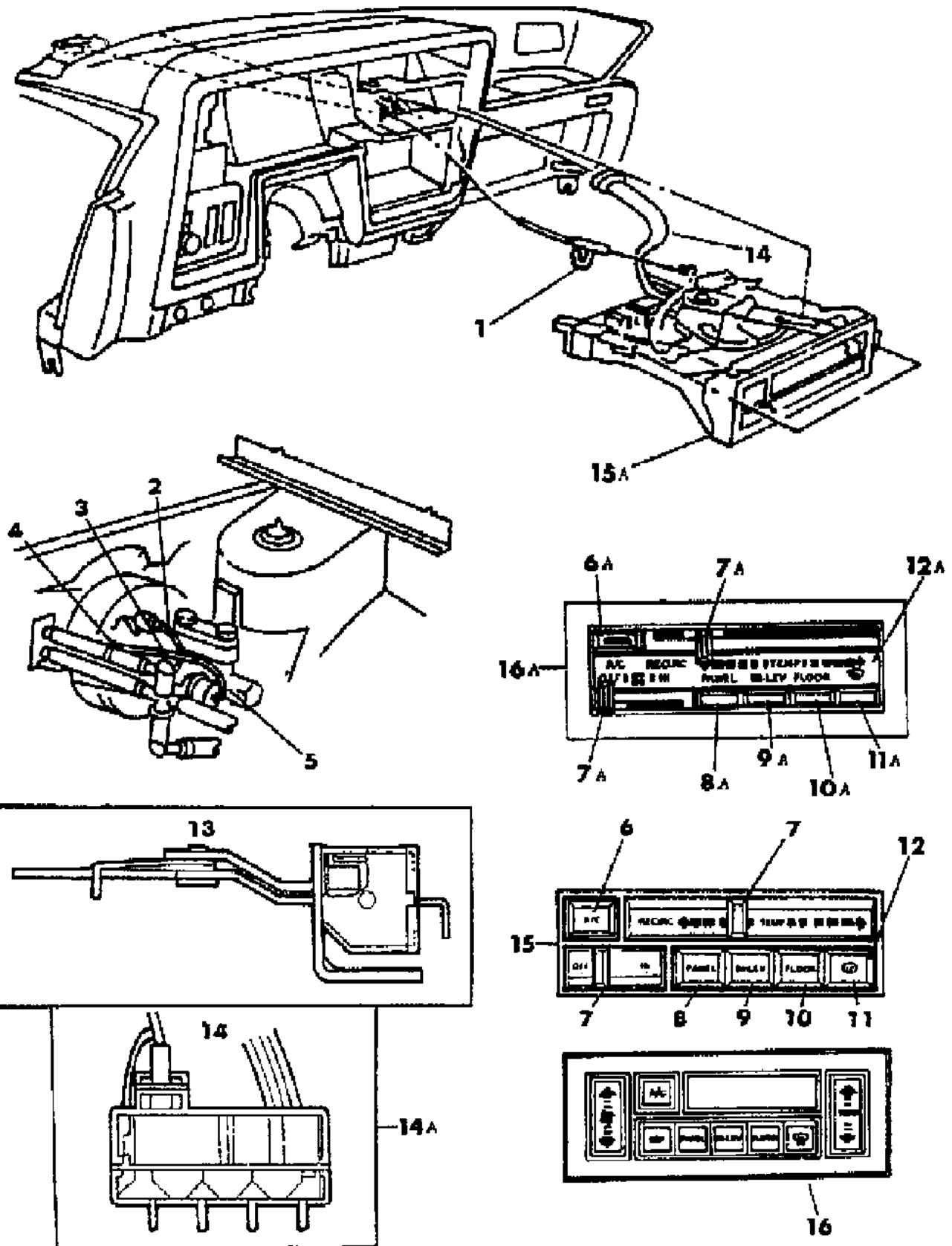
45 = 4-DOOR STATION WAGON

52-53 = FWD WAGON

AR = Use as Required - = Non Illustrated Part P.A.R. = Paint as Required

CONTROL, AIR CONDITIONER J,K,G,E,H BODY
Figure 24-1600

7124 1600 D



ITEM	PART NUMBER	QTY	BODY	MODEL	DESCRIPTION
					SWITCH, Control with Vacuum Hose
	3849 140	1	K	P,D	up to 4-1-87
	3849 140	1	J,G		up to 4-1-87
14A					SWITCH, Control with Vacuum Hose
	3849 860	1	K	P,D	after 4-1-87
	3849 860	1	J,G		after 4-1-87
15	3849 138	1	E,H		HOUSING and LEVER
	3849 138	1	K	C	HOUSING and LEVER
					HOUSING and LEVER
	3849 138	1	K	P,D	up to 4-1-87
	3849 138	1	J,G		up to 4--87
15A					HOUSING, Switch and Lever, A/C. Control (Serviced in #16A)
	3849 141	1			LAMP, Socket, A/C. Control
16A	3849 765	1	K	P,D	CONTROL, A/C. (Black) Complete, after 4-1-87
	3849 765	1	J,G		CONTROL, A/C. (Black) Complete, after 4-1-87
16	3848 576	1	E		CONTROL, A.T.C. Complete (Brt.)
	3848 575	1	J		CONTROL, A.T.C. Complete (Black)
-	3849 553	1	J		SENSOR, A.T.C. in Car Complete, after 1-5-87

MODEL CODES
 E BODY = (J - CARAVELLE)(E - 600)(T - NEW YORKER)
 G BODY = (V24 - DAYTONA)
 H BODY = (D44 - LANCER)(C44 - LEBARON GTS)
 J BODY = (C - LEBARON)
 K BODY = (P - RELIANT)(D - ARIES)(C - LEBAROND)/TOWN & COUNTRY
 L BODY = (M - HORIZON/TURISMO)(Z - OMNI/CHARGER)
 M BODY = (B - GRAN FURY)(F - FIFTH AVE/NEWPORT)(G - DIPLOMAT)
 P BODY = (P - SUNDANCE)(D - SHADOW)
 S BODY = (H - VOYAGER)(K - RAM VAN/CARAVAN)

BODY STYLES
 12-13 = FWD VAN
 21 = 2-DOOR SEDAN
 24 = 2-DOOR HATCHBACK
 27 = 2-DOOR CONVERTIBLE
 41 = 4-DOOR SEDAN
 44 = 4-DOOR HATCHBACK
 45 = 4-DOOR STATION WAGON
 52-53 = FWD WAGON

AR = Use as Required - = Non Illustrated Part P.A.R. = Paint as Required

AIR CONDITIONING AND HEATER UNIT L BODY
Figure 24-1700

7124 1700 A

ITEM	PART NUMBER	QTY	BODY	MODEL	DESCRIPTION
1	3848 832	1			DUCT, w/Adapter, A/C., Defroster
-	5210 282	1			ADAPTER, A/C., Defroster Duct
2	#5210 051	1			BRACE, A/C. Unit Mounting To Plenum
3	5210 428	1			COVER, A/C. Evaporator Recirc. Housing
-	3847 721	1			SEAL, A/C. Evaporator Housing, Left
-	3847 720	1			SEAL, A/C. Evaporator Housing, Right
-	3848 933	1			SEAL, A/C. Unit To Plenum F/Air Inlet
4	3849 066	1			SEAL, A/C. Unit To Dash at Coil Header
6	5210 109	1			SEAL, A/C. Unit To Dash at Core Tubes
7	2521 336	2			CLIP, A/C. Evaporator Housing Cover Mounting
8	3848 827	1			TUBE, A/C. Unit Drain
9	3847 943	1			CORE, A/C., Heater
-	3848 093	1			SEAL, A/C. Heater Core To Housing
-	3847 943	1			SEAL, A/C. Heater Core End
11	4339 422	1			COIL, A/C. Evaporator Complete
12	#5210 073	2			SEAL, A/C. Evaporator Coil To Housing Bottom
13	3847 116	1			SEAL, A/C. Evaporator Coil Header End
14	5210 111	1			ACTUATOR, A/C. Recirc. & Fresh Air Door
15	6008 145	1			CLIP, A/C. Act. Shaft Return Fresh Air Door
17	3848 995	1			RESISTOR, A/C. Blower Motor
18	5210 066	1			TUBE, A/C. Blower Motor Cooling
19	6031 147	1			RETAINER, A/C. Defroster Door Vacuum Actuator
20	5210 068	1			ACTUATOR, A/C., Heater, Defroster
21	5210 055	1			DUCT, A/C., Heater Distribution
22	3847 476	1			SEAL, A/C. Blower Motor to Scroll
23	3848 311	1			HOSE and CONNECTOR, A/C Vacuum
-	3780 508	1			HOSE, A/C. Vacuum (Serviced in Roll)
24	5210 110	1			ACTUATOR, A/C. Mode Door
25	5210 099	1			DOOR, w/Seal, A/C. Mode
26	5210 112	1			LEVER, A/C. Mode Door
27	6006 065	6			WASHER, A/C. Motor Mounting
28	5210 395	1			DOOR, A/C. Blend Air
29	5210 113	1			LEVER, A/C. Blend Air Door
-	0219 462	1			NUT, w/Washer, A/C., Blend Door Lever Mtg.
30	4419 317	1			MOTOR, A/C. Blower
-	4222 912	1			CAPACITOR, A/C. Blower Motor
-	6031 694	1			SCREW, w/Washer A/C. Blower Motor Mounting
31	2837 680	1			CLAMP, A/C. Blower Wheel Motor Mounting

MODEL CODES

E BODY = (J - CARAVELLE)(E - 600)(T - NEW YORKER)

G BODY = (V24 - DAYTONA)

H BODY = (D44 - LANCER)(C44 - LEBARON GTS)

J BODY = (C - LEBARON)

K BODY = (P - RELIANT)(D - ARIES)(C - LEBAROND)/TOWN & COUNTRY)

L BODY = (M - HORIZON/TURISMO)(Z - OMNI/CHARGER)

M BODY = (B - GRAN FURY)(F - FIFTH AVE/NEWPORT)(G - DIPLOMAT)

P BODY = (P - SUNDANCE)(D - SHADOW)

S BODY = (H - VOYAGER)(K - RAM VAN/CARAVAN)

BODY STYLES

12-13 = FWD VAN

21 = 2-DOOR SEDAN

24 = 2-DOOR HATCHBACK

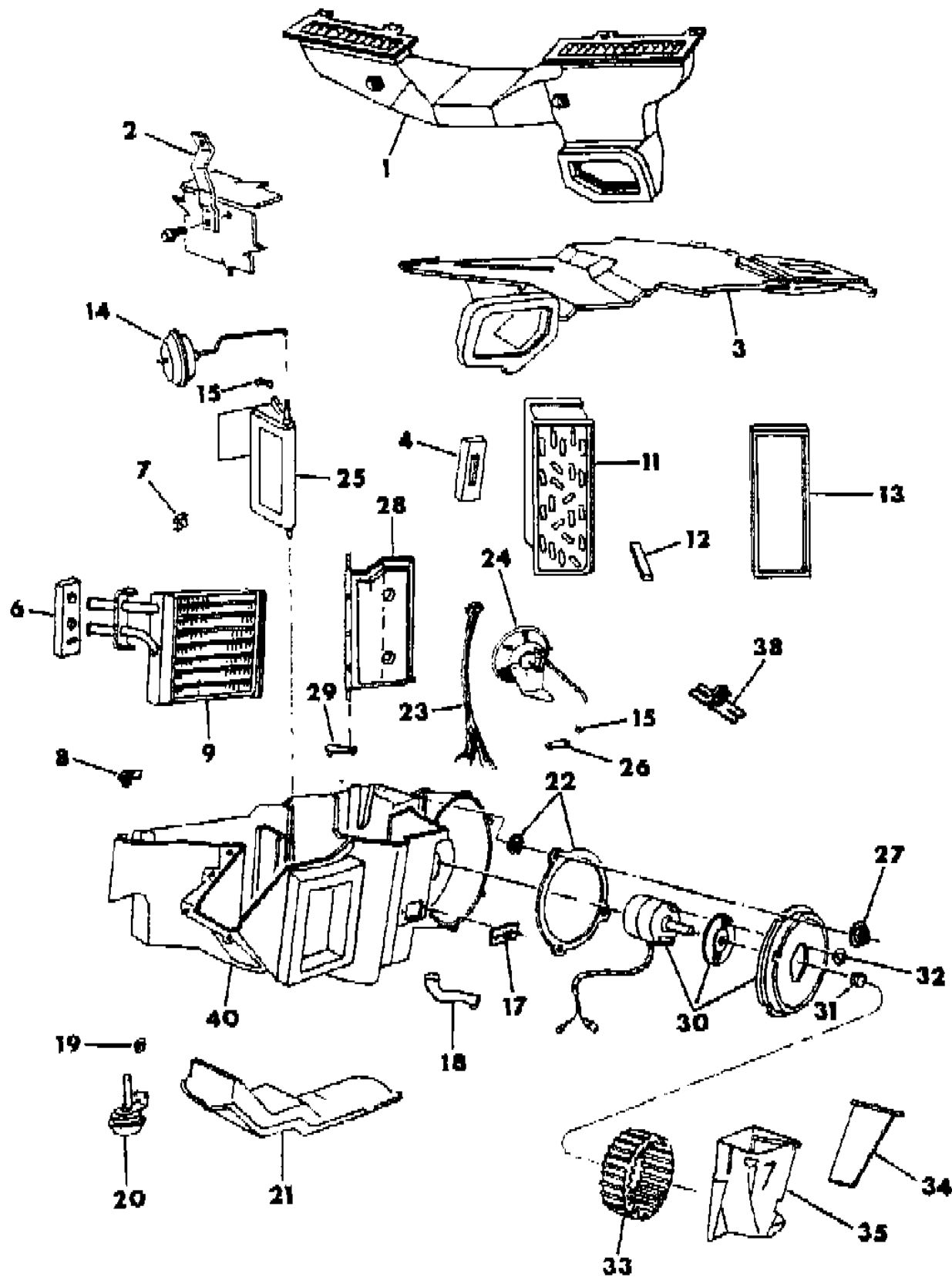
27 = 2-DOOR CONVERTIBLE

41 = 4-DOOR SEDAN

44 = 4-DOOR HATCHBACK

45 = 4-DOOR STATION WAGON

52-53 = FWD WAGON

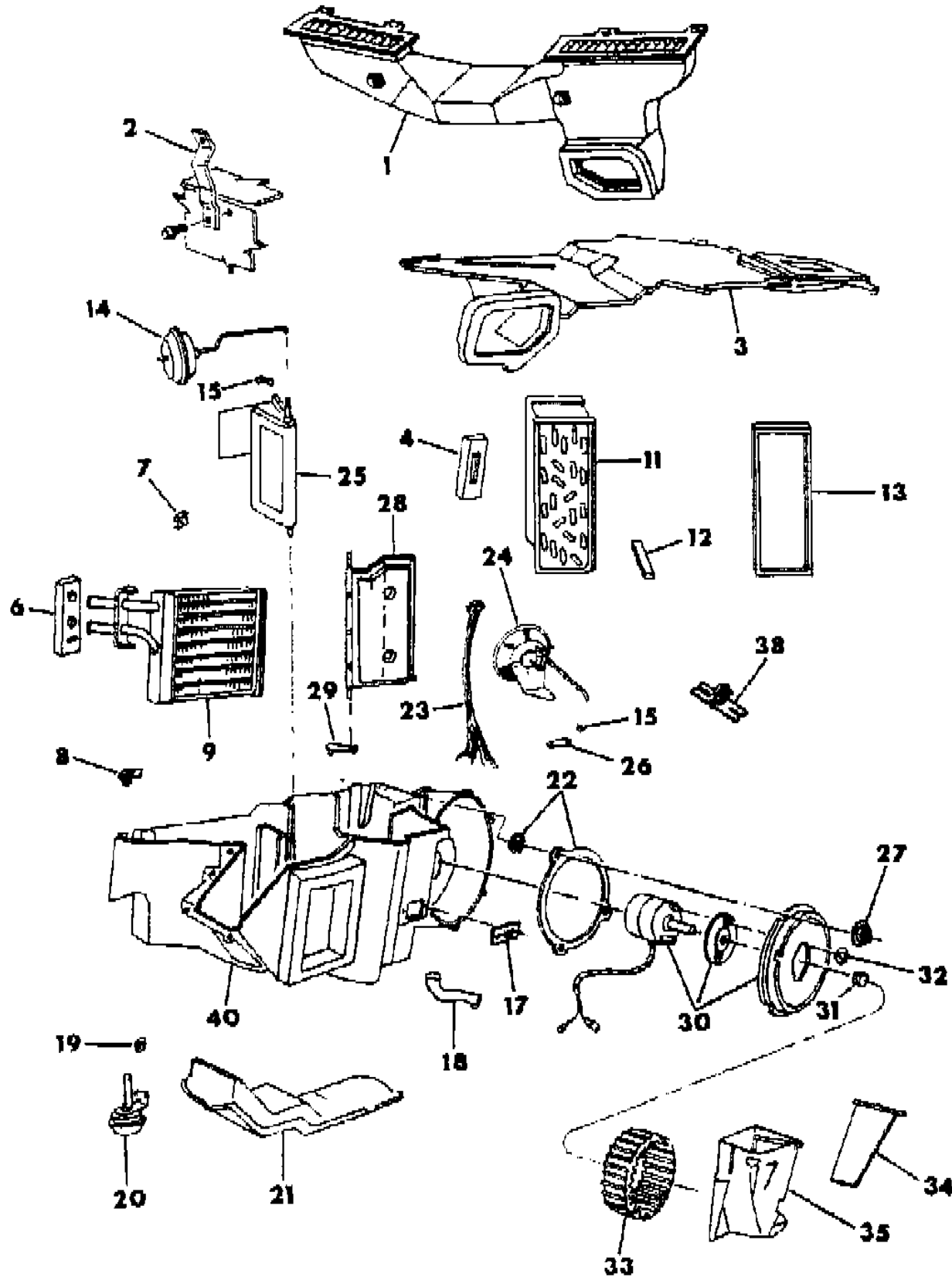


AR = Use as Required - = Non Illustrated Part P.A.R. = Paint as Required

AIR CONDITIONING AND HEATER UNIT L BODY
Figure 24-1700

7124 1700 A

ITEM	PART NUMBER	QTY	BODY	MODEL	DESCRIPTION
32	6500 376	1			NUT, A/C. Blower Motor U-Type
33	5210 234	1			WHEEL, A/C. Blower Motor
34	5210 056	1			DOOR, w/Seal, A/C. Recirc., Fresh Air
35	5210 070	1			HOUSING, A/C. Recirc.
38	6015 778	2			CLIP, A/C. Vacuum Hose Retaining
40	3848 418	1			HOUSING and STUD, A/C. Evaporator w/Scroll



MODEL CODES

E BODY = (J - CARAVELLE)(E - 600)(T - NEW YORKER)

G BODY = (V24 - DAYTONA)

H BODY = (D44 - LANCER)(C44 - LEBARON GTS)

J BODY = (C - LEBARON)

K BODY = (P - RELIANT)(D - ARIES)(C - LEBAROND)/TOWN & COUNTRY)

L BODY = (M - HORIZON/TURISMO)(Z - OMNI/CHARGER)

M BODY = (B - GRAN FURY)(F - FIFTH AVE/NEWPORT)(G - DIPLOMAT)

P BODY = (P - SUNDANCE)(D - SHADOW)

S BODY = (H - VOYAGER)(K - RAM VAN/CARAVAN)

BODY STYLES

12-13 = FWD VAN

21 = 2-DOOR SEDAN

24 = 2-DOOR HATCHBACK

27 = 2-DOOR CONVERTIBLE

41 = 4-DOOR SEDAN

44 = 4-DOOR HATCHBACK

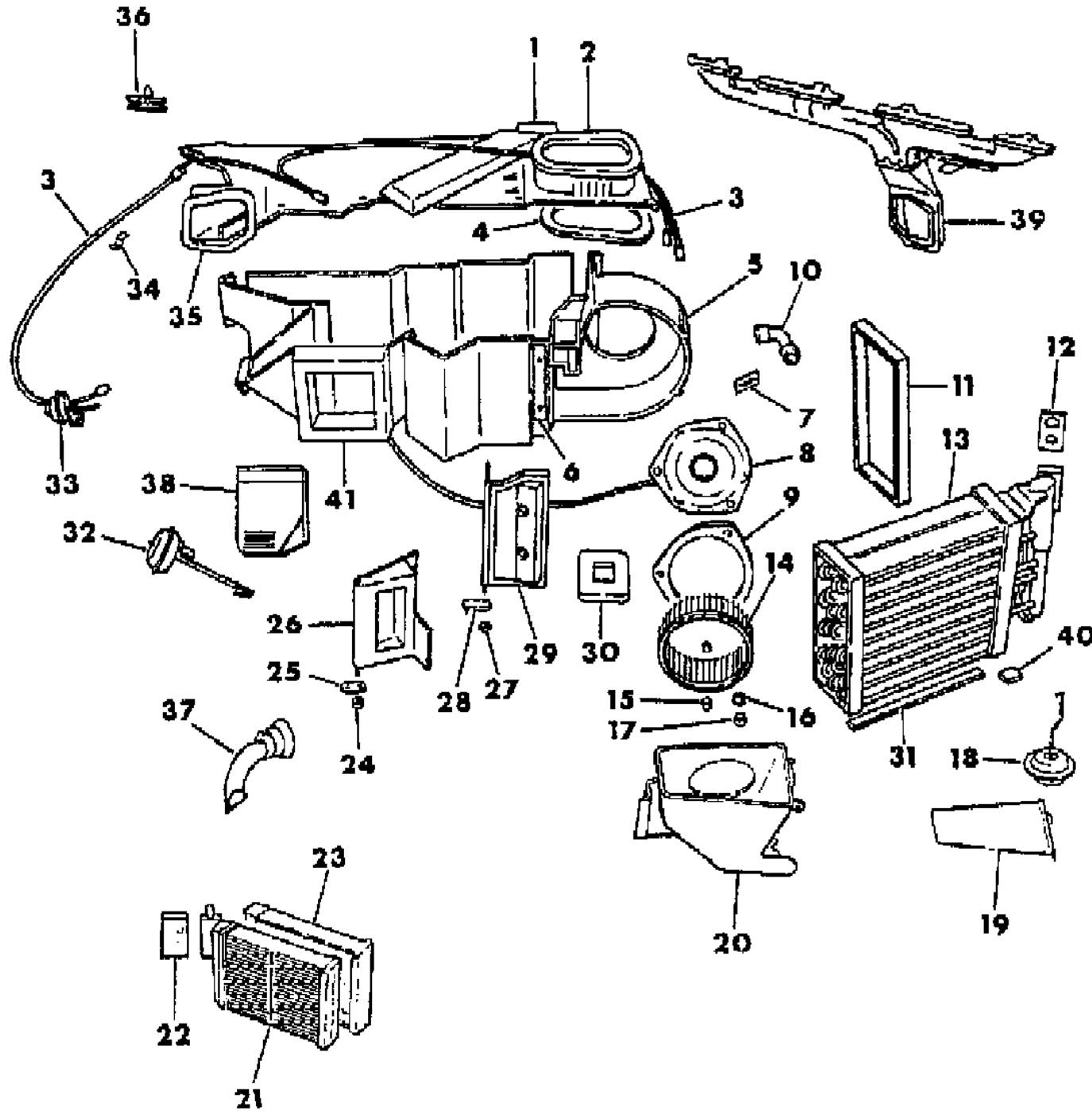
45 = 4-DOOR STATION WAGON

52-53 = FWD WAGON

AR = Use as Required - = Non Illustrated Part P.A.R. = Paint as Required

**AIR CONDITIONING AND HEATER UNIT P BODY P,D-22,44 H BODY D,C-44
Figure 24-1800**

7124 1800



ITEM	PART NUMBER	QTY	BODY	MODEL	DESCRIPTION
1	3849 369	1			COVER, A/C. Evap. Housing
2	3847 605	1			SEAL, A/C. Evap. Hsg. Cvr. (to Plenum)
3	3849 126	1			HOSE and CONNECTOR, A/C Vacuum
-	3780 508	AR			HOSE, Vac. Ext. (serviced in roll)
-	3441 609	1			VALVE, A/c. Two Port Check (Vac. Hose)
-	2837 876	1			CONNECTOR, Vac. Hose
-	6015 945	1			STRAP, A/C. Vac. Line to Htr. Hose
4	3847 722	1			SEAL, A/C. Evap. Hsg. Cvr. Mtg. Rt.
-	3847 720	1			SEAL, A/C. Evap. Hsg. Mtg. Ctr.
-	3848 841	1			SEAL, A/C. Evap. Coil to Hsg. Hair Pin End
5	3848 418	1			HOUSING, w/Stud Pkg. A/C. Evap. Scroll
6	3848 238	1			BRACE, A/C. Unit Mtg. to Plenum Support
7	3849 235	1			RESISTOR, A/C. Blower Motor
8	3849 575	1			MOTOR, A/C. Blower
-	4274 936	1			INSULATOR, A/C. Blower
9	3847 476	1			SEAL, A/C. Blower Motor Mtg. to Scroll
10	5210 066	1			TUBE, A/C. Blower Motor
11	3847 116	1			SEAL, A/C. Evap. Coil Header End
12	3846 836	1			GASKET, A/C. Evap. Valve Mtg.
13	4339 423	1			COIL, A/C. Evap. Complete
14	5210 234	1			WHEEL, A/C. Blower Motor
15	2837 680	1			CLAMP, A/C. Blower Wheel Motor Mounting
16	6500 376	1			NUT, A/C. Blower Mtr. J Type
-	6031 694	1			SCREW and WASHER, A/C., Blower Mtr. Mtg.
17	6031 694	1			SCREW, Washer, A/C. Blower Motor Mounting
18	5210 111	1			ACTUATOR, A/C. Recirc. & Fresh Air Door
-	0116 000	2			NUT, A/C., Recirc. Door Actr. Mtg.
19	5210 056	1			DOOR, w/Seal A/C. Recirc. & Fresh Air
20	5210 070	1			HOUSING, A/C. Recirc.
21	3847 943	1			CORE, A/C., Heater
22	5210 109	1			SEAL, A/C. Unit to Dash at Core Tubes
-	3847 681	1			SEAL, A/C., Htr. Core End
23	3848 093	1			SEAL, A/C., Htr. Core
24	0219 462	1			NUT, Door Shaft Lever
25	3847 858	1			LEVER, Mode Door Shaft
26	3849 511	1			DOOR, w/Seal A/C. Mode
27	0219 462	1			NUT, Door Shaft Lever
28	5210 113	1			LEVER, A/C. Blend Air Door

MODEL CODES

E BODY = (J - CARAVELLE)(E - 600)(T - NEW YORKER)

G BODY = (V24 - DAYTONA)

H BODY = (D44 - LANCER)(C44 - LEBARON GTS)

J BODY = (C - LEBARON)

K BODY = (P - RELIANT)(D - ARIES)(C - LEBAROND)/TOWN & COUNTRY)

L BODY = (M - HORIZON/TURISMO)(Z - OMNI/CHARGER)

M BODY = (B - GRAN FURY)(F - FIFTH AVE/NEWPORT)(G - DIPLOMAT)

P BODY = (P - SUNDANCE)(D - SHADOW)

S BODY = (H - VOYAGER)(K - RAM VAN/CARAVAN)

BODY STYLES

12-13 = FWD VAN

21 = 2-DOOR SEDAN

24 = 2-DOOR HATCHBACK

27 = 2-DOOR CONVERTIBLE

41 = 4-DOOR SEDAN

44 = 4-DOOR HATCHBACK

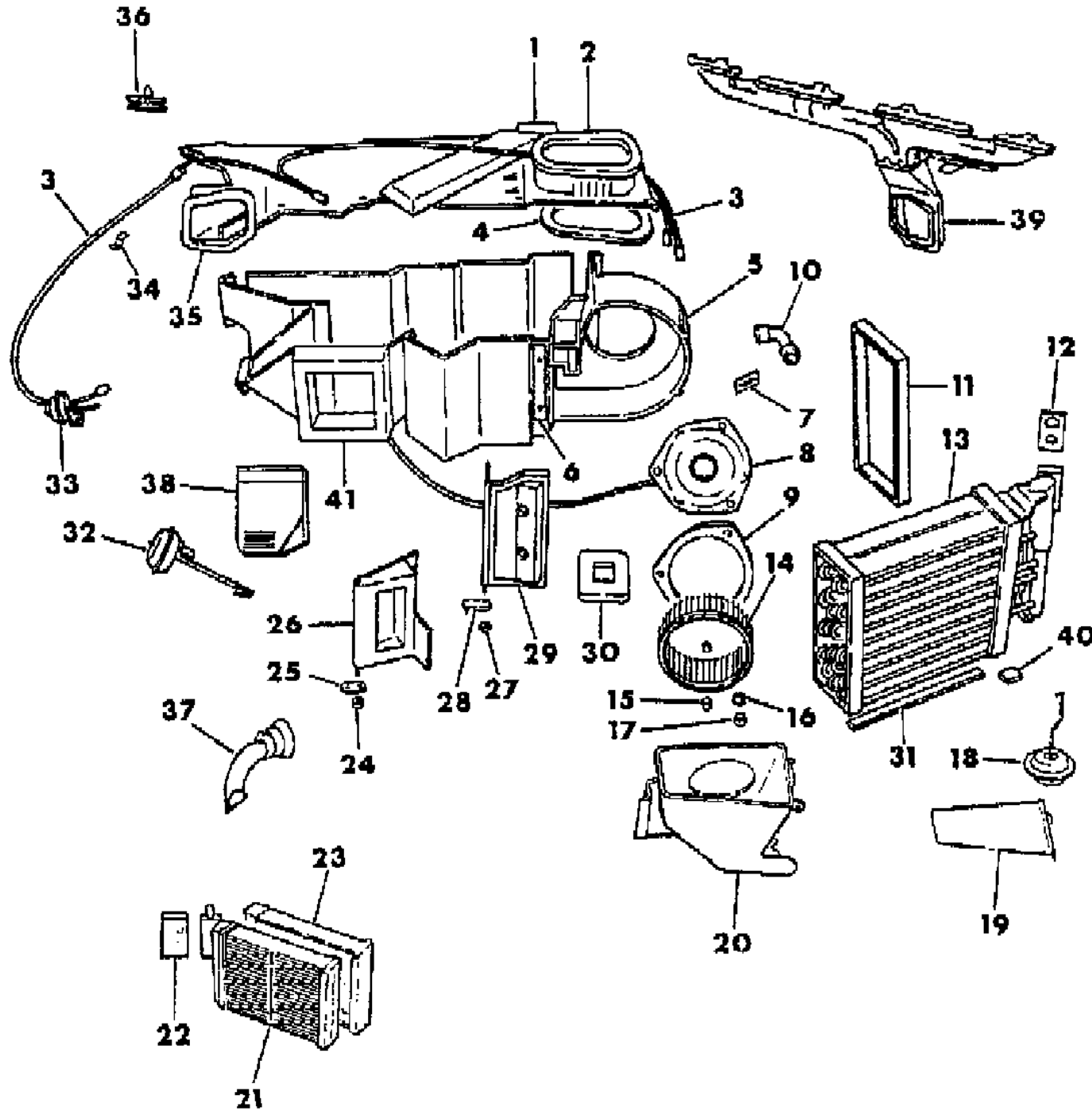
45 = 4-DOOR STATION WAGON

52-53 = FWD WAGON

AR = Use as Required - = Non Illustrated Part P.A.R. = Paint as Required

**AIR CONDITIONING AND HEATER UNIT P BODY P,D-22,44 H BODY D,C-44
Figure 24-1800**

7124 1800



ITEM	PART NUMBER	QTY	BODY	MODEL	DESCRIPTION
	0219 462	1			NUT, w/Washer A/c. Blend Air Door Lever Mtg.
29	5210 395	1			DOOR, A/C. Blend Air
30	3847 602	1			SEAL, A/C. Unit to Dash at Coil Header
31	#5210 073	2			SEAL, A/C. Evap. Coil to Hsg. Bottom
32	3847 849	1			ACTUATOR, A/C. Mode Door
33	5210 068	1			ACTUATOR, A/C. Htr. & Defroster Door
	6031 147	1			NUT, A/C. Defr. Actr. Rod Rtnng.
34	2521 336	2			CLIP, A/C. Evap. Hsg. Cover Mtg.
35	3847 606	1			SEAL, A/C. Evap. Hsg. Cover Defroster Duct
36	6015 778	1			CLIP, A/C. Vac. Hose Retaining
37	3848 827	1			TUBE, A/C. Unit Drain
38	5210 093	1			DOOR, & Shaft A/C. Htr. Defroster
39	3848 486	1	H		DUCT, Defroster
40	4192 019	1			BUMPER, A/C. Condenser
41	5210 336	1			SEAL, A/C. Ctr. Air Distr. Duct

MODEL CODES

E BODY = (J - CARAVELLE)(E - 600)(T - NEW YORKER)

G BODY = (V24 - DAYTONA)

H BODY = (D44 - LANCER)(C44 - LEBARON GTS)

J BODY = (C - LEBARON)

K BODY = (P - RELIANT)(D - ARIES)(C - LEBAROND)/TOWN & COUNTRY)

L BODY = (M - HORIZON/TURISMO)(Z - OMNI/CHARGER)

M BODY = (B - GRAN FURY)(F - FIFTH AVE/NEWPORT)(G - DIPLOMAT)

P BODY = (P - SUNDANCE)(D - SHADOW)

S BODY = (H - VOYAGER)(K - RAM VAN/CARAVAN)

BODY STYLES

12-13 = FWD VAN

21 = 2-DOOR SEDAN

24 = 2-DOOR HATCHBACK

27 = 2-DOOR CONVERTIBLE

41 = 4-DOOR SEDAN

44 = 4-DOOR HATCHBACK

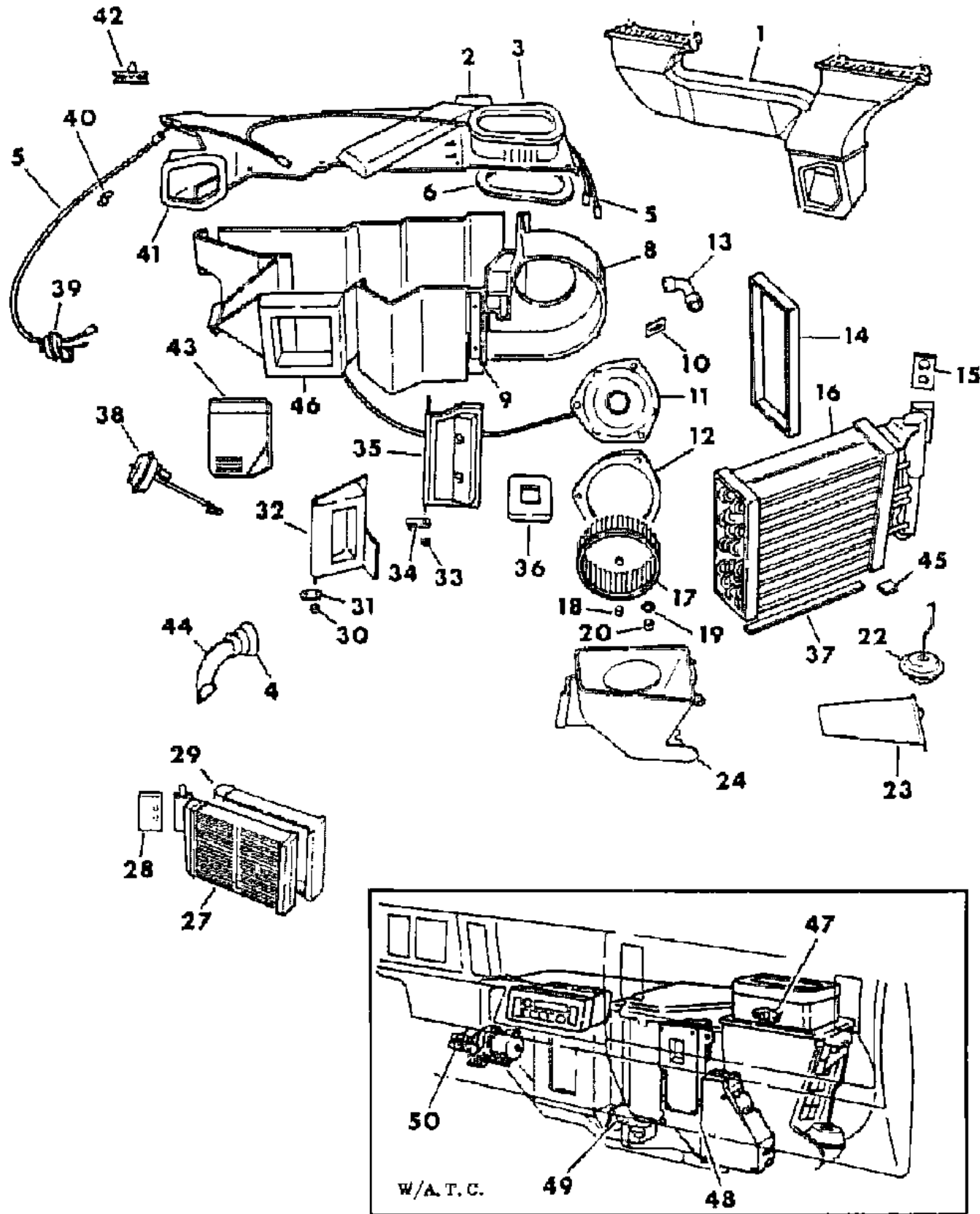
45 = 4-DOOR STATION WAGON

52-53 = FWD WAGON

AR = Use as Required - = Non Illustrated Part P.A.R. = Paint as Required

AIR CONDITIONING AND HEATER UNIT J,K,G,E BODY
Figure 24-1900

7124 1900 A



ITEM	PART NUMBER	QTY	BODY	MODEL	DESCRIPTION
1	3848 734	1	K,E		DUCT, w/Adapter, A/C., Defroster
	3848 067	1	J,G		DUCT, A/C., Defroster
2	3849 369	1	J,K,E		COVER, A/C. Evaporator, Recirc. Housing
	3849 369	1	G		COVER, A/C. Evaporator, Recirc. Housing
	3849 370	1	J,E		COVER, A/C. Evaporator Housing, A.T.C.
-	3847 721	1			SEAL, A/C. Evaporator Housing Cover Mtg. Left
-	3847 720	1			SEAL, A/C. Evaporator Housing Cover Mtg. Right
3	3847 605	1			SEAL, A/C. Unit to Plenum
4	3848 827	1			RETAINER, A/C. Drain Tube
5	3849 126	1			HOSE, w/Connector, A/C. Vacuum
-	3780 508	AR			HOSE, Vacuum Extension (Serviced in Roll)
-	3441 609	1			VALVE, A/C. Two Port Check, (Vacuum Hose)
6	3847 721	1			SEAL, A/C. Recirc. Housing Cover to Housing, Left
	3847 722	1			Right
-	3847 720	1			SEAL, A/C. Evap. Housing Mtg. Center
8	3848 418	1			HOUSING and STUD, A/C Evaporator
	3848 565	1	J,E		HOUSING, A/C. Evaporator A.T.C.
9	3848 238	1			BRACE, A/C. Unit Mounting To Plenum Support
10	3849 235	1			RESISTOR, A/C. Blower Motor
11	3849 575	1			MOTOR, A/C. Blower
-	4311 881	1			CAPACITOR, A/C., Blower Motor
-	4274 936	1			INSULATOR, A/C. Blower
12	3847 476	1			SEAL, A/C. Blower Motor Mounting to Scroll
-	4311 881	1			CAPACITOR, A/C. Blower Motor
13	5210 066	1			TUBE, A/C. Blower Motor Cooling
14	3847 116	1			SEAL, A/C. Evaporator Coil Header End
15	3846 836	1			GASKET, A/C. Evaporator Valve Mounting
16	4339 423	1			COIL, A/C. Evaporator Complete
17	5210 234	1			WHEEL, A/C. Blower Motor
18	2837 680	1			CLAMP, A/C. Blower Wheel Motor Mounting
19	6500 376	1			NUT, A/C. Blower Motor U-Type
20	6031 694	3			SCREW and WASHER, A/C. Blower Motor Mounting
22	5210 111	1			ACTUATOR, A/C. Recirc. w/Fresh Air Door
23	5210 056	1			DOOR w/SEAL, A/C. Recirc. w/Fresh Air
	0116 000	AR			NUT, A/C., Recirc. Door Actr. Mtg. (F/Air)
24	5210 070	1			HOUSING, A/C. Recirc. Blower Wheel
27	3847 943	1			CORE, A/C., Heater
28	5210 109	1			SEAL, A/C. Unit To Dash at Core Tubes

MODEL CODES

E BODY = (J - CARAVELLE)(E - 600)(T - NEW YORKER)

G BODY = (V24 - DAYTONA)

H BODY = (D44 - LANCER)(C44 - LEBARON GTS)

J BODY = (C - LEBARON)

K BODY = (P - RELIANT)(D - ARIES)(C - LEBAROND)/TOWN & COUNTRY)

L BODY = (M - HORIZON/TURISMO)(Z - OMNI/CHARGER)

M BODY = (B - GRAN FURY)(F - FIFTH AVE/NEWPORT)(G - DIPLOMAT)

P BODY = (P - SUNDANCE)(D - SHADOW)

S BODY = (H - VOYAGER)(K - RAM VAN/CARAVAN)

BODY STYLES

12-13 = FWD VAN

21 = 2-DOOR SEDAN

24 = 2-DOOR HATCHBACK

27 = 2-DOOR CONVERTIBLE

41 = 4-DOOR SEDAN

44 = 4-DOOR HATCHBACK

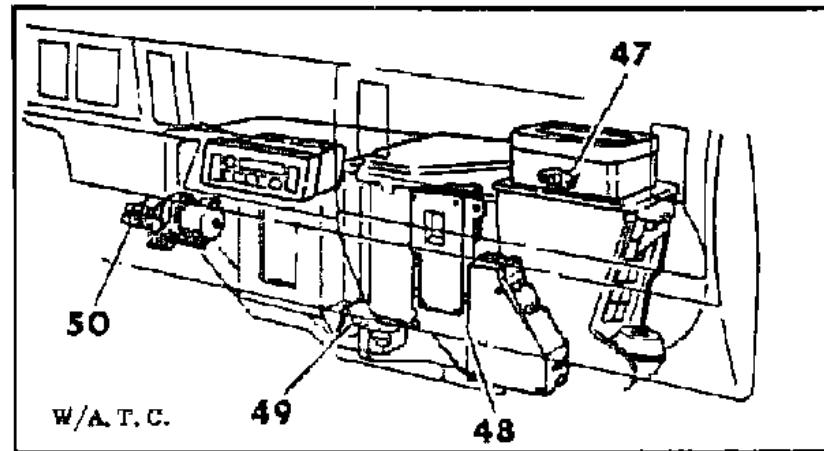
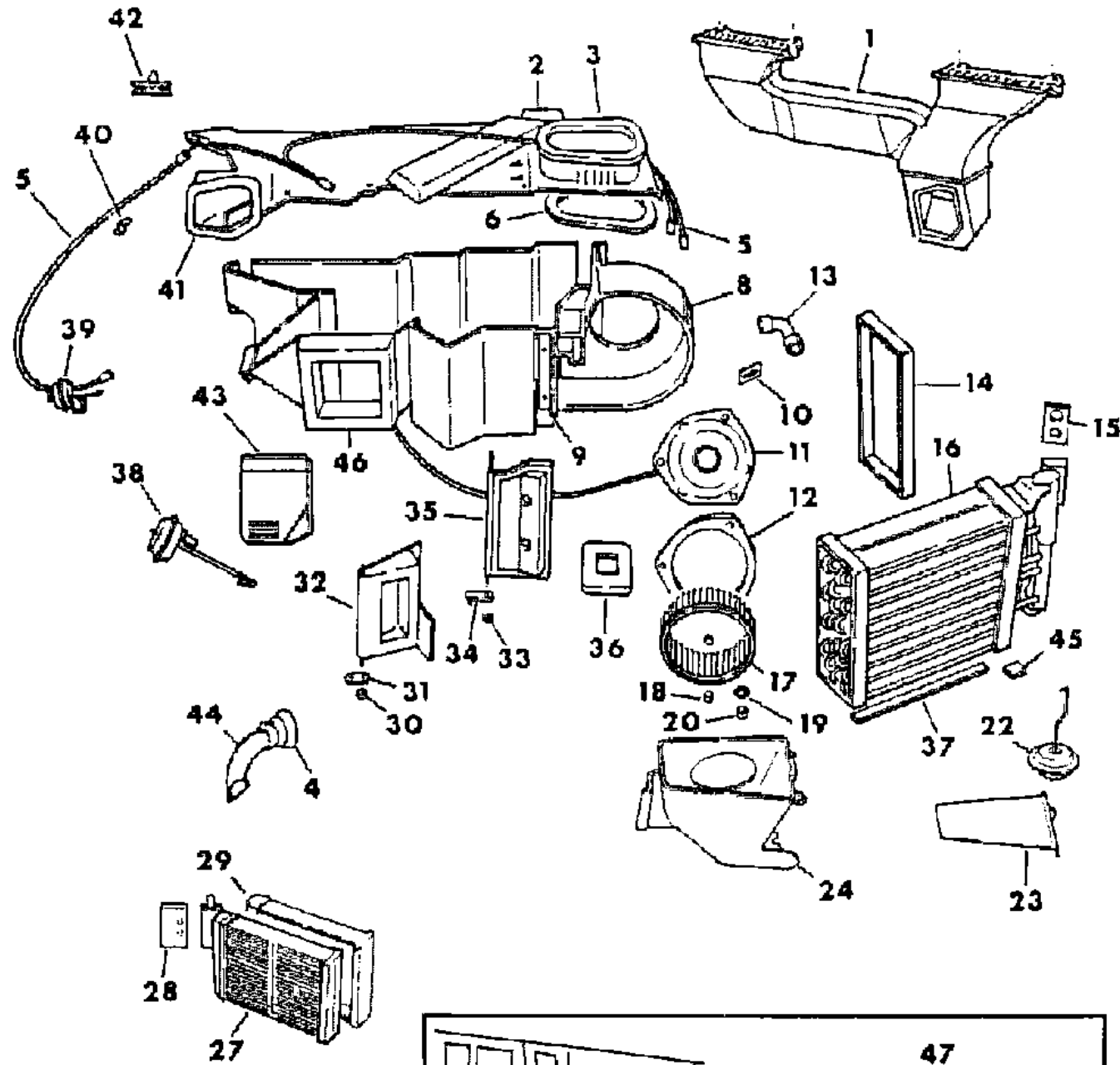
45 = 4-DOOR STATION WAGON

52-53 = FWD WAGON

AR = Use as Required - = Non Illustrated Part P.A.R. = Paint as Required

AIR CONDITIONING AND HEATER UNIT J,K,G,E BODY
Figure 24-1900

7124 1900 A



ITEM	PART NUMBER	QTY	BODY	MODEL	DESCRIPTION
29	3848 093	1			SEAL, A/C. Heater Core To Housing
	6031 132	1			CLIP, A/C. Temperature Control Cable Adjustment
30					NUT, Door Shaft Lever (Do Not Serv.)
31	3847 858	1			LEVER, Mode Door Shaft
32	3849 511	1			DOOR w/SEAL, A/C. Mode
33	0219 462	1			NUT, Door Shaft Lever
34	5210 113	1			LEVER, A/C. Blend Air Door
	0219 462	1			NUT, w/Washer A/C., Blend Door Lever Mtg.
35	5210 395	1			DOOR, A/C. Blend Air
36	3847 602	1			SEAL, A/C. Unit To Dash at Coil Header
37	#5210 073	2			SEAL, A/C. Evaporator Coil To Housing Bottom
38	3847 849	1			ACTUATOR, A/C. Mode Door
39	5210 068	1			ACTUATOR, A/C. Heater, Defroster Door
	6031 147	1			NUT, A/C., Defroster Actuator Rod
40	2521 336	2			CLIP, A/C. Evaporator Housing Cover Mounting
41	3847 606	1			SEAL, A/C. Unit To Defroster Duct
42	6015 778	1			CLIP, A/C. Vacuum Hose Retaining
43	5210 093	1			DOOR and SHAFT, A/C., Defroster
44	3848 827	1			TUBE, A/C. Unit Drain
-	3847 853	1			SPRING, A/C. Mode Door
45	4192 019	1			BUMPER, A/C., Defroster Door
46	5210 336	1			SEAL
47	3848 789	1	J,E		SENSOR, ATC Ambient
48	3848 563	1	J,E		MODULE, Power ATC
	3848 564	1	J,E		MODULE, Vacuum ATC
49	3848 566	1	J,E		MOTOR, ATC Blend Air Door
50	3848 859	1	E		SENSOR, ATC In Car (Complete)
	3849 618	1	J		SENSOR, ATC in Car (Complete)
-	4331 312	1	J,E		BRACKET, ATC Insl. Mounting (Harness)
-	3848 778	1	J,E		CAP, ATC Blend Air Door Shaft
-	3780 508	1			HOSE, A/C. Vacuum (service in roll)
-	3847 681	1			SEAL, A/C. Heater Core End
-	3848 841	1			SEAL, A/C. Evap. Coil to Hose Hair Pin End

MODEL CODES

E BODY = (J - CARAVELLE)(E - 600)(T - NEW YORKER)

G BODY = (V24 - DAYTONA)

H BODY = (D44 - LANCER)(C44 - LEBARON GTS)

J BODY = (C - LEBARON)

K BODY = (P - RELIANT)(D - ARIES)(C - LEBAROND)/TOWN & COUNTRY)

L BODY = (M - HORIZON/TURISMO)(Z - OMNI/CHARGER)

M BODY = (B - GRAN FURY)(F - FIFTH AVE/NEWPORT)(G - DIPLOMAT)

P BODY = (P - SUNDANCE)(D - SHADOW)

S BODY = (H - VOYAGER)(K - RAM VAN/CARAVAN)

BODY STYLES

12-13 = FWD VAN

21 = 2-DOOR SEDAN

24 = 2-DOOR HATCHBACK

27 = 2-DOOR CONVERTIBLE

41 = 4-DOOR SEDAN

44 = 4-DOOR HATCHBACK

45 = 4-DOOR STATION WAGON

52-53 = FWD WAGON

AR = Use as Required - = Non Illustrated Part P.A.R. = Paint as Required

AIR CONDITIONING AND HEATER UNIT S Body
Figure 24-2000

7124 2000

ITEM	PART NUMBER	QTY	BODY	MODEL	DESCRIPTION
1	3848 360	1			COIL, A/C. Evap. Coil Complete
2	3848 827	1			TUBE, A/C. Drain
3	3848 300	1			CORE, A/C.
4	3848 261	1			HOUSING, Stud A/C. Unit Evap.
5	3503 859	1			WHEEL, A/C. Motor
-	2837 680	1			CLAMP, A/C., Blower Motor Wheel Mtg.
	6031 694	3			SCREW, w/Wash. A/C. Blower Mtr. Mtg.
6	3848 432	1			COVER, Heater
7	3848 267	1			COVER, A/C. Recirc.
8	3848 272	1			COVER, Assy. A/C. Motor
9	3847 476	1			SEAL, A/C. Blwr. Motor to Cover
10	3848 258	1			ACTUATOR, A/C. F/Air Door
	0116 000	2			NUT, F/Air Door Actr. Mtg.
11	3848 370	1			DOOR, A/C. F/Air w/o Seals
12	4339 459	1			MOTOR, A/C. Blower
-	4311 471	1			CAPACITOR, A/C. Blower Motor
13	3848 263	1			COVER, A/C. Evap.
14	3848 873	1			DOOR, A/C. Temp. w/Seal
15	3849 219	1			DUCT, A/C. Heat Distr.
16	3848 266	1			SEAL, A/C. Evap. Cover to Ducts
17	3848 226	1			DOOR, A/C. Mode
	3849 476	1			DOOR, Assy. A/C. Mode, w/Seal
-	4163 735	1			SHAFT, A/C. Defr. Mode Door
	6031 147	1			RETAINER, A/C. Mode Defr. Door Shaft
18	3848 259	1			ACTUATOR, A/C. Mode Door
19	3848 260	1			ACTUATOR, A/C. Defr. Door
20	3848 227	1			DOOR, Heater, Defroster
21	3846 756	1			SEAL, A/C. Evap. Coil Hsg. (Bottom)
22	3848 838	1			SEAL, A/C. Evap. Coil to Hdr. Tubes to Hsg.
23	3848 151	1			SEAL, A/C. Evap. Coil to Hsg. Hair Pin End
24	3848 878	1			LEVER, A/C. Temp. Door
25	3847 116	1			SEAL, Evap. Coil Header End
26	3848 997	1			RESISTOR, A/C. Blower Motor
27	3848 254	1			SEAL, A/C. Core Tubes to Dash
28	3848 255	1			SEAL, A/C. Header (to Dash)
29	3848 251	1			BRACE, A/C. Unit Support
-	3848 737	1			HOSE, A/C. Vacuum
-	3780 508	AR			HOSE, A/C. Vac. Ext. (serviced in roll)

MODEL CODES

E BODY = (J - CARAVELLE)(E - 600)(T - NEW YORKER)

G BODY = (V24 - DAYTONA)

H BODY = (D44 - LANCER)(C44 - LEBARON GTS)

J BODY = (C - LEBARON)

K BODY = (P - RELIANT)(D - ARIES)(C - LEBAROND)/TOWN & COUNTRY)

L BODY = (M - HORIZON/TURISMO)(Z - OMNI/CHARGER)

M BODY = (B - GRAN FURY)(F - FIFTH AVE/NEWPORT)(G - DIPLOMAT)

P BODY = (P - SUNDANCE)(D - SHADOW)

S BODY = (H - VOYAGER)(K - RAM VAN/CARAVAN)

BODY STYLES

12-13 = FWD VAN

21 = 2-DOOR SEDAN

24 = 2-DOOR HATCHBACK

27 = 2-DOOR CONVERTIBLE

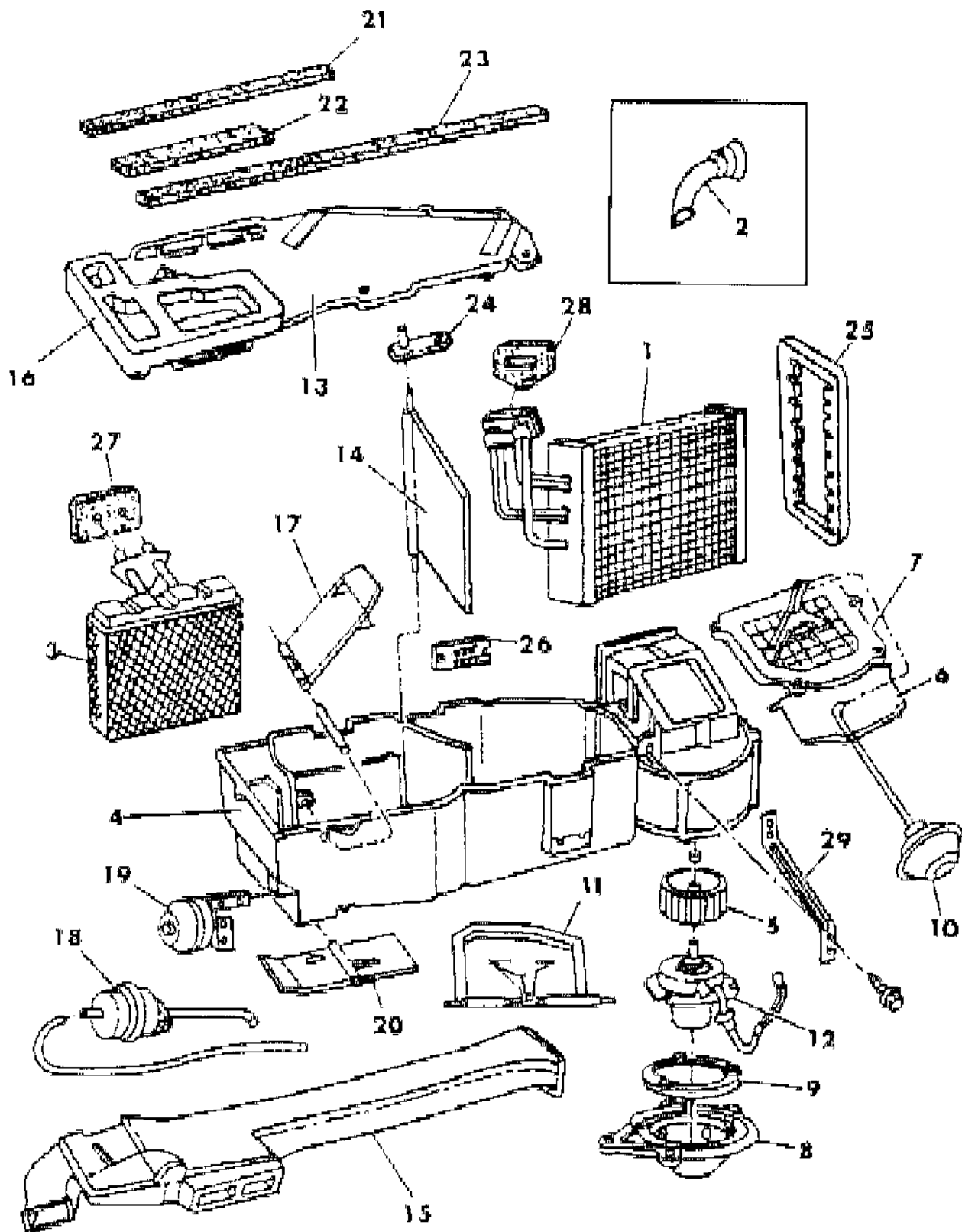
41 = 4-DOOR SEDAN

44 = 4-DOOR HATCHBACK

45 = 4-DOOR STATION WAGON

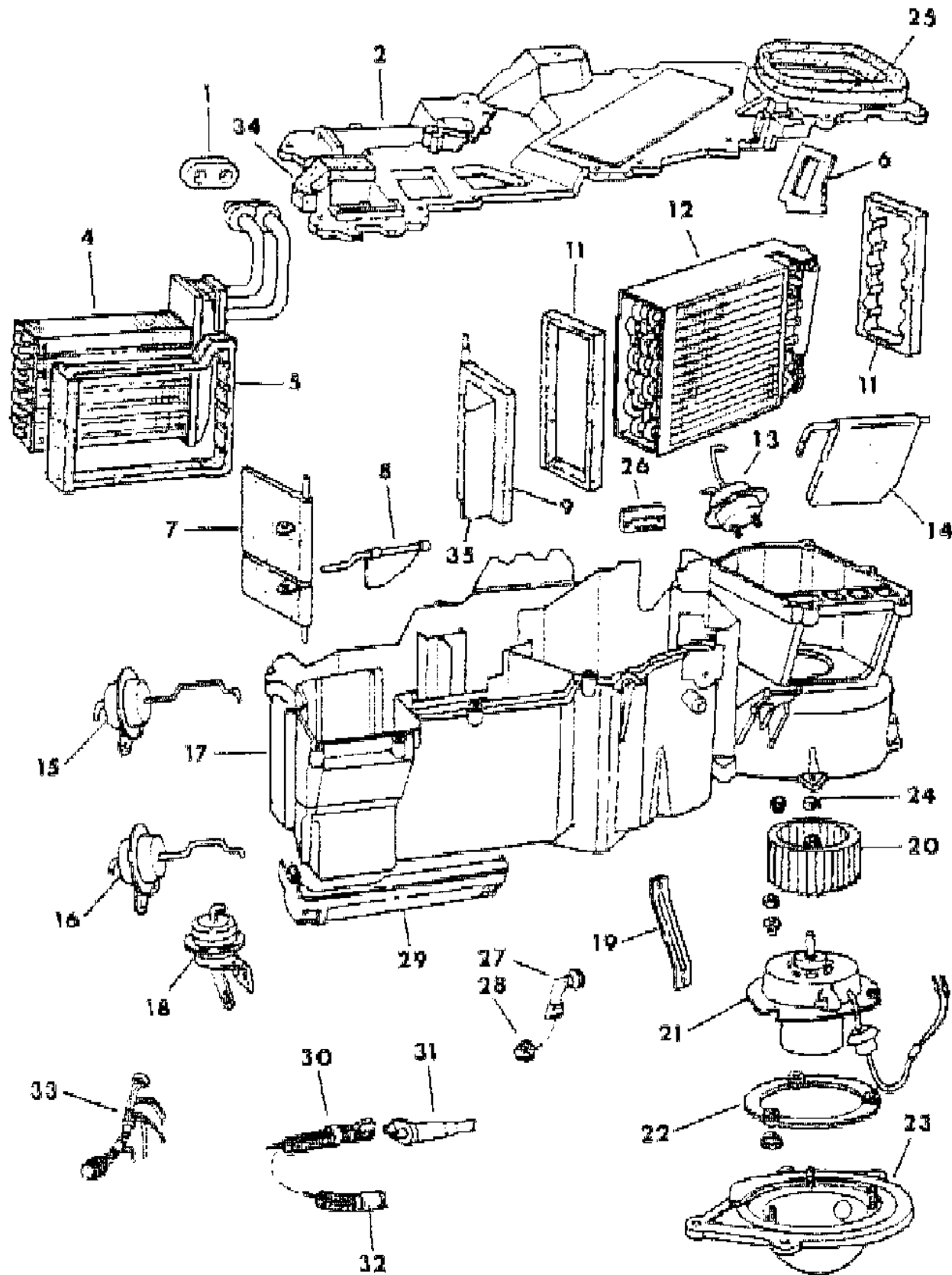
52-53 = FWD WAGON

AR = Use as Required - = Non Illustrated Part P.A.R. = Paint as Required



AIR CONDITIONING AND HEATER UNIT M BODY
Figure 24-2100

7124 2100



ITEM	PART NUMBER	QTY	BODY	MODEL	DESCRIPTION
1	3846 740	1			SEAL, A/C. Heater Tubes To Dash
2	3849 097	1			COVER ASSEMBLY, A/C. Housing
4	4339 438	1			CORE, Assy. A/C., Heater Complete
-	4240 440	1			TANK, A/C. Htr. Core or Heater
5	3849 100	1			SEAL, A/C. Core To Housing Mounting
6	3847 304	1			SEAL, A/C. Unit to Dash at Coil
7	3847 231	1			DOOR and SEAL, A/C. Mode Complete
8	3847 478	1			DOOR, A/C., Defroster Complete
9	3847 223	1			DOOR and SEAL, A/C. Blend Air Complete
-	3847 913	1			PAD, A/C. Blend Air Door Servo Silencer w/A.T.C.
-	3847 296	1			SERVO, A/C. Blend Air Door w/A.T.C.
11	3847 116	1			SEAL, A/C. Evap. Coil Heater End
	3847 790	1			SEAL, A/C. Evap. Coil Bottom 11.14" Lg.
12	3847 256	1			COIL and SEAL, A/C. Evap. Complete
13	3847 216	1			ACTUATOR, A/C. Fresh Air Door
14	3847 217	1			DOOR and SEAL, A/C. Fresh Air
15	3847 230	1			ACTUATOR, A/C. Mode Door, Upper
16	3847 229	1			ACTUATOR, A/C. Mode Door, Lower
17	3849 092	1			HOUSING and STUD, A/C. Evap. & Recirc.
18	3847 211	1			ACTUATOR, A/C. Defroster Door
19	3847 202	1			BRACE, A/C. Unit to Plenum Mtg.
20	3503 037	1			WHEEL, A/C. Blower Motor
21	4419 318	1			MOTOR, A/C. Blower
-	4222 912	1			CAPACITOR, A/C. Blower Motor
22	3847 476	1			SEAL, A/C. Blower Motor Mtg. Scroll
23	3847 207	1			COVER and STUD, A/C. Blower Scroll
-	3847 205	1			SEAL, A/C. Cover to Scroll
-	3773 192	1			SEAL, A/C. Blower Scroll Cover to Hsg.
24	2837 680	1			CLAMP, A/C. Blower Mtr. Wheel Mtr. Mtg.
25	3847 243	1			SEAL, A/C. Unit to Plenum
26	3848 996	1			RESISTOR, A/C. Blower Motor
27	3848 827	1			TUBE, A/C. Drain
28	6031 886	1			RETAINER, A/C. Drain Tube
29	3847 297	1			DUCT, A/C. Heat Distribution
30	3847 294	1			HOSE, A/C. Sensor to Aspirator w/A.T.C.
-	4005 185	1			HOSE, A/C. Aspirator to Evaporator Hsg.
31	3847 766	1			ASPIRATOR ASSEMBLY, A/C. w/A.T.C.
32	3847 291	1			SENSOR ASSEMBLY, w/A.T.C.

MODEL CODES

E BODY = (J - CARAVELLE)(E - 600)(T - NEW YORKER)

G BODY = (V24 - DAYTONA)

H BODY = (D44 - LANCER)(C44 - LEBARON GTS)

J BODY = (C - LEBARON)

K BODY = (P - RELIANT)(D - ARIES)(C - LEBAROND)/TOWN & COUNTRY)

L BODY = (M - HORIZON/TURISMO)(Z - OMNI/CHARGER)

M BODY = (B - GRAN FURY)(F - FIFTH AVE/NEWPORT)(G - DIPLOMAT)

P BODY = (P - SUNDANCE)(D - SHADOW)

S BODY = (H - VOYAGER)(K - RAM VAN/CARAVAN)

BODY STYLES

12-13 = FWD VAN

21 = 2-DOOR SEDAN

24 = 2-DOOR HATCHBACK

27 = 2-DOOR CONVERTIBLE

41 = 4-DOOR SEDAN

44 = 4-DOOR HATCHBACK

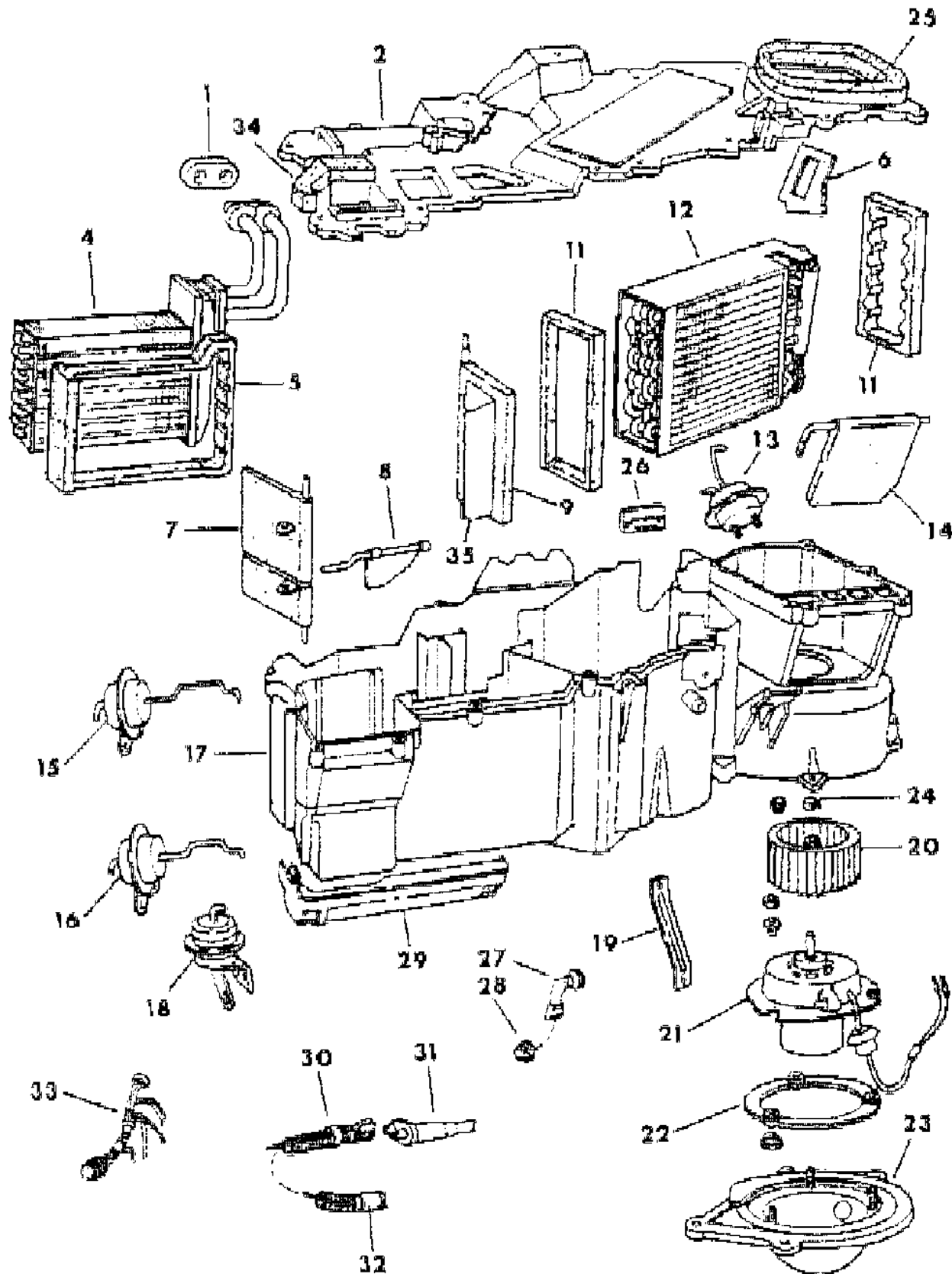
45 = 4-DOOR STATION WAGON

52-53 = FWD WAGON

AR = Use as Required - = Non Illustrated Part P.A.R. = Paint as Required

AIR CONDITIONING AND HEATER UNIT M BODY
Figure 24-2100

7124 2100



ITEM	PART NUMBER	QTY	BODY	MODEL	DESCRIPTION
-	3843 601	2			TERMINAL, A.T.C. In Car Sensor
-	3847 589	1			SENSOR, Ambient w/A.T.C.
33	3847 627	1			HOSE and CONNECTOR, A/C. Vacuum
-	6015 778	1			CLIP, A/C. Vacuum Hose Retaining
34	3503 999	1			SEAL, A/C. Cover to Defroster Duct
35	3847 225	1			DEFLECTOR, A/C. Blend Air Door
-	0116 000	1			NUT, A/C. F/Recirc. Mounting

MODEL CODES

E BODY = (J - CARAVELLE)(E - 600)(T - NEW YORKER)

G BODY = (V24 - DAYTONA)

H BODY = (D44 - LANCER)(C44 - LEBARON GTS)

J BODY = (C - LEBARON)

K BODY = (P - RELIANT)(D - ARIES)(C - LEBAROND)/TOWN & COUNTRY)

L BODY = (M - HORIZON/TURISMO)(Z - OMNI/CHARGER)

M BODY = (B - GRAN FURY)(F - FIFTH AVE/NEWPORT)(G - DIPLOMAT)

P BODY = (P - SUNDANCE)(D - SHADOW)

S BODY = (H - VOYAGER)(K - RAM VAN/CARAVAN)

BODY STYLES

12-13 = FWD VAN

21 = 2-DOOR SEDAN

24 = 2-DOOR HATCHBACK

27 = 2-DOOR CONVERTIBLE

41 = 4-DOOR SEDAN

44 = 4-DOOR HATCHBACK

45 = 4-DOOR STATION WAGON

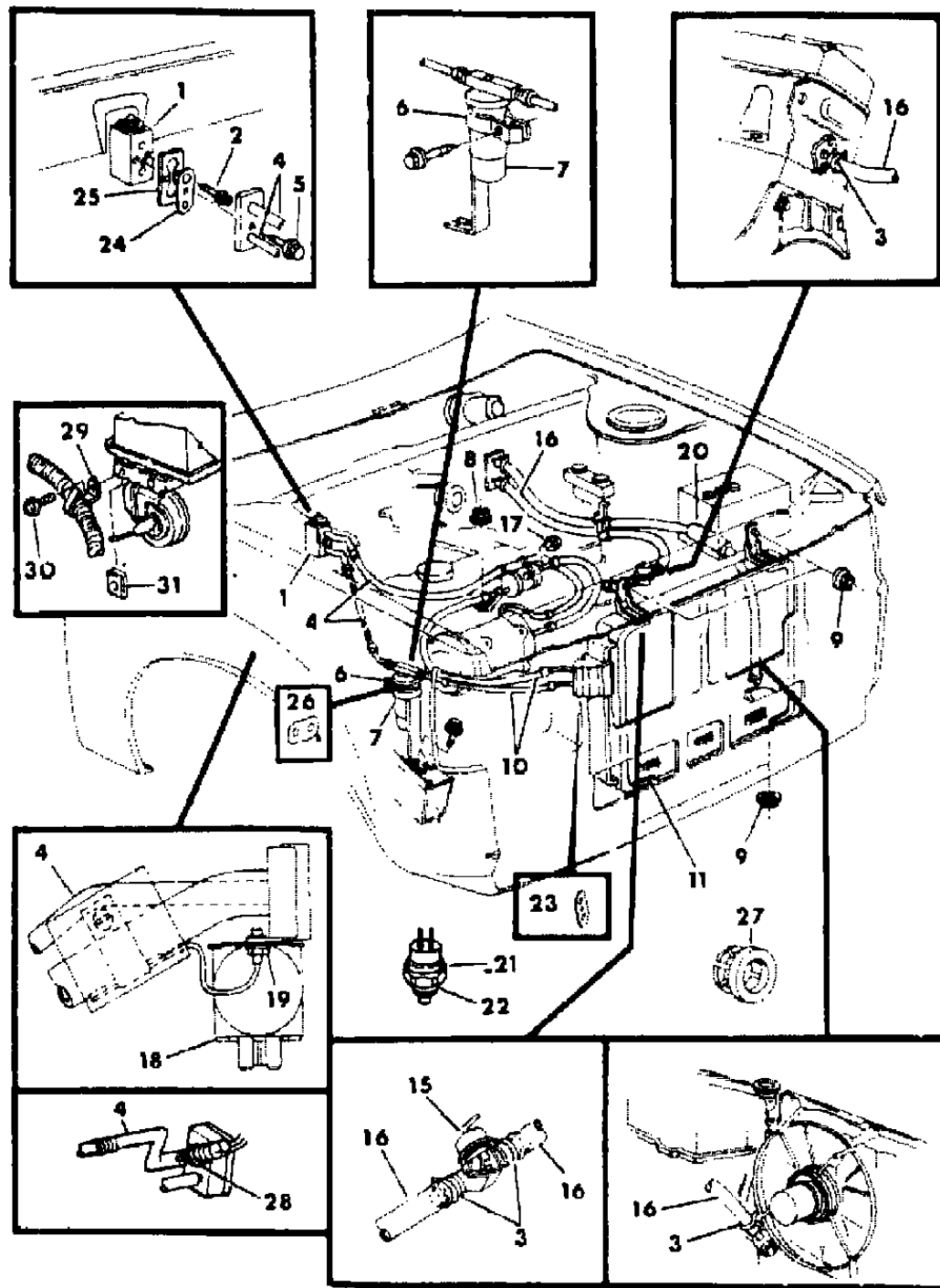
52-53 = FWD WAGON

AR = Use as Required - = Non Illustrated Part P.A.R. = Paint as Required

PLUMBING, AIR CONDITIONING AND HEATER L,K,G,E BODY

Figure 24-2200

7124 2200B



ITEM	PART NUMBER	QTY	BODY	MODEL	DESCRIPTION
1	3849 240	1	Exc. L		VALVE, A/C. Expansion, H-Type
	4176 999	1	L		VALVE, A/C. Expansion, H-Type
-	3848 208	1			PILOT, Package Valve Expansion H-Type
2	6032 572	2			SCREW, A/C. Expansion Valve Mtg.
3	2448 770	6			CLAMP, A/C. Hose
4	3849 636	1	L		LINE, A/C. Suction & Liquid
	3849 623	1	Exc. L		LINE, A/C., Suction & Liquid
5	6022 250	1			SCREW and WASHER
-	3849 468	1			VALVE, A/C. Suction & Disch. Check Line (Damped Pressure Switch Ftg.)
-	3848 785	1	Exc. L		BRACKET, A/C. Suction Line Support
	6500 827	1			SCREW, A/C. Suction & Liquid Line Mtg.
	6500 827	1			A/C. Disch. & Liquid Line Mtg. To Condenser
6	5210 409	1			BRACKET, A/C. Filter Drier Mtg.
7	5210 438	1	L		FILTER DRIER, A/C.
	3849 259	1	Exc. L		FILTER DRIER, w/Brkt. A/C.
8	6100 047	1			NUT and WASHER
9	6500 284	4			NUT and WASHER
10	3848 941	1	L		LINE, A/C. Discharge & Liquid, w/2.2L Eng.
	3849 621	1	Exc. L		LINE, A/C., Discharge & Liquid
-	3849 335	1	K		SWITCH, A/C., High Pressure Cut-Out
11	3849 594	1	L		CONDENSER, A/C.
	3849 595	1	Exc. L		
15	3848 136	1	L		VALVE, A/C. Water
	3848 114	1			VALVE, A/C. Water (4Port) w/Turbo Engine
	3849 199	1	Exc. L		VALVE, A/C. Water, Htr. (4Port) w/2.2L, 2.5 Engine
	4339 457	1	PDVCJET		w/2.6L Eng.
	3848 136	1	L		VALVE, A/C. Water (4Port) w/2.2L Engine
	3849 346	1	G		VALVE, A/C. Htr. Water (4 Port) with T.C. 2
-	3849 600	1	G		BRACKET, A/C. Htr. Water Valve Mtg. with T.C. 2
16	1315 466	AR			HOSE, A/C., Heater, 5/8" I.D. 50 Ft. Roll
-	3848 721	1	L		
-	4397 809	1			SLEEVE, A/C., Heater Hose
-	3849 297	1	Exc. L		HOSE, A/C. Heater Valve To Pump, w/2.2 T.C.
-	3848 467	1	L		HOSE, A/C., Htr. Eng. to Valve, w/2.2L Eng. Hi-Perfr.
-	3849 169	1	L		HOSE and TUBE, A/C Htr. Eng. to Valve w/2.2L Turbo Engine
-	3849 202	1	Exc. L		HOSE, A/C., Heater Eng. To Valve w/2.2, 2.5L Eng.
-	3849 303	AR	Exc. L		HOSE, A/C., Htr. Valve To Pump w/2.2, 2.5 Engine (Silcone)

MODEL CODES

E BODY = (J - CARAVELLE)(E - 600)(T - NEW YORKER)

G BODY = (V24 - DAYTONA)

H BODY = (D44 - LANCER)(C44 - LEBARON GTS)

J BODY = (C - LEBARON)

K BODY = (P - RELIANT)(D - ARIES)(C - LEBAROND)/TOWN & COUNTRY)

L BODY = (M - HORIZON/TURISMO)(Z - OMNI/CHARGER)

M BODY = (B - GRAN FURY)(F - FIFTH AVE/NEWPORT)(G - DIPLOMAT)

P BODY = (P - SUNDANCE)(D - SHADOW)

S BODY = (H - VOYAGER)(K - RAM VAN/CARAVAN)

BODY STYLES

12-13 = FWD VAN

21 = 2-DOOR SEDAN

24 = 2-DOOR HATCHBACK

27 = 2-DOOR CONVERTIBLE

41 = 4-DOOR SEDAN

44 = 4-DOOR HATCHBACK

45 = 4-DOOR STATION WAGON

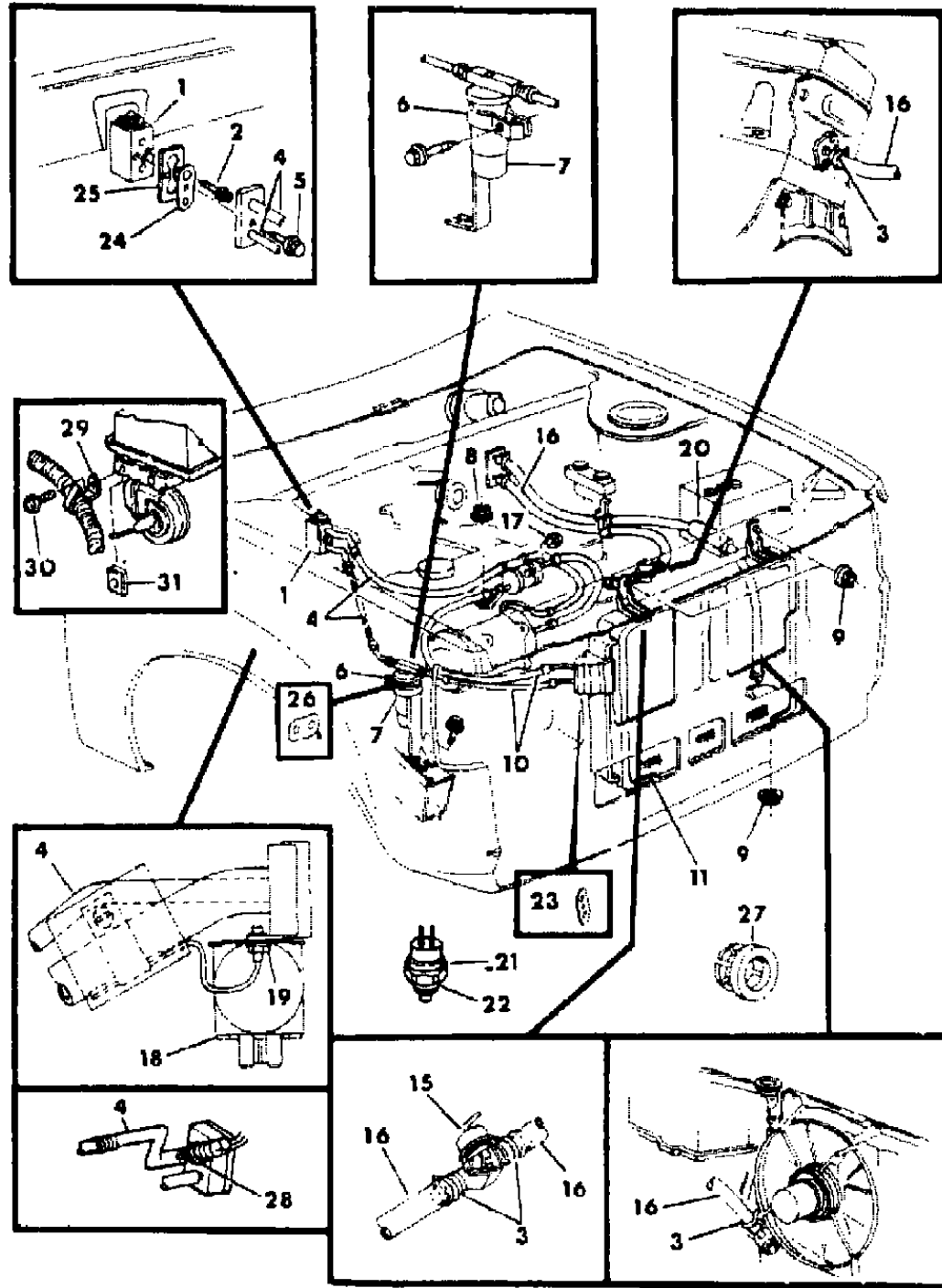
52-53 = FWD WAGON

AR = Use as Required - = Non Illustrated Part P.A.R. = Paint as Required

PLUMBING, AIR CONDITIONING AND HEATER L,K,G,E BODY

Figure 24-2200

7124 2200B



ITEM	PART NUMBER	QTY	BODY	MODEL	DESCRIPTION
-	3849 633	1			HOSE and TUBE, A/C Htr. Eng. to Valve w/2.2L TURBO Eng.
-	1315 466	1	L		HOSE, A/C., Htr. Valve To Core w/1.6L Engine
-	3849 302	1	K		HOSE, A/C., Htr. Eng. To Valve (Silicone H.D.) (12")
-	4041 604	AR			CLAMP, A/C. Heater Hose (Silicone)
-	3849 297	1	K,G,E		HOSE, A/C., Htr., Valve To Pump, w/2.2 Turbo Eng.
-	4462 019	1	G		TUBE, A/C. Htr. Eng. to Hose with T.C. 2
-	3849 349	1	G		HOSE, A/C. Htr. Valve to Pump with T.C. 2, up to 12-1-86
-	4462 053	1			after 12-1-86
-	3780 794	AR			HOSE, Control Vacuum .073/.081 I.D. 50 Ft. Roll
-	3849 242	1			CLIP, A/C., Htr. Hose Mtg. w/Tandem Booster
-	3849 243	1			CLIP, A/C., Htr. Hose Mtg. w/Single Booster
17	3848 585	1			CAP, A/C. Discharge & Liquid Line Check Valve
-	3848 021	1	K,G,E		CAP, A/C. Suction Liquid Line Check Valve
18	4339 463	1	L		SWITCH and LUBE PACKAGE, A/C Suction Line Temp. Sensing or Cycling
19		2			SCREW, (Not Serviced)
20	4397 809	1	L		SLEEVE, A/C., Heater Hose
21	5210 377	1	L		SWITCH, A/C. Low Pressure Cut-Off
22	3441 105	1	L		SEAL, A/C. Receiver Drier Low Pressure Cut-Off
23	3846 835	1			GASKET, A/C. Discharge & Liquid Line Plate to Condenser
24	3846 834	1			GASKET, A/C. Suction & Liquid Line to H-Valve
25	3846 836	1			GASKET, A/C. Evaporator Valve Mtg., Alumn.
26	3847 083	1			GASKET, A/C. Suction & Liquid Line Mtg. to Drier
27	3847 147	2			PILOT, A/C. Suction Line Mtg., Plastic
28	3849 406	1	Exc. L		SWITCH, A/C., Damped Cycling Clutch Pressure and O Ring
29	3849 709	1			CLIP, A/C., Heater Hose Mounting
30	6100 288	1			SCREW and WASHER
31	6500 681	1			J-NUT, A/C., Heater Hose Clip Mounting
-	4339 496	1	L		RELAY, A/C. Clutch Cut-Out
-	4339 495	1	Exc. L		RELAY, A/C. Clutch Cut-Out
-	3848 948	1			WASHER, A/C., Htr. Tube Flare w/2.2L TURBO Eng.
-	2837 876	1			CONNECTOR, Vacuum Hose In-Line

MODEL CODES

E BODY = (J - CARAVELLE)(E - 600)(T - NEW YORKER)

G BODY = (V24 - DAYTONA)

H BODY = (D44 - LANCER)(C44 - LEBARON GTS)

J BODY = (C - LEBARON)

K BODY = (P - RELIANT)(D - ARIES)(C - LEBAROND)/TOWN & COUNTRY)

L BODY = (M - HORIZON/TURISMO)(Z - OMNI/CHARGER)

M BODY = (B - GRAN FURY)(F - FIFTH AVE/NEWPORT)(G - DIPLOMAT)

P BODY = (P - SUNDANCE)(D - SHADOW)

S BODY = (H - VOYAGER)(K - RAM VAN/CARAVAN)

BODY STYLES

12-13 = FWD VAN

21 = 2-DOOR SEDAN

24 = 2-DOOR HATCHBACK

27 = 2-DOOR CONVERTIBLE

41 = 4-DOOR SEDAN

44 = 4-DOOR HATCHBACK

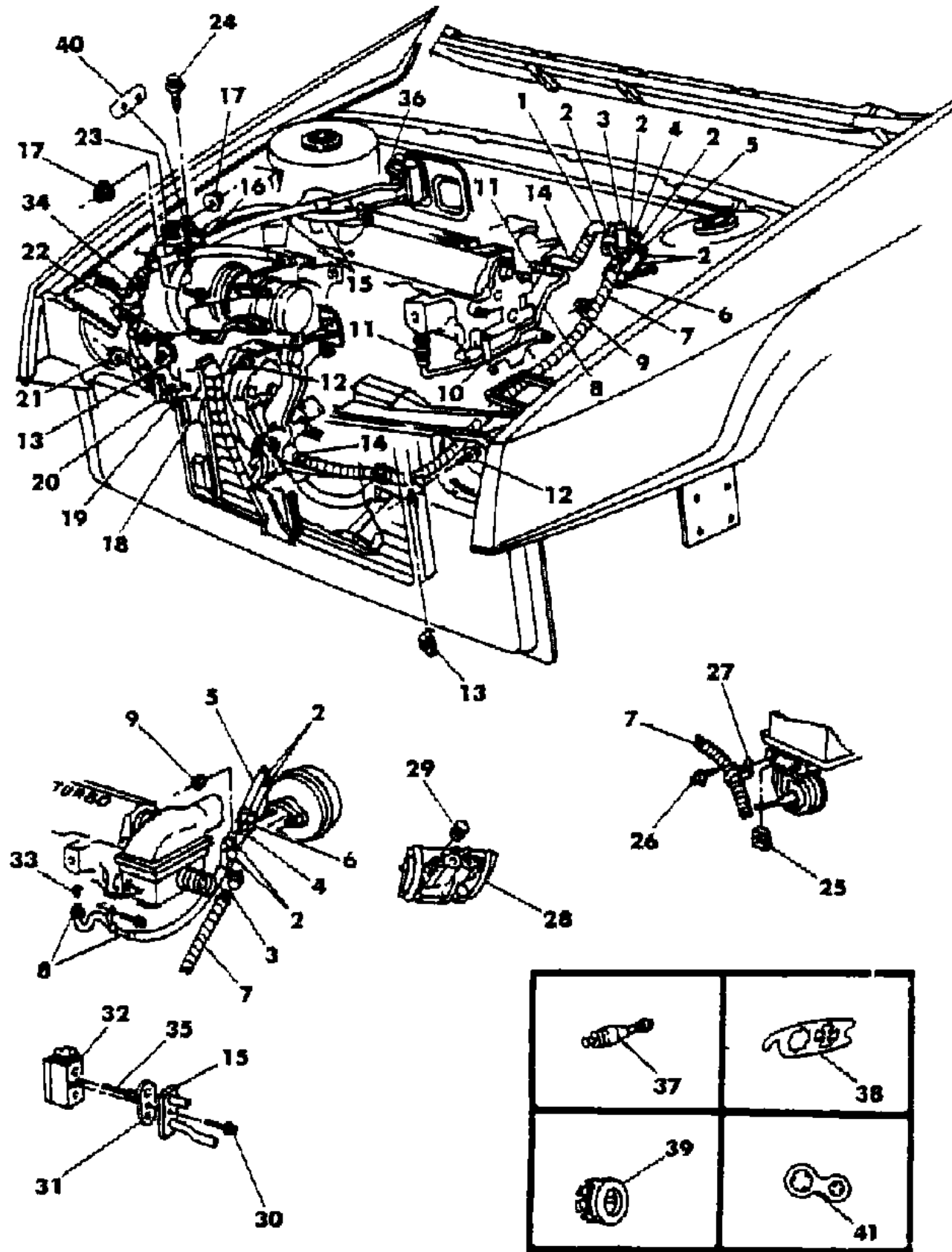
45 = 4-DOOR STATION WAGON

52-53 = FWD WAGON

AR = Use as Required - = Non Illustrated Part P.A.R. = Paint as Required

PLUMBING, AIR CONDITIONING AND HEATER P BODY P,D,22,44 J BODY
Figure 24-2300

7124 2300



ITEM	PART NUMBER	QTY	BODY	MODEL	DESCRIPTION
1	3849 202	1			HOSE, A/C., Heater Engine To Valve
2	2448 770	AR			CLAMP, A/C., Heater Hose
3	3849 199	1			VALVE, A/C., Heater Water (4 Port)
	3849 346	1			VALVE, A/C Heater Water (4 Port) Shelby
	3848 114	1			2.2 Engine w/T.C.
-	3849 600	1			BRACKET, Heater Valve Mtg. (Shelby)
4	1315 466	AR			HOSE, A/C., Heater 5/8" I.D. 50 Ft. Roll
5	1315 466	AR			HOSE, A/C., Heater 5/8" I.D. 50 Ft. Roll
-	4397 809	1			SLEEVE, A/C. Htr. Hose
6	3849 243	1			CLIP, A/C., Heater Hose Mtg. (Single Booster)
	3849 242	1			CLIP, A/C., Heater Hose Mtg. (Tanden Booster) Shelby
7	3849 303	1			HOSE, Heater Core To Pump
	3849 297	1			HOSE, A/C., Heater Valve To Pump
-	4462 053	1			HOSE, A/C., Heater Valve to Pump (Shelby)
8	#3849 633	1			HOSE and TUBE, A/C Heater Engine To Valve
-	4273 486	1			TUBE, Thermo Water By-Pass, 2.2 w/T.C.
-	4273 488	1			HOSE, Water By-Pass Tube, 2.2.w/T.C.
9					NUT, A/C., Heater Hose (Not Serviced)
10	4273 487	1			BRACKET, Water By-Pass Tube Att.
11	0153 640	1			CLAMP, Thermo-Hose By-Pass
12	6100 288	1			SCREW and WASHER, Cond. Mounting
13	#6100 041	2			U-NUT, Cond. Mounting
14	0153 640	AR			CLAMP, Heater Hose At Engine
15	3849 623	1			SUCTION, w/Liq. Line A/C.
-	3848 785	1			BRACKET, A/C. Suction Line Support
16	3848 522	1			CLIP, A/C., Suction & Discharge
17	0118 614	2			NUT and WASHER, Liq. Line Mounting To Drier
18	3849 595	1			CONDENSER, A/C.
19	3846 835	1			GASKET, A/C., Discharge & Liq. Line Mtg. To Cond.
20	3849 621	1			DISCHARGE, Liq. Line
21	6100 051	1			NUT, Disch. Liq. Line Mounting To Cond.
22	6500 517	4			SCREW
23	#3849 259	1			FILTER DRIER and BRACKET, Complete
24	9423 951	1			SCREW, A/C., Suction Line Mounting
25	6500 681	1			U-NUT, A/C., Heater Hose Clip Mounting
26	6100 288	1			SCREW and WASHER, A/C., Heater Hose Clip
27	3849 709	1			CLIP, A/C., Htr., Hose Mounting
28	3849 617	1			COMPRESSOR, A/C.

MODEL CODES

E BODY = (J - CARAVELLE)(E - 600)(T - NEW YORKER)

G BODY = (V24 - DAYTONA)

H BODY = (D44 - LANCER)(C44 - LEBARON GTS)

J BODY = (C - LEBARON)

K BODY = (P - RELIANT)(D - ARIES)(C - LEBAROND)/TOWN & COUNTRY)

L BODY = (M - HORIZON/TURISMO)(Z - OMNI/CHARGER)

M BODY = (B - GRAN FURY)(F - FIFTH AVE/NEWPORT)(G - DIPLOMAT)

P BODY = (P - SUNDANCE)(D - SHADOW)

S BODY = (H - VOYAGER)(K - RAM VAN/CARAVAN)

BODY STYLES

12-13 = FWD VAN

21 = 2-DOOR SEDAN

24 = 2-DOOR HATCHBACK

27 = 2-DOOR CONVERTIBLE

41 = 4-DOOR SEDAN

44 = 4-DOOR HATCHBACK

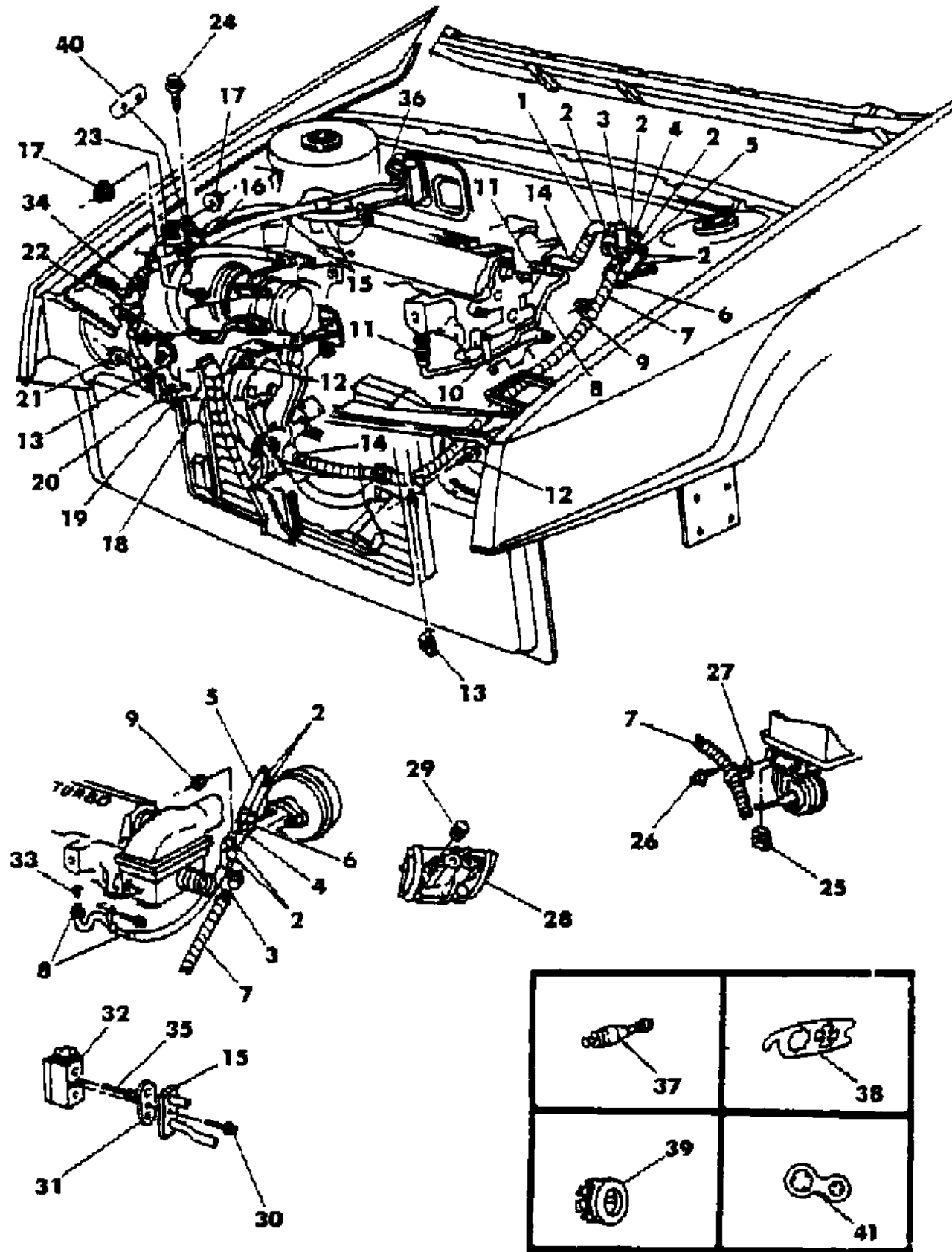
45 = 4-DOOR STATION WAGON

52-53 = FWD WAGON

AR = Use as Required - = Non Illustrated Part P.A.R. = Paint as Required

PLUMBING, AIR CONDITIONING AND HEATER P BODY P,D,22,44 J BODY
Figure 24-2300

7124 2300



ITEM	PART NUMBER	QTY	BODY	MODEL	DESCRIPTION
29	3848 021	1			CAP
30	6500 827	1			SCREW, Suction & Liquid Line Mounting
31	3846 834	1			GASKET, A/C., Suction Mounting To H-Valve
32	3849 240	1			VALVE, A/C., Expn. H-Valve
-	3848 208	1			PILOT, Package Valve Expn. H-Type
33	3848 948	1			WASHER, A/C., Heater Tube Flare
34	3848 585	1			CAP, Disch. Liq. Line Check Valve
35	6032 572	2			SCREW, Expansion Valve Mounting
36	3849 406	1			SWITCH, A/C., Damped Cycl. Clutch Pressure and O Ring
-	4372 394	1			STRAP, Ground
	6015 756	1			STRAP, A/C Vac. Line to Heater Hose (Shelby)
37	3849 468	1			VALVE, A/C., Pressure Switch Fitting
38	3847 081	1			GASKET, A/C., Suction, Disch. Mtg To Compressor
39	3847 147	1			PILOT, A/C., Suction Liquid Line Mounting
40	3847 083	1			GASKET, A/C., Suction, Discharge Line To Drier Mtg
-	2837 876	1			CONNECTOR, A/C. Vac. Hose Turbo Line
41	3846 836	1			GASKET, A/C., Evap. Expansion Valve Mtg.

MODEL CODES

E BODY = (J - CARAVELLE)(E - 600)(T - NEW YORKER)

G BODY = (V24 - DAYTONA)

H BODY = (D44 - LANCER)(C44 - LEBARON GTS)

J BODY = (C - LEBARON)

K BODY = (P - RELIANT)(D - ARIES)(C - LEBAROND)/TOWN & COUNTRY)

L BODY = (M - HORIZON/TURISMO)(Z - OMNI/CHARGER)

M BODY = (B - GRAN FURY)(F - FIFTH AVE/NEWPORT)(G - DIPLOMAT)

P BODY = (P - SUNDANCE)(D - SHADOW)

S BODY = (H - VOYAGER)(K - RAM VAN/CARAVAN)

BODY STYLES

12-13 = FWD VAN

21 = 2-DOOR SEDAN

24 = 2-DOOR HATCHBACK

27 = 2-DOOR CONVERTIBLE

41 = 4-DOOR SEDAN

44 = 4-DOOR HATCHBACK

45 = 4-DOOR STATION WAGON

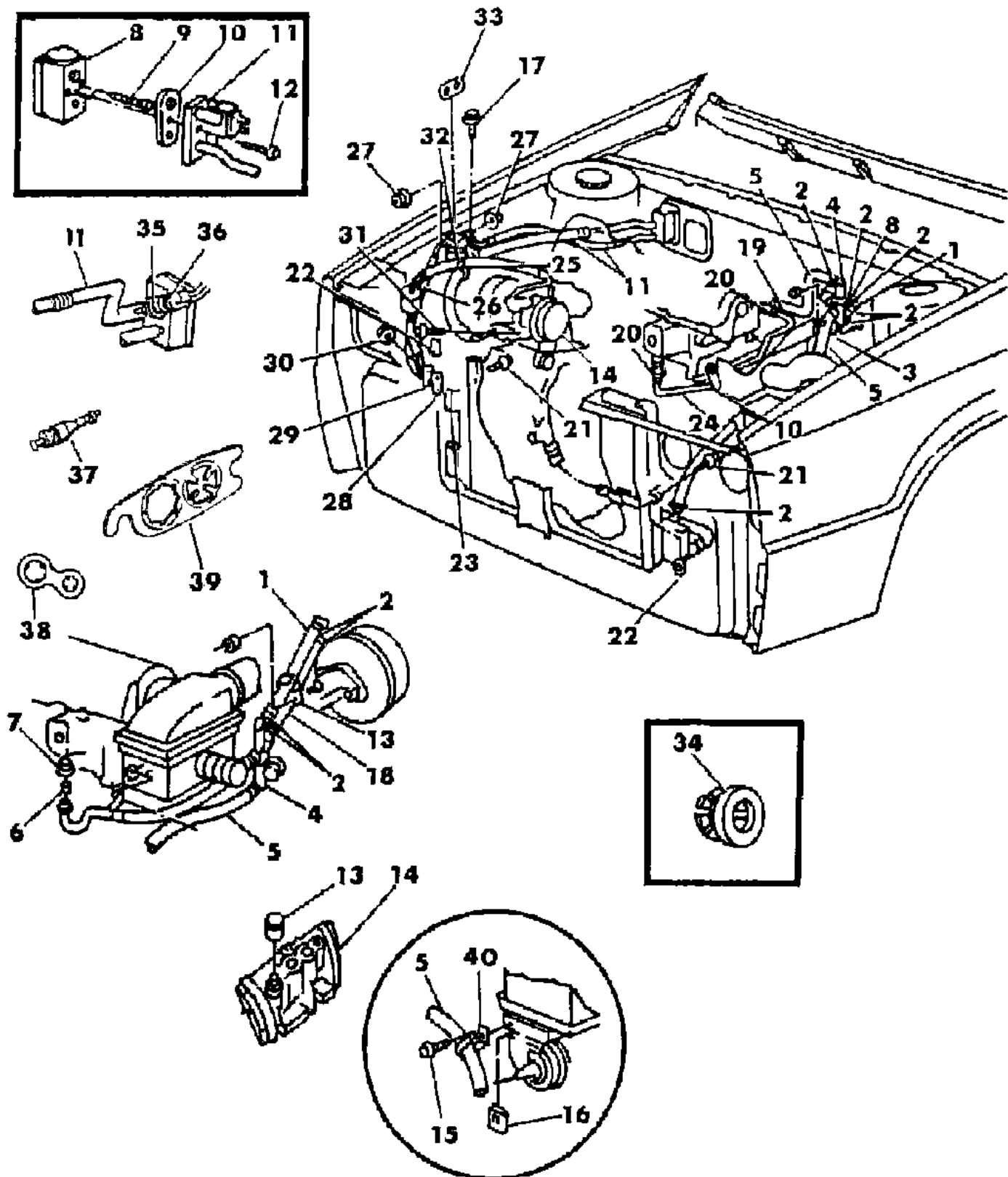
52-53 = FWD WAGON

AR = Use as Required - = Non Illustrated Part P.A.R. = Paint as Required

PLUMBING, AIR CONDITIONING AND HEATER H BODY

Figure 24-2400

7124 2400 B



ITEM	PART NUMBER	QTY	BODY	MODEL	DESCRIPTION
1	1315 466	AR			HOSE, A/C. Valve to Core
2	2448 770	AR			CLAMP, A/C. Heater Hose
3	3849 243	1			CLIP, A/C. Heater Hose Mtg. (Single Booster)
	3849 242	1			CLIP, A/C. Heater Hose Mtg. (Tandem Booster) Shelby
4	3849 199	1			VALVE, A/C. Heater Water, (4 Port)
	3849 346	1			VALVE, Water (4 Port) Shelby
	3848 114	1			VALVE, A/C. Heater Water w/2.2L TURBO Eng.
	3849 600	1			BRACKET, Valve Mounting, Shelby
5	#3849 633	1			HOSE and TUBE, A/C., Heater Engine To Valve
-	1315 466	1			HOSE and SLEEVE, A/C. Heater Valve to Tee
-	3849 297	1			HOSE, A/C., Htr., Valve To Pump w/2.2 T.C.
-	3849 303	1			HOSE, A/C., Htr., Valve To Pump w/2.2-2.5L
-	3849 202	1			HOSE, A/C. Heater To Eng. To Valve, with 2.2,2.5 Engine
	3849 342	1			TUBE, Eng. to Hose, Shelby
	4462 053	1			HOSE and SLEEVE, Valve to Pump
6	3848 948	1			WASHER, A/C. Heater Tube Flare
7	6032 290	1			CONNECTOR, Inverted Flare Tube
8	3849 240	1			VALVE, A/C. Expansion H-Type
-	3848 208	1			PILOT, Package A/C., Valve Exp. H-Type
9	6032 572	1			SCREW, Expansion Valve Mtg.
10	3846 834	1			GASKET, A/C. Suction & Liquid Line Mtg. to H-Valve
11	3849 623	1			SUCTION and LIQUID LINE, A/C.
-	3848 785	1			BRACKET, A/C. Suction Line Support
12	6500 827	1			SCREW, Suction Line Mtg.
13	3848 021	1			CAP, Compressor
14		1			COMPRESSOR
15	6100 288	1			SCREW and WASHER, A/C. Heater Hose Clip Mtg.
16	6500 681	1			U-NUT, A/C. Heater Hose Clip Mtg.
17	9423 951	1			SCREW, A/C. Suction Line Mtg.
18	1315 466	AR			HOSE, A/C. Core to Valve
19	0153 640	AR			CLAMP, Heater Hose at Engine
20	0153 640	AR			CLAMP, Thermo Hose By-Pass
21	6100 288	AR			SCREW and WASHER, Condenser Mtg.
22	#6100 041	AR			U-NUT, Condenser Mtg.
23	3849 595	1			CONDENSER, A/C.
-	4140 427	1			INSULATOR, A/C. Bottom Mtg.
-	4192 019	1			BUMPER, A/C. Condenser
24	4273 488	1			HOSE, Water By-Pass Tube

MODEL CODES

E BODY = (J - CARAVELLE)(E - 600)(T - NEW YORKER)

G BODY = (V24 - DAYTONA)

H BODY = (D44 - LANCER)(C44 - LEBARON GTS)

J BODY = (C - LEBARON)

K BODY = (P - RELIANT)(D - ARIES)(C - LEBAROND)/TOWN & COUNTRY

L BODY = (M - HORIZON/TURISMO)(Z - OMNI/CHARGER)

M BODY = (B - GRAN FURY)(F - FIFTH AVE/NEWPORT)(G - DIPLOMAT)

P BODY = (P - SUNDANCE)(D - SHADOW)

S BODY = (H - VOYAGER)(K - RAM VAN/CARAVAN)

BODY STYLES

12-13 = FWD VAN

21 = 2-DOOR SEDAN

24 = 2-DOOR HATCHBACK

27 = 2-DOOR CONVERTIBLE

41 = 4-DOOR SEDAN

44 = 4-DOOR HATCHBACK

45 = 4-DOOR STATION WAGON

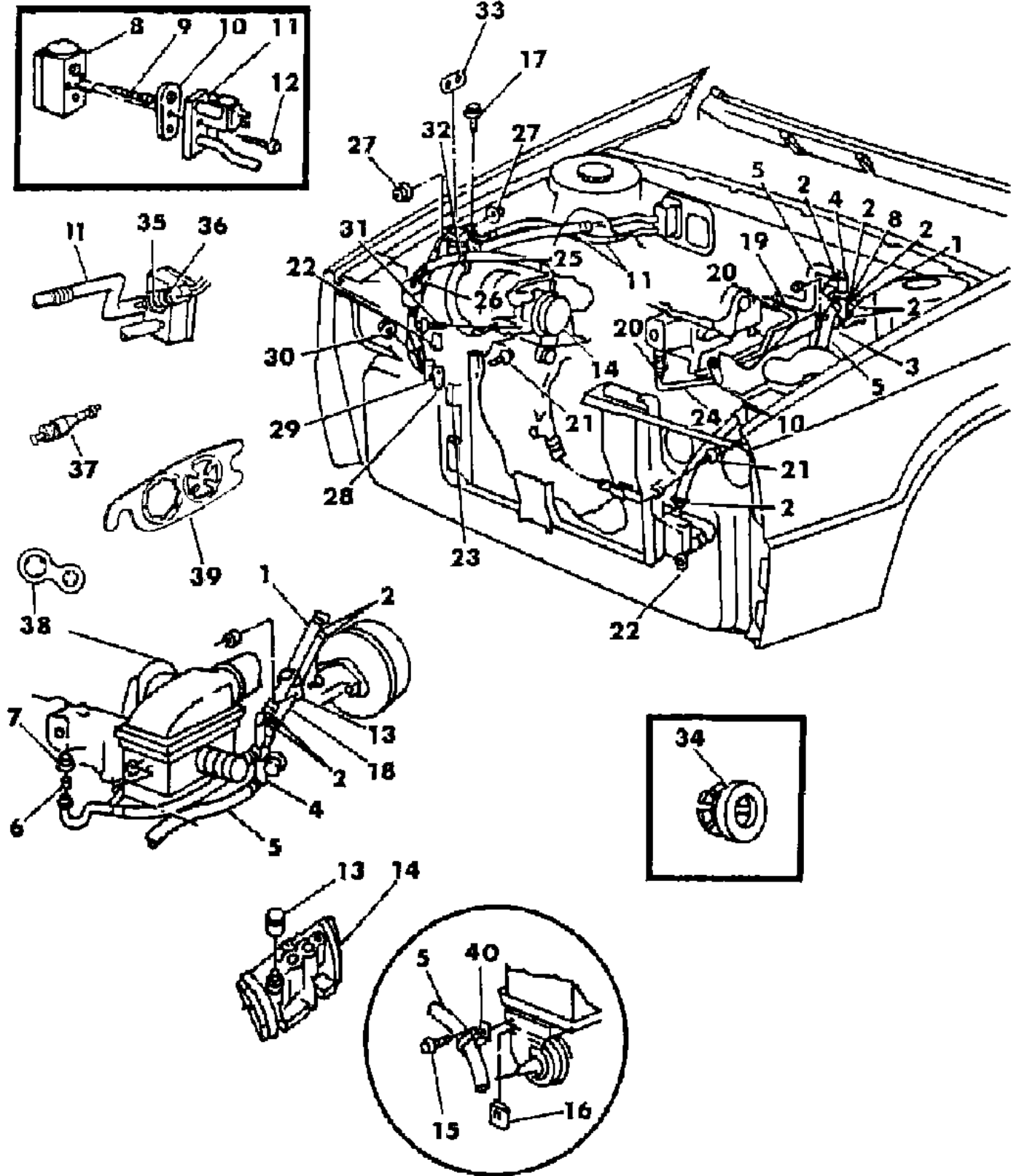
52-53 = FWD WAGON

AR = Use as Required - = Non Illustrated Part P.A.R. = Paint as Required

PLUMBING, AIR CONDITIONING AND HEATER H BODY

Figure 24-2400

7124 2400 B



ITEM	PART NUMBER	QTY	BODY	MODEL	DESCRIPTION
-	4273 487	1			BRACKET, Water By-Pass Tube
-	0153 640	AR			CLAMP, Heater Hose
25	3848 522	1			CLIP, A/C. Suction & Discharge Line
26	3848 021	1			CAP, Discharge & Liquid Line Check Valve
27	0118 614	2			NUT and WASHER, Liquid Line Mtg. to Drier
28	3846 835	1			GASKET, A/C. Discharge & Liquid Line Mtg. to Condenser
29	#3849 621	1			DISCHARGE and LIQUID LINE, A/C.
-	3848 585	1			CAP, A/C. Discharge & Liquid Line Check Valve
30	6100 051	1			NUT, Discharge & Liquid Line Mtg. to Condenser
31	6500 517	1			SCREW
32	#3849 259	1			FILTER DRIER and BRACKET, A/C.
33	3847 083	1			GASKET, A/C. Suction Disch. & Liquid Line to Drier Mtg.
34	3847 147	2			PILOT, A/C. or A.T.C. Suction Line Mtg.
35	3849 406	1			SWITCH, A/C., Damped Cycling Clutch Pressure and O Ring
36		1			SWITCH and O-RING, Damped Pressure (serv. in #35)
37	3849 468	1			VALVE, A/C., Discharge & Suction Line Check
38	3846 836	1			GASKET, A/C. Evaporator Coil Expansion Valve Mtg.
39	3847 081	1			GASKET, A/C., Discharge & Suction Ftg. To Compressor
-	3846 836	1			GASKET, A/C. Expansion Valve Mtg. to Unit
40	3849 709	1			CLIP, A/C., Heater Hose Mounting
-	4397 809	1			SLEEVE, A/C., Heater Hose
-	4339 495	1			RELAY, A/C., Clutch Cut-Off

MODEL CODES

E BODY = (J - CARAVELLE)(E - 600)(T - NEW YORKER)

G BODY = (V24 - DAYTONA)

H BODY = (D44 - LANCER)(C44 - LEBARON GTS)

J BODY = (C - LEBARON)

K BODY = (P - RELIANT)(D - ARIES)(C - LEBAROND)/TOWN & COUNTRY)

L BODY = (M - HORIZON/TURISMO)(Z - OMNI/CHARGER)

M BODY = (B - GRAN FURY)(F - FIFTH AVE/NEWPORT)(G - DIPLOMAT)

P BODY = (P - SUNDANCE)(D - SHADOW)

S BODY = (H - VOYAGER)(K - RAM VAN/CARAVAN)

BODY STYLES

12-13 = FWD VAN

21 = 2-DOOR SEDAN

24 = 2-DOOR HATCHBACK

27 = 2-DOOR CONVERTIBLE

41 = 4-DOOR SEDAN

44 = 4-DOOR HATCHBACK

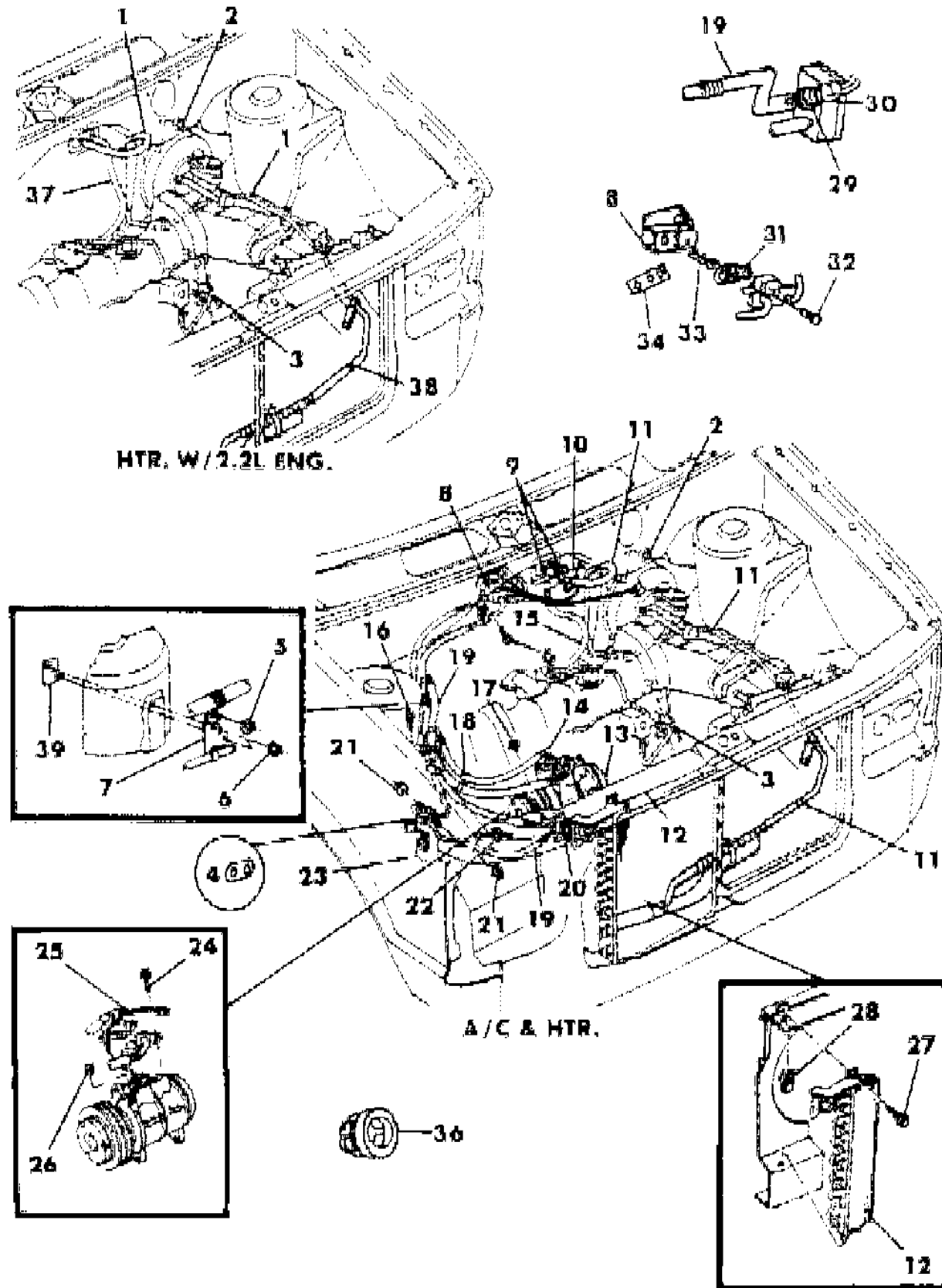
45 = 4-DOOR STATION WAGON

52-53 = FWD WAGON

AR = Use as Required - = Non Illustrated Part P.A.R. = Paint as Required

PLUMBING, AIR CONDITIONING AND HEATER S BODY 2.2,2.5 LITER ENGINE
Figure 24-2500

7124 2500



ITEM	PART NUMBER	QTY	BODY	MODEL	DESCRIPTION
1	3849 062	1			HOSE and TUBE, A/C. and Htr. Valve to Hose
-	3849 309	1			HOSE and TUBE, Aux. Htr. Return, up to 9-15-86
-	3849 840	1			from 9-15-866
-	4462 078	1			w/ Aux. Heater
-	3849 063	1			HOSE and TUBE, Htr. Core to Hose, Aux. Htr.
2	0219 462	1			NUT
3	4273 487	1			BRACKET, Water By-Pass Tube Attaching
4	3847 083	1			GASKET, A/C. Disch. Liquid Mtg. To Drier
5	6100 049	1			NUT and WASHER, Suction Hose Mtg.
6	6100 050	2			NUT and WASHER, Suction & Liquid Brkt. Mtg.
7	3849 506	1			BRACKET, Suction & Liquid Support
-	3780 794	AR			HOSE, Vacuum .073/.081 I.D. 50 Ft. Roll
-	1315 466	AR			HOSE, A/C., Heater Tube to Tee, 5/8" I.D. 50 ft. roll
-	3848 729	1			VALVE, A/C., Htr. Water
8	3849 240	1			VALVE, A/C. Expansion
-	3848 208	1			PILOT, Package Valve Expansion H-Type
9	1315 466	AR			HOSE, Valve to Core
10	#384 8729	1			VALVE, A/C. Water Heater
11	#3849 062	1			HOSE and TUBE, A/C., Heater Valve To Hose
-	#3849 315	1			HOSE and TUBE, A/C. Htr. Return with A/C., up to 9-15-86
-	#3849 839	1			from 9-15-86
-	4462 079	1			after 12-15-86
-	3849 316	1			HOSE and SLEEVE, Aux. Htr. Eng. to Core and Rear Tube, up to 9-16-86
-	3849 838	1			from 9-15-86
-	4462 038	1			after 12-15-86
12	3849 703	1			CONDENSER
13	3849 617	1			COMPRESSOR
14	3849 307	1			DISCHARGE, Line Liquid
-	3849 468	1			VALVE, A/C., Discharge Line Check
15	3848 456	1			HOSE, A/C., Heater Eng. to Valve
-	3849 319	1			HOSE and SLEEVE, Aux. Htr. Eng. to Valve and Rear Tube, up to 9-15-86
-	3849 841	1			after 9-15-86
-	1595 160	1			HOSE, Htr., A/C. Tube to Pump with 2.2 Engine
-	3847 831	1			HOSE, Htr., A/C., Tube to Pump with 2.5 Engine
-	3848 456	1			HOSE, A/C., Htr. Engine to Valve with Aux. Htr.
16	9423 951	1			SCREW, Disch. Line Support Bracket

MODEL CODES

E BODY = (J - CARAVELLE)(E - 600)(T - NEW YORKER)

G BODY = (V24 - DAYTONA)

H BODY = (D44 - LANCER)(C44 - LEBARON GTS)

J BODY = (C - LEBARON)

K BODY = (P - RELIANT)(D - ARIES)(C - LEBAROND)/TOWN & COUNTRY)

L BODY = (M - HORIZON/TURISMO)(Z - OMNI/CHARGER)

M BODY = (B - GRAN FURY)(F - FIFTH AVE/NEWPORT)(G - DIPLOMAT)

P BODY = (P - SUNDANCE)(D - SHADOW)

S BODY = (H - VOYAGER)(K - RAM VAN/CARAVAN)

BODY STYLES

12-13 = FWD VAN

21 = 2-DOOR SEDAN

24 = 2-DOOR HATCHBACK

27 = 2-DOOR CONVERTIBLE

41 = 4-DOOR SEDAN

44 = 4-DOOR HATCHBACK

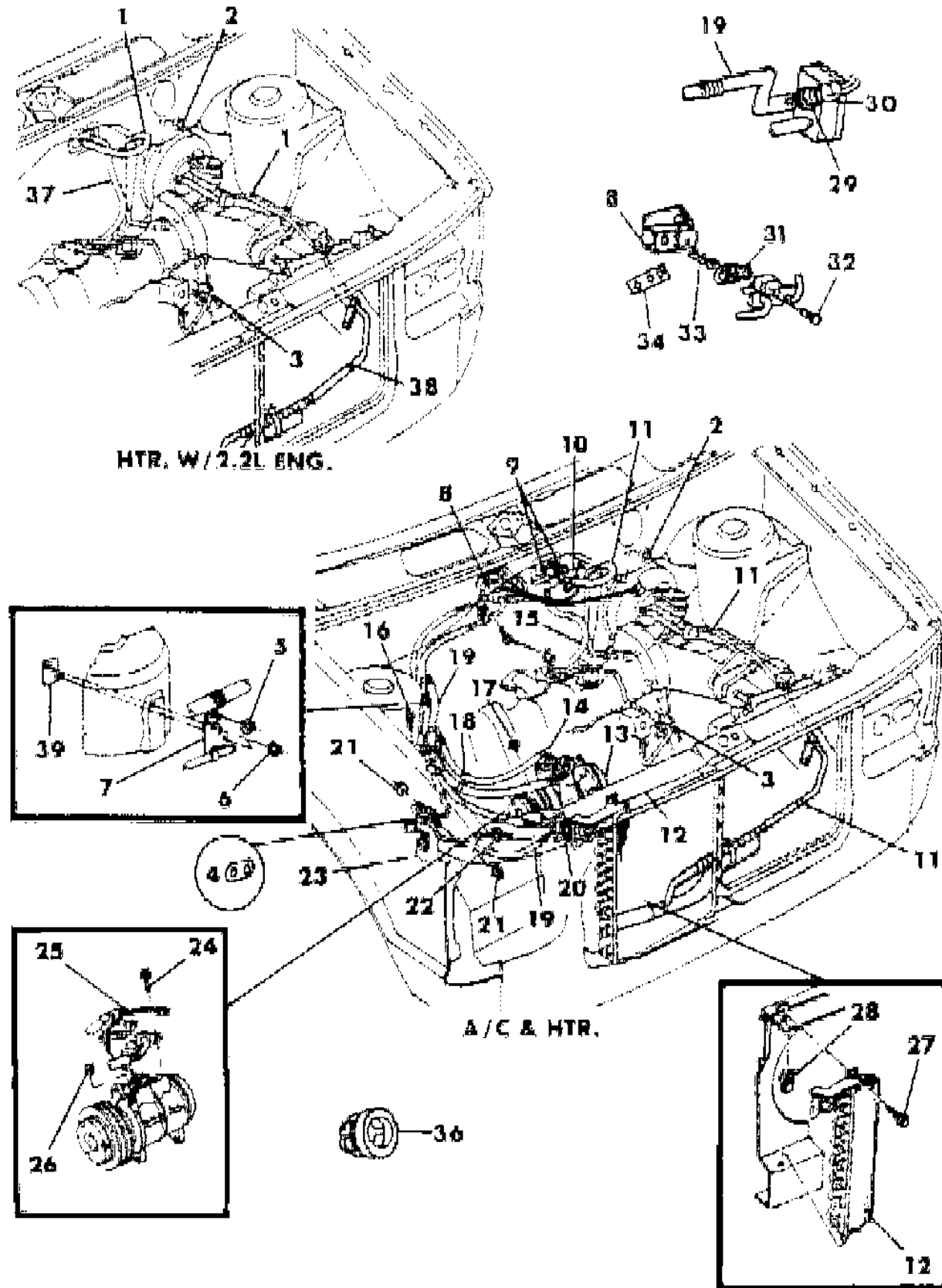
45 = 4-DOOR STATION WAGON

52-53 = FWD WAGON

AR = Use as Required - = Non Illustrated Part P.A.R. = Paint as Required

PLUMBING, AIR CONDITIONING AND HEATER S BODY 2.2,2.5 LITER ENGINE
Figure 24-2500

7124 2500



ITEM	PART NUMBER	QTY	BODY	MODEL	DESCRIPTION
17	3848 585	1			CAP, Discharge & Liquid Check Valve
18	3848 522	1			CLIP, Suction Discharge
-	3848 021	1			CAP, Suction Liq. Line Valve
19	3849 694	1			SUCTION, Line Liquid, with 2.2 Engine
	3849 910	1			with 2.5 Engine
-	4372 394	1			STRAP, Ground
20	3846 835	1			GASKET, Disch. & Liquid Mtg. to Condenser
21	0118 614	2			NUT and WASHER, Liquid Mtg. to Drier
22	6500 827	1			SCREW and WASHER, Suction & Liquid Mtg. H-Valve
-	6500 827	1			SCREW and WASHER, Discharge & Liquid to Condenser
23	3848 217	1			FILTER, Drier w/Bracket
24	6500 517	4			SCREW
25	6015 945	1			STRAP
26	3848 585	1			CAP, Disch. and Liq. Line Check Valve
27	6100 288	1			SCREW and WASHER, A/C. Condenser Mtg.
28	#6100 041	2			U-NUT, A/C. Condenser Mtg.
29	3849 406	1			SWITCH, A/C., Damped Cycling Clutch Pressure and O Ring
30		1			SWITCH and O-RING, Damped Pressure (serv. in #29)
31	3846 834	1			GASKET, Suction & Liquid Mtg. to H-Valve
32	6500 827	1			SCREW and WASHER, Suction & Liquid Mtg. to H-Valve
33	6032 572	1			SCREW, Expansion Valve Mtg.
34	3846 836	1			GASKET, Expansion Valve Mtg.
36	3847 147	2			PILOT, A/C. Suction & Liquid Mtg.
-	3847 081	1			GASKET, A/C. Disch. Fitting to Compressor
-	2448 770	AR			CLAMP, A/C. Heater Hose
-	1595 160	1			HOSE, A/C., Heater To Pump
37	3849 076	1			HOSE, Heater Engine to Core
38	1595 160	1			HOSE, A/C. Heater to Pump
39	4188 101	1			PLATE, Suction and Liq. Line Bracket Mtg.

MODEL CODES

E BODY = (J - CARAVELLE)(E - 600)(T - NEW YORKER)

G BODY = (V24 - DAYTONA)

H BODY = (D44 - LANCER)(C44 - LEBARON GTS)

J BODY = (C - LEBARON)

K BODY = (P - RELIANT)(D - ARIES)(C - LEBAROND)/TOWN & COUNTRY)

L BODY = (M - HORIZON/TURISMO)(Z - OMNI/CHARGER)

M BODY = (B - GRAN FURY)(F - FIFTH AVE/NEWPORT)(G - DIPLOMAT)

P BODY = (P - SUNDANCE)(D - SHADOW)

S BODY = (H - VOYAGER)(K - RAM VAN/CARAVAN)

BODY STYLES

12-13 = FWD VAN

21 = 2-DOOR SEDAN

24 = 2-DOOR HATCHBACK

27 = 2-DOOR CONVERTIBLE

41 = 4-DOOR SEDAN

44 = 4-DOOR HATCHBACK

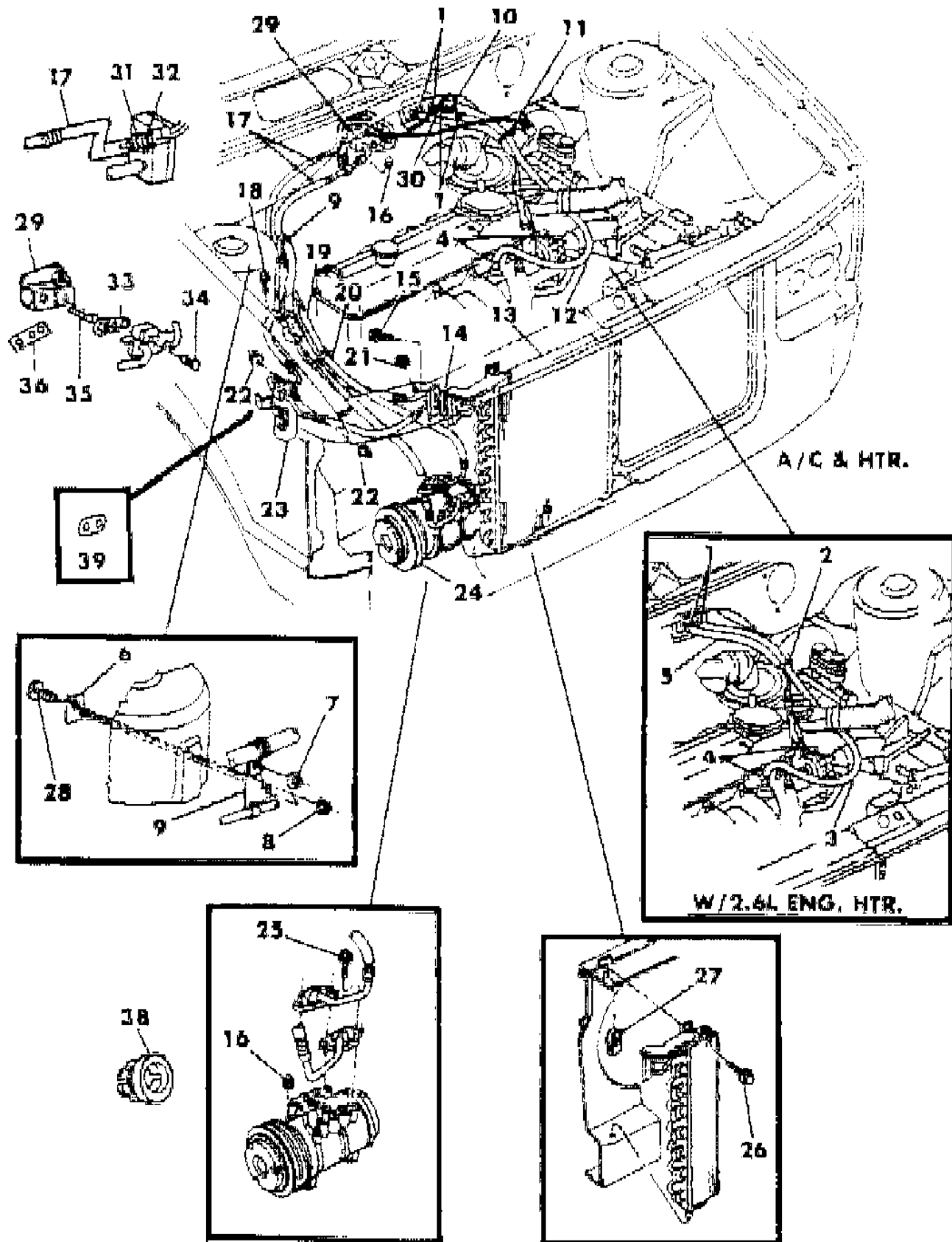
45 = 4-DOOR STATION WAGON

52-53 = FWD WAGON

AR = Use as Required - = Non Illustrated Part P.A.R. = Paint as Required

PLUMBING, AIR CONDITIONING AND HEATER S BODY 2.6 LITER ENGINE
Figure 24-2600

7124 2800



ITEM	PART NUMBER	QTY	BODY	MODEL	DESCRIPTION
1	2448 770	AR			CLAMP, A/C., Heater Hose
2	6015 756	1			STRAP, Heater Hose Support
3	3848 728	1			HOSE, Heater Engine to Core
-	3848 726	1			HOSE, Heater, A/C., Core to Pump
-	4397 809	AR			SLEEVE, A/C., Heater Hose
4	0153 640	AR			CLAMP, Heater Hose
5	3848 726	1			HOSE and SLEEVE, A/C., Heater Core to Pump
-	3849 320	1			HOSE and SLEEVE, Aux. Htr. Core and Rear Tube to Pump, up to 9-15-86
	3849 845	1			from 9-15-86
	4462 037	1			after 12-1-86
6	4188 101	1			PLATE, Suction & Liquid Line Bracket Mtg.
7	6100 049	1			NUT and WASHER, Suction Hose Clamp Mtg.
8	6100 050	1			NUT and WASHER, Suction & Liquid Bracket Mtg.
9	3849 506	1			BRACKET, Suction & Liquid Line Support
10	4339 457	1			VALVE, A/C., Heater Water (2 Port)
	3849 321	1			VALVE, Aux. Htr. Water (3 Port)
11	6015 756	2			STRAP, Heater Hose Support
12	3848 724	1			HOSE and SLEEVE, A/C., Heater Eng. to Valve
13	3849 703	1			CONDENSER
14	3846 835	1			GASKET, Disch. & Liquid Mtg. to Condenser
15	6100 315	1			SCREW and WASHER, Disch & Liquid Mtg. to Condenser
16	3848 021	1			CAP
17	3849 697	1			SUCTION, Liquid Line
-	4372 394	1			STRAP, Ground Switch A/C. Suct. & Liquid
18	9423 951	AR			SCREW, Discharge Support Bracket
19	3849 308	1			DISCHARGE, Liquid Line
-	3849 468	1			VALVE, A/C. Disch. Line Check
-	3847 081	1			GASKET, A/C. Disch. Ftg. to Compressor
20	3848 522	1			CLIP, Suction Discharge
21	3848 585	1			CAP, Discharge & Liquid Check Valve
22	0118 614	2			NUT and WASHER, Liquid Mtg. to Drier
-	3780 794	AR			HOSE, Vacuum
23	3848 217	1			FILTER, Drier w/Bracket
24	4339 455	1			COMPRESSOR
25	6500 517	4			SCREW
26	6100 288	2			SCREW and WASHER, A/C. Condenser Mtg.
27	#6100 041	2			U-NUT, A/C. Condenser Mtg.

MODEL CODES

E BODY = (J - CARAVELLE)(E - 600)(T - NEW YORKER)

G BODY = (V24 - DAYTONA)

H BODY = (D44 - LANCER)(C44 - LEBARON GTS)

J BODY = (C - LEBARON)

K BODY = (P - RELIANT)(D - ARIES)(C - LEBAROND)/TOWN & COUNTRY)

L BODY = (M - HORIZON/TURISMO)(Z - OMNI/CHARGER)

M BODY = (B - GRAN FURY)(F - FIFTH AVE/NEWPORT)(G - DIPLOMAT)

P BODY = (P - SUNDANCE)(D - SHADOW)

S BODY = (H - VOYAGER)(K - RAM VAN/CARAVAN)

BODY STYLES

12-13 = FWD VAN

21 = 2-DOOR SEDAN

24 = 2-DOOR HATCHBACK

27 = 2-DOOR CONVERTIBLE

41 = 4-DOOR SEDAN

44 = 4-DOOR HATCHBACK

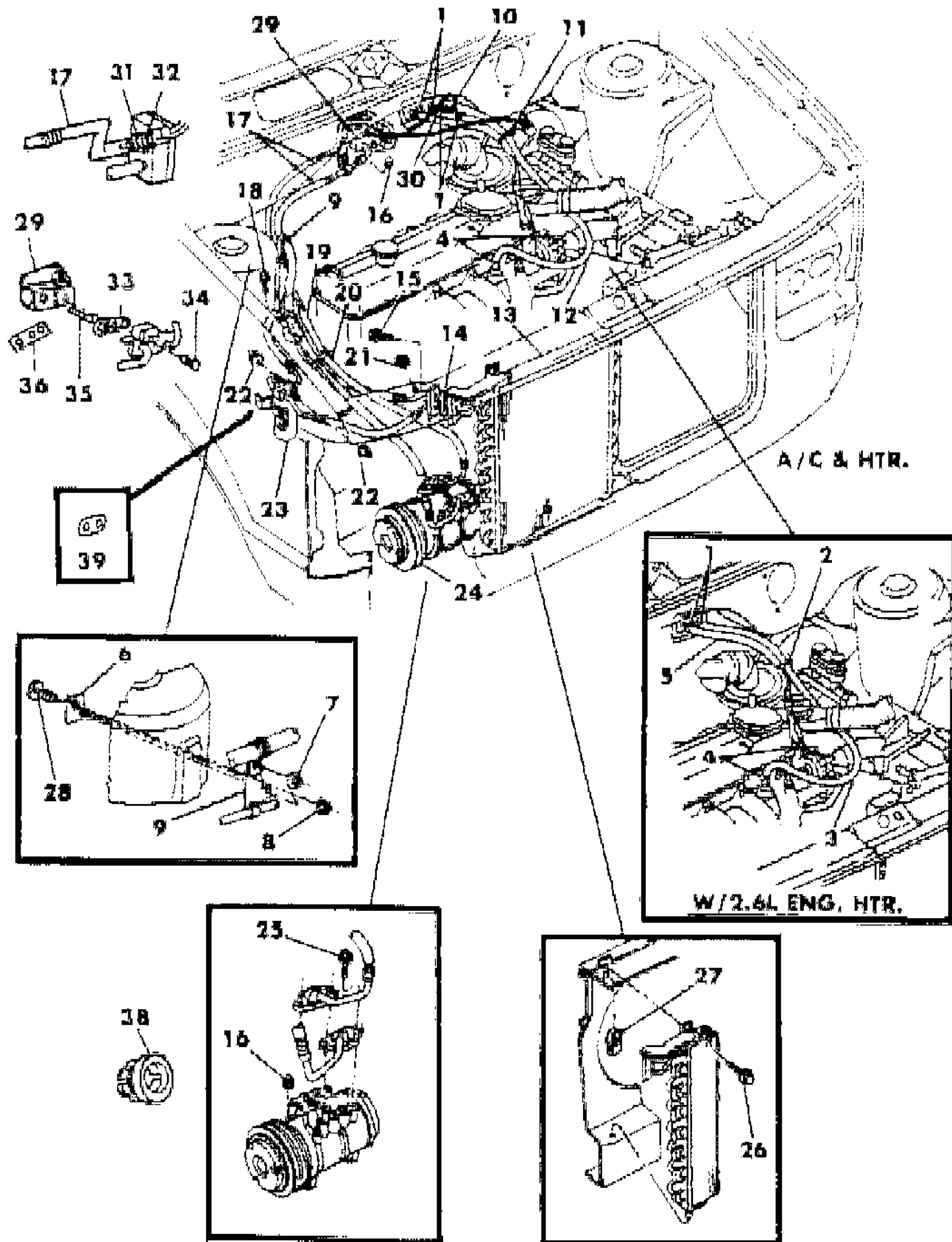
45 = 4-DOOR STATION WAGON

52-53 = FWD WAGON

AR = Use as Required - = Non Illustrated Part P.A.R. = Paint as Required

PLUMBING, AIR CONDITIONING AND HEATER S BODY 2.6 LITER ENGINE
Figure 24-2600

7124 2800



ITEM	PART NUMBER	QTY	BODY	MODEL	DESCRIPTION
28	3759 944	1			RETAINER, Suction Line Plate Mtg.
29	3849 240	1			VALVE, A/C. Expansion
30	1315 466	AR			HOSE, A/C., Heater Valve To Core 5/8" I.D. 50 Ft. Roll
31	3849 406	1			SWITCH, A/C., Damped Cycling Clutch Pressure and O Ring (uses 3843398 Repair Pkg.)
32		1			SWITCH and O-RING, Damped Pressure (serv. in #31)
33	3846 834	1			GASKET, Suction & Liquid Mtg. to H-Valve
34	6500 827	1			SCREW and WASHER, Discharge Liquid Mtg. to H-Valve
35	6032 572	1			SCREW, Expansion Valve Mtg.
36	3846 836	1			GASKET, Expansion Valve Mtg.
38	3847 147	2			PILOT, A/C. Suction & Disch. Liquid Line Mtg.
39	3847 083	1			GASKET, A/C. Discharge & Liquid Mtg. to Drier

MODEL CODES

E BODY = (J - CARAVELLE)(E - 600)(T - NEW YORKER)

G BODY = (V24 - DAYTONA)

H BODY = (D44 - LANCER)(C44 - LEBARON GTS)

J BODY = (C - LEBARON)

K BODY = (P - RELIANT)(D - ARIES)(C - LEBAROND)/TOWN & COUNTRY)

L BODY = (M - HORIZON/TURISMO)(Z - OMNI/CHARGER)

M BODY = (B - GRAN FURY)(F - FIFTH AVE/NEWPORT)(G - DIPLOMAT)

P BODY = (P - SUNDANCE)(D - SHADOW)

S BODY = (H - VOYAGER)(K - RAM VAN/CARAVAN)

BODY STYLES

12-13 = FWD VAN

21 = 2-DOOR SEDAN

24 = 2-DOOR HATCHBACK

27 = 2-DOOR CONVERTIBLE

41 = 4-DOOR SEDAN

44 = 4-DOOR HATCHBACK

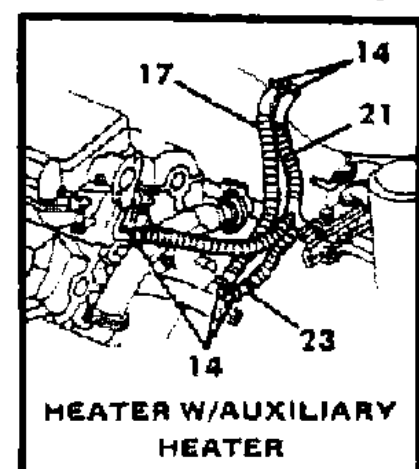
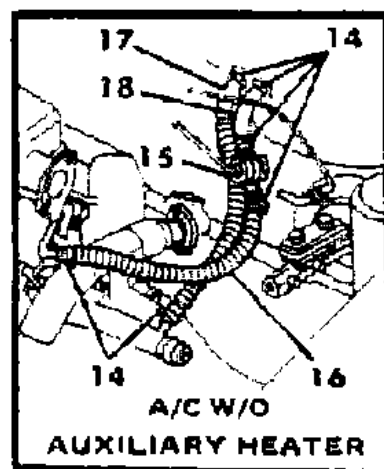
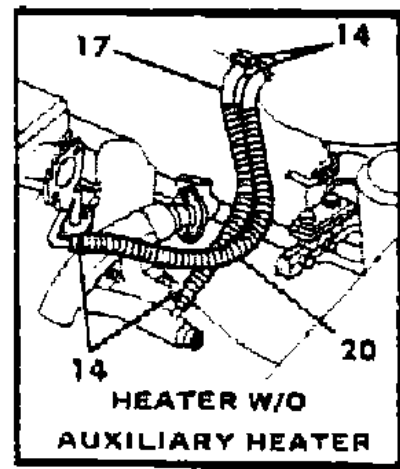
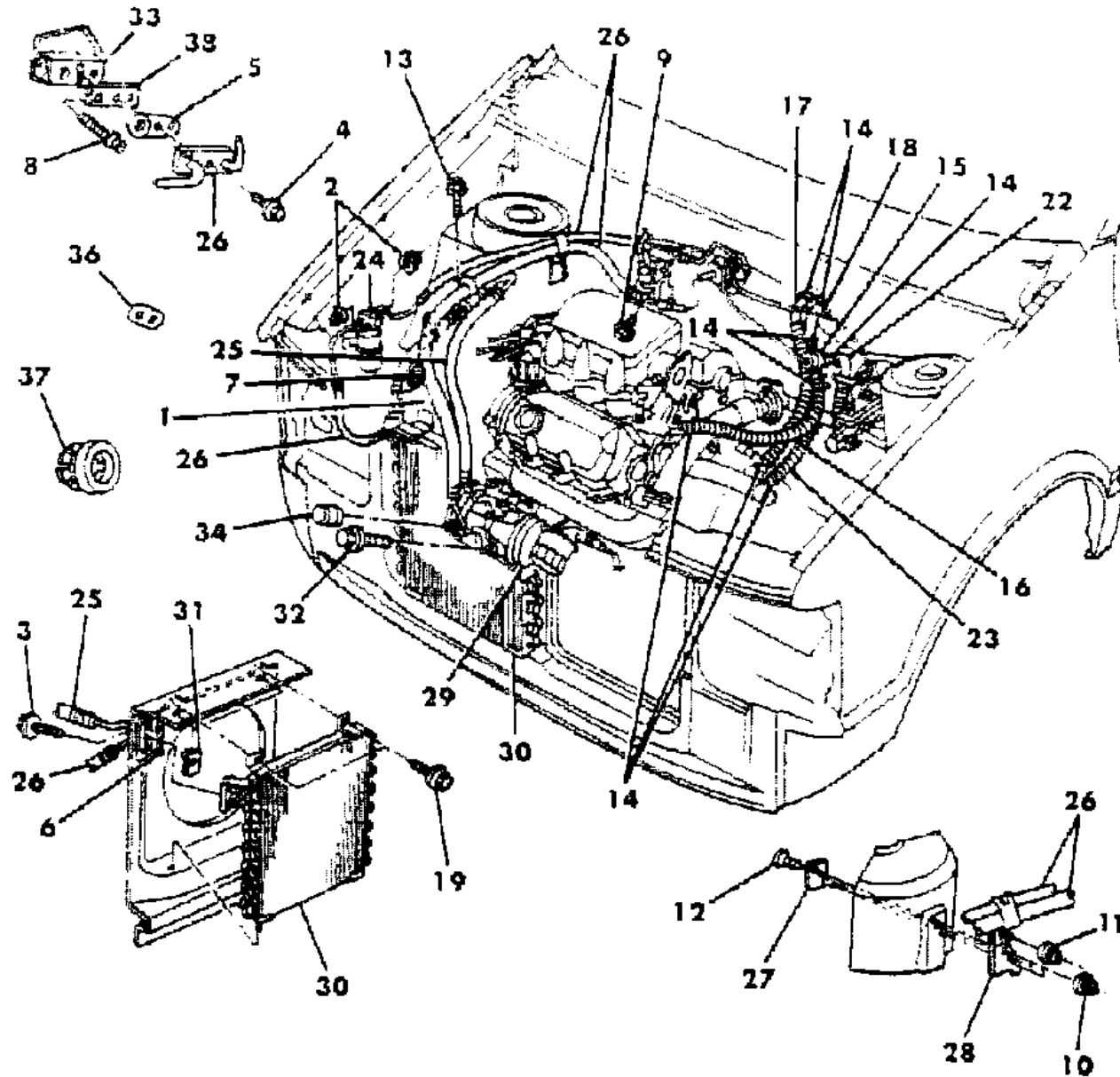
45 = 4-DOOR STATION WAGON

52-53 = FWD WAGON

AR = Use as Required - = Non Illustrated Part P.A.R. = Paint as Required

PLUMBING, AIR CONDITIONING AND HEATER S BODY 3.0 LITER ENGINE
Figure 24-2650

7124 2650



ITEM	PART NUMBER	QTY	BODY	MODEL	DESCRIPTION
1	3848 522	1			CLIP, Suction and Discharge
2	0118 614	2			NUT and WASHER, Liq. Line Mtg. to Drier
3	6500 827	1			SCREW and WASHER, Discharge and Liquid Line to Cond.
4	6500 827	1			SCREW and WASHER, Suction and Liquid Line Mtg. to H-Valve
5	3846 834	1			GASKET, Suction and Liquid
6	3846 835	1			GASKET, Discharge and Liquid Line Mtg. to Cond.
7	3848 585	1			CAP, Discharge and Liquid
8	6032 572	2			SCREW, Expansion Valve Mtg.
9					SCREW, Suction Line Mtg. to Plenum, not serviced
10	6100 050	2			NUT and WASHER, Suction and Liquid Line Brkt. Mtg.
11	6100 049	1			NUT and WASHER, Suction Hose Clamp Mtg.
12	3759 944	1			RETAINER, Suction and Liquid Line Plate Mtg.
13	9423 951	1			SCREW, Discharge Line Support Bracket
14	2448 770	AR			CLAMP
15	4339 457	1			VALVE, A/C. Heater Water
	3849 321	1			VALVE, A/C. Auxiliary
16	1315 466	AR			HOSE, A/C. Heater Engine to Valve, (5/8" I.D. 50 ft. roll)
17	1595 160	1			HOSE, A/C. Heater Core to Pump
18	1595 160	1			HOSE, A/C. Heater Valve to Core
19	6100 288	1			SCREW and WASHER, A/C. Cond. Mtg.
20	1595 160	1			HOSE, Heater Engine to Core
21	#3849 833	1			HOSE and SLEEVE, Aux. Htr. Eng. to Core and Rear Tube
22	1595 160	1			HOSE, Aux. Htr. Valve to Rear Unit
23	3848 721	1			HOSE and SLEEVE, Aux. Htr. Rear Tube to Pump
24	3848 217	1			FILTER, Drier and Bracket
25	3849 306	1			LINE, Discharge and Liquid
	3849 468	1			VALVE, A/C. Discharge Line Check
	3847 081	1			GASKET, A/C. Disch. Fitting to Compressor
26	3849 305	1			LINE, Suction and Liquid
	3849 468	1			VALVE, A/C. Suction Liquid Line Check
	4372 394	1			STRAP, Ground
27	4188 101	1			PLATE, Suction and Liquid Line Brkt. Mtg.
28	3849 506	1			BRACKET, Suction and Liquid Line Support
29	3849 617	1			COMPRESSOR
30	3849 703	1			CONDENSER, A/C. Complete
31	#6100 041	2			U-NUT, A/C. Condenser Mounting
32	6500 517	4			SCREW
33	3849 240	1			VALVE, A/C. Expansion Switch (H-Valve) Low Pressure

MODEL CODES

E BODY = (J - CARAVELLE)(E - 600)(T - NEW YORKER)

G BODY = (V24 - DAYTONA)

H BODY = (D44 - LANCER)(C44 - LEBARON GTS)

J BODY = (C - LEBARON)

K BODY = (P - RELIANT)(D - ARIES)(C - LEBAROND)/TOWN & COUNTRY)

L BODY = (M - HORIZON/TURISMO)(Z - OMNI/CHARGER)

M BODY = (B - GRAN FURY)(F - FIFTH AVE/NEWPORT)(G - DIPLOMAT)

P BODY = (P - SUNDANCE)(D - SHADOW)

S BODY = (H - VOYAGER)(K - RAM VAN/CARAVAN)

BODY STYLES

12-13 = FWD VAN

21 = 2-DOOR SEDAN

24 = 2-DOOR HATCHBACK

27 = 2-DOOR CONVERTIBLE

41 = 4-DOOR SEDAN

44 = 4-DOOR HATCHBACK

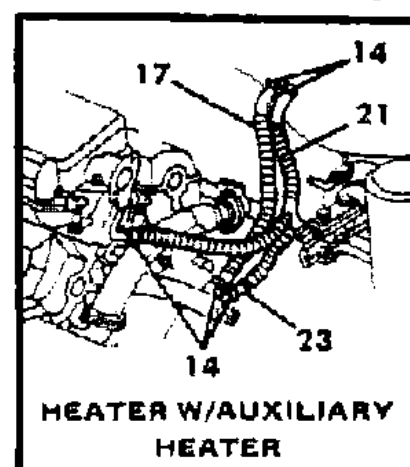
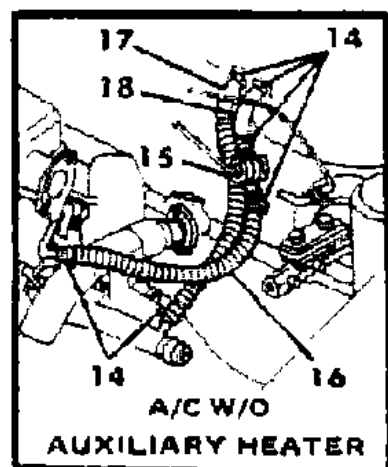
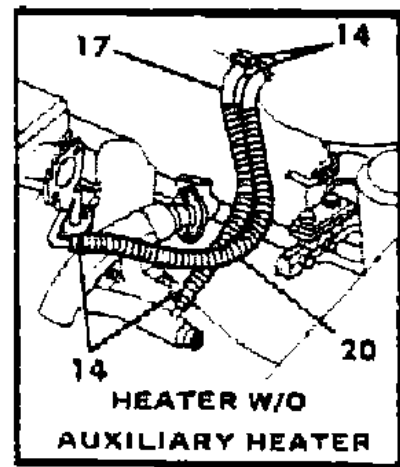
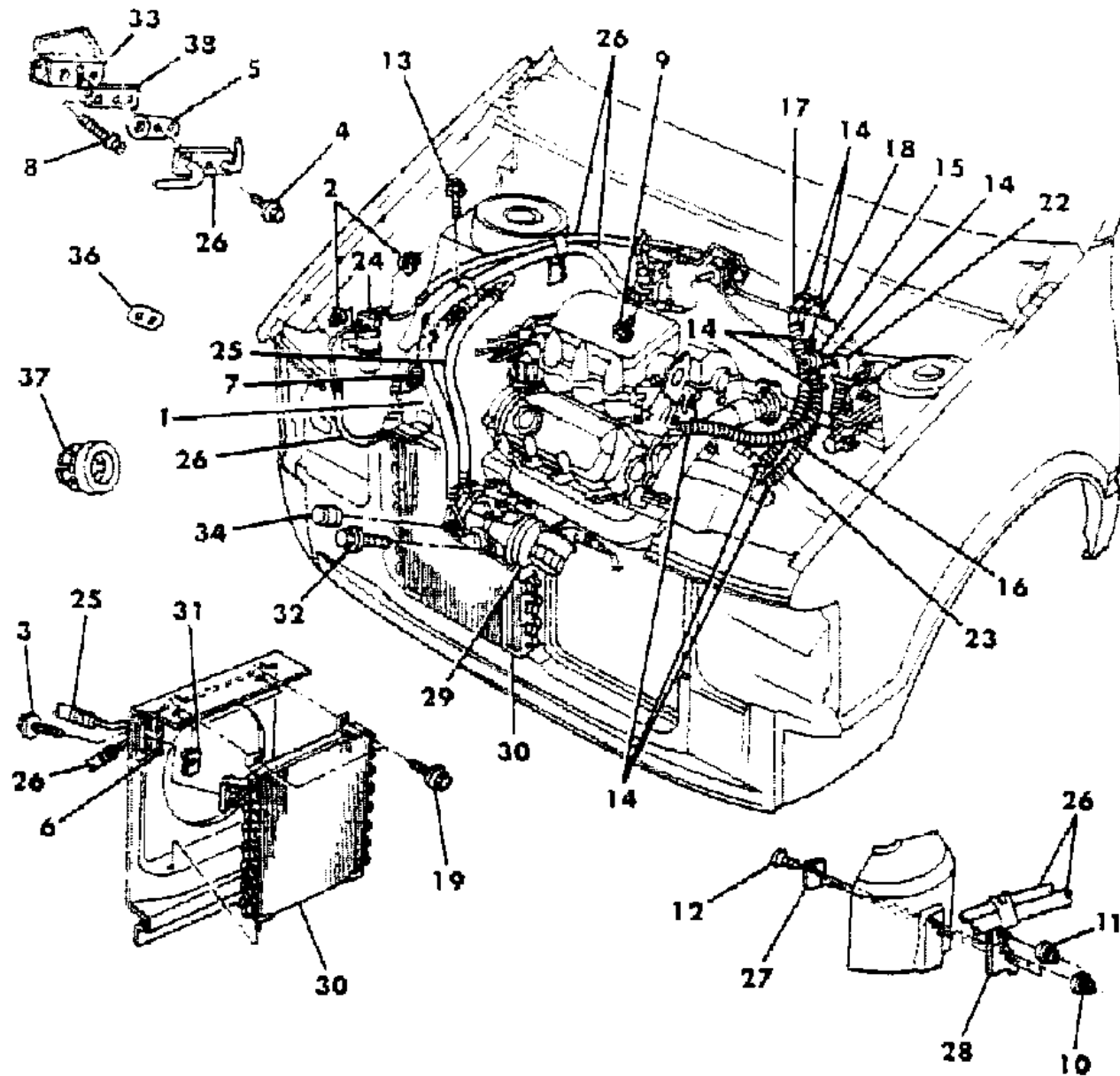
45 = 4-DOOR STATION WAGON

52-53 = FWD WAGON

AR = Use as Required - = Non Illustrated Part P.A.R. = Paint as Required

PLUMBING, AIR CONDITIONING AND HEATER S BODY 3.0 LITER ENGINE
Figure 24-2650

7124 2650



ITEM	PART NUMBER	QTY	BODY	MODEL	DESCRIPTION
	3848 208	1			PILOT, Package Valve Expansion H-Type
34	3848 021	1			CAP
35	3849 406	1			SWITCH, A/C. Damped Cycling Clutch Pressure and O-Ring
36	3847 083	1			GASKET, A/C. Discharge Liquid Mtg. to Drier
37	3847 147	2			PILOT, A/C. Suction and Liquid Mtg.
38	3846 836	1			GASKET, Suction and Liquid Mtg. to H-Valve

MODEL CODES

E BODY = (J - CARAVELLE)(E - 600)(T - NEW YORKER)

G BODY = (V24 - DAYTONA)

H BODY = (D44 - LANCER)(C44 - LEBARON GTS)

J BODY = (C - LEBARON)

K BODY = (P - RELIANT)(D - ARIES)(C - LEBAROND)/TOWN & COUNTRY)

L BODY = (M - HORIZON/TURISMO)(Z - OMNI/CHARGER)

M BODY = (B - GRAN FURY)(F - FIFTH AVE/NEWPORT)(G - DIPLOMAT)

P BODY = (P - SUNDANCE)(D - SHADOW)

S BODY = (H - VOYAGER)(K - RAM VAN/CARAVAN)

BODY STYLES

12-13 = FWD VAN

21 = 2-DOOR SEDAN

24 = 2-DOOR HATCHBACK

27 = 2-DOOR CONVERTIBLE

41 = 4-DOOR SEDAN

44 = 4-DOOR HATCHBACK

45 = 4-DOOR STATION WAGON

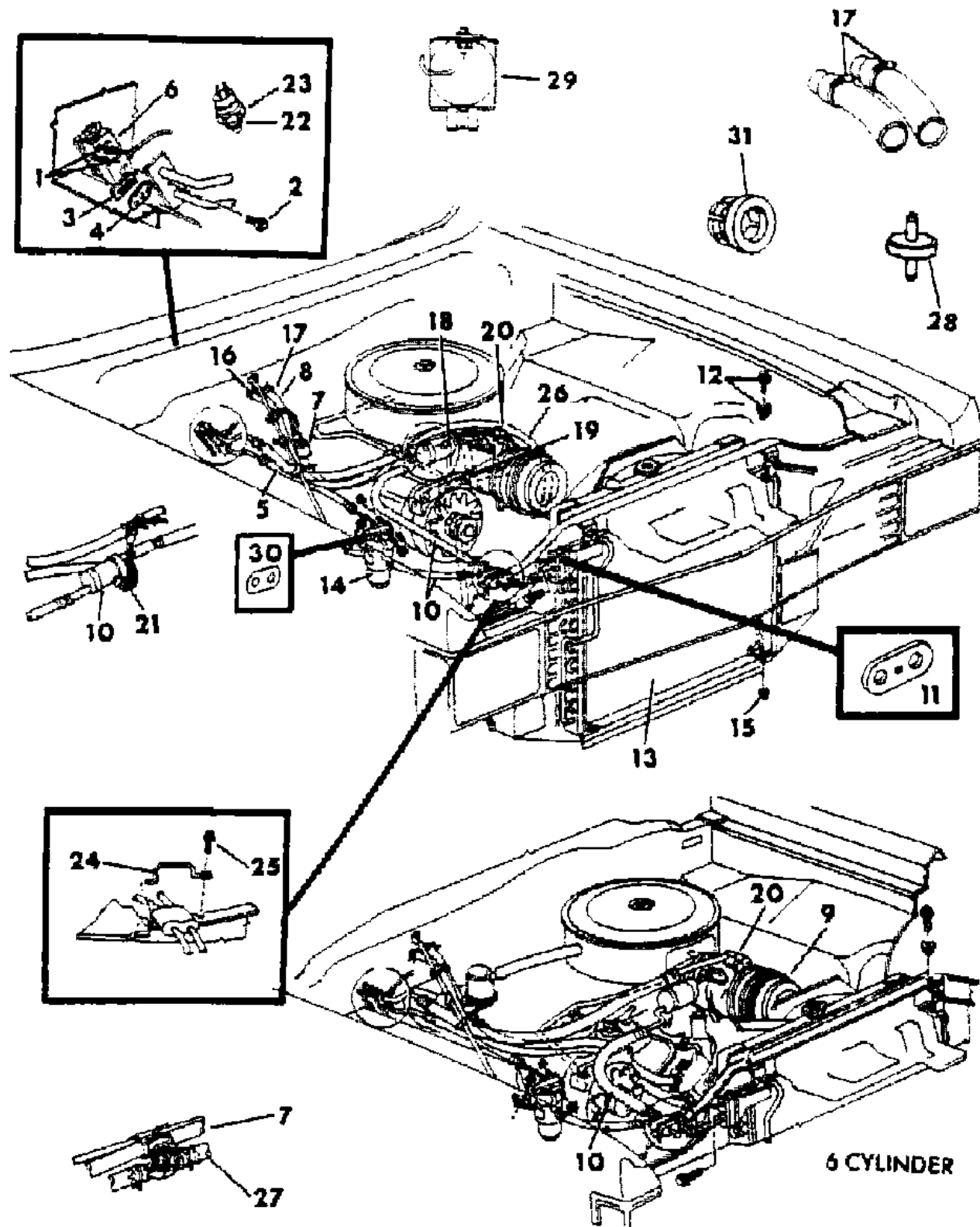
52-53 = FWD WAGON

AR = Use as Required - = Non Illustrated Part P.A.R. = Paint as Required

PLUMBING, AIR CONDITIONING AND HEATER M BODY

Figure 24-2700

7124 2700



ITEM	PART NUMBER	QTY	BODY	MODEL	DESCRIPTION
1	6032 572	2			SCREW, A/C. Expansion Valve Mtg.
2	6500 827	1			SCREW, A/C. Suction & Liquid Line Mtg.
3	3846 836	1			GASKET, A/C. Evaporator Valve Mtg. (Alumn.)
4	3846 834	1			GASKET, A/C. Suction & Liquid Line to H-Valve
5	3847 169	1			LINE, A/C. Suction & Liquid
-	3849 406	1			SWITCH and O-RING, Damped Pressure
-	4419 337	1			SWITCH, A/C. Suction Line Temp. Sensing
6	4176 999	1			VALVE, A/C. Expansion, H-Type
7	4339 457	1			VALVE, A/C. or Heater Water
8	1315 466	AR			HOSE, A/C., Heater 5/8" I.D. 50Ft. Roll
9	4339 455	1			COMPRESSOR, A/C.
10	3848 694	1			LINE, A/C. Discharge & Liquid
11	3846 835	1			GASKET, A/C. Disch. & Liquid Line Plate to Condenser
12	3502 915	2			GROMMET and SPACER, A/C. Condenser Mtg.
13	3847 789	1			CONDENSER, Complete A/C.
14	3847 830	1			FILTER DRIER, w/Bracket A/C.
15	0219 462	2			NUT and CONED WASHER, Condenser Mtg.
16	4041 604	AR			CLAMP, A/C., Heater Hose to Pump
17	2448 770	AR			CLAMP, A/C., Heater Hose
18	3848 585	1			CAP, A/C. Discharge Liquid Line Check Valve
19	1779 258	1			NIPPLE, A/C., Heater Hose Eng. 1.70" Lg., 3/8" Thd.
20	3847 081	1			GASKET, A/C. Discharge Line Flange Mtg.
21	3848 674	1			SWITCH, A/C. High Pressure Cut-Off
22	3441 105	1			SEAL, A/C. Receiver Drier Low Pressure Cut-Off
23	5210 377	1			SWITCH, A/C. Low Pressure Cut Off
24	3846 509	1			CLIP, A/C. Discharge & Liquid Line Mtg.
25		1			SCREW (not serviced)
26	3849 079	1			HOSE, A/C. Htr. Core to Pump
-	1315 466	1			HOSE, A/C., Heater 5/8" I.D. x 50Ft. Roll
-	4041 604	AR			CLAMP, A/C. or Heater Hose with Silicone Hose
27	1315 466	AR			HOSE, A/C., Heater Valve To Core, 5/8" I.D. x 50 Ft. Roll
-	3849 726	1			HOSE, A/C. or Htr. Eng. to Valve (with Silicone all 4 Bbl.
-	3849 727	1			HOSE, A/C. or Htr. Eng. to Valve without Silicone all 4 Bbl.
-	4361 147	1			HOSE, A/C., Heater To Core 43" Long
-	1595 160	1			HOSE, Heater Eng. To Valve (Preformed)
-	4361 148	1			HOSE, Heater Eng. To Valve (90" Long)
-	3849 079	1			HOSE, A/C., Heater Core To Pump, Silicone 5/8 I.D. 46" Long
-	3849 077	1			HOSE, A/C., Heater Valve to Core, Silicone 5/8 I.D. 13" Long

MODEL CODES

E BODY = (J - CARAVELLE)(E - 600)(T - NEW YORKER)

G BODY = (V24 - DAYTONA)

H BODY = (D44 - LANCER)(C44 - LEBARON GTS)

J BODY = (C - LEBARON)

K BODY = (P - RELIANT)(D - ARIES)(C - LEBAROND)/TOWN & COUNTRY)

L BODY = (M - HORIZON/TURISMO)(Z - OMNI/CHARGER)

M BODY = (B - GRAN FURY)(F - FIFTH AVE/NEWPORT)(G - DIPLOMAT)

P BODY = (P - SUNDANCE)(D - SHADOW)

S BODY = (H - VOYAGER)(K - RAM VAN/CARAVAN)

BODY STYLES

12-13 = FWD VAN

21 = 2-DOOR SEDAN

24 = 2-DOOR HATCHBACK

27 = 2-DOOR CONVERTIBLE

41 = 4-DOOR SEDAN

44 = 4-DOOR HATCHBACK

45 = 4-DOOR STATION WAGON

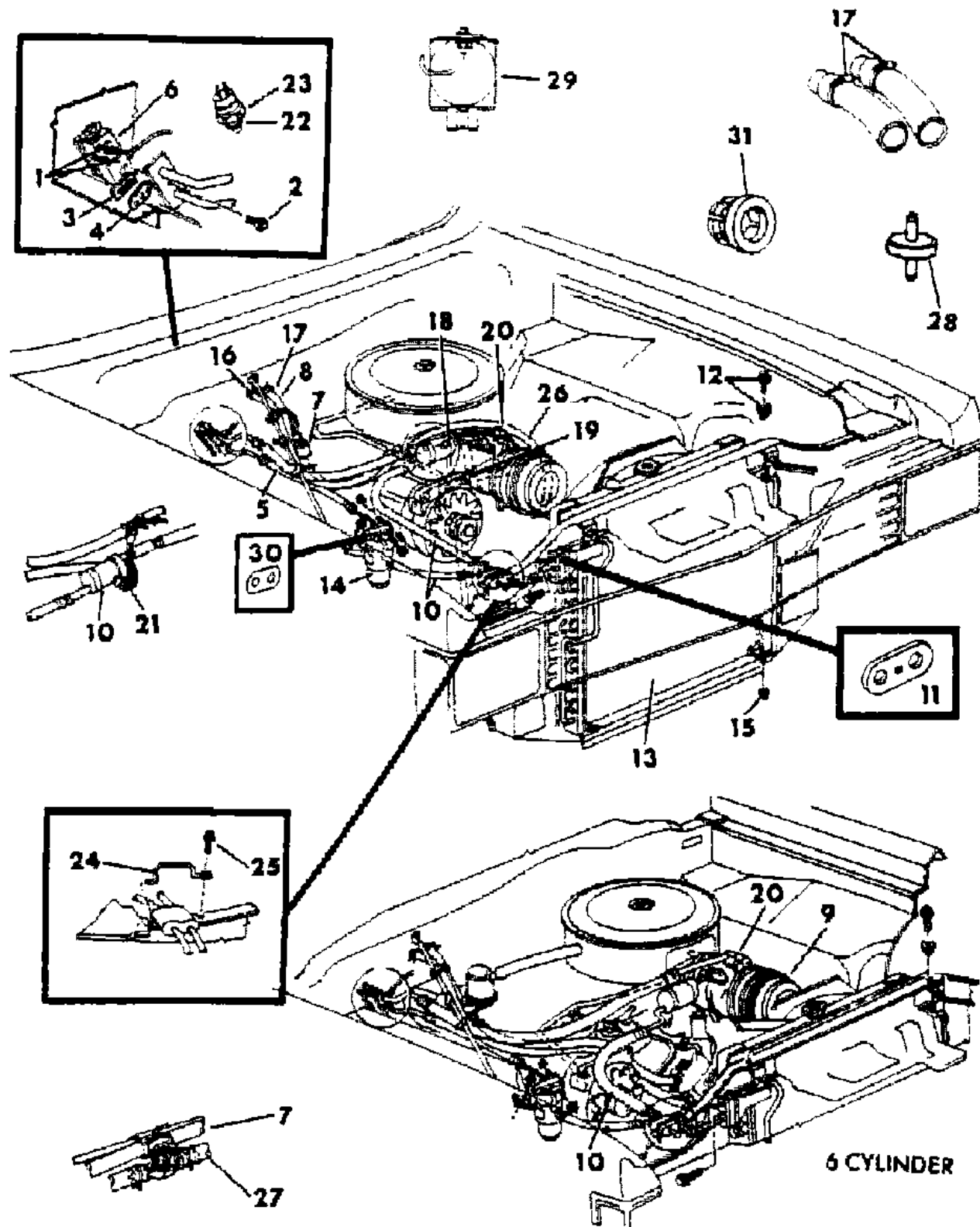
52-53 = FWD WAGON

AR = Use as Required - = Non Illustrated Part P.A.R. = Paint as Required

PLUMBING, AIR CONDITIONING AND HEATER M BODY

Figure 24-2700

7124 2700



ITEM	PART NUMBER	QTY	BODY	MODEL	DESCRIPTION
-	4405 056	1			BRACKET, A/C., Htr. Hose Mouting
28	3846 304	2			MOUNT, A/C. Condenser Mtg.
29	4419 337	1			SWITCH and LUBE PACKAGE, A/C. Suction Line Temp. Sensing or Cycling
30	3847 083	1			GASKET, A/C. Suction & Liquid Line Mtg. to Drier
-	3847 083	1			A/C. Discharge & Liquid Line Mtg. to Drier
31	3847 147	1			PILOT, A/C. Suction Line Mtg. (Plastic)
-	3847 147	1			Discharge Line Mtg. (Plastic)
-	6015 756	1			STRAP, A/C. or A.T.C. Vacuum Hose Support
-	3780 794	AR			HOSE, Control Vacuum .073/.081 I.D. x 50Ft. Roll
-	4397 809	AR			SLEEVE, A/C., Heater Hose
-	4361 105	1			SLEEVE, A/C., Heater Hose Terminal

MODEL CODES

E BODY = (J - CARAVELLE)(E - 600)(T - NEW YORKER)

G BODY = (V24 - DAYTONA)

H BODY = (D44 - LANCER)(C44 - LEBARON GTS)

J BODY = (C - LEBARON)

K BODY = (P - RELIANT)(D - ARIES)(C - LEBAROND)/TOWN & COUNTRY)

L BODY = (M - HORIZON/TURISMO)(Z - OMNI/CHARGER)

M BODY = (B - GRAN FURY)(F - FIFTH AVE/NEWPORT)(G - DIPLOMAT)

P BODY = (P - SUNDANCE)(D - SHADOW)

S BODY = (H - VOYAGER)(K - RAM VAN/CARAVAN)

BODY STYLES

12-13 = FWD VAN

21 = 2-DOOR SEDAN

24 = 2-DOOR HATCHBACK

27 = 2-DOOR CONVERTIBLE

41 = 4-DOOR SEDAN

44 = 4-DOOR HATCHBACK

45 = 4-DOOR STATION WAGON

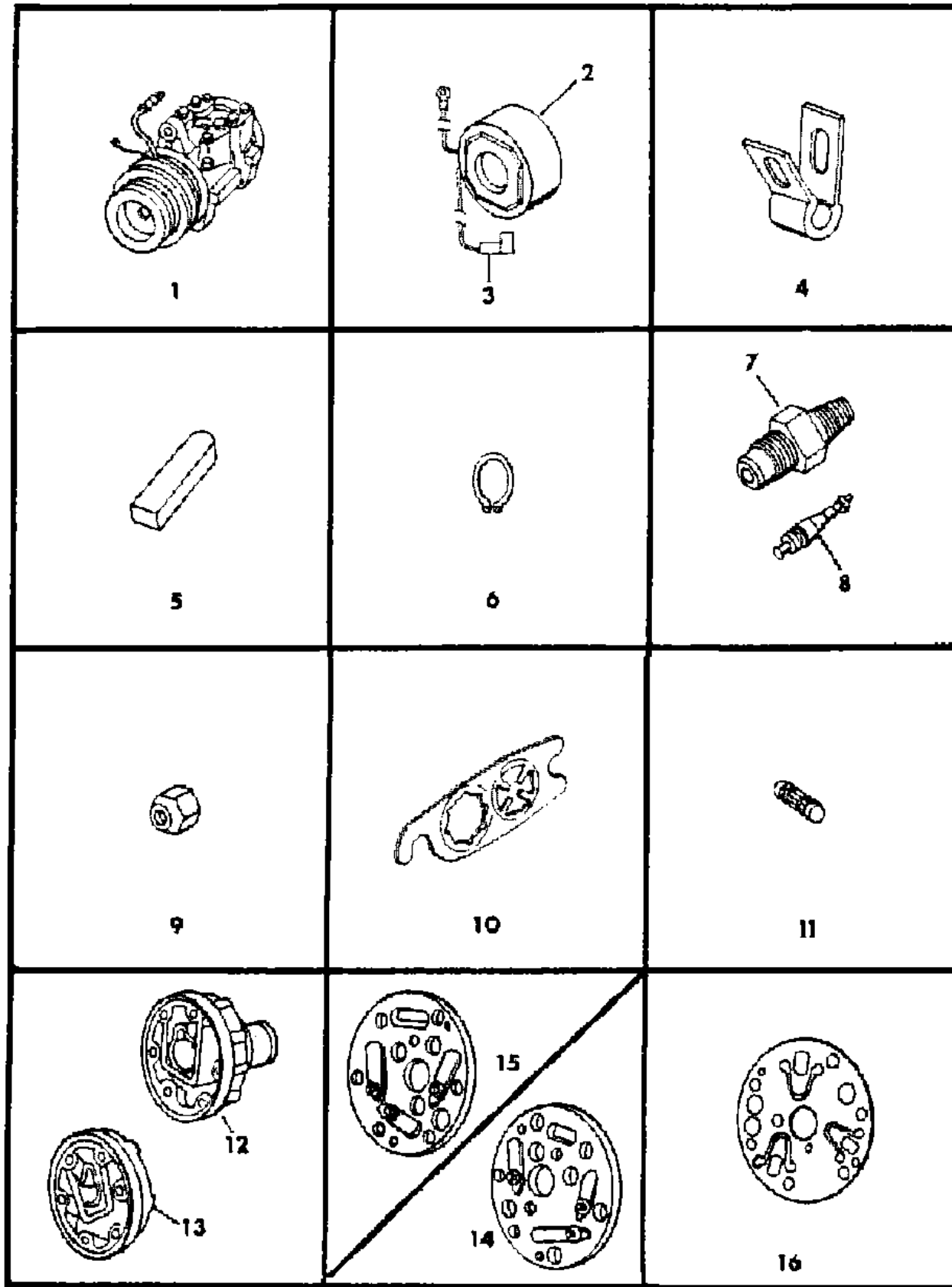
52-53 = FWD WAGON

AR = Use as Required - = Non Illustrated Part P.A.R. = Paint as Required

AIR CONDITIONING COMPRESSOR

Figure 24-2800

7124 2800 A



ITEM	PART NUMBER	QTY	BODY	MODEL	DESCRIPTION
-	3848 979	1			GASKET PACKAGE, A/C. Compressor, Basic
-	3847 180	1			SHIM PACKAGE, A/C. Compressor Drive Clutch Consists Of: 5 ----- Shims
-	3848 981	1	M		PULLEY and ARMATURE PACKAGE, A/C. Compr. Drive Clutch 318 Eng. Consists Of: 1 ----- Pulley & Bearing 1 ----- Armature
-	3848 982	1			PULLEY & ARMATURE PKG., A/C. Compr. Drive Clutch 2.2, 2.5, 3.0 Engine Consists Of: 1 ----- Pulley & Bearing Assy 1 ----- Armature Assy
-	3848 983	1	S		PULLEY and ARMATURE PACKAGE, A/C. Compr. Drive Clutch 2.6L Engine
1	4443 131	1			COMPRESSOR, A/C. Less (Clutch, Coil & Pulley) w/2.2,2.5,3.0 L Engine w/2.6, w/318 Engine
2	4339 455	1			COIL, A/C. Compressor Drive Clutch Field
3	3848 969	1			TERMINAL, A/C. Field Coil Lead
-	3843 386	1			INSULATOR, A/C. Field Coil Lead Terminal
-	4209 956	1			CLIP, A/C. Compr. Clutch Field Coil Mtg.
4	3848 690	1			KEY, A/C. Compr. Drive Shaft
5	3846 680	1			RING, A/C. Compr. Drive Clutch Coil Ext.
6	6500 411	1			RING, A/C., Compressor Drive Clutch Pulley Ext.
7	6031 416	1			FITTING, A/C. Compr. Check Valve
8	3846 722	1			VALVE, A/C. or A.T.C. Discharge Line Check
9	3849 468	1			CAP, A/C. Compr. Check Valve
10	3848 585	1			GASKET, A/C. Suction Flange to Compr., Rubber Coated
11	3847 081	1			PIN, A/C. Compressor Clutch Coil Locating
-	3847 081	1			GASKET, A/C., Discharge Line Flange To Compressor
12	3847 986	1			COVER and PIN, A/C. Compressor, Front
13	3846 678	1			COVER, A/C. Compressor, Rear
14	3846 655	1			Rear
15	3846 654	1			PLATE ASSY, A/C. Compr. Discharge Valve, Front
16	3846 666	2			REED, A/C. Compressor Suction Valve
-	3847 916	1			SEAL, Compressor Shaft

MODEL CODES

E BODY = (J - CARAVELLE)(E - 600)(T - NEW YORKER)

G BODY = (V24 - DAYTONA)

H BODY = (D44 - LANCER)(C44 - LEBARON GTS)

J BODY = (C - LEBARON)

K BODY = (P - RELIANT)(D - ARIES)(C - LEBAROND)/TOWN & COUNTRY)

L BODY = (M - HORIZON/TURISMO)(Z - OMNI/CHARGER)

M BODY = (B - GRAN FURY)(F - FIFTH AVE/NEWPORT)(G - DIPLOMAT)

P BODY = (P - SUNDANCE)(D - SHADOW)

S BODY = (H - VOYAGER)(K - RAM VAN/CARAVAN)

BODY STYLES

12-13 = FWD VAN

21 = 2-DOOR SEDAN

24 = 2-DOOR HATCHBACK

27 = 2-DOOR CONVERTIBLE

41 = 4-DOOR SEDAN

44 = 4-DOOR HATCHBACK

45 = 4-DOOR STATION WAGON

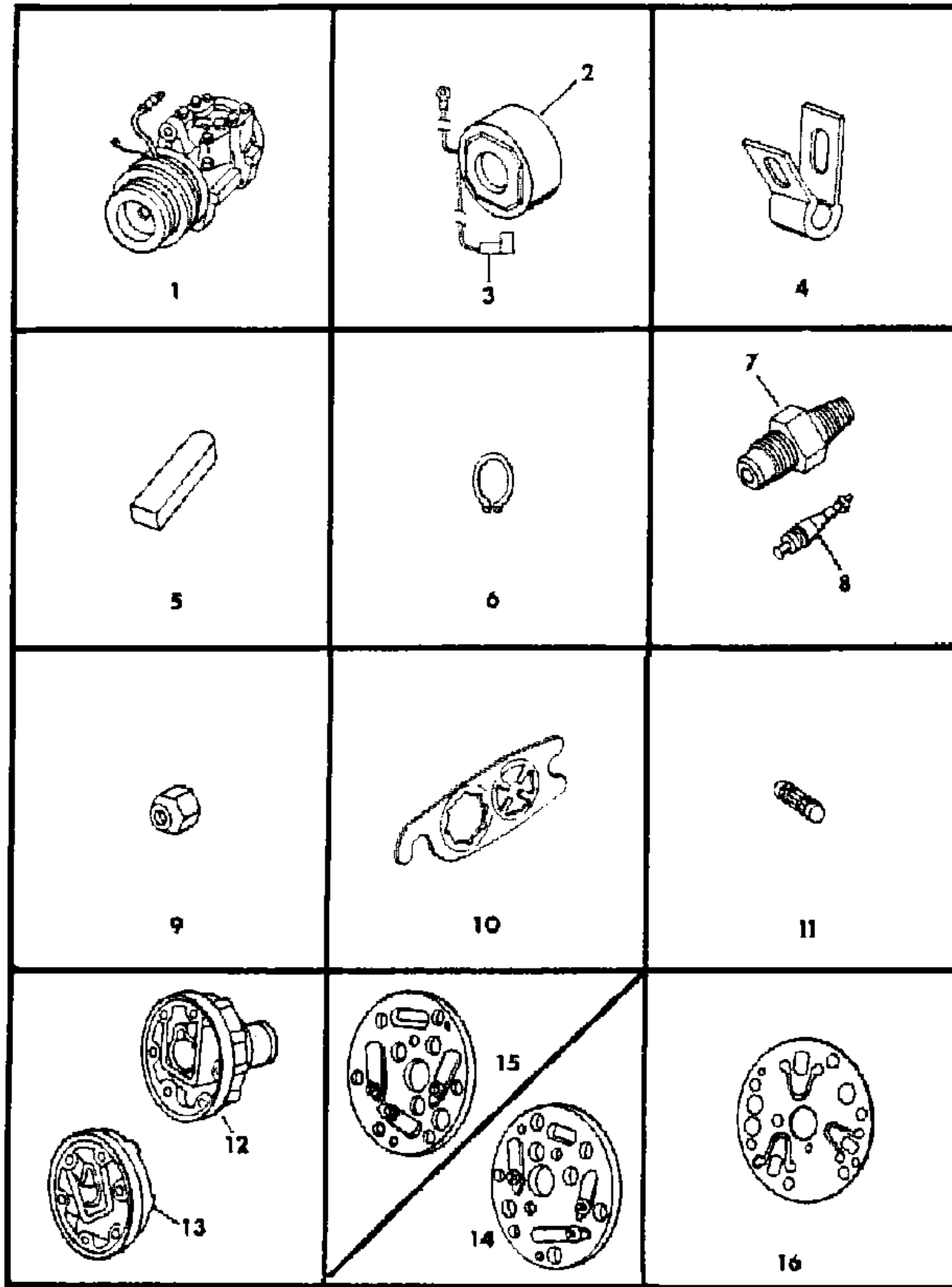
52-53 = FWD WAGON

AR = Use as Required - = Non Illustrated Part P.A.R. = Paint as Required

AIR CONDITIONING COMPRESSOR

Figure 24-2800

7124 2800 A



ITEM	PART NUMBER	QTY	BODY	MODEL	DESCRIPTION
-	6100 218	1			NUT, A/C. Compressor Drive Clutch Mtg.
-	6100 141	1			LOCK WASHER, A/C. Compressor Drive Clutch Mtg.
-	4368 557	1	Exc. M		DIODE, A/C., Clutch, Mold (Repair)
-	4222 599	1			DIODE, Bidirectional Zener

MODEL CODES

E BODY = (J - CARAVELLE)(E - 600)(T - NEW YORKER)

G BODY = (V24 - DAYTONA)

H BODY = (D44 - LANCER)(C44 - LEBARON GTS)

J BODY = (C - LEBARON)

K BODY = (P - RELIANT)(D - ARIES)(C - LEBAROND)/TOWN & COUNTRY)

L BODY = (M - HORIZON/TURISMO)(Z - OMNI/CHARGER)

M BODY = (B - GRAN FURY)(F - FIFTH AVE/NEWPORT)(G - DIPLOMAT)

P BODY = (P - SUNDANCE)(D - SHADOW)

S BODY = (H - VOYAGER)(K - RAM VAN/CARAVAN)

BODY STYLES

12-13 = FWD VAN

21 = 2-DOOR SEDAN

24 = 2-DOOR HATCHBACK

27 = 2-DOOR CONVERTIBLE

41 = 4-DOOR SEDAN

44 = 4-DOOR HATCHBACK

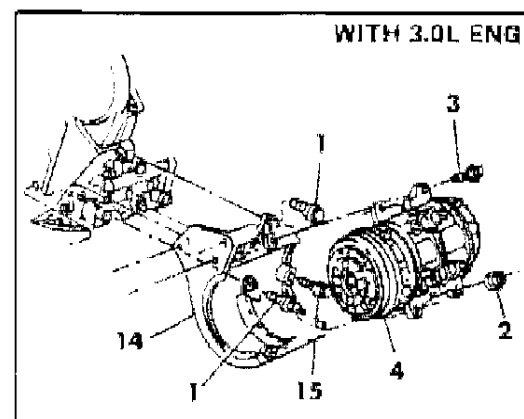
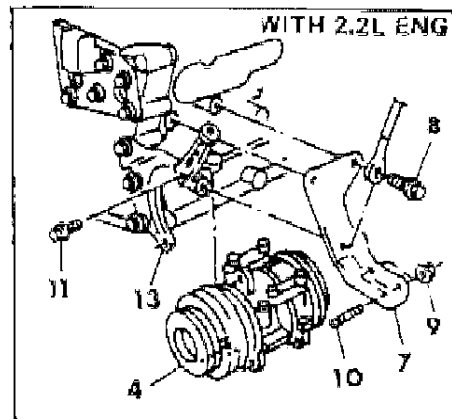
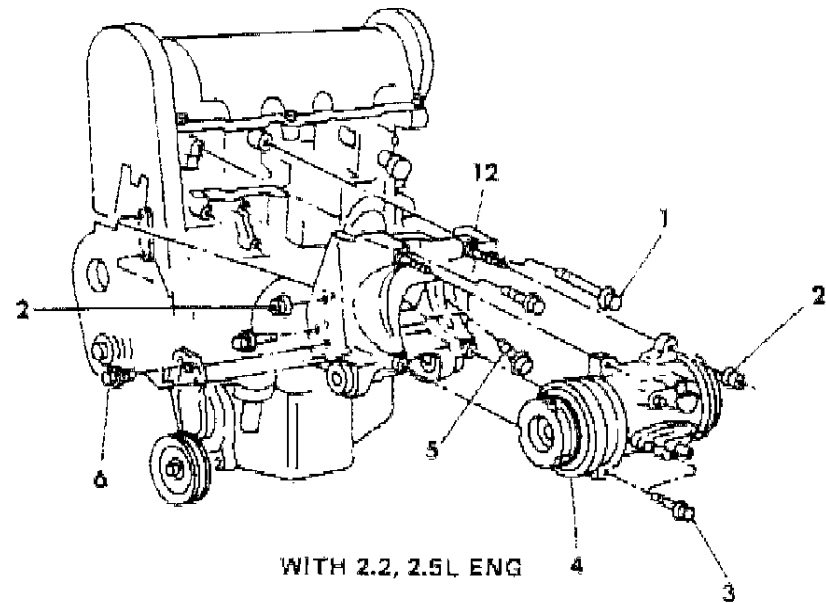
45 = 4-DOOR STATION WAGON

52-53 = FWD WAGON

AR = Use as Required - = Non Illustrated Part P.A.R. = Paint as Required

AIR CONDITIONING COMPRESSOR MOUNTING L,P,J,K,G,E,H,S,M BODY
Figure 24-2900

7124 2900 A



ITEM	PART NUMBER	QTY	BODY	MODEL	DESCRIPTION
1	6501 261	1			SCREW, with Washer, Adapter to Cylinder Head
2	6100 053	1			NUT, Lock
3	6101 054	1			SCREW and WASHER, Compressor to Adapter
4	3849 617	1			COMPRESSOR, A/C. with 2.2,2.5,3.0 Engine
	4339 455	1			COMPRESSOR, A/C. with 2.6 Engine
5	6501 261	3			SCREW, Adapter to Block Cylinder Head
6	6500 374	1			SCREW
7	4241 279	1	S		BRACKET, A/C. Compressor Rear Support with 2.6 Engine
8	6500 404	3	S		SCREW and WASHER, Compressor Rear Mounting Brkt. to Block
9	6100 318	2	S		NUT and WASHER, Compressor Rear Brkt. to Compress or
10	6500 522	2	S		STUD, Compressor Rear Mtg. Bracket to Compressor
11	6500 374	2	S		SCREW and WASHER, Compressor Mounting
12	4419 313	1	L,P,J,K		ADAPTER, Altr. and A/C. Compressor Mounting
	4419 313	1	G,E,H		ADAPTER, Altr. and A/C. Compressor Mounting
	4419 313	1	S		ADAPTER, Altr. and A/C. Compressor Mtg. with 2.2, 2.5 Engine
13	4273 050	1	S		BRACKET, Altr. Adj. and Mtg. with 2.6 Engine
14	4343 899	1	S		BRACKET, A/C. Compr. Mtg. with 3.0 Engine
15	6101 012	AR	S		SCREW and WASHER

MODEL CODES

E BODY = (J - CARAVELLE)(E - 600)(T - NEW YORKER)

G BODY = (V24 - DAYTONA)

H BODY = (D44 - LANCER)(C44 - LEBARON GTS)

J BODY = (C - LEBARON)

K BODY = (P - RELIANT)(D - ARIES)(C - LEBAROND)/TOWN & COUNTRY)

L BODY = (M - HORIZON/TURISMO)(Z - OMNI/CHARGER)

M BODY = (B - GRAN FURY)(F - FIFTH AVE/NEWPORT)(G - DIPLOMAT)

P BODY = (P - SUNDANCE)(D - SHADOW)

S BODY = (H - VOYAGER)(K - RAM VAN/CARAVAN)

BODY STYLES

12-13 = FWD VAN

21 = 2-DOOR SEDAN

24 = 2-DOOR HATCHBACK

27 = 2-DOOR CONVERTIBLE

41 = 4-DOOR SEDAN

44 = 4-DOOR HATCHBACK

45 = 4-DOOR STATION WAGON

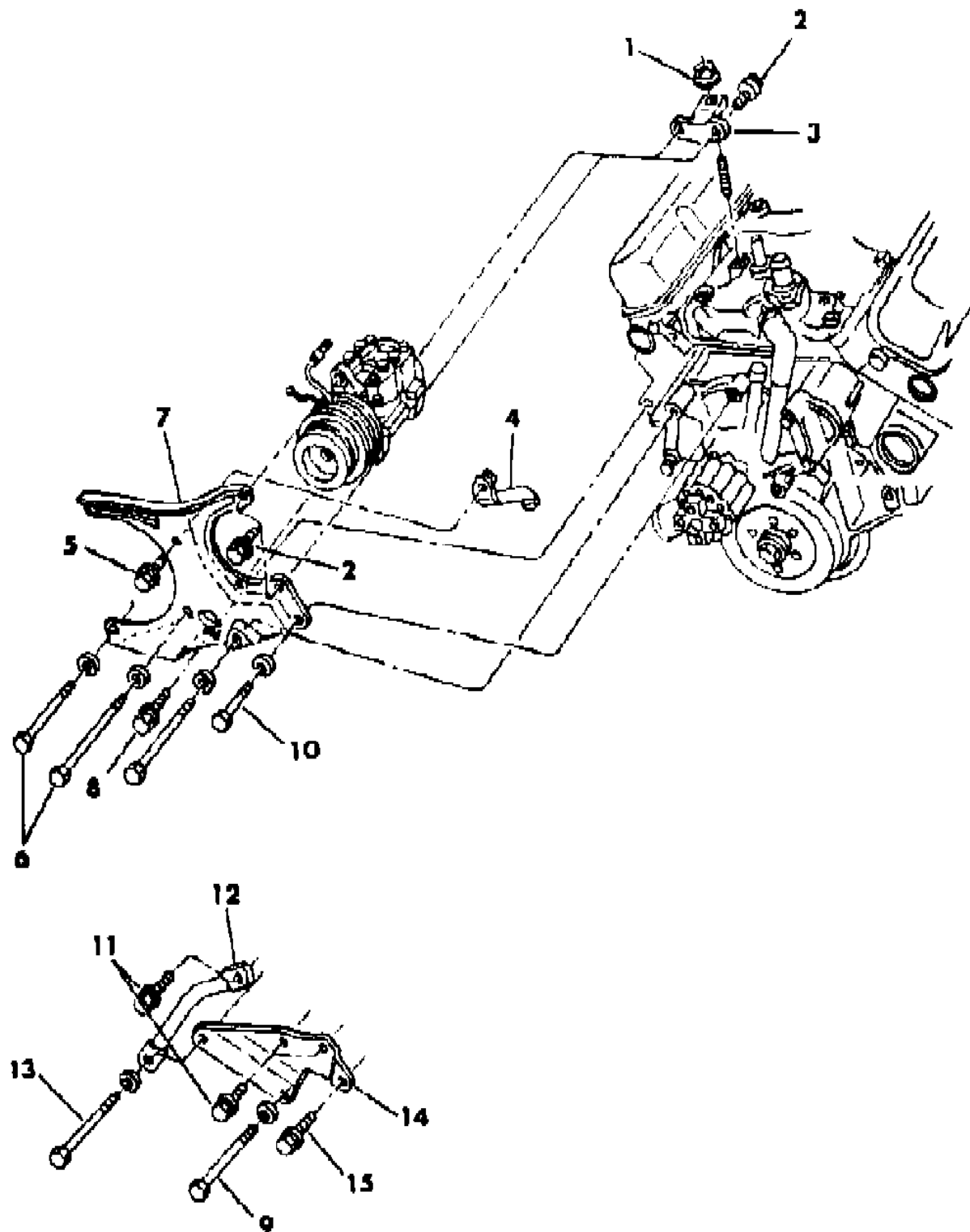
52-53 = FWD WAGON

AR = Use as Required - = Non Illustrated Part P.A.R. = Paint as Required

AIR CONDITIONING COMPRESSOR MOUNTING M BODY (318 ENGINE)

Figure 24-3000

7124 3000 A



ITEM	PART NUMBER	QTY	BODY	MODEL	DESCRIPTION
1	0181 112	AR			SCREW and WASHER
2	6101 301	AR			BOLT
3	4323 994	1			BRACKET, A/C. Compressor, Rear Mtg.
4	4100 604	1			SUPPORT, Alt. & Compr. Mtg. Brkt. to Alt. Mtg. w/114 Amp. Alt.
5	6022 250	1			SCREW and WASHER
6		AR			BOLT, (Not Serviced)
7	4100 603	1			BRACKET, Alternator & Compr. Mtg. w/114 Amp. Alt.
8	0181 112	1			SCREW
10	0181 126	1			BOLT
11	6500 365	AR			SCREW and WASHER, A/C. Compr. Mtg., Front Support
12	4116 856	1			STRAP, A/C. Compr. to Alternator Mtg. Brkt., Front
13					BOLT (not serviced)
14	4273 059	1			BRACKET, A/C. Compr. & Alternator Front Mtg.
15	0153 359	1			SCREW and WASHER

MODEL CODES

E BODY = (J - CARAVELLE)(E - 600)(T - NEW YORKER)
 G BODY = (V24 - DAYTONA)
 H BODY = (D44 - LANCER)(C44 - LEBARON GTS)
 J BODY = (C - LEBARON)
 K BODY = (P - RELIANT)(D - ARIES)(C - LEBAROND)/TOWN & COUNTRY)

L BODY = (M - HORIZON/TURISMO)(Z - OMNI/CHARGER)
 M BODY = (B - GRAN FURY)(F - FIFTH AVE/NEWPORT)(G - DIPLOMAT)
 P BODY = (P - SUNDANCE)(D - SHADOW)
 S BODY = (H - VOYAGER)(K - RAM VAN/CARAVAN)

BODY STYLES

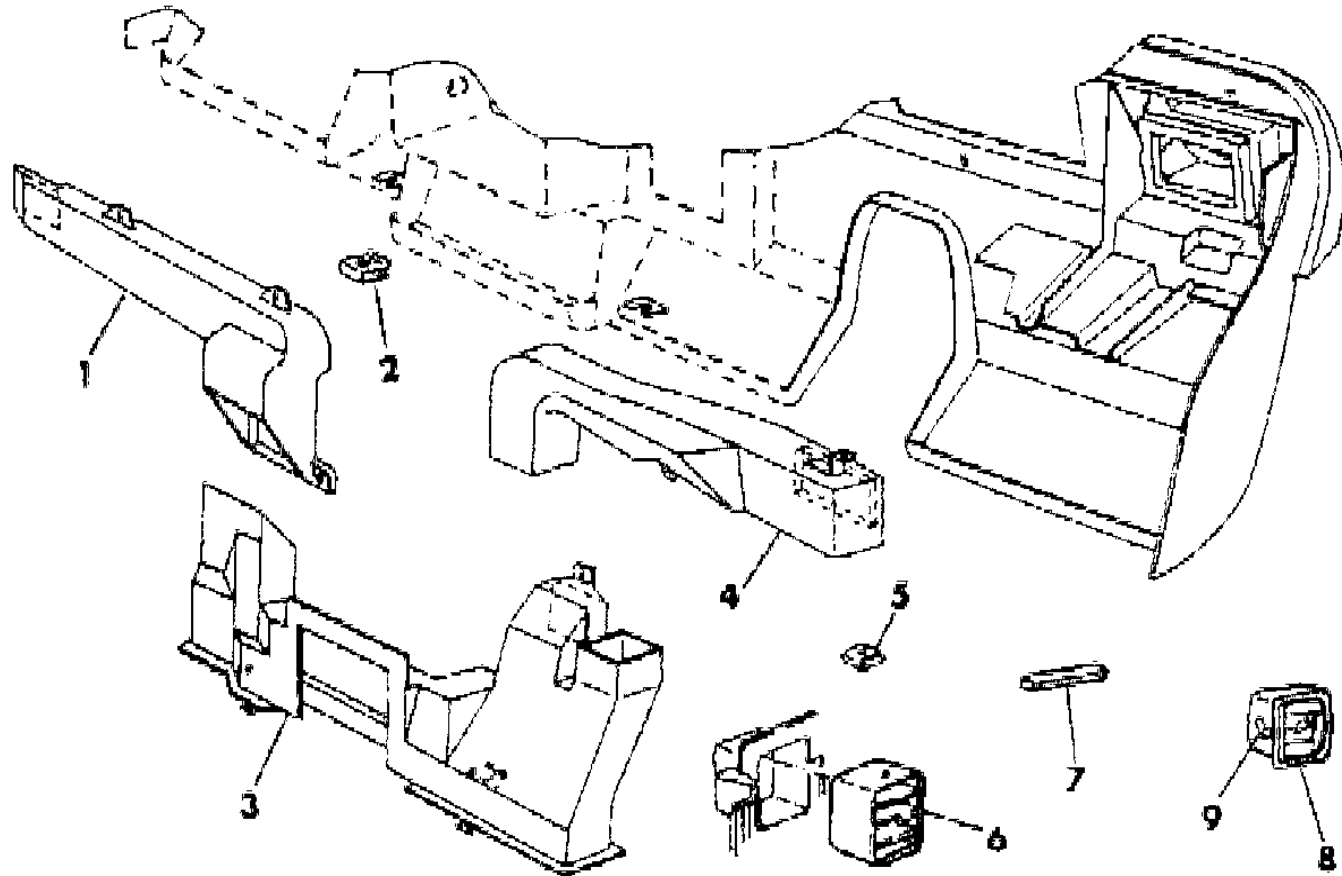
12-13 = FWD VAN 41 = 4-DOOR SEDAN
 21 = 2-DOOR SEDAN 44 = 4-DOOR HATCHBACK
 24 = 2-DOOR HATCHBACK 45 = 4-DOOR STATION WAGON
 27 = 2-DOOR CONVERTIBLE 52-53 = FWD WAGON

AR = Use as Required - = Non Illustrated Part P.A.R. = Paint as Required

AIR DISTRIBUTION, DUCT, OUTLET, LOUVER L BODY
Figure 24-3100

7124 3100

ITEM	PART NUMBER	QTY	BODY	MODEL	DESCRIPTION
1	5210 028	1			DUCT, A/C. Right Spot Cooler
2	0152 490	2			U-NUT
3	3848 786	1			DUCT, A/C. Center Air Distribution
-	5210 336	1			SEAL, A/C. Ctr. Air Distribution Duct
4	5210 029	1			DUCT, A/C. Left Spot Cooler
5	0152 490	1			U-NUT, Heater
6	3502 905	1			LOUVER, A/C., Heater Inst. Cluster Air Outlet
7	3593 396	1			SEAL, A/C. Outlet 10.30" Lg.
8	5210 196-7	1			OUTLET, A/C. Air Spot Cooler (with Bezel)
9	5210 018	1			CLIP, A/C. Air Spot Cooler Outlet Retaining



MODEL CODES
 E BODY = (J - CARAVELLE)(E - 600)(T - NEW YORKER)
 G BODY = (V24 - DAYTONA)
 H BODY = (D44 - LANCER)(C44 - LEBARON GTS)
 J BODY = (C - LEBARON)
 K BODY = (P - RELIANT)(D - ARIES)(C - LEBAROND)/TOWN & COUNTRY

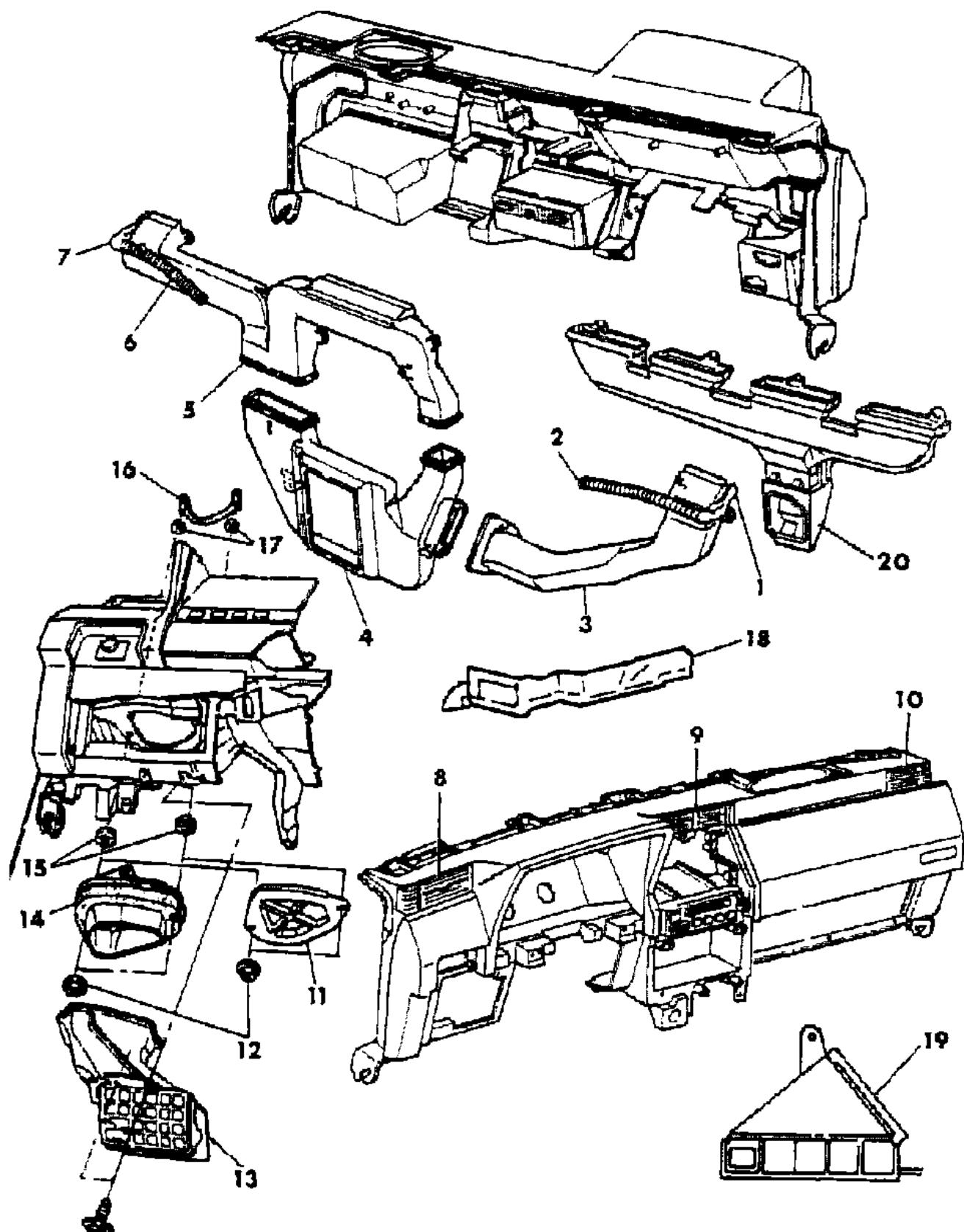
L BODY = (M - HORIZON/TURISMO)(Z - OMNI/CHARGER)
 M BODY = (B - GRAN FURY)(F - FIFTH AVE/NEWPORT)(G - DIPLOMAT)
 P BODY = (P - SUNDANCE)(D - SHADOW)
 S BODY = (H - VOYAGER)(K - RAM VAN/CARAVAN)

BODY STYLES
 12-13 = FWD VAN
 21 = 2-DOOR SEDAN
 24 = 2-DOOR HATCHBACK
 27 = 2-DOOR CONVERTIBLE
 41 = 4-DOOR SEDAN
 44 = 4-DOOR HATCHBACK
 45 = 4-DOOR STATION WAGON
 52-53 = FWD WAGON

AR = Use as Required - = Non Illustrated Part P.A.R. = Paint as Required

AIR DISTRIBUTION, DUCT, OUTLET, VENT HSG. P BODY P,D 22,44
Figure 24-3200

7124 3200



ITEM	PART NUMBER	QTY	BODY	MODEL	DESCRIPTION
1	3848 890-1	1			ADAPTOR, Demister
2	3849 377	1			HOSE, Demister Left
3	3848 897	1			DUCT, Air Outlet Left
4	3848 899	1			DUCT, A/C. Air Outlet Dist.
5	3848 895	1			DUCT, A/C. Air Outlet Ctr. Right
6	3849 376	1			HOSE, Demister Left
7	3848 890	1			ADAPTOR, Demister Right
8	3849 874	1			OUTLET, A/C. Air, Demister Left
-	4337 798	1			PAD, Air Outlet Left
9	3849 873	1			OUTLET, A/C. Air Center
10	3849 872	1			OUTLET, A/C. Air Demister Right
11	3848 717	1			COVER, Plenum Left Vent
12	0152 443	2			NUT, Housing To Plenum
13	3849 579	1			HOUSING, Left Vent Outlet
14	3848 934	1			HOUSING, Left Vent Inlet
15	0116 000	2			RETAINER, Plenum Left Vent Mtg. Plate Mtg.
16	3849 112	1			PLATE, Left Vent Mounting
17	3849 114	2			WASHER, Left Vent Sealing
18	5210 055	1			DUCT, A/C. Htr. Distr. (Right & Left Floor Area)
19	3848 984	1			HOUSING, Heater Vent (Right Side Floor)
20	3849 174	1			DUCT, A/C. Defroster

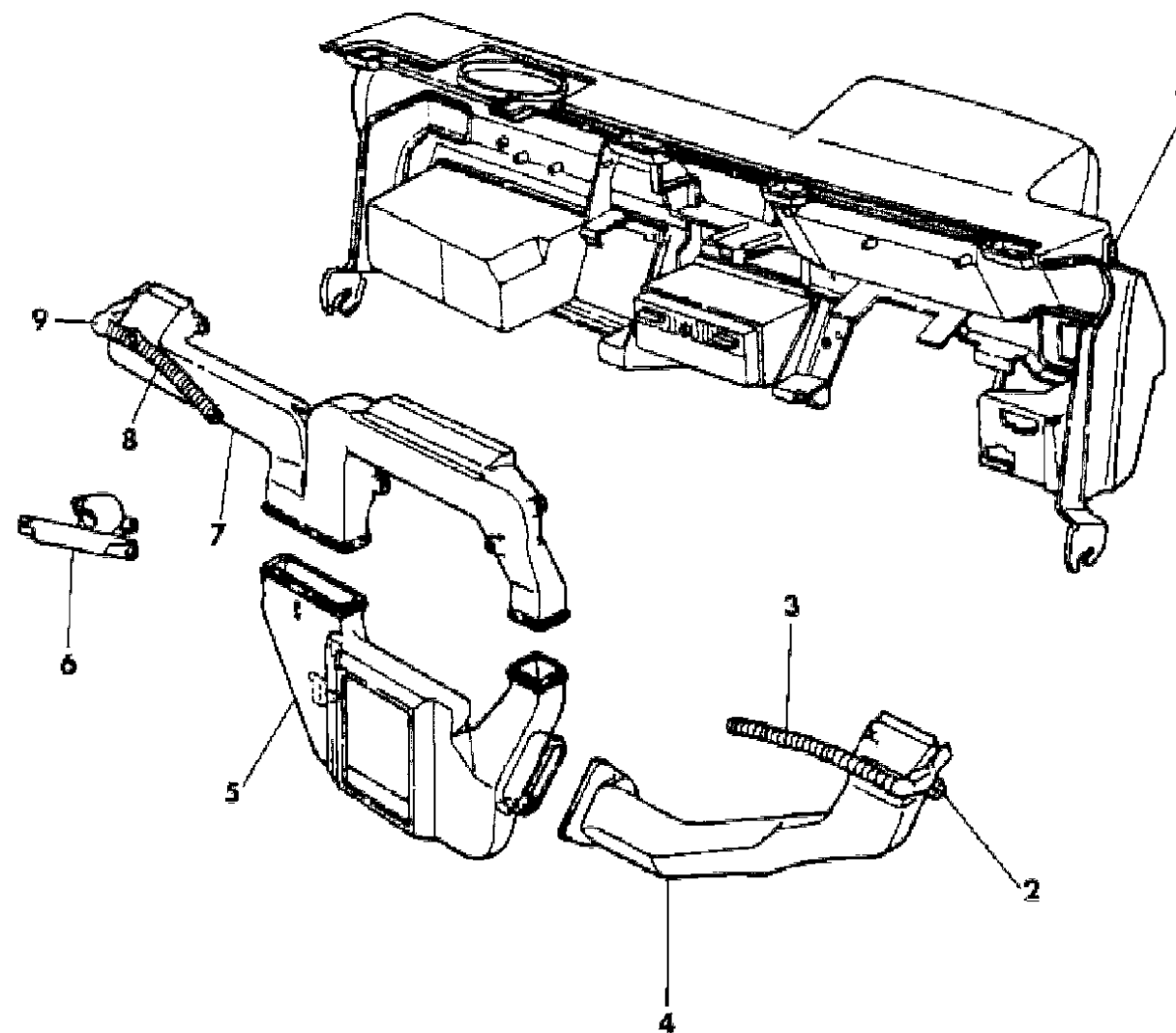
MODEL CODES
 E BODY = (J - CARAVELLE)(E - 600)(T - NEW YORKER)
 G BODY = (V24 - DAYTONA)
 H BODY = (D44 - LANCER)(C44 - LEBARON GTS)
 J BODY = (C - LEBARON)
 K BODY = (P - RELIANT)(D - ARIES)(C - LEBAROND)/TOWN & COUNTRY
 L BODY = (M - HORIZON/TURISMO)(Z - OMNI/CHARGER)
 M BODY = (B - GRAN FURY)(F - FIFTH AVE/NEWPORT)(G - DIPLOMAT)
 P BODY = (P - SUNDANCE)(D - SHADOW)
 S BODY = (H - VOYAGER)(K - RAM VAN/CARAVAN)

BODY STYLES
 12-13 = FWD VAN
 21 = 2-DOOR SEDAN
 24 = 2-DOOR HATCHBACK
 27 = 2-DOOR CONVERTIBLE
 41 = 4-DOOR SEDAN
 44 = 4-DOOR HATCHBACK
 45 = 4-DOOR STATION WAGON
 52-53 = FWD WAGON

AR = Use as Required - = Non Illustrated Part P.A.R. = Paint as Required

DEMISTER, HOSE, OUTLET, ADAPTER P BODY P,D 22,44
Figure 24-3300

7124 3300



ITEM	PART NUMBER	QTY	BODY	MODEL	DESCRIPTION
1	3849 874	1			OUTLET, Air Demister Left
	3849 872	1			OUTLET, Air Demister Right
	3849 873	1			OUTLET, Air Center
2	3848 891	1			ADAPTOR, Demister Left
3	3849 377	1			HOSE, Demister Left
4	3848 897	1			DUCT, Air Outlet Left
5	3848 899	1			DUCT, A/C. Air Outlet Dist.
6	3849 381	1			ADAPTOR, Demister
7	3848 895	1			DUCT, A/C. Air Outlet Center Right
8	3849 376	1			HOSE, Demister Left
9	3848 890	1			ADAPTOR, Demister Right

MODEL CODES

E BODY = (J - CARAVELLE)(E - 600)(T - NEW YORKER)

G BODY = (V24 - DAYTONA)

H BODY = (D44 - LANCER)(C44 - LEBARON GTS)

J BODY = (C - LEBARON)

K BODY = (P - RELIANT)(D - ARIES)(C - LEBAROND)/TOWN & COUNTRY)

L BODY = (M - HORIZON/TURISMO)(Z - OMNI/CHARGER)

M BODY = (B - GRAN FURY)(F - FIFTH AVE/NEWPORT)(G - DIPLOMAT)

P BODY = (P - SUNDANCE)(D - SHADOW)

S BODY = (H - VOYAGER)(K - RAM VAN/CARAVAN)

BODY STYLES

12-13 = FWD VAN

21 = 2-DOOR SEDAN

24 = 2-DOOR HATCHBACK

27 = 2-DOOR CONVERTIBLE

41 = 4-DOOR SEDAN

44 = 4-DOOR HATCHBACK

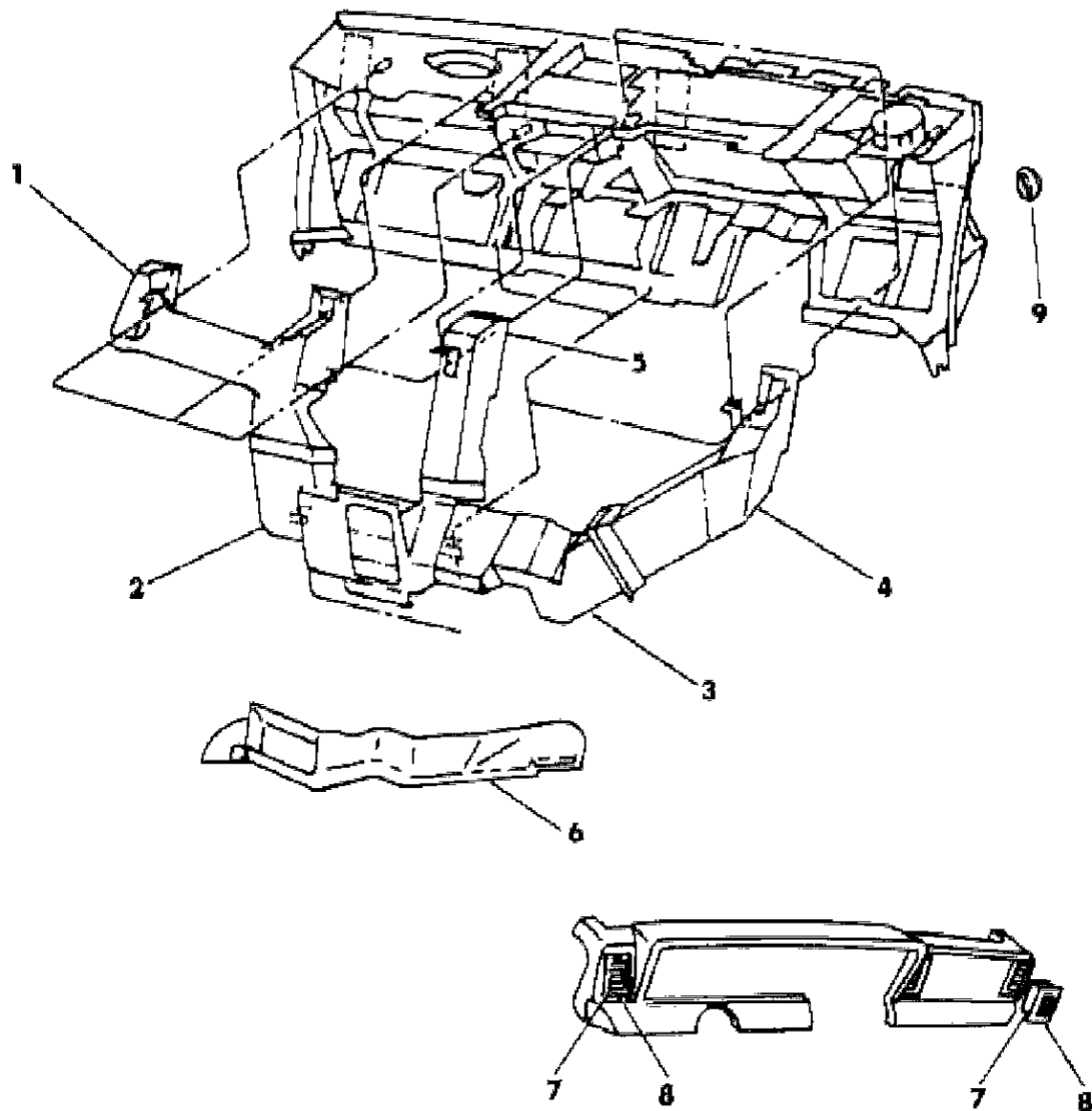
45 = 4-DOOR STATION WAGON

52-53 = FWD WAGON

AR = Use as Required - = Non Illustrated Part P.A.R. = Paint as Required

AIR DISTRIBUTION, DUCT, OUTLET, LOUVER, HOUSING K,E BODY
Figure 24-3400

7124 3400



ITEM	PART NUMBER	QTY	BODY	MODEL	DESCRIPTION
1	3847 562	1			DUCT, Air Outlet, Right
2	3847 554	1			DUCT, A/C. Air Outlet Distribution
-	4220 828	1			SEAL, I/Pnl. A/C Air Duct
-	0152 490	2			CLIP, Center Air Distribution Duct To Inst. Panel
3	3847 574	1			DUCT, Heater, A/C. Vent Over Strg. Column
4	3847 569	1			DUCT, Air Outlet, Left
5	3847 563	1			DUCT, Air Outlet, Left Center
6	5210 055	1			DUCT, A/c. Heater Distribution
7	4364 886	1			OUTLET and LOUVER, A/C., Air, Charcoal
	4443 116	1			BLUE TWILIGHT
	4443 115	1			ALMOND
	4443 114	1			CORDOVAN
8	3847 950	2			LOUVER, A/C., Heater Air Outlet Bright
9	6501 429	1			PLUG, Cover Demister Opening
-	3847 575	2	P,D		LOUVER, A/C., Heater Air Outlet Black, Left

MODEL CODES

E BODY = (J - CARAVELLE)(E - 600)(T - NEW YORKER)

G BODY = (V24 - DAYTONA)

H BODY = (D44 - LANCER)(C44 - LEBARON GTS)

J BODY = (C - LEBARON)

K BODY = (P - RELIANT)(D - ARIES)(C - LEBAROND)/TOWN & COUNTRY)

L BODY = (M - HORIZON/TURISMO)(Z - OMNI/CHARGER)

M BODY = (B - GRAN FURY)(F - FIFTH AVE/NEWPORT)(G - DIPLOMAT)

P BODY = (P - SUNDANCE)(D - SHADOW)

S BODY = (H - VOYAGER)(K - RAM VAN/CARAVAN)

BODY STYLES

12-13 = FWD VAN

21 = 2-DOOR SEDAN

24 = 2-DOOR HATCHBACK

27 = 2-DOOR CONVERTIBLE

41 = 4-DOOR SEDAN

44 = 4-DOOR HATCHBACK

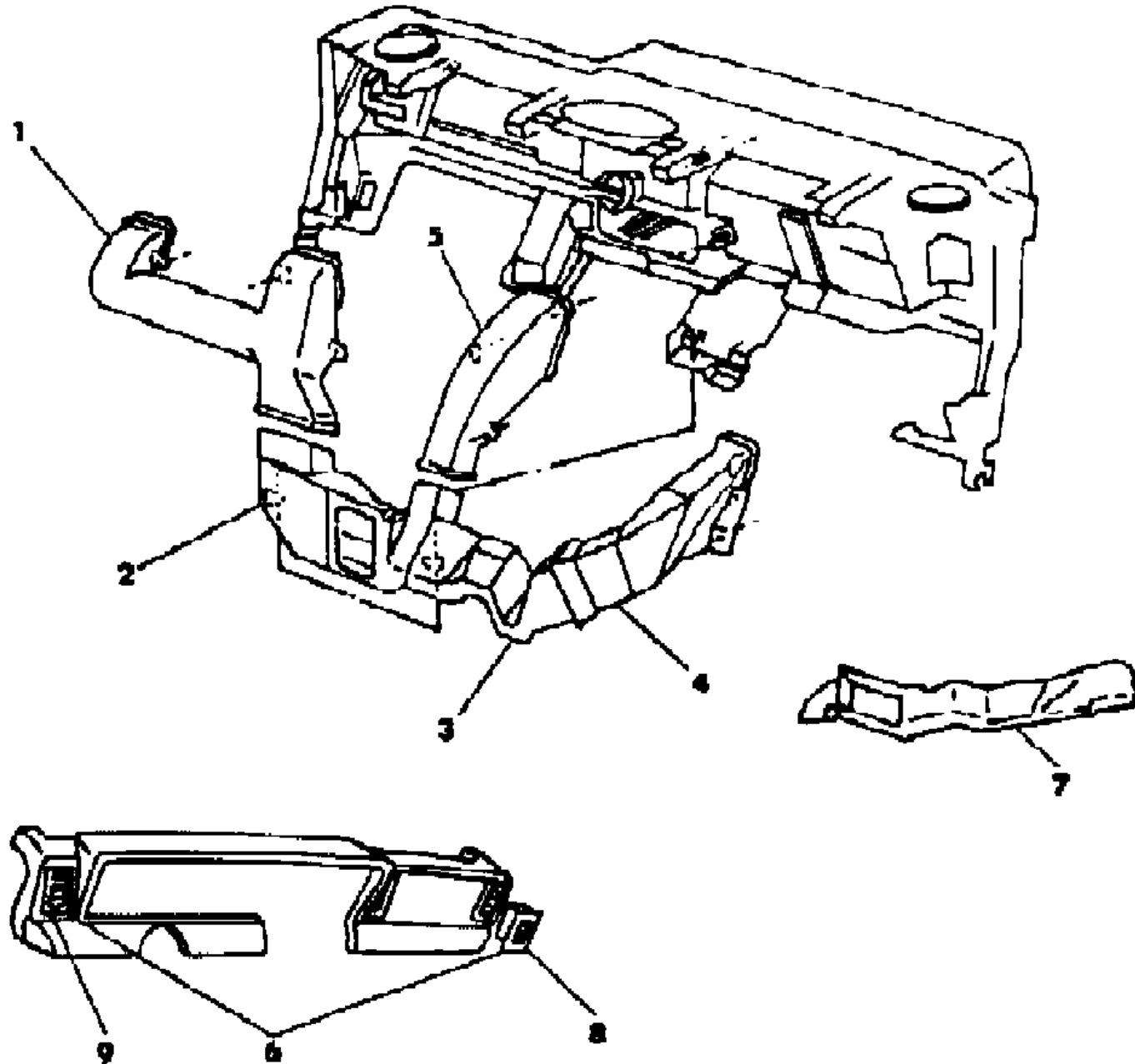
45 = 4-DOOR STATION WAGON

52-53 = FWD WAGON

AR = Use as Required - = Non Illustrated Part P.A.R. = Paint as Required

**AIR DISTRIBUTION DUCTS, OUTLETS J BODY, G BODY
Figure 24-3500**

7124 3500 A



ITEM	PART NUMBER	QTY	BODY	MODEL	DESCRIPTION
1	3848 088	1			DUCT, A/C., Heater Air, Right
2	3848 081	1			DUCT, A/C., Heater Air Distribution up to 1-5-87
	3849 500	1			after 1-5-87
3	3847 574	1			DUCT, A/C., Heater, Over Steering Column
4	3848 086	1			DUCT, A/C., Heater Air, Left
5	3848 083	1			DUCT, A/C., Heater Air, Left Center
6	4419 301	3			AIR, A/C. Outlet, Cordovan
	4419 302	3			AIR, Outlet, A/C., Light Almond
	4419 303	3			AIR, Outlet, A/C., Charcoal
	4419 304	3			AIR, Outlet, A/C., Black
	4443 130	3			AIR, Outlet, A/C., Twilight Blue
-	3848 095	AR			CLIP, A/C., Heater Outlet Bezel Mtg.
7	5210 055	1			DUCT, A/C. Htr. Distr. (Right & Left Floor Area)
8	3847 950	1			LOUVER, A/C., Heater Air Outlet
9	3847 575	AR			LOUVER, A/C Air Outlet Left

MODEL CODES

E BODY = (J - CARAVELLE)(E - 600)(T - NEW YORKER)

G BODY = (V24 - DAYTONA)

H BODY = (D44 - LANCER)(C44 - LEBARON GTS)

J BODY = (C - LEBARON)

K BODY = (P - RELIANT)(D - ARIES)(C - LEBAROND)/TOWN & COUNTRY)

L BODY = (M - HORIZON/TURISMO)(Z - OMNI/CHARGER)

M BODY = (B - GRAN FURY)(F - FIFTH AVE/NEWPORT)(G - DIPLOMAT)

P BODY = (P - SUNDANCE)(D - SHADOW)

S BODY = (H - VOYAGER)(K - RAM VAN/CARAVAN)

BODY STYLES

12-13 = FWD VAN

21 = 2-DOOR SEDAN

24 = 2-DOOR HATCHBACK

27 = 2-DOOR CONVERTIBLE

41 = 4-DOOR SEDAN

44 = 4-DOOR HATCHBACK

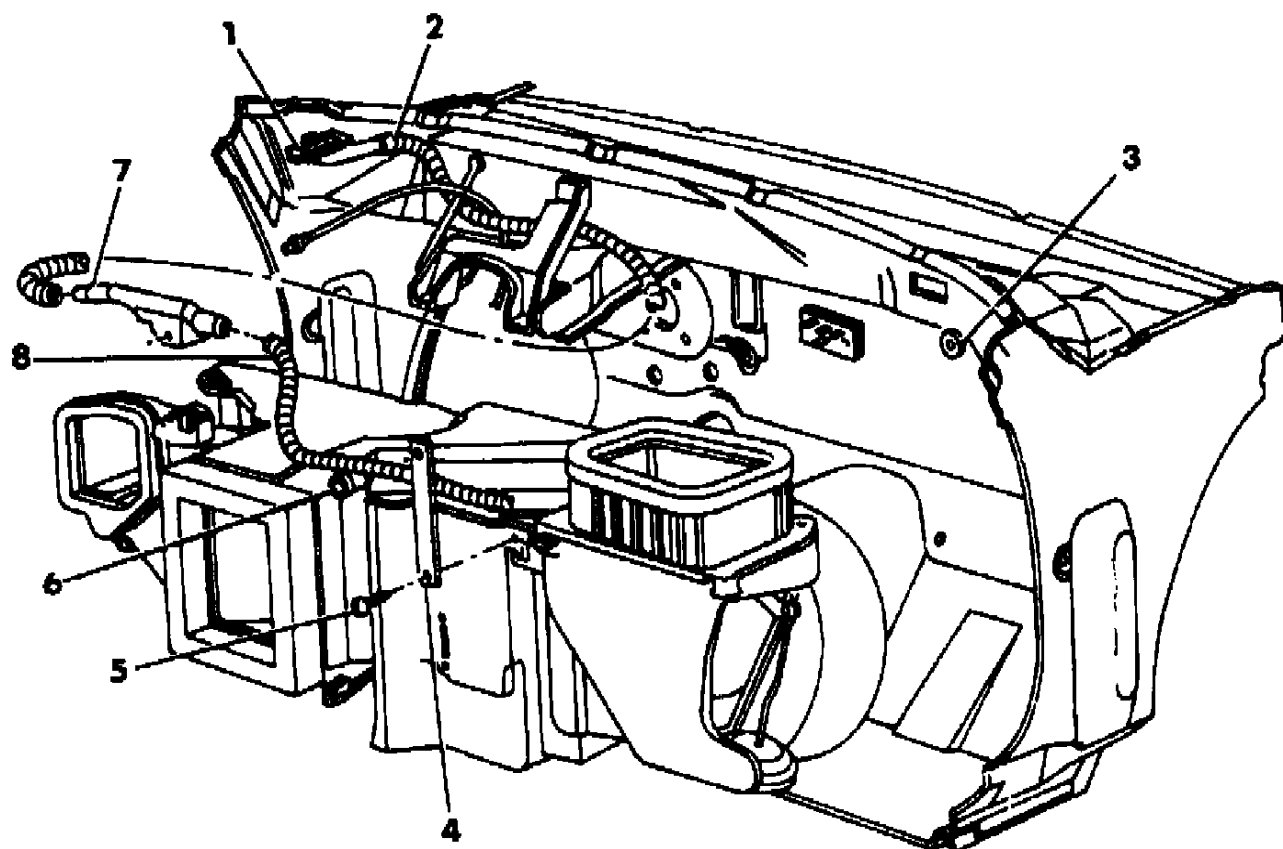
45 = 4-DOOR STATION WAGON

52-53 = FWD WAGON

AR = Use as Required - = Non Illustrated Part P.A.R. = Paint as Required

DEMISTER, HOSE, OUTLET, ADAPTER J BODY, G BODY
Figure 24-3600

7124 3800A



WITH AIR CONDITIONING

ITEM	PART NUMBER	QTY	BODY	MODEL	DESCRIPTION
1	3848 617	1			OUTLET, A/C., Heater Demister, Left
	3848 616	1			OUTLET, A/C., Heater Demister, Right
2	3849 378	1			HOSE, A/C., Heater Demister, Left
	3849 378	1			HOSE, A/C., Heater Demister, Right
3	0219 462	4			NUT, Unit to Dash Mounting
4	3848 238	1			BRACE, Heater Support
-	3848 238	1			BRACE, A/C. Unit Mtg. to Plenum
5	9423 951	1			SCREW, Unit Brace Mtg. to Unit
6	6030 820	1			NUT
7	3849 381	1			ADAPTOR, Demister
8	3849 378	1			HOSE, Heater Demister, Left
	0152 490	1			U-NUT, A/C. Demister Outlet Mtg.

MODEL CODES

E BODY = (J - CARAVELLE)(E - 600)(T - NEW YORKER)

G BODY = (V24 - DAYTONA)

H BODY = (D44 - LANCER)(C44 - LEBARON GTS)

J BODY = (C - LEBARON)

K BODY = (P - RELIANT)(D - ARIES)(C - LEBAROND)/TOWN & COUNTRY)

L BODY = (M - HORIZON/TURISMO)(Z - OMNI/CHARGER)

M BODY = (B - GRAN FURY)(F - FIFTH AVE/NEWPORT)(G - DIPLOMAT)

P BODY = (P - SUNDANCE)(D - SHADOW)

S BODY = (H - VOYAGER)(K - RAM VAN/CARAVAN)

BODY STYLES

12-13 = FWD VAN

21 = 2-DOOR SEDAN

24 = 2-DOOR HATCHBACK

27 = 2-DOOR CONVERTIBLE

41 = 4-DOOR SEDAN

44 = 4-DOOR HATCHBACK

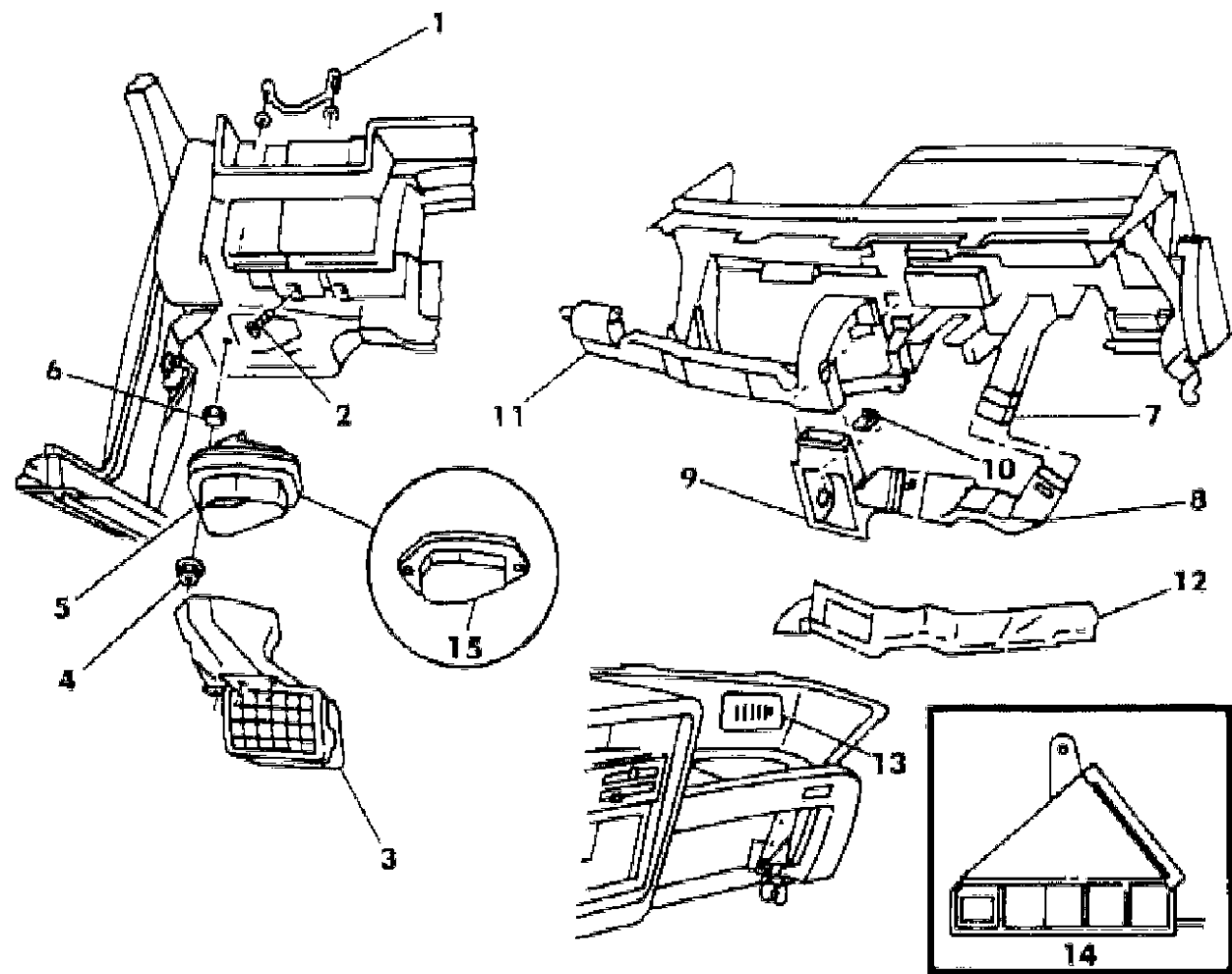
45 = 4-DOOR STATION WAGON

52-53 = FWD WAGON

AR = Use as Required - = Non Illustrated Part P.A.R. = Paint as Required

AIR DISTRIBUTION DUCTS, OUTLET, LOUVER, VENT HSG. H BODY
Figure 24-3700

7124 3700



ITEM	PART NUMBER	QTY	BODY	MODEL	DESCRIPTION
1	3849 112	1			PLATE, Plenum Left Vent Mtg.
2	3848 937	1			BRACKET, Left Vent to Inst. Panel Mtg.
3	3848 938	1			HOUSING, Left Vent Outlet
4	0152 443	2			NUT, Housing to Plenum
5	3848 934	1			HOUSING, Left Vent Inlet
6	0116 000	2			RETAINER, Plenum Left Vent Mtg. Plate
7	3848 479	1			DUCT, Air Outlet, Left
8	3848 478	1			DUCT, Air Outlet Over Strg. Column
9	3848 472	1			DUCT, Air Outlet Distribution
10	0152 490	AR			U-NUT, Air Outlet Distr. Duct Mtg.
11	3848 475	1			DUCT, Air Outlet, Right Center
12	5210 055	1			DUCT, A/C. Htr. Distr. (Right & Left Floor Area)
13	4419 305	1			OUTLET, Air Right, Cordovan
	4419 306	1			OUTLET, Air Right, Light Almond
	4339 478	1			OUTLET, Air Right, Charcoal
	4419 366	1			OUTLET, Air Right, Twilight Blue
	4339 480	1			OUTLET, Air Right, Black
	3848 504	3			LOUVER, Air Outlet
14	3848 984	1			HOUSING, Heater Vent, Right Side Floor
15	3848 717	1			COVER, Plenum, Left Vent
	6031 147	1			NUT, Htr. Vent Door Lever
	3849 114	2			WASHER, Plenum, Left Vent Cover Sealing
	0152 443	2			NUT, Left Vent to Plenum Mtg.

MODEL CODES

E BODY = (J - CARAVELLE)(E - 600)(T - NEW YORKER)

G BODY = (V24 - DAYTONA)

H BODY = (D44 - LANCER)(C44 - LEBARON GTS)

J BODY = (C - LEBARON)

K BODY = (P - RELIANT)(D - ARIES)(C - LEBAROND)/TOWN & COUNTRY)

L BODY = (M - HORIZON/TURISMO)(Z - OMNI/CHARGER)

M BODY = (B - GRAN FURY)(F - FIFTH AVE/NEWPORT)(G - DIPLOMAT)

P BODY = (P - SUNDANCE)(D - SHADOW)

S BODY = (H - VOYAGER)(K - RAM VAN/CARAVAN)

BODY STYLES

12-13 = FWD VAN

21 = 2-DOOR SEDAN

24 = 2-DOOR HATCHBACK

27 = 2-DOOR CONVERTIBLE

41 = 4-DOOR SEDAN

44 = 4-DOOR HATCHBACK

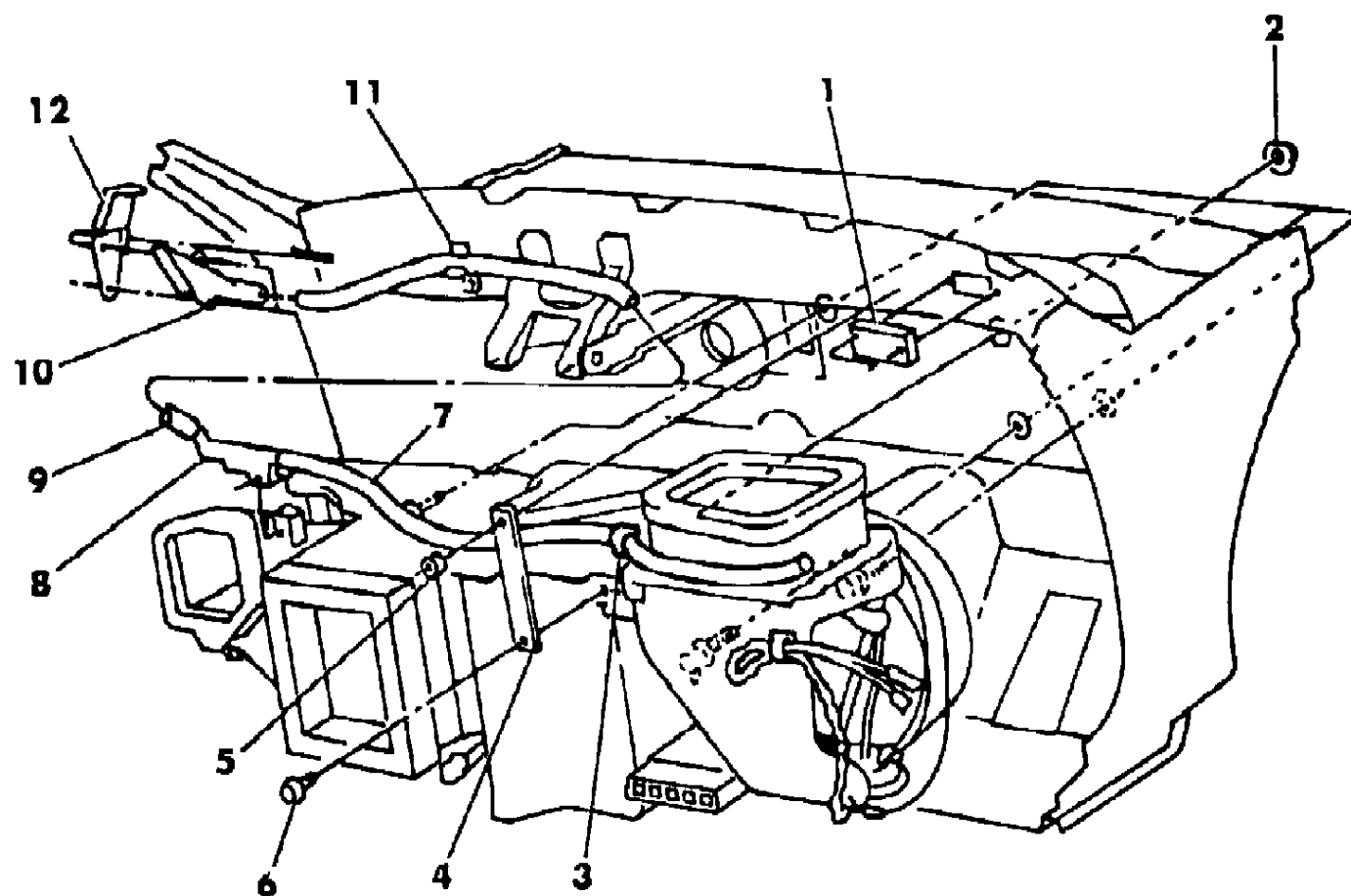
45 = 4-DOOR STATION WAGON

52-53 = FWD WAGON

AR = Use as Required - = Non Illustrated Part P.A.R. = Paint as Required

DEMISTER, HOSE, OUTLET, ADAPTOR H BODY
Figure 24-3800

7124 3800 A



ITEM	PART NUMBER	QTY	BODY	MODEL	DESCRIPTION
1	3849 235	1			RESISTOR, Blower Motor
2					NUT, Unit to Dash (Do Not Serv.)
3	6016 153	1			CLIP, Demister Right Hose to Unit Attaching
4	3848 238	1			BRACE, Unit Mtg. to Plenum
5	6030 820	1			NUT, Brace to Plenum Mtg.
6	9423 951	1			SCREW, Unit Brace Mtg. to Unit
7	#4309 744	1			BRACKET, Hose Demister A/C Heater, Right
8	3849 381	1			ADAPTOR, Demister
9	#4309 745	1			BRACKET, Hose Demister A/C Heater, Left
10	3848 886	1			OUTLET, Demister, Right w/Bracket
	3848 887	1			OUTLET, Demister, Left w/Bracket
11	6501 050	1			CLIP, Demister Lt. Hose to Strg. Col. Supt. Brkt.
12	4309 744-5	1			BRACKET, w/Shield Side Header Garn. Demister Outlet

MODEL CODES

E BODY = (J - CARAVELLE)(E - 600)(T - NEW YORKER)

G BODY = (V24 - DAYTONA)

H BODY = (D44 - LANCER)(C44 - LEBARON GTS)

J BODY = (C - LEBARON)

K BODY = (P - RELIANT)(D - ARIES)(C - LEBAROND)/TOWN & COUNTRY)

L BODY = (M - HORIZON/TURISMO)(Z - OMNI/CHARGER)

M BODY = (B - GRAN FURY)(F - FIFTH AVE/NEWPORT)(G - DIPLOMAT)

P BODY = (P - SUNDANCE)(D - SHADOW)

S BODY = (H - VOYAGER)(K - RAM VAN/CARAVAN)

BODY STYLES

12-13 = FWD VAN

21 = 2-DOOR SEDAN

24 = 2-DOOR HATCHBACK

27 = 2-DOOR CONVERTIBLE

41 = 4-DOOR SEDAN

44 = 4-DOOR HATCHBACK

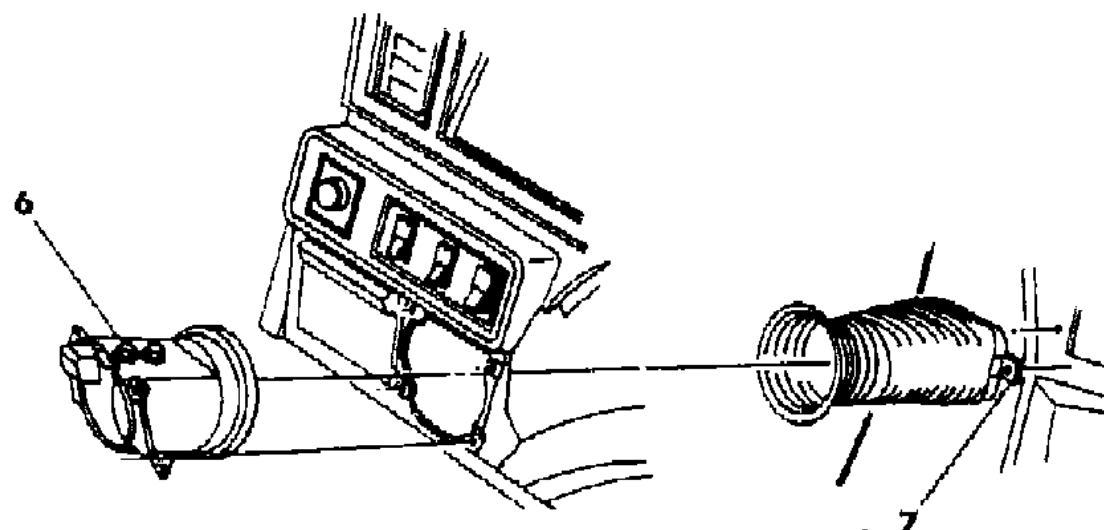
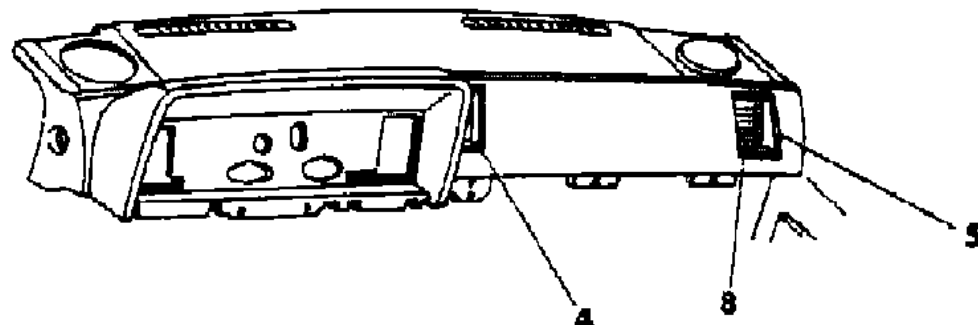
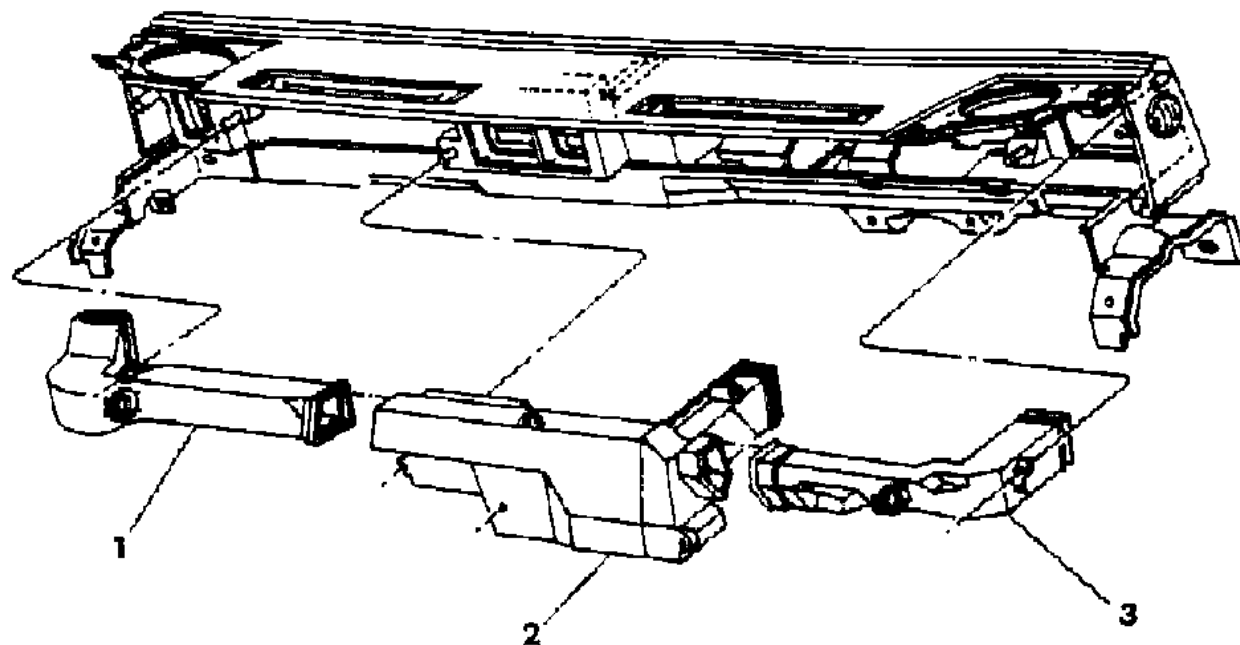
45 = 4-DOOR STATION WAGON

52-53 = FWD WAGON

AR = Use as Required - = Non Illustrated Part P.A.R. = Paint as Required

AIR DISTRIBUTION DUCTS, OUTLETS, LOUVER S BODY
Figure 24-3900

7124 3900



ITEM	PART NUMBER	QTY	BODY	MODEL	DESCRIPTION
1	3848 289	1			DUCT, A/C., Heater, Right
2	3848 285	1			DUCT, A/C., Heater Distribution
3	3848 282	1			DUCT, A/C., Heater, Left
4					OUTLET, A/C., Heater Air, Right Center
	P663 CS8	1			CHARCOAL
	P663 EK1	1			LIGHT ALMOND
	P663 EE8	1			CORDOVAN
	P663 FC5	1			BLUE TWILIGHT
5					OUTLET, A/C., Heater Air
	P664 CS8	1			CHARCOAL
	P664 EK1	1			LIGHT ALMOND
	P664 FC5	1			BLUE TWILIGHT
	P664 EE8	1			CORDOVAN
6	3848 334	1			OUTLET, Left Vent
	3848 339	1			RETAINER, Left Vent Hsg. Shut-Off Door
	3848 334	1			OUTLET, Left Vent
7	3848 342	1			DUCT, Left Vent
8	3848 278	1			LOUVER, A/C., Heater Outlet, Right

MODEL CODES

E BODY = (J - CARAVELLE)(E - 600)(T - NEW YORKER)

G BODY = (V24 - DAYTONA)

H BODY = (D44 - LANCER)(C44 - LEBARON GTS)

J BODY = (C - LEBARON)

K BODY = (P - RELIANT)(D - ARIES)(C - LEBAROND)/TOWN & COUNTRY)

L BODY = (M - HORIZON/TURISMO)(Z - OMNI/CHARGER)

M BODY = (B - GRAN FURY)(F - FIFTH AVE/NEWPORT)(G - DIPLOMAT)

P BODY = (P - SUNDANCE)(D - SHADOW)

S BODY = (H - VOYAGER)(K - RAM VAN/CARAVAN)

BODY STYLES

12-13 = FWD VAN

21 = 2-DOOR SEDAN

24 = 2-DOOR HATCHBACK

27 = 2-DOOR CONVERTIBLE

41 = 4-DOOR SEDAN

44 = 4-DOOR HATCHBACK

45 = 4-DOOR STATION WAGON

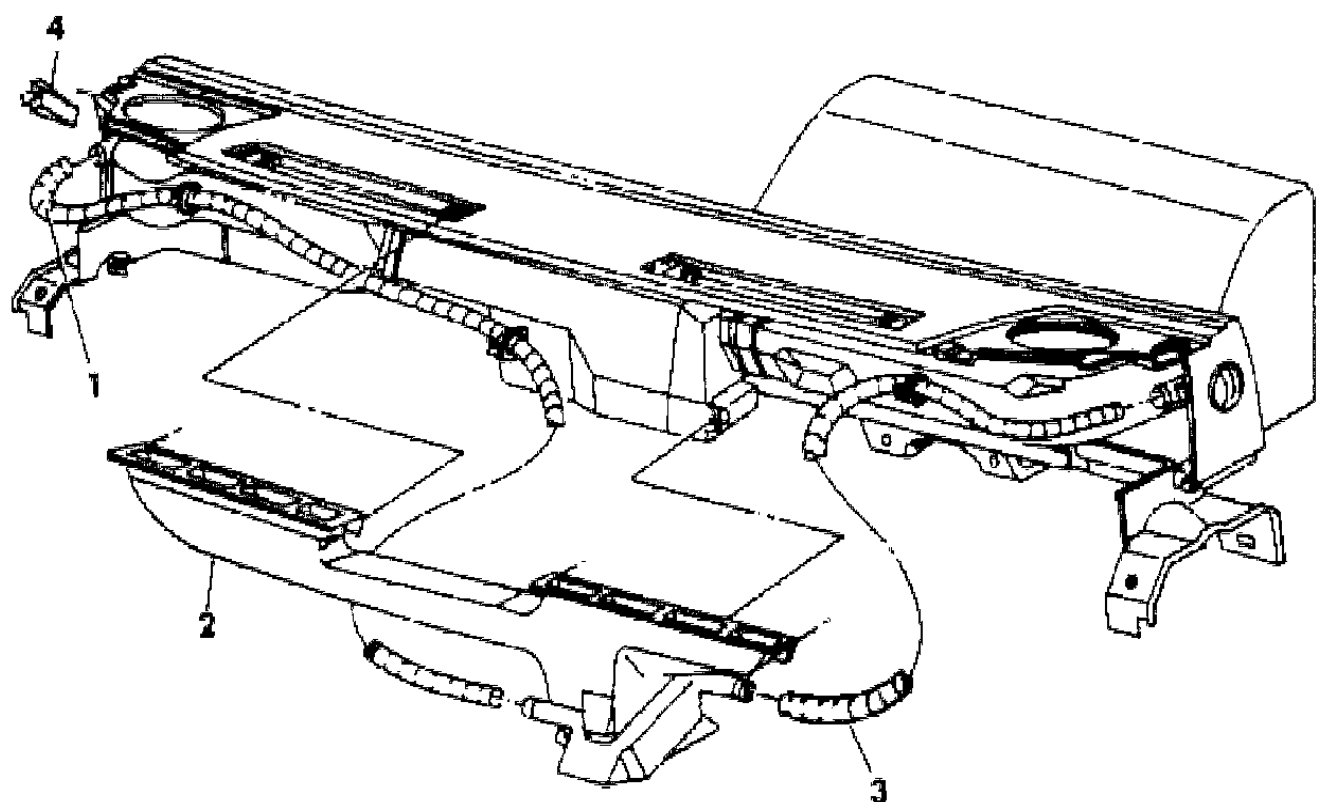
52-53 = FWD WAGON

AR = Use as Required - = Non Illustrated Part P.A.R. = Paint as Required

DEMISTER, HOSE, OUTLET, DUCT S BODY
Figure 24-4000

ITEM	PART NUMBER	QTY	BODY	MODEL	DESCRIPTION
1	3848 348	1			HOSE, Heater, A/C. Demister, Right
2	3848 345	1			DUCT, Heater, A/C. Defroster Demister Adaptor
3	3848 349	1			HOSE, Heater, A/C. Demister, Left
4	3848 313	2			OUTLET, Heater, A/C. Demister

7124 4000



MODEL CODES

E BODY = (J - CARAVELLE)(E - 600)(T - NEW YORKER)	L BODY = (M - HORIZON/TURISMO)(Z - OMNI/CHARGER)
G BODY = (V24 - DAYTONA)	M BODY = (B - GRAN FURY)(F - FIFTH AVE/NEWPORT)(G - DIPLOMAT)
H BODY = (D44 - LANCER)(C44 - LEBARON GTS)	P BODY = (P - SUNDANCE)(D - SHADOW)
J BODY = (C - LEBARON)	S BODY = (H - VOYAGER)(K - RAM VAN/CARAVAN)
K BODY = (P - RELIANT)(D - ARIES)(C - LEBAROND)/TOWN & COUNTRY)	

BODY STYLES

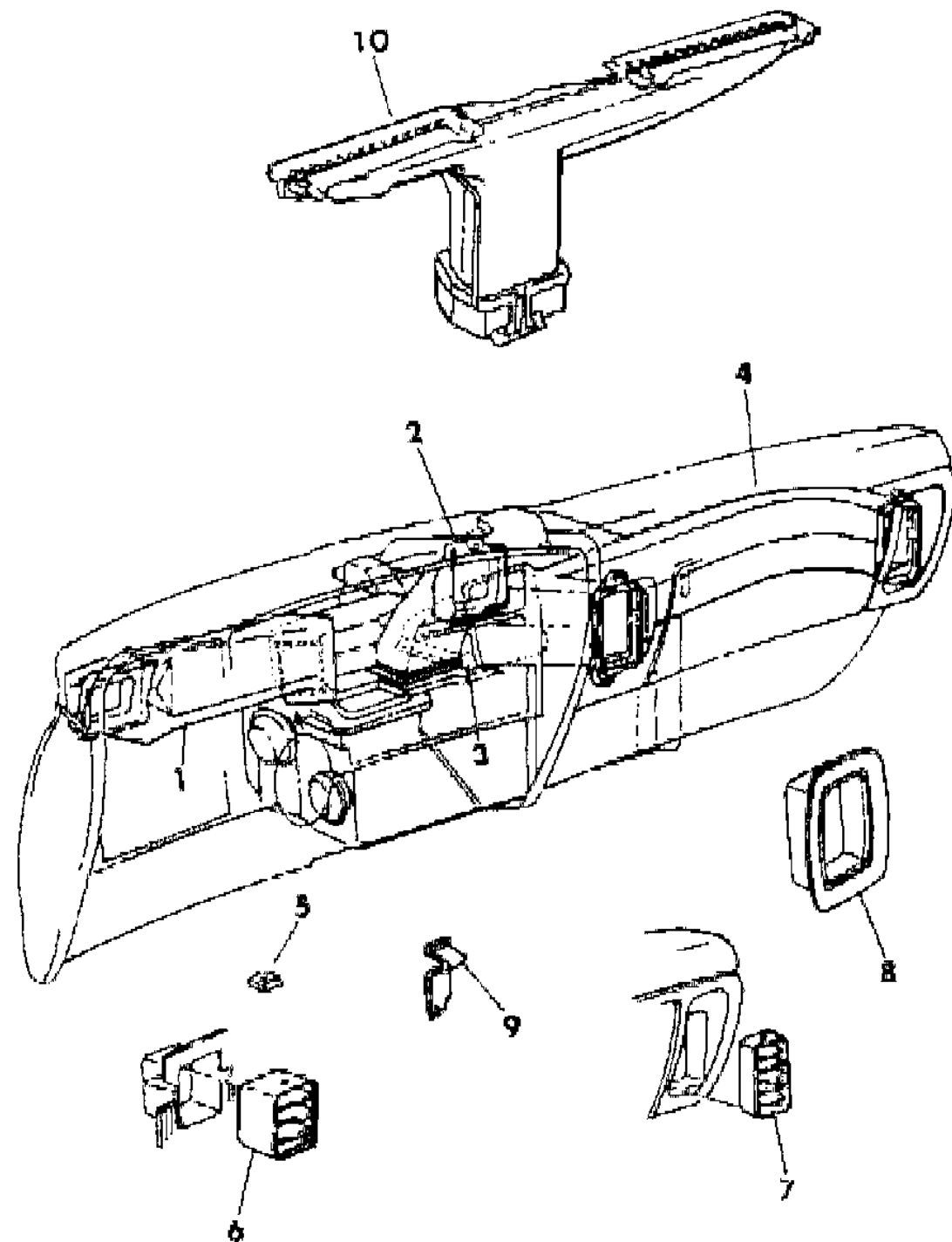
12-13 = FWD VAN	41 = 4-DOOR SEDAN
21 = 2-DOOR SEDAN	44 = 4-DOOR HATCHBACK
24 = 2-DOOR HATCHBACK	45 = 4-DOOR STATION WAGON
27 = 2-DOOR CONVERTIBLE	52-53 = FWD WAGON

AR = Use as Required - = Non Illustrated Part P.A.R. = Paint as Required

AIR DISTRIBUTION, DUCT, LOUVER M BODY
Figure 24-4100

7124 4100

ITEM	PART NUMBER	QTY	BODY	MODEL	DESCRIPTION
1	3846 421	1			DUCT, A/C. Spot Cooler, Left
2	3847 401	1			DUCT, A/C., Left Center
3	3847 404	1			DUCT, A/C., Right Center
4	3846 418	1			DUCT, A/C. Spot Cooler, Right
5	0152 490	2			U-NUT
6	3502 905	2			LOUVER, A/C. Inst. Cluster Air Outlet
7	3502 934	2			LOUVER, A/C. Inst. Panel Air Outlet
8	3846 422	2			BEZEL, A/C. Inst. Panel Air Outlet
9	3846 412	4			CLIP, A/C. Inst. Panel Air Outlet Bezel Retaining
10	3503 863	1			DUCT, A/C. Defroster



MODEL CODES

E BODY = (J - CARAVELLE)(E - 600)(T - NEW YORKER)

G BODY = (V24 - DAYTONA)

H BODY = (D44 - LANCER)(C44 - LEBARON GTS)

J BODY = (C - LEBARON)

K BODY = (P - RELIANT)(D - ARIES)(C - LEBAROND)/TOWN & COUNTRY)

L BODY = (M - HORIZON/TURISMO)(Z - OMNI/CHARGER)

M BODY = (B - GRAN FURY)(F - FIFTH AVE/NEWPORT)(G - DIPLOMAT)

P BODY = (P - SUNDANCE)(D - SHADOW)

S BODY = (H - VOYAGER)(K - RAM VAN/CARAVAN)

BODY STYLES

12-13 = FWD VAN

21 = 2-DOOR SEDAN

24 = 2-DOOR HATCHBACK

27 = 2-DOOR CONVERTIBLE

41 = 4-DOOR SEDAN

44 = 4-DOOR HATCHBACK

45 = 4-DOOR STATION WAGON

52-53 = FWD WAGON

AR = Use as Required - = Non Illustrated Part P.A.R. = Paint as Required

GROUP 25 - EMISSION SYSTEMS

ILLUSTRATION TITLE	GROUP-FIG. NO.
AIR PUMPS AND AIR PUMP TUBING	
AIR PUMP 2.2L ENGINE	Fig. 25-100
AIR PUMP TUBING 2.2L ENGINE L BODY	Fig. 25-200
AIR PUMP TUBING 2.2L ENGINE S BODY	Fig. 25-300
SECONDARY AIR SUPPLY 2.6L ENGINE	Fig. 25-400
AIR PUMP 318 ENGINE	Fig. 25-500
AIR PUMP TUBING 318 ENGINE	Fig. 25-600
ASPIRATORS	
ASPIRATOR 2.2L ENGINE EFI AND 2.5L ENGINE	Fig. 25-700
ASPIRATOR 2.6L ENGINE	Fig. 25-800
ASPIRATOR 318 ENGINE	Fig. 25-900
EGR SYSTEMS AND HOSE HARNESSSES	
EGR SYSTEM 2.2L ENGINE - EXC. TURBO L BODY	Fig. 25-1000
EGR HOSE HARNESS 2.2L ENGINE - EXC. TURBO L BODY	Fig. 25-1100
EGR SYSTEM 2.2L ENGINE - FEDERAL AND CANADA S BODY	Fig. 25-1200
EGR HOSE HARNESS 2.2L ENGINE - FEDERAL AND CANADA S BODY	Fig. 25-1300
EGR SYSTEM 2.2L ENGINE - CALIF. AND HIGH ALT. S BODY	Fig. 25-1400
EGR HOSE HARNESS 2.2L ENGINE - CALIF. AND HIGH ALT. S BODY	Fig. 25-1500
EGR SYSTEM 2.2L ENGINE EFI AND 2.5L ENGINE EXC. H,K	Fig. 25-1600
EGR HOSE HARNESS 2.2L ENGINE EFI AND 2.5L ENGINE EXC. H,K	Fig. 25-1700
EGR SYSTEM 2.2L ENGINE TURBO 1	Fig. 25-1800
EGR SYSTEM 2.2L ENGINE TURBO 1 L BODY	Fig. 25-1900
EGR HOSE HARNESS 2.2L ENGINE TUBRO 1 J,K,G,E,H BODY AND P BODY AFTER AUG. 19, 1986	Fig. 25-2000
EGR SYSTEM 2.2L ENGINE TURBO 2 G BODY AND L,H BODY - SHELBY	Fig. 25-2100
EGR HOSE HARNESS 2.2L ENGINE TURBO 2 G BODY	Fig. 25-2200
EGR HOSE HARNESS 2.2L ENGINE - TURBO L BODY - SHELBY	Fig. 25-2215
EGR HOSE HARNESS 2.2L ENGINE - TURBO H BODY - SHELBY	Fig. 25-2220
EGR SYSTEM 2.5L ENGINE S BODY	Fig. 25-2225
EGR HOSE HARNESS 2.5L ENGINE S BODY	Fig. 25-2250
EGR SYSTEM 2.6L ENGINE - EXC. CALIF.	Fig. 25-2300
EGR SYSTEM 2.6L ENGINE - CALIF.	Fig. 25-2400
EGR SYSTEM 3.0L ENGINE S BODY	Fig. 25-2425
EGR HOSE HARNESS 3.0L ENGINE S BODY	Fig. 25-2450
EGR SYSTEM 318 ENGINE 2BBL.	Fig. 25-2500
EGR HOSE HARNESS 318 ENGINE 2BBL. - FEDERAL AND HIGH ALT.	Fig. 25-2600
EGR HOSE HARNESS 318 ENGINE 2BBL. - CALIF.	Fig. 25-2700

ILLUSTRATION NOT AVAILABLE AT TIME OF PUBLICATION

GROUP 25 - EMISSION SYSTEMS

GROUP 25 - EMISSION SYSTEMS

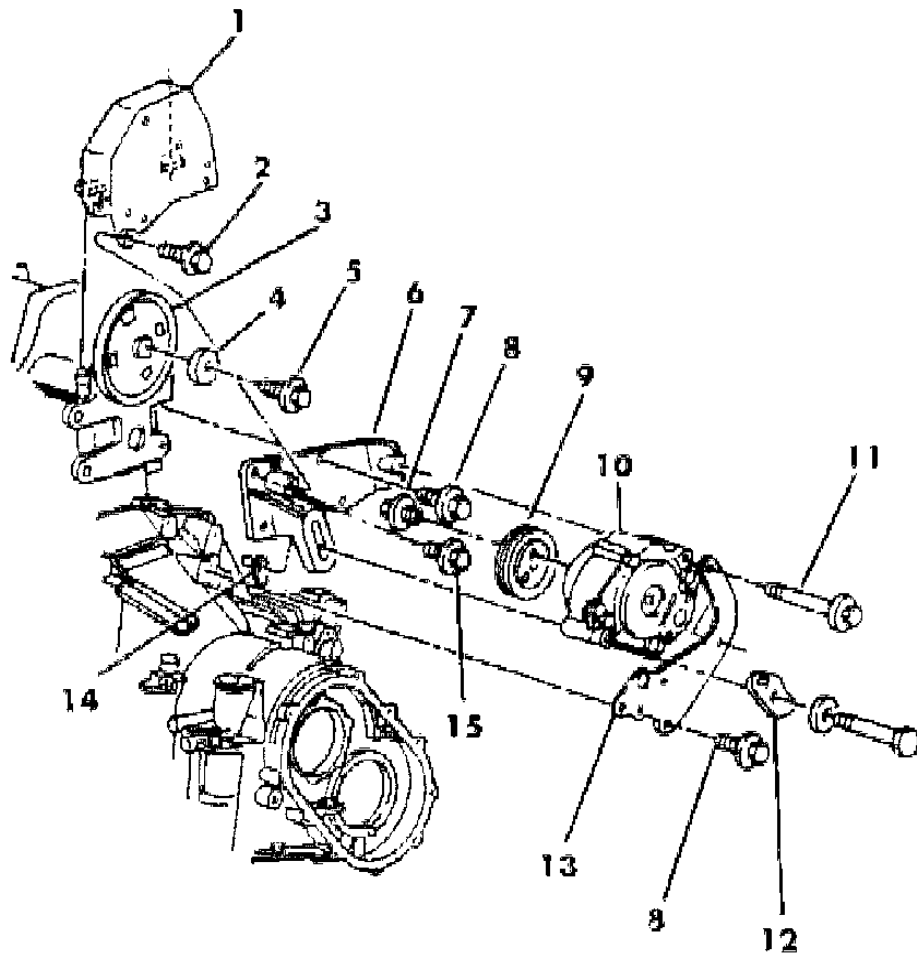
ILLUSTRATION TITLE	GROUP-FIG. NO.
EGR SYSTEMS AND HOSE HARNESSSES (Continued)	
EGR HOSE HARNESS 318 ENGINE 2BBL. - CALIF.	Fig. 25-2700
EGR HOSE HARNESS 318 ENGINE 2BBL. - CANADA	Fig. 25-2800
EGR SYSTEM 318 ENGINE 4BBL.	Fig. 25-2900
EGR HOSE HARNESS 318 ENGINE 4BBL.	Fig. 25-3000
VAPOR CANISTERS AND HOSE HARNESSSES	
VAPOR CANISTER 2.2L ENGINE - EXC. TURBO L BODY	Fig. 25-3100
VAPOR CANISTER HOSE HARNESS 2.2L ENGINE - EXC. TURBO L BODY	Fig. 25-3200
VAPOR CANISTER 2.2L ENGINE S BODY	Fig. 25-3300
VAPOR CANISTER HOSE HARNESS 2.2L ENGINE - EXC. CANADA S BODY	Fig. 25-3400
VAPOR CANISTER HOSE HARNESS 2.2L ENGINE - CANADA S BODY	Fig. 25-3500
VAPOR CANISTER 2.2L ENGINE EFI AND 2.5L ENGINE	Fig. 25-3600
VAPOR CANISTER 2.2L ENGINE TURBO L BODY	Fig. 25-3800
VAPOR CANISTER HOSE HARNESS 2.2L ENGINE TURBO L BODY	Fig. 25-3900
VAPOR CANISTER 2.2L ENGINE TURBO P BODY - UP TO AUG. 19, 1986	Fig. 25-3910
VAPOR CANISTER HOSE HARNESS 2.2L ENGINE TURBO P BODY - UP TO AUG. 19, 1986	Fig. 25-3920
QUAD VACUUM SOLENOID HOSE HARNESS 2.2L ENGINE TURBO P BODY - UP TO AUG. 19, 1986	Fig. 25-3930
VAPOR CANISTER 2.2L ENGINE TURBO J,K,G,E,H BODY AND P BODY AFTER AUG. 19, 1986	Fig. 25-4000
VAPOR CANISTER 2.5L ENGINE AND 3.0L ENGINE S BODY	Fig. 25-4225
VAPOR CANISTER HOSE HARNESS 2.5L ENGINE S BODY	Fig. 25-4250
VAPOR CANISTER HOSE HARNESS 3.0L ENGINE S BODY	Fig. 25-4275
VAPOR CANISTER 2.6L ENGINE	Fig. 25-4300
VAPOR CANISTER HOSE HARNESS - VAPOR ENGINE 2.6L ENGINE - W/O AIR CONDITIONING	Fig. 25-4400
VAPOR CANISTER HOSE HARNESS - VAPOR ENGINE 2.6L ENGINE - W/AIR CONDITIONING	Fig. 25-4500
VAPOR CANISTER HOSE HARNESS - BOWL VENT 2.6L ENGINE - FEDERAL	Fig. 25-4600
VAPOR CANISTER HOSE HARNESS - BOWL VENT 2.6L ENGINE - HIGH ALT.	Fig. 25-4700
VAPOR CANISTER HOSE HARNESS - BOWL VENT 2.6L ENGINE - CALIF.	Fig. 25-4800
VAPOR CANISTER HOSE HARNESS- BOWL VENT 2.6L ENGINE - CANADA	Fig. 25-4900
VAPOR CANISTER HOSE HARNESS - DAMPENING CANISTER 2.6L ENGINE	Fig. 25-5000
VAPOR CANISTER 318 ENGINE	Fig. 25-5100
VAPOR CANISTER HOSE HARNESS 318 ENGINE 2BBL. - EXC. CANADA	Fig. 25-5200
VAPOR CANISTER HOSE HARNESS 318 ENGINE 2BBL. - CANADA	Fig. 25-5300
VAPOR CANISTER HOSE HARNESS 318 ENGINE 4BBL.	Fig. 25-5400
CHOKE PULL OFF HOSE HARNESS	
CHOKE PULL OFF HOSE HARNESS	Fig. 25-5500

ILLUSTRATION TITLE	GROUP-FIG. NO.
M.A.P SENSOR JUMPER TUBE	
M.A.P. SENSOR JUMPER TUBE 2.2L ENGINE TURBO 1	Fig. 25-5525
OXYGEN SENSOR	
OXYGEN SENSOR	Fig. 25-5600
LABELS, EMISSIONS AND VACUUM HOSE ROUTING	Fig. 25-5700

AIR PUMP 2.2L ENGINE
Figure 25-100

7125 100

ITEM	PART NUMBER	QTY	BODY	MODEL	DESCRIPTION
1	4105 496	1			SHIELD, Air Pump Drive Pulley
2	6500 217	1			SCREW and WASHER
3	5214 518	1			PULLEY, Air Pump Drive
4	4323 229	1			WASHER
5	6500 134	1			SCREW and WASHER
6	4298 106	1			BRACKET, Air Pump Adjust and Mounting
7	6500 716	3		M,Z	SCREW and WASHER
	6500 136	3		H,K	
8	6500 374	2			SCREW and WASHER
9	5203 585	1			PULLEY, Air Pump
10	4267 227	1			PUMP, Air
11		1		M,Z	SCREW and WASHER (not serviced)
	6500 531	1		H,K	SCREW and WASHER
12	4273 150	1			BRACKET, Air Pump Adjust
13	4273 226	1			BRACKET, Air Pump Mounting - Rear
14	6501 073	1			NUT
15	#6501 596	2			SCREW and WASHER



MODEL CODES

E BODY = (J - CARAVELLE)(E - 600)(T - NEW YORKER)

G BODY = (V24 - DAYTONA)

H BODY = (D44 - LANCER)(C44 - LEBARON GTS)

J BODY = (C - LEBARON)

K BODY = (P - RELIANT)(D - ARIES)(C - LEBAROND)/TOWN & COUNTRY)

L BODY = (M - HORIZON/TURISMO)(Z - OMNI/CHARGER)

M BODY = (B - GRAN FURY)(F - FIFTH AVE/NEWPORT)(G - DIPLOMAT)

P BODY = (P - SUNDANCE)(D - SHADOW)

S BODY = (H - VOYAGER)(K - RAM VAN/CARAVAN)

BODY STYLES

12-13 = FWD VAN

21 = 2-DOOR SEDAN

24 = 2-DOOR HATCHBACK

27 = 2-DOOR CONVERTIBLE

41 = 4-DOOR SEDAN

44 = 4-DOOR HATCHBACK

45 = 4-DOOR STATION WAGON

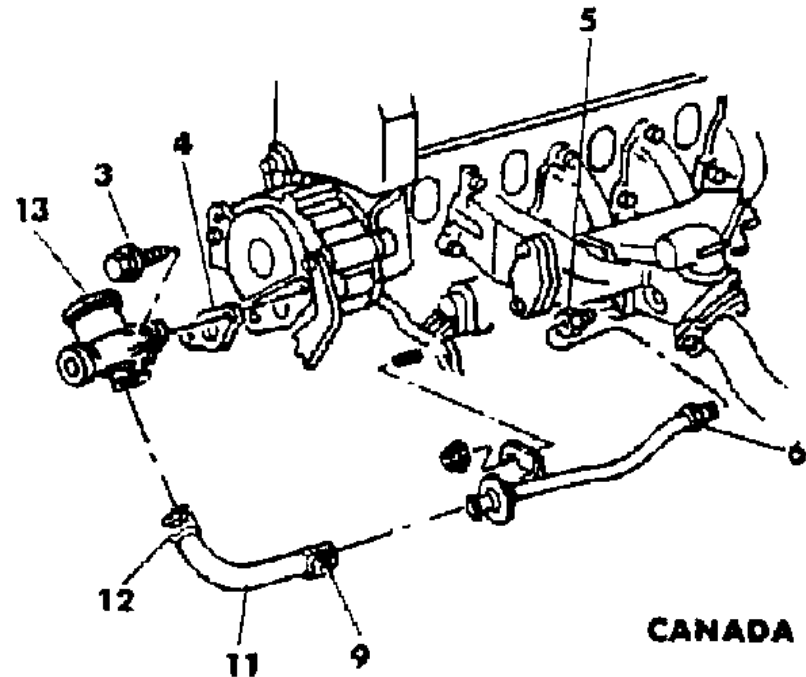
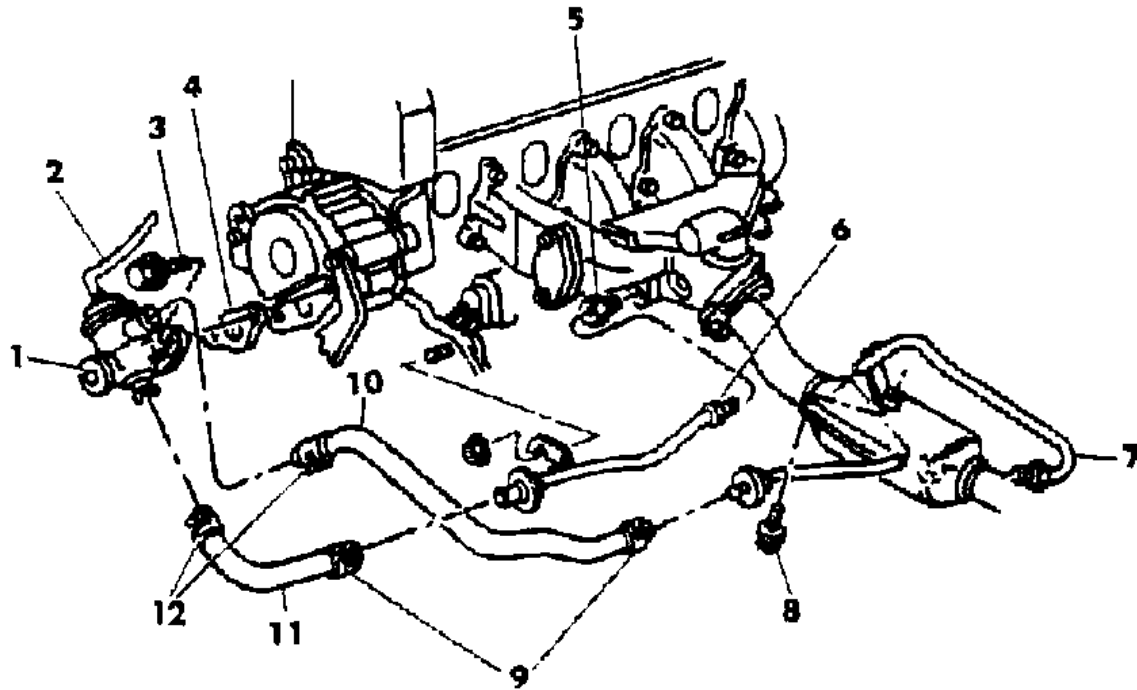
52-53 = FWD WAGON

AR = Use as Required - = Non Illustrated Part P.A.R. = Paint as Required

AIR PUMP TUBING 2.2L ENGINE L BODY

Figure 25-200

7125 200



ITEM	PART NUMBER	QTY	BODY	MODEL	DESCRIPTION
1	4275 053	1			VALVE, Air Switch and Relief
2	4201 247	1			HOSE, Vacuum
3	6500 423	2			BOLT
4	4179 700	1			GASKET, Air Switch and Relief Valve
5	6032 290	1			ADAPTER, Exhaust Manifold
6	#4287 346	1			TUBE, Combination Valve to Exhaust Manifold
7	4300 393	1			TUBE, Combination Valve to Catalyst Downstream
8	6100 557	1			SCREW and WASHER
9	2448 761	AR			CLAMP
10	4227 168	1			HOSE, Air Switch and Relief Valve to Catalyst Tube
11	4241 670	1			HOSE, Valve to Exhaust Manifold Tube
12	2448 762	AR			CLAMP
13	4241 972	1			VALVE, Relief

MODEL CODES

E BODY = (J - CARAVELLE)(E - 600)(T - NEW YORKER)

G BODY = (V24 - DAYTONA)

H BODY = (D44 - LANCER)(C44 - LEBARON GTS)

J BODY = (C - LEBARON)

K BODY = (P - RELIANT)(D - ARIES)(C - LEBAROND)/TOWN & COUNTRY)

L BODY = (M - HORIZON/TURISMO)(Z - OMNI/CHARGER)

M BODY = (B - GRAN FURY)(F - FIFTH AVE/NEWPORT)(G - DIPLOMAT)

P BODY = (P - SUNDANCE)(D - SHADOW)

S BODY = (H - VOYAGER)(K - RAM VAN/CARAVAN)

BODY STYLES

12-13 = FWD VAN

21 = 2-DOOR SEDAN

24 = 2-DOOR HATCHBACK

27 = 2-DOOR CONVERTIBLE

41 = 4-DOOR SEDAN

44 = 4-DOOR HATCHBACK

45 = 4-DOOR STATION WAGON

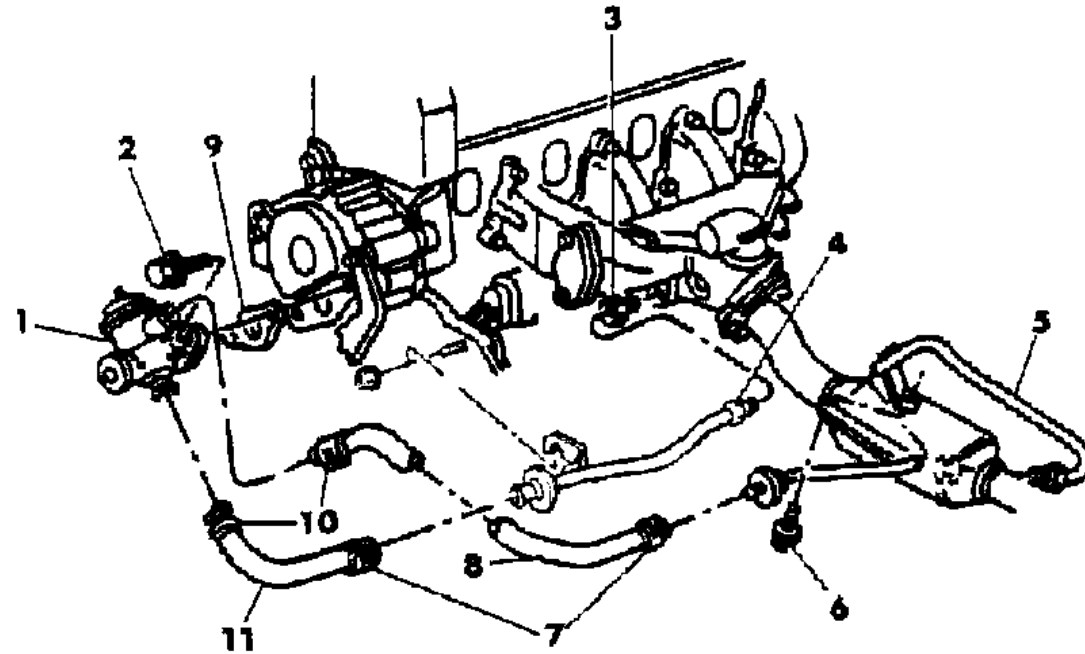
52-53 = FWD WAGON

AR = Use as Required - = Non Illustrated Part P.A.R. = Paint as Required

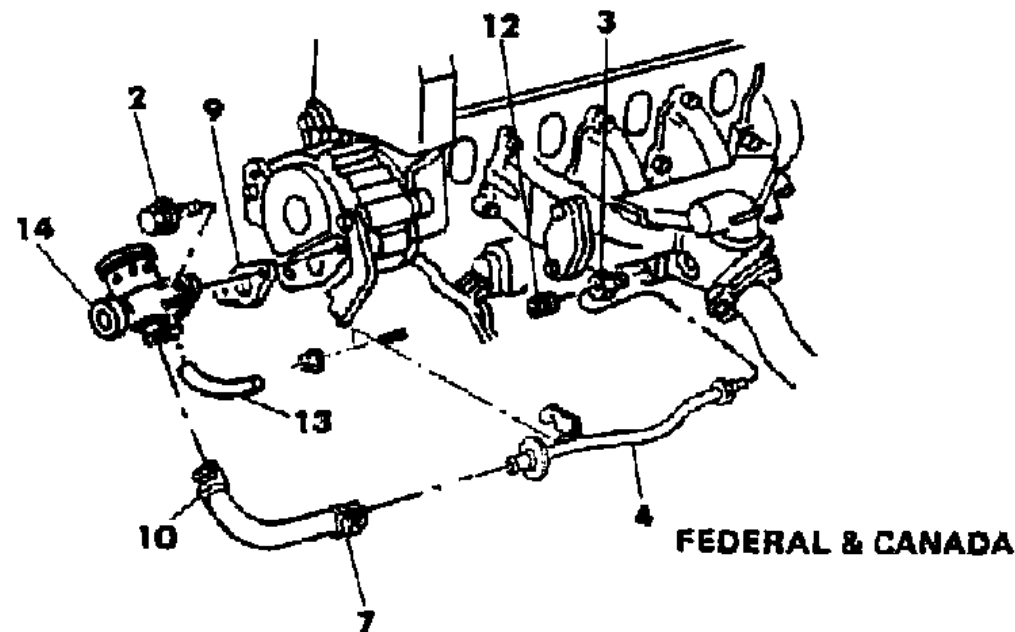
AIR PUMP TUBING 2.2L ENGINE S BODY

Figure 25-300

7125 300



CALIF. & HIGH ALT.



FEDERAL & CANADA

ITEM	PART NUMBER	QTY	BODY	MODEL	DESCRIPTION
1	4275 053	1			VALVE, Air Switch and Relief
2	6500 423	2			BOLT
3	6032 290	1			ADAPTER, Exhaust Manifold
4	#4287 346	1			TUBE, Combination Valve to Exhaust Manifold
5	4300 357	1			TUBE, Air Switch and Relief Valve to Catalyst
6	6100 557	1			SCREW and WASHER
7	2448 761	2			CLAMP
8	4300 356	1			HOSE, Combination Valve to Catalyst or Exhaust Pipe Tube
9	4179 700	1			GASKET, Air Switch and Relief Valve
10	2448 762	2			CLAMP
11	4241 670	1			HOSE, Combination Valve to Exhaust Manifold Tube
12		1			PLUG w/o Air Pump (not serviced)
13	4105 167	1			HOSE, Air Pump
14	4241 972	1			VALVE, Air Relief

MODEL CODES

E BODY = (J - CARAVELLE)(E - 600)(T - NEW YORKER)

G BODY = (V24 - DAYTONA)

H BODY = (D44 - LANCER)(C44 - LEBARON GTS)

J BODY = (C - LEBARON)

K BODY = (P - RELIANT)(D - ARIES)(C - LEBAROND)/TOWN & COUNTRY)

L BODY = (M - HORIZON/TURISMO)(Z - OMNI/CHARGER)

M BODY = (B - GRAN FURY)(F - FIFTH AVE/NEWPORT)(G - DIPLOMAT)

P BODY = (P - SUNDANCE)(D - SHADOW)

S BODY = (H - VOYAGER)(K - RAM VAN/CARAVAN)

BODY STYLES

12-13 = FWD VAN

21 = 2-DOOR SEDAN

24 = 2-DOOR HATCHBACK

27 = 2-DOOR CONVERTIBLE

41 = 4-DOOR SEDAN

44 = 4-DOOR HATCHBACK

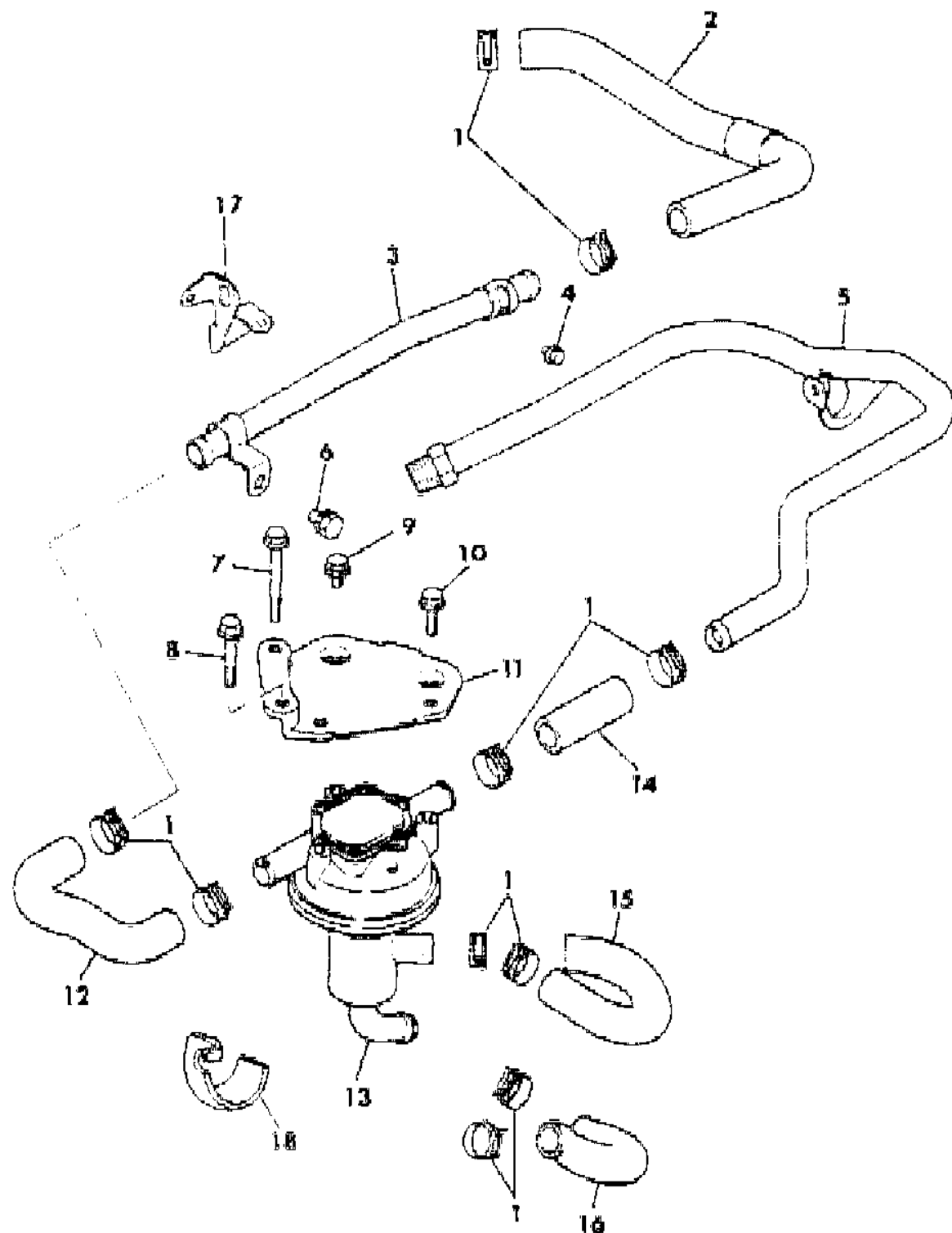
45 = 4-DOOR STATION WAGON

52-53 = FWD WAGON

AR = Use as Required - = Non Illustrated Part P.A.R. = Paint as Required

SECONDARY AIR SUPPLY 2.6L ENGINE
Figure 25-400

7125 400



ITEM	PART NUMBER	QTY	BODY	MODEL	DESCRIPTION
1	MS66 0170	6			CLIP, Hose (26)
2	MD02 5123	1			HOSE, Air
3	MD02 5122	1			PIPE, Air
4	MF24 3622	1			BOLT and WASHER (6x12)
5					PIPE, Air
	MD02 7227	1			w/Calif.
	4300 369	1			w/High Alt.
6	MF24 0078	1			BOLT and WASHER (10x16)
7	MF14 0040	1			BOLT, Flange (8x75)
8	MF14 0035	1			BOLT, Flange (8x50)
9	MF14 0021	3			BOLT, Flange (8x12)
10	MF14 0029	1			BOLT, Flange (8x30)
11	MD02 5585	1			BRACKET
12	MD02 4774	1			HOSE, Air
13	MD02 5587	1			PULSE AIR FEEDER
14	MD11 3421	1			HOSE, Air
15	MD02 5686	1			HOSE, Pulse
16	MD02 5687	1			HOSE, Pulse
17	MD08 7662	1			BRACKET w/High Alt.
18	MD06 9117	1			CLAMP, Air Hose w/High Alt.

MODEL CODES

E BODY = (J - CARAVELLE)(E - 600)(T - NEW YORKER)

G BODY = (V24 - DAYTONA)

H BODY = (D44 - LANCER)(C44 - LEBARON GTS)

J BODY = (C - LEBARON)

K BODY = (P - RELIANT)(D - ARIES)(C - LEBAROND)/TOWN & COUNTRY)

L BODY = (M - HORIZON/TURISMO)(Z - OMNI/CHARGER)

M BODY = (B - GRAN FURY)(F - FIFTH AVE/NEWPORT)(G - DIPLOMAT)

P BODY = (P - SUNDANCE)(D - SHADOW)

S BODY = (H - VOYAGER)(K - RAM VAN/CARAVAN)

BODY STYLES

12-13 = FWD VAN

21 = 2-DOOR SEDAN

24 = 2-DOOR HATCHBACK

27 = 2-DOOR CONVERTIBLE

41 = 4-DOOR SEDAN

44 = 4-DOOR HATCHBACK

45 = 4-DOOR STATION WAGON

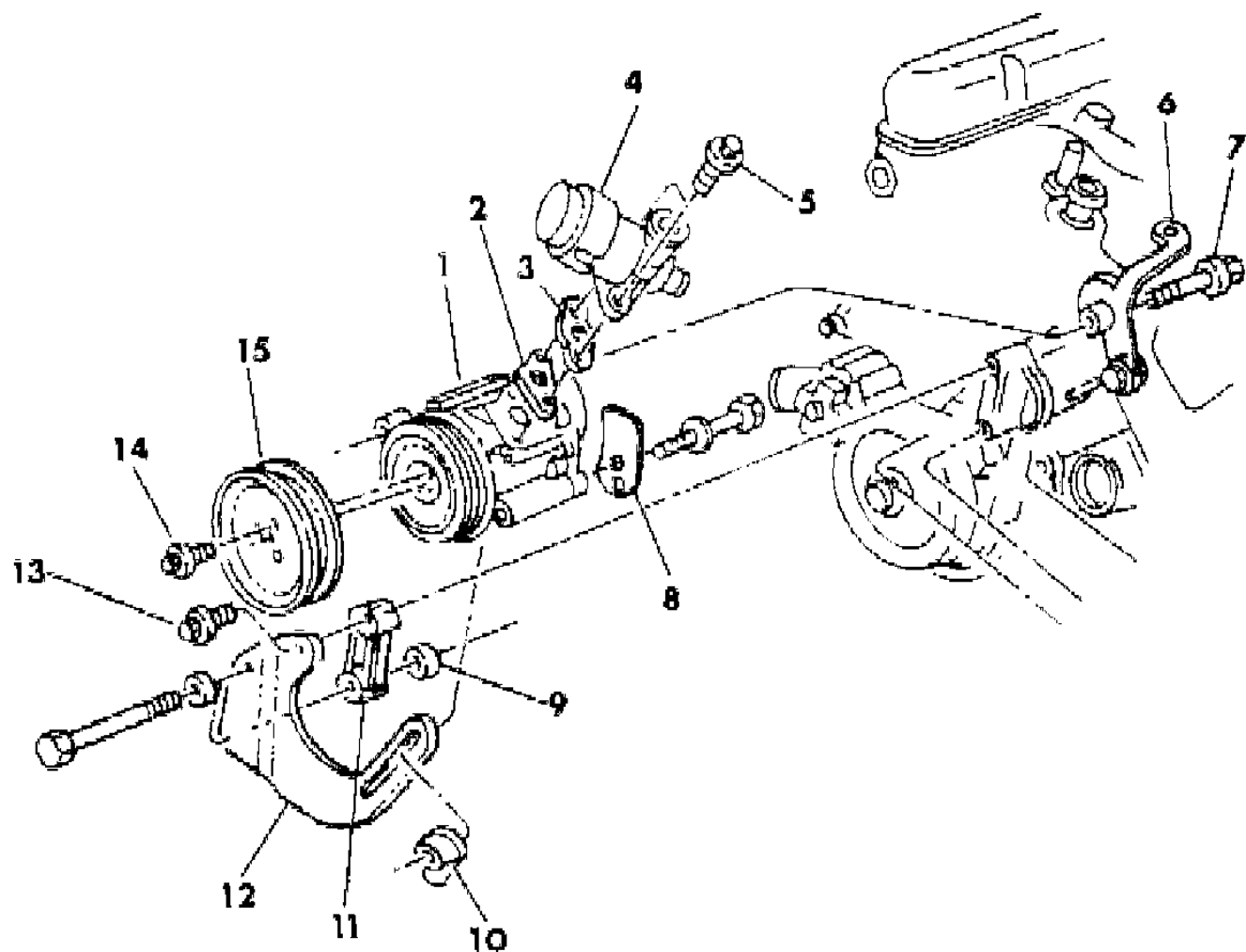
52-53 = FWD WAGON

AR = Use as Required - = Non Illustrated Part P.A.R. = Paint as Required

AIR PUMP 318 ENGINE
Figure 25-500

7125 500

ITEM	PART NUMBER	QTY	BODY	MODEL	DESCRIPTION
1	4307 844	1			PUMP, Air
2	4241 252	1			ADAPTER, Pressure Tap
3	4179 700	1			GASKET, Air Switch and Relief Valve
4					VALVE, Air Switch and Relief
	4227 670	1			2 Bbl.
	4227 672	1			4 Bbl.
5	6500 423	2			BOLT
6					BRACKET, Air Pump Mounting - Rear
	4387 278	1			2 Bbl.
	4387 208	1			4 Bbl.
7	6101 375	1			SCREW and WASHER
8	4273 150	1			BRACKET, Air Pump Adjust
9		1			SPACER (not serviced)
10	6501 073	1			NUT, Stamped
11	4179 440	1			SPACER
12	#4323 844	1			BRACKET, Air Pump Mounting - Front
13	6500 158	1			SCREW and WASHER
14	6500 716	3			SCREW and WASHER
15	3870 088	1			PULLEY, Air Pump



MODEL CODES

E BODY = (J - CARAVELLE)(E - 600)(T - NEW YORKER)

G BODY = (V24 - DAYTONA)

H BODY = (D44 - LANCER)(C44 - LEBARON GTS)

J BODY = (C - LEBARON)

K BODY = (P - RELIANT)(D - ARIES)(C - LEBAROND)/TOWN & COUNTRY)

L BODY = (M - HORIZON/TURISMO)(Z - OMNI/CHARGER)

M BODY = (B - GRAN FURY)(F - FIFTH AVE/NEWPORT)(G - DIPLOMAT)

P BODY = (P - SUNDANCE)(D - SHADOW)

S BODY = (H - VOYAGER)(K - RAM VAN/CARAVAN)

BODY STYLES

12-13 = FWD VAN

21 = 2-DOOR SEDAN

24 = 2-DOOR HATCHBACK

27 = 2-DOOR CONVERTIBLE

41 = 4-DOOR SEDAN

44 = 4-DOOR HATCHBACK

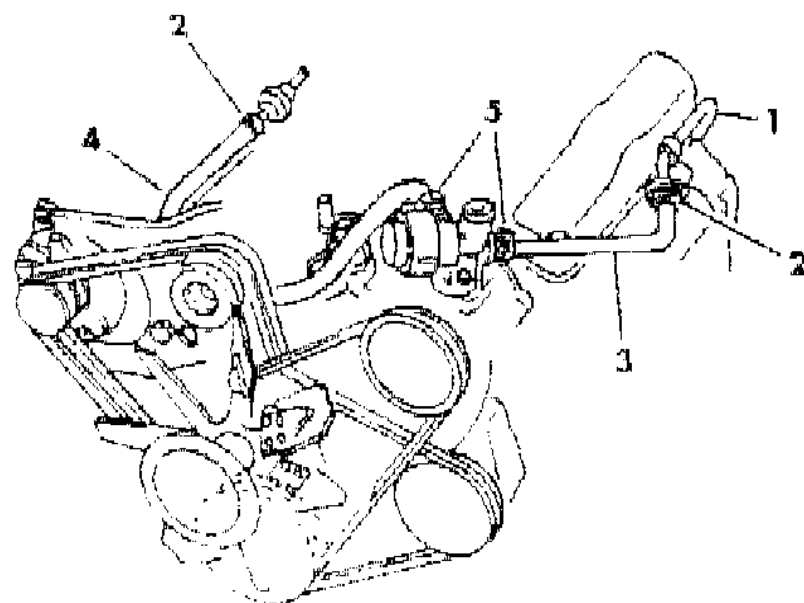
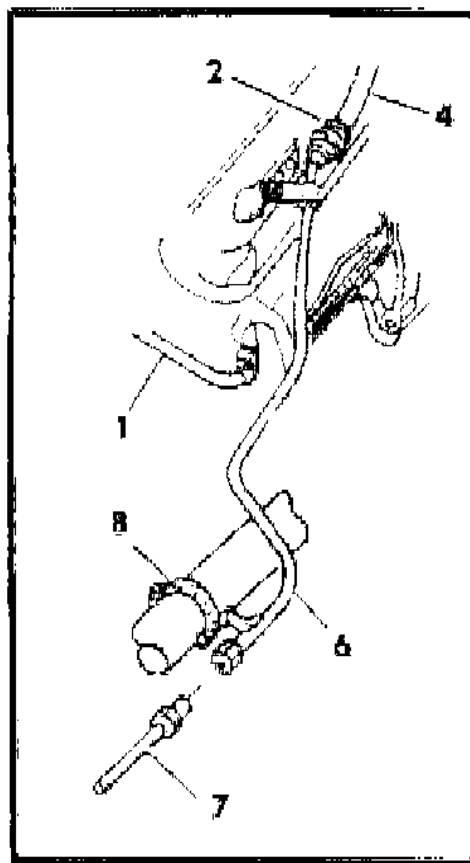
45 = 4-DOOR STATION WAGON

52-53 = FWD WAGON

AR = Use as Required - = Non Illustrated Part P.A.R. = Paint as Required

AIR PUMP TUBING 318 ENGINE
Figure 25-600

7125 800A



ITEM	PART NUMBER	QTY	BODY	MODEL	DESCRIPTION
1	4179 893	1			VALVE, Crossover Air Injection and Exhaust Check
2	2448 761	AR			CLAMP
3	4179 884	1			HOSE, Diverter or Combination Valve to Air Injection Tube or Crossover
4	4179 885	1			HOSE, Air Switch Valve to Catalyst Tube
5	2448 762	AR			CLAMP
6	4104 161	1			TUBE, Air Switch Valve to Catalyst Downstream
7	4150 638	1			TUBE, Airline to Catalytic Converter
8	2448 763	1			CLAMP
9	4275 834	2			GASKET, Air Injection Tube
10	3751 249	2			COVER, Exhaust Manifold Air Injection

MODEL CODES

E BODY = (J - CARAVELLE)(E - 600)(T - NEW YORKER)

G BODY = (V24 - DAYTONA)

H BODY = (D44 - LANCER)(C44 - LEBARON GTS)

J BODY = (C - LEBARON)

K BODY = (P - RELIANT)(D - ARIES)(C - LEBAROND)/TOWN & COUNTRY)

L BODY = (M - HORIZON/TURISMO)(Z - OMNI/CHARGER)

M BODY = (B - GRAN FURY)(F - FIFTH AVE/NEWPORT)(G - DIPLOMAT)

P BODY = (P - SUNDANCE)(D - SHADOW)

S BODY = (H - VOYAGER)(K - RAM VAN/CARAVAN)

BODY STYLES

12-13 = FWD VAN

21 = 2-DOOR SEDAN

24 = 2-DOOR HATCHBACK

27 = 2-DOOR CONVERTIBLE

41 = 4-DOOR SEDAN

44 = 4-DOOR HATCHBACK

45 = 4-DOOR STATION WAGON

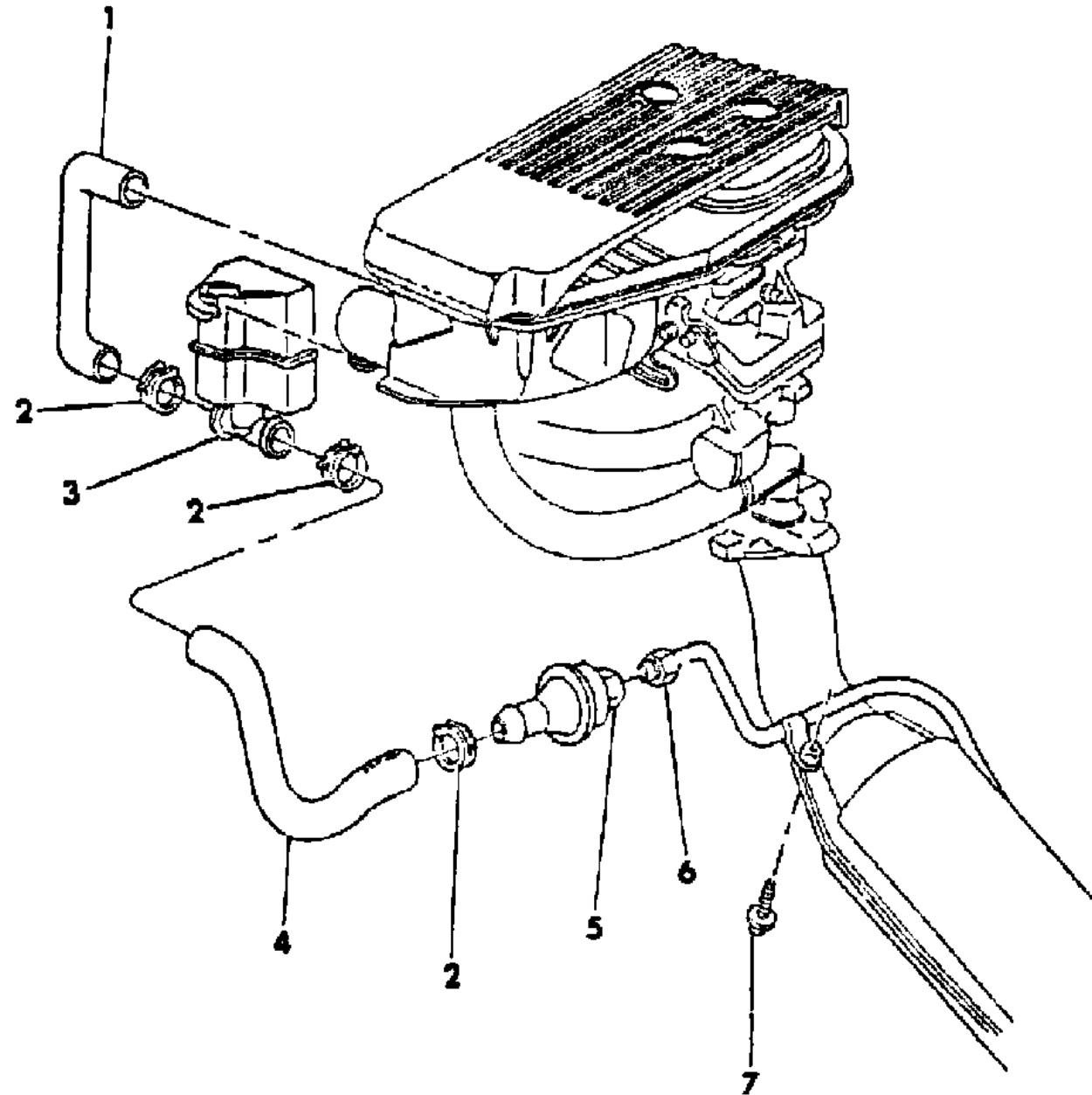
52-53 = FWD WAGON

AR = Use as Required - = Non Illustrated Part P.A.R. = Paint as Required

ASPIRATOR 2.2L ENGINE EFI AND 2.5L ENGINE
Figure 25-700

7125 700 A

ITEM	PART NUMBER	QTY	BODY	MODEL	DESCRIPTION
1	#4300 381	1			HOSE, Air Cleaner to Silencer
2	2448 761	3			CLAMP
3	#4300 382	1			SILENCER, Aspirator
4	#4300 383	1			HOSE, Silencer to Aspirator
5	4300 376	1			VALVE, Aspirator
6	4307 843	1			TUBE, Downstream Aspirator
7	6100 557	1			SCREW and WASHER



MODEL CODES

E BODY = (J - CARAVELLE)(E - 600)(T - NEW YORKER)

G BODY = (V24 - DAYTONA)

H BODY = (D44 - LANCER)(C44 - LEBARON GTS)

J BODY = (C - LEBARON)

K BODY = (P - RELIANT)(D - ARIES)(C - LEBAROND)/TOWN & COUNTRY)

L BODY = (M - HORIZON/TURISMO)(Z - OMNI/CHARGER)

M BODY = (B - GRAN FURY)(F - FIFTH AVE/NEWPORT)(G - DIPLOMAT)

P BODY = (P - SUNDANCE)(D - SHADOW)

S BODY = (H - VOYAGER)(K - RAM VAN/CARAVAN)

BODY STYLES

12-13 = FWD VAN

21 = 2-DOOR SEDAN

24 = 2-DOOR HATCHBACK

27 = 2-DOOR CONVERTIBLE

41 = 4-DOOR SEDAN

44 = 4-DOOR HATCHBACK

45 = 4-DOOR STATION WAGON

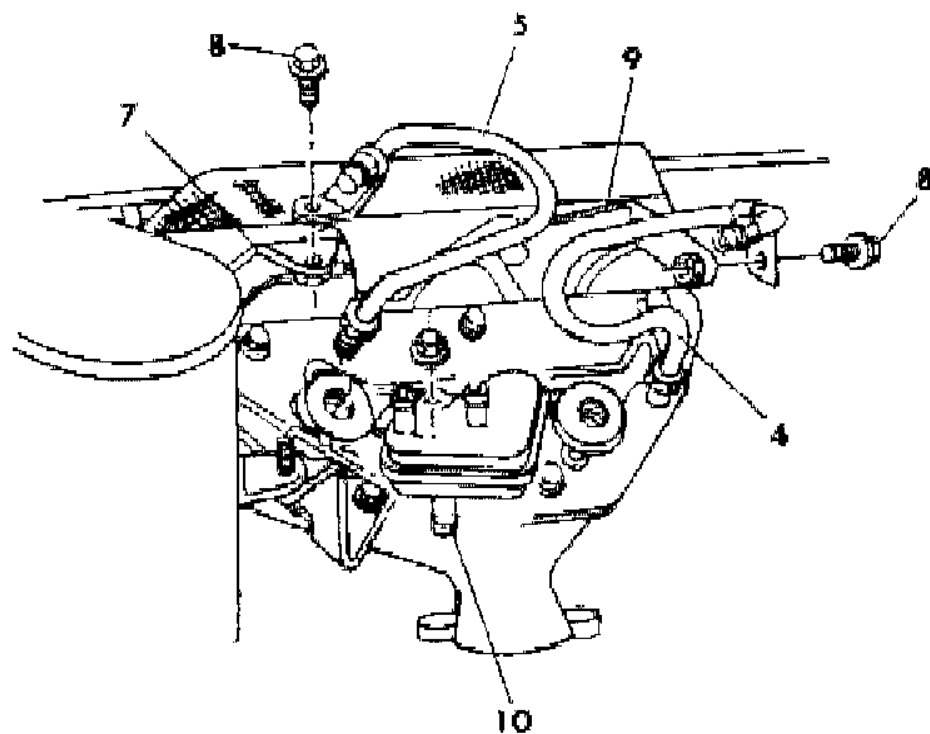
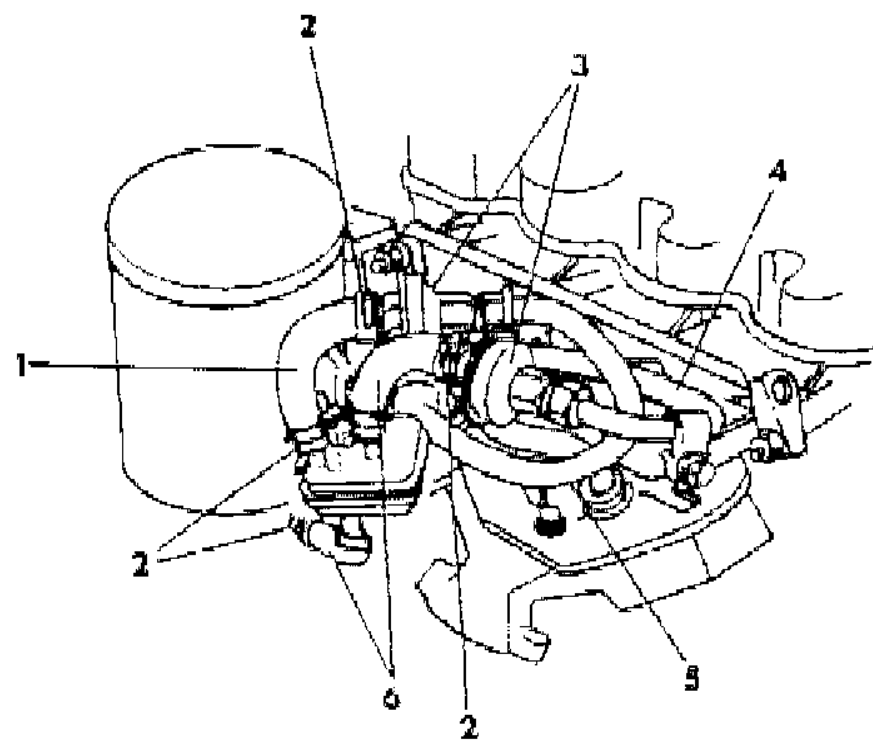
52-53 = FWD WAGON

AR = Use as Required - = Non Illustrated Part P.A.R. = Paint as Required

ASPIRATOR 2.6L ENGINE

Figure 25-800

7125 800



ITEM	PART NUMBER	QTY	BODY	MODEL	DESCRIPTION
1	4275 394	1			HOSE, #2 Aspirator to Resonator
2	2448 761	6			CLAMP
3	4300 376	2			VALVE, Aspirator
4	4300 351	1			TUBE, #1 Aspirator
5	4300 352	1			TUBE, #2 Aspirator
6	4275 393	1			HOSE, Resonator to Air Cleaner
7	4105 188	1			BRACKET, #2 Aspirator Tube Support
8		2			SCREW and WASHER (not serviced)
9	4105 187	1			BRACKET, #1 Aspirator Tube Support
10	4300 386	1			RESONATOR, Dual Aspirator

MODEL CODES

E BODY = (J - CARAVELLE)(E - 600)(T - NEW YORKER)

G BODY = (V24 - DAYTONA)

H BODY = (D44 - LANCER)(C44 - LEBARON GTS)

J BODY = (C - LEBARON)

K BODY = (P - RELIANT)(D - ARIES)(C - LEBAROND)/TOWN & COUNTRY)

L BODY = (M - HORIZON/TURISMO)(Z - OMNI/CHARGER)

M BODY = (B - GRAN FURY)(F - FIFTH AVE/NEWPORT)(G - DIPLOMAT)

P BODY = (P - SUNDANCE)(D - SHADOW)

S BODY = (H - VOYAGER)(K - RAM VAN/CARAVAN)

BODY STYLES

12-13 = FWD VAN

21 = 2-DOOR SEDAN

24 = 2-DOOR HATCHBACK

27 = 2-DOOR CONVERTIBLE

41 = 4-DOOR SEDAN

44 = 4-DOOR HATCHBACK

45 = 4-DOOR STATION WAGON

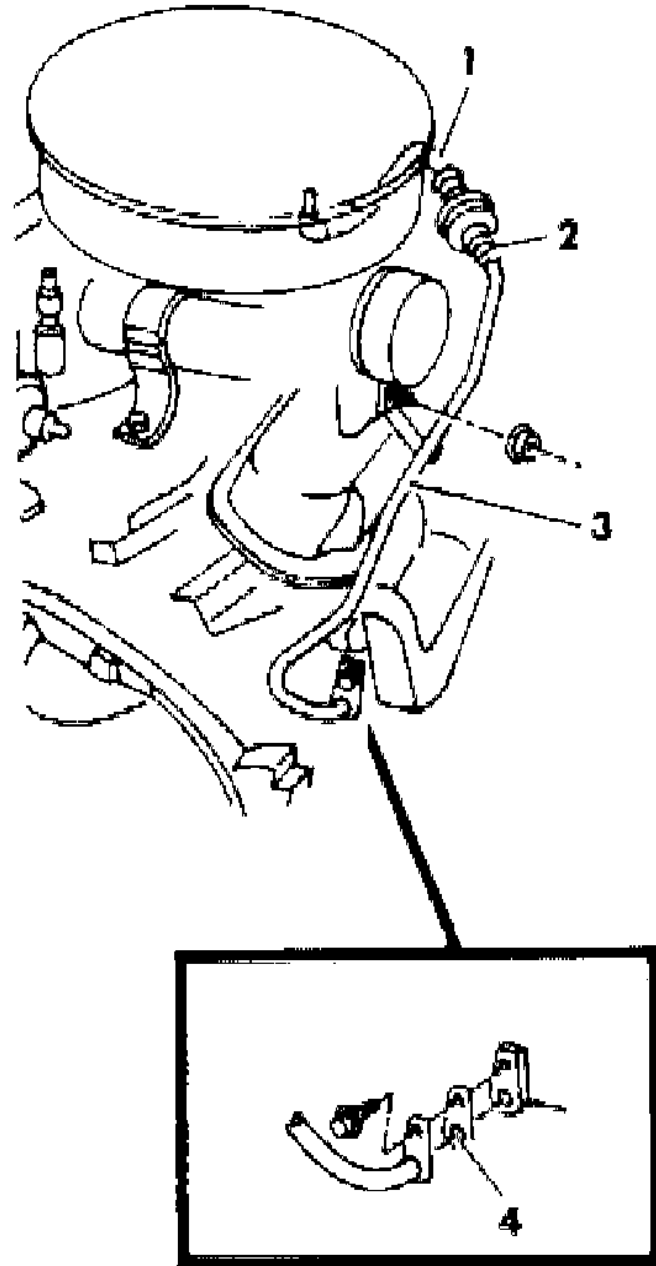
52-53 = FWD WAGON

AR = Use as Required - = Non Illustrated Part P.A.R. = Paint as Required

ASPIRATOR 318 ENGINE
Figure 25-900

7125 960

ITEM	PART NUMBER	QTY	BODY	MODEL	DESCRIPTION
1	4112 666	1			HOSE, Aspirator to Air Cleaner - Canada
2	4041 966	1			VALVE, Aspirator
3	4115 360	1			TUBE, Aspirator - Canada
4	4275 834	AR			GASKET, Aspirator Tube



MODEL CODES

E BODY = (J - CARAVELLE)(E - 600)(T - NEW YORKER)

G BODY = (V24 - DAYTONA)

H BODY = (D44 - LANCER)(C44 - LEBARON GTS)

J BODY = (C - LEBARON)

K BODY = (P - RELIANT)(D - ARIES)(C - LEBAROND)/TOWN & COUNTRY)

L BODY = (M - HORIZON/TURISMO)(Z - OMNI/CHARGER)

M BODY = (B - GRAN FURY)(F - FIFTH AVE/NEWPORT)(G - DIPLOMAT)

P BODY = (P - SUNDANCE)(D - SHADOW)

S BODY = (H - VOYAGER)(K - RAM VAN/CARAVAN)

BODY STYLES

12-13 = FWD VAN

21 = 2-DOOR SEDAN

24 = 2-DOOR HATCHBACK

27 = 2-DOOR CONVERTIBLE

41 = 4-DOOR SEDAN

44 = 4-DOOR HATCHBACK

45 = 4-DOOR STATION WAGON

52-53 = FWD WAGON

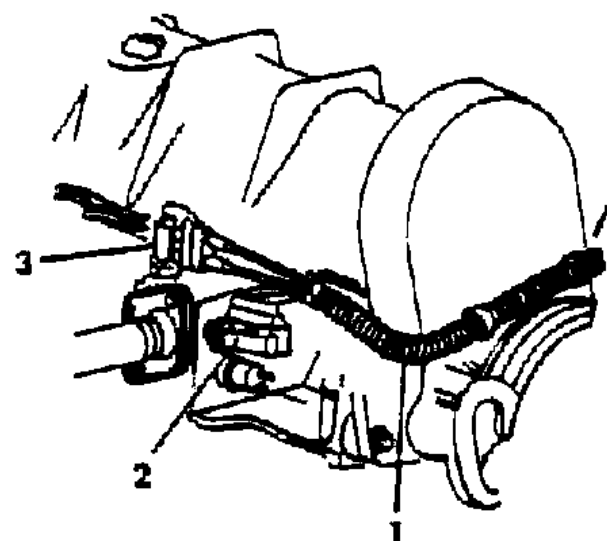
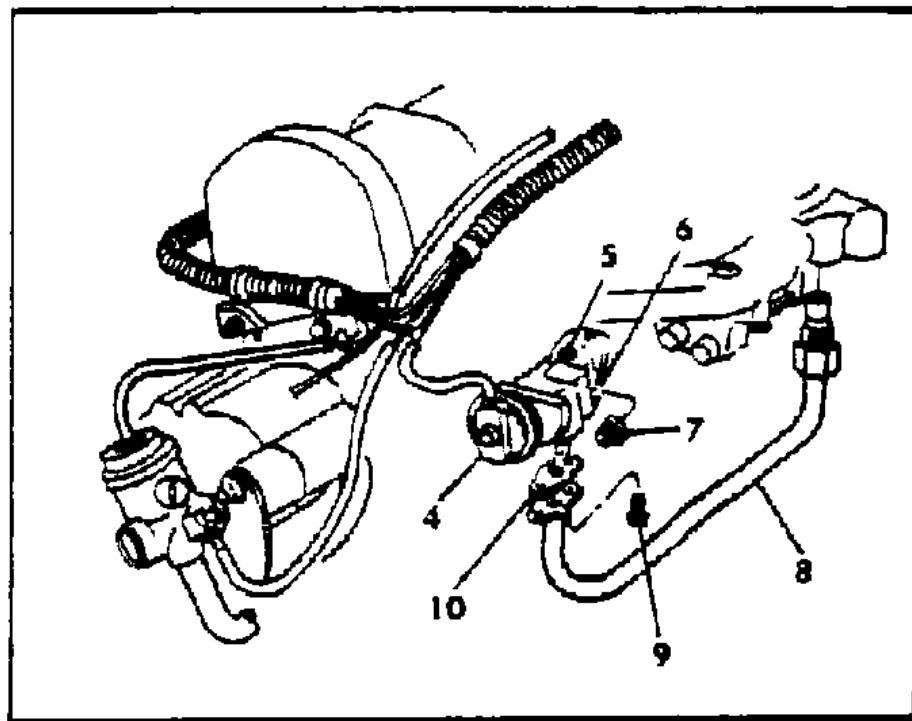
AR = Use as Required - = Non Illustrated Part P.A.R. = Paint as Required

EGR SYSTEM 2.2L ENGINE - EXC. TURBO L BODY

Figure 25-1000

7125 1000

ITEM	PART NUMBER	QTY	BODY	MODEL	DESCRIPTION
1		1			HARNES, Hose (shown on illus. 1100)
2	4049 277	1			SWITCH, CVSCC (Hole #1) stamped 4030351 - Black
	3879 736	1			stamped 3870549 - Yellow
3					SWITCH, CVSCO (Hole #2)
	3879 707	1			stamped 3870654 - Natural
	4049 208	1			stamped 4006587 - Orange
4					VALVE, EGR
	4287 408	1			stamped 4387408
	4300 408	1			stamped 4300408
	4287 412	1			stamped 4287412
	4300 412	1			stamped 4300412
	4287 421	1			stamped 4287421
	4300 421	1			stamped 4300421
	4287 433	1			stamped 4287433
	4300 433	1			stamped 4300433
	4293 741	1			stamped 4287419, 4300419
5	6500 498	2			STUD, EGR Valve Attach
6	4201 313	1			GASKET, EGR Valve
7	6500 182	2			NUT
8	4201 288	1			TUBE, EGR Valve to Intake Manifold Crossover
9	6500 464	2			SCREW
10	4201 384	1			GASKET, EGR Valve to Tube Flange



MODEL CODES

E BODY = (J - CARAVELLE)(E - 600)(T - NEW YORKER)

G BODY = (V24 - DAYTONA)

H BODY = (D44 - LANCER)(C44 - LEBARON GTS)

J BODY = (C - LEBARON)

K BODY = (P - RELIANT)(D - ARIES)(C - LEBAROND)/TOWN & COUNTRY)

L BODY = (M - HORIZON/TURISMO)(Z - OMNI/CHARGER)

M BODY = (B - GRAN FURY)(F - FIFTH AVE/NEWPORT)(G - DIPLOMAT)

P BODY = (P - SUNDANCE)(D - SHADOW)

S BODY = (H - VOYAGER)(K - RAM VAN/CARAVAN)

BODY STYLES

12-13 = FWD VAN

21 = 2-DOOR SEDAN

24 = 2-DOOR HATCHBACK

27 = 2-DOOR CONVERTIBLE

41 = 4-DOOR SEDAN

44 = 4-DOOR HATCHBACK

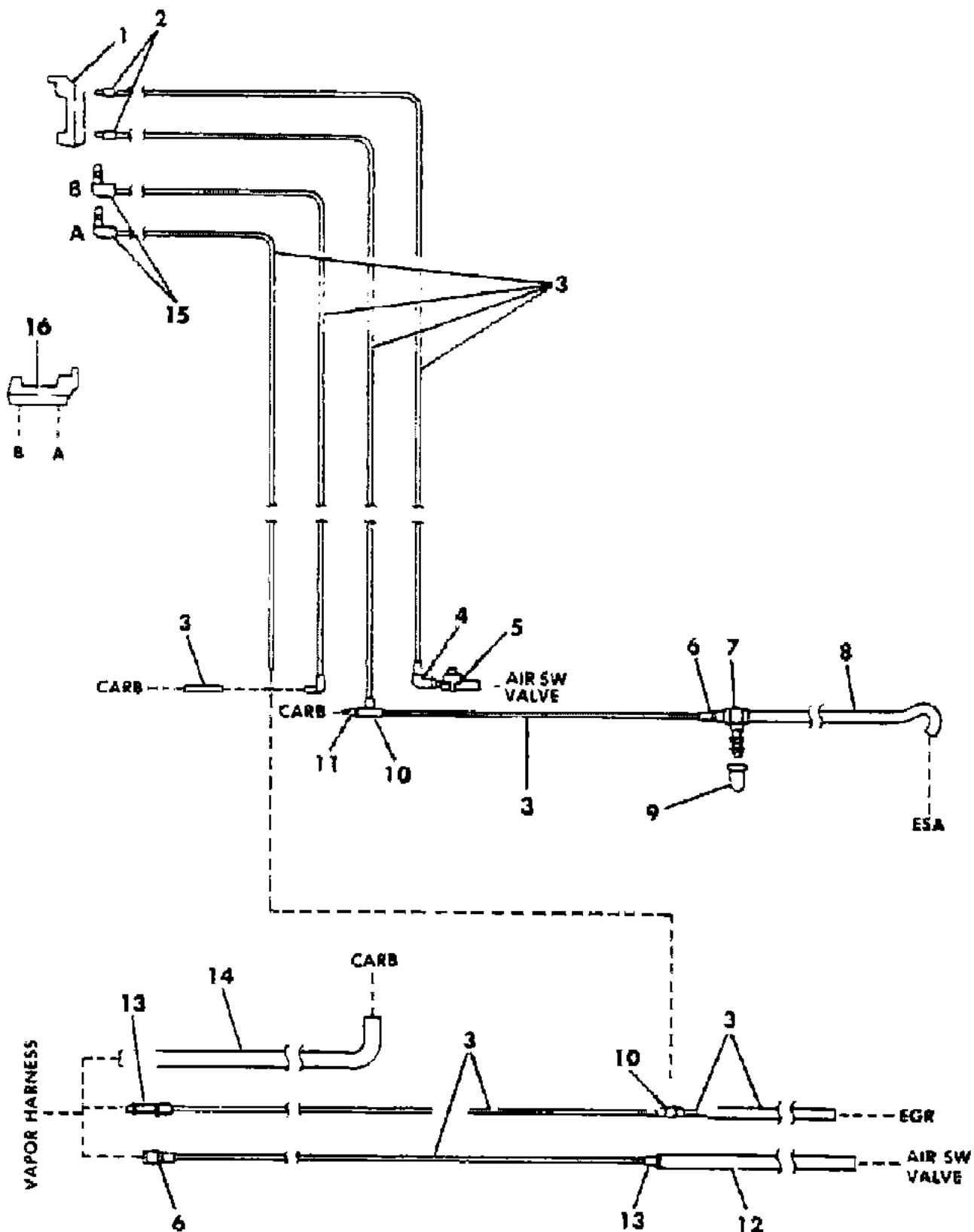
45 = 4-DOOR STATION WAGON

52-53 = FWD WAGON

AR = Use as Required - = Non Illustrated Part P.A.R. = Paint as Required

EGR HOSE HARNESS 2.2L ENGINE - EXC. TURBO L BODY
Figure 25-1100

7125 1100 A



ITEM	PART NUMBER	QTY	BODY	MODEL	DESCRIPTION
					HARNES, Hose (tagged 4288101 - not serviced)
	4364 375	AR			TUBING, Convoluted 3/8" (serv. in 10 ft. roll)
1	4095 974	1			CONNECTOR, CVSCO Switch
2	4268 681	2			CONNECTOR .15M - 1/8
3	3780 508	AR			HOSE, Rubber 1/8" (serv. in 50 ft. roll)
4	4213 766	1			ELBOW .15F - 1/8
5	3870 649	1			BLEED, Filtered Air 1/8 x 3/16
6	4179 391	2			CONNECTOR .15F - 3/16
7	4104 172	1			TEE 3/16 x 3/16 x 3/16
8	4104 168	1			HOSE, ESA Connection
9	3580 171	1			CAP
10	4179 191	2			TEE
11	4268 668	1			CONNECTOR .15M - 3/16
12	4105 167	AR			HOSE, Rubber 3/16" (serv. in 50 ft. roll)
13	4268 687	2			CONNECTOR .15M - 3/16
14	4287 985	1			HOSE
15	4213 789	3			ELBOW .15M - 1/8
16	4179 093	1			CONNECTOR, CVSCC Switch

MODEL CODES

E BODY = (J - CARAVELLE)(E - 600)(T - NEW YORKER)

G BODY = (V24 - DAYTONA)

H BODY = (D44 - LANCER)(C44 - LEBARON GTS)

J BODY = (C - LEBARON)

K BODY = (P - RELIANT)(D - ARIES)(C - LEBAROND)/TOWN & COUNTRY)

L BODY = (M - HORIZON/TURISMO)(Z - OMNI/CHARGER)

M BODY = (B - GRAN FURY)(F - FIFTH AVE/NEWPORT)(G - DIPLOMAT)

P BODY = (P - SUNDANCE)(D - SHADOW)

S BODY = (H - VOYAGER)(K - RAM VAN/CARAVAN)

BODY STYLES

12-13 = FWD VAN

21 = 2-DOOR SEDAN

24 = 2-DOOR HATCHBACK

27 = 2-DOOR CONVERTIBLE

41 = 4-DOOR SEDAN

44 = 4-DOOR HATCHBACK

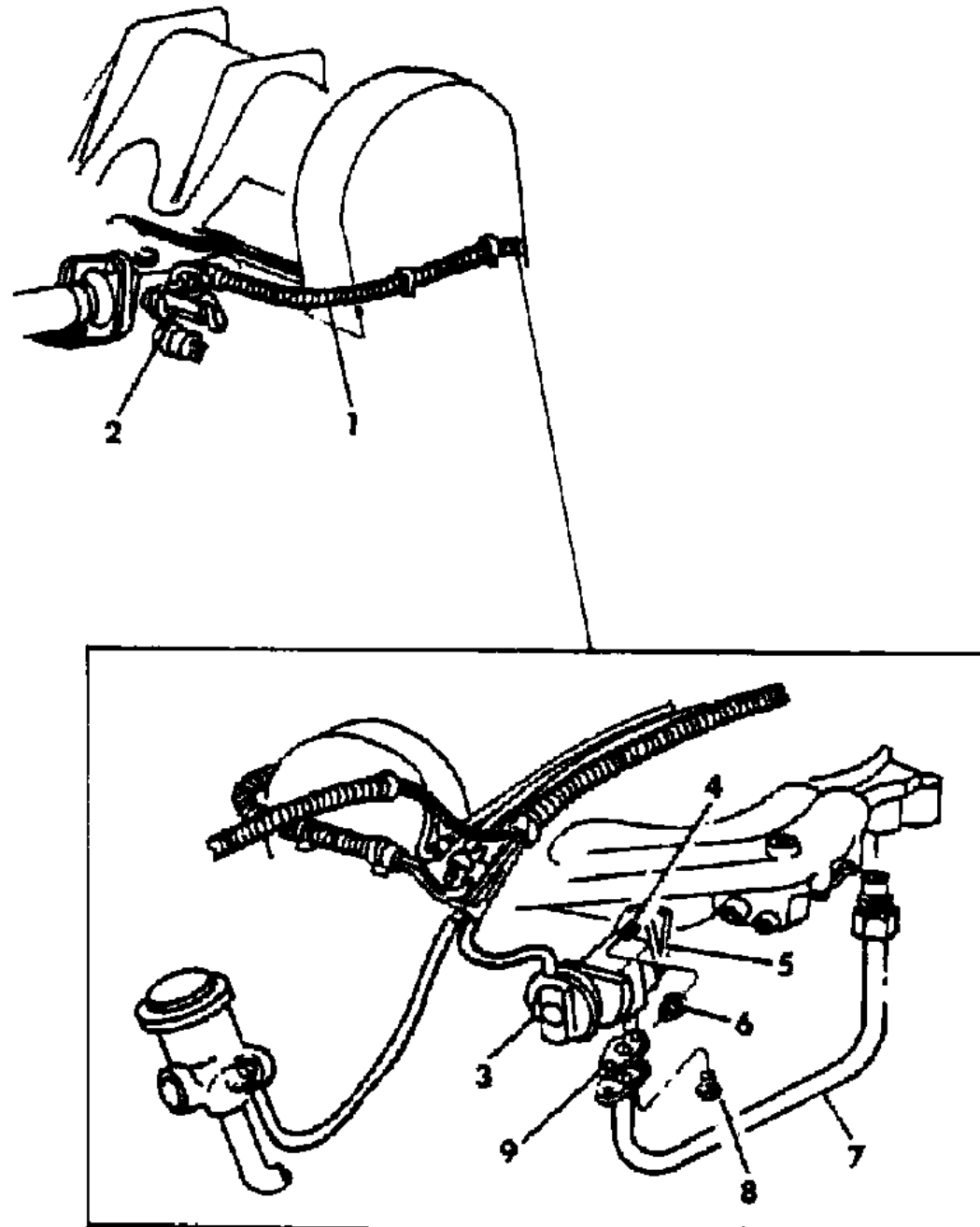
45 = 4-DOOR STATION WAGON

52-53 = FWD WAGON

AR = Use as Required - = Non Illustrated Part P.A.R. = Paint as Required

EGR SYSTEM 2.2L ENGINE - FEDERAL AND CANADA S BODY
Figure 25-1200

7125 1200



ITEM	PART NUMBER	QTY	BODY	MODEL	DESCRIPTION
1		1			HARNES, Hose (shown on illus. 1300)
2	3879 736	1			SWITCH, CVSCC
3					VALVE, EGR
	4287 401	1			stamped 4287401
	4300 401	1			stamped 4300401
	4397 800	1			stamped 4287417, 4300417
	4293 738	1			stamped 4287422, 4300422
4	6500 498	2			STUD, EGR Valve Attach
5	4201 313	1			GASKET, EGR Valve
6	6500 182	2			NUT
7	4201 288	1			TUBE, EGR Valve to Intake Manifold Crossover
8	6500 464	2			SCREW
9	4201 384	1			GASKET, EGR Valve to Tube Flange

MODEL CODES

E BODY = (J - CARAVELLE)(E - 600)(T - NEW YORKER)

G BODY = (V24 - DAYTONA)

H BODY = (D44 - LANCER)(C44 - LEBARON GTS)

J BODY = (C - LEBARON)

K BODY = (P - RELIANT)(D - ARIES)(C - LEBAROND)/TOWN & COUNTRY)

L BODY = (M - HORIZON/TURISMO)(Z - OMNI/CHARGER)

M BODY = (B - GRAN FURY)(F - FIFTH AVE/NEWPORT)(G - DIPLOMAT)

P BODY = (P - SUNDANCE)(D - SHADOW)

S BODY = (H - VOYAGER)(K - RAM VAN/CARAVAN)

BODY STYLES

12-13 = FWD VAN

21 = 2-DOOR SEDAN

24 = 2-DOOR HATCHBACK

27 = 2-DOOR CONVERTIBLE

41 = 4-DOOR SEDAN

44 = 4-DOOR HATCHBACK

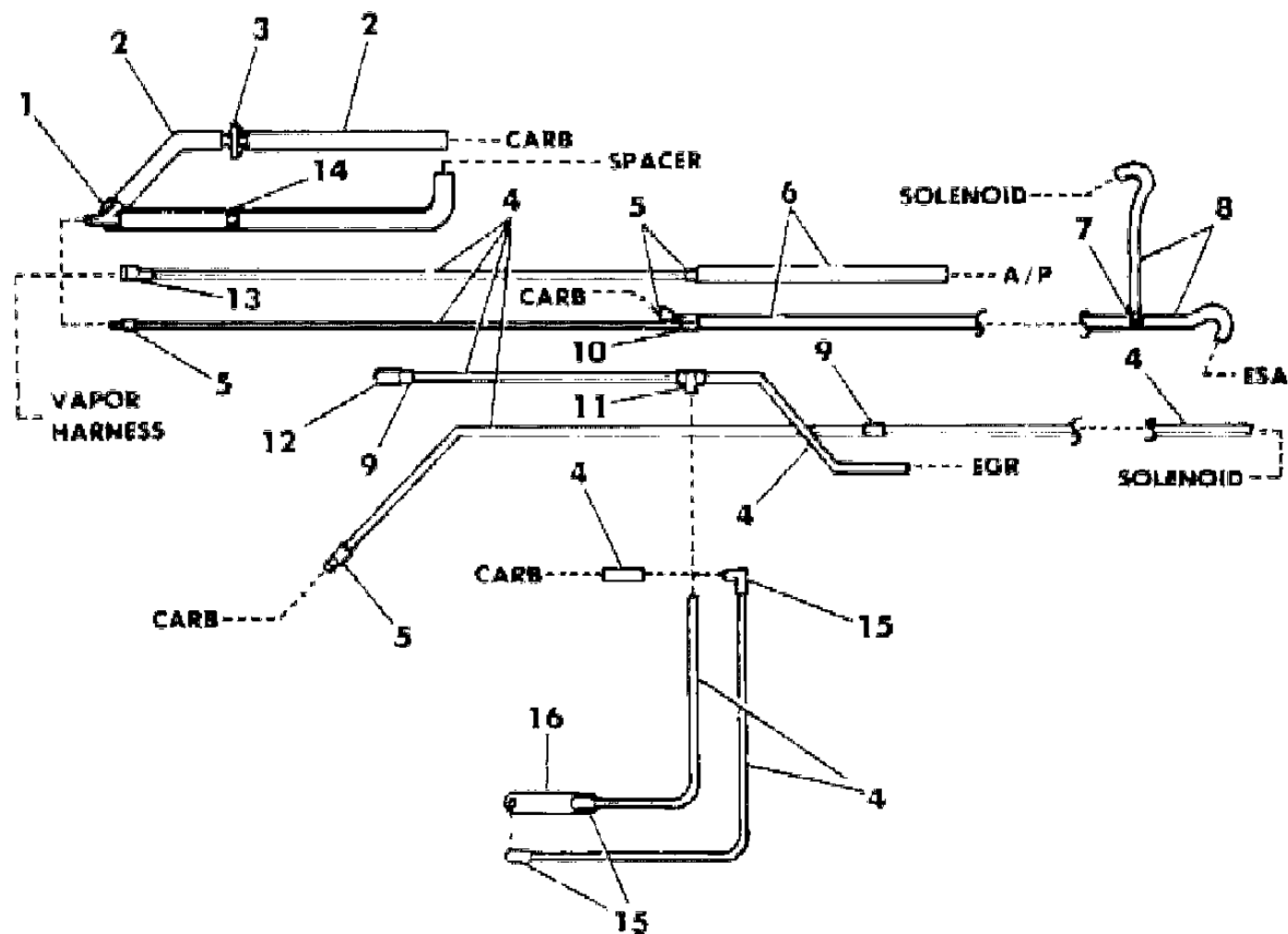
45 = 4-DOOR STATION WAGON

52-53 = FWD WAGON

AR = Use as Required - = Non Illustrated Part P.A.R. = Paint as Required

EGR HOSE HARNESS 2.2L ENGINE - FEDERAL AND CANADA S BODY
Figure 25-1300

7125 1300A



ITEM	PART NUMBER	QTY	BODY	MODEL	DESCRIPTION
					HARNESS, Hose (tagged 4405601 - not serviced)
					TUBING, Convoluted (serv. in 10 ft. roll)
	4364 375	AR			3/8"
	4364 374	AR			1/2"
1	4179 982	1			CONNECTOR, Y
2	4203 316	AR			HOSE, Rubber 5/16" (serv. in 50 ft. roll)
3	4306 922	1			VALVE, Check
4	3780 508	AR			HOSE, Rubber 1/8" (serv. in 50 ft. roll)
5	4268 687	4			CONNECTOR .15M - 3/16
6	4105 167	AR			HOSE, Rubber 3/16" (serv. in 50 ft. roll)
7	4104 172	1			TEE 3/16 x 3/16 x 3/16
8	4201 247	2			HOSE, ESA Connection
9	4268 681	2			CONNECTOR .15M - 1/8
10	4104 169	1			CONNECTOR .15F x .15F x .15F
11	4179 191	1			TEE
12	3580 170	1			CAP
13	4179 391	1			CONNECTOR .15F - 3/16
14	#4307 350	1			CONNECTOR 5/16 x 5/16
15	4213 789	3			ELBOW .15M - 1/8
16	4179 093	1			CONNECTOR, CVSCC Switch

MODEL CODES

E BODY = (J - CARAVELLE)(E - 600)(T - NEW YORKER)

G BODY = (V24 - DAYTONA)

H BODY = (D44 - LANCER)(C44 - LEBARON GTS)

J BODY = (C - LEBARON)

K BODY = (P - RELIANT)(D - ARIES)(C - LEBAROND)/TOWN & COUNTRY)

L BODY = (M - HORIZON/TURISMO)(Z - OMNI/CHARGER)

M BODY = (B - GRAN FURY)(F - FIFTH AVE/NEWPORT)(G - DIPLOMAT)

P BODY = (P - SUNDANCE)(D - SHADOW)

S BODY = (H - VOYAGER)(K - RAM VAN/CARAVAN)

BODY STYLES

12-13 = FWD VAN

21 = 2-DOOR SEDAN

24 = 2-DOOR HATCHBACK

27 = 2-DOOR CONVERTIBLE

41 = 4-DOOR SEDAN

44 = 4-DOOR HATCHBACK

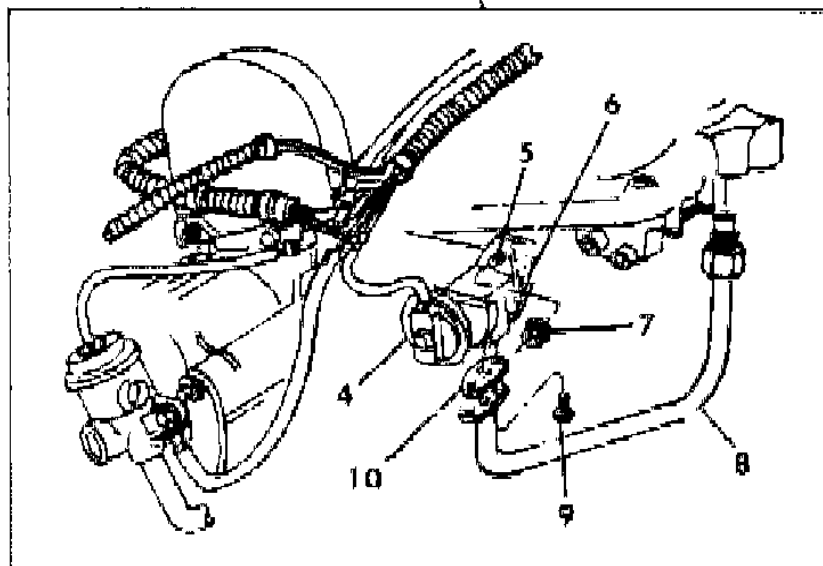
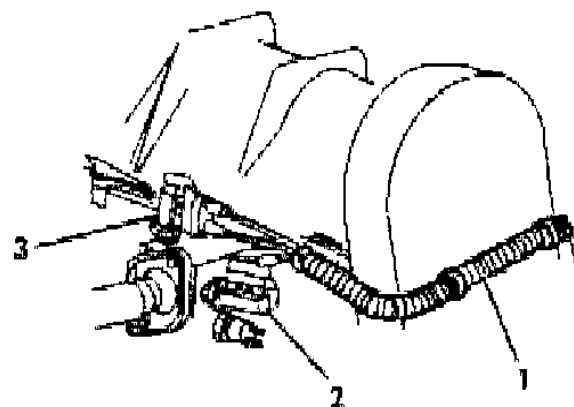
45 = 4-DOOR STATION WAGON

52-53 = FWD WAGON

AR = Use as Required - = Non Illustrated Part P.A.R. = Paint as Required

EGR SYSTEM 2.2L ENGINE - CALIF. AND HIGH ALT. S BODY
Figure 25-1400

7125 1400



ITEM	PART NUMBER	QTY	BODY	MODEL	DESCRIPTION
1		1			HARNES, Hose (shown on illus. 1500)
2	3879 736	1			SWITCH, CVSCC (Hole #1)
3	4049 208	1			SWITCH, CVSCO (Hole #2)
4					VALVE, EGR
	4287 426	1			stamped 4287426
	4300 426	1			stamped 4300426
	4419 645	1			stamped 4287435, 4300435
5	6500 498	2			STUD, EGR Valve Attach
6	4201 313	1			GASKET, EGR Valve
7	6500 182	2			NUT
8	4201 288	1			TUBE, EGR Valve to Intake Manifold Crossover
9	6500 464	2			SCREW
10	4201 384	1			GASKET, EGR Valve to Tube Flange

MODEL CODES

E BODY = (J - CARAVELLE)(E - 600)(T - NEW YORKER)

G BODY = (V24 - DAYTONA)

H BODY = (D44 - LANCER)(C44 - LEBARON GTS)

J BODY = (C - LEBARON)

K BODY = (P - RELIANT)(D - ARIES)(C - LEBAROND)/TOWN & COUNTRY)

L BODY = (M - HORIZON/TURISMO)(Z - OMNI/CHARGER)

M BODY = (B - GRAN FURY)(F - FIFTH AVE/NEWPORT)(G - DIPLOMAT)

P BODY = (P - SUNDANCE)(D - SHADOW)

S BODY = (H - VOYAGER)(K - RAM VAN/CARAVAN)

BODY STYLES

12-13 = FWD VAN

21 = 2-DOOR SEDAN

24 = 2-DOOR HATCHBACK

27 = 2-DOOR CONVERTIBLE

41 = 4-DOOR SEDAN

44 = 4-DOOR HATCHBACK

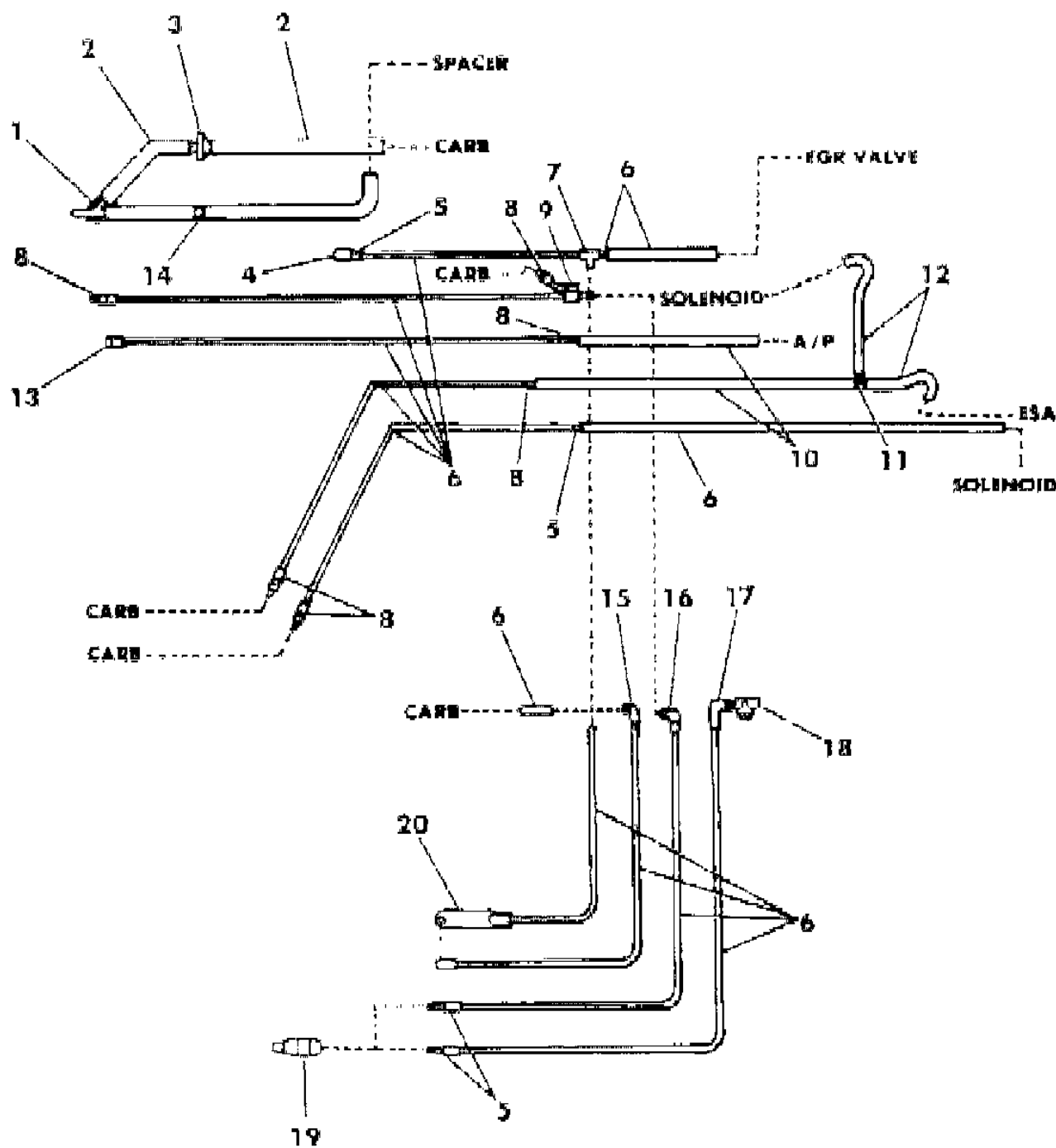
45 = 4-DOOR STATION WAGON

52-53 = FWD WAGON

AR = Use as Required - = Non Illustrated Part P.A.R. = Paint as Required

EGR HOSE HARNESS 2.2L ENGINE - CALIF. AND HIGH ALT. S BODY
Figure 25-1500

7175 1500 A



ITEM	PART NUMBER	QTY	BODY	MODEL	DESCRIPTION
					HARNESS, Hose (tagged 4405602 - not serviced)
1	4364 375	AR			TUBING, Convoluted 3/8" (serv. in 10 ft. roll)
2	4179 982	1			CONNECTOR, Y
3	4203 316	AR			HOSE, Rubber 5/16" (serv. in 50 ft. roll)
4	4306 922	1			VALVE, Check
5	3580 170	1			CAP
6	4268 681	4			CONNECTOR .15M - 1/8
7	3780 508	AR			HOSE, Rubber 1/8" (serv. in 50 ft. roll)
8	4179 191	1			TEE
9	4268 687	6			CONNECTOR .15M - 3/16
10	4104 169	1			CONNECTOR .15F x .15F x .15F
11	4105 167	AR			HOSE, Rubber 3/16" (serv. in 50 ft. roll)
12	4104 172	1			TEE 3/16 x 3/16 x 3/16
13	4201 247	2			HOSE, ESA Connection
14	4179 391	1			CONNECTOR .15F - 3/16
15	#4307 350	1			CONNECTOR 5/16 x 5/16
16	4213 789	3			ELBOW .15M - 1/8
17	4213 774	1			ELBOW .15F - 3/16
18	4213 766	1			ELBOW .15F - 1/8
19	3870 649	1			BLEED, Filtered 1/8 x 3/16
20	4095 974	1			CONNECTOR, CVSCO Switch
	4179 093	1			CONNECTOR, CVSCC Switch

MODEL CODES

E BODY = (J - CARAVELLE)(E - 600)(T - NEW YORKER)

G BODY = (V24 - DAYTONA)

H BODY = (D44 - LANCER)(C44 - LEBARON GTS)

J BODY = (C - LEBARON)

K BODY = (P - RELIANT)(D - ARIES)(C - LEBAROND)/TOWN & COUNTRY)

L BODY = (M - HORIZON/TURISMO)(Z - OMNI/CHARGER)

M BODY = (B - GRAN FURY)(F - FIFTH AVE/NEWPORT)(G - DIPLOMAT)

P BODY = (P - SUNDANCE)(D - SHADOW)

S BODY = (H - VOYAGER)(K - RAM VAN/CARAVAN)

BODY STYLES

12-13 = FWD VAN

21 = 2-DOOR SEDAN

24 = 2-DOOR HATCHBACK

27 = 2-DOOR CONVERTIBLE

41 = 4-DOOR SEDAN

44 = 4-DOOR HATCHBACK

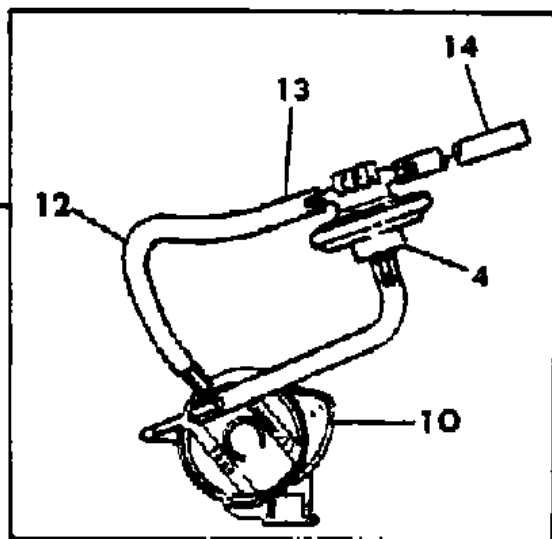
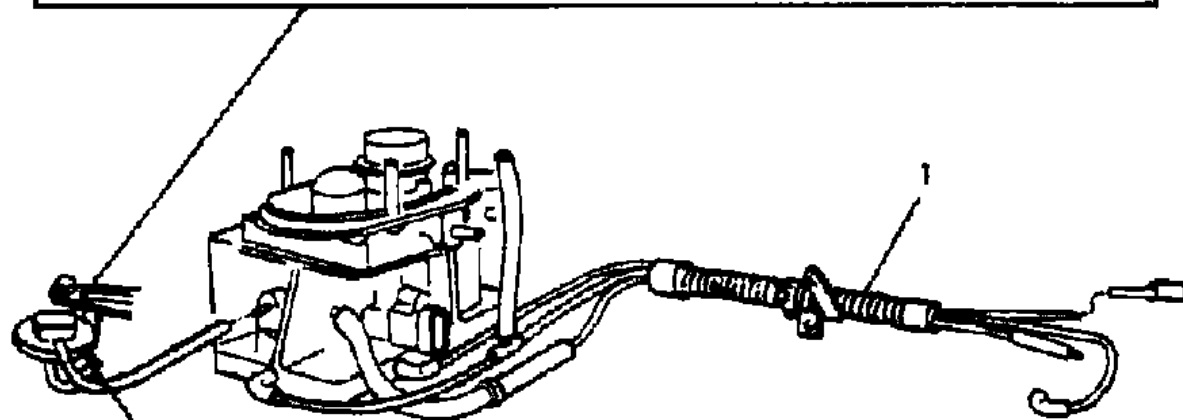
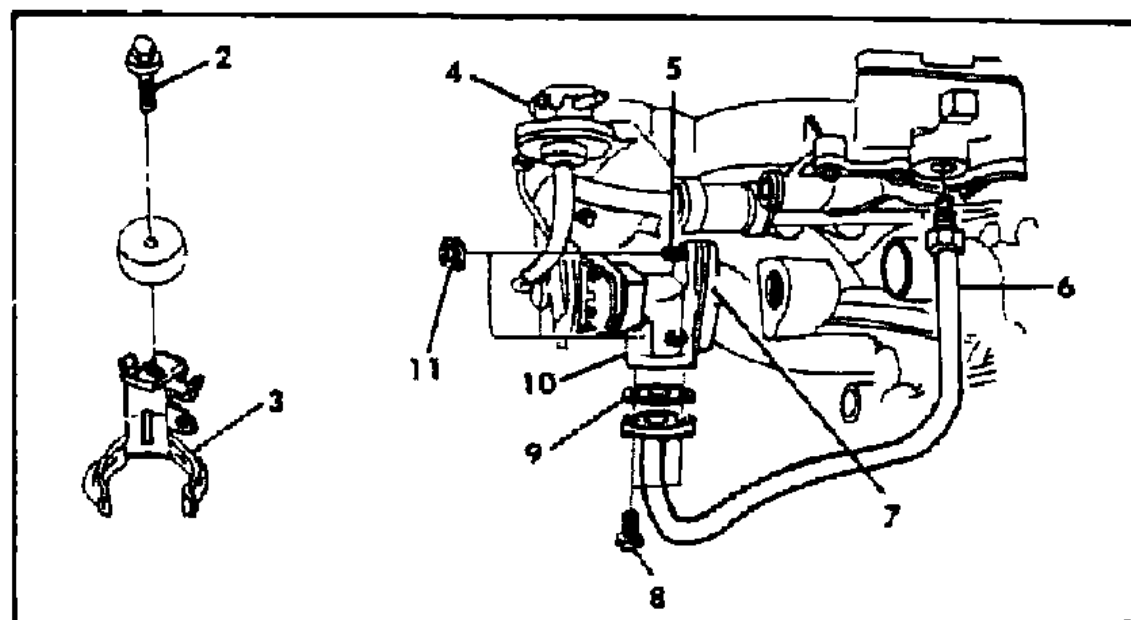
45 = 4-DOOR STATION WAGON

52-53 = FWD WAGON

AR = Use as Required - = Non Illustrated Part P.A.R. = Paint as Required

EGR SYSTEM 2.2L ENGINE EFI AND 2.5L ENGINE EXC. H,K
Figure 25-1600

7125 1800



ITEM	PART NUMBER	QTY	BODY	MODEL	DESCRIPTION
1		1			HARNES, Hose (shown on illus. 1700)
2	6500 192	1			SCREW and WASHER
3	4324 109	1			CLIP, Transducer Valve
4		1			VALVE, Transducer (serv. w/EGR Valve)
5	6500 498	2			STUD, EGR Valve Attach
6	4201 288	1			TUBE, EGR Valve to Intake Manifold Crossover
7	4201 313	1			GASKET, EGR Valve
8	6500 464	2			SCREW
9	4201 384	1			GASKET, EGR Valve to Tube Flange
10					VALVE, EGR w/Transducer
	4287 811	1			stamped 4287811
	4287 812	1			stamped 4287812
11	6500 182	2			NUT
12	3780 508	AR			HOSE, Rubber 1/8" (serv. in 50 ft. roll)
13	4105 167	AR			HOSE, Rubber 3/16" (serv. in 50 ft. roll)
14	4306 339	1			TUBE, Throttle Body to Transducer

MODEL CODES

E BODY = (J - CARAVELLE)(E - 600)(T - NEW YORKER)

G BODY = (V24 - DAYTONA)

H BODY = (D44 - LANCER)(C44 - LEBARON GTS)

J BODY = (C - LEBARON)

K BODY = (P - RELIANT)(D - ARIES)(C - LEBAROND)/TOWN & COUNTRY)

L BODY = (M - HORIZON/TURISMO)(Z - OMNI/CHARGER)

M BODY = (B - GRAN FURY)(F - FIFTH AVE/NEWPORT)(G - DIPLOMAT)

P BODY = (P - SUNDANCE)(D - SHADOW)

S BODY = (H - VOYAGER)(K - RAM VAN/CARAVAN)

BODY STYLES

12-13 = FWD VAN

21 = 2-DOOR SEDAN

24 = 2-DOOR HATCHBACK

27 = 2-DOOR CONVERTIBLE

41 = 4-DOOR SEDAN

44 = 4-DOOR HATCHBACK

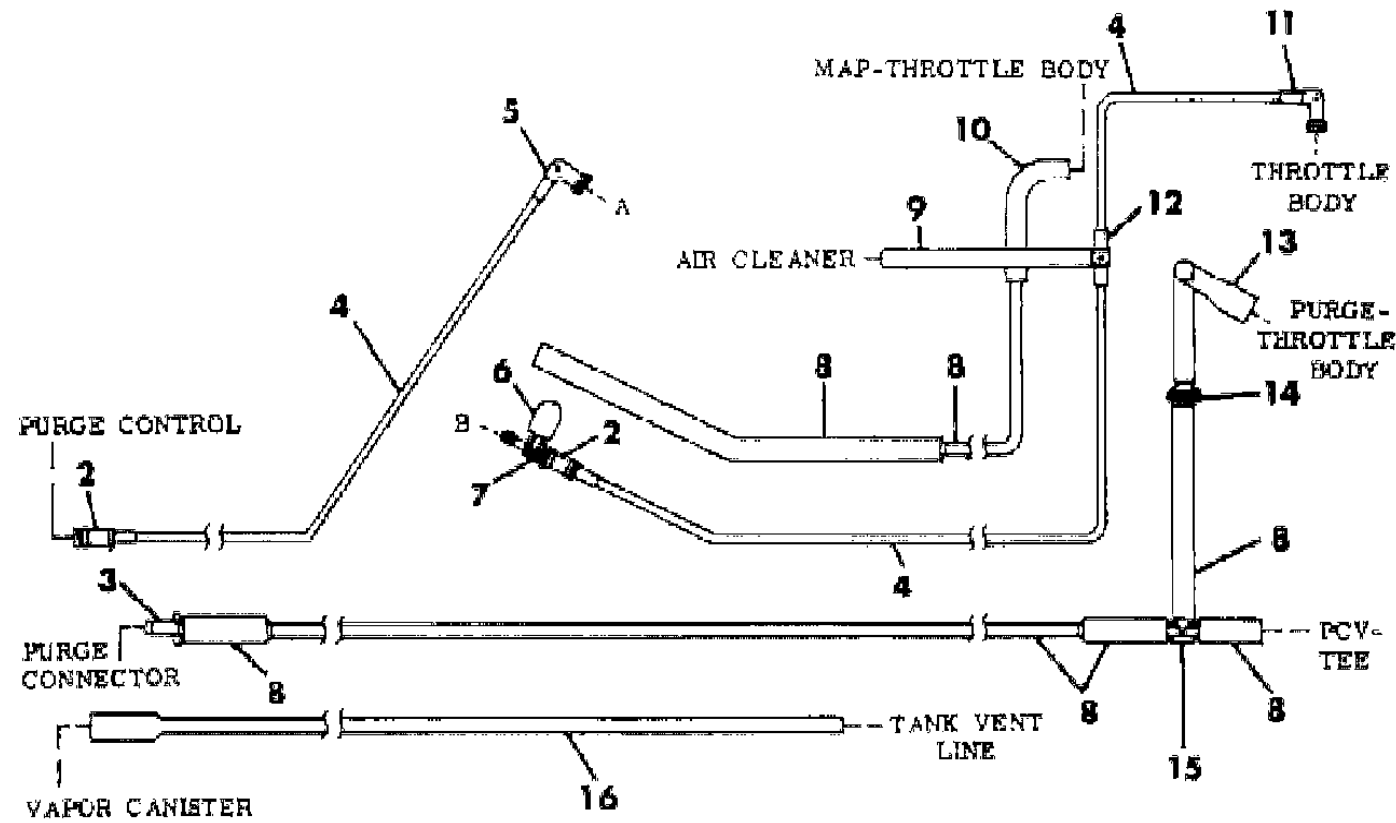
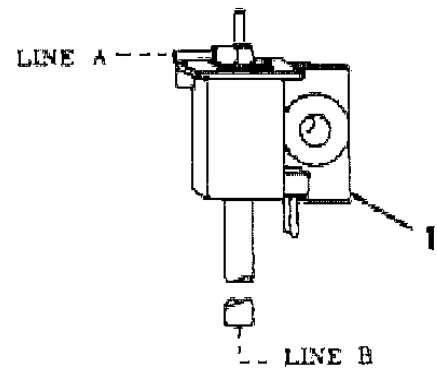
45 = 4-DOOR STATION WAGON

52-53 = FWD WAGON

AR = Use as Required - = Non Illustrated Part P.A.R. = Paint as Required

EGR HOSE HARNESS 2.2L ENGINE EFI AND 2.5L ENGINE EXC. H,K
Figure 25-1700

7125 1700



ITEM	PART NUMBER	QTY	BODY	MODEL	DESCRIPTION
					HARNESS, Hose (not serviced)
				exc. C- C-27	tagged 4405607 tagged 4405621
					TUBING, Convolved (serv. in 10 ft. roll)
	4364 375	AR			3/8"
	4364 374	AR			1/2"
	4364 392	AR			5/8"
1	5227 169	1			SOLENOID, Vacuum
2	4179 391	2			CONNECTOR .15F - 3/16
3	4179 643	1			CONNECTOR
4	3780 508	AR			HOSE, Rubber 1/8" (serv. in 50 ft. roll)
5	4213 774	1			ELBOW .15F - 3/16
6	3580 171	1			CAP
7	4104 172	1			TEE 3/16 x 3/16 x 3/16
8	4203 211	AR			HOSE, Rubber 1/4" (serv. in 50 ft. roll)
9	4105 167	AR			HOSE, Rubber 3/16" (serv. in 50 ft. roll)
10	#4307 877	1			TUBE, Formed Vapor
11	4213 766	1			ELBOW .15F - 1/8
12	4300 958	1			TEE 3/16 x 3/16
13	#4306 982	1			TUBE, Formed Vapor
14	4306 923	1			VALVE, Check
15	#4300 271	1			TEE 1/4 x 1/4 x 1/4
16	4210 989	1			TUBE, Expanded End

MODEL CODES
 E BODY = (J - CARAVELLE)(E - 600)(T - NEW YORKER)
 G BODY = (V24 - DAYTONA)
 H BODY = (D44 - LANCER)(C44 - LEBARON GTS)
 J BODY = (C - LEBARON)
 K BODY = (P - RELIANT)(D - ARIES)(C - LEBAROND)/TOWN & COUNTRY

L BODY = (M - HORIZON/TURISMO)(Z - OMNI/CHARGER)
 M BODY = (B - GRAN FURY)(F - FIFTH AVE/NEWPORT)(G - DIPLOMAT)
 P BODY = (P - SUNDANCE)(D - SHADOW)
 S BODY = (H - VOYAGER)(K - RAM VAN/CARAVAN)

BODY STYLES
 12-13 = FWD VAN 41 = 4-DOOR SEDAN
 21 = 2-DOOR SEDAN 44 = 4-DOOR HATCHBACK
 24 = 2-DOOR HATCHBACK 45 = 4-DOOR STATION WAGON
 27 = 2-DOOR CONVERTIBLE 52-53 = FWD WAGON

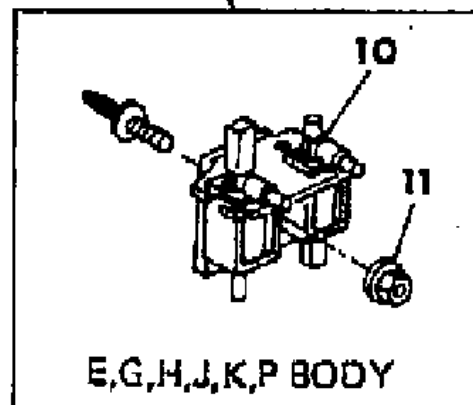
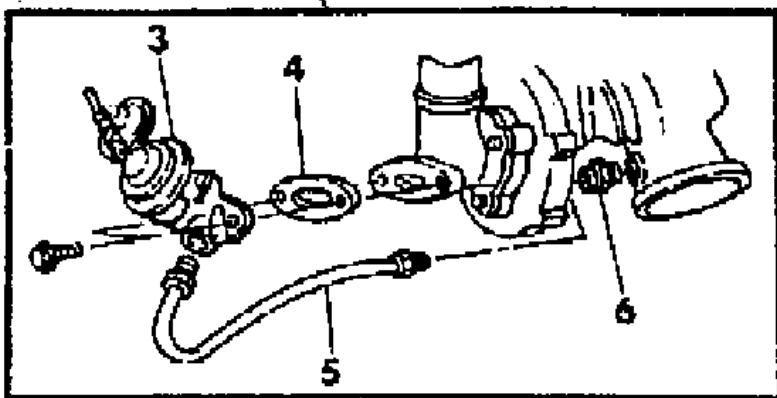
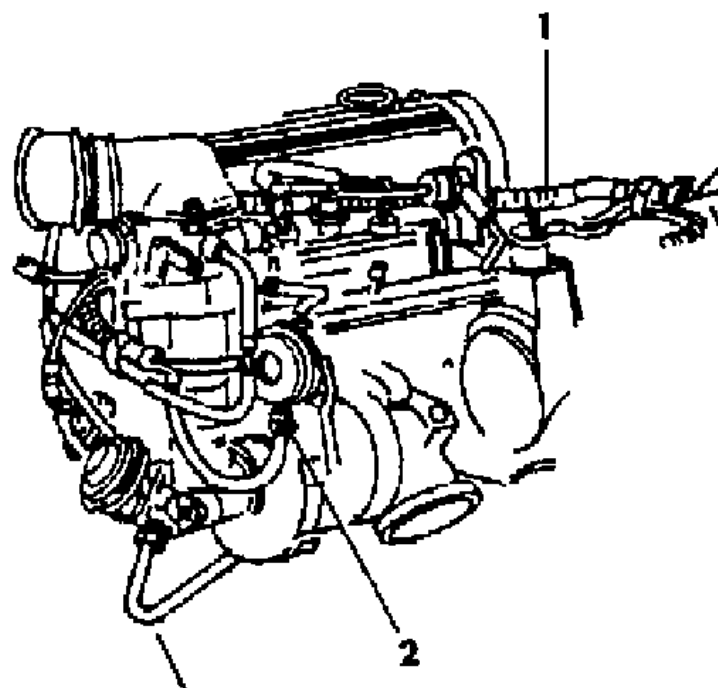
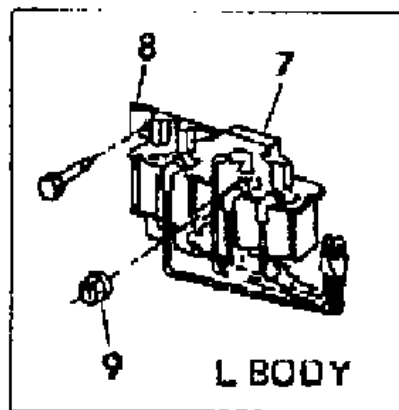
AR = Use as Required - = Non Illustrated Part P.A.R. = Paint as Required

EGR SYSTEM 2.2L ENGINE TURBO 1

Figure 25-1800

7125 1800 C

ITEM	PART NUMBER	QTY	BODY	MODEL	DESCRIPTION
1		1			HARNES, Hose (shown on illus. 1900, 2000 & P Body up to 8-19-86 shown on illus. 3930)
2	2448 761	1			CLAMP
3	4287 756	1			VALVE, EGR w/Transducer
4	4179 094	1			GASKET, EGR Valve
5	4307 357	1			TUBE, EGR
6	#6501 264	1			ADAPTER, EGR Tube
7	5226 352	1			SOLENOID, Quad Vacuum
8	5226 337	1			BRACKET, Vacuum Solenoid Mounting
9	6100 047	1			NUT
10	5227 333	1			SOLENOID, Dual Vacuum
11	6025 004	1			NUT



MODEL CODES

E BODY = (J - CARAVELLE)(E - 600)(T - NEW YORKER)

G BODY = (V24 - DAYTONA)

H BODY = (D44 - LANCER)(C44 - LEBARON GTS)

J BODY = (C - LEBARON)

K BODY = (P - RELIANT)(D - ARIES)(C - LEBAROND)/TOWN & COUNTRY)

L BODY = (M - HORIZON/TURISMO)(Z - OMNI/CHARGER)

M BODY = (B - GRAN FURY)(F - FIFTH AVE/NEWPORT)(G - DIPLOMAT)

P BODY = (P - SUNDANCE)(D - SHADOW)

S BODY = (H - VOYAGER)(K - RAM VAN/CARAVAN)

BODY STYLES

12-13 = FWD VAN

21 = 2-DOOR SEDAN

24 = 2-DOOR HATCHBACK

27 = 2-DOOR CONVERTIBLE

41 = 4-DOOR SEDAN

44 = 4-DOOR HATCHBACK

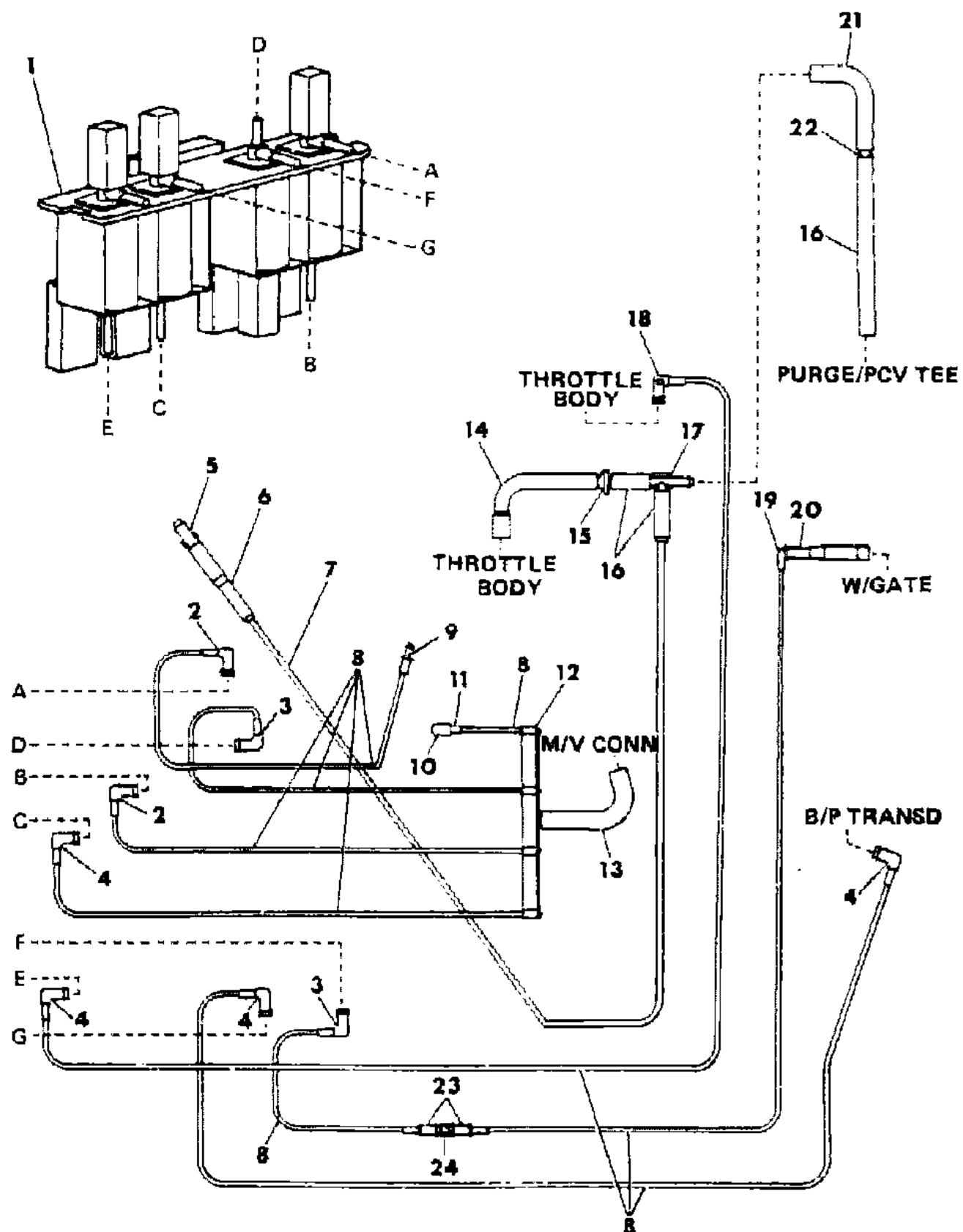
45 = 4-DOOR STATION WAGON

52-53 = FWD WAGON

AR = Use as Required - = Non Illustrated Part P.A.R. = Paint as Required

EGR SYSTEM 2.2L ENGINE TURBO 1 L BODY
Figure 25-1900

7125 1900



ITEM	PART NUMBER	QTY	BODY	MODEL	DESCRIPTION
					HARNESSE, Hose (tagged 4324415 - not serviced)
					TUBING, Convolutad (serv. in 10 ft. roll)
	4364 374	AR			1/2"
	4364 392	AR			5/8"
1	5226 352	1			SOLENOID, Quad Vacuum
2	4213 778	2			ELBOW .15F - 3/16
3	4213 779	2			ELBOW .15F - 3/16
4	4213 774	4			ELBOW .15F - 3/16
5	4179 981	1			CONNECTOR
6	4288 208	1			TUBE, Expanded End
7	4287 935	AR			HOSE, Rubber 1/4" (serv. in 50 ft. roll)
8	3780 508	AR			HOSE, Rubber 1/8" (serv. in 50 ft. roll)
9	4268 687	1			CONNECTOR .15M - 3/16
10	3580 170	1			CAP
11	4268 681	1			CONNECTOR .15M - 1/8
12	4306 053	1			CONNECTOR
13	4241 846	1			TUBE, Molded
14	4306 993	1			TUBE, Molded
15	4306 923	1			VALVE, Check
16	4203 211	AR			HOSE, Rubber 1/4" (serv. in 50 ft. roll)
17	#4306 994	1			TEE 1/4 x 1/4 x 1/4
18	4213 766	1			ELBOW .15F - 1/8
19	4213 797	1			ELBOW .15M - 3/16
20	4201 264	1			TUBE, Expanded End
21	#4307 877	1			TUBE, Formed Vapor
22	#4307 334	1			CONNECTOR 1/4 x 1/4
23	4179 391	2			CONNECTOR .15F - 3/16
24	4275 607	1			CONNECTOR 3/16 x 3/16

MODEL CODES

E BODY = (J - CARAVELLE)(E - 600)(T - NEW YORKER)

G BODY = (V24 - DAYTONA)

H BODY = (D44 - LANCER)(C44 - LEBARON GTS)

J BODY = (C - LEBARON)

K BODY = (P - RELIANT)(D - ARIES)(C - LEBAROND)/TOWN & COUNTRY)

L BODY = (M - HORIZON/TURISMO)(Z - OMNI/CHARGER)

M BODY = (B - GRAN FURY)(F - FIFTH AVE/NEWPORT)(G - DIPLOMAT)

P BODY = (P - SUNDANCE)(D - SHADOW)

S BODY = (H - VOYAGER)(K - RAM VAN/CARAVAN)

BODY STYLES

12-13 = FWD VAN

21 = 2-DOOR SEDAN

24 = 2-DOOR HATCHBACK

27 = 2-DOOR CONVERTIBLE

41 = 4-DOOR SEDAN

44 = 4-DOOR HATCHBACK

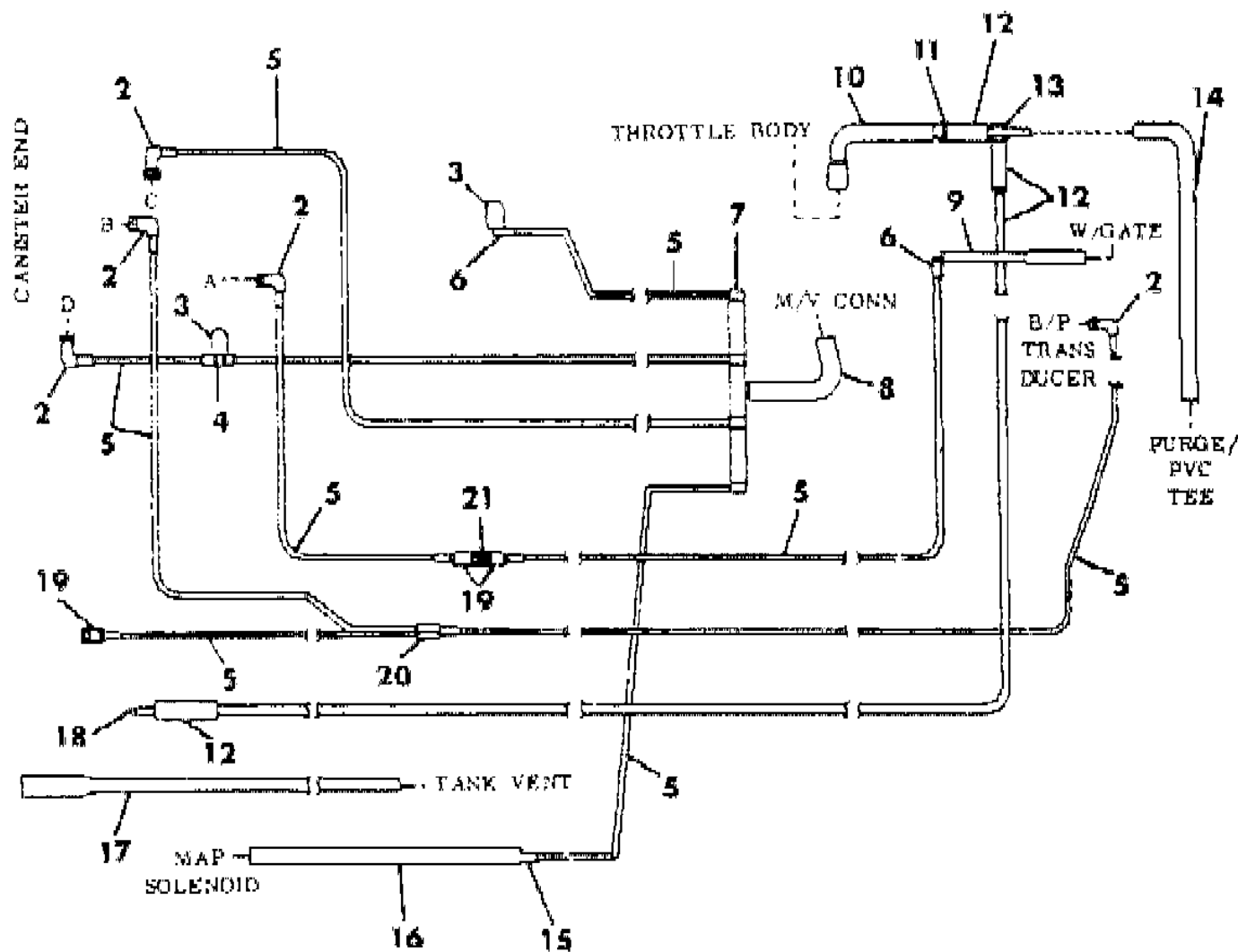
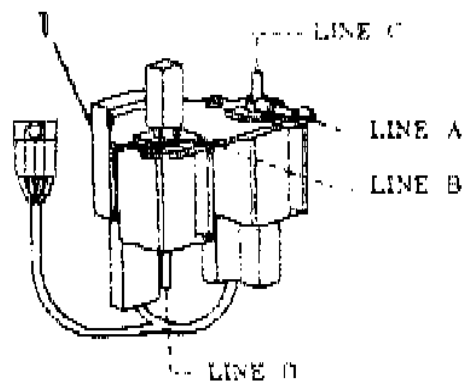
45 = 4-DOOR STATION WAGON

52-53 = FWD WAGON

AR = Use as Required - = Non Illustrated Part P.A.R. = Paint as Required

EGR HOSE HARNESS 2.2L ENGINE TUBRO 1 J,K,G,E,H BODY AND P BODY AFTER AUG. 19, 1986
Figure 25-2000

7125 2000A



ITEM	PART NUMBER	QTY	BODY	MODEL	DESCRIPTION
					HARNESS, Hose (not serviced)
				exc. C- C-27	tagged 4405611 tagged 4405622
					TUBING, Convoluted (serv. in 10 ft. roll)
	4364 375	AR			3/8"
	4364 374	AR			1/2"
	4364 392	AR			5/8"
1	5227 333	1			SOLENOID, Dual Vacuum
2	4213 774	5			ELBOW .15F - 3/16
3	3580 171	2			CAP
4	4300 958	1			TEE 3/16 x 3/16
5	3780 508	AR			HOSE, Rubber 1/8" (serv. in 50 ft. roll)
6	4213 797	2			ELBOW .15M - 3/16
7	4306 053	1			CONNECTOR
8	4241 846	1			TUBE, Formed
9	4201 264	1			TUBE, Expanded End
10	4306 993	1			TUBE, Formed
11	4306 923	1			VALVE, Check
12	4203 211	AR			HOSE, Rubber 1/4" (serv. in 50 ft. roll)
13	4306 994	1			TEE
14	#4307 877	1			TUBE, Formed Vapor
15	4268 687	1			CONNECTOR .15M - 3/16
16	4105 167	AR			HOSE, Rubber 3/16" (serv. in 50 ft. roll)
17	4210 989	1			TUBE, Expanded End
18	4179 643	1			CONNECTOR 1/4 x 5/16
19	4179 391	3			CONNECTOR .15F - 3/16
20	4179 193	1			CONNECTOR
21	4275 607	1			CONNECTOR 3/16 x 3/16

MODEL CODES

E BODY = (J - CARAVELLE)(E - 600)(T - NEW YORKER)

G BODY = (V24 - DAYTONA)

H BODY = (D44 - LANCER)(C44 - LEBARON GTS)

J BODY = (C - LEBARON)

K BODY = (P - RELIANT)(D - ARIES)(C - LEBAROND)/TOWN & COUNTRY)

L BODY = (M - HORIZON/TURISMO)(Z - OMNI/CHARGER)

M BODY = (B - GRAN FURY)(F - FIFTH AVE/NEWPORT)(G - DIPLOMAT)

P BODY = (P - SUNDANCE)(D - SHADOW)

S BODY = (H - VOYAGER)(K - RAM VAN/CARAVAN)

BODY STYLES

12-13 = FWD VAN

21 = 2-DOOR SEDAN

24 = 2-DOOR HATCHBACK

27 = 2-DOOR CONVERTIBLE

41 = 4-DOOR SEDAN

44 = 4-DOOR HATCHBACK

45 = 4-DOOR STATION WAGON

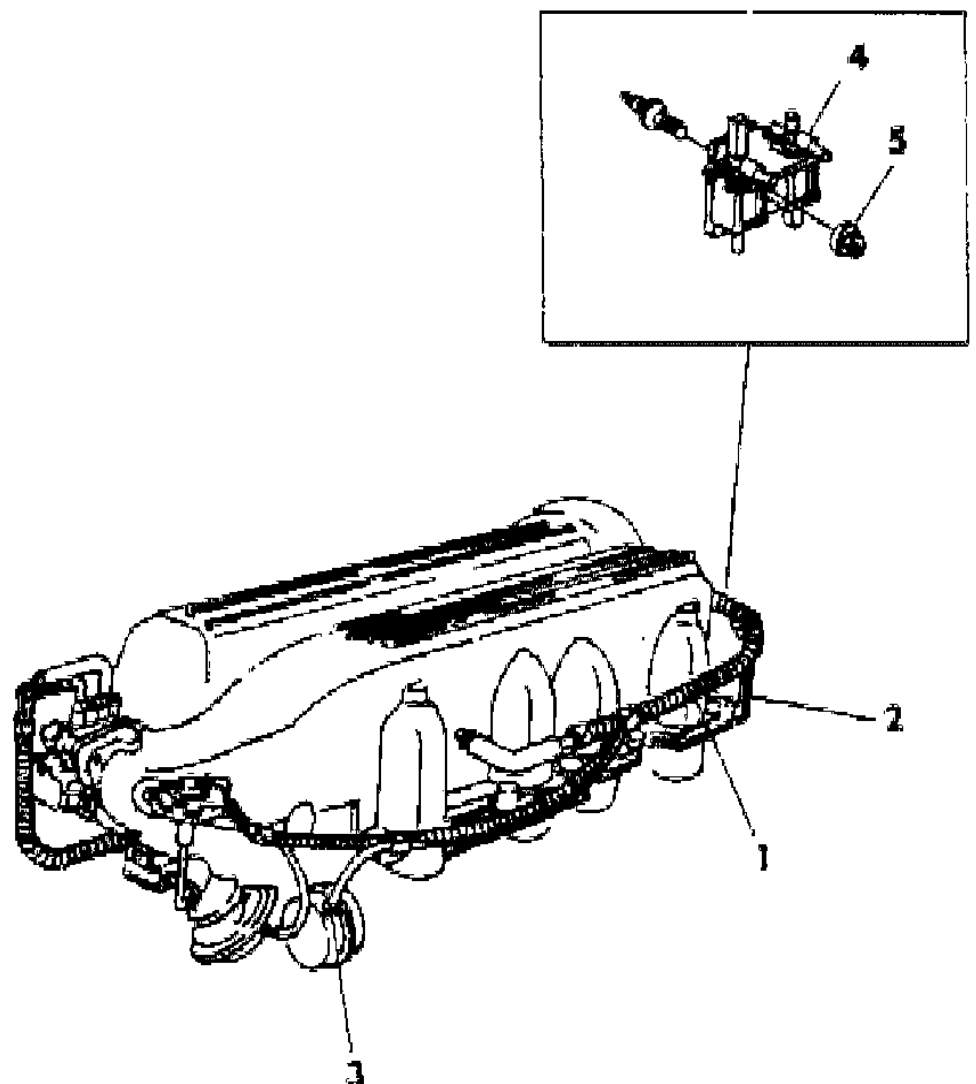
52-53 = FWD WAGON

AR = Use as Required - = Non Illustrated Part P.A.R. = Paint as Required

EGR SYSTEM 2.2L ENGINE TURBO 2 G BODY AND L,H BODY - SHELBY
Figure 25-2100

7125 2100A

ITEM	PART NUMBER	QTY	BODY	MODEL	DESCRIPTION
1		1			HARNES, Hose (shown on illus. 2200, 2215, 2220)
2	4307 887	1			BRACKET, Harness Support
3	2448 761	1			CLAMP
4	5227 333	1			SOLENOID, Dual Vacuum
5	6025 004	1			NUT



MODEL CODES
 E BODY = (J - CARAVELLE)(E - 600)(T - NEW YORKER)
 G BODY = (V24 - DAYTONA)
 H BODY = (D44 - LANCER)(C44 - LEBARON GTS)
 J BODY = (C - LEBARON)
 K BODY = (P - RELIANT)(D - ARIES)(C - LEBAROND)/TOWN & COUNTRY

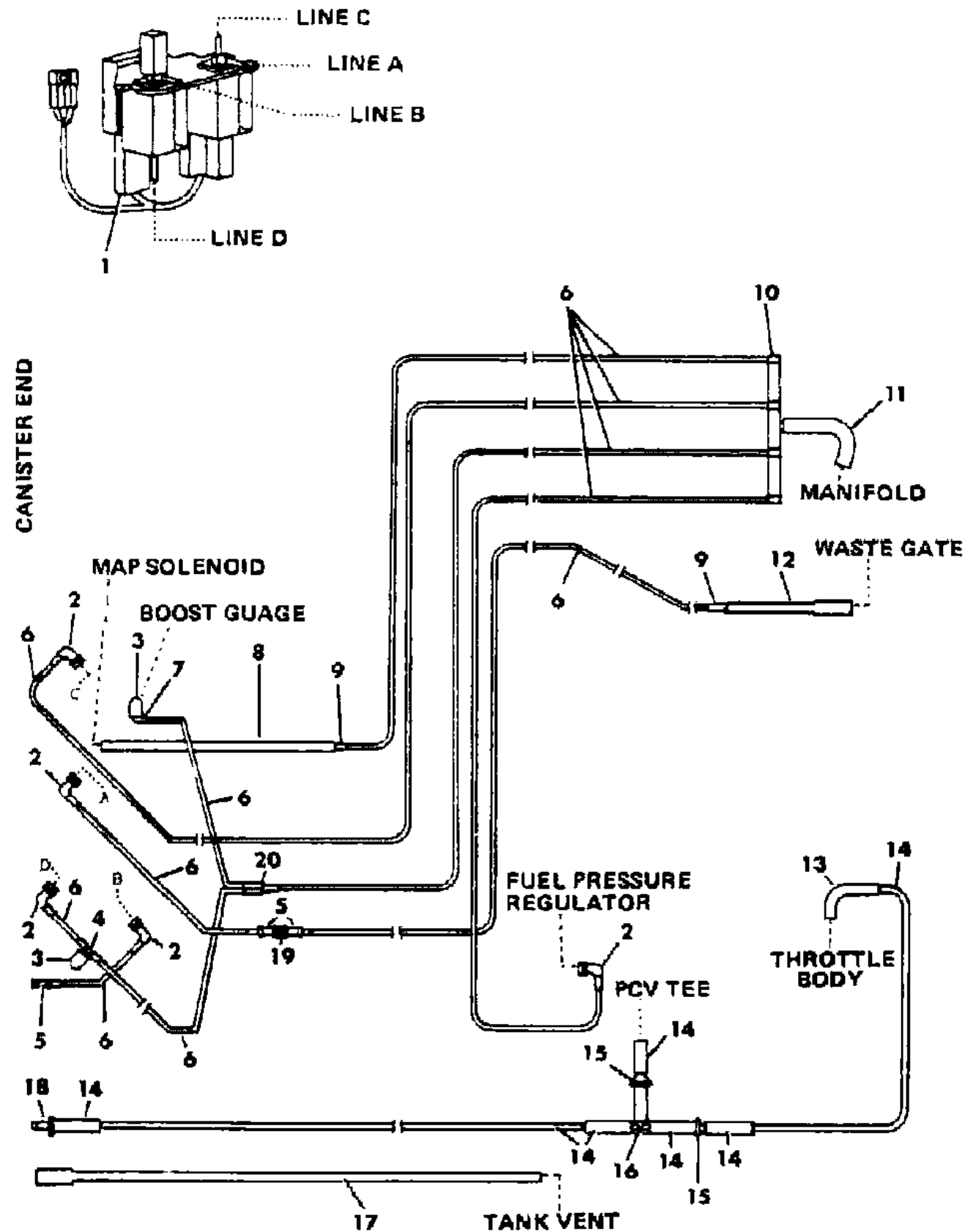
L BODY = (M - HORIZON/TURISMO)(Z - OMNI/CHARGER)
 M BODY = (B - GRAN FURY)(F - FIFTH AVE/NEWPORT)(G - DIPLOMAT)
 P BODY = (P - SUNDANCE)(D - SHADOW)
 S BODY = (H - VOYAGER)(K - RAM VAN/CARAVAN)

BODY STYLES
 12-13 = FWD VAN 41 = 4-DOOR SEDAN
 21 = 2-DOOR SEDAN 44 = 4-DOOR HATCHBACK
 24 = 2-DOOR HATCHBACK 45 = 4-DOOR STATION WAGON
 27 = 2-DOOR CONVERTIBLE 52-53 = FWD WAGON

AR = Use as Required - = Non Illustrated Part P.A.R. = Paint as Required

EGR HOSE HARNESS 2.2L ENGINE TURBO 2 G BODY
Figure 25-2200

7125 2200A



ITEM	PART NUMBER	QTY	BODY	MODEL	DESCRIPTION
					HARNES, Hose (tagged 4405617 - not serviced)
					TUBING, Convolved (serv. in 10 ft. roll)
	4364 393	AR			1/4"
	4364 375	AR			3/8"
	4364 374	AR			1/2"
	4364 392	AR			5/8"
1	5227 333	1			SOLENOID, Dual Vacuum
2	4213 774	5			ELBOW .15F - 3/16
3	3580 171	2			CAP
4	4300 958	1			TEE 3/16 x 3/16
5	4179 391	3			CONNECTOR .15F - 3/16
6	3780 508	AR			HOSE, Rubber 1/8" (serv. in 50 ft. roll)
7	4213 797	1			ELBOW .15M - 3/16
8	4105 167	AR			HOSE, Rubber 3/16" (serv. in 50 ft. roll)
9	4268 687	2			CONNECTOR .15M - 3/16
10	4306 053	1			CONNECTOR
11	4241 846	1			HOSE, Formed
12	4201 264	1			TUBE, Expanded End
13	4324 116	1			TUBE, Formed Vapor
14	4203 211	AR			HOSE, Rubber 1/4" (serv. in 50 ft. roll)
15	4306 923	2			VALVE, Check
16	#4306 994	1			TEE 1/4 x 1/4 x 1/4
17	4210 989	1			TUBE, Expanded End
18	4179 643	1			CONNECTOR 1/4 x 5/16
19	4275 607	1			CONNECTOR 3/16 x 3/16
20	4179 193	1			CONNECTOR

MODEL CODES

E BODY = (J - CARAVELLE)(E - 600)(T - NEW YORKER)

G BODY = (V24 - DAYTONA)

H BODY = (D44 - LANCER)(C44 - LEBARON GTS)

J BODY = (C - LEBARON)

K BODY = (P - RELIANT)(D - ARIES)(C - LEBAROND)/TOWN & COUNTRY)

L BODY = (M - HORIZON/TURISMO)(Z - OMNI/CHARGER)

M BODY = (B - GRAN FURY)(F - FIFTH AVE/NEWPORT)(G - DIPLOMAT)

P BODY = (P - SUNDANCE)(D - SHADOW)

S BODY = (H - VOYAGER)(K - RAM VAN/CARAVAN)

BODY STYLES

12-13 = FWD VAN

21 = 2-DOOR SEDAN

24 = 2-DOOR HATCHBACK

27 = 2-DOOR CONVERTIBLE

41 = 4-DOOR SEDAN

44 = 4-DOOR HATCHBACK

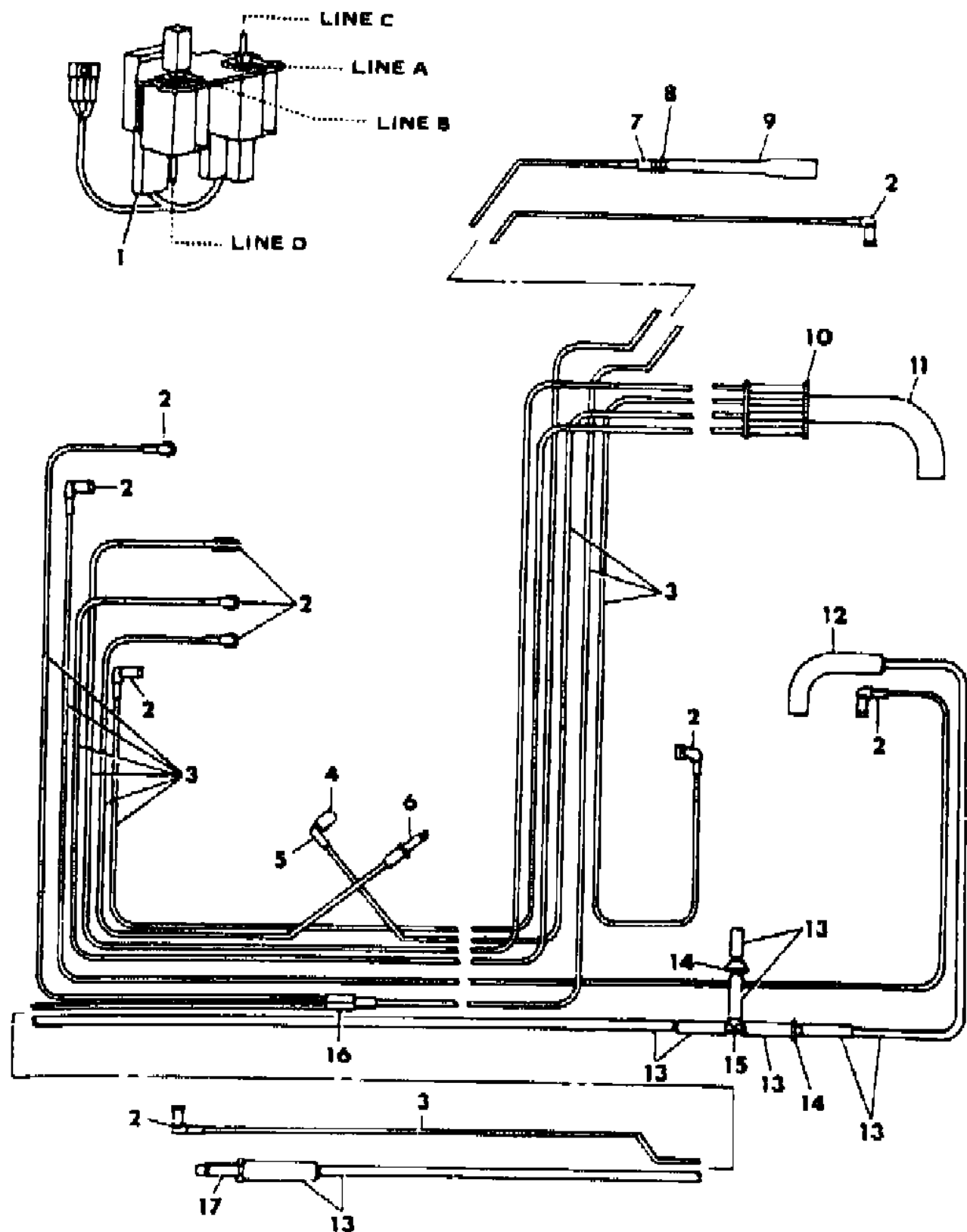
45 = 4-DOOR STATION WAGON

52-53 = FWD WAGON

AR = Use as Required - = Non Illustrated Part P.A.R. = Paint as Required

EGR HOSE HARNESS 2.2L ENGINE - TURBO L BODY - SHELBY
Figure 25-2215

7125 2215



ITEM	PART NUMBER	QTY	BODY	MODEL	DESCRIPTION
					HARNESS, Hose (tagged 4324412 - not serviced)
					TUBING, Convoluted (serv. in 10 ft. roll)
	4364 393	AR			1/4"
	4364 375	AR			3/8"
	4364 374	AR			1/2"
	4364 392	AR			5/8"
1	5227 333	1			SOLENOID, Dual Vacuum
2	4213 774	10			ELBOW .15F - 3/16
3	3780 508	AR			HOSE, Rubber 1/8" (serv. in 50 ft. roll)
4	3580 171	1			CAP
5	4213 797	1			ELBOW .15M - 3/16
6	4268 687	1			CONNECTOR .15M - 3/16
7	4179 391	1			CONNECTOR .15F - 3/16
8	4275 607	1			CONNECTOR 3/16 x 3/16
9	4201 264	1			TUBE, Expanded End
10	4306 053	1			CONNECTOR
11	4241 846	1			HOSE, Formed
12	#4307 877	1			TUBE, Formed Vapor
13	#4443 175	AR			HOSE, Rubber 1/4" (serv. in 50 ft. roll)
14	#4306 923	2			VALVE, Check
15	#4306 994	1			TEE 1/4 x 1/4 x 1/4
16	4179 193	1			CONNECTOR
17	4179 643	1			CONNECTOR 1/4 x 5/16

MODEL CODES

E BODY = (J - CARAVELLE)(E - 600)(T - NEW YORKER)

G BODY = (V24 - DAYTONA)

H BODY = (D44 - LANCER)(C44 - LEBARON GTS)

J BODY = (C - LEBARON)

K BODY = (P - RELIANT)(D - ARIES)(C - LEBAROND)/TOWN & COUNTRY)

L BODY = (M - HORIZON/TURISMO)(Z - OMNI/CHARGER)

M BODY = (B - GRAN FURY)(F - FIFTH AVE/NEWPORT)(G - DIPLOMAT)

P BODY = (P - SUNDANCE)(D - SHADOW)

S BODY = (H - VOYAGER)(K - RAM VAN/CARAVAN)

BODY STYLES

12-13 = FWD VAN

21 = 2-DOOR SEDAN

24 = 2-DOOR HATCHBACK

27 = 2-DOOR CONVERTIBLE

41 = 4-DOOR SEDAN

44 = 4-DOOR HATCHBACK

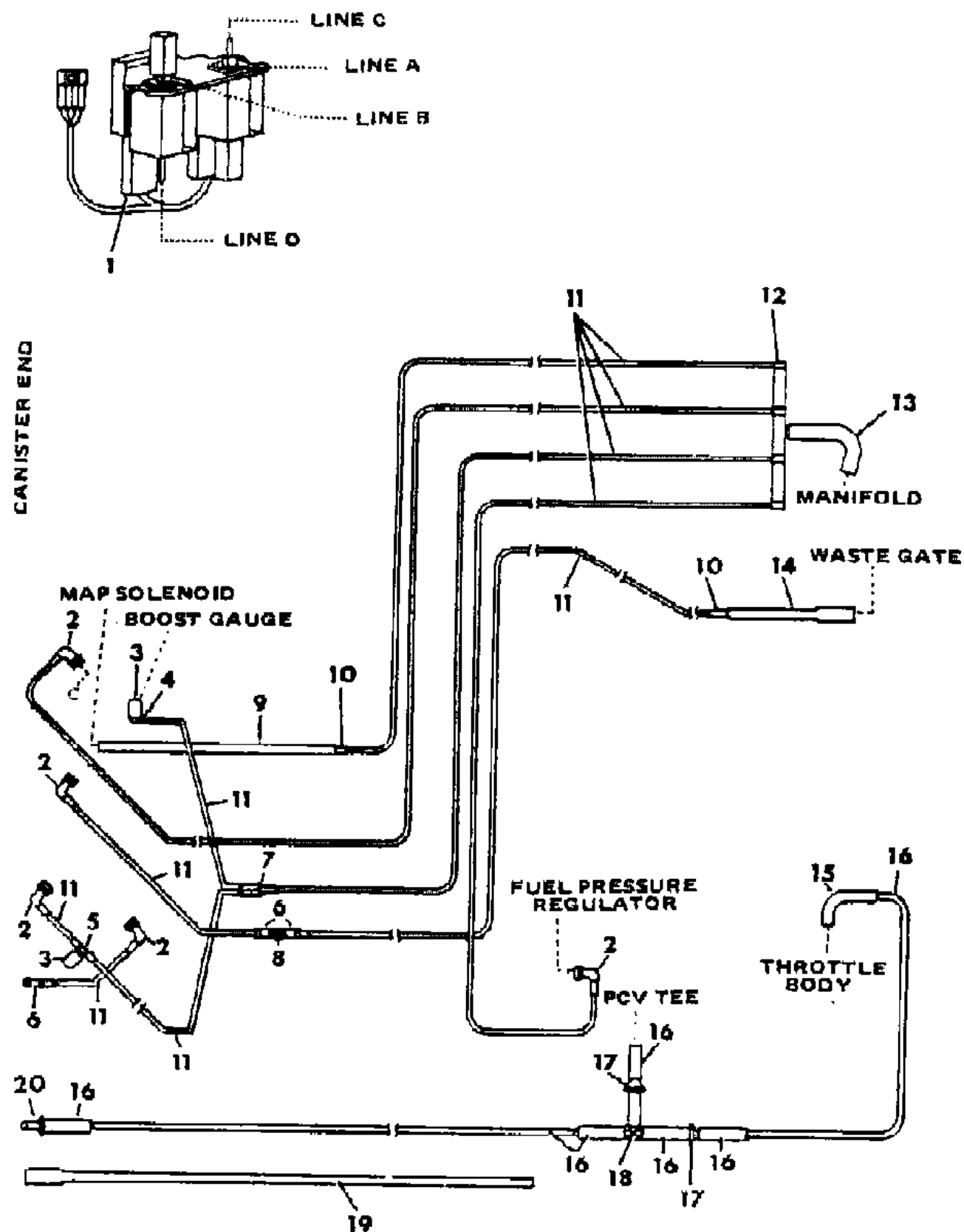
45 = 4-DOOR STATION WAGON

52-53 = FWD WAGON

AR = Use as Required - = Non Illustrated Part P.A.R. = Paint as Required

EGR HOSE HARNESS 2.2L ENGINE - TURBO H BODY - SHELBY
Figure 25-2220

7125 2220



ITEM	PART NUMBER	QTY	BODY	MODEL	DESCRIPTION
					HARNES, Hose (tagged 4405617 - not serviced)
					TUBING, Convoluted (serv. in 10 ft. roll)
	4364 393	AR			1/4"
	4364 375	AR			3/8"
	4364 374	AR			1/2"
	4364 392	AR			5/8"
1	5227 333	1			SOLENOID, Dual Vacuum
2	4213 774	5			ELBOW .15F - 3/16
3	3580 171	2			CAP
4	4213 797	1			ELBOW .15M - 3/16
5	4300 958	1			TEE 3/16 x 3/16
6	4179 391	3			CONNECTOR .15F - 3/16
7	4179 193	1			CONNECTOR
8	4275 607	1			CONNECTOR 3/16 x 3/16
9	4026 511	AR			HOSE, Rubber 3/16" (serv. in 50 ft. roll)
10	4268 687	2			CONNECTOR .15M - 3/16
11	3780 508	AR			HOSE, Rubber 1/8" (serv. in 50 ft. roll)
12	4306 053	1			CONNECTOR
13	4241 846	1			HOSE, Formed
14	4201 264	1			TUBE, Expanded End
15	#4307 877	1			TUBE, Formed Vapor
16	#4443 175	AR			HOSE, Rubber 1/4" (serv. in 50 ft. roll)
17	#4306 923	2			VALVE, Check
18	#4306 994	1			TEE 1/4 x 1/4 x 1/4
19	4210 989	1			TUBE, Expanded End
20	4179 643	1			CONNECTOR 1/4 x 5/16

MODEL CODES

E BODY = (J - CARAVELLE)(E - 600)(T - NEW YORKER)

G BODY = (V24 - DAYTONA)

H BODY = (D44 - LANCER)(C44 - LEBARON GTS)

J BODY = (C - LEBARON)

K BODY = (P - RELIANT)(D - ARIES)(C - LEBAROND)/TOWN & COUNTRY)

L BODY = (M - HORIZON/TURISMO)(Z - OMNI/CHARGER)

M BODY = (B - GRAN FURY)(F - FIFTH AVE/NEWPORT)(G - DIPLOMAT)

P BODY = (P - SUNDANCE)(D - SHADOW)

S BODY = (H - VOYAGER)(K - RAM VAN/CARAVAN)

BODY STYLES

12-13 = FWD VAN

21 = 2-DOOR SEDAN

24 = 2-DOOR HATCHBACK

27 = 2-DOOR CONVERTIBLE

41 = 4-DOOR SEDAN

44 = 4-DOOR HATCHBACK

45 = 4-DOOR STATION WAGON

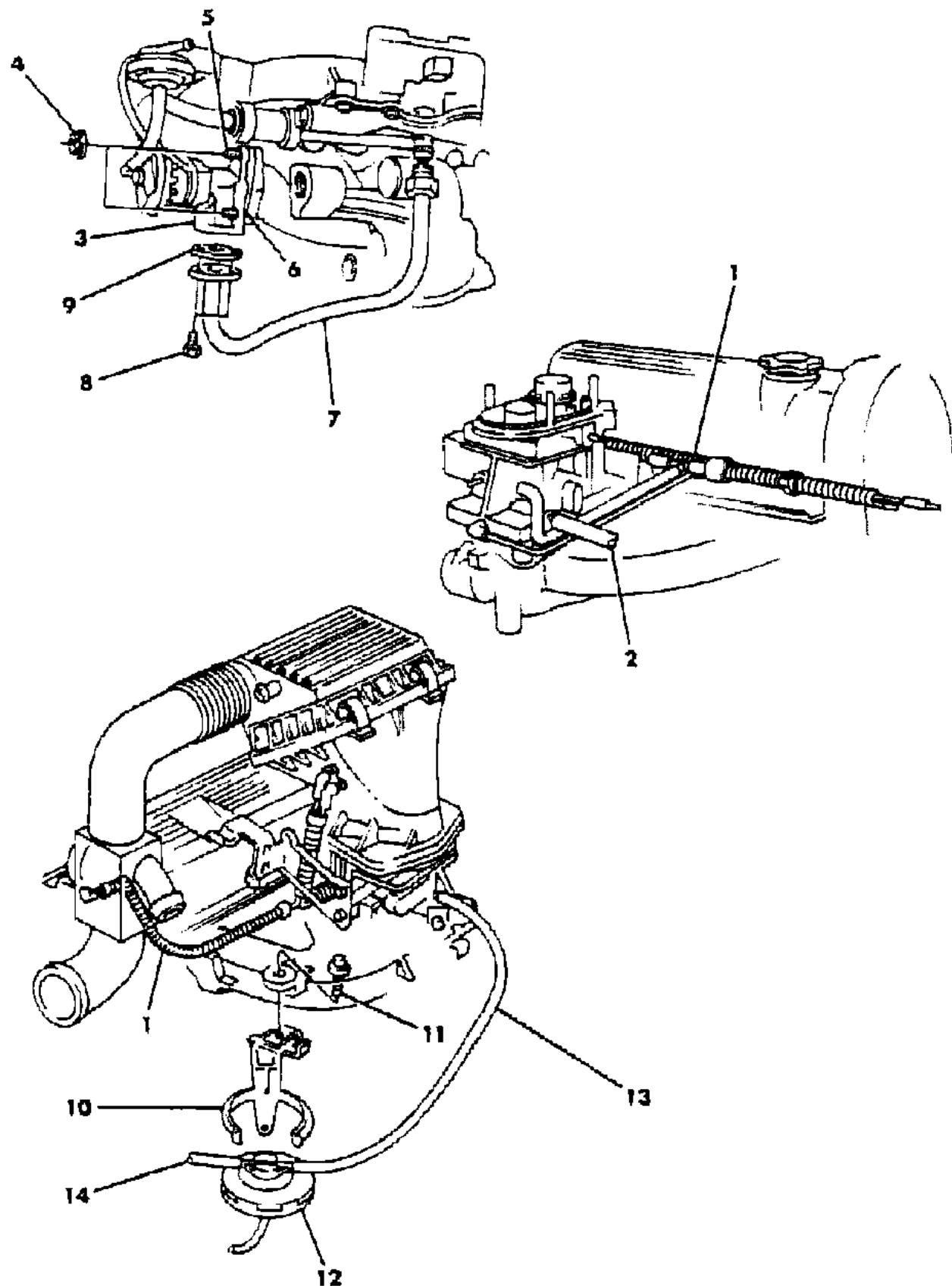
52-53 = FWD WAGON

AR = Use as Required - = Non Illustrated Part P.A.R. = Paint as Required

EGR SYSTEM 2.5L ENGINE S BODY

Figure 25-2225

7125 2225



ITEM	PART NUMBER	QTY	BODY	MODEL	DESCRIPTION
1		1			HARNES, Hose (shown on illus. 2250)
2	4405 021	1			HOSE, Map Sensor
3					VALVE, EGR w/Transducer
	4287 805	1			stamped 4287805
	4287 812	1			stamped 4287812
4	6500 182	2			NUT
5	6500 498	2			STUD, EGR Valve Attach
6	4201 313	1			GASKET, EGR Valve to Flange
7	4201 288	1			TUBE, EGR
8	6500 464	2			SCREW
9	4201 384	1			GASKET, EGR Manifold Crossover Flange
10	4324 109	1			CLIP, Transducer
11	6500 192	1			SCREW and WASHER
12		1			VALVE, Transducer (serv. w/EGR Valve)
13	4306 339	1			TUBE, Throttle Body to Transducer
14	4105 167	AR			HOSE, Rubber 3/16" (serv. in 50 ft. roll)

MODEL CODES

E BODY = (J - CARAVELLE)(E - 600)(T - NEW YORKER)

G BODY = (V24 - DAYTONA)

H BODY = (D44 - LANCER)(C44 - LEBARON GTS)

J BODY = (C - LEBARON)

K BODY = (P - RELIANT)(D - ARIES)(C - LEBAROND)/TOWN & COUNTRY)

L BODY = (M - HORIZON/TURISMO)(Z - OMNI/CHARGER)

M BODY = (B - GRAN FURY)(F - FIFTH AVE/NEWPORT)(G - DIPLOMAT)

P BODY = (P - SUNDANCE)(D - SHADOW)

S BODY = (H - VOYAGER)(K - RAM VAN/CARAVAN)

BODY STYLES

12-13 = FWD VAN

21 = 2-DOOR SEDAN

24 = 2-DOOR HATCHBACK

27 = 2-DOOR CONVERTIBLE

41 = 4-DOOR SEDAN

44 = 4-DOOR HATCHBACK

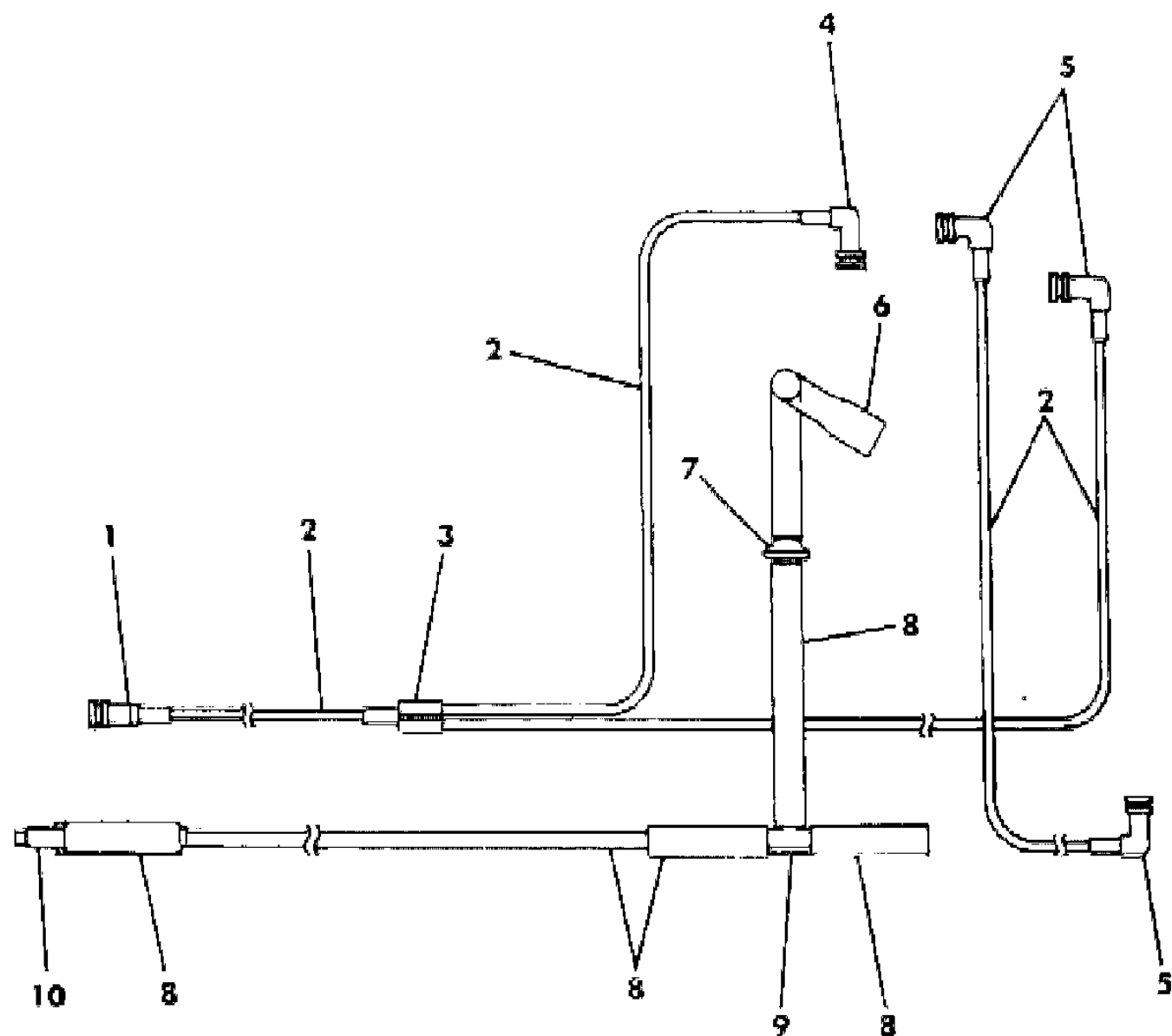
45 = 4-DOOR STATION WAGON

52-53 = FWD WAGON

AR = Use as Required - = Non Illustrated Part P.A.R. = Paint as Required

EGR HOSE HARNESS 2.5L ENGINE S BODY
Figure 25-2250

7125 2250



ITEM	PART NUMBER	QTY	BODY	MODEL	DESCRIPTION
					HARNESS, Hose (tagged 4405612 - not serviced)
					TUBING, Convoluted (serv. in 10 ft. roll)
	4364 393	AR			1/4"
	4364 375	AR			3/8"
	4364 375	AR			1/2"
1	4179 391	1			CONNECTOR .15F - 3/16
2	3780 508	AR			HOSE, Rubber 1/8" (serv. in 50 ft. roll)
3	4179 193	1			CONNECTOR
4	4213 766	1			ELBOW .15F - 1/8
5	4213 774	3			ELBOW .15F - 3/16
6	4306 982	1			TUBE, Formed Vapor
7	4306 923	1			VALVE, Check
8	4203 211	AR			HOSE, Rubber 1/4" (serv. in 50 ft. roll)
9	#4300 271	1			TEE 1/4 x 1/4 x 1/4
10	4201 275	1			CONNECTOR 1/4 x 1/4

MODEL CODES

E BODY = (J - CARAVELLE)(E - 600)(T - NEW YORKER)

G BODY = (V24 - DAYTONA)

H BODY = (D44 - LANCER)(C44 - LEBARON GTS)

J BODY = (C - LEBARON)

K BODY = (P - RELIANT)(D - ARIES)(C - LEBAROND)/TOWN & COUNTRY)

L BODY = (M - HORIZON/TURISMO)(Z - OMNI/CHARGER)

M BODY = (B - GRAN FURY)(F - FIFTH AVE/NEWPORT)(G - DIPLOMAT)

P BODY = (P - SUNDANCE)(D - SHADOW)

S BODY = (H - VOYAGER)(K - RAM VAN/CARAVAN)

BODY STYLES

12-13 = FWD VAN

21 = 2-DOOR SEDAN

24 = 2-DOOR HATCHBACK

27 = 2-DOOR CONVERTIBLE

41 = 4-DOOR SEDAN

44 = 4-DOOR HATCHBACK

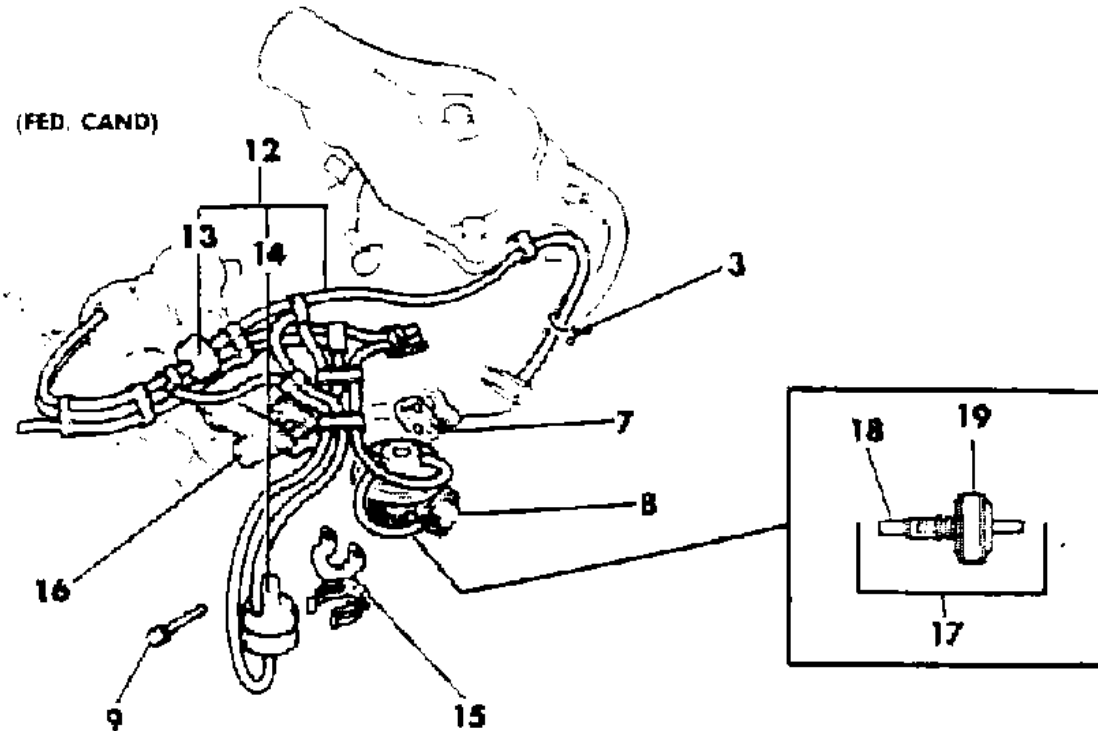
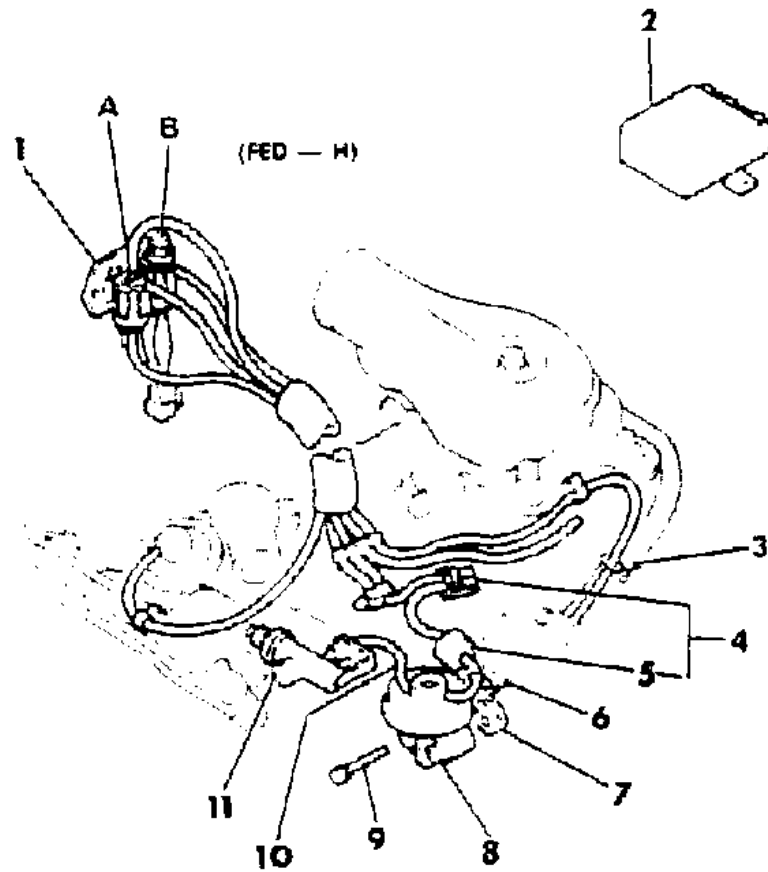
45 = 4-DOOR STATION WAGON

52-53 = FWD WAGON

AR = Use as Required - = Non Illustrated Part P.A.R. = Paint as Required

**EGR SYSTEM 2.6L ENGINE - EXC. CALIF.
Figure 25-2300**

7125 2300



ITEM	PART NUMBER	QTY	BODY	MODEL	DESCRIPTION
1	MD02 5274	1			VALVE ASSEMBLY, Solenoid A - Spark Advance Control Solenoid Valve B - ASV Control Solenoid Valve
2	MD02 5273	1			SENSOR, Engine Speed
3	MS47 0362	1			CLIP, Snap (20)
4	#MD08 8084	1			HOSE ASSEMBLY, Vacuum
5	MD00 1681	1			VALVE, Delay
6	MS47 0359	1			CLIP, Snap (16)
7	MD02 6567	1			GASKET, EGR Valve
8					VALVE, EGR Federal High Alt. Canada
	MD07 5940	1			Federal
	MD00 1542	1			High Alt.
	MD10 0736	1			Canada
9	MF24 1236	2			BOLT and WASHER (6x14)
10	MD08 8102	1			HOSE ASSEMBLY, Vacuum
11	MD02 5263	1			VALVE ASSEMBLY, Thermo
12					HOSE ASSEMBLY, Vacuum exc. Canada Canada
	MD10 0731	1			exc. Canada
	MD10 0732	1			Canada
13	MD04 1839	1			VALVE, Check
14	MD09 7338	1			VALVE, Vacuum Switching
15	#MD10 0733	1			BRACKET ASSEMBLY, VSV
16	#MD09 7330	1			VALVE ASSEMBLY, Thermo
17	4306 126	1			DELAY, Vacuum
18	4306 279	1			CONNECTOR
19					VALVE, Vacuum Delay Federal Canada
	4167 046	1			Federal
	4173 448	1			Canada

MODEL CODES

E BODY = (J - CARAVELLE)(E - 600)(T - NEW YORKER)

G BODY = (V24 - DAYTONA)

H BODY = (D44 - LANCER)(C44 - LEBARON GTS)

J BODY = (C - LEBARON)

K BODY = (P - RELIANT)(D - ARIES)(C - LEBAROND)/TOWN & COUNTRY)

L BODY = (M - HORIZON/TURISMO)(Z - OMNI/CHARGER)

M BODY = (B - GRAN FURY)(F - FIFTH AVE/NEWPORT)(G - DIPLOMAT)

P BODY = (P - SUNDANCE)(D - SHADOW)

S BODY = (H - VOYAGER)(K - RAM VAN/CARAVAN)

BODY STYLES

12-13 = FWD VAN

21 = 2-DOOR SEDAN

24 = 2-DOOR HATCHBACK

27 = 2-DOOR CONVERTIBLE

41 = 4-DOOR SEDAN

44 = 4-DOOR HATCHBACK

45 = 4-DOOR STATION WAGON

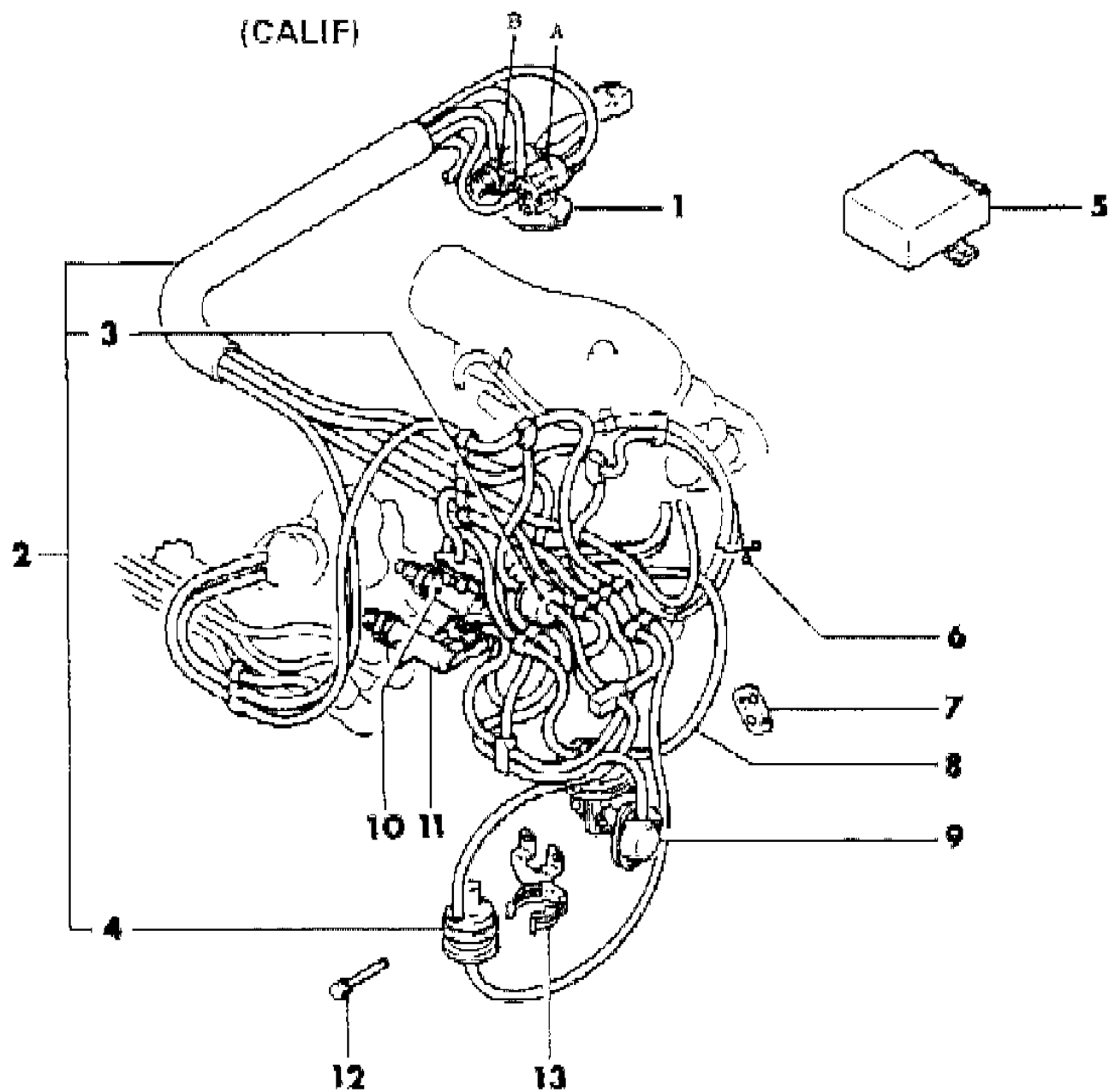
52-53 = FWD WAGON

AR = Use as Required - = Non Illustrated Part P.A.R. = Paint as Required

**EGR SYSTEM 2.6L ENGINE - CALIF.
Figure 25-2400**

7125 2400

ITEM	PART NUMBER	QTY	BODY	MODEL	DESCRIPTION
1	MD02 5274	1			VALVE, Solenoid A - Spark Advance Control Solenoid Valve B - ASV Control Solenoid Valve
2	#MD11 0270	1			HOSE ASSEMBLY, Vacuum
3	MD04 1839	1			VALVE, Check
4	MD09 7338	1			VALVE, Vacuum Switching
5	MD02 5273	1			SENSOR, Engine Speed
6	MS47 0362	1			CLIP, Snap (20)
7	MD02 6567	1			GASKET, EGR Valve
8	MS63 2999	1			HOSE, Vacuum (Green 120)
9	MD06 7665	1			VALVE ASSEMBLY, EGR
10	MD02 5263	1			VALVE ASSEMBLY, Thermo
11	MD06 2375	1			VALVE ASSEMBLY, Thermo
12	MF24 1236	2			BOLT and WASHER (6x45)
13	#MD10 0733	1			BRACKET ASSEMBLY, VSV



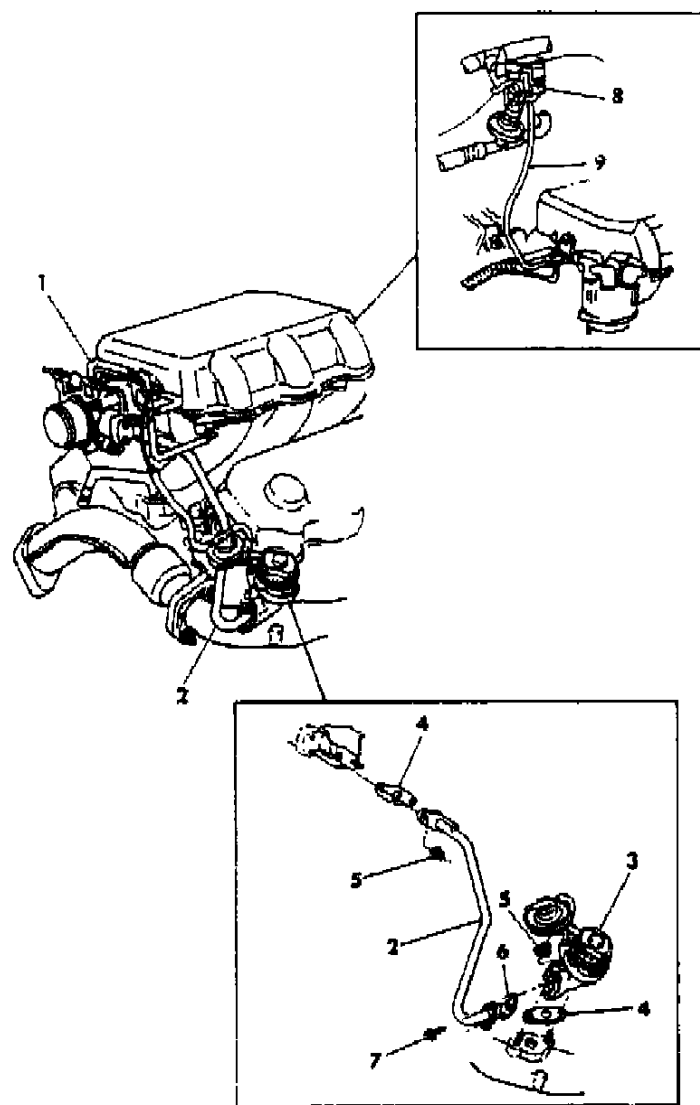
MODEL CODES
 E BODY = (J - CARAVELLE)(E - 600)(T - NEW YORKER)
 G BODY = (V24 - DAYTONA)
 H BODY = (D44 - LANCER)(C44 - LEBARON GTS)
 J BODY = (C - LEBARON)
 K BODY = (P - RELIANT)(D - ARIES)(C - LEBAROND)/TOWN & COUNTRY
 L BODY = (M - HORIZON/TURISMO)(Z - OMNI/CHARGER)
 M BODY = (B - GRAN FURY)(F - FIFTH AVE/NEWPORT)(G - DIPLOMAT)
 P BODY = (P - SUNDANCE)(D - SHADOW)
 S BODY = (H - VOYAGER)(K - RAM VAN/CARAVAN)

BODY STYLES
 12-13 = FWD VAN
 21 = 2-DOOR SEDAN
 24 = 2-DOOR HATCHBACK
 27 = 2-DOOR CONVERTIBLE
 41 = 4-DOOR SEDAN
 44 = 4-DOOR HATCHBACK
 45 = 4-DOOR STATION WAGON
 52-53 = FWD WAGON

AR = Use as Required - = Non Illustrated Part P.A.R. = Paint as Required

EGR SYSTEM 3.0L ENGINE S BODY
Figure 25-2425

7125 2425



ITEM	PART NUMBER	QTY	BODY	MODEL	DESCRIPTION
1		1			HARNES, Hose (shown on illus. 2450)
2	4300 268	1			TUBE, EGR
3	4287 810	1			VALVE, EGR
4	#4300 056	2			GASKET, EGR Valve and Tube
5	6500 182	4			NUT
6	4201 384	1			GASKET, EGR Valve Flange
7	6500 464	2			SCREW
8		1			SENSOR, Map (refer to grp. 8)
9	4287 398	1			HOSE, Map Sensor

MODEL CODES

E BODY = (J - CARAVELLE)(E - 600)(T - NEW YORKER)

G BODY = (V24 - DAYTONA)

H BODY = (D44 - LANCER)(C44 - LEBARON GTS)

J BODY = (C - LEBARON)

K BODY = (P - RELIANT)(D - ARIES)(C - LEBAROND)/TOWN & COUNTRY)

L BODY = (M - HORIZON/TURISMO)(Z - OMNI/CHARGER)

M BODY = (B - GRAN FURY)(F - FIFTH AVE/NEWPORT)(G - DIPLOMAT)

P BODY = (P - SUNDANCE)(D - SHADOW)

S BODY = (H - VOYAGER)(K - RAM VAN/CARAVAN)

BODY STYLES

12-13 = FWD VAN

21 = 2-DOOR SEDAN

24 = 2-DOOR HATCHBACK

27 = 2-DOOR CONVERTIBLE

41 = 4-DOOR SEDAN

44 = 4-DOOR HATCHBACK

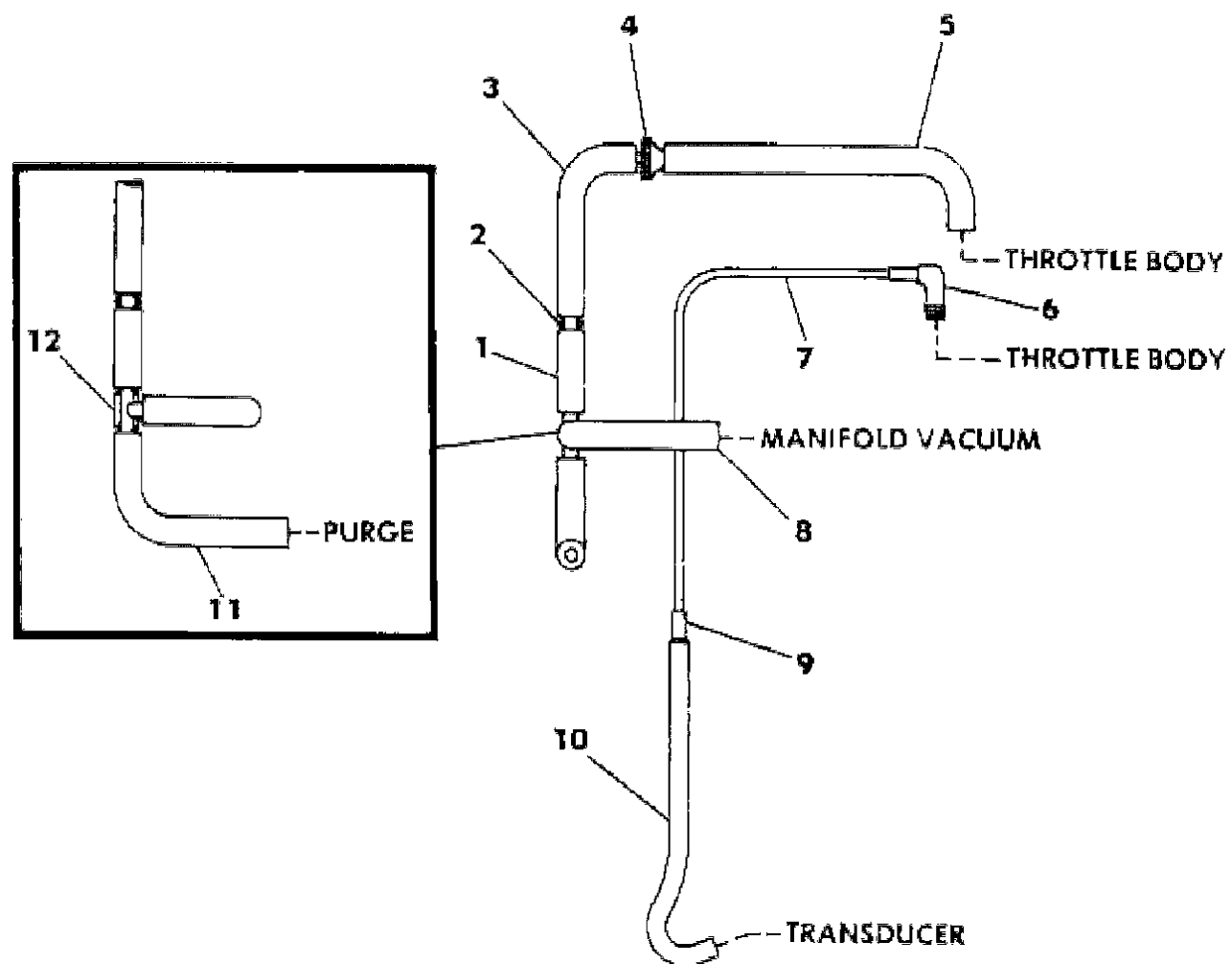
45 = 4-DOOR STATION WAGON

52-53 = FWD WAGON

AR = Use as Required - = Non Illustrated Part P.A.R. = Paint as Required

EGR HOSE HARNESS 3.0L ENGINE S BODY
Figure 25-2450

7125 2450



ITEM	PART NUMBER	QTY	BODY	MODEL	DESCRIPTION
HARNES, Hose (tagged 4405603 - not serviced)					
1	4203 211	AR			HOSE, Rubber 1/4" (serv. in 50 ft. roll)
2	#4307 328	1			CONNECTOR 1/4 x 1/4
3	#4307 877	1			TUBE, Formed Vapor
4	4306 923	1			VALVE, Check
5	#4324 116	1			TUBE, Formed Vapor
6	4213 774	1			ELBOW .15F - 3/16
7	3780 508	AR			HOSE, Rubber 1/8" (serv. in 50 ft. roll)
8	#4324 118	1			TUBE, Formed Vapor
9	4268 687	1			CONNECTOR .15M - 3/16
10	4201 247	1			HOSE, Molded End
11	4324 121	1			HOSE
12	#4300 286	1			TEE

MODEL CODES

E BODY = (J - CARAVELLE)(E - 600)(T - NEW YORKER)

G BODY = (V24 - DAYTONA)

H BODY = (D44 - LANCER)(C44 - LEBARON GTS)

J BODY = (C - LEBARON)

K BODY = (P - RELIANT)(D - ARIES)(C - LEBAROND)/TOWN & COUNTRY)

L BODY = (M - HORIZON/TURISMO)(Z - OMNI/CHARGER)

M BODY = (B - GRAN FURY)(F - FIFTH AVE/NEWPORT)(G - DIPLOMAT)

P BODY = (P - SUNDANCE)(D - SHADOW)

S BODY = (H - VOYAGER)(K - RAM VAN/CARAVAN)

BODY STYLES

12-13 = FWD VAN

21 = 2-DOOR SEDAN

24 = 2-DOOR HATCHBACK

27 = 2-DOOR CONVERTIBLE

41 = 4-DOOR SEDAN

44 = 4-DOOR HATCHBACK

45 = 4-DOOR STATION WAGON

52-53 = FWD WAGON

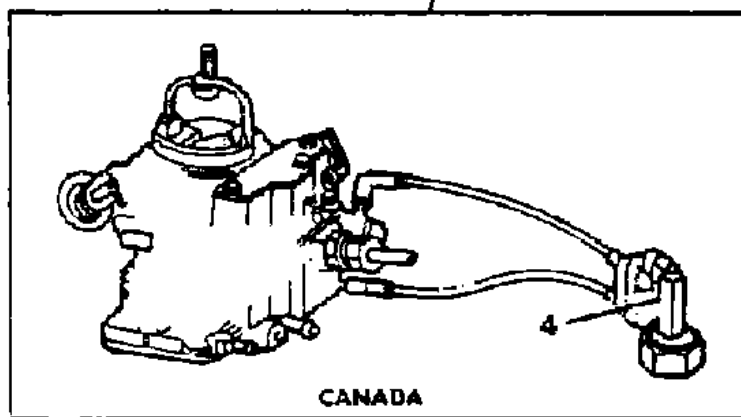
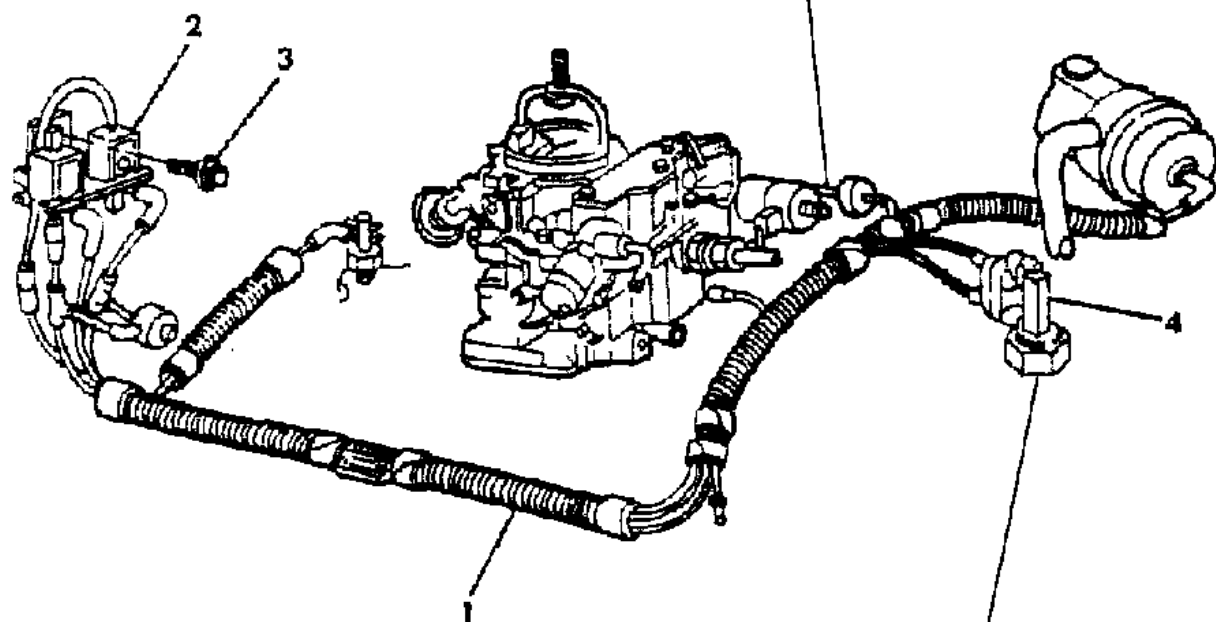
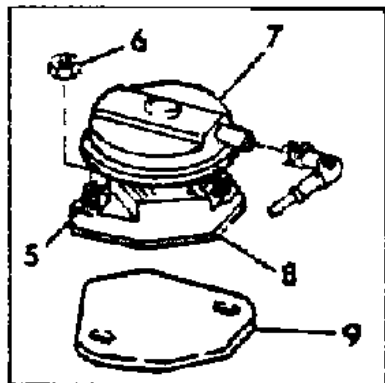
AR = Use as Required - = Non Illustrated Part P.A.R. = Paint as Required

EGR SYSTEM 318 ENGINE 2BBL.

Figure 25-2500

7125 2500 A

ITEM	PART NUMBER	QTY	BODY	MODEL	DESCRIPTION
1		1			HARNES, Hose (shown on illus. 2600, 2700, 2800)
2	4289 087	1			SOLENOID, Dual Vacuum
3	6032 473	1			SCREW and WASHER
4	4049 277	1			SWITCH, CVSCC
5	6031 943	2			STUD, EGR Valve Attach
6	0115 729	2			NUT
7					VALVE, EGR
	4287 659	1			stamped 4287659
	4287 677	1			stamped 4287677
8	4287 938	1			GASKET, EGR Valve
9	3671 448	1			COVER, EGR Valve Flange



MODEL CODES

E BODY = (J - CARAVELLE)(E - 600)(T - NEW YORKER)

G BODY = (V24 - DAYTONA)

H BODY = (D44 - LANCER)(C44 - LEBARON GTS)

J BODY = (C - LEBARON)

K BODY = (P - RELIANT)(D - ARIES)(C - LEBAROND)/TOWN & COUNTRY)

L BODY = (M - HORIZON/TURISMO)(Z - OMNI/CHARGER)

M BODY = (B - GRAN FURY)(F - FIFTH AVE/NEWPORT)(G - DIPLOMAT)

P BODY = (P - SUNDANCE)(D - SHADOW)

S BODY = (H - VOYAGER)(K - RAM VAN/CARAVAN)

BODY STYLES

12-13 = FWD VAN

21 = 2-DOOR SEDAN

24 = 2-DOOR HATCHBACK

27 = 2-DOOR CONVERTIBLE

41 = 4-DOOR SEDAN

44 = 4-DOOR HATCHBACK

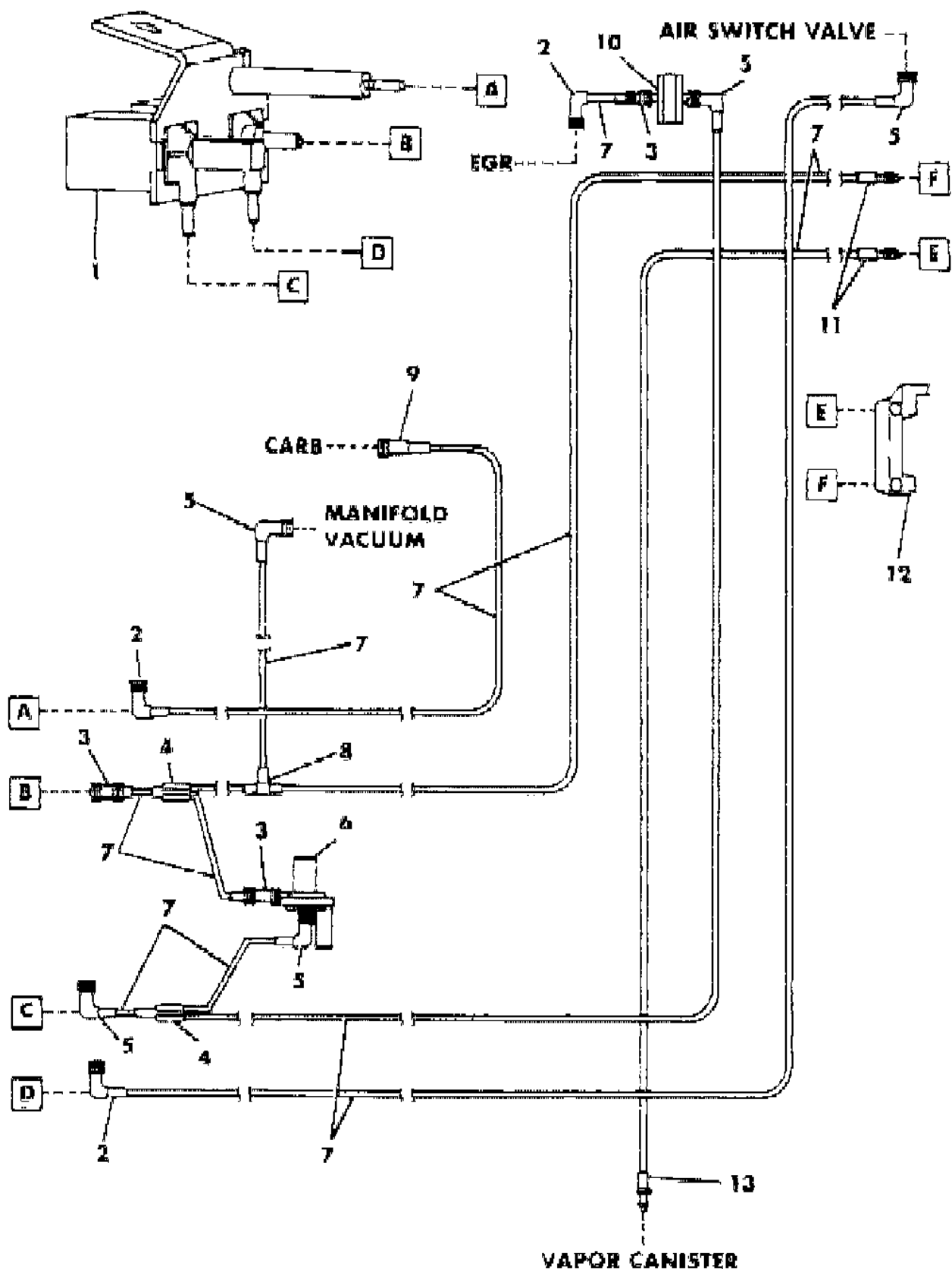
45 = 4-DOOR STATION WAGON

52-53 = FWD WAGON

AR = Use as Required - = Non Illustrated Part P.A.R. = Paint as Required

**EGR HOSE HARNESS 318 ENGINE 2BBL. - FEDERAL AND HIGH ALT.
Figure 25-2600**

7125 2000



ITEM	PART NUMBER	QTY	BODY	MODEL	DESCRIPTION
					HARNESS, Hose (tagged 4307744 - not serviced)
					TUBING, Convoluted (serv. in 10 ft. roll)
	4364 393	AR			1/4"
	4364 375	AR			3/8"
	4364 374	AR			1/2"
1	4289 087	1			SOLENOID, Dual Vacuum
2	4213 766	3			ELBOW .15F - 1/8
3	4179 391	3			CONNECTOR .15F - 3/16
4	4179 193	2			CONNECTOR
5	4213 774	5			ELBOW .15F - 3/16
6	4307 797	1			SWITCH, Vacuum
7	3780 508	AR			HOSE, Rubber 1/8" (serv. in 50 ft. roll)
8	4179 191	1			TEE
9	4179 196	1			CONNECTOR .15F - 1/8
10	4167 046	1			VALVE, Delay
11	4268 681	2			CONNECTOR .15M - 1/8
12	4179 093	1			CONNECTOR, CVSCC Switch
13	4268 687	1			CONNECTOR .15M - 3/16

MODEL CODES
 E BODY = (J - CARAVELLE)(E - 600)(T - NEW YORKER)
 G BODY = (V24 - DAYTONA)
 H BODY = (D44 - LANCER)(C44 - LEBARON GTS)
 J BODY = (C - LEBARON)
 K BODY = (P - RELIANT)(D - ARIES)(C - LEBAROND)/TOWN & COUNTRY
 L BODY = (M - HORIZON/TURISMO)(Z - OMNI/CHARGER)
 M BODY = (B - GRAN FURY)(F - FIFTH AVE/NEWPORT)(G - DIPLOMAT)
 P BODY = (P - SUNDANCE)(D - SHADOW)
 S BODY = (H - VOYAGER)(K - RAM VAN/CARAVAN)

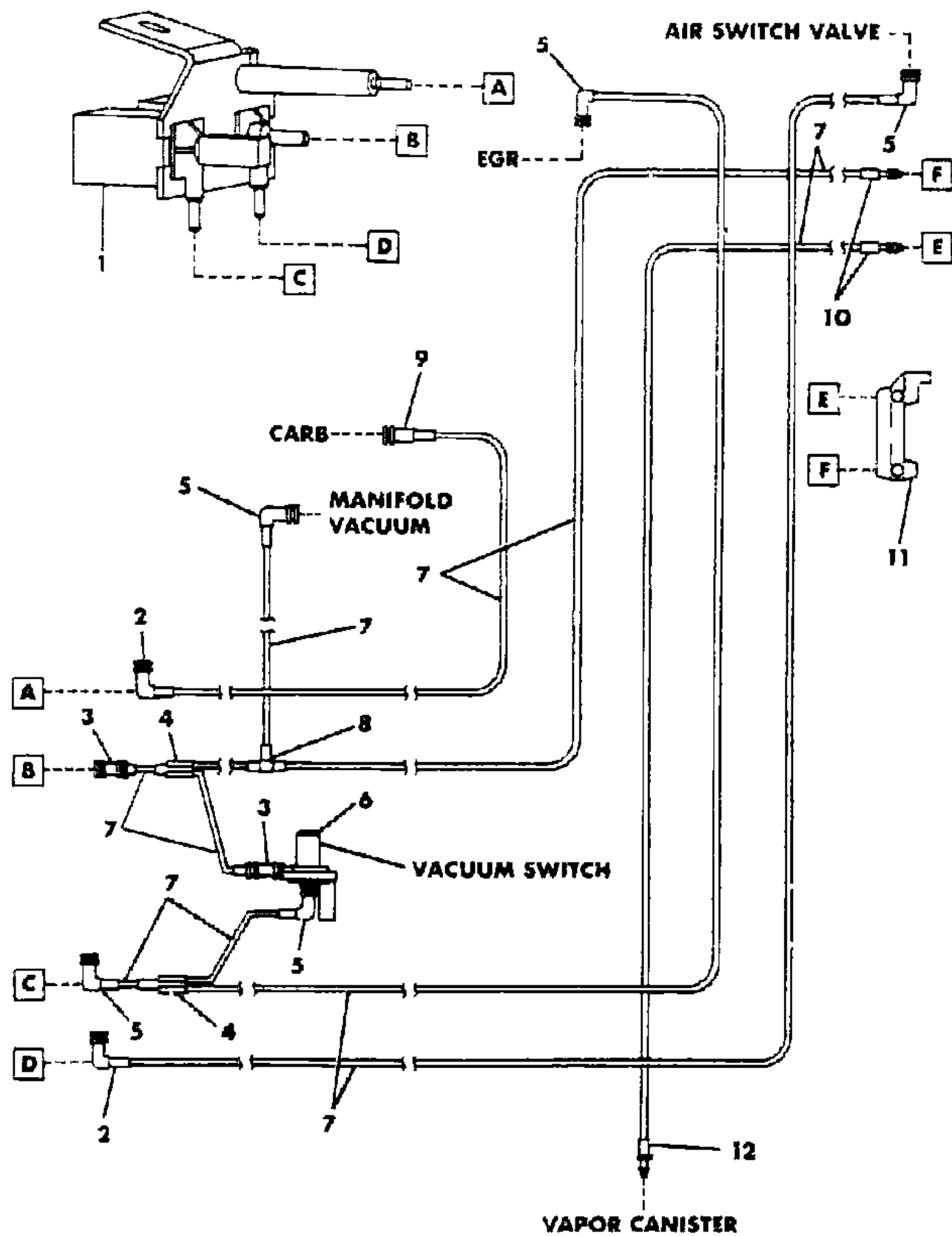
BODY STYLES
 12-13 = FWD VAN
 21 = 2-DOOR SEDAN
 24 = 2-DOOR HATCHBACK
 27 = 2-DOOR CONVERTIBLE
 41 = 4-DOOR SEDAN
 44 = 4-DOOR HATCHBACK
 45 = 4-DOOR STATION WAGON
 52-53 = FWD WAGON

AR = Use as Required - = Non Illustrated Part P.A.R. = Paint as Required

EGR HOSE HARNESS 318 ENGINE 2BBL. - CALIF.

Figure 25-2700

7125 2700



ITEM	PART NUMBER	QTY	BODY	MODEL	DESCRIPTION
					HARNES, Hose (tagged 4307745 - not serviced)
					TUBING, Convoluted (serv. in 10 ft. roll)
	4364 393	AR			1/4"
	4364 375	AR			3/8"
	4364 374	AR			1/2"
1	4289 087	1			SOLENOID, Dual Vacuum
2	4213 766	3			ELBOW .15F - 1/8
3	4179 391	2			CONNECTOR .15F - 3/16
4	4179 193	2			CONNECTOR
5	4213 774	4			ELBOW .15F - 3/16
6	4307 797	1			SWITCH, Vacuum
7	3780 508	AR			HOSE, Rubber 1/8" (serv. in 50 ft. roll)
8	4179 191	1			TEE
9	4179 196	1			CONNECTOR .15F - 1/8
10	4268 681	2			CONNECTOR .15M - 1/8
11	4179 093	1			CONNECTOR, CVSCC Switch
12	4268 687	1			CONNECTOR .15M - 3/16

MODEL CODES

E BODY = (J - CARAVELLE)(E - 600)(T - NEW YORKER)

G BODY = (V24 - DAYTONA)

H BODY = (D44 - LANCER)(C44 - LEBARON GTS)

J BODY = (C - LEBARON)

K BODY = (P - RELIANT)(D - ARIES)(C - LEBAROND)/TOWN & COUNTRY)

L BODY = (M - HORIZON/TURISMO)(Z - OMNI/CHARGER)

M BODY = (B - GRAN FURY)(F - FIFTH AVE/NEWPORT)(G - DIPLOMAT)

P BODY = (P - SUNDANCE)(D - SHADOW)

S BODY = (H - VOYAGER)(K - RAM VAN/CARAVAN)

BODY STYLES

12-13 = FWD VAN

21 = 2-DOOR SEDAN

24 = 2-DOOR HATCHBACK

27 = 2-DOOR CONVERTIBLE

41 = 4-DOOR SEDAN

44 = 4-DOOR HATCHBACK

45 = 4-DOOR STATION WAGON

52-53 = FWD WAGON

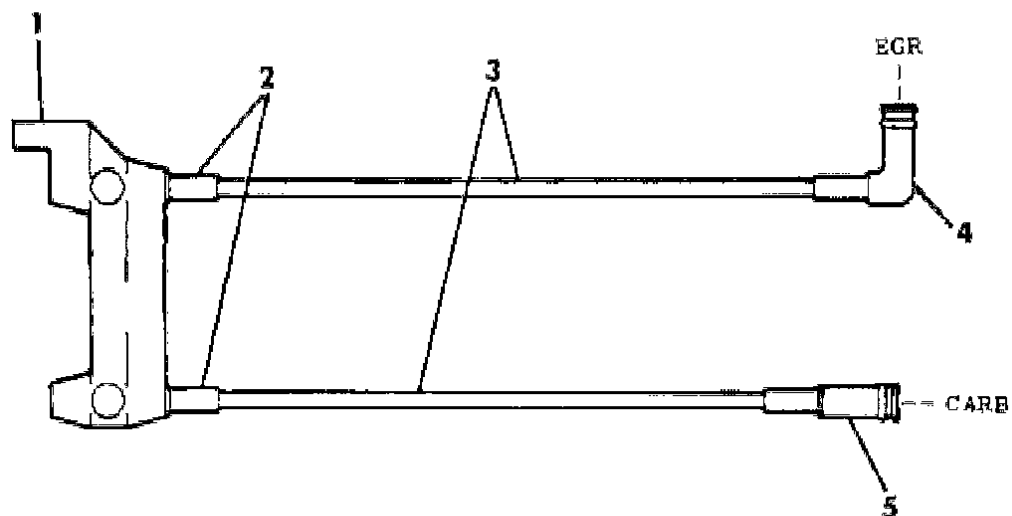
AR = Use as Required - = Non Illustrated Part P.A.R. = Paint as Required

EGR HOSE HARNESS 318 ENGINE 2BBL. - CANADA

Figure 25-2800

7125 2800

ITEM	PART NUMBER	QTY	BODY	MODEL	DESCRIPTION
HARNES, Hose (tagged 4288148 - not serviced)					
1	4179 093	1			CONNECTOR, CVSCC Switch
2	4268 681	2			CONNECTOR .15M - 1/8
3	3780 508	AR			HOSE, Rubber 1/8" (serv. in 50 ft. roll)
4	4213 766	1			ELBOW .15F - 1/8
5	4179 196	1			CONNECTOR .15F - 1/8



MODEL CODES

E BODY = (J - CARAVELLE)(E - 600)(T - NEW YORKER)

G BODY = (V24 - DAYTONA)

H BODY = (D44 - LANCER)(C44 - LEBARON GTS)

J BODY = (C - LEBARON)

K BODY = (P - RELIANT)(D - ARIES)(C - LEBAROND)/TOWN & COUNTRY)

L BODY = (M - HORIZON/TURISMO)(Z - OMNI/CHARGER)

M BODY = (B - GRAN FURY)(F - FIFTH AVE/NEWPORT)(G - DIPLOMAT)

P BODY = (P - SUNDANCE)(D - SHADOW)

S BODY = (H - VOYAGER)(K - RAM VAN/CARAVAN)

BODY STYLES

12-13 = FWD VAN

21 = 2-DOOR SEDAN

24 = 2-DOOR HATCHBACK

27 = 2-DOOR CONVERTIBLE

41 = 4-DOOR SEDAN

44 = 4-DOOR HATCHBACK

45 = 4-DOOR STATION WAGON

52-53 = FWD WAGON

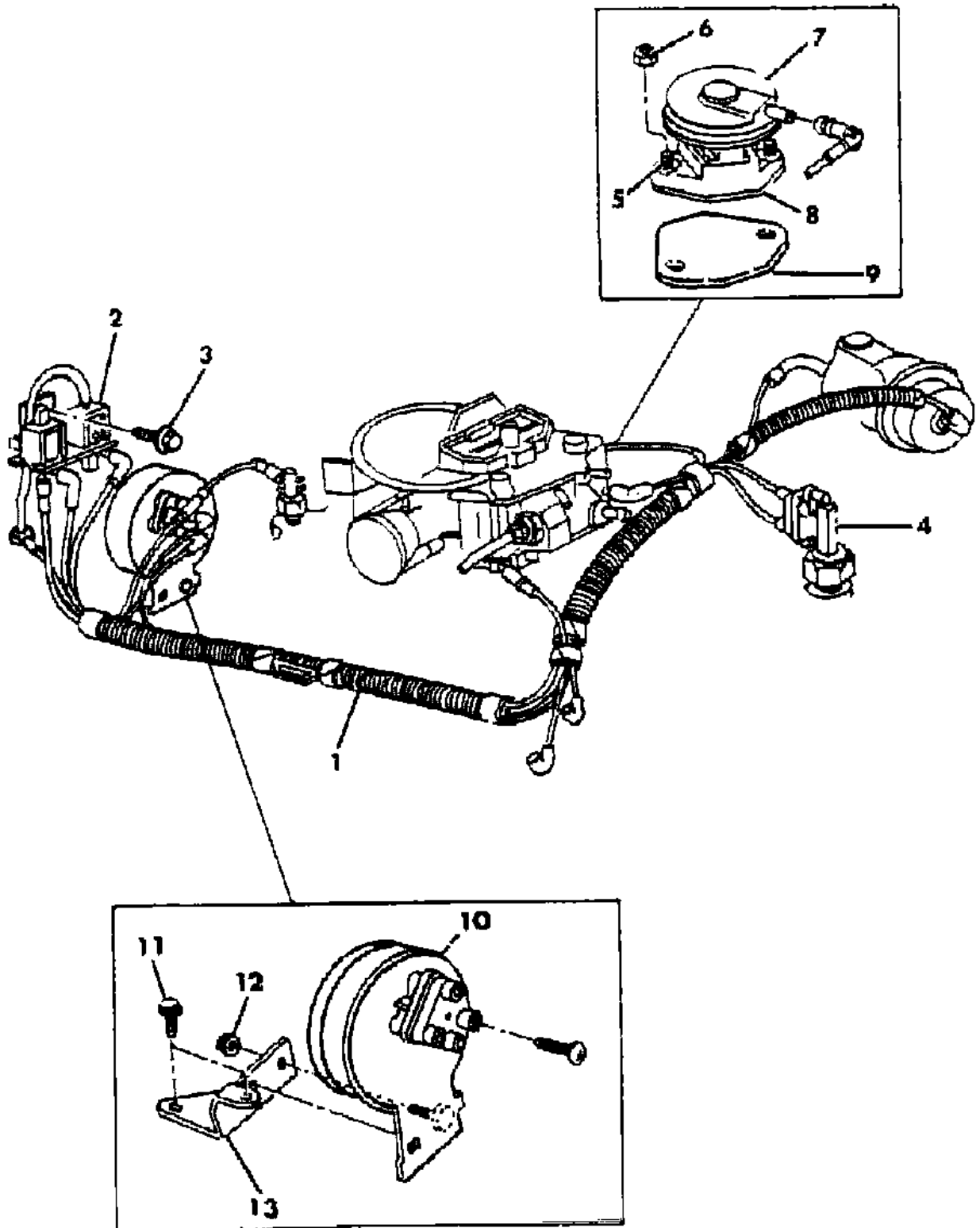
AR = Use as Required - = Non Illustrated Part P.A.R. = Paint as Required

EGR SYSTEM 318 ENGINE 4BBL.

Figure 25-2900

7125 2800 A

ITEM	PART NUMBER	QTY	BODY	MODEL	DESCRIPTION
1		1			HARNES, Hose (shown on illus. 3000)
2	4289 087	1			SOLENOID, Dual Vacuum
3	6032 473	1			SCREW and WASHER
4	3879 736	1			SWITCH, CVSCC
5	6031 943	2			STUD, EGR Valve Attach
6	0115 729	2			NUT
7	4287 678	1			VALVE, EGR
8	4287 938	1			GASKET, EGR Valve
9	3671 448	1			COVER, EGR Valve Flange
10	4041 737	1			AMPLIFIER, Vacuum
11	6026 726	2			SCREW and WASHER
12	6025 004	1			NUT
13	4241 191	1			BRACKET, Amplifier Mounting



MODEL CODES

E BODY = (J - CARAVELLE)(E - 600)(T - NEW YORKER)

G BODY = (V24 - DAYTONA)

H BODY = (D44 - LANCER)(C44 - LEBARON GTS)

J BODY = (C - LEBARON)

K BODY = (P - RELIANT)(D - ARIES)(C - LEBAROND)/TOWN & COUNTRY)

L BODY = (M - HORIZON/TURISMO)(Z - OMNI/CHARGER)

M BODY = (B - GRAN FURY)(F - FIFTH AVE/NEWPORT)(G - DIPLOMAT)

P BODY = (P - SUNDANCE)(D - SHADOW)

S BODY = (H - VOYAGER)(K - RAM VAN/CARAVAN)

BODY STYLES

12-13 = FWD VAN

21 = 2-DOOR SEDAN

24 = 2-DOOR HATCHBACK

27 = 2-DOOR CONVERTIBLE

41 = 4-DOOR SEDAN

44 = 4-DOOR HATCHBACK

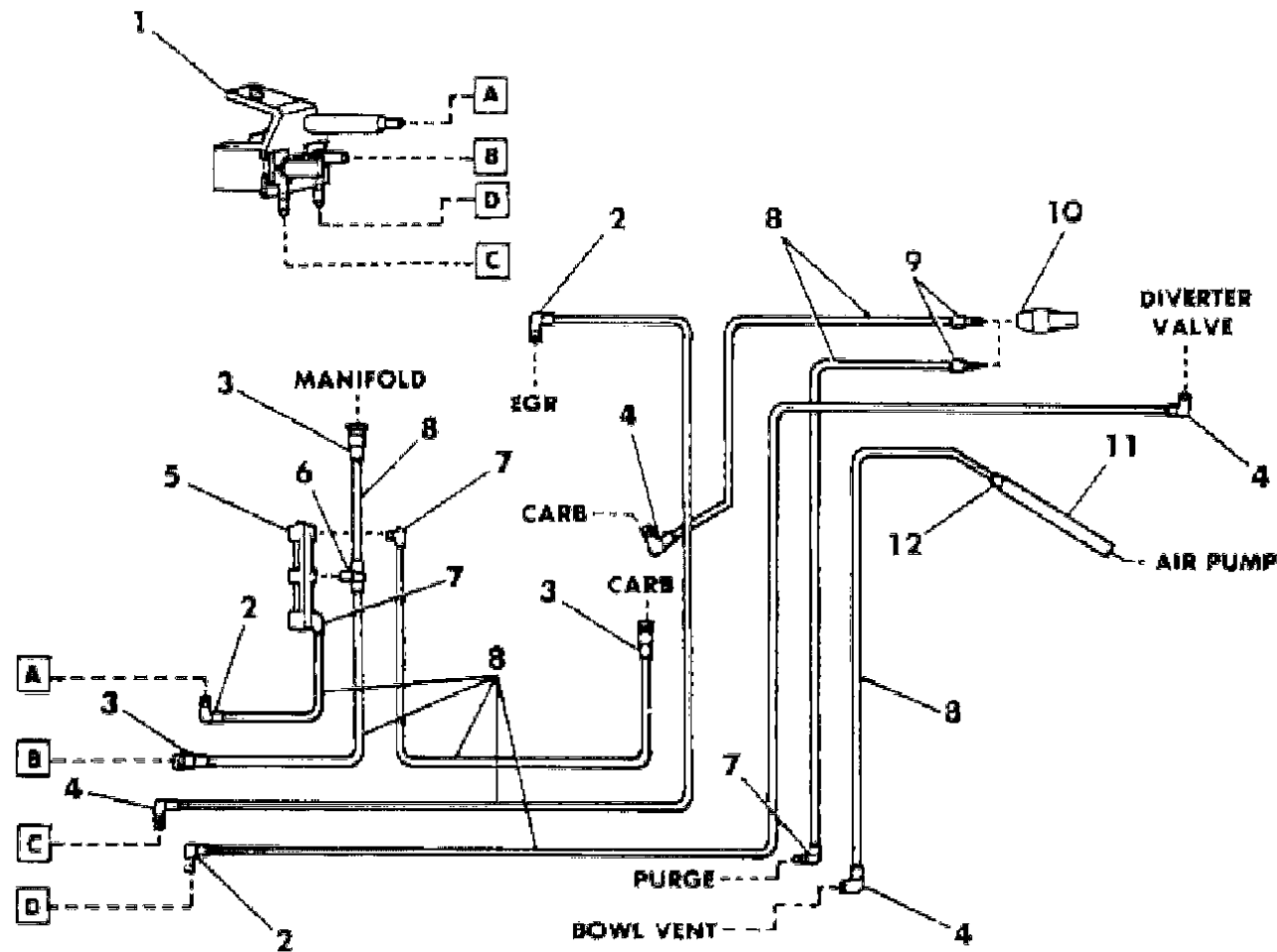
45 = 4-DOOR STATION WAGON

52-53 = FWD WAGON

AR = Use as Required - = Non Illustrated Part P.A.R. = Paint as Required

EGR HOSE HARNESS 318 ENGINE 4BBL.
Figure 25-3000

7125 3000 A



ITEM	PART NUMBER	QTY	BODY	MODEL	DESCRIPTION
					HARNESS, Hose (tagged 4307767 - not serviced)
					TUBING, Convoluted (serv. in 10 ft. roll)
	4364 375	AR			3/8"
	4364 374	AR			1/2"
1	4289 087	1			SOLENOID, Dual Vacuum
2	4213 766	3			ELBOW .15F - 1/8
3	4179 391	3			CONNECTOR .15F - 3/16
4	4213 774	4			ELBOW .15F - 3/16
5	4275 580	1			CONNECTOR, Vacuum
6	4300 958	1			TEE 3/16 x3/16
7	4213 797	3			ELBOW .15M - 3/16
8	3780 508	AR			HOSE, Rubber 1/8" (serv. in 50 ft. roll)
9	4268 681	2			CONNECTOR .15M - 1/8
10	4179 093	1			CONNECTOR, CVSCC Switch
11	4105 167	AR			HOSE, Rubber 3/16" (serv. in 50 ft. roll)
12	4268 687	1			CONNECTOR .15M - 3/16

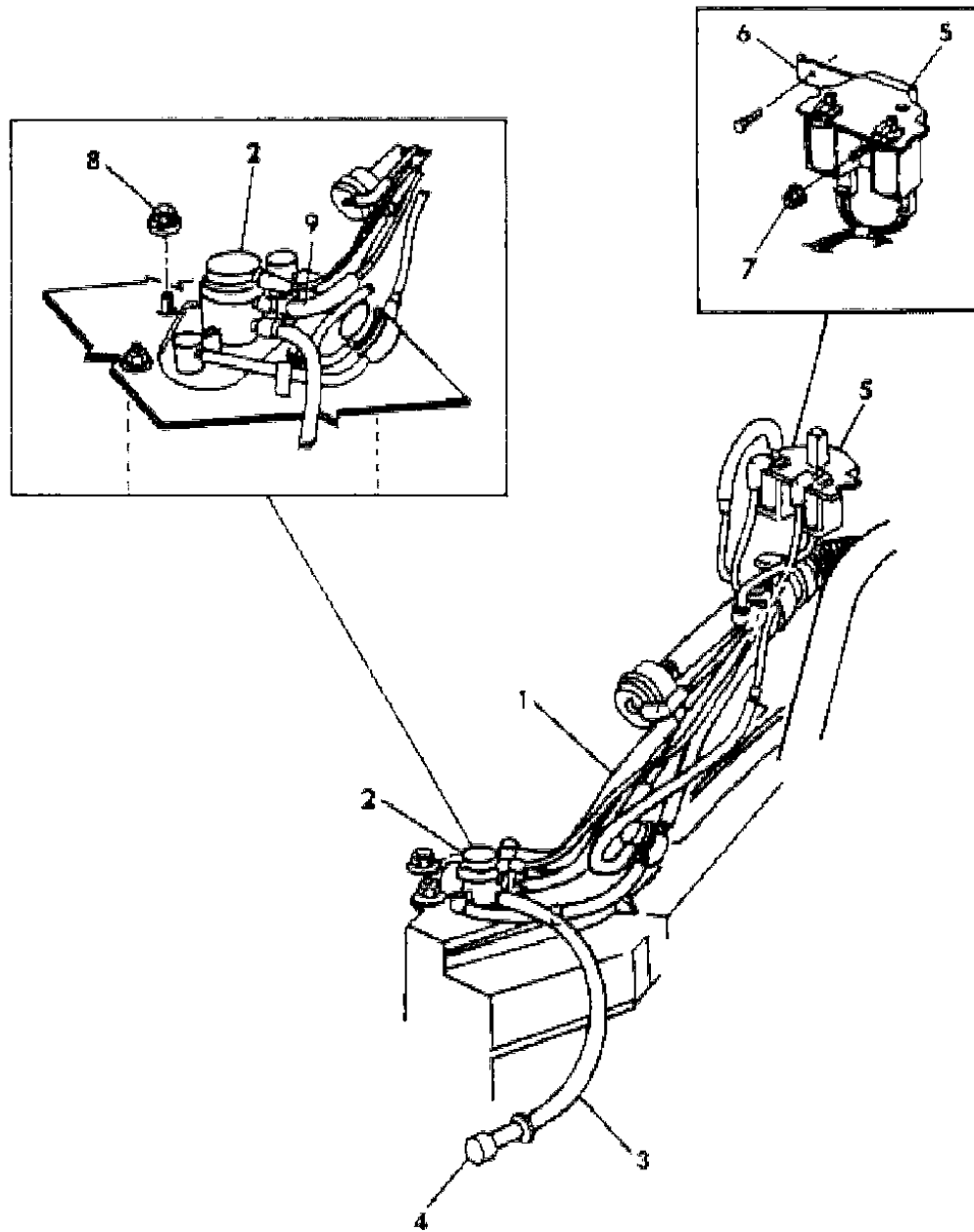
MODEL CODES
 E BODY = (J - CARAVELLE)(E - 600)(T - NEW YORKER)
 G BODY = (V24 - DAYTONA)
 H BODY = (D44 - LANCER)(C44 - LEBARON GTS)
 J BODY = (C - LEBARON)
 K BODY = (P - RELIANT)(D - ARIES)(C - LEBAROND)/TOWN & COUNTRY
 L BODY = (M - HORIZON/TURISMO)(Z - OMNI/CHARGER)
 M BODY = (B - GRAN FURY)(F - FIFTH AVE/NEWPORT)(G - DIPLOMAT)
 P BODY = (P - SUNDANCE)(D - SHADOW)
 S BODY = (H - VOYAGER)(K - RAM VAN/CARAVAN)

BODY STYLES
 12-13 = FWD VAN
 21 = 2-DOOR SEDAN
 24 = 2-DOOR HATCHBACK
 27 = 2-DOOR CONVERTIBLE
 41 = 4-DOOR SEDAN
 44 = 4-DOOR HATCHBACK
 45 = 4-DOOR STATION WAGON
 52-53 = FWD WAGON

AR = Use as Required - = Non Illustrated Part P.A.R. = Paint as Required

VAPOR CANISTER 2.2L ENGINE - EXC. TURBO L BODY
Figure 25-3100

7125 3100



ITEM	PART NUMBER	QTY	BODY	MODEL	DESCRIPTION
1		1			HARNES, Hose (shown on illus. 3200)
2	4241 838	1			CANISTER, Vapor - stamped 4227009 or 4227030
3	4300 989	1			TUBE, Vapor Canister Stand Pipe - use w/4227030 Canister
4	4041 910	1			CAP, Vapor Canister Stand Pipe - use w/4227030 Canister
5	5226 347	1			SOLENOID, Dual Vacuum
6	5226 337	1			BRACKET, Vacuum Solenoid Valve
7	6100 047	1			NUT
8	0219 462	3			NUT and WASHER
9	4203 316	AR			HOSE, Rubber 5/16" (serv. in 50 ft. roll)

MODEL CODES

E BODY = (J - CARAVELLE)(E - 600)(T - NEW YORKER)

G BODY = (V24 - DAYTONA)

H BODY = (D44 - LANCER)(C44 - LEBARON GTS)

J BODY = (C - LEBARON)

K BODY = (P - RELIANT)(D - ARIES)(C - LEBAROND)/TOWN & COUNTRY)

L BODY = (M - HORIZON/TURISMO)(Z - OMNI/CHARGER)

M BODY = (B - GRAN FURY)(F - FIFTH AVE/NEWPORT)(G - DIPLOMAT)

P BODY = (P - SUNDANCE)(D - SHADOW)

S BODY = (H - VOYAGER)(K - RAM VAN/CARAVAN)

BODY STYLES

12-13 = FWD VAN

21 = 2-DOOR SEDAN

24 = 2-DOOR HATCHBACK

27 = 2-DOOR CONVERTIBLE

41 = 4-DOOR SEDAN

44 = 4-DOOR HATCHBACK

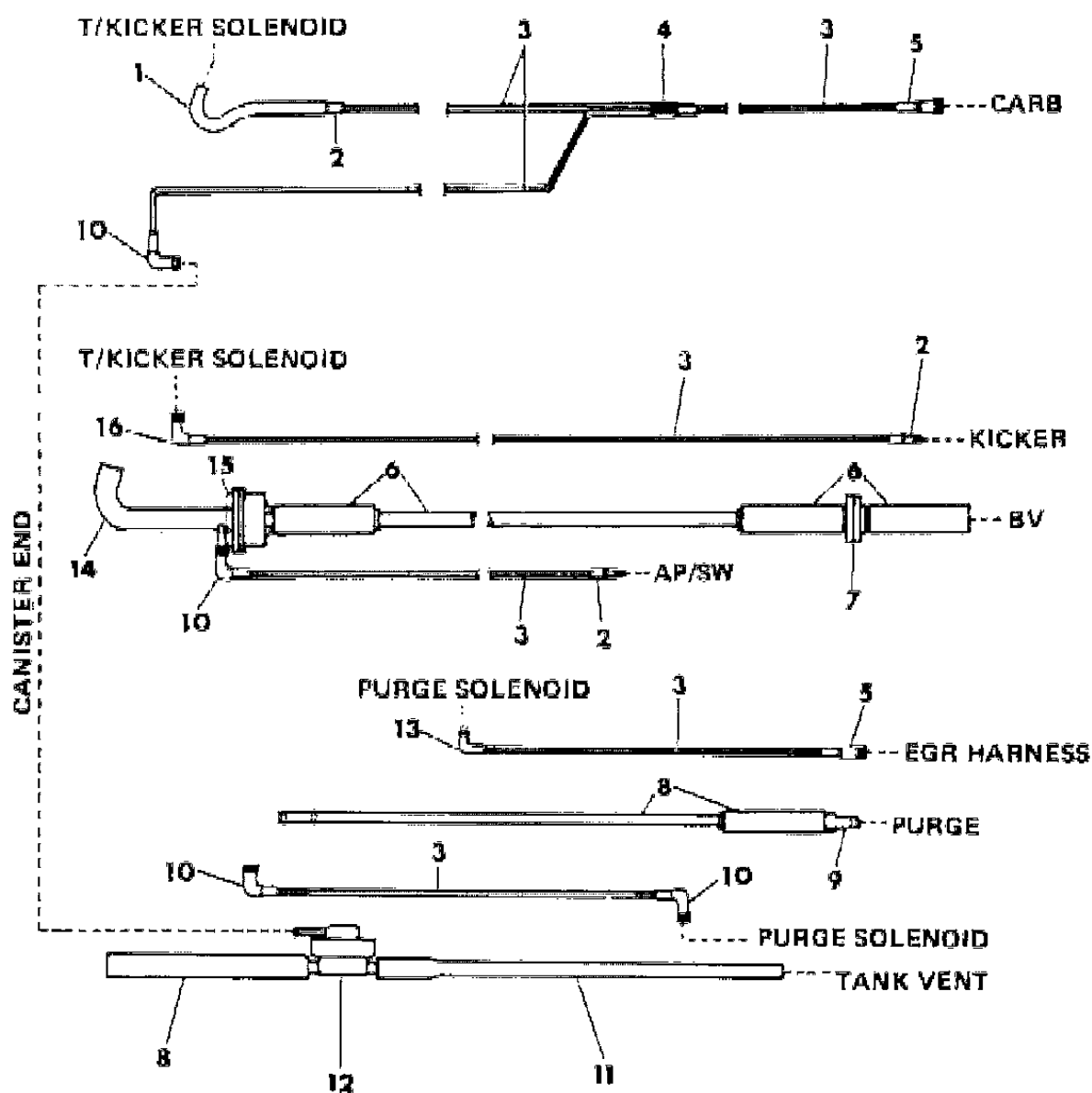
45 = 4-DOOR STATION WAGON

52-53 = FWD WAGON

AR = Use as Required - = Non Illustrated Part P.A.R. = Paint as Required

VAPOR CANISTER HOSE HARNESS 2.2L ENGINE - EXC. TURBO L BODY
Figure 25-3200

7125 3200



ITEM	PART NUMBER	QTY	BODY	MODEL	DESCRIPTION
					HARNESS, Hose (tagged 4405467 - not serviced)
					TUBING, Convoluted (serv. in 10 ft. roll)
	4364 392	AR			5/8"
	4397 808	AR			3/4"
1	4201 247	1			TUBE, Molded
2	4268 687	3			CONNECTOR .15M - 3/16
3	3780 508	AR			HOSE, Rubber 1/8" (serv. in 50 ft. roll)
4	4179 193	1			CONNECTOR
5	4179 391	2			CONNECTOR .15F - 3/16
6	4203 421	AR			HOSE, Rubber 3/8" (serv. in 50 ft. roll)
7	4324 315	1			VALVE, Bowl Vent
8	4203 316	AR			HOSE, Rubber 5/16" (serv. in 50 ft. roll)
9	4306 093	1			CONNECTOR 5/16 x 5/16
10	4213 774	4			ELBOW .15F - 3/16
11	4210 989	1			TUBE, Expanded End
12	4419 647	1			VALVE, Tank Vent
13	4213 798	1			ELBOW .15M - 3/16
14	4241 846	1			TUBE, Formed
15	5214 336	1			VALVE, Bowl Vent
16	4213 766	1			ELBOW .15F - 1/8

MODEL CODES

E BODY = (J - CARAVELLE)(E - 600)(T - NEW YORKER)

G BODY = (V24 - DAYTONA)

H BODY = (D44 - LANCER)(C44 - LEBARON GTS)

J BODY = (C - LEBARON)

K BODY = (P - RELIANT)(D - ARIES)(C - LEBAROND)/TOWN & COUNTRY)

L BODY = (M - HORIZON/TURISMO)(Z - OMNI/CHARGER)

M BODY = (B - GRAN FURY)(F - FIFTH AVE/NEWPORT)(G - DIPLOMAT)

P BODY = (P - SUNDANCE)(D - SHADOW)

S BODY = (H - VOYAGER)(K - RAM VAN/CARAVAN)

BODY STYLES

12-13 = FWD VAN

21 = 2-DOOR SEDAN

24 = 2-DOOR HATCHBACK

27 = 2-DOOR CONVERTIBLE

41 = 4-DOOR SEDAN

44 = 4-DOOR HATCHBACK

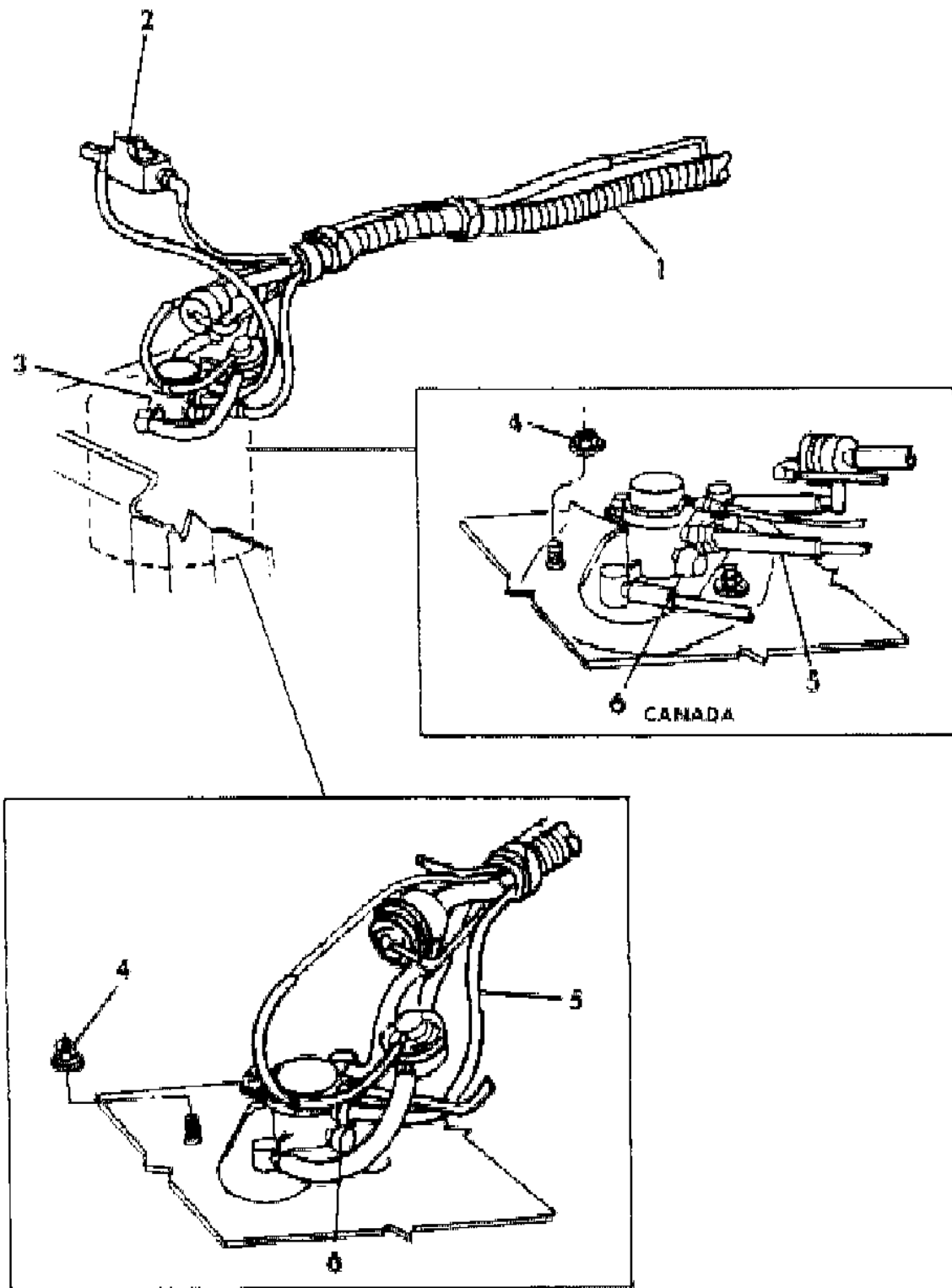
45 = 4-DOOR STATION WAGON

52-53 = FWD WAGON

AR = Use as Required - = Non Illustrated Part P.A.R. = Paint as Required

VAPOR CANISTER 2.2L ENGINE S BODY
Figure 25-3300

7125 3300 A



ITEM	PART NUMBER	QTY	BODY	MODEL	DESCRIPTION
1		1			HARNES, Hose (shown on illus. 3400, 3500)
2	5226 805	1			SOLENOID, Vacuum Purge Control
3	4241 839	1			CANISTER, Vapor - stamped 4227010
4	0219 462	3			NUT and WASHER
5	4203 316	AR			HOSE, Rubber 5/16" (serv. in 50 ft. roll)
6	4192 074	1			CAP, Dust

MODEL CODES

E BODY = (J - CARAVELLE)(E - 600)(T - NEW YORKER)

G BODY = (V24 - DAYTONA)

H BODY = (D44 - LANCER)(C44 - LEBARON GTS)

J BODY = (C - LEBARON)

K BODY = (P - RELIANT)(D - ARIES)(C - LEBAROND)/TOWN & COUNTRY)

L BODY = (M - HORIZON/TURISMO)(Z - OMNI/CHARGER)

M BODY = (B - GRAN FURY)(F - FIFTH AVE/NEWPORT)(G - DIPLOMAT)

P BODY = (P - SUNDANCE)(D - SHADOW)

S BODY = (H - VOYAGER)(K - RAM VAN/CARAVAN)

BODY STYLES

12-13 = FWD VAN

21 = 2-DOOR SEDAN

24 = 2-DOOR HATCHBACK

27 = 2-DOOR CONVERTIBLE

41 = 4-DOOR SEDAN

44 = 4-DOOR HATCHBACK

45 = 4-DOOR STATION WAGON

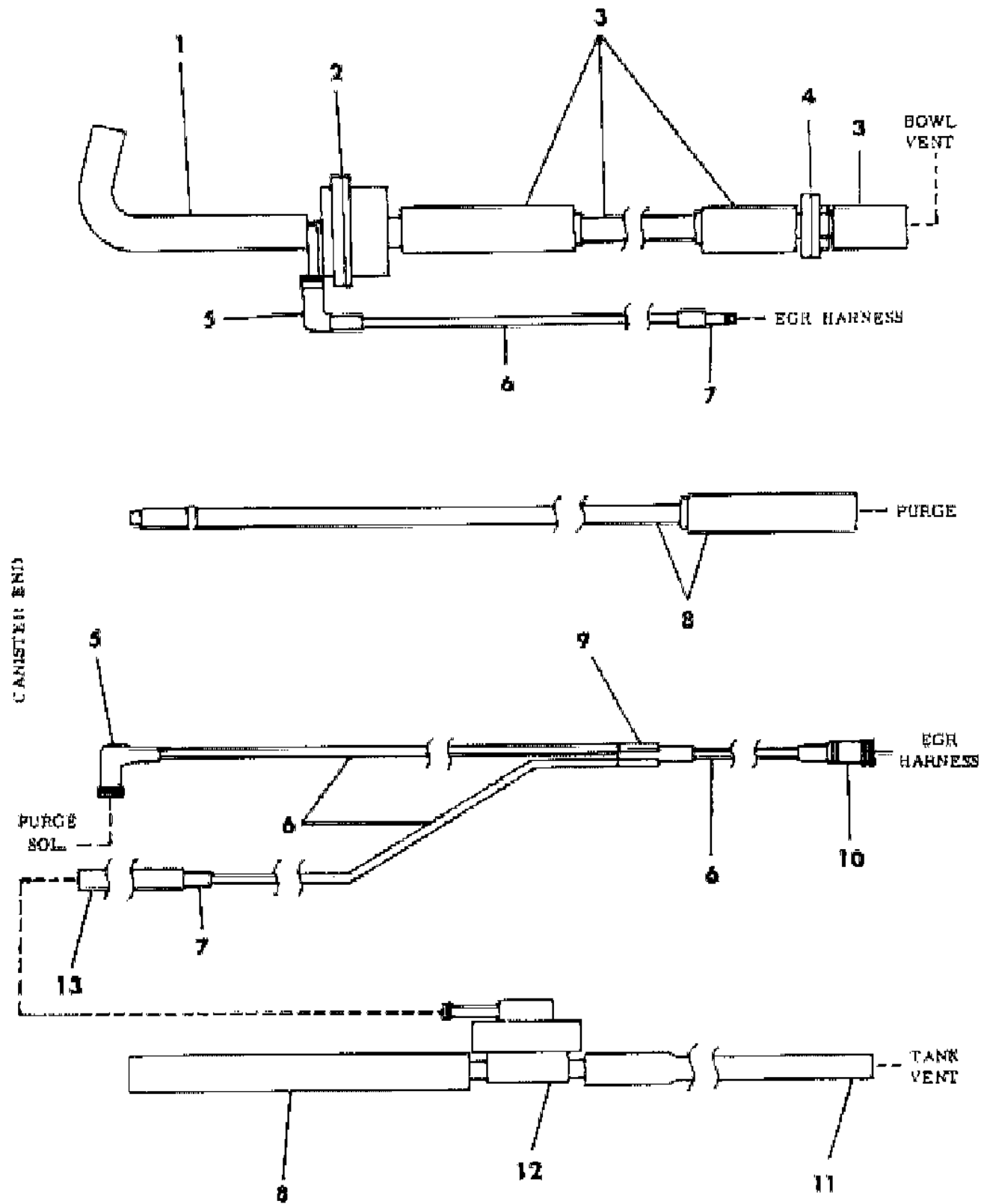
52-53 = FWD WAGON

AR = Use as Required - = Non Illustrated Part P.A.R. = Paint as Required

VAPOR CANISTER HOSE HARNESS 2.2L ENGINE - EXC. CANADA S BODY

Figure 25-3400

7125 3400



ITEM	PART NUMBER	QTY	BODY	MODEL	DESCRIPTION
					HARNESS, Hose (tagged 4306518 - not serviced)
	4397 808	AR			TUBING, Convoluted 3/4" (serv. in 10 ft. roll)
1	4241 846	1			TUBE, Formed
2	4307 359	1			VALVE, Bowl Vent
3	4203 421	AR			HOSE, Rubber 3/8" (serv. in 50 ft. roll)
4	4241 223	1			VALVE, Thermal Bowl Vent
5	4213 774	2			ELBOW .15F - 3/16
6	3780 508	AR			HOSE, Rubber 1/8" (serv. in 50 ft. roll)
7	4268 687	1			CONNECTOR .15M - 3/16
8	4203 316	AR			HOSE, Rubber 5/16" (serv. in 50 ft. roll)
9	4179 193	1			CONNECTOR .15F x .15F x .15F
10	4179 391	1			CONNECTOR .15F - 3/16
11	4210 989	1			TUBE, Expanded End
12	4306 058	1			VALVE, Tank Vapor
13	4105 167	AR			HOSE, Rubber 3/16" (serv. in 50 ft. roll)

MODEL CODES

E BODY = (J - CARAVELLE)(E - 600)(T - NEW YORKER)

G BODY = (V24 - DAYTONA)

H BODY = (D44 - LANCER)(C44 - LEBARON GTS)

J BODY = (C - LEBARON)

K BODY = (P - RELIANT)(D - ARIES)(C - LEBAROND)/TOWN & COUNTRY)

L BODY = (M - HORIZON/TURISMO)(Z - OMNI/CHARGER)

M BODY = (B - GRAN FURY)(F - FIFTH AVE/NEWPORT)(G - DIPLOMAT)

P BODY = (P - SUNDANCE)(D - SHADOW)

S BODY = (H - VOYAGER)(K - RAM VAN/CARAVAN)

BODY STYLES

12-13 = FWD VAN

21 = 2-DOOR SEDAN

24 = 2-DOOR HATCHBACK

27 = 2-DOOR CONVERTIBLE

41 = 4-DOOR SEDAN

44 = 4-DOOR HATCHBACK

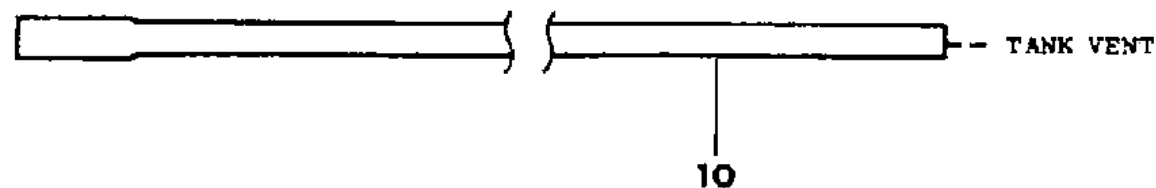
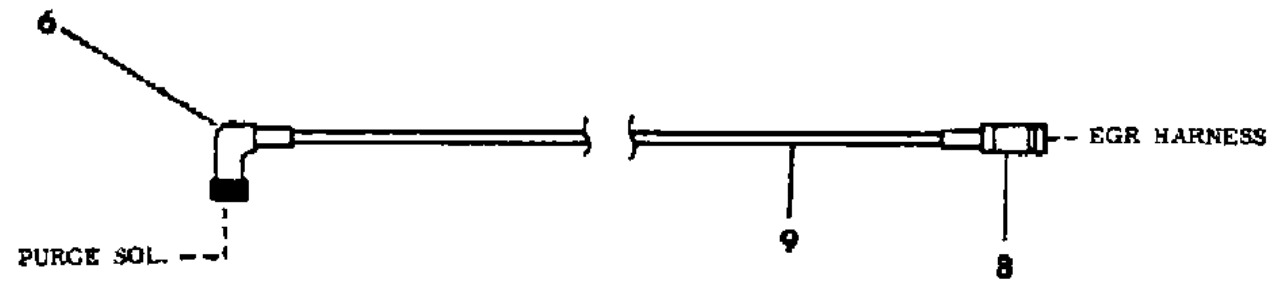
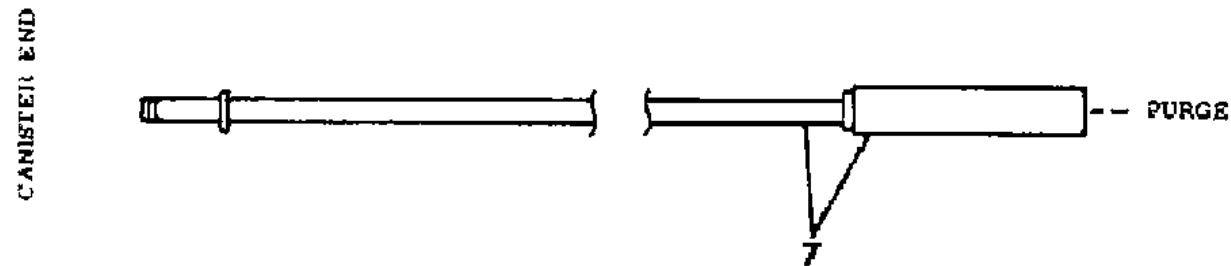
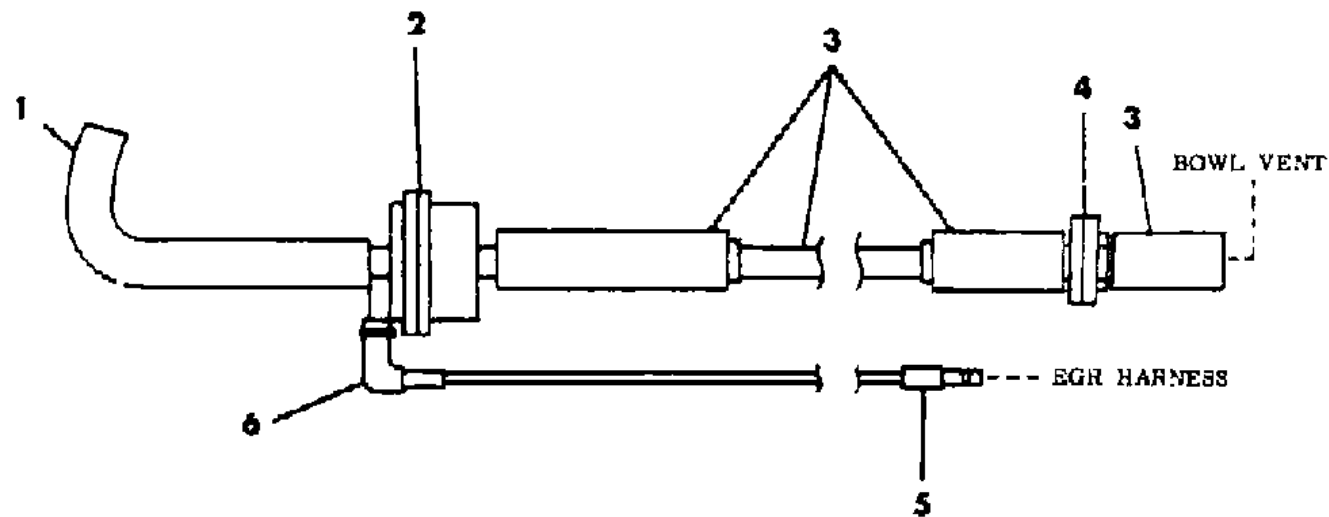
45 = 4-DOOR STATION WAGON

52-53 = FWD WAGON

AR = Use as Required - = Non Illustrated Part P.A.R. = Paint as Required

VAPOR CANISTER HOSE HARNESS 2.2L ENGINE - CANADA S BODY
Figure 25-3500

7125 3500



ITEM	PART NUMBER	QTY	BODY	MODEL	DESCRIPTION
					HARNESS, Hose (tagged 4306519 - not serviced)
	4397 808	AR			TUBING, Convoluted 3/4" (serv. in 10 ft. roll)
1	4241 846	1			TUBE, Formed
2	4307 359	1			VALVE, Bowl Vent
3	4203 421	AR			HOSE, Rubber 3/8" (serv. in 50 ft. roll)
4	4241 223	1			VALVE, Thermal Bowl Vent
5	4268 687	1			CONNECTOR .15M - 3/16
6	4213 774	2			ELBOW .15F - 3/16
7	4203 316	1			HOSE, Rubber 5/16" (serv. in 50 ft. roll)
8	4179 391	1			CONNECTOR .15F - 3/16
9	3780 508	AR			HOSE, Rubber 1/8" (serv. in 50 ft. roll)
10	4210 989	1			TUBE, Expanded End

MODEL CODES

E BODY = (J - CARAVELLE)(E - 600)(T - NEW YORKER)

G BODY = (V24 - DAYTONA)

H BODY = (D44 - LANCER)(C44 - LEBARON GTS)

J BODY = (C - LEBARON)

K BODY = (P - RELIANT)(D - ARIES)(C - LEBAROND)/TOWN & COUNTRY)

L BODY = (M - HORIZON/TURISMO)(Z - OMNI/CHARGER)

M BODY = (B - GRAN FURY)(F - FIFTH AVE/NEWPORT)(G - DIPLOMAT)

P BODY = (P - SUNDANCE)(D - SHADOW)

S BODY = (H - VOYAGER)(K - RAM VAN/CARAVAN)

BODY STYLES

12-13 = FWD VAN

21 = 2-DOOR SEDAN

24 = 2-DOOR HATCHBACK

27 = 2-DOOR CONVERTIBLE

41 = 4-DOOR SEDAN

44 = 4-DOOR HATCHBACK

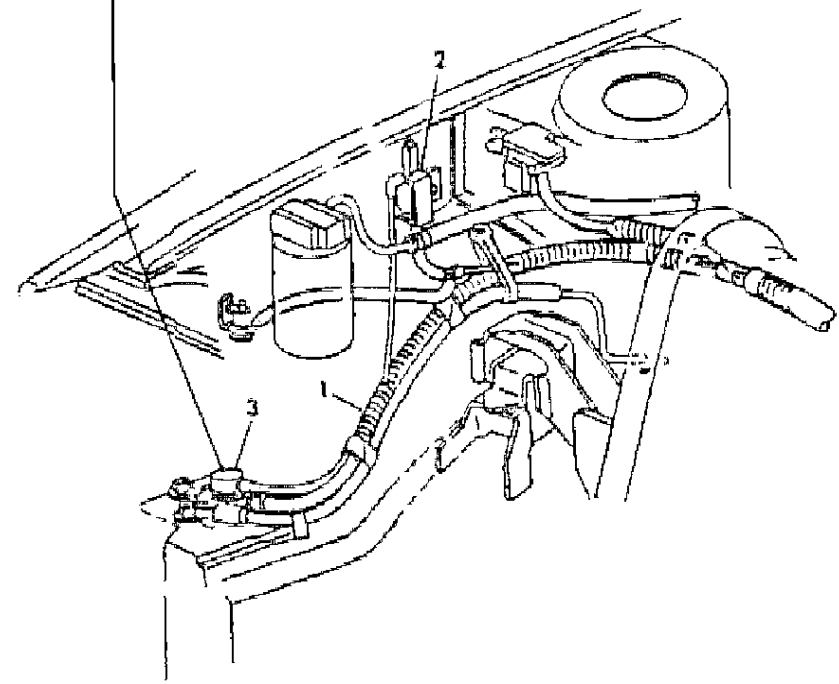
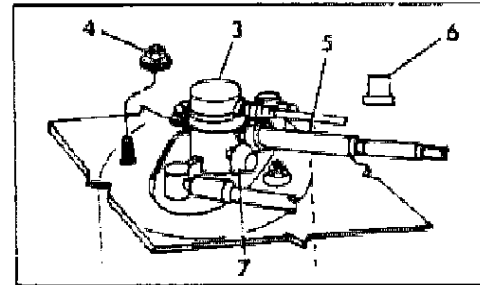
45 = 4-DOOR STATION WAGON

52-53 = FWD WAGON

AR = Use as Required - = Non Illustrated Part P.A.R. = Paint as Required

VAPOR CANISTER 2.2L ENGINE EFI AND 2.5L ENGINE
Figure 25-3600

7125 3600 B



ITEM	PART NUMBER	QTY	BODY	MODEL	DESCRIPTION
1		1			HARNES, Hose (shown on illus. 1700)
2	5227 169	1			SOLENOID, Vacuum
3	4241 838	1			CANISTER, Vapor - stamped 4227006
4	0219 462	3			NUT and WASHER
5	4203 316	AR			HOSE, Rubber 5/16" (serv. in 50 ft. roll)
6	3733 285	1			CAP, Canister Bowl Vent
7	4192 074	1			CAP, Dust

MODEL CODES

E BODY = (J - CARAVELLE)(E - 600)(T - NEW YORKER)

G BODY = (V24 - DAYTONA)

H BODY = (D44 - LANCER)(C44 - LEBARON GTS)

J BODY = (C - LEBARON)

K BODY = (P - RELIANT)(D - ARIES)(C - LEBAROND)/TOWN & COUNTRY)

L BODY = (M - HORIZON/TURISMO)(Z - OMNI/CHARGER)

M BODY = (B - GRAN FURY)(F - FIFTH AVE/NEWPORT)(G - DIPLOMAT)

P BODY = (P - SUNDANCE)(D - SHADOW)

S BODY = (H - VOYAGER)(K - RAM VAN/CARAVAN)

BODY STYLES

12-13 = FWD VAN

21 = 2-DOOR SEDAN

24 = 2-DOOR HATCHBACK

27 = 2-DOOR CONVERTIBLE

41 = 4-DOOR SEDAN

44 = 4-DOOR HATCHBACK

45 = 4-DOOR STATION WAGON

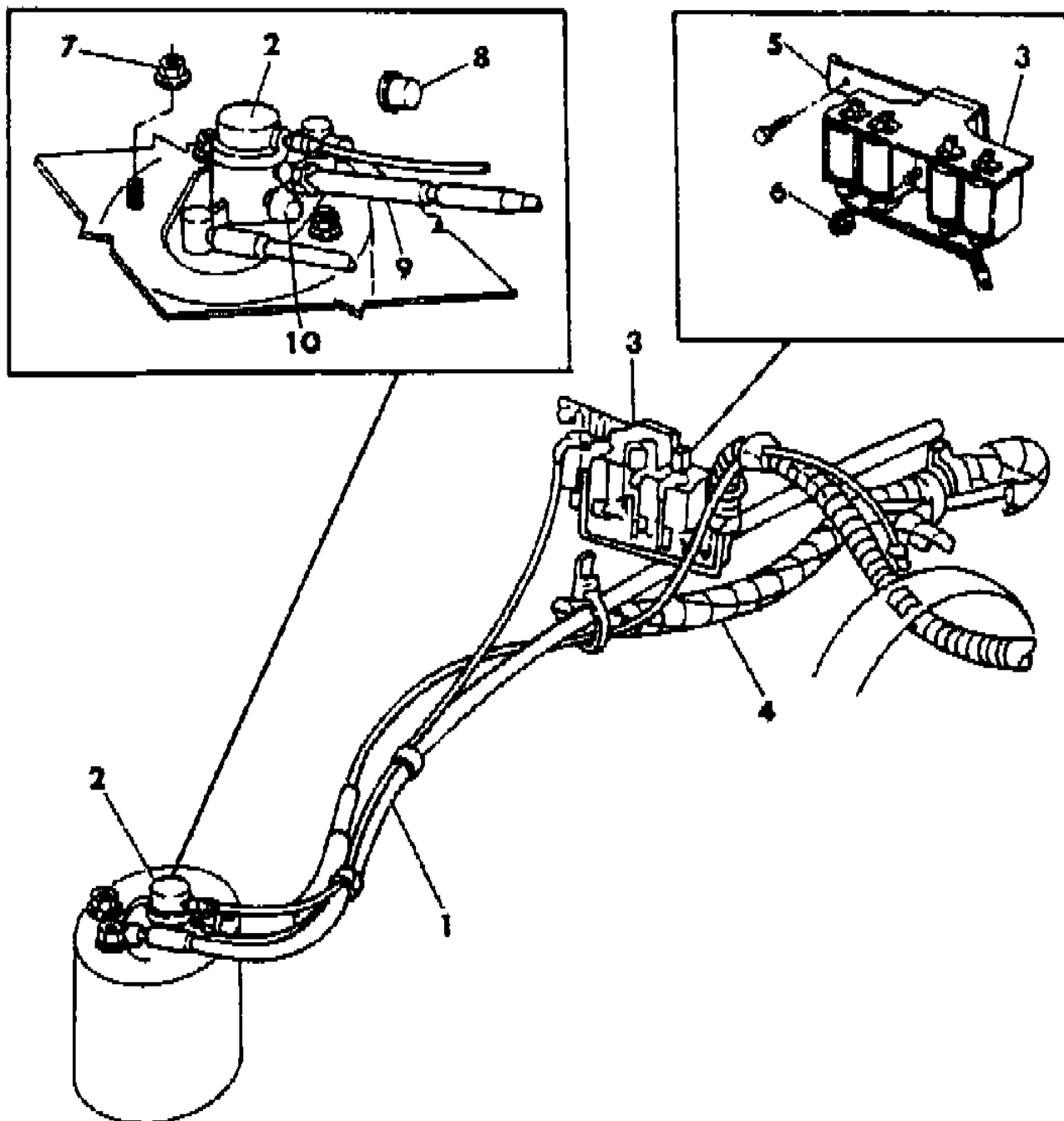
52-53 = FWD WAGON

AR = Use as Required - = Non Illustrated Part P.A.R. = Paint as Required

VAPOR CANISTER 2.2L ENGINE TURBO L BODY
Figure 25-3800

7125 3800 A

ITEM	PART NUMBER	QTY	BODY	MODEL	DESCRIPTION
1		1			HARNES, Hose (shown on illus. 3900)
2	4241 838	1			CANISTER, Vapor - stamped 4227006
3	5226 352	1			SOLENOID, Quad Vacuum
4		1			HARNES, Hose - Quad Vacuum Solenoid (shown on illus. 4800, 4900)
5	5226 337	1			BRACKET, Vacuum Solenoid Valve
6	6100 047	1			NUT
7	0219 462	3			NUT and WASHER
8	3733 285	1			CAP, Canister Bowl Vent
9	4203 316	AR			HOSE, Rubber 5/16" (serv. in 50 ft. roll)
10	4192 074	1			CAP, Dust



MODEL CODES

E BODY = (J - CARAVELLE)(E - 600)(T - NEW YORKER)

G BODY = (V24 - DAYTONA)

H BODY = (D44 - LANCER)(C44 - LEBARON GTS)

J BODY = (C - LEBARON)

K BODY = (P - RELIANT)(D - ARIES)(C - LEBAROND)/TOWN & COUNTRY)

L BODY = (M - HORIZON/TURISMO)(Z - OMNI/CHARGER)

M BODY = (B - GRAN FURY)(F - FIFTH AVE/NEWPORT)(G - DIPLOMAT)

P BODY = (P - SUNDANCE)(D - SHADOW)

S BODY = (H - VOYAGER)(K - RAM VAN/CARAVAN)

BODY STYLES

12-13 = FWD VAN

21 = 2-DOOR SEDAN

24 = 2-DOOR HATCHBACK

27 = 2-DOOR CONVERTIBLE

41 = 4-DOOR SEDAN

44 = 4-DOOR HATCHBACK

45 = 4-DOOR STATION WAGON

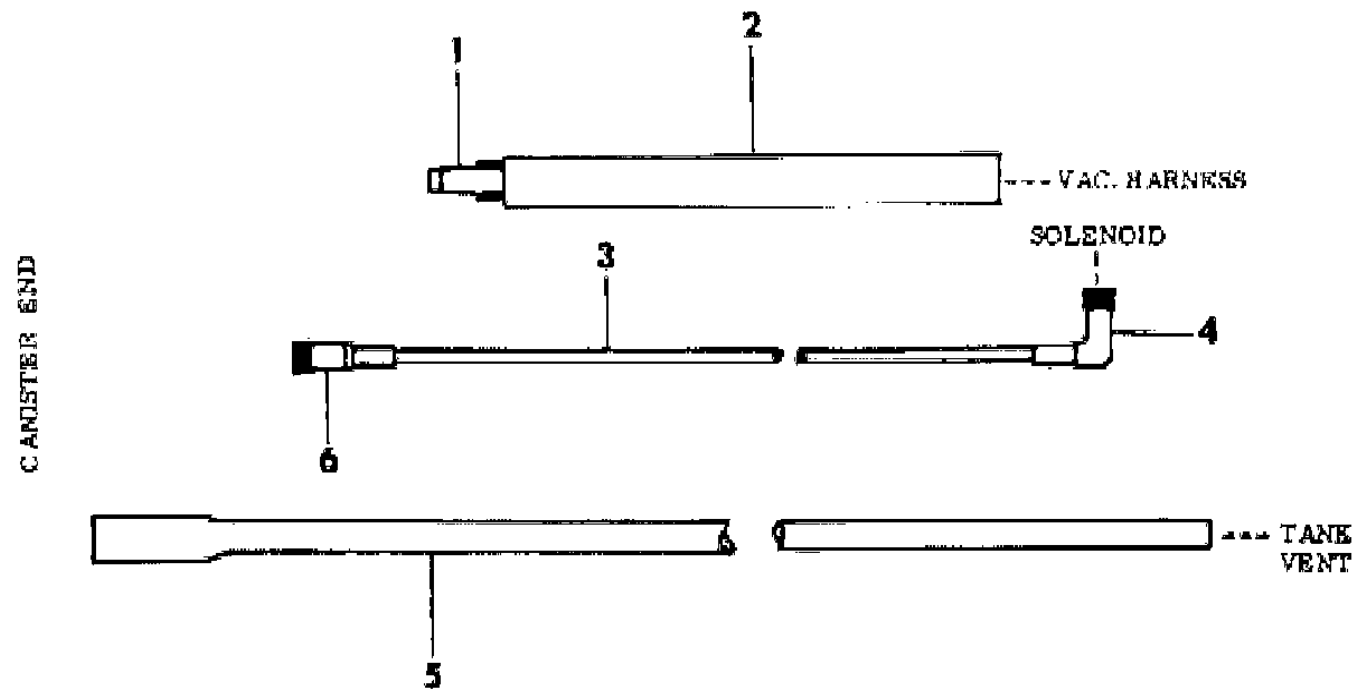
52-53 = FWD WAGON

AR = Use as Required - = Non Illustrated Part P.A.R. = Paint as Required

VAPOR CANISTER HOSE HARNESS 2.2L ENGINE TURBO L BODY
Figure 25-3900

7125 3900

ITEM	PART NUMBER	QTY	BODY	MODEL	DESCRIPTION
HARNESS, Hose (tagged 4306510 - not serviced)					
1	4179 981	1			CONNECTOR
2	4203 316	AR			HOSE, Rubber 5/16" (serv. in 50 ft. roll)
3	3780 508	AR			HOSE, Rubber 1/8" (serv. in 50 ft. roll)
4	4213 774	1			ELBOW .15F - 3/16
5	4210 989	1			TUBE, Expanded End
6	4179 391	1			CONNECTOR .15F - 3/16



MODEL CODES
 E BODY = (J - CARAVELLE)(E - 600)(T - NEW YORKER)
 G BODY = (V24 - DAYTONA)
 H BODY = (D44 - LANCER)(C44 - LEBARON GTS)
 J BODY = (C - LEBARON)
 K BODY = (P - RELIANT)(D - ARIES)(C - LEBAROND)/TOWN & COUNTRY
 L BODY = (M - HORIZON/TURISMO)(Z - OMNI/CHARGER)
 M BODY = (B - GRAN FURY)(F - FIFTH AVE/NEWPORT)(G - DIPLOMAT)
 P BODY = (P - SUNDANCE)(D - SHADOW)
 S BODY = (H - VOYAGER)(K - RAM VAN/CARAVAN)

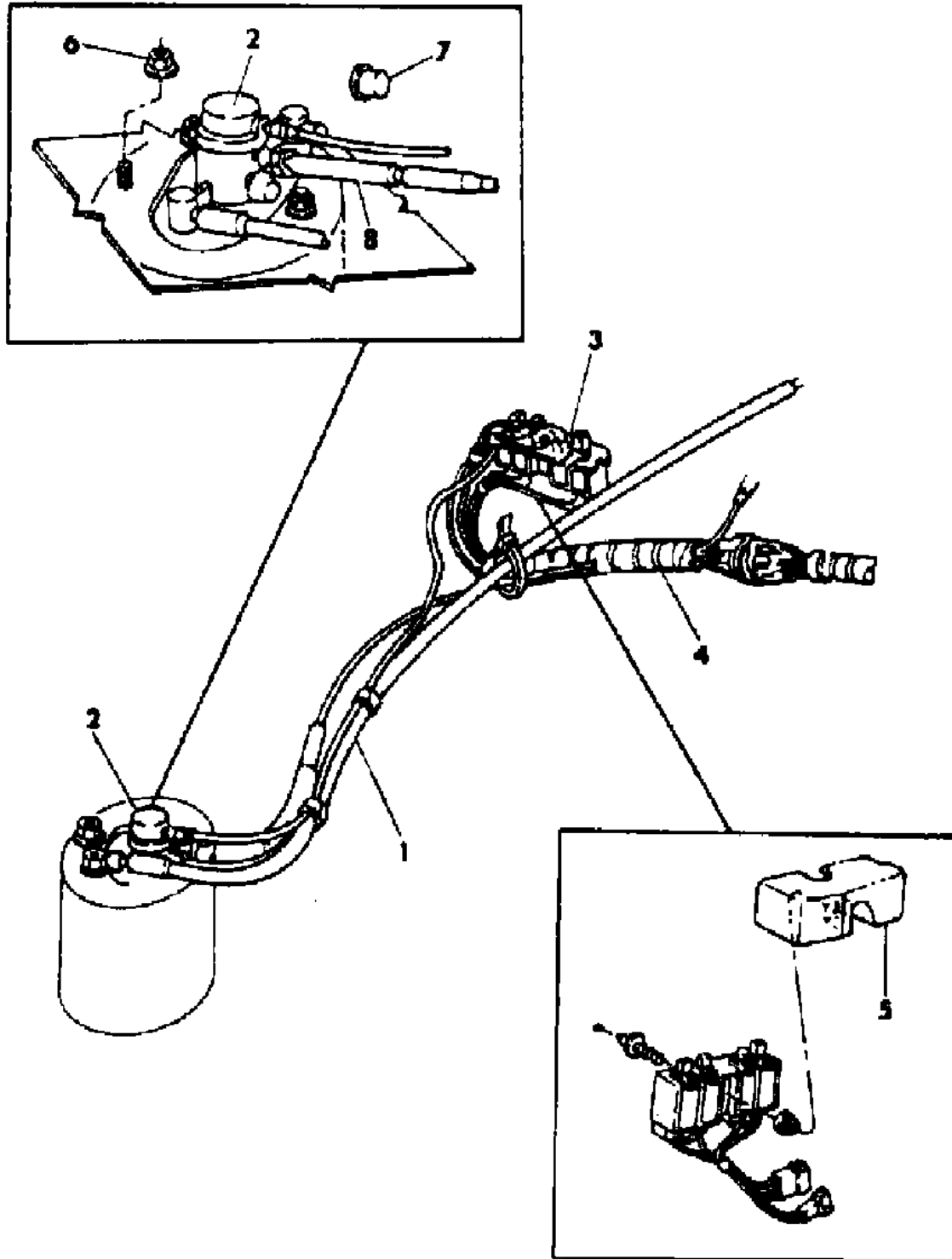
BODY STYLES
 12-13 = FWD VAN
 21 = 2-DOOR SEDAN
 24 = 2-DOOR HATCHBACK
 27 = 2-DOOR CONVERTIBLE
 41 = 4-DOOR SEDAN
 44 = 4-DOOR HATCHBACK
 45 = 4-DOOR STATION WAGON
 52-53 = FWD WAGON

AR = Use as Required - = Non Illustrated Part P.A.R. = Paint as Required

VAPOR CANISTER 2.2L ENGINE TURBO P BODY - UP TO AUG. 19, 1986
Figure 25-3910

7125 3010

ITEM	PART NUMBER	QTY	BODY	MODEL	DESCRIPTION
1		1			HARNESS, Hose (shown on illus. 3920)
2	4241 838	1			CANISTER, Vapor - stamped 4227006
3	5226 352	1			SOLENOID, Quad Vacuum
4		1			HARNESS, Hose - Quad Vacuum Solenoid (shown on illus. 3930)
5	#5226 920	1			COVER, Quad Vacuum Solenoid
6	0219 462	3			NUT and WASHER
7	3733 285	1			CAP, Canister Bowl Vent
8	4203 316	AR			HOSE, Rubber 5/16" (serv. in 50 ft. roll)



MODEL CODES

E BODY = (J - CARAVELLE)(E - 600)(T - NEW YORKER)

G BODY = (V24 - DAYTONA)

H BODY = (D44 - LANCER)(C44 - LEBARON GTS)

J BODY = (C - LEBARON)

K BODY = (P - RELIANT)(D - ARIES)(C - LEBAROND)/TOWN & COUNTRY)

L BODY = (M - HORIZON/TURISMO)(Z - OMNI/CHARGER)

M BODY = (B - GRAN FURY)(F - FIFTH AVE/NEWPORT)(G - DIPLOMAT)

P BODY = (P - SUNDANCE)(D - SHADOW)

S BODY = (H - VOYAGER)(K - RAM VAN/CARAVAN)

BODY STYLES

12-13 = FWD VAN

21 = 2-DOOR SEDAN

24 = 2-DOOR HATCHBACK

27 = 2-DOOR CONVERTIBLE

41 = 4-DOOR SEDAN

44 = 4-DOOR HATCHBACK

45 = 4-DOOR STATION WAGON

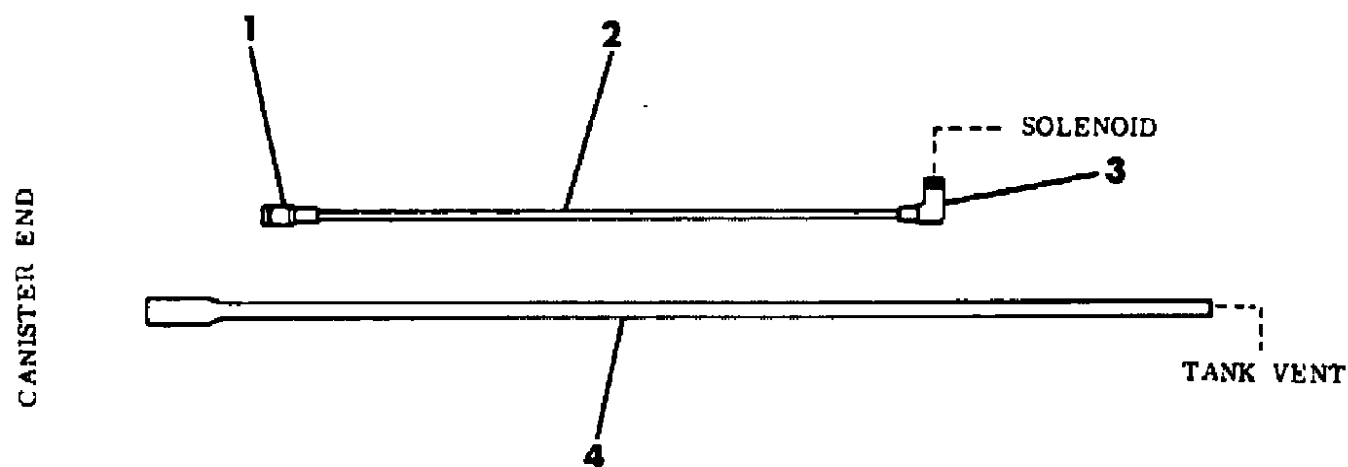
52-53 = FWD WAGON

AR = Use as Required - = Non Illustrated Part P.A.R. = Paint as Required

VAPOR CANISTER HOSE HARNESS 2.2L ENGINE TURBO P BODY - UP TO AUG. 19, 1986
Figure 25-3920

7125 3920

ITEM	PART NUMBER	QTY	BODY	MODEL	DESCRIPTION
HARNES, Hose (tagged 4300702 - not serviced)					
1	4179 391	1			CONNECTOR .15F - 3/16
2	3780 508	AR			HOSE, Rubber 1/8" (serv. in 50 ft. roll)
3	4213 774	1			ELBOW .15F - 3/16
4	4185 460	1			TUBE, Expanded End



MODEL CODES

E BODY = (J - CARAVELLE)(E - 600)(T - NEW YORKER)

G BODY = (V24 - DAYTONA)

H BODY = (D44 - LANCER)(C44 - LEBARON GTS)

J BODY = (C - LEBARON)

K BODY = (P - RELIANT)(D - ARIES)(C - LEBAROND)/TOWN & COUNTRY)

L BODY = (M - HORIZON/TURISMO)(Z - OMNI/CHARGER)

M BODY = (B - GRAN FURY)(F - FIFTH AVE/NEWPORT)(G - DIPLOMAT)

P BODY = (P - SUNDANCE)(D - SHADOW)

S BODY = (H - VOYAGER)(K - RAM VAN/CARAVAN)

BODY STYLES

12-13 = FWD VAN

21 = 2-DOOR SEDAN

24 = 2-DOOR HATCHBACK

27 = 2-DOOR CONVERTIBLE

41 = 4-DOOR SEDAN

44 = 4-DOOR HATCHBACK

45 = 4-DOOR STATION WAGON

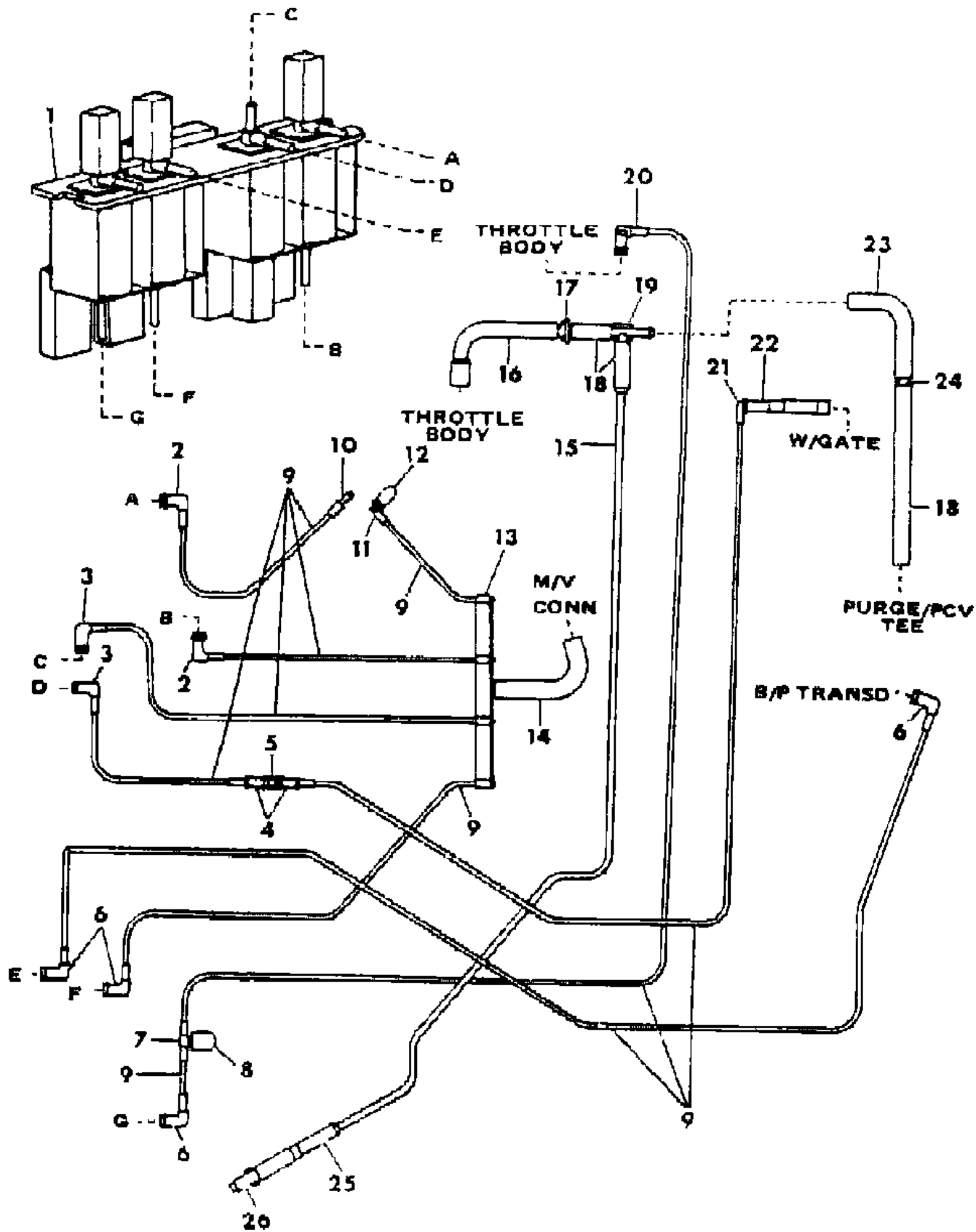
52-53 = FWD WAGON

AR = Use as Required - = Non Illustrated Part P.A.R. = Paint as Required

QUAD VACUUM SOLENOID HOSE HARNESS 2.2L ENGINE TURBO P BODY - UP TO AUG. 19, 1986

Figure 25-3930

7125 3930



ITEM	PART NUMBER	QTY	BODY	MODEL	DESCRIPTION
					HARNES, Hose (tagged 4324414 - not serviced)
					TUBING, Convoluted (serv. in 10 ft. roll)
	4364 374	AR			1/2"
	4364 392	AR			5/8"
1	5226 352	1			SOLENOID, Quad Vacuum
2	4213 778	2			ELBOW .15F - 3/16
3	4213 779	2			ELBOW .15F - 3/16
4	4179 391	2			CONNECTOR .15F - 3/16
5	4275 607	1			CONNECTOR w/RESTRICTION 3/16 x 3/16
6	4213 774	4			ELBOW .15F - 3/16
7	4300 958	1			TEE 3/16 x 3/16
8	3580 171	1			CAP
9	3780 508	AR			HOSE, Rubber 1/8" (serv. in 50 ft. roll)
10	4268 687	1			CONNECTOR .15M - 3/16
11	4213 789	1			ELBOW .15M - 1/8
12	3580 170	1			CAP
13	4306 053	1			CONNECTOR
14	4241 846	1			TUBE, Formed
15	4203 211	AR			HOSE, Rubber 1/4" (serv. in 50 ft. roll)
16	4306 993	1			TUBE, Molded
17	4306 923	1			VALVE, Check
18	4203 211	AR			HOSE, Rubber 1/4" (serv. in 50 ft. roll)
19	#4306 994	1			TEE 1/4 x 1/4 x 1/4
20	4213 766	1			ELBOW .15F - 1/8
21	4213 797	1			ELBOW .15M - 3/16
22	4201 264	1			TUBE, Expanded End
23	4307 877	1			TUBE, Molded
24	#4307 334	1			CONNECTOR 1/4 x 1/4
25	4288 208	1			TUBE, Expanded End
26	4179 981	1			CONNECTOR 5/16 x 5/16

MODEL CODES

E BODY = (J - CARAVELLE)(E - 600)(T - NEW YORKER)

G BODY = (V24 - DAYTONA)

H BODY = (D44 - LANCER)(C44 - LEBARON GTS)

J BODY = (C - LEBARON)

K BODY = (P - RELIANT)(D - ARIES)(C - LEBAROND)/TOWN & COUNTRY)

L BODY = (M - HORIZON/TURISMO)(Z - OMNI/CHARGER)

M BODY = (B - GRAN FURY)(F - FIFTH AVE/NEWPORT)(G - DIPLOMAT)

P BODY = (P - SUNDANCE)(D - SHADOW)

S BODY = (H - VOYAGER)(K - RAM VAN/CARAVAN)

BODY STYLES

12-13 = FWD VAN

21 = 2-DOOR SEDAN

24 = 2-DOOR HATCHBACK

27 = 2-DOOR CONVERTIBLE

41 = 4-DOOR SEDAN

44 = 4-DOOR HATCHBACK

45 = 4-DOOR STATION WAGON

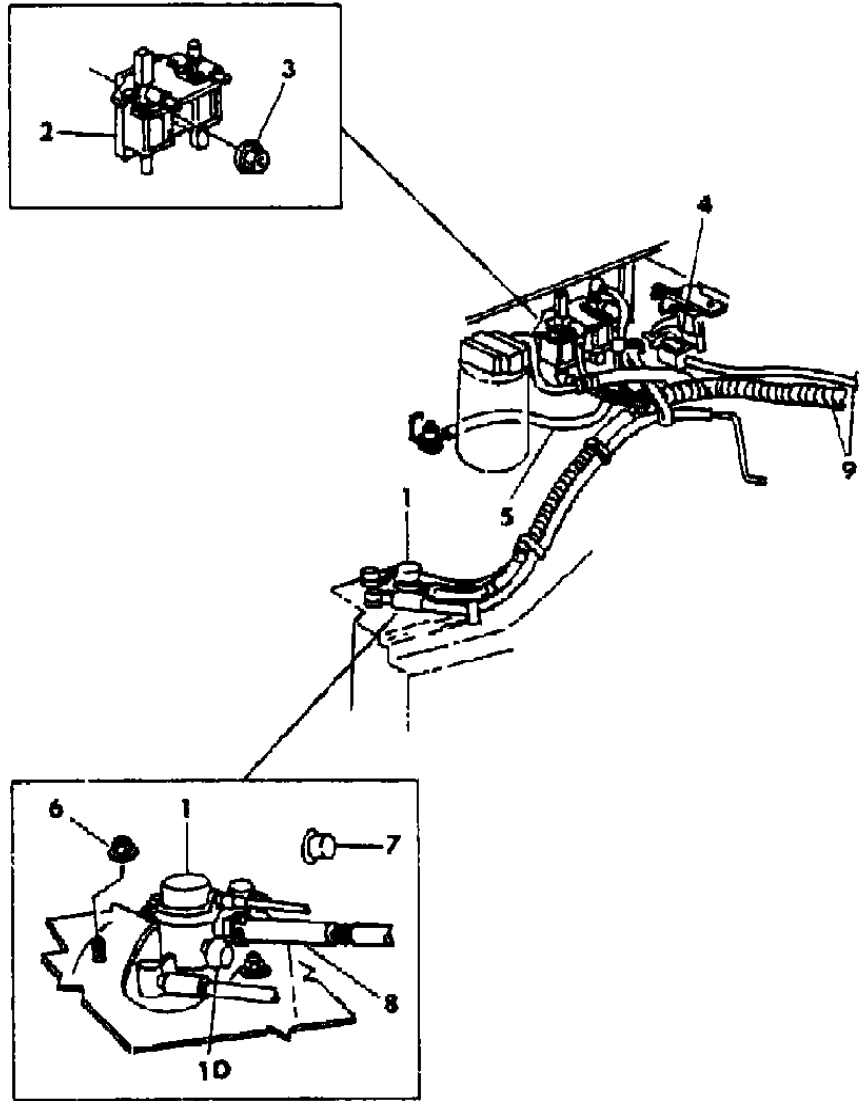
52-53 = FWD WAGON

AR = Use as Required - = Non Illustrated Part P.A.R. = Paint as Required

VAPOR CANISTER 2.2L ENGINE TURBO J,K,G,E,H BODY AND P BODY AFTER AUG. 19, 1986
Figure 25-4000

7125 4000A

ITEM	PART NUMBER	QTY	BODY	MODEL	DESCRIPTION
1	4241 838	1			CANISTER, Vapor - stamped 4227006
2	5227 333	1			SOLENOID, Dual Vacuum - Waste Gate & EGR Purge
3	6025 004	1			NUT
4	5227 466	1			SOLENOID, Vacuum
5	4300 970	1			HOSE
6	0219 462	1			NUT
7	3733 285	1			CAP, Canister Bowl Vent
8	4203 316	AR			HOSE, Rubber 5/16" (serv. in 50 ft. roll)
9		1			HARNESSE, Hose (shown on illus. 2000 for Turbo 1 and illus. 2200 for Turbo 2)
10	4192 074	1			CAP, Dust



MODEL CODES

E BODY = (J - CARAVELLE)(E - 600)(T - NEW YORKER)

G BODY = (V24 - DAYTONA)

H BODY = (D44 - LANCER)(C44 - LEBARON GTS)

J BODY = (C - LEBARON)

K BODY = (P - RELIANT)(D - ARIES)(C - LEBAROND)/TOWN & COUNTRY)

L BODY = (M - HORIZON/TURISMO)(Z - OMNI/CHARGER)

M BODY = (B - GRAN FURY)(F - FIFTH AVE/NEWPORT)(G - DIPLOMAT)

P BODY = (P - SUNDANCE)(D - SHADOW)

S BODY = (H - VOYAGER)(K - RAM VAN/CARAVAN)

BODY STYLES

12-13 = FWD VAN

21 = 2-DOOR SEDAN

24 = 2-DOOR HATCHBACK

27 = 2-DOOR CONVERTIBLE

41 = 4-DOOR SEDAN

44 = 4-DOOR HATCHBACK

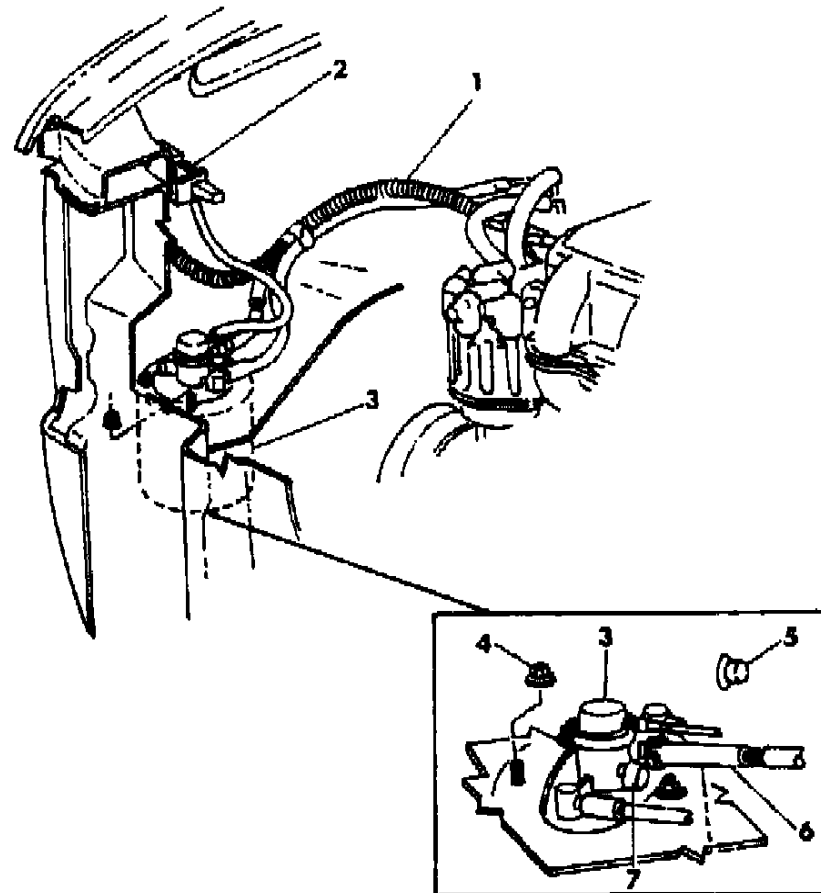
45 = 4-DOOR STATION WAGON

52-53 = FWD WAGON

AR = Use as Required - = Non Illustrated Part P.A.R. = Paint as Required

VAPOR CANISTER 2.5L ENGINE AND 3.0L ENGINE S BODY
Figure 25-4225

7125 4225



ITEM	PART NUMBER	QTY	BODY	MODEL	DESCRIPTION
1		1			HARNES, Hose (shown on illus. 4250, 4275)
2	5226 360	1			SOLENOID, Purge Control
3	4241 839	1			CANISTER, Vapor
4	0219 462	3			NUT
5	3733 285	1			CAP, Bowl Vent Nipple
6	4203 316	AR			HOSE, Rubber 5/16" (serv. in 50 ft. roll)
7	4192 074	1			CAP, Dust

MODEL CODES

E BODY = (J - CARAVELLE)(E - 600)(T - NEW YORKER)

G BODY = (V24 - DAYTONA)

H BODY = (D44 - LANCER)(C44 - LEBARON GTS)

J BODY = (C - LEBARON)

K BODY = (P - RELIANT)(D - ARIES)(C - LEBAROND)/TOWN & COUNTRY)

L BODY = (M - HORIZON/TURISMO)(Z - OMNI/CHARGER)

M BODY = (B - GRAN FURY)(F - FIFTH AVE/NEWPORT)(G - DIPLOMAT)

P BODY = (P - SUNDANCE)(D - SHADOW)

S BODY = (H - VOYAGER)(K - RAM VAN/CARAVAN)

BODY STYLES

12-13 = FWD VAN

21 = 2-DOOR SEDAN

24 = 2-DOOR HATCHBACK

27 = 2-DOOR CONVERTIBLE

41 = 4-DOOR SEDAN

44 = 4-DOOR HATCHBACK

45 = 4-DOOR STATION WAGON

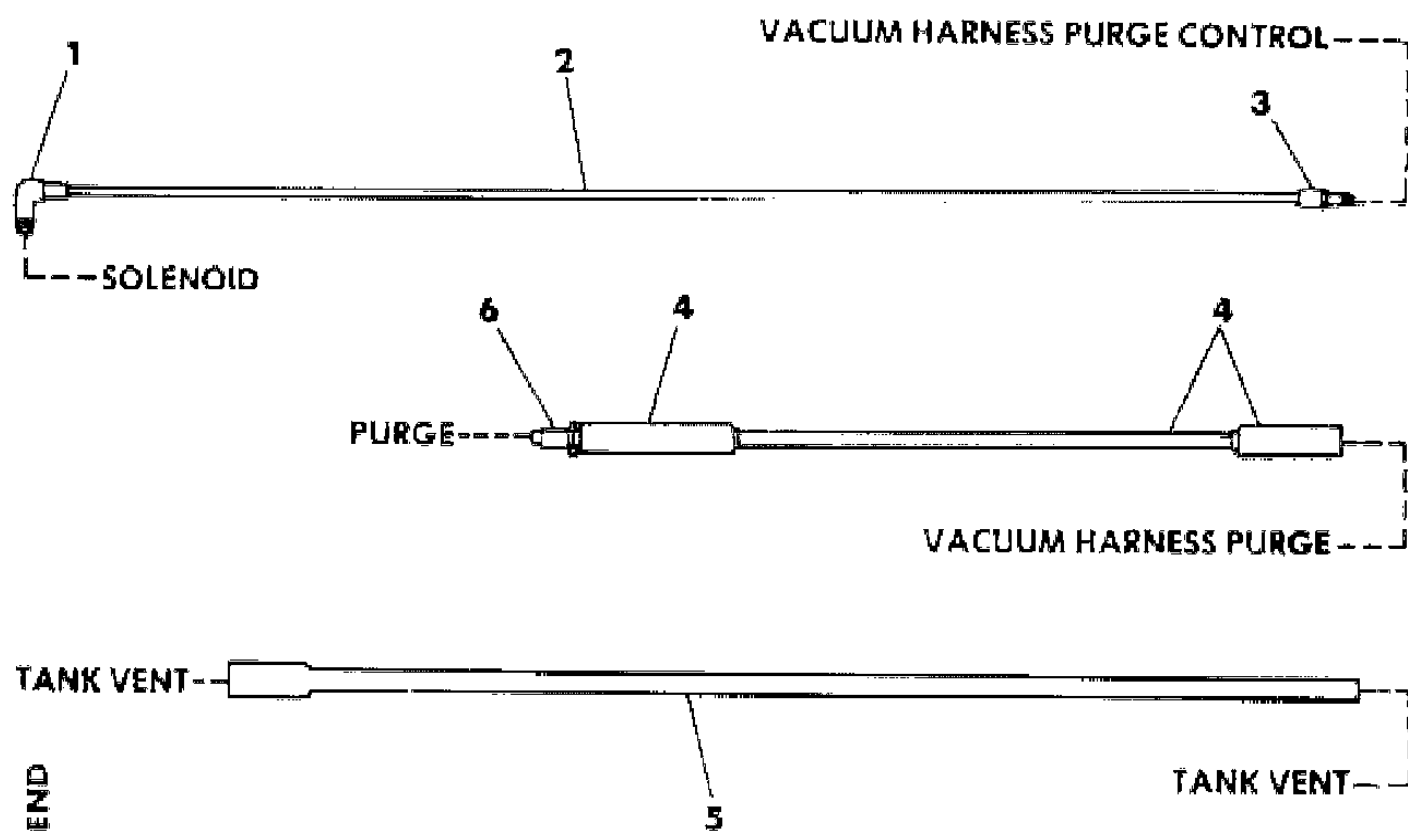
52-53 = FWD WAGON

AR = Use as Required - = Non Illustrated Part P.A.R. = Paint as Required

VAPOR CANISTER HOSE HARNESS 2.5L ENGINE S BODY
Figure 25-4250

7125 4250

ITEM	PART NUMBER	QTY	BODY	MODEL	DESCRIPTION
					HARNESS, Hose (tagged 4405464 - not serviced)
					TUBING, Convoluted (serv. in 10 ft. roll)
	4364 393	AR			1/4"
	4364 375	AR			3/8"
1	4213 774	1			ELBOW .15F - 3/16
2	3780 508	AR			HOSE, Rubber 1/8" (serv. in 50 ft. roll)
3	4268 687	1			CONNECTOR .15M - 3/16
4	4203 211	AR			HOSE, Rubber 1/4" (serv. in 50 ft. roll)
5	4210 989	1			TUBE, Expanded End
6	4179 643	1			CONNECTOR 1/4 x 5/16



MODEL CODES

E BODY = (J - CARAVELLE)(E - 600)(T - NEW YORKER)

G BODY = (V24 - DAYTONA)

H BODY = (D44 - LANCER)(C44 - LEBARON GTS)

J BODY = (C - LEBARON)

K BODY = (P - RELIANT)(D - ARIES)(C - LEBAROND)/TOWN & COUNTRY)

L BODY = (M - HORIZON/TURISMO)(Z - OMNI/CHARGER)

M BODY = (B - GRAN FURY)(F - FIFTH AVE/NEWPORT)(G - DIPLOMAT)

P BODY = (P - SUNDANCE)(D - SHADOW)

S BODY = (H - VOYAGER)(K - RAM VAN/CARAVAN)

BODY STYLES

12-13 = FWD VAN

21 = 2-DOOR SEDAN

24 = 2-DOOR HATCHBACK

27 = 2-DOOR CONVERTIBLE

41 = 4-DOOR SEDAN

44 = 4-DOOR HATCHBACK

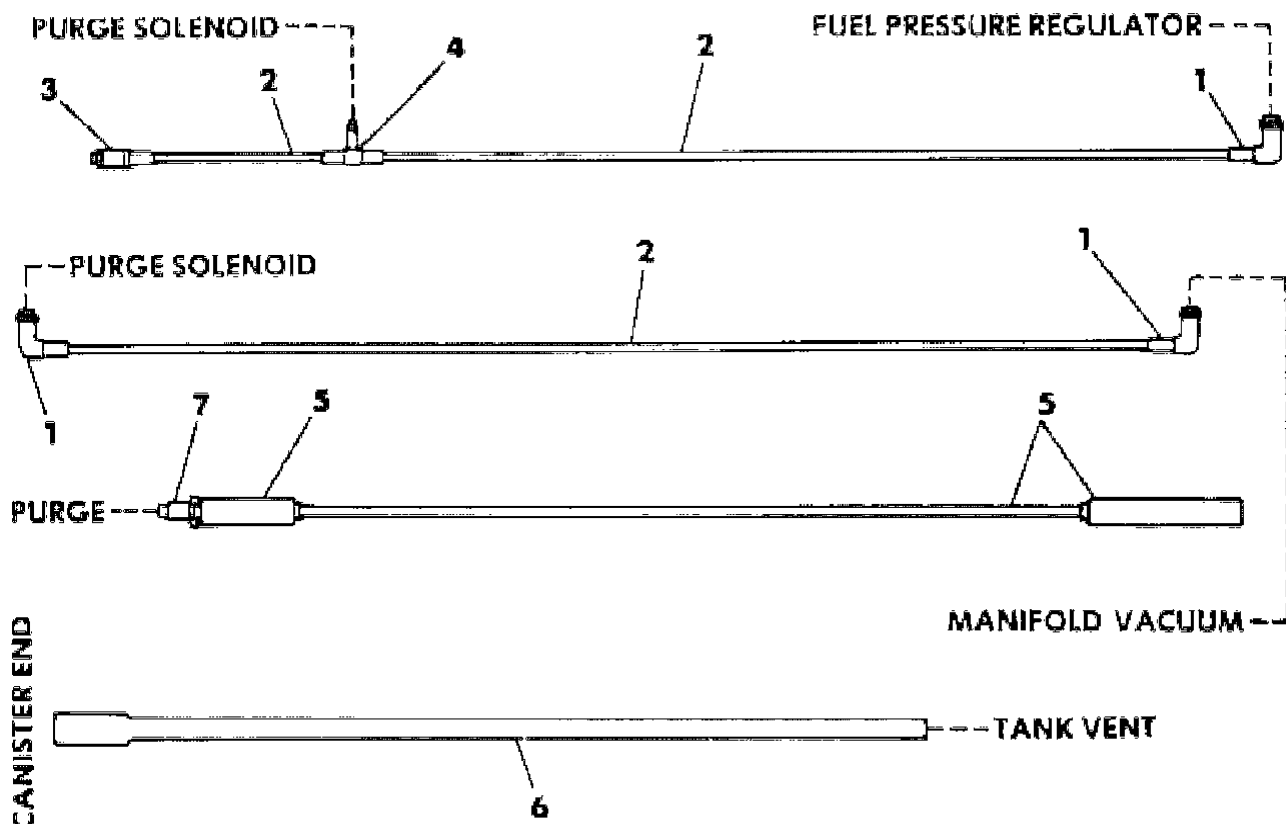
45 = 4-DOOR STATION WAGON

52-53 = FWD WAGON

AR = Use as Required - = Non Illustrated Part P.A.R. = Paint as Required

VAPOR CANISTER HOSE HARNESS 3.0L ENGINE S BODY
Figure 25-4275

7125 4275



ITEM	PART NUMBER	QTY	BODY	MODEL	DESCRIPTION
					HARNESS, Hose (tagged 4405468, 4405469 - not serviced)
					TUBING, Convoluted (serv. in 10 ft. roll)
	4364 393	AR			1/4"
	4364 375	AR			3/8"
1	4213 774	3			ELBOW .15F - 3/16
2	3780 508	AR			HOSE, Rubber 1/8" (serv. in 50 ft. roll)
3	4179 391	1			CONNECTOR .15F - 3/16
4	4300 958	1			TEE 3/16 x 3/16
5	4203 211	AR			HOSE, Rubber 1/4" (serv. in 50 ft. roll)
6	4210 989	1			TUBE, Expanded End
7	4179 643	1			CONNECTOR 1/4 x 5/16

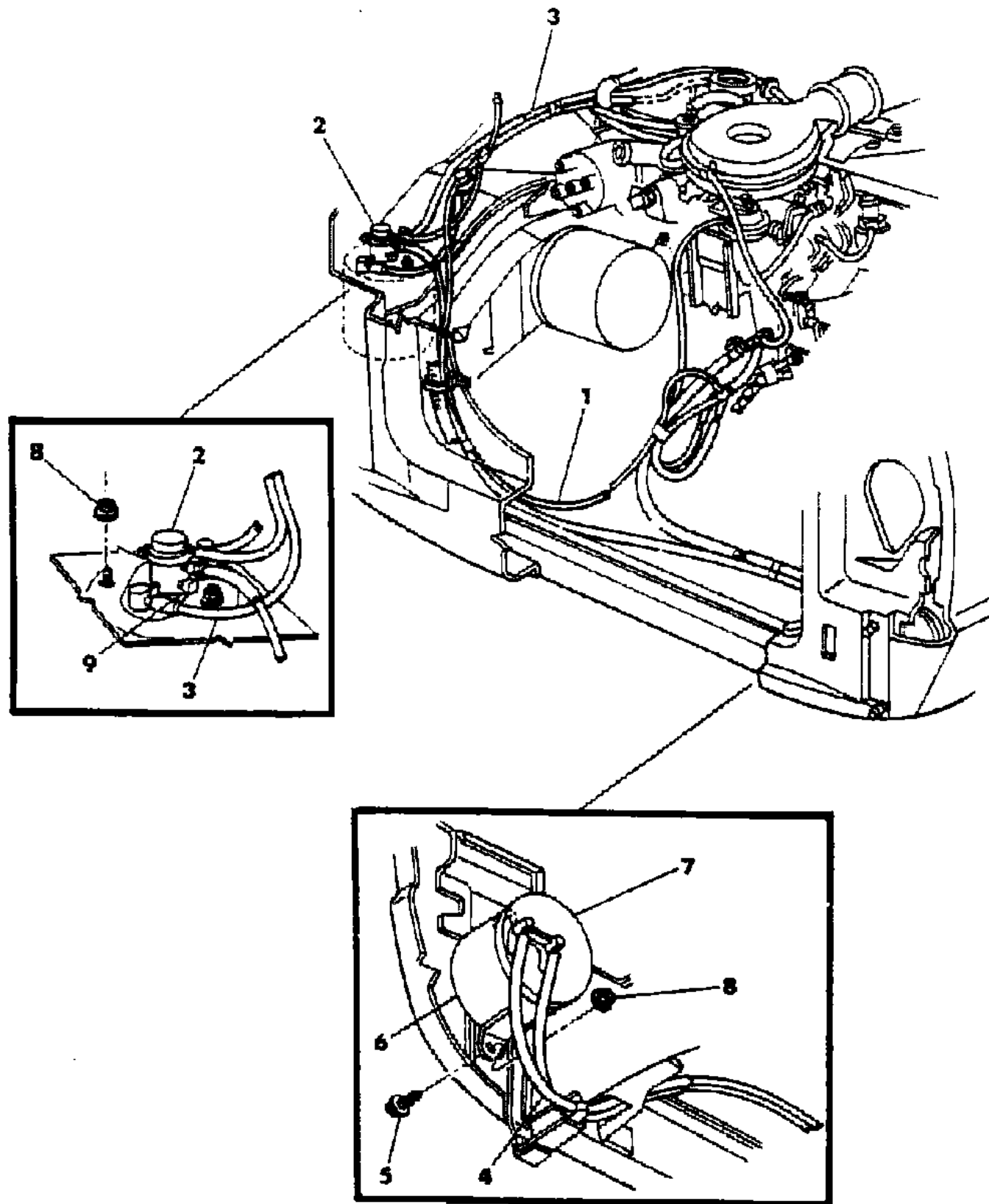
MODEL CODES
 E BODY = (J - CARAVELLE)(E - 600)(T - NEW YORKER)
 G BODY = (V24 - DAYTONA)
 H BODY = (D44 - LANCER)(C44 - LEBARON GTS)
 J BODY = (C - LEBARON)
 K BODY = (P - RELIANT)(D - ARIES)(C - LEBAROND)/TOWN & COUNTRY
 L BODY = (M - HORIZON/TURISMO)(Z - OMNI/CHARGER)
 M BODY = (B - GRAN FURY)(F - FIFTH AVE/NEWPORT)(G - DIPLOMAT)
 P BODY = (P - SUNDANCE)(D - SHADOW)
 S BODY = (H - VOYAGER)(K - RAM VAN/CARAVAN)

BODY STYLES
 12-13 = FWD VAN
 21 = 2-DOOR SEDAN
 24 = 2-DOOR HATCHBACK
 27 = 2-DOOR CONVERTIBLE
 41 = 4-DOOR SEDAN
 44 = 4-DOOR HATCHBACK
 45 = 4-DOOR STATION WAGON
 52-53 = FWD WAGON

AR = Use as Required - = Non Illustrated Part P.A.R. = Paint as Required

VAPOR CANISTER 2.6L ENGINE
Figure 25-4300

7125 43008



ITEM	PART NUMBER	QTY	BODY	MODEL	DESCRIPTION
1		1			HARNES, Hose - Vapor Engine (shown on illus. 4400, 4500)
2	4241 839	1			CANISTER, Vapor - stamped 4227010
3		1			HARNES, Hose - Vapor Bowl Vent (shown on illus. 4600, 4700, 4800, 4900)
4		1			HARNES, Hose - Dampening Canister (shown on illus. 5000)
5		2			SCREW and WASHER (not serviced)
6	4241 837	1			CANISTER, Vapor Dampening
7	4095 986	1			BRACKET, Dampening Canister Mounting
8	0219 462	5			NUT
9	4192 074	1			CAP, Dust

MODEL CODES

E BODY = (J - CARAVELLE)(E - 600)(T - NEW YORKER)

G BODY = (V24 - DAYTONA)

H BODY = (D44 - LANCER)(C44 - LEBARON GTS)

J BODY = (C - LEBARON)

K BODY = (P - RELIANT)(D - ARIES)(C - LEBAROND)/TOWN & COUNTRY)

L BODY = (M - HORIZON/TURISMO)(Z - OMNI/CHARGER)

M BODY = (B - GRAN FURY)(F - FIFTH AVE/NEWPORT)(G - DIPLOMAT)

P BODY = (P - SUNDANCE)(D - SHADOW)

S BODY = (H - VOYAGER)(K - RAM VAN/CARAVAN)

BODY STYLES

12-13 = FWD VAN

21 = 2-DOOR SEDAN

24 = 2-DOOR HATCHBACK

27 = 2-DOOR CONVERTIBLE

41 = 4-DOOR SEDAN

44 = 4-DOOR HATCHBACK

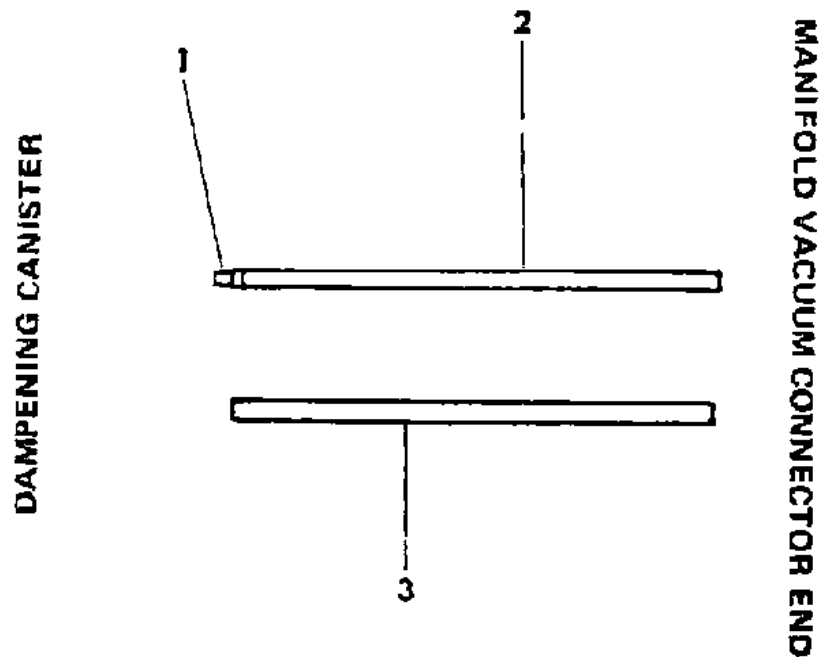
45 = 4-DOOR STATION WAGON

52-53 = FWD WAGON

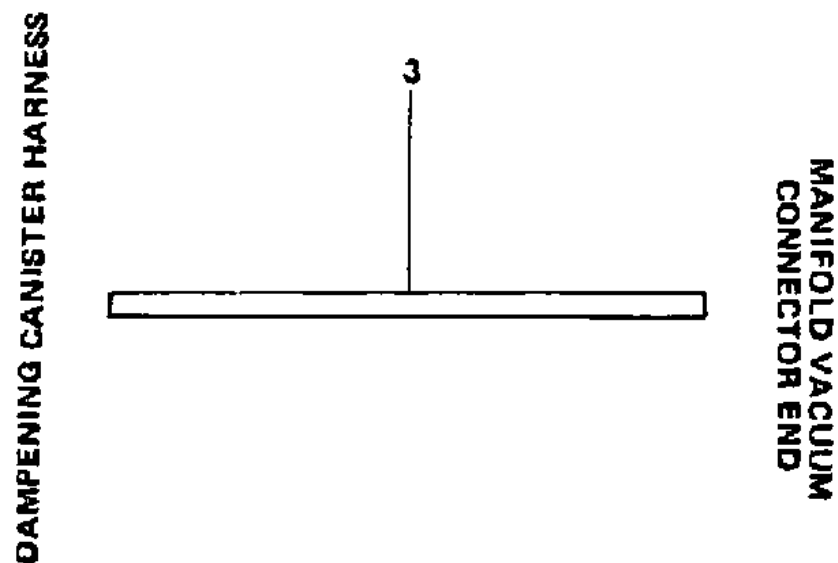
AR = Use as Required - = Non Illustrated Part P.A.R. = Paint as Required

VAPOR CANISTER HOSE HARNESS - VAPOR ENGINE 2.6L ENGINE - W/O AIR CONDITIONING
Figure 25-4400

7125 4400



EXC. CANADA



CANADA

ITEM	PART NUMBER	QTY	BODY	MODEL	DESCRIPTION
HARNESS, Hose (tagged 4275043 or 4268039 - not serviced)					
1	4104 998	1			CONNECTOR 3/16 x 3/16
2	4105 167	AR			HOSE, Rubber 3/16" (serv. in 50 ft. roll)
3	4203 316	AR			HOSE, Rubber 5/16" (serv. in 50 ft. roll)

MODEL CODES

E BODY = (J - CARAVELLE)(E - 600)(T - NEW YORKER)

G BODY = (V24 - DAYTONA)

H BODY = (D44 - LANCER)(C44 - LEBARON GTS)

J BODY = (C - LEBARON)

K BODY = (P - RELIANT)(D - ARIES)(C - LEBAROND)/TOWN & COUNTRY)

L BODY = (M - HORIZON/TURISMO)(Z - OMNI/CHARGER)

M BODY = (B - GRAN FURY)(F - FIFTH AVE/NEWPORT)(G - DIPLOMAT)

P BODY = (P - SUNDANCE)(D - SHADOW)

S BODY = (H - VOYAGER)(K - RAM VAN/CARAVAN)

BODY STYLES

12-13 = FWD VAN

21 = 2-DOOR SEDAN

24 = 2-DOOR HATCHBACK

27 = 2-DOOR CONVERTIBLE

41 = 4-DOOR SEDAN

44 = 4-DOOR HATCHBACK

45 = 4-DOOR STATION WAGON

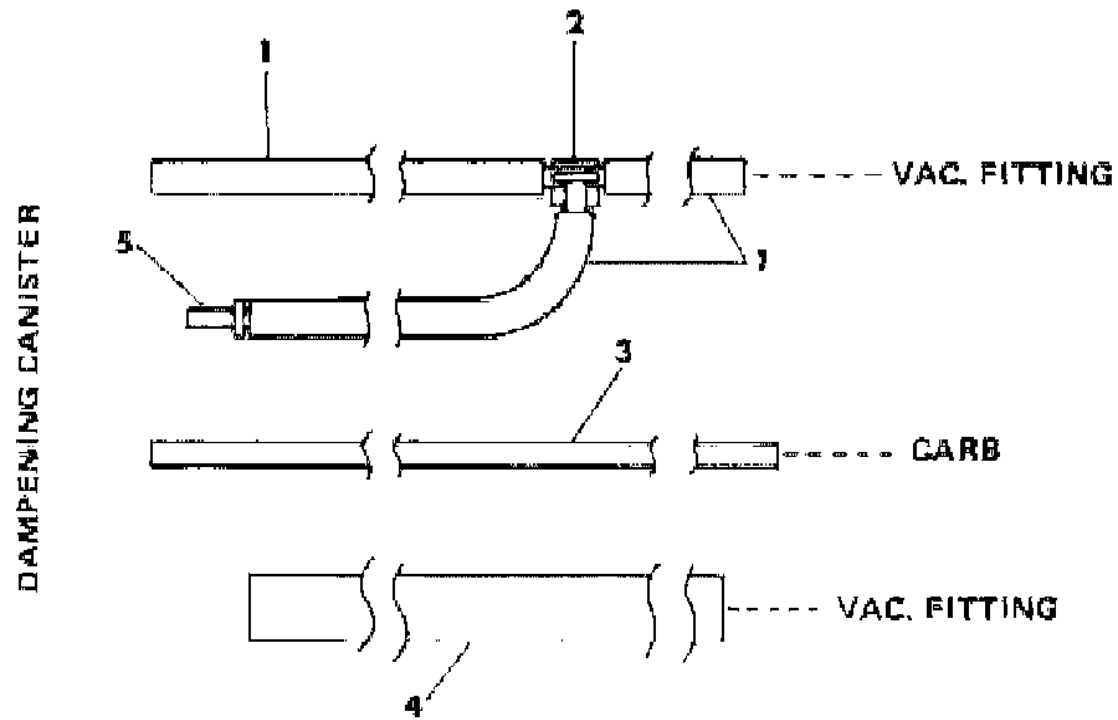
52-53 = FWD WAGON

AR = Use as Required - = Non Illustrated Part P.A.R. = Paint as Required

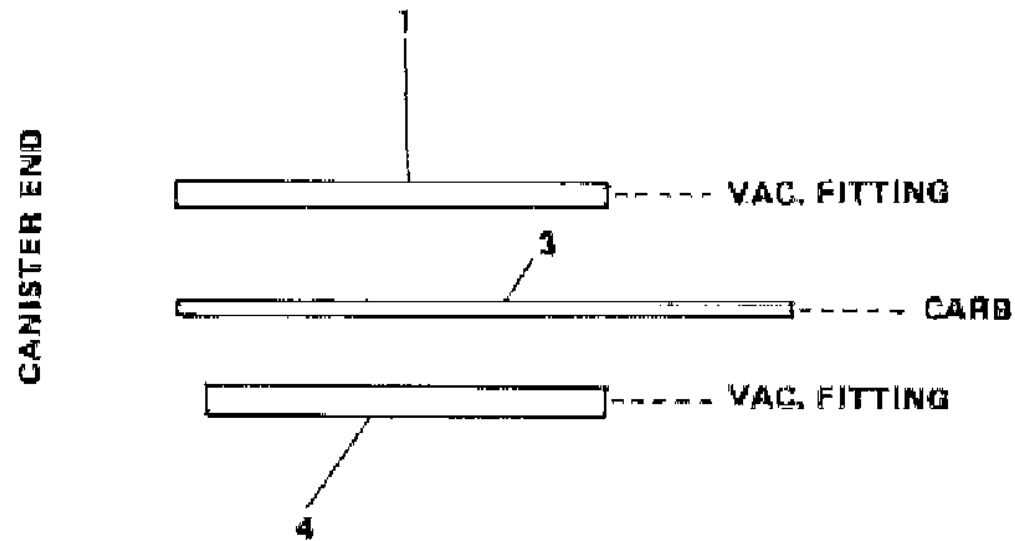
VAPOR CANISTER HOSE HARNESS - VAPOR ENGINE 2.6L ENGINE - W/AIR CONDITIONING
Figure 25-4500

7125 4500

ITEM	PART NUMBER	QTY	BODY	MODEL	DESCRIPTION
					HARNESS, Hose (tagged 4300725 or 4268038 - not serviced)
1	4105 167	AR			HOSE, Rubber 3/16" (serv. in 50 ft. roll)
2	4104 172	1			TEE 3/16 x 3/16 x 3/16
3	3780 508	AR			HOSE, Rubber 1/8" (serv. in 50 ft. roll)
4	4203 316	AR			HOSE, Rubber 5/16" (serv. in 50 ft. roll)
5	4104 998	1			CONNECTOR 3/16 x 3/16



EXC. CANADA



CANADA

MODEL CODES

E BODY = (J - CARAVELLE)(E - 600)(T - NEW YORKER)

G BODY = (V24 - DAYTONA)

H BODY = (D44 - LANCER)(C44 - LEBARON GTS)

J BODY = (C - LEBARON)

K BODY = (P - RELIANT)(D - ARIES)(C - LEBAROND)/TOWN & COUNTRY)

L BODY = (M - HORIZON/TURISMO)(Z - OMNI/CHARGER)

M BODY = (B - GRAN FURY)(F - FIFTH AVE/NEWPORT)(G - DIPLOMAT)

P BODY = (P - SUNDANCE)(D - SHADOW)

S BODY = (H - VOYAGER)(K - RAM VAN/CARAVAN)

BODY STYLES

12-13 = FWD VAN

21 = 2-DOOR SEDAN

24 = 2-DOOR HATCHBACK

27 = 2-DOOR CONVERTIBLE

41 = 4-DOOR SEDAN

44 = 4-DOOR HATCHBACK

45 = 4-DOOR STATION WAGON

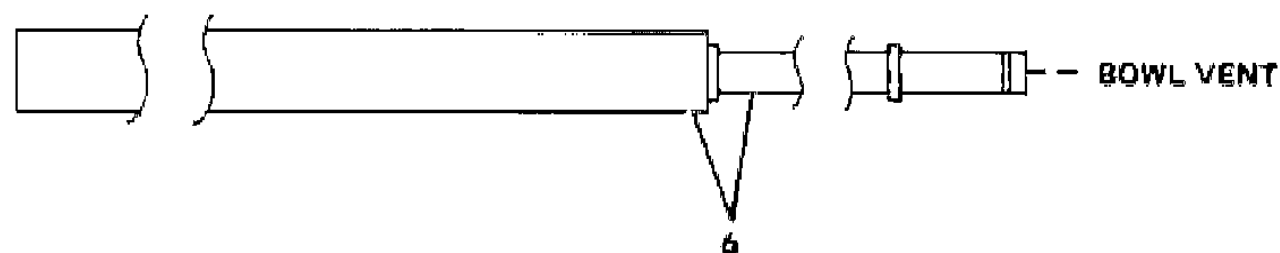
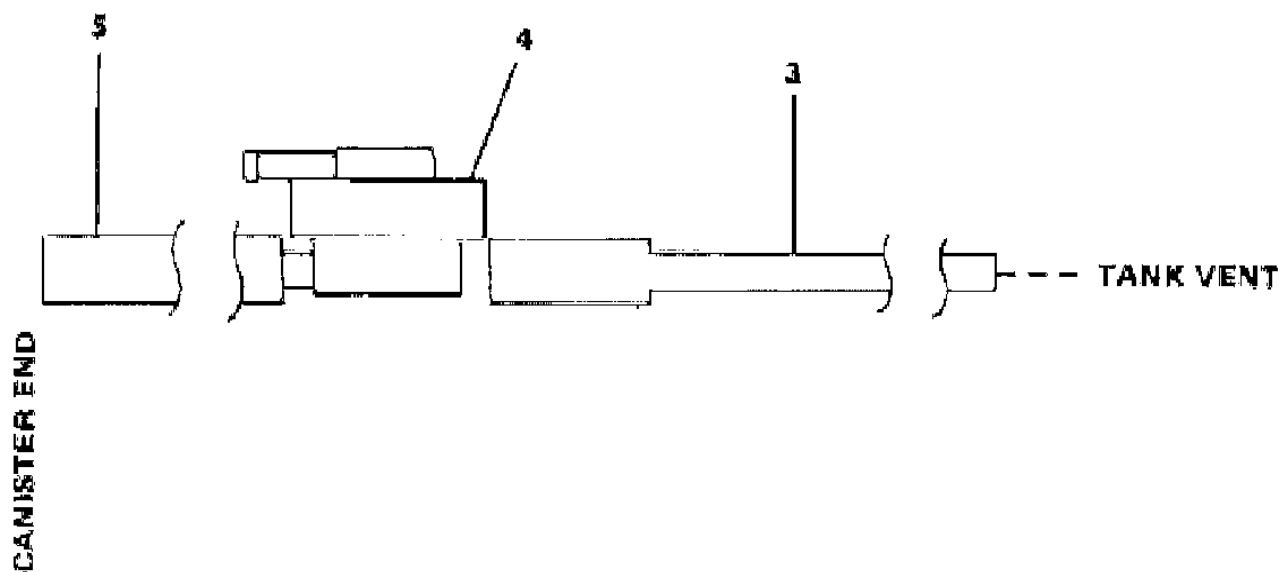
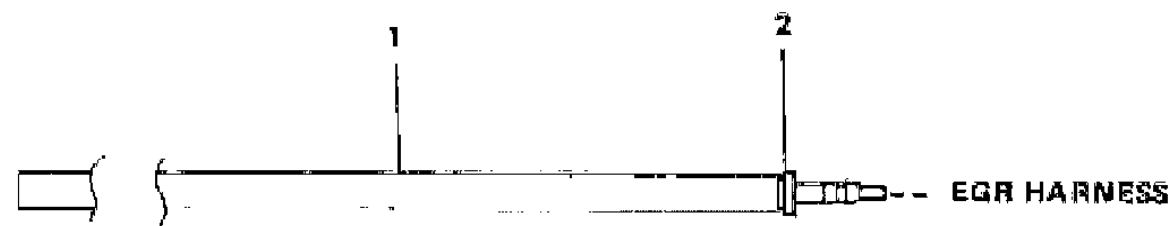
52-53 = FWD WAGON

AR = Use as Required - = Non Illustrated Part P.A.R. = Paint as Required

VAPOR CANISTER HOSE HARNESS - BOWL VENT 2.6L ENGINE - FEDERAL
Figure 25-4600

7125 4800 A

ITEM	PART NUMBER	QTY	BODY	MODEL	DESCRIPTION
HARNES, Hose (tagged 4306506 - not serviced)					
1	4105 167	AR			HOSE, Rubber 3/16" (serv. in 50 ft. roll)
2	4241 296	1			CONNECTOR 1/8 x 3/16
3	4210 989	1			TUBE, Expanded End
4	4306 058	1			VALVE, Tank Vapor
5	4203 316	1			HOSE, Rubber 5/16" (serv. in 50 ft. roll)
6	4203 421	AR			HOSE, Rubber 3/8" (serv. in 50 ft. roll)



MODEL CODES

E BODY = (J - CARAVELLE)(E - 600)(T - NEW YORKER)

G BODY = (V24 - DAYTONA)

H BODY = (D44 - LANCER)(C44 - LEBARON GTS)

J BODY = (C - LEBARON)

K BODY = (P - RELIANT)(D - ARIES)(C - LEBAROND)/TOWN & COUNTRY)

L BODY = (M - HORIZON/TURISMO)(Z - OMNI/CHARGER)

M BODY = (B - GRAN FURY)(F - FIFTH AVE/NEWPORT)(G - DIPLOMAT)

P BODY = (P - SUNDANCE)(D - SHADOW)

S BODY = (H - VOYAGER)(K - RAM VAN/CARAVAN)

BODY STYLES

12-13 = FWD VAN

21 = 2-DOOR SEDAN

24 = 2-DOOR HATCHBACK

27 = 2-DOOR CONVERTIBLE

41 = 4-DOOR SEDAN

44 = 4-DOOR HATCHBACK

45 = 4-DOOR STATION WAGON

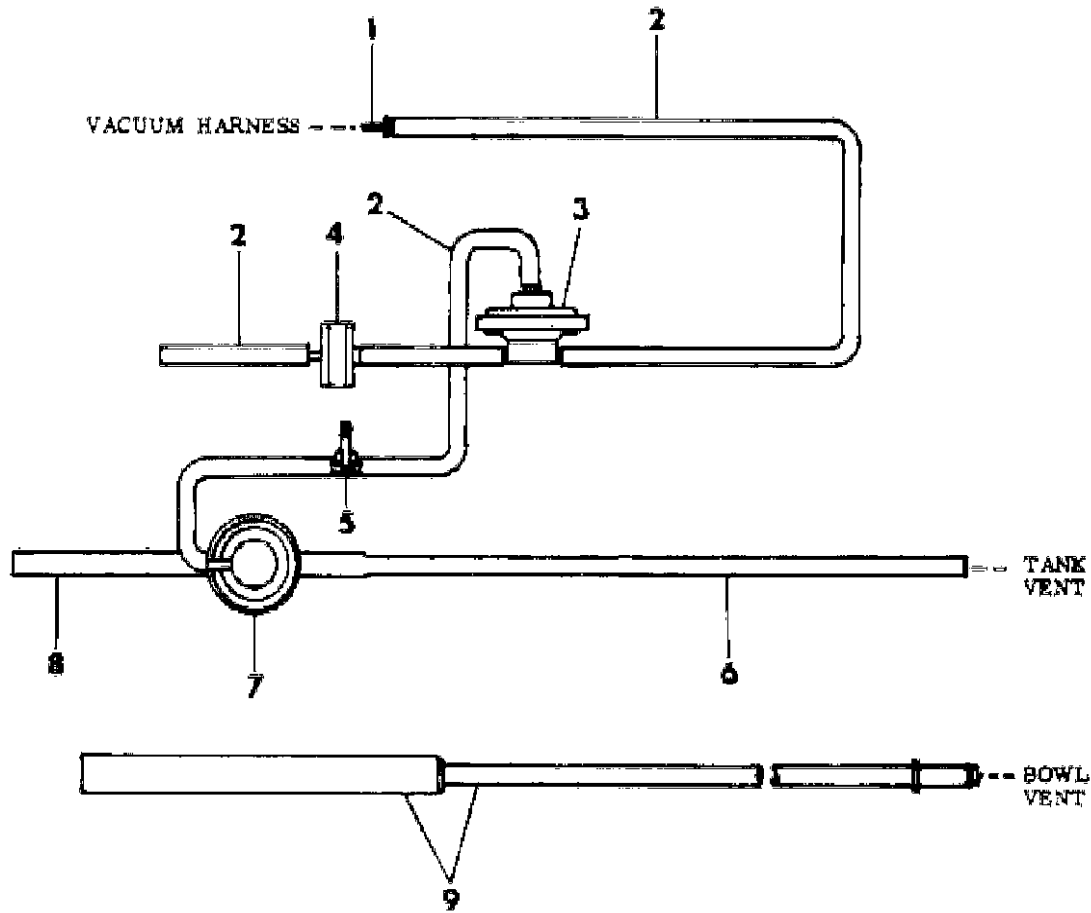
52-53 = FWD WAGON

AR = Use as Required - = Non Illustrated Part P.A.R. = Paint as Required

VAPOR CANISTER HOSE HARNESS - BOWL VENT 2.6L ENGINE - HIGH ALT.
Figure 25-4700

7125 4700

ITEM	PART NUMBER	QTY	BODY	MODEL	DESCRIPTION
HARNESS, Hose (tagged 4405465 - not serviced)					
1	4241 296	1			CONNECTOR 1/8 x 3/16
2	4105 167	AR			HOSE, Rubber 3/16" (serv. in 50 ft. roll)
3	4104 184	1			VALVE, Dump
4	4306 280	1			VALVE, Delay
5	4104 172	1			TEE 3/16 x 3/16 x 3/16
6	4210 989	1			TUBE, Expanded End
7	4306 058	1			VALVE, Tank Vapor
8	4203 316	AR			HOSE, Rubber 5/16" (serv. in 50 ft. roll)
9	4203 421	AR			HOSE, Rubber 3/8" (serv. in 50 ft. roll)



MODEL CODES

E BODY = (J - CARAVELLE)(E - 600)(T - NEW YORKER)

G BODY = (V24 - DAYTONA)

H BODY = (D44 - LANCER)(C44 - LEBARON GTS)

J BODY = (C - LEBARON)

K BODY = (P - RELIANT)(D - ARIES)(C - LEBAROND)/TOWN & COUNTRY)

L BODY = (M - HORIZON/TURISMO)(Z - OMNI/CHARGER)

M BODY = (B - GRAN FURY)(F - FIFTH AVE/NEWPORT)(G - DIPLOMAT)

P BODY = (P - SUNDANCE)(D - SHADOW)

S BODY = (H - VOYAGER)(K - RAM VAN/CARAVAN)

BODY STYLES

12-13 = FWD VAN

21 = 2-DOOR SEDAN

24 = 2-DOOR HATCHBACK

27 = 2-DOOR CONVERTIBLE

41 = 4-DOOR SEDAN

44 = 4-DOOR HATCHBACK

45 = 4-DOOR STATION WAGON

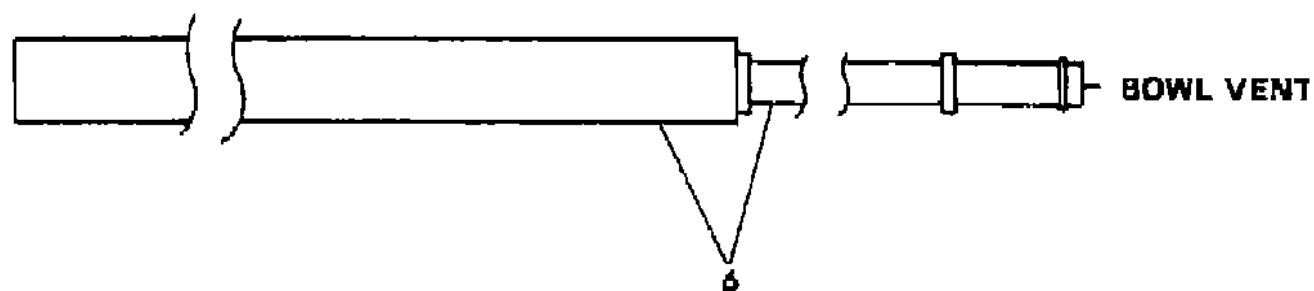
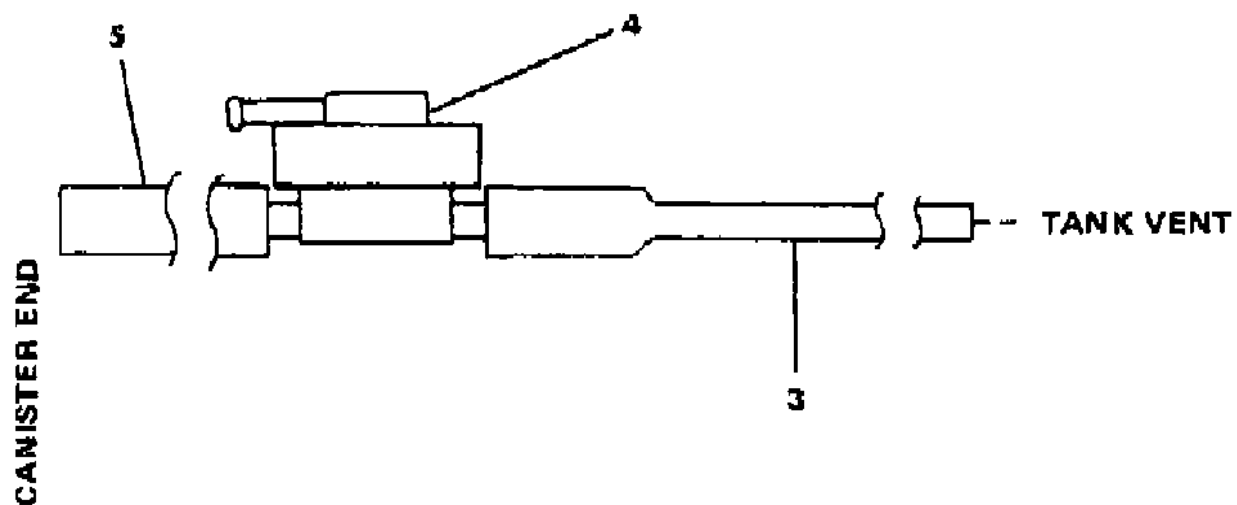
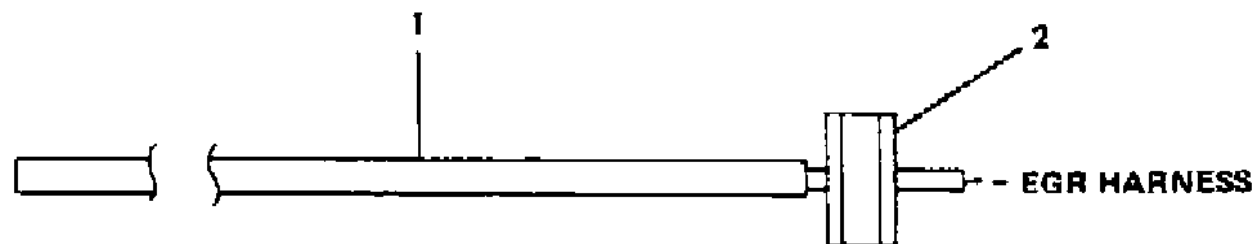
52-53 = FWD WAGON

AR = Use as Required - = Non Illustrated Part P.A.R. = Paint as Required

VAPOR CANISTER HOSE HARNESS - BOWL VENT 2.6L ENGINE - CALIF.
Figure 25-4800

7125 4800 A

ITEM	PART NUMBER	QTY	BODY	MODEL	DESCRIPTION
HARNES, Hose (tagged 4306507 - not serviced)					
1	4105 167	AR			HOSE, Rubber 3/16" (serv. in 50 ft. roll)
2	4306 280	1			VALVE, Delay
3	4210 989	1			TUBE, Expanded End
4	4306 058	1			VALVE, Tank Vent
5	4203 316	AR			HOSE, Rubber 5/16" (serv. in 50 ft. roll)
6	4203 421	AR			HOSE, Rubber 3/8" (serv. in 50 ft. roll)



MODEL CODES

E BODY = (J - CARAVELLE)(E - 600)(T - NEW YORKER)

G BODY = (V24 - DAYTONA)

H BODY = (D44 - LANCER)(C44 - LEBARON GTS)

J BODY = (C - LEBARON)

K BODY = (P - RELIANT)(D - ARIES)(C - LEBAROND)/TOWN & COUNTRY)

L BODY = (M - HORIZON/TURISMO)(Z - OMNI/CHARGER)

M BODY = (B - GRAN FURY)(F - FIFTH AVE/NEWPORT)(G - DIPLOMAT)

P BODY = (P - SUNDANCE)(D - SHADOW)

S BODY = (H - VOYAGER)(K - RAM VAN/CARAVAN)

BODY STYLES

12-13 = FWD VAN

21 = 2-DOOR SEDAN

24 = 2-DOOR HATCHBACK

27 = 2-DOOR CONVERTIBLE

41 = 4-DOOR SEDAN

44 = 4-DOOR HATCHBACK

45 = 4-DOOR STATION WAGON

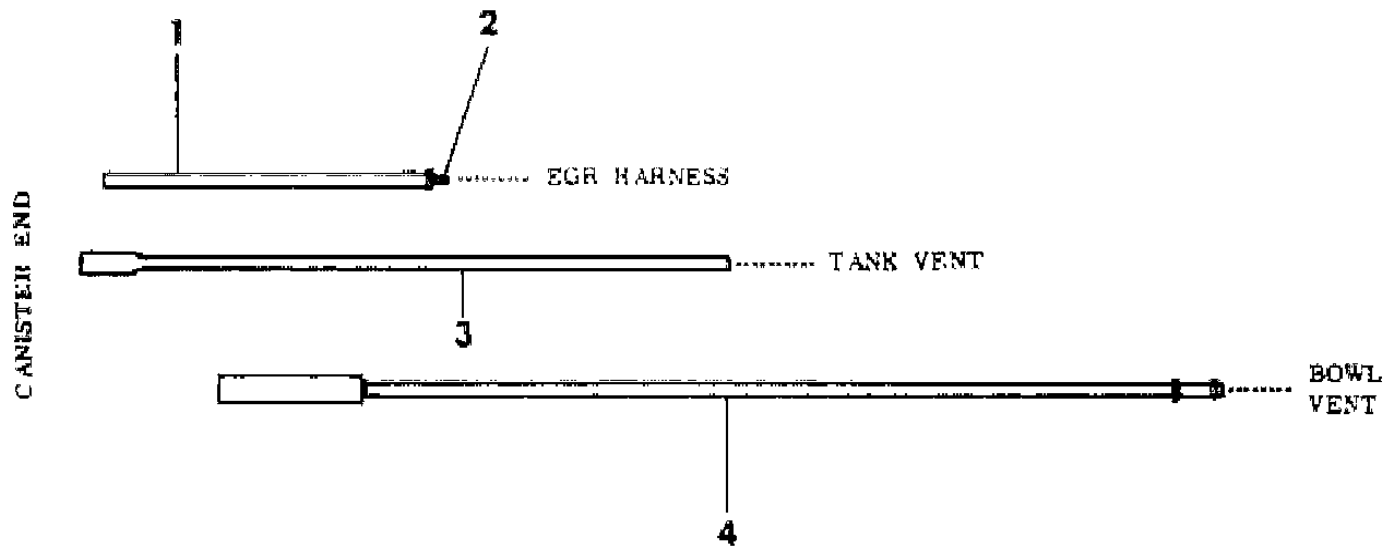
52-53 = FWD WAGON

AR = Use as Required - = Non Illustrated Part P.A.R. = Paint as Required

VAPOR CANISTER HOSE HARNESS- BOWL VENT 2.6L ENGINE - CANADA
Figure 25-4900

7125 4900

ITEM	PART NUMBER	QTY	BODY	MODEL	DESCRIPTION
HARNES, Hose (tagged 4300749 - not serviced)					
1	4105 167	AR			HOSE, Rubber 3/16" (serv. in 50 ft. roll)
2	4241 296	1			CONNECTOR 1/8 x 3/16
3	4210 989	1			TUBE, Expanded End
4	4203 421	AR			HOSE, Rubber 3/8" (serv. in 50 ft. roll)



MODEL CODES

E BODY = (J - CARAVELLE)(E - 600)(T - NEW YORKER)

G BODY = (V24 - DAYTONA)

H BODY = (D44 - LANCER)(C44 - LEBARON GTS)

J BODY = (C - LEBARON)

K BODY = (P - RELIANT)(D - ARIES)(C - LEBAROND)/TOWN & COUNTRY)

L BODY = (M - HORIZON/TURISMO)(Z - OMNI/CHARGER)

M BODY = (B - GRAN FURY)(F - FIFTH AVE/NEWPORT)(G - DIPLOMAT)

P BODY = (P - SUNDANCE)(D - SHADOW)

S BODY = (H - VOYAGER)(K - RAM VAN/CARAVAN)

BODY STYLES

12-13 = FWD VAN

21 = 2-DOOR SEDAN

24 = 2-DOOR HATCHBACK

27 = 2-DOOR CONVERTIBLE

41 = 4-DOOR SEDAN

44 = 4-DOOR HATCHBACK

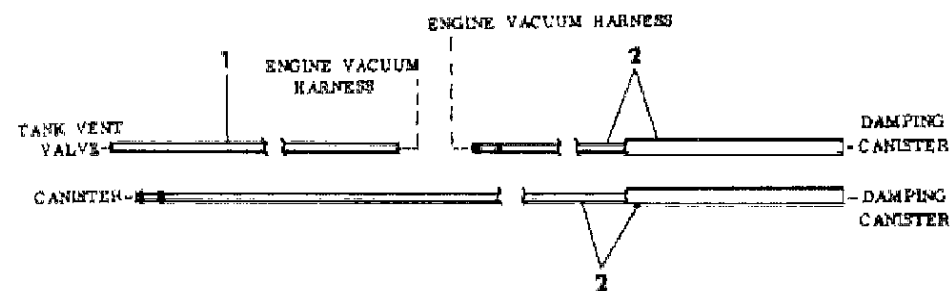
45 = 4-DOOR STATION WAGON

52-53 = FWD WAGON

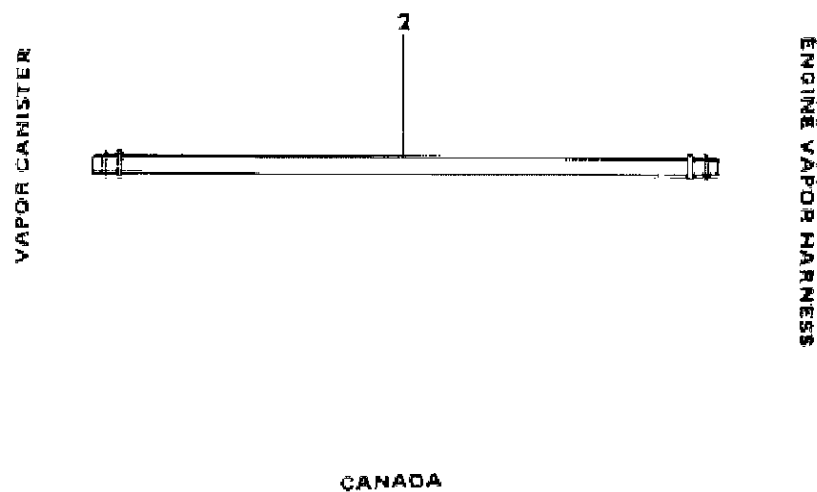
AR = Use as Required - = Non Illustrated Part P.A.R. = Paint as Required

VAPOR CANISTER HOSE HARNESS - DAMPENING CANISTER 2.6L ENGINE
Figure 25-5000

7125 5000



EXCEPT CANADA



CANADA

ITEM	PART NUMBER	QTY	BODY	MODEL	DESCRIPTION
------	-------------	-----	------	-------	-------------

					HARNESS, Hose (tagged 4405466 or 4268036 - not serviced)
1	4105 167	AR			HOSE, Rubber 3/16" (serv. in 50 ft. roll)
2	4203 316	AR			HOSE, Rubber 5/16" (serv. in 50 ft. roll)

MODEL CODES

E BODY = (J - CARAVELLE)(E - 600)(T - NEW YORKER)

G BODY = (V24 - DAYTONA)

H BODY = (D44 - LANCER)(C44 - LEBARON GTS)

J BODY = (C - LEBARON)

K BODY = (P - RELIANT)(D - ARIES)(C - LEBAROND)/TOWN & COUNTRY)

L BODY = (M - HORIZON/TURISMO)(Z - OMNI/CHARGER)

M BODY = (B - GRAN FURY)(F - FIFTH AVE/NEWPORT)(G - DIPLOMAT)

P BODY = (P - SUNDANCE)(D - SHADOW)

S BODY = (H - VOYAGER)(K - RAM VAN/CARAVAN)

BODY STYLES

12-13 = FWD VAN

21 = 2-DOOR SEDAN

24 = 2-DOOR HATCHBACK

27 = 2-DOOR CONVERTIBLE

41 = 4-DOOR SEDAN

44 = 4-DOOR HATCHBACK

45 = 4-DOOR STATION WAGON

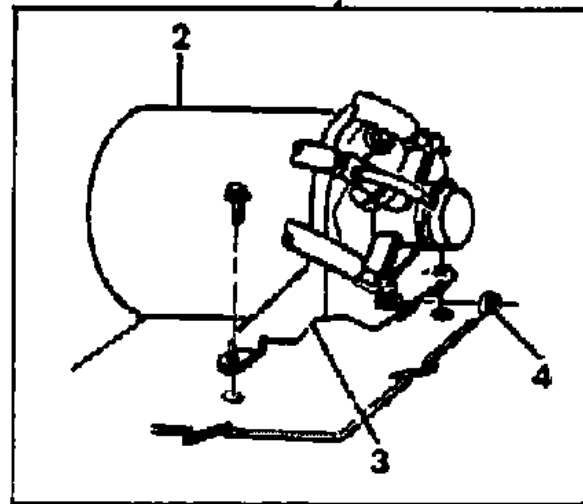
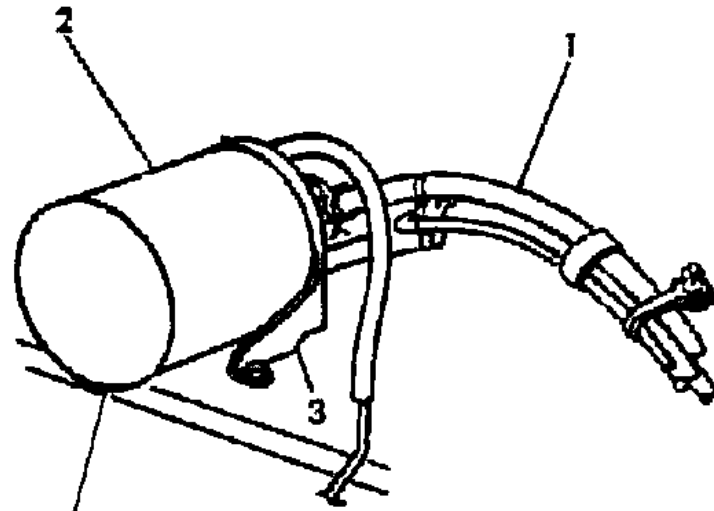
52-53 = FWD WAGON

AR = Use as Required - = Non Illustrated Part P.A.R. = Paint as Required

VAPOR CANISTER 318 ENGINE
Figure 25-5100

7125 5100

ITEM	PART NUMBER	QTY	BODY	MODEL	DESCRIPTION
1		1			HARNES, Hose (shown on illus. 5200, 5300, 5400)
2	4241 839	1			CANISTER, Vapor stamped 4227010
	4241 838	1			stamped 4227009
3	4241 251	1			BRACKET, Canister Mounting
4	0219 462	3			NUT and WASHER



MODEL CODES

E BODY = (J - CARAVELLE)(E - 600)(T - NEW YORKER)

G BODY = (V24 - DAYTONA)

H BODY = (D44 - LANCER)(C44 - LEBARON GTS)

J BODY = (C - LEBARON)

K BODY = (P - RELIANT)(D - ARIES)(C - LEBAROND)/TOWN & COUNTRY)

L BODY = (M - HORIZON/TURISMO)(Z - OMNI/CHARGER)

M BODY = (B - GRAN FURY)(F - FIFTH AVE/NEWPORT)(G - DIPLOMAT)

P BODY = (P - SUNDANCE)(D - SHADOW)

S BODY = (H - VOYAGER)(K - RAM VAN/CARAVAN)

BODY STYLES

12-13 = FWD VAN

21 = 2-DOOR SEDAN

24 = 2-DOOR HATCHBACK

27 = 2-DOOR CONVERTIBLE

41 = 4-DOOR SEDAN

44 = 4-DOOR HATCHBACK

45 = 4-DOOR STATION WAGON

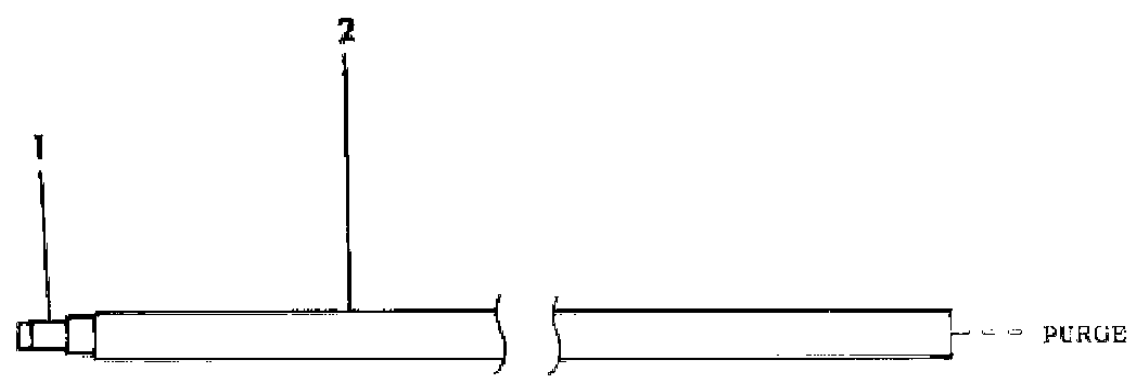
52-53 = FWD WAGON

AR = Use as Required - = Non Illustrated Part P.A.R. = Paint as Required

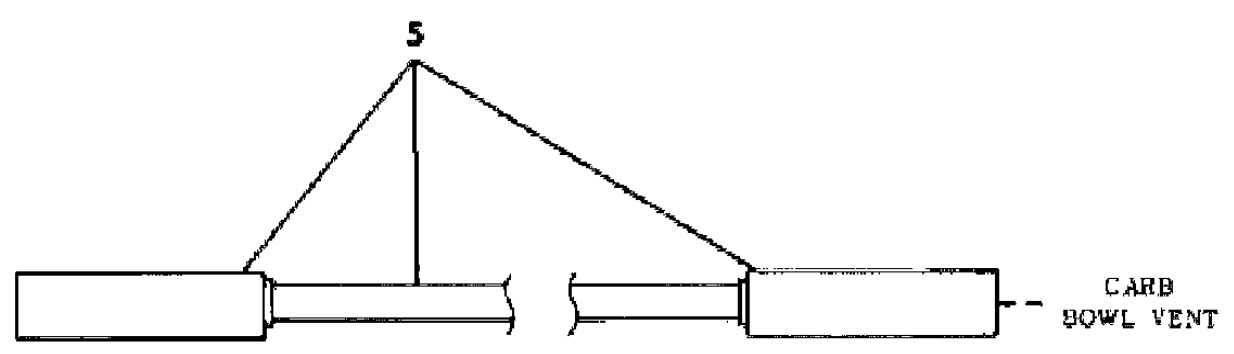
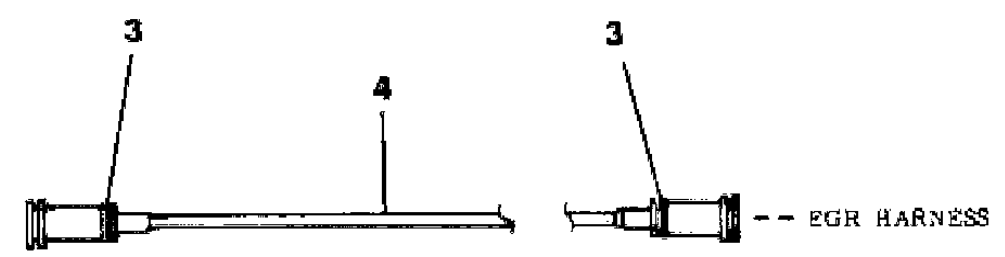
VAPOR CANISTER HOSE HARNESS 318 ENGINE 2BBL. - EXC. CANADA
Figure 25-5200

7125 5200

ITEM	PART NUMBER	QTY	BODY	MODEL	DESCRIPTION
HARNES, Hose (tagged 4300741 - not serviced)					
1	4179 981	1			CONNECTOR 5/16 x 5/16
2	4203 316	AR			HOSE, Rubber 5/16" (serv. in 50 ft. roll)
3	4179 391	2			CONNECTOR .15F - 3/16
4	3780 508	AR			HOSE, Rubber 1/8" (serv. in 50 ft. roll)
5	4203 421	AR			HOSE, Rubber 3/8" (serv. in 50 ft. roll)



CANISTER END



MODEL CODES
 E BODY = (J - CARAVELLE)(E - 600)(T - NEW YORKER)
 G BODY = (V24 - DAYTONA)
 H BODY = (D44 - LANCER)(C44 - LEBARON GTS)
 J BODY = (C - LEBARON)
 K BODY = (P - RELIANT)(D - ARIES)(C - LEBAROND)/TOWN & COUNTRY
 L BODY = (M - HORIZON/TURISMO)(Z - OMNI/CHARGER)
 M BODY = (B - GRAN FURY)(F - FIFTH AVE/NEWPORT)(G - DIPLOMAT)
 P BODY = (P - SUNDANCE)(D - SHADOW)
 S BODY = (H - VOYAGER)(K - RAM VAN/CARAVAN)

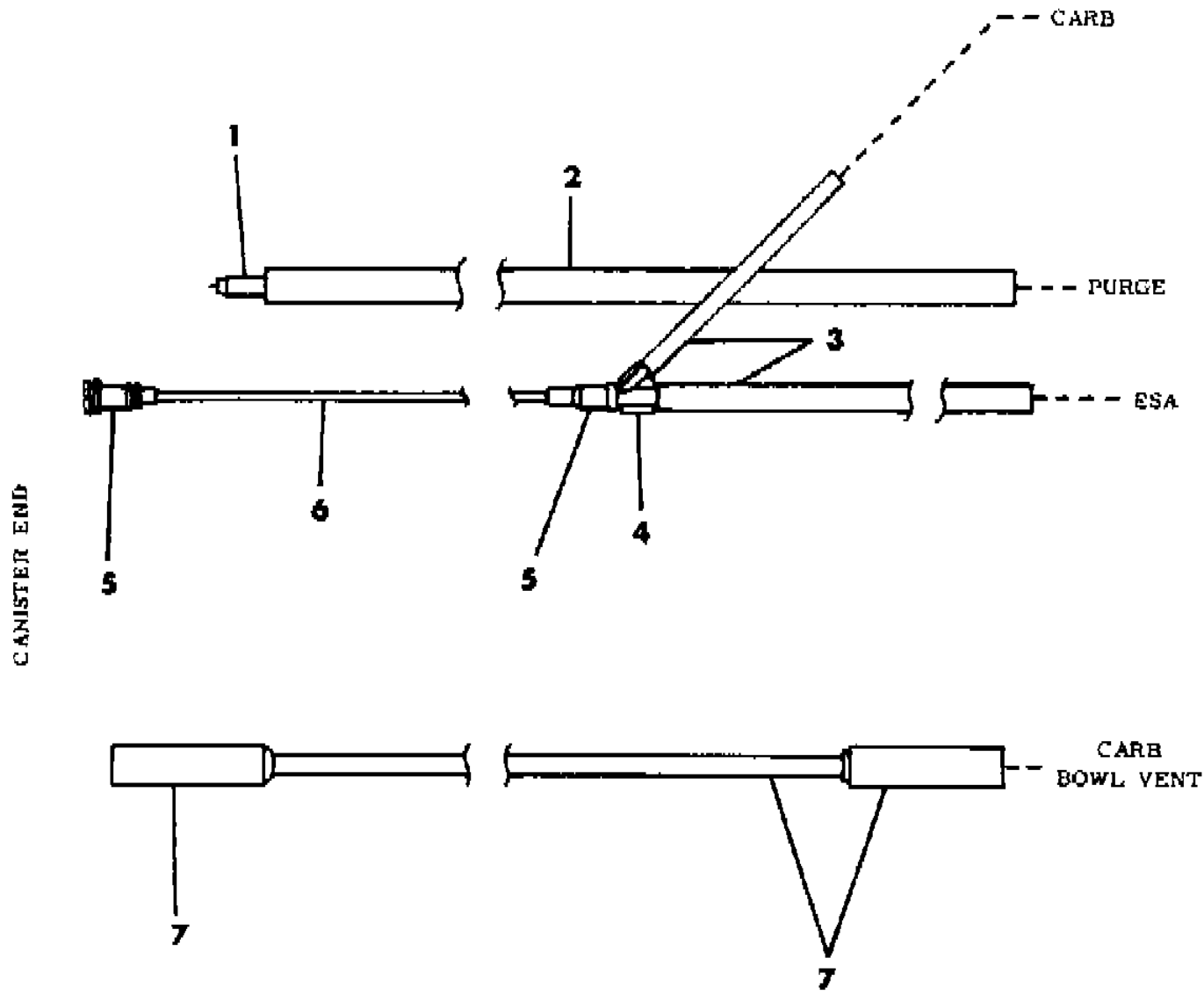
BODY STYLES
 12-13 = FWD VAN
 21 = 2-DOOR SEDAN
 24 = 2-DOOR HATCHBACK
 27 = 2-DOOR CONVERTIBLE
 41 = 4-DOOR SEDAN
 44 = 4-DOOR HATCHBACK
 45 = 4-DOOR STATION WAGON
 52-53 = FWD WAGON

AR = Use as Required - = Non Illustrated Part P.A.R. = Paint as Required

VAPOR CANISTER HOSE HARNESS 318 ENGINE 2BBL. - CANADA
Figure 25-5300

7125 5300

ITEM	PART NUMBER	QTY	BODY	MODEL	DESCRIPTION
HARNES, Hose (tagged 4306561 - not serviced)					
1	4179 981	1			CONNECTOR 5/16 x 5/16
2	4203 316	AR			HOSE, Rubber 5/16" (serv. in 50 ft. roll)
3	4105 167	AR			HOSE, Rubber 3/16" (serv. in 50 ft. roll)
4	4275 571	1			CONNECTOR, Y 3/16 x 3/16 x 3/16
5	4179 391	2			CONNECTOR .15F - 3/16
6	3780 508	AR			HOSE, Rubber 1/8" (serv. in 50 ft. roll)
7	4203 421	AR			HOSE, Rubber 3/8" (serv. in 50 ft. roll)



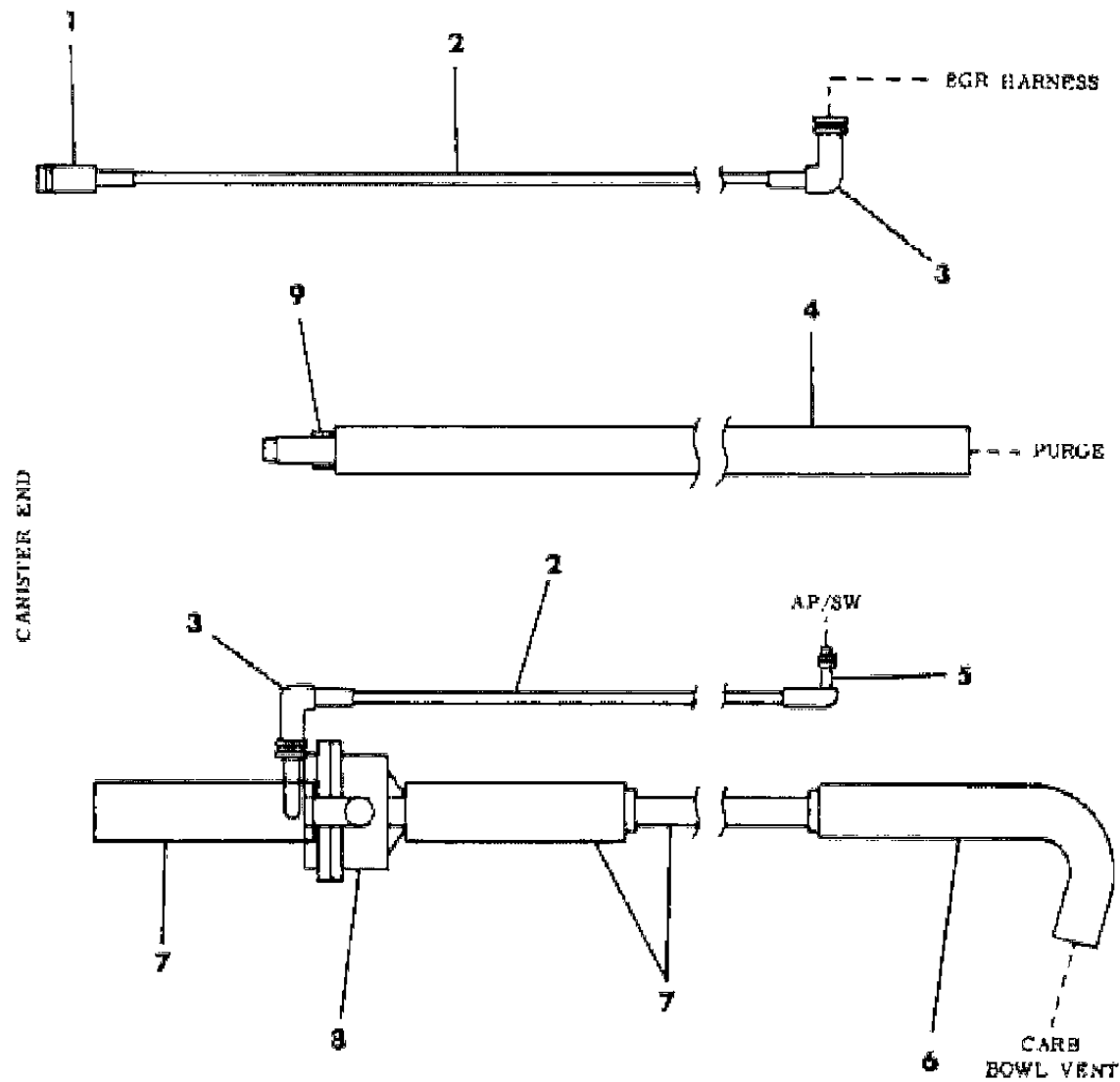
MODEL CODES
 E BODY = (J - CARAVELLE)(E - 600)(T - NEW YORKER)
 G BODY = (V24 - DAYTONA)
 H BODY = (D44 - LANCER)(C44 - LEBARON GTS)
 J BODY = (C - LEBARON)
 K BODY = (P - RELIANT)(D - ARIES)(C - LEBAROND)/TOWN & COUNTRY
 L BODY = (M - HORIZON/TURISMO)(Z - OMNI/CHARGER)
 M BODY = (B - GRAN FURY)(F - FIFTH AVE/NEWPORT)(G - DIPLOMAT)
 P BODY = (P - SUNDANCE)(D - SHADOW)
 S BODY = (H - VOYAGER)(K - RAM VAN/CARAVAN)

BODY STYLES
 12-13 = FWD VAN 41 = 4-DOOR SEDAN
 21 = 2-DOOR SEDAN 44 = 4-DOOR HATCHBACK
 24 = 2-DOOR HATCHBACK 45 = 4-DOOR STATION WAGON
 27 = 2-DOOR CONVERTIBLE 52-53 = FWD WAGON

AR = Use as Required - = Non Illustrated Part P.A.R. = Paint as Required

VAPOR CANISTER HOSE HARNESS 318 ENGINE 4BBL.
Figure 25-5400

7125 5400



ITEM	PART NUMBER	QTY	BODY	MODEL	DESCRIPTION
HARNES, Hose (tagged 4300743 - not serviced)					
1	4179 391	1			CONNECTOR .15F - 3/16
2	3780 508	AR			HOSE, Rubber 1/8" (serv. in 50 ft. roll)
3	4213 774	2			ELBOW .15F - 3/16
4	4203 316	AR			HOSE, Rubber 5/16" (serv. in 50 ft. roll)
5	4213 797	1			ELBOW .15M - 3/16
6	4241 846	1			TUBE, Formed
7	4203 421	AR			HOSE, Rubber 3/8" (serv. in 50 ft. roll)
8	5214 336	1			VALVE, Bowl Vent
9	4300 946	1			CONNECTOR 5/16 x 5/16

MODEL CODES

E BODY = (J - CARAVELLE)(E - 600)(T - NEW YORKER)

G BODY = (V24 - DAYTONA)

H BODY = (D44 - LANCER)(C44 - LEBARON GTS)

J BODY = (C - LEBARON)

K BODY = (P - RELIANT)(D - ARIES)(C - LEBAROND)/TOWN & COUNTRY)

L BODY = (M - HORIZON/TURISMO)(Z - OMNI/CHARGER)

M BODY = (B - GRAN FURY)(F - FIFTH AVE/NEWPORT)(G - DIPLOMAT)

P BODY = (P - SUNDANCE)(D - SHADOW)

S BODY = (H - VOYAGER)(K - RAM VAN/CARAVAN)

BODY STYLES

12-13 = FWD VAN

21 = 2-DOOR SEDAN

24 = 2-DOOR HATCHBACK

27 = 2-DOOR CONVERTIBLE

41 = 4-DOOR SEDAN

44 = 4-DOOR HATCHBACK

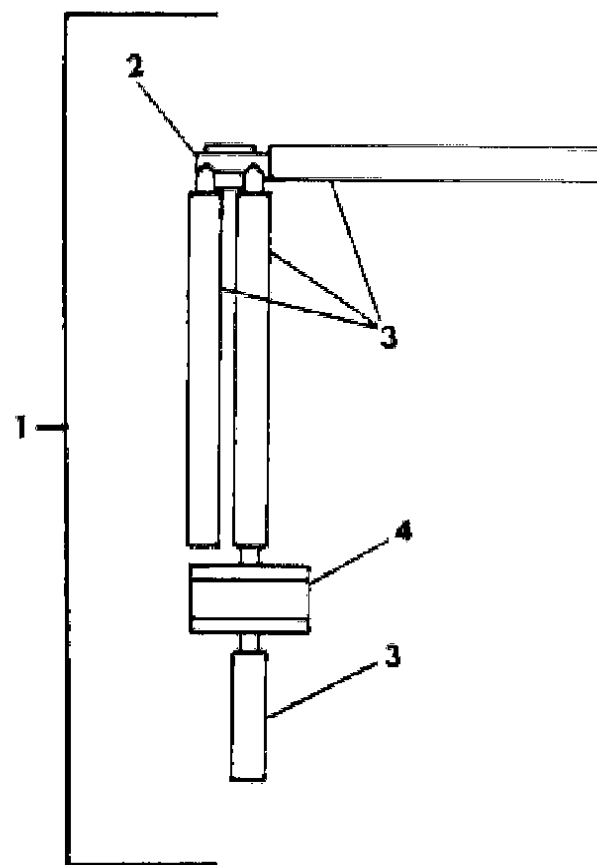
45 = 4-DOOR STATION WAGON

52-53 = FWD WAGON

AR = Use as Required - = Non Illustrated Part P.A.R. = Paint as Required

**CHOKE PULL OFF HOSE HARNESS
Figure 25-5500**

7125 5500



ITEM	PART NUMBER	QTY	BODY	MODEL	DESCRIPTION
1		1			HARNESS, Hose - not serviced
		1		M,Z	2.2L Eng. w/(S/C - EDE) - tagged 4167047
		1		H,K	2.2L Eng. - tagged 4405620
2	4095 987	1			CONNECTOR, F
3	4105 167	AR			HOSE, Rubber 3/16" (serv. in 50 ft. roll)
4	4167 046	1		M,Z	VALVE, Vacuum Delay
	4300 273	1		H,K	

MODEL CODES

E BODY = (J - CARAVELLE)(E - 600)(T - NEW YORKER)

G BODY = (V24 - DAYTONA)

H BODY = (D44 - LANCER)(C44 - LEBARON GTS)

J BODY = (C - LEBARON)

K BODY = (P - RELIANT)(D - ARIES)(C - LEBAROND)/TOWN & COUNTRY)

L BODY = (M - HORIZON/TURISMO)(Z - OMNI/CHARGER)

M BODY = (B - GRAN FURY)(F - FIFTH AVE/NEWPORT)(G - DIPLOMAT)

P BODY = (P - SUNDANCE)(D - SHADOW)

S BODY = (H - VOYAGER)(K - RAM VAN/CARAVAN)

BODY STYLES

12-13 = FWD VAN

21 = 2-DOOR SEDAN

24 = 2-DOOR HATCHBACK

27 = 2-DOOR CONVERTIBLE

41 = 4-DOOR SEDAN

44 = 4-DOOR HATCHBACK

45 = 4-DOOR STATION WAGON

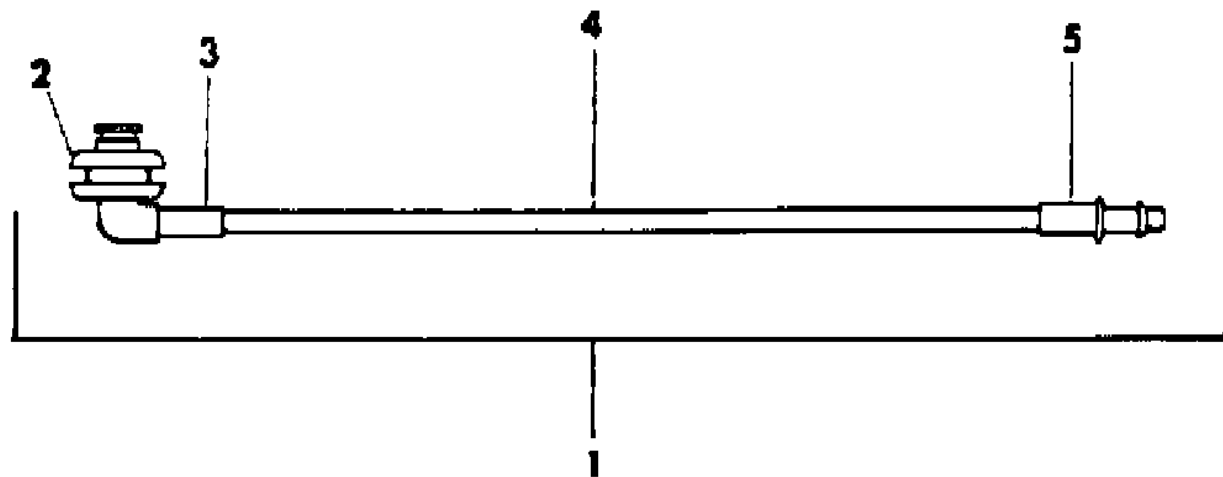
52-53 = FWD WAGON

AR = Use as Required - = Non Illustrated Part P.A.R. = Paint as Required

M.A.P. SENSOR JUMPER TUBE 2.2L ENGINE TURBO 1
Figure 25-5525

ITEM	PART NUMBER	QTY	BODY	MODEL	DESCRIPTION
1	4179 572	1			TUBE, M.A.P. Sensor Jumper
2		1			GROMMET (serv. in #1)
3	4213 766	1			ELBOW .15F - 1/8
4	3780 508	AR			HOSE, Rubber 1/8" (serv. in 50 ft. roll)
5	4268 687	1			CONNECTOR .15M - 3/16

7125 5525



MODEL CODES

E BODY = (J - CARAVELLE)(E - 600)(T - NEW YORKER)

G BODY = (V24 - DAYTONA)

H BODY = (D44 - LANCER)(C44 - LEBARON GTS)

J BODY = (C - LEBARON)

K BODY = (P - RELIANT)(D - ARIES)(C - LEBAROND)/TOWN & COUNTRY)

L BODY = (M - HORIZON/TURISMO)(Z - OMNI/CHARGER)

M BODY = (B - GRAN FURY)(F - FIFTH AVE/NEWPORT)(G - DIPLOMAT)

P BODY = (P - SUNDANCE)(D - SHADOW)

S BODY = (H - VOYAGER)(K - RAM VAN/CARAVAN)

BODY STYLES

12-13 = FWD VAN

21 = 2-DOOR SEDAN

24 = 2-DOOR HATCHBACK

27 = 2-DOOR CONVERTIBLE

41 = 4-DOOR SEDAN

44 = 4-DOOR HATCHBACK

45 = 4-DOOR STATION WAGON

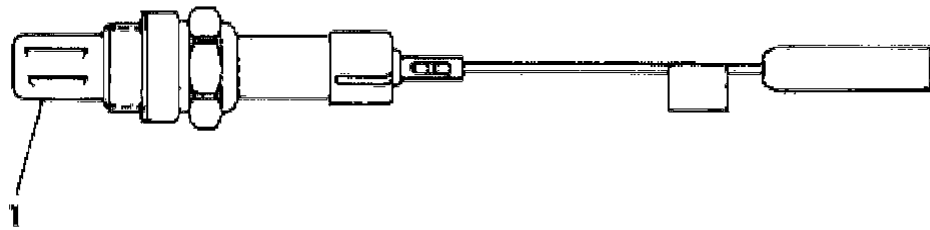
52-53 = FWD WAGON

AR = Use as Required - = Non Illustrated Part P.A.R. = Paint as Required

OXYGEN SENSOR
Figure 25-5600

7125 5800

ITEM	PART NUMBER	QTY	BODY	MODEL	DESCRIPTION
1					SENSOR, Oxygen
	4301 375	1		M,Z,H,K	2.2L Eng. w/(S/C - EDE)
	4301 346	1		M,Z	2.2L Eng. Turbo
	5227 368	1	L		Shelby
	5227 368	1		exc. M,	2.2L Eng. w/(S/C - EDF, EDG) & 2.5L Eng.
	5227 368	1		H,K	2.5L Eng. & 3.0L Eng.
	4301 375	1			318 Eng.



MODEL CODES

E BODY = (J - CARAVELLE)(E - 600)(T - NEW YORKER)

G BODY = (V24 - DAYTONA)

H BODY = (D44 - LANCER)(C44 - LEBARON GTS)

J BODY = (C - LEBARON)

K BODY = (P - RELIANT)(D - ARIES)(C - LEBAROND)/TOWN & COUNTRY)

L BODY = (M - HORIZON/TURISMO)(Z - OMNI/CHARGER)

M BODY = (B - GRAN FURY)(F - FIFTH AVE/NEWPORT)(G - DIPLOMAT)

P BODY = (P - SUNDANCE)(D - SHADOW)

S BODY = (H - VOYAGER)(K - RAM VAN/CARAVAN)

BODY STYLES

12-13 = FWD VAN

21 = 2-DOOR SEDAN

24 = 2-DOOR HATCHBACK

27 = 2-DOOR CONVERTIBLE

41 = 4-DOOR SEDAN

44 = 4-DOOR HATCHBACK

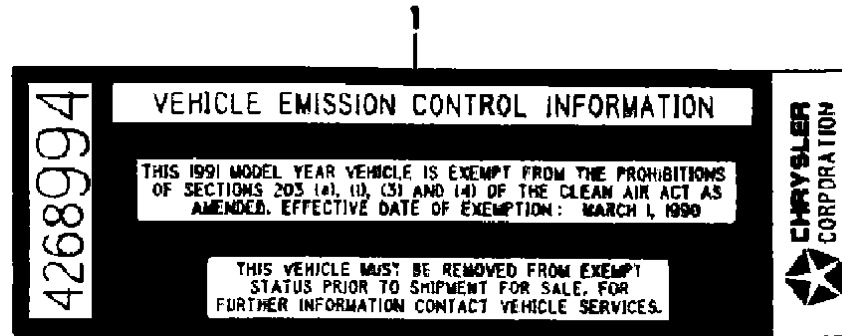
45 = 4-DOOR STATION WAGON

52-53 = FWD WAGON

AR = Use as Required - = Non Illustrated Part P.A.R. = Paint as Required

LABELS, EMISSIONS AND VACUUM HOSE ROUTING
Figure 25-5700

7125 5700



VEHICLE EMISSION CONTROL INFORMATION

THIS VEHICLE CONFORMS TO U.S. EPA REGULATIONS APPLICABLE TO 1991 MODEL YEAR NEW MOTOR VEHICLES AT ALL ALTITUDES.

*BASIC IGNITION TIMING AND FUEL/AIR MIXTURE HAVE BEEN PRESET AT THE FACTORY. SEE THE SERVICE MANUAL FOR PROPER PROCEDURES AND OTHER ADDITIONAL INFORMATION. *ADJUSTMENTS MADE BY OTHER THAN APPROVED SERVICE MANUAL PROCEDURES MAY VIOLATE FEDERAL AND STATE LAWS. CAUTION: APPLY PARKING BRAKE WHEN SERVICING VEHICLE	2.2 LITER MCR2.SV5HHP7 MCRV8	SPARK PLUGS .035 in. GAP RN12YC
	IDLE = TIMING BTC	MAN 12°

NO OTHER ADJUSTMENTS NEEDED

CATALYST

OPTIONAL VACUUM OPERATED ACCESSORIES

ITEM	PART NUMBER	QTY	BODY	MODEL	DESCRIPTION
1					LABEL, Emission
	4300 547	1			w/2.2 EFI, (S/C-EDF)
	4405 143	1			Federal and High Altitude California
					w/2.2 Carb., (S/C-EDE)
	4300 505	1	S		Federal
	4300 507	1	S		High Altitude
	4288 942	1	L		Federal and High Altitude
	4300 516	1	S		California
	4288 943	1	L		California
					w/2.2 Turbo 1, (S/C-EDG)
	4300 538	1	Exc. L		Federal and High Altitude
	4300 542	1	L		Federal and High Altitude
	4405 146	1	Exc. L		California
	4405 145	1	L		California
					w/2.2 Turbo 2, (S/C-EDR)
	4300 511	1			Federal and High Altitude
	4405 147	1			California
					w/2.5 EFI, (S/C-EDM)
	4300 590	1	Exc. S		Federal and High Altitude, w/Auto Trans
	4300 503	1	Exc. S		Federal and High Altitude, w/Manual Trans
	4405 045	1	S		Federal and High Altitude
	4405 144	1	Exc. S		California
	4405 046	1	S		California
					w/2.6 Carbureted, (S/C-EEA)
	4300 506	1			Federal and Catalyst w/o ESA, (S/C-NAC)
	4288 947	1			Federal and High Altitude
	4300 517	1			California
					w/3.0 EFI, (S/C-EFA)
	4405 148	1	S		Federal and High Altitude
	4405 149	1	S		California
					w/5.2 Carbureted
	4300 580	1			Federal and High Altitude, w/A999 Trans. and 2BBL Carb.
	4300 549	1			Federal and High Altitude, w/4 BBL. Carb.
	4288 978	1			Federal, w/A727 Trans. and 2 BBL. Carb.
	4300 582	1			California, w/2 BBL. Carb.
2					LABEL, Vacuum Hose Routing
					w/2.2 Carbureted, (S/C-EDE)

MODEL CODES
 E BODY = (J - CARAVELLE)(E - 600)(T - NEW YORKER)
 G BODY = (V24 - DAYTONA)
 H BODY = (D44 - LANCER)(C44 - LEBARON GTS)
 J BODY = (C - LEBARON)
 K BODY = (P - RELIANT)(D - ARIES)(C - LEBAROND)/TOWN & COUNTRY

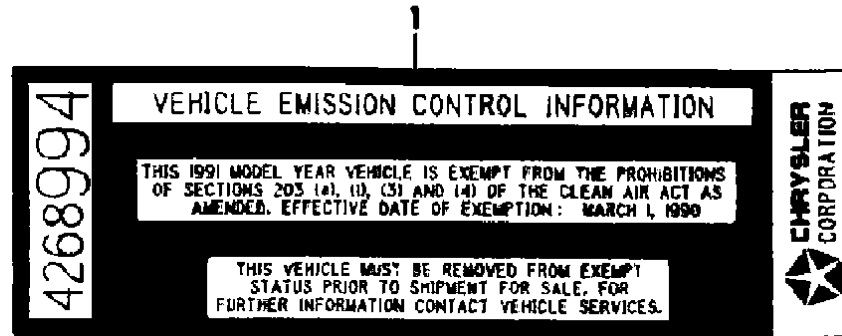
L BODY = (M - HORIZON/TURISMO)(Z - OMNI/CHARGER)
 M BODY = (B - GRAN FURY)(F - FIFTH AVE/NEWPORT)(G - DIPLOMAT)
 P BODY = (P - SUNDANCE)(D - SHADOW)
 S BODY = (H - VOYAGER)(K - RAM VAN/CARAVAN)

BODY STYLES
 12-13 = FWD VAN 41 = 4-DOOR SEDAN
 21 = 2-DOOR SEDAN 44 = 4-DOOR HATCHBACK
 24 = 2-DOOR HATCHBACK 45 = 4-DOOR STATION WAGON
 27 = 2-DOOR CONVERTIBLE 52-53 = FWD WAGON

AR = Use as Required - = Non Illustrated Part P.A.R. = Paint as Required

LABELS, EMISSIONS AND VACUUM HOSE ROUTING
Figure 25-5700

7125 5700



VEHICLE EMISSION CONTROL INFORMATION

THIS VEHICLE CONFORMS TO U.S. EPA REGULATIONS APPLICABLE TO 1991 MODEL YEAR NEW MOTOR VEHICLES AT ALL ALTITUDES.

*BASIC IGNITION TIMING AND FUEL/AIR MIXTURE HAVE BEEN PRESET AT THE FACTORY. SEE THE SERVICE MANUAL FOR PROPER PROCEDURES AND OTHER ADDITIONAL INFORMATION. *ADJUSTMENTS MADE BY OTHER THAN APPROVED SERVICE MANUAL PROCEDURES MAY VIOLATE FEDERAL AND STATE LAWS. CAUTION: APPLY PARKING BRAKE WHEN SERVICING VEHICLE	2.2 LITER MCR2.SV5HHP7 MCRV8	SPARK PLUGS .035 in. GAP RN12YC
	IDLE = TIMING BTC	MAN 12°

NO OTHER ADJUSTMENTS NEEDED

CATALYST

OPTIONAL VACUUM OPERATED ACCESSORIES

ITEM	PART NUMBER	QTY	BODY	MODEL	DESCRIPTION
	4307 684	1	L		Federal and High Altitude
	4307 685	1	L		California
	4405 701	1	S		Federal
	4405 702	1	S		California w/2.2 Turbo 1, (S/C-EDG)
	4307 652	1	L		Federal, High Altitude and California
	4405 718	1	EGHJKP		Federal, High Altitude and California w/2.2 Turbo 2, (S/C-EDR)
	4405 705	1			Federal, High Altitude and Calif., w/Auto Trans.
	4405 745	1			Federal, High Altitude and Calif. w/Manual Trans. w/2.2 and 2.5 EFI, (S/C-EDF,EDM)
	4405 726	1	EGHJKP		Federal, High Altitude and Calif.
	4405 723	1	S		Federal, High Altitude and Calif. w/2.6 Carbureted, (S/C-EEA)
	4405 716	1			Catalist w/o ESA, (S/C- NAC)
	4405 715	1			High Altitude
	4405 728	1			California w/3.0 EFI
	4405 031	1			Federal, High Altitude, California w/5.2 Carbureted
	4405 775	1			Federal, w/2 BBL Carbureted
	4307 478	1			Federal, w/4 BBL Carburetor
	4405 776	1			California, w/2 BBL

MODEL CODES
 E BODY = (J - CARAVELLE)(E - 600)(T - NEW YORKER)
 G BODY = (V24 - DAYTONA)
 H BODY = (D44 - LANCER)(C44 - LEBARON GTS)
 J BODY = (C - LEBARON)
 K BODY = (P - RELIANT)(D - ARIES)(C - LEBAROND)/TOWN & COUNTRY

L BODY = (M - HORIZON/TURISMO)(Z - OMNI/CHARGER)
 M BODY = (B - GRAN FURY)(F - FIFTH AVE/NEWPORT)(G - DIPLOMAT)
 P BODY = (P - SUNDANCE)(D - SHADOW)
 S BODY = (H - VOYAGER)(K - RAM VAN/CARAVAN)

BODY STYLES
 12-13 = FWD VAN 41 = 4-DOOR SEDAN
 21 = 2-DOOR SEDAN 44 = 4-DOOR HATCHBACK
 24 = 2-DOOR HATCHBACK 45 = 4-DOOR STATION WAGON
 27 = 2-DOOR CONVERTIBLE 52-53 = FWD WAGON

AR = Use as Required - = Non Illustrated Part P.A.R. = Paint as Required

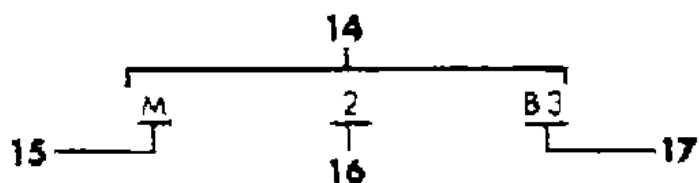
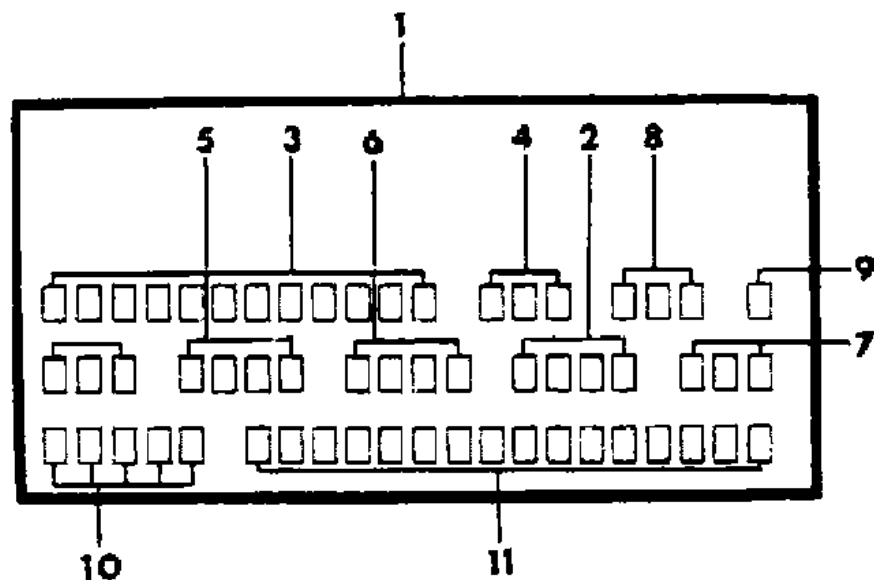
GROUP INF - INTERIOR TRIM

ILLUSTRATION TITLE	GROUP-FIG. NO.
TRIM CODE DEFINED	Fig. INF-100
TRIM INFORMATION	Fig. INF-200

ILLUSTRATION NOT AVAILABLE AT TIME OF PUBLICATION

TRIM CODE DEFINED
Figure INF-100

7229 100



18						
SALES CODE	CBA	CBB	CAD	CAC	CBC	CBD
CLOTH	1	3	7	5	φ	φ
VINYL	2	4	8	6	X	V
LEATHER	N	G	L	J	Y	P

ITEM	PART NUMBER	QTY	BODY	MODEL	DESCRIPTION
------	-------------	-----	------	-------	-------------

-1- BODY CODE PLATE s group.

. The Body Code plate includes the Trim Code, Paint Codes, Vinyl Roof code, Build Date, etc.. The plate is located under the hood on the left front fender side shield or wheel housing or the radiator support.

NOTE: For additional detailed information not listed below, see illustrated text inf. section front fender side shield or wheel housing or the radiator support.

-2- = Trim Code front fender side shield or wheel housing or the radiator support.

-3- = Vehicle Order Number front fender side shield or wheel housing or the radiator support.

-4- = Vinyl Roof Code/Door Combo Code (Pillette) front fender side shield or wheel housing or the radiator support.

-5- = Body Paint, Primary front fender side shield or wheel housing or the radiator support.

-6- = Body Paint, Secondary front fender side shield or wheel housing or the radiator support.

-7- = Engine code front fender side shield or wheel housing or the radiator support.

-8- = Transmission code front fender side shield or wheel housing or the radiator support.

-9- = Order: U = U.S.; C = Canada; I = International front fender side shield or wheel housing or the radiator support.

-10_ = Model (includes Shell, Car Line, Price Class, Body Type) front fender side shield or wheel housing or the radiator support.

-11- = Vin (Vehicle Identification Number) front fender side shield or wheel housing or the radiator support.

***** front fender side shield or wheel housing or the radiator support.

-14- = TRIM CODE (typical) defined front fender side shield or wheel housing or the radiator support.

-15- = Series (1st element) front fender side shield or wheel housing or the radiator support.

-16- = Type & Material (see Chart #16 for application) front fender side shield or wheel housing or the radiator support.

-17- = Color & Shade (see Figure IT-30 for definition) front fender side shield or wheel housing or the radiator support.

***** front fender side shield or wheel housing or the radiator support.

-18- = Type & Material defined (2nd character of Trim Code) front fender side shield or wheel housing or the radiator support.

-19- = Seat Sales codes front fender side shield or wheel housing or the radiator support.

. CBA = Straight Bench, Front w/solid fixed back front fender side shield or wheel housing or the radiator support.

. CBB = Straight Bench, Front w/split hinged back front fender side shield or wheel housing or the radiator support.

. CAC = Bucket, Front - Low Back front fender side shield or wheel housing or the radiator support.

. CAD = Bucket, Front - High Back front fender side shield or wheel housing or the radiator support.

. CBC = 60/40 Split Bench, Front - w/passenger side recliner front fender side shield or wheel housing or the radiator support.

. CBD = 50/50 Split w/Dual Arm Rest front fender side shield or wheel housing or the radiator support.

-20- = Cloth material codes front fender side shield or wheel housing or the radiator support.

-21- = All Vinyl material codes front fender side shield or wheel housing or the radiator support.

-22- = Leather material codes front fender side shield or wheel housing or the radiator support.

MODEL CODES

E BODY = (J - CARAVELLE)(E - 600)(T - NEW YORKER)

G BODY = (V24 - DAYTONA)

H BODY = (D44 - LANCER)(C44 - LEBARON GTS)

J BODY = (C - LEBARON)

K BODY = (P - RELIANT)(D - ARIES)(C - LEBAROND)/TOWN & COUNTRY)

L BODY = (M - HORIZON/TURISMO)(Z - OMNI/CHARGER)

M BODY = (B - GRAN FURY)(F - FIFTH AVE/NEWPORT)(G - DIPLOMAT)

P BODY = (P - SUNDANCE)(D - SHADOW)

S BODY = (H - VOYAGER)(K - RAM VAN/CARAVAN)

BODY STYLES

12-13 = FWD VAN

21 = 2-DOOR SEDAN

24 = 2-DOOR HATCHBACK

27 = 2-DOOR CONVERTIBLE

41 = 4-DOOR SEDAN

44 = 4-DOOR HATCHBACK

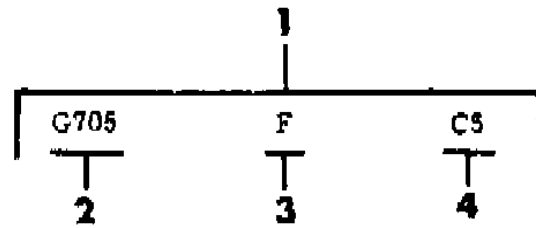
45 = 4-DOOR STATION WAGON

52-53 = FWD WAGON

AR = Use as Required - = Non Illustrated Part P.A.R. = Paint as Required

TRIM INFORMATION
Figure INF-200

7220 200 A



		BODY								
		L	P	J	K	G	E	H	S	M
		M	P	C	P	V	J	D	H	B
		Z	D	D	D	C	E	C	K	F
							T			G
A3	Silver	X	X				X			X
AS	Silver and Charcoal	X			X		X		X	
B5	Medium Blue	X								
C5	Twilight Blue		X	X	X	X	X	X	X	
C8	Dark Blue				X					X
E8	Cordovan		X	X	X	X	X	X	X	
K1	Light Almond		X	X	X	X	X	X	X	X
K9	Taupe		X							
KY	Almond and Cream				X					
M6	Crimson Red	X								X
S8	Charcoal			X	X	X	X	X		
SA	Charcoal and Silver	X			X					
X7	Black					X				

D450-1 FC5

6

ITEM	PART NUMBER	QTY	BODY	MODEL	DESCRIPTION
------	-------------	-----	------	-------	-------------

- 1- = COLOR CODED PART NUMBER defined: front fender side shield or wheel housing or the radiator support.
- 2- = First element: Basic part number (1 alpha + 3 numerics) front fender side shield or wheel housing or the radiator support.
- 3- = Second element: Series/1st model year color mastered (1 alpha) front fender side shield or wheel housing or the radiator support.
- 4- = Third element: Color & shade suffix (usually 1 alpha + 1 numeric) front fender side shield or wheel housing or the radiator support.
- ALPHA: front fender side shield or wheel housing or the radiator support.
 - A = Silver front fender side shield or wheel housing or the radiator support.
 - AS = Silver and Charcoal front fender side shield or wheel housing or the radiator support.
 - B = Medium Blue front fender side shield or wheel housing or the radiator support.
 - C5 = Twilight Blue front fender side shield or wheel housing or the radiator support.
 - C8 = Dark Blue front fender side shield or wheel housing or the radiator support.
 - E8 = Cordovan front fender side shield or wheel housing or the radiator support.
 - K1 = Light Almond front fender side shield or wheel housing or the radiator support.
 - K9 = Taupe front fender side shield or wheel housing or the radiator support.
 - KY = Almond and Cream front fender side shield or wheel housing or the radiator support.
 - M6 = Red front fender side shield or wheel housing or the radiator support.
 - S8 = Charcoal front fender side shield or wheel housing or the radiator support.
 - SA = Charcoal and Silver front fender side shield or wheel housing or the radiator support.
 - X = Black front fender side shield or wheel housing or the radiator support.
- NUMERIC (on a scale from 1-9: 1= lightest shade; 9= darkest shade) front fender side shield or wheel housing or the radiator support.
 - 1 = very Light front fender side shield or wheel housing or the radiator support.
 - 2 = Light front fender side shield or wheel housing or the radiator support.
 - 3 = front fender side shield or wheel housing or the radiator support.
 - 4 = front fender side shield or wheel housing or the radiator support.
 - 5 = Medium front fender side shield or wheel housing or the radiator support.
 - 6 = Medium dark front fender side shield or wheel housing or the radiator support.
 - 7 = front fender side shield or wheel housing or the radiator support.
 - 8 = Dark front fender side shield or wheel housing or the radiator support.
 - 9 = very Dark front fender side shield or wheel housing or the radiator support.
- 5- = COLOR APPLICATION CHART (identifies vehicle usage) front fender side shield or wheel housing or the radiator support.
- 6- = COMBINED Part Number defined front fender side shield or wheel housing or the radiator support.
 - Right & Left part numbers are frequently combined on 1 line and are interpreted as: front fender side shield or wheel housing or the radiator support.
 - D450PA4 = Right side application; D451PA4 = Left side application. front fender side shield or wheel housing or the radiator support.

MODEL CODES

E BODY = (J - CARAVELLE)(E - 600)(T - NEW YORKER)
 G BODY = (V24 - DAYTONA)
 H BODY = (D44 - LANCER)(C44 - LEBARON GTS)
 J BODY = (C - LEBARON)
 K BODY = (P - RELIANT)(D - ARIES)(C - LEBAROND)/TOWN & COUNTRY)

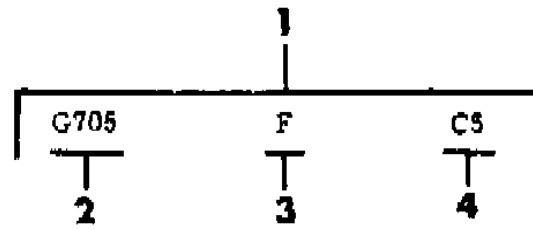
L BODY = (M - HORIZON/TURISMO)(Z - OMNI/CHARGER)
 M BODY = (B - GRAN FURY)(F - FIFTH AVE/NEWPORT)(G - DIPLOMAT)
 P BODY = (P - SUNDANCE)(D - SHADOW)
 S BODY = (H - VOYAGER)(K - RAM VAN/CARAVAN)

BODY STYLES

12-13 = FWD VAN 41 = 4-DOOR SEDAN
 21 = 2-DOOR SEDAN 44 = 4-DOOR HATCHBACK
 24 = 2-DOOR HATCHBACK 45 = 4-DOOR STATION WAGON
 27 = 2-DOOR CONVERTIBLE 52-53 = FWD WAGON

AR = Use as Required - = Non Illustrated Part P.A.R. = Paint as Required

7220 200 A



		BODY								
		L	P	J	K	G	E	H	S	M
		M Z	P D	C D	P D C	V C	J E T	D C	H K	B F G
A3	Silver	X	X				X			X
AS	Silver and Charcoal	X			X		X		X	
B5	Medium Blue	X								
C5	Twilight Blue		X	X	X	X	X	X	X	
C8	Dark Blue				X					X
E8	Cordovan		X	X	X	X	X	X	X	
K1	Light Almond		X	X	X	X	X	X	X	X
K9	Taupe		X							
KY	Almond and Cream				X					
M6	Crimson Red	X								X
S8	Charcoal			X	X	X	X	X		
SA	Charcoal and Silver	X			X					
X7	Black					X				

D450-1 FC5

6

TRIM INFORMATION
Figure INF-200

ITEM	PART NUMBER	QTY	BODY	MODEL	DESCRIPTION
------	-------------	-----	------	-------	-------------

. Right & Left sides are always determined by their relationship to the driver when normally seated and looking forward. front fender side shield or wheel housing or the radiator support.

* * * * * HOW TO ORDER ROLL GOODS front fender side shield or wheel housing or the radiator support.

VINYL & CLOTH: Requirements must be ordered in the number of linear inches desired; e.g.: when 10 running inches of a particular part number is req'd., the order should specify a quantity of 10.

HIDE or LEATHER: Requirements must be ordered in the number of square feet desired; e.g.: when 2 square feet of a particular part number is req'd., the order should specify a quantity of 2.

* * * * * CAUTION - SEAT COVERS vs ASSEMBLIES e order should specify a quantity of 2.

Extreme care must be exercised when ordering Seat Covers to insure it is ONLY the Cover and NOT a complete Cushion or Back. Complete Cushions and Backs ARE NOT RETURNABLE.

MODEL CODES

E BODY = (J - CARAVELLE)(E - 600)(T - NEW YORKER)	L BODY = (M - HORIZON/TURISMO)(Z - OMNI/CHARGER)
G BODY = (V24 - DAYTONA)	M BODY = (B - GRAN FURY)(F - FIFTH AVE/NEWPORT)(G - DIPLOMAT)
H BODY = (D44 - LANCER)(C44 - LEBARON GTS)	P BODY = (P - SUNDANCE)(D - SHADOW)
J BODY = (C - LEBARON)	S BODY = (H - VOYAGER)(K - RAM VAN/CARAVAN)
K BODY = (P - RELIANT)(D - ARIES)(C - LEBAROND)/TOWN & COUNTRY)	

BODY STYLES

12-13 = FWD VAN	41 = 4-DOOR SEDAN
21 = 2-DOOR SEDAN	44 = 4-DOOR HATCHBACK
24 = 2-DOOR HATCHBACK	45 = 4-DOOR STATION WAGON
27 = 2-DOOR CONVERTIBLE	52-53 = FWD WAGON

AR = Use as Required - = Non Illustrated Part P.A.R. = Paint as Required

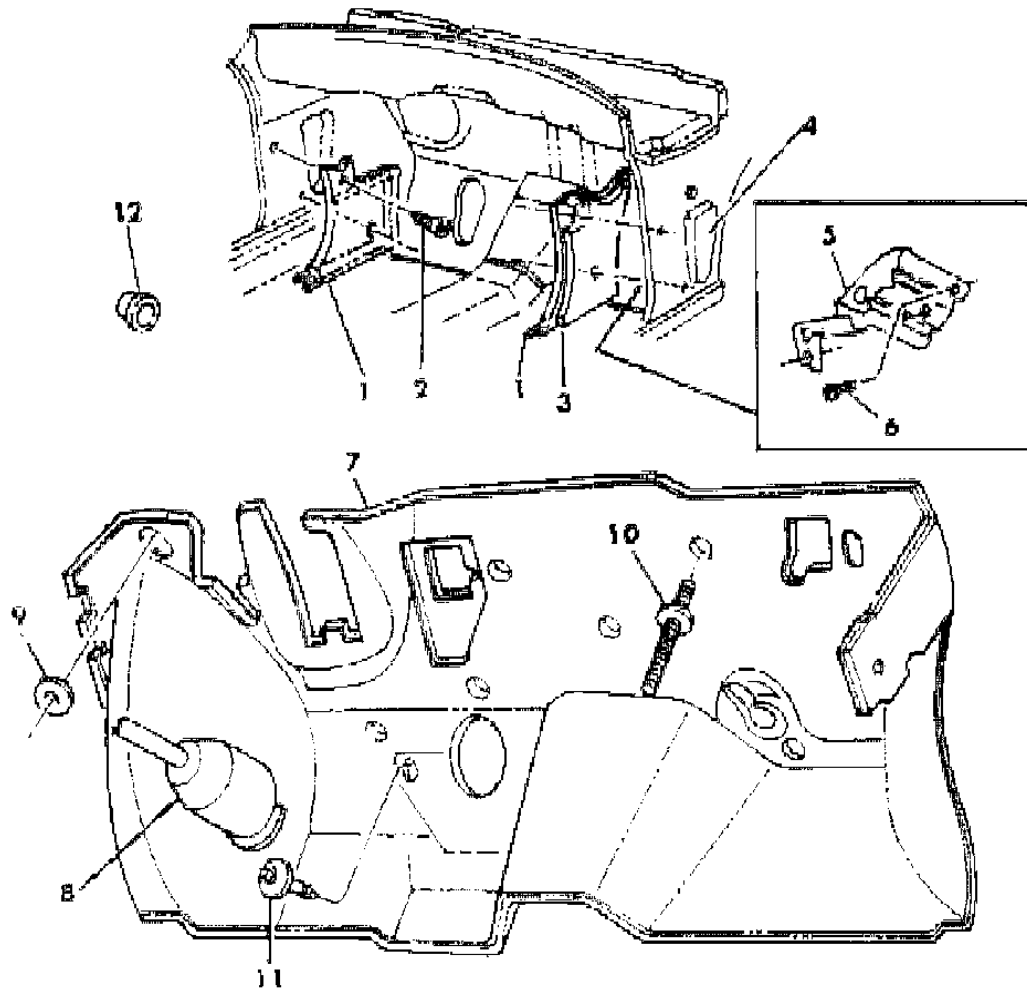
GROUP ITL - L BODY

ILLUSTRATION TITLE	GROUP-FIG. NO.
COWL PANEL AND SILENCERS L BODY	Fig. ITL-100
HEADLINER AND VISOR L BODY	Fig. ITL-200
MOULDING--GARNISH L BODY	Fig. ITL-300
B-PILLAR TRIM L BODY--44	Fig. ITL-400
PANEL--QUARTER TRIM L BODY--24	Fig. ITL-500
LIFT GATE TRIM L BODY--24	Fig. ITL-600
PANEL--QUARTER TRIM L BODY--44	Fig. ITL-700
CARPET L BODY	Fig. ITL-800
MATS--SILENCERS--INSULATION L BODY	Fig. ITL-900
SCUFF PLATES--BODY SIDE SILL AND DOOR L BODY	Fig. ITL-1000
DOOR TRIM PANEL L BODY--24 TRIM CODES F5-H7-S5	Fig. ITL-1100
DOOR TRIM PANEL L BODY--44 TRIM CODES A7-F5	Fig. ITL-1200
SEAT FRONT L BODY--TRIM CODES F5	Fig. ITL-1300
SEAT FRONT L BODY--TRIM CODES A7-H7	Fig. ITL-1400
SEAT FRONT L BODY--TRIM CODE S5	Fig. ITL-1500
BELT--FRONT SEAT L BODY	Fig. ITL-1600
RECLINING FRONT SEAT--W/O INERTIA L BODY	Fig. ITL-1700
RECLINING FRONT SEAT--W/ INERTIA L BODY	Fig. ITL-1800
ADJUSTER--MANUAL L BODY	Fig. ITL-1900
SEAT--REAR L BODY--TRIM CODE F5	Fig. ITL-2000
SEAT--REAR L BODY--TRIM CODES A7-H7	Fig. ITL-2100
SEAT--REAR L BODY--TRIM CODE S5	Fig. ITL-2200
BELT--REAR SEAT LAP L BODY	Fig. ITL-2300
SEAT--REAR FOLD DOWN L BODY--24	Fig. ITL-2400
SEAT--REAR FOLD DOWN L BODY--44	Fig. ITL-2500

ILLUSTRATION NOT AVAILABLE AT TIME OF PUBLICATION

COWL PANEL AND SILENCERS L BODY
Figure ITL-100

7230 180 A



ITEM	PART NUMBER	QTY	BODY	MODEL	DESCRIPTION
1					PANEL, Cowl Side Trim
	F216-7 BC7	1	24		Blue
	F216-7 TM6	1	24		Red
	F216 CS8	1	24		Charcoal
	F164 DC7	1	24		Blue, w/Turbo, w/o Air, Rt.
	F404 DC7	1	24		Blue, w/Turbo, w/Air, Rt.
	F217 BC7	1	24		Blue, w/Turbo, Lt.
	F164 DS8	1	24		Charcoal, w/Turbo, w/o Air, Rt.
	F404 DS8	1	24		Charcoal, w/Turbo, w/Air, Rt.
	F217 CS8	1	24		Charcoal, w/Turbo, Lt.
	F266-7 DT5	1	44		w/o Turbo, (P.A.R.)
	F318 DT5	1	44		w/Turbo, w/o Air, Rt. (P.A.R.)
					w/Turbo, w/Air, Rt.
	F406 DC7	1	44		Blue
	F406 DM6	1	44		Red
	F406 DS8	1	44		Charcoal
	F267 DT5	1	44		Black, w/Turbo, Lt. (P.A.R)
2		AR			SCREW, (8-18x1 3/4), (Not Serv.)
3	3837 683	1			SILENCER, Cowl Panel, w/ or w/o Air
4					COWL, Side Panel
5	4410 002				BRACKET, Cowl Side Trim Panel Attaching Rt. Side w/Turbo
6					SCREW, (10-16x1/2) (Not Serv.)
7	4337 657	1			LINER, Dash w/ or w/o Air
8	4147 156	1			LINER, Steering Column Cover
9	4206 545	AR			RETAINER, Dash and Cowl
10		AR			SCREW and WASHER, (18x.75) (Not Serv.)
11		AR			SCREW, w/Washer and Seal, (8-18x.75) (Not Serv.)
12	6032 185	5			CAPLUG

NOTE: (P.A.R.) = Paint As Required

MODEL CODES

E BODY = (J - CARAVELLE)(E - 600)(T - NEW YORKER)

G BODY = (V24 - DAYTONA)

H BODY = (D44 - LANCER)(C44 - LEBARON GTS)

J BODY = (C - LEBARON)

K BODY = (P - RELIANT)(D - ARIES)(C - LEBAROND)/TOWN & COUNTRY)

L BODY = (M - HORIZON/TURISMO)(Z - OMNI/CHARGER)

M BODY = (B - GRAN FURY)(F - FIFTH AVE/NEWPORT)(G - DIPLOMAT)

P BODY = (P - SUNDANCE)(D - SHADOW)

S BODY = (H - VOYAGER)(K - RAM VAN/CARAVAN)

BODY STYLES

12-13 = FWD VAN

21 = 2-DOOR SEDAN

24 = 2-DOOR HATCHBACK

27 = 2-DOOR CONVERTIBLE

41 = 4-DOOR SEDAN

44 = 4-DOOR HATCHBACK

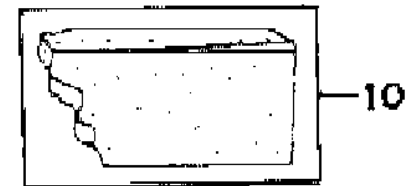
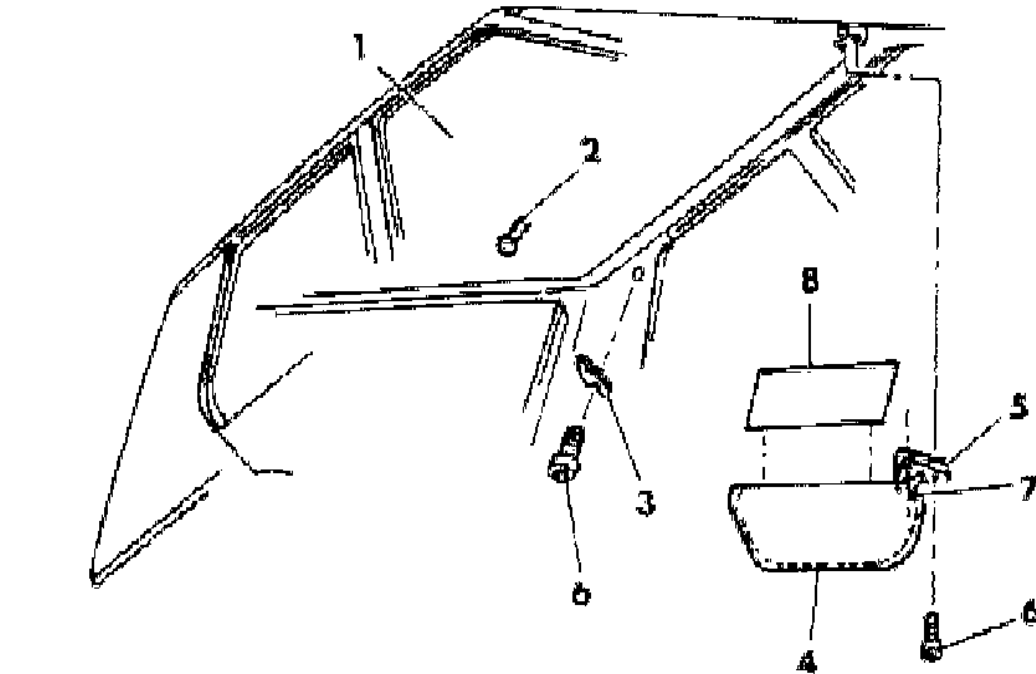
45 = 4-DOOR STATION WAGON

52-53 = FWD WAGON

AR = Use as Required - = Non Illustrated Part P.A.R. = Paint as Required

HEADLINER AND VISOR L BODY
Figure ITL-200

7290 200 A



ITEM	PART NUMBER	QTY	BODY	MODEL	DESCRIPTION
1					HEADLINER
					CLOTH
	H819 AA3	1	24		Silver
	H819 BB5	1	24		Blue
	H819 TM6	1	24		Red
	H819 CS8	1	24		Charcoal
					CLOTH
	H828 AA3	1	44		Silver
	H828 BB5	1	44		Blue
	H828 TM6	1	44		Red
					w/SUN ROOF
	H820 BA3	1	24		Silver
	H820 BB5	1	24		Blue
	H820 BM6	1	24		Red
	H820 CS8	1	24		Charcoal
2					FASTENER, Headliner Panel
					CENTER
	H452 AA3	1			Silver
	H452 BB5	1			Blue
	H452 TM6	1			Red
	H452 CS8	1			Charcoal
					REAR
	H446 RX9	1			Black, (P.A.R.)
3	3685 992	2			HOOK, Coat
4					VISOR, w/o Mirror (Vinyl)
	H301 DA2	2			Silver
	H301 DB5	2			Blue
	H301 DM6	2			Red
	H301 DS8	2			Charcoal
5	#5208 714				ARM and BRACKET, Visor
6		AR			SCREW, (10-16x3/4) (Not Serv.)
7	1490 983				CLIP, Visor Panel End
8		1			VANITY Mirror, Non Illuminated Rt.
	H322 CA3	1			Silver
	H322 DB5	1			Blue
	H322 CM6	1			Red
	H322 DS8	1			Charcoal
9	4049 603	AR			SILENCER, Roof Panel, (36"x72"x1 1/2 Slab)

MODEL CODES

E BODY = (J - CARAVELLE)(E - 600)(T - NEW YORKER)

G BODY = (V24 - DAYTONA)

H BODY = (D44 - LANCER)(C44 - LEBARON GTS)

J BODY = (C - LEBARON)

K BODY = (P - RELIANT)(D - ARIES)(C - LEBAROND)/TOWN & COUNTRY)

L BODY = (M - HORIZON/TURISMO)(Z - OMNI/CHARGER)

M BODY = (B - GRAN FURY)(F - FIFTH AVE/NEWPORT)(G - DIPLOMAT)

P BODY = (P - SUNDANCE)(D - SHADOW)

S BODY = (H - VOYAGER)(K - RAM VAN/CARAVAN)

BODY STYLES

12-13 = FWD VAN

21 = 2-DOOR SEDAN

24 = 2-DOOR HATCHBACK

27 = 2-DOOR CONVERTIBLE

41 = 4-DOOR SEDAN

44 = 4-DOOR HATCHBACK

45 = 4-DOOR STATION WAGON

52-53 = FWD WAGON

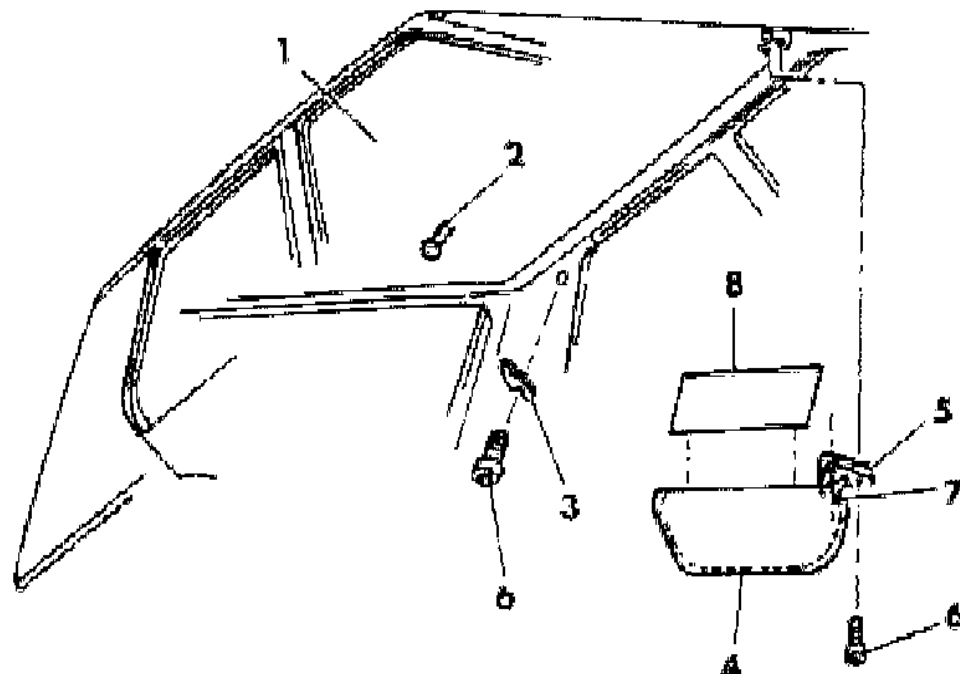
AR = Use as Required - = Non Illustrated Part P.A.R. = Paint as Required

HEADLINER AND VISOR L BODY
Figure ITL-200

7290 200 A

ITEM	PART NUMBER	QTY	BODY	MODEL	DESCRIPTION
------	-------------	-----	------	-------	-------------

10	3762 861	AR			SILENCER, Roof Panel (60"x72" Cut to Fit) NOTE: (P.A.R.) = Paint As Required
----	----------	----	--	--	---



MODEL CODES

E BODY = (J - CARAVELLE)(E - 600)(T - NEW YORKER)

G BODY = (V24 - DAYTONA)

H BODY = (D44 - LANCER)(C44 - LEBARON GTS)

J BODY = (C - LEBARON)

K BODY = (P - RELIANT)(D - ARIES)(C - LEBAROND)/TOWN & COUNTRY)

L BODY = (M - HORIZON/TURISMO)(Z - OMNI/CHARGER)

M BODY = (B - GRAN FURY)(F - FIFTH AVE/NEWPORT)(G - DIPLOMAT)

P BODY = (P - SUNDANCE)(D - SHADOW)

S BODY = (H - VOYAGER)(K - RAM VAN/CARAVAN)

BODY STYLES

12-13 = FWD VAN

21 = 2-DOOR SEDAN

24 = 2-DOOR HATCHBACK

27 = 2-DOOR CONVERTIBLE

41 = 4-DOOR SEDAN

44 = 4-DOOR HATCHBACK

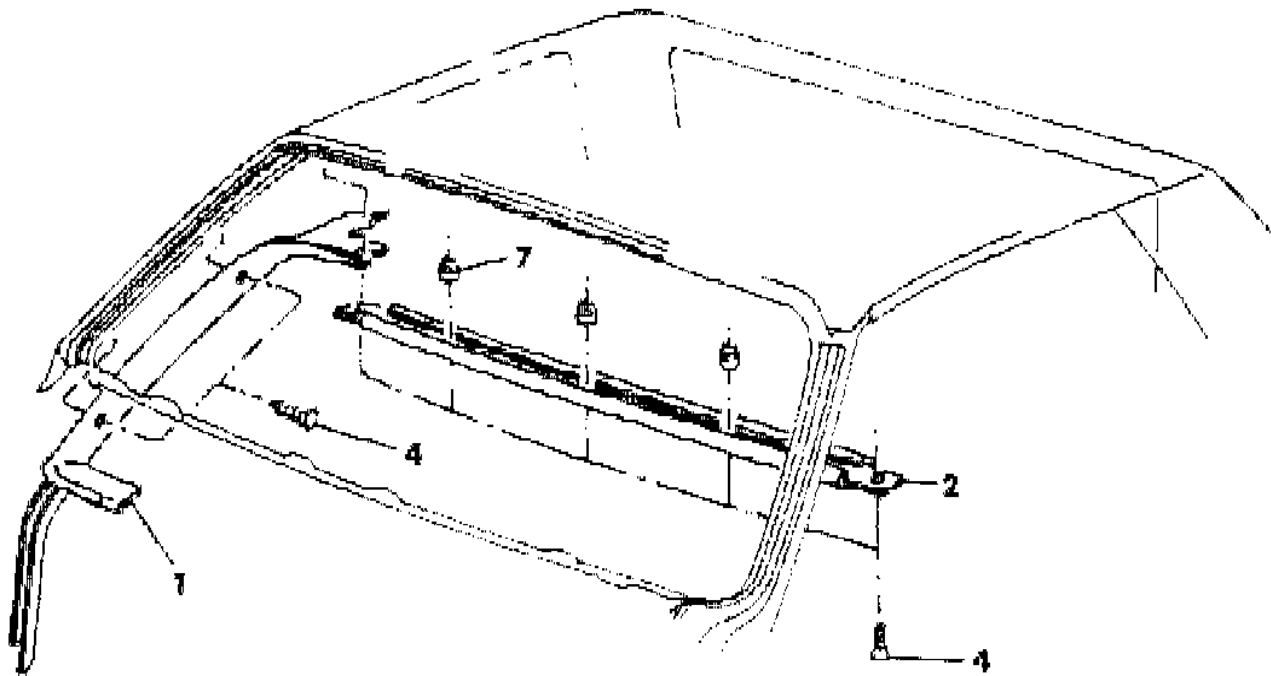
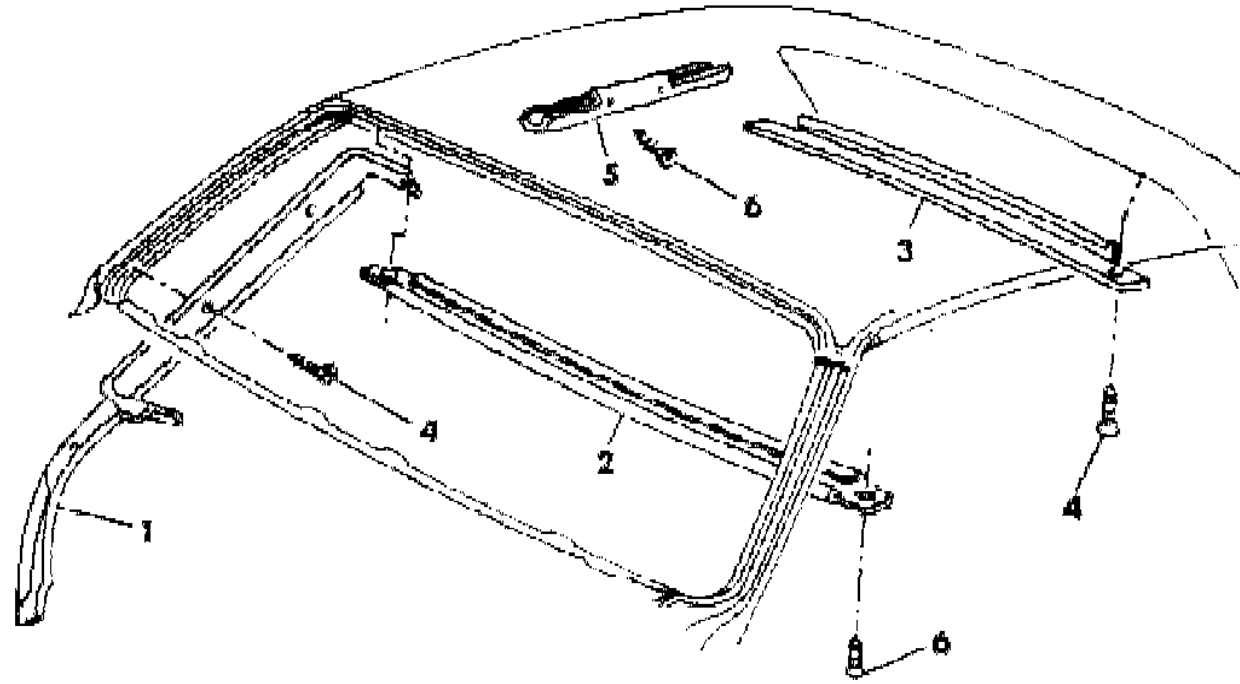
45 = 4-DOOR STATION WAGON

52-53 = FWD WAGON

AR = Use as Required - = Non Illustrated Part P.A.R. = Paint as Required

MOULDING--GARNISH L BODY
Figure ITL-300

7230 300



ITEM	PART NUMBER	QTY	BODY	MODEL	DESCRIPTION
1					MOULDING, Windshield Side (P.A.R.)
	F260-1 AA3	1	44		Silver
	F262-3 AA3	1	24		Silver
	F262-3 BB5	1	24		Blue
	F262-3 TM6	1	24		Red
2					MOULDING, Windshield Upper (P.A.R.)
	5208 508	1	44		
	5231 298	1	24		
3	5208 522	1	44		MOULDING, Roof Liftgate Upper (P.A.R.)
-	5231 786	1	24		MOULDING and SPACER, Roof Liftgate Upper (P.A.R.)
4		AR			SCREW, (8-18x3/4) (Not Serv.)
5	5231 300	2	24		MOULDING, Roof Side (P.A.R.)
6	9420 486	AR			SCREW
7	0152 861	AR	24-44		NUT, Spacer

NOTE: (P.A.R.) = Paint As Required

MODEL CODES

E BODY = (J - CARAVELLE)(E - 600)(T - NEW YORKER)

G BODY = (V24 - DAYTONA)

H BODY = (D44 - LANCER)(C44 - LEBARON GTS)

J BODY = (C - LEBARON)

K BODY = (P - RELIANT)(D - ARIES)(C - LEBAROND)/TOWN & COUNTRY)

L BODY = (M - HORIZON/TURISMO)(Z - OMNI/CHARGER)

M BODY = (B - GRAN FURY)(F - FIFTH AVE/NEWPORT)(G - DIPLOMAT)

P BODY = (P - SUNDANCE)(D - SHADOW)

S BODY = (H - VOYAGER)(K - RAM VAN/CARAVAN)

BODY STYLES

12-13 = FWD VAN

21 = 2-DOOR SEDAN

24 = 2-DOOR HATCHBACK

27 = 2-DOOR CONVERTIBLE

41 = 4-DOOR SEDAN

44 = 4-DOOR HATCHBACK

45 = 4-DOOR STATION WAGON

52-53 = FWD WAGON

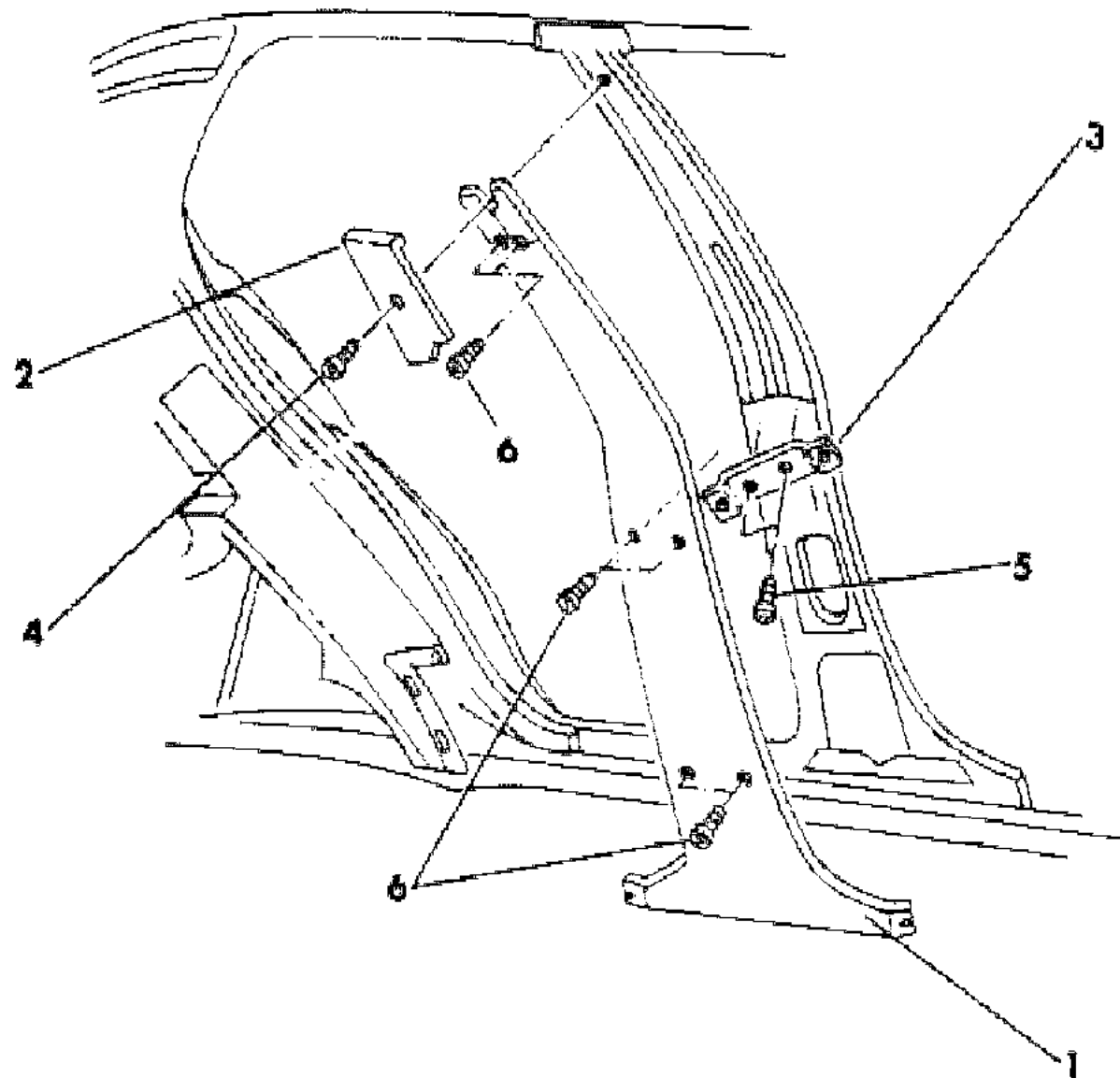
AR = Use as Required - = Non Illustrated Part P.A.R. = Paint as Required

B-PILLAR TRIM L BODY--44
Figure ITL-400

7230 490

ITEM	PART NUMBER	QTY	BODY	MODEL	DESCRIPTION
1	F202-3 AA3	1			COVER, Center Pillar Trim, B Lower, (P.A.R.)
2	F172-3 AA3	1			COVER, Center Pillar Trim B Upper, (P.A.R.)
3	5208 733	2			BRACKET, Center Pillar Trim Cover Attaching
4		AR			SCREW, (8-18x1 1/4)
5	6032 456	4			SCREW
6		AR			SCREW, (8-18x1/2)

NOTE: (P.A.R.) = Paint As Required



MODEL CODES
 E BODY = (J - CARAVELLE)(E - 600)(T - NEW YORKER)
 G BODY = (V24 - DAYTONA)
 H BODY = (D44 - LANCER)(C44 - LEBARON GTS)
 J BODY = (C - LEBARON)
 K BODY = (P - RELIANT)(D - ARIES)(C - LEBAROND)/TOWN & COUNTRY

L BODY = (M - HORIZON/TURISMO)(Z - OMNI/CHARGER)
 M BODY = (B - GRAN FURY)(F - FIFTH AVE/NEWPORT)(G - DIPLOMAT)
 P BODY = (P - SUNDANCE)(D - SHADOW)
 S BODY = (H - VOYAGER)(K - RAM VAN/CARAVAN)

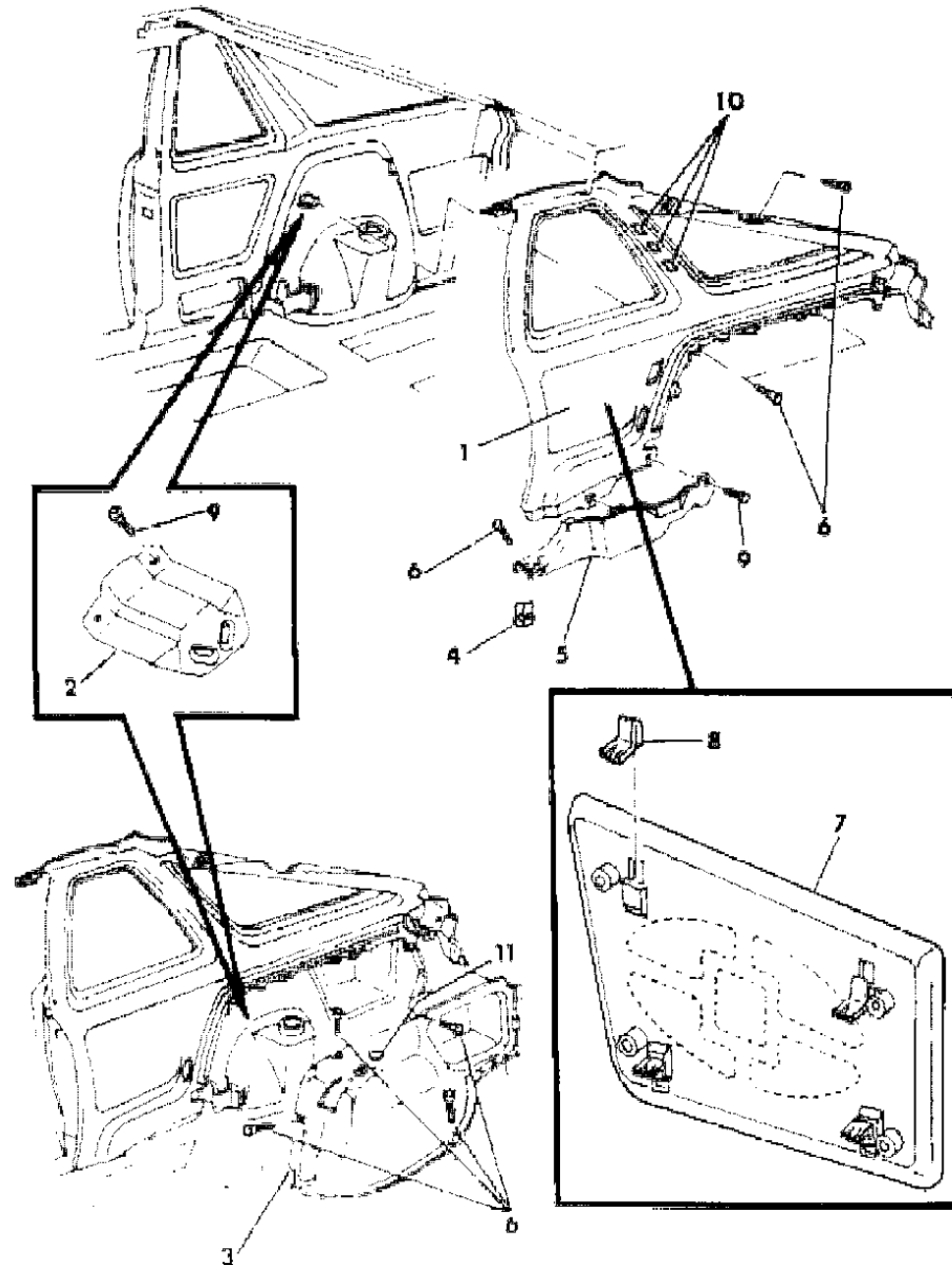
BODY STYLES
 12-13 = FWD VAN
 21 = 2-DOOR SEDAN
 24 = 2-DOOR HATCHBACK
 27 = 2-DOOR CONVERTIBLE

41 = 4-DOOR SEDAN
 44 = 4-DOOR HATCHBACK
 45 = 4-DOOR STATION WAGON
 52-53 = FWD WAGON

AR = Use as Required - = Non Illustrated Part P.A.R. = Paint as Required

PANEL--QUARTER TRIM L BODY--24
Figure ITL-500

7230 580 B



ITEM	PART NUMBER	QTY	BODY	MODEL	DESCRIPTION
1					PANEL, Quarter Trim
	H488-9 CA3	1			Silver
	H488-9 CB5	1			Blue
	H488-9 CM6	1			Red
	H488-9 CS8	1			Charcoal
2	5208 984	4			BRACKET, Quarter Trim Panel Wheelhouse Attach.
3	H440-1 DT3	1			PANEL, Wheelhouse Trim (P.A.R.)
4	0152 490	2			U-NUT, Quarter Trim Cover Attach.
5					PANEL, Quarter Trim Lower, w/o Arm Rest
	F208-9 CA3	1			Silver
	F208-9 CB5	1			Blue
	F208-9 CM6	1			Red
	F208-9 CS8	1			Charcoal
6		AR			SCREW, (8-18x3/4) (Not Serv.)
7					GRILLE, Quarter Panel Speaker (Carpeted)
	D472-3 CAC	1			Silver / Blue
	D472-3 DBC	1			Blue / Dark Blue
	D472-3 TM6	1			Red
	D472-3 CS8	1			Charcoal
	D472-3 CAS	1			Silver / Charcoal
8	1623 945	AR			FASTENER
9		AR			SCREW, (6-18x3/4) (Not Serv.)
10	4278 178	6			TAPE, Upper Quarter Sound Deadner Sealer
11	1882 735	2			PLUG, Rear Quarter Acess, (1" Dia.)

NOTE: (P.A.R.) = Paint As Required

MODEL CODES

E BODY = (J - CARAVELLE)(E - 600)(T - NEW YORKER)

G BODY = (V24 - DAYTONA)

H BODY = (D44 - LANCER)(C44 - LEBARON GTS)

J BODY = (C - LEBARON)

K BODY = (P - RELIANT)(D - ARIES)(C - LEBAROND)/TOWN & COUNTRY)

L BODY = (M - HORIZON/TURISMO)(Z - OMNI/CHARGER)

M BODY = (B - GRAN FURY)(F - FIFTH AVE/NEWPORT)(G - DIPLOMAT)

P BODY = (P - SUNDANCE)(D - SHADOW)

S BODY = (H - VOYAGER)(K - RAM VAN/CARAVAN)

BODY STYLES

12-13 = FWD VAN

21 = 2-DOOR SEDAN

24 = 2-DOOR HATCHBACK

27 = 2-DOOR CONVERTIBLE

41 = 4-DOOR SEDAN

44 = 4-DOOR HATCHBACK

45 = 4-DOOR STATION WAGON

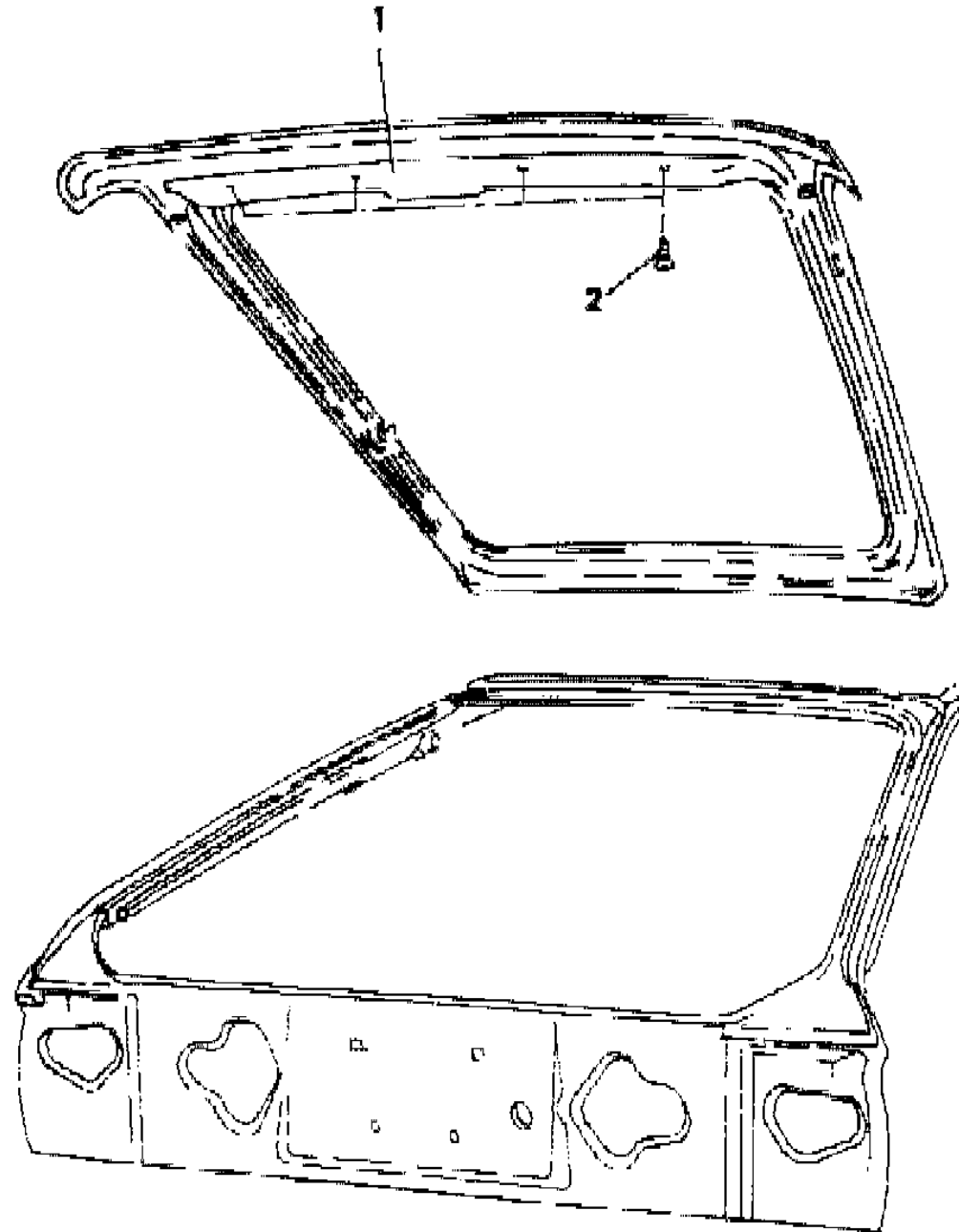
52-53 = FWD WAGON

AR = Use as Required - = Non Illustrated Part P.A.R. = Paint as Required

LIFT GATE TRIM L BODY--24
Figure ITL-600

7230 800

ITEM	PART NUMBER	QTY	BODY	MODEL	DESCRIPTION
1					COVER, Liftgate
	H455 EA3	1			Silver
	H455 EB5	1			Blue
	H455 EM6	1			Red
	H455 ES8	1			Charcoal
2		4			SCREW, (10-16x3/4) (Not Serv.)



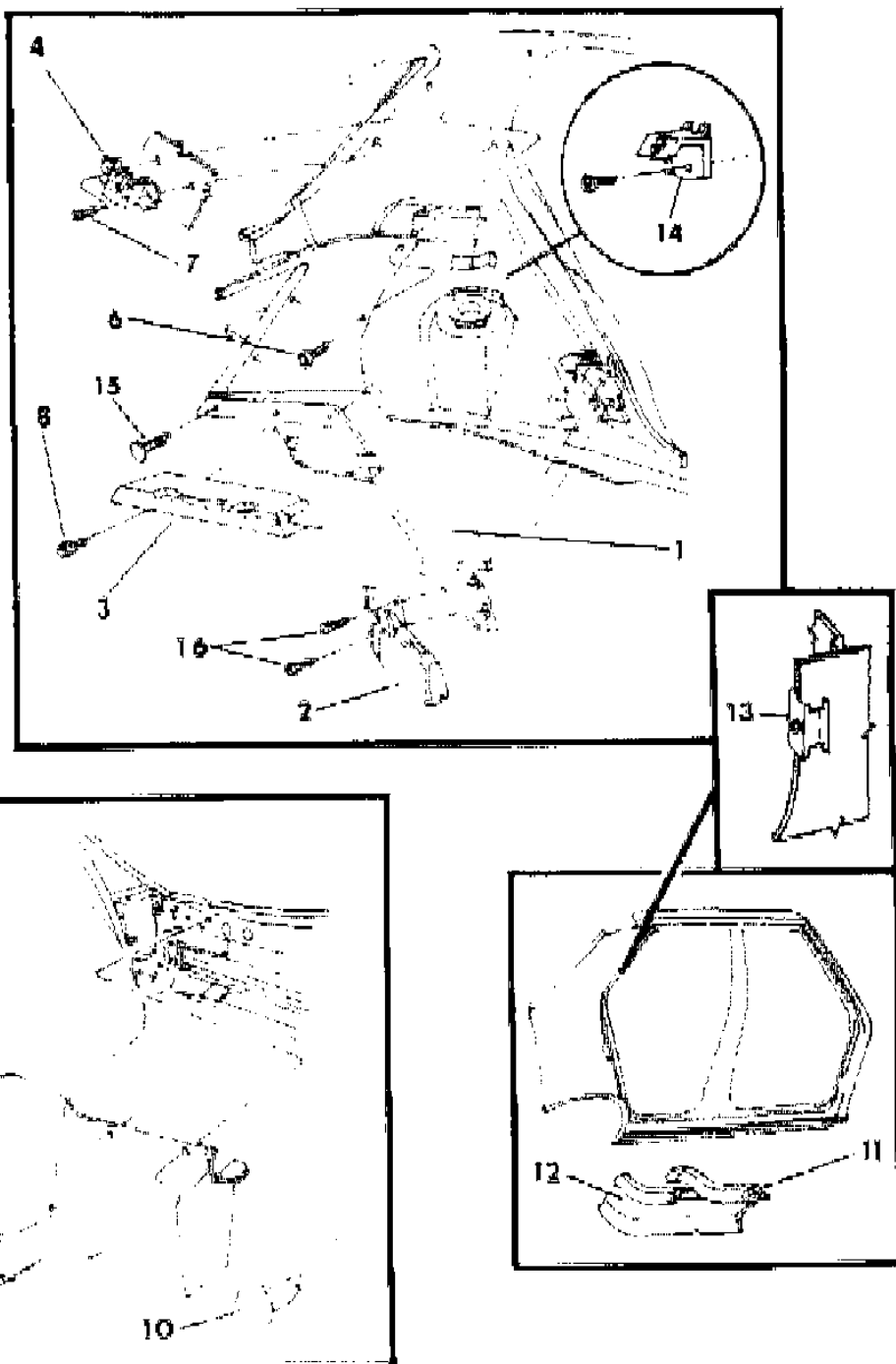
MODEL CODES
 E BODY = (J - CARAVELLE)(E - 600)(T - NEW YORKER)
 G BODY = (V24 - DAYTONA)
 H BODY = (D44 - LANCER)(C44 - LEBARON GTS)
 J BODY = (C - LEBARON)
 K BODY = (P - RELIANT)(D - ARIES)(C - LEBAROND)/TOWN & COUNTRY
 L BODY = (M - HORIZON/TURISMO)(Z - OMNI/CHARGER)
 M BODY = (B - GRAN FURY)(F - FIFTH AVE/NEWPORT)(G - DIPLOMAT)
 P BODY = (P - SUNDANCE)(D - SHADOW)
 S BODY = (H - VOYAGER)(K - RAM VAN/CARAVAN)

BODY STYLES
 12-13 = FWD VAN
 21 = 2-DOOR SEDAN
 24 = 2-DOOR HATCHBACK
 27 = 2-DOOR CONVERTIBLE
 41 = 4-DOOR SEDAN
 44 = 4-DOOR HATCHBACK
 45 = 4-DOOR STATION WAGON
 52-53 = FWD WAGON

AR = Use as Required - = Non Illustrated Part P.A.R. = Paint as Required

PANEL--QUARTER TRIM L BODY--44
Figure ITL-700

7230 700



ITEM	PART NUMBER	QTY	BODY	MODEL	DESCRIPTION
1	H444-5 AA3	1			PANEL, Upper Quarter Wheelhouse Trim (P.A.R)
2	F192-3 AA3	1			COVER, Quarter Trim Panel Lower (P.A.R.)
3	H208-9 TX9	1			EXTENSION, Shelf Panel w/o Speakers (P.A.R.)
4	5208 863	2			BRACKET, Aperture Quarter Trim Attaching
6		AR			SCREW, (8-18x1) (Not Serv.)
7	6032 456	4			SCREW
8	6100 567	AR			SCREW
9	5208 846-7	1			PANEL, Side Cargo
10	6003 683	4			FASTENER, Cargo Side Panel
11					PINCHWELD, w/Weatherstrip, Frt. Door
	F026-7 AA3	1			Silver
	F026-7 BB5				Blue
	F026-7 AM6	1			Red
12					PINCHWELD, w/Weatherstrip, Rear Door
	F024-5 AA3	1			Silver
	F024-5 BB5	1			Blue
	F024-5 TM6	1			Red
13	5208 891	2			CLIP, Rear Door Weatherstrip
14	5216 518-9	1			BRACKET, Quater Upper Trim Panel Attaching
15	H446 RX9	AR			PLUG
16		AR			SCREW, (8-18x3/4) (Not Serv.)

NOTE: (P.A.R.) = Paint As Required

MODEL CODES

E BODY = (J - CARAVELLE)(E - 600)(T - NEW YORKER)

G BODY = (V24 - DAYTONA)

H BODY = (D44 - LANCER)(C44 - LEBARON GTS)

J BODY = (C - LEBARON)

K BODY = (P - RELIANT)(D - ARIES)(C - LEBAROND)/TOWN & COUNTRY)

L BODY = (M - HORIZON/TURISMO)(Z - OMNI/CHARGER)

M BODY = (B - GRAN FURY)(F - FIFTH AVE/NEWPORT)(G - DIPLOMAT)

P BODY = (P - SUNDANCE)(D - SHADOW)

S BODY = (H - VOYAGER)(K - RAM VAN/CARAVAN)

BODY STYLES

12-13 = FWD VAN

21 = 2-DOOR SEDAN

24 = 2-DOOR HATCHBACK

27 = 2-DOOR CONVERTIBLE

41 = 4-DOOR SEDAN

44 = 4-DOOR HATCHBACK

45 = 4-DOOR STATION WAGON

52-53 = FWD WAGON

AR = Use as Required - = Non Illustrated Part P.A.R. = Paint as Required

CARPET L BODY
Figure ITL-800

7230 800 A

ITEM	PART NUMBER	QTY	BODY	MODEL	DESCRIPTION
1	CARPET, One Piece Front and Rear				
	M736 DC7	1		24	Blue
	M736 DM6	1		24	Red
	M736 DS8	1		24	Charcoal
	M737 DC7	1		44	Blue
	M737 DM6	1		44	Red
2	CARPET, Luggage Compartment Floor w/Sound Insulation				
	F160 CC7	1		24	Blue
	F160 CM6	1		24	Red
	F160 CS8	1		24	Charcoal
3	CARPET and SILENCER, Liftgate Lower Panel				
	5216 653	1		44	Black
	H454 CCA	1		24	Blue / Silver
	H454 CAS	1		24	Silver / Charcoal
	H454 BC7	1		24	Blue
	H454 TM6	1		24	Red
	H454 CS8	1		24	Charcoal
4	5208 917	1		44	Black
		AR			NAIL, (Not Serv.)
5	5208 622-3	1		44	COVER, Wheelhouse Luggage Compartment (Carpet & Silencer)
6	6003 683	AR		44	CLIP, Wheelhouse Cover Attaching
7	COVER, Wheelhouse Luggage Compartment (Carpet)				
	H438-9 BB5	1		24	Blue
	H438-9 BM6	1		24	Red
	H438-9 CS8	1		24	Charcoal
8	5208 984	2		24	BRACKET, Quarter Wheelhouse Attaching
9		AR		24	SCREW, (8-18x3/4) (Not Serv.)
10	HOOK, Carpet				
	4283 704	2		44	
	4283 705	1		44	
11	CARPETED FLOOR MATS, Set of Two				
	FRONT				
	M022 AC7	1			Blue
	M022 VM6	1			Red
	M047 FS8	1			Charcoal
REAR					
	M044 DC7	1			Blue

MODEL CODES

E BODY = (J - CARAVELLE)(E - 600)(T - NEW YORKER)

G BODY = (V24 - DAYTONA)

H BODY = (D44 - LANCER)(C44 - LEBARON GTS)

J BODY = (C - LEBARON)

K BODY = (P - RELIANT)(D - ARIES)(C - LEBAROND)/TOWN & COUNTRY)

L BODY = (M - HORIZON/TURISMO)(Z - OMNI/CHARGER)

M BODY = (B - GRAN FURY)(F - FIFTH AVE/NEWPORT)(G - DIPLOMAT)

P BODY = (P - SUNDANCE)(D - SHADOW)

S BODY = (H - VOYAGER)(K - RAM VAN/CARAVAN)

BODY STYLES

12-13 = FWD VAN

21 = 2-DOOR SEDAN

24 = 2-DOOR HATCHBACK

27 = 2-DOOR CONVERTIBLE

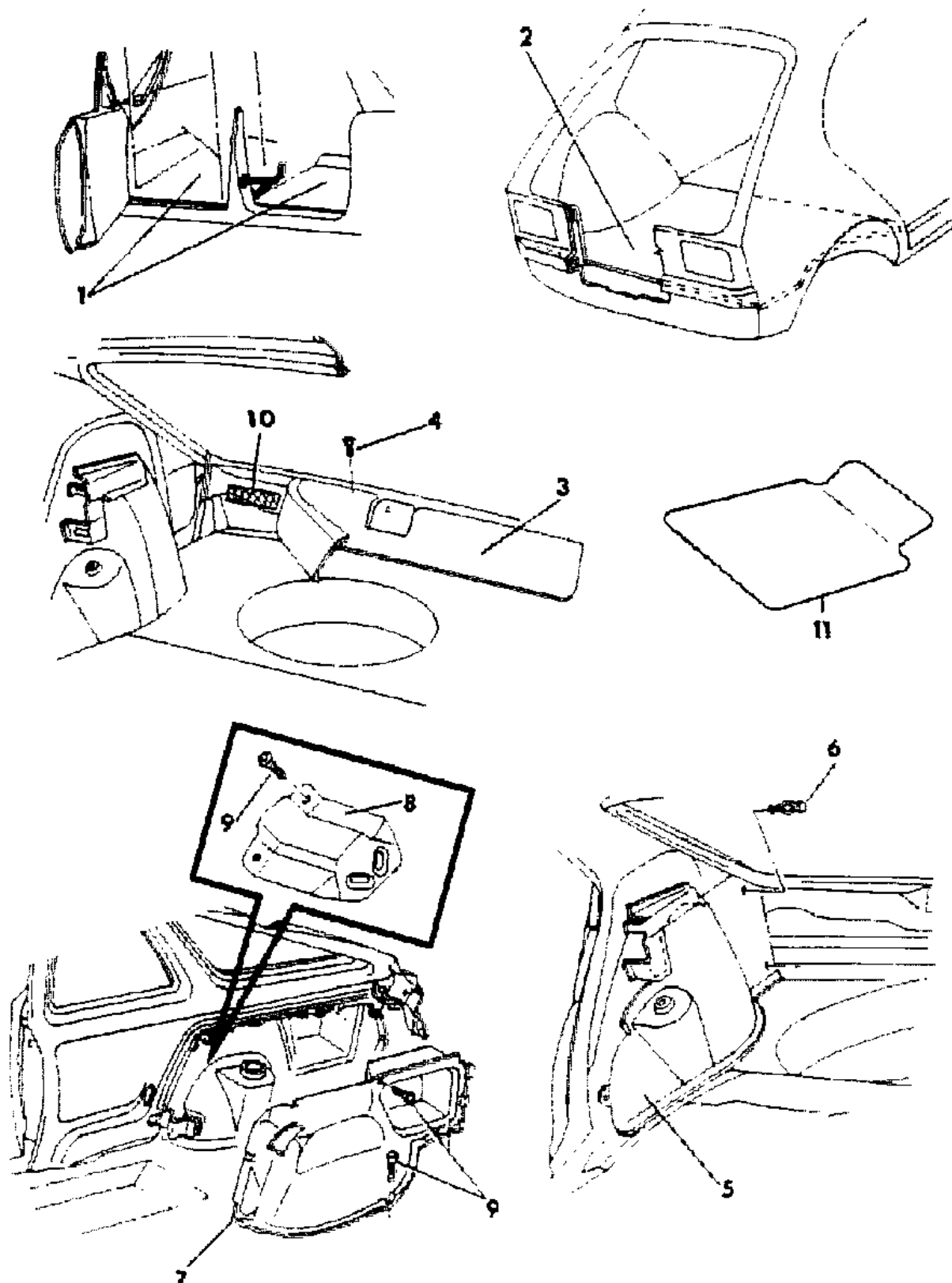
41 = 4-DOOR SEDAN

44 = 4-DOOR HATCHBACK

45 = 4-DOOR STATION WAGON

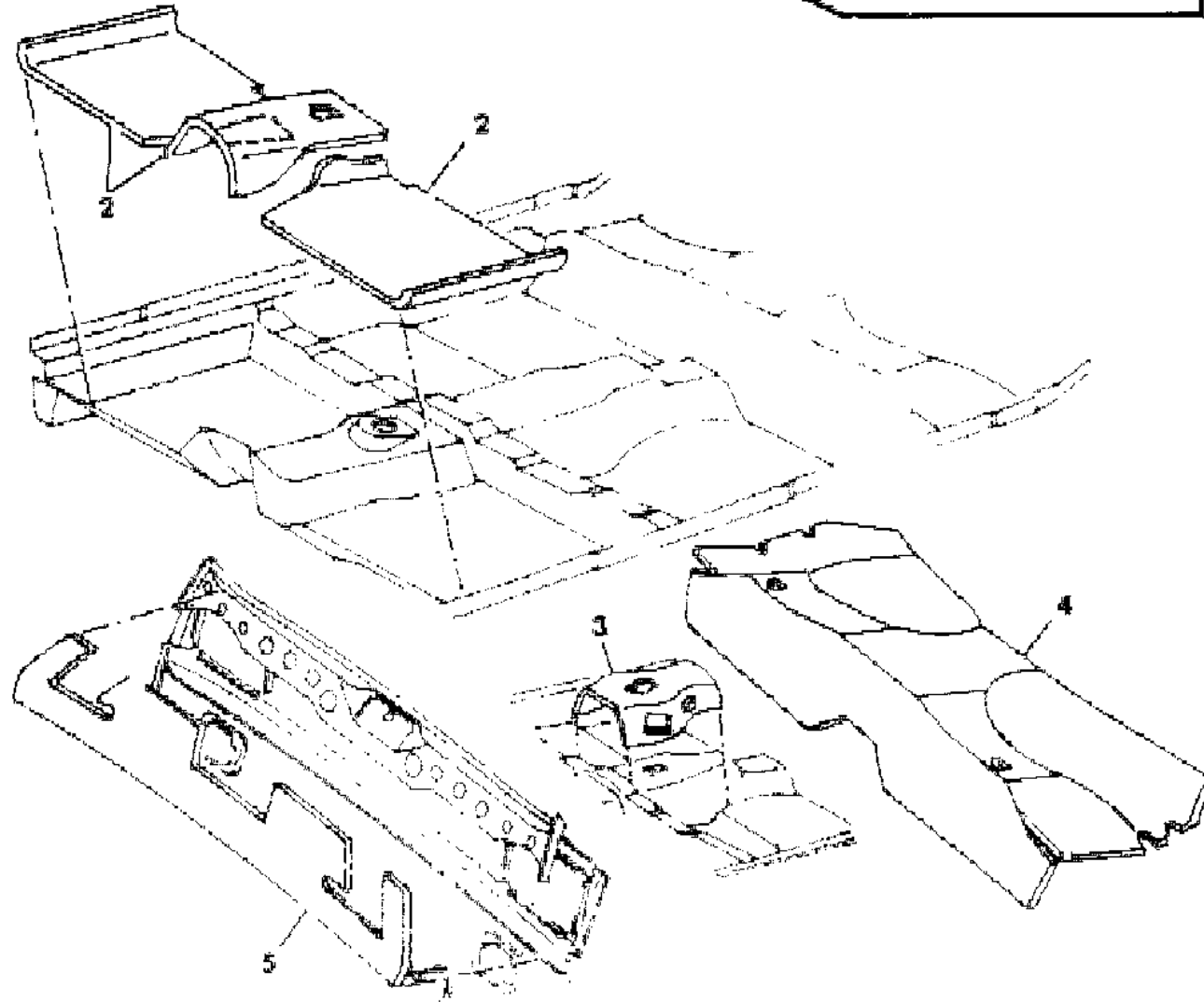
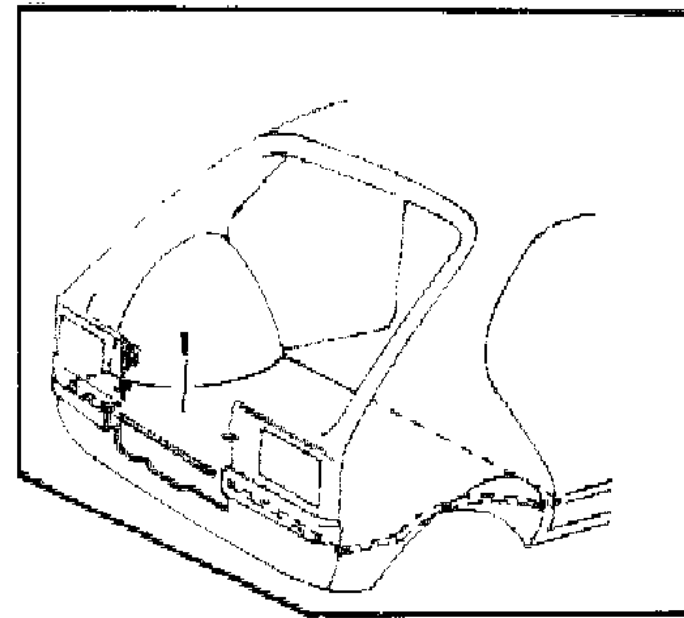
52-53 = FWD WAGON

AR = Use as Required - = Non Illustrated Part P.A.R. = Paint as Required



MATS--SILENCERS--INSULATION L BODY
Figure ITL-900

7230 000



ITEM	PART NUMBER	QTY	BODY	MODEL	DESCRIPTION
1	5208 595	1			MAT, Luggage Compartment, Felt w/Latex Back
2	4186 901	1			SILENCER, Floor (36"x72" Cut To Fit)
3	3762 861	1			INSULATION, Rear Floor, Center (36"x72" Cut To Fit)
4	3762 862	1			SILENCER, Under Second Seat (36"x72" Cut To Fit)
5	3837 683	1		44	SILENCER, Lower Hatch Panel (24"x48"x1/2" Cut To Fit)

MODEL CODES

E BODY = (J - CARAVELLE)(E - 600)(T - NEW YORKER)

G BODY = (V24 - DAYTONA)

H BODY = (D44 - LANCER)(C44 - LEBARON GTS)

J BODY = (C - LEBARON)

K BODY = (P - RELIANT)(D - ARIES)(C - LEBAROND)/TOWN & COUNTRY)

L BODY = (M - HORIZON/TURISMO)(Z - OMNI/CHARGER)

M BODY = (B - GRAN FURY)(F - FIFTH AVE/NEWPORT)(G - DIPLOMAT)

P BODY = (P - SUNDANCE)(D - SHADOW)

S BODY = (H - VOYAGER)(K - RAM VAN/CARAVAN)

BODY STYLES

12-13 = FWD VAN

21 = 2-DOOR SEDAN

24 = 2-DOOR HATCHBACK

27 = 2-DOOR CONVERTIBLE

41 = 4-DOOR SEDAN

44 = 4-DOOR HATCHBACK

45 = 4-DOOR STATION WAGON

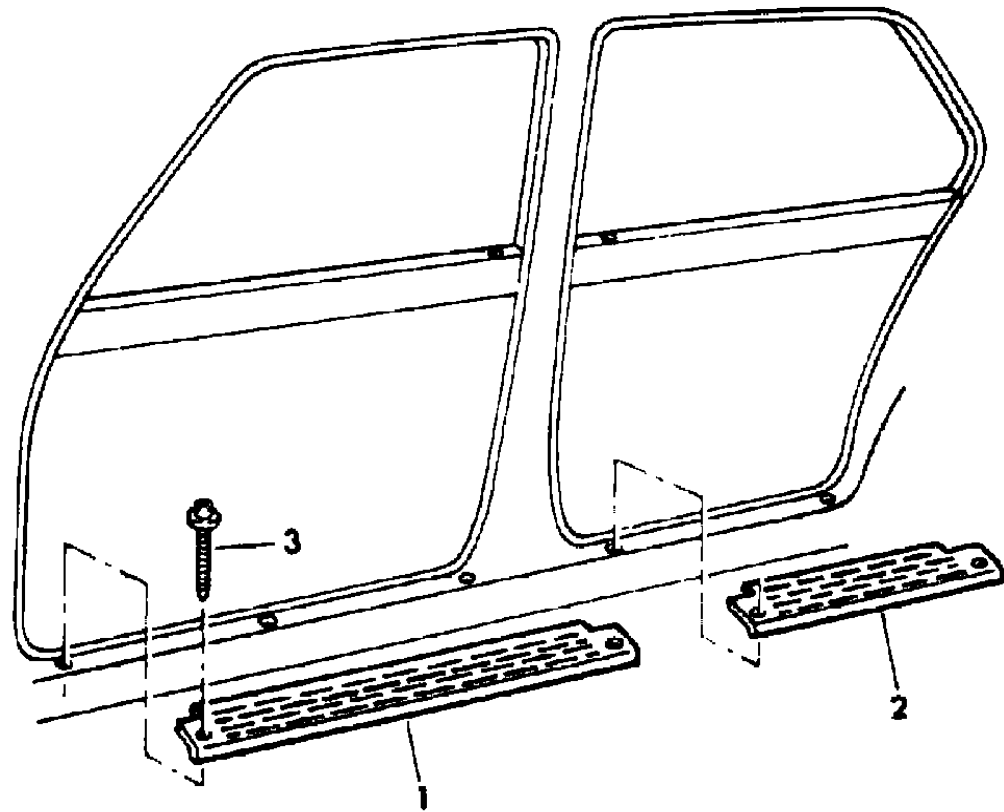
52-53 = FWD WAGON

AR = Use as Required - = Non Illustrated Part P.A.R. = Paint as Required

SCUFF PLATES--BODY SIDE SILL AND DOOR L BODY
Figure ITL-1000

7230 1080

ITEM	PART NUMBER	QTY	BODY	MODEL	DESCRIPTION
1	5208 814	2		24	MOULDING, Sill Garnish
	5208 526	2		44	FRONT
2	5208 527	2		44	MOULDING, Sill Garnish
					REAR
3		AR		24-44	SCREW, (8-18x1 1/4) (Not Serv.)



MODEL CODES

E BODY = (J - CARAVELLE)(E - 600)(T - NEW YORKER)

G BODY = (V24 - DAYTONA)

H BODY = (D44 - LANCER)(C44 - LEBARON GTS)

J BODY = (C - LEBARON)

K BODY = (P - RELIANT)(D - ARIES)(C - LEBAROND)/TOWN & COUNTRY)

L BODY = (M - HORIZON/TURISMO)(Z - OMNI/CHARGER)

M BODY = (B - GRAN FURY)(F - FIFTH AVE/NEWPORT)(G - DIPLOMAT)

P BODY = (P - SUNDANCE)(D - SHADOW)

S BODY = (H - VOYAGER)(K - RAM VAN/CARAVAN)

BODY STYLES

12-13 = FWD VAN

21 = 2-DOOR SEDAN

24 = 2-DOOR HATCHBACK

27 = 2-DOOR CONVERTIBLE

41 = 4-DOOR SEDAN

44 = 4-DOOR HATCHBACK

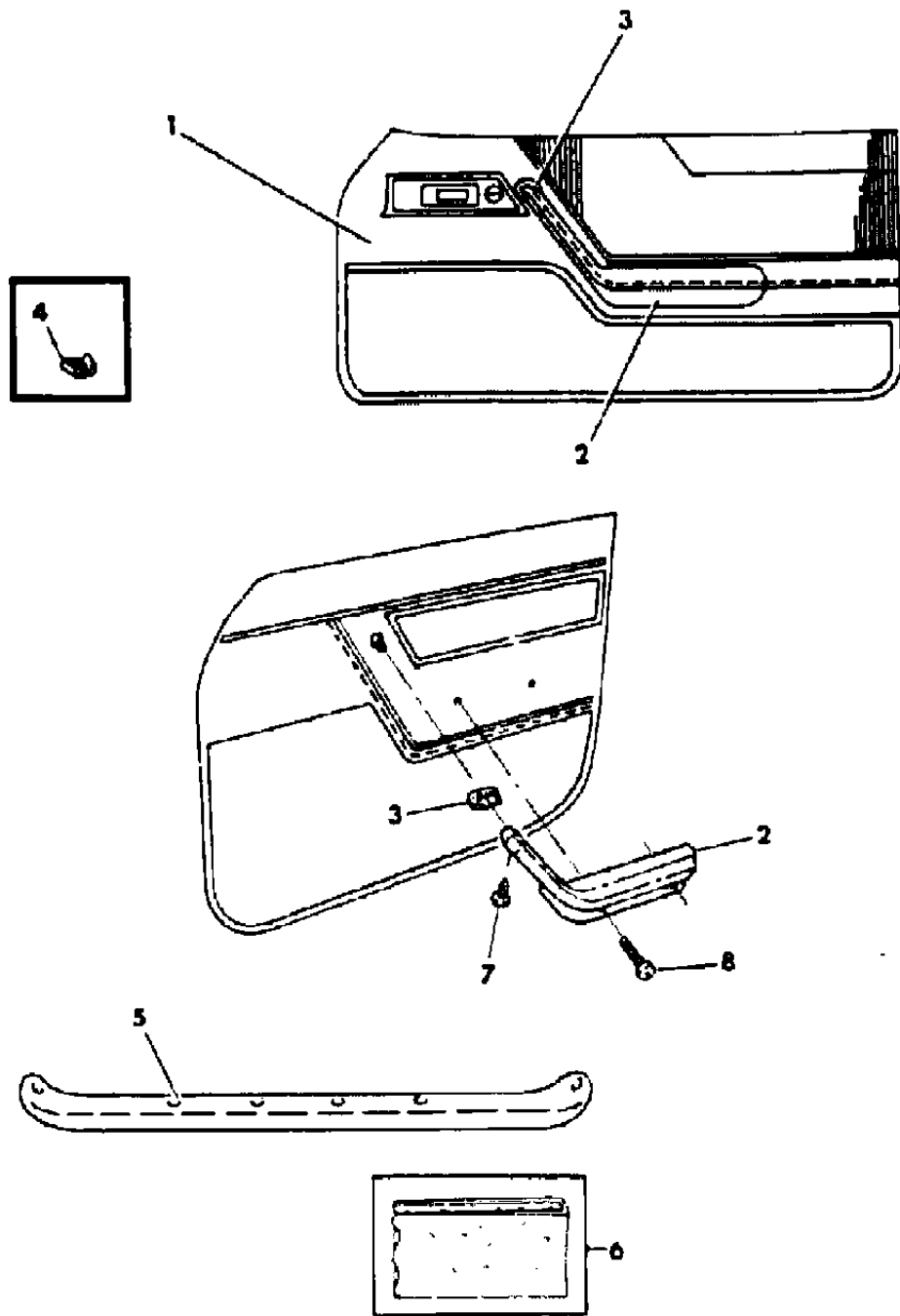
45 = 4-DOOR STATION WAGON

52-53 = FWD WAGON

AR = Use as Required - = Non Illustrated Part P.A.R. = Paint as Required

DOOR TRIM PANEL L BODY--24 TRIM CODES F5-H7-S5
Figure ITL-1100

7230 1100 B



ITEM	PART NUMBER	QTY	BODY	MODEL	DESCRIPTION
1					PANEL and CARPET, Door Trim
	J050-1 CSA	1			CLOTH CHARCOAL / SILVER (F5SA)
	J050-1 EB5	1			Blue, (F5B)
	J050-1 CM6				Red, (F5M)
	J324-5 DSA	1			Charcoal / Silver, (S5AS)
	J048-9 CA2				VINYL Silver, (H7SA)
	J048-9 CB5				Blue, (H7B)
	J048-9 CM6	1			Red, (H7M)
2					ARMREST, w/Pull Handle
	D484-5 CA2	1			Silver
	D484-5 CB5	1			Blue
	D484-5 CM6	1			Red
	D484-5 CS8	1			Charcoal
3	4282 435	2			BEZEL, Armrest
4	4114 785	AR			FASTENER, Door Trim Panel
5	4248 514	2			SEAL, Secondary
6	4049 602	AR			SILENCER, Trim Panel (36"x36"x1/2")
7	6031 171	AR			SCREW, (1/4-14x1.75)
8		AR			SCREW, (10-16x1/2) (Not Serv.)

NOTE: (P.A.R.) = Paint As Required

MODEL CODES

E BODY = (J - CARAVELLE)(E - 600)(T - NEW YORKER)

G BODY = (V24 - DAYTONA)

H BODY = (D44 - LANCER)(C44 - LEBARON GTS)

J BODY = (C - LEBARON)

K BODY = (P - RELIANT)(D - ARIES)(C - LEBAROND)/TOWN & COUNTRY)

L BODY = (M - HORIZON/TURISMO)(Z - OMNI/CHARGER)

M BODY = (B - GRAN FURY)(F - FIFTH AVE/NEWPORT)(G - DIPLOMAT)

P BODY = (P - SUNDANCE)(D - SHADOW)

S BODY = (H - VOYAGER)(K - RAM VAN/CARAVAN)

BODY STYLES

12-13 = FWD VAN

21 = 2-DOOR SEDAN

24 = 2-DOOR HATCHBACK

27 = 2-DOOR CONVERTIBLE

41 = 4-DOOR SEDAN

44 = 4-DOOR HATCHBACK

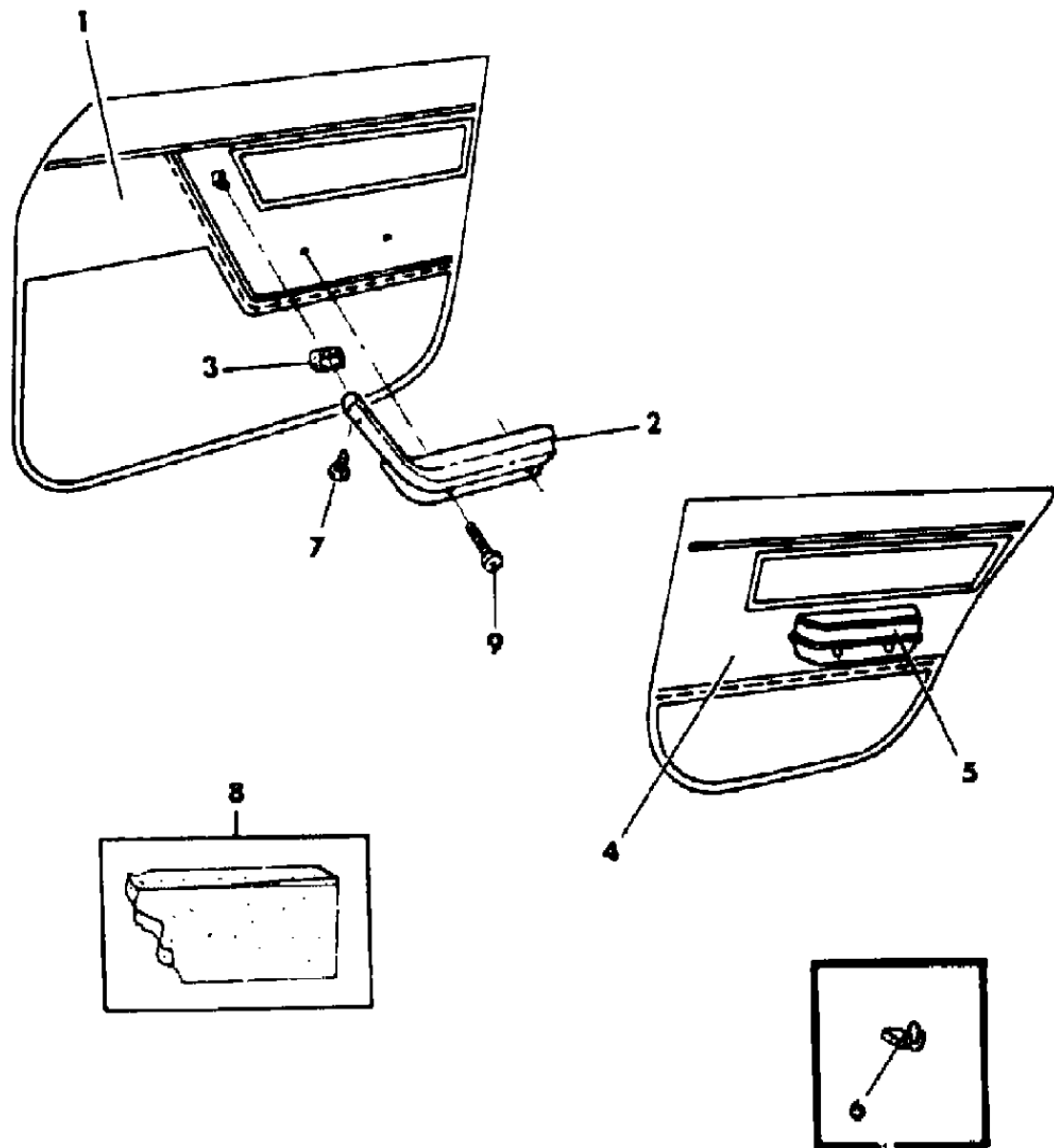
45 = 4-DOOR STATION WAGON

52-53 = FWD WAGON

AR = Use as Required - = Non Illustrated Part P.A.R. = Paint as Required

DOOR TRIM PANEL L BODY--44 TRIM CODES A7-F5
Figure ITL-1200

7230 1200 8



ITEM	PART NUMBER	QTY	BODY	MODEL	DESCRIPTION
1					PANEL and CARPET, Door Trim (Use up to 8-28-86) Silver, (A7A-F5A) Blue, (A7B-F5B) Red, (A7M-F5M)
	J062-3 CA2				Silver, (A7A-F5A)
	J062-3 CB5				Blue, (A7B-F5B)
	J062-3 CM6				Red, (A7M-F5M)
	J822-3 FA2				(Use After 8-28-86) Silver, (A7A-F5A)
	J822-3 FB5				Blue, (A7B-F5B)
	J822-3 FM6				Red, (A7M-F5M)
2					ARMREST, w/Pull Handle Silver, (A7A-F5A) Blue, (A7B-F5B) Red, (A7M-F5M)
	D484-5 CA2				Silver, (A7A-F5A)
	D484-5 CB5				Blue, (A7B-F5B)
	D484-5 CM6				Red, (A7M-F5M)
3	4282 435				BEZEL, Front Door Armrest
4					PANEL and CARPET, Rear Door Trim Panel (Use up to 8-28-86) Silver, (A7A-F5A) Blue, (A7B-F5B) Red, (A7M-F5M) (Use After 8-28-86) Silver, (A7A-F5A) Blue, (A7B-F5B) Red, (A7M-F5M)
	J426-7 CA2				Silver, (A7A-F5A)
	J426-7 CB5				Blue, (A7B-F5B)
	J426-7 CM6				Red, (A7M-F5M)
	J638-9 FA2				Silver, (A7A-F5A)
	J638-9 FB5				Blue, (A7B-F5B)
	J638-9 FM6				Red, (A7M-F5M)
5					PAD and PLATE, Rear Door Armrest Silver, (A7A-F5A) Blue, (A7B-F5B) Red, (A7M-F5M)
	D447 AA3	2			Silver, (A7A-F5A)
	D447 BB5	2			Blue, (A7B-F5B)
	D447 TM6	2			Red, (A7M-F5M)
6	4114 785	AR			FASTENER, Door Trim Panel Attaching
7	6031 171	8			SCREW, Bezel Attaching (1/4-14x1.75)
8	4049 602				SILENCER, Door (36"x36"x1/2")
9		AR			SCREW, (10-16x1/2) (Not Serv.)

MODEL CODES

E BODY = (J - CARAVELLE)(E - 600)(T - NEW YORKER)

G BODY = (V24 - DAYTONA)

H BODY = (D44 - LANCER)(C44 - LEBARON GTS)

J BODY = (C - LEBARON)

K BODY = (P - RELIANT)(D - ARIES)(C - LEBAROND)/TOWN & COUNTRY)

L BODY = (M - HORIZON/TURISMO)(Z - OMNI/CHARGER)

M BODY = (B - GRAN FURY)(F - FIFTH AVE/NEWPORT)(G - DIPLOMAT)

P BODY = (P - SUNDANCE)(D - SHADOW)

S BODY = (H - VOYAGER)(K - RAM VAN/CARAVAN)

BODY STYLES

12-13 = FWD VAN

21 = 2-DOOR SEDAN

24 = 2-DOOR HATCHBACK

27 = 2-DOOR CONVERTIBLE

41 = 4-DOOR SEDAN

44 = 4-DOOR HATCHBACK

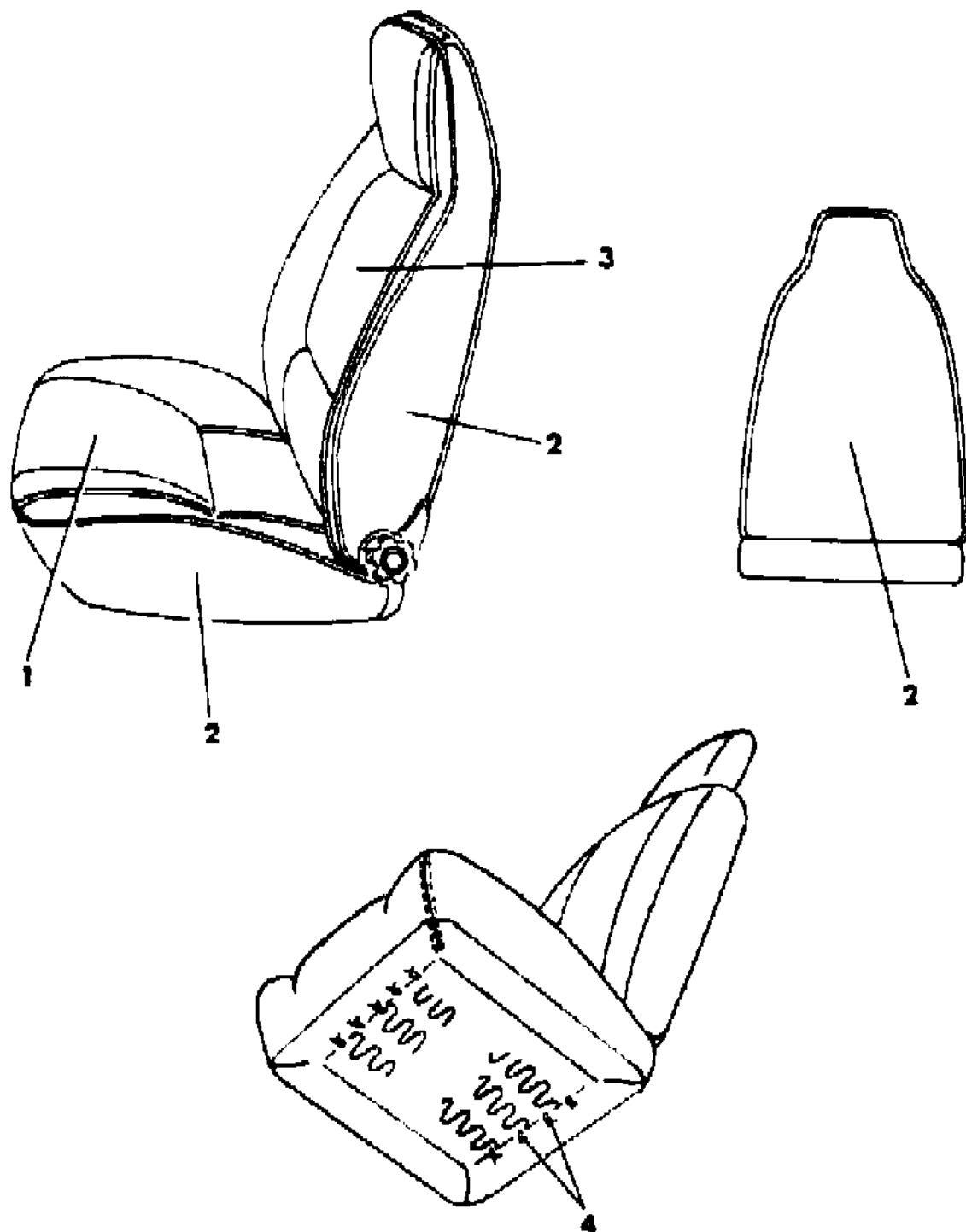
45 = 4-DOOR STATION WAGON

52-53 = FWD WAGON

AR = Use as Required - = Non Illustrated Part P.A.R. = Paint as Required

SEAT FRONT L BODY--TRIM CODES F5
Figure ITL-1300

7230 1300



ITEM	PART NUMBER	QTY	BODY	MODEL	DESCRIPTION
1-2					CUSHION, w/Spring and Frame, Pad & Cover
	N552-3 D5A	1		44	CLOTH Silver, (F5A)
	N552-3 E5B	1		24-44	Blue, (F5B)
	N552-3 D5M			24-44	Red, (F5M)
	N552-3 D5S	1		24	Charcoal / Silver, (F5SA) COVER, Cushion
	N436 D5A	2		44	CLOTH Silver, (F5A)
	N436 D5B	2		24-44	Blue, (F5B)
	N436 D5M	2		24-44	Red, (F5M)
	N436 D5S	2		24	Charcoal / Silver, (F5SA)
2					ROLL STOCK, Vinyl (Order By The Inch)
	R616 AA2	AR			Silver, 64" Wide
	R616 BB5	AR			Blue, 64" Wide
	R616 VM6	AR			Red, 64" Wide
	R609 CS8	AR			Charcoal, 54" Wide
2-3					BACK, w/Spring/Frame, Pad and Cover Cloth
	N558-9 E5B	1		24	CLOTH Blue, (F5B)
	N558-9 D5M	1		24	Red, (F5M)
	N558-9 D5S	1		24	Charcoal / Silver, (F5SA)
	N560-1 D5A	1		44	Silver, (F5A)
	N560-1 D5B	1		44	Blue, (F5B)
	N560-1 D5M	1		44	Red, (F5M)
3					COVER, Back
	N438-9 D5A	1		44	CLOTH Silver, (F5A)
	N438-9 D5B	1		24-44	Blue, (F5B)
	N438-9 D5M	1		24-44	Red, (F5M)
	N438-9 D5S	1		24	Charcoal / Silver, (F5SA)
4	6008 076	AR			HOG RING

MODEL CODES

E BODY = (J - CARAVELLE)(E - 600)(T - NEW YORKER)

G BODY = (V24 - DAYTONA)

H BODY = (D44 - LANCER)(C44 - LEBARON GTS)

J BODY = (C - LEBARON)

K BODY = (P - RELIANT)(D - ARIES)(C - LEBAROND)/TOWN & COUNTRY)

L BODY = (M - HORIZON/TURISMO)(Z - OMNI/CHARGER)

M BODY = (B - GRAN FURY)(F - FIFTH AVE/NEWPORT)(G - DIPLOMAT)

P BODY = (P - SUNDANCE)(D - SHADOW)

S BODY = (H - VOYAGER)(K - RAM VAN/CARAVAN)

BODY STYLES

12-13 = FWD VAN

21 = 2-DOOR SEDAN

24 = 2-DOOR HATCHBACK

27 = 2-DOOR CONVERTIBLE

41 = 4-DOOR SEDAN

44 = 4-DOOR HATCHBACK

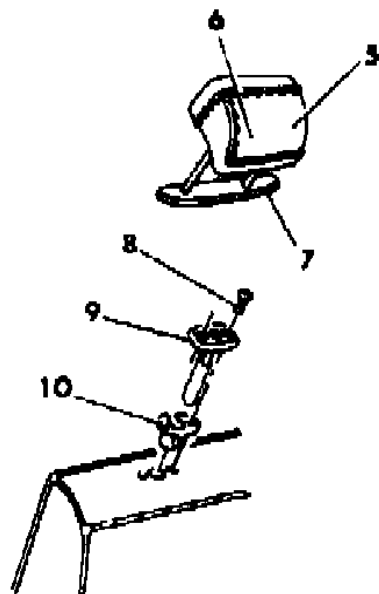
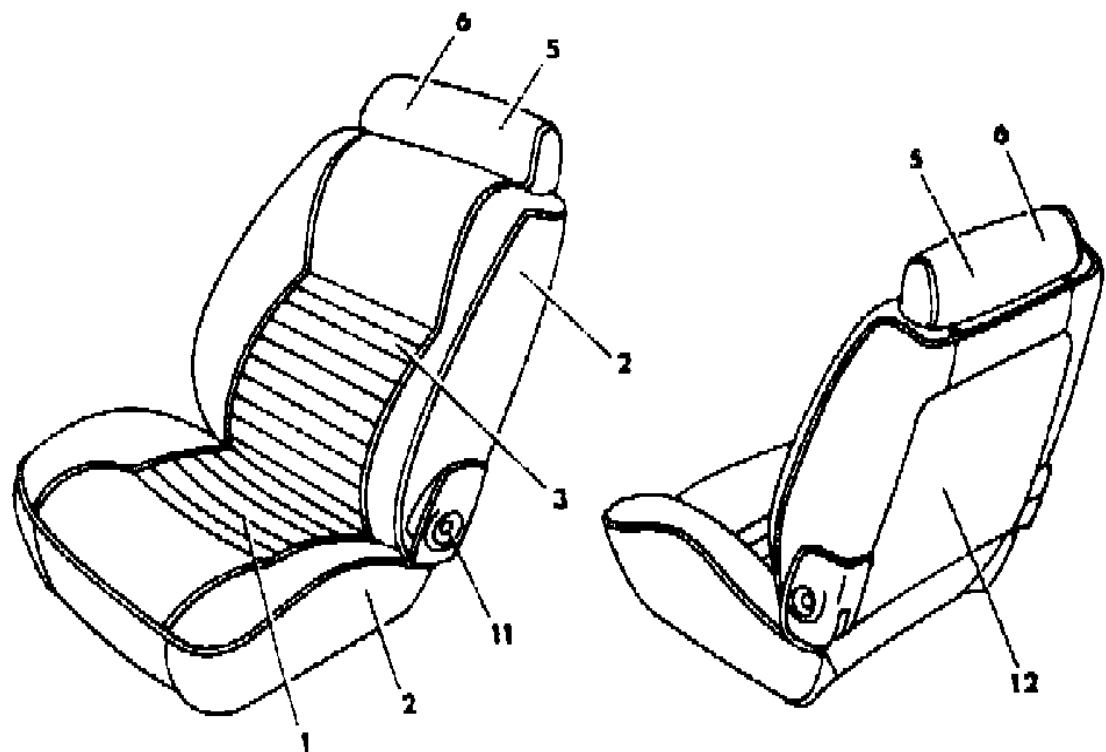
45 = 4-DOOR STATION WAGON

52-53 = FWD WAGON

AR = Use as Required - = Non Illustrated Part P.A.R. = Paint as Required

SEAT FRONT L BODY--TRIM CODES A7-H7
Figure ITL-1400

7230 1400



ITEM	PART NUMBER	QTY	BODY	MODEL	DESCRIPTION
1-2					CUSHION, w/Spring/Frame, Pad and Cover
					CLOTH
	N862-3 C7A	1			Charcoal / Silver, (A7A, H7SA)
	N862-3 C7B	1			Blue, (A7B,H7B)
	N862-3 C7M	1			Red, (A7M,H7M)
1					COVER, Cushion
					CLOTH
	N420 C7A	2			Charcoal / Silver, (A7A, H7SA)
	N420 C7B	2			Blue, (A7B,H7B)
	N420 C7M	2			Red, (A7M,H7M)
2					ROLL STOCK, Vinyl Order By The Inch
	R616 AA2	AR			Silver, 64" Wide
	R616 BB5	AR			Blue, 64" Wide
	R616 VM6	AR			Red, 64" Wide
	R609 CS8	AR			Charcoal 54" Wide
2-3					BACK, w/Spring,Frame, Pad and Cover
					CLOTH
	N866-7 C7A	1			Charcoal / Silver, (A7A, H7SA)
	N866-7 C7B	1			Blue, (A7B,H7B)
	N866-7 C7M	1			Red, (A7M,H7M)
3					COVER, Back
					CLOTH
	N421 C7A	2			Charcoal / Silver, (A7A,H7SA)
	N421 C7B	2			Blue, (A7B,H7B)
	N421 C7M	2			Red, (A7M,H7M)
4	6008 076	AR			
5					HEADREST and COVER
	N567 CA3	2			Silver,(A7A,H7SA)
	N567 CB5	2			Blue, (A7B,H7B)
	N567 CM6				Red, (A7M,H7M)
6					COVER, Headrest
	N347 CA3	2			Silver, (A7A,H7SA)
	N347 CB5	2			Blue, (A7B,H7B)
	N347 CM6	2			Red, (A7M,H7M)
7	4018 808	2			COVER, Headrest Finish
8		AR			SCREW, (8-18x1) (Not Serv.)
9					SLEEVE, Headrest
	S690 AA3	4			Silver

MODEL CODES

E BODY = (J - CARAVELLE)(E - 600)(T - NEW YORKER)

G BODY = (V24 - DAYTONA)

H BODY = (D44 - LANCER)(C44 - LEBARON GTS)

J BODY = (C - LEBARON)

K BODY = (P - RELIANT)(D - ARIES)(C - LEBAROND)/TOWN & COUNTRY)

L BODY = (M - HORIZON/TURISMO)(Z - OMNI/CHARGER)

M BODY = (B - GRAN FURY)(F - FIFTH AVE/NEWPORT)(G - DIPLOMAT)

P BODY = (P - SUNDANCE)(D - SHADOW)

S BODY = (H - VOYAGER)(K - RAM VAN/CARAVAN)

BODY STYLES

12-13 = FWD VAN

21 = 2-DOOR SEDAN

24 = 2-DOOR HATCHBACK

27 = 2-DOOR CONVERTIBLE

41 = 4-DOOR SEDAN

44 = 4-DOOR HATCHBACK

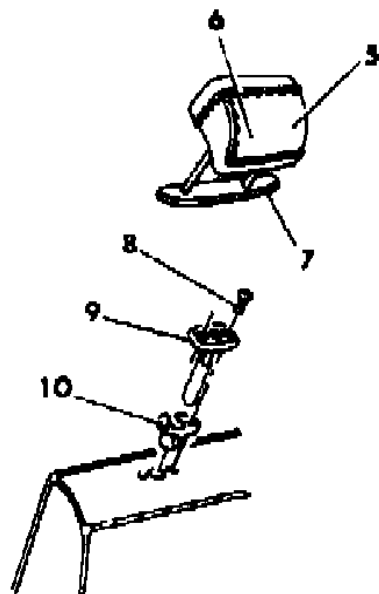
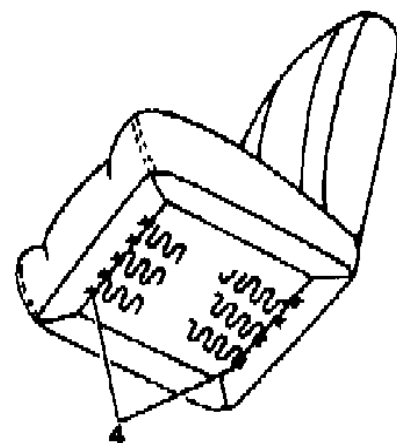
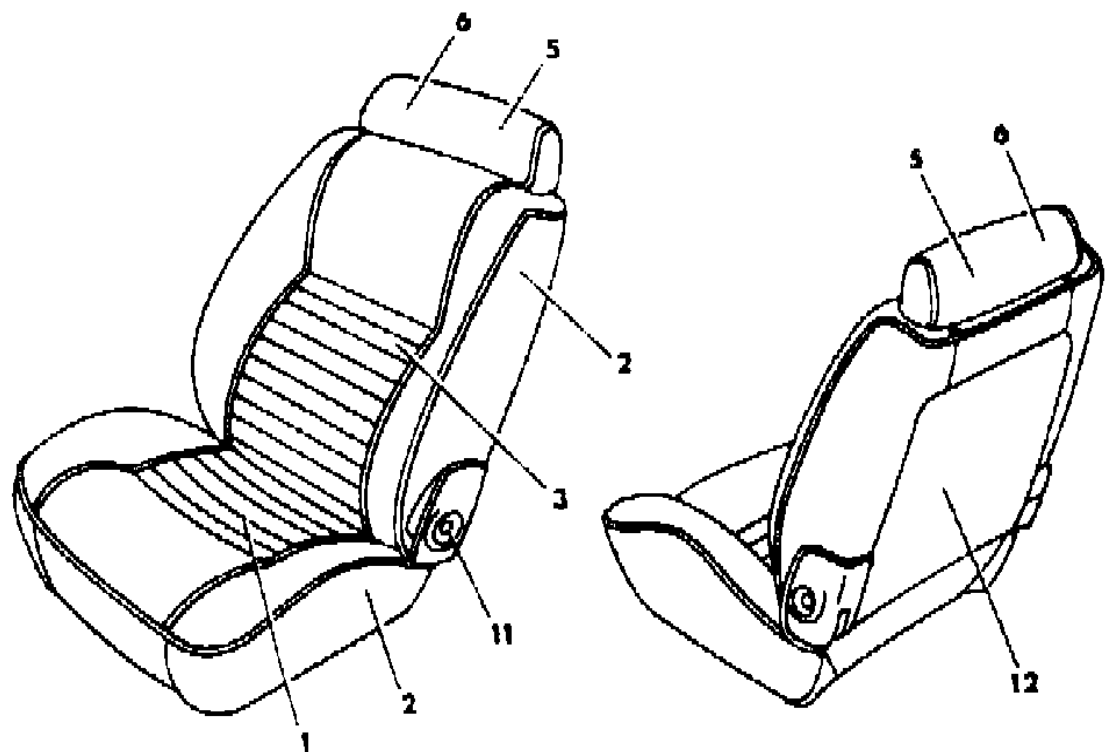
45 = 4-DOOR STATION WAGON

52-53 = FWD WAGON

AR = Use as Required - = Non Illustrated Part P.A.R. = Paint as Required

SEAT FRONT L BODY--TRIM CODES A7-H7
Figure ITL-1400

7230 1400



ITEM	PART NUMBER	QTY	BODY	MODEL	DESCRIPTION
	S690 BB5	4			Blue
	S690 TM6	4			Red
10	4098 965	4			CATCH, Headrest Post
11					COVER, Hinge Arm (P.A.R.) OUTBOARD
	S810 DT3				PASSENGER
	S811 DT3	1			Driver INBOARD
	S876 DT3	1			PASSENGER
	S877 DT3	1			Driver
12					PANEL, Back of Front Back
	S731 AA2	2			Charcoal / Silver, (A7A, H7SA)
	S731 BB5				Blue, (A7B,H7B)
	S731 VM6	2			Red, (A7M,H7M)
					NOTE: (P.A.R.) = Paint As Required

MODEL CODES

E BODY = (J - CARAVELLE)(E - 600)(T - NEW YORKER)

G BODY = (V24 - DAYTONA)

H BODY = (D44 - LANCER)(C44 - LEBARON GTS)

J BODY = (C - LEBARON)

K BODY = (P - RELIANT)(D - ARIES)(C - LEBAROND)/TOWN & COUNTRY)

L BODY = (M - HORIZON/TURISMO)(Z - OMNI/CHARGER)

M BODY = (B - GRAN FURY)(F - FIFTH AVE/NEWPORT)(G - DIPLOMAT)

P BODY = (P - SUNDANCE)(D - SHADOW)

S BODY = (H - VOYAGER)(K - RAM VAN/CARAVAN)

BODY STYLES

12-13 = FWD VAN

21 = 2-DOOR SEDAN

24 = 2-DOOR HATCHBACK

27 = 2-DOOR CONVERTIBLE

41 = 4-DOOR SEDAN

44 = 4-DOOR HATCHBACK

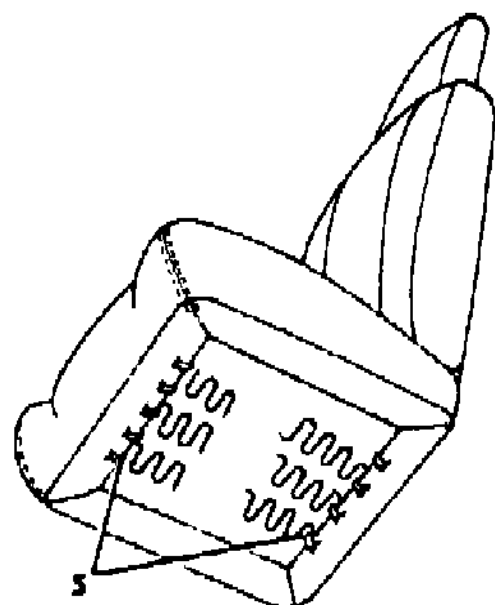
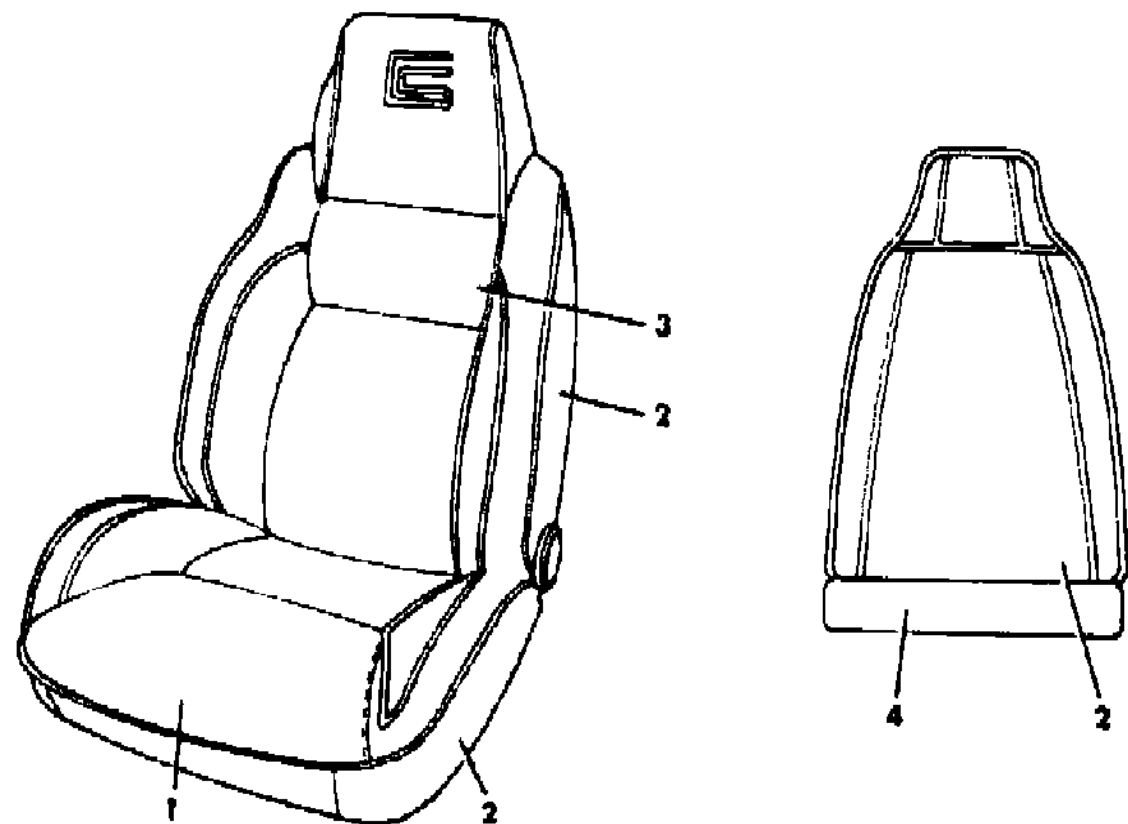
45 = 4-DOOR STATION WAGON

52-53 = FWD WAGON

AR = Use as Required - = Non Illustrated Part P.A.R. = Paint as Required

SEAT FRONT L BODY--TRIM CODE S5
Figure ITL-1500

7230 1500



ITEM	PART NUMBER	QTY	BODY	MODEL	DESCRIPTION
1-2					CUSHION, w/Spring, Frame, Pad and Cover CLOTH
	N732-3 D5S				
1					COVER, Cushion CLOTH
	N416 D5S				
2	R616 AA2	AR			ROLL STOCK, Vinyl, 64", Order By The Inch BACK, w/Spring, Frame, Pad and Cover CLOTH
2-3					
	N736-7 D5S	1			
3					COVER, Back CLOTH
	N456-7 D5S	1			
4					CARPET, (Serv. w/Cushion Cover)
5	6008 076	AR			HOG RING

MODEL CODES

E BODY = (J - CARAVELLE)(E - 600)(T - NEW YORKER)

G BODY = (V24 - DAYTONA)

H BODY = (D44 - LANCER)(C44 - LEBARON GTS)

J BODY = (C - LEBARON)

K BODY = (P - RELIANT)(D - ARIES)(C - LEBAROND)/TOWN & COUNTRY)

L BODY = (M - HORIZON/TURISMO)(Z - OMNI/CHARGER)

M BODY = (B - GRAN FURY)(F - FIFTH AVE/NEWPORT)(G - DIPLOMAT)

P BODY = (P - SUNDANCE)(D - SHADOW)

S BODY = (H - VOYAGER)(K - RAM VAN/CARAVAN)

BODY STYLES

12-13 = FWD VAN

21 = 2-DOOR SEDAN

24 = 2-DOOR HATCHBACK

27 = 2-DOOR CONVERTIBLE

41 = 4-DOOR SEDAN

44 = 4-DOOR HATCHBACK

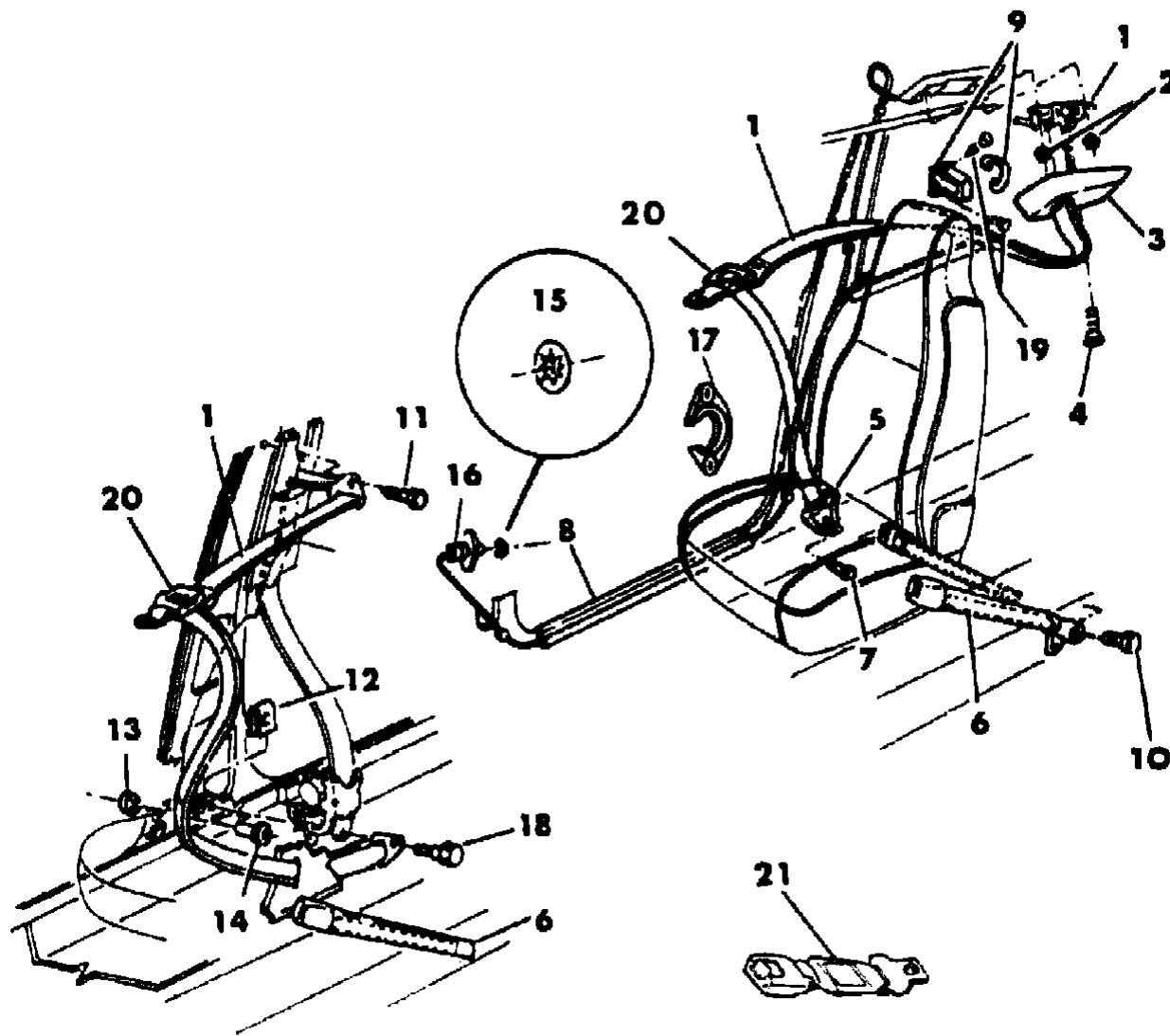
45 = 4-DOOR STATION WAGON

52-53 = FWD WAGON

AR = Use as Required - = Non Illustrated Part P.A.R. = Paint as Required

BELT--FRONT SEAT L BODY
Figure ITL-1600

7230 1600 A



ITEM	PART NUMBER	QTY	BODY	MODEL	DESCRIPTION
1					BELT, Lap and Shoulder, Outer
					Label Number 4327354-5
	F612-3 CA3	1		24	Silver
	F612-3 CB5	1		24	Blue
	F612-3 CM6	1		24	Red
	F612-3 CS8	1		24	Charcoal
					Label Number 4327098-9
	F742-3 BA3	1		44	Silver
	F742-3 BB5	1		44	Blue
	F742-3 BM6	1		44	Red
2	6501 279	2			NUT
3	H496-7 SX9	1		24	COVER, Headliner Shoulder Belt Retractor (P.A.R.)
4		AR			SCREW, (8-18x3/4) (Not Serv.)
5	F814 JX9	2		24	COVER, Swivel Plate (P.A.R.)
6					BELT, Lap Buckle Half Inner
					Label Number 4316116-7
	F674-5 BA3	1			Silver
	F674-5 BB5	1			Blue
	F674-5 BM6	1			Red
	F674-5 CS8	1			Charcoal
7	6031 298	AR			BOLT
8	5232 137	2		24	CASTING, Tension Reliver Cable
9	S863 AA3	2		24	GUIDE, w/High Bucket
					w/Low Back Bucket w/Applied Headrest
	S761 AA3	2		24	Silver
	S761 CB5	2		24	Blue
	S761 TM6	2		24	Red
10		AR			BOLT, (7/16-20-1.375x3/16 Hex Head) (Not Serv.)
11	6031 216	2		44	BOLT
12	6031 448	2		44	U-NUT
13	4290 789	2		44	CYLINDER, Tension Release Button
14	4327 076	2		44	RETAINER, Tension Release Button
15	6025 160	2			RETAINER, Inertia Retractor Pendum Shaft
16		1			CABLE, Retractor Tension Reliver (Serviced in BeltAssy)
17	4054 365	2		24	RETAINER, Tension Reliver Attaching
18		AR			BOLT, (7/16-20-1,2x13/16 Hex Head) (Not Serv.)
19		AR			SCREW,(8-18x1) (Not Serv.)
20	4316 773	1			COVER, Tip Half (P.A.R.)

MODEL CODES

E BODY = (J - CARAVELLE)(E - 600)(T - NEW YORKER)

G BODY = (V24 - DAYTONA)

H BODY = (D44 - LANCER)(C44 - LEBARON GTS)

J BODY = (C - LEBARON)

K BODY = (P - RELIANT)(D - ARIES)(C - LEBAROND)/TOWN & COUNTRY)

L BODY = (M - HORIZON/TURISMO)(Z - OMNI/CHARGER)

M BODY = (B - GRAN FURY)(F - FIFTH AVE/NEWPORT)(G - DIPLOMAT)

P BODY = (P - SUNDANCE)(D - SHADOW)

S BODY = (H - VOYAGER)(K - RAM VAN/CARAVAN)

BODY STYLES

12-13 = FWD VAN

21 = 2-DOOR SEDAN

24 = 2-DOOR HATCHBACK

27 = 2-DOOR CONVERTIBLE

41 = 4-DOOR SEDAN

44 = 4-DOOR HATCHBACK

45 = 4-DOOR STATION WAGON

52-53 = FWD WAGON

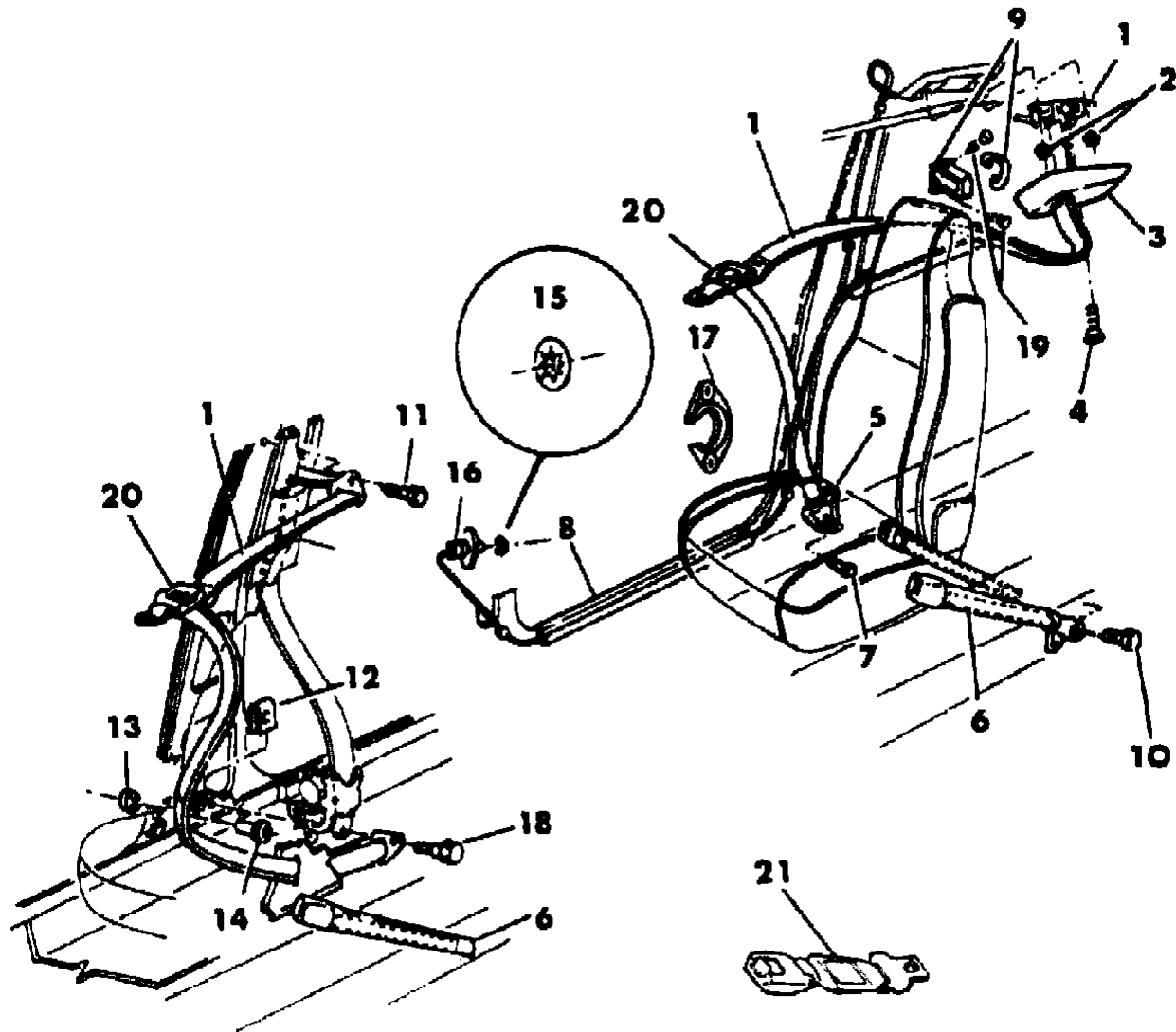
AR = Use as Required - = Non Illustrated Part P.A.R. = Paint as Required

BELT--FRONT SEAT L BODY
Figure ITL-1600

ITEM	PART NUMBER	QTY	BODY	MODEL	DESCRIPTION
------	-------------	-----	------	-------	-------------

21	4364 849	AR			EXTENDER NOTE: (P.A.R.) = Paint As Required
----	----------	----	--	--	--

7230 1600 A



MODEL CODES
 E BODY = (J - CARAVELLE)(E - 600)(T - NEW YORKER)
 G BODY = (V24 - DAYTONA)
 H BODY = (D44 - LANCER)(C44 - LEBARON GTS)
 J BODY = (C - LEBARON)
 K BODY = (P - RELIANT)(D - ARIES)(C - LEBAROND)/TOWN & COUNTRY
 L BODY = (M - HORIZON/TURISMO)(Z - OMNI/CHARGER)
 M BODY = (B - GRAN FURY)(F - FIFTH AVE/NEWPORT)(G - DIPLOMAT)
 P BODY = (P - SUNDANCE)(D - SHADOW)
 S BODY = (H - VOYAGER)(K - RAM VAN/CARAVAN)

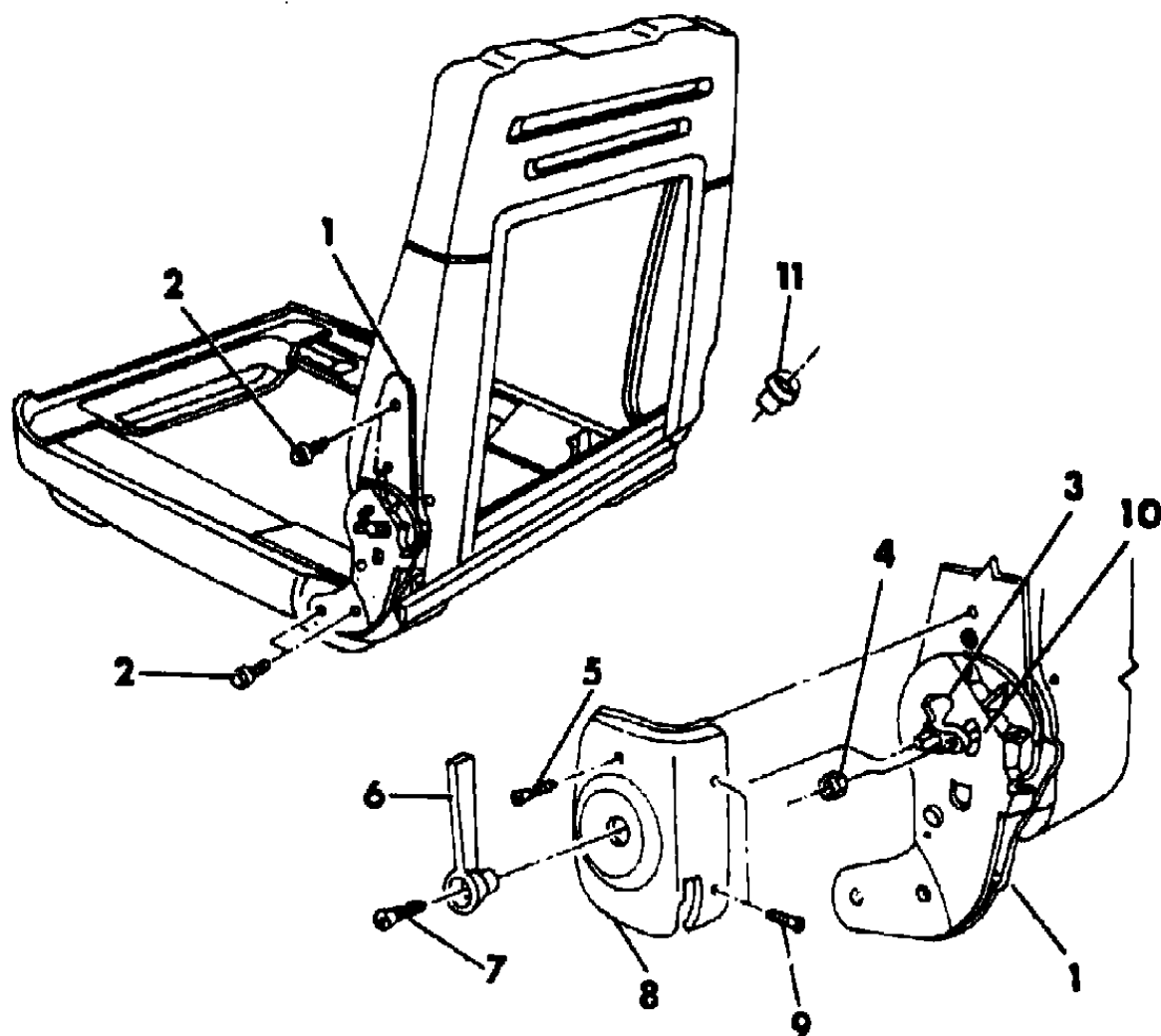
BODY STYLES
 12-13 = FWD VAN
 21 = 2-DOOR SEDAN
 24 = 2-DOOR HATCHBACK
 27 = 2-DOOR CONVERTIBLE
 41 = 4-DOOR SEDAN
 44 = 4-DOOR HATCHBACK
 45 = 4-DOOR STATION WAGON
 52-53 = FWD WAGON

AR = Use as Required - = Non Illustrated Part P.A.R. = Paint as Required

RECLINING FRONT SEAT--W/O INERTIA L BODY
Figure ITL-1700

7230 1700 A

ITEM	PART NUMBER	QTY	BODY	MODEL	DESCRIPTION
1	4190 968-9	1			RECLINER
2	9422 041	8			SCREW and WASHER, w/Low Back Buckets
3	4029 871	1			ADAPTER, Actuator Handle
4	0120 622	1			NUT, Lock
5	6032 072	AR			SCREW
6	4018 911	2			HANDLE, Seat Recliner
7		AR			SCREW, (8-32x1/2), (Not Serv.)
8					COVER, (See Seat Illus.)
9		AR			SCREW, (8-18x1) (Not Serv.)
10	4190 248-9	1			SPRING, Front Seat Back Reclining Release Cam
11	4029 846	1			BUSHING, Inner Pivot, Rt. Only



MODEL CODES

E BODY = (J - CARAVELLE)(E - 600)(T - NEW YORKER)

G BODY = (V24 - DAYTONA)

H BODY = (D44 - LANCER)(C44 - LEBARON GTS)

J BODY = (C - LEBARON)

K BODY = (P - RELIANT)(D - ARIES)(C - LEBAROND)/TOWN & COUNTRY)

L BODY = (M - HORIZON/TURISMO)(Z - OMNI/CHARGER)

M BODY = (B - GRAN FURY)(F - FIFTH AVE/NEWPORT)(G - DIPLOMAT)

P BODY = (P - SUNDANCE)(D - SHADOW)

S BODY = (H - VOYAGER)(K - RAM VAN/CARAVAN)

BODY STYLES

12-13 = FWD VAN

21 = 2-DOOR SEDAN

24 = 2-DOOR HATCHBACK

27 = 2-DOOR CONVERTIBLE

41 = 4-DOOR SEDAN

44 = 4-DOOR HATCHBACK

45 = 4-DOOR STATION WAGON

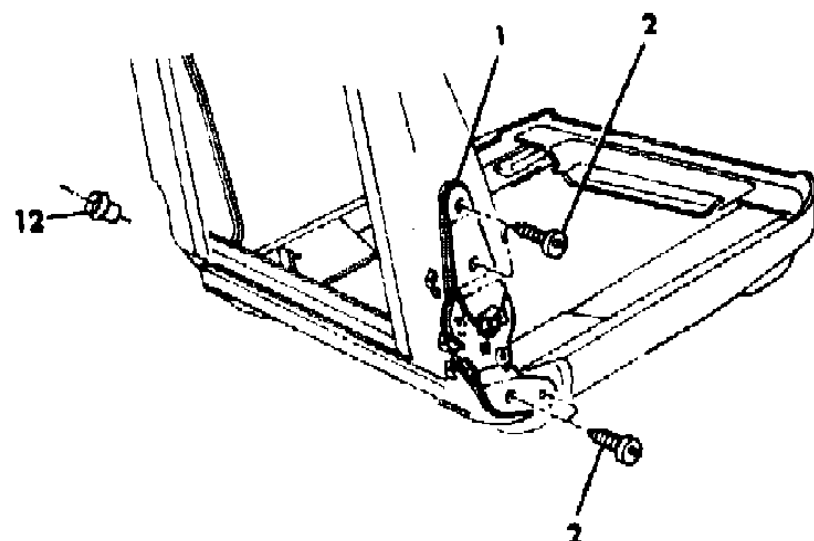
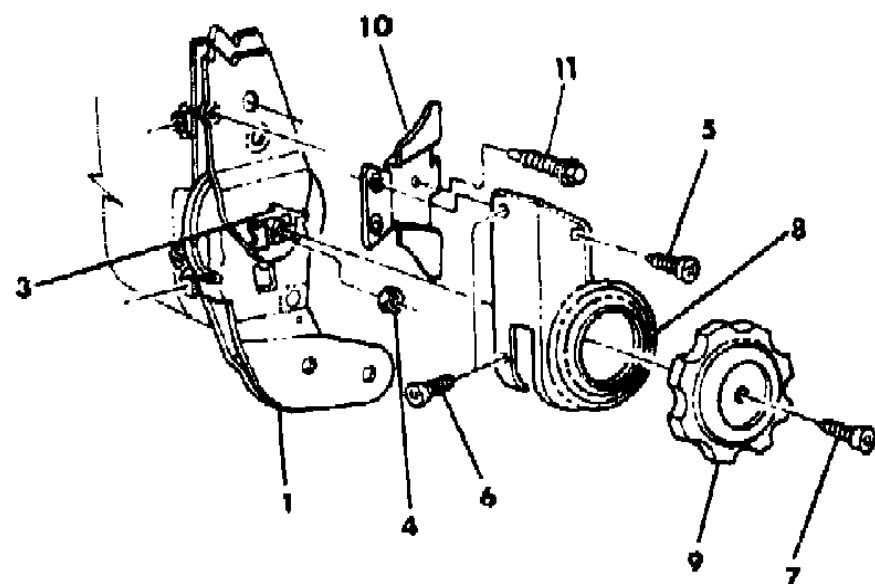
52-53 = FWD WAGON

AR = Use as Required - = Non Illustrated Part P.A.R. = Paint as Required

RECLINING FRONT SEAT--W/ INERTIA L BODY
Figure ITL-1800

7230 1800 A

ITEM	PART NUMBER	QTY	BODY	MODEL	DESCRIPTION
1	4239 640-1	1		24	RECLINER, Inertia (Model 44 Use 4190968-9)
2	9422 041	8			SCREW
3	4239 671	1		24	ACTUATOR, Release
	4277 946	1		44	
4	0120 622	2			NUT
5		AR			SCREW, (8-18x1), (Not Serv.)
6	0118 614	AR			SCREW (Correct Number Is 6032072 Per Dallas) ***
7	6032 456	2			SCREW
8					SHIELD, Chrome
					OUTBOARD
	4239 542				Passenger
	4239 543	1			Driver
					INBOARD
	4239 570	1			Passenger
	4239 571	1			Driver
9	4239 546	2			KNOB, Recliner Release
10	4290 711	2			BRACKET, Side Shield Mounting
11	9422 041	1			SCREW
12	4029 846	1			BUSHING, Inner Pivot, Rt. Only



MODEL CODES

E BODY = (J - CARAVELLE)(E - 600)(T - NEW YORKER)

G BODY = (V24 - DAYTONA)

H BODY = (D44 - LANCER)(C44 - LEBARON GTS)

J BODY = (C - LEBARON)

K BODY = (P - RELIANT)(D - ARIES)(C - LEBAROND)/TOWN & COUNTRY)

L BODY = (M - HORIZON/TURISMO)(Z - OMNI/CHARGER)

M BODY = (B - GRAN FURY)(F - FIFTH AVE/NEWPORT)(G - DIPLOMAT)

P BODY = (P - SUNDANCE)(D - SHADOW)

S BODY = (H - VOYAGER)(K - RAM VAN/CARAVAN)

BODY STYLES

12-13 = FWD VAN

21 = 2-DOOR SEDAN

24 = 2-DOOR HATCHBACK

27 = 2-DOOR CONVERTIBLE

41 = 4-DOOR SEDAN

44 = 4-DOOR HATCHBACK

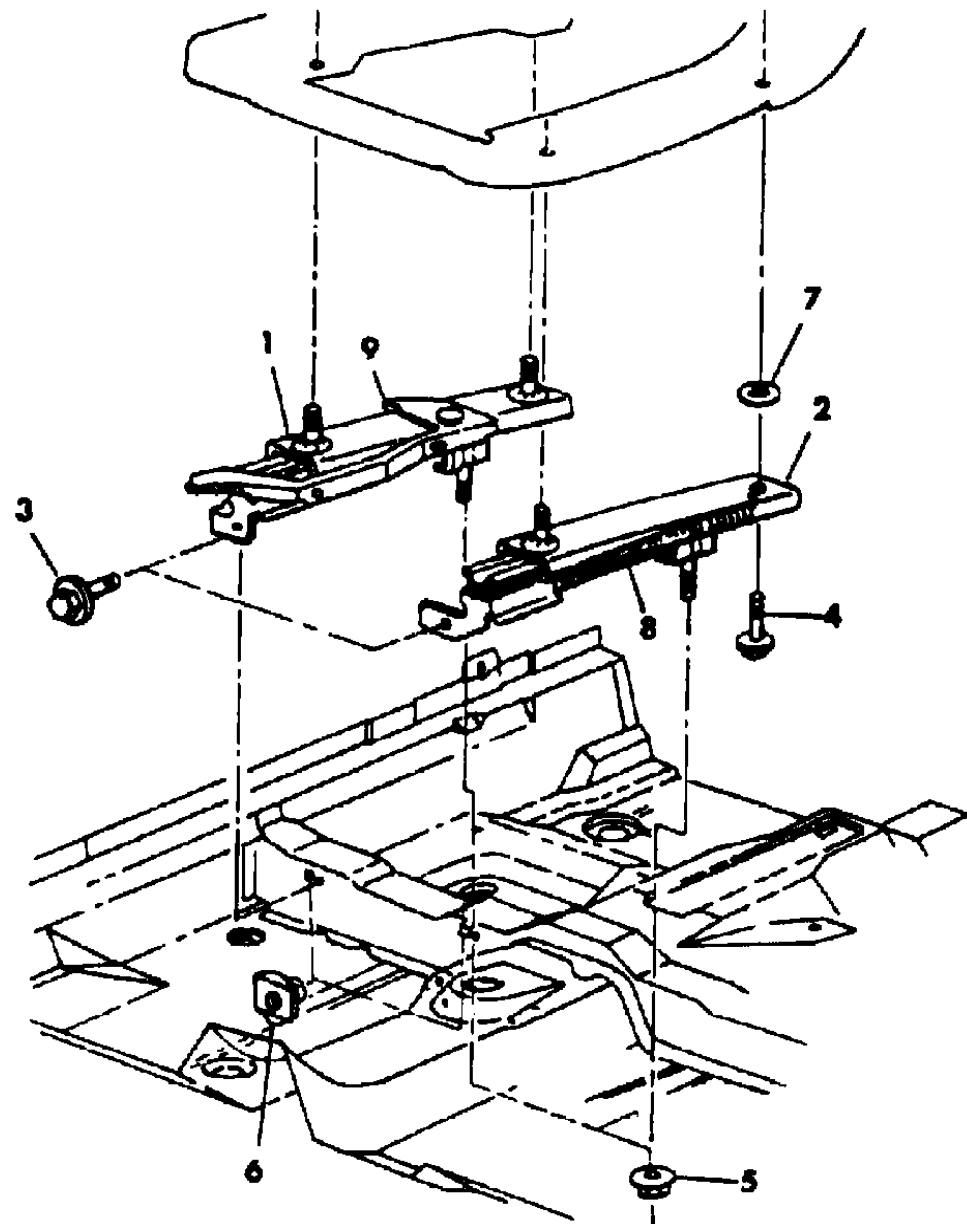
45 = 4-DOOR STATION WAGON

52-53 = FWD WAGON

AR = Use as Required - = Non Illustrated Part P.A.R. = Paint as Required

ADJUSTER--MANUAL L BODY
Figure ITL-1900

7230 1000



ITEM	PART NUMBER	QTY	BODY	MODEL	DESCRIPTION
1					ADJUSTER, Outboard
	4277 472	1	24		Passenger
	4277 474	1	44		
	4277 473	1	24		Driver
	4277 475	1	44		
2					ADJUSTER, Inboard
	5232 142	1	24		Passenger
	5232 146	1	44		
	5232 143	1	24		Driver
	5232 147	1	44		
3	6100 592	4			SCREW and WASHER
4	6100 592	8			SCREW and WASHER
5	6100 051	4			NUT and WASHER
6	6101 283	4			U-NUT
7	6028 040	8			RETAINER
8	4277 504	AR			SPRING, Manual Adjuster Release Lever Return
9	0104 918	AR			BALL, Front Seat Manual Adjuster

MODEL CODES

E BODY = (J - CARAVELLE)(E - 600)(T - NEW YORKER)

G BODY = (V24 - DAYTONA)

H BODY = (D44 - LANCER)(C44 - LEBARON GTS)

J BODY = (C - LEBARON)

K BODY = (P - RELIANT)(D - ARIES)(C - LEBAROND)/TOWN & COUNTRY)

L BODY = (M - HORIZON/TURISMO)(Z - OMNI/CHARGER)

M BODY = (B - GRAN FURY)(F - FIFTH AVE/NEWPORT)(G - DIPLOMAT)

P BODY = (P - SUNDANCE)(D - SHADOW)

S BODY = (H - VOYAGER)(K - RAM VAN/CARAVAN)

BODY STYLES

12-13 = FWD VAN

21 = 2-DOOR SEDAN

24 = 2-DOOR HATCHBACK

27 = 2-DOOR CONVERTIBLE

41 = 4-DOOR SEDAN

44 = 4-DOOR HATCHBACK

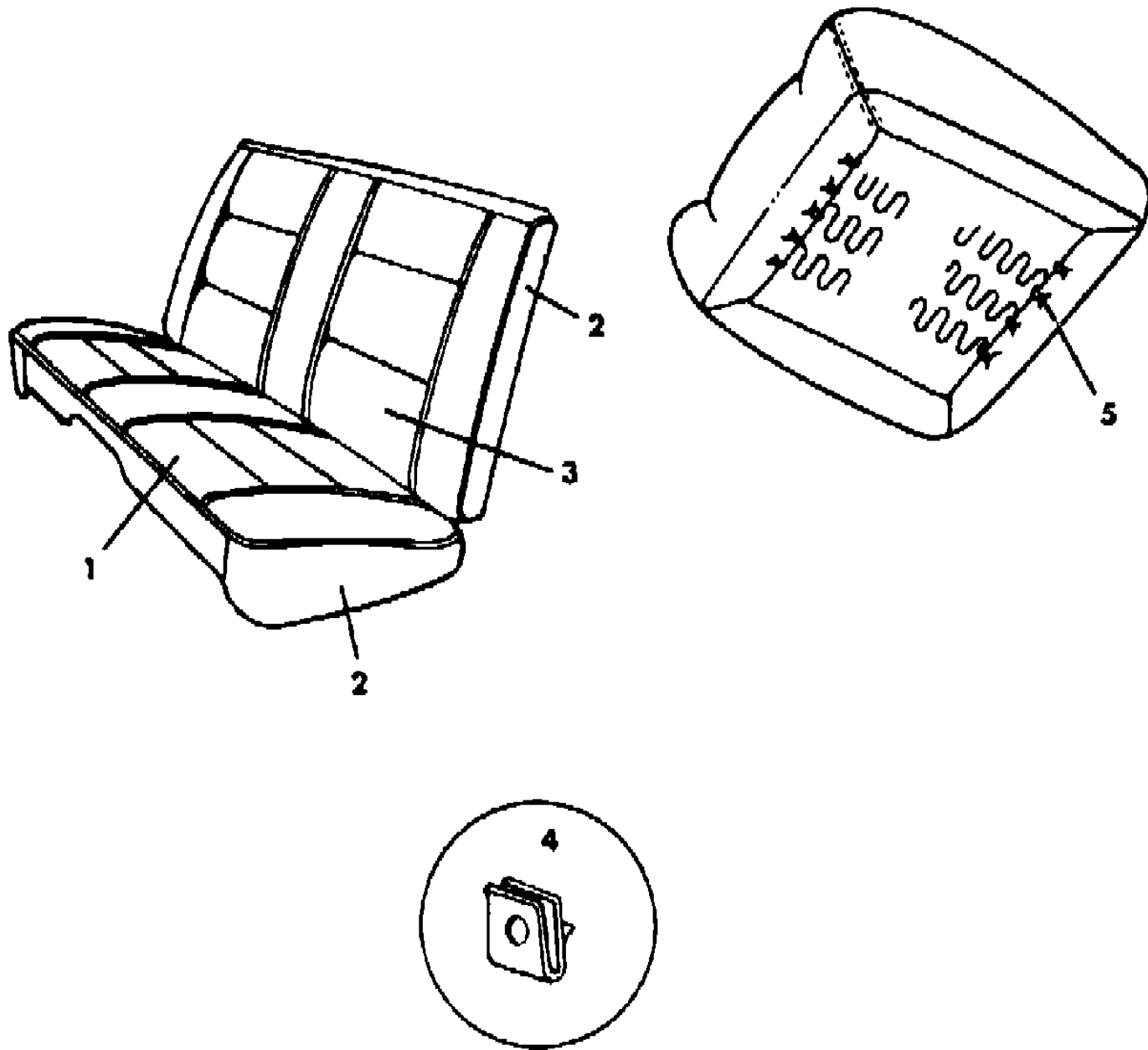
45 = 4-DOOR STATION WAGON

52-53 = FWD WAGON

AR = Use as Required - = Non Illustrated Part P.A.R. = Paint as Required

SEAT--REAR L BODY--TRIM CODE F5
Figure ITL-2000

7230 2000



ITEM	PART NUMBER	QTY	BODY	MODEL	DESCRIPTION
1-2					CUSHION, w/Spring, Frame, Pad and Cover
					CLOTH
	N566 E5B	1		24	Blue, (F5B)
	N566 D5M	1		24	Red, (F5M)
	N566 D5S	1		24	Charcoal / Silver, (F5SA)
	N568 D5A	1		44	Silver, (F5A)
	N568 D5B	1		44	Blue, (F5B)
	N568 D5M	1		44	Red, (F5M)
1					COVER, Cushion
					CLOTH
	N440 E5B	1		24	Blue, (F5B)
	N440 D5M	1		24	Red, (F5M)
	N440 D5S	1		24	Charcoal / Silver, (F5SA)
	N441 D5A	1		44	Silver, (F5A)
	N441 D5B	1		44	Blue, (F5B)
	N441 D5M	1		44	Red, (F5M)
2					ROLL STOCK, Vinyl, (Order By The Inch)
	R616 AA2	AR			Silver, 64" Wide
	R616 BB5	AR			Blue, 64" Wide
	R616 VM6	AR			Red, 64" Wide
	R609 CS8	AR			Charcoal, 54" Wide
2-3					BACK, w/Panel, Protectors, Pad and Cover
					CLOTH
	N569 E5B	1		24	Blue, (F5B)
	N569 D5M	1		24	Red, (F5M)
	N569 D5S	1		24	Charcoal / Silver, (F5SA)
	N570 D5A	1		44	Silver, (F5A)
	N570 D5B	1		44	Blue, (F5B)
	N570 D5M	1		44	Red, (F5M)
3					COVER, Back
					CLOTH
	N442 E5B	1		24	Blue, (F5B)
	N442 D5M	1		24	Red, (F5M)
	N442 D5S	1		24	Charcoal / Silver, (F5SA)
	N443 D5A	1		44	Silver, (F5A)
	N443 D5B	1		44	Blue, (F5B)
	N443 D5M	1		44	Red, (F5M)
4	6500 296	2			CLIP, Cushion Retainer

MODEL CODES

E BODY = (J - CARAVELLE)(E - 600)(T - NEW YORKER)

G BODY = (V24 - DAYTONA)

H BODY = (D44 - LANCER)(C44 - LEBARON GTS)

J BODY = (C - LEBARON)

K BODY = (P - RELIANT)(D - ARIES)(C - LEBAROND)/TOWN & COUNTRY)

L BODY = (M - HORIZON/TURISMO)(Z - OMNI/CHARGER)

M BODY = (B - GRAN FURY)(F - FIFTH AVE/NEWPORT)(G - DIPLOMAT)

P BODY = (P - SUNDANCE)(D - SHADOW)

S BODY = (H - VOYAGER)(K - RAM VAN/CARAVAN)

BODY STYLES

12-13 = FWD VAN

21 = 2-DOOR SEDAN

24 = 2-DOOR HATCHBACK

27 = 2-DOOR CONVERTIBLE

41 = 4-DOOR SEDAN

44 = 4-DOOR HATCHBACK

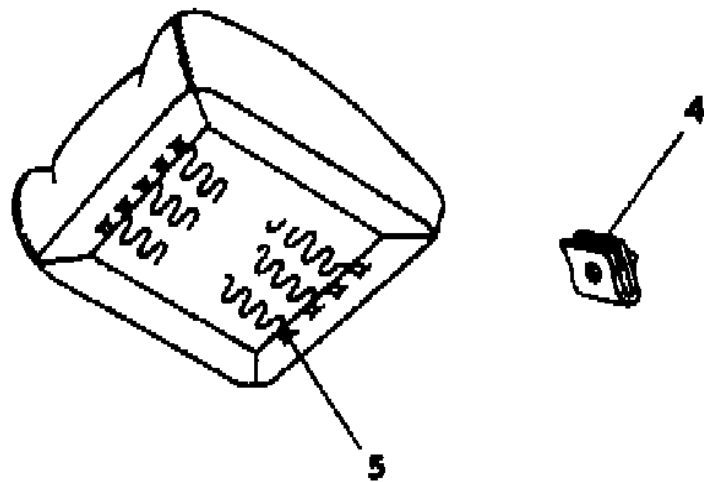
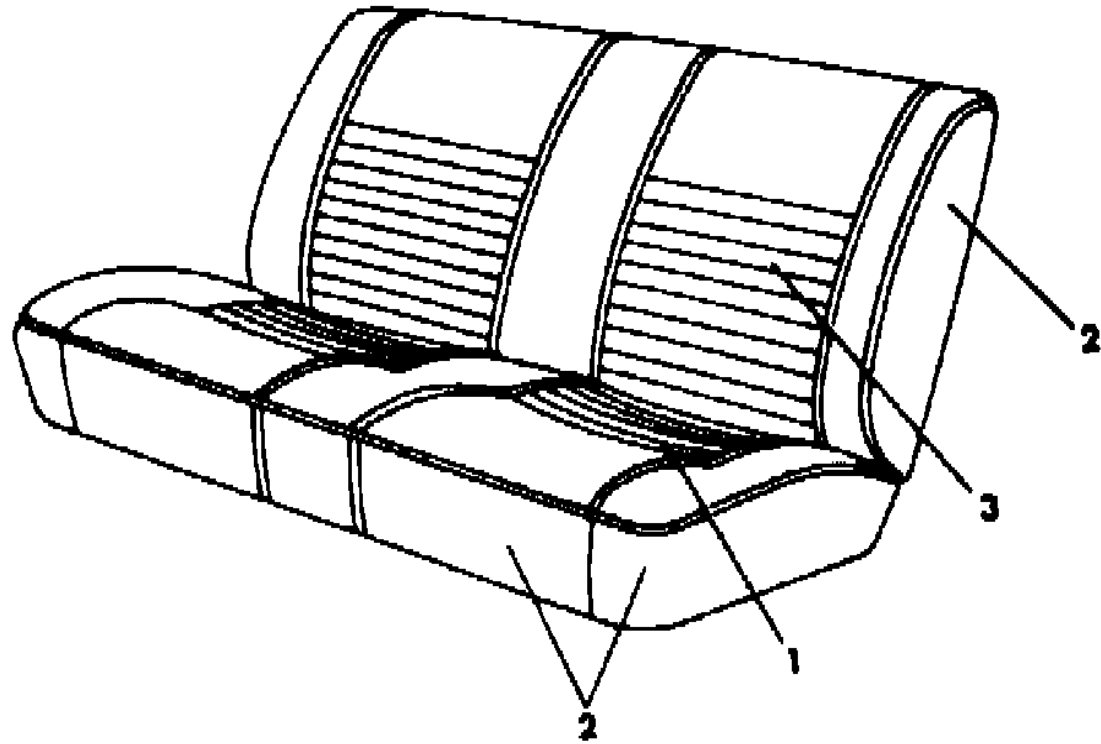
45 = 4-DOOR STATION WAGON

52-53 = FWD WAGON

AR = Use as Required - = Non Illustrated Part P.A.R. = Paint as Required

SEAT--REAR L BODY--TRIM CODES A7-H7
Figure ITL-2100

7230 2100



ITEM	PART NUMBER	QTY	BODY	MODEL	DESCRIPTION
1-2					CUSHION, w/Spring/Frame, Pad and Cover
					CLOTH
	N870 C7B	1		24	Blue, (H7B)
	N870 C7M	1		24	Red, (H7M)
	N870 C7S	1		24	Charcoal / Silver, (H7SA)
	N871 C7A	1		44	Silver, (A7A)
	N871 C7B	1		44	Blue, (A7B)
	N871 C7M	1		44	Red, (A7M)
1					COVER, Cushion
	N422 C7B	1		24	Blue, (H7B)
	N422 C7M	1		24	Red, (H7M)
	N422 C7S	1		24	Charcoal / Silver, (H7SA)
	N423 C7A	1		44	Silver, (A7A)
	N423 C7B	1		44	Blue, (A7B)
	N423 C7M	1		44	Red, (A7M)
2					ROLL STOCK, Vinyl Order by the Inch
	R616 AA2	AR			Silver, 64" Wide
	R616 BB5	AR			Blue, 64" Wide
	R616 VM6	AR			Red, 64" Wide
	R609 CS8	AR			Charcoal, 54" Wide
2-3					BACK, w/Panel, Protectors, Pad and Cover
					CLOTH
	N872 C7B	1		24	Blue, (H7B)
	N872 C7M	1		24	Red, (H7M)
	N872 C7S	1		24	Charcoal / Silver, (H7SA)
	N873 C7A	1		44	Silver, (A7A)
	N873 C7B	1		44	Blue, (A7B)
	N873 C7M	1		44	Red, (A7M)
3					COVER, Back
					CLOTH
	N424 C7B	1		24	Blue, (HB7)
	N424 C7M	1		24	Red, (H7M)
	N424 C7S	1		24	Charcoal / Silver (H7SA)
	N425 C7A	1		44	Silver, (A7A)
	N425 C7B	1		44	Blue, (A7B)
	N425 C7M	1		44	Red, (A7M)
4	6500 296	AR			CLIP, Rear Cushion Retainer
5	6008 076	AR			CLIP, Hog Ring

MODEL CODES

E BODY = (J - CARAVELLE)(E - 600)(T - NEW YORKER)

G BODY = (V24 - DAYTONA)

H BODY = (D44 - LANCER)(C44 - LEBARON GTS)

J BODY = (C - LEBARON)

K BODY = (P - RELIANT)(D - ARIES)(C - LEBAROND)/TOWN & COUNTRY)

L BODY = (M - HORIZON/TURISMO)(Z - OMNI/CHARGER)

M BODY = (B - GRAN FURY)(F - FIFTH AVE/NEWPORT)(G - DIPLOMAT)

P BODY = (P - SUNDANCE)(D - SHADOW)

S BODY = (H - VOYAGER)(K - RAM VAN/CARAVAN)

BODY STYLES

12-13 = FWD VAN

21 = 2-DOOR SEDAN

24 = 2-DOOR HATCHBACK

27 = 2-DOOR CONVERTIBLE

41 = 4-DOOR SEDAN

44 = 4-DOOR HATCHBACK

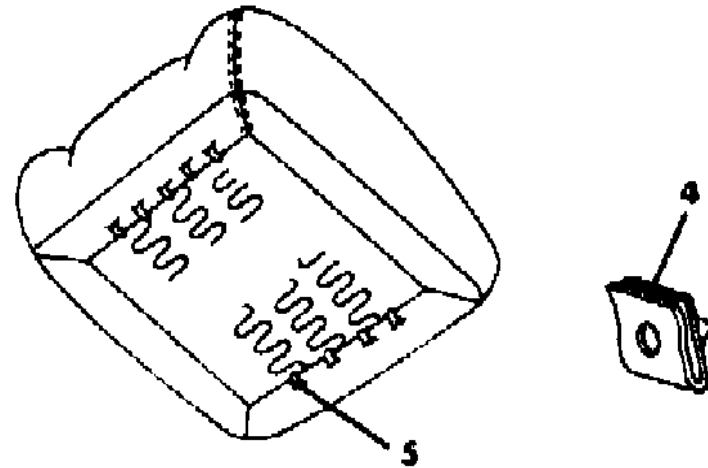
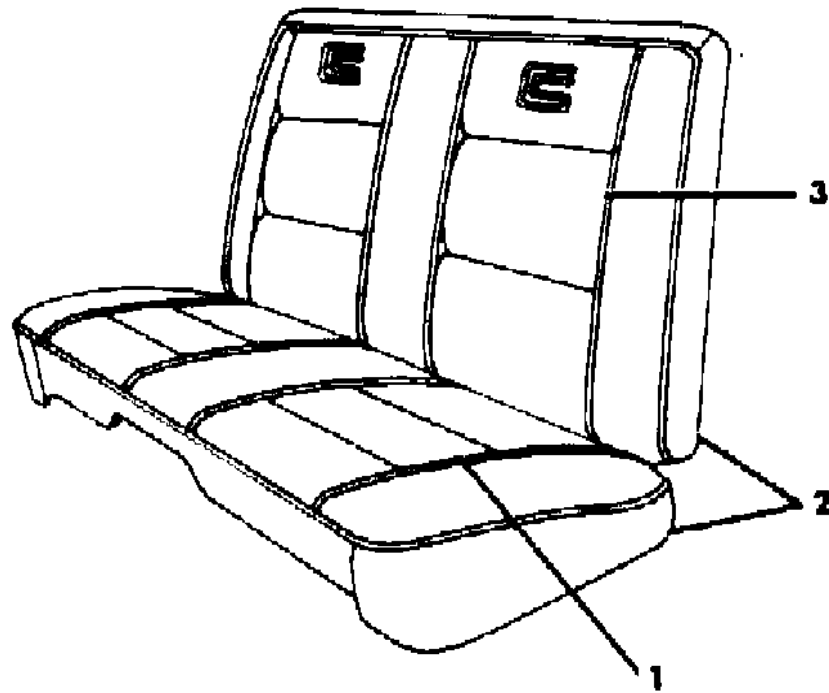
45 = 4-DOOR STATION WAGON

52-53 = FWD WAGON

AR = Use as Required - = Non Illustrated Part P.A.R. = Paint as Required

SEAT--REAR L BODY--TRIM CODE S5
Figure ITL-2200

7230 2200



ITEM	PART NUMBER	QTY	BODY	MODEL	DESCRIPTION
1-2					CUSHION, w/Spring, Frame, Pad and Cover
	N834 D5S	1			CLOTH Silver / Charcoal, (S5AS)
1					COVER, Cushion COVER
	N418 D5S	1			Silver / Charcoal, (S5AS)
2	R616 AA2	AR			ROLL STOCK, Vinyl, 64" Wide, Order By The Inch
2-3					BACK, w/Panel, Protectors, Pad and Cover CLOTH
	N835 D5S	1			Silver / Charcoal, (S5AS)
3					COVER, Back CLOTH
	N419 D5S	1			Silver / Charcoal, (S5AS)
4	6500 296	AR			CLIP, Rear Cushion Retainer
5	6008 076	AR			HOG RING

MODEL CODES

E BODY = (J - CARAVELLE)(E - 600)(T - NEW YORKER)

G BODY = (V24 - DAYTONA)

H BODY = (D44 - LANCER)(C44 - LEBARON GTS)

J BODY = (C - LEBARON)

K BODY = (P - RELIANT)(D - ARIES)(C - LEBAROND)/TOWN & COUNTRY)

L BODY = (M - HORIZON/TURISMO)(Z - OMNI/CHARGER)

M BODY = (B - GRAN FURY)(F - FIFTH AVE/NEWPORT)(G - DIPLOMAT)

P BODY = (P - SUNDANCE)(D - SHADOW)

S BODY = (H - VOYAGER)(K - RAM VAN/CARAVAN)

BODY STYLES

12-13 = FWD VAN

21 = 2-DOOR SEDAN

24 = 2-DOOR HATCHBACK

27 = 2-DOOR CONVERTIBLE

41 = 4-DOOR SEDAN

44 = 4-DOOR HATCHBACK

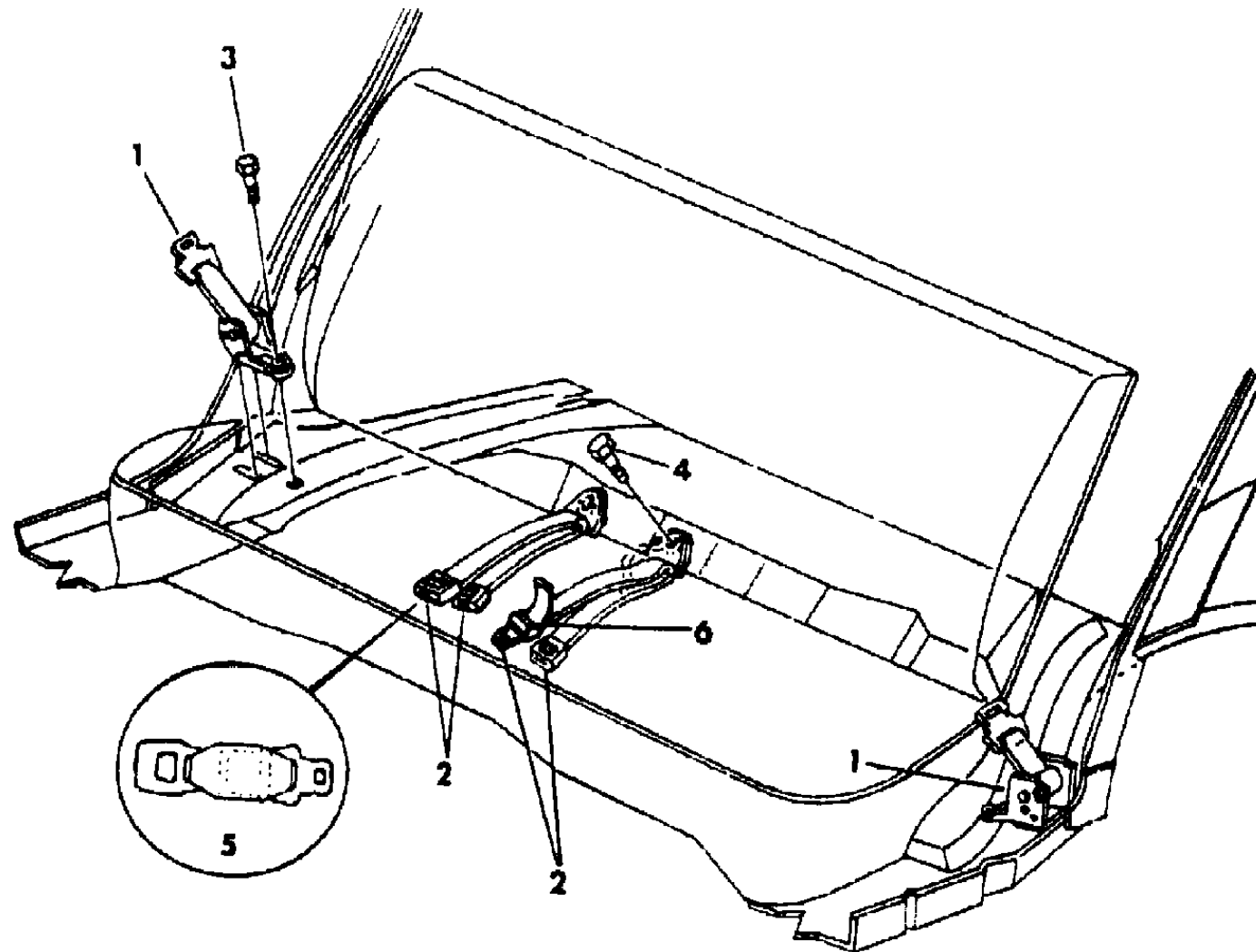
45 = 4-DOOR STATION WAGON

52-53 = FWD WAGON

AR = Use as Required - = Non Illustrated Part P.A.R. = Paint as Required

BELT--REAR SEAT LAP L BODY
Figure ITL-2300

7230 2300



ITEM	PART NUMBER	QTY	BODY	MODEL	DESCRIPTION
1					BELT, Rear Seat Lap Outboard Tip Half LABEL NUMBER 4316222 or 4237196
	F673 BA3	2			Silver
	F673 BB5	2			Blue
	F673 BM6	2			Red
	F673 CS8	2			Charcoal
2					BELT, Rear Seat Lap Buckle Inner, Rt. Label Number 4316756
	F712 BA3	1			Silver
	F712 BB5	1			Blue
	F712 BM6	1			Red
	F712 CS8	1			Charcoal
					Buckle and Tip, Lt. Label Number 4136755
	F711 BA3	1			Silver
	F711 BB5	1			Blue
	F711 BM6	1			Red
	F711 CS8	1			Charcoal
3	6031 484	2			BOLT
4	6031 298	1			BOLT
5	4364 849	1			EXTENSION, Seat Belt
6	4316 773	1			COVER, Tip Half, (P.A.R.) NOTE: (P.A.R.) = Paint As Required

MODEL CODES
 E BODY = (J - CARAVELLE)(E - 600)(T - NEW YORKER)
 G BODY = (V24 - DAYTONA)
 H BODY = (D44 - LANCER)(C44 - LEBARON GTS)
 J BODY = (C - LEBARON)
 K BODY = (P - RELIANT)(D - ARIES)(C - LEBAROND)/TOWN & COUNTRY

L BODY = (M - HORIZON/TURISMO)(Z - OMNI/CHARGER)
 M BODY = (B - GRAN FURY)(F - FIFTH AVE/NEWPORT)(G - DIPLOMAT)
 P BODY = (P - SUNDANCE)(D - SHADOW)
 S BODY = (H - VOYAGER)(K - RAM VAN/CARAVAN)

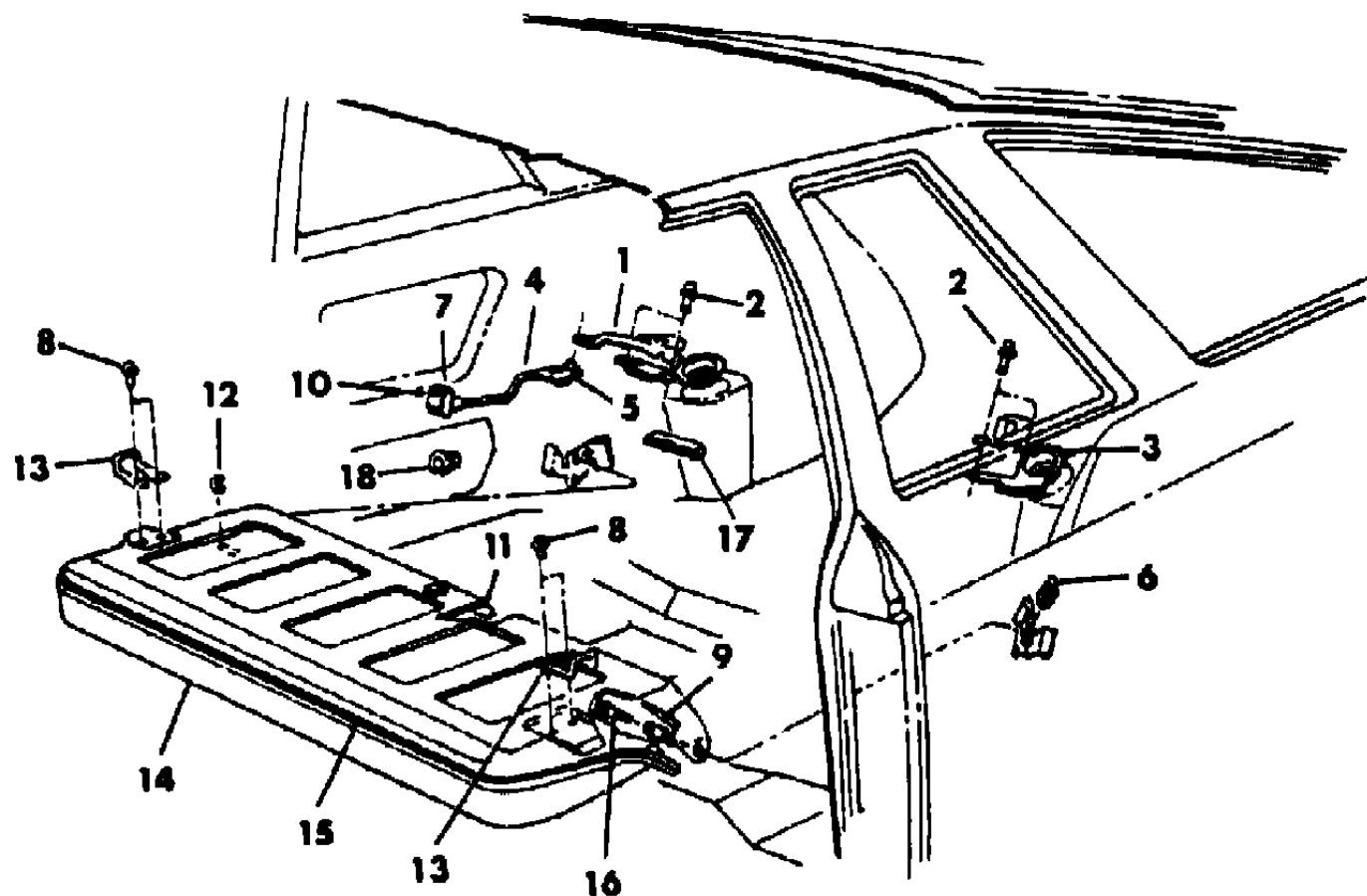
BODY STYLES
 12-13 = FWD VAN
 21 = 2-DOOR SEDAN
 24 = 2-DOOR HATCHBACK
 27 = 2-DOOR CONVERTIBLE

41 = 4-DOOR SEDAN
 44 = 4-DOOR HATCHBACK
 45 = 4-DOOR STATION WAGON
 52-53 = FWD WAGON

AR = Use as Required - = Non Illustrated Part P.A.R. = Paint as Required

SEAT--REAR FOLD DOWN L BODY--24
Figure ITL-2400

7230 2400 A



ITEM	PART NUMBER	QTY	BODY	MODEL	DESCRIPTION
1	5207 284	1			LATCH, Second Seat Back
2	6101 276	AR			SCREW and WASHER
3	5207 306	1			BRACKET and CLIP, Second Seat Back
4	5207 289	1			ROD, Second Seat Back Latch Release
5	2945 109	1			CLIP, Second Seat Back Release Rod Attaching
6	6101 283	2			U-NUT
7	H428 BL3	1			BEZEL, Second Back Latch Release Red Button (P.A.R.)
8	6501 070	4			SCREW
9	5230 351	2			BUSHING
10	H443 BL3	1			BUTTON, Second Seat Back Release Rod (P.A.R.)
11	5230 365	1			PROTECTOR, Inner
12	6023 878	2			RING, Retainer
13	5207 288	2			STRIKER, Second Seat Back Latch and Retainer Clip
14	5230 363	1			PANEL, Rear Seat Back
15	S535 RX9	1			PROTECTOR, Upper
16	6500 713	2			SCREW
17	4246 304	1			BAND, Second Seat Back Release Tie Down
18	6031 485	1			CLIP, Second Seat Back Latch Release Rod

NOTE: (P.A.R.) = Paint As Required

MODEL CODES

E BODY = (J - CARAVELLE)(E - 600)(T - NEW YORKER)

G BODY = (V24 - DAYTONA)

H BODY = (D44 - LANCER)(C44 - LEBARON GTS)

J BODY = (C - LEBARON)

K BODY = (P - RELIANT)(D - ARIES)(C - LEBAROND)/TOWN & COUNTRY)

L BODY = (M - HORIZON/TURISMO)(Z - OMNI/CHARGER)

M BODY = (B - GRAN FURY)(F - FIFTH AVE/NEWPORT)(G - DIPLOMAT)

P BODY = (P - SUNDANCE)(D - SHADOW)

S BODY = (H - VOYAGER)(K - RAM VAN/CARAVAN)

BODY STYLES

12-13 = FWD VAN

21 = 2-DOOR SEDAN

24 = 2-DOOR HATCHBACK

27 = 2-DOOR CONVERTIBLE

41 = 4-DOOR SEDAN

44 = 4-DOOR HATCHBACK

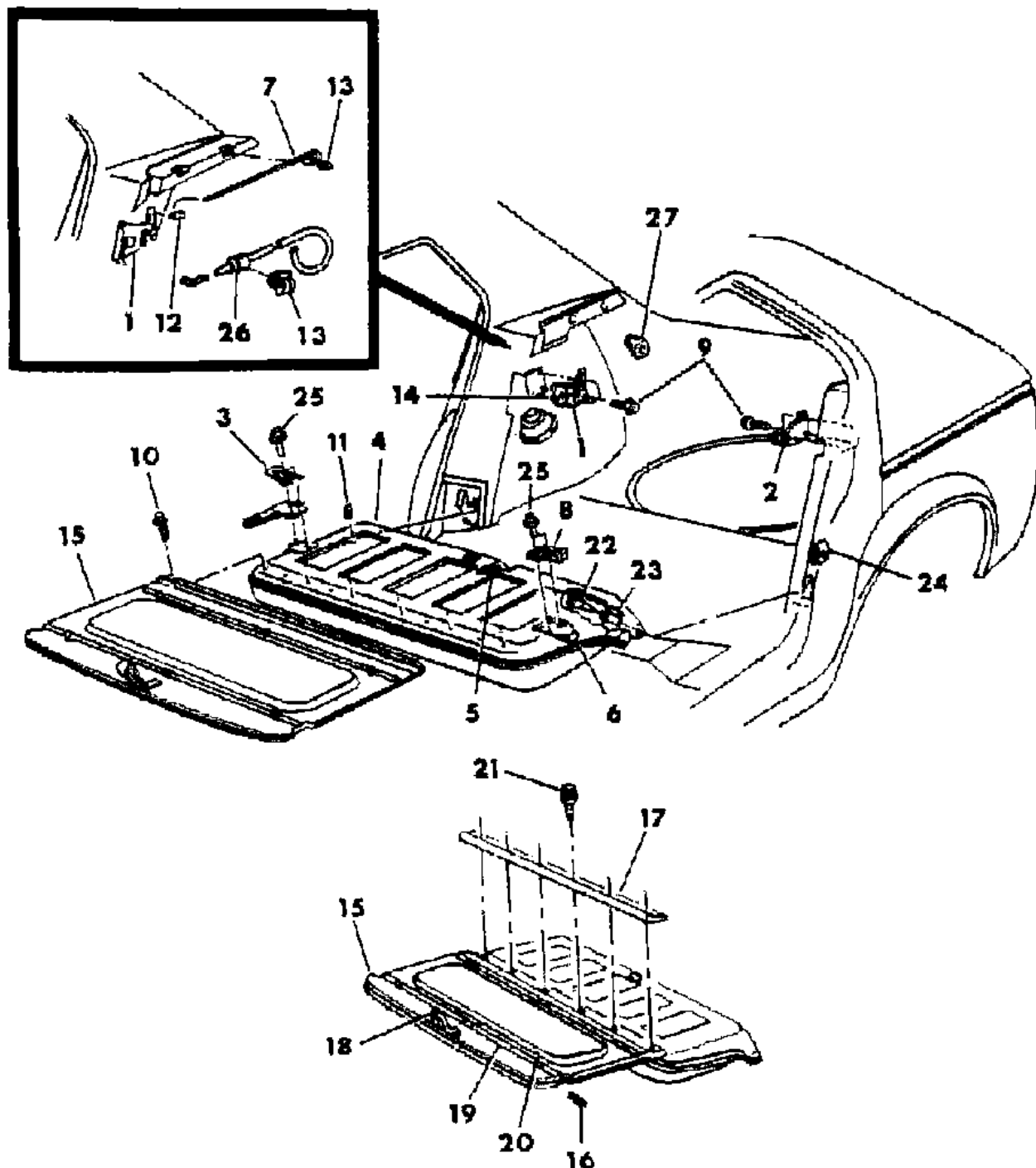
45 = 4-DOOR STATION WAGON

52-53 = FWD WAGON

AR = Use as Required - = Non Illustrated Part P.A.R. = Paint as Required

SEAT--REAR FOLD DOWN L BODY--44
Figure ITL-2500

7230 2500 A



ITEM	PART NUMBER	QTY	BODY	MODEL	DESCRIPTION
1	5207 008	2			LATCH, Folding Rear Seat Back
2	5207 208	1			BRACKET and CLIP, Support, Lt.
3	5207 059	1			STRIKER, Folding Seat Back Latch
4	5230 363	1			PANEL, Seat Back
5	5230 365	1			PROTECTOR, Inner
6	S535 RX9	1			PROTECTOR, Upper
7	5207 082	1			ROD, Latch Release
8	5207 272	1			STRIKER, Left Side
9	6101 276	AR			SCREW and WASHER
10		AR			SCREW, (8-18x5/8) (Not Serv.)
11	6023 878	1			RING, Retainer
12	2945 109	1			CLIP, Latch to Rod
13	6015 640	AR			CLIP
14	#5207 189	1			BUMPER, Folding Rear Seat Back Support
15					PANEL, Rear Shelf
	H207 CS8	1			Charcoal
	H207 BC7	1			Blue
	H207 VM6	1			Red
16	5230 427	1			CORD, Shelf Panel
17	5200 315	1			RETAINER, Shelf Panel Carpet
18	5200 383	1			STRAP, Shelf Panel Lift
19	5200 306	1			ROD, Shelf Panel Support
20	5200 309	3			RETAINER, Shelf Panel Support Rod
21		AR			SCREW, (8-18x5/8) (Not Serv.)
22	6500 713	2			SCREW, Folding Rear Seat Back Pivot
23	5230 351	2			BUSHING, Folding Rear Seat Back Pivot Screw
24	6101 283	2			U-NUT
25	6501 070	4			SCREW
26	4057 555	AR			RETAINER
27	6031 340	1			NUT, Seat Back Latch Bumper

MODEL CODES

E BODY = (J - CARAVELLE)(E - 600)(T - NEW YORKER)

G BODY = (V24 - DAYTONA)

H BODY = (D44 - LANCER)(C44 - LEBARON GTS)

J BODY = (C - LEBARON)

K BODY = (P - RELIANT)(D - ARIES)(C - LEBAROND)/TOWN & COUNTRY)

L BODY = (M - HORIZON/TURISMO)(Z - OMNI/CHARGER)

M BODY = (B - GRAN FURY)(F - FIFTH AVE/NEWPORT)(G - DIPLOMAT)

P BODY = (P - SUNDANCE)(D - SHADOW)

S BODY = (H - VOYAGER)(K - RAM VAN/CARAVAN)

BODY STYLES

12-13 = FWD VAN

21 = 2-DOOR SEDAN

24 = 2-DOOR HATCHBACK

27 = 2-DOOR CONVERTIBLE

41 = 4-DOOR SEDAN

44 = 4-DOOR HATCHBACK

45 = 4-DOOR STATION WAGON

52-53 = FWD WAGON

AR = Use as Required - = Non Illustrated Part P.A.R. = Paint as Required

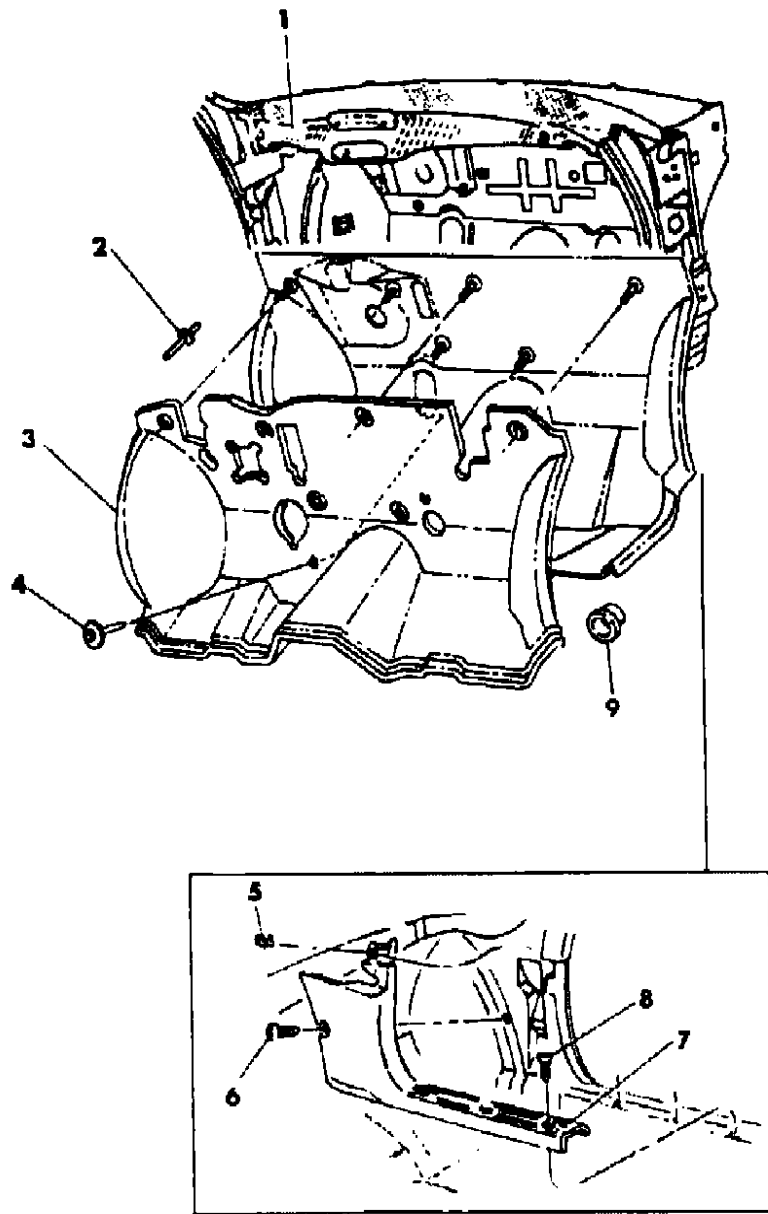
GROUP ITP - P BODY

ILLUSTRATION TITLE	GROUP-FIG. NO.
COWL PANEL AND SILENCERS P BODY	Fig. ITP-100
HEADLINER-VISOR AND SHELF TRIM P BODY	Fig. ITP-200
MOULDING--GARNISH P BODY	Fig. ITP-300
B-PILLAR TRIM P BODY	Fig. ITP-400
PANEL--QUARTER TRIM P BODY	Fig. ITP-500
LIFT GATE TRIM P BODY	Fig. ITP-600
CARPET P BODY	Fig. ITP-700
SCUFF PLATES P BODY	Fig. ITP-800
DOOR TRIM PANEL P BODY--24	Fig. ITP-900
DOOR TRIM PANEL--FRONT P BODY--44	Fig. ITP-1000
DOOR TRIM PANEL--REAR P BODY--44	Fig. ITP-1100
SEAT FRONT P BODY TRIM CODE L7	Fig. ITP-1200
SEAT FRONT P BODY TRIM CODE H7	Fig. ITP-1300
SEAT FRONT P BODY TRIM CODE R7	Fig. ITP-1400
BELT FRONT SEAT P BODY	Fig. ITP-1500
SEAT--RECLINING P BODY	Fig. ITP-1600
ADJUSTER--MANUAL AND COVERS P BODY	Fig. ITP-1700
SEAT--REAR P BODY TRIM CODES H7-R7	Fig. ITP-1800
BELT--REAR SEAT P BODY	Fig. ITP-1900
SEAT--REAR FOLD DOWN P BODY	Fig. ITP-2000

ILLUSTRATION NOT AVAILABLE AT TIME OF PUBLICATION

COWL PANEL AND SILENCERS P BODY
Figure ITP-100

7232 100 A



ITEM	PART NUMBER	QTY	BODY	MODEL	DESCRIPTION
1		1			SILENCER, Cowl Plenum (Not Serv.)
2	6032 020	6			STUD
3	4416 202	1			LINER, Dash
4		1			SCREW, w/Seal and Washer (8-18x.75) (Not Serv.)
5	6031 967	2			S-CLIP
6		2			SCREW, (10-16x1) (Not Serviced)
7					COWL and SCUFF PLATE
	F086-7 EA3	1	24		Silver
	F086-7 EC5	1	24		Blue
	F086-7 EE8	1	24		Cordovan
	F086-7 EK1	1	24		Almond
					Right
	F088 EA3	1	44		Silver
	F088 EC5	1	44		Blue
	F088 EE8	1	44		Cordovan
	F088 EK1	1	44		Almond
					(Use Up To 1-5-87)
					Left
	F089 EA3	1	44		Silver
	F089 EC5	1	44		Blue
	F089 EE8	1	44		Cordovan
	F089 EK1	1	44		Almond
					(Use After 1-5-87)
					Left
	V477 FA3	1	44		Silver
	V477 FC5	1	44		Blue
	V477 FE8	1	44		Cordovan
	V477 FK1	1	44		Almond
8		6			SCREW, (10-16x2) (Not Serv.)
9	6032 185	6			CAPLUG

MODEL CODES

E BODY = (J - CARAVELLE)(E - 600)(T - NEW YORKER)

G BODY = (V24 - DAYTONA)

H BODY = (D44 - LANCER)(C44 - LEBARON GTS)

J BODY = (C - LEBARON)

K BODY = (P - RELIANT)(D - ARIES)(C - LEBAROND)/TOWN & COUNTRY)

L BODY = (M - HORIZON/TURISMO)(Z - OMNI/CHARGER)

M BODY = (B - GRAN FURY)(F - FIFTH AVE/NEWPORT)(G - DIPLOMAT)

P BODY = (P - SUNDANCE)(D - SHADOW)

S BODY = (H - VOYAGER)(K - RAM VAN/CARAVAN)

BODY STYLES

12-13 = FWD VAN

21 = 2-DOOR SEDAN

24 = 2-DOOR HATCHBACK

27 = 2-DOOR CONVERTIBLE

41 = 4-DOOR SEDAN

44 = 4-DOOR HATCHBACK

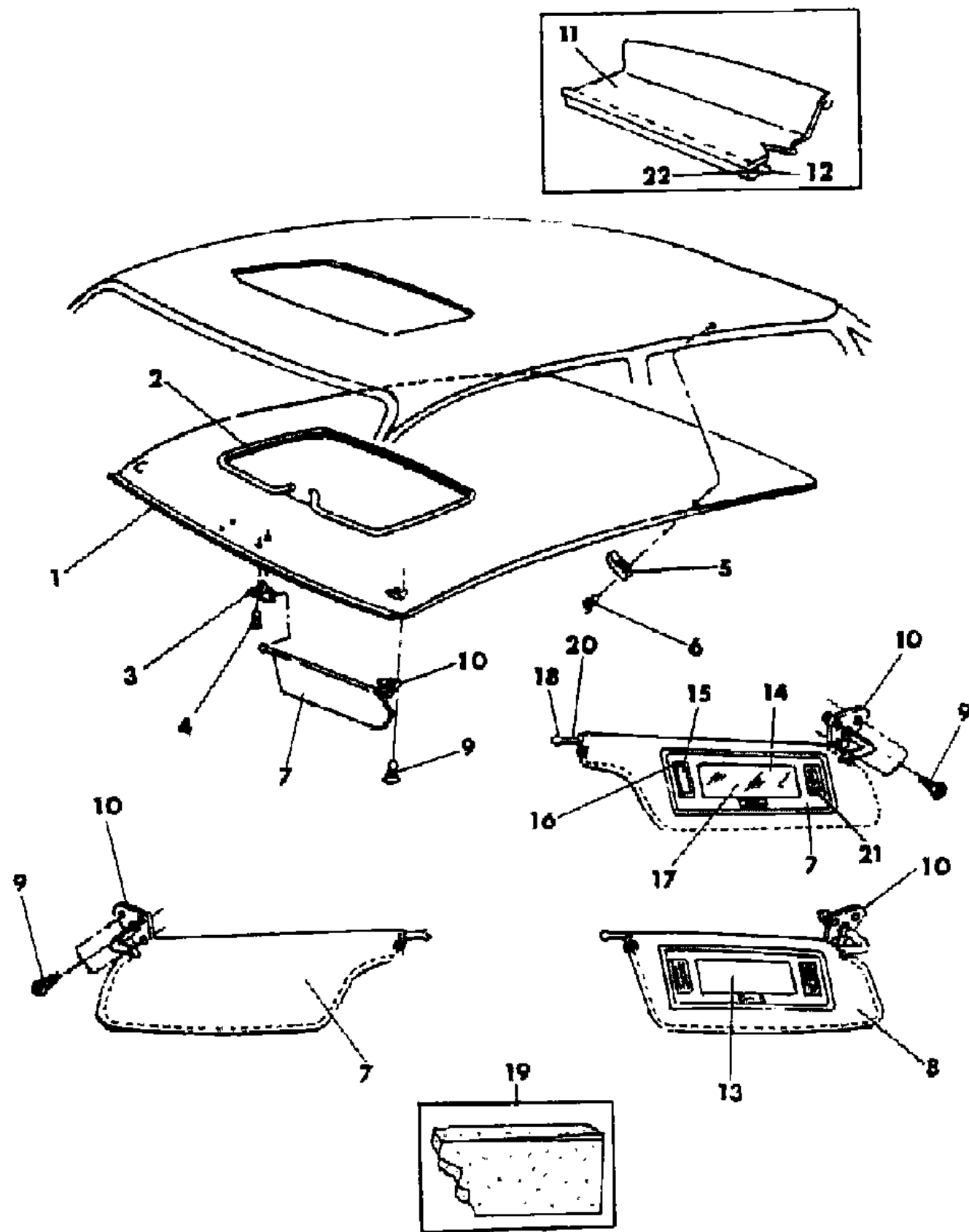
45 = 4-DOOR STATION WAGON

52-53 = FWD WAGON

AR = Use as Required - = Non Illustrated Part P.A.R. = Paint as Required

HEADLINER-VISOR AND SHELF TRIM P BODY
Figure ITP-200

7232 200 A



ITEM	PART NUMBER	QTY	BODY	MODEL	DESCRIPTION
1					HEADLINER
					W/O SUN ROOF
	H732 EA3	1			Silver
	H732 EC5	1			Blue
	H732 EE8	1			Cordovan
	H732 EK1	1			Almond
					W/ SUN ROOF
	H733 EA3	1			Silver
	H733 EC5	1			Blue
	H733 EE8	1			Cordovan
	H733 EK1	1			Almond
2					WELT, Headliner, w/Sun Roof
	H178 FA3	1			Silver
	H178 FC5	1			Blue
	H178 FE8	1			Cordovan
	H178 FK1	1			Almond
3					CLIP, Visor Retaining
	H335 CA3	1			Silver
	H335 EC5	1			Blue
	H335 EE8	1			Cordovan
	H335 EK1	1			Almond
4		2			SCREW, (8-18x3/4) (Not Serv.)
5	H503 EA3	2			HOOK, Coat (P.A.R.)
6		2			SCREW, (8-18x7/8) (Not Serv.)
7					VISOR, w/Illuminated Vanity Mirror and Map Light (Cloth)
					RIGHT
	H510 EA3	1			Silver
	H510 EC5	1			Blue
	H510 EE8	1			Cordovan
	H510 EK1	1			Almond
					VISOR, Complete w/o Illum. Mirror and Map Light
					LEFT
	H511 EA3	1			Silver
	H511 EC5	1			Blue
	H511 EE8	1			Cordovan
	H511 EK1	1			Almond
					VISOR, Sub Assy., w/Arm and Bracket, Less Illuminated Vanity Mirror and Map Light

MODEL CODES

E BODY = (J - CARAVELLE)(E - 600)(T - NEW YORKER)

G BODY = (V24 - DAYTONA)

H BODY = (D44 - LANCER)(C44 - LEBARON GTS)

J BODY = (C - LEBARON)

K BODY = (P - RELIANT)(D - ARIES)(C - LEBAROND)/TOWN & COUNTRY)

L BODY = (M - HORIZON/TURISMO)(Z - OMNI/CHARGER)

M BODY = (B - GRAN FURY)(F - FIFTH AVE/NEWPORT)(G - DIPLOMAT)

P BODY = (P - SUNDANCE)(D - SHADOW)

S BODY = (H - VOYAGER)(K - RAM VAN/CARAVAN)

BODY STYLES

12-13 = FWD VAN

21 = 2-DOOR SEDAN

24 = 2-DOOR HATCHBACK

27 = 2-DOOR CONVERTIBLE

41 = 4-DOOR SEDAN

44 = 4-DOOR HATCHBACK

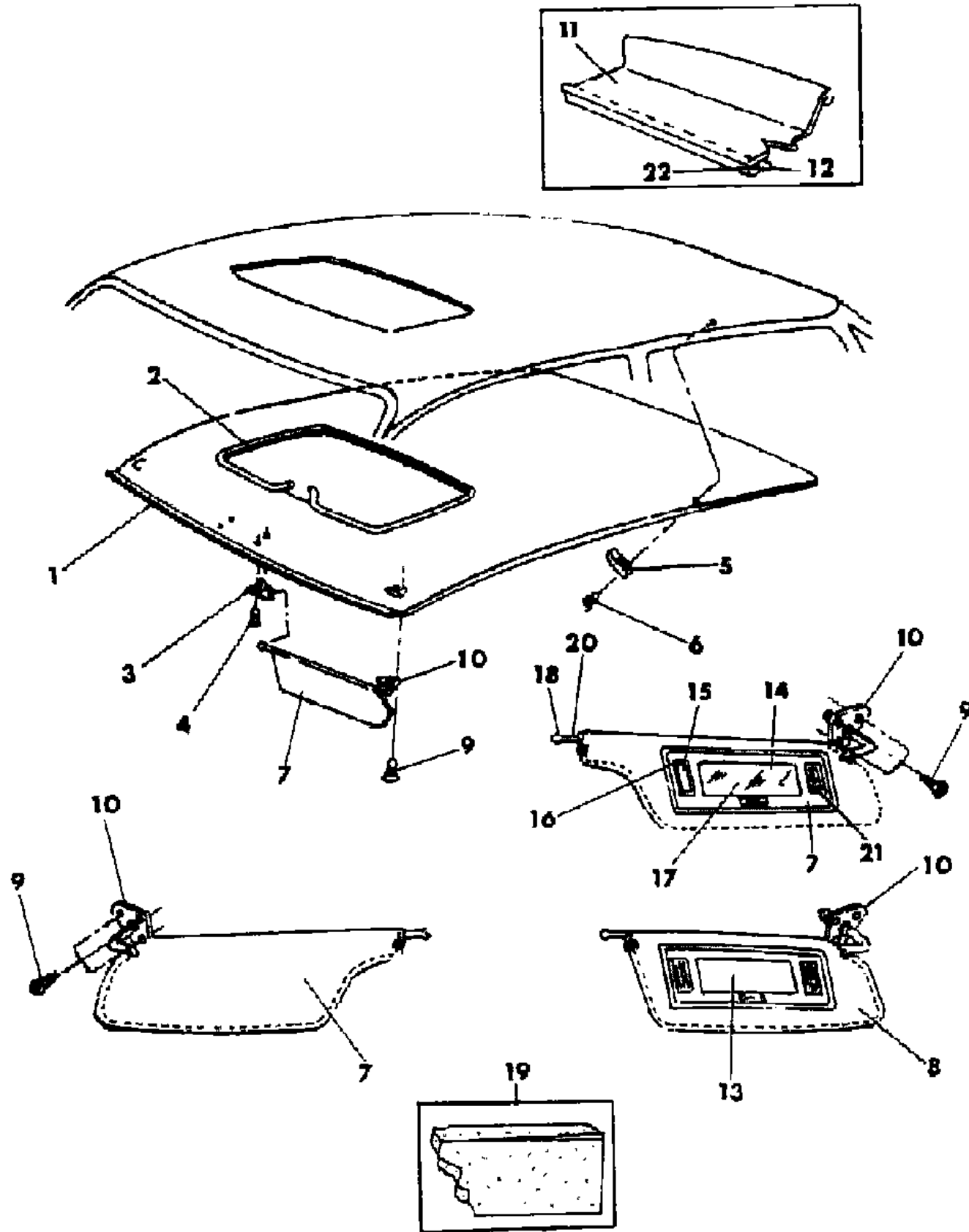
45 = 4-DOOR STATION WAGON

52-53 = FWD WAGON

AR = Use as Required - = Non Illustrated Part P.A.R. = Paint as Required

HEADLINER-VISOR AND SHELF TRIM P BODY
Figure ITP-200

7232 200 A



ITEM	PART NUMBER	QTY	BODY	MODEL	DESCRIPTION
					RIGHT
	H426 EA3	1			Silver
	H426 EC5	1			Blue
	H426 EE8	1			Cordovan
	H426 EK1	1			Almond
8					VISOR, w/Mirror Only
					RIGHT
	H684 EA3	1			Silver, Also w/ Shelby
	H684 EC5	1			Blue
	H684 EE8	1			Cordovan
	H684 EK1	1			Almond
					VISOR, Only
					LEFT
	H845 EA3	1			Silver, Also w/Shelby
	H845 EC5	1			Blue
	H845 EE8	1			Cordovan
	H845 EK1	1			Almond
9	6032 584	AR			SCREW
10	4409 808-9	1			ARM and BRACKET, Visor w/o Illum. Mirror Also w/Shelby
11					PANEL, Shelf Trim
	H519 EA3	1			Silver
	H519 EC5	1			Blue
	H519 EE8	1			Cordovan
	H519 EK1	1			Almond
12	4282 641	2			PIN, Pivot
13					MIRROR, w/o Illum.
	H322 CA3	1			Silver
	H322 EC5	1			Blue
	H322 EE8	1			Cordovan
	H322 EK1	1			Almond
14	4309 022	1			MIRROR, Illum.
15	4309 023	1			LENS, Map Light
16					BEZEL, Vanity Map Light (Serv. in Assy.)
17					FRAME, Mirror (Serv. In Assy.)
18					TIP, Visor Support
	H315 CA3	2			Silver
	H315 EC5	2			Blue
	H315 EE8	2			Cordovan

MODEL CODES

E BODY = (J - CARAVELLE)(E - 600)(T - NEW YORKER)

G BODY = (V24 - DAYTONA)

H BODY = (D44 - LANCER)(C44 - LEBARON GTS)

J BODY = (C - LEBARON)

K BODY = (P - RELIANT)(D - ARIES)(C - LEBAROND)/TOWN & COUNTRY)

L BODY = (M - HORIZON/TURISMO)(Z - OMNI/CHARGER)

M BODY = (B - GRAN FURY)(F - FIFTH AVE/NEWPORT)(G - DIPLOMAT)

P BODY = (P - SUNDANCE)(D - SHADOW)

S BODY = (H - VOYAGER)(K - RAM VAN/CARAVAN)

BODY STYLES

12-13 = FWD VAN

21 = 2-DOOR SEDAN

24 = 2-DOOR HATCHBACK

27 = 2-DOOR CONVERTIBLE

41 = 4-DOOR SEDAN

44 = 4-DOOR HATCHBACK

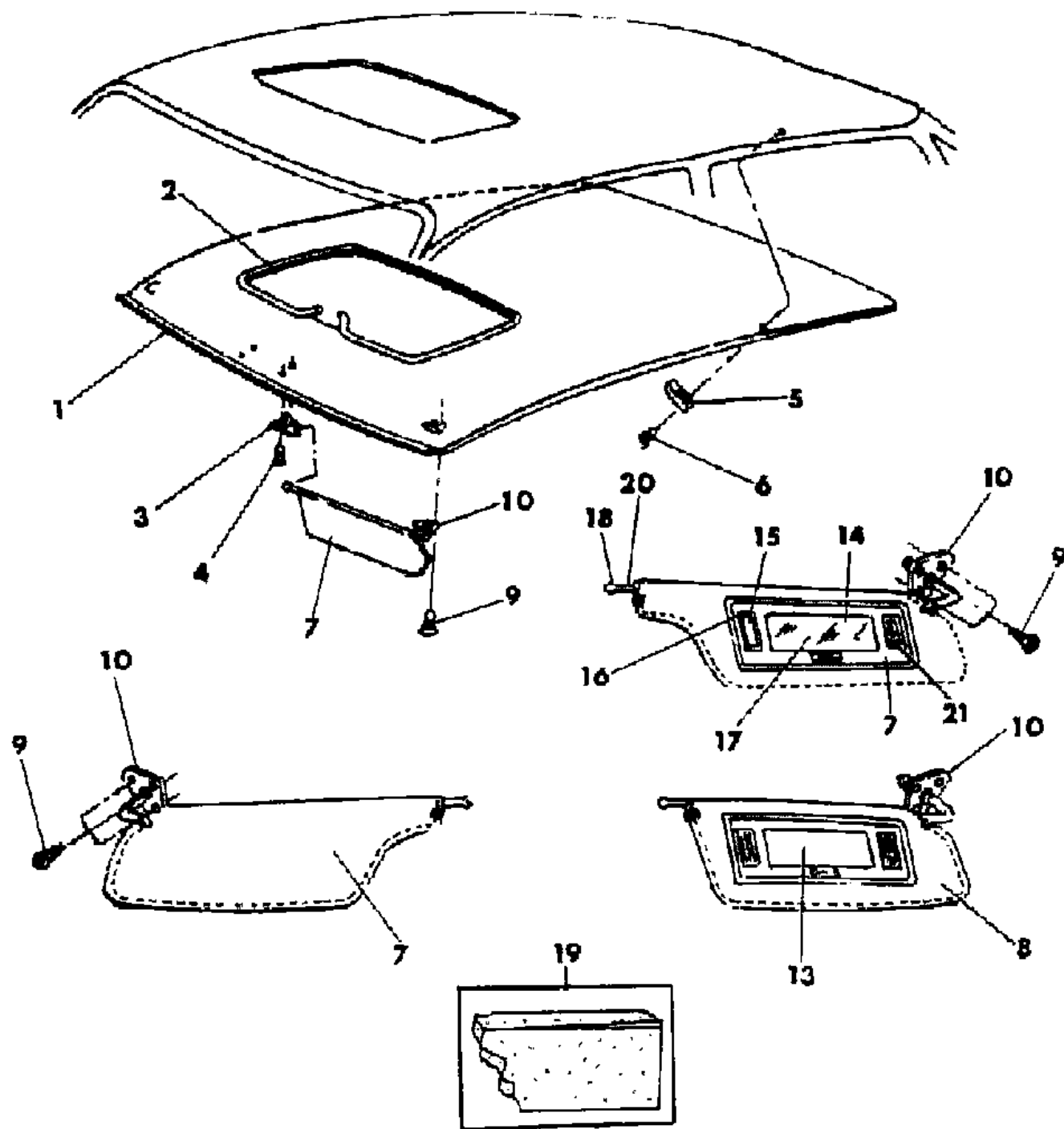
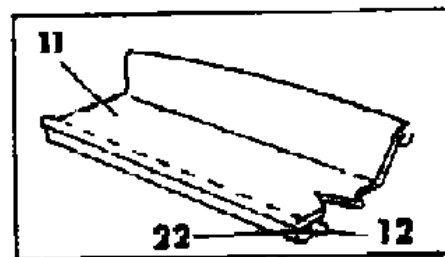
45 = 4-DOOR STATION WAGON

52-53 = FWD WAGON

AR = Use as Required - = Non Illustrated Part P.A.R. = Paint as Required

HEADLINER-VISOR AND SHELF TRIM P BODY
Figure ITP-200

7232 200 A



ITEM	PART NUMBER	QTY	BODY	MODEL	DESCRIPTION
	H315 EK1	2			Almond
19	3837 683	1			SILENCER, w/ or w/o Sun Roof
20	4282 339	2			SUPPORT, Visor Inner
21	9425 542	1			BULB
22	2789 037	2			TIP, Pivot Pin

NOTE: (P.A.R.) = Paint As Required

MODEL CODES

E BODY = (J - CARAVELLE)(E - 600)(T - NEW YORKER)

G BODY = (V24 - DAYTONA)

H BODY = (D44 - LANCER)(C44 - LEBARON GTS)

J BODY = (C - LEBARON)

K BODY = (P - RELIANT)(D - ARIES)(C - LEBAROND)/TOWN & COUNTRY)

L BODY = (M - HORIZON/TURISMO)(Z - OMNI/CHARGER)

M BODY = (B - GRAN FURY)(F - FIFTH AVE/NEWPORT)(G - DIPLOMAT)

P BODY = (P - SUNDANCE)(D - SHADOW)

S BODY = (H - VOYAGER)(K - RAM VAN/CARAVAN)

BODY STYLES

12-13 = FWD VAN

21 = 2-DOOR SEDAN

24 = 2-DOOR HATCHBACK

27 = 2-DOOR CONVERTIBLE

41 = 4-DOOR SEDAN

44 = 4-DOOR HATCHBACK

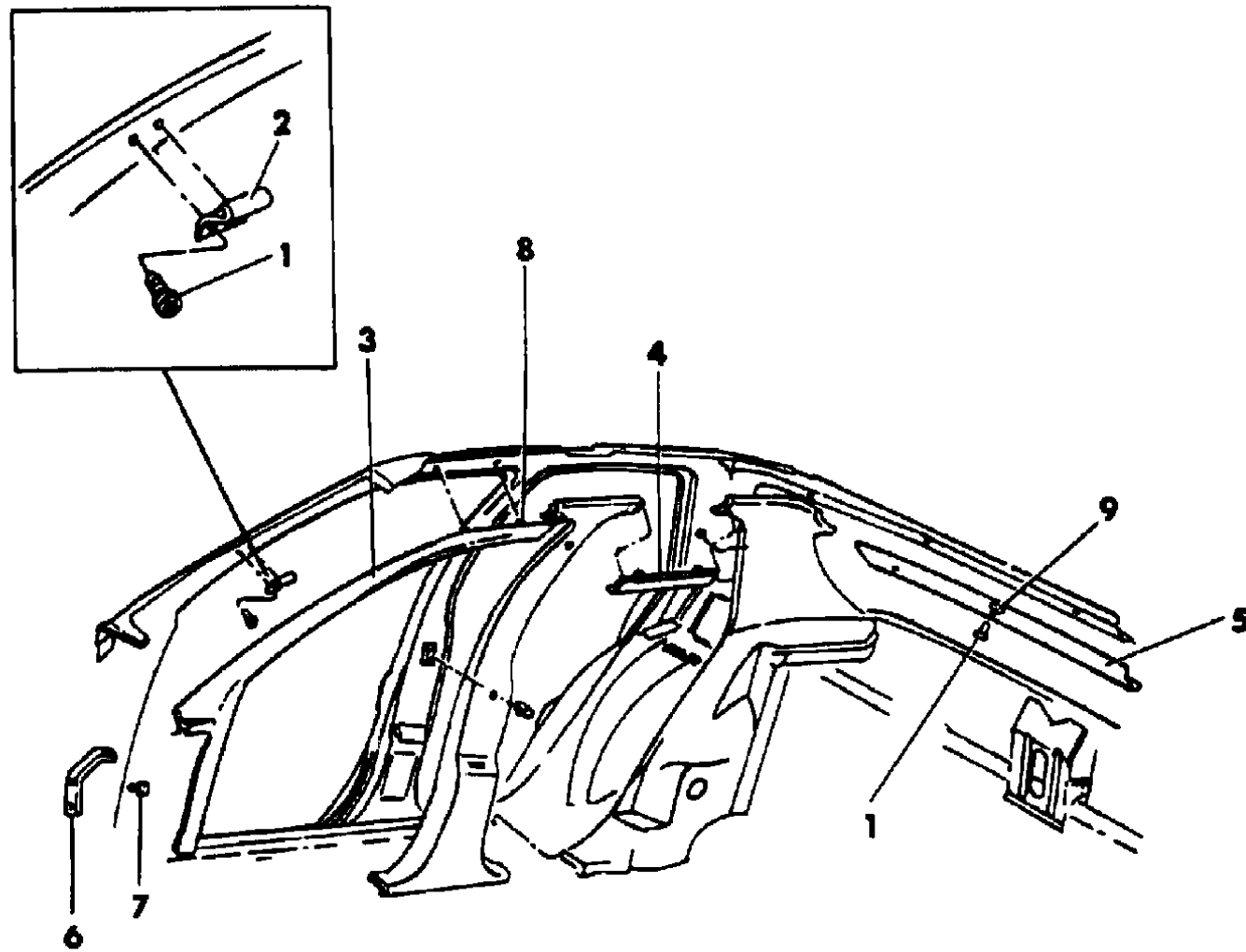
45 = 4-DOOR STATION WAGON

52-53 = FWD WAGON

AR = Use as Required - = Non Illustrated Part P.A.R. = Paint as Required

MOULDING--GARNISH P BODY
Figure ITP-300

7232 300 C



ITEM	PART NUMBER	QTY	BODY	MODEL	DESCRIPTION
1		AR			SCREW, (8-1/2x32) (Not serv.)
2	4381 077	2			BRACKET, Windshield Side Trim Upper
3					MOULDING, Windshield Side and Roof Rail
	F068-9 EA3	1	24		Silver
	F068-9 EC5	1	24		Blue
	F068-9 EE8	1	24		Cordovan
	F068-9 EK1	1	24		Almond
	F362-3 EA3	1	44		Silver
	F362-3 EC5	1	44		Blue
	F362-3 EE8	1	44		Cordovan
	F362-3 EK1	1	44		Almond
4					MOULDING, Rear Door Rail
	F364-5 EA3	1			Silver
	F364-5 EC5	1			Blue
	F364-5 EE8	1			Cordovan
	F364-5 EK1	1			Almond
5	4410 487	1			MOULDING, Liftgate Opening Upper
6	4453 886-7	1			BRACKET, Windshield Side Trim Lower
7		4			SCREW, (10-16x1) (Not Serviced)
8	6501 351	AR			CLIP
9	6033 056	4			WASHER, Liftgate and Rear Header Garnish

MODEL CODES

E BODY = (J - CARAVELLE)(E - 600)(T - NEW YORKER)

G BODY = (V24 - DAYTONA)

H BODY = (D44 - LANCER)(C44 - LEBARON GTS)

J BODY = (C - LEBARON)

K BODY = (P - RELIANT)(D - ARIES)(C - LEBAROND)/TOWN & COUNTRY)

L BODY = (M - HORIZON/TURISMO)(Z - OMNI/CHARGER)

M BODY = (B - GRAN FURY)(F - FIFTH AVE/NEWPORT)(G - DIPLOMAT)

P BODY = (P - SUNDANCE)(D - SHADOW)

S BODY = (H - VOYAGER)(K - RAM VAN/CARAVAN)

BODY STYLES

12-13 = FWD VAN

21 = 2-DOOR SEDAN

24 = 2-DOOR HATCHBACK

27 = 2-DOOR CONVERTIBLE

41 = 4-DOOR SEDAN

44 = 4-DOOR HATCHBACK

45 = 4-DOOR STATION WAGON

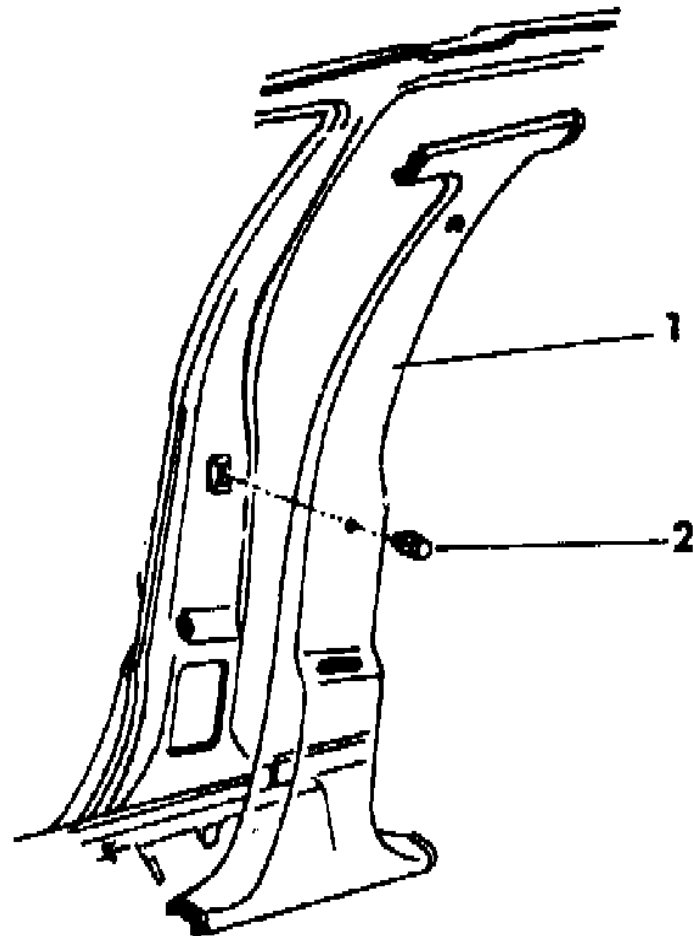
52-53 = FWD WAGON

AR = Use as Required - = Non Illustrated Part P.A.R. = Paint as Required

B-PILLAR TRIM P BODY
Figure ITP-400

7232 480

ITEM	PART NUMBER	QTY	BODY	MODEL	DESCRIPTION
1	F428-9 EK1	1			COVER, Center Pillar (B) Trim (P.A.R.)
2					FASTENER
	F155 BA3	AR			Silver
	F155 EC5	AR			Blue
	F155 EE8	AR			Cordovan
	F155 EK1	AR			Almond



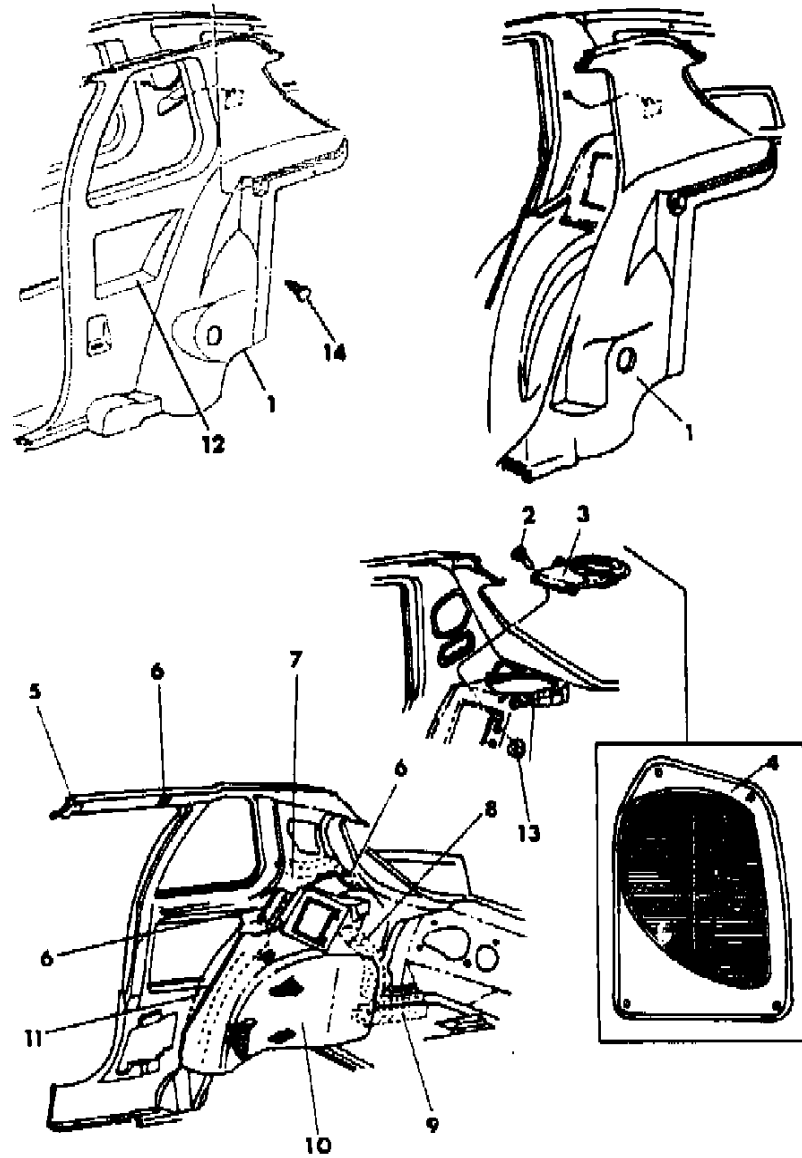
MODEL CODES
E BODY = (J - CARAVELLE)(E - 600)(T - NEW YORKER)
G BODY = (V24 - DAYTONA)
H BODY = (D44 - LANCER)(C44 - LEBARON GTS)
J BODY = (C - LEBARON)
K BODY = (P - RELIANT)(D - ARIES)(C - LEBAROND)/TOWN & COUNTRY
L BODY = (M - HORIZON/TURISMO)(Z - OMNI/CHARGER)
M BODY = (B - GRAN FURY)(F - FIFTH AVE/NEWPORT)(G - DIPLOMAT)
P BODY = (P - SUNDANCE)(D - SHADOW)
S BODY = (H - VOYAGER)(K - RAM VAN/CARAVAN)

BODY STYLES
12-13 = FWD VAN 41 = 4-DOOR SEDAN
21 = 2-DOOR SEDAN 44 = 4-DOOR HATCHBACK
24 = 2-DOOR HATCHBACK 45 = 4-DOOR STATION WAGON
27 = 2-DOOR CONVERTIBLE 52-53 = FWD WAGON

AR = Use as Required - = Non Illustrated Part P.A.R. = Paint as Required

PANEL--QUARTER TRIM P BODY
Figure ITP-500

7232 500 A



ITEM	PART NUMBER	QTY	BODY	MODEL	DESCRIPTION
1					PANEL, Quarter Trim (P.A.R.)
	K502-3 EK1	1		24	Almond
	K548-9 EA3	1		44	Silver
	K548-9 EC5	1		44	Blue
	K548-9 EE8	1		44	Cordovan
	K548-9 EK1	1		44	Almond
2		8			SCREW, (10-16x.625) (Not Serv.)
3					MOUNTING PLATE, w/or w/o Speaker
	4372 038-9	1			(use up to 9/22/86)
	4430 192-3	1			(use after 9/22/86)
4	P444-5 EK1	1			GRILLE, Speaker (P.A.R.)
5	4278 178	2			TAPE, Roof Rail Inner
6		2			TAPE, (Not Serv.)
7		AR			SILENCER, (Not Serv.)
8	4386 473	2			SILENCER
9	4386 474	2			SILENCER
10	4186 901	2			SILENCER
11	4386 472	2			SILENCER
12					ARMREST
	K550-1 EA3	1		24	Silver
	K550-1 EC5	1		24	Blue
	K550-1 EE8	1		24	Cordovan
	K550-1 EK1	1		24	Almond
13	9420 278	8			NUT, Used w,Speaker
14					FASTENER, Panel To Bracket
	H448 AA3	2		44	Silver
	H448 FC5	2		44	Blue
	H448 EE8	2		44	Cordovan
	H448 EK1	2		44	Almond

NOTE: For Carpeted Pieces See Carpet Illustration
NOTE: (P.A.R.) Paint As Required

MODEL CODES

E BODY = (J - CARAVELLE)(E - 600)(T - NEW YORKER)

G BODY = (V24 - DAYTONA)

H BODY = (D44 - LANCER)(C44 - LEBARON GTS)

J BODY = (C - LEBARON)

K BODY = (P - RELIANT)(D - ARIES)(C - LEBAROND)/TOWN & COUNTRY)

L BODY = (M - HORIZON/TURISMO)(Z - OMNI/CHARGER)

M BODY = (B - GRAN FURY)(F - FIFTH AVE/NEWPORT)(G - DIPLOMAT)

P BODY = (P - SUNDANCE)(D - SHADOW)

S BODY = (H - VOYAGER)(K - RAM VAN/CARAVAN)

BODY STYLES

12-13 = FWD VAN

21 = 2-DOOR SEDAN

24 = 2-DOOR HATCHBACK

27 = 2-DOOR CONVERTIBLE

41 = 4-DOOR SEDAN

44 = 4-DOOR HATCHBACK

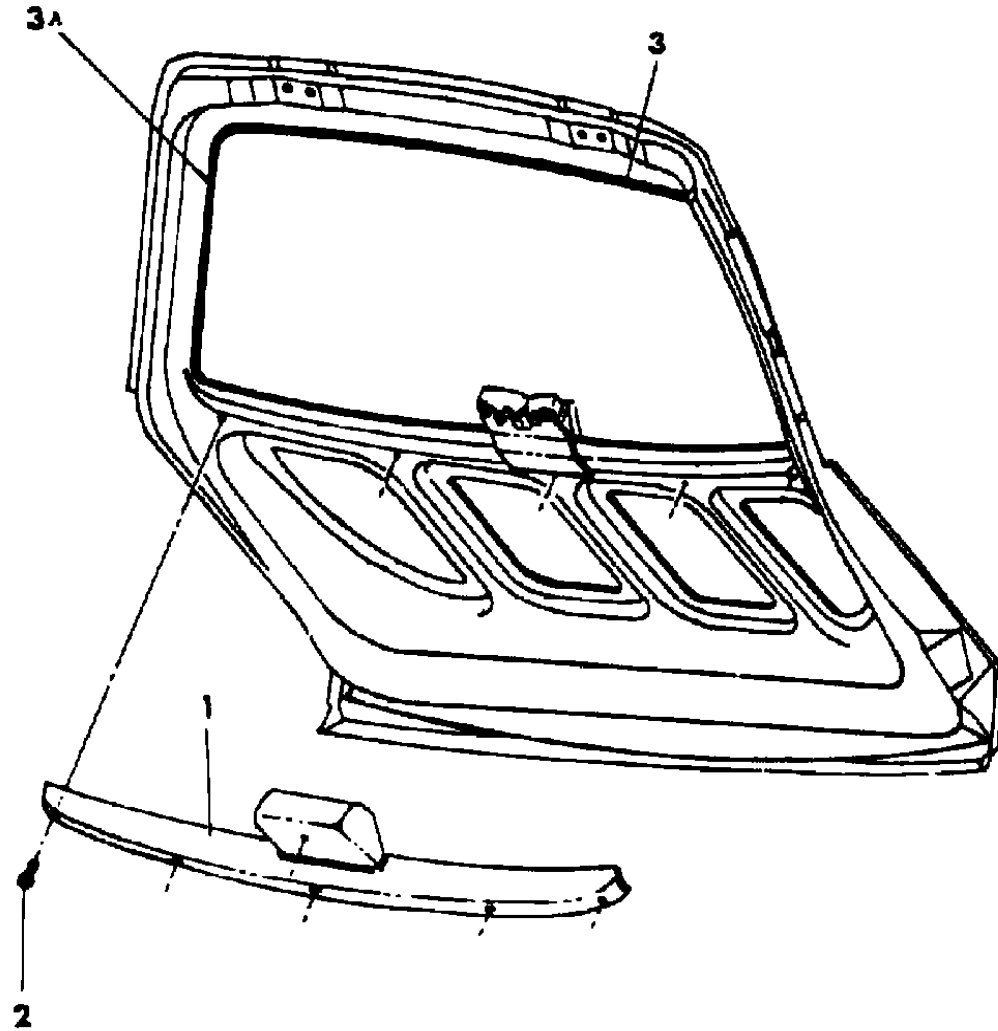
45 = 4-DOOR STATION WAGON

52-53 = FWD WAGON

AR = Use as Required - = Non Illustrated Part P.A.R. = Paint as Required

LIFT GATE TRIM P BODY
Figure ITP-600

7232 800 B



ITEM	PART NUMBER	QTY	BODY	MODEL	DESCRIPTION
1	H703 EK1	1			PANEL, Liftgate Trim (P.A.R.)
2	6032 986	6			SCREW
3					MOULDING, Pinchweld
	H702 EC7	1			Blue
	H702 EE8	1			Cordovan
	H702 EK9	1			Taupe
	H702 ES8	1			Charcoal
3A					TAPE SET, (2 Sides--1 Top)
	T159 EC9	1			Blue
	T159 EE8	1			Cordovan
	T159 EK9	1			Taupe
	T159 ES8	1			Charcoal
NOTE: (P.A.R.) = Paint As Required					

MODEL CODES

E BODY = (J - CARAVELLE)(E - 600)(T - NEW YORKER)

G BODY = (V24 - DAYTONA)

H BODY = (D44 - LANCER)(C44 - LEBARON GTS)

J BODY = (C - LEBARON)

K BODY = (P - RELIANT)(D - ARIES)(C - LEBAROND)/TOWN & COUNTRY)

L BODY = (M - HORIZON/TURISMO)(Z - OMNI/CHARGER)

M BODY = (B - GRAN FURY)(F - FIFTH AVE/NEWPORT)(G - DIPLOMAT)

P BODY = (P - SUNDANCE)(D - SHADOW)

S BODY = (H - VOYAGER)(K - RAM VAN/CARAVAN)

BODY STYLES

12-13 = FWD VAN

21 = 2-DOOR SEDAN

24 = 2-DOOR HATCHBACK

27 = 2-DOOR CONVERTIBLE

41 = 4-DOOR SEDAN

44 = 4-DOOR HATCHBACK

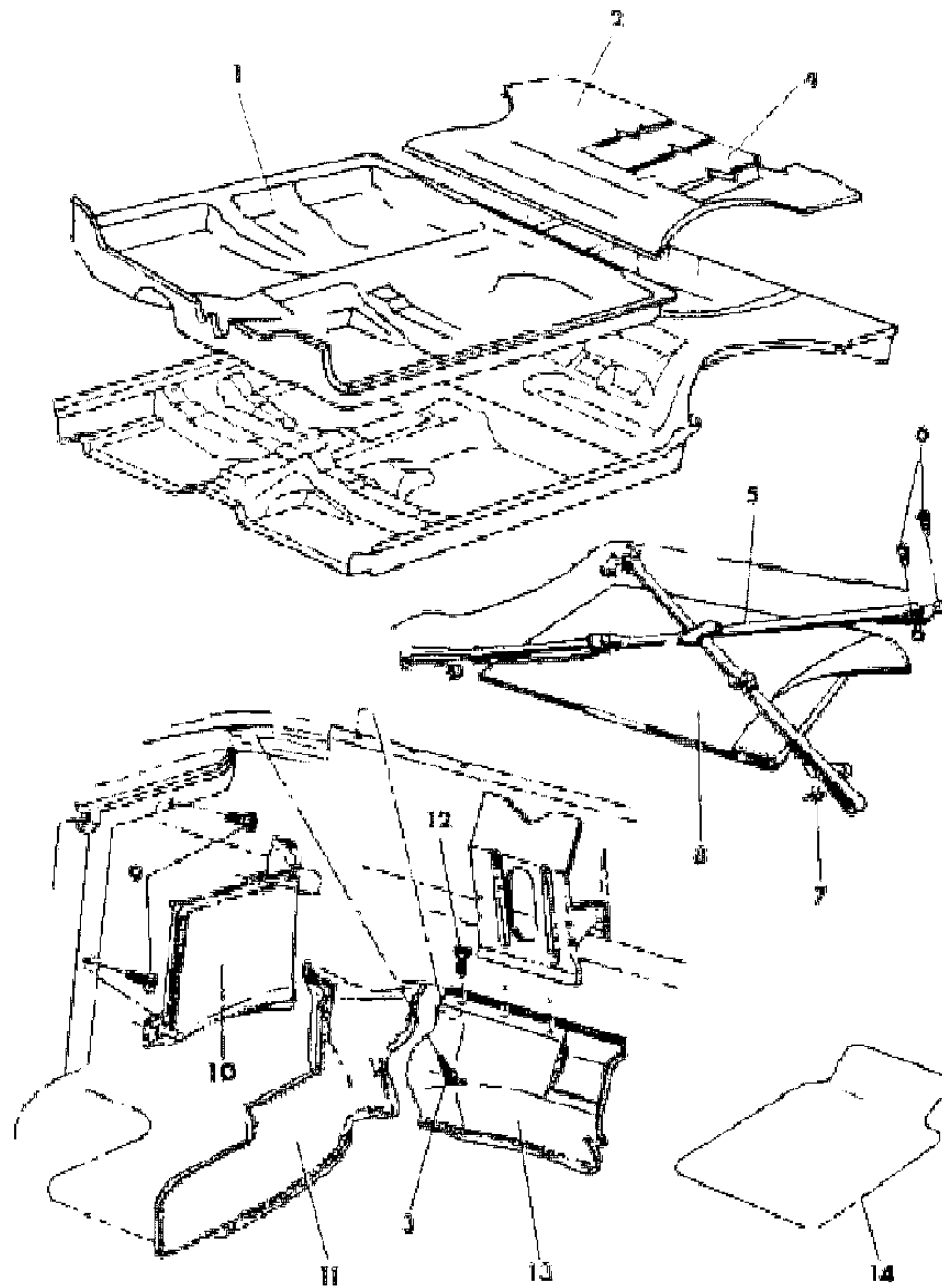
45 = 4-DOOR STATION WAGON

52-53 = FWD WAGON

AR = Use as Required - = Non Illustrated Part P.A.R. = Paint as Required

CARPET P BODY
Figure ITP-700

7232 700 B



ITEM	PART NUMBER	QTY	BODY	MODEL	DESCRIPTION
1					CARPET, Front and Rear
	M603 EC5	1			Blue
	M603 EE8	1			Cordovan
	M603 EK3	1			Almond
	M603 ES8	1			Charcoal
2	4309 563	1			CARPET, Cargo Floor w/o Slots
3	6032 650	6			FASTENER
4	4309 141	1			SILENCER, Cargo Floor
5	H349 CX9	2			STRAP, Convenience Tie Down
6		8			SCREW, (8-18x3/4) (Not Serv.)
7	4248 818	4			FOOT, Convenience Tie Down
8	H609 DX7	1			BAG, Sunroof Storage
9		AR			SCREW, (8-18x5/8) (Not Serv.)
10	4410 262-3	1			PANEL, Cargo Side Trim (Carpeted-Black Only)
					W/O CARPET
	K554-5 EA3	1			Silver
	K554-5 EC5	1			Blue
	K554-5 EE8	1			Cordovan
	K554-5 EK1	1			Almond
11	4309 776-7	1			CARPET, Wheelhouse
12	6032 986	6			SCREW
13	4409 618	1			CARPET, Lower Deck Opening
14					CARPETED FLOOR MATS, (Set Of Two)
					FRONT
	M074 FC5	1			Blue
	M074 FE8	1			Cordovan
	M074 FK3	1			Almond
	M074 FS8	1			Charcoal
					REAR
	M049 FC5	1			Blue
	M049 FE8	1			Cordovan
	M049 FK3	1			Almond
	M049 FS8	1			Charcoal

MODEL CODES

E BODY = (J - CARAVELLE)(E - 600)(T - NEW YORKER)

G BODY = (V24 - DAYTONA)

H BODY = (D44 - LANCER)(C44 - LEBARON GTS)

J BODY = (C - LEBARON)

K BODY = (P - RELIANT)(D - ARIES)(C - LEBAROND)/TOWN & COUNTRY)

L BODY = (M - HORIZON/TURISMO)(Z - OMNI/CHARGER)

M BODY = (B - GRAN FURY)(F - FIFTH AVE/NEWPORT)(G - DIPLOMAT)

P BODY = (P - SUNDANCE)(D - SHADOW)

S BODY = (H - VOYAGER)(K - RAM VAN/CARAVAN)

BODY STYLES

12-13 = FWD VAN

21 = 2-DOOR SEDAN

24 = 2-DOOR HATCHBACK

27 = 2-DOOR CONVERTIBLE

41 = 4-DOOR SEDAN

44 = 4-DOOR HATCHBACK

45 = 4-DOOR STATION WAGON

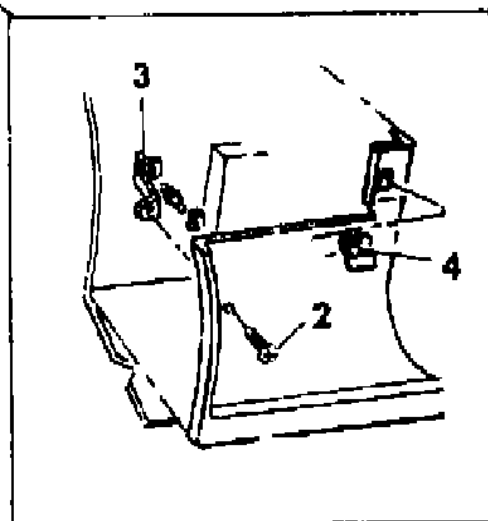
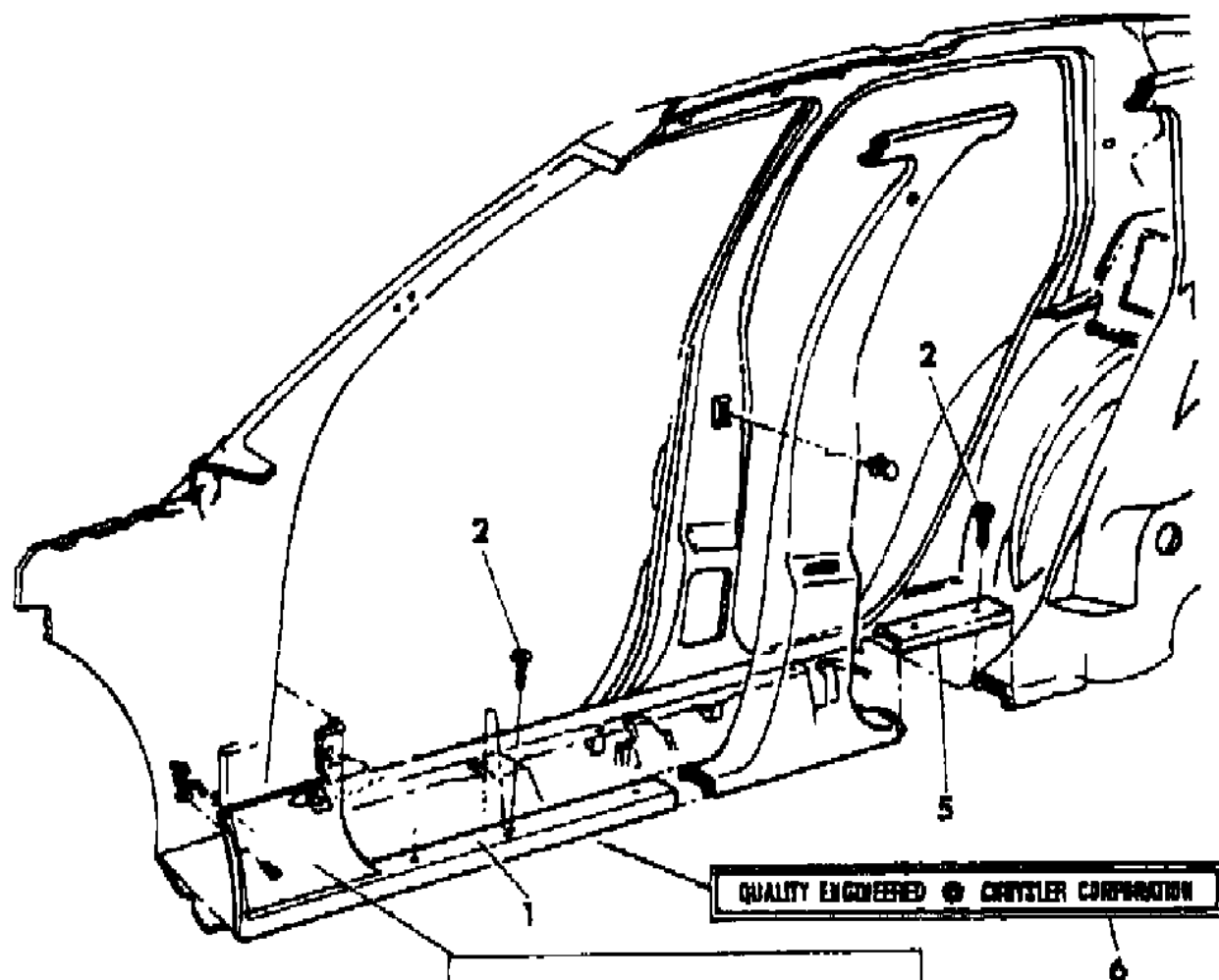
52-53 = FWD WAGON

AR = Use as Required - = Non Illustrated Part P.A.R. = Paint as Required

SCUFF PLATES P BODY
Figure ITP-800

7232 800 A

ITEM	PART NUMBER	QTY	BODY	MODEL	DESCRIPTION
1					SCUFF PLATE and COWL
	F086-7 EA3	1	24		Silver
	F086-7 EC5	1	24		Blue
	F086-7 EE8	1	24		Cordovan
	F086-7 EK1	1	24		Almond
	F088-9 EA3	1	44		Silver
	F088-9 EC5	1	44		Blue
	F088-9 EE8	1	44		Cordovan
	F088-9 EK1	1	44		Almond
2		AR			SCREW, (10-16x2) (Not Serv.)
3	4282 434	1			BRACKET, Right Side Only
4	6031 967	2			S-CLIP
5					SCUFF PLATE, Rear
	M900 EA3	2			Silver
	M900 EC5	2			Blue
	M900 EE8	2			Cordovan
	M900 EK1	2			Almond
6	4078 456	1			NAME PLATE



MODEL CODES

E BODY = (J - CARAVELLE)(E - 600)(T - NEW YORKER)

G BODY = (V24 - DAYTONA)

H BODY = (D44 - LANCER)(C44 - LEBARON GTS)

J BODY = (C - LEBARON)

K BODY = (P - RELIANT)(D - ARIES)(C - LEBAROND)/TOWN & COUNTRY)

L BODY = (M - HORIZON/TURISMO)(Z - OMNI/CHARGER)

M BODY = (B - GRAN FURY)(F - FIFTH AVE/NEWPORT)(G - DIPLOMAT)

P BODY = (P - SUNDANCE)(D - SHADOW)

S BODY = (H - VOYAGER)(K - RAM VAN/CARAVAN)

BODY STYLES

12-13 = FWD VAN

21 = 2-DOOR SEDAN

24 = 2-DOOR HATCHBACK

27 = 2-DOOR CONVERTIBLE

41 = 4-DOOR SEDAN

44 = 4-DOOR HATCHBACK

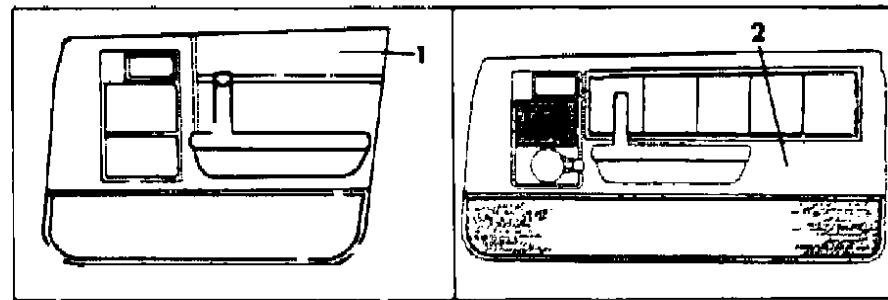
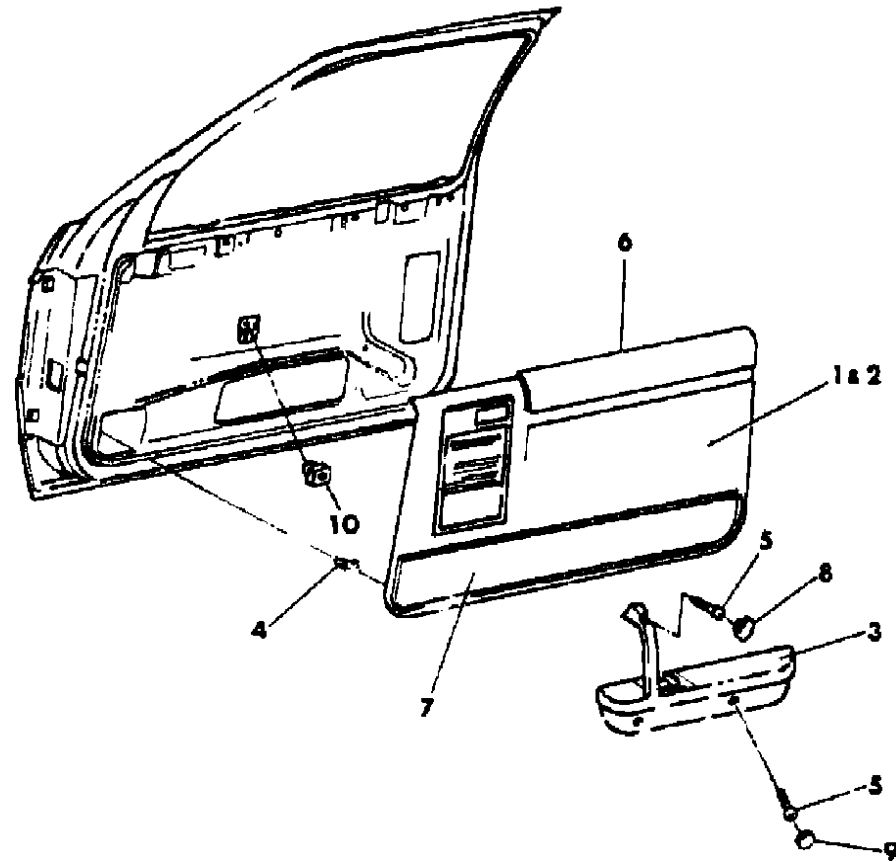
45 = 4-DOOR STATION WAGON

52-53 = FWD WAGON

AR = Use as Required - = Non Illustrated Part P.A.R. = Paint as Required

DOOR TRIM PANEL P BODY--24
Figure ITP-900

7232 000 A



ITEM	PART NUMBER	QTY	BODY	MODEL	DESCRIPTION
1					PANEL, Door
	J840-1 FA3	1			CLOTH Silver, (R7A)
	J840-1 FC5	1			Blue, (R7C)
	J840-1 FE8	1			Cordovan, (R7E)
	J840-1 FK1	1			Almond, (R7K)
2					PANEL, Door
	J842-3 FA2	1			CLOTH Silver, (L7A)
	J842-3 FC5	1			Blue, (L7C)
	J842-3 FE8	1			Cordovan, (L7E)
	J842-3 FK1	1			Almond, (L7K) (Use Up To 10-15-86)
	J134-5 EA2	1			Silver, (H7A)
	J134-5 EC5	1			Blue, (H7C)
	J838-9 FE8	1			Cordovan, (H7E)
	J134-5 EK1	1			Almond, (H7K) (Use After 10-15-86)
	J838-9 FA2	1			Silver, (H7A)
	J838-9 FC5	1			Blue, (H7C)
	J838-9 FE8	1			Cordovan, (H7E)
	J838-9 FK1	1			Almond, (H7K)
3					ARMREST W/SWITCH
	D240-1 EA3	1			Silver
	D240-1 EC5	1			Blue
	D240-1 EE8	1			Cordovan
	D240-1 EK1	1			Almond
					W/O SWITCH
	D222-3 EA3	1			Silver
	D222-3 EC5	1			Blue
	D222-3 EE8	1			Cordovan
	D222-3 EK1	1			Almond
4	1623 945	16			FASTENER
5		AR			SCREW, (1/4-14x1.75) (Not Serv.)
6	4309 232-3	1			WEATHERSTRIP
7					CARPET, (Serv. In Door Trim Panel)
8					PLUG

MODEL CODES

E BODY = (J - CARAVELLE)(E - 600)(T - NEW YORKER)

G BODY = (V24 - DAYTONA)

H BODY = (D44 - LANCER)(C44 - LEBARON GTS)

J BODY = (C - LEBARON)

K BODY = (P - RELIANT)(D - ARIES)(C - LEBAROND)/TOWN & COUNTRY)

L BODY = (M - HORIZON/TURISMO)(Z - OMNI/CHARGER)

M BODY = (B - GRAN FURY)(F - FIFTH AVE/NEWPORT)(G - DIPLOMAT)

P BODY = (P - SUNDANCE)(D - SHADOW)

S BODY = (H - VOYAGER)(K - RAM VAN/CARAVAN)

BODY STYLES

12-13 = FWD VAN

21 = 2-DOOR SEDAN

24 = 2-DOOR HATCHBACK

27 = 2-DOOR CONVERTIBLE

41 = 4-DOOR SEDAN

44 = 4-DOOR HATCHBACK

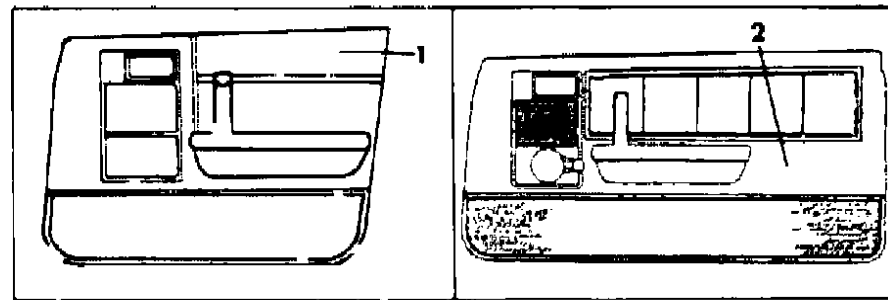
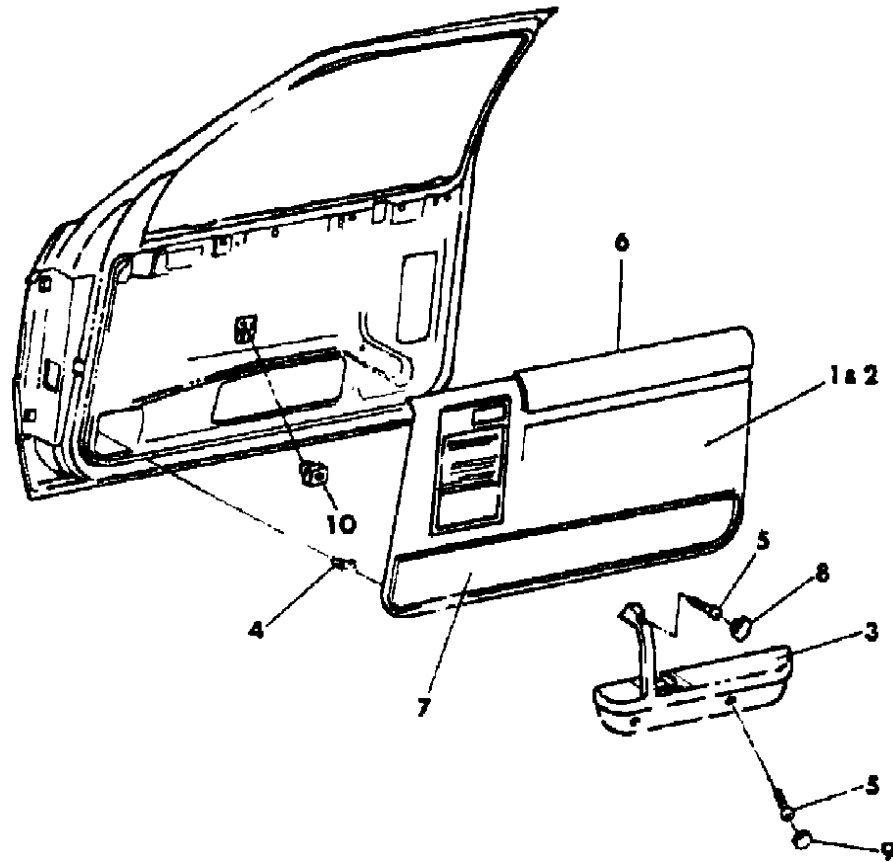
45 = 4-DOOR STATION WAGON

52-53 = FWD WAGON

AR = Use as Required - = Non Illustrated Part P.A.R. = Paint as Required

DOOR TRIM PANEL P BODY--24
Figure ITP-900

7232 000 A



ITEM	PART NUMBER	QTY	BODY	MODEL	DESCRIPTION
	D224 EA3	2			Silver
	D224 EC5	1			Blue
	D224 EE8	2			Cordovan
	D224 EK1	2			Almond
9					PLUG
	D457 EA3	4			Silver
	D457 EC5	4			Blue
	D457 EE8	4			Cordovan
	D457 EK1	4			Almond
10					NUT, Armrest Attaching
	6032 925	6			(Use Up To 10-27-86)
	4453 429	6			(Use After 10-27-86)

MODEL CODES

E BODY = (J - CARAVELLE)(E - 600)(T - NEW YORKER)

G BODY = (V24 - DAYTONA)

H BODY = (D44 - LANCER)(C44 - LEBARON GTS)

J BODY = (C - LEBARON)

K BODY = (P - RELIANT)(D - ARIES)(C - LEBAROND)/TOWN & COUNTRY)

L BODY = (M - HORIZON/TURISMO)(Z - OMNI/CHARGER)

M BODY = (B - GRAN FURY)(F - FIFTH AVE/NEWPORT)(G - DIPLOMAT)

P BODY = (P - SUNDANCE)(D - SHADOW)

S BODY = (H - VOYAGER)(K - RAM VAN/CARAVAN)

BODY STYLES

12-13 = FWD VAN

21 = 2-DOOR SEDAN

24 = 2-DOOR HATCHBACK

27 = 2-DOOR CONVERTIBLE

41 = 4-DOOR SEDAN

44 = 4-DOOR HATCHBACK

45 = 4-DOOR STATION WAGON

52-53 = FWD WAGON

AR = Use as Required - = Non Illustrated Part P.A.R. = Paint as Required

DOOR TRIM PANEL--FRONT P BODY--44
Figure ITP-1000

7232 1000 A

ITEM	PART NUMBER	QTY	BODY	MODEL	DESCRIPTION
1					PANEL, Door
					CLOTH (use up to 1/16/87)
		J130-1 EA3	1		Silver, (R7A)
		J130-1 EC5	1		Blue, (R7C)
		J130-1 EE8	1		Cordovan, (R7E)
		J130-1 EK1	1		Almond, (R7K) (use after 1/16/87)
		J834-5 FA3	1		Silver, (R7A)
		J834-5 FC5	1		Blue, (R7C)
		J834-5 FE8	1		Cordovan, (R7E)
		J834-5 FK1	1		Almond, (R7K)
2					PANEL, Door
					CLOTH
		J836-7 FA2	1		Silver, (L7A)
		J836-7 FC5	1		Blue, LC7)
		J836-7 FE8	1		Cordovan, L7E)
		J836-7 FK1	1		Almond, (L7K) (use up to 1/14/87)
		J132-3 EA2	1		Silver, (H7A)
		J132-3 EC5	1		Blue, (H7C)
		J132-3 EE8	1		Cordovan, (H7E)
		J132-3 EK1	1		Almond, (H7A) (use after 1/14/87)
		J832-3 FA2	1		Silver, (H7A)
		J832-3 FC5	1		Blue, (H7C)
		J832-3 FE8	1		Cordovan, (H7E)
		J832-3 FK1	1		Almond, (H7K)
3					ARMREST
					w/Switch
		D240-1 EA3	1		Sliver
		D240-1 EC5	1		Blue
		D240-1 EE8	1		Cordovan
		D240-1 EK1	1		Almond w/o Switch
		D222-3 EA3	1		Sliver
		D222-3 EC5	1		Blue
		D222-3 EE8	1		Cordovan

MODEL CODES

E BODY = (J - CARAVELLE)(E - 600)(T - NEW YORKER)

G BODY = (V24 - DAYTONA)

H BODY = (D44 - LANCER)(C44 - LEBARON GTS)

J BODY = (C - LEBARON)

K BODY = (P - RELIANT)(D - ARIES)(C - LEBAROND)/TOWN & COUNTRY)

L BODY = (M - HORIZON/TURISMO)(Z - OMNI/CHARGER)

M BODY = (B - GRAN FURY)(F - FIFTH AVE/NEWPORT)(G - DIPLOMAT)

P BODY = (P - SUNDANCE)(D - SHADOW)

S BODY = (H - VOYAGER)(K - RAM VAN/CARAVAN)

BODY STYLES

12-13 = FWD VAN

21 = 2-DOOR SEDAN

24 = 2-DOOR HATCHBACK

27 = 2-DOOR CONVERTIBLE

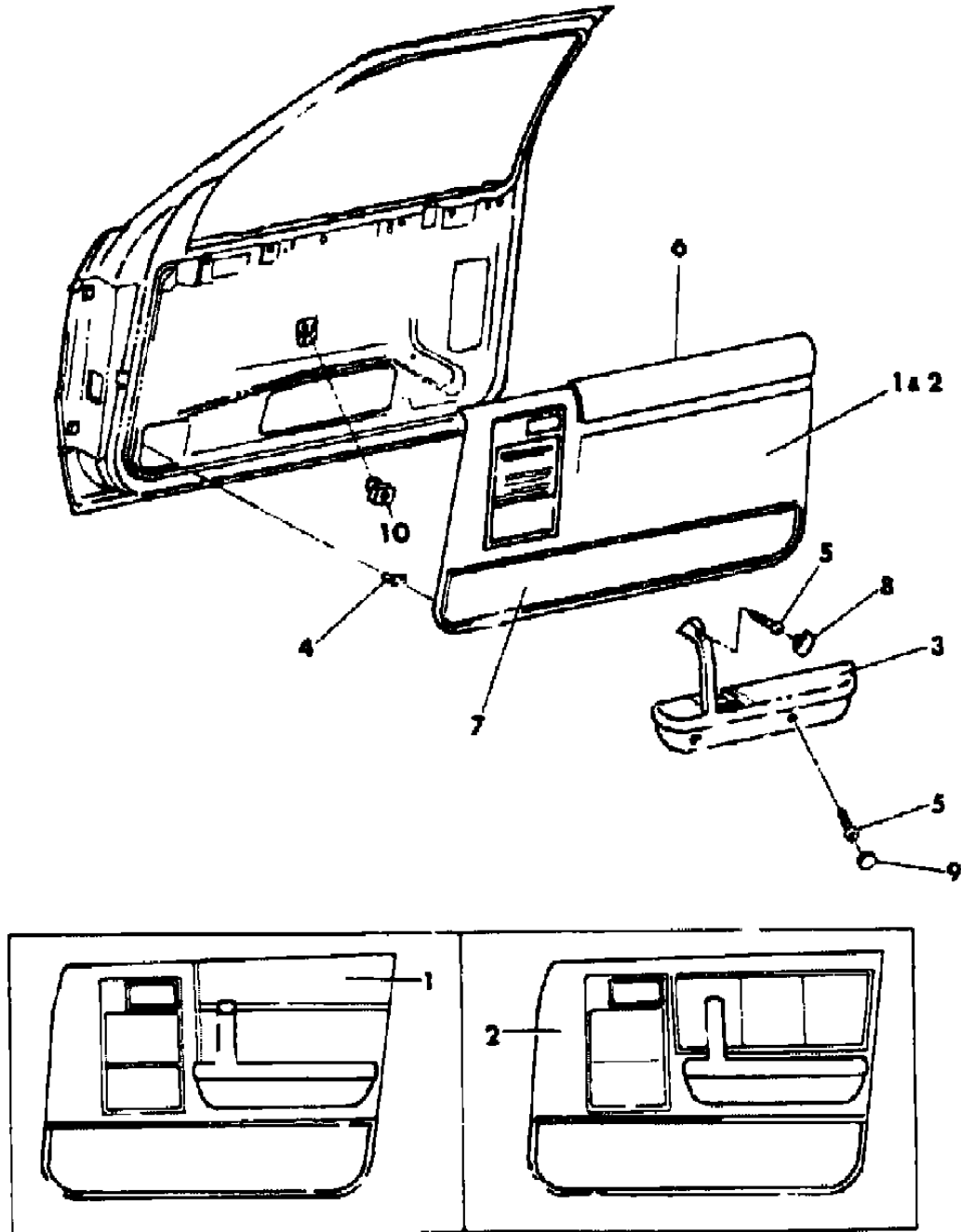
41 = 4-DOOR SEDAN

44 = 4-DOOR HATCHBACK

45 = 4-DOOR STATION WAGON

52-53 = FWD WAGON

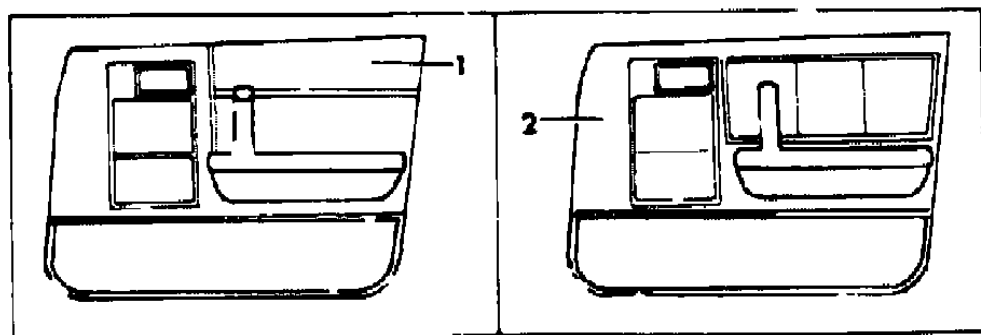
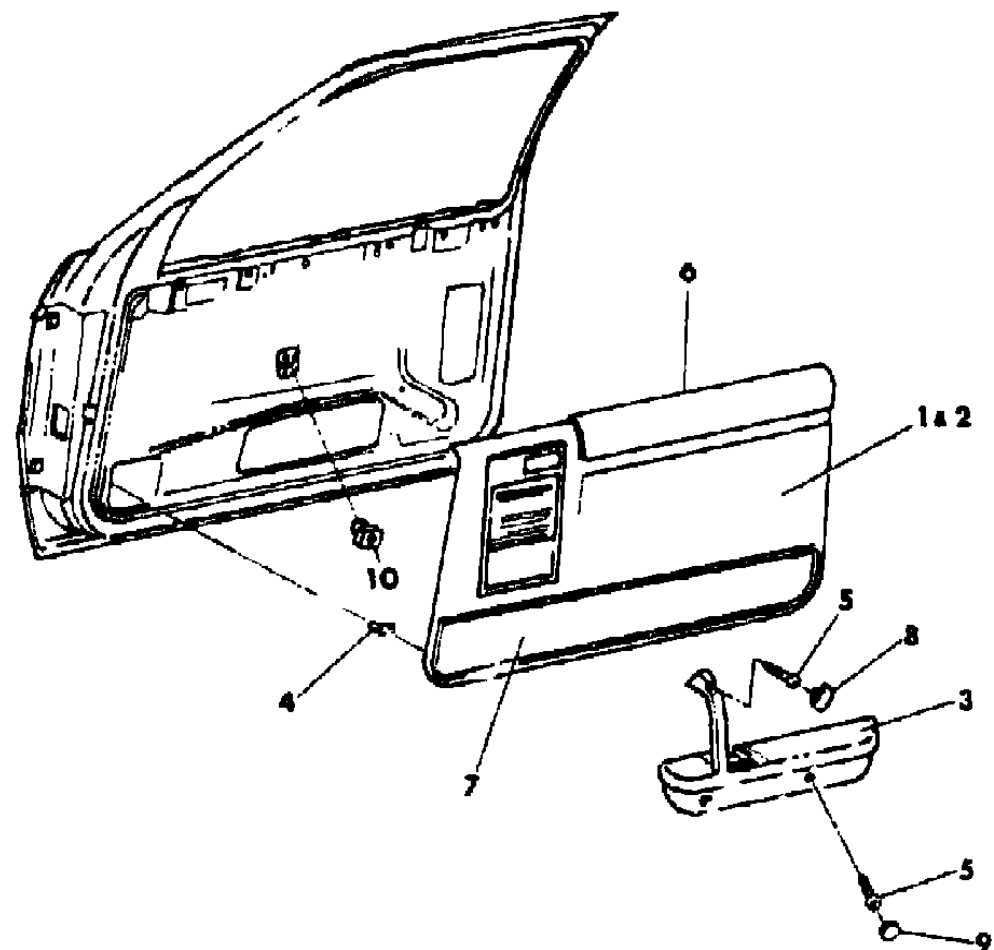
AR = Use as Required - = Non Illustrated Part P.A.R. = Paint as Required



DOOR TRIM PANEL--FRONT P BODY--44
Figure ITP-1000

7232 1000 A

ITEM	PART NUMBER	QTY	BODY	MODEL	DESCRIPTION
	D222-3 EK1	1			Almond
4	1623 945	16			
5		AR			SCREW, (1/4-14x1.75) (Not Serv.)
6	4283 134-5	1			WEATHERSTRIP
7					CARPET, (Serviced in Door Trim Panel)
8					PLUG
	D224 EA3	2			Silver
	D224 EC5	2			Blue
	D224 EE8	2			Cordovan
	D224 EK1	2			Almond
9					PLUG
	D457 EA3	4			Silver
	D457 EC5	4			Blue
	D457 EE8	4			Cordovan
	D457 EK1	4			Almond
10	6023 925	6			NUT, Armrest Attaching



MODEL CODES

E BODY = (J - CARAVELLE)(E - 600)(T - NEW YORKER)

G BODY = (V24 - DAYTONA)

H BODY = (D44 - LANCER)(C44 - LEBARON GTS)

J BODY = (C - LEBARON)

K BODY = (P - RELIANT)(D - ARIES)(C - LEBAROND)/TOWN & COUNTRY)

L BODY = (M - HORIZON/TURISMO)(Z - OMNI/CHARGER)

M BODY = (B - GRAN FURY)(F - FIFTH AVE/NEWPORT)(G - DIPLOMAT)

P BODY = (P - SUNDANCE)(D - SHADOW)

S BODY = (H - VOYAGER)(K - RAM VAN/CARAVAN)

BODY STYLES

12-13 = FWD VAN

21 = 2-DOOR SEDAN

24 = 2-DOOR HATCHBACK

27 = 2-DOOR CONVERTIBLE

41 = 4-DOOR SEDAN

44 = 4-DOOR HATCHBACK

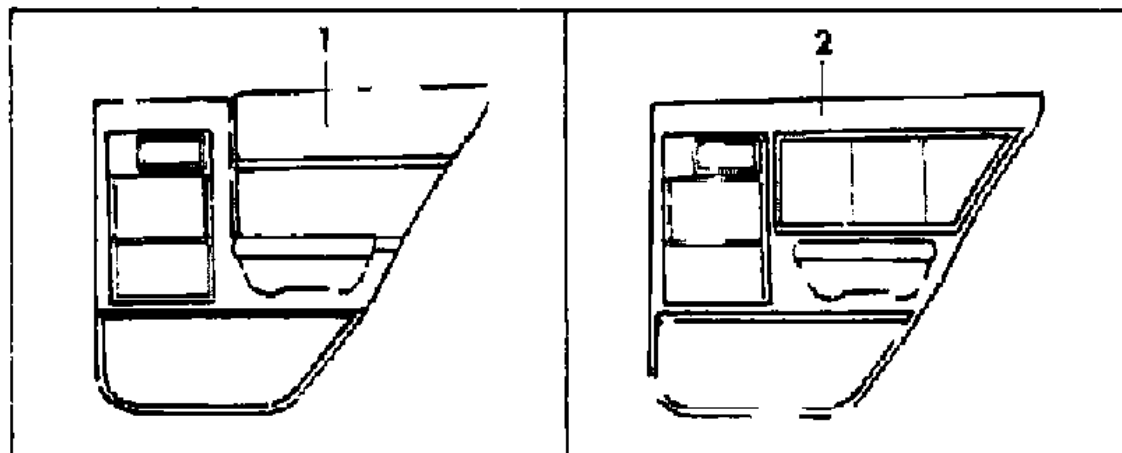
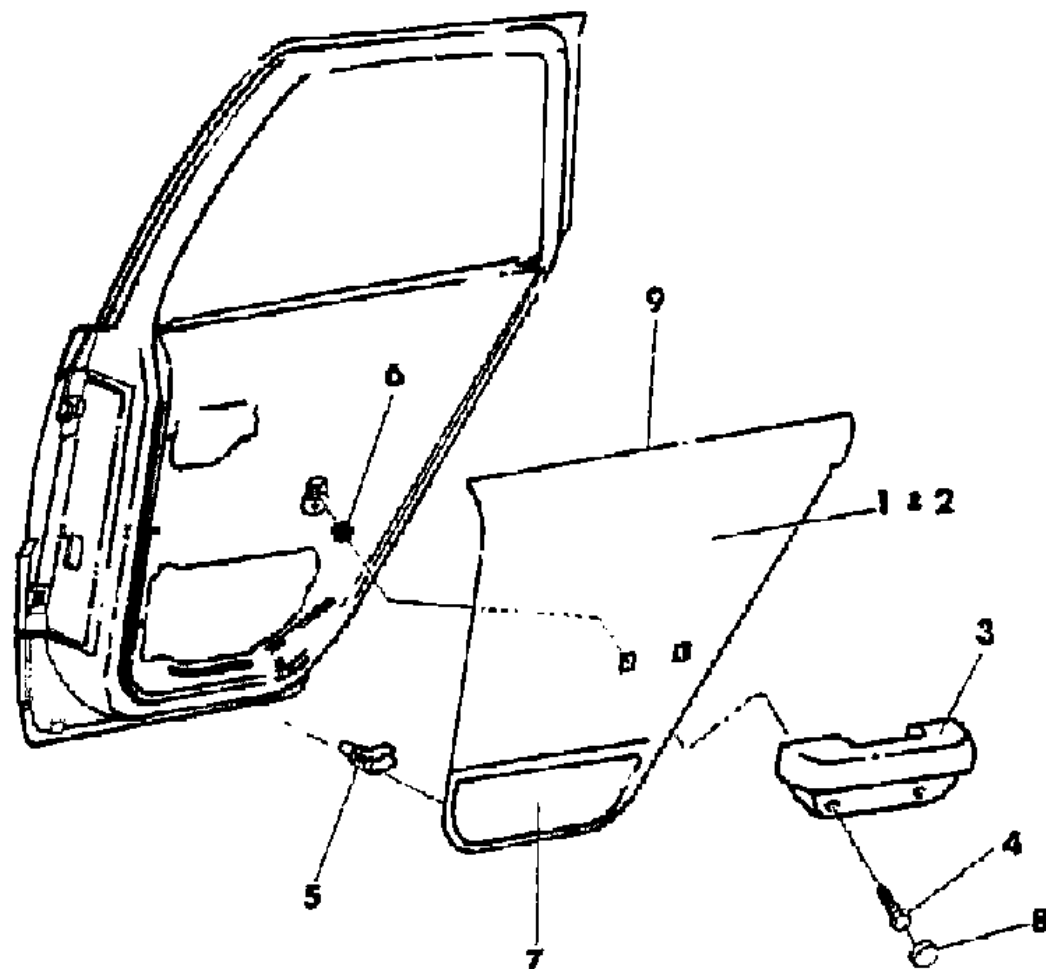
45 = 4-DOOR STATION WAGON

52-53 = FWD WAGON

AR = Use as Required - = Non Illustrated Part P.A.R. = Paint as Required

DOOR TRIM PANEL--REAR P BODY--44
Figure ITP-1100

7232 1100



ITEM	PART NUMBER	QTY	BODY	MODEL	DESCRIPTION
1					PANEL, Door
					CLOTH (Use Up To 1-15-87)
		J460-1 EA3	1		Silver, (R7A)
		J460-1 EC5	1		Blue, (RC7)
		J460-1 EE8	1		Cordovan, (R7E)
		J460-1 EK1	1		Almond, (R7K) (Use After 1-15-87)
		J646-7 FA3	1		Silver, (R7A)
		J646-7 FC5	1		Blue, (R7C)
		J646-7 FE8	1		Cordovan, (R7E)
		J646-7 FK1	1		Almond, (R7K)
2					PANEL, Door
					CLOTH
		J648-9 FA2	1		Silver, (L7A)
		J648-9 FC5	1		Blue, (L7C)
		J648-9 FE8	1		Cordovan, (L7E)
		J648-9 FK1	1		Almond, (L7K) (Use Up To 1-10-87)
		J458-9 EA2	1		Silver, (H7A)
		J458-9 EC5	1		Blue, (H7C)
		J458-9 EE8	1		Cordovan, (H7E)
		J458-9 EK1	1		Almond, (H7K) (Use After 1-10-87)
		J644-5 FA2	1		Silver, (H7A)
		J644-5 FC5	1		Blue, (H7C)
		J644-5 FE8	1		Cordovan, (H7E)
		J644-5 FK1	1		Almond, (H7K)
3					ARMREST
		D220 EA3	2		Silver
		D220 EC5	2		Blue
		D220 EE8	2		Cordovan
		D220 EK1	2		Almond
4		4			SCREW, (1/4-14x1.75) (Not Serv.)
5	1623 945	AR			FASTENER
6					NUT
		6023 925	4		(Use Up To 10-27-86)
		4453 429	4		(Use After 10-27-86)

MODEL CODES

E BODY = (J - CARAVELLE)(E - 600)(T - NEW YORKER)

G BODY = (V24 - DAYTONA)

H BODY = (D44 - LANCER)(C44 - LEBARON GTS)

J BODY = (C - LEBARON)

K BODY = (P - RELIANT)(D - ARIES)(C - LEBAROND)/TOWN & COUNTRY)

L BODY = (M - HORIZON/TURISMO)(Z - OMNI/CHARGER)

M BODY = (B - GRAN FURY)(F - FIFTH AVE/NEWPORT)(G - DIPLOMAT)

P BODY = (P - SUNDANCE)(D - SHADOW)

S BODY = (H - VOYAGER)(K - RAM VAN/CARAVAN)

BODY STYLES

12-13 = FWD VAN

21 = 2-DOOR SEDAN

24 = 2-DOOR HATCHBACK

27 = 2-DOOR CONVERTIBLE

41 = 4-DOOR SEDAN

44 = 4-DOOR HATCHBACK

45 = 4-DOOR STATION WAGON

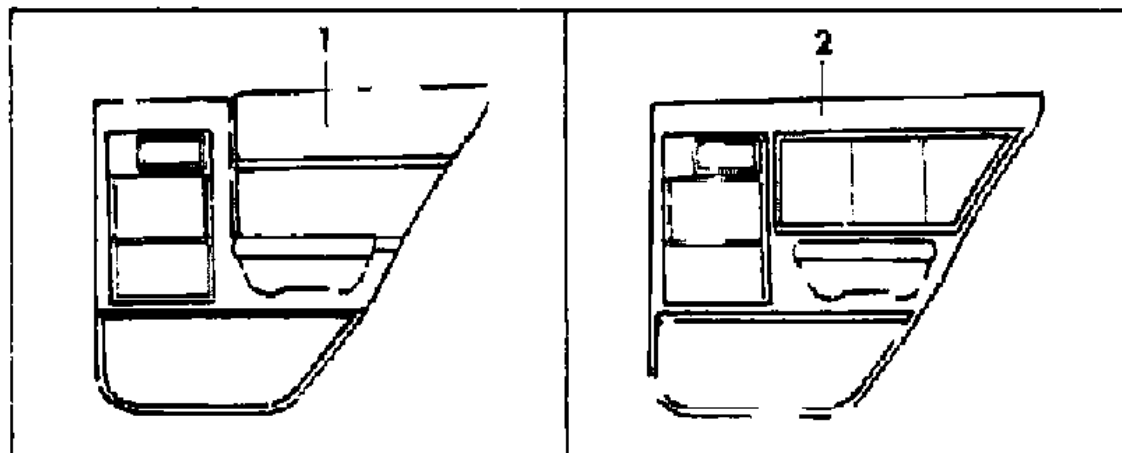
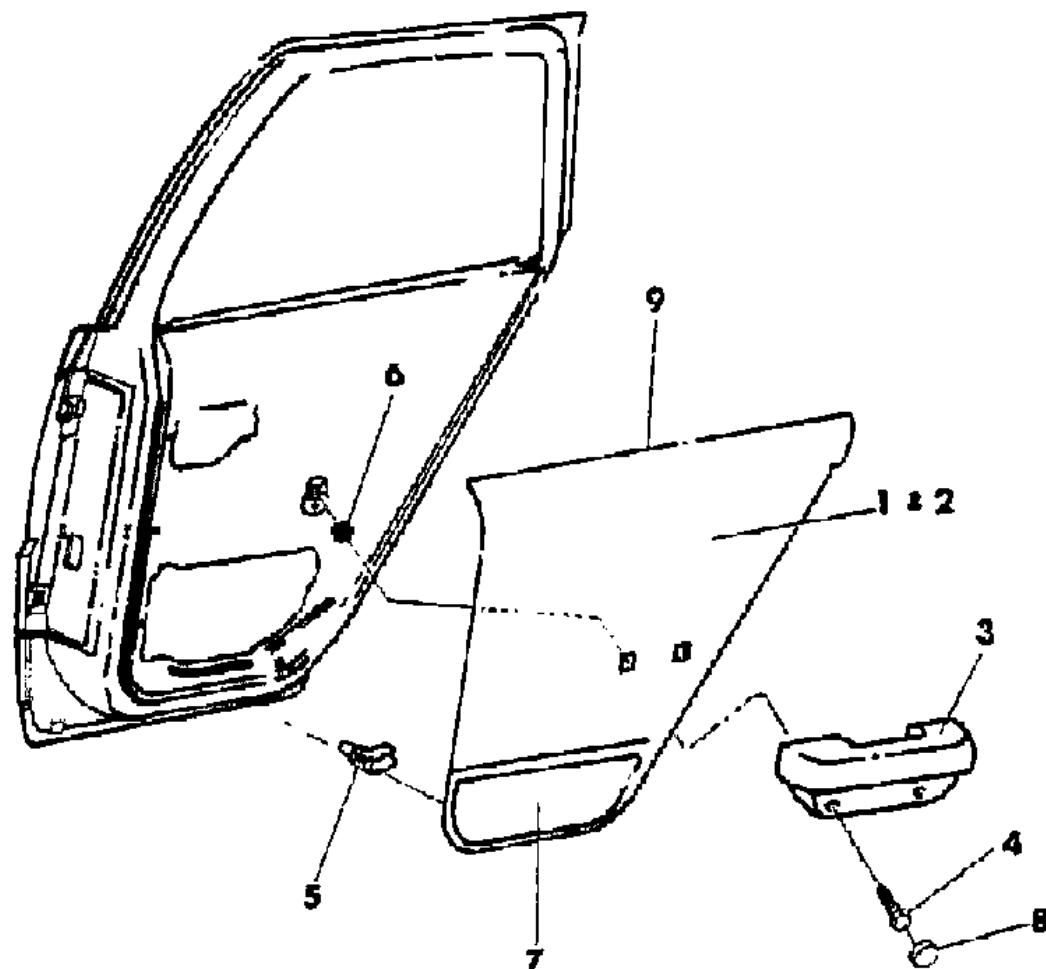
52-53 = FWD WAGON

AR = Use as Required - = Non Illustrated Part P.A.R. = Paint as Required

DOOR TRIM PANEL--REAR P BODY--44
Figure ITP-1100

7232 1100

ITEM	PART NUMBER	QTY	BODY	MODEL	DESCRIPTION
7					CARPET, (Serv. in Door Trim Panel)
8					PLUG
	D457 EA3	4			Silver
	D457 EC5	4			Blue
	D457 EE8	4			Cordovan
	D457 EK1	4			Almond
9	4283 142-3	1			WEATHERSTRIP



MODEL CODES

E BODY = (J - CARAVELLE)(E - 600)(T - NEW YORKER)

G BODY = (V24 - DAYTONA)

H BODY = (D44 - LANCER)(C44 - LEBARON GTS)

J BODY = (C - LEBARON)

K BODY = (P - RELIANT)(D - ARIES)(C - LEBAROND)/TOWN & COUNTRY)

L BODY = (M - HORIZON/TURISMO)(Z - OMNI/CHARGER)

M BODY = (B - GRAN FURY)(F - FIFTH AVE/NEWPORT)(G - DIPLOMAT)

P BODY = (P - SUNDANCE)(D - SHADOW)

S BODY = (H - VOYAGER)(K - RAM VAN/CARAVAN)

BODY STYLES

12-13 = FWD VAN

21 = 2-DOOR SEDAN

24 = 2-DOOR HATCHBACK

27 = 2-DOOR CONVERTIBLE

41 = 4-DOOR SEDAN

44 = 4-DOOR HATCHBACK

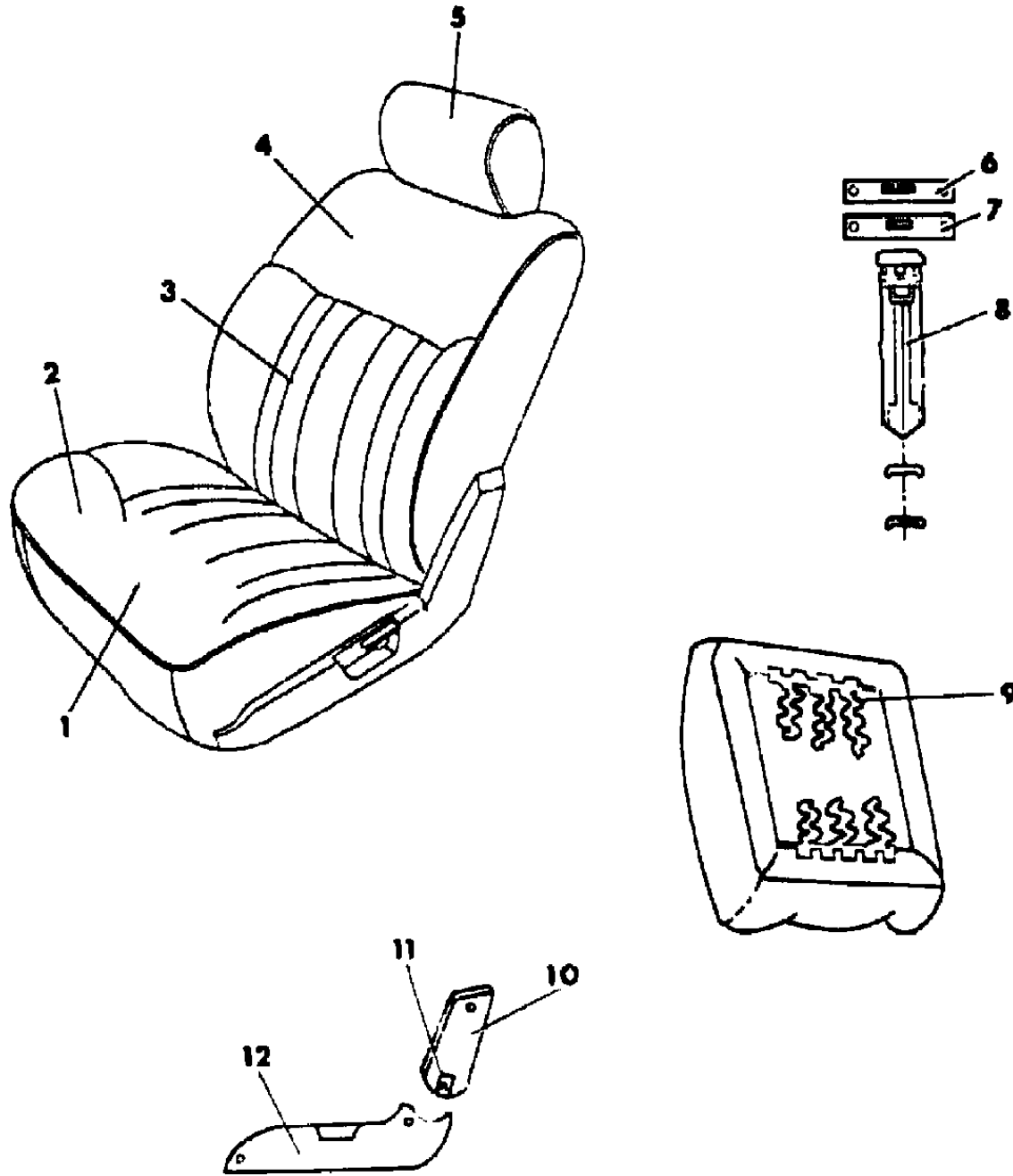
45 = 4-DOOR STATION WAGON

52-53 = FWD WAGON

AR = Use as Required - = Non Illustrated Part P.A.R. = Paint as Required

SEAT FRONT P BODY TRIM CODE L7
Figure ITP-1200

7232 1200 A



ITEM	PART NUMBER	QTY	BODY	MODEL	DESCRIPTION
1-2					CUSHION, w/Spring/Frame, Pad and Cover
	N326-7 G7S	1			CLOTH Charcoal, (L7S)
	N326-7 G7C	1			Blue, (L7C)
	N326-7 G7R	1			Red, (L7R)
	N326-7 G7L	1			Taupe, (L7L)
2					COVER, Cushion
	N600-1 G7S	1			CLOTH Charcoal, (L7S)
	N600-1 G7C	1			Blue, (L7C)
	N600-1 G7R	1			Red, (L7R)
	N600-1 G7L	1			Taupe, (L7L)
3-4					BACK, w/Spring/Frame, Pad abd Cover
	N804-5 E7A	1			CLOTH Sliver, (L7A)
	N804-5 E7C	1			Blue, (L7C)
	N804-5 F7E	1			Cordovan, (L7E)
	N804-5 E7K	1			Almond, (L7K)
4					COVER, Back
	N006-7 E7A	1			CLOTH (Use Up To 10/1/86) Silver, (L7A)
	N006-7 E7C	1			Blue, (L7C)
	N006-7 F7E	1			Cordovan, (L7E)
	N006-7 E7K	1			Almond, (L7K)
	N067 F7A	2			(Use After 10/1/86) Silver, (L7A)
	N067 F7C	2			Blue, (L7C)
	N067 F7E	2			Cordovan, (L7E)
	N067 F7K	2			Almond, (L7K)
5					HEADREST
	S790 AA2	2			Silver, (L7A)
	S790 FC5	1			Blue, (L7C)
	S790 EE8	2			Cordovan, (L7E)
	S790 EK1	2			Almond, (L7K)
6	4190 388				COVER, Headrest Finish
7	4190 387	2			SUPPORT, Headrest
8					SLEEVE, Headrest

MODEL CODES

E BODY = (J - CARAVELLE)(E - 600)(T - NEW YORKER)

G BODY = (V24 - DAYTONA)

H BODY = (D44 - LANCER)(C44 - LEBARON GTS)

J BODY = (C - LEBARON)

K BODY = (P - RELIANT)(D - ARIES)(C - LEBAROND)/TOWN & COUNTRY)

L BODY = (M - HORIZON/TURISMO)(Z - OMNI/CHARGER)

M BODY = (B - GRAN FURY)(F - FIFTH AVE/NEWPORT)(G - DIPLOMAT)

P BODY = (P - SUNDANCE)(D - SHADOW)

S BODY = (H - VOYAGER)(K - RAM VAN/CARAVAN)

BODY STYLES

12-13 = FWD VAN

21 = 2-DOOR SEDAN

24 = 2-DOOR HATCHBACK

27 = 2-DOOR CONVERTIBLE

41 = 4-DOOR SEDAN

44 = 4-DOOR HATCHBACK

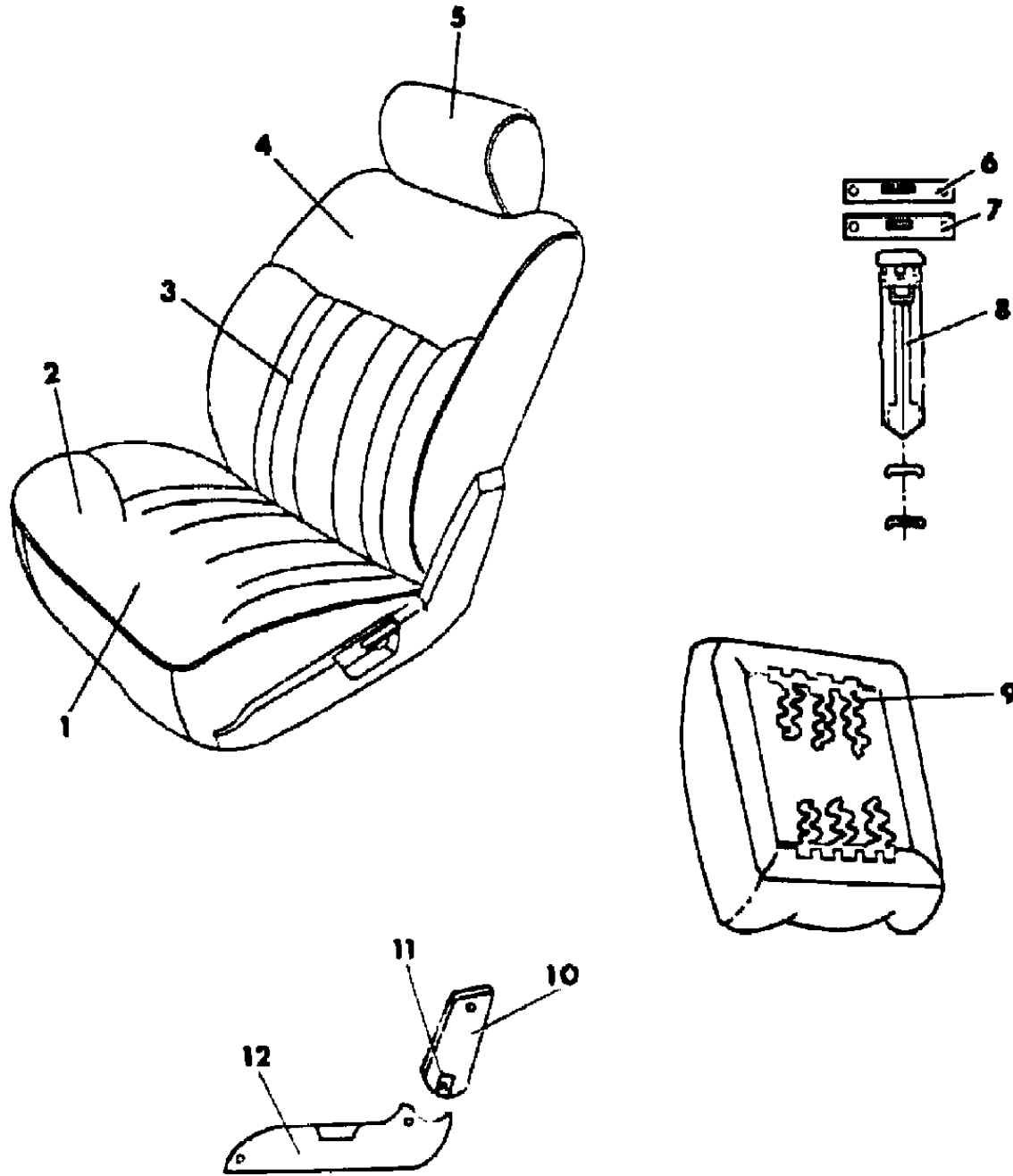
45 = 4-DOOR STATION WAGON

52-53 = FWD WAGON

AR = Use as Required - = Non Illustrated Part P.A.R. = Paint as Required

SEAT FRONT P BODY TRIM CODE L7
Figure ITP-1200

7232 1200 A



ITEM	PART NUMBER	QTY	BODY	MODEL	DESCRIPTION
	S786 AA3	2			Silver
	S786 EC5	2			Blue
	S786 EE8	2			Cordovan
	S786 EK1	2			Almond
9	6008 076	AR			HOG RING
10					SHIELD, Back (P.A.R.) OUTER
	S960 DW1	1	24		Passenger Seat
	S961 DW1	1	24		Driver Seat
	S996 FK1	1	44		Passenger Seat
	S997 FK1	1	44		Driver Seat
					INNER
	S961 DW1	1	24		Passenger Seat
	S960 DW1	1	24		Driver Seat
	S997 FK1	1	44		Passenger Seat
	S996 FK1	1	44		Driver Seat
11	4317 800	AR			CLIP
12					SHIELD, Cushion (P.A.R.) OUTER
	S262 FK1	1			Passenger Seat
	S263 FK1	1			Driver Seat
					INNER
	S263 FK1	1			Passenger Seat
	S262 FK1	1			Driver Seat
NOTE: (P.A.R.) = Paint As Required					

MODEL CODES

E BODY = (J - CARAVELLE)(E - 600)(T - NEW YORKER)

G BODY = (V24 - DAYTONA)

H BODY = (D44 - LANCER)(C44 - LEBARON GTS)

J BODY = (C - LEBARON)

K BODY = (P - RELIANT)(D - ARIES)(C - LEBAROND)/TOWN & COUNTRY)

L BODY = (M - HORIZON/TURISMO)(Z - OMNI/CHARGER)

M BODY = (B - GRAN FURY)(F - FIFTH AVE/NEWPORT)(G - DIPLOMAT)

P BODY = (P - SUNDANCE)(D - SHADOW)

S BODY = (H - VOYAGER)(K - RAM VAN/CARAVAN)

BODY STYLES

12-13 = FWD VAN

21 = 2-DOOR SEDAN

24 = 2-DOOR HATCHBACK

27 = 2-DOOR CONVERTIBLE

41 = 4-DOOR SEDAN

44 = 4-DOOR HATCHBACK

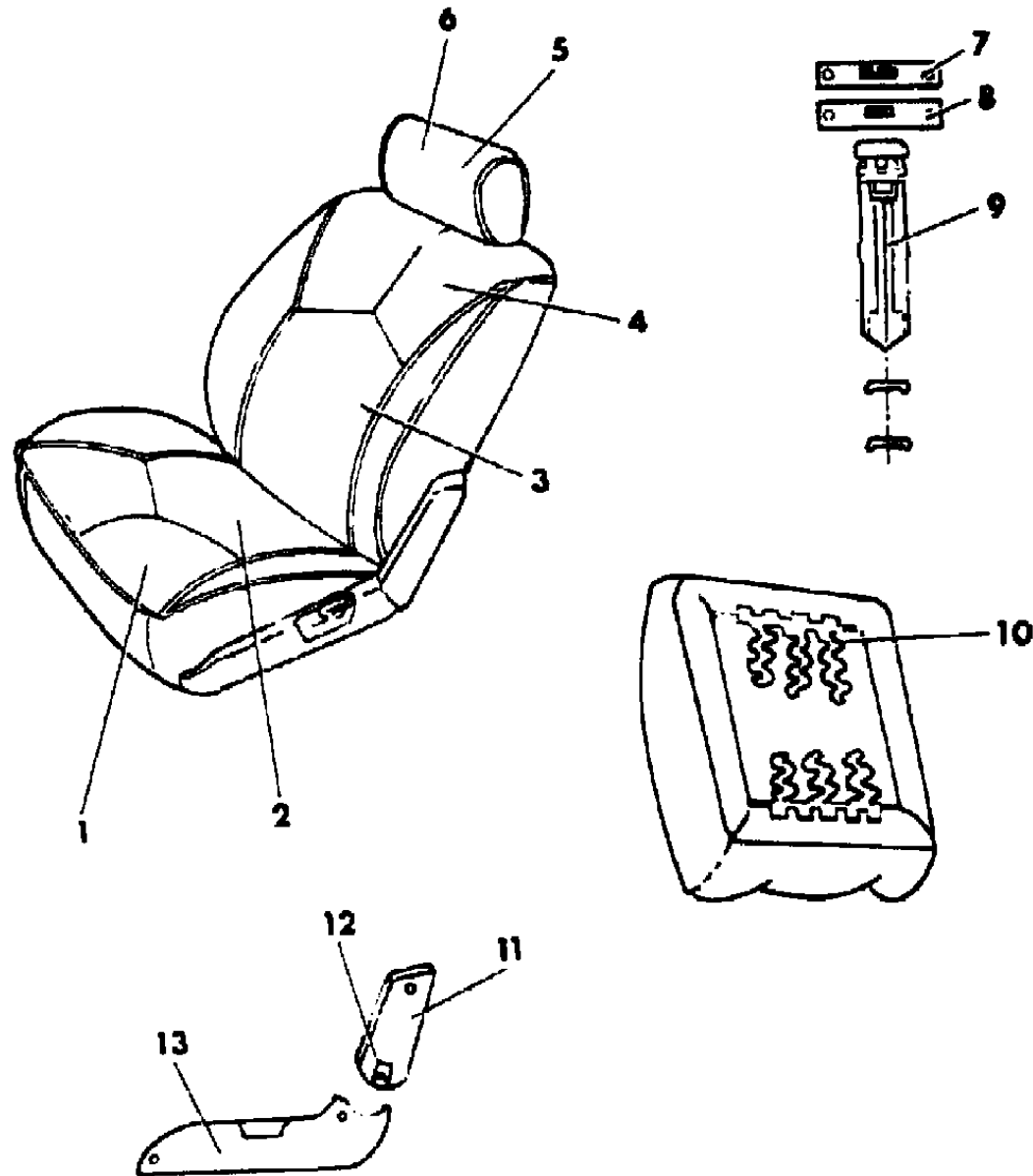
45 = 4-DOOR STATION WAGON

52-53 = FWD WAGON

AR = Use as Required - = Non Illustrated Part P.A.R. = Paint as Required

SEAT FRONT P BODY TRIM CODE H7
Figure ITP-1300

7232 1300A



ITEM	PART NUMBER	QTY	BODY	MODEL	DESCRIPTION
1-2					CUSHION, w/Spring/Frame, Pad and Cover
	N810-1 E7A	1			CLOTH Silver, (H7A)
	N810-1 E7C	1			Blue, (H7C)
	N810-1 E7E	1			Cordovan, (H7E)
	N810-1 E7K	1			Almond, (H7K)
2					COVER, Cushion
	N010-1 E7A	1			CLOTH Silver, (H7A)
	N010-1 E7C	1			Blue, (H7C)
	N010-1 E7E	1			Cordovan, (H7E)
	N010-1 E7K	1			Almond (H7K)
3-4					BACK, w/Spring/Frame, Pad and Cover
	N808-9 E7A	1			CLOTH Silver, (H7A)
	N808-9 E7C	1			Blue, (H7C)
	N808-9 E7E	1			Cordovan, (H7E)
	N808-9 E7K	1			Almond, (H7K)
4					COVER, Back
	N012-3 E7A	1			CLOTH (Use Up To 10/1/86) Silver, (H7A)
	N012-3 E7C	1			Blue, (H7C)
	N012-3 E7E	1			Cordovan, (H7E)
	N012-3 E7K	1			Almond, (H7K)
	N066 E7A	2			(Use After 10/1/86) Silver, (H7A)
	N066 E7C	2			Blue, (H7C)
	N066 E7E	2			Cordovan, (H7E)
	N066 E7K	2			Almond, (H7K)
5-6					HEADREST and COVER
	N812 EA3	2			Silver, (H7A)
	N812 EC5	2			Blue, (H7C)
	N812 EE8	2			Cordovan, (H7E)
	H812 EK1	2			Almond, (H7K)
6					COVER, Headrest
	N031 EA3	2			Silver, (H7A)
	N031 EC5	2			Blue, (H7C)

MODEL CODES

E BODY = (J - CARAVELLE)(E - 600)(T - NEW YORKER)

G BODY = (V24 - DAYTONA)

H BODY = (D44 - LANCER)(C44 - LEBARON GTS)

J BODY = (C - LEBARON)

K BODY = (P - RELIANT)(D - ARIES)(C - LEBAROND)/TOWN & COUNTRY)

L BODY = (M - HORIZON/TURISMO)(Z - OMNI/CHARGER)

M BODY = (B - GRAN FURY)(F - FIFTH AVE/NEWPORT)(G - DIPLOMAT)

P BODY = (P - SUNDANCE)(D - SHADOW)

S BODY = (H - VOYAGER)(K - RAM VAN/CARAVAN)

BODY STYLES

12-13 = FWD VAN

21 = 2-DOOR SEDAN

24 = 2-DOOR HATCHBACK

27 = 2-DOOR CONVERTIBLE

41 = 4-DOOR SEDAN

44 = 4-DOOR HATCHBACK

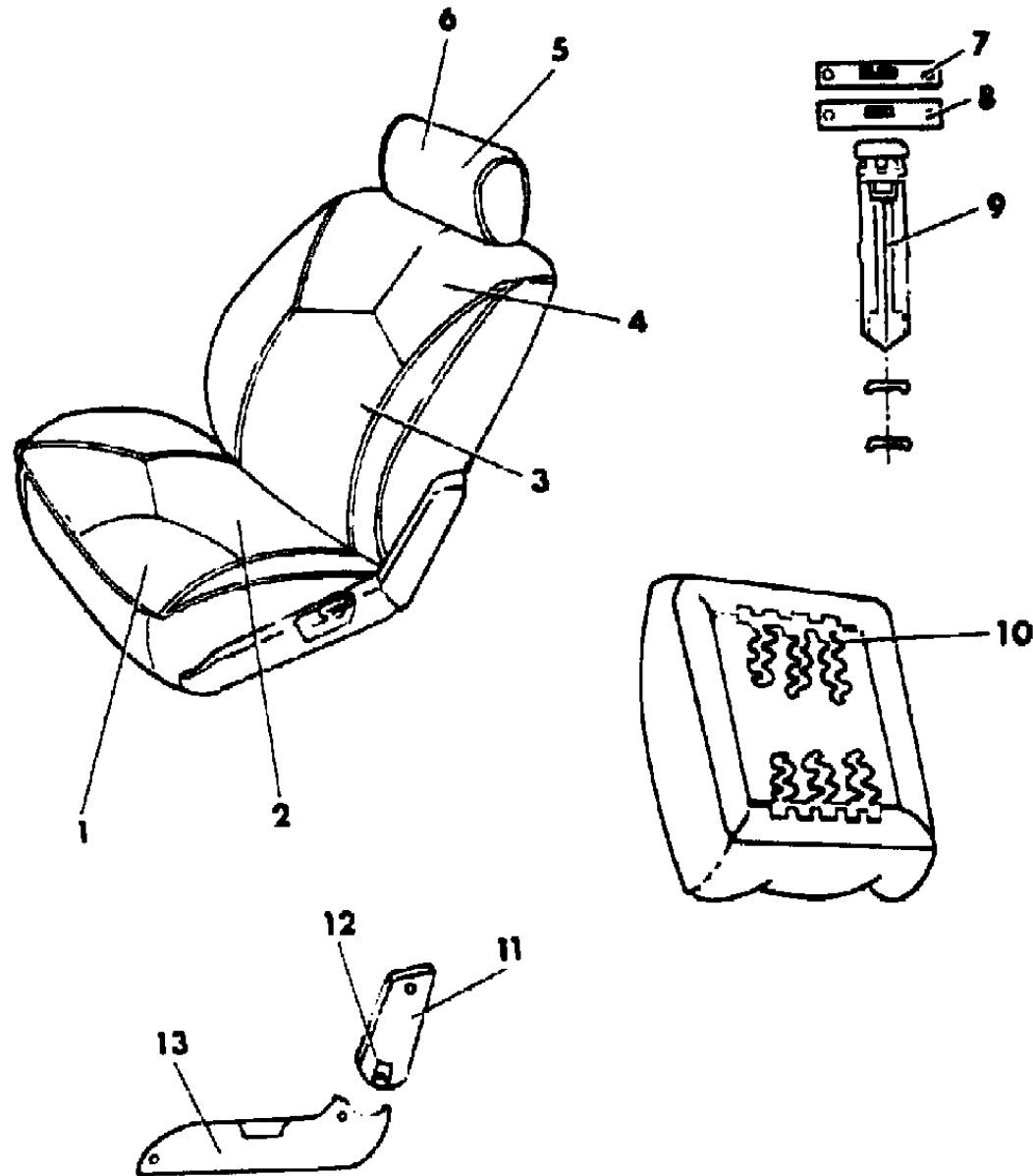
45 = 4-DOOR STATION WAGON

52-53 = FWD WAGON

AR = Use as Required - = Non Illustrated Part P.A.R. = Paint as Required

SEAT FRONT P BODY TRIM CODE H7
Figure ITP-1300

7232 1300A



ITEM	PART NUMBER	QTY	BODY	MODEL	DESCRIPTION
	N031 EE8	2			Cordovan, (H7E)
	N031 EK1	2			Almond, (H7K)
7	4190 388	2			COVER, Headrest Finish
8	4190 387	2			SUPPORT, Headrest
9					SLEEVE, Headrest
	S786 AA3	2			Silver
	S786 EC5	2			Blue
	S786 EE8	2			Cordovan
	S786 EK1	2			Almond
10	6008 076	AR			HOG RING
11					SHIELD, Back (P.A.R.) OUTER
	S960 DW1	1		24	Passenger Seat
	S961 DW1	1		24	Driver Seat
	S996 FK1	1		44	Passenger Seat
	S997 FK1	1		44	Driver Seat
					INNER
	S961 DW1	1		24	Passenger Seat
	S960 DW1	1		24	Driver Seat
	S997 FK1	1		44	Passenger Seat
	S996 FK1	1		44	Driver Seat
12	4317 800	AR			CLIP
13					SHIELD, Cushion (P.A.R.) Outer
	S262 FK1	1			Passenger Seat
	S263 FK1	1			Driver Seat
					Inner
	S263 FK1	1			Passenger Seat
	S262 FK1	1			Driver Seat

NOTE: (P.A.R.) = Paint As Required

MODEL CODES

E BODY = (J - CARAVELLE)(E - 600)(T - NEW YORKER)

G BODY = (V24 - DAYTONA)

H BODY = (D44 - LANCER)(C44 - LEBARON GTS)

J BODY = (C - LEBARON)

K BODY = (P - RELIANT)(D - ARIES)(C - LEBAROND)/TOWN & COUNTRY)

L BODY = (M - HORIZON/TURISMO)(Z - OMNI/CHARGER)

M BODY = (B - GRAN FURY)(F - FIFTH AVE/NEWPORT)(G - DIPLOMAT)

P BODY = (P - SUNDANCE)(D - SHADOW)

S BODY = (H - VOYAGER)(K - RAM VAN/CARAVAN)

BODY STYLES

12-13 = FWD VAN

21 = 2-DOOR SEDAN

24 = 2-DOOR HATCHBACK

27 = 2-DOOR CONVERTIBLE

41 = 4-DOOR SEDAN

44 = 4-DOOR HATCHBACK

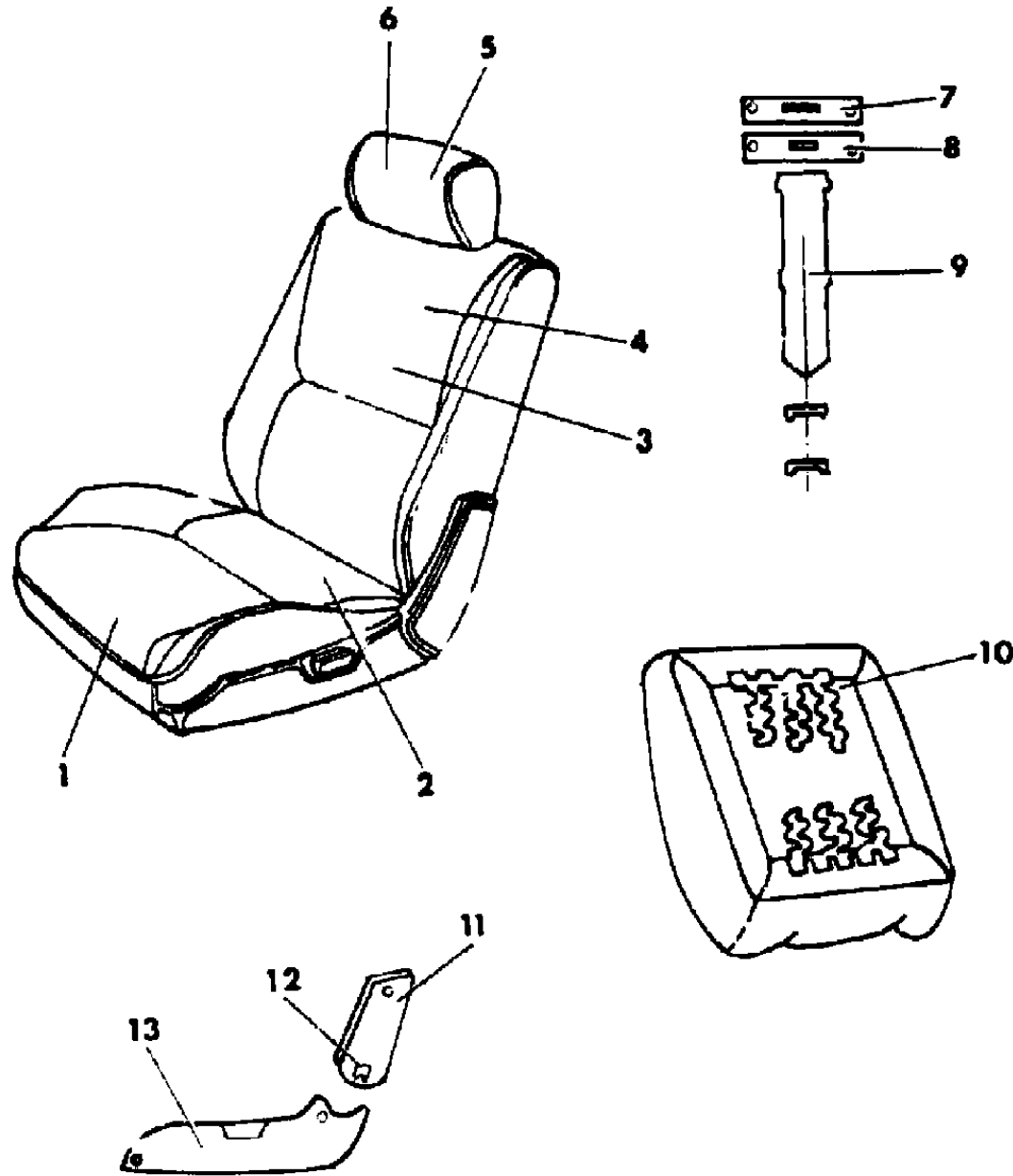
45 = 4-DOOR STATION WAGON

52-53 = FWD WAGON

AR = Use as Required - = Non Illustrated Part P.A.R. = Paint as Required

SEAT FRONT P BODY TRIM CODE R7
Figure ITP-1400

7232 1400A



ITEM	PART NUMBER	QTY	BODY	MODEL	DESCRIPTION
1-2					CUSHION, w/Spring, Frame, Pad and Cover
	N982-3 E7A	1			CLOTH Silver, (R7A)
	N982-3 E7C	1			Blue, (R7C)
	N982-3 E7E	1			Cordovan, (R7E)
	N982-3 E7K	1			Almond, (R7K)
2					COVER, Cushion
	N058-9 E7A	1			CLOTH Silver, (R7A)
	N058-9 E7C	1			Blue, (R7C)
	N058-9 E7E	1			Cordovan, (R7E)
	N058-9 E7K	1			Almond, (R7K)
3-4					BACK, w/Spring, Frame, Pad and Cover
	N984-5 E7A	1			CLOTH Silver, (R7A)
	N984-5 E7C	1			Blue, (R7C)
	N984-5 E7E	1			Cordovan, (R7E)
	N984-5 E7K	1			Almond, (R7K)
4					COVER, Back
	N060 E7A	2			CLOTH Silver, (R7A)
	N060 E7C	2			Blue, (R7C)
	N060 E7E	2			Cordovan, (R7E)
	N060 E7K	2			Almond, (R7K)
5					HEADREST and COVER
	N813 EA3	2			Silver, (R7A)
	N813 EC5	2			Blue, (R7C)
	N813 EE8	2			Cordovan, (R7E)
	N813 EK1	1			Almond, (R7K)
6					COVER, Headrest
	N030 EA3	2			Silver, (R7A)
	N030 EC5	2			Blue, (R7C)
	N030 EE8	2			Cordovan, (R7E)
	N030 EK1	2			Almond, (R7K)
7	4190 388	2			COVER, Headrest Finish
8	4190 387	2			SUPPORT, Headrest
9					SLEEVE, Headrest
	S786 AA3	2			Silver

MODEL CODES

E BODY = (J - CARAVELLE)(E - 600)(T - NEW YORKER)

G BODY = (V24 - DAYTONA)

H BODY = (D44 - LANCER)(C44 - LEBARON GTS)

J BODY = (C - LEBARON)

K BODY = (P - RELIANT)(D - ARIES)(C - LEBAROND)/TOWN & COUNTRY)

L BODY = (M - HORIZON/TURISMO)(Z - OMNI/CHARGER)

M BODY = (B - GRAN FURY)(F - FIFTH AVE/NEWPORT)(G - DIPLOMAT)

P BODY = (P - SUNDANCE)(D - SHADOW)

S BODY = (H - VOYAGER)(K - RAM VAN/CARAVAN)

BODY STYLES

12-13 = FWD VAN

21 = 2-DOOR SEDAN

24 = 2-DOOR HATCHBACK

27 = 2-DOOR CONVERTIBLE

41 = 4-DOOR SEDAN

44 = 4-DOOR HATCHBACK

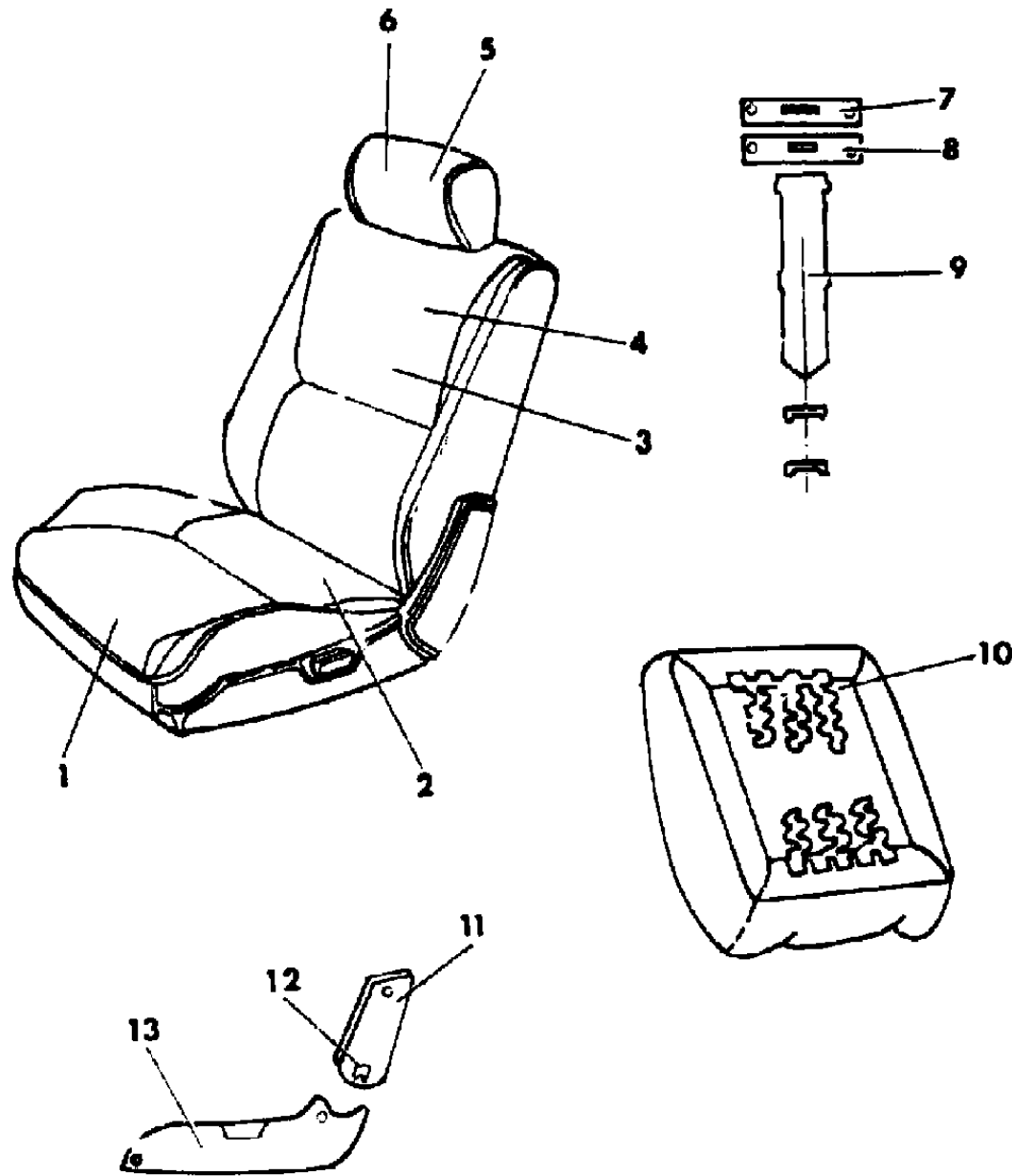
45 = 4-DOOR STATION WAGON

52-53 = FWD WAGON

AR = Use as Required - = Non Illustrated Part P.A.R. = Paint as Required

SEAT FRONT P BODY TRIM CODE R7
Figure ITP-1400

7232 1400A



ITEM	PART NUMBER	QTY	BODY	MODEL	DESCRIPTION
	S786 EC5	2			Blue
	S786 EE8	2			Cordovan
	S786 EK1	2			Almond
10	6008 076	AR			HOG RING
11					SHIELD, Back (P.A.R.)
					OUTER
	S960 DW1	1	24		Passenger Seat
	S961 DW1	1	24		Driver Seat
	S966 FK1	1	44		Passenger Seat
	S997 FK1	1	44		Driver Seat
					INNER
	S961 DW1	1	24		Passenger Seat
	S960 DW1	1	24		Driver Seat
	S997 FK1	1	44		Passenger Seat
	S996 FK1	1	44		Driver Seat
12	4317 800	AR			CLIP
13					SHIELD, Cushion (P.A.R.)
					OUTER
	S262 FK1	1			Passenger Seat
	S263 FK1	1			Driver Seat
					INNER
	S263 FK1	1			Passenger Seat
	S262 FK1	1			Driver Seat
					NOTE: (P.A.R.) = Paint As Required

MODEL CODES

E BODY = (J - CARAVELLE)(E - 600)(T - NEW YORKER)

G BODY = (V24 - DAYTONA)

H BODY = (D44 - LANCER)(C44 - LEBARON GTS)

J BODY = (C - LEBARON)

K BODY = (P - RELIANT)(D - ARIES)(C - LEBAROND)/TOWN & COUNTRY)

L BODY = (M - HORIZON/TURISMO)(Z - OMNI/CHARGER)

M BODY = (B - GRAN FURY)(F - FIFTH AVE/NEWPORT)(G - DIPLOMAT)

P BODY = (P - SUNDANCE)(D - SHADOW)

S BODY = (H - VOYAGER)(K - RAM VAN/CARAVAN)

BODY STYLES

12-13 = FWD VAN

21 = 2-DOOR SEDAN

24 = 2-DOOR HATCHBACK

27 = 2-DOOR CONVERTIBLE

41 = 4-DOOR SEDAN

44 = 4-DOOR HATCHBACK

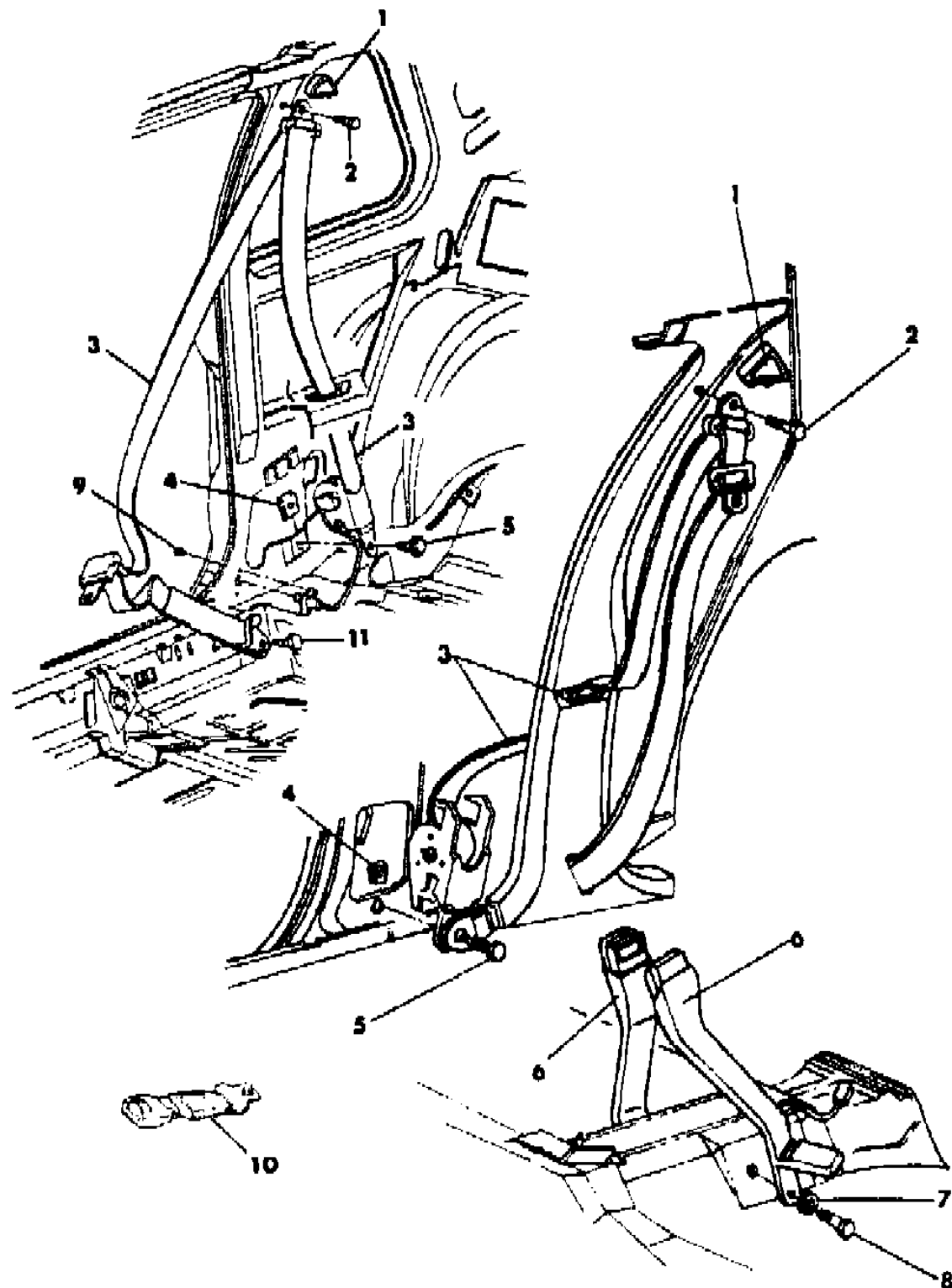
45 = 4-DOOR STATION WAGON

52-53 = FWD WAGON

AR = Use as Required - = Non Illustrated Part P.A.R. = Paint as Required

BELT FRONT SEAT P BODY
Figure ITP-1500

7232 1500 A



ITEM	PART NUMBER	QTY	BODY	MODEL	DESCRIPTION
1	F700 CA3	2			COVER, Turning Loop Silver
	F700 EC5	2			Blue
	F700 EE8	2			Cordovan
	F700 EK1	2			Almond
	6031 216	1			BOLT
3					BELT, Lap and Shoulder Tip Outer Label Number 4327400, Right
	F852 EA3	1	24		Silver
	F852 EC5	1	24		Blue
	F852 EE8	1	24		Cordovan
	F852 EK1	1	24		Almond Label Number 4476187, Left
	F987 FA3	1	24		Silver
	F987 FC5	1	24		Blue
	F987 FE8	1	24		Cordovan
	F987 FK1	1	24		Almond Label Number 4327220-1
	F824-5 EA3	1	44		Silver
	F824-5 EC5	1	44		Blue
	F824-5 EE8	1	44		Cordovan
	F824-5 EK1	1	44		Almond
4	6032 353	2			NUT and RETAINER
5	6031 484	2			BOLT, Retractor
6					BELT, Buckle Inner Label Number 4327226-7
	F826-7 EA3	1			Silver
	F826-7 EC5	1			Blue
	F826-7 EE8	1			Cordovan
	F826-7 EK1	1			Almond
7		2			WASHER, (Not Serv.)
8	6031 298	2			BOLT
9					SCREW, (10-16x3/4) (Not Serv.)
10	4402 887	AR			EXTENDER
11	6031 298	AR			BOLT

MODEL CODES

E BODY = (J - CARAVELLE)(E - 600)(T - NEW YORKER)

G BODY = (V24 - DAYTONA)

H BODY = (D44 - LANCER)(C44 - LEBARON GTS)

J BODY = (C - LEBARON)

K BODY = (P - RELIANT)(D - ARIES)(C - LEBAROND)/TOWN & COUNTRY)

L BODY = (M - HORIZON/TURISMO)(Z - OMNI/CHARGER)

M BODY = (B - GRAN FURY)(F - FIFTH AVE/NEWPORT)(G - DIPLOMAT)

P BODY = (P - SUNDANCE)(D - SHADOW)

S BODY = (H - VOYAGER)(K - RAM VAN/CARAVAN)

BODY STYLES

12-13 = FWD VAN

41 = 4-DOOR SEDAN

21 = 2-DOOR SEDAN

44 = 4-DOOR HATCHBACK

24 = 2-DOOR HATCHBACK

45 = 4-DOOR STATION WAGON

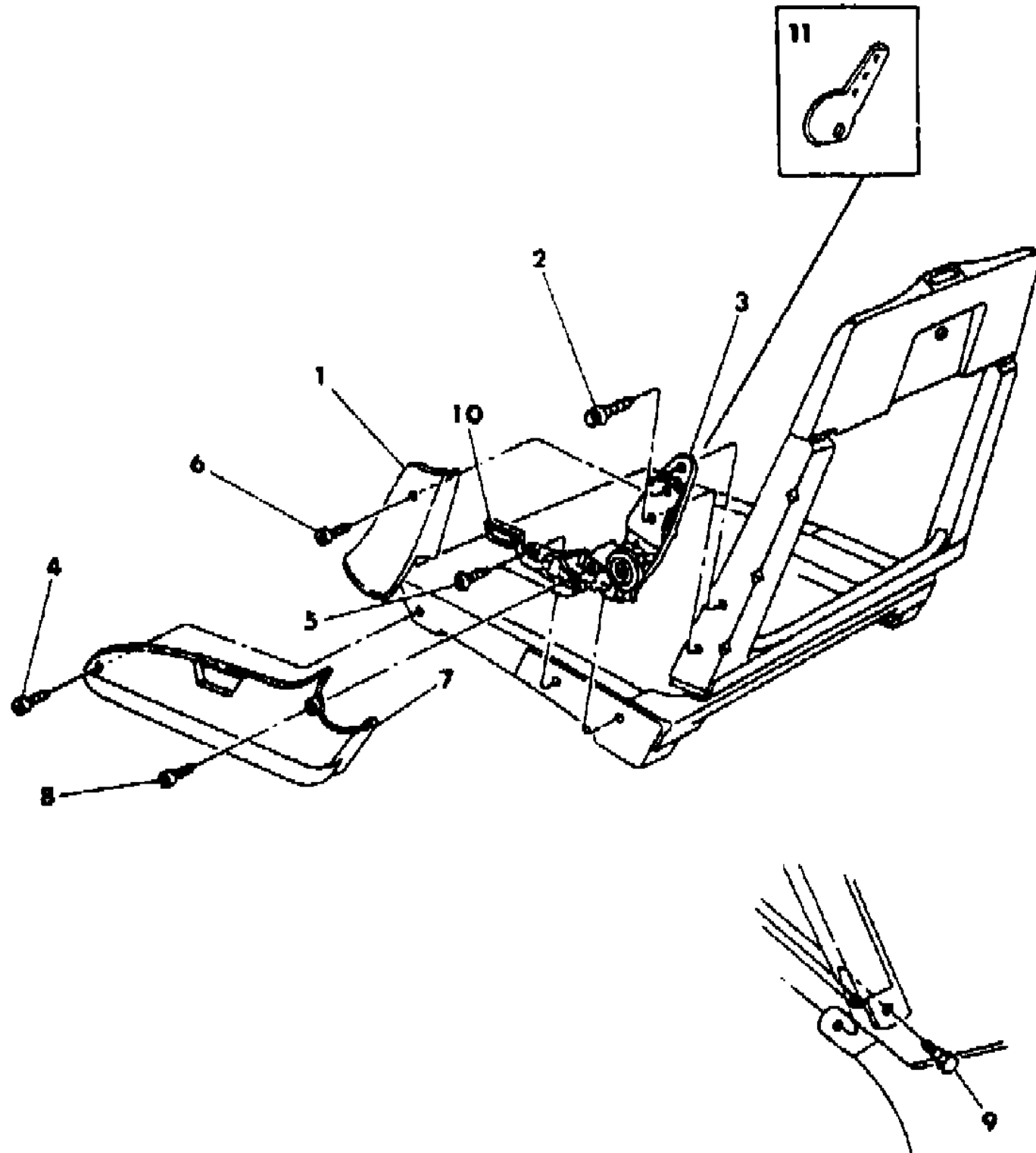
27 = 2-DOOR CONVERTIBLE

52-53 = FWD WAGON

AR = Use as Required - = Non Illustrated Part P.A.R. = Paint as Required

SEAT--RECLINING P BODY
Figure ITP-1600

7232 1600



ITEM	PART NUMBER	QTY	BODY	MODEL	DESCRIPTION
1	S960-1 DW1	1		24	SHIELD, Back (P.A.R.) w/Release Button
	S996-7 FK1	1		44	
2	6501 222	AR			SCREW
3					RECLINER
	4380 146	1		24	Passenger Seat
	4380 147	1		24	Driver Seat
	4380 148	1		44	Passenger Seat
	4380 149	1		44	Driver Seat
4		AR			SCREW, (8-18x1.00) (Not Serv.)
5	6500 558	AR			SCREW
6		AR			SCREW, (8-18x1.75) (Not Serv.)
7	S262-3 FK1	1			SHIELD, Cushion (P.A.R.)
8	6032 456	AR			SCREW
9	6501 346	2			BOLT
10	S936-7 FA3	1			LEVER, Recliner Release, (P.A.R.)
11	4327 671	2			PROTECTOR

NOTE: (P.A.R.) = Paint As Required

MODEL CODES

E BODY = (J - CARAVELLE)(E - 600)(T - NEW YORKER)

G BODY = (V24 - DAYTONA)

H BODY = (D44 - LANCER)(C44 - LEBARON GTS)

J BODY = (C - LEBARON)

K BODY = (P - RELIANT)(D - ARIES)(C - LEBAROND)/TOWN & COUNTRY)

L BODY = (M - HORIZON/TURISMO)(Z - OMNI/CHARGER)

M BODY = (B - GRAN FURY)(F - FIFTH AVE/NEWPORT)(G - DIPLOMAT)

P BODY = (P - SUNDANCE)(D - SHADOW)

S BODY = (H - VOYAGER)(K - RAM VAN/CARAVAN)

BODY STYLES

12-13 = FWD VAN

21 = 2-DOOR SEDAN

24 = 2-DOOR HATCHBACK

27 = 2-DOOR CONVERTIBLE

41 = 4-DOOR SEDAN

44 = 4-DOOR HATCHBACK

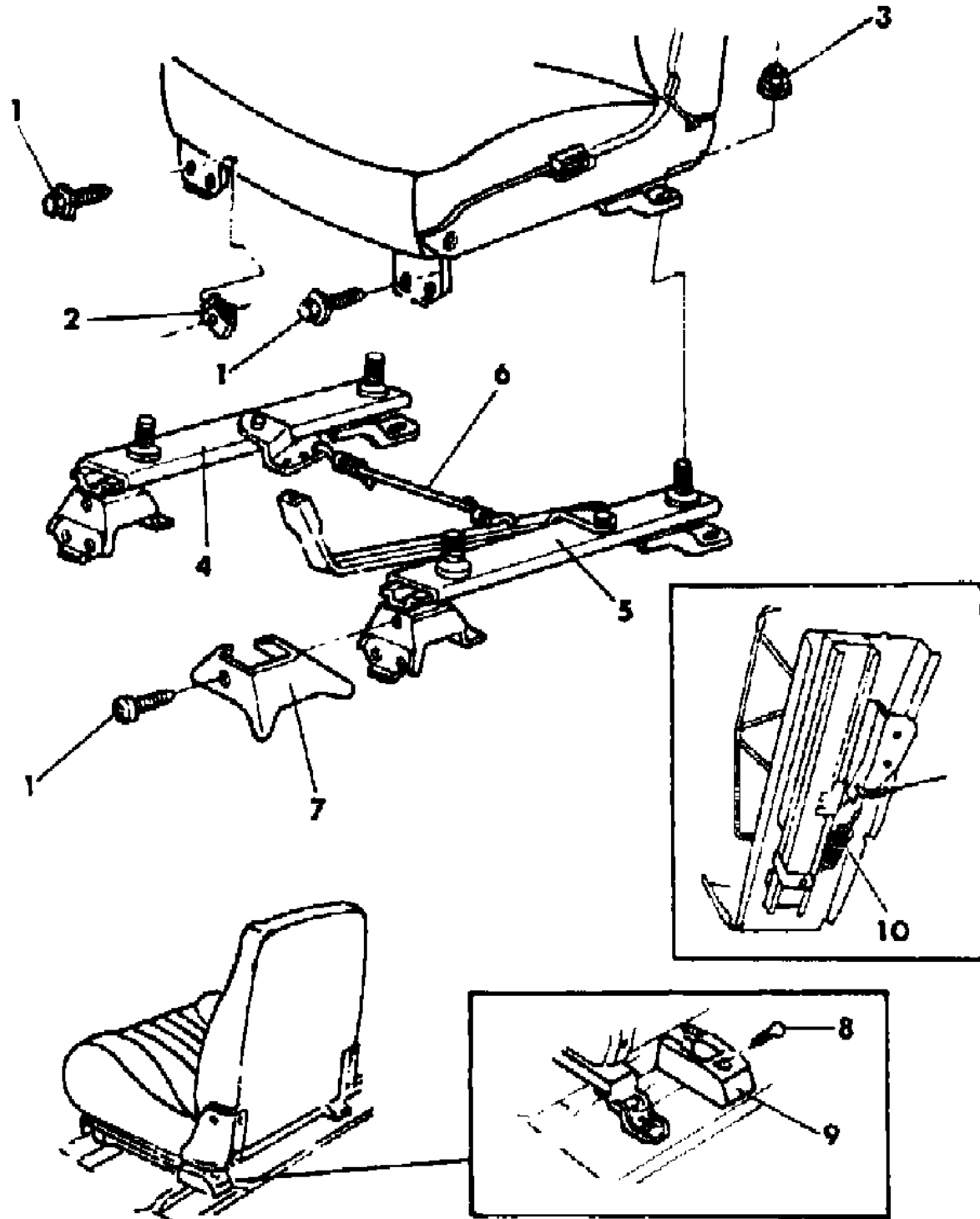
45 = 4-DOOR STATION WAGON

52-53 = FWD WAGON

AR = Use as Required - = Non Illustrated Part P.A.R. = Paint as Required

ADJUSTER--MANUAL AND COVERS P BODY
Figure ITP-1700

7232 1700



ITEM	PART NUMBER	QTY	BODY	MODEL	DESCRIPTION
1		AR			SCREW and WASHER, (m8-1.25x30) (Not Serv.)
2	6101 283	AR			U-NUT
3	6501 279	AR			NUT
4					ADJUSTER, Inner
	4327 254	1			Passenger
	4327 255	1			Driver
5					ADJUSTER, Outer
	4327 252	1			Passenger
	4327 253	1			Driver
6	4327 431	1			WIRE, Adjuster
7					COVER, Front Outer
	S508-9 EC5	1			Blue
	S508-9 EE8	1			Cordovan
	S508-9 EK1	1			Almond
	S508-9 ES8	1			Charcoal
8		AR			SCREW, (8-18x3/4) (Not Serv.)
9					COVER, Rear Outer
					Passenger
	S840 EC5	1			Blue
	S840 EE8	1			Cordovan
	S840 EK1	1			Almond
	S840 ES8	1			Charcoal
					Driver
	S841 EC5	1			Blue
	S841 EE8	1			Cordovan
	S841 EK1	1			Almond
	S841 ES8	1			Charcoal
					INNER
					Passenger
	S874 EC5	1			Blue
	S874 EE8	1			Cordovan
	S874 EK1	1			Almond
	S874 ES8	1			Charcoal
					Driver
	S875 EC5	1			Blue
	S875 EE8	1			Cordovan
	S875 EK1	1			Almond
	S875 ES8	1			Charcoal

MODEL CODES

E BODY = (J - CARAVELLE)(E - 600)(T - NEW YORKER)

G BODY = (V24 - DAYTONA)

H BODY = (D44 - LANCER)(C44 - LEBARON GTS)

J BODY = (C - LEBARON)

K BODY = (P - RELIANT)(D - ARIES)(C - LEBAROND)/TOWN & COUNTRY)

L BODY = (M - HORIZON/TURISMO)(Z - OMNI/CHARGER)

M BODY = (B - GRAN FURY)(F - FIFTH AVE/NEWPORT)(G - DIPLOMAT)

P BODY = (P - SUNDANCE)(D - SHADOW)

S BODY = (H - VOYAGER)(K - RAM VAN/CARAVAN)

BODY STYLES

12-13 = FWD VAN

21 = 2-DOOR SEDAN

24 = 2-DOOR HATCHBACK

27 = 2-DOOR CONVERTIBLE

41 = 4-DOOR SEDAN

44 = 4-DOOR HATCHBACK

45 = 4-DOOR STATION WAGON

52-53 = FWD WAGON

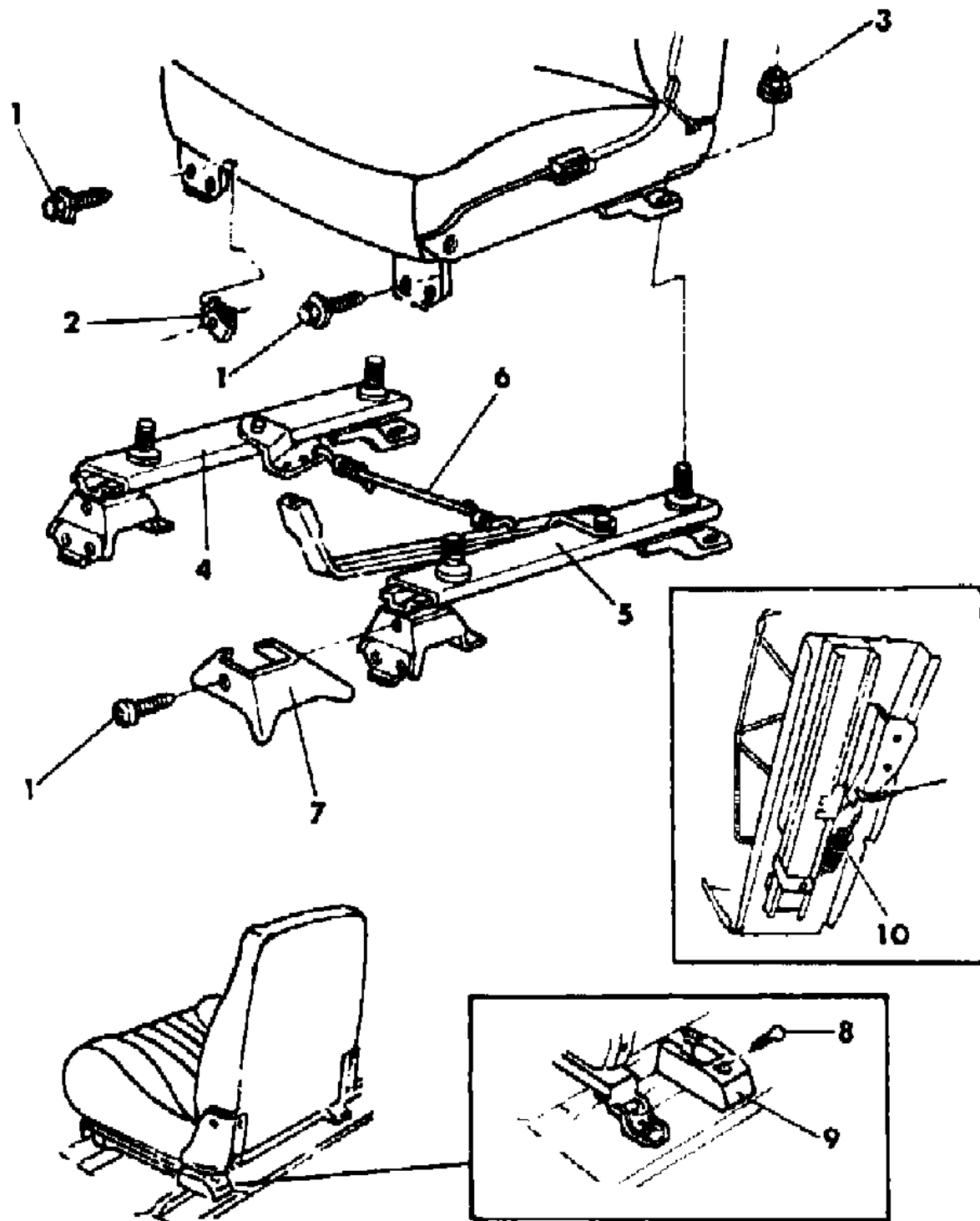
AR = Use as Required - = Non Illustrated Part P.A.R. = Paint as Required

ADJUSTER--MANUAL AND COVERS P BODY
Figure ITP-1700

7232 1700

ITEM	PART NUMBER	QTY	BODY	MODEL	DESCRIPTION
------	-------------	-----	------	-------	-------------

10	4402 213	1			SPRING, Latch Return, Rt.
	4402 214	1			Lt.



MODEL CODES

E BODY = (J - CARAVELLE)(E - 600)(T - NEW YORKER)

G BODY = (V24 - DAYTONA)

H BODY = (D44 - LANCER)(C44 - LEBARON GTS)

J BODY = (C - LEBARON)

K BODY = (P - RELIANT)(D - ARIES)(C - LEBAROND)/TOWN & COUNTRY)

L BODY = (M - HORIZON/TURISMO)(Z - OMNI/CHARGER)

M BODY = (B - GRAN FURY)(F - FIFTH AVE/NEWPORT)(G - DIPLOMAT)

P BODY = (P - SUNDANCE)(D - SHADOW)

S BODY = (H - VOYAGER)(K - RAM VAN/CARAVAN)

BODY STYLES

12-13 = FWD VAN

21 = 2-DOOR SEDAN

24 = 2-DOOR HATCHBACK

27 = 2-DOOR CONVERTIBLE

41 = 4-DOOR SEDAN

44 = 4-DOOR HATCHBACK

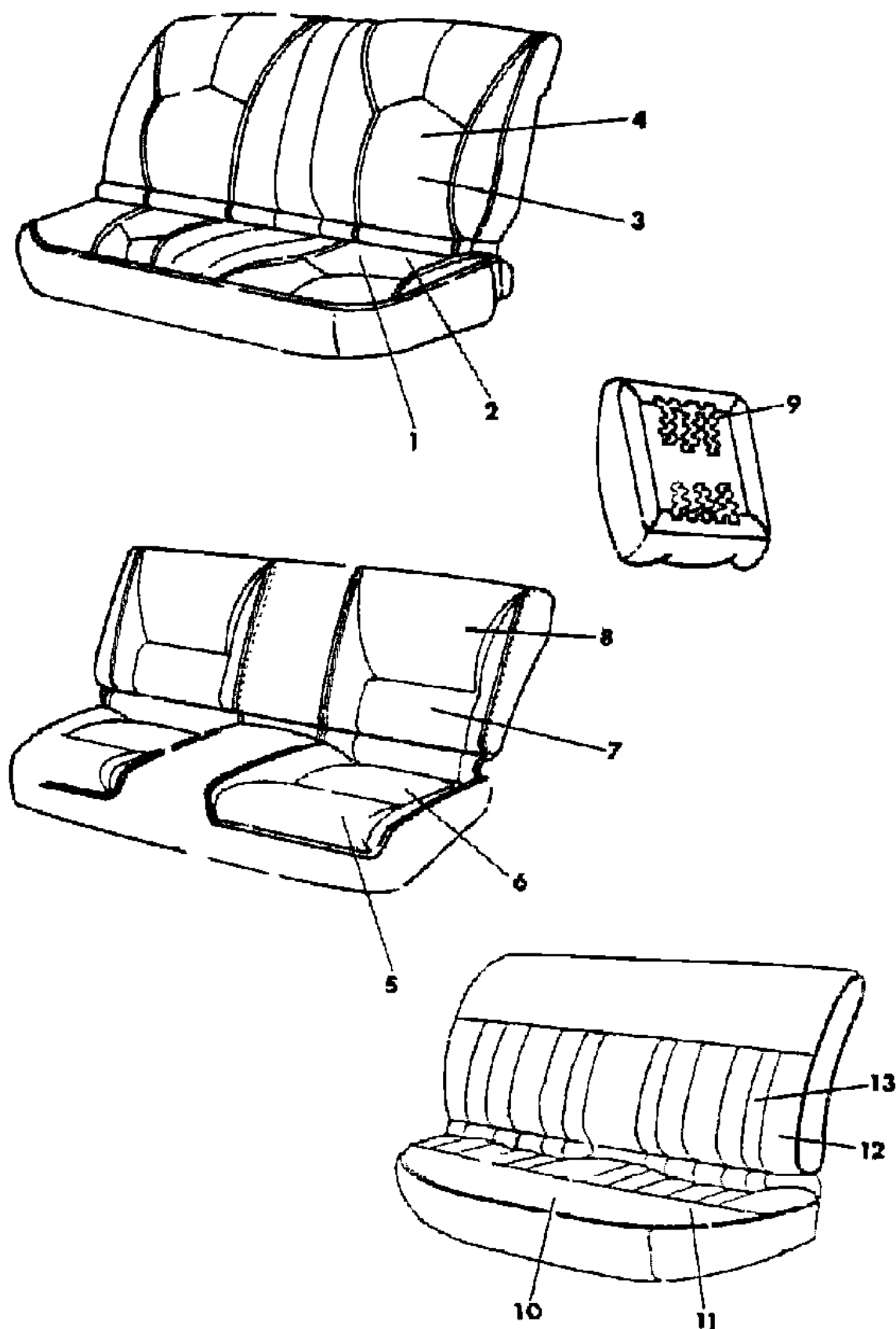
45 = 4-DOOR STATION WAGON

52-53 = FWD WAGON

AR = Use as Required - = Non Illustrated Part P.A.R. = Paint as Required

SEAT--REAR P BODY TRIM CODES H7-R7
Figure ITP-1800

7232 1800



ITEM	PART NUMBER	QTY	BODY	MODEL	DESCRIPTION
1-2					CUSHION, w/Spring, Frame, Pad and Cover
	N524 E7A	1			CLOTH Silver, (H7A)
	N524 E7C	1			Blue, (H7C)
	N524 E7E	1			Cordovan, (H7E)
	N524 E7K	1			Almond, (H7K)
					COVER, Cushion
	N018 E7A	1			CLOTH Silver, (H7A)
	N018 E7C	1			Blue, (H7C)
	N018 E7E	1			Cordovan, (H7E)
	N018 E7K	1			Almond, (H7K)
3-4					BACK, w/Spring/Frame, Pad and Cover
	N525 E7A	1			CLOTH Silver, (H7A)
	N525 E7C	1			Blue, (H7C)
	N525 E7E	1			Cordovan, (H7E)
	N525 E7K	1			Almond, (H7K)
4					COVER, Back
	N017 E7A	1			CLOTH Silver, (H7A)
	N017 E7C	1			Blue, (H7C)
	N017 E7E	1			Cordovan, (H7E)
	N017 E7K	1			Almond, (H7K)
5-6					CUSHION, w/Spring/Frame, Pad and Cover
	N990 E7A	1			CLOTH Silver, (R7A)
	N990 E7C	1			Blue, (R7C)
	N990 E7E	1			Cordovan, (R7E)
	N990 E7K	1			Almond, (R7K)
6					COVER, Cushion
	N064 E7A	1			CLOTH Silver, (R7A)
	N064 E7C	1			Blue, (R7C)
	N064 E7E	1			Cordovan, (R7E)
	N064 E7K	1			Almond, (R7K)
7-8					BACK, w/Spring/Frame, Pad and Cover
					CLOTH

MODEL CODES

E BODY = (J - CARAVELLE)(E - 600)(T - NEW YORKER)

G BODY = (V24 - DAYTONA)

H BODY = (D44 - LANCER)(C44 - LEBARON GTS)

J BODY = (C - LEBARON)

K BODY = (P - RELIANT)(D - ARIES)(C - LEBAROND)/TOWN & COUNTRY)

L BODY = (M - HORIZON/TURISMO)(Z - OMNI/CHARGER)

M BODY = (B - GRAN FURY)(F - FIFTH AVE/NEWPORT)(G - DIPLOMAT)

P BODY = (P - SUNDANCE)(D - SHADOW)

S BODY = (H - VOYAGER)(K - RAM VAN/CARAVAN)

BODY STYLES

12-13 = FWD VAN

21 = 2-DOOR SEDAN

24 = 2-DOOR HATCHBACK

27 = 2-DOOR CONVERTIBLE

41 = 4-DOOR SEDAN

44 = 4-DOOR HATCHBACK

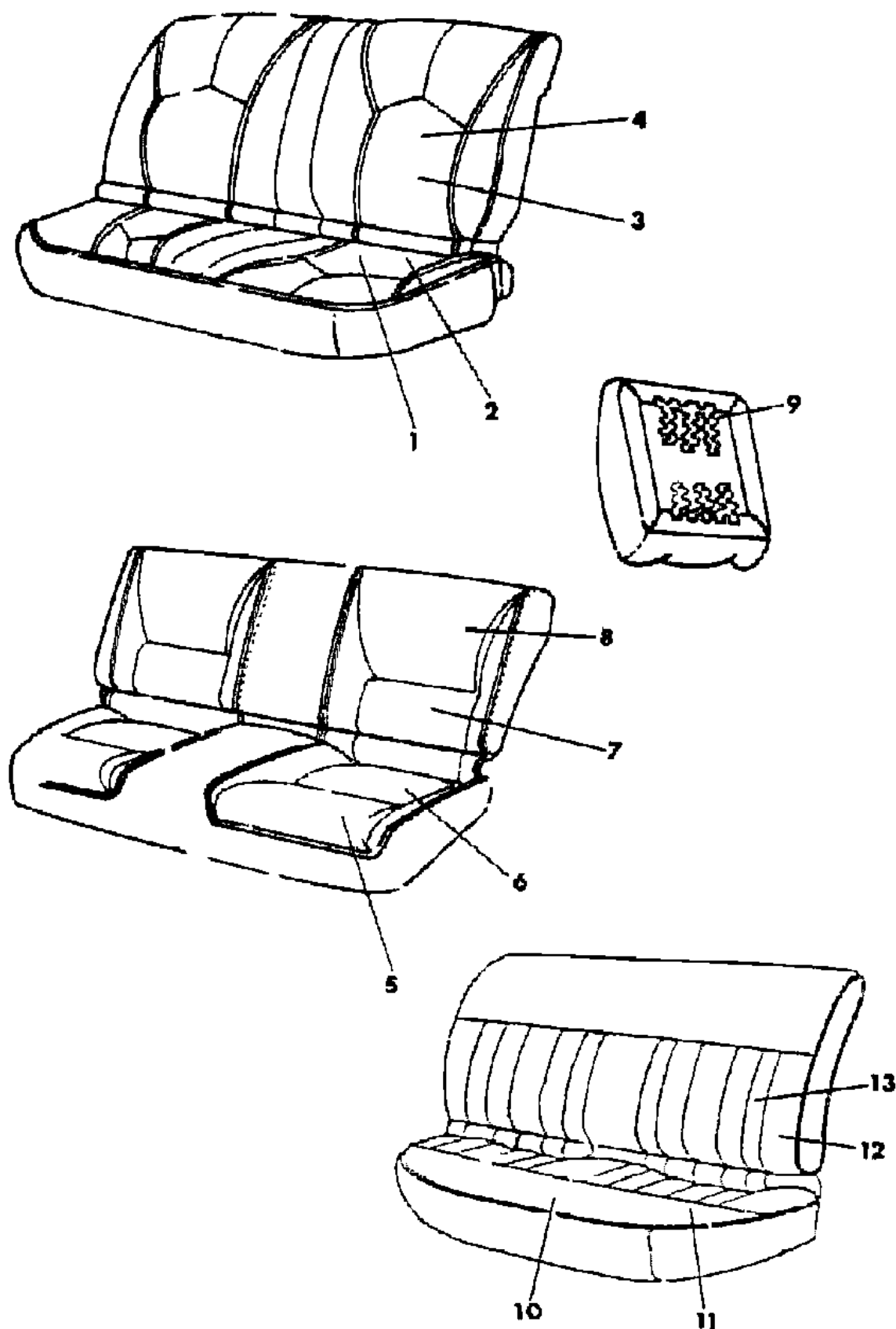
45 = 4-DOOR STATION WAGON

52-53 = FWD WAGON

AR = Use as Required - = Non Illustrated Part P.A.R. = Paint as Required

SEAT--REAR P BODY TRIM CODES H7-R7
Figure ITP-1800

7232 1800



ITEM	PART NUMBER	QTY	BODY	MODEL	DESCRIPTION
	N992-3 E7A	1			Silver, (R7A)
	N992-3 E7C	1			Blue, (R7C)
	N992-3 E7E	1			Cordovan, (R7E)
	N992-3 E7K	1			Almond, (R7K)
8					COVER, Back
					CLOTH
	N062-3 E7A	1			Silver, (R7A)
	N062-3 E7C	1			Blue, (R7C)
	N062-3 E7E	1			Cordovan, (R7E)
	N062-3 E7K	1			Almond, (R7K)
9	6008 076	AR			HOG RING
10					CUSHION, w/Spring/Frame, Pad and Cover
					CLOTH
	N997 F7A	1			Silver, (L7A)
	N997 F7C	1			Blue, (L7C)
	N997 F7E	1			Cordovan, (L7E)
	N997 F7K	1			Almond, (L7K)
11					COVER, Cushion
					CLOTH
	N021 E7A	1			Silver, (L7A)
	N021 E7C	1			Blue, (L7C)
	N021 F7E	1			Cordovan, L7E)
	N021 E7K	1			Almond, (L7K)
12					BACK, w/Spring/Frame, Pad and Cover
					CLOTH
	N996 F7A	1			Silver, L7A)
	N996 F7C	1			Blue, (L7C)
	N996 F7E	1			Cordovan, (L7E)
	N996 F7K	1			Almond, (L7K)
13					COVER, Back
					CLOTH
	N068 F7A	1			Silver, (L7A)
	N068 F7C	1			Blue, (L7C)
	N068 F7E	1			Cordovan, (L7E)
	N068 F7K	1			Almond, (L7K)

MODEL CODES

E BODY = (J - CARAVELLE)(E - 600)(T - NEW YORKER)

G BODY = (V24 - DAYTONA)

H BODY = (D44 - LANCER)(C44 - LEBARON GTS)

J BODY = (C - LEBARON)

K BODY = (P - RELIANT)(D - ARIES)(C - LEBAROND)/TOWN & COUNTRY)

L BODY = (M - HORIZON/TURISMO)(Z - OMNI/CHARGER)

M BODY = (B - GRAN FURY)(F - FIFTH AVE/NEWPORT)(G - DIPLOMAT)

P BODY = (P - SUNDANCE)(D - SHADOW)

S BODY = (H - VOYAGER)(K - RAM VAN/CARAVAN)

BODY STYLES

12-13 = FWD VAN

21 = 2-DOOR SEDAN

24 = 2-DOOR HATCHBACK

27 = 2-DOOR CONVERTIBLE

41 = 4-DOOR SEDAN

44 = 4-DOOR HATCHBACK

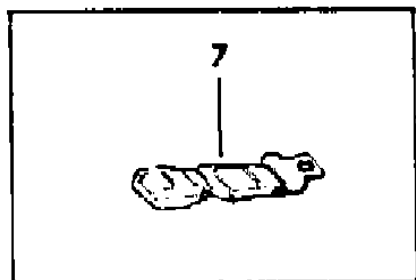
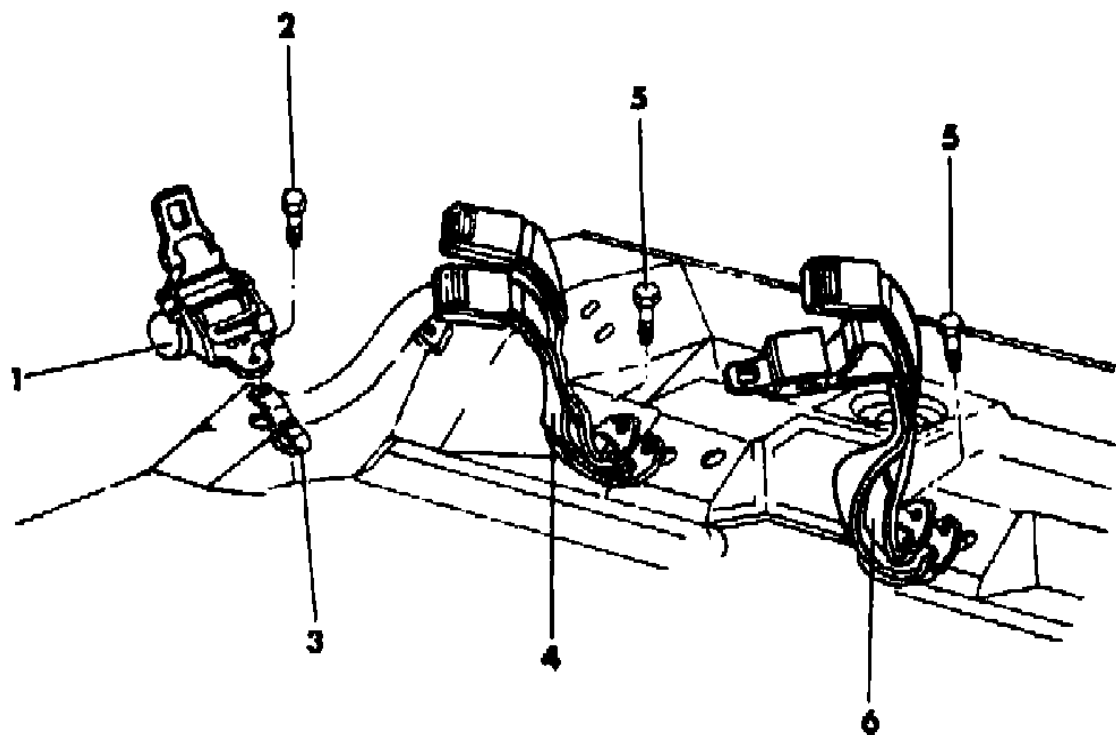
45 = 4-DOOR STATION WAGON

52-53 = FWD WAGON

AR = Use as Required - = Non Illustrated Part P.A.R. = Paint as Required

BELT--REAR SEAT P BODY
Figure ITP-1900

7232 1800 A



ITEM	PART NUMBER	QTY	BODY	MODEL	DESCRIPTION
1					BELT, Outboard Tip Half
					Label Number 4327248
	F830 EA3	2			Silver
	F830 EC5	2			Blue
	F830 EE8	2			Cordovan
	F830 EK1	2			Almond
2	6031 484				BOLT
3					WIRING CLIP
4					BELT, Inner Lap Inner Buckle Half
					Label Number 4420476
	F956 EA3	1			Silver
	F956 EC5	1			Blue
	F956 EE8	1			Cordovan
	F956 EK1	1			Almond
5	6031 298	2			BOLT
6					BELT, Lap Buckle and Tip
					Label Number 4402477
	F957 EA3	1			Silver
	F957 EC5	1			Blue
	F957 EE8	1			Cordovan
	F957 EK1	1			Almond
7	4402 887	1			EXTENSION, Seat Belt

MODEL CODES

E BODY = (J - CARAVELLE)(E - 600)(T - NEW YORKER)

G BODY = (V24 - DAYTONA)

H BODY = (D44 - LANCER)(C44 - LEBARON GTS)

J BODY = (C - LEBARON)

K BODY = (P - RELIANT)(D - ARIES)(C - LEBAROND)/TOWN & COUNTRY)

L BODY = (M - HORIZON/TURISMO)(Z - OMNI/CHARGER)

M BODY = (B - GRAN FURY)(F - FIFTH AVE/NEWPORT)(G - DIPLOMAT)

P BODY = (P - SUNDANCE)(D - SHADOW)

S BODY = (H - VOYAGER)(K - RAM VAN/CARAVAN)

BODY STYLES

12-13 = FWD VAN

21 = 2-DOOR SEDAN

24 = 2-DOOR HATCHBACK

27 = 2-DOOR CONVERTIBLE

41 = 4-DOOR SEDAN

44 = 4-DOOR HATCHBACK

45 = 4-DOOR STATION WAGON

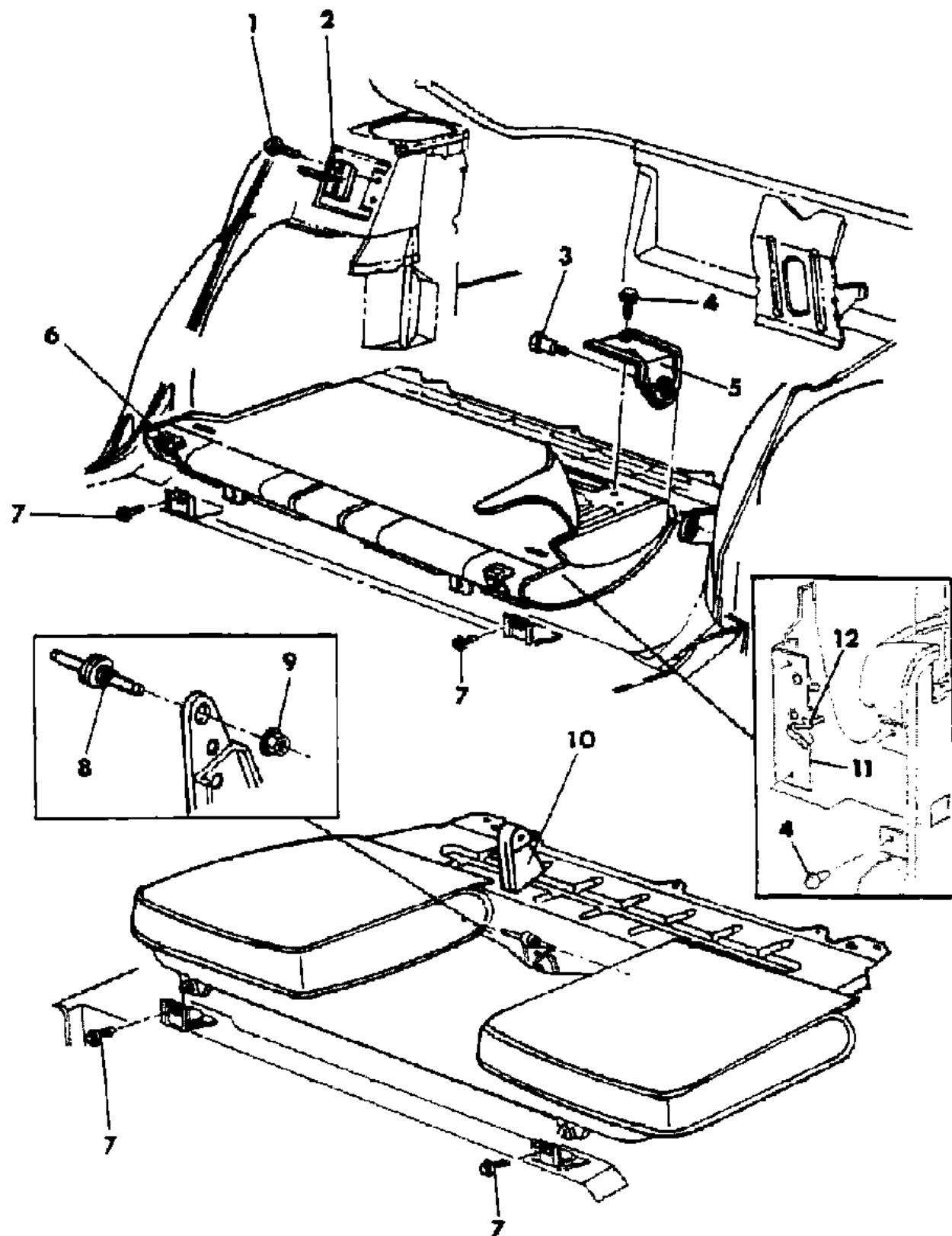
52-53 = FWD WAGON

AR = Use as Required - = Non Illustrated Part P.A.R. = Paint as Required

SEAT--REAR FOLD DOWN P BODY
Figure ITP-2000

7232 2000 A

ITEM	PART NUMBER	QTY	BODY	MODEL	DESCRIPTION
1	6501 373	4			SCREW and WASHER
2	4327 554	2			STRIKER
3	6500 534	2			BOLT, Shoulder
4	6501 188	AR			SCREW and WASHER
5	4380 362-3	1			HINGE
6					HANDLE, Latch Release
	S904 EA3	2			Silver
	S904 EC5	2			Blue
	S904 EE8	2			Cordovan
	S904 EK1	2			Almond
7		2			SCREW, (1/4-20x7/8) (Not Serv.)
8	6501 485	1			PIN, Pivot Bracket
9	6501 058	1			NUT
10	4317 855	1			COVER, Pivot
11	4376 036-7	1			LATCH, Rear Seat Back
12	2945 108-9	1			CLIP, Latch Rod To Lever



MODEL CODES

E BODY = (J - CARAVELLE)(E - 600)(T - NEW YORKER)

G BODY = (V24 - DAYTONA)

H BODY = (D44 - LANCER)(C44 - LEBARON GTS)

J BODY = (C - LEBARON)

K BODY = (P - RELIANT)(D - ARIES)(C - LEBAROND)/TOWN & COUNTRY)

L BODY = (M - HORIZON/TURISMO)(Z - OMNI/CHARGER)

M BODY = (B - GRAN FURY)(F - FIFTH AVE/NEWPORT)(G - DIPLOMAT)

P BODY = (P - SUNDANCE)(D - SHADOW)

S BODY = (H - VOYAGER)(K - RAM VAN/CARAVAN)

BODY STYLES

12-13 = FWD VAN

21 = 2-DOOR SEDAN

24 = 2-DOOR HATCHBACK

27 = 2-DOOR CONVERTIBLE

41 = 4-DOOR SEDAN

44 = 4-DOOR HATCHBACK

45 = 4-DOOR STATION WAGON

52-53 = FWD WAGON

AR = Use as Required - = Non Illustrated Part P.A.R. = Paint as Required

GROUP ITJ - J BODY

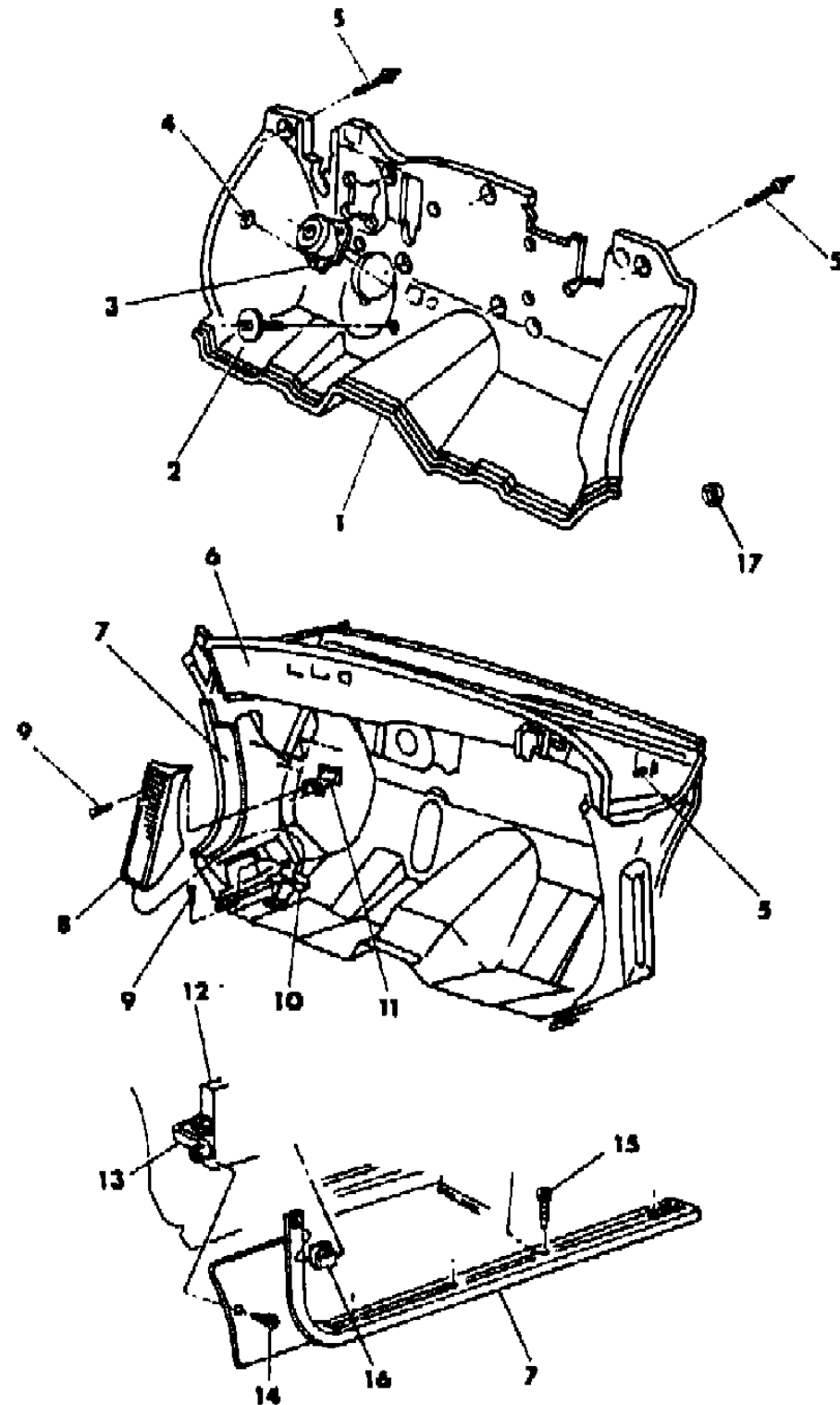
ILLUSTRATION TITLE	GROUP-FIG. NO.
COWL PANEL AND SILENCERS	Fig. ITJ-100
HEADLINER AND VISOR J BODY	Fig. ITJ-200
SHELF PANEL AND RELATED PARTS J BODY	Fig. ITJ-300
MOULDINGS--GARNISH J BODY	Fig. ITJ-400
PANEL--QUARTER TRIM J BODY 21	Fig. ITJ-500
PANEL--QUARTER TRIM J BODY 27	Fig. ITJ-550
CARPET AND SILENCERS J BODY	Fig. ITJ-600
SILENCERS--REAR COMPARTMENT J BODY	Fig. ITJ-700
SCUFF PLATE J BODY	Fig. ITJ-800
PANEL--DOOR TRIM J BODY	Fig. ITJ-900
SEAT--FRONT J BODY TRIM CODE A7	Fig. ITJ-1000
SEAT--FRONT J BODY TRIM CODE A8	Fig. ITJ-1100
SEAT--FRONT J BODY TRIM CODE P7	Fig. ITJ-1200
SEAT--FRONT J BODY TRIM CODE PL	Fig. ITJ-1300
BELT--FRONT SEAT J BODY MANUAL-ACTIVE SYSTEM	Fig. ITJ-1400
BELT--FRONT SEAT J BODY PASSIVE SYSTEM	Fig. ITJ-1500
SEAT--RECLINING J BODY	Fig. ITJ-1600
ADJUSTER--MANUAL J BODY	Fig. ITJ-1700
COVERS--MANUAL SEAT ADJUSTER J BODY	Fig. ITJ-1800
ADJUSTER--ELECTRIC J BODY	Fig. ITJ-1900
COVERS ELECTRIC SEAT ADJUSTER J BODY	Fig. ITJ-2000
SEAT--REAR J BODY 21	Fig. ITJ-2100
SEAT--REAR J BODY 27	Fig. ITJ-2200
BELT--REAR SEAT J BODY	Fig. ITJ-2300
SEAT--REAR FOLD DOWN J BODY 21	Fig. ITJ-2400
SEAT--REAR ATTACHMENTS AND SLINGWELL RETAINER J BODY 27	Fig. ITJ-2500

ILLUSTRATION NOT AVAILABLE AT TIME OF PUBLICATION

COWL PANEL AND SILENCERS

Figure ITJ-100

7233 100 B



ITEM	PART NUMBER	QTY	BODY	MODEL	DESCRIPTION
1	4416 202	1			LINER, Dash
2					SCREW, (8-18x.75) (Not Serv.)
3	4188 868	1			COVER, w/Silencer Steering Column
4					PUSH NUT, (Not Serv.)
5	6032 020	6			STUD, Collar
6					SILENCER, Cowl (Not Serv.)
7					PANEL, Cowl Side and Scuff Plate
					Manual/Active Seat Belt System
	F100-1 FC5	1			Blue
	F100-1 FE8	1			Cordovan
	F100-1 FK1	1			Almond
	F100-1 FS8	1			Charcoal
					Passive Seat Belt System, Rt. Side Only
	F342 FC5	1			Blue
	F342 FE8	1			Cordovan
	F342 FK1	1			Almond
	F342 FS8	1			Charcoal
8	4248 717	1			FOOTREST, Lt. Side Only
9					SCREW, (10-16x3/4) (Not Serv.)
10	4410 560	1			BRACKET, Footrest Lower
11	4410 559	1			BRACKET, Footrest Upper
12					LOGIC MODULE, (See Group 8)
13	4247 832	1			BRACKET, Cowl Side Trim Panel, w/E.F.I.
14					SCREW, (8-18x1) (Not Serv.)
15					SCREW, (8-18x1 1/2) (Not Serv.)
16	6033 343	2			CLIP, "S"
17	6032 185	AR			CAPLUG, Dash Liner

MODEL CODES

E BODY = (J - CARAVELLE)(E - 600)(T - NEW YORKER)

G BODY = (V24 - DAYTONA)

H BODY = (D44 - LANCER)(C44 - LEBARON GTS)

J BODY = (C - LEBARON)

K BODY = (P - RELIANT)(D - ARIES)(C - LEBAROND)/TOWN & COUNTRY)

L BODY = (M - HORIZON/TURISMO)(Z - OMNI/CHARGER)

M BODY = (B - GRAN FURY)(F - FIFTH AVE/NEWPORT)(G - DIPLOMAT)

P BODY = (P - SUNDANCE)(D - SHADOW)

S BODY = (H - VOYAGER)(K - RAM VAN/CARAVAN)

BODY STYLES

12-13 = FWD VAN

21 = 2-DOOR SEDAN

24 = 2-DOOR HATCHBACK

27 = 2-DOOR CONVERTIBLE

41 = 4-DOOR SEDAN

44 = 4-DOOR HATCHBACK

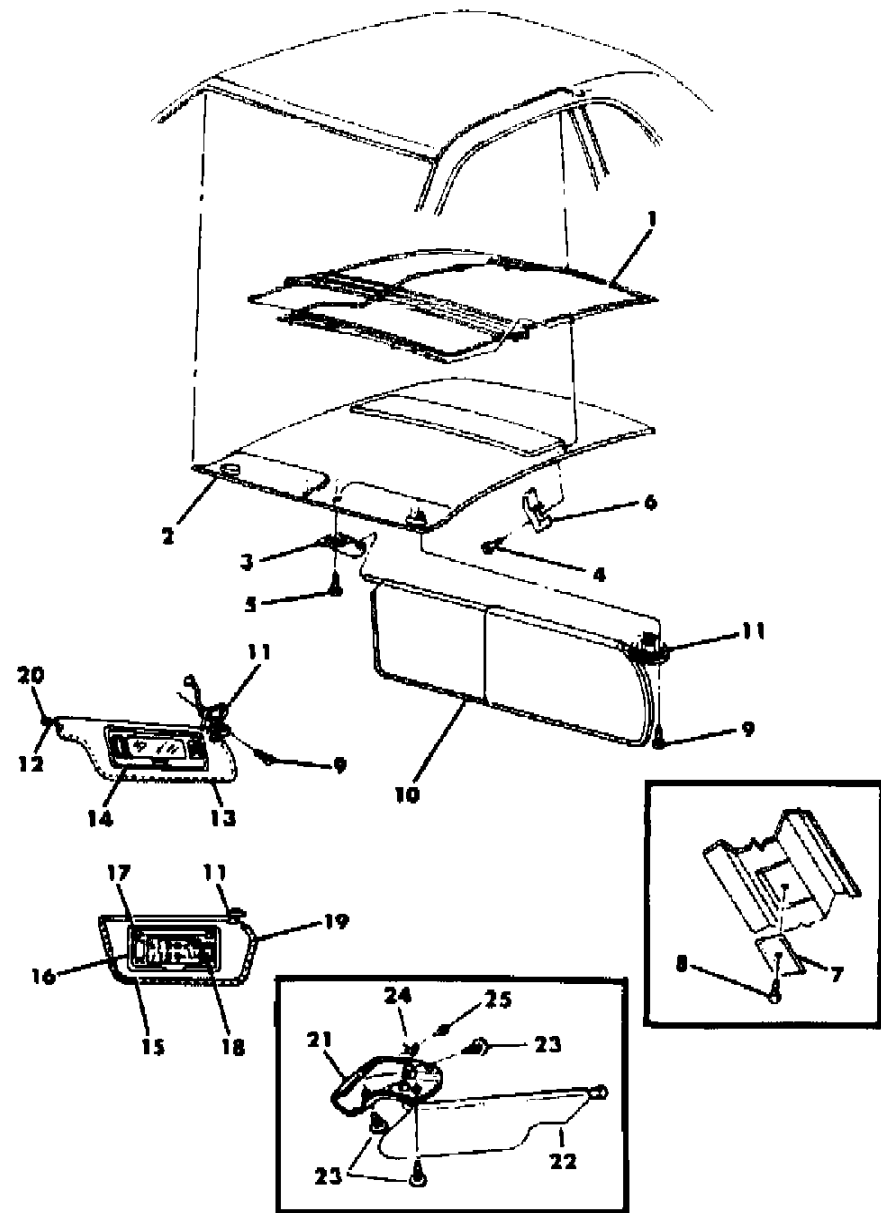
45 = 4-DOOR STATION WAGON

52-53 = FWD WAGON

AR = Use as Required - = Non Illustrated Part P.A.R. = Paint as Required

HEADLINER AND VISOR J BODY
Figure ITJ-200

7233 200 B



ITEM	PART NUMBER	QTY	BODY	MODEL	DESCRIPTION
1	4342 496	AR			SILENCER, Roof Front and Rear
2					HEADLINER
					W/O SUNROOF
	H086 FC5	1			Blue
	H086 FE8	1			Cordovan
	H086 FK1	1			Almond
	H086 FS8	1			Charcoal
					W/SUNROOF
	H087 FC5	1			Blue
	H087 FE8	1			Cordovan
	H087 FK1	1			Almond
	H087 FS8	1			Charcoal
					W/OVERHEAD CONSOLE
	H086 FC5	1			Blue
	H086 FE8	1			Cordovan
	H086 FK1	1			Almond
	H086 FS8	1			Charcoal
					W/CONVERTABLE TOP
	H883 FS8	1		27	Charcoal
	H883 FC5	1		27	Blue
	4114 785	4		27	FASTENER, For Headliner
3					CLIP, Visor Retaining
	H335 EC5	2			Blue
	H335 EE8	2			Cordovan
	H335 EK1	2			Almond
	H335 FS8	2			Charcoal
4					SCREW, (8-18x7/8) (Not Serv.)
5		2			SCREW, (8-18x3/4) (Not Serv.)
6	H503 EA3	2			HOOK, Coat (P.A.R.)
7	4247 874	3			HOOK, Velcro
8					SCREW, (8-18x1/2) (Not Serv.)
9	6032 584	6			SCREW
10					VISOR, (Serv. Item 13 or 15)
11	4247 868-9	1			ARM and BRACKET, (Use w/o Illuminated Vanity Mirror)
12					TIP, Visor Support
	H315 EC5	2			Blue
	H315 EE8	2			Cordovan
	H315 EK1	2			Almond

MODEL CODES

E BODY = (J - CARAVELLE)(E - 600)(T - NEW YORKER)

G BODY = (V24 - DAYTONA)

H BODY = (D44 - LANCER)(C44 - LEBARON GTS)

J BODY = (C - LEBARON)

K BODY = (P - RELIANT)(D - ARIES)(C - LEBAROND)/TOWN & COUNTRY)

L BODY = (M - HORIZON/TURISMO)(Z - OMNI/CHARGER)

M BODY = (B - GRAN FURY)(F - FIFTH AVE/NEWPORT)(G - DIPLOMAT)

P BODY = (P - SUNDANCE)(D - SHADOW)

S BODY = (H - VOYAGER)(K - RAM VAN/CARAVAN)

BODY STYLES

12-13 = FWD VAN

21 = 2-DOOR SEDAN

24 = 2-DOOR HATCHBACK

27 = 2-DOOR CONVERTIBLE

41 = 4-DOOR SEDAN

44 = 4-DOOR HATCHBACK

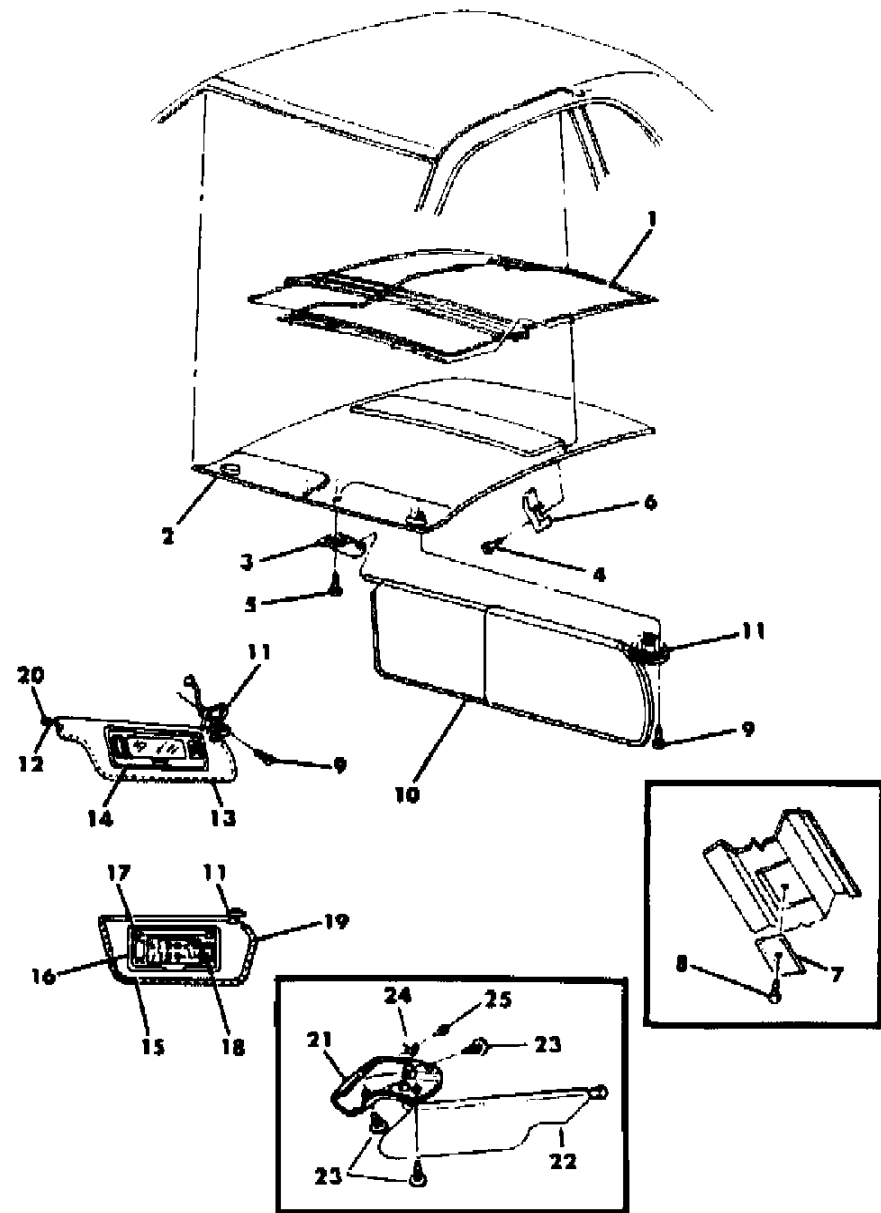
45 = 4-DOOR STATION WAGON

52-53 = FWD WAGON

AR = Use as Required - = Non Illustrated Part P.A.R. = Paint as Required

HEADLINER AND VISOR J BODY
Figure ITJ-200

7233 200 B



ITEM	PART NUMBER	QTY	BODY	MODEL	DESCRIPTION
	H315 FS8	1			Charcoal
13				21	VISOR, w/o Illum. Mirror RIGHT
	H778 FC5	1			Blue
	H778 FE8	1			Cordovan
	H778 FK1	1			Almond
	H778 FS8	1		21	Charcoal LEFT, W/O MIRROR
	H779 FC5	1			Blue
	H779 FE8	1			Cordovan
	H779 FK1	1			Almond
	H779 FS8	1			Charcoal
14				21	MIRROR, Non/ Illum.
	H322 EC5	1			Blue
	H322 EE8	1			Cordovan
	H322 EK1	1			Almond
	H322 DS8	1			Charcoal
15				21	VISOR, w/Illum. Mirror RIGHT
	H616 FC5	1			Blue
	H574 FE8	1			Cordovan
	H616 FK1	1			Almond
	H574 FS8	1		21	Charcoal LEFT, W/ILLUMINATED MIRROR
	H575 FC5	1			Blue
	H617 FE8	1			Cordovan
	H617 FK1	1			Almond
	H617 FS8	1			Charcoal
				21	SUB-ASSEMBLY
	H764-5 FC5	1			Blue
	H764-5 FE8	1			Cordovan
	H764-5 FK1	1			Almond
	H764 FS8	1			Charcoal
16				21-27	VANITY, w/Illum. Mirror
	H640 FC5	1			Blue
	H640 FE8	1			Cordovan
	H640 FK1	1			Almond
	H640 FS8	1			Charcoal

MODEL CODES

E BODY = (J - CARAVELLE)(E - 600)(T - NEW YORKER)

G BODY = (V24 - DAYTONA)

H BODY = (D44 - LANCER)(C44 - LEBARON GTS)

J BODY = (C - LEBARON)

K BODY = (P - RELIANT)(D - ARIES)(C - LEBAROND)/TOWN & COUNTRY)

L BODY = (M - HORIZON/TURISMO)(Z - OMNI/CHARGER)

M BODY = (B - GRAN FURY)(F - FIFTH AVE/NEWPORT)(G - DIPLOMAT)

P BODY = (P - SUNDANCE)(D - SHADOW)

S BODY = (H - VOYAGER)(K - RAM VAN/CARAVAN)

BODY STYLES

12-13 = FWD VAN

21 = 2-DOOR SEDAN

24 = 2-DOOR HATCHBACK

27 = 2-DOOR CONVERTIBLE

41 = 4-DOOR SEDAN

44 = 4-DOOR HATCHBACK

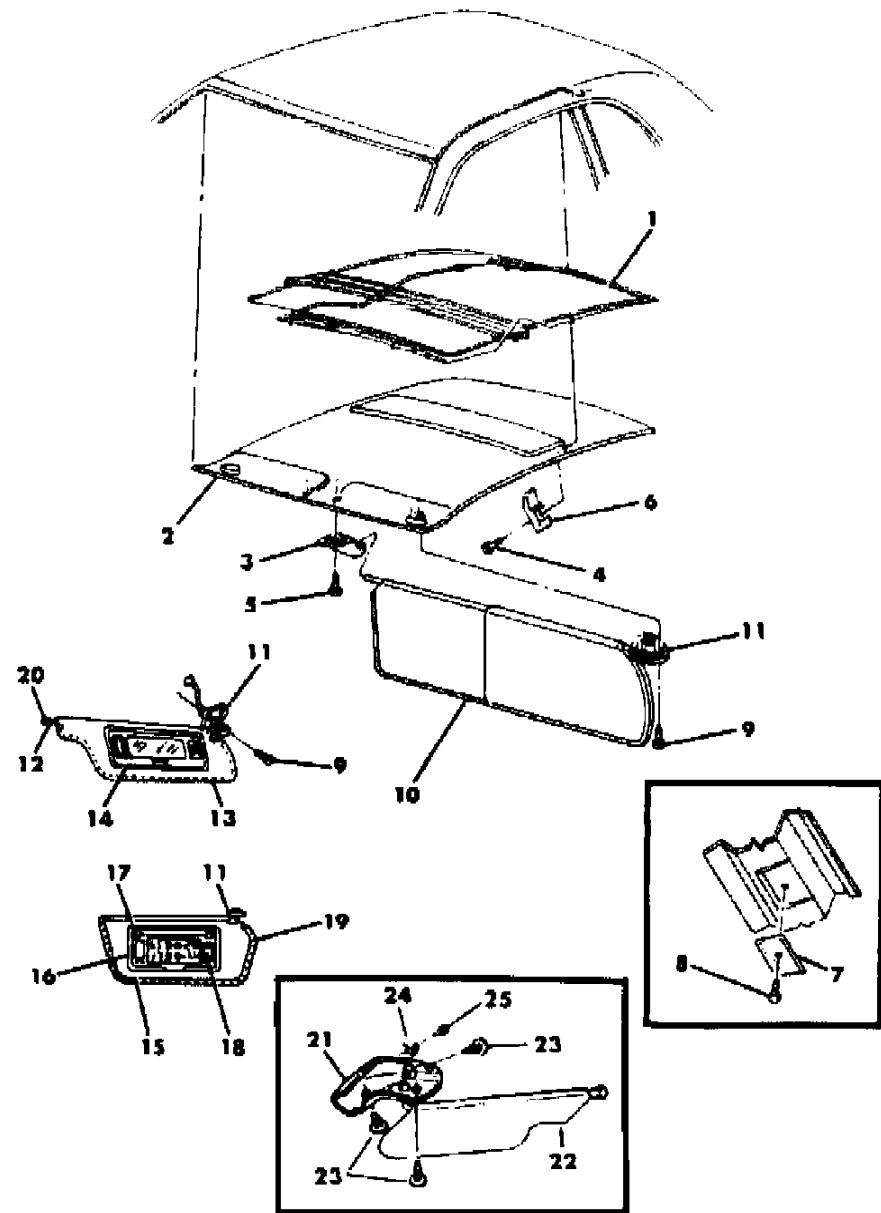
45 = 4-DOOR STATION WAGON

52-53 = FWD WAGON

AR = Use as Required - = Non Illustrated Part P.A.R. = Paint as Required

HEADLINER AND VISOR J BODY
Figure ITJ-200

7233 200 B



ITEM	PART NUMBER	QTY	BODY	MODEL	DESCRIPTION
17	4410 693	AR			LENS
18	9436 790	AR			BULB
19	4248 427	7		27	CLIP, Visor End
20	4356 395	2		27	SUPPORT, Visor Inner
21					VISOR and CORNER CAP w/o Illuminated Mirror (w/Clip For J-Hook, w/Pin Guide (Mirror Serv. In Item 16
	H474-5 FE8	1		27	Red
	H474-5 FK1	1		27	Almond
					CORNER CAP
	H754-5 FE8	1		27	Red
	H754-5 FK1	1		27	Almond
22					VISOR, (Only) w/o Illuminated Mirror
	H756 FE8	2		27	Red
	H756 FK1	2		27	Almond
23		AR			SCREW, (10-24x1) (Not Serv.)
24	4410 250	2		27	CLIP, J-Hook Attaching
25		AR		27	SCREW, (Not Serv.)

NOTE: (P.A.R.) = Paint As Required

MODEL CODES

E BODY = (J - CARAVELLE)(E - 600)(T - NEW YORKER)

G BODY = (V24 - DAYTONA)

H BODY = (D44 - LANCER)(C44 - LEBARON GTS)

J BODY = (C - LEBARON)

K BODY = (P - RELIANT)(D - ARIES)(C - LEBAROND)/TOWN & COUNTRY)

L BODY = (M - HORIZON/TURISMO)(Z - OMNI/CHARGER)

M BODY = (B - GRAN FURY)(F - FIFTH AVE/NEWPORT)(G - DIPLOMAT)

P BODY = (P - SUNDANCE)(D - SHADOW)

S BODY = (H - VOYAGER)(K - RAM VAN/CARAVAN)

BODY STYLES

12-13 = FWD VAN

21 = 2-DOOR SEDAN

24 = 2-DOOR HATCHBACK

27 = 2-DOOR CONVERTIBLE

41 = 4-DOOR SEDAN

44 = 4-DOOR HATCHBACK

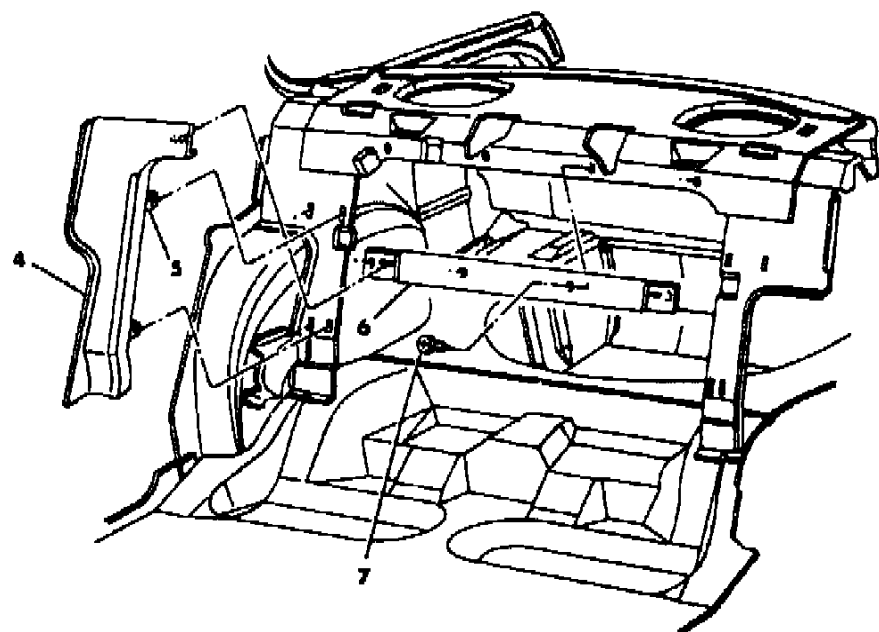
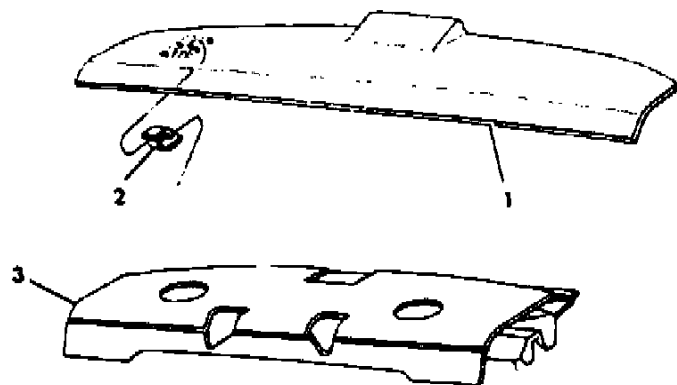
45 = 4-DOOR STATION WAGON

52-53 = FWD WAGON

AR = Use as Required - = Non Illustrated Part P.A.R. = Paint as Required

SHelf PANEL AND RELATED PARTS J BODY
Figure ITJ-300

7233 300



ITEM	PART NUMBER	QTY	BODY	MODEL	DESCRIPTION
1					PANEL, Shelf Trim
	H090 FC5	1	H		Blue
	H090 FE8	1	H		Cordovan
	H090 FK1	1	H		Almond
	H090 FS8	1	H		Charcoal
	H091 FC5	1	P		Blue
	H091 FE8	1	P		Almond
	H091 FS8	1	P		Charcoal
	H091 FK1	1	P		Almond
2	6031 536	2			CLIP
3	4186 901	1			SILENCER
4	V302-3 FK1	1			MOULDING ASSEMBLY, Shelf Trim Side (P.A.R.)
5	6032 268	8			RETAINER
6	F105 FK1	1			MOULDING, Shelf Trim Center (P.A.R.)
7		4			SCREW, (8-18x5/8) (Not Serv.)

NOTE: (P.A.R.) = Paint As Required

MODEL CODES

E BODY = (J - CARAVELLE)(E - 600)(T - NEW YORKER)

G BODY = (V24 - DAYTONA)

H BODY = (D44 - LANCER)(C44 - LEBARON GTS)

J BODY = (C - LEBARON)

K BODY = (P - RELIANT)(D - ARIES)(C - LEBAROND)/TOWN & COUNTRY)

L BODY = (M - HORIZON/TURISMO)(Z - OMNI/CHARGER)

M BODY = (B - GRAN FURY)(F - FIFTH AVE/NEWPORT)(G - DIPLOMAT)

P BODY = (P - SUNDANCE)(D - SHADOW)

S BODY = (H - VOYAGER)(K - RAM VAN/CARAVAN)

BODY STYLES

12-13 = FWD VAN

21 = 2-DOOR SEDAN

24 = 2-DOOR HATCHBACK

27 = 2-DOOR CONVERTIBLE

41 = 4-DOOR SEDAN

44 = 4-DOOR HATCHBACK

45 = 4-DOOR STATION WAGON

52-53 = FWD WAGON

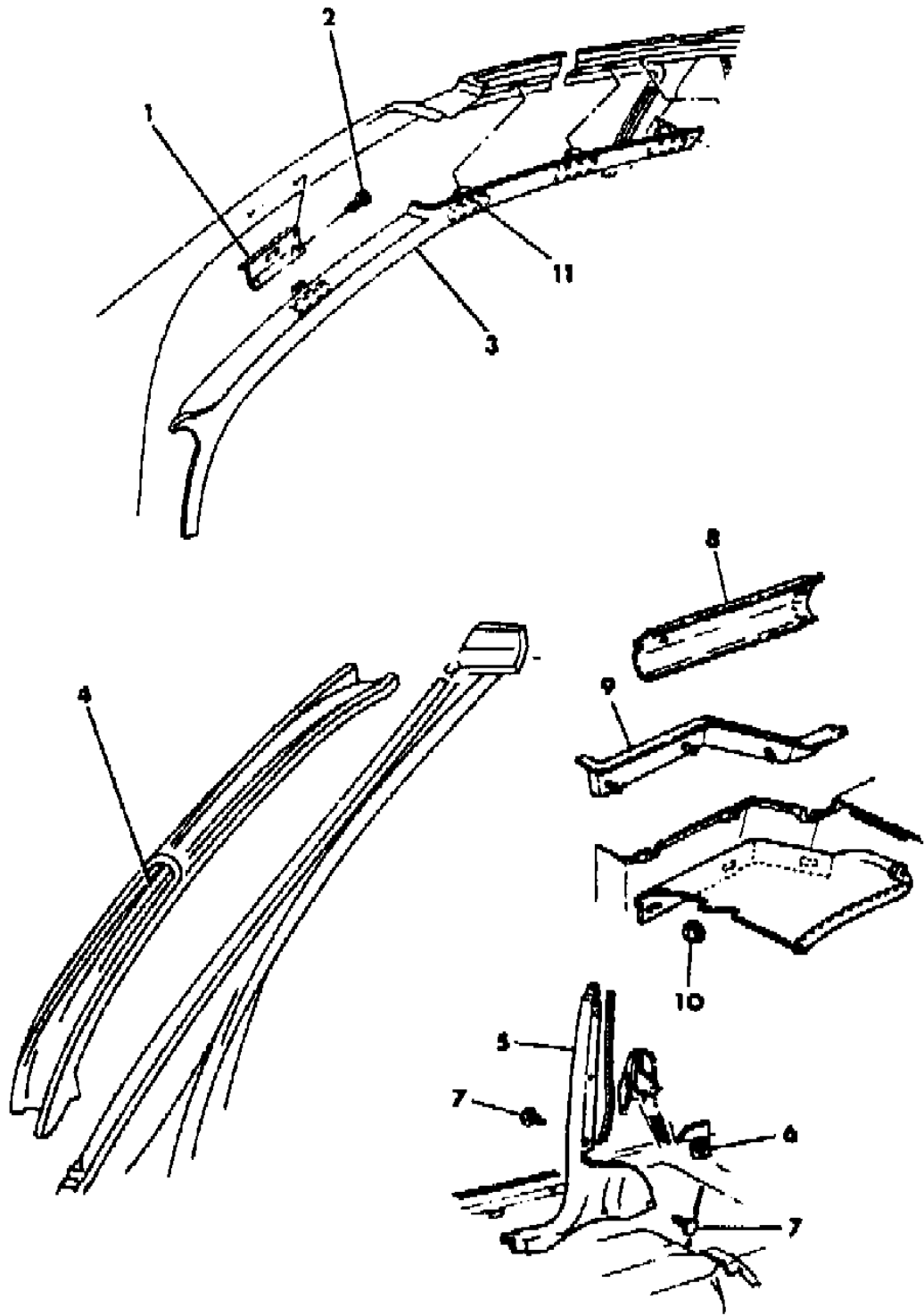
AR = Use as Required - = Non Illustrated Part P.A.R. = Paint as Required

MOULDINGS--GARNISH J BODY
Figure ITJ-400

7233 400 B

ITEM	PART NUMBER	QTY	BODY	MODEL	DESCRIPTION
1	4381 887	2		21	BRACKET
2		4			SCREW, (8-32x1/2) (Not Serv.)
3					MOULDING ASSEMBLY, Windshield Side and Rail
	F098-9 FC5	1		21	Blue
	F098-9 FE8	1		21	Cordovan
	F098-9 FK1	1		21	Almond
	F098-9 FS8	1		21	Charcoal
4					MOULDING, Windshield Side
	F176-7 FC5	1		27	Blue
	F176-7 FE8	1		27	Cordovan
	F176-7 FK1	1		27	Almond
	F176-7 FS8	1		27	Charcoal
5	K566-7 FK1	1		27	PANEL, Lock Pillar (P.A.R.)
6	0152 490	AR		27	U-NUT, B Pillar Attaching
7		AR		27	SCREW, (8-18x5/8) (Not Serv.)
8					MOULDING, Windshield Header
	F178 FC5	1		27	Blue
	F178 FE8	1		27	Cordovan
	F178 FK1	1		27	Almond
	F178 FS8	1		27	Charcoal
9	4381 634-5	1		27	MOULDING
10	6025 002	6		27	U-NUT
11	6501 351	8		21-27	CLIP

NOTE: (P.A.R.) = Paint As Required



MODEL CODES

E BODY = (J - CARAVELLE)(E - 600)(T - NEW YORKER)

G BODY = (V24 - DAYTONA)

H BODY = (D44 - LANCER)(C44 - LEBARON GTS)

J BODY = (C - LEBARON)

K BODY = (P - RELIANT)(D - ARIES)(C - LEBAROND)/TOWN & COUNTRY)

L BODY = (M - HORIZON/TURISMO)(Z - OMNI/CHARGER)

M BODY = (B - GRAN FURY)(F - FIFTH AVE/NEWPORT)(G - DIPLOMAT)

P BODY = (P - SUNDANCE)(D - SHADOW)

S BODY = (H - VOYAGER)(K - RAM VAN/CARAVAN)

BODY STYLES

12-13 = FWD VAN

21 = 2-DOOR SEDAN

24 = 2-DOOR HATCHBACK

27 = 2-DOOR CONVERTIBLE

41 = 4-DOOR SEDAN

44 = 4-DOOR HATCHBACK

45 = 4-DOOR STATION WAGON

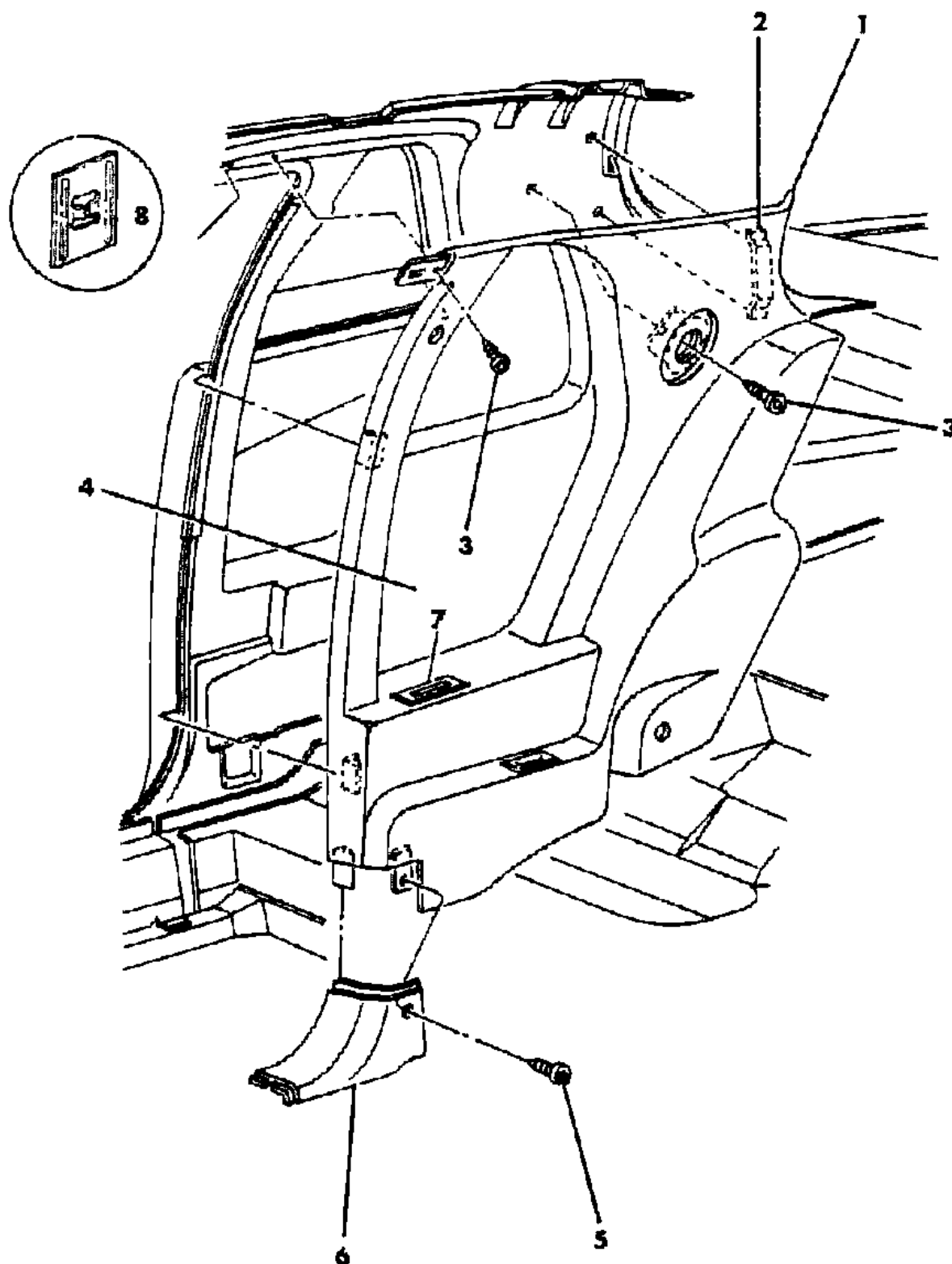
52-53 = FWD WAGON

AR = Use as Required - = Non Illustrated Part P.A.R. = Paint as Required

PANEL--QUARTER TRIM J BODY 21
Figure ITJ-500

7233 500 A

ITEM	PART NUMBER	QTY	BODY	MODEL	DESCRIPTION
1					PANEL, Quarter Trim
					w/Manual Active Seat Belt System
	K734-5 FC5	1			Blue
	K734-5 FE8	1			Cordovan
	K734-5 FK1	1			Almond
	K734-5 FS8	1			Charcoal
					w/Passive Seat Belt System
	K650-1 FC5	1			Blue
	K650-1 FE8	1			Cordovan
	K650-1 FK1	1			Almond
	K650-1 FS8	1			Charcoal
2	#4453 467	4			FASTENER
3	6032 456	AR			SCREW
4					BOLSTER
	K584-5 FC5	1			Blue, (PCL)
	K584-5 FE8	1			Cordovan, (PLE)
	K584-5 FK1	1			Almond, (PLK)
	K584-5 FS8	1			Charcoal, (PLS)
	K582-3 FC5	1			Blue, (P7C)
	K582-3 FE8	1			Cordovan, (P7E)
	K582-3 FK1	1			Almond, (P7K)
	K582-3 FS8	1			Charcoal, (P7S)
5		2			SCREW, (8-18x3/4) (Not Serv.)
6					PANEL, Quarter Trim Lower Extension
	J388-9 FC5	1			Blue
	J388-9 FE8	1			Cordovan
	J388-9 FK1	1			Almond
	J388-9 FS8	1			Charcoal
7					BEZEL, Seat Belt (Serv. w/Belt)
8	6032 833	10			NUT, Bolster Support



MODEL CODES

E BODY = (J - CARAVELLE)(E - 600)(T - NEW YORKER)

G BODY = (V24 - DAYTONA)

H BODY = (D44 - LANCER)(C44 - LEBARON GTS)

J BODY = (C - LEBARON)

K BODY = (P - RELIANT)(D - ARIES)(C - LEBAROND)/TOWN & COUNTRY)

L BODY = (M - HORIZON/TURISMO)(Z - OMNI/CHARGER)

M BODY = (B - GRAN FURY)(F - FIFTH AVE/NEWPORT)(G - DIPLOMAT)

P BODY = (P - SUNDANCE)(D - SHADOW)

S BODY = (H - VOYAGER)(K - RAM VAN/CARAVAN)

BODY STYLES

12-13 = FWD VAN

21 = 2-DOOR SEDAN

24 = 2-DOOR HATCHBACK

27 = 2-DOOR CONVERTIBLE

41 = 4-DOOR SEDAN

44 = 4-DOOR HATCHBACK

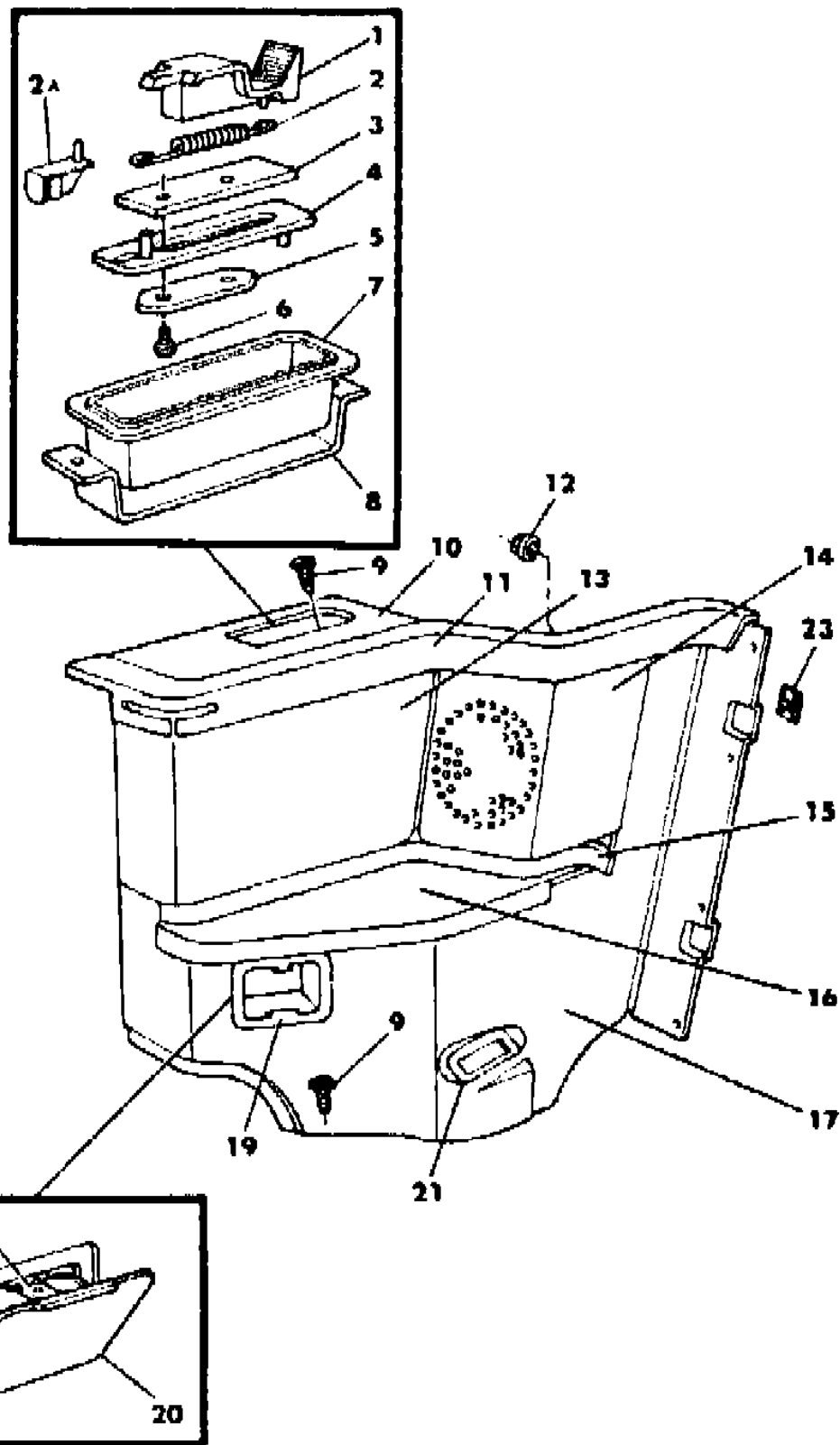
45 = 4-DOOR STATION WAGON

52-53 = FWD WAGON

AR = Use as Required - = Non Illustrated Part P.A.R. = Paint as Required

PANEL--QUARTER TRIM J BODY 27
Figure ITJ-550

7233 550 B



ITEM	PART NUMBER	QTY	BODY	MODEL	DESCRIPTION
1	4422 266	2			LATCH, Folding Top Boot
2	4422 271	1			SPRING, Folding Top Boot Latch
2A	4454 342	2			RETAINER, Spring
3	4422 268	1			PLATE, Folding Top Boot Latch
4	4422 290-1				BASE, Folding Top Boot Latch
5	4422 269	1			RETAINER, Folding Top Boot Latch
6		AR			SCREW, (m4-14 Self Tapping) (Not Serv.)
7	4422 265	2			HOUSING, Folding Top Boot Latch
8	4422 292-3	1			BRACKET, Folding Top Boot Latch
9		AR			SCREW, (Not Serv.)
10					BOLSTER, Quarter Trim Upper
	K580-1 FC5	1			Blue
	K580-1 FE8	1			Cordovan
	K580-1 FK1	1			Almond
	K580-1 FS8	1			Charcoal
11	4381 634-5	1			MOULDING, Quarter Panel
12	6025 002	AR			NUT
13					BOLSTER, Quarter Trim Lower
	K588-9 FC5	1			Blue
	K588-9 FE8	1			Cordovan
	K588-9 FK1	1			Almond
	K588-9 FS8	1			Charcoal
14					GRILLE, Rear Speaker
	H670-1 FC5	1			Blue
	H670-1 FE8	1			Cordovan
	H670-1 FK1	1			Almond
	H670-1 FS8	1			Charcoal
15					MOULDING, Quarter Trim Lower
	K606-7 FC5	1			Blue
	K606-7 FE8	1			Cordovan
	K606-7 FK1	1			Almond
	K606-7 FS8	1			Charcoal
16					ARMREST
	K568-9 FC5	1			Blue
	K568-9 FE8	1			Cordovan
	K568-9 FK1	1			Almond
	K568-9 FS8	1			Charcoal
17					PANEL, Quarter Trim Assembly

MODEL CODES

E BODY = (J - CARAVELLE)(E - 600)(T - NEW YORKER)

G BODY = (V24 - DAYTONA)

H BODY = (D44 - LANCER)(C44 - LEBARON GTS)

J BODY = (C - LEBARON)

K BODY = (P - RELIANT)(D - ARIES)(C - LEBAROND)/TOWN & COUNTRY)

L BODY = (M - HORIZON/TURISMO)(Z - OMNI/CHARGER)

M BODY = (B - GRAN FURY)(F - FIFTH AVE/NEWPORT)(G - DIPLOMAT)

P BODY = (P - SUNDANCE)(D - SHADOW)

S BODY = (H - VOYAGER)(K - RAM VAN/CARAVAN)

BODY STYLES

12-13 = FWD VAN

21 = 2-DOOR SEDAN

24 = 2-DOOR HATCHBACK

27 = 2-DOOR CONVERTIBLE

41 = 4-DOOR SEDAN

44 = 4-DOOR HATCHBACK

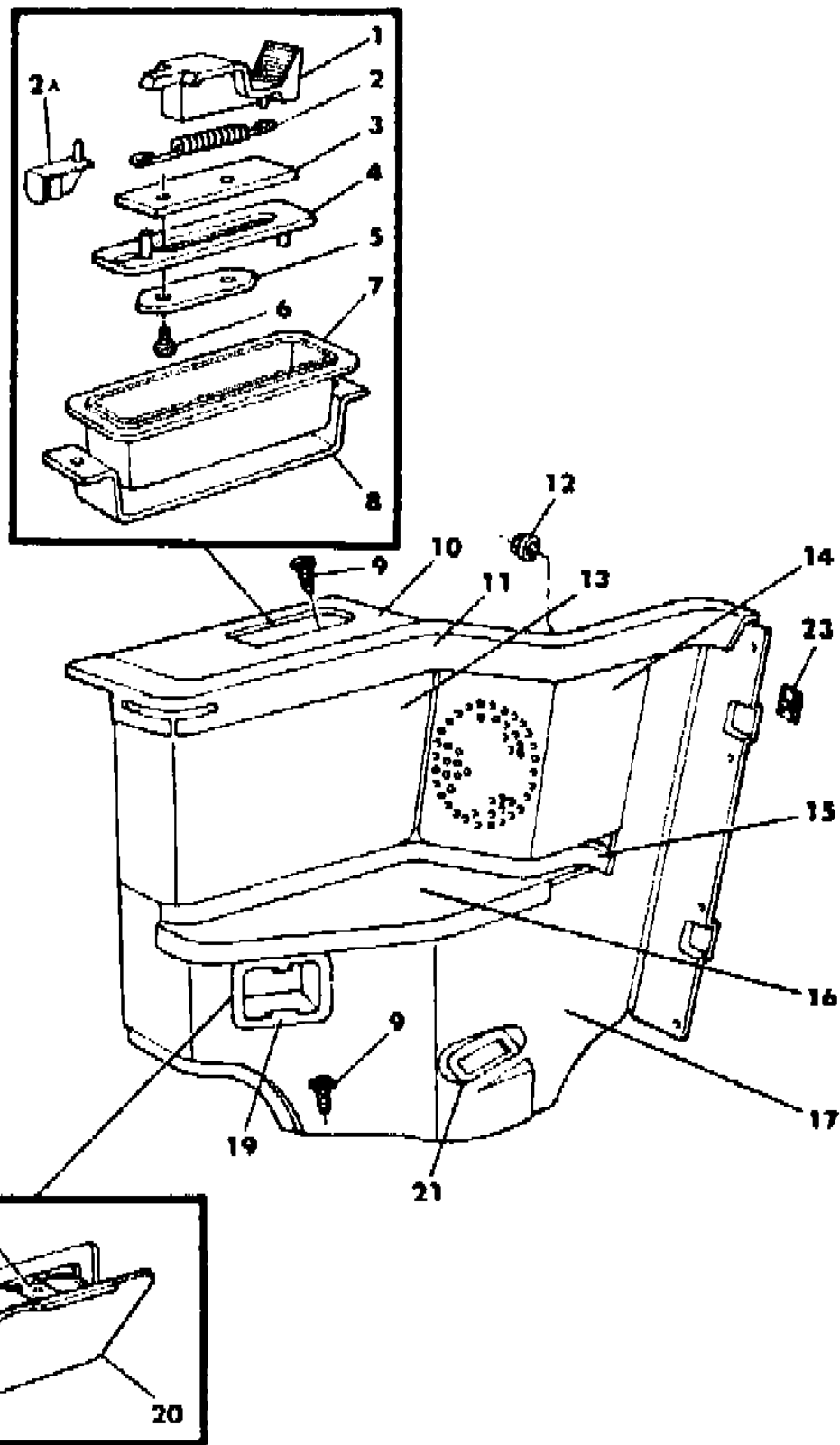
45 = 4-DOOR STATION WAGON

52-53 = FWD WAGON

AR = Use as Required - = Non Illustrated Part P.A.R. = Paint as Required

PANEL--QUARTER TRIM J BODY 27
Figure ITJ-550

7233 550 B



ITEM	PART NUMBER	QTY	BODY	MODEL	DESCRIPTION
	K574-5 FC5	1			Blue
	K574-5 FE8	1			Cordovan
	K574-5 FK1	1			Almond
	K574-5 FS8	1			Charcoal
18	6032 431	10			NUT, Bolster Support
19	K608 FK1	2			HOUSING, Ash Receiver (P.A.R.)
20					ASH RECEIVER
	K626 FC5	2			Blue
	K626 FE8	1			Cordovan
	K626 FK1	2			Almond
	K626 FS8	2			Charcoal
21					BEZEL, Seat Belt Opening
	K670 FC5	2			Blue
	K670 FE8	2			Cordovan
	K670 FK1	2			Almond
	K670 FS8	2			Charcoal
22	4248 803	2			SNUFFER, Ash Receiver
23	6032 833	AR			RETAINER, Lower Moulding Attaching

NOTE: (P.A.R.) = Paint As Required

MODEL CODES
 E BODY = (J - CARAVELLE)(E - 600)(T - NEW YORKER)
 G BODY = (V24 - DAYTONA)
 H BODY = (D44 - LANCER)(C44 - LEBARON GTS)
 J BODY = (C - LEBARON)
 K BODY = (P - RELIANT)(D - ARIES)(C - LEBAROND)/TOWN & COUNTRY
 L BODY = (M - HORIZON/TURISMO)(Z - OMNI/CHARGER)
 M BODY = (B - GRAN FURY)(F - FIFTH AVE/NEWPORT)(G - DIPLOMAT)
 P BODY = (P - SUNDANCE)(D - SHADOW)
 S BODY = (H - VOYAGER)(K - RAM VAN/CARAVAN)

BODY STYLES
 12-13 = FWD VAN
 21 = 2-DOOR SEDAN
 24 = 2-DOOR HATCHBACK
 27 = 2-DOOR CONVERTIBLE
 41 = 4-DOOR SEDAN
 44 = 4-DOOR HATCHBACK
 45 = 4-DOOR STATION WAGON
 52-53 = FWD WAGON

AR = Use as Required - = Non Illustrated Part P.A.R. = Paint as Required

CARPET AND SILENCERS J BODY
Figure ITJ-600

7233 000 C

ITEM	PART NUMBER	QTY	BODY	MODEL	DESCRIPTION
1					CARPET
	M754 FC5	1	21		Blue
	M754 FE8	1	21		Cordovan
	M604 FK3	1	21		Almond
	M754 FS8	1	21		Charcoal
	M758 FC5	1	27		Blue
	M758 FE8	1	27		Cordovan
	M758 FK1	1	27		Almond
	M758 FS8	1	27		Charcoal
2	4381 647	2	21		CARPET, Luggage Compartment Floor
3					CARPET, Luggage Compartment Floor
	4309 822	1	21		
	4381 607	1	27		
4	4410 097	1	21		PANEL, Deck Lid Trim
5	6501 532	1	21		PLUG, Deck Lid Inner Trim
6	6030 441	AR			RETAINER
7	4410 248	1			PANEL, Deck Lid Opening
8	6030 441	AR	27		RETAINER
9	4223 983	1			FASTENER, Jack Trim Cover
10					COVER, Tire
	4409 902	1	21		Full
	4409 849	1	21-27		Mini
11	4410 314-5	1	21		PANEL, Side Trim
12	4410 316-7	1	27		PANEL, Side Trim
13	4186 901	AR	21-27		SILENCER
14	4507 125	1	27		PANEL, Bulkhead Trim
15	4248 818	4			FOOT, Tie Down Anchor
16					SCREW, (8-18x3/4) (Not Serv.)
17	H349 CX9	2			STRAP, Tie Down Black
18	H609 DX7	1			BAG, Sunroof Storage
19	4381 395	2	21		FASTENER
20					FLOOR MATS, Carpet, Set of Two
					FRONT
	M074 FC5	1			Blue
	M074 FE8	1			Cordovan
	M074 FK3	1			Almond
	M074 FS8	1			Charcoal
					REAR

MODEL CODES

E BODY = (J - CARAVELLE)(E - 600)(T - NEW YORKER)

G BODY = (V24 - DAYTONA)

H BODY = (D44 - LANCER)(C44 - LEBARON GTS)

J BODY = (C - LEBARON)

K BODY = (P - RELIANT)(D - ARIES)(C - LEBAROND)/TOWN & COUNTRY)

L BODY = (M - HORIZON/TURISMO)(Z - OMNI/CHARGER)

M BODY = (B - GRAN FURY)(F - FIFTH AVE/NEWPORT)(G - DIPLOMAT)

P BODY = (P - SUNDANCE)(D - SHADOW)

S BODY = (H - VOYAGER)(K - RAM VAN/CARAVAN)

BODY STYLES

12-13 = FWD VAN

21 = 2-DOOR SEDAN

24 = 2-DOOR HATCHBACK

27 = 2-DOOR CONVERTIBLE

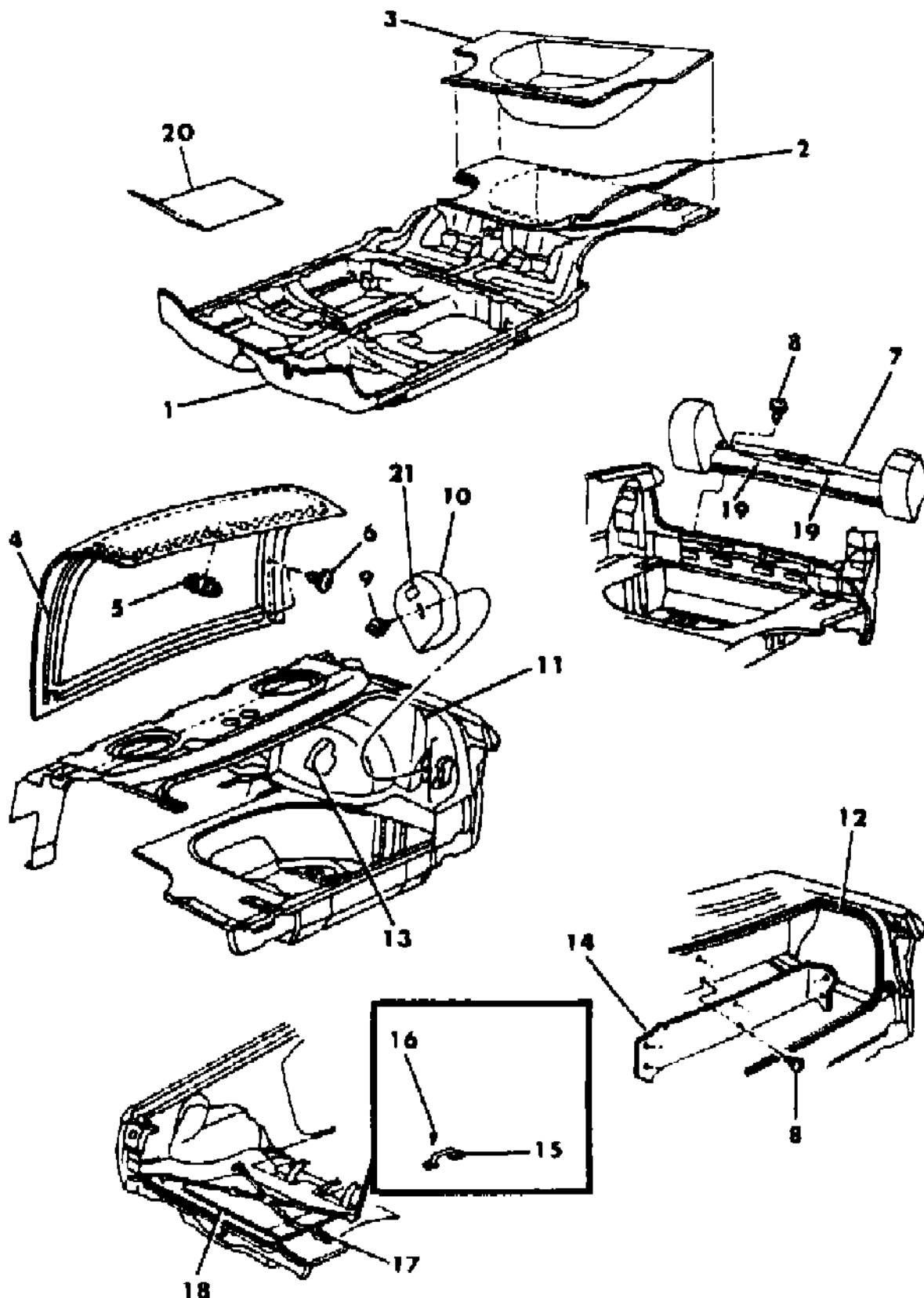
41 = 4-DOOR SEDAN

44 = 4-DOOR HATCHBACK

45 = 4-DOOR STATION WAGON

52-53 = FWD WAGON

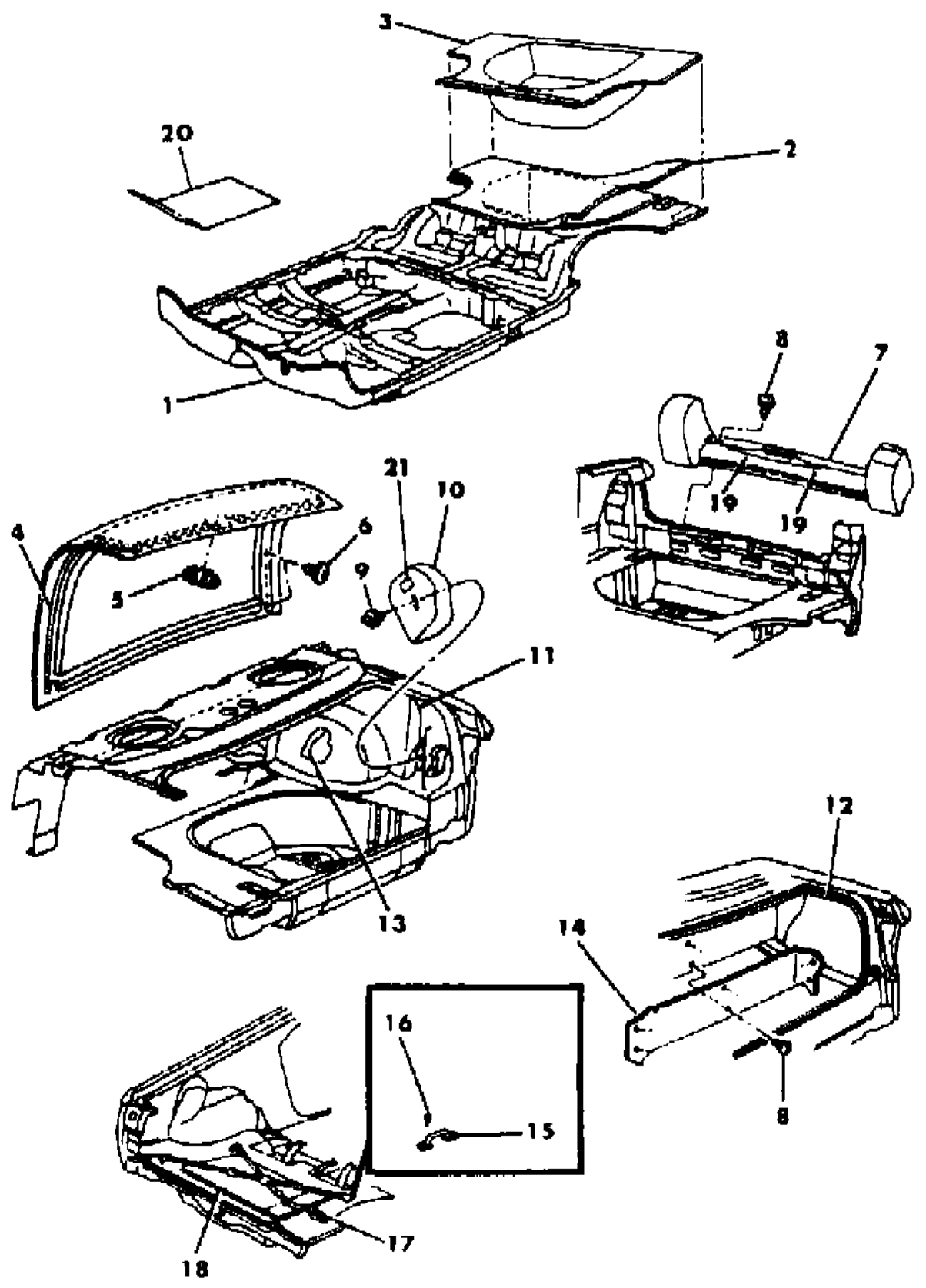
AR = Use as Required - = Non Illustrated Part P.A.R. = Paint as Required



CARPET AND SILENCERS J BODY
Figure ITJ-600

7233 000 C

ITEM	PART NUMBER	QTY	BODY	MODEL	DESCRIPTION
	M049 FC5	1			Blue
	M049 FE8	1			Cordovan
	M049 FK3	1			Almond
	M049 FS8	1			Charcoal
21	4440 292	1			LABEL, Jack Cover Stowage



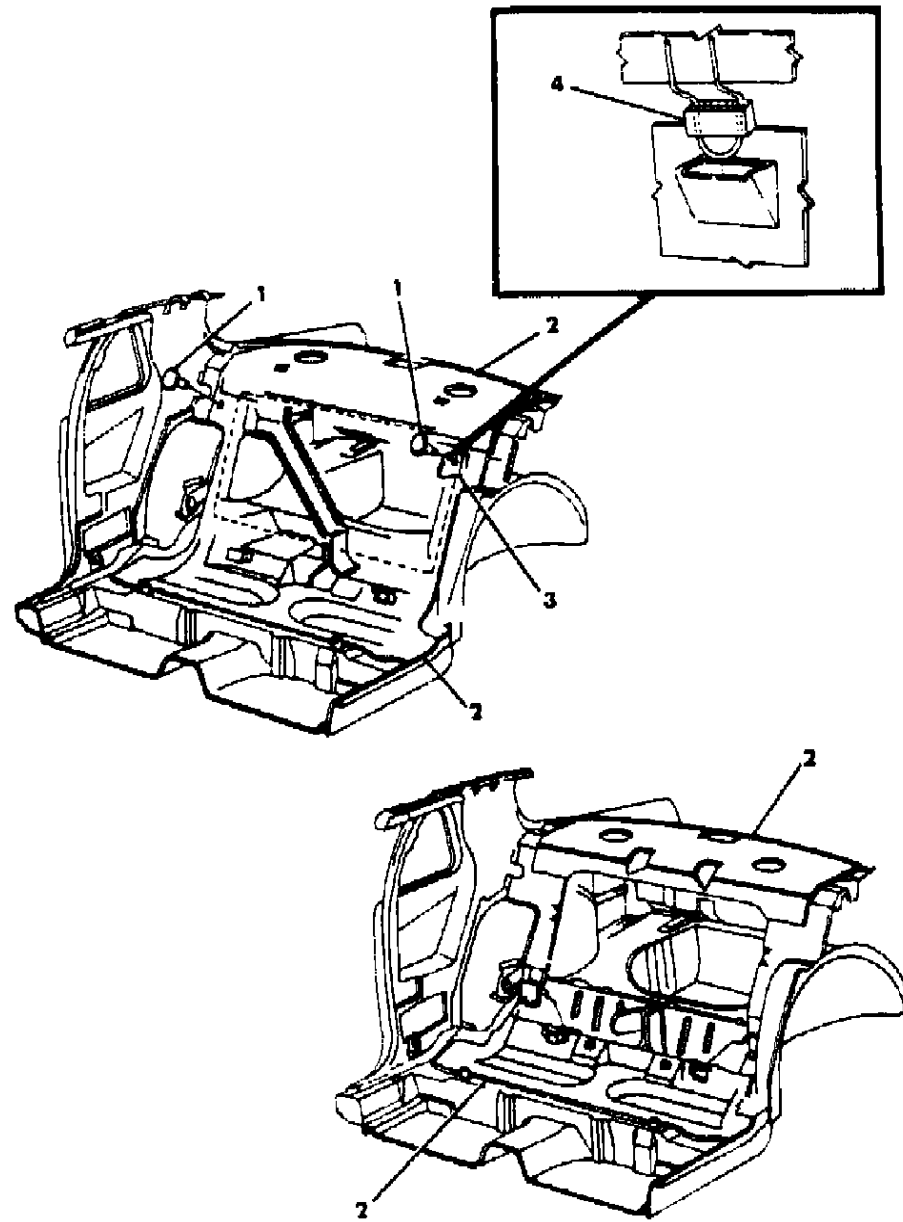
MODEL CODES
 E BODY = (J - CARAVELLE)(E - 600)(T - NEW YORKER)
 G BODY = (V24 - DAYTONA)
 H BODY = (D44 - LANCER)(C44 - LEBARON GTS)
 J BODY = (C - LEBARON)
 K BODY = (P - RELIANT)(D - ARIES)(C - LEBAROND)/TOWN & COUNTRY
 L BODY = (M - HORIZON/TURISMO)(Z - OMNI/CHARGER)
 M BODY = (B - GRAN FURY)(F - FIFTH AVE/NEWPORT)(G - DIPLOMAT)
 P BODY = (P - SUNDANCE)(D - SHADOW)
 S BODY = (H - VOYAGER)(K - RAM VAN/CARAVAN)

BODY STYLES
 12-13 = FWD VAN
 21 = 2-DOOR SEDAN
 24 = 2-DOOR HATCHBACK
 27 = 2-DOOR CONVERTIBLE
 41 = 4-DOOR SEDAN
 44 = 4-DOOR HATCHBACK
 45 = 4-DOOR STATION WAGON
 52-53 = FWD WAGON

AR = Use as Required - = Non Illustrated Part P.A.R. = Paint as Required

SILENCERS--REAR COMPARTMENT J BODY
Figure ITJ-700

7233 780



ITEM	PART NUMBER	QTY	BODY	MODEL	DESCRIPTION
1	4381 395	4		21	FASTENER
2	4186 901	AR		21	SILENCER
3	4381 329	1		21	PANEL, Luggage Compartment Board
4	4239 182	2			SEAL, Rear Seat Back to Shelf Panel

MODEL CODES

E BODY = (J - CARAVELLE)(E - 600)(T - NEW YORKER)

G BODY = (V24 - DAYTONA)

H BODY = (D44 - LANCER)(C44 - LEBARON GTS)

J BODY = (C - LEBARON)

K BODY = (P - RELIANT)(D - ARIES)(C - LEBAROND)/TOWN & COUNTRY)

L BODY = (M - HORIZON/TURISMO)(Z - OMNI/CHARGER)

M BODY = (B - GRAN FURY)(F - FIFTH AVE/NEWPORT)(G - DIPLOMAT)

P BODY = (P - SUNDANCE)(D - SHADOW)

S BODY = (H - VOYAGER)(K - RAM VAN/CARAVAN)

BODY STYLES

12-13 = FWD VAN

21 = 2-DOOR SEDAN

24 = 2-DOOR HATCHBACK

27 = 2-DOOR CONVERTIBLE

41 = 4-DOOR SEDAN

44 = 4-DOOR HATCHBACK

45 = 4-DOOR STATION WAGON

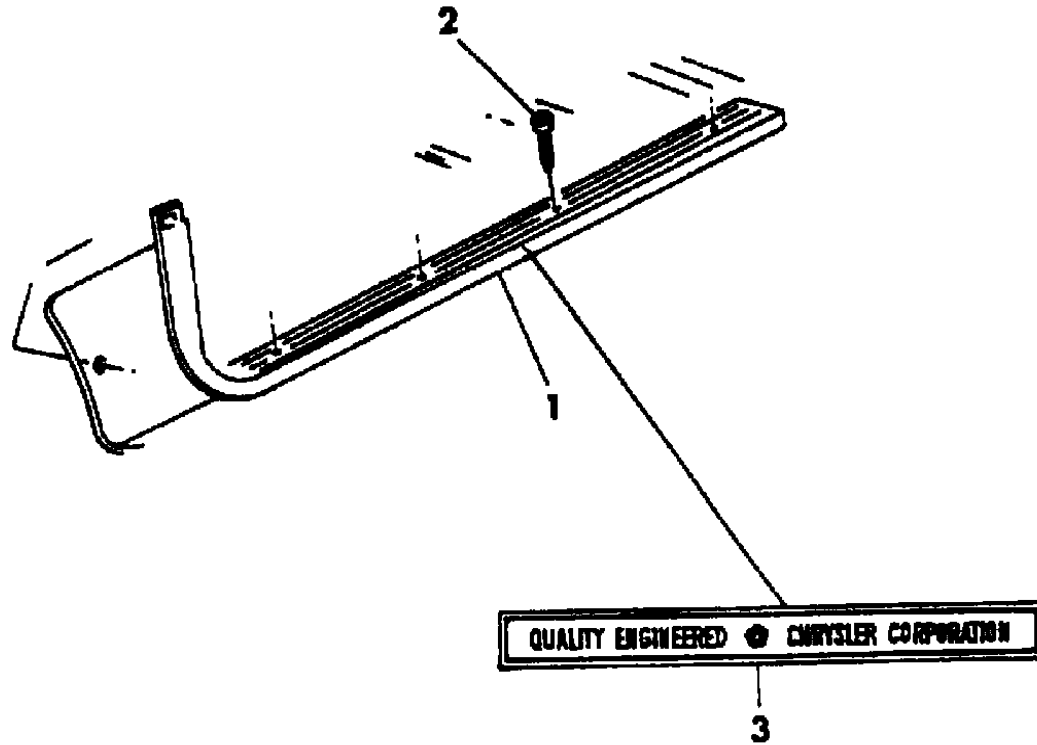
52-53 = FWD WAGON

AR = Use as Required - = Non Illustrated Part P.A.R. = Paint as Required

SCUFF PLATE J BODY
Figure ITJ-800

7233 800 A

ITEM	PART NUMBER	QTY	BODY	MODEL	DESCRIPTION
1					SCUFF PLATE, Panel Cowl Side
	F100-1 FC5	1			w/Manual Active Seat Belt System Blue
	F100-1 FE8	1			Cordovan
	F100-1 FK1	1			Almond
	F100-1 FS8	1			Charcoal
	F342 FC5	1			w/ Passive Seat Belt System, Rt. Only Blue
	F342 FE8	1			Cordovan
	F342 FK1	1			Almond
	F342 FS8	1			Charcoal
2		AR			SCREW, (8-18x1 1/2) (Not Serv.)
3	4078 456	1			NAME PLATE



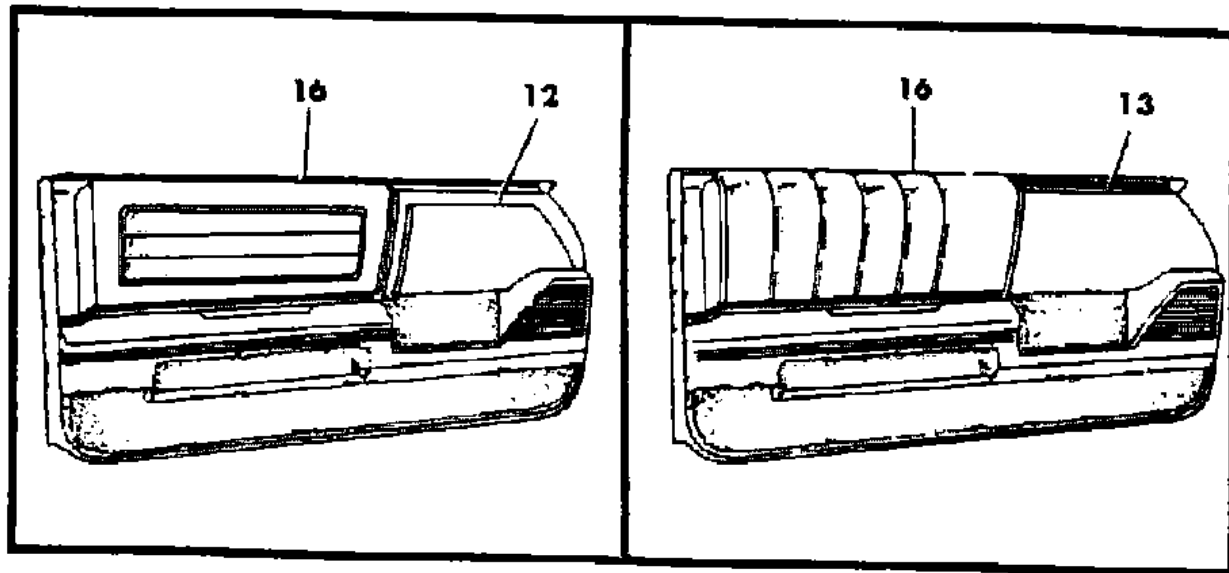
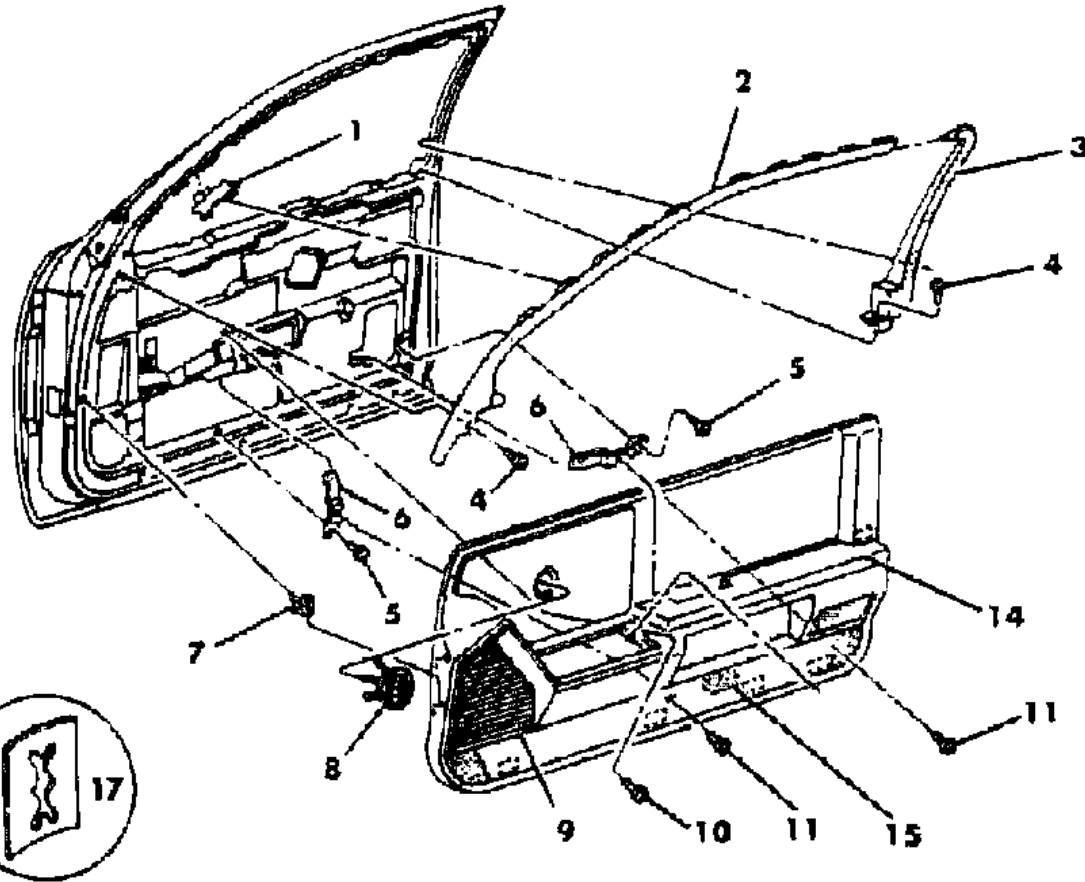
MODEL CODES
 E BODY = (J - CARAVELLE)(E - 600)(T - NEW YORKER)
 G BODY = (V24 - DAYTONA)
 H BODY = (D44 - LANCER)(C44 - LEBARON GTS)
 J BODY = (C - LEBARON)
 K BODY = (P - RELIANT)(D - ARIES)(C - LEBAROND)/TOWN & COUNTRY
 L BODY = (M - HORIZON/TURISMO)(Z - OMNI/CHARGER)
 M BODY = (B - GRAN FURY)(F - FIFTH AVE/NEWPORT)(G - DIPLOMAT)
 P BODY = (P - SUNDANCE)(D - SHADOW)
 S BODY = (H - VOYAGER)(K - RAM VAN/CARAVAN)

BODY STYLES
 12-13 = FWD VAN 41 = 4-DOOR SEDAN
 21 = 2-DOOR SEDAN 44 = 4-DOOR HATCHBACK
 24 = 2-DOOR HATCHBACK 45 = 4-DOOR STATION WAGON
 27 = 2-DOOR CONVERTIBLE 52-53 = FWD WAGON

AR = Use as Required - = Non Illustrated Part P.A.R. = Paint as Required

PANEL--DOOR TRIM J BODY
Figure ITJ-900

7233 900 A



ITEM	PART NUMBER	QTY	BODY	MODEL	DESCRIPTION
1	4381 862	20			RETAINER
2	4473 634-5	1			MOULDING, Upper Frame Garnish
3					MOULDING, Rear Frame Garnish
	4381 398-9	1			Active Belt System (Use Up To 1-5-87)
	4381 494-5	1			(Use After 1-5-87)
	4381 482-3	1			Passive Belt System
4					SCREW, (8-15x1/2) (Not Serv.)
5					SCREW, (10-16x5/8) (Not Serv.)
6	4381 818	4			BRACKET
7	4114 785	14			FASTENER
8					MEDALLION, Plug Window Handle
	4410 161	2			(Use Up To 3/27/87)
	4473 690	2			(Use After 3/27/87)
9	D708-9 FK1	1			GRILLE, Speaker (P.A.R.)
10	6032 456	2			SCREW
11					SCREW, (10-16x3/4) (Not Serv.)
12					PANEL, Door Trim
					CLOTH
					(Use Up To 1-5-87)
	J380-1 FC5	1			Blue, (A7C)
	J380-1 FE8	1			Cordovan, (A7E)
	J380-1 FK1	1			Almond, (A7K)
	J380-1 FS8	1			Charcoal, (A7S)
					(Use After 1-5-87)
	J936-7 FC5	1			Blue, (A7C)
	J936-7 FE8	1			Cordovan, (A7E)
	J936-7 FK1	1			Almond, (A7K)
	J936-7 FS8	1			Charcoal, (A7S)
					VINYL
	J440-1 FC5	1			Blue, (A8C)
	J440-1 FE8	1			Cordovan, (A8E)
	J440-1 FK1	1			Almond, (A8K)
	J440-1 FS8	1			Charcoal, (A8S)
13					PANEL, Door Trim w/Bolster
					CLOTH
					(Use Up To 1-5-87)
	J382-3 FC5	1			Blue, (P7C)

MODEL CODES

E BODY = (J - CARAVELLE)(E - 600)(T - NEW YORKER)

G BODY = (V24 - DAYTONA)

H BODY = (D44 - LANCER)(C44 - LEBARON GTS)

J BODY = (C - LEBARON)

K BODY = (P - RELIANT)(D - ARIES)(C - LEBAROND)/TOWN & COUNTRY)

L BODY = (M - HORIZON/TURISMO)(Z - OMNI/CHARGER)

M BODY = (B - GRAN FURY)(F - FIFTH AVE/NEWPORT)(G - DIPLOMAT)

P BODY = (P - SUNDANCE)(D - SHADOW)

S BODY = (H - VOYAGER)(K - RAM VAN/CARAVAN)

BODY STYLES

12-13 = FWD VAN

21 = 2-DOOR SEDAN

24 = 2-DOOR HATCHBACK

27 = 2-DOOR CONVERTIBLE

41 = 4-DOOR SEDAN

44 = 4-DOOR HATCHBACK

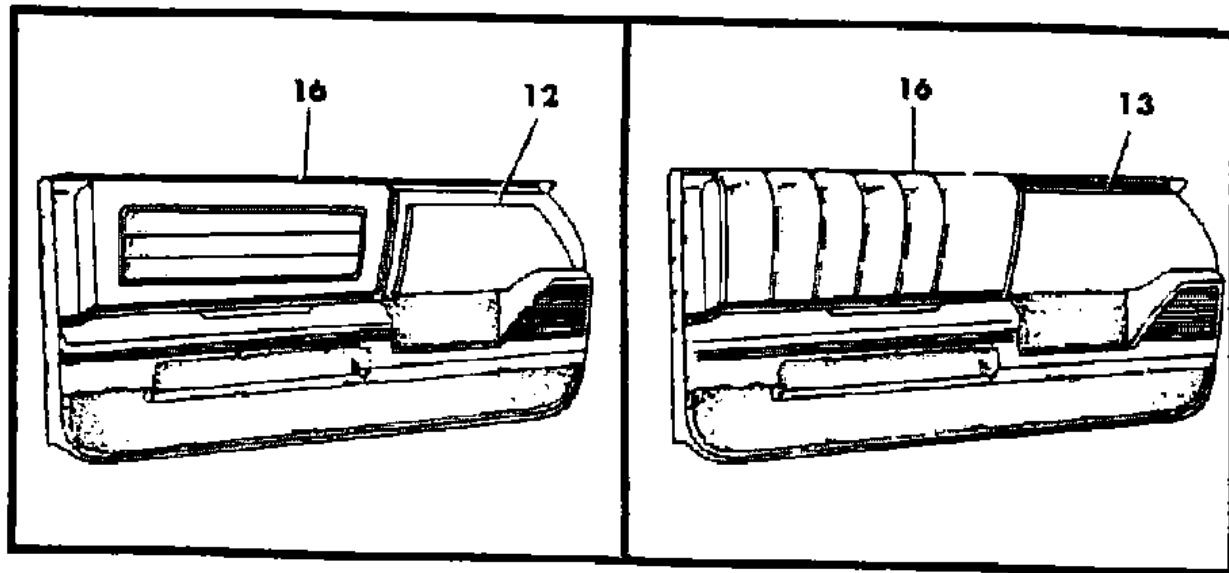
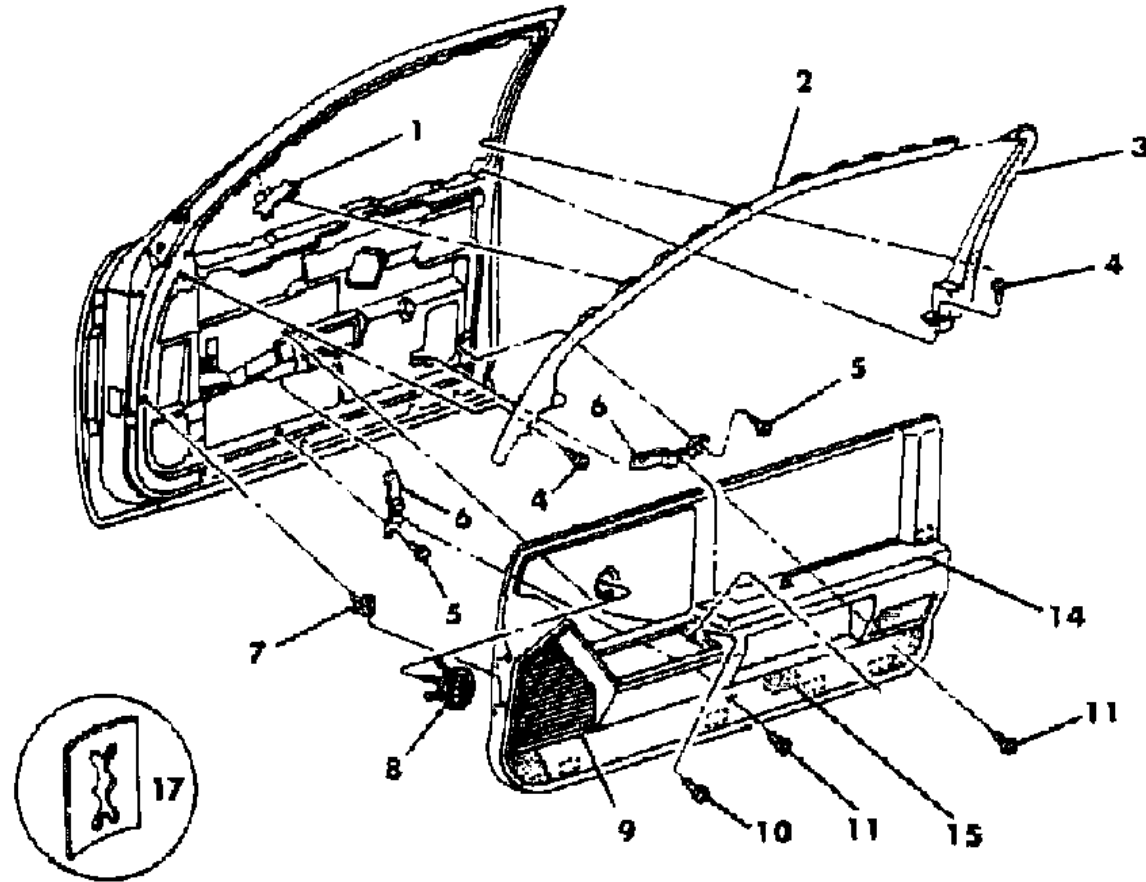
45 = 4-DOOR STATION WAGON

52-53 = FWD WAGON

AR = Use as Required - = Non Illustrated Part P.A.R. = Paint as Required

PANEL--DOOR TRIM J BODY
Figure ITJ-900

7233 900 A



ITEM	PART NUMBER	QTY	BODY	MODEL	DESCRIPTION
	J382-3 FE8	1			Cordovan, (P7E)
	J382-3 FK1	1			Almond, (P7K)
	J382-3 FS8	1			Charcoal, (P7S) (Use After 1-5-87)
	J562-3 FC5	1			Blue, (P7C)
	J562-3 FE8	1			Cordovan, (P7E)
	J562-3 FK1	1			Almond, (P7K)
	J562-3 FS8	1			Charcoal, (P7S) ULTRA HIDE (Use Up To 1-5-87)
	J140-1 FC5	1		21	Blue, (PLC)
	J140-1 FE8	1		21	Cordovan, (PLE)
	J140-1 FK1	1		21	Almond, (PLK)
	J140-1 FS8	1		21	Charcoal, (PLS) (Use After 1-5-87)
	J934-5 FC5	1			Blue, (PLC)
	J934-5 FE8	1			Cordovan, (PLE)
	J934-5 FK1	1			Almond, (PLK)
	J934-5 FS8	1			Charcoal, (PLS)
	J438-9 FC5	1		27	Blue, (PLC)
	J438-9 FE8	1		27	Cordovan, (PLE)
	J438-9 FK1	1		27	Almond, (PLK)
	J438-9 FS8	1		27	Charcoal, (PLS)
14					ARMREST
	D710-1 FC5	1			Blue
	D710-1 FE8	1			Cordovan
	D710-1 FK1	1			Almond
	D710-1 FS8	1			Charcoal
15					PANEL, Pocket
	D108-9 FC5	1			Blue
	D108-9 FE8	1			Cordovan
	D108-9 FK1	1			Almond
	D108-9 FS8	1			Charcoal
16					WEATHERSTRIP, Belt Inner
	4381 504-5	1		21	
	4381 654-5	1		27	
17					FASTENER
	6501 354	26			

NOTE: (P.A.R.) = Paint As Required

MODEL CODES

E BODY = (J - CARAVELLE)(E - 600)(T - NEW YORKER)

G BODY = (V24 - DAYTONA)

H BODY = (D44 - LANCER)(C44 - LEBARON GTS)

J BODY = (C - LEBARON)

K BODY = (P - RELIANT)(D - ARIES)(C - LEBAROND)/TOWN & COUNTRY)

L BODY = (M - HORIZON/TURISMO)(Z - OMNI/CHARGER)

M BODY = (B - GRAN FURY)(F - FIFTH AVE/NEWPORT)(G - DIPLOMAT)

P BODY = (P - SUNDANCE)(D - SHADOW)

S BODY = (H - VOYAGER)(K - RAM VAN/CARAVAN)

BODY STYLES

12-13 = FWD VAN

21 = 2-DOOR SEDAN

24 = 2-DOOR HATCHBACK

27 = 2-DOOR CONVERTIBLE

41 = 4-DOOR SEDAN

44 = 4-DOOR HATCHBACK

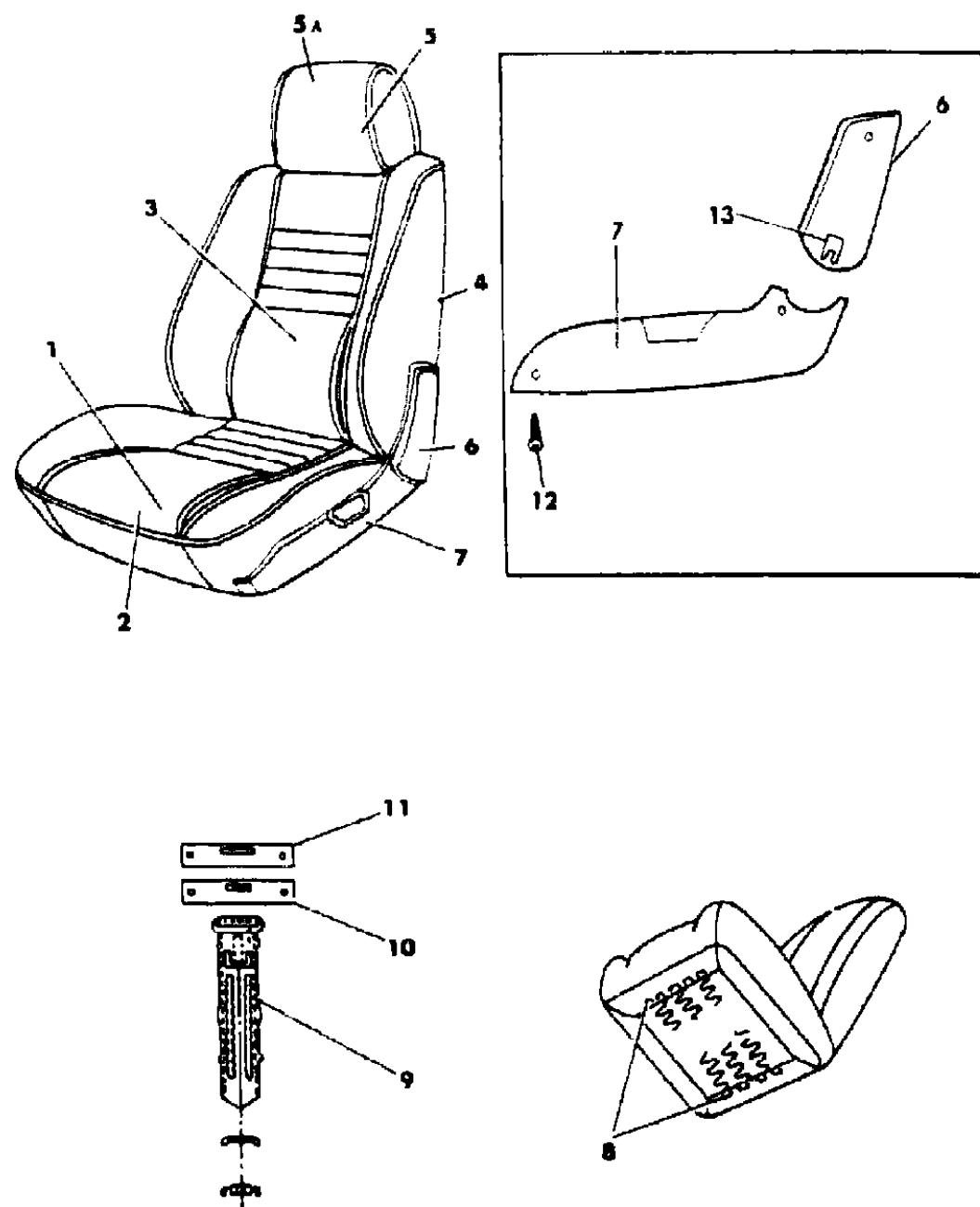
45 = 4-DOOR STATION WAGON

52-53 = FWD WAGON

AR = Use as Required - = Non Illustrated Part P.A.R. = Paint as Required

SEAT--FRONT J BODY TRIM CODE A7
Figure ITJ-1000

7233 1000A



ITEM	PART NUMBER	QTY	BODY	MODEL	DESCRIPTION
1-2					CUSHION, w/Spring/Frame, Pad and Cover
					CLOTH
					Manual
	B792-3 F7C	1			Blue, (A7C)
	B792-3 F7E	1			Cordovan, (A7E)
	B792-3 F7K	1			Almond, (A7K)
	B792-3 F7S	1			Charcoal, (A7S)
					Electric
	B795 F7C	1			Blue, (A7C)
	B795 F7E	1			Cordovan, (A7E)
	B795 F7K	1			Almond, (A7K)
	B795 F7S	1			Charcoal, (A7S)
2					COVER, Cushion
					CLOTH
					Blue, (A7C)
	N482-3 F7E	1			Cordovan, (A7E)
	N482-3 F7K	1			Almond, (A7K)
	N482-3 F7S	1			Charcoal, (A7S)
3					BACK, w/Spring/Frame, Pad and Cover
					CLOTH
	B790-1 F7C	1			Blue, (A7C)
	B790-1 F7E	1			Cordovan, (A7E)
	B790-1 F7K	1			Almond, (A7K)
	B790-1 F7S	1			Charcoal, (A7S)
4					COVER, Back
					CLOTH
					Blue, (A7C)
	N484-5 F7E	1			Cordovan, (A7E)
	N484-5 F7K	1			Almond, (A7K)
	N484-5 F7S	1			Charcoal, (A7S)
5					HEADREST and COVER
					CLOTH
	N492 FC5	2			Blue, (A7C)
	N492 FE8	2			Cordovan, (A7E)
	N492 FK1	2			Almond, (A7K)
	N492 FS8	2			Charcoal
5A					COVER, Headrest
					CLOTH

MODEL CODES

E BODY = (J - CARAVELLE)(E - 600)(T - NEW YORKER)

G BODY = (V24 - DAYTONA)

H BODY = (D44 - LANCER)(C44 - LEBARON GTS)

J BODY = (C - LEBARON)

K BODY = (P - RELIANT)(D - ARIES)(C - LEBAROND)/TOWN & COUNTRY)

L BODY = (M - HORIZON/TURISMO)(Z - OMNI/CHARGER)

M BODY = (B - GRAN FURY)(F - FIFTH AVE/NEWPORT)(G - DIPLOMAT)

P BODY = (P - SUNDANCE)(D - SHADOW)

S BODY = (H - VOYAGER)(K - RAM VAN/CARAVAN)

BODY STYLES

12-13 = FWD VAN

21 = 2-DOOR SEDAN

24 = 2-DOOR HATCHBACK

27 = 2-DOOR CONVERTIBLE

41 = 4-DOOR SEDAN

44 = 4-DOOR HATCHBACK

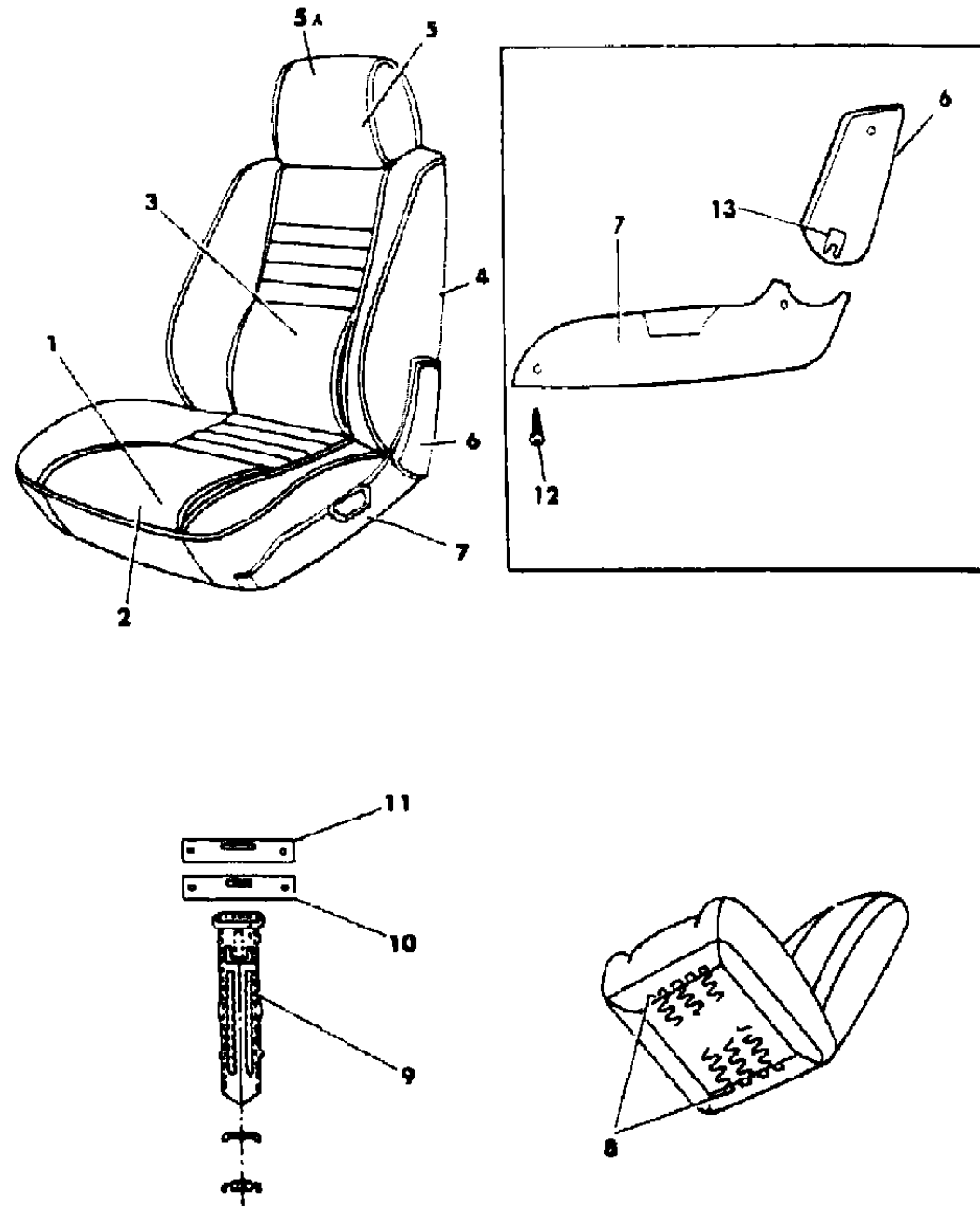
45 = 4-DOOR STATION WAGON

52-53 = FWD WAGON

AR = Use as Required - = Non Illustrated Part P.A.R. = Paint as Required

SEAT--FRONT J BODY TRIM CODE A7
Figure ITJ-1000

7233 1000A



ITEM	PART NUMBER	QTY	BODY	MODEL	DESCRIPTION
	B581 FC5	2			Blue, (A7C)
	B581 FE8	2			Cordovan, (A7E)
	B581 FK1	2			Almond, (A7K)
	B581 FS8	2			Charcoal, (A7S)
6					SHIELD, Back (P.A.R.) OUTER Passenger Seat Driver Seat INNER
	S960 DW1	1			Passenger Seat
	S961 DW1	1			Driver Seat
7					SHIELD, Cushion (P.A.R.) INNER Passenger Seat Driver Seat OUTER
	S262 FK1	1			Passenger Seat
	S263 FK1	1			Driver Seat
	S263 FK1	1			Passenger Seat
	S262 FK1	1			Driver Seat
8	6008 076	AR			HOG RING
9					SLEEVE, Headrest Blue
	S786 EC5	2			Blue
	S786 EE8	2			Cordovan
	S786 EK1	2			Almond
	S786 CS8	2			Charcoal
10	4190 387	2			SUPPORT, Headrest
11	4327 688	2			COVER, Headrest Finish
12		AR			SCREW, Side Shield Attaching (8-18x.75) (Not Serv.)
13	4317 800	AR			CLIP

NOTE: (P.A.R.) = Paint As Required

MODEL CODES

E BODY = (J - CARAVELLE)(E - 600)(T - NEW YORKER)

G BODY = (V24 - DAYTONA)

H BODY = (D44 - LANCER)(C44 - LEBARON GTS)

J BODY = (C - LEBARON)

K BODY = (P - RELIANT)(D - ARIES)(C - LEBAROND)/TOWN & COUNTRY)

L BODY = (M - HORIZON/TURISMO)(Z - OMNI/CHARGER)

M BODY = (B - GRAN FURY)(F - FIFTH AVE/NEWPORT)(G - DIPLOMAT)

P BODY = (P - SUNDANCE)(D - SHADOW)

S BODY = (H - VOYAGER)(K - RAM VAN/CARAVAN)

BODY STYLES

12-13 = FWD VAN

21 = 2-DOOR SEDAN

24 = 2-DOOR HATCHBACK

27 = 2-DOOR CONVERTIBLE

41 = 4-DOOR SEDAN

44 = 4-DOOR HATCHBACK

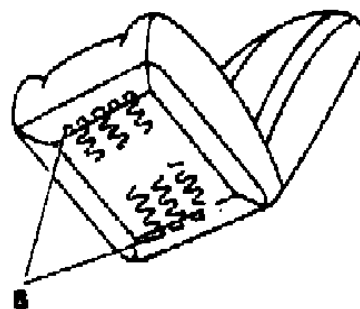
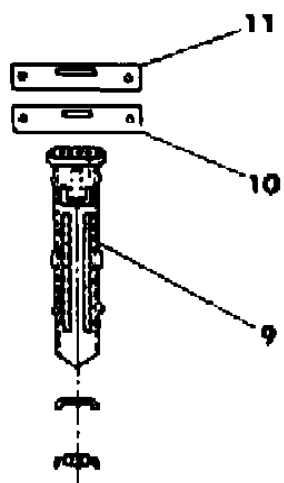
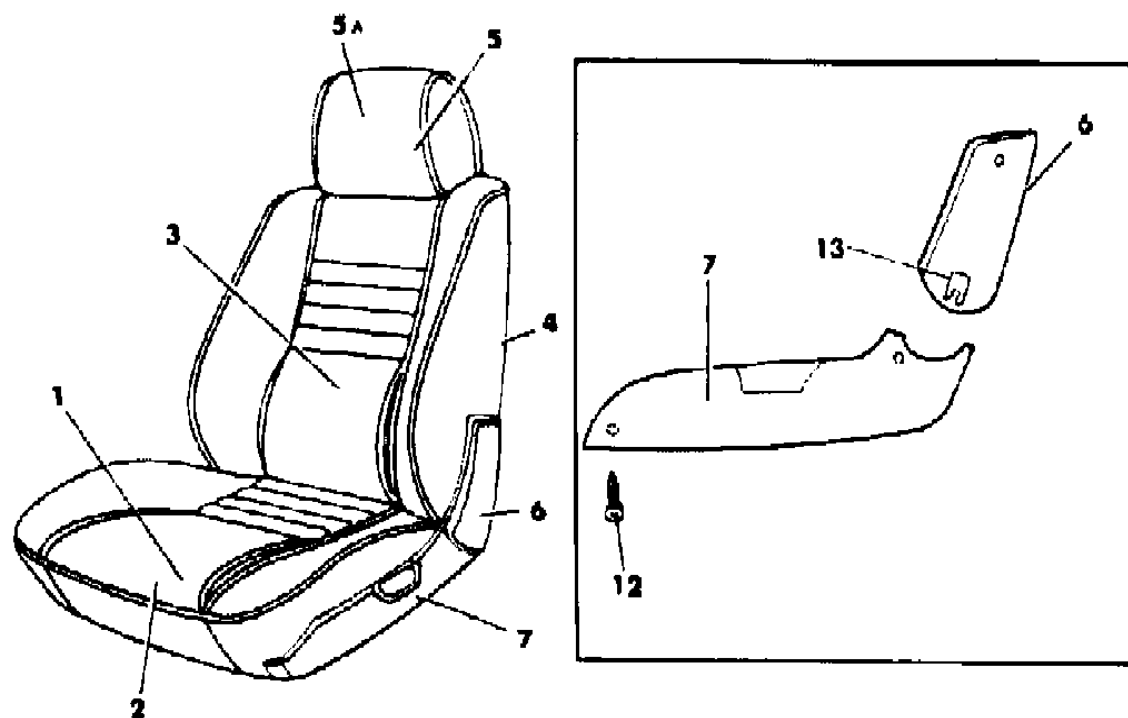
45 = 4-DOOR STATION WAGON

52-53 = FWD WAGON

AR = Use as Required - = Non Illustrated Part P.A.R. = Paint as Required

SEAT--FRONT J BODY TRIM CODE A8
Figure ITJ-1100

7233 1100 A



ITEM	PART NUMBER	QTY	BODY	MODEL	DESCRIPTION
1-2					CUSHION, w/Spring/Frame, Pad and Cover
					VINYL
					MANUAL
	N888-9 F8C	1			Blue, (A8C)
	N888-9 F8S	1			Charcoal, (A8S)
					ELECTRIC
	N891 F8C	1			Blue, (A8C)
	N891 F8S	1			Charcoal, (A8S)
2					COVER, Cushion
					VINYL
	N486-7 F8C	1			Blue, (A8C)
	N486-7 F8S	1			Charcoal, (A8S)
3					BACK, w/Spring/Frame, Pad and Cover
					VINYL
	N892-3 F8C	1			Blue, (A8C)
	N892-3 F8S	1			Charcoal, (A8S)
4					COVER, Back
					VINYL
	N488-9 F8C	1			Blue, (A8C)
	N488-9 F8S	1			Charcoal, (A8S)
5					HEADREST and COVER
					VINYL
	N937 FC5	2			Blue, (A8C)
	N937 FS8	2			Charcoal, (A8S)
5A					COVER, Headrest
					VINYL
	N980 FC5	2			Blue, (A8C)
	N980 FS8	2			Charcoal, (A8S)
6					SHIELD, Back (P.A.R.)
					OUTER
	S960 DW1	1			Passenger Seat
	S961 DW1	1			Driver Seat
					INNER
	S961 DW1	1			Passenger Seat
	S960 DW1	1			Driver Seat
7					SHIELD, Cushion (P.A.R.)
					OUTER
	S262 FK1	1			Passenger Seat

MODEL CODES

E BODY = (J - CARAVELLE)(E - 600)(T - NEW YORKER)

G BODY = (V24 - DAYTONA)

H BODY = (D44 - LANCER)(C44 - LEBARON GTS)

J BODY = (C - LEBARON)

K BODY = (P - RELIANT)(D - ARIES)(C - LEBAROND)/TOWN & COUNTRY)

L BODY = (M - HORIZON/TURISMO)(Z - OMNI/CHARGER)

M BODY = (B - GRAN FURY)(F - FIFTH AVE/NEWPORT)(G - DIPLOMAT)

P BODY = (P - SUNDANCE)(D - SHADOW)

S BODY = (H - VOYAGER)(K - RAM VAN/CARAVAN)

BODY STYLES

12-13 = FWD VAN

21 = 2-DOOR SEDAN

24 = 2-DOOR HATCHBACK

27 = 2-DOOR CONVERTIBLE

41 = 4-DOOR SEDAN

44 = 4-DOOR HATCHBACK

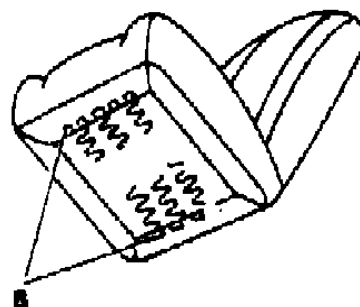
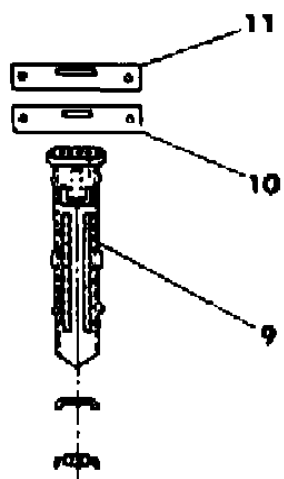
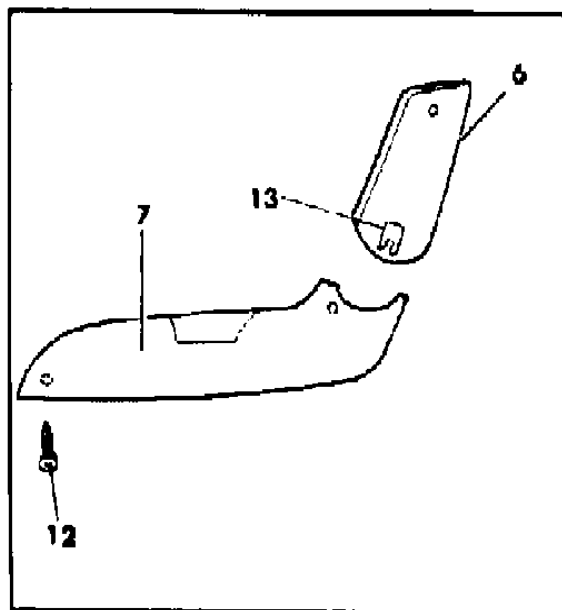
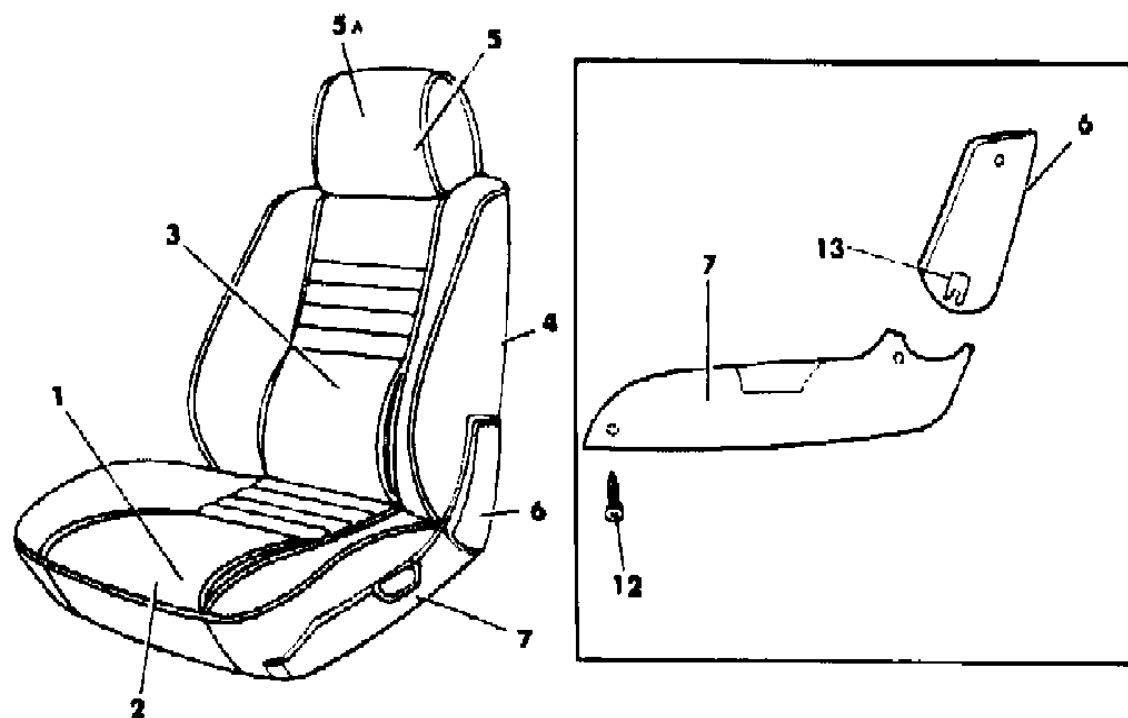
45 = 4-DOOR STATION WAGON

52-53 = FWD WAGON

AR = Use as Required - = Non Illustrated Part P.A.R. = Paint as Required

SEAT--FRONT J BODY TRIM CODE A8
Figure ITJ-1100

7233 1100 A



ITEM	PART NUMBER	QTY	BODY	MODEL	DESCRIPTION
	S263 FK1	1			Driver Seat
					INNER
	S262 FK1	1			Passenger Seat
	S262 FK1	1			Driver Seat
8	6008 076				HOG RING
9					SLEEVE, Headrest
	S786 EC5	2			Blue
	S786 EE8	2			Cordovan
	S786 EK1	2			Almond
	S786 CS8	2			Charcoal
10	4190 387	2			SUPPORT, Headrest
11	4327 688	2			COVER, Headrest Finish
12		AR			SCREW, Side Shield Attaching (8-18x.75) (Not Serv.)
13	4317 800	AR			CLIP

NOTE: (P.A.R.) = Paint As Required

MODEL CODES

E BODY = (J - CARAVELLE)(E - 600)(T - NEW YORKER)

G BODY = (V24 - DAYTONA)

H BODY = (D44 - LANCER)(C44 - LEBARON GTS)

J BODY = (C - LEBARON)

K BODY = (P - RELIANT)(D - ARIES)(C - LEBAROND)/TOWN & COUNTRY)

L BODY = (M - HORIZON/TURISMO)(Z - OMNI/CHARGER)

M BODY = (B - GRAN FURY)(F - FIFTH AVE/NEWPORT)(G - DIPLOMAT)

P BODY = (P - SUNDANCE)(D - SHADOW)

S BODY = (H - VOYAGER)(K - RAM VAN/CARAVAN)

BODY STYLES

12-13 = FWD VAN

21 = 2-DOOR SEDAN

24 = 2-DOOR HATCHBACK

27 = 2-DOOR CONVERTIBLE

41 = 4-DOOR SEDAN

44 = 4-DOOR HATCHBACK

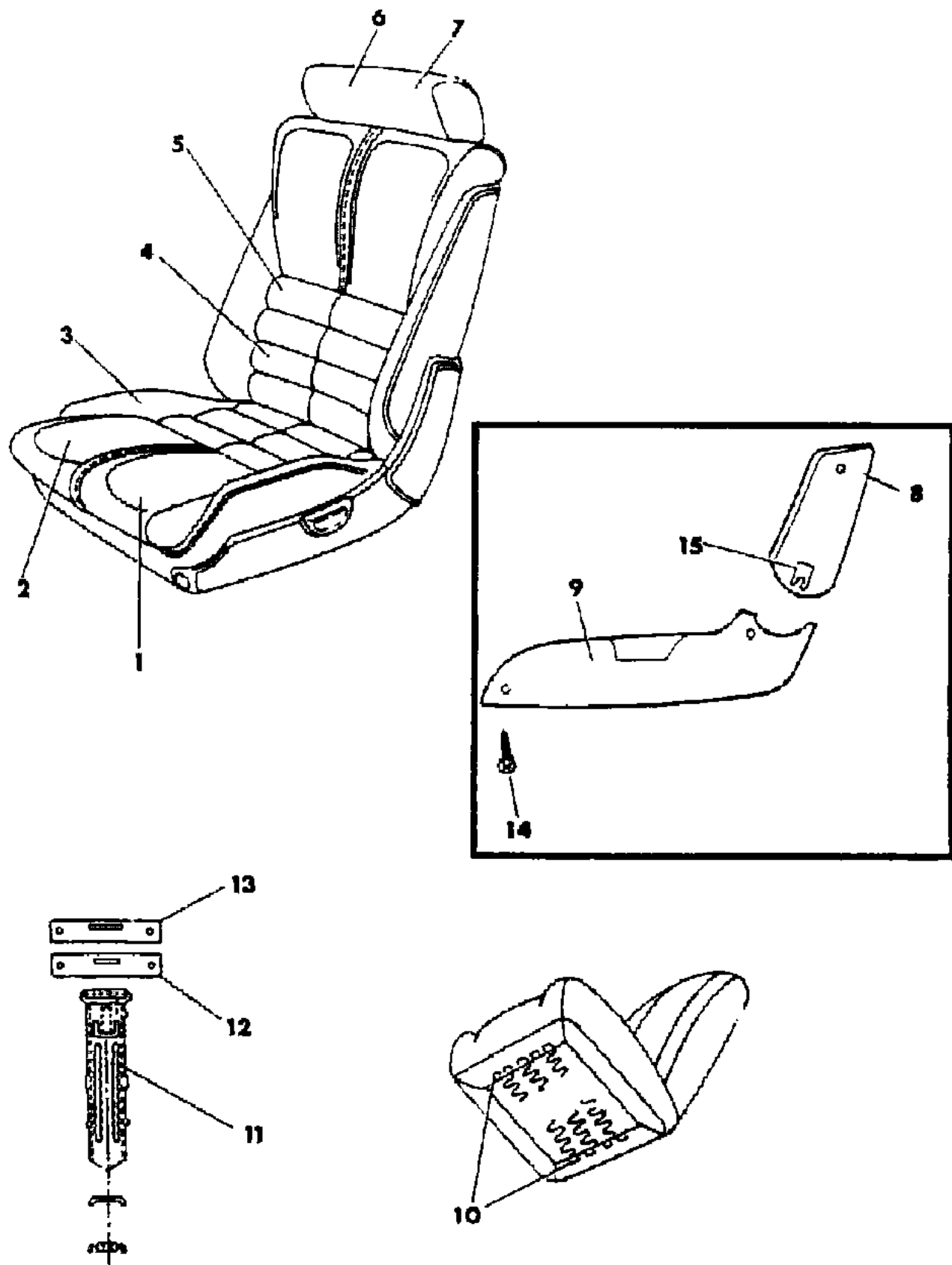
45 = 4-DOOR STATION WAGON

52-53 = FWD WAGON

AR = Use as Required - = Non Illustrated Part P.A.R. = Paint as Required

SEAT--FRONT J BODY TRIM CODE P7
Figure ITJ-1200

7233 1200 A



ITEM	PART NUMBER	QTY	BODY	MODEL	DESCRIPTION
1					CUSHION, w/Spring, Frame, Pad and Cover
					CLOTH
					Manual
		N894-5 F7C	1		Blue, (P7C)
		N894-5 F7E	1		Cordovan, (P7E)
		N894-5 F7K	1		Almond, (P7K)
		N894-5 F7S	1		Charcoal, (P7S)
					CLOTH
					ELECTRIC, Left
		N897 F7C	1		Blue, (P7C)
	N897 F7E	1		Cordovan, (P7E)	
	N897 F7K	1		Almond, (P7K)	
	N897 F7S	1		Charcoal, (P7S)	
2					COVER, Cushion Center
					CLOTH
					Passenger and Driver
		N386 F7C	2		Blue, (P7C)
		N386 F7E	2		Cordovan, (P7E)
	N386 F7K	2		Almond, (P7K)	
	N386 F7S	2		Charcoal, (P7S)	
3					COVER, Cushion Wings
					OUTBOARD
					Passenger Seat
		N388 F7C	1		Blue, (P7C)
		N388 F7E	1		Cordovan, (P7E)
		N388 F7K	1		Almond, (P7K)
		N388 F7S	1		Charcoal, (P7S)
					Driver Seat
		N389 F7C	1		Blue, (P7C)
		N389 F7E	1		Cordovan, (P7E)
		N389 F7K	1		Almond, (P7K)
		N389 F7S	1		Charcoal, (F7S)
					INBOARD
					Passenger Seat
	N389 F7C	1		Blue, (P7C)	
	N389 F7E	1		Cordovan, (P7E)	
	N389 F7K	1		Almond, (P7K)	
	N389 F7S	1		Charcoal, (P7S)	

MODEL CODES

E BODY = (J - CARAVELLE)(E - 600)(T - NEW YORKER)

G BODY = (V24 - DAYTONA)

H BODY = (D44 - LANCER)(C44 - LEBARON GTS)

J BODY = (C - LEBARON)

K BODY = (P - RELIANT)(D - ARIES)(C - LEBAROND)/TOWN & COUNTRY)

L BODY = (M - HORIZON/TURISMO)(Z - OMNI/CHARGER)

M BODY = (B - GRAN FURY)(F - FIFTH AVE/NEWPORT)(G - DIPLOMAT)

P BODY = (P - SUNDANCE)(D - SHADOW)

S BODY = (H - VOYAGER)(K - RAM VAN/CARAVAN)

BODY STYLES

12-13 = FWD VAN

21 = 2-DOOR SEDAN

24 = 2-DOOR HATCHBACK

27 = 2-DOOR CONVERTIBLE

41 = 4-DOOR SEDAN

44 = 4-DOOR HATCHBACK

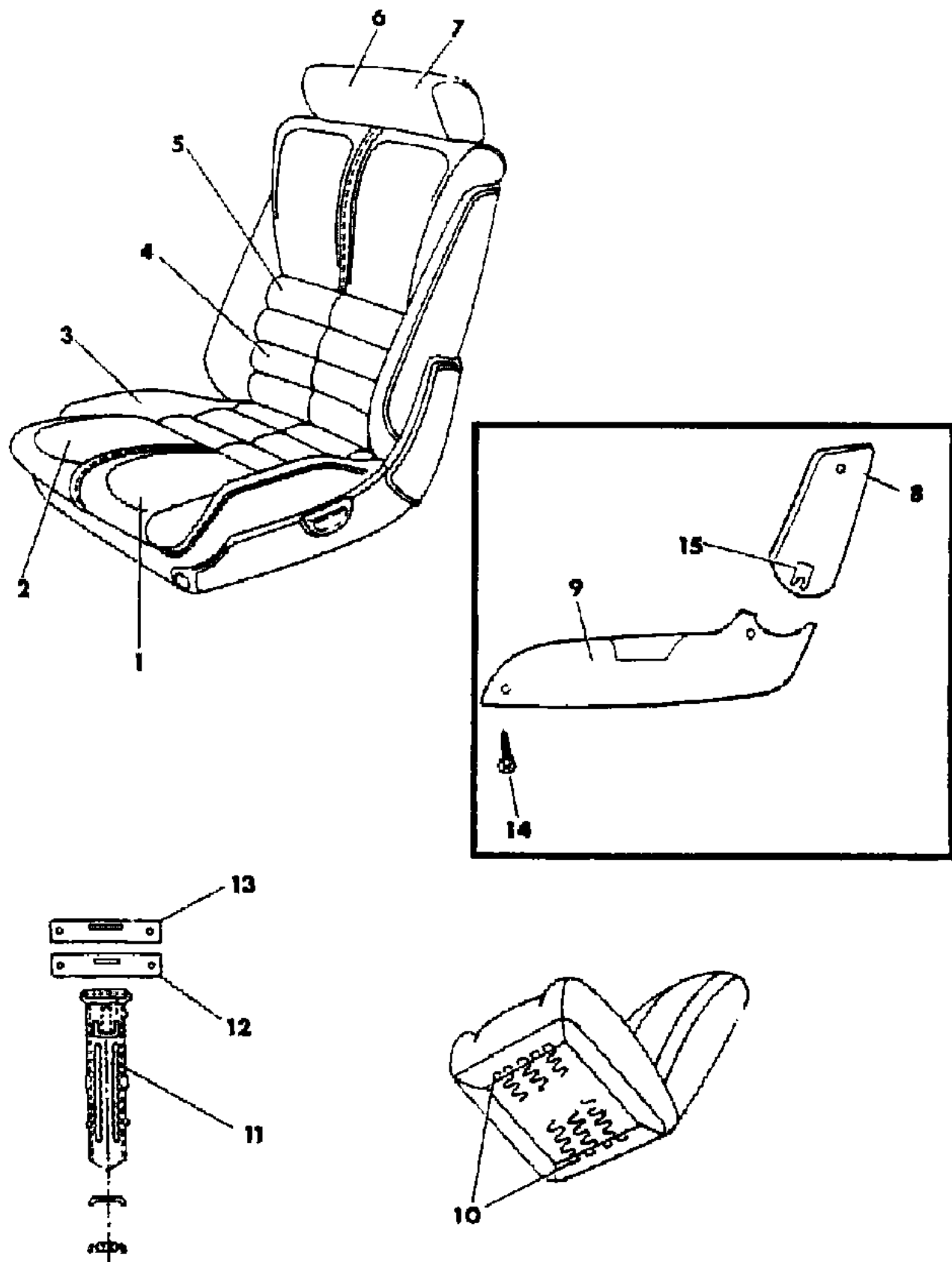
45 = 4-DOOR STATION WAGON

52-53 = FWD WAGON

AR = Use as Required - = Non Illustrated Part P.A.R. = Paint as Required

SEAT--FRONT J BODY TRIM CODE P7
Figure ITJ-1200

7233 1200 A



ITEM	PART NUMBER	QTY	BODY	MODEL	DESCRIPTION
					Driver Seat
	N388 F7C	1			Blue, (P7C)
	N388 F7E	1			Cordovan, (P7E)
	N388 F7K	1			Almond, (P7K)
	N388 F7S	1			Charcoal, (P7S)
4-5					BACK, w/Spring, Frame, Pad and Cover CLOTH
	N898-9 F7C	1			Blue, (P7C)
	N898-9 F7E	1			Cordovan, (P7E)
	N898-9 F7K	1			Almond, (P7K)
	N898-9 F7S	1			Charcoal, (P7S)
5					COVER, Back CLOTH
	N466-7 F7C	1			Blue, (P7C)
	N466-7 F7E	1			Cordovan, (P7E)
	N466-7 F7K	1			Almond, (P7K)
	N466-7 F7S	1			Charcoal, (P7S)
6					HEADREST and COVER
	N904 FCC	2			Blue, (PC7)
	N904 FEE	2			Cordovan, (P7E)
	N904 FKK	2			Almond, (P7K)
	N904 FAS	2			Charcoal, (P7S)
7					COVER, Headrest
	N468 FCC	2			Blue, (P7C)
	N468 FEE	2			Cordovan, (P7E)
	N468 FKK	2			Almond, (P7K)
	N468 FAS	2			Charcoal, (P7S)
8					SHIELD, Back (P.A.R.) OUTER
	S960 DW1	1			Passenger Seat
	S961 DW1	1			Driver Seat INNER
	S961 DW1	1			Passenger Seat
	S960 DW1	1			Driver Seat
9					SHIELD, Cushion (P.A.R.) OUTER
	S262 FK1	1			Passenger Seat
	S263 FK1	1			Driver Seat

MODEL CODES

E BODY = (J - CARAVELLE)(E - 600)(T - NEW YORKER)

G BODY = (V24 - DAYTONA)

H BODY = (D44 - LANCER)(C44 - LEBARON GTS)

J BODY = (C - LEBARON)

K BODY = (P - RELIANT)(D - ARIES)(C - LEBAROND)/TOWN & COUNTRY)

L BODY = (M - HORIZON/TURISMO)(Z - OMNI/CHARGER)

M BODY = (B - GRAN FURY)(F - FIFTH AVE/NEWPORT)(G - DIPLOMAT)

P BODY = (P - SUNDANCE)(D - SHADOW)

S BODY = (H - VOYAGER)(K - RAM VAN/CARAVAN)

BODY STYLES

12-13 = FWD VAN

21 = 2-DOOR SEDAN

24 = 2-DOOR HATCHBACK

27 = 2-DOOR CONVERTIBLE

41 = 4-DOOR SEDAN

44 = 4-DOOR HATCHBACK

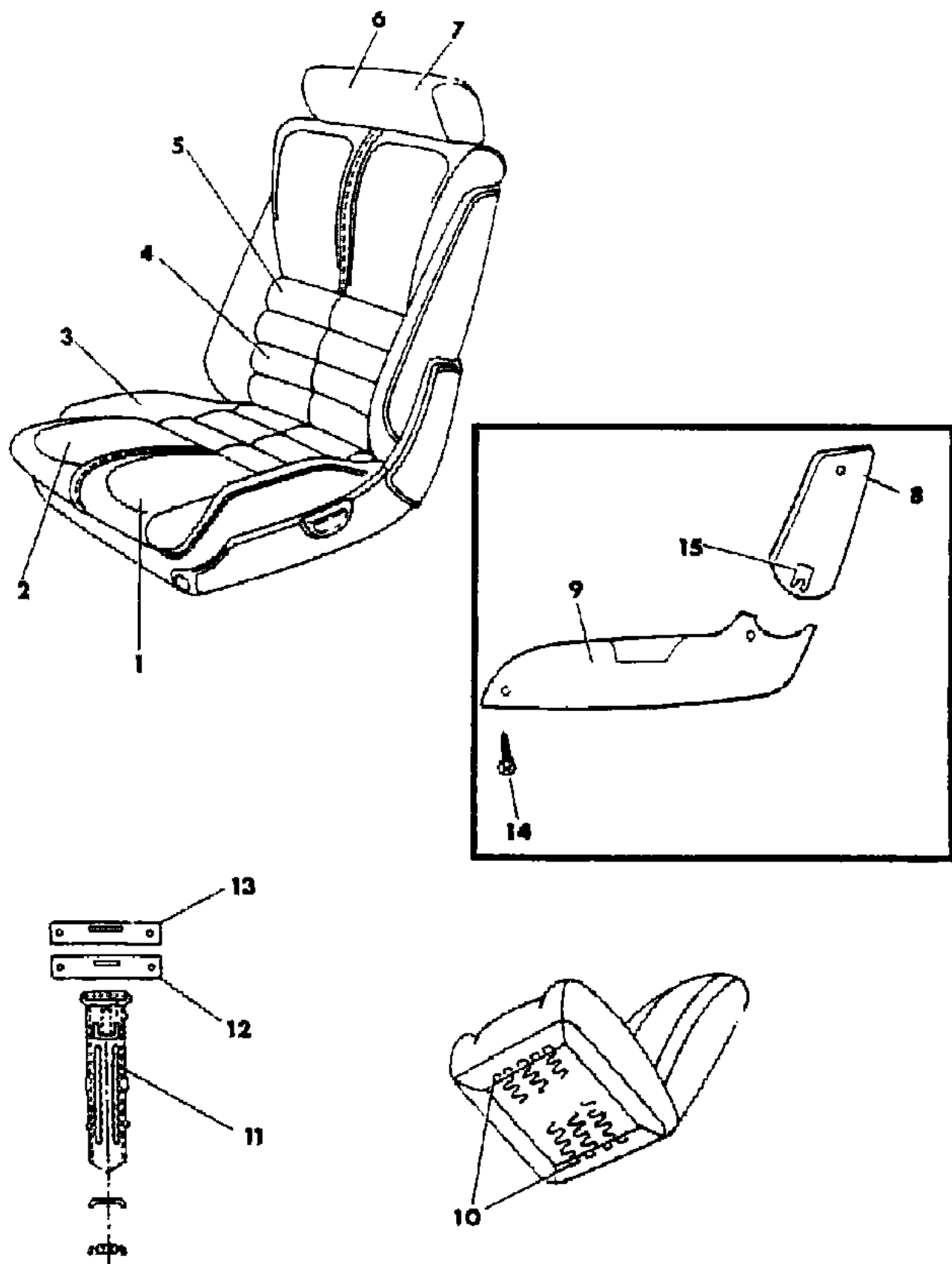
45 = 4-DOOR STATION WAGON

52-53 = FWD WAGON

AR = Use as Required - = Non Illustrated Part P.A.R. = Paint as Required

SEAT--FRONT J BODY TRIM CODE P7
Figure ITJ-1200

7233 1200 A



ITEM	PART NUMBER	QTY	BODY	MODEL	DESCRIPTION
					INNER
	S263 FK1	1			Passenger Seat
	S262 FK1	1			Driver Seat
10	6008 076	AR			HOG RING
11					SLEEVE, Headrest
	S786 EC5	2			Blue
	S786 EE8	2			Cordovan
	S786 EK1	2			Almond
	S786 CS8	2			Charcoal
12	4190 387	2			SUPPORT, Headrest
13	4327 688	2			COVER, Headrest Finish
14		AR			SCREW, Side Shields Attach. (8-18x1.75) (Not Serv.)
15	4317 800	AR			CLIP

NOTE: (P.A.R.) = Paint As Required

MODEL CODES

E BODY = (J - CARAVELLE)(E - 600)(T - NEW YORKER)

G BODY = (V24 - DAYTONA)

H BODY = (D44 - LANCER)(C44 - LEBARON GTS)

J BODY = (C - LEBARON)

K BODY = (P - RELIANT)(D - ARIES)(C - LEBAROND)/TOWN & COUNTRY)

L BODY = (M - HORIZON/TURISMO)(Z - OMNI/CHARGER)

M BODY = (B - GRAN FURY)(F - FIFTH AVE/NEWPORT)(G - DIPLOMAT)

P BODY = (P - SUNDANCE)(D - SHADOW)

S BODY = (H - VOYAGER)(K - RAM VAN/CARAVAN)

BODY STYLES

12-13 = FWD VAN

21 = 2-DOOR SEDAN

24 = 2-DOOR HATCHBACK

27 = 2-DOOR CONVERTIBLE

41 = 4-DOOR SEDAN

44 = 4-DOOR HATCHBACK

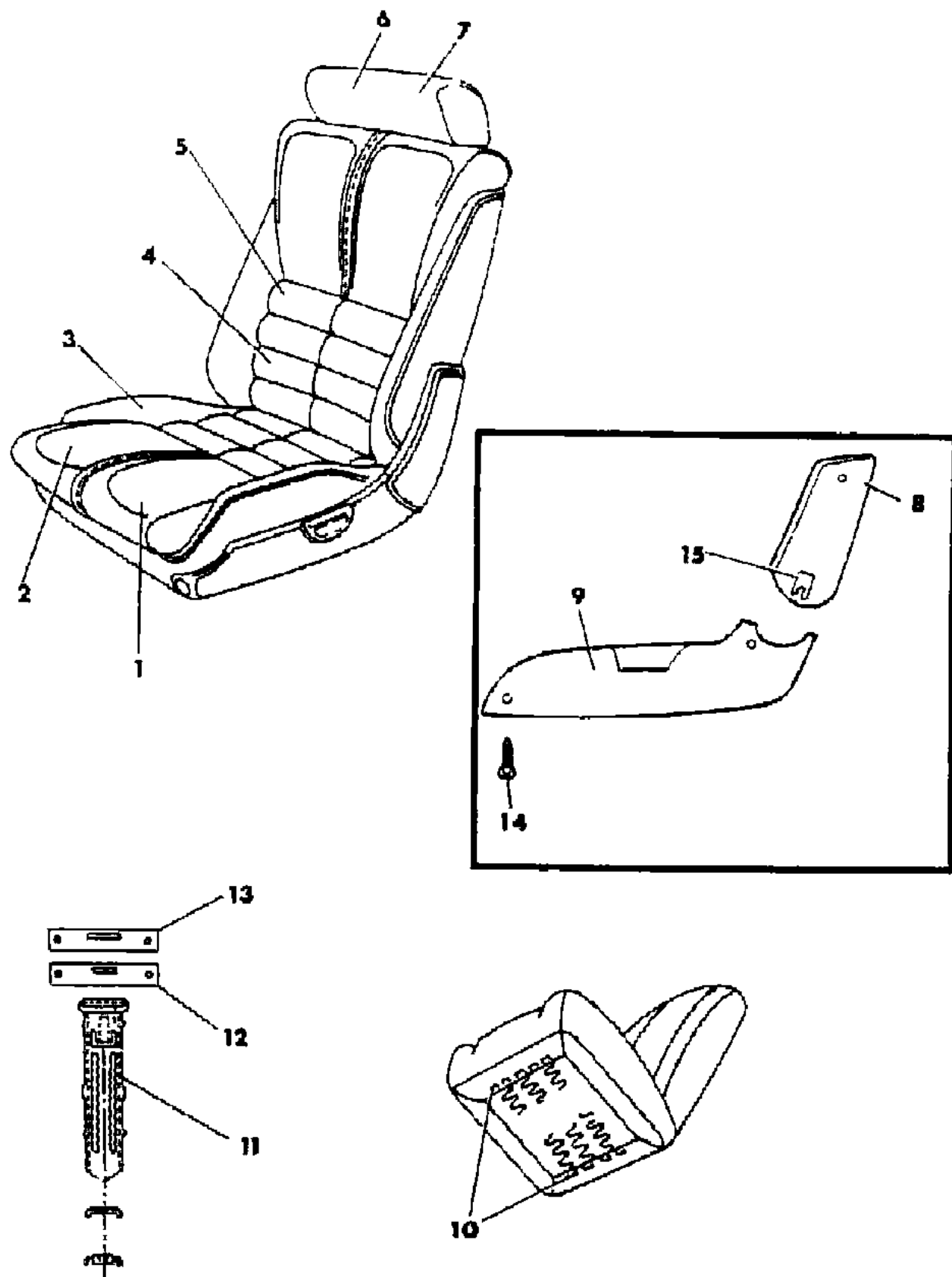
45 = 4-DOOR STATION WAGON

52-53 = FWD WAGON

AR = Use as Required - = Non Illustrated Part P.A.R. = Paint as Required

SEAT--FRONT J BODY TRIM CODE PL
Figure ITJ-1300

7233 1300 A



ITEM	PART NUMBER	QTY	BODY	MODEL	DESCRIPTION
1-3					CUSHION, w/Spring/Frame, Pad and Cover
					MANUAL, Right
					Leather
	N944 FLC	1			Blue, (PLC)
	N944 FLE	1			Cordovan, (PLE)
	N944 FLK	1			Almond, (PLK)
	N944 FLS	1			Charcoal, (PLS)
					ELECTRIC, Left
	N947 FLC	1			Blue, (PLC)
	N947 FLE	1			Cordovan, (PLE)
	N947 FLK	1			Almond, (PLK)
	N947 FLS	1			Charcoal, PLS
2					COVER, Cushion Center
					PASSENGER and DRIVER
					LEATHER
	N387 FLC	2			Blue, (PLC)
	N387 FLE	2			Cordovan (PLE)
	N387 FLK	2			Almond, (PLK)
	N387 FLS	2			Charcoal, (PLS)
3					COVER, Cushion Wings
					(No inb/outb - 390 for Pass - 391 Driver, Both Wings In Pkg.) s ARE NOT RETURNABLE.
					LEATHER
					OUTBOARD
					Passenger Seat
	N390 FLC	1			Blue, (PLC)
	N390 FLE	1			Cordovan, (PLE)
	N390 FLK	1			Almond, (PLK)
	N390 FLS	1			Charcoal, (PLS)
					DRIVER SEAT
	N391 FLC	1			Blue, (PLC)
	N391 FLE	1			Cordovan, (PLE)
	N391 FLK	1			Almond, (PLK)
	N391 FLS	1			Charcoal, (PLS)
					INBOARD
					PASSENGER SEAT
	N391 FLC	1			Blue, (PLC)
	N391 FLE	1			Cordovan, PLE
	N391 FLK	1			Almond, (PLK)

MODEL CODES

E BODY = (J - CARAVELLE)(E - 600)(T - NEW YORKER)

G BODY = (V24 - DAYTONA)

H BODY = (D44 - LANCER)(C44 - LEBARON GTS)

J BODY = (C - LEBARON)

K BODY = (P - RELIANT)(D - ARIES)(C - LEBAROND)/TOWN & COUNTRY)

L BODY = (M - HORIZON/TURISMO)(Z - OMNI/CHARGER)

M BODY = (B - GRAN FURY)(F - FIFTH AVE/NEWPORT)(G - DIPLOMAT)

P BODY = (P - SUNDANCE)(D - SHADOW)

S BODY = (H - VOYAGER)(K - RAM VAN/CARAVAN)

BODY STYLES

12-13 = FWD VAN

21 = 2-DOOR SEDAN

24 = 2-DOOR HATCHBACK

27 = 2-DOOR CONVERTIBLE

41 = 4-DOOR SEDAN

44 = 4-DOOR HATCHBACK

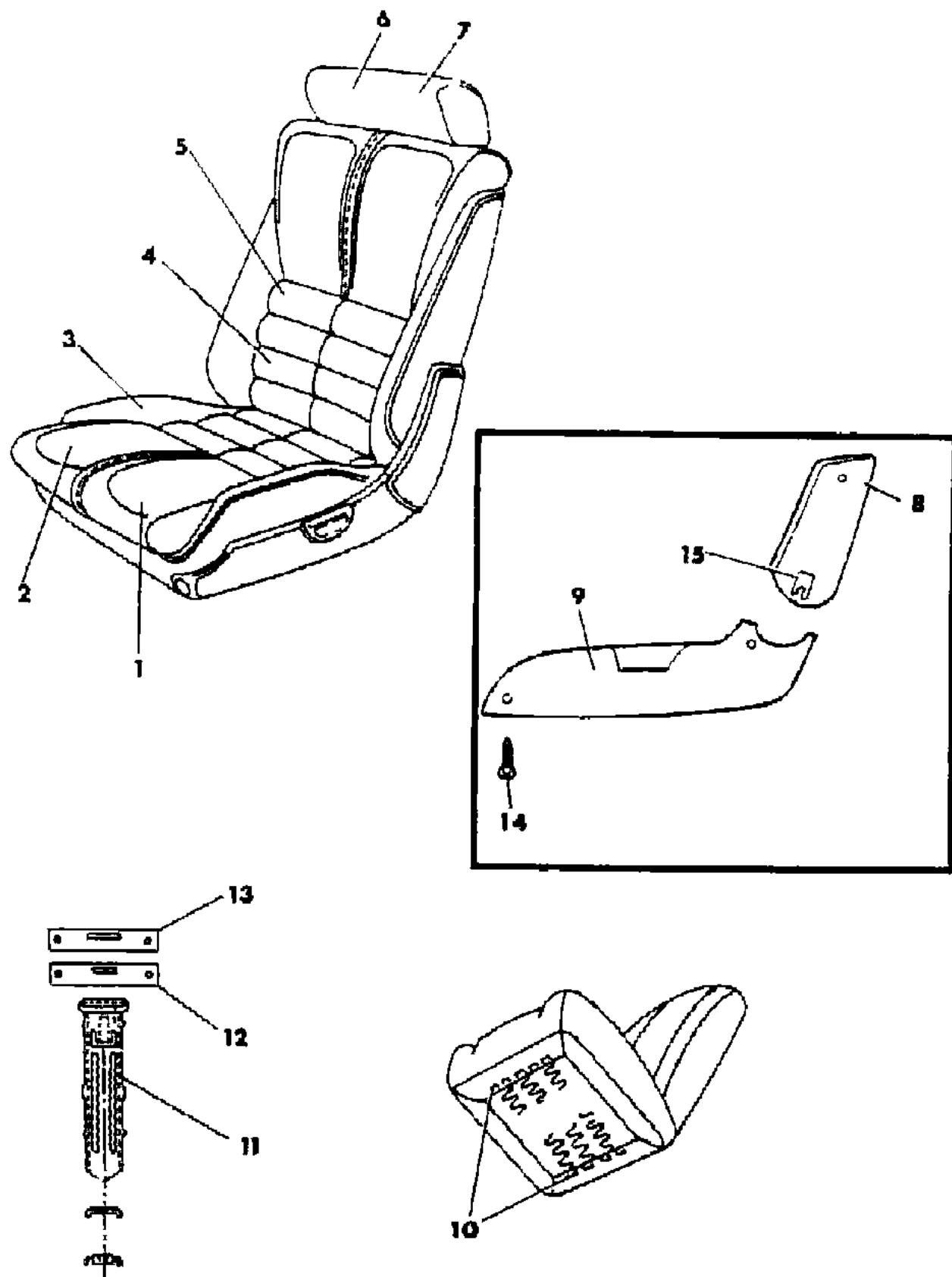
45 = 4-DOOR STATION WAGON

52-53 = FWD WAGON

AR = Use as Required - = Non Illustrated Part P.A.R. = Paint as Required

SEAT--FRONT J BODY TRIM CODE PL
Figure ITJ-1300

7233 1300 A



ITEM	PART NUMBER	QTY	BODY	MODEL	DESCRIPTION
	N391 FLS	1			Charcoal DRIVER SEAT
	N390 FLC	1			Blue, (PLC)
	N390 FLE	1			Cordovan, (PLE)
	N390 FLK	1			Almond, (PLK)
4-5	N390 FLS	1			Charcoal, (PLS) BACK,w/Spring/Frame, Pad and Cover LEATHER
	N948-9 FLC	1			Blue, (PLC)
	N948-9 FLE	1			Cordovan, (PLE)
	N948-9 FLK	1			Almond, (PLK)
	N948-9 FLS	1			Charcoal, (PLS)
5					COVER, Back LEATHER
	N472-3 FLC	1			Blue, (PLC)
	N472-3 FLE	1			Cordovan, (PLE)
	N472-3 FLK	1			Almond, (PLK)
	N472-3 FLS	1			Charcoal, (PLS)
6					HEADREST and COVER LEATHER
	B736 FC5	2			Blue, (PLC)
	B736 FE8	1			Cordovan, (PLE)
	B736 FK1	2			Almond, (PLK)
	B736 FS8	2			Charcoal, (PLS)
7					COVER, Headrest LEATHER
	N474 FC5	2			Blue, (PLC)
	N474 FE8	2			Cordovan, (PLE)
	N474 FK1	1			Almond, (PLK)
	N474 FS8	2			Charcoal, (PLS)
8					SHIELD, Back (P.A.R.) OUTER
	S960 DW1	1			Passenger Seat
	S961 DW1	1			Driver Seat INNER
	S961 DW1	1			Passenger Seat
	S960 DW1	1			Driver Seat
9					SHIELD, Cushion (P.A.R.)

MODEL CODES

E BODY = (J - CARAVELLE)(E - 600)(T - NEW YORKER)

G BODY = (V24 - DAYTONA)

H BODY = (D44 - LANCER)(C44 - LEBARON GTS)

J BODY = (C - LEBARON)

K BODY = (P - RELIANT)(D - ARIES)(C - LEBAROND)/TOWN & COUNTRY)

L BODY = (M - HORIZON/TURISMO)(Z - OMNI/CHARGER)

M BODY = (B - GRAN FURY)(F - FIFTH AVE/NEWPORT)(G - DIPLOMAT)

P BODY = (P - SUNDANCE)(D - SHADOW)

S BODY = (H - VOYAGER)(K - RAM VAN/CARAVAN)

BODY STYLES

12-13 = FWD VAN

21 = 2-DOOR SEDAN

24 = 2-DOOR HATCHBACK

27 = 2-DOOR CONVERTIBLE

41 = 4-DOOR SEDAN

44 = 4-DOOR HATCHBACK

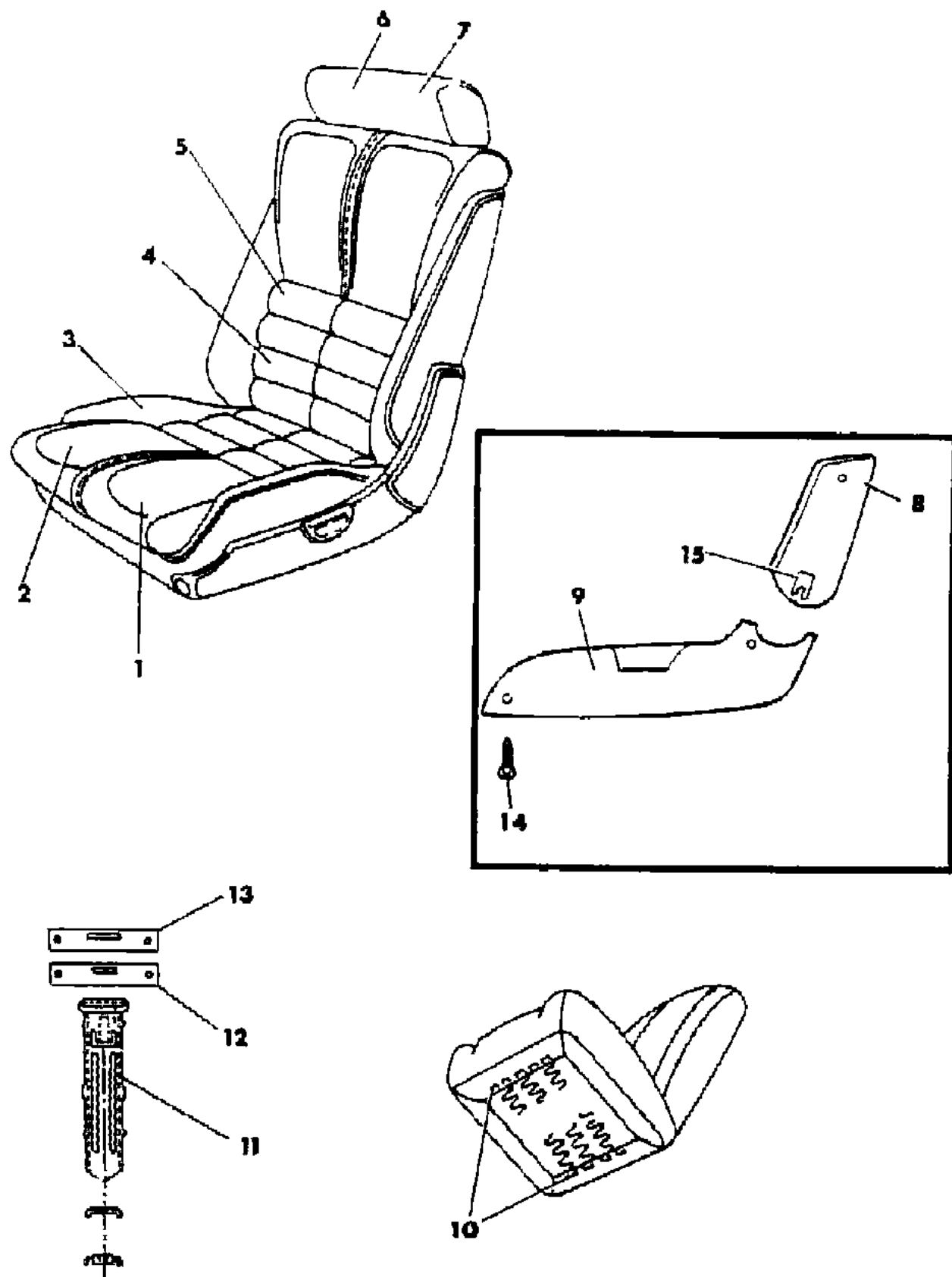
45 = 4-DOOR STATION WAGON

52-53 = FWD WAGON

AR = Use as Required - = Non Illustrated Part P.A.R. = Paint as Required

SEAT--FRONT J BODY TRIM CODE PL
Figure ITJ-1300

7233 1300 A



ITEM	PART NUMBER	QTY	BODY	MODEL	DESCRIPTION
					OUTER
	S262 FK1	1			Passenger Seat
	S263 FK1	1			Driver Seat
					INNER
	S263 FK1	1			Passenger Seat
	S262 FK1	1			Driver Seat
10		AR			HOG RING
11					SLEEVE, Headrest
	S786 EC5	2			Blue
	S786 EE8	2			Cordovan
	S786 EK1	2			Almond
	S786 CS8	2			Charcoal
12	4190 387				SUPPORT, Headrest
13	4327 688	2			COVER, Headrest Finish
14					SCREW, Side Shield Attaching (8-18x1.75) (Not Serv.)
15	4317 800	AR			CLIP
					NOTE: (P.A.R.) = Paint As Required

MODEL CODES

E BODY = (J - CARAVELLE)(E - 600)(T - NEW YORKER)

G BODY = (V24 - DAYTONA)

H BODY = (D44 - LANCER)(C44 - LEBARON GTS)

J BODY = (C - LEBARON)

K BODY = (P - RELIANT)(D - ARIES)(C - LEBAROND)/TOWN & COUNTRY)

L BODY = (M - HORIZON/TURISMO)(Z - OMNI/CHARGER)

M BODY = (B - GRAN FURY)(F - FIFTH AVE/NEWPORT)(G - DIPLOMAT)

P BODY = (P - SUNDANCE)(D - SHADOW)

S BODY = (H - VOYAGER)(K - RAM VAN/CARAVAN)

BODY STYLES

12-13 = FWD VAN

21 = 2-DOOR SEDAN

24 = 2-DOOR HATCHBACK

27 = 2-DOOR CONVERTIBLE

41 = 4-DOOR SEDAN

44 = 4-DOOR HATCHBACK

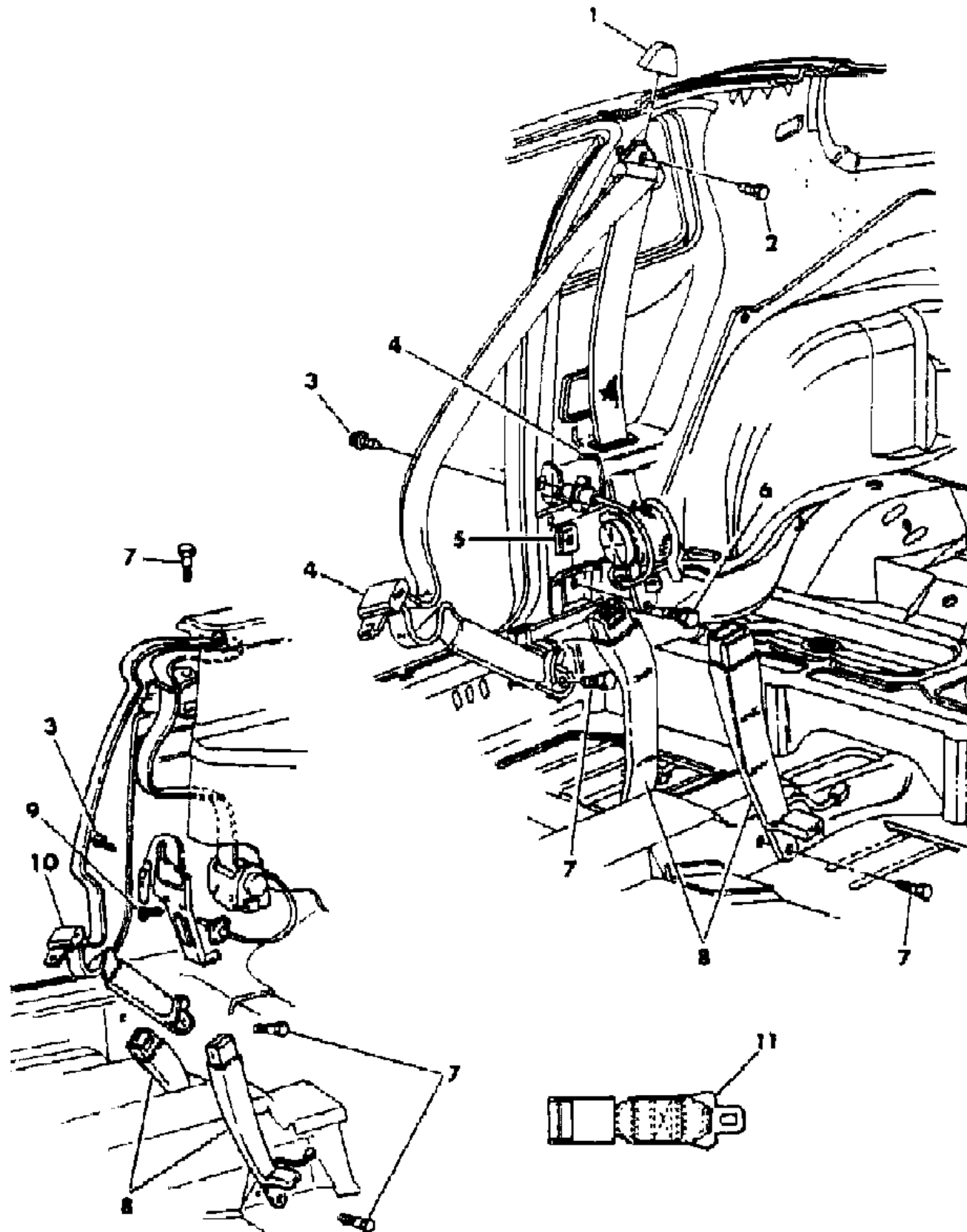
45 = 4-DOOR STATION WAGON

52-53 = FWD WAGON

AR = Use as Required - = Non Illustrated Part P.A.R. = Paint as Required

BELT--FRONT SEAT J BODY MANUAL-ACTIVE SYSTEM
Figure ITJ-1400

7233 1400 B



ITEM	PART NUMBER	QTY	BODY	MODEL	DESCRIPTION
1					COVER, Turning Loop
	F700 EC5	2			Blue
	F700 EE8	2			Cordovan
	F700 EK1	2			Almond
	F700 FS8	2			Charcoal
2	6031 217	2			BOLT
3					SCREW, (10-16x3/4) (Not Serv.)
4					BELT, Outer
					Label Number 4380002-3
	F982-3 FC5	1			Blue
	F982-3 FE8	1			Cordovan
	F982-3 FK1	1			Almond
5					U-NUT
	6032 353	2			
	6031 484	2			BOLT
	6031 298	2			BOLT
8					Label Number 4380004-5
	F608-9 FC5	1			Blue
	F608-9 FE8	1			Cordovan
	F608-9 FK1	1			Almond
	F608-9 FS8	1			Charcoal
9		4			BOLT, (m8-1.25x25) (Not Serv.)
10					BELT, Outer
					LABEL NUMBER 4380006-7
	F596-7 FC5	1			Blue
	F596-7 FE8	1			Cordovan
	F596-7 FK1	1			Almond
11					Charcoal
	4402 887	AR			EXTENDER

MODEL CODES

E BODY = (J - CARAVELLE)(E - 600)(T - NEW YORKER)

G BODY = (V24 - DAYTONA)

H BODY = (D44 - LANCER)(C44 - LEBARON GTS)

J BODY = (C - LEBARON)

K BODY = (P - RELIANT)(D - ARIES)(C - LEBAROND)/TOWN & COUNTRY)

L BODY = (M - HORIZON/TURISMO)(Z - OMNI/CHARGER)

M BODY = (B - GRAN FURY)(F - FIFTH AVE/NEWPORT)(G - DIPLOMAT)

P BODY = (P - SUNDANCE)(D - SHADOW)

S BODY = (H - VOYAGER)(K - RAM VAN/CARAVAN)

BODY STYLES

12-13 = FWD VAN

21 = 2-DOOR SEDAN

24 = 2-DOOR HATCHBACK

27 = 2-DOOR CONVERTIBLE

41 = 4-DOOR SEDAN

44 = 4-DOOR HATCHBACK

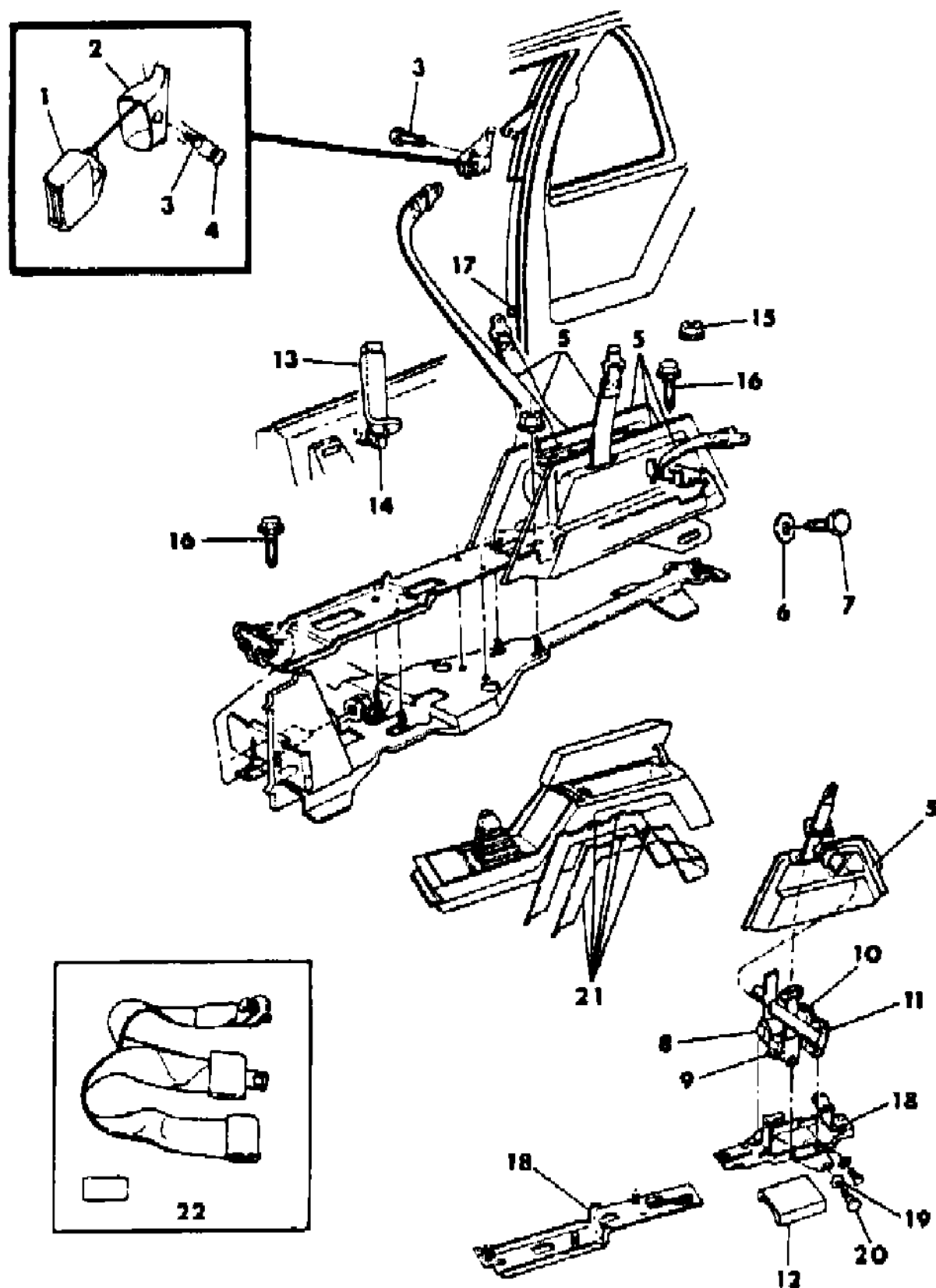
45 = 4-DOOR STATION WAGON

52-53 = FWD WAGON

AR = Use as Required - = Non Illustrated Part P.A.R. = Paint as Required

BELT--FRONT SEAT J BODY PASSIVE SYSTEM
Figure ITJ-1500

7233 1500



ITEM	PART NUMBER	QTY	BODY	MODEL	DESCRIPTION
1	4402 206-7	2			BUCKLE ASSEMBLY, Shoulder Belt Door Attach.
2					COVER, Shoulder Belt Buckle to Door Attach. (Serv. in Item #1)
3	6033 244	2			BOLT
4	4402 764	2			PLUG
5					COVER, Retractor Carpet
	F952-3 FC5	1			Blue
	F952-3 FE8	1			Cordovan
	F952-3 FK1	1			Almond
	F952-3 FS8	1			Charcoal
6					WASHER, (Not Serv.)
7	6031 218	2			BOLT
8					BELT and RETRACTOR, Shoulder Rt.
					Label Number 4402758
	F972 FC5	1			Blue
	F972 FE8	1			Cordovan
	F972 FK1	1			Almond
	F972 FS8	1			Charcoal
9					BELT and RETRACTOR, Shoulder Lt.
					Label Number 4402759
	F973 FC5	1			Blue
	F973 FE8	1			Cordovan
	F973 FK1	1			Almond
	F973 FS8	1			Charcoal
10					BELT and RETRACTOR, Lap Rt.
					Label Number 4402760
	F974 FC5	1			Blue
	F974 FE8	1			Cordovan
	F974 FK1	1			Almond
	F974 FS8	1			Charcoal
11					BELT and RETRACTOR, Lap Lt.
					Label Number 4402761
	F975 FC5	1			Blue
	F975 FE8	1			Cordovan
	F975 FK1	1			Almond
	F975 FS8	1			Charcoal
12					PAD, Insulator (Not Required)
13					BELT, Outboard Lap Buckle Half
					Label Number 4402210-1

MODEL CODES

E BODY = (J - CARAVELLE)(E - 600)(T - NEW YORKER)

G BODY = (V24 - DAYTONA)

H BODY = (D44 - LANCER)(C44 - LEBARON GTS)

J BODY = (C - LEBARON)

K BODY = (P - RELIANT)(D - ARIES)(C - LEBAROND)/TOWN & COUNTRY)

L BODY = (M - HORIZON/TURISMO)(Z - OMNI/CHARGER)

M BODY = (B - GRAN FURY)(F - FIFTH AVE/NEWPORT)(G - DIPLOMAT)

P BODY = (P - SUNDANCE)(D - SHADOW)

S BODY = (H - VOYAGER)(K - RAM VAN/CARAVAN)

BODY STYLES

12-13 = FWD VAN

21 = 2-DOOR SEDAN

24 = 2-DOOR HATCHBACK

27 = 2-DOOR CONVERTIBLE

41 = 4-DOOR SEDAN

44 = 4-DOOR HATCHBACK

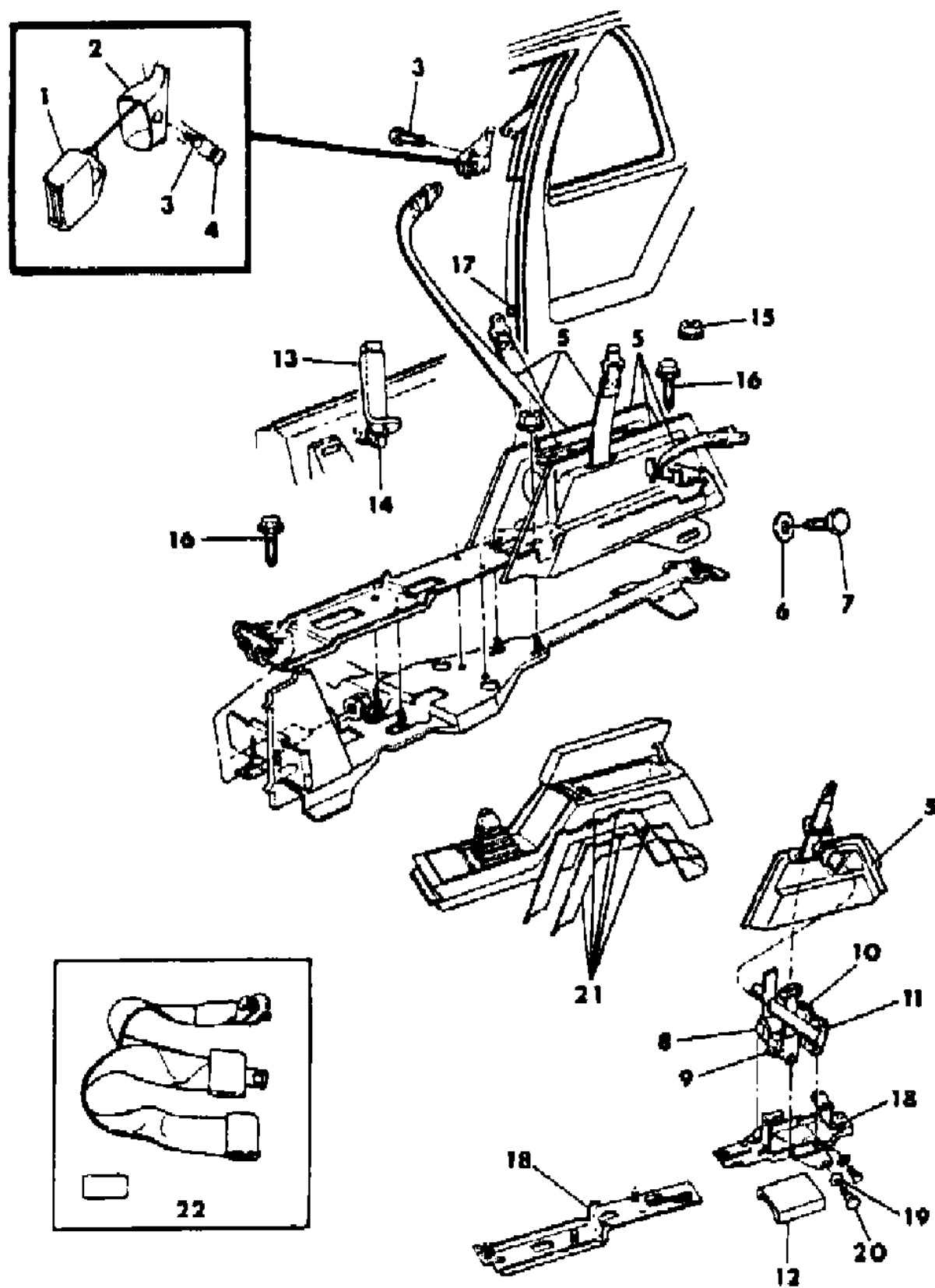
45 = 4-DOOR STATION WAGON

52-53 = FWD WAGON

AR = Use as Required - = Non Illustrated Part P.A.R. = Paint as Required

BELT--FRONT SEAT J BODY PASSIVE SYSTEM
Figure ITJ-1500

7233 1500



ITEM	PART NUMBER	QTY	BODY	MODEL	DESCRIPTION
	F916-7 FC5	1			Blue
	F916-7 FE8	1			Cordovan
	F916-7 FK1	1			Almond
	F916-7 FS8	1			Charcoal
14	6031 298	2			BOLT, Outer Belt to Floor Attach.
15	6100 049	5			NUT and WASHER
16		5			SCREW, (Not Serv.)
17	4402 369	2			PLUG, Tension Reliever Mounting Hole
18	4420 809	1			BRACKET, Retractor to Floor Attach.
19		AR			WASHER, (Not Serv.)
20	6031 218	AR			BOLT
21					CARPET, Rear Floor Console, Rt. and Lt.
	F298 FC5	2			Blue
	F298 FE8	1			Cordovan
	F298 FK3	2			Almond
	F298 FS8	1			Charcoal
22	4420 812	1			RESTRAINT and LABEL PKG.
23					BEZEL, Front Seat Inner Passive Belt
	F410 FC5	1			Blue
	F410 FE8	1			Cordovan
	F410 FK1	1			Almond
	F410 FS8	1			Charcoal

MODEL CODES

E BODY = (J - CARAVELLE)(E - 600)(T - NEW YORKER)

G BODY = (V24 - DAYTONA)

H BODY = (D44 - LANCER)(C44 - LEBARON GTS)

J BODY = (C - LEBARON)

K BODY = (P - RELIANT)(D - ARIES)(C - LEBAROND)/TOWN & COUNTRY)

L BODY = (M - HORIZON/TURISMO)(Z - OMNI/CHARGER)

M BODY = (B - GRAN FURY)(F - FIFTH AVE/NEWPORT)(G - DIPLOMAT)

P BODY = (P - SUNDANCE)(D - SHADOW)

S BODY = (H - VOYAGER)(K - RAM VAN/CARAVAN)

BODY STYLES

12-13 = FWD VAN

21 = 2-DOOR SEDAN

24 = 2-DOOR HATCHBACK

27 = 2-DOOR CONVERTIBLE

41 = 4-DOOR SEDAN

44 = 4-DOOR HATCHBACK

45 = 4-DOOR STATION WAGON

52-53 = FWD WAGON

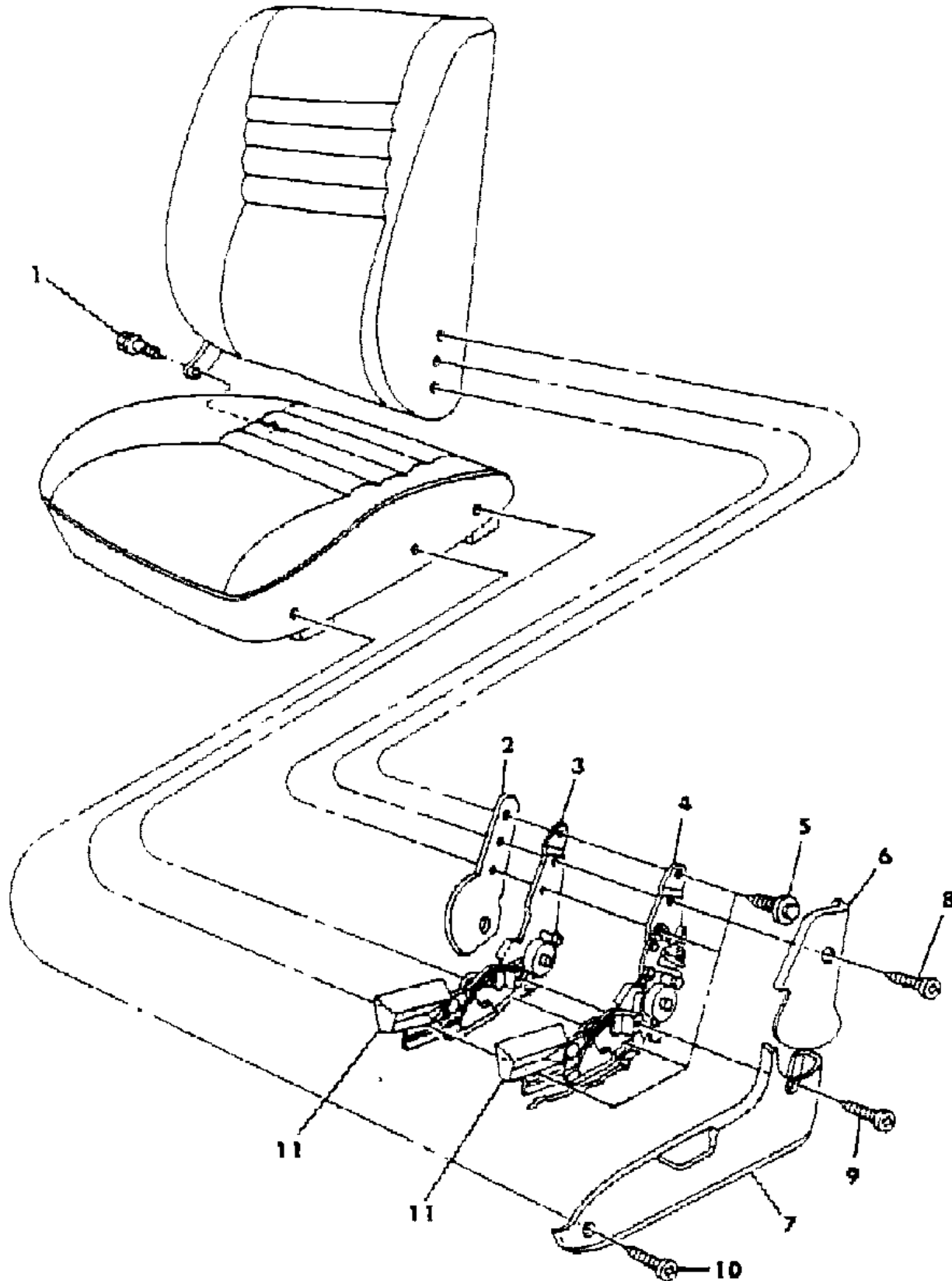
AR = Use as Required - = Non Illustrated Part P.A.R. = Paint as Required

SEAT--RECLINING J BODY
Figure ITJ-1600

7233 1600

ITEM	PART NUMBER	QTY	BODY	MODEL	DESCRIPTION
1	6501 346	1			BOLT, Inner Pivot
2	4327 671	1			PROTECTOR
3	4380 147	1			RECLINER, Left
4	4380 016	1			RECLINER, w/Easy Entry Manual, Right
5	6501 222	AR			SCREW
6	S960-1 DW1	1			SHIELD, Back (w/Release Button)
7	S262-3 FK1	1			SHIELD, Cushion
8		AR			SCREW, (8-18x1 3/4) (Not Serv.)
9	6032 456	AR			SCREW
10		AR			SCREW, (8-18x1) (Not Serv.)
11	S936-7 FA3	1			HANDLE, (P.A.R.)

NOTE: (P.A.R.) = Paint As Required



MODEL CODES

E BODY = (J - CARAVELLE)(E - 600)(T - NEW YORKER)

G BODY = (V24 - DAYTONA)

H BODY = (D44 - LANCER)(C44 - LEBARON GTS)

J BODY = (C - LEBARON)

K BODY = (P - RELIANT)(D - ARIES)(C - LEBAROND)/TOWN & COUNTRY)

L BODY = (M - HORIZON/TURISMO)(Z - OMNI/CHARGER)

M BODY = (B - GRAN FURY)(F - FIFTH AVE/NEWPORT)(G - DIPLOMAT)

P BODY = (P - SUNDANCE)(D - SHADOW)

S BODY = (H - VOYAGER)(K - RAM VAN/CARAVAN)

BODY STYLES

12-13 = FWD VAN

21 = 2-DOOR SEDAN

24 = 2-DOOR HATCHBACK

27 = 2-DOOR CONVERTIBLE

41 = 4-DOOR SEDAN

44 = 4-DOOR HATCHBACK

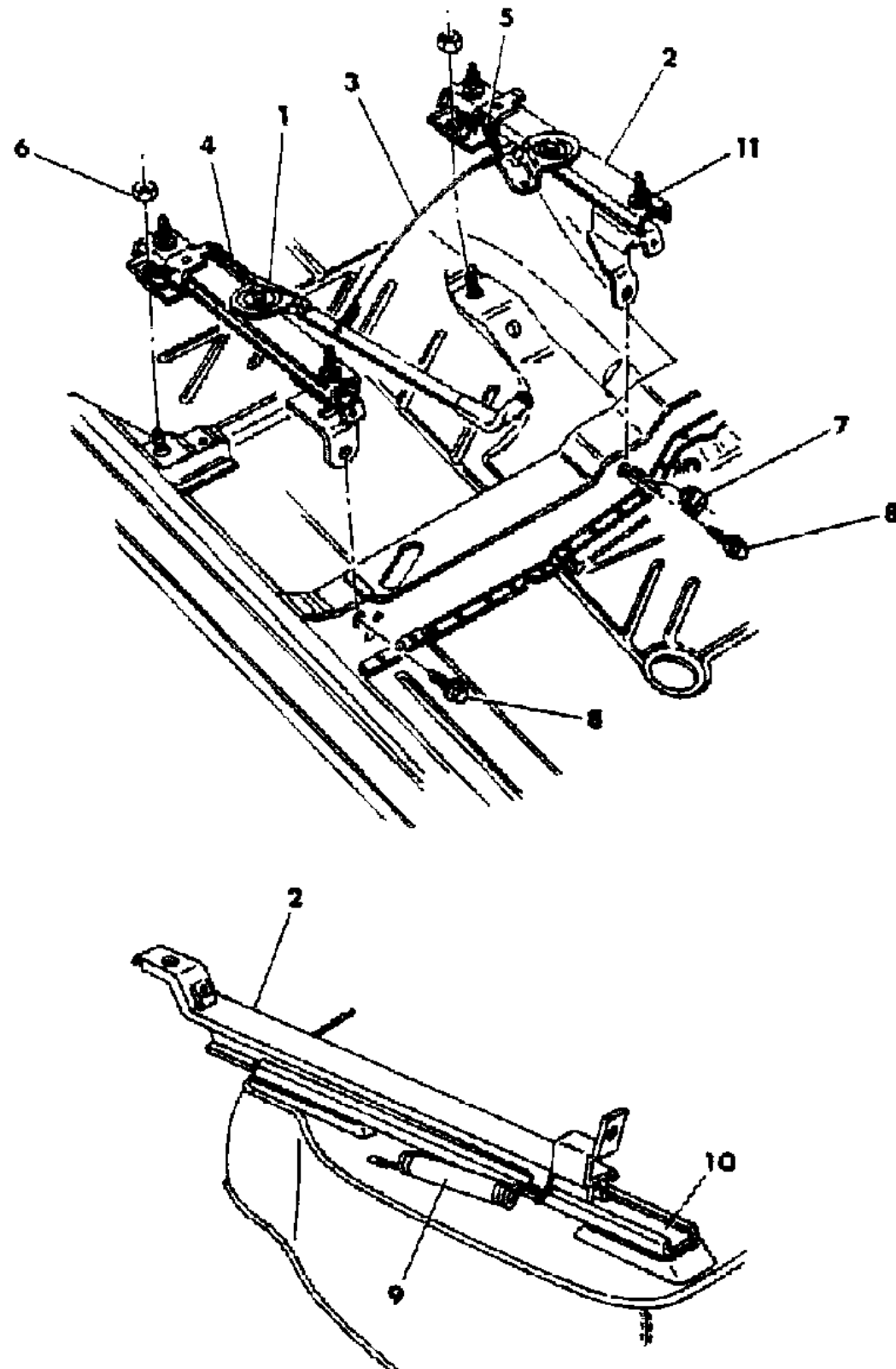
45 = 4-DOOR STATION WAGON

52-53 = FWD WAGON

AR = Use as Required - = Non Illustrated Part P.A.R. = Paint as Required

ADJUSTER--MANUAL J BODY
Figure ITJ-1700

7233 1700 A



ITEM	PART NUMBER	QTY	BODY	MODEL	DESCRIPTION
1					ADJUSTER, Outer
	4380 026	1			Passenger Seat w/Easy Entry
	4380 289	1			Driver Seat
2					ADJUSTER, Inner
	4380 024	1			Passenger Seat w/Easy Entry
	4380 291	1			Driver Side
3	4380 285	1			WIRE, Adjuster Release
4	4327 235	1			SPRING, Lever Return
5	4402 215	1			SPRING, Latch Return Inboard
6		AR			NUT, Hexagon Flange (m8x1.25-6H) (Not Serv.)
7	6101 283	1			U-NUT
8		AR			SCREW and WASHER, (Hex Head (m8-1.25x30) (Not Serv.)
9	4290 990	1			SPRING, Inner Adjuster Assist
10	4316 938-9	1			TRACK, Lower
11	6028 040	2			RETAINER, Push On

MODEL CODES

E BODY = (J - CARAVELLE)(E - 600)(T - NEW YORKER)

G BODY = (V24 - DAYTONA)

H BODY = (D44 - LANCER)(C44 - LEBARON GTS)

J BODY = (C - LEBARON)

K BODY = (P - RELIANT)(D - ARIES)(C - LEBAROND)/TOWN & COUNTRY)

L BODY = (M - HORIZON/TURISMO)(Z - OMNI/CHARGER)

M BODY = (B - GRAN FURY)(F - FIFTH AVE/NEWPORT)(G - DIPLOMAT)

P BODY = (P - SUNDANCE)(D - SHADOW)

S BODY = (H - VOYAGER)(K - RAM VAN/CARAVAN)

BODY STYLES

12-13 = FWD VAN

21 = 2-DOOR SEDAN

24 = 2-DOOR HATCHBACK

27 = 2-DOOR CONVERTIBLE

41 = 4-DOOR SEDAN

44 = 4-DOOR HATCHBACK

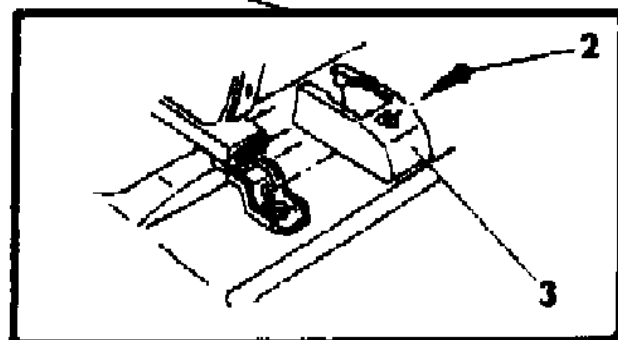
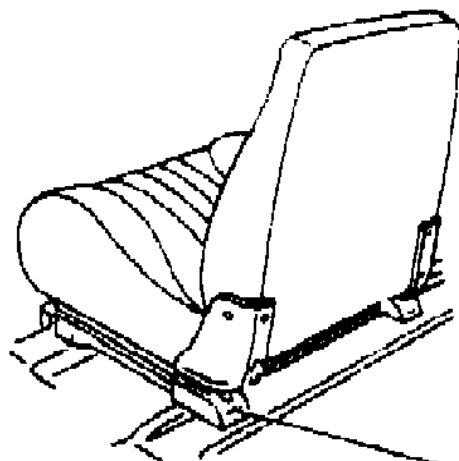
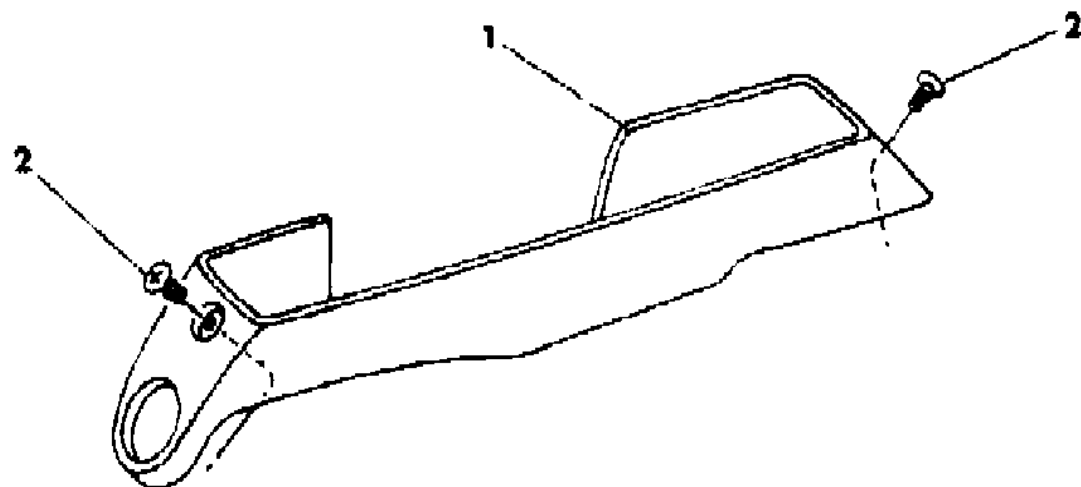
45 = 4-DOOR STATION WAGON

52-53 = FWD WAGON

AR = Use as Required - = Non Illustrated Part P.A.R. = Paint as Required

COVERS--MANUAL SEAT ADJUSTER J BODY
Figure ITJ-1800

7233 1800 A



ITEM	PART NUMBER	QTY	BODY	MODEL	DESCRIPTION
1					COVER, Manual Adjuster, Outer
	S968 FC5	1			Blue
	S968 FE8	1			Cordovan
	S968 FK1	1			Almond
	S968 FS8	1			Charcoal
2		AR			SCREW, (8-18x3/4) (Not Serv.)
3					COVER, Inner Rear
	S966 FC5	2			Blue
	S966 FE8	2			Cordovan
	S966 FK1	2			Almond
	S966 FS8	2			Charcoal

MODEL CODES

E BODY = (J - CARAVELLE)(E - 600)(T - NEW YORKER)

G BODY = (V24 - DAYTONA)

H BODY = (D44 - LANCER)(C44 - LEBARON GTS)

J BODY = (C - LEBARON)

K BODY = (P - RELIANT)(D - ARIES)(C - LEBAROND)/TOWN & COUNTRY)

L BODY = (M - HORIZON/TURISMO)(Z - OMNI/CHARGER)

M BODY = (B - GRAN FURY)(F - FIFTH AVE/NEWPORT)(G - DIPLOMAT)

P BODY = (P - SUNDANCE)(D - SHADOW)

S BODY = (H - VOYAGER)(K - RAM VAN/CARAVAN)

BODY STYLES

12-13 = FWD VAN

21 = 2-DOOR SEDAN

24 = 2-DOOR HATCHBACK

27 = 2-DOOR CONVERTIBLE

41 = 4-DOOR SEDAN

44 = 4-DOOR HATCHBACK

45 = 4-DOOR STATION WAGON

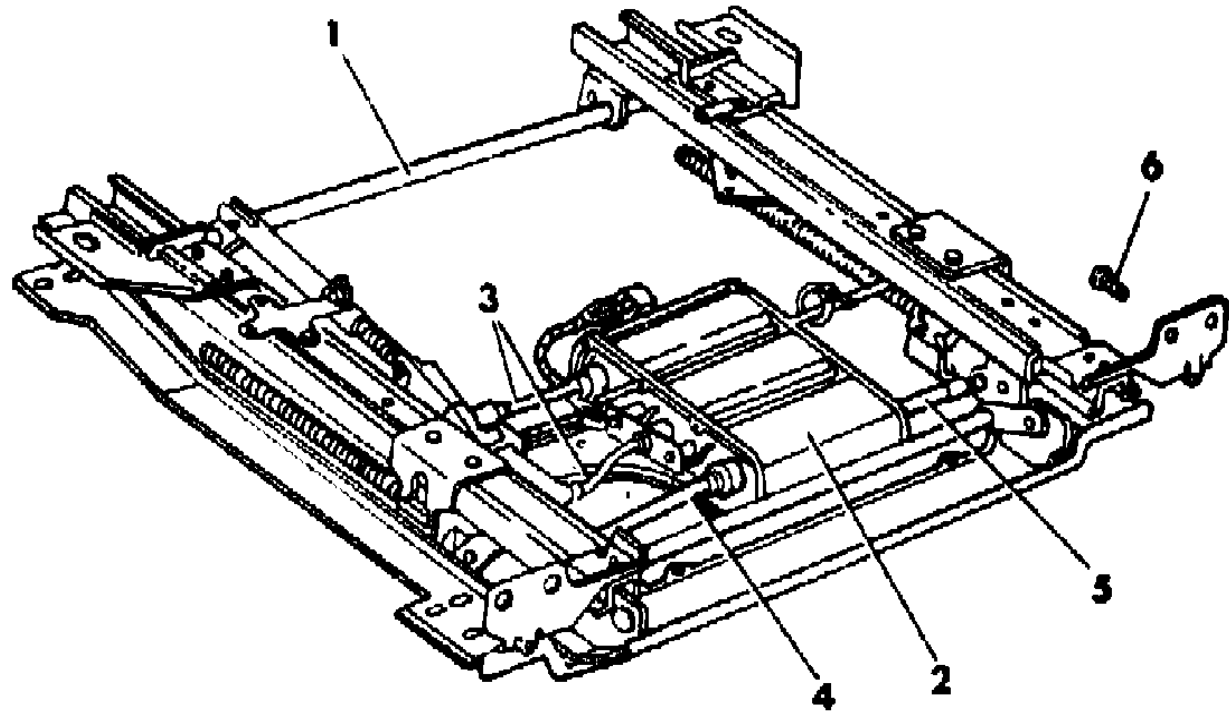
52-53 = FWD WAGON

AR = Use as Required - = Non Illustrated Part P.A.R. = Paint as Required

ADJUSTER--ELECTRIC J BODY
Figure ITJ-1900

7233 1900 A

ITEM	PART NUMBER	QTY	BODY	MODEL	DESCRIPTION
1	4402 229	1			ADJUSTER, Less Motor
2	4402 323	1			MOTOR, w/Tube Assembly
3	4327 282	2			SHAFT, Flexible (4.005")
4	4402 275	1			CABLE, Outer (5.68")
5	4402 267	1			CABLE, Inner (2.68")
6	6033 077	4			SCREW, Adjuster to Seat



MODEL CODES

E BODY = (J - CARAVELLE)(E - 600)(T - NEW YORKER)

G BODY = (V24 - DAYTONA)

H BODY = (D44 - LANCER)(C44 - LEBARON GTS)

J BODY = (C - LEBARON)

K BODY = (P - RELIANT)(D - ARIES)(C - LEBAROND)/TOWN & COUNTRY)

L BODY = (M - HORIZON/TURISMO)(Z - OMNI/CHARGER)

M BODY = (B - GRAN FURY)(F - FIFTH AVE/NEWPORT)(G - DIPLOMAT)

P BODY = (P - SUNDANCE)(D - SHADOW)

S BODY = (H - VOYAGER)(K - RAM VAN/CARAVAN)

BODY STYLES

12-13 = FWD VAN

21 = 2-DOOR SEDAN

24 = 2-DOOR HATCHBACK

27 = 2-DOOR CONVERTIBLE

41 = 4-DOOR SEDAN

44 = 4-DOOR HATCHBACK

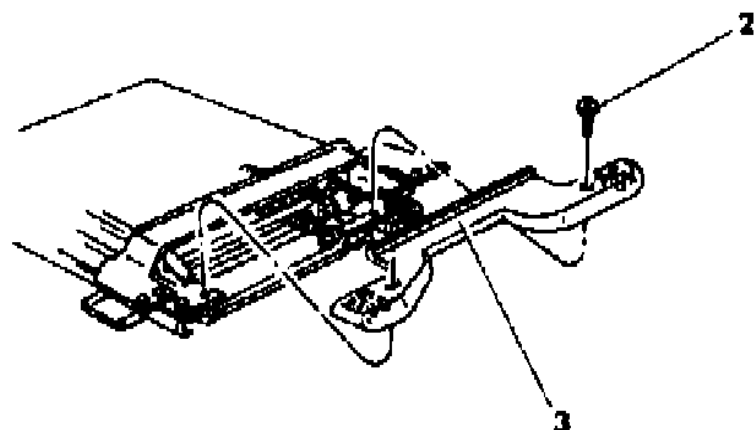
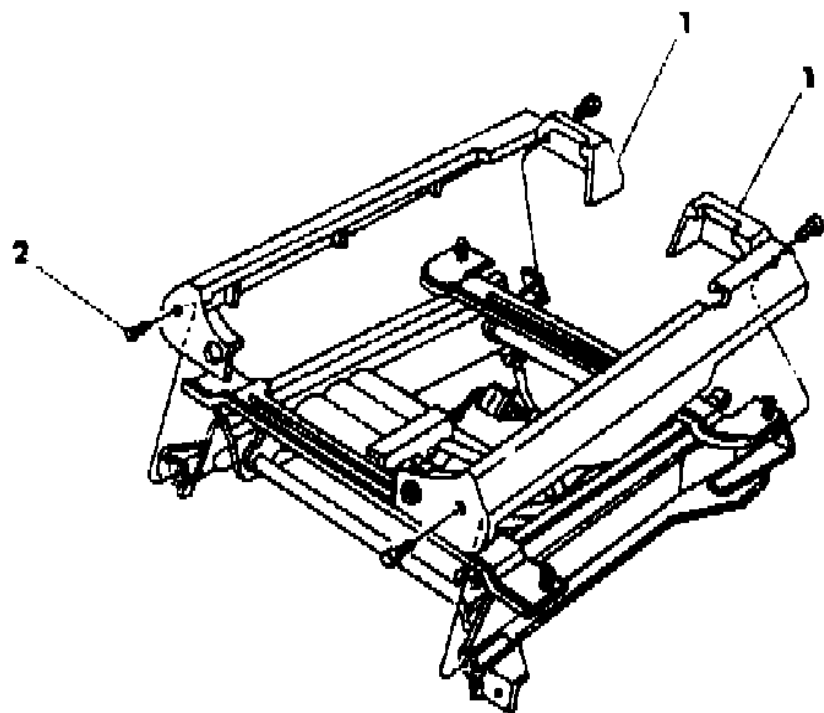
45 = 4-DOOR STATION WAGON

52-53 = FWD WAGON

AR = Use as Required - = Non Illustrated Part P.A.R. = Paint as Required

COVERS ELECTRIC SEAT ADJUSTER J BODY
Figure ITJ-2000

7233 2000



ITEM	PART NUMBER	QTY	BODY	MODEL	DESCRIPTION
1					COVER, Electric Seat Adjuster w/ Bucket Seats
					INNER
	S899 FC5	1			Blue
	S899 FE8	1			Cordovan
	S899 FK1	1			Almond
	S899 FS8	1			Charcoal
					OUTER
	S897 FC5	1			Blue
	S897 FE8	1			Cordovan
	S897 FK1	1			Almond
	S897 FS8	1			Charcoal
2		AR			SCREW, (8-18x3/4) (Not Serv.)
3					COVER, Electric Adjuster, Rear
	S901 FC5	1			Blue
	S901 FE8	1			Cordovan
	S901 FK1	1			Almond
	S901 FS8	1			Charcoal

MODEL CODES

E BODY = (J - CARAVELLE)(E - 600)(T - NEW YORKER)

G BODY = (V24 - DAYTONA)

H BODY = (D44 - LANCER)(C44 - LEBARON GTS)

J BODY = (C - LEBARON)

K BODY = (P - RELIANT)(D - ARIES)(C - LEBAROND)/TOWN & COUNTRY)

L BODY = (M - HORIZON/TURISMO)(Z - OMNI/CHARGER)

M BODY = (B - GRAN FURY)(F - FIFTH AVE/NEWPORT)(G - DIPLOMAT)

P BODY = (P - SUNDANCE)(D - SHADOW)

S BODY = (H - VOYAGER)(K - RAM VAN/CARAVAN)

BODY STYLES

12-13 = FWD VAN

21 = 2-DOOR SEDAN

24 = 2-DOOR HATCHBACK

27 = 2-DOOR CONVERTIBLE

41 = 4-DOOR SEDAN

44 = 4-DOOR HATCHBACK

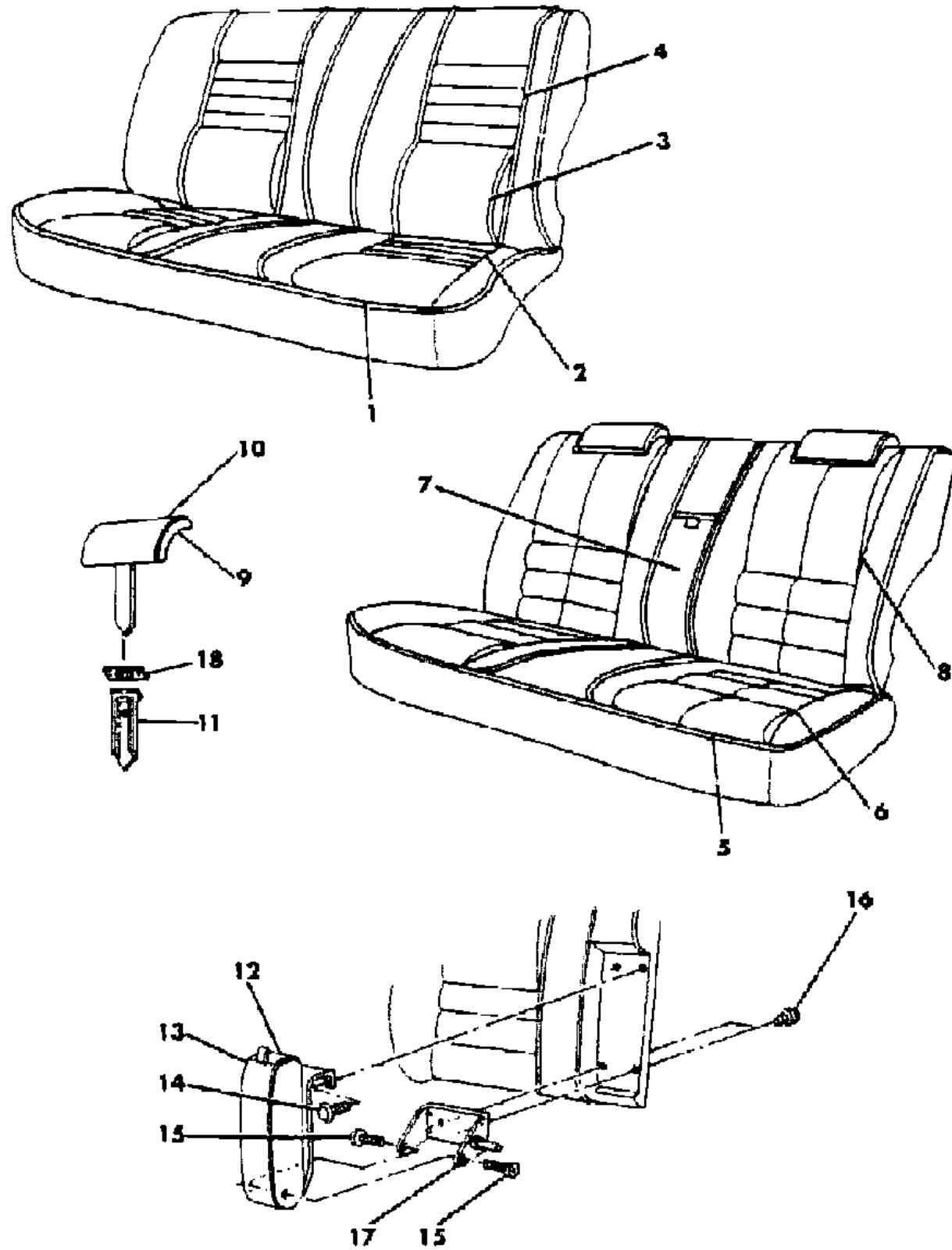
45 = 4-DOOR STATION WAGON

52-53 = FWD WAGON

AR = Use as Required - = Non Illustrated Part P.A.R. = Paint as Required

SEAT--REAR J BODY 21
Figure ITJ-2100

7233 2100 A



ITEM	PART NUMBER	QTY	BODY	MODEL	DESCRIPTION
1-2					CUSHION, w/Spring, Frame, Pad and Cover
	N905 F7C	1			CLOTH Blue, (AC7)
	N905 F7E	1			Cordovan, (A7E)
	N905 F7K	1			Almond, (A7K)
	N905 F7S	1			Charcoal, (A7S)
2					COVER, Cushion
	N976 F7C	1			CLOTH Blue, (A7C)
	N976 F7E	1			Cordovan, (A7E)
	N976 F7K	1			Almond, (A7K)
	N976 F7S	1			Charcoal, (A7S)
3-4					BACK, w/Spring, Frame, Pad and Cover
	N902 F7C	1			CLOTH Blue, (A7C)
	N902 F7E	1			Cordovan, (A7E)
	N902 F7K	1			Almond, (A7K)
	N902 F7S	1			Charcoal, (A7S)
4					COVER, Back
	N977 F7C	1			CLOTH Blue, (A7C)
	N977 F7E	1			Cordovan, (A7E)
	N977 F7K	1			Almond, (A7K)
	N977 F7S	1			Charcoal, (A7S)
5					CUSHION, w/Spring, Frame, Pad and Cover
	N922 F7C	1			CLOTH Blue, (P7C)
	N922 F7E	1			Cordovan, (P7E)
	N922 F7K	1			Almond, (P7K)
	N922 F7S	1			Charcoal, (P7S)
	N933 FLC	1			LEATHER Blue, (PLC)
	N933 FLE	1			Cordovan, (PLE)
	N933 FLK	1			Almond, (PLK)
	N933 FLS	1			Charcoal, (PLS)
6					COVER, Cushion
	N968 F7C	1			CLOTH Blue, (P7C)

MODEL CODES

E BODY = (J - CARAVELLE)(E - 600)(T - NEW YORKER)

G BODY = (V24 - DAYTONA)

H BODY = (D44 - LANCER)(C44 - LEBARON GTS)

J BODY = (C - LEBARON)

K BODY = (P - RELIANT)(D - ARIES)(C - LEBAROND)/TOWN & COUNTRY)

L BODY = (M - HORIZON/TURISMO)(Z - OMNI/CHARGER)

M BODY = (B - GRAN FURY)(F - FIFTH AVE/NEWPORT)(G - DIPLOMAT)

P BODY = (P - SUNDANCE)(D - SHADOW)

S BODY = (H - VOYAGER)(K - RAM VAN/CARAVAN)

BODY STYLES

12-13 = FWD VAN

21 = 2-DOOR SEDAN

24 = 2-DOOR HATCHBACK

27 = 2-DOOR CONVERTIBLE

41 = 4-DOOR SEDAN

44 = 4-DOOR HATCHBACK

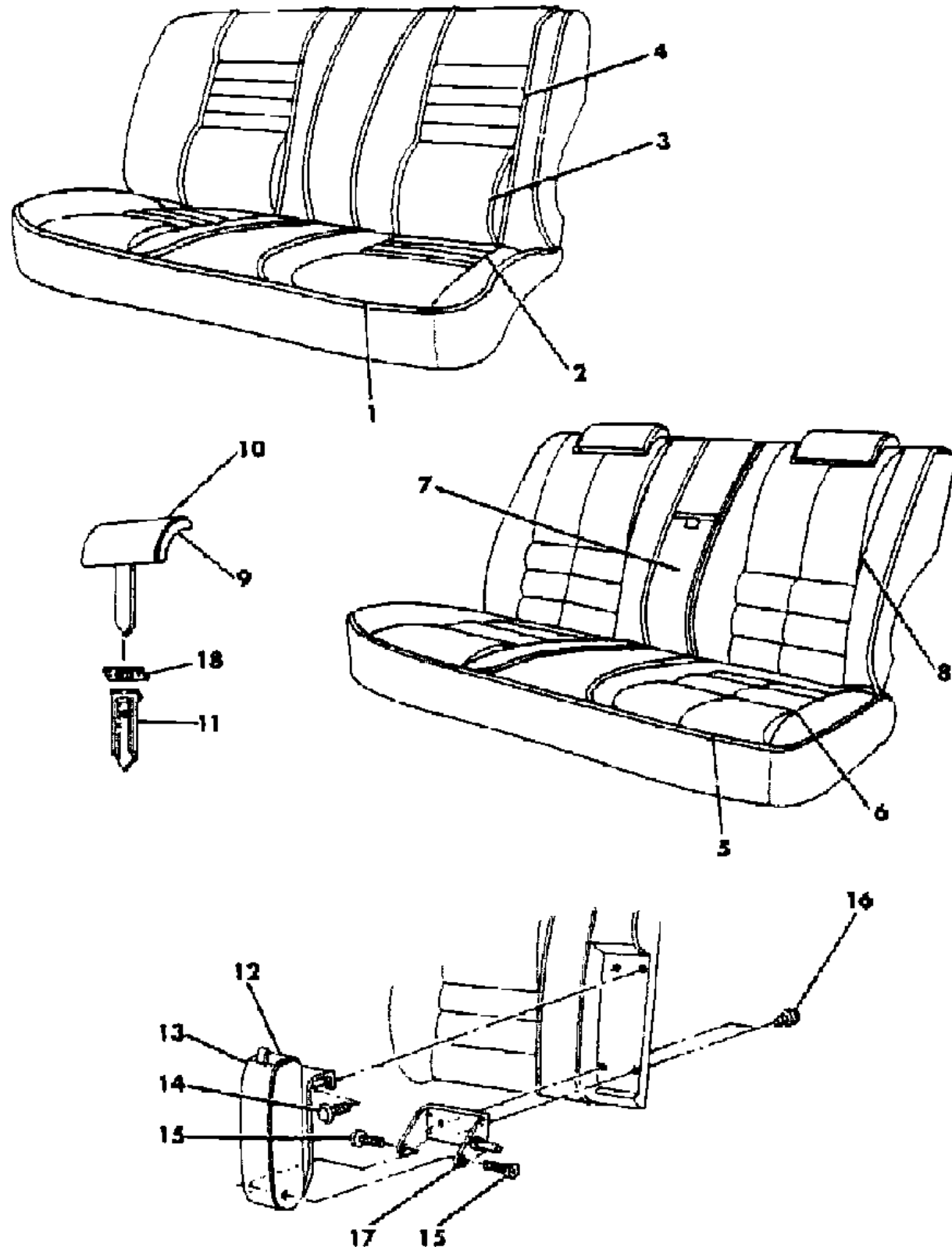
45 = 4-DOOR STATION WAGON

52-53 = FWD WAGON

AR = Use as Required - = Non Illustrated Part P.A.R. = Paint as Required

SEAT--REAR J BODY 21
Figure ITJ-2100

7233 2100 A



ITEM	PART NUMBER	QTY	BODY	MODEL	DESCRIPTION
	N968 F7E	1			Cordovan, (P7E)
	N968 F7K	1			Almond, (P7K)
	N968 F7S	1			Charcoal, (P7S)
	N969 FLC	1			LEATHER Blue, (PLC)
	N969 FLE	1			Cordovan, (PLE)
	N969 FLK	1			Almond, (PLK)
	N969 FLS	1			Charcoal, (PLS)
7-8					BACK, w/Spring/Frame, Pad and Cover
	N842-3 F7C	1			CLOTH Blue, (P7C)
	N842-3 F7E	1			Cordovan, (P7E)
	N842-3 F7K	1			Almond, (P7K)
	N842-3 F7S	1			Charcoal, (P7S)
	N840-1 FLC	1			LEATHER Blue, (PLC)
	N840-1 FLE	1			Cordovan, (PLE)
	N840-1 FLK	1			Almond, (PLK)
	N840-1 FLS	1			Charcoal, (PLS)
8					COVER, Back CLOTH
	N970-1 F7C	1			Blue, (P7C)
	N970-1 F7E	1			Cordovan, (P7E)
	N970-1 F7K	1			Almond, (P7K)
	N970-1 F7S	1			Charcoal, (P7S)
	N972-3 FLC	1			LEATHER Blue, (PLC)
	N972-3 FLE	1			Cordovan, (PLE)
	N972-3 FLK	1			Almond, (PLK)
	N972-3 FLS	1			Charcoal, (PLS)
9					HEADREST and COVER CLOTH
	N939 FCC	2			Blue, (P7C)
	N939 FEE	2			Cordovan, (P7E)
	N939 FKK	2			Almond, (P7K)
	N939 FAS	2			Charcoal, (P7S)
	N938 FC5	2			LEATHER Blue, (PLC)

MODEL CODES

E BODY = (J - CARAVELLE)(E - 600)(T - NEW YORKER)

G BODY = (V24 - DAYTONA)

H BODY = (D44 - LANCER)(C44 - LEBARON GTS)

J BODY = (C - LEBARON)

K BODY = (P - RELIANT)(D - ARIES)(C - LEBAROND)/TOWN & COUNTRY)

L BODY = (M - HORIZON/TURISMO)(Z - OMNI/CHARGER)

M BODY = (B - GRAN FURY)(F - FIFTH AVE/NEWPORT)(G - DIPLOMAT)

P BODY = (P - SUNDANCE)(D - SHADOW)

S BODY = (H - VOYAGER)(K - RAM VAN/CARAVAN)

BODY STYLES

12-13 = FWD VAN

21 = 2-DOOR SEDAN

24 = 2-DOOR HATCHBACK

27 = 2-DOOR CONVERTIBLE

41 = 4-DOOR SEDAN

44 = 4-DOOR HATCHBACK

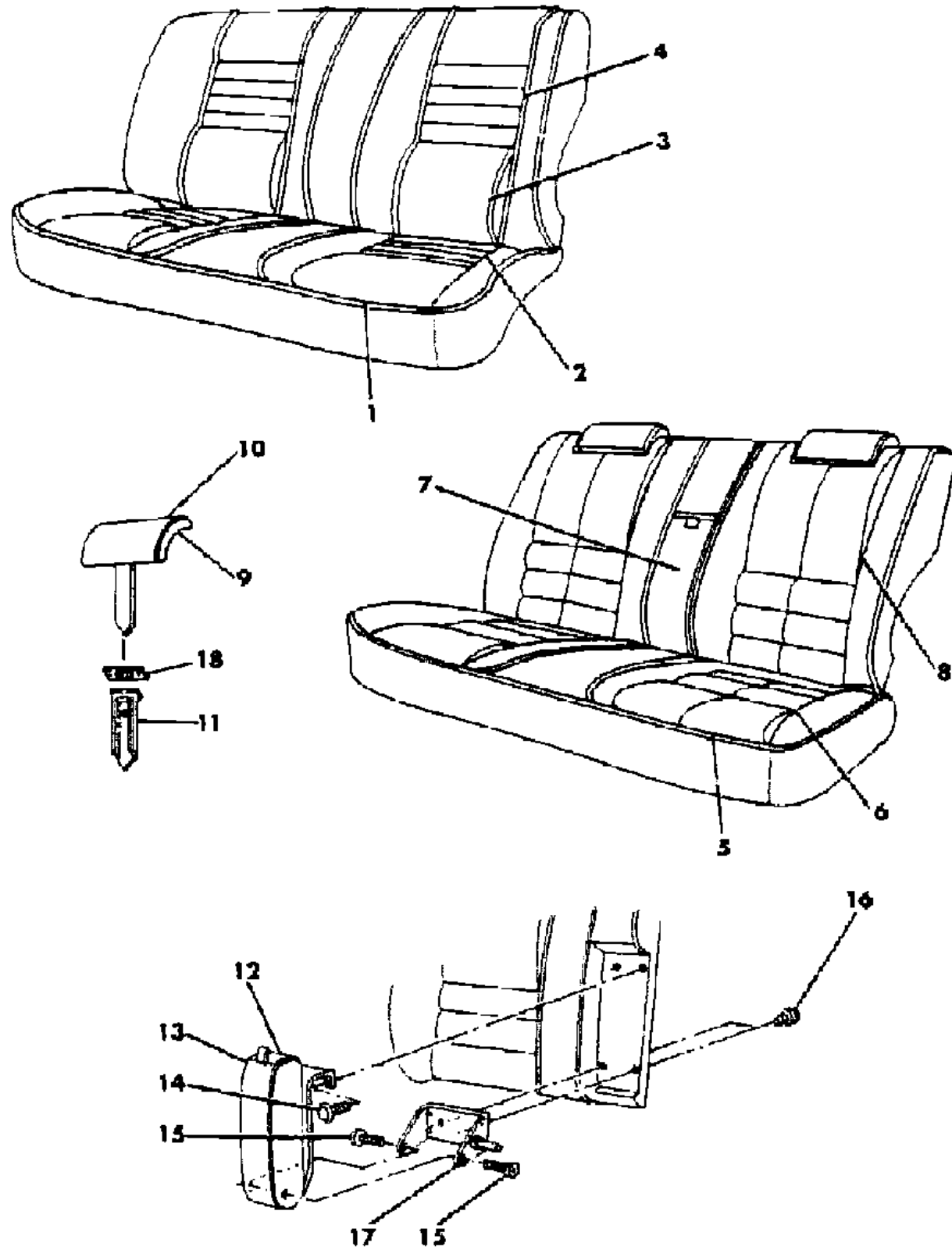
45 = 4-DOOR STATION WAGON

52-53 = FWD WAGON

AR = Use as Required - = Non Illustrated Part P.A.R. = Paint as Required

SEAT--REAR J BODY 21
Figure ITJ-2100

7233 2100 A



ITEM	PART NUMBER	QTY	BODY	MODEL	DESCRIPTION
10	N938 FE8	2			Cordovan, (PLE)
	N938 FK1	2			Almond, (PLK)
	N938 FS8	2			Charcoal, (PLS)
					COVER, Headrest CLOTH
11	N494 FCC	2			Blue, (P7C)
	N494 FEE	2			Cordovan, (P7E)
	N494 FKK	2			Almond, (P7K)
	N494 FAS	2			Charcoal, (P7S)
12					LEATHER
	N495 FC5	2			Blue, (PLC)
	N495 FE8	2			Cordovan, (PLE)
	N495 FK1	2			Almond, (PLK)
13	N495 FS8	2			Charcoal, (PLS)
					SLEEVE, Headrest
	S818 FC5	2			Blue
	S818 FE8	2			Cordovan
14	S818 FK1	2			Almond
	S818 FS8	2			Charcoal
					ARMREST and COVER CLOTH
	15	N896 FC5	1		
N896 FE8		1			Cordovan, (P7E)
N896 FK1		1			Almond, (P7K)
N896 FS8		1			Charcoal, (P7S)
16					LEATHER
	N914 FC5	1			Blue, (PLC)
	N914 FE8	1			Cordovan, (PLE)
	N914 FK1	1			Almond, (PLK)
17	N914 FS8	1			Charcoal, (PLS)
					COVER, Armrest CLOTH
	N496 FC5	1			Blue, (P7C)
	N496 FE8	1			Cordovan, (P7E)
18	N496 FK1	1			Almond, (P7K)
	N496 FS8	1			Charcoal, (P7S)
					LEATHER
	N497 FC5	1			Blue, (PLC)

MODEL CODES

E BODY = (J - CARAVELLE)(E - 600)(T - NEW YORKER)

G BODY = (V24 - DAYTONA)

H BODY = (D44 - LANCER)(C44 - LEBARON GTS)

J BODY = (C - LEBARON)

K BODY = (P - RELIANT)(D - ARIES)(C - LEBAROND)/TOWN & COUNTRY)

L BODY = (M - HORIZON/TURISMO)(Z - OMNI/CHARGER)

M BODY = (B - GRAN FURY)(F - FIFTH AVE/NEWPORT)(G - DIPLOMAT)

P BODY = (P - SUNDANCE)(D - SHADOW)

S BODY = (H - VOYAGER)(K - RAM VAN/CARAVAN)

BODY STYLES

12-13 = FWD VAN

21 = 2-DOOR SEDAN

24 = 2-DOOR HATCHBACK

27 = 2-DOOR CONVERTIBLE

41 = 4-DOOR SEDAN

44 = 4-DOOR HATCHBACK

45 = 4-DOOR STATION WAGON

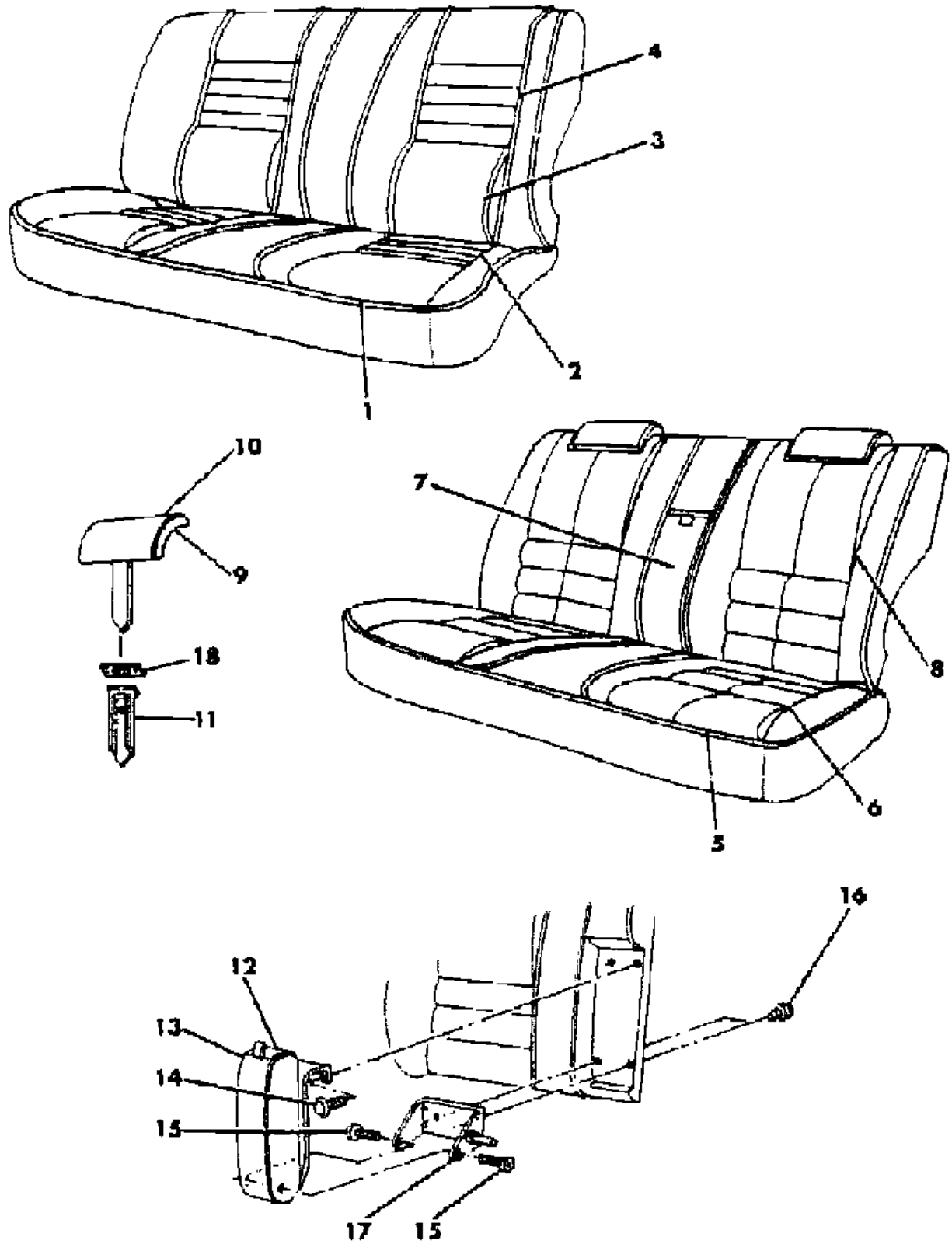
52-53 = FWD WAGON

AR = Use as Required - = Non Illustrated Part P.A.R. = Paint as Required

SEAT--REAR J BODY 21
Figure ITJ-2100

7233 2100 A

ITEM	PART NUMBER	QTY	BODY	MODEL	DESCRIPTION
	N497 FE8	1			Cordovan, (PLE)
	N497 FK1	1			Almond, (PLK)
	N497 FS8	1			Charcoal, (PLS)
14	6033 082	AR			FASTENER
15	6032 567	AR			SCREW
16	6501 476	AR			SCREW
17	4380 610	1			BRACKET
18	4327 688	2			COVER, Headrest Finish



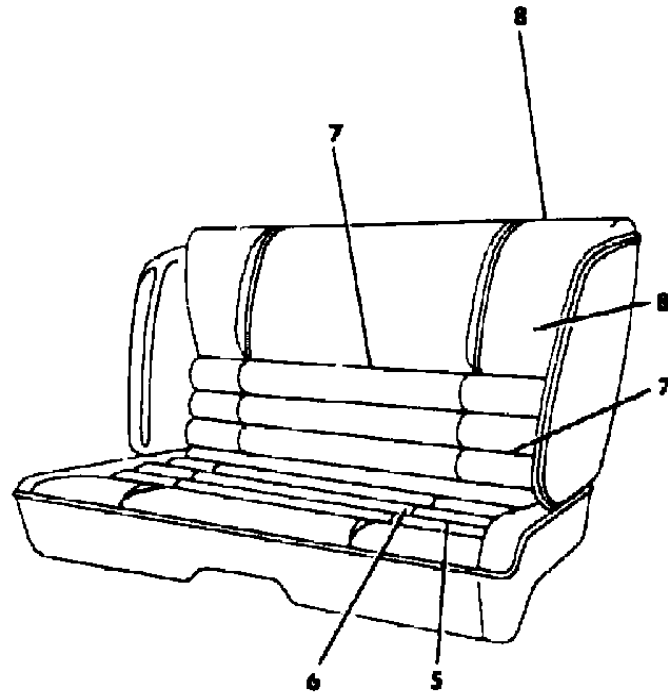
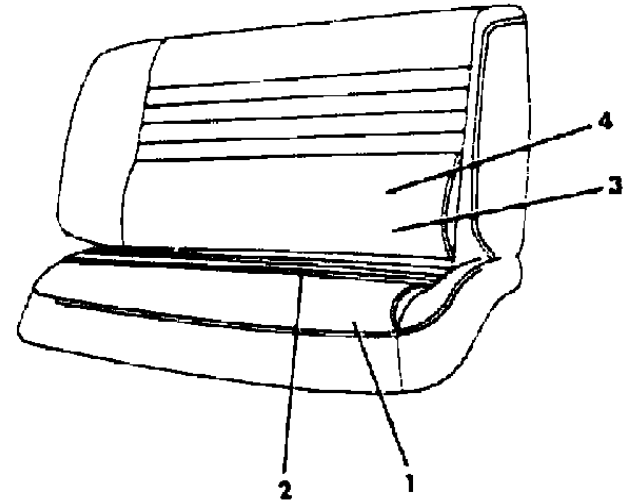
MODEL CODES
 E BODY = (J - CARAVELLE)(E - 600)(T - NEW YORKER)
 G BODY = (V24 - DAYTONA)
 H BODY = (D44 - LANCER)(C44 - LEBARON GTS)
 J BODY = (C - LEBARON)
 K BODY = (P - RELIANT)(D - ARIES)(C - LEBAROND)/TOWN & COUNTRY
 L BODY = (M - HORIZON/TURISMO)(Z - OMNI/CHARGER)
 M BODY = (B - GRAN FURY)(F - FIFTH AVE/NEWPORT)(G - DIPLOMAT)
 P BODY = (P - SUNDANCE)(D - SHADOW)
 S BODY = (H - VOYAGER)(K - RAM VAN/CARAVAN)

BODY STYLES
 12-13 = FWD VAN
 21 = 2-DOOR SEDAN
 24 = 2-DOOR HATCHBACK
 27 = 2-DOOR CONVERTIBLE
 41 = 4-DOOR SEDAN
 44 = 4-DOOR HATCHBACK
 45 = 4-DOOR STATION WAGON
 52-53 = FWD WAGON

AR = Use as Required - = Non Illustrated Part P.A.R. = Paint as Required

SEAT--REAR J BODY 27
Figure ITJ-2200

7233 2200



ITEM	PART NUMBER	QTY	BODY	MODEL	DESCRIPTION
1					CUSHION, w/Spring/Frame, Pad and Cover
	N911 F8C	1			VINYL Blue, (A8C)
	N911 F8S	1			Charcoal, (A8S)
2					COVER
	N974 F8C	1			VINYL Blue, (A8C)
	N974 F8S	1			Charcoal, (A8S)
3					BACK, w/Spring/Frame, Pad and Cover
	N910 F8C	1			VINYL Blue, (A8C)
	N910 F8S	1			Charcoal, (A8S)
4					COVER, Back
	N975 F8C	1			VINYL Blue, (A8C)
	N975 F8S	1			Charcoal, (A8S)
5					CUSHION, w/Spring/Frame, Pad and Cover
	N917 FLC	1			LEATHER Blue, (PLC)
	N917 FLS	1			Charcoal, (PLS)
6					COVER, Cushion
	N978 FLC	1			LEATHER Blue, (PLC)
	N978 FLS	1			Charcoal, (PLS)
7					BACK, w/Spring/Frame, Pad and Cover
	N916 FLC	1			LEATHER Blue, (PLC)
	N916 FLS	1			Charcoal, (PLS)
8					COVER, Back
	N979 FLC	1			LEATHER Blue, (PLC)
	N979 FLS	1			Charcoal, (PLS)

MODEL CODES

E BODY = (J - CARAVELLE)(E - 600)(T - NEW YORKER)

G BODY = (V24 - DAYTONA)

H BODY = (D44 - LANCER)(C44 - LEBARON GTS)

J BODY = (C - LEBARON)

K BODY = (P - RELIANT)(D - ARIES)(C - LEBAROND)/TOWN & COUNTRY)

L BODY = (M - HORIZON/TURISMO)(Z - OMNI/CHARGER)

M BODY = (B - GRAN FURY)(F - FIFTH AVE/NEWPORT)(G - DIPLOMAT)

P BODY = (P - SUNDANCE)(D - SHADOW)

S BODY = (H - VOYAGER)(K - RAM VAN/CARAVAN)

BODY STYLES

12-13 = FWD VAN

21 = 2-DOOR SEDAN

24 = 2-DOOR HATCHBACK

27 = 2-DOOR CONVERTIBLE

41 = 4-DOOR SEDAN

44 = 4-DOOR HATCHBACK

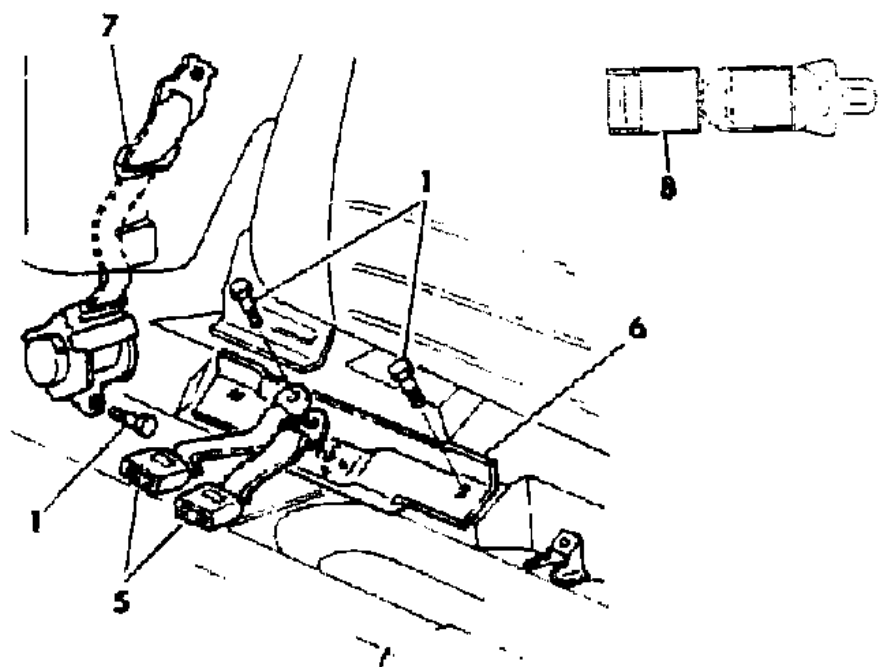
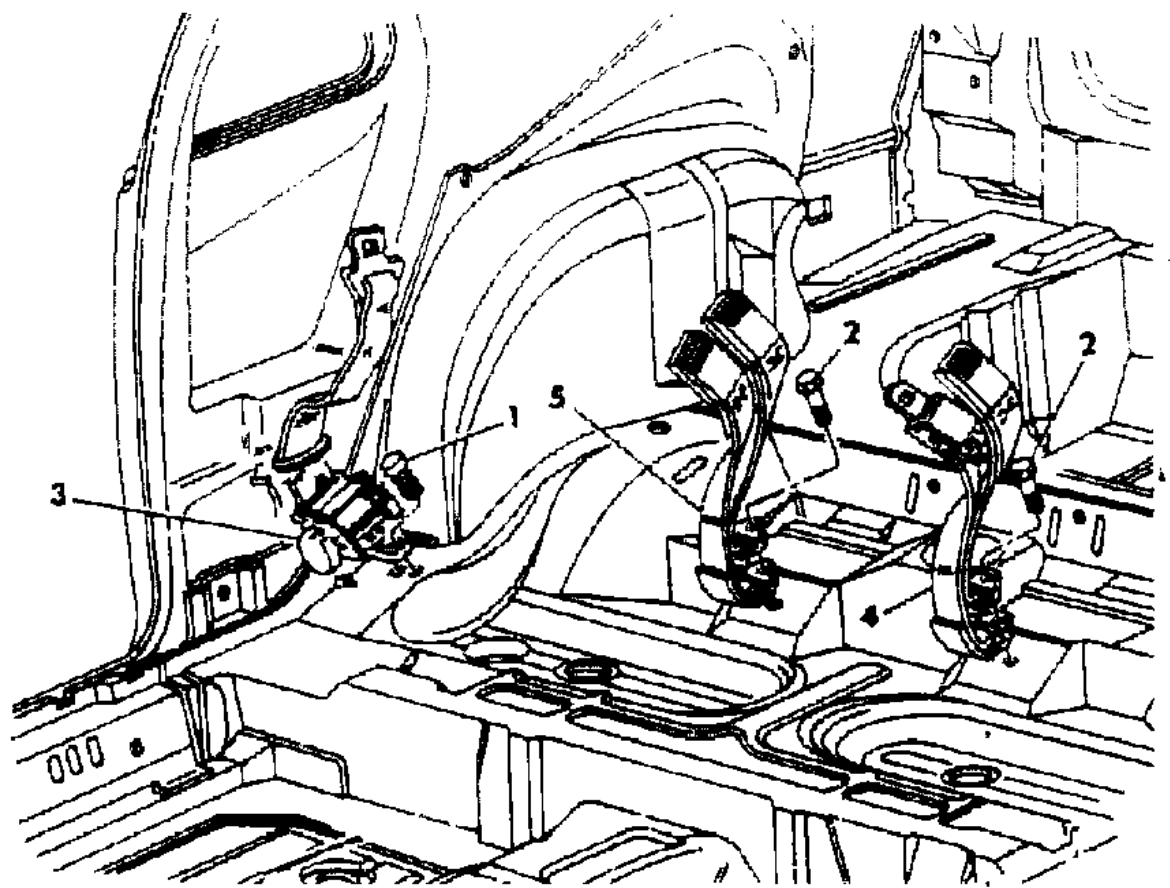
45 = 4-DOOR STATION WAGON

52-53 = FWD WAGON

AR = Use as Required - = Non Illustrated Part P.A.R. = Paint as Required

BELT--REAR SEAT J BODY
Figure ITJ-2300

7233 2300 B



ITEM	PART NUMBER	QTY	BODY	MODEL	DESCRIPTION
1	6031 484	2			BOLT
2	6031 298	2			BOLT
3					BELT, Outer Label Number 4380426-7
	F610-1 FC5	1			Blue
	F610-1 FE8	1			Cordovan
	F610-1 FK1	1			Almond
	F610-1 FS8	1			Charcoal
4					BELT, Inner Label Number 4420479
	F961 FC5	1		21	Blue
	F961 FE8	1		21	Cordovan
	F961 FK1	1		21	Almond
	F961 FS8	1		21	Charcoal
5					BELT, Inner Label Number 4420478
	F960 FC5	1			Blue
	F960 FE8	1			Cordovan
	F960 FK1	1			Almond
	F960 FS8	1			Charcoal
6	4371 728	1		27	PLATE, Seat Belt Inner Attach.
7					BELT, Outer Label Number 4380011
	F603 FC5	2		27	Blue
	F603 FE8	2		27	Cordovan
	F603 FK1	2		27	Almond
	F603 FS8	2		27	Charcoal
8	4402 887	AR			EXTENDER

MODEL CODES

E BODY = (J - CARAVELLE)(E - 600)(T - NEW YORKER)

G BODY = (V24 - DAYTONA)

H BODY = (D44 - LANCER)(C44 - LEBARON GTS)

J BODY = (C - LEBARON)

K BODY = (P - RELIANT)(D - ARIES)(C - LEBAROND)/TOWN & COUNTRY)

L BODY = (M - HORIZON/TURISMO)(Z - OMNI/CHARGER)

M BODY = (B - GRAN FURY)(F - FIFTH AVE/NEWPORT)(G - DIPLOMAT)

P BODY = (P - SUNDANCE)(D - SHADOW)

S BODY = (H - VOYAGER)(K - RAM VAN/CARAVAN)

BODY STYLES

12-13 = FWD VAN

21 = 2-DOOR SEDAN

24 = 2-DOOR HATCHBACK

27 = 2-DOOR CONVERTIBLE

41 = 4-DOOR SEDAN

44 = 4-DOOR HATCHBACK

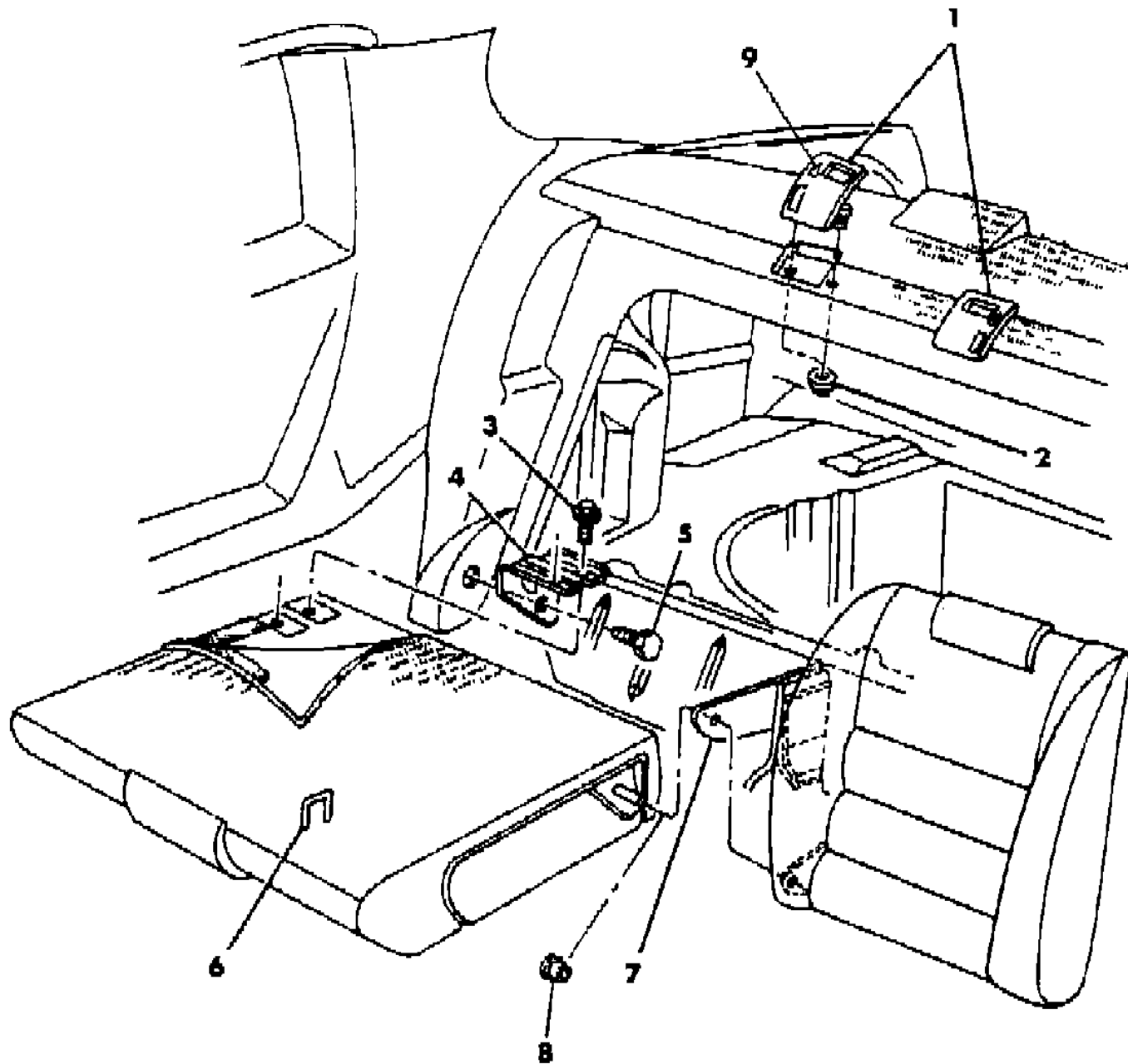
45 = 4-DOOR STATION WAGON

52-53 = FWD WAGON

AR = Use as Required - = Non Illustrated Part P.A.R. = Paint as Required

**SEAT--REAR FOLD DOWN J BODY 21
Figure ITJ-2400**

7233 2400 A



ITEM	PART NUMBER	QTY	BODY	MODEL	DESCRIPTION
1					LATCH, Handle and Bezel Complete
	S806-7 FC5	1			Blue
	S806-7 FE8	1			Cordovan
	S806-7 FK1	1			Almond
	S806-7 FS8	1			Charcoal
2	6500 274	4			NUT
3	6501 188	4			SCREW and WASHER
4	4380 608-9	1			BRACKET, Pivot Outboard
5	6501 199	2			BOLT, Shoulder
6	4380 072	2			STRIKER
7					BRACKET, Pivot Inboard (Serv. in Seat Back)
8	4380 112	1			BUSHING, Pivot Inboard, Lt.
9					CYLINDER, Locking (Refer to 23D)

MODEL CODES

E BODY = (J - CARAVELLE)(E - 600)(T - NEW YORKER)

G BODY = (V24 - DAYTONA)

H BODY = (D44 - LANCER)(C44 - LEBARON GTS)

J BODY = (C - LEBARON)

K BODY = (P - RELIANT)(D - ARIES)(C - LEBAROND)/TOWN & COUNTRY)

L BODY = (M - HORIZON/TURISMO)(Z - OMNI/CHARGER)

M BODY = (B - GRAN FURY)(F - FIFTH AVE/NEWPORT)(G - DIPLOMAT)

P BODY = (P - SUNDANCE)(D - SHADOW)

S BODY = (H - VOYAGER)(K - RAM VAN/CARAVAN)

BODY STYLES

12-13 = FWD VAN

21 = 2-DOOR SEDAN

24 = 2-DOOR HATCHBACK

27 = 2-DOOR CONVERTIBLE

41 = 4-DOOR SEDAN

44 = 4-DOOR HATCHBACK

45 = 4-DOOR STATION WAGON

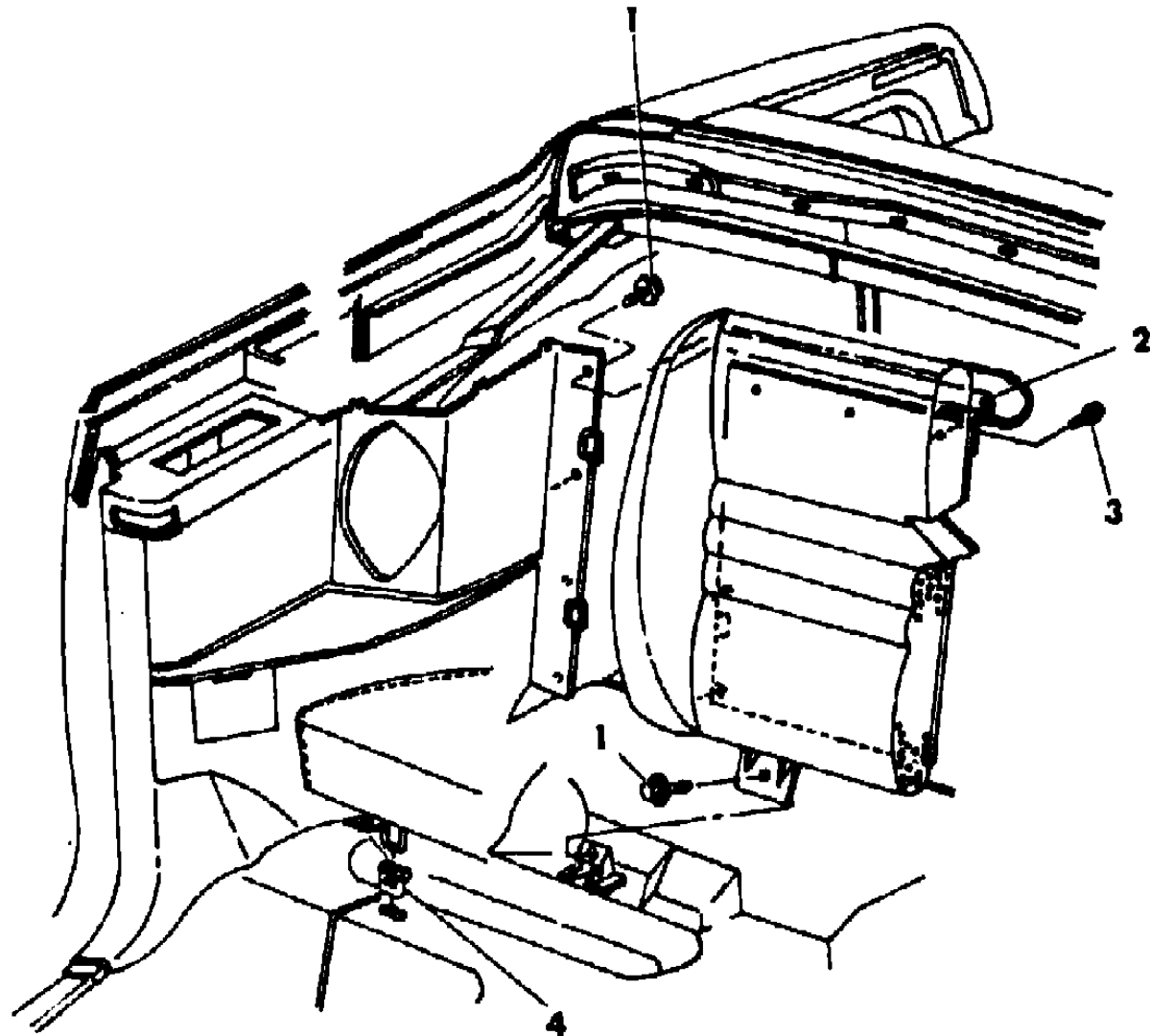
52-53 = FWD WAGON

AR = Use as Required - = Non Illustrated Part P.A.R. = Paint as Required

SEAT--REAR ATTACHMENTS AND SLINGWELL RETAINER J BODY 27
Figure ITJ-2500

7233 2500

ITEM	PART NUMBER	QTY	BODY	MODEL	DESCRIPTION
1		10			SCREW and WASHER, (M6-1.00x25) (Not Serv.)
2	4398 436	1			RETAINER, Slingwell
3	6033 347	7			SCREW
4	4380 750	2			RETAINER, Cushion to Floor Pan



MODEL CODES
 E BODY = (J - CARAVELLE)(E - 600)(T - NEW YORKER)
 G BODY = (V24 - DAYTONA)
 H BODY = (D44 - LANCER)(C44 - LEBARON GTS)
 J BODY = (C - LEBARON)
 K BODY = (P - RELIANT)(D - ARIES)(C - LEBAROND)/TOWN & COUNTRY
 L BODY = (M - HORIZON/TURISMO)(Z - OMNI/CHARGER)
 M BODY = (B - GRAN FURY)(F - FIFTH AVE/NEWPORT)(G - DIPLOMAT)
 P BODY = (P - SUNDANCE)(D - SHADOW)
 S BODY = (H - VOYAGER)(K - RAM VAN/CARAVAN)

BODY STYLES
 12-13 = FWD VAN
 21 = 2-DOOR SEDAN
 24 = 2-DOOR HATCHBACK
 27 = 2-DOOR CONVERTIBLE
 41 = 4-DOOR SEDAN
 44 = 4-DOOR HATCHBACK
 45 = 4-DOOR STATION WAGON
 52-53 = FWD WAGON

AR = Use as Required - = Non Illustrated Part P.A.R. = Paint as Required

GROUP ITK - K BODY

ILLUSTRATION TITLE	GROUP-FIG. NO.
COWL PANEL AND SILENCERS K BODY	Fig. ITK-100
HEADLINER VISOR AND SHELF PANEL K BODY	Fig. ITK-200
TONNEAU COVER K BODY	Fig. ITK-300
MOULDING--GARNISH K BODY	Fig. ITK-400
B-PILLAR TRIM K BODY 41-45	Fig. ITK-500
PANEL--QUARTER TRIM K BODY P-D 21	Fig. ITK-600
PANEL--QUARTER TRIM K BODY 41	Fig. ITK-700
PANEL--QUARTER TRIM K BODY 45	Fig. ITK-800
LIFT GATE TRIM K BODY 45	Fig. ITK-900
CARPET K BODY	Fig. ITK-1000
MATS--FRONT AND REAR K BODY	Fig. ITK-1100
SILENCERS--REAR COMPARTMENT K BODY 21-41	Fig. ITK-1200
PANEL--CARGO K BODY 45	Fig. ITK-1300
CARPET--CARGO AREA K BODY 45	Fig. ITK-1400
SCUFF PLATES--BODY SIDE SILL AND DOOR K BODY	Fig. ITK-1500
PANEL--DOOR TRIM K BODY P-D 21	Fig. ITK-1600
PANEL--DOOR TRIM K BODY P-D 41-45	Fig. ITK-1700
PANEL--DOOR TRIM-FRONT K BODY C 41-45	Fig. ITK-1800
PANEL--DOOR TRIM-REAR K BODY C 41-45	Fig. ITK-1900
SEAT--FRONT K BODY 21 TRIM CODE C1	Fig. ITK-2000
SEAT--FRONT K BODY 41-45 TRIM CODES C1,K2	Fig. ITK-2100
SEAT--FRONT K BODY 21-41-45 TRIM CODE H3	Fig. ITK-2200
SEAT--FRONT K BODY TRIM CODES A4	Fig. ITK-2300
SEAT--FRONT K BODY TRIM CODES M3	Fig. ITK-2400
SEAT--FRONT K BODY FLEET POLICE AND OTHERS	Fig. ITK-2500
SEAT--FRONT K BODY TRIM CODES F7,H7	Fig. ITK-2600
SEAT--FRONT K BODY TRIM CODE V8	Fig. ITK-2700
SEAT--FRONT K BODY TRIM CODE K8	Fig. ITK-2800
SEAT--FRONT K BODY TRIM CODE M5	Fig. ITK-2900
SEAT--FRONT K BODY FLEET POLICE AND OTHERS	Fig. ITK-3000
SEAT--FRONT K BODY TRIM CODE JP	Fig. ITK-3100
BELT--FRONT LAP AND SHOULDER K BODY	Fig. ITK-3200
BELT--FRONT SEAT INBOARD K BODY	Fig. ITK-3300
RELEASE--FRONT BENCH SEAT K BODY	Fig. ITK-3400
RECLINING BUCKET AND 50/50 SEAT K BODY	Fig. ITK-3500
ADJUSTER--MANUAL K BODY	Fig. ITK-3600
COVERS--MANUAL SEAT ADJUSTERS K BODY	Fig. ITK-3700
ADJUSTER--ELECTRIC K BODY	Fig. ITK-3800

ILLUSTRATION NOT AVAILABLE AT TIME OF PUBLICATION

GROUP ITK - K BODY

ILLUSTRATION TITLE

GROUP-FIG. NO.

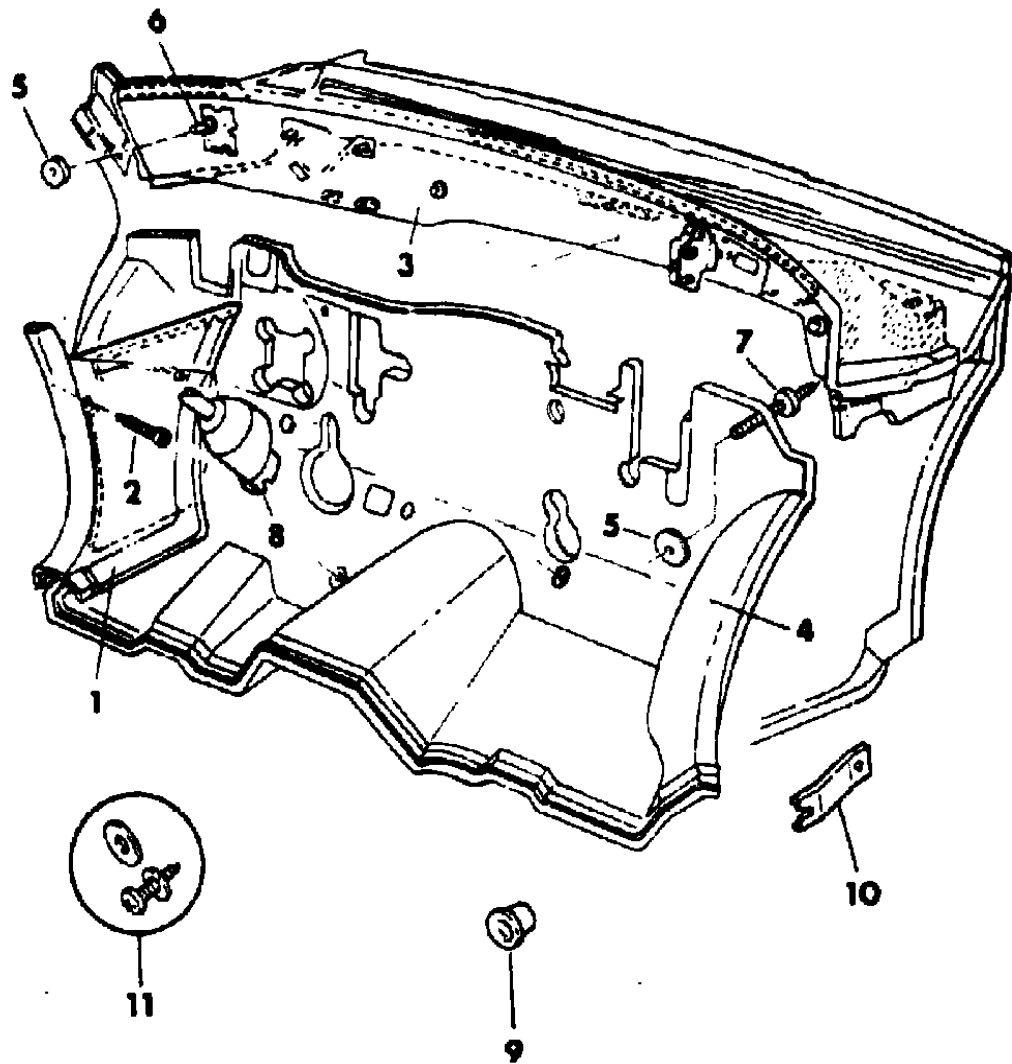
OXYGEN SENSOR (Continued)

ADJUSTER--ELECTRIC K BODY	Fig. ITK-3800
COVERS--ELECTRIC SEAT ADJUSTER K BODY	Fig. ITK-3900
SEAT--REAR K BODY TRIM CODES A4,C1	Fig. ITK-4000
SEAT--REAR K BODY TRIM CODES M3,M5	Fig. ITK-4100
SEAT--REAR K BODY 45 TRIM CODES V8	Fig. ITK-4200
SEAT--REAR K BODY TRIM CODE JP	Fig. ITK-4300
SEAT--REAR K BODY TRIM CODES K2,K8	Fig. ITK-4400
SEAT--REAR K BODY TRIM CODES F7,H3,H7	Fig. ITK-4500
SEAT--REAR K BODY FLEET POLICE AND OTHERS	Fig. ITK-4600
BELT--REAR SEAT LAP K BODY	Fig. ITK-4700
SEAT--REAR FOLD DOWN K BODY 45	Fig. ITK-4800

COWL PANEL AND SILENCERS K BODY
Figure ITK-100

7234 100 B

ITEM	PART NUMBER	QTY	BODY	MODEL	DESCRIPTION
1					PANEL, Cowl Side Trim
					RIGHT
	F197 CA3	1		P,D	Silver
	F197 FC5	1		P,D	Blue
	F197 EE8	1		P,D	Cordovan
	F197 EK1	1		P,D	Almond
					LEFT
	F207 AA3	1		P,D	Silver
	F207 FC5	1		P,D	Blue
	F207 EE8	1		P,D	Cordovan
	F207 EK1	1		P,D	Almond
					RIGHT
	F299 FC5	1		C	Blue
	F299 EE8	1		C	Cordovan
	F299 EK1	1		C	Almond
	F299 ES8	1		C	Charcoal
					LEFT
	F211 FC5	1		C	Blue
	F211 EE8	1		C	Cordovan
	F211 EK1	1		C	Almond
	F211 CS8	1		C	Charcoal
2		AR			SCREW, (8-18x3/4) (Not Serv.)
3					SILENCER, Cowl Panel (Not Serv.)
4	4314 913	1			LINER, Dash
5	4206 545	AR			RETAINER
6		1			SCREW and WASHER, (18x.75) (Not Serv.)
7	6031 630	4			STUD
8	4188 868	1			COVER and SILENCER, Steering Column
9	6032 185	6			CAPLUG, Dash Liner
10	4247 832	1			BRACKET, Cowl Side Trim, Right
11	4278 955	1			PARTS PACKAGE, Liner Attaching



MODEL CODES

E BODY = (J - CARAVELLE)(E - 600)(T - NEW YORKER)

G BODY = (V24 - DAYTONA)

H BODY = (D44 - LANCER)(C44 - LEBARON GTS)

J BODY = (C - LEBARON)

K BODY = (P - RELIANT)(D - ARIES)(C - LEBAROND)/TOWN & COUNTRY)

L BODY = (M - HORIZON/TURISMO)(Z - OMNI/CHARGER)

M BODY = (B - GRAN FURY)(F - FIFTH AVE/NEWPORT)(G - DIPLOMAT)

P BODY = (P - SUNDANCE)(D - SHADOW)

S BODY = (H - VOYAGER)(K - RAM VAN/CARAVAN)

BODY STYLES

12-13 = FWD VAN

21 = 2-DOOR SEDAN

24 = 2-DOOR HATCHBACK

27 = 2-DOOR CONVERTIBLE

41 = 4-DOOR SEDAN

44 = 4-DOOR HATCHBACK

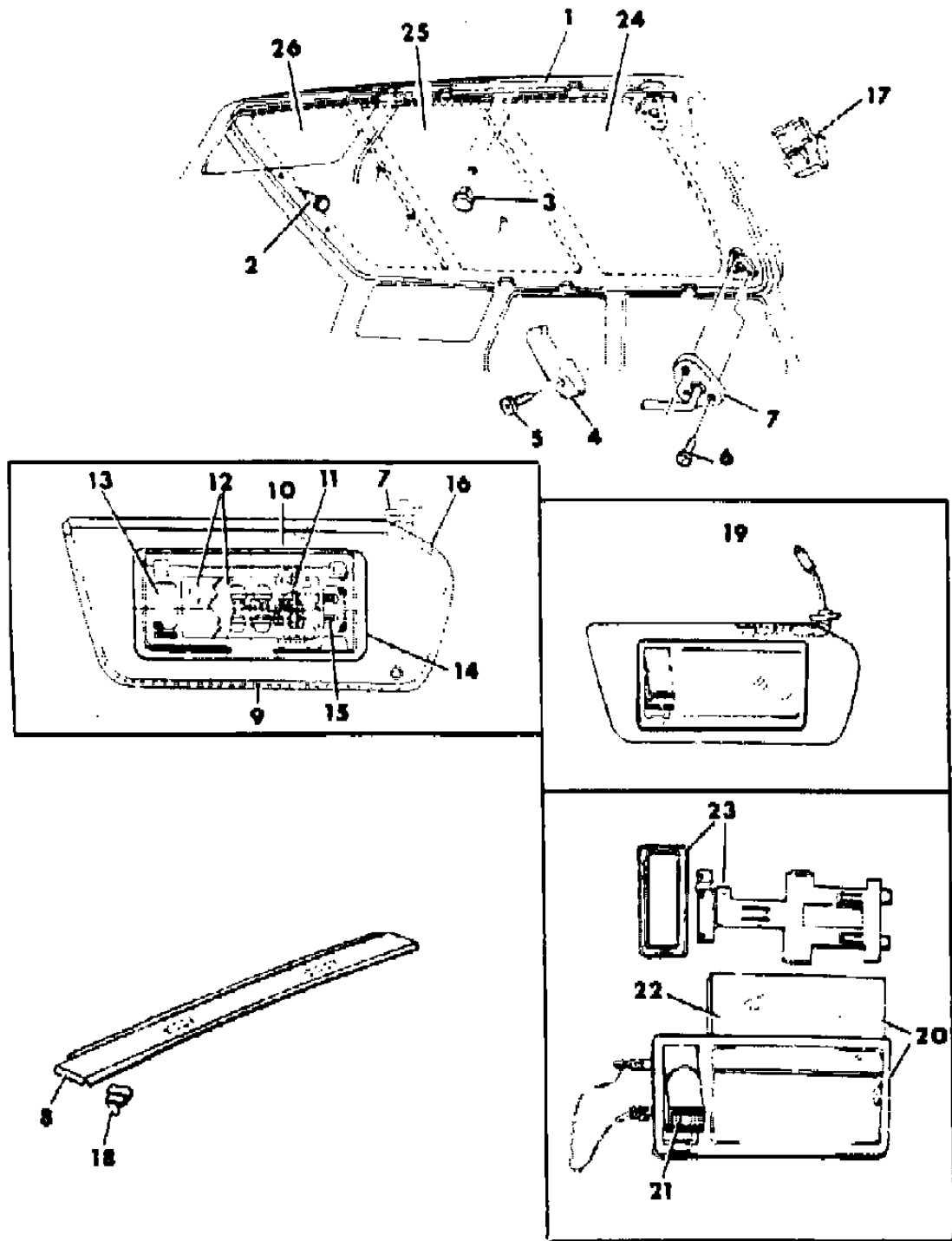
45 = 4-DOOR STATION WAGON

52-53 = FWD WAGON

AR = Use as Required - = Non Illustrated Part P.A.R. = Paint as Required

HEADLINER VISOR AND SHELF PANEL K BODY
Figure ITK-200

7234 200A



ITEM	PART NUMBER	QTY	BODY	MODEL	DESCRIPTION
1					HEADLINER, Cloth
	H837 AA3	1	21		Silver
	H837 FC5	1	21		Blue, Medium
	H837 EE8	1	21		Cordovan
	H837 EK1	1	21		Almond
	H834 AA3	1	41		Silver
	H834 FC5	1	41		Blue, Medium
	H834 EE8	1	41		Cordovan
	H834 EK1	1	41		Almond
	H834 CS8	1	41		Charcoal
	H850 AA3	1	45		Silver
	H850 EE8	1	45		Cordovan
	H850 EK1	1	45		Almond
	H850 ES8	1	45		Charcoal
2	6003 587	1	45		FASTENER, Roof Headliner Rear Attach.
3					FASTENER, Roof Headliner
	H452 AA3	4	45		Silver
	H452 EE8	4	45		Cordovan
	H452 EK1	4	45		Almond
	H452 CS8	4	45		Charcoal
4	3685 992	2			HOOK, Coat
5		2			SCREW, (8-18x7/8) (Not Serv.)
6	6032 584	6			SCREW, Visor Arm
7	4247 862-3	1			ARM and BRACKET, w/o Mirror
8					PANEL
	H346 EA3	1			Silver
	H346 FC5	1			Blue, Medium
	H346 EE8	1			Cordovan
	H346 EK1	1			Almond
	H346 ES8	1			Charcoal
9					VISOR, Padded Cloth w/o Mirror
	H456 FA3	2			Silver
	H456 FC5	2			Blue, Medium
	H456 FE8	2			Cordovan
	H456 FK1	2			Almond
	H456 FS8	2			Charcoal
					w/Arm and Illuminated Mirror
					RIGHT

MODEL CODES

E BODY = (J - CARAVELLE)(E - 600)(T - NEW YORKER)

G BODY = (V24 - DAYTONA)

H BODY = (D44 - LANCER)(C44 - LEBARON GTS)

J BODY = (C - LEBARON)

K BODY = (P - RELIANT)(D - ARIES)(C - LEBAROND)/TOWN & COUNTRY)

L BODY = (M - HORIZON/TURISMO)(Z - OMNI/CHARGER)

M BODY = (B - GRAN FURY)(F - FIFTH AVE/NEWPORT)(G - DIPLOMAT)

P BODY = (P - SUNDANCE)(D - SHADOW)

S BODY = (H - VOYAGER)(K - RAM VAN/CARAVAN)

BODY STYLES

12-13 = FWD VAN

21 = 2-DOOR SEDAN

24 = 2-DOOR HATCHBACK

27 = 2-DOOR CONVERTIBLE

41 = 4-DOOR SEDAN

44 = 4-DOOR HATCHBACK

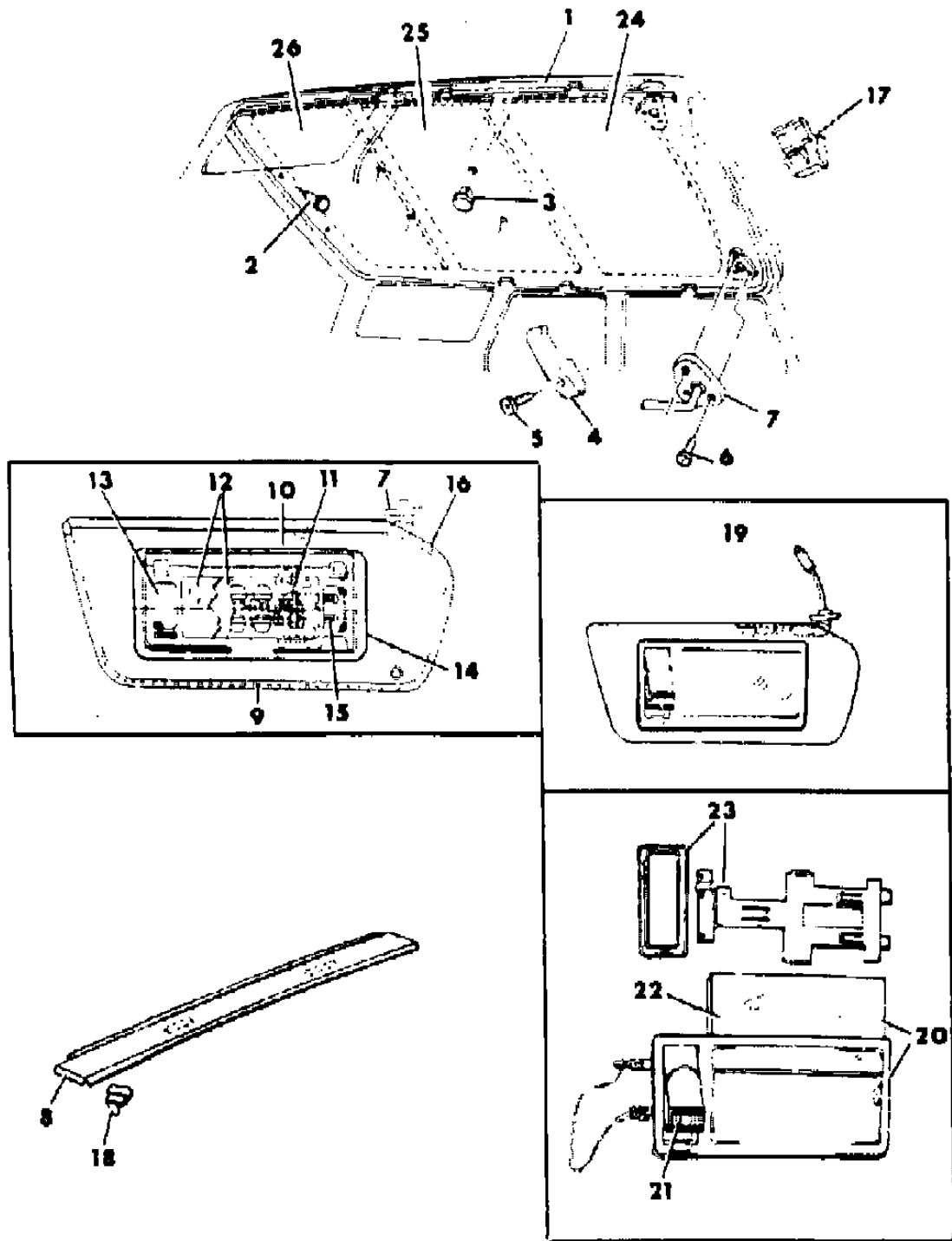
45 = 4-DOOR STATION WAGON

52-53 = FWD WAGON

AR = Use as Required - = Non Illustrated Part P.A.R. = Paint as Required

HEADLINER VISOR AND SHELF PANEL K BODY
Figure ITK-200

7234 200A



ITEM	PART NUMBER	QTY	BODY	MODEL	DESCRIPTION
	H262 FC5	1		C	Blue
	H262 FE8	1		C	Cordovan
	H262 FK1	1		C	Almond
	H262 FS8	1		C	Charcoal
					LEFT
	H263 FC5	1		C	Blue
	H263 FE8	1		C	Cordovan
	H263 FK1	1		C	Almond
	H263 FS8	1		C	Charcoal
					Sub Assy. w/Lighted Mirror
					RIGHT
	H762 FC5	1		C	Blue
	H762 FE8	1		C	Cordovan
	H762 FK1	1		C	Almond
	H762 FS8	1		C	Charcoal
					LEFT
	H763 FC5	1		C	Blue
	H763 FE8	1		C	Cordovan
	H763 FK1	1		C	Almond
	H763 FS8	1		C	Charcoal
10				C	VANITY, Illuminated Mirror
	H640 FC5	1			Blue
	H640 FE8	1			Cordovan
	H640 FK1	1			Almond
	H640 FS8	1			Charcoal
11	3832 873	1			COMPONENT BOARD, Lighted Mirror
12	4077 693	1			MIRROR and BACK, Vanity Mirror
13	4410 693	2			LENS, Vanity Mirror
14	4166 976	2			HINGE SPRING, Vanity Mirror
15	9421 330	4			BULB
16	1490 983	2			CLIP, Visor Panel End
17		AR			RETAINER, Headliner and Garnish Moulding (Serv. w/ Moulding)
18	6003 640	AR			FASTENER, Shelf Trim Panel
19					VISOR, w/Mirror, Map Light, Arm and Bracket
					RIGHT
	H618 FA3	1			Silver
	H618 FC5	1			Blue
	H618 FE8	1			Cordovan

MODEL CODES

E BODY = (J - CARAVELLE)(E - 600)(T - NEW YORKER)

G BODY = (V24 - DAYTONA)

H BODY = (D44 - LANCER)(C44 - LEBARON GTS)

J BODY = (C - LEBARON)

K BODY = (P - RELIANT)(D - ARIES)(C - LEBAROND)/TOWN & COUNTRY)

L BODY = (M - HORIZON/TURISMO)(Z - OMNI/CHARGER)

M BODY = (B - GRAN FURY)(F - FIFTH AVE/NEWPORT)(G - DIPLOMAT)

P BODY = (P - SUNDANCE)(D - SHADOW)

S BODY = (H - VOYAGER)(K - RAM VAN/CARAVAN)

BODY STYLES

12-13 = FWD VAN

21 = 2-DOOR SEDAN

24 = 2-DOOR HATCHBACK

27 = 2-DOOR CONVERTIBLE

41 = 4-DOOR SEDAN

44 = 4-DOOR HATCHBACK

45 = 4-DOOR STATION WAGON

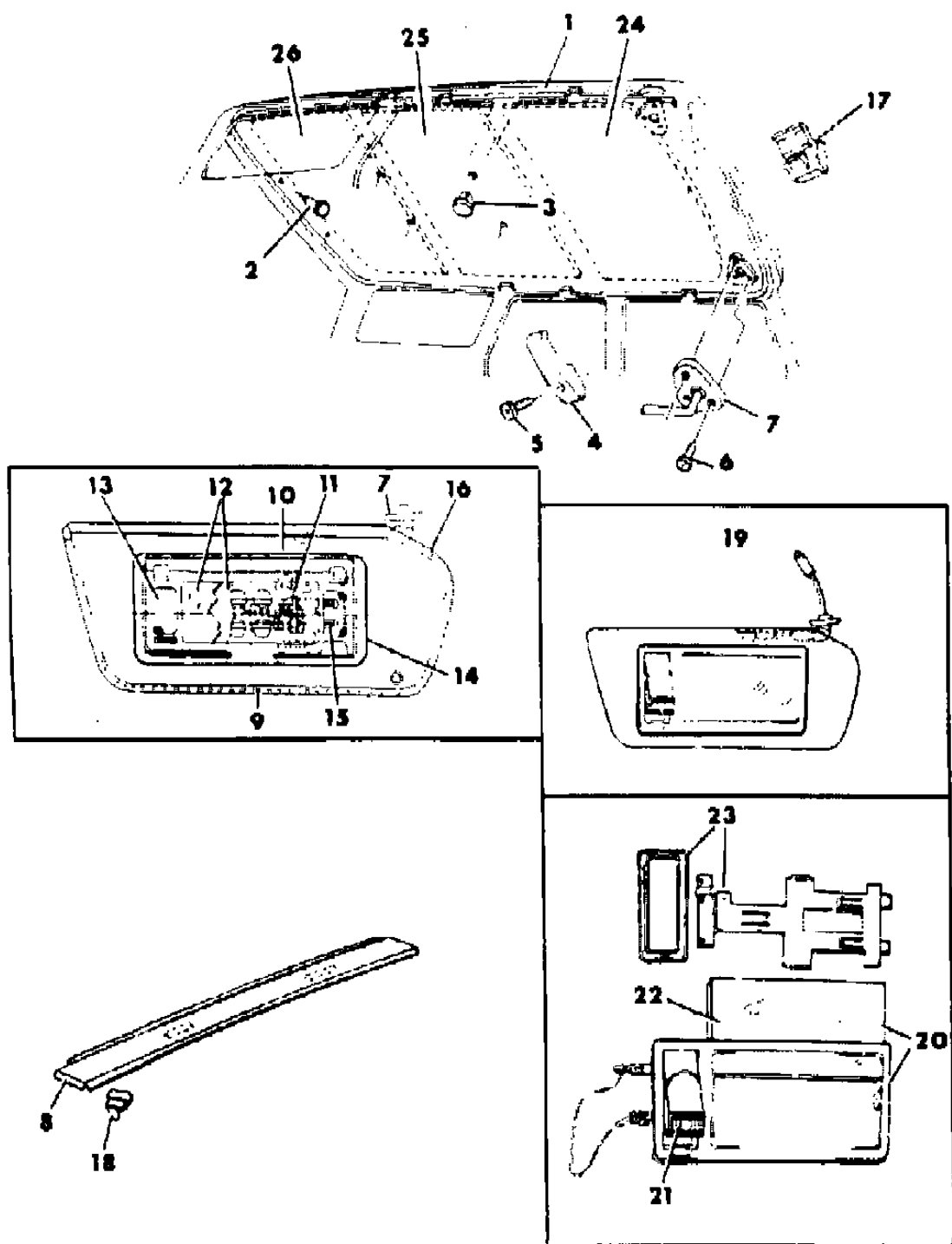
52-53 = FWD WAGON

AR = Use as Required - = Non Illustrated Part P.A.R. = Paint as Required

HEADLINER VISOR AND SHELF PANEL K BODY

Figure ITK-200

7234 200A



ITEM	PART NUMBER	QTY	BODY	MODEL	DESCRIPTION
	H618 FK1	1			Almond
					LEFT
	H456 FA3	1			Silver
	H456 FC5	1			Blue
	H456 FE8	1			Cordovan
20	H456 FK1	1			ALmond
					VISOR, Sub Assy.
	H641 FA3	1			Silver
	H641 FC5	1			Blue
	H641 FE8	1			Cordovan
	H641 FK1	1			Almond
21	4309 023	1			LENS, Map Cover
22	4309 022	1			MIRROR and BACK
23					(Serv. in Item 19)
24	4078 582	AR			SILENCER, Roof Panel Front
25	4078 583	AR			SILENCER, Roof Panel Center
26	4078 584	AR			SILENCER, Roof Panel Rear

MODEL CODES
 E BODY = (J - CARAVELLE)(E - 600)(T - NEW YORKER)
 G BODY = (V24 - DAYTONA)
 H BODY = (D44 - LANCER)(C44 - LEBARON GTS)
 J BODY = (C - LEBARON)
 K BODY = (P - RELIANT)(D - ARIES)(C - LEBAROND)/TOWN & COUNTRY

L BODY = (M - HORIZON/TURISMO)(Z - OMNI/CHARGER)
 M BODY = (B - GRAN FURY)(F - FIFTH AVE/NEWPORT)(G - DIPLOMAT)
 P BODY = (P - SUNDANCE)(D - SHADOW)
 S BODY = (H - VOYAGER)(K - RAM VAN/CARAVAN)

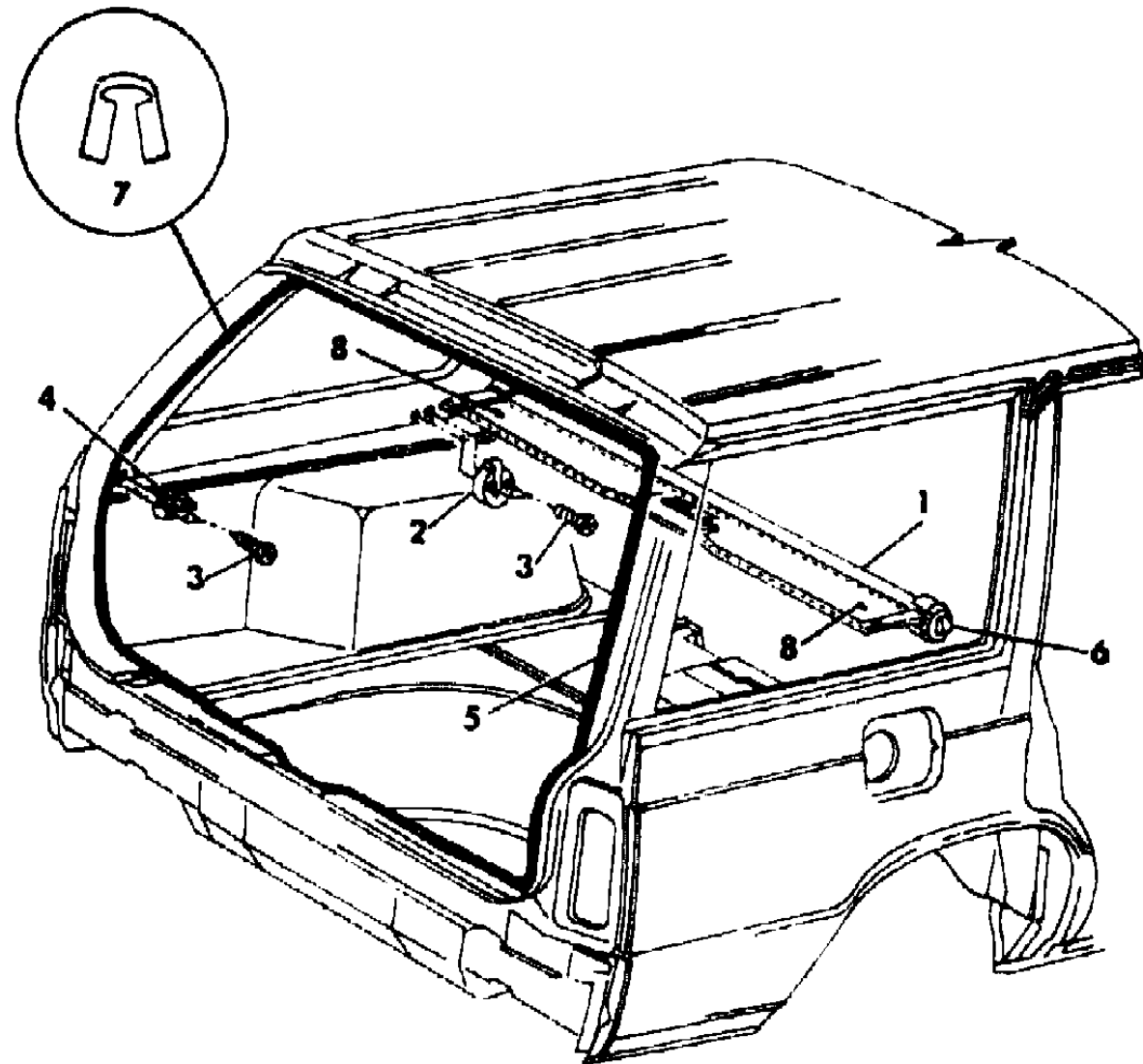
BODY STYLES
 12-13 = FWD VAN
 21 = 2-DOOR SEDAN
 24 = 2-DOOR HATCHBACK
 27 = 2-DOOR CONVERTIBLE

41 = 4-DOOR SEDAN
 44 = 4-DOOR HATCHBACK
 45 = 4-DOOR STATION WAGON
 52-53 = FWD WAGON

AR = Use as Required - = Non Illustrated Part P.A.R. = Paint as Required

TONNEAU COVER K BODY
Figure ITK-300

7234 300



ITEM	PART NUMBER	QTY	BODY	MODEL	DESCRIPTION
1	4271 098	1			COVER, Rear Compartment Silver
	4271 095	1			Cordovan
	4271 096	1			Almond
2	W234 CA3	1			COVER, Support Silver
	W234 EE8	1			Cordovan
	W234 EK1	1			Almond
3		AR			SCREW, (8-18x1) (Not Serv.)
4	W236-7 CA3	2			COVER, Hook Silver
	W236-7 EE8	2			Cordovan
	W236-7 EK1	2			Almond
5	W267 CA3	1			WELT, Liftgate Opening Silver
	W267 EE8	1			Cordovan
	W267 EK1	1			Almond
6	4271 047	1			END CAP
7	4078 958	2			END CAP, Liftgate Opening Welt
8	H544 DA3	2			GROMMET, Tonneau Cover Silver
	H544 EE8	2			Cordovan
	H544 EK1	2			Almond
	H544 DS8	2			Charcoal

MODEL CODES

E BODY = (J - CARAVELLE)(E - 600)(T - NEW YORKER)

G BODY = (V24 - DAYTONA)

H BODY = (D44 - LANCER)(C44 - LEBARON GTS)

J BODY = (C - LEBARON)

K BODY = (P - RELIANT)(D - ARIES)(C - LEBAROND)/TOWN & COUNTRY)

L BODY = (M - HORIZON/TURISMO)(Z - OMNI/CHARGER)

M BODY = (B - GRAN FURY)(F - FIFTH AVE/NEWPORT)(G - DIPLOMAT)

P BODY = (P - SUNDANCE)(D - SHADOW)

S BODY = (H - VOYAGER)(K - RAM VAN/CARAVAN)

BODY STYLES

12-13 = FWD VAN

21 = 2-DOOR SEDAN

24 = 2-DOOR HATCHBACK

27 = 2-DOOR CONVERTIBLE

41 = 4-DOOR SEDAN

44 = 4-DOOR HATCHBACK

45 = 4-DOOR STATION WAGON

52-53 = FWD WAGON

AR = Use as Required - = Non Illustrated Part P.A.R. = Paint as Required

MOULDING--GARNISH K BODY
Figure ITK-400

7234 400 B

ITEM	PART NUMBER	QTY	BODY	MODEL	DESCRIPTION
1	F458-9 EK1	1			MOULDING, Retainer and Seal, Windshield (P.A.R.)
2	9414 753	AR			SCREW
3	F249 DA3	1			MOULDING, Windshield Upper (P.A.R.)
4	F052-3 DA3	1		21	MOULDING and RETAINER, Roof Rail (P.A.R.) Silver
	F006-7 EK1	1		41	Almond
5	6032 456	2			SCREW
6	4077 542	1		21	MOULDING, Rear Window Header (P.A.R.)
	4077 541	1		41	
7	F008-9 EK1	1		45	MOULDING and RETAINER, Roof Rail (P.A.R.)
8	F294-5 EK1	1		45	MOULDING, Quarter Window Rail (P.A.R.)
9	H543 CA3	1		45	MOULDING, Liftgate Header Opening Silver
	H543 EE8	1		45	Cordovan
	H543 EK1	1		45	Almond
	H543 ES8	1		45	Charcoal
10	4247 758	4			BRACKET, Liftgate Opening Header Moulding Attaching
11					RETAINER, Moulding (Serv. w/ Moulding)
12					BUMPER, Roof Rail Moulding
	F030 CA3	2			Silver
	F030 EE8	2			Cordovan
	F030 EK1	2			Almond
	F030 CS8	2			Charcoal

NOTE: (P.A.R.) = Paint As Required

MODEL CODES

E BODY = (J - CARAVELLE)(E - 600)(T - NEW YORKER)

G BODY = (V24 - DAYTONA)

H BODY = (D44 - LANCER)(C44 - LEBARON GTS)

J BODY = (C - LEBARON)

K BODY = (P - RELIANT)(D - ARIES)(C - LEBAROND)/TOWN & COUNTRY)

L BODY = (M - HORIZON/TURISMO)(Z - OMNI/CHARGER)

M BODY = (B - GRAN FURY)(F - FIFTH AVE/NEWPORT)(G - DIPLOMAT)

P BODY = (P - SUNDANCE)(D - SHADOW)

S BODY = (H - VOYAGER)(K - RAM VAN/CARAVAN)

BODY STYLES

12-13 = FWD VAN

21 = 2-DOOR SEDAN

24 = 2-DOOR HATCHBACK

27 = 2-DOOR CONVERTIBLE

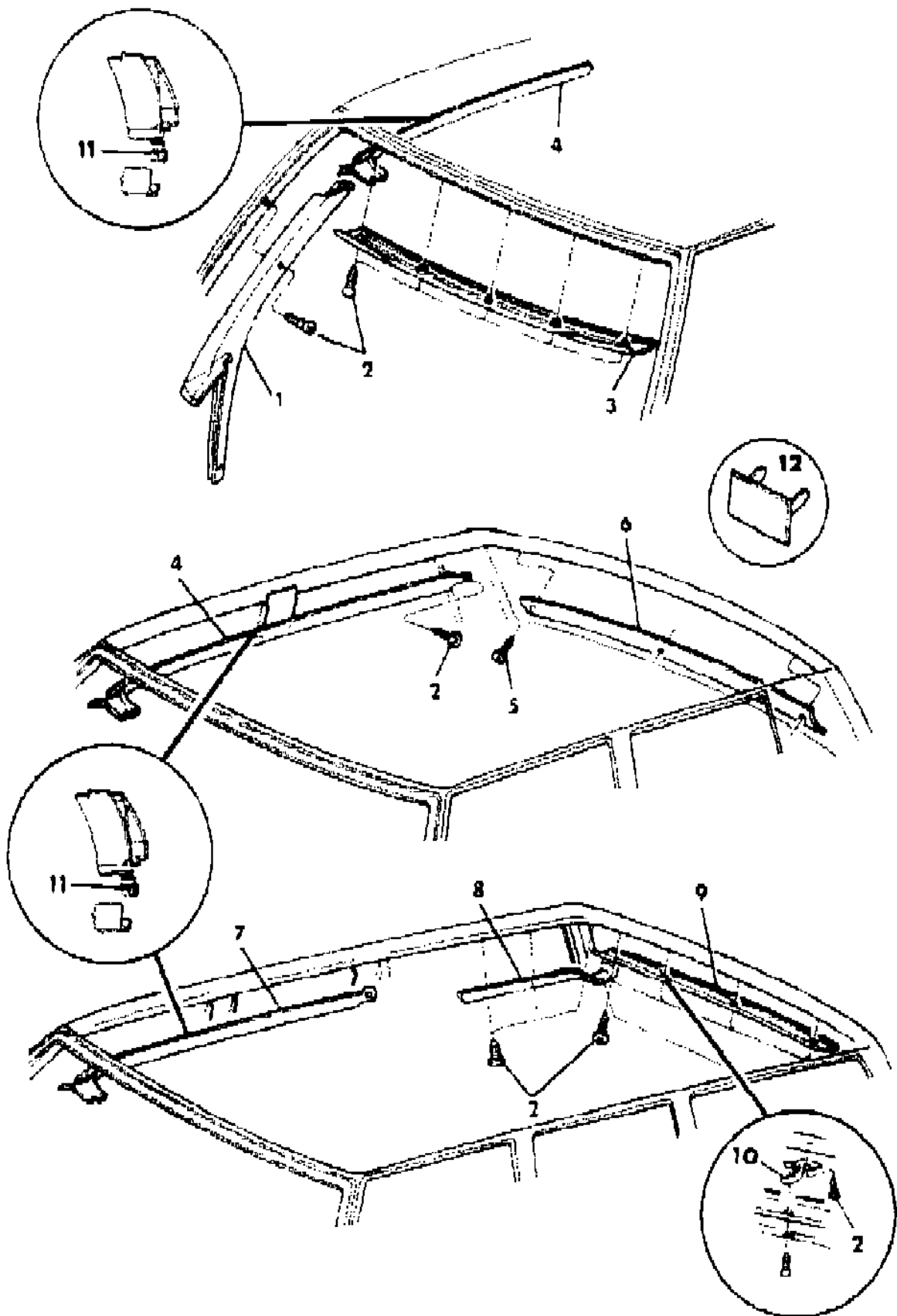
41 = 4-DOOR SEDAN

44 = 4-DOOR HATCHBACK

45 = 4-DOOR STATION WAGON

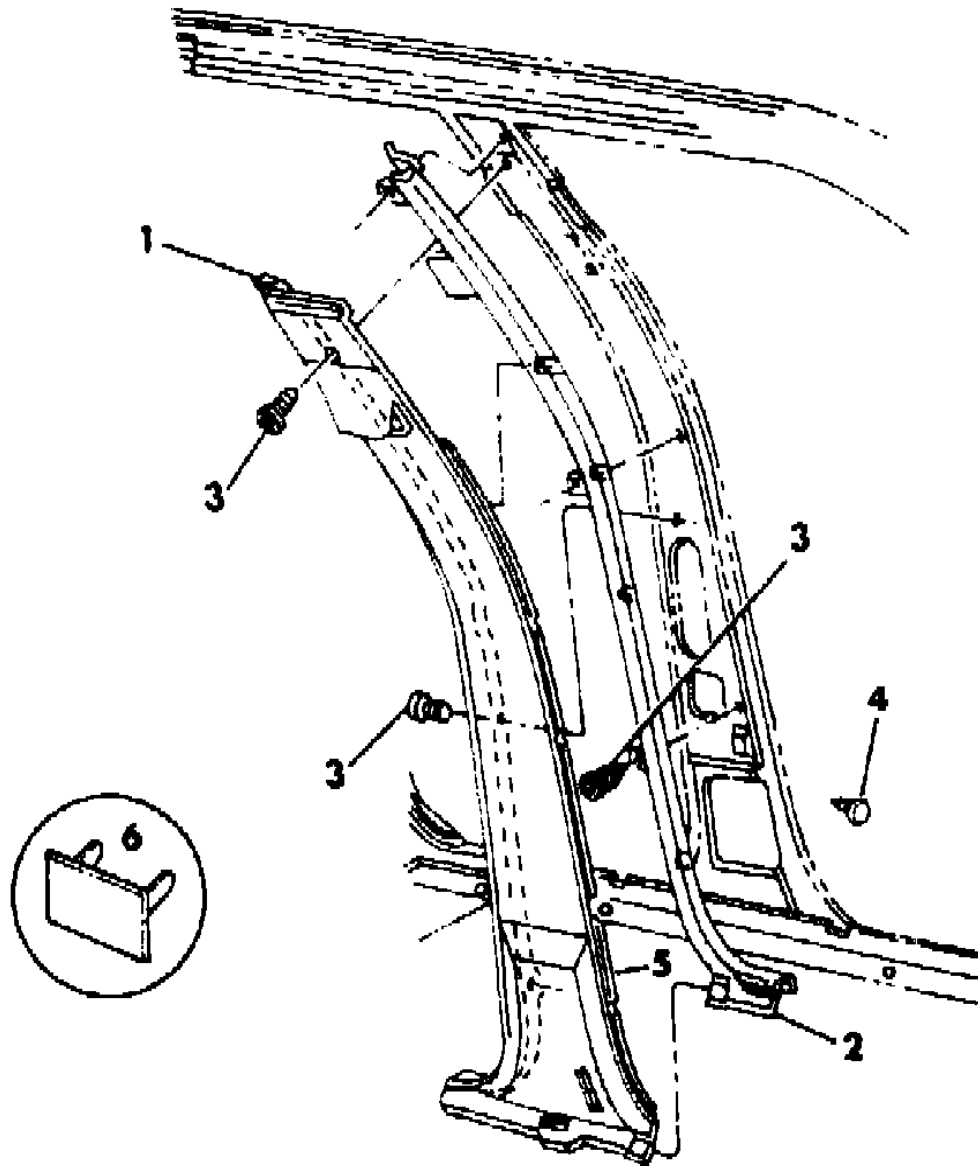
52-53 = FWD WAGON

AR = Use as Required - = Non Illustrated Part P.A.R. = Paint as Required



B-PILLAR TRIM K BODY 41-45
Figure ITK-500

7234 500 A



ITEM	PART NUMBER	QTY	BODY	MODEL	DESCRIPTION
1	COVER, Center Pillar "B" Rear				
	F214-5 CA3	1			Silver
	F214-5 FC5	1			Blue
	F214-5 EE8	1			Cordovan
	F214-5 EK1	1			Almond
	F214-5 CS8	1			Charcoal
2	COVER, Center Pillar "B" Front, w/Bumper				
	V162-3 EA3	1			Silver
	V162-3 FC5	1			Blue
	V162-3 EE8	1			Cordovan
	V162-3 EK1	1			Almond
	V162-3 ES8	1			Charcoal
3	9420 486	AR			SCREW
4	6030 441	8			FASTENER, Center Pillar Silencer Attach.
5	4337 840-1	1			SILENCER, Center Pillar
6	BUMPER				
	F030 CA3	2			Silver
	F030 FC5	2			Blue
	F030 EE8	2			Cordovan
	F030 EK1	2			Almond
	F030 CS8	2			Charcoal

MODEL CODES

E BODY = (J - CARAVELLE)(E - 600)(T - NEW YORKER)

G BODY = (V24 - DAYTONA)

H BODY = (D44 - LANCER)(C44 - LEBARON GTS)

J BODY = (C - LEBARON)

K BODY = (P - RELIANT)(D - ARIES)(C - LEBAROND)/TOWN & COUNTRY)

L BODY = (M - HORIZON/TURISMO)(Z - OMNI/CHARGER)

M BODY = (B - GRAN FURY)(F - FIFTH AVE/NEWPORT)(G - DIPLOMAT)

P BODY = (P - SUNDANCE)(D - SHADOW)

S BODY = (H - VOYAGER)(K - RAM VAN/CARAVAN)

BODY STYLES

12-13 = FWD VAN

21 = 2-DOOR SEDAN

24 = 2-DOOR HATCHBACK

27 = 2-DOOR CONVERTIBLE

41 = 4-DOOR SEDAN

44 = 4-DOOR HATCHBACK

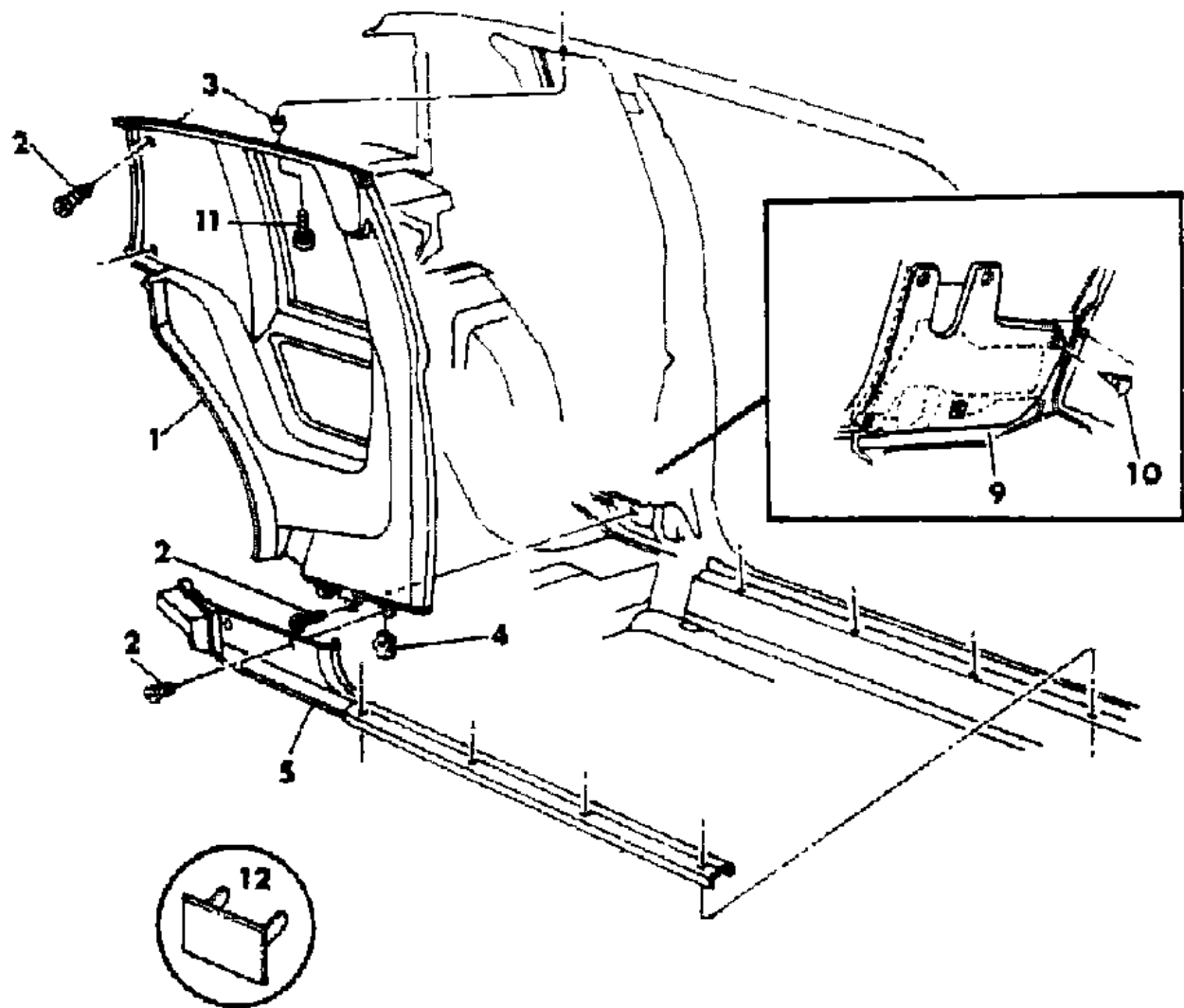
45 = 4-DOOR STATION WAGON

52-53 = FWD WAGON

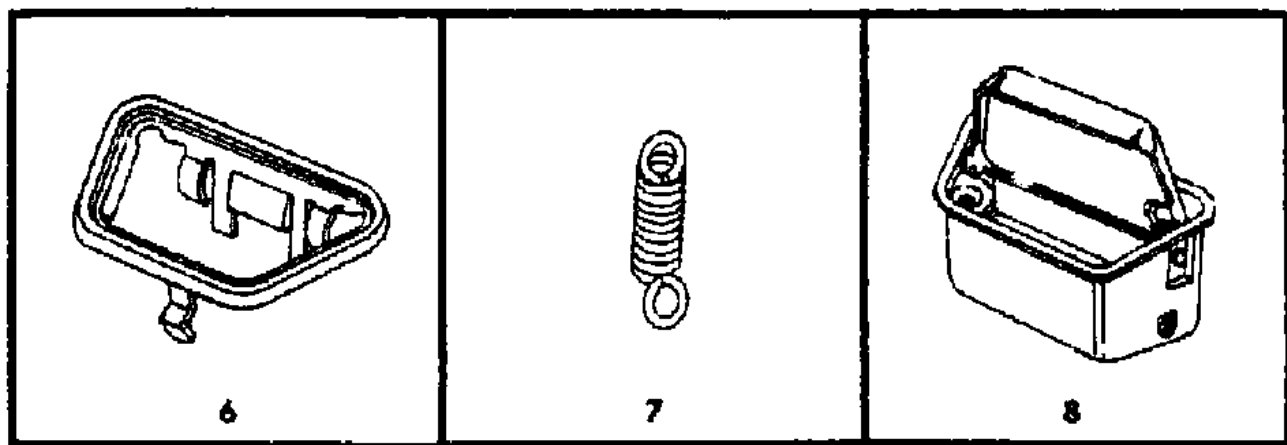
AR = Use as Required - = Non Illustrated Part P.A.R. = Paint as Required

PANEL--QUARTER TRIM K BODY P-D 21
Figure ITK-600

7234 800 A



ITEM	PART NUMBER	QTY	BODY	MODEL	DESCRIPTION
1					PANEL, Quarter Upper (P.A.R.)
	H720-1 CA3	1		L	
	H400-1 DA3	1		M	
2		AR			SCREW, (8-18x1) (Not Serv.)
3	0152 863	AR			NUT, Spacer
4	6031 803	4			U-NUT
5					PLATE, See Scuff Plate III. Group 23-Trim
6	2879 652	2			BEZEL, Ash Receiver
7	2292 503	2			SPRING, Ash Receiver Lid
8	2589 587	2			RECEIVER, Ash
9	3762 862	AR			SILENCER, (36"x72" Cut To Fit)
10	6003 423	AR			FASTENER
11		AR			SCREW, (8-18x1.25) (Not Serv.)
12					BUMPER
	F030 CA3	2			Silver
	F030 CB5	2			Blue
	F030 EE8	2			Cordovan
	F030 EK1	2			Almond
	F030 CS8	2			Charcoal



MODEL CODES

E BODY = (J - CARAVELLE)(E - 600)(T - NEW YORKER)

G BODY = (V24 - DAYTONA)

H BODY = (D44 - LANCER)(C44 - LEBARON GTS)

J BODY = (C - LEBARON)

K BODY = (P - RELIANT)(D - ARIES)(C - LEBAROND)/TOWN & COUNTRY)

L BODY = (M - HORIZON/TURISMO)(Z - OMNI/CHARGER)

M BODY = (B - GRAN FURY)(F - FIFTH AVE/NEWPORT)(G - DIPLOMAT)

P BODY = (P - SUNDANCE)(D - SHADOW)

S BODY = (H - VOYAGER)(K - RAM VAN/CARAVAN)

BODY STYLES

12-13 = FWD VAN

21 = 2-DOOR SEDAN

24 = 2-DOOR HATCHBACK

27 = 2-DOOR CONVERTIBLE

41 = 4-DOOR SEDAN

44 = 4-DOOR HATCHBACK

45 = 4-DOOR STATION WAGON

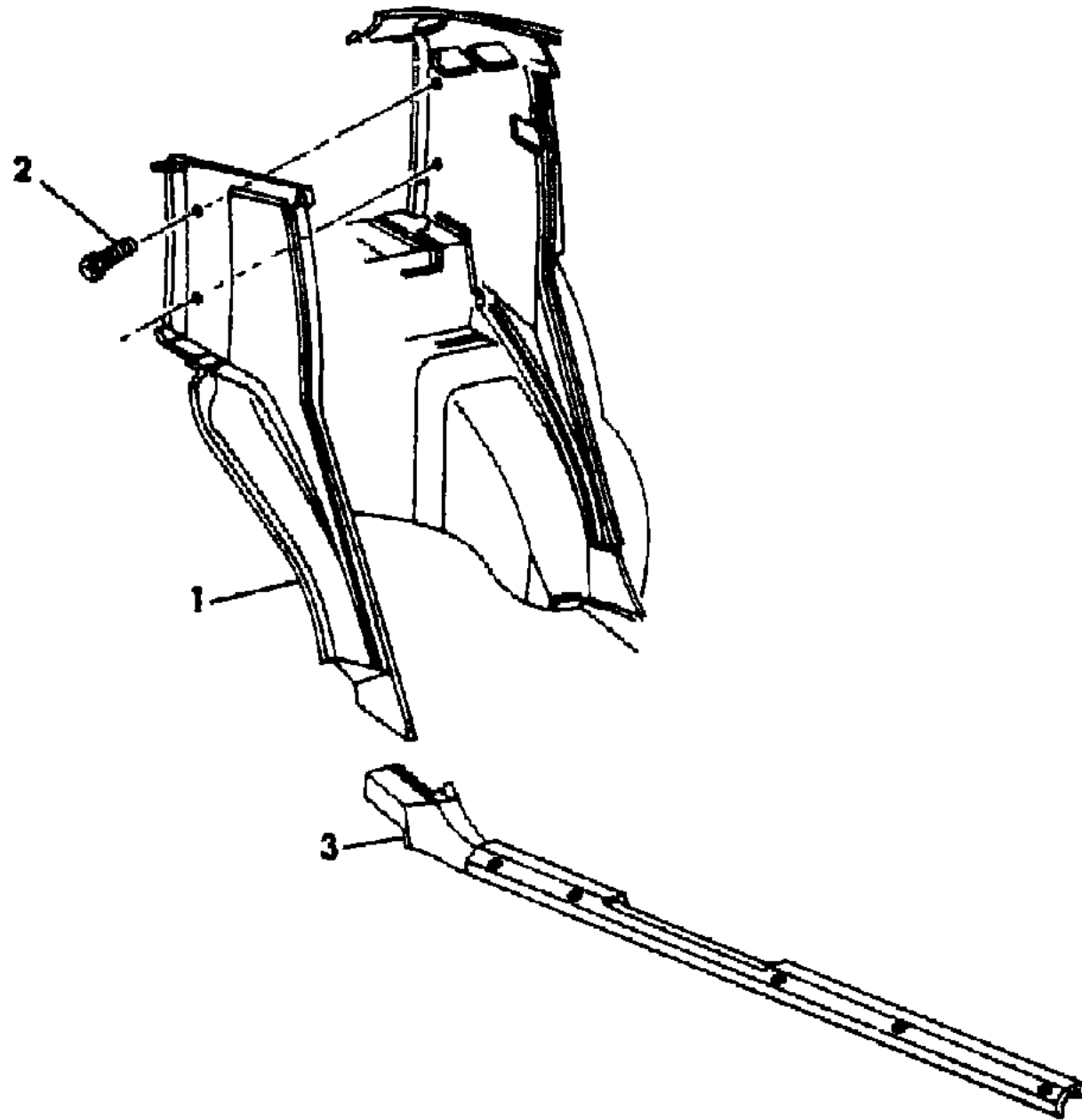
52-53 = FWD WAGON

AR = Use as Required - = Non Illustrated Part P.A.R. = Paint as Required

PANEL--QUARTER TRIM K BODY 41
Figure ITK-700

7234 700

ITEM	PART NUMBER	QTY	BODY	MODEL	DESCRIPTION
1	F152-3 EK1	1			PANEL, Quarter Trim (P.A.R.)
2		AR			SCREW, (8-18x1 1/4) (Not Serv.)
3					PLATE, See Scuff Plate III. Group 23-Trim NOTE, (P.A.R.) = Paint As Required



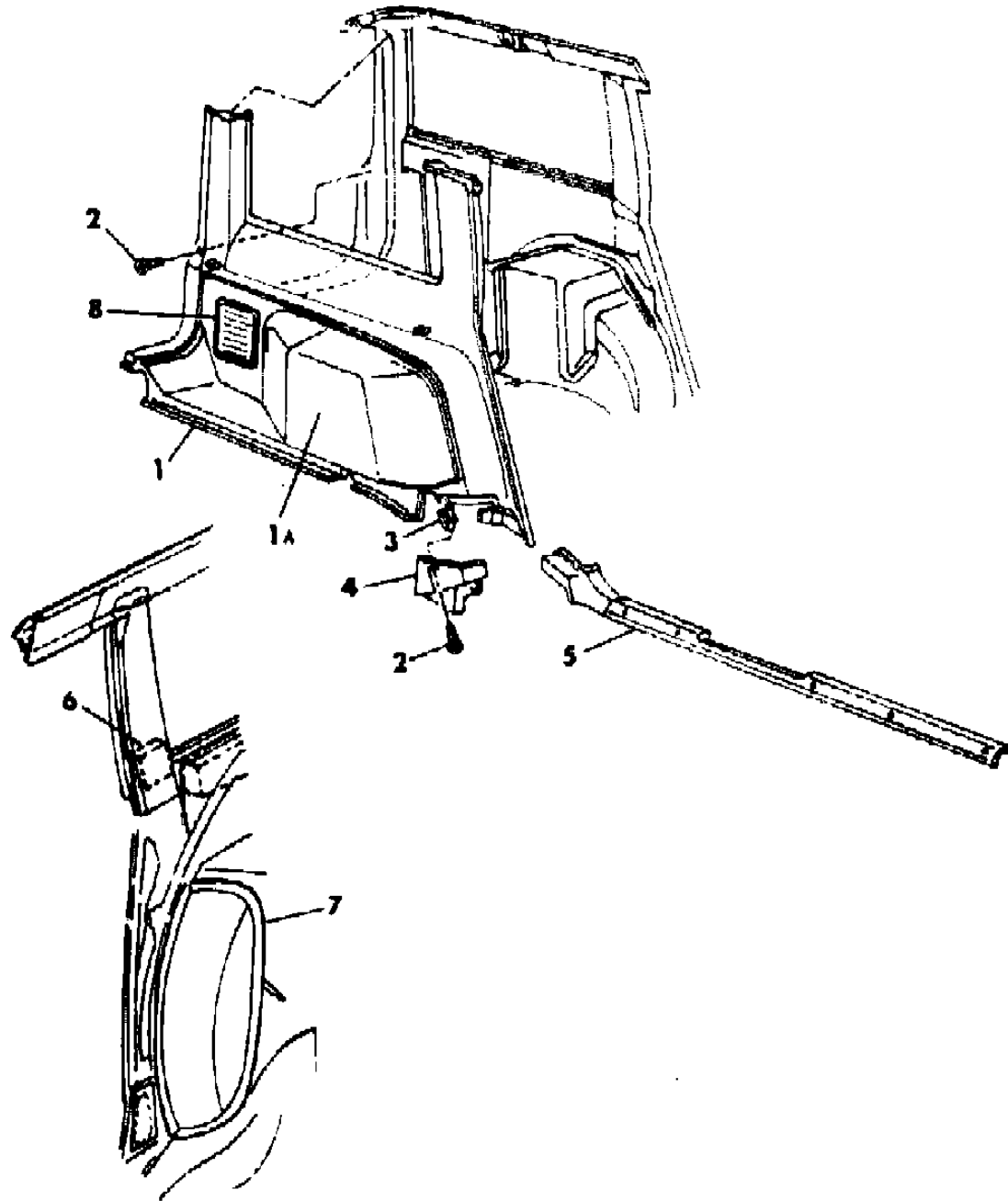
MODEL CODES
 E BODY = (J - CARAVELLE)(E - 600)(T - NEW YORKER)
 G BODY = (V24 - DAYTONA)
 H BODY = (D44 - LANCER)(C44 - LEBARON GTS)
 J BODY = (C - LEBARON)
 K BODY = (P - RELIANT)(D - ARIES)(C - LEBAROND)/TOWN & COUNTRY
 L BODY = (M - HORIZON/TURISMO)(Z - OMNI/CHARGER)
 M BODY = (B - GRAN FURY)(F - FIFTH AVE/NEWPORT)(G - DIPLOMAT)
 P BODY = (P - SUNDANCE)(D - SHADOW)
 S BODY = (H - VOYAGER)(K - RAM VAN/CARAVAN)

BODY STYLES
 12-13 = FWD VAN
 21 = 2-DOOR SEDAN
 24 = 2-DOOR HATCHBACK
 27 = 2-DOOR CONVERTIBLE
 41 = 4-DOOR SEDAN
 44 = 4-DOOR HATCHBACK
 45 = 4-DOOR STATION WAGON
 52-53 = FWD WAGON

AR = Use as Required - = Non Illustrated Part P.A.R. = Paint as Required

PANEL--QUARTER TRIM K BODY 45
Figure ITK-800

7234 800 A



ITEM	PART NUMBER	QTY	BODY	MODEL	DESCRIPTION
1					PANEL, Quarter Trim (P.A.R.)
	W276-7 EK1	1		P,D	
	W274-5 EE8	1		C	Cordovan
	W274-5 EK1	1		C	Almond
	W274-5 ES8	1		C	Charcoal
1A					CARPET, Quarter Trim Panel
	W572-3 EE8	1		C	Cordovan
	W572-3 EK1	1		C	Almond
	W572-3 ES8	1		C	Charcoal
2	6032 456	AR			SCREW
3	6031 803	4			U-NUT
4	W240-1 EK1	2			PLATE, Seat Adjuster Access Hole Cover (P.A.R.)
5					PLATE, See Scuff Plate Ill. Group 23-Trim
6	4136 546	2			PAD, Lock Pillar, Upper Silencer
7	4247 226-7	1			SILENCER, Wheelhouse Cover, Molded
8	W235 EK1	2			GRILLE, Rear Speaker (P.A.R.)

NOTE: (P.A.R.) = Paint As Required

MODEL CODES

E BODY = (J - CARAVELLE)(E - 600)(T - NEW YORKER)

G BODY = (V24 - DAYTONA)

H BODY = (D44 - LANCER)(C44 - LEBARON GTS)

J BODY = (C - LEBARON)

K BODY = (P - RELIANT)(D - ARIES)(C - LEBAROND)/TOWN & COUNTRY)

L BODY = (M - HORIZON/TURISMO)(Z - OMNI/CHARGER)

M BODY = (B - GRAN FURY)(F - FIFTH AVE/NEWPORT)(G - DIPLOMAT)

P BODY = (P - SUNDANCE)(D - SHADOW)

S BODY = (H - VOYAGER)(K - RAM VAN/CARAVAN)

BODY STYLES

12-13 = FWD VAN

21 = 2-DOOR SEDAN

24 = 2-DOOR HATCHBACK

27 = 2-DOOR CONVERTIBLE

41 = 4-DOOR SEDAN

44 = 4-DOOR HATCHBACK

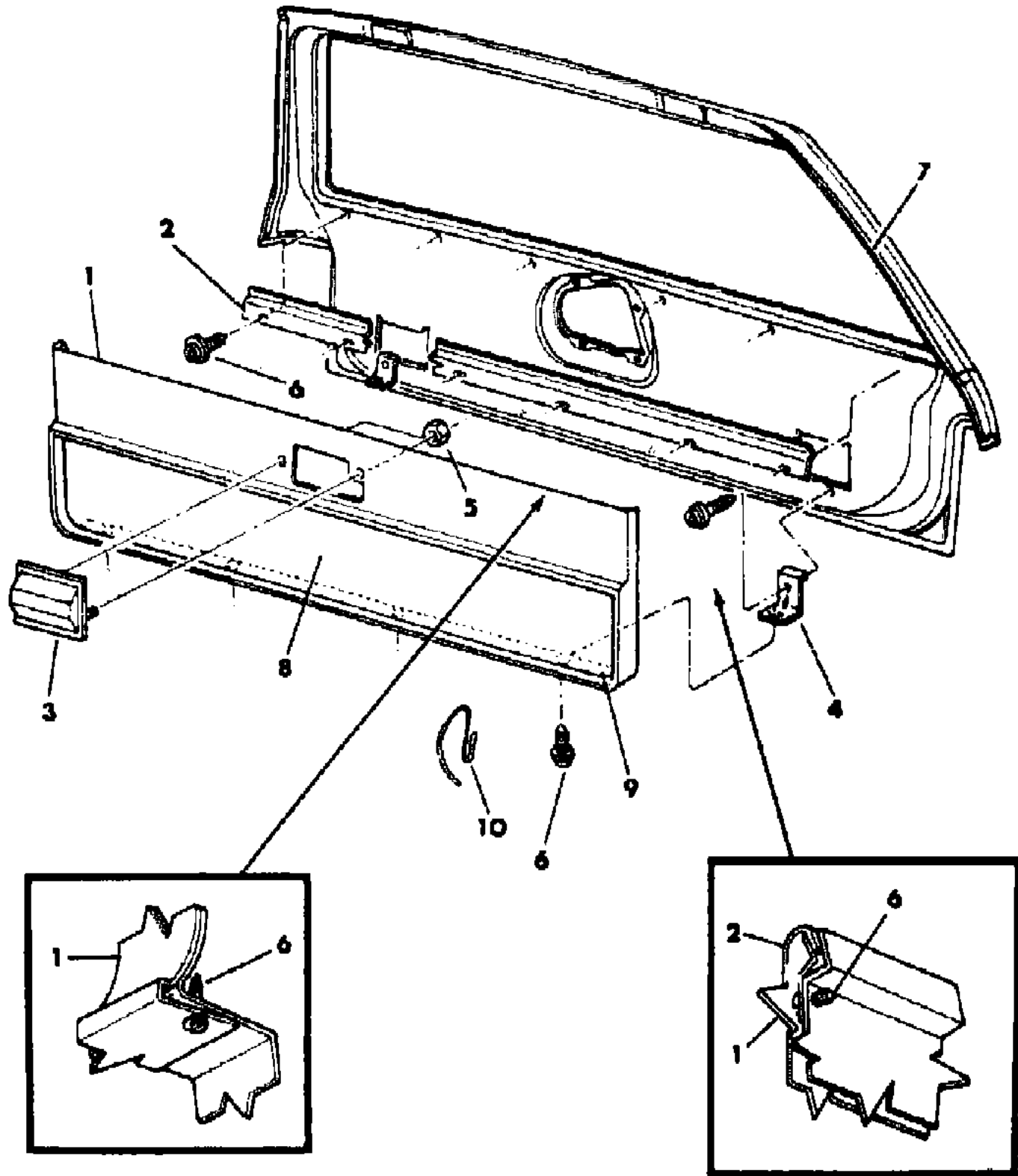
45 = 4-DOOR STATION WAGON

52-53 = FWD WAGON

AR = Use as Required - = Non Illustrated Part P.A.R. = Paint as Required

LIFT GATE TRIM K BODY 45
Figure ITK-900

7234 900



ITEM	PART NUMBER	QTY	BODY	MODEL	DESCRIPTION
1	H232 EA3	1		P-D	PANEL, Liftgate (P.A.R.)
	H231 EE8	1		C	Cordovan
	H231 EK1	1		C	Almond
	H231 ES8	1		C	Charcoal
2	4381 099	AR			RETAINER
3	W661 CA3	1			COVER, Rear Wiper Motor (P.A.R.)
4	4078 713	2			BRACKET, Trim to Inner Panel Attaching
5	6023 120	2			NUT
6	9420 486	12			SCREW
7	4078 959	AR			WELT or WEATHERSTRIP
8		AR			SILENCER, Liftgate Trim Panel (P.A.R.)
9					CARPET, Trim Panel
	W664 EE8	1		C	Cordovan
	W664 EK1	1		C	Almond
	W664 ES8	1		C	Charcoal
10	4247 884	1			CLIP

NOTE: (P.A.R.) = Paint As Required

MODEL CODES

E BODY = (J - CARAVELLE)(E - 600)(T - NEW YORKER)

G BODY = (V24 - DAYTONA)

H BODY = (D44 - LANCER)(C44 - LEBARON GTS)

J BODY = (C - LEBARON)

K BODY = (P - RELIANT)(D - ARIES)(C - LEBAROND)/TOWN & COUNTRY)

L BODY = (M - HORIZON/TURISMO)(Z - OMNI/CHARGER)

M BODY = (B - GRAN FURY)(F - FIFTH AVE/NEWPORT)(G - DIPLOMAT)

P BODY = (P - SUNDANCE)(D - SHADOW)

S BODY = (H - VOYAGER)(K - RAM VAN/CARAVAN)

BODY STYLES

12-13 = FWD VAN

21 = 2-DOOR SEDAN

24 = 2-DOOR HATCHBACK

27 = 2-DOOR CONVERTIBLE

41 = 4-DOOR SEDAN

44 = 4-DOOR HATCHBACK

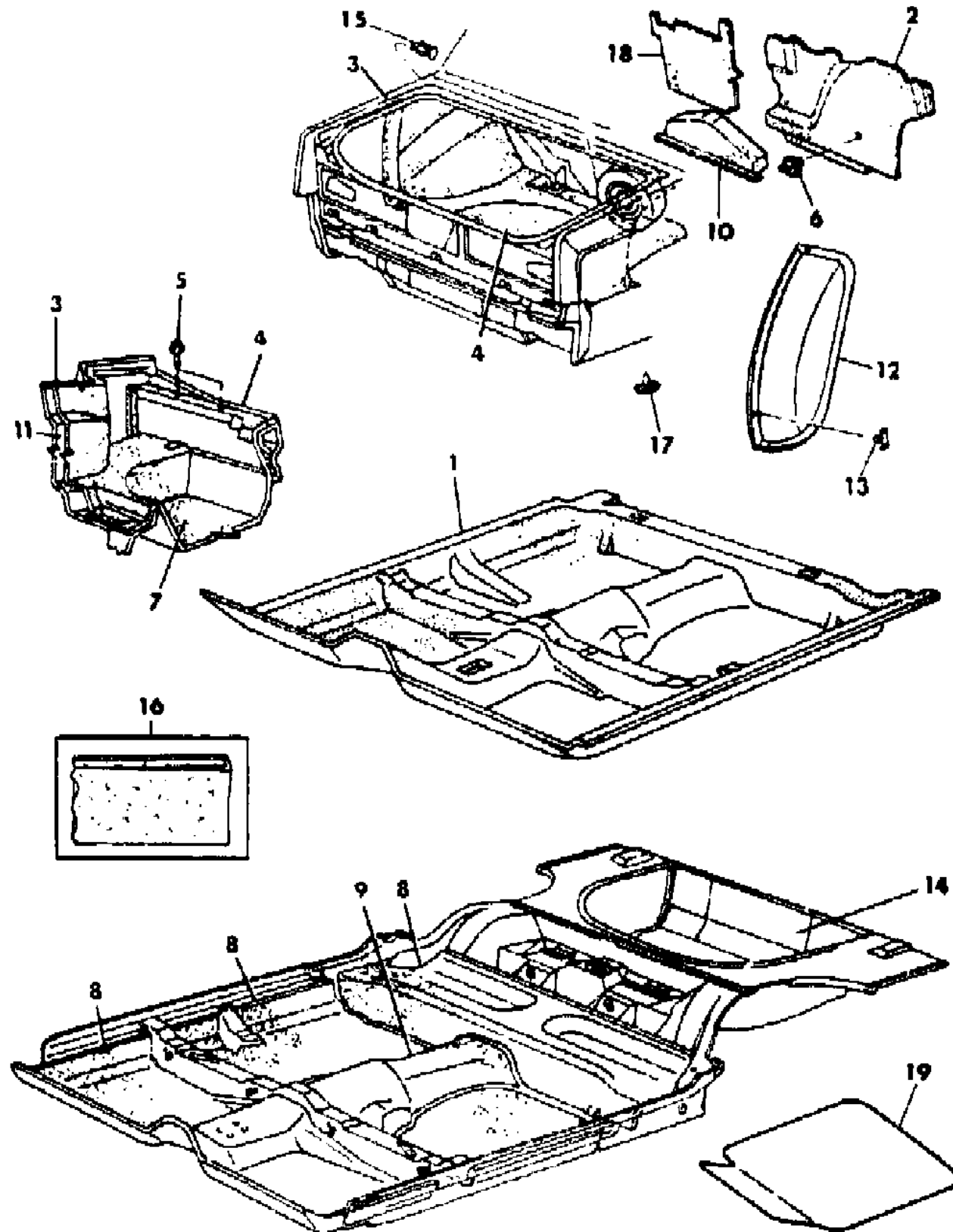
45 = 4-DOOR STATION WAGON

52-53 = FWD WAGON

AR = Use as Required - = Non Illustrated Part P.A.R. = Paint as Required

CARPET K BODY
Figure ITK-1000

7234 1000 A



ITEM	PART NUMBER	QTY	BODY	MODEL	DESCRIPTION
1					CARPET, Front and Rear
	M656 FC5	1		41,45	Blue
	M656 EE8	1		41,45	Cordovan
	M656 EK3	1		41,45	Almond
	M656 DS8	1		41,45	Charcoal
	M590 FC5	1		21	Blue
	M591 EE8	1		21	Cordovan
	M591 EK3	1		21	Almond
	M591 DS8	1		21	Charcoal
2					PANEL, Molded Front Trim Mini Tire
	4410 084	1		21,41	(Use Up To 11-18-86)
	4473 205	1		21,41	(Use After 11-18-86)
	4410 130	1		21,41	Full Tire
3	4410 106-7	1		21,41	CARPET, Wheelhouse
4					PANEL, Deck Lower Panel
	4381 898	1		21,41	w/Trunk Dress Up
5	6032 650	AR		21,41	SCREW
6	4223 983	1		21,41	FASTENER, Spare Tire Cover Attach.
7	4410 128	1		21,41	CARPET, Flat Floor
	4410 126	1		21,41	Molded Floor
8	4186 901	AR			SILENCER
9	4186 901	AR			SILENCER
10	4282 551	1			COVER, Jack
11	3762 862	AR			SILENCER, Wheelhouse (36"x72" Cut To Fit)
12	4247 226-7	AR	C		SILENCER, Wheelhouse Inner (36"x72" Cut To Fit)
13	6003 683	1			FASTENER, Wheelhouse Carpet (Left)
14	3762 862	AR			SILENCER, (36"x72" Cut To Fit)
15	6003 683	AR			FASTENER, Wheelhouse Carpet Attach.
16	3762 862	AR			SILENCER, (36"x72" Cut To Fit)
17	6003 351	AR			FASTENER, Silencer Attach. Left
18	4410 130	1			PANEL, Truck Flat Trim Front
19					CARPETED FLOOR MATS, (Set Of Two)
					FRONT
	M047 FS8	1			Charcoal
	M047 FC5	1			Blue, Dark
	M047 FE8	1			Cordovan
	M047 FK3	1			Almond
					REAR

MODEL CODES

E BODY = (J - CARAVELLE)(E - 600)(T - NEW YORKER)

G BODY = (V24 - DAYTONA)

H BODY = (D44 - LANCER)(C44 - LEBARON GTS)

J BODY = (C - LEBARON)

K BODY = (P - RELIANT)(D - ARIES)(C - LEBAROND)/TOWN & COUNTRY)

L BODY = (M - HORIZON/TURISMO)(Z - OMNI/CHARGER)

M BODY = (B - GRAN FURY)(F - FIFTH AVE/NEWPORT)(G - DIPLOMAT)

P BODY = (P - SUNDANCE)(D - SHADOW)

S BODY = (H - VOYAGER)(K - RAM VAN/CARAVAN)

BODY STYLES

12-13 = FWD VAN

21 = 2-DOOR SEDAN

24 = 2-DOOR HATCHBACK

27 = 2-DOOR CONVERTIBLE

41 = 4-DOOR SEDAN

44 = 4-DOOR HATCHBACK

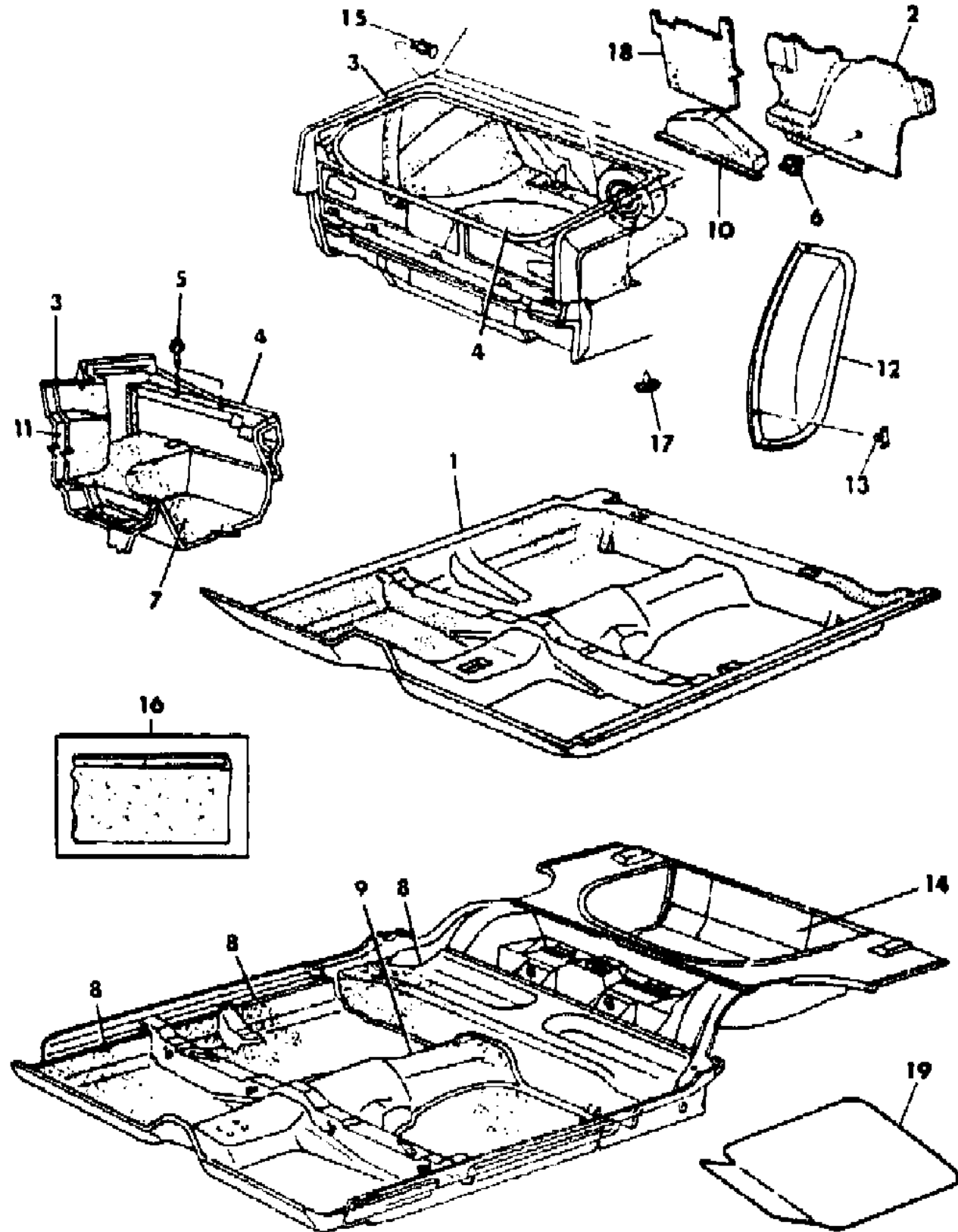
45 = 4-DOOR STATION WAGON

52-53 = FWD WAGON

AR = Use as Required - = Non Illustrated Part P.A.R. = Paint as Required

CARPET K BODY
Figure ITK-1000

7234 1000 A



ITEM	PART NUMBER	QTY	BODY	MODEL	DESCRIPTION
	M049 FS8	1			Charcoal
	M049 FC5	1			Blue
	M049 FE8	1			Cordovan
	M049 FK3	1			Almond

MODEL CODES

E BODY = (J - CARAVELLE)(E - 600)(T - NEW YORKER)

G BODY = (V24 - DAYTONA)

H BODY = (D44 - LANCER)(C44 - LEBARON GTS)

J BODY = (C - LEBARON)

K BODY = (P - RELIANT)(D - ARIES)(C - LEBAROND)/TOWN & COUNTRY)

L BODY = (M - HORIZON/TURISMO)(Z - OMNI/CHARGER)

M BODY = (B - GRAN FURY)(F - FIFTH AVE/NEWPORT)(G - DIPLOMAT)

P BODY = (P - SUNDANCE)(D - SHADOW)

S BODY = (H - VOYAGER)(K - RAM VAN/CARAVAN)

BODY STYLES

12-13 = FWD VAN

21 = 2-DOOR SEDAN

24 = 2-DOOR HATCHBACK

27 = 2-DOOR CONVERTIBLE

41 = 4-DOOR SEDAN

44 = 4-DOOR HATCHBACK

45 = 4-DOOR STATION WAGON

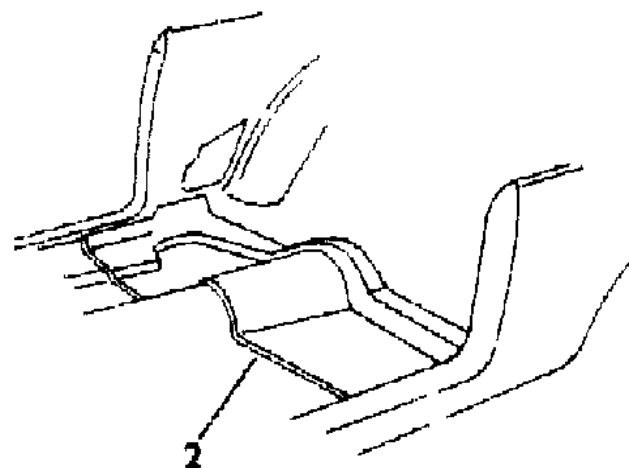
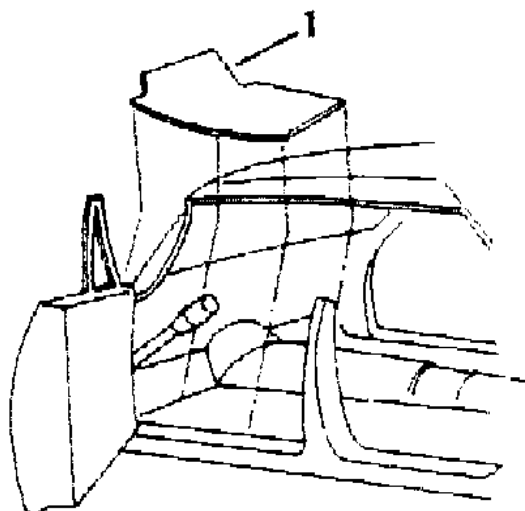
52-53 = FWD WAGON

AR = Use as Required - = Non Illustrated Part P.A.R. = Paint as Required

MATS--FRONT AND REAR K BODY
Figure ITK-1100

7234 1100

ITEM	PART NUMBER	QTY	BODY	MODEL	DESCRIPTION
1	4282 354	1			MAT, Rubber, Heavy Duty, Front (Black)
2	4309 549	1			MAT, Rubber, Heavy Duty, Rear (Black)



MODEL CODES

E BODY = (J - CARAVELLE)(E - 600)(T - NEW YORKER)

G BODY = (V24 - DAYTONA)

H BODY = (D44 - LANCER)(C44 - LEBARON GTS)

J BODY = (C - LEBARON)

K BODY = (P - RELIANT)(D - ARIES)(C - LEBAROND)/TOWN & COUNTRY)

L BODY = (M - HORIZON/TURISMO)(Z - OMNI/CHARGER)

M BODY = (B - GRAN FURY)(F - FIFTH AVE/NEWPORT)(G - DIPLOMAT)

P BODY = (P - SUNDANCE)(D - SHADOW)

S BODY = (H - VOYAGER)(K - RAM VAN/CARAVAN)

BODY STYLES

12-13 = FWD VAN

21 = 2-DOOR SEDAN

24 = 2-DOOR HATCHBACK

27 = 2-DOOR CONVERTIBLE

41 = 4-DOOR SEDAN

44 = 4-DOOR HATCHBACK

45 = 4-DOOR STATION WAGON

52-53 = FWD WAGON

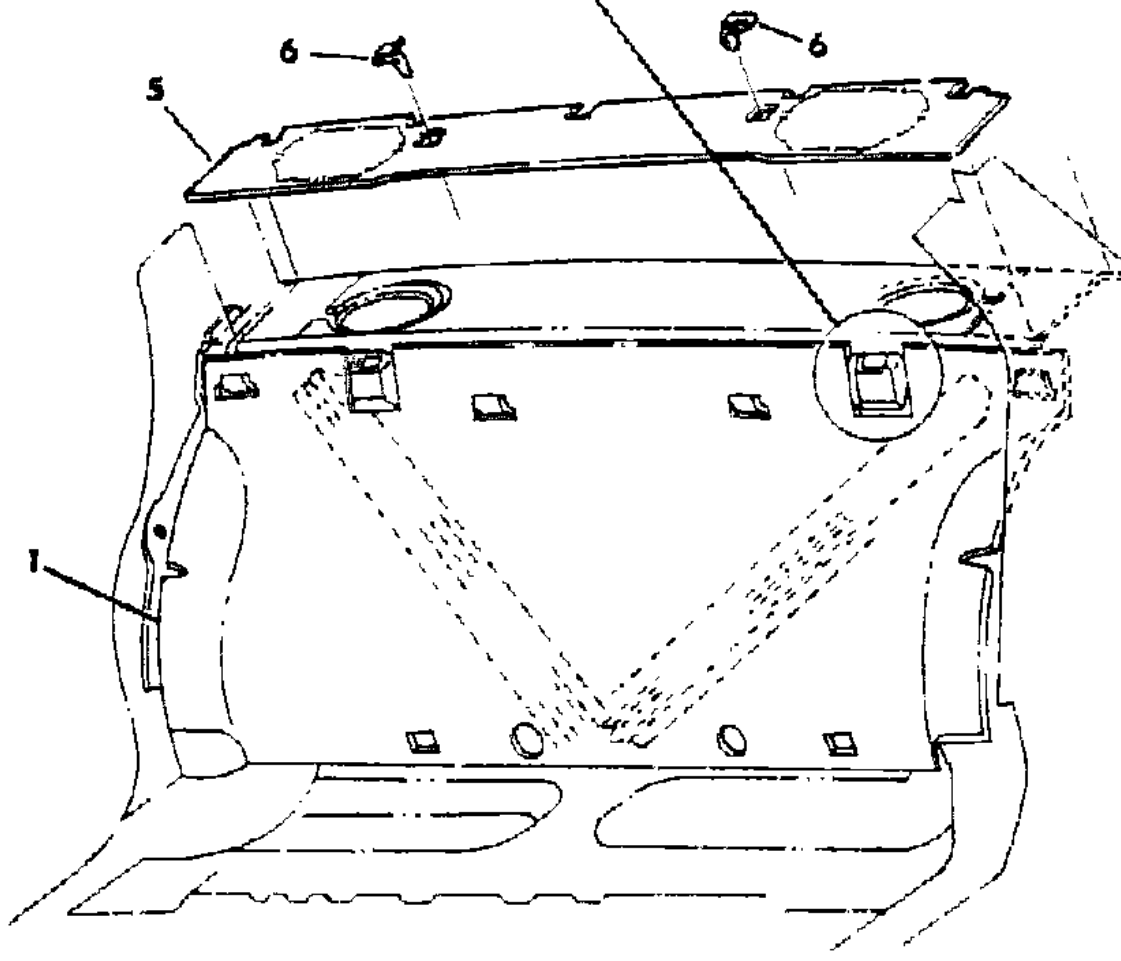
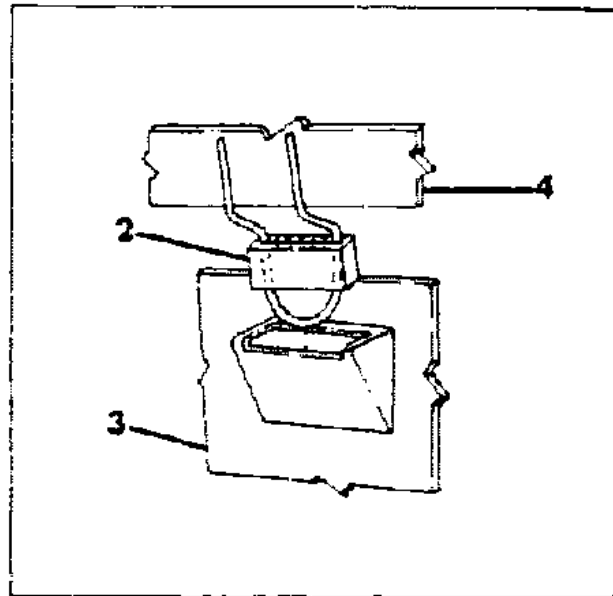
AR = Use as Required - = Non Illustrated Part P.A.R. = Paint as Required

SILENCERS--REAR COMPARTMENT K BODY 21-41

Figure ITK-1200

7234 1200

ITEM	PART NUMBER	QTY	BODY	MODEL	DESCRIPTION
1	4309 624	1			SILENCER, Luggage Compartment Front Liner
2	4239 182	1			SEAL, Rear Seat Back to Shelf Panel
3					PANEL, Shelf
4					SPRING, Rear Seat Back
5	4223 571	1			SILENCER, Sound Barrier
6	6003 640	1			FASTENER



MODEL CODES

E BODY = (J - CARAVELLE)(E - 600)(T - NEW YORKER)

G BODY = (V24 - DAYTONA)

H BODY = (D44 - LANCER)(C44 - LEBARON GTS)

J BODY = (C - LEBARON)

K BODY = (P - RELIANT)(D - ARIES)(C - LEBAROND)/TOWN & COUNTRY)

L BODY = (M - HORIZON/TURISMO)(Z - OMNI/CHARGER)

M BODY = (B - GRAN FURY)(F - FIFTH AVE/NEWPORT)(G - DIPLOMAT)

P BODY = (P - SUNDANCE)(D - SHADOW)

S BODY = (H - VOYAGER)(K - RAM VAN/CARAVAN)

BODY STYLES

12-13 = FWD VAN

21 = 2-DOOR SEDAN

24 = 2-DOOR HATCHBACK

27 = 2-DOOR CONVERTIBLE

41 = 4-DOOR SEDAN

44 = 4-DOOR HATCHBACK

45 = 4-DOOR STATION WAGON

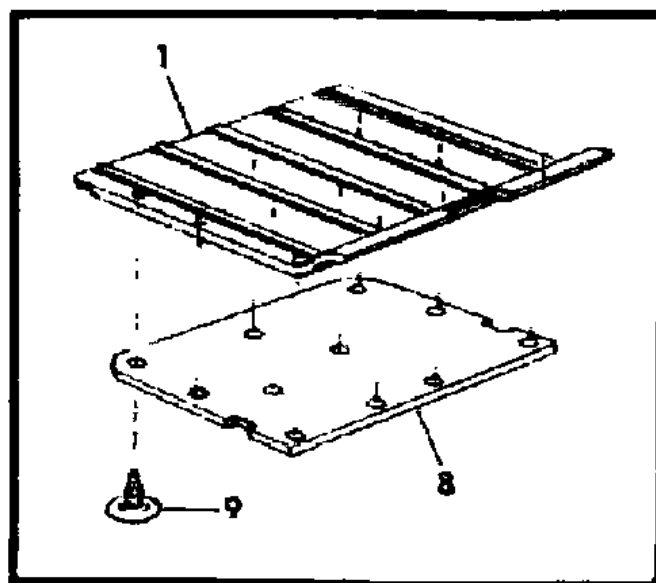
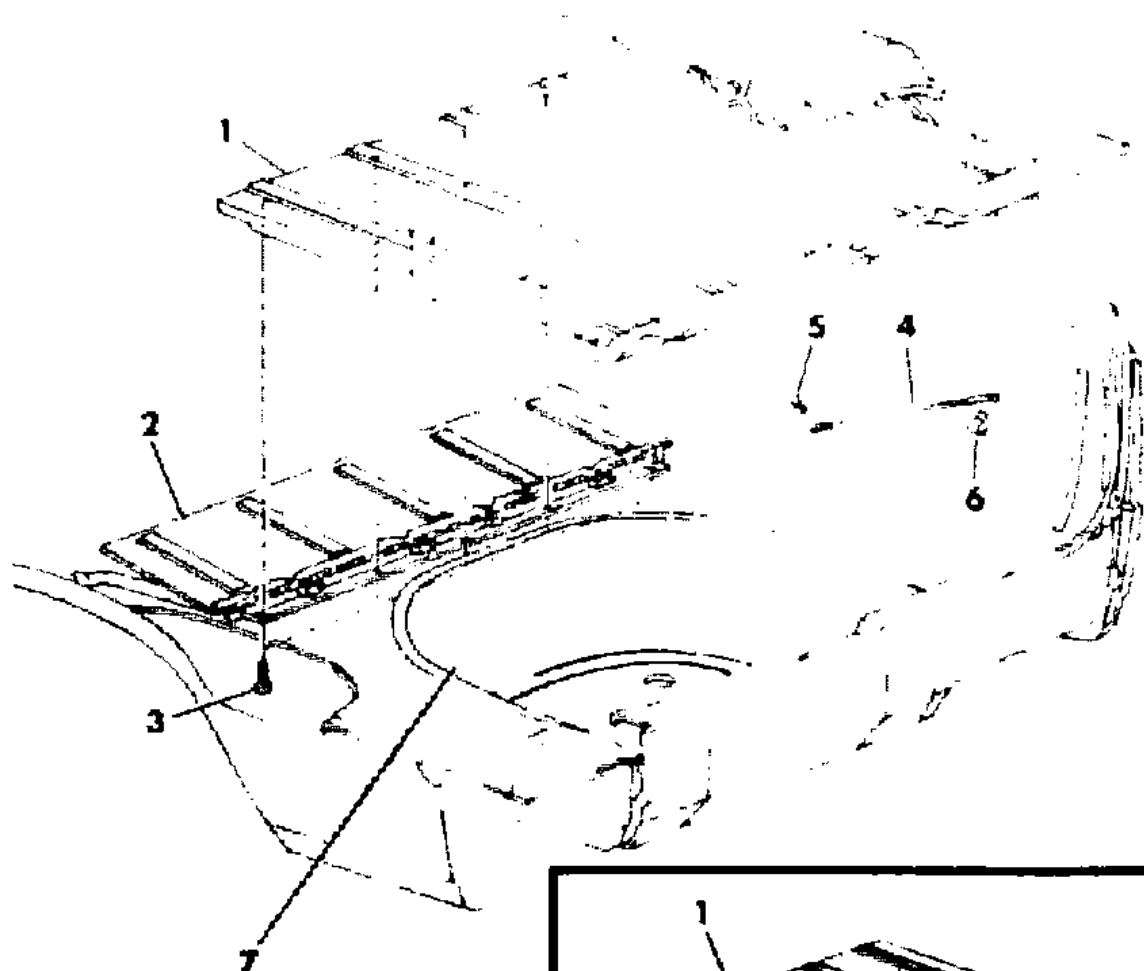
52-53 = FWD WAGON

AR = Use as Required - = Non Illustrated Part P.A.R. = Paint as Required

PANEL--CARGO K BODY 45
Figure ITK-1300

7234 1300 A

ITEM	PART NUMBER	QTY	BODY	MODEL	DESCRIPTION
1					PANEL, Rear Cargo Cover
	W233 CA3	1			Silver
	W233 EE8	1			Cordovan
	W233 EK1	1			Almond
	W233 ES8	1			Charcoal
2					PANEL, (See Seat Rear Fold Down-Wagon Illus.)
3					SCREW, (10-16x1/2) (Not Serv.)
4	3861 821	1			CABLE, Cargo Floor Panel Support
5	6031 401	1			SCREW, Cable Attaching
6	6016 080	1			CLIP, Cable Attaching
7	3762 862				SILENCER, Spare Tire Well
8	4078 960	AR			SILENCER
9	6032 363	AR			FASTENER



MODEL CODES

E BODY = (J - CARAVELLE)(E - 600)(T - NEW YORKER)

G BODY = (V24 - DAYTONA)

H BODY = (D44 - LANCER)(C44 - LEBARON GTS)

J BODY = (C - LEBARON)

K BODY = (P - RELIANT)(D - ARIES)(C - LEBAROND)/TOWN & COUNTRY)

L BODY = (M - HORIZON/TURISMO)(Z - OMNI/CHARGER)

M BODY = (B - GRAN FURY)(F - FIFTH AVE/NEWPORT)(G - DIPLOMAT)

P BODY = (P - SUNDANCE)(D - SHADOW)

S BODY = (H - VOYAGER)(K - RAM VAN/CARAVAN)

BODY STYLES

12-13 = FWD VAN

21 = 2-DOOR SEDAN

24 = 2-DOOR HATCHBACK

27 = 2-DOOR CONVERTIBLE

41 = 4-DOOR SEDAN

44 = 4-DOOR HATCHBACK

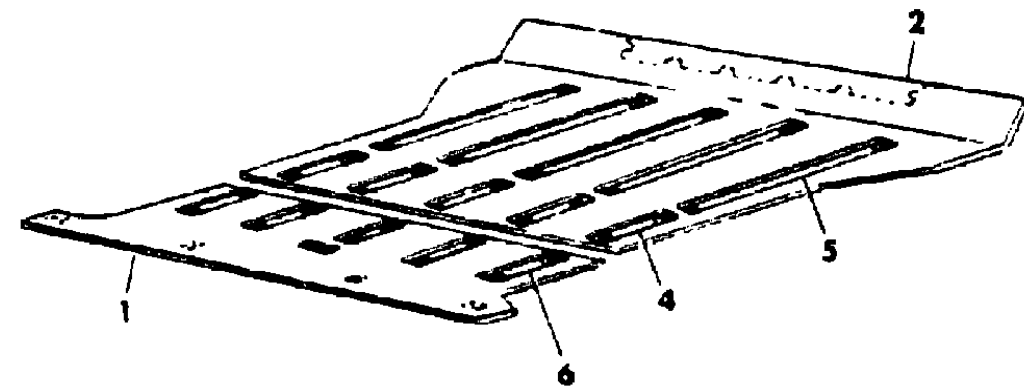
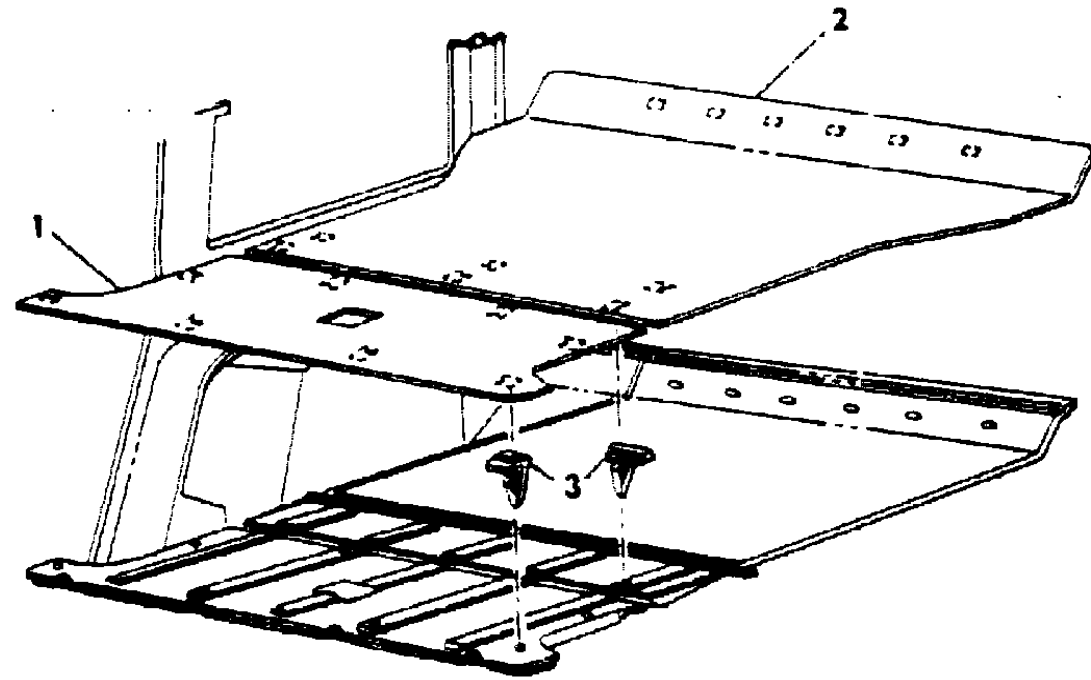
45 = 4-DOOR STATION WAGON

52-53 = FWD WAGON

AR = Use as Required - = Non Illustrated Part P.A.R. = Paint as Required

CARPET--CARGO AREA K BODY 45
Figure ITK-1400

7234 1400



ITEM	PART NUMBER	QTY	BODY	MODEL	DESCRIPTION
1					CARPET, Rear Seat Back
	M662 CA3	1		P,D	Silver
	M662 EE8	1		P,D	Cordovan
	M662 EK1	1		P,D	Almond
	W270 EE8	1		C	Cordovan
	W270 EK1	1		C	Almond
	W270 ES8	1			Charcoal
2					CARPET, Cargo Floor
	M672 CA3	1		P,D	Silver
	M672 EE8	1		P,D	Cordovan
	M672 EK1	1		P,D	Almond
	W271 EE8	1		C	Cordovan
	W271 EK1	1		C	Almond
	W271 ES8	1		C	Charcoal
3	4114 785	AR			FASTENER, Carpet
4	4247 142	5		C	MOULDING, Rear Seat Back Filler (Skid Strips)
5	4247 143	5		C	MOULDING, Cargo Floor (Skid Strips)
6	2086 533	5		C-P	MOULDING, Rear Seat Back Carpet

MODEL CODES

E BODY = (J - CARAVELLE)(E - 600)(T - NEW YORKER)

G BODY = (V24 - DAYTONA)

H BODY = (D44 - LANCER)(C44 - LEBARON GTS)

J BODY = (C - LEBARON)

K BODY = (P - RELIANT)(D - ARIES)(C - LEBAROND)/TOWN & COUNTRY)

L BODY = (M - HORIZON/TURISMO)(Z - OMNI/CHARGER)

M BODY = (B - GRAN FURY)(F - FIFTH AVE/NEWPORT)(G - DIPLOMAT)

P BODY = (P - SUNDANCE)(D - SHADOW)

S BODY = (H - VOYAGER)(K - RAM VAN/CARAVAN)

BODY STYLES

12-13 = FWD VAN

21 = 2-DOOR SEDAN

24 = 2-DOOR HATCHBACK

27 = 2-DOOR CONVERTIBLE

41 = 4-DOOR SEDAN

44 = 4-DOOR HATCHBACK

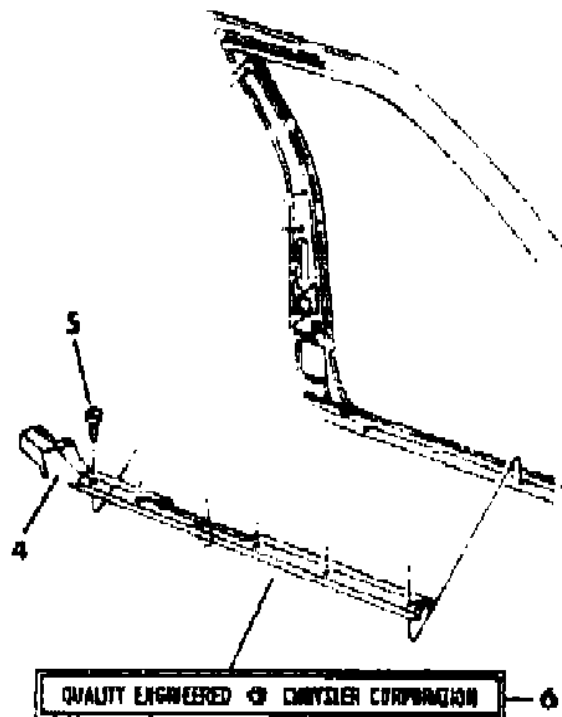
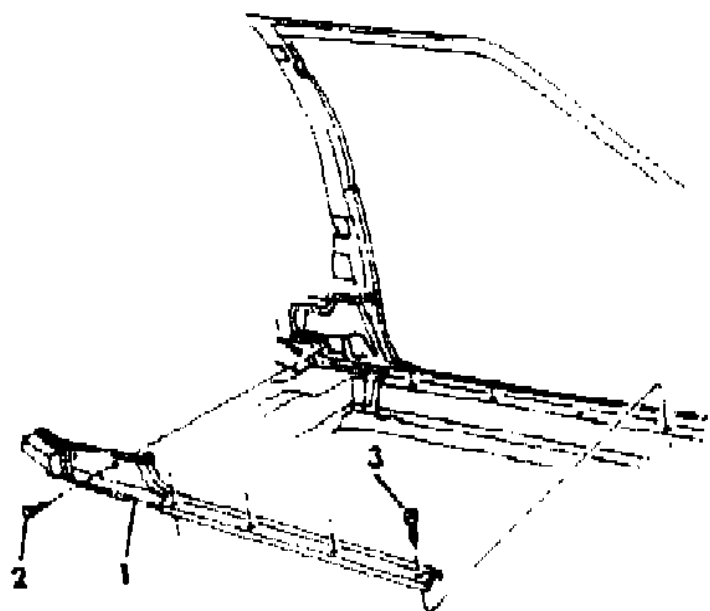
45 = 4-DOOR STATION WAGON

52-53 = FWD WAGON

AR = Use as Required - = Non Illustrated Part P.A.R. = Paint as Required

SCUFF PLATES--BODY SIDE SILL AND DOOR K BODY
Figure ITK-1500

7234 1500 A



QUALITY ENGINEERED CHRYSLER CORPORATION

ITEM	PART NUMBER	QTY	BODY	MODEL	DESCRIPTION
1					PLATE, Door Sill Scuff Lower (P.A.R.)
	M922 EK1	1		21	Right
	M935 DA3	1		21	Left
2		4		21	SCREW, (8-18x1 1/4) (Not Serv.)
3	6032 456	8		21	SCREW
4					PLATE, Front and Rear Door Sill (P.A.R.)
	M912 EK1	1		41,45	Right
	M945 EK1	1		41,45	Left
5		10		41,45	SCREW, (8-18x1 1/4) (Not Serv.)
6	4078 456	1			NAME PLATE

NOTE: (P.A.R.) = Paint As Required

MODEL CODES

E BODY = (J - CARAVELLE)(E - 600)(T - NEW YORKER)

G BODY = (V24 - DAYTONA)

H BODY = (D44 - LANCER)(C44 - LEBARON GTS)

J BODY = (C - LEBARON)

K BODY = (P - RELIANT)(D - ARIES)(C - LEBAROND)/TOWN & COUNTRY)

L BODY = (M - HORIZON/TURISMO)(Z - OMNI/CHARGER)

M BODY = (B - GRAN FURY)(F - FIFTH AVE/NEWPORT)(G - DIPLOMAT)

P BODY = (P - SUNDANCE)(D - SHADOW)

S BODY = (H - VOYAGER)(K - RAM VAN/CARAVAN)

BODY STYLES

12-13 = FWD VAN

21 = 2-DOOR SEDAN

24 = 2-DOOR HATCHBACK

27 = 2-DOOR CONVERTIBLE

41 = 4-DOOR SEDAN

44 = 4-DOOR HATCHBACK

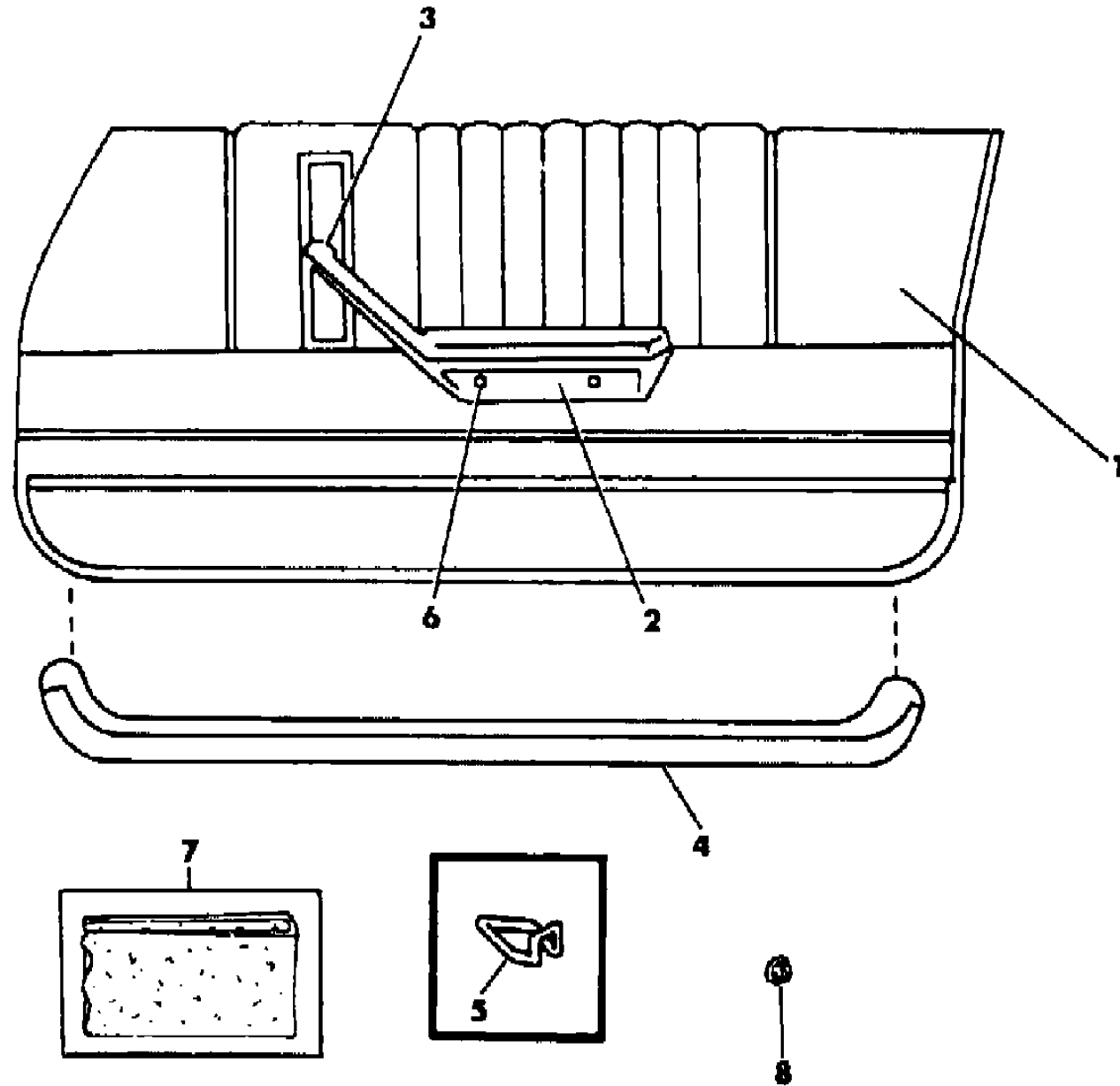
45 = 4-DOOR STATION WAGON

52-53 = FWD WAGON

AR = Use as Required - = Non Illustrated Part P.A.R. = Paint as Required

PANEL--DOOR TRIM K BODY P-D 21
Figure ITK-1600

7234 1600 A



ITEM	PART NUMBER	QTY	BODY	MODEL	DESCRIPTION
1					PANEL, Door w/Carpet and Plaque
	J042-3 EA2	1			VINYL Silver / Charcoal, (A4AS, C1AS, F7AS)
	J042-3 FC5	1			Blue, (A4C, C1C, F7C)
	J042-3 EE8	1			Cordovan, (A4E)
	J042-3 EK1	1			Almond, (A4K)
	J040-1 EA3	1			CLOTH Silver / Charcoal, (H3AS, H7AS)
	J040-1 FC5	1			Blue, (H3C, H7C)
	J040-1 EE8	1			Cordovan, (H3E, H7E)
	J040-1 EK1	1			Almond, (H3K, H7K)
2					ARMREST
	D498-9 AA3	1			Silver
	D498-9 FC5	1			Blue
	D498-9 EE8	1			Cordovan
	D498-9 EK1	1			Almond
3	4223 630-1	1			BEZEL, Armrest
4	4247 229	2			SEAL, Secondary
5	4114 785	AR			FASTENER, Door Panel
6					SCREW, Armrest Attach.
	6033 048	AR			(Use Up To 11-24-86)
	6033 420	AR			(Use After 11-24-86)
7	4049 602	AR			SILENCER, Door (36"x36"x1/2")
8	6032 133	AR			NUT

MODEL CODES

E BODY = (J - CARAVELLE)(E - 600)(T - NEW YORKER)

G BODY = (V24 - DAYTONA)

H BODY = (D44 - LANCER)(C44 - LEBARON GTS)

J BODY = (C - LEBARON)

K BODY = (P - RELIANT)(D - ARIES)(C - LEBAROND)/TOWN & COUNTRY)

L BODY = (M - HORIZON/TURISMO)(Z - OMNI/CHARGER)

M BODY = (B - GRAN FURY)(F - FIFTH AVE/NEWPORT)(G - DIPLOMAT)

P BODY = (P - SUNDANCE)(D - SHADOW)

S BODY = (H - VOYAGER)(K - RAM VAN/CARAVAN)

BODY STYLES

12-13 = FWD VAN

21 = 2-DOOR SEDAN

24 = 2-DOOR HATCHBACK

27 = 2-DOOR CONVERTIBLE

41 = 4-DOOR SEDAN

44 = 4-DOOR HATCHBACK

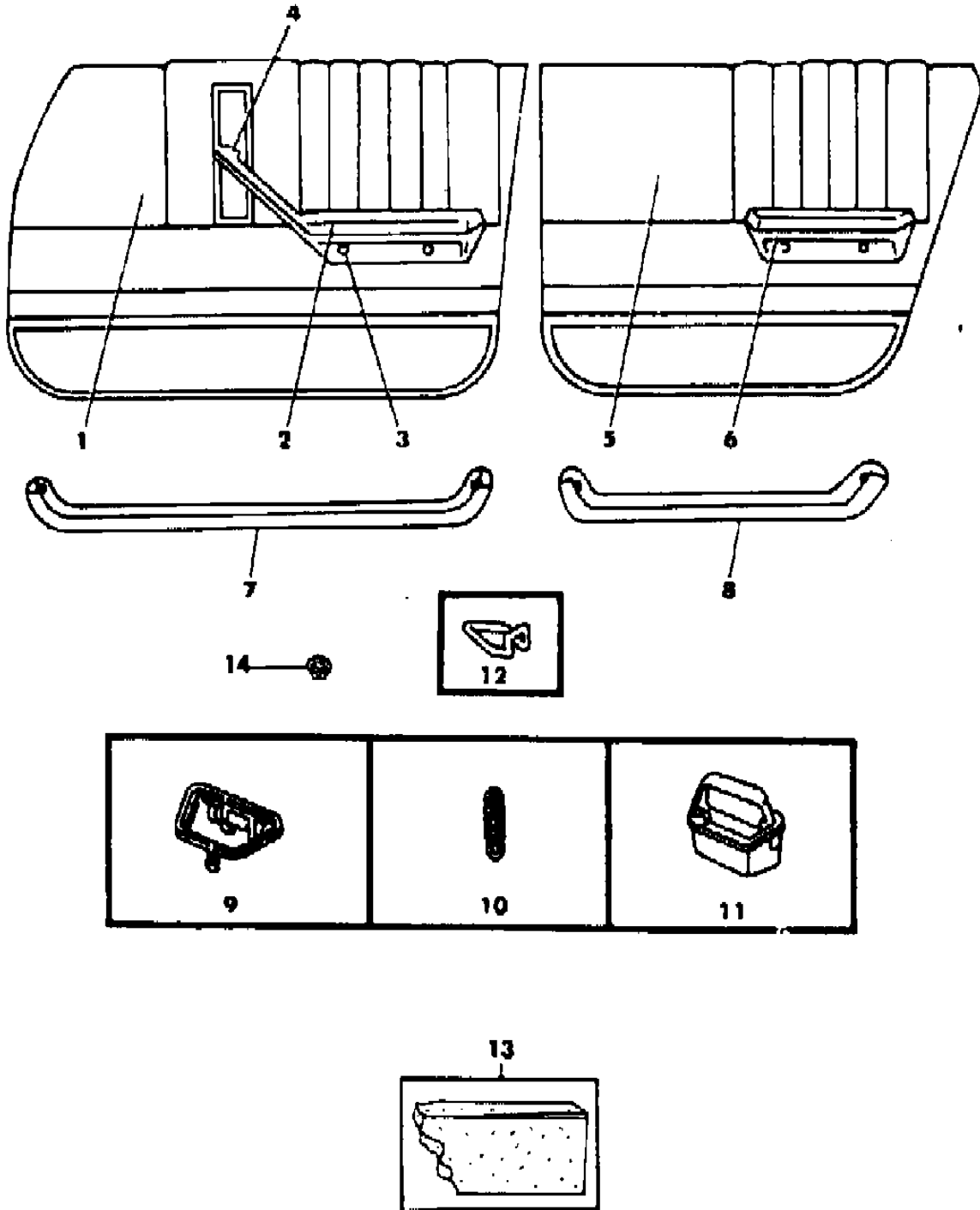
45 = 4-DOOR STATION WAGON

52-53 = FWD WAGON

AR = Use as Required - = Non Illustrated Part P.A.R. = Paint as Required

PANEL--DOOR TRIM K BODY P-D 41-45
Figure ITK-1700

7234 1700A



ITEM	PART NUMBER	QTY	BODY	MODEL	DESCRIPTION
1					PANEL, Door w/Carpet and Plaque
					VINYL
		J046-7 EA2	1		Silver, (C1AS, F7AS, A4AS)
		J046-7 FC5	1		Blue, (K2C, K8C, A4C, C1C, F7C)
		J046-7 EE8	1		Cordovan, (A4E)
		J046-7 EK1	1		Almond, (K2K, K8K, F7K, A4K)
					CLOTH
		J044-5 EA3	1		Sliver, (H3AS, H7AS)
		J044-5 FC5	1		Blue, (H3C, H7C)
		J044-5 EE8	1		Cordovan, (H3E, H7E)
	J044-5 EK1	1		Almond, (H3K, H4K)	
2					ARMREST, Front
		D498-9 AA3	1		Silver
		D498-9 FC5	1		Blue, Medium
		D498-9 EE8	1		Cordovan
	D498-9 EK1	1		Almond	
3					SCREW, Armrest Attaching
		6033 048	AR		(use up to 11/24/86)
	6033 420	AR		(use after 11/24/86)	
4	4381 374-5	1			BEZEL, Armrest
5					PANEL, Door Rear
					VINYL
		J590-1 EA2	1		Silver, (C1AS, F7AS, A4AS)
		J590-1 FC5	1		Blue, (K2C, K8C, A4C, C1C, F4C)
		J590-1 EE8	1		Cordovan, (A4E)
		J590-1 EK1	1		Almond, (K2K, K8K, A4K)
					CLOTH
		J592-3 EA3	1		Silver, (H3AS, H7AS)
		J592-3 FC5	1		Blue, (H3C) (H7C)
		J592-3 EE8	1		Cordovan, (H3E, H7E)
	J592-3 EK1	1		Almond, (H3K, H7K)	
6					ARMREST, Rear
		D426-7 AA3	1		Silver
		D426-7 FC5	1		Blue, Medium
		D426-7 EE8	1		Cordovan
	D426-7 EK1	1		Almond	
7	4247 230	2			SEAL, Secondary Sound Front
8	4247 231	2			SEAL, Secondary Sound Rear

MODEL CODES

E BODY = (J - CARAVELLE)(E - 600)(T - NEW YORKER)

G BODY = (V24 - DAYTONA)

H BODY = (D44 - LANCER)(C44 - LEBARON GTS)

J BODY = (C - LEBARON)

K BODY = (P - RELIANT)(D - ARIES)(C - LEBAROND)/TOWN & COUNTRY)

L BODY = (M - HORIZON/TURISMO)(Z - OMNI/CHARGER)

M BODY = (B - GRAN FURY)(F - FIFTH AVE/NEWPORT)(G - DIPLOMAT)

P BODY = (P - SUNDANCE)(D - SHADOW)

S BODY = (H - VOYAGER)(K - RAM VAN/CARAVAN)

BODY STYLES

12-13 = FWD VAN

21 = 2-DOOR SEDAN

24 = 2-DOOR HATCHBACK

27 = 2-DOOR CONVERTIBLE

41 = 4-DOOR SEDAN

44 = 4-DOOR HATCHBACK

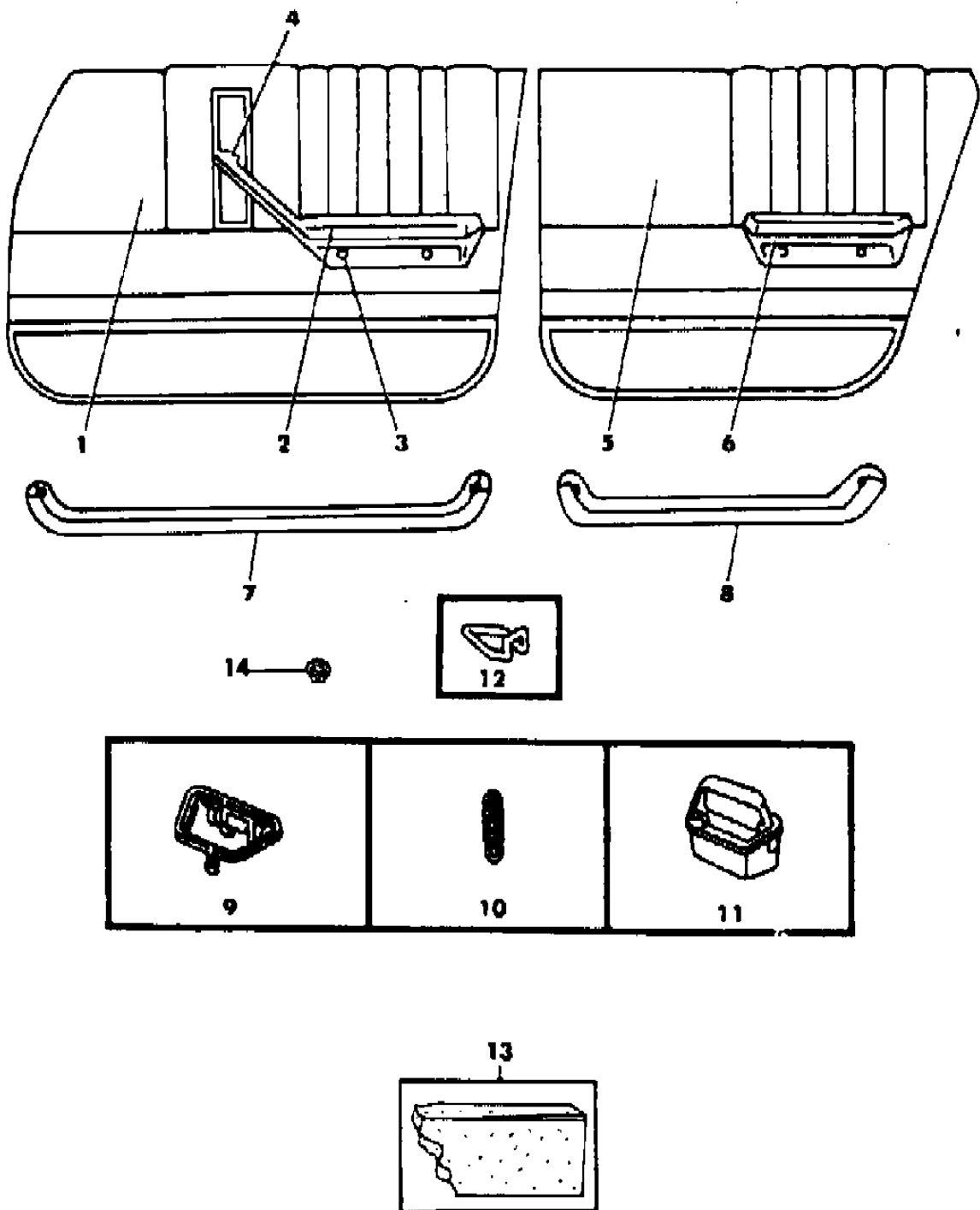
45 = 4-DOOR STATION WAGON

52-53 = FWD WAGON

AR = Use as Required - = Non Illustrated Part P.A.R. = Paint as Required

PANEL--DOOR TRIM K BODY P-D 41-45
Figure ITK-1700

7234 1700A



ITEM	PART NUMBER	QTY	BODY	MODEL	DESCRIPTION
9	2788 701	2			BEZEL, Ash Receiver
10	2292 503	2			SPRING, Ash Receiver
11	2788 032	2			RECEIVER, Ash
12	6003 640	AR			FASTENER
13	4049 602	AR			SILENCER, Door (36"x36"x1/2" material)
14	6032 133	AR			NUT

MODEL CODES

E BODY = (J - CARAVELLE)(E - 600)(T - NEW YORKER)

G BODY = (V24 - DAYTONA)

H BODY = (D44 - LANCER)(C44 - LEBARON GTS)

J BODY = (C - LEBARON)

K BODY = (P - RELIANT)(D - ARIES)(C - LEBAROND)/TOWN & COUNTRY)

L BODY = (M - HORIZON/TURISMO)(Z - OMNI/CHARGER)

M BODY = (B - GRAN FURY)(F - FIFTH AVE/NEWPORT)(G - DIPLOMAT)

P BODY = (P - SUNDANCE)(D - SHADOW)

S BODY = (H - VOYAGER)(K - RAM VAN/CARAVAN)

BODY STYLES

12-13 = FWD VAN

21 = 2-DOOR SEDAN

24 = 2-DOOR HATCHBACK

27 = 2-DOOR CONVERTIBLE

41 = 4-DOOR SEDAN

44 = 4-DOOR HATCHBACK

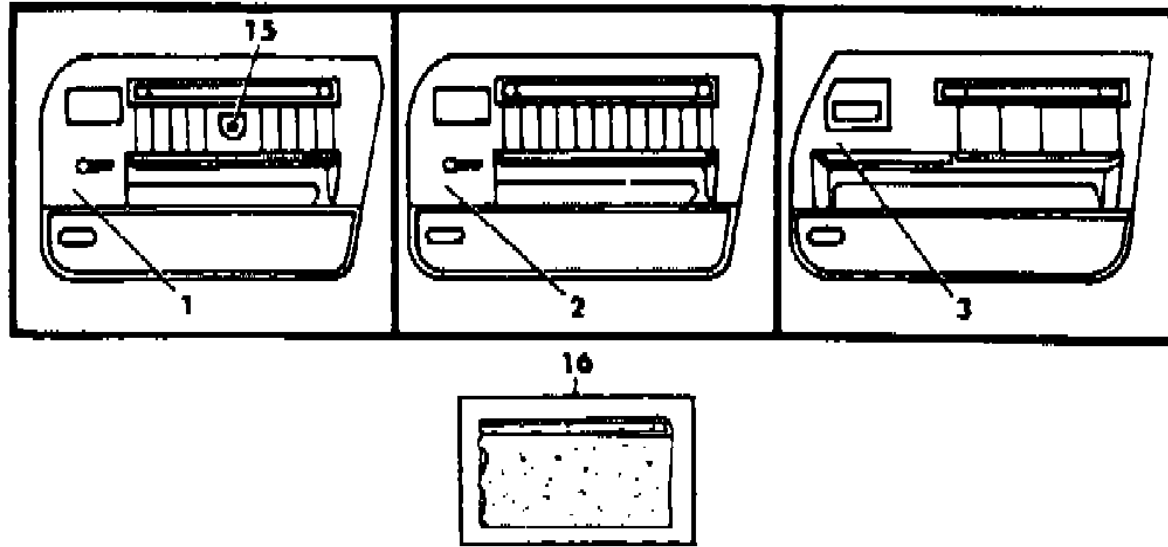
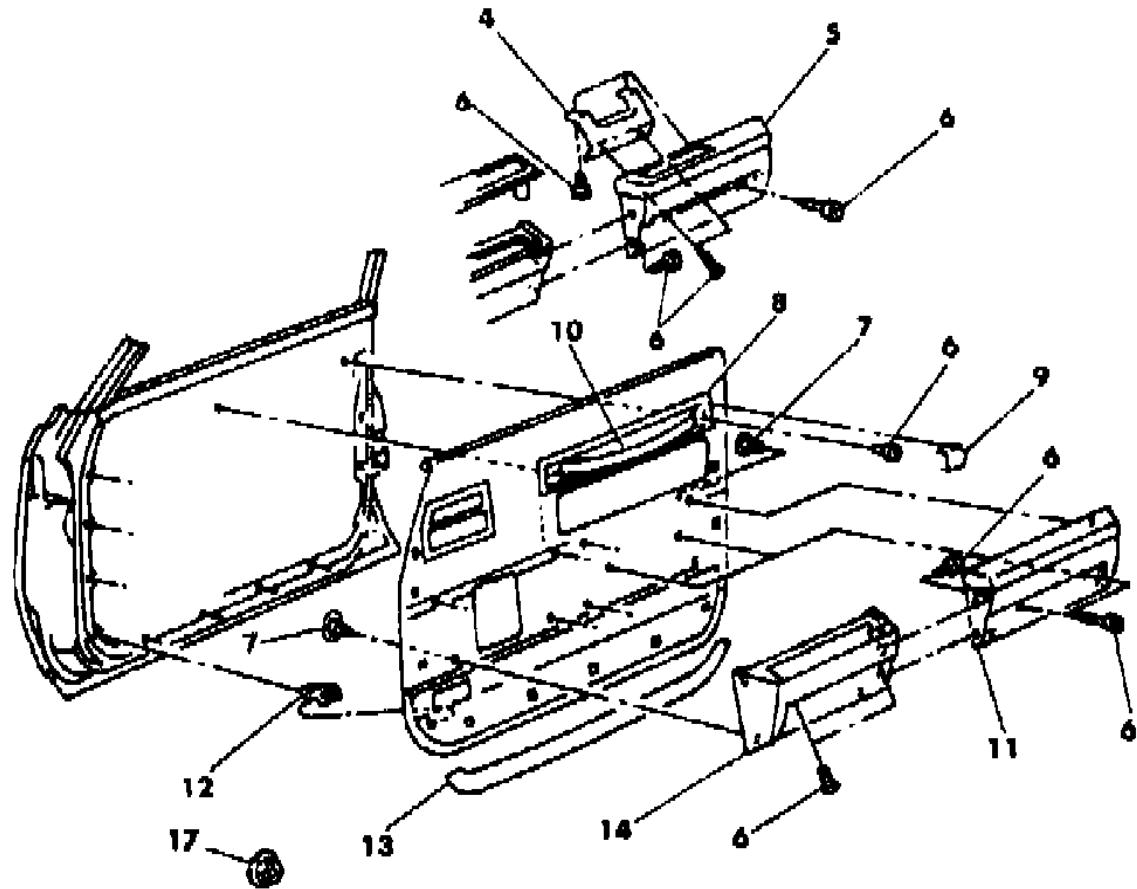
45 = 4-DOOR STATION WAGON

52-53 = FWD WAGON

AR = Use as Required - = Non Illustrated Part P.A.R. = Paint as Required

PANEL--DOOR TRIM-FRONT K BODY C 41-45
Figure ITK-1800

7234 1800 A



ITEM	PART NUMBER	QTY	BODY	MODEL	DESCRIPTION
1					PANEL, Door
					VINYL
	J358-9 ESA	1			Silver and Charcoal, (JPSA)
	J358-9 EKY	1			Almond and Cream, (JPKY)
2					PANEL, Door
					VINYL
	J354-5 EE8	1			Cordovan, (V8E)
	J354-5 EK1	1			Almond, (V8K)
3					PANEL, Door
					CLOTH
	J356-7 FCF	1			Blue, (M3C, M5C)
	J356-7 EEE	1			Cordovan, (M3E, M5E)
	J356-7 EKK	1			Almond, (M3K, M5K)
	J356-7 EAS	1			Silver and Charcoal, (M3S, M5S)
4	4248 449	2			BRACKET, Remote Mirror Bezel to Armrest
5					PAD, Armrest
					w/Power Door Locks
					VINYL
	D530-1 FC5	1			Blue
	D530-1 EE8	1			Cordovan
	D530-1 EK1	1			Almond
	D530-1 CS8	1			Charcoal
					w/o Power Door Locks
					CLOTH
	D506-7 FC5	1			Blue
	D506-7 EE8	1			Cordovan
	D506-7 EK1	1			Almond
	D506-7 CS8	1			Charcoal
6					SCREW, (Not Serv.)
7					SCREW and WASHER, (Not serv.)
8	4248 930	2			PLATE, Finish
9	4248 932	2			END CAP, Finish Plate
10					HANDLE, Dood Pull
					w/Saddle Grain Finish
	D930 AA2	2			Silver
	D930 FC5	2			Blue
	D930 EE8	2			Cordovan
	D930 EK1	2			Almond

MODEL CODES

E BODY = (J - CARAVELLE)(E - 600)(T - NEW YORKER)

G BODY = (V24 - DAYTONA)

H BODY = (D44 - LANCER)(C44 - LEBARON GTS)

J BODY = (C - LEBARON)

K BODY = (P - RELIANT)(D - ARIES)(C - LEBAROND)/TOWN & COUNTRY)

L BODY = (M - HORIZON/TURISMO)(Z - OMNI/CHARGER)

M BODY = (B - GRAN FURY)(F - FIFTH AVE/NEWPORT)(G - DIPLOMAT)

P BODY = (P - SUNDANCE)(D - SHADOW)

S BODY = (H - VOYAGER)(K - RAM VAN/CARAVAN)

BODY STYLES

12-13 = FWD VAN

21 = 2-DOOR SEDAN

24 = 2-DOOR HATCHBACK

27 = 2-DOOR CONVERTIBLE

41 = 4-DOOR SEDAN

44 = 4-DOOR HATCHBACK

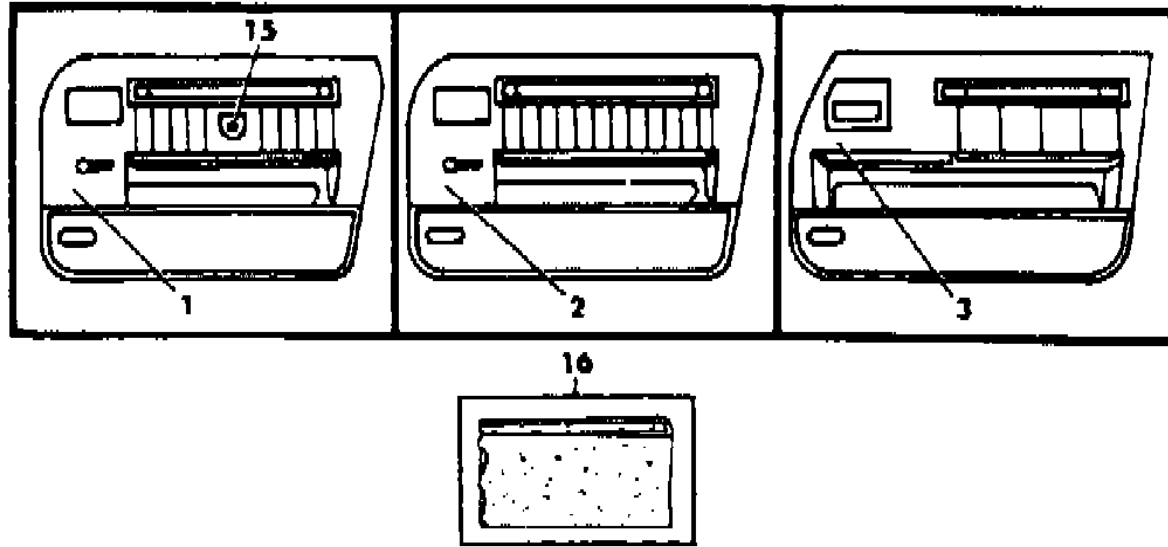
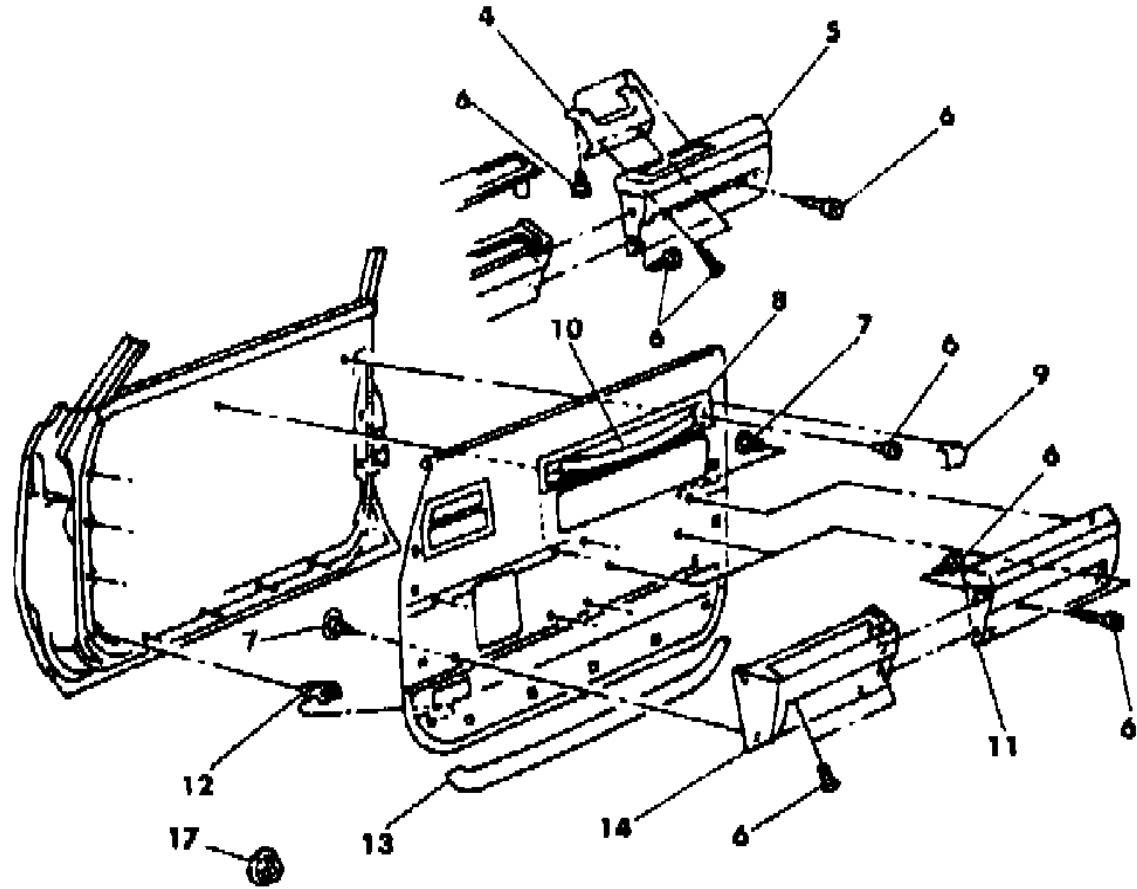
45 = 4-DOOR STATION WAGON

52-53 = FWD WAGON

AR = Use as Required - = Non Illustrated Part P.A.R. = Paint as Required

PANEL--DOOR TRIM-FRONT K BODY C 41-45
Figure ITK-1800

7234 1800 A



ITEM	PART NUMBER	QTY	BODY	MODEL	DESCRIPTION
	D930 CS8	2			Charcoal
	D930 EY1	2			Cream
11	D538-9 EK1	1			BASE, Armrest (P.A.R.) w/Power Door Locks
	D508-9 AA3	1			w/o Power Door Locks
12	6003 640	AR			FASTENER
13	4247 230	2			SEAL, Secondary Sound
14	D636-7 EW1	1			BASE, Armrest w/Power Windows (P.A.R.)
15	4247 692	2			MEDALLION
16	4049 602	2			SILENCER, Door (36"x36"x1/2" Material Cut to Fit)
17	6032 133	6			NUT

NOTE: (P.A.R.) = Paint As Required

MODEL CODES

E BODY = (J - CARAVELLE)(E - 600)(T - NEW YORKER)

G BODY = (V24 - DAYTONA)

H BODY = (D44 - LANCER)(C44 - LEBARON GTS)

J BODY = (C - LEBARON)

K BODY = (P - RELIANT)(D - ARIES)(C - LEBAROND)/TOWN & COUNTRY)

L BODY = (M - HORIZON/TURISMO)(Z - OMNI/CHARGER)

M BODY = (B - GRAN FURY)(F - FIFTH AVE/NEWPORT)(G - DIPLOMAT)

P BODY = (P - SUNDANCE)(D - SHADOW)

S BODY = (H - VOYAGER)(K - RAM VAN/CARAVAN)

BODY STYLES

12-13 = FWD VAN

21 = 2-DOOR SEDAN

24 = 2-DOOR HATCHBACK

27 = 2-DOOR CONVERTIBLE

41 = 4-DOOR SEDAN

44 = 4-DOOR HATCHBACK

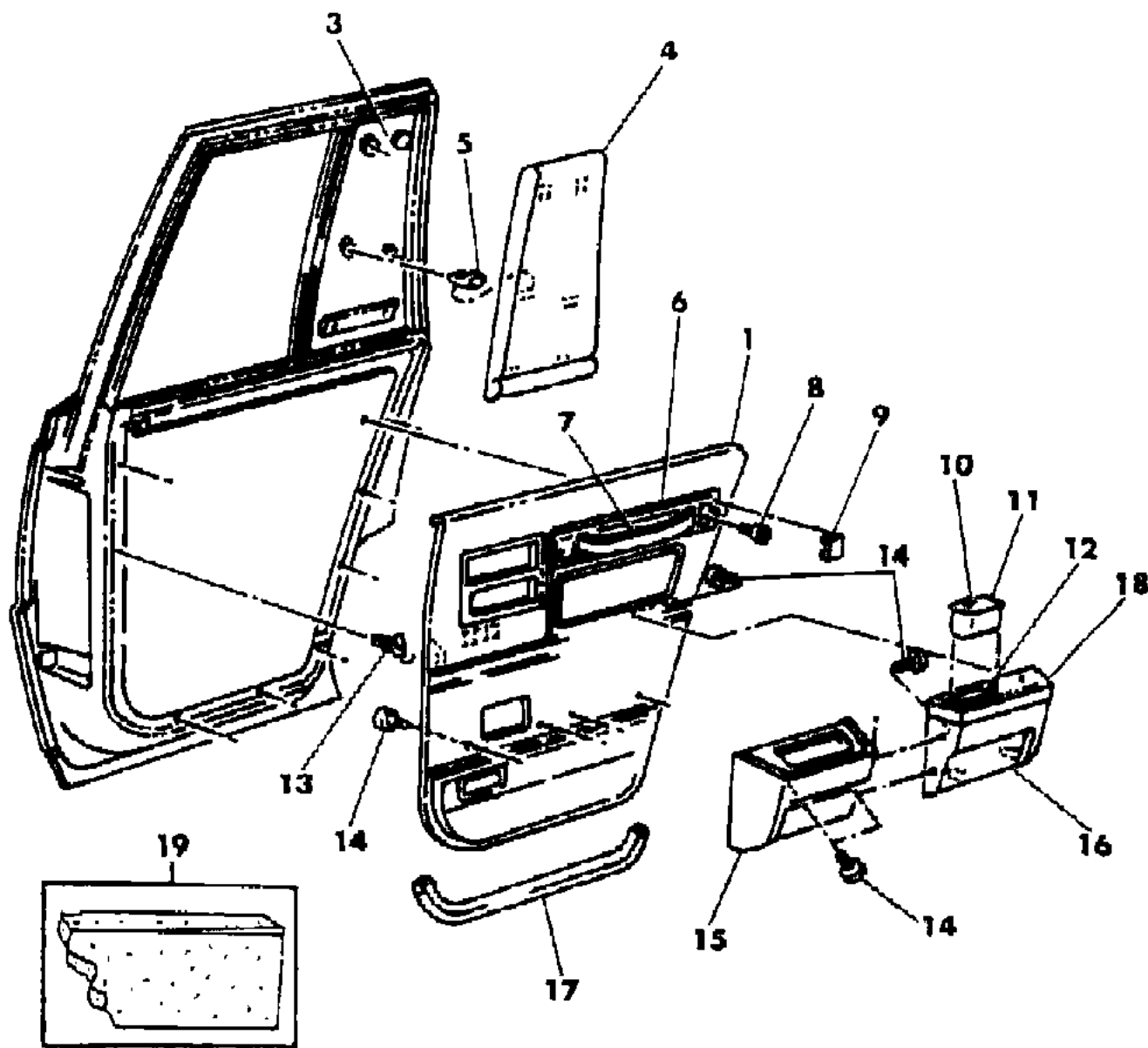
45 = 4-DOOR STATION WAGON

52-53 = FWD WAGON

AR = Use as Required - = Non Illustrated Part P.A.R. = Paint as Required

PANEL--DOOR TRIM-REAR K BODY C 41-45
Figure ITK-1900

7234 1900 A



ITEM	PART NUMBER	QTY	BODY	MODEL	DESCRIPTION
1					PANEL, Door
					VINYL
	J554-5 FSA	1			Silver and Charcoal, (JPSA)
	J554-5 FKY	1			Almond and Cream, (JPKY)
	J550-1 FE8	1			Cordovan, (V8E)
2	J550-1 FK1	1			Almond, (V8K)
					PANEL, Door
					CLOTH
	J552-3 FCF	1			Blue, (M3C, M5C)
3	J552-3 FEE	1			Cordovan, (M3E, M5E)
	J552-3 FKK	1			Almond, (M3K, M5K)
	J552-3 FAS	1			Silver / Charcoal, (M3S, M5S)
	4365 710-1	1			INSERT, (VC)
4					COVER, Door Quarter Inner
	F290-1 FC5	1	41		Blue, (VCC)
	F290-1 EE8	1	41		Cordovan, (VCE)
	F290-1 EK1	1	41		Almond, (VCK, VCKY)
	F290-1 ES8	1	41		Charcoal / Silver, (VCS, VCSA)
5	4114 785	8			FASTENER
6	4248 931	2			PLATE, Finish
7					HANDLE, Door Pull
8					w/Saddle Grain Finish
	D931 AA2	1			Silver
	D931 FC5	1			Blue
	D931 EE8	1			Cordovan
	D931 EK1	1			Almond
	D931 CS8	1			Charcoal
8	6032 141	AR			SCREW
9	4248 932	2			END CAP
10	2292 503	2			SPRING, Ash Receiver Lid
11	2589 587	2			ASH RECEIVER
12	2657 877	2			BEZEL, Ash Receiver
13	6003 640	AR			FASTENER
14		AR			SCREW, (8-18x.562) (Not Serv.)
15	D518-9 AA3	1			BASE, Armest w/Power Windows (P.A.R.)
16	D516-7 EK1	1			BASE, Armest (P.A.R.)
17	4247 231	2			SEAL, Secondary Sound
18					PAD, Armest

MODEL CODES

E BODY = (J - CARAVELLE)(E - 600)(T - NEW YORKER)

G BODY = (V24 - DAYTONA)

H BODY = (D44 - LANCER)(C44 - LEBARON GTS)

J BODY = (C - LEBARON)

K BODY = (P - RELIANT)(D - ARIES)(C - LEBAROND)/TOWN & COUNTRY)

L BODY = (M - HORIZON/TURISMO)(Z - OMNI/CHARGER)

M BODY = (B - GRAN FURY)(F - FIFTH AVE/NEWPORT)(G - DIPLOMAT)

P BODY = (P - SUNDANCE)(D - SHADOW)

S BODY = (H - VOYAGER)(K - RAM VAN/CARAVAN)

BODY STYLES

12-13 = FWD VAN

21 = 2-DOOR SEDAN

24 = 2-DOOR HATCHBACK

27 = 2-DOOR CONVERTIBLE

41 = 4-DOOR SEDAN

44 = 4-DOOR HATCHBACK

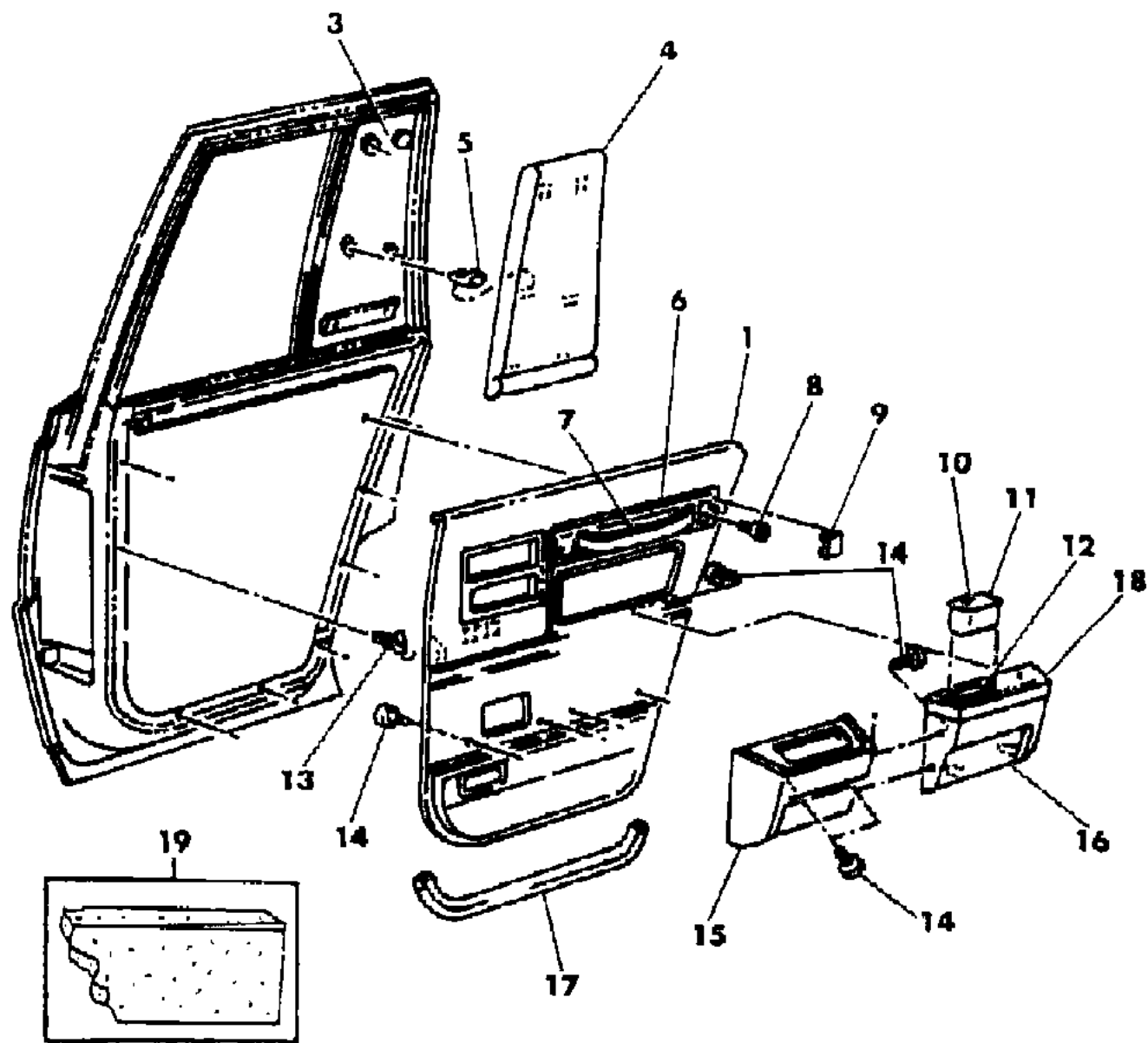
45 = 4-DOOR STATION WAGON

52-53 = FWD WAGON

AR = Use as Required - = Non Illustrated Part P.A.R. = Paint as Required

PANEL--DOOR TRIM-REAR K BODY C 41-45
Figure ITK-1900

7234 1900 A



ITEM	PART NUMBER	QTY	BODY	MODEL	DESCRIPTION
	D514-5 FC5	1			Blue
	D514-5 EE8	1			Cordovan
	D514-5 EK1	1			Almond
	D514-5 CS8	1			Charcoal
19	4049 602	2			SILENCER, Door (36"x36"x1/2 material cut to fit)
NOTE: (P.A.R.) = Paint As Required					

MODEL CODES

E BODY = (J - CARAVELLE)(E - 600)(T - NEW YORKER)

G BODY = (V24 - DAYTONA)

H BODY = (D44 - LANCER)(C44 - LEBARON GTS)

J BODY = (C - LEBARON)

K BODY = (P - RELIANT)(D - ARIES)(C - LEBAROND)/TOWN & COUNTRY)

L BODY = (M - HORIZON/TURISMO)(Z - OMNI/CHARGER)

M BODY = (B - GRAN FURY)(F - FIFTH AVE/NEWPORT)(G - DIPLOMAT)

P BODY = (P - SUNDANCE)(D - SHADOW)

S BODY = (H - VOYAGER)(K - RAM VAN/CARAVAN)

BODY STYLES

12-13 = FWD VAN

21 = 2-DOOR SEDAN

24 = 2-DOOR HATCHBACK

27 = 2-DOOR CONVERTIBLE

41 = 4-DOOR SEDAN

44 = 4-DOOR HATCHBACK

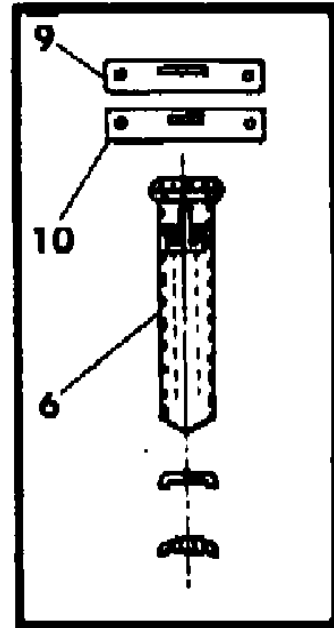
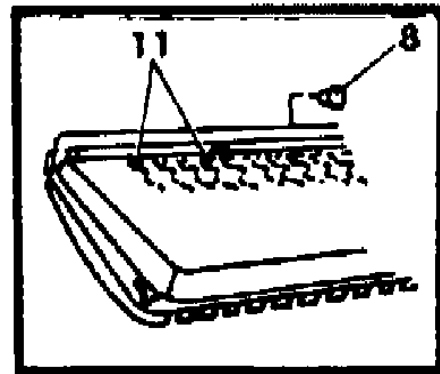
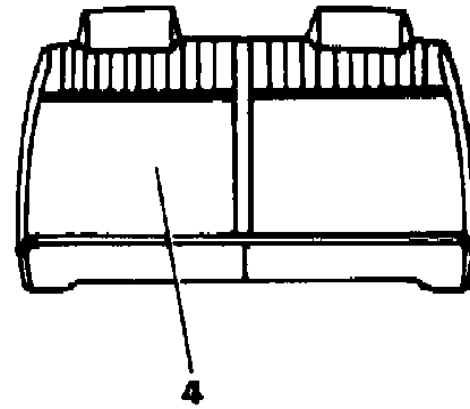
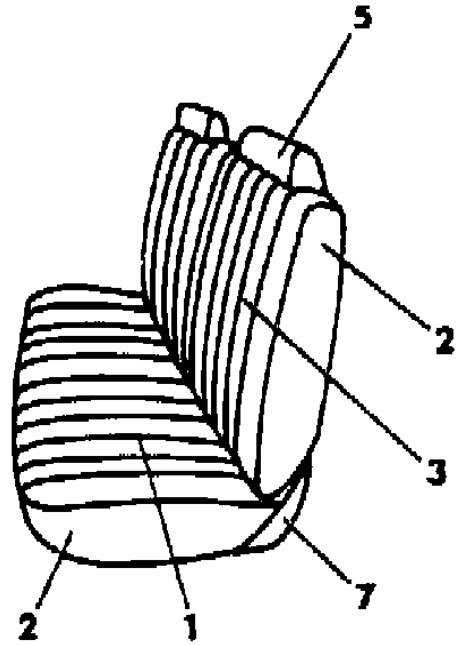
45 = 4-DOOR STATION WAGON

52-53 = FWD WAGON

AR = Use as Required - = Non Illustrated Part P.A.R. = Paint as Required

SEAT--FRONT K BODY 21 TRIM CODE C1
Figure ITK-2000

7234 2000



ITEM	PART NUMBER	QTY	BODY	MODEL	DESCRIPTION
1-2					CUSHION, w/Spring/Frame, Pad and Cover
	C591 E1A	1			CLOTH Silver / Charcoal, (C1AS)
	C591 F1C	1			Blue, (C1C)
1					COVER, Cushion
	C433 E1A	1			CLOTH Silver / Charcoal, (C1AS)
	C433 F1C	1			Blue, (C1C)
2					ROLL STOCK, Vinyl Order by the Inch
	R616 FC5	AR			Blue, 64" Wide (C1C)
	R609 CS8	AR			Charcoal, 54" Wide (C1AS)
2-3					BACK, w/Spring/Frame, Pad and Cover
	C594-5 E1A	1			CLOTH Silver / Charcoal, (C1AS)
	C594-5 F1C	1			Blue, (C1C)
3					COVER
	C434-5 E1A	1			CLOTH Silver / Charcoal, (C1AS)
	C434-5 F1C	1			Blue, (C1BC)
4					ROLL STOCK, Vinyl 50" Wide Order BY the Inch
	R620 FC5	AR			Blue
	R620 CS8	AR			Charcoal
5					HEADREST and COVER
	S790 AA2	2			Silver
	S790 FC5	2			Blue
6					SLEEVE, Headrest
	S786 AA3	2			Silver
	S786 EC5	2			Blue
7					SHIELD, Cushion
	S780-1 FC5	1			Blue
	S780-1 CS8	1			Charcoal
8	4380 112	2			BUSHING, Cushion Pivot Bracket
9	4190 388	2			COVER, Headrest Finish
10	4190 387	2			SUPPORT, Headrest Trim Cover
11	6008 076	AR			HOG RING

MODEL CODES

E BODY = (J - CARAVELLE)(E - 600)(T - NEW YORKER)

G BODY = (V24 - DAYTONA)

H BODY = (D44 - LANCER)(C44 - LEBARON GTS)

J BODY = (C - LEBARON)

K BODY = (P - RELIANT)(D - ARIES)(C - LEBAROND)/TOWN & COUNTRY)

L BODY = (M - HORIZON/TURISMO)(Z - OMNI/CHARGER)

M BODY = (B - GRAN FURY)(F - FIFTH AVE/NEWPORT)(G - DIPLOMAT)

P BODY = (P - SUNDANCE)(D - SHADOW)

S BODY = (H - VOYAGER)(K - RAM VAN/CARAVAN)

BODY STYLES

12-13 = FWD VAN

21 = 2-DOOR SEDAN

24 = 2-DOOR HATCHBACK

27 = 2-DOOR CONVERTIBLE

41 = 4-DOOR SEDAN

44 = 4-DOOR HATCHBACK

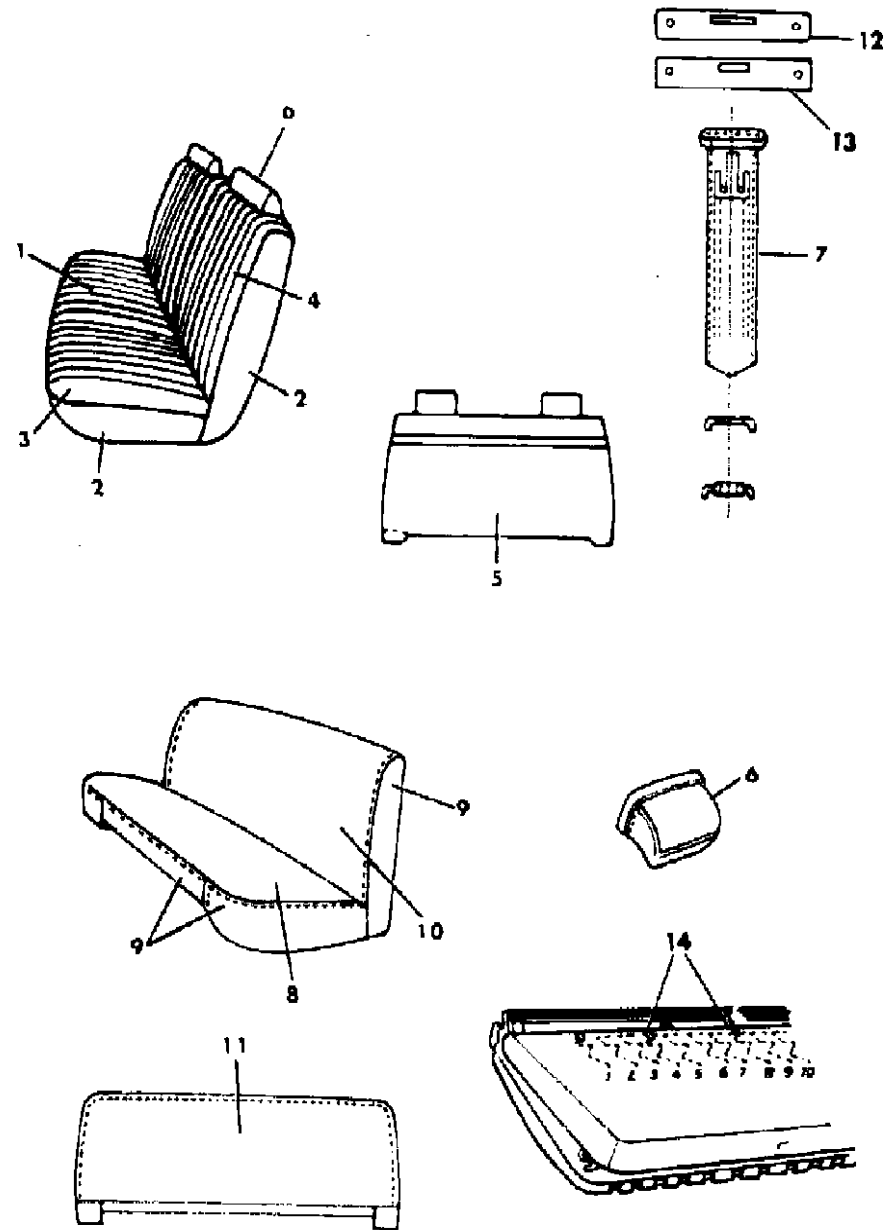
45 = 4-DOOR STATION WAGON

52-53 = FWD WAGON

AR = Use as Required - = Non Illustrated Part P.A.R. = Paint as Required

SEAT--FRONT K BODY 41-45 TRIM CODES C1,K2
Figure ITK-2100

7234 2100



ITEM	PART NUMBER	QTY	BODY	MODEL	DESCRIPTION
1-4					SEAT COMPLETE, (Includes Cushion and Back) w/Spring/Frame, Pad and Cover
					MANUAL CLOTH
	C598 E1A	1		41	Silver / Charcoal, (C1AS)
	C598 F1C	1		41	Blue, (C1C)
2					ROLL STOCK, Vinyl Order By The Inch
	R609 CS8	AR			Charcoal, 54" Wide
	R616 FC5	AR			Blue, 64" Wide
3					COVER, Cushion
					CLOTH
	C436 E1A	1		41	Silver / Charcoal, (C1AS)
	C436 F1C	1		41	Blue, (C1C)
4					COVER, Back
					CLOTH
	C437 E1A	1		41	Silver / Charcoal, (C1AS)
	C437 F1C	1		41	Blue, (C1C)
5					ROLL STOCK, Vinyl 50" Wide Order By The Inch
	R620 FC5	AR			Blue
	R620 CS8	AR			Charcoal
6					HEADREST and COVER
	S790 AA2	2			Silver
	S790 FC5	2			Blue
7					SLEEVE, Headrest
	S786 AA3	2			Silver
	S786 EC5	2			Blue, Medium
8-10					SEAT COMPLETE, (Includes Cushion and Back)w/Spring/Frame, Pad and Cover)
					VINYL
	C690 F2C	1			Blue, (K2C)
	C690 E2K	1			Almond, (K2K)
8					COVER, Cushion
					VINYL
	C396 F2C	1			Blue, (K2C)
	C396 E2K	1			Almond, (K2K)
9					ROLL STOCK, Vinyl Order By The Inch
	R616 FC5	AR			Blue, 64" Wide (K2C)
	R600 EK1	AR			Almond, 54" Wide (K2K)

MODEL CODES

E BODY = (J - CARAVELLE)(E - 600)(T - NEW YORKER)

G BODY = (V24 - DAYTONA)

H BODY = (D44 - LANCER)(C44 - LEBARON GTS)

J BODY = (C - LEBARON)

K BODY = (P - RELIANT)(D - ARIES)(C - LEBAROND)/TOWN & COUNTRY)

L BODY = (M - HORIZON/TURISMO)(Z - OMNI/CHARGER)

M BODY = (B - GRAN FURY)(F - FIFTH AVE/NEWPORT)(G - DIPLOMAT)

P BODY = (P - SUNDANCE)(D - SHADOW)

S BODY = (H - VOYAGER)(K - RAM VAN/CARAVAN)

BODY STYLES

12-13 = FWD VAN

21 = 2-DOOR SEDAN

24 = 2-DOOR HATCHBACK

27 = 2-DOOR CONVERTIBLE

41 = 4-DOOR SEDAN

44 = 4-DOOR HATCHBACK

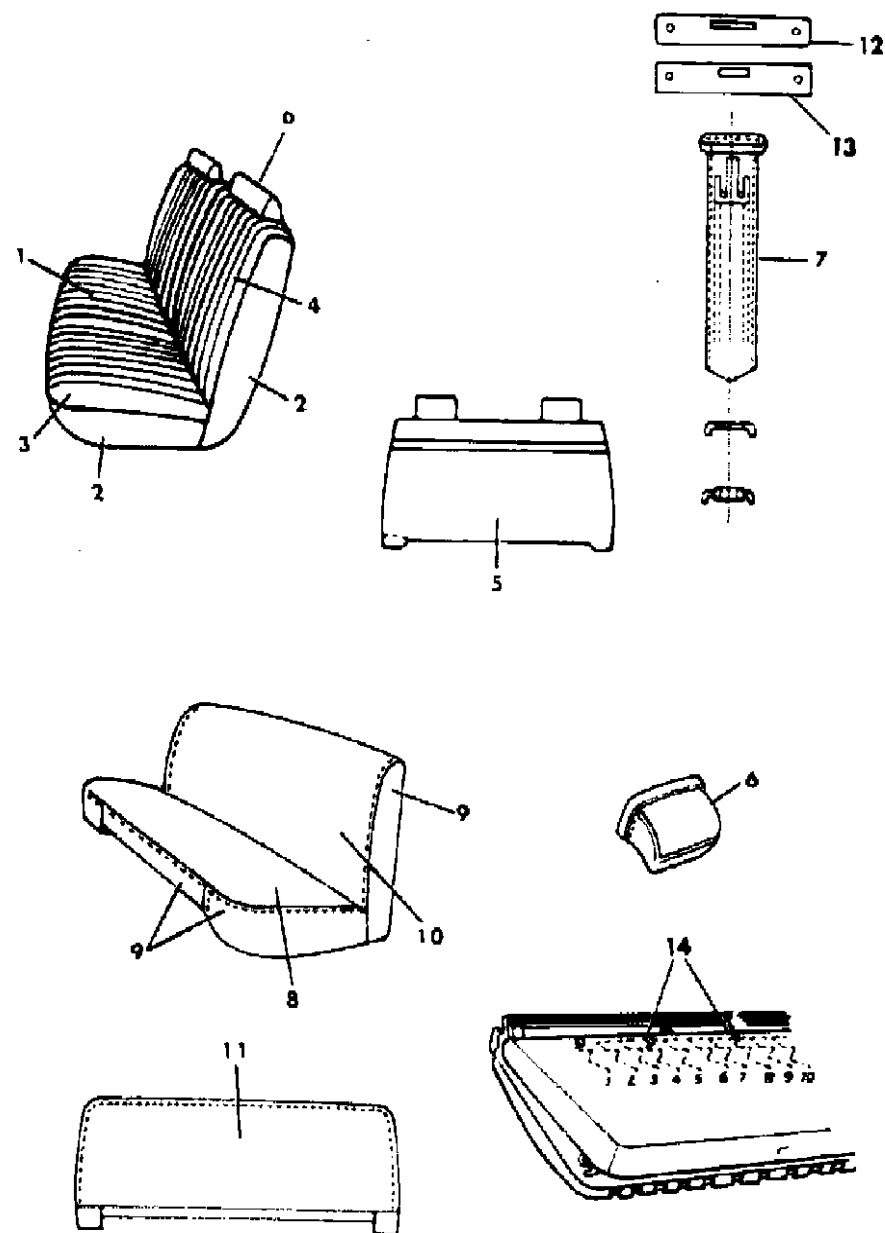
45 = 4-DOOR STATION WAGON

52-53 = FWD WAGON

AR = Use as Required - = Non Illustrated Part P.A.R. = Paint as Required

SEAT--FRONT K BODY 41-45 TRIM CODES C1,K2
Figure ITK-2100

7234 2100



ITEM	PART NUMBER	QTY	BODY	MODEL	DESCRIPTION
10					COVER, Back
	C397 F2C	1			VINYL Blue, (K2C)
	C397 E2K	1			Almond, (K2K)
11					ROLL STOCK, Vinyl 50" Wide Order By The Inch.
	R620 FC5	AR			Blue, (K2C)
	R620 EK1	AR			Almond, (K2K)
12	4190 388	2			COVER, Headrest Finish
13	4190 387	2			SUPPORT, Headrest Trim Cover
14	6008 076	AR			HOG RING

MODEL CODES

E BODY = (J - CARAVELLE)(E - 600)(T - NEW YORKER)

G BODY = (V24 - DAYTONA)

H BODY = (D44 - LANCER)(C44 - LEBARON GTS)

J BODY = (C - LEBARON)

K BODY = (P - RELIANT)(D - ARIES)(C - LEBAROND)/TOWN & COUNTRY)

L BODY = (M - HORIZON/TURISMO)(Z - OMNI/CHARGER)

M BODY = (B - GRAN FURY)(F - FIFTH AVE/NEWPORT)(G - DIPLOMAT)

P BODY = (P - SUNDANCE)(D - SHADOW)

S BODY = (H - VOYAGER)(K - RAM VAN/CARAVAN)

BODY STYLES

12-13 = FWD VAN

21 = 2-DOOR SEDAN

24 = 2-DOOR HATCHBACK

27 = 2-DOOR CONVERTIBLE

41 = 4-DOOR SEDAN

44 = 4-DOOR HATCHBACK

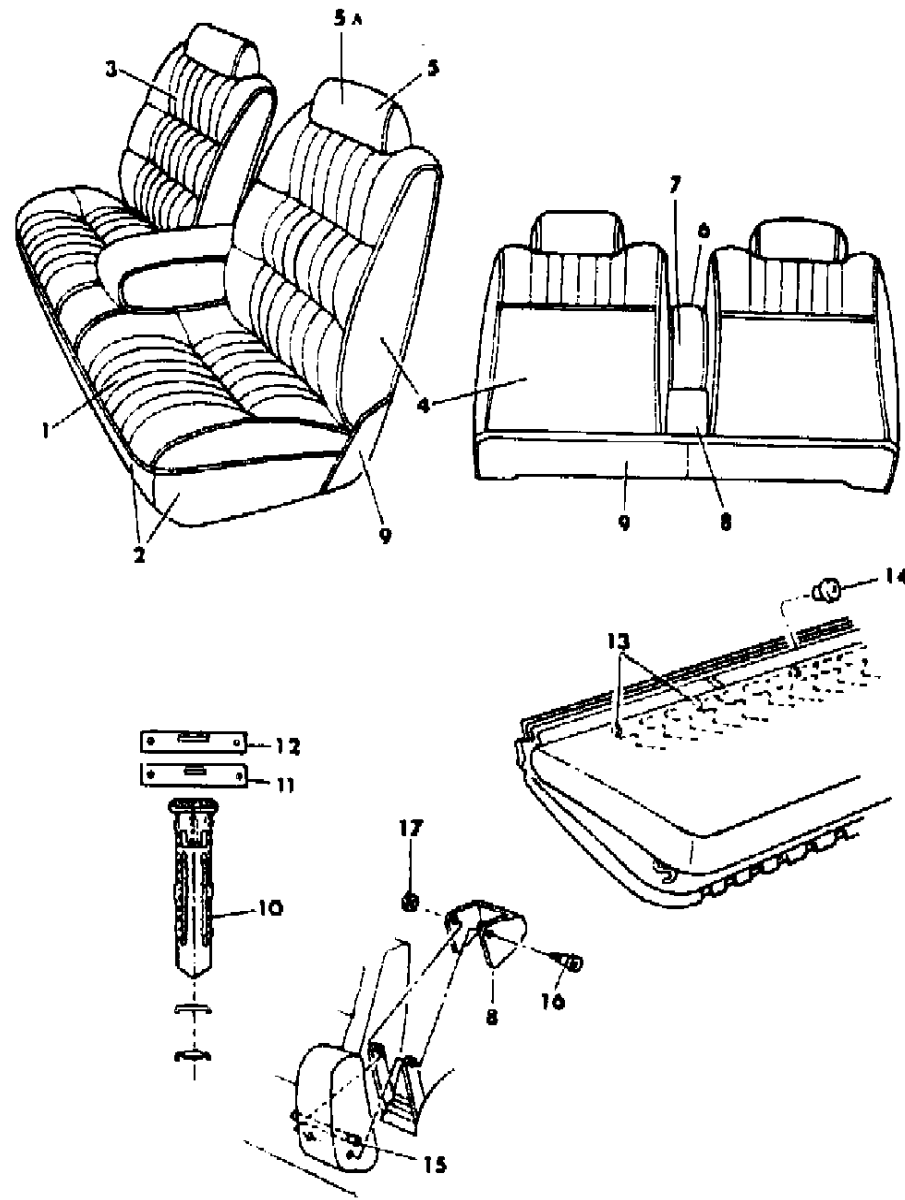
45 = 4-DOOR STATION WAGON

52-53 = FWD WAGON

AR = Use as Required - = Non Illustrated Part P.A.R. = Paint as Required

SEAT--FRONT K BODY 21-41-45 TRIM CODE H3
Figure ITK-2200

7234 2200A



ITEM	PART NUMBER	QTY	BODY	MODEL	DESCRIPTION
1-2					CUSHION, w/Spring/Frame, Pad and Cover
	C735 D3A	1			CLOTH Silver / Charcoal, (H3AS)
	C735 F3C	1			Blue, (H3C)
	C735 F3E	1			Cordovan, (H3E)
	C735 E3K	1			Almond, (H3K)
1					COVER, Cushion
	C523 D3A	1			CLOTH Silver / Charcoal, (H3SA)
	C523 F3C	1			Blue, (H3C)
	C523 F3E	1			Cordovan, (H3E)
	C523 E3K	1			Almond, (H3K)
2					ROLL STOCK, Vinyl Order By The Inch.
	R616 FC5	AR			Blue, 64" Wide
	R600 EE8	AR			Cordovan, 54" Wide
	R600 EK1	AR			Almond, 54" Wide
	R609 CS8	AR			Charcoal, 54" Wide
3-4					BACK, w/Spring/Frame, Pad and Cover
	C738-9 D3A	1			CLOTH Silver / Charcoal, (H3AS)
	C738-9 F3C	1			Blue, (H3C)
	C738-9 F3E	1			Cordovan, (H3E)
	C738-9 E3K	1			Almond, (H3K)
3					COVER, Back
	C524-5 D3A	1			CLOTH Silver / Charcoal, (H3AS)
	C524-5 F3C	1			Blue, (H3C)
	C524-5 F3E	1			Cordovan, (H3E)
	C524-5 E3K	1			Almond, (H3K)
4					ROLL STOCK, Cloth 59" Wide Order By The Inch
	R026 DS8	AR			Silver / Charcoal, (h3AS)
	RO26 EC5	AR			Blue, (H3C)
	R026 EE8	AR			Cordovan, (H3E)
	R026 EK1	AR			Almond, (H3K)
5					HEADREST and COVER
	C741 DA3	2			Silver / Charcoal, (H3AS)
	C741 FC5	2			Blue, (H3C)
	C741 FE9	2			Cordovan, (H3E)

MODEL CODES

E BODY = (J - CARAVELLE)(E - 600)(T - NEW YORKER)

G BODY = (V24 - DAYTONA)

H BODY = (D44 - LANCER)(C44 - LEBARON GTS)

J BODY = (C - LEBARON)

K BODY = (P - RELIANT)(D - ARIES)(C - LEBAROND)/TOWN & COUNTRY)

L BODY = (M - HORIZON/TURISMO)(Z - OMNI/CHARGER)

M BODY = (B - GRAN FURY)(F - FIFTH AVE/NEWPORT)(G - DIPLOMAT)

P BODY = (P - SUNDANCE)(D - SHADOW)

S BODY = (H - VOYAGER)(K - RAM VAN/CARAVAN)

BODY STYLES

12-13 = FWD VAN

21 = 2-DOOR SEDAN

24 = 2-DOOR HATCHBACK

27 = 2-DOOR CONVERTIBLE

41 = 4-DOOR SEDAN

44 = 4-DOOR HATCHBACK

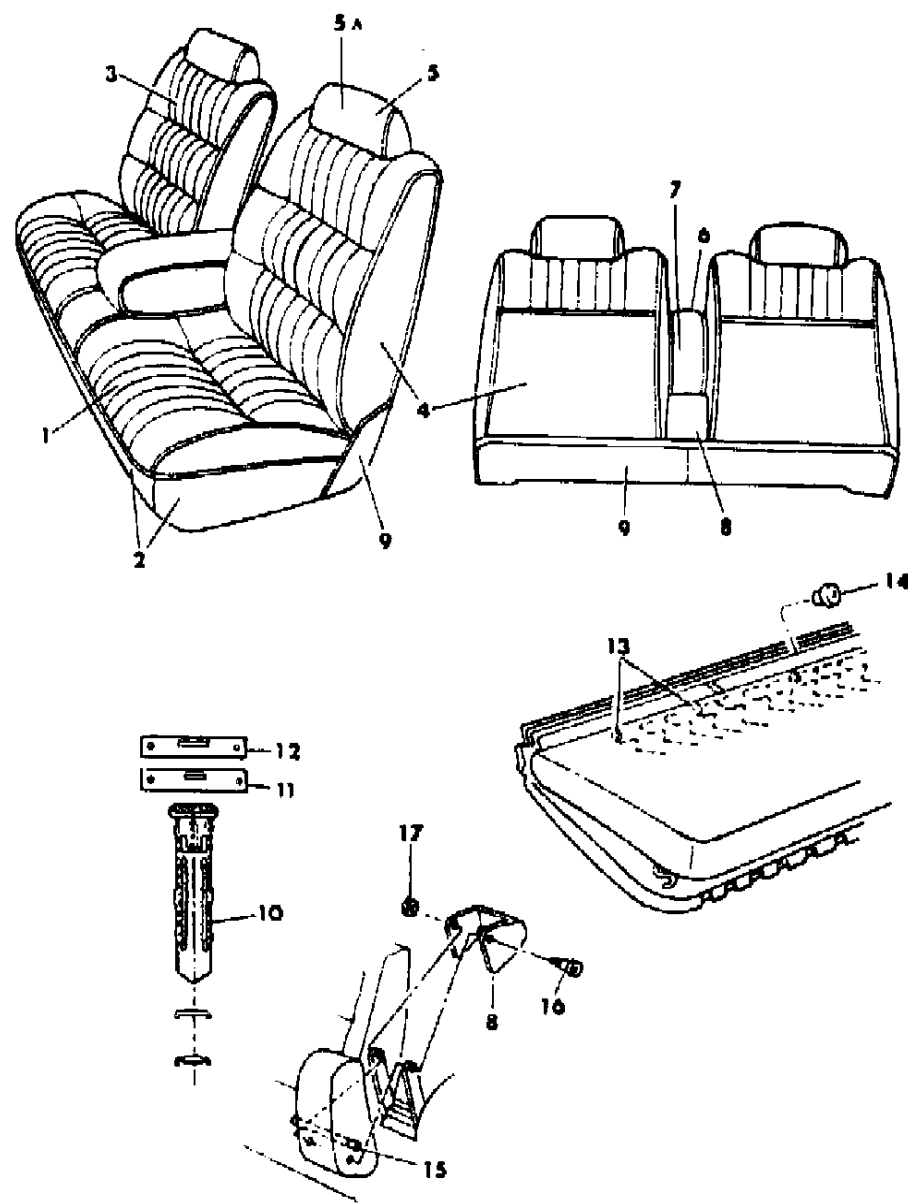
45 = 4-DOOR STATION WAGON

52-53 = FWD WAGON

AR = Use as Required - = Non Illustrated Part P.A.R. = Paint as Required

SEAT--FRONT K BODY 21-41-45 TRIM CODE H3
Figure ITK-2200

7234 2200A



ITEM	PART NUMBER	QTY	BODY	MODEL	DESCRIPTION
	C741 EK1	2			Almond, (H3K)
5A					COVER, Headrest
	C527 DA3	2			Silver / Charcoal, (H3AS)
	C527 FC5	2			Blue, (H3C)
	C527 FE9	2			Cordovan, (H3E)
	C527 EK1	2			Almond, (H3K)
6					ARMREST and COVER CLOTH
	C852 DS8	1			Silver / Charcoal, (H3AS)
	C852 FC5	1			Blue, (H3C)
	C852 EE8	1			Cordovan, (H3K)
	C852 EK1	1			Almond, (H3K)
7					COVER, Armrest CLOTH
	C514 DS8	1			Silver / Charcoal, (H3AS)
	C514 FC5	1			Blue, (H3C)
	C514 EE8	1			Cordovan, (H3E)
	C514 EK1	1			Almond, (H3K)
8					COVER, Center Armrest
	S581 CS8	1			Charcoal
	S581 FC5	1			Blue
	S581 EE8	1			Cordovan
	S581 EK1	1			Almond
9					SHIELD, Front Cushion Rear Rail
	S780-1 CS8	1		21	Charcoal
	S780-1 FC5	1		21	Blue
	S780-1 EE8	1		21	Cordovan
	S780-1 EK1	1		21	Almond
	S678-9 CS8	1		41-45	Charcoal
	S678-9 FC5	1		41-45	Blue
	S678-9 EE8	1		41-45	Cordovan
	S678-9 EK1	1		41-45	Almond
10					SLEEVE, Headrest
	S786 AA3	2			Silver
	S786 EC5	2			Blue
	S786 EE8	2			Cordovan
	S786 EK1	2			Almond
11	4190 387	2			SUPPORT, Headrest

MODEL CODES

E BODY = (J - CARAVELLE)(E - 600)(T - NEW YORKER)

G BODY = (V24 - DAYTONA)

H BODY = (D44 - LANCER)(C44 - LEBARON GTS)

J BODY = (C - LEBARON)

K BODY = (P - RELIANT)(D - ARIES)(C - LEBAROND)/TOWN & COUNTRY)

L BODY = (M - HORIZON/TURISMO)(Z - OMNI/CHARGER)

M BODY = (B - GRAN FURY)(F - FIFTH AVE/NEWPORT)(G - DIPLOMAT)

P BODY = (P - SUNDANCE)(D - SHADOW)

S BODY = (H - VOYAGER)(K - RAM VAN/CARAVAN)

BODY STYLES

12-13 = FWD VAN

21 = 2-DOOR SEDAN

24 = 2-DOOR HATCHBACK

27 = 2-DOOR CONVERTIBLE

41 = 4-DOOR SEDAN

44 = 4-DOOR HATCHBACK

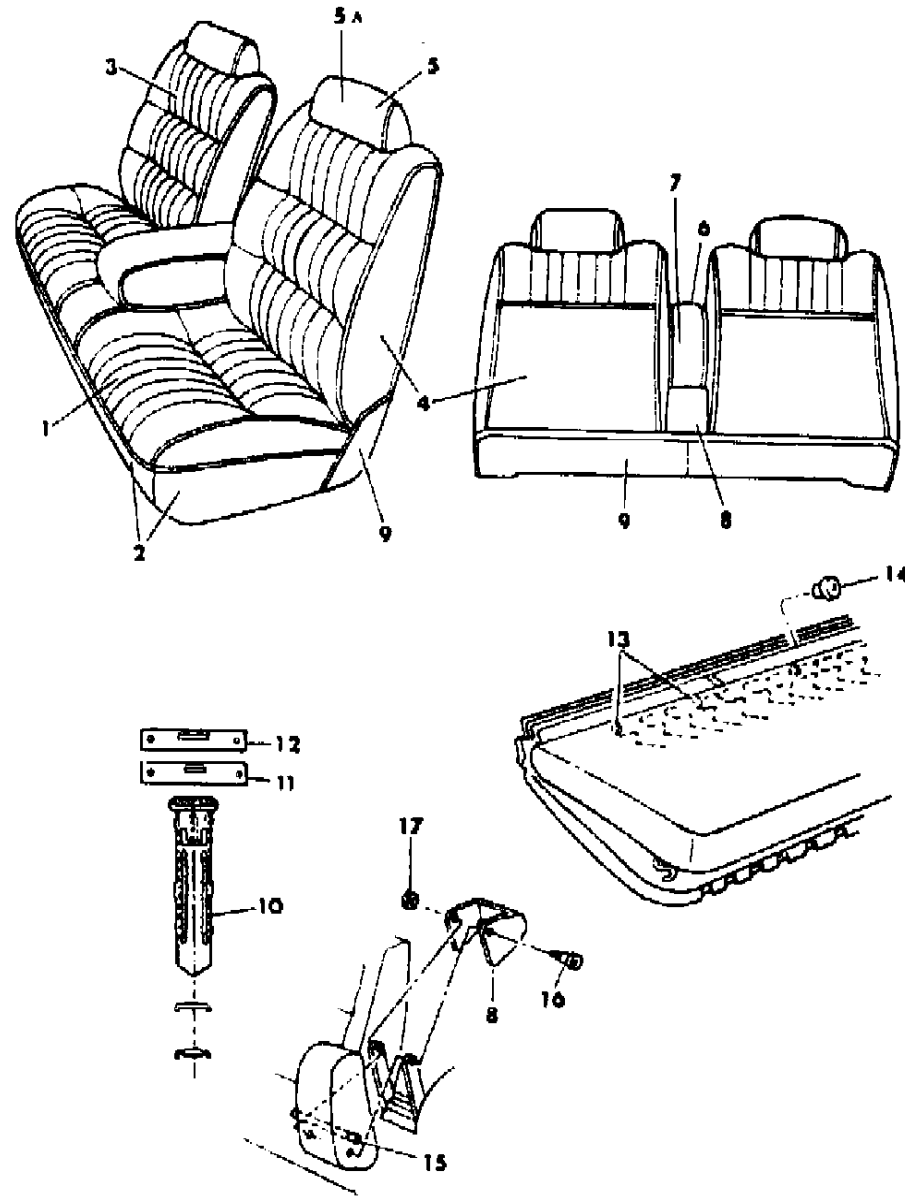
45 = 4-DOOR STATION WAGON

52-53 = FWD WAGON

AR = Use as Required - = Non Illustrated Part P.A.R. = Paint as Required

SEAT--FRONT K BODY 21-41-45 TRIM CODE H3
Figure ITK-2200

7234 2200A



ITEM	PART NUMBER	QTY	BODY	MODEL	DESCRIPTION
12	4190 388	2			COVER, Headrest Finish
13	6008 076	AR			HOG RING
14	4380 112	AR			BUSHING, Pivot Bracket
15	4239 076	1			ROD, Armrest, Lock
16	6030 082	2			SCREW, Armrest to Stanchion
17	6006 324	1			NUT, Armrest Lock Rod

MODEL CODES

E BODY = (J - CARAVELLE)(E - 600)(T - NEW YORKER)

G BODY = (V24 - DAYTONA)

H BODY = (D44 - LANCER)(C44 - LEBARON GTS)

J BODY = (C - LEBARON)

K BODY = (P - RELIANT)(D - ARIES)(C - LEBAROND)/TOWN & COUNTRY)

L BODY = (M - HORIZON/TURISMO)(Z - OMNI/CHARGER)

M BODY = (B - GRAN FURY)(F - FIFTH AVE/NEWPORT)(G - DIPLOMAT)

P BODY = (P - SUNDANCE)(D - SHADOW)

S BODY = (H - VOYAGER)(K - RAM VAN/CARAVAN)

BODY STYLES

12-13 = FWD VAN

21 = 2-DOOR SEDAN

24 = 2-DOOR HATCHBACK

27 = 2-DOOR CONVERTIBLE

41 = 4-DOOR SEDAN

44 = 4-DOOR HATCHBACK

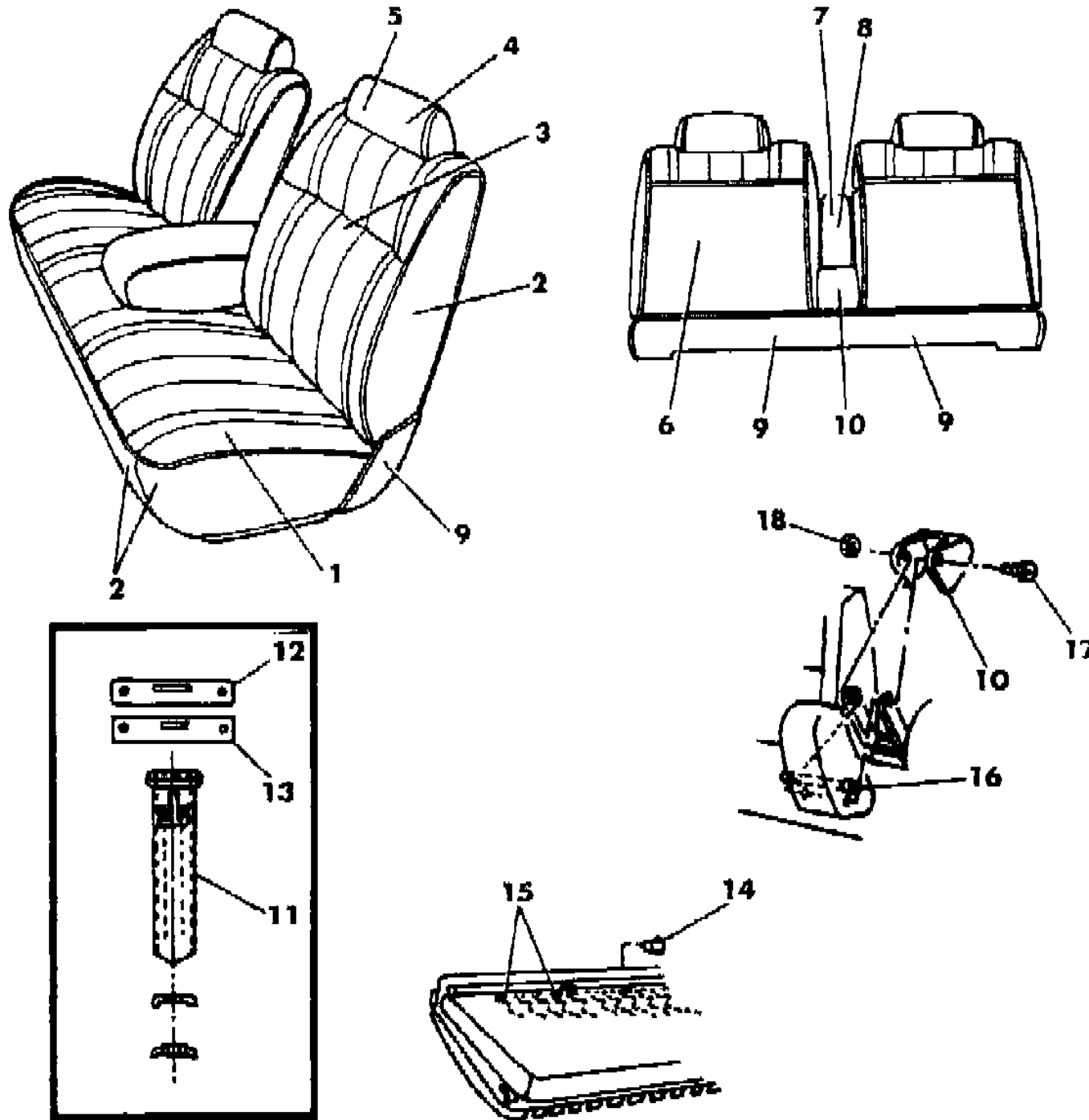
45 = 4-DOOR STATION WAGON

52-53 = FWD WAGON

AR = Use as Required - = Non Illustrated Part P.A.R. = Paint as Required

SEAT--FRONT K BODY TRIM CODES A4
Figure ITK-2300

7234 2300 A



ITEM	PART NUMBER	QTY	BODY	MODEL	DESCRIPTION
1-3					CUSHION, w/Spring/Frame, Pad and Cover
	C801 E4A	1			VINYL Silver / Charcoal, (A4AS)
	C801 F4C	1			Blue, (A4C)
	C801 E4E	1			Cordovan, (A4E)
	C801 E4K	1			Almond, (A4K)
1					COVER, Cushion
	C283 E4A	1			VINYL Silver / Charcoal, (A3AS)
	C283 F4C	1			Blue, (A4C)
	C283 E4E	1			Cordovan, (A4E)
	C283 E4K	1			Almond, (A4K)
2					ROLL STOCK, Vinyl Order By The Inch
	R609 CS8	AR			Charcoal, 58" Wide
	R616 FC5	AR			Blue, 64" Wide
	R600 EE8	AR			Cordovan, 54" Wide
	R600 EK1	AR			Almond, 54" Wide
2-3					BACK, w/Spring/Frame, Pad and Cover
	C804-5 E4A	1			Vinyl Silver / Charcoal, (A4AS)
	C804-5 F4C	1			Blue, (A4C)
	C804-5 E4E	1			Cordovan, (A4E)
	C804-5 E4K	1			Almond, (A4K)
3					COVER, Back
	C284-5 E4A	1			VINYL Silver / Charcoal, (A5AS)
	C284-5 F4C	1			Blue, (A4C)
	C284-5 E4E	1			Cordovan, (A4E)
	C284-5 E4K	1			Almond, (A4K)
4					HEADREST and COVER
	S790 AA2	2			VINYL Silver / Charcoal, (A4AS)
	S790 FC5	2			Blue, (A4C)
	S790 EE8	2			Cordovan, (A4E)
	S790 EK1	2			Almond
5					COVER, Headrest (Serv. In Headrest)
6					ROLL STOCK, Vinyl 50" Wide Order By The Inch
	R620 CS8	AR			Charcoal

MODEL CODES

E BODY = (J - CARAVELLE)(E - 600)(T - NEW YORKER)

G BODY = (V24 - DAYTONA)

H BODY = (D44 - LANCER)(C44 - LEBARON GTS)

J BODY = (C - LEBARON)

K BODY = (P - RELIANT)(D - ARIES)(C - LEBAROND)/TOWN & COUNTRY)

L BODY = (M - HORIZON/TURISMO)(Z - OMNI/CHARGER)

M BODY = (B - GRAN FURY)(F - FIFTH AVE/NEWPORT)(G - DIPLOMAT)

P BODY = (P - SUNDANCE)(D - SHADOW)

S BODY = (H - VOYAGER)(K - RAM VAN/CARAVAN)

BODY STYLES

12-13 = FWD VAN

21 = 2-DOOR SEDAN

24 = 2-DOOR HATCHBACK

27 = 2-DOOR CONVERTIBLE

41 = 4-DOOR SEDAN

44 = 4-DOOR HATCHBACK

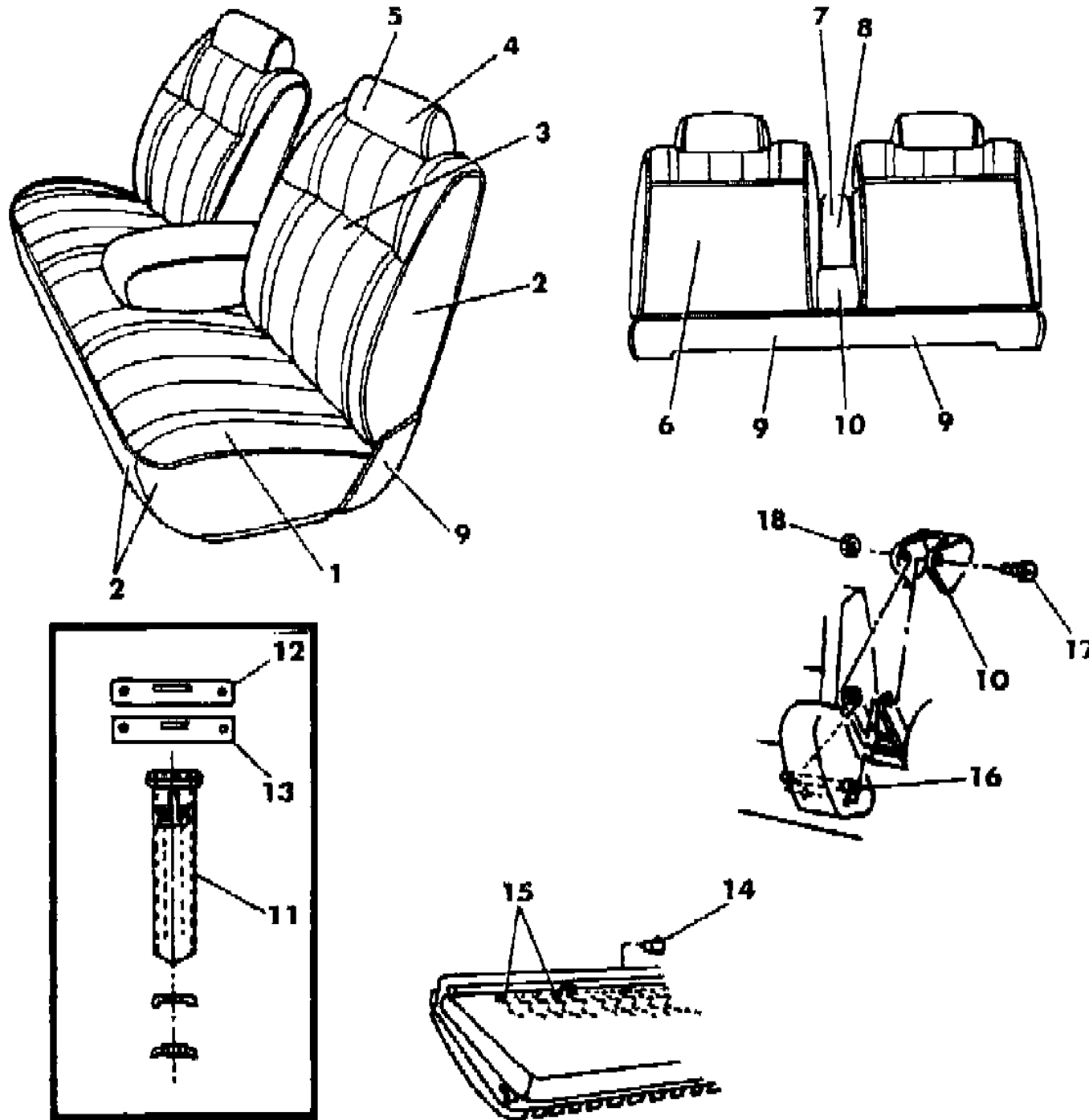
45 = 4-DOOR STATION WAGON

52-53 = FWD WAGON

AR = Use as Required - = Non Illustrated Part P.A.R. = Paint as Required

SEAT--FRONT K BODY TRIM CODES A4
Figure ITK-2300

7234 2300 A



ITEM	PART NUMBER	QTY	BODY	MODEL	DESCRIPTION
	R620 FC5	AR			Blue
	R620 EE8	AR			Cordovan
	R620 EK1	AR			Almond
7					ARMREST and COVER VINYL
	C807 EA2	1			Silver / Charcoal, (A4AS)
	C807 FC5	1			Blue, ((A4C)
	C807 EE8	1			Cordovan, (A4E)
	C807 EK1	1			Almond, (A4K)
8					COVER, Armrest VINYL
	C286 EA2	1			Silver / Charcoal, (A4AS)
	C286 FC5	1			Blue, (A4C)
	C286 EE8	1			Cordovan, (A4E)
	C286 EK1	1			Almond, (A4K)
9					SHIELD, Rear Rail
	S780-1 CS8	1		21	Charcoal
	S780-1 FC5	1		21	Blue
	S780-1 EE8	1		21	Cordovan
	S780-1 EK1	1		21	Almond
	S678-9 CS8	1		41	Charcoal
	S678-9 FC5	1		41	Blue
	S678-9 EE8	1		41	Cordovan
	S678-9 EK1	1		41	Almond
10					SHIELD, Armrest Finished
	S581 CS8	1			Charcoal
	S581 FC5	1			Blue
	S581 EE8	1			Cordovan
	S581 EK1	1			Almond
11					SLEEVE, Headrest
	S786 AA3	2			Silver
	S786 EC5	2			Blue
	S786 EE8	1			Cordovan
	S786 EK1	1			Almond
12	4190 388	2			COVER, Headrest Finish
13	4190 387	2			SUPPORT, Headrest Trim Cover
14	4380 112	2			BUSHING, Cushion Pivot Bracket
15	6008 076	AR			HOG RING

MODEL CODES

E BODY = (J - CARAVELLE)(E - 600)(T - NEW YORKER)

G BODY = (V24 - DAYTONA)

H BODY = (D44 - LANCER)(C44 - LEBARON GTS)

J BODY = (C - LEBARON)

K BODY = (P - RELIANT)(D - ARIES)(C - LEBAROND)/TOWN & COUNTRY)

L BODY = (M - HORIZON/TURISMO)(Z - OMNI/CHARGER)

M BODY = (B - GRAN FURY)(F - FIFTH AVE/NEWPORT)(G - DIPLOMAT)

P BODY = (P - SUNDANCE)(D - SHADOW)

S BODY = (H - VOYAGER)(K - RAM VAN/CARAVAN)

BODY STYLES

12-13 = FWD VAN

21 = 2-DOOR SEDAN

24 = 2-DOOR HATCHBACK

27 = 2-DOOR CONVERTIBLE

41 = 4-DOOR SEDAN

44 = 4-DOOR HATCHBACK

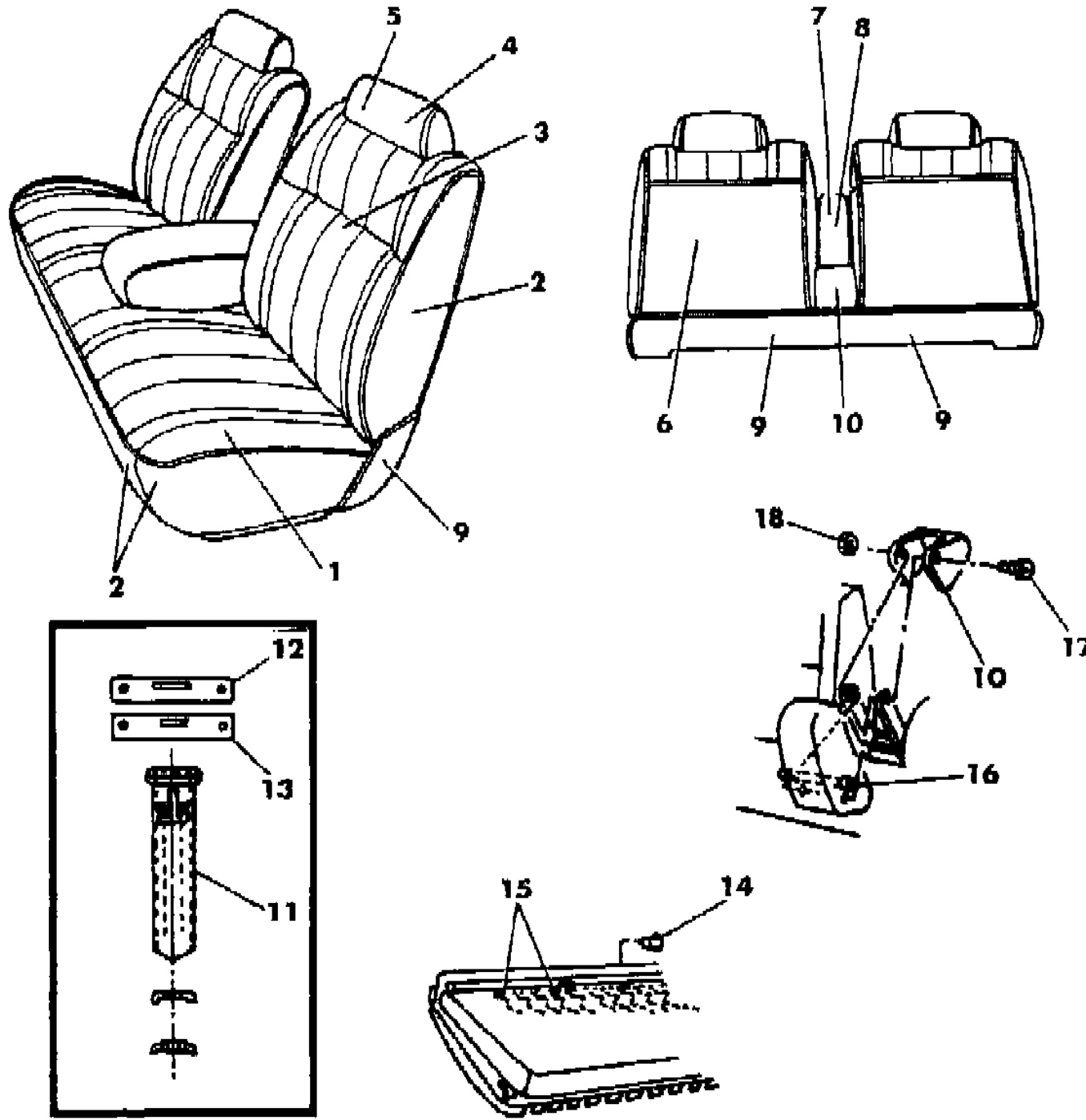
45 = 4-DOOR STATION WAGON

52-53 = FWD WAGON

AR = Use as Required - = Non Illustrated Part P.A.R. = Paint as Required

SEAT--FRONT K BODY TRIM CODES A4
Figure ITK-2300

7234 2300 A



ITEM	PART NUMBER	QTY	BODY	MODEL	DESCRIPTION
16	4239 076	1			ROD, Armrest Lock
17	6030 082	2			SCREW, Armrest to Stanchion
18	6006 324	1			NUT, Armrest Lock Rod

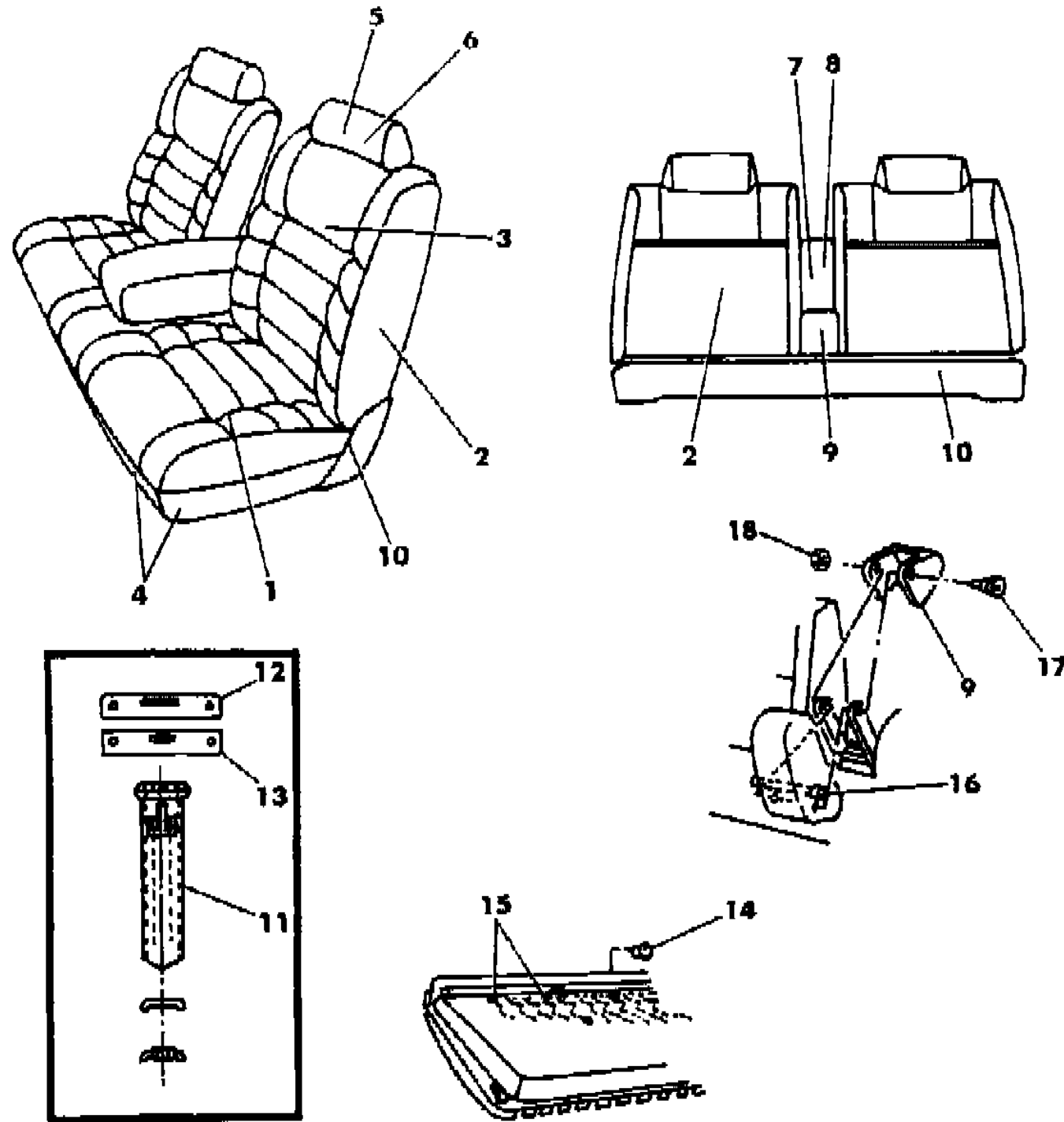
MODEL CODES
 E BODY = (J - CARAVELLE)(E - 600)(T - NEW YORKER)
 G BODY = (V24 - DAYTONA)
 H BODY = (D44 - LANCER)(C44 - LEBARON GTS)
 J BODY = (C - LEBARON)
 K BODY = (P - RELIANT)(D - ARIES)(C - LEBAROND)/TOWN & COUNTRY
 L BODY = (M - HORIZON/TURISMO)(Z - OMNI/CHARGER)
 M BODY = (B - GRAN FURY)(F - FIFTH AVE/NEWPORT)(G - DIPLOMAT)
 P BODY = (P - SUNDANCE)(D - SHADOW)
 S BODY = (H - VOYAGER)(K - RAM VAN/CARAVAN)

BODY STYLES
 12-13 = FWD VAN
 21 = 2-DOOR SEDAN
 24 = 2-DOOR HATCHBACK
 27 = 2-DOOR CONVERTIBLE
 41 = 4-DOOR SEDAN
 44 = 4-DOOR HATCHBACK
 45 = 4-DOOR STATION WAGON
 52-53 = FWD WAGON

AR = Use as Required - = Non Illustrated Part P.A.R. = Paint as Required

SEAT--FRONT K BODY TRIM CODES M3
Figure ITK-2400

7234 2400 A



ITEM	PART NUMBER	QTY	BODY	MODEL	DESCRIPTION
1-2					CUSHION, w/Spring/Frame, Pad and Cover
	C847 F3C	1			CLOTH Blue, (M3C)
	C847 E3E	1			Cordovan, (M3E)
	C847 E3K	1			Almond, (M3K)
	C847 D3S	1			Charcoal, (M3S)
1					COVER, Cushion
	C511 F3C	1			CLOTH Blue, (M3C)
	C511 E3E	1			Cordovan, (M3E)
	C511 E3K	1			Almond, (M3K)
	C511 D3S	1			Charcoal, (M3S)
2					ROLL STOCK, Cloth 59" Wide Order BY The Inch
	R026 EC5	AR			Blue, (M3C)
	R026 EE8	AR			Cordovan, (M3E)
	R026 EK1	AR			Almond, (M3K)
	R026 DS8	AR			Charcoal, (M3S)
2-3					BACK, w/Spring/Frame, Pad and Cover
	C850-1 F3C	1			CLOTH Blue, (M3C)
	C850-1 E3E	1			Cordovan, (M3E)
	C850-1 E3K	1			Almond, (M3K)
	C850-1 D3S	1			Charcoal, (M3S)
3					COVER, Back
	C512-3 F3C	1			CLOTH Blue, (M3C)
	C512-3 E3E	1			Cordovan, (M3E)
	C512-3 E3K	1			Almond, (M3K)
	C512-3 D3S	1			Charcoal, (M3S)
4					ROLL STOCK, Vinyl Order By The Inch
	R616 FC5	AR			Blue 64" Wide, (M3C)
	R600 EE8	AR			Cordovan, 54" Wide (M3E)
	R600 EK1	AR			Almond, 54" Wide (M3S)
	R609 CS8	AR			Charcoal, 58" Wide
5					HEADREST and COVER
	A822 FC5	2			Blue, (M3C)
	A822 EE8	2			Cordovan, (M3E)
	A822 EK1	2			Almond, (M3K)

MODEL CODES

E BODY = (J - CARAVELLE)(E - 600)(T - NEW YORKER)

G BODY = (V24 - DAYTONA)

H BODY = (D44 - LANCER)(C44 - LEBARON GTS)

J BODY = (C - LEBARON)

K BODY = (P - RELIANT)(D - ARIES)(C - LEBAROND)/TOWN & COUNTRY)

L BODY = (M - HORIZON/TURISMO)(Z - OMNI/CHARGER)

M BODY = (B - GRAN FURY)(F - FIFTH AVE/NEWPORT)(G - DIPLOMAT)

P BODY = (P - SUNDANCE)(D - SHADOW)

S BODY = (H - VOYAGER)(K - RAM VAN/CARAVAN)

BODY STYLES

12-13 = FWD VAN

21 = 2-DOOR SEDAN

24 = 2-DOOR HATCHBACK

27 = 2-DOOR CONVERTIBLE

41 = 4-DOOR SEDAN

44 = 4-DOOR HATCHBACK

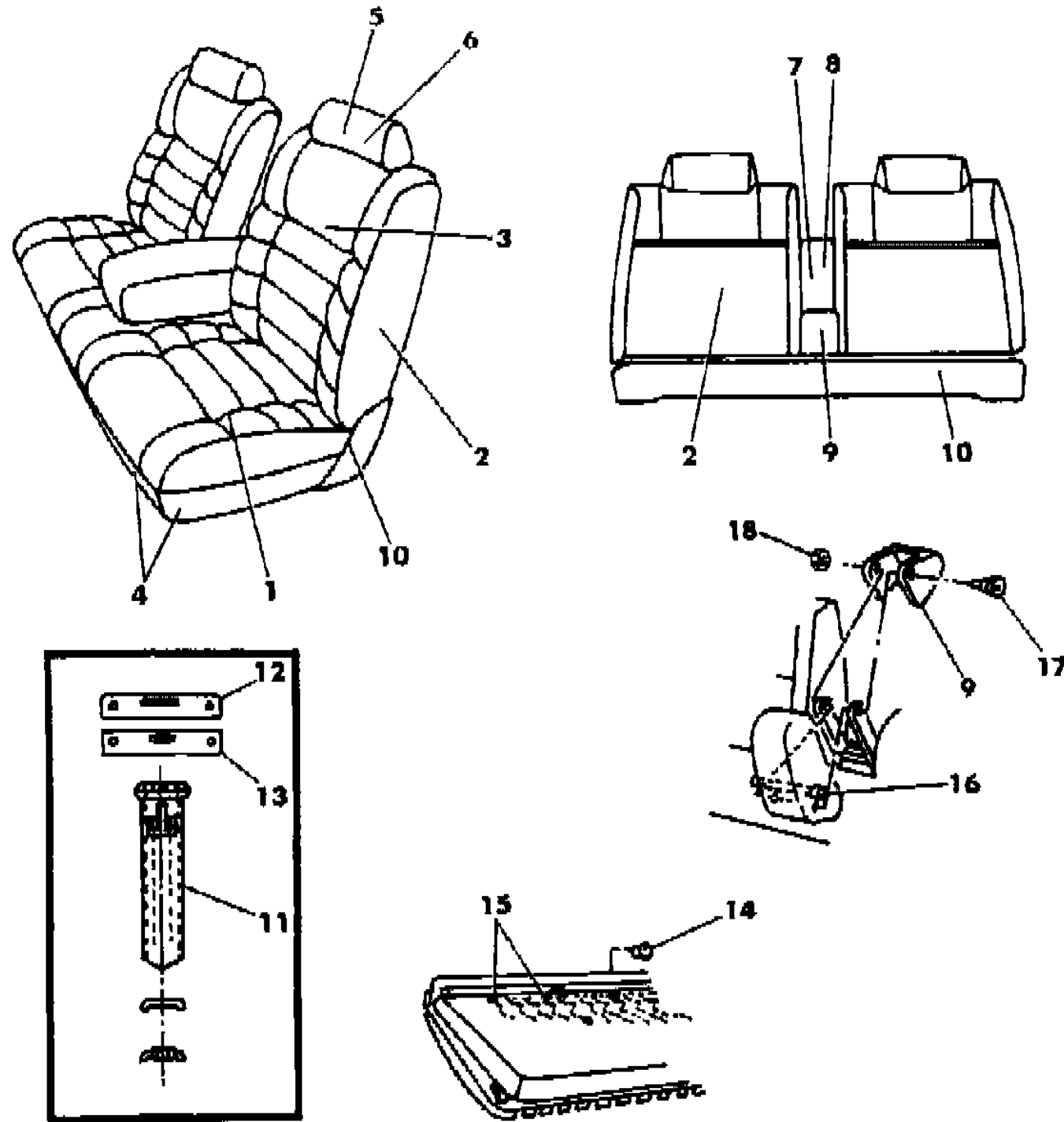
45 = 4-DOOR STATION WAGON

52-53 = FWD WAGON

AR = Use as Required - = Non Illustrated Part P.A.R. = Paint as Required

SEAT--FRONT K BODY TRIM CODES M3
Figure ITK-2400

7234 2400 A



ITEM	PART NUMBER	QTY	BODY	MODEL	DESCRIPTION
6	A822 DS8	2			Charcoal, (M3S)
					COVER, Headrest
	A539 FC5	2			Blue, M3C
	A539 EE8	2			Cordovan, (M3E)
7	A539 EK1	2			Almond, (M3K)
	A539 DS8	2			Charcoal, (M3S)
					ARMREST and COVER
	C852 FC5	1			Blue, (M3C)
8	C852 EE8	1			Cordovan, (M3E)
	C852 EK1	1			Almond, (M3K)
	C852 DS8	1			Charcoal, (M3S)
					COVER, Armrest
9	C514 FC5	1			Blue, (M3C)
	C514 EE8	1			Cordovan, (M3E)
	C514 EK1	1			Almond, (M3K)
	C514 DS8	1			Charcoal, (M3S)
10					SHIELD, Armrest
	S581 FC5	1			Blue, (M3C)
	S581 EE8	1			Cordovan, (M3E)
	S581 EK1	1			Almond, (M3K)
11	S581 CS8	1			Charcoal, (M3S)
					SHIELD, Rear Rail
	S678-9 FC5	1			Blue, (M3C)
	S678-9 EE8	1			Cordovan, (M3E)
12	S678-9 EK1	1			Almond, (M3K)
	S678-9 CS8	1			Charcoal, (M3S)
					SLEEVE, Headrest
	S786 EC5	2			Blue, (M3C)
13	S786 EE8	1			Cordovan, (M3E)
	S786 EK1	2			Almond, (M3K)
	S786 CS8	1			Charcoal, (M3S)
					COVER, Headrest Finish
14	4190 388	2			SUPPORT, Headrest Trim Cover
15	4380 112	2			BUSHING, Cushion Pivot Bracket
16	6008 076	AR			HOG RING
17	4239 076	1			ROD, Armrest Lock
18	6030 082	2			SCREW, Armrest To Stanchion
	6006 324	1			NUT, Armrest Lock Rod

MODEL CODES

E BODY = (J - CARAVELLE)(E - 600)(T - NEW YORKER)

G BODY = (V24 - DAYTONA)

H BODY = (D44 - LANCER)(C44 - LEBARON GTS)

J BODY = (C - LEBARON)

K BODY = (P - RELIANT)(D - ARIES)(C - LEBAROND)/TOWN & COUNTRY)

L BODY = (M - HORIZON/TURISMO)(Z - OMNI/CHARGER)

M BODY = (B - GRAN FURY)(F - FIFTH AVE/NEWPORT)(G - DIPLOMAT)

P BODY = (P - SUNDANCE)(D - SHADOW)

S BODY = (H - VOYAGER)(K - RAM VAN/CARAVAN)

BODY STYLES

12-13 = FWD VAN

21 = 2-DOOR SEDAN

24 = 2-DOOR HATCHBACK

27 = 2-DOOR CONVERTIBLE

41 = 4-DOOR SEDAN

44 = 4-DOOR HATCHBACK

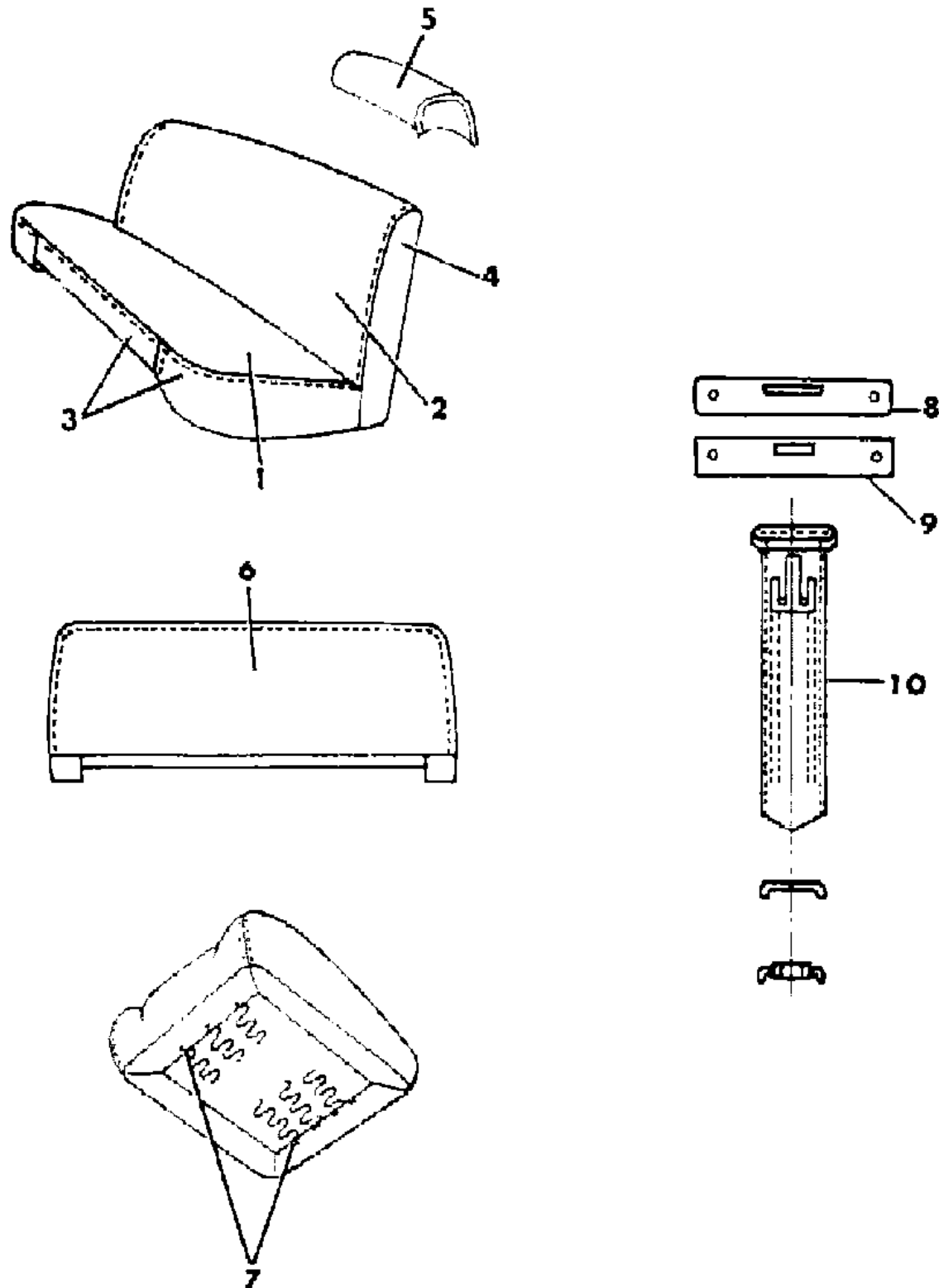
45 = 4-DOOR STATION WAGON

52-53 = FWD WAGON

AR = Use as Required - = Non Illustrated Part P.A.R. = Paint as Required

SEAT--FRONT K BODY FLEET POLICE AND OTHERS
Figure ITK-2500

7234 2500



ITEM	PART NUMBER	QTY	BODY	MODEL	DESCRIPTION
1	4370 265	1			COVER, Cushion Blue, Cloth (CBAN)
	4370 084	1			Almond, Cloth (CBAN)
2	4370 266	1			COVER, Back Blue, Cloth (CBAN)
	4370 085	1			Almond, Cloth (CBAN)
3	R616 FC5				ROLL STOCK, Vinyl Order By The Inch Blue, 64" Wide
	R600 EK1				Almond, 54" Wide
4	R615 EC5				ROLL STOCK, Vinyl 54" Wide Order By The Inch Blue
	R632 EK1				Almond
5	S790 FC5	2			HEADREST and COVER Blue
	S790 EK1	2			Almond
6	R620 FC5				ROLL STOCK, Vinyl 54" Wide Order By The Inch Blue
	R620 EK1				Almond
7	6008 076	AR			HOG RING
8	4190 388	2			COVER, Headrest Finish
9	4190 387	2			SUPPORT, Headrest
10	S786 EC5	2			SLEEVE, Headrest Blue
	S786 EK1	2			Almond

MODEL CODES

E BODY = (J - CARAVELLE)(E - 600)(T - NEW YORKER)

G BODY = (V24 - DAYTONA)

H BODY = (D44 - LANCER)(C44 - LEBARON GTS)

J BODY = (C - LEBARON)

K BODY = (P - RELIANT)(D - ARIES)(C - LEBAROND)/TOWN & COUNTRY)

L BODY = (M - HORIZON/TURISMO)(Z - OMNI/CHARGER)

M BODY = (B - GRAN FURY)(F - FIFTH AVE/NEWPORT)(G - DIPLOMAT)

P BODY = (P - SUNDANCE)(D - SHADOW)

S BODY = (H - VOYAGER)(K - RAM VAN/CARAVAN)

BODY STYLES

12-13 = FWD VAN

21 = 2-DOOR SEDAN

24 = 2-DOOR HATCHBACK

27 = 2-DOOR CONVERTIBLE

41 = 4-DOOR SEDAN

44 = 4-DOOR HATCHBACK

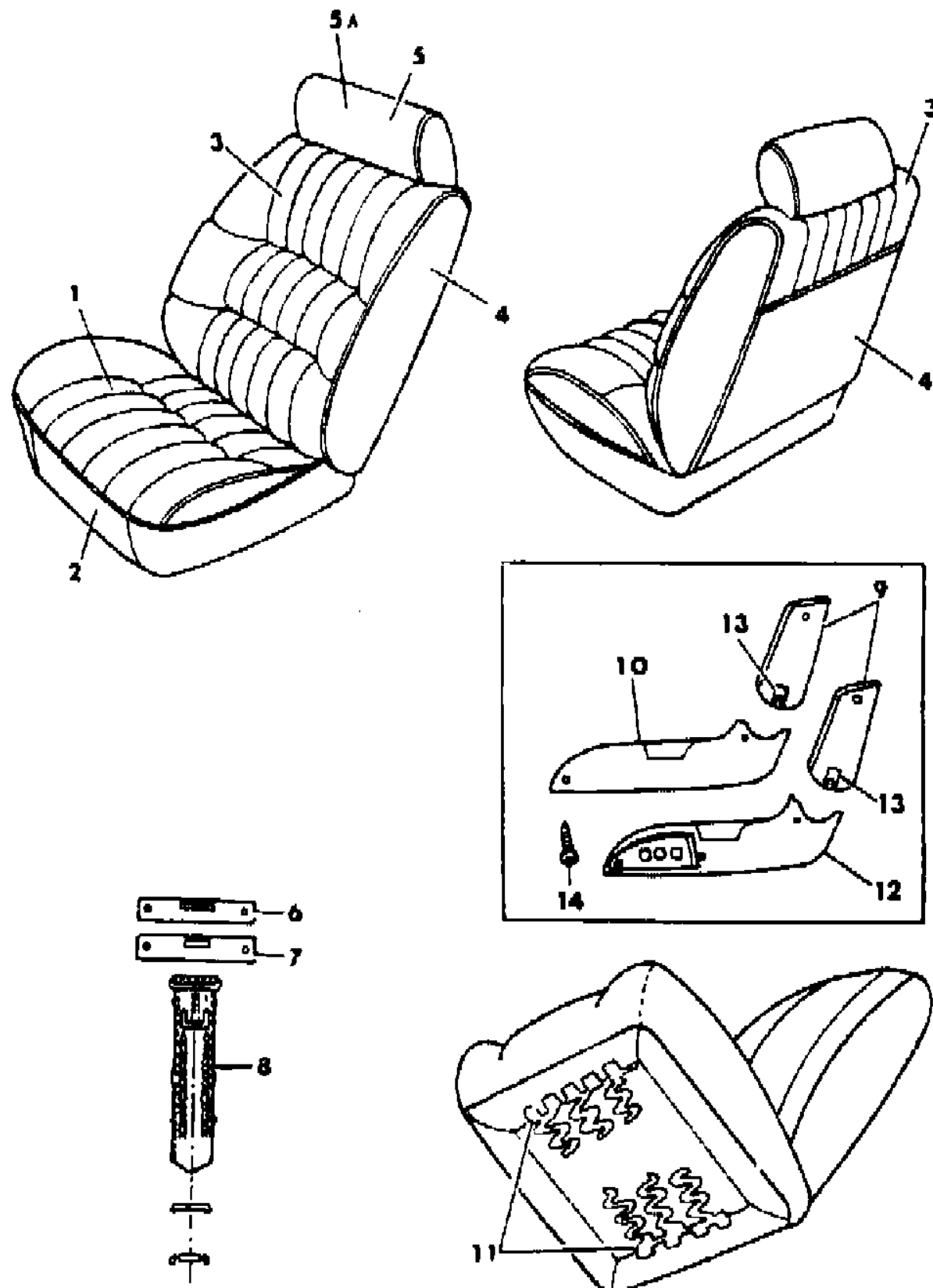
45 = 4-DOOR STATION WAGON

52-53 = FWD WAGON

AR = Use as Required - = Non Illustrated Part P.A.R. = Paint as Required

SEAT--FRONT K BODY TRIM CODES F7,H7
Figure ITK-2600

7234 2600 A



ITEM	PART NUMBER	QTY	BODY	MODEL	DESCRIPTION
1-2					CUSHION, w/Spring/Frame, Pad and Cover
	C748-9 D7A	1			CLOTH Silver / Charcoal, (F7AS, H7AS)
	C748-9 F7C	1			Blue, (F7C, H7C)
	C748-9 F7E	1			Cordovan, (H7E)
	C748-9 E7K	1			Almond, (H7K)
1					COVER, Cushion
	C532-3 D7A	1			CLOTH Silver / Charcoal, (F7AS, H7AS)
	C532-3 F7C	1			Blue, (F7C, H7C)
	C532-3 F7E	1			Cordovan, (H7E)
	C532-3 E7K	1			Almond, (H7K)
2					ROLL STOCK, Vinyl Order By The Inch
	R616 FC5	AR			Blue, 64" Wide
	R600 EE8	AR			Cordovan, 54" Wide
	R600 EK1	AR			Almond, 54" Wide
	R609 CS8	AR			Charcoal, 58" Wide
3-4					BACK, w/Spring/Frame, Pad and Cover
	C752-3 D7A	1			CLOTH Silver / Charcoal, (F7AS, H7AS)
	C752-3 F7C	1			Blue, (F7C, H7C)
	C752-3 F7E	1			Cordovan, (H7E)
	C752-3 E7K	1			Almond, (H7K)
3					COVER, Back
	C534 D7A	2			CLOTH Silver / Charcoal, (F7AS, H7AS)
	C534 F7C	2			Blue, (F7C, H7C)
	C534 F7E	2			Cordovan, (H7E)
	C534 E7K	2			Almond, (H7K)
4					ROLL STOCK, Cloth 59" Wide Order By The Inch
	R026 EC5	AR			Blue
	R026 EE8	AR			Cordovan
	R026 EK1	AR			Almond
	R026 DS8	AR			Charcoal
5					HEADREST and COVER
	C741 DA3	2			Silver
	C741 FC5	2			Blue
	C741 FE9	2			Cordovan

MODEL CODES

E BODY = (J - CARAVELLE)(E - 600)(T - NEW YORKER)

G BODY = (V24 - DAYTONA)

H BODY = (D44 - LANCER)(C44 - LEBARON GTS)

J BODY = (C - LEBARON)

K BODY = (P - RELIANT)(D - ARIES)(C - LEBAROND)/TOWN & COUNTRY)

L BODY = (M - HORIZON/TURISMO)(Z - OMNI/CHARGER)

M BODY = (B - GRAN FURY)(F - FIFTH AVE/NEWPORT)(G - DIPLOMAT)

P BODY = (P - SUNDANCE)(D - SHADOW)

S BODY = (H - VOYAGER)(K - RAM VAN/CARAVAN)

BODY STYLES

12-13 = FWD VAN

21 = 2-DOOR SEDAN

24 = 2-DOOR HATCHBACK

27 = 2-DOOR CONVERTIBLE

41 = 4-DOOR SEDAN

44 = 4-DOOR HATCHBACK

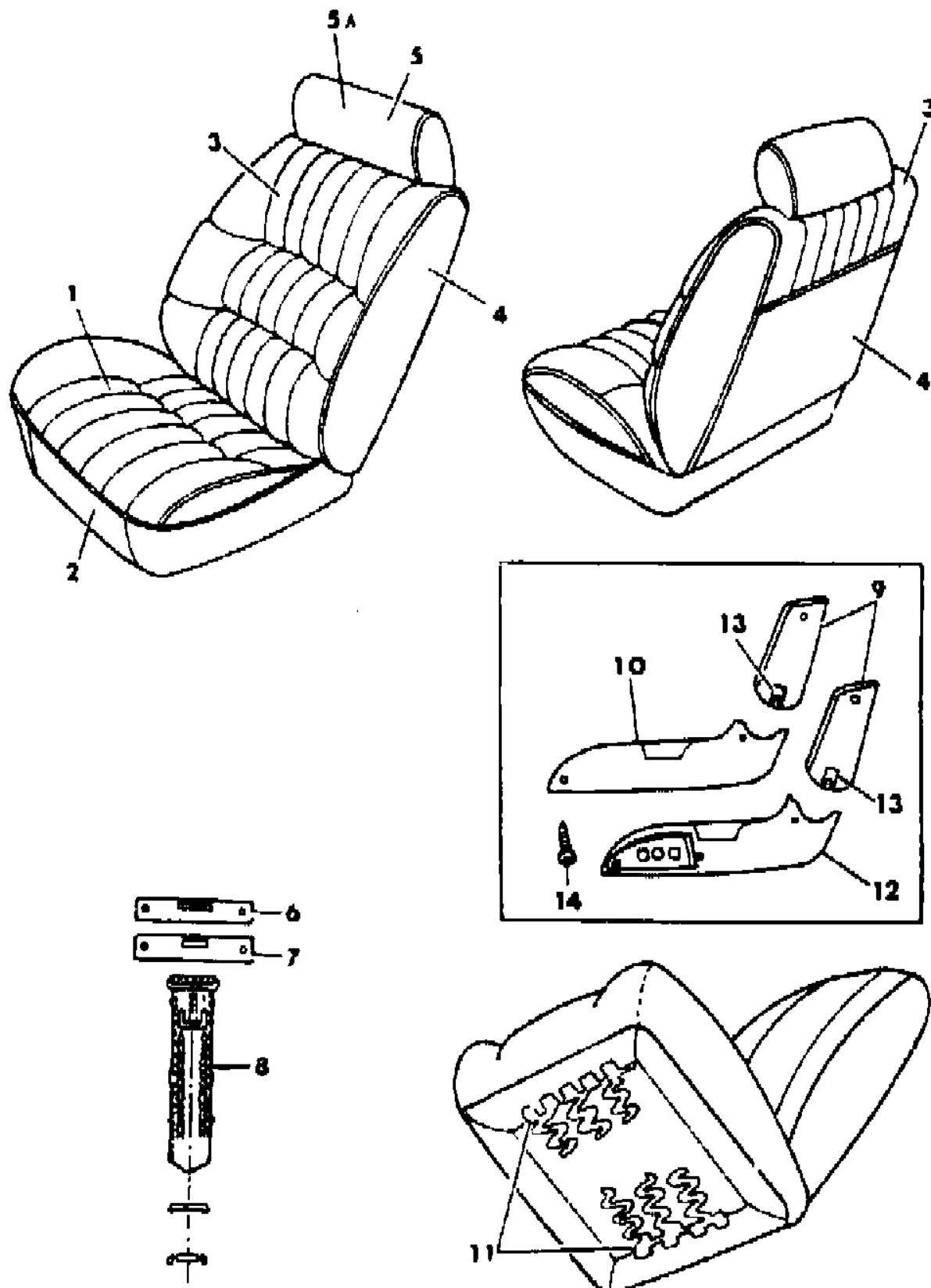
45 = 4-DOOR STATION WAGON

52-53 = FWD WAGON

AR = Use as Required - = Non Illustrated Part P.A.R. = Paint as Required

SEAT--FRONT K BODY TRIM CODES F7,H7
Figure ITK-2600

7234 2600 A



ITEM	PART NUMBER	QTY	BODY	MODEL	DESCRIPTION
	C741 EK1	2			Almond
5A	C527 DA3	2			COVER, Headrest
	C527 FC5	2			Silver
	C527 FE9	2			Blue
	C527 EK1	2			Cordovan
6	4190 388	2			Almond
7	4190 387	2			COVER, Headrest Support
8					SUPPORT, Headrest
	S786 AA3	2			SLEEVE, Headrest
	S786 EC5	2			Silver
	S786 EE8	2			Blue
	S786 EK1	2			Cordovan
					Almond
9					SHIELD, Back (P.A.R.)
					OUTER
					Passenger Seat
	S960 DW1	1		21	
	S996 FK1	1		41-45	
					Driver Seat
	S961 DW1	1		21	
	S997 FK1	1		41-45	
					INNER
					Passenger Seat
	S961 DW1	1		21	
	S997 FK1	1		41-45	
					Driver Seat
	S960 DW1	1		21	
	S996 FK1	1		41-45	
10					SHIELD, Cushion
					OUTER
					Passenger Seat
	S262 FK1	1			Driver Seat
	S263 FK1	1			INNER
					Passenger Seat
	S263 FK1	1			Driver Seat

MODEL CODES

E BODY = (J - CARAVELLE)(E - 600)(T - NEW YORKER)

G BODY = (V24 - DAYTONA)

H BODY = (D44 - LANCER)(C44 - LEBARON GTS)

J BODY = (C - LEBARON)

K BODY = (P - RELIANT)(D - ARIES)(C - LEBAROND)/TOWN & COUNTRY)

L BODY = (M - HORIZON/TURISMO)(Z - OMNI/CHARGER)

M BODY = (B - GRAN FURY)(F - FIFTH AVE/NEWPORT)(G - DIPLOMAT)

P BODY = (P - SUNDANCE)(D - SHADOW)

S BODY = (H - VOYAGER)(K - RAM VAN/CARAVAN)

BODY STYLES

12-13 = FWD VAN

21 = 2-DOOR SEDAN

24 = 2-DOOR HATCHBACK

27 = 2-DOOR CONVERTIBLE

41 = 4-DOOR SEDAN

44 = 4-DOOR HATCHBACK

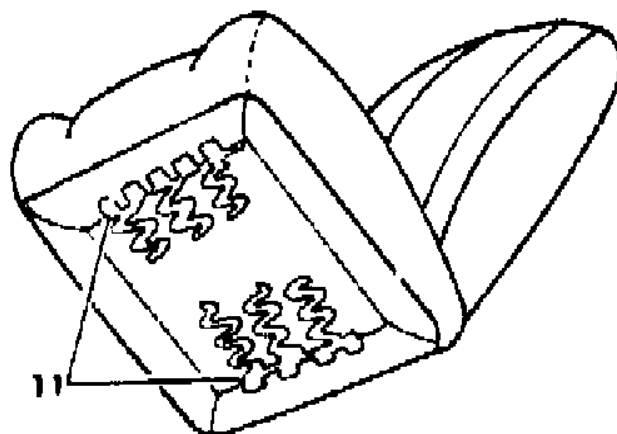
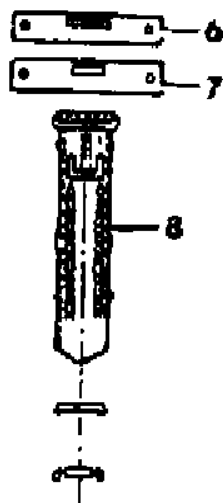
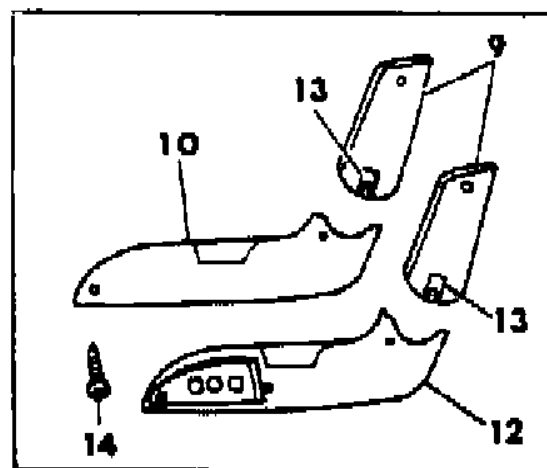
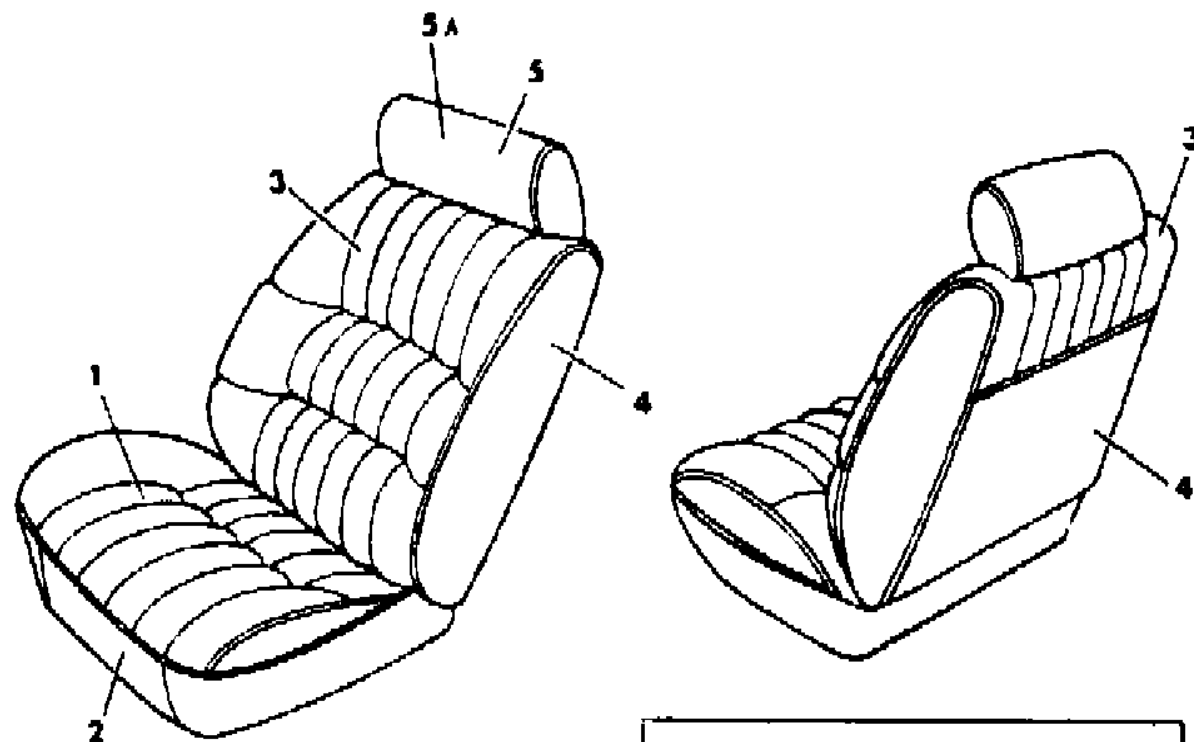
45 = 4-DOOR STATION WAGON

52-53 = FWD WAGON

AR = Use as Required - = Non Illustrated Part P.A.R. = Paint as Required

SEAT--FRONT K BODY TRIM CODES F7,H7
Figure ITK-2600

7234 2600 A



ITEM	PART NUMBER	QTY	BODY	MODEL	DESCRIPTION
	S262 FK1	1			
11	6008 076	AR			HOG RING
12	S265 FK1				SHIELD, Cushion Electric, (P.A.R.)
13	4317 800	AR			CLIP, Shield Attaching
14		AR			SCREW, Side Shield Attaching (8-18x1.75) (Not Serv.)
NOTE: (P.A.R.) = Paint As Required					

MODEL CODES

E BODY = (J - CARAVELLE)(E - 600)(T - NEW YORKER)

G BODY = (V24 - DAYTONA)

H BODY = (D44 - LANCER)(C44 - LEBARON GTS)

J BODY = (C - LEBARON)

K BODY = (P - RELIANT)(D - ARIES)(C - LEBAROND)/TOWN & COUNTRY)

L BODY = (M - HORIZON/TURISMO)(Z - OMNI/CHARGER)

M BODY = (B - GRAN FURY)(F - FIFTH AVE/NEWPORT)(G - DIPLOMAT)

P BODY = (P - SUNDANCE)(D - SHADOW)

S BODY = (H - VOYAGER)(K - RAM VAN/CARAVAN)

BODY STYLES

12-13 = FWD VAN

21 = 2-DOOR SEDAN

24 = 2-DOOR HATCHBACK

27 = 2-DOOR CONVERTIBLE

41 = 4-DOOR SEDAN

44 = 4-DOOR HATCHBACK

45 = 4-DOOR STATION WAGON

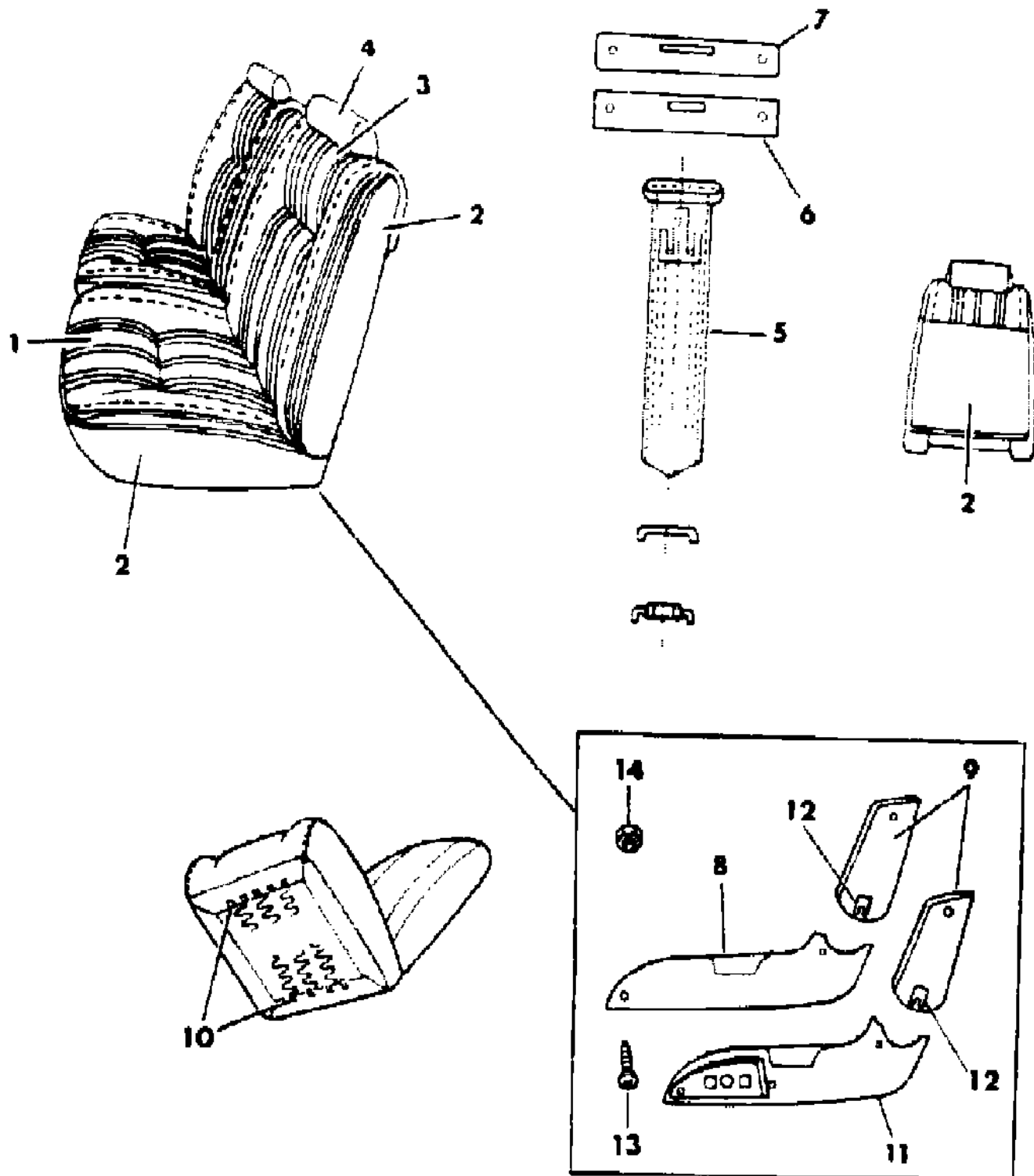
52-53 = FWD WAGON

AR = Use as Required - = Non Illustrated Part P.A.R. = Paint as Required

SEAT--FRONT K BODY TRIM CODE V8

Figure ITK-2700

7234 2700 B



ITEM	PART NUMBER	QTY	BODY	MODEL	DESCRIPTION
1-2					CUSHION, w/Spring, Frame, Pad and Cover
					VINYL
					RIGHT
	B904 E8E	1			Cordovan, (V8E)
	B904 E8K	1			Almond, (V8K)
					LEFT
	B955 E8E	1			Cordovan, (V8E)
	B955 E8K	1			Almond, (V8K)
1					COVER, Cushion
					VINYL
	C416-7 E8E	1			Cordovan, (V8E)
	C416-7 E8K	1			Almond, (V8K)
2					ROLL STOCK, Vinyl 54" Wide Order By The Inch
	R600 EE8	AR			Cordovan
	R600 EK1	AR			Almond
2-3					BACK, w/Spring/Frame, Pad and Cover
					VINYL
					RIGHT
	B906 E8E	1			Cordovan, (V8E)
	B906 E8K	1			Almond, (V8K)
					LEFT
	B959 E8E	1			Cordovan, (V8E)
	B959 E8K	1			Almond, (V8K)
3					COVER, Back
					VINYL
	C490 E8E	2			Cordovan, (V8E)
	C490 E8K	2			Almond, (V8K)
4					HEADREST and COVER
	S790 EE8	2			Cordovan, (V8E)
	S790 EK1	2			Almond, (V8K)
5					SLEEVE, Headrest
	S786 EE8	2			Cordovan, (V8E)
	S786 EK1	2			Almond, (V8K)
6	4190 387	2			SUPPORT, Headrest Trim Cover
7	4190 388	2			COVER, Headrest Finish
8		1			SHIELD, Cushion (P.A.R.)
					OUTER
					Passenger Seat

MODEL CODES

E BODY = (J - CARAVELLE)(E - 600)(T - NEW YORKER)

G BODY = (V24 - DAYTONA)

H BODY = (D44 - LANCER)(C44 - LEBARON GTS)

J BODY = (C - LEBARON)

K BODY = (P - RELIANT)(D - ARIES)(C - LEBAROND)/TOWN & COUNTRY)

L BODY = (M - HORIZON/TURISMO)(Z - OMNI/CHARGER)

M BODY = (B - GRAN FURY)(F - FIFTH AVE/NEWPORT)(G - DIPLOMAT)

P BODY = (P - SUNDANCE)(D - SHADOW)

S BODY = (H - VOYAGER)(K - RAM VAN/CARAVAN)

BODY STYLES

12-13 = FWD VAN

21 = 2-DOOR SEDAN

24 = 2-DOOR HATCHBACK

27 = 2-DOOR CONVERTIBLE

41 = 4-DOOR SEDAN

44 = 4-DOOR HATCHBACK

45 = 4-DOOR STATION WAGON

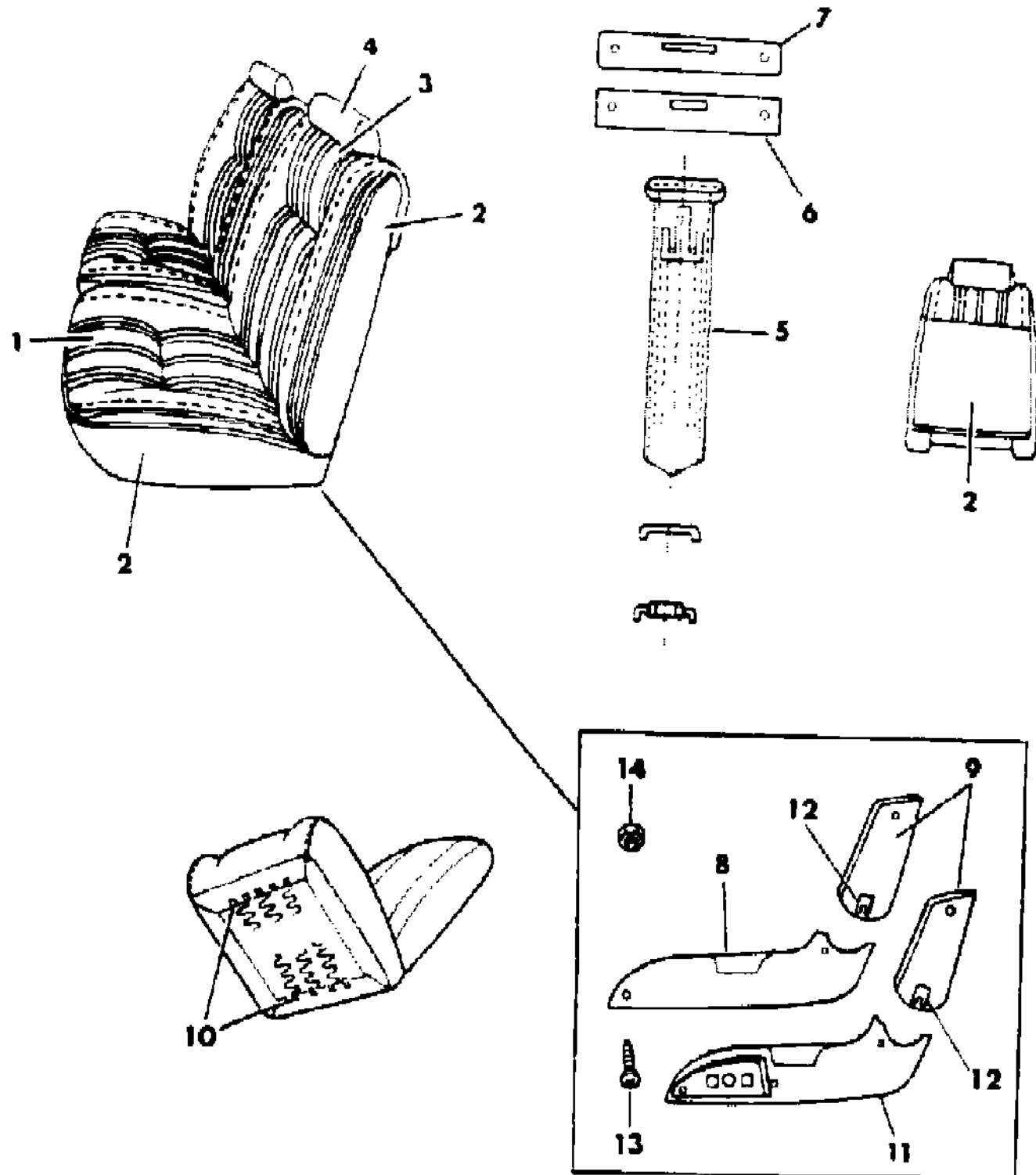
52-53 = FWD WAGON

AR = Use as Required - = Non Illustrated Part P.A.R. = Paint as Required

SEAT--FRONT K BODY TRIM CODE V8

Figure ITK-2700

7234 2700 B



ITEM	PART NUMBER	QTY	BODY	MODEL	DESCRIPTION
	S262 FK1	1			Almond
	S263 FK1	1			Driver Seat
	S263 FK1	1			Almond
	S263 FK1	1			INNER
	S263 FK1	1			Passenger Seat
	S263 FK1	1			Almond
	S263 FK1	1			Driver Seat
9	S262 FK1	1			Almond
	S262 FK1	1			SHIELD, Back (P.A.R.)
	S262 FK1	1			OUTER
	S262 FK1	1			Passenger Seat
	S996 FK1	1			Almond
	S996 FK1	1			Driver Seat
	S997 FK1	1			Almond
	S997 FK1	1			INNER
	S997 FK1	1			Passenger Seat
	S997 FK1	1			Almond
	S997 FK1	1			Driver Seat
	S996 FK1	1			Almond
10	6008 076	AR			HOG RING
11					SHIELD, Cushion Electric (P.A.R.)
	S265 FK1	1			Almond
12	4317 800	AR			CLIP, Shield Attaching
13		AR			SCREW, Side Shield Attaching (8-18x1.75) (Not Serv.)
14	6031 147	AR			NUT

NOTE: (P.A.R.) = Paint As Required

MODEL CODES

E BODY = (J - CARAVELLE)(E - 600)(T - NEW YORKER)

G BODY = (V24 - DAYTONA)

H BODY = (D44 - LANCER)(C44 - LEBARON GTS)

J BODY = (C - LEBARON)

K BODY = (P - RELIANT)(D - ARIES)(C - LEBAROND)/TOWN & COUNTRY)

L BODY = (M - HORIZON/TURISMO)(Z - OMNI/CHARGER)

M BODY = (B - GRAN FURY)(F - FIFTH AVE/NEWPORT)(G - DIPLOMAT)

P BODY = (P - SUNDANCE)(D - SHADOW)

S BODY = (H - VOYAGER)(K - RAM VAN/CARAVAN)

BODY STYLES

12-13 = FWD VAN

21 = 2-DOOR SEDAN

24 = 2-DOOR HATCHBACK

27 = 2-DOOR CONVERTIBLE

41 = 4-DOOR SEDAN

44 = 4-DOOR HATCHBACK

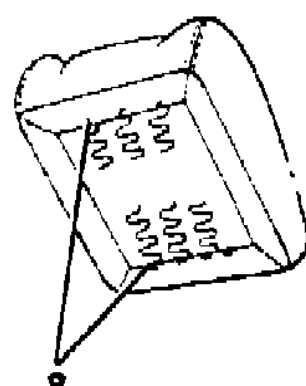
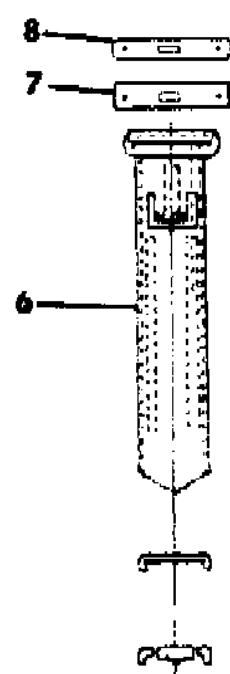
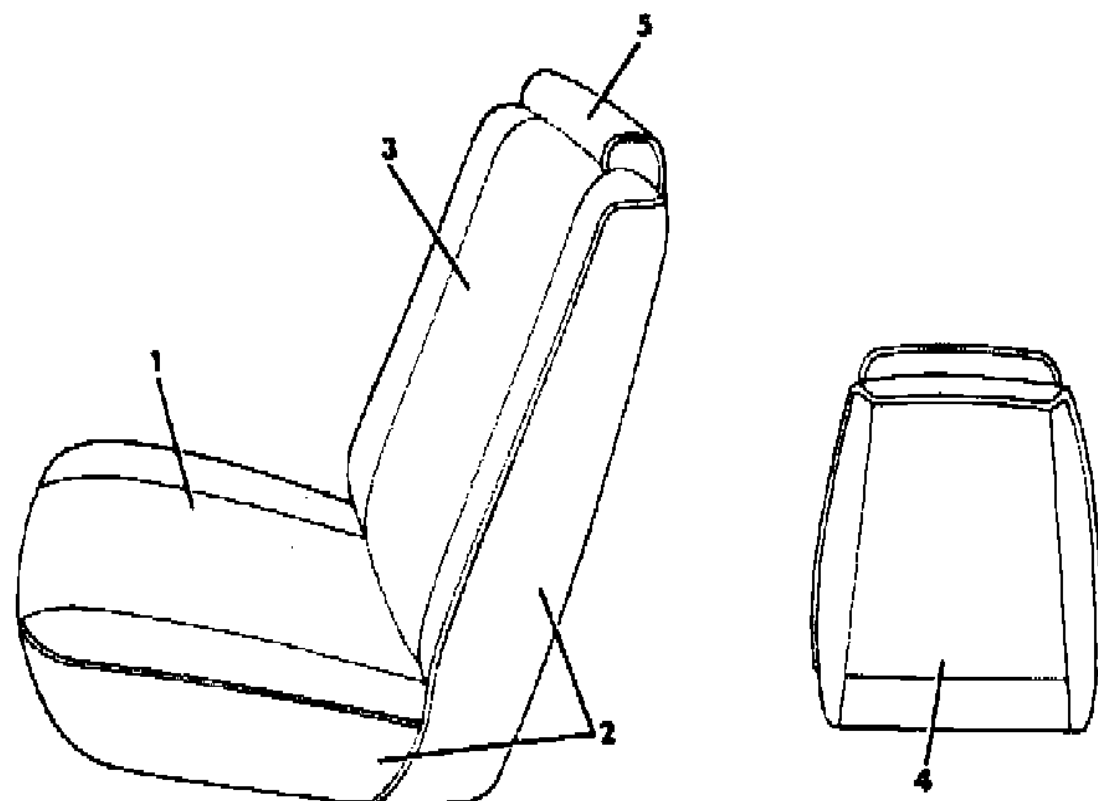
45 = 4-DOOR STATION WAGON

52-53 = FWD WAGON

AR = Use as Required - = Non Illustrated Part P.A.R. = Paint as Required

SEAT--FRONT K BODY TRIM CODE K8
Figure ITK-2800

7234 2800



ITEM	PART NUMBER	QTY	BODY	MODEL	DESCRIPTION
1-2					CUSHION, w/Spring, Frame, Pad and Cover
	C758-9 F8C	1			VINYL Blue, (K8C)
	C758-9 E8K	1			Almond, (E8K)
1					COVER, Cushion
	C492 F8C	2			VINYL Blue, (K8C)
	C492 E8K	1			Almond, (E8K)
2					ROLL STOCK, Vinyl, Order By The Inch
	R616 FC5	AR			Blue, (K8C) 64" Wide
	R600 EK1	AR			Almond, (K8K) 54" Wide
2-3					BACK, w/Spring, Frame, Pad and Cover
	C760-1 F8C	1			VINYL Blue, (K8C)
	C760-1 E8K	1			Almond, (K8K)
3					COVER, Back
	C493 F8C	2			VINYL Blue, (F8C)
	C493 E8K	2			Almond, (K8K)
4					ROLL STOCK, Vinyl 50" Wide, Order By The Inch
	R620 FC5	AR			Blue, (K8C)
	R620 EK1	AR			Almond, (K8K)
5					HEADREST and COVER
	S790 FC5	2			Blue, (K8C)
	S790 EK1	2			Almond, (K8K)
6					SLEEVE, Headrest
	S786 EC5	2			Blue, (K8C)
	S786 EK1	2			Almond, (K8K)
7	4190 387				SUPPORT, Headrest
8	4190 388	2			COVER, Headrest
9	6008 076	AR			HOG RING

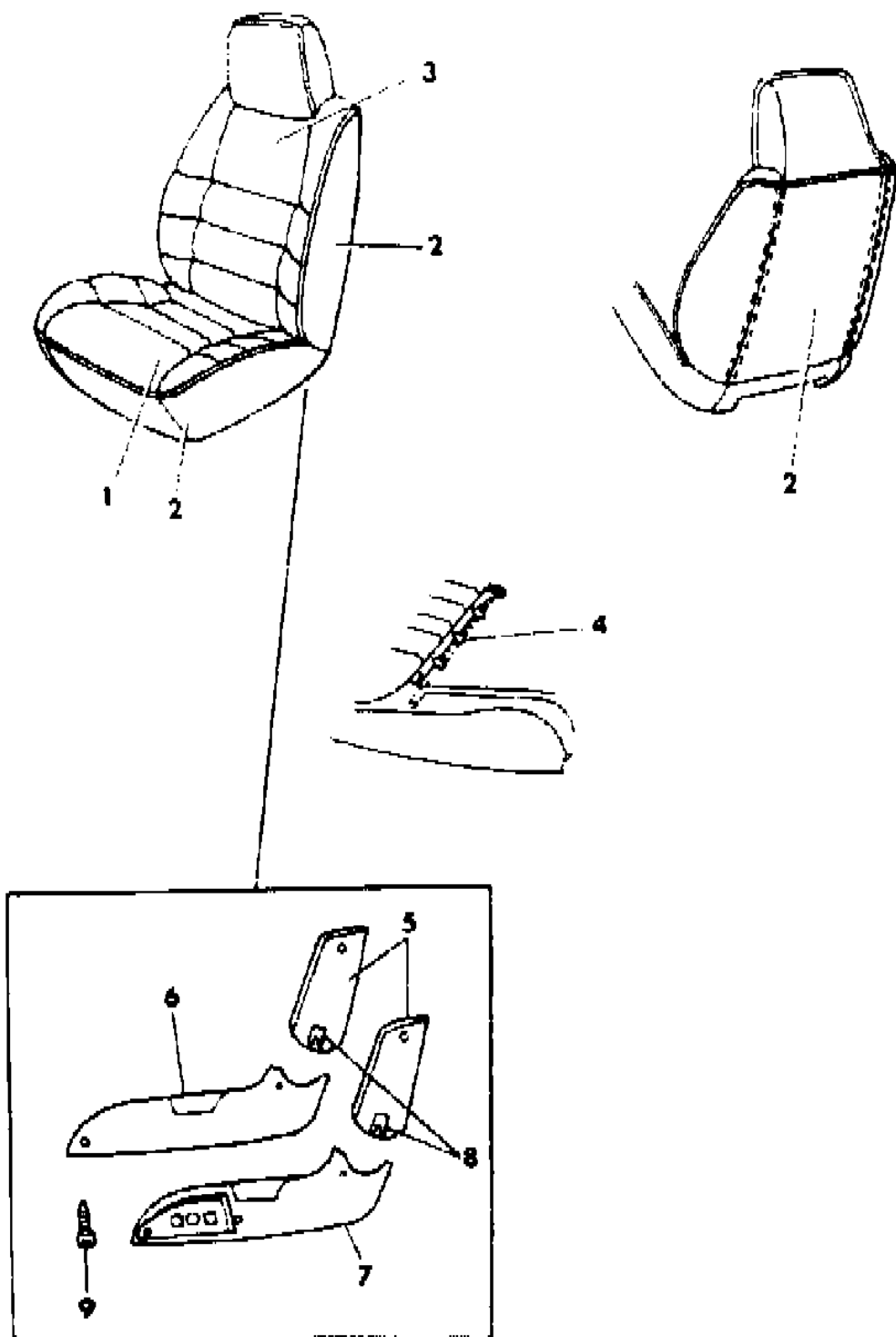
MODEL CODES
 E BODY = (J - CARAVELLE)(E - 600)(T - NEW YORKER)
 G BODY = (V24 - DAYTONA)
 H BODY = (D44 - LANCER)(C44 - LEBARON GTS)
 J BODY = (C - LEBARON)
 K BODY = (P - RELIANT)(D - ARIES)(C - LEBAROND)/TOWN & COUNTRY
 L BODY = (M - HORIZON/TURISMO)(Z - OMNI/CHARGER)
 M BODY = (B - GRAN FURY)(F - FIFTH AVE/NEWPORT)(G - DIPLOMAT)
 P BODY = (P - SUNDANCE)(D - SHADOW)
 S BODY = (H - VOYAGER)(K - RAM VAN/CARAVAN)

BODY STYLES
 12-13 = FWD VAN
 21 = 2-DOOR SEDAN
 24 = 2-DOOR HATCHBACK
 27 = 2-DOOR CONVERTIBLE
 41 = 4-DOOR SEDAN
 44 = 4-DOOR HATCHBACK
 45 = 4-DOOR STATION WAGON
 52-53 = FWD WAGON

AR = Use as Required - = Non Illustrated Part P.A.R. = Paint as Required

SEAT--FRONT K BODY TRIM CODE M5
Figure ITK-2900

7234 2808A



ITEM	PART NUMBER	QTY	BODY	MODEL	DESCRIPTION
1-2					CUSHION, w/Spring, Frame, Pad and Cover
	C786-7 F5C	1			CLOTH Blue, (M5C)
	C786-7 E5E	1			Cordovan, (E5E)
	C786-7 E5K	1			Almond, (M5K)
	C786-7 D5S	1			Silver, (M5S)
1					COVER, Cushion
	C516-7 F5C	1			CLOTH Blue, (M5C)
	C516-7 E5E	1			Cordovan, (M5E)
	C516-7 E5K	1			Almond, (M5K)
	C516-7 D5S	1			Silver, (M5S)
2					ROLL STOCK, Cloth, 59" Wide Order By The Inch
	R026 EC5	AR			Blue, (M5C)
	R026 EE8	AR			Cordovan, (M5E)
	R026 EK1	AR			Almond, (M5K)
	R026 DS8	AR			Silver, (M5S)
2-3					BACK, w/Spring, Frame, Pad and Cover
	C790-1 F5C	1			CLOTH Blue, (M5C)
	C790-1 E5E	1			Cordovan, (M5E)
	C790-1 E5K	1			Almond, (M5K)
	C790-1 D5S	1			Silver, (M5S)
3					COVER, Back
	C518 F5C	2			CLOTH Blue, (M5C)
	C518 E5E	2			Cordovan, (M5E)
	C518 E5K	2			Almond, (M5K)
	C518 D5S	2			Silver, (M5S)
4	6008 076	AR			HOG RING
5					SHIELD, Back (P.A.R.)
	S996 FK1	1		41,45	OUTER Passenger Seat
	S997 FK1	1		41,45	Drivers Seat
	S997 FK1	1		41,45	INNER Passenger Seat
	S996 FK1	1		41,45	Drivers Seat
6					SHIELD, Cushion (P.A.R.)

MODEL CODES

E BODY = (J - CARAVELLE)(E - 600)(T - NEW YORKER)

G BODY = (V24 - DAYTONA)

H BODY = (D44 - LANCER)(C44 - LEBARON GTS)

J BODY = (C - LEBARON)

K BODY = (P - RELIANT)(D - ARIES)(C - LEBAROND)/TOWN & COUNTRY)

L BODY = (M - HORIZON/TURISMO)(Z - OMNI/CHARGER)

M BODY = (B - GRAN FURY)(F - FIFTH AVE/NEWPORT)(G - DIPLOMAT)

P BODY = (P - SUNDANCE)(D - SHADOW)

S BODY = (H - VOYAGER)(K - RAM VAN/CARAVAN)

BODY STYLES

12-13 = FWD VAN

21 = 2-DOOR SEDAN

24 = 2-DOOR HATCHBACK

27 = 2-DOOR CONVERTIBLE

41 = 4-DOOR SEDAN

44 = 4-DOOR HATCHBACK

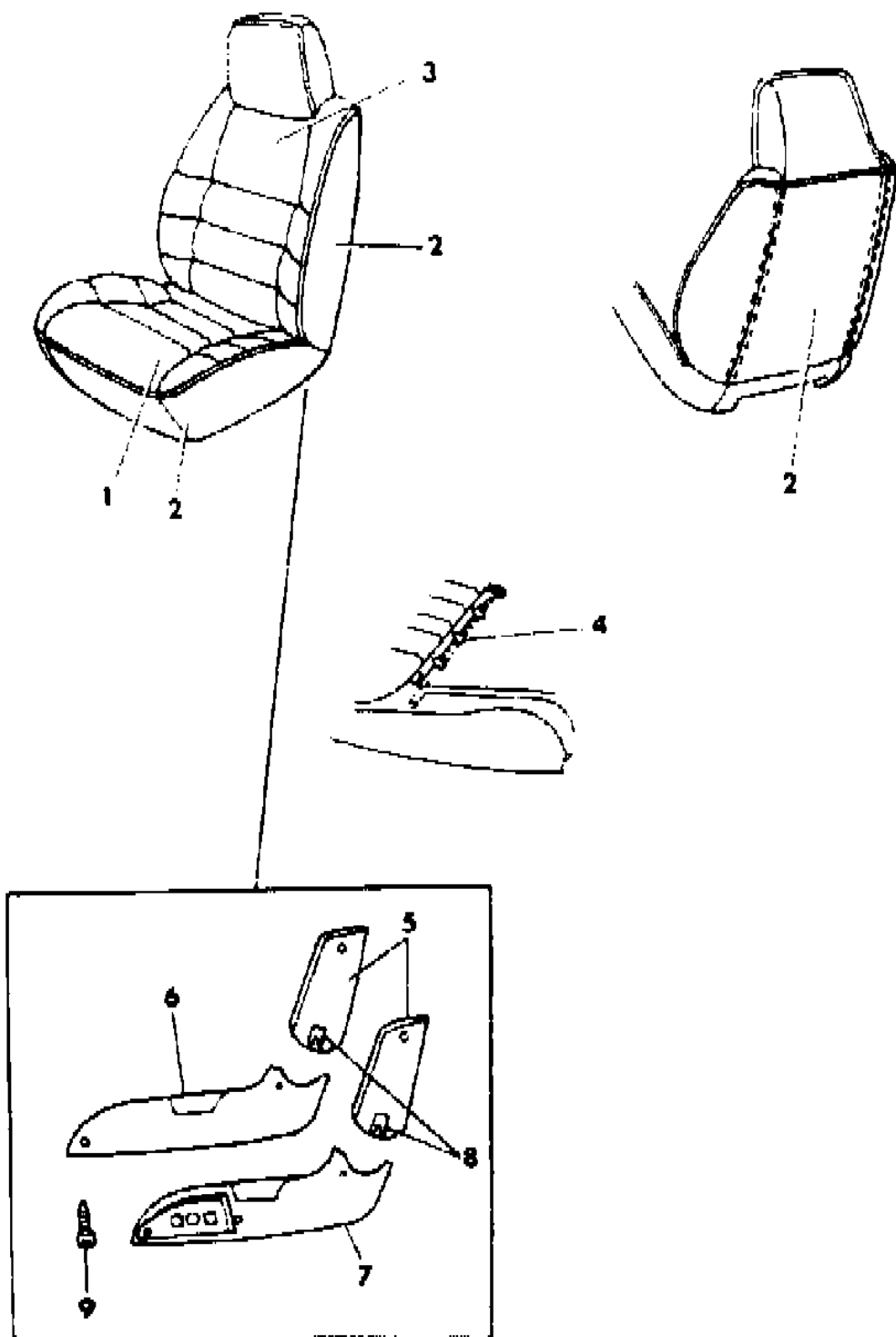
45 = 4-DOOR STATION WAGON

52-53 = FWD WAGON

AR = Use as Required - = Non Illustrated Part P.A.R. = Paint as Required

SEAT--FRONT K BODY TRIM CODE M5
Figure ITK-2900

7234 2800A



ITEM	PART NUMBER	QTY	BODY	MODEL	DESCRIPTION
					OUTER
	S262 FK1	1			Passenger Seat
	S263 FK1	1			Driver Seat
					INNER
	S263 FK1	1			Passenger Seat
	S262 FK1	1			Drivers Seat
7	S265 FK1	1			SHIELD, Cushion Elec. (P.A.R.)
8	4317 800	AR			CLIP, Shield Attach.
9		AR			SCREW, Side Shields Attach. (8-18x1.75) (Not Serv.)

NOTE: P.A.R.) = Paint As Required

MODEL CODES

E BODY = (J - CARAVELLE)(E - 600)(T - NEW YORKER)

G BODY = (V24 - DAYTONA)

H BODY = (D44 - LANCER)(C44 - LEBARON GTS)

J BODY = (C - LEBARON)

K BODY = (P - RELIANT)(D - ARIES)(C - LEBAROND)/TOWN & COUNTRY)

L BODY = (M - HORIZON/TURISMO)(Z - OMNI/CHARGER)

M BODY = (B - GRAN FURY)(F - FIFTH AVE/NEWPORT)(G - DIPLOMAT)

P BODY = (P - SUNDANCE)(D - SHADOW)

S BODY = (H - VOYAGER)(K - RAM VAN/CARAVAN)

BODY STYLES

12-13 = FWD VAN

21 = 2-DOOR SEDAN

24 = 2-DOOR HATCHBACK

27 = 2-DOOR CONVERTIBLE

41 = 4-DOOR SEDAN

44 = 4-DOOR HATCHBACK

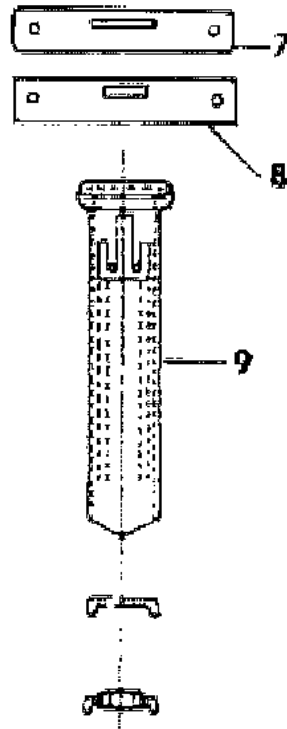
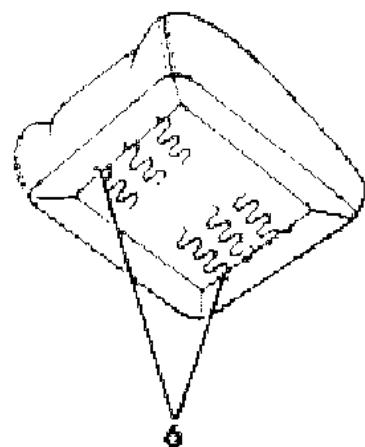
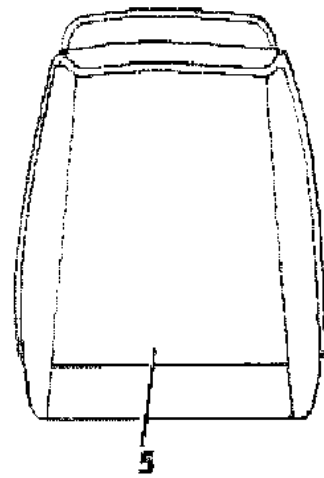
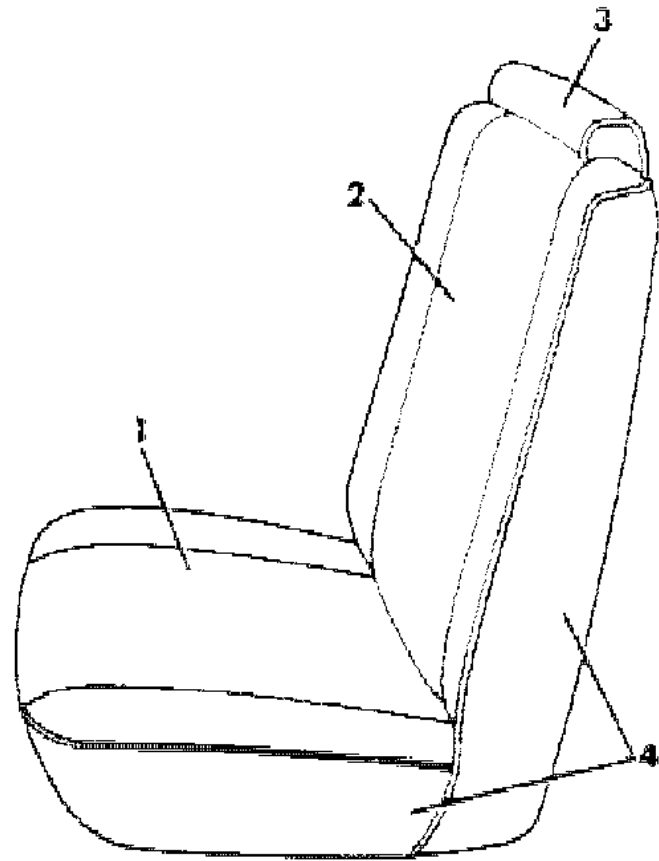
45 = 4-DOOR STATION WAGON

52-53 = FWD WAGON

AR = Use as Required - = Non Illustrated Part P.A.R. = Paint as Required

SEAT--FRONT K BODY FLEET POLICE AND OTHERS
Figure ITK-2500

7234 3000



ITEM	PART NUMBER	QTY	BODY	MODEL	DESCRIPTION
1	4370 262	2			COVER, Cushion Blue, Cloth (CACS)
	4370 088	2			Almond, Cloth (CACS)
2	4370 264	2			COVER, Back Blue, Cloth (CACS)
	4370 094	2			Almond, Cloth (CACS)
3	S790 FC5	2			HEADREST and COVER Blue
	S790 EK1	2			Almond
4	R616 FC5	AR			ROLL STOCK, Vinyl Order By The Inch Blue, 64" Wide
	R600 EK1	AR			Almond, 54" Wide
5	R620 FC5	AR			ROLL STOCK, Vinyl 54" Wide Order By The Inch Blue
	R620 EK1	AR			Almond
6	6008 076	AR			HOG RING
7	4190 388	2			COVER, Headrest Finish
8	4190 387	2			SUPPORT, Headrest
9	S786 EC5	2			SLEEVE, Headrest Blue
	S786 EK1	2			Almond

MODEL CODES

E BODY = (J - CARAVELLE)(E - 600)(T - NEW YORKER)

G BODY = (V24 - DAYTONA)

H BODY = (D44 - LANCER)(C44 - LEBARON GTS)

J BODY = (C - LEBARON)

K BODY = (P - RELIANT)(D - ARIES)(C - LEBAROND)/TOWN & COUNTRY)

L BODY = (M - HORIZON/TURISMO)(Z - OMNI/CHARGER)

M BODY = (B - GRAN FURY)(F - FIFTH AVE/NEWPORT)(G - DIPLOMAT)

P BODY = (P - SUNDANCE)(D - SHADOW)

S BODY = (H - VOYAGER)(K - RAM VAN/CARAVAN)

BODY STYLES

12-13 = FWD VAN

21 = 2-DOOR SEDAN

24 = 2-DOOR HATCHBACK

27 = 2-DOOR CONVERTIBLE

41 = 4-DOOR SEDAN

44 = 4-DOOR HATCHBACK

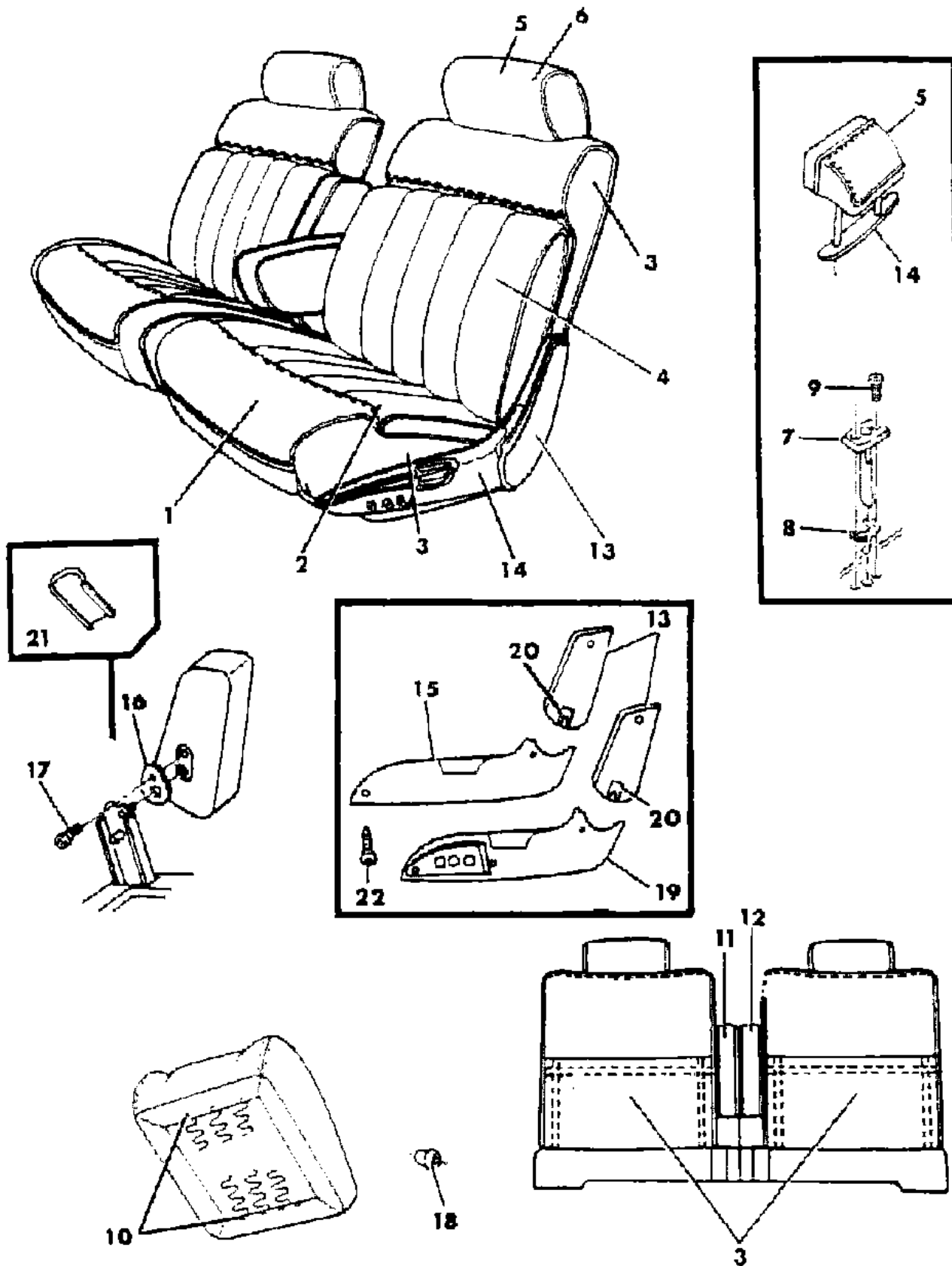
45 = 4-DOOR STATION WAGON

52-53 = FWD WAGON

AR = Use as Required - = Non Illustrated Part P.A.R. = Paint as Required

SEAT--FRONT K BODY TRIM CODE JP
Figure ITK-3100

7234 3100 A



ITEM	PART NUMBER	QTY	BODY	MODEL	DESCRIPTION
1-3					CUSHION, w/Spring/Frame, Pad and Cover
	A952-3 FPS	1			LEATHER Charcoal/Silver, (JPSA)
	A952-3 FPK	1			Almond/Cream, (JPKY)
2					COVER, Cushion
	A944-5 FPS	1			LEATHER Charcoal/Silver, (JPSA)
	A944-5 FPK	1			Almond/Cream, (JPKY)
3					ROLL STOCK, Vinyl 54" Wide Order By The Inch
	R627 CS8	AR			Charcoal, (JPSA)
	R627 EK1	AR			Almond, (JPKY)
3-4					BACK, w/Spring/Frame, Pad and Cover
	C942-3 EPS	1			LEATHER Charcoal/Silver, (JPSA)
	C942-3 EPK	1			Almond/ Cream, (JPKY)
4					COVER, Back w/Pocket
	C474-5 EPS	1			LEATHER Charcoal/Silver, (JPSA)
	C474-5 EPK	1			Almond/Cream, (JPKY)
5					HEADREST and COVER
	C945 EA2	2			Charcoal, (JPSA)
	C945 EY1	2			Almond, (JPKY)
6					COVER, Headrest
	C477 EA2	2			Charcoal, (JPSA)
	C477 EY1	2			Almond, (JPKY)
7					SLEEVE, Headrest
	S690 CS8	4			Charcoal, (JPSA)
	S690 EK1	4			Almond, (JPKY)
8	4098 965	4			CATCH, Headrest Post
9		4			SCREW, (8-18x1) (Not Serv.)
10	6008 076	AR			HOG RING
11					ARMREST and COVER, (Passenger and Drivers Seat)
	C944 ES8	2			Charcoal, (JPSA)
	C944 EK1	2			Almond, (JPKY)
12					COVER, Armrest (Passenger and Driver Seat)
	C476 ES8	2			Charcoal, (JPSA)
	C476 EK1	2			Almond, (JPKY)
13					SHIELD, Back (P.A.R.)

MODEL CODES

E BODY = (J - CARAVELLE)(E - 600)(T - NEW YORKER)

G BODY = (V24 - DAYTONA)

H BODY = (D44 - LANCER)(C44 - LEBARON GTS)

J BODY = (C - LEBARON)

K BODY = (P - RELIANT)(D - ARIES)(C - LEBAROND)/TOWN & COUNTRY)

L BODY = (M - HORIZON/TURISMO)(Z - OMNI/CHARGER)

M BODY = (B - GRAN FURY)(F - FIFTH AVE/NEWPORT)(G - DIPLOMAT)

P BODY = (P - SUNDANCE)(D - SHADOW)

S BODY = (H - VOYAGER)(K - RAM VAN/CARAVAN)

BODY STYLES

12-13 = FWD VAN

21 = 2-DOOR SEDAN

24 = 2-DOOR HATCHBACK

27 = 2-DOOR CONVERTIBLE

41 = 4-DOOR SEDAN

44 = 4-DOOR HATCHBACK

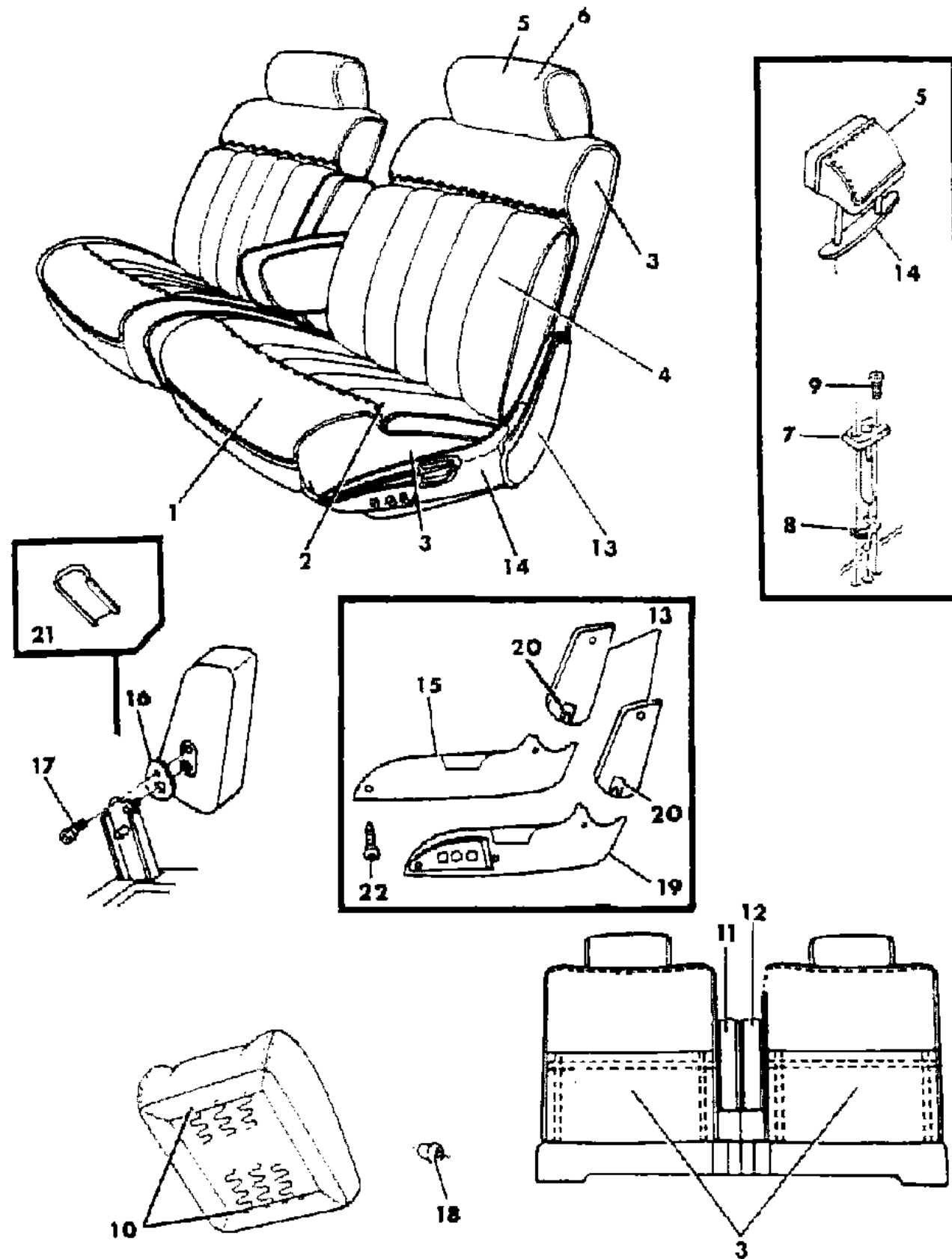
45 = 4-DOOR STATION WAGON

52-53 = FWD WAGON

AR = Use as Required - = Non Illustrated Part P.A.R. = Paint as Required

SEAT--FRONT K BODY TRIM CODE JP
Figure ITK-3100

7234 3100 A



ITEM	PART NUMBER	QTY	BODY	MODEL	DESCRIPTION
					OUTER
	S996 FK1	1			Passenger Seat
					Almond
	S997 FK1	1			Driver Seat
					Almond
					INNER
	S997 FK1	1			Passenger Seat
					Almond
					Driver Seat
14	S996 FK1	1			Almond
15	4018 808	2			COVER, Headrest Finish SHIELD, Cushion (P.A.R.)
					OUTER
	S262 FK1	1			Passenger Seat
					Almond
	S263 FK1	1			Driver Seat
					Almond
					INNER
	S263 FK1	1			Passenger Seat
					Almond
					Driver Seat
	S262 FK1	1			Almond
16	4290 871	AR			SPACER, Armrest to Stanchion
17	6032 567	AR			BOLT, Shoulder
18	4190 488	1			BUSHING, Inner Pivot Pin Right Only
19	4190 488				SHIELD, Electric (P.A.R.)
	S265 FK1	1			Almond
20	4317 800	AR			CLIP, Shield Attaching
21					COVER, Stanchion
	S526-7 EK1	1			Almond
	S526-7 ES8	1			Charcoal
22		AR			SCREW, (8-18x1.75) (Not Serv.)

MODEL CODES

E BODY = (J - CARAVELLE)(E - 600)(T - NEW YORKER)

G BODY = (V24 - DAYTONA)

H BODY = (D44 - LANCER)(C44 - LEBARON GTS)

J BODY = (C - LEBARON)

K BODY = (P - RELIANT)(D - ARIES)(C - LEBAROND)/TOWN & COUNTRY)

L BODY = (M - HORIZON/TURISMO)(Z - OMNI/CHARGER)

M BODY = (B - GRAN FURY)(F - FIFTH AVE/NEWPORT)(G - DIPLOMAT)

P BODY = (P - SUNDANCE)(D - SHADOW)

S BODY = (H - VOYAGER)(K - RAM VAN/CARAVAN)

BODY STYLES

12-13 = FWD VAN

21 = 2-DOOR SEDAN

24 = 2-DOOR HATCHBACK

27 = 2-DOOR CONVERTIBLE

41 = 4-DOOR SEDAN

44 = 4-DOOR HATCHBACK

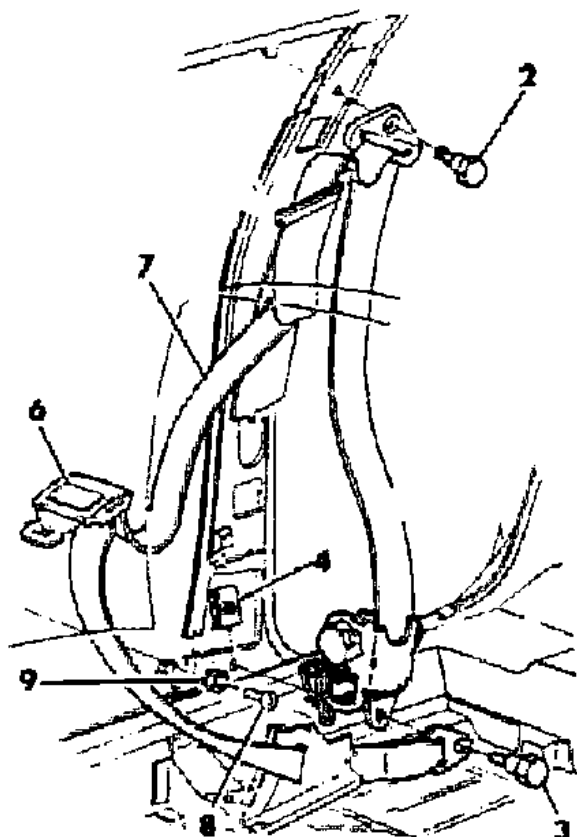
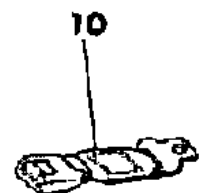
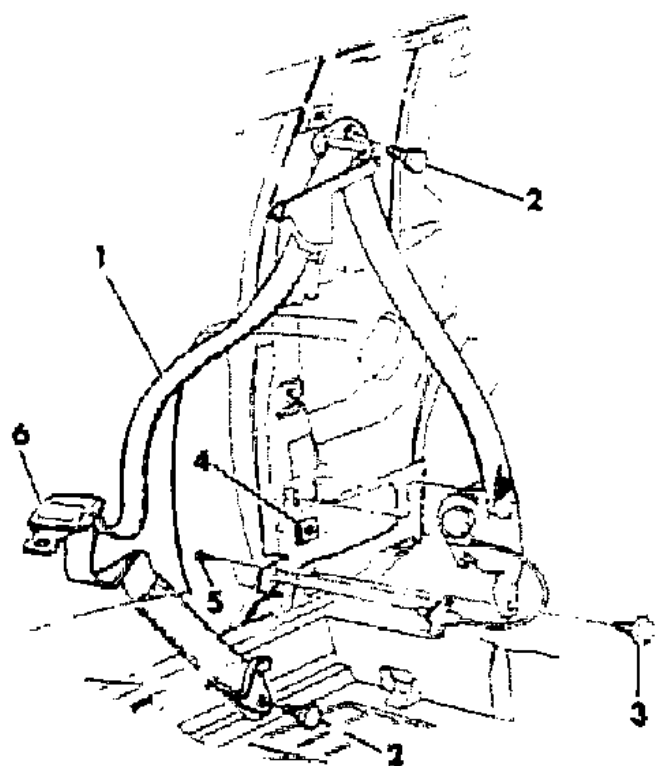
45 = 4-DOOR STATION WAGON

52-53 = FWD WAGON

AR = Use as Required - = Non Illustrated Part P.A.R. = Paint as Required

BELT--FRONT LAP AND SHOULDER K BODY
Figure ITK-3200

7234 3200 A



ITEM	PART NUMBER	QTY	BODY	MODEL	DESCRIPTION
1					BELT, Front Seat Lap and Shoulder, Outer
					Label Number 4327112-3
	F746-7 DA3	1	21		Silver
	F746-7 FC5	1	21		Blue
	F746-7 EE8	1	21		Cordovan
	F746-7 EK1	1	21		Almond
	F746-7 DS8	1	21		Charcoal
2	6031 298	2			BOLT, Shoulder
3	6031 484	2			BOLT
4	6031 448	2			U-NUT
5		AR			SCREW, (10-16x3/4) (Not Serv.)
6	4316 773	2			SUPPORT, Cover
7					BELT, Front Seat Lap and Shoulder, Outer
					Label Number 4327108-9
	F882-3 FA3	1	41,45		Silver
	F882-3 FC5	1	41,45		Blue
	F882-3 FE8	1	41,45		Cordovan
	F882-3 FK1	1	41,45		Almond
	F882-3 FS8	1	41,45		Charcoal
8	4380 604	2			BUTTON, Tension Reliever
9	4380 606	2			RETAINER, Seat Belt Tension Reliever Button
10	4364 849				EXTENDER

MODEL CODES

E BODY = (J - CARAVELLE)(E - 600)(T - NEW YORKER)

G BODY = (V24 - DAYTONA)

H BODY = (D44 - LANCER)(C44 - LEBARON GTS)

J BODY = (C - LEBARON)

K BODY = (P - RELIANT)(D - ARIES)(C - LEBAROND)/TOWN & COUNTRY)

L BODY = (M - HORIZON/TURISMO)(Z - OMNI/CHARGER)

M BODY = (B - GRAN FURY)(F - FIFTH AVE/NEWPORT)(G - DIPLOMAT)

P BODY = (P - SUNDANCE)(D - SHADOW)

S BODY = (H - VOYAGER)(K - RAM VAN/CARAVAN)

BODY STYLES

12-13 = FWD VAN

21 = 2-DOOR SEDAN

24 = 2-DOOR HATCHBACK

27 = 2-DOOR CONVERTIBLE

41 = 4-DOOR SEDAN

44 = 4-DOOR HATCHBACK

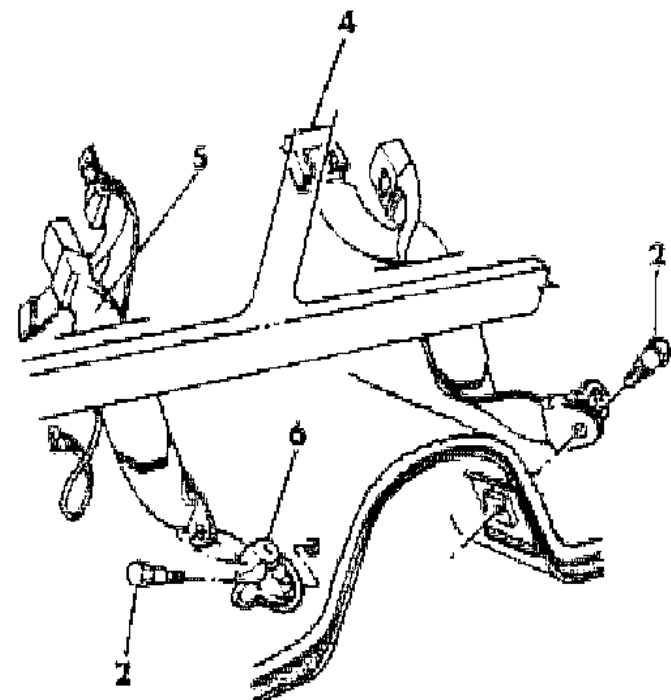
45 = 4-DOOR STATION WAGON

52-53 = FWD WAGON

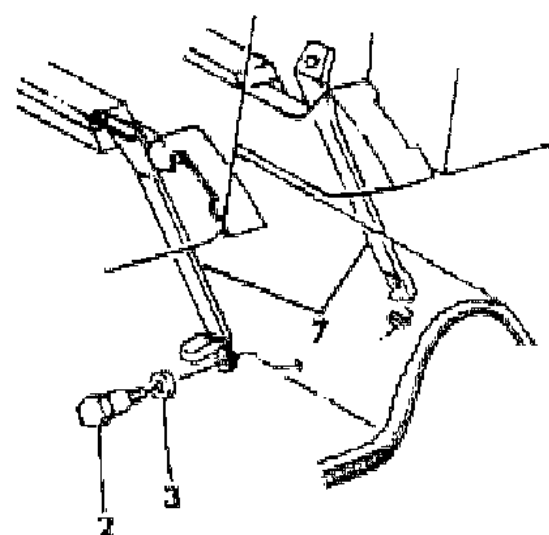
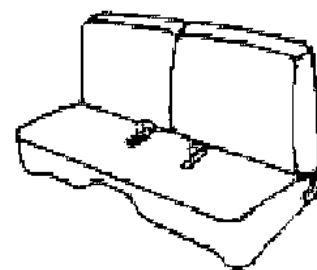
AR = Use as Required - = Non Illustrated Part P.A.R. = Paint as Required

BELT--FRONT SEAT INBOARD K BODY
Figure ITK-3300

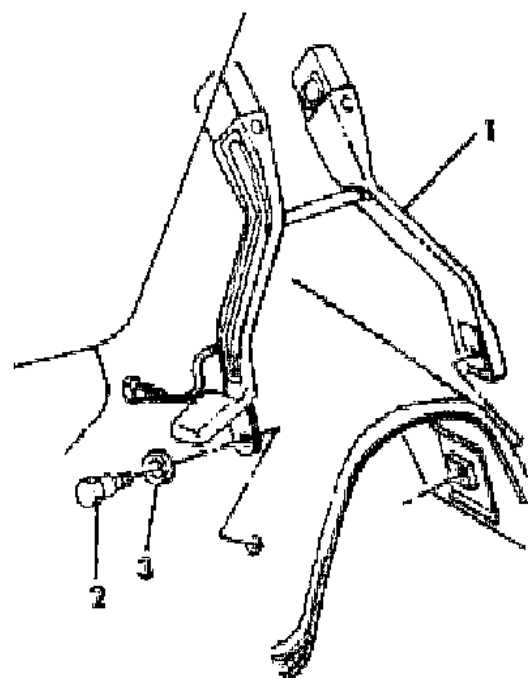
7234 3300



W/BENCH



W/50-50



W/BUCKETS

ITEM	PART NUMBER	QTY	BODY	MODEL	DESCRIPTION
1					BELT, Front Seat Lap, Inner
					Label Number 4316892
	F698 CA3	1			Silver
	F698 FC5	1			Blue
	F698 EE8	1			Cordovan
	F698 EK1	1			Almond
	F698 CS8	1			Charcoal
2	6031 298	AR			BOLT
3					WASHER, (Not Serv.)
4					BELT, Front Seat Lap Inboard, Right
					Label Number 4316750
	F706 BA3	1			Silver
	F706 FC5	1			Blue
	F706 EE8	1			Cordovan
	F706 EK1	1			Almond
	F706 CS8	1			Charcoal
5					BELT, Front Seat Lap Inboard, Left
					Label Number 4316751
	F707 BA3	1			Silver
	F707 FC5	1			Blue
	F707 EE8	1			Cordovan
	F707 EK1	1			Almond
	F707 CS8	1			Charcoal
6	F814 JX9	2			COVER, Anchor Bolt
7					BELT, Inner Buckle
					Label Number 4402332-3
	F644-5 FA3	1			Silver
	F644-5 FC5	1			Blue
	F644-5 FE8	1			Cordovan
	F644-5 FK1	1			Almond
	F644-5 FS8	1			Charcoal

MODEL CODES

E BODY = (J - CARAVELLE)(E - 600)(T - NEW YORKER)

G BODY = (V24 - DAYTONA)

H BODY = (D44 - LANCER)(C44 - LEBARON GTS)

J BODY = (C - LEBARON)

K BODY = (P - RELIANT)(D - ARIES)(C - LEBAROND)/TOWN & COUNTRY)

L BODY = (M - HORIZON/TURISMO)(Z - OMNI/CHARGER)

M BODY = (B - GRAN FURY)(F - FIFTH AVE/NEWPORT)(G - DIPLOMAT)

P BODY = (P - SUNDANCE)(D - SHADOW)

S BODY = (H - VOYAGER)(K - RAM VAN/CARAVAN)

BODY STYLES

12-13 = FWD VAN

21 = 2-DOOR SEDAN

24 = 2-DOOR HATCHBACK

27 = 2-DOOR CONVERTIBLE

41 = 4-DOOR SEDAN

44 = 4-DOOR HATCHBACK

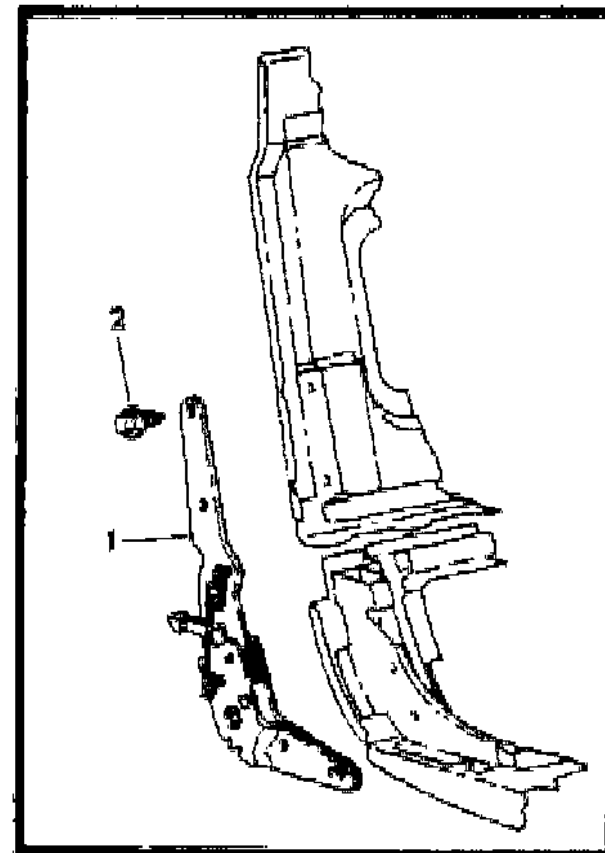
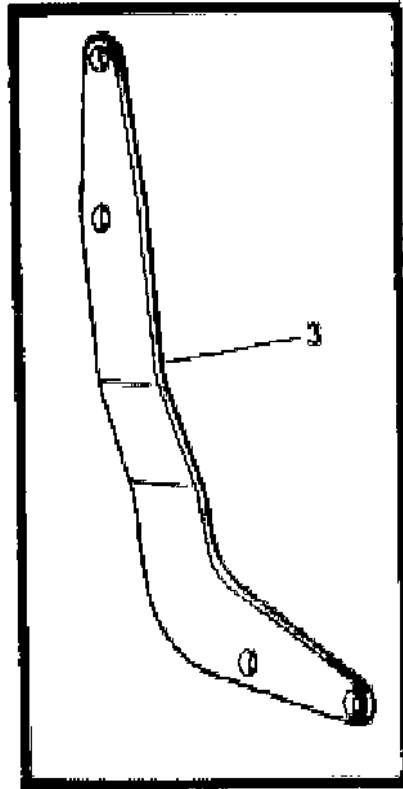
45 = 4-DOOR STATION WAGON

52-53 = FWD WAGON

AR = Use as Required - = Non Illustrated Part P.A.R. = Paint as Required

RELEASE--FRONT BENCH SEAT K BODY
Figure ITK-3400

7214 3400



ITEM	PART NUMBER	QTY	BODY	MODEL	DESCRIPTION
1	4190 664-5	1		21	LATCH, Front Seat Inertia, w/Bench and w/Split Back Bench
2	6100 576	AR		21	SCREW, Back to Cushion Attaching
3	4345 368-9	1			ARM, Seat Back to Cushion

MODEL CODES

E BODY = (J - CARAVELLE)(E - 600)(T - NEW YORKER)

G BODY = (V24 - DAYTONA)

H BODY = (D44 - LANCER)(C44 - LEBARON GTS)

J BODY = (C - LEBARON)

K BODY = (P - RELIANT)(D - ARIES)(C - LEBAROND)/TOWN & COUNTRY)

L BODY = (M - HORIZON/TURISMO)(Z - OMNI/CHARGER)

M BODY = (B - GRAN FURY)(F - FIFTH AVE/NEWPORT)(G - DIPLOMAT)

P BODY = (P - SUNDANCE)(D - SHADOW)

S BODY = (H - VOYAGER)(K - RAM VAN/CARAVAN)

BODY STYLES

12-13 = FWD VAN

21 = 2-DOOR SEDAN

24 = 2-DOOR HATCHBACK

27 = 2-DOOR CONVERTIBLE

41 = 4-DOOR SEDAN

44 = 4-DOOR HATCHBACK

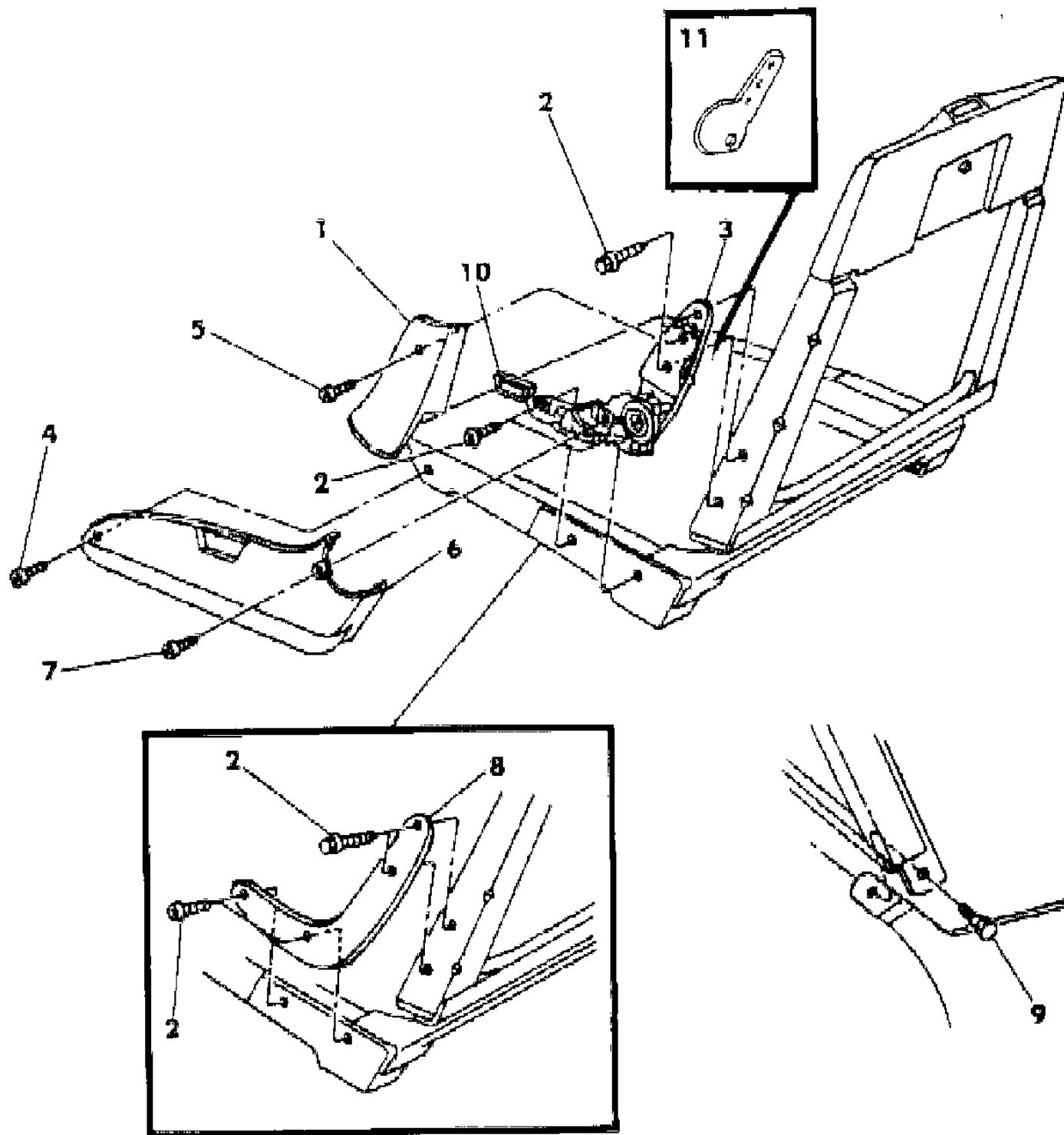
45 = 4-DOOR STATION WAGON

52-53 = FWD WAGON

AR = Use as Required - = Non Illustrated Part P.A.R. = Paint as Required

RECLINING BUCKET AND 50/50 SEAT K BODY
Figure ITK-3500

7234 3500



ITEM	PART NUMBER	QTY	BODY	MODEL	DESCRIPTION
1	S960-1 DW1	1		21	SHIELD, Back (P.A.R.) w/Release Button
	S996-7 FK1	1		41-45	
2	6501 221	AR			SCREW
3					RECLINER, (P.A.R.)
	4380 146	1		21	Passenger Seat
	4380 147	1		21	Driver Seat
	4380 148	1		41-45	Passenger Seat
	4380 149	1		41-45	Driver Seat
4					SCREW, (8-18x1.00) (Not Serv.)
5		AR			SCREW, (8-18x1.75) (Not Serv.)
6					SHIELD, Cushion (P.A.R.)
	S262-3 FK1	1			
7	6032 456	AR			SCREW
8	4327 508	2			ARM, Cushion to Back (Non Reclining)
9	6501 346	2			BOLT, (10x1.5x39)
10	S936-7 FA3	1			LEVER, Recliner Release (P.A.R.)
11	4327 671	2			PROTECTOR, Seat Trim

NOTE: (P.A.R.) = Paint As Required

MODEL CODES

E BODY = (J - CARAVELLE)(E - 600)(T - NEW YORKER)

G BODY = (V24 - DAYTONA)

H BODY = (D44 - LANCER)(C44 - LEBARON GTS)

J BODY = (C - LEBARON)

K BODY = (P - RELIANT)(D - ARIES)(C - LEBAROND)/TOWN & COUNTRY)

L BODY = (M - HORIZON/TURISMO)(Z - OMNI/CHARGER)

M BODY = (B - GRAN FURY)(F - FIFTH AVE/NEWPORT)(G - DIPLOMAT)

P BODY = (P - SUNDANCE)(D - SHADOW)

S BODY = (H - VOYAGER)(K - RAM VAN/CARAVAN)

BODY STYLES

12-13 = FWD VAN

21 = 2-DOOR SEDAN

24 = 2-DOOR HATCHBACK

27 = 2-DOOR CONVERTIBLE

41 = 4-DOOR SEDAN

44 = 4-DOOR HATCHBACK

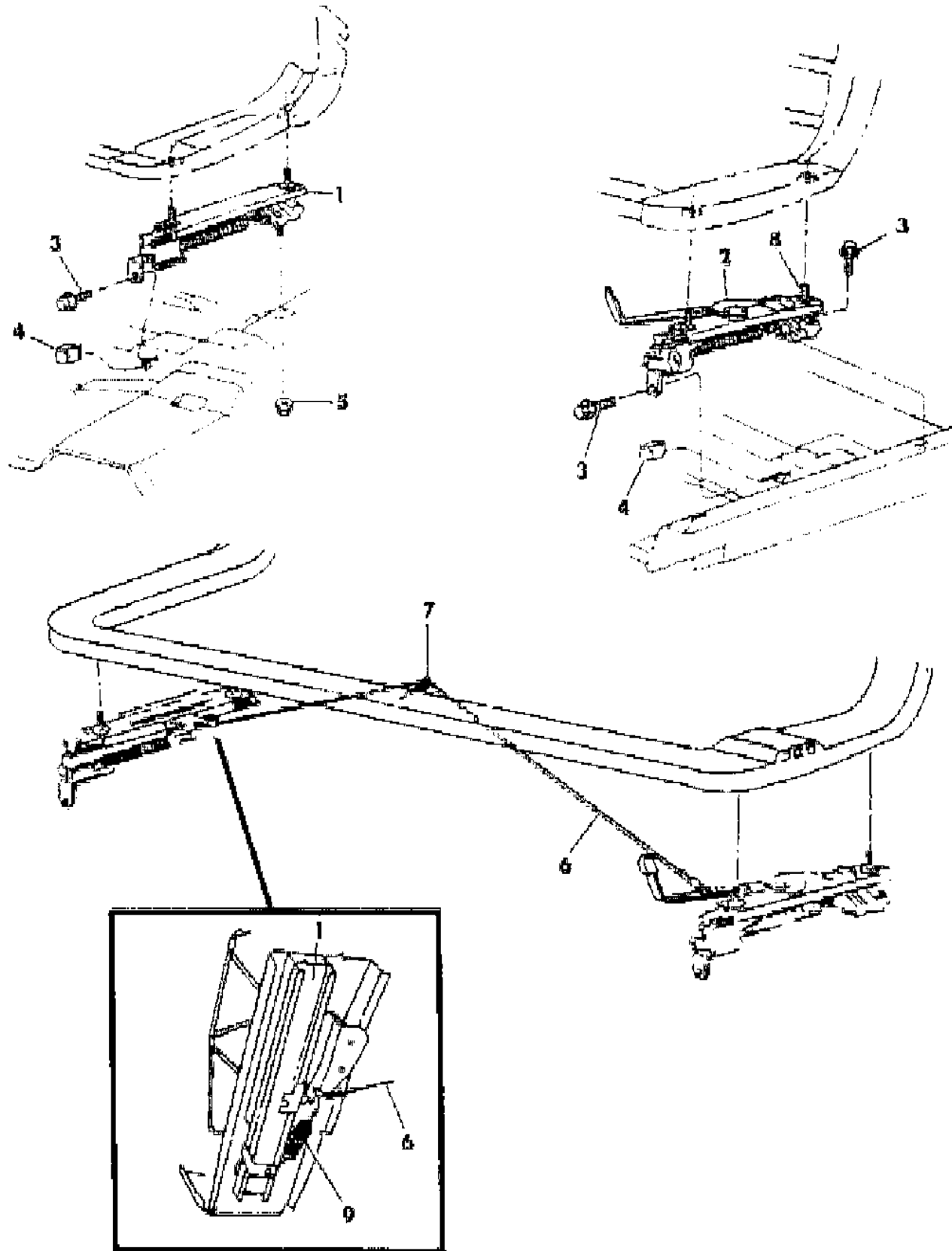
45 = 4-DOOR STATION WAGON

52-53 = FWD WAGON

AR = Use as Required - = Non Illustrated Part P.A.R. = Paint as Required

ADJUSTER--MANUAL K BODY
Figure ITK-3600

7234 3800 A



ITEM	PART NUMBER	QTY	BODY	MODEL	DESCRIPTION
1					ADJUSTER, Inner
	4327 174-5	1			Bucket and 50/50 Seat
2					ADJUSTER, Outer
	4327 172-3	1			Bucket and 50/50 Seat
	4327 178-9	1			w/Bench Seat
3					SCREW and WASHER,(m8-1.25x30) (Not Serv.)
4	6101 283	AR			U-NUT
5		AR			NUT and WASHER, (Not Serv.)
6					WIRE, Release Lever Connector
	4239 933	1			w/Bench Seat
	4239 942	1			w/Bucket Seat
7	4380 094	1			HOOK, Guide Wire
8					SCREW and WASHER, (Serv. in Item 1 & 2)
9					SPRING
	4402 216	1			Latch Assist, W/Bucket & Bench
	4316 006	1			Lever Assist, (15 Coils) w/Bucket and 50/50
	4316 008	1			Lever Assist, (15 Coils) w/Bench
	4316 009	1			Adjustor Assist, (29 Coils) w/Bench

MODEL CODES

E BODY = (J - CARAVELLE)(E - 600)(T - NEW YORKER)

G BODY = (V24 - DAYTONA)

H BODY = (D44 - LANCER)(C44 - LEBARON GTS)

J BODY = (C - LEBARON)

K BODY = (P - RELIANT)(D - ARIES)(C - LEBAROND)/TOWN & COUNTRY)

L BODY = (M - HORIZON/TURISMO)(Z - OMNI/CHARGER)

M BODY = (B - GRAN FURY)(F - FIFTH AVE/NEWPORT)(G - DIPLOMAT)

P BODY = (P - SUNDANCE)(D - SHADOW)

S BODY = (H - VOYAGER)(K - RAM VAN/CARAVAN)

BODY STYLES

12-13 = FWD VAN

21 = 2-DOOR SEDAN

24 = 2-DOOR HATCHBACK

27 = 2-DOOR CONVERTIBLE

41 = 4-DOOR SEDAN

44 = 4-DOOR HATCHBACK

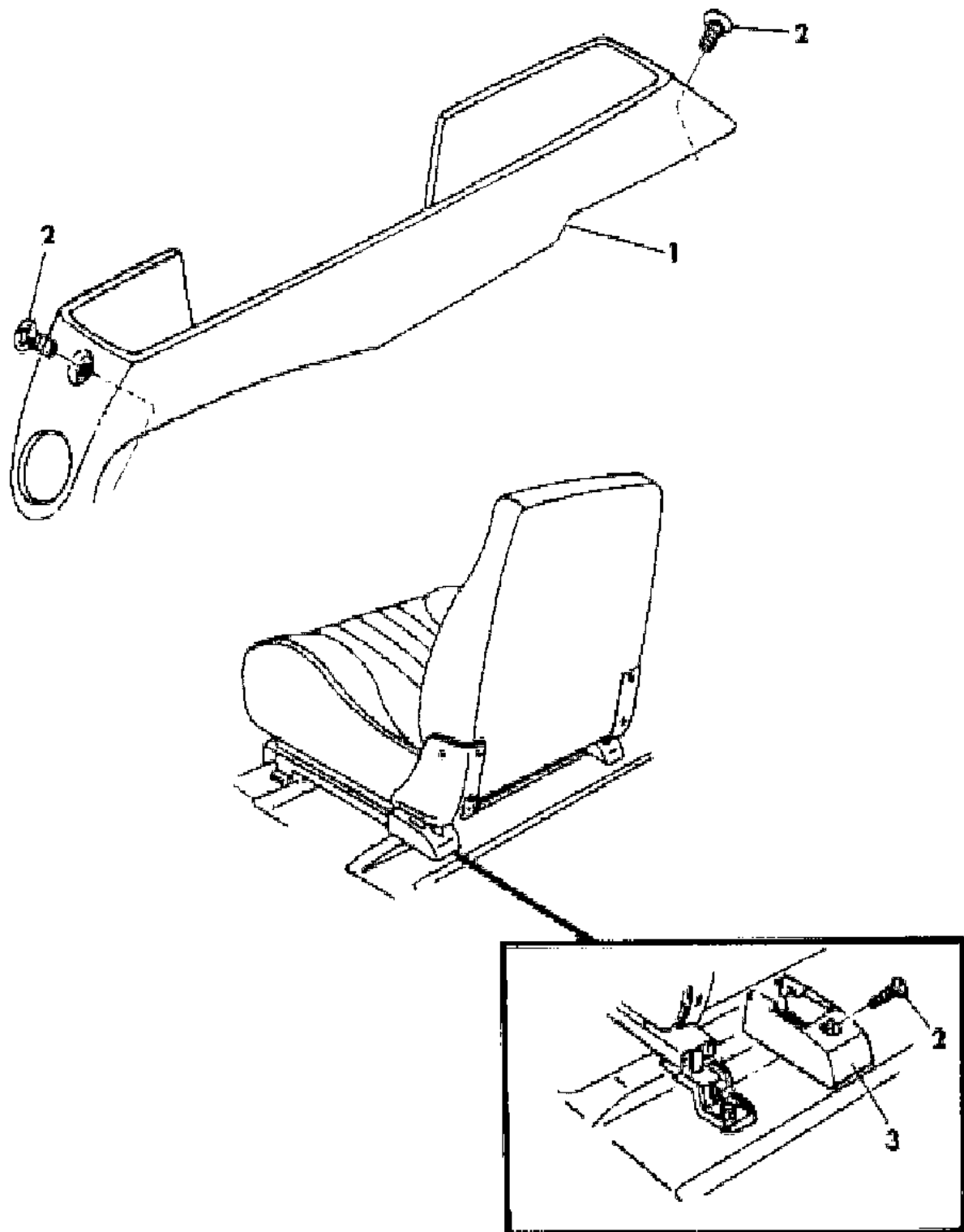
45 = 4-DOOR STATION WAGON

52-53 = FWD WAGON

AR = Use as Required - = Non Illustrated Part P.A.R. = Paint as Required

COVERS--MANUAL SEAT ADJUSTERS K BODY
Figure ITK-3700

7234 3700



ITEM	PART NUMBER	QTY	BODY	MODEL	DESCRIPTION
1					COVER, Bench and Bucket, Outer
	S952-3 FC5	1			Blue
	S952-3 EE8	1			Cordovan
	S952-3 EK1	1			Almond
	S952-3 CS8	1			Charcoal
2					SCREW, (8-18x3/4) (Not Serv.)
3					COVER, Inboard Rear, w/Buckets
	S902 FC5	2			Blue
	S902 EE8	2			Cordovan
	S902 EK1	2			Almond
	S902 CS8	2			Charcoal

MODEL CODES

E BODY = (J - CARAVELLE)(E - 600)(T - NEW YORKER)

G BODY = (V24 - DAYTONA)

H BODY = (D44 - LANCER)(C44 - LEBARON GTS)

J BODY = (C - LEBARON)

K BODY = (P - RELIANT)(D - ARIES)(C - LEBAROND)/TOWN & COUNTRY)

L BODY = (M - HORIZON/TURISMO)(Z - OMNI/CHARGER)

M BODY = (B - GRAN FURY)(F - FIFTH AVE/NEWPORT)(G - DIPLOMAT)

P BODY = (P - SUNDANCE)(D - SHADOW)

S BODY = (H - VOYAGER)(K - RAM VAN/CARAVAN)

BODY STYLES

12-13 = FWD VAN

21 = 2-DOOR SEDAN

24 = 2-DOOR HATCHBACK

27 = 2-DOOR CONVERTIBLE

41 = 4-DOOR SEDAN

44 = 4-DOOR HATCHBACK

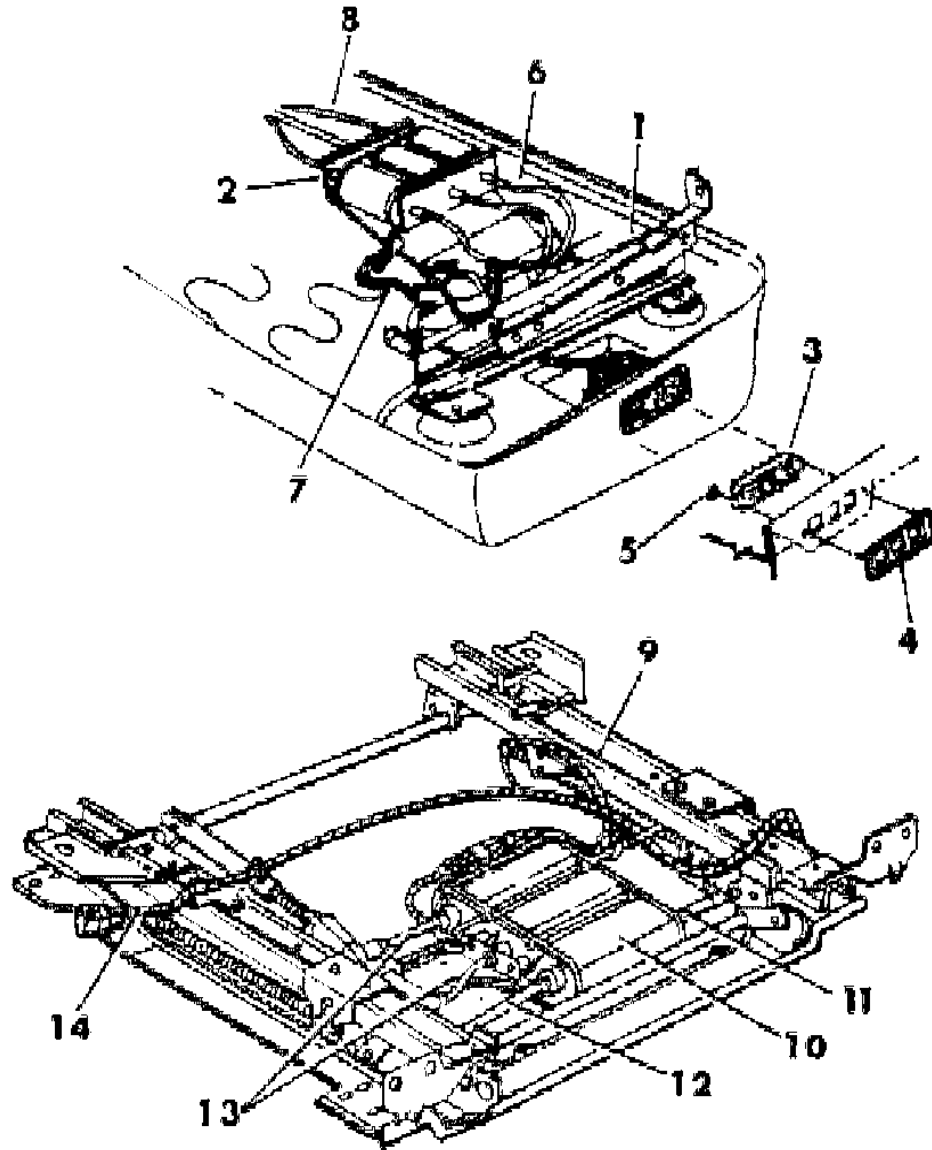
45 = 4-DOOR STATION WAGON

52-53 = FWD WAGON

AR = Use as Required - = Non Illustrated Part P.A.R. = Paint as Required

ADJUSTER--ELECTRIC K BODY
Figure ITK-3800

7234 3800



ITEM	PART NUMBER	QTY	BODY	MODEL	DESCRIPTION
NOTE: The Following Parts Are For Replacement Only.					
1	4327 182-3	1			ADJUSTER, Bench Seat
2	4327 045	1			MOTOR, w/Bench Seat
3	3747 740				SWITCH, w/Bench and Split Bench Seat
	3747 924	1			w/Bucket Seats
4	3746 967	1			BEZEL, Switch w/Bench Seat
5	6025 002	AR			NUT and CONE WASHER
6					CABLE
	4376 631	3			w/Bench (12.19") (Cable and Housing)
7	4304 162	1			WIRING, Seat Adjuster
8	4376 630	1			CABLE and HOUSING, w/Bench (31.86")
	4376 632				(35.63")
9	4402 532	1			ADJUSTER, Less Motor
10	4402 323	1			MOTOR, w/Tube Assembly
11	4327 280	1			CABLE, Inner (2.68")
12	4327 281	1			CABLE, Outer (5.68")
13	4327 282	2			SHAFT, Flexible (4.005")
14	4304 956	1			WIRING

NOTE: Items #1 Thru 14 Are For Replacement Only

MODEL CODES

E BODY = (J - CARAVELLE)(E - 600)(T - NEW YORKER)

G BODY = (V24 - DAYTONA)

H BODY = (D44 - LANCER)(C44 - LEBARON GTS)

J BODY = (C - LEBARON)

K BODY = (P - RELIANT)(D - ARIES)(C - LEBAROND)/TOWN & COUNTRY)

L BODY = (M - HORIZON/TURISMO)(Z - OMNI/CHARGER)

M BODY = (B - GRAN FURY)(F - FIFTH AVE/NEWPORT)(G - DIPLOMAT)

P BODY = (P - SUNDANCE)(D - SHADOW)

S BODY = (H - VOYAGER)(K - RAM VAN/CARAVAN)

BODY STYLES

12-13 = FWD VAN

21 = 2-DOOR SEDAN

24 = 2-DOOR HATCHBACK

27 = 2-DOOR CONVERTIBLE

41 = 4-DOOR SEDAN

44 = 4-DOOR HATCHBACK

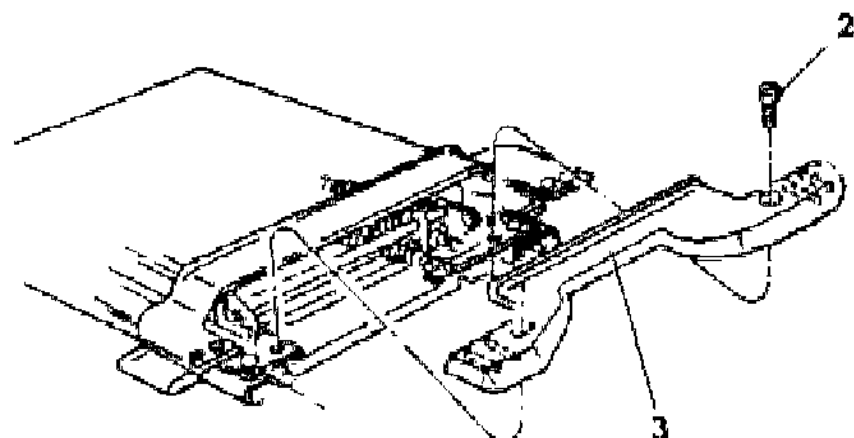
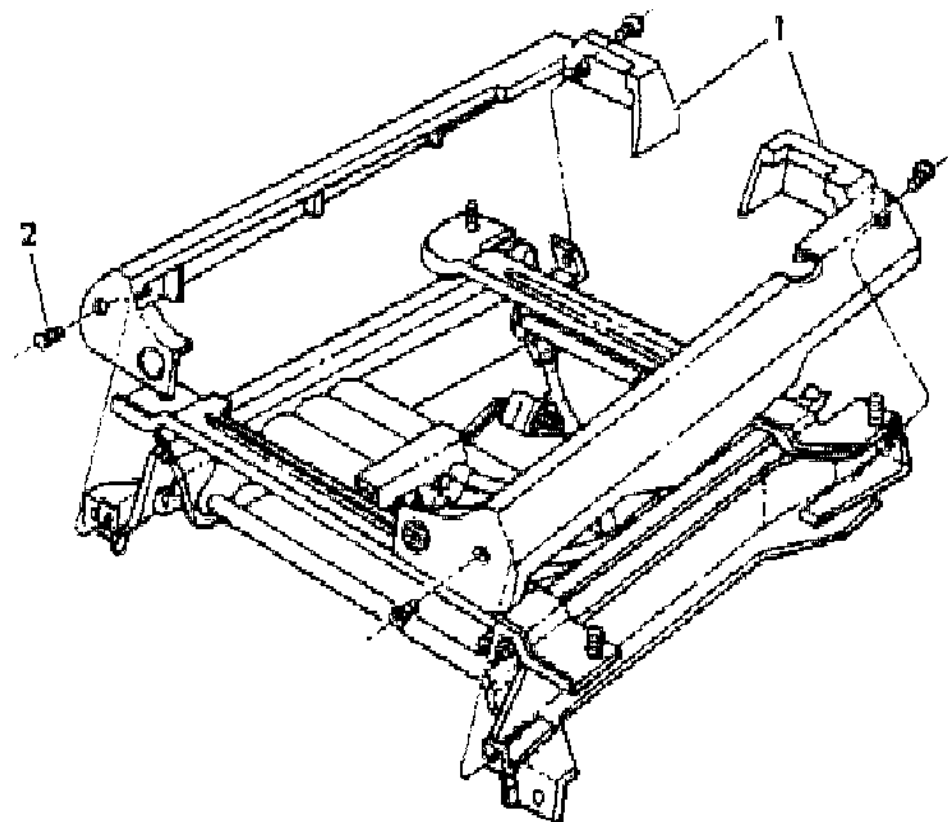
45 = 4-DOOR STATION WAGON

52-53 = FWD WAGON

AR = Use as Required - = Non Illustrated Part P.A.R. = Paint as Required

COVERS--ELECTRIC SEAT ADJUSTER K BODY
Figure ITK-3900

7234 3900



ITEM	PART NUMBER	QTY	BODY	MODEL	DESCRIPTION
1					COVER, w/Bench Seat
	S606-7 FC5	1			Blue
	S606-7 EE8	1			Cordovan
	S606-7 EK1	1			Almond
	S606-7 CS8	1			Charcoal
					w/Buckets and 50/50 Seat Inner Left
	S674 FC5	1			Blue
	S674 EE8	1			Cordovan
	S674 EK1	1			Almond
	S674 CS8	1			Charcoal
					w/Buckets and 50/50 Seat Outer
	S675 FC5	1			Blue
	S675 EE8	1			Cordovan
	S675 EK1	1			Almond
	S675 CS8	1			Charcoal
2					SCREW, (8-18x3/4) (Not Serv.)
3					COVER, Electric Adjusters, Rear w/Bucket
	S660 FC5	1			Blue
	S660 EE8	1			Cordovan
	S660 EK1	1			Almond
	S660 CS8	1			Charcoal

MODEL CODES

E BODY = (J - CARAVELLE)(E - 600)(T - NEW YORKER)

G BODY = (V24 - DAYTONA)

H BODY = (D44 - LANCER)(C44 - LEBARON GTS)

J BODY = (C - LEBARON)

K BODY = (P - RELIANT)(D - ARIES)(C - LEBAROND)/TOWN & COUNTRY)

L BODY = (M - HORIZON/TURISMO)(Z - OMNI/CHARGER)

M BODY = (B - GRAN FURY)(F - FIFTH AVE/NEWPORT)(G - DIPLOMAT)

P BODY = (P - SUNDANCE)(D - SHADOW)

S BODY = (H - VOYAGER)(K - RAM VAN/CARAVAN)

BODY STYLES

12-13 = FWD VAN

21 = 2-DOOR SEDAN

24 = 2-DOOR HATCHBACK

27 = 2-DOOR CONVERTIBLE

41 = 4-DOOR SEDAN

44 = 4-DOOR HATCHBACK

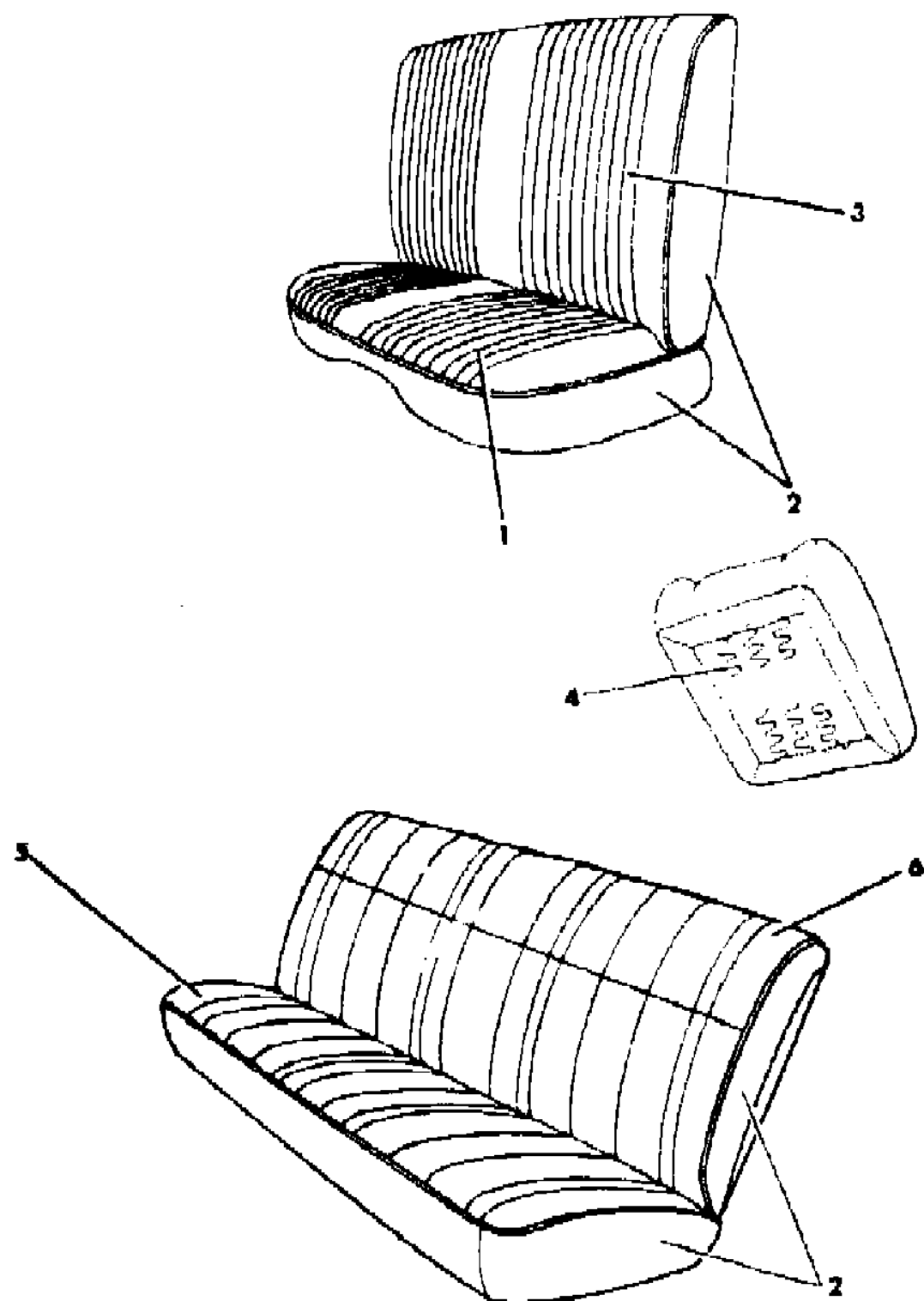
45 = 4-DOOR STATION WAGON

52-53 = FWD WAGON

AR = Use as Required - = Non Illustrated Part P.A.R. = Paint as Required

SEAT--REAR K BODY TRIM CODES A4,C1
Figure ITK-4000

7234 4000 8



ITEM	PART NUMBER	QTY	BODY	MODEL	DESCRIPTION
1-2					CUSHION, w/Spring, Frame, Pad and Cover
	C599 E1A	1		21,41	CLOTH Silver / Charcoal, (C1AS)
	C599 F1C	1		21,41	Blue, (C1C)
1					COVER, Cushion
	C438 E1A	1		21,41	CLOTH Silver / Charcoal, (C1AS)
	C438 F1C	1		21,41	Blue, (C1C)
2					ROLL STOCK, Vinyl, Order By The Inch
	R609 CS8	AR			Charcoal, 58" Wide
	R616 FC5	AR			Blue, 64" Wide
	R600 EE8	AR			Cordovan, 54" Wide
	R600 EK1	AR			Almond, 54" Wide
2-3					BACK, w/Spring, Frame, Pad and Cover
	C600 E1A	1		21,41	CLOTH Silver / Charcoal, (C1AS)
	C600 F1C	1		21,41	Blue, (C1C)
3					COVER, Back
	C439 E1A	1		21,41	CLOTH Silver / Charcoal, (C1AS)
	C439 F1C	1		21,41	Blue, (C1C)
4	6008 076	AR			HOG RING
5&2					CUSHION, w/Spring, Frame, Pad and Cover
	C812 E4A	1			VINYL Silver / Charcoal, (A4AS)
	C812 F4C	1			Blue, (A4C)
	C812 E4E	1			Cordovan, (A4E)
	C812 E4K	1			Almond, (A4K)
5					COVER, Cushion
	C287 E4A	1			VINYL Silver / Charcoal, (A4AS)
	C287 F4C	1			Blue, (A4C)
	C287 E4E	1			Cordovan,(A4E)
	C287 E4K	1			Almond, (A4K)
6&2					BACK, w/Spring, Frame, Pad and Cover
	C813 E4A	1		21,41	VINYL Silver / Charcoal, (A4AS)
	C813 F4C	1		21,41	Blue, (A4C)

MODEL CODES

E BODY = (J - CARAVELLE)(E - 600)(T - NEW YORKER)

G BODY = (V24 - DAYTONA)

H BODY = (D44 - LANCER)(C44 - LEBARON GTS)

J BODY = (C - LEBARON)

K BODY = (P - RELIANT)(D - ARIES)(C - LEBAROND)/TOWN & COUNTRY)

L BODY = (M - HORIZON/TURISMO)(Z - OMNI/CHARGER)

M BODY = (B - GRAN FURY)(F - FIFTH AVE/NEWPORT)(G - DIPLOMAT)

P BODY = (P - SUNDANCE)(D - SHADOW)

S BODY = (H - VOYAGER)(K - RAM VAN/CARAVAN)

BODY STYLES

12-13 = FWD VAN

21 = 2-DOOR SEDAN

24 = 2-DOOR HATCHBACK

27 = 2-DOOR CONVERTIBLE

41 = 4-DOOR SEDAN

44 = 4-DOOR HATCHBACK

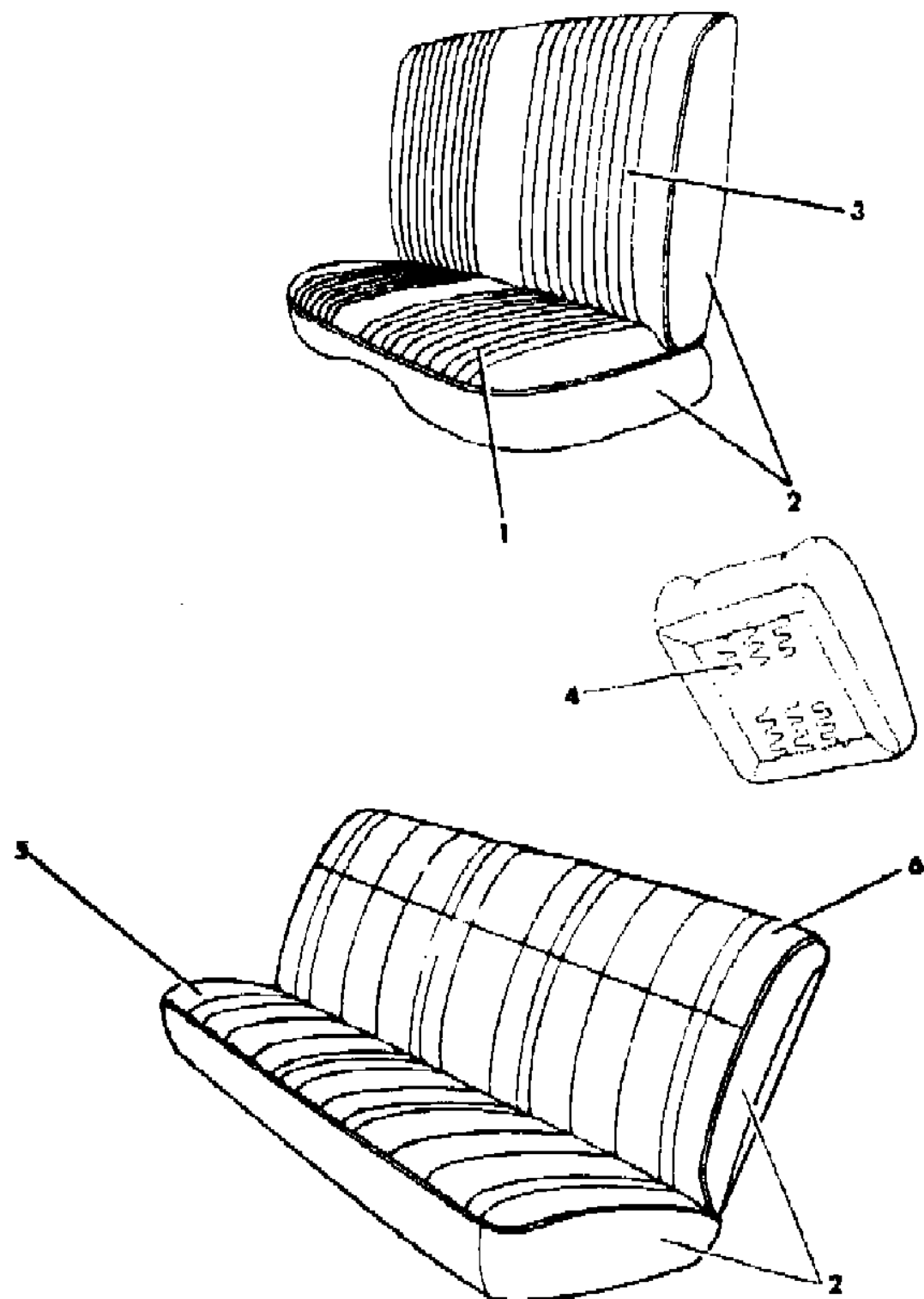
45 = 4-DOOR STATION WAGON

52-53 = FWD WAGON

AR = Use as Required - = Non Illustrated Part P.A.R. = Paint as Required

SEAT--REAR K BODY TRIM CODES A4,C1
Figure ITK-4000

7234 4000 8



ITEM	PART NUMBER	QTY	BODY	MODEL	DESCRIPTION
	C813 E4E	1		21,41	Cordovan, (A4E)
	C813 E4K	1		21,41	Almond, (A4K)
	C814 E4A	1		45	Silver / Charcoal, (A4AS)
	C814 E4E	1		45	Cordovan, (A4E)
	C814 E4K	1		45	Almond, (A4K)
6					COVER, Back VINYL
	C288 E4A	1		21,41	Silver / Charcoal, (A4AS)
	C288 F4C	1		21,41	Blue, (A4C)
	C288 E4E	1		21,41	Cordovan, (A4E)
	C288 E4K	1		21,41	Almond, (A4K)
	C289 E4A	1		45	Silver / Charcoal, (A4AS)
	C289 E4E	1		45	Cordovan, (A4E)
	C289 E4K	1		45	Almond, (A4K)

MODEL CODES

E BODY = (J - CARAVELLE)(E - 600)(T - NEW YORKER)

G BODY = (V24 - DAYTONA)

H BODY = (D44 - LANCER)(C44 - LEBARON GTS)

J BODY = (C - LEBARON)

K BODY = (P - RELIANT)(D - ARIES)(C - LEBAROND)/TOWN & COUNTRY)

L BODY = (M - HORIZON/TURISMO)(Z - OMNI/CHARGER)

M BODY = (B - GRAN FURY)(F - FIFTH AVE/NEWPORT)(G - DIPLOMAT)

P BODY = (P - SUNDANCE)(D - SHADOW)

S BODY = (H - VOYAGER)(K - RAM VAN/CARAVAN)

BODY STYLES

12-13 = FWD VAN

21 = 2-DOOR SEDAN

24 = 2-DOOR HATCHBACK

27 = 2-DOOR CONVERTIBLE

41 = 4-DOOR SEDAN

44 = 4-DOOR HATCHBACK

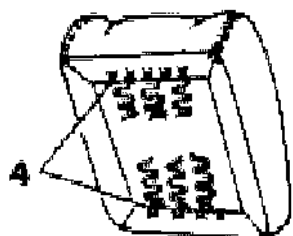
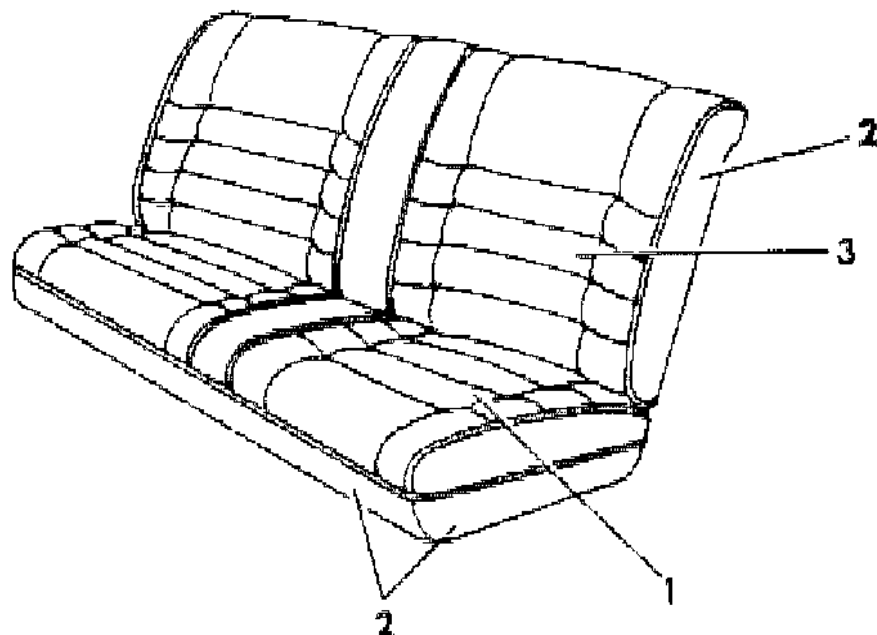
45 = 4-DOOR STATION WAGON

52-53 = FWD WAGON

AR = Use as Required - = Non Illustrated Part P.A.R. = Paint as Required

SEAT--REAR K BODY TRIM CODES M3,M5
Figure ITK-4100

7234 4100



ITEM	PART NUMBER	QTY	BODY	MODEL	DESCRIPTION
1-2					CUSHION, w/Spring/Frame, Pad and Cover
					CLOTH
	C796 F5C	1	41		Blue, (M3C, M5C)
	C796 E5E	1	41		Cordovan, (M3E, M5S)
	C796 E5K	1	41		Almond, (M3K, M5K)
	C796 D5S	1	41		Charcoal, (M3S, M5S)
	C798 E5E	1	45		Cordovan, (M3E, M5E)
	C798 E5K	1	45		Almond, (M3K, M5K)
	C798 E5S	1	45		Charcoal, (M3S, M5S)
1					COVER, Cushion
	C519 F5C	1	41		Blue, (M3C, M5C)
	C519 E5E	1	41		Cordovan, (M3E, M5E)
	C519 E5K	1	41		Almond, (M3K,M5K)
	C519 D5S	1	41		Charcoal, (M3S, M5S)
	C521 E5E	1	45		Cordovan, (M3E, M5E)
	C521 E5K	1	45		Almond, (M3K, M5K)
	C521 E5S	1	45		Charcoal, (M3S, M5S)
2					ROLL STOCK, Cloth 59" Wide, Order By The Inch
	R026 EC5	AR			Blue
	R026 EE8	AR			Cordovan
	R026 EK1	1			Almond
	R026 DS8	1			Charcoal
3-4					BACK, w/Spring/Frame, Pad and Cover
					CLOTH
	C797 F5C	1	41		Blue, (M3C, M5C)
	C797 E5E	1	41		Cordovan, (M3E, M5E)
	C797 E5K	1	41		Almond, (M3K, M5K)
	C797 D5S	1	41		Charcoal, (M3S, M5S)
	C799 E5E	1	45		Cordovan, M3E, M5E)
	C799 E5K	1	45		Almond, (M3K, M5K)
	C799 E5S	1	45		Charcoal, (M3S, M5S)
3					COVER, Back
					CLOTH
	C520 F5C	1	41		Blue, (M3C, M5C)
	C520 E5E	1	41		Cordovan, M3E, M5E)
	C520 E5K	1	41		Almond, (M3K, M5K)
	C520 D5S	1	41		Charcoal, (M3S, M5S)
	C522 E5E	1	45		Cordovan, (M3E, M5E)

MODEL CODES

E BODY = (J - CARAVELLE)(E - 600)(T - NEW YORKER)

G BODY = (V24 - DAYTONA)

H BODY = (D44 - LANCER)(C44 - LEBARON GTS)

J BODY = (C - LEBARON)

K BODY = (P - RELIANT)(D - ARIES)(C - LEBAROND)/TOWN & COUNTRY)

L BODY = (M - HORIZON/TURISMO)(Z - OMNI/CHARGER)

M BODY = (B - GRAN FURY)(F - FIFTH AVE/NEWPORT)(G - DIPLOMAT)

P BODY = (P - SUNDANCE)(D - SHADOW)

S BODY = (H - VOYAGER)(K - RAM VAN/CARAVAN)

BODY STYLES

12-13 = FWD VAN

21 = 2-DOOR SEDAN

24 = 2-DOOR HATCHBACK

27 = 2-DOOR CONVERTIBLE

41 = 4-DOOR SEDAN

44 = 4-DOOR HATCHBACK

45 = 4-DOOR STATION WAGON

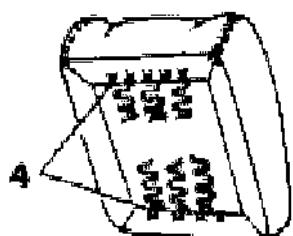
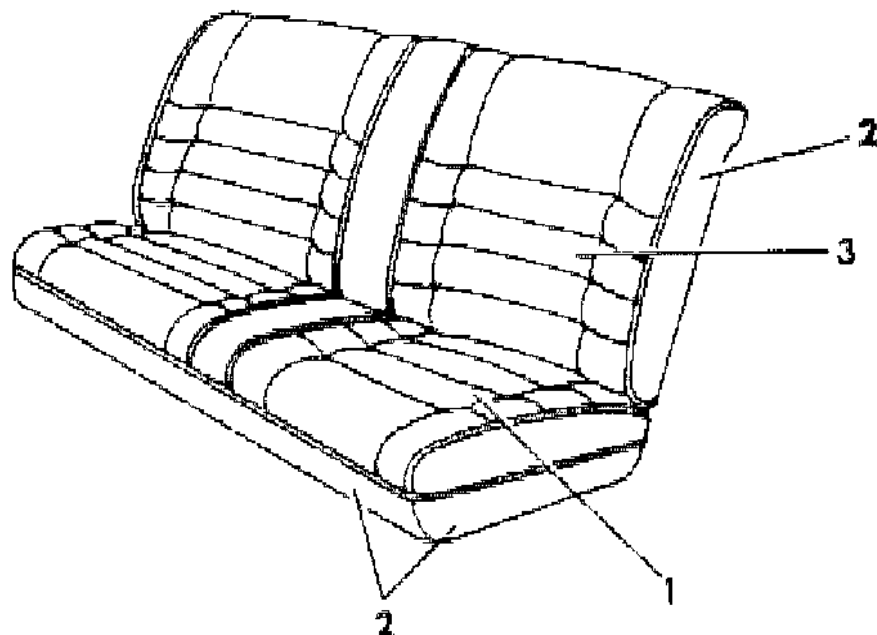
52-53 = FWD WAGON

AR = Use as Required - = Non Illustrated Part P.A.R. = Paint as Required

SEAT--REAR K BODY TRIM CODES M3,M5
Figure ITK-4100

7234 4100

ITEM	PART NUMBER	QTY	BODY	MODEL	DESCRIPTION
	C522 E5K	1		45	Almond, (M3K, M5K)
	C522 E5S	1		45	CHarcoal, (M3S, M5S)
4	6008 076	AR			HOG RING



MODEL CODES

E BODY = (J - CARAVELLE)(E - 600)(T - NEW YORKER)

G BODY = (V24 - DAYTONA)

H BODY = (D44 - LANCER)(C44 - LEBARON GTS)

J BODY = (C - LEBARON)

K BODY = (P - RELIANT)(D - ARIES)(C - LEBAROND)/TOWN & COUNTRY)

L BODY = (M - HORIZON/TURISMO)(Z - OMNI/CHARGER)

M BODY = (B - GRAN FURY)(F - FIFTH AVE/NEWPORT)(G - DIPLOMAT)

P BODY = (P - SUNDANCE)(D - SHADOW)

S BODY = (H - VOYAGER)(K - RAM VAN/CARAVAN)

BODY STYLES

12-13 = FWD VAN

21 = 2-DOOR SEDAN

24 = 2-DOOR HATCHBACK

27 = 2-DOOR CONVERTIBLE

41 = 4-DOOR SEDAN

44 = 4-DOOR HATCHBACK

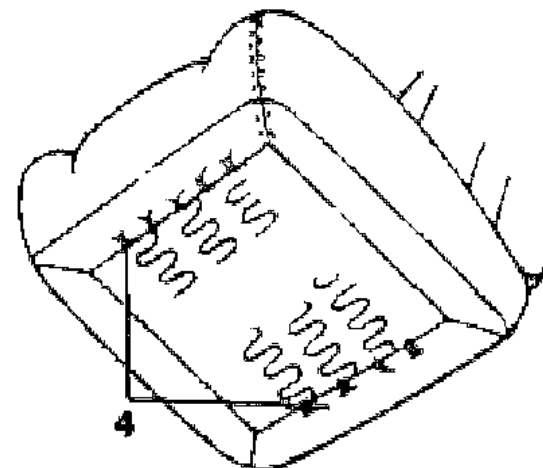
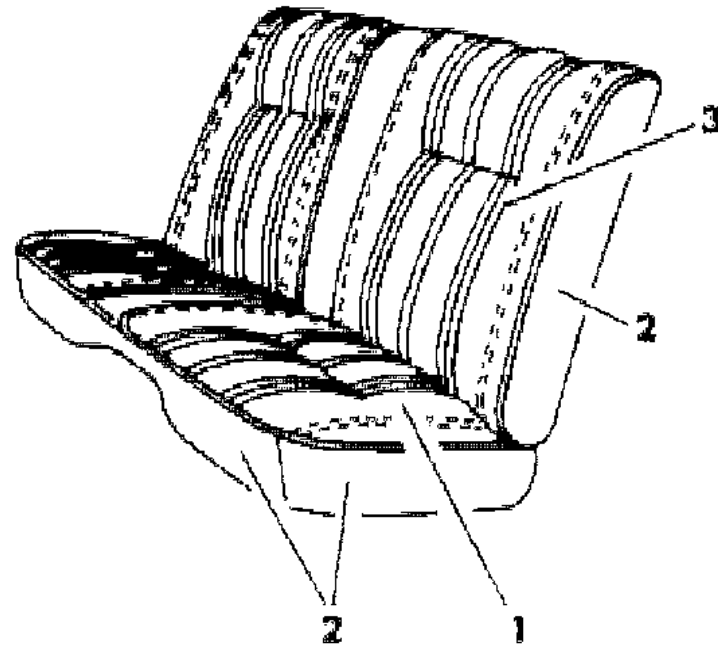
45 = 4-DOOR STATION WAGON

52-53 = FWD WAGON

AR = Use as Required - = Non Illustrated Part P.A.R. = Paint as Required

SEAT--REAR K BODY 45 TRIM CODES V8
Figure ITK-4200

7234 4200



ITEM	PART NUMBER	QTY	BODY	MODEL	DESCRIPTION
1-2					CUSHION, w/Spring, Frame, Pad and Cover
	B905 E8E	1			VINYL Cordovan
	B905 E8K	1			Almond
1					COVER, Cushion
	C468 E8E	1			VINYL Cordovan
	C468 E8K	1			Almond
2					ROLL STOCK, Vinyl, 54" Wide, Order By The Inch
	R600 EE8	AR			Cordovan
	R600 EK1	1			Almond
2-3					BACK, w/Spring, Frame, Pad and Cover
	C766 E8E	1			VINYL Cordovan
	C766 E8K	1			Almond
3					COVER, Back
	C383 E8E	1			VINYL Cordovan
	C383 E8K	1			Almond
4	6008 076	AR			HOG RING

MODEL CODES

E BODY = (J - CARAVELLE)(E - 600)(T - NEW YORKER)

G BODY = (V24 - DAYTONA)

H BODY = (D44 - LANCER)(C44 - LEBARON GTS)

J BODY = (C - LEBARON)

K BODY = (P - RELIANT)(D - ARIES)(C - LEBAROND)/TOWN & COUNTRY)

L BODY = (M - HORIZON/TURISMO)(Z - OMNI/CHARGER)

M BODY = (B - GRAN FURY)(F - FIFTH AVE/NEWPORT)(G - DIPLOMAT)

P BODY = (P - SUNDANCE)(D - SHADOW)

S BODY = (H - VOYAGER)(K - RAM VAN/CARAVAN)

BODY STYLES

12-13 = FWD VAN

21 = 2-DOOR SEDAN

24 = 2-DOOR HATCHBACK

27 = 2-DOOR CONVERTIBLE

41 = 4-DOOR SEDAN

44 = 4-DOOR HATCHBACK

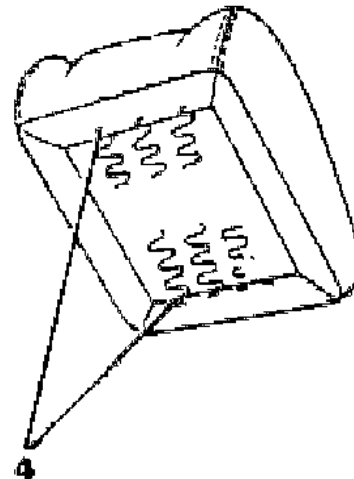
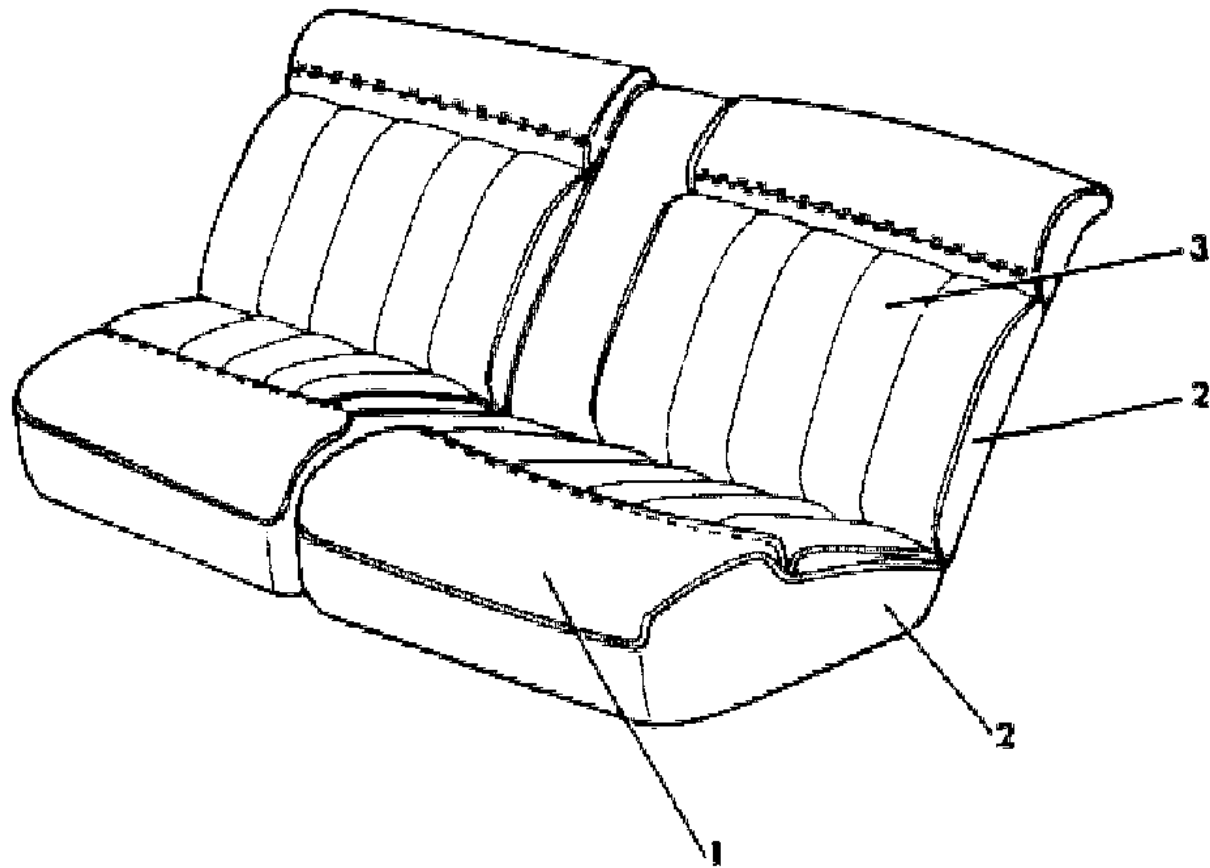
45 = 4-DOOR STATION WAGON

52-53 = FWD WAGON

AR = Use as Required - = Non Illustrated Part P.A.R. = Paint as Required

SEAT--REAR K BODY TRIM CODE JP
Figure ITK-4300

7234 4300



ITEM	PART NUMBER	QTY	BODY	MODEL	DESCRIPTION
1-2					CUSHION, w/Spring/Frame, Pad and Cover
					LEATHER
	C950 EPS	1	41		Charcoal/Silver, (JPSA)
	C950 EPK	1	41		Almond/Cream, (JPKY)
	C952 EPK	1	45		Almond/Cream, (JPKY)
1					COVER, Cushion
					LEATHER
	C478 EPS	1	41		Charcoal/Silver, (JPSA)
	C478 EPK	1	41		Almond/Cream, (JPKY)
	C480 EPK	1	45		Almond/Cream, (JPKY)
2					ROLL STOCK, Vinyl Order By The Inch
	R609 CS8	AR			Charcoal 58" Wide
	R600 EK1	AR			Almond, 54" Wide
2-3					BACK, w/Spring/Frame, Pad and Cover
					LEATHER
	C951 EPS	1	41		Charcoal/Silver, (JPSA)
	C951 EPK	1	41		Almond/Cream, (JPKY)
	C953 EPK	1	45		Almond/Cream, (JPKY)
3					COVER, Back
					LEATHER
	C479 EPS	1	41		Charcoal/Silver, (JPSA)
	C479 EPK	1	41		Almond/Cream (JPKY)
	C481 EPK	1	45		Almond/Cream, (JPKY)
4	6008 076				HOG RING

MODEL CODES

E BODY = (J - CARAVELLE)(E - 600)(T - NEW YORKER)

G BODY = (V24 - DAYTONA)

H BODY = (D44 - LANCER)(C44 - LEBARON GTS)

J BODY = (C - LEBARON)

K BODY = (P - RELIANT)(D - ARIES)(C - LEBAROND)/TOWN & COUNTRY)

L BODY = (M - HORIZON/TURISMO)(Z - OMNI/CHARGER)

M BODY = (B - GRAN FURY)(F - FIFTH AVE/NEWPORT)(G - DIPLOMAT)

P BODY = (P - SUNDANCE)(D - SHADOW)

S BODY = (H - VOYAGER)(K - RAM VAN/CARAVAN)

BODY STYLES

12-13 = FWD VAN

21 = 2-DOOR SEDAN

24 = 2-DOOR HATCHBACK

27 = 2-DOOR CONVERTIBLE

41 = 4-DOOR SEDAN

44 = 4-DOOR HATCHBACK

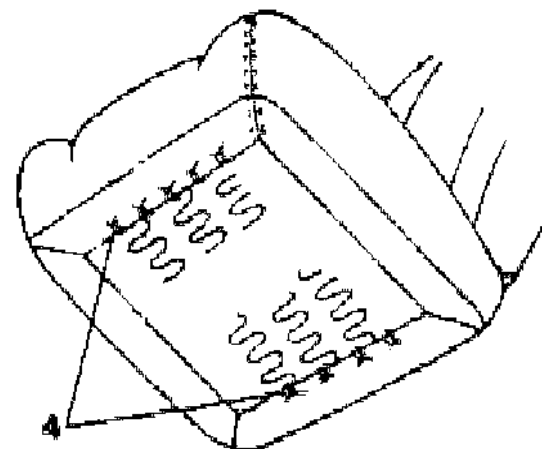
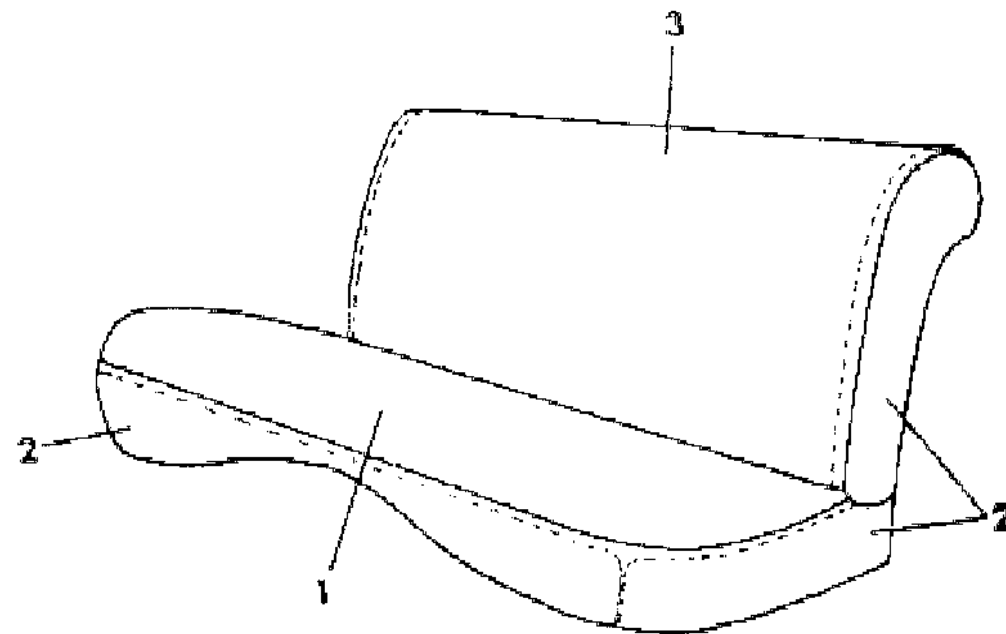
45 = 4-DOOR STATION WAGON

52-53 = FWD WAGON

AR = Use as Required - = Non Illustrated Part P.A.R. = Paint as Required

SEAT--REAR K BODY TRIM CODES K2,K8
Figure ITK-4400

7234 4400



ITEM	PART NUMBER	QTY	BODY	MODEL	DESCRIPTION
1-2					CUSHION, w/Spring, Frame, Pad and Cover
					VINYL
					w/Heavy Duty Springs
	C756 F2C	1			Blue, (K2C,F2C)
	C756 E2K	1			Almond, (K2K,K8K)
					w/o Heavy Duty Springs
	C732 F2C	1			Blue, (K2C,K8C)
	C732 E2K	1			Almond, (K2K,E2K)
1					COVER, Cushion
					VINYL
	C507 F2C	1			Blue, (K2C,K8C)
	C507 E2K	1			Almond, (K2K,K8K)
2					ROLL STOCK, Vinyl, Order By The Inch
	R616 FC5	AR			Blue, (K2C,K8C) 64" Wide
	R600 EK1	AR			Almond, (K2K,K8K) 54" Wide
2-3					BACK, w/Spring, Frame, Pad and Cover
					VINYL
	C821 F2C	1			Blue, (K2C,K8C)
	C821 E2K	1			Almond, (K2K,K8K)
3					COVER, Back
					VINYL
	C399 F2C	1			Blue, (K2C,K8C)
	C399 E2K	1			Almond, (K2K,K8K)
4	6008 076	AR			HOG RING

MODEL CODES

E BODY = (J - CARAVELLE)(E - 600)(T - NEW YORKER)

G BODY = (V24 - DAYTONA)

H BODY = (D44 - LANCER)(C44 - LEBARON GTS)

J BODY = (C - LEBARON)

K BODY = (P - RELIANT)(D - ARIES)(C - LEBAROND)/TOWN & COUNTRY)

L BODY = (M - HORIZON/TURISMO)(Z - OMNI/CHARGER)

M BODY = (B - GRAN FURY)(F - FIFTH AVE/NEWPORT)(G - DIPLOMAT)

P BODY = (P - SUNDANCE)(D - SHADOW)

S BODY = (H - VOYAGER)(K - RAM VAN/CARAVAN)

BODY STYLES

12-13 = FWD VAN

21 = 2-DOOR SEDAN

24 = 2-DOOR HATCHBACK

27 = 2-DOOR CONVERTIBLE

41 = 4-DOOR SEDAN

44 = 4-DOOR HATCHBACK

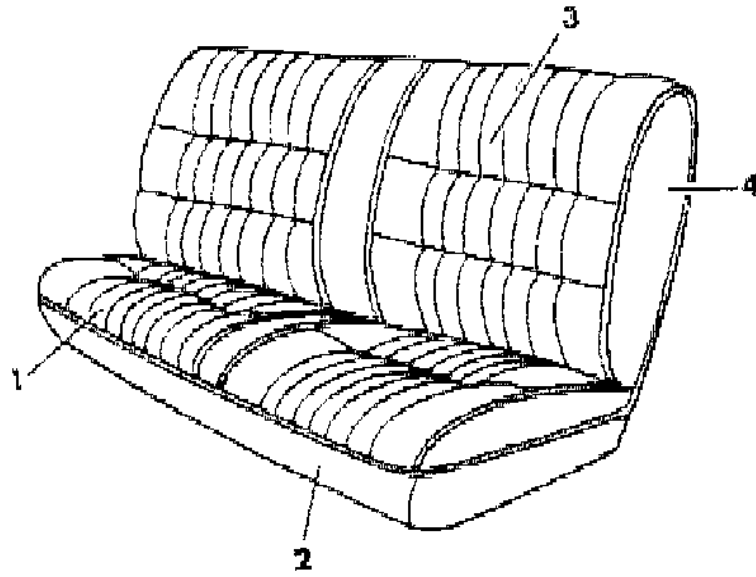
45 = 4-DOOR STATION WAGON

52-53 = FWD WAGON

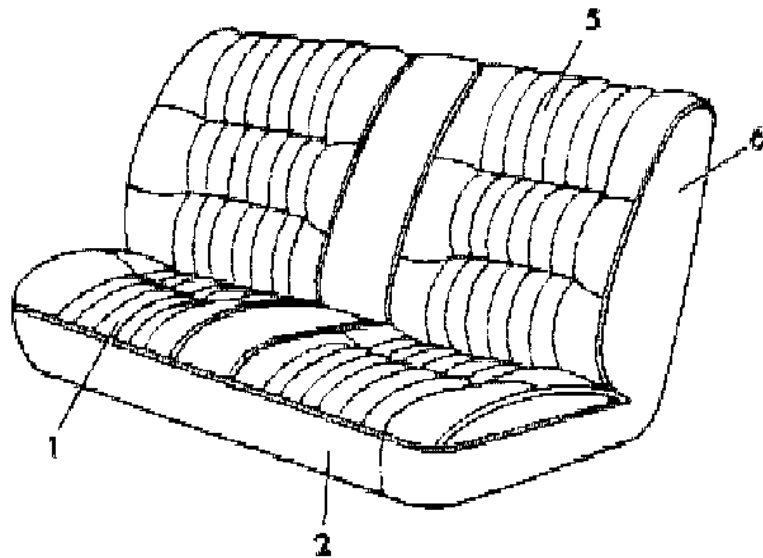
AR = Use as Required - = Non Illustrated Part P.A.R. = Paint as Required

**SEAT--REAR K BODY TRIM CODES F7,H3,H7
Figure ITK-4500**

7234 4500



MDL. 21,41



MDL. 45

ITEM	PART NUMBER	QTY	BODY	MODEL	DESCRIPTION
1-2					CUSHION, w/Spring/Frame, Pad and Cover
	C743 D7A	1			Charcoal and Silver, (F7AS,H7AS,H3AS)
	C743 F3C	1			Blue, (H3C, H7C, F7C)
	C743 F3E	1			Cordovan, (H3E, H7E)
	C743 E3K	1			Almond, (H3K, H7K)
1					COVER, Cushion CLOTH
	C528 D7A	1			Silver and Charcoal, (F7AS,H7AS,H3AS)
	C528 F3C	1			Blue, (H3C, H7C, F7C)
	C528 F3E	1			Cordovan, (H3E, H7E)
	C528 E3K	1			Almond, (H3K< H7K)
2					ROLL STOCK, Vinyl Order By The Inch
	R616 FC5	AR			Blue, 64" Wide
	R600 EE8	AR			Cordovan, 54" Wide
	R600 EK1	AR			Almond, 54" Wide
	R609 CS8	AR			Charcoal, 58" Wide
3-4					BACK, w/Spring/Frame, Pad and Cover CLOTH
	C744 D7A	1		21-41	Silver and Charcoal, (F7AS,H7AS,H3AS)
	C744 F3C	1		21-41	Blue, (H3C, H7C, F7C)
	C744 F3E	1		21-41	Cordovan, (H3E, H7E)
	C744 E3K	1		21-41	Almond, (H3K,H7K)
3					COVER, Back CLOTH
	C529 D7A	1		21-41	Silver and Charcoal, (F7AS,H7AS,H3AS)
	C529 F3C	1		21-41	Blue, (H3C, H7C, F7C)
	C529 F3E	1		21-41	Cordovan, (H3E, H7E)
	C529 E3K	1		21-41	Almond, (H3K, H7K)
4					ROLL STOCK, 59" Wide Order By The Inch
	R026 EC5	AR			Blue
	R026 EE8	AR			Cordovan
	R026 EK1	AR			Almond
	R026 DS8	AR			Charcoal
5-6					BACK, w/Spring/Frame, Pad and Cover CLOTH
	C745 E3A	1		45	Silver / Charcoal, (H3AS, H7AS)
	C745 F3E	1		45	Cordovan, (H3E, H7E)
	C745 E3K	1		45	Almond, (H3K, H7K)

MODEL CODES

E BODY = (J - CARAVELLE)(E - 600)(T - NEW YORKER)

G BODY = (V24 - DAYTONA)

H BODY = (D44 - LANCER)(C44 - LEBARON GTS)

J BODY = (C - LEBARON)

K BODY = (P - RELIANT)(D - ARIES)(C - LEBAROND)/TOWN & COUNTRY)

L BODY = (M - HORIZON/TURISMO)(Z - OMNI/CHARGER)

M BODY = (B - GRAN FURY)(F - FIFTH AVE/NEWPORT)(G - DIPLOMAT)

P BODY = (P - SUNDANCE)(D - SHADOW)

S BODY = (H - VOYAGER)(K - RAM VAN/CARAVAN)

BODY STYLES

12-13 = FWD VAN

21 = 2-DOOR SEDAN

24 = 2-DOOR HATCHBACK

27 = 2-DOOR CONVERTIBLE

41 = 4-DOOR SEDAN

44 = 4-DOOR HATCHBACK

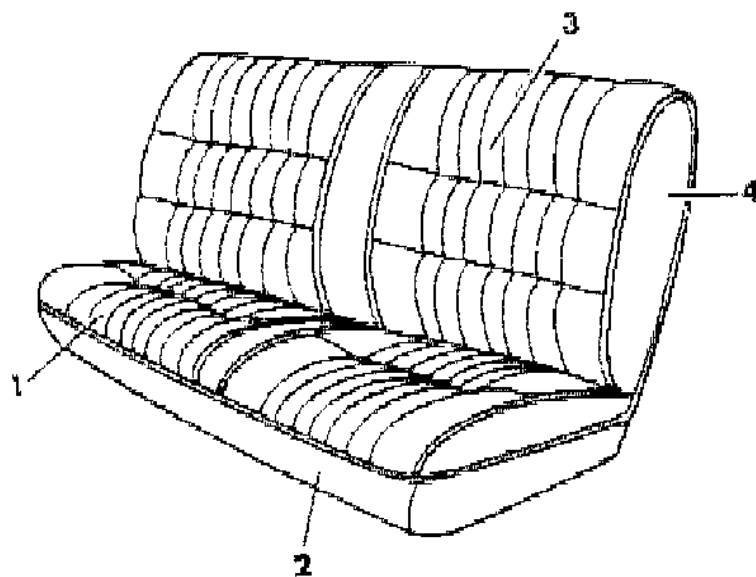
45 = 4-DOOR STATION WAGON

52-53 = FWD WAGON

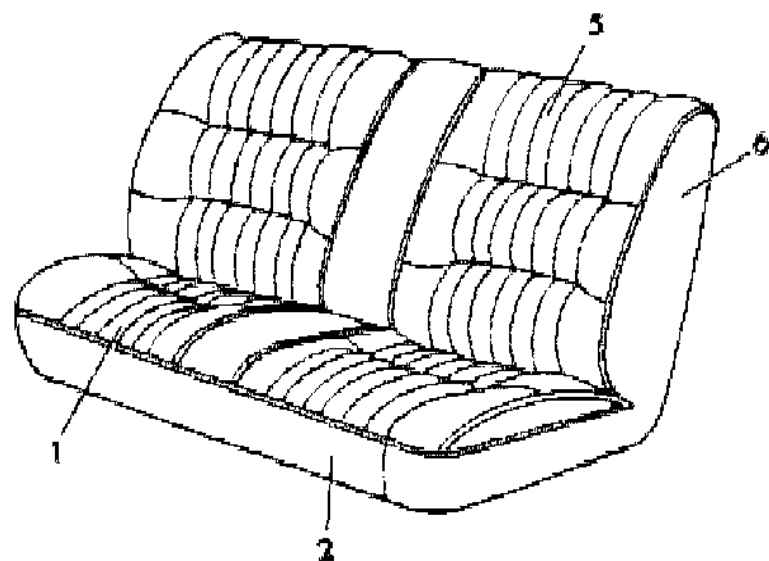
AR = Use as Required - = Non Illustrated Part P.A.R. = Paint as Required

**SEAT--REAR K BODY TRIM CODES F7,H3,H7
Figure ITK-4500**

7234 4500



MDL. 21,41



MDL. 45

ITEM	PART NUMBER	QTY	BODY	MODEL	DESCRIPTION
5					COVER, Back
	C530 E3A	1		45	CLOTH Silver / Charcoal, (H3AS, H7AS)
	C530 F3E	1		45	Cordovan, (H3E, H7E)
	C530 E3K	1		45	Almond, (H3K, H7K)
6					ROLL STOCK, Carpet 54" Wide Order By The Inch
	R118 CA3	AR			Silver
	R118 EE8	AR			Cordovan
	R118 EK1	AR			Almond

MODEL CODES

E BODY = (J - CARAVELLE)(E - 600)(T - NEW YORKER)

G BODY = (V24 - DAYTONA)

H BODY = (D44 - LANCER)(C44 - LEBARON GTS)

J BODY = (C - LEBARON)

K BODY = (P - RELIANT)(D - ARIES)(C - LEBAROND)/TOWN & COUNTRY)

L BODY = (M - HORIZON/TURISMO)(Z - OMNI/CHARGER)

M BODY = (B - GRAN FURY)(F - FIFTH AVE/NEWPORT)(G - DIPLOMAT)

P BODY = (P - SUNDANCE)(D - SHADOW)

S BODY = (H - VOYAGER)(K - RAM VAN/CARAVAN)

BODY STYLES

12-13 = FWD VAN

21 = 2-DOOR SEDAN

24 = 2-DOOR HATCHBACK

27 = 2-DOOR CONVERTIBLE

41 = 4-DOOR SEDAN

44 = 4-DOOR HATCHBACK

45 = 4-DOOR STATION WAGON

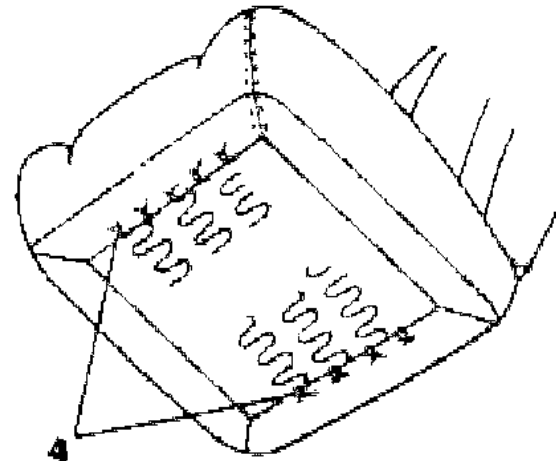
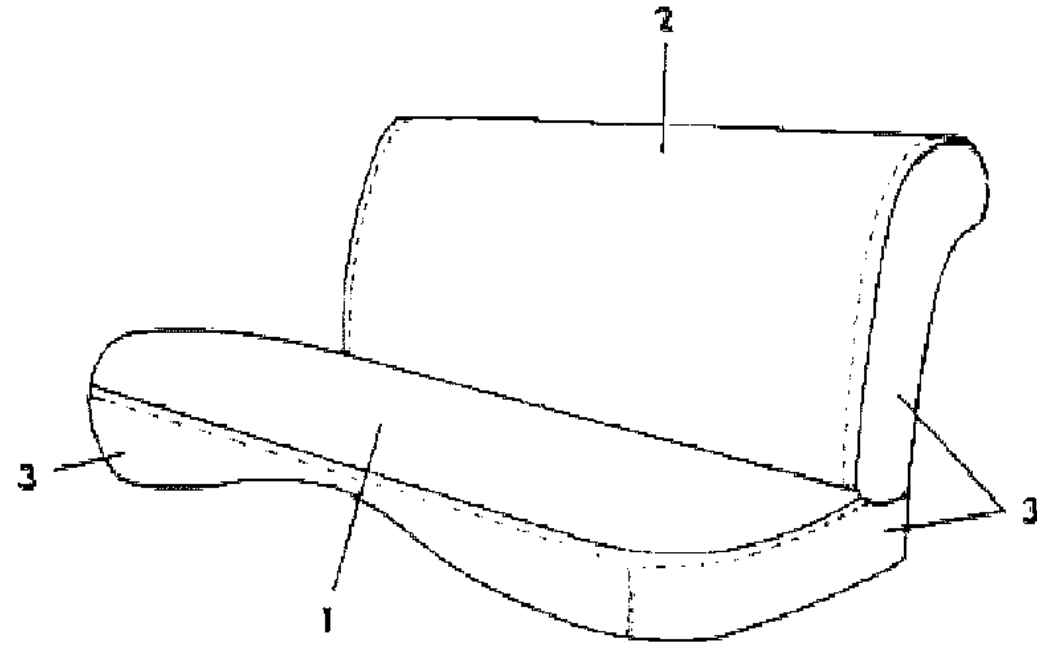
52-53 = FWD WAGON

AR = Use as Required - = Non Illustrated Part P.A.R. = Paint as Required

SEAT--REAR K BODY FLEET POLICE AND OTHERS
Figure ITK-4600

7234 4800

ITEM	PART NUMBER	QTY	BODY	MODEL	DESCRIPTION
1	4370 267	1			COVER, Cushion Blue, Cloth, (CACS,CBAN)
	4370 086	1			Almond, Cloth, (CACS,CBAN)
2	4370 268	1			COVER, Back Blue, Cloth, (CACS,CBAN)
	4370 087	1			Almond, Cloth, (CACS,CBAN)
3	R616 FC5				ROLL STOCK, Vinyl, Order By The Inch Blue, 64" Wide
	R600 EK1				Almond, 54" Wide
4	6008 076	AR			HOG RING



MODEL CODES

E BODY = (J - CARAVELLE)(E - 600)(T - NEW YORKER)	L BODY = (M - HORIZON/TURISMO)(Z - OMNI/CHARGER)
G BODY = (V24 - DAYTONA)	M BODY = (B - GRAN FURY)(F - FIFTH AVE/NEWPORT)(G - DIPLOMAT)
H BODY = (D44 - LANCER)(C44 - LEBARON GTS)	P BODY = (P - SUNDANCE)(D - SHADOW)
J BODY = (C - LEBARON)	S BODY = (H - VOYAGER)(K - RAM VAN/CARAVAN)
K BODY = (P - RELIANT)(D - ARIES)(C - LEBAROND)/TOWN & COUNTRY)	

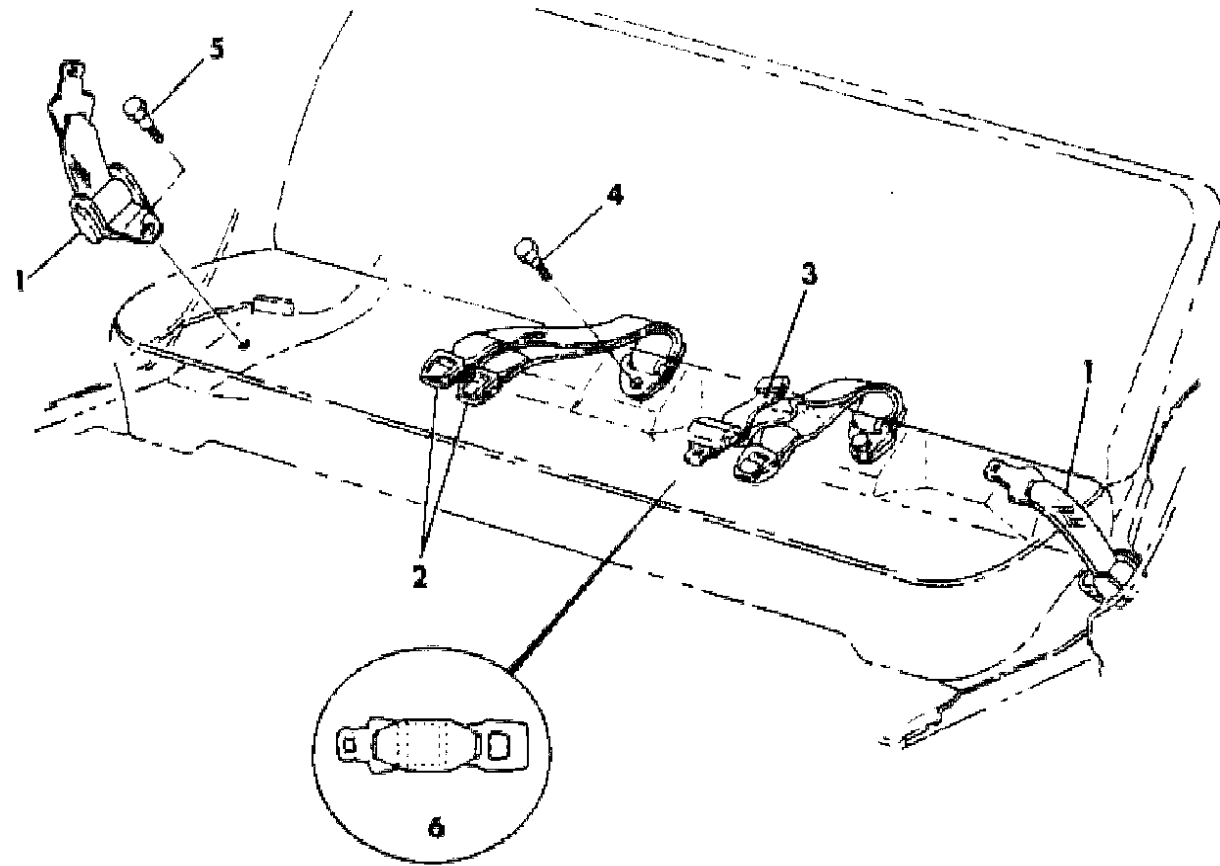
BODY STYLES

12-13 = FWD VAN	41 = 4-DOOR SEDAN
21 = 2-DOOR SEDAN	44 = 4-DOOR HATCHBACK
24 = 2-DOOR HATCHBACK	45 = 4-DOOR STATION WAGON
27 = 2-DOOR CONVERTIBLE	52-53 = FWD WAGON

AR = Use as Required - = Non Illustrated Part P.A.R. = Paint as Required

BELT--REAR SEAT LAP K BODY
Figure ITK-4700

7234 4700



ITEM	PART NUMBER	QTY	BODY	MODEL	DESCRIPTION
1					BELT, Rear Seat Lap Outboard Tip Half
	F861 AA3	2			Label Number 4277885 Silver
	F861 FC5	2			Blue
	F861 EE8	2			Cordovan
	F861 EK1	2			Almond
	F861 CS8	2			Charcoal
	F724 DA3	2			Label Number 4317069 Silver
	F724 FC5	2			Blue
	F724 EE8	2			Cordovan
	F724 EK1	2			Almond
	F724 DS8	2			Charcoal
2					BELT, Rear Seat Lap Buckle Inner, Right
	F710 BA3	2			Label Number 4316754 Silver
	F710 FC5	2			Blue
	F710 EE8	2			Cordovan
	F710 EK1	2			Almond
	F710 CS8	2			Charcoal
3					BELT, Rear Seat Lap Buckle and Tip, Left
	F717 BA3	1			Label Number 4316747 Silver
	F717 FC5	1			Blue
	F717 EE8	1			Cordovan
	F717 EK1	1			Almond
	F717 CS8	1			Charcoal
4	6031 298	2			BOLT
5	6031 484	2			BOLT
6	4364 849	1			EXTENSION, Rear Seat Belt

MODEL CODES

E BODY = (J - CARAVELLE)(E - 600)(T - NEW YORKER)

G BODY = (V24 - DAYTONA)

H BODY = (D44 - LANCER)(C44 - LEBARON GTS)

J BODY = (C - LEBARON)

K BODY = (P - RELIANT)(D - ARIES)(C - LEBAROND)/TOWN & COUNTRY)

L BODY = (M - HORIZON/TURISMO)(Z - OMNI/CHARGER)

M BODY = (B - GRAN FURY)(F - FIFTH AVE/NEWPORT)(G - DIPLOMAT)

P BODY = (P - SUNDANCE)(D - SHADOW)

S BODY = (H - VOYAGER)(K - RAM VAN/CARAVAN)

BODY STYLES

12-13 = FWD VAN

21 = 2-DOOR SEDAN

24 = 2-DOOR HATCHBACK

27 = 2-DOOR CONVERTIBLE

41 = 4-DOOR SEDAN

44 = 4-DOOR HATCHBACK

45 = 4-DOOR STATION WAGON

52-53 = FWD WAGON

AR = Use as Required - = Non Illustrated Part P.A.R. = Paint as Required

SEAT--REAR FOLD DOWN K BODY 45
Figure ITK-4800

7234 4800A

ITEM	PART NUMBER	QTY	BODY	MODEL	DESCRIPTION
1					PANEL, Seat Back
	W232 CA3	1			Silver
	W232 EE8	1			Cordovan
	W232 EK1	1			Almond
	W232 ES8	1			Charcoal
2		4			SCREW, (10-16x3/4) (Not Serv.)
3	4206 315	1			BUMPER, Seat Back
4	6100 897	3			SCREW
5	4206 082	1			ESCUTCHEON, Seat Back Latch
6	6031 115	4			RIVET
7	4206 092	1			FRAME, Filler Support Center
8		AR			SCREW, (10x.625) (Not Serv.)
9	4206 269	1			PANEL, Filler
10	6500 554	4			SCREW, Shoulder
11	4278 424-5	1			FRAME, w/Push Nut Side Filler Support
12	0869 770	4			WASHER, Spring
13	4206 369	2			LINK, Filler Panel To Seat Back
14					WASHER, (Not Serv.)
15	4206 214	1			STRIKER, Filler Panel
16	0181 063	2			SCREW, Striker
17	6500 557	AR			SCREW
18	6100 566	AR			SCREW
19	4206 318-9	1			HINGE, Seat Back
20	6100 566	4			SCREW and WASHER
21					WASHER, Serv. In Item #20)
22	4206 983	1			BRACKET, Seat Back Center Retainer
23	4172 139	1			LATCH, Seat Back
24					SEAT BACK, (See Trim Section)
25	4172 723	1			ROD, Latch Release
26	W246 CA3	1			BEZEL, Latch Release Knob (P.A.R.)
27	3861 859	1			KNOB, Release Latch Rod
28					SCREW, (8-18x3/4) (Not Serv.)
29	#6100 041	3			NUT, Latch Attach.

NOTE: (P.A.R.) = Paint As Required

MODEL CODES

E BODY = (J - CARAVELLE)(E - 600)(T - NEW YORKER)

G BODY = (V24 - DAYTONA)

H BODY = (D44 - LANCER)(C44 - LEBARON GTS)

J BODY = (C - LEBARON)

K BODY = (P - RELIANT)(D - ARIES)(C - LEBAROND)/TOWN & COUNTRY)

L BODY = (M - HORIZON/TURISMO)(Z - OMNI/CHARGER)

M BODY = (B - GRAN FURY)(F - FIFTH AVE/NEWPORT)(G - DIPLOMAT)

P BODY = (P - SUNDANCE)(D - SHADOW)

S BODY = (H - VOYAGER)(K - RAM VAN/CARAVAN)

BODY STYLES

12-13 = FWD VAN

21 = 2-DOOR SEDAN

24 = 2-DOOR HATCHBACK

27 = 2-DOOR CONVERTIBLE

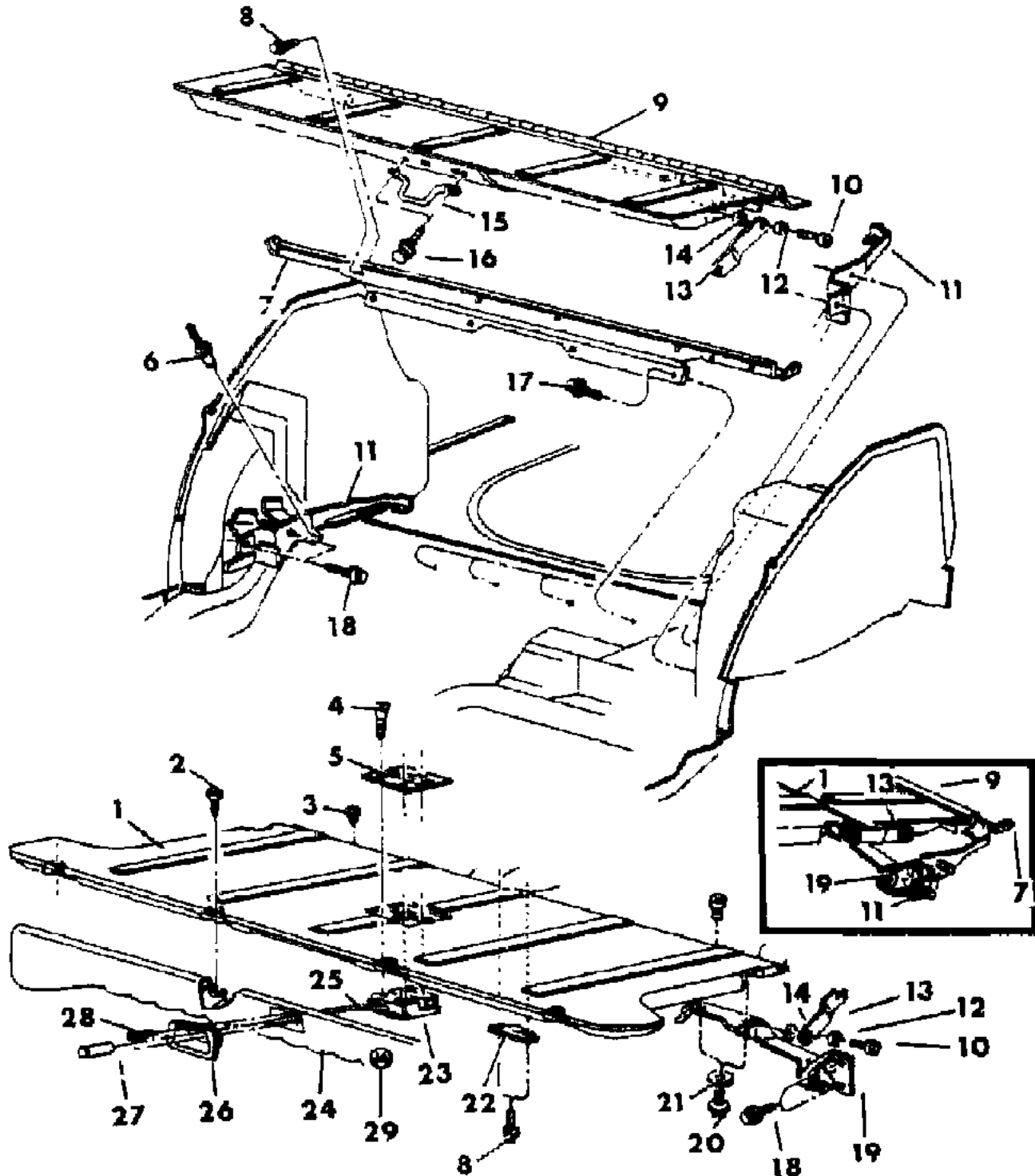
41 = 4-DOOR SEDAN

44 = 4-DOOR HATCHBACK

45 = 4-DOOR STATION WAGON

52-53 = FWD WAGON

AR = Use as Required - = Non Illustrated Part P.A.R. = Paint as Required



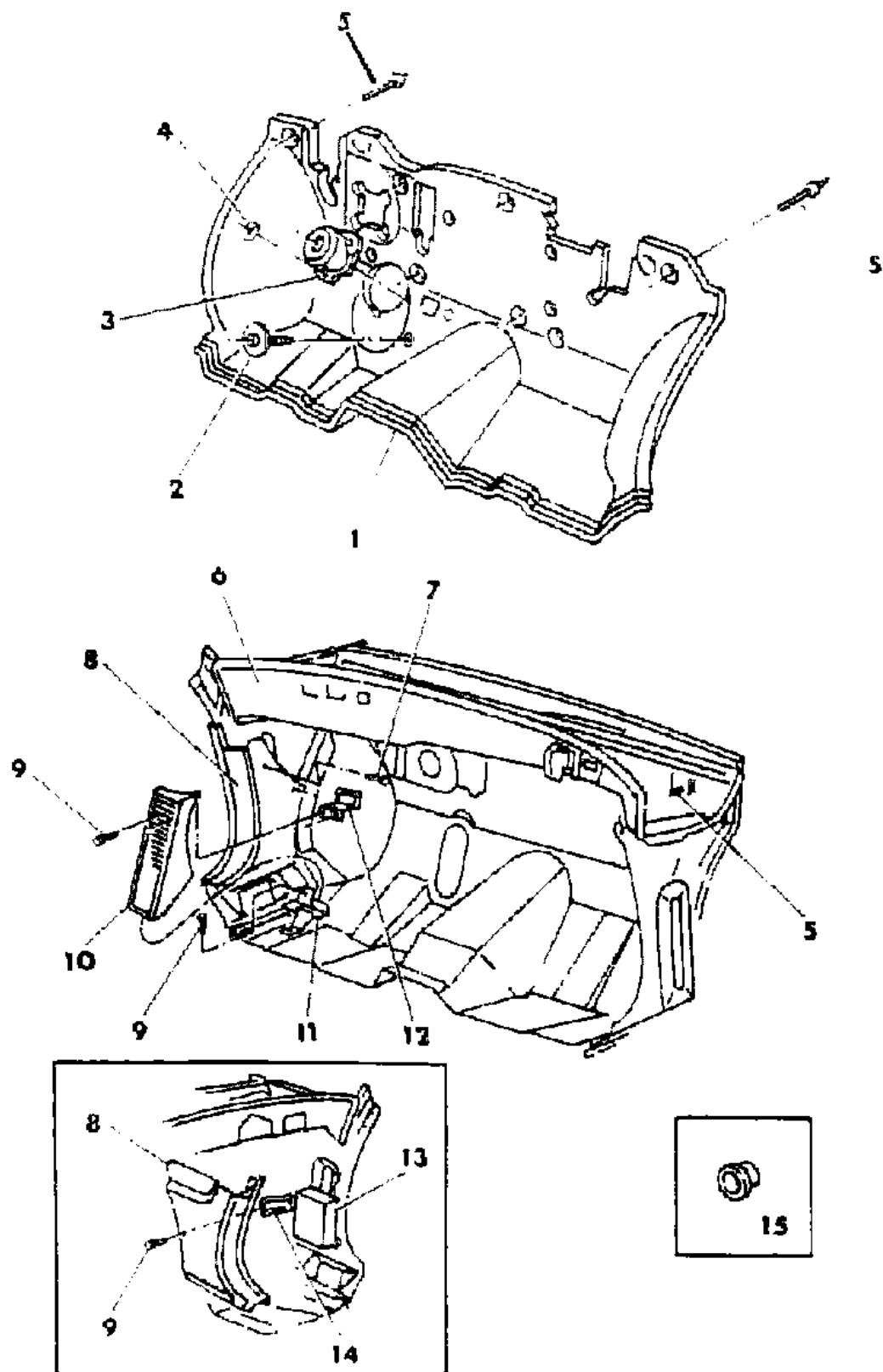
GROUP ITG - G BODY

ILLUSTRATION TITLE	GROUP-FIG. NO.
COWL PANEL AND SILENCERS G BODY	Fig. ITG-100
HEADLINING AND VISOR FRONT G BODY	Fig. ITG-200
TONNEAU COVER G BODY	Fig. ITG-300
MOULDING--GARNISH G BODY	Fig. ITG-400
PANEL--QUARTER TRIM & LOWER DECK OPENING G BODY	Fig. ITG-500
PANEL--LIFTGATE TRIM AND VISOR G BODY	Fig. ITG-600
CARPET AND SILENCERS G BODY	Fig. ITG-700
SCUFF PLATE G BODY	Fig. ITG-800
PANEL--DOOR TRIM G BODY	Fig. ITG-900
SEAT--FRONT G BODY TRIM CODE A7	Fig. ITG-1000
SEAT--FRONT G BODY TRIM CODE F7	Fig. ITG-1100
SEAT--FRONT G BODY TRIM CODE S7	Fig. ITG-1200
SEAT--FRONT G BODY TRIM CODE SL	Fig. ITG-1300
BELT--FRONT SEAT LAP AND SHOULDER G BODY MANUAL-ACTIVE SYSTEM	Fig. ITG-1400
BELT--FRONT SEAT G BODY PASSIVE SYSTEM	Fig. ITG-1500
LUMBAR AND THIGH SUPPORT --MANUAL G BODY TRIM CODE S7	Fig. ITG-1600
LUMBAR AND THIGH SUPPORT --ELECTRIC G BODY TRIM CODE SL	Fig. ITG-1700
RECLINING SEAT--FRONT G BODY	Fig. ITG-1800
ADJUSTER--MANUAL G BODY	Fig. ITG-1900
COVERS--MANUAL SEAT ADJUSTER G BODY	Fig. ITG-2000
ADJUSTER--ELECTRIC G BODY	Fig. ITG-2100
COVERS--ELECTRIC SEAT ADJUSTER G BODY	Fig. ITG-2200
SEAT--REAR G BODY TRIM CODE A7	Fig. ITG-2300
SEAT--REAR G BODY TRIM CODE F7	Fig. ITG-2400
SEAT--REAR G BODY TRIM CODE S7-SL	Fig. ITG-2500
BELT--REAR SEAT G BODY	Fig. ITG-2600
SEAT--REAR FOLD DOWN G BODY	Fig. ITG-2700

ILLUSTRATION NOT AVAILABLE AT TIME OF PUBLICATION

COWL PANEL AND SILENCERS G BODY
Figure ITG-100

7236 100 A



ITEM	PART NUMBER	QTY	BODY	MODEL	DESCRIPTION
1	4416 202	1			LINER, Dash
2					SCREW, (8-18x3/4) (Not Serv.)
3	4188 868	1			COVER and SILENCER, Steering Column
4	6032 020				NUT, Push-On
5	6032 020	6			STUD, Collar Special
6					SILENCER, Cowl (Not Serv.)
7					SCREW, (8-18x1 3/4) (Not Serv.)
8					PANEL, Cowl Side Trim
					w/Uni-Belt Manual/Active System
	F174-5 FC5	1			Blue
	F174-5 EE8	1			Cordovan
	F174-5 EK3	1			Almond
	F174-5 CS8	1			Charcoal
					w/Passive Restraint System (Right Only)
	F330 FC5	1			Blue
	F330 FE8	1			Cordovan
	F330 FK3	1			Almond
	F330 FS8	1			Charcoal
9		AR			SCREW, (8-18x1 3/4) (Not Serv.)
10	4248 717	1			FOOTREST, Left Only
11	4410 560	1			BRACKET, Footrest, Lower
12	4410 559	1			BRACKET, Footrest, Upper
13					LOGIC MODULE, (See Group 8)
14	4247 832	1			BRACKET, Cowl Side Trim Attach w/E.F.I.
15	6032 185	6			CAPLUG, Dash Liner

MODEL CODES

E BODY = (J - CARAVELLE)(E - 600)(T - NEW YORKER)

G BODY = (V24 - DAYTONA)

H BODY = (D44 - LANCER)(C44 - LEBARON GTS)

J BODY = (C - LEBARON)

K BODY = (P - RELIANT)(D - ARIES)(C - LEBAROND)/TOWN & COUNTRY)

L BODY = (M - HORIZON/TURISMO)(Z - OMNI/CHARGER)

M BODY = (B - GRAN FURY)(F - FIFTH AVE/NEWPORT)(G - DIPLOMAT)

P BODY = (P - SUNDANCE)(D - SHADOW)

S BODY = (H - VOYAGER)(K - RAM VAN/CARAVAN)

BODY STYLES

12-13 = FWD VAN

21 = 2-DOOR SEDAN

24 = 2-DOOR HATCHBACK

27 = 2-DOOR CONVERTIBLE

41 = 4-DOOR SEDAN

44 = 4-DOOR HATCHBACK

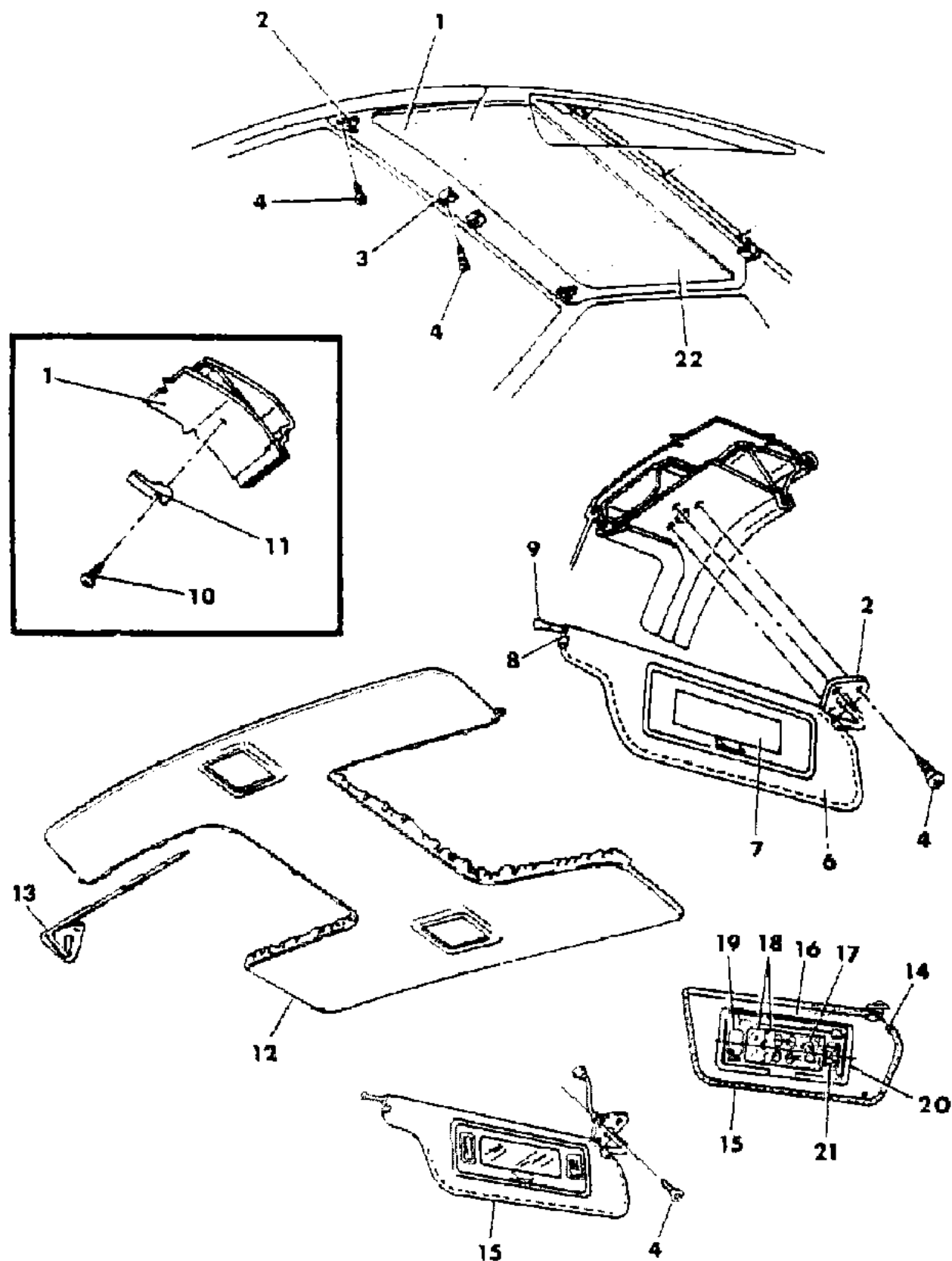
45 = 4-DOOR STATION WAGON

52-53 = FWD WAGON

AR = Use as Required - = Non Illustrated Part P.A.R. = Paint as Required

HEADLINING AND VISOR FRONT G BODY Figure ITG-200

7238 200 A



ITEM	PART NUMBER	QTY	BODY	MODEL	DESCRIPTION
1					HEADLINER
	H908 FC5	1			w/o Sunroof Blue
	H814 EE8	1			Cordovan
	H814 EK1	1			Almond
	H908 FS8	1			Charcoal w/Sunroof
	H810 FC5	1			Blue
	H810 EE8	1			Cordovan
	H810 EK1	1			Almond
	H810 FS8	1			Charcoal w/Over Head Console
	H908 FC5	1			Blue
	H814 EE8	1			Cordovan
	H814 EK1	1			Almond
	H908 FS8	1			Charcoal
2	4247 868-9	1			ARM and BRACKET, Visor (w/o T/Bar)
3					CLIP, Visor Retainer
	H335 EC5	2			Blue
	H335 EE8	2			Cordovan
	H335 EK1	2			Almond
	H335 FS8	2			Charcoal
4	6032 584	6			SCREW
6					VISOR, Less Arm and Bracket w/Mirror Right
	H778 FC5	1			Blue
	H778 FE8	1			Cordovan
	H778 FK1	1			Almond
	H778 FS8	1			Charcoal
					w/o Mirror Left
	H779 FC5	1			Blue
	H779 FE8	1			Cordovan
	H779 FK1	1			Almond
	H779 FS8	1			Charcoal
7					MIRROR, non/Illuminated (Right Only)
	H322 EC5	1			Blue
	H322 EE8	1			Cordovan
	H322 EK1	1			Almond

MODEL CODES

E BODY = (J - CARAVELLE)(E - 600)(T - NEW YORKER)

G BODY = (V24 - DAYTONA)

H BODY = (D44 - LANCER)(C44 - LEBARON GTS)

J BODY = (C - LEBARON)

K BODY = (P - RELIANT)(D - ARIES)(C - LEBAROND)/TOWN & COUNTRY)

L BODY = (M - HORIZON/TURISMO)(Z - OMNI/CHARGER)

M BODY = (B - GRAN FURY)(F - FIFTH AVE/NEWPORT)(G - DIPLOMAT)

P BODY = (P - SUNDANCE)(D - SHADOW)

S BODY = (H - VOYAGER)(K - RAM VAN/CARAVAN)

BODY STYLES

12-13 = FWD VAN

21 = 2-DOOR SEDAN

24 = 2-DOOR HATCHBACK

27 = 2-DOOR CONVERTIBLE

41 = 4-DOOR SEDAN

44 = 4-DOOR HATCHBACK

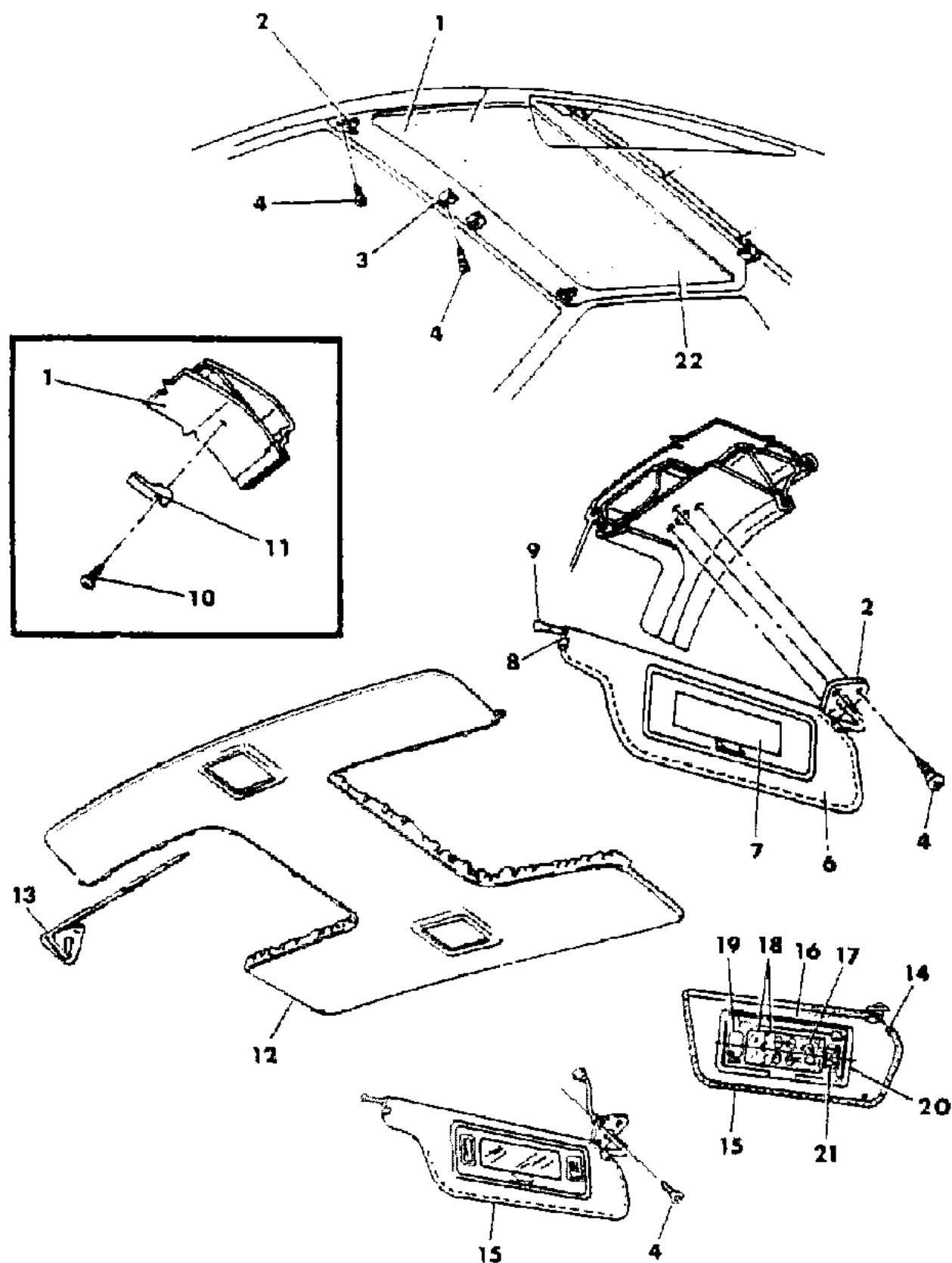
45 = 4-DOOR STATION WAGON

52-53 = FWD WAGON

AR = Use as Required - = Non Illustrated Part P.A.R. = Paint as Required

HEADLINING AND VISOR FRONT G BODY Figure ITG-200

7238 200 A



ITEM	PART NUMBER	QTY	BODY	MODEL	DESCRIPTION
	H322 DS8	1			Charcoal
8	4356 395	2			SUPPORT, Visor Inner
9					TIP, Visor Support
	H315 EC5	2			Blue
	H315 EE8	2			Cordovan
	H315 EK1	2			Almond
	H315 FS8	2			Charcoal
10					SCREW, (8-18x1) (Not Serv.)
11	3685 992	2			HOOK, Coat
12					HEADLINER, w/T-Bar Roof
	4397 184	1			Blue
	4397 142	1			Cordovan
	4397 143	1			Almond
	4397 185	1			Charcoal
13	4397 012-3	1			ARM and BRACKET, Visor w/T-Bar Roof
14	4248 427	4			CLIP
15					VISOR, w/Illuminated Mirror (Right)
	H616 FC5	1			Blue
	H574 FE8	1			Cordovan
	H616 FK1	1			Almond
	H574 FS8	1			Charcoal
					w/Mirror Left
	H575 FC5	1			Blue
	H617 FE8	1			Cordovan
	H617 FK1	1			Almond
	H617 FS8	1			Charcoal
					Sub Assembly Illuminated Mirror
					Right
	H764 FC5	1			Blue
	H764 FE8	1			Cordovan
	H764 FK1	1			Almond
	H764 FS8	1			Charcoal
					Left
	H765 FC5	1			Blue
	H765 FE8	1			Cordovan
	H765 FK1	1			Almond
	H765 FS8	1			Charcoal
					w/T Bar Roof

MODEL CODES

E BODY = (J - CARAVELLE)(E - 600)(T - NEW YORKER)

G BODY = (V24 - DAYTONA)

H BODY = (D44 - LANCER)(C44 - LEBARON GTS)

J BODY = (C - LEBARON)

K BODY = (P - RELIANT)(D - ARIES)(C - LEBAROND)/TOWN & COUNTRY)

L BODY = (M - HORIZON/TURISMO)(Z - OMNI/CHARGER)

M BODY = (B - GRAN FURY)(F - FIFTH AVE/NEWPORT)(G - DIPLOMAT)

P BODY = (P - SUNDANCE)(D - SHADOW)

S BODY = (H - VOYAGER)(K - RAM VAN/CARAVAN)

BODY STYLES

12-13 = FWD VAN

21 = 2-DOOR SEDAN

24 = 2-DOOR HATCHBACK

27 = 2-DOOR CONVERTIBLE

41 = 4-DOOR SEDAN

44 = 4-DOOR HATCHBACK

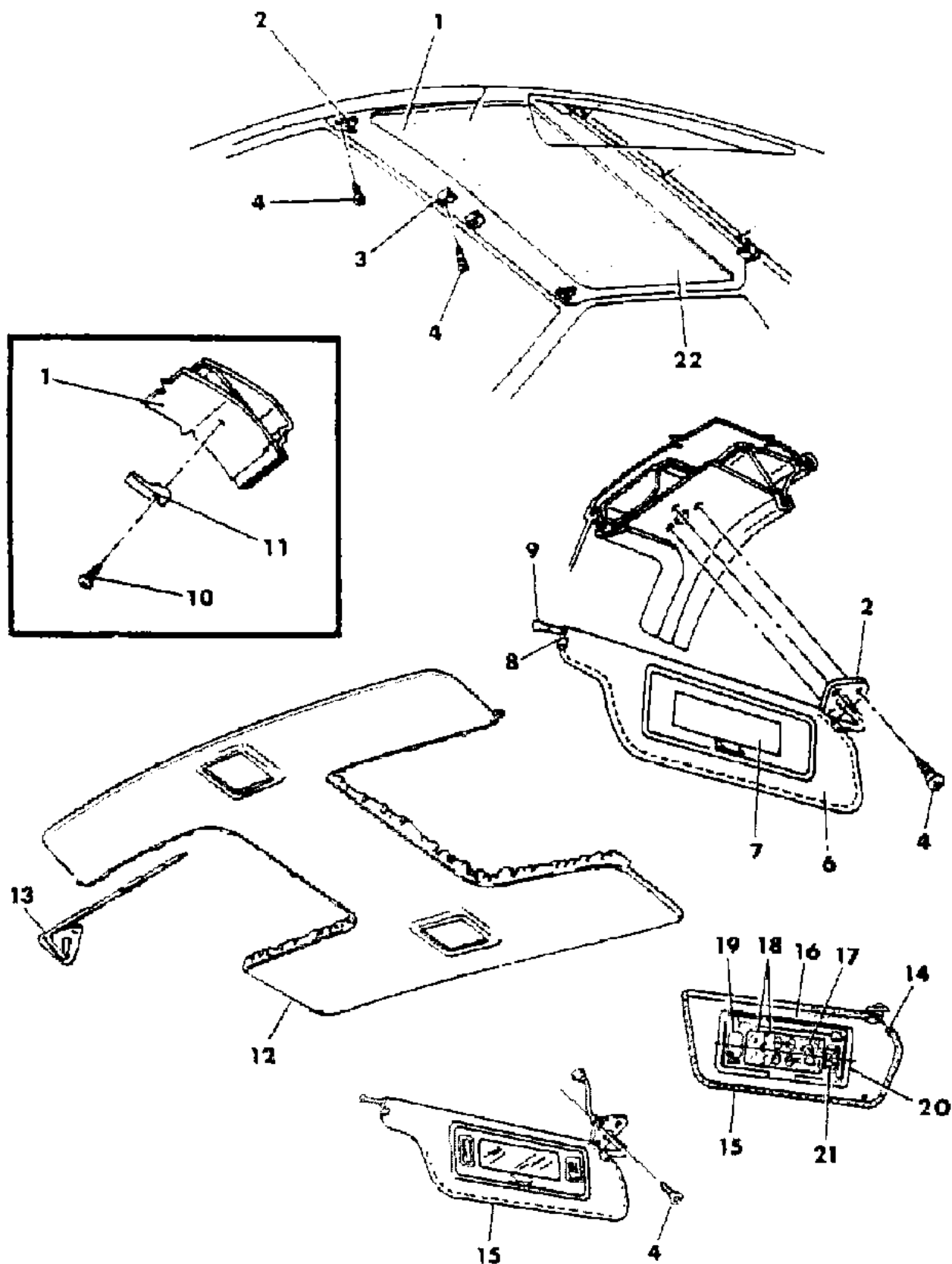
45 = 4-DOOR STATION WAGON

52-53 = FWD WAGON

AR = Use as Required - = Non Illustrated Part P.A.R. = Paint as Required

HEADLINING AND VISOR FRONT G BODY Figure ITG-200

7238 200 A



ITEM	PART NUMBER	QTY	BODY	MODEL	DESCRIPTION
	4467 502-3				Blue
	4467 504-5	1			Cordovan
	4467 506-7	1			Almond
	4467 508-9	1			Charcoal
16					VANITY, Illuminated Mirror
	H640 FC5	1			Blue
	H640 FE8	1			Cordovan
	H640 FK1	1			Almond
	H640 FS8	1			Charcoal
17	3832 873				COMPONENT BOARD, Lighted Mirror
18	4077 693	1			MIRROR and BACK
19	4410 693	2			LENS
20	4166 976	2			HINGE, Spring
21	9421 330	4			BULB
22	4342 496	2			SILENCER, Roof

MODEL CODES

E BODY = (J - CARAVELLE)(E - 600)(T - NEW YORKER)

G BODY = (V24 - DAYTONA)

H BODY = (D44 - LANCER)(C44 - LEBARON GTS)

J BODY = (C - LEBARON)

K BODY = (P - RELIANT)(D - ARIES)(C - LEBAROND)/TOWN & COUNTRY)

L BODY = (M - HORIZON/TURISMO)(Z - OMNI/CHARGER)

M BODY = (B - GRAN FURY)(F - FIFTH AVE/NEWPORT)(G - DIPLOMAT)

P BODY = (P - SUNDANCE)(D - SHADOW)

S BODY = (H - VOYAGER)(K - RAM VAN/CARAVAN)

BODY STYLES

12-13 = FWD VAN

21 = 2-DOOR SEDAN

24 = 2-DOOR HATCHBACK

27 = 2-DOOR CONVERTIBLE

41 = 4-DOOR SEDAN

44 = 4-DOOR HATCHBACK

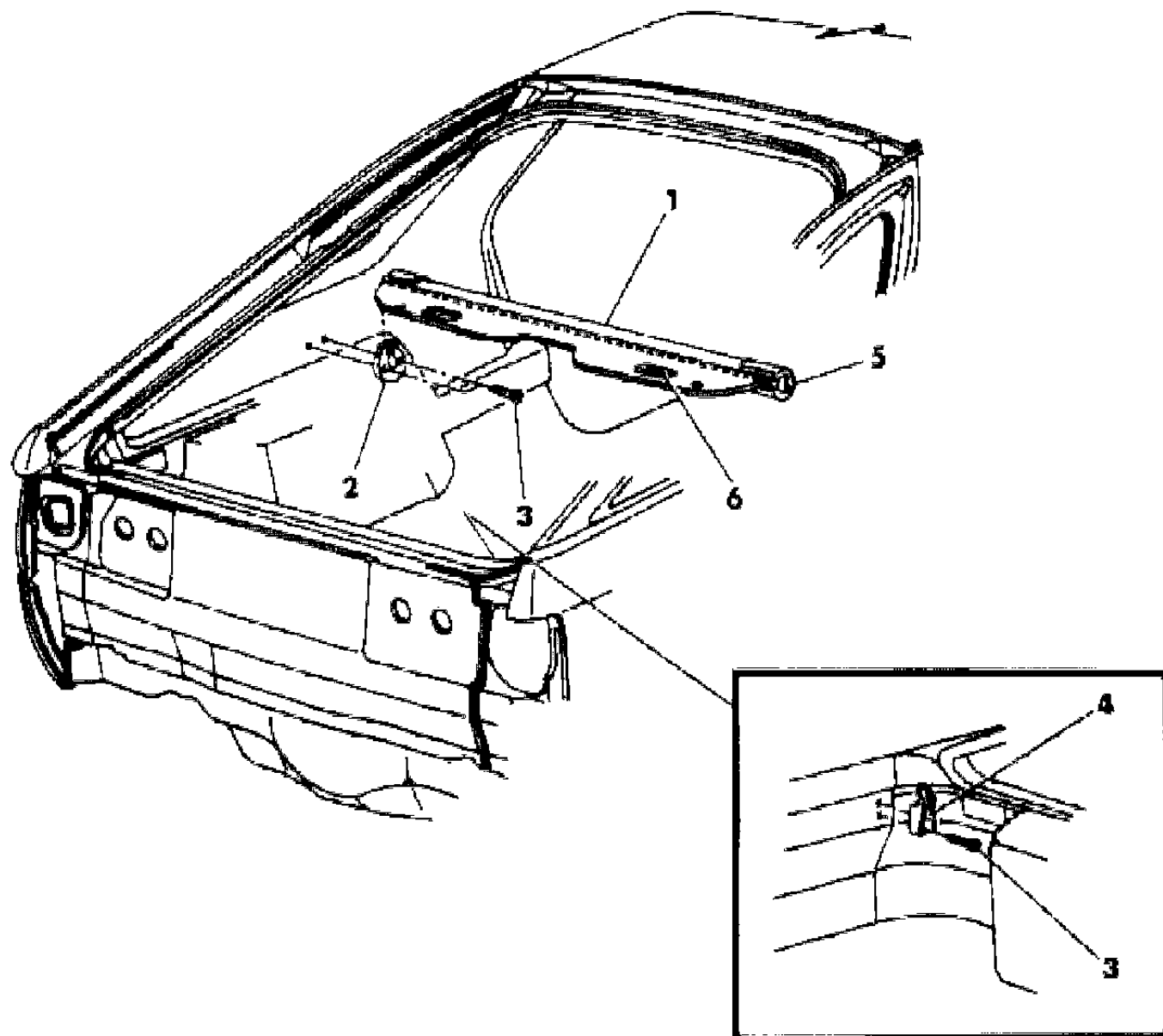
45 = 4-DOOR STATION WAGON

52-53 = FWD WAGON

AR = Use as Required - = Non Illustrated Part P.A.R. = Paint as Required

TONNEAU COVER G BODY
Figure ITG-300

7238 300



ITEM	PART NUMBER	QTY	BODY	MODEL	DESCRIPTION
1					COVER, Rear Compartment
	4397 961	1			Blue
	4271 093	1			Cordovan
	4271 094	1			Almond
	4271 078	1			Charcoal
2					SUPPORT, Rear Compartment
	H482 FC5	2			Blue
	H482 EE8	2			Cordovan
	H482 EK1	2			Almond
	H482 FS8	2			Charcoal
3					SCREW, (8-1x1 1/4) (Not Serv.)
4					HOOK, Rear Compartment
	H464 FC5	2			Blue
	H464 EE8	2			Cordovan
	H464 EK1	2			Almond
	H464 CS8	2			Charcoal
5					END CAP PACKAGE
6					GROMMET, Tonneau Cover
	H544 FC5	2			Blue
	H544 EE8	2			Cordovan
	H544 EK1	2			Almond
	H544 DS8	2			Charcoal

MODEL CODES

E BODY = (J - CARAVELLE)(E - 600)(T - NEW YORKER)

G BODY = (V24 - DAYTONA)

H BODY = (D44 - LANCER)(C44 - LEBARON GTS)

J BODY = (C - LEBARON)

K BODY = (P - RELIANT)(D - ARIES)(C - LEBAROND)/TOWN & COUNTRY)

L BODY = (M - HORIZON/TURISMO)(Z - OMNI/CHARGER)

M BODY = (B - GRAN FURY)(F - FIFTH AVE/NEWPORT)(G - DIPLOMAT)

P BODY = (P - SUNDANCE)(D - SHADOW)

S BODY = (H - VOYAGER)(K - RAM VAN/CARAVAN)

BODY STYLES

12-13 = FWD VAN

21 = 2-DOOR SEDAN

24 = 2-DOOR HATCHBACK

27 = 2-DOOR CONVERTIBLE

41 = 4-DOOR SEDAN

44 = 4-DOOR HATCHBACK

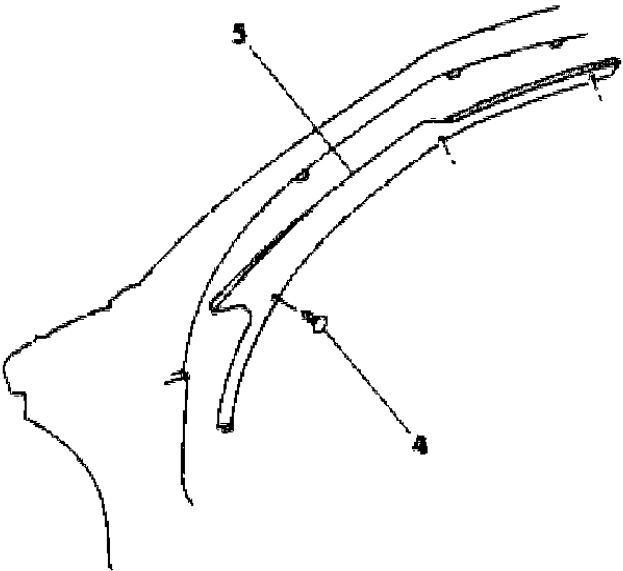
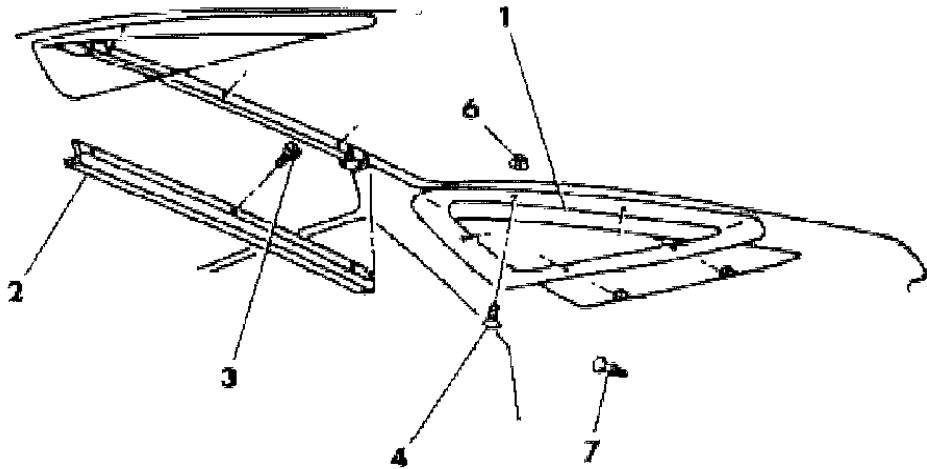
45 = 4-DOOR STATION WAGON

52-53 = FWD WAGON

AR = Use as Required - = Non Illustrated Part P.A.R. = Paint as Required

MOULDING--GARNISH G BODY
Figure ITG-400

7238 400 A



ITEM	PART NUMBER	QTY	BODY	MODEL	DESCRIPTION
1	H132-3 EK1	1			MOULDING, Quarter Window Garnish (P.A.R.)
2	F282 EK1	1			MOULDING, Rear Header (P.A.R.)
3					SCREW, (8-18x5/8) (Not Serv.)
4					PLUG, Garnish Attaching
	H448 FC5	AR			Blue
	H448 EE8	AR			Cordovan
	H448 EK1	AR			Almond
	H448 CS8	AR			Charcoal
5					MOULDING, Windshield Side Garnish
	H194-5 FC5	1			Blue
	H194-5 FE8	1			Cordovan
	H194-5 FK1	1			Almond
	H194-5 FS8	1			Charcoal
6	6032 827	4			NUT, Quarter Garnish Moulding Attach.
7					FASTENER, Garnish Attach.
	F155 EC5	AR			Blue
	F155 EE8	AR			Cordovan
	F155 EK1	AR			Almond
	F155 CS8	AR			Charcoal
NOTE: (P.A.R. = Paint as Required)					

MODEL CODES
 E BODY = (J - CARAVELLE)(E - 600)(T - NEW YORKER)
 G BODY = (V24 - DAYTONA)
 H BODY = (D44 - LANCER)(C44 - LEBARON GTS)
 J BODY = (C - LEBARON)
 K BODY = (P - RELIANT)(D - ARIES)(C - LEBAROND)/TOWN & COUNTRY
 L BODY = (M - HORIZON/TURISMO)(Z - OMNI/CHARGER)
 M BODY = (B - GRAN FURY)(F - FIFTH AVE/NEWPORT)(G - DIPLOMAT)
 P BODY = (P - SUNDANCE)(D - SHADOW)
 S BODY = (H - VOYAGER)(K - RAM VAN/CARAVAN)

BODY STYLES
 12-13 = FWD VAN
 21 = 2-DOOR SEDAN
 24 = 2-DOOR HATCHBACK
 27 = 2-DOOR CONVERTIBLE
 41 = 4-DOOR SEDAN
 44 = 4-DOOR HATCHBACK
 45 = 4-DOOR STATION WAGON
 52-53 = FWD WAGON

AR = Use as Required - = Non Illustrated Part P.A.R. = Paint as Required

PANEL--QUARTER TRIM & LOWER DECK OPENING G BODY
Figure ITG-500

7238 500 A

ITEM	PART NUMBER	QTY	BODY	MODEL	DESCRIPTION
1					PANEL, Qtr. Upper Trim (P.A.R.)
	K710 EK1	1			w/Uni-Belt Manual/Active System
	K590 FK1	1			w/Passive Restraint System (P.A.R.)
2					SCREW, Panel Attach. (8-18x1/2) (Not Serv.)
3	3685 992	2			HOOK, Coat
4					SCREW, (Not Serv.) (8-18x1 1/4)
5					PLATE, Door Sill Scuff (See Scuff Plate Illus.)
6					PANEL, Qtr. Lwr. Trim w/o Carpet (P.A.R.)
	K530-1 GL7	1			w/Carpet
	K532-3 FC5	1			Blue
	K532-3 EE8	1			Cordovan
	K532-3 EK3	1			Almond
	K532-3 DS8	1			Charcoal
7					SCREW, (Not Serv.) (8-18x5/8) (Not Serv.)
8	F245 CA3	AR			PLUG, Trim (P.A.R.)
9	H478 GL7	1			PANEL, Liftgate Opening Lower Trim, w/o Carpet (P.A.R.)
					w/Carpet
	H479 FC5				Blue
	H479 FE8	1			Cordovan
	H479 FK3	1			Almond
	H479 FS8	1			Charcoal
10					FASTENER
	F155 EC5	AR			Blue
	F155 EE8	AR			Cordovan
	F155 EK3	AR			Almond
	F155 CS8	AR			Charcoal
11	F416-7 CS8	1			COVER, Seat Latch (P.A.R.)
12	6031 803	2			J-NUT
13	4186 901	AR			SILENCER, Wheelhouse
14	3591 126	1			BRACKET, Cargo Lamp Painted
15					GRILLE, Rear Speakers
	H668-9 FC5	1			Blue
	H668-9 FE8	1			Cordovan
	H668-9 FK1	1			Almond
	H668-9 FS8	1			Charcoal
16	4247 885	2			BRACKET, Liftgate Lower Trim Panel Attach.
17		AR			SCREW, (8-18x5/8) (Not Serv.)

MODEL CODES

E BODY = (J - CARAVELLE)(E - 600)(T - NEW YORKER)

G BODY = (V24 - DAYTONA)

H BODY = (D44 - LANCER)(C44 - LEBARON GTS)

J BODY = (C - LEBARON)

K BODY = (P - RELIANT)(D - ARIES)(C - LEBAROND)/TOWN & COUNTRY)

L BODY = (M - HORIZON/TURISMO)(Z - OMNI/CHARGER)

M BODY = (B - GRAN FURY)(F - FIFTH AVE/NEWPORT)(G - DIPLOMAT)

P BODY = (P - SUNDANCE)(D - SHADOW)

S BODY = (H - VOYAGER)(K - RAM VAN/CARAVAN)

BODY STYLES

12-13 = FWD VAN

21 = 2-DOOR SEDAN

24 = 2-DOOR HATCHBACK

27 = 2-DOOR CONVERTIBLE

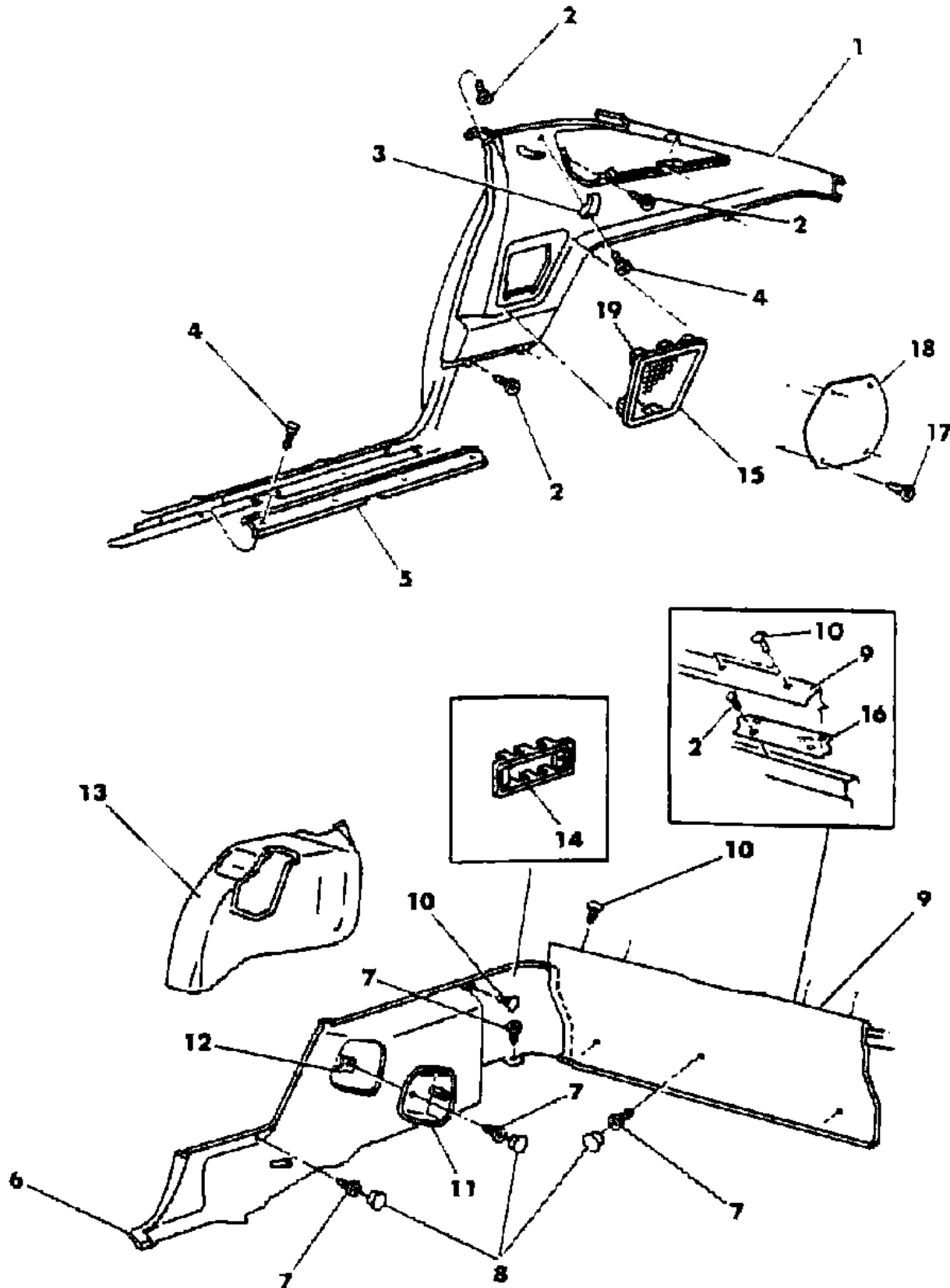
41 = 4-DOOR SEDAN

44 = 4-DOOR HATCHBACK

45 = 4-DOOR STATION WAGON

52-53 = FWD WAGON

AR = Use as Required - = Non Illustrated Part P.A.R. = Paint as Required



PANEL--LIFTGATE TRIM AND VISOR G BODY
Figure ITG-600

7238 600 B

ITEM	PART NUMBER	QTY	BODY	MODEL	DESCRIPTION
1	H312 EK1	1			PANEL, Liftgate Upper Trim w/Rear Visor (P.A.R.)
	H311 EK1	1			w/o Rear Visor, (P.A.R.)
2					SCREW, (8-18x3/4) (Not Serv.)
3	F245 CA3	5			PLUG, Trim (P.A.R.)
4	4309 082-3	2			PANEL, Liftgate Side Trim (P.A.R.)
5	4247 729	6			RETAINER, Side Trim Attach
6					PANEL, Liftgate Lower w/Seal (P.A.R.)
	H175 EK1	1			w/Rear Wiper
	H180 EK1	1			w/o Rear Wipers
7	4114 785	3			CLIP, Lower Trim Panel w/Rear Wipers
7A					FASTENER, w/o Rear Wiper
	F155 EC5	4			Blue
	F155 EE8	4			Cordovan
	F155 EK3	4			Almond
	F155 CS8	4			Charcoal
8					VISOR, Rear (Vinyl)
	H704-5 FC5	1			Blue
	H704-5 EE8	1			Cordovan
	H704-5 EK1	1			Almond
	H704-5 FS8	1			Charcoal
9	4248 427	4			CLIP, Visor Panel End
10					SCREW, (8-15x13/32) (Not Serv.)
11					SCREW, (8-15x1) (Not Serv.)
12	4247 724	2			BRACKET, Visor Mounting

NOTE: (P.A.R.)= Paint As Required

MODEL CODES

E BODY = (J - CARAVELLE)(E - 600)(T - NEW YORKER)

G BODY = (V24 - DAYTONA)

H BODY = (D44 - LANCER)(C44 - LEBARON GTS)

J BODY = (C - LEBARON)

K BODY = (P - RELIANT)(D - ARIES)(C - LEBAROND)/TOWN & COUNTRY)

L BODY = (M - HORIZON/TURISMO)(Z - OMNI/CHARGER)

M BODY = (B - GRAN FURY)(F - FIFTH AVE/NEWPORT)(G - DIPLOMAT)

P BODY = (P - SUNDANCE)(D - SHADOW)

S BODY = (H - VOYAGER)(K - RAM VAN/CARAVAN)

BODY STYLES

12-13 = FWD VAN

41 = 4-DOOR SEDAN

21 = 2-DOOR SEDAN

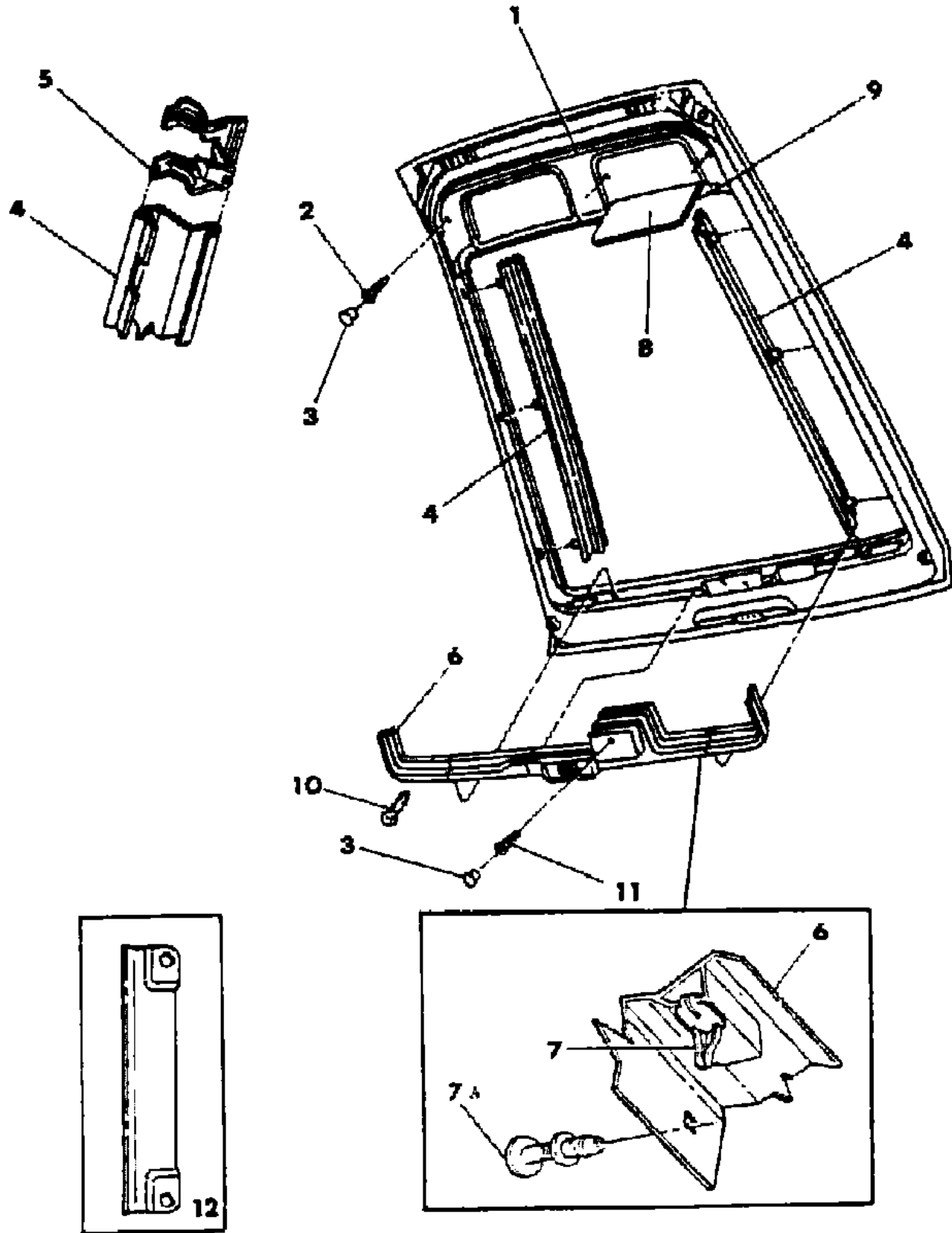
44 = 4-DOOR HATCHBACK

24 = 2-DOOR HATCHBACK

45 = 4-DOOR STATION WAGON

27 = 2-DOOR CONVERTIBLE

52-53 = FWD WAGON



AR = Use as Required - = Non Illustrated Part P.A.R. = Paint as Required

CARPET AND SILENCERS G BODY
Figure ITG-700

7238 700A

ITEM	PART NUMBER	QTY	BODY	MODEL	DESCRIPTION
1	M698 GC5	1			CARPET, Floor Blue
	M634 FE8	1			Cordovan
	M634 FK3	1			Almond
	M698 GS8	1			Charcoal
2	4186 901	AR			SILENCER, Floor (36"x72" Cut To Fit)
3	4186 901	AR			SILENCER, Under Rear Seat (36"x72" Cut To Fit)
4	4248 818	4			FOOT, Tie Down Anchor
5					SCREW, (8-18x3/4) (Not Serv.)
6	M628 FC5	1			CARPET, Cargo Area w/o Slits Blue
	M628 EE8	1			Cordovan
	M628 EK3	1			Almond
	M628 CS8	1			Charcoal
7	H349 CX9	2			STRAP, Tie Down, Black
8	H608 CX7	1			BAG, Sunroof Storage
9	4397 109	1			STRAP, T-Bar Roof Hatch Storage
10	4397 108	1			BAG, T-Bar Roof Hatch Storage
11	3762 862	AR			SILENCER, Cargo Compartment (36"x72" Cut To Fit)
12					CARPETED FLOOR MATS, Set Of Two FRONT
	M048 FC5	1			Blue
	M048 FE8	1			Cordovan
	M048 FK3	1			Almond
	M048 FS8	1			Charcoal
					REAR
	M049 FC5	1			Blue
	M049 FE8	1			Cordovan
	M049 FK3	1			Almond
	M049 FS8	1			Charcoal

MODEL CODES

E BODY = (J - CARAVELLE)(E - 600)(T - NEW YORKER)

G BODY = (V24 - DAYTONA)

H BODY = (D44 - LANCER)(C44 - LEBARON GTS)

J BODY = (C - LEBARON)

K BODY = (P - RELIANT)(D - ARIES)(C - LEBAROND)/TOWN & COUNTRY)

L BODY = (M - HORIZON/TURISMO)(Z - OMNI/CHARGER)

M BODY = (B - GRAN FURY)(F - FIFTH AVE/NEWPORT)(G - DIPLOMAT)

P BODY = (P - SUNDANCE)(D - SHADOW)

S BODY = (H - VOYAGER)(K - RAM VAN/CARAVAN)

BODY STYLES

12-13 = FWD VAN

21 = 2-DOOR SEDAN

24 = 2-DOOR HATCHBACK

27 = 2-DOOR CONVERTIBLE

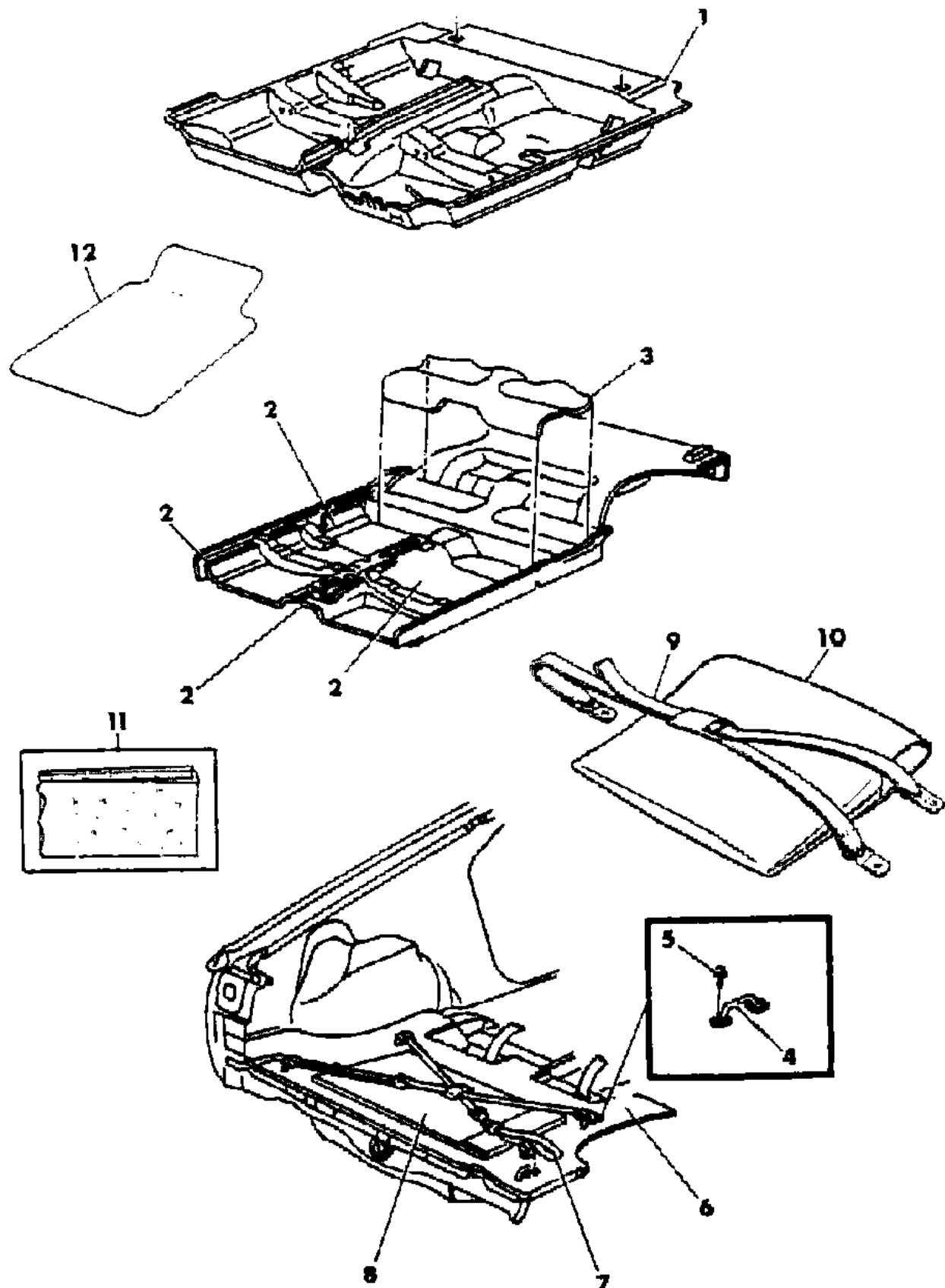
41 = 4-DOOR SEDAN

44 = 4-DOOR HATCHBACK

45 = 4-DOOR STATION WAGON

52-53 = FWD WAGON

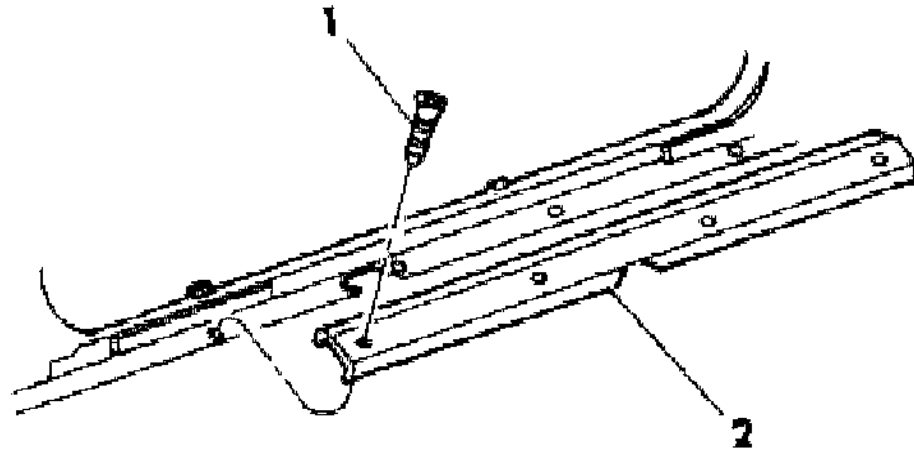
AR = Use as Required - = Non Illustrated Part P.A.R. = Paint as Required



SCUFF PLATE G BODY
Figure ITG-800

ITEM	PART NUMBER	QTY	BODY	MODEL	DESCRIPTION
1		AR			SCREW, (8-18x1 1/4) (Not Serv.)
2	M910 EK1	2			PLATE, Door Sill Scuff (P.A.R.) NOTE: (P.A.R.) = Paint as Required

7238 800



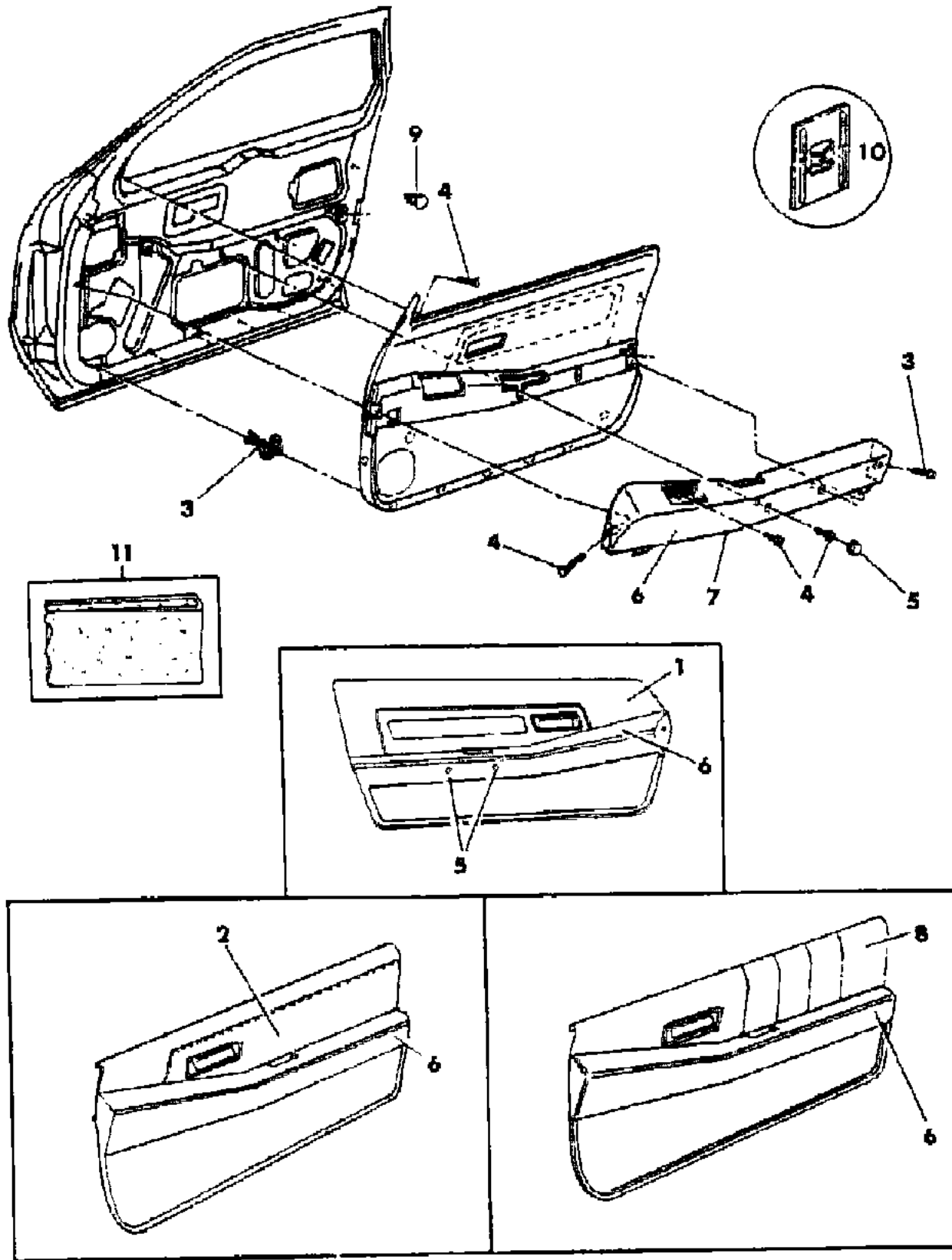
MODEL CODES
E BODY = (J - CARAVELLE)(E - 600)(T - NEW YORKER)
G BODY = (V24 - DAYTONA)
H BODY = (D44 - LANCER)(C44 - LEBARON GTS)
J BODY = (C - LEBARON)
K BODY = (P - RELIANT)(D - ARIES)(C - LEBAROND)/TOWN & COUNTRY
L BODY = (M - HORIZON/TURISMO)(Z - OMNI/CHARGER)
M BODY = (B - GRAN FURY)(F - FIFTH AVE/NEWPORT)(G - DIPLOMAT)
P BODY = (P - SUNDANCE)(D - SHADOW)
S BODY = (H - VOYAGER)(K - RAM VAN/CARAVAN)

BODY STYLES
12-13 = FWD VAN 41 = 4-DOOR SEDAN
21 = 2-DOOR SEDAN 44 = 4-DOOR HATCHBACK
24 = 2-DOOR HATCHBACK 45 = 4-DOOR STATION WAGON
27 = 2-DOOR CONVERTIBLE 52-53 = FWD WAGON

AR = Use as Required - = Non Illustrated Part P.A.R. = Paint as Required

PANEL--DOOR TRIM G BODY
Figure ITG-900

7238 980 A



ITEM	PART NUMBER	QTY	BODY	MODEL	DESCRIPTION
1					PANEL, Door Trim
					Cloth
	J170-1 FC5	1			Blue, (A7C)
	J170-1 FE8	1			Cordovan, (A7E)
	J170-1 FK1	1			Almond, (A7K)
2	J170-1 FS8	1			Charcoal, (A7S)
					PANEL, Door Trim
					Cloth
	J172-3 FC5	1			Blue, (F7C)
	J172-3 FE8	1			Cordovan, (F7E)
3	J172-3 FK1	1			Almond, (F7K)
	J172-3 FS8	1			Charcoal, (F7S)
	4114 785				FASTENER, Door Trim Panel Attach.
		AR			SCREW, (8-18x1 1/4) (Not Serv.)
	4				
D563 FC5		2			Blue
D563 FE8		2			Cordovan
D563 FK1		2			Almond
D446 CS8		2			Charcoal
5					ARMREST, Door
	D242-3 FC5	1			Blue
	D242-3 EE8	1			Cordovan
	D242-3 EK1	1			Almond
6	D242-3 ES8	1			Charcoal
					PLATE, Door Armrest Backing (Serv. in #6)
					PANEL, Door Trim w/Upper Trim Panel
7					Cloth
	J174-5 FCC	1			Blue, (S7C)
	J174-5 FEE	1			Cordovan, (S7E)
	J174-5 FKK	1			Almond, (S7K)
	J174-5 FAS	1			Charcoal, (S7S)
8					Leather
	J176-7 FC5	1			Blue, (SLC)
	J176-7 FE8	1			Cordovan, (SLE)
	J176-7 FK1	1			Almond, (SLK)
	J176-7 FS8	1			Charcoal, (SLS)
9	6016 144	4			FASTENER, Liner Attaching
10	6032 431	AR			FASTENER, Bolster Attach.

MODEL CODES

E BODY = (J - CARAVELLE)(E - 600)(T - NEW YORKER)

G BODY = (V24 - DAYTONA)

H BODY = (D44 - LANCER)(C44 - LEBARON GTS)

J BODY = (C - LEBARON)

K BODY = (P - RELIANT)(D - ARIES)(C - LEBAROND)/TOWN & COUNTRY)

L BODY = (M - HORIZON/TURISMO)(Z - OMNI/CHARGER)

M BODY = (B - GRAN FURY)(F - FIFTH AVE/NEWPORT)(G - DIPLOMAT)

P BODY = (P - SUNDANCE)(D - SHADOW)

S BODY = (H - VOYAGER)(K - RAM VAN/CARAVAN)

BODY STYLES

12-13 = FWD VAN

21 = 2-DOOR SEDAN

24 = 2-DOOR HATCHBACK

27 = 2-DOOR CONVERTIBLE

41 = 4-DOOR SEDAN

44 = 4-DOOR HATCHBACK

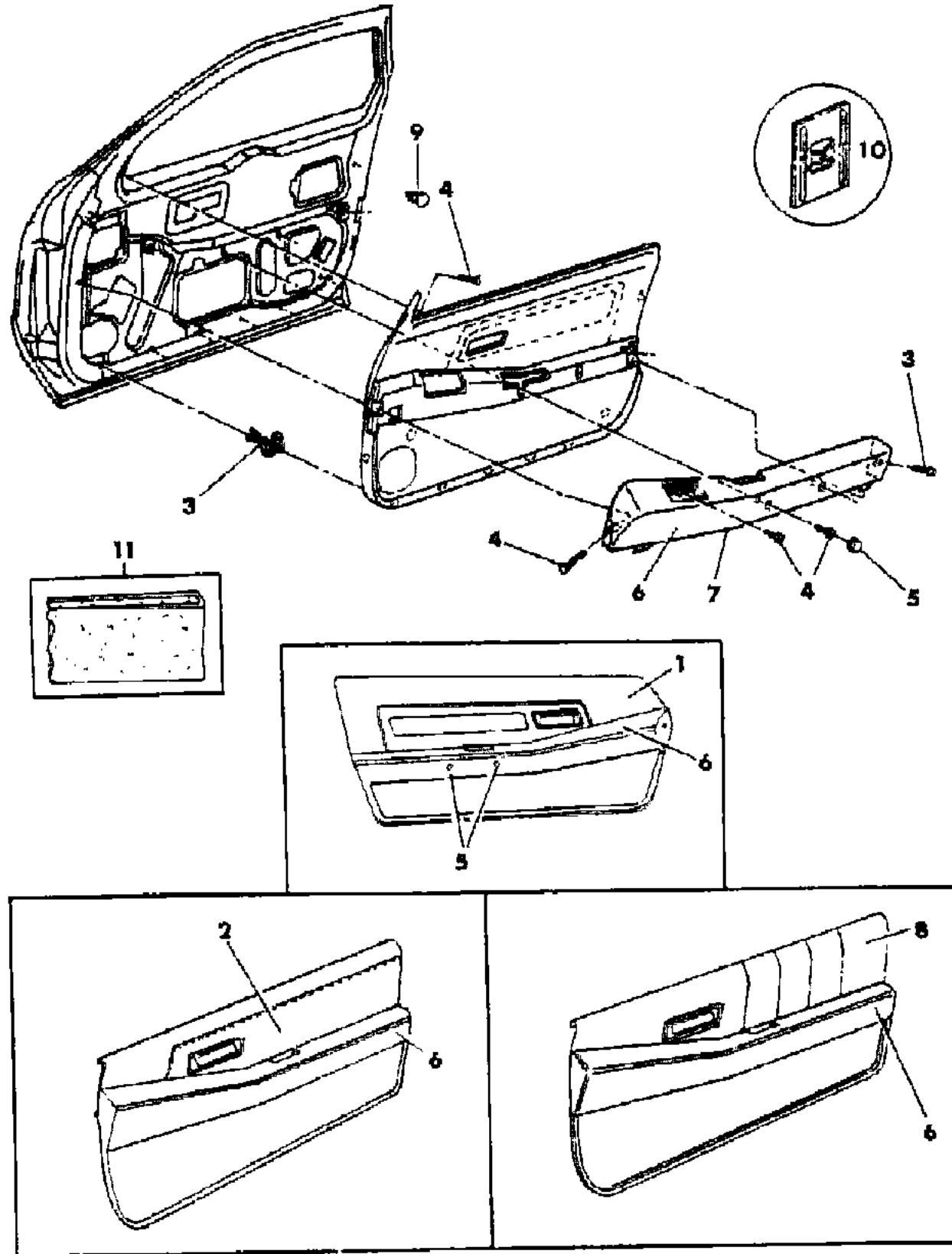
45 = 4-DOOR STATION WAGON

52-53 = FWD WAGON

AR = Use as Required - = Non Illustrated Part P.A.R. = Paint as Required

PANEL--DOOR TRIM G BODY
Figure ITG-900

7238 980 A



ITEM	PART NUMBER	QTY	BODY	MODEL	DESCRIPTION
------	-------------	-----	------	-------	-------------

11	4049 602	AR			SILENCER, (36"x36" Cut To Fit)
----	----------	----	--	--	--------------------------------

MODEL CODES

E BODY = (J - CARAVELLE)(E - 600)(T - NEW YORKER)

G BODY = (V24 - DAYTONA)

H BODY = (D44 - LANCER)(C44 - LEBARON GTS)

J BODY = (C - LEBARON)

K BODY = (P - RELIANT)(D - ARIES)(C - LEBAROND)/TOWN & COUNTRY)

L BODY = (M - HORIZON/TURISMO)(Z - OMNI/CHARGER)

M BODY = (B - GRAN FURY)(F - FIFTH AVE/NEWPORT)(G - DIPLOMAT)

P BODY = (P - SUNDANCE)(D - SHADOW)

S BODY = (H - VOYAGER)(K - RAM VAN/CARAVAN)

BODY STYLES

12-13 = FWD VAN

21 = 2-DOOR SEDAN

24 = 2-DOOR HATCHBACK

27 = 2-DOOR CONVERTIBLE

41 = 4-DOOR SEDAN

44 = 4-DOOR HATCHBACK

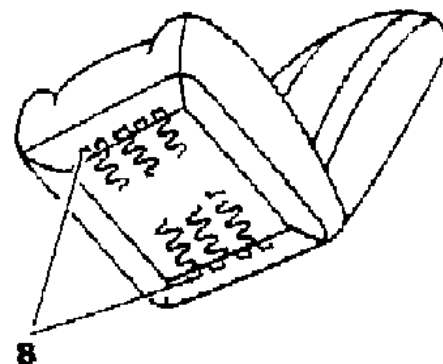
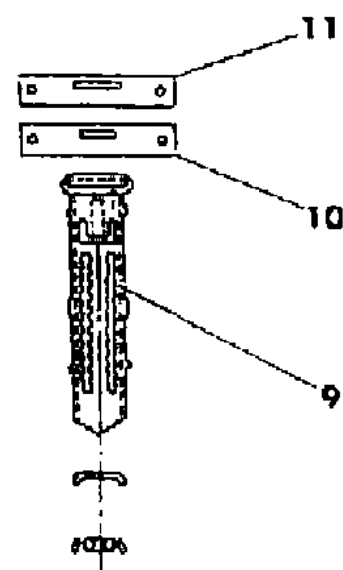
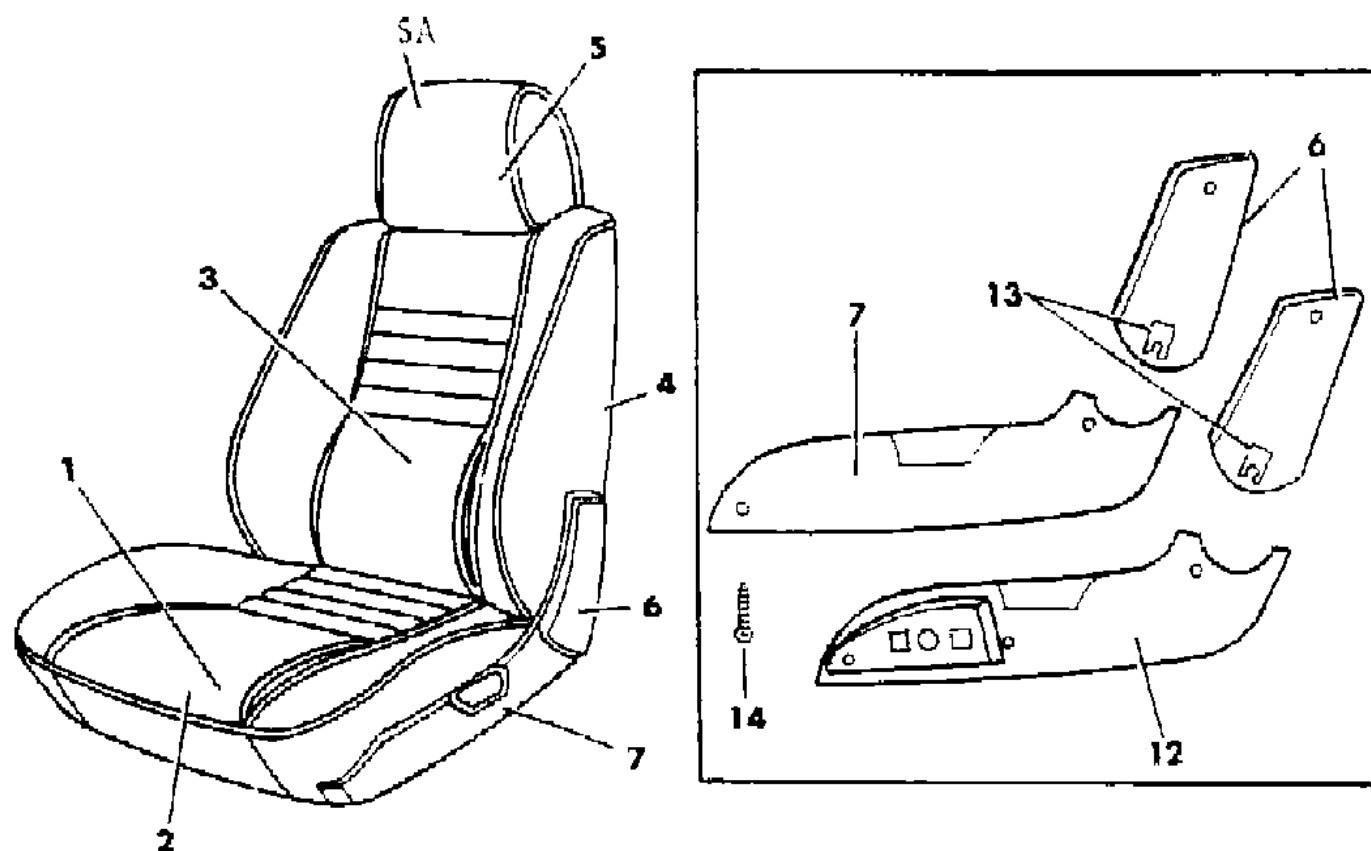
45 = 4-DOOR STATION WAGON

52-53 = FWD WAGON

AR = Use as Required - = Non Illustrated Part P.A.R. = Paint as Required

SEAT--FRONT G BODY TRIM CODE A7
Figure ITG-1000

7238 1000 A



ITEM	PART NUMBER	QTY	BODY	MODEL	DESCRIPTION
1-2					CUSHION, w/Spring/Frame, Pad and Cover
					MANUAL
					Cloth
	B792-3 F7C	1			Blue
	B792-3 F7E	1			Cordovan
	B792-3 F7K	1			Almond
	B792-3 F7S	1			Charcoal
2					COVER, Cushion
					CLOTH
	N482-3 F7C	1			Blue
	N482-3 F7E	1			Cordovan
	N482-3 F7K	1			Almond
	N482-3 F7S	1			Charcoal
3					BACK, w/Spring/Frame, Pad and Cover
					CLOTH
	B790-1 F7C	1			Blue
	B790-1 F7E	1			Cordovan
	B790-1 F7K	1			Almond
	B790-1 F7S	1			Charcoal
4					COVER, Back
					CLOTH
	N484-5 F7C	1			Blue
	N484-5 F7E	1			Cordovan
	N484-5 F7K	1			Almond
	N484-5 F7S	1			Charcoal
5					HEADREST and COVER
					CLOTH
	B794 FC5	2			Blue
	B794 FE8	2			Cordovan
	B794 FK1	2			Almond
	B794 FS8	2			Charcoal
5A					COVER, Headrest
					CLOTH
	B429 FC5	2			Blue
	B429 FE8	2			Cordovan
	B429 FK1	2			Almond
	B429 FS8	2			Charcoal
6					SHIELD, Back (P,A.R.)

MODEL CODES

E BODY = (J - CARAVELLE)(E - 600)(T - NEW YORKER)

G BODY = (V24 - DAYTONA)

H BODY = (D44 - LANCER)(C44 - LEBARON GTS)

J BODY = (C - LEBARON)

K BODY = (P - RELIANT)(D - ARIES)(C - LEBAROND)/TOWN & COUNTRY)

L BODY = (M - HORIZON/TURISMO)(Z - OMNI/CHARGER)

M BODY = (B - GRAN FURY)(F - FIFTH AVE/NEWPORT)(G - DIPLOMAT)

P BODY = (P - SUNDANCE)(D - SHADOW)

S BODY = (H - VOYAGER)(K - RAM VAN/CARAVAN)

BODY STYLES

12-13 = FWD VAN

21 = 2-DOOR SEDAN

24 = 2-DOOR HATCHBACK

27 = 2-DOOR CONVERTIBLE

41 = 4-DOOR SEDAN

44 = 4-DOOR HATCHBACK

45 = 4-DOOR STATION WAGON

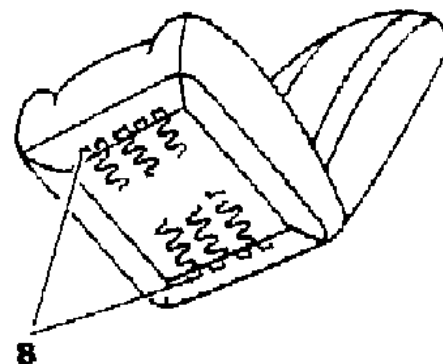
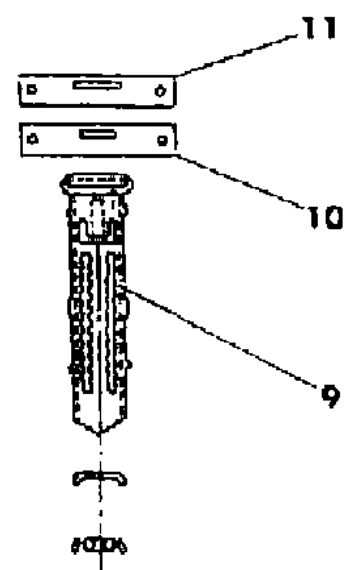
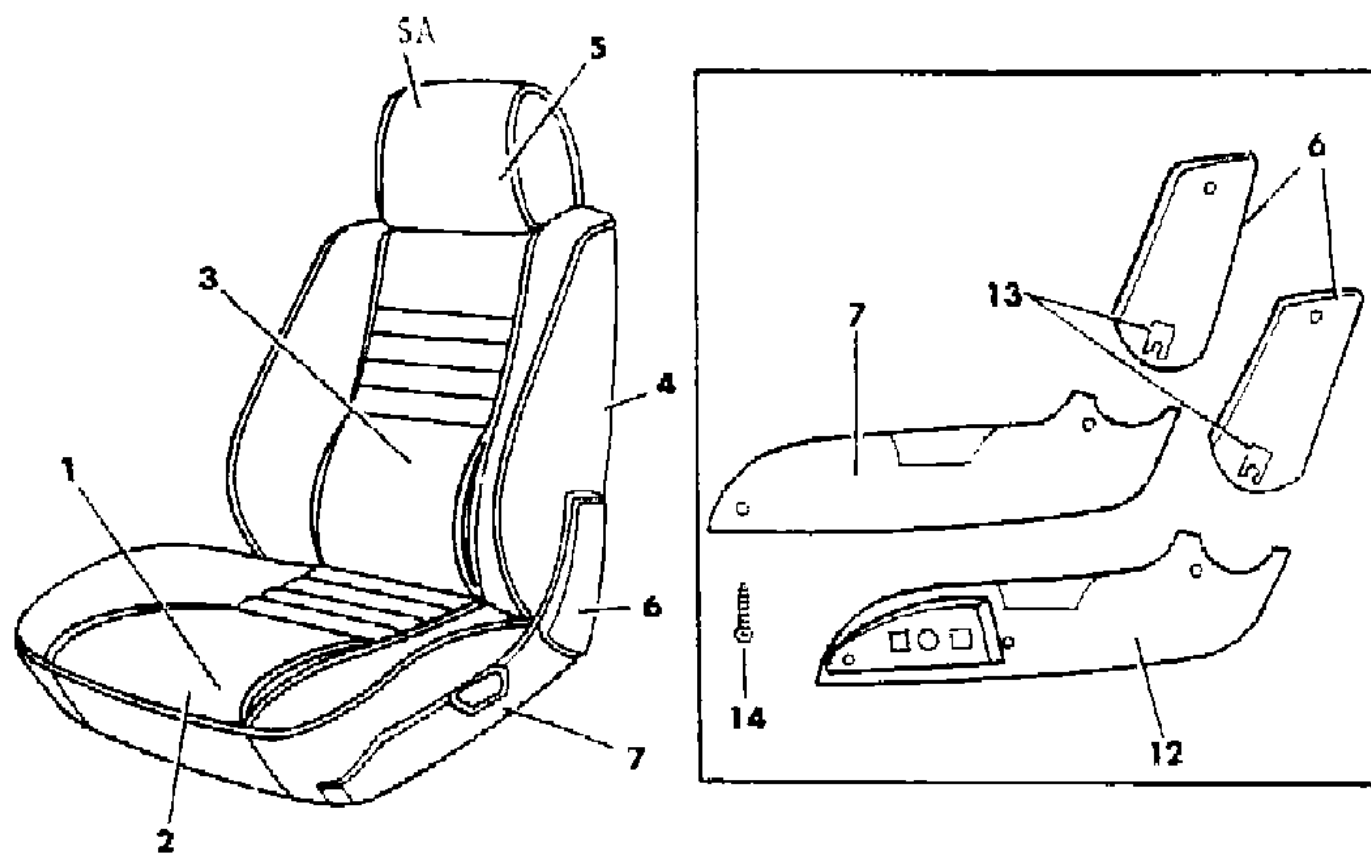
52-53 = FWD WAGON

AR = Use as Required - = Non Illustrated Part P.A.R. = Paint as Required

SEAT--FRONT G BODY TRIM CODE A7

Figure ITG-1000

7238 1000 A



ITEM	PART NUMBER	QTY	BODY	MODEL	DESCRIPTION
					OUTER
	S960 DW1	1			Passenger Seat
	S961 DW1	1			Driver Seat
					INNER
	S961 DW1	1			Passenger Seat
	S960 DW1	1			Driver Seat
7					SHIELD, Cushion (P.A.R.)
					OUTER
	S262 FK1	1			Passenger Seat
	S263 FK1	1			Driver Seat
					INNER
	S263 FK1	1			Passenger Seat
	S262 FK1	1			Driver Seat
8	6008 076	AR			HOG RING
9					SLEEVE, Headrest
	S786 EC5	2			Blue
	S786 EE8	2			Cordovan
	S786 EK1	2			Almond
	S786 CS8	2			Charcoal
10	4190 387	2			SUPPORT, Headrest
11	4190 388	2			COVER, Headrest Finish
12	S265 FK1	1			SHIELD, Electric (P.A.R.)
13	4317 800	AR			CLIP
14		AR			SCREW, Side Shield Attaching (8-18x1.75) (Not Serv.)

NOTE: (P.A.R.) = Paint As Required

MODEL CODES

E BODY = (J - CARAVELLE)(E - 600)(T - NEW YORKER)

G BODY = (V24 - DAYTONA)

H BODY = (D44 - LANCER)(C44 - LEBARON GTS)

J BODY = (C - LEBARON)

K BODY = (P - RELIANT)(D - ARIES)(C - LEBAROND)/TOWN & COUNTRY)

L BODY = (M - HORIZON/TURISMO)(Z - OMNI/CHARGER)

M BODY = (B - GRAN FURY)(F - FIFTH AVE/NEWPORT)(G - DIPLOMAT)

P BODY = (P - SUNDANCE)(D - SHADOW)

S BODY = (H - VOYAGER)(K - RAM VAN/CARAVAN)

BODY STYLES

12-13 = FWD VAN

21 = 2-DOOR SEDAN

24 = 2-DOOR HATCHBACK

27 = 2-DOOR CONVERTIBLE

41 = 4-DOOR SEDAN

44 = 4-DOOR HATCHBACK

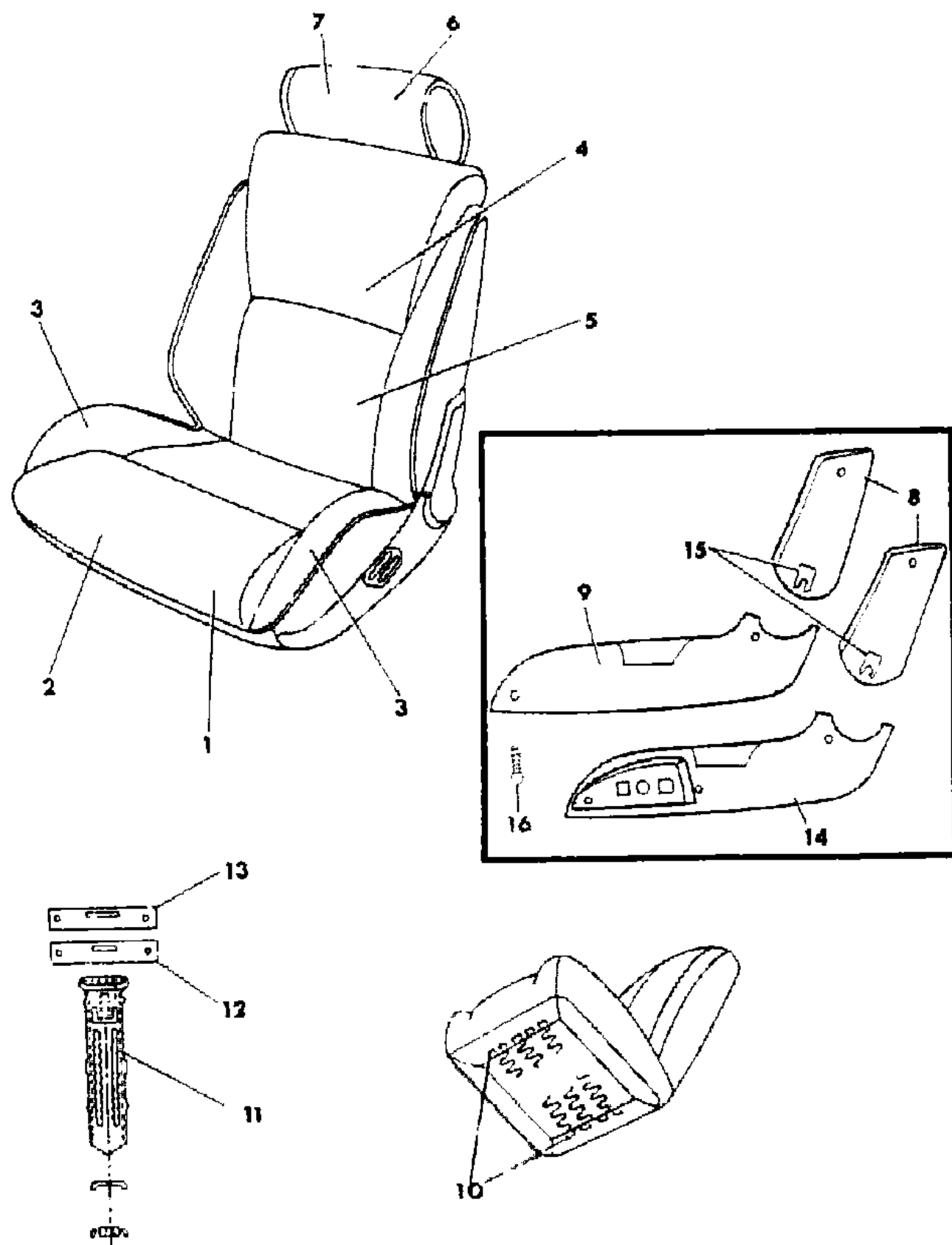
45 = 4-DOOR STATION WAGON

52-53 = FWD WAGON

AR = Use as Required - = Non Illustrated Part P.A.R. = Paint as Required

SEAT--FRONT G BODY TRIM CODE F7
Figure ITG-1100

7236 1100 A



ITEM	PART NUMBER	QTY	BODY	MODEL	DESCRIPTION
1					CUSHION, w/Spring/Frame, Pad and Cover
					MANUAL
					Cloth
	B762-3 F7C	1			Blue
	B762-3 F7E	1			Cordovan
2	B762-3 F7K	1			Almond
	B762-3 F7S	1			Charcoal
					COVER, Cushion Center PASSENGER and DRIVER
					Cloth
3	B585 F7C	2			Blue
	B585 F7E	2			Cordovan
	B585 F7K	2			Almond
	B585 F7S	2			Charcoal
4-5					COVER, Cushion Wings OUTBOARD Passenger Seat
	B588 F7C	1			Blue
	B588 F7E	1			Cordovan
	B588 F7K	1			Almond
	B588 F7S	1			Charcoal
					Driver Seat
	B589 F7C	1			Blue
	B589 F7E	1			Cordovan
	B589 F7K	1			Almond
	B589 F7S	1			Charcoal
4-5					INBOARD Passenger Seat
	B589 F7C	1			Blue
	B589 F7E	1			Cordovan
	B589 F7K	1			Almond
	B589 F7S	1			Charcoal
					Driver Seat
	B588 F7C	1			Blue
	B588 F7E	1			Cordovan
	B588 F7K	1			Almond
	B588 F7S	1			Charcoal
4-5					BACK, w/Spring/Frame, Pad and Cover

MODEL CODES

E BODY = (J - CARAVELLE)(E - 600)(T - NEW YORKER)

G BODY = (V24 - DAYTONA)

H BODY = (D44 - LANCER)(C44 - LEBARON GTS)

J BODY = (C - LEBARON)

K BODY = (P - RELIANT)(D - ARIES)(C - LEBAROND)/TOWN & COUNTRY)

L BODY = (M - HORIZON/TURISMO)(Z - OMNI/CHARGER)

M BODY = (B - GRAN FURY)(F - FIFTH AVE/NEWPORT)(G - DIPLOMAT)

P BODY = (P - SUNDANCE)(D - SHADOW)

S BODY = (H - VOYAGER)(K - RAM VAN/CARAVAN)

BODY STYLES

12-13 = FWD VAN

21 = 2-DOOR SEDAN

24 = 2-DOOR HATCHBACK

27 = 2-DOOR CONVERTIBLE

41 = 4-DOOR SEDAN

44 = 4-DOOR HATCHBACK

45 = 4-DOOR STATION WAGON

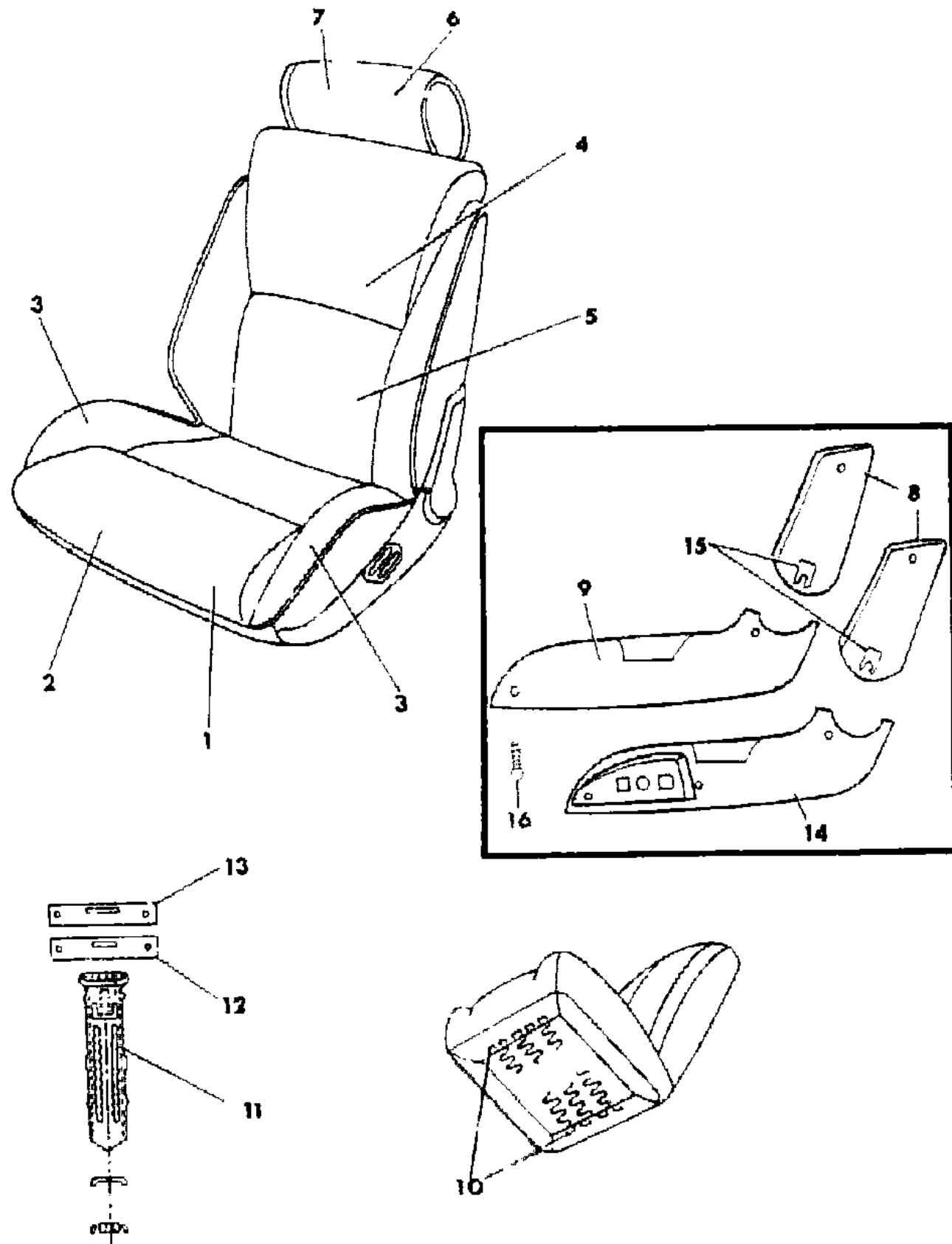
52-53 = FWD WAGON

AR = Use as Required - = Non Illustrated Part P.A.R. = Paint as Required

SEAT--FRONT G BODY TRIM CODE F7

Figure ITG-1100

7236 1100 A



ITEM	PART NUMBER	QTY	BODY	MODEL	DESCRIPTION
					CLOTH
	B760-1 F7C	1			Blue
	B760-1 F7E	1			Cordovan
	B760-1 F7K	1			Almond
	B760-1 F7S	1			Charcoal
5					COVER, Back
					CLOTH
	B452-3 F7C	1			Blue
	B452-3 F7E	1			Cordovan
	B452-3 F7K	1			Almond
	B452-3 F7S	1			Charcoal
6					HEADREST and COVER
	B764 FC5	2			Blue
	B764 FE8	2			Cordovan
	B764 FK1	2			Almond
	B764 FS8	2			Charcoal
7					COVER, Headrest
	B580 FC5	2			Blue
	B580 FE8	2			Cordovan
	B580 FK1	2			Almond
	B580 FS8	2			Charcoal
8					SHIELD, Back (P.A.R.)
					OUTER
	S960 DW1	1			Passenger Seat
	S961 DW1	1			Driver Seat
					INNER
	S961 DW1	1			Passenger Seat
	S960 DW1	1			Driver Seat
9					SHIELD, Cushion (P.A.R.)
					OUTER
	S262 FK1	1			Passenger Seat
	S263 FK1	1			Driver Seat
					INNER
	S263 FK1	1			Passenger Seat
	S262 FK1	1			Driver Seat
10	6008 076	AR			HOG RING
11					SLEEVE, Headrest
	S786 EC5	2			Blue

MODEL CODES

E BODY = (J - CARAVELLE)(E - 600)(T - NEW YORKER)

G BODY = (V24 - DAYTONA)

H BODY = (D44 - LANCER)(C44 - LEBARON GTS)

J BODY = (C - LEBARON)

K BODY = (P - RELIANT)(D - ARIES)(C - LEBAROND)/TOWN & COUNTRY)

L BODY = (M - HORIZON/TURISMO)(Z - OMNI/CHARGER)

M BODY = (B - GRAN FURY)(F - FIFTH AVE/NEWPORT)(G - DIPLOMAT)

P BODY = (P - SUNDANCE)(D - SHADOW)

S BODY = (H - VOYAGER)(K - RAM VAN/CARAVAN)

BODY STYLES

12-13 = FWD VAN

21 = 2-DOOR SEDAN

24 = 2-DOOR HATCHBACK

27 = 2-DOOR CONVERTIBLE

41 = 4-DOOR SEDAN

44 = 4-DOOR HATCHBACK

45 = 4-DOOR STATION WAGON

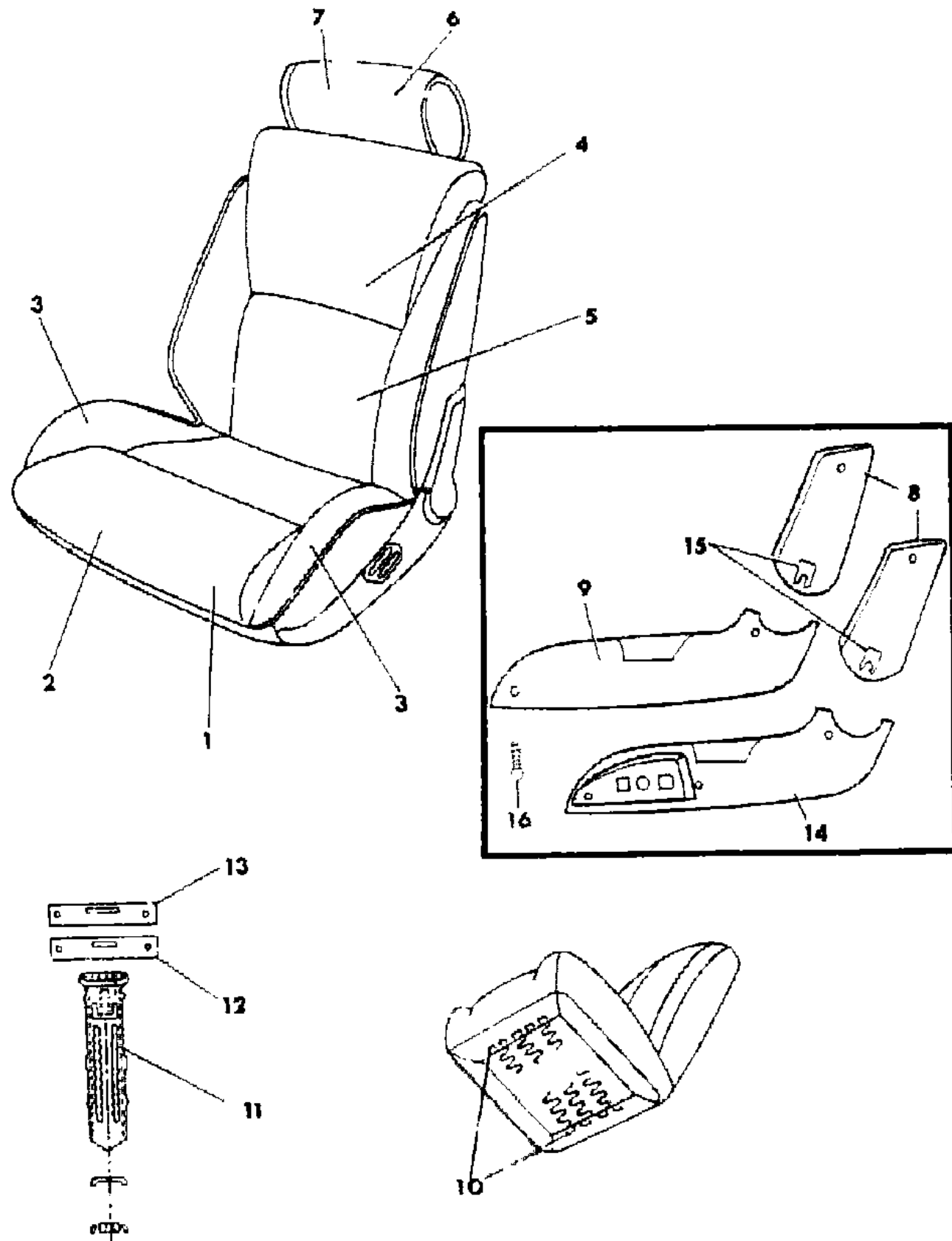
52-53 = FWD WAGON

AR = Use as Required - = Non Illustrated Part P.A.R. = Paint as Required

SEAT--FRONT G BODY TRIM CODE F7

Figure ITG-1100

7236 1100 A



ITEM	PART NUMBER	QTY	BODY	MODEL	DESCRIPTION
	S786 EE8	2			Cordovan
	S786 EK1	2			Almond
	S786 CS8	2			Charcoal
12	4190 387	2			SUPPORT, Headrest
13	4327 688	2			COVER, Headrest Finish
14	S265 FK1	1			SHIELD, Electric (P.A.R.)
15	4317 800	AR			CLIP
16					SCREW, Side Shield Attaching (8-18x1.75) (Not Serv.)

NOTE: (P.A.R.)= Paint As Required

MODEL CODES

E BODY = (J - CARAVELLE)(E - 600)(T - NEW YORKER)

G BODY = (V24 - DAYTONA)

H BODY = (D44 - LANCER)(C44 - LEBARON GTS)

J BODY = (C - LEBARON)

K BODY = (P - RELIANT)(D - ARIES)(C - LEBAROND)/TOWN & COUNTRY)

L BODY = (M - HORIZON/TURISMO)(Z - OMNI/CHARGER)

M BODY = (B - GRAN FURY)(F - FIFTH AVE/NEWPORT)(G - DIPLOMAT)

P BODY = (P - SUNDANCE)(D - SHADOW)

S BODY = (H - VOYAGER)(K - RAM VAN/CARAVAN)

BODY STYLES

12-13 = FWD VAN

21 = 2-DOOR SEDAN

24 = 2-DOOR HATCHBACK

27 = 2-DOOR CONVERTIBLE

41 = 4-DOOR SEDAN

44 = 4-DOOR HATCHBACK

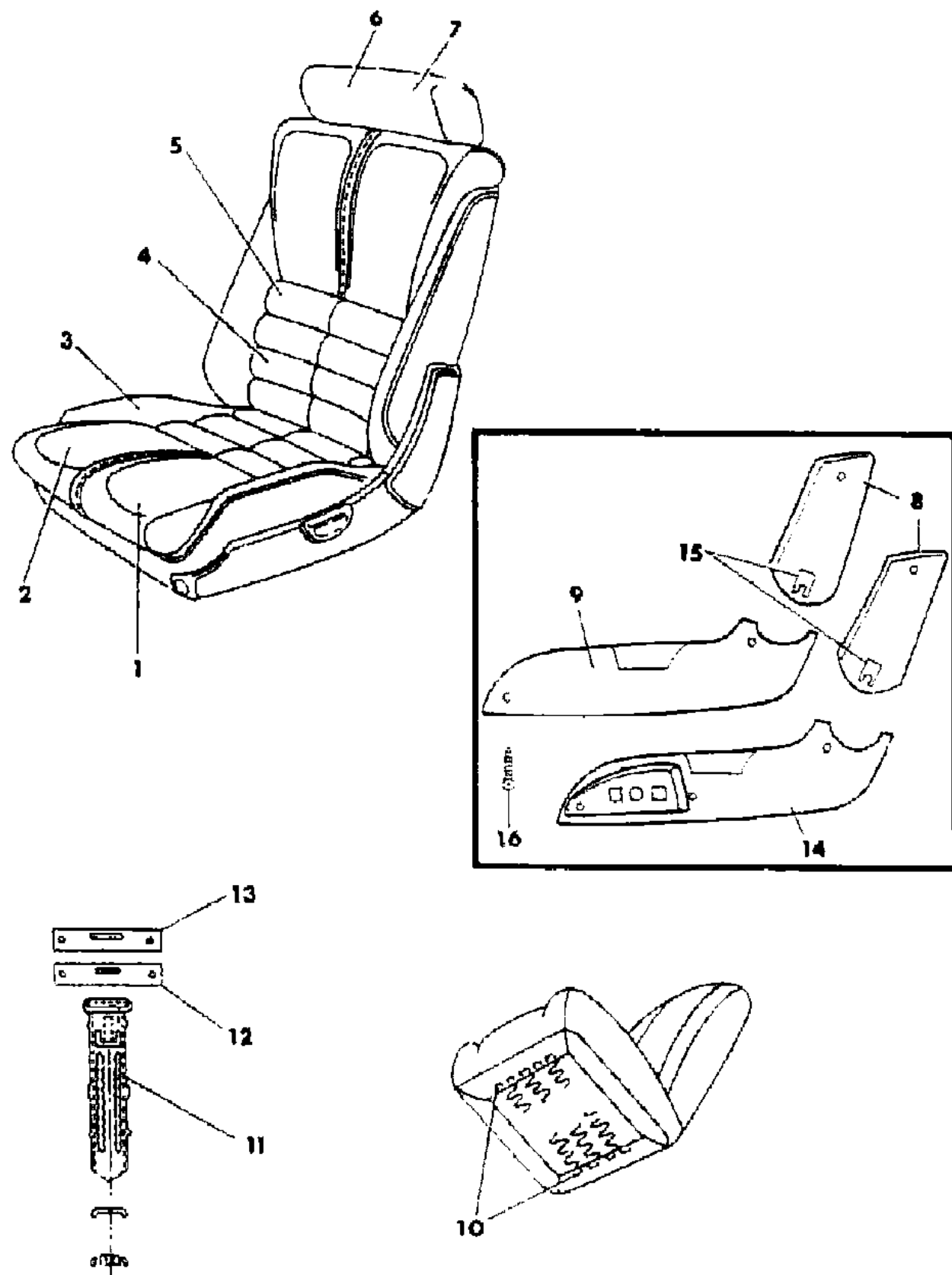
45 = 4-DOOR STATION WAGON

52-53 = FWD WAGON

AR = Use as Required - = Non Illustrated Part P.A.R. = Paint as Required

SEAT--FRONT G BODY TRIM CODE S7
Figure ITG-1200

7238 1200 A



ITEM	PART NUMBER	QTY	BODY	MODEL	DESCRIPTION
1-3					CUSHION, w/Spring/Frame, Pad and Cover
					MANUAL, Right
					Cloth
	B748 F7C	1			Blue
	B748 F7C	1			Cordovan
	B748 F7K	1			Almond
	B748 F7S	1			Charcoal
					ELECTRIC, Left
					Cloth
	B751 F7C	1			Blue
	B751 F7E	1			Cordovan
	B751 F7K	1			Almond
	B751 F7S	1			Charcoal
2					COVER, Cushion Center PASSENGER and Driver Seat
					Cloth
	B558 F7C	2			Blue
	B558 F7E	2			Cordovan
	B558 F7K	2			Almond
	B558 F7S	2			Charcoal
3					COVER, Cushion Wings
					CLOTH
					Outboard
					Passenger Seat
	B560 F7C	1			Blue
	B560 F7E	1			Cordovan
	B560 F7K	1			Almond
	B560 F7S	1			Charcoal
					DRIVER SEAT
	B561 F7C	1			Blue
	B561 F7E	1			Cordovan
	B561 F7K	1			Almond
	B561 F7S	1			Charcoal
					INBOARD
					Passenger
	B561 F7C	1			Blue
	B561 F7E	1			Cordovan
	B561 F7K	1			Almond

MODEL CODES

E BODY = (J - CARAVELLE)(E - 600)(T - NEW YORKER)

G BODY = (V24 - DAYTONA)

H BODY = (D44 - LANCER)(C44 - LEBARON GTS)

J BODY = (C - LEBARON)

K BODY = (P - RELIANT)(D - ARIES)(C - LEBAROND)/TOWN & COUNTRY)

L BODY = (M - HORIZON/TURISMO)(Z - OMNI/CHARGER)

M BODY = (B - GRAN FURY)(F - FIFTH AVE/NEWPORT)(G - DIPLOMAT)

P BODY = (P - SUNDANCE)(D - SHADOW)

S BODY = (H - VOYAGER)(K - RAM VAN/CARAVAN)

BODY STYLES

12-13 = FWD VAN

21 = 2-DOOR SEDAN

24 = 2-DOOR HATCHBACK

27 = 2-DOOR CONVERTIBLE

41 = 4-DOOR SEDAN

44 = 4-DOOR HATCHBACK

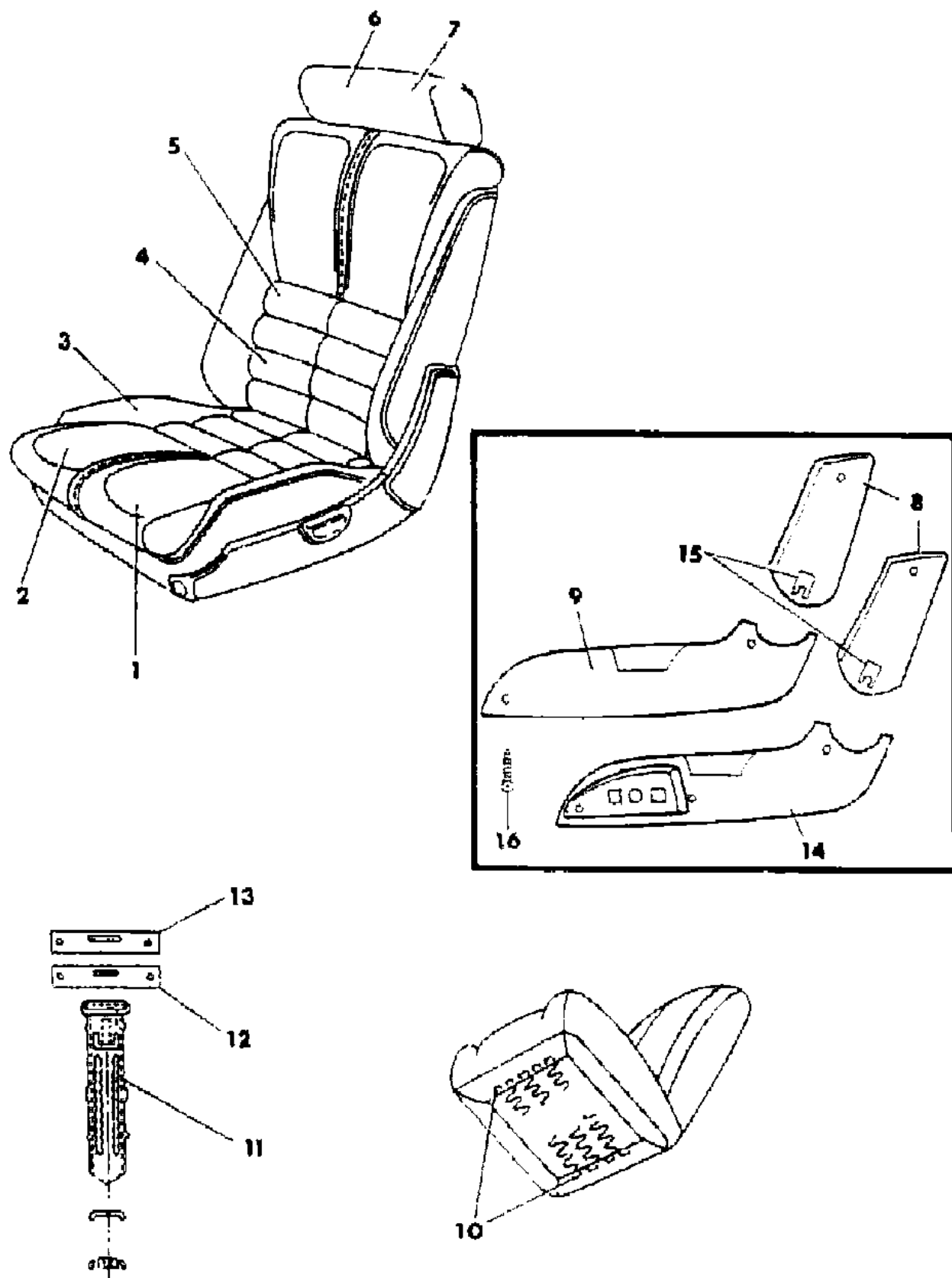
45 = 4-DOOR STATION WAGON

52-53 = FWD WAGON

AR = Use as Required - = Non Illustrated Part P.A.R. = Paint as Required

SEAT--FRONT G BODY TRIM CODE S7
Figure ITG-1200

7238 1200 A



ITEM	PART NUMBER	QTY	BODY	MODEL	DESCRIPTION
	B561 F7S	1			Charcoal DRIVER SEAT
	B560 F7C	1			Blue
	B560 F7E	1			Cordovan
	B560 F7K	1			Almond
4-5	B560 F7S	1			Charcoal BACK, w/Spring/Frame, Pad and Cover CLOTH
	B746-7 F7C	1			Blue
	B746-7 F7E	1			Cordovan
	B746-7 F7K	1			Almond
	B746-7 F7S	1			Charcoal
5					COVER, Back CLOTH
	B574-5 F7C	1			Blue
	B574-5 F7E	1			Cordovan
	B574-5 F7K	1			Almond
	B574-5 F7S	1			Charcoal
6					HEADREST and COVER CLOTH
	N904 FCC	2			Blue
	N904 FEE	2			Cordovan
	N904 FKK	2			Almond
	N904 FAS	2			Charcoal
7					COVER, Headrest CLOTH
	N468 FCC	2			Blue
	N468 FEE	2			Cordovan
	N468 FKK	2			Almond
	N468 FAS	2			Charcoal
8					SHIELD, Back (P.A.R.) OUTER
	S960 DW1	1			Passenger Seat
	S961 DW1	1			Driver Seat INNER
	S961 DW1	1			Passenger Seat
	S960 DW1	1			Driver Seat
9					SHIELD, Cushion (P.A.R.)

MODEL CODES

E BODY = (J - CARAVELLE)(E - 600)(T - NEW YORKER)

G BODY = (V24 - DAYTONA)

H BODY = (D44 - LANCER)(C44 - LEBARON GTS)

J BODY = (C - LEBARON)

K BODY = (P - RELIANT)(D - ARIES)(C - LEBAROND)/TOWN & COUNTRY)

L BODY = (M - HORIZON/TURISMO)(Z - OMNI/CHARGER)

M BODY = (B - GRAN FURY)(F - FIFTH AVE/NEWPORT)(G - DIPLOMAT)

P BODY = (P - SUNDANCE)(D - SHADOW)

S BODY = (H - VOYAGER)(K - RAM VAN/CARAVAN)

BODY STYLES

12-13 = FWD VAN

21 = 2-DOOR SEDAN

24 = 2-DOOR HATCHBACK

27 = 2-DOOR CONVERTIBLE

41 = 4-DOOR SEDAN

44 = 4-DOOR HATCHBACK

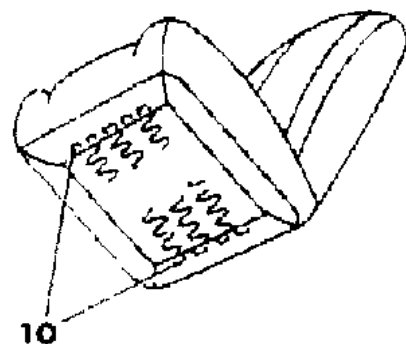
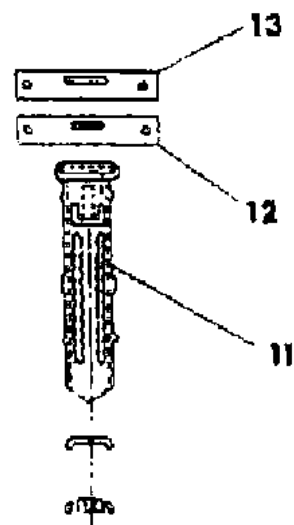
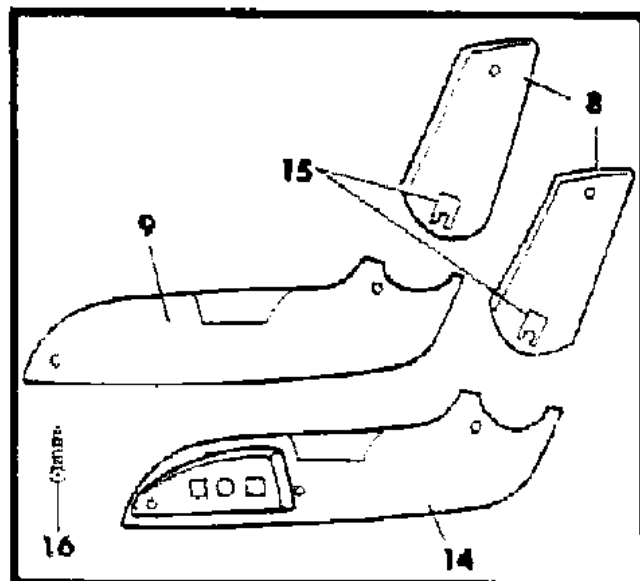
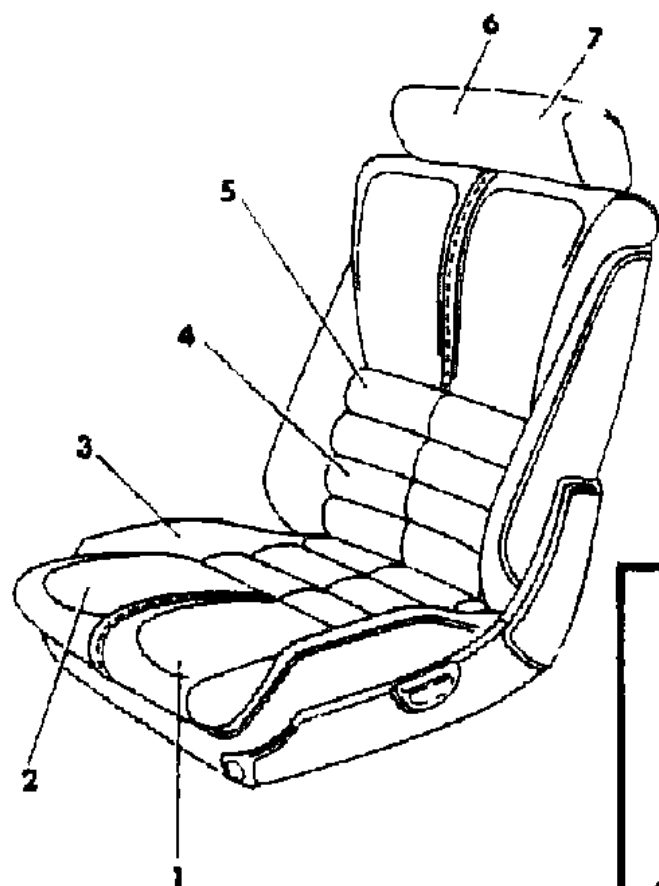
45 = 4-DOOR STATION WAGON

52-53 = FWD WAGON

AR = Use as Required - = Non Illustrated Part P.A.R. = Paint as Required

SEAT--FRONT G BODY TRIM CODE S7
Figure ITG-1200

7238 1200 A



ITEM	PART NUMBER	QTY	BODY	MODEL	DESCRIPTION
					OUTER
	S262 FK1	1			Passenger Seat
	S263 FK1	1			Driver Seat
					INNER
	S263 FK1	1			Passenger Seat
	S262 FK1	1			Driver Seat
10	6008 076	AR			HOG RING
11					SLEEVE, Headrest
	S786 EC5	2			Blue
	S786 EE8	2			Cordovan
	S786 EK1	2			Almond
	S786 CS8	2			Charcoal
12	4190 387	2			SUPPORT, Headrest
13	4327 688	2			COVER, Headrest Finish
14	S265 FK1	1			SHIELD, Electric (P.A.R.)
15	4317 800	AR			CLIP
16					SCREW, Side Shield Attaching (8-18x1.75) (Not Serv.)

NOTE: (P.A.R.) = Paint As Required

MODEL CODES

E BODY = (J - CARAVELLE)(E - 600)(T - NEW YORKER)

G BODY = (V24 - DAYTONA)

H BODY = (D44 - LANCER)(C44 - LEBARON GTS)

J BODY = (C - LEBARON)

K BODY = (P - RELIANT)(D - ARIES)(C - LEBAROND)/TOWN & COUNTRY)

L BODY = (M - HORIZON/TURISMO)(Z - OMNI/CHARGER)

M BODY = (B - GRAN FURY)(F - FIFTH AVE/NEWPORT)(G - DIPLOMAT)

P BODY = (P - SUNDANCE)(D - SHADOW)

S BODY = (H - VOYAGER)(K - RAM VAN/CARAVAN)

BODY STYLES

12-13 = FWD VAN

21 = 2-DOOR SEDAN

24 = 2-DOOR HATCHBACK

27 = 2-DOOR CONVERTIBLE

41 = 4-DOOR SEDAN

44 = 4-DOOR HATCHBACK

45 = 4-DOOR STATION WAGON

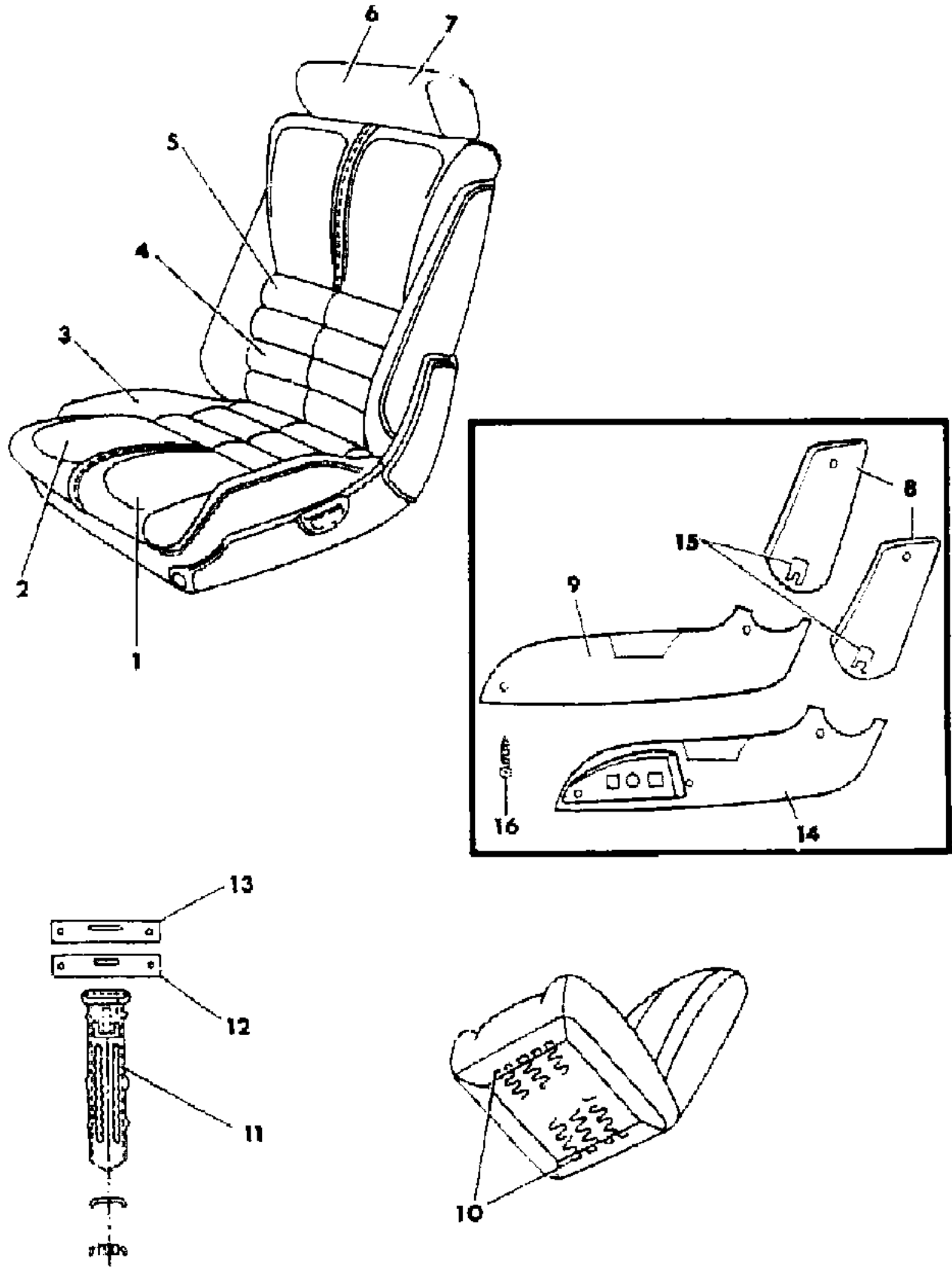
52-53 = FWD WAGON

AR = Use as Required - = Non Illustrated Part P.A.R. = Paint as Required

SEAT--FRONT G BODY TRIM CODE SL

Figure ITG-1300

7238 1300 A



ITEM	PART NUMBER	QTY	BODY	MODEL	DESCRIPTION
1-3					CUSHION, w/Spring/Frame, Pad and Cover
					MANUAL RIGHT
					Leather
	B732 FLC	1			Blue
	B732 FLE	1			Cordovan
	B732 FLK	1			Almond
	B732 FLS	1			Charcoal
					ELECTRIC LEFT
	B739 FLC	1			Blue
	B739 FLE	1			Cordovan
	B739 FLK	1			Almond
	B739 FLS	1			Charcoal
2					COVER, Cushion Center
					PASSENGER and DRIVER
					Leather
	B559 FLC	2			Blue
	B559 FLE	2			Cordovan
	B559 FLK	2			Almond
	B559 FLS	2			Charcoal
3					COVER, Cushion Wings
					LEATHER
					Outboard
					Passenger Seat
	B582 FLC	1			Blue
	B582 FLE	1			Cordovan
	B582 FLK	1			Almond
	B582 FLS	1			Charcoal
					DRIVER SEAT
	B583 FLC	1			Blue
	B583 FLE	1			Cordovan
	B583 FLK	1			Almond
	B583 FLS	1			Charcoal
					INBOARD
					Passenger Seat
	B583 FLC	1			Blue
	B583 FLE	1			Cordovan
	B583 FLK	1			Almond
	B583 FLS	1			Charcoal

MODEL CODES

E BODY = (J - CARAVELLE)(E - 600)(T - NEW YORKER)

G BODY = (V24 - DAYTONA)

H BODY = (D44 - LANCER)(C44 - LEBARON GTS)

J BODY = (C - LEBARON)

K BODY = (P - RELIANT)(D - ARIES)(C - LEBAROND)/TOWN & COUNTRY)

L BODY = (M - HORIZON/TURISMO)(Z - OMNI/CHARGER)

M BODY = (B - GRAN FURY)(F - FIFTH AVE/NEWPORT)(G - DIPLOMAT)

P BODY = (P - SUNDANCE)(D - SHADOW)

S BODY = (H - VOYAGER)(K - RAM VAN/CARAVAN)

BODY STYLES

12-13 = FWD VAN

21 = 2-DOOR SEDAN

24 = 2-DOOR HATCHBACK

27 = 2-DOOR CONVERTIBLE

41 = 4-DOOR SEDAN

44 = 4-DOOR HATCHBACK

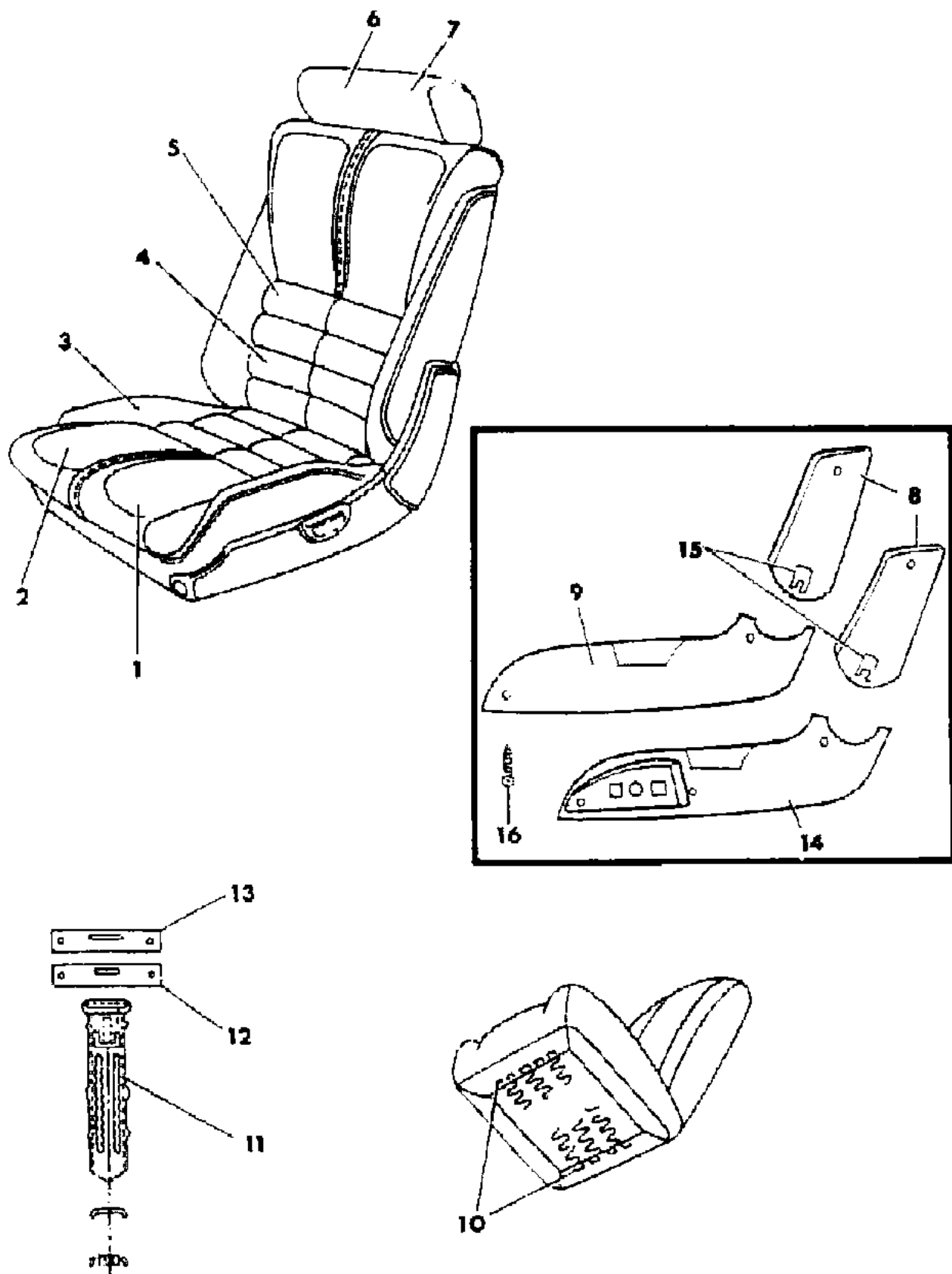
45 = 4-DOOR STATION WAGON

52-53 = FWD WAGON

AR = Use as Required - = Non Illustrated Part P.A.R. = Paint as Required

SEAT--FRONT G BODY TRIM CODE SL
Figure ITG-1300

7238 1300 A



ITEM	PART NUMBER	QTY	BODY	MODEL	DESCRIPTION
					DRIVER SEAT
	B582 FLC	1			Blue
	B582 FLE	1			Cordovan
	B582 FLK	1			Almond
	B582 FLS	1			Charcoal
4-5					BACK, w/Spring/Frame, Pad and Cover LEATHER
	B734-5 FLC	1			Blue
	B734-5 FLE	1			Cordovan
	B734-5 FLK	1			Almond
	B734-5 FLS	1			Charcoal
5					COVER, Back LEATHER
	B566-7 FLC	1			Blue
	B566-7 FLE	1			Cordovan
	B566-7 FLK	1			Almond
	B566-7 FLS	1			Charcoal
6					HEADREST and COVER LEATHER
	B736 FC5	2			Blue
	B736 FE8	2			Cordovan
	B736 FK1	2			Almond
	B736 FS8	2			Charcoal
7					COVER, Headrest LEATHER
	N474 FC5	2			Blue
	N474 FE8	2			Cordovan
	N474 FK1	2			Almond
	N474 FS8	2			Charcoal
8					SHIELD, Back (P.A.R.) OUTER
	S960 DW1	1			Passenger Seat
	S961 DW1	1			Driver Seat
					INNER
	S961 DW1	1			Passenger Seat
	S960 DW1	1			Driver Seat
9					SHIELD, Cushion (P.A.R.) OUTER

MODEL CODES

E BODY = (J - CARAVELLE)(E - 600)(T - NEW YORKER)

G BODY = (V24 - DAYTONA)

H BODY = (D44 - LANCER)(C44 - LEBARON GTS)

J BODY = (C - LEBARON)

K BODY = (P - RELIANT)(D - ARIES)(C - LEBAROND)/TOWN & COUNTRY)

L BODY = (M - HORIZON/TURISMO)(Z - OMNI/CHARGER)

M BODY = (B - GRAN FURY)(F - FIFTH AVE/NEWPORT)(G - DIPLOMAT)

P BODY = (P - SUNDANCE)(D - SHADOW)

S BODY = (H - VOYAGER)(K - RAM VAN/CARAVAN)

BODY STYLES

12-13 = FWD VAN

21 = 2-DOOR SEDAN

24 = 2-DOOR HATCHBACK

27 = 2-DOOR CONVERTIBLE

41 = 4-DOOR SEDAN

44 = 4-DOOR HATCHBACK

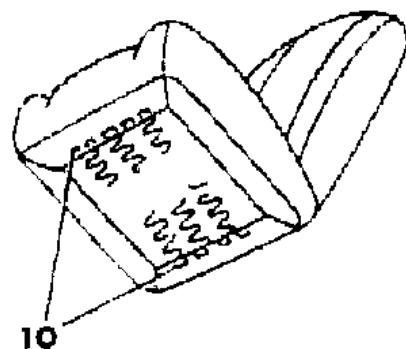
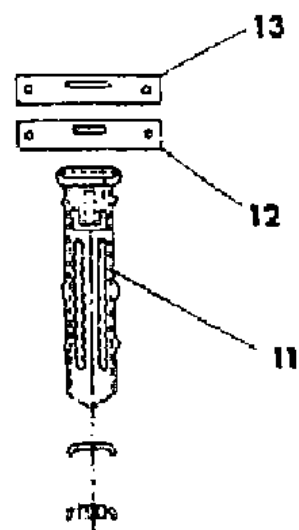
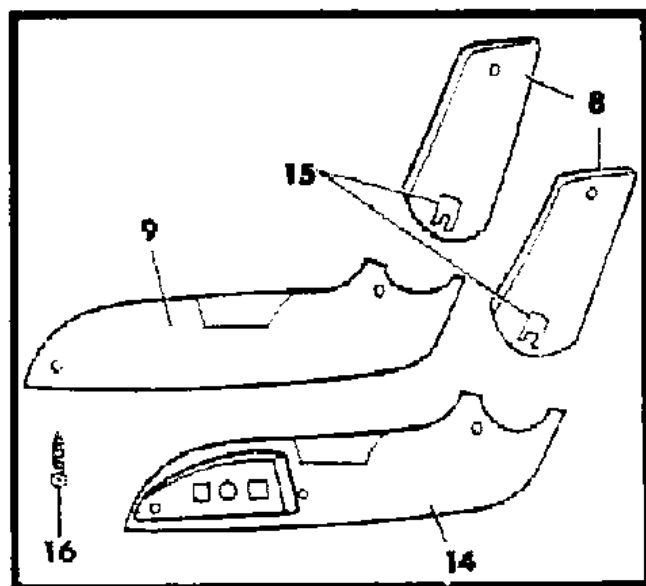
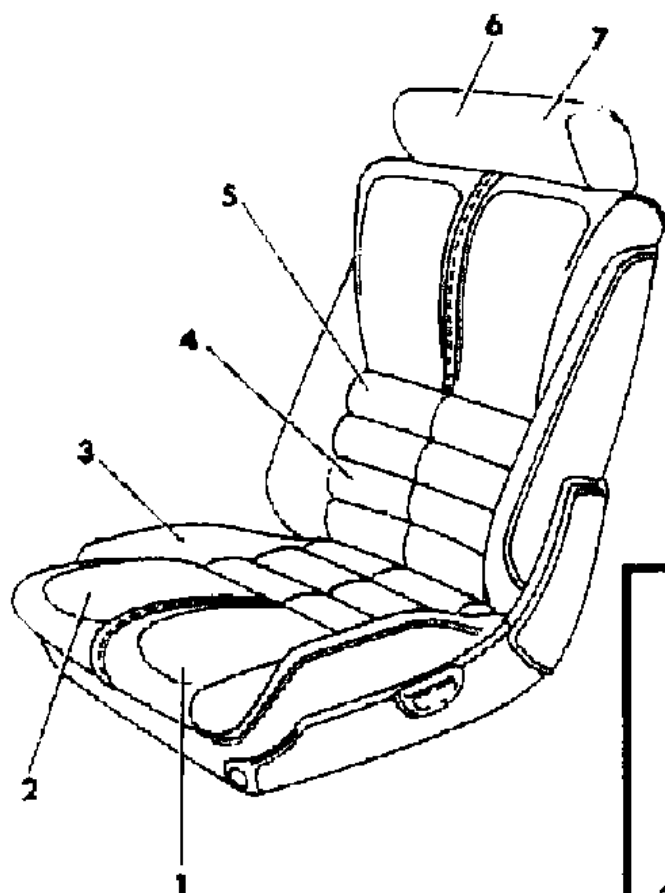
45 = 4-DOOR STATION WAGON

52-53 = FWD WAGON

AR = Use as Required - = Non Illustrated Part P.A.R. = Paint as Required

SEAT--FRONT G BODY TRIM CODE SL
Figure ITG-1300

7238 1300 A



ITEM	PART NUMBER	QTY	BODY	MODEL	DESCRIPTION
	S262 FK1	1			Passenger Seat
	S263 FK1	1			Driver Seat
	S263 FK1	1			INNER
	S263 FK1	1			Passenger Seat
	S262 FK1	1			Driver Seat
10	6008 076	AR			HOG RING
11					SLEEVE, Headrest
	S786 EC5	2			Blue
	S786 EE8	2			Cordovan
	S786 EK1	2			Almond
	S786 CS8	2			Charcoal
12	4190 387	2			SUPPORT, Headrest
13	4327 688	2			COVER, Headrest Finish
14	S265 FK1	1			SHIELD, Electric (P.A.R.)
15	4317 800	AR			CLIP
16					SCREW, Side Shield Attaching (8-18x1.75) (Not Serv.)

NOTE: (P.A.R.) = Paint As Required

MODEL CODES

E BODY = (J - CARAVELLE)(E - 600)(T - NEW YORKER)

G BODY = (V24 - DAYTONA)

H BODY = (D44 - LANCER)(C44 - LEBARON GTS)

J BODY = (C - LEBARON)

K BODY = (P - RELIANT)(D - ARIES)(C - LEBAROND)/TOWN & COUNTRY)

L BODY = (M - HORIZON/TURISMO)(Z - OMNI/CHARGER)

M BODY = (B - GRAN FURY)(F - FIFTH AVE/NEWPORT)(G - DIPLOMAT)

P BODY = (P - SUNDANCE)(D - SHADOW)

S BODY = (H - VOYAGER)(K - RAM VAN/CARAVAN)

BODY STYLES

12-13 = FWD VAN

21 = 2-DOOR SEDAN

24 = 2-DOOR HATCHBACK

27 = 2-DOOR CONVERTIBLE

41 = 4-DOOR SEDAN

44 = 4-DOOR HATCHBACK

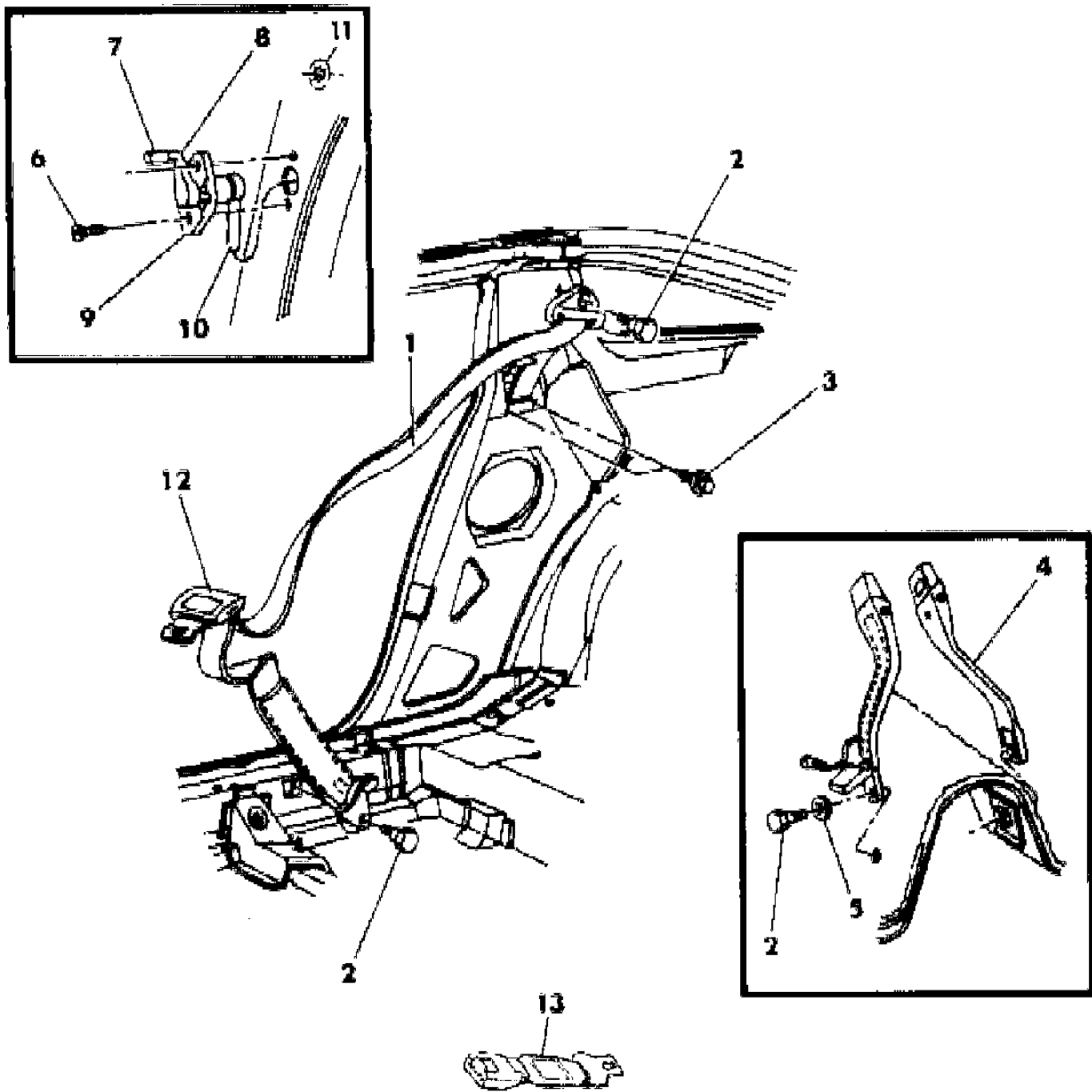
45 = 4-DOOR STATION WAGON

52-53 = FWD WAGON

AR = Use as Required - = Non Illustrated Part P.A.R. = Paint as Required

BELT--FRONT SEAT LAP AND SHOULDER G BODY MANUAL-ACTIVE SYSTEM
Figure ITG-1400

7236 1400 A



ITEM	PART NUMBER	QTY	BODY	MODEL	DESCRIPTION
1					BELT, Outboard Lap and Shoulder
					LABEL NUMBER 4327216-7
	F764-5 FC5	1			Blue
	F764-5 EE8	1			Cordovan
	F764-5 EK1	1			Almond
	F764-5 FS8	1			Charcoal
2	6031 298	2			BOLT, Shoulder
3		AR			BOLT, (m8-1.25x25) (Not Serv.)
4					BELT, Front Seat Buckle Half
					LABEL NUMBER 4380690-1
	F528-9 FC5	1			Blue
	F528-9 FE8	1			Cordovan
	F528-9 FK1	1			Almond
	F528-9 FS8	1			Charcoal
5					WASHER, (Not Serv.)
6					SCREW, (10-16x1/2) (Not Serv.)
7-10	4327 332-3	1			ACTUATOR, Complete
8		1			CRANK, w/Actuator, Housing and Spring
9		1			HOUSING, Retractor Actuator
10		2			ACTUATOR, Retractor
11	6025 160	2			RETAINER, Inertia Retractor Pendulum Shaft
12	4316 773	1			COVER, Tip Half (P.A.R.)
13	4364 849	AR			EXTENDER
					NOTE: (P.A.R.)= Paint As Required

MODEL CODES

E BODY = (J - CARAVELLE)(E - 600)(T - NEW YORKER)

G BODY = (V24 - DAYTONA)

H BODY = (D44 - LANCER)(C44 - LEBARON GTS)

J BODY = (C - LEBARON)

K BODY = (P - RELIANT)(D - ARIES)(C - LEBAROND)/TOWN & COUNTRY)

L BODY = (M - HORIZON/TURISMO)(Z - OMNI/CHARGER)

M BODY = (B - GRAN FURY)(F - FIFTH AVE/NEWPORT)(G - DIPLOMAT)

P BODY = (P - SUNDANCE)(D - SHADOW)

S BODY = (H - VOYAGER)(K - RAM VAN/CARAVAN)

BODY STYLES

12-13 = FWD VAN

21 = 2-DOOR SEDAN

24 = 2-DOOR HATCHBACK

27 = 2-DOOR CONVERTIBLE

41 = 4-DOOR SEDAN

44 = 4-DOOR HATCHBACK

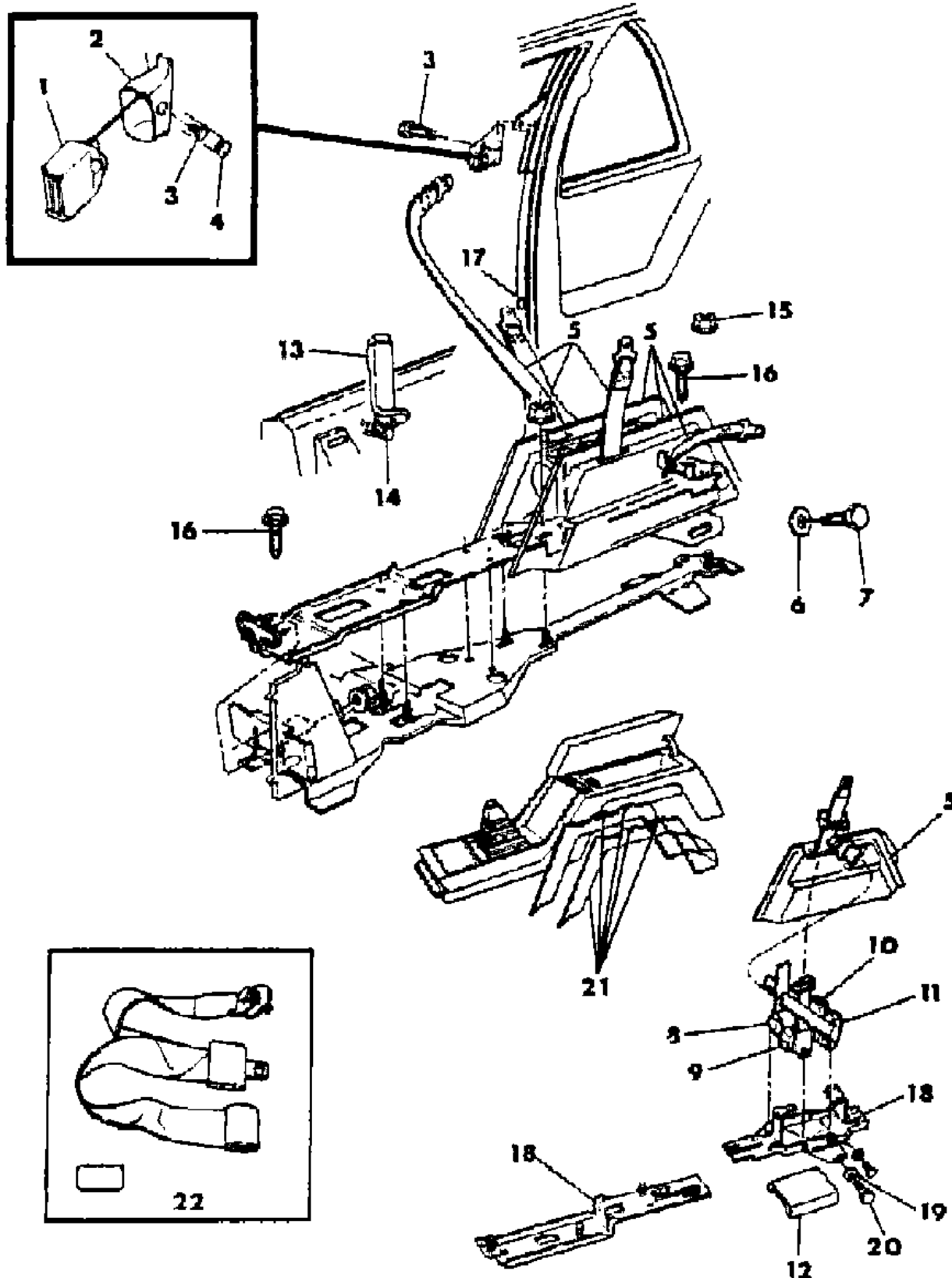
45 = 4-DOOR STATION WAGON

52-53 = FWD WAGON

AR = Use as Required - = Non Illustrated Part P.A.R. = Paint as Required

BELT--FRONT SEAT G BODY PASSIVE SYSTEM
Figure ITG-1500

7230 1500



ITEM	PART NUMBER	QTY	BODY	MODEL	DESCRIPTION
1	4402 204	2			BUCKLE ASSEMBLY, Shoulder Belt Door Attaching
2					COVER, Shoulder Belt Buckle to Door Attaching (Served in item 1)
3	6033 244	2			BOLT
4	4402 764	2			PLUG
5					COVER, Retractor Carpet
	F952-3 FC5	1			Blue
	F952-3 FE8	1			Cordovan
	F952-3 FK1	1			Almond
	F952-3 FS8	1			Charcoal
6					WASHER, (Not Serv.)
7	6031 218	2			BOLT
8					BELT and RETRACTOR, Shoulder Right
					LABEL NUMBER, 4402758
	F972 FC5	1			Blue
	F972 FE8	1			Cordovan
	F972 FK1	1			Almond
	F972 FS8	1			Charcoal
9					BELT and RETRACTOR, Shoulder Left
					LABEL NUMBER, 4402759
	F973 FC5	1			Blue
	F973 FE8	1			Cordovan
	F973 FK1	1			Almond
	F973 FS8	1			Charcoal
10					BELT and RETRACTOR, Lap Right
					LABEL NUMBER, 4402760
	F974 FC5	1			Blue
	F974 FE8	1			Cordovan
	F974 FK1	1			Almond
	F974 FS8	1			Charcoal
11					BELT and RETRACTOR, Lap Left
					LABEL NUMBER, 4402761
	F975 FC5	1			Blue
	F975 FE8	1			Cordovan
	F975 FK1	1			Almond
	F975 FS8	1			Charcoal
12					PAD, Insulator (Not Required)
13					BELT, Outboard Lap Buckle Half

MODEL CODES

E BODY = (J - CARAVELLE)(E - 600)(T - NEW YORKER)

G BODY = (V24 - DAYTONA)

H BODY = (D44 - LANCER)(C44 - LEBARON GTS)

J BODY = (C - LEBARON)

K BODY = (P - RELIANT)(D - ARIES)(C - LEBAROND)/TOWN & COUNTRY)

L BODY = (M - HORIZON/TURISMO)(Z - OMNI/CHARGER)

M BODY = (B - GRAN FURY)(F - FIFTH AVE/NEWPORT)(G - DIPLOMAT)

P BODY = (P - SUNDANCE)(D - SHADOW)

S BODY = (H - VOYAGER)(K - RAM VAN/CARAVAN)

BODY STYLES

12-13 = FWD VAN

21 = 2-DOOR SEDAN

24 = 2-DOOR HATCHBACK

27 = 2-DOOR CONVERTIBLE

41 = 4-DOOR SEDAN

44 = 4-DOOR HATCHBACK

45 = 4-DOOR STATION WAGON

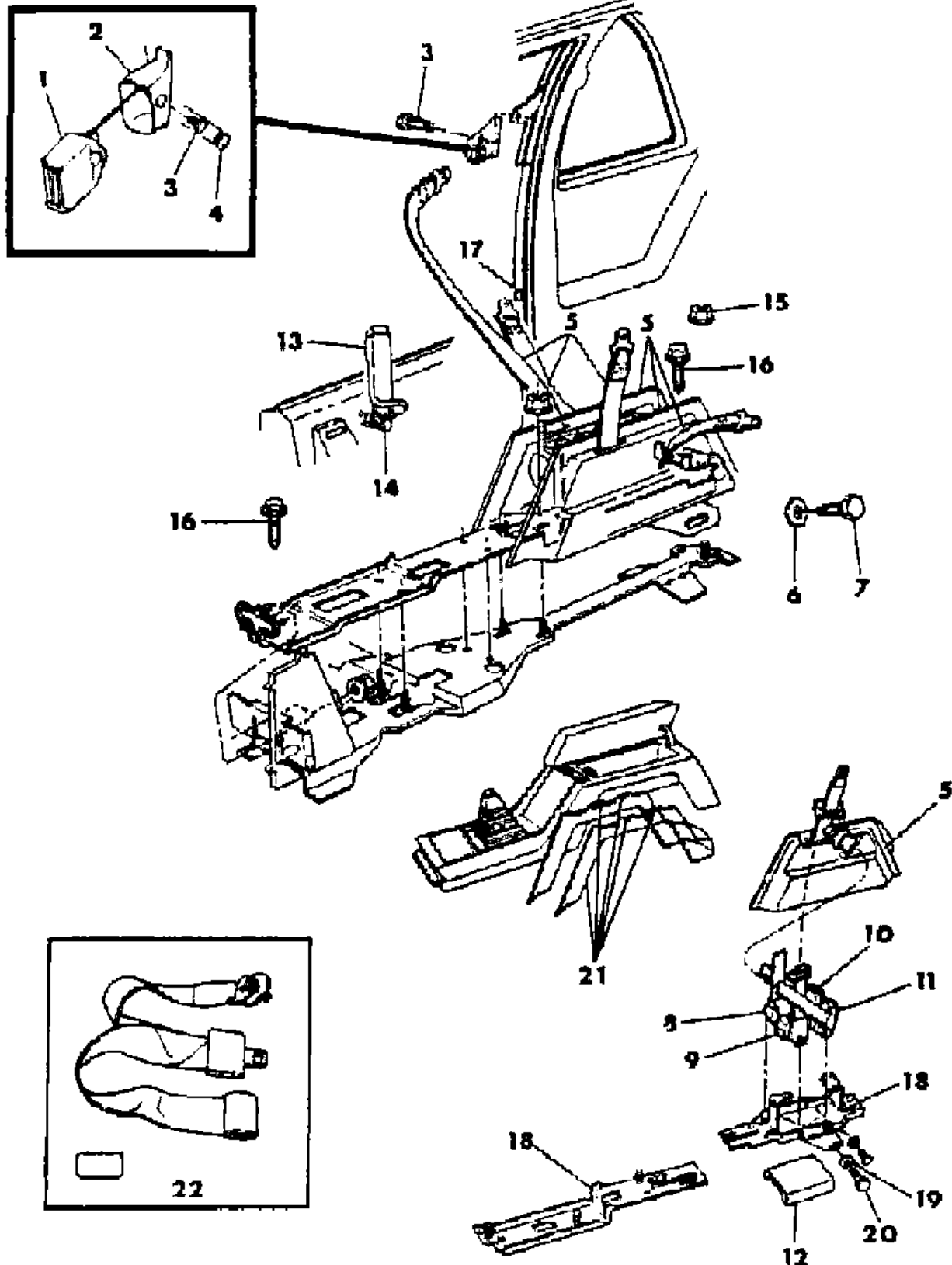
52-53 = FWD WAGON

AR = Use as Required - = Non Illustrated Part P.A.R. = Paint as Required

BELT--FRONT SEAT G BODY PASSIVE SYSTEM
Figure ITG-1500

7230 1500

ITEM	PART NUMBER	QTY	BODY	MODEL	DESCRIPTION
					Blue
					Cordovan
					Almond
					Charcoal
					LABEL NUMBER, 4402210-1
	F916-7 FC5	1			Blue
	F916-7 FE8	1			Cordovan
	F916-7 FK1	1			Almond
	F916-7 FS8	1			Charcoal
14	6031 298	2			BOLT, Outer Belt To Floor Attaching
15	6100 049	5			NUT and WASHER
16		5			SCREW, (Not Serv.)
17	4402 369	2			PLUG, Tension Reliever Mounting Hole
18	4420 809	1			BRACKET, Retractor To Floor Attaching
19					WASHER, (Not Serv.)
20	6031 218	AR			BOLT
21					CARPET, Rear Floor Console Right and Left
	F298 FC5	1			Blue
	F298 FE8	1			Cordovan
	F298 FK3	1			Almond
	F298 FS8	1			Charcoal
22	4420 812	1			BELT, Child Restriant
23					BEZEL, Front Seat Inner Passive Belt
	F410 FC5	1			Blue
	F410 FE8	1			Cordovan
	F410 FK1	1			Almond
	F410 FS8	1			Charcoal



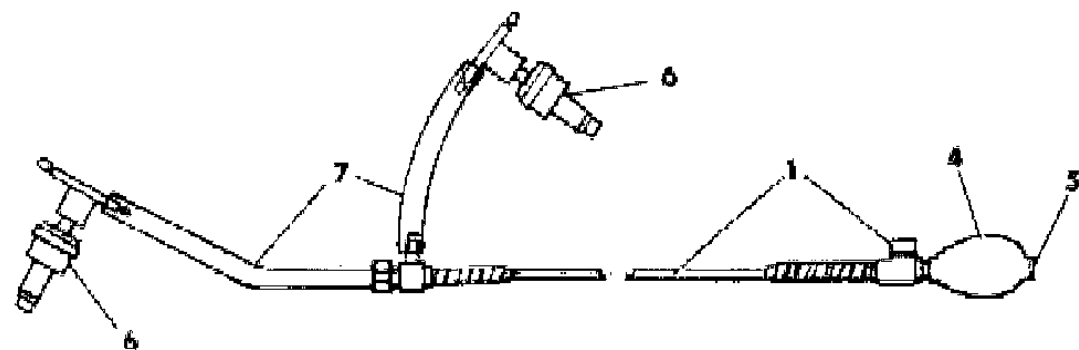
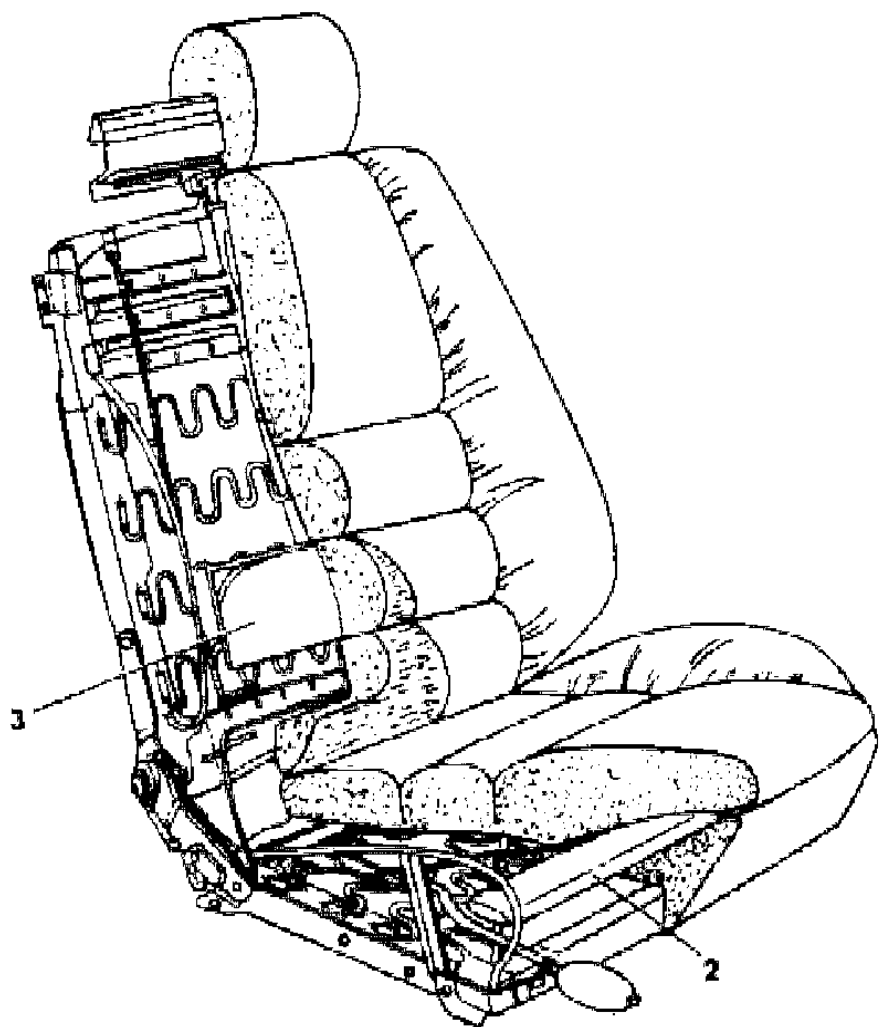
MODEL CODES
 E BODY = (J - CARAVELLE)(E - 600)(T - NEW YORKER)
 G BODY = (V24 - DAYTONA)
 H BODY = (D44 - LANCER)(C44 - LEBARON GTS)
 J BODY = (C - LEBARON)
 K BODY = (P - RELIANT)(D - ARIES)(C - LEBAROND)/TOWN & COUNTRY
 L BODY = (M - HORIZON/TURISMO)(Z - OMNI/CHARGER)
 M BODY = (B - GRAN FURY)(F - FIFTH AVE/NEWPORT)(G - DIPLOMAT)
 P BODY = (P - SUNDANCE)(D - SHADOW)
 S BODY = (H - VOYAGER)(K - RAM VAN/CARAVAN)

BODY STYLES
 12-13 = FWD VAN
 21 = 2-DOOR SEDAN
 24 = 2-DOOR HATCHBACK
 27 = 2-DOOR CONVERTIBLE
 41 = 4-DOOR SEDAN
 44 = 4-DOOR HATCHBACK
 45 = 4-DOOR STATION WAGON
 52-53 = FWD WAGON

AR = Use as Required - = Non Illustrated Part P.A.R. = Paint as Required

LUMBAR AND THIGH SUPPORT --MANUAL G BODY TRIM CODE S7
Figure ITG-1600

7238 1800



ITEM	PART NUMBER	QTY	BODY	MODEL	DESCRIPTION
1	4327 620	1			VALVE, Dual Control
2	4402 888	1			BLADDER, Cushion Thigh Support
3	4327 426	1			BLADDER, Back Lumbar Support
4	4327 428	1			BULB, Pump Molded Rubber Support
5	4327 429	1			VALVE, Pump Bulb Check Support
6	4327 430	1			VALVE, Pressure Relief Support
7	4271 082	2			TUBING, PVC (12" Length)

MODEL CODES

E BODY = (J - CARAVELLE)(E - 600)(T - NEW YORKER)

G BODY = (V24 - DAYTONA)

H BODY = (D44 - LANCER)(C44 - LEBARON GTS)

J BODY = (C - LEBARON)

K BODY = (P - RELIANT)(D - ARIES)(C - LEBAROND)/TOWN & COUNTRY)

L BODY = (M - HORIZON/TURISMO)(Z - OMNI/CHARGER)

M BODY = (B - GRAN FURY)(F - FIFTH AVE/NEWPORT)(G - DIPLOMAT)

P BODY = (P - SUNDANCE)(D - SHADOW)

S BODY = (H - VOYAGER)(K - RAM VAN/CARAVAN)

BODY STYLES

12-13 = FWD VAN

21 = 2-DOOR SEDAN

24 = 2-DOOR HATCHBACK

27 = 2-DOOR CONVERTIBLE

41 = 4-DOOR SEDAN

44 = 4-DOOR HATCHBACK

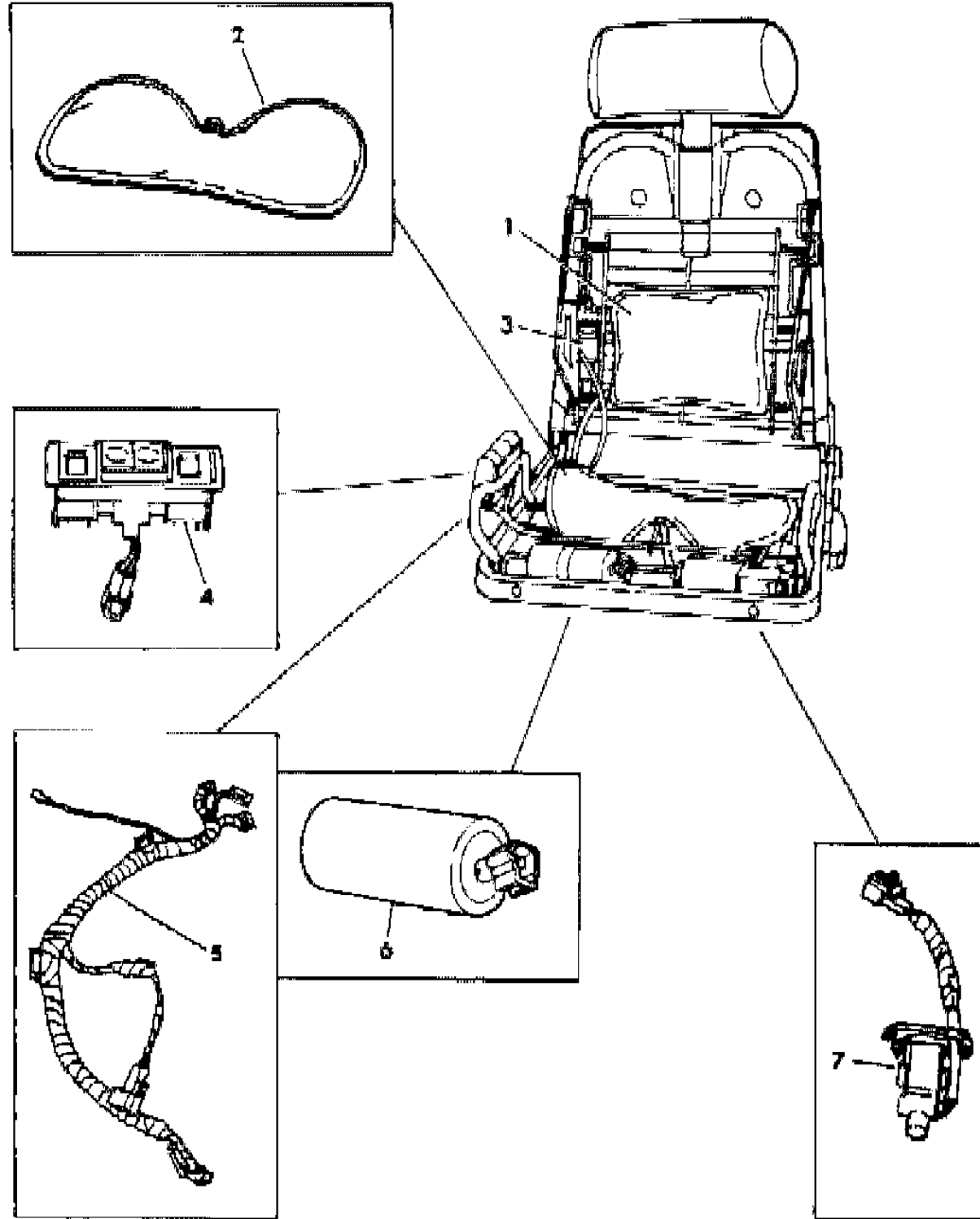
45 = 4-DOOR STATION WAGON

52-53 = FWD WAGON

AR = Use as Required - = Non Illustrated Part P.A.R. = Paint as Required

LUMBAR AND THIGH SUPPORT --ELECTRIC G BODY TRIM CODE SL
Figure ITG-1700

7238 1700



ITEM	PART NUMBER	QTY	BODY	MODEL	DESCRIPTION
1	4327 426	1			BLADDER, Lumbar Support
2	4402 888	1			BLADDER, Thigh Support
3	4376 627	1			MOTOR, Gear Box, Back Wing
4	4221 751	1			SWITCH, Elec. Lambar and Thigh
5	4376 623	1			WIRING HARNESS
6	4376 626	1			MOTOR and PUMP
7	4376 628	1			MOTOR, Gear Box, Cushion Wing

MODEL CODES

E BODY = (J - CARAVELLE)(E - 600)(T - NEW YORKER)

G BODY = (V24 - DAYTONA)

H BODY = (D44 - LANCER)(C44 - LEBARON GTS)

J BODY = (C - LEBARON)

K BODY = (P - RELIANT)(D - ARIES)(C - LEBAROND)/TOWN & COUNTRY)

L BODY = (M - HORIZON/TURISMO)(Z - OMNI/CHARGER)

M BODY = (B - GRAN FURY)(F - FIFTH AVE/NEWPORT)(G - DIPLOMAT)

P BODY = (P - SUNDANCE)(D - SHADOW)

S BODY = (H - VOYAGER)(K - RAM VAN/CARAVAN)

BODY STYLES

12-13 = FWD VAN

21 = 2-DOOR SEDAN

24 = 2-DOOR HATCHBACK

27 = 2-DOOR CONVERTIBLE

41 = 4-DOOR SEDAN

44 = 4-DOOR HATCHBACK

45 = 4-DOOR STATION WAGON

52-53 = FWD WAGON

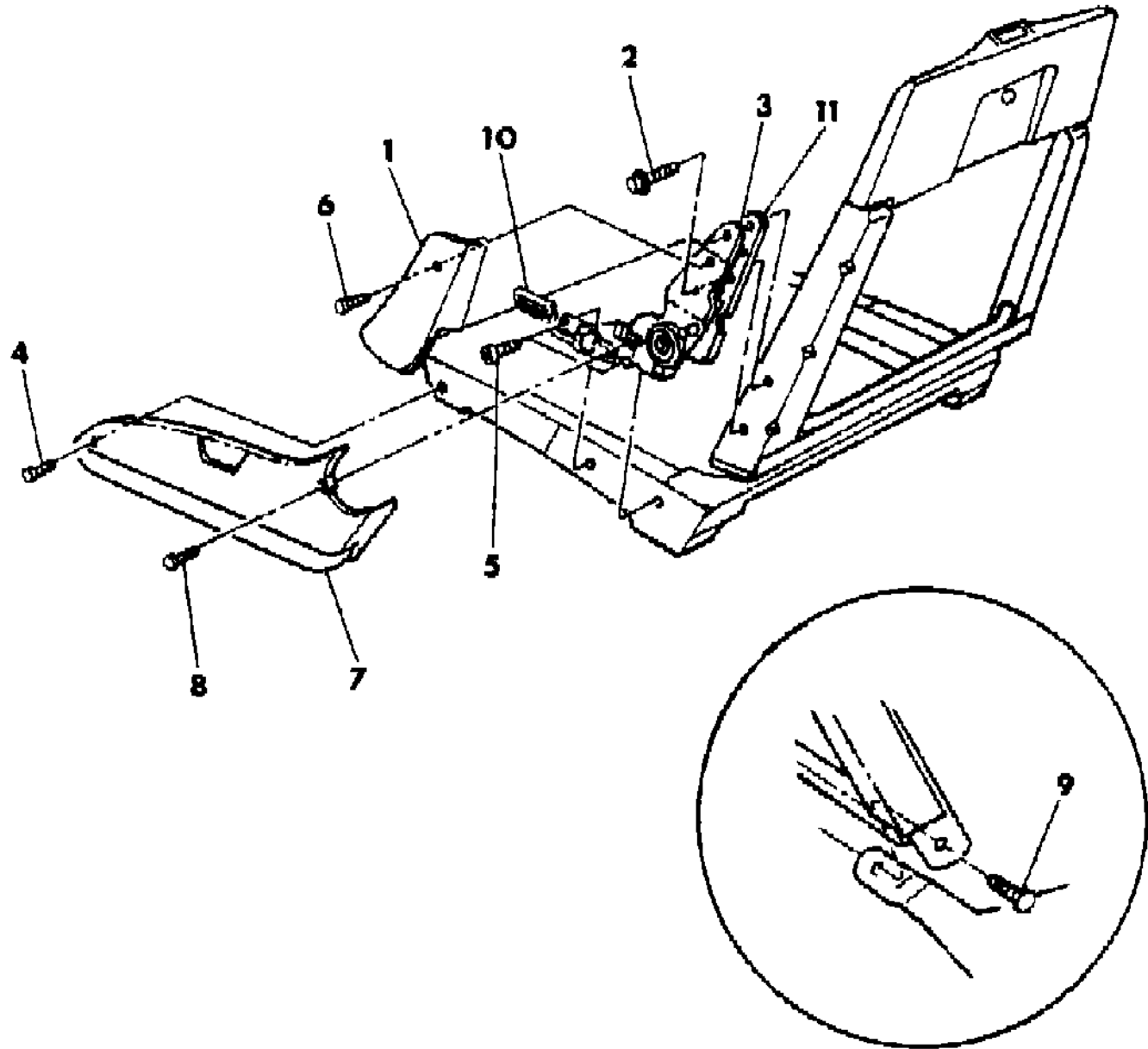
AR = Use as Required - = Non Illustrated Part P.A.R. = Paint as Required

RECLINING SEAT--FRONT G BODY
Figure ITG-1800

7238 1800

ITEM	PART NUMBER	QTY	BODY	MODEL	DESCRIPTION
1	S960-1 DW1	1			SHIELD, w/Release Button (P.A.R.)
2	6501 222	AR			SCREW
3					RECLINER
	4380 146	1			Passenger Seat
	4380 147	1			Driver Seat
4		AR			SCREW, (8-18x1.00) (Not Serv.)
5	6500 558	AR			SCREW
6	6501 221	AR			SCREW, Arm to Cushion
7	S262-3 FK1	1			SHIELD, Cushion (P.A.R.)
8	6032 456	AR			SCREW
9	6501 346	2			BOLT, (10-1.5x39)
10	S936-7 FA3				LEVER, Recliner Release (P.A.R.)
11	4327 671	1			PROTECTOR, Seat Trim

NOTE: (P.A.R.) = Paint as Required



MODEL CODES

E BODY = (J - CARAVELLE)(E - 600)(T - NEW YORKER)

G BODY = (V24 - DAYTONA)

H BODY = (D44 - LANCER)(C44 - LEBARON GTS)

J BODY = (C - LEBARON)

K BODY = (P - RELIANT)(D - ARIES)(C - LEBAROND)/TOWN & COUNTRY)

L BODY = (M - HORIZON/TURISMO)(Z - OMNI/CHARGER)

M BODY = (B - GRAN FURY)(F - FIFTH AVE/NEWPORT)(G - DIPLOMAT)

P BODY = (P - SUNDANCE)(D - SHADOW)

S BODY = (H - VOYAGER)(K - RAM VAN/CARAVAN)

BODY STYLES

12-13 = FWD VAN

21 = 2-DOOR SEDAN

24 = 2-DOOR HATCHBACK

27 = 2-DOOR CONVERTIBLE

41 = 4-DOOR SEDAN

44 = 4-DOOR HATCHBACK

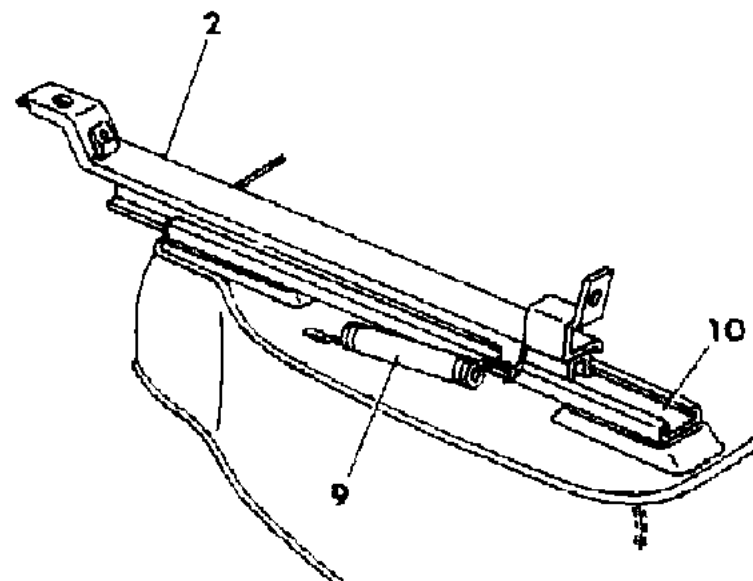
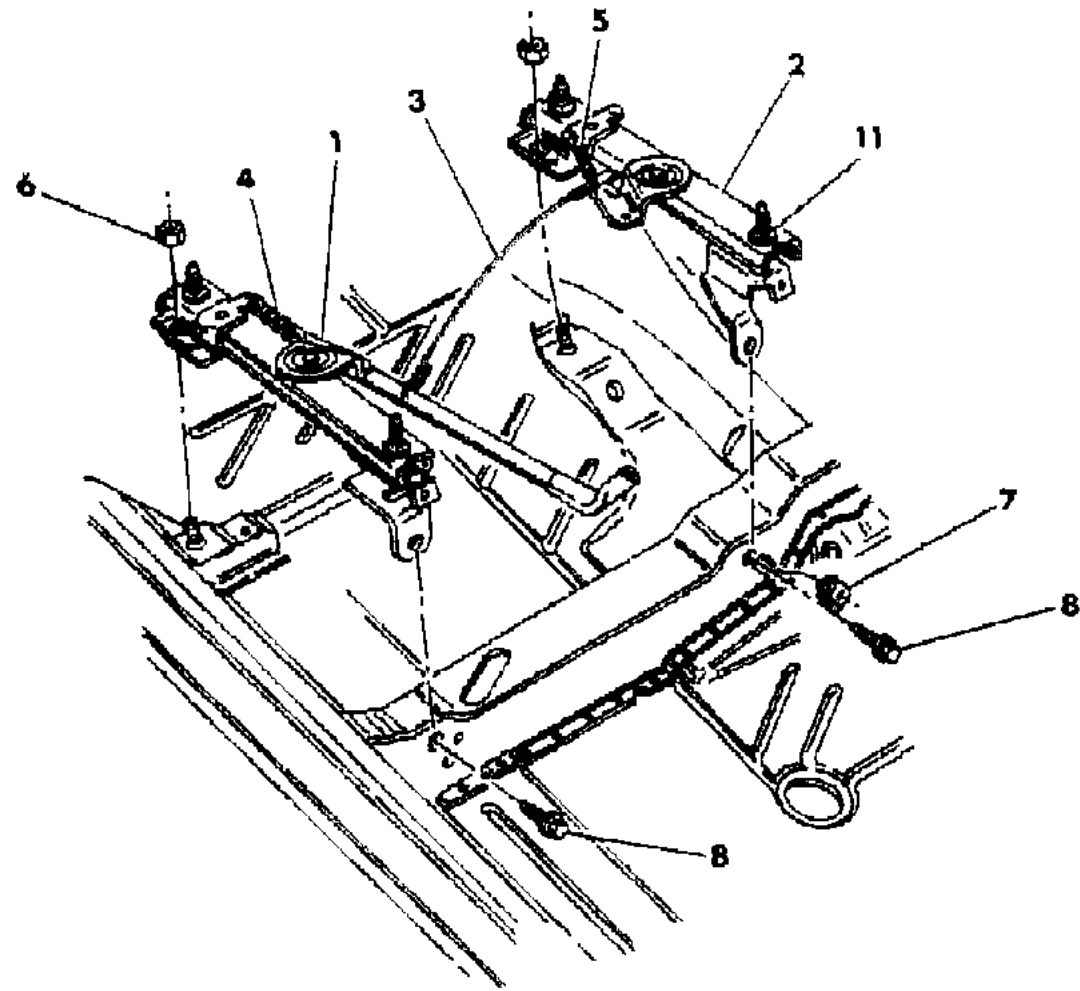
45 = 4-DOOR STATION WAGON

52-53 = FWD WAGON

AR = Use as Required - = Non Illustrated Part P.A.R. = Paint as Required

ADJUSTER--MANUAL G BODY
Figure ITG-1900

7236 1900 A



ITEM	PART NUMBER	QTY	BODY	MODEL	DESCRIPTION
1					ADJUSTER, Manual
	4380 288	1			Passenger Seat
	4380 289	1			Driver Seat
2					ADJUSTER, Inner
	4380 290	1			Passenger Seat
	4380 291	1			Driver Seat
3	4380 285	1			WIRE, Adjuster Release
4	4327 235	1			SPRING, Lever Return
5	4402 215	1			SPRING, Latch Return Inboard
6		AR			NUT, Hex Flange (m8x1.25h) (Not Serv.)
7	6101 283	1			U-NUT
8		AR			SCREW and WASHER, Hex Head (m8x1.25x30) (Not Serv.)
9	4290 990	1			SPRING, Inner Seat Assist
10	4316 938-9	1			TRACK, Lower
11	6028 040	2			RETAINER, Push-On

MODEL CODES

E BODY = (J - CARAVELLE)(E - 600)(T - NEW YORKER)

G BODY = (V24 - DAYTONA)

H BODY = (D44 - LANCER)(C44 - LEBARON GTS)

J BODY = (C - LEBARON)

K BODY = (P - RELIANT)(D - ARIES)(C - LEBAROND)/TOWN & COUNTRY)

L BODY = (M - HORIZON/TURISMO)(Z - OMNI/CHARGER)

M BODY = (B - GRAN FURY)(F - FIFTH AVE/NEWPORT)(G - DIPLOMAT)

P BODY = (P - SUNDANCE)(D - SHADOW)

S BODY = (H - VOYAGER)(K - RAM VAN/CARAVAN)

BODY STYLES

12-13 = FWD VAN

21 = 2-DOOR SEDAN

24 = 2-DOOR HATCHBACK

27 = 2-DOOR CONVERTIBLE

41 = 4-DOOR SEDAN

44 = 4-DOOR HATCHBACK

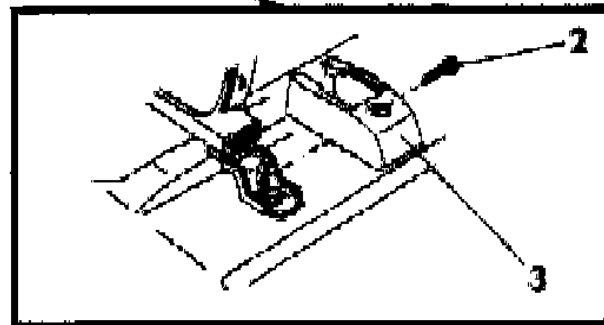
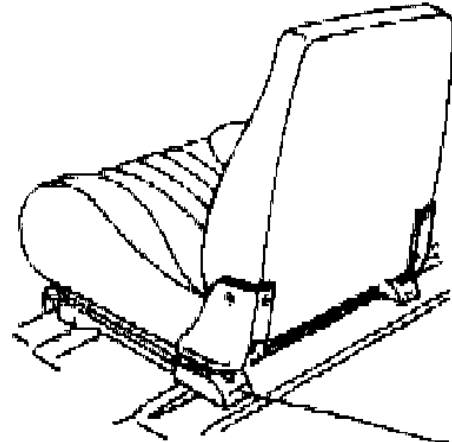
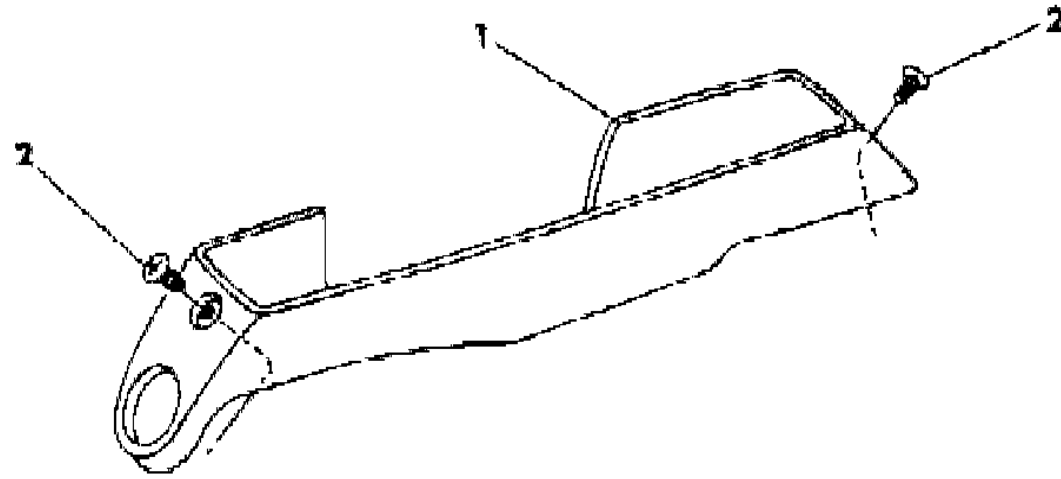
45 = 4-DOOR STATION WAGON

52-53 = FWD WAGON

AR = Use as Required - = Non Illustrated Part P.A.R. = Paint as Required

COVERS--MANUAL SEAT ADJUSTER G BODY
Figure ITG-2000

7238 2000



ITEM	PART NUMBER	QTY	BODY	MODEL	DESCRIPTION
1					COVER, Manual Adjuster, Outer
	S968 FC5	1			Blue
	S968 FE8	1			Cordovan
	S968 FK1	1			Almond
	S968 FS8	1			Charcoal
2		AR			SCREW, (8-18x3/4) (Not Serv.)
3					COVER, Inner Rear
	S966 FC5	2			Blue
	S966 FE8	2			Cordovan
	S966 FK1	2			Almond
	S966 FS8	2			Charcoal

MODEL CODES

E BODY = (J - CARAVELLE)(E - 600)(T - NEW YORKER)

G BODY = (V24 - DAYTONA)

H BODY = (D44 - LANCER)(C44 - LEBARON GTS)

J BODY = (C - LEBARON)

K BODY = (P - RELIANT)(D - ARIES)(C - LEBAROND)/TOWN & COUNTRY)

L BODY = (M - HORIZON/TURISMO)(Z - OMNI/CHARGER)

M BODY = (B - GRAN FURY)(F - FIFTH AVE/NEWPORT)(G - DIPLOMAT)

P BODY = (P - SUNDANCE)(D - SHADOW)

S BODY = (H - VOYAGER)(K - RAM VAN/CARAVAN)

BODY STYLES

12-13 = FWD VAN

21 = 2-DOOR SEDAN

24 = 2-DOOR HATCHBACK

27 = 2-DOOR CONVERTIBLE

41 = 4-DOOR SEDAN

44 = 4-DOOR HATCHBACK

45 = 4-DOOR STATION WAGON

52-53 = FWD WAGON

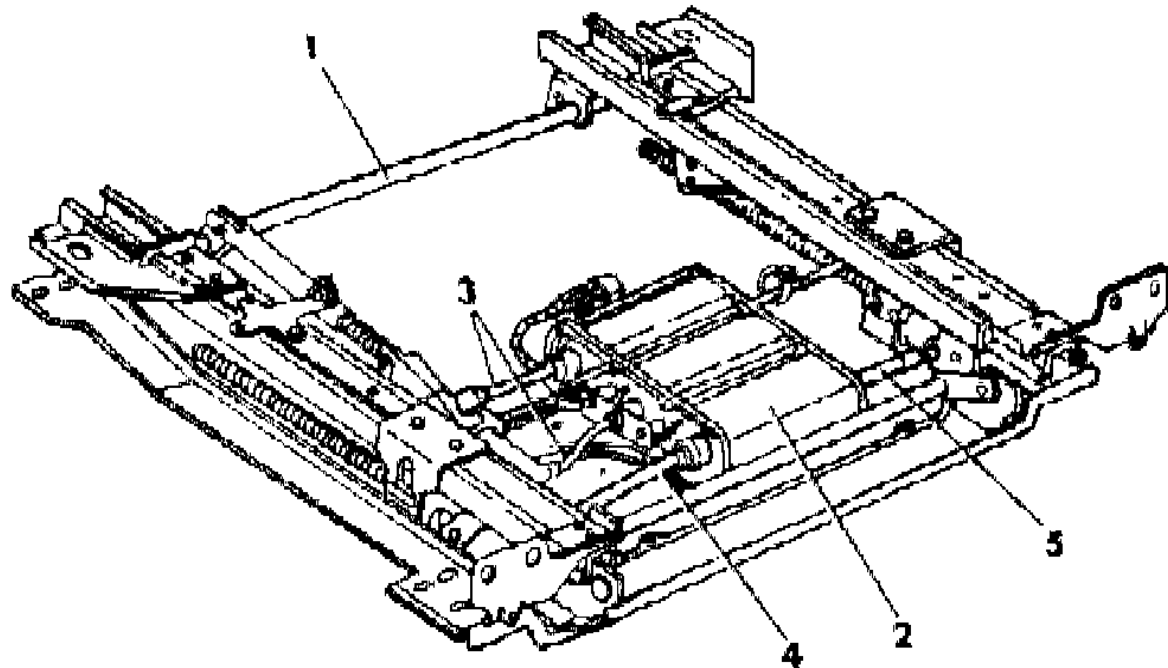
AR = Use as Required - = Non Illustrated Part P.A.R. = Paint as Required

ADJUSTER--ELECTRIC G BODY
Figure ITG-2100

7238 2100

ITEM	PART NUMBER	QTY	BODY	MODEL	DESCRIPTION
1	4402 229	1			ADJUSTER, Less Motor
-	6033 077	4			SCREW, Adjuster to Seat
2	4402 323	1			MOTOR, w/Tube Assembly
3	4327 282	2			SHAFT, Flexible (4.005")
4	4402 275	1			CABLE, Outer (5.68")
5	4402 267	1			CABLE, Inner (2.68")

NOTE: Items #1 Thru 5 Are For Replacement Only.



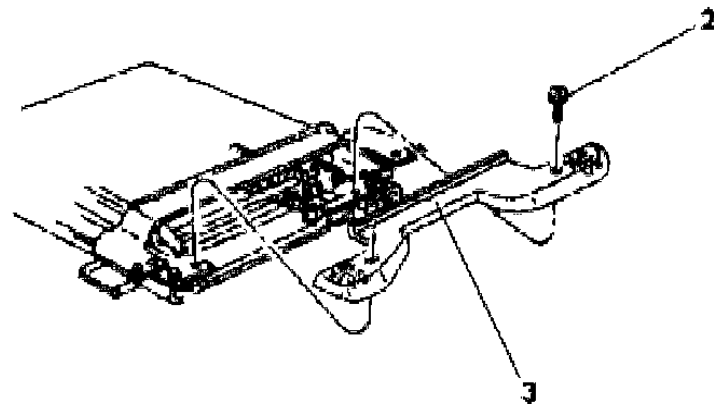
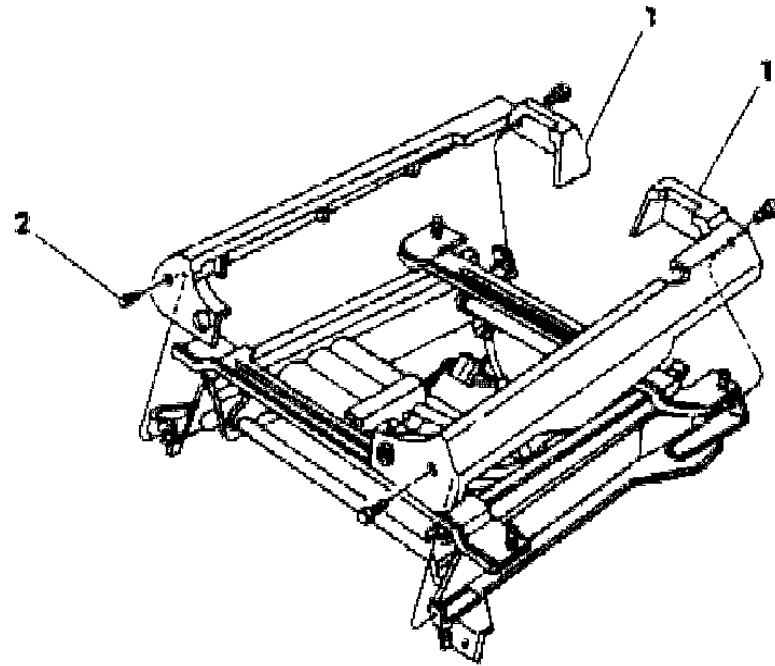
MODEL CODES
 E BODY = (J - CARAVELLE)(E - 600)(T - NEW YORKER)
 G BODY = (V24 - DAYTONA)
 H BODY = (D44 - LANCER)(C44 - LEBARON GTS)
 J BODY = (C - LEBARON)
 K BODY = (P - RELIANT)(D - ARIES)(C - LEBAROND)/TOWN & COUNTRY
 L BODY = (M - HORIZON/TURISMO)(Z - OMNI/CHARGER)
 M BODY = (B - GRAN FURY)(F - FIFTH AVE/NEWPORT)(G - DIPLOMAT)
 P BODY = (P - SUNDANCE)(D - SHADOW)
 S BODY = (H - VOYAGER)(K - RAM VAN/CARAVAN)

BODY STYLES
 12-13 = FWD VAN
 21 = 2-DOOR SEDAN
 24 = 2-DOOR HATCHBACK
 27 = 2-DOOR CONVERTIBLE
 41 = 4-DOOR SEDAN
 44 = 4-DOOR HATCHBACK
 45 = 4-DOOR STATION WAGON
 52-53 = FWD WAGON

AR = Use as Required - = Non Illustrated Part P.A.R. = Paint as Required

COVERS--ELECTRIC SEAT ADJUSTER G BODY
Figure ITG-2200

7238 2200



ITEM	PART NUMBER	QTY	BODY	MODEL	DESCRIPTION
1					COVER, Electric Seat Adjuster w/Bucket Seats
					INNER
	S899 FC5	1			Blue
	S899 FE8	1			Cordovan
	S899 FK1	1			Almond
	S899 FS8	1			Charcoal
					OUTER
	S897 FC5	1			Blue
	S897 FE8	1			Cordovan
	S897 FK1	1			Almond
	S897 FS8	1			Charcoal
2		AR			SCREW, (8-18x3/4) (Not Serv.)
3					COVER, Electric Adjuster, Rear
	S901 FC5	1			Blue
	S901 FE8	1			Cordovan
	S901 FK1	1			Almond
	S901 FS8	1			Charcoal

MODEL CODES

E BODY = (J - CARAVELLE)(E - 600)(T - NEW YORKER)

G BODY = (V24 - DAYTONA)

H BODY = (D44 - LANCER)(C44 - LEBARON GTS)

J BODY = (C - LEBARON)

K BODY = (P - RELIANT)(D - ARIES)(C - LEBAROND)/TOWN & COUNTRY)

L BODY = (M - HORIZON/TURISMO)(Z - OMNI/CHARGER)

M BODY = (B - GRAN FURY)(F - FIFTH AVE/NEWPORT)(G - DIPLOMAT)

P BODY = (P - SUNDANCE)(D - SHADOW)

S BODY = (H - VOYAGER)(K - RAM VAN/CARAVAN)

BODY STYLES

12-13 = FWD VAN

21 = 2-DOOR SEDAN

24 = 2-DOOR HATCHBACK

27 = 2-DOOR CONVERTIBLE

41 = 4-DOOR SEDAN

44 = 4-DOOR HATCHBACK

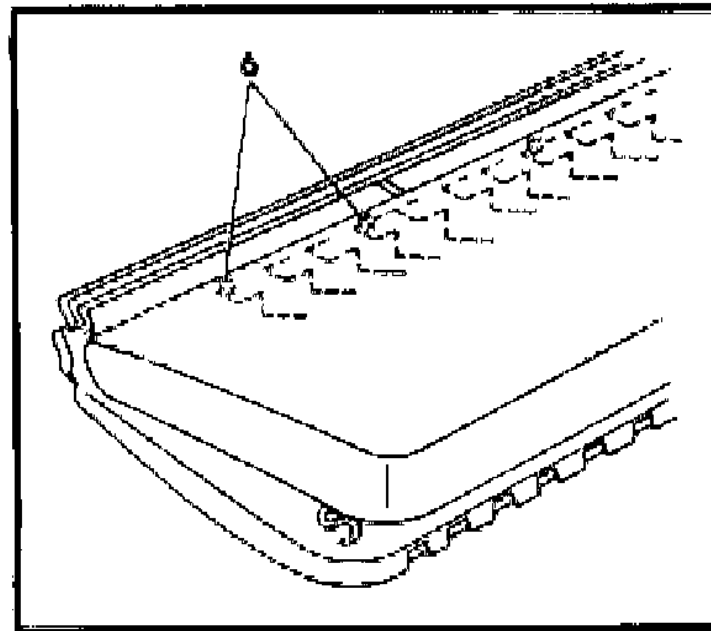
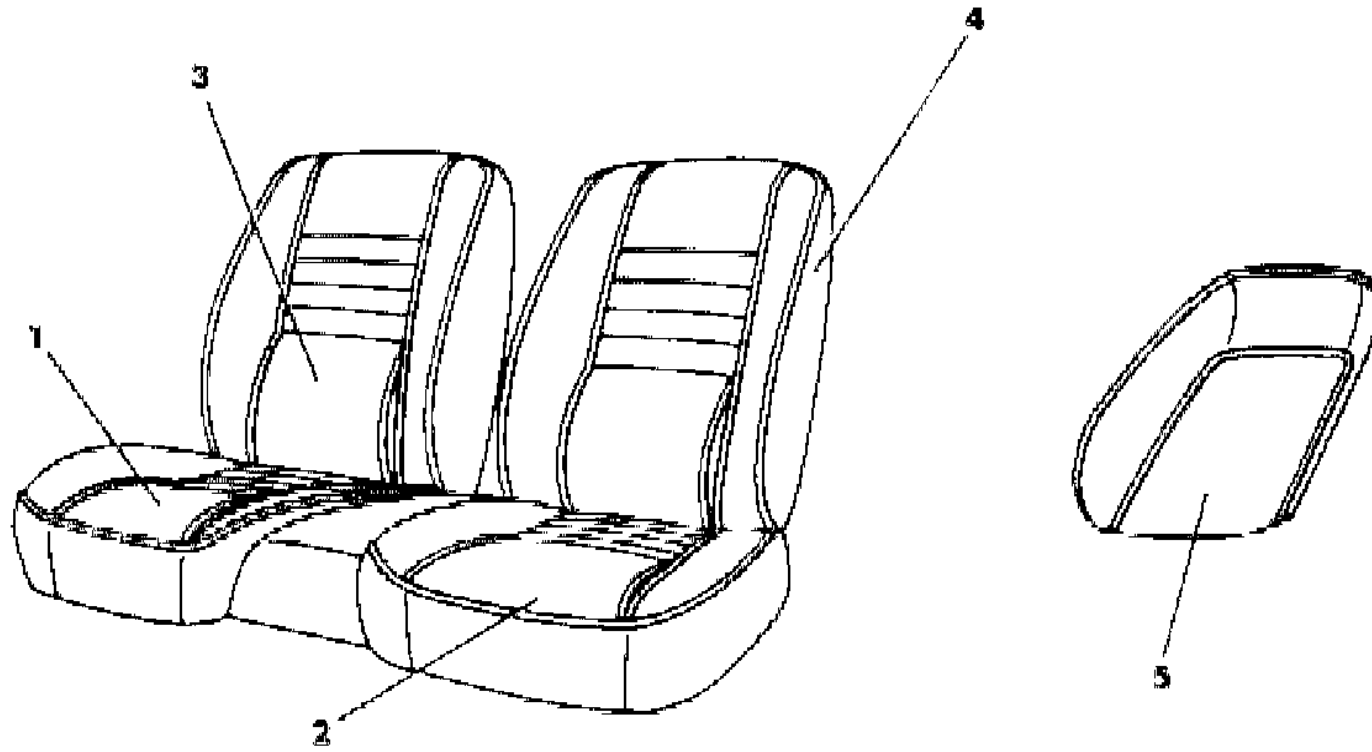
45 = 4-DOOR STATION WAGON

52-53 = FWD WAGON

AR = Use as Required - = Non Illustrated Part P.A.R. = Paint as Required

SEAT--REAR G BODY TRIM CODE A7
Figure ITG-2300

7238 2300



ITEM	PART NUMBER	QTY	BODY	MODEL	DESCRIPTION
1					CUSHION, w/Spring, Frame, Pad and Cover
	B800 F7C	1			CLOTH Blue
	B800 F7E	1			Cordovan
	B800 F7K	1			Almond
	B800 F7S	1			Charcoal
2					COVER, Cushion
	B485 F7C	1			CLOTH Blue
	B485 F7E	1			Cordovan
	B485 F7K	1			Almond
	B485 F7S	1			Charcoal
3					BACK, w/Spring, Frame, Pad and Cover
	B798-9 F7C	1			CLOTH Blue
	B798-9 F7E	1			Cordovan
	B798-9 F7K	1			Almond
	B798-9 F7S	1			Charcoal
4					COVER, Back
	B486-7 F7C	1			CLOTH Blue
	B486-7 F7E	1			Cordovan
	B486-7 F7K	1			Almond
	B486-7 F7S	1			Charcoal
5					PANEL, Seat Back w/Carpet
	S730 FC5	2			Blue
	S730 EE8	2			Cordovan
	S730 EK3	2			Almond
	S730 CS8	2			Charcoal
6	6008 076	AR			HOG RING

MODEL CODES

E BODY = (J - CARAVELLE)(E - 600)(T - NEW YORKER)

G BODY = (V24 - DAYTONA)

H BODY = (D44 - LANCER)(C44 - LEBARON GTS)

J BODY = (C - LEBARON)

K BODY = (P - RELIANT)(D - ARIES)(C - LEBAROND)/TOWN & COUNTRY)

L BODY = (M - HORIZON/TURISMO)(Z - OMNI/CHARGER)

M BODY = (B - GRAN FURY)(F - FIFTH AVE/NEWPORT)(G - DIPLOMAT)

P BODY = (P - SUNDANCE)(D - SHADOW)

S BODY = (H - VOYAGER)(K - RAM VAN/CARAVAN)

BODY STYLES

12-13 = FWD VAN

21 = 2-DOOR SEDAN

24 = 2-DOOR HATCHBACK

27 = 2-DOOR CONVERTIBLE

41 = 4-DOOR SEDAN

44 = 4-DOOR HATCHBACK

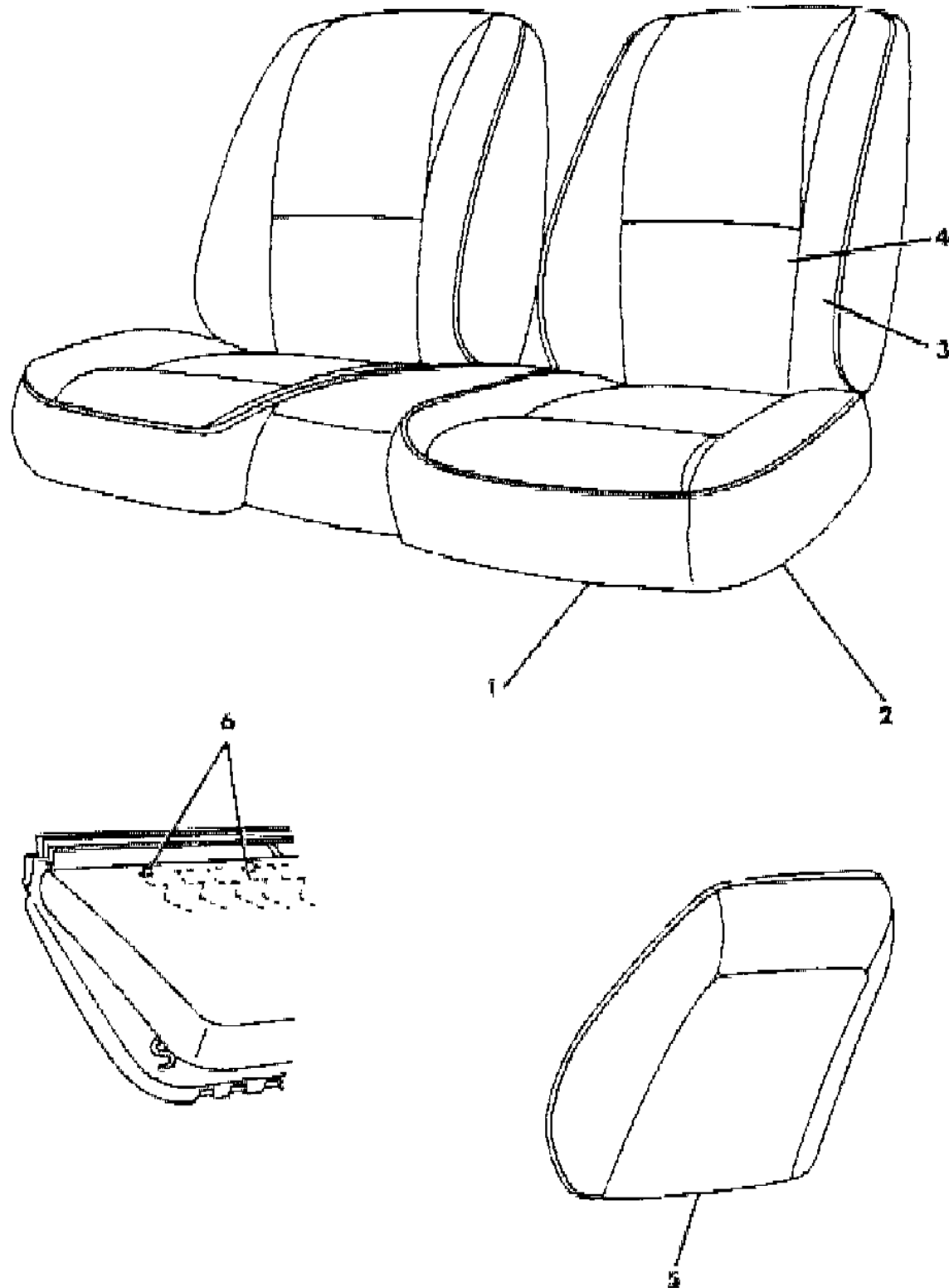
45 = 4-DOOR STATION WAGON

52-53 = FWD WAGON

AR = Use as Required - = Non Illustrated Part P.A.R. = Paint as Required

SEAT--REAR G BODY TRIM CODE F7
Figure ITG-2400

7230 2400



ITEM	PART NUMBER	QTY	BODY	MODEL	DESCRIPTION
1					CUSHION, w/Spring, Frame, Pad and Cover
	B770 F7C	1			CLOTH Blue
	B770 F7E	1			Cordovan
	B770 F7K	1			Almond
	B770 F7S	1			Charcoal
2					COVER, Cushion
	B455 F7C	1			CLOTH Blue
	B455 F7E	1			Cordovan
	B455 F7K	1			Almond
	B455 F7S	1			Charcoal
3					BACK, w/Spring, Frame, Pad and Cover
	B768-9 F7C	1			CLOTH Blue
	B768-9 F7E	1			Cordovan
	B768-9 F7K	1			Almond
	B768-9 F7S	1			Charcoal
4					COVER, Back
	B456-7 F7C	1			CLOTH Blue
	B456-7 F7E	1			Cordovan
	B456-7 F7K	1			Almond
	B456-7 F7S	1			Charcoal
5					PANEL, Seat Back w/Carpet
	S730 FC5	2			Blue
	S730 EE8	2			Cordovan
	S730 EK3	2			Almond
	S730 CS8	2			Charcoal
6	6008 076	AR			HOG RING

MODEL CODES

E BODY = (J - CARAVELLE)(E - 600)(T - NEW YORKER)

G BODY = (V24 - DAYTONA)

H BODY = (D44 - LANCER)(C44 - LEBARON GTS)

J BODY = (C - LEBARON)

K BODY = (P - RELIANT)(D - ARIES)(C - LEBAROND)/TOWN & COUNTRY)

L BODY = (M - HORIZON/TURISMO)(Z - OMNI/CHARGER)

M BODY = (B - GRAN FURY)(F - FIFTH AVE/NEWPORT)(G - DIPLOMAT)

P BODY = (P - SUNDANCE)(D - SHADOW)

S BODY = (H - VOYAGER)(K - RAM VAN/CARAVAN)

BODY STYLES

12-13 = FWD VAN

21 = 2-DOOR SEDAN

24 = 2-DOOR HATCHBACK

27 = 2-DOOR CONVERTIBLE

41 = 4-DOOR SEDAN

44 = 4-DOOR HATCHBACK

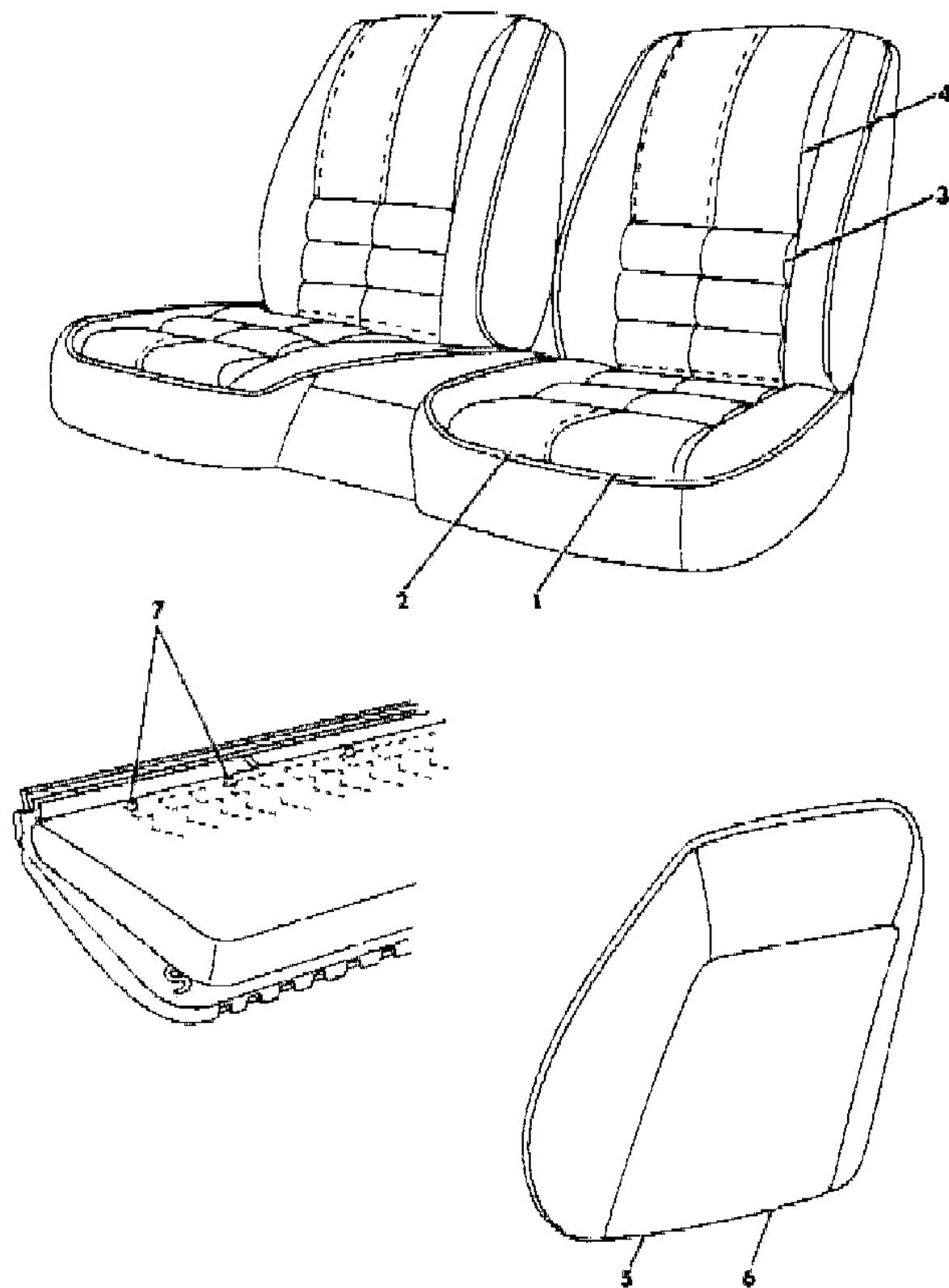
45 = 4-DOOR STATION WAGON

52-53 = FWD WAGON

AR = Use as Required - = Non Illustrated Part P.A.R. = Paint as Required

SEAT--REAR G BODY TRIM CODE S7-SL
Figure ITG-2500

7238 2500



ITEM	PART NUMBER	QTY	BODY	MODEL	DESCRIPTION
1					CUSHION, w/Spring, Frame, Pad and Cover
	B756 F7C	1			CLOTH Blue
	B756 F7E	1			Cordovan
	B756 F7K	1			Almond
	B756 F7S	1			Charcoal
	B742 FLC	1			LEATHER Blue
	B742 FLE	1			Cordovan
	B742 FLK	1			Almond
	B742 FLS	1			Charcoal
2					COVER, Cushion
	B576 F7C	1			CLOTH Blue
	B576 F7E	1			Cordovan
	B576 F7K	1			Almond
	B576 F7S	1			Charcoal
	B568 FLC	1			LEATHER Blue
	B568 FLE	1			Cordovan
	B568 FLK	1			Almond
	B568 FLS	1			Charcoal
3					BACK, w/Spring, Frame, Pad and Cover
	B754-5 F7C	1			CLOTH Blue
	B754-5 F7E	1			Cordovan
	B754-5 F7K	1			Almond
	B754-5 F7S	1			Charcoal
	B740-1 FLC	1			LEATHER Blue
	B740-1 FLE	1			Cordovan
	B740-1 FLK	1			Almond
	B740-1 FLS	1			Charcoal
4					COVER, Back
	B570-1 F7C	1			CLOTH Blue
	B570-1 F7E	1			Cordovan
	B570-1 F7K	1			Almond

MODEL CODES

E BODY = (J - CARAVELLE)(E - 600)(T - NEW YORKER)

G BODY = (V24 - DAYTONA)

H BODY = (D44 - LANCER)(C44 - LEBARON GTS)

J BODY = (C - LEBARON)

K BODY = (P - RELIANT)(D - ARIES)(C - LEBAROND)/TOWN & COUNTRY)

L BODY = (M - HORIZON/TURISMO)(Z - OMNI/CHARGER)

M BODY = (B - GRAN FURY)(F - FIFTH AVE/NEWPORT)(G - DIPLOMAT)

P BODY = (P - SUNDANCE)(D - SHADOW)

S BODY = (H - VOYAGER)(K - RAM VAN/CARAVAN)

BODY STYLES

12-13 = FWD VAN

21 = 2-DOOR SEDAN

24 = 2-DOOR HATCHBACK

27 = 2-DOOR CONVERTIBLE

41 = 4-DOOR SEDAN

44 = 4-DOOR HATCHBACK

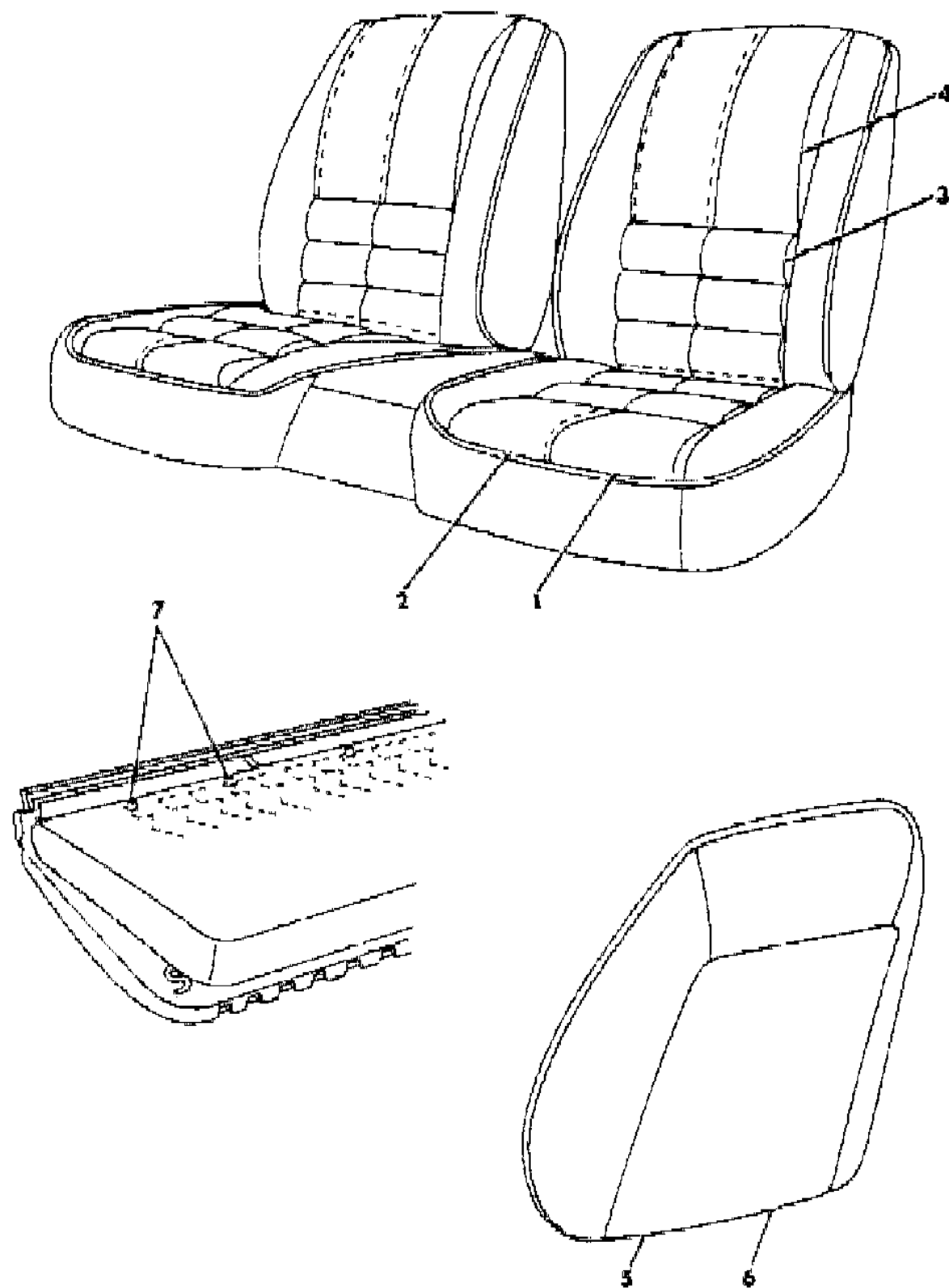
45 = 4-DOOR STATION WAGON

52-53 = FWD WAGON

AR = Use as Required - = Non Illustrated Part P.A.R. = Paint as Required

SEAT--REAR G BODY TRIM CODE S7-SL
Figure ITG-2500

7238 2500



ITEM	PART NUMBER	QTY	BODY	MODEL	DESCRIPTION
	B570-1 F7S	1			Charcoal LEATHER
	B578-9 FLC	1			Blue
	B578-9 FLE	1			Cordovan
	B578-9 FLK	1			Almond
5	B578-9 FLS	1			Charcoal
		AR			ROLL STOCK, Carpet, (Order by The Inch)
	R122 EC5	AR			Blue
	R122 EE8	AR			Cordovan
	R122 EK1	AR			Almond
6	R122 CS8	AR			Charcoal
					PANEL, Seat Back w/Carpet
	S730 FC5	2			Blue
	S730 EE8	2			Cordovan
	S730 EK3	2			Almond
	S730 CS8	2			Charcoal
7	6008 076	AR			HOG RING

MODEL CODES

E BODY = (J - CARAVELLE)(E - 600)(T - NEW YORKER)

G BODY = (V24 - DAYTONA)

H BODY = (D44 - LANCER)(C44 - LEBARON GTS)

J BODY = (C - LEBARON)

K BODY = (P - RELIANT)(D - ARIES)(C - LEBAROND)/TOWN & COUNTRY)

L BODY = (M - HORIZON/TURISMO)(Z - OMNI/CHARGER)

M BODY = (B - GRAN FURY)(F - FIFTH AVE/NEWPORT)(G - DIPLOMAT)

P BODY = (P - SUNDANCE)(D - SHADOW)

S BODY = (H - VOYAGER)(K - RAM VAN/CARAVAN)

BODY STYLES

12-13 = FWD VAN

21 = 2-DOOR SEDAN

24 = 2-DOOR HATCHBACK

27 = 2-DOOR CONVERTIBLE

41 = 4-DOOR SEDAN

44 = 4-DOOR HATCHBACK

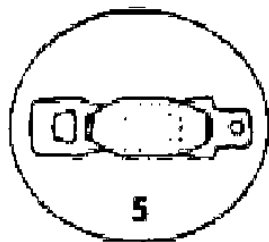
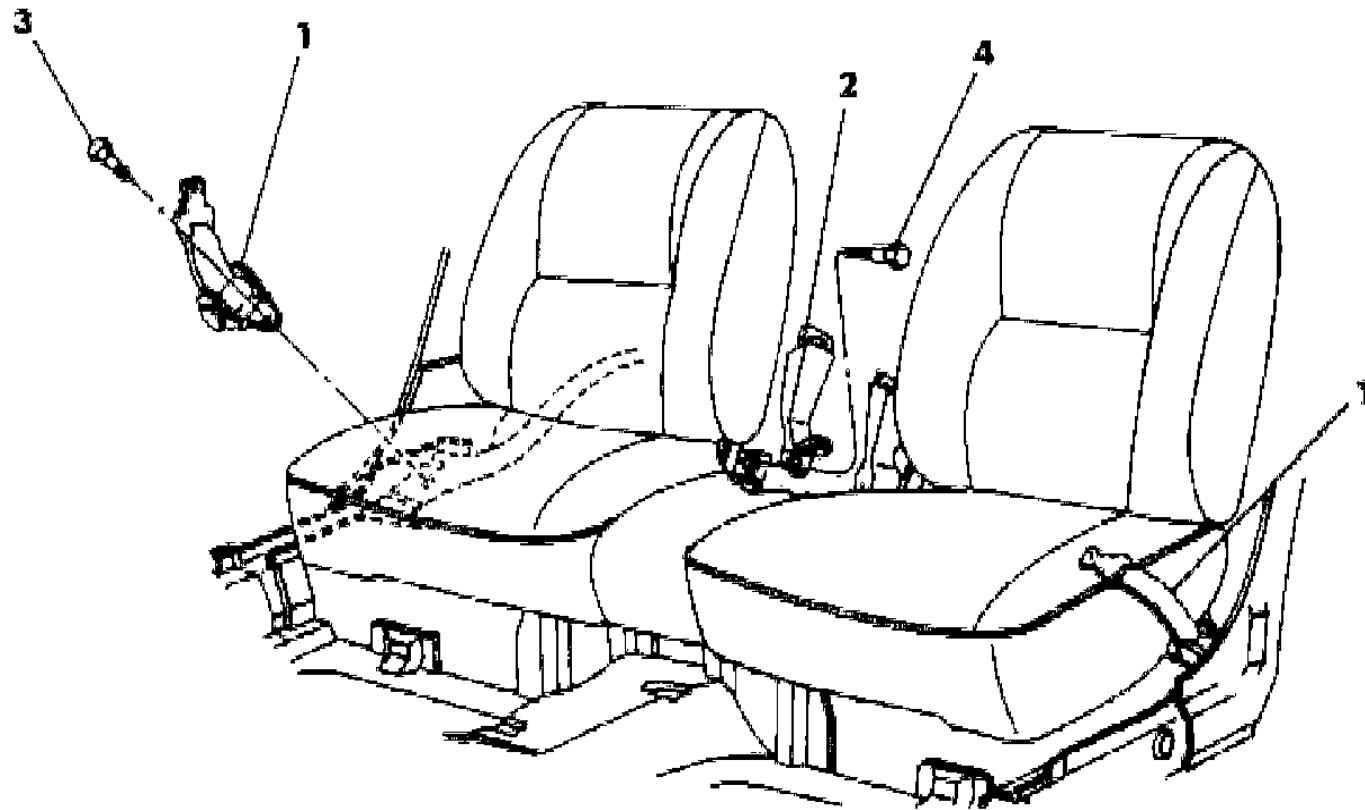
45 = 4-DOOR STATION WAGON

52-53 = FWD WAGON

AR = Use as Required - = Non Illustrated Part P.A.R. = Paint as Required

BELT--REAR SEAT G BODY
Figure ITG-2600

7238 2800



ITEM	PART NUMBER	QTY	BODY	MODEL	DESCRIPTION
1					BELT, Rear Lap Outboard Tip, Right
					LABEL NUMBER 4290853
	F688 FC5	1			Blue
	F688 EE8	1			Cordovan
	F688 EK1	1			Almond
	F688 FS8	1			Charcoal
					Outboard Tip, Left
					LABEL NUMBER 4327891
	F741 FC5	1			Blue
	F741 EE8	1			Cordovan
	F741 EK1	1			Almond
	F741 FS8	1			Charcoal
2					BELT, Rear Inner Buckle
					LABEL NUMBER 4290854
	F689 FC5	2			Blue
	F689 EE8	2			Cordovan
	F689 EK1	2			Almond
	F689 DS8	2			Charcoal
3	6031 484	2			BOLT, Outboard Belt Attaching
4	6032 039	2			BOLT, Inboard Buckle Attaching
5	4364 849	AR			EXTENDER, Seat Belt

MODEL CODES

E BODY = (J - CARAVELLE)(E - 600)(T - NEW YORKER)

G BODY = (V24 - DAYTONA)

H BODY = (D44 - LANCER)(C44 - LEBARON GTS)

J BODY = (C - LEBARON)

K BODY = (P - RELIANT)(D - ARIES)(C - LEBAROND)/TOWN & COUNTRY)

L BODY = (M - HORIZON/TURISMO)(Z - OMNI/CHARGER)

M BODY = (B - GRAN FURY)(F - FIFTH AVE/NEWPORT)(G - DIPLOMAT)

P BODY = (P - SUNDANCE)(D - SHADOW)

S BODY = (H - VOYAGER)(K - RAM VAN/CARAVAN)

BODY STYLES

12-13 = FWD VAN

21 = 2-DOOR SEDAN

24 = 2-DOOR HATCHBACK

27 = 2-DOOR CONVERTIBLE

41 = 4-DOOR SEDAN

44 = 4-DOOR HATCHBACK

45 = 4-DOOR STATION WAGON

52-53 = FWD WAGON

AR = Use as Required - = Non Illustrated Part P.A.R. = Paint as Required

SEAT--REAR FOLD DOWN G BODY
Figure ITG-2700

7238 2700 8

ITEM	PART NUMBER	QTY	BODY	MODEL	DESCRIPTION
1	4277 934	2			STRIKER, Seat Back Latch
2	6501 186	4			SCREW, w/Washer Striker Attaching
3					BRACKET, Inner Seat Back Hinge, (Serv. in Seat Cushion)
4					BRACKET, Outer Seat Back Hinge, (Serv. in Seat Cushion)
5	6500 534	2			BOLT, Cushion to Seat Back
6	6031 218	2			BOLT, Cushion to Floor
7	4277 360-1	1			FRAME, Seat Back
8	6026 647	2			RETAINER, Cushion to Floor Attaching
9	4290 936	2			BUTTON, Cargo net Attaching
10	4277 210	1			NET, Cargo, Rear Seat Back
11					SCREW, (8-18x1/2) (Not Serv.)
12		AR			SCREW, (5/16x18x.028) (Not Serv.)
13	S822 CS8	1			COVER, Seat Back Latch (P.A.R.)
14	6100 557	2			SCREW, Latch Attaching, (M6x20)
15	4277 618-9	1			LATCH, Seat Back Release
16					WASHER, (Not Serv.)
17	6501 199	AR			BOLT
18					COVER, Rear Seat Cushion Inner Hinge
	S602-3 FC5	1			Blue
	S602-3 EE8	1			Cordovan
	S602-3 EK1	1			Almond
	S602-3 CS8	1			Charcoal
19					PANEL, Back w/Carpet
	S730 FC5	2			Blue
	S730 EE8	2			Cordovan
	S730 EK3	2			Almond
	S730 CS8	2			Charcoal
20	2945 108-9	1			CLIP, Rod to Latch Release Lever
21	H436 EK1	AR			BUTTON, Folding Seat Back Release, (P.A.R.)
22	6031 485	1			CLIP, Release Rod to Button

NOTE: (P.A.R. = Paint As Required)

MODEL CODES

E BODY = (J - CARAVELLE)(E - 600)(T - NEW YORKER)

G BODY = (V24 - DAYTONA)

H BODY = (D44 - LANCER)(C44 - LEBARON GTS)

J BODY = (C - LEBARON)

K BODY = (P - RELIANT)(D - ARIES)(C - LEBAROND)/TOWN & COUNTRY)

L BODY = (M - HORIZON/TURISMO)(Z - OMNI/CHARGER)

M BODY = (B - GRAN FURY)(F - FIFTH AVE/NEWPORT)(G - DIPLOMAT)

P BODY = (P - SUNDANCE)(D - SHADOW)

S BODY = (H - VOYAGER)(K - RAM VAN/CARAVAN)

BODY STYLES

12-13 = FWD VAN

21 = 2-DOOR SEDAN

24 = 2-DOOR HATCHBACK

27 = 2-DOOR CONVERTIBLE

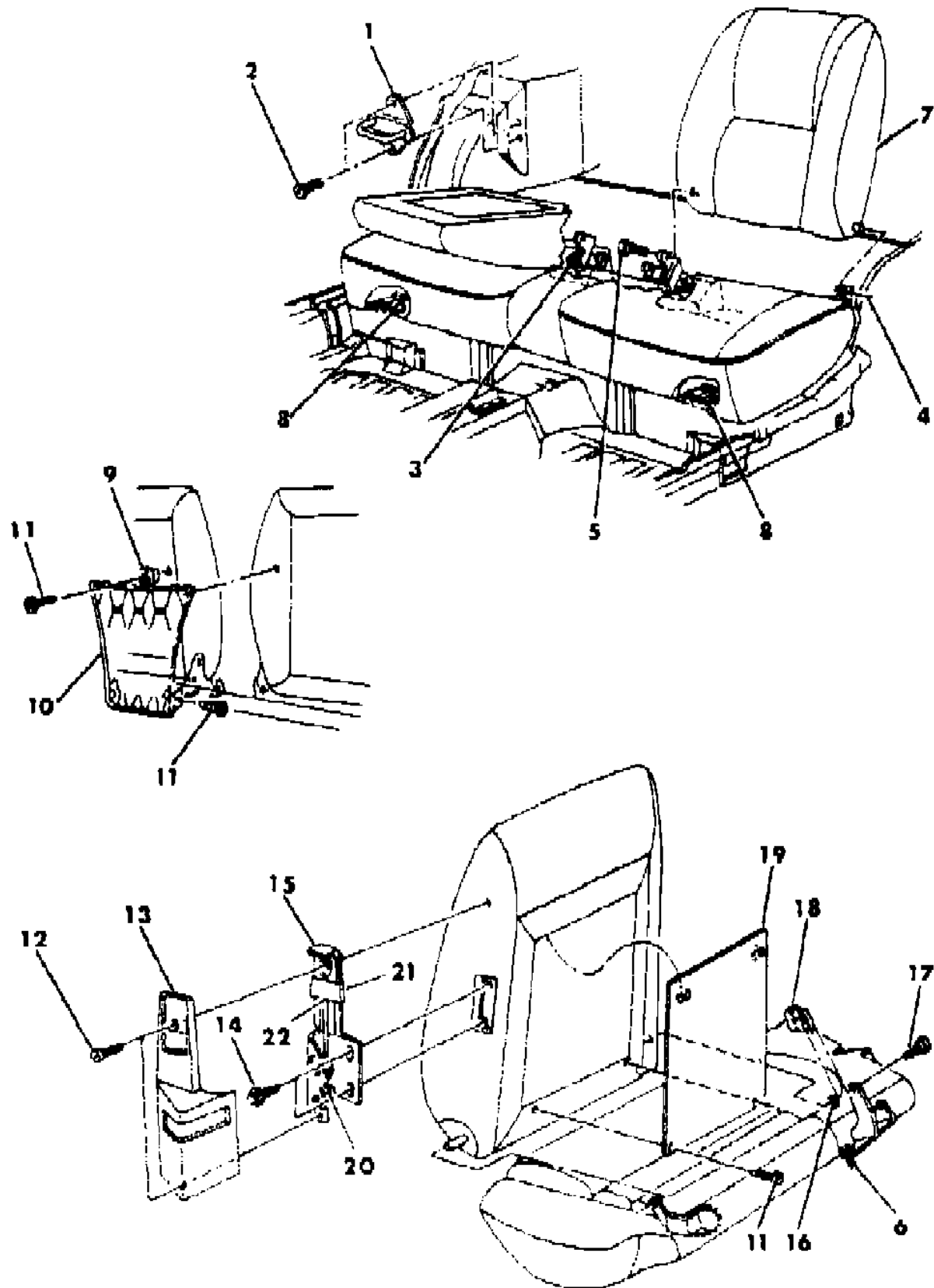
41 = 4-DOOR SEDAN

44 = 4-DOOR HATCHBACK

45 = 4-DOOR STATION WAGON

52-53 = FWD WAGON

AR = Use as Required - = Non Illustrated Part P.A.R. = Paint as Required



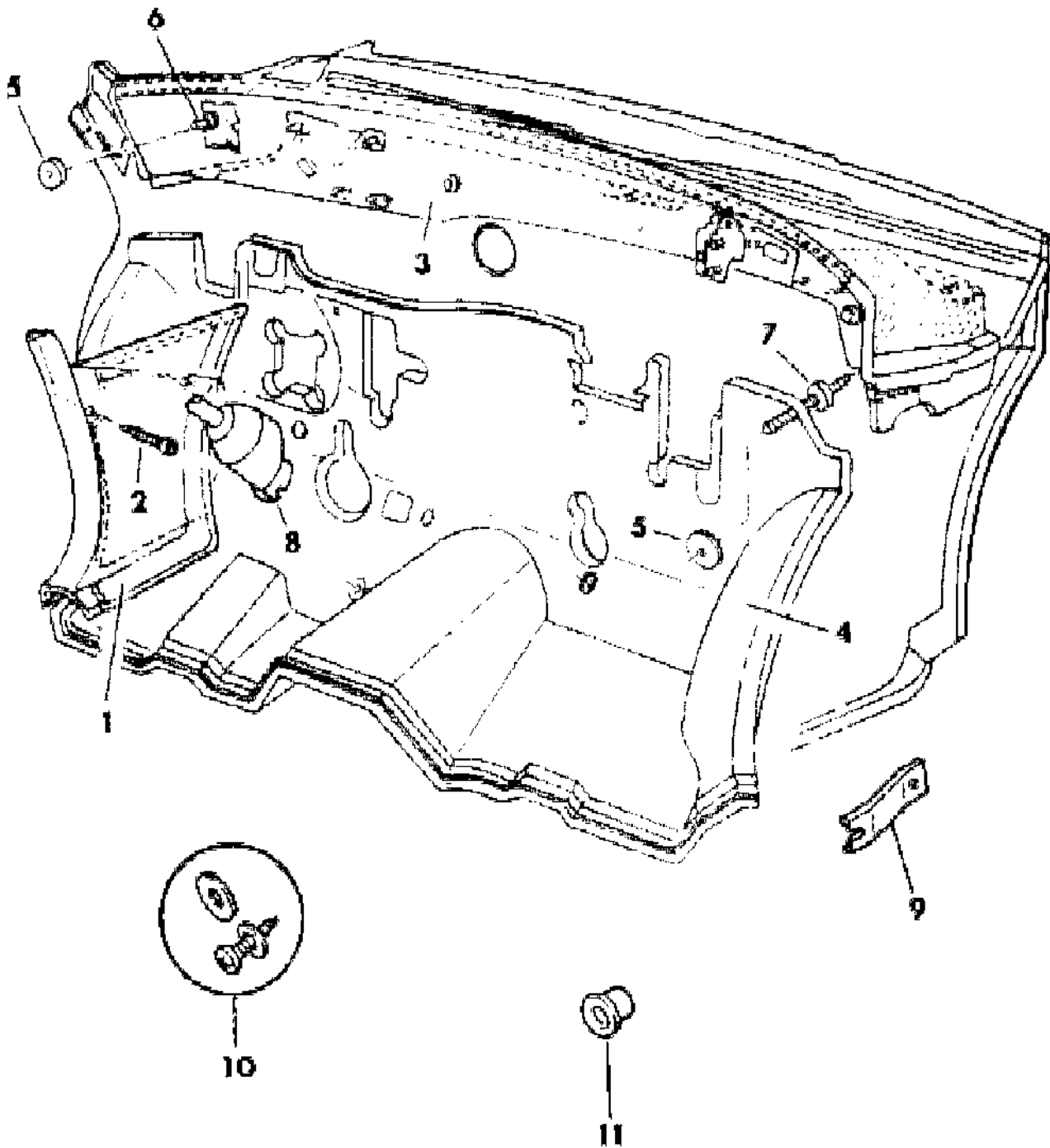
GROUP ITE - E BODY

ILLUSTRATION TITLE	GROUP-FIG. NO.
COWL PANEL AND SILENCERS E BODY	Fig. ITE-100
HEADLINER VISOR AND SHELF PANEL E BODY	Fig. ITE-200
MOULDING--GARNISH E BODY	Fig. ITE-300
B PILLAR TRIM E BODY	Fig. ITE-400
PANEL--QUARTER TRIM E BODY	Fig. ITE-500
CARPET E BODY	Fig. ITE-600
SILENCERS REAR COMPARTMENT E BODY	Fig. ITE-700
SCUFF PLATES BODY SILL AND DOORS E BODY	Fig. ITE-800
PANEL--DOOR TRIM FRONT E BODY	Fig. ITE-900
PANEL--DOOR TRIM REAR E BODY	Fig. ITE-1000
SEAT--FRONT E BODY TRIM CODE M3	Fig. ITE-1100
SEAT--FRONT E BODY TRIM CODE H3	Fig. ITE-1200
SEAT--FRONT E BODY TRIM CODE FF	Fig. ITE-1300
SEAT--FRONT E BODY TRIM CODE LP	Fig. ITE-1400
SEAT--FRONT E BODY TRIM CODE LF	Fig. ITE-1500
BELT--FRONT SEAT E BODY	Fig. ITE-1600
BELT--FRONT SEAT INBOARD E BODY	Fig. ITE-1700
SEAT--RECLINING 50/50 E BODY	Fig. ITE-1800
ADJUSTER--MANUAL E BODY	Fig. ITE-1900
ADJUSTER--ELECTRIC E BODY	Fig. ITE-2000
SEAT--REAR E BODY TRIM CODES H3-M3	Fig. ITE-2100
SEAT--REAR E BODY TRIM CODE FF	Fig. ITE-2200
SEAT--REAR E BODY TRIM CODES LF-LP	Fig. ITE-2300
BELT--REAR SEAT E BODY	Fig. ITE-2400

ILLUSTRATION NOT AVAILABLE AT TIME OF PUBLICATION

COWL PANEL AND SILENCERS E BODY
Figure ITE-100

7238 100 A



ITEM	PART NUMBER	QTY	BODY	MODEL	DESCRIPTION
1					PANEL, Cowl Side Trim
	F299 EA3	1			RIGHT Silver
	F299 FC5	1			Blue
	F299 EE8	1			Cordovan
	F299 EK1	1			Almond
	F299 ES8	1			Charcoal
	F211 CA3	1			LEFT Silver
	F211 FC5	1			Blue
	F211 EE8	1			Cordovan
	F211 EK1	1			Almond
	F211 CS8	1			Charcoal
2		AR			SCREW, (8-18x1 3/4) (Not Serv.)
3					SILENCER, Cowl Panel (Not Serv.)
4	4416 202	1			LINER, Dash
5	4206 545	AR			RETAINER
6		1			SCREW and WASHER, (18x.75) (Not Serv.)
7	6031 630	4			STUD
8	4188 868	1			COVER and SILENCER, Steering Column
9	4247 832	1			BRACKET, Cowl Side Trim, Right
10	4278 955	1			LINER, Attaching Package
11	6032 185	6			CAPLUG, Dash Liner

MODEL CODES

E BODY = (J - CARAVELLE)(E - 600)(T - NEW YORKER)

G BODY = (V24 - DAYTONA)

H BODY = (D44 - LANCER)(C44 - LEBARON GTS)

J BODY = (C - LEBARON)

K BODY = (P - RELIANT)(D - ARIES)(C - LEBAROND)/TOWN & COUNTRY)

L BODY = (M - HORIZON/TURISMO)(Z - OMNI/CHARGER)

M BODY = (B - GRAN FURY)(F - FIFTH AVE/NEWPORT)(G - DIPLOMAT)

P BODY = (P - SUNDANCE)(D - SHADOW)

S BODY = (H - VOYAGER)(K - RAM VAN/CARAVAN)

BODY STYLES

12-13 = FWD VAN

21 = 2-DOOR SEDAN

24 = 2-DOOR HATCHBACK

27 = 2-DOOR CONVERTIBLE

41 = 4-DOOR SEDAN

44 = 4-DOOR HATCHBACK

45 = 4-DOOR STATION WAGON

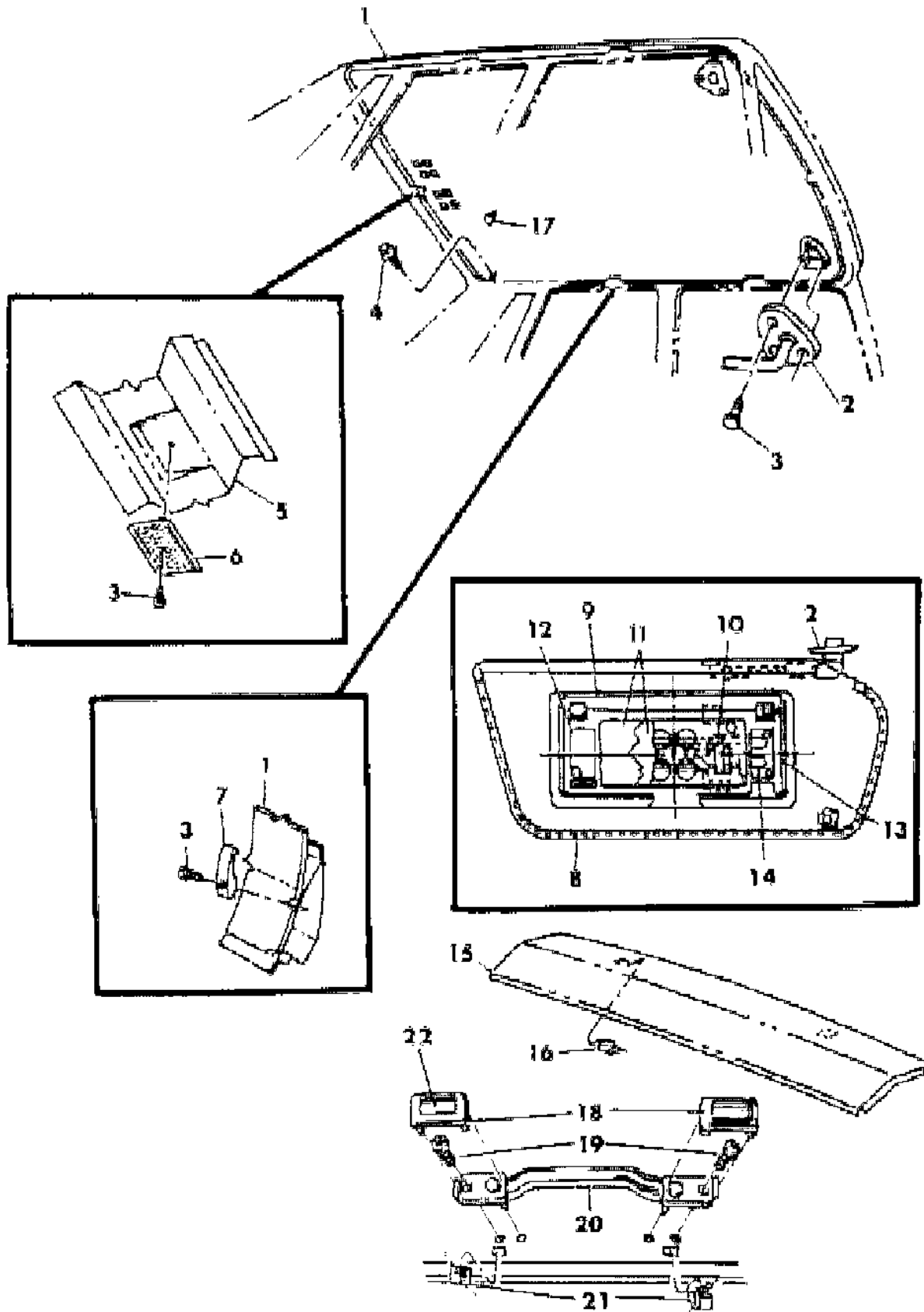
52-53 = FWD WAGON

AR = Use as Required - = Non Illustrated Part P.A.R. = Paint as Required

HEADLINER VISOR AND SHELF PANEL E BODY

Figure ITE-200

7238 200A



ITEM	PART NUMBER	QTY	BODY	MODEL	DESCRIPTION
1					HEADLINER
	H843 FA3	1		Exc. T-	Silver
	H843 FC5	1		Exc. T-	Blue
	H843 FE8	1		Exc. T-	Cordovan
	H843 FK1	1		Exc. T-	Almond
	H860 FC5	1		T-P	Blue
	H860 EE8	1		T-P	Cordovan
	H860 EK1	1		T-P	Almond
	H860 CS8	1		T-P	Charcoal
2	4247 862-3	1			ARM and BRACKET, w/Non-Illum. Mirror
3	6032 584	6			SCREW, Visor Bracket Attach.
4	6003 587	2			FASTENER
5					FRAME, Rear Window Opening, Upper
6	4247 874	2			HOOK, Headliner (Velcro)
7	3685 992	2			HOOK, Coat
8					VISOR, Padded Cloth w/o Mirror
	H456 FA3	2			Silver
	H456 FC5	2			Blue
	H456 FE8	2			Cordovan
	H456 FK1	2			Almond
	H456 FS8	2			Charcoal
					w/Arm and Illum. Mirror
					RIGHT
	H262 FA3	1			Silver
	H262 FC5	1			Blue
	H262 FE8	1			Cordovan
	H262 FK1	1			Almond
	H262 FS8	1			Charcoal
					LEFT, w/Mirror
	H263 FA3	1			Silver
	H263 FC5	1			Blue
	H263 FE8	1			Cordovan
	H263 FK1	1			Almond
	H263 FS8	1			Charcoal
					SUB-ASSY., w/Illum. Mirror
					RIGHT
	H762 FA3	1			Silver
	H762 FC5	1			Blue

MODEL CODES

E BODY = (J - CARAVELLE)(E - 600)(T - NEW YORKER)

G BODY = (V24 - DAYTONA)

H BODY = (D44 - LANCER)(C44 - LEBARON GTS)

J BODY = (C - LEBARON)

K BODY = (P - RELIANT)(D - ARIES)(C - LEBAROND)/TOWN & COUNTRY)

L BODY = (M - HORIZON/TURISMO)(Z - OMNI/CHARGER)

M BODY = (B - GRAN FURY)(F - FIFTH AVE/NEWPORT)(G - DIPLOMAT)

P BODY = (P - SUNDANCE)(D - SHADOW)

S BODY = (H - VOYAGER)(K - RAM VAN/CARAVAN)

BODY STYLES

12-13 = FWD VAN

21 = 2-DOOR SEDAN

24 = 2-DOOR HATCHBACK

27 = 2-DOOR CONVERTIBLE

41 = 4-DOOR SEDAN

44 = 4-DOOR HATCHBACK

45 = 4-DOOR STATION WAGON

52-53 = FWD WAGON

AR = Use as Required - = Non Illustrated Part P.A.R. = Paint as Required

HEADLINER VISOR AND SHELF PANEL E BODY

Figure ITE-200

7238 200A

ITEM	PART NUMBER	QTY	BODY	MODEL	DESCRIPTION
	H762 FE8	1			Cordovan
	H762 FK1	1			Almond
	H762 FS8	1			Charcoal
	H763 FA3	1			LEFT Silver
	H763 FC5	1			Blue
	H763 FE8	1			Cordovan
	H763 FK1	1			Almond
	H763 FS8	1			Charcoal
9					VANITY, Illum. Mirror
	H640 FC5	1			Blue
	H640 FE8	1			Cordovan
	H640 FK1	1			Almond
	H640 FS8	1			Charcoal
	H640 FAA	1			Silver
10					COMPONENT BOARD, Mirror (Not Serv. See Item 8)
11		1			MIRROR, (Mirror Serviced in Visor Only, See Item 8)
12	4410 693	2			LENS, Vanity Mirror
13	4166 976	2			HINGE SPRING, Vanity Mirror
14	9421 330	4			BULB
15					PANEL, Shelf Trim
	H279 EA3	1			Silver
	H279 FC5	1			Blue
	H279 EE8	1			Cordovan
	H279 EK1	1			Almond
	H279 ES8	1			Charcoal
16	6031 536	AR			CLIP, Shelf Panel Attching
17					FASTENER
	H452 AA3	2			Silver
	H452 EC5	2			Blue
	H452 EE8	2			Cordovan
	H452 EK1	2			Almond
	H452 CS8	2			Charcoal
18	4223 941	AR			COVER, Roof Panel Grab Handle
19		AR			SCREW, (8-18x7/8) (Not Serv.)
20					HANDLE, Roof Grab Front
	H430 CA2	1			Silver
	H430 FC5	1			Blue

MODEL CODES

E BODY = (J - CARAVELLE)(E - 600)(T - NEW YORKER)

G BODY = (V24 - DAYTONA)

H BODY = (D44 - LANCER)(C44 - LEBARON GTS)

J BODY = (C - LEBARON)

K BODY = (P - RELIANT)(D - ARIES)(C - LEBAROND)/TOWN & COUNTRY)

L BODY = (M - HORIZON/TURISMO)(Z - OMNI/CHARGER)

M BODY = (B - GRAN FURY)(F - FIFTH AVE/NEWPORT)(G - DIPLOMAT)

P BODY = (P - SUNDANCE)(D - SHADOW)

S BODY = (H - VOYAGER)(K - RAM VAN/CARAVAN)

BODY STYLES

12-13 = FWD VAN

21 = 2-DOOR SEDAN

24 = 2-DOOR HATCHBACK

27 = 2-DOOR CONVERTIBLE

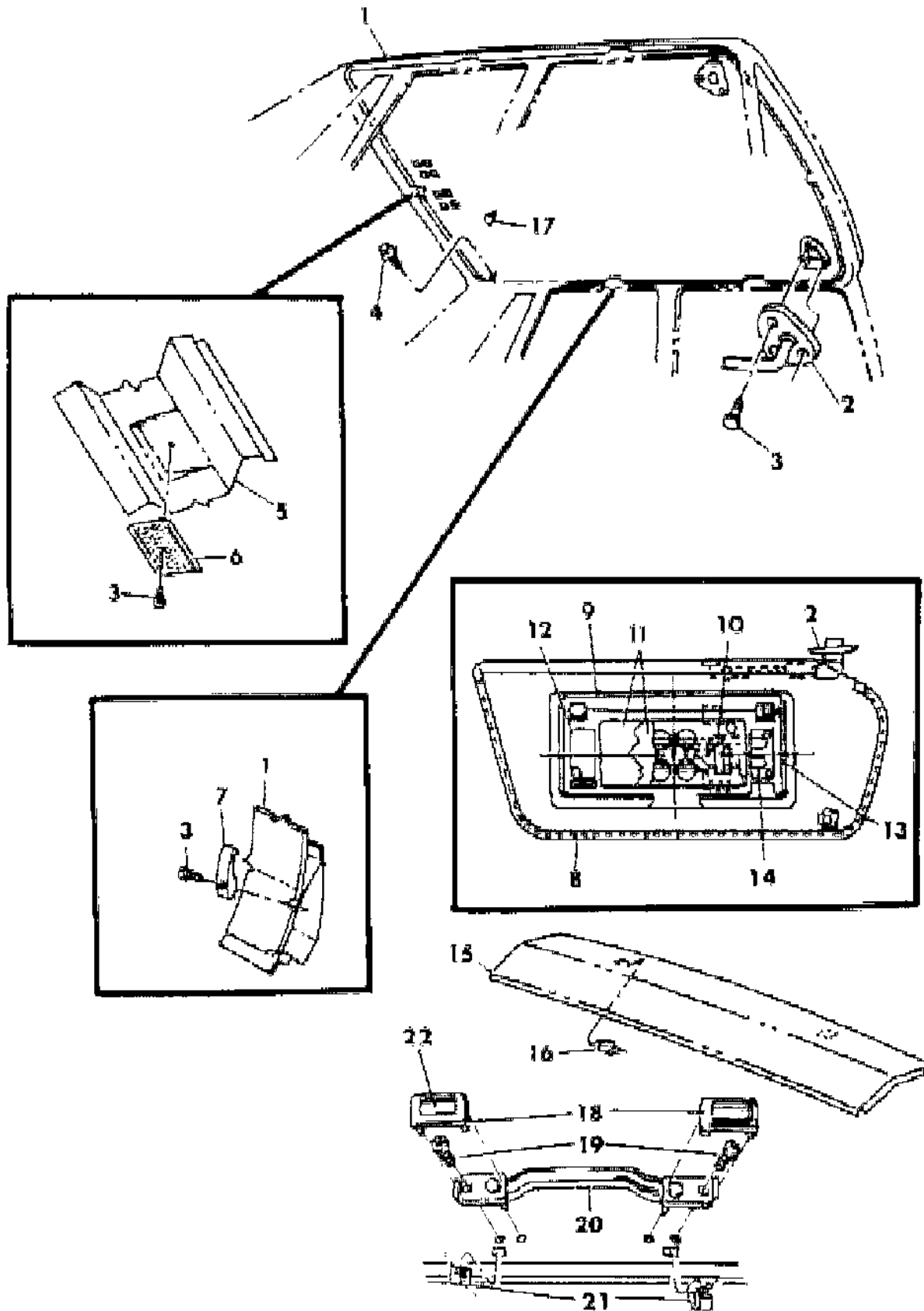
41 = 4-DOOR SEDAN

44 = 4-DOOR HATCHBACK

45 = 4-DOOR STATION WAGON

52-53 = FWD WAGON

AR = Use as Required - = Non Illustrated Part P.A.R. = Paint as Required

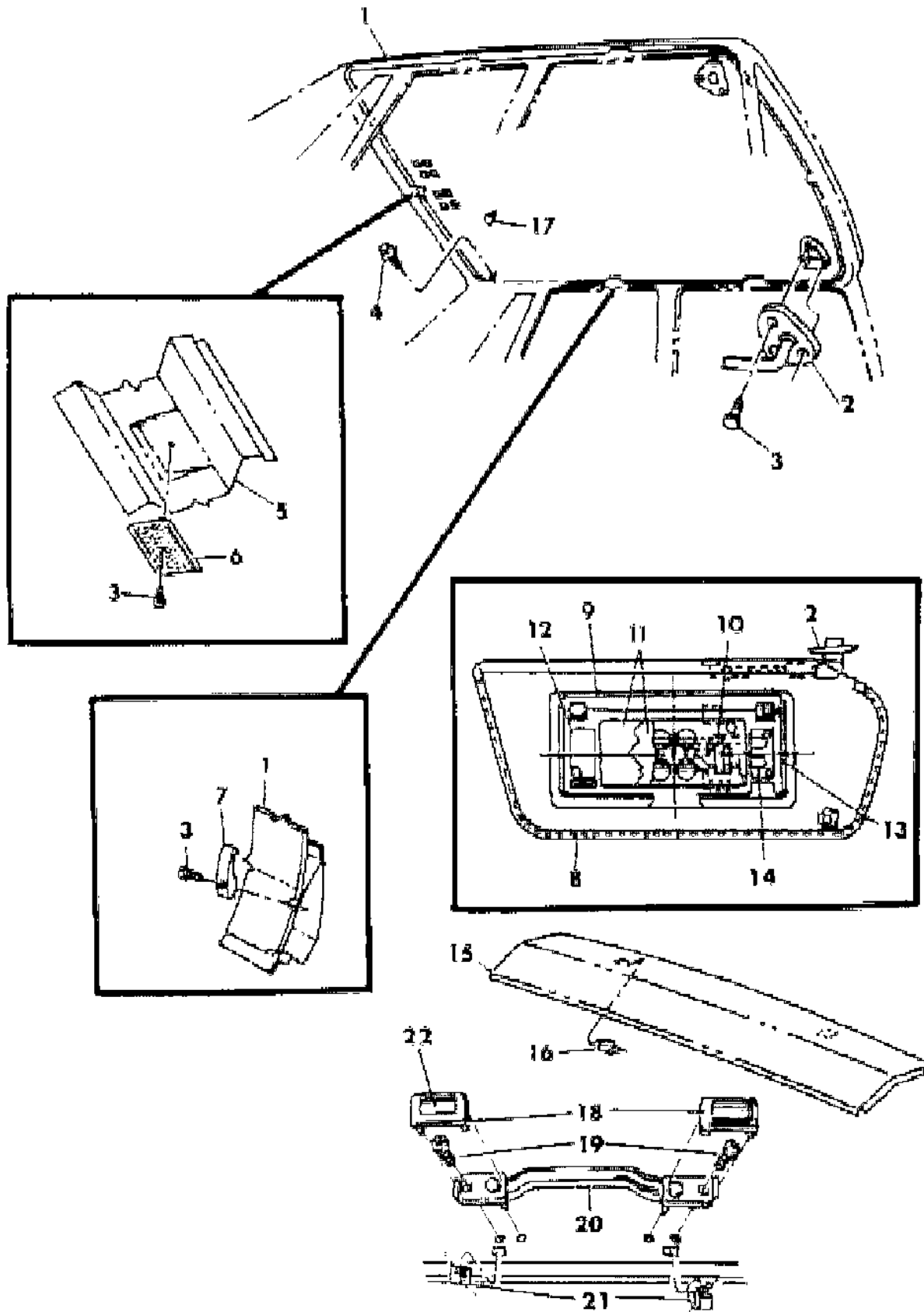


HEADLINER VISOR AND SHELF PANEL E BODY

Figure ITE-200

7238 200A

ITEM	PART NUMBER	QTY	BODY	MODEL	DESCRIPTION
	H430 EE8	1			Cordovan
	H430 EK1	1			Almond
	H430 CS8	1			Charcoal
	H435 CA2	2			REAR, w/Coat Hook Silver
	H435 FC5	2			Blue
	H435 EE8	2			Cordovan
	H435 EK1	2			Almond
	H435 CS8	2			Charcoal
21	6031 160	AR			RETAINER
22	4010 348	AR			CAP, Handle End



MODEL CODES

E BODY = (J - CARAVELLE)(E - 600)(T - NEW YORKER)

G BODY = (V24 - DAYTONA)

H BODY = (D44 - LANCER)(C44 - LEBARON GTS)

J BODY = (C - LEBARON)

K BODY = (P - RELIANT)(D - ARIES)(C - LEBAROND)/TOWN & COUNTRY)

L BODY = (M - HORIZON/TURISMO)(Z - OMNI/CHARGER)

M BODY = (B - GRAN FURY)(F - FIFTH AVE/NEWPORT)(G - DIPLOMAT)

P BODY = (P - SUNDANCE)(D - SHADOW)

S BODY = (H - VOYAGER)(K - RAM VAN/CARAVAN)

BODY STYLES

12-13 = FWD VAN

21 = 2-DOOR SEDAN

24 = 2-DOOR HATCHBACK

27 = 2-DOOR CONVERTIBLE

41 = 4-DOOR SEDAN

44 = 4-DOOR HATCHBACK

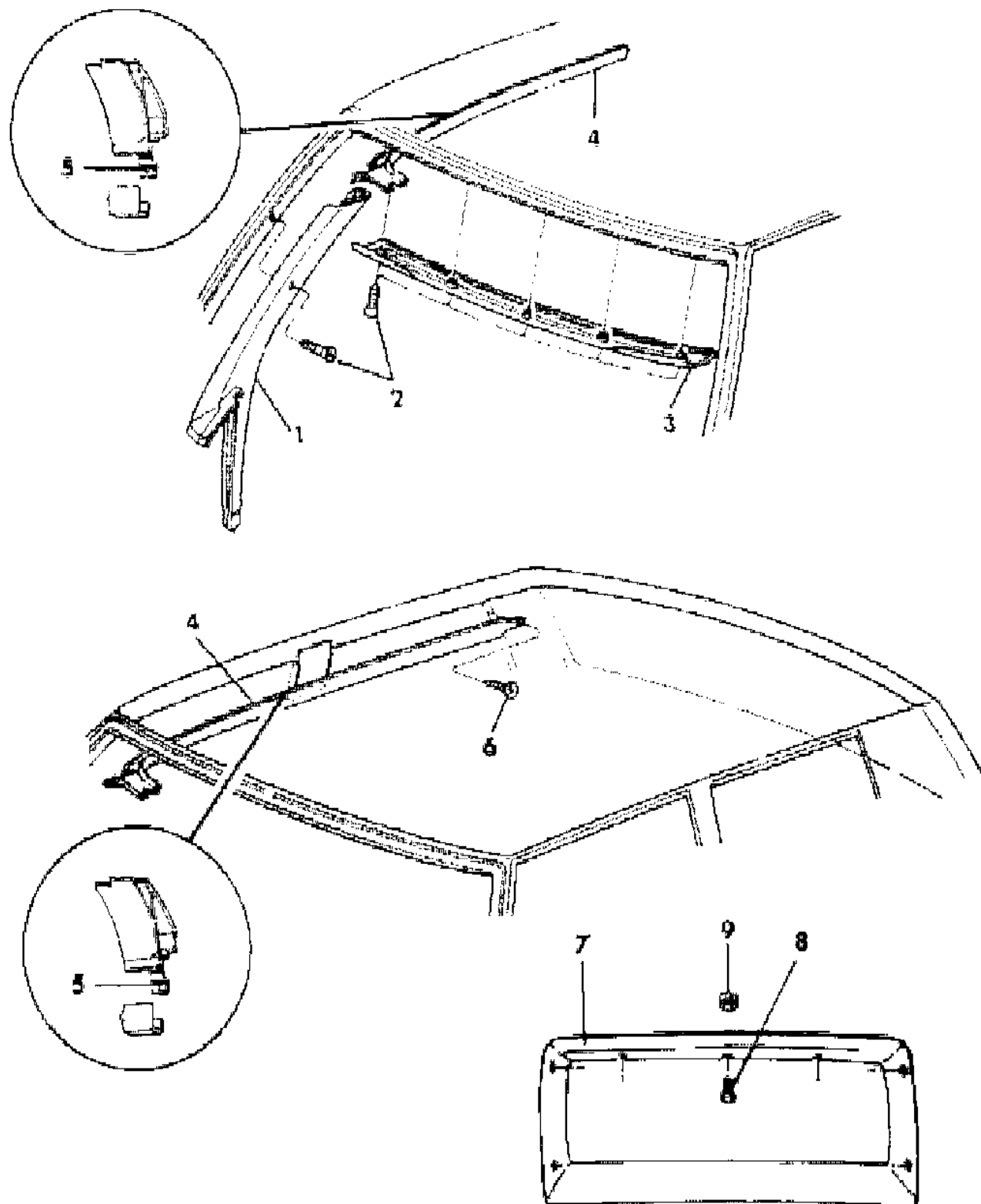
45 = 4-DOOR STATION WAGON

52-53 = FWD WAGON

AR = Use as Required - = Non Illustrated Part P.A.R. = Paint as Required

MOULDING--GARNISH E BODY
Figure ITE-300

7238 300A



ITEM	PART NUMBER	QTY	BODY	MODEL	DESCRIPTION	
1	F458-9 EK1	1			MOULDING, Windshield Side, Garnish, (P.A.R.)	
					w/FABRIC COVER	
	F138-9 FC5	1			Blue	
	F138-9 EE8	1			Cordovan	
	F138-9 EK1	1			Almond	
2	F138-9 CS8	1			Charcoal	
	0153 704	9			SCREW	
	3	F249 DA3	1			MOULDING, Windshield Header, Upper Garnish, (P.A.R.)
						w/FABRIC COVER
		F255 FC5	1			Blue
F255 EE8		1			Cordovan	
4	F255 EK1	1			Almond	
	F255 DS8	1			Charcoal	
	F012-3 EK1	1			MOULDING and RETAINER, Roof Rail Garnish, (P.A.R.)	
					w/FABRIC COVER	
	F014-5 FC5	1			Blue	
5	F014-5 EE8	1			Cordovan	
	F014-5 EK1	1			Almond	
	F014-5 ES8	1			Charcoal	
		6			RETAINER, Roof Rail Side Moulding, (Serv. in #4)	
6	0153 704	AR			SCREW	
	7				PANEL, Rear Window Trim	
					w/FABRIC COVER	
		F297 FC5	1			Blue
		F297 EE8	1			Cordovan
8	F297 EK1	1			Almond	
	F297 ES8	1			Charcoal	
		AR			SCREW, (8-18x1) (Not Serv.)	
	9	6033 186	2		NUT, Rear Window Trim Panel	

NOTE: (P.A.R. = Paint As Required)

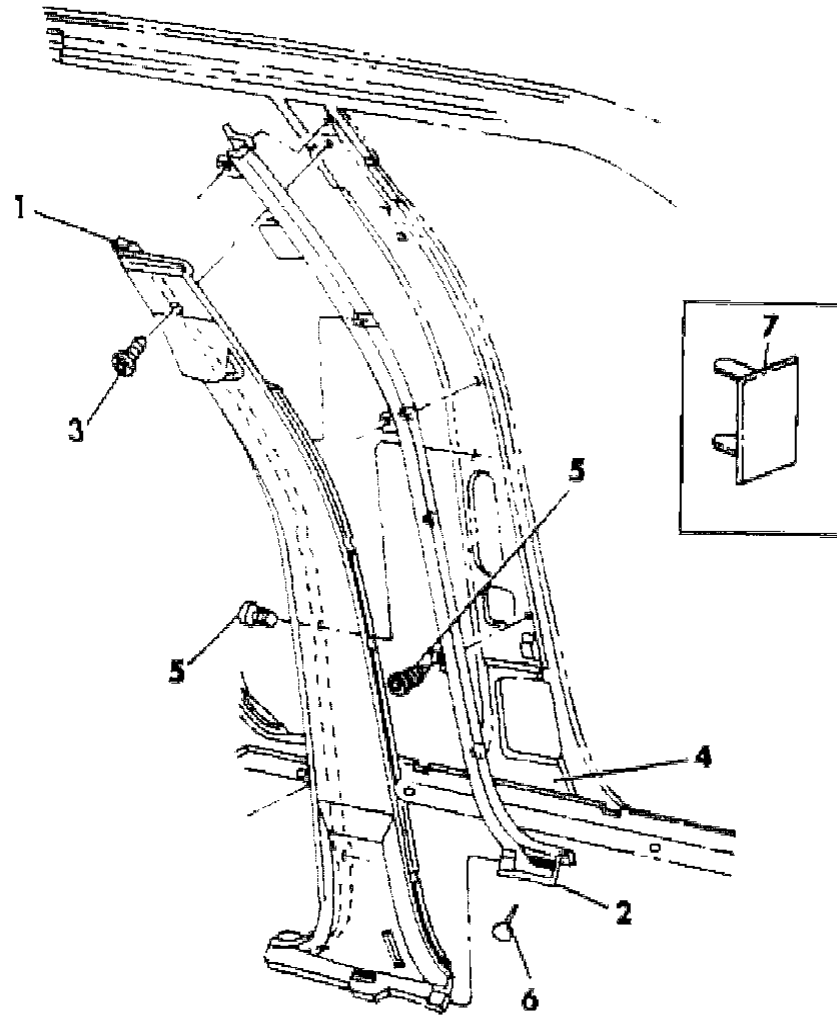
MODEL CODES
 E BODY = (J - CARAVELLE)(E - 600)(T - NEW YORKER)
 G BODY = (V24 - DAYTONA)
 H BODY = (D44 - LANCER)(C44 - LEBARON GTS)
 J BODY = (C - LEBARON)
 K BODY = (P - RELIANT)(D - ARIES)(C - LEBAROND)/TOWN & COUNTRY
 L BODY = (M - HORIZON/TURISMO)(Z - OMNI/CHARGER)
 M BODY = (B - GRAN FURY)(F - FIFTH AVE/NEWPORT)(G - DIPLOMAT)
 P BODY = (P - SUNDANCE)(D - SHADOW)
 S BODY = (H - VOYAGER)(K - RAM VAN/CARAVAN)

BODY STYLES
 12-13 = FWD VAN
 21 = 2-DOOR SEDAN
 24 = 2-DOOR HATCHBACK
 27 = 2-DOOR CONVERTIBLE
 41 = 4-DOOR SEDAN
 44 = 4-DOOR HATCHBACK
 45 = 4-DOOR STATION WAGON
 52-53 = FWD WAGON

AR = Use as Required - = Non Illustrated Part P.A.R. = Paint as Required

B PILLAR TRIM E BODY
Figure ITE-400

7238 400 A



ITEM	PART NUMBER	QTY	BODY	MODEL	DESCRIPTION
1	COVER, Center (B)) Pillar Trim, Rear w/o Fabric Cover				
	F214-5 CA3	1			Silver
	F214-5 FC5	1			Blue
	F214-5 EE8	1			Cordovan
	F214-5 EK1	1			Almond
	F214-5 CS8	1			Charcoal
	w/FABRIC COVER				
	F250-1 FC5	1			Blue
	F250-1 EE8	1			Cordovan
	F250-1 EK1	1			Almond
F250-1 CS8	1			Charcoal	
2	COVER, Center (B) Pillar Trim, Front w/o Fabric Cover				
	V162-3 EA3	1			Silver
	V162-3 FC5	1			Blue
	V162-3 EE8	1			Cordovan
	V162-3 EK1	1			Almond
	V162-3 ES8	1			Charcoal
	w/Fabric Cover				
	V160-1 FC5	1			Blue
	V160-1 EE8	1			Cordovan
	V160-1 EK1	1			Almond
V160-1 ES8	1			Charcoal	
3					SCREW, (8-18x1) (Not Serv.)
4	4337 840-1	AR			SILENCER, Body Side Aperture, Lower Center Pillar
5	9420 486	AR			SCREW
6	6003 423	8			FASTENER, Silencer Attaching
7	BUMPER				
	F030 CA3	2			Silver
	F030 FC5	2			Blue
	F030 EE8	2			Cordovan
	F030 EK1	2			Almond
	F030 CS8	2			Charcoal

MODEL CODES

E BODY = (J - CARAVELLE)(E - 600)(T - NEW YORKER)

G BODY = (V24 - DAYTONA)

H BODY = (D44 - LANCER)(C44 - LEBARON GTS)

J BODY = (C - LEBARON)

K BODY = (P - RELIANT)(D - ARIES)(C - LEBAROND)/TOWN & COUNTRY)

L BODY = (M - HORIZON/TURISMO)(Z - OMNI/CHARGER)

M BODY = (B - GRAN FURY)(F - FIFTH AVE/NEWPORT)(G - DIPLOMAT)

P BODY = (P - SUNDANCE)(D - SHADOW)

S BODY = (H - VOYAGER)(K - RAM VAN/CARAVAN)

BODY STYLES

12-13 = FWD VAN

21 = 2-DOOR SEDAN

24 = 2-DOOR HATCHBACK

27 = 2-DOOR CONVERTIBLE

41 = 4-DOOR SEDAN

44 = 4-DOOR HATCHBACK

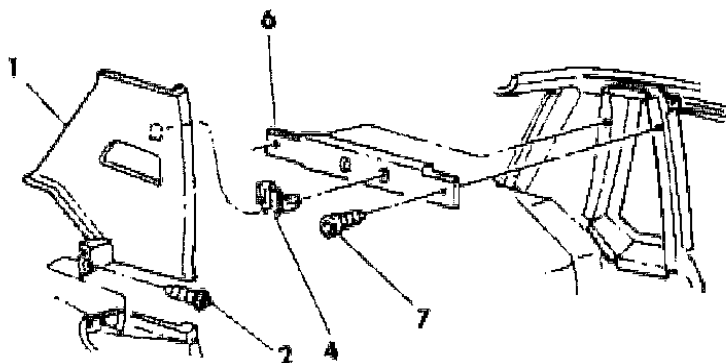
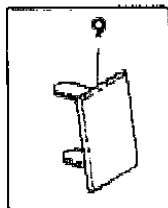
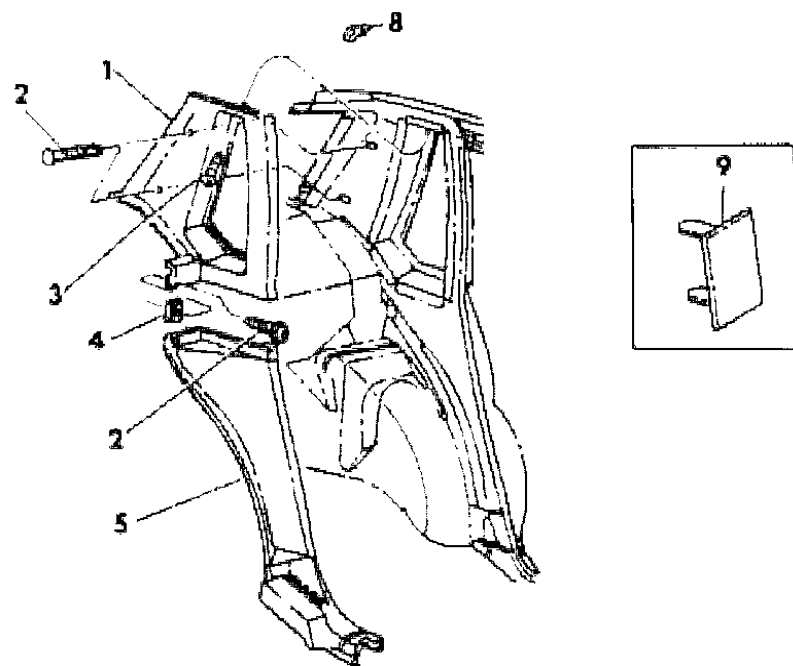
45 = 4-DOOR STATION WAGON

52-53 = FWD WAGON

AR = Use as Required - = Non Illustrated Part P.A.R. = Paint as Required

PANEL--QUARTER TRIM E BODY
Figure ITE-500

7238 500 A



ITEM	PART NUMBER	QTY	BODY	MODEL	DESCRIPTION
1	K514-5 EK1	1			PANEL, Quarter Trim Upper (P.A.R.)
					w/FABRIC COVER
	K534-5 FC5	1			Blue
	K534-5 EE8	1			Cordovan
	K534-5 EK1	1			Almond
	K534-5 CS8	1			Charcoal
2					FASTENER, Upper Quarter Trim Panel
	F155 BA3	4			Silver
	F155 EC5	4			Blue
	F155 EE8	4			Cordovan
	F155 EK1	1			Almond
	F155 CS8	1			Charcoal
3					SCREW, (8-18x1/2) (Not Serv.)
4	1199 301	2			J-NUT
5	K518-9 EK1	1			PANEL, Quarter Trim, Lower (P.A.R.)
					w/FABRIC COVER
	K520-1 FC5	1			Blue
	K520-1 EE8	1			Cordovan
	K520-1 EK1	1			Almond
	K520-1 DS8	1			Charcoal
6	4247 931	2			BRACKET, Quarter Trim
7		AR			SCREW, (8-18x5/8) (Not Serv.)
8	4114 785	2			FASTENER
9					BUMPER, Quarter Panel
	F030 CA3	2			Silver
	F030 FC5	2			Blue
	F030 EE8	2			Cordovan
	F030 EK1	2			Almond
	F030 CS8	2			Charcoal

NOTE: (P.A.R.) = Paint As Required

MODEL CODES

E BODY = (J - CARAVELLE)(E - 600)(T - NEW YORKER)

G BODY = (V24 - DAYTONA)

H BODY = (D44 - LANCER)(C44 - LEBARON GTS)

J BODY = (C - LEBARON)

K BODY = (P - RELIANT)(D - ARIES)(C - LEBAROND)/TOWN & COUNTRY)

L BODY = (M - HORIZON/TURISMO)(Z - OMNI/CHARGER)

M BODY = (B - GRAN FURY)(F - FIFTH AVE/NEWPORT)(G - DIPLOMAT)

P BODY = (P - SUNDANCE)(D - SHADOW)

S BODY = (H - VOYAGER)(K - RAM VAN/CARAVAN)

BODY STYLES

12-13 = FWD VAN

21 = 2-DOOR SEDAN

24 = 2-DOOR HATCHBACK

27 = 2-DOOR CONVERTIBLE

41 = 4-DOOR SEDAN

44 = 4-DOOR HATCHBACK

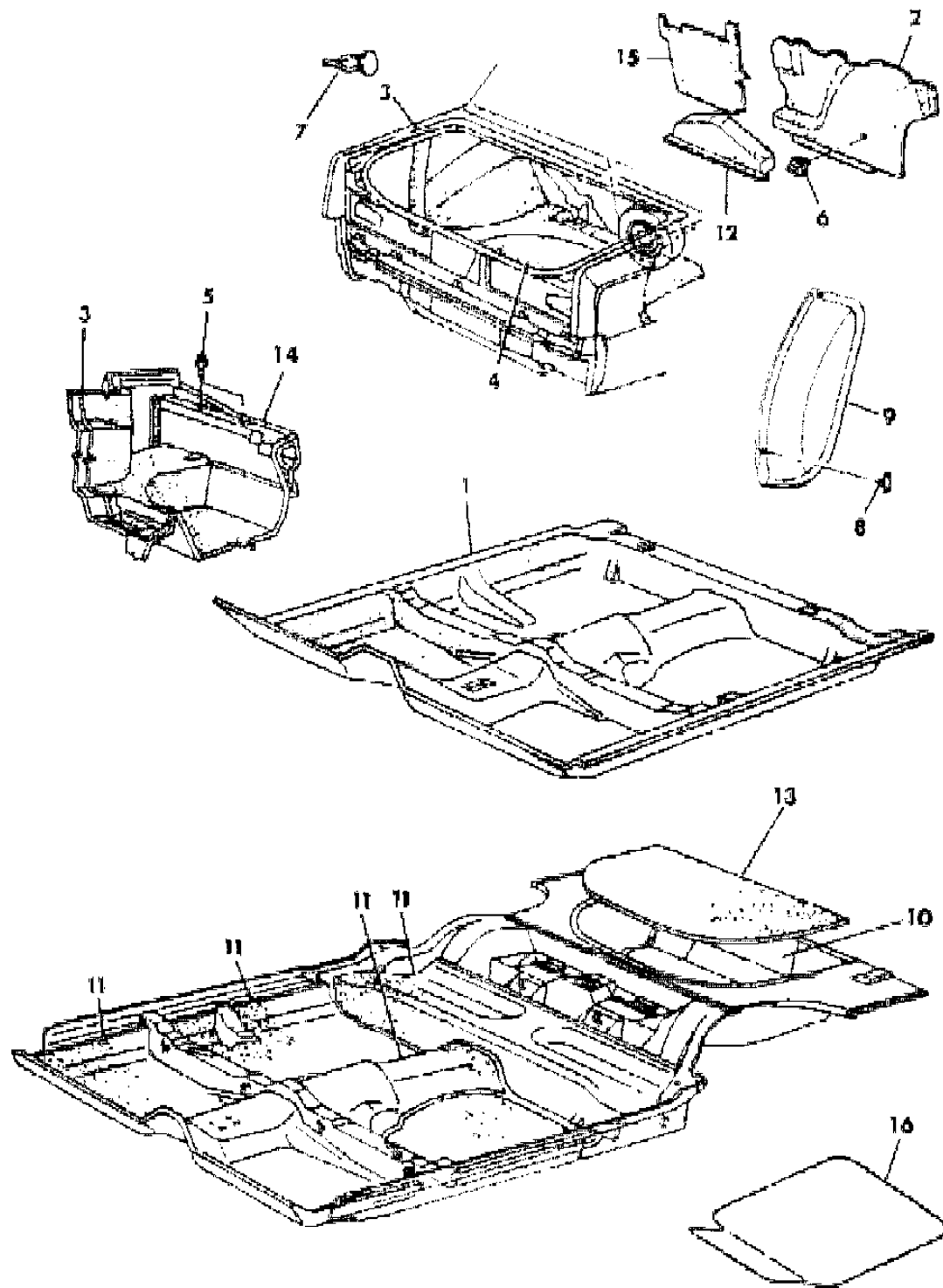
45 = 4-DOOR STATION WAGON

52-53 = FWD WAGON

AR = Use as Required - = Non Illustrated Part P.A.R. = Paint as Required

CARPET E BODY
Figure ITE-600

7238 600A



ITEM	PART NUMBER	QTY	BODY	MODEL	DESCRIPTION
1					CARPET
	M665 FC5	1			Blue
	M665 EE8	1			Cordovan
	M665 EK3	1			Almond
	M665 DS8	1			Charcoal
2	4410 085	1			PANEL, Trunk Moulding Trim Front
3					CARPET, Wheelhouse and Quarter Trim Panel
	4410 108	1			Right
	4410 109	1			Left
	6032 363	AR			Fastener
4	4410 129	1			CARPET, Trunk Flat Floor
	4410 127	1			Moulded Floor
5	6032 650	AR			SCREW
6	4223 983	1			FASTENER, Spare Tire Trim Cover
7	6003 683	AR			CLIP, Wheelhouse and Quarter Trim Attaching
8	6030 441	4			CLIP, Wheelhouse Inner Silencer
9	4247 226-7	1			SILENCER, Wheelhouse Cover
10	3762 862	AR			SILENCER, Spare Tire Floor Pan (36"x72") Cut To Fit
11	4186 901	AR			SILENCER,(36"x75") Cut To Fit
12	4282 551	1			COVER, Jack
13					COVER, Spare Tire (refer to Group 22)
14	4381 898	1			PANEL, Deck Opening Trim Lower
15	4410 130	1			PANEL, Trunk Flat Trim Front
16					CARPETED FLOOR MATS, Set of Two
					FRONT
	M047 FC5	1			Blue
	M047 FE8	1			Cordovan
	M047 FK3	1			Almond
	M047 FS8	1			Charcoal
					REAR
	M049 FC5	1			Blue
	M049 FE8	1			Cordovan
	M049 FK3	1			Almond
	M049 FS8	1			Charcoal

MODEL CODES

E BODY = (J - CARAVELLE)(E - 600)(T - NEW YORKER)

G BODY = (V24 - DAYTONA)

H BODY = (D44 - LANCER)(C44 - LEBARON GTS)

J BODY = (C - LEBARON)

K BODY = (P - RELIANT)(D - ARIES)(C - LEBAROND)/TOWN & COUNTRY)

L BODY = (M - HORIZON/TURISMO)(Z - OMNI/CHARGER)

M BODY = (B - GRAN FURY)(F - FIFTH AVE/NEWPORT)(G - DIPLOMAT)

P BODY = (P - SUNDANCE)(D - SHADOW)

S BODY = (H - VOYAGER)(K - RAM VAN/CARAVAN)

BODY STYLES

12-13 = FWD VAN

21 = 2-DOOR SEDAN

24 = 2-DOOR HATCHBACK

27 = 2-DOOR CONVERTIBLE

41 = 4-DOOR SEDAN

44 = 4-DOOR HATCHBACK

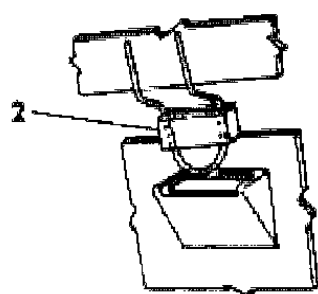
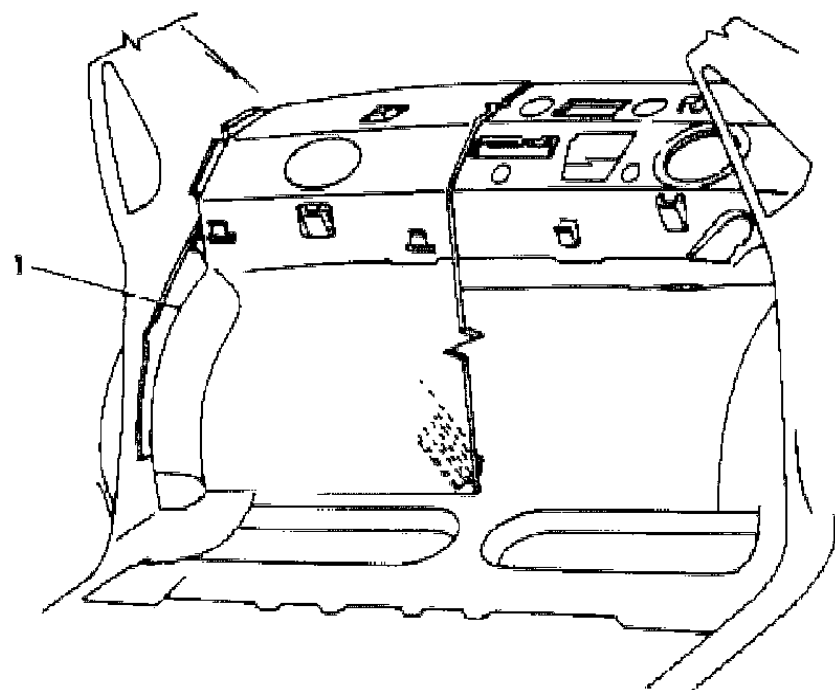
45 = 4-DOOR STATION WAGON

52-53 = FWD WAGON

AR = Use as Required - = Non Illustrated Part P.A.R. = Paint as Required

SILENCERS REAR COMPARTMENT E BODY
Figure ITE-700

7230 760



ITEM	PART NUMBER	QTY	BODY	MODEL	DESCRIPTION
1	4309 631	1			SILENCER, Luggage Compartment, Front Liner and Shelf Trim
2	4239 182	2			SEAL, Rear Back Spring Shelf Panel

MODEL CODES

E BODY = (J - CARAVELLE)(E - 600)(T - NEW YORKER)

G BODY = (V24 - DAYTONA)

H BODY = (D44 - LANCER)(C44 - LEBARON GTS)

J BODY = (C - LEBARON)

K BODY = (P - RELIANT)(D - ARIES)(C - LEBAROND)/TOWN & COUNTRY)

L BODY = (M - HORIZON/TURISMO)(Z - OMNI/CHARGER)

M BODY = (B - GRAN FURY)(F - FIFTH AVE/NEWPORT)(G - DIPLOMAT)

P BODY = (P - SUNDANCE)(D - SHADOW)

S BODY = (H - VOYAGER)(K - RAM VAN/CARAVAN)

BODY STYLES

12-13 = FWD VAN

21 = 2-DOOR SEDAN

24 = 2-DOOR HATCHBACK

27 = 2-DOOR CONVERTIBLE

41 = 4-DOOR SEDAN

44 = 4-DOOR HATCHBACK

45 = 4-DOOR STATION WAGON

52-53 = FWD WAGON

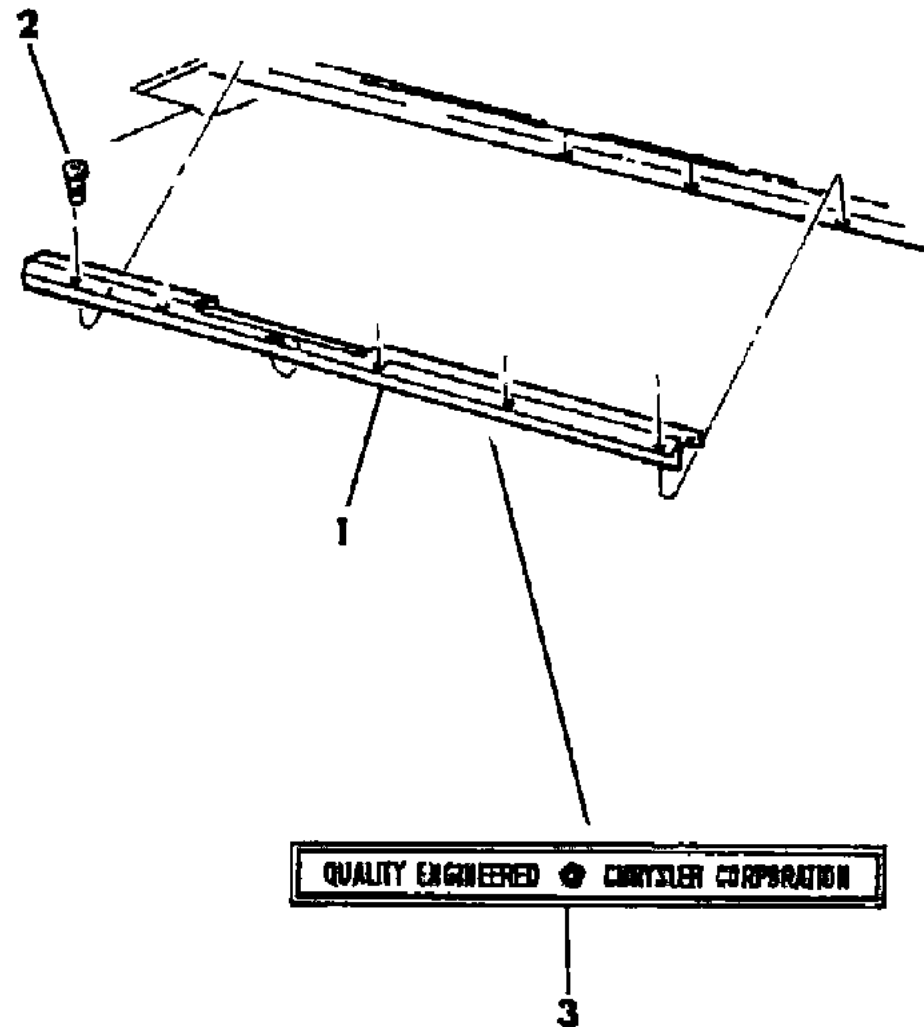
AR = Use as Required - = Non Illustrated Part P.A.R. = Paint as Required

SCUFF PLATES BODY SILL AND DOORS E BODY
Figure ITE-800

7238 800 A

ITEM	PART NUMBER	QTY	BODY	MODEL	DESCRIPTION
1					PLATE, Door Sill Scuff Front and Rear (P.A.R.)
	M902 EK1	1			Right
	M949 EK1	1			Left
2		AR			SCREW, (8-18x1 1/4) (Not Serv.)
3	4078 456	1			NAME PLATE

NOTE: (P.A.R.) = Paint As Required



MODEL CODES

E BODY = (J - CARAVELLE)(E - 600)(T - NEW YORKER)

G BODY = (V24 - DAYTONA)

H BODY = (D44 - LANCER)(C44 - LEBARON GTS)

J BODY = (C - LEBARON)

K BODY = (P - RELIANT)(D - ARIES)(C - LEBAROND)/TOWN & COUNTRY)

L BODY = (M - HORIZON/TURISMO)(Z - OMNI/CHARGER)

M BODY = (B - GRAN FURY)(F - FIFTH AVE/NEWPORT)(G - DIPLOMAT)

P BODY = (P - SUNDANCE)(D - SHADOW)

S BODY = (H - VOYAGER)(K - RAM VAN/CARAVAN)

BODY STYLES

12-13 = FWD VAN

21 = 2-DOOR SEDAN

24 = 2-DOOR HATCHBACK

27 = 2-DOOR CONVERTIBLE

41 = 4-DOOR SEDAN

44 = 4-DOOR HATCHBACK

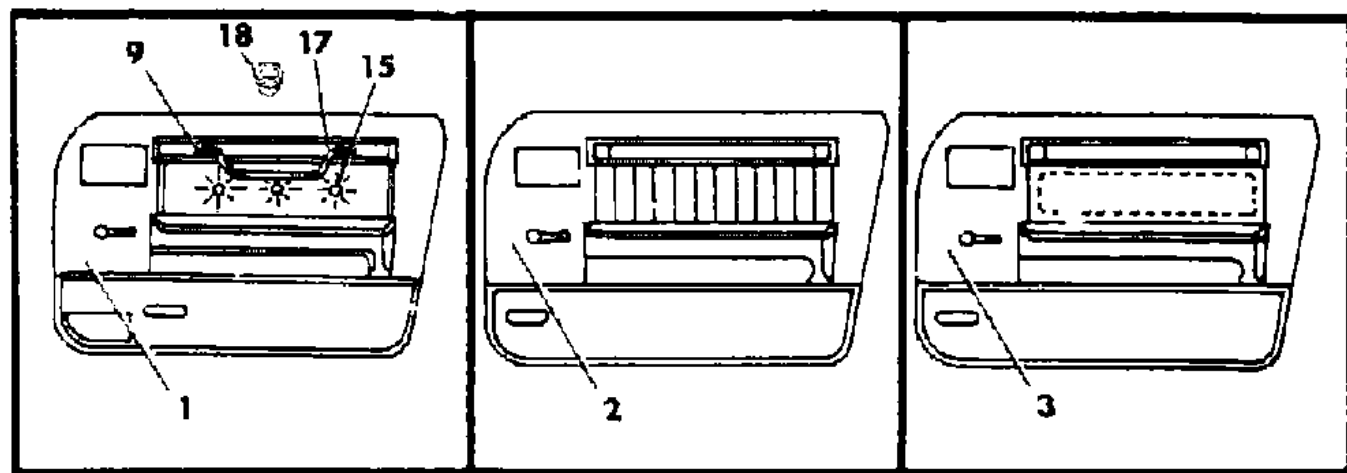
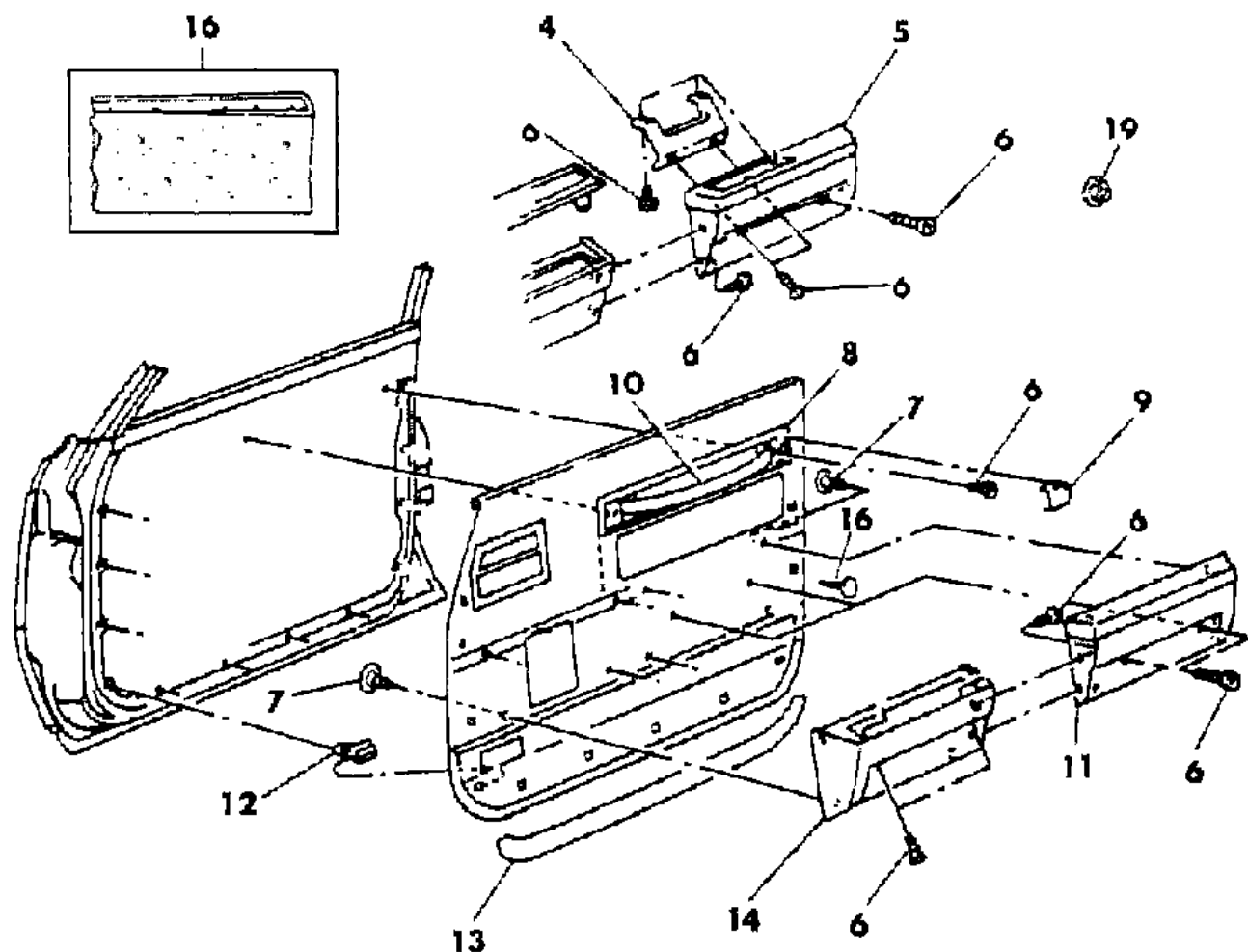
45 = 4-DOOR STATION WAGON

52-53 = FWD WAGON

AR = Use as Required - = Non Illustrated Part P.A.R. = Paint as Required

PANEL--DOOR TRIM FRONT E BODY
Figure ITE-900

7238 900 A



ITEM	PART NUMBER	QTY	BODY	MODEL	DESCRIPTION
1					PANEL, Door Trim
					VINYL
		J002-3 FC5	1		Blue, (LPC)
		J002-3 EE8	1		Cordovan, (LPE)
		J002-3 EK1	1		Almond, (LPK)
		J002-3 ES8	1		Charcoal, (LPS)
					CLOTH
		J004-5 FC5	1		Blue, (LFC)
	J004-5 FE9	1		Cordovan, (LFE)	
	J004-5 EK1	1		Almond, (LFK)	
	J004-5 ES8	1		Charcoal, (LFS)	
2					PANEL, Door Trim
					CLOTH
		J338-9 EA4	1		Silver, (FFA)
		J338-9 FC5	1		Blue, (FFC)
	J338-9 EE8	1		Cordovan, (FFE)	
	J338-9 EK1	1		Almond, (FFK)	
3					PANEL, Door Trim
					CLOTH
		J316-7 EA3	1		Silver, (H3A, M3A)
		J316-7 FC5	1		Blue, (H3C, M3C)
		J316-7 EE8	1		Cordovan, (H3E, M3E)
	J316-7 EK1	1		Almond, (H3K, M3K)	
4	4248 449	2			BRACKET, Mirror Bezel to Armrest Base
5					PAD, Armrest
					w/POWER
		D530-1 BA3	1		Silver
		D530-1 FC5	1		Blue
		D530-1 EE8	1		Cordovan
		D530-1 EK1	1		Almond
		D530-1 CS8	1		Charcoal
					w/o POWER
		D506-7 AA3	1		Silver
		D506-7 FC5	1		Blue
		D506-7 EE8	1		Cordovan
	D506-7 EK1	1		Almond	
	D506-7 CS8	1		Charcoal	
6					SCREW, (8-18x5/8) (Not Serv.)

MODEL CODES

E BODY = (J - CARAVELLE)(E - 600)(T - NEW YORKER)

G BODY = (V24 - DAYTONA)

H BODY = (D44 - LANCER)(C44 - LEBARON GTS)

J BODY = (C - LEBARON)

K BODY = (P - RELIANT)(D - ARIES)(C - LEBAROND)/TOWN & COUNTRY)

L BODY = (M - HORIZON/TURISMO)(Z - OMNI/CHARGER)

M BODY = (B - GRAN FURY)(F - FIFTH AVE/NEWPORT)(G - DIPLOMAT)

P BODY = (P - SUNDANCE)(D - SHADOW)

S BODY = (H - VOYAGER)(K - RAM VAN/CARAVAN)

BODY STYLES

12-13 = FWD VAN

21 = 2-DOOR SEDAN

24 = 2-DOOR HATCHBACK

27 = 2-DOOR CONVERTIBLE

41 = 4-DOOR SEDAN

44 = 4-DOOR HATCHBACK

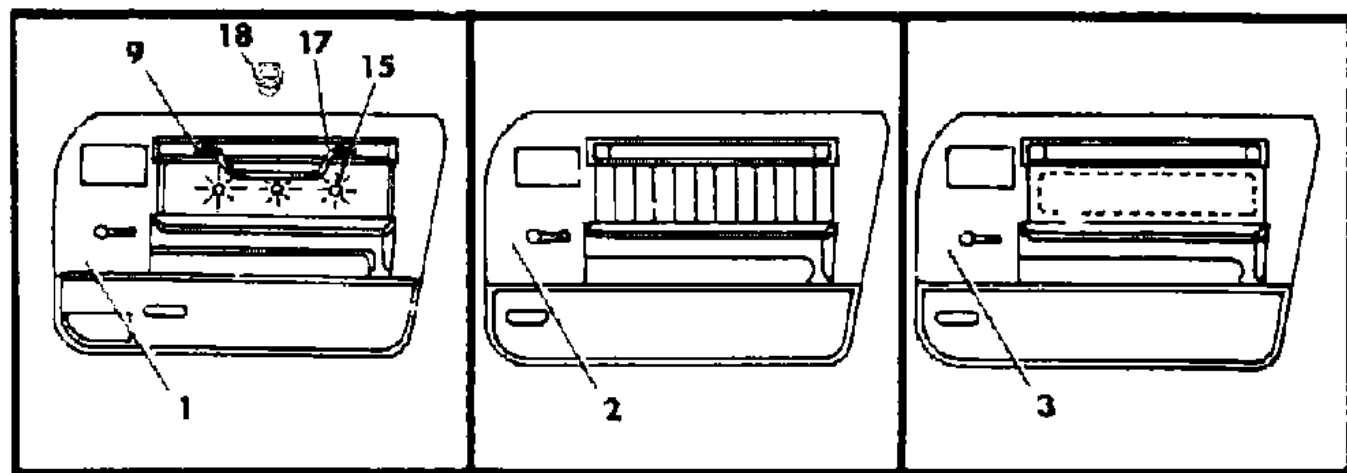
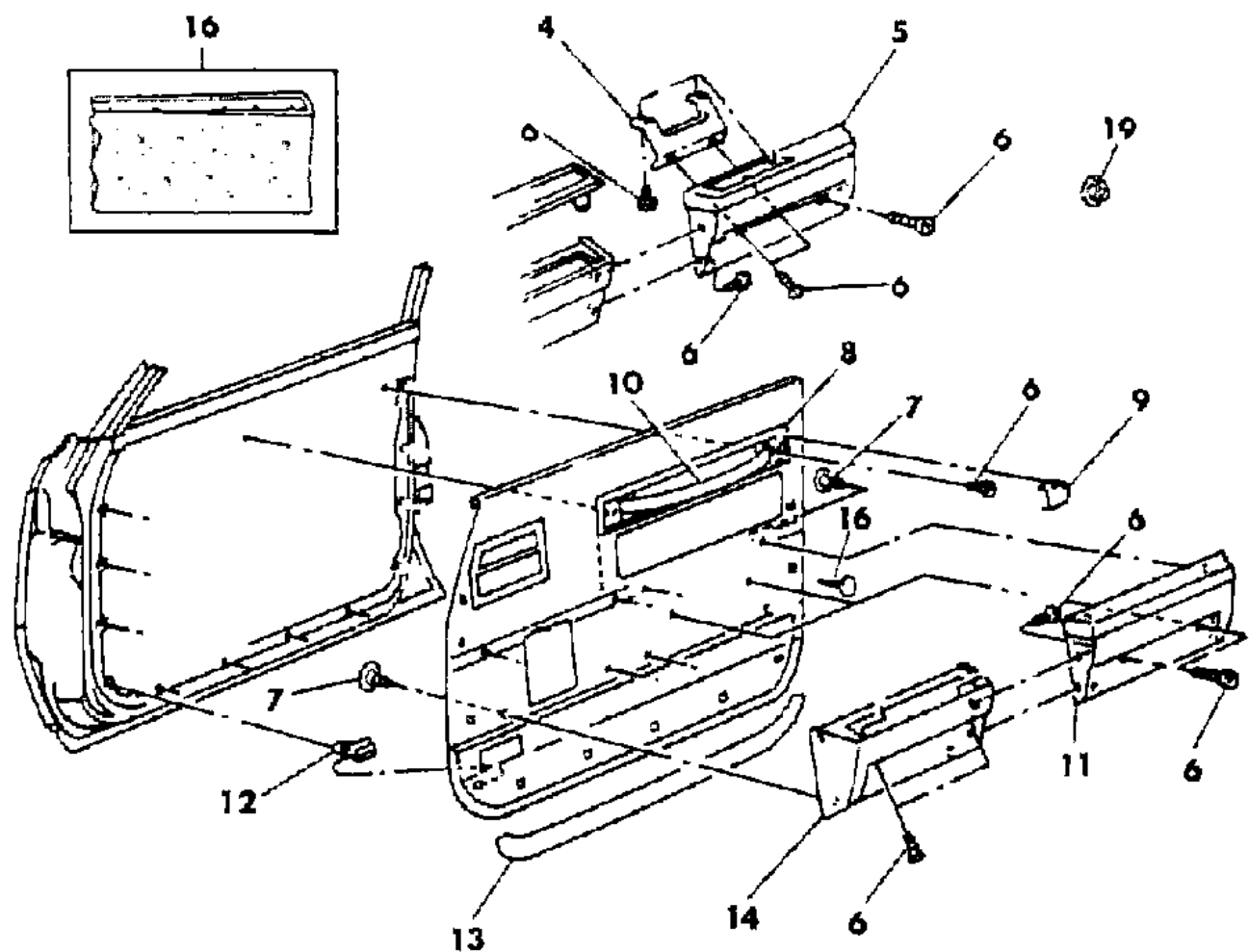
45 = 4-DOOR STATION WAGON

52-53 = FWD WAGON

AR = Use as Required - = Non Illustrated Part P.A.R. = Paint as Required

PANEL--DOOR TRIM FRONT E BODY
Figure ITE-900

7238 900 A



ITEM	PART NUMBER	QTY	BODY	MODEL	DESCRIPTION
7					SCREW, (8-18x.562) (Not Serv.)
8	4248 930	2		Exc. T-	PLATE, Finish
	4248 603	2		T-P	
9	4248 932	4		Exc. T-	END CAP, Finish Plate
	4077 196-7	2		T-P	
10					HANDLE, Pull w/SADDLE GRAIN
	D930 AA2	2			Silver
	D930 FC5	2			Blue
	D930 EE8	2			Cordovan
	D930 EK1	2			Almond
	4248 870	2			w/ Dark Butterfly Walnut Grain
11					BASE, Armrest (P.A.R.)
	D538-9 EK1	1			w/Power Door Locks
	D508-9 AA3	1			w/o Power Door Locks
12	4114 785	AR			FASTENER
13	4247 230	2			SEAL, Secondary Sound
14	D636-7 EK1	1			BASE, Armrest w/Power Windows (P.A.R.)
15					BUTTON, Door Trim Panel Bolster w/CLOTH COVER
	S721 FC5	6			Blue
	S721 FE9	6			Cordovan
	S721 EK1	6			Almond
	S721 CS8	6			Charcoal w/VINYL COVER
	S722 FC5	6			Blue
	S722 EE8	6			Cordovan
	S722 EK1	6			Almond
	S722 CS8	6			Charcoal
16	4049 602	AR			SILENCER, Door (36"x36"x1/2) Cut To Fit
17	0455 734	4			SPRING PIN, Door Pull Handle
18	6031 667	4			WASHER, Door Pull Handle Attaching
19	6032 133	6			NUT

NOTE: (P.A.R.) = Paint As Required

MODEL CODES

E BODY = (J - CARAVELLE)(E - 600)(T - NEW YORKER)

G BODY = (V24 - DAYTONA)

H BODY = (D44 - LANCER)(C44 - LEBARON GTS)

J BODY = (C - LEBARON)

K BODY = (P - RELIANT)(D - ARIES)(C - LEBAROND)/TOWN & COUNTRY)

L BODY = (M - HORIZON/TURISMO)(Z - OMNI/CHARGER)

M BODY = (B - GRAN FURY)(F - FIFTH AVE/NEWPORT)(G - DIPLOMAT)

P BODY = (P - SUNDANCE)(D - SHADOW)

S BODY = (H - VOYAGER)(K - RAM VAN/CARAVAN)

BODY STYLES

12-13 = FWD VAN

21 = 2-DOOR SEDAN

24 = 2-DOOR HATCHBACK

27 = 2-DOOR CONVERTIBLE

41 = 4-DOOR SEDAN

44 = 4-DOOR HATCHBACK

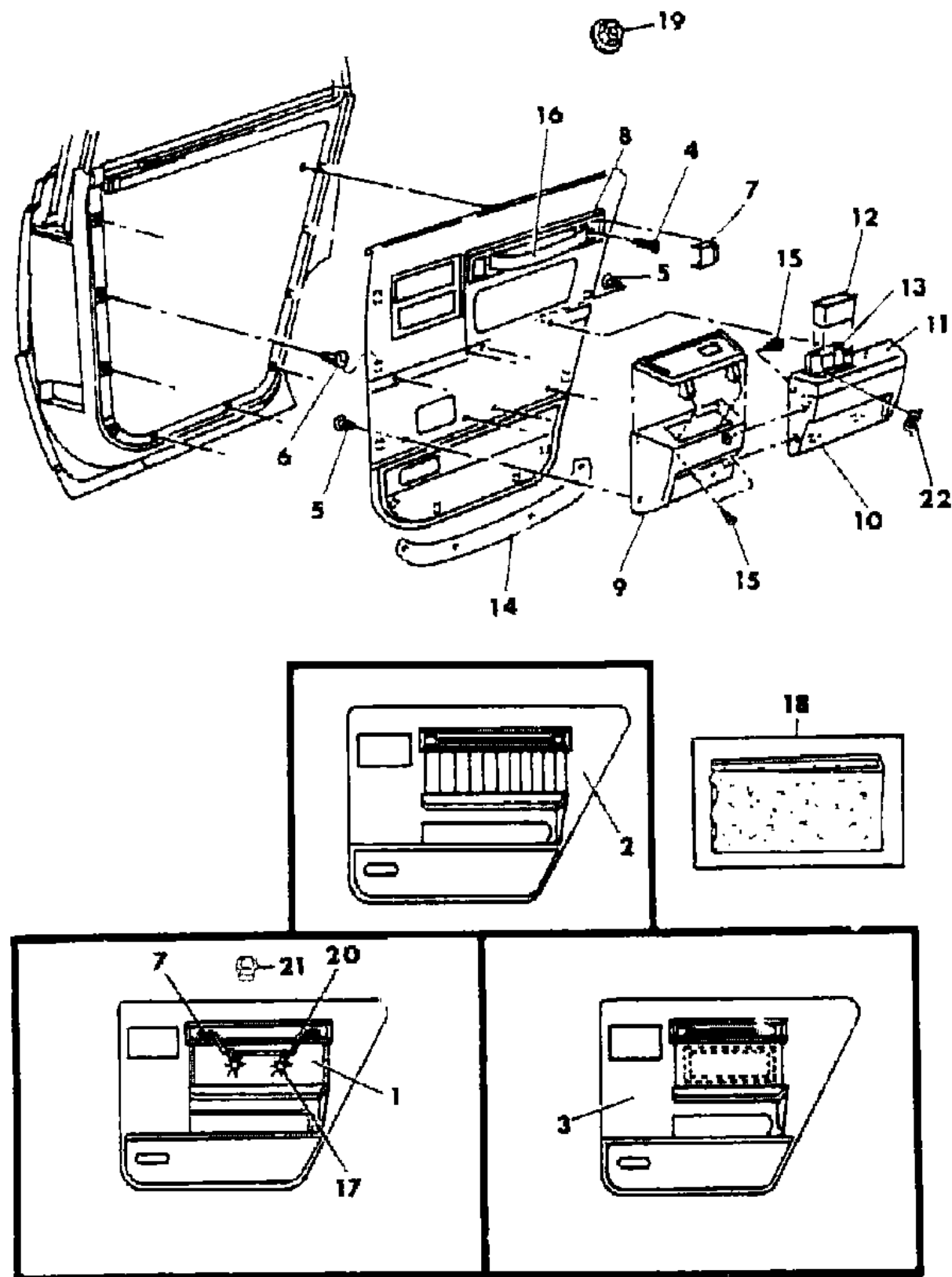
45 = 4-DOOR STATION WAGON

52-53 = FWD WAGON

AR = Use as Required - = Non Illustrated Part P.A.R. = Paint as Required

PANEL--DOOR TRIM REAR E BODY
Figure ITE-1000

7238 1000 A



ITEM	PART NUMBER	QTY	BODY	MODEL	DESCRIPTION
1					PANEL, Door Trim
					VINYL
		J570-1 FC5	1		Blue, (LPC)
		J570-1 EE8	1		Cordova, (LPE)
		J570-1 EK1	1		Almond, (LPK)
		J570-1 ES8	1		Charcoal, (LPS)
					CLOTH
		J572-3 FC5	1		Blue, (LFC)
2		J572-3 FE9	1		Cordovan, (LFE)
		J572-3 EK1	1		Almond, (LFK)
		J572-3 ES8	1		Charcoal, (LFS)
					PANEL, Door Trim
					CLOTH
		J558-9 FA4	1		Silver, (FFA)
		J558-9 FC5	1		Blue, (FFC)
		J558-9 FE8	1		Cordovan, (FFE)
3		J558-9 FK1	1		Almond, (FFK)
					PANEL, Door Trim
					CLOTH
		J556-7 FA3	1		Silver, (H3A, M3A)
		J556-7 FC5	1		Blue, (H3C, M3C)
		J556-7 FE8	1		Cordovan, (H3E, M3E)
		J556-7 FK1	1		Almond, (H3K, M3K)
	4	6032 141	AR		
5		AR			SCREW and WASHER, (8-18x.562) (Not Serv.)
6	4114 785	AR			FASTENER
7	4248 932	4		Exc. T-	END CAP
	4077 196-7	2		T-P	
	4248 931	2		Exc. T-	PLATE, Finish
8	4248 604	2		T-P	
9	D518-9 AA3	1			BASE, Armrest w/Power Windows
10	D390-1 EK1	1			BASE, Armrest
11					PAD, Armrest
		D422-3 BA3	1		Silver
		D422-3 FC5	1		Blue
		D422-3 EE8	1		Cordovan
		D422-3 EK1	1		Almond
		D422-3 CS8	1		Charcoal

MODEL CODES

E BODY = (J - CARAVELLE)(E - 600)(T - NEW YORKER)

G BODY = (V24 - DAYTONA)

H BODY = (D44 - LANCER)(C44 - LEBARON GTS)

J BODY = (C - LEBARON)

K BODY = (P - RELIANT)(D - ARIES)(C - LEBAROND)/TOWN & COUNTRY)

L BODY = (M - HORIZON/TURISMO)(Z - OMNI/CHARGER)

M BODY = (B - GRAN FURY)(F - FIFTH AVE/NEWPORT)(G - DIPLOMAT)

P BODY = (P - SUNDANCE)(D - SHADOW)

S BODY = (H - VOYAGER)(K - RAM VAN/CARAVAN)

BODY STYLES

12-13 = FWD VAN

21 = 2-DOOR SEDAN

24 = 2-DOOR HATCHBACK

27 = 2-DOOR CONVERTIBLE

41 = 4-DOOR SEDAN

44 = 4-DOOR HATCHBACK

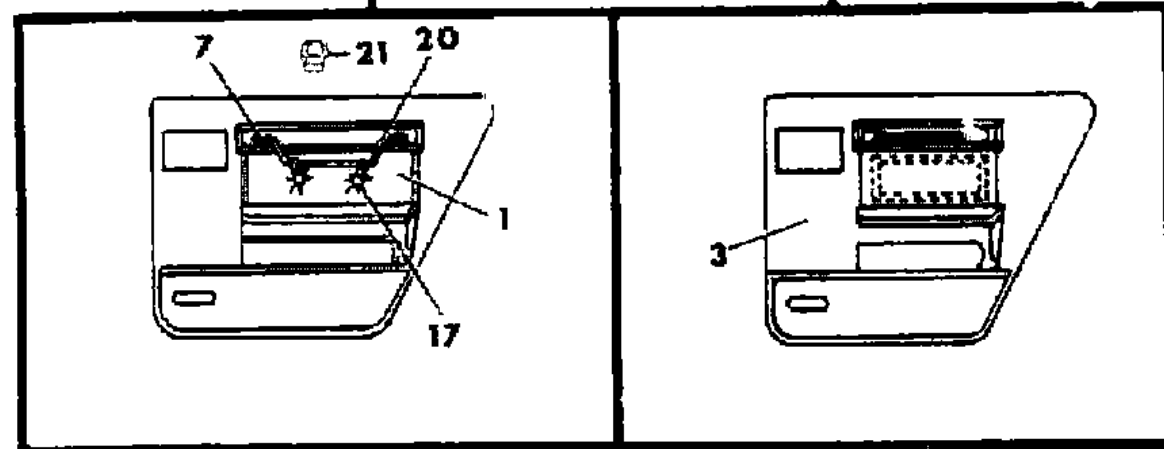
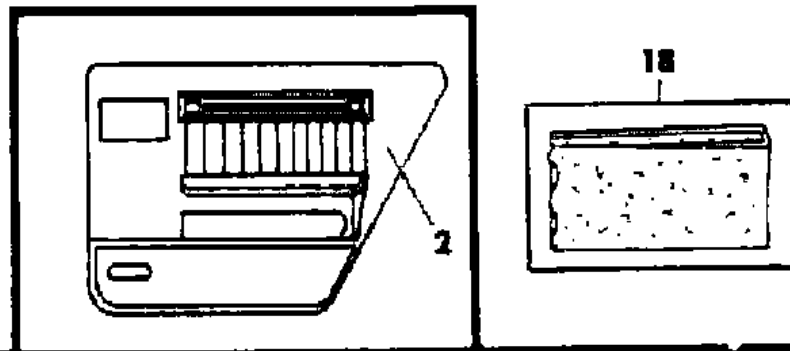
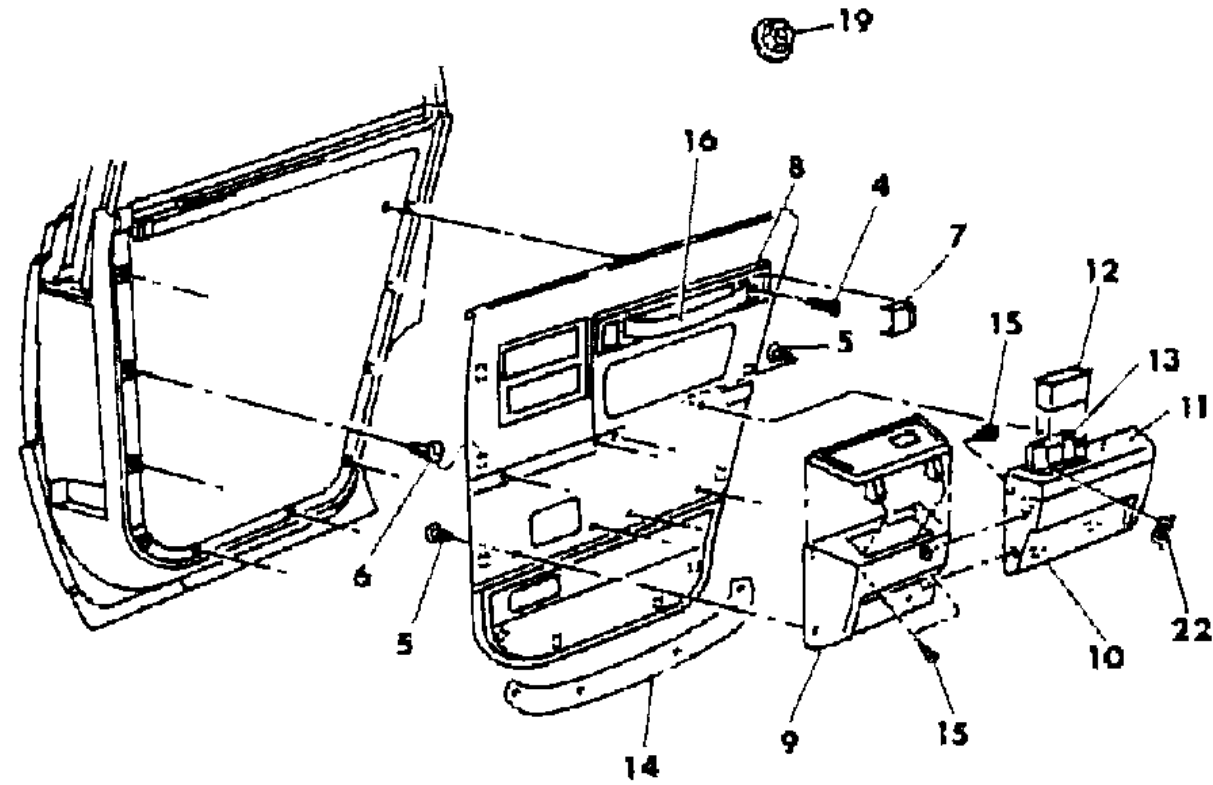
45 = 4-DOOR STATION WAGON

52-53 = FWD WAGON

AR = Use as Required - = Non Illustrated Part P.A.R. = Paint as Required

PANEL--DOOR TRIM REAR E BODY
Figure ITE-1000

7238 1000 A



ITEM	PART NUMBER	QTY	BODY	MODEL	DESCRIPTION
12	3832 955	2			RECEPTACLE, Ash Receiver
13					RECEPTACLE, Complete
	D438 BA3	2			Silver
	D438 FC5	2			Blue
	D438 EE8	2			Cordovan
	D438 EK1	2			Almond
	D438 CS8	2			Charcoal
14	4247 372	2			SEAL, Secondary
15		AR			SCREW, (8-18x.562) (Not Serv.)
16					HANDLE, Door Pull
					w/SADDLE GRAIN
	D931 AA2	2			Silver
	D931 FC5	2			Blue
	D931 EE8	2			Cordovan
	D931 EK1	2			Almond
	D931 CS8	2			Charcoal
	4248 870	2			w/Dark Butterfly Walnut Grain
17					BUTTON, Door Trim Panel Bolster
					w/CLOTH COVER
	S721 FC5	4			Blue
	S721 EE8	4			Cordovan
	S721 EK1	4			Almond
	S721 CS8	4			Charcoal
					w/VINYL COVER
	S722 FC5	4			Blue
	S722 EE8	4			Cordovan
	S722 EK1	4			Almond
	S722 CS8	4			Charcoal
18	4049 602	AR			SILENCER, Door (36"x36"x1/2") Cut To Fit
19	6032 133	6			NUT, Finish Plate
20	0455 734	4			SPRING PIN, Door Pull Handle
21	6031 667	4			WASHER, Door Pull Handle Attaching
22	0274 306	2			PIN, Ash Receiver Lid Attaching

MODEL CODES

E BODY = (J - CARAVELLE)(E - 600)(T - NEW YORKER)

G BODY = (V24 - DAYTONA)

H BODY = (D44 - LANCER)(C44 - LEBARON GTS)

J BODY = (C - LEBARON)

K BODY = (P - RELIANT)(D - ARIES)(C - LEBAROND)/TOWN & COUNTRY)

L BODY = (M - HORIZON/TURISMO)(Z - OMNI/CHARGER)

M BODY = (B - GRAN FURY)(F - FIFTH AVE/NEWPORT)(G - DIPLOMAT)

P BODY = (P - SUNDANCE)(D - SHADOW)

S BODY = (H - VOYAGER)(K - RAM VAN/CARAVAN)

BODY STYLES

12-13 = FWD VAN

21 = 2-DOOR SEDAN

24 = 2-DOOR HATCHBACK

27 = 2-DOOR CONVERTIBLE

41 = 4-DOOR SEDAN

44 = 4-DOOR HATCHBACK

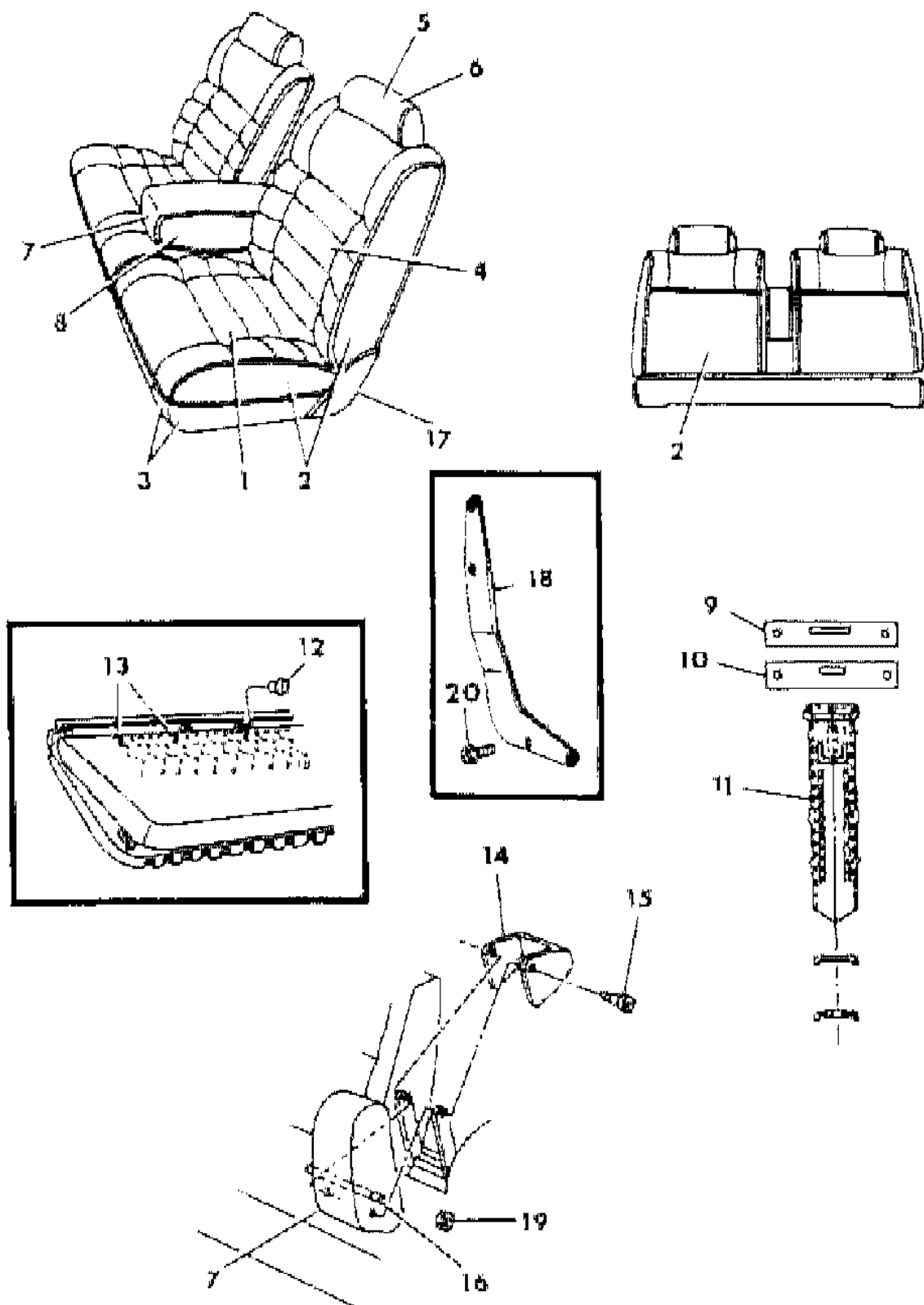
45 = 4-DOOR STATION WAGON

52-53 = FWD WAGON

AR = Use as Required - = Non Illustrated Part P.A.R. = Paint as Required

SEAT--FRONT E BODY TRIM CODE M3
Figure ITE-1100

7238 1100 A



ITEM	PART NUMBER	QTY	BODY	MODEL	DESCRIPTION
1-3					CUSHION, w/Spring/Frame, Pad and Cover
	C847 D3S	1			CLOTH Silver / Charcoal (M3AS)
	C847 F3C	1			Blue
	C847 E3E	1			Cordovan
	C847 E3K	1			Almond
1					COVER, Cushion
	C511 D3S	1			CLOTH Silver / Charcoal (M3AS)
	C511 F3C	1			Blue
	C511 E3E	1			Cordovan
	C511 E3K	1			Almond
2					ROLL STOCK, Cloth 59" Wide Order By The Inch
	R026 DS8	AR			Charcoal (M3AS)
	R026 EC5	AR			Blue
	R026 EE8	AR			Cordovan
	R026 EK1	AR			Almond
3					ROLL STOCK, Vinyl Order By The Inch
	R609 CS8	AR			Charcoal, 58" Wide
	R616 FC5	AR			Blue, 64" Wide
	R600 EE8	AR			Cordovan, 54" Wide
	R600 EK1	AR			Almond, 54" Wide
2-4					BACK, w/Spring/Frame, Pad and Cover
	C850-1 D3S	1			CLOTH Silver / Charcoal, (M3AS)
	C850-1 F3C	1			Blue
	C850-1 E3E	1			Cordovan
	C850-1 E3K	1			Almond
4					COVER, Back
	C512-3 D3S	1			CLOTH Silver / Charcoal, (M3AS)
	C512-3 F3C	1			Blue
	C512-3 E3E	1			Cordovan
	C512-3 E3K	1			Almond
5					HEADREST and COVER
	A822 DS8	2			Silver / Charcoal, (M3AS)
	A822 FC5	2			Blue
	A822 EE8	2			Cordovan

MODEL CODES

E BODY = (J - CARAVELLE)(E - 600)(T - NEW YORKER)

G BODY = (V24 - DAYTONA)

H BODY = (D44 - LANCER)(C44 - LEBARON GTS)

J BODY = (C - LEBARON)

K BODY = (P - RELIANT)(D - ARIES)(C - LEBAROND)/TOWN & COUNTRY)

L BODY = (M - HORIZON/TURISMO)(Z - OMNI/CHARGER)

M BODY = (B - GRAN FURY)(F - FIFTH AVE/NEWPORT)(G - DIPLOMAT)

P BODY = (P - SUNDANCE)(D - SHADOW)

S BODY = (H - VOYAGER)(K - RAM VAN/CARAVAN)

BODY STYLES

12-13 = FWD VAN

21 = 2-DOOR SEDAN

24 = 2-DOOR HATCHBACK

27 = 2-DOOR CONVERTIBLE

41 = 4-DOOR SEDAN

44 = 4-DOOR HATCHBACK

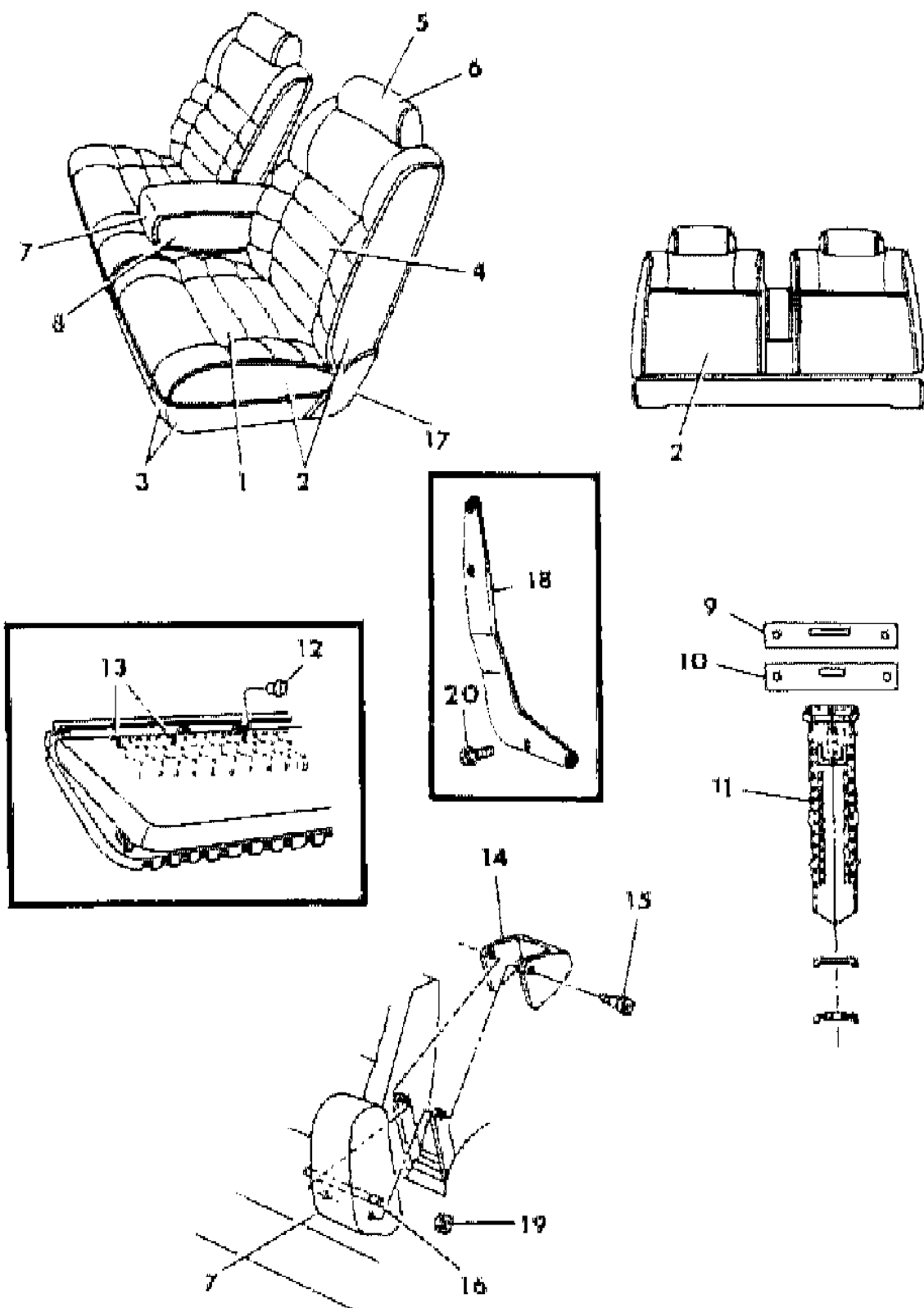
45 = 4-DOOR STATION WAGON

52-53 = FWD WAGON

AR = Use as Required - = Non Illustrated Part P.A.R. = Paint as Required

SEAT--FRONT E BODY TRIM CODE M3
Figure ITE-1100

7238 1100 A



ITEM	PART NUMBER	QTY	BODY	MODEL	DESCRIPTION
	A822 EK1	2			Almond
6	A539 DS8	2			COVER, Headrest Silver / Charcoal, (M3AS)
	A539 FC5	2			Blue
	A539 EE8	2			Cordovan
	A539 EK1	2			Almond
7	C852 DS8	1			ARMREST and COVER Silver / Charcoal, (M3AS)
	C852 FC5	1			Blue
	C852 EE8	1			Cordovan
	C852 EK1	1			Almond
8	C514 DS8	1			COVER, Armrest Blue
	C514 FC5	1			Blue
	C514 EE8	1			Cordovan
	C514 EK1	1			Almond
9	4190 388	2			COVER, Headrest Finish
10	4190 387	2			SUPPORT, Headrest Trim Cover
11	S786 CS8	2			SLEEVE, Headrest Silver / Charcoal, (M3AS)
	S786 EC5	2			Blue
	S786 EE8	2			Cordovan
	S786 EK1	2			Almond
12	4380 112	2			BUSHING, Cushion Pivot Bracket
13	6008 076	AR			HOG RING
14	S581 CS8	1			COVER, Armrest Finish Silver / Charcoal, (M3AS)
	S581 FC5	1			Blue
	S581 EE8	1			Cordovan
	S581 EK1	1			Almond
15	6030 082	2			SCREW, Armrest to Stanchion
16	4138 891	1			ROD, Armrest Lock
17	S678-9 CS8	1			SHIELD, Rear Rail Silver / Charcoal, (M3AS)
	S678-9 FC5	1			Blue
	S678-9 EE8	1			Cordovan
	S678-9 EK1	1			Almond

MODEL CODES

E BODY = (J - CARAVELLE)(E - 600)(T - NEW YORKER)

G BODY = (V24 - DAYTONA)

H BODY = (D44 - LANCER)(C44 - LEBARON GTS)

J BODY = (C - LEBARON)

K BODY = (P - RELIANT)(D - ARIES)(C - LEBAROND)/TOWN & COUNTRY)

L BODY = (M - HORIZON/TURISMO)(Z - OMNI/CHARGER)

M BODY = (B - GRAN FURY)(F - FIFTH AVE/NEWPORT)(G - DIPLOMAT)

P BODY = (P - SUNDANCE)(D - SHADOW)

S BODY = (H - VOYAGER)(K - RAM VAN/CARAVAN)

BODY STYLES

12-13 = FWD VAN

21 = 2-DOOR SEDAN

24 = 2-DOOR HATCHBACK

27 = 2-DOOR CONVERTIBLE

41 = 4-DOOR SEDAN

44 = 4-DOOR HATCHBACK

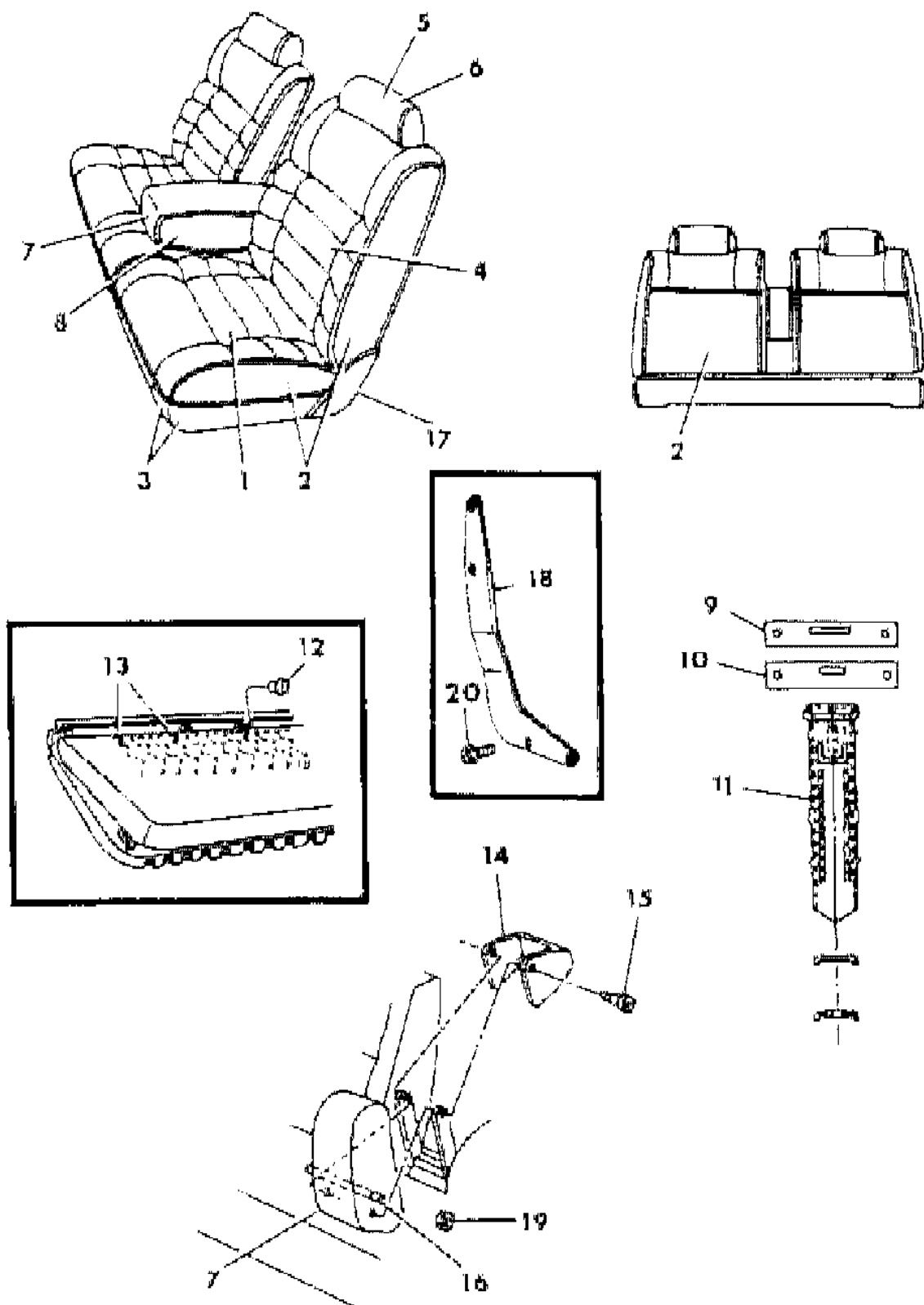
45 = 4-DOOR STATION WAGON

52-53 = FWD WAGON

AR = Use as Required - = Non Illustrated Part P.A.R. = Paint as Required

SEAT--FRONT E BODY TRIM CODE M3
Figure ITE-1100

7238 1100 A



ITEM	PART NUMBER	QTY	BODY	MODEL	DESCRIPTION
18	4345 368-9	1			ARM, Front Back to Cushion (Split Back Bench w/Center Arm Rest)
19	6006 324	AR			NUT, Armrest Lock Rod
20	6100 585	4			SCREW and WASHER

MODEL CODES

E BODY = (J - CARAVELLE)(E - 600)(T - NEW YORKER)

G BODY = (V24 - DAYTONA)

H BODY = (D44 - LANCER)(C44 - LEBARON GTS)

J BODY = (C - LEBARON)

K BODY = (P - RELIANT)(D - ARIES)(C - LEBAROND)/TOWN & COUNTRY)

L BODY = (M - HORIZON/TURISMO)(Z - OMNI/CHARGER)

M BODY = (B - GRAN FURY)(F - FIFTH AVE/NEWPORT)(G - DIPLOMAT)

P BODY = (P - SUNDANCE)(D - SHADOW)

S BODY = (H - VOYAGER)(K - RAM VAN/CARAVAN)

BODY STYLES

12-13 = FWD VAN

21 = 2-DOOR SEDAN

24 = 2-DOOR HATCHBACK

27 = 2-DOOR CONVERTIBLE

41 = 4-DOOR SEDAN

44 = 4-DOOR HATCHBACK

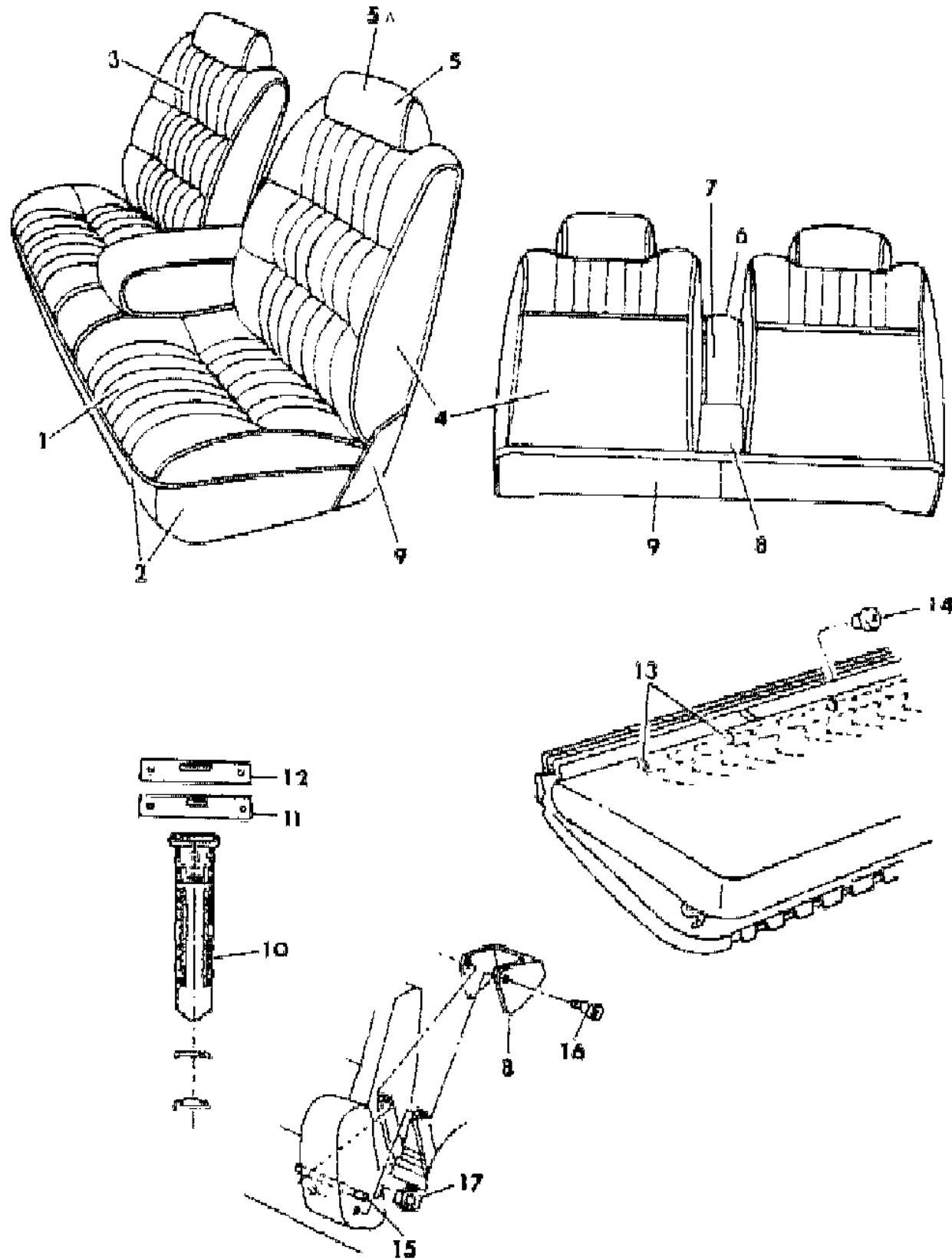
45 = 4-DOOR STATION WAGON

52-53 = FWD WAGON

AR = Use as Required - = Non Illustrated Part P.A.R. = Paint as Required

SEAT--FRONT E BODY TRIM CODE H3
Figure ITE-1200

7238 1200 A



ITEM	PART NUMBER	QTY	BODY	MODEL	DESCRIPTION
1-2					CUSHION, w/Spring/Frame, Pad and Cover
	C735 D3S	1			CLOTH Silver
	C735 F3C	1			Blue
	C735 F3E	1			Cordovan
	C735 E3K	1			Almond
1					COVER, Cushion
	C523 D3S	1			CLOTH Silver
	C523 F3C	1			Blue
	C523 F3E	1			Cordovan
	C523 E3K	1			Almond
2					ROLL STOCK, Vinyl, Order By The Inch
	R616 AA2	AR			Silver, 64" Wide
	R616 FC5	AR			Blue, 54" Wide
	R600 EE8	AR			Cordovan, 54" Wide
	R600 EK1	AR			Almond, 54" Wide
2-3					BACK, w/Spring/Frame, Pad and Cover
	C738-9 D3S	1			CLOTH Silver
	C738-9 F3C	1			Blue
	C738-9 F3E	1			Cordovan
	C738-9 E3K	1			Almond
3					COVER, Back
	C524-5 D3S	1			CLOTH Silver
	C524-5 F3C	1			Blue
	C524-5 F3E	1			Cordovan
	C524-5 E3K	1			Almond
4					ROLL STOCK, Cloth 59" Wide, Order By The Inch
	R026 BA3	AR			Silver
	R026 EC5	AR			Blue
	R026 EE8	AR			Cordovan
	R026 EK1	AR			Almond
5					HEADREST and COVER
	C741 DAP	2			Silver
	C741 FC5	2			Blue
	C741 FE9	2			Cordovan

MODEL CODES

E BODY = (J - CARAVELLE)(E - 600)(T - NEW YORKER)

G BODY = (V24 - DAYTONA)

H BODY = (D44 - LANCER)(C44 - LEBARON GTS)

J BODY = (C - LEBARON)

K BODY = (P - RELIANT)(D - ARIES)(C - LEBAROND)/TOWN & COUNTRY)

L BODY = (M - HORIZON/TURISMO)(Z - OMNI/CHARGER)

M BODY = (B - GRAN FURY)(F - FIFTH AVE/NEWPORT)(G - DIPLOMAT)

P BODY = (P - SUNDANCE)(D - SHADOW)

S BODY = (H - VOYAGER)(K - RAM VAN/CARAVAN)

BODY STYLES

12-13 = FWD VAN

21 = 2-DOOR SEDAN

24 = 2-DOOR HATCHBACK

27 = 2-DOOR CONVERTIBLE

41 = 4-DOOR SEDAN

44 = 4-DOOR HATCHBACK

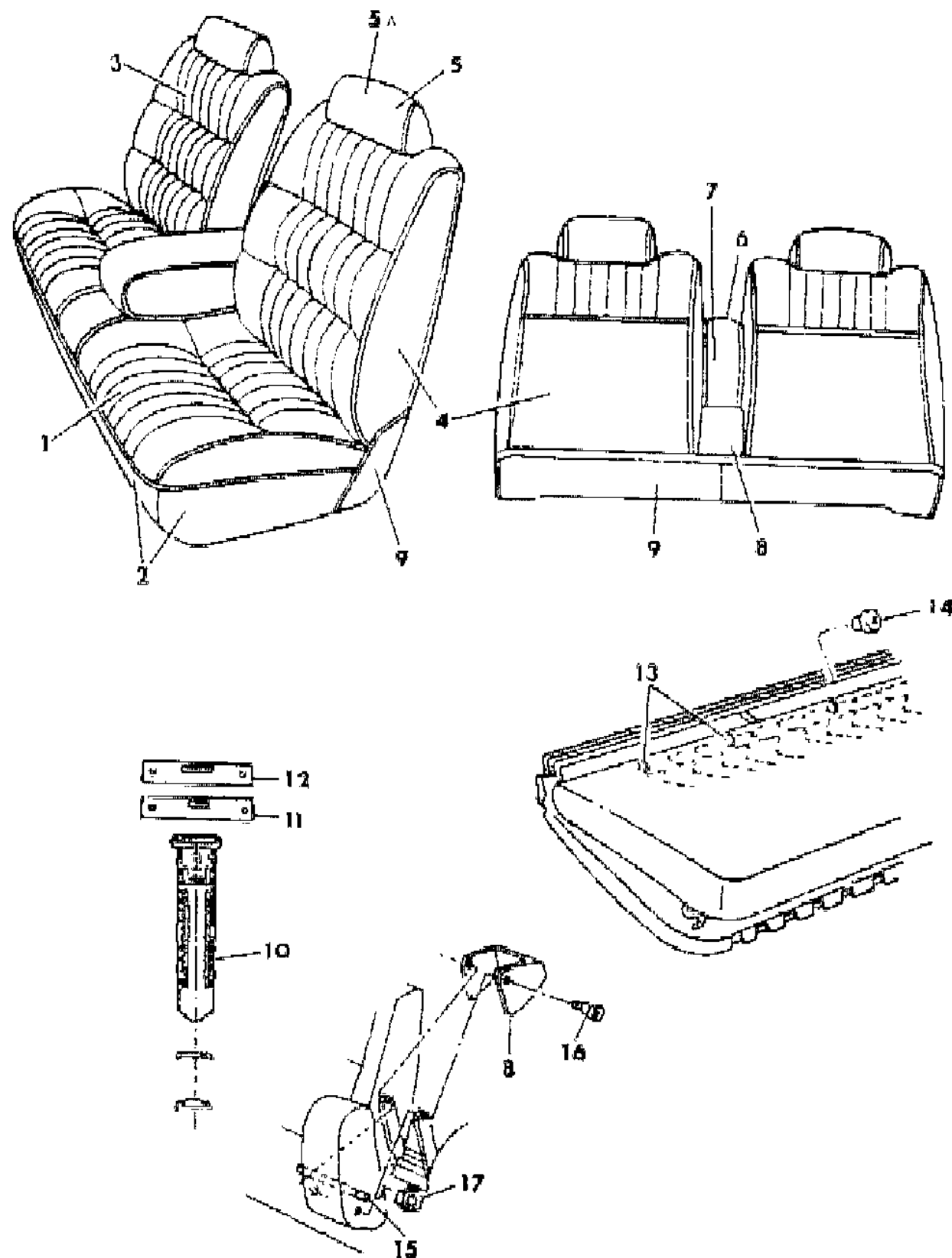
45 = 4-DOOR STATION WAGON

52-53 = FWD WAGON

AR = Use as Required - = Non Illustrated Part P.A.R. = Paint as Required

SEAT--FRONT E BODY TRIM CODE H3
Figure ITE-1200

7238 1200 A



ITEM	PART NUMBER	QTY	BODY	MODEL	DESCRIPTION
	C741 EK1	2			Almond
5A	C527 DAP	2			COVER, Headrest Silver
	C527 FC5	2			Blue
	C527 FE9	2			Cordovan
	C527 EK1	2			Almond
6					ARMREST and COVER
	C852 DA3	1			Silver
	C852 FC5	1			Blue
	C852 EE8	1			Cordovan
7	C852 EK1	1			Almond
					COVER, Armrest
	C514 DA3	1			Silver
	C514 FC5	1			Blue
8	C514 EE8	1			Cordovan
	C514 EK1	1			Almond
					COVER, Armrest Finish
	S581 CS8	1			Silver
9	S581 FC5	1			Blue
	S581 EE8	1			Cordovan
	S581 EK1	1			Almond
					SHIELD, Cushion Rear Rail
10	S678-9 CS8	1			Silver
	S678-9 FC5	1			Blue
	S678-9 EE8	1			Cordovan
	S678-9 EK1	1			Almond
11					SLEEVE, Headrest
	S786 EC5	2			Blue
	S786 EE8	2			Cordovan
	S786 EK1	2			Almond
12	S786 CS8	2			Charcoal
					SUPPORT, Headrest
13	4190 387	2			COVER, Headrest Finish
14	6008 076	AR			HOG RING
15	4380 112	1			BUSHING, Pivot
16	4239 076	1			ROD, Armrest Lock
17	6030 082	2			SCREW, Armrest to Stanchion
	6006 324	1			NUT, ASrmrest Lock Rod

MODEL CODES

E BODY = (J - CARAVELLE)(E - 600)(T - NEW YORKER)

G BODY = (V24 - DAYTONA)

H BODY = (D44 - LANCER)(C44 - LEBARON GTS)

J BODY = (C - LEBARON)

K BODY = (P - RELIANT)(D - ARIES)(C - LEBAROND)/TOWN & COUNTRY)

L BODY = (M - HORIZON/TURISMO)(Z - OMNI/CHARGER)

M BODY = (B - GRAN FURY)(F - FIFTH AVE/NEWPORT)(G - DIPLOMAT)

P BODY = (P - SUNDANCE)(D - SHADOW)

S BODY = (H - VOYAGER)(K - RAM VAN/CARAVAN)

BODY STYLES

12-13 = FWD VAN

21 = 2-DOOR SEDAN

24 = 2-DOOR HATCHBACK

27 = 2-DOOR CONVERTIBLE

41 = 4-DOOR SEDAN

44 = 4-DOOR HATCHBACK

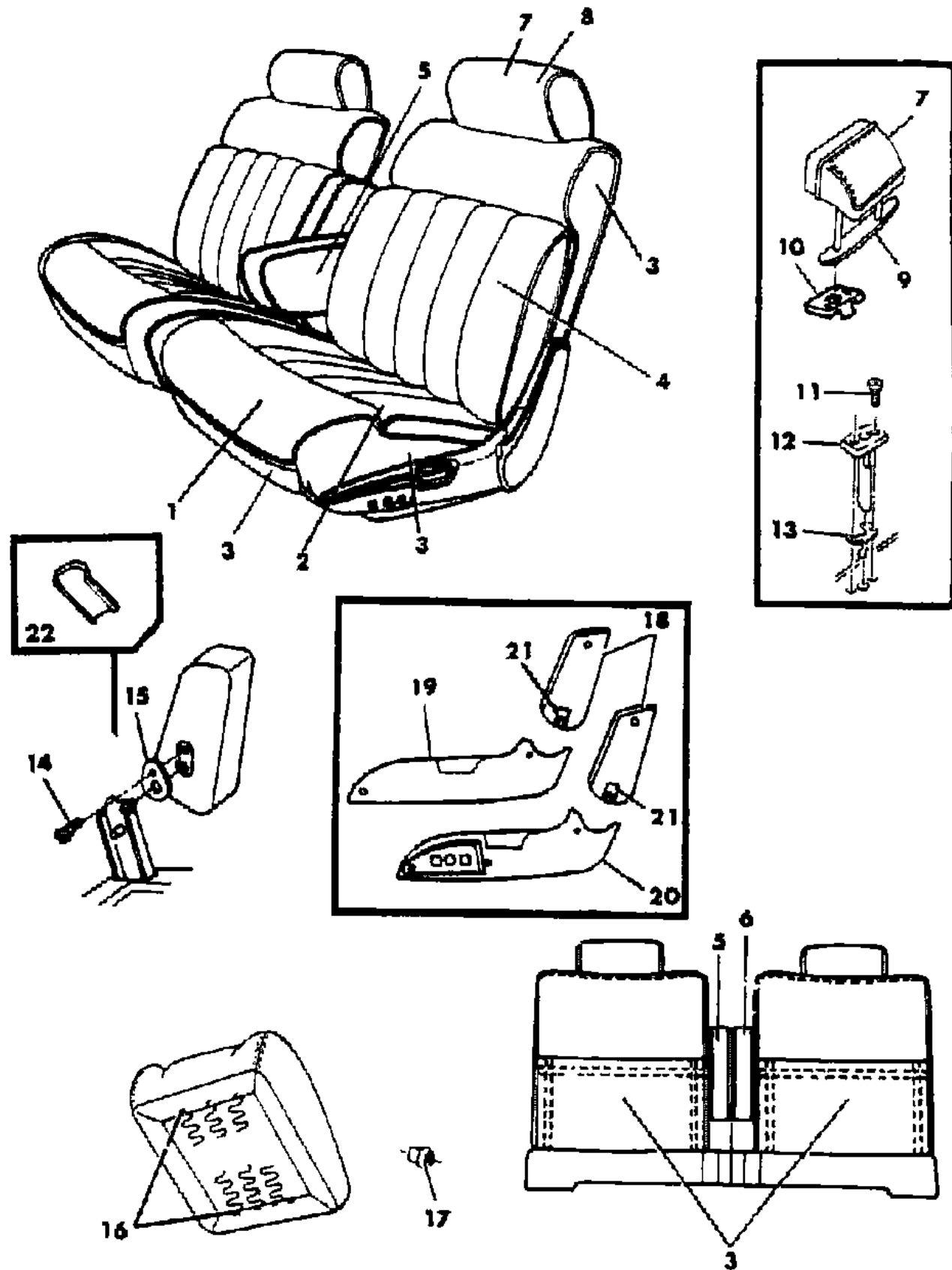
45 = 4-DOOR STATION WAGON

52-53 = FWD WAGON

AR = Use as Required - = Non Illustrated Part P.A.R. = Paint as Required

SEAT--FRONT E BODY TRIM CODE FF
Figure ITE-1300

7238 1300



ITEM	PART NUMBER	QTY	BODY	MODEL	DESCRIPTION
1-2					CUSHION, w/Spring/Frame, Pad and Cover
	C916-7 EFA	1			CLOTH Silver
	C916-7 FFC	1			Blue
	C916-7 FFE	1			Cordovan
	C916-7 EFK	1			Almond
2					COVER and CARPET, Cushion
	C536-7 EFA	1			CLOTH Silver
	C536-7 FFC	1			Blue
	C536-7 FFE	1			Cordovan
	C536-7 EFK	1			Almond
3					ROLL STOCK, Cloth 54" Wide, Order By The Inch
	R021 DA4	AR			Silver
	R021 FC5	AR			Blue
	R021 EE8	AR			Cordovan
	R021 EK1	AR			Almond
3-4					BACK, w/Spring/Frame, Pad and Cover
	C920-1 EFA	1			CLOTH Silver
	C920-1 FFC	1			Blue
	C920-1 FFE	1			Cordovan
	C920-1 EFK	1			Almond
4					COVER, Back
	C538-9 EFA	1			CLOTH Silver
	C538-9 FFC	1			Blue
	C538-9 FFE	1			Cordovan
	C538-9 EFK	1			Almond
5					ARMREST and COVER, (Passenger and Drivers Seat)
	C922 EA4	2			Silver
	C922 FC5	2			Blue
	C922 EE8	2			Cordovan
	C922 EK1	2			Almond
6					COVER, Armrest (Passenger and Driver Seat)
	C540 EA4	2			Silver
	C540 FC5	2			Blue
	C540 EE8	2			Cordovan

MODEL CODES

E BODY = (J - CARAVELLE)(E - 600)(T - NEW YORKER)

G BODY = (V24 - DAYTONA)

H BODY = (D44 - LANCER)(C44 - LEBARON GTS)

J BODY = (C - LEBARON)

K BODY = (P - RELIANT)(D - ARIES)(C - LEBAROND)/TOWN & COUNTRY)

L BODY = (M - HORIZON/TURISMO)(Z - OMNI/CHARGER)

M BODY = (B - GRAN FURY)(F - FIFTH AVE/NEWPORT)(G - DIPLOMAT)

P BODY = (P - SUNDANCE)(D - SHADOW)

S BODY = (H - VOYAGER)(K - RAM VAN/CARAVAN)

BODY STYLES

12-13 = FWD VAN

21 = 2-DOOR SEDAN

24 = 2-DOOR HATCHBACK

27 = 2-DOOR CONVERTIBLE

41 = 4-DOOR SEDAN

44 = 4-DOOR HATCHBACK

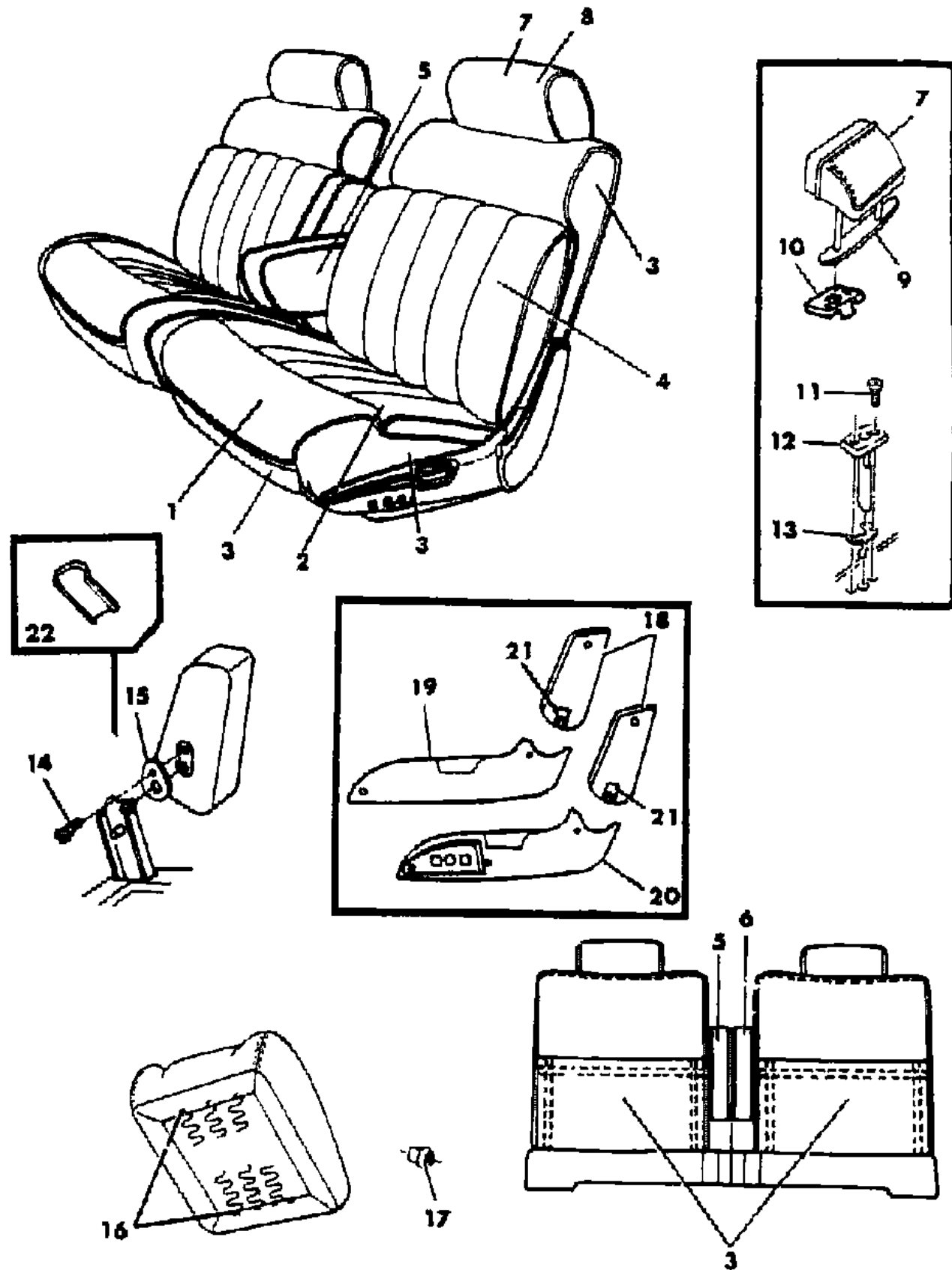
45 = 4-DOOR STATION WAGON

52-53 = FWD WAGON

AR = Use as Required - = Non Illustrated Part P.A.R. = Paint as Required

SEAT--FRONT E BODY TRIM CODE FF
Figure ITE-1300

7238 1300



ITEM	PART NUMBER	QTY	BODY	MODEL	DESCRIPTION
	C540 EK1	2			Almond
7					HEADREST and COVER
	C923 EA4	2			Silver
	C923 FC5	2			Blue
	C923 EE8	2			Cordovan
	C923 EK1	2			Almond
8					COVER, Headrest
	C541 EA4	2			Silver
	C541 FC5	2			Blue
	C541 EE8	2			Cordovan
	C541 EK1	2			Almond
9	4018 808	2			COVER, Headrest Finish
10	4138 140	4			SPACER, Headrest
11					SCREW, (8-18x1) (Not Serv.)
12					SLEEVE, Headrest
	S786 AA3	4			Silver
	S786 EC5	4			Blue
	S786 EE8	4			Cordovan
	S786 EK1	4			Almond
13	4098 965	4			CATCH, Headrest Post
14	6032 567	AR			BOLT, Shoulder
15	4290 871	AR			SPACER, Armrest
16	6008 076	AR			HOG RING
17	4190 488	1			BUSHING, Inner Pivot Pin Right Only
18					SHIELD, Back (P.A.R.)
					OUTER
	S996 FK1	1			Passenger Seat
	S997 FK1	1			Driver Seat
					INNER
	S997 FK1	1			Passenger Seat
	S996 FK1	1			Driver Seat
19					SHIELD, Cushion (P.A.R.)
					OUTER
	S262 FK1	1			Passenger Seat
	S263 FK1	1			Driver Seat
					INNER
	S263 FK1	1			Passenger Seat
	S942 DA3	1			Driver Seat

MODEL CODES

E BODY = (J - CARAVELLE)(E - 600)(T - NEW YORKER)

G BODY = (V24 - DAYTONA)

H BODY = (D44 - LANCER)(C44 - LEBARON GTS)

J BODY = (C - LEBARON)

K BODY = (P - RELIANT)(D - ARIES)(C - LEBAROND)/TOWN & COUNTRY)

L BODY = (M - HORIZON/TURISMO)(Z - OMNI/CHARGER)

M BODY = (B - GRAN FURY)(F - FIFTH AVE/NEWPORT)(G - DIPLOMAT)

P BODY = (P - SUNDANCE)(D - SHADOW)

S BODY = (H - VOYAGER)(K - RAM VAN/CARAVAN)

BODY STYLES

12-13 = FWD VAN

21 = 2-DOOR SEDAN

24 = 2-DOOR HATCHBACK

27 = 2-DOOR CONVERTIBLE

41 = 4-DOOR SEDAN

44 = 4-DOOR HATCHBACK

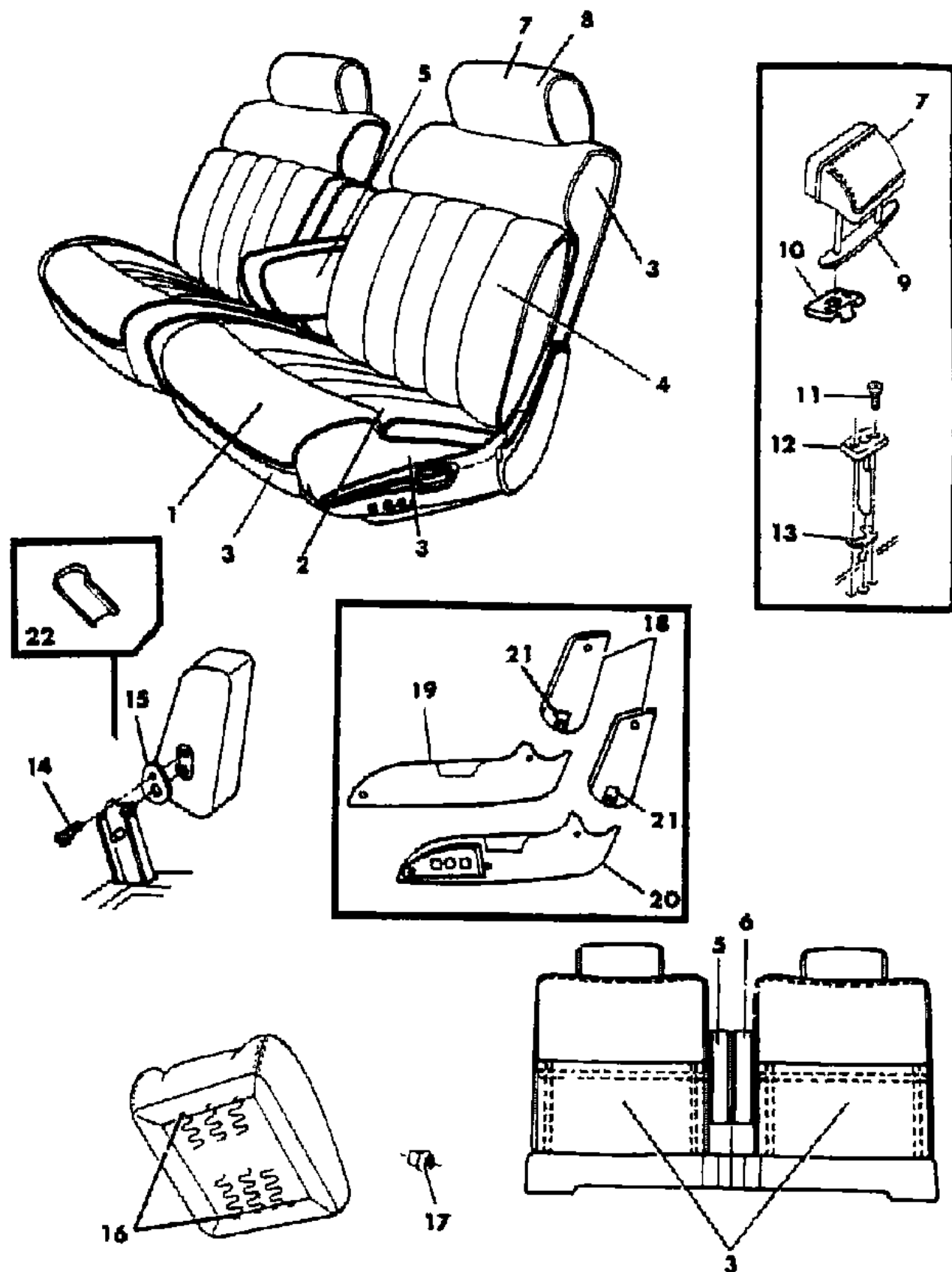
45 = 4-DOOR STATION WAGON

52-53 = FWD WAGON

AR = Use as Required - = Non Illustrated Part P.A.R. = Paint as Required

SEAT--FRONT E BODY TRIM CODE FF
Figure ITE-1300

7238 1300



ITEM	PART NUMBER	QTY	BODY	MODEL	DESCRIPTION
20					SHIELD, Cushion Electric (P.A.R.)
	S264 FK1	1			Passenger Seat
	S265 FK1	1			Driver Seat
21	4317 800	AR			CLIP
22					COVER, Stanchion
	S526-7 FC5	1			Blue
	S526-7 EE8	1			Cordovan
	S526-7 EK1	1			Almond
	S526-7 ES8	1			Charcoal

NOTE: (P.A.R.)= Paint As Required

MODEL CODES

E BODY = (J - CARAVELLE)(E - 600)(T - NEW YORKER)

G BODY = (V24 - DAYTONA)

H BODY = (D44 - LANCER)(C44 - LEBARON GTS)

J BODY = (C - LEBARON)

K BODY = (P - RELIANT)(D - ARIES)(C - LEBAROND)/TOWN & COUNTRY)

L BODY = (M - HORIZON/TURISMO)(Z - OMNI/CHARGER)

M BODY = (B - GRAN FURY)(F - FIFTH AVE/NEWPORT)(G - DIPLOMAT)

P BODY = (P - SUNDANCE)(D - SHADOW)

S BODY = (H - VOYAGER)(K - RAM VAN/CARAVAN)

BODY STYLES

12-13 = FWD VAN

21 = 2-DOOR SEDAN

24 = 2-DOOR HATCHBACK

27 = 2-DOOR CONVERTIBLE

41 = 4-DOOR SEDAN

44 = 4-DOOR HATCHBACK

45 = 4-DOOR STATION WAGON

52-53 = FWD WAGON

AR = Use as Required - = Non Illustrated Part P.A.R. = Paint as Required

SEAT--FRONT E BODY TRIM CODE LP

Figure ITE-1400

7238 1400 A

ITEM	PART NUMBER	QTY	BODY	MODEL	DESCRIPTION
1-3					CUSHION, w/Spring/Frame, Pad and Cover (use up to 9/18/86)
					LEATHER
					Blue
	C988-9 FPC	1			Cordovan
	C988-9 EPE	1			Almond
	C988-9 EPK	1			Charcoal
	C988-9 EPS	1			(use from 9/18/86 to 1/6/87)
	A976-7 FPC	1			Blue
	A976-7 FPE	1			Cordovan
	A976-7 FPK	1			Almond
	A976-7 FPS	1			Charcoal
					(use after 1/6/87)
	A566-7 FPC	1			Blue
	A566-7 FPE	1			Cordovan
	A566-7 FPK	1			Almond
	A566-7 FPS	1			Charcoal
2					COVER, Cushion
					LEATHER
					(use up to 9/18/86)
					Blue
	C562-3 FPC	1			Cordovan
	C562-3 EPE	1			Almond
	C562-3 EPK	1			Charcoal
	C562-3 EPS	1			(use from 9/18/86 to 1/6/87)
	A966-7 FPC	1			Blue
	A966-7 FPE	1			Cordovan
	A966-7 FPK	1			Almond
	A966-7 FPS	1			Charcoal
					(use after 1/6/87)
	A556-7 FPC	1			Blue
	A556-7 FPE	1			Cordovan
	A556-7 FPK	1			Almond
	A556-7 FPS	1			Charcoal
3					ROLL STOCK, Vinyl 54" Wide, Order By The Inch
	R627 FC5	AR			Blue
	R627 EE8	AR			Cordovan
	R627 EK1	AR			Almond

MODEL CODES

E BODY = (J - CARAVELLE)(E - 600)(T - NEW YORKER)

G BODY = (V24 - DAYTONA)

H BODY = (D44 - LANCER)(C44 - LEBARON GTS)

J BODY = (C - LEBARON)

K BODY = (P - RELIANT)(D - ARIES)(C - LEBAROND)/TOWN & COUNTRY)

L BODY = (M - HORIZON/TURISMO)(Z - OMNI/CHARGER)

M BODY = (B - GRAN FURY)(F - FIFTH AVE/NEWPORT)(G - DIPLOMAT)

P BODY = (P - SUNDANCE)(D - SHADOW)

S BODY = (H - VOYAGER)(K - RAM VAN/CARAVAN)

BODY STYLES

12-13 = FWD VAN

21 = 2-DOOR SEDAN

24 = 2-DOOR HATCHBACK

27 = 2-DOOR CONVERTIBLE

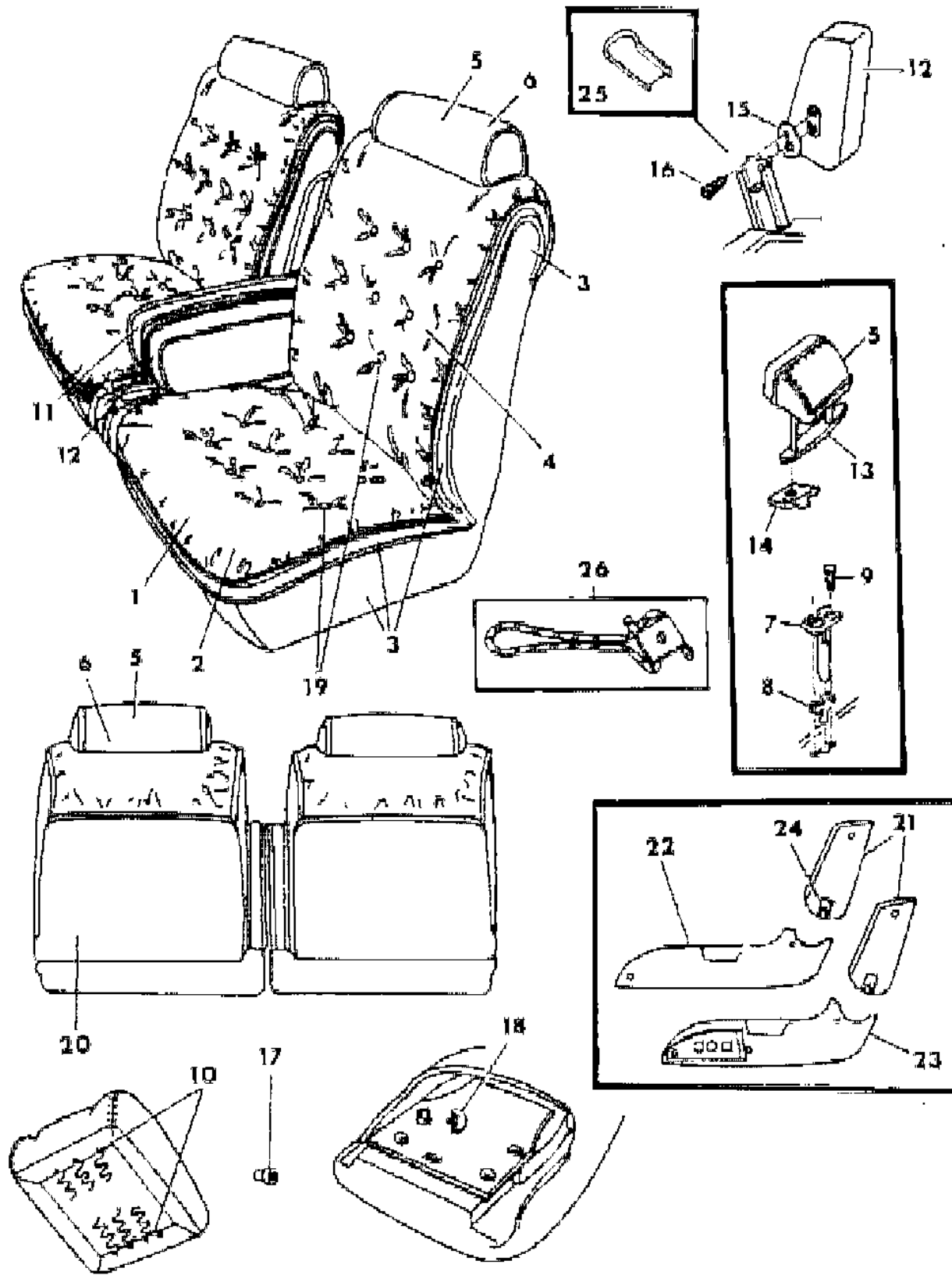
41 = 4-DOOR SEDAN

44 = 4-DOOR HATCHBACK

45 = 4-DOOR STATION WAGON

52-53 = FWD WAGON

AR = Use as Required - = Non Illustrated Part P.A.R. = Paint as Required



SEAT--FRONT E BODY TRIM CODE LP

Figure ITE-1400

7238 1400 A

ITEM	PART NUMBER	QTY	BODY	MODEL	DESCRIPTION
	R627 CS8	AR			Charcoal
3-4					BACK, w/Spring/Frame, Pad and Cover LEATHER
	C992-3 FPC	1			Blue
	C992-3 EPE	1			Cordovan
	C992-3 EPK	1			Almond
	C992-3 EPS	1			Charcoal
4					COVER, Back w/Pocket LEATHER
	C564 FPC	2			Blue
	C564 EPE	2			Cordovan
	C564 EPK	2			Almond
	C564 EPS	2			Charcoal
5					HEADREST and COVER (use up to 11/24/86)
	C975 FC5	2			Blue
	C975 EE8	2			Cordovan
	C975 EK1	2			Almond
	C975 ES8	2			Charcoal (use after 11/24/86)
	C948 FC5	2			Blue
	C948 FE8	2			Cordovan
	C948 FK1	2			Almond
	C948 FS8	2			Charcoal
6					COVER, Headrest (use up to 11/24/86)
	C572 FC5	2			Blue
	C572 EE8	2			Cordovan
	C572 ES8	2			Charcoal (use after 11/24/86)
	C575 FC5	2			Blue
	C575 FE8	2			Cordovan
	C575 FK1	2			Almond
	C575 FS8	2			Charcoal
7					SLEEVE, Headrest
	S786 EC5	4			Blue
	S786 EE8	2			Cordovan
	S786 EK1	4			Almond

MODEL CODES

E BODY = (J - CARAVELLE)(E - 600)(T - NEW YORKER)

G BODY = (V24 - DAYTONA)

H BODY = (D44 - LANCER)(C44 - LEBARON GTS)

J BODY = (C - LEBARON)

K BODY = (P - RELIANT)(D - ARIES)(C - LEBAROND)/TOWN & COUNTRY)

L BODY = (M - HORIZON/TURISMO)(Z - OMNI/CHARGER)

M BODY = (B - GRAN FURY)(F - FIFTH AVE/NEWPORT)(G - DIPLOMAT)

P BODY = (P - SUNDANCE)(D - SHADOW)

S BODY = (H - VOYAGER)(K - RAM VAN/CARAVAN)

BODY STYLES

12-13 = FWD VAN

21 = 2-DOOR SEDAN

24 = 2-DOOR HATCHBACK

27 = 2-DOOR CONVERTIBLE

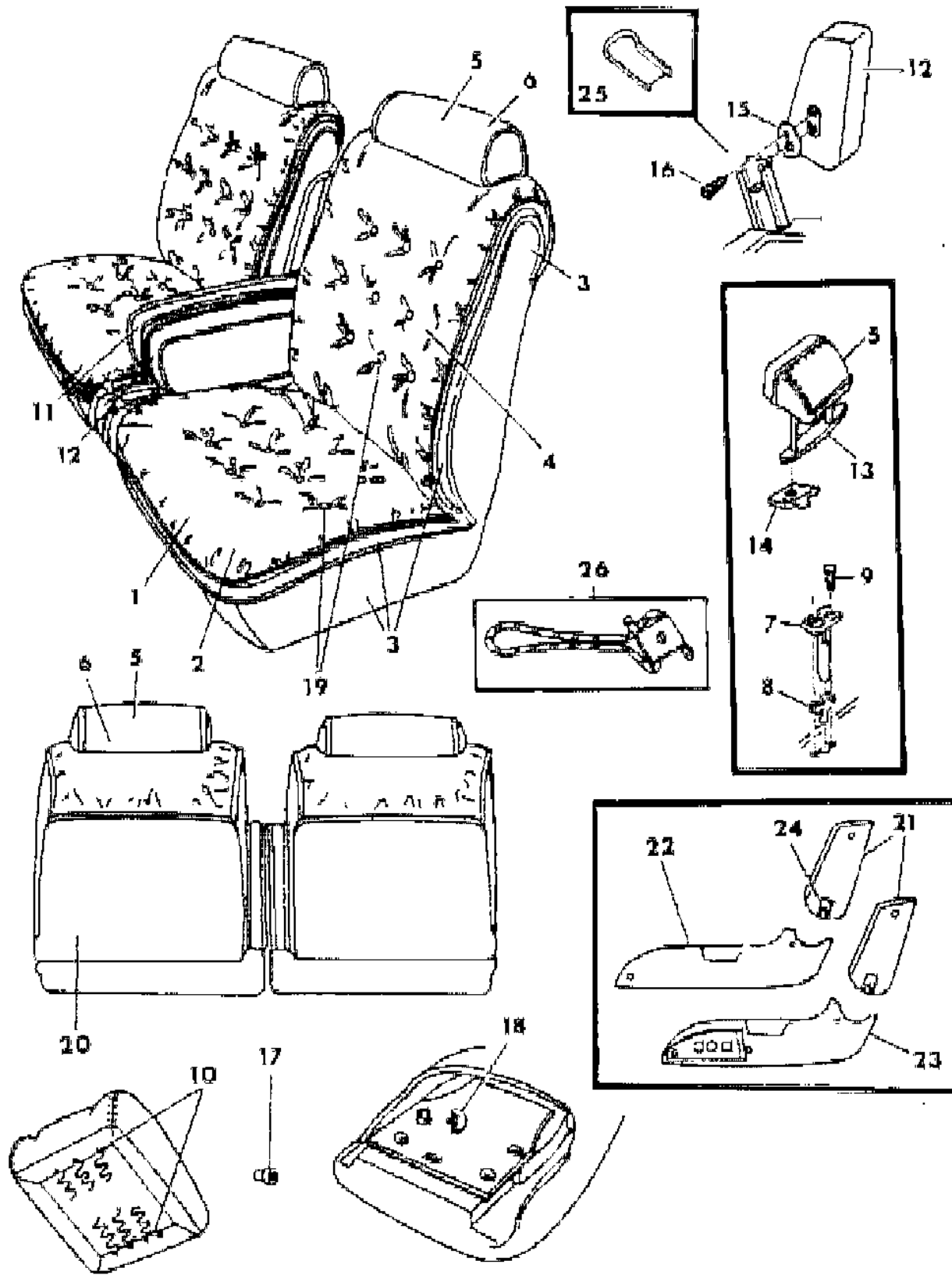
41 = 4-DOOR SEDAN

44 = 4-DOOR HATCHBACK

45 = 4-DOOR STATION WAGON

52-53 = FWD WAGON

AR = Use as Required - = Non Illustrated Part P.A.R. = Paint as Required



SEAT--FRONT E BODY TRIM CODE LP
Figure ITE-1400

7238 1400 A

ITEM	PART NUMBER	QTY	BODY	MODEL	DESCRIPTION
	S786 CS8	4			Charcoal
8	4098 965	4			CATCH, Headrest Post
9					SCREW, (8-18x1) (Not Serv.)
10	6008 076	AR			HOG RING
11					ARMREST and COVER, (Passenger and Driver Seat)
	C944 FC5	2			Blue
	C944 EE8	2			Cordovan
	C944 EK1	2			Almond
	C944 ES8	2			Charcoal
12					COVER, Armrest (Passenger and Driver Seat)
	C476 FC5	2			Blue
	C476 EE8	2			Cordovan
	C476 EK1	2			Almond
	C476 ES8	2			Charcoal
13	4018 808	2			COVER, Headrest Finish
14	4138 140	4			SPACER, Headrest
15	4290 871	AR			SPACER, Armrest to Stanchion
16	6032 567	AR			BOLT, Shoulder
17	4190 488	1			BUSHING, Inner Pivot Pin Right Only
18	4018 167				WASHER, Button
19					BUTTON, Cushion and Back
	S845 FC5	AR			Blue
	S845 EE8	AR			Cordovan
	S845 EK1	AR			Almond
	S845 CS8	AR			Charcoal
20					ROLL STOCK, Vinyl, Order By The Inch
	R616 FC5	AR			Blue, 64" Wide
	R600 EE8	AR			Cordovan, 54" Wide
	R600 EK1	AR			Almond, 54" Wide
	R609 CS8	AR			Charcoal, 58" Wide
21					SHIELD, Back (P.A.R.)
					OUTER
	S996 FK1	1			Passenger Seat
	S997 FK1	1			Driver Seat
					INNER
	S997 FK1	1			Passenger Seat
	S996 FK1	1			Driver Seat
22					SHIELD, Cushion (P.A.R.)

MODEL CODES

E BODY = (J - CARAVELLE)(E - 600)(T - NEW YORKER)

G BODY = (V24 - DAYTONA)

H BODY = (D44 - LANCER)(C44 - LEBARON GTS)

J BODY = (C - LEBARON)

K BODY = (P - RELIANT)(D - ARIES)(C - LEBAROND)/TOWN & COUNTRY)

L BODY = (M - HORIZON/TURISMO)(Z - OMNI/CHARGER)

M BODY = (B - GRAN FURY)(F - FIFTH AVE/NEWPORT)(G - DIPLOMAT)

P BODY = (P - SUNDANCE)(D - SHADOW)

S BODY = (H - VOYAGER)(K - RAM VAN/CARAVAN)

BODY STYLES

12-13 = FWD VAN

21 = 2-DOOR SEDAN

24 = 2-DOOR HATCHBACK

27 = 2-DOOR CONVERTIBLE

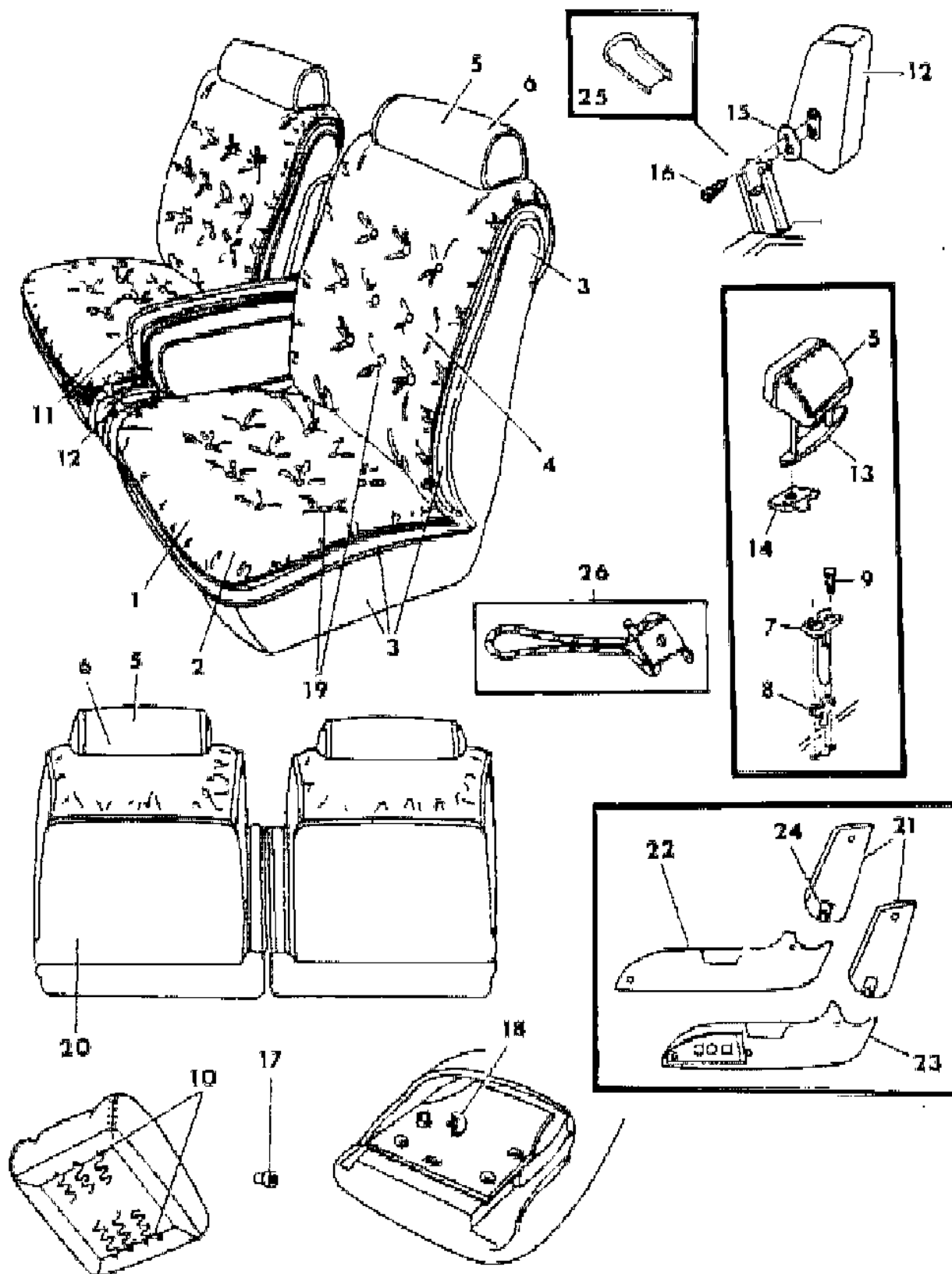
41 = 4-DOOR SEDAN

44 = 4-DOOR HATCHBACK

45 = 4-DOOR STATION WAGON

52-53 = FWD WAGON

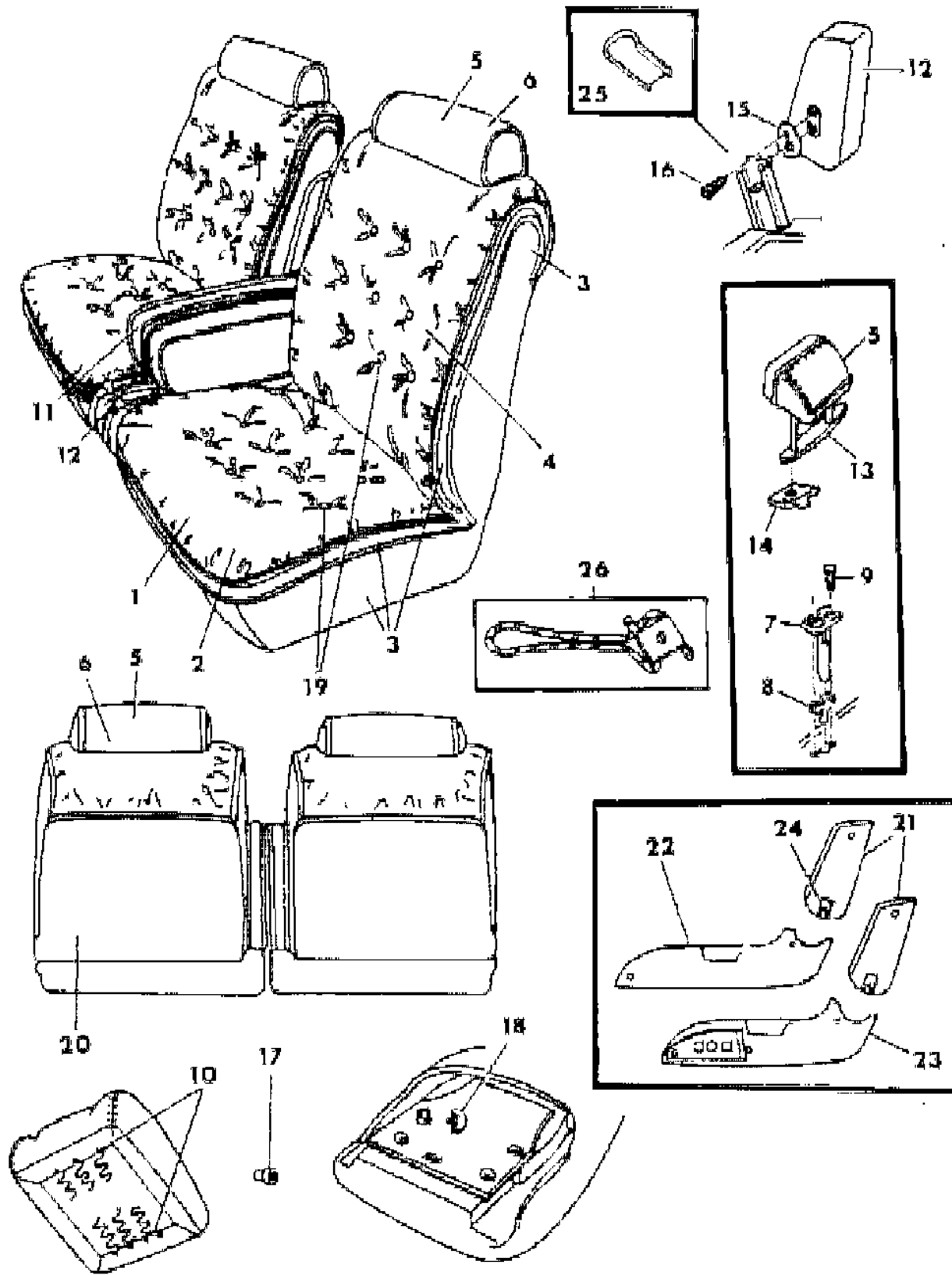
AR = Use as Required - = Non Illustrated Part P.A.R. = Paint as Required



SEAT--FRONT E BODY TRIM CODE LP
Figure ITE-1400

7238 1400 A

ITEM	PART NUMBER	QTY	BODY	MODEL	DESCRIPTION
					OUTER
	S262 FK1	1			Passenger Seat
	S263 FK1	1			Driver Seat
					INNER
	S263 FK1	1			Passenger Seat
	S262 FK1	1			Driver Seat
23					SHIELD, Cushion Electric (P.A.R.)
	S264 FK1	1			Passenger Seat
	S265 FK1	1			Driver Seat
24	4317 800	AR			CLIP
25					COVER, Stanchion
	S526-7 FC5	1			Blue
	S526-7 EE8	1			Cordovan
	S526-7 EK1	1			Almond
	S526-7 ES8	1			Charcoal
26					RETAINER, Button
	4376 944	AR			Cushion, Small
					Back
	4376 956	AR			(.75 Loop Length)
	4376 957	AR			(1.38 Loop Length)
					NOTE: (P.A.R.)= Paint As Required



MODEL CODES
 E BODY = (J - CARAVELLE)(E - 600)(T - NEW YORKER)
 G BODY = (V24 - DAYTONA)
 H BODY = (D44 - LANCER)(C44 - LEBARON GTS)
 J BODY = (C - LEBARON)
 K BODY = (P - RELIANT)(D - ARIES)(C - LEBAROND)/TOWN & COUNTRY
 L BODY = (M - HORIZON/TURISMO)(Z - OMNI/CHARGER)
 M BODY = (B - GRAN FURY)(F - FIFTH AVE/NEWPORT)(G - DIPLOMAT)
 P BODY = (P - SUNDANCE)(D - SHADOW)
 S BODY = (H - VOYAGER)(K - RAM VAN/CARAVAN)

BODY STYLES
 12-13 = FWD VAN
 21 = 2-DOOR SEDAN
 24 = 2-DOOR HATCHBACK
 27 = 2-DOOR CONVERTIBLE
 41 = 4-DOOR SEDAN
 44 = 4-DOOR HATCHBACK
 45 = 4-DOOR STATION WAGON
 52-53 = FWD WAGON

AR = Use as Required - = Non Illustrated Part P.A.R. = Paint as Required

SEAT--FRONT E BODY TRIM CODE LF
Figure ITE-1500

7238 1500 A

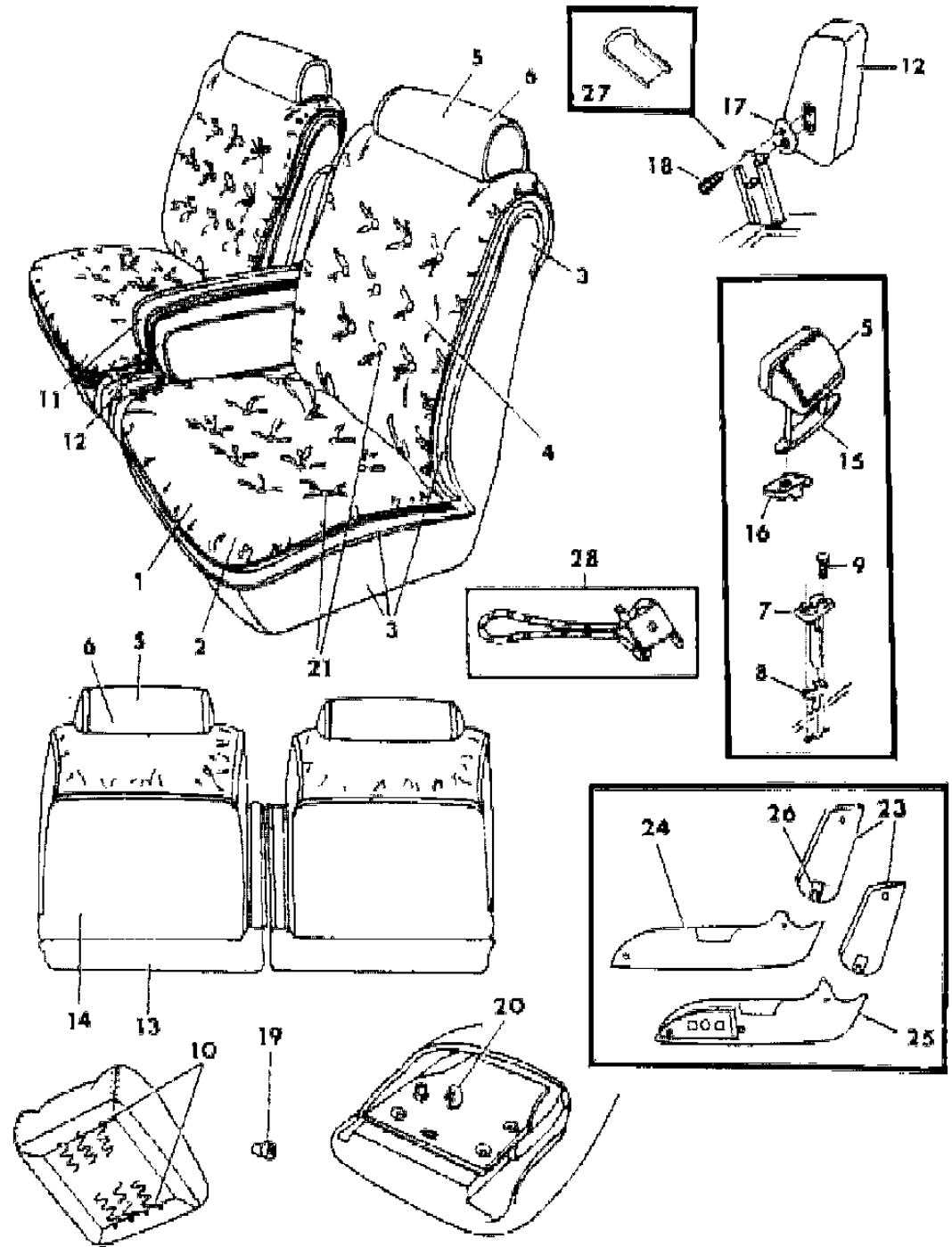
ITEM	PART NUMBER	QTY	BODY	MODEL	DESCRIPTION
1-3					CUSHION, w/Spring/Frame, Pad and Cover
					CLOTH (use up to 1/6/87)
	C768-9 FFC	1			Blue
	C768-9 FFE	1			Cordovan
	C768-9 FFK	1			Almond
	C768-9 FFS	1			Charcoal (use after 1/6/87)
	A580-1 FFC	1			Blue
	A580-1 FFE	1			Cordovan
	A580-1 FFK	1			Almond
	A580-1 FFS	1			Charcoal
2					COVER, Cushion
					CLOTH (use up to 1/6/87)
	C550-1 FFC	1			Blue
	C550-1 FFE	1			Cordovan
	C550-1 FFK	1			Almond
	C550-1 FFS	1			Charcoal (use after 1/6/87)
	A568-9 FFC	1			Blue
	A568-9 FFE	1			Cordovan
	A568-9 FFK	1			Almond
	A568-9 FFS	1			Charcoal
3					ROLL STOCK, Cloth 62" Wide, Order By The Inch
	R035 FC5	AR			Blue
	R035 EE8	AR			Cordovan
	R035 EK1	AR			Almond
	R035 ES8	AR			Charcoal
3-4					BACK, w/Spring/Frame, Pad and Cover
					CLOTH
	C842-3 FFC	1			Blue
	C842-3 FFE	1			Cordovan
	C842-3 FFK	1			Almond
	C842-3 FFS	1			Charcoal
4					COVER, Back w/Pocket
					CLOTH
	C552 FFC	2			Blue

MODEL CODES
E BODY = (J - CARAVELLE)(E - 600)(T - NEW YORKER)
G BODY = (V24 - DAYTONA)
H BODY = (D44 - LANCER)(C44 - LEBARON GTS)
J BODY = (C - LEBARON)
K BODY = (P - RELIANT)(D - ARIES)(C - LEBAROND)/TOWN & COUNTRY

L BODY = (M - HORIZON/TURISMO)(Z - OMNI/CHARGER)
M BODY = (B - GRAN FURY)(F - FIFTH AVE/NEWPORT)(G - DIPLOMAT)
P BODY = (P - SUNDANCE)(D - SHADOW)
S BODY = (H - VOYAGER)(K - RAM VAN/CARAVAN)

BODY STYLES
12-13 = FWD VAN
21 = 2-DOOR SEDAN
24 = 2-DOOR HATCHBACK
27 = 2-DOOR CONVERTIBLE
41 = 4-DOOR SEDAN
44 = 4-DOOR HATCHBACK
45 = 4-DOOR STATION WAGON
52-53 = FWD WAGON

AR = Use as Required - = Non Illustrated Part P.A.R. = Paint as Required



SEAT--FRONT E BODY TRIM CODE LF
Figure ITE-1500

7238 1500 A

ITEM	PART NUMBER	QTY	BODY	MODEL	DESCRIPTION
	C552 FFE	2			Cordovan
	C552 FFK	2			Almond
	C552 FFS	2			Charcoal
5					HEADREST and COVER
	C902 FC5	2			Blue
	C902 FE9	2			Cordovan
	C902 EK1	2			Almond
	C902 ES8	2			Charcoal
6					COVER, Headrest
	C559 FC5	2			Blue
	C559 FE9	2			Cordovan
	C559 EK1	2			Almond
	C559 ES8	2			Charcoal
7					SLEEVE, Headrest
	S786 EC5	4			Blue
	S786 EE8	4			Cordovan
	S786 EK1	4			Almond
	S786 CS8	4			Charcoal
8	4098 965	4			CATCH, Headrest Post
9		AR			SCREW, (8-18x1) (Not Serv.)
10	6008 076	AR			HOG RING
11					ARMREST and COVER, (Passenger and Driver Seat)
	C886 FC5	2			Blue
	C886 FE9	2			Cordovan
	C886 EK1	2			Almond
	C886 ES8	2			Charcoal
12					COVER, Armrest, (Passenger and Driver Seat)
	C560 FC5	2			Blue
	C560 FE9	2			Cordovan
	C560 EK1	2			Almond
	C560 ES8	2			Charcoal
13					CARPET, (Serviced In Item 2)
14					ROLL STOCK, Vinyl, Order By The Inch
	R616 FC5	AR			Blue, 64" Wide
	R600 EE8	AR			Cordovan, 54" Wide
	R600 EK1	AR			Almond, 54" Wide
	R609 CS8	AR			Charcoal, 58" Wide
15	4018 808	2			COVER, Headrest Finish

MODEL CODES

E BODY = (J - CARAVELLE)(E - 600)(T - NEW YORKER)

G BODY = (V24 - DAYTONA)

H BODY = (D44 - LANCER)(C44 - LEBARON GTS)

J BODY = (C - LEBARON)

K BODY = (P - RELIANT)(D - ARIES)(C - LEBAROND)/TOWN & COUNTRY)

L BODY = (M - HORIZON/TURISMO)(Z - OMNI/CHARGER)

M BODY = (B - GRAN FURY)(F - FIFTH AVE/NEWPORT)(G - DIPLOMAT)

P BODY = (P - SUNDANCE)(D - SHADOW)

S BODY = (H - VOYAGER)(K - RAM VAN/CARAVAN)

BODY STYLES

12-13 = FWD VAN

21 = 2-DOOR SEDAN

24 = 2-DOOR HATCHBACK

27 = 2-DOOR CONVERTIBLE

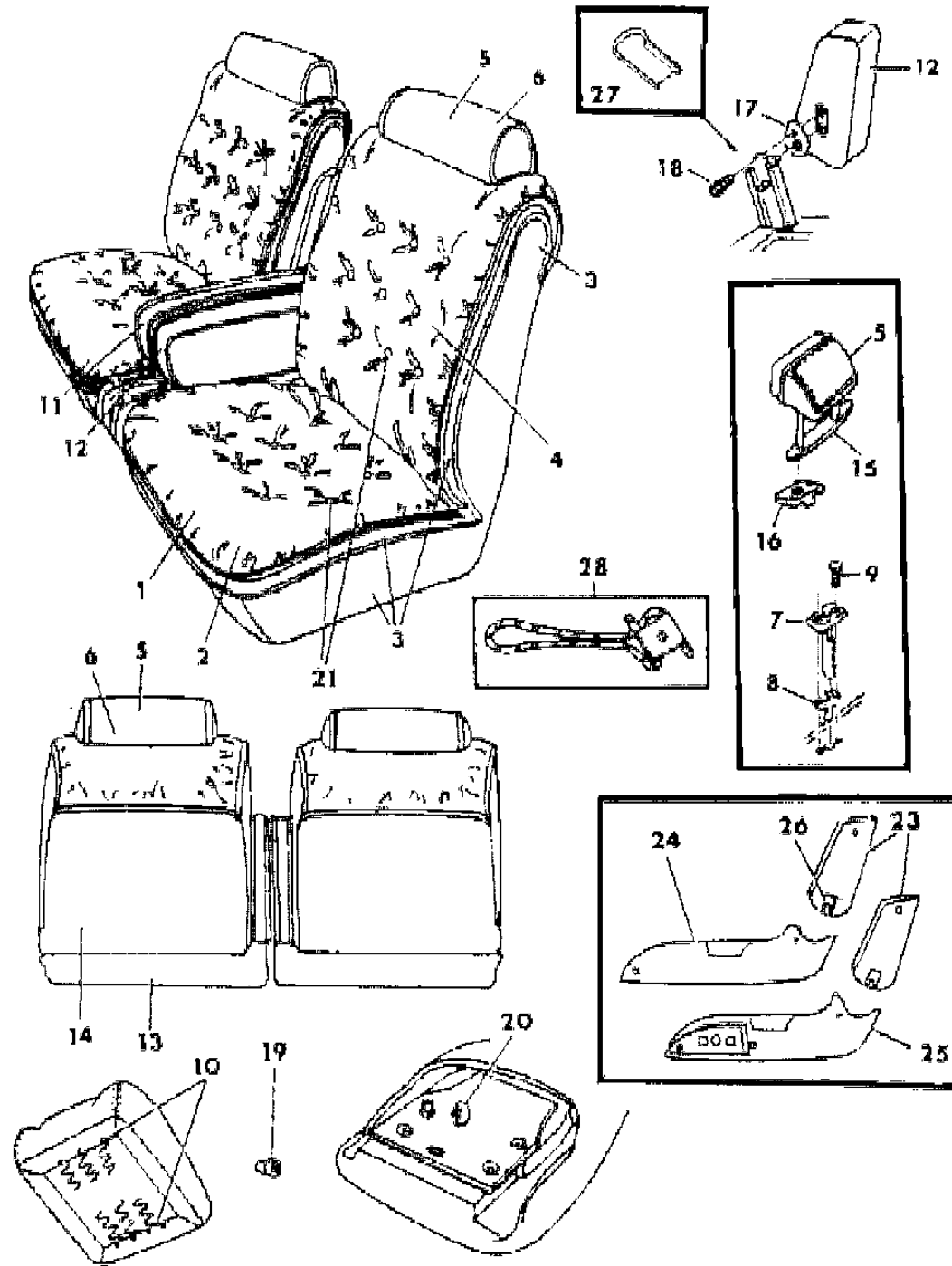
41 = 4-DOOR SEDAN

44 = 4-DOOR HATCHBACK

45 = 4-DOOR STATION WAGON

52-53 = FWD WAGON

AR = Use as Required - = Non Illustrated Part P.A.R. = Paint as Required



SEAT--FRONT E BODY TRIM CODE LF
Figure ITE-1500

7238 1500 A

ITEM	PART NUMBER	QTY	BODY	MODEL	DESCRIPTION
16	4138 140	4			SPACER, Headrest
17	4290 871	AR			SPACER, Armrest To Stanchion
18	6032 567	AR			BOLT, Shoulder
19	4190 488	1			BUSHING, Inner Pivot Pin, Right Only
20	4018 167	AR			WASHER, Button
21					BUTTON, Cushion and Back
	G378 FC5	AR			Blue
	G378 EE8	AR			Cordovan
	G378 EK1	AR			Almond
	G378 CS8	AR			Charcoal
23					SHIELD, Back (P.A.R.) OUTER
	S996 FK1	1			Passenger Seat
	S997 FK1	1			Driver Seat
	S997 FK1	1			INNER Passenger Seat
	S996 FK1	1			Driver Seat
24					SHIELD, Cushion (P.A.R.) OUTER
	S262 FK1	1			Passenger Seat
	S263 FK1	1			Driver Seat
	S263 FK1	1			INNER Passenger Seat
	S262 FK1	1			Driver Seat
25					SHIELD, Cushion Electric (P.A.R.)
	S264 FK1	1			Passenger Seat
	S265 FK1	1			Driver Seat
26	4317 800	AR			CLIP
27					COVER, Stanchion
	S526-7 FC5	1			Blue
	S526-7 EE8	1			Cordovan
	S526-7 EK1	1			Almond
	S526-7 ES8	1			Charcoal
28					RETAINER, Button
	4376 944	AR			Cushion, Small BACK
	4376 956	AR			(.75Loop Length)
	4376 957	AR			(1.38 Loop Length)

MODEL CODES

E BODY = (J - CARAVELLE)(E - 600)(T - NEW YORKER)

G BODY = (V24 - DAYTONA)

H BODY = (D44 - LANCER)(C44 - LEBARON GTS)

J BODY = (C - LEBARON)

K BODY = (P - RELIANT)(D - ARIES)(C - LEBAROND)/TOWN & COUNTRY)

L BODY = (M - HORIZON/TURISMO)(Z - OMNI/CHARGER)

M BODY = (B - GRAN FURY)(F - FIFTH AVE/NEWPORT)(G - DIPLOMAT)

P BODY = (P - SUNDANCE)(D - SHADOW)

S BODY = (H - VOYAGER)(K - RAM VAN/CARAVAN)

BODY STYLES

12-13 = FWD VAN

21 = 2-DOOR SEDAN

24 = 2-DOOR HATCHBACK

27 = 2-DOOR CONVERTIBLE

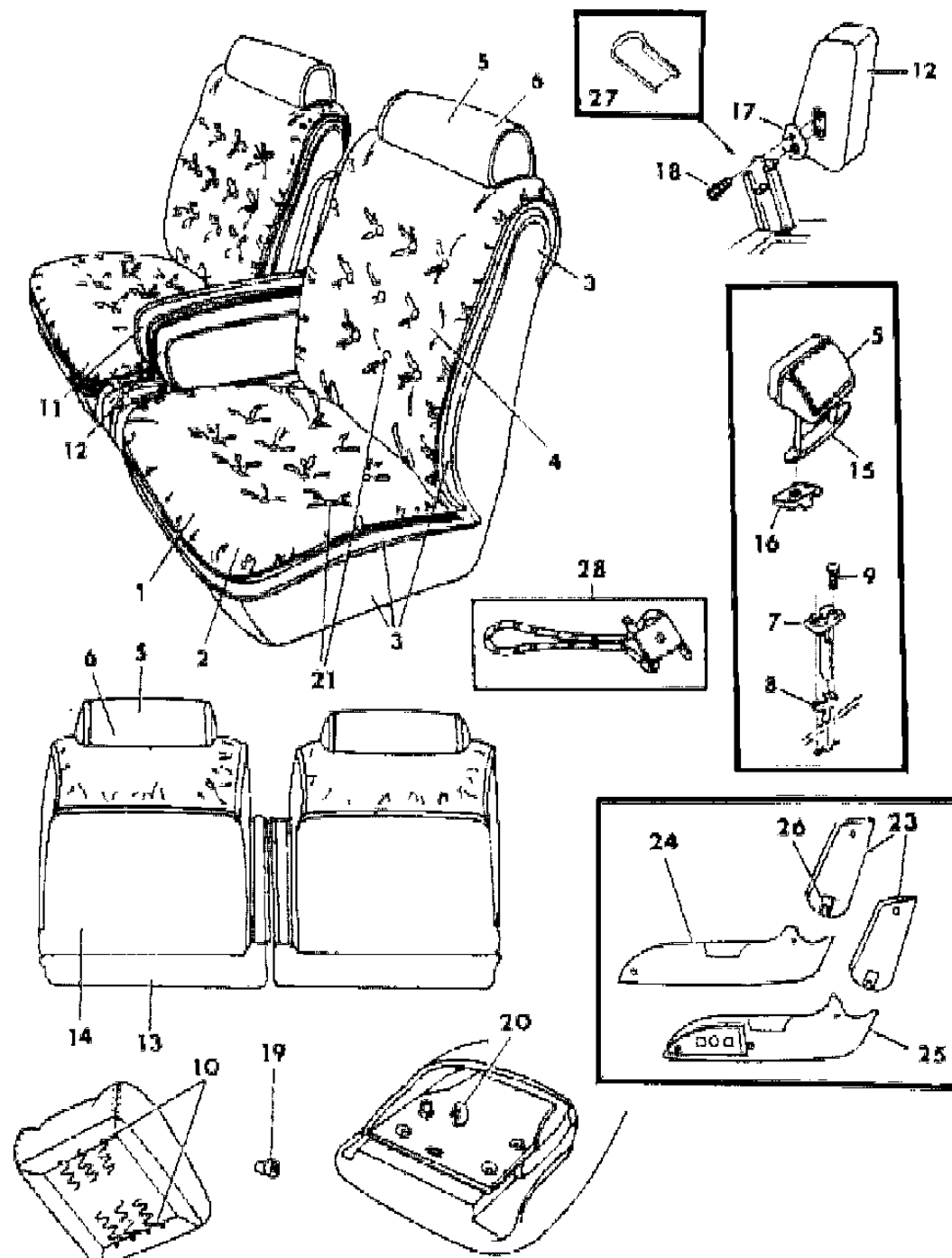
41 = 4-DOOR SEDAN

44 = 4-DOOR HATCHBACK

45 = 4-DOOR STATION WAGON

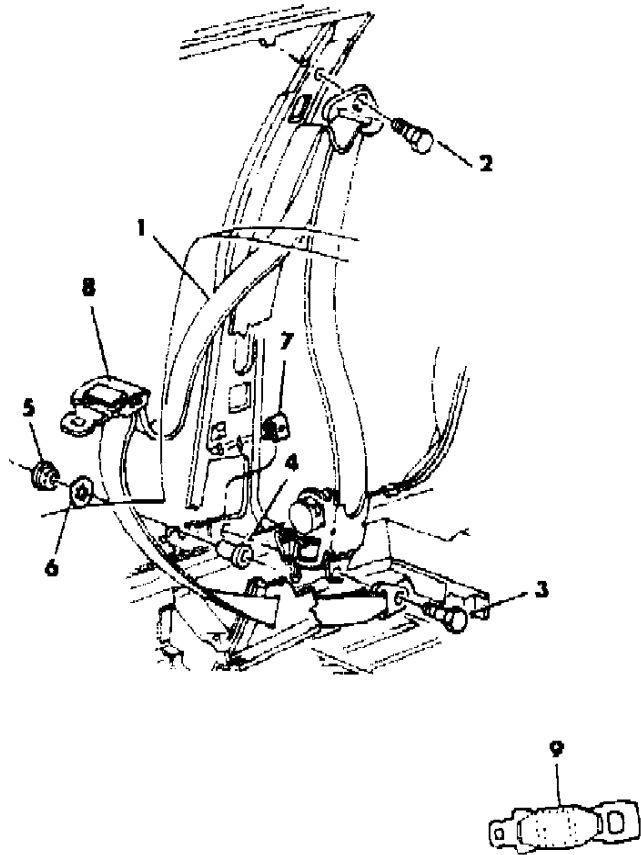
52-53 = FWD WAGON

AR = Use as Required - = Non Illustrated Part P.A.R. = Paint as Required



BELT--FRONT SEAT E BODY
Figure ITE-1600

7238 1600 B



ITEM	PART NUMBER	QTY	BODY	MODEL	DESCRIPTION
1					BELT, Lap and Shoulder, Outer
					LABEL NUMBER 4327109-9
	F752-3 DA3	1			Silver
	F752-3 FC5	1			Blue
	F752-3 EE8	1			Cordovan
	F752-3 EK1	1			Almond
	F752-3 DS8	1			Charcoal
2	6031 298	2			BOLT, Shoulder
3	6031 484	2			BOLT
4	4380 604	2			BUTTON, Tension Reliever
5	4380 606	2			RETAINER, Tension Reliever Button
6	6025 160	2			RETAINER, Inertia Retractor Pendulum Shaft
7	6031 448	2			U-NUT
8	4316 773	1			COVER, Tip-Half, (P.A.R)
9	4364 849	AR			EXTENDER

NOTE: (P.A.R. = Paint As Required)

MODEL CODES

E BODY = (J - CARAVELLE)(E - 600)(T - NEW YORKER)

G BODY = (V24 - DAYTONA)

H BODY = (D44 - LANCER)(C44 - LEBARON GTS)

J BODY = (C - LEBARON)

K BODY = (P - RELIANT)(D - ARIES)(C - LEBAROND)/TOWN & COUNTRY)

L BODY = (M - HORIZON/TURISMO)(Z - OMNI/CHARGER)

M BODY = (B - GRAN FURY)(F - FIFTH AVE/NEWPORT)(G - DIPLOMAT)

P BODY = (P - SUNDANCE)(D - SHADOW)

S BODY = (H - VOYAGER)(K - RAM VAN/CARAVAN)

BODY STYLES

12-13 = FWD VAN

21 = 2-DOOR SEDAN

24 = 2-DOOR HATCHBACK

27 = 2-DOOR CONVERTIBLE

41 = 4-DOOR SEDAN

44 = 4-DOOR HATCHBACK

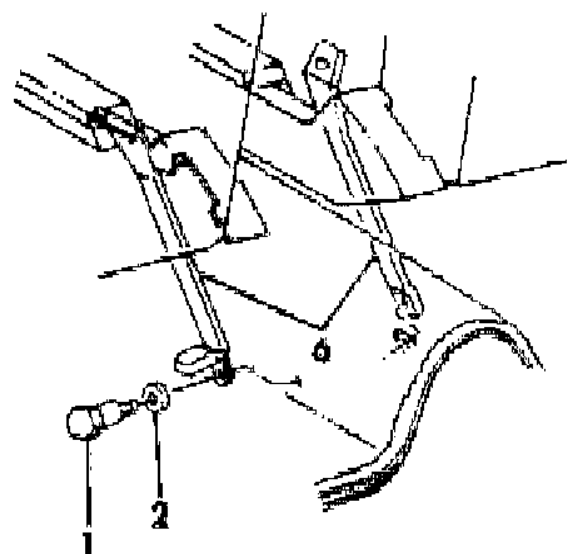
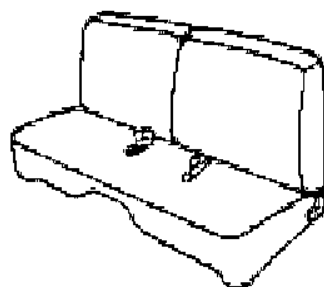
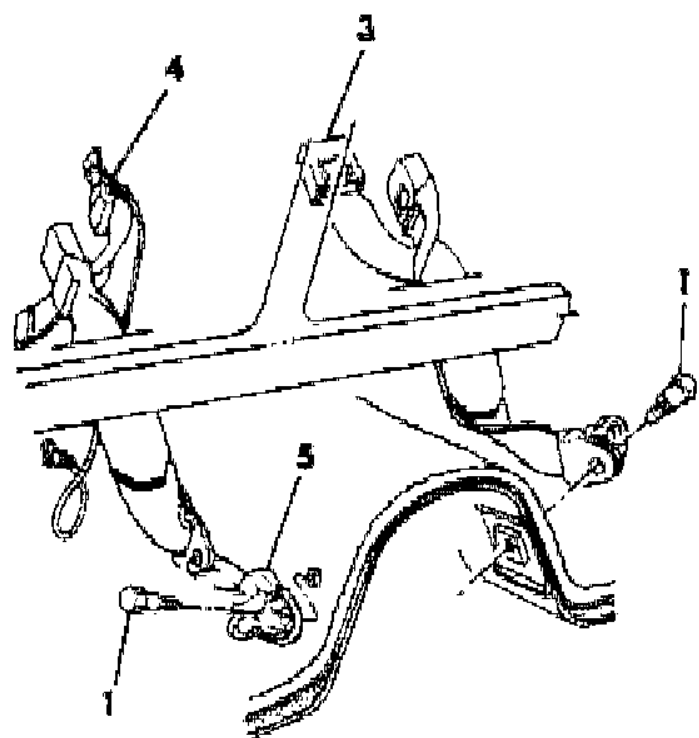
45 = 4-DOOR STATION WAGON

52-53 = FWD WAGON

AR = Use as Required - = Non Illustrated Part P.A.R. = Paint as Required

BELT--FRONT SEAT INBOARD E BODY
Figure ITE-1700

7238 1700



ITEM	PART NUMBER	QTY	BODY	MODEL	DESCRIPTION
1	6031 298	AR			BOLT
2		AR			WASHER, (Not Serv.)
3					BELT, Inboard Right LABEL NUMBER 4316750
	F706 BA3	1			Silver
	F706 FC5	1			Blue
	F706 EE8	1			Cordovan
	F706 EK1	1			Almond
4					BELT, Lap Inboard Left LABEL NUMBER 4316751
	F707 BA3	1			Silver
	F707 FC5	1			Blue
	F707 EE8	1			Cordovan
	F707 EK1	1			Almond
5	F814 JX9	2			COVER, Anchor Bolt, (P.A.R.)
6					BELT, Inner Buckle LABEL NUMBER 4402332-3
	F644-5 FA3	1			Silver
	F644-5 FC5	1			Blue
	F644-5 FE8	1			Cordovan
	F644-5 FK1	1			Almond
	F644-5 FS8	1			Charcoal

NOTE: (P.A.R. = Paint As Required)

MODEL CODES

E BODY = (J - CARAVELLE)(E - 600)(T - NEW YORKER)

G BODY = (V24 - DAYTONA)

H BODY = (D44 - LANCER)(C44 - LEBARON GTS)

J BODY = (C - LEBARON)

K BODY = (P - RELIANT)(D - ARIES)(C - LEBAROND)/TOWN & COUNTRY)

L BODY = (M - HORIZON/TURISMO)(Z - OMNI/CHARGER)

M BODY = (B - GRAN FURY)(F - FIFTH AVE/NEWPORT)(G - DIPLOMAT)

P BODY = (P - SUNDANCE)(D - SHADOW)

S BODY = (H - VOYAGER)(K - RAM VAN/CARAVAN)

BODY STYLES

12-13 = FWD VAN

21 = 2-DOOR SEDAN

24 = 2-DOOR HATCHBACK

27 = 2-DOOR CONVERTIBLE

41 = 4-DOOR SEDAN

44 = 4-DOOR HATCHBACK

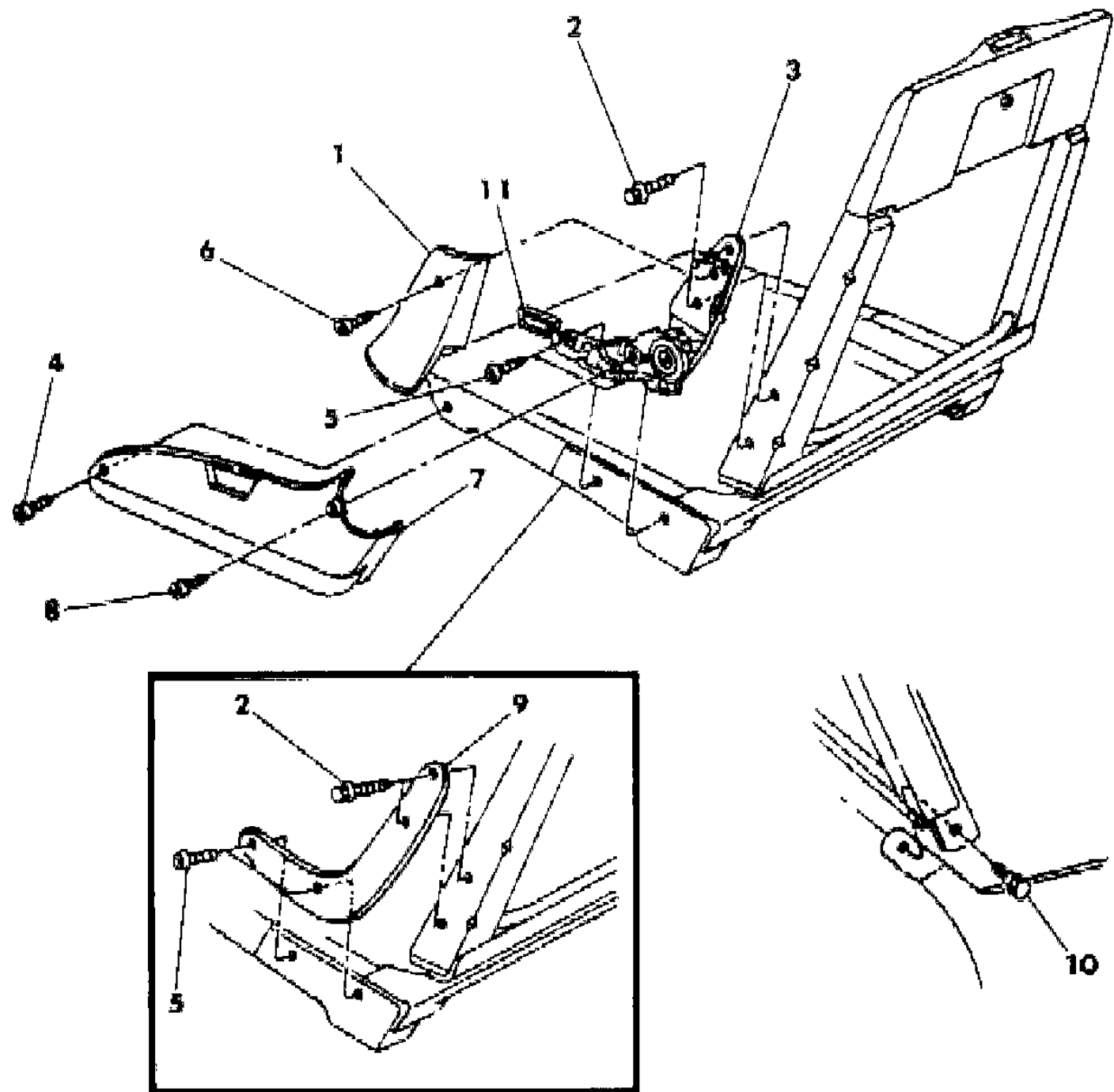
45 = 4-DOOR STATION WAGON

52-53 = FWD WAGON

AR = Use as Required - = Non Illustrated Part P.A.R. = Paint as Required

SEAT--RECLINING 50/50 E BODY
Figure ITE-1800

7238 1800 A



ITEM	PART NUMBER	QTY	BODY	MODEL	DESCRIPTION
1	S996-7 FK1	1			SHIELD, Back, (P.A.R.)
2	6501 221	AR			SCREW
3					RECLINER, (P.A.R.)
	4380 148	1			Passenger Seat
	4380 149	1			Drivers Seat
4		AR			SCREW, (8-18x1.00) (Not Serv.)
5	6500 558	AR			SCREW
6		AR			SCREW, (8-18x1.75) (Not Serv.)
7	S262-3 FK1	1			SHIELD, Cushion, (P.A.R.) (Has Stamp 4380880-1)
8	6032 456	AR			SCREW
9	4327 508	2			ARM, Cushion Back
10	6501 346	2			BOLT, (10x1.5x39)
11	S936-7 FA3	2			LEVER, Recliner Release, (P.A.R.)

NOTE: (P.A.R. = Paint As Required)

MODEL CODES

E BODY = (J - CARAVELLE)(E - 600)(T - NEW YORKER)

G BODY = (V24 - DAYTONA)

H BODY = (D44 - LANCER)(C44 - LEBARON GTS)

J BODY = (C - LEBARON)

K BODY = (P - RELIANT)(D - ARIES)(C - LEBAROND)/TOWN & COUNTRY)

L BODY = (M - HORIZON/TURISMO)(Z - OMNI/CHARGER)

M BODY = (B - GRAN FURY)(F - FIFTH AVE/NEWPORT)(G - DIPLOMAT)

P BODY = (P - SUNDANCE)(D - SHADOW)

S BODY = (H - VOYAGER)(K - RAM VAN/CARAVAN)

BODY STYLES

12-13 = FWD VAN

21 = 2-DOOR SEDAN

24 = 2-DOOR HATCHBACK

27 = 2-DOOR CONVERTIBLE

41 = 4-DOOR SEDAN

44 = 4-DOOR HATCHBACK

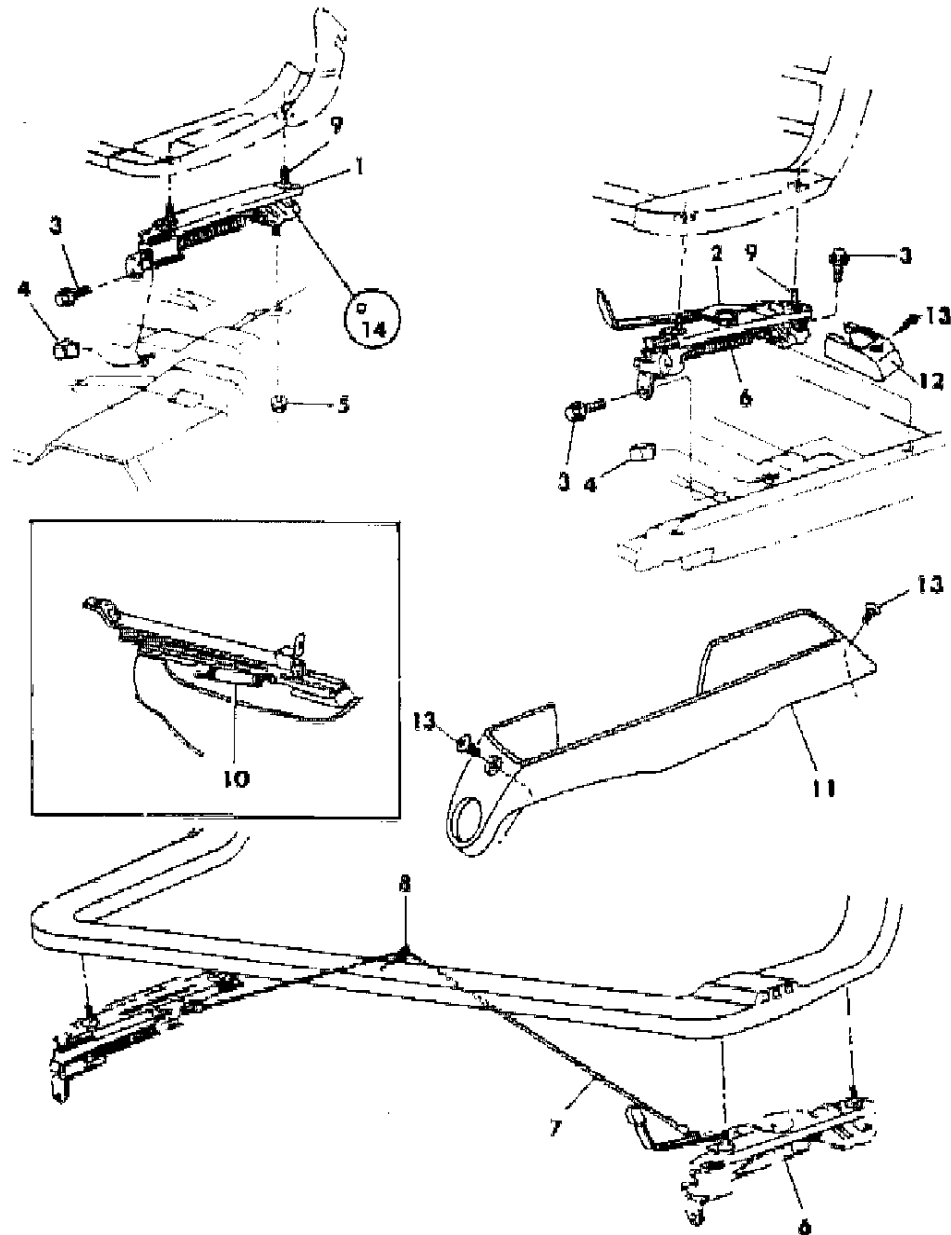
45 = 4-DOOR STATION WAGON

52-53 = FWD WAGON

AR = Use as Required - = Non Illustrated Part P.A.R. = Paint as Required

ADJUSTER--MANUAL E BODY
Figure ITE-1900

7238 1900 A



ITEM	PART NUMBER	QTY	BODY	MODEL	DESCRIPTION
1					ADJUSTER, Inner
	4327 174-5	1			w/50/50 Split and Bucket
2					ADJUSTER, Outer
	4327 178-9	1			w/Bench Seat
	4327 172-3	1			w/50/50 Split and Bucket
3		AR			SCREW and WASHER, (m8-1.25x30) (Not Serv.)
4	6101 283	AR			U-NUT
5	6501 279	AR			NUT and WASHER
6					SPRING, Adjuster Release Lever
	4316 006	1			w/Bucket Seat (15 Coils)
	4316 008	1			w/Bench Seat, (15 Coils)
7					WIRE, Release Lever Connector
	4239 933	1			w/Bench Seat
	4239 942	1			w/50/50 Split
8	4380 094	1			HOOK, Guide Wire
9		AR			SCREW and WASHER, (Serv. in #1-#2)
10	4316 009	1			SPRING, Adjuster Assist, (w/29.25 Coils)
	4402 216	1			Adjuster Release Latch
11					COVER, Adjuster
					w/BENCH SEAT
	S952-3 FC5	1			Blue
	S952-3 EE8	1			Cordovan
	S952-3 EK1	1			Almond
	S952-3 CS8	1			Charcoal
12					COVER, Manual Adjuster w/50/50 Seats Inner Rear
	S902 FC5	2			Blue
	S902 EE8	2			Cordovan
	S902 EK1	2			Almond
	S902 CS8	2			Charcoal
13		AR			SCREW, (8-18x3/4) (Not Serv.)
14	0104 918	AR			BALL, Adjuster w/50/50 Split Seats

MODEL CODES

E BODY = (J - CARAVELLE)(E - 600)(T - NEW YORKER)

G BODY = (V24 - DAYTONA)

H BODY = (D44 - LANCER)(C44 - LEBARON GTS)

J BODY = (C - LEBARON)

K BODY = (P - RELIANT)(D - ARIES)(C - LEBAROND)/TOWN & COUNTRY)

L BODY = (M - HORIZON/TURISMO)(Z - OMNI/CHARGER)

M BODY = (B - GRAN FURY)(F - FIFTH AVE/NEWPORT)(G - DIPLOMAT)

P BODY = (P - SUNDANCE)(D - SHADOW)

S BODY = (H - VOYAGER)(K - RAM VAN/CARAVAN)

BODY STYLES

12-13 = FWD VAN

21 = 2-DOOR SEDAN

24 = 2-DOOR HATCHBACK

27 = 2-DOOR CONVERTIBLE

41 = 4-DOOR SEDAN

44 = 4-DOOR HATCHBACK

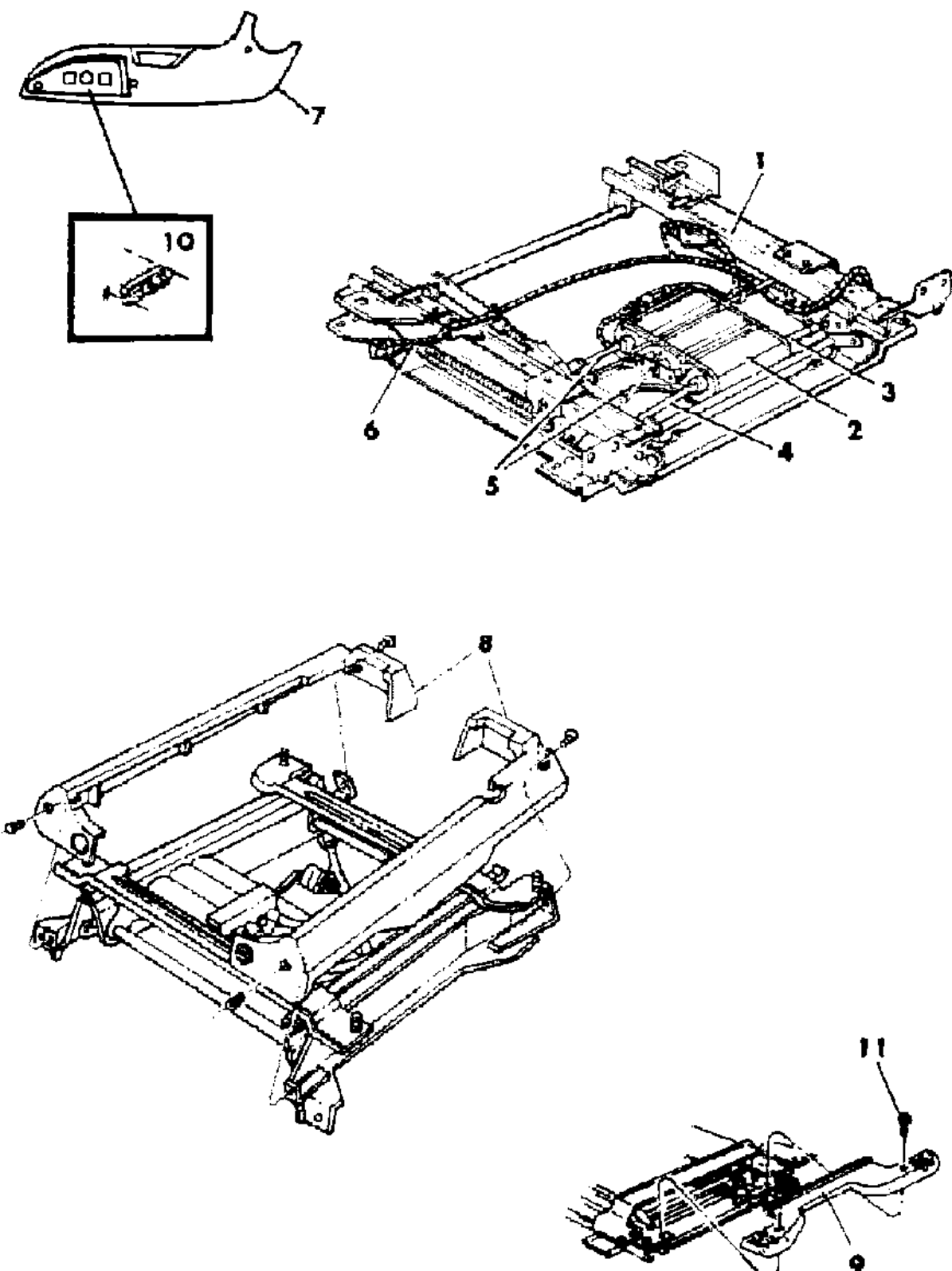
45 = 4-DOOR STATION WAGON

52-53 = FWD WAGON

AR = Use as Required - = Non Illustrated Part P.A.R. = Paint as Required

ADJUSTER--ELECTRIC E BODY
Figure ITE-2000

7238 2000



ITEM	PART NUMBER	QTY	BODY	MODEL	DESCRIPTION
1	4402 532	1			ADJUSTER, w/50/50 Split, (Passenger or Drivers Seat) (Hancock) Less Motor
2	4402 323	1			MOTOR, w/Tube Assembly
3	4327 280	1			CABLE, Inner w/50/50 Split
4	4327 281	1			CABLE, Outer w/50/50 Split
5	4327 282				SHAFT, Flexible w/50/50 Split
6	4304 778	1			WIRING
7					SHIELD, Cushion Electric
	S264 FK1	1			Passenger Seat
	S265 FK1	1			Driver Seat
8					COVER, Drivers Seat Outer
	S675 FC5	1			Blue
	S675 EE8	1			Cordovan
	S675 EK1	1			Almond
	S675 CS8	1			Charcoal
					Drivers Seat Inner, Passenger Seat Outer
	S674 FC5	1			Blue
	S674 EE8	1			Cordovan
	S674 EK1	1			Almond
	S674 CS8	1			Charcoal
					Passenger Seat Inner
	S686 FC5	1			Blue
	S686 EE8	1			Cordovan
	S686 EK1	1			Almond
	S686 DS8	1			Charcoal
9					COVER, Rear Passenger and Driver
	S660 FC5	2			Blue
	S660 EE8	2			Cordovan
	S660 EK1	2			Almond
	S660 CS8	2			Charcoal
10	3747 924	2			SWITCH
11		AR			SCREW, (8-18x3/4) (Not Serv.)

NOTE: Items # 1 Thru 11 Are For Replacement Only

MODEL CODES

E BODY = (J - CARAVELLE)(E - 600)(T - NEW YORKER)

G BODY = (V24 - DAYTONA)

H BODY = (D44 - LANCER)(C44 - LEBARON GTS)

J BODY = (C - LEBARON)

K BODY = (P - RELIANT)(D - ARIES)(C - LEBAROND)/TOWN & COUNTRY)

L BODY = (M - HORIZON/TURISMO)(Z - OMNI/CHARGER)

M BODY = (B - GRAN FURY)(F - FIFTH AVE/NEWPORT)(G - DIPLOMAT)

P BODY = (P - SUNDANCE)(D - SHADOW)

S BODY = (H - VOYAGER)(K - RAM VAN/CARAVAN)

BODY STYLES

12-13 = FWD VAN

21 = 2-DOOR SEDAN

24 = 2-DOOR HATCHBACK

27 = 2-DOOR CONVERTIBLE

41 = 4-DOOR SEDAN

44 = 4-DOOR HATCHBACK

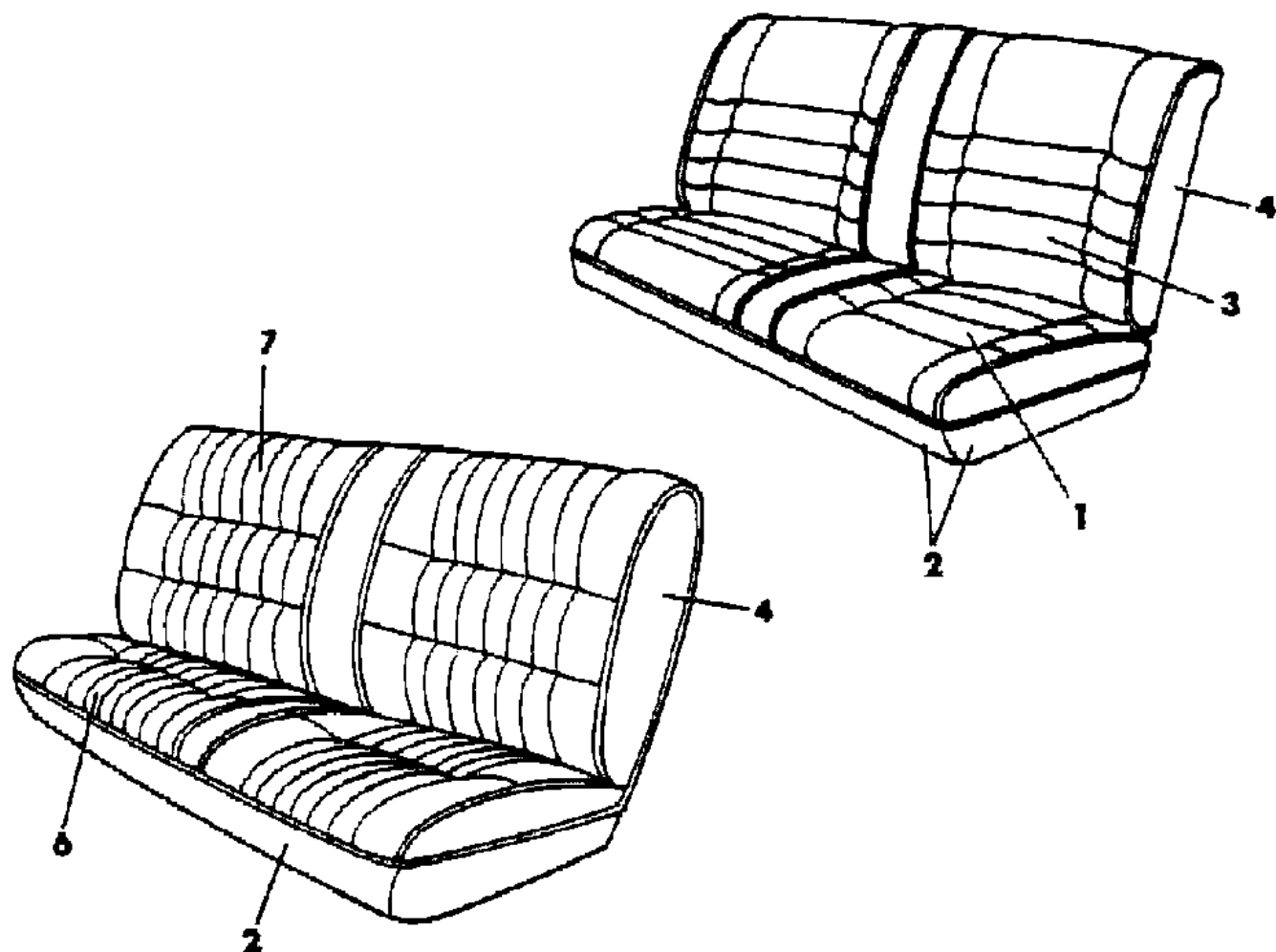
45 = 4-DOOR STATION WAGON

52-53 = FWD WAGON

AR = Use as Required - = Non Illustrated Part P.A.R. = Paint as Required

SEAT--REAR E BODY TRIM CODES H3-M3
Figure ITE-2100

7238 2100



ITEM	PART NUMBER	QTY	BODY	MODEL	DESCRIPTION
1-2					CUSHION, w/Spring, Frame, Pad and Cover
	C796 D5S	1			CLOTH Silver / Charcoal, (M3AS)
	C796 F5C	1			Blue, (M3C)
	C796 E5E	1			Cordovan, (M3E)
	C796 E5K	1			Almond, (M3K)
1					COVER, Cushion
	C519 D5S	1			CLOTH Silver / Charcoal, (M3AS)
	C519 F5C	1			Blue, (M3C)
	C519 E5E	1			Cordovan, (M3E)
	C519 E5K	1			Almond, (M3K)
2					ROLL STOCK, Vinyl, (Order By The Inch)
	R609 CS8	AR			Charcoal, 58" Wide (M3A3)
	R616 AA2	AR			Silver, 64" Wide, (H3A)
	R616 FC5	AR			Blue, 64" Wide, (H3C,M3C)
	R600 EE8	AR			Cordovan, 54" Wide, (H3E,M3E)
	R600 EK1	AR			Almond, 54" Wide, (H3K,M3K)
3-4					BACK, w/Spring, Frame, Pad and Cover
	C797 D5S	1			CLOTH Silver / Charcoal, (M3AS)
	C797 F5C	1			Blue, (M3C)
	C797 E5E	1			Cordovan, (M3S)
	C797 E5K	1			Almond, (M3K)
3					COVER, Back
	C520 D5S	1			CLOTH Silver / Charcoal, (M3AS)
	C520 F5C	1			Blue, (M3C)
	C520 E5E	1			Cordovan, (M3E)
	C520 E5K	1			Almond, (M3K)
4					ROLL STOCK, Cloth 59" Wide (Order By The Inch)
	R026 DS8	AR			Silver / Charcoal, (M3AS)
	R026 BA3	AR			Silver, (H3A)
	R026 EC5	AR			Blue, (H3C,M3C)
	R026 EE8	AR			Cordovan, (H3E,M3E)
	R026 EK1	AR			Almond, (H3K,M3K)
5	6008 076	AR			HOG RING
6&2					CUSHION, w/Spring, Frame Pad and Cover

MODEL CODES

E BODY = (J - CARAVELLE)(E - 600)(T - NEW YORKER)

G BODY = (V24 - DAYTONA)

H BODY = (D44 - LANCER)(C44 - LEBARON GTS)

J BODY = (C - LEBARON)

K BODY = (P - RELIANT)(D - ARIES)(C - LEBAROND)/TOWN & COUNTRY)

L BODY = (M - HORIZON/TURISMO)(Z - OMNI/CHARGER)

M BODY = (B - GRAN FURY)(F - FIFTH AVE/NEWPORT)(G - DIPLOMAT)

P BODY = (P - SUNDANCE)(D - SHADOW)

S BODY = (H - VOYAGER)(K - RAM VAN/CARAVAN)

BODY STYLES

12-13 = FWD VAN

21 = 2-DOOR SEDAN

24 = 2-DOOR HATCHBACK

27 = 2-DOOR CONVERTIBLE

41 = 4-DOOR SEDAN

44 = 4-DOOR HATCHBACK

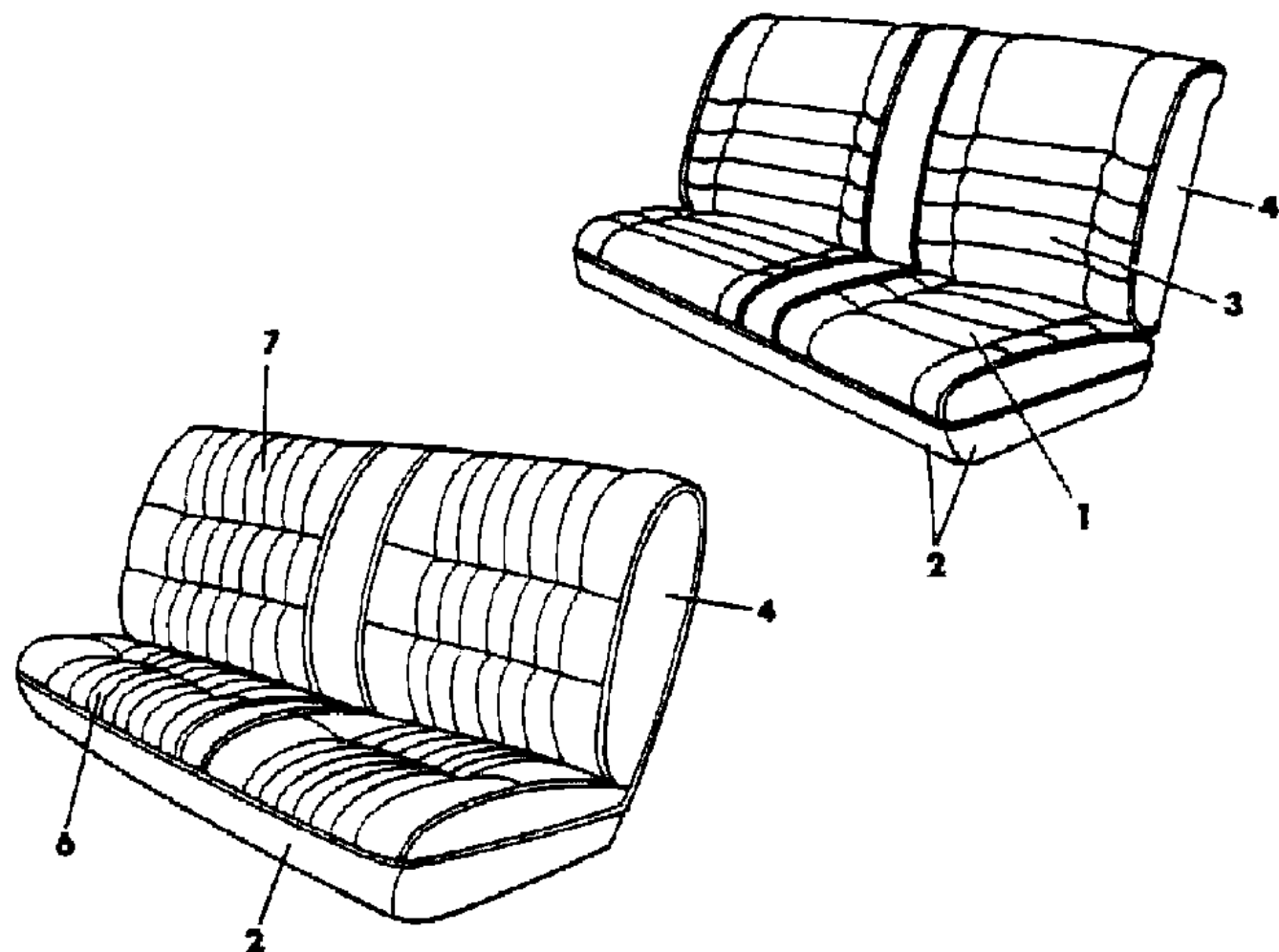
45 = 4-DOOR STATION WAGON

52-53 = FWD WAGON

AR = Use as Required - = Non Illustrated Part P.A.R. = Paint as Required

SEAT--REAR E BODY TRIM CODES H3-M3
Figure ITE-2100

7238 2100



ITEM	PART NUMBER	QTY	BODY	MODEL	DESCRIPTION
					CLOTH
	C743 D3S	1			Silver, (H3A)
	C743 F3C	1			Blue, (H3C)
	C743 F3E	1			Cordovan, (H3E)
	C743 E3K	1			Almond, (H3K)
6					COVER, Cushion
					CLOTH
	C528 D3S	1			Silver, (H3A)
	C528 F3C	1			Blue, (H3C)
	C528 F3E	1			Cordovan, (H3E)
	C528 E3K	1			Almond, (H3K)
7&4					BACK, w/Spring, Frame, Pad and Cover
					CLOTH
	C744 D3S	1			Silver, (H3A)
	C744 F3C	1			Blue, (H3C)
	C744 F3E	1			Cordovan, (H3E)
	C744 E3K	1			Almond, (H3K)
7					COVER, Back
					CLOTH
	C529 D3S	1			Silver, (H3A)
	C529 F3C	1			Blue, (H3C)
	C529 F3E	1			Cordovan, (H3E)
	C529 E3K	1			Almond, (H3K)

MODEL CODES

E BODY = (J - CARAVELLE)(E - 600)(T - NEW YORKER)

G BODY = (V24 - DAYTONA)

H BODY = (D44 - LANCER)(C44 - LEBARON GTS)

J BODY = (C - LEBARON)

K BODY = (P - RELIANT)(D - ARIES)(C - LEBAROND)/TOWN & COUNTRY)

L BODY = (M - HORIZON/TURISMO)(Z - OMNI/CHARGER)

M BODY = (B - GRAN FURY)(F - FIFTH AVE/NEWPORT)(G - DIPLOMAT)

P BODY = (P - SUNDANCE)(D - SHADOW)

S BODY = (H - VOYAGER)(K - RAM VAN/CARAVAN)

BODY STYLES

12-13 = FWD VAN

21 = 2-DOOR SEDAN

24 = 2-DOOR HATCHBACK

27 = 2-DOOR CONVERTIBLE

41 = 4-DOOR SEDAN

44 = 4-DOOR HATCHBACK

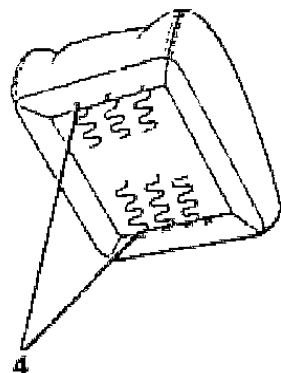
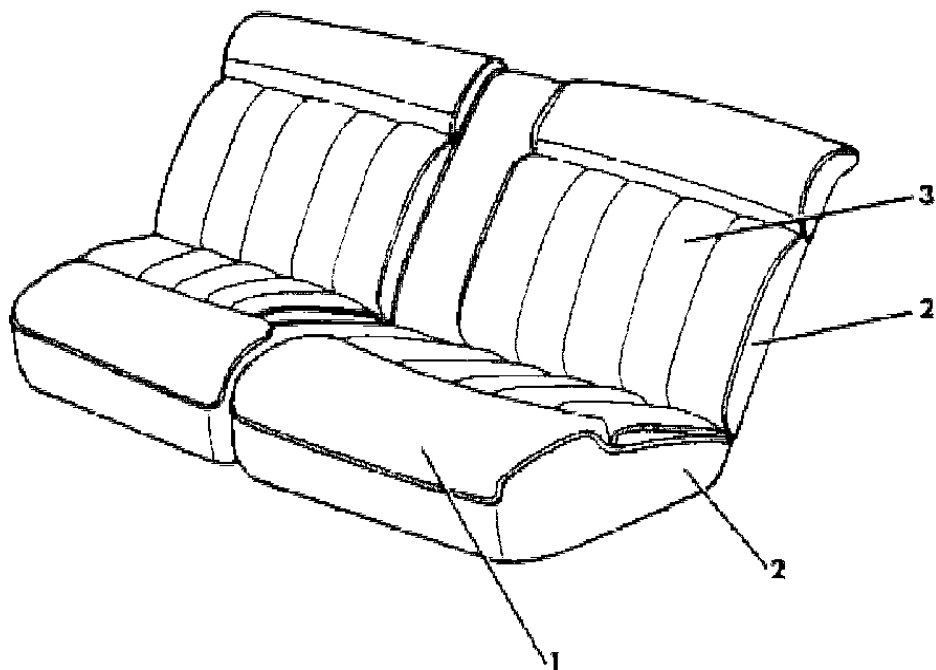
45 = 4-DOOR STATION WAGON

52-53 = FWD WAGON

AR = Use as Required - = Non Illustrated Part P.A.R. = Paint as Required

SEAT--REAR E BODY TRIM CODE FF
Figure ITE-2200

7238 2200



ITEM	PART NUMBER	QTY	BODY	MODEL	DESCRIPTION
1-2					CUSHION, w/Spring, Frame, Pad and Cover
	C932 EFA	1			CLOTH Silver
	C932 FFC	1			Blue
	C932 FFE	1			Cordovan
	C932 EFK	1			Almond
1					COVER, Cushion
	C544 EFA	1			CLOTH Silver
	C544 FFC	1			Blue
	C544 FFE	1			Cordovan
	C544 EFK	1			Almond
2					ROLL STOCK, Cloth, 54" Order By The Inch
	R021 DA4	AR			Silver
	R021 FC5	AR			Blue
	R021 EE8	AR			Cordovan
	R021 EK1	AR			Almond
2-3					BACK, w/Spring, Frame, Pad and Cover
	C929 EFA	1			CLOTH Silver
	C929 FFC	1			Blue
	C929 FFE	1			Cordovan
	C929 EFK	1			Almond
3					COVER, Back
	C543 EFA	1			CLOTH Silver
	C543 FFC	1			Blue
	C543 EFE	1			Cordovan
	C543 EFK	1			Almond
4	6008 076	AR			HOG RING

MODEL CODES

E BODY = (J - CARAVELLE)(E - 600)(T - NEW YORKER)

G BODY = (V24 - DAYTONA)

H BODY = (D44 - LANCER)(C44 - LEBARON GTS)

J BODY = (C - LEBARON)

K BODY = (P - RELIANT)(D - ARIES)(C - LEBAROND)/TOWN & COUNTRY)

L BODY = (M - HORIZON/TURISMO)(Z - OMNI/CHARGER)

M BODY = (B - GRAN FURY)(F - FIFTH AVE/NEWPORT)(G - DIPLOMAT)

P BODY = (P - SUNDANCE)(D - SHADOW)

S BODY = (H - VOYAGER)(K - RAM VAN/CARAVAN)

BODY STYLES

12-13 = FWD VAN

21 = 2-DOOR SEDAN

24 = 2-DOOR HATCHBACK

27 = 2-DOOR CONVERTIBLE

41 = 4-DOOR SEDAN

44 = 4-DOOR HATCHBACK

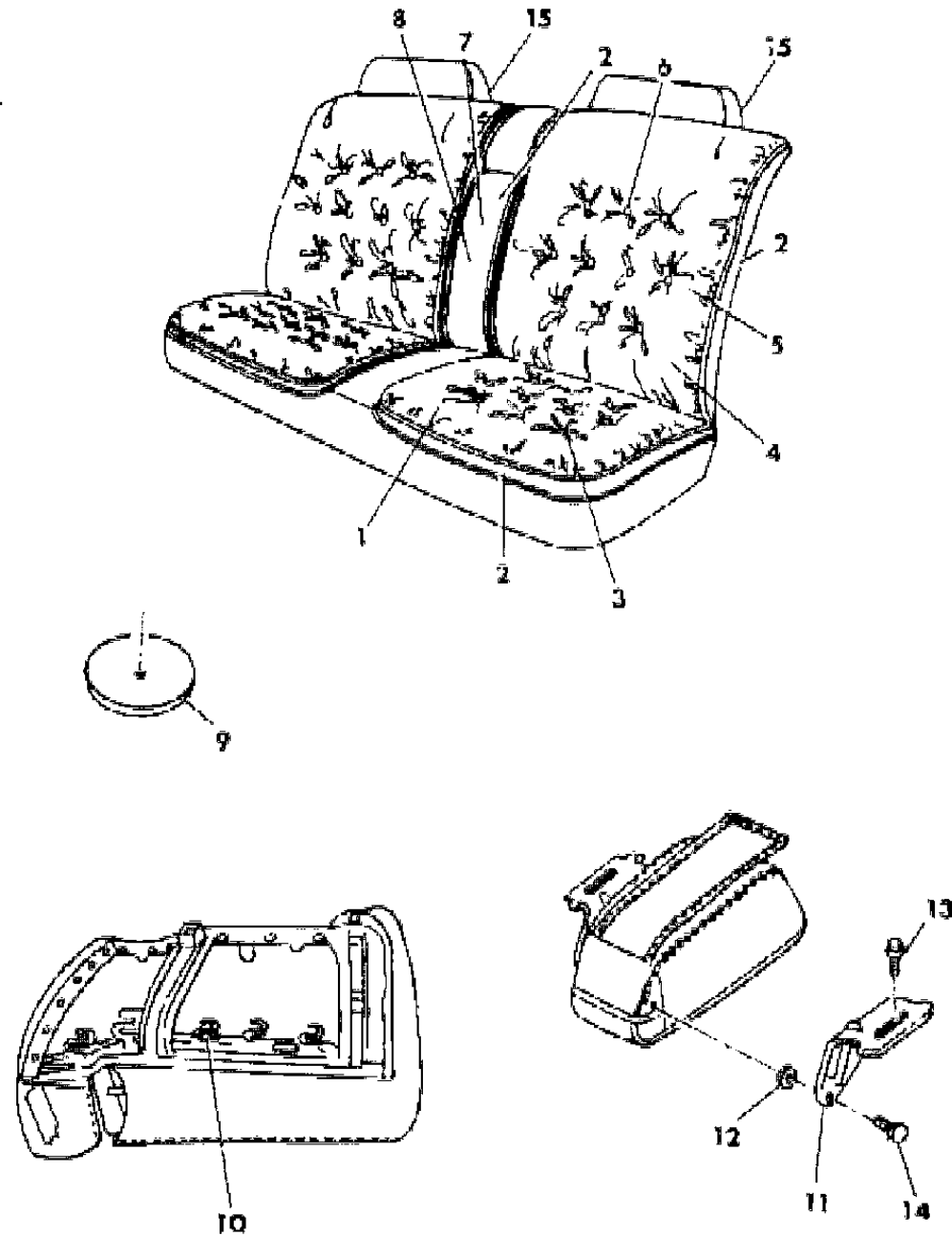
45 = 4-DOOR STATION WAGON

52-53 = FWD WAGON

AR = Use as Required - = Non Illustrated Part P.A.R. = Paint as Required

SEAT--REAR E BODY TRIM CODES LF-LP
Figure ITE-2300

7238 2300 A



ITEM	PART NUMBER	QTY	BODY	MODEL	DESCRIPTION
1-3					CUSHION, w/Spring, Frame, Pad and Cover
					LEATHER
	C972 FPC	1			Blue, (LPC)
	C972 EPE	1			Cordovan, (LPE)
	C972 EPK	1			Almond, (LPK)
	C972 EPS	1			Charcoal, (LPS)
					CLOTH
	C908 FFC	1			Blue, (LFC)
	C908 FFE	1			Cordovan, (LFE)
	C908 FFK	1			Almond, (LFK)
	C908 FFS	1			Charcoal, (LFS)
1					COVER, Cushion
					LEATHER
	C574 FPC	1			Blue, (LPC)
	C574 EPE	1			Cordovan, (LPE)
	C574 EPK	1			Almond, (LPK)
	C574 EPS	1			Charcoal, (LPS)
					CLOTH
	C553 FFC	1			Blue, (LFC)
	C553 FFE	1			Cordovan, (LFE)
	C553 FFK	1			Almond, (LFK)
	C553 FFS	1			Charcoal, (LFS)
2					ROLL STOCK, Vinyl, 54" Order By The Inch
	R627 FC5	AR			Blue, (LPC)
	R627 EE8	AR			Cordovan, (LPE)
	R627 EK1	AR			Almond, (LPK)
	R627 CS8	AR			Charcoal, (LPS)
					ROLL STOCK, Cloth, 62" Order By The Inch
	R035 FC5	AR			Blue, (LFC)
	R035 FE9	AR			Cordovan, (LFE)
	R035 EK1	AR			Almond, LFK
	R035 ES8	AR			Charcoal, (LFS)
3					BUTTON, Cushion
	S845 FC5	AR			Blue, (LPC)
	S845 EE8	AR			Cordovan, (LPE)
	S845 EK1	AR			Almond, (LPK)
	S845 CS8	AR			Charcoal, (LPS)
	G378 AC7	AR			Blue, (LFC)

MODEL CODES

E BODY = (J - CARAVELLE)(E - 600)(T - NEW YORKER)

G BODY = (V24 - DAYTONA)

H BODY = (D44 - LANCER)(C44 - LEBARON GTS)

J BODY = (C - LEBARON)

K BODY = (P - RELIANT)(D - ARIES)(C - LEBAROND)/TOWN & COUNTRY)

L BODY = (M - HORIZON/TURISMO)(Z - OMNI/CHARGER)

M BODY = (B - GRAN FURY)(F - FIFTH AVE/NEWPORT)(G - DIPLOMAT)

P BODY = (P - SUNDANCE)(D - SHADOW)

S BODY = (H - VOYAGER)(K - RAM VAN/CARAVAN)

BODY STYLES

12-13 = FWD VAN

21 = 2-DOOR SEDAN

24 = 2-DOOR HATCHBACK

27 = 2-DOOR CONVERTIBLE

41 = 4-DOOR SEDAN

44 = 4-DOOR HATCHBACK

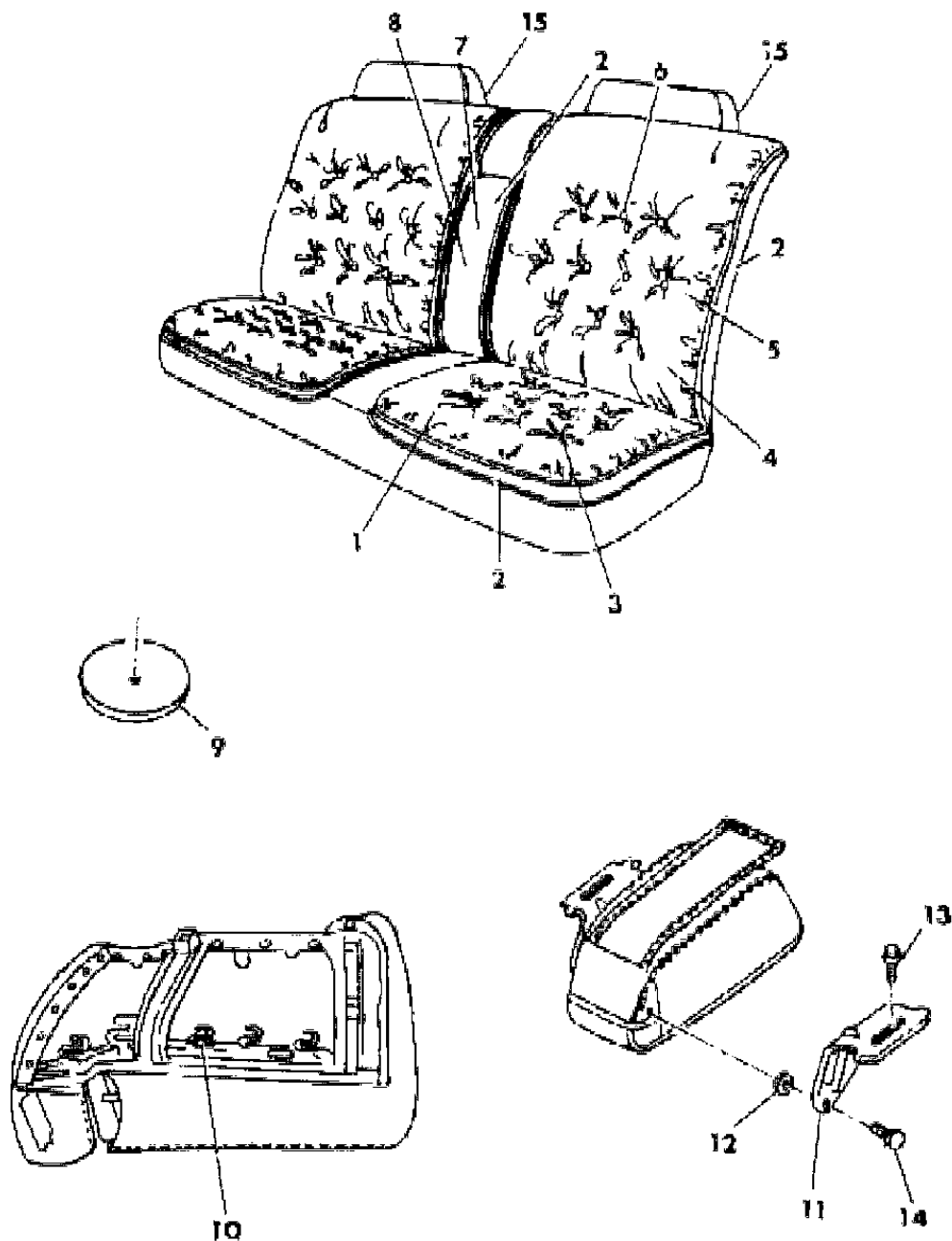
45 = 4-DOOR STATION WAGON

52-53 = FWD WAGON

AR = Use as Required - = Non Illustrated Part P.A.R. = Paint as Required

SEAT--REAR E BODY TRIM CODES LF-LP
Figure ITE-2300

7238 2300 A



ITEM	PART NUMBER	QTY	BODY	MODEL	DESCRIPTION
	G378 EE8	AR			Cordovan, (LFE)
	G378 EK1	AR			Almond, (LFK)
	G378 CS8	AR			Charcoal, (LFS)
4-6					BACK, w/Spring, Frame, Pad and Cover LEATHER
	A717 FPC	1			Blue, (LPC)
	A717 EPE	1			Cordovan, (LPE)
	A717 EPK	1			Almond, (LPK)
	A717 DPS	1			Charcoal, (LPS)
					CLOTH
	C909 FFC	1			Blue, (LFC)
	C909 FFE	1			Cordovan, (LFE)
	C909 FFK	1			Almond, (LFK)
	C909 FFS	1			Charcoal, (LFS)
5					COVER, Back LEATHER
	A419 FPC	1			Blue, (LPC)
	A419 EPE	1			Cordovan, (LPE)
	A419 EPK	1			Almond, (LPK)
	A419 DPS	1			Charcoal, (LPS)
					CLOTH
	C554 FFC	1			Blue, (LFC)
	C554 FFE	1			Cordovan, (LFE)
	C554 FFK	1			Almond, (LFK)
	C554 FFS	1			Charcoal, (LFS)
6					BUTTON, Back
	S845 FC5	AR			Blue, (LPC)
	S845 EE8	AR			Cordovan, (LPE)
	S845 EK1	AR			Almond, (LPK)
	S845 CS8	AR			Charcoal, (LPS)
	G378 AC7	AR			Blue, (LFC)
	G378 EE8	AR			Cordovan, (LFE)
	G378 EK1	AR			Almond, (LFK)
	G378 CS8	AR			Charcoal, (LFS)
7					ARMREST
	A515 FC5	1			Blue, (LPC)
	A515 EE8	1			Cordovan, (LPE)
	A515 EK1	1			Almond, (LPK)

MODEL CODES

E BODY = (J - CARAVELLE)(E - 600)(T - NEW YORKER)

G BODY = (V24 - DAYTONA)

H BODY = (D44 - LANCER)(C44 - LEBARON GTS)

J BODY = (C - LEBARON)

K BODY = (P - RELIANT)(D - ARIES)(C - LEBAROND)/TOWN & COUNTRY)

L BODY = (M - HORIZON/TURISMO)(Z - OMNI/CHARGER)

M BODY = (B - GRAN FURY)(F - FIFTH AVE/NEWPORT)(G - DIPLOMAT)

P BODY = (P - SUNDANCE)(D - SHADOW)

S BODY = (H - VOYAGER)(K - RAM VAN/CARAVAN)

BODY STYLES

12-13 = FWD VAN

21 = 2-DOOR SEDAN

24 = 2-DOOR HATCHBACK

27 = 2-DOOR CONVERTIBLE

41 = 4-DOOR SEDAN

44 = 4-DOOR HATCHBACK

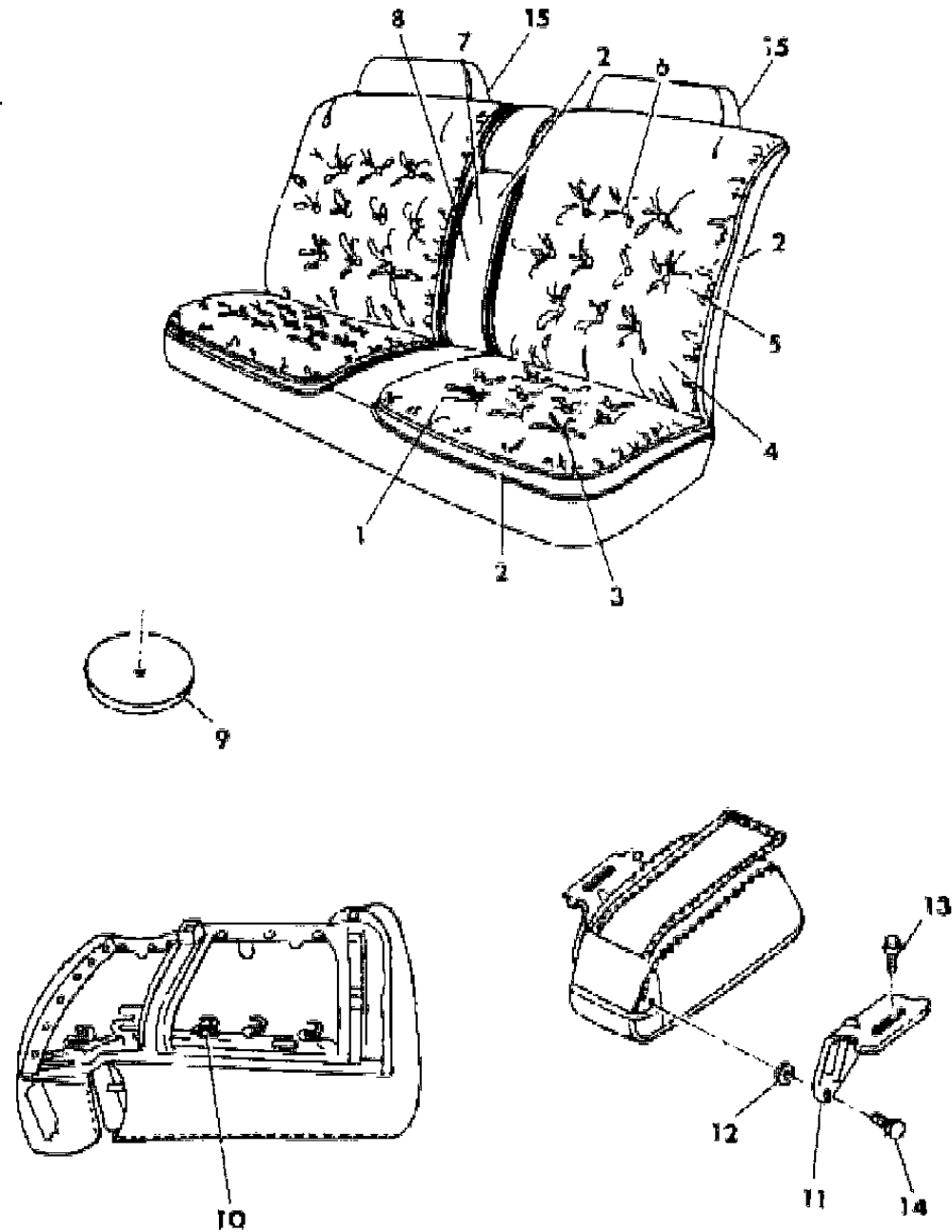
45 = 4-DOOR STATION WAGON

52-53 = FWD WAGON

AR = Use as Required - = Non Illustrated Part P.A.R. = Paint as Required

SEAT--REAR E BODY TRIM CODES LF-LP
Figure ITE-2300

7238 2300 A



ITEM	PART NUMBER	QTY	BODY	MODEL	DESCRIPTION
	A515 DS8	1			Charcoal, (LPS)
	A514 FC5	1			Blue, (LFC)
	A514 EE8	1			Cordovan, (LFE)
	A514 EK1	1			Almond, (LFK)
	A514 DS8	1			Charcoal, (LFS)
8					COVER, Armrest
	A507 FPC	1			Blue, (LPC)
	A507 EPE	1			Cordovan, (LPE)
	A507 EPK	1			Almond, (LPK)
	A507 DPS	1			Charcoal, (LPS)
	A506 FFC	1			Blue, (LFC)
	A506 FFE	1			Cordovan, (LFE)
	A506 EFK	1			Almond, (LFK)
	A506 DFS	1			Charcoal, (LFS)
9	4029 901	AR			WASHER, Button Stud
10	6008 076	AR			HOG RING
11	4098 764-5	1			HINGE, Armrest
12	6031 537	2			WASHER
13	0181 063	2			SCREW
14	6026 584	2			SCREW, (Shoulder Type)
15					HEADREST, (Serv. w/Back)

MODEL CODES

E BODY = (J - CARAVELLE)(E - 600)(T - NEW YORKER)

G BODY = (V24 - DAYTONA)

H BODY = (D44 - LANCER)(C44 - LEBARON GTS)

J BODY = (C - LEBARON)

K BODY = (P - RELIANT)(D - ARIES)(C - LEBAROND)/TOWN & COUNTRY)

L BODY = (M - HORIZON/TURISMO)(Z - OMNI/CHARGER)

M BODY = (B - GRAN FURY)(F - FIFTH AVE/NEWPORT)(G - DIPLOMAT)

P BODY = (P - SUNDANCE)(D - SHADOW)

S BODY = (H - VOYAGER)(K - RAM VAN/CARAVAN)

BODY STYLES

12-13 = FWD VAN

21 = 2-DOOR SEDAN

24 = 2-DOOR HATCHBACK

27 = 2-DOOR CONVERTIBLE

41 = 4-DOOR SEDAN

44 = 4-DOOR HATCHBACK

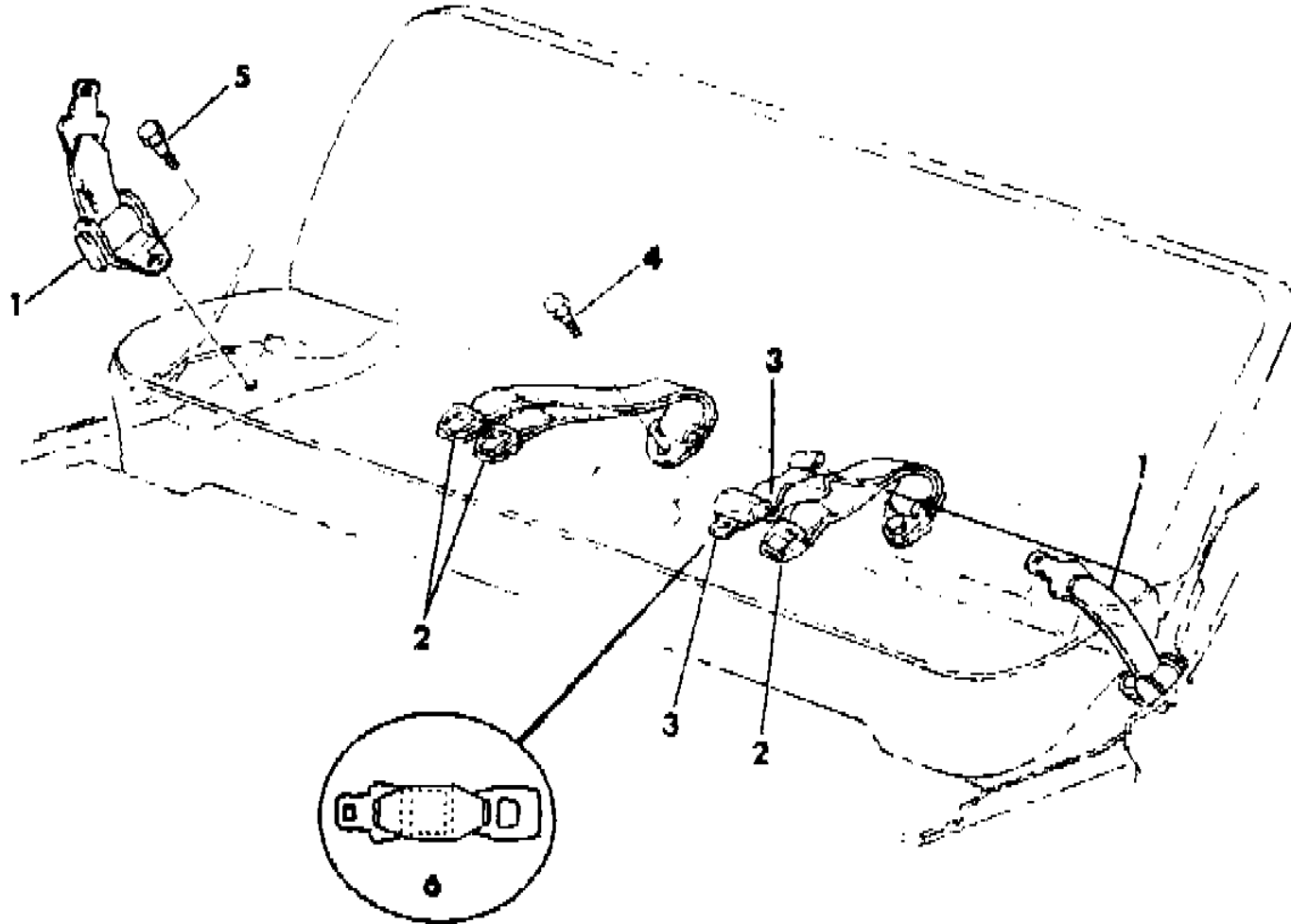
45 = 4-DOOR STATION WAGON

52-53 = FWD WAGON

AR = Use as Required - = Non Illustrated Part P.A.R. = Paint as Required

BELT--REAR SEAT E BODY
Figure ITE-2400

7238 2400



ITEM	PART NUMBER	QTY	BODY	MODEL	DESCRIPTION
1					BELT, Outboard Tip Half LABEL NUMBER 4317069
	F724 DA3	2			Silver
	F724 FC5	2			Blue
	F724 EE8	2			Cordovan
	F724 EK1	2			Almond
	F724 DS8	2			Charcoal
2					BELT, Buckle Inner, Right LABEL NUMBER 4316754
	F710 BA3	1			Silver
	F710 FC5	1			Blue
	F710 EE8	1			Cordovan
	F710 EK1	1			Almond
	F710 CS8	1			Charcoal
3					BELT, Buckle and Tip, Left LABEL NUMBER 4316767
	F717 BA3	1			Silver
	F717 FC5	1			Blue
	F717 EE8	1			Cordovan
	F717 EK1	1			Almond
	F717 CS8	1			Charcoal
4	6031 298	2			BOLT
5	6031 484	2			BOLT
6	4364 849	1			EXTENSION, Rear Seat Belt

MODEL CODES

E BODY = (J - CARAVELLE)(E - 600)(T - NEW YORKER)

G BODY = (V24 - DAYTONA)

H BODY = (D44 - LANCER)(C44 - LEBARON GTS)

J BODY = (C - LEBARON)

K BODY = (P - RELIANT)(D - ARIES)(C - LEBAROND)/TOWN & COUNTRY)

L BODY = (M - HORIZON/TURISMO)(Z - OMNI/CHARGER)

M BODY = (B - GRAN FURY)(F - FIFTH AVE/NEWPORT)(G - DIPLOMAT)

P BODY = (P - SUNDANCE)(D - SHADOW)

S BODY = (H - VOYAGER)(K - RAM VAN/CARAVAN)

BODY STYLES

12-13 = FWD VAN

21 = 2-DOOR SEDAN

24 = 2-DOOR HATCHBACK

27 = 2-DOOR CONVERTIBLE

41 = 4-DOOR SEDAN

44 = 4-DOOR HATCHBACK

45 = 4-DOOR STATION WAGON

52-53 = FWD WAGON

AR = Use as Required - = Non Illustrated Part P.A.R. = Paint as Required

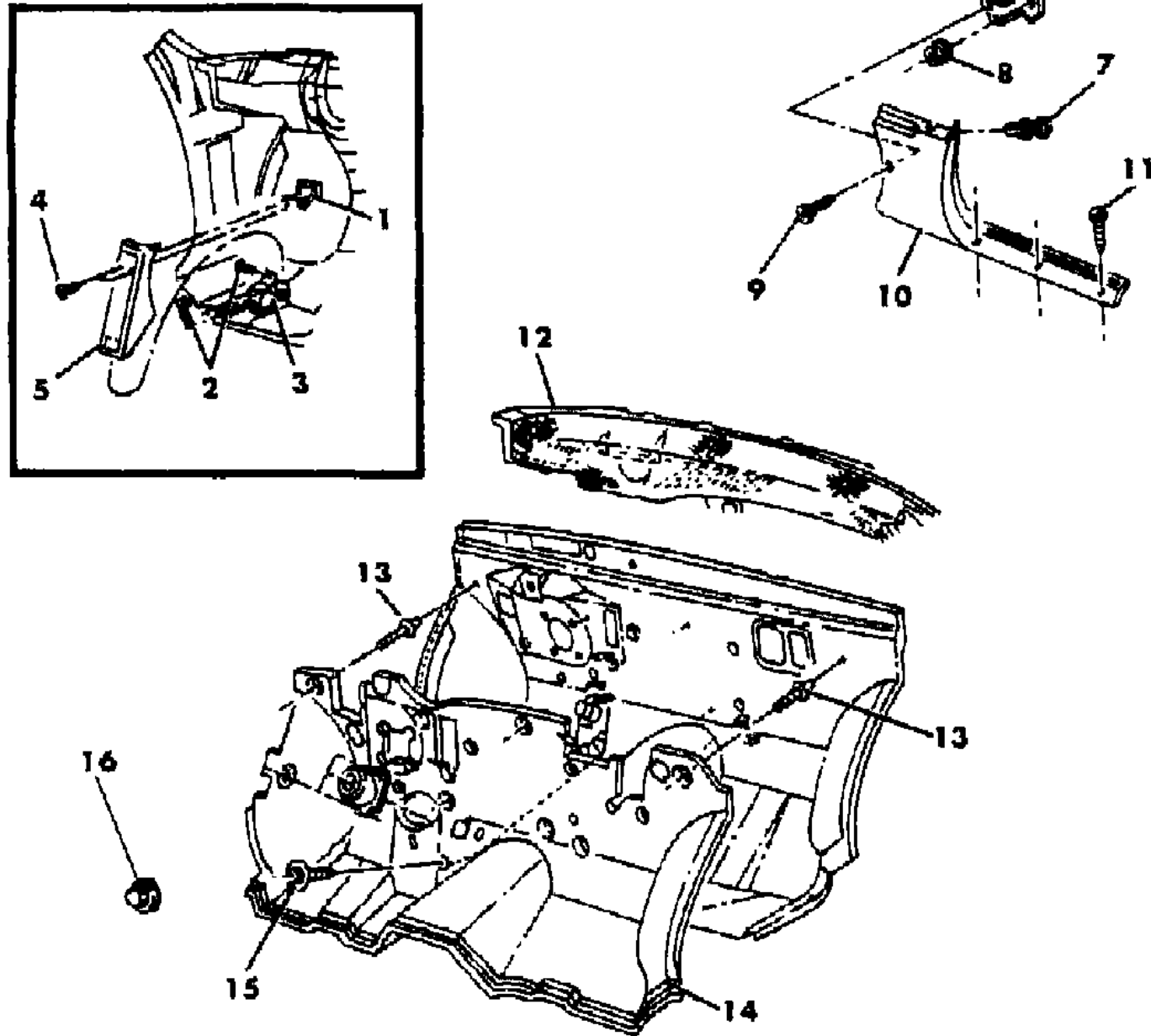
GROUP ITH - H BODY

ILLUSTRATION TITLE	GROUP-FIG. NO.
COWL PANEL AND SILENCERS H BODY	Fig. ITH-100
HEADLINER VISOR AND SHELF PANEL H BODY	Fig. ITH-200
MOULDING--GARNISH H BODY	Fig. ITH-300
B PILLAR TRIM H BODY	Fig. ITH-400
PANEL QUARTER AND LIFT GATE TRIM LOWER H BODY	Fig. ITH-500
LIFT GATE TRIM H BODY	Fig. ITH-600
CARPET AND SILENCERS H BODY	Fig. ITH-700
SCUFF PLATES H BODY	Fig. ITH-800
DOOR TRIM--FRONT H BODY	Fig. ITH-900
DOOR TRIM PANEL--REAR H BODY	Fig. ITH-1000
SEAT--FRONT H BODY TRIM CODE D7	Fig. ITH-1100
SEAT--FRONT H BODY TRIM CODE E7	Fig. ITH-1200
SEAT--FRONT H BODY TRIM CODE C7	Fig. ITH-1300
SEAT--FRONT H BODY TRIM CODE HL	Fig. ITH-1400
BELT--FRONT SEAT H BODY	Fig. ITH-1500
SEAT--RECLINING H BODY	Fig. ITH-1600
ADJUSTER--MANUAL H BODY	Fig. ITH-1700
COVERS--ADJUSTER MANUAL H BODY	Fig. ITH-1800
ADJUSTER--ELECTRIC H BODY	Fig. ITH-1900
COVERS--ADJUSTER ELECTRIC H BODY	Fig. ITH-2000
SEAT--REAR H BODY TRIM CODES D7-E7	Fig. ITH-2100
SEAT--REAR H BODY TRIM CODES C7-HL	Fig. ITH-2200
BELT--REAR SEAT H BODY	Fig. ITH-2300
SEAT--REAR FOLD DOWN H BODY	Fig. ITH-2400
LOCKING SYSTEM--REAR SEAT FOLD DOWN H BODY	Fig. ITH-2500

ILLUSTRATION NOT AVAILABLE AT TIME OF PUBLICATION

COWL PANEL AND SILENCERS H BODY
Figure ITH-100

7240 100 A



ITEM	PART NUMBER	QTY	BODY	MODEL	DESCRIPTION
1	4248 703	1			BRACKET, Footrest Support Upper
2		AR			SCREW, (10-16x3/4) (Not Serv.)
3	4248 705	1			BRACKET, Footrest Lower
4		AR			SCREW, (8-18x3/4) (Not Serv.)
5	4248 717	1			FOOTREST
6	4282 434	1			BRACKET, Cowl Right Side
7					FASTENER
	F155 EC5	AR			Blue
	F155 EE8	AR			Cordovan
	F155 EK1	AR			Almond
	F155 CS8	AR			Charcoal
8					NUT and WASHER, (See Group 8)
9					SCREW, (8-18x3/4) (Not Serv.)
10					COWL and SCUFF PLATE
	F300-1 FC5	1			Blue
	F300-1 EE8	1			Cordovan
	F300-1 EK1	1			Almond
	F300-1 FS8	1			Charcoal
11		AR			SCREW, (8-18x1) (Not Serv.)
12	4186 901	1			SILENCER, (36"x72" Cut To Fit)
13	6032 020	6			STUD
14	#4416 202	1			LINER, Dash w/ or w/o A/C
15		AR			SCREW and WASHER, (8-18x.75) (Not Serv.)
16	6032 185	6			CAPLUG

MODEL CODES

E BODY = (J - CARAVELLE)(E - 600)(T - NEW YORKER)

G BODY = (V24 - DAYTONA)

H BODY = (D44 - LANCER)(C44 - LEBARON GTS)

J BODY = (C - LEBARON)

K BODY = (P - RELIANT)(D - ARIES)(C - LEBAROND)/TOWN & COUNTRY)

L BODY = (M - HORIZON/TURISMO)(Z - OMNI/CHARGER)

M BODY = (B - GRAN FURY)(F - FIFTH AVE/NEWPORT)(G - DIPLOMAT)

P BODY = (P - SUNDANCE)(D - SHADOW)

S BODY = (H - VOYAGER)(K - RAM VAN/CARAVAN)

BODY STYLES

12-13 = FWD VAN

21 = 2-DOOR SEDAN

24 = 2-DOOR HATCHBACK

27 = 2-DOOR CONVERTIBLE

41 = 4-DOOR SEDAN

44 = 4-DOOR HATCHBACK

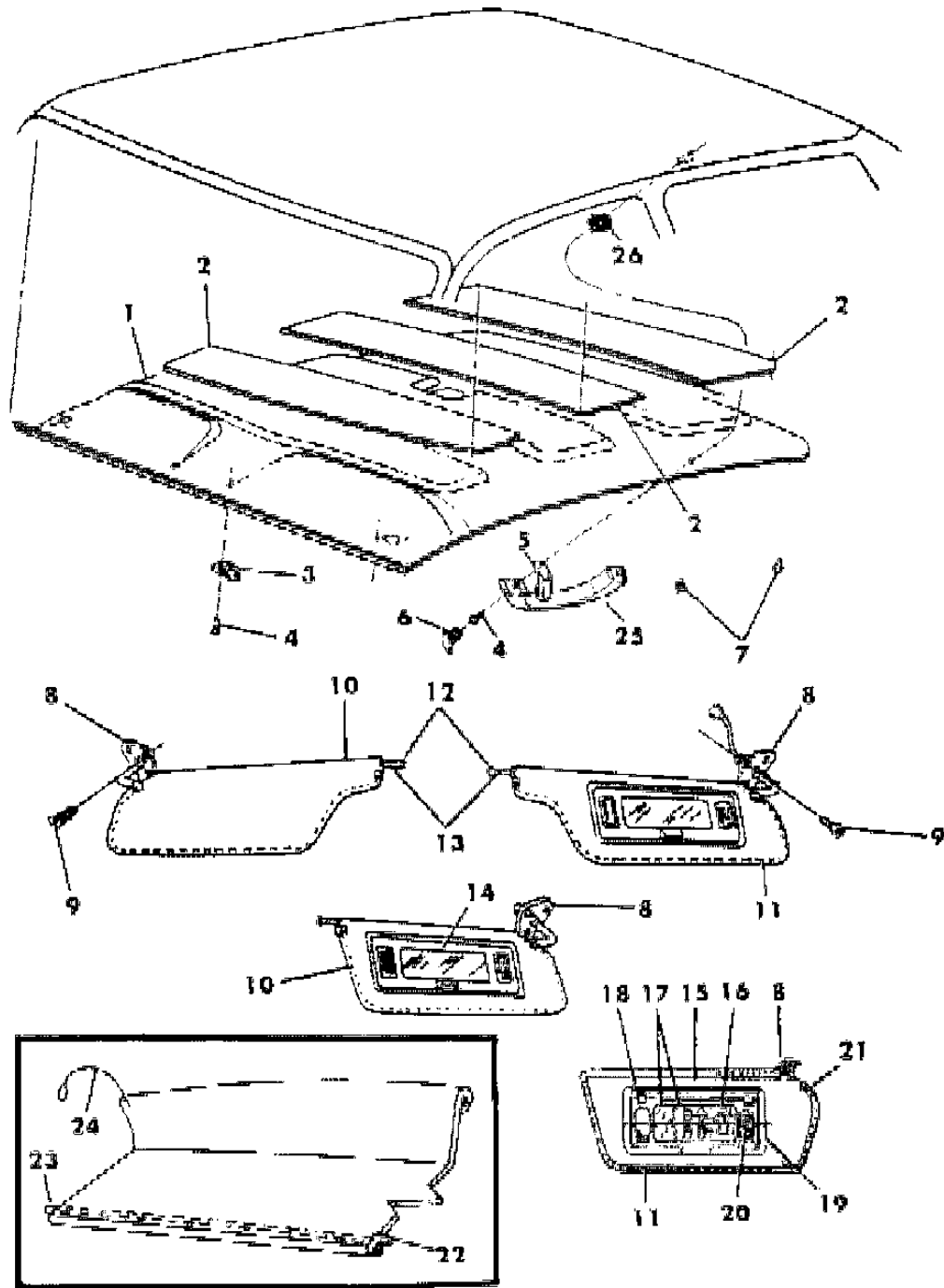
45 = 4-DOOR STATION WAGON

52-53 = FWD WAGON

AR = Use as Required - = Non Illustrated Part P.A.R. = Paint as Required

HEADLINER VISOR AND SHELF PANEL H BODY
Figure ITH-200

7240 200



ITEM	PART NUMBER	QTY	BODY	MODEL	DESCRIPTION
1					HEADLINER
					w/o Sun Roof
	H527 FC5	1			Blue
	H527 EE8	1			Cordovan
	H527 EK1	1			Almond
	H527 FS8	1			Charcoal
					w/Sun Roof
	H528 FC5	1			Blue
	H528 EE8	1			Cordovan
	H528 EK1	1			Almond
	H528 FS8	1			Charcoal
2	4342 496	AR			SILENCER, Roof
3					CLIP, Visor
	H335 EC5	1			Blue
	H335 EE8	1			Cordovan
	H335 EK1	1			Almond
	H335 FS8	1			Charcoal
4					SCREW, (8-18x3/4) (Not Serv.)
5					HOOK, Coat
	H525 FC5	2			Blue
	H525 EE8	2			Cordovan
	H525 EK1	2			Almond
	H525 FS8	2			Charcoal
6					PLUG, Roof Grab Handle
	H526 FC5	6			Blue
	H526 EE8	6			Cordovan
	H526 EK1	6			Almond
	H526 FS8	6			Charcoal
7					FASTENER, Headliner
	H452 EC5	AR			Blue
	H452 EE8	AR			Cordovan
	H452 EK1	AR			Almond
	H452 CS8	AR			Charcoal
8	4247 868-9	1			ARM and BRACKET, w/non Illuminated Mirror
9	6032 584	6			SCREW, Visor Attaching
10					VISOR, w/non Illuminated Mirror Right
	H778 FC5	1			Blue
	H778 FE8	1			Cordovan

MODEL CODES

E BODY = (J - CARAVELLE)(E - 600)(T - NEW YORKER)

G BODY = (V24 - DAYTONA)

H BODY = (D44 - LANCER)(C44 - LEBARON GTS)

J BODY = (C - LEBARON)

K BODY = (P - RELIANT)(D - ARIES)(C - LEBAROND)/TOWN & COUNTRY)

L BODY = (M - HORIZON/TURISMO)(Z - OMNI/CHARGER)

M BODY = (B - GRAN FURY)(F - FIFTH AVE/NEWPORT)(G - DIPLOMAT)

P BODY = (P - SUNDANCE)(D - SHADOW)

S BODY = (H - VOYAGER)(K - RAM VAN/CARAVAN)

BODY STYLES

12-13 = FWD VAN

21 = 2-DOOR SEDAN

24 = 2-DOOR HATCHBACK

27 = 2-DOOR CONVERTIBLE

41 = 4-DOOR SEDAN

44 = 4-DOOR HATCHBACK

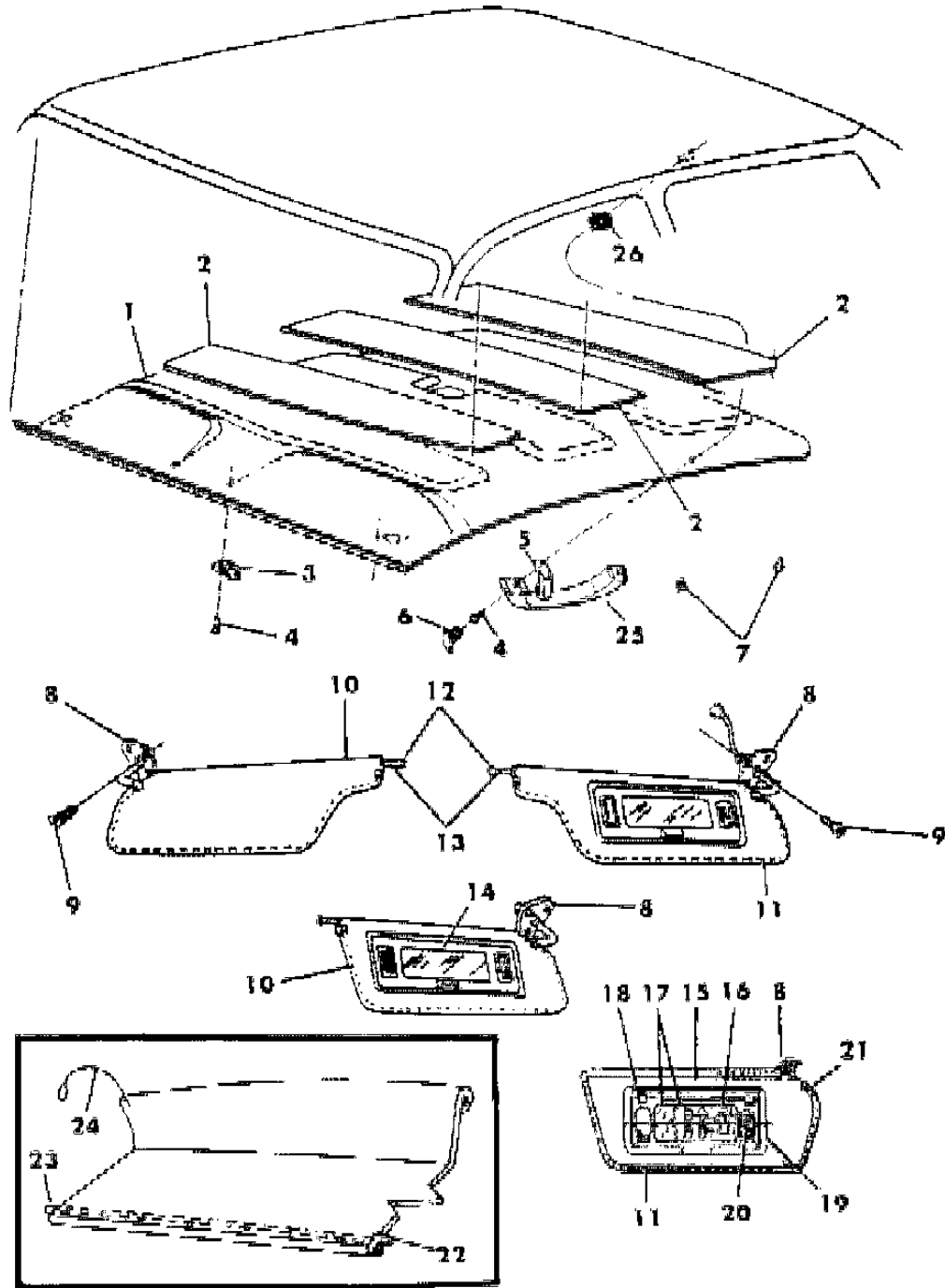
45 = 4-DOOR STATION WAGON

52-53 = FWD WAGON

AR = Use as Required - = Non Illustrated Part P.A.R. = Paint as Required

HEADLINER VISOR AND SHELF PANEL H BODY Figure ITH-200

7240 200



ITEM	PART NUMBER	QTY	BODY	MODEL	DESCRIPTION
	H778 FK1	1			Almond
	H778 FS8	1			Charcoal w/o Mirror Left
	H779 FC5	1			Blue
	H779 FE8	1			Cordovan
	H779 FK1	1			Almond
	H779 FS8	1			Charcoal
11					VISOR, w/Illuminated Mirror Right
	H616 FC5	1			Blue
	H616 FE8	1			Cordovan
	H616 FK1	1			Almond
	H616 FS8	1			Charcoal w/Mirror Left
	H575 FC5	1			Blue
	H617 FE8	1			Cordovan
	H617 FK1	1			Almond
	H617 FS8	1			Charcoal
					Sub Assy. Illuminated Mirror RIGHT
	H764 FC5	1			Blue
	H764 FE8	1			Cordovan
	H764 FK1	1			Almond
	H764 FS8	1			Charcoal LEFT
	H765 FC5	1			Blue
	H765 FE8	1			Cordovan
	H765 FK1	1			Almond
	H765 FS8	1			Charcoal
12					SUPPORT, Visor Inner (Serv. In Visor)
13					TIP, Visor Support
	H315 EC5	2			Blue
	H315 EE8	2			Cordovan
	H315 EK1	2			Almond
	H315 FS8	2			Charcoal
14					MIRROR, non/Illuminated (Right Only)
	H322 EC5	1			Blue
	H322 EE8	1			Cordovan
	H322 EK1	1			Almond

MODEL CODES

E BODY = (J - CARAVELLE)(E - 600)(T - NEW YORKER)

G BODY = (V24 - DAYTONA)

H BODY = (D44 - LANCER)(C44 - LEBARON GTS)

J BODY = (C - LEBARON)

K BODY = (P - RELIANT)(D - ARIES)(C - LEBAROND)/TOWN & COUNTRY)

L BODY = (M - HORIZON/TURISMO)(Z - OMNI/CHARGER)

M BODY = (B - GRAN FURY)(F - FIFTH AVE/NEWPORT)(G - DIPLOMAT)

P BODY = (P - SUNDANCE)(D - SHADOW)

S BODY = (H - VOYAGER)(K - RAM VAN/CARAVAN)

BODY STYLES

12-13 = FWD VAN

21 = 2-DOOR SEDAN

24 = 2-DOOR HATCHBACK

27 = 2-DOOR CONVERTIBLE

41 = 4-DOOR SEDAN

44 = 4-DOOR HATCHBACK

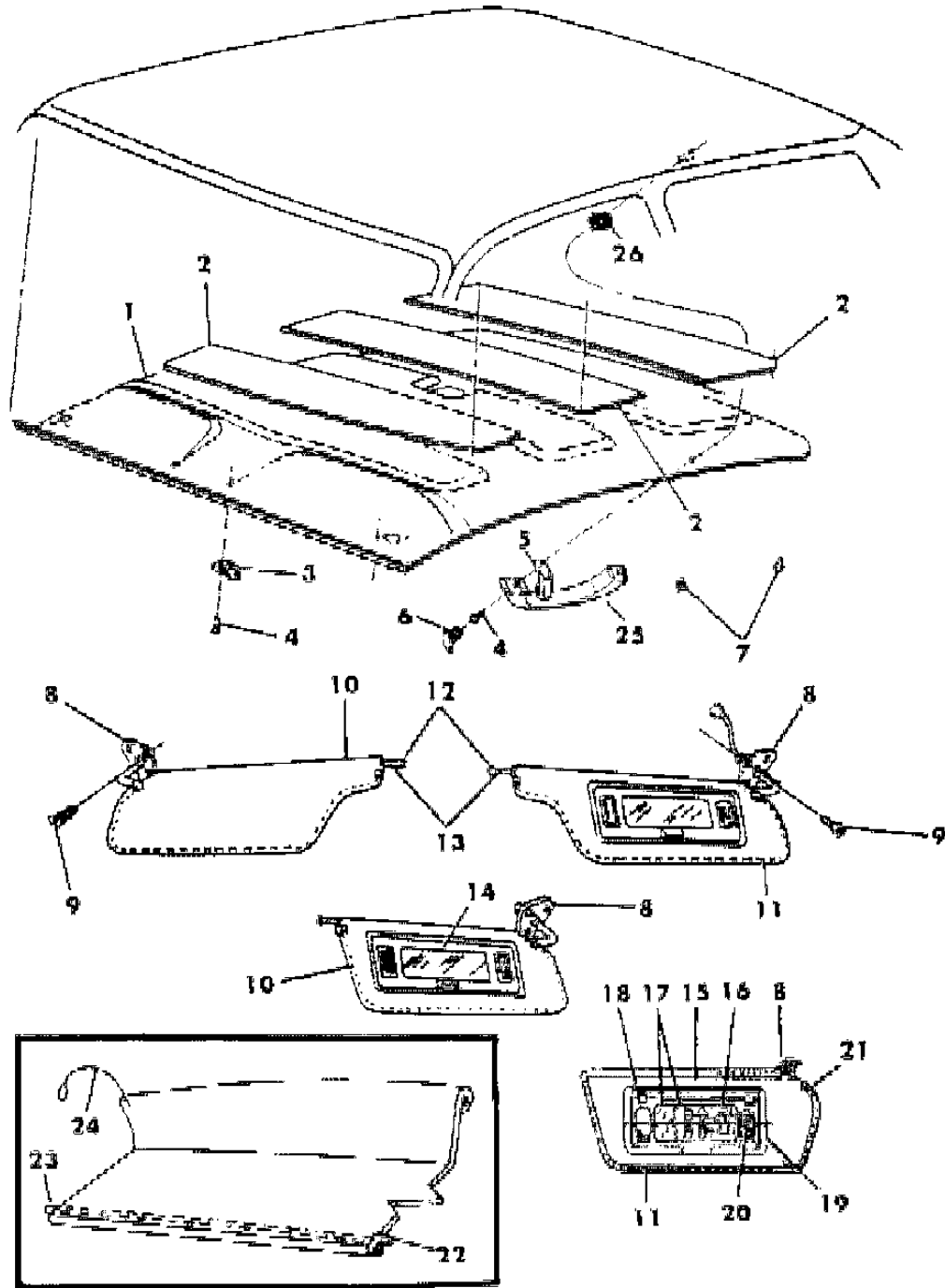
45 = 4-DOOR STATION WAGON

52-53 = FWD WAGON

AR = Use as Required - = Non Illustrated Part P.A.R. = Paint as Required

HEADLINER VISOR AND SHELF PANEL H BODY
Figure ITH-200

7240 200



ITEM	PART NUMBER	QTY	BODY	MODEL	DESCRIPTION
	H322 DS8	1			Charcoal
15	H640 FC5	1			VANITY, Illuminated Mirror Blue
	H640 FE8	1			Cordovan
	H640 FK1	1			Almond
	H640 FS8	1			Charcoal
16	3832 873	1			COMPONENT BOARD, Light Mirror
17	4077 693	1			MIRROR and BACK
18	4410 693	1			LENS
19	4166 976	2			HINGE, Spring
20	9421 330	4			BULB
21	1490 983	2			CLIP, Visor Panel End
22					PANEL, Shelf Trim
	H156 FC5	1			Blue
	H156 EE8	1			Cordovan
	H156 EK1	1			Almond
	H156 FS8	1			Charcoal
23	2789 037	2			TIP, Shelf Trim Panel Pivot
-	4282 641	2			PIN, Shelf Panel Pivot
24	#4381 135	1			CORD, Shelf Panel
25					HANDLE, Roof Grab
					(use up to 10/20/86)
	H524 FC5	3			Blue
	H524 EE8	3			Cordovan
	H784 FK1	3			Almond
	H524 FS8	3			Charcoal
					(use after 10/20/86)
	H784 FC5	3			Blue
	H784 FE8	3			Cordovan
	H784 FK1	3			Almond
	H784 FS8	3			Charcoal
26	6031 160	6			U-NUT

MODEL CODES

E BODY = (J - CARAVELLE)(E - 600)(T - NEW YORKER)

G BODY = (V24 - DAYTONA)

H BODY = (D44 - LANCER)(C44 - LEBARON GTS)

J BODY = (C - LEBARON)

K BODY = (P - RELIANT)(D - ARIES)(C - LEBAROND)/TOWN & COUNTRY)

L BODY = (M - HORIZON/TURISMO)(Z - OMNI/CHARGER)

M BODY = (B - GRAN FURY)(F - FIFTH AVE/NEWPORT)(G - DIPLOMAT)

P BODY = (P - SUNDANCE)(D - SHADOW)

S BODY = (H - VOYAGER)(K - RAM VAN/CARAVAN)

BODY STYLES

12-13 = FWD VAN

21 = 2-DOOR SEDAN

24 = 2-DOOR HATCHBACK

27 = 2-DOOR CONVERTIBLE

41 = 4-DOOR SEDAN

44 = 4-DOOR HATCHBACK

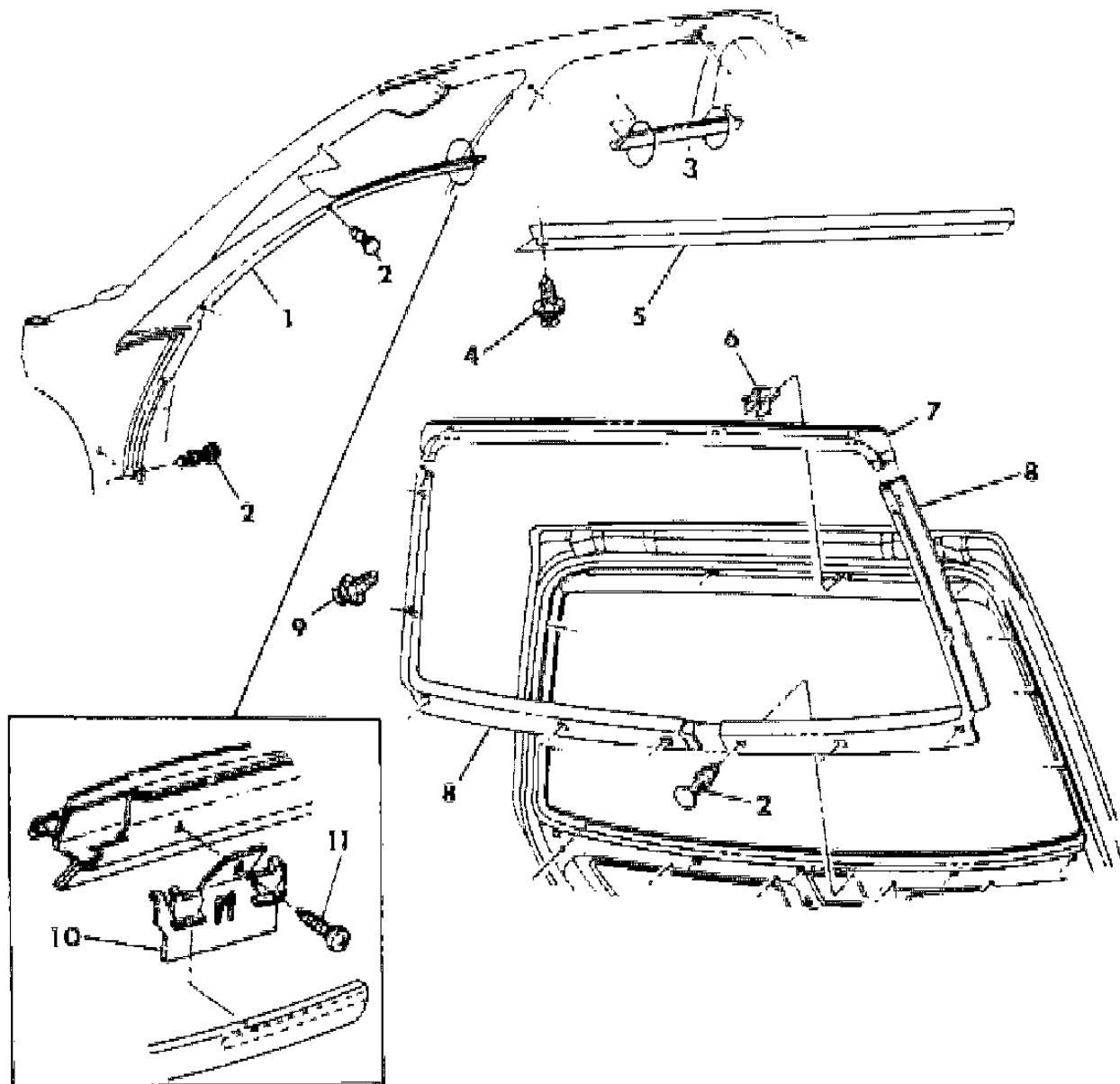
45 = 4-DOOR STATION WAGON

52-53 = FWD WAGON

AR = Use as Required - = Non Illustrated Part P.A.R. = Paint as Required

MOULDING--GARNISH H BODY
Figure ITH-300

7240 300



ITEM	PART NUMBER	QTY	BODY	MODEL	DESCRIPTION
1	#F130-1 EK1				PANEL, Windshield Side and Front Garnish Moulding w/Demister Louvers, (P.A.R.)
2	F155 EC5	AR			FASTENER Blue
	F155 EE8	AR			Cordovan
	F155 EK3	AR			Almond
	F155 CS8	AR			Charcoal
3	F132-3 FC5	1			MOULDING, Rear Door Roof Rail Blue
	F132-3 EE8	1			Cordovan
	F132-3 EK1	1			Almond
	F132-3 FS8	1			Charcoal
4	6032 456	AR			SCREW
5	4282 662	1			MOULDING, Liftgate Header (P.A.R.)
6	6501 292	AR			CLIP, Liftgate Moulding Attaching
7	H212 FS8	1			MOULDING, Liftgate Upper Trim Charcoal
	H212 FC5	1			Blue
	H212 EE8	1			Cordovan
	H212 EK3	1			Almond
8					MOULDING, Liftgate Side and Lower
					w/o Heated Rear Window
	H226 EA7	1			RIGHT Silver
	H226 FC5	1			Blue
	H226 EE8	1			Cordovan
	H226 EK3	1			Almond
					LEFT
	H211 DA7	1			Silver
	H211 FC5	1			Blue
	H211 EE8	1			Cordovan
	H211 EK3	1			Almond
					w/Heated Rear Window
					RIGHT
	H258 EA7	1			Silver
	H258 FC5	1			Blue
	H258 EE8	1			Cordovan
	H258 EK3	1			Almond

MODEL CODES

E BODY = (J - CARAVELLE)(E - 600)(T - NEW YORKER)

G BODY = (V24 - DAYTONA)

H BODY = (D44 - LANCER)(C44 - LEBARON GTS)

J BODY = (C - LEBARON)

K BODY = (P - RELIANT)(D - ARIES)(C - LEBAROND)/TOWN & COUNTRY)

L BODY = (M - HORIZON/TURISMO)(Z - OMNI/CHARGER)

M BODY = (B - GRAN FURY)(F - FIFTH AVE/NEWPORT)(G - DIPLOMAT)

P BODY = (P - SUNDANCE)(D - SHADOW)

S BODY = (H - VOYAGER)(K - RAM VAN/CARAVAN)

BODY STYLES

12-13 = FWD VAN

21 = 2-DOOR SEDAN

24 = 2-DOOR HATCHBACK

27 = 2-DOOR CONVERTIBLE

41 = 4-DOOR SEDAN

44 = 4-DOOR HATCHBACK

45 = 4-DOOR STATION WAGON

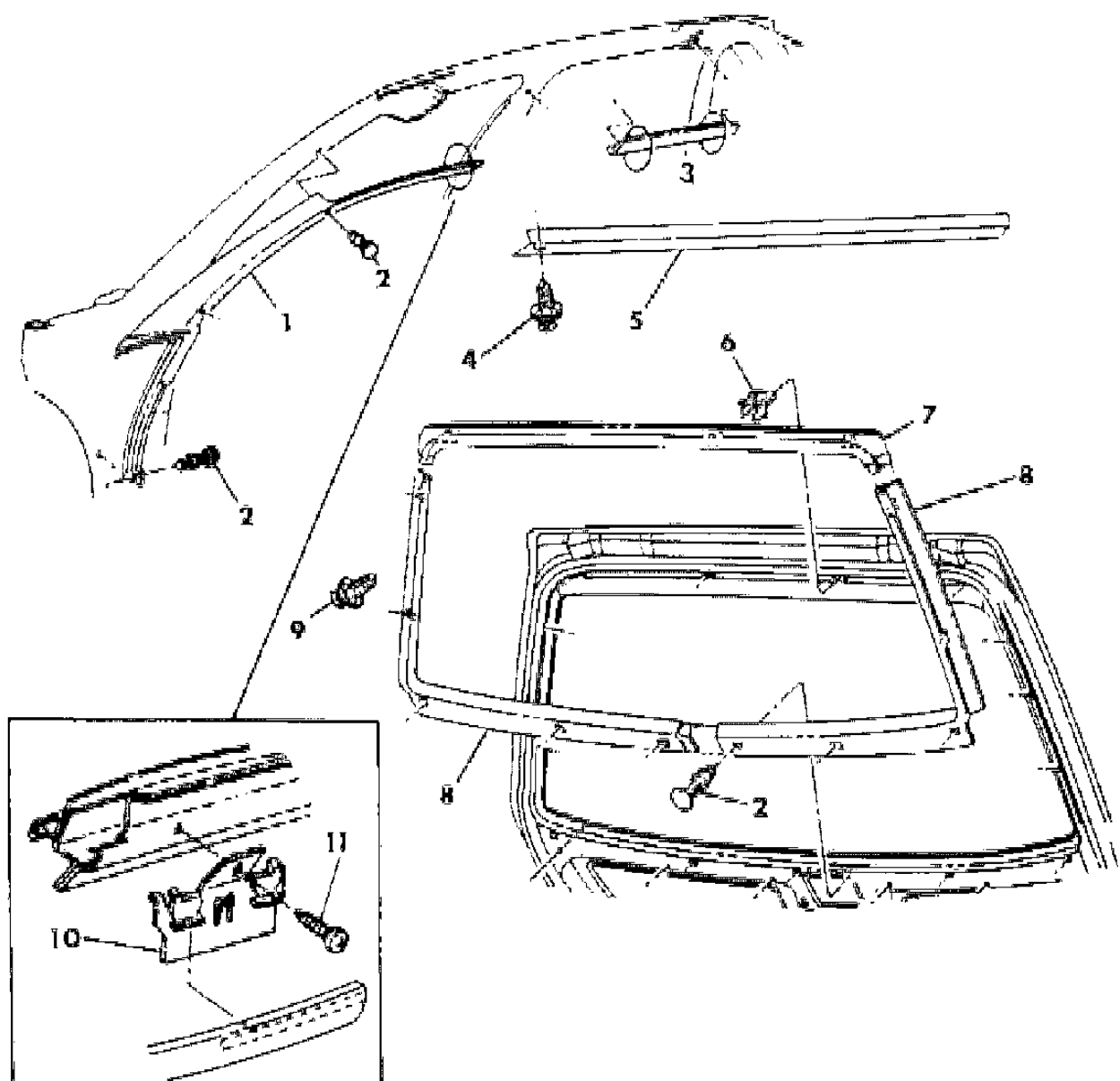
52-53 = FWD WAGON

AR = Use as Required - = Non Illustrated Part P.A.R. = Paint as Required

MOULDING--GARNISH H BODY
Figure ITH-300

7240 300

ITEM	PART NUMBER	QTY	BODY	MODEL	DESCRIPTION
					LEFT
	H239 DA7	1			Silver
	H239 FC5	1			Blue
	H239 EE8	1			Cordovan
	H239 EK3	1			Almond
9	H285 EK3	2			HANGER, Shelf Panel Cord Attaching (P.A.R.)
10	4283 515	6			RETAINER, Roof Rail Moulding
11					SCREW, (8-18x1/2) (Not Serv.)
					NOTE: (P.A.R.) = Paint As Required



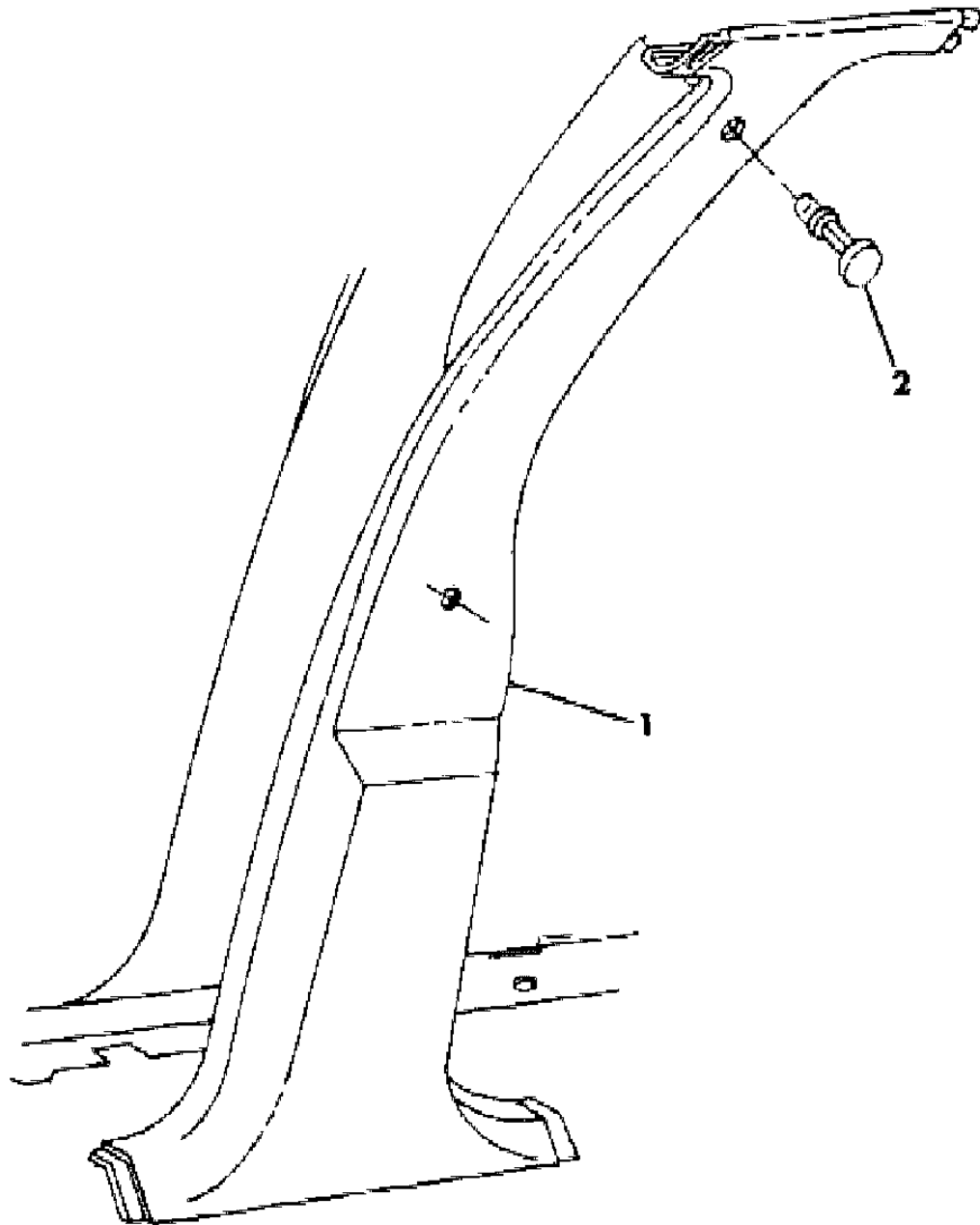
MODEL CODES
 E BODY = (J - CARAVELLE)(E - 600)(T - NEW YORKER)
 G BODY = (V24 - DAYTONA)
 H BODY = (D44 - LANCER)(C44 - LEBARON GTS)
 J BODY = (C - LEBARON)
 K BODY = (P - RELIANT)(D - ARIES)(C - LEBAROND)/TOWN & COUNTRY
 L BODY = (M - HORIZON/TURISMO)(Z - OMNI/CHARGER)
 M BODY = (B - GRAN FURY)(F - FIFTH AVE/NEWPORT)(G - DIPLOMAT)
 P BODY = (P - SUNDANCE)(D - SHADOW)
 S BODY = (H - VOYAGER)(K - RAM VAN/CARAVAN)

BODY STYLES
 12-13 = FWD VAN
 21 = 2-DOOR SEDAN
 24 = 2-DOOR HATCHBACK
 27 = 2-DOOR CONVERTIBLE
 41 = 4-DOOR SEDAN
 44 = 4-DOOR HATCHBACK
 45 = 4-DOOR STATION WAGON
 52-53 = FWD WAGON

AR = Use as Required - = Non Illustrated Part P.A.R. = Paint as Required

B PILLAR TRIM H BODY
Figure ITH-400

7240 400



ITEM	PART NUMBER	QTY	BODY	MODEL	DESCRIPTION
1	F264-5 FC5	1			Blue
	F264-5 EE8	1			Cordovan
	F264-5 EK1	1			Almond
	F264-5 FS8	1			Charcoal
2	F155 EC5	AR			Blue
	F155 EE8	AR			Cordovan
	F155 EK1	AR			Almond
	F155 CS8	AR			Charcoal

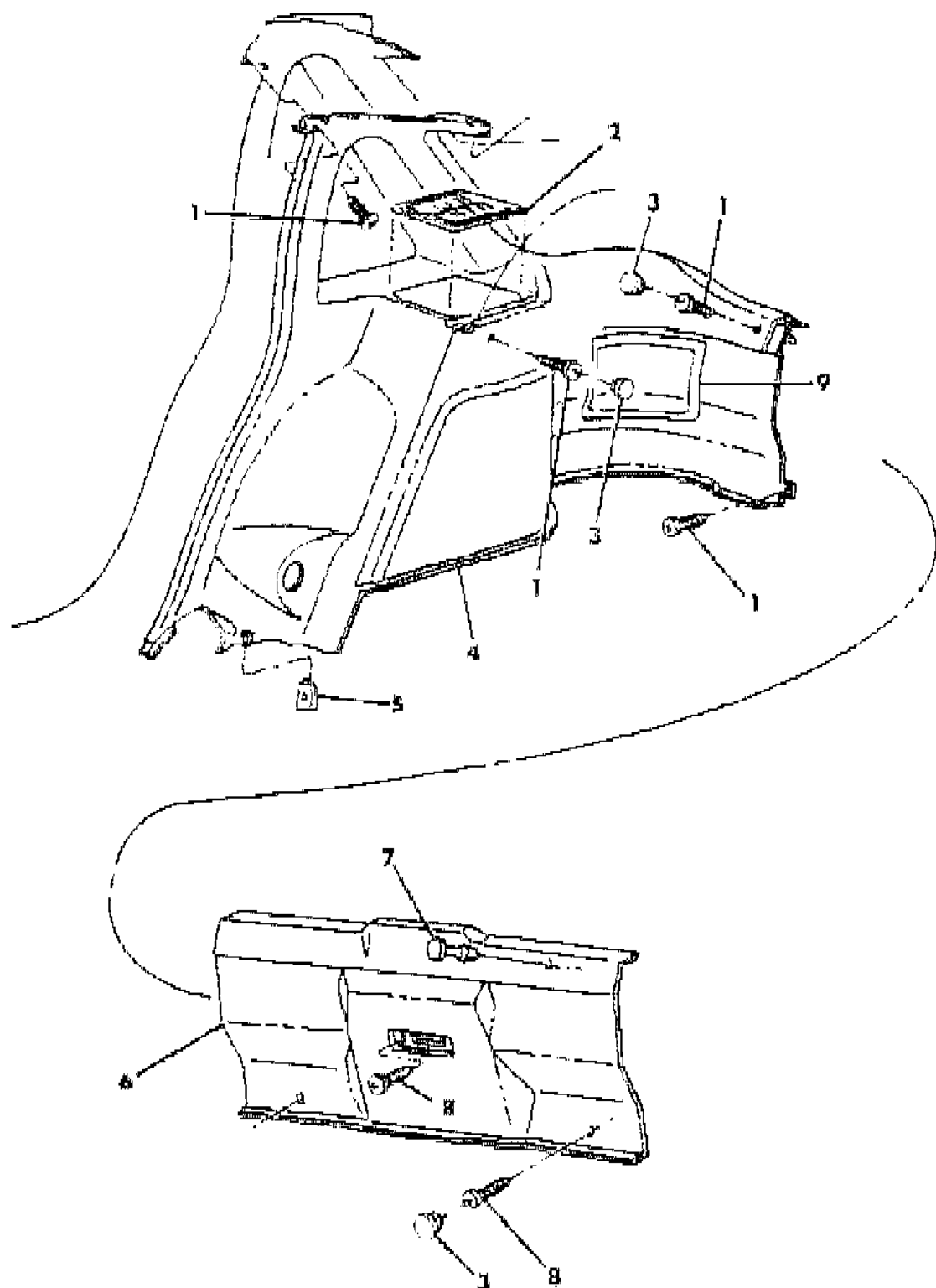
MODEL CODES
 E BODY = (J - CARAVELLE)(E - 600)(T - NEW YORKER)
 G BODY = (V24 - DAYTONA)
 H BODY = (D44 - LANCER)(C44 - LEBARON GTS)
 J BODY = (C - LEBARON)
 K BODY = (P - RELIANT)(D - ARIES)(C - LEBAROND)/TOWN & COUNTRY
 L BODY = (M - HORIZON/TURISMO)(Z - OMNI/CHARGER)
 M BODY = (B - GRAN FURY)(F - FIFTH AVE/NEWPORT)(G - DIPLOMAT)
 P BODY = (P - SUNDANCE)(D - SHADOW)
 S BODY = (H - VOYAGER)(K - RAM VAN/CARAVAN)

BODY STYLES
 12-13 = FWD VAN 41 = 4-DOOR SEDAN
 21 = 2-DOOR SEDAN 44 = 4-DOOR HATCHBACK
 24 = 2-DOOR HATCHBACK 45 = 4-DOOR STATION WAGON
 27 = 2-DOOR CONVERTIBLE 52-53 = FWD WAGON

AR = Use as Required - = Non Illustrated Part P.A.R. = Paint as Required

PANEL QUARTER AND LIFT GATE TRIM LOWER H BODY
Figure ITH-500

7240 500



ITEM	PART NUMBER	QTY	BODY	MODEL	DESCRIPTION
1					SCREW, (8-15x1/2) (Not Serv.)
2	#H420-1 EK1	1			GRILLE, Rear Compartment Speaker (P.A.R.)
3	F245 CA3	AR			PLUG, (P.A.R.)
4	4504 932-3	1			PANEL, Quarter Trim (P.A.R.)
5	0152 490	2			U-NUT
6	H177 EK1	1			PANEL, Liftgate Opening Lower (P.A.R.)
7					FASTENER
	F155 EC5	AR			Blue
	F155 EE8	AR			Cordovan
	F155 EK1	AR			Almond
	F155 CS8	AR			Charcoal
8		AR			SCREW, (8-15x1) (Not Serv.)
9	F062-3 EK1	1			DOOR, Quarter Panel Access (P.A.R.)

NOTE: (P.A.R.) = Paint As Required

MODEL CODES

E BODY = (J - CARAVELLE)(E - 600)(T - NEW YORKER)

G BODY = (V24 - DAYTONA)

H BODY = (D44 - LANCER)(C44 - LEBARON GTS)

J BODY = (C - LEBARON)

K BODY = (P - RELIANT)(D - ARIES)(C - LEBAROND)/TOWN & COUNTRY)

L BODY = (M - HORIZON/TURISMO)(Z - OMNI/CHARGER)

M BODY = (B - GRAN FURY)(F - FIFTH AVE/NEWPORT)(G - DIPLOMAT)

P BODY = (P - SUNDANCE)(D - SHADOW)

S BODY = (H - VOYAGER)(K - RAM VAN/CARAVAN)

BODY STYLES

12-13 = FWD VAN

21 = 2-DOOR SEDAN

24 = 2-DOOR HATCHBACK

27 = 2-DOOR CONVERTIBLE

41 = 4-DOOR SEDAN

44 = 4-DOOR HATCHBACK

45 = 4-DOOR STATION WAGON

52-53 = FWD WAGON

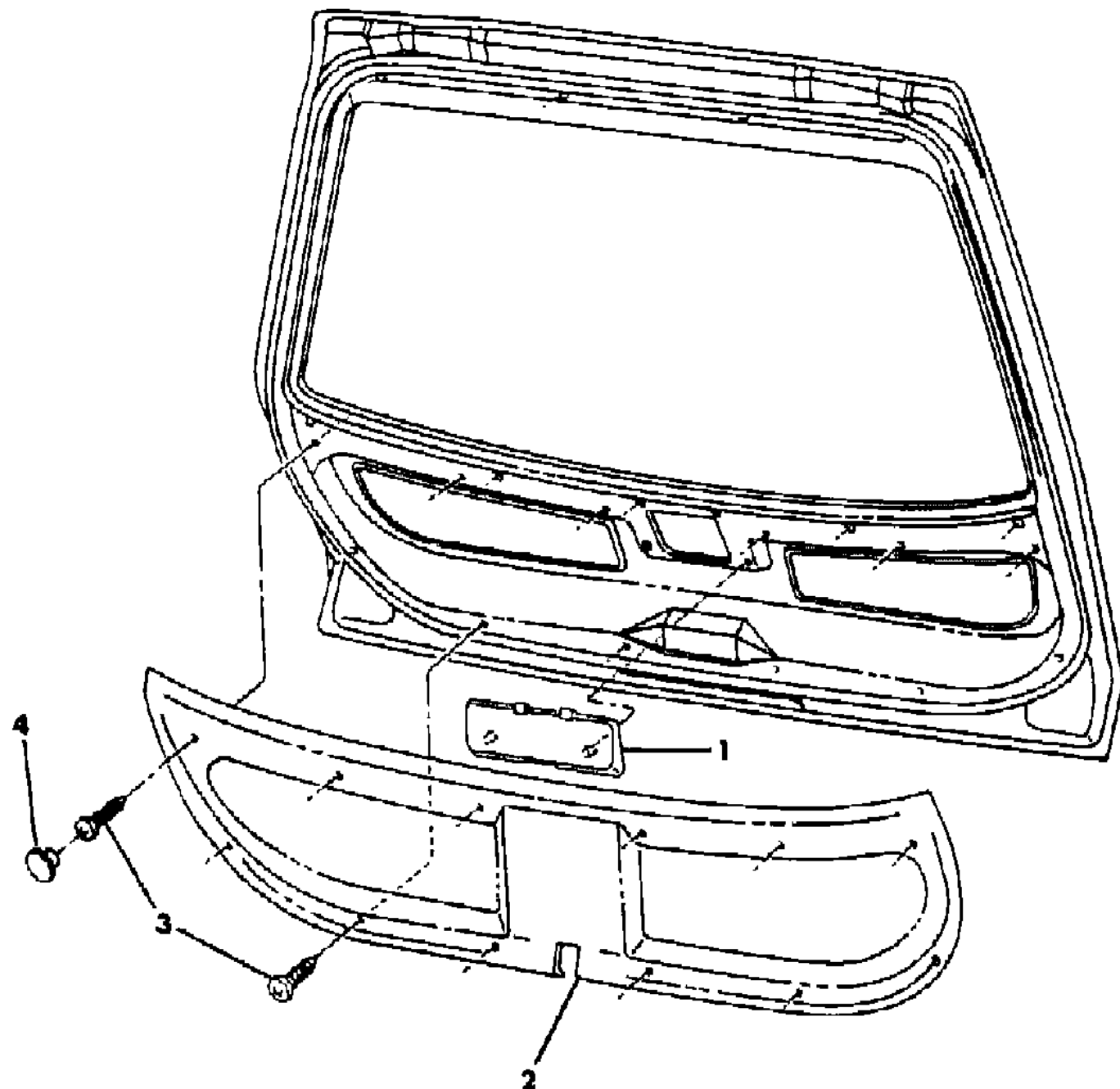
AR = Use as Required - = Non Illustrated Part P.A.R. = Paint as Required

LIFT GATE TRIM H BODY
Figure ITH-600

7240 800

ITEM	PART NUMBER	QTY	BODY	MODEL	DESCRIPTION
1	H169 DA7	1			COVER, w/o Wiper Arm, w/Rear Light (P.A.R.)
2	#H171 EK3	1			PANEL, Lower Trim (P.A.R.)
3					SCREW, (8-15x1/2) (Not Serv.)
4	F245 CA3	AR			PLUG, (P.A.R.)

NOTE: (P.A.R.) = Paint As Required



MODEL CODES

E BODY = (J - CARAVELLE)(E - 600)(T - NEW YORKER)

G BODY = (V24 - DAYTONA)

H BODY = (D44 - LANCER)(C44 - LEBARON GTS)

J BODY = (C - LEBARON)

K BODY = (P - RELIANT)(D - ARIES)(C - LEBAROND)/TOWN & COUNTRY)

L BODY = (M - HORIZON/TURISMO)(Z - OMNI/CHARGER)

M BODY = (B - GRAN FURY)(F - FIFTH AVE/NEWPORT)(G - DIPLOMAT)

P BODY = (P - SUNDANCE)(D - SHADOW)

S BODY = (H - VOYAGER)(K - RAM VAN/CARAVAN)

BODY STYLES

12-13 = FWD VAN

21 = 2-DOOR SEDAN

24 = 2-DOOR HATCHBACK

27 = 2-DOOR CONVERTIBLE

41 = 4-DOOR SEDAN

44 = 4-DOOR HATCHBACK

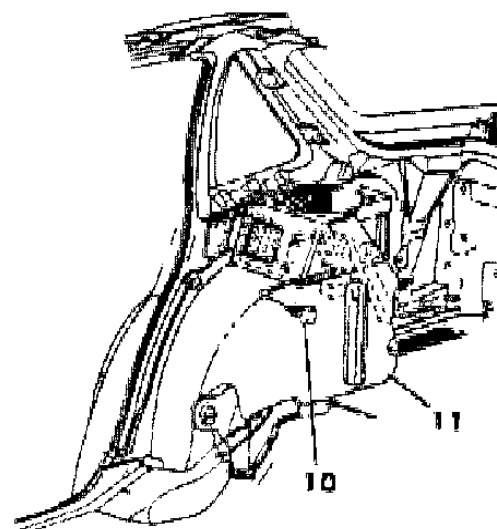
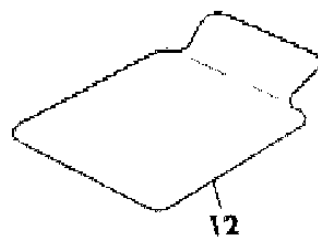
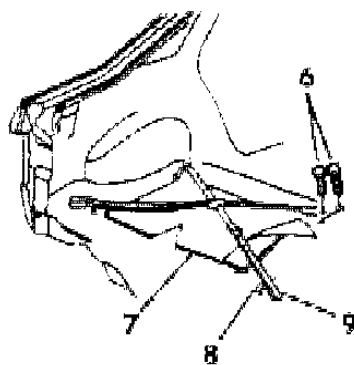
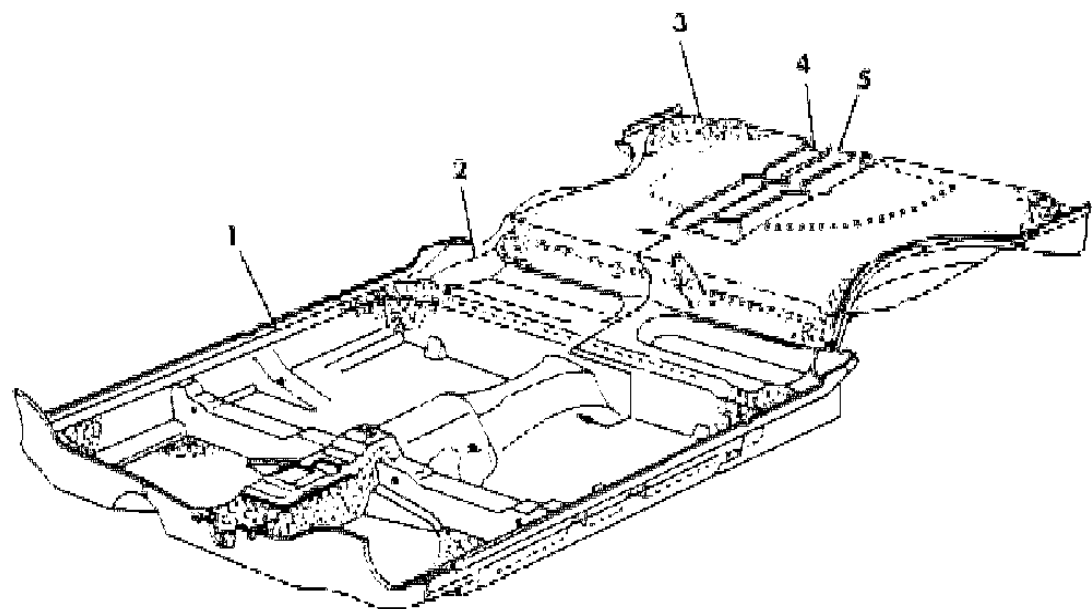
45 = 4-DOOR STATION WAGON

52-53 = FWD WAGON

AR = Use as Required - = Non Illustrated Part P.A.R. = Paint as Required

CARPET AND SILENCERS H BODY
Figure ITH-700

7240 700 A



ITEM	PART NUMBER	QTY	BODY	MODEL	DESCRIPTION
1					CARPET, Front and Rear
	M602 FC5	1			Blue
	M602 EE8	1			Cordovan
	M602 EK3	1			Almond
	M602 DS8	1			Charcoal
2					SILENCER, Under Rear Seat (Not Serv.)
3					CARPET, Cargo Floor
	M600 FC5	1			Blue
	M600 EE8	1			Cordovan
	M600 EK1	1			Almond
	M600 DS8	1			Charcoal
4	3762 862	AR			SILENCER, Cargo Floor (36"x72") Cut To Fit
5	4248 912	1			COVER, Spare Tire Well
6					SCREW, 8-18x3/4) (Not Serv.)
7	H609 DX7	1			BAG, Sunroof Storage
8	4248 818	4			FOOT, Convencence Tie Down Anchor
9	H349 CX9	2			STRAP, Tie Down
10	6003 423	2			FASTENER
11	4186 901	AR			SILENCER, Quarter Panel and Wheelhouse (36"x72") Cut To Fit
12					CARPETED FLOOT MATS, Set of Two
					FRONT
	M074 FC5	1			Blue
	M074 FE8	1			Cordovan
	M074 FK3	1			Almond
	M074 FS8	1			Charcoal
					REAR
	M049 FC5	1			Blue
	M049 FE8	1			Cordovan
	M049 FK3	1			Almond
	M049 FS8	1			Charcoal

MODEL CODES

E BODY = (J - CARAVELLE)(E - 600)(T - NEW YORKER)

G BODY = (V24 - DAYTONA)

H BODY = (D44 - LANCER)(C44 - LEBARON GTS)

J BODY = (C - LEBARON)

K BODY = (P - RELIANT)(D - ARIES)(C - LEBAROND)/TOWN & COUNTRY)

L BODY = (M - HORIZON/TURISMO)(Z - OMNI/CHARGER)

M BODY = (B - GRAN FURY)(F - FIFTH AVE/NEWPORT)(G - DIPLOMAT)

P BODY = (P - SUNDANCE)(D - SHADOW)

S BODY = (H - VOYAGER)(K - RAM VAN/CARAVAN)

BODY STYLES

12-13 = FWD VAN

21 = 2-DOOR SEDAN

24 = 2-DOOR HATCHBACK

27 = 2-DOOR CONVERTIBLE

41 = 4-DOOR SEDAN

44 = 4-DOOR HATCHBACK

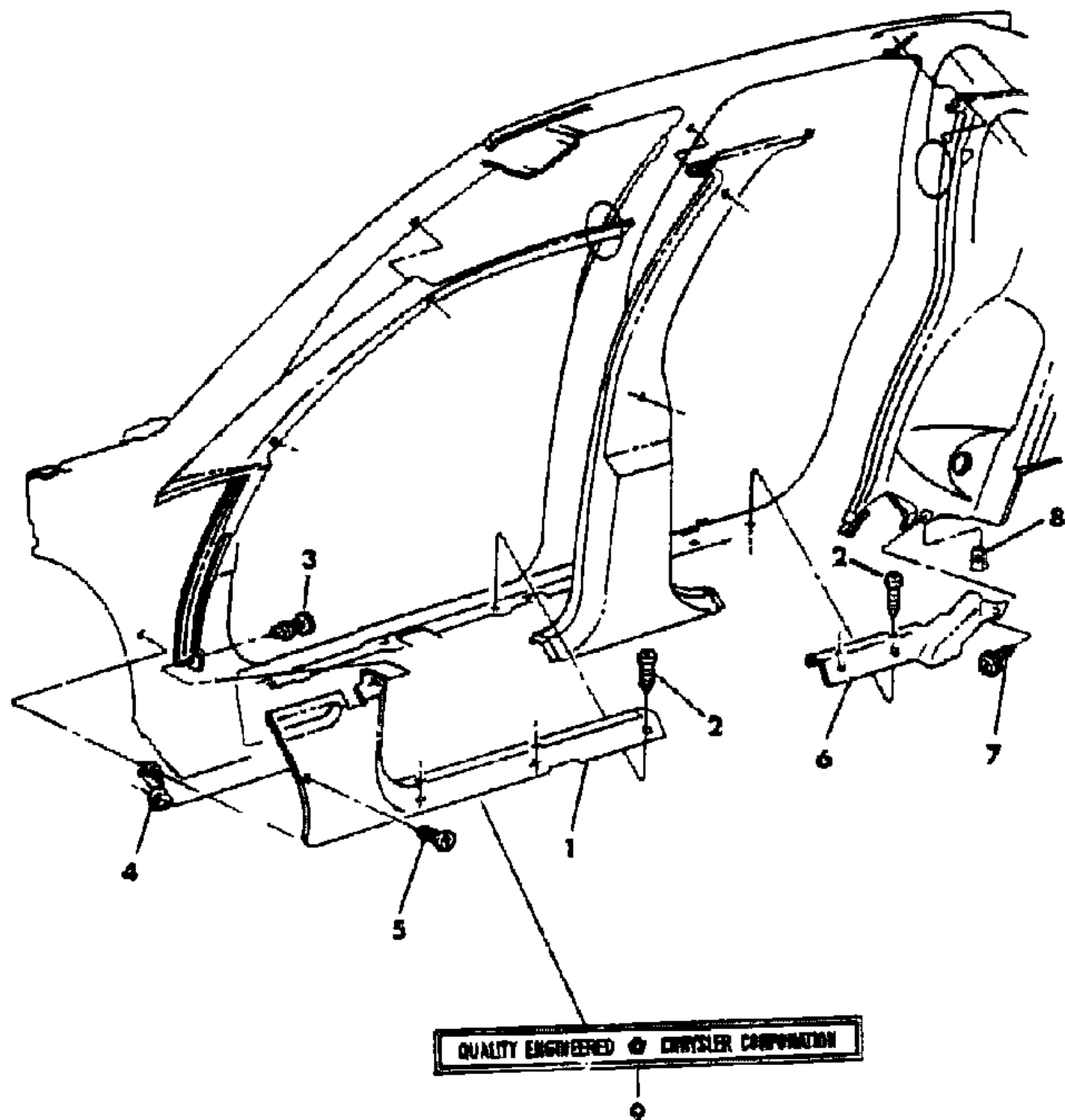
45 = 4-DOOR STATION WAGON

52-53 = FWD WAGON

AR = Use as Required - = Non Illustrated Part P.A.R. = Paint as Required

SCUFF PLATES H BODY
Figure ITH-800

7240 800 A



ITEM	PART NUMBER	QTY	BODY	MODEL	DESCRIPTION
1					SCUFF PLATE and COWL
	F300-1 FC5	1			Blue
	F300-1 EE8	1			Cordovan
	F300-1 EK1	1			Almond
	F300-1 FS8	1			Charcoal
2					SCREW, (8-18x1/4) (Not Serv.)
3					FASTENER
	F155 EC5	AR			Blue
	F155 EE8	AR			Cordovan
	F155 EK1	AR			Almond
	F155 CS8	AR			Charcoal
4	4282 434	1			BRACKET, Right Side Only
5		AR			SCREW, (Not Serv.)
					RIGHT, (8-18x1)
					LEFT, (10-16x2)
6					PLATE, Rear Still Scuff
	M918-9 FC5	1			Blue
	M918-9 EE8	1			Cordovan
	M918-9 EK1	1			Almond
	M918-9 FS8	1			Charcoal
7					SCREW, (8-18x3/4) (Not Serv.)
8	0152 490	AR			U-NUT
9	4078 456	1			NAME PLATE

MODEL CODES

E BODY = (J - CARAVELLE)(E - 600)(T - NEW YORKER)

G BODY = (V24 - DAYTONA)

H BODY = (D44 - LANCER)(C44 - LEBARON GTS)

J BODY = (C - LEBARON)

K BODY = (P - RELIANT)(D - ARIES)(C - LEBAROND)/TOWN & COUNTRY)

L BODY = (M - HORIZON/TURISMO)(Z - OMNI/CHARGER)

M BODY = (B - GRAN FURY)(F - FIFTH AVE/NEWPORT)(G - DIPLOMAT)

P BODY = (P - SUNDANCE)(D - SHADOW)

S BODY = (H - VOYAGER)(K - RAM VAN/CARAVAN)

BODY STYLES

12-13 = FWD VAN

21 = 2-DOOR SEDAN

24 = 2-DOOR HATCHBACK

27 = 2-DOOR CONVERTIBLE

41 = 4-DOOR SEDAN

44 = 4-DOOR HATCHBACK

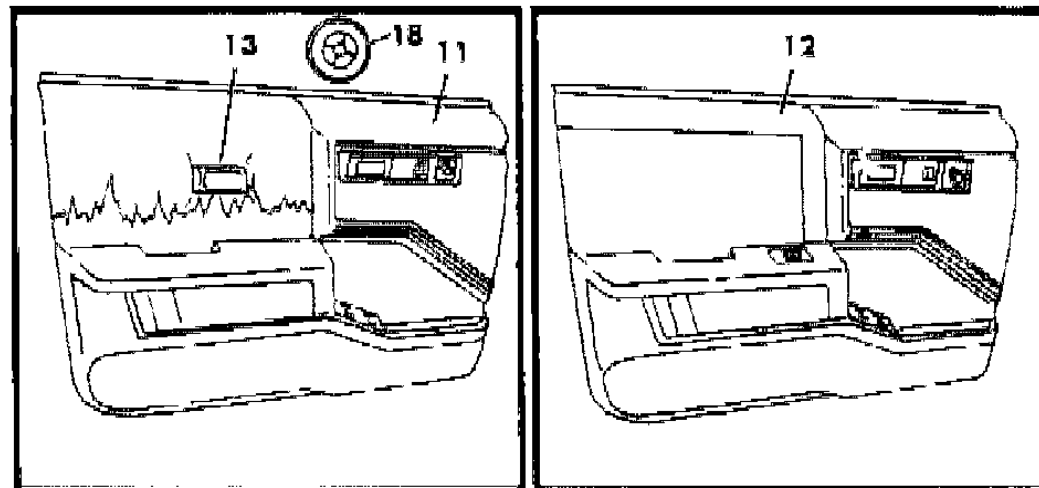
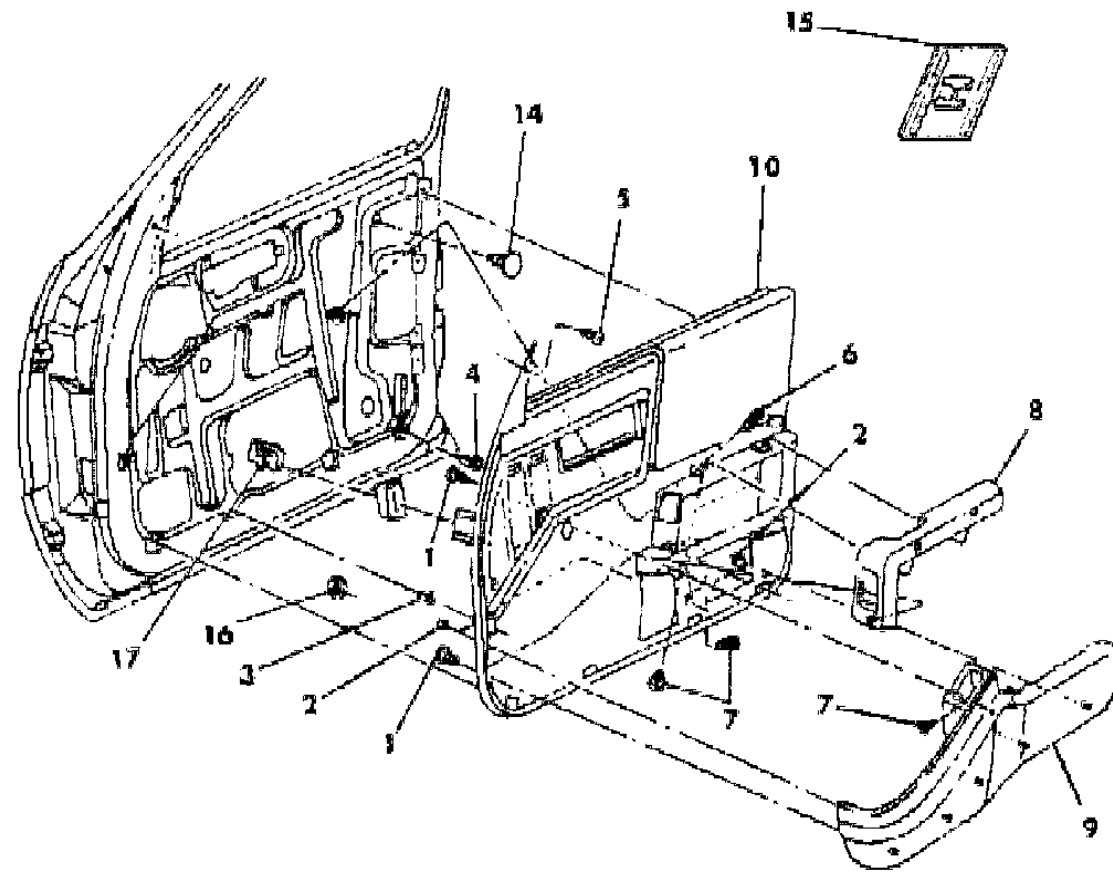
45 = 4-DOOR STATION WAGON

52-53 = FWD WAGON

AR = Use as Required - = Non Illustrated Part P.A.R. = Paint as Required

DOOR TRIM--FRONT H BODY
Figure ITH-900

7240 800 A



ITEM	PART NUMBER	QTY	BODY	MODEL	DESCRIPTION
1		AR			SCREW, (8-18x.562) (Not Serv.)
2	6501 353	AR			NUT, Spring Push On
3	6501 352	14			FASTENER
4	4114 785	AR			FASTENER
5		AR			SCREW, (8-18x13/32) (Not Serv.)
6		AR			SCREW, Self Piercing (10-16x1) (Not Serv.)
7					SCREW, (8-18x1) (Not Serv.)
8					ARMREST w/o ELECTRIC SWITCH
	D526-7 FC5	1			Blue
	D526-7 EE8	1			Cordovan
	D526-7 EK1	1			Almond
	D526-7 FS8	1			Charcoal
					w/ELECTRIC SWITCH
	D548-9 FC5	1			Blue
	D548-9 EE8	1			Cordovan
	D548-9 EK1	1			Almond
	D548-9 FS8	1			Charcoal
9					PANEL, Trim Pocket w/o POWER WINDOWS
	D112-3 FC5	1			Blue
	D112-3 EE8	1			Cordovan
	D112-3 EK1	1			Almond
	D112-3 FS8	1			Charcoal
					w/POWER WINDOWS
	D114-5 FC5	1			Blue
	D114-5 EE8	1			Cordovan
	D114-5 EK1	1			Almond
	D114-5 FS8	1			Charcoal
10	4282 464-5	1			WEATHERSTRIP
11					PANEL, Door Trim w/Speaker Grille LEATHER (Use Up To 12-1-86)
	J364-5 FC5	1			Blue, (HLC)
	J364-5 EE8	1			Cordovan, (HLE)
	J364-5 EK1	1			Almond, (HLK)
	J364-5 FS8	1			Charcoal, (HLS)
					(Use After 12-1-86)

MODEL CODES

E BODY = (J - CARAVELLE)(E - 600)(T - NEW YORKER)

G BODY = (V24 - DAYTONA)

H BODY = (D44 - LANCER)(C44 - LEBARON GTS)

J BODY = (C - LEBARON)

K BODY = (P - RELIANT)(D - ARIES)(C - LEBAROND)/TOWN & COUNTRY)

L BODY = (M - HORIZON/TURISMO)(Z - OMNI/CHARGER)

M BODY = (B - GRAN FURY)(F - FIFTH AVE/NEWPORT)(G - DIPLOMAT)

P BODY = (P - SUNDANCE)(D - SHADOW)

S BODY = (H - VOYAGER)(K - RAM VAN/CARAVAN)

BODY STYLES

12-13 = FWD VAN

21 = 2-DOOR SEDAN

24 = 2-DOOR HATCHBACK

27 = 2-DOOR CONVERTIBLE

41 = 4-DOOR SEDAN

44 = 4-DOOR HATCHBACK

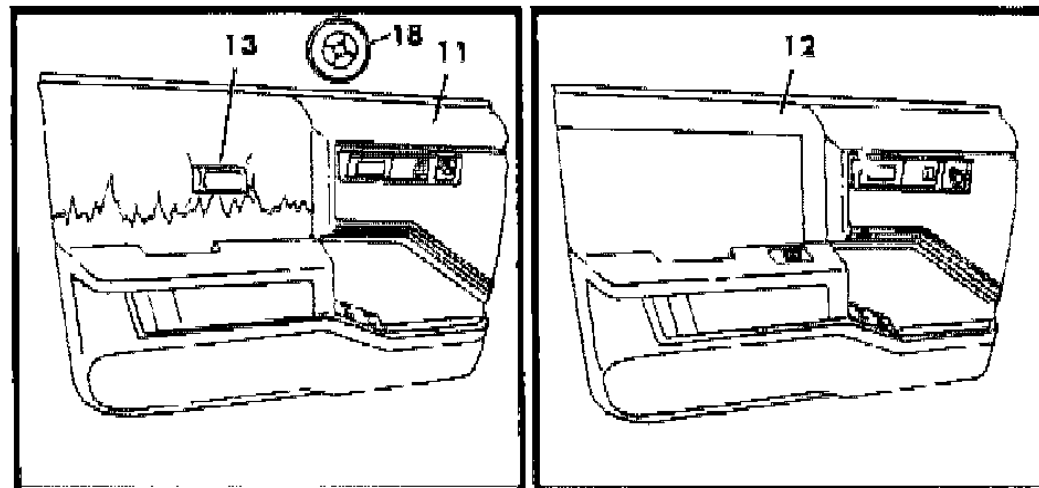
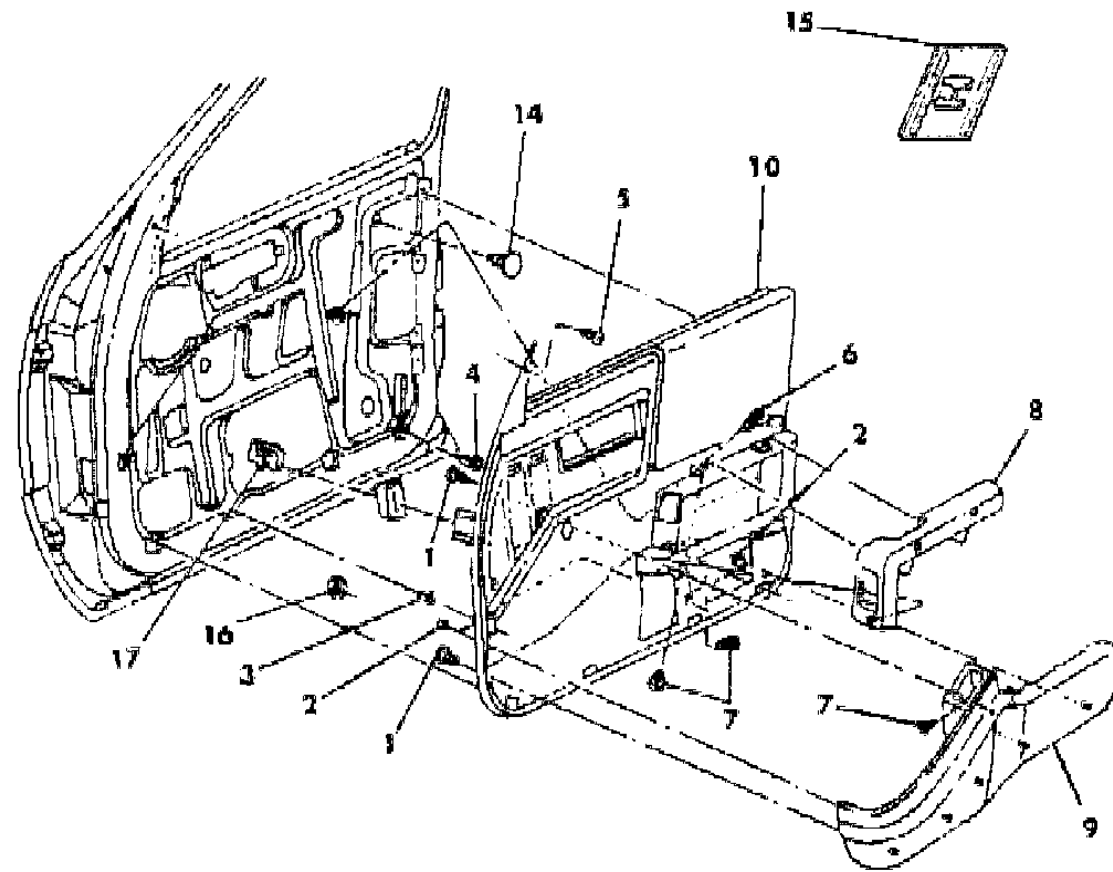
45 = 4-DOOR STATION WAGON

52-53 = FWD WAGON

AR = Use as Required - = Non Illustrated Part P.A.R. = Paint as Required

DOOR TRIM--FRONT H BODY
Figure ITH-900

7240 800 A



ITEM	PART NUMBER	QTY	BODY	MODEL	DESCRIPTION
	J798-9 FC5	1			Blue, (HLC)
	J798-9 FE8	1			Cordovan, (HLE)
	J798-9 FK1	1			Almond, (HLK)
	J798-9 FS8	1			Charcoal, (HLS) CLOTH
	J362-3 FCC	1			Blue, (C7C)
	J362-3 EEE	1			Cordovan, (C7E)
	J362-3 EKK	1			Almond, (C7K)
	J362-3 FSA	1			Charcoal, (C7S)
	J796-7 FCC	1			Blue, (C7C)
	J796-7 FEE	1			Cordovan, (C7E)
	J796-7 FKK	1			Almond, (C7K)
	J796-7 FSA	1			Charcoal, (C7S)
12					PANEL, Door Trim w/Speaker Grille (use up to 12/1/86) CLOTH
	J726-7 FC5	1			Blue, (D7C)
	J726-7 FE8	1			Cordovan, (D7E)
	J726-7 FK1	1			Almond, (D7K)
	J726-7 FS8	1			Charcoal, (D7S) CLOTH
	J360-1 FC5	1			Blue, (E7C)
	J360-1 FEE	1			Cordovan, (E7E)
	J360-1 EKK	1			Almond, (E7K)
	J360-1 FSA	1			Charcoal, (E7S) (use after 12/1/86)
	J792-3 FC5	1			Blue, (D7C)
	J792-3 FE8	1			Cordovan, (D7E)
	J792-3 FK1	1			Almond, (D7K)
	J792-3 FS8	1			Charcoal, (D7S)
	J794-5 FC5	1			Blue, (E7C)
	J794-5 FEE	1			Cordovan, (E7E)
	J794-5 FKK	1			Almond, (E7K)
	J794-5 FSA	1			Charcoal, (E7S)
13					BUTTON, Bolster
	D612 FC5	1			Blue, (HLC)
	D612 EE8	1			Cordovan, (HLE)
	D612 EK1	1			Almond, (HLK)

MODEL CODES

E BODY = (J - CARAVELLE)(E - 600)(T - NEW YORKER)

G BODY = (V24 - DAYTONA)

H BODY = (D44 - LANCER)(C44 - LEBARON GTS)

J BODY = (C - LEBARON)

K BODY = (P - RELIANT)(D - ARIES)(C - LEBAROND)/TOWN & COUNTRY)

L BODY = (M - HORIZON/TURISMO)(Z - OMNI/CHARGER)

M BODY = (B - GRAN FURY)(F - FIFTH AVE/NEWPORT)(G - DIPLOMAT)

P BODY = (P - SUNDANCE)(D - SHADOW)

S BODY = (H - VOYAGER)(K - RAM VAN/CARAVAN)

BODY STYLES

12-13 = FWD VAN

21 = 2-DOOR SEDAN

24 = 2-DOOR HATCHBACK

27 = 2-DOOR CONVERTIBLE

41 = 4-DOOR SEDAN

44 = 4-DOOR HATCHBACK

45 = 4-DOOR STATION WAGON

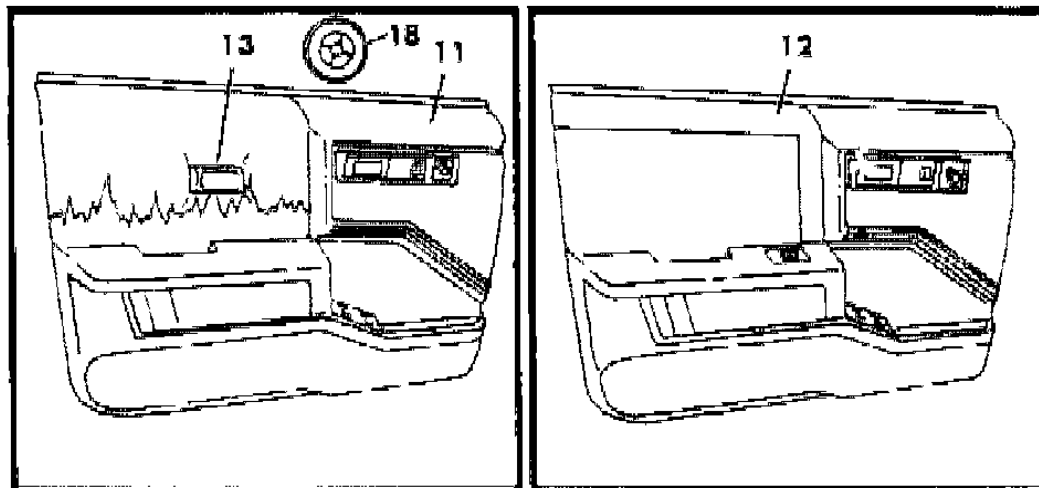
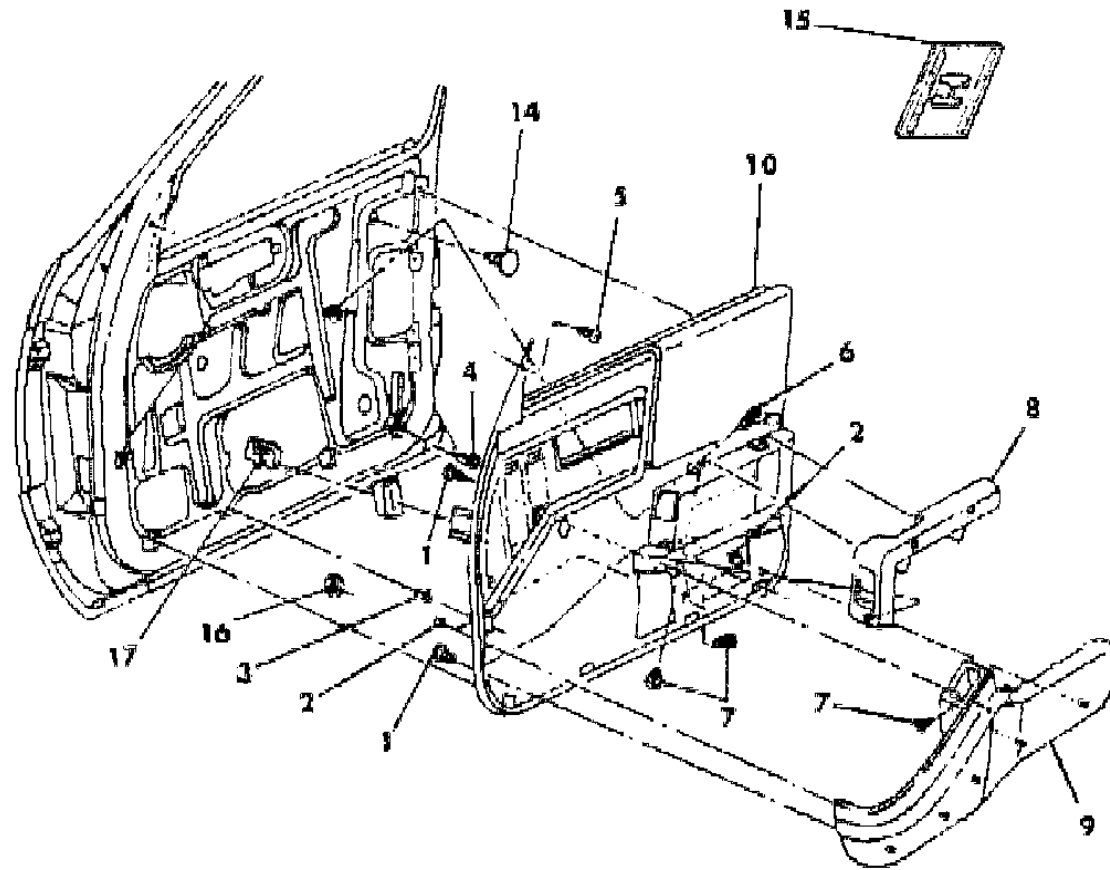
52-53 = FWD WAGON

AR = Use as Required - = Non Illustrated Part P.A.R. = Paint as Required

DOOR TRIM--FRONT H BODY
Figure ITH-900

ITEM	PART NUMBER	QTY	BODY	MODEL	DESCRIPTION
	D612 FS8	1			Charcoal, (HLS)
14	6016 144	4			FASTENER, Liner Attaching
15	6032 431	AR			FASTENER, Bolster Mounting
16	6501 353	AR			NUT, Pocket Panel
17	6501 292	4			CLIP, Panel Retaining Lower
18	2821 994	AR			RETAINER, Button

7240 800 A



MODEL CODES

E BODY = (J - CARAVELLE)(E - 600)(T - NEW YORKER)

G BODY = (V24 - DAYTONA)

H BODY = (D44 - LANCER)(C44 - LEBARON GTS)

J BODY = (C - LEBARON)

K BODY = (P - RELIANT)(D - ARIES)(C - LEBAROND)/TOWN & COUNTRY)

L BODY = (M - HORIZON/TURISMO)(Z - OMNI/CHARGER)

M BODY = (B - GRAN FURY)(F - FIFTH AVE/NEWPORT)(G - DIPLOMAT)

P BODY = (P - SUNDANCE)(D - SHADOW)

S BODY = (H - VOYAGER)(K - RAM VAN/CARAVAN)

BODY STYLES

12-13 = FWD VAN

21 = 2-DOOR SEDAN

24 = 2-DOOR HATCHBACK

27 = 2-DOOR CONVERTIBLE

41 = 4-DOOR SEDAN

44 = 4-DOOR HATCHBACK

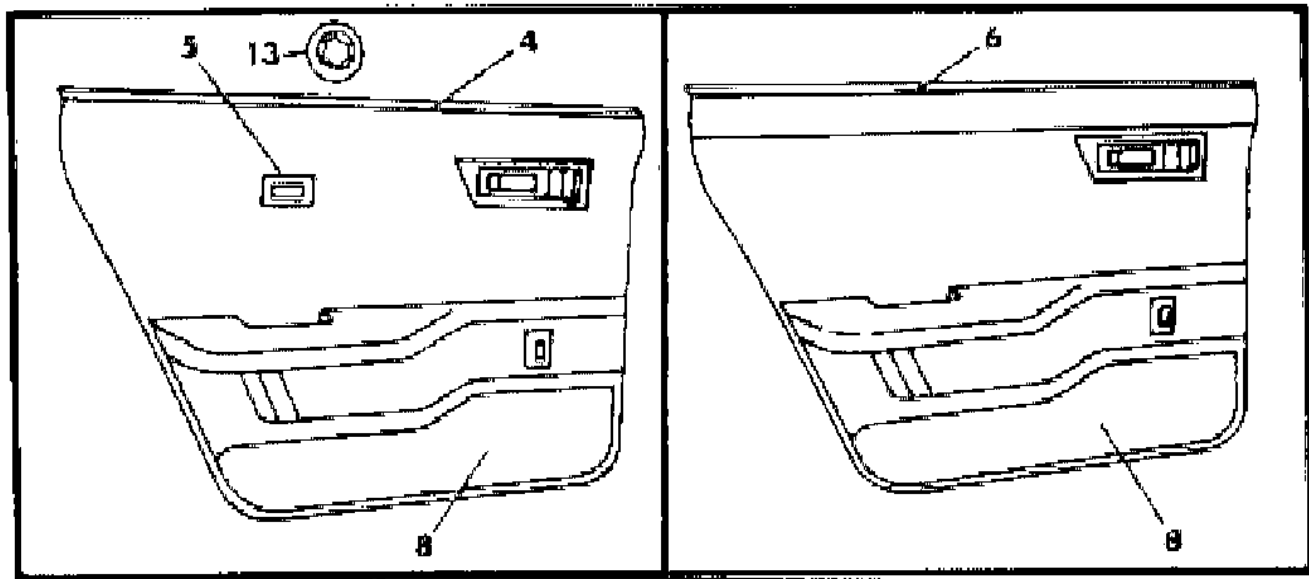
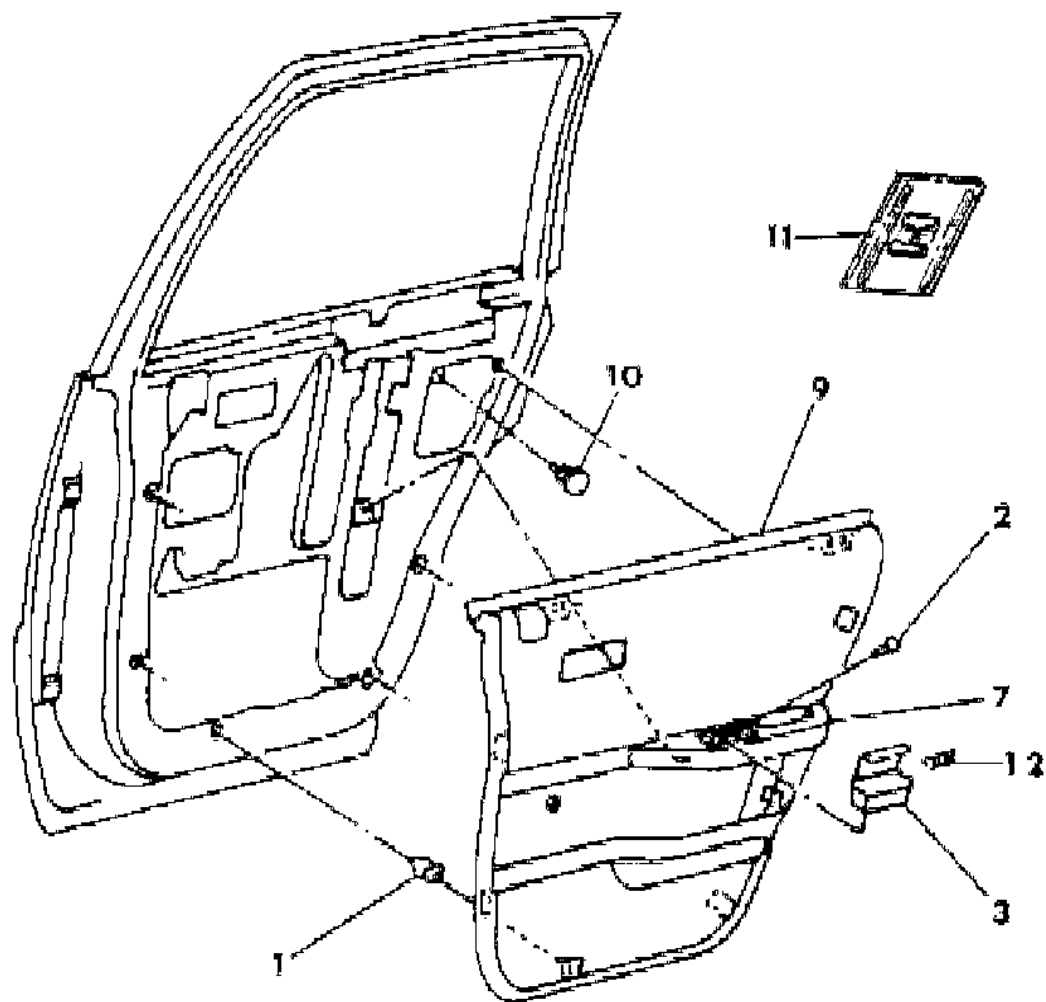
45 = 4-DOOR STATION WAGON

52-53 = FWD WAGON

AR = Use as Required - = Non Illustrated Part P.A.R. = Paint as Required

DOOR TRIM PANEL--REAR H BODY
Figure ITH-1000

7240 1000 A



ITEM	PART NUMBER	QTY	BODY	MODEL	DESCRIPTION
1	6501 352	12			FASTENER
2					SCREW, (10-16x3/4) (Not Serv.)
3					ASH RECEIVER
	D221 FC5	2			Blue
	D221 FE8	2			Cordovan
	D221 FK1	2			Almond
	D221 FS8	2			Charcoal
4					PANEL, Door Trim LEATHER
	J594-5 FC5	1			Blue, (HLC)
	J594-5 EE8	1			Cordovan, (HLE)
	J594-5 EK1	1			Almond, (HLK)
	J594-5 FS8	1			Charcoal, (HLS)
					CLOTH
	J406-7 FCC	1			Blue, (C7C)
	J406-7 EEE	1			Cordovan, (C7E)
	J406-7 EKK	1			Almond, (C7K)
	J406-7 FSA	1			Charcoal, (C7S)
5					BUTTON, Bolster
	D612 FC5	1			Blue, (HLC)
	D612 EE8	1			Cordovan, (HLE)
	D612 EK1	1			Almond, (HLK)
	D612 FS8	1			Charcoal, (HLS)
6					PANEL, Door Trim CLOTH
	J600-1 FC5	1			Blue, (D7C)
	J600-1 FE8	1			Cordovan, (D7E)
	J600-1 FK1	1			Almond, (D7K)
	J600-1 FS8	1			Charcoal, (D7S)
					CLOTH
	J404-5 FC5	1			Blue, (E7C)
	J404-5 FEE	1			Cordovan, (E7E)
	J404-5 EKK	1			Almond, (E7K)
	J404-5 FSA	1			Charcoal, (E7S)
7					ARMREST, w/Ash Receiver
	D524-5 FC5	1			Blue
	D524-5 EE8	1			Cordovan
	D524-5 EK1	1			Almond

MODEL CODES

E BODY = (J - CARAVELLE)(E - 600)(T - NEW YORKER)

G BODY = (V24 - DAYTONA)

H BODY = (D44 - LANCER)(C44 - LEBARON GTS)

J BODY = (C - LEBARON)

K BODY = (P - RELIANT)(D - ARIES)(C - LEBAROND)/TOWN & COUNTRY)

L BODY = (M - HORIZON/TURISMO)(Z - OMNI/CHARGER)

M BODY = (B - GRAN FURY)(F - FIFTH AVE/NEWPORT)(G - DIPLOMAT)

P BODY = (P - SUNDANCE)(D - SHADOW)

S BODY = (H - VOYAGER)(K - RAM VAN/CARAVAN)

BODY STYLES

12-13 = FWD VAN

21 = 2-DOOR SEDAN

24 = 2-DOOR HATCHBACK

27 = 2-DOOR CONVERTIBLE

41 = 4-DOOR SEDAN

44 = 4-DOOR HATCHBACK

45 = 4-DOOR STATION WAGON

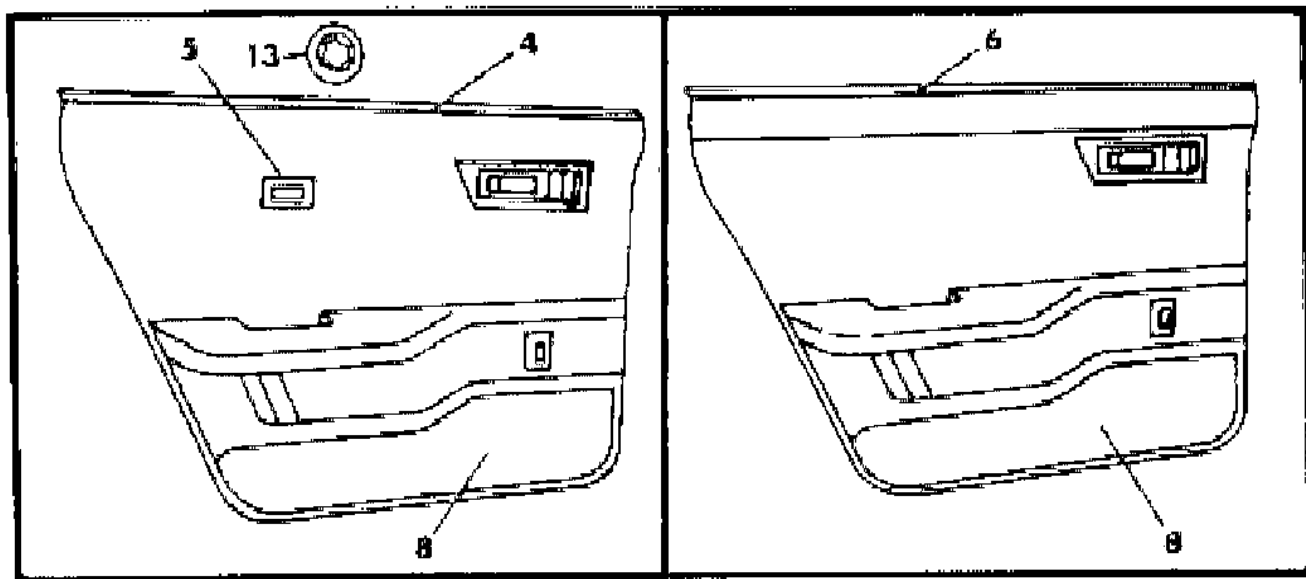
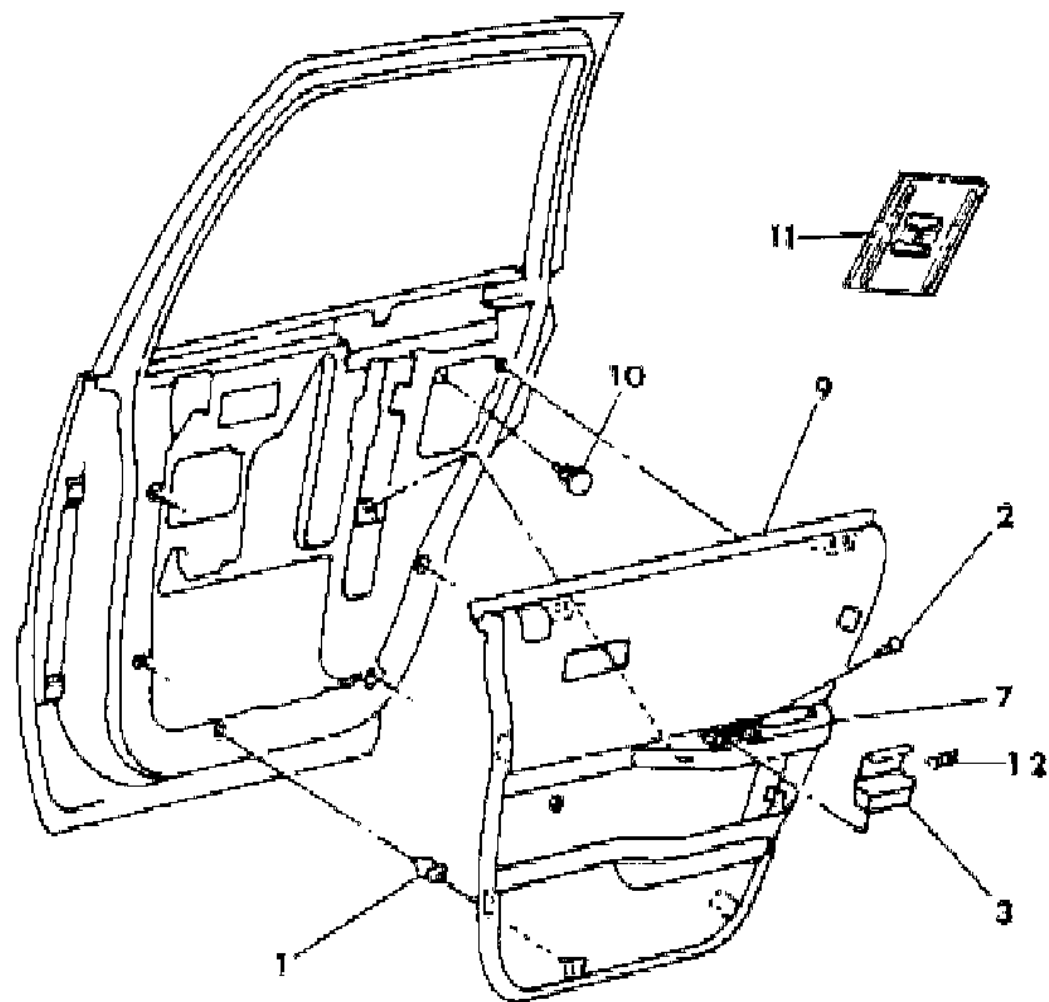
52-53 = FWD WAGON

AR = Use as Required - = Non Illustrated Part P.A.R. = Paint as Required

DOOR TRIM PANEL--REAR H BODY

Figure ITH-1000

7240 1000 A



ITEM	PART NUMBER	QTY	BODY	MODEL	DESCRIPTION
	D524-5 FS8	1			Charcoal
8					CARPET
	D380-1 FC5	1			Blue
	D380-1 EE8	1			Cordovan
	D380-1 EK1	1			Almond
	D380-1 FS8	1			Charcoal
9	4282 472-3	1			WEATHERSTRIP
10	6016 144	4			FASTENER, Liner
11	6032 431	AR			FASTENER, Bolster Attaching
12	4282 247	2			SPRING, Cover Ash Receiver
13	2821 994	2			RETAINER, Button

MODEL CODES

E BODY = (J - CARAVELLE)(E - 600)(T - NEW YORKER)

G BODY = (V24 - DAYTONA)

H BODY = (D44 - LANCER)(C44 - LEBARON GTS)

J BODY = (C - LEBARON)

K BODY = (P - RELIANT)(D - ARIES)(C - LEBAROND)/TOWN & COUNTRY)

L BODY = (M - HORIZON/TURISMO)(Z - OMNI/CHARGER)

M BODY = (B - GRAN FURY)(F - FIFTH AVE/NEWPORT)(G - DIPLOMAT)

P BODY = (P - SUNDANCE)(D - SHADOW)

S BODY = (H - VOYAGER)(K - RAM VAN/CARAVAN)

BODY STYLES

12-13 = FWD VAN

21 = 2-DOOR SEDAN

24 = 2-DOOR HATCHBACK

27 = 2-DOOR CONVERTIBLE

41 = 4-DOOR SEDAN

44 = 4-DOOR HATCHBACK

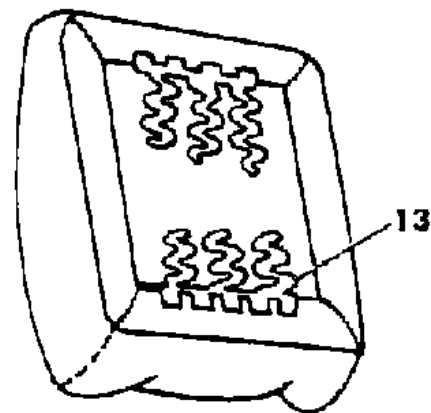
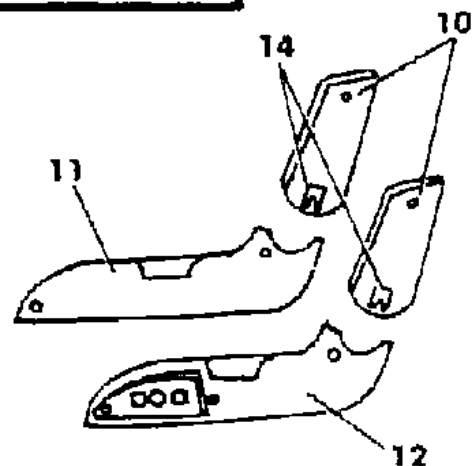
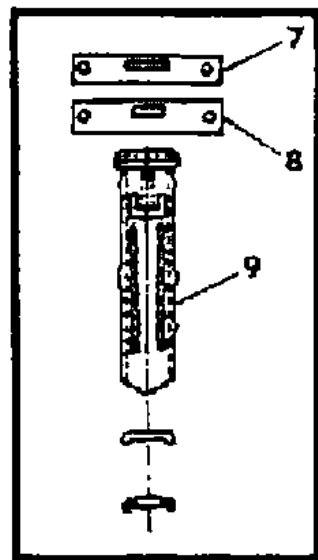
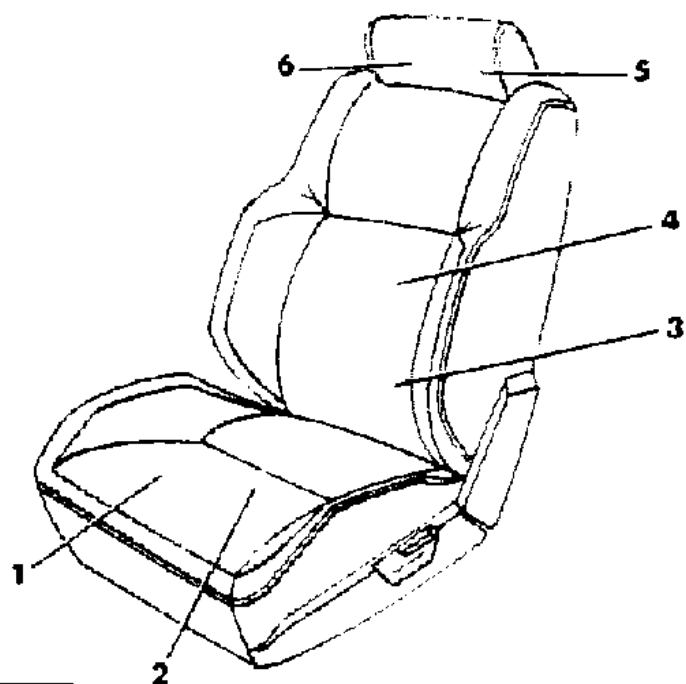
45 = 4-DOOR STATION WAGON

52-53 = FWD WAGON

AR = Use as Required - = Non Illustrated Part P.A.R. = Paint as Required

SEAT--FRONT H BODY TRIM CODE D7
Figure ITH-1100

7240 1100



ITEM	PART NUMBER	QTY	BODY	MODEL	DESCRIPTION
1-2					CUSHION, w/Spring/Frame, Pad and Cover
	E766-7 F7C	1			CLOTH Blue, (D7C)
	E766-7 E7E	1			Cordovan, (D7E)
	E766-7 E7K	1			Almond, (D7K)
	E766-7 F7S	1			Charcoal, (D7S)
	E841 F7C	1			ELECTRIC, Left Blue, (D7C)
	E841 E7E	1			Cordovan, (D7E)
	E841 E7K	1			Almond, (D7K)
	E841 F7S	1			Charcoal, (D7S)
2					COVER, Cushion
	E254-5 F7C	1			CLOTH Blue, (D7C)
	E254-5 E7E	1			Cordovan, (D7E)
	E254-5 E7K	1			Almond, (D7K)
	E254-5 F7S	1			Charcoal, (D7S)
3-4					BACK, w/Spring/frame, Pad and Cover
	E764-5 F7C	1			CLOTH Blue, (D7C)
	E764-5 E7E	1			Cordovan, (D7E)
	E764-5 E7K	1			Almond, (D7K)
	E764-5 F7S	1			Charcoal, (D7S)
4					COVER, Back
	E256-7 F7C	1			CLOTH Blue, (D7C)
	E256-7 E7E	1			Cordovan, (D7E)
	E256-7 E7K	1			Almond, (D7K)
	E256-7 F7S	1			Charcoal, (D7S)
5-6					HEADREST and COVER
	E768 FC5	2			BLUE, (D7C)
	E768 EE8	2			Cordovan, (D7E)
	E768 EK1	2			Almond, (D7K)
	E768 FS8	2			Charcoal, (D7S)
6					COVER, Headrest
	E260 FC5	2			Blue, (D7C)
	E260 EE8	2			Cordovan, (D7E)
	E260 EK1	2			Almond, (D7K)

MODEL CODES

E BODY = (J - CARAVELLE)(E - 600)(T - NEW YORKER)

G BODY = (V24 - DAYTONA)

H BODY = (D44 - LANCER)(C44 - LEBARON GTS)

J BODY = (C - LEBARON)

K BODY = (P - RELIANT)(D - ARIES)(C - LEBAROND)/TOWN & COUNTRY)

L BODY = (M - HORIZON/TURISMO)(Z - OMNI/CHARGER)

M BODY = (B - GRAN FURY)(F - FIFTH AVE/NEWPORT)(G - DIPLOMAT)

P BODY = (P - SUNDANCE)(D - SHADOW)

S BODY = (H - VOYAGER)(K - RAM VAN/CARAVAN)

BODY STYLES

12-13 = FWD VAN

21 = 2-DOOR SEDAN

24 = 2-DOOR HATCHBACK

27 = 2-DOOR CONVERTIBLE

41 = 4-DOOR SEDAN

44 = 4-DOOR HATCHBACK

45 = 4-DOOR STATION WAGON

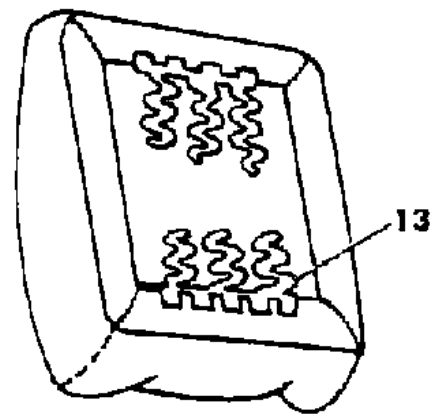
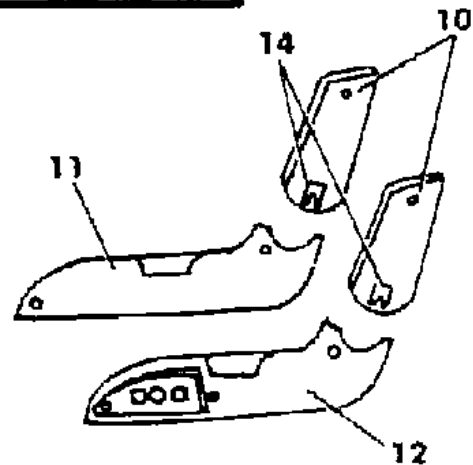
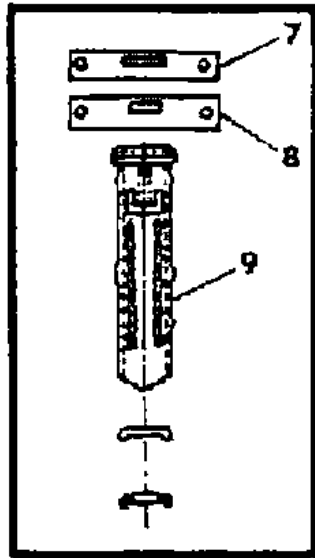
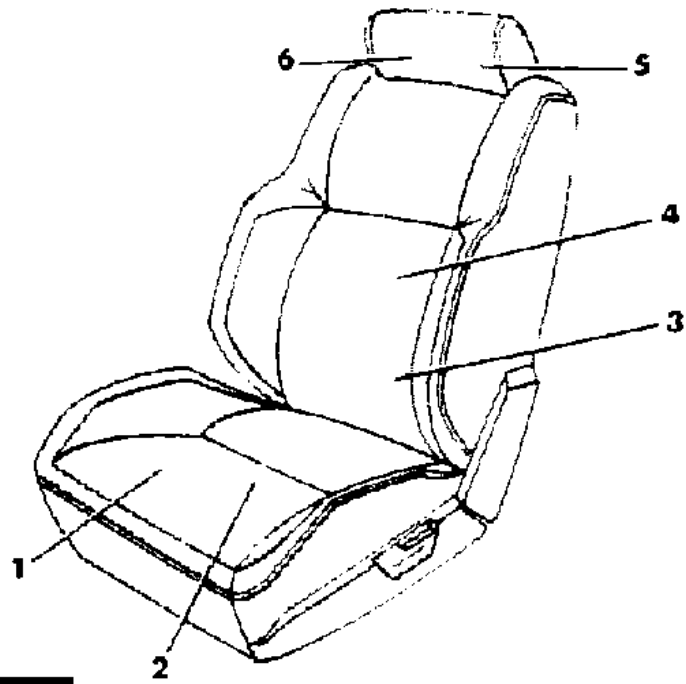
52-53 = FWD WAGON

AR = Use as Required - = Non Illustrated Part P.A.R. = Paint as Required

SEAT--FRONT H BODY TRIM CODE D7

Figure ITH-1100

724D 1100



ITEM	PART NUMBER	QTY	BODY	MODEL	DESCRIPTION
	E260 FS8	2			Charcoal, (D7S)
7	#4327 688	2			COVER, Headrest Finish
8	4190 387	2			SUPPORT, Headrest
9	S786 EC5	2			SLEEVE, Headrest
	S786 EE8	2			Blue, (D7C)
	S786 EE8	2			Cordovan, (D7E)
	S786 EK1	2			Almond, (D7K)
	S786 CS8	2			Charcoal, (D7S)
10					SHIELD, Back (P.A.R.)
					PASSENGER
	S996 FK1	1			Outboard
	S997 FK1	1			Inboard
					DRIVER
	S997 FK1	1			Outboard
	S996 FK1	1			Inboard
11					SHIELD, Cushion (P.A.R.)
					PASSENGER
	S262 FK1	1			Outboard
	S263 FK1	1			Inboard
					DRIVER
	S263 FK1	1			Outboard
	S262 FK1	1			Inboard
12	#S265 FK1	1			SHIELD, Cushion Outboard Electric
13	6008 076	AR			HOG RING
14	4317 800	AR			CLIP, Shield Attaching

NOTE: (P.A.R.) = Paint As Required

MODEL CODES

E BODY = (J - CARAVELLE)(E - 600)(T - NEW YORKER)

G BODY = (V24 - DAYTONA)

H BODY = (D44 - LANCER)(C44 - LEBARON GTS)

J BODY = (C - LEBARON)

K BODY = (P - RELIANT)(D - ARIES)(C - LEBAROND)/TOWN & COUNTRY)

L BODY = (M - HORIZON/TURISMO)(Z - OMNI/CHARGER)

M BODY = (B - GRAN FURY)(F - FIFTH AVE/NEWPORT)(G - DIPLOMAT)

P BODY = (P - SUNDANCE)(D - SHADOW)

S BODY = (H - VOYAGER)(K - RAM VAN/CARAVAN)

BODY STYLES

12-13 = FWD VAN

21 = 2-DOOR SEDAN

24 = 2-DOOR HATCHBACK

27 = 2-DOOR CONVERTIBLE

41 = 4-DOOR SEDAN

44 = 4-DOOR HATCHBACK

45 = 4-DOOR STATION WAGON

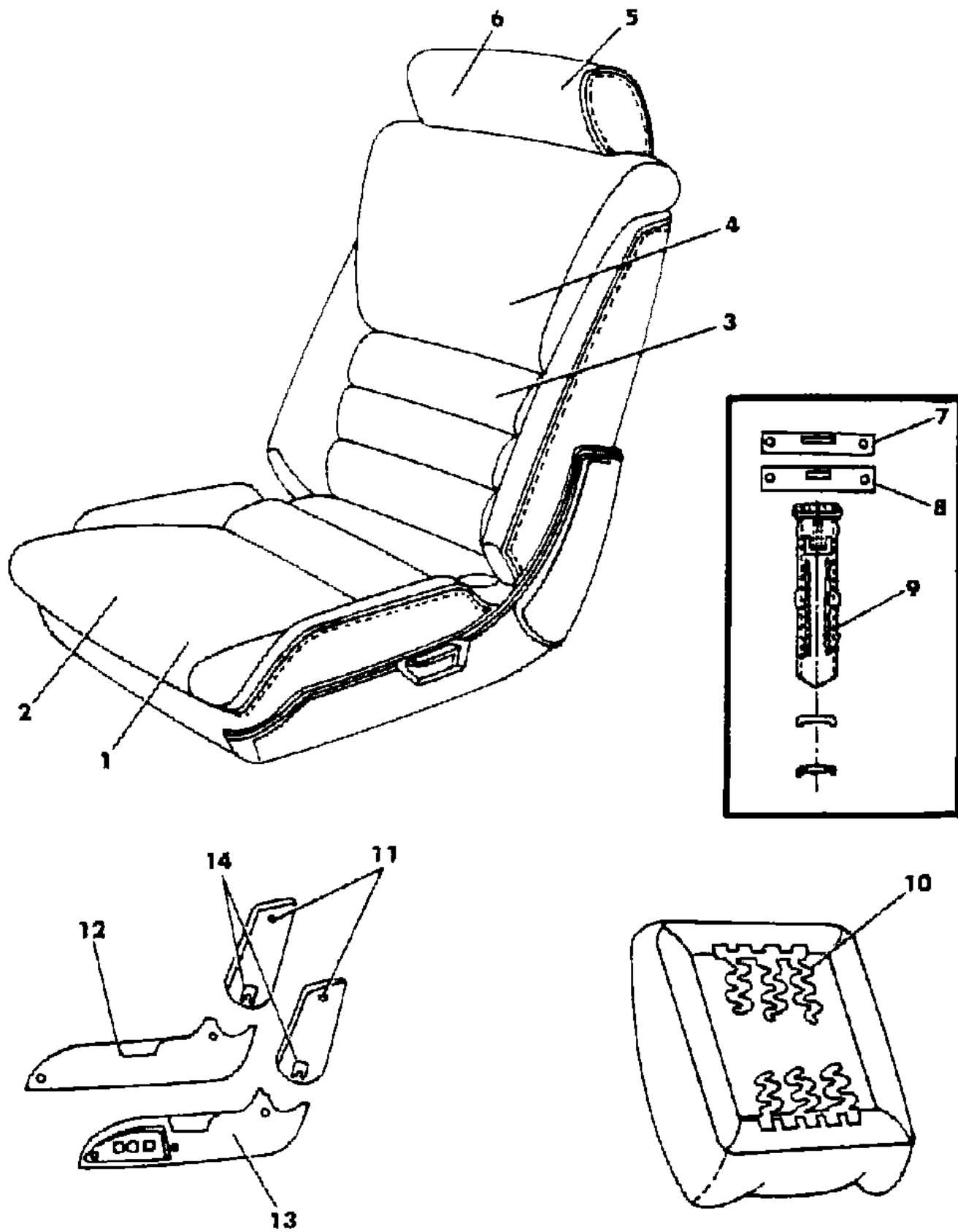
52-53 = FWD WAGON

AR = Use as Required - = Non Illustrated Part P.A.R. = Paint as Required

SEAT--FRONT H BODY TRIM CODE E7

Figure ITH-1200

7240 1200



ITEM	PART NUMBER	QTY	BODY	MODEL	DESCRIPTION
1-2					CUSHION, w/Spring/Frame, Pad and Cover
					CLOTH
					Right
	B700 F7C	1			Blue, (E7C)
	B700 F7E	1			Cordovan, (E7E)
	B700 E7K	1			Almond, (E7K)
	B700 F7S	1			Charcoal, (E7S)
					Left
					Manual
	B703 F7C	1			Blue, (E7C)
	B703 F7E	1			Cordovan, (E7E)
	B703 E7K	1			Almond, (E7K)
	B703 F7S	1			Charcoal, (E7S)
					ELECTRIC
	B821 F7C	1			Blue,(E7C)
	B821 F7E	1			Cordovan, (E7E)
	B821 E7K	1			Almond, (E7K)
	B821 F7S	1			Charcoal, (E7S)
2					COVER and PAD
					CLOTH
					Right
	B542 F7C	1			Blue, (E7C)
	B542 F7E	1			Cordovan, (E7E)
	B542 E7K	1			Almond, (E7K)
	B542 F7S	1			Charcoal, (E7S)
					Left
	B543 F7C	1			Blue, (E7C)
	B543 F7E	1			Cordovan, (E7E)
	B543 E7K	1			Almond, (E7K)
	B543 F7S	1			Charcoal, (E7S)
3-4					BACK, w/Spring/Frame, Pad and Cover
					CLOTH
					Right
	B704 F7C	1			Blue, (E7C)
	B704 F7E	1			Cordovan, (E7E)
	B704 E7K	1			Almond, (E7K)
	B704 F7S	1			Charcoal, (E7S)
					Left

MODEL CODES

E BODY = (J - CARAVELLE)(E - 600)(T - NEW YORKER)

G BODY = (V24 - DAYTONA)

H BODY = (D44 - LANCER)(C44 - LEBARON GTS)

J BODY = (C - LEBARON)

K BODY = (P - RELIANT)(D - ARIES)(C - LEBAROND)/TOWN & COUNTRY)

L BODY = (M - HORIZON/TURISMO)(Z - OMNI/CHARGER)

M BODY = (B - GRAN FURY)(F - FIFTH AVE/NEWPORT)(G - DIPLOMAT)

P BODY = (P - SUNDANCE)(D - SHADOW)

S BODY = (H - VOYAGER)(K - RAM VAN/CARAVAN)

BODY STYLES

12-13 = FWD VAN

21 = 2-DOOR SEDAN

24 = 2-DOOR HATCHBACK

27 = 2-DOOR CONVERTIBLE

41 = 4-DOOR SEDAN

44 = 4-DOOR HATCHBACK

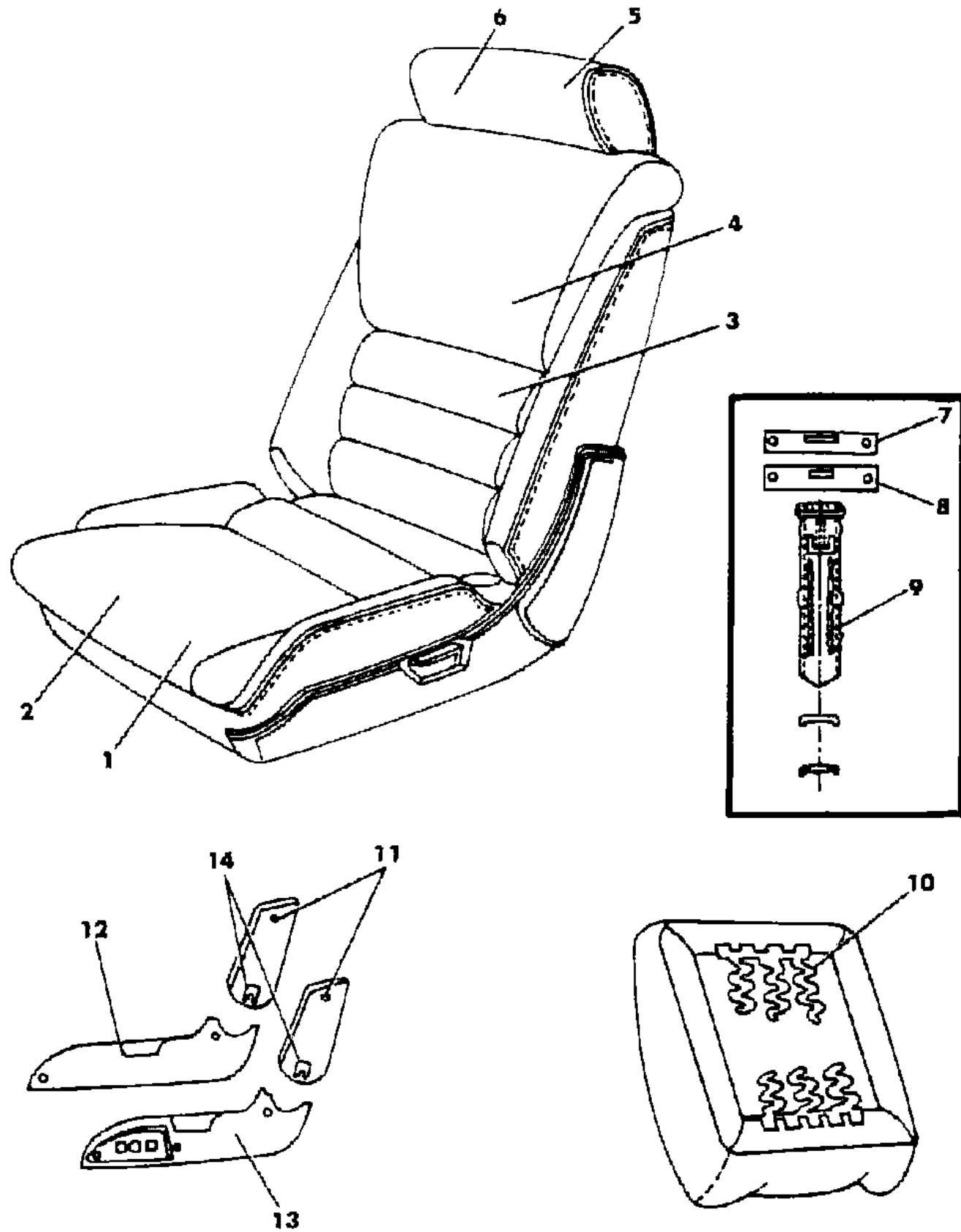
45 = 4-DOOR STATION WAGON

52-53 = FWD WAGON

AR = Use as Required - = Non Illustrated Part P.A.R. = Paint as Required

SEAT--FRONT H BODY TRIM CODE E7
Figure ITH-1200

7240 1200



ITEM	PART NUMBER	QTY	BODY	MODEL	DESCRIPTION
	B707 F7C	1			Blue, (E7C)
	B707 F7E	1			Cordovan, (E7E)
	B707 E7K	1			Almond, (E7K)
	B707 F7S	1			Charcoal, (E7S)
4					COVER and PAD, Back CLOTH
	B514-5 F7C	1			Blue, (E7C)
	B514-5 F7E	1			Cordovan, (E7E)
	B514-5 E7K	1			Almond, (E7K)
	B514-5 F7S	1			Charcoal, (E7S)
5					HEADREST and COVER
	B706 FC5	2			Blue, (E7C)
	B706 FEE	2			Cordovan, (E7E)
	B706 EKK	2			Almond, (E7K)
	B706 FAS	2			Charcoal, (E7S)
6					COVER, Headrest
	B517 F7C	2			Blue, (E7C)
	B517 F7E	2			Cordovan, (E7E)
	B517 E7K	2			Almond, (E7K)
	B517 F7S	2			Charcoal, (E7S)
7	#4327 688	2			COVER, Headrest Finish
8	4190 387	2			SUPPORT, Headrest
9					SLEEVE, Headrest
	S786 EC5	2			Blue, (E7C)
	S786 EE8	2			Cordovan, (E7E)
	S786 EK1	2			Almond, (E7K)
	S786 CS8	2			Charcoal, (E7S)
10	6008 076	AR			HOG RING
11					SHIELD, Back (P.A.R.)
					PASSENGER
	S996 FK1	1			Outboard
	S997 FK1	1			Inboard
					DRIVER
	S997 FK1	1			Outboard
	S996 FK1	1			Inboard
12					SHIELD, Cushion (P.A.R.)
					PASSENGER
	S262 FK1	1			Outboard

MODEL CODES

E BODY = (J - CARAVELLE)(E - 600)(T - NEW YORKER)

G BODY = (V24 - DAYTONA)

H BODY = (D44 - LANCER)(C44 - LEBARON GTS)

J BODY = (C - LEBARON)

K BODY = (P - RELIANT)(D - ARIES)(C - LEBAROND)/TOWN & COUNTRY)

L BODY = (M - HORIZON/TURISMO)(Z - OMNI/CHARGER)

M BODY = (B - GRAN FURY)(F - FIFTH AVE/NEWPORT)(G - DIPLOMAT)

P BODY = (P - SUNDANCE)(D - SHADOW)

S BODY = (H - VOYAGER)(K - RAM VAN/CARAVAN)

BODY STYLES

12-13 = FWD VAN

21 = 2-DOOR SEDAN

24 = 2-DOOR HATCHBACK

27 = 2-DOOR CONVERTIBLE

41 = 4-DOOR SEDAN

44 = 4-DOOR HATCHBACK

45 = 4-DOOR STATION WAGON

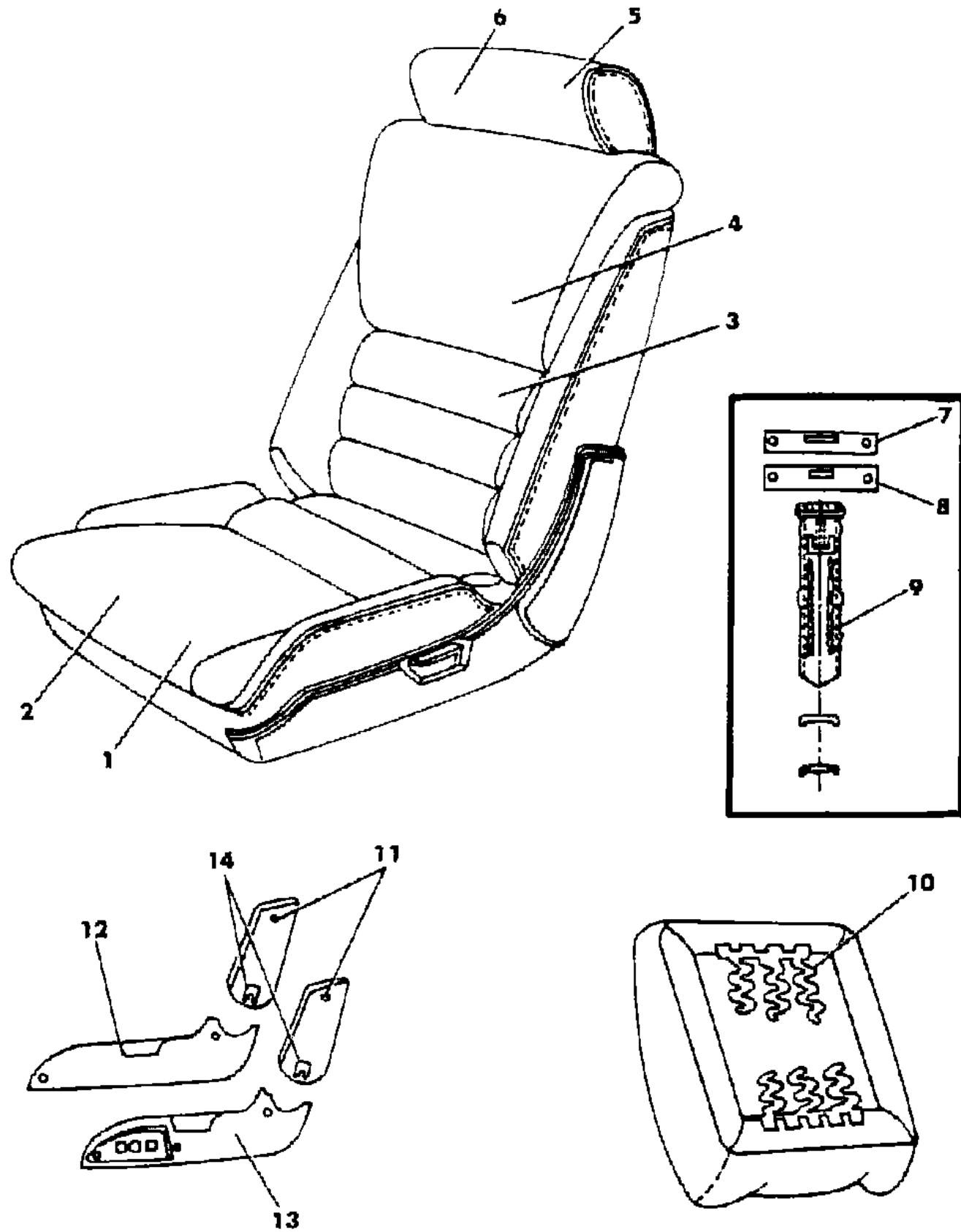
52-53 = FWD WAGON

AR = Use as Required - = Non Illustrated Part P.A.R. = Paint as Required

SEAT--FRONT H BODY TRIM CODE E7

Figure ITH-1200

7240 1200



ITEM	PART NUMBER	QTY	BODY	MODEL	DESCRIPTION
	S263 FK1	1			Inboard DRIVER
	S263 FK1	1			Outboard
	S262 FK1	1			Inboard
	S265 FK1	1			SHIELD, Cushion Electric (P.A.R.)
14	4317 800	AR			CLIP, Shield Attaching NOTE: (P.A.R.) = Paint As Required

MODEL CODES
 E BODY = (J - CARAVELLE)(E - 600)(T - NEW YORKER)
 G BODY = (V24 - DAYTONA)
 H BODY = (D44 - LANCER)(C44 - LEBARON GTS)
 J BODY = (C - LEBARON)
 K BODY = (P - RELIANT)(D - ARIES)(C - LEBAROND)/TOWN & COUNTRY
 L BODY = (M - HORIZON/TURISMO)(Z - OMNI/CHARGER)
 M BODY = (B - GRAN FURY)(F - FIFTH AVE/NEWPORT)(G - DIPLOMAT)
 P BODY = (P - SUNDANCE)(D - SHADOW)
 S BODY = (H - VOYAGER)(K - RAM VAN/CARAVAN)

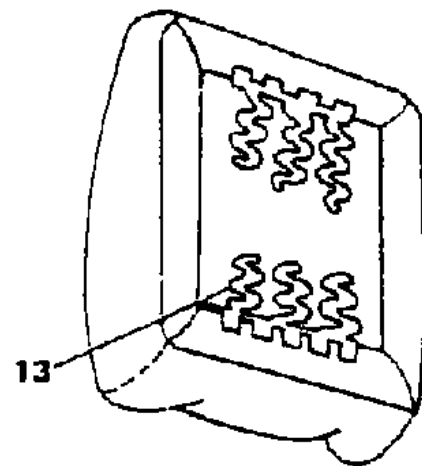
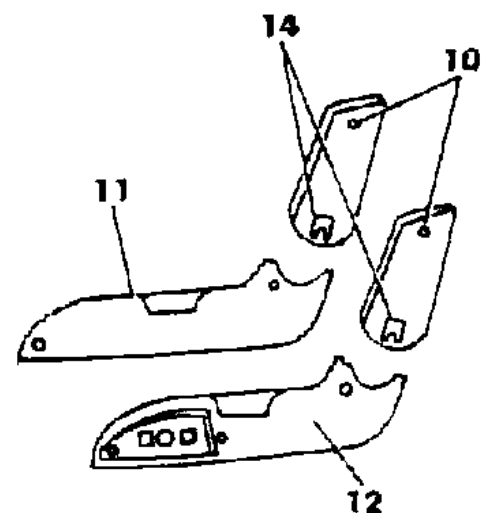
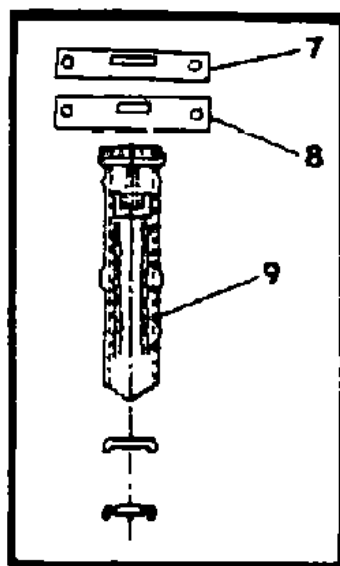
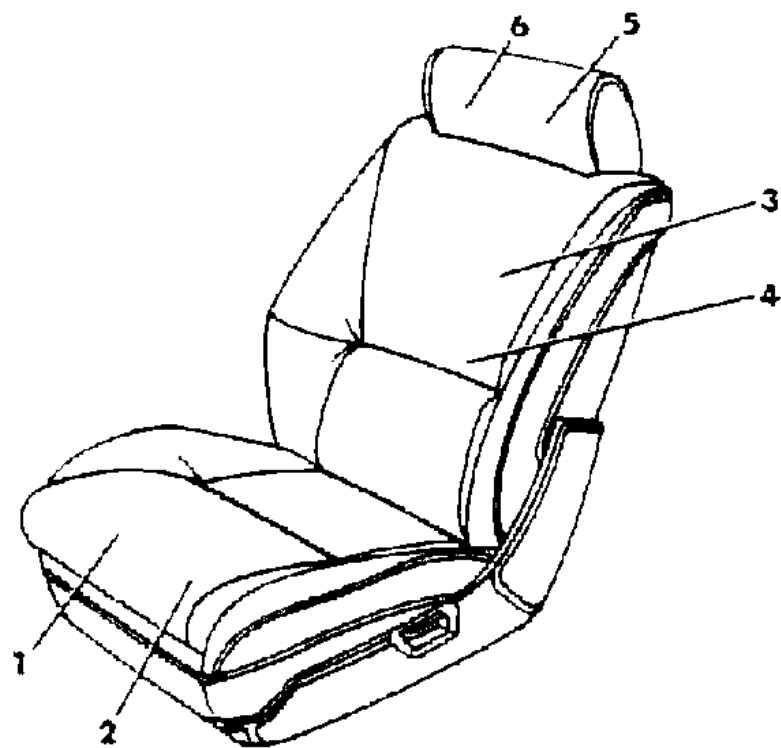
BODY STYLES
 12-13 = FWD VAN
 21 = 2-DOOR SEDAN
 24 = 2-DOOR HATCHBACK
 27 = 2-DOOR CONVERTIBLE
 41 = 4-DOOR SEDAN
 44 = 4-DOOR HATCHBACK
 45 = 4-DOOR STATION WAGON
 52-53 = FWD WAGON

AR = Use as Required - = Non Illustrated Part P.A.R. = Paint as Required

SEAT--FRONT H BODY TRIM CODE C7

Figure ITH-1300

7240 1300



ITEM	PART NUMBER	QTY	BODY	MODEL	DESCRIPTION
1-2					CUSHION, w/Spring/Frame, Pad and Cover
					CLOTH
					Manual
	E802-3 F7C	1			Blue, (C7C)
	E802-3 E7E	1			Cordovan, (C7E)
	E802-3 E7K	1			Almond, (C7K)
	E802-3 F7S	1			Charcoal, (C7S)
	E839 F7C	1			ELECTRIC, Left
	E839 E7E	1			Blue, (C7C)
	E839 E7K	1			Cordovan, (C7E)
	E839 E7K	1			Almond, (C7K)
	E839 F7S	1			Charcoal, (C7S)
2					COVER, Cushion
					CLOTH
	E200-1 F7C	1			Blue, (C7C)
	E200-1 E7E	1			Cordovan, (C7E)
	E200-1 E7E	1			Almond, (C7K)
	E200-1 F7S	1			Charcoal, (C7S)
3-4					BACK, w/Spring/Frame, Pad and Cover
					CLOTH
	E800-1 F7C	1			Blue, (C7C)
	E800-1 E7E	1			Cordovan, (C7E)
	E800-1 E7K	1			Almond, (C7K)
	E800-1 F7S	1			Charcoal, (C7S)
4					COVER, Less Pad Back
					CLOTH
	E202-3 F7C	1			Blue, (C7C)
	E202-3 E7E	1			Cordovan, (C7E)
	E202-3 E7K	1			Almond, (E7K)
	E202-3 F7S	1			Charcoal, (C7S)
5					HEADREST and COVER
	E770 FCC	2			Blue, (C7C)
	E770 EEE	2			Cordovan, (C7E)
	E770 EKK	2			Almond, (C7K)
	E770 FAS	2			Charcoal, (C7S)
6					COVER, Headrest
	E261 FCC	2			Blue, (C7C)
	E261 EEE	2			Cordovan, (C7E)

MODEL CODES

E BODY = (J - CARAVELLE)(E - 600)(T - NEW YORKER)

G BODY = (V24 - DAYTONA)

H BODY = (D44 - LANCER)(C44 - LEBARON GTS)

J BODY = (C - LEBARON)

K BODY = (P - RELIANT)(D - ARIES)(C - LEBAROND)/TOWN & COUNTRY)

L BODY = (M - HORIZON/TURISMO)(Z - OMNI/CHARGER)

M BODY = (B - GRAN FURY)(F - FIFTH AVE/NEWPORT)(G - DIPLOMAT)

P BODY = (P - SUNDANCE)(D - SHADOW)

S BODY = (H - VOYAGER)(K - RAM VAN/CARAVAN)

BODY STYLES

12-13 = FWD VAN

21 = 2-DOOR SEDAN

24 = 2-DOOR HATCHBACK

27 = 2-DOOR CONVERTIBLE

41 = 4-DOOR SEDAN

44 = 4-DOOR HATCHBACK

45 = 4-DOOR STATION WAGON

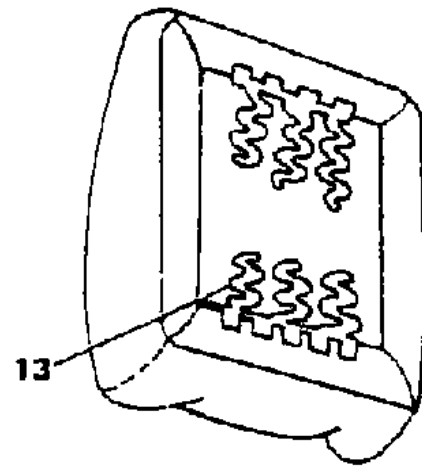
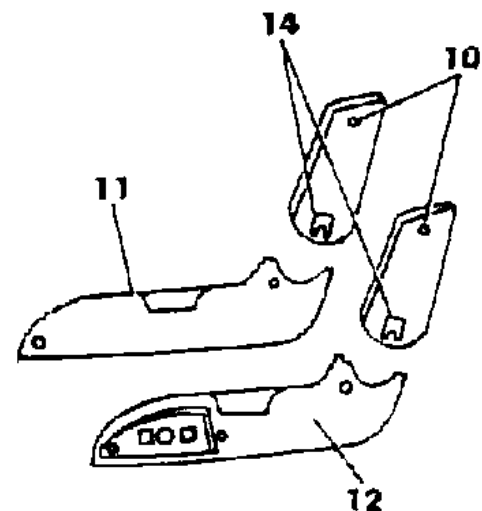
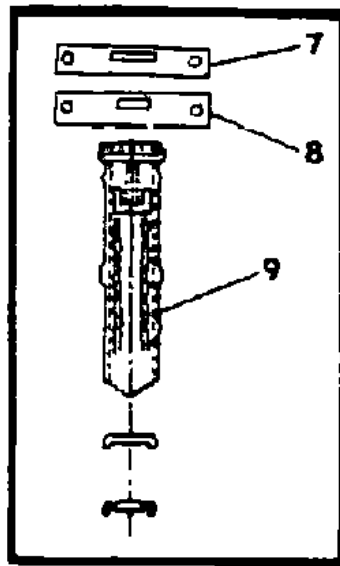
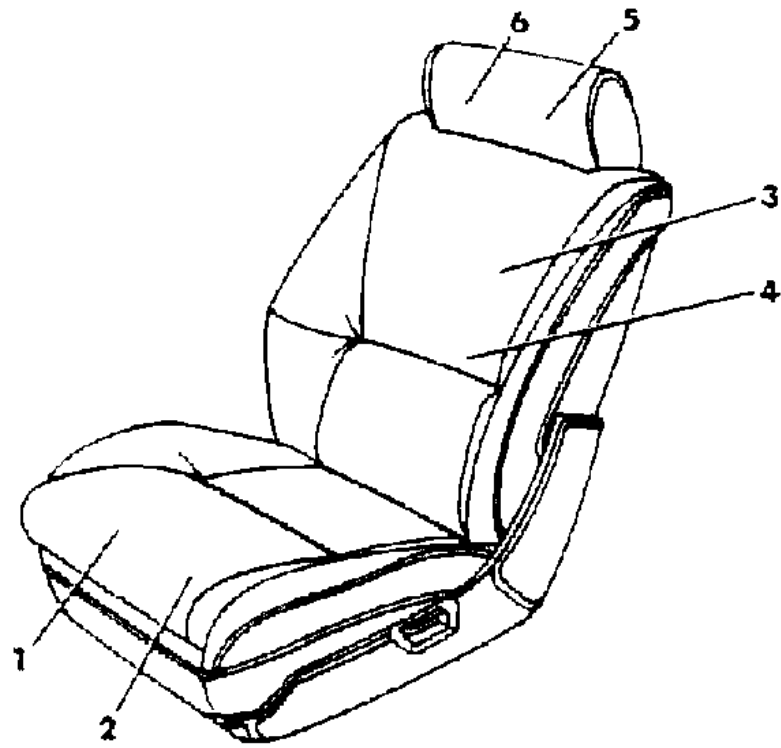
52-53 = FWD WAGON

AR = Use as Required - = Non Illustrated Part P.A.R. = Paint as Required

SEAT--FRONT H BODY TRIM CODE C7

Figure ITH-1300

7240 1300



ITEM	PART NUMBER	QTY	BODY	MODEL	DESCRIPTION
	E261 EKK	2			Almond, (C7K)
	E261 FAS	2			Charcoal, (C7S)
7	#4327 688	2			COVER, Headrest Finish
8	4190 387	2			SUPPORT, Headrest
9					SLEEVE, Headrest
	S786 EC5	2			Blue, (C7C)
	S786 EE8	2			Cordovan, (C7E)
	S786 EK1	2			Almond, (C7K)
	S786 CS8	2			Charcoal, (C7S)
10					SHIELD, Back (P.A.R.) PASSENGER
	S996 FK1	1			Outboard
	S997 FK1	1			Inboard
					DRIVER
	S997 FK1	1			Outboard
	S996 FK1	1			Inboard
11					SHIELD, Cushion (P.A.R.) PASSENGER
	S262 FK1	1			Outboard
	S263 FK1	1			Inboard
					DRIVER
	S263 FK1	1			Outboard
	S262 FK1	1			Inboard
12	#S265 FK1	1			SHIELD, Cushion Electric (P.A.R.)
13	6008 076	AR			HOG RING
14	4317 800	AR			CLIP, Shield Attaching

NOTE: (P.A.R.) = Paint As Required

MODEL CODES

E BODY = (J - CARAVELLE)(E - 600)(T - NEW YORKER)

G BODY = (V24 - DAYTONA)

H BODY = (D44 - LANCER)(C44 - LEBARON GTS)

J BODY = (C - LEBARON)

K BODY = (P - RELIANT)(D - ARIES)(C - LEBAROND)/TOWN & COUNTRY)

L BODY = (M - HORIZON/TURISMO)(Z - OMNI/CHARGER)

M BODY = (B - GRAN FURY)(F - FIFTH AVE/NEWPORT)(G - DIPLOMAT)

P BODY = (P - SUNDANCE)(D - SHADOW)

S BODY = (H - VOYAGER)(K - RAM VAN/CARAVAN)

BODY STYLES

12-13 = FWD VAN

21 = 2-DOOR SEDAN

24 = 2-DOOR HATCHBACK

27 = 2-DOOR CONVERTIBLE

41 = 4-DOOR SEDAN

44 = 4-DOOR HATCHBACK

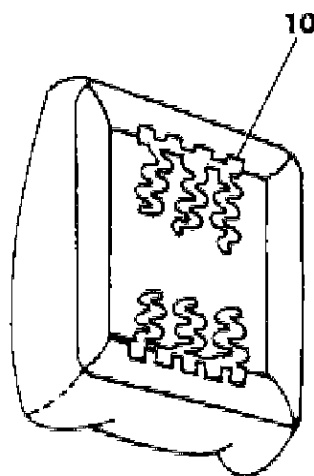
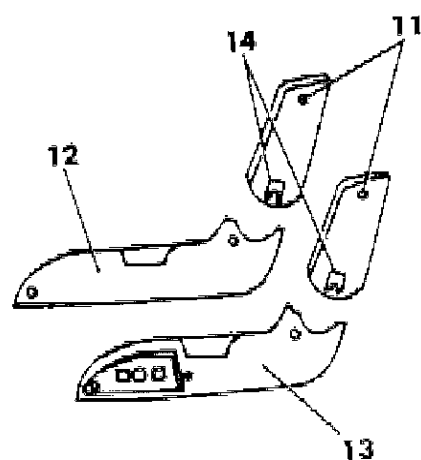
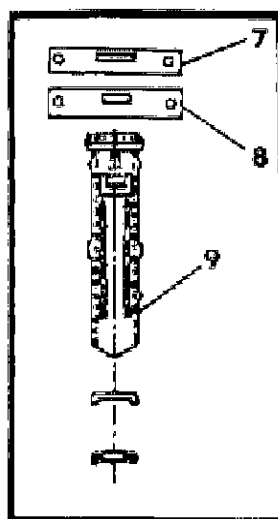
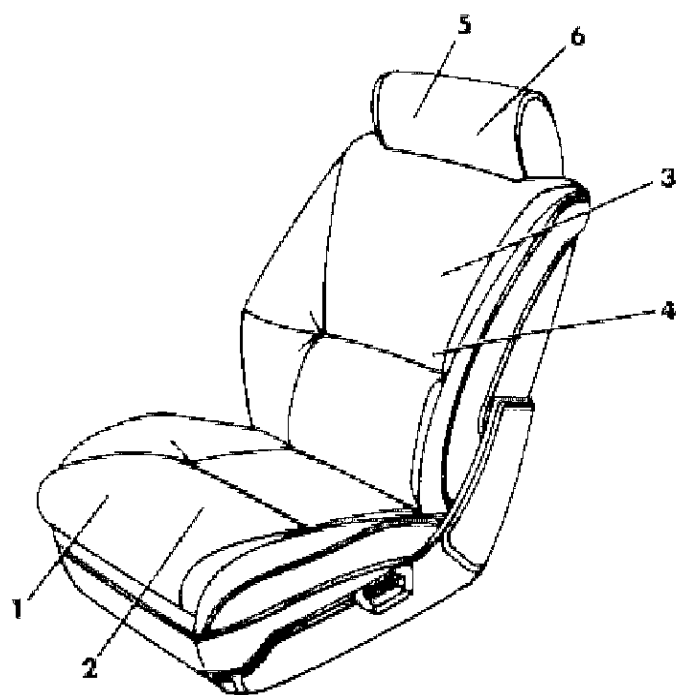
45 = 4-DOOR STATION WAGON

52-53 = FWD WAGON

AR = Use as Required - = Non Illustrated Part P.A.R. = Paint as Required

SEAT--FRONT H BODY TRIM CODE HL
Figure ITH-1400

7240 1400



ITEM	PART NUMBER	QTY	BODY	MODEL	DESCRIPTION
1-2					CUSHION, w/Spring/Frame, Pad and Cover
					LEATHER
					Manual
	E808-9 FLC	1			Blue, (HLC)
	E808-9 ELE	1			Cordovan, (HLE)
	E808-9 ELK	1			Almond, (HLK)
	E808-9 FLS	1			Charcoal, (HLS)
					ELECTRIC, Left
					Leather
	E837 FLC	1			Blue, (HLC)
	E837 ELE	1			Cordovan, (HLE)
	E837 ELK	1			Almond, (HLK)
	E837 FLS	1			Charcoal, (HLS)
2					COVER, Cushion
					LEATHER
	E208-9 FLC	1			Blue, (HLC)
	E208-9 ELE	1			Cordovan, (HLE)
	E208-9 ELK	1			Almond, (HLK)
	E208-9 FLS	1			Charcoal, (HLS)
3-4					BACK, w/Spring/Frame, Pad and Cover
					LEATHER
	E806-7 FLC	1			Blue, (HLC)
	E806-7 ELE	1			Cordovan, (HLE)
	E806-7 ELK	1			Almond, (HLK)
	E806-7 FLS	1			Charcoal, (HLS)
4					COVER, Less Pad Back
					LEATHER
	E210-1 FLC	1			Blue, (HLC)
	E210-1 ELE	1			Cordovan, (HLE)
	E210-1 ELK	1			Almond, (HLK)
	E210-1 FLS	1			Charcoal, (HLS)
5-6					HEADREST and COVER
	E772 FC5	2			Blue, (HLC)
	E772 EE8	2			Cordovan, (HLE)
	E772 EK1	2			Almond, (HLK)
	E772 FS8	2			Charcoal, (HLS)
6					COVER, Headrest
	E262 FC5	2			Blue, (HLC)

MODEL CODES

E BODY = (J - CARAVELLE)(E - 600)(T - NEW YORKER)

G BODY = (V24 - DAYTONA)

H BODY = (D44 - LANCER)(C44 - LEBARON GTS)

J BODY = (C - LEBARON)

K BODY = (P - RELIANT)(D - ARIES)(C - LEBAROND)/TOWN & COUNTRY)

L BODY = (M - HORIZON/TURISMO)(Z - OMNI/CHARGER)

M BODY = (B - GRAN FURY)(F - FIFTH AVE/NEWPORT)(G - DIPLOMAT)

P BODY = (P - SUNDANCE)(D - SHADOW)

S BODY = (H - VOYAGER)(K - RAM VAN/CARAVAN)

BODY STYLES

12-13 = FWD VAN

21 = 2-DOOR SEDAN

24 = 2-DOOR HATCHBACK

27 = 2-DOOR CONVERTIBLE

41 = 4-DOOR SEDAN

44 = 4-DOOR HATCHBACK

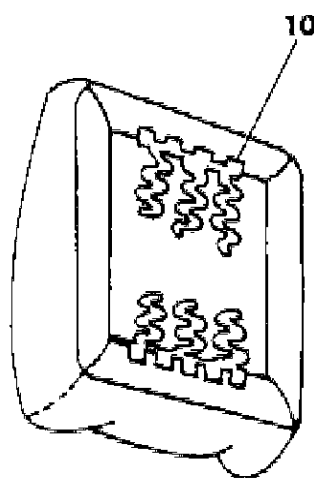
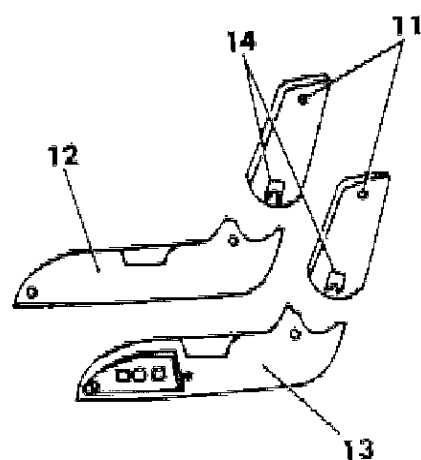
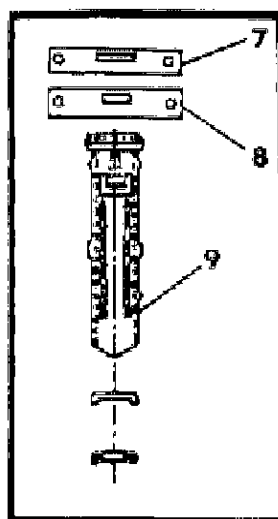
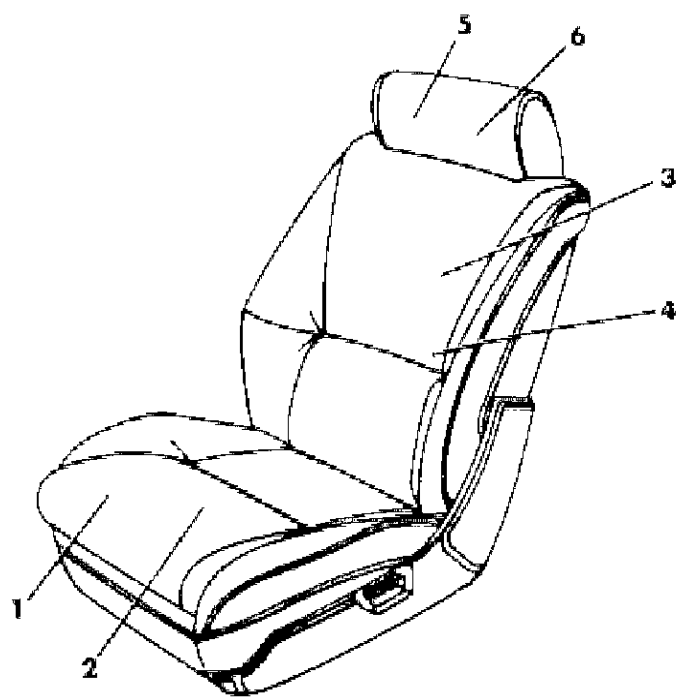
45 = 4-DOOR STATION WAGON

52-53 = FWD WAGON

AR = Use as Required - = Non Illustrated Part P.A.R. = Paint as Required

SEAT--FRONT H BODY TRIM CODE HL
Figure ITH-1400

7240 1400



ITEM	PART NUMBER	QTY	BODY	MODEL	DESCRIPTION
	E262 EE8	2			Cordovan, (HLE)
	E262 EK1	2			Almond, (HLK)
	E262 FS8	2			Charcoal, (HLS)
7	#4327 688	2			COVER, Headrest Finish
8	4190 387	2			SUPPORT, Headrest
9					SLEEVE, Headrest
	S786 EC5	2			Blue, (HLC)
	S786 EE8	2			Cordovan, (HLE)
	S786 EK1	2			Almond, (HLK)
	S786 CS8	2			Charcoal, (HLS)
10	6008 076	AR			HOG RING
11					SHIELD, Back (P.A.R.) PASSENGER
	S996 FK1	1			Outboard
	S997 FK1	1			Inboard DRIVER
	S997 FK1	1			Outboard
	S996 FK1	1			Inboard
12					SHIELD, Cushion (P.A.R.) PASSENGER
	S262 FK1	1			Outboard
	S263 FK1	1			Inboard DRIVER
	S263 FK1	1			Outboard
	S262 FK1	1			Inboard
13	#S265 FK1	1			SHIELD, Cushion Electric (P.A.R.)
14	4317 800	AR			CLIP, Shield Attaching NOTE: (P.A.R.) = Paint As Required

MODEL CODES

E BODY = (J - CARAVELLE)(E - 600)(T - NEW YORKER)

G BODY = (V24 - DAYTONA)

H BODY = (D44 - LANCER)(C44 - LEBARON GTS)

J BODY = (C - LEBARON)

K BODY = (P - RELIANT)(D - ARIES)(C - LEBAROND)/TOWN & COUNTRY)

L BODY = (M - HORIZON/TURISMO)(Z - OMNI/CHARGER)

M BODY = (B - GRAN FURY)(F - FIFTH AVE/NEWPORT)(G - DIPLOMAT)

P BODY = (P - SUNDANCE)(D - SHADOW)

S BODY = (H - VOYAGER)(K - RAM VAN/CARAVAN)

BODY STYLES

12-13 = FWD VAN

21 = 2-DOOR SEDAN

24 = 2-DOOR HATCHBACK

27 = 2-DOOR CONVERTIBLE

41 = 4-DOOR SEDAN

44 = 4-DOOR HATCHBACK

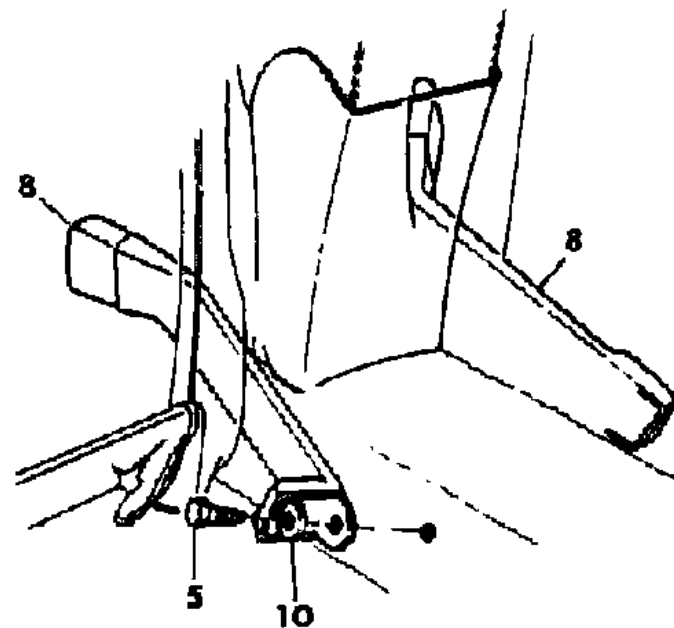
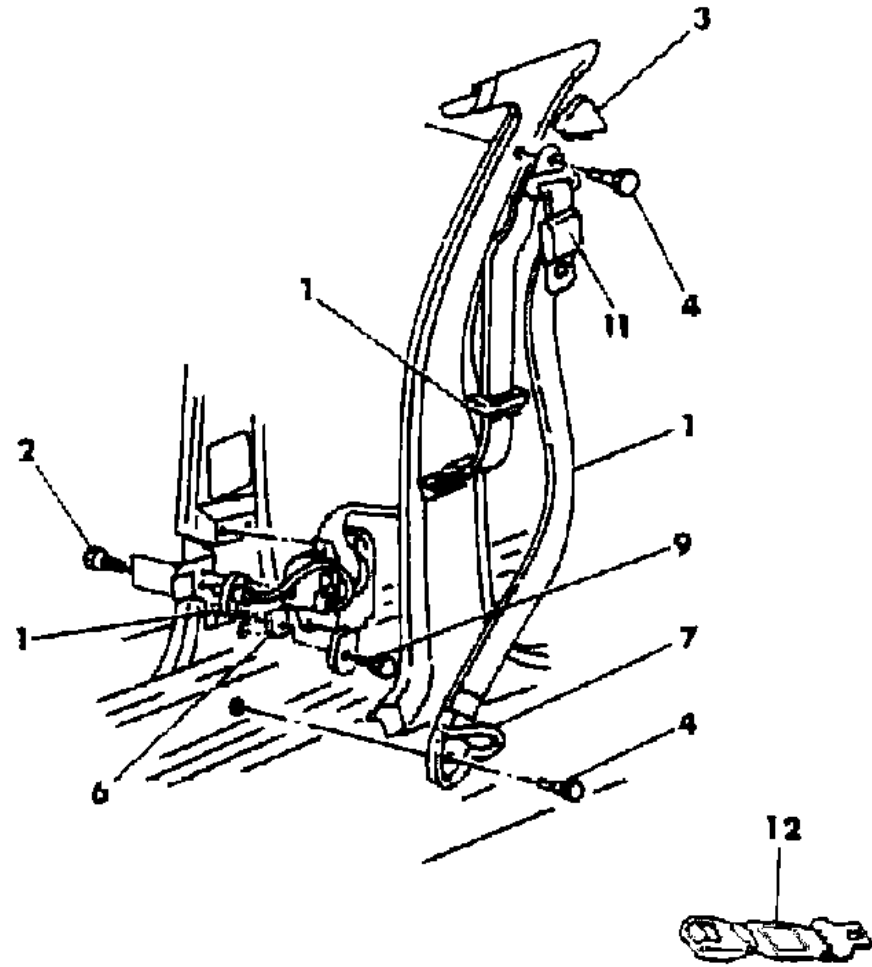
45 = 4-DOOR STATION WAGON

52-53 = FWD WAGON

AR = Use as Required - = Non Illustrated Part P.A.R. = Paint as Required

BELT--FRONT SEAT H BODY
Figure ITH-1500

7240 1500 A



ITEM	PART NUMBER	QTY	BODY	MODEL	DESCRIPTION
1					BELT, Outer
					LABEL NUMBER 4317022-3
	F864-5 FC5	1			Blue
	F864-5 EE8	1			Cordovan
	F864-5 EK1	1			Almond
	F864-5 FS8	1			Charcoal
2					SCREW, (10-16x3/4) (Not Serv.)
3					COVER, Turning Loop
	F700 CA3	2			Silver
	F700 EC5	2			Blue
	F700 EE8	2			Cordovan
	F700 EK1	2			Almond
	F700 FS8	2			Charcoal
4	6031 216	2			BOLT
5	6031 298	6			BOLT
6	6031 448	2			U-NUT
7					COVER, Swivel Plate (Serviced In Item 1)
8					BELT, Inner
					LABEL NUMBER 4317070-1
	F720-1 FC5	1			Blue
	F720-1 EE8	1			Cordovan
	F720-1 EK1	1			Almond
	F720-1 FS8	1			Charcoal
9	6031 484	4			BOLT
10		AR			WASHER, (Not Serv.)
11	4316 773	1			COVER, Tip Half (P.A.R.)
12	4364 849	AR			EXTENDER
					NOTE: (P.A.R.) = Paint As Required

MODEL CODES

E BODY = (J - CARAVELLE)(E - 600)(T - NEW YORKER)

G BODY = (V24 - DAYTONA)

H BODY = (D44 - LANCER)(C44 - LEBARON GTS)

J BODY = (C - LEBARON)

K BODY = (P - RELIANT)(D - ARIES)(C - LEBAROND)/TOWN & COUNTRY)

L BODY = (M - HORIZON/TURISMO)(Z - OMNI/CHARGER)

M BODY = (B - GRAN FURY)(F - FIFTH AVE/NEWPORT)(G - DIPLOMAT)

P BODY = (P - SUNDANCE)(D - SHADOW)

S BODY = (H - VOYAGER)(K - RAM VAN/CARAVAN)

BODY STYLES

12-13 = FWD VAN

21 = 2-DOOR SEDAN

24 = 2-DOOR HATCHBACK

27 = 2-DOOR CONVERTIBLE

41 = 4-DOOR SEDAN

44 = 4-DOOR HATCHBACK

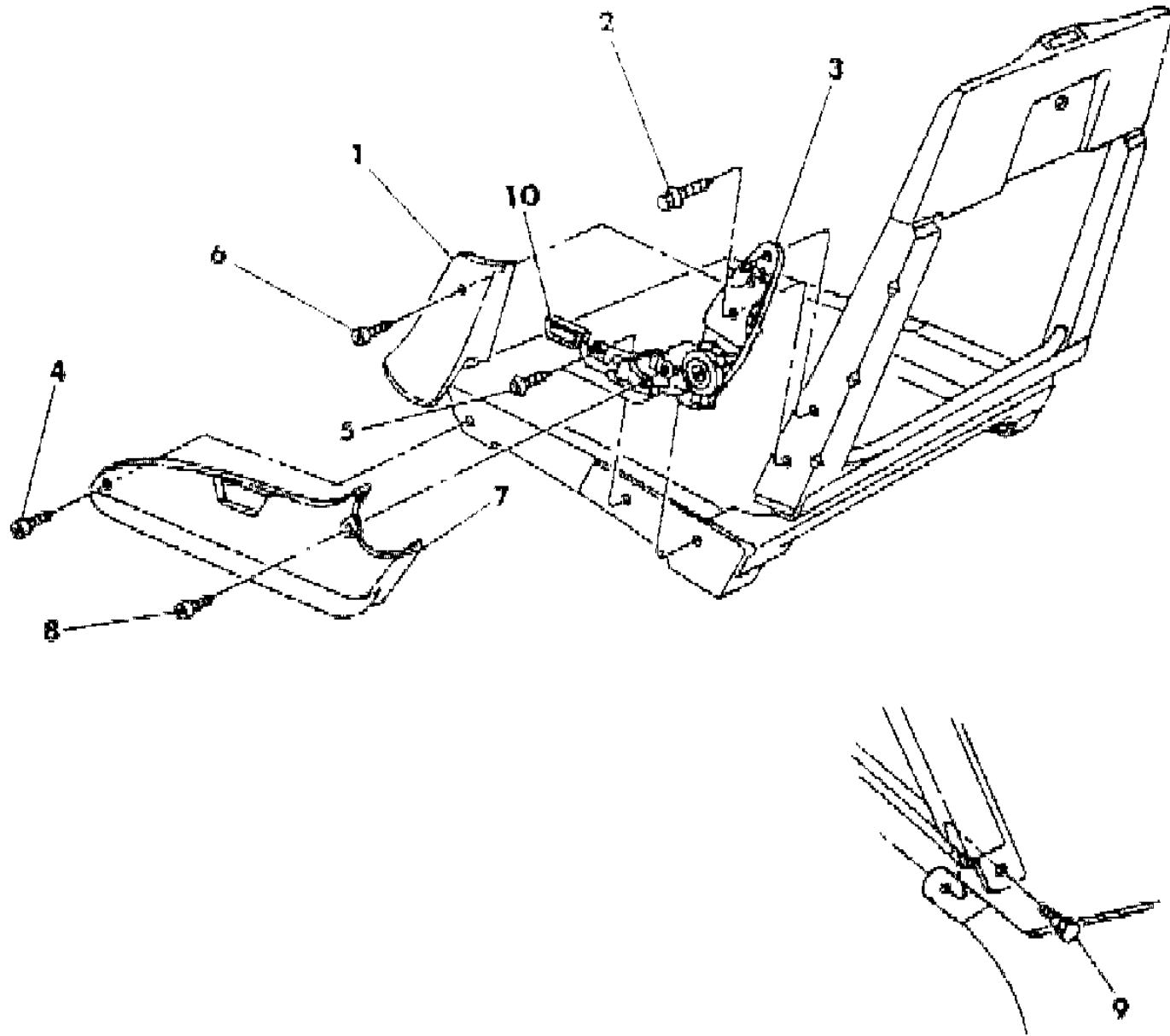
45 = 4-DOOR STATION WAGON

52-53 = FWD WAGON

AR = Use as Required - = Non Illustrated Part P.A.R. = Paint as Required

SEAT--RECLINING H BODY
Figure ITH-1600

7240 1600



ITEM	PART NUMBER	QTY	BODY	MODEL	DESCRIPTION
1	S996-7 FK1	1			SHIELD, Back (P.A.R.)
2	6501 221	AR			SCREW
3					RECLINER
	4380 148	1			Passenger Seat
	4380 149	1			Driver Seat
4		AR			SCREW, (8-18x1.00) (Not Serv.)
5	6500 558	AR			SCREW
6		AR			SCREW, (-18x1.75) (Not Serv.)
7	#S262-3 FK1	1			SHIELD, Cushion (P.A.R.)
8	6032 456	AR			SCREW
9	#6501 346	2			BOLT, (10x1.5x39)
10	#S936-7 FA3	1			LEVER, Recliner Release (P.A.R.)
NOTE: (P.A.R.) = Paint As Required					

MODEL CODES

E BODY = (J - CARAVELLE)(E - 600)(T - NEW YORKER)

G BODY = (V24 - DAYTONA)

H BODY = (D44 - LANCER)(C44 - LEBARON GTS)

J BODY = (C - LEBARON)

K BODY = (P - RELIANT)(D - ARIES)(C - LEBAROND)/TOWN & COUNTRY)

L BODY = (M - HORIZON/TURISMO)(Z - OMNI/CHARGER)

M BODY = (B - GRAN FURY)(F - FIFTH AVE/NEWPORT)(G - DIPLOMAT)

P BODY = (P - SUNDANCE)(D - SHADOW)

S BODY = (H - VOYAGER)(K - RAM VAN/CARAVAN)

BODY STYLES

12-13 = FWD VAN

21 = 2-DOOR SEDAN

24 = 2-DOOR HATCHBACK

27 = 2-DOOR CONVERTIBLE

41 = 4-DOOR SEDAN

44 = 4-DOOR HATCHBACK

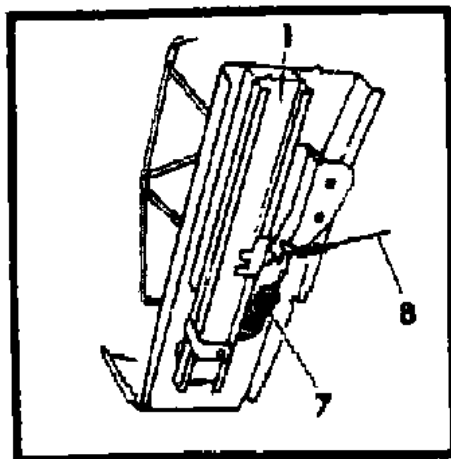
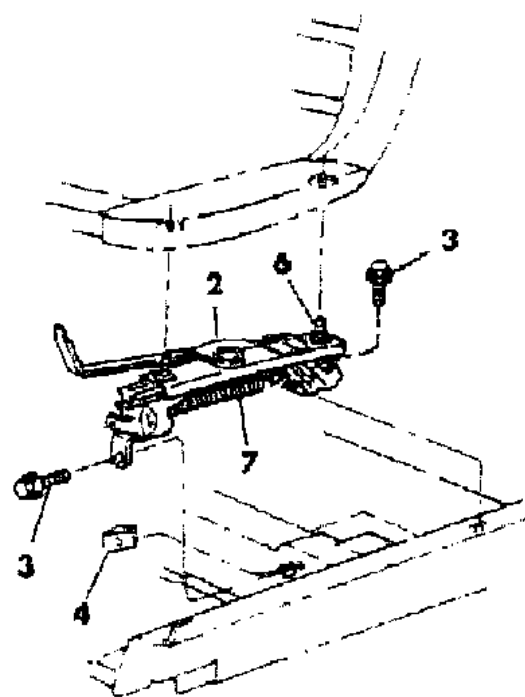
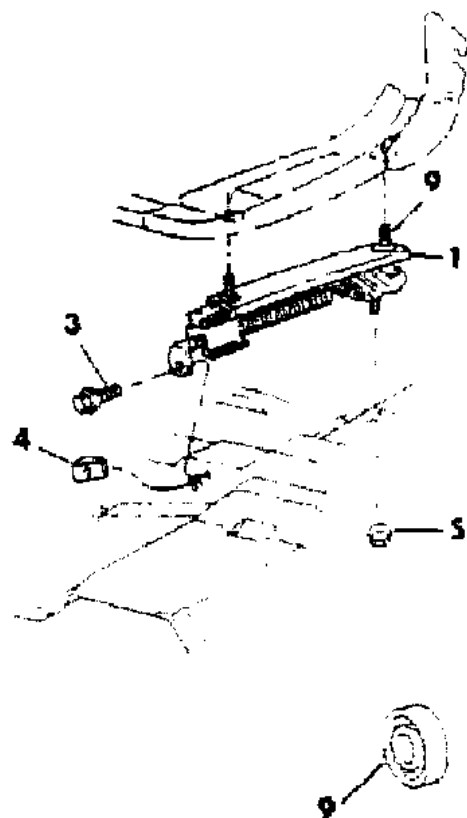
45 = 4-DOOR STATION WAGON

52-53 = FWD WAGON

AR = Use as Required - = Non Illustrated Part P.A.R. = Paint as Required

ADJUSTER--MANUAL H BODY
Figure ITH-1700

7240 1700 A



ITEM	PART NUMBER	QTY	BODY	MODEL	DESCRIPTION
1					ADJUSTER, Inner
	4327 174	1			Passenger
	4327 175	1			Driver
2					ADJUSTER, Outer
	4327 172	1			Passenger
	4327 173	1			Driver
3		AR			SCREW, (m8-1.25x30) (Not Serv.)
4	6101 283	AR			U-NUT
5	6501 279	AR			NUT and WASHER
6					SCREW and WASHER, (Serv. In Item 1 & 2)
7					SPRINGS
	4316 006	1			Lever Assist (15 Coils)
	4402 216	1			Latch Assist
8	4239 942	2			WIRE, Release Lever Connector

MODEL CODES

E BODY = (J - CARAVELLE)(E - 600)(T - NEW YORKER)

G BODY = (V24 - DAYTONA)

H BODY = (D44 - LANCER)(C44 - LEBARON GTS)

J BODY = (C - LEBARON)

K BODY = (P - RELIANT)(D - ARIES)(C - LEBAROND)/TOWN & COUNTRY)

L BODY = (M - HORIZON/TURISMO)(Z - OMNI/CHARGER)

M BODY = (B - GRAN FURY)(F - FIFTH AVE/NEWPORT)(G - DIPLOMAT)

P BODY = (P - SUNDANCE)(D - SHADOW)

S BODY = (H - VOYAGER)(K - RAM VAN/CARAVAN)

BODY STYLES

12-13 = FWD VAN

21 = 2-DOOR SEDAN

24 = 2-DOOR HATCHBACK

27 = 2-DOOR CONVERTIBLE

41 = 4-DOOR SEDAN

44 = 4-DOOR HATCHBACK

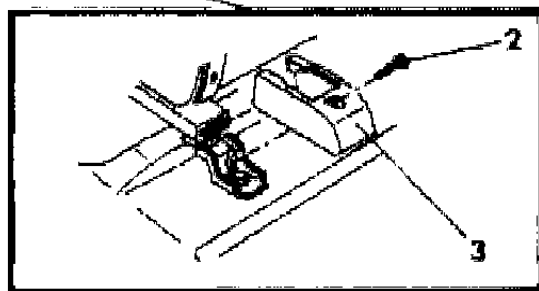
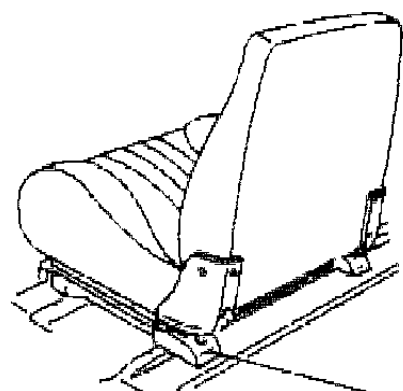
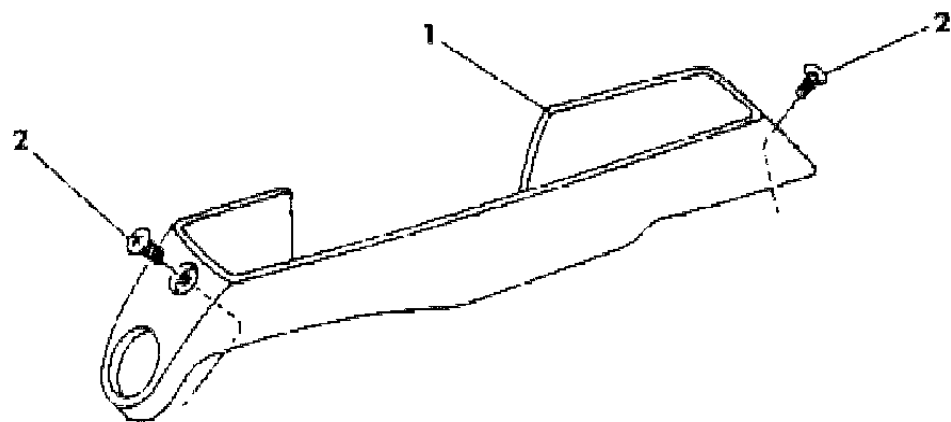
45 = 4-DOOR STATION WAGON

52-53 = FWD WAGON

AR = Use as Required - = Non Illustrated Part P.A.R. = Paint as Required

COVERS--ADJUSTER MANUAL H BODY
Figure ITH-1800

7240 1800



ITEM	PART NUMBER	QTY	BODY	MODEL	DESCRIPTION
1					COVER, Outer
	S952-3 FC5	1			Blue
	S952-3 EE8	1			Cordovan
	S952-3 EK1	1			Almond
	S952-3 CS8	1			Charcoal
2		AR			SCREW, (8-18x3/4) (Not Serv.)
3					COVER, Inner
	S902 FC5	1			Blue
	S902 EE8	1			Cordovan
	S902 EK1	1			Almond
	S902 CS8	1			Charcoal

MODEL CODES

E BODY = (J - CARAVELLE)(E - 600)(T - NEW YORKER)

G BODY = (V24 - DAYTONA)

H BODY = (D44 - LANCER)(C44 - LEBARON GTS)

J BODY = (C - LEBARON)

K BODY = (P - RELIANT)(D - ARIES)(C - LEBAROND)/TOWN & COUNTRY)

L BODY = (M - HORIZON/TURISMO)(Z - OMNI/CHARGER)

M BODY = (B - GRAN FURY)(F - FIFTH AVE/NEWPORT)(G - DIPLOMAT)

P BODY = (P - SUNDANCE)(D - SHADOW)

S BODY = (H - VOYAGER)(K - RAM VAN/CARAVAN)

BODY STYLES

12-13 = FWD VAN

21 = 2-DOOR SEDAN

24 = 2-DOOR HATCHBACK

27 = 2-DOOR CONVERTIBLE

41 = 4-DOOR SEDAN

44 = 4-DOOR HATCHBACK

45 = 4-DOOR STATION WAGON

52-53 = FWD WAGON

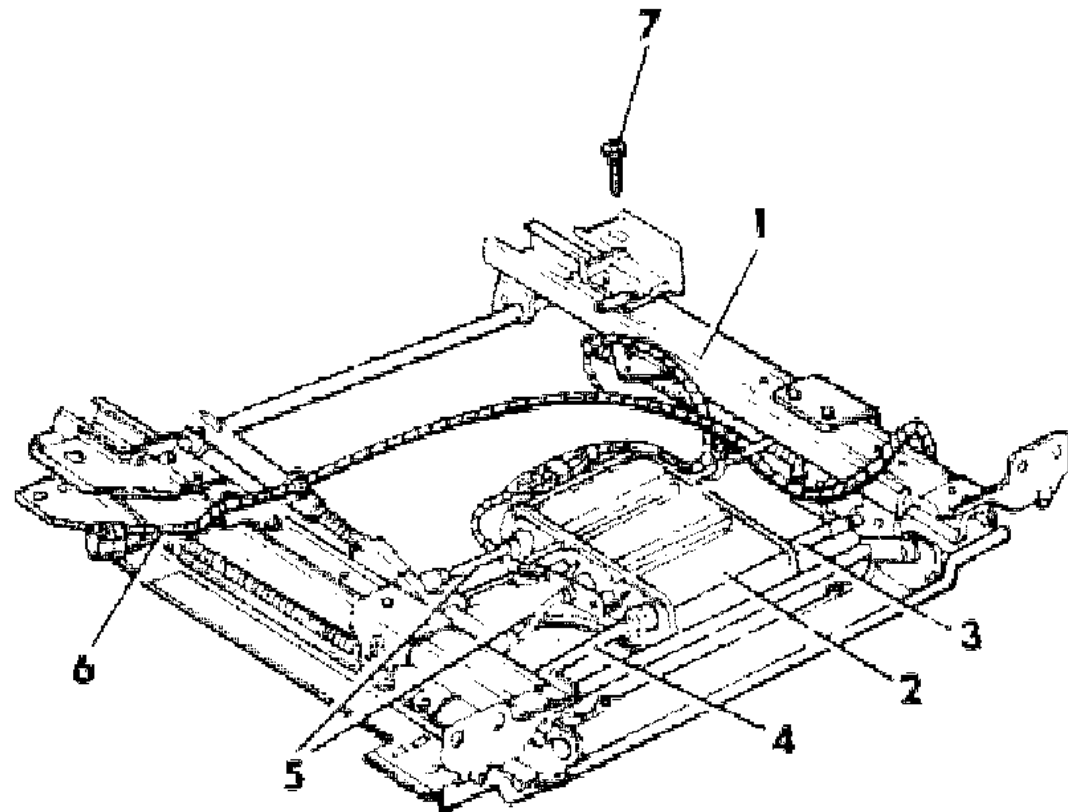
AR = Use as Required - = Non Illustrated Part P.A.R. = Paint as Required

ADJUSTER--ELECTRIC H BODY
Figure ITH-1900

7240 1900 B

ITEM	PART NUMBER	QTY	BODY	MODEL	DESCRIPTION
1	4402 532	1			ADJUSTER, Less Motor
2	#4402 323	1			MOTOR, w/Tube Assembly
3	4327 280	1			CABLE, Inner (2.08")
4	4327 281	1			CABLE, Outer (5.68")
5	4327 282	1			SHAFT, Flexible (4.005")
6	4304 956	1			WIRING
7	6033 077	4			SCREW, Adjuster To Seat

NOTE: Items 1 thru 7 Are For Replacement Only



MODEL CODES

E BODY = (J - CARAVELLE)(E - 600)(T - NEW YORKER)

G BODY = (V24 - DAYTONA)

H BODY = (D44 - LANCER)(C44 - LEBARON GTS)

J BODY = (C - LEBARON)

K BODY = (P - RELIANT)(D - ARIES)(C - LEBAROND)/TOWN & COUNTRY)

L BODY = (M - HORIZON/TURISMO)(Z - OMNI/CHARGER)

M BODY = (B - GRAN FURY)(F - FIFTH AVE/NEWPORT)(G - DIPLOMAT)

P BODY = (P - SUNDANCE)(D - SHADOW)

S BODY = (H - VOYAGER)(K - RAM VAN/CARAVAN)

BODY STYLES

12-13 = FWD VAN

21 = 2-DOOR SEDAN

24 = 2-DOOR HATCHBACK

27 = 2-DOOR CONVERTIBLE

41 = 4-DOOR SEDAN

44 = 4-DOOR HATCHBACK

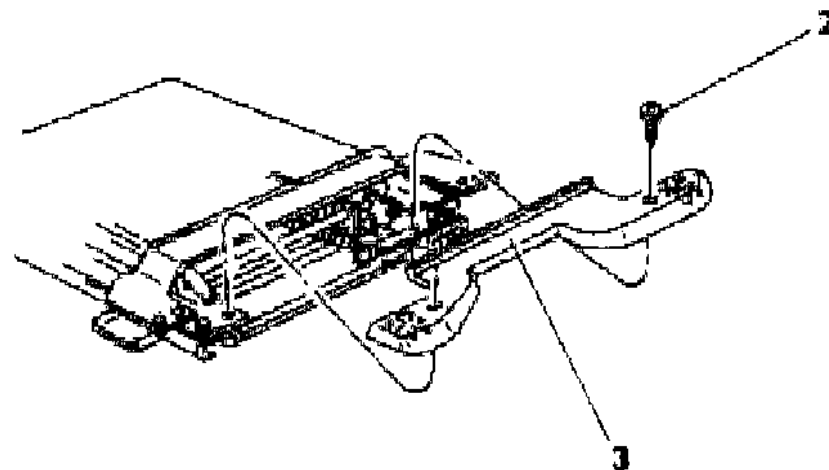
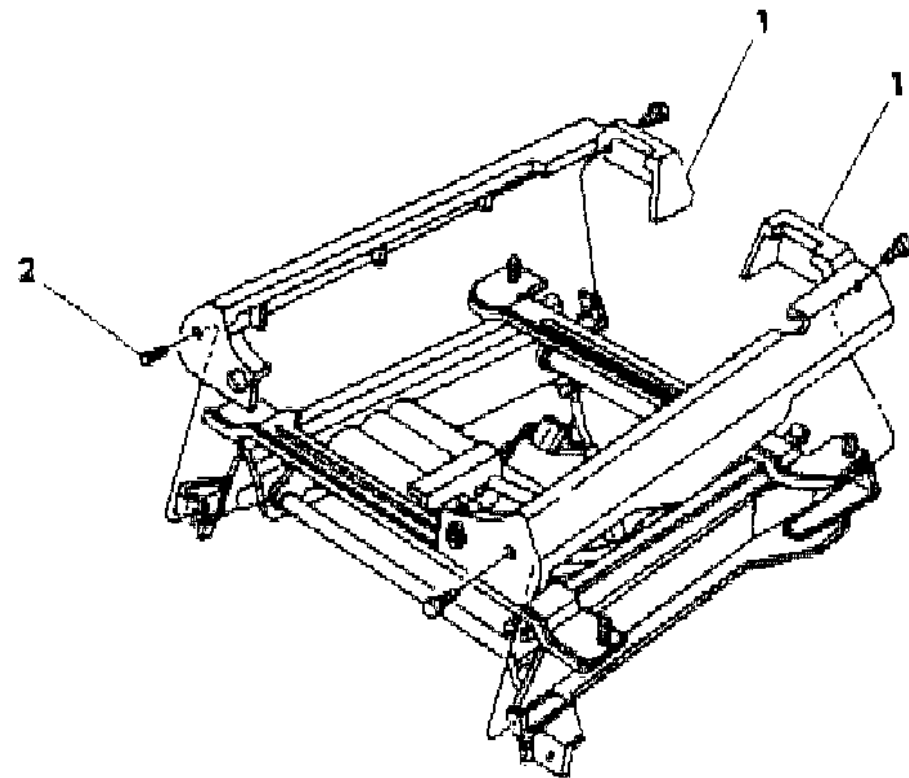
45 = 4-DOOR STATION WAGON

52-53 = FWD WAGON

AR = Use as Required - = Non Illustrated Part P.A.R. = Paint as Required

COVERS--ADJUSTER ELECTRIC H BODY
Figure ITH-2000

7240 2000



ITEM	PART NUMBER	QTY	BODY	MODEL	DESCRIPTION
1					COVER
	S674 FC5	1			Inner Blue
	S674 EE8	1			Cordovan
	S674 EK1	1			Almond
	S674 CS8	1			Charcoal
	S675 FC5	1			Outer Blue
	S675 EE8	1			Cordovan
	S675 EK1	1			Almond
	S675 CS8	1			Charcoal
2		AR			SCREW, (8-18x3/4) (Not Serv.)
3					COVER, Rear
	S660 FC5	1			Blue
	S660 EE8	1			Cordovan
	S660 EK1	1			Almond
	S660 CS8	1			Charcoal
	S660 CX9	1			Black

MODEL CODES

E BODY = (J - CARAVELLE)(E - 600)(T - NEW YORKER)

G BODY = (V24 - DAYTONA)

H BODY = (D44 - LANCER)(C44 - LEBARON GTS)

J BODY = (C - LEBARON)

K BODY = (P - RELIANT)(D - ARIES)(C - LEBAROND)/TOWN & COUNTRY)

L BODY = (M - HORIZON/TURISMO)(Z - OMNI/CHARGER)

M BODY = (B - GRAN FURY)(F - FIFTH AVE/NEWPORT)(G - DIPLOMAT)

P BODY = (P - SUNDANCE)(D - SHADOW)

S BODY = (H - VOYAGER)(K - RAM VAN/CARAVAN)

BODY STYLES

12-13 = FWD VAN

21 = 2-DOOR SEDAN

24 = 2-DOOR HATCHBACK

27 = 2-DOOR CONVERTIBLE

41 = 4-DOOR SEDAN

44 = 4-DOOR HATCHBACK

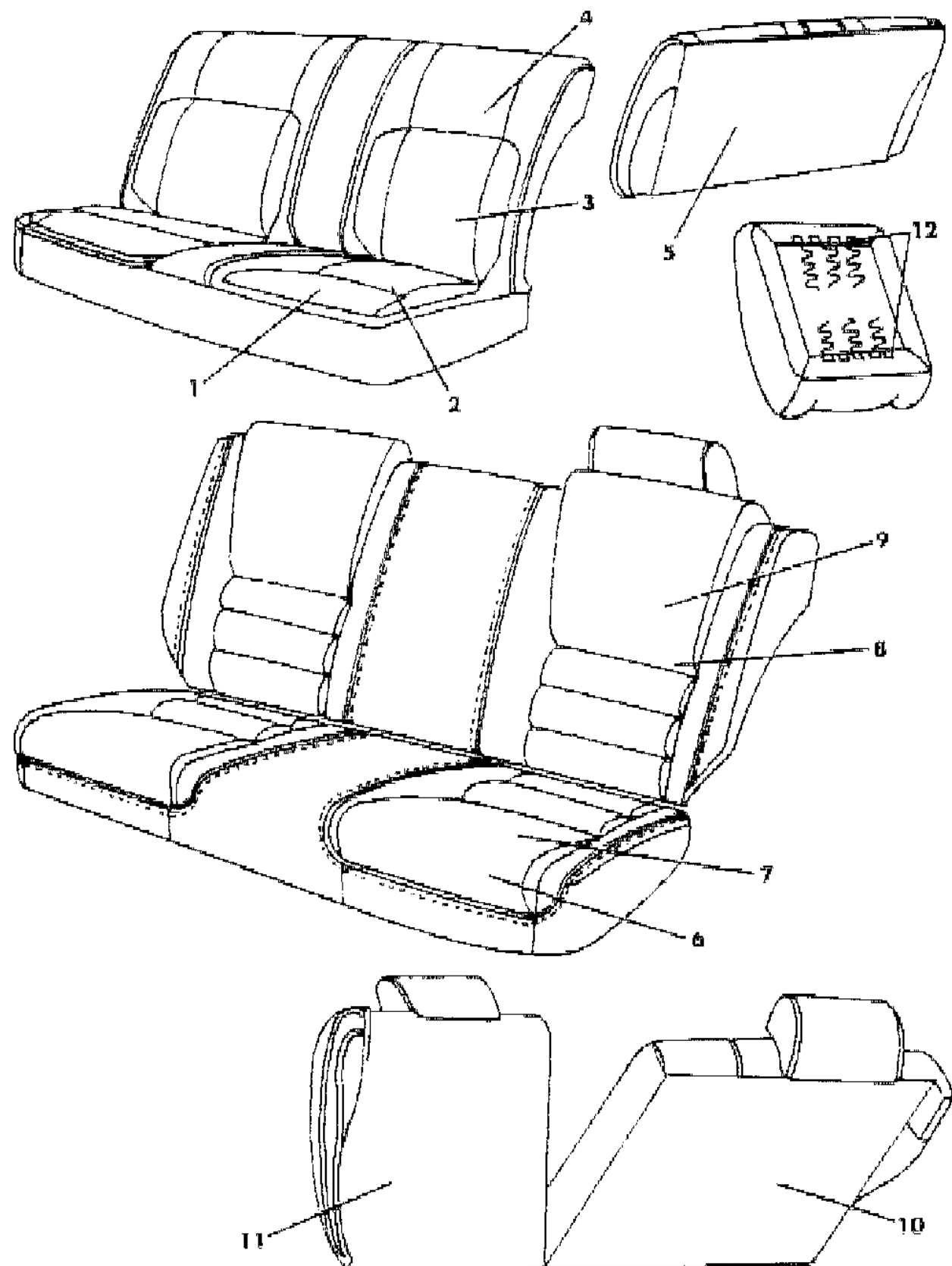
45 = 4-DOOR STATION WAGON

52-53 = FWD WAGON

AR = Use as Required - = Non Illustrated Part P.A.R. = Paint as Required

SEAT--REAR H BODY TRIM CODES D7-E7
Figure ITH-2100

7240 2100



ITEM	PART NUMBER	QTY	BODY	MODEL	DESCRIPTION
1-2					CUSHION, w/Spring/Frame, Pad and Cover
	E730 F7C	1			CLOTH Blue, (D7C)
	E730 E7E	1			Cordovan, (D7E)
	E730 E7K	1			Almond, (D7K)
	E730 F7S	1			Charcoal, (D7S)
2					COVER, Cushion
	E258 F7C	1			CLOTH Blue, (D7C)
	E258 E7E	1			Cordovan, (D7E)
	E258 E7K	1			Almond, (D7K)
	E258 F7S	1			Charcoal, (D7S)
3-4					BACK, w/Spring/Frame, Pad and Cover
	E720 F7C	1			CLOTH Blue, (D7C)
	E720 E7E	1			Cordovan, (D7E)
	E720 E7K	1			Almond, (D7K)
	E720 F7S	1			Charcoal, (D7S)
4					COVER, Back
	E259 F7C	1			CLOTH Blue, (D7C)
	E259 E7E	1			Cordovan, (D7E)
	E259 E7K	1			Almond, (D7K)
	E259 F7S	1			Charcoal, (D7S)
5					PANEL, Rear Back (Full) (Serv. In Seat Back)
6-7					CUSHION, w/Spring/Frame, Pad and Cover
	E606 F7C	1			CLOTH Blue, (E7C)
	E606 F7E	1			Cordovan, (E7E)
	E606 E7K	1			Almond, (E7K)
	E606 F7S	1			Charcoal, (E7S)
7					COVER, Cushion
	E220 F7C	1			CLOTH Blue, (E7C)
	E220 F7E	1			Cordovan, (E7E)
	E220 E7K	1			Almond, (E7K)
	E220 F7S	1			Charcoal, (E7S)
8-9					BACK, w/Spring/Frame, Pad and Cover

MODEL CODES

E BODY = (J - CARAVELLE)(E - 600)(T - NEW YORKER)

G BODY = (V24 - DAYTONA)

H BODY = (D44 - LANCER)(C44 - LEBARON GTS)

J BODY = (C - LEBARON)

K BODY = (P - RELIANT)(D - ARIES)(C - LEBAROND)/TOWN & COUNTRY)

L BODY = (M - HORIZON/TURISMO)(Z - OMNI/CHARGER)

M BODY = (B - GRAN FURY)(F - FIFTH AVE/NEWPORT)(G - DIPLOMAT)

P BODY = (P - SUNDANCE)(D - SHADOW)

S BODY = (H - VOYAGER)(K - RAM VAN/CARAVAN)

BODY STYLES

12-13 = FWD VAN

21 = 2-DOOR SEDAN

24 = 2-DOOR HATCHBACK

27 = 2-DOOR CONVERTIBLE

41 = 4-DOOR SEDAN

44 = 4-DOOR HATCHBACK

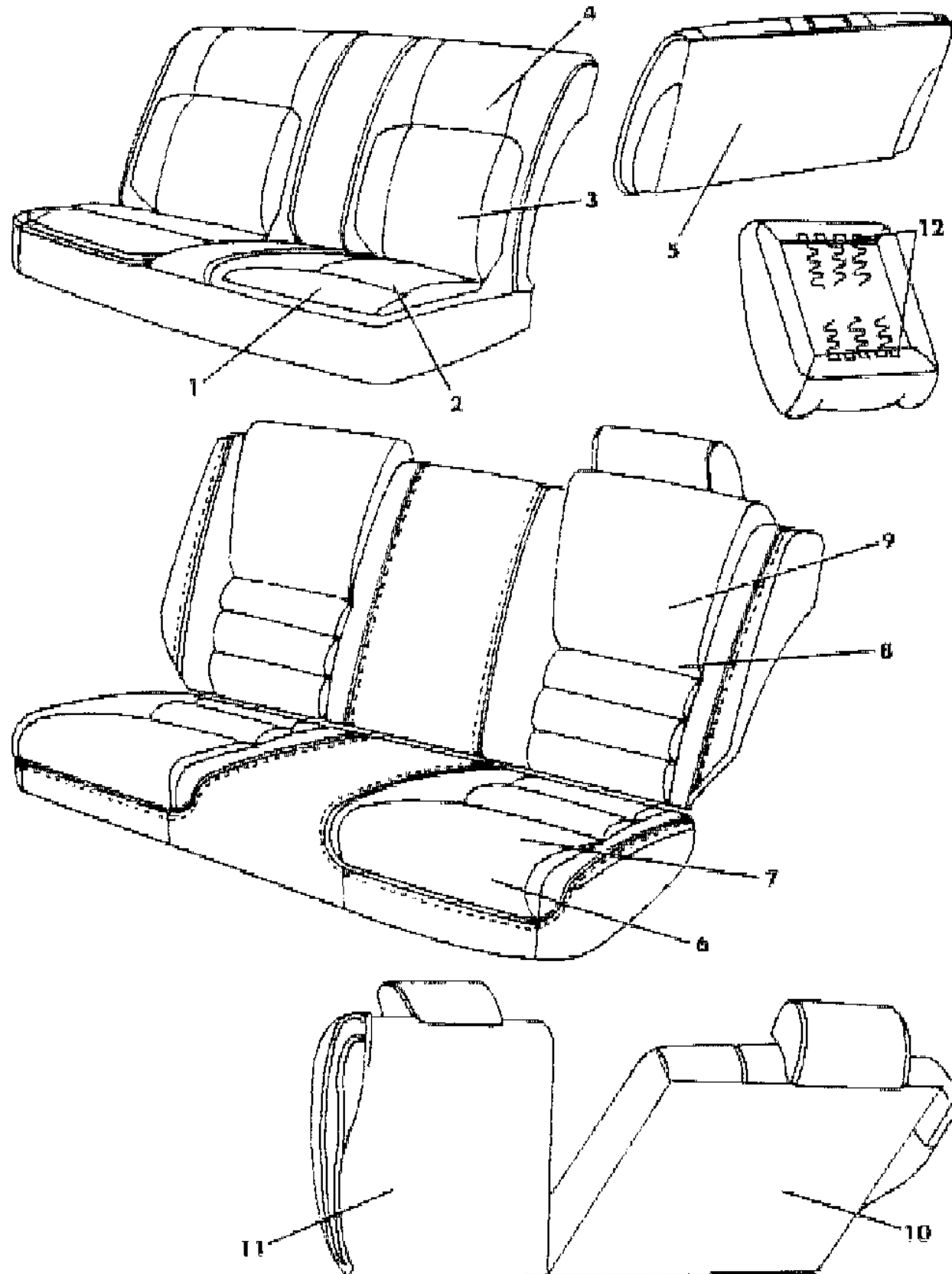
45 = 4-DOOR STATION WAGON

52-53 = FWD WAGON

AR = Use as Required - = Non Illustrated Part P.A.R. = Paint as Required

SEAT--REAR H BODY TRIM CODES D7-E7
Figure ITH-2100

7240 2100



ITEM	PART NUMBER	QTY	BODY	MODEL	DESCRIPTION
					CLOTH
	E722-3 F7C	1			Blue, (E7C)
	E722-3 F7E	1			Cordovan, (E7E)
	E722-3 E7K	1			Almond, (E7K)
	E722-3 F7S	1			Charcoal, (E7S)
9					COVER, Back
					CLOTH
	E252-3 F7C	1			Blue, (E7C)
	E252-3 F7E	1			Cordovan, (E7E)
	E252-3 E7K	1			Almond, (E7K)
	E252-3 F7S	1			Charcoal, (E7S)
10					PANEL, Rear Back Right Side (Serv. In Seat Back)
11					PANEL, Rear Back Left Side (Serv. In Seat Back)
12	6008 076	AR			HOG RING

MODEL CODES

E BODY = (J - CARAVELLE)(E - 600)(T - NEW YORKER)

G BODY = (V24 - DAYTONA)

H BODY = (D44 - LANCER)(C44 - LEBARON GTS)

J BODY = (C - LEBARON)

K BODY = (P - RELIANT)(D - ARIES)(C - LEBAROND)/TOWN & COUNTRY)

L BODY = (M - HORIZON/TURISMO)(Z - OMNI/CHARGER)

M BODY = (B - GRAN FURY)(F - FIFTH AVE/NEWPORT)(G - DIPLOMAT)

P BODY = (P - SUNDANCE)(D - SHADOW)

S BODY = (H - VOYAGER)(K - RAM VAN/CARAVAN)

BODY STYLES

12-13 = FWD VAN

21 = 2-DOOR SEDAN

24 = 2-DOOR HATCHBACK

27 = 2-DOOR CONVERTIBLE

41 = 4-DOOR SEDAN

44 = 4-DOOR HATCHBACK

45 = 4-DOOR STATION WAGON

52-53 = FWD WAGON

AR = Use as Required - = Non Illustrated Part P.A.R. = Paint as Required

SEAT--REAR H BODY TRIM CODES C7-HL
Figure ITH-2200

7240 2200

ITEM	PART NUMBER	QTY	BODY	MODEL	DESCRIPTION
1-2					CUSHION, w/Spring/Frame, Pad and Cover
	E658 F7C	1			CLOTH Blue, (C7C)
	E658 E7E	1			Cordovan, (C7E)
	E658 E7K	1			Almond, (C7K)
	E658 F7S	1			Charcoal, (C7S)
	E684 FLC	1			LEATHER Blue, (HLC)
	E684 ELE	1			Cordovan, (HLE)
	E684 ELK	1			Almond, (HLK)
	E684 FLS	1			Charcoal, (HLS)
2					COVER, Cushion
	E206 F7C	1			CLOTH Blue, (C7C)
	E206 E7E	1			Cordovan, (C7E)
	E206 E7K	1			Almond, (C7K)
	E206 F7S	1			Charcoal, (C7S)
	E214 FLC	1			LEATHER Blue, (HLC)
	E214 ELE	1			Cordovan, (HLE)
	E214 ELK	1			Almond, (HLK)
	E214 FLS	1			Charcoal, (HLS)
3-4					Back, w/Spring/Frame, Pad and Cover
	E716-7 F7C	1			CLOTH Blue, (C7C)
	E716-7 E7E	1			Cordovan, (C7E)
	E716-7 E7K	1			Almond, (C7K)
	E716-7 F7S	1			Charcoal, (C7S)
	E762-3 FLC	1			LEATHER Blue, (HLC)
	E762-3 ELE	1			Cordovan, (HLE)
	E762-3 ELK	1			Almond, (HLK)
	E762-3 FLS	1			Charcoal, (HLS)
4					COVER, Back
	E248-9 F7C	1			CLOTH Blue, (C7C)
	E248-9 E7E	1			Cordovan, (C7E)
	E248-9 E7K	1			Almond, (C7K)

MODEL CODES

E BODY = (J - CARAVELLE)(E - 600)(T - NEW YORKER)

G BODY = (V24 - DAYTONA)

H BODY = (D44 - LANCER)(C44 - LEBARON GTS)

J BODY = (C - LEBARON)

K BODY = (P - RELIANT)(D - ARIES)(C - LEBAROND)/TOWN & COUNTRY)

L BODY = (M - HORIZON/TURISMO)(Z - OMNI/CHARGER)

M BODY = (B - GRAN FURY)(F - FIFTH AVE/NEWPORT)(G - DIPLOMAT)

P BODY = (P - SUNDANCE)(D - SHADOW)

S BODY = (H - VOYAGER)(K - RAM VAN/CARAVAN)

BODY STYLES

12-13 = FWD VAN

21 = 2-DOOR SEDAN

24 = 2-DOOR HATCHBACK

27 = 2-DOOR CONVERTIBLE

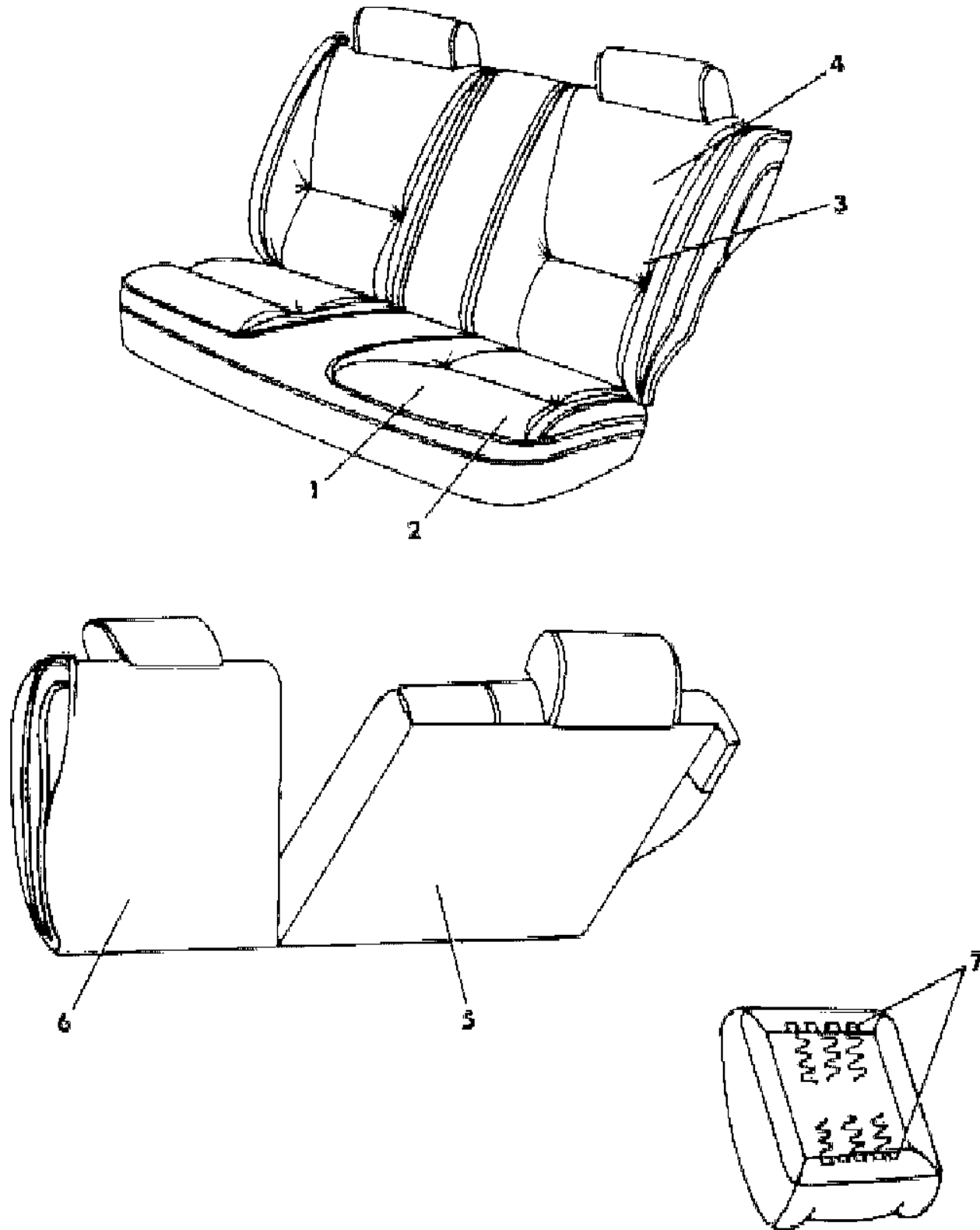
41 = 4-DOOR SEDAN

44 = 4-DOOR HATCHBACK

45 = 4-DOOR STATION WAGON

52-53 = FWD WAGON

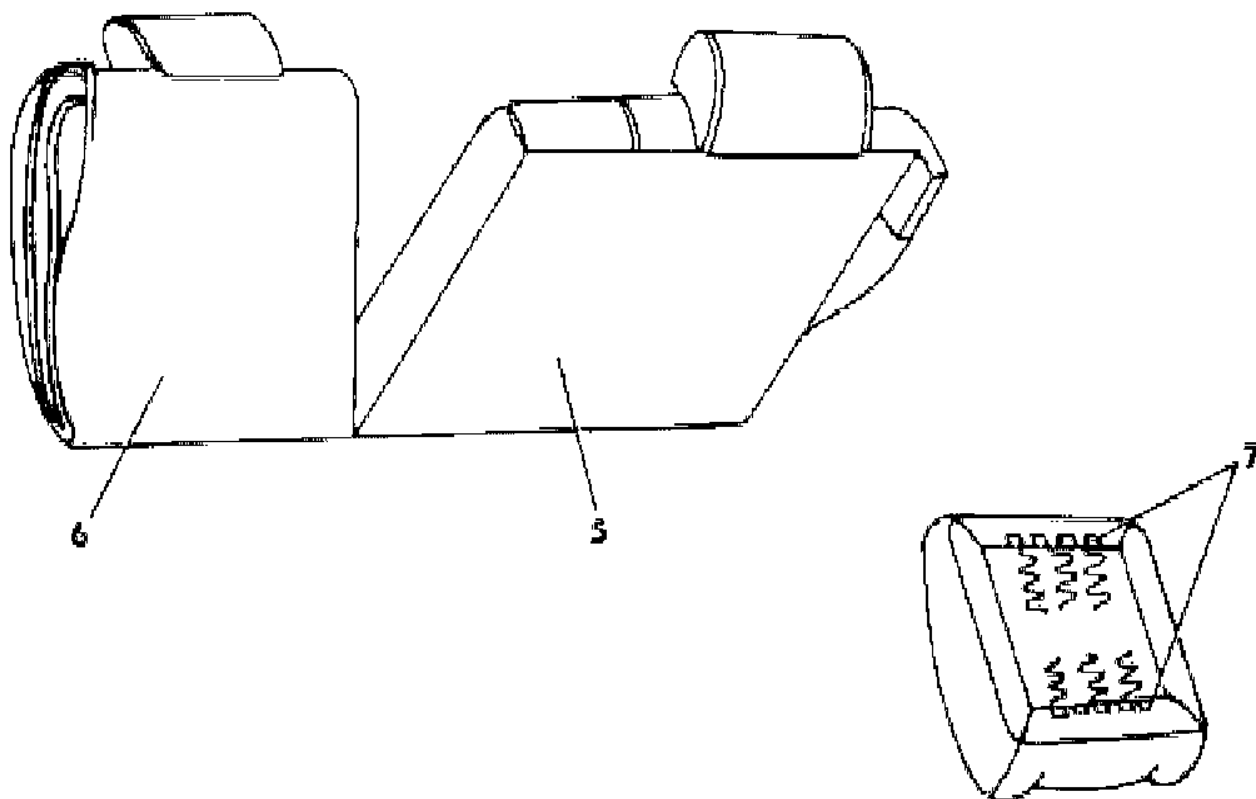
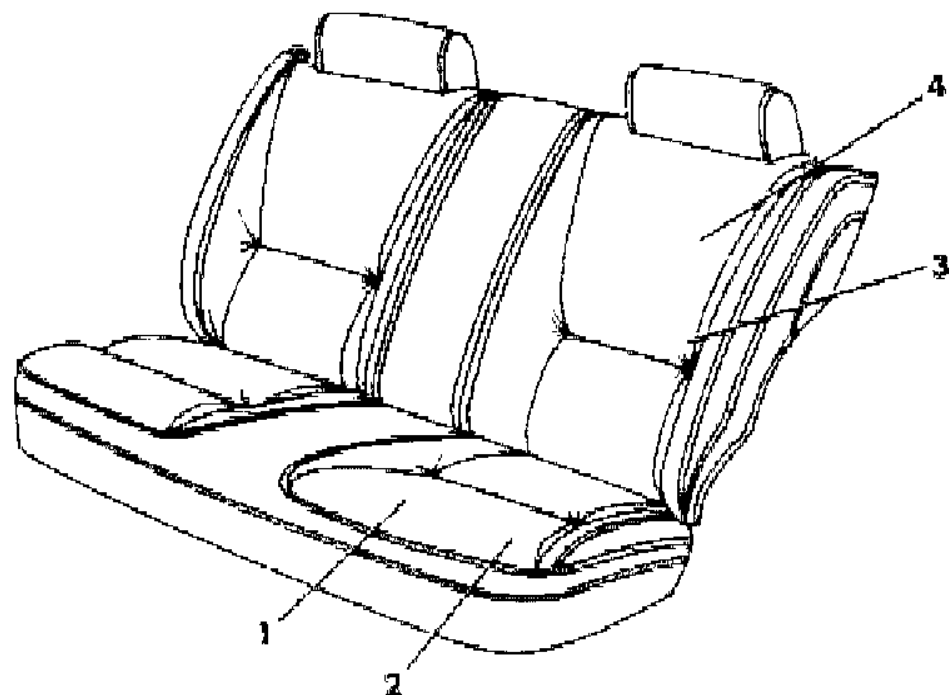
AR = Use as Required - = Non Illustrated Part P.A.R. = Paint as Required



SEAT--REAR H BODY TRIM CODES C7-HL
Figure ITH-2200

7240 2200

ITEM	PART NUMBER	QTY	BODY	MODEL	DESCRIPTION
	E248-9 F7S	1			Charcoal, (C7S)
					LEATHER
	E250-1 FLC	1			Blue, (HLC)
	E250-1 ELE	1			Cordovan, (HLE)
	E250-1 ELK	1			Almond, (HLK)
	E250-1 FLS	1			Charcoal, (HLS)
5					PANEL, Rear Back Right Side (Serv. In Seat Back)
6					PANEL, Rear Back Left Side (Serv. In Seat Back)
7	6008 076	AR			HOG RING



MODEL CODES

E BODY = (J - CARAVELLE)(E - 600)(T - NEW YORKER)

G BODY = (V24 - DAYTONA)

H BODY = (D44 - LANCER)(C44 - LEBARON GTS)

J BODY = (C - LEBARON)

K BODY = (P - RELIANT)(D - ARIES)(C - LEBAROND)/TOWN & COUNTRY)

L BODY = (M - HORIZON/TURISMO)(Z - OMNI/CHARGER)

M BODY = (B - GRAN FURY)(F - FIFTH AVE/NEWPORT)(G - DIPLOMAT)

P BODY = (P - SUNDANCE)(D - SHADOW)

S BODY = (H - VOYAGER)(K - RAM VAN/CARAVAN)

BODY STYLES

12-13 = FWD VAN

21 = 2-DOOR SEDAN

24 = 2-DOOR HATCHBACK

27 = 2-DOOR CONVERTIBLE

41 = 4-DOOR SEDAN

44 = 4-DOOR HATCHBACK

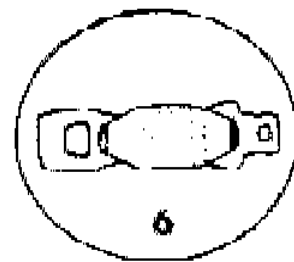
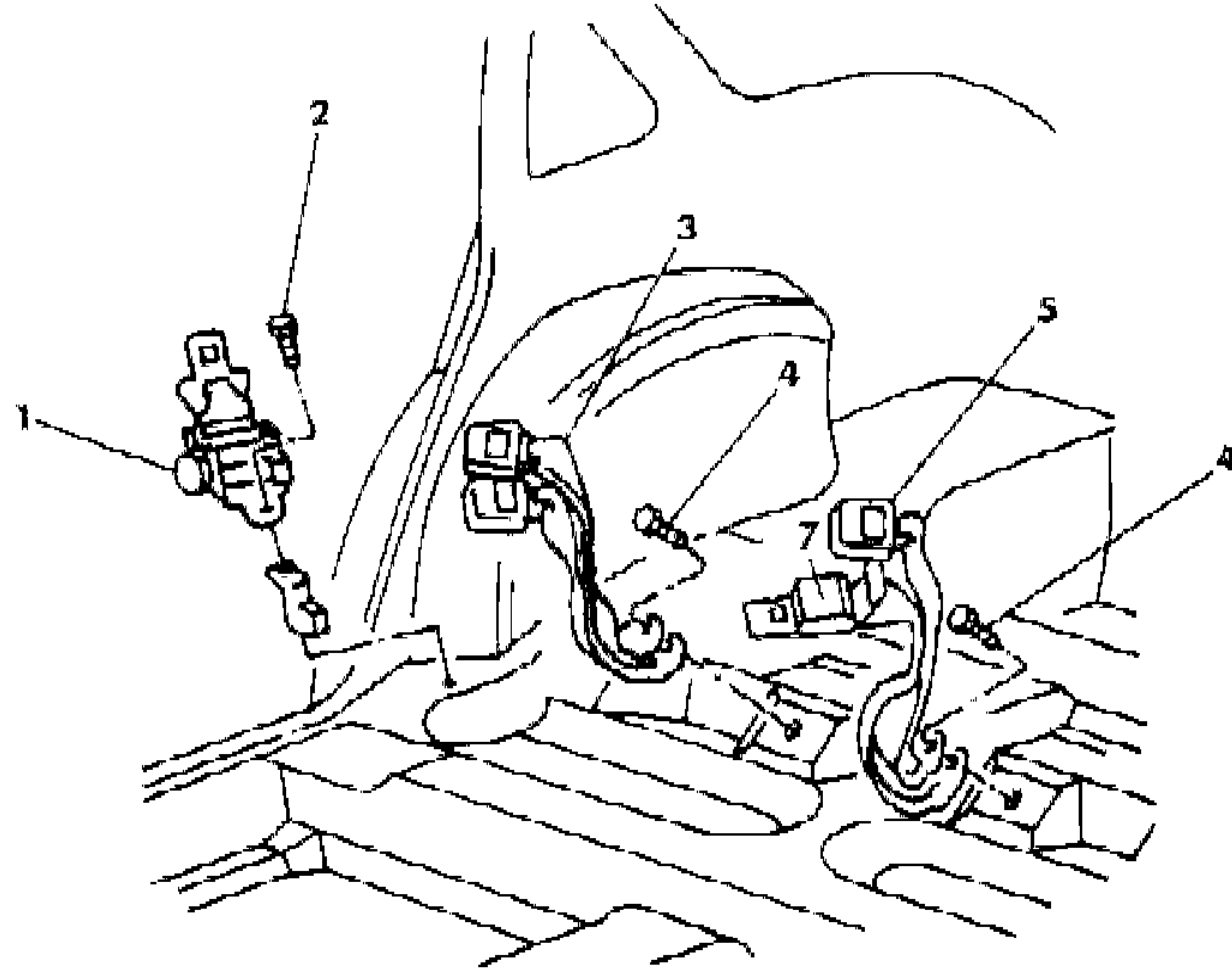
45 = 4-DOOR STATION WAGON

52-53 = FWD WAGON

AR = Use as Required - = Non Illustrated Part P.A.R. = Paint as Required

BELT--REAR SEAT H BODY
Figure ITH-2300

7248 2300



ITEM	PART NUMBER	QTY	BODY	MODEL	DESCRIPTION
1					BELT, Buckle Half LABEL NUMBER 4317069
	F724 FC5	2			Blue
	F724 EE8	2			Cordovan
	F724 EK1	2			Almond
	F724 DS8	2			Charcoal
2	6031 484	2			BOLT
3					BELT, Buckle Inner LABEL NUMBER 4316754
	F710 FC5	1			Blue
	F710 EE8	1			Cordovan
	F710 EK1	1			Almond
	F710 CS8	1			Charcoal
4	6031 216	2			BOLT
5					BELT, Inner and Tip Half LABEL NUMBER 4316767
	F717 FC5	1			Blue
	F717 EE8	1			Cordovan
	F717 EK1	1			Almond
	F717 CS8	1			Charcoal
6	4364 849	AR			EXTENDER, Seat Belt
7	4316 773	1			COVER, Tip Half (P.A.R.) NOTE: (P.A.R.) = Paint As Required

MODEL CODES

E BODY = (J - CARAVELLE)(E - 600)(T - NEW YORKER)

G BODY = (V24 - DAYTONA)

H BODY = (D44 - LANCER)(C44 - LEBARON GTS)

J BODY = (C - LEBARON)

K BODY = (P - RELIANT)(D - ARIES)(C - LEBAROND)/TOWN & COUNTRY)

L BODY = (M - HORIZON/TURISMO)(Z - OMNI/CHARGER)

M BODY = (B - GRAN FURY)(F - FIFTH AVE/NEWPORT)(G - DIPLOMAT)

P BODY = (P - SUNDANCE)(D - SHADOW)

S BODY = (H - VOYAGER)(K - RAM VAN/CARAVAN)

BODY STYLES

12-13 = FWD VAN

21 = 2-DOOR SEDAN

24 = 2-DOOR HATCHBACK

27 = 2-DOOR CONVERTIBLE

41 = 4-DOOR SEDAN

44 = 4-DOOR HATCHBACK

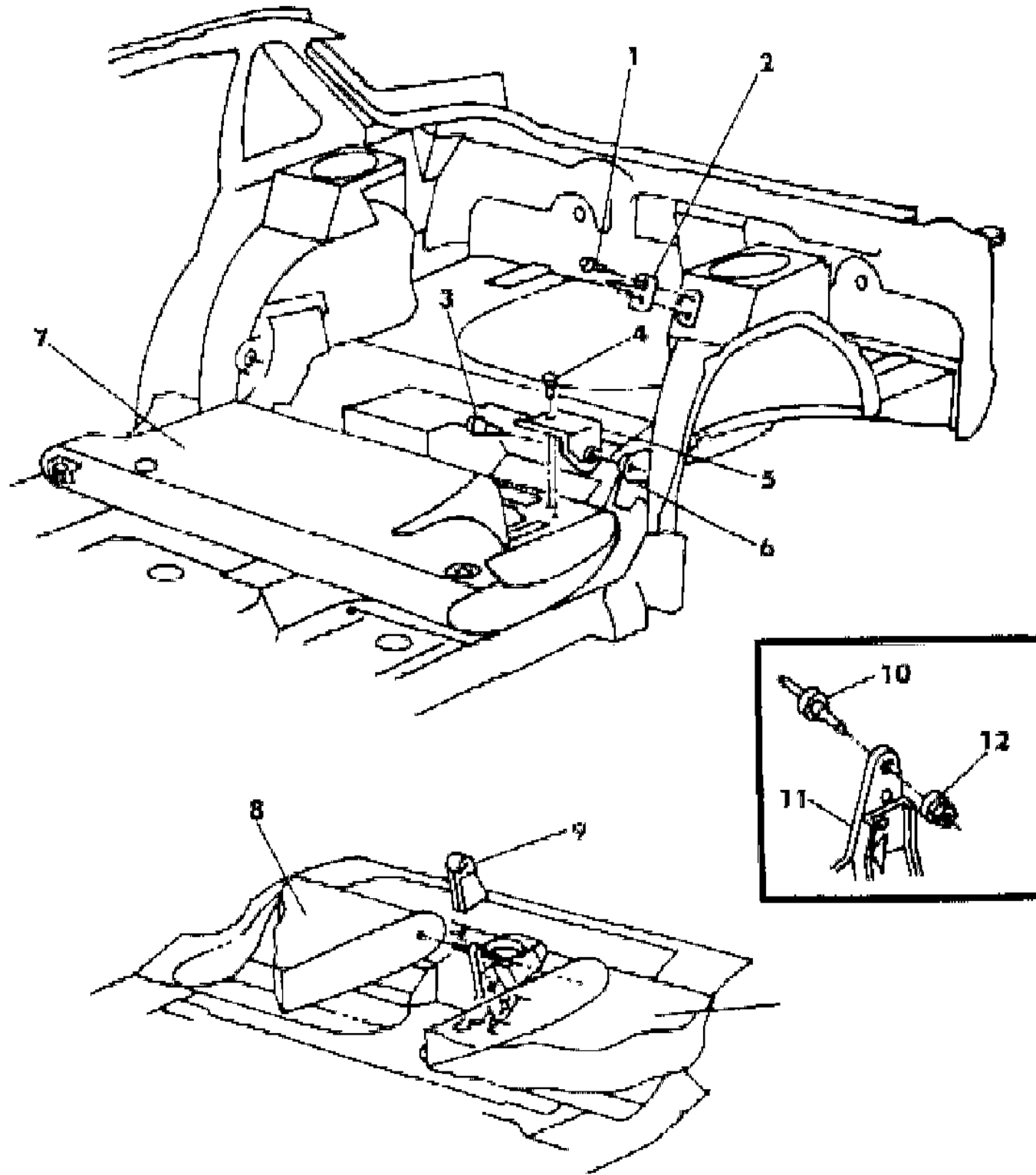
45 = 4-DOOR STATION WAGON

52-53 = FWD WAGON

AR = Use as Required - = Non Illustrated Part P.A.R. = Paint as Required

SEAT--REAR FOLD DOWN H BODY
Figure ITH-2400

7240 2400



ITEM	PART NUMBER	QTY	BODY	MODEL	DESCRIPTION
1	6501 373	4			SCREW and WASHER
2	#4327 554	2			STRIKER, Rear Seat Back
3	6500 534	2			BOLT, Shoulder
4	6100 286	4			SCREW
5	4317 210-1	1			ARM, Hinge
6					GUSSET, (See Group 23A)
7					PANEL, Back Full (Serv. In Seat Back)
8					PANEL, Back (Serv. In Seat Back)
9	4317 855	1			COVER, Pivot (Black Plastic)
10	6501 485	1			PIN
11	4337 106	1			BRACKET
12	6501 058	1			NUT

MODEL CODES

E BODY = (J - CARAVELLE)(E - 600)(T - NEW YORKER)

G BODY = (V24 - DAYTONA)

H BODY = (D44 - LANCER)(C44 - LEBARON GTS)

J BODY = (C - LEBARON)

K BODY = (P - RELIANT)(D - ARIES)(C - LEBAROND)/TOWN & COUNTRY)

L BODY = (M - HORIZON/TURISMO)(Z - OMNI/CHARGER)

M BODY = (B - GRAN FURY)(F - FIFTH AVE/NEWPORT)(G - DIPLOMAT)

P BODY = (P - SUNDANCE)(D - SHADOW)

S BODY = (H - VOYAGER)(K - RAM VAN/CARAVAN)

BODY STYLES

12-13 = FWD VAN

21 = 2-DOOR SEDAN

24 = 2-DOOR HATCHBACK

27 = 2-DOOR CONVERTIBLE

41 = 4-DOOR SEDAN

44 = 4-DOOR HATCHBACK

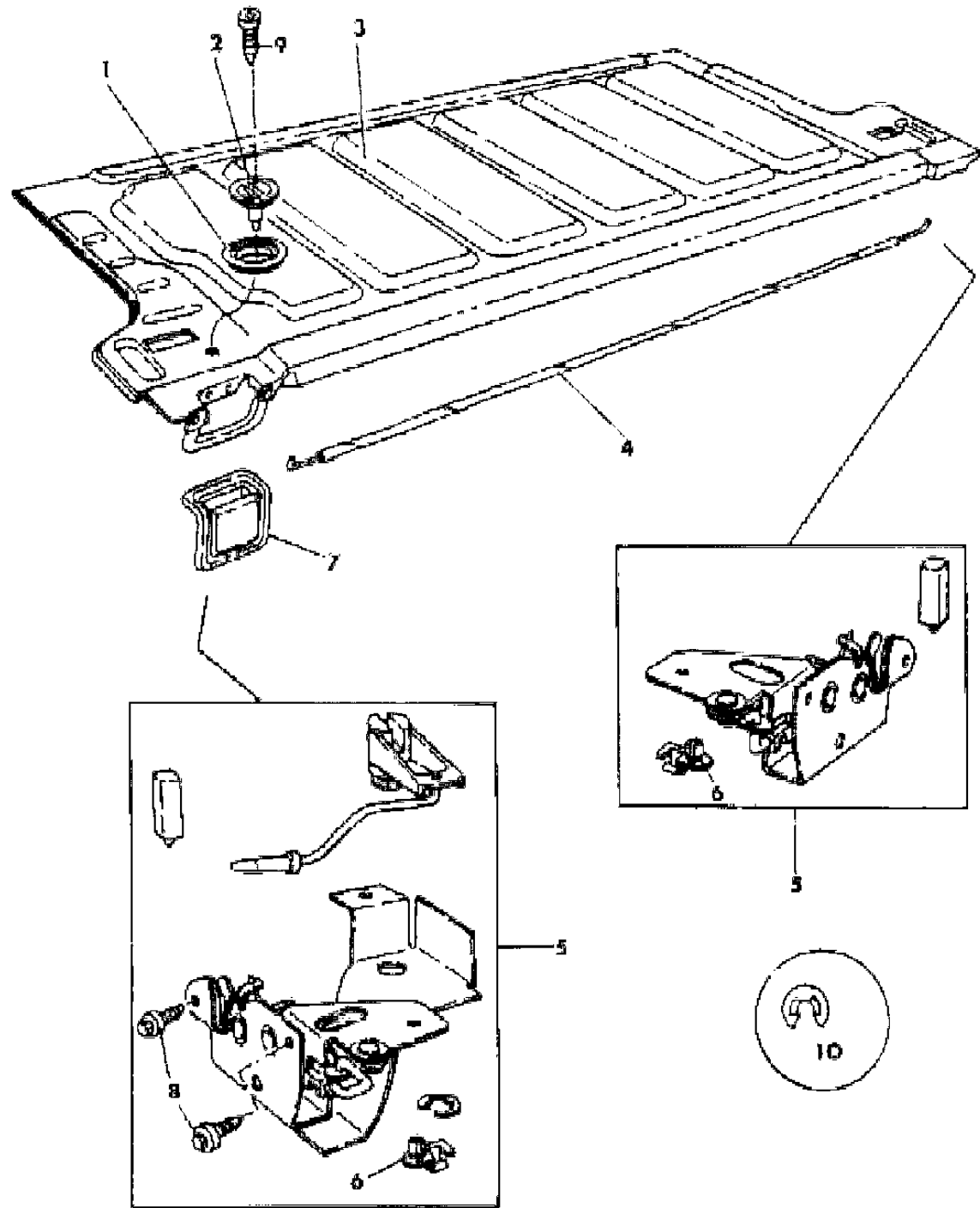
45 = 4-DOOR STATION WAGON

52-53 = FWD WAGON

AR = Use as Required - = Non Illustrated Part P.A.R. = Paint as Required

LOCKING SYSTEM--REAR SEAT FOLD DOWN H BODY
Figure ITH-2500

7240 2500 A



ITEM	PART NUMBER	QTY	BODY	MODEL	DESCRIPTION
1	S608-9 FC5	AR			ESCUTCHEON Blue
	S608-9 EE8	AR			Cordovan
	S608-9 EK1	AR			Almond
	S608-9 DS8	AR			Charcoal
2	S644 DT5	AR			KNOB, Locking Bolt (P.A.R.)
	6032 684	1			Nut, Tubular (Knob Attaching)
3					PANEL, Back (Serv. In Seat Back)
4					ROD, Center w/Bench Seat (Serv. In Seat Back)
5					LATCH
	4327 546-7	1			Bench Seat
	4327 522-3	1			60/40 Split Bench
6	2945 108-9	1			CLIP, Latch Release Rod to Lever w/Bench Seat
7					HANDLE, Latch Release
	S904 EC5	AR			Blue
	S904 EE8	AR			Cordovan
	S904 EK1	AR			Almond
	S904 FS8	AR			Charcoal
8	6501 188	AR			SCREW, Latch to Seat Back
9	9421 526	2			SCREW
10	#6032 685	AR			RETAINER, Latch Activator Pivot Pin

NOTE: (P.A.R.) = Paint As Required

MODEL CODES

E BODY = (J - CARAVELLE)(E - 600)(T - NEW YORKER)

G BODY = (V24 - DAYTONA)

H BODY = (D44 - LANCER)(C44 - LEBARON GTS)

J BODY = (C - LEBARON)

K BODY = (P - RELIANT)(D - ARIES)(C - LEBAROND)/TOWN & COUNTRY)

L BODY = (M - HORIZON/TURISMO)(Z - OMNI/CHARGER)

M BODY = (B - GRAN FURY)(F - FIFTH AVE/NEWPORT)(G - DIPLOMAT)

P BODY = (P - SUNDANCE)(D - SHADOW)

S BODY = (H - VOYAGER)(K - RAM VAN/CARAVAN)

BODY STYLES

12-13 = FWD VAN

21 = 2-DOOR SEDAN

24 = 2-DOOR HATCHBACK

27 = 2-DOOR CONVERTIBLE

41 = 4-DOOR SEDAN

44 = 4-DOOR HATCHBACK

45 = 4-DOOR STATION WAGON

52-53 = FWD WAGON

AR = Use as Required - = Non Illustrated Part P.A.R. = Paint as Required

GROUP ITS - S BODY

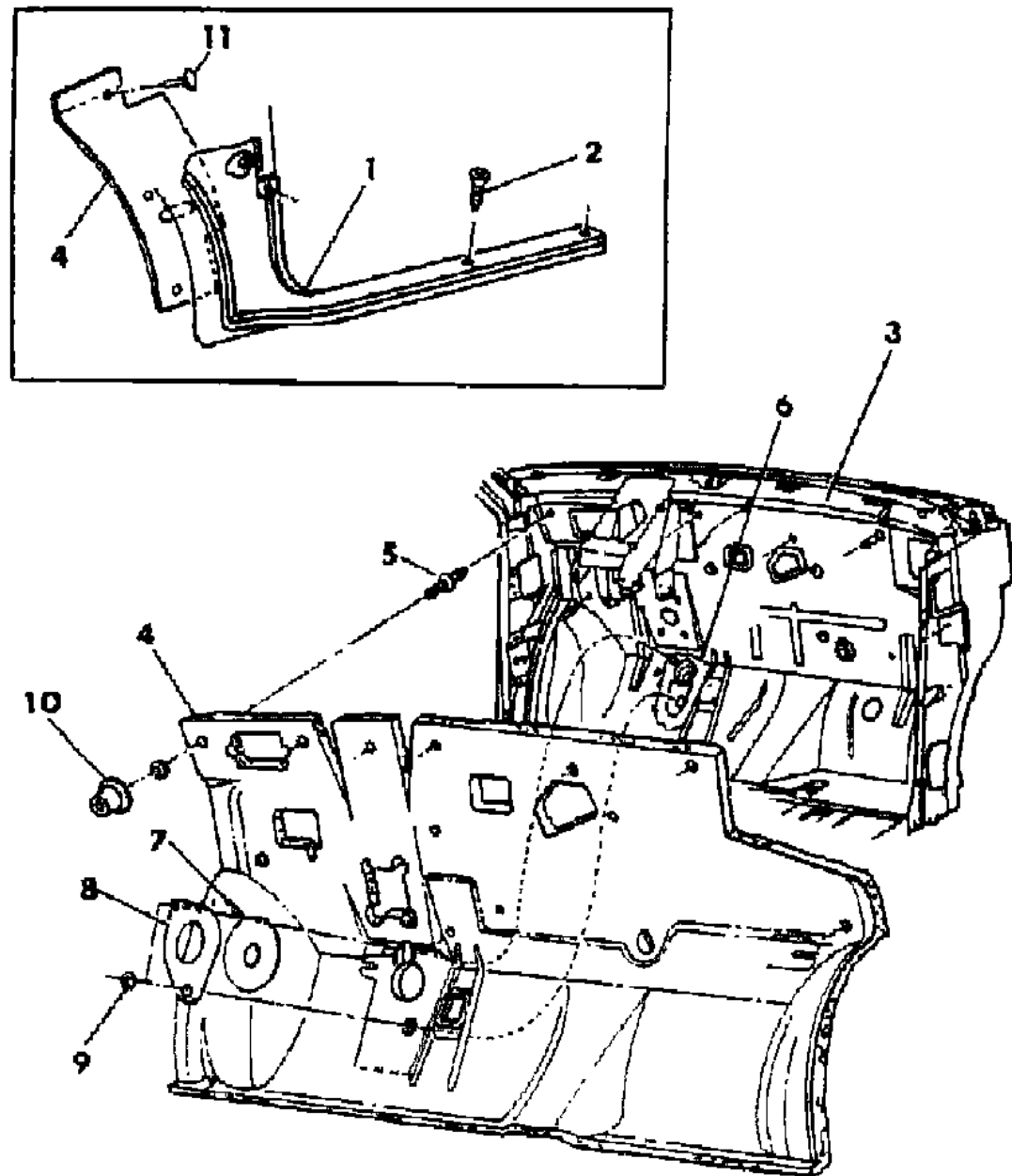
ILLUSTRATION TITLE	GROUP-FIG. NO.
COWL PANEL AND SILENCERS S BODY	Fig. ITS-100
HEADLINER AND VISOR S BODY	Fig. ITS-200
MOULDING--GARNISH S BODY	Fig. ITS-300
B PILLAR TRIM S BODY	Fig. ITS-400
PANEL--QUARTER TRIM S BODY W/112" WHEELBASE	Fig. ITS-500
PANEL--QUARTER TRIM S BODY W/119" WHEELBASE	Fig. ITS-550
LIFT GATE TRIM S BODY	Fig. ITS-600
CARPET S BODY	Fig. ITS-700
SCUFF PLATES S BODY	Fig. ITS-800
PANEL--DOOR TRIM FRONT S BODY	Fig. ITS-900
PANEL--DOOR TRIM SLIDING S BODY	Fig. ITS-1000
SEAT--FRONT S BODY TRIM CODES C9, D9	Fig. ITS-1100
SEAT--FRONT S BODY TRIM CODE A8	Fig. ITS-1200
SEAT--FRONT S BODY TRIM CODES C7, C8	Fig. ITS-1300
SEAT--FRONT S BODY TRIM CODE D5	Fig. ITS-1350
SEAT--FRONT S BODY TRIM CODE J6	Fig. ITS-1400
SEAT--FRONT S BODY TRIM CODES J5, S5	Fig. ITS-1500
BELT--FRONT SEAT S BODY	Fig. ITS-1600
RISER--RIGHT BUCKET SEAT AND STORAGE BOX S BODY	Fig. ITS-1700
SEAT--RECLINING AND NON-RECLINING--ARMREST AND ATTACHING PARTS S BODY	Fig. ITS-1800
ADJUSTER--MANUAL S BODY	Fig. ITS-1900
ADJUSTER--ELECTRIC AND LEFT RISER S BODY	Fig. ITS-2000
SEAT--REAR S BODY TRIM CODE J6	Fig. ITS-2100
SEAT--REAR S BODY TRIM CODE J5	Fig. ITS-2200
SEAT--REAR S BODY TRIM CODES C7,C8,C9,D5,D9	Fig. ITS-2300
CONVERTABED CUSHIONS, ARM RESTS AND SEAT BELTS S BODY TRIM CODES C7,C9,D5,D9,J5	Fig. ITS-2400
CONVERTABED FRAMES AND ACTUATING SYSTEM S BODY	Fig. ITS-2500
BELT--REAR SEAT S BODY	Fig. ITS-2600
SEAT--REAR ATTACHMENTS FLOOR PAN S BODY	Fig. ITS-2700
RISERS--SEAT REAR S BODY	Fig. ITS-2800
SEAT--REAR FOLD DOWN S BODY	Fig. ITS-2900

ILLUSTRATION NOT AVAILABLE AT TIME OF PUBLICATION

COWL PANEL AND SILENCERS S BODY
Figure ITS-100

7242 100 8

ITEM	PART NUMBER	QTY	BODY	MODEL	DESCRIPTION
1	F354-5 EK1				COWL and SCUFF PLATE, (P.A.R.)
2		6			SCREW, (10-16x3/4) (Not Serv.)
3	3762 862	1			SILENCER, Cowl (36"x72" Cut To Fit)
4	3837 683	1			SILENCER, Dash Panel (24"x48"x1/4 Cut To Fit)
5	6032 020	AR			STUD, Dash Panel
6	4147 355	1			COVER, Seal
7	4188 994	1			SEAL, Dash
8	4188 993	AR			RETAINER, Liner and Seal
9	6031 147	AR			NUT, Push On
10	6032 185	AR			CAPLUG
11	6026 430	8			RETAINER, Silencer



MODEL CODES

E BODY = (J - CARAVELLE)(E - 600)(T - NEW YORKER)

G BODY = (V24 - DAYTONA)

H BODY = (D44 - LANCER)(C44 - LEBARON GTS)

J BODY = (C - LEBARON)

K BODY = (P - RELIANT)(D - ARIES)(C - LEBAROND)/TOWN & COUNTRY)

L BODY = (M - HORIZON/TURISMO)(Z - OMNI/CHARGER)

M BODY = (B - GRAN FURY)(F - FIFTH AVE/NEWPORT)(G - DIPLOMAT)

P BODY = (P - SUNDANCE)(D - SHADOW)

S BODY = (H - VOYAGER)(K - RAM VAN/CARAVAN)

BODY STYLES

12-13 = FWD VAN

21 = 2-DOOR SEDAN

24 = 2-DOOR HATCHBACK

27 = 2-DOOR CONVERTIBLE

41 = 4-DOOR SEDAN

44 = 4-DOOR HATCHBACK

45 = 4-DOOR STATION WAGON

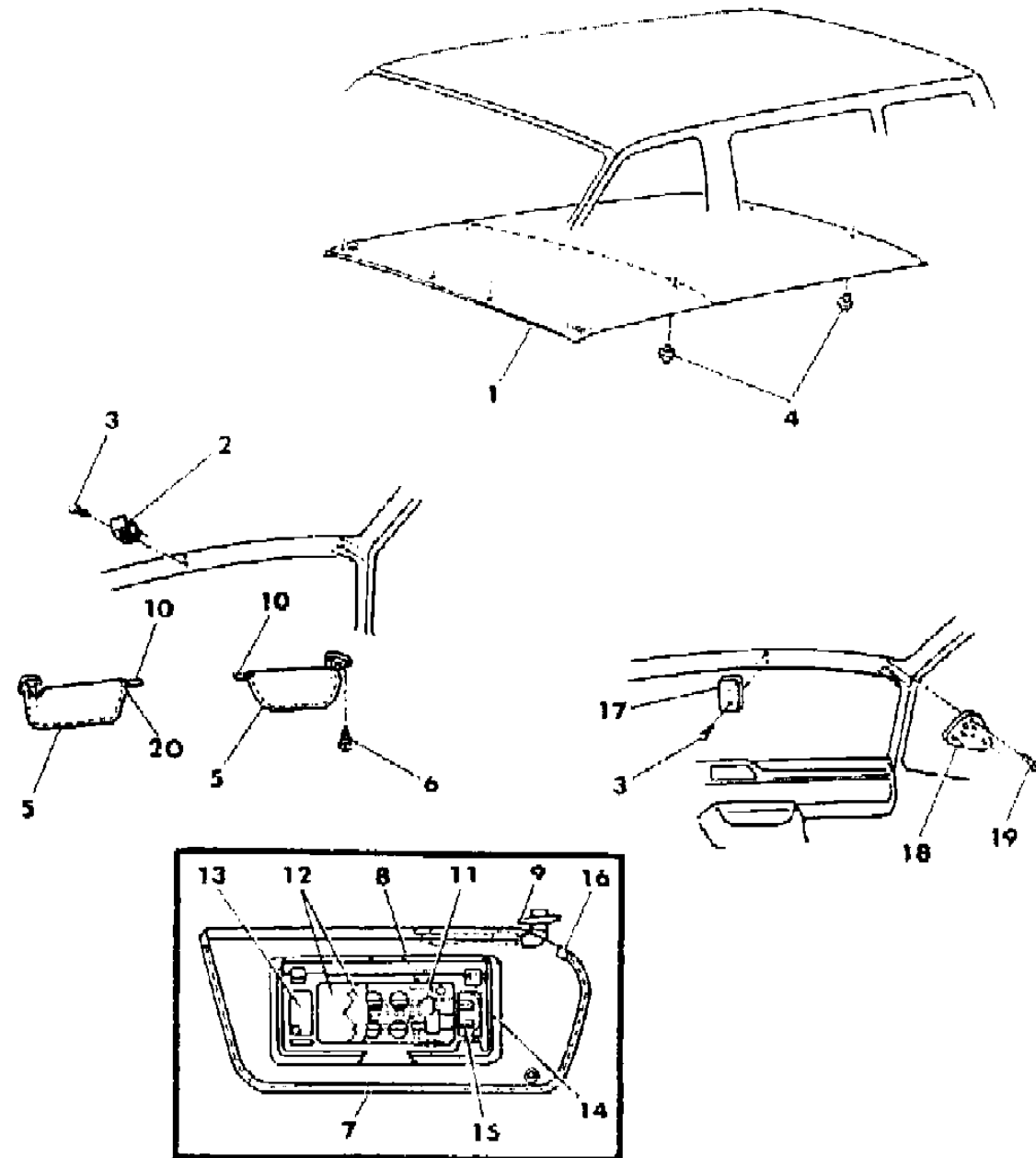
52-53 = FWD WAGON

AR = Use as Required - = Non Illustrated Part P.A.R. = Paint as Required

HEADLINER AND VISOR S BODY

Figure ITS-200

7242 200 B



ITEM	PART NUMBER	QTY	BODY	MODEL	DESCRIPTION
1					HEADLINER, Full (Cloth)
					w/112" Wheelbase (use up to 12/8/86)
	H862 CA3	1			Silver
	H862 FC5	1			Blue
	H862 EE8	1			Cordovan
	H862 EK1	1			Almond
					(use after 12/8/86)
	H863 DA3	1			Silver
	H863 FC5	1			Blue
	H863 EE8	1			Cordovan
	H863 EK1	1			Almond
					FRONT, (Cloth)
					(use up to 12/8/86)
	H857 CA3	1			Silver
	H857 EE8	1			Cordovan
	H857 EK1	1			Almond
					(Use After 12/8/86)
	H864 DA3	1			Silver
	H864 EE8	1			Cordovan
	H864 EK1	1			Almond
					FRONT, Cloth w/119" Wheelbase
	H746 FA3	1			Silver
	H746 FC5	1			Blue
	H746 FE8	1			Cordovan
	H746 FK1	1			Almond
					REAR, Cloth w/119" Wheelbase
	H745 FA3	1			Silver
	H745 FC5	1			Blue
	H745 FE8	1			Cordovan
	H745 FK1	1			Almond
					FRONT, (Softboard)
	4473 717				w/112", 119" Wheelbase
2					CLIP, Windshield Visor Retainer
	H335 CA3	2			Silver
	H335 EC5	2			Blue
	H335 EE8	2			Cordovan
	H335 EK1	2			Almond

MODEL CODES

E BODY = (J - CARAVELLE)(E - 600)(T - NEW YORKER)

G BODY = (V24 - DAYTONA)

H BODY = (D44 - LANCER)(C44 - LEBARON GTS)

J BODY = (C - LEBARON)

K BODY = (P - RELIANT)(D - ARIES)(C - LEBAROND)/TOWN & COUNTRY)

L BODY = (M - HORIZON/TURISMO)(Z - OMNI/CHARGER)

M BODY = (B - GRAN FURY)(F - FIFTH AVE/NEWPORT)(G - DIPLOMAT)

P BODY = (P - SUNDANCE)(D - SHADOW)

S BODY = (H - VOYAGER)(K - RAM VAN/CARAVAN)

BODY STYLES

12-13 = FWD VAN

21 = 2-DOOR SEDAN

24 = 2-DOOR HATCHBACK

27 = 2-DOOR CONVERTIBLE

41 = 4-DOOR SEDAN

44 = 4-DOOR HATCHBACK

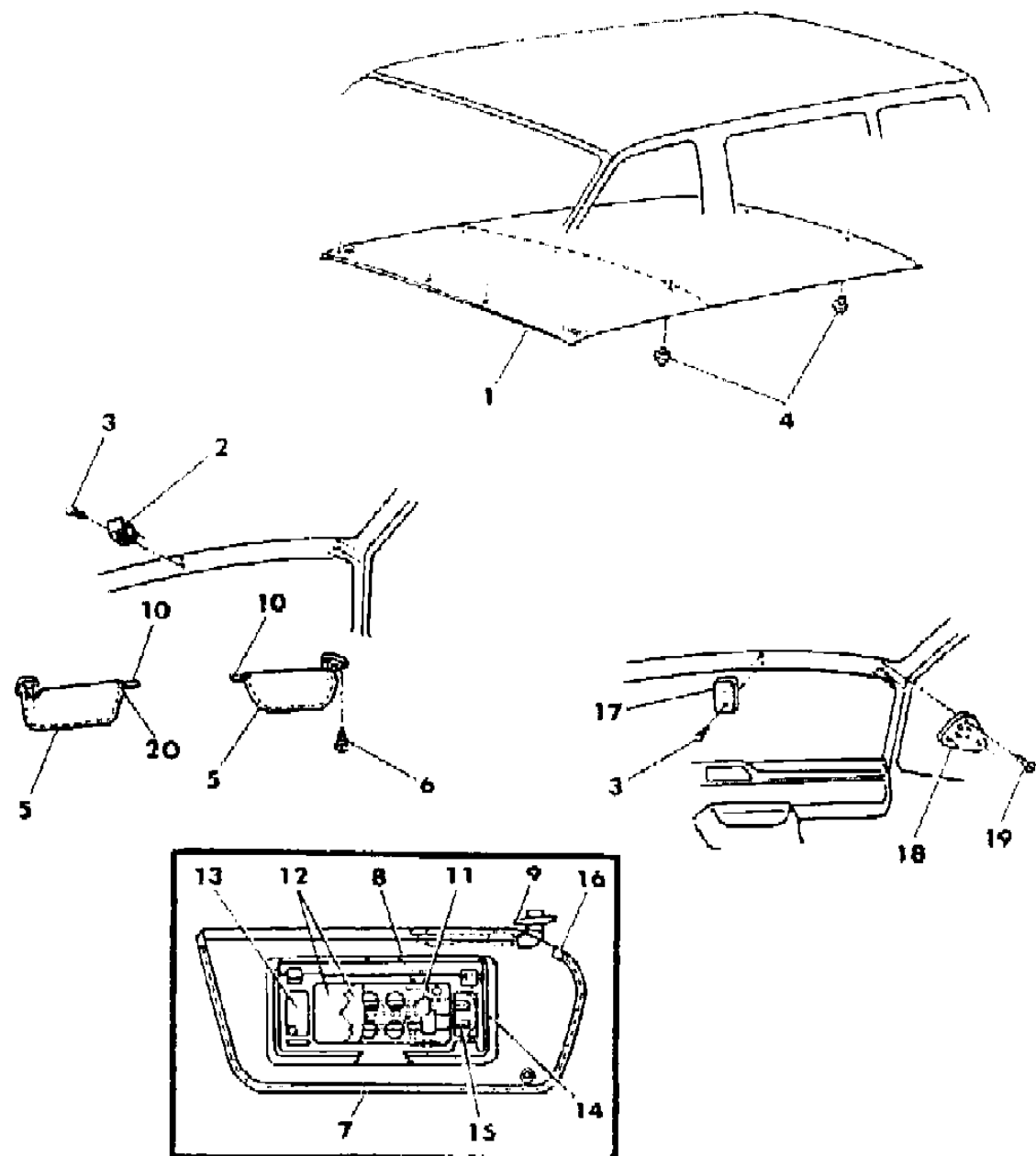
45 = 4-DOOR STATION WAGON

52-53 = FWD WAGON

AR = Use as Required - = Non Illustrated Part P.A.R. = Paint as Required

HEADLINER AND VISOR S BODY
Figure ITS-200

7242 200 B



ITEM	PART NUMBER	QTY	BODY	MODEL	DESCRIPTION
3		AR			SCREW, (8-18x3/4) (Not Serv.)
4					FASTENER, Headliner
	H452 AA3	AR			Silver
	H452 EC5	AR			Blue
	H452 EE8	1			Cordovan
	H452 EK1	AR			Almond
5					VISOR, w/o Mirror
	H390-1 CA3	1			Silver
	H390-1 FC5	1			Blue
	H390-1 EE8	1			Cordovan
	H390-1 EK1	1			Almond
6	6032 584	AR			SCREW
7					VISOR, w/Illuminated Mirror
					RIGHT
	H406 FA3	1			Silver
	H406 FC5	1			Blue
	H406 FE8	1			Cordovan
	H406 FK1	1			Almond
					LEFT
	H407 FA3	1			Silver
	H407 FC5	1			Blue
	H407 FE8	1			Cordovan
	H407 FK1	1			Almond
					VISOR, Sub Assy.
					Right
	H638 FA3	1			Silver
	H638 FC5	1			Blue
	H638 FE8	1			Cordovan
	H638 FK1	1			Almond
					Left
	H639 FA3	1			Silver
	H639 FC5	1			Blue
	H639 FE8	1			Cordovan
	H639 FK1	1			Almond
8					VANITY, Assy w/Illuminated Mirror
	H640 FAA	1			Silver
	H640 FC5	1			Blue
	H640 FE8	1			Cordovan

MODEL CODES

E BODY = (J - CARAVELLE)(E - 600)(T - NEW YORKER)

G BODY = (V24 - DAYTONA)

H BODY = (D44 - LANCER)(C44 - LEBARON GTS)

J BODY = (C - LEBARON)

K BODY = (P - RELIANT)(D - ARIES)(C - LEBAROND)/TOWN & COUNTRY)

L BODY = (M - HORIZON/TURISMO)(Z - OMNI/CHARGER)

M BODY = (B - GRAN FURY)(F - FIFTH AVE/NEWPORT)(G - DIPLOMAT)

P BODY = (P - SUNDANCE)(D - SHADOW)

S BODY = (H - VOYAGER)(K - RAM VAN/CARAVAN)

BODY STYLES

12-13 = FWD VAN

21 = 2-DOOR SEDAN

24 = 2-DOOR HATCHBACK

27 = 2-DOOR CONVERTIBLE

41 = 4-DOOR SEDAN

44 = 4-DOOR HATCHBACK

45 = 4-DOOR STATION WAGON

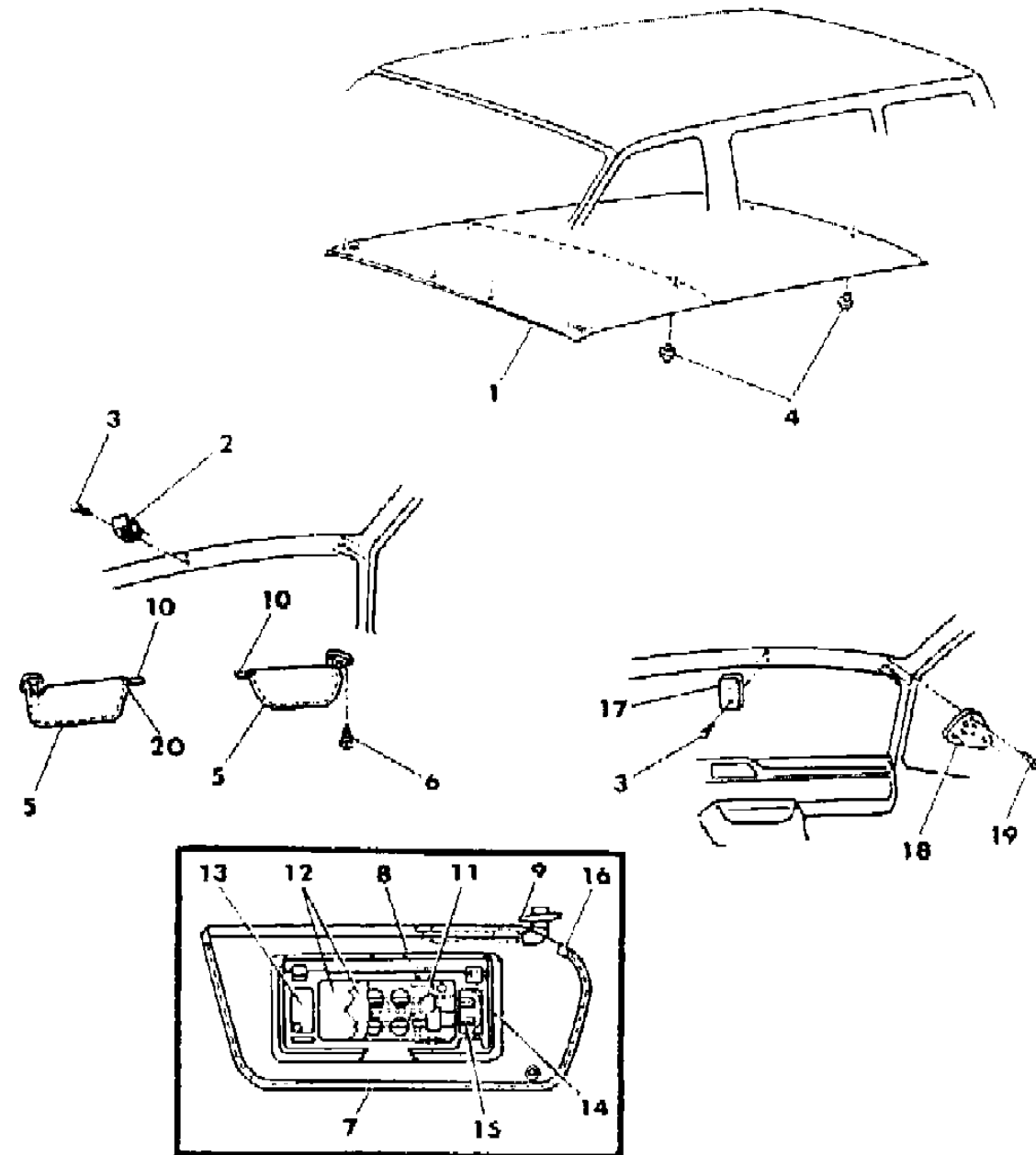
52-53 = FWD WAGON

AR = Use as Required - = Non Illustrated Part P.A.R. = Paint as Required

HEADLINER AND VISOR S BODY

Figure ITS-200

7242 200 B



ITEM	PART NUMBER	QTY	BODY	MODEL	DESCRIPTION
	H640 FK1	1			Almond
9	4282 336-7	1			ARM, BRACKET and VISOR (w/o Mirror)
10	2789 037	2			TIP, Visor Panel Inner Support w/o Mirror
	H315 CA3	1			Silver
	H315 EC5	1			Blue
	H315 EE8	1			Cordovan
	H315 EK1	1			Almond
11	3832 873	1			COMPONENT BOARD, Mirror
12					MIRROR and BACK, (Serv. In Assy)
13	4410 693	1			LENS, Mirror
14	4166 976	2			HINGE, Spring
15	9436 790	4			BULB
16	1490 983	AR			CLIP
17	H457 DA1	1			PLUG, Support Right
18	4282 388	1			BRACKET, Plate w/o Visor Right
19	6032 584	AR			SCREW
20	4282 339	AR			SUPPORT, Inner

MODEL CODES

E BODY = (J - CARAVELLE)(E - 600)(T - NEW YORKER)

G BODY = (V24 - DAYTONA)

H BODY = (D44 - LANCER)(C44 - LEBARON GTS)

J BODY = (C - LEBARON)

K BODY = (P - RELIANT)(D - ARIES)(C - LEBAROND)/TOWN & COUNTRY)

L BODY = (M - HORIZON/TURISMO)(Z - OMNI/CHARGER)

M BODY = (B - GRAN FURY)(F - FIFTH AVE/NEWPORT)(G - DIPLOMAT)

P BODY = (P - SUNDANCE)(D - SHADOW)

S BODY = (H - VOYAGER)(K - RAM VAN/CARAVAN)

BODY STYLES

12-13 = FWD VAN

21 = 2-DOOR SEDAN

24 = 2-DOOR HATCHBACK

27 = 2-DOOR CONVERTIBLE

41 = 4-DOOR SEDAN

44 = 4-DOOR HATCHBACK

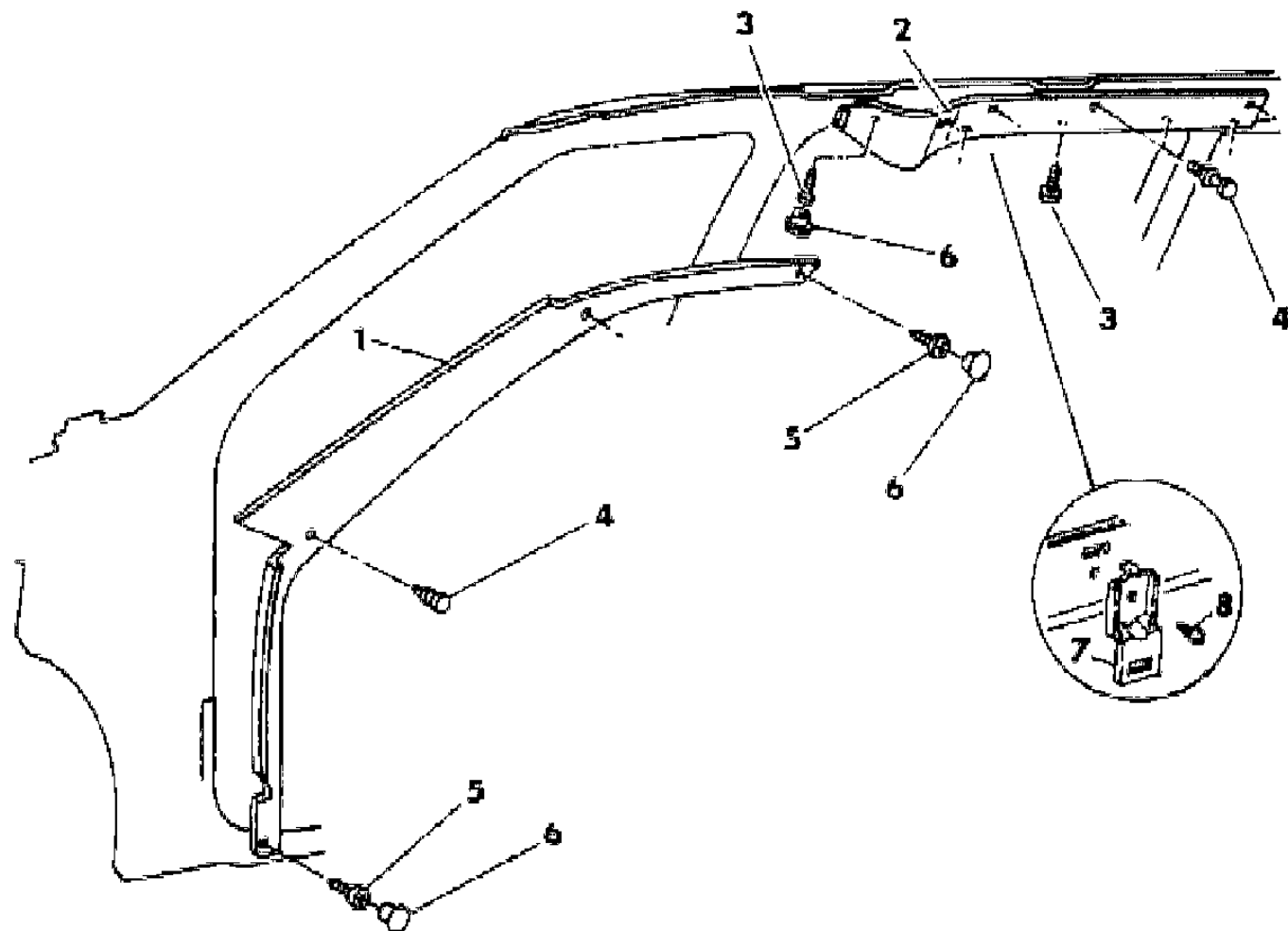
45 = 4-DOOR STATION WAGON

52-53 = FWD WAGON

AR = Use as Required - = Non Illustrated Part P.A.R. = Paint as Required

MOULDING--GARNISH S BODY
Figure ITS-300

7242 300 A



ITEM	PART NUMBER	QTY	BODY	MODEL	DESCRIPTION
1					MOULDING, Windshield Side
	H330-1 EA3	1			Silver
	H330-1 FC5	1			Blue
	H330-1 EE8	1			Cordovan
	H330-1 EK1	1			Almond
2					COVER, Sliding Door Upper Track (P.A.R.)
	F356 EK1	1			w/112" Wheelbase
	V260 FK1	1			w/119" Wheelbase
3		7			SCREW, (8-18x5/8) (Not Serv.)
4					FASTENER
	F155 BA3	11			Silver
	F155 EC5	11			Blue
	F155 EE8	11			Cordovan
	F155 EK1	11			Almond
5	6032 456	2			SCREW
6	F245 CA3	4			PLUG, Trim (P.A.R.)
7	#4309 149	1			BRACKET, Cover Attaching
8	6032 456	AR			SCREW

NOTE: (P.A.R.) = Paint As Required

MODEL CODES

E BODY = (J - CARAVELLE)(E - 600)(T - NEW YORKER)

G BODY = (V24 - DAYTONA)

H BODY = (D44 - LANCER)(C44 - LEBARON GTS)

J BODY = (C - LEBARON)

K BODY = (P - RELIANT)(D - ARIES)(C - LEBAROND)/TOWN & COUNTRY)

L BODY = (M - HORIZON/TURISMO)(Z - OMNI/CHARGER)

M BODY = (B - GRAN FURY)(F - FIFTH AVE/NEWPORT)(G - DIPLOMAT)

P BODY = (P - SUNDANCE)(D - SHADOW)

S BODY = (H - VOYAGER)(K - RAM VAN/CARAVAN)

BODY STYLES

12-13 = FWD VAN

21 = 2-DOOR SEDAN

24 = 2-DOOR HATCHBACK

27 = 2-DOOR CONVERTIBLE

41 = 4-DOOR SEDAN

44 = 4-DOOR HATCHBACK

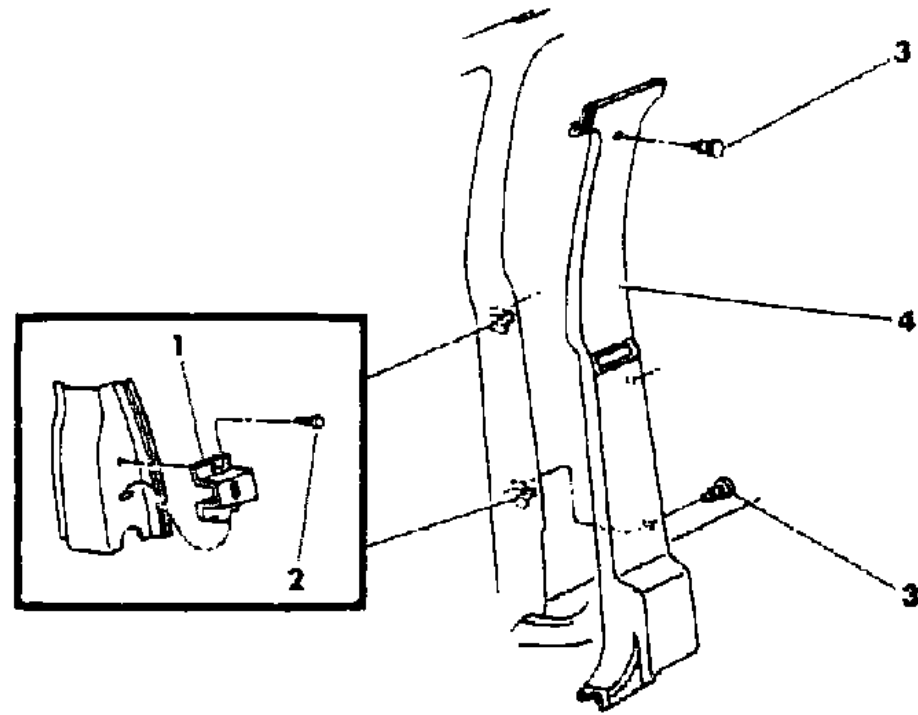
45 = 4-DOOR STATION WAGON

52-53 = FWD WAGON

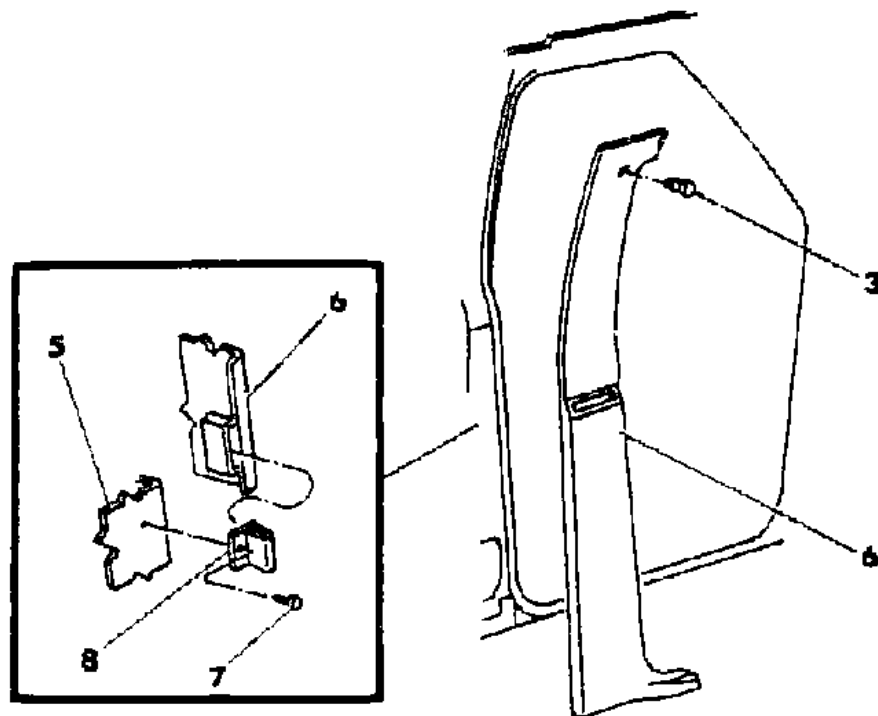
AR = Use as Required - = Non Illustrated Part P.A.R. = Paint as Required

B PILLAR TRIM S BODY
Figure ITS-400

7242 400



RIGHT SIDE



LEFT SIDE

ITEM	PART NUMBER	QTY	BODY	MODEL	DESCRIPTION
1					BRACKET, Trim Cover Attaching
	4381 032	1			Upper
	4381 033	1			Lower
2		AR			SCREW, (8-18x5/8) (Not Serv.)
3					FASTENER
	F155 BA3	AR			Silver
	F155 EC5	AR			Blue
	F155 EE8	AR			Cordovan
	F155 EK1	AR			Almond
4					COVER, B Pillar
					RIGHT
					w/112" Wheelbase
	F292 CA3	1			Silver
	F292 FC5	1			Blue
	F292 EE8	1			Cordovan
	F292 EK1	1			Almond
					w/119" Wheelbase
	F281 DA3	1			Silver
	F281 FC5	1			Blue
	F281 EE8	1			Cordovan
	F281 EK1	1			Almond
5					PANEL, Quarter Inner Wheelhouse (Reference)
6					COVER, B Pillar
					LEFT
	F275 CA3	1			Silver
	F275 FC5	1			Blue
	F275 EE8	1			Cordovan
	F275 EK1	1			Almond
7		AR			SCREW, (8-18x1/2) (Not Serv.)
8	4248 349	2			BRACKET, Trim Cover Attaching

MODEL CODES

E BODY = (J - CARAVELLE)(E - 600)(T - NEW YORKER)

G BODY = (V24 - DAYTONA)

H BODY = (D44 - LANCER)(C44 - LEBARON GTS)

J BODY = (C - LEBARON)

K BODY = (P - RELIANT)(D - ARIES)(C - LEBAROND)/TOWN & COUNTRY)

L BODY = (M - HORIZON/TURISMO)(Z - OMNI/CHARGER)

M BODY = (B - GRAN FURY)(F - FIFTH AVE/NEWPORT)(G - DIPLOMAT)

P BODY = (P - SUNDANCE)(D - SHADOW)

S BODY = (H - VOYAGER)(K - RAM VAN/CARAVAN)

BODY STYLES

12-13 = FWD VAN

21 = 2-DOOR SEDAN

24 = 2-DOOR HATCHBACK

27 = 2-DOOR CONVERTIBLE

41 = 4-DOOR SEDAN

44 = 4-DOOR HATCHBACK

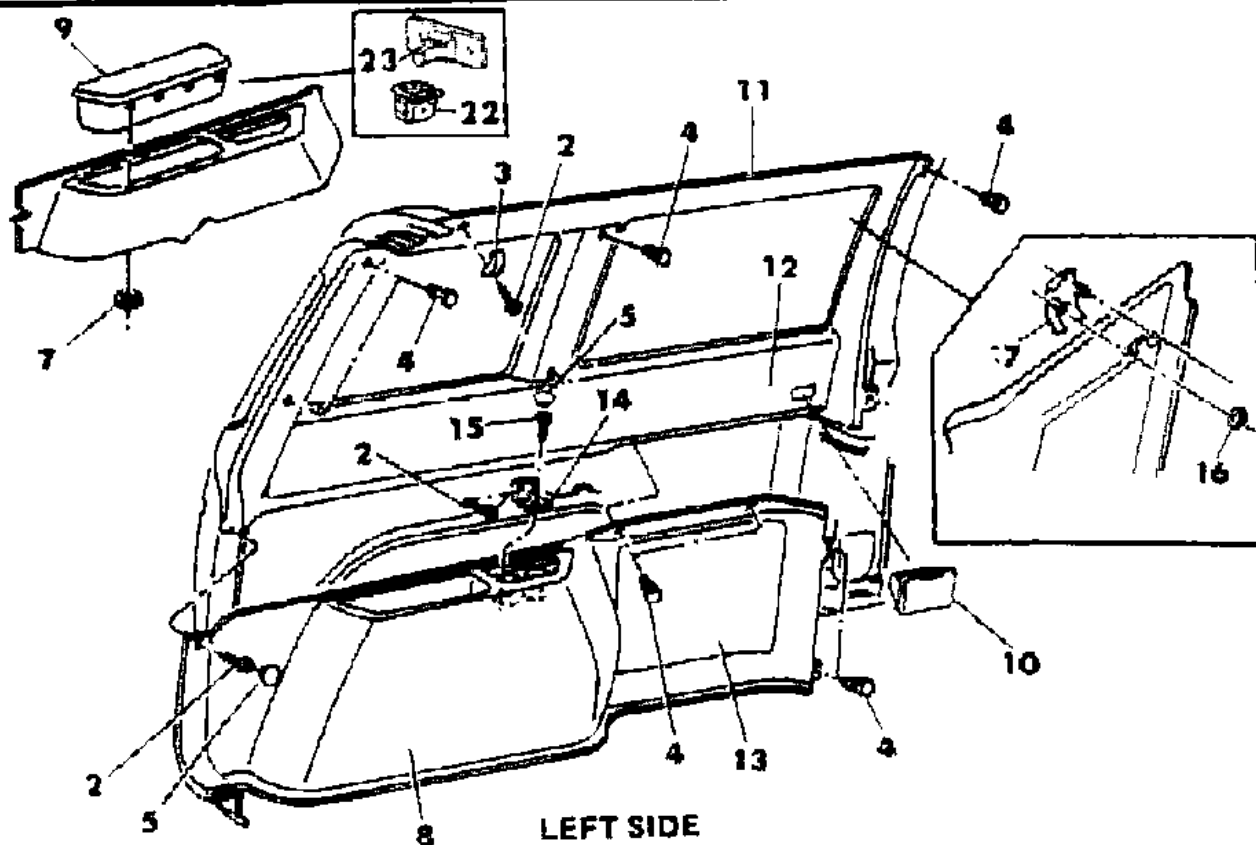
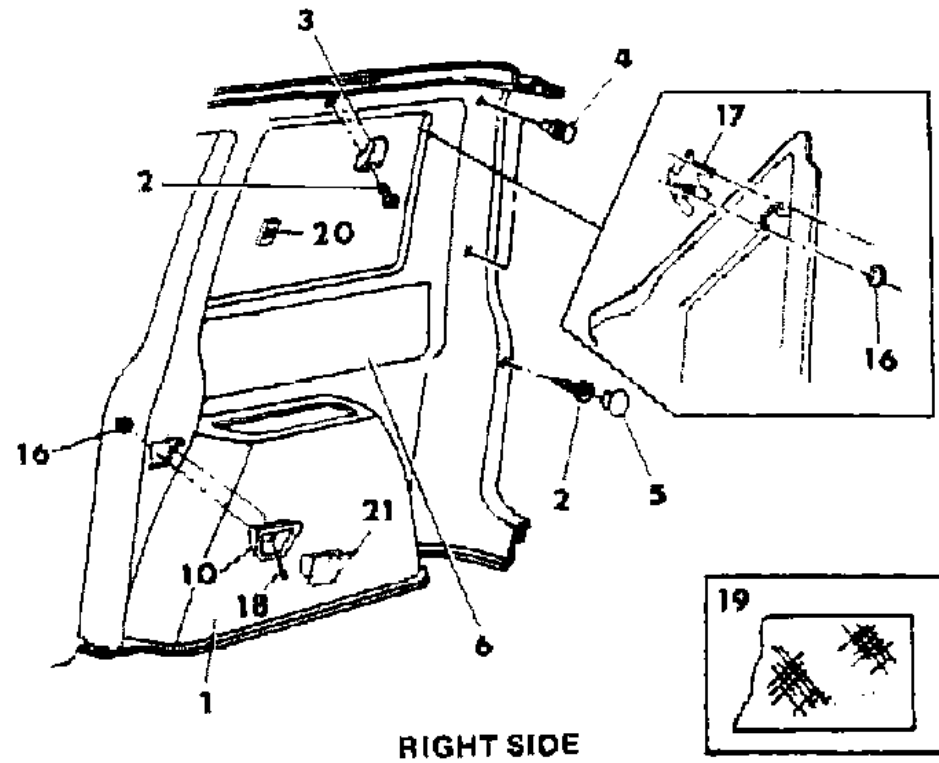
45 = 4-DOOR STATION WAGON

52-53 = FWD WAGON

AR = Use as Required - = Non Illustrated Part P.A.R. = Paint as Required

PANEL--QUARTER TRIM S BODY W/112" WHEELBASE
Figure ITS-500

7242 500 A



ITEM	PART NUMBER	QTY	BODY	MODEL	DESCRIPTION
1					PANEL, Quarter Trim Rear (P.A.R.) W/O ARTICULATED ARM (use up to 12/8/86) 4419 390 1 (use after 12/8/86) 4419 391 1 W/ARTICULATED ARM
2		AR			SCREW, (8-18x3/4) (Not Serv.)
3					HOOK, Coat H505 CA3 3 Silver H505 FC5 3 Blue H505 EE8 3 Cordovan H505 EK1 3 Almond
4					FASTENER F155 BA3 2 Silver F155 EC5 2 Blue F155 EE8 2 Cordovan F155 EK1 2 Almond
5					PLUG, (P.A.R.) F245 CA3 1
6					BOLSTER, Quarter Trim CLOTH K638 FAS 1 Silver / Charcoal, (J5AS) K638 FEE 1 Cordovan, (J5E) K638 FKK 1 Almond, (J5K) K634 FA3 1 Silver / Charcoal, (D5AS, D9AS) K634 FC5 1 Blue, (D5C) K634 FE8 1 Cordovan, (D5E, D9E) K634 FK1 1 Almond, (D5K, D9K) VINYL K636 FA2 1 Silver, (J6AS) K636 FC5 1 Blue, (J6C) K636 FE8 1 Cordovan, (J6E) K636 FK1 1 Almond, (J6K)
7		AR			RETAINER 6026 898
8	#K615 DA3	1			PANEL, Quarter Trim Lower Left (w/o Aux. Heater) P.A.R. w/AUX HEATER K667 FA3 1 Silver K667 FC5 1 Blue K667 FE8 1 Cordovan K667 FK1 1 Almond

MODEL CODES

E BODY = (J - CARAVELLE)(E - 600)(T - NEW YORKER)

G BODY = (V24 - DAYTONA)

H BODY = (D44 - LANCER)(C44 - LEBARON GTS)

J BODY = (C - LEBARON)

K BODY = (P - RELIANT)(D - ARIES)(C - LEBAROND)/TOWN & COUNTRY)

L BODY = (M - HORIZON/TURISMO)(Z - OMNI/CHARGER)

M BODY = (B - GRAN FURY)(F - FIFTH AVE/NEWPORT)(G - DIPLOMAT)

P BODY = (P - SUNDANCE)(D - SHADOW)

S BODY = (H - VOYAGER)(K - RAM VAN/CARAVAN)

BODY STYLES

12-13 = FWD VAN

21 = 2-DOOR SEDAN

24 = 2-DOOR HATCHBACK

27 = 2-DOOR CONVERTIBLE

41 = 4-DOOR SEDAN

44 = 4-DOOR HATCHBACK

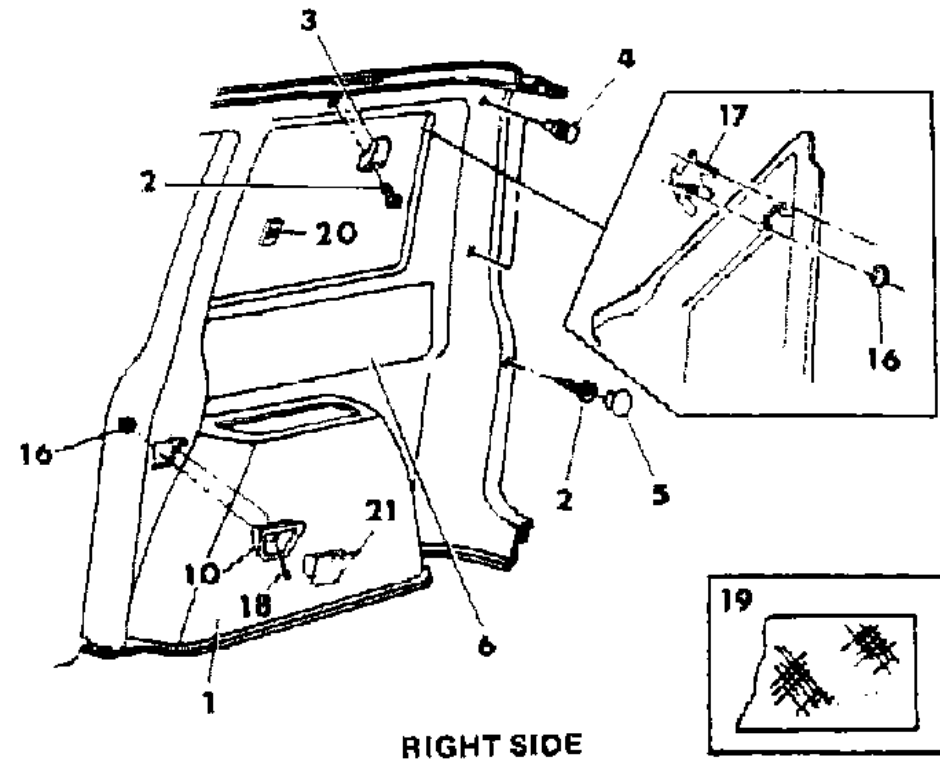
45 = 4-DOOR STATION WAGON

52-53 = FWD WAGON

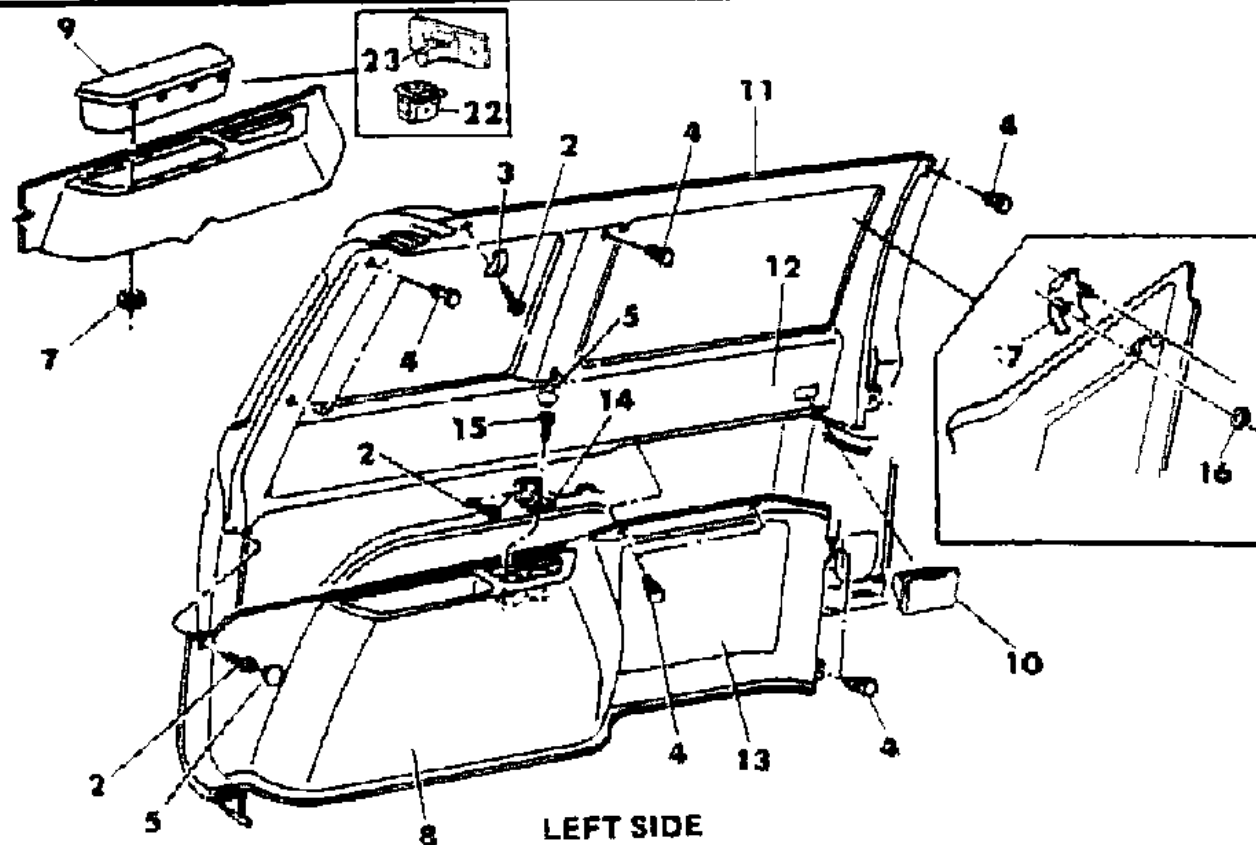
AR = Use as Required - = Non Illustrated Part P.A.R. = Paint as Required

PANEL--QUARTER TRIM S BODY W/112" WHEELBASE
Figure ITS-500

7242 500 A



RIGHT SIDE



LEFT SIDE

ITEM	PART NUMBER	QTY	BODY	MODEL	DESCRIPTION
9					BIN and ARMREST
	D562 CA3	2			Silver
	D562 FC5	2			Blue
	D562 EE8	2			Cordovan
	D562 EK1	2			Almond
10					ASH RECEIVER, (Qtr. Lower Trim Panel)
	D440-1 DA3	1			Silver
	D440-1 FC5	1			Blue
	D440-1 EE8	1			Cordovan
	D440-1 EK1	1			Almond
11	#K629 DA3	1			PANEL, Quarter Trim Upper Left (P.A.R.)
12					BOLSTER, Quarter Trim Panel CLOTH
	K639 FAS	1			Silver / Charcoal, (J5AS)
	K639 FEE	1			Cordovan, (J5E)
	K639 FKK	1			Almond, (J5K)
	K635 FA3	1			Silver / Charcoal, (D5AS, D9AS)
	K635 FC5	1			Blue, (D5C)
	K635 FE8	1			Cordovan, (D5E, D9E)
	K635 FK1	1			Almond, (D5K, D9K)
					VINYL
	K637 FA2	1			Silver / Charcoal, (J6AS)
	K637 FC5	1			Blue, (J6C)
	K637 FE8	1			Cordovan, (J6E)
	K637 FK1	1			Almond, (J6K)
13					CARPET
	H404 FC5	1			Blue
	H404 EE8	1			Cordovan
	H404 EK1	1			Almond
	H404 CS8	1			Charcoal
14					BRACKET, Lower Panel Attaching w/112" Wheelbase
15	4381 023	1			
16	6032 456	AR			SCREW
17	6026 898	AR			RETAINER
18	#V128-9 DA3	1			BEZEL, Remote Window Latch (P.A.R.)
19	6032 456	AR			SCREW
20	4186 901	AR			SILENCER, (36"x72" Cut To Fit)
21	6032 833	7			FASTENER

MODEL CODES

E BODY = (J - CARAVELLE)(E - 600)(T - NEW YORKER)

G BODY = (V24 - DAYTONA)

H BODY = (D44 - LANCER)(C44 - LEBARON GTS)

J BODY = (C - LEBARON)

K BODY = (P - RELIANT)(D - ARIES)(C - LEBAROND)/TOWN & COUNTRY)

L BODY = (M - HORIZON/TURISMO)(Z - OMNI/CHARGER)

M BODY = (B - GRAN FURY)(F - FIFTH AVE/NEWPORT)(G - DIPLOMAT)

P BODY = (P - SUNDANCE)(D - SHADOW)

S BODY = (H - VOYAGER)(K - RAM VAN/CARAVAN)

BODY STYLES

12-13 = FWD VAN

21 = 2-DOOR SEDAN

24 = 2-DOOR HATCHBACK

27 = 2-DOOR CONVERTIBLE

41 = 4-DOOR SEDAN

44 = 4-DOOR HATCHBACK

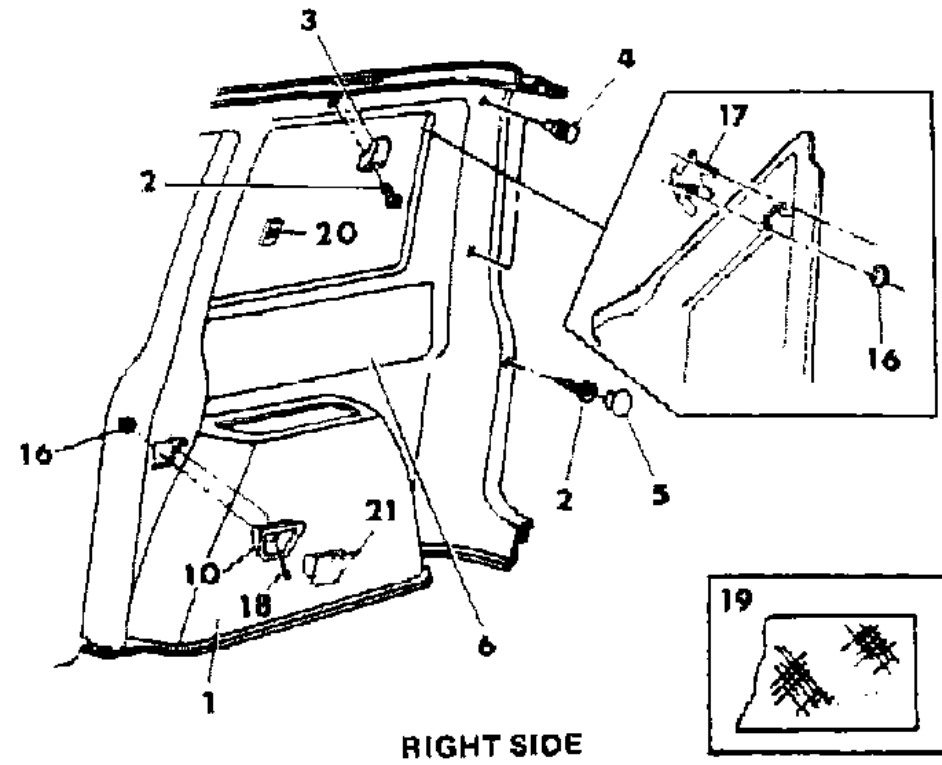
45 = 4-DOOR STATION WAGON

52-53 = FWD WAGON

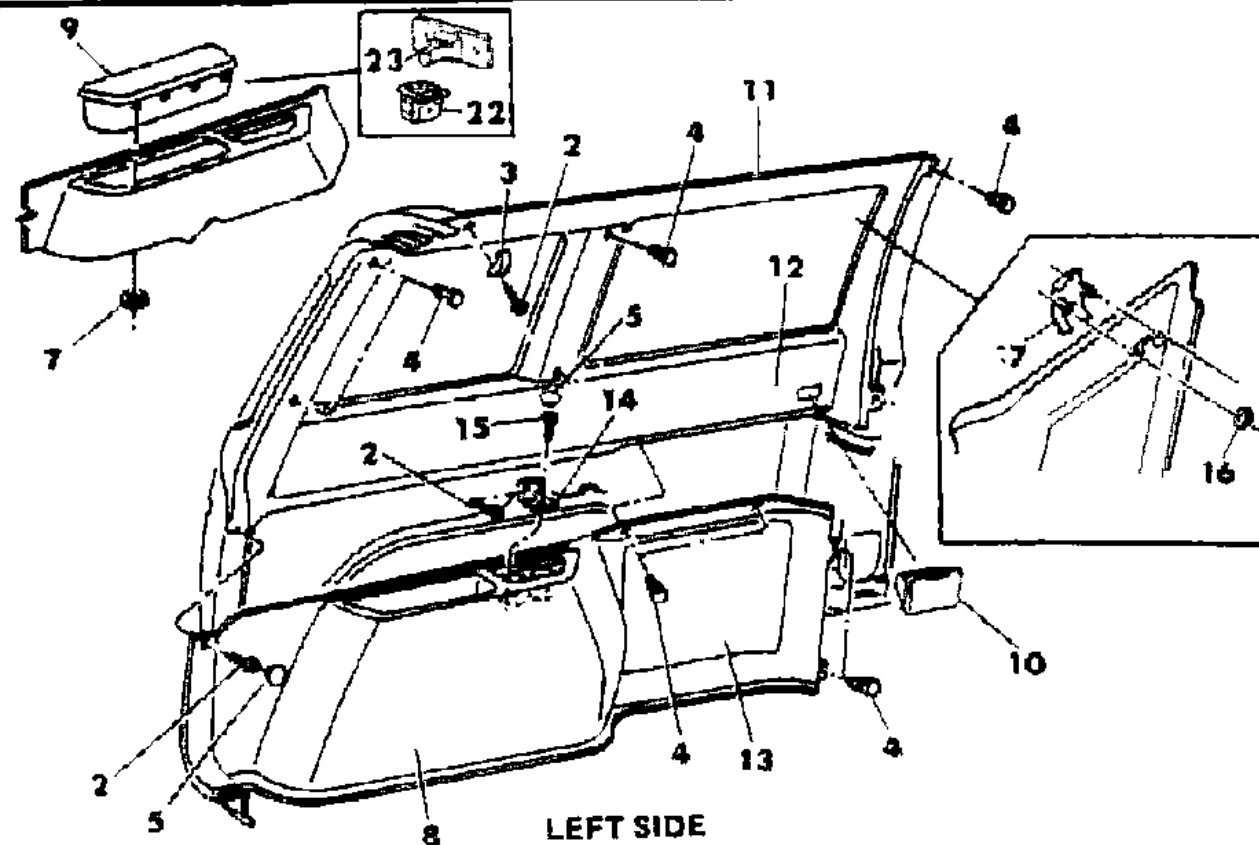
AR = Use as Required - = Non Illustrated Part P.A.R. = Paint as Required

PANEL--QUARTER TRIM S BODY W/112" WHEELBASE
Figure ITS-500

7242 500 A



RIGHT SIDE



LEFT SIDE

ITEM	PART NUMBER	QTY	BODY	MODEL	DESCRIPTION
21	4248 803	AR			SNUFFER, Ash Receiver
22	4247 211	2			CATCH, Storage Bin
23	4248 720	1			STRICKER, Storage Bin

NOTE: (P.A.R. = Paint As Required)
NOTE: Openings must be cut in right quarter panel to install storage bin and ash receiver

MODEL CODES

E BODY = (J - CARAVELLE)(E - 600)(T - NEW YORKER)

G BODY = (V24 - DAYTONA)

H BODY = (D44 - LANCER)(C44 - LEBARON GTS)

J BODY = (C - LEBARON)

K BODY = (P - RELIANT)(D - ARIES)(C - LEBAROND)/TOWN & COUNTRY)

L BODY = (M - HORIZON/TURISMO)(Z - OMNI/CHARGER)

M BODY = (B - GRAN FURY)(F - FIFTH AVE/NEWPORT)(G - DIPLOMAT)

P BODY = (P - SUNDANCE)(D - SHADOW)

S BODY = (H - VOYAGER)(K - RAM VAN/CARAVAN)

BODY STYLES

12-13 = FWD VAN

21 = 2-DOOR SEDAN

24 = 2-DOOR HATCHBACK

27 = 2-DOOR CONVERTIBLE

41 = 4-DOOR SEDAN

44 = 4-DOOR HATCHBACK

45 = 4-DOOR STATION WAGON

52-53 = FWD WAGON

AR = Use as Required - = Non Illustrated Part P.A.R. = Paint as Required

PANEL--QUARTER TRIM S BODY W/119" WHEELBASE
Figure ITS-550

7242 550

ITEM	PART NUMBER	QTY	BODY	MODEL	DESCRIPTION
1	#K598 FK1	1			PANEL, Quarter Trim Rear (P.A.R.)
2	#4385 066	1			BRACKET, Front Attaching
3	6032 456	AR			SCREW
4	H505 CA3	3			HOOK, Coat Silver
	H505 FC5	3			Blue
	H505 EE8	3			Cordovan
	H505 EK1	3			Almond
5					SCREW, (8-18x3/4) (Not Serv.)
6	#4385 068	1			BRACKET, Rear Attaching
7					FASTENER
	F155 BA3	2			Silver
	F155 EC5	2			Blue
	F155 EE8	2			Cordovan
	F155 EK1	2			Almond
8	F245 CA3	1			PLUG, (P.A.R.)
9					BOLSTER, Quarter Trim
					CLOTH
	D684 FAS	1			Silver / Charcoal, (J5AS)
	D684 FEE	1			Cordovan, (J5E)
	D684 FKK	1			Almond, (J5K)
	D306 FA3	1			Silver / Charcoal, (D5AS, D9AS)
	D306 FC5	1			Blue, (D5C)
	D306 FE8	1			Cordovan, (D5E, D9E)
	D306 FK1	1			Almond, (D5K, D9K)
					VINYL
	D686 FA2	1			Silver / Charcoal, (J6AS)
	D686 FC5	1			Blue, (J6C)
	D686 FE8	1			Cordovan, (J6E)
	D686 FK1	1			Almond, (J6K)
10	6032 833	7			FASTENER, Bolster Attaching
11	6032 083	AR			RETAINER
12	K601 FK1	1			PANEL, Quarter Trim Lower Lt. w/o Aux Htr. (P.A.R.)
13	#4385 067	1			BRACKET, Front Attaching
14					BIN and ARMREST
	D562 CA3	2			Silver
	D562 FC5	2			Blue
	D562 EE8	2			Cordovan

MODEL CODES

E BODY = (J - CARAVELLE)(E - 600)(T - NEW YORKER)

G BODY = (V24 - DAYTONA)

H BODY = (D44 - LANCER)(C44 - LEBARON GTS)

J BODY = (C - LEBARON)

K BODY = (P - RELIANT)(D - ARIES)(C - LEBAROND)/TOWN & COUNTRY)

L BODY = (M - HORIZON/TURISMO)(Z - OMNI/CHARGER)

M BODY = (B - GRAN FURY)(F - FIFTH AVE/NEWPORT)(G - DIPLOMAT)

P BODY = (P - SUNDANCE)(D - SHADOW)

S BODY = (H - VOYAGER)(K - RAM VAN/CARAVAN)

BODY STYLES

12-13 = FWD VAN

21 = 2-DOOR SEDAN

24 = 2-DOOR HATCHBACK

27 = 2-DOOR CONVERTIBLE

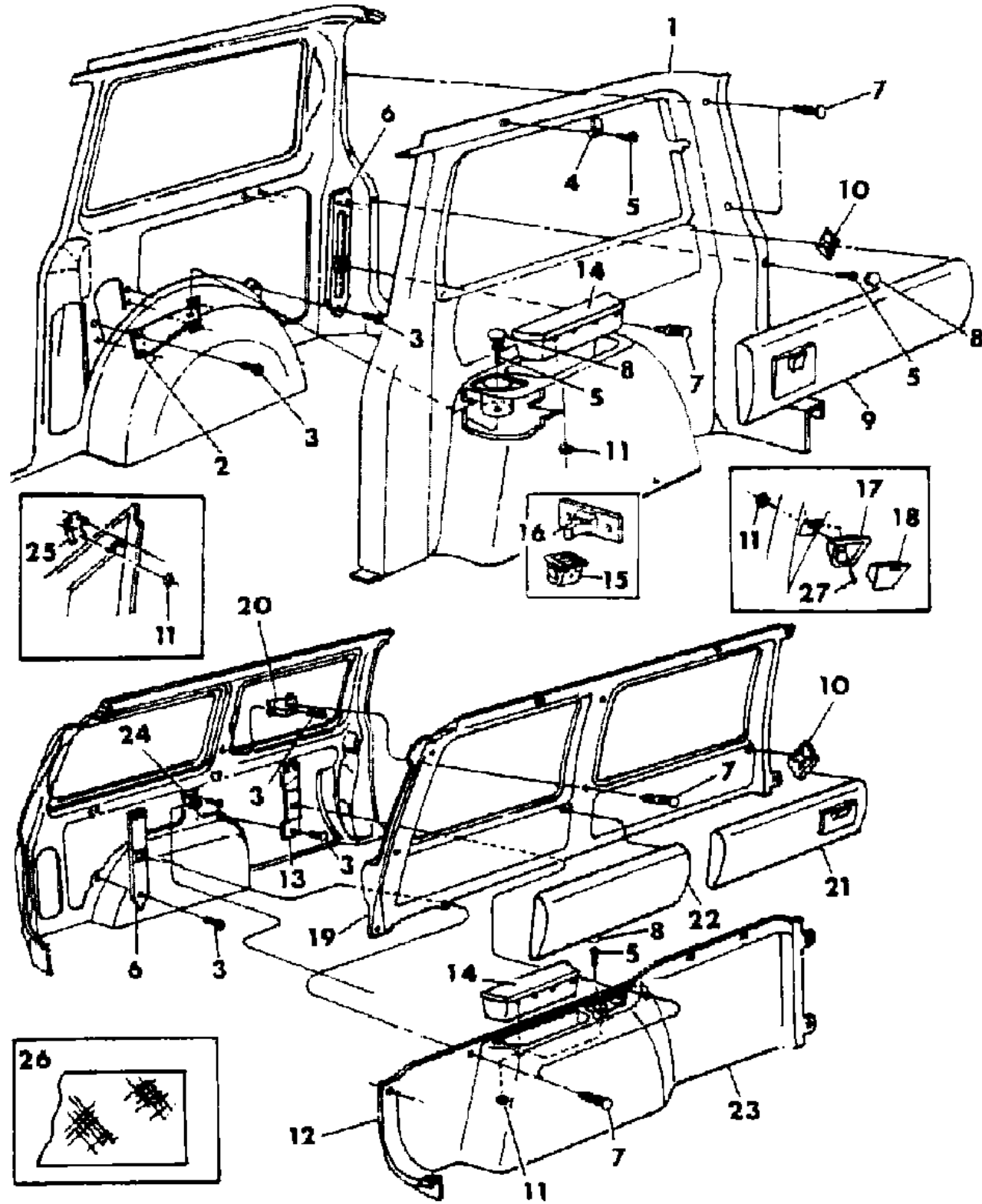
41 = 4-DOOR SEDAN

44 = 4-DOOR HATCHBACK

45 = 4-DOOR STATION WAGON

52-53 = FWD WAGON

AR = Use as Required - = Non Illustrated Part P.A.R. = Paint as Required



PANEL--QUARTER TRIM S BODY W/119" WHEELBASE
Figure ITS-550

7242 550

ITEM	PART NUMBER	QTY	BODY	MODEL	DESCRIPTION
	D562 EK1	2			Almond
15	4247 211	2			CATCH, Storage Bin
16	4248 720	1			STRIKER, Storage Bin
17					ASH RECEIVER, Upper Qtr. Bolster Right
	D441 DA3	1			Silver
	D441 FC5	1			Blue
	D441 EE8	1			Cordovan
	D441 EK1	1			Almond
					ASH RECEIVER, Lower Qtr. Trim Panel Left
	D441 DA3				Silver
	D441 FC5				Blue
	D441 EE8				Cordovan
	D441 EK1				Almond
18	4248 803	AR			SNUFFER, Ash Receiver
19	#K595 FK1	1			PANEL, Quarter Trim Upper Left (P.A.R.)
20	#4381 033	1			BRACKET
21					BOLSTER, Quarter Trim Panel
					CLOTH
	D685 FAS	1			Silver / Charcoal, (J5AS)
	D685 FEE	1			Cordovan, (J5E)
	D685 FKK	1			Almond, (J5K)
	D303 FA3	1			Silver / Charcoal, (D5AS, D9AS)
	D303 FC5	1			Blue, (D5C)
	D303 FE8	1			Cordovan, (D5E, D9E)
	D303 FK1	1			Almond, (D5K, D9K)
					VINYL
	D687 FA2	1			Silver / Charcoal, (J6AS)
	D687 FC5	1			Blue, (J6C)
	D687 FE8	1			Cordovan, (J6E)
	D687 FK1	1			Almond, (J6K)
22					BOLSTER, Quarter Trim Panel, Rear
					CLOTH
	D689 FAS	1			Silver / Charcoal, (J5AS)
	D689 FEE	1			Cordovan, (J5E)
	D689 FKK	1			Almond, (J5K)
	D305 FA3	1			Silver / Charcoal, (D5AS, D9AS)
	D305 FC5	1			Blue, (D5C)
	D305 FE8	1			Cordovan, (D5E, D9E)

MODEL CODES

E BODY = (J - CARAVELLE)(E - 600)(T - NEW YORKER)

G BODY = (V24 - DAYTONA)

H BODY = (D44 - LANCER)(C44 - LEBARON GTS)

J BODY = (C - LEBARON)

K BODY = (P - RELIANT)(D - ARIES)(C - LEBAROND)/TOWN & COUNTRY)

L BODY = (M - HORIZON/TURISMO)(Z - OMNI/CHARGER)

M BODY = (B - GRAN FURY)(F - FIFTH AVE/NEWPORT)(G - DIPLOMAT)

P BODY = (P - SUNDANCE)(D - SHADOW)

S BODY = (H - VOYAGER)(K - RAM VAN/CARAVAN)

BODY STYLES

12-13 = FWD VAN

21 = 2-DOOR SEDAN

24 = 2-DOOR HATCHBACK

27 = 2-DOOR CONVERTIBLE

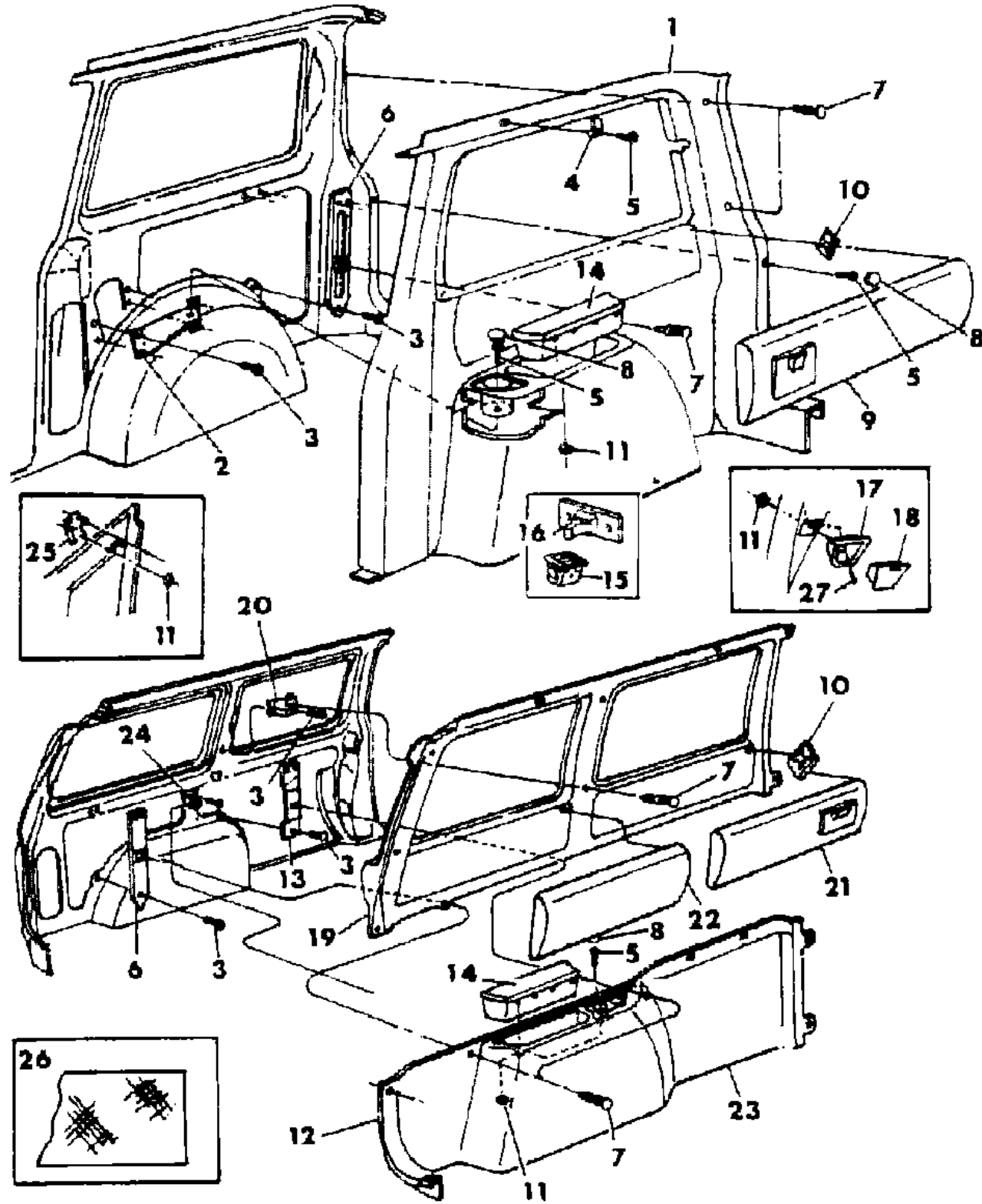
41 = 4-DOOR SEDAN

44 = 4-DOOR HATCHBACK

45 = 4-DOOR STATION WAGON

52-53 = FWD WAGON

AR = Use as Required - = Non Illustrated Part P.A.R. = Paint as Required

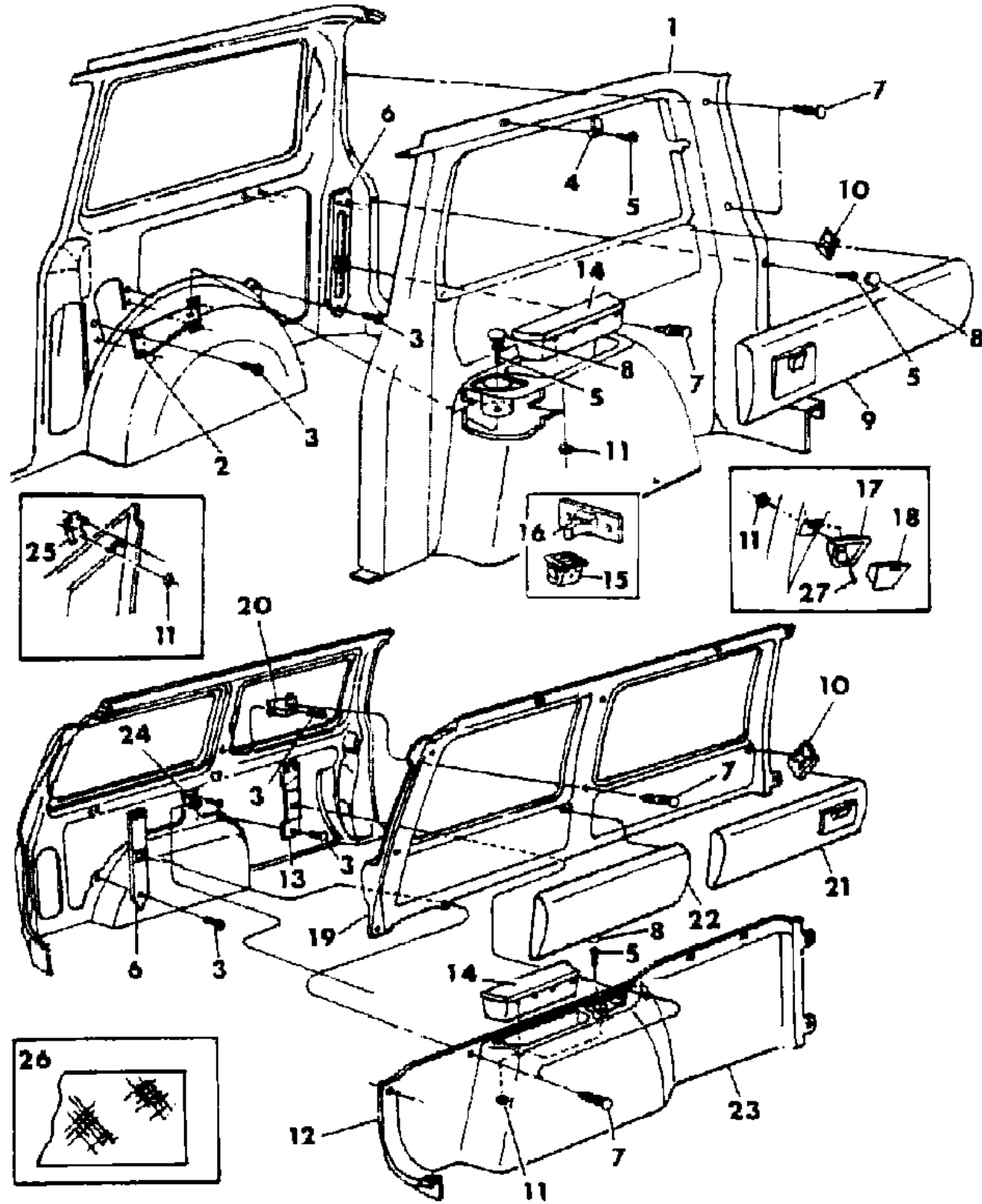


PANEL--QUARTER TRIM S BODY W/119" WHEELBASE
Figure ITS-550

7242 550

ITEM	PART NUMBER	QTY	BODY	MODEL	DESCRIPTION
	D305 FK1	1			Almond, (D5K, D9K)
	D683 FA2	1			VINYL
	D683 FC5	1			Silver / Charcoal, (J6AS)
	D683 FE8	1			Blue, (J6C)
	D683 FE8	1			Cordovan, (J6E)
	D683 FK1	1			Almond, (J6K)
23					CARPET
	M669 FC5	1			Blue
	M669 FE8	1			Cordovan
	M669 FK1	1			Almond
	M669 FS8	1			Charcoal
24	#4381 023	1			BRACKET, Lower Panel Attaching
25	#V128-9 DA3	1			BEZEL, Remote Window Latch (P.A.R.)
26	4186 901	AR			SILENCER, (36"72" Cut To Fit)
27	6032 456	AR			SCREW

NOTE: (P.A.R.) = Paint As Required



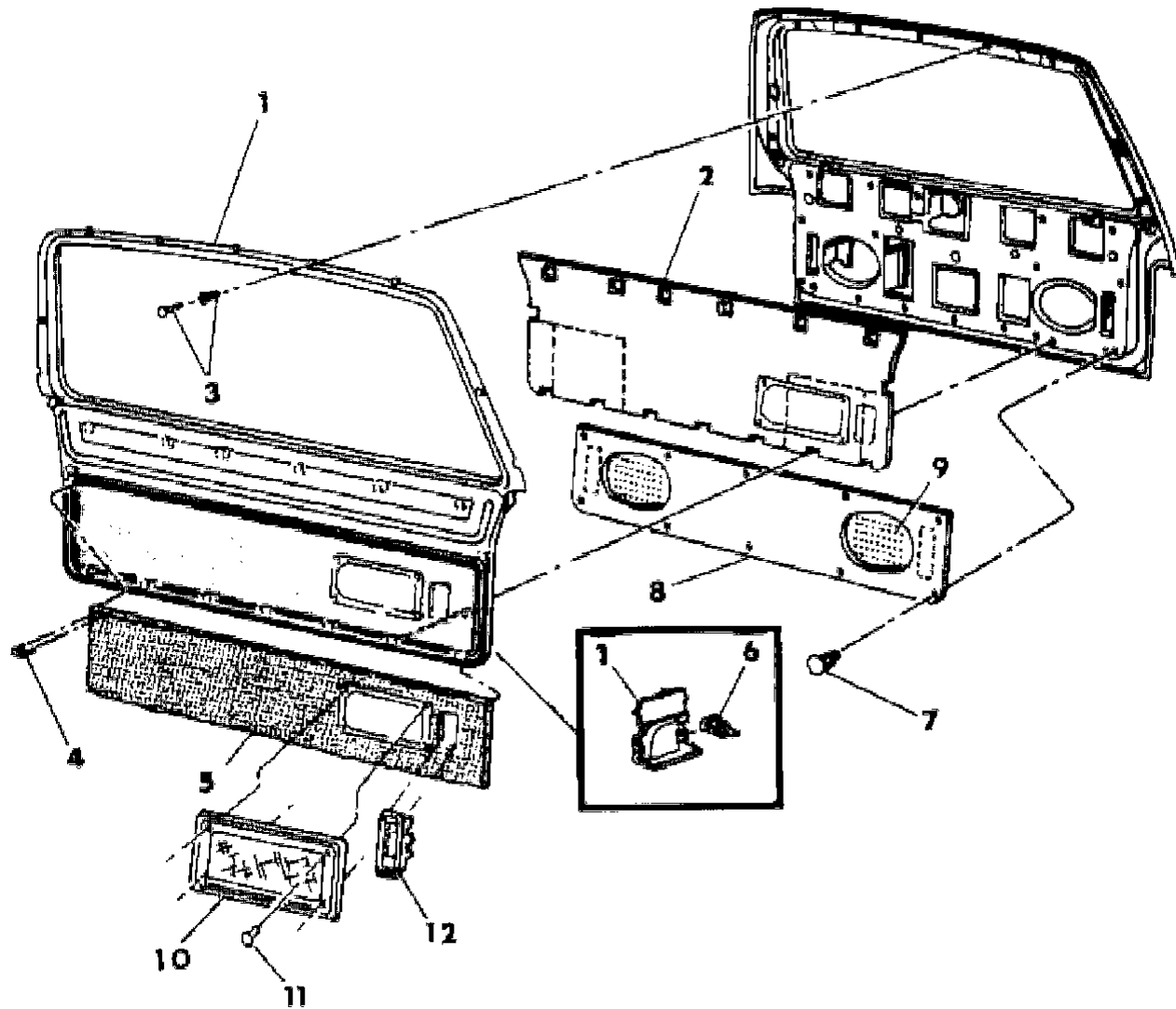
MODEL CODES
 E BODY = (J - CARAVELLE)(E - 600)(T - NEW YORKER)
 G BODY = (V24 - DAYTONA)
 H BODY = (D44 - LANCER)(C44 - LEBARON GTS)
 J BODY = (C - LEBARON)
 K BODY = (P - RELIANT)(D - ARIES)(C - LEBAROND)/TOWN & COUNTRY
 L BODY = (M - HORIZON/TURISMO)(Z - OMNI/CHARGER)
 M BODY = (B - GRAN FURY)(F - FIFTH AVE/NEWPORT)(G - DIPLOMAT)
 P BODY = (P - SUNDANCE)(D - SHADOW)
 S BODY = (H - VOYAGER)(K - RAM VAN/CARAVAN)

BODY STYLES
 12-13 = FWD VAN
 21 = 2-DOOR SEDAN
 24 = 2-DOOR HATCHBACK
 27 = 2-DOOR CONVERTIBLE
 41 = 4-DOOR SEDAN
 44 = 4-DOOR HATCHBACK
 45 = 4-DOOR STATION WAGON
 52-53 = FWD WAGON

AR = Use as Required - = Non Illustrated Part P.A.R. = Paint as Required

LIFT GATE TRIM S BODY
Figure ITS-600

7242 800



ITEM	PART NUMBER	QTY	BODY	MODEL	DESCRIPTION
1	#H747 DA3	1			PANEL, Liftgate (P.A.R.)
2	4248 598	1			SILENCER
3	6500 787	5			RIVET, Dual Hard Drive
4		AR			STAPLE, (Not Serv.)
5					CARPET
	H403 FC5	1			Blue
	H403 EE8	1			Cordovan
	H403 EK1	1			Almond
	H403 CS8	1			Charcoal
6	6501 352	17			FASTENER
7	6501 301	10			FASTENER
8	4248 351	1			PANEL, Liftgate Inner Trim
9					SPEAKER, Rear Compartment (See Group 8A)
10	#P490 FC5	2			GRILLE, Rear Compartment Speaker (P.A.R.)
11					FASTENER
	F155 BA3	AR			Silver
	F155 EC5	AR			Blue
	F155 EE8	AR			Cordovan
	F155 EK1	AR			Almond
12	#3591 126	2			BRACKET, Flood Lamp

MODEL CODES

E BODY = (J - CARAVELLE)(E - 600)(T - NEW YORKER)

G BODY = (V24 - DAYTONA)

H BODY = (D44 - LANCER)(C44 - LEBARON GTS)

J BODY = (C - LEBARON)

K BODY = (P - RELIANT)(D - ARIES)(C - LEBAROND)/TOWN & COUNTRY)

L BODY = (M - HORIZON/TURISMO)(Z - OMNI/CHARGER)

M BODY = (B - GRAN FURY)(F - FIFTH AVE/NEWPORT)(G - DIPLOMAT)

P BODY = (P - SUNDANCE)(D - SHADOW)

S BODY = (H - VOYAGER)(K - RAM VAN/CARAVAN)

BODY STYLES

12-13 = FWD VAN

21 = 2-DOOR SEDAN

24 = 2-DOOR HATCHBACK

27 = 2-DOOR CONVERTIBLE

41 = 4-DOOR SEDAN

44 = 4-DOOR HATCHBACK

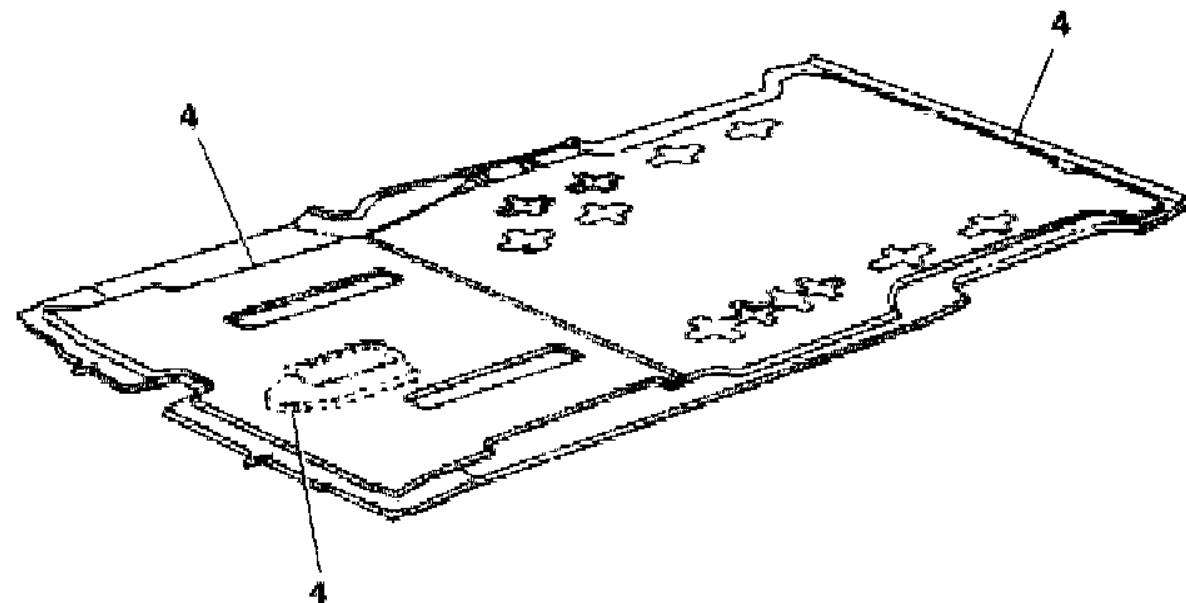
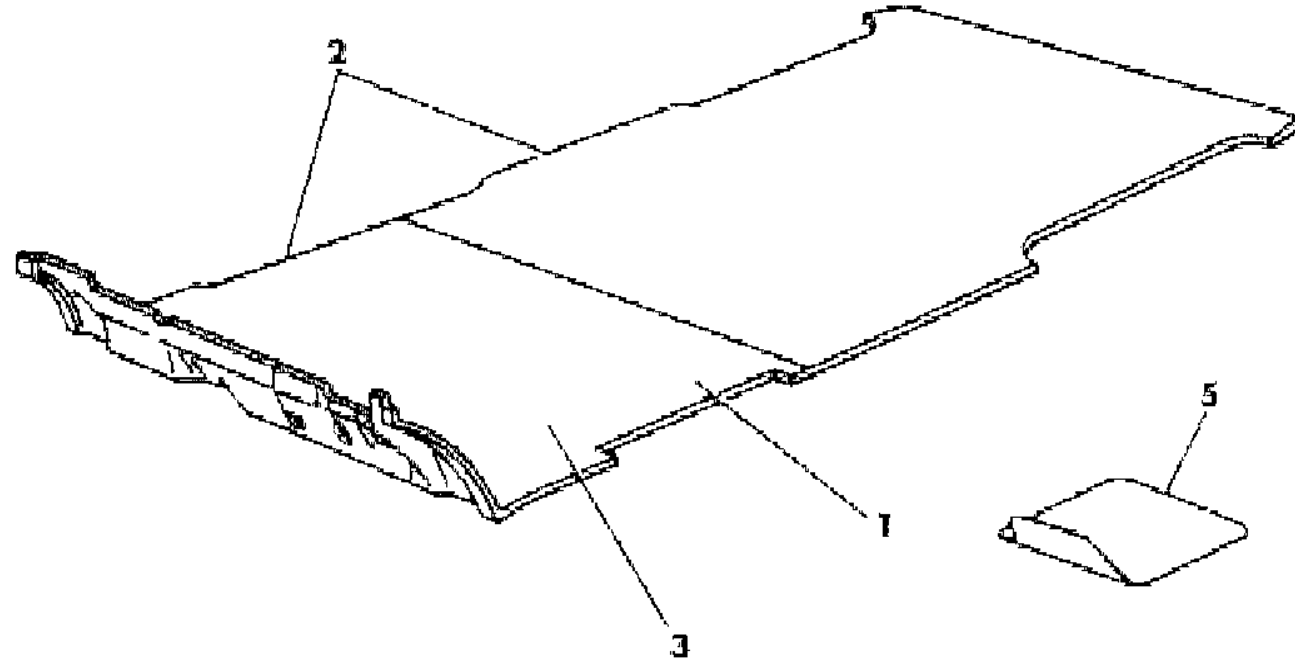
45 = 4-DOOR STATION WAGON

52-53 = FWD WAGON

AR = Use as Required - = Non Illustrated Part P.A.R. = Paint as Required

CARPET S BODY
Figure ITS-700

7242 700 A



ITEM	PART NUMBER	QTY	BODY	MODEL	DESCRIPTION
1					CARPET, Front Only
	M674 FE8	1			Cordovan
	M674 FK3	1			Almond
	M674 FS8	1			Charcoal
2					CARPET, Front and Rear
					w/112" Wheelbase
					5 Passenger
	M675 FC5	1			Blue
	4397 982	1			Cordovan
	4397 983	1			Almond
	4397 980	1			Charcoal
					7 Passenger
	4397 981	1			Blue
	4397 982	1			Cordovan
	M676 FK3	1			Almond
	M676 FS8	1			Charcoal
					w/119 Wheelbase
					5 and 7 Passenger
	M670 FC5	1			Blue
	4397 966	1			Cordovan
	4397 967	1			Almond
	4397 964	1			Charcoal
3	#4381 347	1			MAT, Front Floor
4	4186 901	AR			SILENCER
5					CARPETED FLOOR MATS, Set of Two
					FRONT
	M054 FC5	1			Blue
	M054 FE8	1			Cordovan
	M054 FK3	1			Almond
	M054 FS8	1			Charcoal
					REAR
					(5 Passenger uses 1 Set; 7 Passenger uses 2 Sets)
	M055 FC5	1			Blue
	M055 FE8	1			Cordovan
	M055 FK3	1			Almond
	M055 FS8	1			Charcoal

MODEL CODES

E BODY = (J - CARAVELLE)(E - 600)(T - NEW YORKER)

G BODY = (V24 - DAYTONA)

H BODY = (D44 - LANCER)(C44 - LEBARON GTS)

J BODY = (C - LEBARON)

K BODY = (P - RELIANT)(D - ARIES)(C - LEBAROND)/TOWN & COUNTRY)

L BODY = (M - HORIZON/TURISMO)(Z - OMNI/CHARGER)

M BODY = (B - GRAN FURY)(F - FIFTH AVE/NEWPORT)(G - DIPLOMAT)

P BODY = (P - SUNDANCE)(D - SHADOW)

S BODY = (H - VOYAGER)(K - RAM VAN/CARAVAN)

BODY STYLES

12-13 = FWD VAN

21 = 2-DOOR SEDAN

24 = 2-DOOR HATCHBACK

27 = 2-DOOR CONVERTIBLE

41 = 4-DOOR SEDAN

44 = 4-DOOR HATCHBACK

45 = 4-DOOR STATION WAGON

52-53 = FWD WAGON

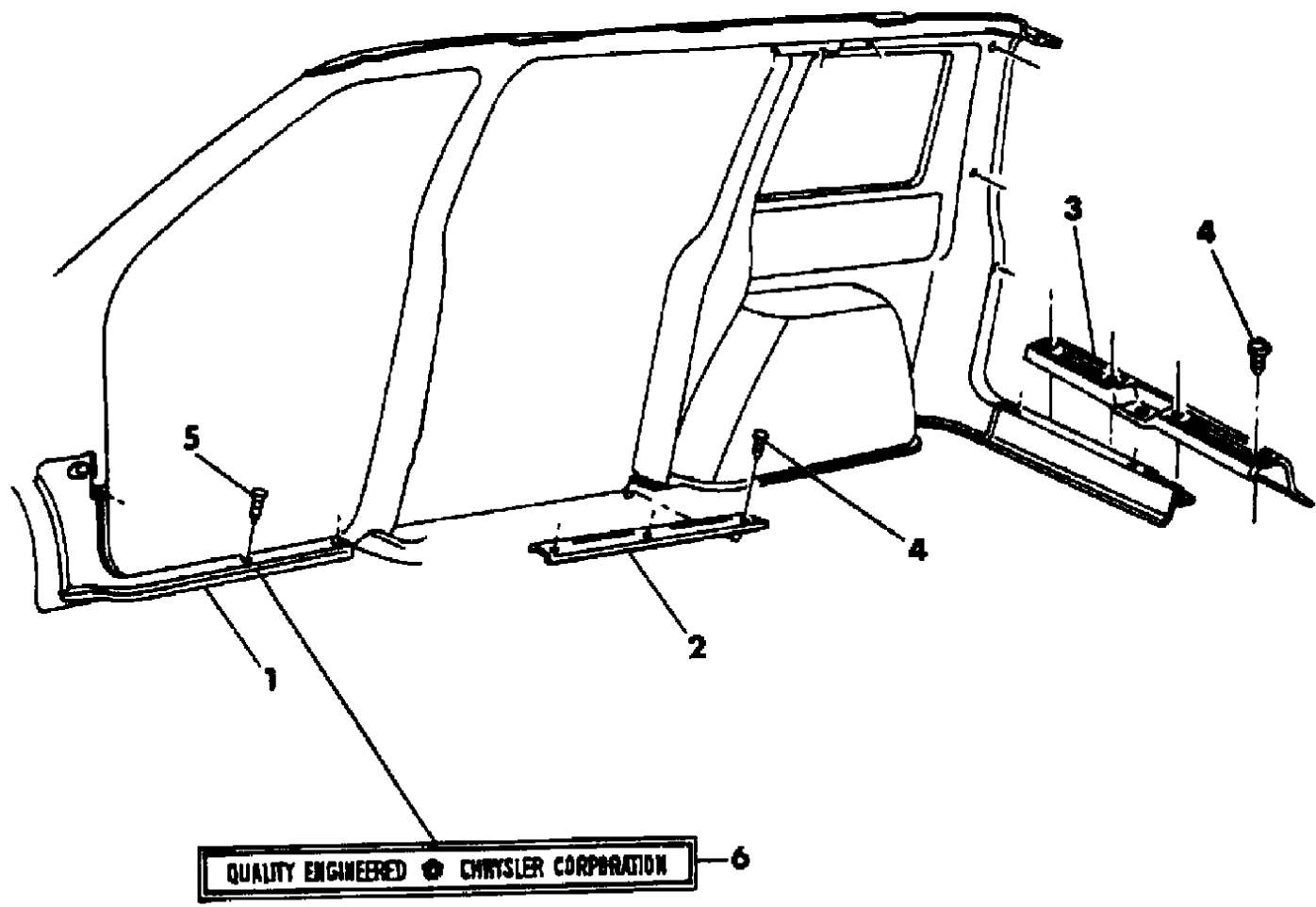
AR = Use as Required - = Non Illustrated Part P.A.R. = Paint as Required

SCUFF PLATES S BODY
Figure ITS-800

7242 800 A

ITEM	PART NUMBER	QTY	BODY	MODEL	DESCRIPTION
1	#F354-5 EK1	1			SCUFF PLATE and COWL, (P.A.R.)
2	M917 FC5	1			PLATE, Sliding Door Scuff Blue
	M917 EE8	1			Cordovan
	M917 EK1	1			Almond
	M917 CS8	1			Charcoal
3	M916 EK1	1			PLATE, Liftgate Rear Still Scuff (P.A.R.) w/112" Wheelbase
	H744 FK1	1			w/119" Wheelbase
4		AR			SCREW, (10-16x3/4) (Not Serv.)
5		AR			SCREW, (8-18x3/4) (Not Serv.)
6	4078 456	1			NAME PLATE

NOTE: (P.A.R.) = Paint As Required



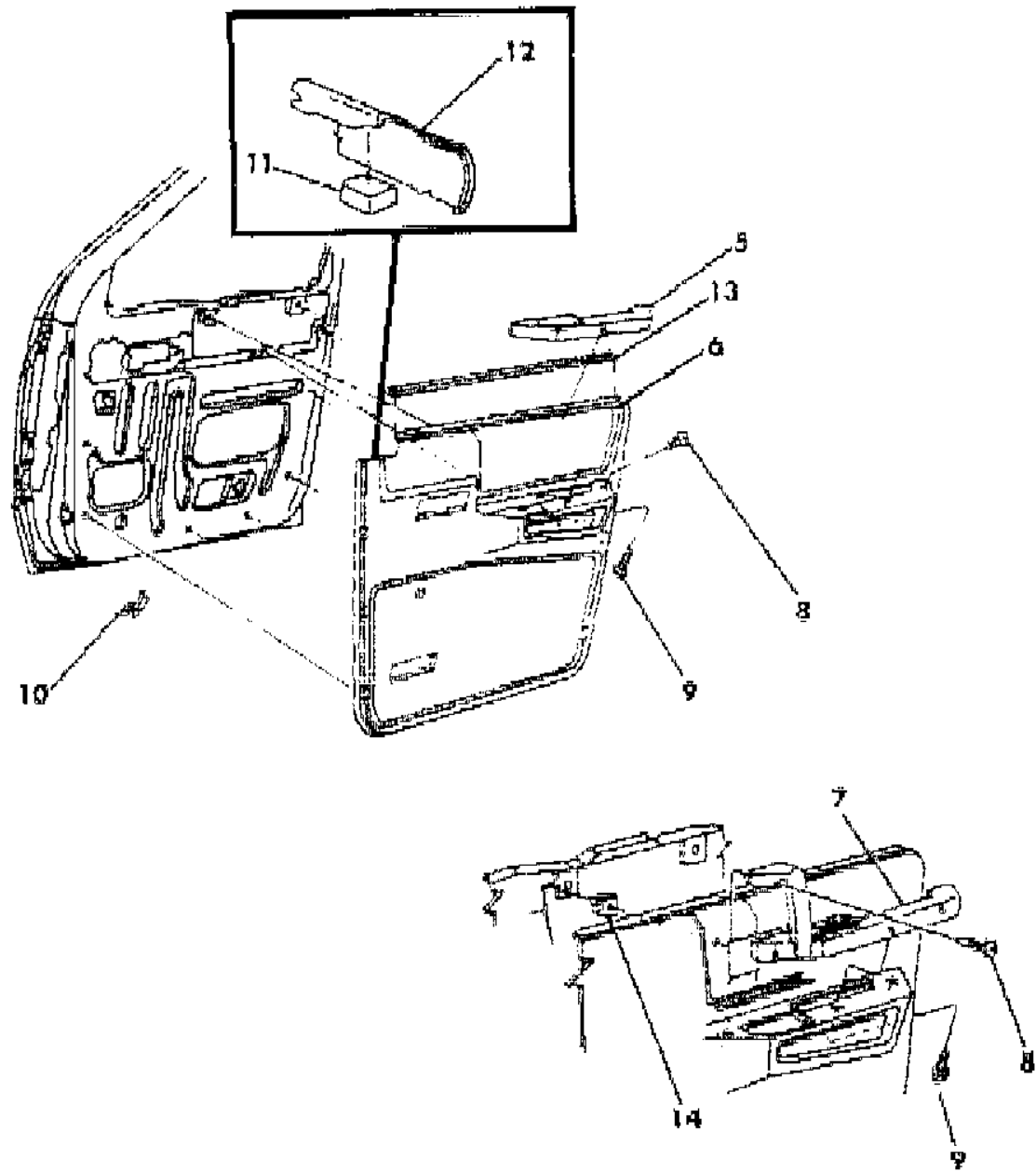
MODEL CODES
 E BODY = (J - CARAVELLE)(E - 600)(T - NEW YORKER)
 G BODY = (V24 - DAYTONA)
 H BODY = (D44 - LANCER)(C44 - LEBARON GTS)
 J BODY = (C - LEBARON)
 K BODY = (P - RELIANT)(D - ARIES)(C - LEBAROND)/TOWN & COUNTRY
 L BODY = (M - HORIZON/TURISMO)(Z - OMNI/CHARGER)
 M BODY = (B - GRAN FURY)(F - FIFTH AVE/NEWPORT)(G - DIPLOMAT)
 P BODY = (P - SUNDANCE)(D - SHADOW)
 S BODY = (H - VOYAGER)(K - RAM VAN/CARAVAN)

BODY STYLES
 12-13 = FWD VAN
 21 = 2-DOOR SEDAN
 24 = 2-DOOR HATCHBACK
 27 = 2-DOOR CONVERTIBLE
 41 = 4-DOOR SEDAN
 44 = 4-DOOR HATCHBACK
 45 = 4-DOOR STATION WAGON
 52-53 = FWD WAGON

AR = Use as Required - = Non Illustrated Part P.A.R. = Paint as Required

PANEL--DOOR TRIM FRONT S BODY
Figure ITS-900

7242 900 A



ITEM	PART NUMBER	QTY	BODY	MODEL	DESCRIPTION	
1					PANEL, Door Full	
	J280-1 CA3	1			VINYL Silver / Charcoal, (A8AS,C7AS,C8AS,ZZAS,C9AS)	
	J280-1 EE8	1			Cordovan, (C7E,C8E,C9E)	
	J280-1 EK1	1			Almond, (A8K,C7K,C8K,C9K,ZZK)	
2					PANEL and CARPET, Less Bolster	
	J868-9 GA3	1			Silver / Charcoal, D5AS,D9AS,J6AS,J5AS,S5AS,ZZAS)	
	J868-9 GC5	1			Blue, (D5C, J6C)	
	J770-1 FE8	1			Cordovan, (D5E,D9E,J5E,J6E,S5E,ZZE)	
	J770-1 FK1	1			Almond, (D5K,D9K,J5K,J6K,S5K,ZZK)	
3					BOLSTER CLOTH	
	D198-9 FA3	1			Silver / Charcoal, (D5AS, D9AS)	
	D198-9 FC5	1			Blue, (D5C)	
	D198-9 FE8	1			Cordovan, (D5E, D9E)	
	D198-9 FK1	1			Almond, (D5K, D9K)	
4					BOLSTER VINYL	
	D196-7 FA2	1			Silver / Charcoal, (J6AS,S5AS,ZZAS)	
	D196-7 FC5	1			Blue, (J6C)	
	D196-7 FE8	1			Cordovan, (J6E,S5E,ZZE)	
		D196-7 FK1	1			Almond, (J6K,S5K,ZZK)
		D698-9 FAS	1			CLOTH Silver / Charcoal, (J5AS)
		D698-9 FEE	1			Cordovan, (J5E)
	D698-9 FKK	1			Almond, (J5K)	
5					PAD, Armrest w/o Power Windows and Door Locks	
	D464-5 CA3	1			Silver	
	D464-5 EE8	1			Cordovan	
	D464-5 EK1	1			Almond	
		D466-7 CA3	1			w/Power Windows and Door Locks Silver
		D466-7 EE8	1			Cordovan
		D466-7 EK1	1			Almond
6	4198 910-1	1			SEAL, Belt Rear	
7					ARMREST w/o Switches	

MODEL CODES

E BODY = (J - CARAVELLE)(E - 600)(T - NEW YORKER)

G BODY = (V24 - DAYTONA)

H BODY = (D44 - LANCER)(C44 - LEBARON GTS)

J BODY = (C - LEBARON)

K BODY = (P - RELIANT)(D - ARIES)(C - LEBAROND)/TOWN & COUNTRY)

L BODY = (M - HORIZON/TURISMO)(Z - OMNI/CHARGER)

M BODY = (B - GRAN FURY)(F - FIFTH AVE/NEWPORT)(G - DIPLOMAT)

P BODY = (P - SUNDANCE)(D - SHADOW)

S BODY = (H - VOYAGER)(K - RAM VAN/CARAVAN)

BODY STYLES

12-13 = FWD VAN

21 = 2-DOOR SEDAN

24 = 2-DOOR HATCHBACK

27 = 2-DOOR CONVERTIBLE

41 = 4-DOOR SEDAN

44 = 4-DOOR HATCHBACK

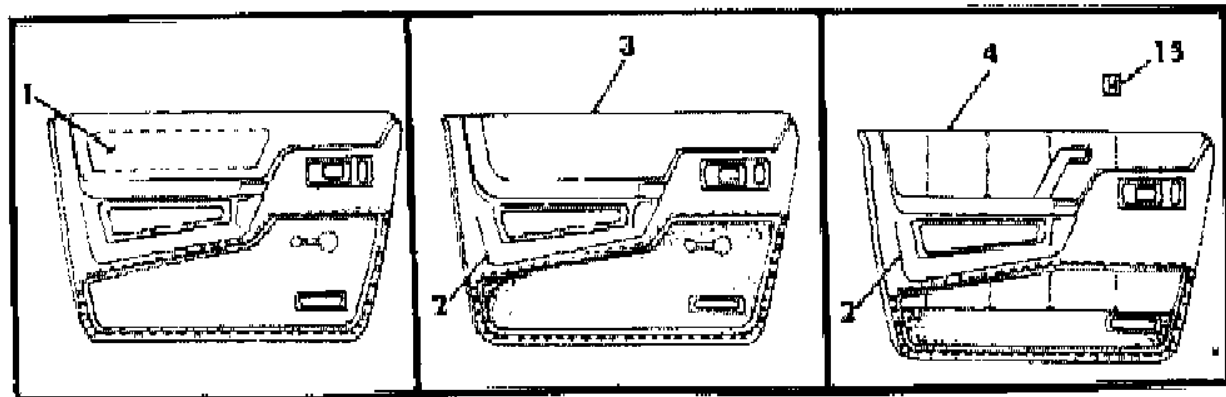
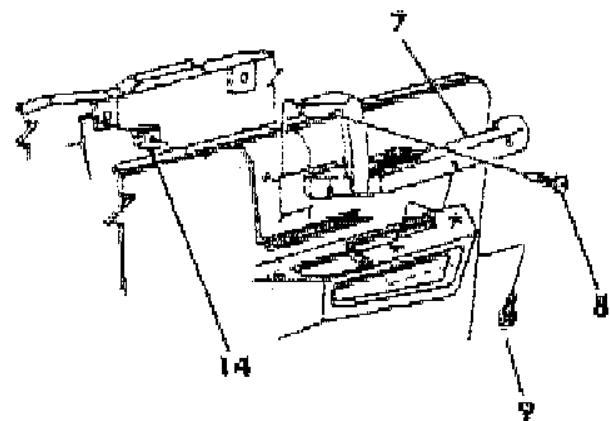
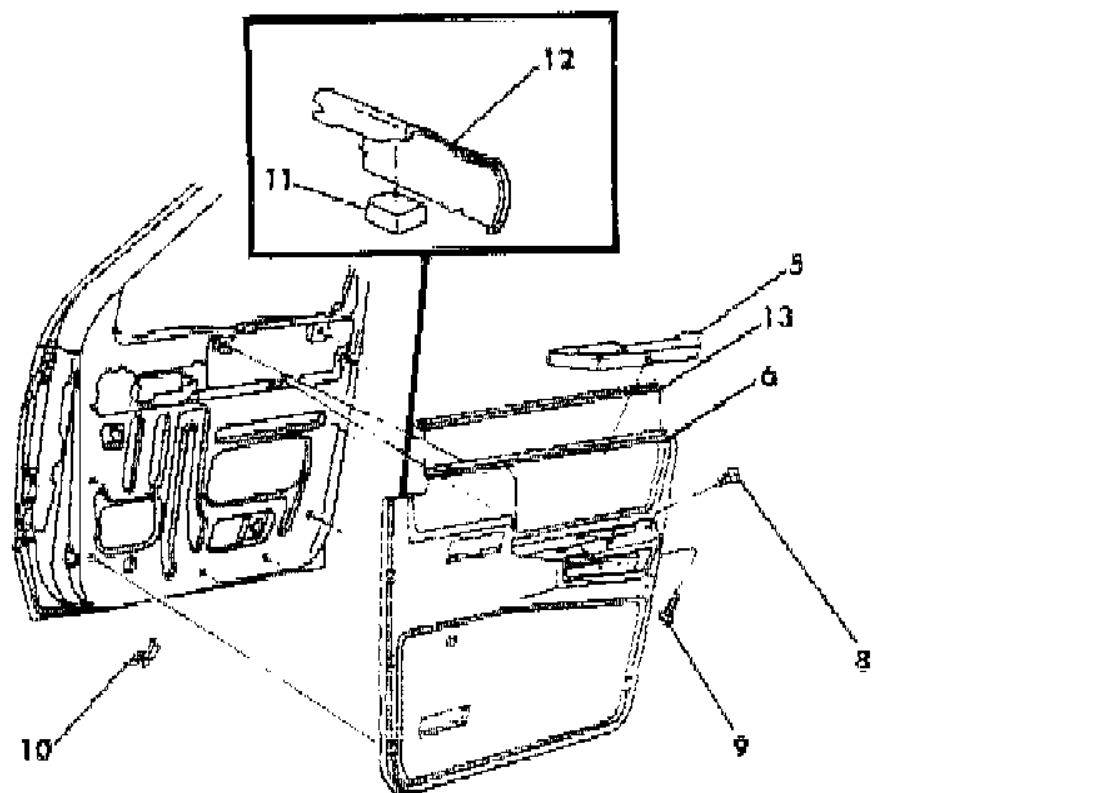
45 = 4-DOOR STATION WAGON

52-53 = FWD WAGON

AR = Use as Required - = Non Illustrated Part P.A.R. = Paint as Required

PANEL--DOOR TRIM FRONT S BODY
Figure ITS-900

7242 900 A



ITEM	PART NUMBER	QTY	BODY	MODEL	DESCRIPTION
	D480-1 FA3	1			Silver
	D480-1 FC5	1			Blue
	D480-1 FE8	1			Cordovan
	D480-1 FK1	1			Almond
	D482-3 FA3	1			Silver
	D482-3 FC5	1			Blue
	D482-3 FE8	1			Cordovan
	D482-3 FK1	1			Almond
8					SCREW, (10-16x1 1/2) (Not Serv.)
9					SCREW, (8-18x3/4) (Not Serv.)
10	1623 945	18			FASTENER
11	4336 247	2			SEAL, Belt Front
12					PANEL, Door Trim (reference)
13	4248 710-1	1			WEATHERSTRIP
14	6000 943	2			NUT
15	6032 833	20			NUT, Bolster Retaining

MODEL CODES

E BODY = (J - CARAVELLE)(E - 600)(T - NEW YORKER)

G BODY = (V24 - DAYTONA)

H BODY = (D44 - LANCER)(C44 - LEBARON GTS)

J BODY = (C - LEBARON)

K BODY = (P - RELIANT)(D - ARIES)(C - LEBAROND)/TOWN & COUNTRY)

L BODY = (M - HORIZON/TURISMO)(Z - OMNI/CHARGER)

M BODY = (B - GRAN FURY)(F - FIFTH AVE/NEWPORT)(G - DIPLOMAT)

P BODY = (P - SUNDANCE)(D - SHADOW)

S BODY = (H - VOYAGER)(K - RAM VAN/CARAVAN)

BODY STYLES

12-13 = FWD VAN

21 = 2-DOOR SEDAN

24 = 2-DOOR HATCHBACK

27 = 2-DOOR CONVERTIBLE

41 = 4-DOOR SEDAN

44 = 4-DOOR HATCHBACK

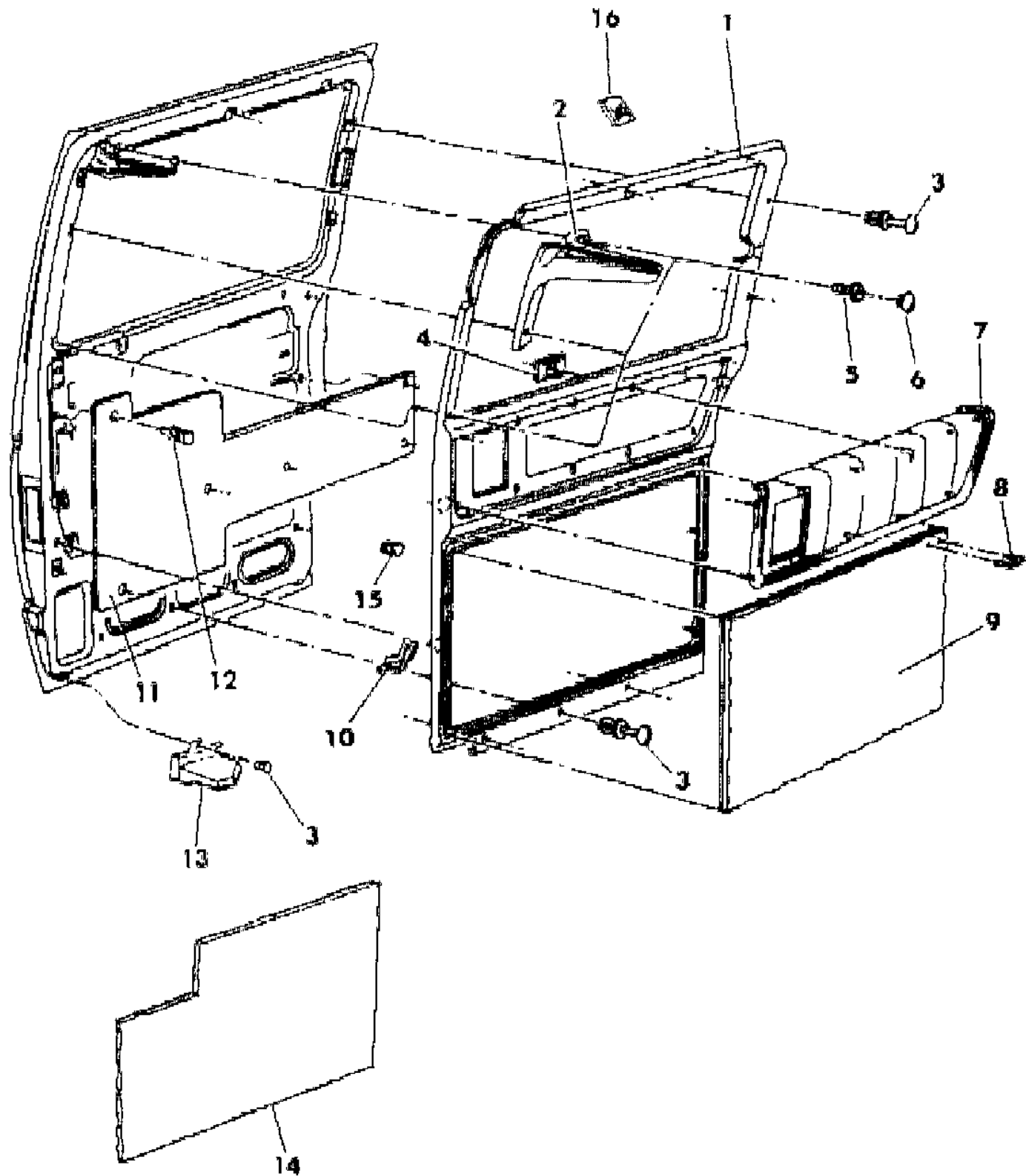
45 = 4-DOOR STATION WAGON

52-53 = FWD WAGON

AR = Use as Required - = Non Illustrated Part P.A.R. = Paint as Required

PANEL--DOOR TRIM SLIDING S BODY
Figure ITS-1000

7242 1000 A



ITEM	PART NUMBER	QTY	BODY	MODEL	DESCRIPTION
1					PANEL, Sliding Door w/Carpet (Use Up To 2/2/87) w/112" Wheelbase Silver Blue Cordovan Almond (Use After 2/2/87) w/112", 119" Wheelbase w/Carpet Blue Cordovan Almond J455 DA3 1 Silver J454 EK1 1 w/o Carpet, (P.A.R.)
	J736 FA3	1			
	J734 FC5	1			
	J734 FE8	1			
	J734 FK1	1			
2					COVER, Upper Arm Trim (P.A.R.) (Use Up To 2/2/87) w/112" Wheelbase (Use After 2/2/87) w/112", 119" Wheelbase Silver Blue Cordovan Almond F182 DA3 1 w/o Carpet, (P.A.R.)
	F182 DA3	1			
	F352 FA3	1			
	F352 FC5	1			
	F352 FE8	1			
	F352 FK1	1			
3					FASTENER Silver Blue Cordovan Almond F155 BA3 7 F155 EC5 7 F155 EE8 7 F155 EK1 7
4	6032 431	11			NUT
5	6032 456	3			SCREW
6	F245 CA3	3			PLUG, (P.A.R.)
7					BOLSTER VINYL Silver / Charcoal, (J6AS) Blue, (J6C) Cordovan, (J6E) Almond, (J6K) K644 FA2 1 K644 FC5 1 K644 FE8 1 K644 FK1 1

MODEL CODES

E BODY = (J - CARAVELLE)(E - 600)(T - NEW YORKER)

G BODY = (V24 - DAYTONA)

H BODY = (D44 - LANCER)(C44 - LEBARON GTS)

J BODY = (C - LEBARON)

K BODY = (P - RELIANT)(D - ARIES)(C - LEBAROND)/TOWN & COUNTRY)

L BODY = (M - HORIZON/TURISMO)(Z - OMNI/CHARGER)

M BODY = (B - GRAN FURY)(F - FIFTH AVE/NEWPORT)(G - DIPLOMAT)

P BODY = (P - SUNDANCE)(D - SHADOW)

S BODY = (H - VOYAGER)(K - RAM VAN/CARAVAN)

BODY STYLES

12-13 = FWD VAN

21 = 2-DOOR SEDAN

24 = 2-DOOR HATCHBACK

27 = 2-DOOR CONVERTIBLE

41 = 4-DOOR SEDAN

44 = 4-DOOR HATCHBACK

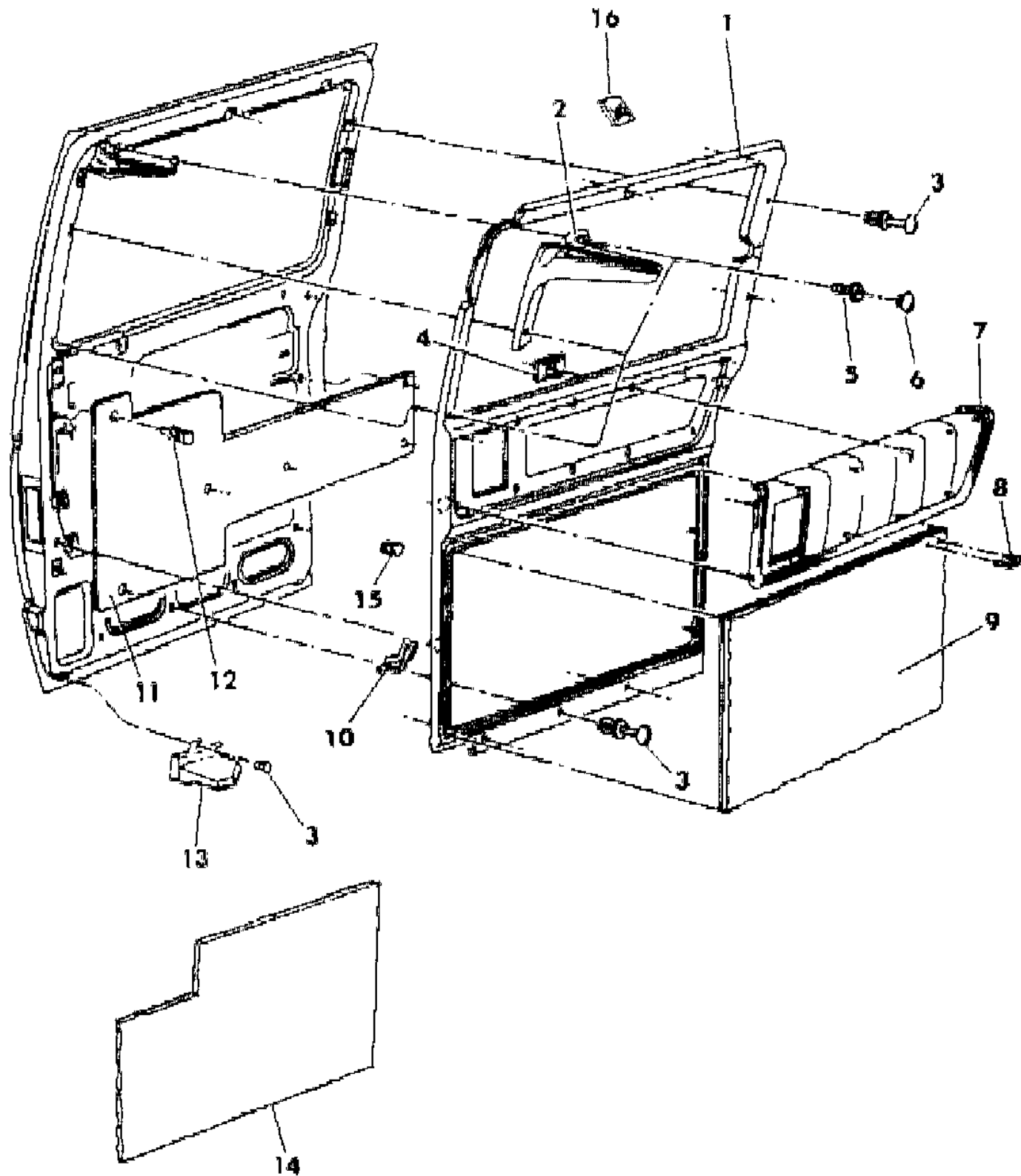
45 = 4-DOOR STATION WAGON

52-53 = FWD WAGON

AR = Use as Required - = Non Illustrated Part P.A.R. = Paint as Required

PANEL--DOOR TRIM SLIDING S BODY
Figure ITS-1000

7242 1000 A



ITEM	PART NUMBER	QTY	BODY	MODEL	DESCRIPTION
					CLOTH
	K642 FAS	1			Silver / Charcoal, (J5AS)
	K642 FEE	1			Cordovan, (J5E)
	K642 FKK	1			Almond, (J5K)
	K640 FA3	1			Silver / Charcoal, (D5AS, D9AS)
	K640 FC5	1			Blue, (D5C)
	K640 FE8	1			Cordovan, (D5E, D9E)
	K640 FK1	1			Almond, (D5K, D9K)
8		AR			STAPLE, (Not Serv.)
9					CARPET, Sliding Door, (Serviced in Door Panel)
10	1623 945	5			FASTENER
11	4282 780	1			COVER, Sliding Door Inner Panel
12	6501 301	AR			FASTENER
13					COVER, Lower Roller Bracket
	H298 CA3	1			Silver
	H298 FC5	1			Blue
	H298 EE8	1			Cordovan
	H298 EK1	1			Almond
14	#4409 783	1			SILENCER, Door
15	6501 352	AR			FASTENER
16	6032 833	AR			FASTENER

NOTE: (P.A.R.) = Paint As Required

MODEL CODES

E BODY = (J - CARAVELLE)(E - 600)(T - NEW YORKER)

G BODY = (V24 - DAYTONA)

H BODY = (D44 - LANCER)(C44 - LEBARON GTS)

J BODY = (C - LEBARON)

K BODY = (P - RELIANT)(D - ARIES)(C - LEBAROND)/TOWN & COUNTRY)

L BODY = (M - HORIZON/TURISMO)(Z - OMNI/CHARGER)

M BODY = (B - GRAN FURY)(F - FIFTH AVE/NEWPORT)(G - DIPLOMAT)

P BODY = (P - SUNDANCE)(D - SHADOW)

S BODY = (H - VOYAGER)(K - RAM VAN/CARAVAN)

BODY STYLES

12-13 = FWD VAN

21 = 2-DOOR SEDAN

24 = 2-DOOR HATCHBACK

27 = 2-DOOR CONVERTIBLE

41 = 4-DOOR SEDAN

44 = 4-DOOR HATCHBACK

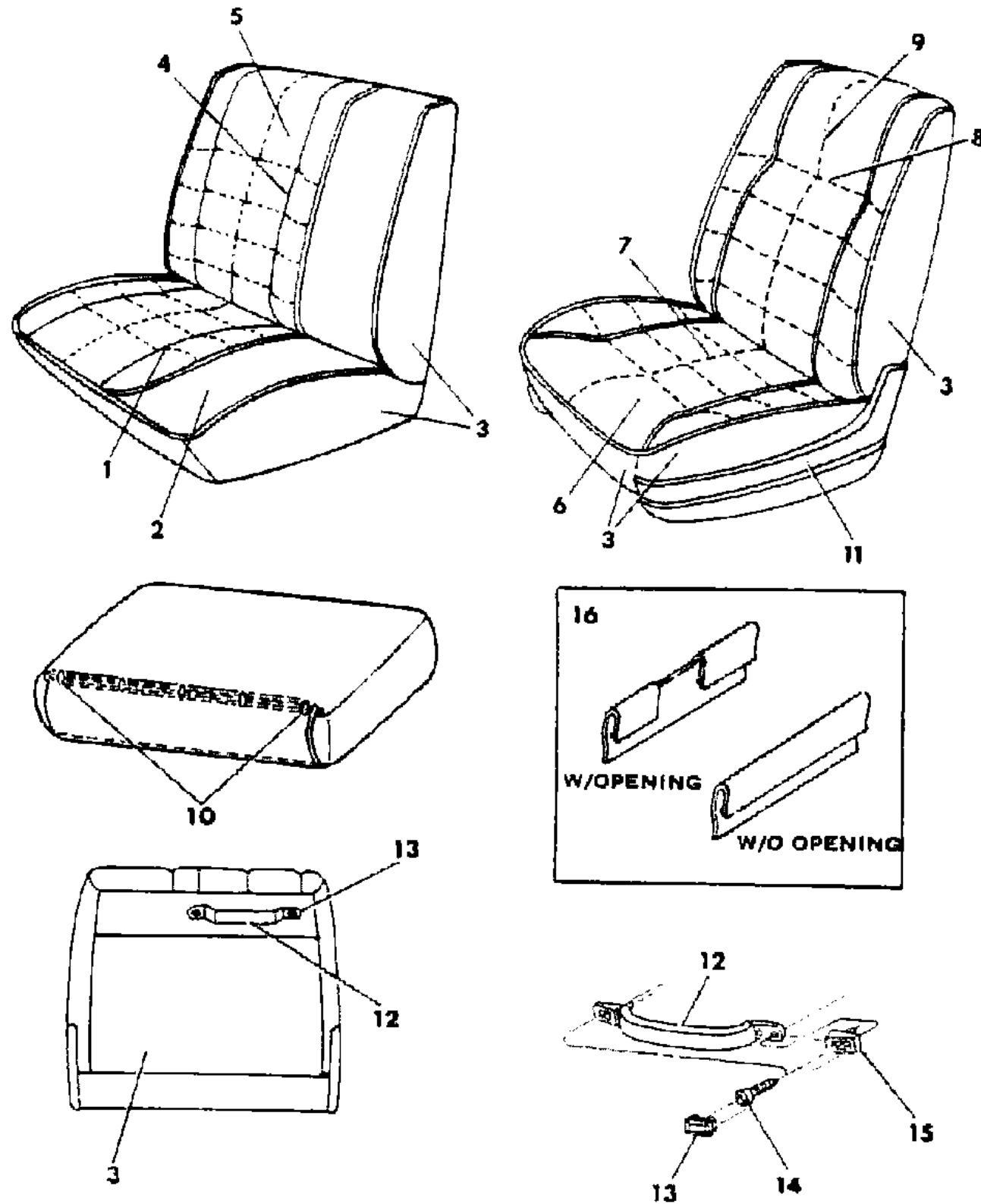
45 = 4-DOOR STATION WAGON

52-53 = FWD WAGON

AR = Use as Required - = Non Illustrated Part P.A.R. = Paint as Required

SEAT--FRONT S BODY TRIM CODES C9, D9
Figure ITS-1100

7242 1100 A



ITEM	PART NUMBER	QTY	BODY	MODEL	DESCRIPTION
1					CUSHION, w/Spring/Frame, Pad and Cover Right CLOTH
	G518 F7A	1			Silver / Charcoal, (C9AS, D9AS)
	G518 F7E	1			Cordovan, (C9E, D9E)
	G518 F7K	1			Almond, C9K, D9K)
2					COVER, Cushion Right CLOTH
	G004 F7A	1			Silver / Charcoal, (C9AS, D9AS)
	G004 F7E	1			Cordovan, (C9E, D9E)
	G004 F7K	1			Almond, (C9K, D9K)
3					ROLL STOCK, Vinyl Order By The Inch Cordovan, 54" Wide
	R600 EE8	AR			Almond, 54" Wide
	R600 EK1	AR			
	R609 CS8	1			Charcoal, 58" Wide
4					BACK, w/Spring/Frame, Pad and Cover Right CLOTH
	G522 F7A	1			Silver / Charcoal, (C9AS, D9AS)
	G522 F7E	1			Cordovan, (C9E, D9E)
	G522 F7K	1			Almond, (C9K, D9K)
5					COVER, Back Right CLOTH
	G006 F7A	1			Silver / Charcoal, (C9AS, D9AS)
	G006 F7E	1			Cordovan, (C9E, D9E)
	G006 F7K	1			Almond, (C9K, D9K)
6					CUSHION, w/Spring/Frame, Pad and Cover Left CLOTH
	G506 F7A	1			Silver / Charcoal, (C9AS, D9AS)
	G506 F7E	1			Cordovan, (C9E, D9E)
	G506 F7K	1			Almond, (C9K, D9K)
7					COVER, Cushion Left CLOTH
	G002 F7A	1			Silver / Charcoal, (C9AS, D9AS)
	G002 F7E	1			Cordovan, (C9E, D9E)
	G002 F7K	1			Almond, (C9K, D9K)
8					BACK, w/Spring/Frame, Pad and Cover Left CLOTH
	G620 F7A	1			Silver / Charcoal, (C9AS, D9AS)
	G620 F7E	1			Cordovan, (C9E, D9E)

MODEL CODES

E BODY = (J - CARAVELLE)(E - 600)(T - NEW YORKER)

G BODY = (V24 - DAYTONA)

H BODY = (D44 - LANCER)(C44 - LEBARON GTS)

J BODY = (C - LEBARON)

K BODY = (P - RELIANT)(D - ARIES)(C - LEBAROND)/TOWN & COUNTRY)

L BODY = (M - HORIZON/TURISMO)(Z - OMNI/CHARGER)

M BODY = (B - GRAN FURY)(F - FIFTH AVE/NEWPORT)(G - DIPLOMAT)

P BODY = (P - SUNDANCE)(D - SHADOW)

S BODY = (H - VOYAGER)(K - RAM VAN/CARAVAN)

BODY STYLES

12-13 = FWD VAN

21 = 2-DOOR SEDAN

24 = 2-DOOR HATCHBACK

27 = 2-DOOR CONVERTIBLE

41 = 4-DOOR SEDAN

44 = 4-DOOR HATCHBACK

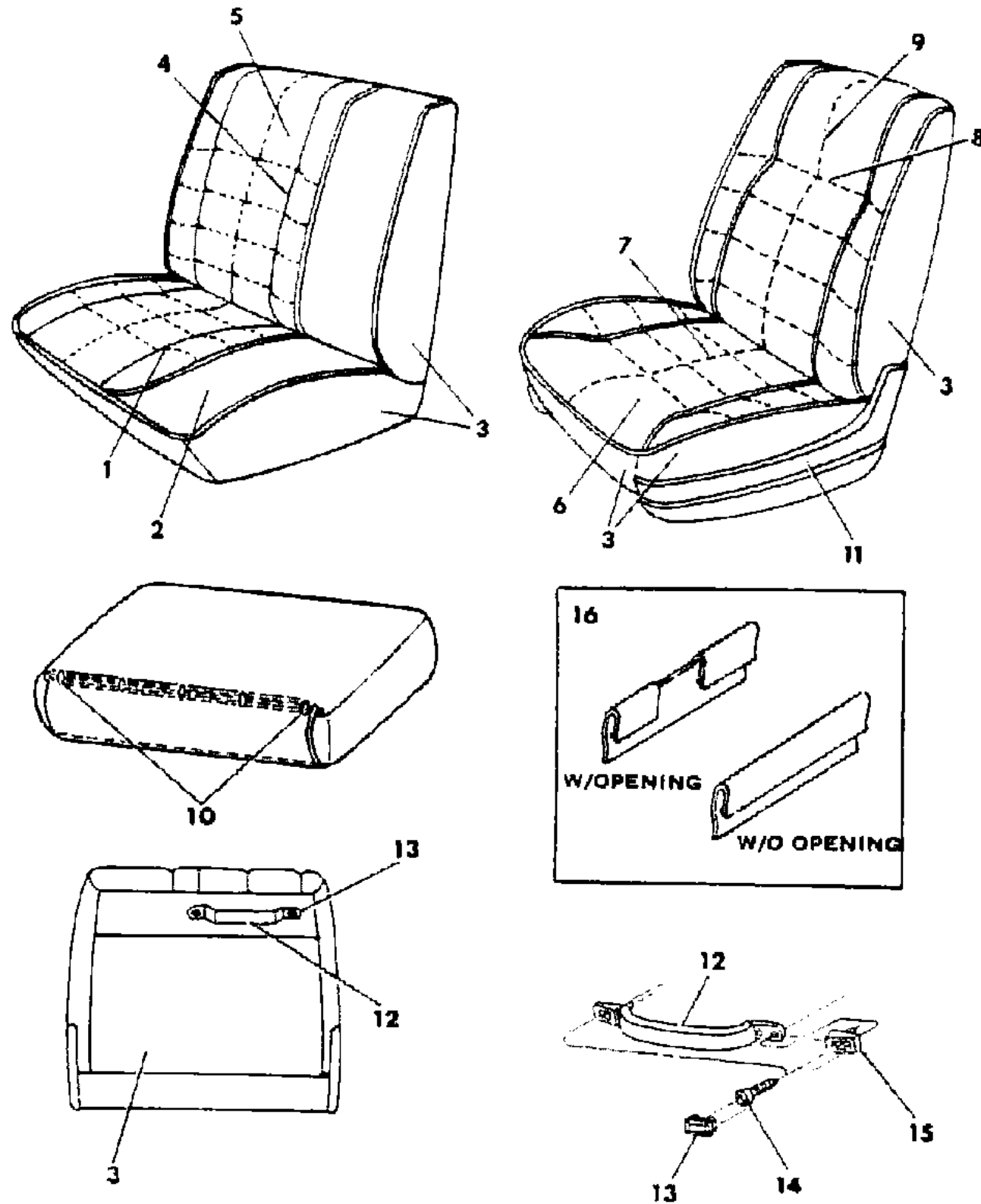
45 = 4-DOOR STATION WAGON

52-53 = FWD WAGON

AR = Use as Required - = Non Illustrated Part P.A.R. = Paint as Required

SEAT--FRONT S BODY TRIM CODES C9, D9
Figure ITS-1100

7242 1100 A



ITEM	PART NUMBER	QTY	BODY	MODEL	DESCRIPTION
	G620 F7K	1			Almond, (C9K, D9K)
9					COVER, Back Left CLOTH
	G032 F7A	1			Silver / Charcoal, (C9AS, D9AS)
	G032 F7E	1			Cordovan, (C9E, D9E)
	G032 F7K	1			Almond, (C9K, D9K)
10	6008 076	AR			HOG RING
11					SHIELD, Cushion and Back Passenger Outboard
	S950 EK1	1			Driver Outboard
	S268 FK1	1			HANDLE
12					Silver, (D9AS)
	D254 CS8	1			Cordovan, (D9E)
	D254 EE8	1			Almond, (D9K)
	D254 EK1	1			COVER, Handle
13	#4380 432	2			SCREW
14	6501 518	AR			CAP, Handle End
15	4010 348	2			RETAINER, Trim
16					OUTSIDE
	4376 405	1			Rear
	4376 401	1			Side
	4376 403	1			Front
					INSIDE
	4376 404	1			Front
	4376 402	1			Side
	4376 406	1			Rear

MODEL CODES

E BODY = (J - CARAVELLE)(E - 600)(T - NEW YORKER)

G BODY = (V24 - DAYTONA)

H BODY = (D44 - LANCER)(C44 - LEBARON GTS)

J BODY = (C - LEBARON)

K BODY = (P - RELIANT)(D - ARIES)(C - LEBAROND)/TOWN & COUNTRY)

L BODY = (M - HORIZON/TURISMO)(Z - OMNI/CHARGER)

M BODY = (B - GRAN FURY)(F - FIFTH AVE/NEWPORT)(G - DIPLOMAT)

P BODY = (P - SUNDANCE)(D - SHADOW)

S BODY = (H - VOYAGER)(K - RAM VAN/CARAVAN)

BODY STYLES

12-13 = FWD VAN

21 = 2-DOOR SEDAN

24 = 2-DOOR HATCHBACK

27 = 2-DOOR CONVERTIBLE

41 = 4-DOOR SEDAN

44 = 4-DOOR HATCHBACK

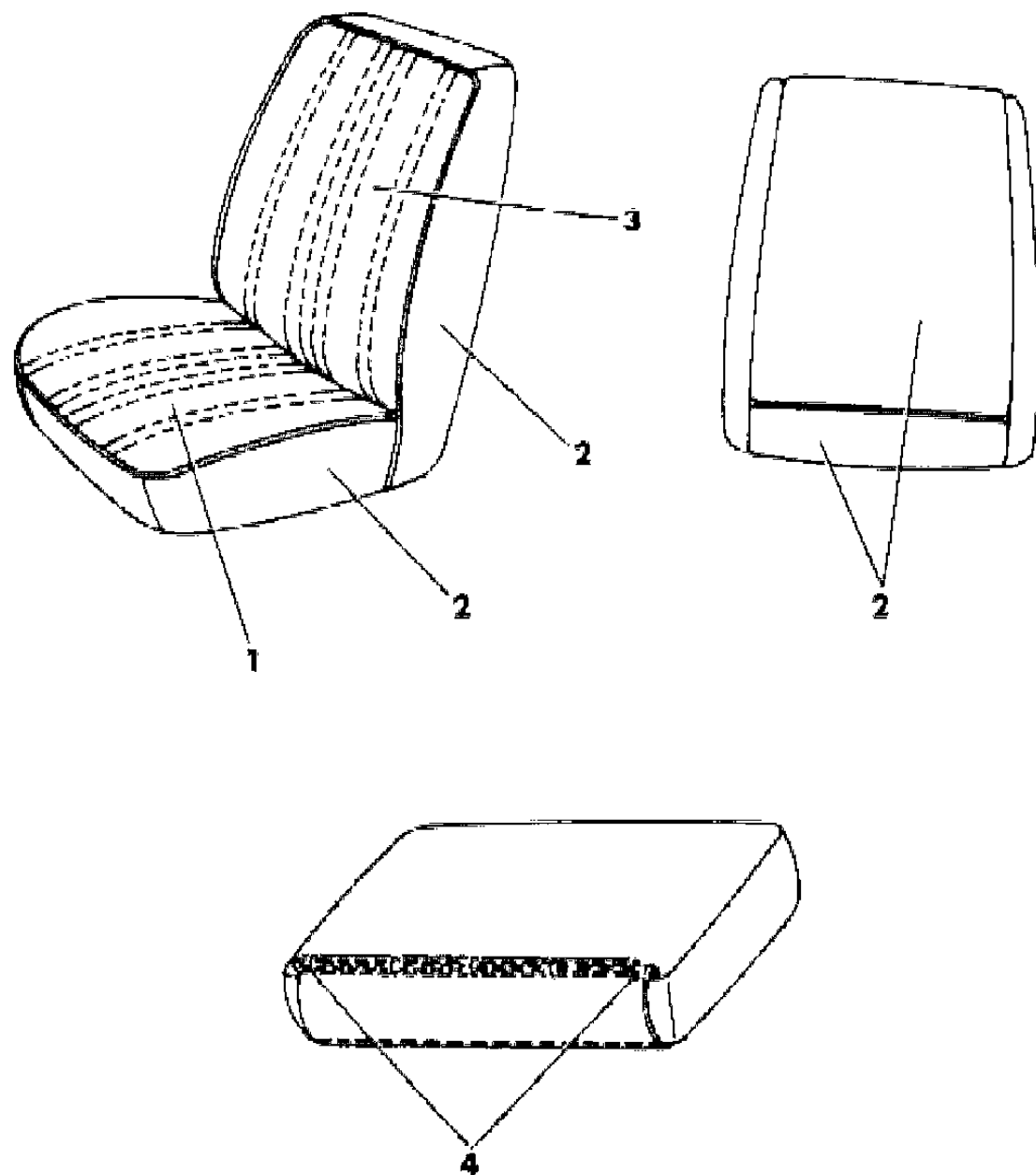
45 = 4-DOOR STATION WAGON

52-53 = FWD WAGON

AR = Use as Required - = Non Illustrated Part P.A.R. = Paint as Required

SEAT--FRONT S BODY TRIM CODE A8
Figure ITS-1200

7242 1200



ITEM	PART NUMBER	QTY	BODY	MODEL	DESCRIPTION
1-2					CUSHION, w/Spring/Frame, Pad and Cover
	G812-3 D8A	1			VINYL Silver / Charcoal, (A8AS)
	G812-3 E8K	1			Almond, (A8K)
1					COVER, Cushion
	G444-5 D8A	1			VINYL Silver / Charcoal, (A8AS)
	G444-5 E8K	1			Almond, (A8K)
2					ROLL STOCK, Vinyl 54" Wide, Order By The Inch
	R632 EK1	AR			Almond
	R632 CS8	AR			Charcoal
2-3					BACK, w/Spring/Frame, Pad and Cover
	G906-7 F8A	1			VINYL Silver / Charcoal, (A8AS)
	G906-7 F8K	1			Almond, (A8K)
3					COVER, Back
	G440 F8A	2			VINYL Silver / Charcoal, (A8AS)
	G440 F8K	2			Almond, (A8K)
4	6008 076	AR			HOG RING

MODEL CODES

E BODY = (J - CARAVELLE)(E - 600)(T - NEW YORKER)

G BODY = (V24 - DAYTONA)

H BODY = (D44 - LANCER)(C44 - LEBARON GTS)

J BODY = (C - LEBARON)

K BODY = (P - RELIANT)(D - ARIES)(C - LEBAROND)/TOWN & COUNTRY)

L BODY = (M - HORIZON/TURISMO)(Z - OMNI/CHARGER)

M BODY = (B - GRAN FURY)(F - FIFTH AVE/NEWPORT)(G - DIPLOMAT)

P BODY = (P - SUNDANCE)(D - SHADOW)

S BODY = (H - VOYAGER)(K - RAM VAN/CARAVAN)

BODY STYLES

12-13 = FWD VAN

21 = 2-DOOR SEDAN

24 = 2-DOOR HATCHBACK

27 = 2-DOOR CONVERTIBLE

41 = 4-DOOR SEDAN

44 = 4-DOOR HATCHBACK

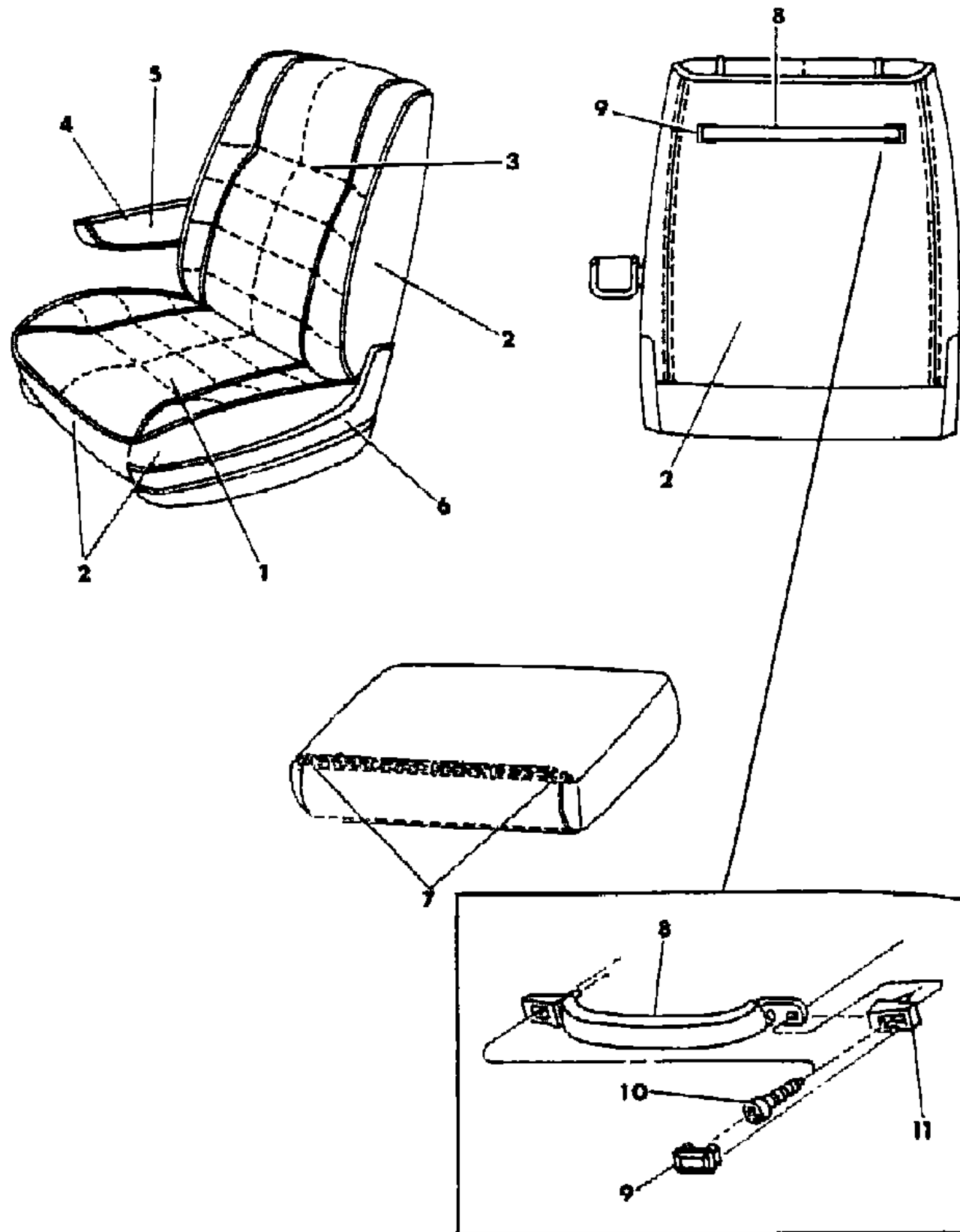
45 = 4-DOOR STATION WAGON

52-53 = FWD WAGON

AR = Use as Required - = Non Illustrated Part P.A.R. = Paint as Required

SEAT--FRONT S BODY TRIM CODES C7, C8
Figure ITS-1300

7242 1300



ITEM	PART NUMBER	QTY	BODY	MODEL	DESCRIPTION
1					CUSHION, w/Spring/Frame, Pad and Cover
	G506-7 F7A	1			CLOTH Silver / Charcoal, (C7AS)
	G506-7 F7E	1			Cordovan, (C7E)
	G506-7 F7K	1			Almond, (C7K)
	G834-5 D8A	1			VINYL Silver / Charcoal, (C8AS)
	G834-5 E8E	1			Cordovan, (C8E)
	G834-5 E8K	1			Almond, (C8K)
1					COVER, Cushion
	G002-3 F7A	1			CLOTH Silver / Charcoal, (C7AS)
	G002-3 F7E	1			Cordovan, (C7E)
	G002-3 F7K	1			Almond, (C7K)
	G448-9 D8A	1			VINYL Silver / Charcoal, (C8AS)
	G448-9 E8E	1			Cordovan, (C8E)
	G448-9 E8K	1			Almond, (C8K)
2					ROLL STOCK, Vinyl Order By The Inch
	R609 CS8	AR			Charcoal, 58" Wide (C7AS, C8AS)
	R600 EE8	AR			Cordovan 54" Wide (C7E, C8E)
	R600 EK1	AR			Almond 54" Wide (C7K, C8K)
2-3					BACK, w/Spring/Frame, Pad and Cover
	G620-1 F7A	1			CLOTH Silver / Charcoal, (C7AS)
	G620-1 F7E	1			Cordovan, (C7E)
	G620-1 F7K	1			Almond, (C7K)
	G680-1 F8A	1			VINYL Silver / Charcoal, (C8AS)
	G680-1 F8E	1			Cordovan, (C8E)
	G680-1 F8K	1			Almond, (C8K)
3					COVER, Back
	G032 F7A	2			CLOTH Silver / Charcoal, (C7AS)
	G032 F7E	2			Cordovan, (C7E)
	G032 F7K	2			Almond, (C7K)
	G033 F8A	2			VINYL Silver / Charcoal, (C8AS)

MODEL CODES

E BODY = (J - CARAVELLE)(E - 600)(T - NEW YORKER)

G BODY = (V24 - DAYTONA)

H BODY = (D44 - LANCER)(C44 - LEBARON GTS)

J BODY = (C - LEBARON)

K BODY = (P - RELIANT)(D - ARIES)(C - LEBAROND)/TOWN & COUNTRY)

L BODY = (M - HORIZON/TURISMO)(Z - OMNI/CHARGER)

M BODY = (B - GRAN FURY)(F - FIFTH AVE/NEWPORT)(G - DIPLOMAT)

P BODY = (P - SUNDANCE)(D - SHADOW)

S BODY = (H - VOYAGER)(K - RAM VAN/CARAVAN)

BODY STYLES

12-13 = FWD VAN

21 = 2-DOOR SEDAN

24 = 2-DOOR HATCHBACK

27 = 2-DOOR CONVERTIBLE

41 = 4-DOOR SEDAN

44 = 4-DOOR HATCHBACK

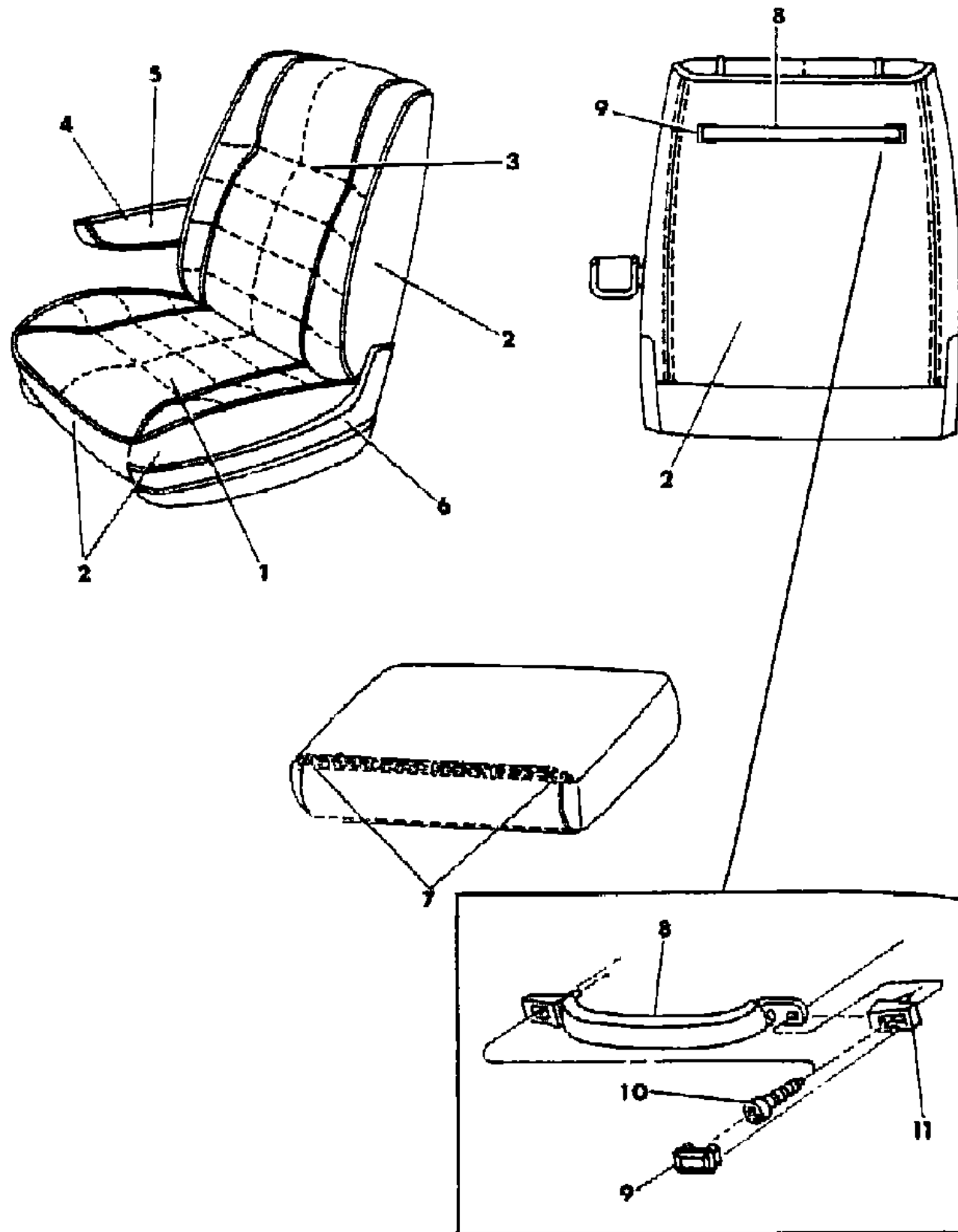
45 = 4-DOOR STATION WAGON

52-53 = FWD WAGON

AR = Use as Required - = Non Illustrated Part P.A.R. = Paint as Required

SEAT--FRONT S BODY TRIM CODES C7, C8
Figure ITS-1300

7242 1300



ITEM	PART NUMBER	QTY	BODY	MODEL	DESCRIPTION
	G033 F8E	2			Cordovan, (C8E)
	G033 F8K	1			Almond, (C8K)
4	G730 CS8	2			ARMREST and COVER Charcoal
	G730 FC5	2			Blue
	G730 EE8	2			Cordovan
	G730 EK1	2			Almond
5	G459 CS8	2			COVER Armrest Charcoal
	G459 FC5	2			Blue
	G459 EE8	2			Cordovan
	G459 EK1	2			Almond
6					SHIELD, Cushion and Back (Non Reclining) (P.A.R.)
	S266 FK1	1			PASSENGER SEAT Outboard
	S269 FK1	1			Inboard
	S267 FK1	1			DRIVER SEAT Outboard
	S268 FK1	1			Inboard
	6500 453	4			NUT, Stamped
7	6008 076	AR			HOG RING
8	D254 FC5	1			HANDLE, Assist (Right Only) Blue
	D254 EE8	1			Cordovan
	D254 EK1	1			Almond
	D254 CS8	1			Charcoal
9	#4380 432	2			COVER, Assist Handle
10	6501 518	AR			SCREW, Handle Attaching
11	4010 348	2			CAP, Handle End

NOTE: (P.A.R.) = Paint As Required

NOTE: For Arm Rest Attaching Parts See Ill. Number 1800

MODEL CODES

E BODY = (J - CARAVELLE)(E - 600)(T - NEW YORKER)

G BODY = (V24 - DAYTONA)

H BODY = (D44 - LANCER)(C44 - LEBARON GTS)

J BODY = (C - LEBARON)

K BODY = (P - RELIANT)(D - ARIES)(C - LEBAROND)/TOWN & COUNTRY)

L BODY = (M - HORIZON/TURISMO)(Z - OMNI/CHARGER)

M BODY = (B - GRAN FURY)(F - FIFTH AVE/NEWPORT)(G - DIPLOMAT)

P BODY = (P - SUNDANCE)(D - SHADOW)

S BODY = (H - VOYAGER)(K - RAM VAN/CARAVAN)

BODY STYLES

12-13 = FWD VAN

21 = 2-DOOR SEDAN

24 = 2-DOOR HATCHBACK

27 = 2-DOOR CONVERTIBLE

41 = 4-DOOR SEDAN

44 = 4-DOOR HATCHBACK

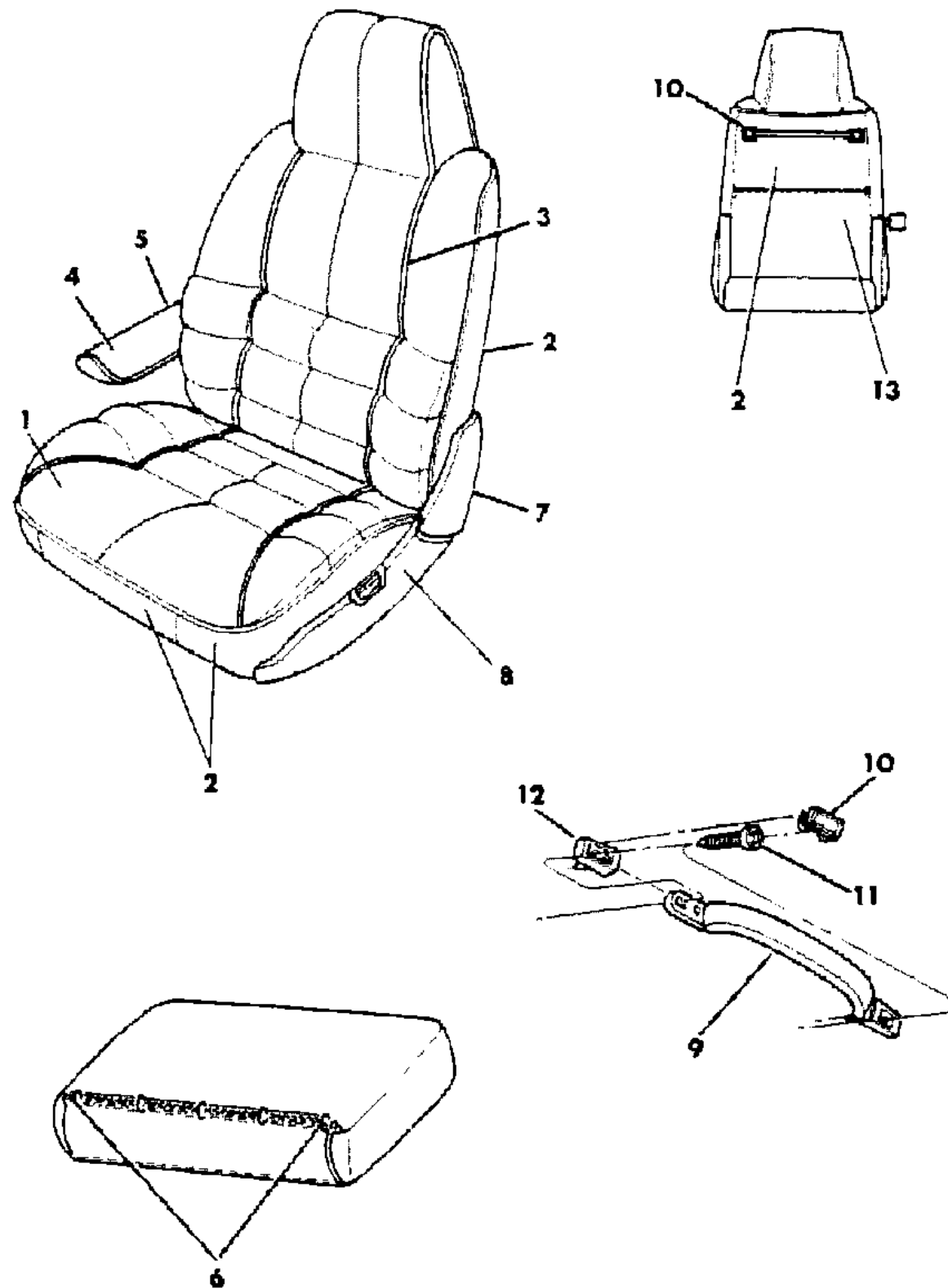
45 = 4-DOOR STATION WAGON

52-53 = FWD WAGON

AR = Use as Required - = Non Illustrated Part P.A.R. = Paint as Required

SEAT--FRONT S BODY TRIM CODE D5
Figure ITS-1350

7242 1350



ITEM	PART NUMBER	QTY	BODY	MODEL	DESCRIPTION
1-2					CUSHION, w/Spring/Frame, Pad and Cover
	G534-5 F5A	1			CLOTH Silver / Charcoal, (D5AS)
	G534-5 F5C	1			Blue, (D5C)
	G534-5 F5E	1			Cordovan, (D5E)
	G534-5 F5K	1			Almond, (D5K)
	G531 F5A	1			ELECTRIC, LEFT Silver / Charcoal, (D5AS)
	G531 F5C	1			Blue, (D5C)
	G531 F5E	1			Cordovan, (D5E)
	G531 F5K	1			Almond, (D5K)
1					COVER, Cushion CLOTH
	G034-5 F7A	1			Silver / Charcoal, (D5AS)
	G034-5 F7C	1			Blue, (D5C)
	G034-5 F7E	1			Cordovan, (D5E)
	G034-5 F7K	1			Almond, (D5K)
2					ROLL STOCK, Vinyl Order By The Inch
	R609 CS8	AR			Charcoal, 58" Wide (D5AS)
	R600 EC5	AR			Blue, 54" Wide,(D5C)
	R600 EE8	AR			Cordovan, 54" Wide (D5E)
	R600 EK1	AR			Almond, 54" Wide (D5K)
2-3					BACK, w/Spring/Frame, Pad and Cover CLOTH
	G158-9 F5A	1			Silver / Charcoal, (D5AS)
	G158-9 F5C	1			Blue, (D5C)
	G158-9 F5E	1			Cordovan, (D5E)
	G158-9 F5K	1			Almond, (D5K)
3					COVER, Back CLOTH
	G050-1 F7A	1			(Use Up To 4-1-87) Silver / Charcoal, (D5AS)
	G050-1 F7C	1			Blue, (D5C)
	G050-1 F7E	1			Cordovan, (D5E)
	G050-1 F7K	1			Almond, (D5K)
	G060-1 F7A	1			(Use After 4-1-87) Silver / Charcoal, (D5AS)
	G060-1 F7C	1			Blue, (D5C)

MODEL CODES

E BODY = (J - CARAVELLE)(E - 600)(T - NEW YORKER)

G BODY = (V24 - DAYTONA)

H BODY = (D44 - LANCER)(C44 - LEBARON GTS)

J BODY = (C - LEBARON)

K BODY = (P - RELIANT)(D - ARIES)(C - LEBAROND)/TOWN & COUNTRY)

L BODY = (M - HORIZON/TURISMO)(Z - OMNI/CHARGER)

M BODY = (B - GRAN FURY)(F - FIFTH AVE/NEWPORT)(G - DIPLOMAT)

P BODY = (P - SUNDANCE)(D - SHADOW)

S BODY = (H - VOYAGER)(K - RAM VAN/CARAVAN)

BODY STYLES

12-13 = FWD VAN

21 = 2-DOOR SEDAN

24 = 2-DOOR HATCHBACK

27 = 2-DOOR CONVERTIBLE

41 = 4-DOOR SEDAN

44 = 4-DOOR HATCHBACK

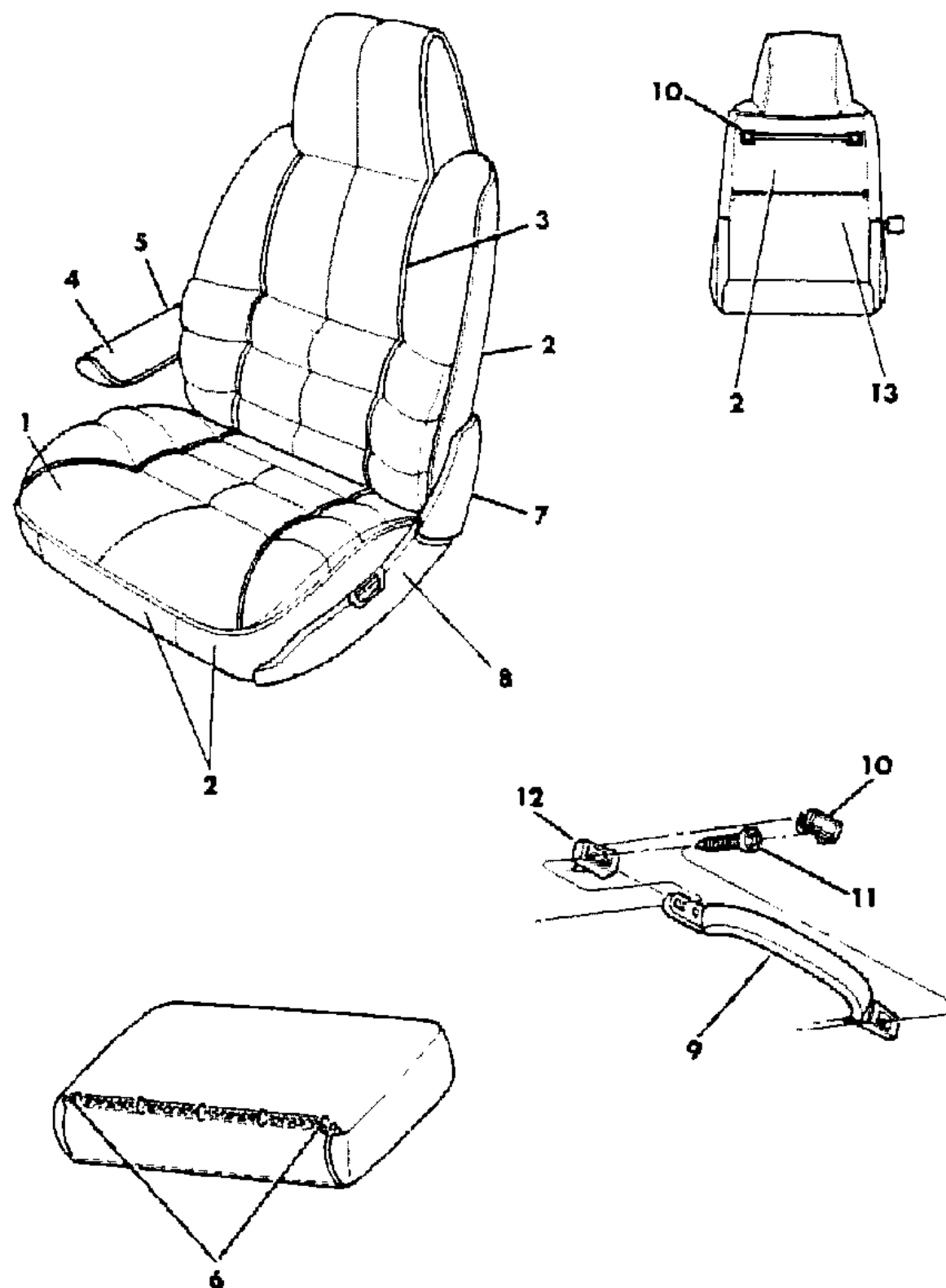
45 = 4-DOOR STATION WAGON

52-53 = FWD WAGON

AR = Use as Required - = Non Illustrated Part P.A.R. = Paint as Required

SEAT--FRONT S BODY TRIM CODE D5
Figure ITS-1350

7242 1350



ITEM	PART NUMBER	QTY	BODY	MODEL	DESCRIPTION
	G060-1 F7E	1			Cordovan, (D5E)
	G060-1 F7K	1			Almond, (D5K)
4	G730 CS8	2			CHARCOAL
	G730 FC5	2			Blue
	G730 EE8	2			Cordovan
	G730 EK1	2			Almond
5	G459 CS8	2			CHARCOAL
	G459 FC5	2			Blue
	G459 EE8	2			Cordovan
	G459 EK1	2			Almond
6	6008 076	AR			HOG RING
7-8					SHIELD, Cushion and Back (See ILL. 1800)
9					HANDLE, Assist (Right Only)
	D254 FC5	1			Blue, (D5C)
	D254 EE8	1			Cordovan, (D5E)
	D254 EK1	1			Almond, (D5K)
	D254 CS8	1			Silver / Charcoal, (D5AS)
10	#4380 432	2			COVER, Assist Handle
11	6501 518	AR			SCREW, Handle Attaching
12	4010 348	2			CAP, Handle End
13					POCKET, Seat Back Storage (Serviced In Back Cover)

NOTE: For Arm Resy Attaching Parts See Ill. Number 1800

MODEL CODES

E BODY = (J - CARAVELLE)(E - 600)(T - NEW YORKER)

G BODY = (V24 - DAYTONA)

H BODY = (D44 - LANCER)(C44 - LEBARON GTS)

J BODY = (C - LEBARON)

K BODY = (P - RELIANT)(D - ARIES)(C - LEBAROND)/TOWN & COUNTRY)

L BODY = (M - HORIZON/TURISMO)(Z - OMNI/CHARGER)

M BODY = (B - GRAN FURY)(F - FIFTH AVE/NEWPORT)(G - DIPLOMAT)

P BODY = (P - SUNDANCE)(D - SHADOW)

S BODY = (H - VOYAGER)(K - RAM VAN/CARAVAN)

BODY STYLES

12-13 = FWD VAN

21 = 2-DOOR SEDAN

24 = 2-DOOR HATCHBACK

27 = 2-DOOR CONVERTIBLE

41 = 4-DOOR SEDAN

44 = 4-DOOR HATCHBACK

45 = 4-DOOR STATION WAGON

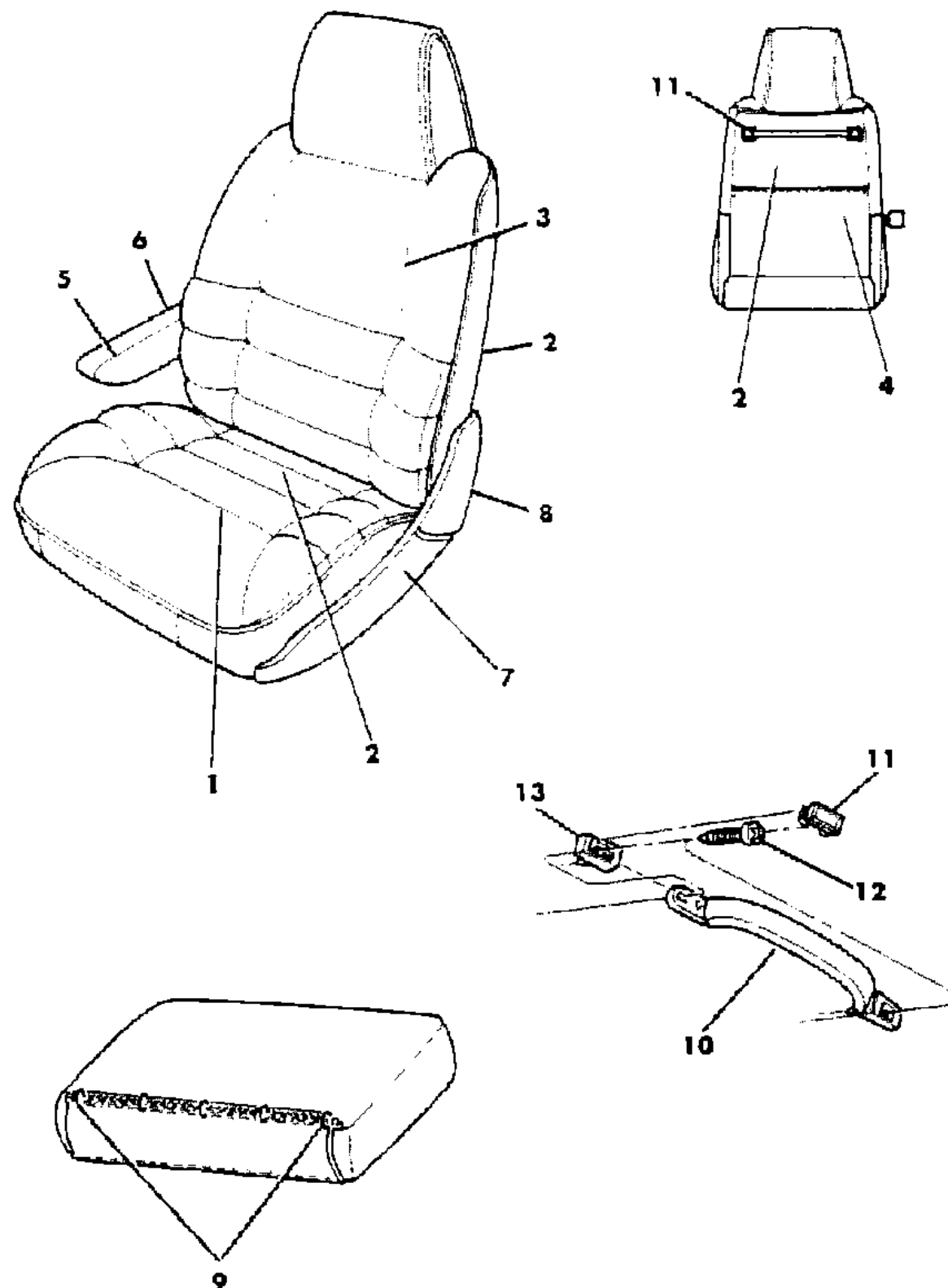
52-53 = FWD WAGON

AR = Use as Required - = Non Illustrated Part P.A.R. = Paint as Required

SEAT--FRONT S BODY TRIM CODE J6

Figure ITS-1400

7242 1400



ITEM	PART NUMBER	QTY	BODY	MODEL	DESCRIPTION
1-2					CUSHION, w/Spring/Frame, Pad and Cover
					VINYL
	G592-3 F6A	1			Silver / Charcoal, (J6AS)
	G592-3 F6C	1			Blue, (J6C)
	G592-3 F6E	1			Cordovan, (J6E)
	G592-3 F6K	1			Almond, (J6K)
					ELECTRIC, LEFT
	G591 F6A	1			Silver / Charcoal, (J6AS)
	G591 F6C	1			Blue, (J6C)
	G591 F6E	1			Cordovan, (J6E)
	G591 F6K	1			Almond, (J6K)
1					COVER, Cushion
					VINYL
	G022-3 F6A	1			Silver / Charcoal, (J6AS)
	G022-3 F6C	1			Blue, (J6C)
	G022-3 F6E	1			Cordovan, (J6E)
	G022-3 F6K	1			Almond, (J6K)
2					ROLL STOCK, Vinyl Order By The Inch
	R609 CS8	AR			Charcoal, 58" Wide (J6AS)
	R600 EC5	AR			Blue, 54" Wide (J6C)
	R600 EE8	AR			Cordovan, 54" Wide (J6E)
	R600 EK1	AR			Almond, 54" Wide (J6K)
2-3					BACK, w/Spring/Frame, Pad and Cover
					VINYL
					w/Map Pocket Right
	G160 F6A	1			Silver / Charcoal, (J6AS)
	G160 F6C	1			Blue, (J6C)
	G160 F6E	1			Cordovan, (J6E)
	G160 F6K	1			Almond, (J6K)
					w/o Map Pocket Left
	G161 F6A	1			Silver / Charcoal, (J6AS)
	G161 F6C	1			Blue, (J6C)
	G161 F6E	1			Cordovan, (J6E)
	G161 F6K	1			Almond, (J6K)
3					COVER, Back
					VINYL
					w/Map Pocket Right
					(Use Up To 4-1-87)

MODEL CODES

E BODY = (J - CARAVELLE)(E - 600)(T - NEW YORKER)

G BODY = (V24 - DAYTONA)

H BODY = (D44 - LANCER)(C44 - LEBARON GTS)

J BODY = (C - LEBARON)

K BODY = (P - RELIANT)(D - ARIES)(C - LEBAROND)/TOWN & COUNTRY)

L BODY = (M - HORIZON/TURISMO)(Z - OMNI/CHARGER)

M BODY = (B - GRAN FURY)(F - FIFTH AVE/NEWPORT)(G - DIPLOMAT)

P BODY = (P - SUNDANCE)(D - SHADOW)

S BODY = (H - VOYAGER)(K - RAM VAN/CARAVAN)

BODY STYLES

12-13 = FWD VAN

21 = 2-DOOR SEDAN

24 = 2-DOOR HATCHBACK

27 = 2-DOOR CONVERTIBLE

41 = 4-DOOR SEDAN

44 = 4-DOOR HATCHBACK

45 = 4-DOOR STATION WAGON

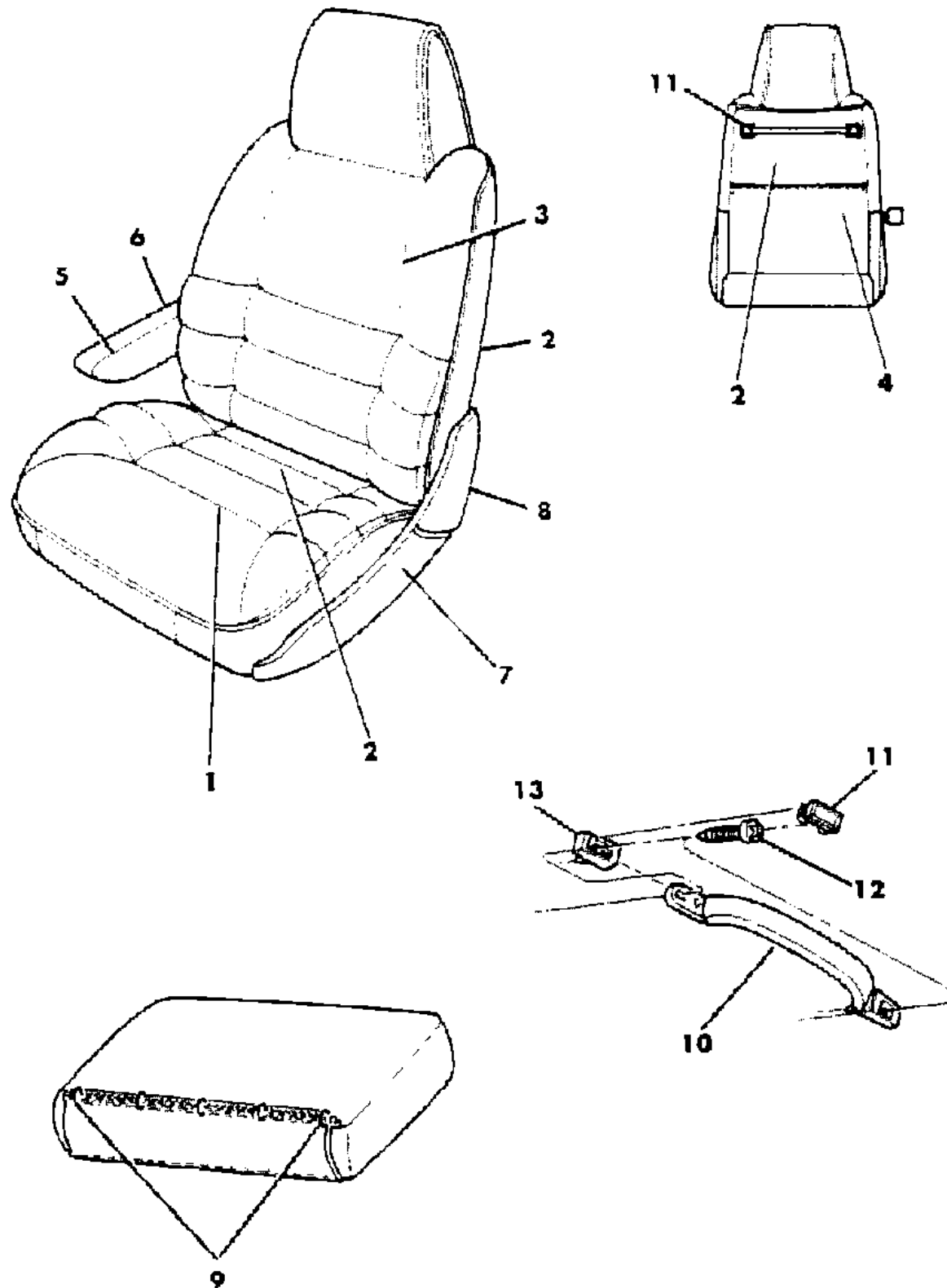
52-53 = FWD WAGON

AR = Use as Required - = Non Illustrated Part P.A.R. = Paint as Required

SEAT--FRONT S BODY TRIM CODE J6

Figure ITS-1400

7242 1400



ITEM	PART NUMBER	QTY	BODY	MODEL	DESCRIPTION
	G024 F6A	1			Silver / Charcoal, (J6AS)
	G024 F6C	1			Blue, (J6C)
	G024 F6E	1			Cordovan, (J6E)
	G024 F6K	1			Almond, (J6K) (Use After 4-1-87)
	G056 F6A	1			Silver / Charcoal, (J6AS)
	G056 F6C	1			Blue, (J6C)
	G056 F6E	1			Cordovan, (J6E)
	G056 F6K	1			Almond, (J6K)
					w/o Map Pocket, Left (Use Up To 4-1-87)
	G025 F6A	1			Silver / Charcoal, (J6AS)
	G025 F6C	1			Blue, (J6C)
	G025 F6E	1			Cordovan, (J6E)
	G025 F6K	1			Almond, (J6K) (Use After 4-1-87)
	G057 F6A	1			Silver / Charcoal, (J6AS)
	G057 F6C	1			Blue, (J6C)
	G057 F6E	1			Cordovan, (J6E)
	G057 F6K	1			Almond, (J6K)
4					POCKET, Back Storage (Serviced In Seat Back Cover)
5					ARMREST and COVER
	G730 CS8	2			Silver / Charcoal, (J6AS)
	G730 FC5	2			Blue, (J6C)
	G730 EE8	2			Cordovan, (J6E)
	G730 EK1	2			Almond, (J6K)
6					COVER, Armrest
	G459 CS8	2			Silver / Charcoal, (J6AS)
	G459 FC5	2			Blue, (J6C)
	G459 EE8	2			Cordovan, (J6E)
	G459 EK1	2			Almond, (J6K)
7 & 8					SHIELDS, (See ILL. 1800)
9	6008 076	AR			HOG RING
10					HANDLE, Assist (Right Only)
	D254 CS8	1			Silver / Charcoal, (J6AS)
	D254 FC5	1			Blue, (J6C)
	D254 EE8	1			Cordovan, (J6E)
	D254 EK1	1			Almond, (J6K)

MODEL CODES

E BODY = (J - CARAVELLE)(E - 600)(T - NEW YORKER)

G BODY = (V24 - DAYTONA)

H BODY = (D44 - LANCER)(C44 - LEBARON GTS)

J BODY = (C - LEBARON)

K BODY = (P - RELIANT)(D - ARIES)(C - LEBAROND)/TOWN & COUNTRY)

L BODY = (M - HORIZON/TURISMO)(Z - OMNI/CHARGER)

M BODY = (B - GRAN FURY)(F - FIFTH AVE/NEWPORT)(G - DIPLOMAT)

P BODY = (P - SUNDANCE)(D - SHADOW)

S BODY = (H - VOYAGER)(K - RAM VAN/CARAVAN)

BODY STYLES

12-13 = FWD VAN

21 = 2-DOOR SEDAN

24 = 2-DOOR HATCHBACK

27 = 2-DOOR CONVERTIBLE

41 = 4-DOOR SEDAN

44 = 4-DOOR HATCHBACK

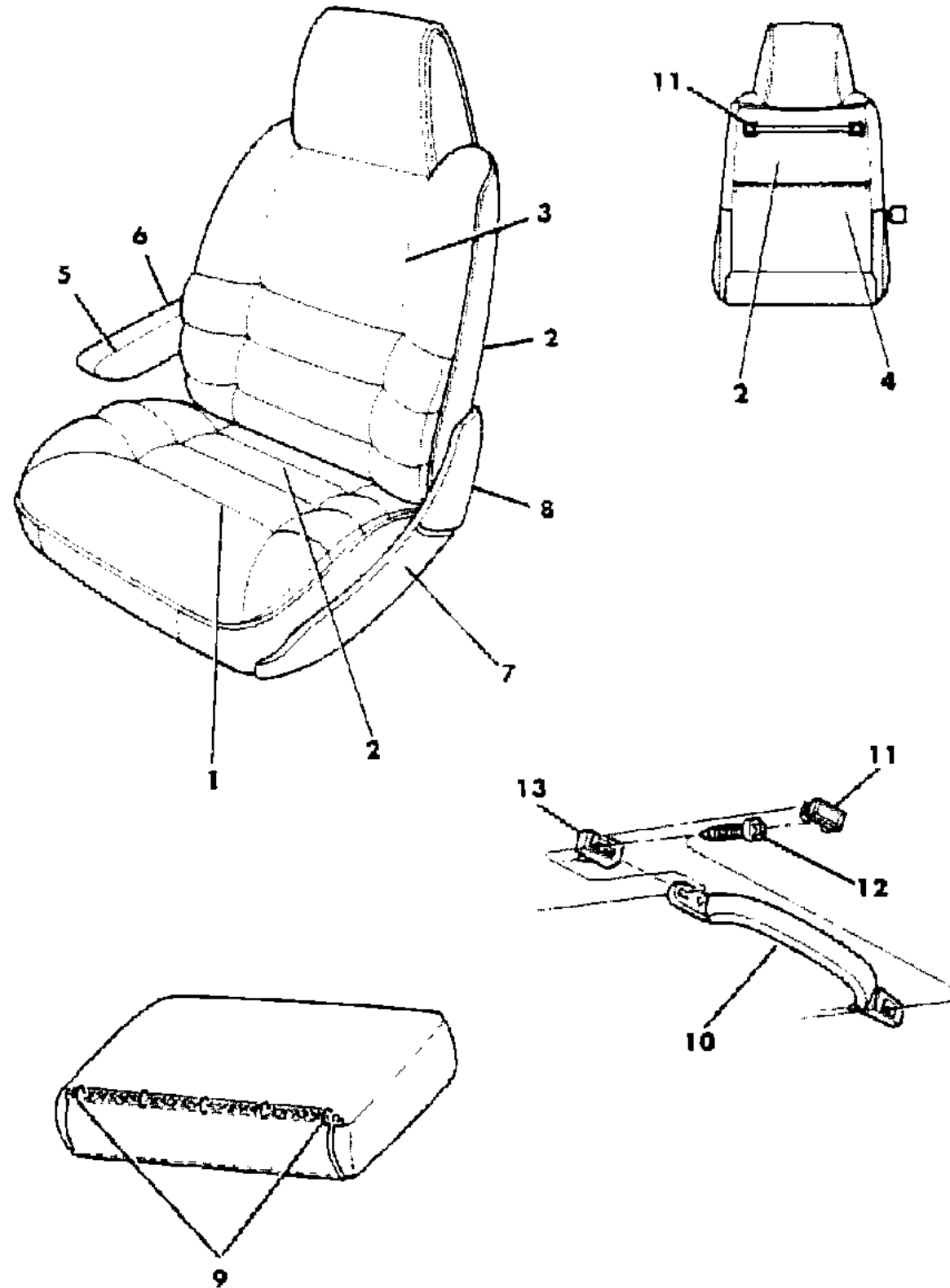
45 = 4-DOOR STATION WAGON

52-53 = FWD WAGON

AR = Use as Required - = Non Illustrated Part P.A.R. = Paint as Required

SEAT--FRONT S BODY TRIM CODE J6
Figure ITS-1400

7242 1400



ITEM	PART NUMBER	QTY	BODY	MODEL	DESCRIPTION
11	#4380 432	2			COVER, Assist Handle
12	6501 518	AR			SCREW, Handle Attaching
13	4010 348	2			CAP, Handle End
NOTE: For Arm Rest Attaching Parts See Ill. Number 1800					

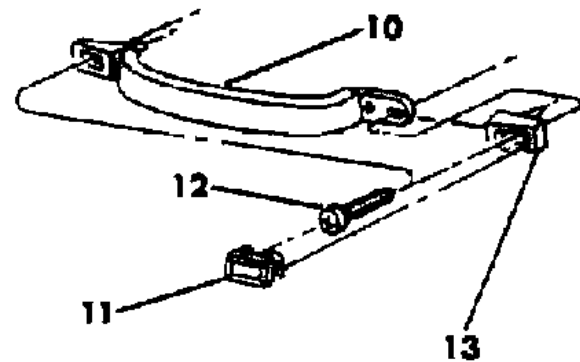
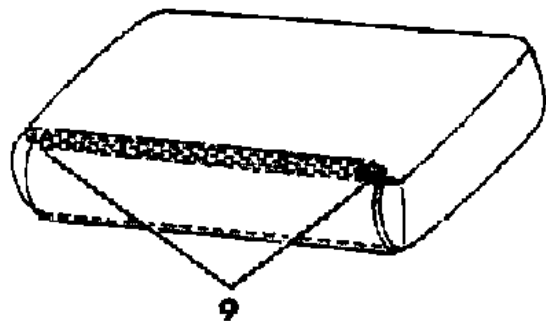
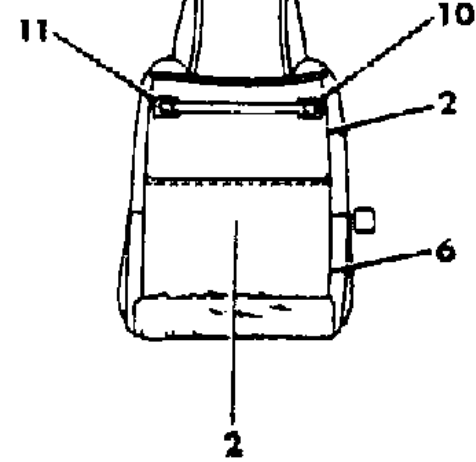
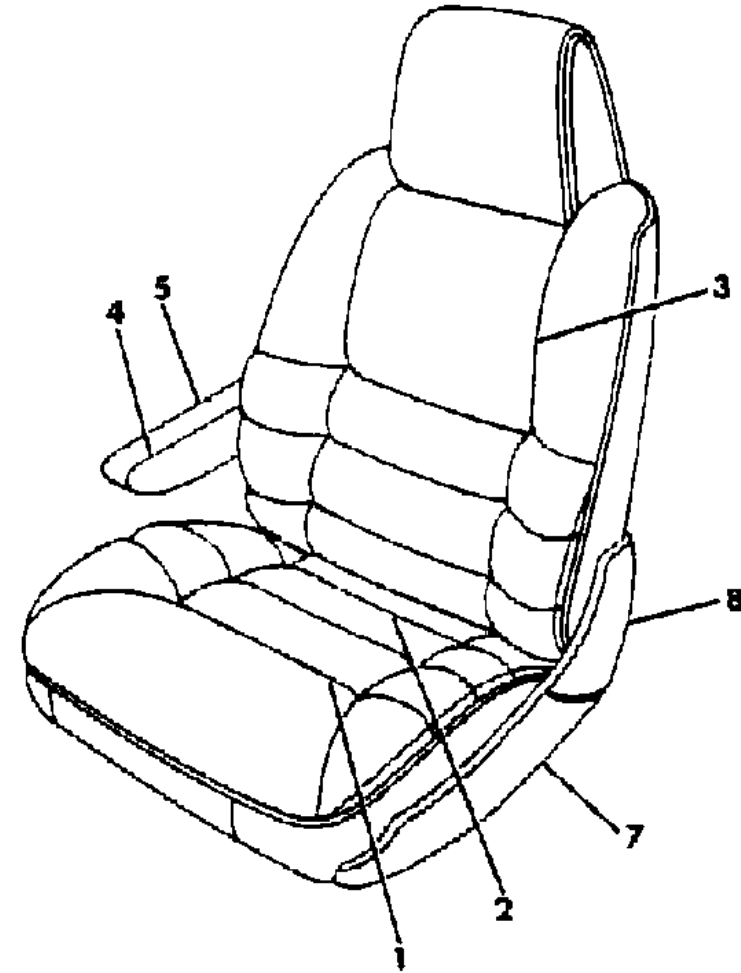
MODEL CODES
 E BODY = (J - CARAVELLE)(E - 600)(T - NEW YORKER)
 G BODY = (V24 - DAYTONA)
 H BODY = (D44 - LANCER)(C44 - LEBARON GTS)
 J BODY = (C - LEBARON)
 K BODY = (P - RELIANT)(D - ARIES)(C - LEBAROND)/TOWN & COUNTRY
 L BODY = (M - HORIZON/TURISMO)(Z - OMNI/CHARGER)
 M BODY = (B - GRAN FURY)(F - FIFTH AVE/NEWPORT)(G - DIPLOMAT)
 P BODY = (P - SUNDANCE)(D - SHADOW)
 S BODY = (H - VOYAGER)(K - RAM VAN/CARAVAN)

BODY STYLES
 12-13 = FWD VAN
 21 = 2-DOOR SEDAN
 24 = 2-DOOR HATCHBACK
 27 = 2-DOOR CONVERTIBLE
 41 = 4-DOOR SEDAN
 44 = 4-DOOR HATCHBACK
 45 = 4-DOOR STATION WAGON
 52-53 = FWD WAGON

AR = Use as Required - = Non Illustrated Part P.A.R. = Paint as Required

SEAT--FRONT S BODY TRIM CODES J5, S5
Figure ITS-1500

7242 1500



ITEM	PART NUMBER	QTY	BODY	MODEL	DESCRIPTION
1-2					CUSHION, w/Spring/Frame, Pad and Cover
					CLOTH
	G572-3 F5A	1			Silver / Charcoal, (J5AS, S5AS)
	G572-3 F5E	1			Cordovan, (J5E, S5E)
	G572-3 F5K	1			Almond, (J5K, S5K)
					ELECTRIC LEFT
	G569 F5A	1			Silver / Charcoal, (J5AS)
	G569 F5E	1			Cordovan, (J5E)
	G569 F5K	1			Almond, (J5K)
1					COVER, Cushion
					CLOTH
	G012-3 F5A	1			Silver / Charcoal, (J5AS, S5AS)
	G012-3 F5E	1			Cordovan, (J5E, S5E)
	G012-3 F5K	1			Almond, (J5K, S5K)
2					ROLL STOCK, Vinyl Order By The Inch
	R609 CS8	AR			Charcoal 58" Wide (J5AS, S5AS)
	R600 EE8	AR			Cordovan, 54" Wide (J5E, S5E)
	R600 EK1	AR			Almond, 54" Wide (J5K, S5K)
2-3					BACK, w/Spring/Frame, Pad and Cover
					CLOTH
					w/Map Pocket Right
	G162 F5A	1			Silver / Charcoal, (J5AS, S5AS)
	G162 F5E	1			Cordovan, (J5E, S5E)
	G162 F5K	1			Almond, (J5K, S5K)
					w/o Map Pocket Left
	G163 F5A	1			Silver / Charcoal, (J5AS, S5AS)
	G163 F5E	1			Cordovan, (J5E, S5E)
	G163 F5K	1			Almond, (J5K, S5K)
3					COVER, Back
					CLOTH
					w/Map Pocket Right
					(Use Up To 4-1-87)
	G014 F5A	1			Silver / Charcoal, (J5AS, S5AS)
	G014 F5E	1			Cordovan, (J5E, S5E)
	G014 F5K	1			Almond, (J5K, S5K)
					(Use After 4-1-87)
	G058 F5A	1			Silver / Charcoal, (J5AS, S5AS)
	G058 F5E	1			Cordovan, (J5E, S5E)

MODEL CODES

E BODY = (J - CARAVELLE)(E - 600)(T - NEW YORKER)

G BODY = (V24 - DAYTONA)

H BODY = (D44 - LANCER)(C44 - LEBARON GTS)

J BODY = (C - LEBARON)

K BODY = (P - RELIANT)(D - ARIES)(C - LEBAROND)/TOWN & COUNTRY)

L BODY = (M - HORIZON/TURISMO)(Z - OMNI/CHARGER)

M BODY = (B - GRAN FURY)(F - FIFTH AVE/NEWPORT)(G - DIPLOMAT)

P BODY = (P - SUNDANCE)(D - SHADOW)

S BODY = (H - VOYAGER)(K - RAM VAN/CARAVAN)

BODY STYLES

12-13 = FWD VAN

21 = 2-DOOR SEDAN

24 = 2-DOOR HATCHBACK

27 = 2-DOOR CONVERTIBLE

41 = 4-DOOR SEDAN

44 = 4-DOOR HATCHBACK

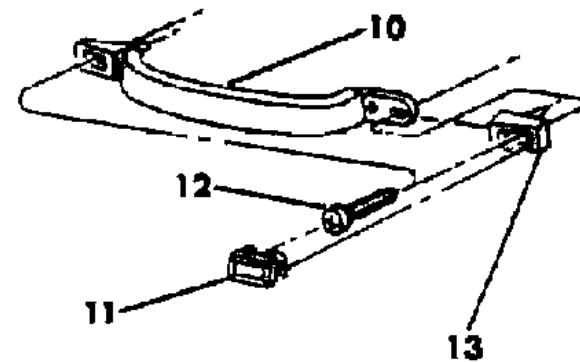
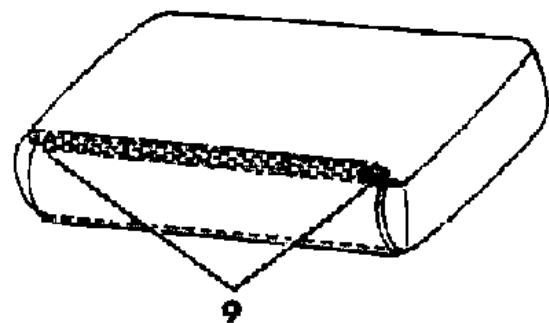
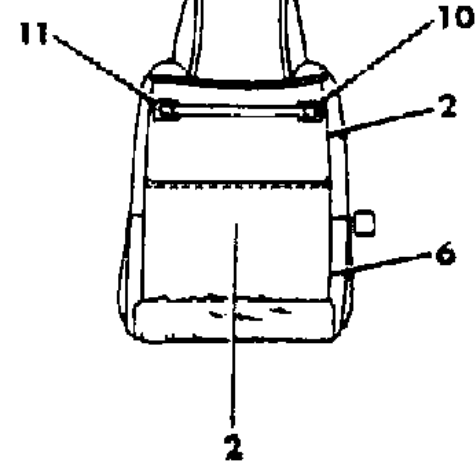
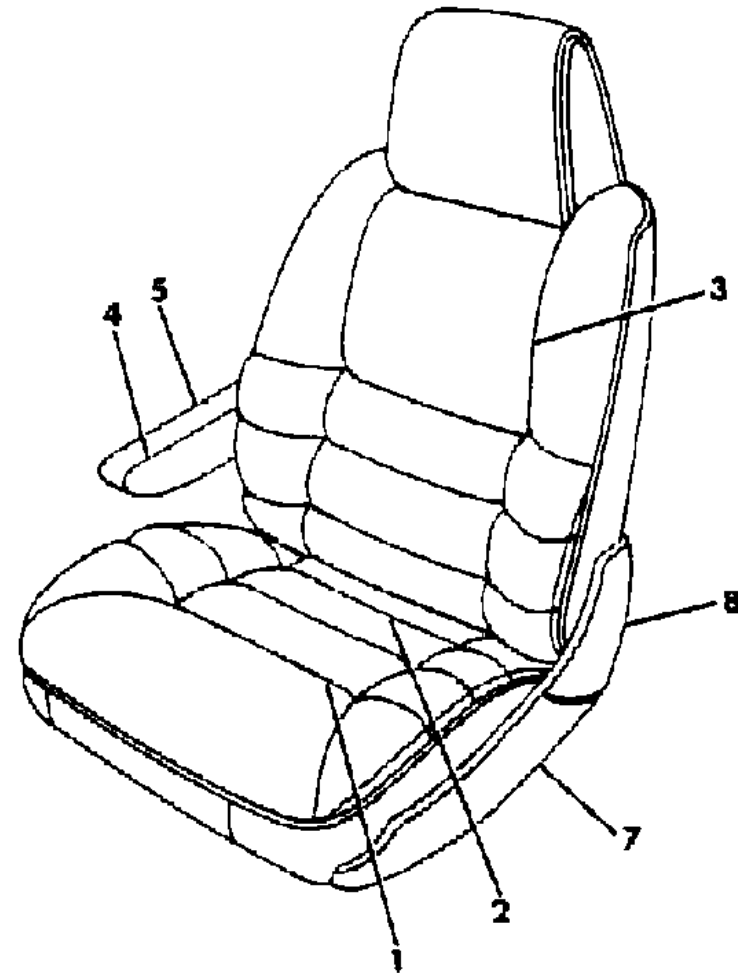
45 = 4-DOOR STATION WAGON

52-53 = FWD WAGON

AR = Use as Required - = Non Illustrated Part P.A.R. = Paint as Required

SEAT--FRONT S BODY TRIM CODES J5, S5
Figure ITS-1500

7242 1500



ITEM	PART NUMBER	QTY	BODY	MODEL	DESCRIPTION
	G058 F5K	1			Almond, (J5K, S5K) w/o Map Pocket Left (Use Up To 4-1-87)
	G015 F5A	1			Silver / Charcoal, (J5AS, S5AS)
	G015 F5E	1			Cordovan, (J5E, S5E)
	G015 F5K	1			Almond, (J5K, S5K) (Use After 4-1-87)
	G059 F5A	1			Silver / Charcoal, (J5AS, S5AS)
	G059 F5E	1			Cordovan, (J5E, S5E)
	G059 F5K	1			Almond, (J5K, S5K)
4					ARMREST and COVER
	G563 FS8	2			Silver / Charcoal, J5AS, S5AS)
	G563 FE8	2			Cordovan, (J5E, S5E)
	G563 FK1	2			Almond, (J5K, S5K)
5					COVER, Armrest
	G037 FS8	1			Silver / Charcoal, (J5AS, S5AS)
	G037 FE8	2			Cordovan, (J5E, S5E)
	G037 FK1	2			Almond, J5K, S5K)
6					ROLL STOCK, Vinyl Order By The Inch
	R609 CS8	AR			Charcoal, 58" Wide (J5AS, S5AS)
	R600 EE8	AR			Cordovan, 54" Wide (J5E, S5E)
	R600 EK1	AR			Almond, 54" Wide (J5K, S5K)
7 & 8					SHIELDS, (See Ill. 1800)
9	6008 076	AR			HOG RING
10					HANDLE, Assist (Right Only)
	D254 CS8	1			Silver / Charcoal, (J5AS)
	D254 EE8	1			Cordovan, (J5E)
	D254 EK1	1			Almond, (J5K)
11	#4380 432	2			COVER, Assist Handle
12	6501 518	AR			SCREW, Handle Attaching
13	4010 348	2			CAP, Handle End

NOTE: For Arm Rest Attaching Parts See Ill. Number 1800

MODEL CODES

E BODY = (J - CARAVELLE)(E - 600)(T - NEW YORKER)

G BODY = (V24 - DAYTONA)

H BODY = (D44 - LANCER)(C44 - LEBARON GTS)

J BODY = (C - LEBARON)

K BODY = (P - RELIANT)(D - ARIES)(C - LEBAROND)/TOWN & COUNTRY)

L BODY = (M - HORIZON/TURISMO)(Z - OMNI/CHARGER)

M BODY = (B - GRAN FURY)(F - FIFTH AVE/NEWPORT)(G - DIPLOMAT)

P BODY = (P - SUNDANCE)(D - SHADOW)

S BODY = (H - VOYAGER)(K - RAM VAN/CARAVAN)

BODY STYLES

12-13 = FWD VAN

21 = 2-DOOR SEDAN

24 = 2-DOOR HATCHBACK

27 = 2-DOOR CONVERTIBLE

41 = 4-DOOR SEDAN

44 = 4-DOOR HATCHBACK

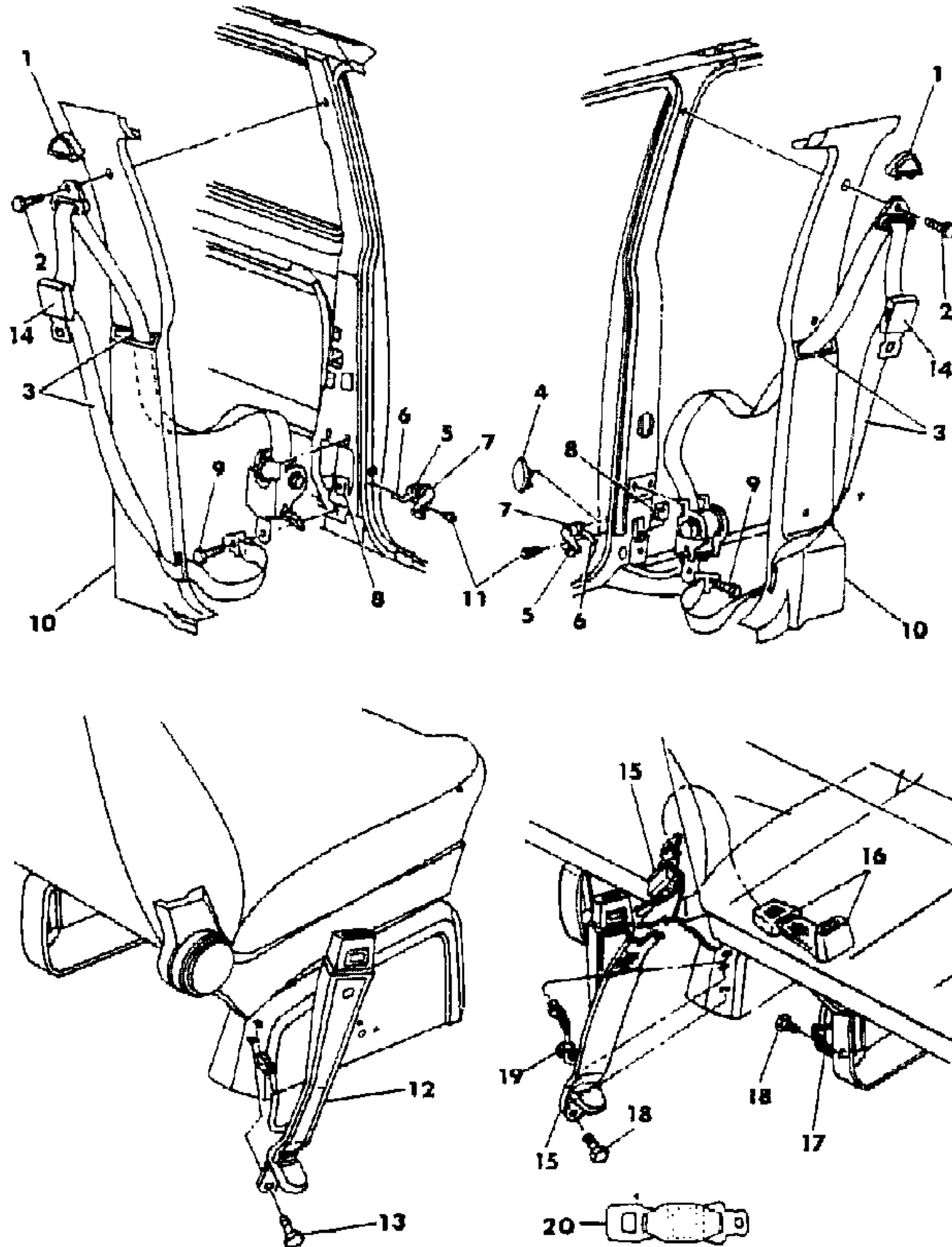
45 = 4-DOOR STATION WAGON

52-53 = FWD WAGON

AR = Use as Required - = Non Illustrated Part P.A.R. = Paint as Required

BELT--FRONT SEAT S BODY
Figure ITS-1600

7242 1800 A



ITEM	PART NUMBER	QTY	BODY	MODEL	DESCRIPTION
1					COVER, Outer Turning Loop
	F700 CA3	2			Silver
	F700 EC5	2			Blue
	F700 EE8	2			Cordovan
	F700 EK1	2			Almond
2	6031 217	2			BOLT
3					BELT, Outer
					LABEL NUMBER 4327336-7
	F770-1 CA3	1			Silver
	F770-1 FC5	1			Blue
	F770-1 EE8	1			Cordovan
	F770-1 EK1	1			Almond
4	4316 745	1			PLUG
5	4327 370-1	1			RELEASE, Tension Retractor
6		1			LEVER, Tension Release (Serv. in Item 5)
7		2			HOUSING, Tension Release (Serv. in Item 5)
8	6032 353	2			NUT and RETAINER
9	6031 218	2			BOLT
10					QUARTER PANEL, (Reference)
11					SCREW, (10-16x1/2) (Not Serv.)
12					BELT, Inboard
					LABEL NUMBER 4290760-1
	F692-3 FC5	1			Blue
	F692-3 EE8	1			Cordovan
	F692-3 EK1	1			Almond
	F692-3 CS8	1			Charcoal
13	6031 218	2			BOLT
14	4316 773	1			COVER, Tip Half (P.A.R.)
15					BELT, Inboard (60/40 Seat)
					LABEL NUMBER 4327391
	F555 DAS	1			Silver
	F555 EE8	1			Cordovan
	F555 EK1	1			Almond
16					BELT, Inboard (60/40 Seat)
					LABEL NUMBER 4327390
	F554 DAS	1			Silver
	F554 EE8	1			Cordovan
	F554 EK1	1			Almond

MODEL CODES

E BODY = (J - CARAVELLE)(E - 600)(T - NEW YORKER)

G BODY = (V24 - DAYTONA)

H BODY = (D44 - LANCER)(C44 - LEBARON GTS)

J BODY = (C - LEBARON)

K BODY = (P - RELIANT)(D - ARIES)(C - LEBAROND)/TOWN & COUNTRY)

L BODY = (M - HORIZON/TURISMO)(Z - OMNI/CHARGER)

M BODY = (B - GRAN FURY)(F - FIFTH AVE/NEWPORT)(G - DIPLOMAT)

P BODY = (P - SUNDANCE)(D - SHADOW)

S BODY = (H - VOYAGER)(K - RAM VAN/CARAVAN)

BODY STYLES

12-13 = FWD VAN

21 = 2-DOOR SEDAN

24 = 2-DOOR HATCHBACK

27 = 2-DOOR CONVERTIBLE

41 = 4-DOOR SEDAN

44 = 4-DOOR HATCHBACK

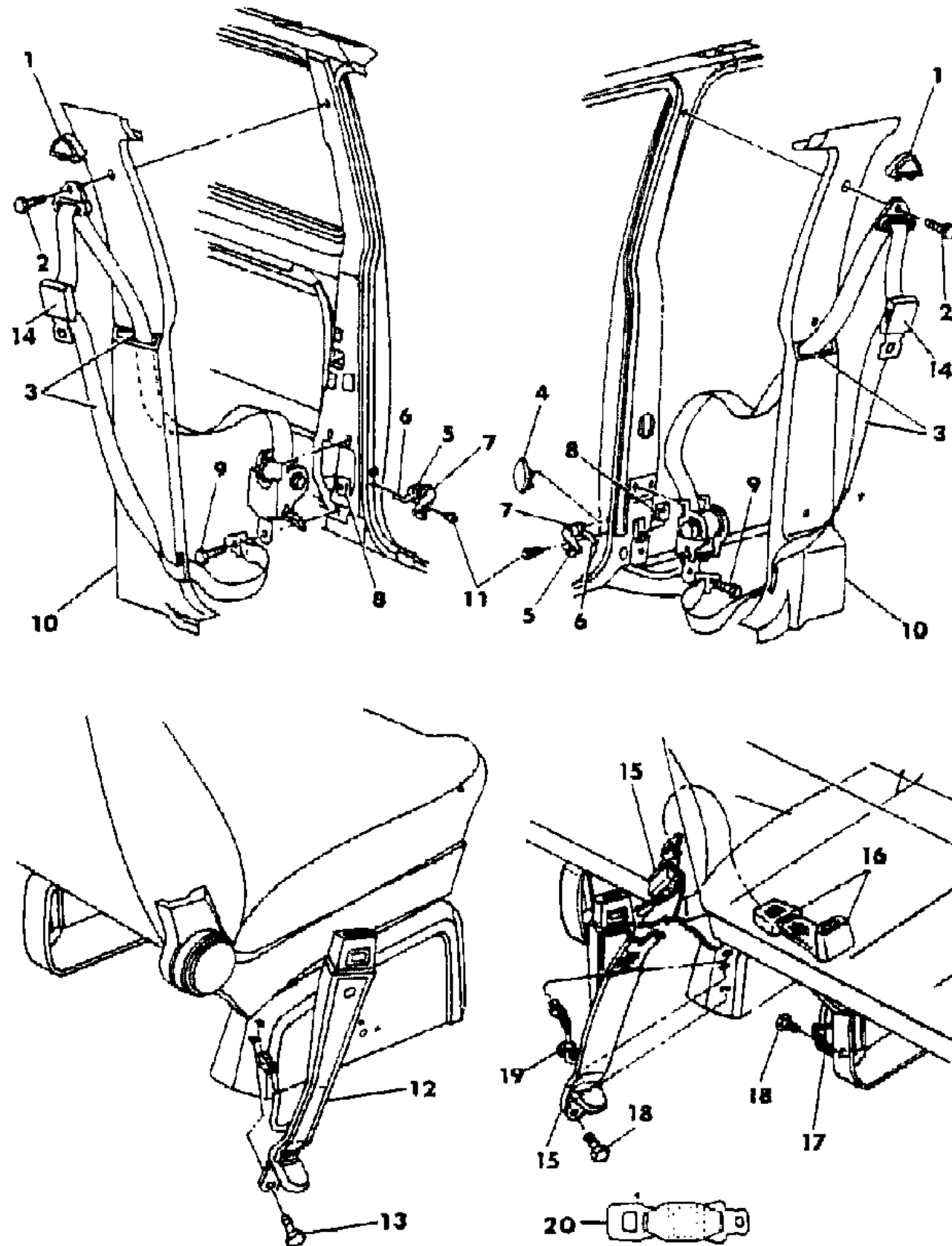
45 = 4-DOOR STATION WAGON

52-53 = FWD WAGON

AR = Use as Required - = Non Illustrated Part P.A.R. = Paint as Required

BELT--FRONT SEAT S BODY
Figure ITS-1600

7242 1800 A



ITEM	PART NUMBER	QTY	BODY	MODEL	DESCRIPTION
17	F814 JX9	1			COVER, Plate
18	6031 298	AR			BOLT
19	6501 113	AR			BUSHING
20	4364 849	AR			EXTENDER
NOTE: (P.A.R.) = Paint As Required					

MODEL CODES

E BODY = (J - CARAVELLE)(E - 600)(T - NEW YORKER)

G BODY = (V24 - DAYTONA)

H BODY = (D44 - LANCER)(C44 - LEBARON GTS)

J BODY = (C - LEBARON)

K BODY = (P - RELIANT)(D - ARIES)(C - LEBAROND)/TOWN & COUNTRY)

L BODY = (M - HORIZON/TURISMO)(Z - OMNI/CHARGER)

M BODY = (B - GRAN FURY)(F - FIFTH AVE/NEWPORT)(G - DIPLOMAT)

P BODY = (P - SUNDANCE)(D - SHADOW)

S BODY = (H - VOYAGER)(K - RAM VAN/CARAVAN)

BODY STYLES

12-13 = FWD VAN

21 = 2-DOOR SEDAN

24 = 2-DOOR HATCHBACK

27 = 2-DOOR CONVERTIBLE

41 = 4-DOOR SEDAN

44 = 4-DOOR HATCHBACK

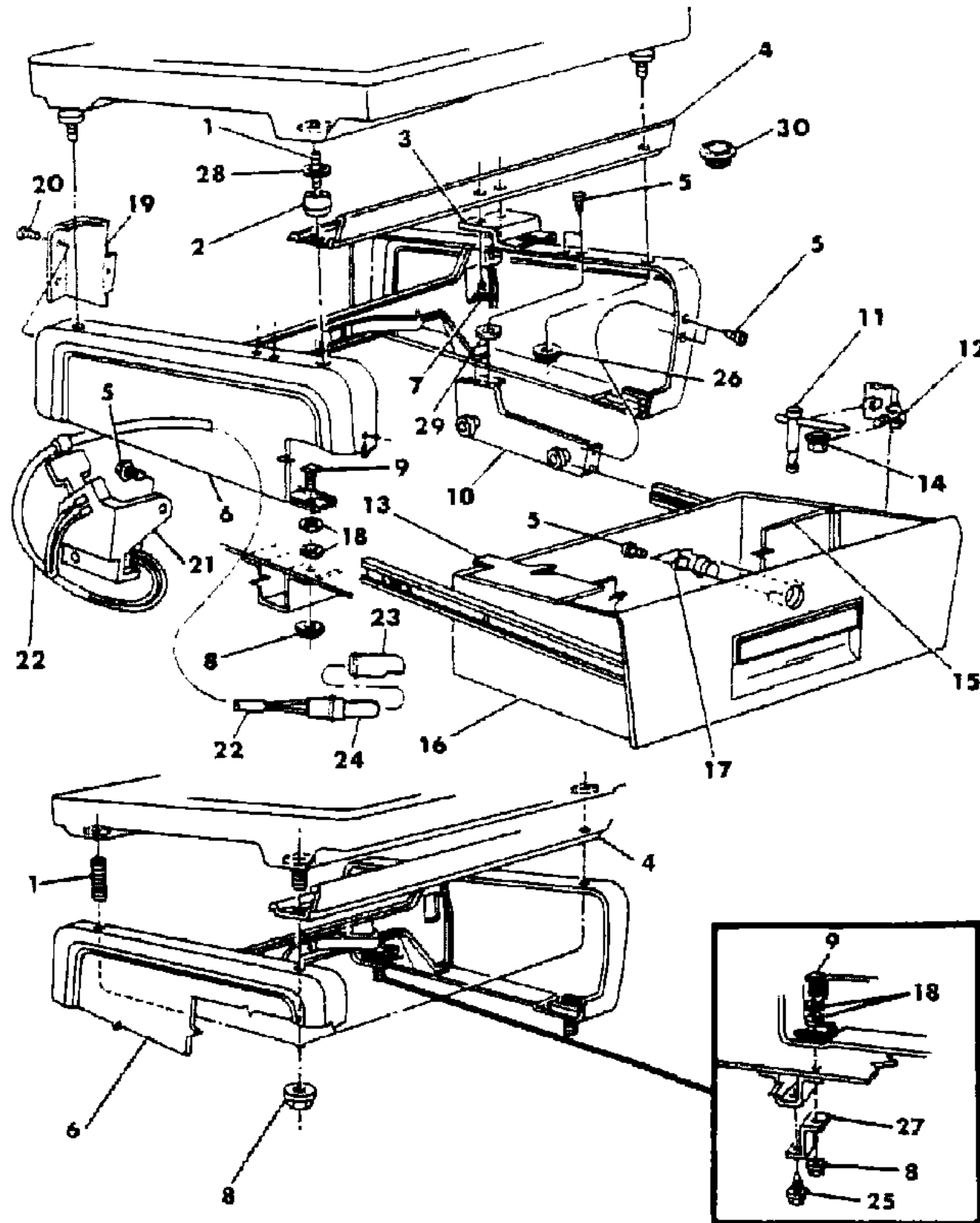
45 = 4-DOOR STATION WAGON

52-53 = FWD WAGON

AR = Use as Required - = Non Illustrated Part P.A.R. = Paint as Required

RISER--RIGHT BUCKET SEAT AND STORAGE BOX S BODY
Figure ITS-1700

7242 1700 B



ITEM	PART NUMBER	QTY	BODY	MODEL	DESCRIPTION
1	6032 429	4			STUD
2	4317 341	4			SPACER, Cushion to Riser
3	4317 852	1			STRIKER, Storage Box to Latch
4	#F586 FK1	1			PANEL, Storage Box Closure (P.A.R.)
5	9420 486	10			SCREW
6	#4380 628	1			RISER
7		10			SCREW, (8-18x5/8) (Not Serv.)
8	6501 269	AR			NUT and WASHER
9	6500 741	4			STUD, Riser
10	4317 442-3	1			ROLLER, Storage Box
11	4284 109	1			KEY, Wire Wheel Cover Wrench
12	4284 115	1			CLIP
13	4402 328	1			COVER, Dust
14	4284 100	1			SOCKET, Adapter
15	#4380 625				DIVIDER, Storage Box
16					DRAWER, Storage
	S524 FC5	1			Blue
	F584 FE8	1			Cordovan
	F584 FK1	1			Almond
	F584 FS8	1			Charcoal
17	3508 886	1			LATCH
18		8			PUSH-NUT, (Not Serv.)
19					COVER, Riser Inner (P.A.R.)
					Manual Seat
	S664 FC5	1			Outboard
	S665 FC5	1			Inboard
20	9420 486	AR			SCREW
21	#4373 055	1			SWITCH
22					WIRING, (Not Serv.)
23	#4374 156	1			HOOD
24	9421 330	1			BULB
25					SCREW, (M8x1.25) (Not Serv.)
26	6025 010	AR			NUT and WASHER
27	#4416 029	1			REINFORCEMENT
28	6028 040	4			RETAINER
29	6032 737	4			WASHER
30	6032 586	AR			RETAINER, Seat and Riser Attaching

NOTE: (P.A.R. = Paint As Required)

MODEL CODES

E BODY = (J - CARAVELLE)(E - 600)(T - NEW YORKER)

G BODY = (V24 - DAYTONA)

H BODY = (D44 - LANCER)(C44 - LEBARON GTS)

J BODY = (C - LEBARON)

K BODY = (P - RELIANT)(D - ARIES)(C - LEBAROND)/TOWN & COUNTRY)

L BODY = (M - HORIZON/TURISMO)(Z - OMNI/CHARGER)

M BODY = (B - GRAN FURY)(F - FIFTH AVE/NEWPORT)(G - DIPLOMAT)

P BODY = (P - SUNDANCE)(D - SHADOW)

S BODY = (H - VOYAGER)(K - RAM VAN/CARAVAN)

BODY STYLES

12-13 = FWD VAN

21 = 2-DOOR SEDAN

24 = 2-DOOR HATCHBACK

27 = 2-DOOR CONVERTIBLE

41 = 4-DOOR SEDAN

44 = 4-DOOR HATCHBACK

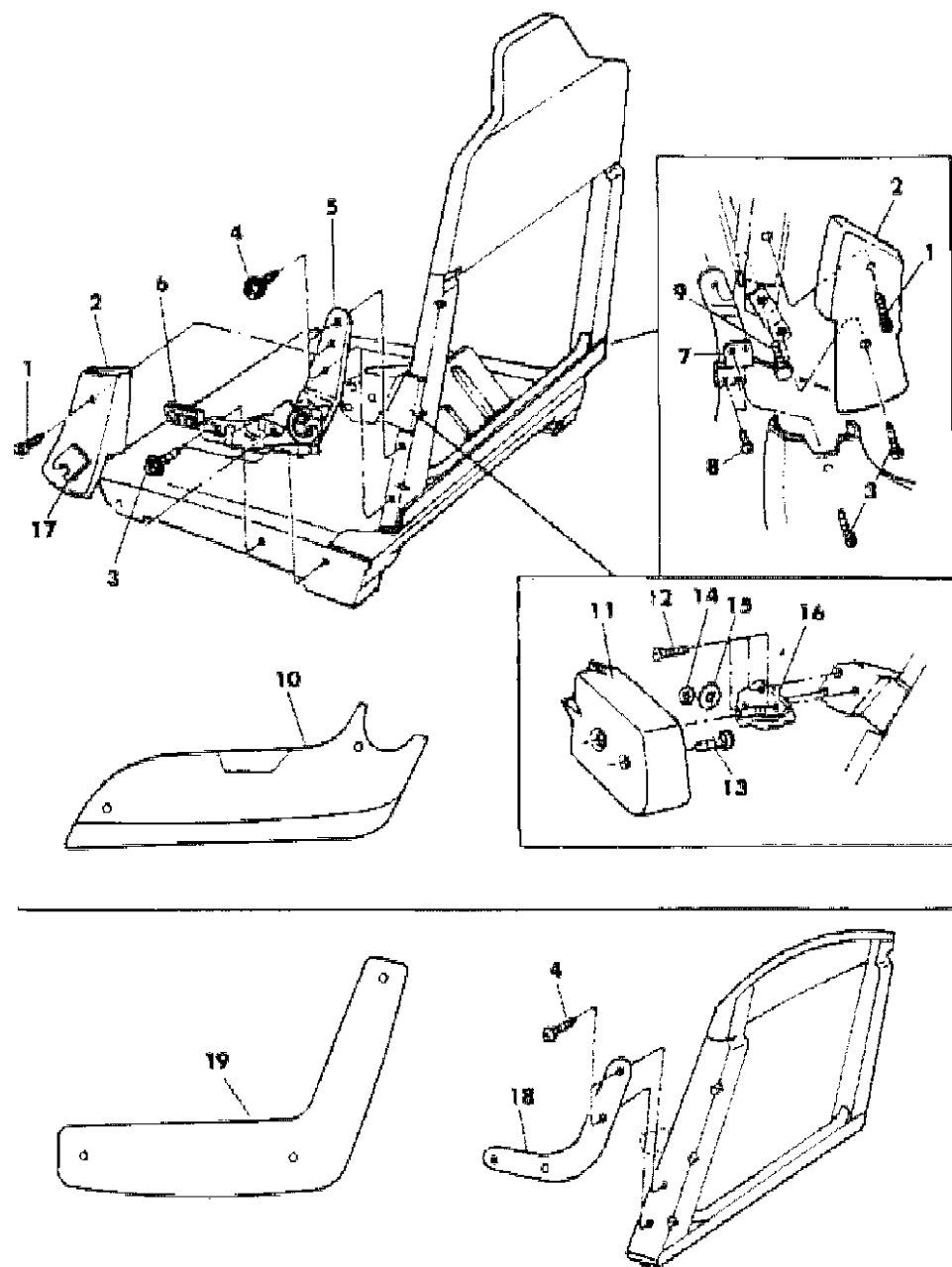
45 = 4-DOOR STATION WAGON

52-53 = FWD WAGON

AR = Use as Required - = Non Illustrated Part P.A.R. = Paint as Required

SEAT--RECLINING AND NON-RECLINING--ARMREST AND ATTACHING PARTS S BODY
Figure ITS-1800

7242 1800 A



ITEM	PART NUMBER	QTY	BODY	MODEL	DESCRIPTION
1		AR			SCREW, (8-18x2) (Not Serv.)
2					SHIELD, Back (P.A.R.)
					Passenger Seat
	S278 FK1	1			Outboard
	S279 FK1	1			Inboard
					Driver Seat
	S279 FK1	1			Outboard
	S278 FK1	1			Inboard
3	6500 558	AR			SCREW
4	6501 221	AR			SCREW
5					RECLINER
	4380 149	1			Passenger Seat
	4380 148	1			Driver Seat
6					LEVER, Recliner Release (P.A.R.)
	S936 FA3	1			Driver Seat
	S937 FA3	1			Passenger Seat
7	4345 720	2			BRACKET, Cushion Shield Attaching
8	6032 456	AR			SCREW
9	#6501 346	2			BOLT, Shoulder
10					SHIELD, Cushion (P.A.R.)
					PASSENGER SEAT
	S272 FK1	1			Outboard
	S274 FK1	1			Inboard
					DRIVER SEAT
	S273 FK1	1			Outboard
	S275 FK1	1			Inboard
11					ARMREST, (See Seat Illustration)
12	6500 777	3			SCREW and WASHER
13	6032 567	2			SCREW, Shoulder
14	6032 259	2			SNAP RING, (1/2" Shaft)
15	6032 721	2			RING, Retaining Inner (Star Tooth)
16	4290 652-3	1			BRACKET, Armrest Inner
17	4317 800	AR			CLIP, Shield Attaching
					NOTE: The Following Parts Are For The Non-Reclining Seat.
18	#4402 996	AR			ARM, Back To Cushion
19					SHIELD, Seat Side (P.A.R.)
					PASSENGER SEAT
	S266 FK1	1			Outboard

MODEL CODES

E BODY = (J - CARAVELLE)(E - 600)(T - NEW YORKER)

G BODY = (V24 - DAYTONA)

H BODY = (D44 - LANCER)(C44 - LEBARON GTS)

J BODY = (C - LEBARON)

K BODY = (P - RELIANT)(D - ARIES)(C - LEBAROND)/TOWN & COUNTRY)

L BODY = (M - HORIZON/TURISMO)(Z - OMNI/CHARGER)

M BODY = (B - GRAN FURY)(F - FIFTH AVE/NEWPORT)(G - DIPLOMAT)

P BODY = (P - SUNDANCE)(D - SHADOW)

S BODY = (H - VOYAGER)(K - RAM VAN/CARAVAN)

BODY STYLES

12-13 = FWD VAN

21 = 2-DOOR SEDAN

24 = 2-DOOR HATCHBACK

27 = 2-DOOR CONVERTIBLE

41 = 4-DOOR SEDAN

44 = 4-DOOR HATCHBACK

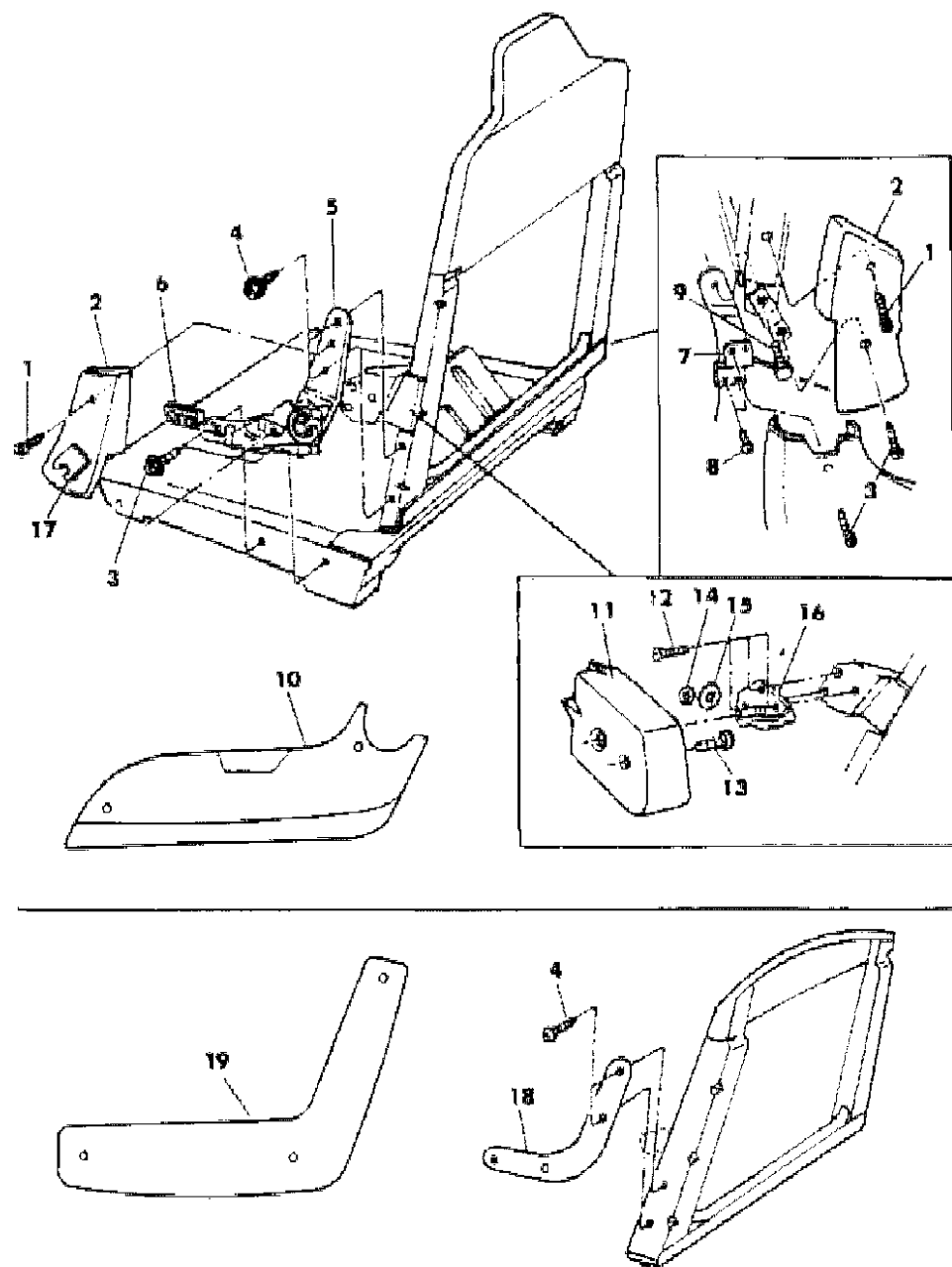
45 = 4-DOOR STATION WAGON

52-53 = FWD WAGON

AR = Use as Required - = Non Illustrated Part P.A.R. = Paint as Required

SEAT--RECLINING AND NON-RECLINING--ARMREST AND ATTACHING PARTS S BODY
Figure ITS-1800

7242 1800 A



ITEM	PART NUMBER	QTY	BODY	MODEL	DESCRIPTION
	S268 FK1	1			Inboard
					DRIVER SEAT
	S267 FK1	1			Outboard
	S269 FK1	1			Inboard
					NOTE: (P.A.R. = Paint As Required)

MODEL CODES

E BODY = (J - CARAVELLE)(E - 600)(T - NEW YORKER)

G BODY = (V24 - DAYTONA)

H BODY = (D44 - LANCER)(C44 - LEBARON GTS)

J BODY = (C - LEBARON)

K BODY = (P - RELIANT)(D - ARIES)(C - LEBAROND)/TOWN & COUNTRY)

L BODY = (M - HORIZON/TURISMO)(Z - OMNI/CHARGER)

M BODY = (B - GRAN FURY)(F - FIFTH AVE/NEWPORT)(G - DIPLOMAT)

P BODY = (P - SUNDANCE)(D - SHADOW)

S BODY = (H - VOYAGER)(K - RAM VAN/CARAVAN)

BODY STYLES

12-13 = FWD VAN

21 = 2-DOOR SEDAN

24 = 2-DOOR HATCHBACK

27 = 2-DOOR CONVERTIBLE

41 = 4-DOOR SEDAN

44 = 4-DOOR HATCHBACK

45 = 4-DOOR STATION WAGON

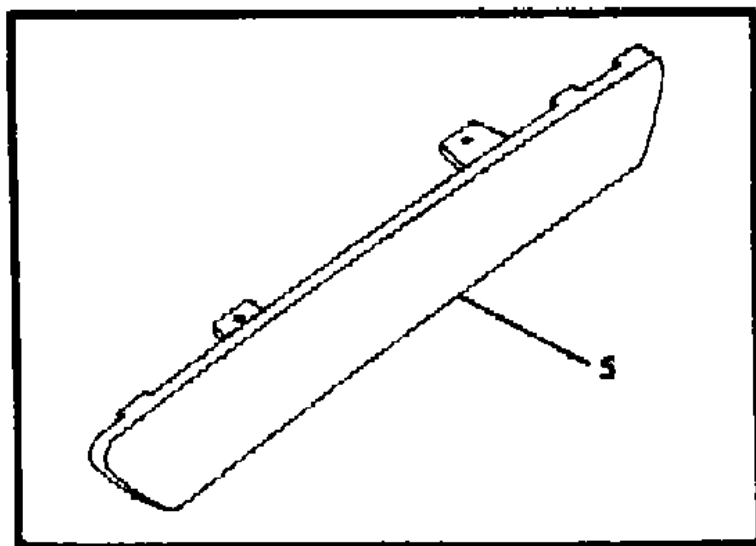
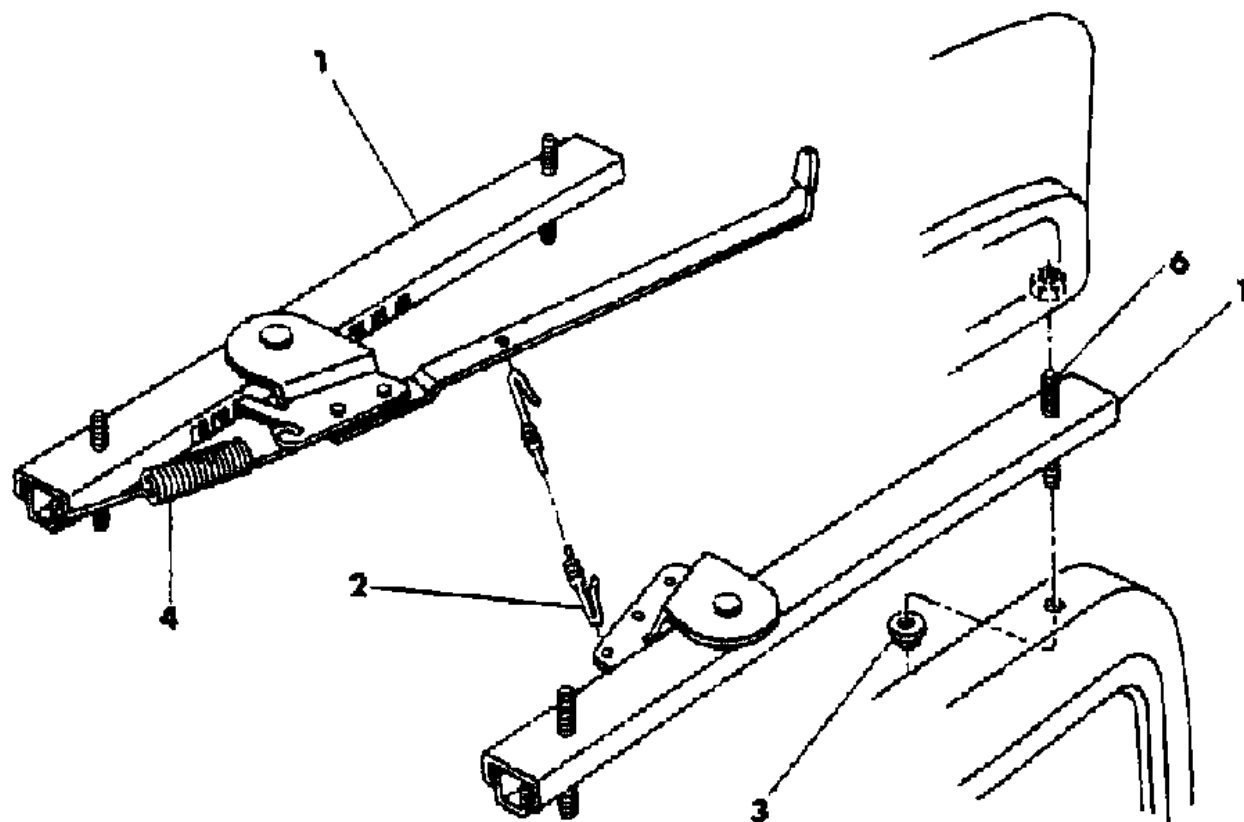
52-53 = FWD WAGON

AR = Use as Required - = Non Illustrated Part P.A.R. = Paint as Required

ADJUSTER--MANUAL S BODY
Figure ITS-1900

7242 1900 B

ITEM	PART NUMBER	QTY	BODY	MODEL	DESCRIPTION
1					ADJUSTER
	4402 695	1			Inner
	4402 165	1			Outer
2	4327 431	1			WIRE, Guide Lock Connector
3	6025 010	8			NUT and WASHER
4	4172 396	1			SPRING
	4402 216	1			Latch Return Inboard
5					COVER, Adjuster A8 Trim Code Only
					Outer
	S668-9 EK1	1			Almond, (A8K)
	S668-9 CS8	1			Silver / Charcoal, (A8AS)
6	6032 429	AR			STUD, Seat to Riser



MODEL CODES

E BODY = (J - CARAVELLE)(E - 600)(T - NEW YORKER)

G BODY = (V24 - DAYTONA)

H BODY = (D44 - LANCER)(C44 - LEBARON GTS)

J BODY = (C - LEBARON)

K BODY = (P - RELIANT)(D - ARIES)(C - LEBAROND)/TOWN & COUNTRY)

L BODY = (M - HORIZON/TURISMO)(Z - OMNI/CHARGER)

M BODY = (B - GRAN FURY)(F - FIFTH AVE/NEWPORT)(G - DIPLOMAT)

P BODY = (P - SUNDANCE)(D - SHADOW)

S BODY = (H - VOYAGER)(K - RAM VAN/CARAVAN)

BODY STYLES

12-13 = FWD VAN

21 = 2-DOOR SEDAN

24 = 2-DOOR HATCHBACK

27 = 2-DOOR CONVERTIBLE

41 = 4-DOOR SEDAN

44 = 4-DOOR HATCHBACK

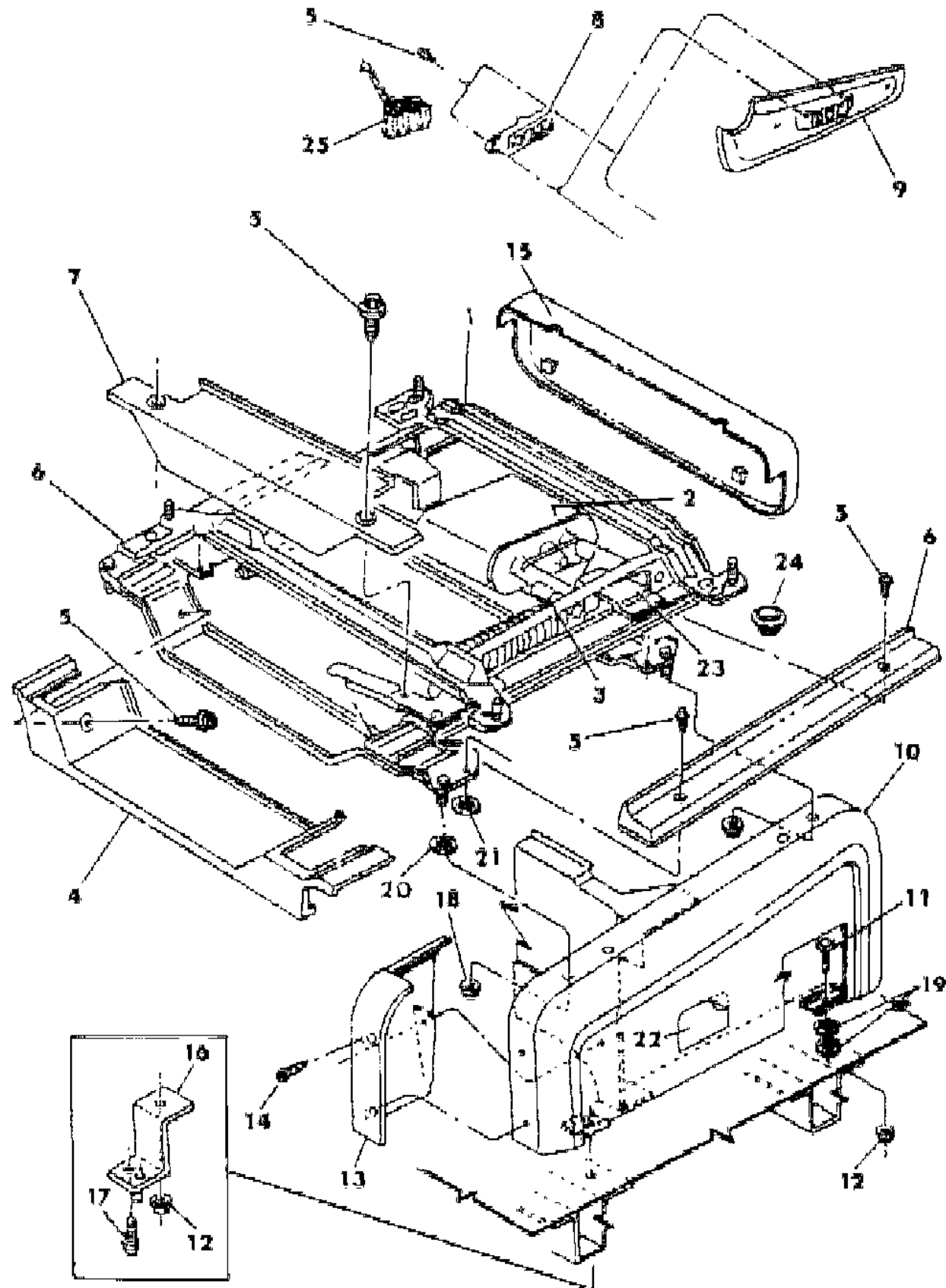
45 = 4-DOOR STATION WAGON

52-53 = FWD WAGON

AR = Use as Required - = Non Illustrated Part P.A.R. = Paint as Required

ADJUSTER--ELECTRIC AND LEFT RISER S BODY
Figure ITS-2000

7242 2000 A



ITEM	PART NUMBER	QTY	BODY	MODEL	DESCRIPTION
1	#4327 665	1			ADJUSTER, Less Motor
2	4327 288				MOTOR
3	4316 846	3			CABLE, (1.94")
4	4317 041	1			COVER, Adjuster Lower Rear
5		AR			SCREW, (8-18x3/4) (Not Serv.)
6					COVER, Bracket
	S677 FC5	2			Blue
	S677 EE8	2			Cordovan
	S677 EK1	2			Almond
	S677 CS8	1			Charcoal
7	4316 978	1			COVER, Adjuster Upper Rear
8	3747 924	1			SWITCH, Adjuster
9	#S277 FK1	1			SHIELD, Inner Elec. Left (P.A.R.)
10	4327 397	1			RISER
11	6500 741	4			BOLT
12	6501 269	AR			NUT and WASHER
13					COVER, Riser Inner (P.A.R.)
					MANUAL SEAT
	S665 FC5	1			Outboard
	S664 FC5	1			Inboard
					ELECTRIC SEAT
	S667 FC5	1			Outboard
	S666 FC5	1			Inboard
14	9420 486	AR			SCREW
15	#S670 EK1	1			COVER, Elec. Adjuster Front (P.A.R.)
16	#4416 029	1			REINFORCEMENT
17					SCREW, (m8x1.25) (Not Serv.)
18	6025 010	AR			NUT and WASHER
19					PUSH-NUT, (Not Serv.)
20	4317 341	4			SPACER, Cushion to Riser
21	6028 040	4			RETAINER, Spacer
22	4327 683	1			COVER, Riser w/o Remote Filler Release
23	4316 848	2			SUPPORT, Motor
24	6032 586	AR			RETAINER, Seat and Riser Front Attaching
25	4331 544	1			WIRING, Elec. Seat Adjuster

NOTE: The Parts Listed Above Are For Replacement Only, Not New Installation.

NOTE: (P.A.R.) = Paint As Required

MODEL CODES

E BODY = (J - CARAVELLE)(E - 600)(T - NEW YORKER)

G BODY = (V24 - DAYTONA)

H BODY = (D44 - LANCER)(C44 - LEBARON GTS)

J BODY = (C - LEBARON)

K BODY = (P - RELIANT)(D - ARIES)(C - LEBAROND)/TOWN & COUNTRY)

L BODY = (M - HORIZON/TURISMO)(Z - OMNI/CHARGER)

M BODY = (B - GRAN FURY)(F - FIFTH AVE/NEWPORT)(G - DIPLOMAT)

P BODY = (P - SUNDANCE)(D - SHADOW)

S BODY = (H - VOYAGER)(K - RAM VAN/CARAVAN)

BODY STYLES

12-13 = FWD VAN

21 = 2-DOOR SEDAN

24 = 2-DOOR HATCHBACK

27 = 2-DOOR CONVERTIBLE

41 = 4-DOOR SEDAN

44 = 4-DOOR HATCHBACK

45 = 4-DOOR STATION WAGON

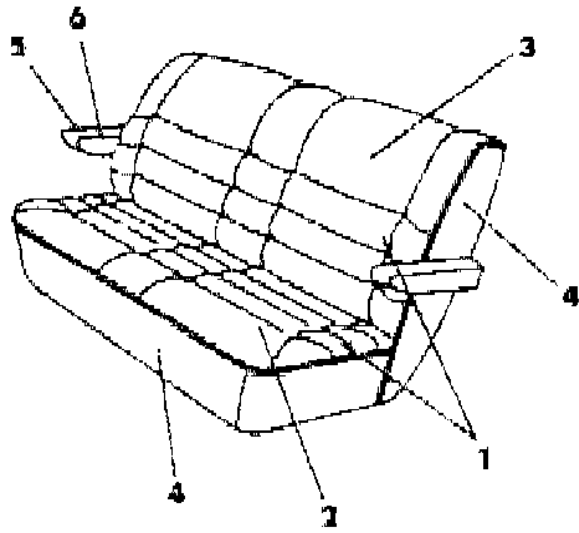
52-53 = FWD WAGON

AR = Use as Required - = Non Illustrated Part P.A.R. = Paint as Required

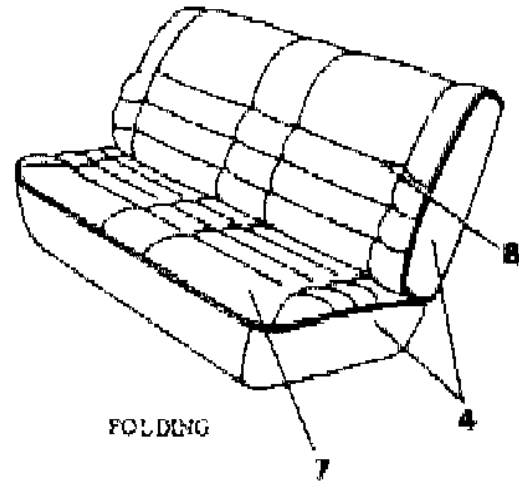
SEAT--REAR S BODY TRIM CODE J6

Figure ITS-2100

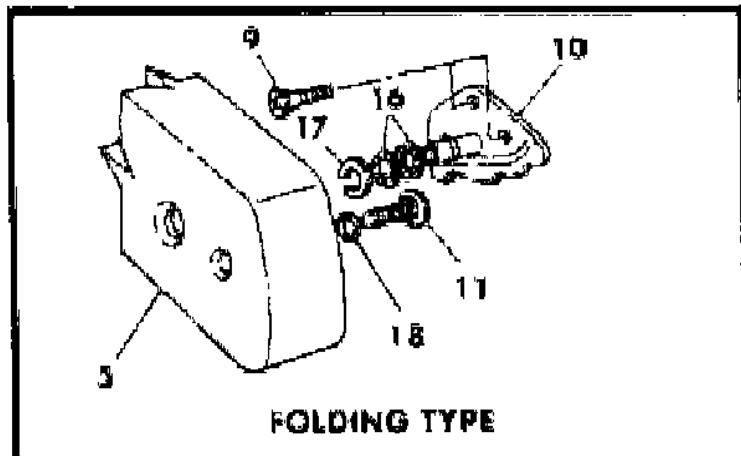
7242 2100 A



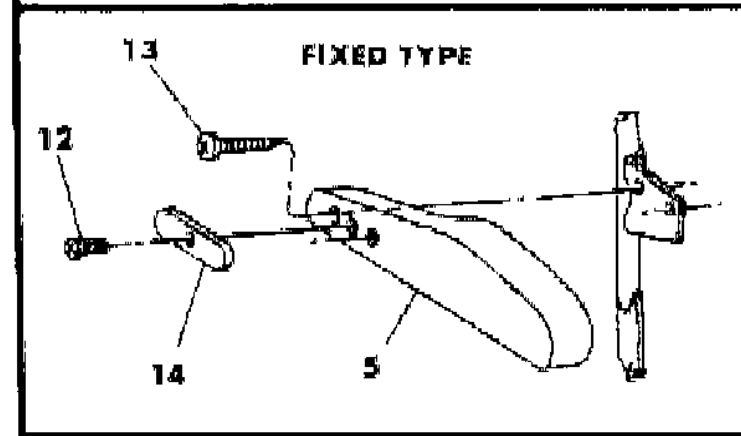
STATIONARY



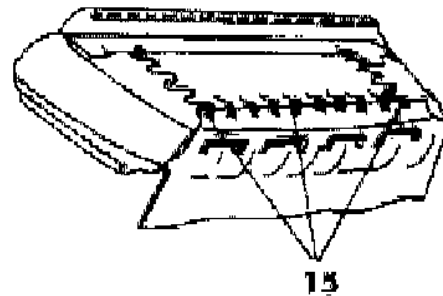
FOLDING



FOLDING TYPE



FIXED TYPE



ITEM	PART NUMBER	QTY	BODY	MODEL	DESCRIPTION
1-4					SEAT COMPLETE, w/Spring/Frame, Pad and Cover (Includes Cushion and Back VINYL 2 Passenger (Use In First Position w/7 Passenger Seating Silver / Charcoal, (J6AS)
	G686 F6A	1			Blue, (J6C)
	G686 F6C	1			Cordovan, (J6E)
	G686 F6E	1			Almond, (J6K)
	G686 F6K	1			3 Passenger (Use In First Position w/5 Passenger Seating)
	G635 F6A	1			Silver / Charcoal, (J6AS)
	G635 F6C	1			Blue, (J6C)
	G635 F6E	1			Cordovan, (J6E)
	G635 F6K	1			Almond, (J6K)
2					COVER, Cushion Vinyl 2 Passenger Silver / Charcoal, (J6AS)
	G026 F6A	1			Blue, (J6C)
	G026 F6C	1			Cordovan, (J6E)
	G026 F6E	1			Almond, (J6K)
	G026 F6K	1			3 Passenger (use up to 4-15-87)
	G028 F6A	1			Silver / Charcoal, (J6AS)
	G028 F6C	1			Blue, (J6C)
	G028 F6E	1			Cordovan, (J6E)
	G028 F6K	1			Almond, (J6K) (use after 4-15-87)
	G438 F6A	1			Silver / Charcoal, (J6AS)
	G438 F6C	1			Blue, (J6C)
	G438 F6E	1			Cordovan, (J6E)
	G438 F6K	1			Almond, (J6K)
3					COVER, Back VINYL 2 Passenger Silver / Charcoal, (J6AS)
	G027 F6A	1			Blue, (J6C)
	G027 F6C	1			Cordovan, (J6E)
	G027 F6E	1			Almond, (J6K)
	G027 F6K	1			

MODEL CODES

E BODY = (J - CARAVELLE)(E - 600)(T - NEW YORKER)

G BODY = (V24 - DAYTONA)

H BODY = (D44 - LANCER)(C44 - LEBARON GTS)

J BODY = (C - LEBARON)

K BODY = (P - RELIANT)(D - ARIES)(C - LEBAROND)/TOWN & COUNTRY)

L BODY = (M - HORIZON/TURISMO)(Z - OMNI/CHARGER)

M BODY = (B - GRAN FURY)(F - FIFTH AVE/NEWPORT)(G - DIPLOMAT)

P BODY = (P - SUNDANCE)(D - SHADOW)

S BODY = (H - VOYAGER)(K - RAM VAN/CARAVAN)

BODY STYLES

12-13 = FWD VAN

21 = 2-DOOR SEDAN

24 = 2-DOOR HATCHBACK

27 = 2-DOOR CONVERTIBLE

41 = 4-DOOR SEDAN

44 = 4-DOOR HATCHBACK

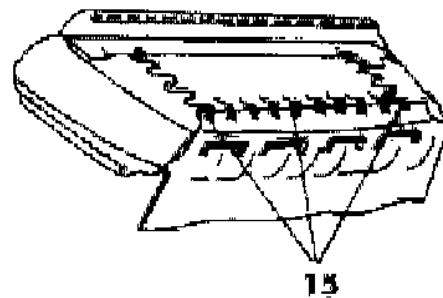
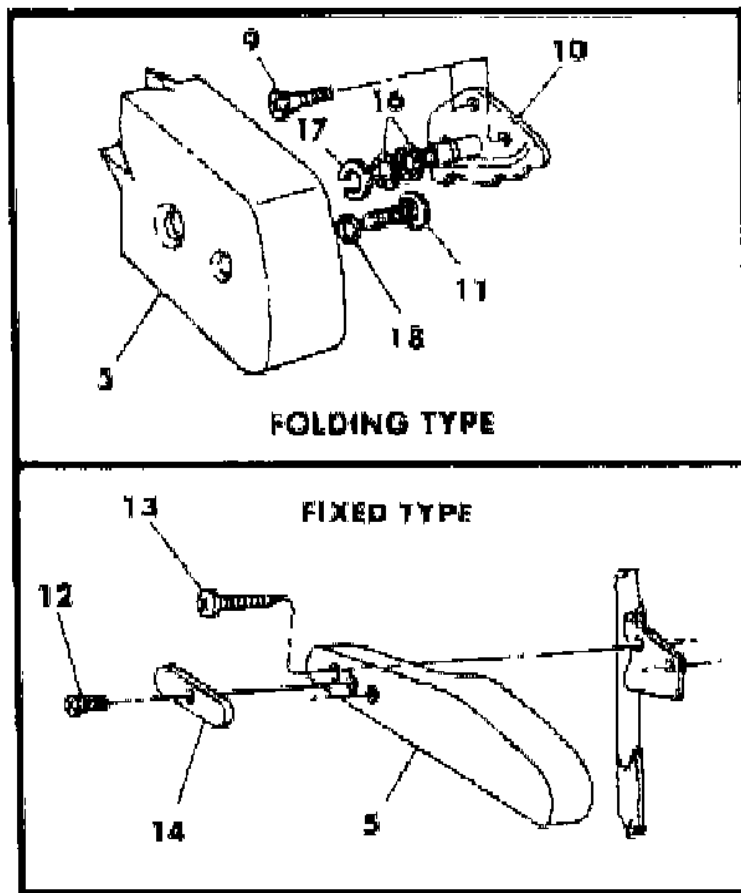
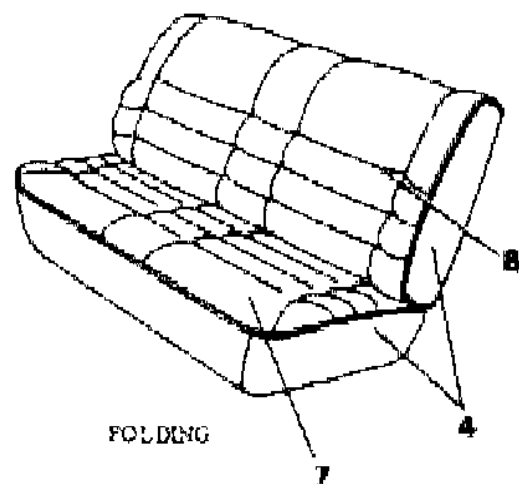
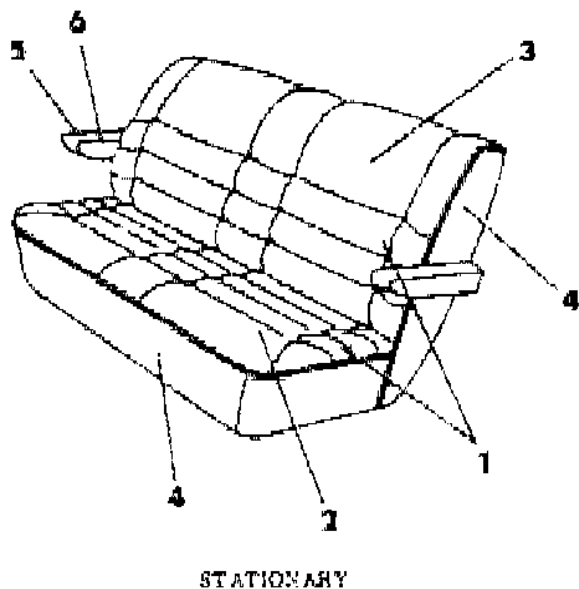
45 = 4-DOOR STATION WAGON

52-53 = FWD WAGON

AR = Use as Required - = Non Illustrated Part P.A.R. = Paint as Required

SEAT--REAR S BODY TRIM CODE J6
Figure ITS-2100

7242 2100 A



ITEM	PART NUMBER	QTY	BODY	MODEL	DESCRIPTION
					3 Passenger
					(use up to 4-15-87)
	G029 F6A	1			Silver / Charcoal, (J6AS)
	G029 F6C	1			Blue, (J6C)
	G029 F6E	1			Cordovan, (J6E)
	G029 F6K	1			Almond, (J6K)
					(use After 4-15-87)
	G439 F6A	1			Silver / Charcoal, (J6AS)
	G439 F6C	1			Blue, (J6C)
	G439 F6E	1			Cordovan, (J6E)
	G439 F6K	1			Almond, (J6K)
4	R609 CS8	AR			ROLL STOCK, Vinyl Order By The Inch Charcoal, 58" Wide (J6AS)
	R600 EC5	AR			Blue, 54" Wide (J6C)
	R600 EE8	AR			Cordovan, 54" Wide (J6E)
	R600 EK1	AR			Almond, 54" Wide
5	4290 748	1			ARMREST, w/Pad w/o Cover
					ARMREST and COVER
					2 Passenger (Folding)
	G730 CS8	2			Silver / Charcoal, (J6AS)
	G730 FC5	2			Blue, (J6C)
	G730 EE8	2			Cordovan, (J6E)
	G730 EK1	2			Almond, (J6K)
					3 Passenger (Fixed)
	G888-9 CS8	1			Silver / Charcoal, (J6AS)
	G888-9 FC5	1			Blue, (J6C)
	G888-9 EE8	1			Cordovan, (J6E)
	G888-9 EK1	1			Almond, (J6K)
6					COVER, Armrest
					2 Passenger
	G459 CS8	2			Silver / Charcoal, (J6AS)
	G459 FC5	2			Blue, (J6C)
	G459 EE8	2			Cordovan, (J6E)
	G459 EK1	2			Almond, (J6K)
					3 Passenger
	G462-3 CS8	1			Silver / Charcoal, (J6AS)
	G462-3 FC5	1			Blue, (J6C)
	G462-3 EE8	1			Cordovan, (J6E)

MODEL CODES

E BODY = (J - CARAVELLE)(E - 600)(T - NEW YORKER)

G BODY = (V24 - DAYTONA)

H BODY = (D44 - LANCER)(C44 - LEBARON GTS)

J BODY = (C - LEBARON)

K BODY = (P - RELIANT)(D - ARIES)(C - LEBAROND)/TOWN & COUNTRY)

L BODY = (M - HORIZON/TURISMO)(Z - OMNI/CHARGER)

M BODY = (B - GRAN FURY)(F - FIFTH AVE/NEWPORT)(G - DIPLOMAT)

P BODY = (P - SUNDANCE)(D - SHADOW)

S BODY = (H - VOYAGER)(K - RAM VAN/CARAVAN)

BODY STYLES

12-13 = FWD VAN

21 = 2-DOOR SEDAN

24 = 2-DOOR HATCHBACK

27 = 2-DOOR CONVERTIBLE

41 = 4-DOOR SEDAN

44 = 4-DOOR HATCHBACK

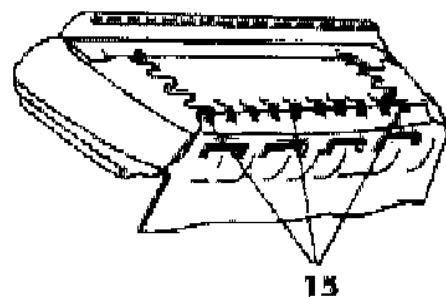
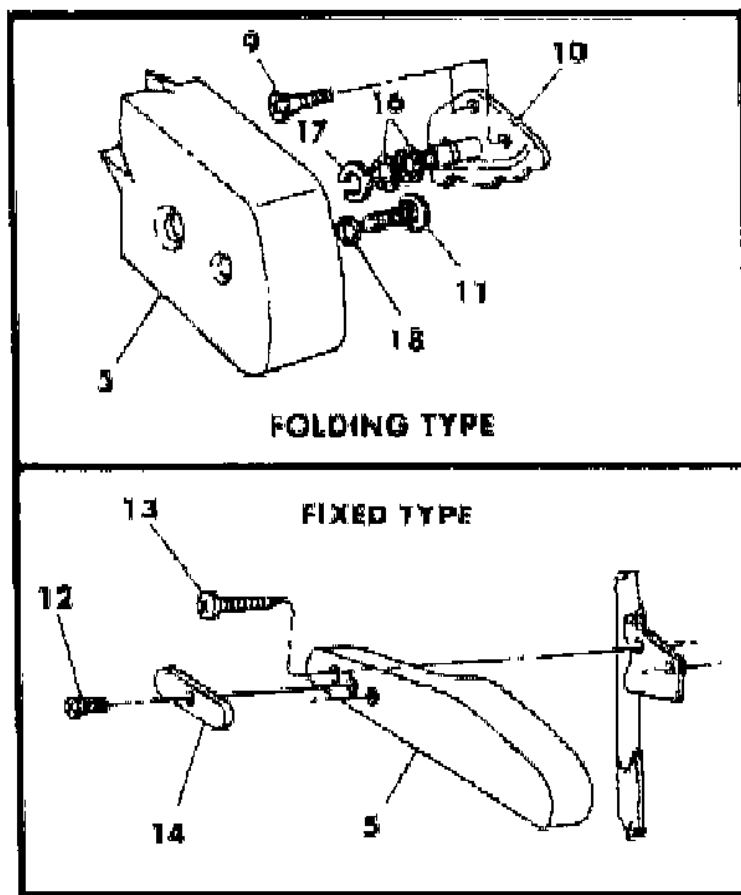
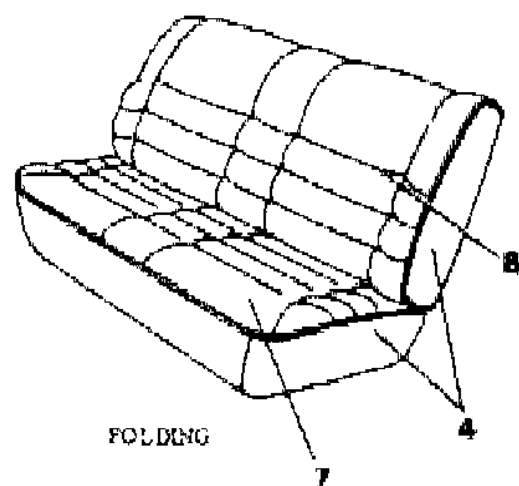
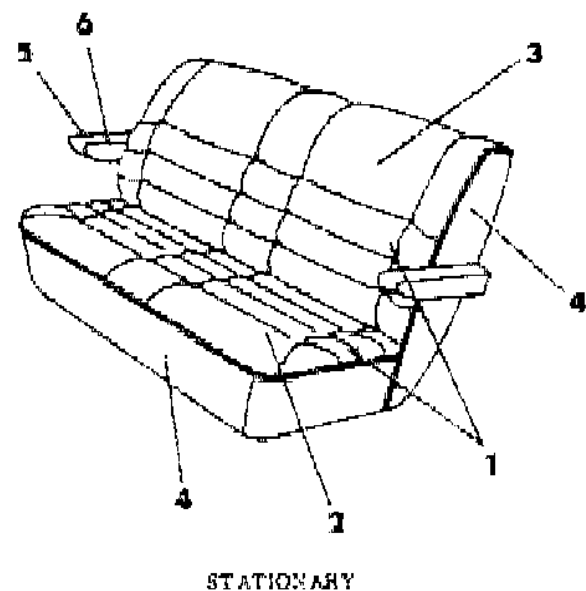
45 = 4-DOOR STATION WAGON

52-53 = FWD WAGON

AR = Use as Required - = Non Illustrated Part P.A.R. = Paint as Required

SEAT--REAR S BODY TRIM CODE J6
Figure ITS-2100

7242 2100 A



ITEM	PART NUMBER	QTY	BODY	MODEL	DESCRIPTION
	G462-3 EK1	1			Almond, (J6K)
7 & 4					FOULDING REAR SEAT CUSHION, w/Spring/Frame, Pad and Cover VINYL
	G606 F6A	1			Silver / Charcoal, (J6AS)
	G606 F6C	1			Blue, (J6C)
	G606 F6E	1			Cordovan, (J6E)
	G606 F6K	1			Almond, (J6K)
7					COVER, Cushion w/Protector Shield VINYL
	G030 F6A	1			Silver / Charcoal, (J6AS)
	G030 F6C	1			Blue, (J6C)
	G030 F6E	1			Cordovan, (J6E)
	G030 F6K	1			Almond, (J6K)
8 & 4					BACK, w/Spring/Frame, Pad and Cover VINYL
	G608 F6A	1			Silver / Charcoal, (J6AS)
	G608 F6C	1			Blue, (J6C)
	G608 F6E	1			Cordovan, (J6E)
	G608 F6K	1			Almond, (J6K)
8					COVER, Back VINYL
	G031 F6A	1			Silver / Charcoal, (J6AS)
	G031 F6C	1			Blue, (J6C)
	G031 F6E	1			Cordovan, (J6E)
	G031 F6K	1			Almond, (J6K)
9	6032 567	2			SCREW
10	4290 652-3	1			SUPPORT, Armrest To Back
11	#6501 539	6			SCREW and WASHER
12		AR			SCREW, (-18x5/8) (Not Serv.)
13	6101 380	4			SCREW
14	#S684 EK1	1			COVER, Finish (P.A.R.)
15	6008 076	AR			HOG RING
16	6032 721	2			RING, Retaining (Star Tooth)
17	6032 259	2			SNAP RING, (1/2 Shaft)
18	0120 393	2			WASHER

NOTE: (P.A.R.) = Paint As Required)

MODEL CODES

E BODY = (J - CARAVELLE)(E - 600)(T - NEW YORKER)

G BODY = (V24 - DAYTONA)

H BODY = (D44 - LANCER)(C44 - LEBARON GTS)

J BODY = (C - LEBARON)

K BODY = (P - RELIANT)(D - ARIES)(C - LEBAROND)/TOWN & COUNTRY)

L BODY = (M - HORIZON/TURISMO)(Z - OMNI/CHARGER)

M BODY = (B - GRAN FURY)(F - FIFTH AVE/NEWPORT)(G - DIPLOMAT)

P BODY = (P - SUNDANCE)(D - SHADOW)

S BODY = (H - VOYAGER)(K - RAM VAN/CARAVAN)

BODY STYLES

12-13 = FWD VAN

21 = 2-DOOR SEDAN

24 = 2-DOOR HATCHBACK

27 = 2-DOOR CONVERTIBLE

41 = 4-DOOR SEDAN

44 = 4-DOOR HATCHBACK

45 = 4-DOOR STATION WAGON

52-53 = FWD WAGON

AR = Use as Required - = Non Illustrated Part P.A.R. = Paint as Required

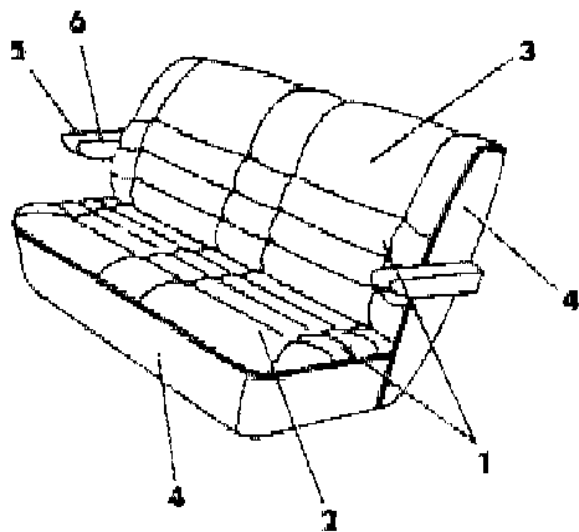
SEAT--REAR S BODY TRIM CODE J6

Figure ITS-2100

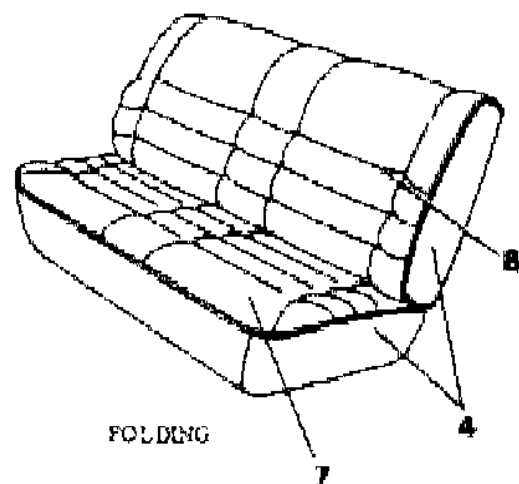
7242 2100 A

ITEM	PART NUMBER	QTY	BODY	MODEL	DESCRIPTION
------	-------------	-----	------	-------	-------------

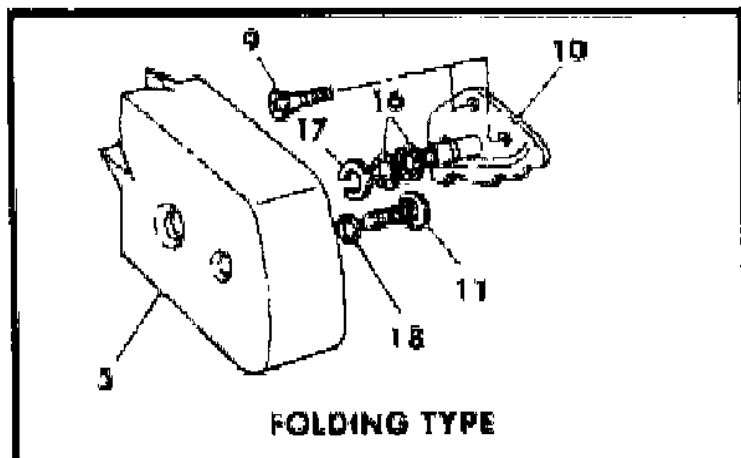
NOTE: The (5) Passenger Wagon Uses The (3) Passenger Stationary Seat, The (7) Passenger Wagon Uses The (2) Passenger Stationary Seat and The Rear Seat



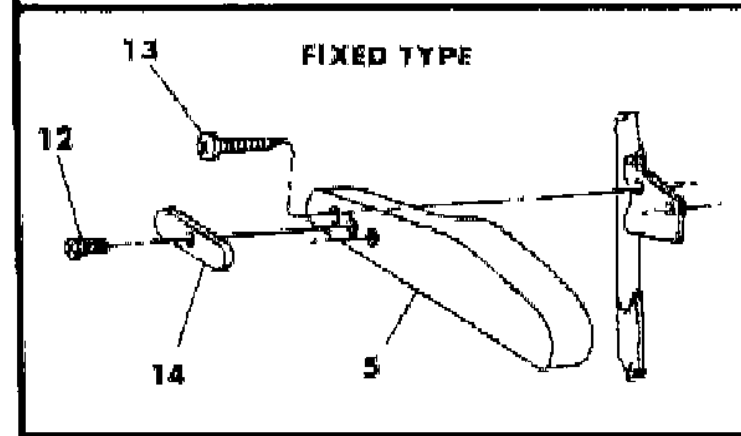
STATIONARY



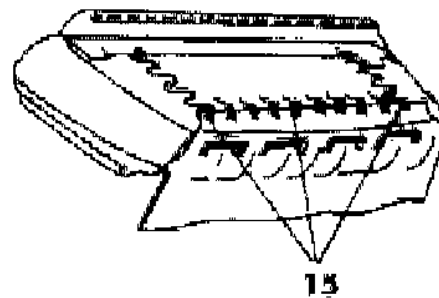
FOLDING



FOLDING TYPE



FIXED TYPE



15

MODEL CODES

E BODY = (J - CARAVELLE)(E - 600)(T - NEW YORKER)

G BODY = (V24 - DAYTONA)

H BODY = (D44 - LANCER)(C44 - LEBARON GTS)

J BODY = (C - LEBARON)

K BODY = (P - RELIANT)(D - ARIES)(C - LEBAROND)/TOWN & COUNTRY)

L BODY = (M - HORIZON/TURISMO)(Z - OMNI/CHARGER)

M BODY = (B - GRAN FURY)(F - FIFTH AVE/NEWPORT)(G - DIPLOMAT)

P BODY = (P - SUNDANCE)(D - SHADOW)

S BODY = (H - VOYAGER)(K - RAM VAN/CARAVAN)

BODY STYLES

12-13 = FWD VAN

21 = 2-DOOR SEDAN

24 = 2-DOOR HATCHBACK

27 = 2-DOOR CONVERTIBLE

41 = 4-DOOR SEDAN

44 = 4-DOOR HATCHBACK

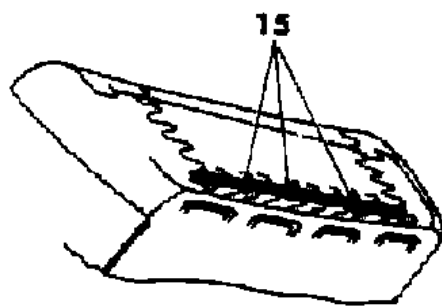
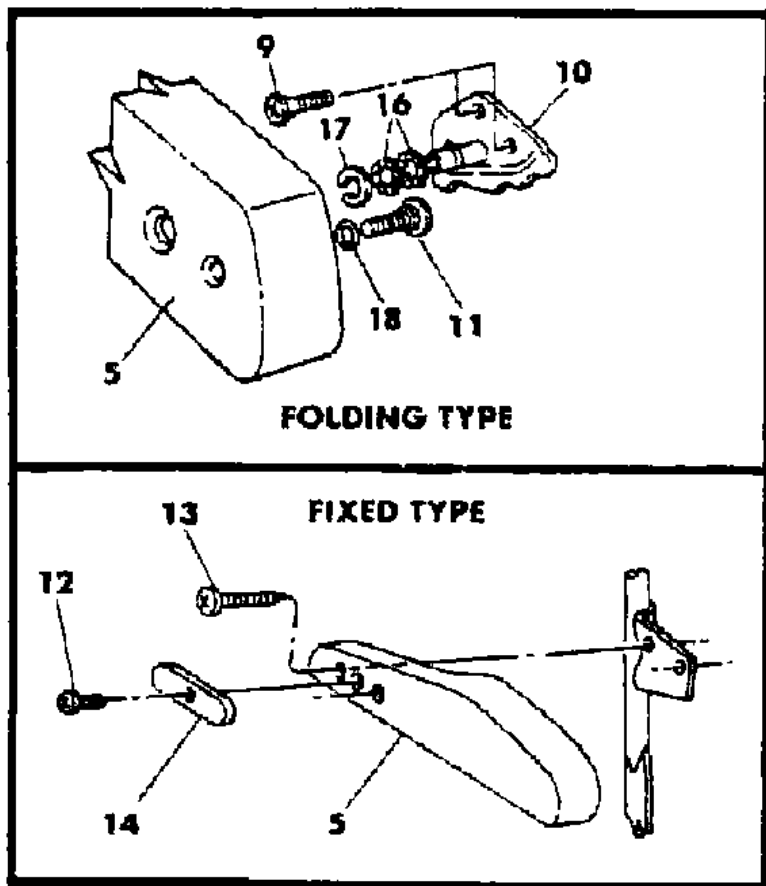
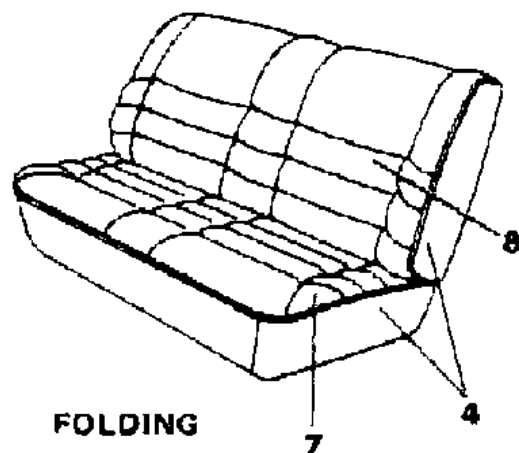
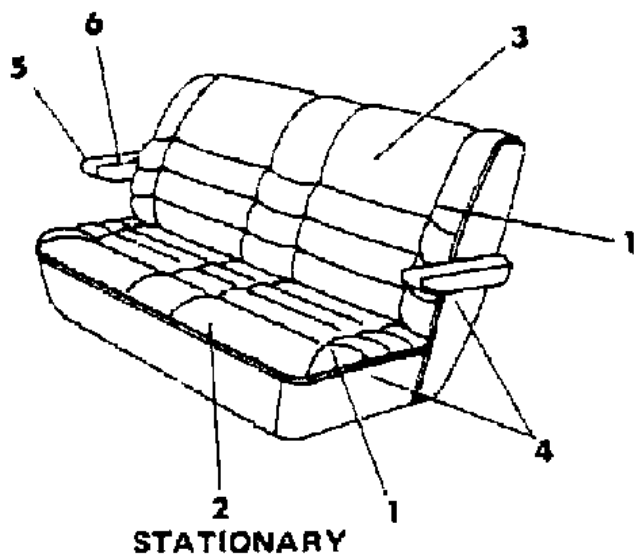
45 = 4-DOOR STATION WAGON

52-53 = FWD WAGON

AR = Use as Required - = Non Illustrated Part P.A.R. = Paint as Required

SEAT--REAR S BODY TRIM CODE J5
Figure ITS-2200

7242 2200 A



ITEM	PART NUMBER	QTY	BODY	MODEL	DESCRIPTION
NOTE: The Five Passenger Wagon Uses The Three Passenger Stationary Seat. The Seven Passenger Uses The Two Passenger Stationary Seat & The Folding Rear					
1-4					SEAT COMPLETE, w/Spring, Frame, Pad and Cover (Includes Cushion and Back)
					CLOTH
					2 Passenger (Used in First Position w/Seven Passenger Seating)
	G687 F5A	1			Silver / Charcoal, (J5AS)
	G687 F5E	1			Cordovan, (J5E)
	G687 F5K	1			Almond, (J5K)
					3 Passenger (Used in First Position w/5 Passenger Seating)
	G636 F5A	1			Silver / Charcoal, (J5AS)
	G636 F5E	1			Cordovan
	G636 F5K	1			Almond, (J5K)
2					COVER, Cushion
					CLOTH
					2 Passenger
	G016 F5A	1			Silver / Charcoal, (J5AS)
	G016 F5E	1			Cordovan, (J5E)
	G016 F5K	1			Almond, (J5K)
					3 Passenger
					(use up to 4-15-87)
	G018 F5A	1			Silver / Charcoal, (J5AS)
	G018 F5E	1			Cordovan, (J5E)
	G018 F5K	1			Almond, (J5K)
					(use after 4-15-87)
	G436 F5A	1			Silver / Charcoal, (J5AS)
	G436 F5E	1			Cordovan, (J5E)
	G436 F5K	1			Almond, (J5K)
3					COVER, Back
					CLOTH
					2 Passenger
	G017 F5A	1			Silver / Charcoal, (J5AS)
	G017 F5E	1			Cordovan, (J5E)
	G017 F5K	1			Almond, (J5K)
					3 Passenger
					(use up to 4-15-87)

MODEL CODES

E BODY = (J - CARAVELLE)(E - 600)(T - NEW YORKER)

G BODY = (V24 - DAYTONA)

H BODY = (D44 - LANCER)(C44 - LEBARON GTS)

J BODY = (C - LEBARON)

K BODY = (P - RELIANT)(D - ARIES)(C - LEBAROND)/TOWN & COUNTRY)

L BODY = (M - HORIZON/TURISMO)(Z - OMNI/CHARGER)

M BODY = (B - GRAN FURY)(F - FIFTH AVE/NEWPORT)(G - DIPLOMAT)

P BODY = (P - SUNDANCE)(D - SHADOW)

S BODY = (H - VOYAGER)(K - RAM VAN/CARAVAN)

BODY STYLES

12-13 = FWD VAN

21 = 2-DOOR SEDAN

24 = 2-DOOR HATCHBACK

27 = 2-DOOR CONVERTIBLE

41 = 4-DOOR SEDAN

44 = 4-DOOR HATCHBACK

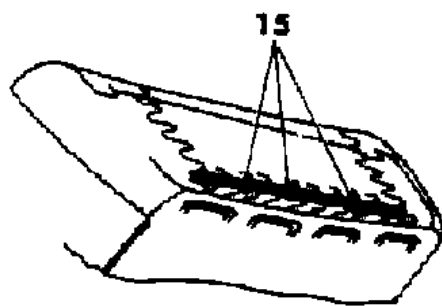
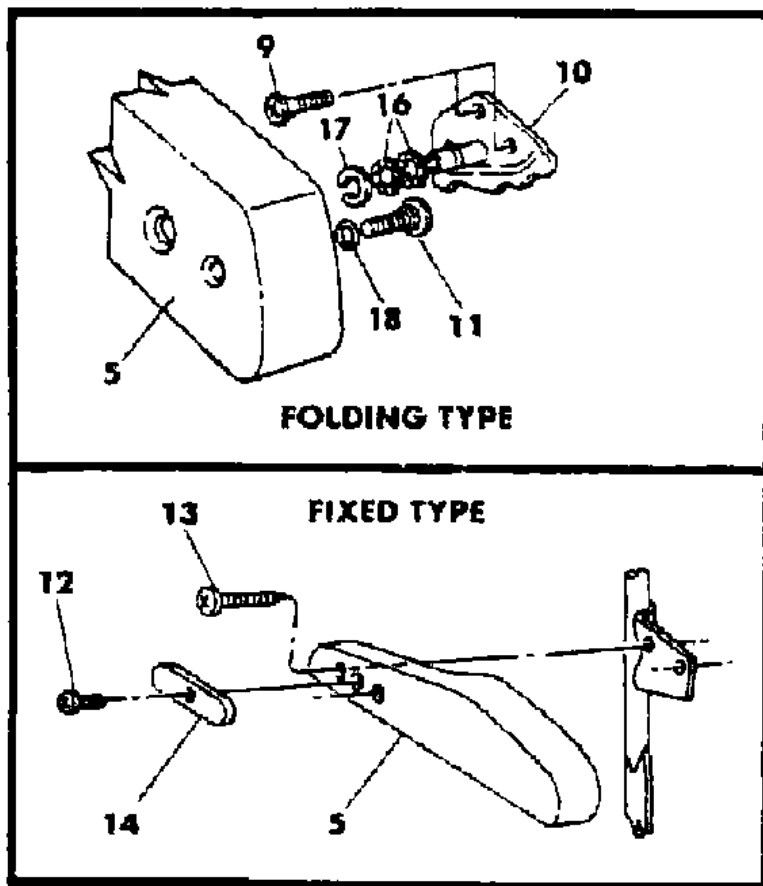
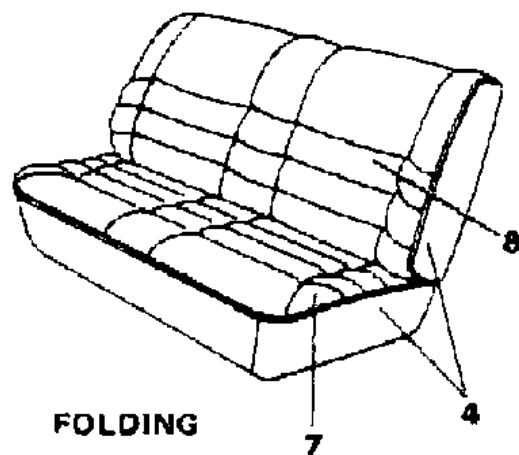
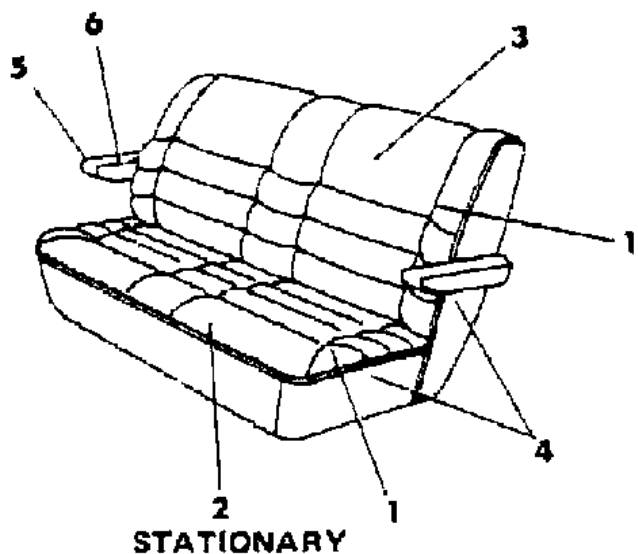
45 = 4-DOOR STATION WAGON

52-53 = FWD WAGON

AR = Use as Required - = Non Illustrated Part P.A.R. = Paint as Required

SEAT--REAR S BODY TRIM CODE J5
Figure ITS-2200

7242 2200 A



ITEM	PART NUMBER	QTY	BODY	MODEL	DESCRIPTION
	G019 F5A	1			Silver / Charcoal, (J5AS)
	G019 F5E	1			Cordovan, (J5E)
	G019 F5K	1			Almond, (J5K) (use After 4-15-87)
	G437 F5A	1			Silver / Charcoal, (J5AS)
	G437 F5E	1			Cordovan, (J5E)
	G437 F5K	1			Almond, (J5K)
4					ROLL STOCK, Vinyl, Order By The Inch Charcoal, 58" Wide (J5AS)
	R609 CS8	AR			Cordovan, 54" Wide (J5E)
5	4290 748	1			ARMREST, w/Pad w/o Cover ARMREST and COVER 2 PASSENGER, (Folding)
	G563 FS8	2			Silver / Charcoal, (J5AS)
	G563 FE8	2			Cordovan, (J5E)
	G563 FK1	2			Almond, (J5K) 3 PASSENGER, (Fixed)
	G690-1 FS8	1			Silver / Charcoal, (J5AS)
	G690-1 FE8	1			Cordovan, (J5E)
	G690-1 FK1	1			Almond, (J5K)
6					COVER, Armrest 2 PASSENGER
	G037 FS8	2			Silver / Charcoal, (J5AS)
	G037 FE8	2			Cordovan, (J5E)
	G037 FK1	2			Almond, (J5K) 3 PASSENGER
	G044-5 FS8	1			Silver / Charcoal, (J5AS)
	G044-5 FE8	1			Cordovan, (J5E)
	G044-5 FK1	1			Almond, (J5K)
7 & 4					FOLDING REAR SEAT CUSHION, w/Spring/Frame, Pad and Cover CLOTH
	G586 F5A	1			Silver / Charcoal, (J5AS)
	G586 F5E	1			Cordovan, (J5E)
	G586 F5K	1			Almond, (J5K)
7					COVER, Cushion w/Protector Shield CLOTH
	G020 F5A	1			Silver / Charcoal, (J5AS)

MODEL CODES

E BODY = (J - CARAVELLE)(E - 600)(T - NEW YORKER)

G BODY = (V24 - DAYTONA)

H BODY = (D44 - LANCER)(C44 - LEBARON GTS)

J BODY = (C - LEBARON)

K BODY = (P - RELIANT)(D - ARIES)(C - LEBAROND)/TOWN & COUNTRY)

L BODY = (M - HORIZON/TURISMO)(Z - OMNI/CHARGER)

M BODY = (B - GRAN FURY)(F - FIFTH AVE/NEWPORT)(G - DIPLOMAT)

P BODY = (P - SUNDANCE)(D - SHADOW)

S BODY = (H - VOYAGER)(K - RAM VAN/CARAVAN)

BODY STYLES

12-13 = FWD VAN

21 = 2-DOOR SEDAN

24 = 2-DOOR HATCHBACK

27 = 2-DOOR CONVERTIBLE

41 = 4-DOOR SEDAN

44 = 4-DOOR HATCHBACK

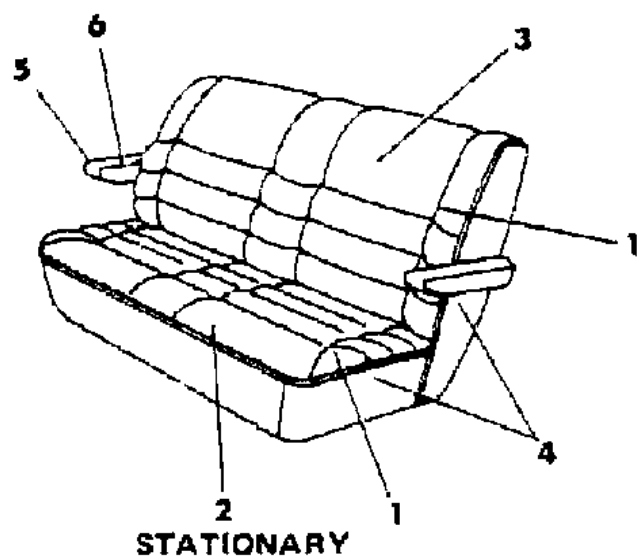
45 = 4-DOOR STATION WAGON

52-53 = FWD WAGON

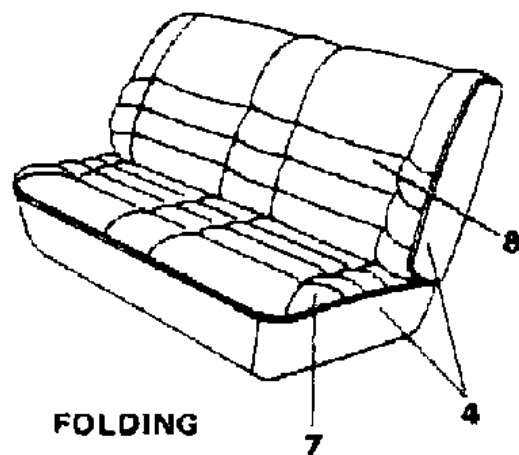
AR = Use as Required - = Non Illustrated Part P.A.R. = Paint as Required

SEAT--REAR S BODY TRIM CODE J5
Figure ITS-2200

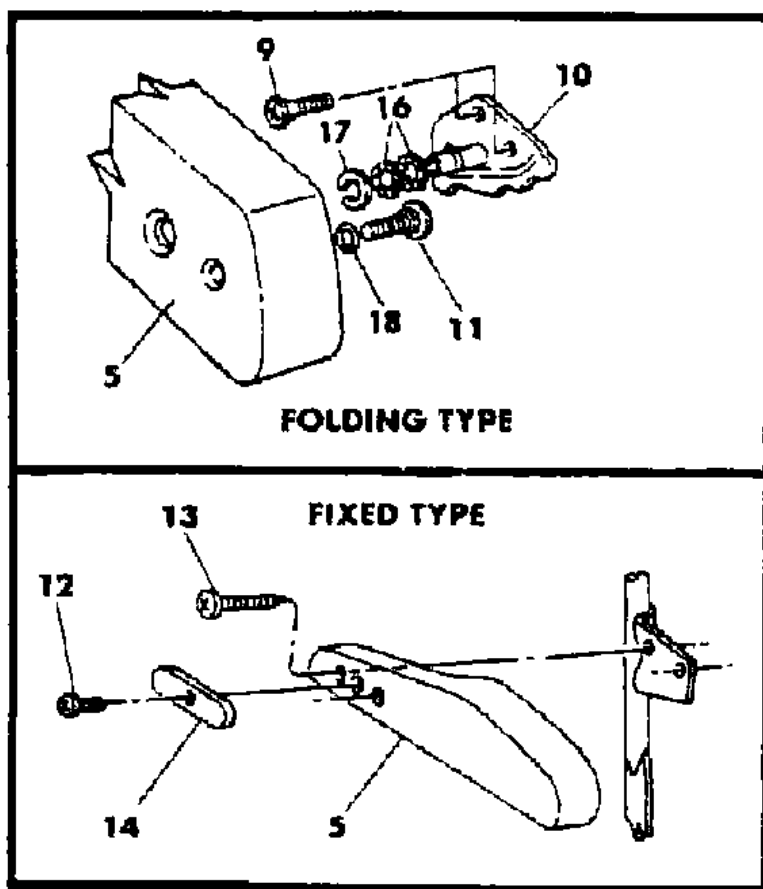
7242 2200 A



STATIONARY

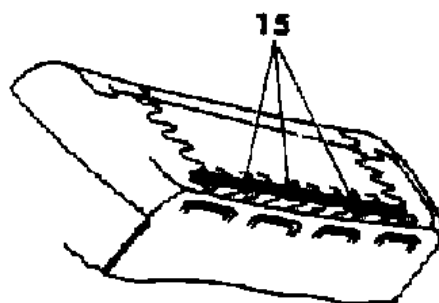


FOLDING



FOLDING TYPE

FIXED TYPE



ITEM	PART NUMBER	QTY	BODY	MODEL	DESCRIPTION
	G020 F5E	1			Cordovan, (J5E)
	G020 F5K	1			Almond, (J5K)
8 & 4					BACK, w/Spring/Frame, Pad and Cover CLOTH
	G588 F5A	1			Silver / Charcoal, (J5AS)
	G588 F5E	1			Cordovan, (J5E)
	G588 F5K	1			Almond, (J5K)
8					COVER, Back CLOTH
	G021 F5A	1			Silver / Charcoal, (J5AS)
	G021 F5E	1			Cordovan, (J5E)
	G021 F5K	1			Almond, (J5K)
9	6032 567	2			SCREW
10	4290 652-3	1			SUPPORT
11	#6501 539	6			SCREW and WASHER
12		2			SCREW, (8-18x5/8) (Not Serv.)
13	6101 380	4			SCREW
14	#S684 EK1	2			COVER, Finish (P.A.R.)
15	6008 076	AR			HOG RING
16	6032 721	2			RING, Armrest Retaining (Star Tooth)
17	6032 259	2			SNAP RING, (1/2" Shaft)
18	0120 393	2			WASHER

MODEL CODES

E BODY = (J - CARAVELLE)(E - 600)(T - NEW YORKER)

G BODY = (V24 - DAYTONA)

H BODY = (D44 - LANCER)(C44 - LEBARON GTS)

J BODY = (C - LEBARON)

K BODY = (P - RELIANT)(D - ARIES)(C - LEBAROND)/TOWN & COUNTRY)

L BODY = (M - HORIZON/TURISMO)(Z - OMNI/CHARGER)

M BODY = (B - GRAN FURY)(F - FIFTH AVE/NEWPORT)(G - DIPLOMAT)

P BODY = (P - SUNDANCE)(D - SHADOW)

S BODY = (H - VOYAGER)(K - RAM VAN/CARAVAN)

BODY STYLES

12-13 = FWD VAN

21 = 2-DOOR SEDAN

24 = 2-DOOR HATCHBACK

27 = 2-DOOR CONVERTIBLE

41 = 4-DOOR SEDAN

44 = 4-DOOR HATCHBACK

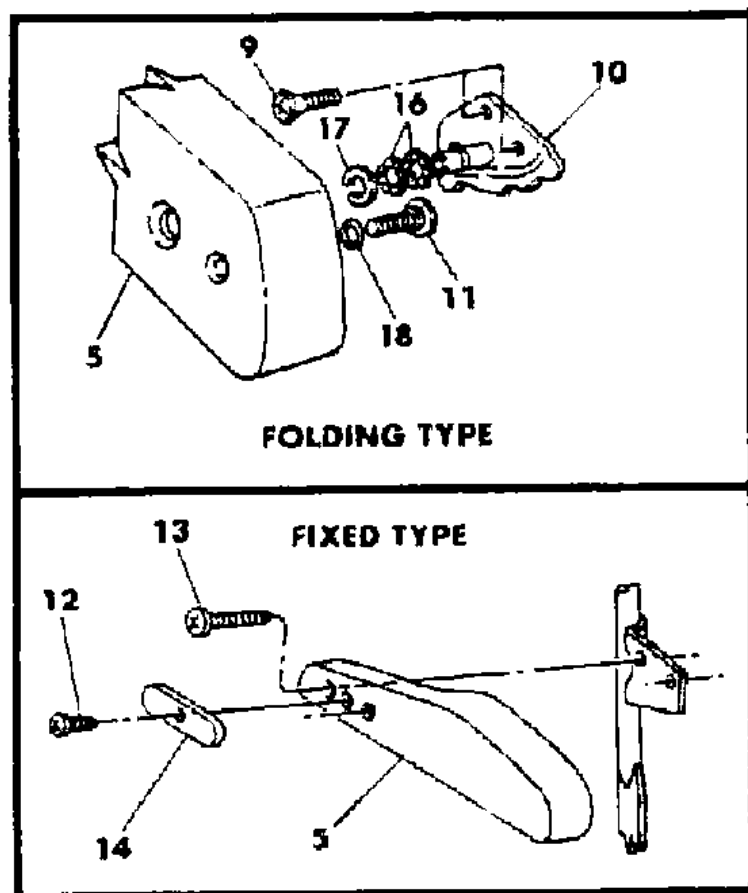
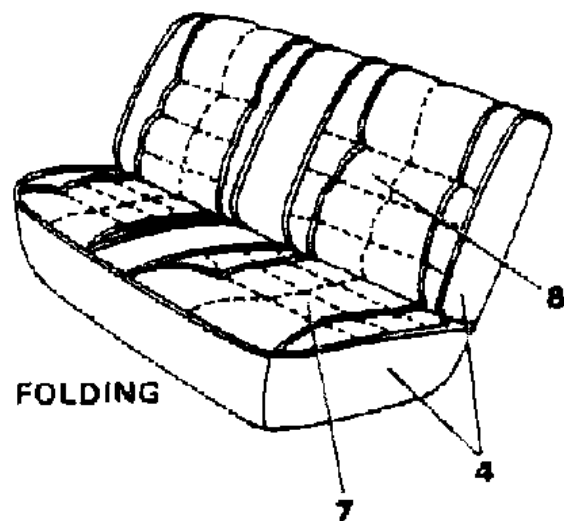
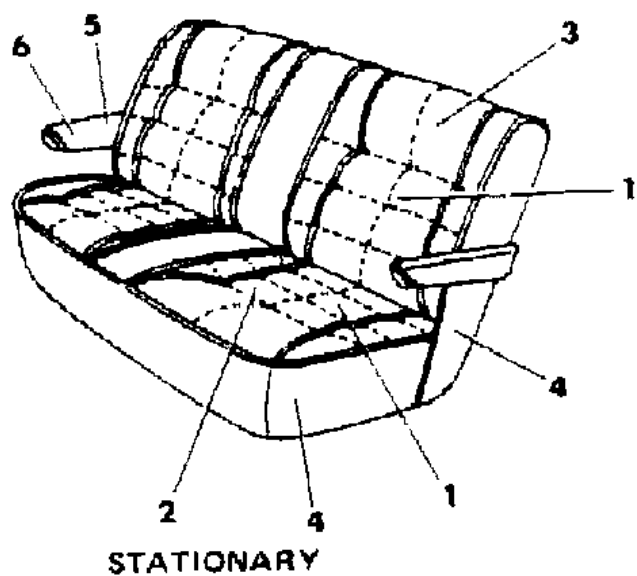
45 = 4-DOOR STATION WAGON

52-53 = FWD WAGON

AR = Use as Required - = Non Illustrated Part P.A.R. = Paint as Required

SEAT--REAR S BODY TRIM CODES C7,C8,C9,D5,D9
Figure ITS-2300

7242 2300 A



ITEM	PART NUMBER	QTY	BODY	MODEL	DESCRIPTION
NOTE: The (5) Passenger Wagon Uses The (3) Passenger Stationary Seat, The (7) Passenger Wagon Uses The (2) Passenger Stationary Seat Plus Folding Rear					
1-4					SEAT COMPLETE, (Includes Cushion and Back) w/Spring/Frame, Pad and Cover
					CLOTH
					2 Passenger (Used In First Position w/7 Passenger Seating)
	G632 F7A	1			Silver / Charcoal, (D5AS,C7AS,D9AS)
	G632 F7C	1			Blue, (D5C)
	G632 F7E	1			Cordovan, (D5E,C7E,D9E)
	G632 F7K	1			Almond, (D5K,C7K,D9K)
					3 Passenger (Used In First Position w/5 Passenger Seating)
	G637 F7A	1			Silver / Charcoal, (C7AS,D5AS,C9AS,D9AS)
	G637 F7C	1			Blue, (D5C)
	G637 F7E	1			Cordovan, (C7E,D5E,C9E,D9E)
	G637 F7K	1			Almond, (C7K,D5K,C9K,D9K)
					VINYL
	G638 F8A	1			Silver / Charcoal, (C8AS)
	G638 F8E	1			Cordovan, (C8E)
	G638 F8K	1			Almond, (C8K)
2					COVER, Cushion
					CLOTH
					2 Passenger
	G038 F7A	1			Silver / Charcoal, (D5AS,C7AS,D9AS)
	G038 F7C	1			Blue, (D5C)
	G038 F7E	1			Cordovan, (D5E,C7E,D9E)
	G038 F7K	1			Almond, (D5K,C7K,D9K)
					3 PASSENGER
	G008 F7A	1			Silver / Charcoal, (C7AS,D5AS,C9AS,D9AS)
	G008 F7C	1			Blue, (D5C)
	G008 F7E	1			Cordovan, (C7E,D5E,C9E,D9E)
	G008 F7K	1			Almond, (C7K,D5K,C9K,D9K)
					VINYL
	G434 C8A	1			Silver / Charcoal, (C8AS)
	G434 E8E	1			Cordovan, (C8E)
	G434 E8K	1			Almond, (C8K)
3					COVER, Back
					CLOTH

MODEL CODES

E BODY = (J - CARAVELLE)(E - 600)(T - NEW YORKER)

G BODY = (V24 - DAYTONA)

H BODY = (D44 - LANCER)(C44 - LEBARON GTS)

J BODY = (C - LEBARON)

K BODY = (P - RELIANT)(D - ARIES)(C - LEBAROND)/TOWN & COUNTRY)

L BODY = (M - HORIZON/TURISMO)(Z - OMNI/CHARGER)

M BODY = (B - GRAN FURY)(F - FIFTH AVE/NEWPORT)(G - DIPLOMAT)

P BODY = (P - SUNDANCE)(D - SHADOW)

S BODY = (H - VOYAGER)(K - RAM VAN/CARAVAN)

BODY STYLES

12-13 = FWD VAN

21 = 2-DOOR SEDAN

24 = 2-DOOR HATCHBACK

27 = 2-DOOR CONVERTIBLE

41 = 4-DOOR SEDAN

44 = 4-DOOR HATCHBACK

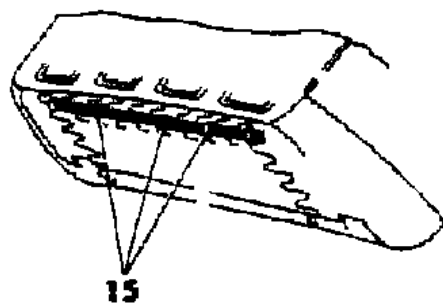
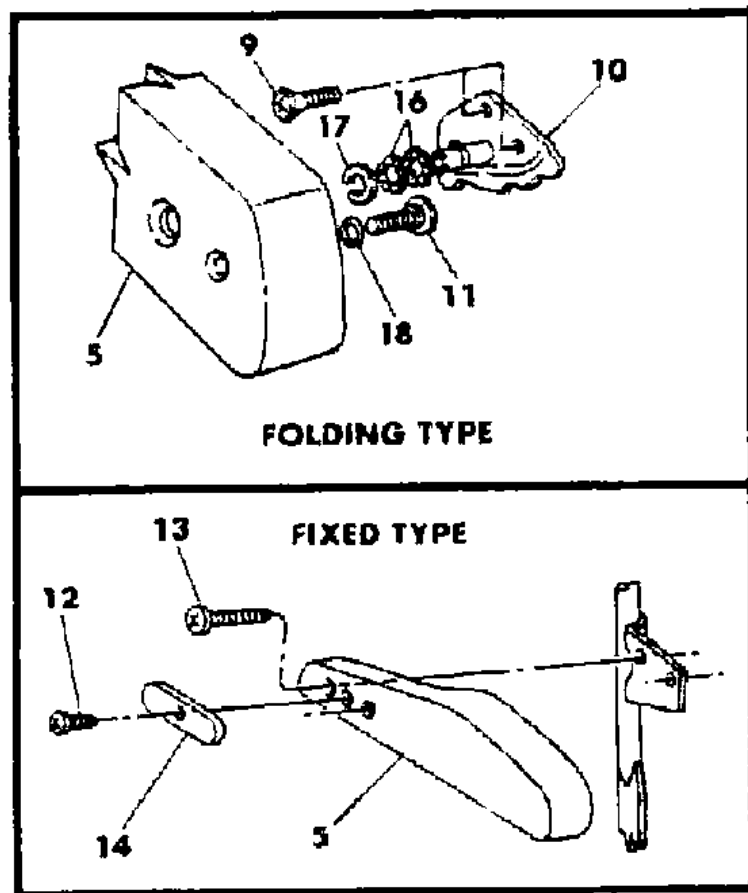
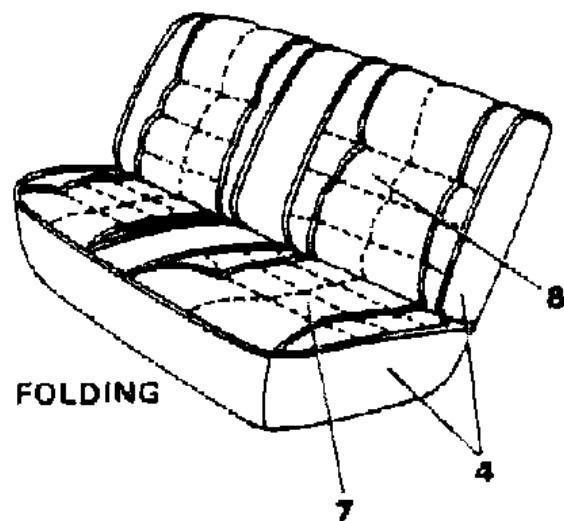
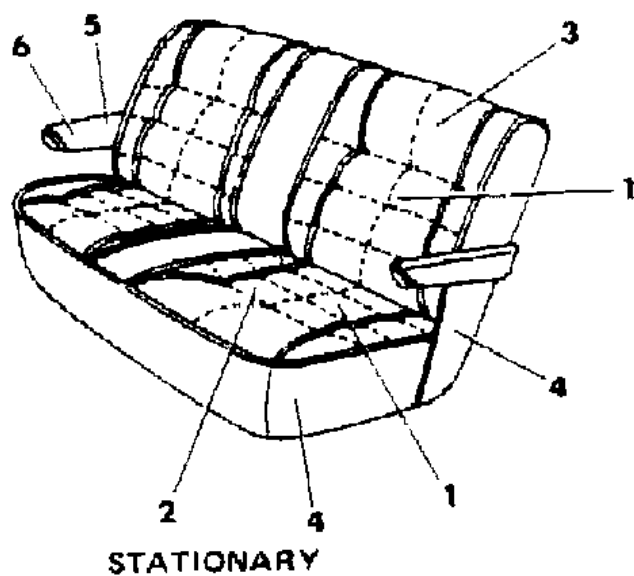
45 = 4-DOOR STATION WAGON

52-53 = FWD WAGON

AR = Use as Required - = Non Illustrated Part P.A.R. = Paint as Required

SEAT--REAR S BODY TRIM CODES C7,C8,C9,D5,D9
Figure ITS-2300

7242 2300 A



ITEM	PART NUMBER	QTY	BODY	MODEL	DESCRIPTION
					2 Passenger
	G007 F7A	1			Silver / Charcoal, (D5AS,C7AS,D9AS)
	G007 F7C	1			Blue, (D5C)
	G007 F7E	1			Cordovan, (D5E,C7E,D9E)
	G007 F7K	1			Almond, (D5K,C7K,D9K)
					3 PASSENGER
	G009 F7A	1			Silver / Charcoal, (C7AS,D5AS,C9AS,D9AS)
	G009 F7C	1			Blue, (D5C)
	G009 F7E	1			Cordovan, (C7E,D5E,C9E,D9E)
	G009 F7K	1			Almond, (C7K,D5K,C9K,D9K)
					VINYL
	G041 F8A	1			Silver / Charcoal, (C8AS)
	G041 F8E	1			Cordovan, (C8E)
	G041 F8K	1			Almond, (C8K)
4					ROLL STOCK, Vinyl Order By The Inch
	R609 CS8	AR			Charcoal, 58" Wide
	R600 EC5	AR			Blue, 54" Wide
	R600 EE8	AR			Cordovan, 54" Wide
	R600 EK1	AR			Almond, 54" Wide
5	4290 748	2			ARMREST, w/Pad w/o Cover ARMREST and COVER
					2 PASSENGER
	G730 CS8	2			Charcoal
	G730 FC5	2			Blue
	G730 EE8	2			Cordovan
	G730 EK1	2			Almond
					3 PASSENGER, (Fixed)
	G888-9 CS8	1			Charcoal
	G888-9 FC5	1			Blue
	G888-9 EE8	1			Cordovan
	G888-9 EK1	1			Almond
6					COVER, Armrest 2 PASSENGER
	G459 CS8	2			Charcoal
	G459 FC5	2			Blue
	G459 EE8	2			Cordovan
	G459 EK1	2			Almond
					3 PASSENGER

MODEL CODES

E BODY = (J - CARAVELLE)(E - 600)(T - NEW YORKER)

G BODY = (V24 - DAYTONA)

H BODY = (D44 - LANCER)(C44 - LEBARON GTS)

J BODY = (C - LEBARON)

K BODY = (P - RELIANT)(D - ARIES)(C - LEBAROND)/TOWN & COUNTRY)

L BODY = (M - HORIZON/TURISMO)(Z - OMNI/CHARGER)

M BODY = (B - GRAN FURY)(F - FIFTH AVE/NEWPORT)(G - DIPLOMAT)

P BODY = (P - SUNDANCE)(D - SHADOW)

S BODY = (H - VOYAGER)(K - RAM VAN/CARAVAN)

BODY STYLES

12-13 = FWD VAN

21 = 2-DOOR SEDAN

24 = 2-DOOR HATCHBACK

27 = 2-DOOR CONVERTIBLE

41 = 4-DOOR SEDAN

44 = 4-DOOR HATCHBACK

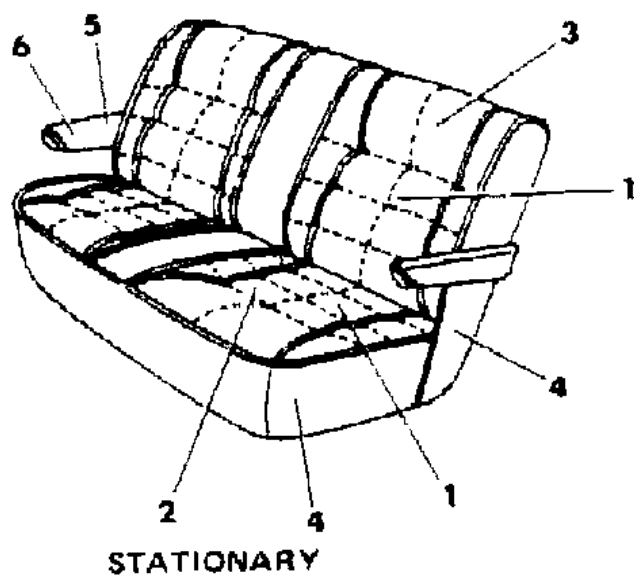
45 = 4-DOOR STATION WAGON

52-53 = FWD WAGON

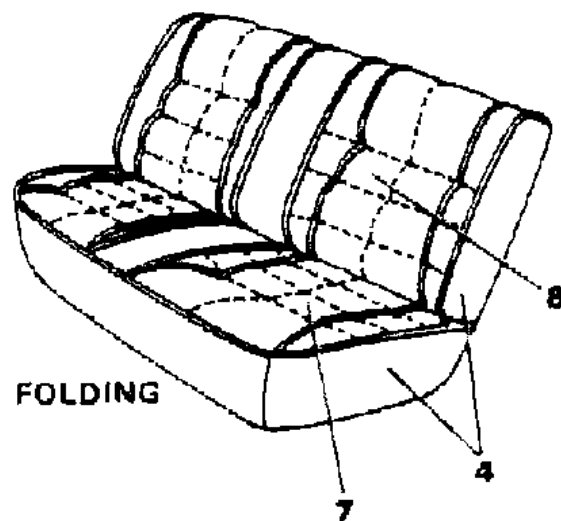
AR = Use as Required - = Non Illustrated Part P.A.R. = Paint as Required

SEAT--REAR S BODY TRIM CODES C7,C8,C9,D5,D9
Figure ITS-2300

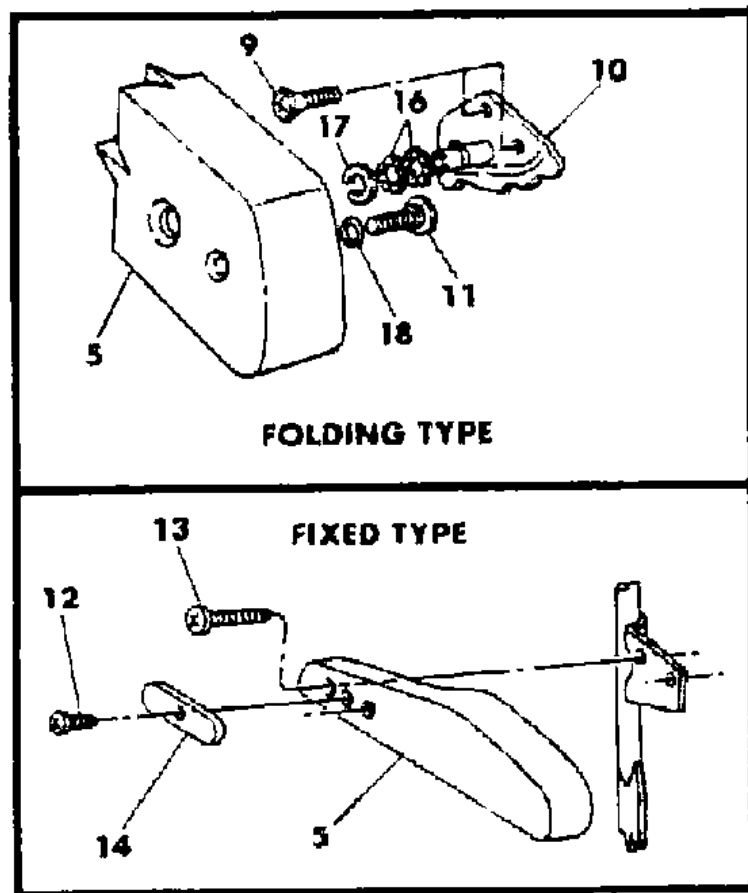
7242 2300 A



STATIONARY

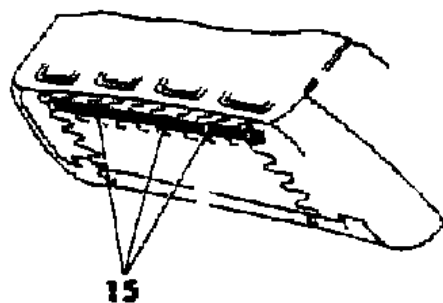


FOLDING



FOLDING TYPE

FIXED TYPE



15

ITEM	PART NUMBER	QTY	BODY	MODEL	DESCRIPTION
	G462-3 CS8	1			Charcoal
	G462-3 FC5	1			Blue
	G462-3 EE8	1			Cordovan
	G462-3 EK1	1			Almond
					FOLDING REAR SEAT
7 & 4					CUSHION, w/Spring/Frame, Pad and Cover CLOTH
	G548 F7A	1			Silver / Charcoal, (D5AS,C7AS,D9AS)
	G548 F7C	1			Blue, (D5C)
	G548 F7E	1			Cordovan, (D5E,C7E,D9E)
	G548 F7K	1			Almond, (D5K,C7K,D9K)
7					COVER, Cushion w/Protector Shield CLOTH
	G010 F7A	1			Silver / Charcoal, (D5AS,C7AS,D9AS)
	G010 F7C	1			Blue, (D5C)
	G010 F7E	1			Cordovan, (D5E,C7E,D9E)
	G010 F7K	1			Almond, (D5K,C7K,D9K)
8 & 4					BACK, w/Spring/Frame, Pad and Cover CLOTH
	G550 F7A	1			Silver / Charcoal, (D5AS,C7AS,D9AS)
	G550 F7C	1			Blue, (D5C)
	G550 F7E	1			Cordovan, (D5E,C7E,D9E)
	G550 F7K	1			Almond, (D5K,C7K,D9K)
8					COVER, Back CLOTH
	G011 F7A	1			Silver / Charcoal, D5AS,C7AS,D9AS)
	G011 F7C	1			Blue, (D5C)
	G011 F7E	1			Cordovan, D5E,C7E,D9E)
	G011 F7K	1			Almond, (D5K,C7K,D9K,
9	6032 567	2			SCREW
10	4290 652-3	1			SUPPORT
11	#6501 539	6			SCREW and WASHER
12					SCREW, (8-18x5/8) (Not Serv.)
13	6101 380	4			SCREW
14	#S684 EK1	1			COVER, Finish (P.A.R.)
15	6008 076	AR			HOG RING
16	6032 721	2			RING, Armrest Retaining (Star Tooth)
17	6032 259	2			SNAP RING, (1/2 Shaft)

MODEL CODES

E BODY = (J - CARAVELLE)(E - 600)(T - NEW YORKER)

G BODY = (V24 - DAYTONA)

H BODY = (D44 - LANCER)(C44 - LEBARON GTS)

J BODY = (C - LEBARON)

K BODY = (P - RELIANT)(D - ARIES)(C - LEBAROND)/TOWN & COUNTRY)

L BODY = (M - HORIZON/TURISMO)(Z - OMNI/CHARGER)

M BODY = (B - GRAN FURY)(F - FIFTH AVE/NEWPORT)(G - DIPLOMAT)

P BODY = (P - SUNDANCE)(D - SHADOW)

S BODY = (H - VOYAGER)(K - RAM VAN/CARAVAN)

BODY STYLES

12-13 = FWD VAN

21 = 2-DOOR SEDAN

24 = 2-DOOR HATCHBACK

27 = 2-DOOR CONVERTIBLE

41 = 4-DOOR SEDAN

44 = 4-DOOR HATCHBACK

45 = 4-DOOR STATION WAGON

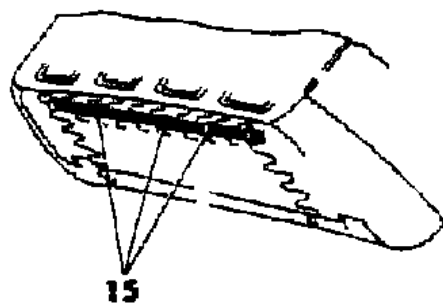
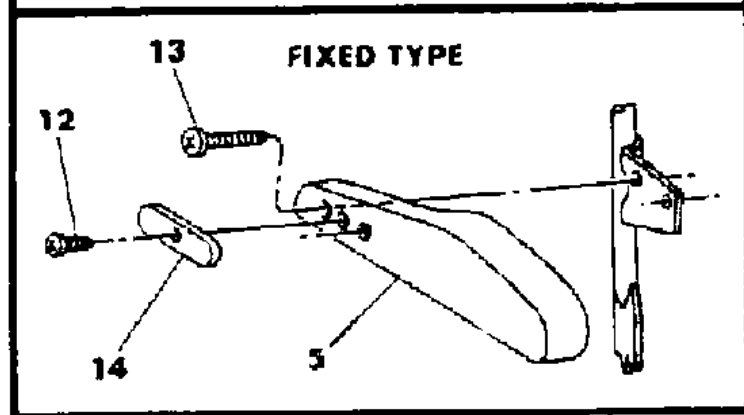
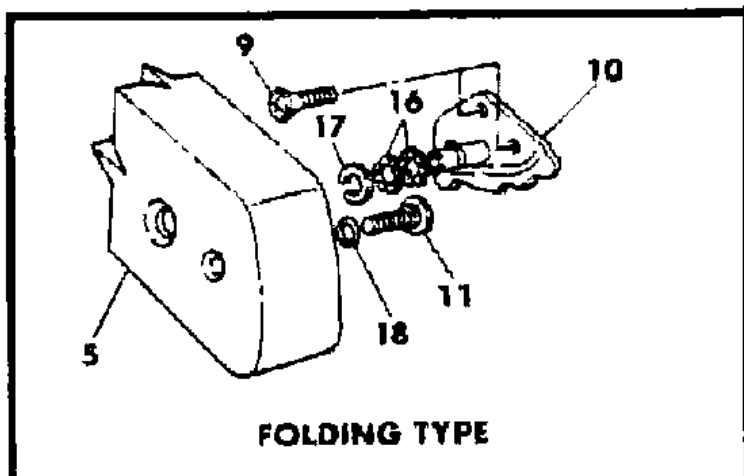
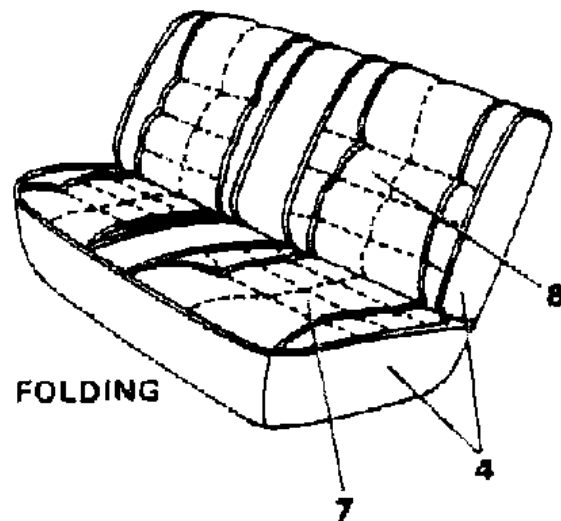
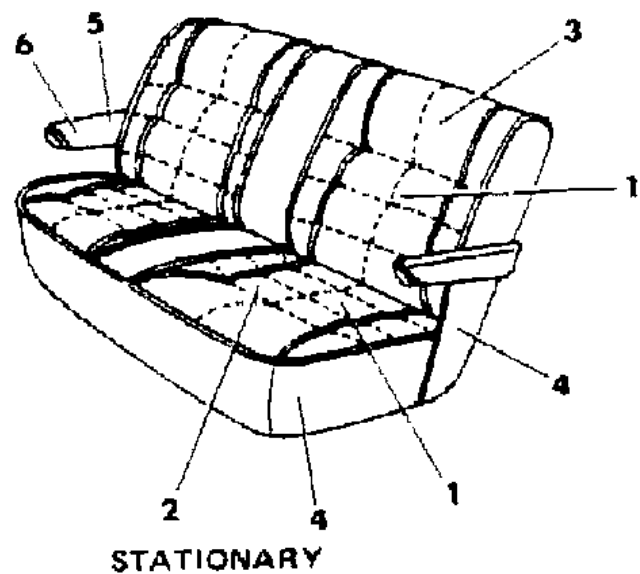
52-53 = FWD WAGON

AR = Use as Required - = Non Illustrated Part P.A.R. = Paint as Required

SEAT--REAR S BODY TRIM CODES C7,C8,C9,D5,D9

Figure ITS-2300

7242 2300 A



ITEM	PART NUMBER	QTY	BODY	MODEL	DESCRIPTION
------	-------------	-----	------	-------	-------------

18	0120 393	2			WASHER NOTE: (P.A.R.) = Paint As Required
----	----------	---	--	--	--

MODEL CODES

E BODY = (J - CARAVELLE)(E - 600)(T - NEW YORKER)

G BODY = (V24 - DAYTONA)

H BODY = (D44 - LANCER)(C44 - LEBARON GTS)

J BODY = (C - LEBARON)

K BODY = (P - RELIANT)(D - ARIES)(C - LEBAROND)/TOWN & COUNTRY)

L BODY = (M - HORIZON/TURISMO)(Z - OMNI/CHARGER)

M BODY = (B - GRAN FURY)(F - FIFTH AVE/NEWPORT)(G - DIPLOMAT)

P BODY = (P - SUNDANCE)(D - SHADOW)

S BODY = (H - VOYAGER)(K - RAM VAN/CARAVAN)

BODY STYLES

12-13 = FWD VAN

21 = 2-DOOR SEDAN

24 = 2-DOOR HATCHBACK

27 = 2-DOOR CONVERTIBLE

41 = 4-DOOR SEDAN

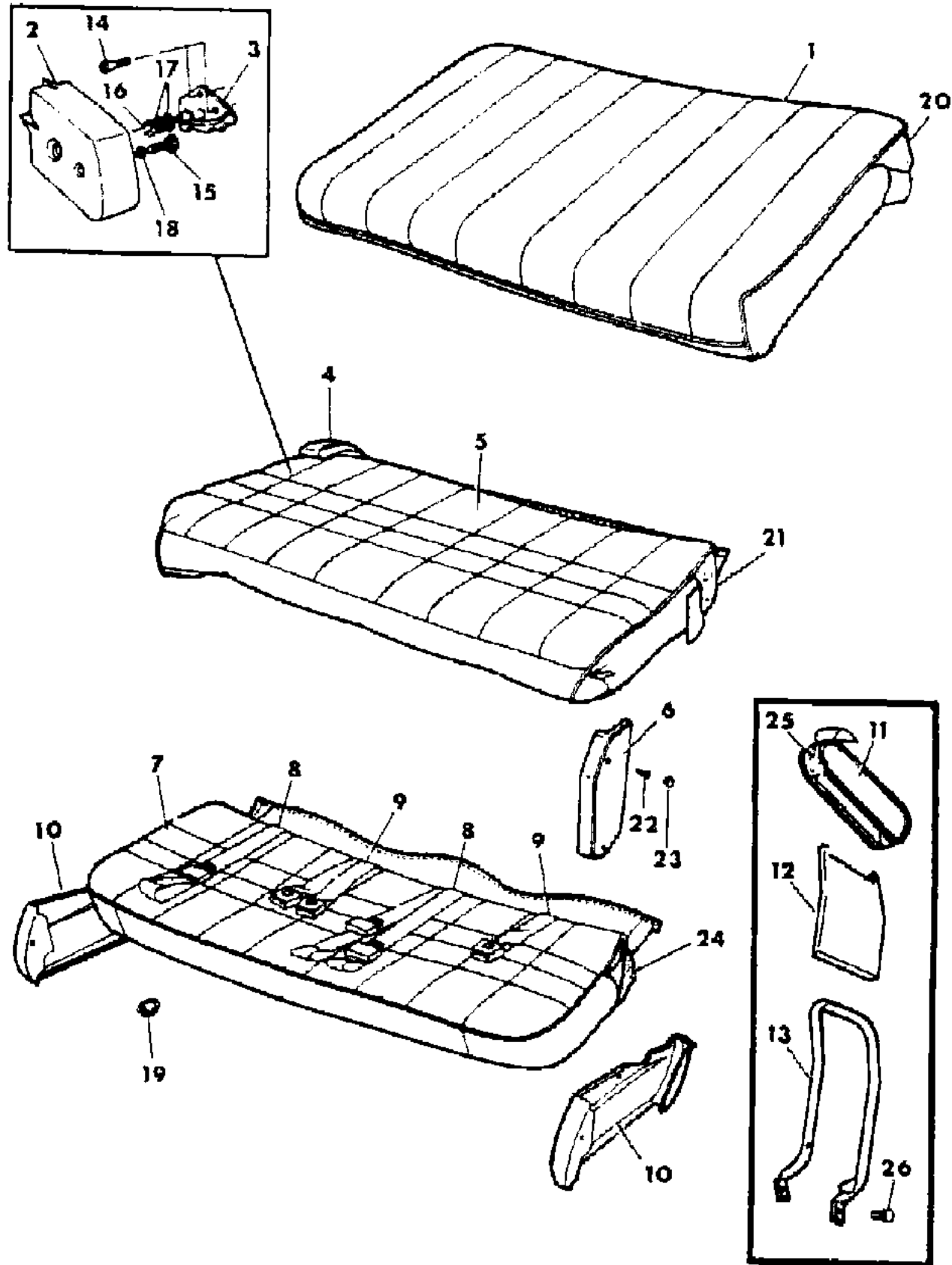
44 = 4-DOOR HATCHBACK

45 = 4-DOOR STATION WAGON

52-53 = FWD WAGON

CONVERTABED CUSHIONS, ARM RESTS AND SEAT BELTS S BODY TRIM CODES C7,C9,D5,D9,J5
Figure ITS-2400

7242 2400 A



ITEM	PART NUMBER	QTY	BODY	MODEL	DESCRIPTION
1-26					CONVERTABED COMPLETE, Replaces Rear Seat's
	G570 FA3	1			Silver / Charcoal, (C7AS,C9AS,D5AS,D9AS)
	G570 FK1	1			Almond, (C7K,C9K,D5K,D9K)
	G571 FAS	1			Silver / Charcoal, (J5AS)
	G571 FEE	1			Cordovan, (J5E)
	G571 FKK	1			Almond, (J5K)
					NOTE: FOR REPLACEMENT ONLY - NOT FOR COMPLETE INSTALLATION
1					COVER, Third Cushion
	G668 FA3	1			Silver / Charcoal, (C7AS,C9AS,D5AS,D9AS)
	G668 FK1	1			Almond, (C7K,C9K,D5K,D9K)
	G619 FAS	1			Silver / Charcoal, (J5AS)
	G619 FEE	1			Cordovan, (J5E)
	G619 FKK	1			Almond, (J5K)
2					COVER, Folding Armrest Right
	G459 CS8	1			Silver / Charcoal, (C7AS,C9AS,D5AS,D9AS)
	G459 EK1	1			Almond, (C7K,C9K,D5K,D9K)
	G037 FS8	1			Silver / Charcoal, (J5AS)
	G037 FE8	1			Cordovan, (J5E)
	G037 FK1	1			Almond, (J5K)
3	4290 652	1			BRACKET, Armrest
4					STRAP, Pull
	S732 DA3	1			Silver
	S732 EE8	1			Cordovan
	S732 EK1	1			Almond
5					COVER, Back
	G667 FA3	1			Silver / Charcoal, (C7AS,C9AS,D5AS,D9AS)
	G667 FK1	1			Almond, (C7K,C9K,D5K,D9K)
	G618 FAS	1			Silver / Charcoal, (J5AS)
	G618 FEE	1			Cordovan, (J5E)
	G618 FKK	1			Almond, (J5K)
6					COVER, Quadrant Plate
	S518-9 DA3	1			Silver
	S518-9 EE8	1			Cordovan
	S518-9 EK1	1			Almond
	S518-9 ES8	1			Charcoal
7					COVER, Cushion
	G666 FA3	1			Silver / Charcoal, (C7AS,C9AS,D5AS,D9AS)

MODEL CODES

E BODY = (J - CARAVELLE)(E - 600)(T - NEW YORKER)

G BODY = (V24 - DAYTONA)

H BODY = (D44 - LANCER)(C44 - LEBARON GTS)

J BODY = (C - LEBARON)

K BODY = (P - RELIANT)(D - ARIES)(C - LEBAROND)/TOWN & COUNTRY)

L BODY = (M - HORIZON/TURISMO)(Z - OMNI/CHARGER)

M BODY = (B - GRAN FURY)(F - FIFTH AVE/NEWPORT)(G - DIPLOMAT)

P BODY = (P - SUNDANCE)(D - SHADOW)

S BODY = (H - VOYAGER)(K - RAM VAN/CARAVAN)

BODY STYLES

12-13 = FWD VAN

21 = 2-DOOR SEDAN

24 = 2-DOOR HATCHBACK

27 = 2-DOOR CONVERTIBLE

41 = 4-DOOR SEDAN

44 = 4-DOOR HATCHBACK

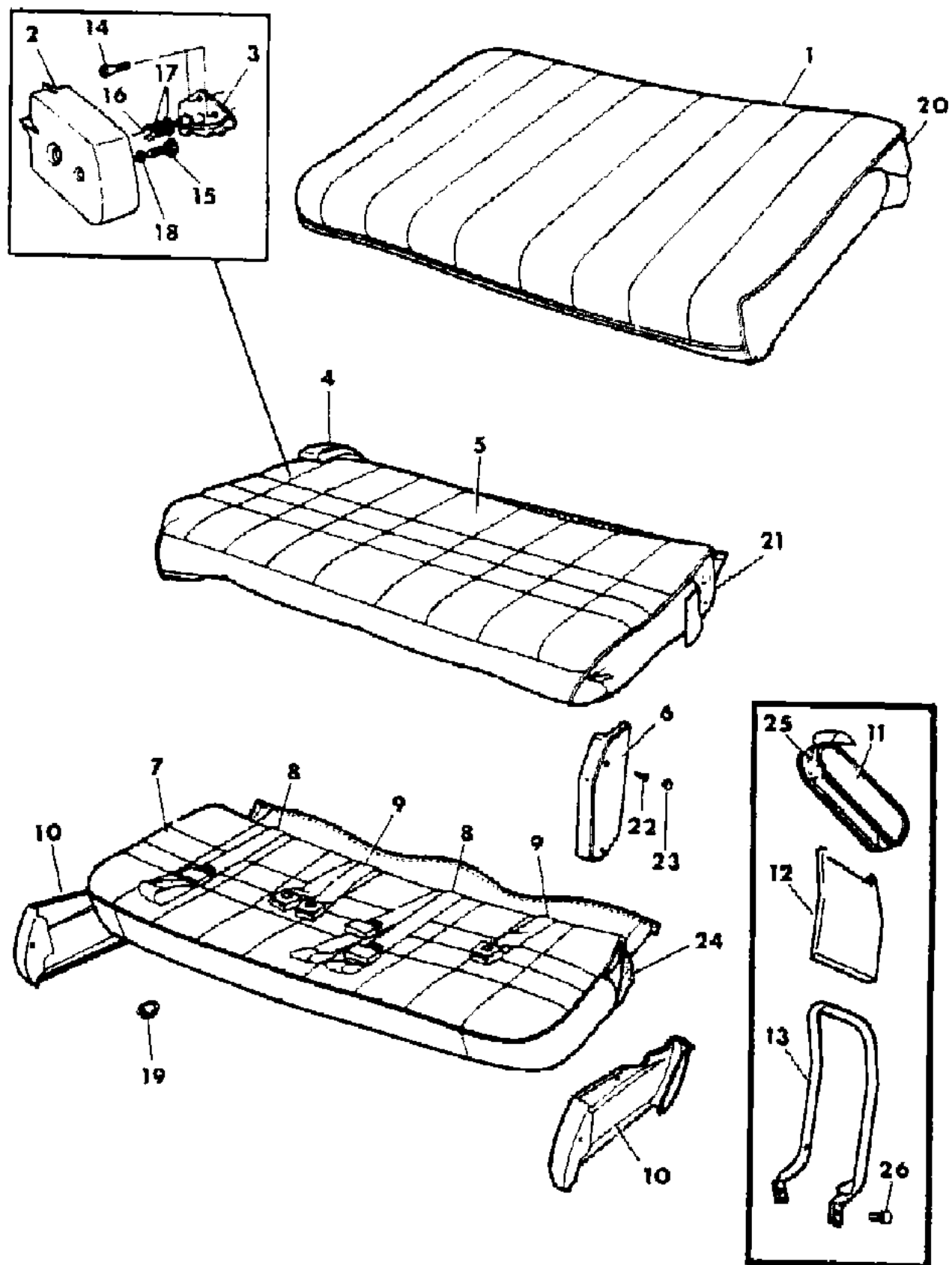
45 = 4-DOOR STATION WAGON

52-53 = FWD WAGON

AR = Use as Required - = Non Illustrated Part P.A.R. = Paint as Required

CONVERTABLE CUSHIONS, ARM RESTS AND SEAT BELTS S BODY TRIM CODES C7,C9,D5,D9,J5
Figure ITS-2400

7242 2400 A



ITEM	PART NUMBER	QTY	BODY	MODEL	DESCRIPTION
	G666 FK1	1			Almond, (C7K,C9K,D5K,D9K)
	G618 FAS	1			Silver / Charcoal, (J5AS)
	G617 FEE	1			Cordovan, (J5E)
	G617 FKK	1			Almond, (J5K)
8					BELT, Tip Half
					LABEL NUMBER 4263943
	L703 BA3	3			Silver
	L703 EE8	1			Cordovan
	L703 EK1	3			Almond
9					BELT, Buckle Half
					LABEL NUMBER 4263982
	L704 BA3	3			Silver
	L704 EE8	3			Cordovan
	L704 EK1	3			Almond
10	S994 FK1	2			COVER, (P.A.R.)
11					COVER, Armrest, Stationary Left
	G503 CS8	1			Silver / Charcoal, (C7AS,C9AS,D5AS,D9AS)
	G503 EK1	1			Almond, (C7K,C9K,D5K,D9K)
	G665 FAS	1			Silver / Charcoal, (J5AS)
	G665 FEE	1			Cordovan, (J5E)
	G665 FKK	1			Almond, (J5K)
12					COVER, Armrest Support
	S733 CS8	1			Charcoal
	S733 EE8	1			Cordovan
	S733 EK1	1			Almond
13	4290 653	1			SUPPORT
14	#6501 539	3			SCREW and WASHER
15	6032 567	1			SCREW, Shoulder
16	6032 259	1			SNAP RING, (1/2" Shaft)
17	6032 721	1			RING, Retaining Inner (Star Tooth)
18	0120 393	2			WASHER
19	6008 076	AR			HOG RING
20	4380 666	1			PAD
21	4380 664	1			PAD
22	6033 065	AR			SCREW, (8x1/4)
23	F245 CA3	AR			PLUG, Quadrant Plate Cover (P.A.R.)
24	4380 661	1			PAD
25	4380 669	1			PAD and SUPPORT, Armrest

MODEL CODES

E BODY = (J - CARAVELLE)(E - 600)(T - NEW YORKER)

G BODY = (V24 - DAYTONA)

H BODY = (D44 - LANCER)(C44 - LEBARON GTS)

J BODY = (C - LEBARON)

K BODY = (P - RELIANT)(D - ARIES)(C - LEBAROND)/TOWN & COUNTRY)

L BODY = (M - HORIZON/TURISMO)(Z - OMNI/CHARGER)

M BODY = (B - GRAN FURY)(F - FIFTH AVE/NEWPORT)(G - DIPLOMAT)

P BODY = (P - SUNDANCE)(D - SHADOW)

S BODY = (H - VOYAGER)(K - RAM VAN/CARAVAN)

BODY STYLES

12-13 = FWD VAN

21 = 2-DOOR SEDAN

24 = 2-DOOR HATCHBACK

27 = 2-DOOR CONVERTIBLE

41 = 4-DOOR SEDAN

44 = 4-DOOR HATCHBACK

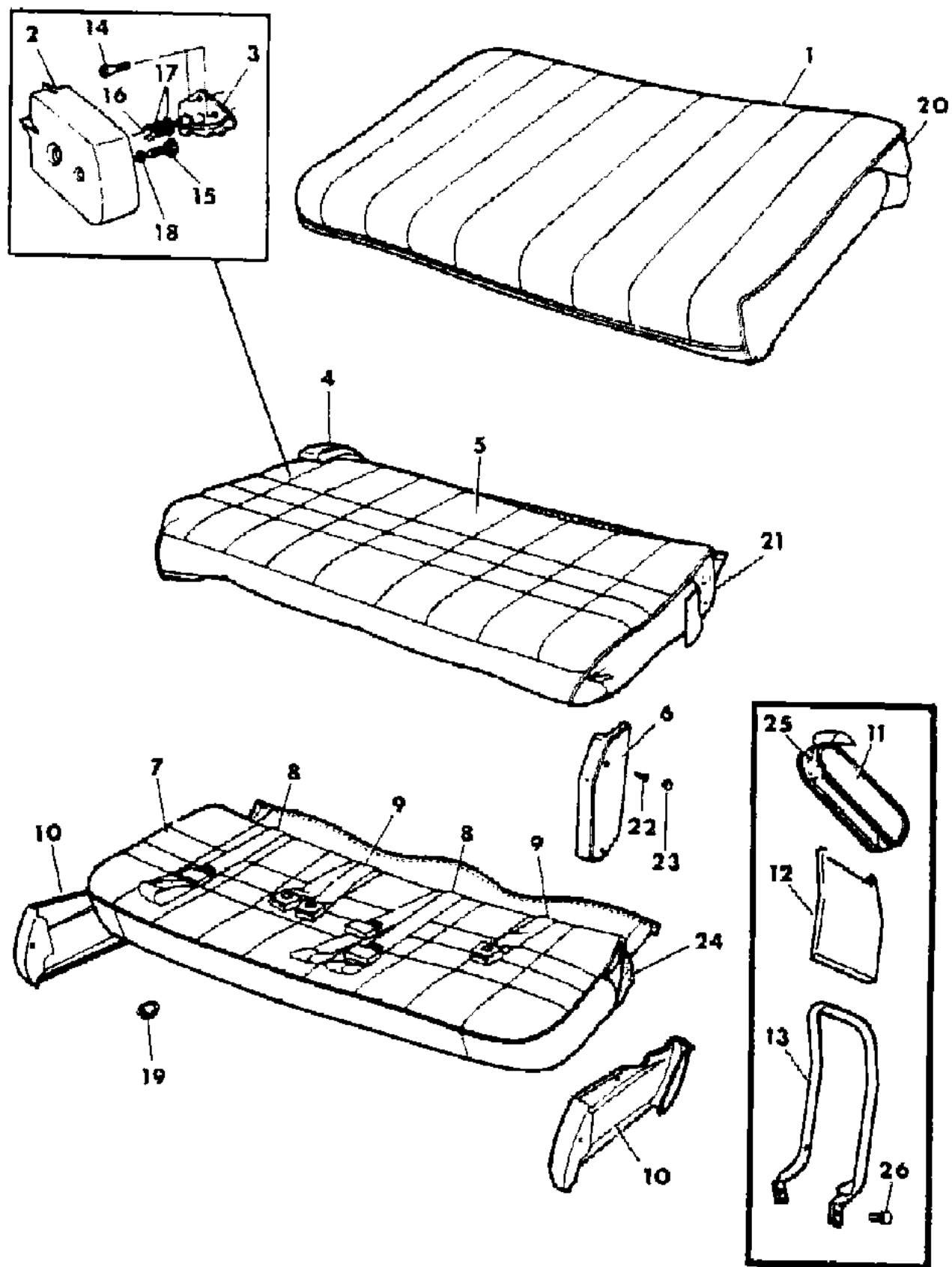
45 = 4-DOOR STATION WAGON

52-53 = FWD WAGON

AR = Use as Required - = Non Illustrated Part P.A.R. = Paint as Required

CONVERTABLE CUSHIONS, ARM RESTS AND SEAT BELTS S BODY TRIM CODES C7,C9,D5,D9,J5
Figure ITS-2400

7242 2400 A



ITEM	PART NUMBER	QTY	BODY	MODEL	DESCRIPTION
------	-------------	-----	------	-------	-------------

26	0180 048	AR			BOLT, Armrest to Cushion Frame NOTE: (P.A.R.) = Paint As Required
----	----------	----	--	--	--

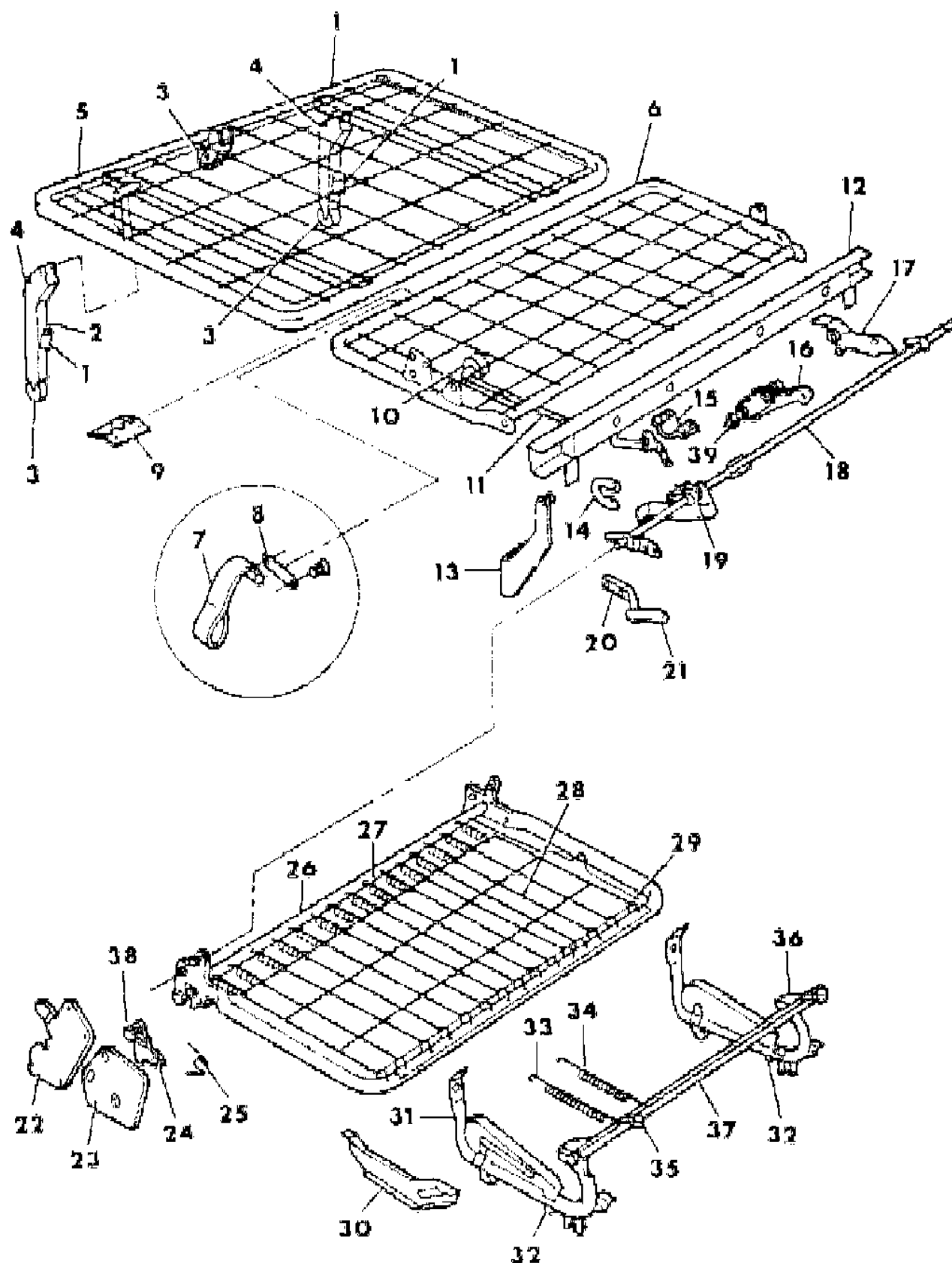
MODEL CODES
 E BODY = (J - CARAVELLE)(E - 600)(T - NEW YORKER)
 G BODY = (V24 - DAYTONA)
 H BODY = (D44 - LANCER)(C44 - LEBARON GTS)
 J BODY = (C - LEBARON)
 K BODY = (P - RELIANT)(D - ARIES)(C - LEBAROND)/TOWN & COUNTRY
 L BODY = (M - HORIZON/TURISMO)(Z - OMNI/CHARGER)
 M BODY = (B - GRAN FURY)(F - FIFTH AVE/NEWPORT)(G - DIPLOMAT)
 P BODY = (P - SUNDANCE)(D - SHADOW)
 S BODY = (H - VOYAGER)(K - RAM VAN/CARAVAN)

BODY STYLES
 12-13 = FWD VAN
 21 = 2-DOOR SEDAN
 24 = 2-DOOR HATCHBACK
 27 = 2-DOOR CONVERTIBLE
 41 = 4-DOOR SEDAN
 44 = 4-DOOR HATCHBACK
 45 = 4-DOOR STATION WAGON
 52-53 = FWD WAGON

AR = Use as Required - = Non Illustrated Part P.A.R. = Paint as Required

CONVERTABLE FRAMES AND ACTUATING SYSTEM S BODY
Figure ITS-2500

7242 2500



ITEM	PART NUMBER	QTY	BODY	MODEL	DESCRIPTION
NOTE: FOR REPLACEMENT ONLY - NOT FOR COMPLETE INSTALLATION.					
1	4263 775	3			BUMPER, Rear Seat Back
2	4263 767	3			STRAP, Bumper Retaining
	6027 438	AR			SCREW
3	4263 776	3			ROLLER, Bed Support
	6006 324	3			NUT, Roller Retaining
	9421 391	1			PIN, Bed Roller (1/4x1.40 Headed)
	6026 239	3			WASHER, Roller Anti-Rattle
4	4380 646	2			LEG, Bed Support Less Bumper and Roller
	6022 149	2			NUT, Leg Attaching
	6033 074	2			PIN, Leg Pivot (1/4x1.40 Headed)
5	#4402 928	1			FRAME, Third Cushion
6	4380 662	1			FRAME, Back
7					STRAP, Pull
	S732 DA3	1			Silver
	S732 EE8	1			Cordovan
	S732 EK1	1			Almond
8	4263 768	1			PLATE, Strap Retaining
	6027 438	AR			SCREW
9	4263 773	2			HINGE
	9421 411	AR			SCREW
10	4380 632	1			ROLLER, Third Panel Actuating
	6033 075	1			NUT, Roller Pin
11	4380 650	1			LEVER, Third Panel Actuating
	0152 360	AR			NUT
12	4402 187				CROSSMEMBER, Seat Belt
		AR			WASHER, Support Bracket to Crossmember (Not Serv.)
13	4380 648-9	1			BRACKET, Seat Support Rear
14	4263 784	2			RETAINER, Latch Rod
15		1			RETAINER, Actuating Rod (Not Serv.)
16	4380 652	1			ARM, Actuator
	6024 359	1			NUT
	4380 653	AR			SPRING, Actuator Arm
	4380 654	1			PIN, Actuator Arm
	6003 301	AR			SPACER
17	4380 642-3	1			LATCH
	6026 430	AR			NUT

MODEL CODES

E BODY = (J - CARAVELLE)(E - 600)(T - NEW YORKER)

G BODY = (V24 - DAYTONA)

H BODY = (D44 - LANCER)(C44 - LEBARON GTS)

J BODY = (C - LEBARON)

K BODY = (P - RELIANT)(D - ARIES)(C - LEBAROND)/TOWN & COUNTRY)

L BODY = (M - HORIZON/TURISMO)(Z - OMNI/CHARGER)

M BODY = (B - GRAN FURY)(F - FIFTH AVE/NEWPORT)(G - DIPLOMAT)

P BODY = (P - SUNDANCE)(D - SHADOW)

S BODY = (H - VOYAGER)(K - RAM VAN/CARAVAN)

BODY STYLES

12-13 = FWD VAN

21 = 2-DOOR SEDAN

24 = 2-DOOR HATCHBACK

27 = 2-DOOR CONVERTIBLE

41 = 4-DOOR SEDAN

44 = 4-DOOR HATCHBACK

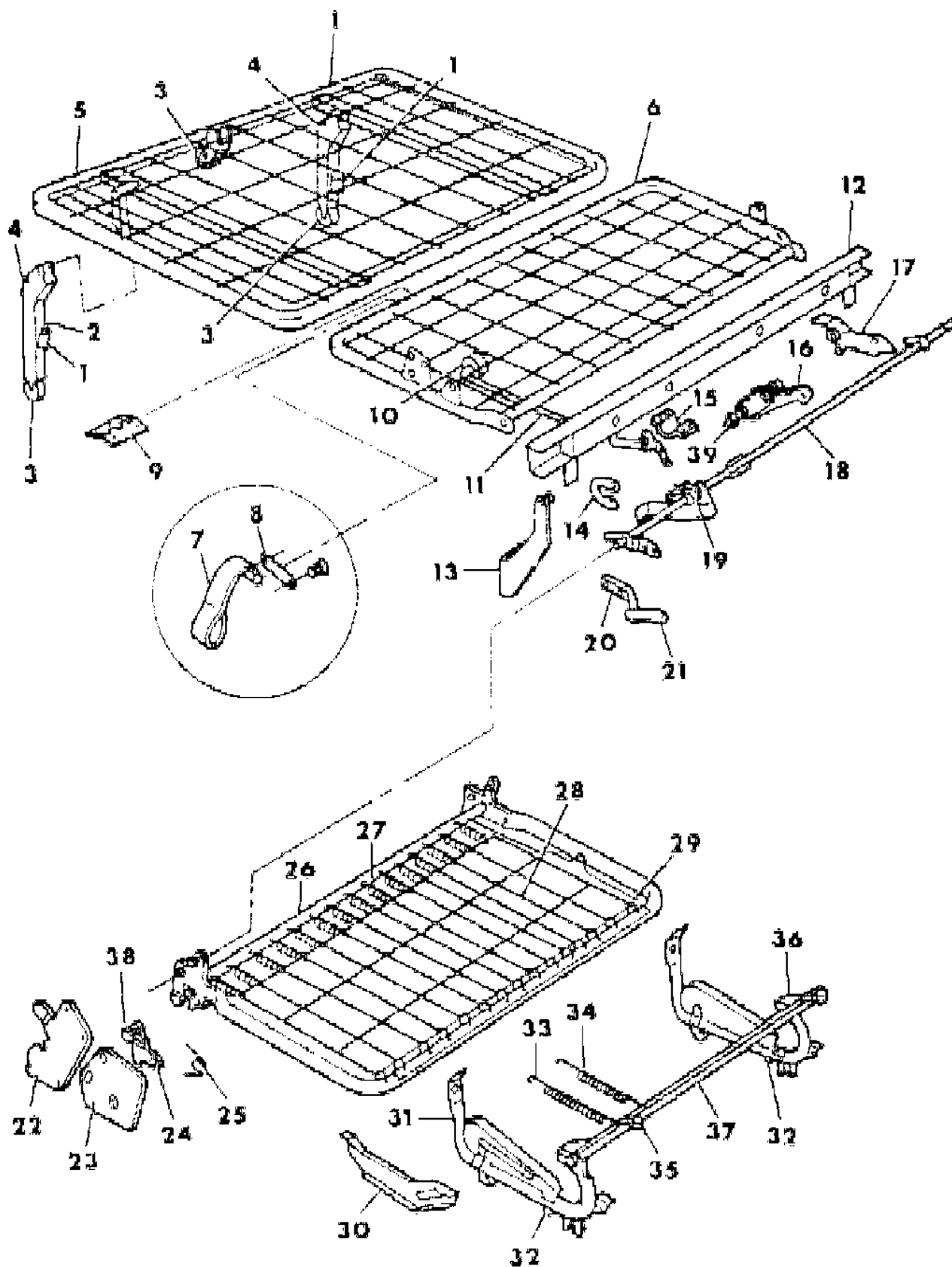
45 = 4-DOOR STATION WAGON

52-53 = FWD WAGON

AR = Use as Required - = Non Illustrated Part P.A.R. = Paint as Required

CONVERTABLE FRAMES AND ACTUATING SYSTEM S BODY
Figure ITS-2500

7242 2500



ITEM	PART NUMBER	QTY	BODY	MODEL	DESCRIPTION
	9419 982	1			PIN, Latch to Rod Retainer Left Side
18	4380 639	1			ROD, Latch
19	4380 635	2			SPRING, Latch Handle Return
20	4380 645	1			HANDLE, Latch
21	4380 631	1			HANDLE, Grip
22	4263 778-9	1			PLATE, Quadrant
	6032 232	AR			BOLT, (3/8-16x1/2 Button Head) (.44 Dia. x .22 Shoulder)
	0181 108	AR			SCREW
	0181 112	AR			SCREW
23	4380 640-1	1			PLATE, Latch Cover
	6032 231	AR			SCREW
24	4380 636-7	1			LATCH
25	4263 787	2			SPRING, Latch
26	4380 674	1			FRAME, Cushion (Consists of Items 26 thru 29)
27	4380 660	AR			SPRING
28		1			GRID, Flexolater (Serv. in Item 26-26)
29	4263 799	AR			CLIP, Flexolater Attaching
30	#4402 929	2			PLATE, Seat Carrier (Plastic Insert Comes With Plate)
	6032 234	AR			BOLT, (3/8-16x1 Hex Head) (.44 Dia. x 50 Shoulder)
	0181 108	AR			SCREW
31	#4402 241	2			RISER
32	4345 292	2			BUMPER, Anti-Rattle
33	4380 655	1			SPRING, Third Panel Actuating
34	4380 651	1			SPRING, Actuator Travel
35	4316 957	1			BUMPER, Anti-Rattle
	4402 930	2			SPRING, Anti-Rattle
36					BRACKET, Front Mounting (Not Required)
	0181 112	AR			SCREW
37	#4402 931	1			CROSSMEMBER, Front
38	6032 233	AR			BOLT, (3/8-16x1/2 Hex Head) (.44 Dia. x .33 Shoulder)
39	6025 785	1			NUT, Arm to Lever
	6031 298	4			BOLT, Shoulder

MODEL CODES

E BODY = (J - CARAVELLE)(E - 600)(T - NEW YORKER)

G BODY = (V24 - DAYTONA)

H BODY = (D44 - LANCER)(C44 - LEBARON GTS)

J BODY = (C - LEBARON)

K BODY = (P - RELIANT)(D - ARIES)(C - LEBAROND)/TOWN & COUNTRY)

L BODY = (M - HORIZON/TURISMO)(Z - OMNI/CHARGER)

M BODY = (B - GRAN FURY)(F - FIFTH AVE/NEWPORT)(G - DIPLOMAT)

P BODY = (P - SUNDANCE)(D - SHADOW)

S BODY = (H - VOYAGER)(K - RAM VAN/CARAVAN)

BODY STYLES

12-13 = FWD VAN

21 = 2-DOOR SEDAN

24 = 2-DOOR HATCHBACK

27 = 2-DOOR CONVERTIBLE

41 = 4-DOOR SEDAN

44 = 4-DOOR HATCHBACK

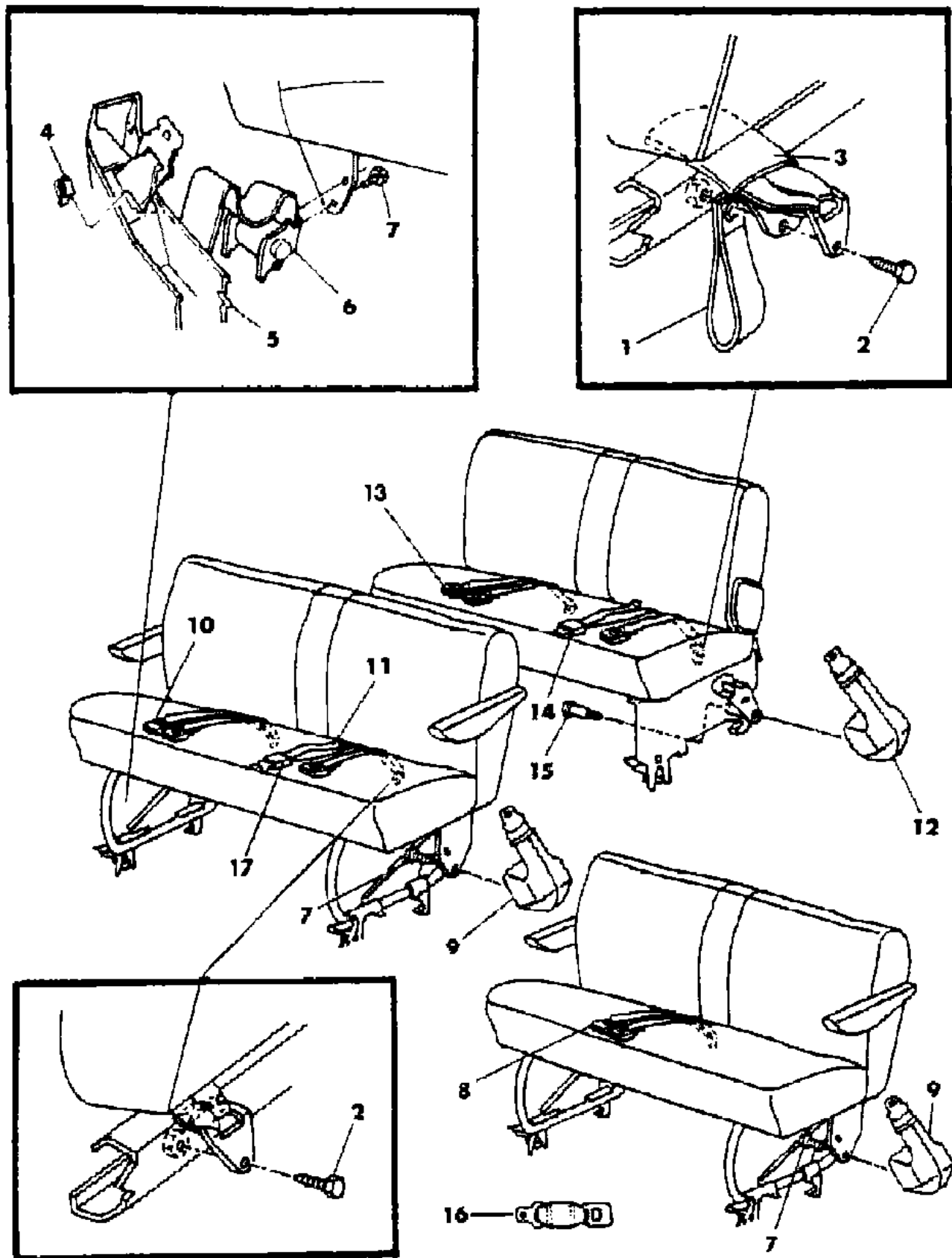
45 = 4-DOOR STATION WAGON

52-53 = FWD WAGON

AR = Use as Required - = Non Illustrated Part P.A.R. = Paint as Required

BELT--REAR SEAT S BODY
Figure ITS-2600

7242 2800



ITEM	PART NUMBER	QTY	BODY	MODEL	DESCRIPTION
1	S537 CX9	1			STRAP, Pull, Black (Left Side Only)
2	6032 039	AR			BOLT
3	4327 145	AR			RETAINER
4	6032 732	1			CLIP, Speed, "U" Type
5					COVER, First Rear Seat Riser (Reference)
6					BELT, 2 Passenger Outer Right Tip Half LABEL NUMBER, 4316185
	F934 GA3	1			Silver
	F704 FC5	1			Blue
	F704 EE8	1			Cordovan
	F704 EK1	1			Almond
7	6031 218	AR			BOLT
8					BELT, 1ST. Rear Seat Inner 2 Buckles (7 Passenger) LABEL NUMBER 4290848
	F683 CA3	1			Silver
	F683 FC5	1			Blue
	F683 EE8	1			Cordovan
	F683 EK1	1			Almond
9					BELT, 1ST. Rear Seat Outer Right and Left 5 & 7 Passenger LABEL NUMBER 4290847
	F682 FC5	2			Blue
	F682 EE8	2			Cordovan
	F682 EK1	2			Almond
	F682 CAS	2			Silver and Charcoal
10					BELT, Rear Seat Inner 2 Buckles, 5 Passenger LABEL NUMBER 4290848
	F683 CA3	1			Silver
	F683 FC5	1			Blue
	F683 EE8	1			Cordovan
	F683 EK1	1			Almond
11					BELT, 1ST. Seat Inner Buckle And Tip LABEL NUMBER 4290849
	F684 CA3	1			Silver
	F684 FC5	1			Blue
	F684 EE8	1			Cordovan
	F684 EK1	1			Almond
12					BELT, Folding Seat Outer Tip Half, Rt. & Lt. LABEL NUMBER 4290850

MODEL CODES

E BODY = (J - CARAVELLE)(E - 600)(T - NEW YORKER)

G BODY = (V24 - DAYTONA)

H BODY = (D44 - LANCER)(C44 - LEBARON GTS)

J BODY = (C - LEBARON)

K BODY = (P - RELIANT)(D - ARIES)(C - LEBAROND)/TOWN & COUNTRY)

L BODY = (M - HORIZON/TURISMO)(Z - OMNI/CHARGER)

M BODY = (B - GRAN FURY)(F - FIFTH AVE/NEWPORT)(G - DIPLOMAT)

P BODY = (P - SUNDANCE)(D - SHADOW)

S BODY = (H - VOYAGER)(K - RAM VAN/CARAVAN)

BODY STYLES

12-13 = FWD VAN

21 = 2-DOOR SEDAN

24 = 2-DOOR HATCHBACK

27 = 2-DOOR CONVERTIBLE

41 = 4-DOOR SEDAN

44 = 4-DOOR HATCHBACK

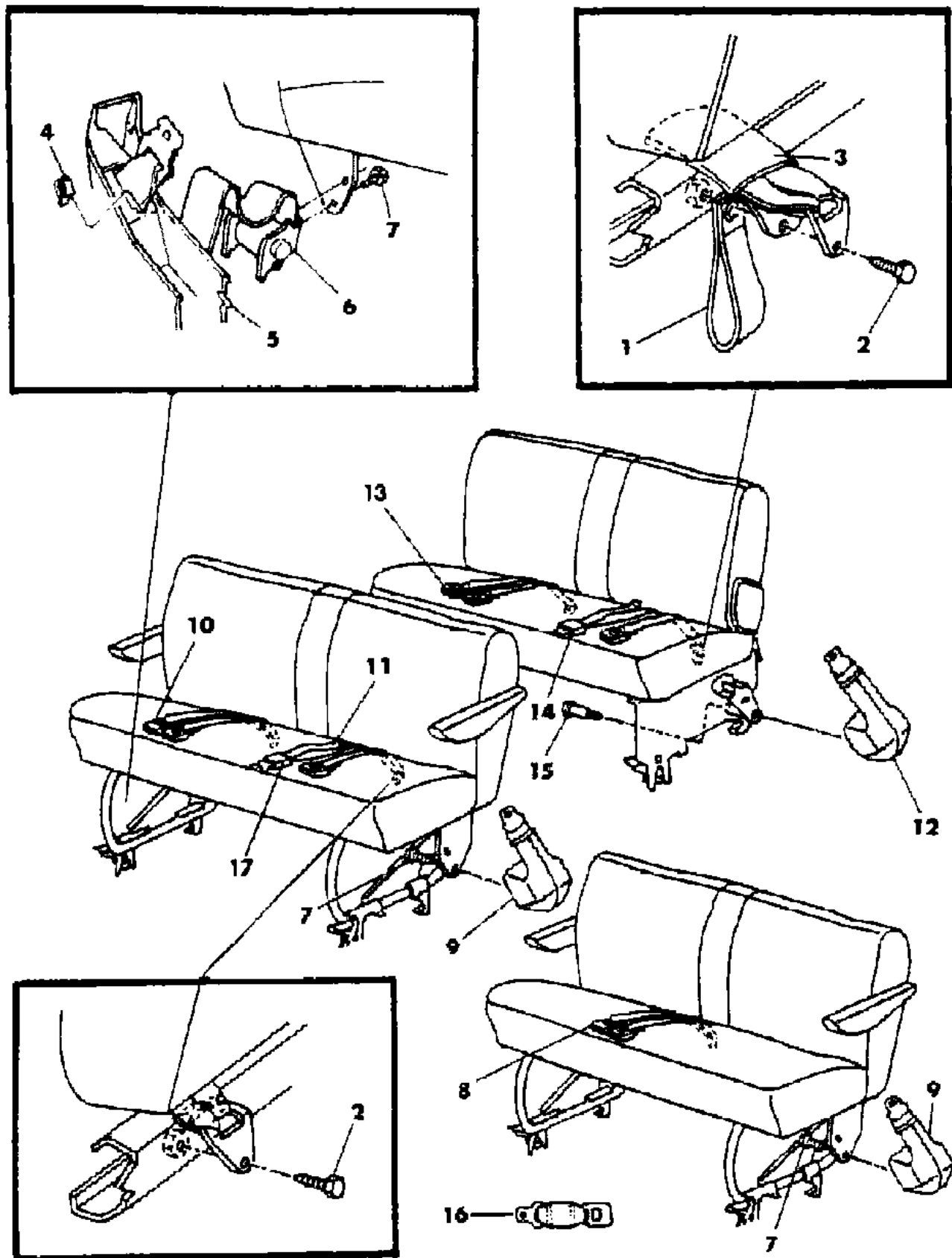
45 = 4-DOOR STATION WAGON

52-53 = FWD WAGON

AR = Use as Required - = Non Illustrated Part P.A.R. = Paint as Required

BELT--REAR SEAT S BODY
Figure ITS-2600

7242 2800



ITEM	PART NUMBER	QTY	BODY	MODEL	DESCRIPTION
	F685 FC5	2			Blue
	F685 EE8	2			Cordovan
	F685 EK1	2			Almond
	F685 CAS	2			Silver and Charcoal
13					BELT, 2ND. Rear Seat Inner 2 Buckles LABEL NUMBER 4290848
	F683 CA3	1			Silver
	F683 FC5	1			Blue
	F683 EE8	1			Cordovan
	F683 EK1	1			Almond
14					BELT, 2ND. Rear Seat Inner Buckle and Tip LABEL NUMBER 4290849
	F684 CA3	1			Silver
	F684 FC5	1			Blue
	F684 EE8	1			Cordovan
	F684 EK1	1			Almond
15	6032 599	2			BOLT
16	4364 849	AR			EXTENDER, Seat Belt
17	4316 773	1			COVER, Tip Half (P.A.R.) NOTE: (P.A.R. = Paint As Required)

MODEL CODES

E BODY = (J - CARAVELLE)(E - 600)(T - NEW YORKER)

G BODY = (V24 - DAYTONA)

H BODY = (D44 - LANCER)(C44 - LEBARON GTS)

J BODY = (C - LEBARON)

K BODY = (P - RELIANT)(D - ARIES)(C - LEBAROND)/TOWN & COUNTRY)

L BODY = (M - HORIZON/TURISMO)(Z - OMNI/CHARGER)

M BODY = (B - GRAN FURY)(F - FIFTH AVE/NEWPORT)(G - DIPLOMAT)

P BODY = (P - SUNDANCE)(D - SHADOW)

S BODY = (H - VOYAGER)(K - RAM VAN/CARAVAN)

BODY STYLES

12-13 = FWD VAN

21 = 2-DOOR SEDAN

24 = 2-DOOR HATCHBACK

27 = 2-DOOR CONVERTIBLE

41 = 4-DOOR SEDAN

44 = 4-DOOR HATCHBACK

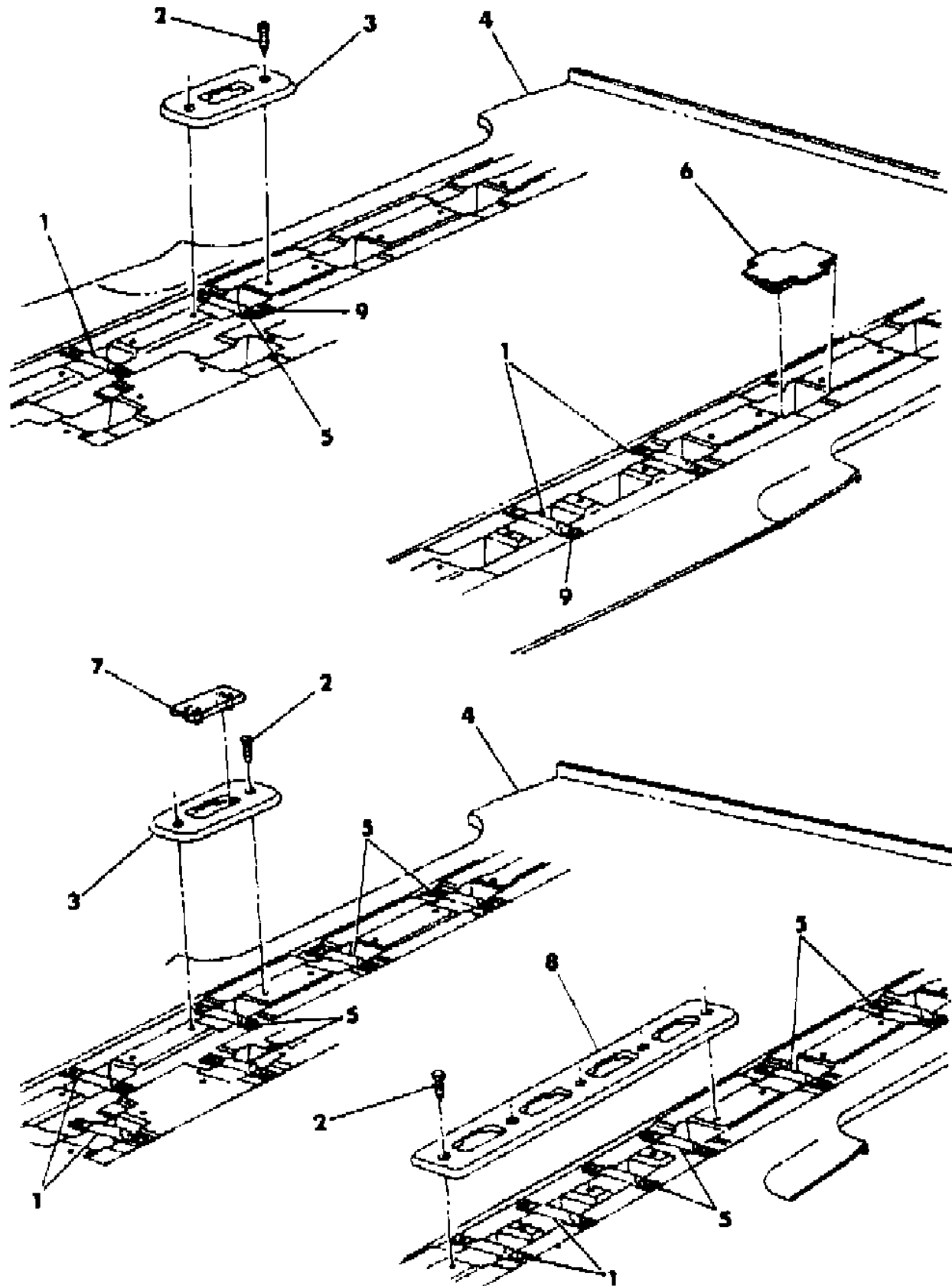
45 = 4-DOOR STATION WAGON

52-53 = FWD WAGON

AR = Use as Required - = Non Illustrated Part P.A.R. = Paint as Required

SEAT--REAR ATTACHMENTS FLOOR PAN S BODY
Figure ITS-2700

7242 2700 A



ITEM	PART NUMBER	QTY	BODY	MODEL	DESCRIPTION
1	4314 742	AR			STRIKER and BOLT, Seat Retension Front (Use 4314742 Nut)
2		AR			SCREW, (8-15x1) (Not Serv.)
3					ESCUTCHEON, Seat Hold Down (Short)
	S657 FC5	AR			Blue
	S657 EE8	AR			Cordovan
	S657 EK3	AR			Almond
	S657 CS8	AR			Charcoal
4					FLOOR PAN, (Reference)
5	4337 594	AR			STRIKER and BOLT, Seat Retension Rear
6					FILLER, Rear Floor Striker, 5 Passenger (Not Serv.)
7					COVER, Seat Escutcheon 7 Passenger
	S655 FC5	AR			Blue
	S655 EE8	AR			Cordovan
	S655 EK3	AR			Almond
	S655 CS8	AR			Charcoal
8					ESCUTCHEON, Hold Down (7 Passenger) (Long)
					w/112" Wheelbase
	S656 FC5	1			Blue
	S656 EE8	1			Cordovan
	S656 EK3	1			Almond
	S656 CS8	1			Charcoal
					w/119" Wheelbase
	S688 FC5	1			Blue
	S688 FE8	1			Cordovan
	S688 FK3	1			Almond
	S688 FS8	1			Charcoal
9	6501 269	AR			NUT and WASHER (Use Item 5 With Item 9) ***

MODEL CODES

E BODY = (J - CARAVELLE)(E - 600)(T - NEW YORKER)

G BODY = (V24 - DAYTONA)

H BODY = (D44 - LANCER)(C44 - LEBARON GTS)

J BODY = (C - LEBARON)

K BODY = (P - RELIANT)(D - ARIES)(C - LEBAROND)/TOWN & COUNTRY)

L BODY = (M - HORIZON/TURISMO)(Z - OMNI/CHARGER)

M BODY = (B - GRAN FURY)(F - FIFTH AVE/NEWPORT)(G - DIPLOMAT)

P BODY = (P - SUNDANCE)(D - SHADOW)

S BODY = (H - VOYAGER)(K - RAM VAN/CARAVAN)

BODY STYLES

12-13 = FWD VAN

21 = 2-DOOR SEDAN

24 = 2-DOOR HATCHBACK

27 = 2-DOOR CONVERTIBLE

41 = 4-DOOR SEDAN

44 = 4-DOOR HATCHBACK

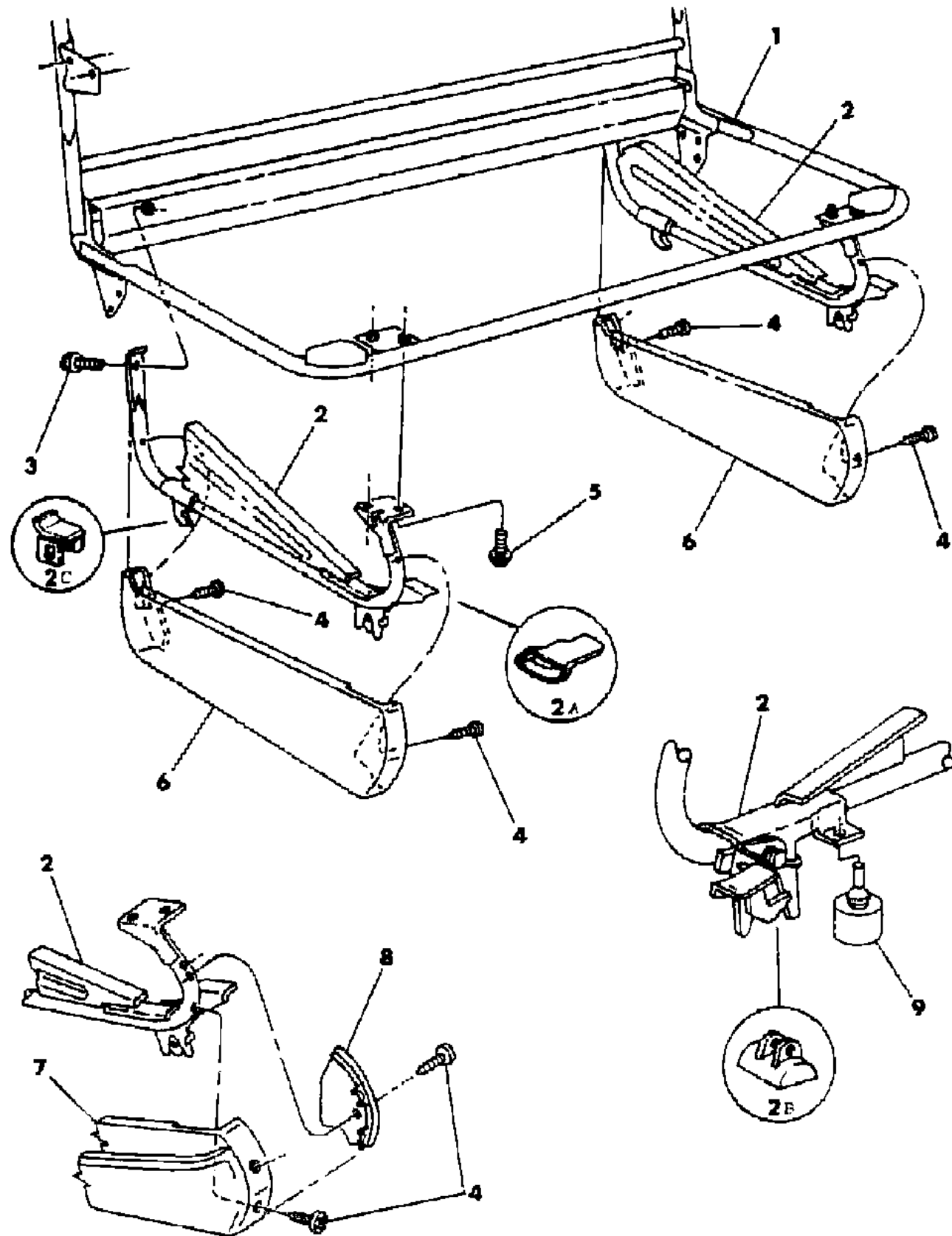
45 = 4-DOOR STATION WAGON

52-53 = FWD WAGON

AR = Use as Required - = Non Illustrated Part P.A.R. = Paint as Required

RISERS--SEAT REAR S BODY
Figure ITS-2800

7242 2800 A



ITEM	PART NUMBER	QTY	BODY	MODEL	DESCRIPTION
1					SPRING, (Not Serv.)
2	#4380 594	2			RISER, (3 Passenger)
	4380 600	1			(2 Passenger Right)
	4380 594	1			(2 Passenger Left)
2A	#4380 744-5	1			COVER, Front Latch (Black Vinyl)
-					CLIP, Anti-Rattle
2B	#4380 689	AR			CLIP, Front
2C	#4380 601	AR			CLIP, Rear
3	6500 309	2			SCREW and WASHER
4		AR			SCREW, (8-18x1/2) (NotServ.)
5	#6100 583	4			SCREW
6					COVER, Riser (P.A.R.)
	S994 FK1	2			(3 Passenger)
	S994 FK1	1			(2 Passenger Left)
7	S986 FK1	1			COVER, Riser, 2 Passenger Right (P.A.R.)
8	#S992 FK1	1			COVER, Riser Inner 2 Passenger Right (P.A.R.)
9	4345 292	2			BUMPER, Riser

NOTE: (P.A.R.) = Paint As Required)

MODEL CODES

E BODY = (J - CARAVELLE)(E - 600)(T - NEW YORKER)

G BODY = (V24 - DAYTONA)

H BODY = (D44 - LANCER)(C44 - LEBARON GTS)

J BODY = (C - LEBARON)

K BODY = (P - RELIANT)(D - ARIES)(C - LEBAROND)/TOWN & COUNTRY)

L BODY = (M - HORIZON/TURISMO)(Z - OMNI/CHARGER)

M BODY = (B - GRAN FURY)(F - FIFTH AVE/NEWPORT)(G - DIPLOMAT)

P BODY = (P - SUNDANCE)(D - SHADOW)

S BODY = (H - VOYAGER)(K - RAM VAN/CARAVAN)

BODY STYLES

12-13 = FWD VAN

21 = 2-DOOR SEDAN

24 = 2-DOOR HATCHBACK

27 = 2-DOOR CONVERTIBLE

41 = 4-DOOR SEDAN

44 = 4-DOOR HATCHBACK

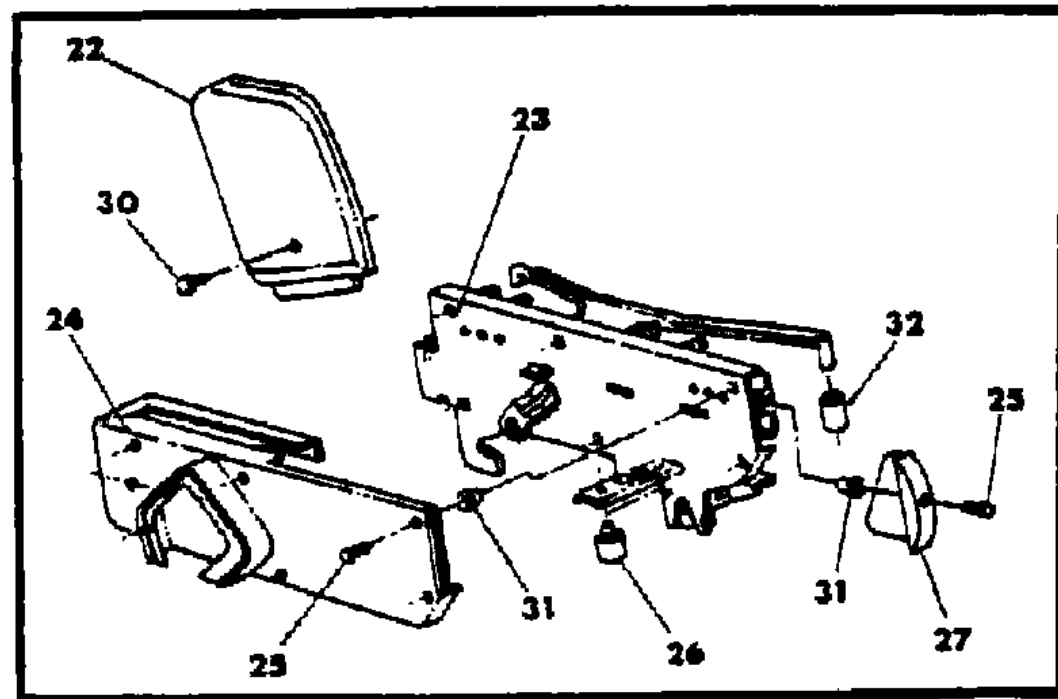
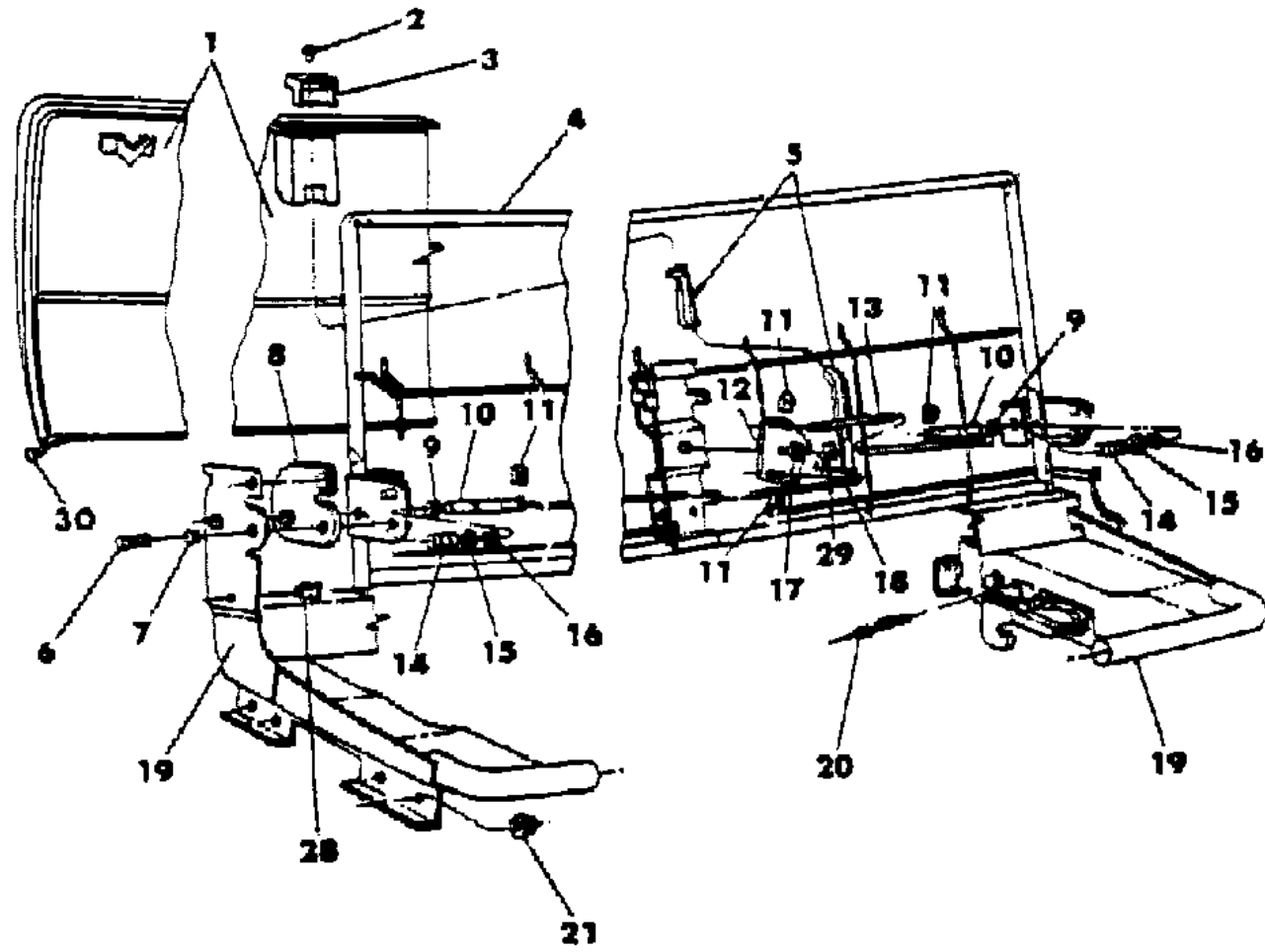
45 = 4-DOOR STATION WAGON

52-53 = FWD WAGON

AR = Use as Required - = Non Illustrated Part P.A.R. = Paint as Required

SEAT--REAR FOLD DOWN S BODY
Figure ITS-2900

7242 2900



ITEM	PART NUMBER	QTY	BODY	MODEL	DESCRIPTION
1					SHIELD and SKIRT, Rear Seat Back
	S720 FC5	1			Blue
	S720 EE8	1			Cordovan
	S720 EK1	1			Almond
	S720 CS8	1			Charcoal
2		AR			SCREW, (10-16x3/4) (Not Serv.)
3					HANDLE, Release Latch
	S718 FC5	1			Blue
	S718 EE8	1			Cordovan
	S718 EK1	1			Almond
	S718 CS8	1			Charcoal
4					BACK, Folding Seat (Reference)
5	4316 075	1			LINK, Latch Release
6	6500 948	2			PIN, Pivot
7	6500 947	2			BUSHING
8	4316 068	2			GUIDE
9					BUSHING, (Serv. In Frame)
10	4316 065	2			PIN
11	6032 612	4			RETAINER
12	4316 076	1			BELLCRANK, Latch
13	4316 073	1			ROD
14	4316 070	2			SPRING
15	6100 884	2			WASHER
16	6032 475	2			E-RING
17	4211 689	1			WASHER
18	4316 072	1			ROD
19					CUSHION, (Reference)
20	4290 153	1			SPRING and WIRE, Adjuster Catch Connector
21	6100 055	8			NUT
22	#S716-7 EK1	1			COVER, Hinge Arm (P.A.R.)
23	#4380 748-9				ADJUSTER
-	#4380 744	1			COVER, Front Latch (Black Vinyl)
-	#4380 689	2			CLIP, Anti-Rattle Front
-	#4380 601	2			CLIP, Anti-Rattle Rear
-	6500 944	AR			WASHER
-	4327 208	2			SPRING, Adjuster Latch Return
-	0104 918	AR			BALL, Second Rear Seat Adjuster
-	6101 398	8			SCREW, Seat to Adjuster

MODEL CODES

E BODY = (J - CARAVELLE)(E - 600)(T - NEW YORKER)

G BODY = (V24 - DAYTONA)

H BODY = (D44 - LANCER)(C44 - LEBARON GTS)

J BODY = (C - LEBARON)

K BODY = (P - RELIANT)(D - ARIES)(C - LEBAROND)/TOWN & COUNTRY)

L BODY = (M - HORIZON/TURISMO)(Z - OMNI/CHARGER)

M BODY = (B - GRAN FURY)(F - FIFTH AVE/NEWPORT)(G - DIPLOMAT)

P BODY = (P - SUNDANCE)(D - SHADOW)

S BODY = (H - VOYAGER)(K - RAM VAN/CARAVAN)

BODY STYLES

12-13 = FWD VAN

21 = 2-DOOR SEDAN

24 = 2-DOOR HATCHBACK

27 = 2-DOOR CONVERTIBLE

41 = 4-DOOR SEDAN

44 = 4-DOOR HATCHBACK

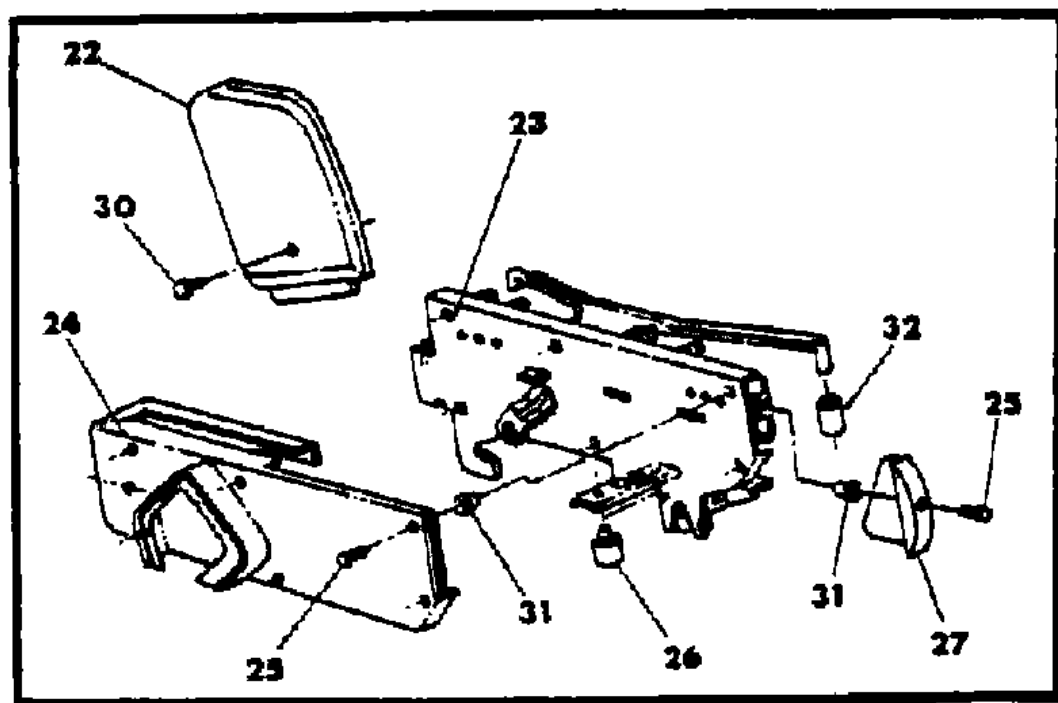
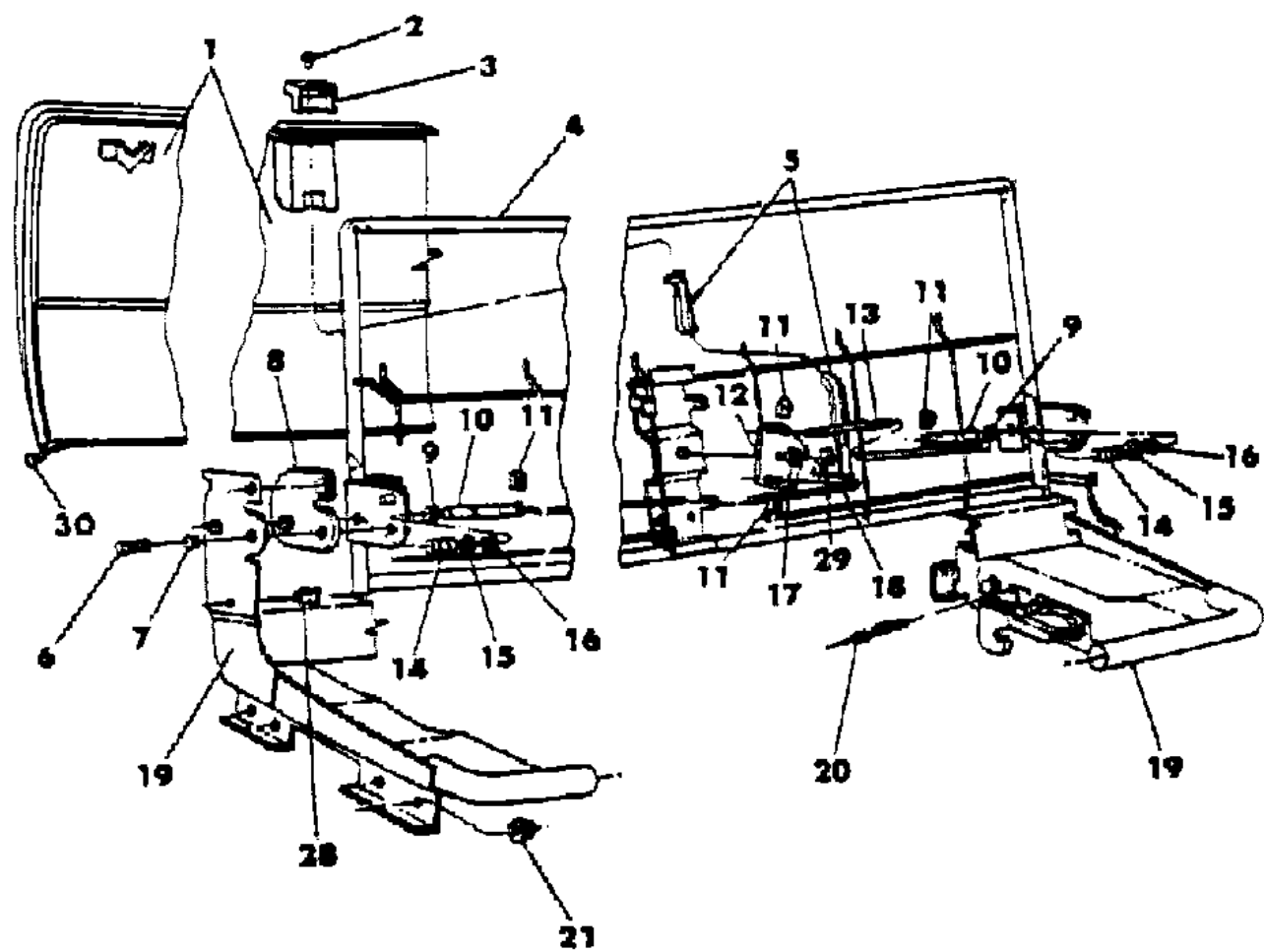
45 = 4-DOOR STATION WAGON

52-53 = FWD WAGON

AR = Use as Required - = Non Illustrated Part P.A.R. = Paint as Required

SEAT--REAR FOLD DOWN S BODY
Figure ITS-2900

7242 2900



ITEM	PART NUMBER	QTY	BODY	MODEL	DESCRIPTION
-	4290 153	1			WIRE, Adjuster Catch Connector
24	S696-7 EK1	1			COVER, Riser (P.A.R.)
25	6032 765	13			SCREW, Adjuster Cover
26	4316 957	4			BUMPER
27	S618-9 EK1	1			COVER, Adjuster Front (P.A.R.)
28	6500 453	2			NUT
29	6025 935	2			PUSH-NUT
30		6			SCREW, (8-18x12) (Not Serv.)
31	4327 317	13			PLUG
32	4327 446	2			SLEEVE, Handle

NOTE: (P.A.R. = Paint As Required)

MODEL CODES

E BODY = (J - CARAVELLE)(E - 600)(T - NEW YORKER)

G BODY = (V24 - DAYTONA)

H BODY = (D44 - LANCER)(C44 - LEBARON GTS)

J BODY = (C - LEBARON)

K BODY = (P - RELIANT)(D - ARIES)(C - LEBAROND)/TOWN & COUNTRY)

L BODY = (M - HORIZON/TURISMO)(Z - OMNI/CHARGER)

M BODY = (B - GRAN FURY)(F - FIFTH AVE/NEWPORT)(G - DIPLOMAT)

P BODY = (P - SUNDANCE)(D - SHADOW)

S BODY = (H - VOYAGER)(K - RAM VAN/CARAVAN)

BODY STYLES

12-13 = FWD VAN

21 = 2-DOOR SEDAN

24 = 2-DOOR HATCHBACK

27 = 2-DOOR CONVERTIBLE

41 = 4-DOOR SEDAN

44 = 4-DOOR HATCHBACK

45 = 4-DOOR STATION WAGON

52-53 = FWD WAGON

AR = Use as Required - = Non Illustrated Part P.A.R. = Paint as Required

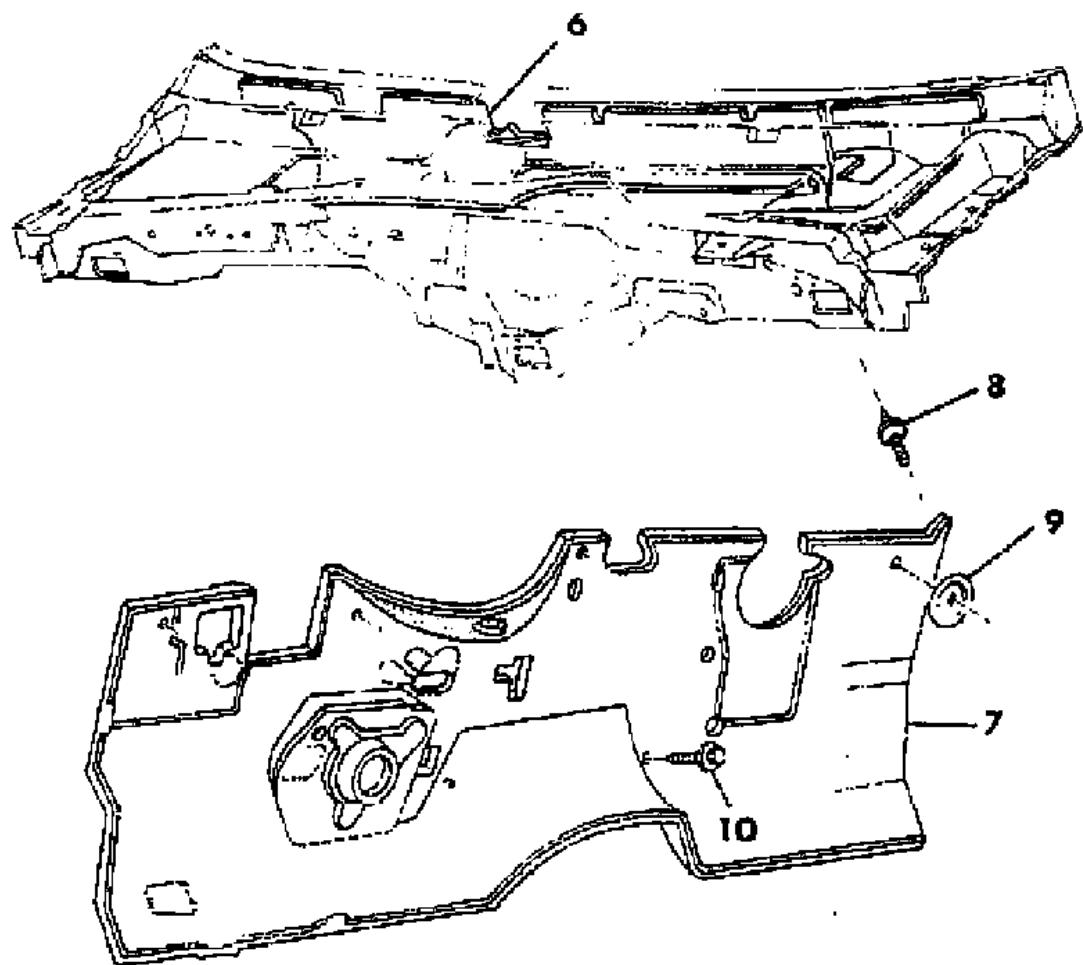
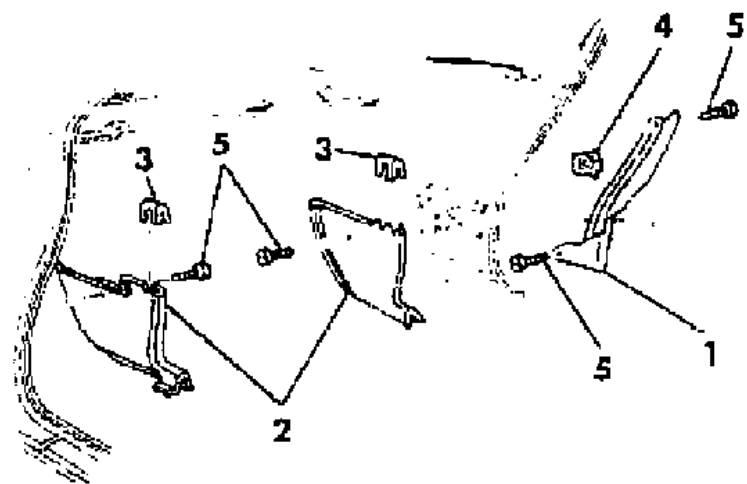
GROUP ITM - M BODY

ILLUSTRATION TITLE	GROUP-FIG. NO.
COWL PANEL AND SILENCERS M BODY	Fig. ITM-100
HEADLINER-VISOR AND SHELF PANEL M BODY	Fig. ITM-200
MOULDING--GARNISH M BODY B,G,F-H	Fig. ITM-300
MOULDING--GARNISH M BODY F-S	Fig. ITM-400
B PILLAR TRIM M BODY B,G,F-H	Fig. ITM-500
PANEL--QUARTER TRIM M BODY B,G,F-H	Fig. ITM-600
CARPET M BODY	Fig. ITM-700
LUGGAGE COMPARTMENT LINER AND SILENCER M BODY	Fig. ITM-800
MATS--FRONT AND REAR FLOOR LUGGAGE COMPARTMENT AND REAR FLOOR WELL M BODY	Fig. ITM-900
SCUFF PLATES--BODY SIDE SILL AND DOOR M BODY	Fig. ITM-1000
PANEL--DOOR TRIM-FRONT M BODY	Fig. ITM-1100
PANEL--DOOR TRIM-REAR M BODY	Fig. ITM-1200
PANEL--DOOR TRIM (DADE COUNTY FLORIDA) FLEET-POLICE-OTHERS M BODY	Fig. ITM-1400
SEAT--FRONT M BODY TRIM CODE A3	Fig. ITM-1500
SEAT--FRONT M BODY TRIM CODE K2	Fig. ITM-1600
SEAT--FRONT FLEET-POLICE-OTHERS M BODY	Fig. ITM-1700
SEAT--FRONT M BODY TRIM CODES C9-H9	Fig. ITM-1800
SEAT--FRONT M BODY TRIM CODE KX	Fig. ITM-1900
SEAT--FRONT M BODY TRIM CODE SY	Fig. ITM-2000
SEAT--FRONT M BODY TRIM CODE S9	Fig. ITM-2100
SEAT--FRONT FLEET-POLICE-OTHERS M BODY	Fig. ITM-2200
SEAT--FRONT FLEET-POLICE-OTHERS M BODY	Fig. ITM-2300
BELT--FRONT SEAT LAP AND SHOULDER-OUTER M BODY	Fig. ITM-2400
BELT--FRONT SEAT LAP AND SHOULDER-INNER M BODY	Fig. ITM-2500
RECLINING FRONT SEAT AND SEAT BACK RELEASE M BODY	Fig. ITM-2600
ADJUSTER--MANUAL M BODY	Fig. ITM-2700
ADJUSTER--ELECTRIC 60/40 SPLIT M BODY	Fig. ITM-2800
SEAT--REAR M BODY TRIM CODE A3	Fig. ITM-2900
SEAT--REAR M BODY TRIM CODES C9,H9,S9,SY	Fig. ITM-3000
SEAT--REAR M BODY TRIM CODES K2,KX	Fig. ITM-3100
SEAT--REAR FLEET-POLICE-OTHERS M BODY	Fig. ITM-3200
BELT--REAR SEAT LAP M BODY	Fig. ITM-3300

ILLUSTRATION NOT AVAILABLE AT TIME OF PUBLICATION

COWL PANEL AND SILENCERS M BODY
Figure ITM-100

7244 100



ITEM	PART NUMBER	QTY	BODY	MODEL	DESCRIPTION
1					COVER, Cowl Side Trim Panel To Windshield Side Garnish
					Moulding
		F344-5 BA7	1		Silver
		F344-5 SC7	1		Blue
		F344-5 TM6	1		Red
2		F344-5 EK1	1		Almond
					PANEL and SILENCER, Cowl Side Trim
		F198 BA7	1		Silver, Right
		F201 BA7	1		Silver, Left
		F198 SC7	1		Blue, Right
		F201 SC7	1		Blue, Left
		F198 TM6	1		Red, Right
		F201 TM6	1		Red, Left
		F198 EK1	1		Almond, Right
		F201 EK1	1		Almond, Left
3		2			J-NUT, (Not Serv.)
4		AR			CLIP, (Not Serv.)
5	9416 824	AR			SCREW
6	4136 444-5	1			SILENCER, Dash Panel Plenum
7	4136 334	1			LINER, w/ or w/o A.C.
8	6031 630	4			STUD, Collar
9	4206 545	4			RETAINER
10		2			SCREW, (8-18x.75) (Not Serv.)

MODEL CODES

E BODY = (J - CARAVELLE)(E - 600)(T - NEW YORKER)

G BODY = (V24 - DAYTONA)

H BODY = (D44 - LANCER)(C44 - LEBARON GTS)

J BODY = (C - LEBARON)

K BODY = (P - RELIANT)(D - ARIES)(C - LEBAROND)/TOWN & COUNTRY)

L BODY = (M - HORIZON/TURISMO)(Z - OMNI/CHARGER)

M BODY = (B - GRAN FURY)(F - FIFTH AVE/NEWPORT)(G - DIPLOMAT)

P BODY = (P - SUNDANCE)(D - SHADOW)

S BODY = (H - VOYAGER)(K - RAM VAN/CARAVAN)

BODY STYLES

12-13 = FWD VAN

21 = 2-DOOR SEDAN

24 = 2-DOOR HATCHBACK

27 = 2-DOOR CONVERTIBLE

41 = 4-DOOR SEDAN

44 = 4-DOOR HATCHBACK

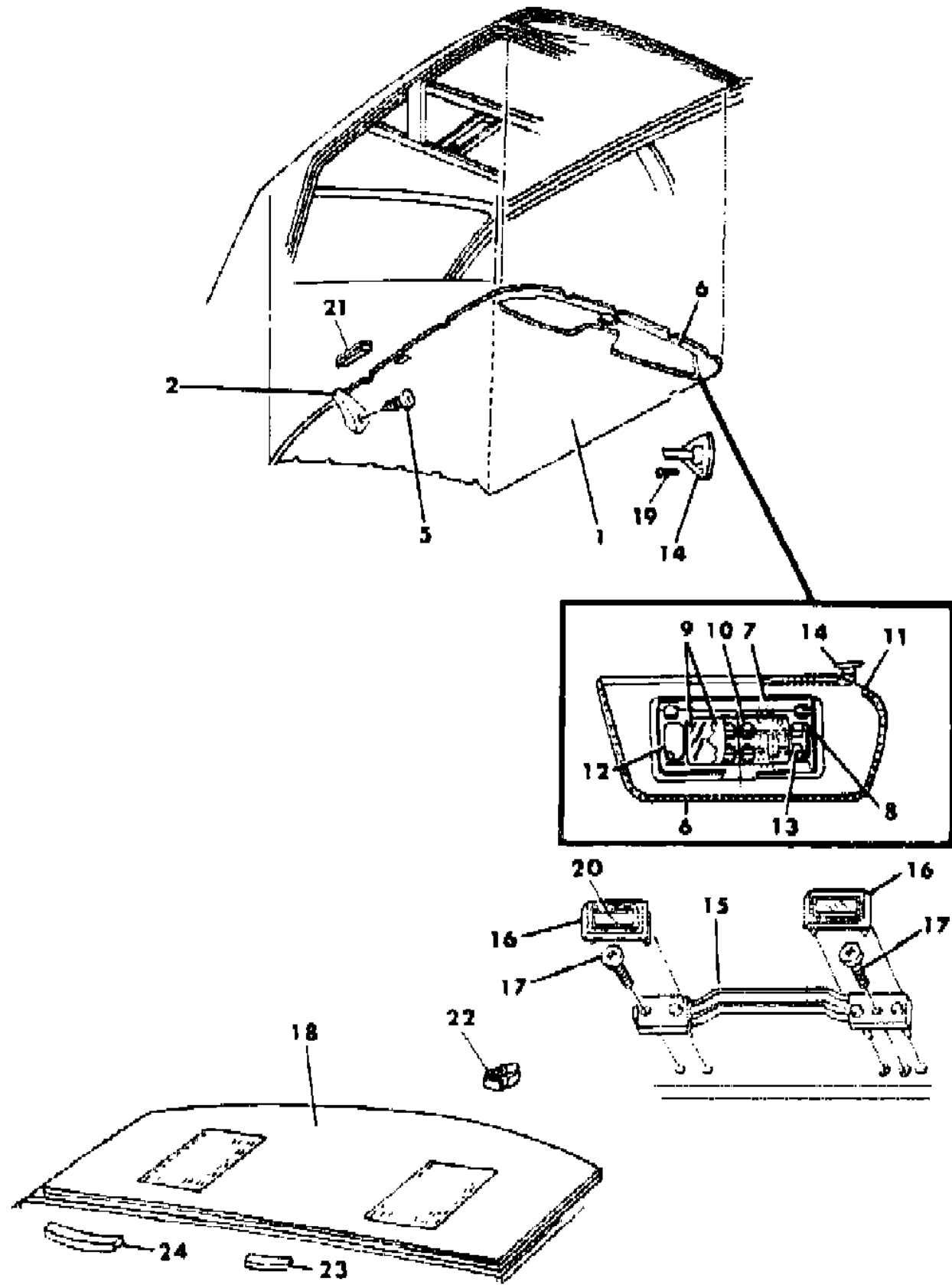
45 = 4-DOOR STATION WAGON

52-53 = FWD WAGON

AR = Use as Required - = Non Illustrated Part P.A.R. = Paint as Required

HEADLINER-VISOR AND SHELF PANEL M BODY Figure ITM-200

7244 200 B



ITEM	PART NUMBER	QTY	BODY	MODEL	DESCRIPTION
1					HEADLINER, w/o Sunroof, w/Cloth Finish
	H825 AA3	1	F-S		Silver
	H825 TC7	1	F-S		Blue
	H825 TM6	1	F-S		Red
	H825 EK1	1	F-S		Almond
	H824 AA3	1	B,G,F-H		Silver
	H824 TC7	1	B,G,F-H		Blue
	H824 TM6	1	B,G,F-H		Red
	H824 EK1	1	B,G,F-H		Almond
2	3685 992	2			HOOK, Coat
5	9414 716	2			SCREW
6					VISOR, w/o Mirror, w/o Sun Roof
	H535 AA3	1			Silver
	H535 VC7	1			Blue
	H535 VM6	1			Red
	H535 EK1	1			Almond
					w/Sun Roof
	H540-1 AA3	1			Silver
	H540-1 VC7	1			Blue
	H540-1 VM6	1			Red
	H540-1 EK1	1			Almond
					w/LIGHTED MIRROR, Complete w/Cloth Finish (RIGHT ONLY)
					w/o Sun Roof
	H696 AA3	1			Silver
	H696 VC7	1			Blue
	H696 VM6	1			Red
	H696 EK1	1			Almond
					w/Sun Roof
	H624 AA3	1			Silver
	H624 VC7	1			Blue
	H624 VM6	1			Red
	H624 EK1	1			Almond
					Sub Assy. w/o Vanity Mirror, w/Cloth Finish
					w/o Sun Roof
	H698 AA3	1			Silver
	H698 VC7	1			Blue
	H698 VM6	1			Red
	H698 EK1	1			Almond

MODEL CODES

E BODY = (J - CARAVELLE)(E - 600)(T - NEW YORKER)

G BODY = (V24 - DAYTONA)

H BODY = (D44 - LANCER)(C44 - LEBARON GTS)

J BODY = (C - LEBARON)

K BODY = (P - RELIANT)(D - ARIES)(C - LEBAROND)/TOWN & COUNTRY)

L BODY = (M - HORIZON/TURISMO)(Z - OMNI/CHARGER)

M BODY = (B - GRAN FURY)(F - FIFTH AVE/NEWPORT)(G - DIPLOMAT)

P BODY = (P - SUNDANCE)(D - SHADOW)

S BODY = (H - VOYAGER)(K - RAM VAN/CARAVAN)

BODY STYLES

12-13 = FWD VAN

21 = 2-DOOR SEDAN

24 = 2-DOOR HATCHBACK

27 = 2-DOOR CONVERTIBLE

41 = 4-DOOR SEDAN

44 = 4-DOOR HATCHBACK

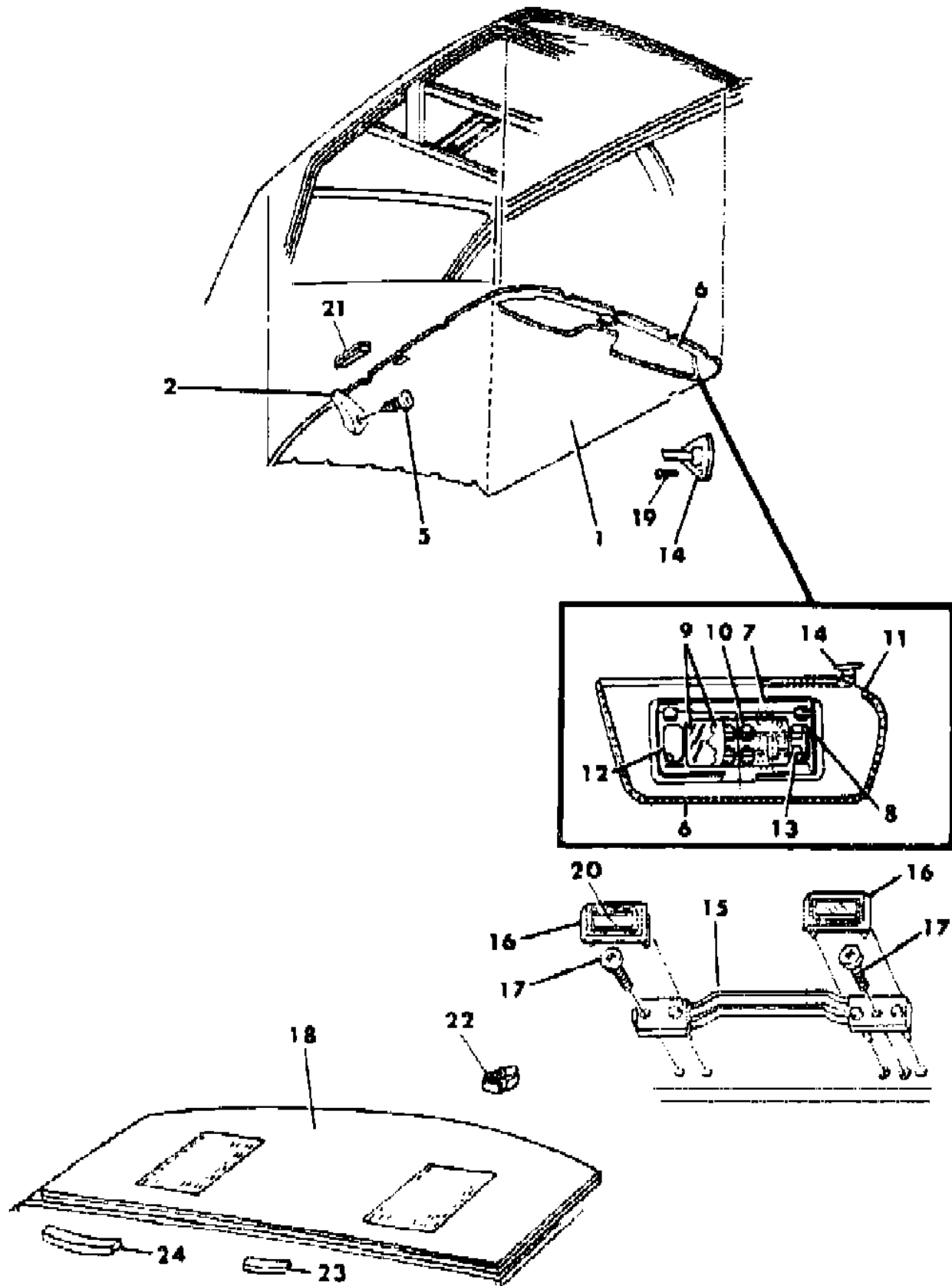
45 = 4-DOOR STATION WAGON

52-53 = FWD WAGON

AR = Use as Required - = Non Illustrated Part P.A.R. = Paint as Required

HEADLINER-VISOR AND SHELF PANEL M BODY
Figure ITM-200

7244 200 B



ITEM	PART NUMBER	QTY	BODY	MODEL	DESCRIPTION
					w/Sun Roof
	H627 AA3	1			Silver
	H627 VC7	1			Blue
	H627 VM6	1			Red
	H627 EK1	1			Almond
7					COVER, Frame and Mirror, Right
					w/o Sun Roof
	H689 AAA	1			Silver
	H689 TCC	1			Blue
	H689 TMM	1			Red
	H689 EK1	1			Almond
					w/Sun Roof
	H595 AAA	1			Silver
	H595 TCC	1			Blue
	H595 TMM	1			Red
	H595 EKK	1			Almond
					COVER, Frame Less Mirror
					w/o Sun Roof
	H691 AAA	2			Silver
	H691 TCC	2			Blue
	H691 TMM	2			Red
	H691 EK1	2			Almond
					w/Sun Roof
	H636 AAA	1			Silver
	H636 TCC	1			Blue
	H636 TMM	1			Red
	H636 EKK	1			Almond
8	3832 346	2			HINGE SPRING, Visor Mirror Cover
9	4077 687	1			MIRROR and BACK, Illuminated Vanity Mirror
10	4077 690	2			COMPONENT BOARD, Lighted Sun Visor w/Switch
11	1490 983	2			CLIP, Visor End Panel
12	4077 689	2			LENS, Visor Mirror Light
13	9421 330	4			BULB, Mirror
14	3832 899	2			ARM and Bracket, Visor
	4010 747	1			w/Lighted Visor
	3832 899	2			w/o Lighted Visor
15					HANDLE, Roof Rail Grab
	H432 AA2	2			Silver

MODEL CODES

E BODY = (J - CARAVELLE)(E - 600)(T - NEW YORKER)

G BODY = (V24 - DAYTONA)

H BODY = (D44 - LANCER)(C44 - LEBARON GTS)

J BODY = (C - LEBARON)

K BODY = (P - RELIANT)(D - ARIES)(C - LEBAROND)/TOWN & COUNTRY)

L BODY = (M - HORIZON/TURISMO)(Z - OMNI/CHARGER)

M BODY = (B - GRAN FURY)(F - FIFTH AVE/NEWPORT)(G - DIPLOMAT)

P BODY = (P - SUNDANCE)(D - SHADOW)

S BODY = (H - VOYAGER)(K - RAM VAN/CARAVAN)

BODY STYLES

12-13 = FWD VAN

21 = 2-DOOR SEDAN

24 = 2-DOOR HATCHBACK

27 = 2-DOOR CONVERTIBLE

41 = 4-DOOR SEDAN

44 = 4-DOOR HATCHBACK

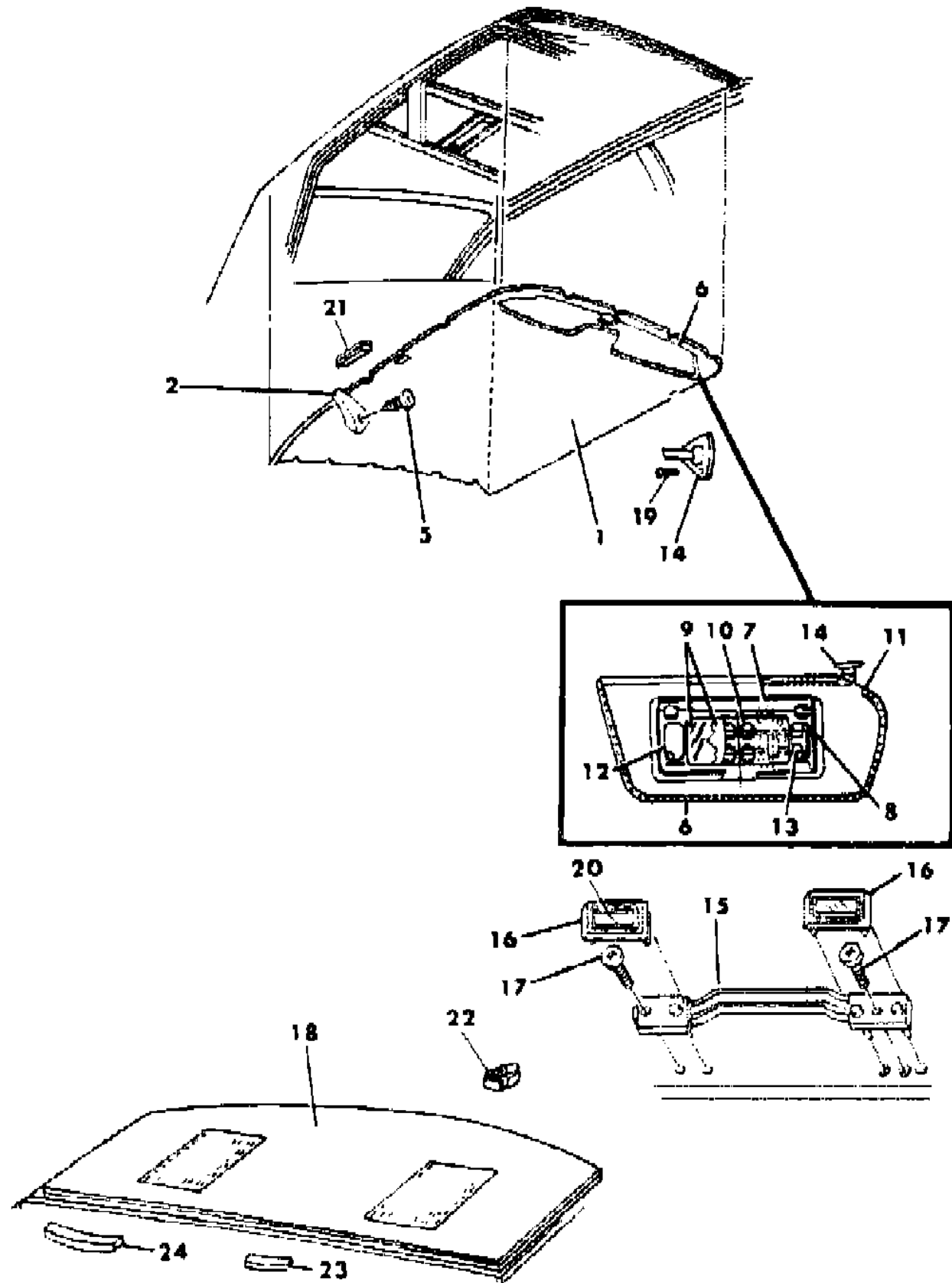
45 = 4-DOOR STATION WAGON

52-53 = FWD WAGON

AR = Use as Required - = Non Illustrated Part P.A.R. = Paint as Required

HEADLINER-VISOR AND SHELF PANEL M BODY
Figure ITM-200

7244 200 B



ITEM	PART NUMBER	QTY	BODY	MODEL	DESCRIPTION
	H432 VC8	2			Blue
	H432 VM6	2			Red
	H432 EK1	2			Almond
16	4223 941	AR			COVER, Roof Rail Grab Handle End Cap
17					SCREW, (-18x7/8) (Not Serv.)
18					PANEL, Shelf Trim w/ or w/o Rear Speakers
	H753 EA7	1	B,G,F-H		Silver
	H753 EC7	1	B,G,F-H		Blue
	H753 EM6	1	B,G,F-H		Red
	H753 EK1	1	B,G,F-H		Almond
	H752 EA7	1	F-S		Silver
	H752 EC7	1	F-S		Blue
	H752 EM6	1	F-S		Red
	H752 EK1	1	F-S		Almond
19	6032 755	6			SCREW, Bracket Attaching
20	4010 348	4			CAP, Handle End
21	4283 650	4			Spacer, Headliner to Roof Panel
22	6002 072	2			FASTENER, Shelf Trim Panel
23	4410 495	1			SPACER, Shelf Trim Panel
24	4410 564	1			SPACER, Shelf Trim Panel

MODEL CODES

E BODY = (J - CARAVELLE)(E - 600)(T - NEW YORKER)

G BODY = (V24 - DAYTONA)

H BODY = (D44 - LANCER)(C44 - LEBARON GTS)

J BODY = (C - LEBARON)

K BODY = (P - RELIANT)(D - ARIES)(C - LEBAROND)/TOWN & COUNTRY)

L BODY = (M - HORIZON/TURISMO)(Z - OMNI/CHARGER)

M BODY = (B - GRAN FURY)(F - FIFTH AVE/NEWPORT)(G - DIPLOMAT)

P BODY = (P - SUNDANCE)(D - SHADOW)

S BODY = (H - VOYAGER)(K - RAM VAN/CARAVAN)

BODY STYLES

12-13 = FWD VAN

21 = 2-DOOR SEDAN

24 = 2-DOOR HATCHBACK

27 = 2-DOOR CONVERTIBLE

41 = 4-DOOR SEDAN

44 = 4-DOOR HATCHBACK

45 = 4-DOOR STATION WAGON

52-53 = FWD WAGON

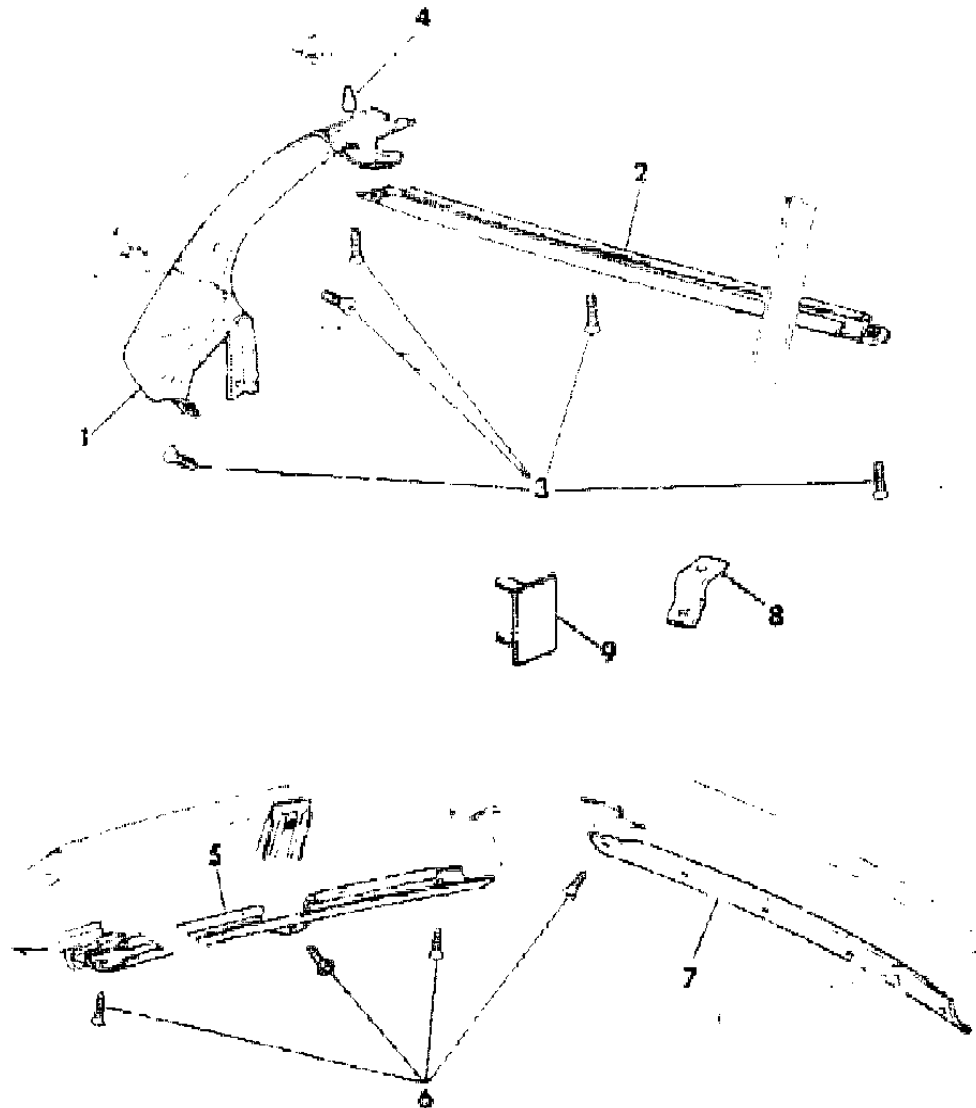
AR = Use as Required - = Non Illustrated Part P.A.R. = Paint as Required

**MOULDING--GARNISH M BODY B,G,F-H
Figure ITM-300**

7244 300 A

ITEM	PART NUMBER	QTY	BODY	MODEL	DESCRIPTION
1					MOULDING, Windshield Side
	F256-7 AA3	1			Silver
	F256-7 SC7	1			Blue
	F256-7 TM6	1			Red
	F256-7 EK1	1			Almond
2	4278 659	1			MOULDING, Windshield Upper
3	6032 152	AR			SCREW
4		AR			NUT, (Not Serv.)
5	F096-7 DA3	1			MOULDING, Roof Side Garnish (P.A.R.)
6	6032 152	AR			SCREW
7	4136 299	1			MOULDING, Rear Window Upper
8	4040 592	AR			BRACKET, Rear Window Garnish Moulding Center Attaching, For Repair
9					BUMPER
	F030 CA3	2			Silver
	F030 CC7	2			Blue
	F030 CM6	2			Red
	F030 EK1	2			Almond

NOTE: (P.A.R. = Paint As Required)



MODEL CODES

E BODY = (J - CARAVELLE)(E - 600)(T - NEW YORKER)

G BODY = (V24 - DAYTONA)

H BODY = (D44 - LANCER)(C44 - LEBARON GTS)

J BODY = (C - LEBARON)

K BODY = (P - RELIANT)(D - ARIES)(C - LEBAROND)/TOWN & COUNTRY)

L BODY = (M - HORIZON/TURISMO)(Z - OMNI/CHARGER)

M BODY = (B - GRAN FURY)(F - FIFTH AVE/NEWPORT)(G - DIPLOMAT)

P BODY = (P - SUNDANCE)(D - SHADOW)

S BODY = (H - VOYAGER)(K - RAM VAN/CARAVAN)

BODY STYLES

12-13 = FWD VAN

21 = 2-DOOR SEDAN

24 = 2-DOOR HATCHBACK

27 = 2-DOOR CONVERTIBLE

41 = 4-DOOR SEDAN

44 = 4-DOOR HATCHBACK

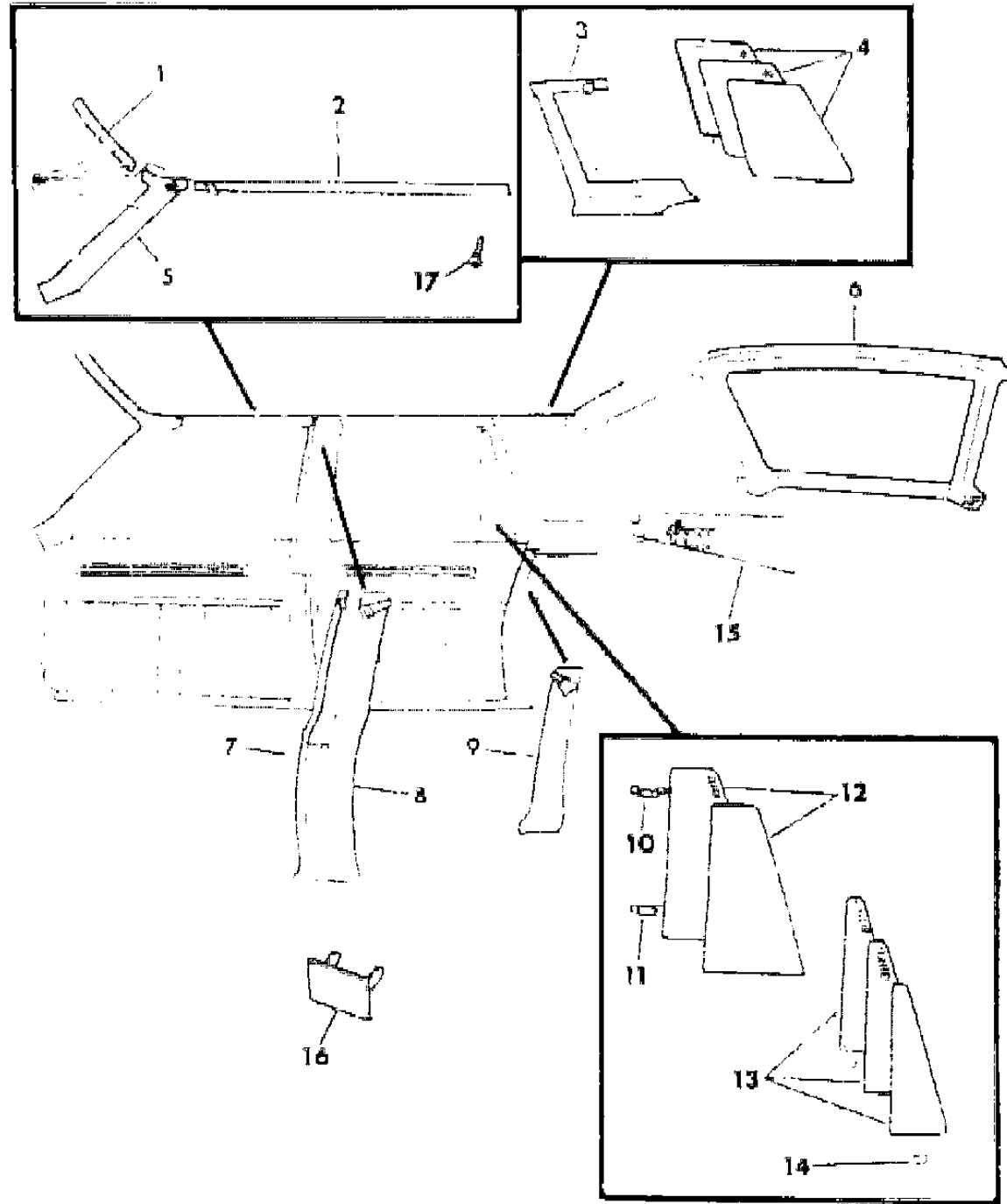
45 = 4-DOOR STATION WAGON

52-53 = FWD WAGON

AR = Use as Required - = Non Illustrated Part P.A.R. = Paint as Required

MOULDING--GARNISH M BODY F-S
Figure ITM-400

7244 400 A



ITEM	PART NUMBER	QTY	BODY	MODEL	DESCRIPTION
1	F254 AA3	1			MOULDING, Windshield Side, Upper Silver
	F254 AC7	1			Blue
	F254 AM6	1			Red
	F254 EK1	1			Almond
2	F120-1 CA3	1			MOULDING, Roof Side Finished Silver
	F120-1 CC7	1			Blue
	F120-1 CM6	1			Red
	F120-1 EK1	1			Almond
3	H714-5 AA3	1			PANEL, Quarter Upper Trim Silver
	H714-5 AC7	1			Blue
	H714-5 AM6	1			Red
	H714-5 EK1	1			Almond
4	H716-7 AA3	1			INSERT, Quarter Upper Trim Panel Silver
	H716-7 AC7	1			Blue
	H716-7 AM6	1			Red
	H716-7 EK1	1			Almond
5	F334-5 AA3	1			MOULDING, Windshield Side ("A" Pillar) Silver
	F334-5 AC7	1			Blue
	F334-5 AM6	1			Red
	F334-5 EK1	1			Almond
6	H718 AA3	1			PANEL, Rear Window Trim (Cloth) Silver
	H718 AC7	1			Blue
	H718 AM6	1			Red
	H718 EK1	1			Almond
7	F558-9 CA3	1			COVER, Center ("B" Pillar) Trim Front Silver
	F558-9 CC7	1			Blue
	F558-9 CM6	1			Red
	F558-9 EK1	1			Almond
8	F562-3 CA3	1			COVER, Center ("B" Pillar) Trim Rear Silver
	F562-3 CC7	1			Blue

MODEL CODES

E BODY = (J - CARAVELLE)(E - 600)(T - NEW YORKER)

G BODY = (V24 - DAYTONA)

H BODY = (D44 - LANCER)(C44 - LEBARON GTS)

J BODY = (C - LEBARON)

K BODY = (P - RELIANT)(D - ARIES)(C - LEBAROND)/TOWN & COUNTRY)

L BODY = (M - HORIZON/TURISMO)(Z - OMNI/CHARGER)

M BODY = (B - GRAN FURY)(F - FIFTH AVE/NEWPORT)(G - DIPLOMAT)

P BODY = (P - SUNDANCE)(D - SHADOW)

S BODY = (H - VOYAGER)(K - RAM VAN/CARAVAN)

BODY STYLES

12-13 = FWD VAN

21 = 2-DOOR SEDAN

24 = 2-DOOR HATCHBACK

27 = 2-DOOR CONVERTIBLE

41 = 4-DOOR SEDAN

44 = 4-DOOR HATCHBACK

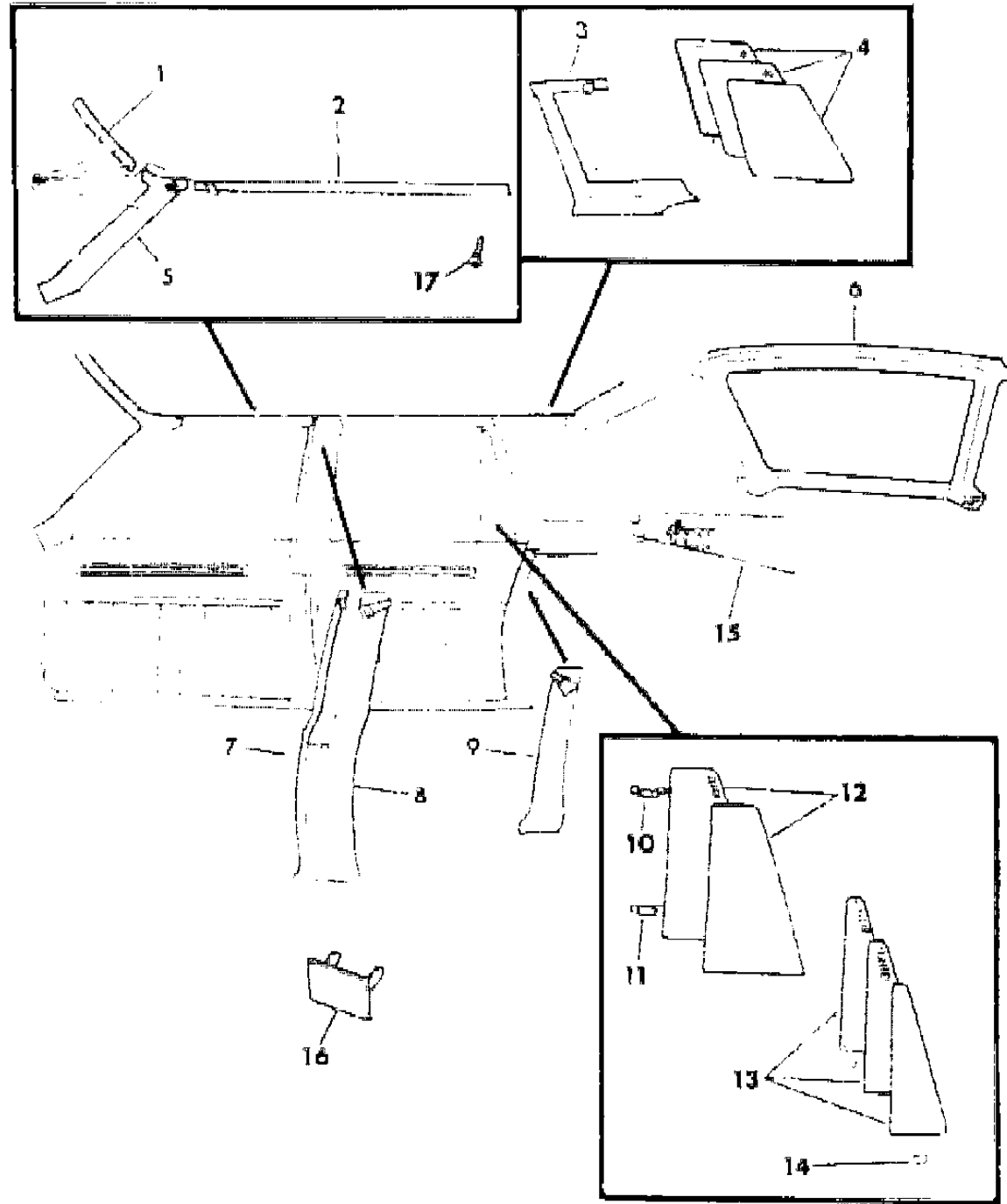
45 = 4-DOOR STATION WAGON

52-53 = FWD WAGON

AR = Use as Required - = Non Illustrated Part P.A.R. = Paint as Required

MOULDING--GARNISH M BODY F-S
Figure ITM-400

7244 400 A



ITEM	PART NUMBER	QTY	BODY	MODEL	DESCRIPTION
	F562-3 CM6	1			Red
	F562-3 EK1	1			Almond
9	F336-7 AA3	1			Silver
	F336-7 AC7	1			Blue
	F336-7 AM6	1			Red
	F336-7 EK1	1			Almond
10	4229 832	2			BRACKET, Rear Door Window Filler Upper
11	4229 833	2			BRACKET, Rear Door Window Filler Lower
12		1			FILLER, Rear Door Quarter Window
	H014-5 AA3	1			Silver
	H014-5 AC7	1			Blue
	H014-5 AM6	1			Red
	H014-5 EK1	1			Almond
13					APPLIQUE, Rear-Rear Quarter Window
	H016-7 AA3	1			Silver
	H016-7 AC7	1			Blue
	H016-7 AM6	1			Red
	H016-7 EK1	1			Almond
14					NAME PLATE, Chrysler (Served In Item 13)
15					PANEL, Shelf Trim
	H752 EA7	1			Silver
	H752 EC7	1			Blue
	H752 EM6	1			Red
	H752 EK1	1			Almond
16					BUMPER
	F030 CA3	1			Silver
	F030 CC7	1			Blue
	F030 CM6	1			Red
	F030 EK1	2			Almond
17	6032 152	AR			SCREW

MODEL CODES
 E BODY = (J - CARAVELLE)(E - 600)(T - NEW YORKER) L BODY = (M - HORIZON/TURISMO)(Z - OMNI/CHARGER)
 G BODY = (V24 - DAYTONA) M BODY = (B - GRAN FURY)(F - FIFTH AVE/NEWPORT)(G - DIPLOMAT)
 H BODY = (D44 - LANCER)(C44 - LEBARON GTS) P BODY = (P - SUNDANCE)(D - SHADOW)
 J BODY = (C - LEBARON) S BODY = (H - VOYAGER)(K - RAM VAN/CARAVAN)
 K BODY = (P - RELIANT)(D - ARIES)(C - LEBAROND)/TOWN & COUNTRY

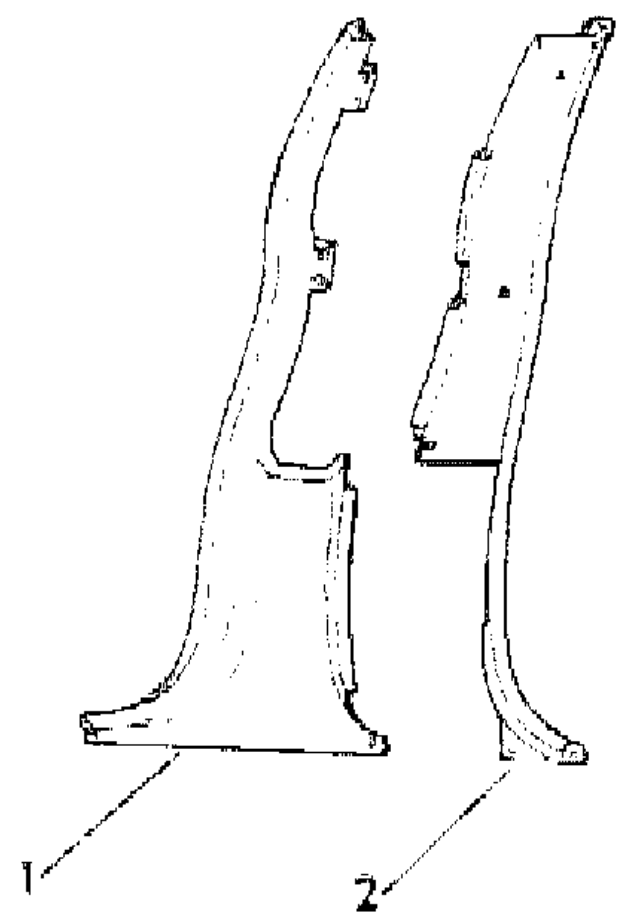
BODY STYLES
 12-13 = FWD VAN 41 = 4-DOOR SEDAN
 21 = 2-DOOR SEDAN 44 = 4-DOOR HATCHBACK
 24 = 2-DOOR HATCHBACK 45 = 4-DOOR STATION WAGON
 27 = 2-DOOR CONVERTIBLE 52-53 = FWD WAGON

AR = Use as Required - = Non Illustrated Part P.A.R. = Paint as Required

B PILLAR TRIM M BODY B,G,F-H
Figure ITM-500

7244 500

ITEM	PART NUMBER	QTY	BODY	MODEL	DESCRIPTION
1	F556-7 CA3	1			Silver
	F556-7 CC7	1			Blue
	F556-7 CM6	1			Red
	F556-7 EK1	1			Almond
2	F560-1 CA3	1			Silver
	F560-1 CC7	1			Blue
	F560-1 CM6	1			Red
	F560-1 EK1	1			Almond



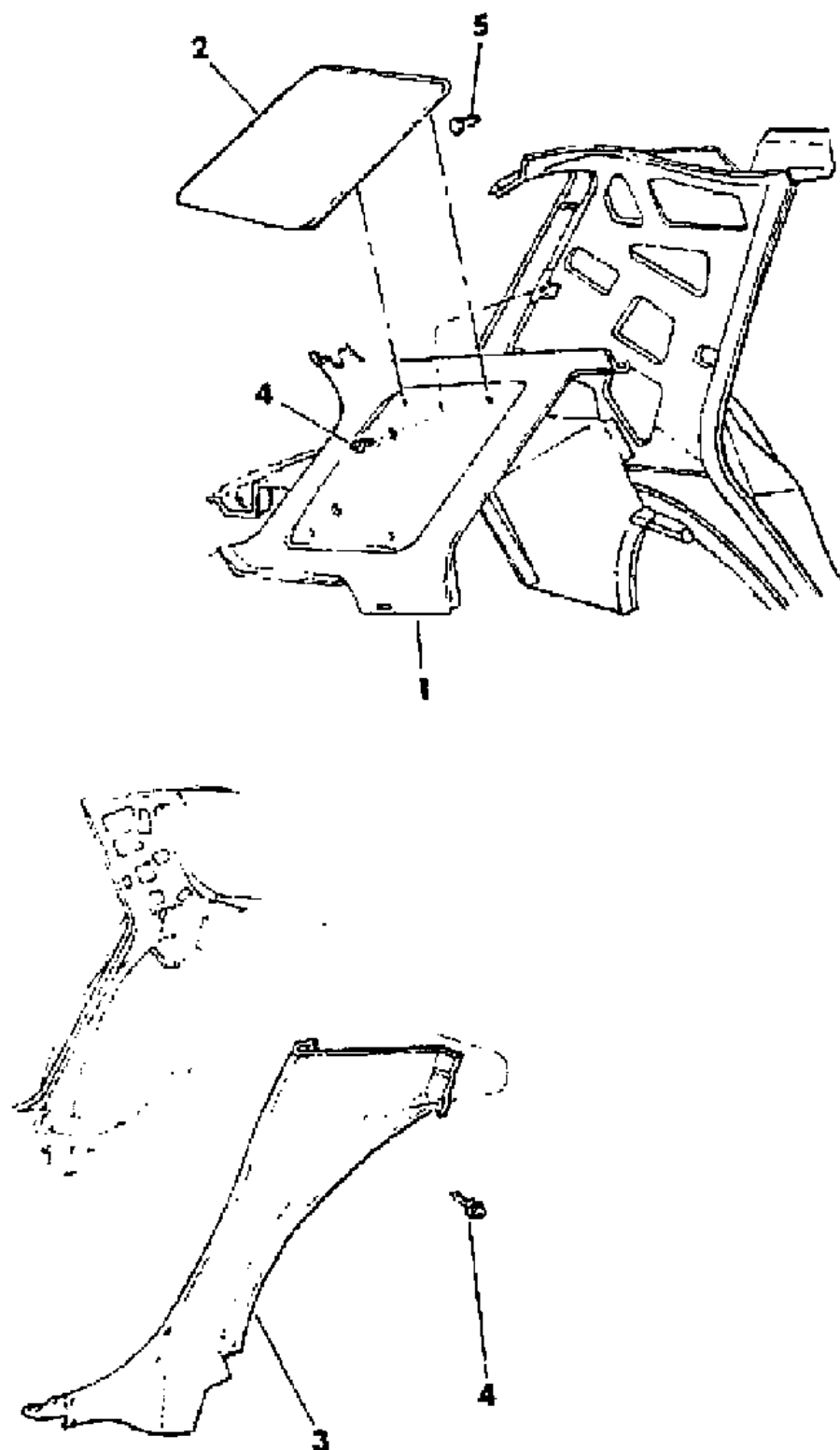
MODEL CODES
 E BODY = (J - CARAVELLE)(E - 600)(T - NEW YORKER)
 G BODY = (V24 - DAYTONA)
 H BODY = (D44 - LANCER)(C44 - LEBARON GTS)
 J BODY = (C - LEBARON)
 K BODY = (P - RELIANT)(D - ARIES)(C - LEBAROND)/TOWN & COUNTRY
 L BODY = (M - HORIZON/TURISMO)(Z - OMNI/CHARGER)
 M BODY = (B - GRAN FURY)(F - FIFTH AVE/NEWPORT)(G - DIPLOMAT)
 P BODY = (P - SUNDANCE)(D - SHADOW)
 S BODY = (H - VOYAGER)(K - RAM VAN/CARAVAN)

BODY STYLES
 12-13 = FWD VAN 41 = 4-DOOR SEDAN
 21 = 2-DOOR SEDAN 44 = 4-DOOR HATCHBACK
 24 = 2-DOOR HATCHBACK 45 = 4-DOOR STATION WAGON
 27 = 2-DOOR CONVERTIBLE 52-53 = FWD WAGON

AR = Use as Required - = Non Illustrated Part P.A.R. = Paint as Required

PANEL--QUARTER TRIM M BODY B,G,F-H
Figure ITM-600

7244 800 A



ITEM	PART NUMBER	QTY	BODY	MODEL	DESCRIPTION
1	H662-3 AA3	1			PANEL, Quarter Upper Trim "C" Pillar (P.A.R.)
2	H664-5 AA3	1			INSERT, Quarter Upper Trim Panel
	H664-5 TC7	1			Silver
	H664-5 TM6	1			Blue
	H664-5 EK1	1			Red
3	F366-7 AA3	1			COVER, Lower Quarter Lock Pillar Trim
	F366-7 SC7	1			Silver
	F366-7 TM6	1			Blue
	F366-7 EK1	1			Red
4	6032 179	AR			SCREW
5	4114 785	AR			FASTENER, Insert Attaching

NOTE: (P.A.R. = Paint As Required)

MODEL CODES

E BODY = (J - CARAVELLE)(E - 600)(T - NEW YORKER)

G BODY = (V24 - DAYTONA)

H BODY = (D44 - LANCER)(C44 - LEBARON GTS)

J BODY = (C - LEBARON)

K BODY = (P - RELIANT)(D - ARIES)(C - LEBAROND)/TOWN & COUNTRY)

L BODY = (M - HORIZON/TURISMO)(Z - OMNI/CHARGER)

M BODY = (B - GRAN FURY)(F - FIFTH AVE/NEWPORT)(G - DIPLOMAT)

P BODY = (P - SUNDANCE)(D - SHADOW)

S BODY = (H - VOYAGER)(K - RAM VAN/CARAVAN)

BODY STYLES

12-13 = FWD VAN

21 = 2-DOOR SEDAN

24 = 2-DOOR HATCHBACK

27 = 2-DOOR CONVERTIBLE

41 = 4-DOOR SEDAN

44 = 4-DOOR HATCHBACK

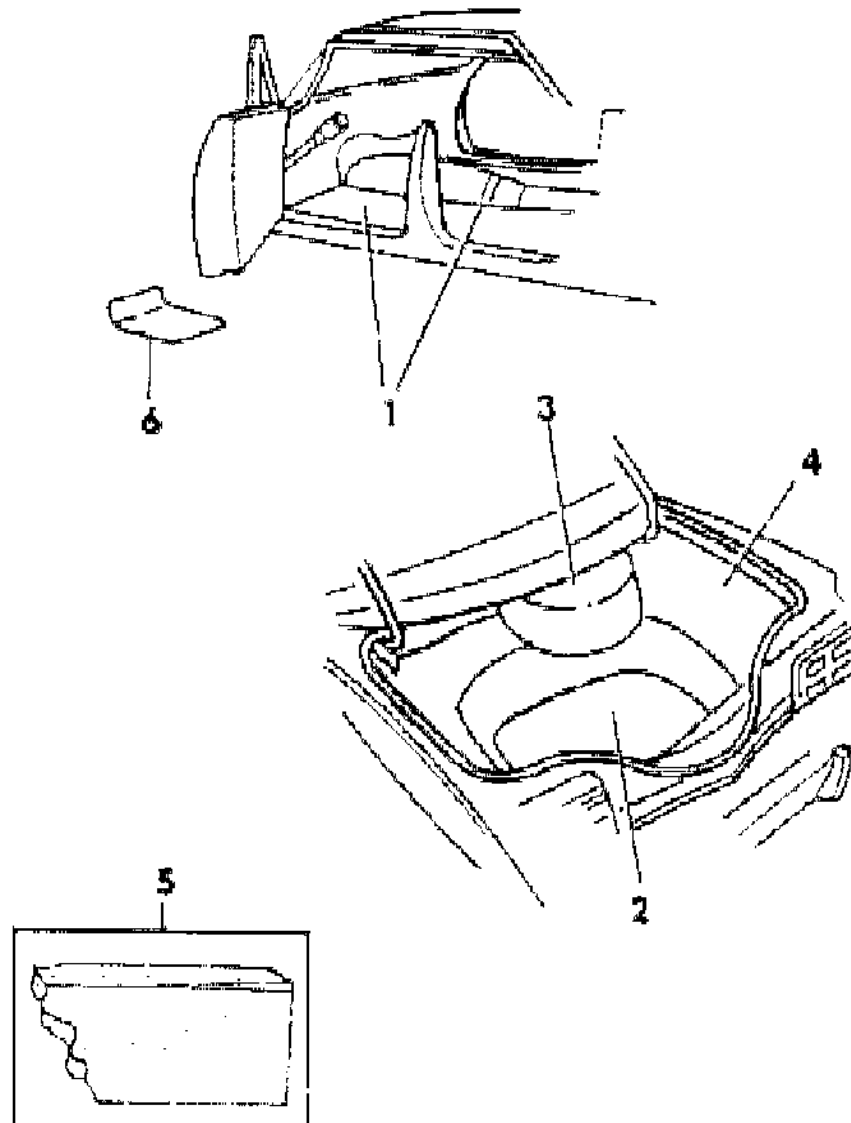
45 = 4-DOOR STATION WAGON

52-53 = FWD WAGON

AR = Use as Required - = Non Illustrated Part P.A.R. = Paint as Required

CARPET M BODY
Figure ITM-700

7244 700 A



ITEM	PART NUMBER	QTY	BODY	MODEL	DESCRIPTION
1					CARPET
	M705 AA7	1		B,G,F-H	Silver
	M705 TC7	1		B,G,F-H	Blue
	M705 TM6	1		B,G,F-H	Red
	M705 EK3	1		B,G,F-H	Almond
	M728 AA7	1		F-S	Silver
	M728 AC7	1		F-S	Blue
	M728 AM6	1		F-S	Red
	M728 EK3	1		F-S	Almond
2					CARPET, Luggage Compartment Floor
	4077 249	1			Black
3					COVER, Spare Tire
	4010 755	1			w/Full Size Tire
	4078 695	1			w/Compact Tire
4	4077 232-3	AR			CARPET and SILENCER, Wheelhouse, Black
5	3762 861	AR			INSULATION, Floor (60"x72" Cut To Fit)
6					CARPETED FLOOR MATS, Set of Two
					FRONT
	M025 AA7	1			Silver
	M025 VC7	1			Blue
	M025 VM6	1			Red
	M025 EK3	1			Almond
					REAR
	M046 DA7	1			Silver
	M046 DC7	1			Blue
	M046 DM6	1			Red
	M046 EK3	1			Almond
					Package of Four, Front and Rear
	M028 AA7	1		F-S	Silver
	M028 VC7	1		F-S	Blue
	M028 VM6	1		F-S	Red
	M028 EK3	1		F-S	Almond

MODEL CODES

E BODY = (J - CARAVELLE)(E - 600)(T - NEW YORKER)

G BODY = (V24 - DAYTONA)

H BODY = (D44 - LANCER)(C44 - LEBARON GTS)

J BODY = (C - LEBARON)

K BODY = (P - RELIANT)(D - ARIES)(C - LEBAROND)/TOWN & COUNTRY)

L BODY = (M - HORIZON/TURISMO)(Z - OMNI/CHARGER)

M BODY = (B - GRAN FURY)(F - FIFTH AVE/NEWPORT)(G - DIPLOMAT)

P BODY = (P - SUNDANCE)(D - SHADOW)

S BODY = (H - VOYAGER)(K - RAM VAN/CARAVAN)

BODY STYLES

12-13 = FWD VAN

21 = 2-DOOR SEDAN

24 = 2-DOOR HATCHBACK

27 = 2-DOOR CONVERTIBLE

41 = 4-DOOR SEDAN

44 = 4-DOOR HATCHBACK

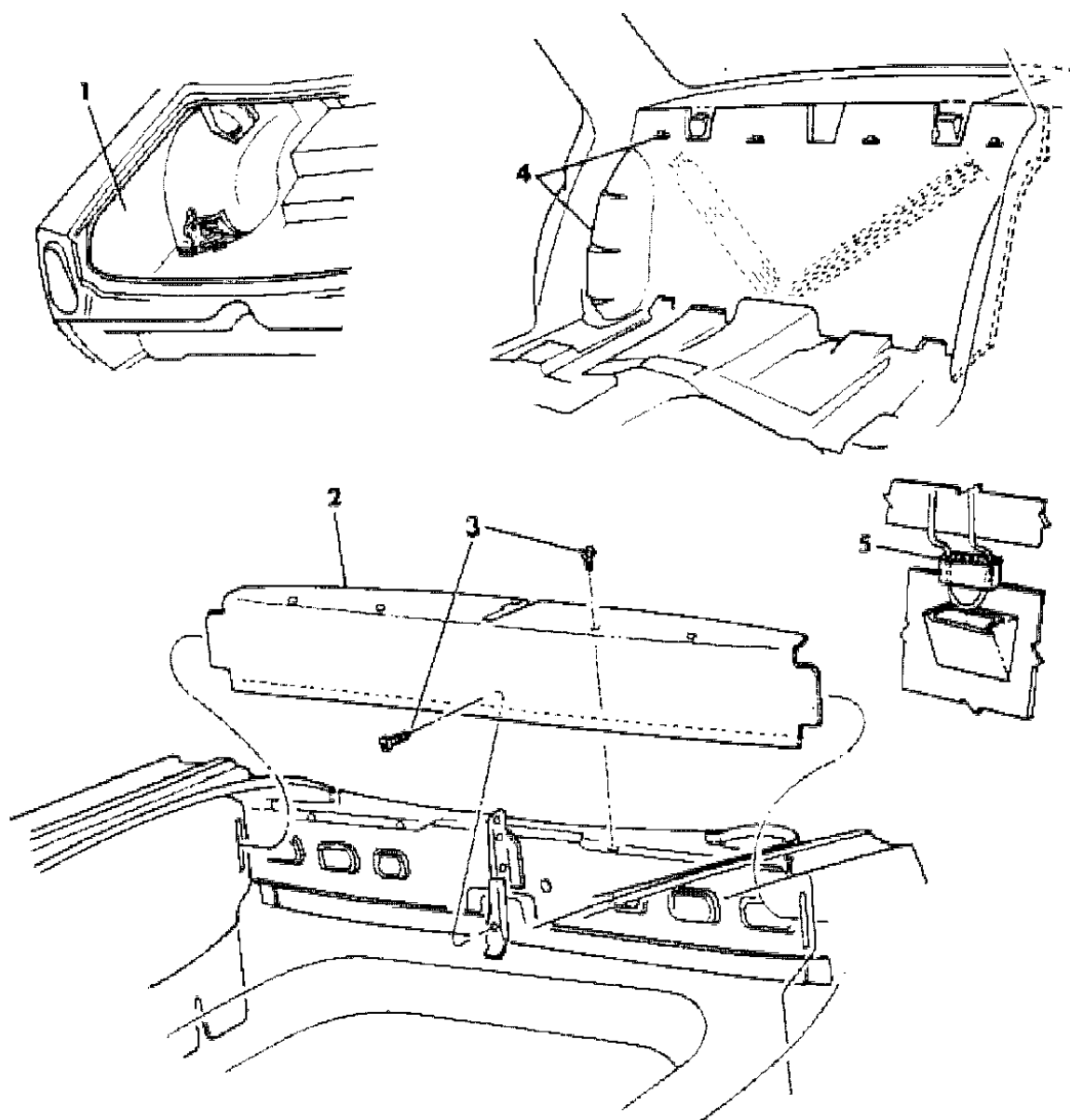
45 = 4-DOOR STATION WAGON

52-53 = FWD WAGON

AR = Use as Required - = Non Illustrated Part P.A.R. = Paint as Required

LUGGAGE COMPARTMENT LINER AND SILENCER M BODY
Figure ITM-800

7244 800



ITEM	PART NUMBER	QTY	BODY	MODEL	DESCRIPTION
1					LINER, Luggage Compartment Side
	4077 234-5	1			Black
2	4248 363	1			COVER, Luggage Compartment Deck Opening Lower
3		AR			SCREW, (8-18x.625) (Not Serv.)
4	3762 862	1			SILENCER, Luggage Compartment Front Liner (36"x72"Cut To Fit)
5	3844 272	2			SEAL, Rear Seat Back Spring to Shelf Panel

MODEL CODES

E BODY = (J - CARAVELLE)(E - 600)(T - NEW YORKER)

G BODY = (V24 - DAYTONA)

H BODY = (D44 - LANCER)(C44 - LEBARON GTS)

J BODY = (C - LEBARON)

K BODY = (P - RELIANT)(D - ARIES)(C - LEBAROND)/TOWN & COUNTRY)

L BODY = (M - HORIZON/TURISMO)(Z - OMNI/CHARGER)

M BODY = (B - GRAN FURY)(F - FIFTH AVE/NEWPORT)(G - DIPLOMAT)

P BODY = (P - SUNDANCE)(D - SHADOW)

S BODY = (H - VOYAGER)(K - RAM VAN/CARAVAN)

BODY STYLES

12-13 = FWD VAN

21 = 2-DOOR SEDAN

24 = 2-DOOR HATCHBACK

27 = 2-DOOR CONVERTIBLE

41 = 4-DOOR SEDAN

44 = 4-DOOR HATCHBACK

45 = 4-DOOR STATION WAGON

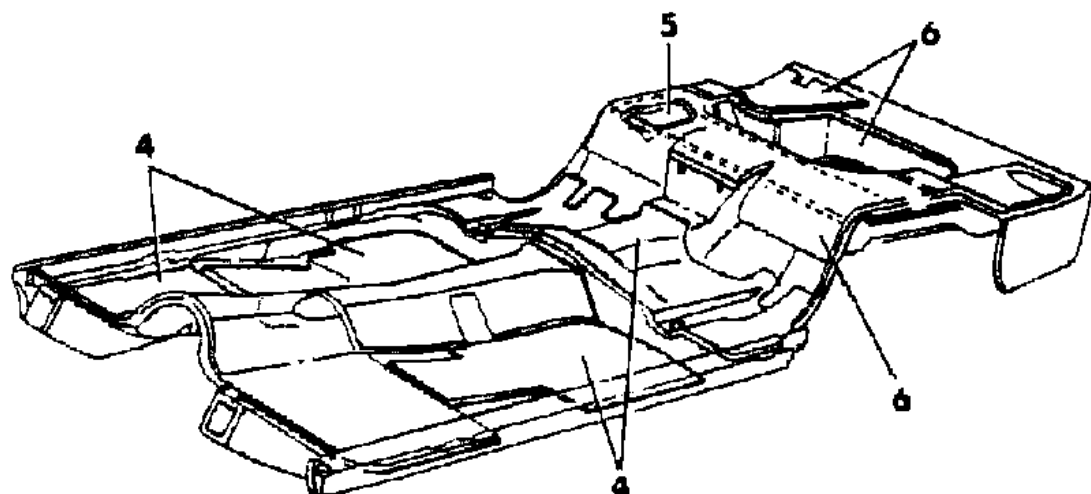
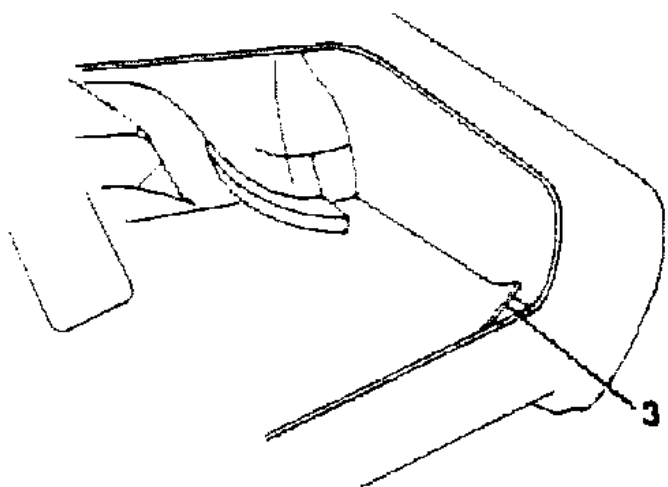
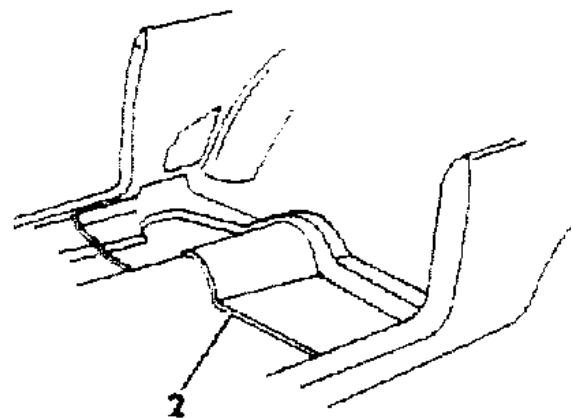
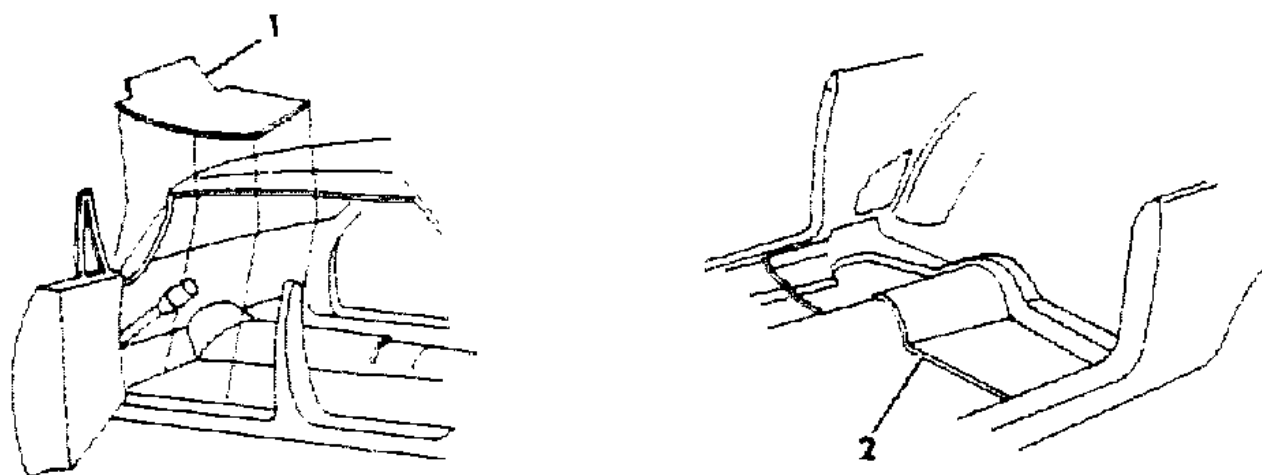
52-53 = FWD WAGON

AR = Use as Required - = Non Illustrated Part P.A.R. = Paint as Required

MATS--FRONT AND REAR FLOOR LUGGAGE COMPARTMENT AND REAR FLOOR WELL M BODY
Figure ITM-900

7244 900

ITEM	PART NUMBER	QTY	BODY	MODEL	DESCRIPTION
1	#4381 382	1			MAT, Front Floor Heavy Duty, Black
2	#4381 383	1			MAT, Rear Floor Heavy Duty, Black
3	4077 249	1			MAT, Luggage Compartment Floor, Black
4	4186 901	AR			SILENCER, (36"x72" Cut To Fit)
5	3837 683	AR			SILENCER, (24"x48"x1/4" Cut To Fit)
6	3762 862	AR			SILENCER, (36"x72" Cut To Fit)



MODEL CODES

E BODY = (J - CARAVELLE)(E - 600)(T - NEW YORKER)

G BODY = (V24 - DAYTONA)

H BODY = (D44 - LANCER)(C44 - LEBARON GTS)

J BODY = (C - LEBARON)

K BODY = (P - RELIANT)(D - ARIES)(C - LEBAROND)/TOWN & COUNTRY)

L BODY = (M - HORIZON/TURISMO)(Z - OMNI/CHARGER)

M BODY = (B - GRAN FURY)(F - FIFTH AVE/NEWPORT)(G - DIPLOMAT)

P BODY = (P - SUNDANCE)(D - SHADOW)

S BODY = (H - VOYAGER)(K - RAM VAN/CARAVAN)

BODY STYLES

12-13 = FWD VAN

21 = 2-DOOR SEDAN

24 = 2-DOOR HATCHBACK

27 = 2-DOOR CONVERTIBLE

41 = 4-DOOR SEDAN

44 = 4-DOOR HATCHBACK

45 = 4-DOOR STATION WAGON

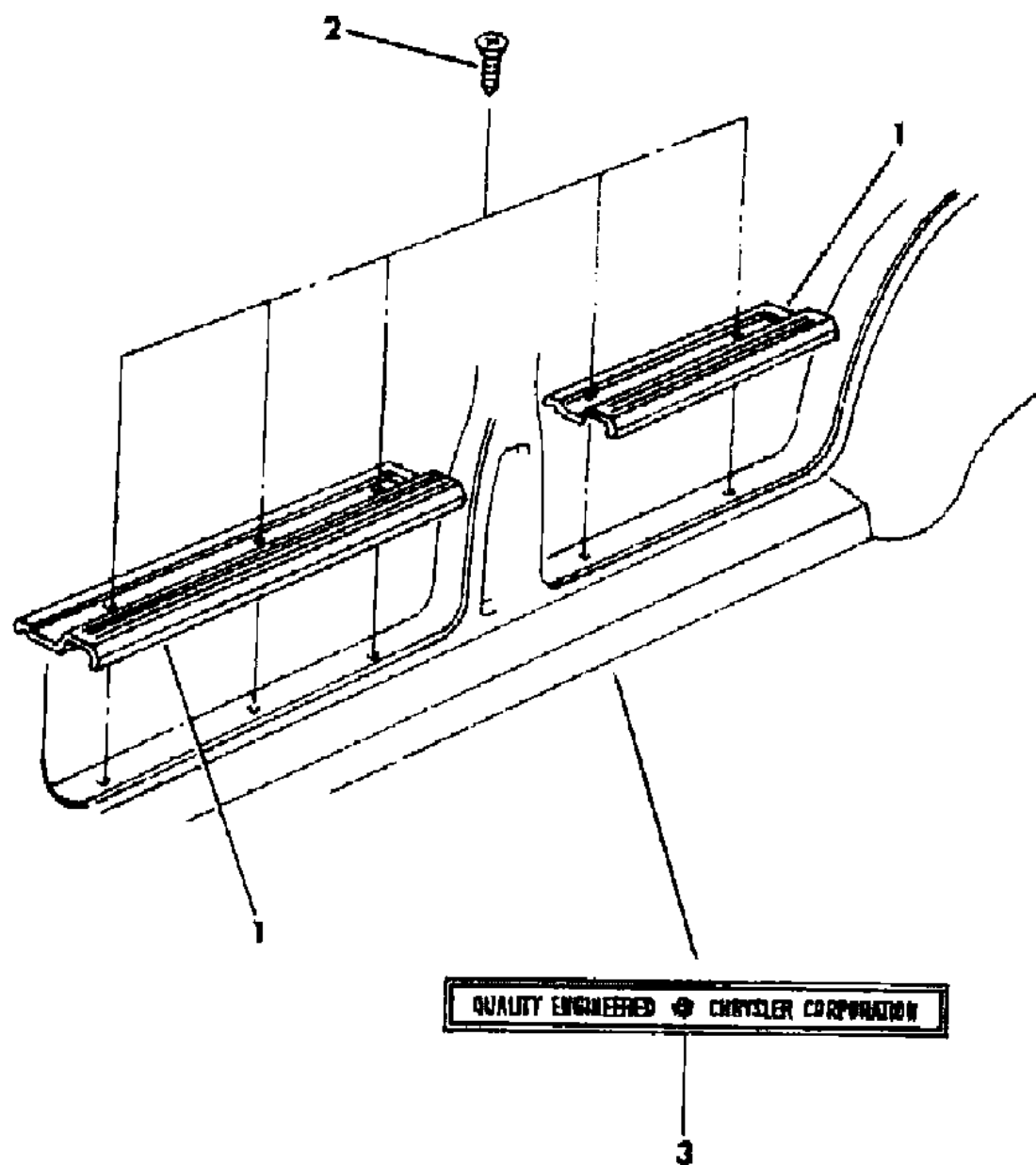
52-53 = FWD WAGON

AR = Use as Required - = Non Illustrated Part P.A.R. = Paint as Required

SCUFF PLATES--BODY SIDE SILL AND DOOR M BODY
Figure ITM-1000

7244 1000 A

ITEM	PART NUMBER	QTY	BODY	MODEL	DESCRIPTION
1	4078 964	2			PLATE, Front
	3831 006	2			Rear
2		AR			SCREW, (8-18x1/2) (Not Serv.)
3	4078 456	1			NAME PLATE



MODEL CODES

E BODY = (J - CARAVELLE)(E - 600)(T - NEW YORKER)
 G BODY = (V24 - DAYTONA)
 H BODY = (D44 - LANCER)(C44 - LEBARON GTS)
 J BODY = (C - LEBARON)
 K BODY = (P - RELIANT)(D - ARIES)(C - LEBAROND)/TOWN & COUNTRY)

L BODY = (M - HORIZON/TURISMO)(Z - OMNI/CHARGER)
 M BODY = (B - GRAN FURY)(F - FIFTH AVE/NEWPORT)(G - DIPLOMAT)
 P BODY = (P - SUNDANCE)(D - SHADOW)
 S BODY = (H - VOYAGER)(K - RAM VAN/CARAVAN)

BODY STYLES

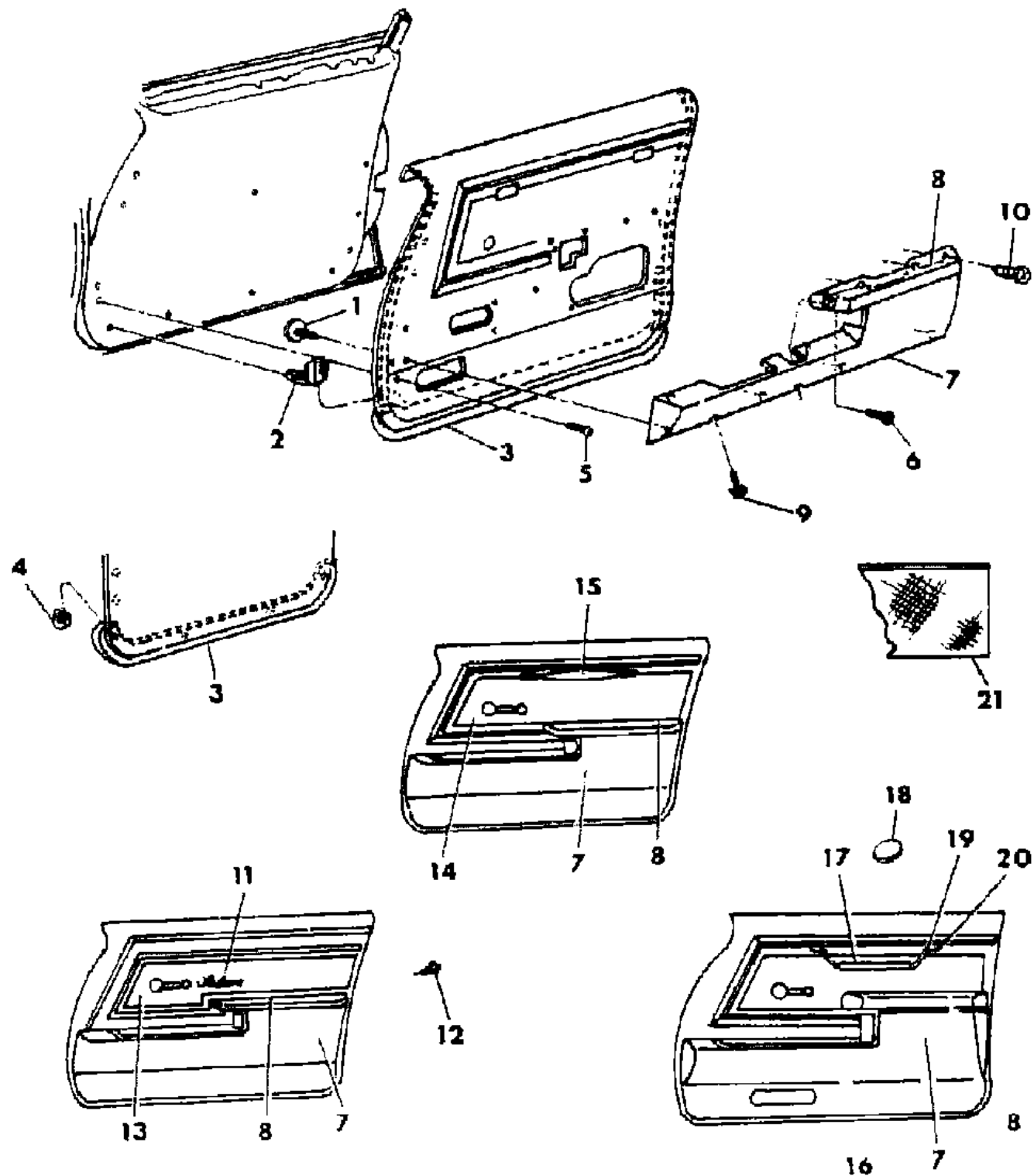
12-13 = FWD VAN 41 = 4-DOOR SEDAN
 21 = 2-DOOR SEDAN 44 = 4-DOOR HATCHBACK
 24 = 2-DOOR HATCHBACK 45 = 4-DOOR STATION WAGON
 27 = 2-DOOR CONVERTIBLE 52-53 = FWD WAGON

AR = Use as Required - = Non Illustrated Part P.A.R. = Paint as Required

PANEL--DOOR TRIM-FRONT M BODY

Figure ITM-1100

7244 1100 B



ITEM	PART NUMBER	QTY	BODY	MODEL	DESCRIPTION
1					SCREW and WASHER, (8-18x.562) (Not Serv.)
2	6003 640	AR			FASTENER
3	3831 428	2			SEAL, Secondary Sound
4	6002 944	AR			FASTENER, Secondary Seal
5		AR			SCREW, (8-18x1/2) (Not Serv.)
6		AR			SCREW, (1/4-14-1) (Not Serv.)
7	#D454-5 EK1	AR			BASE, Armrest (P.A.R.)
8					PAD and INSERT, Armrest
	D452-3 AA3	1			Silver
	D452-3 VC7	1			Blue
	D452-3 VM6	1			Red
	D452-3 EK1	1			Almond
9					SCREW, (8-18x1/2) (Not Serv.)
10	9414 722	AR			SCREW, Pad to Base Attaching
11	4078 486	2			NAME PLATE, Salon
12	6023 485	AR			FASTENER, Name Plate
13					PANEL, Door
					VINYL
	J148-9 AA2	1			Silver, (A3A, H9A)
	J148-9 VC8	1			Blue, (A3C, H9C, K2C)
	J148-9 VM6	1			Red, (A3M, H9M)
	J148-9 EK1	1			Almond, (A3K, H9K, K2K, KXK)
14					PANEL, Door
					CLOTH
	J228-9 DA4	1			Silver, (C9A)
	J228-9 DC8	1			Blue, (C9C)
	J228-9 CM6	1			Red, (C9M)
	J228-9 EK1	1			Almond, (C9K)
15					HANDLE and CAP, Door Pull
	D840 AA2	2			Silver
	D840 VC7	2			Blue
	D840 VM6	2			Red
	D840 EK1	2			Almond
16					PANEL, Door
					LEATHER
	J224-5 AA2	1			Silver, (SYA)
	J224-5 AC8	1			Blue, (SYC)
	J224-5 AM6	1			Red, (SYM)

MODEL CODES

E BODY = (J - CARAVELLE)(E - 600)(T - NEW YORKER)

G BODY = (V24 - DAYTONA)

H BODY = (D44 - LANCER)(C44 - LEBARON GTS)

J BODY = (C - LEBARON)

K BODY = (P - RELIANT)(D - ARIES)(C - LEBAROND)/TOWN & COUNTRY)

L BODY = (M - HORIZON/TURISMO)(Z - OMNI/CHARGER)

M BODY = (B - GRAN FURY)(F - FIFTH AVE/NEWPORT)(G - DIPLOMAT)

P BODY = (P - SUNDANCE)(D - SHADOW)

S BODY = (H - VOYAGER)(K - RAM VAN/CARAVAN)

BODY STYLES

12-13 = FWD VAN

21 = 2-DOOR SEDAN

24 = 2-DOOR HATCHBACK

27 = 2-DOOR CONVERTIBLE

41 = 4-DOOR SEDAN

44 = 4-DOOR HATCHBACK

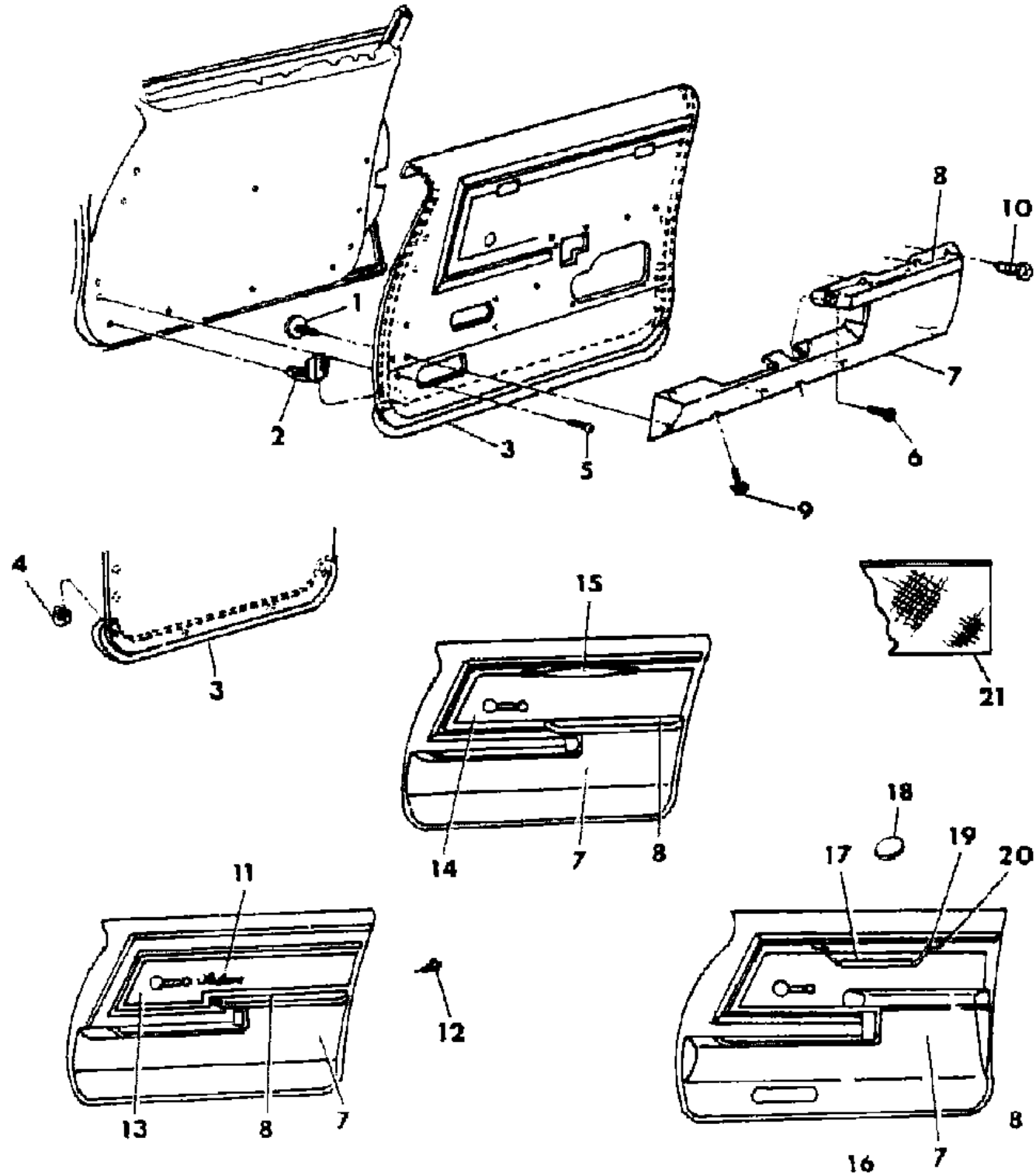
45 = 4-DOOR STATION WAGON

52-53 = FWD WAGON

AR = Use as Required - = Non Illustrated Part P.A.R. = Paint as Required

PANEL--DOOR TRIM-FRONT M BODY
Figure ITM-1100

7244 1100 B



ITEM	PART NUMBER	QTY	BODY	MODEL	DESCRIPTION
	J224-5 EK1	1			Almond, (SYK) CLOTH
	J226-7 AA3	1			Silver, (S9A)
	J226-7 AC7	1			Blue, (S9C)
	J226-7 AM6	1			Red, (S9M)
	J226-7 EK1	1			Almond, (SPK)
17	4078 233	2			HANDLE
18	6031 667	AR			WASHER, Pull Handle
19	0455 734	AR			SPRING PIN, Handle
20	4077 196-7	1			END CAP, Handle
21	4049 602	AR			SILENCER, Trim Panel (36"x36"x1/2" Cut To Fit) NOTE: (P.A.R.) = Paint As Required

MODEL CODES

E BODY = (J - CARAVELLE)(E - 600)(T - NEW YORKER)

G BODY = (V24 - DAYTONA)

H BODY = (D44 - LANCER)(C44 - LEBARON GTS)

J BODY = (C - LEBARON)

K BODY = (P - RELIANT)(D - ARIES)(C - LEBAROND)/TOWN & COUNTRY)

L BODY = (M - HORIZON/TURISMO)(Z - OMNI/CHARGER)

M BODY = (B - GRAN FURY)(F - FIFTH AVE/NEWPORT)(G - DIPLOMAT)

P BODY = (P - SUNDANCE)(D - SHADOW)

S BODY = (H - VOYAGER)(K - RAM VAN/CARAVAN)

BODY STYLES

12-13 = FWD VAN

21 = 2-DOOR SEDAN

24 = 2-DOOR HATCHBACK

27 = 2-DOOR CONVERTIBLE

41 = 4-DOOR SEDAN

44 = 4-DOOR HATCHBACK

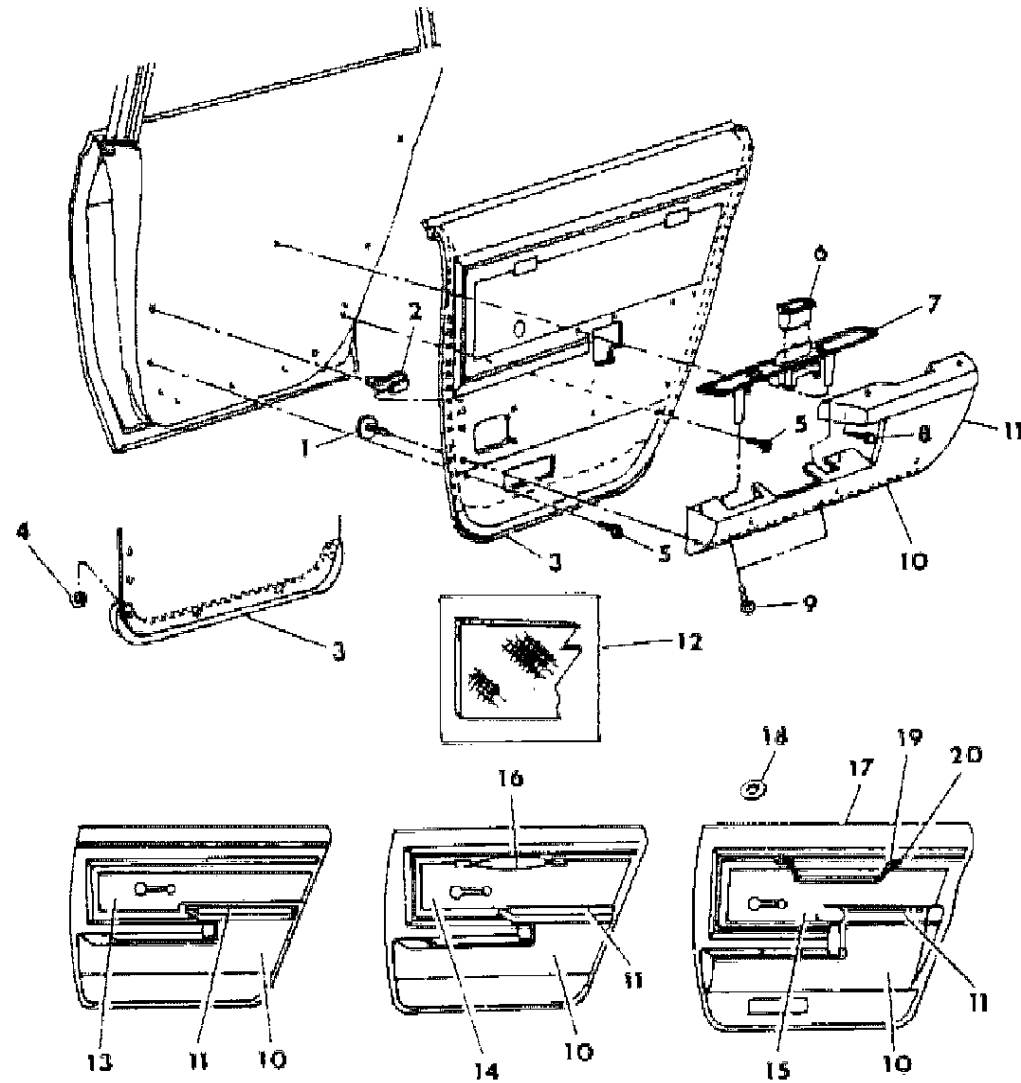
45 = 4-DOOR STATION WAGON

52-53 = FWD WAGON

AR = Use as Required - = Non Illustrated Part P.A.R. = Paint as Required

PANEL--DOOR TRIM-REAR M BODY
Figure ITM-1200

7244 1200A



ITEM	PART NUMBER	QTY	BODY	MODEL	DESCRIPTION
1		AR			SCREW, (8-18x.562) (Not Serv.)
2	6003 640	AR			FASTENER
3	3831 429	1			SEAL, Secondary Sound
4	6002 944	AR			FASTENER, Secondary Seal
5		AR			SCREW, (8-18x1/2) (Not Serv.)
6	4078 400	2			RECEPTACLE, Ash Receiver
7					BEZEL, (Refer to 23C)
8		AR			SCREW, (1/4-14-1) (Not Serv.)
9		AR			SCREW, 8-18x1/2) (Not Serv.)
10					BASE and PAD, Armrest
	D430-1 AA3	1			Silver
	D430-1 VC7	1			Blue
	D430-1 VM6	1			Red
	D430-1 EK1	1			Almond
11					PAD and INSERT, Armrest
	D488-9 AA3	1			Silver
	D488-9 VC7	1			Blue
	D488-9 VM6	1			Red
	D488-9 EK1	1			Almond
12	4049 602	AR			SILENCER, Trim Panel (36"x36"x1/2" Cut To Fit)
13					PANEL, Door
					VINYL
	J476-7 AA2	1			Silver, (A3A, H9A)
	J476-7 VC8	1			Blue, (A3C,H9C,K2C)
	J476-7 VM6	1			Red, (A3M, H9M)
	J476-7 EK1	1			Almond, (A3K,H9K,K2K,KXX)
14					PANEL, Door
					CLOTH
	J482-3 DA4	1			Silver, (C9A)
	J482-3 DC8	1			Blue, (C9C)
	J482-3 CM6	1			Red, (C9M)
	J482-3 EK1	1			Almond, (C9K)
15					PANEL, Door
					LEATHER
	J494-5 BA2	1			Silver, (SYA)
	J494-5 BC8	1			Blue, (AYC)
	J494-5 BM6	1			Red, (SYM)
	J494-5 EK1	1			Almond, (SYK)

MODEL CODES

E BODY = (J - CARAVELLE)(E - 600)(T - NEW YORKER)

G BODY = (V24 - DAYTONA)

H BODY = (D44 - LANCER)(C44 - LEBARON GTS)

J BODY = (C - LEBARON)

K BODY = (P - RELIANT)(D - ARIES)(C - LEBAROND)/TOWN & COUNTRY)

L BODY = (M - HORIZON/TURISMO)(Z - OMNI/CHARGER)

M BODY = (B - GRAN FURY)(F - FIFTH AVE/NEWPORT)(G - DIPLOMAT)

P BODY = (P - SUNDANCE)(D - SHADOW)

S BODY = (H - VOYAGER)(K - RAM VAN/CARAVAN)

BODY STYLES

12-13 = FWD VAN

21 = 2-DOOR SEDAN

24 = 2-DOOR HATCHBACK

27 = 2-DOOR CONVERTIBLE

41 = 4-DOOR SEDAN

44 = 4-DOOR HATCHBACK

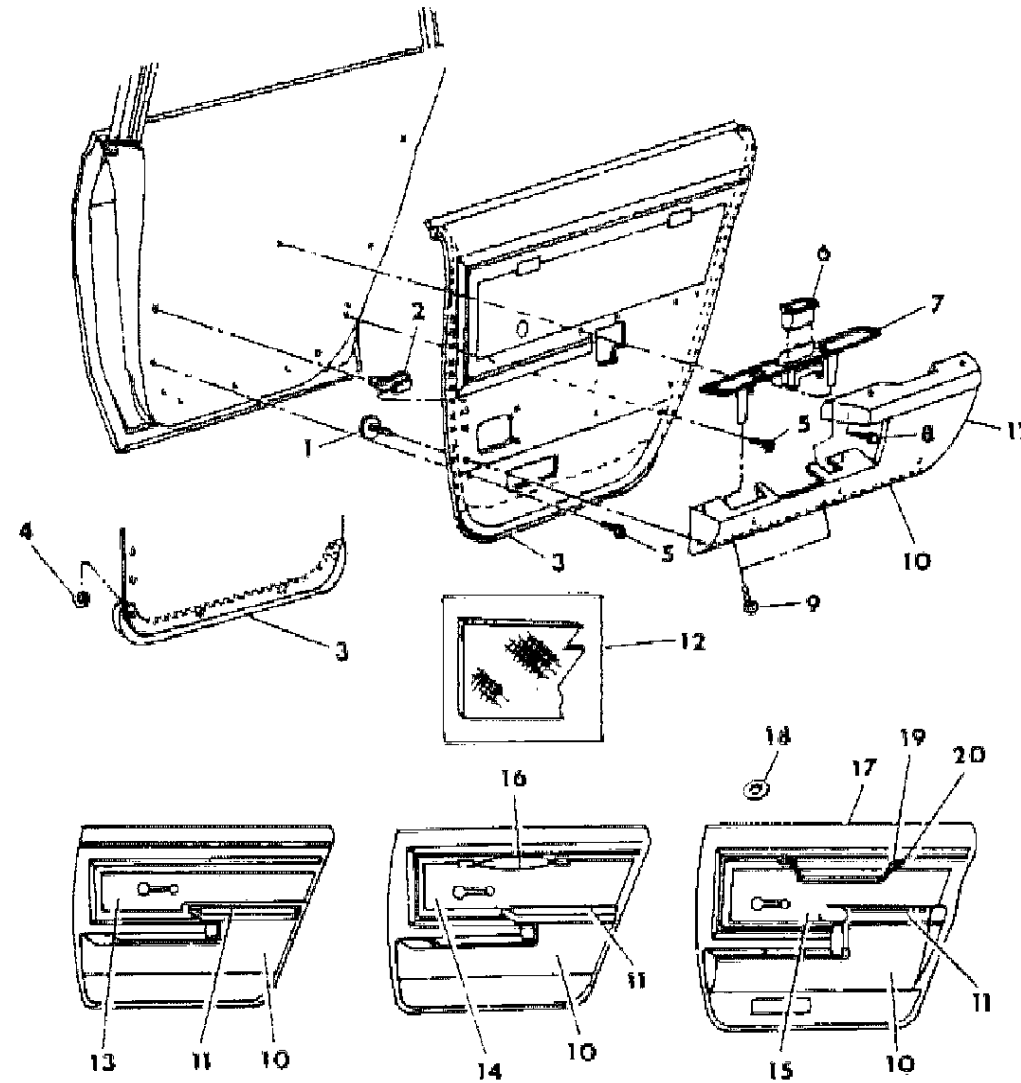
45 = 4-DOOR STATION WAGON

52-53 = FWD WAGON

AR = Use as Required - = Non Illustrated Part P.A.R. = Paint as Required

PANEL--DOOR TRIM-REAR M BODY
Figure ITM-1200

7244 1200A



ITEM	PART NUMBER	QTY	BODY	MODEL	DESCRIPTION
					CLOTH
	J490-1 AA3	1			Silver, (S9A)
	J490-1 AC7	1			Blue, (S9C)
	J490-1 AM6	1			Red, (S9M)
	J490-1 EK1	1			Almond, (S9K)
16					HANDLE and CAP, Door Pull
	D840 AA2	2			Silver
	D840 VC7	2			Blue
	D840 VM6	2			Red
	D840 EK1	2			Almond
17	4078 233	2			HANDLE
18	6031 667	AR			WASHER, Handle
19	0455 734	AR			SPRING PIN, Handle
20	4077 196-7	2			END CAP, Handle

MODEL CODES

E BODY = (J - CARAVELLE)(E - 600)(T - NEW YORKER)

G BODY = (V24 - DAYTONA)

H BODY = (D44 - LANCER)(C44 - LEBARON GTS)

J BODY = (C - LEBARON)

K BODY = (P - RELIANT)(D - ARIES)(C - LEBAROND)/TOWN & COUNTRY)

L BODY = (M - HORIZON/TURISMO)(Z - OMNI/CHARGER)

M BODY = (B - GRAN FURY)(F - FIFTH AVE/NEWPORT)(G - DIPLOMAT)

P BODY = (P - SUNDANCE)(D - SHADOW)

S BODY = (H - VOYAGER)(K - RAM VAN/CARAVAN)

BODY STYLES

12-13 = FWD VAN

21 = 2-DOOR SEDAN

24 = 2-DOOR HATCHBACK

27 = 2-DOOR CONVERTIBLE

41 = 4-DOOR SEDAN

44 = 4-DOOR HATCHBACK

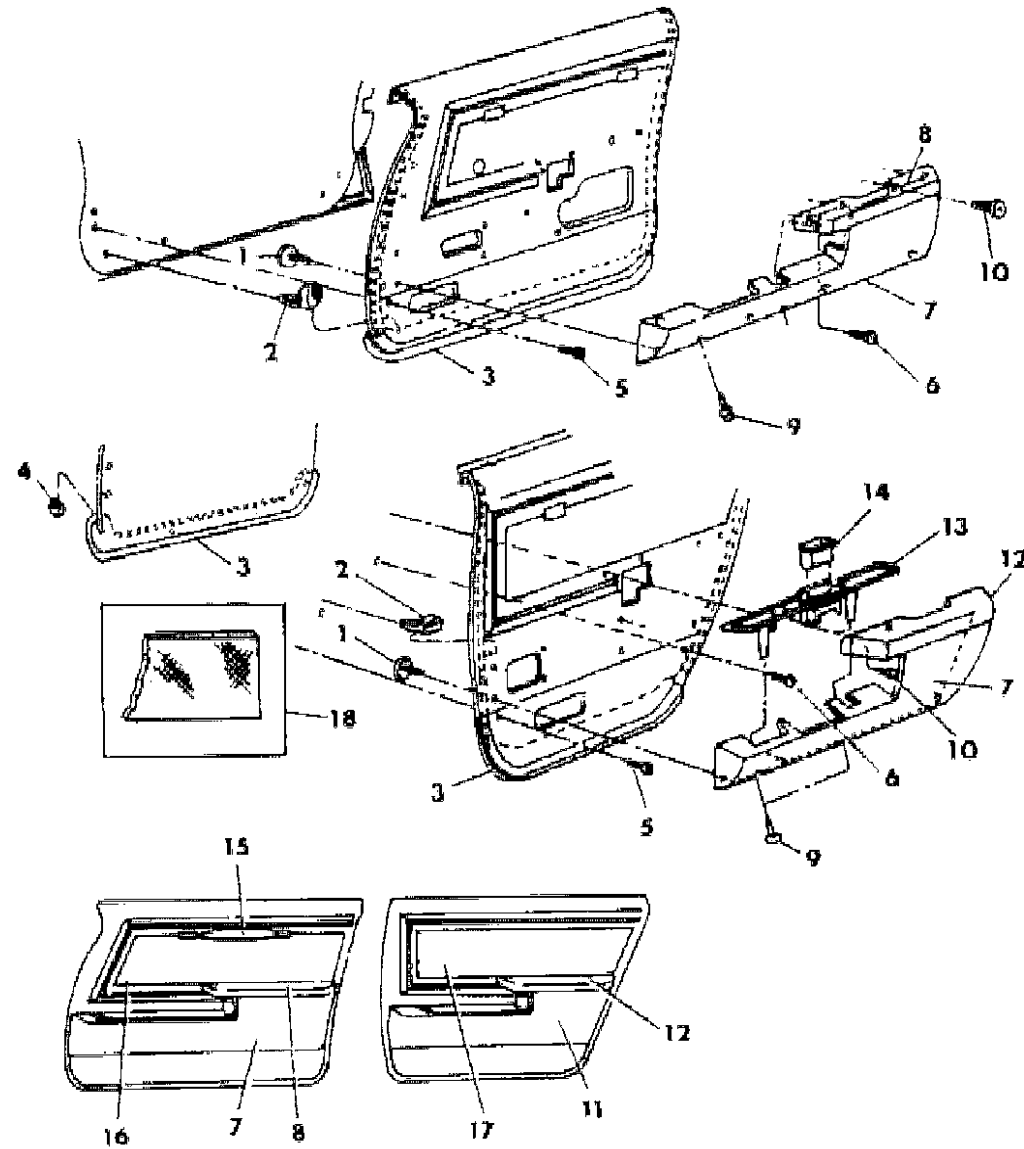
45 = 4-DOOR STATION WAGON

52-53 = FWD WAGON

AR = Use as Required - = Non Illustrated Part P.A.R. = Paint as Required

PANEL--DOOR TRIM (DADE COUNTY FLORIDA) FLEET-POLICE-OTHERS M BODY
Figure ITM-1400

7244 1400 A



ITEM	PART NUMBER	QTY	BODY	MODEL	DESCRIPTION
1		AR			SCREW and WASHER, (8-18x.562) (Not Serv.)
2	6003 640	AR			FASTENER
3					SEAL, Secondary, Sound
	3831 428	2			Front
	3831 429	2			Rear
4	6002 944	2			FASTENER, Secondary Seal
5		AR			SCREW, (8-18x1/2) (Not Serv.)
6		AR			SCREW, (1/4-14-1) (Not Serv.)
7	#D454-5 EK1	1			BASE, Armrest (P.A.R.)
8					PAD, Armrest
	D452-3 VC7	1			Blue, (CTAY)
	D452-3 EK1	1			Almond, (CTAY)
9		AR			SCREW, (8-18x1/2) (Not Serv.)
10	9414 722	AR			SCREW
11					BASE and PAD, Armrest
	D430-1 VC7	1			Blue, (CTAY)
	D430-1 EK1	1			Almond, (CTAY)
12					PAD, Armrest
	D488-9 VC7	1			Blue, (CTAY)
	D488-9 EK1	1			Almond, (CTAY)
13					BEZEL, (Refer To 23C)
14	4078 400	1			RECEPTACLE, Ash Receiver
15					HANDLE, Door w/Cap (Driver Side Only)
	D840 VC7	1			Blue, (CTAY)
	D840 EK1	1			Almond, (CTAY)
16					PANEL, Front Door
	4196 454	1			Blue, Right (CTAY)
	4196 453	1			Blue, Left (CTAY)
	4370 176	1			Almond, Right (CTAY)
	4370 175	1			Almond, Left (CTAY)
17					PANEL, Rear Door
	4196 456	1			Blue, Right (CTAY)
	4196 455	1			Blue, Left (CTAY)
	4370 178	1			Almond, Right (CTAY)
	4370 177	1			Almond, Left (CTAY)
18	4049 602	AR			SILENCER, Trim Panel (36"x36"x1/2" Cut To Fit)

NOTE: (P.A.R.) = Paint As Required

MODEL CODES

E BODY = (J - CARAVELLE)(E - 600)(T - NEW YORKER)

G BODY = (V24 - DAYTONA)

H BODY = (D44 - LANCER)(C44 - LEBARON GTS)

J BODY = (C - LEBARON)

K BODY = (P - RELIANT)(D - ARIES)(C - LEBAROND)/TOWN & COUNTRY)

L BODY = (M - HORIZON/TURISMO)(Z - OMNI/CHARGER)

M BODY = (B - GRAN FURY)(F - FIFTH AVE/NEWPORT)(G - DIPLOMAT)

P BODY = (P - SUNDANCE)(D - SHADOW)

S BODY = (H - VOYAGER)(K - RAM VAN/CARAVAN)

BODY STYLES

12-13 = FWD VAN

21 = 2-DOOR SEDAN

24 = 2-DOOR HATCHBACK

27 = 2-DOOR CONVERTIBLE

41 = 4-DOOR SEDAN

44 = 4-DOOR HATCHBACK

45 = 4-DOOR STATION WAGON

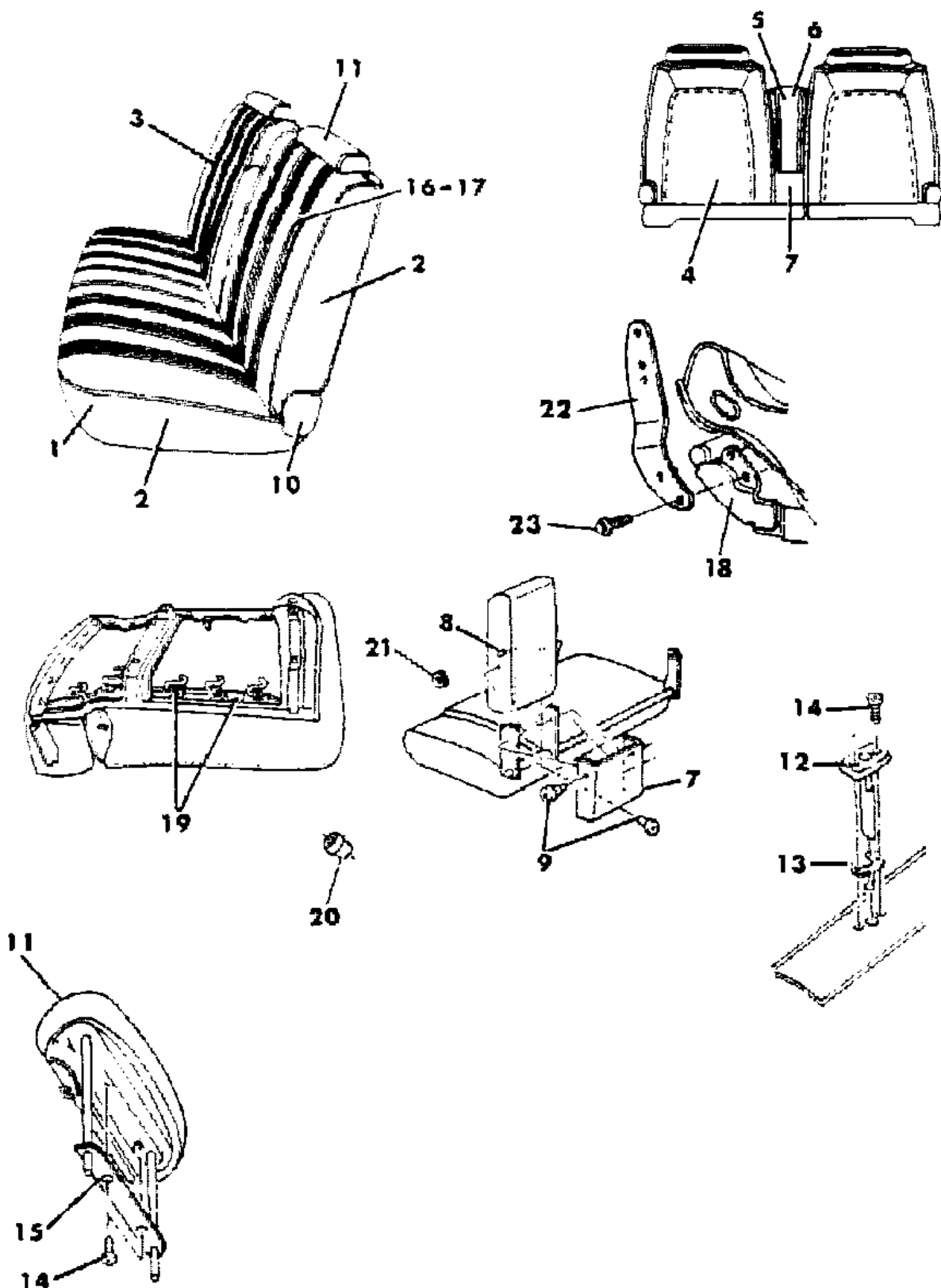
52-53 = FWD WAGON

AR = Use as Required - = Non Illustrated Part P.A.R. = Paint as Required

SEAT--FRONT M BODY TRIM CODE A3
Figure ITM-1500

7244 1500 A

ITEM	PART NUMBER	QTY	BODY	MODEL	DESCRIPTION
1-2					CUSHION, w/Spring, Frame Pad and Cover CLOTH (Heavy Duty)
	A846 C3A	1			Silver, (A3A)
	A846 C3C	1			Blue, (A3C)
	A846 C3M	1			Red, (A3M)
	A846 E3K	1			Almond, (A3K)
1					COVER, Cushion CLOTH
	A372 C3A	1			Silver, (A3A)
	A372 C3C	1			Blue, (A3C)
	A372 C3M	1			Red, (A3M)
	A372 E3K	1			Almond, (A3K)
2					ROLL STOCK, Vinyl Order By The Inch
	R616 AA2	AR			Silver, 64" Wide
	R616 VC8	1			Blue, 64" Wide
	R616 VM6	AR			Red, 64" Wide
	R600 EK1	AR			Almond, 54" Wide
2-3					BACK, w/Spring/Frame, Pad and Cover CLOTH
	A852-3 C3A	1			Silver, (A3A)
	A852-3 C3C	1			Blue, (A3C)
	A852-3 C3M	1			Red, (A3M)
	A852-3 E3K	1			Almond, (A3K)
3					COVER, Back CLOTH
	A374-5 C3A	1			Silver, (A3A)
	A374-5 C3C	1			Blue, (A3C)
	A374-5 C3M	1			Red, (A3M)
	A374-5 E3K	1			Almond, (A3K)
4					PANEL, Back of Front Seat
	S778-9 AA2	1			Silver, (A3A)
	S778-9 VC8	1			Blue, (A3C)
	S778-9 VM6	1			Red, (A3M)
	S778-9 EK1	1			Almond, (A3K)
5					ARMREST and COVER
	B657 CA2	1			Silver, (A3A)
	B657 CC8	1			Blue, (A3C)



MODEL CODES

E BODY = (J - CARAVELLE)(E - 600)(T - NEW YORKER)

G BODY = (V24 - DAYTONA)

H BODY = (D44 - LANCER)(C44 - LEBARON GTS)

J BODY = (C - LEBARON)

K BODY = (P - RELIANT)(D - ARIES)(C - LEBAROND)/TOWN & COUNTRY)

L BODY = (M - HORIZON/TURISMO)(Z - OMNI/CHARGER)

M BODY = (B - GRAN FURY)(F - FIFTH AVE/NEWPORT)(G - DIPLOMAT)

P BODY = (P - SUNDANCE)(D - SHADOW)

S BODY = (H - VOYAGER)(K - RAM VAN/CARAVAN)

BODY STYLES

12-13 = FWD VAN

21 = 2-DOOR SEDAN

24 = 2-DOOR HATCHBACK

27 = 2-DOOR CONVERTIBLE

41 = 4-DOOR SEDAN

44 = 4-DOOR HATCHBACK

45 = 4-DOOR STATION WAGON

52-53 = FWD WAGON

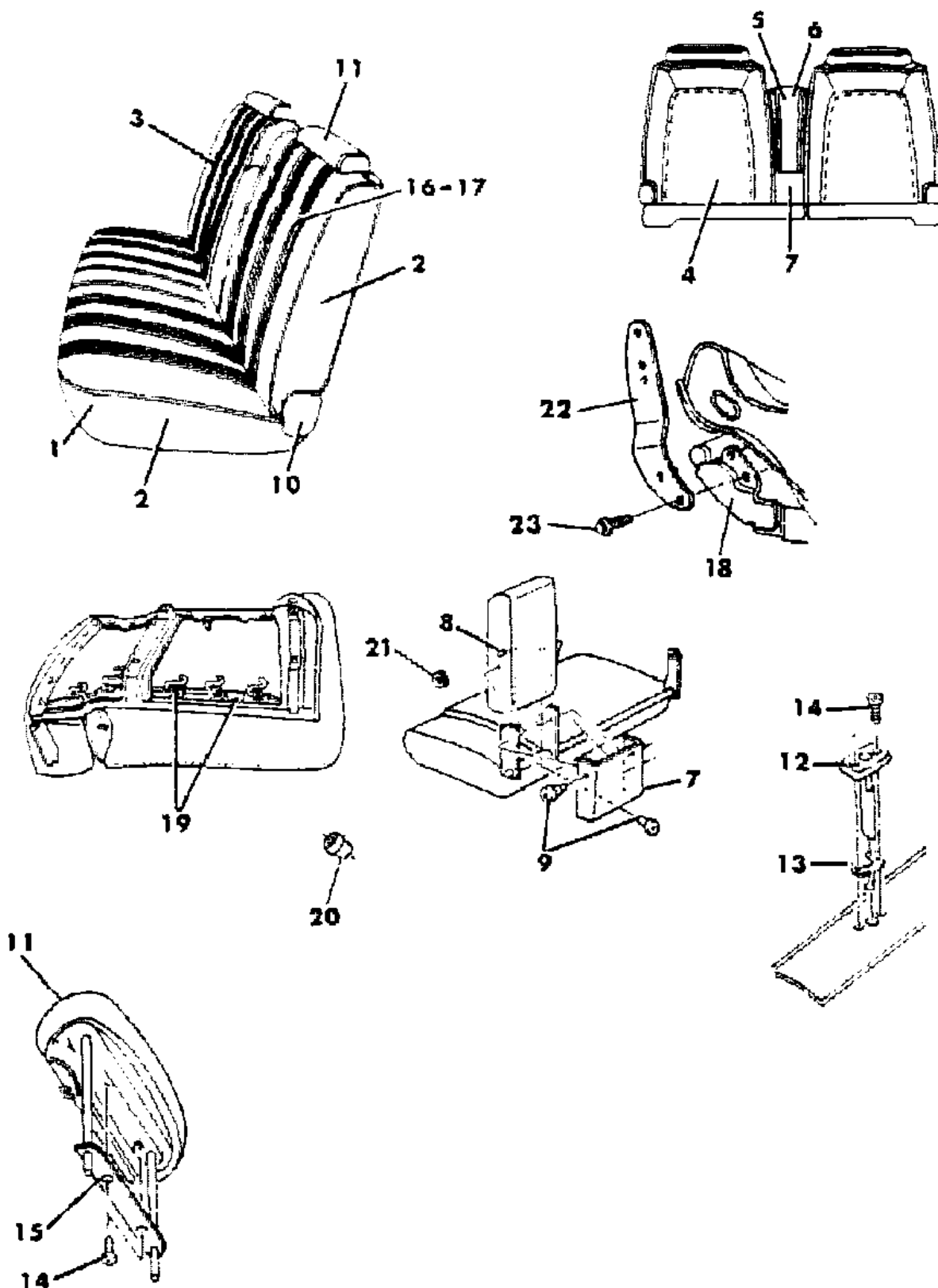
AR = Use as Required - = Non Illustrated Part P.A.R. = Paint as Required

SEAT--FRONT M BODY TRIM CODE A3

Figure ITM-1500

7244 1500 A

ITEM	PART NUMBER	QTY	BODY	MODEL	DESCRIPTION
	B657 CM6	1			Red, (A3M)
	B657 EK1	1			Almond, (A3K)
6	B376 CA2	1			COVER, Armrest Silver, (A3A)
	B376 CC8	1			Blue, (A3C)
	B376 CM6	1			Red, (A3M)
	B376 EK1	1			Almond, (A3K)
7	S728 AA3	1			COVER, Armrest, Finish Silver, (A3A)
	S728 SC7	1			Blue, (A3C)
	S728 TM6	1			Red, (A3M)
	S728 EK1	1			Almond, (A3K)
8	4138 891	1			ROD, Armrest Lock Bar
9	6030 082	2			BOLT, Armrest Attaching
10	S876 DT3	1			COVER, Hinge Arm Outer (P.A.R.) Passenger
	S877 DT3	1			Driver
11	S702 AA2	2			HEADREST Silver, (A3A)
	S702 SC7	2			Blue, (A3C)
	S702 TM6	2			Red, (A3M)
	S702 EK1	2			Almond, (A3K)
12	S690 AA3	4			SLEEVE, Headrest Silver, (A3A)
	S690 SC7	2			Blue, (A3C)
	S690 TM6	4			Red, (A3M)
	S690 EK1	4			Almond, (A3K)
13	4098 965	4			CATCH, Headrest Post
14					SCREW, (8-18X1) (Not Serv.)
15	4018 808	2			COVER, Headrest Finish
16	G385 AA2	AR			BUTTON and RETAINER Silver, (A3A)
	G385 VC8	AR			Blue, (A3C)
	G385 VM6	AR			Red, (A3M)
	G385 EK1	AR			Almond, (A3K)
17					RETAINER, Button (Serv. In Item 16)
18	4190 698-9	1			REINFORCEMENT, Cushion to Back Attaching
19	6008 076	AR			HOG RING



MODEL CODES

E BODY = (J - CARAVELLE)(E - 600)(T - NEW YORKER)

G BODY = (V24 - DAYTONA)

H BODY = (D44 - LANCER)(C44 - LEBARON GTS)

J BODY = (C - LEBARON)

K BODY = (P - RELIANT)(D - ARIES)(C - LEBAROND)/TOWN & COUNTRY)

L BODY = (M - HORIZON/TURISMO)(Z - OMNI/CHARGER)

M BODY = (B - GRAN FURY)(F - FIFTH AVE/NEWPORT)(G - DIPLOMAT)

P BODY = (P - SUNDANCE)(D - SHADOW)

S BODY = (H - VOYAGER)(K - RAM VAN/CARAVAN)

BODY STYLES

12-13 = FWD VAN

21 = 2-DOOR SEDAN

24 = 2-DOOR HATCHBACK

27 = 2-DOOR CONVERTIBLE

41 = 4-DOOR SEDAN

44 = 4-DOOR HATCHBACK

45 = 4-DOOR STATION WAGON

52-53 = FWD WAGON

AR = Use as Required - = Non Illustrated Part P.A.R. = Paint as Required

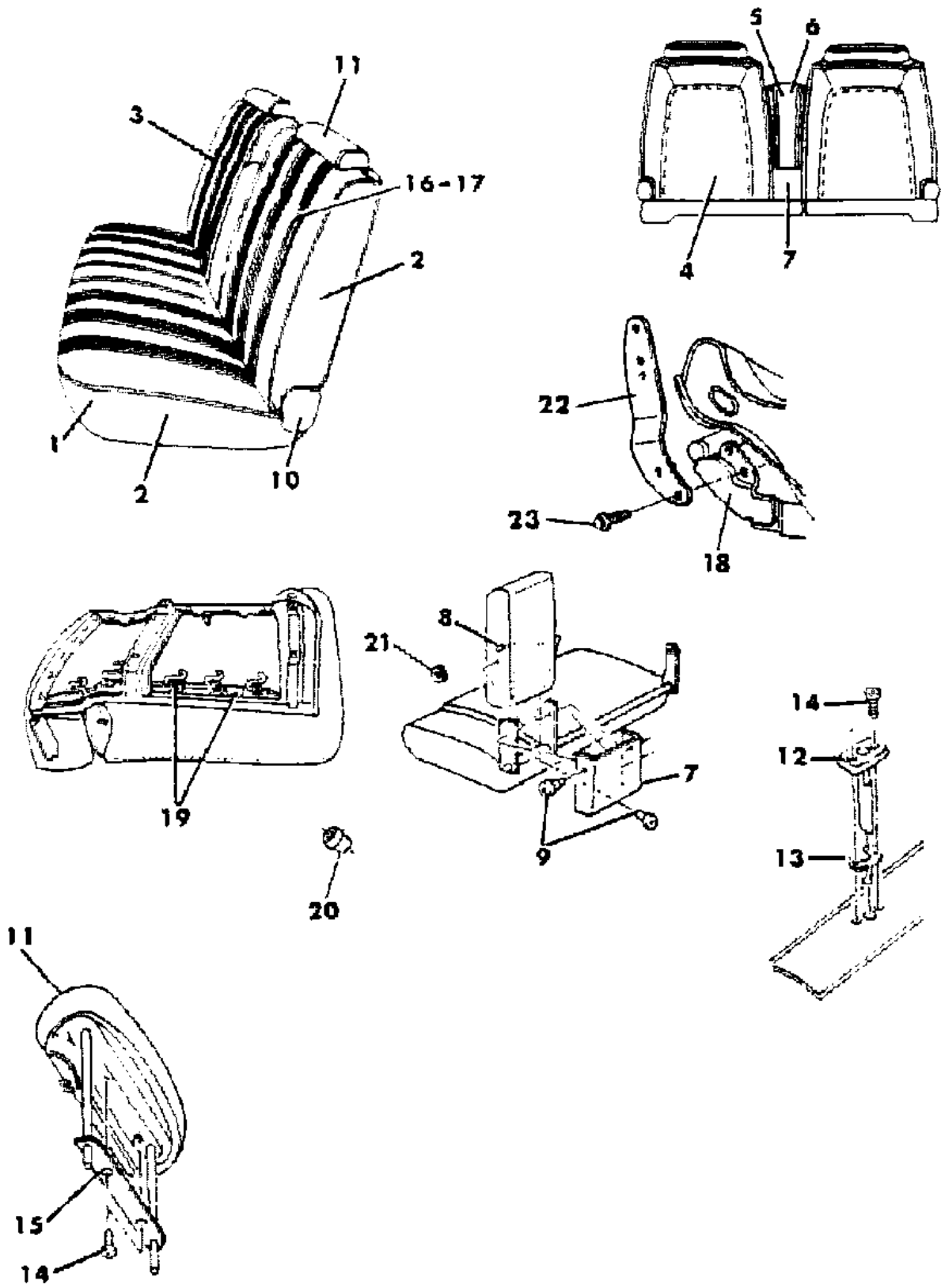
SEAT--FRONT M BODY TRIM CODE A3

Figure ITM-1500

7244 1500 A

ITEM	PART NUMBER	QTY	BODY	MODEL	DESCRIPTION
20	4190 488	1			BUSHING, Inner Pivot Pin Right Only
21	6006 324	1			NUT, Armrest Lock Rod
22	4138 742-3	1			ARM, Seta Back to Cushion w/Center Arm Rest
23	9422 041	AR			SCREW

NOTE: (P.A.R.) = Paint As Required



MODEL CODES

E BODY = (J - CARAVELLE)(E - 600)(T - NEW YORKER)

G BODY = (V24 - DAYTONA)

H BODY = (D44 - LANCER)(C44 - LEBARON GTS)

J BODY = (C - LEBARON)

K BODY = (P - RELIANT)(D - ARIES)(C - LEBAROND)/TOWN & COUNTRY)

L BODY = (M - HORIZON/TURISMO)(Z - OMNI/CHARGER)

M BODY = (B - GRAN FURY)(F - FIFTH AVE/NEWPORT)(G - DIPLOMAT)

P BODY = (P - SUNDANCE)(D - SHADOW)

S BODY = (H - VOYAGER)(K - RAM VAN/CARAVAN)

BODY STYLES

12-13 = FWD VAN

21 = 2-DOOR SEDAN

24 = 2-DOOR HATCHBACK

27 = 2-DOOR CONVERTIBLE

41 = 4-DOOR SEDAN

44 = 4-DOOR HATCHBACK

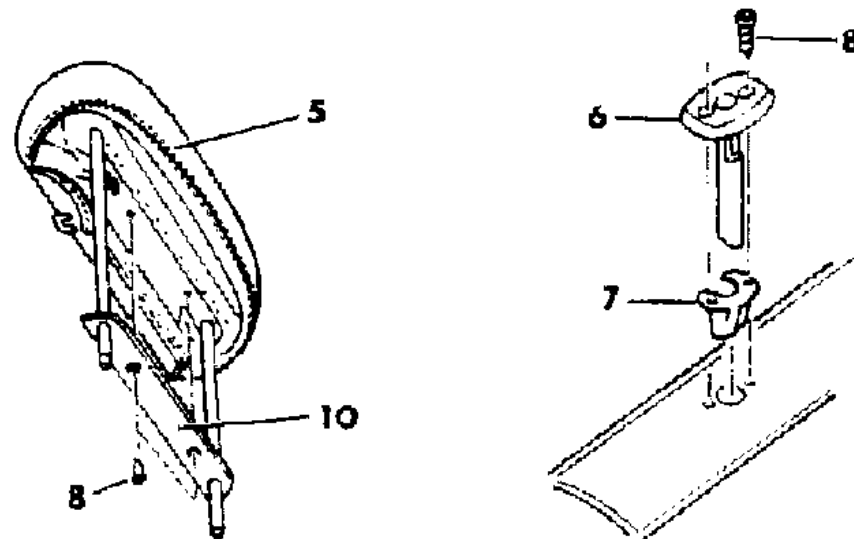
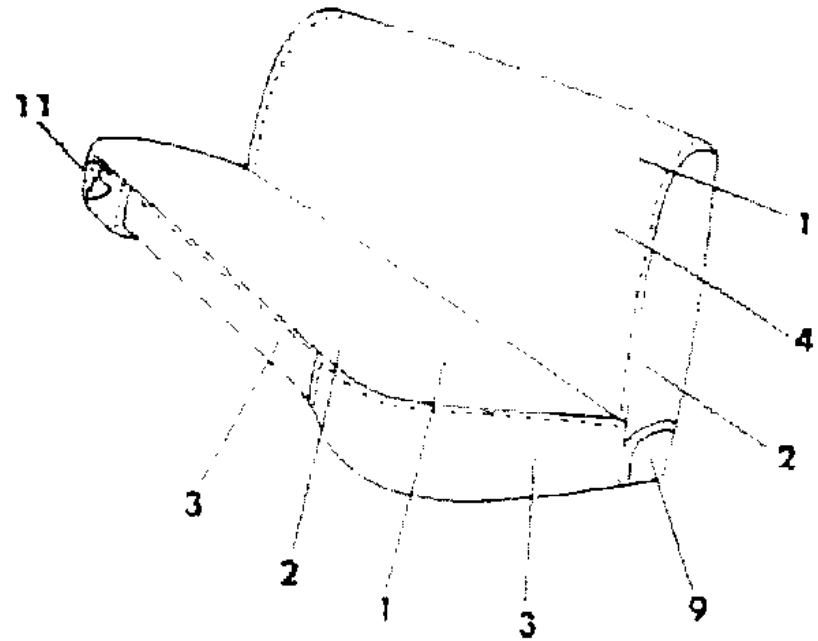
45 = 4-DOOR STATION WAGON

52-53 = FWD WAGON

AR = Use as Required - = Non Illustrated Part P.A.R. = Paint as Required

SEAT--FRONT M BODY TRIM CODE K2
Figure ITM-1600

7244 1800 A



ITEM	PART NUMBER	QTY	BODY	MODEL	DESCRIPTION
1-3					CUSHION, w/Spring, Frame Pad and Cover
	N702 B2C	1			VINYL Blue, (K2C)
	N702 E2K	1			Almond, (K2K)
1					COVER, Cushion
	B313 V2C	1			VINYL Blue, (K2C)
	B313 E2K	1			Almond, (K2K)
2					ROLL STOCK, Vinyl 54" Wide Order BY the Inch
	R615 VC8	AR			Blue
	R632 EK1	AR			Almond
3					ROLL STOCK, Vinyl Order By The Inch
	R616 VC8	AR			Blue, 64" Wide
	R600 EK1	AR			Almond, 54" Wide
4&2-3					BACK, w/Spring/Frame, Pad and Cover
	N695 V2C	1			VINYL Blue, (K2C)
	N695 E2K	1			Almond, (K2K)
4					COVER, Back
	N125 V2C	1			VINYL Blue, (K2C)
	N125 E2K	1			Almond, (K2K)
5					HEADREST
	S814 SC7	2			Blue, (K2C)
	S814 EK1	2			Almond, (K2K)
6					SLEEVE, Headrest
	S815 SC7	4			Blue, (K2C)
	S815 EK1	4			Almond, (K2K)
7	4098 871	4			CATCH, Headrest Post
8					SCREW, (8-18x1) (Not Serv.)
9					COVER, Hinde Arm Outer
	S615 SC7	2			Blue
	S615 EK1	2			Almond
10	4018 808	2			COVER, Headrest Finish
11	4029 749	1			PAD, Heavy Duty Front Cushion

MODEL CODES

E BODY = (J - CARAVELLE)(E - 600)(T - NEW YORKER)

G BODY = (V24 - DAYTONA)

H BODY = (D44 - LANCER)(C44 - LEBARON GTS)

J BODY = (C - LEBARON)

K BODY = (P - RELIANT)(D - ARIES)(C - LEBAROND)/TOWN & COUNTRY)

L BODY = (M - HORIZON/TURISMO)(Z - OMNI/CHARGER)

M BODY = (B - GRAN FURY)(F - FIFTH AVE/NEWPORT)(G - DIPLOMAT)

P BODY = (P - SUNDANCE)(D - SHADOW)

S BODY = (H - VOYAGER)(K - RAM VAN/CARAVAN)

BODY STYLES

12-13 = FWD VAN

21 = 2-DOOR SEDAN

24 = 2-DOOR HATCHBACK

27 = 2-DOOR CONVERTIBLE

41 = 4-DOOR SEDAN

44 = 4-DOOR HATCHBACK

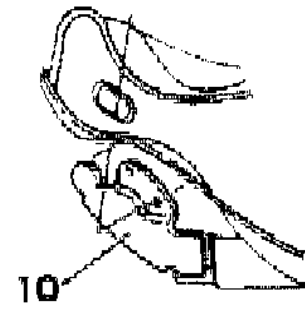
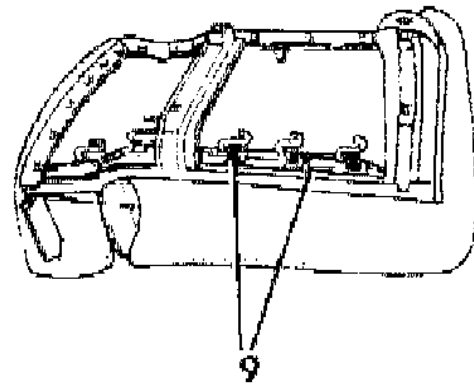
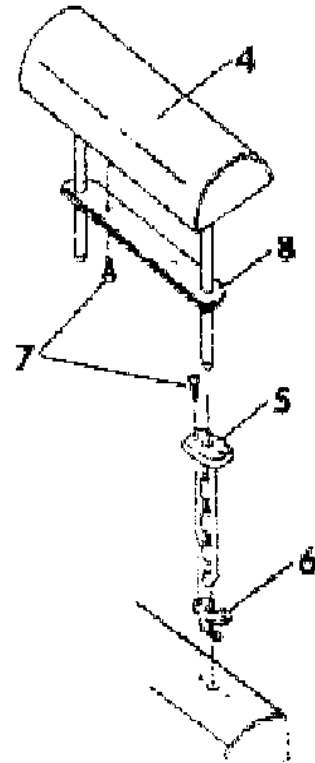
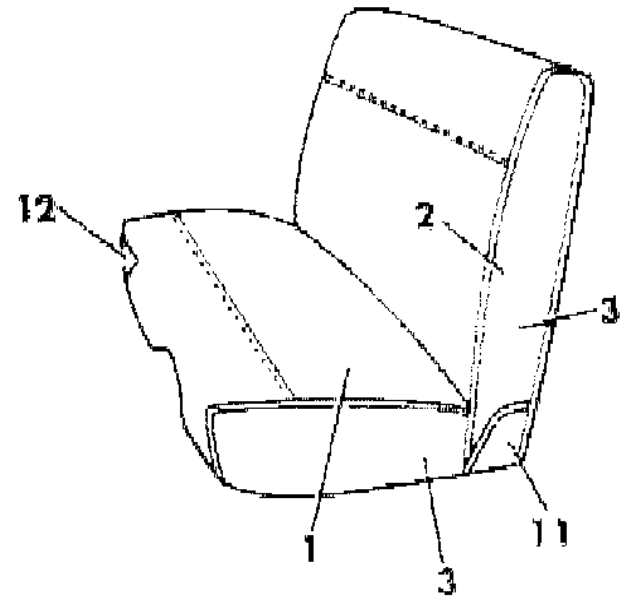
45 = 4-DOOR STATION WAGON

52-53 = FWD WAGON

AR = Use as Required - = Non Illustrated Part P.A.R. = Paint as Required

SEAT--FRONT FLEET-POLICE-OTHERS M BODY
Figure ITM-1700

7244 1700 A



ITEM	PART NUMBER	QTY	BODY	MODEL	DESCRIPTION
NOTE: Special Equipment Code Is In The Trim Code					
1					COVER, Cushion CLOTH Blue, (CBAN) Almond, (CBAN)
	4196 912	1			
	4370 090	1			
2					COVER, Back CLOTH Blue, (CBAN) Almond
	4196 913	1			
	4370 091	1			
3					ROLL STOCK, Vinyl Order By The Inch Blue, 64" Wide Almond, 54" Wide
	R616 VC8	AR			
	R600 EK1	AR			
4					HEADREST and COVER
	S702 SC7	2			Blue
	S702 EK1	2			Almond
5					SLEEVE, Headrest
	S690 SC7	4			Blue
	S690 EK1	4			Almond
6	4098 965	4			CATCH, Headrest
7					SCREW, (8-18x1) (Not Serv.)
8	4018 808	2			COVER, Headrest Finish
9	6008 076	AR			HOG RING
10	4190 698-9	1			REINFORCEMENT, Cushion To Back Attaching
11					COVER, Hinge Arm Outer (P.A.R.)
	S876 DT3	1			Passenger
	S877 DT3	1			Driver
12	4029 749	1			PAD, Heavy Duty
					NOTE: (P.A.R.) = Paint As Required

MODEL CODES

E BODY = (J - CARAVELLE)(E - 600)(T - NEW YORKER)

G BODY = (V24 - DAYTONA)

H BODY = (D44 - LANCER)(C44 - LEBARON GTS)

J BODY = (C - LEBARON)

K BODY = (P - RELIANT)(D - ARIES)(C - LEBAROND)/TOWN & COUNTRY)

L BODY = (M - HORIZON/TURISMO)(Z - OMNI/CHARGER)

M BODY = (B - GRAN FURY)(F - FIFTH AVE/NEWPORT)(G - DIPLOMAT)

P BODY = (P - SUNDANCE)(D - SHADOW)

S BODY = (H - VOYAGER)(K - RAM VAN/CARAVAN)

BODY STYLES

12-13 = FWD VAN

21 = 2-DOOR SEDAN

24 = 2-DOOR HATCHBACK

27 = 2-DOOR CONVERTIBLE

41 = 4-DOOR SEDAN

44 = 4-DOOR HATCHBACK

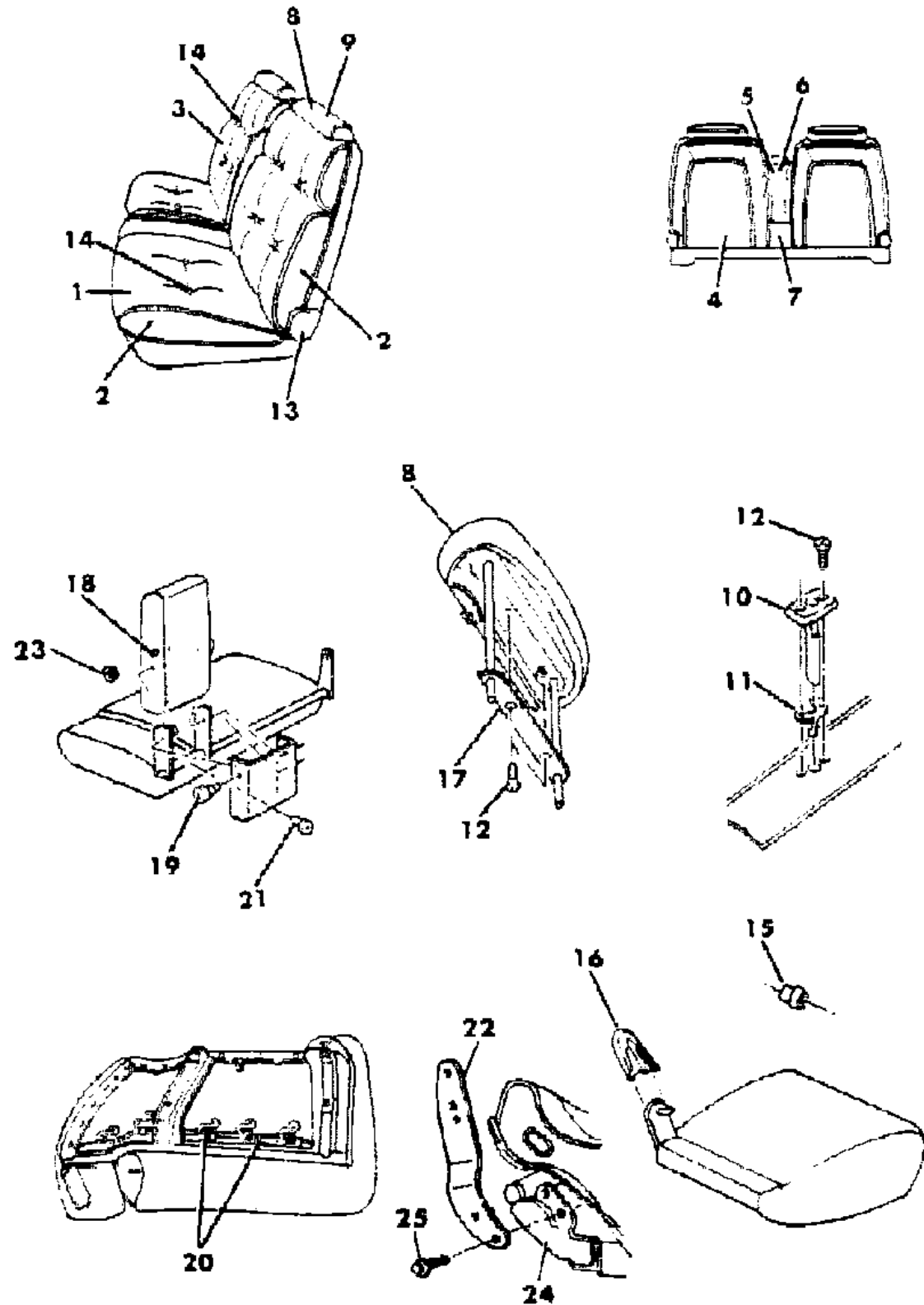
45 = 4-DOOR STATION WAGON

52-53 = FWD WAGON

AR = Use as Required - = Non Illustrated Part P.A.R. = Paint as Required

SEAT--FRONT M BODY TRIM CODES C9-H9
Figure ITM-1800

7244 1800 A



ITEM	PART NUMBER	QTY	BODY	MODEL	DESCRIPTION
1-2					CUSHION, w/Spring, Frame, Pad and Cover
	A632-3 D9A	1			CLOTH Silver, (C9A,H9A)
	A632-3 D9C	1			Blue, (C9C, H9C)
	A632-3 C9M	1			Red, (C9M, H9M)
	A632-3 E9K	1			Almond, (C9K, H9K)
1					COVER, Cushion
	A378-9 D9A	1			CLOTH Silver, (C9A, H9A)
	A378-9 D9C	1			Blue, (C9C, H9C)
	A378-9 C9M	1			Red, (C9M, H9M)
	A378-9 E9K	1			Almond, (C9K, H9K)
2					ROLL STOCK, Cloth, 54" Wide Order By The Inch
	R021 DA4	AR			Silver, (C9A, H9A)
	R021 DC8	AR			Blue, (C9C, H9C)
	R021 CM6	AR			Red, (C9M, H9M)
	R021 EK1	AR			Almond, C9K, H9K)
2-3					BACK, w/Spring/Frame, Pad and Cover
	A634-5 D9A	1			CLOTH Silver, (C9A, H9A)
	A634-5 D9C	1			Blue, (C9C, H9C)
	A634-5 C9M	1			Red, (C9M, H9M)
	A634-5 E9K	1			Almond, C9K, H9K)
3					COVER, Back
	A380-1 D9A	1			CLOTH Almond, (C9A, H9A)
	A380-1 D9C	1			Blue, (C9C, H9C)
	A380-1 C9M	1			Red, (C9M, H9M)
	A380-1 E9K	1			Almond, (C9K, H9K)
4					PANEL, Back of Front Back
	S738 DA4	2			Silver, (C9A, H9A)
	S738 DC8	2			Blue, (C9C, H9C)
	S738 CM6	2			Red, (C9M, H9M)
	S738 EK1	2			Almond, (C9K, H9K)
5-6					ARMREST and COVER
	A642 DA4	1			Silver, (C9A, H9A)
	A642 DC8	1			Blue, (C9C, H9C)
	A642 CM6	1			Red, (C9M, H9M)

MODEL CODES

E BODY = (J - CARAVELLE)(E - 600)(T - NEW YORKER)

G BODY = (V24 - DAYTONA)

H BODY = (D44 - LANCER)(C44 - LEBARON GTS)

J BODY = (C - LEBARON)

K BODY = (P - RELIANT)(D - ARIES)(C - LEBAROND)/TOWN & COUNTRY)

L BODY = (M - HORIZON/TURISMO)(Z - OMNI/CHARGER)

M BODY = (B - GRAN FURY)(F - FIFTH AVE/NEWPORT)(G - DIPLOMAT)

P BODY = (P - SUNDANCE)(D - SHADOW)

S BODY = (H - VOYAGER)(K - RAM VAN/CARAVAN)

BODY STYLES

12-13 = FWD VAN

21 = 2-DOOR SEDAN

24 = 2-DOOR HATCHBACK

27 = 2-DOOR CONVERTIBLE

41 = 4-DOOR SEDAN

44 = 4-DOOR HATCHBACK

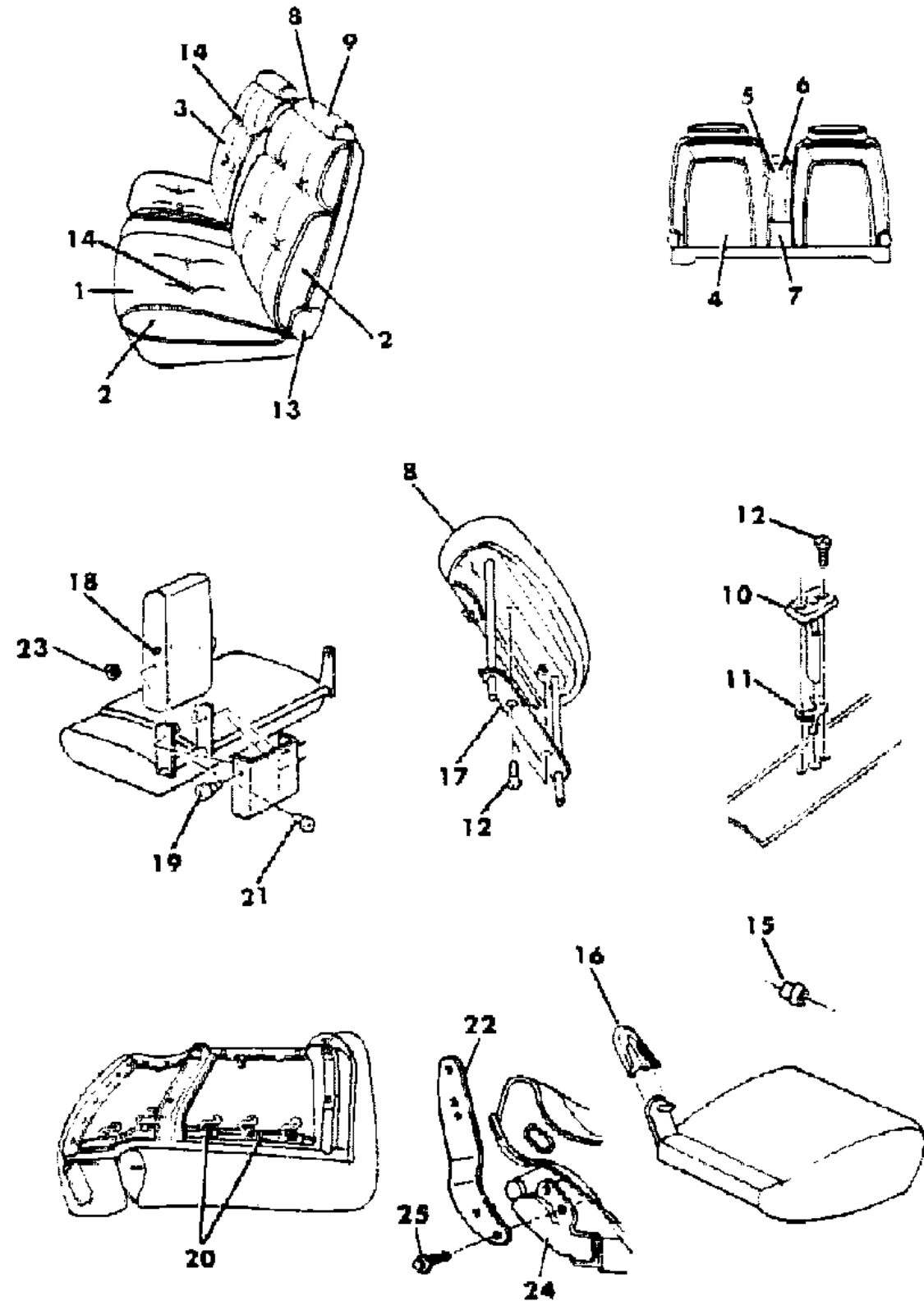
45 = 4-DOOR STATION WAGON

52-53 = FWD WAGON

AR = Use as Required - = Non Illustrated Part P.A.R. = Paint as Required

SEAT--FRONT M BODY TRIM CODES C9-H9
Figure ITM-1800

7244 1800 A



ITEM	PART NUMBER	QTY	BODY	MODEL	DESCRIPTION
6	A642 EK1	1			Almond, (C9K, H9K)
					COVER, Armrest
	A384 DA4	1			Silver, C9A, H9A)
	A384 DC8	1			Blue, C9C, H9C)
7	A384 CM6	1			Red, (C9M, H9M)
	A384 EK1	1			Almond, (C9K, H9K)
					COVER, Armrest Finish
	S580 AA3	1			Silver, C9A, H9A)
	S580 VC7	1			Blue, C9C, H9C)
8-9	S580 VM6	1			Red, (C9M, H9M)
	S580 EK1	1			Almond, (C9K, H9K)
					HEADREST and COVER
	A641 DA4	2			Silver, (C9A, H9A)
9	A641 DC8	2			Blue, (C9C, H9C)
	A641 CM6	2			Red, (C9M, H9M)
	A641 EK1	2			Almond, (C9K, H9K)
					COVER, Headrest
	A385 DA4	2			Silver, (C9A, H9A)
10	A385 DC8	2			Blue, (C9C, H9C)
	A385 CM6	2			Red, (C9M, H9M)
	A385 EK1	2			Almond, (C9K, H9K)
					SLEEVE, Headrest
11	S690 AA3	4			Silver
	S690 SC7	4			Blue
	S690 TM6	4			Red
	S690 EK1	4			Almond
12	4098 965	4			CATCH, Headrest Post
13		AR			SCREW, (8-18x1) (Not Serv.)
14					COVER, Hinge Arm Outer (P.A.R.)
	S876 DT3	1			Passenger
	S877 DT3	1			Driver
					BUTTON, Cushion and Back
	G380 EA4	AR			Silver, (C9A, H9A)
15	G380 EC8	AR			Blue, (C9C, H9C)
	G380 CM6	AR			Red, (C9M, H9M)
	G380 EK1	AR			Almond, (C9K, H9K)
	4029 846	1			BUSHING, Front Cushion Inner Pivot Pin Right Only
16					COVER, Cushion Inner Bracket Right

MODEL CODES

E BODY = (J - CARAVELLE)(E - 600)(T - NEW YORKER)

G BODY = (V24 - DAYTONA)

H BODY = (D44 - LANCER)(C44 - LEBARON GTS)

J BODY = (C - LEBARON)

K BODY = (P - RELIANT)(D - ARIES)(C - LEBAROND)/TOWN & COUNTRY)

L BODY = (M - HORIZON/TURISMO)(Z - OMNI/CHARGER)

M BODY = (B - GRAN FURY)(F - FIFTH AVE/NEWPORT)(G - DIPLOMAT)

P BODY = (P - SUNDANCE)(D - SHADOW)

S BODY = (H - VOYAGER)(K - RAM VAN/CARAVAN)

BODY STYLES

12-13 = FWD VAN

21 = 2-DOOR SEDAN

24 = 2-DOOR HATCHBACK

27 = 2-DOOR CONVERTIBLE

41 = 4-DOOR SEDAN

44 = 4-DOOR HATCHBACK

45 = 4-DOOR STATION WAGON

52-53 = FWD WAGON

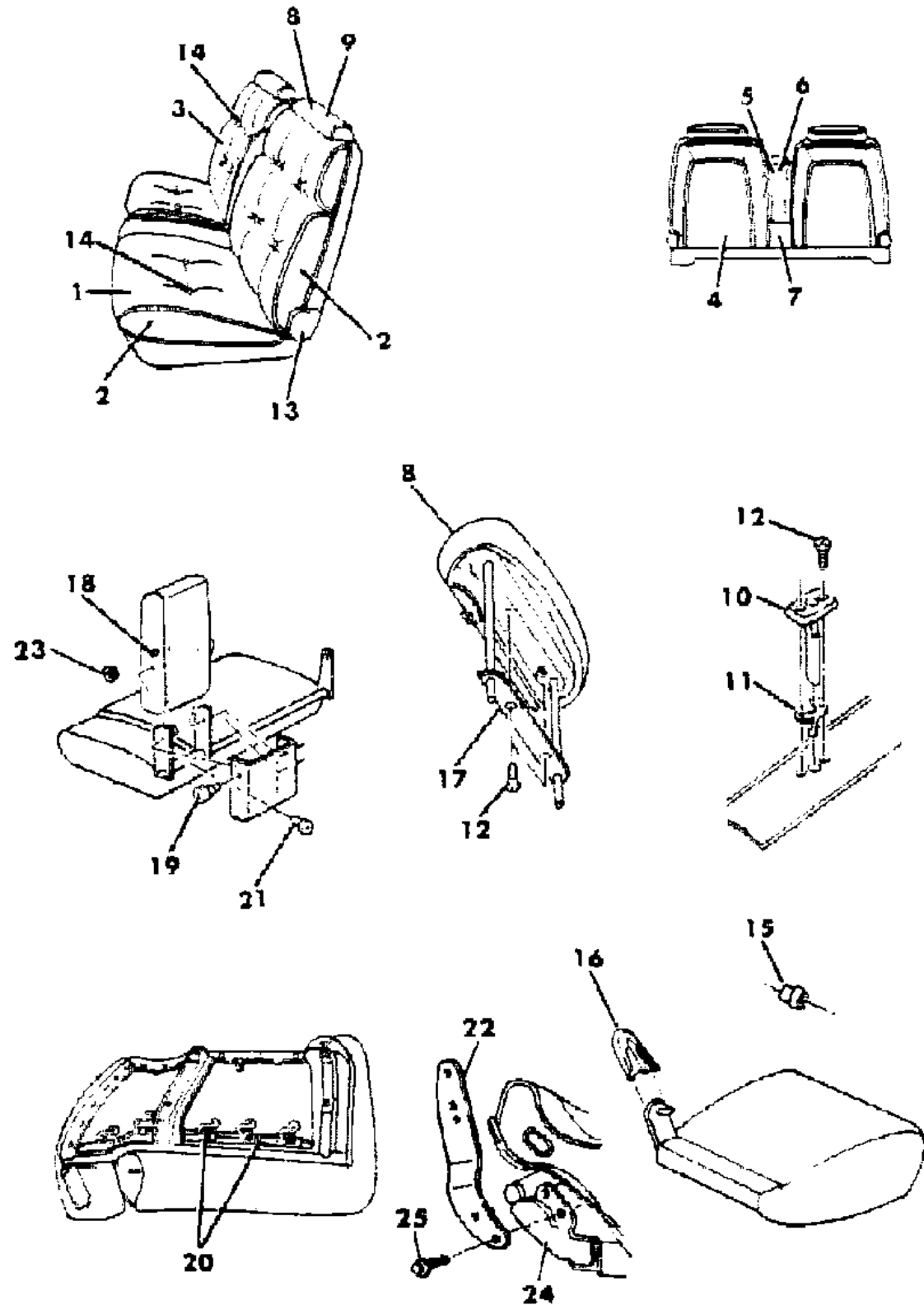
AR = Use as Required - = Non Illustrated Part P.A.R. = Paint as Required

SEAT--FRONT M BODY TRIM CODES C9-H9
Figure ITM-1800

7244 1800 A

ITEM	PART NUMBER	QTY	BODY	MODEL	DESCRIPTION
	S682 AA3	1			Silver
	S682 SC7	1			Blue
	S682 TM6	1			Red
	S682 EK1	1			Almond
17	4018 808	2			COVER, Headrest Finish
18	4138 891	1			ROD, Armrest Lock
19	6030 082	2			BOLT, Armrest Attaching
20	6008 076	AR			HOG RING
21	0181 063	2			SCREW, Armrest to Seat Back
22	4138 743	1			ARM, Seat Back To Cushion w/Center Armrest, Left
23	6006 324	1			NUT, Armrest Lock Rod
24	4190 698-9	1			REINFORCEMENT
25	9422 041	AR			SCREW

NOTE: (P.A.R.) = Paint As Required



MODEL CODES

E BODY = (J - CARAVELLE)(E - 600)(T - NEW YORKER)

G BODY = (V24 - DAYTONA)

H BODY = (D44 - LANCER)(C44 - LEBARON GTS)

J BODY = (C - LEBARON)

K BODY = (P - RELIANT)(D - ARIES)(C - LEBAROND)/TOWN & COUNTRY)

L BODY = (M - HORIZON/TURISMO)(Z - OMNI/CHARGER)

M BODY = (B - GRAN FURY)(F - FIFTH AVE/NEWPORT)(G - DIPLOMAT)

P BODY = (P - SUNDANCE)(D - SHADOW)

S BODY = (H - VOYAGER)(K - RAM VAN/CARAVAN)

BODY STYLES

12-13 = FWD VAN

21 = 2-DOOR SEDAN

24 = 2-DOOR HATCHBACK

27 = 2-DOOR CONVERTIBLE

41 = 4-DOOR SEDAN

44 = 4-DOOR HATCHBACK

45 = 4-DOOR STATION WAGON

52-53 = FWD WAGON

AR = Use as Required - = Non Illustrated Part P.A.R. = Paint as Required

SEAT--FRONT M BODY TRIM CODE KX
Figure ITM-1900

7244 1900 A

ITEM	PART NUMBER	QTY	BODY	MODEL	DESCRIPTION
1-2					CUSHION, w/Spring, Frame, Pad and Cover
	N706-7 EXK	1			VINYL, (KXK)
1	N462-3 EXK	1			COVER, Cushion
					VINYL, (KXK)
2	#R600 EK1	AR			ROLL STOCK, Vinyl 54" Wide Order By The Inch
3&2					BACK, w/Spring/Frame, Pad and Cover
	N708-9 EXK	1			Vinyl, (KXK)
3	N198-9 EXK	1			COVER, Back
					Vinyl, (KXK)
4	#S702 EK1	2			HEADREST, (KXK)
5	#S740 EK1	2			PANEL, Back of Front Back (KXK)
6-7	#G701 EXK	1			ARMREST and COVER, (KXK)
7	#B376 EK1	1			COVER, Armrest (KXK)
8	#S580 EK1	1			COVER, Armrest Finish (KXK)
9	#S690 EK1	4			SLEEVE, Headrest (KXK)
10	4098 965	4			CATCH, Headrest (KXK)
11		AR			SCREW, 8-18x1) (Not Serv.)
12	4018 808	2			COVER, Headrest Finish
13	#S682 EK1	1			COVER, Hinge Arm Inner Right Only
14	4190 488	1			BUSHING, Front Seat Cushion Inner Pivot Pin Rt. Only
15	4138 891	1			ROD, Armrest Lock
16	6030 082	2			BOLT, Armrest Attaching
17	0181 063	AR			SCREW, Armrest To Seat Back
18	6008 076	AR			HOG RING
19	4098 886	1			ARM, Front Seat Back To Cushion, Right
	4138 765	1			Left
20	6006 324	1			NUT, Armrest Lock Rod
21	4190 698-9	1			REINFORCEMENT
22	9422 041	AR			SCREW

MODEL CODES

E BODY = (J - CARAVELLE)(E - 600)(T - NEW YORKER)

G BODY = (V24 - DAYTONA)

H BODY = (D44 - LANCER)(C44 - LEBARON GTS)

J BODY = (C - LEBARON)

K BODY = (P - RELIANT)(D - ARIES)(C - LEBAROND)/TOWN & COUNTRY)

L BODY = (M - HORIZON/TURISMO)(Z - OMNI/CHARGER)

M BODY = (B - GRAN FURY)(F - FIFTH AVE/NEWPORT)(G - DIPLOMAT)

P BODY = (P - SUNDANCE)(D - SHADOW)

S BODY = (H - VOYAGER)(K - RAM VAN/CARAVAN)

BODY STYLES

12-13 = FWD VAN

21 = 2-DOOR SEDAN

24 = 2-DOOR HATCHBACK

27 = 2-DOOR CONVERTIBLE

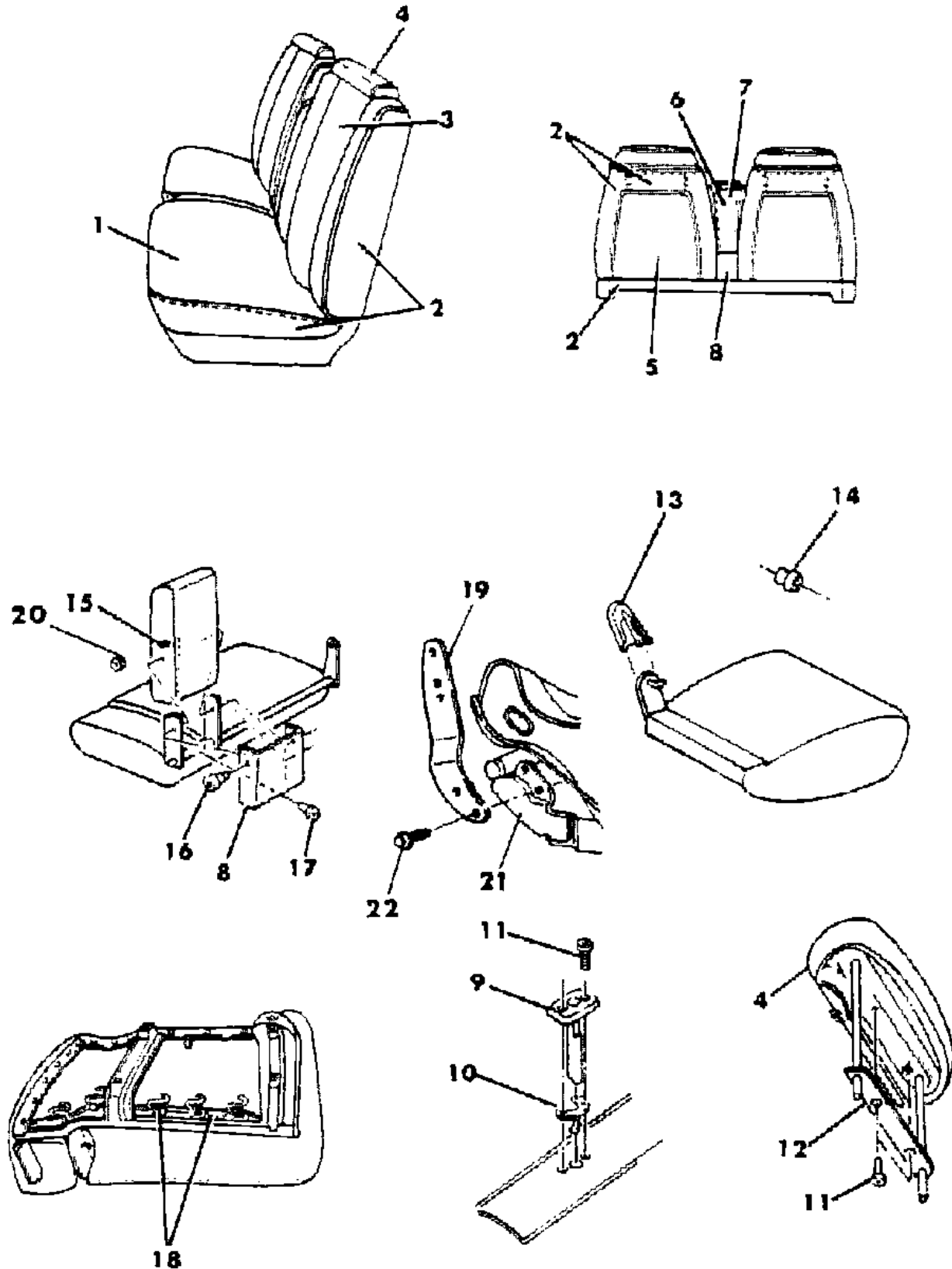
41 = 4-DOOR SEDAN

44 = 4-DOOR HATCHBACK

45 = 4-DOOR STATION WAGON

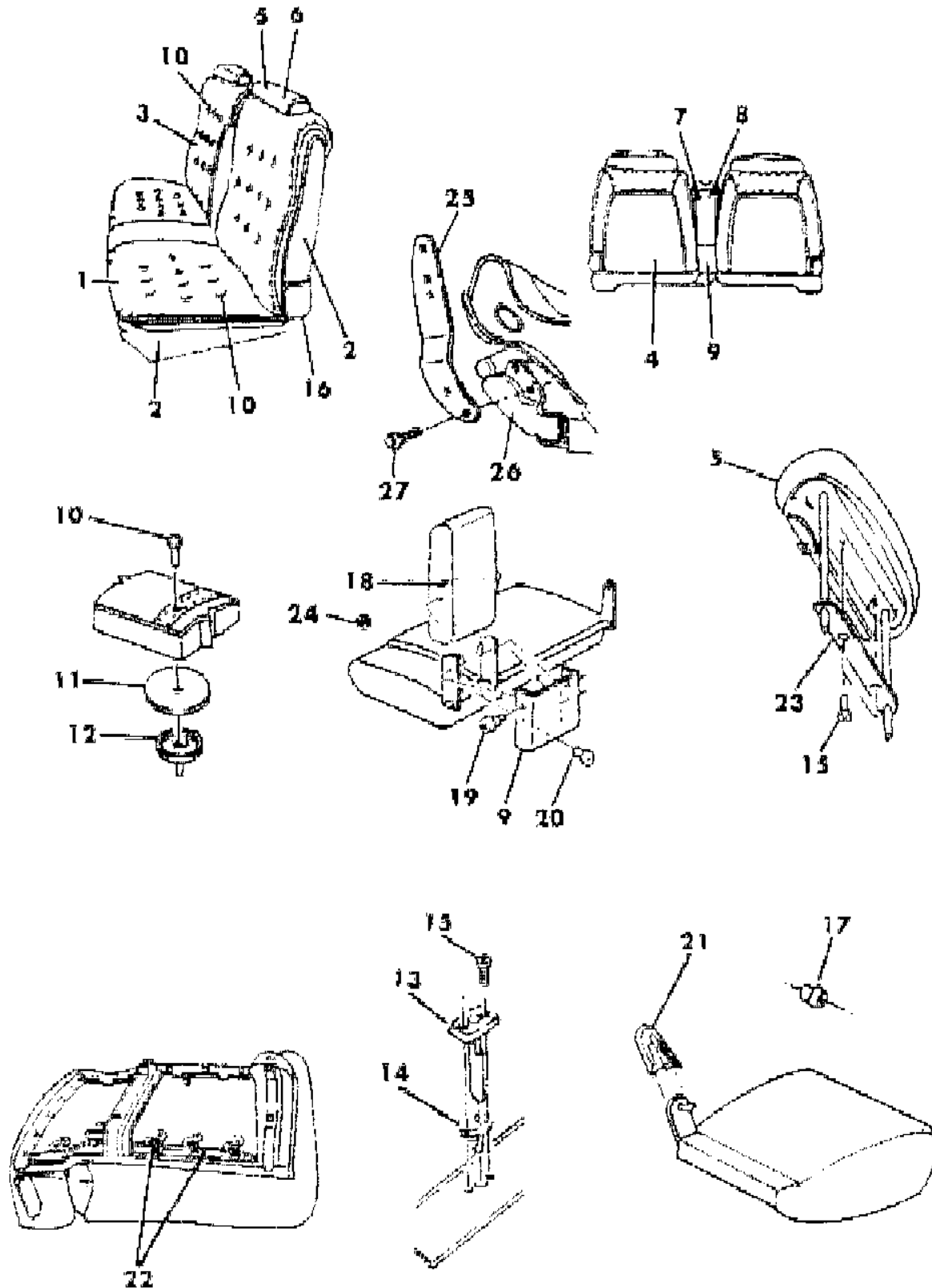
52-53 = FWD WAGON

AR = Use as Required - = Non Illustrated Part P.A.R. = Paint as Required



SEAT--FRONT M BODY TRIM CODE SY
Figure ITM-2000

7244 2000 A



ITEM	PART NUMBER	QTY	BODY	MODEL	DESCRIPTION
1-2					CUSHION, w/Spring, Frame, Pad and Cover
	A612-3 BYA	1			LEATHER Silver, (SYA)
	A612-3 BYC	1			Blue, (SYC)
	A612-3 BYM	1			Red, (SYM)
	A612-3 EYK	1			Almond, (SYK)
1					COVER, Cushion
	A344-5 AYA	1			LEATHER Silver, (SYA)
	A344-5 AYC	1			Blue, (SYC)
	A344-5 AYM	1			Red, (SYM)
	A344-5 EYK	1			Almond, (SYK)
2					ROLL STOCK, Vinyl Order By The Inch
	R616 AA2	AR			Silver, 64" Wide (SYA)
	R616 VC8	AR			Blue, 64" Wide (SYC)
	R616 VM6	AR			Red, 64" Wide (SYM)
	R600 EK1	AR			Almond, 54" Wide (SYK)
2-3					Back, w/Spring/Frame, Pad and Cover
	A614-5 BYA	1			LEATHER Silver, (SYA)
	A614-5 BYC	1			Blue, (SYC)
	A614-5 BYM	1			Red, (SYM)
	A614-5 EYK	1			Almond, (SYK)
3					COVER, Back
	G496-7 AYA	1			LEATHER Silver
	G496-7 VYC	1			Blue, (SYC)
	G496-7 AYM	1			Red, (SYM)
	G496-7 EYK	1			Almond, (SYK)
4					PANEL, Back of Front Back
	S740 AA2	2			Silver, (SYA)
	S740 VC8	2			Blue, (SYC)
	S740 VM6	2			Red, (SYM)
	S740 EK1	2			Almond, (SYK)
5-6					HEADREST and COVER
	A859 BA2	2			Silver, (SYA)
	A859 BC8	2			Blue, (SYC)
	A859 BM6	2			Red, (SYM)

MODEL CODES

E BODY = (J - CARAVELLE)(E - 600)(T - NEW YORKER)

G BODY = (V24 - DAYTONA)

H BODY = (D44 - LANCER)(C44 - LEBARON GTS)

J BODY = (C - LEBARON)

K BODY = (P - RELIANT)(D - ARIES)(C - LEBAROND)/TOWN & COUNTRY)

L BODY = (M - HORIZON/TURISMO)(Z - OMNI/CHARGER)

M BODY = (B - GRAN FURY)(F - FIFTH AVE/NEWPORT)(G - DIPLOMAT)

P BODY = (P - SUNDANCE)(D - SHADOW)

S BODY = (H - VOYAGER)(K - RAM VAN/CARAVAN)

BODY STYLES

12-13 = FWD VAN

21 = 2-DOOR SEDAN

24 = 2-DOOR HATCHBACK

27 = 2-DOOR CONVERTIBLE

41 = 4-DOOR SEDAN

44 = 4-DOOR HATCHBACK

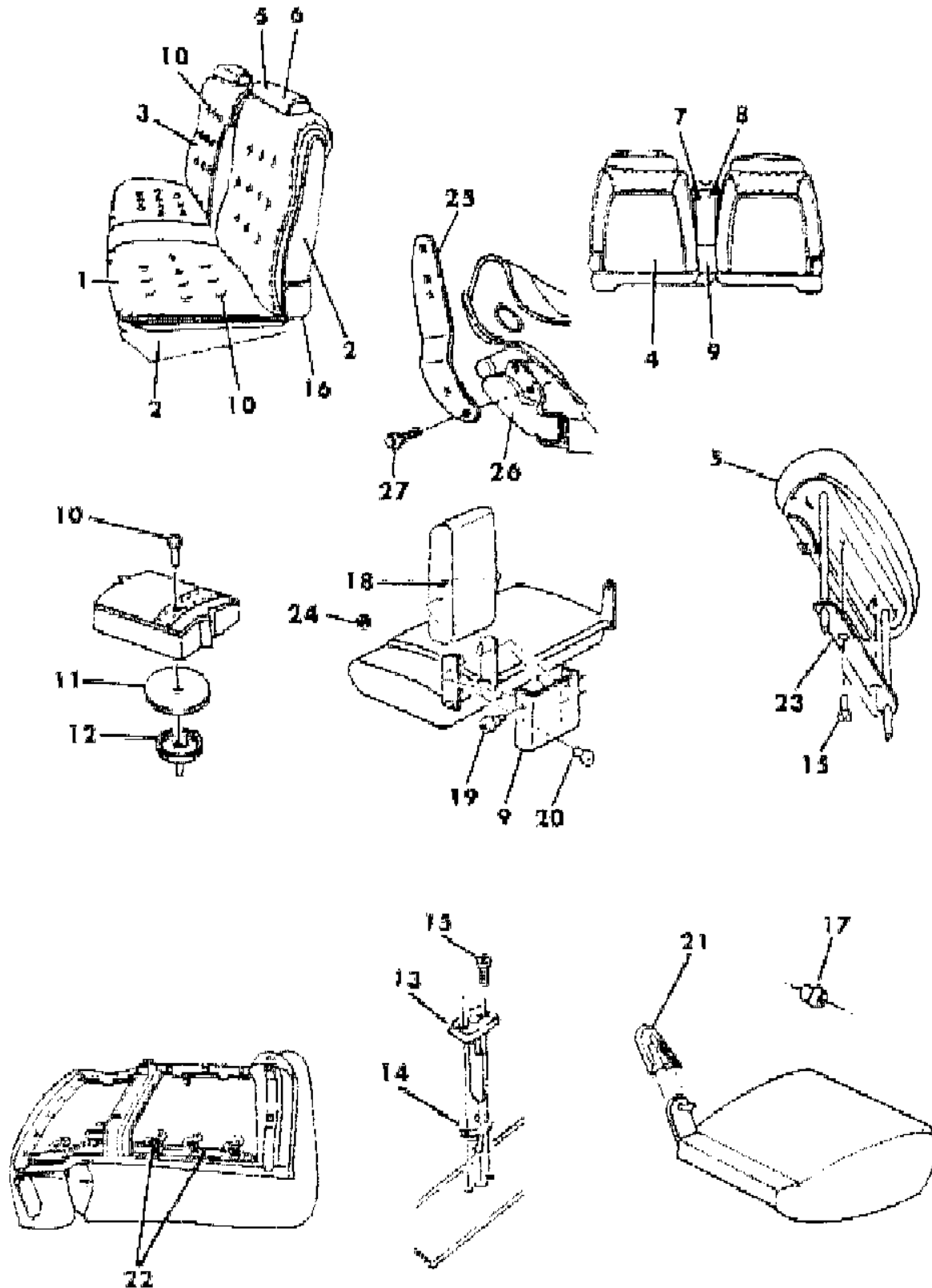
45 = 4-DOOR STATION WAGON

52-53 = FWD WAGON

AR = Use as Required - = Non Illustrated Part P.A.R. = Paint as Required

SEAT--FRONT M BODY TRIM CODE SY
Figure ITM-2000

7244 2000 A



ITEM	PART NUMBER	QTY	BODY	MODEL	DESCRIPTION
	A859 EK1	2			Almond, (SYK)
6	A508 BA2	2			COVER, Headrest Silver, (SYA)
	A508 BC8	2			Blue, (SYC)
	A508 BM6	2			Red, (SYM)
	A508 EK1	2			Almond, (SYK)
7-8					ARMREST and COVER
	A640 AA2	1			Silver, (SYA)
	A640 VC8	1			Blue, (SYC)
	A640 VM6	1			Red, (SYM)
	A640 EK1	1			Almond, (SYK)
8					COVER, Armrest
	A319 AA2	1			Silver, (SYA)
	A319 VC8	1			Blue, (SYC)
	A319 VM6	1			Red, (SYM)
9	A319 EK1	1			Almond, (SYK)
					COVER, Armrest Finish
	S580 AA3	1			Silver, (SYA)
	S580 VC7	1			Blue, (SYC)
	S580 VM6	1			Red, (SYM)
10	S580 EK1	1			Almond, (SYK)
					BUTTON and RETAINER, Cushion and Back
	S845 AA2	AR			Silver, (SYA)
	S845 VC8	AR			Blue, (SYC)
	S845 AM6	AR			Red, (SYM)
11	S845 EK1	AR			Almond, (SYK)
	4018 167	AR			WASHER, Button
		AR			RETAINER, Button (Serv. In Item 10)
					SLEEVE, Headrest
12	S690 AA3	4			Silver, (SYA)
	S690 SC7	4			Blue, (SYC)
	S690 TM6	4			Red, (SYM)
	S690 EK1	4			Almond, (SYK)
13	4098 965	4			CATCH, Headrest Post
14					SCREW, (8-18x1) (Not Serv.)
15					COVER, Hinge Arm Outer (P.A.R.)
	S876 DT3	1			Passenger
	S877 DT3	1			Driver

MODEL CODES

E BODY = (J - CARAVELLE)(E - 600)(T - NEW YORKER)

G BODY = (V24 - DAYTONA)

H BODY = (D44 - LANCER)(C44 - LEBARON GTS)

J BODY = (C - LEBARON)

K BODY = (P - RELIANT)(D - ARIES)(C - LEBAROND)/TOWN & COUNTRY)

L BODY = (M - HORIZON/TURISMO)(Z - OMNI/CHARGER)

M BODY = (B - GRAN FURY)(F - FIFTH AVE/NEWPORT)(G - DIPLOMAT)

P BODY = (P - SUNDANCE)(D - SHADOW)

S BODY = (H - VOYAGER)(K - RAM VAN/CARAVAN)

BODY STYLES

12-13 = FWD VAN

21 = 2-DOOR SEDAN

24 = 2-DOOR HATCHBACK

27 = 2-DOOR CONVERTIBLE

41 = 4-DOOR SEDAN

44 = 4-DOOR HATCHBACK

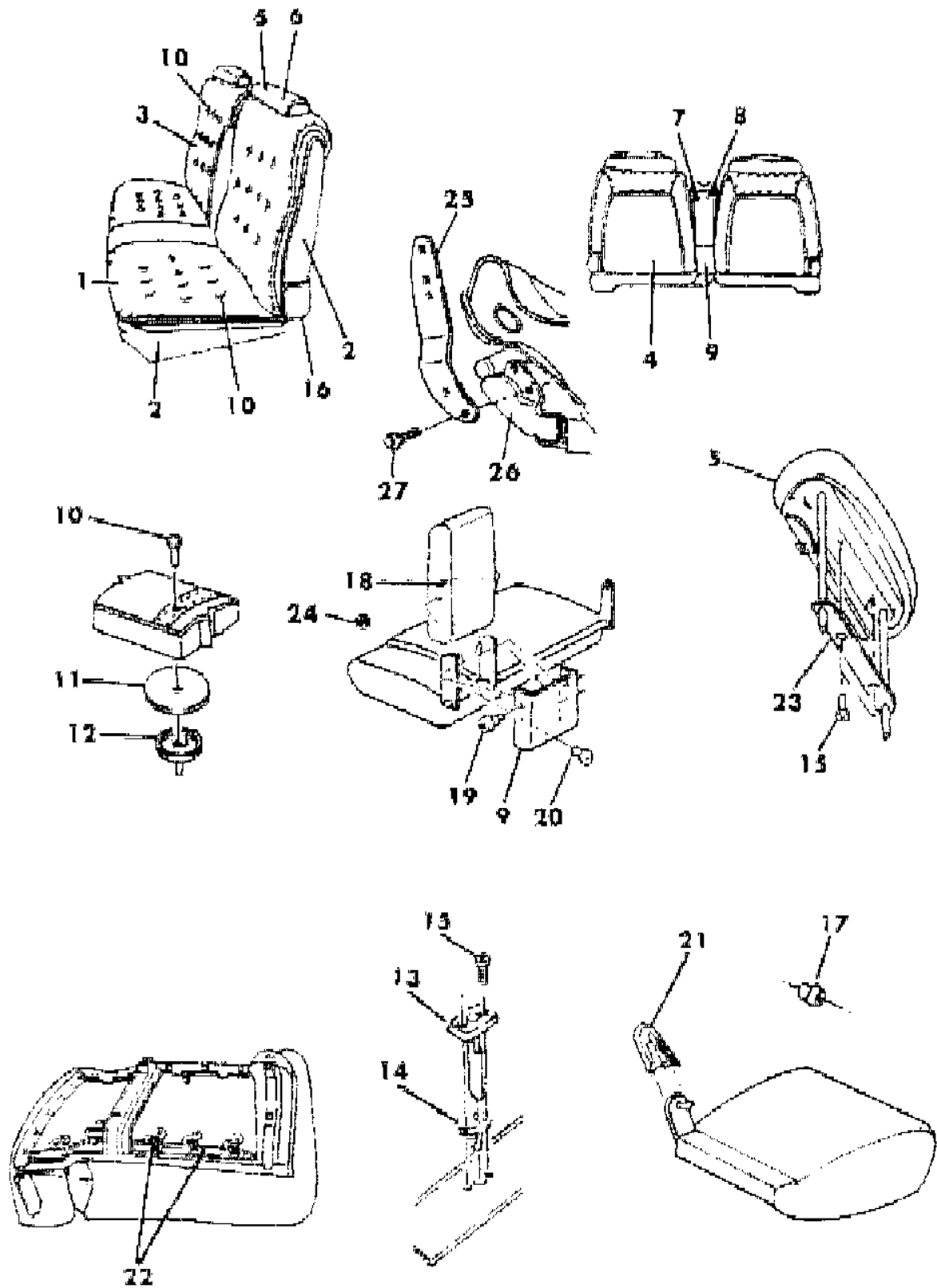
45 = 4-DOOR STATION WAGON

52-53 = FWD WAGON

AR = Use as Required - = Non Illustrated Part P.A.R. = Paint as Required

SEAT--FRONT M BODY TRIM CODE SY
Figure ITM-2000

7244 2000 A



ITEM	PART NUMBER	QTY	BODY	MODEL	DESCRIPTION
17	4190 488	1			BUSHING, Cushion Inner Pivot Right Only
18	4138 891	1			ROD, Armrest Lock
19	6030 082	2			BOLT, Armrest Attaching
20	0181 063	AR			SCREW, Armrest to Seat Back
21					COVER, Hinge Arm Inner, Right
	S682 AA3	1			Silver, (SYA)
	S682 SC7	1			Blue, (SYC)
	S682 TM6	1			Red, (SYM)
	S682 EK1	1			Almond, (SYK)
22	6008 076	AR			HOG RING
23	4018 808	2			COVER, Headrest Finish
24	6006 324	1			NUT, Armrest Lock Rod
25	4138 743	1			ARM, Cushion to Back, Left
26	4190 698-9	1			REINFORCEMENT
27	9422 041	AR			SCREW

NOTE: (P.A.R.) = Paint As Required

MODEL CODES

E BODY = (J - CARAVELLE)(E - 600)(T - NEW YORKER)

G BODY = (V24 - DAYTONA)

H BODY = (D44 - LANCER)(C44 - LEBARON GTS)

J BODY = (C - LEBARON)

K BODY = (P - RELIANT)(D - ARIES)(C - LEBAROND)/TOWN & COUNTRY)

L BODY = (M - HORIZON/TURISMO)(Z - OMNI/CHARGER)

M BODY = (B - GRAN FURY)(F - FIFTH AVE/NEWPORT)(G - DIPLOMAT)

P BODY = (P - SUNDANCE)(D - SHADOW)

S BODY = (H - VOYAGER)(K - RAM VAN/CARAVAN)

BODY STYLES

12-13 = FWD VAN

21 = 2-DOOR SEDAN

24 = 2-DOOR HATCHBACK

27 = 2-DOOR CONVERTIBLE

41 = 4-DOOR SEDAN

44 = 4-DOOR HATCHBACK

45 = 4-DOOR STATION WAGON

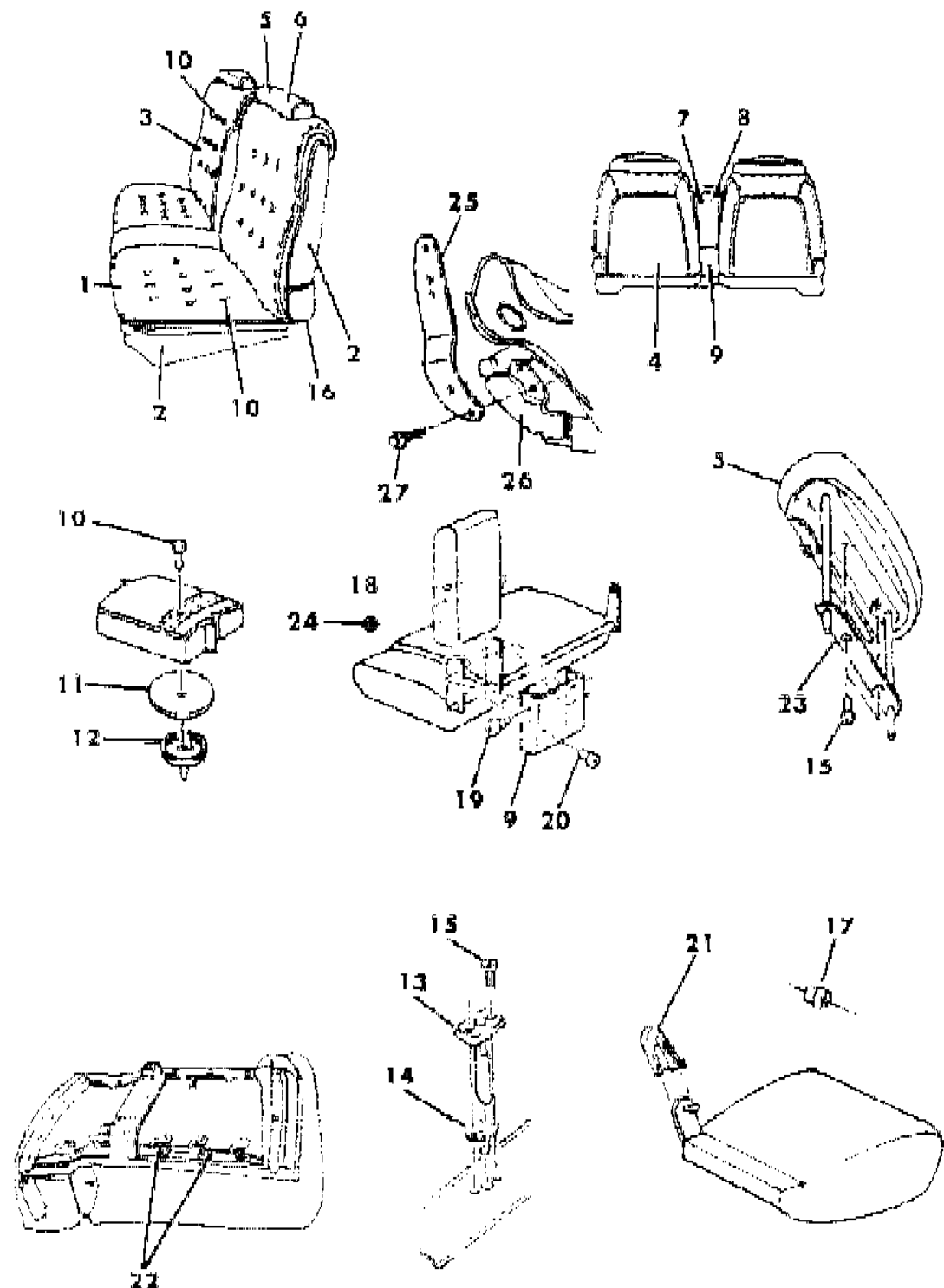
52-53 = FWD WAGON

AR = Use as Required - = Non Illustrated Part P.A.R. = Paint as Required

SEAT--FRONT M BODY TRIM CODE S9

Figure ITM-2100

7244 2100 A



ITEM	PART NUMBER	QTY	BODY	MODEL	DESCRIPTION
1-2					CUSHION, w/Spring, Frame, Pad and Cover
	A604-5 B9A	1			CLOTH Silver, (S9A)
	A604-5 B9C	1			Blue, (S9C)
	A604-5 B9M	1			Red, (S9M)
	A604-5 E9K	1			Almond, ((S9K)
1					COVER, Cushion
	A350-1 A9A	1			CLOTH Silver, (S9A)
	A350-1 A9C	1			Blue, (S9C)
	A350-1 A9M	1			Red, (S9M)
	A350-1 E9K	1			Almond, (S9K)
2					ROLL STOCK, Cloth 62" Wide Order By The Inch
	R035 EA3	AR			Silver, (S9A)
	R035 EC7	AR			Blue, (S9C)
	R035 EM6	AR			Red, (S9M)
	R035 EK1	AR			Almond, (S9K)
2-3					BACK, w/Spring/Frame, Pad and Cover
	A606-7 B9A	1			CLOTH Silver, (S9A)
	A606-7 B9C	1			Blue, (S9C)
	A606-7 B9M	1			Red, (S9M)
	A606-7 E9K	1			Almond, (S9K)
3					COVER, Back
	A352-3 A9A	1			CLOTH Silver, (S9A)
	A352-3 A9C	1			Blue, (S9C)
	A352-3 A9M	1			Red, (S9M)
	A352-3 E9K	1			Almond, (S9K)
4					PANEL, Front Back
	S742 AA3	2			Silver, (S9A)
	S742 AC7	2			Blue, (S9C)
	S742 AM6	2			Red, (S9M)
	S742 EK1	2			Almond, (S9K)
5					HEADREST and COVER
	A905 AA3	2			Silver, (S9A)
	A905 AC7	2			Blue, (S9C)
	A905 AM6	2			Red, (S9M)

MODEL CODES

E BODY = (J - CARAVELLE)(E - 600)(T - NEW YORKER)

G BODY = (V24 - DAYTONA)

H BODY = (D44 - LANCER)(C44 - LEBARON GTS)

J BODY = (C - LEBARON)

K BODY = (P - RELIANT)(D - ARIES)(C - LEBAROND)/TOWN & COUNTRY)

L BODY = (M - HORIZON/TURISMO)(Z - OMNI/CHARGER)

M BODY = (B - GRAN FURY)(F - FIFTH AVE/NEWPORT)(G - DIPLOMAT)

P BODY = (P - SUNDANCE)(D - SHADOW)

S BODY = (H - VOYAGER)(K - RAM VAN/CARAVAN)

BODY STYLES

12-13 = FWD VAN

21 = 2-DOOR SEDAN

24 = 2-DOOR HATCHBACK

27 = 2-DOOR CONVERTIBLE

41 = 4-DOOR SEDAN

44 = 4-DOOR HATCHBACK

45 = 4-DOOR STATION WAGON

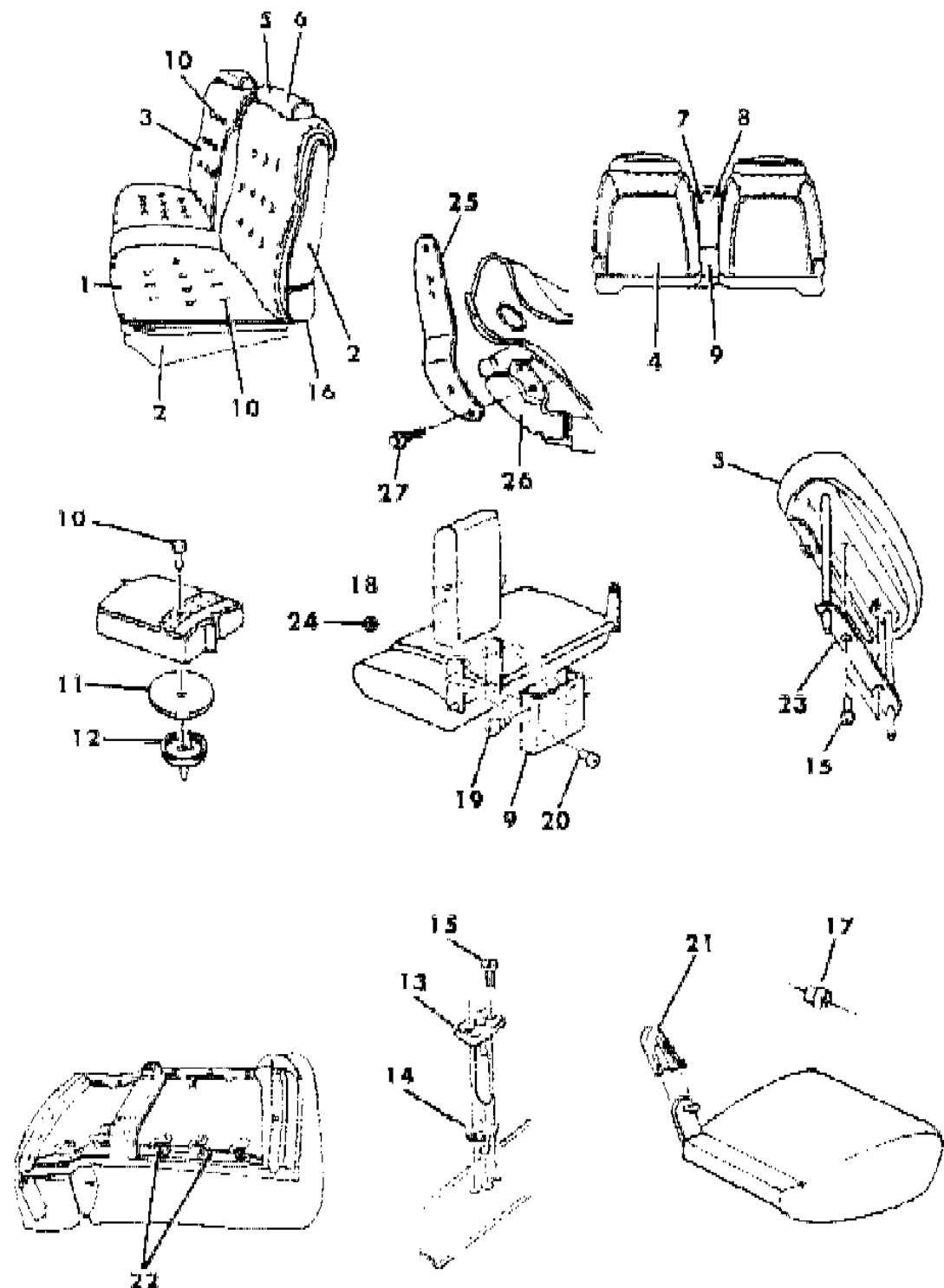
52-53 = FWD WAGON

AR = Use as Required - = Non Illustrated Part P.A.R. = Paint as Required

SEAT--FRONT M BODY TRIM CODE S9

Figure ITM-2100

7244 2100 A



ITEM	PART NUMBER	QTY	BODY	MODEL	DESCRIPTION
6	A905 EK1	2			Almond, (S9K)
					COVER, Headrest
	A357 AA3	2			Silver, (S9A)
	A357 AC7	2			Blue, (S9C)
7	A357 AM6	2			Red, (S9M)
	A357 EK1	2			Almond, (S9K)
					ARMREST and COVER
	A908 AA3	1			Silver, (S9A)
8	A908 AC7	1			Blue, (S9C)
	A908 AM6	1			Red, (S9M)
	A908 EK1	1			Almond, (S9K)
					COVER, Armrest
9	A356 AA3	1			Silver, (S9A)
	A356 AC7	1			Blue, (S9C)
	A356 AM6	1			Red, (S9M)
	A356 EK1	1			Almond, (S9K)
10					COVER, Armrest Finish
	S580 AA3	1			Silver
	S580 VC7	1			Blue
	S580 VM6	1			Red
	S580 EK1	1			Almond
11					BUTTON and RETAINER, Cushion and Back
	G378 AA3	AR			Silver, (S9A)
	G378 AC7	AR			Blue, (S9C)
	G378 AM6	AR			Red, (S9M)
12	G378 EK1	AR			Almond, (S9K)
	4018 167	AR			WASHER, Button
					RETAINER, Button (Serv. In Item 10)
13					SLEEVE, Headrest
	S690 AA3	4			Silver
	S690 SC7	4			Blue
	S690 TM6	4			Red
14	S690 EK1	4			Almond
	4098 965	4			CATCH, Headrest Post
					SCREW, (8-18x1) (Not Serv.)
15					COVER, Hinge Arm Outer (P.A.R.)
	S876 DT3	1			Passenger
	S877 DT3	1			Driver

MODEL CODES

E BODY = (J - CARAVELLE)(E - 600)(T - NEW YORKER)

G BODY = (V24 - DAYTONA)

H BODY = (D44 - LANCER)(C44 - LEBARON GTS)

J BODY = (C - LEBARON)

K BODY = (P - RELIANT)(D - ARIES)(C - LEBAROND)/TOWN & COUNTRY)

L BODY = (M - HORIZON/TURISMO)(Z - OMNI/CHARGER)

M BODY = (B - GRAN FURY)(F - FIFTH AVE/NEWPORT)(G - DIPLOMAT)

P BODY = (P - SUNDANCE)(D - SHADOW)

S BODY = (H - VOYAGER)(K - RAM VAN/CARAVAN)

BODY STYLES

12-13 = FWD VAN

21 = 2-DOOR SEDAN

24 = 2-DOOR HATCHBACK

27 = 2-DOOR CONVERTIBLE

41 = 4-DOOR SEDAN

44 = 4-DOOR HATCHBACK

45 = 4-DOOR STATION WAGON

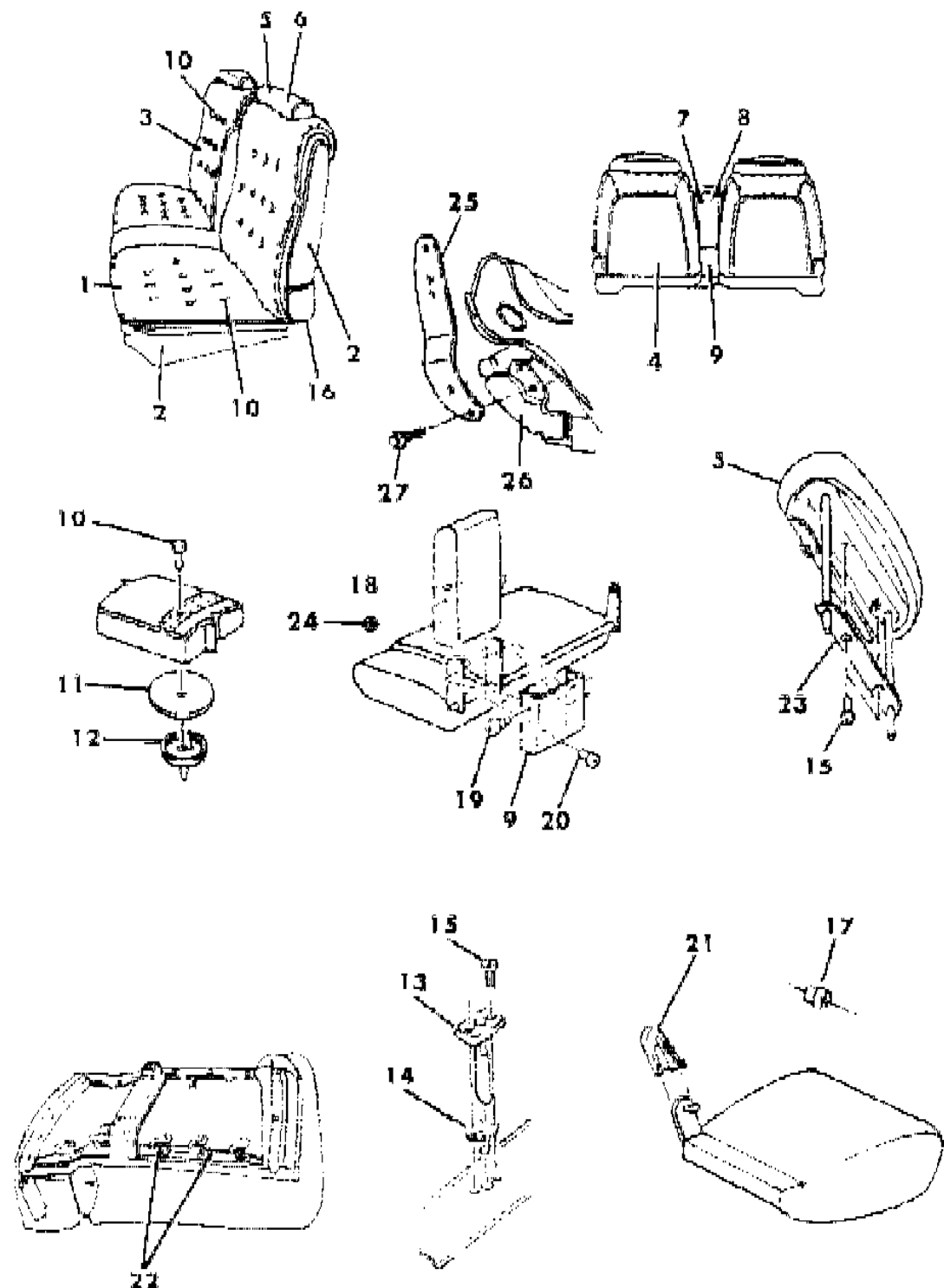
52-53 = FWD WAGON

AR = Use as Required - = Non Illustrated Part P.A.R. = Paint as Required

SEAT--FRONT M BODY TRIM CODE S9

Figure ITM-2100

7244 2100 A



ITEM	PART NUMBER	QTY	BODY	MODEL	DESCRIPTION
17	4190 488	1			BUSHING, Front Seat Cushion Inner Pivot, Right Only
18	4138 891	1			ROD, Armrest Lock
19	6030 082	2			BOLT, Armrest Attaching
20	0181 063	AR			SCREW, Armrest to Seat Back
21					COVER, Hinge Arm Inner Right
	S682 AA3	1			Silver
	S682 SC7	1			Blue
	S682 TM6	1			Red
	S682 EK1	1			Almond
22	6008 076	AR			HOG RING
23	4018 808	2			COVER, Headrest Finish
24	6006 324	1			NUT, Armrest Lock Rod
25	4138 743	1			ARM, Back to Cushion Armrest, Left
26	4190 698-9	1			REINFORCEMENT
27	9422 041	AR			SCREW

NOTE: (P.A.R.) = Paint As Required

MODEL CODES

E BODY = (J - CARAVELLE)(E - 600)(T - NEW YORKER)

G BODY = (V24 - DAYTONA)

H BODY = (D44 - LANCER)(C44 - LEBARON GTS)

J BODY = (C - LEBARON)

K BODY = (P - RELIANT)(D - ARIES)(C - LEBAROND)/TOWN & COUNTRY)

L BODY = (M - HORIZON/TURISMO)(Z - OMNI/CHARGER)

M BODY = (B - GRAN FURY)(F - FIFTH AVE/NEWPORT)(G - DIPLOMAT)

P BODY = (P - SUNDANCE)(D - SHADOW)

S BODY = (H - VOYAGER)(K - RAM VAN/CARAVAN)

BODY STYLES

12-13 = FWD VAN

21 = 2-DOOR SEDAN

24 = 2-DOOR HATCHBACK

27 = 2-DOOR CONVERTIBLE

41 = 4-DOOR SEDAN

44 = 4-DOOR HATCHBACK

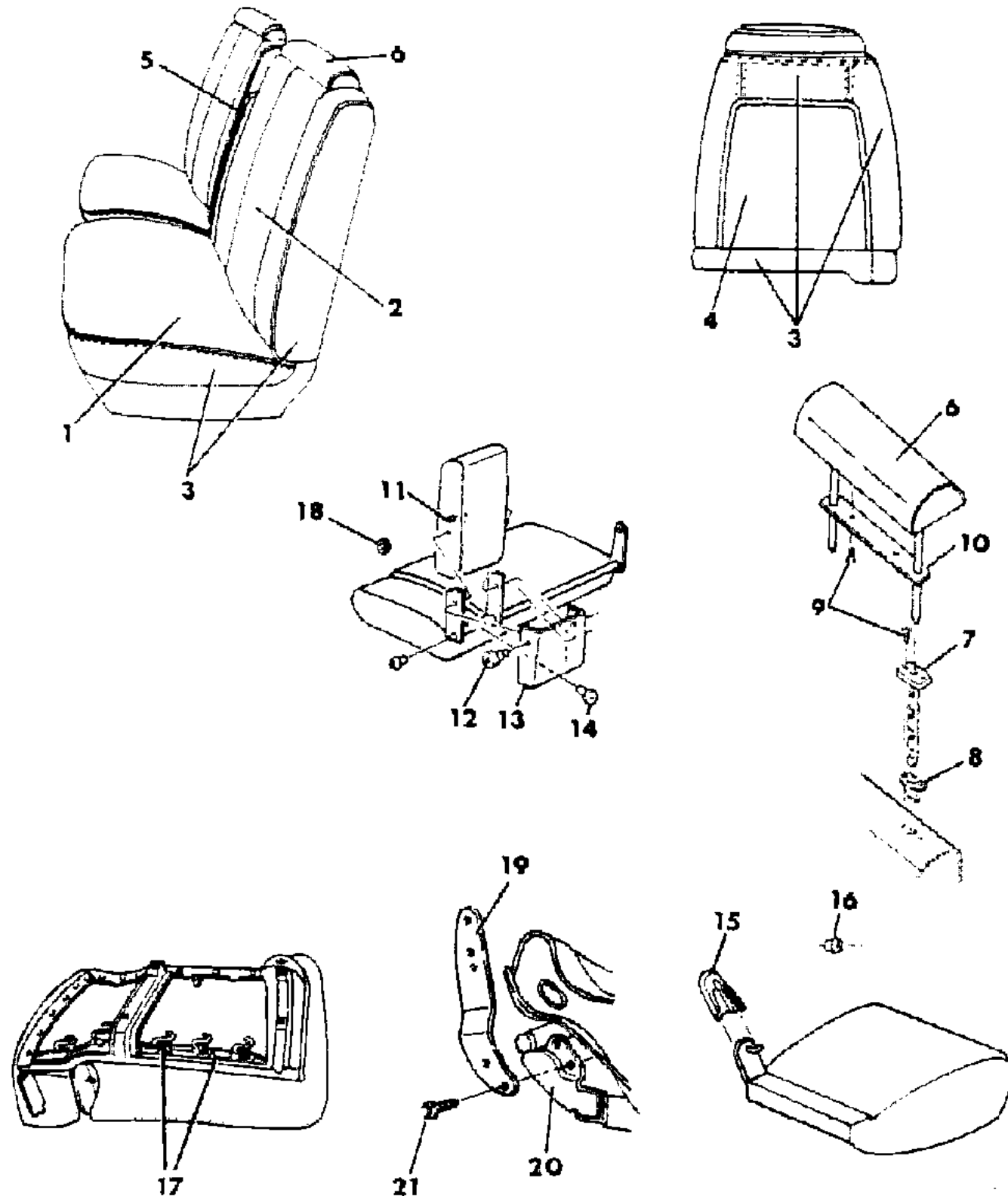
45 = 4-DOOR STATION WAGON

52-53 = FWD WAGON

AR = Use as Required - = Non Illustrated Part P.A.R. = Paint as Required

SEAT--FRONT FLEET-POLICE-OTHERS M BODY
Figure ITM-1700

7244 2200 A



ITEM	PART NUMBER	QTY	BODY	MODEL	DESCRIPTION
NOTE: Special Equipment Code Is In The Trim Code.					
1	4196 276-7	1			COVER, Cushion Blue, Vinyl (CBCR)
	4196 917	1			Blue, Cloth Left (CBCP) (Use Up To 3-1-87)
	4196 918	1			Blue, Cloth Right (CBCP) (Use Up To 3-1-87)
	4370 303	1			Blue, Cloth (CBCP) (Use After 3-1-87)
	4370 304	1			Blue, Cloth Right (CBCP) (Use After 3-1-87)
	4370 096	1			Almond, Cloth Right (CBCP)
	4370 095	1			Almond, Cloth Left (CBCP)
2	4196 278-9	1			COVER, Back Blue, Vinyl (CBCR)
	4196 919	1			Blue, Cloth Left (CBCP) (Use Up To 3-1-87)
	4196 920	1			Blue, Cloth Right (CBCP) (Use Up To 3-1-87)
	4370 305	1			Blue, Cloth Left (CBCP) (Use After 3-1-87)
	4370 306	1			Blue, Cloth Right (CBCP) (Use After 3-1-87)
	4370 098	1			Almond, Cloth Right (CBCP)
	4370 097	1			Almond, Cloth Left (CBCP)
3	R616 VC8	AR			ROLL STOCK, Vinyl Order By The Inch Blue, 64" Wide
	R600 EK1	AR			Almond, 54" Wide
4	S740 VC8	2			PANEL, Back of Front Back Blue
	S740 EK1	2			Almond
5	B376 CC8	1			COVER, Armrest Blue
	B376 EK1	1			Almond
6	S702 SC7	2			HEADREST Blue
	S702 EK1	2			Almond
7	S690 SC7	4			SLEEVE, Headrest Blue
	S690 EK1	4			Almond
8	4098 965	4			CATCH, Headrest
9					SCREW, (8-18x1) (Not Serv.)
10	4018 808	2			COVER, Headrest Finish
11	4138 891	1			ROD, Armrest Lock
12	6030 082	2			BOLT, Armrest Attaching
13					COVER, Armrest Finish

MODEL CODES

E BODY = (J - CARAVELLE)(E - 600)(T - NEW YORKER)

G BODY = (V24 - DAYTONA)

H BODY = (D44 - LANCER)(C44 - LEBARON GTS)

J BODY = (C - LEBARON)

K BODY = (P - RELIANT)(D - ARIES)(C - LEBAROND)/TOWN & COUNTRY)

L BODY = (M - HORIZON/TURISMO)(Z - OMNI/CHARGER)

M BODY = (B - GRAN FURY)(F - FIFTH AVE/NEWPORT)(G - DIPLOMAT)

P BODY = (P - SUNDANCE)(D - SHADOW)

S BODY = (H - VOYAGER)(K - RAM VAN/CARAVAN)

BODY STYLES

12-13 = FWD VAN

21 = 2-DOOR SEDAN

24 = 2-DOOR HATCHBACK

27 = 2-DOOR CONVERTIBLE

41 = 4-DOOR SEDAN

44 = 4-DOOR HATCHBACK

45 = 4-DOOR STATION WAGON

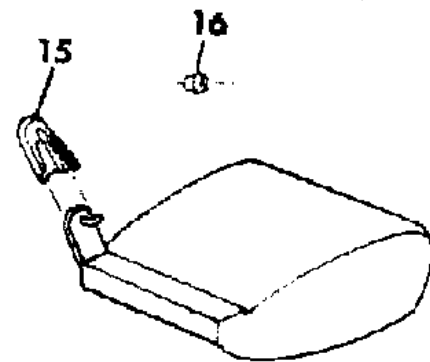
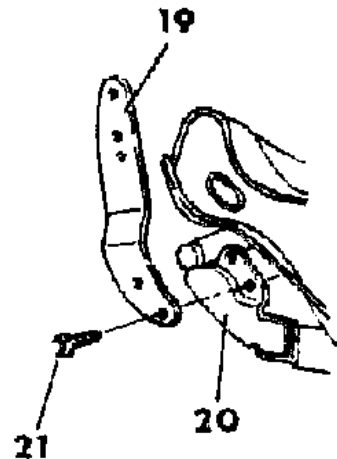
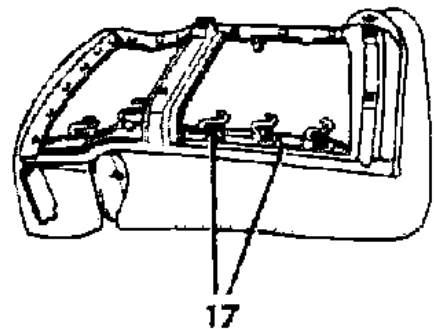
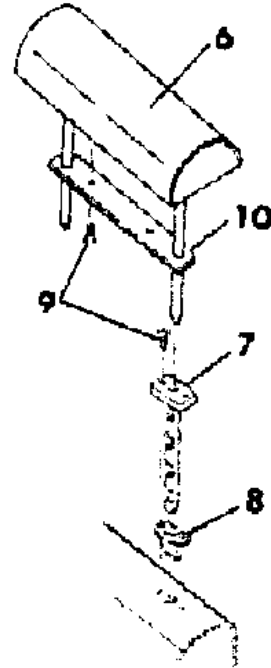
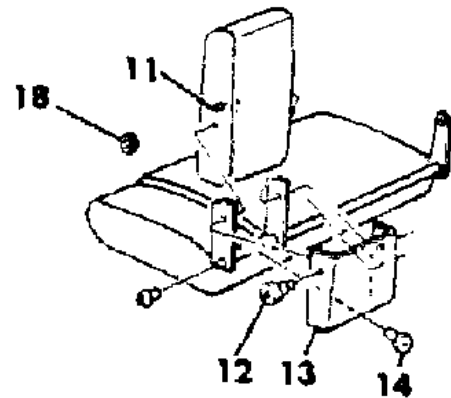
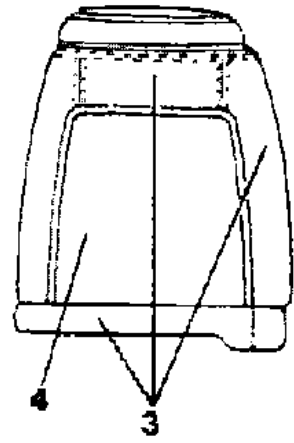
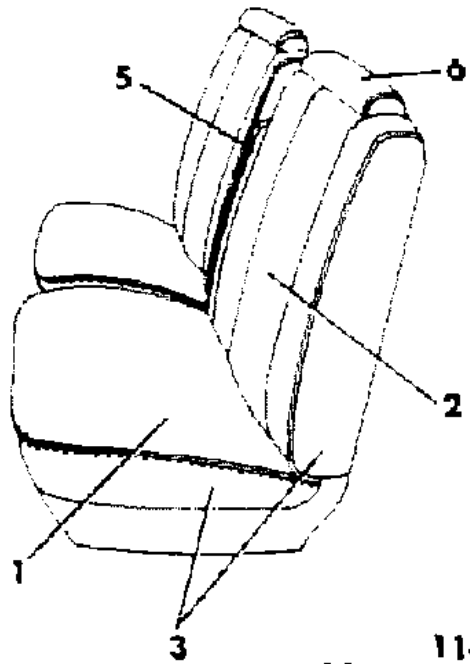
52-53 = FWD WAGON

AR = Use as Required - = Non Illustrated Part P.A.R. = Paint as Required

SEAT--FRONT FLEET-POLICE-OTHERS M BODY
Figure ITM-1700

7244 2200 A

ITEM	PART NUMBER	QTY	BODY	MODEL	DESCRIPTION
	S580 VC7	1			Blue
	S580 EK1	1			Almond
14	0181 063	AR			SCREW, Armrest to Seat Back
15					COVER, Hinge Arm Inner, Right Only
	S682 SC7	1			Blue
	S682 EK1	1			Almond
16	4190 488	1			BUSHING, Inner Pivot, Right Only
17	6008 076	AR			HOG RING
18	6006 324	1			NUT, Armrest Lock
19					ARM
	4098 886	1			Right
	4138 765	1			Left
20	4190 698-9	1			REINFORCEMENT
21	9422 041	AR			SCREW



MODEL CODES

E BODY = (J - CARAVELLE)(E - 600)(T - NEW YORKER)

G BODY = (V24 - DAYTONA)

H BODY = (D44 - LANCER)(C44 - LEBARON GTS)

J BODY = (C - LEBARON)

K BODY = (P - RELIANT)(D - ARIES)(C - LEBAROND)/TOWN & COUNTRY)

L BODY = (M - HORIZON/TURISMO)(Z - OMNI/CHARGER)

M BODY = (B - GRAN FURY)(F - FIFTH AVE/NEWPORT)(G - DIPLOMAT)

P BODY = (P - SUNDANCE)(D - SHADOW)

S BODY = (H - VOYAGER)(K - RAM VAN/CARAVAN)

BODY STYLES

12-13 = FWD VAN

21 = 2-DOOR SEDAN

24 = 2-DOOR HATCHBACK

27 = 2-DOOR CONVERTIBLE

41 = 4-DOOR SEDAN

44 = 4-DOOR HATCHBACK

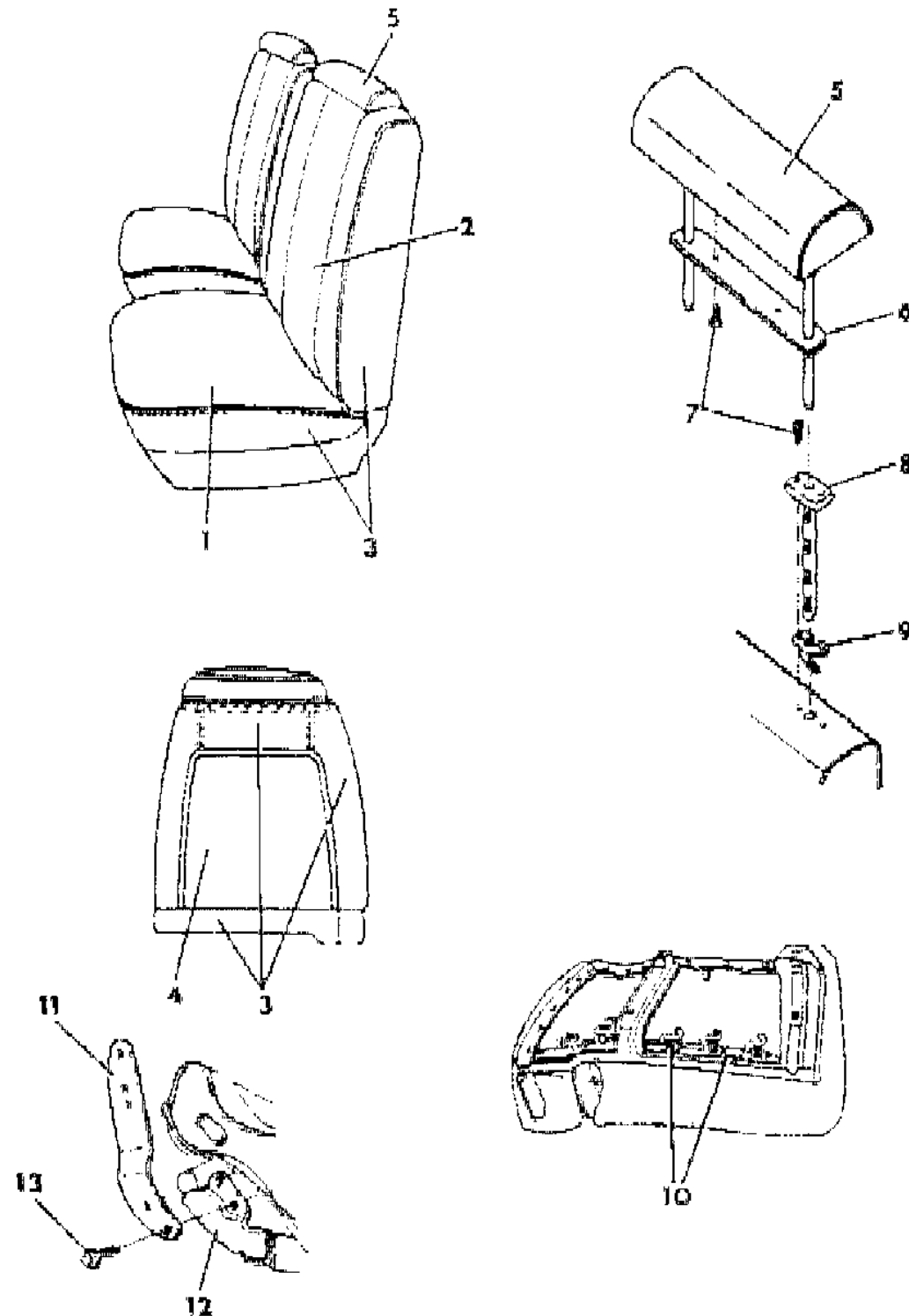
45 = 4-DOOR STATION WAGON

52-53 = FWD WAGON

AR = Use as Required - = Non Illustrated Part P.A.R. = Paint as Required

SEAT--FRONT FLEET-POLICE-OTHERS M BODY
Figure ITM-1700

7244 2300 A



ITEM	PART NUMBER	QTY	BODY	MODEL	DESCRIPTION
NOTE: Special Equipment Code Is In The Trim Code					
1					COVER, Cushion
	4196 922	1			Blue, Cloth Right (CACN) (Use Up To 3-1-87)
	4370 221	1			Blue, Cloth Left (CACN) (Use Up To 3-1-87)
	4370 308	1			Blue, Cloth Right (CACN) (Use After 3-1-87)
	4370 307	1			Blue, Cloth Left (CACN) (Use After 3-1-87)
	4370 102	1			Almond, Cloth Right (CACN)
	4370 223	1			Almond, Cloth Left (CACN)
	4196 236	1			Blue, Vinyl Right (CACP)
	4370 225	1			Blue, Vinyl Left (CACP)
	4370 104	1			Almond, CACP)
	4370 227	1			Almond, Vinyl Left (CACP)
2					COVER, Back
	4196 920	2			Blue, Cloth (CACN) (Use Up To 3-1-87)
	4370 306	1			Blue, Cloth (CACN) (Use After 3-1-87)
	4370 098	2			Almond, Cloth (CACN)
	4196 278	2			Blue, Vinyl (CACP)
	N198 EXK	2			Almond, Vinyl (CACP)
3					ROLL STOCK, Vinyl Order BY The Inch
	R616 VC8	AR			Blue, 64" Wide
	R600 EK1	AR			Almond, 54" Wide
4					Panel, Back of Front Back
	S740 VC8	2			Blue
	S740 EK1	2			Almond
5					Headrest
	S702 SC7	2			Blue
	S702 EK1	2			Almond
6	4018 808	2			COVER, Headrest Finish
7					SCREW, (8-18x1) (Not Serv.)
8					SLEEVE, Headrest
	S690 SC7	4			Blue
	S690 EK1	4			Almond
9	4098 965	4			CATCH, Headrest
10	6008 076	AR			HOG RING
11					ARM
	4098 886	1			Right
	4138 765	1			Left
12	4190 698-9	1			REINFORCEMENT

MODEL CODES

E BODY = (J - CARAVELLE)(E - 600)(T - NEW YORKER)

G BODY = (V24 - DAYTONA)

H BODY = (D44 - LANCER)(C44 - LEBARON GTS)

J BODY = (C - LEBARON)

K BODY = (P - RELIANT)(D - ARIES)(C - LEBAROND)/TOWN & COUNTRY)

L BODY = (M - HORIZON/TURISMO)(Z - OMNI/CHARGER)

M BODY = (B - GRAN FURY)(F - FIFTH AVE/NEWPORT)(G - DIPLOMAT)

P BODY = (P - SUNDANCE)(D - SHADOW)

S BODY = (H - VOYAGER)(K - RAM VAN/CARAVAN)

BODY STYLES

12-13 = FWD VAN

21 = 2-DOOR SEDAN

24 = 2-DOOR HATCHBACK

27 = 2-DOOR CONVERTIBLE

41 = 4-DOOR SEDAN

44 = 4-DOOR HATCHBACK

45 = 4-DOOR STATION WAGON

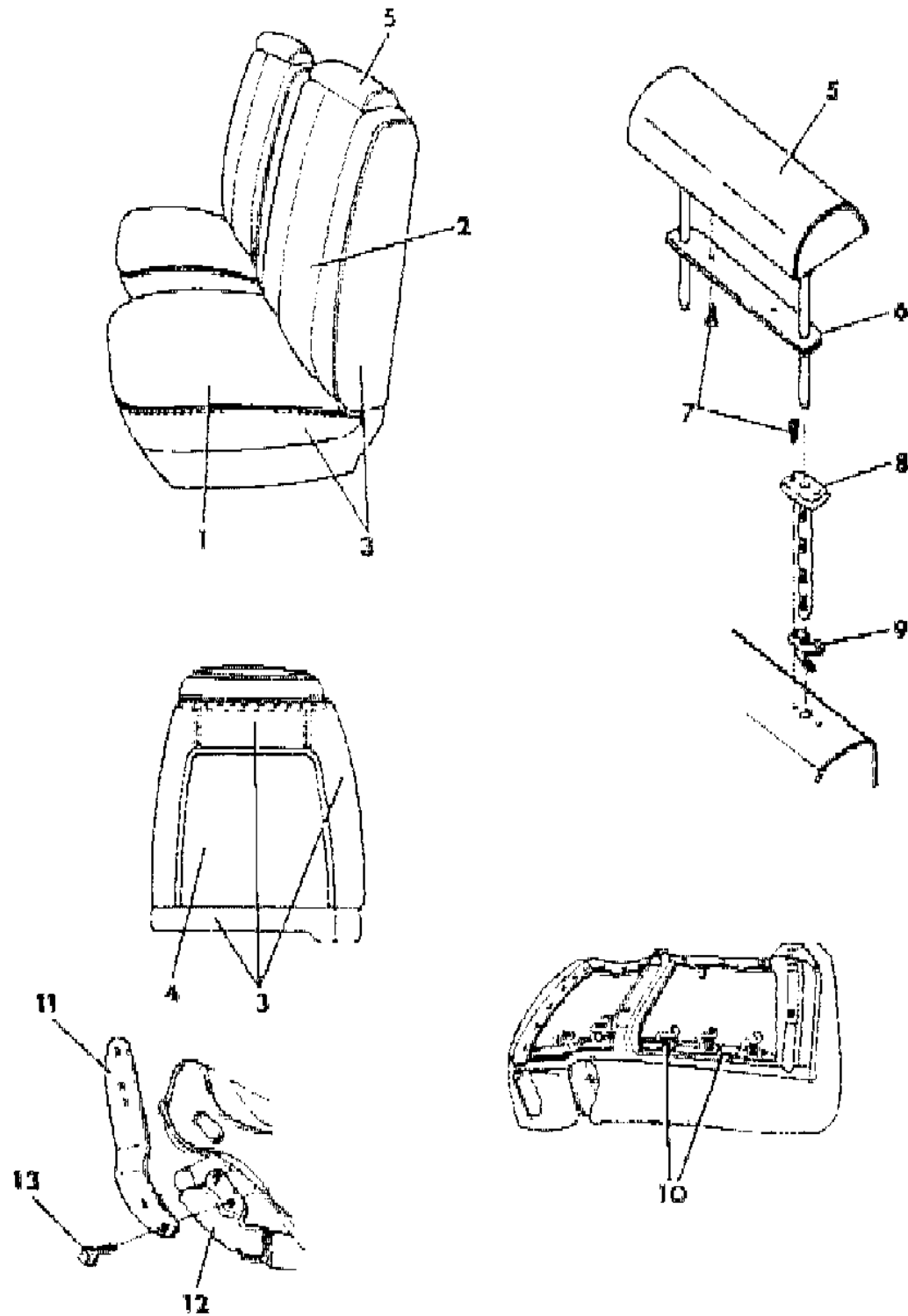
52-53 = FWD WAGON

AR = Use as Required - = Non Illustrated Part P.A.R. = Paint as Required

SEAT--FRONT FLEET-POLICE-OTHERS M BODY
Figure ITM-1700

7244 2300 A

ITEM	PART NUMBER	QTY	BODY	MODEL	DESCRIPTION
13	9422 041	AR			SCREW



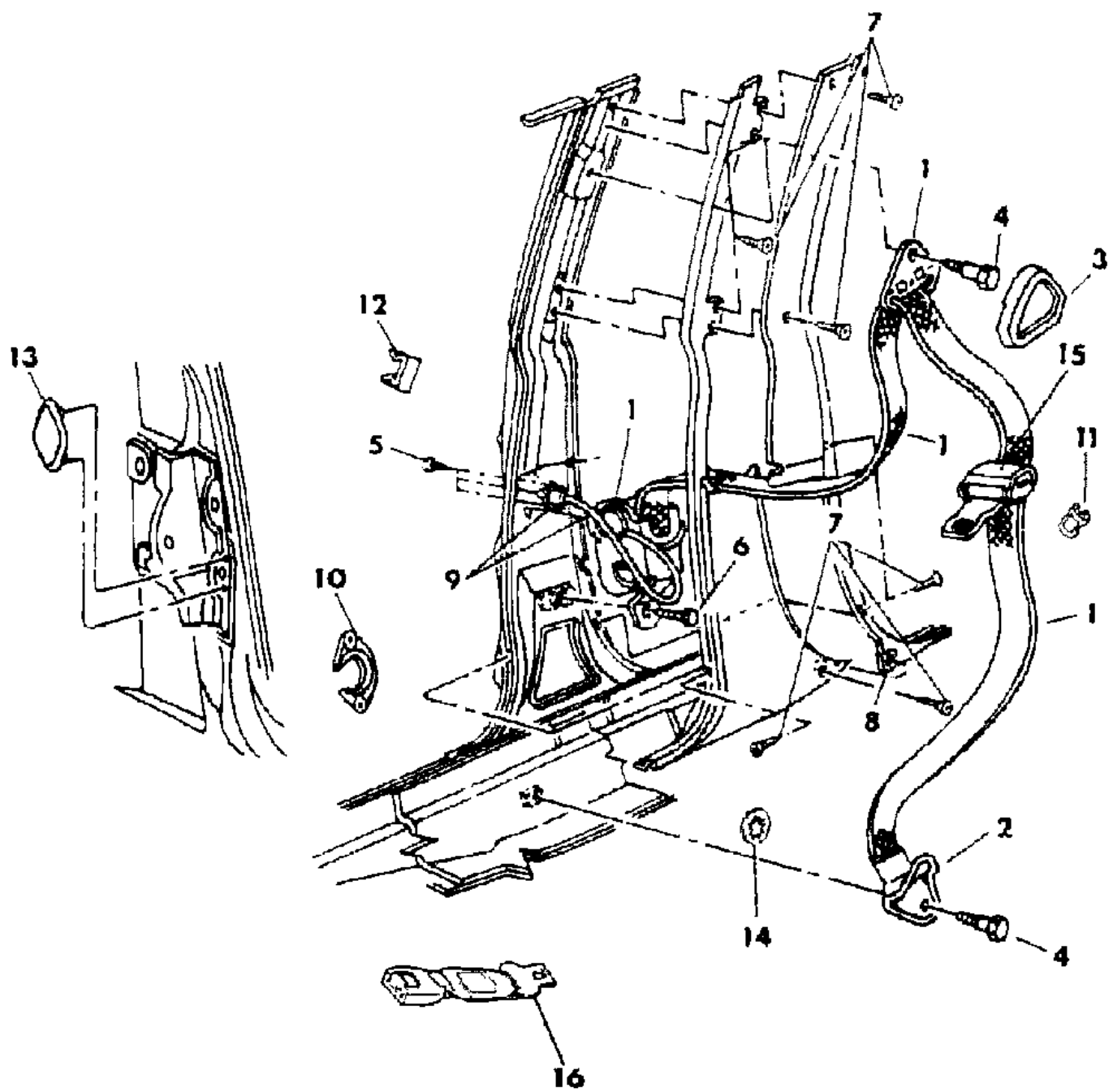
MODEL CODES
 E BODY = (J - CARAVELLE)(E - 600)(T - NEW YORKER)
 G BODY = (V24 - DAYTONA)
 H BODY = (D44 - LANCER)(C44 - LEBARON GTS)
 J BODY = (C - LEBARON)
 K BODY = (P - RELIANT)(D - ARIES)(C - LEBAROND)/TOWN & COUNTRY
 L BODY = (M - HORIZON/TURISMO)(Z - OMNI/CHARGER)
 M BODY = (B - GRAN FURY)(F - FIFTH AVE/NEWPORT)(G - DIPLOMAT)
 P BODY = (P - SUNDANCE)(D - SHADOW)
 S BODY = (H - VOYAGER)(K - RAM VAN/CARAVAN)

BODY STYLES
 12-13 = FWD VAN
 21 = 2-DOOR SEDAN
 24 = 2-DOOR HATCHBACK
 27 = 2-DOOR CONVERTIBLE
 41 = 4-DOOR SEDAN
 44 = 4-DOOR HATCHBACK
 45 = 4-DOOR STATION WAGON
 52-53 = FWD WAGON

AR = Use as Required - = Non Illustrated Part P.A.R. = Paint as Required

BELT--FRONT SEAT LAP AND SHOULDER-OUTER M BODY
Figure ITM-2400

7244 2400 A



ITEM	PART NUMBER	QTY	BODY	MODEL	DESCRIPTION
1					BELT, Outer
					LABEL NUMBER 4290466-7
	F660-1 BA3	1			Silver
	F660-1 BC7	1			Blue
	F660-1 BM6	1			Red
	F660-1 EK1	1			Almond
2	F814 JX9	1			COVER, Swivel Plate
3					COVER, Belt hanger
	F828 AA3	2			Silver
	F828 TC7	2			Blue
	F828 TM6	2			Red
	F828 EK1	2			Almond
4	6031 216	2			BOLT
5					SCREW, (10-16x3/4) (Not Serv.)
6	6031 484	2			BOLT
7	6032 179	16			SCREW
8	0152 490	2			U-NUT
9		1			RELEASE, Tension Reliver (Serv. In Item 1)
10		2			RETAINER, Reliver Release Attaching (Serv. In Item 1)
11					COVER, Unibelt Tip (Serv. In Item 1)
12					CLIP, Reliver Cable to Cover Retaining (Serv. In Item 1)
13		2			PLUG, Reliver Release Hole (Serv. In Item 1)
14	6025 160	2			RETAINER, Inertia Retractor Pendulum Shaft
15	4316 773	1			COVER, Tip Half (P.A.R.)
16	4364 849	AR			EXTENDER

NOTE: (P.A.R.) = Paint As Required

MODEL CODES
 E BODY = (J - CARAVELLE)(E - 600)(T - NEW YORKER)
 G BODY = (V24 - DAYTONA)
 H BODY = (D44 - LANCER)(C44 - LEBARON GTS)
 J BODY = (C - LEBARON)
 K BODY = (P - RELIANT)(D - ARIES)(C - LEBAROND)/TOWN & COUNTRY
 L BODY = (M - HORIZON/TURISMO)(Z - OMNI/CHARGER)
 M BODY = (B - GRAN FURY)(F - FIFTH AVE/NEWPORT)(G - DIPLOMAT)
 P BODY = (P - SUNDANCE)(D - SHADOW)
 S BODY = (H - VOYAGER)(K - RAM VAN/CARAVAN)

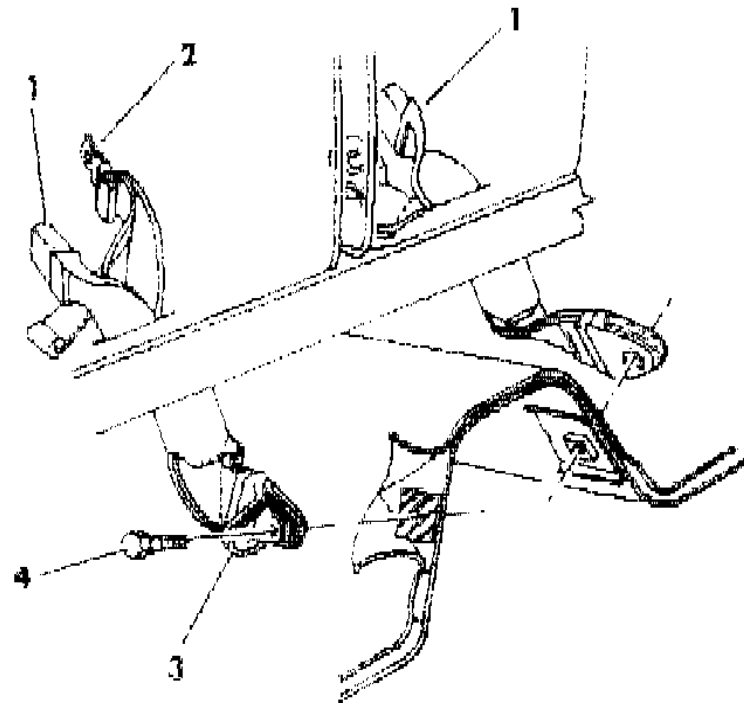
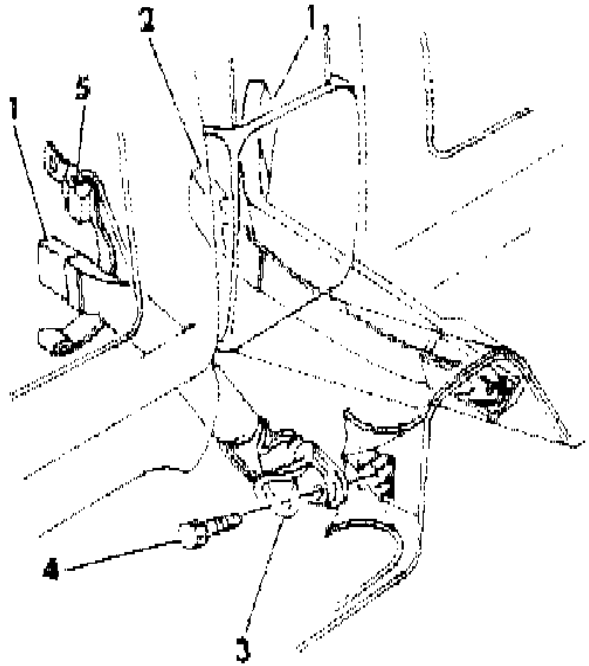
BODY STYLES
 12-13 = FWD VAN
 21 = 2-DOOR SEDAN
 24 = 2-DOOR HATCHBACK
 27 = 2-DOOR CONVERTIBLE
 41 = 4-DOOR SEDAN
 44 = 4-DOOR HATCHBACK
 45 = 4-DOOR STATION WAGON
 52-53 = FWD WAGON

AR = Use as Required - = Non Illustrated Part P.A.R. = Paint as Required

BELT--FRONT SEAT LAP AND SHOULDER-INNER M BODY
Figure ITM-2500

7244 2500

ITEM	PART NUMBER	QTY	BODY	MODEL	DESCRIPTION
1					BELT, Buckle Half, Right
					LABEL NUMBER 4327360
	F772 CA3	1			Silver
	F772 CC7	1			Blue
	F772 CM6	1			Red
	F772 EK1	1			Almond
					LABEL NUMBER 4316752-3
	F708-9 BA3	1			Silver
	F708-9 BC7	1			Blue
	F708-9 BM6	1			Red
F708-9 EK1	1			Almond	
2					BELT, Buckle Half Center, Right
					LABEL NUMBER 4290464
	F658 BA3	1			Silver
	F658 BC7	1			Blue
	F658 BM6	1			Red
F658 EK1	1			Almond	
3	F814 JX9	2			COVER, Anchor Bolt, Black
4	6031 216	AR			BOLT
5	4316 773	1			COVER, Tip Half (P.A.R.)
NOTE: (P.A.R.) = Paint As Required					



MODEL CODES

E BODY = (J - CARAVELLE)(E - 600)(T - NEW YORKER)

G BODY = (V24 - DAYTONA)

H BODY = (D44 - LANCER)(C44 - LEBARON GTS)

J BODY = (C - LEBARON)

K BODY = (P - RELIANT)(D - ARIES)(C - LEBAROND)/TOWN & COUNTRY)

L BODY = (M - HORIZON/TURISMO)(Z - OMNI/CHARGER)

M BODY = (B - GRAN FURY)(F - FIFTH AVE/NEWPORT)(G - DIPLOMAT)

P BODY = (P - SUNDANCE)(D - SHADOW)

S BODY = (H - VOYAGER)(K - RAM VAN/CARAVAN)

BODY STYLES

12-13 = FWD VAN

21 = 2-DOOR SEDAN

24 = 2-DOOR HATCHBACK

27 = 2-DOOR CONVERTIBLE

41 = 4-DOOR SEDAN

44 = 4-DOOR HATCHBACK

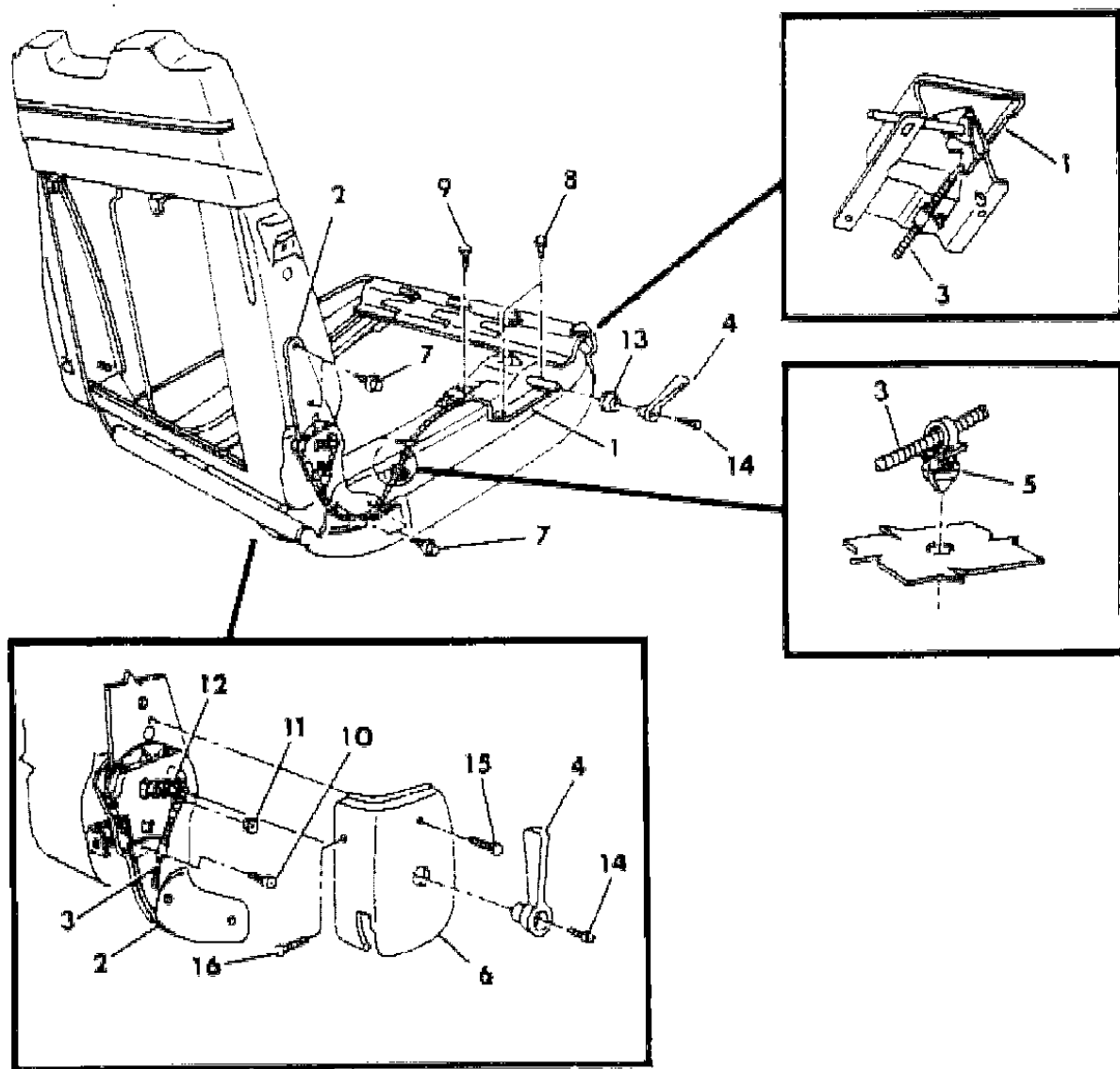
45 = 4-DOOR STATION WAGON

52-53 = FWD WAGON

AR = Use as Required - = Non Illustrated Part P.A.R. = Paint as Required

RECLINING FRONT SEAT AND SEAT BACK RELEASE M BODY
Figure ITM-2600

7244 2600



ITEM	PART NUMBER	QTY	BODY	MODEL	DESCRIPTION
1	4018 066	1			ACTUATOR, Seat Back Release
2	4190 410	1			RECLINER, Front Seat Back
-	4190 248-9	1			SPRING, Recliner Release Cam
-	6030 913	1			RING, Retaining Pivot Pin
3	3844 812	1			CABLE, Recliner Release
4	4138 298	AR			HANDLE, Seat Back Latch
5	6015 640	AR			CLIP
6		AR			COVER, (See Seat Illustration)
7	9422 041	AR			SCREW and WASHER
8		AR			SCREW, Actuator Attaching (10-24x3/8) (Not Serv)
9	6032 456	AR			SCREW, Actuator Attaching
10		AR			SCREW, (8-32x1/2) (Not Serv.)
11	0120 622	AR			LOCK NUT
12	4029 871	1			ADAPTER, Recliner Actuator Handle
13	4098 080	1			BEZEL, Recliner Handle
14					SCREW, (8-32x7/8) (Not Serv.)
15		AR			SCREW, (8-32x1.50) (Not Serv.)
16		AR			SCREW, (8-18x1) (Not Serv.)

MODEL CODES

E BODY = (J - CARAVELLE)(E - 600)(T - NEW YORKER)

G BODY = (V24 - DAYTONA)

H BODY = (D44 - LANCER)(C44 - LEBARON GTS)

J BODY = (C - LEBARON)

K BODY = (P - RELIANT)(D - ARIES)(C - LEBAROND)/TOWN & COUNTRY)

L BODY = (M - HORIZON/TURISMO)(Z - OMNI/CHARGER)

M BODY = (B - GRAN FURY)(F - FIFTH AVE/NEWPORT)(G - DIPLOMAT)

P BODY = (P - SUNDANCE)(D - SHADOW)

S BODY = (H - VOYAGER)(K - RAM VAN/CARAVAN)

BODY STYLES

12-13 = FWD VAN

21 = 2-DOOR SEDAN

24 = 2-DOOR HATCHBACK

27 = 2-DOOR CONVERTIBLE

41 = 4-DOOR SEDAN

44 = 4-DOOR HATCHBACK

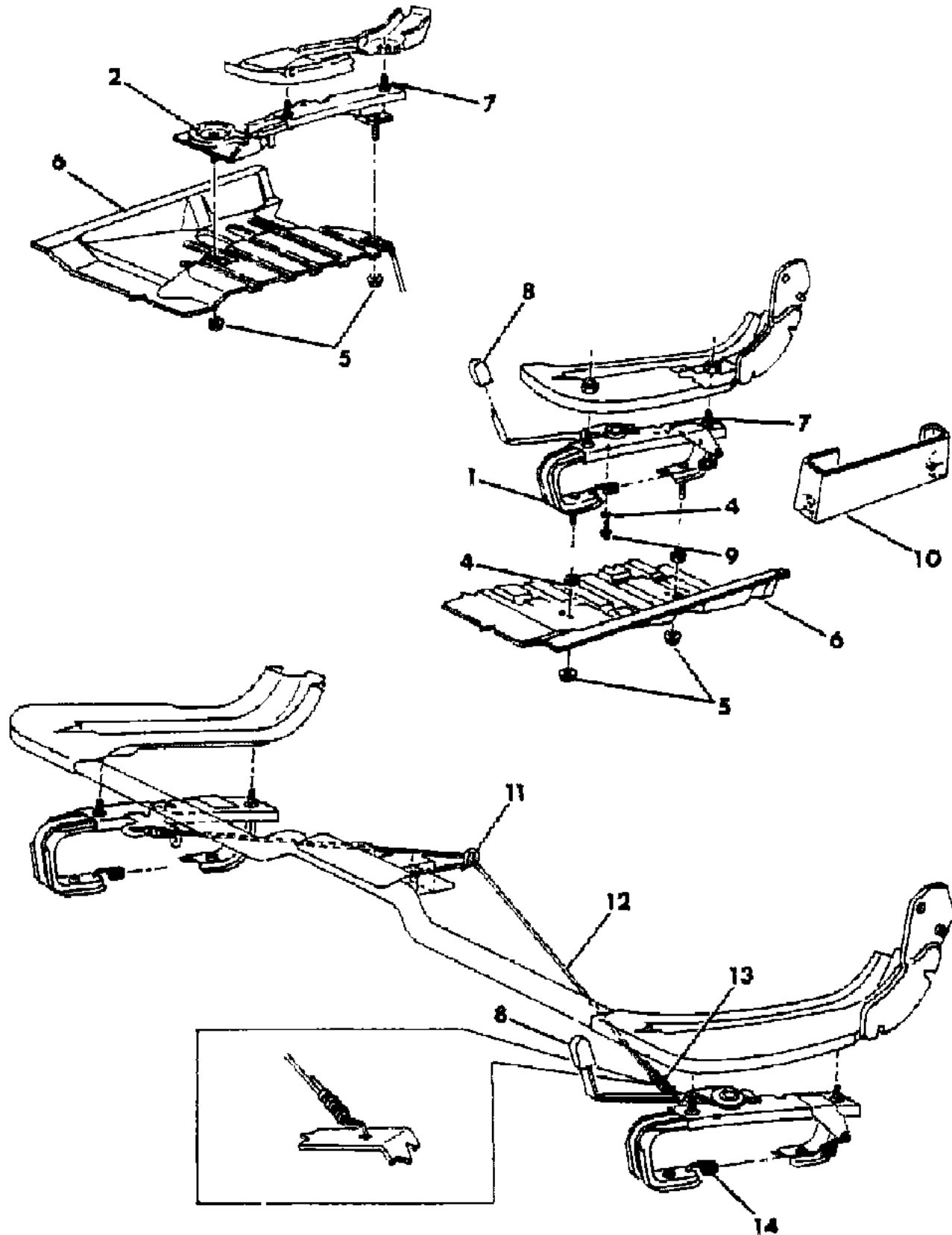
45 = 4-DOOR STATION WAGON

52-53 = FWD WAGON

AR = Use as Required - = Non Illustrated Part P.A.R. = Paint as Required

ADJUSTER--MANUAL M BODY
Figure ITM-2700

7244 2700



ITEM	PART NUMBER	QTY	BODY	MODEL	DESCRIPTION
1					ADJUSTER, Manual
	4290 831	1			Right, w/Bench
	4290 836	1			Left, w/Bench
	4290 844	1			Outer, w/60/40, Right w/o Police Package
	4290 843	1			w/Police Package
	4290 835	1			OUTER, w/60/40, Left w/o Police Package
	4290 833	1			w/Police Package
	4290 830	1			Inner, Left w/60/40, w/o Police Package
	4290 829	1			w/Police Package
-	4172 363	1			Spring, E.Z. Entry Release Lever Return w/60/40
-	4172 009	1			Spring, Seat Adjuster Latch Return
2	4290 834	1			ADJUSTER, Front Seat Manual Right, Inner w/o Police Package
	4290 832	1			w/Police Package
4	6028 040	AR			RETAINER
5		AR			NUT and WASHER, (Not Serv.)
6	4314 642-3	1			REINFORCEMENT, Front Floor Pan Seat Guide, Front Outer
	4314 644-5	1			Rear Floor Pan Seat Guide, Rear Outer
7	0181 088	AR			SCREW and Washer
8	5207 235	AR			KNOB, Front Seat Adjust Release
9	0181 063	AR			SCREW
10					COVER, Drivers Seat Inner
	S621 AA7	1			Silver
	S621 SC7	1			Blue
	S621 TM6	1			Red
	S621 EK1	1			Almond
					OUTER, PASSENGER SEAT
	S622 AA7	1			Silver
	S622 TC7	1			Blue
	S622 TM6	1			Red
	S622 EK1	1			Almond
					OUTER, DRIVER SEAT
	S623 AA7	1			Silver
	S623 SC7	1			Blue
	S623 TM6	1			Red
	S623 EK1	1			Almond
					INNER, PASSENGER SEAT
	S872 AA7	1			Silver
	S872 TC7	1			Blue

MODEL CODES

E BODY = (J - CARAVELLE)(E - 600)(T - NEW YORKER)

G BODY = (V24 - DAYTONA)

H BODY = (D44 - LANCER)(C44 - LEBARON GTS)

J BODY = (C - LEBARON)

K BODY = (P - RELIANT)(D - ARIES)(C - LEBAROND)/TOWN & COUNTRY)

L BODY = (M - HORIZON/TURISMO)(Z - OMNI/CHARGER)

M BODY = (B - GRAN FURY)(F - FIFTH AVE/NEWPORT)(G - DIPLOMAT)

P BODY = (P - SUNDANCE)(D - SHADOW)

S BODY = (H - VOYAGER)(K - RAM VAN/CARAVAN)

BODY STYLES

12-13 = FWD VAN

21 = 2-DOOR SEDAN

24 = 2-DOOR HATCHBACK

27 = 2-DOOR CONVERTIBLE

41 = 4-DOOR SEDAN

44 = 4-DOOR HATCHBACK

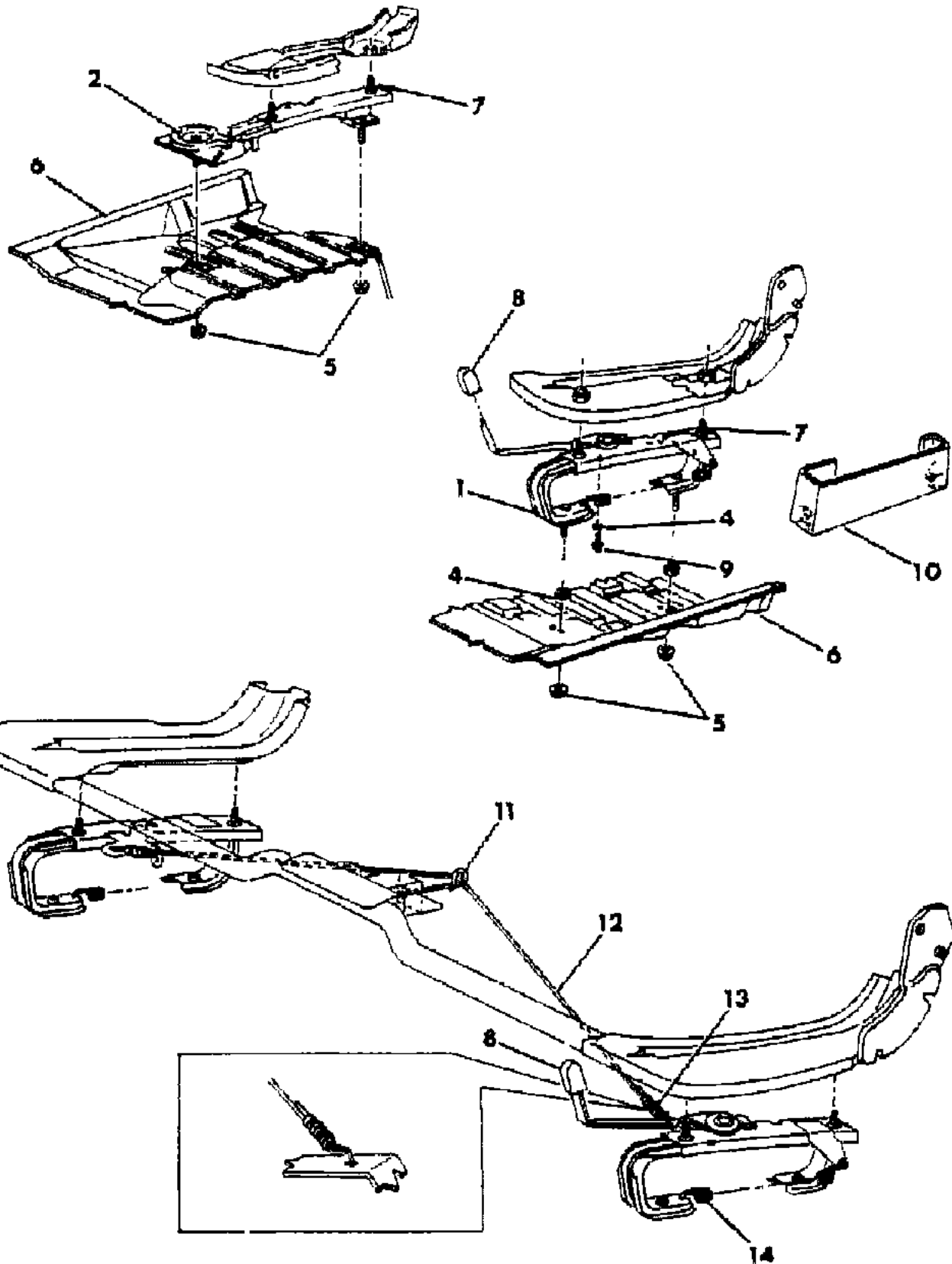
45 = 4-DOOR STATION WAGON

52-53 = FWD WAGON

AR = Use as Required - = Non Illustrated Part P.A.R. = Paint as Required

ADJUSTER--MANUAL M BODY
Figure ITM-2700

7244 2700



ITEM	PART NUMBER	QTY	BODY	MODEL	DESCRIPTION
	S872 TM6	1			Red
	S872 EK1	1			Almond
11	4380 094	1			HOOK, Seat Guide Wire
12	4172 057	1			WIRE, Seat Adjuster Latch w/Bench
	4172 174	1			w/60/40
13	4172 333	AR			SPRING, Seat Adjuster Release Latch Return
14	3871 470	AR			SPRING, Seat Adjuster Return
	6025 766	AR			The Following Parts Are Not Illustrated NUT, Spring Cover Attaching
	0104 918	AR			BALL BEARING

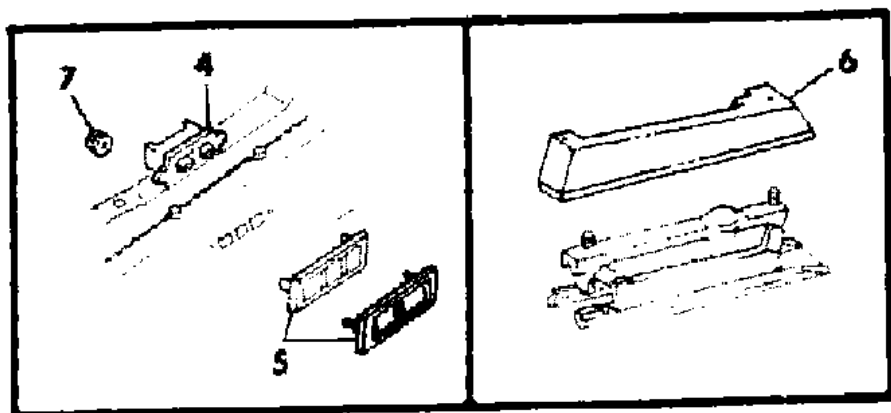
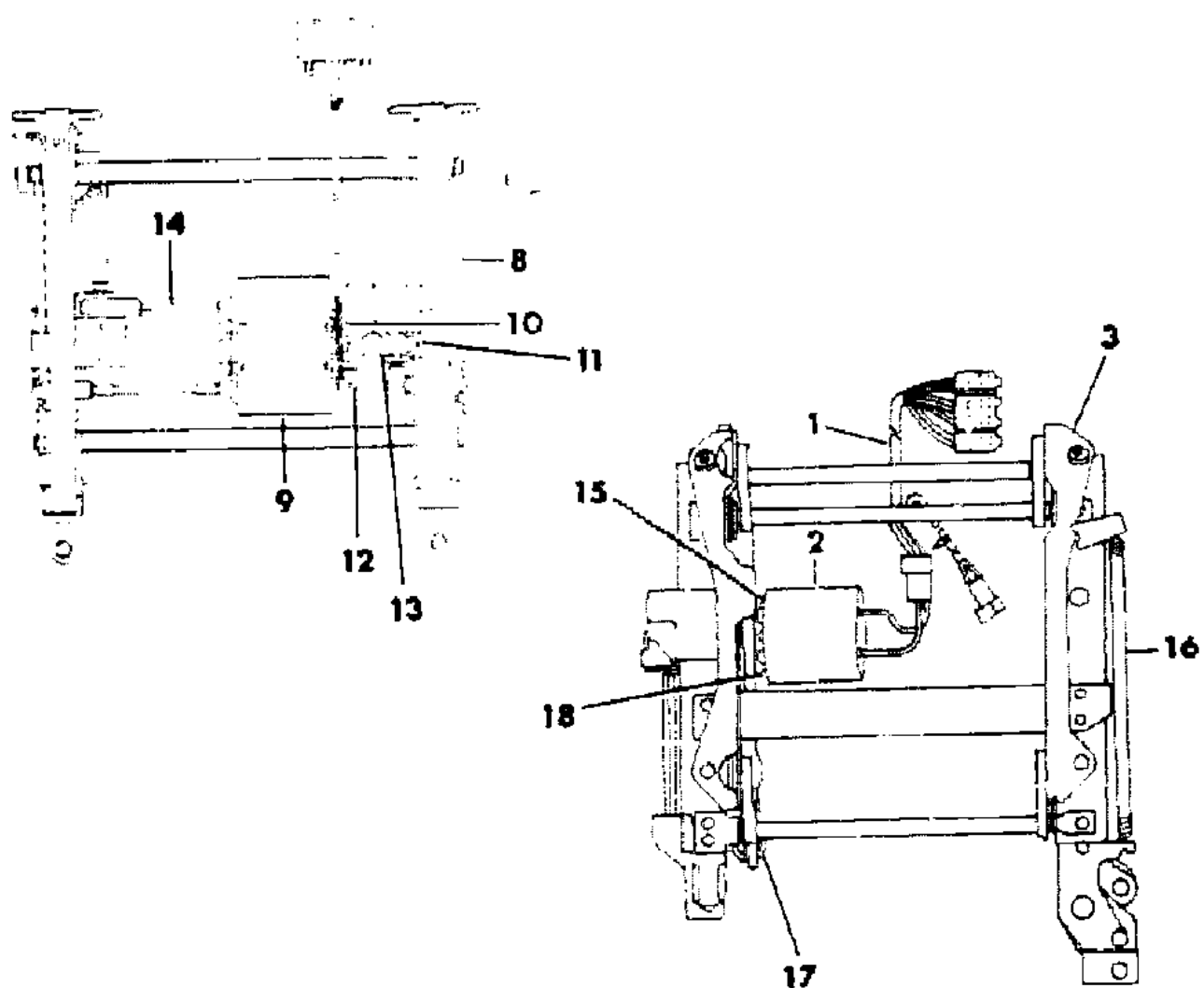
MODEL CODES
 E BODY = (J - CARAVELLE)(E - 600)(T - NEW YORKER)
 G BODY = (V24 - DAYTONA)
 H BODY = (D44 - LANCER)(C44 - LEBARON GTS)
 J BODY = (C - LEBARON)
 K BODY = (P - RELIANT)(D - ARIES)(C - LEBAROND)/TOWN & COUNTRY
 L BODY = (M - HORIZON/TURISMO)(Z - OMNI/CHARGER)
 M BODY = (B - GRAN FURY)(F - FIFTH AVE/NEWPORT)(G - DIPLOMAT)
 P BODY = (P - SUNDANCE)(D - SHADOW)
 S BODY = (H - VOYAGER)(K - RAM VAN/CARAVAN)

BODY STYLES
 12-13 = FWD VAN
 21 = 2-DOOR SEDAN
 24 = 2-DOOR HATCHBACK
 27 = 2-DOOR CONVERTIBLE
 41 = 4-DOOR SEDAN
 44 = 4-DOOR HATCHBACK
 45 = 4-DOOR STATION WAGON
 52-53 = FWD WAGON

AR = Use as Required - = Non Illustrated Part P.A.R. = Paint as Required

ADJUSTER--ELECTRIC 60/40 SPLIT M BODY
Figure ITM-2800

7244 2800 B



ITEM	PART NUMBER	QTY	BODY	MODEL	DESCRIPTION
NOTE: THE FOLLOWING PARTS ARE FOR REPLACEMENT ONLY NOT FOR NEW INSTALLATION.					
1	4209 431	1			WIRING, Seat Adjuster
2	4239 716	1			MOTOR, Right 4 Way
3	4246 218	1			ADJUSTER, Right 4 Way Complete w/Motor
4	3747 740	1			SWITCH, Left w/60/40
	3747 957	1			Right
5					BEZEL, Switch
	3746 967	1			Driver Seat
	3747 960	1			PASSENGER Seat
6					COVER, Outer Driver Seat
	S689 AA7	1			Silver
	S689 SC7	1			Blue
	S689 TM6	1			Red
	S689 EK1	1			Almond
					INNER, Drivers Seat
	S695 AA7	1			Silver
	S695 SC7	1			Blue
	S695 TM6	1			Red
	S695 EK1	1			Almond
					OUTER, Passenger Seat
	S576 AA7	1			Silver
	S576 VC7	1			Blue
	S576 VM6	1			Red
	S576 EK1	1			Almond
					INNER, Passenger Seat
	S676 AA7	1			Silver
	S676 AC7	1			Blue
	S676 AM6	1			Red
	S676 EK1	1			Almond
7	6025 002	2			NUT and WASHER
8	4316 794	1			ADJUSTER, Left
9	4327 232	1			MOTOR and TUBE, Left
10	4055 693	1			BRACKET, Seat Track Wiring
11	4327 281	1			CABLE, Adjuster Outer, Fore and Aft
12	4327 280	1			CABLE, Adjuster Inner
13	4316 797	1			SHAFT, Adjuster Flexible Up/Down
14	4327 234	1			CABLE, Adjuster Inner, Fore and Aft

MODEL CODES

E BODY = (J - CARAVELLE)(E - 600)(T - NEW YORKER)

G BODY = (V24 - DAYTONA)

H BODY = (D44 - LANCER)(C44 - LEBARON GTS)

J BODY = (C - LEBARON)

K BODY = (P - RELIANT)(D - ARIES)(C - LEBAROND)/TOWN & COUNTRY)

L BODY = (M - HORIZON/TURISMO)(Z - OMNI/CHARGER)

M BODY = (B - GRAN FURY)(F - FIFTH AVE/NEWPORT)(G - DIPLOMAT)

P BODY = (P - SUNDANCE)(D - SHADOW)

S BODY = (H - VOYAGER)(K - RAM VAN/CARAVAN)

BODY STYLES

12-13 = FWD VAN

21 = 2-DOOR SEDAN

24 = 2-DOOR HATCHBACK

27 = 2-DOOR CONVERTIBLE

41 = 4-DOOR SEDAN

44 = 4-DOOR HATCHBACK

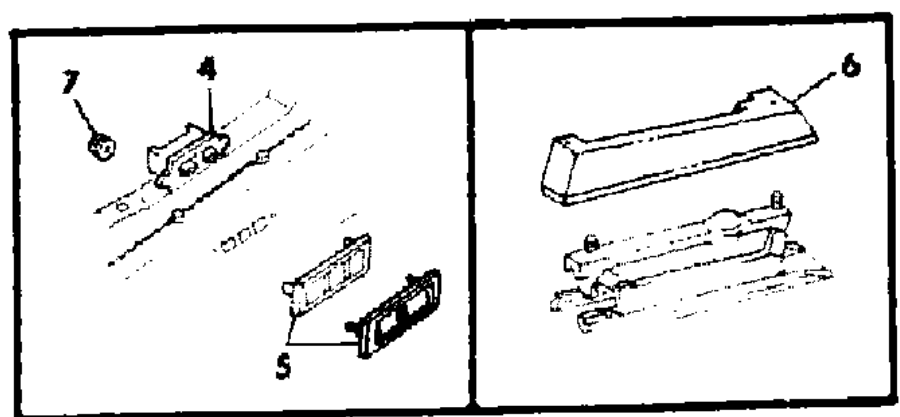
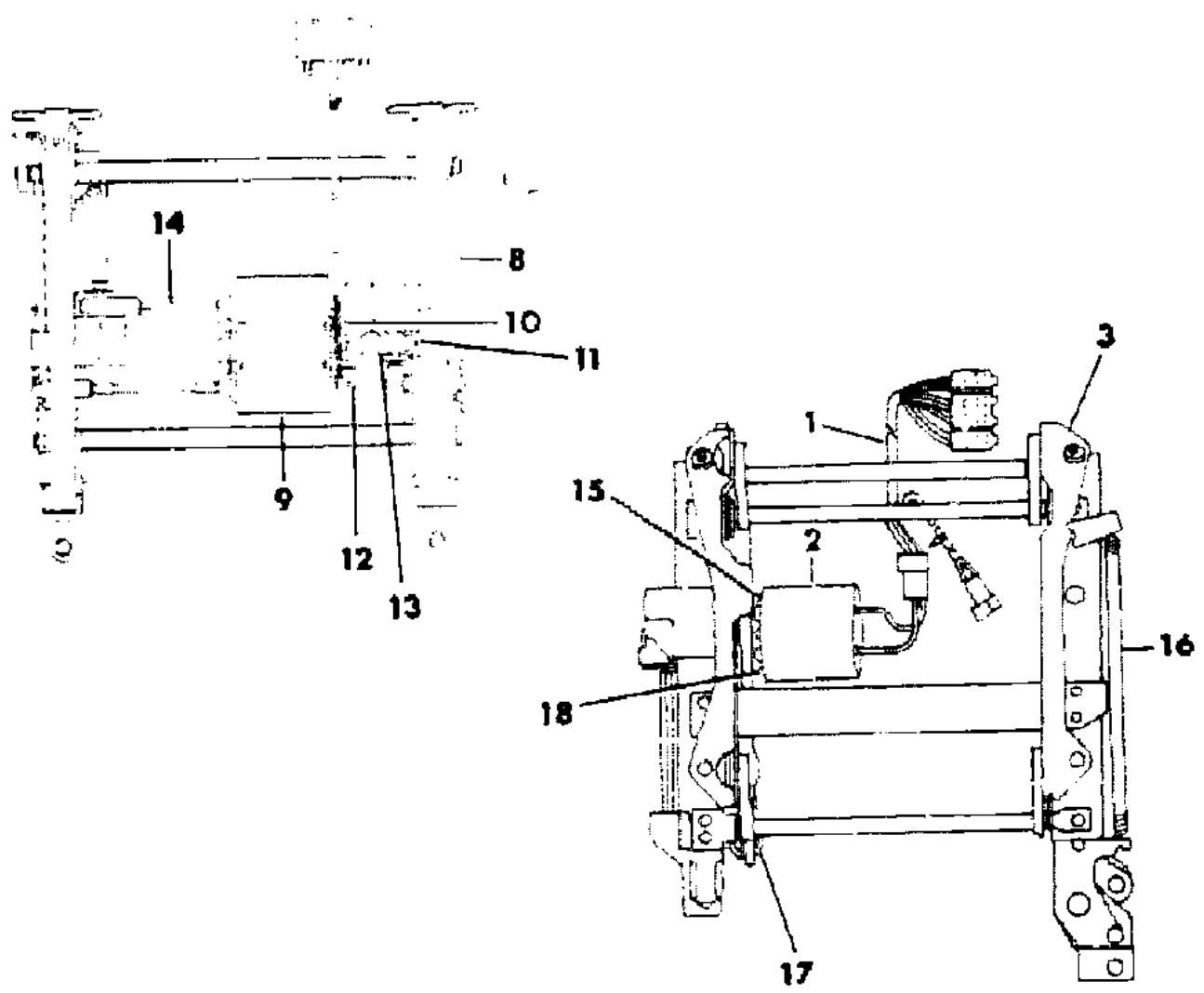
45 = 4-DOOR STATION WAGON

52-53 = FWD WAGON

AR = Use as Required - = Non Illustrated Part P.A.R. = Paint as Required

ADJUSTER--ELECTRIC 60/40 SPLIT M BODY
Figure ITM-2800

7244 2800 B



ITEM	PART NUMBER	QTY	BODY	MODEL	DESCRIPTION
15	4239 718	1			CABLE, Verticle 4/Way Right
16	4239 722	1			SPRING, Horizontal 4/Way Right
17	4239 724	1			SPRING, Vertical 4/Way Right
18	4239 720	1			CABLE, Horizontal 4/Way Right

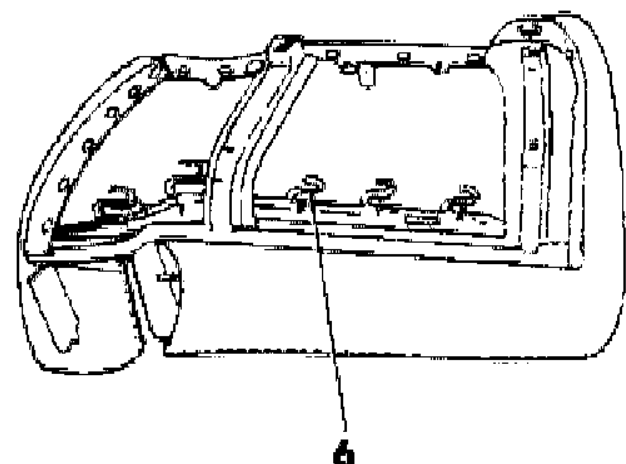
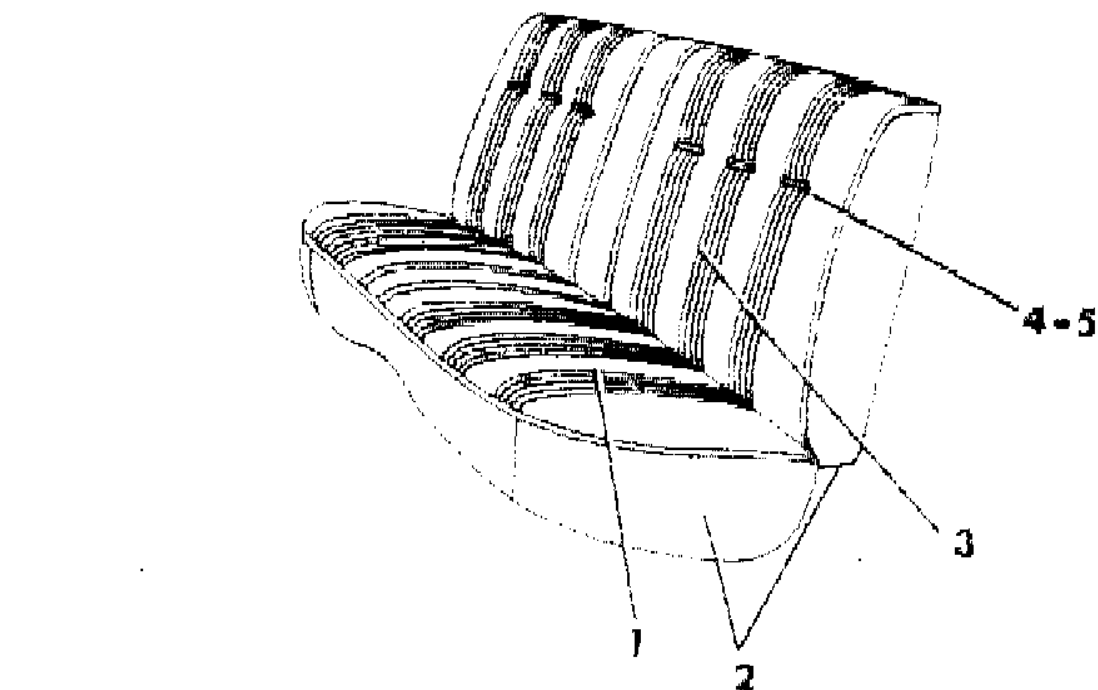
MODEL CODES
 E BODY = (J - CARAVELLE)(E - 600)(T - NEW YORKER)
 G BODY = (V24 - DAYTONA)
 H BODY = (D44 - LANCER)(C44 - LEBARON GTS)
 J BODY = (C - LEBARON)
 K BODY = (P - RELIANT)(D - ARIES)(C - LEBAROND)/TOWN & COUNTRY
 L BODY = (M - HORIZON/TURISMO)(Z - OMNI/CHARGER)
 M BODY = (B - GRAN FURY)(F - FIFTH AVE/NEWPORT)(G - DIPLOMAT)
 P BODY = (P - SUNDANCE)(D - SHADOW)
 S BODY = (H - VOYAGER)(K - RAM VAN/CARAVAN)

BODY STYLES
 12-13 = FWD VAN
 21 = 2-DOOR SEDAN
 24 = 2-DOOR HATCHBACK
 27 = 2-DOOR CONVERTIBLE
 41 = 4-DOOR SEDAN
 44 = 4-DOOR HATCHBACK
 45 = 4-DOOR STATION WAGON
 52-53 = FWD WAGON

AR = Use as Required - = Non Illustrated Part P.A.R. = Paint as Required

SEAT--REAR M BODY TRIM CODE A3
Figure ITM-2900

7244 2900



ITEM	PART NUMBER	QTY	BODY	MODEL	DESCRIPTION
1-2					CUSHION, w/Spring, Frame, Pad and Cover
					CLOTH
					Heavy Duty
	A855 C3A	1			Silver, (A3A)
	A855 C3C	1			Blue, (A3C)
	A855 C3M	1			Red, (A3M)
	A855 E3K	1			Almond, (A3K)
1					COVER, Cushion
					CLOTH
	A373 C3A	1			Silver, (A3A)
	A373 C3C	1			Blue, (A3C)
	A373 C3M	1			Red, (A3M)
	A373 E3K	1			Almond, (A3K)
2					ROLL STOCK, Vinyl Order By The Inch
	R616 AA2	AR			Silver, 64" Wide
	R616 VC8	AR			Blue, 64" Wide
	R616 VM6	AR			Red, 64" Wide
	R600 EK1	AR			Almond, 54" Wide
2-3					BACK, w/Spring/Frame, Pad and Cover
					CLOTH
					Heavy Duty
	A857 C3A	1			Silver, (A3A)
	A857 C3C	1			Blue, (A3C)
	A857 C3M	1			Red, (A3M)
	A857 E3K	1			Almond, (A3K)
3					COVER, Back
					CLOTH
	A376 C3A	1			Silver, (A3A)
	A376 C3C	1			Blue, (A3C)
	A376 C3M	1			Red, (A3M)
	A376 E3K	1			Almond, (A3K)
4					BUTTON and RETAINER
	G385 AA2	AR			Silver, (A3A)
	G385 VC8	AR			Blue, (A3C)
	G385 VM6	AR			Red, (A3M)
	G385 EK1	AR			Almond, (A3K)
5		AR			RETAINER, Button (Serviced In Item 4)
6	6008 076	AR			HOG RING

MODEL CODES

E BODY = (J - CARAVELLE)(E - 600)(T - NEW YORKER)

G BODY = (V24 - DAYTONA)

H BODY = (D44 - LANCER)(C44 - LEBARON GTS)

J BODY = (C - LEBARON)

K BODY = (P - RELIANT)(D - ARIES)(C - LEBAROND)/TOWN & COUNTRY)

L BODY = (M - HORIZON/TURISMO)(Z - OMNI/CHARGER)

M BODY = (B - GRAN FURY)(F - FIFTH AVE/NEWPORT)(G - DIPLOMAT)

P BODY = (P - SUNDANCE)(D - SHADOW)

S BODY = (H - VOYAGER)(K - RAM VAN/CARAVAN)

BODY STYLES

12-13 = FWD VAN

21 = 2-DOOR SEDAN

24 = 2-DOOR HATCHBACK

27 = 2-DOOR CONVERTIBLE

41 = 4-DOOR SEDAN

44 = 4-DOOR HATCHBACK

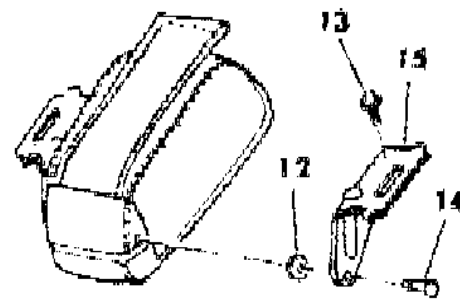
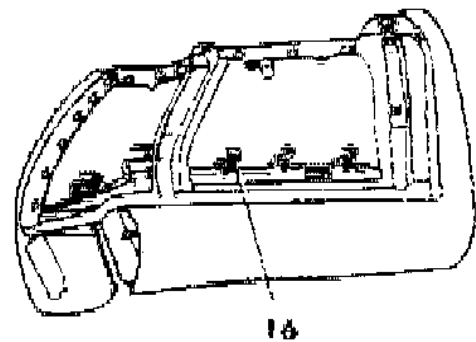
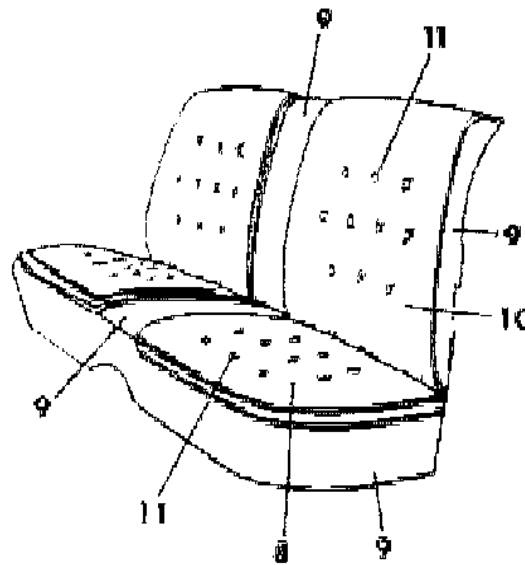
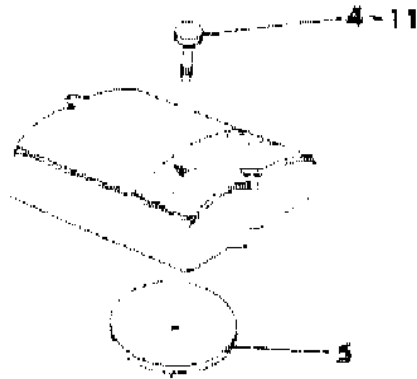
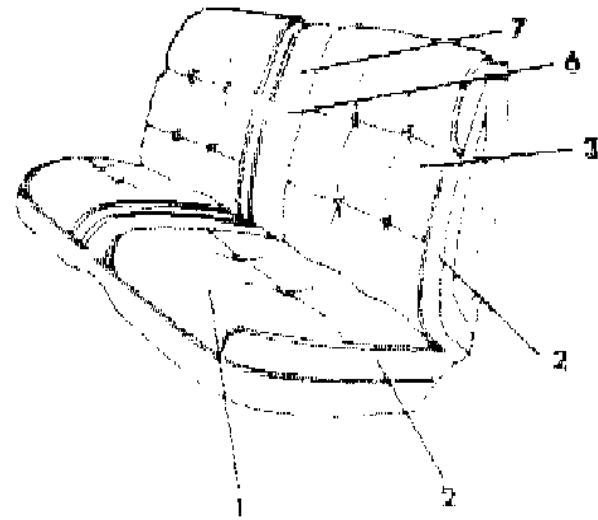
45 = 4-DOOR STATION WAGON

52-53 = FWD WAGON

AR = Use as Required - = Non Illustrated Part P.A.R. = Paint as Required

SEAT--REAR M BODY TRIM CODES C9,H9,S9,SY
Figure ITM-3000

7244 3800



ITEM	PART NUMBER	QTY	BODY	MODEL	DESCRIPTION
1-2					CUSHION, w/Spring, Frame, Pad and Cover
	A647 D9A	1			CLOTH Silver, (C9A, H9A)
	A647 D9C	1			Blue, (C9C, H9C)
	A647 C9M	1			Red, (C9M, H9M)
	A647 E9K	1			Almond, (C9K, H9K)
1					COVER, Cushion
	A382 D9A	1			CLOTH Silver, (C9A, H9A)
	A382 D9C	1			Blue, (C9C, H9C)
	A382 C9M	1			Red, (C9M, H9M)
	A382 E9K	1			Almond, (C9K, H9K)
2					ROLL STOCK, Cloth 54" Wide Order By The Inch
	R021 DA4	AR			Silver, (C9A, H9A)
	R021 DC8	AR			Blue, (C9C, H9C)
	R021 CM6	AR			Red, (C9M, H9M)
	R021 EK1	AR			Almond, (C9K, H9K)
2-4					BACK, w/Spring/Frame, Pad and Cover
	A648 D9A	1			CLOTH Silver, (C9A, H9A)
	A648 D9C	1			Blue, (C9C, H9C)
	A648 C9M	1			Red, (C9M, H9M)
	A648 E9K	1			Almond, (C9K, H9K)
3					COVER, Back
	A383 D9A	1			CLOTH Silver, (C9A, H9A)
	A383 D9C	1			Blue, (C9C, H9C)
	A383 C9M	1			Red, (C9M, H9M)
	A383 E9K	1			Almond, (C9K, H9K)
4					BUTTON and RETAINER
	G381 EA4	AR			CUSHION Silver, (C9A, H9A)
	G381 EC8	AR			Blue, (C9C, H9C)
	G381 CM6	AR			Red, (C9M, H9M)
	G381 EK1	AR			Almond, (C9K, H9K)
	G380 EA4	AR			BACK Silver, (C9A, H9A)
	G380 EC8	AR			Blue, (C9C, H9C)

MODEL CODES

E BODY = (J - CARAVELLE)(E - 600)(T - NEW YORKER)

G BODY = (V24 - DAYTONA)

H BODY = (D44 - LANCER)(C44 - LEBARON GTS)

J BODY = (C - LEBARON)

K BODY = (P - RELIANT)(D - ARIES)(C - LEBAROND)/TOWN & COUNTRY)

L BODY = (M - HORIZON/TURISMO)(Z - OMNI/CHARGER)

M BODY = (B - GRAN FURY)(F - FIFTH AVE/NEWPORT)(G - DIPLOMAT)

P BODY = (P - SUNDANCE)(D - SHADOW)

S BODY = (H - VOYAGER)(K - RAM VAN/CARAVAN)

BODY STYLES

12-13 = FWD VAN

21 = 2-DOOR SEDAN

24 = 2-DOOR HATCHBACK

27 = 2-DOOR CONVERTIBLE

41 = 4-DOOR SEDAN

44 = 4-DOOR HATCHBACK

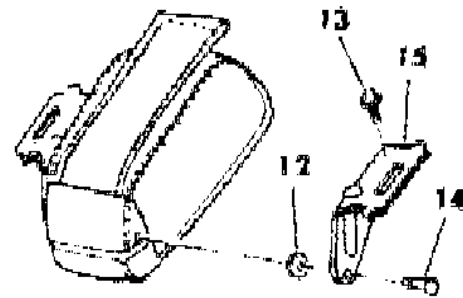
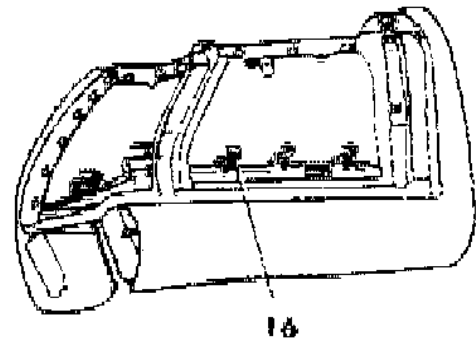
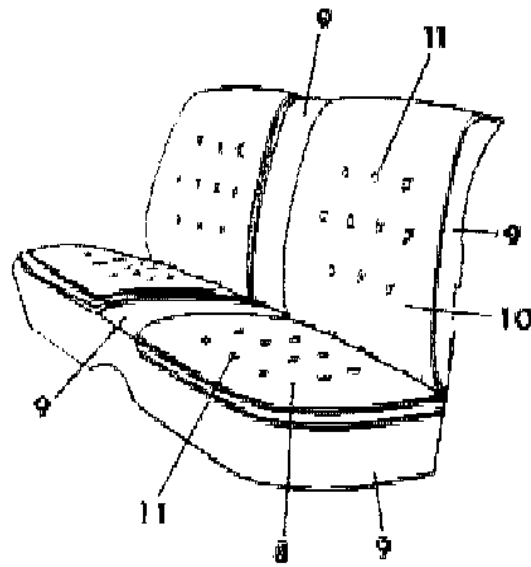
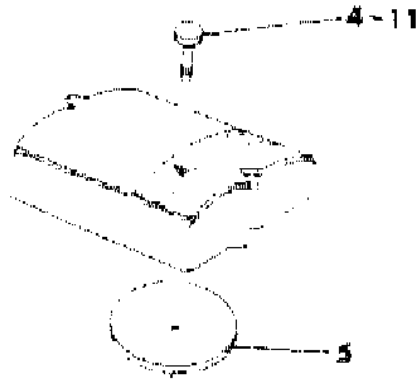
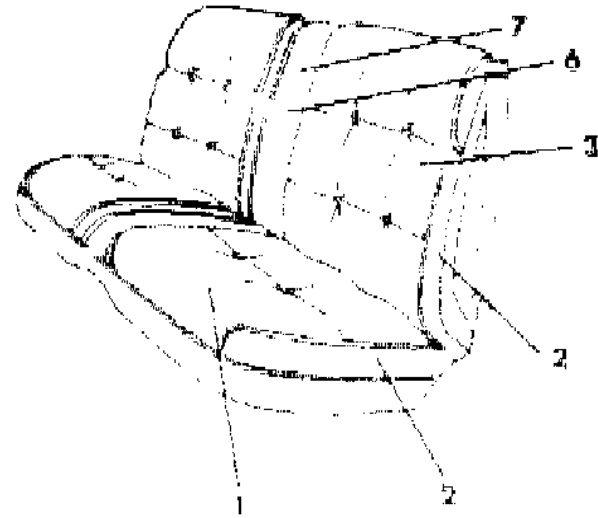
45 = 4-DOOR STATION WAGON

52-53 = FWD WAGON

AR = Use as Required - = Non Illustrated Part P.A.R. = Paint as Required

SEAT--REAR M BODY TRIM CODES C9,H9,S9,SY
Figure ITM-3000

7244 3800



ITEM	PART NUMBER	QTY	BODY	MODEL	DESCRIPTION
	G380 CM6	AR			Red, (C9M, H9M)
	G380 EK1	AR			Almond, (C9K, H9K)
5	4029 901	AR			WASHER, Button
6					ARMREST and COVER
	A649 DA4	1			Silver, (C9A, H9A)
	A649 DC8	1			Blue, (C9C, H9C)
	A649 CM6	1			Red, (C9M, H9M)
	A649 EK1	1			Almond, (C9K, H9K)
7					COVER, Armrest
	A386 DA4	1			Silver, (C9A, H9A)
	A386 DC8	1			Blue, (C9C, H9C)
	A386 CM6	1			Red, (C9M, H9M)
	A386 EK1	1			Almond, (C9K, H9K)
8-9					Cushion, w/Spring/Frame, Pad and Cover
					CLOTH
	A914 A9A	1			Silver, (S9A)
	A914 A9C	1			Blue, (S9C)
	A914 A9M	1			Red, (S9M)
	A914 E9K	1			Almond, (S9K)
					LEATHER
	A940 AYA	1			Silver, (SYA)
	A940 AYC	1			Blue, (SYC)
	A940 AYM	1			Red, (SYM)
	A940 EYK	1			Almond, (SYK)
8					COVER, Cushion
					CLOTH
	A354 A9A	1			Silver, (S9A)
	A354 A9C	1			Blue, (S9C)
	A354 A9M	1			Red, (S9M)
	A354 E9K	1			Almond, (S9K)
					LEATHER
	A348 AYA	1			Silver, (SYA)
	A348 AYC	1			Blue, (SYC)
	A348 AYM	1			Red, (SYM)
	A348 EYK	1			Almond, (SYK)
9					ROLL STOCK, Cloth 62" Wide Order By The Inch
	R035 EA3	AR			Silver, (S9A)
	R035 EC7	AR			Blue, (S9C)

MODEL CODES

E BODY = (J - CARAVELLE)(E - 600)(T - NEW YORKER)

G BODY = (V24 - DAYTONA)

H BODY = (D44 - LANCER)(C44 - LEBARON GTS)

J BODY = (C - LEBARON)

K BODY = (P - RELIANT)(D - ARIES)(C - LEBAROND)/TOWN & COUNTRY)

L BODY = (M - HORIZON/TURISMO)(Z - OMNI/CHARGER)

M BODY = (B - GRAN FURY)(F - FIFTH AVE/NEWPORT)(G - DIPLOMAT)

P BODY = (P - SUNDANCE)(D - SHADOW)

S BODY = (H - VOYAGER)(K - RAM VAN/CARAVAN)

BODY STYLES

12-13 = FWD VAN

21 = 2-DOOR SEDAN

24 = 2-DOOR HATCHBACK

27 = 2-DOOR CONVERTIBLE

41 = 4-DOOR SEDAN

44 = 4-DOOR HATCHBACK

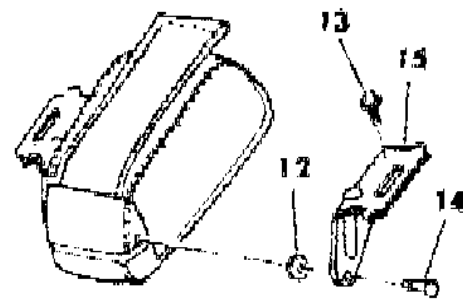
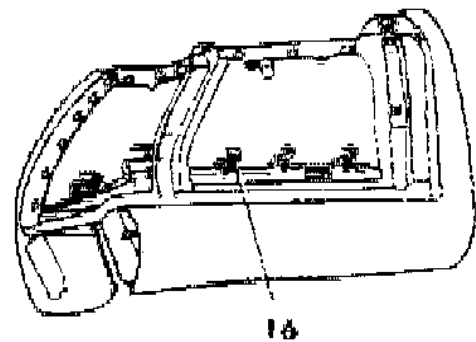
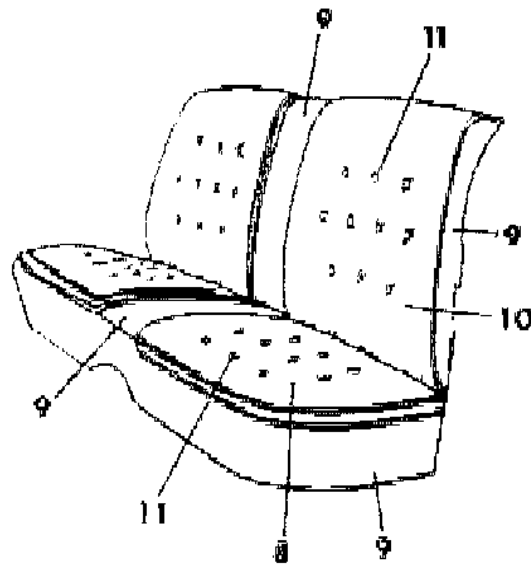
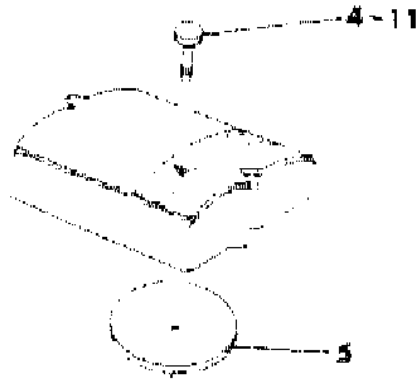
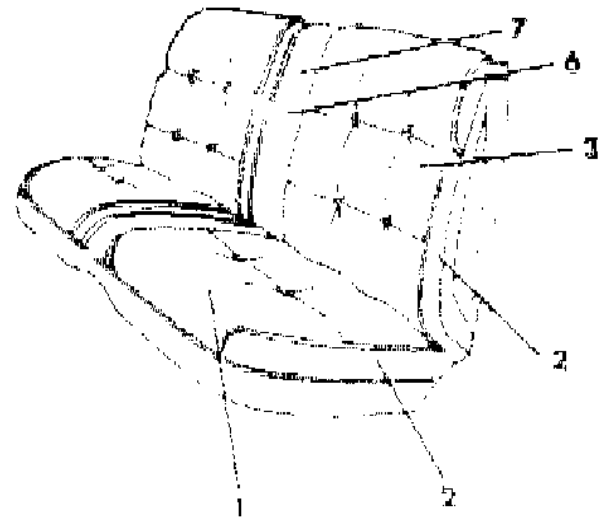
45 = 4-DOOR STATION WAGON

52-53 = FWD WAGON

AR = Use as Required - = Non Illustrated Part P.A.R. = Paint as Required

SEAT--REAR M BODY TRIM CODES C9,H9,S9,SY
Figure ITM-3000

7244 3800



ITEM	PART NUMBER	QTY	BODY	MODEL	DESCRIPTION
	R035 EM6	AR			Red, (S9M)
	R035 EK1	AR			Almond, (S9K)
	R616 AA2	AR			Vinyl, Order By The Inch Silver, 64" Wide (SYA)
	R616 VC8	AR			Blue, 64" Wide (SYC)
	R616 VM6	AR			Red, 64" Wide (SYM)
	R600 EK1	AR			Almond, 54" Wide (SYK)
9-11					BACK, w/Spring/Frame, Pad and Cover CLOTH
	A915 A9A	1			Silver, (S9A)
	A915 A9C	1			Blue, (S9C)
	A915 A9M	1			Red, (S9M)
	A915 E9K	1			Almond, (S9K)
	A941 AYA	1			LEATHER Silver, (SYA)
	A941 AYC	1			Blue, (SYC)
	A941 AYM	1			Red, (SYM)
	A941 EYK	1			Almond, (SYK)
10					COVER, Back CLOTH
	A355 A9A	1			Silver, (S9A)
	A355 A9C	1			Blue, (S9C)
	A355 A9M	1			Red, (S9M)
	A355 E9K	1			Almond, (S9K)
	A349 AYA	1			LEATHER Silver, (SYA)
	A349 AYC	1			Blue, (SYC)
	A349 AYM	1			Red, (SYM)
	A349 EYK	1			Almond, (SYK)
11					BUTTON and RETAINER, Cushion and Back
	G379 AA3	AR			Silver, (S9A)
	G379 AC7	AR			Blue, (S9C)
	G379 AM6	AR			Red, (S9M)
	G379 EK1	AR			Almond, (S9K)
	S846 AA2	AR			Silver, (SYA)
	S846 VC8	AR			Blue, (SYC)
	S846 AM6	AR			Red, (SYM)
	S846 EK1	AR			Almond, (SYK)

MODEL CODES

E BODY = (J - CARAVELLE)(E - 600)(T - NEW YORKER)

G BODY = (V24 - DAYTONA)

H BODY = (D44 - LANCER)(C44 - LEBARON GTS)

J BODY = (C - LEBARON)

K BODY = (P - RELIANT)(D - ARIES)(C - LEBAROND)/TOWN & COUNTRY)

L BODY = (M - HORIZON/TURISMO)(Z - OMNI/CHARGER)

M BODY = (B - GRAN FURY)(F - FIFTH AVE/NEWPORT)(G - DIPLOMAT)

P BODY = (P - SUNDANCE)(D - SHADOW)

S BODY = (H - VOYAGER)(K - RAM VAN/CARAVAN)

BODY STYLES

12-13 = FWD VAN

21 = 2-DOOR SEDAN

24 = 2-DOOR HATCHBACK

27 = 2-DOOR CONVERTIBLE

41 = 4-DOOR SEDAN

44 = 4-DOOR HATCHBACK

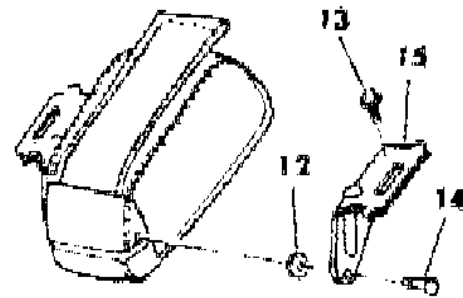
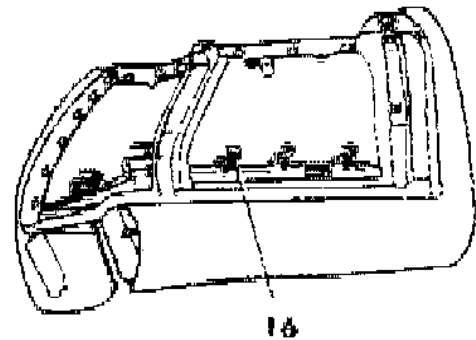
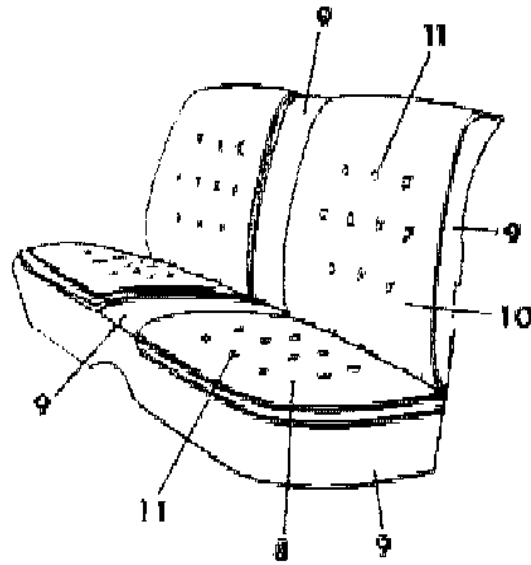
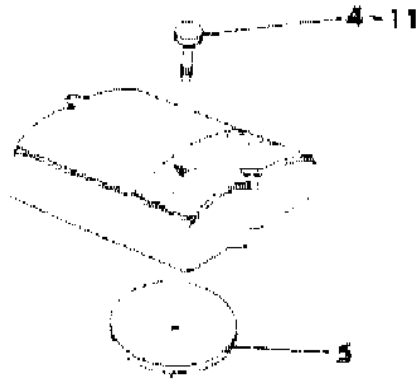
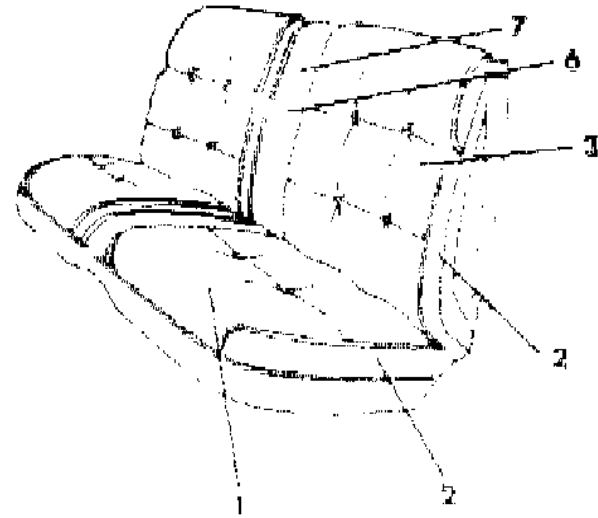
45 = 4-DOOR STATION WAGON

52-53 = FWD WAGON

AR = Use as Required - = Non Illustrated Part P.A.R. = Paint as Required

SEAT--REAR M BODY TRIM CODES C9,H9,S9,SY
Figure ITM-3000

7244 3800



ITEM	PART NUMBER	QTY	BODY	MODEL	DESCRIPTION
12	6031 537	2			WASHER, Rear Seat Back Center Arm Rest Spacer
13	0181 063	2			BOLT, Armrest to Seat Back
14	6026 584	2			SCREW, Armrest
15	4098 764	1			HINGE, Armrest
16	6008 076	AR			HOG RING

MODEL CODES

E BODY = (J - CARAVELLE)(E - 600)(T - NEW YORKER)

G BODY = (V24 - DAYTONA)

H BODY = (D44 - LANCER)(C44 - LEBARON GTS)

J BODY = (C - LEBARON)

K BODY = (P - RELIANT)(D - ARIES)(C - LEBAROND)/TOWN & COUNTRY)

L BODY = (M - HORIZON/TURISMO)(Z - OMNI/CHARGER)

M BODY = (B - GRAN FURY)(F - FIFTH AVE/NEWPORT)(G - DIPLOMAT)

P BODY = (P - SUNDANCE)(D - SHADOW)

S BODY = (H - VOYAGER)(K - RAM VAN/CARAVAN)

BODY STYLES

12-13 = FWD VAN

21 = 2-DOOR SEDAN

24 = 2-DOOR HATCHBACK

27 = 2-DOOR CONVERTIBLE

41 = 4-DOOR SEDAN

44 = 4-DOOR HATCHBACK

45 = 4-DOOR STATION WAGON

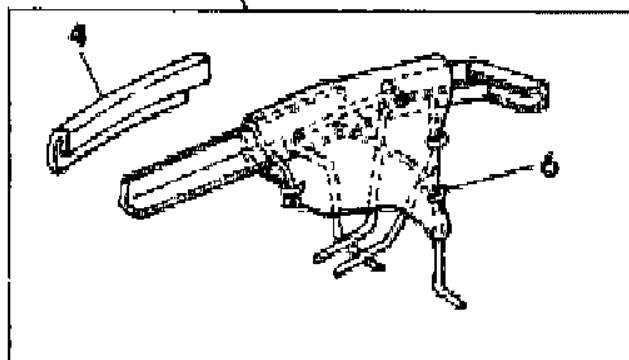
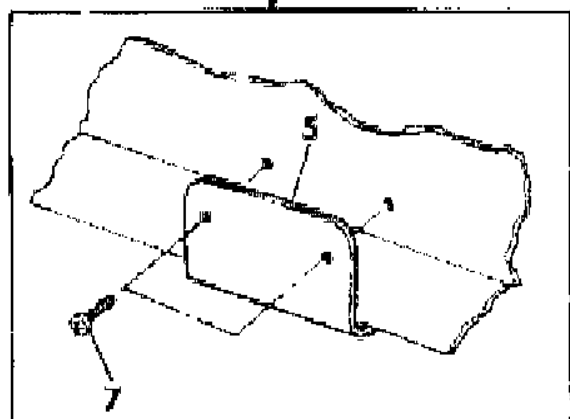
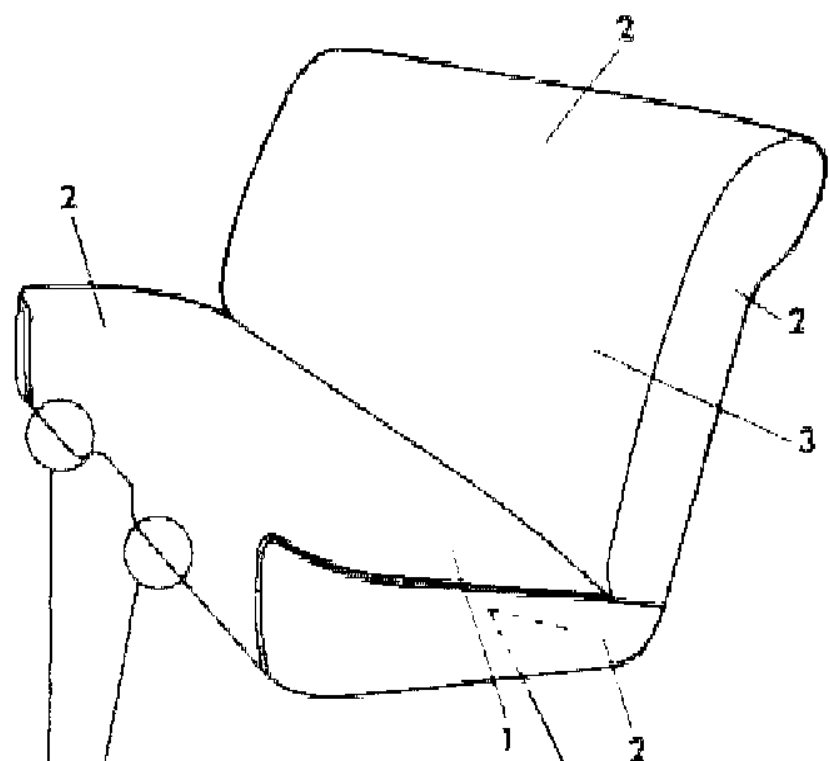
52-53 = FWD WAGON

AR = Use as Required - = Non Illustrated Part P.A.R. = Paint as Required

SEAT--REAR M BODY TRIM CODES K2,KX
Figure ITM-3100

7244 3100 A

ITEM	PART NUMBER	QTY	BODY	MODEL	DESCRIPTION
1-2					CUSHION, w/Spring, Frame, Pad and Cover
	N738 V2C	1			VINYL Blue, (K2C)
	N738 E2K	1			Almond, (K2K, KXK)
1					COVER, Cushion
	N163 V2C	1			VINYL Blue, (K2C)
	N163 E2K	1			Almond, (K2K, KXK)
2					ROLL STOCK, Vinyl Order By The Inch
	R616 VC8	AR			Blue, 64" Wide (K2C)
	R600 EK1	AR			Almond, 54" Wide (K2K, KXK)
3-2					BACK, w/Spring/Frame, Pad and Cover
	N740 V2C	1			VINYL Blue, (K2C)
	N740 E2K	1			Almond, (K2K, KXK)
3					COVER, Back
	N164 V2C	1			VINYL Blue, (K2C)
	N164 E2K	1			Almond, (K2K, KXK)
4	4138 071	2			PROTECTOR, Rear Seat Cushion Frame (w/Heavy Duty Cushion)
5	3844 288	2			SCUFF PLATE, Cushion Hold Down
6	6008 076	AR			HOG RING
7		AR			SCREW, (10-16x5/8) (Not Serv.)



MODEL CODES

E BODY = (J - CARAVELLE)(E - 600)(T - NEW YORKER)

G BODY = (V24 - DAYTONA)

H BODY = (D44 - LANCER)(C44 - LEBARON GTS)

J BODY = (C - LEBARON)

K BODY = (P - RELIANT)(D - ARIES)(C - LEBAROND)/TOWN & COUNTRY)

L BODY = (M - HORIZON/TURISMO)(Z - OMNI/CHARGER)

M BODY = (B - GRAN FURY)(F - FIFTH AVE/NEWPORT)(G - DIPLOMAT)

P BODY = (P - SUNDANCE)(D - SHADOW)

S BODY = (H - VOYAGER)(K - RAM VAN/CARAVAN)

BODY STYLES

12-13 = FWD VAN

21 = 2-DOOR SEDAN

24 = 2-DOOR HATCHBACK

27 = 2-DOOR CONVERTIBLE

41 = 4-DOOR SEDAN

44 = 4-DOOR HATCHBACK

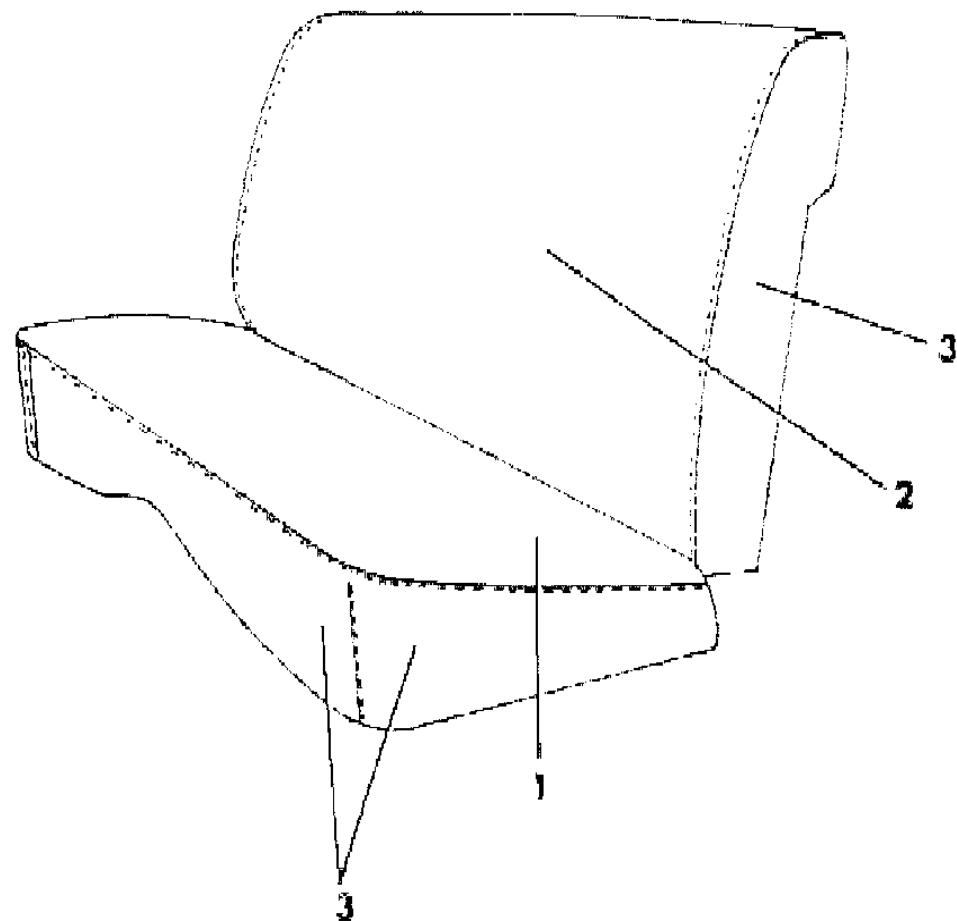
45 = 4-DOOR STATION WAGON

52-53 = FWD WAGON

AR = Use as Required - = Non Illustrated Part P.A.R. = Paint as Required

SEAT--REAR FLEET-POLICE-OTHERS M BODY
Figure ITM-3200

7244 3200



ITEM	PART NUMBER	QTY	BODY	MODEL	DESCRIPTION
NOTE: Special Equipment Code Is In The Trim Code.					
1	4196 914	1			COVER, Cushion Blue, Cloth (CBCP)
	4370 092	1			Almond, Cloth (CBCP)
	4196 914	1			Blue, Cloth (CACN)
	4370 092	1			Almond, Cloth (CACN)
	4196 914	1			Blue, Cloth (CBAN)
	4370 092	1			Almond, Cloth (CBAN)
	N163 V2C	1			Blue, Vinyl (CACP)
	N163 E2K	1			Almond, Vinyl (CACP)
2	4196 915	1			COVER, Back Blue, Cloth (CBCP)
	4370 093	1			Almond, Cloth (CBCP)
	4196 915	1			Blue, Cloth (CACN)
	4370 093	1			Almond, Cloth (CACN)
	4196 915	1			Blue, Cloth (CBAN)
	4370 093	1			Almond, Cloth (CBAN)
	N164 V2C	1			Blue, Vinyl (CACP)
	N164 E2K	1			Almond, Vinyl (CACP)
3	R616 VC8	AR			ROLL STOCK, Vinyl Order By The Inch Blue, 64" Wide
	R600 EK1	AR			Almond, 54" Wide

MODEL CODES

E BODY = (J - CARAVELLE)(E - 600)(T - NEW YORKER)

G BODY = (V24 - DAYTONA)

H BODY = (D44 - LANCER)(C44 - LEBARON GTS)

J BODY = (C - LEBARON)

K BODY = (P - RELIANT)(D - ARIES)(C - LEBAROND)/TOWN & COUNTRY)

L BODY = (M - HORIZON/TURISMO)(Z - OMNI/CHARGER)

M BODY = (B - GRAN FURY)(F - FIFTH AVE/NEWPORT)(G - DIPLOMAT)

P BODY = (P - SUNDANCE)(D - SHADOW)

S BODY = (H - VOYAGER)(K - RAM VAN/CARAVAN)

BODY STYLES

12-13 = FWD VAN

21 = 2-DOOR SEDAN

24 = 2-DOOR HATCHBACK

27 = 2-DOOR CONVERTIBLE

41 = 4-DOOR SEDAN

44 = 4-DOOR HATCHBACK

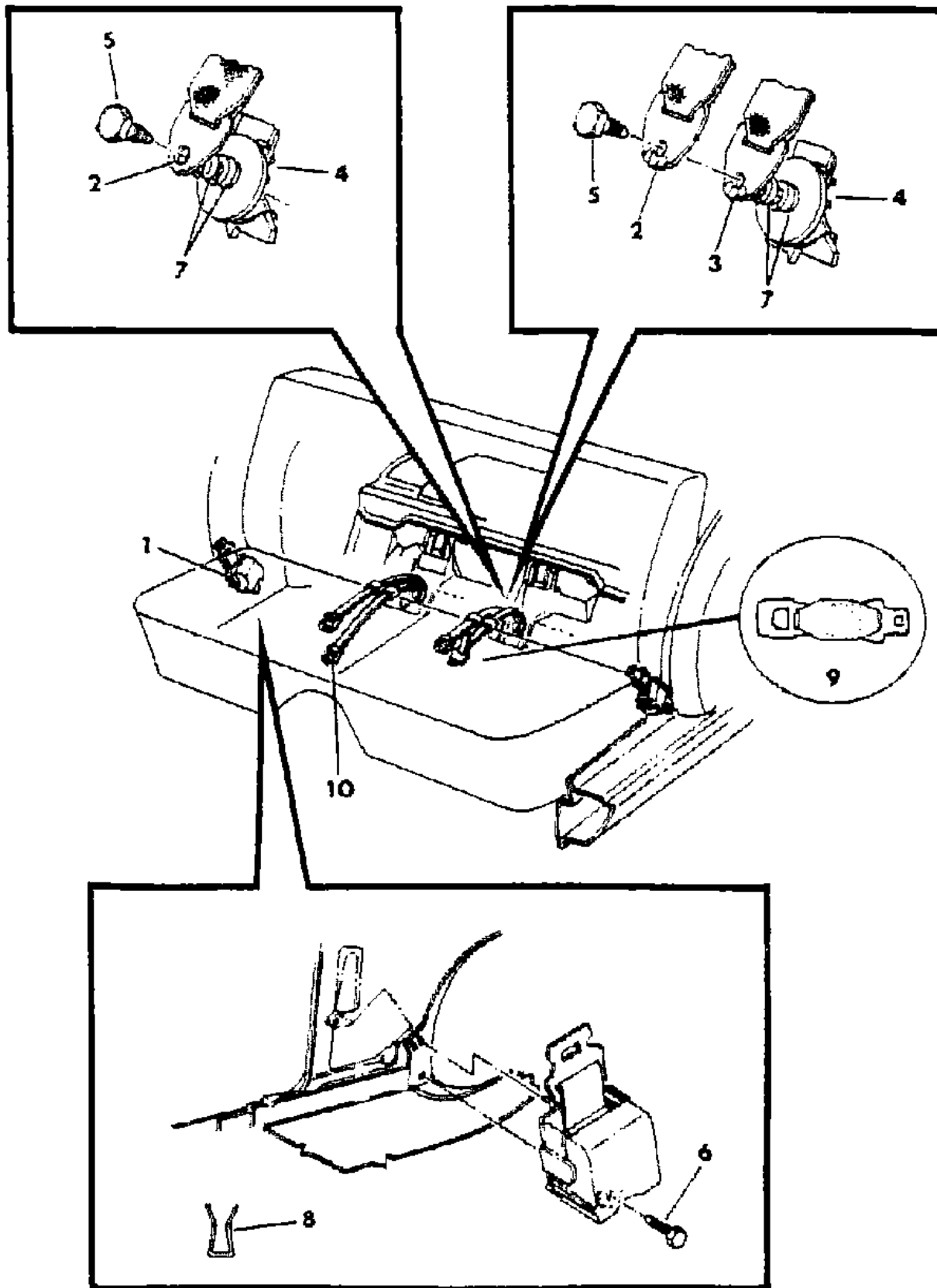
45 = 4-DOOR STATION WAGON

52-53 = FWD WAGON

AR = Use as Required - = Non Illustrated Part P.A.R. = Paint as Required

BELT--REAR SEAT LAP M BODY
Figure ITM-3300

7244 3300



ITEM	PART NUMBER	QTY	BODY	MODEL	DESCRIPTION
1					BELT, Outboard Tip Half
					LABEL NUMBER 4290471 or 4327192
	F665 BA3	2			Silver
	F665 BC7	2			Blue
	F665 BM6	2			Red
2	F665 EK1	2			Almond
					BELT, Buckle Half, Right
					LABEL NUMBER 4316758
	F714 BA3	2			Silver
	F714 BC7	2			Blue
3	F714 BM6	2			Red
	F714 EK1	2			Almond
					BELT, Buckle and Tip, Left
					LABEL NUMBER 4316769
	F719 BA3	1			Silver
4	F719 BC7	1			Blue
	F719 BM6	1			Red
	F719 EK1	1			Almond
	3861 291	AR			PAD, Swivel Plate
	6031 216	2			BOLT
6031 484	2			BOLT	
7					SPACER, Not Serv.)
8	6002 972	2			U-CLIP
9	4364 849	1			EXTENSION, Rear Seat Belt
10	4316 773	2			COVER, Tip Half, (P.A.R.)

NOTE: (P.A.R.) = Paint As Required

MODEL CODES

E BODY = (J - CARAVELLE)(E - 600)(T - NEW YORKER)

G BODY = (V24 - DAYTONA)

H BODY = (D44 - LANCER)(C44 - LEBARON GTS)

J BODY = (C - LEBARON)

K BODY = (P - RELIANT)(D - ARIES)(C - LEBAROND)/TOWN & COUNTRY)

L BODY = (M - HORIZON/TURISMO)(Z - OMNI/CHARGER)

M BODY = (B - GRAN FURY)(F - FIFTH AVE/NEWPORT)(G - DIPLOMAT)

P BODY = (P - SUNDANCE)(D - SHADOW)

S BODY = (H - VOYAGER)(K - RAM VAN/CARAVAN)

BODY STYLES

12-13 = FWD VAN

21 = 2-DOOR SEDAN

24 = 2-DOOR HATCHBACK

27 = 2-DOOR CONVERTIBLE

41 = 4-DOOR SEDAN

44 = 4-DOOR HATCHBACK

45 = 4-DOOR STATION WAGON

52-53 = FWD WAGON