

This publication contains Parts Information for all 1985 model year Domestic Built Passenger Cars and Front Wheel Drive Trucks.

The use of this Parts Catalog and the arrangement of information herein is explained in the General Information Section as indexed below.

INDEX TO INFORMATION PAGES

	FICHE ROW
● ABBREVIATIONS	1-A15, A19
● ALPHABETICAL INDEX	1-A5
● BODY CODE PLATE INTERPRETATION	1-A10
● BUILD DATE MONTH AND YEAR	1-A8
● CAR LINE INFORMATION	1-A10, A11
● COLOR CODE OR COMBINED PART NUMBERS	1-A6
● DATE CODE CORRELATION TABLES	1-A13
● ENGINE IDENTIFICATION NUMBERS	1-A7
● GROUP SYSTEM	1-A3
● HOW TO LOCATE PARTS	1-A1
● ILLUSTRATION INDEX	1-A5
● INTERIOR TRIM	1-A6
● METRIC CONVERSION TABLE	1-A12
● NUMERICAL INDEX	1-A5
● MICRO FICHE LAYOUT	1-A4
● MODEL CHART	1-A11
● PARTS CATALOG REVISION SERVICE	1-A5
● PARTS PACKAGES	1-A5
● PRICE CLASS (SERIES) INFORMATION	1-A10, A11
● PRODUCT BULLETINS	1-A5
● RIGHT AND LEFT HAND PART NUMBERS	1-A4
● SALES CODES	1-A5, A14
● SPECIFYING INFORMATION	1-A4
● STANDARD PARTS	1-A5
● SYMBOLS USED IN THIS CATALOG	1-A4
● TRANSMISSION IDENTIFICATION	1-A6
● VEHICLE IDENTIFICATION PLATE	1-A8, A9

HOW TO USE THIS CATALOG AND LOCATE PARTS

An index to locate each group is provided between each Text and Illustration Frame throughout the Fiche Catalog.

Several methods may be used to locate a specific item:

Option A: From the group contents listing, select the group which would most logically contain the item. Refer to the adjoining index to determine where the group is located. Frame 2, following each group, is a listing of graphics. Select the graphic most likely to contain the item sought and advance to it. Find the item in the illustration and refer to the adjoining frame containing the part number.

Option B: If the noun name of the part you seek is known, refer to the Alpha Index section located on the last fiche of the set. The location of the information you seek will be called out designating the Frame Identification or Group Designation.

Option C: If the part number is known refer to the numerical index on the last fiche of the set which will in turn refer you to the fiche location of the item.

Option D: A complete index of illustrations is included on each fiche and can be referenced in the same manner as the Alpha Index.

GROUP	CONTENTS
INF	Information Section
AL	Alphabetical Index
IL	Illustration Index
2	Front Suspension & Drive
3	Axle - Rear
4	Brake - Parking
5	Brake - Service
6	Clutch
7	Cooling
8	Electrical
8A	Electrical - Instrument PNL - Consoles - Radios
9A	Engine - 4 Cylinder
9B	Engine - 6 Cylinder
9C	Engine - 8 Cylinder
11	Exhaust
13	Frame
14	Fuel System
16	Prop. Shaft and Universal Joint
17	Rear Suspension
19	Steering
21M	Transmission - Manual
21A	Transmission - Automatic
22	Wheels
23	Body - Exterior Ornamentation
23A	Body - Sheet Metal Except Doors
23B	See Grp. 8A
23C	Body - Doors, Mirrors and Related Parts
23D	Body - Miscellaneous
IT	Interior Trim, Seat Mechanisms & Belts
24	Heater and Air Conditioner
25	Emission Controls
NU	Numerical Index

Consoles now located Group 8A

MICROFICHE LAYOUT

Each Fiche is 4" x 6" and contains 288 Frames. There are 12 Rows containing 24 Frames in each Row. Each Row is identified by a letter in sequence running vertically from top to bottom. Each Alphabetical Row has 24 Frames running numerically from Left to Right from 1 to 24 inclusive. Therefore, each of the 288 Frames has an Alpha/Numeric identification. Example: A4, C20, Etc.

The Upper Right Hand corner of the Color coded "Header Strip" of each Fiche identifies the Fiche Number (i.e. Fiche 1 of 5) and the Date of Issue.

The Upper Center of the Color Coded "Header Strip" of each Fiche identifies the set.

The Lower Center of the Color Coded "Header Strip" of each Fiche lists the groups contained within that Fiche.

RIGHT AND LEFT PART NUMBERS

Right and Left part numbers are frequently combined on one line, e.g. 3514 444-5. Such numbers are interpreted as 3514 444 Right side application and 3514 445 Left side. Right and Left Sides are always determined by their relationship to the driver when normally seated and looking forward.

SYMBOLS USED IN THIS PARTS CATALOG

The following symbols are used in the Parts Catalog and revisions thereto.

- Preceding a part number indicates parts which have been added and not previously published.

AR - Indicates the quantity required may vary or is to be determined by the user.

V - Suffix to engine displacement, preceded by a quantity indicates the number of carburetor Venturis (Barrels.)

SPECIFYING INFORMATION

The following information is included in this Parts Catalog:

1. Part Name
2. Part Number
3. Model Application
4. Quantity used per vehicle
5. Description and dimensions necessary for proper identification of parts where necessary
6. Model or Engine Column:
Engine by Displacement or Vehicle Car Line and/or Price Class or Body Style Code
7. Effective points of series running changes are indicated by vehicle serial number, engine number or body number where applicable. When serial number effective points are not available, production effective dates are used. (Refer to the Federal Certification Label for the build date).
8. Parts designated as CANADA are available only in Canada for vehicles sold in Canada.

In the event replacement parts not listed herein are required, orders may be submitted by providing a description of the part, the applicable Figure and Item Number reference, the vehicle model, serial number, and when appropriate, the Trim code.

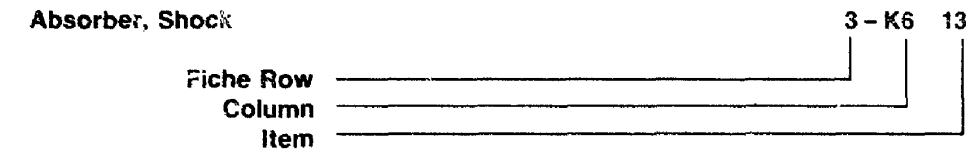
ILLUSTRATION INDEX

This index is a compilation of catalog parts description data with reference to illustrations, and Frame location.

The first page of each group contains a listing of all illustrations within that group. Also refer to illustrations alphabetically listed in information section.

ALPHABETICAL INDEX

This index is a compilation of catalog parts description data with a reference to the location of the item by Fiche, Row, Column and Item number as shown in the following example:



The index will be expanded progressively as data is added to computer files. To locate a part by name, refer to the Alphabetical Index. This index indicates the Fiche, Row, Column and item number where the part is located. The Alphabetical Index can be found in INF section of the catalog.

NUMERICAL INDEX

A listing of Part Numbers contained in the catalog. The numbers are in numerical sequence with reference to the Fiche, Row, Column and item number where the part is located.

PARTS PACKAGES

Service Parts Packages, containing all parts needed for specific service operation, are listed in their respective groups with related parts. The listing will show adaptability and model application.

STANDARD PARTS

Important attaching standard parts such as bolts, nuts, etc. are generally listed in the text of the respective major parts groups.

SALES CODES

To provide positive identification of replacement parts selected Sales Codes are used as secondary qualifiers in some areas of this publication. An explanation of the use and a description of the Sales Codes employed will be found at the back of the INF section or at the head of the Illustration Index Page.

CATALOG AND PARTS BULLETINS

CATALOG AND PARTS BULLETINS are issued when important changes are made in production or when corrections are to be made in the Parts Catalog between regular revisions. All catalogs should be noted and changed accordingly to remain current between revisions.

PARTS CATALOG REVISION SERVICE

Subscribers to the Passenger Car Parts Catalog Revision Service will be periodically provided with revised copy incorporating the latest information.

COLOR CODED OR COMBINED PART NUMBERS

Appearing throughout this catalog are part numbers containing both letters and numbers. For example: D500 KB7. These are good serviceable part numbers. The combination of letters and numbers merely indicates the parts are keyed to the interior color of the vehicles on which they are used.

In addition, Right and Left part numbers are frequently combined on one line; e.g. D500-1 KB7. Such numbers are interpreted as D500 KB7, Right side application, and D501 KB7 Left side. Right and Left Sides are always determined by their relationship to the driver when normally seated and looking forward.

INTERIOR TRIM

Refer to the Trim Information section of Group 23 for information relative to Interior Soft and Hard Trim, Rolled Stock, etc.

TRANSMISSION IDENTIFICATION

MANUAL TRANSMISSION

(Example PP23044360001)

PLANT CODE	COMPONENT CODE	DATE CODE	SERIAL NUMBER
2 letters PP - New Process Gear Division	3 digits 230 - 230 trans. 250 - 250 trans. 833 - 833 trans.	4 digits Based on the calendar on Page INF-12	4 digits A sequential number beginning with 0001 for each day's production

Location: Below centerline on Front Portion of Right Side

AUTOMATIC TRANSMISSION

(Example PK3681063W44360001)

PLANT CODE	PART NO.	CHANGE CODE	DATE CODE	SERIAL NUMBER
2 letters PK - Kokomo	7 digits 3681063	1 digit W (Factory use only- of no significance to the field)	4 digits Based on the calendar on Page INF-12	4 digits A sequential number beginning with 0001 for each day's production.

Location: On Oil Pan Side Rail-Left Side.

NOTE: A derivative of the Vehicle Identification Number is also stamped on all production installed Engines and Transmissions, e.g.:

F A 1000001
Model Year Assembly Plant Vehicle Sequence Number

ENGINE IDENTIFICATION NUMBERS

Following is an explanation of data found on the Engine Serial Number Pad

2.2L (135 cu. in.)	B	T	22	PC	6926	1
Model Year	Engine Plant (Trenton)		Displacement (Liters)		Date Code (10,000 Day Calendar)	Shift Built
2.6L (156 cu. in.):	G54B		AB1234	Sequence Number		
Mitsubishi Motors produced 2.6L				1024	2579	
318 Engine Typical:	B	318		Date Code (1024 = Oct. 24)		
Model Year and/or Plant	Displacement			Daily Sequence Number (Optional)		

2.2L & 318 ENGINE SERIAL NUMBER & PARTS IDENTIFICATION CODES & SYMBOLS DEFINED:

A = Oversize Cylinder Bore **HP** = High Performance **M** = Mound Road Engine **T** = Trenton Engine/Truck
E = Cast Crankshaft **K** = Toluca Engine Plant **PC** = Passenger Car Engine **W** = Windsor Engine
H = Standard 4 Bbl. **LC** = Low Compression **R** = Passenger Car Engine **X** = O/S Valve Guide
S = Special Engine

DIAMOND () = Tappets **MALTESE CROSS (+)** = .001 U/S Crankshaft ×
 followed by **MALTESE CROSS (× +)** = .010 U/S Crankshaft

Engine Number Location	Displacement	Serial Number Pad Located
	1.6L	Tag-Left Front of Block below Cylinder Head
	2.2L	Rear Face of Block, below Cylinder Head
	2.6L (G54B)	Right Upper front corner of Block
	318	Left Front of Block below Cylinder Head

CAUTION: Replacement Engine Assemblies are furnished with blank engine number pads. Dealers are governed by state and local regulations regarding the affixing of engine numbers to these engines. In states where license fees are based on displacement or taxable horsepower it will be necessary to change the vehicle registration only if the replacement engine differs from the one it replaces.

BUILD DATE

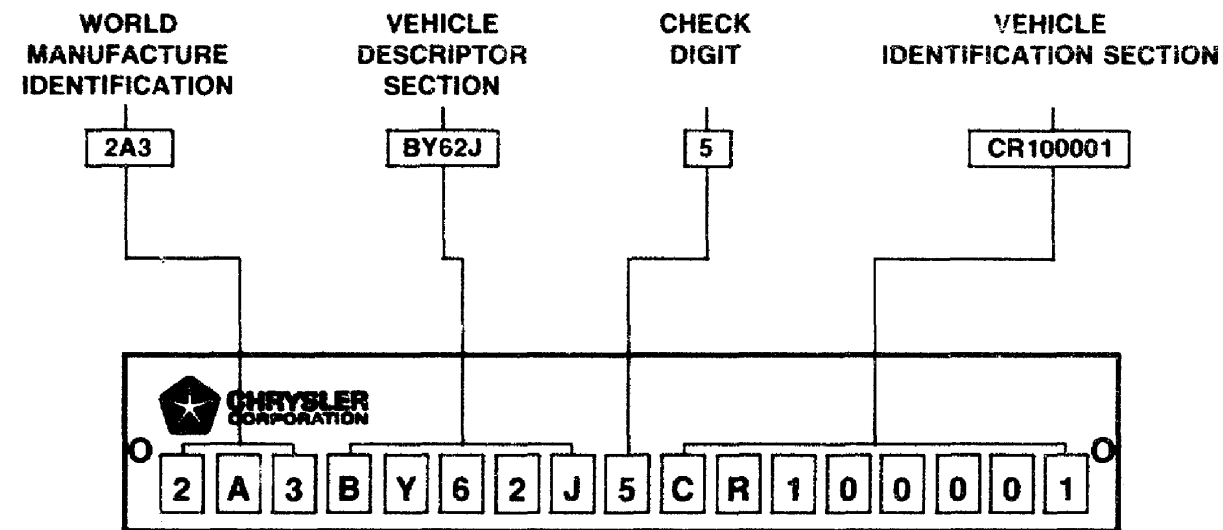
Vehicle build dates can be determined by reference to the VEHICLE CERTIFICATION LABEL located on the left "B" pillar or the left Front Door.

The Vehicle Certification Label includes, in addition to the VIN, the Month, Day, and Hour of build in the "Date of Manufacture" section.

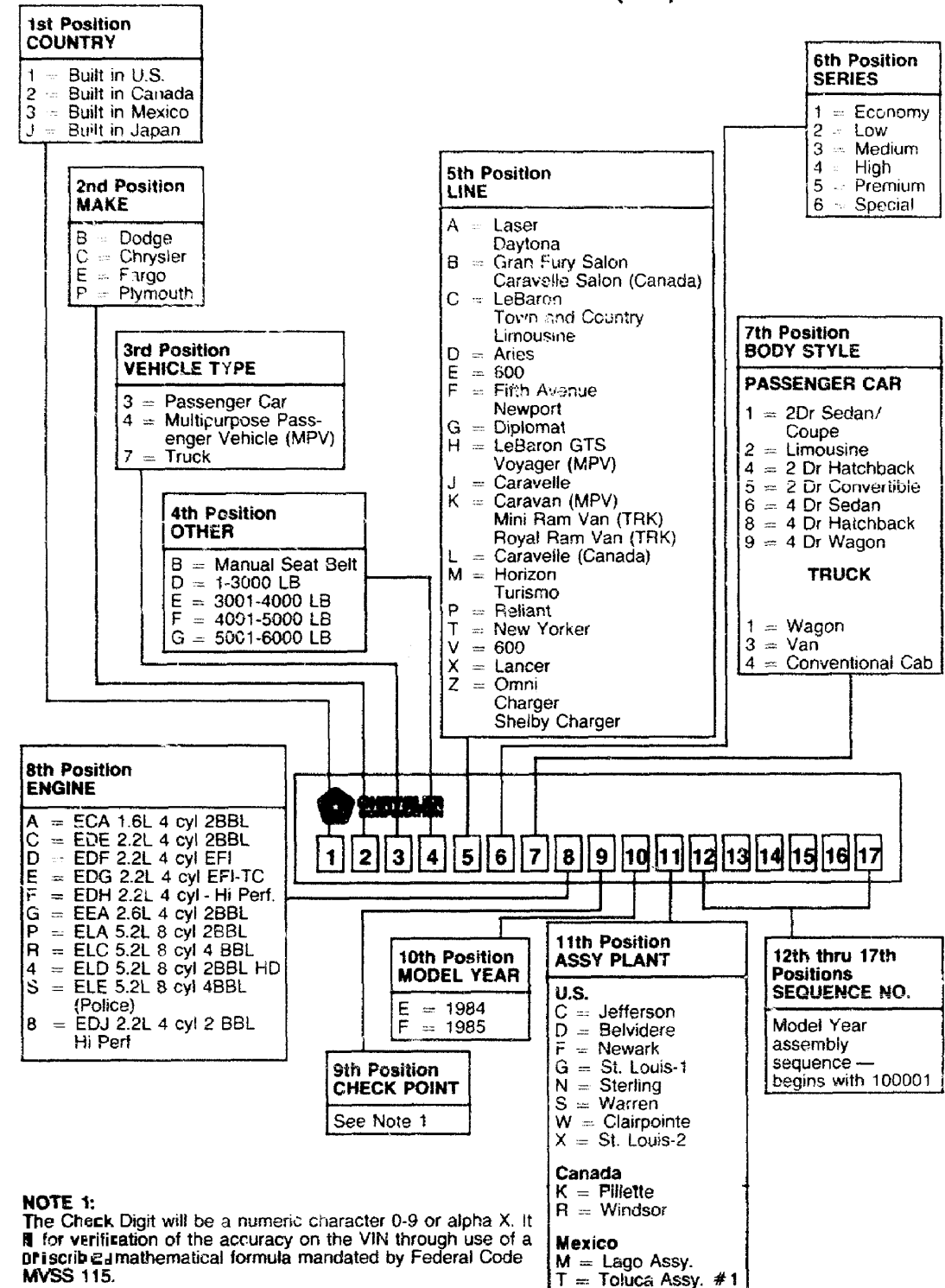
Alternately, the approximate build date can be determined from the Body Code Plate (see "Code Plate Interpretation").

VEHICLE IDENTIFICATION PLATE

All assembly plants use a uniform method for assigning vehicle serial numbers (VIN). This number consists of 17 digits and is shown on the Vehicle Identification Plate which is located on the instrument panel - visible thru the windshield. The VIN number (serial number) also appears on the Federal Certification Label located on the left front door frame. (Always specify the vehicle serial number when ordering parts by description). A description of serial numbers follows:



VEHICLE IDENTIFICATION NUMBER (VIN) DEFINED

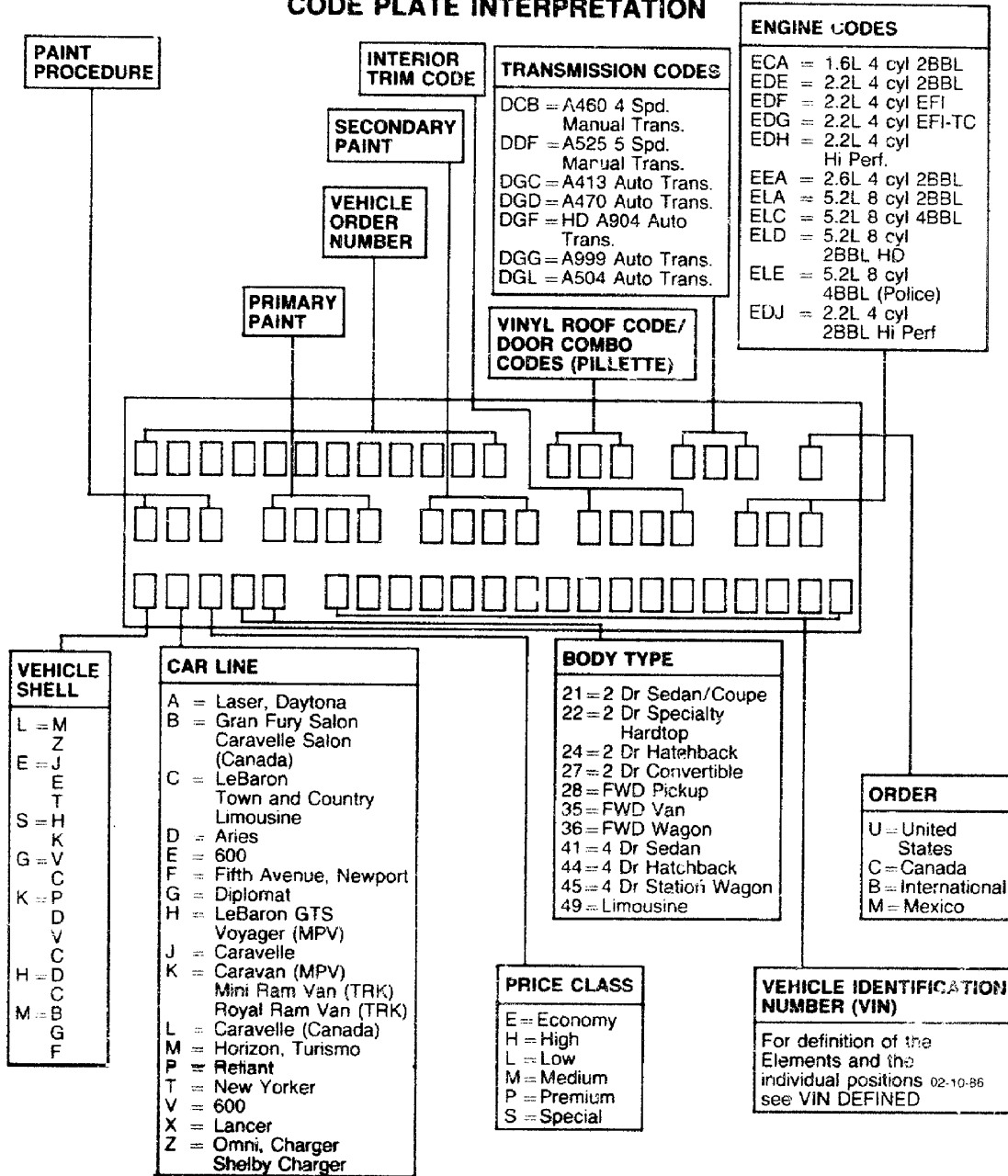


NOTE 1: The Check Digit will be a numeric character 0-9 or alpha X. It is used for verification of the accuracy on the VIN through use of a prescribed mathematical formula mandated by Federal Code MVSS 115.

BODY CODE PLATE

The Body Code Plate is located on the Left Front Side Shield or Wheel Housing or on the Upper Radiator Support. On FWD Trucks the Plate is located on the Right Front Cowl Panel. The Plate contains 7 rows of data. The bottom 3 rows are reserved for specific information as depicted below. Starting at the fourth row, (following the reserved portion), other Sales Codes used to build a specific vehicle are listed in the ascending order by Alpha sequence.

CODE PLATE INTERPRETATION



1985 PASSENGER CAR AND FWD TRUCK MODEL CHART

VEHICLE FAMILY	CARLINE	SALES MODEL NAME	VEHICLE LINE	SERIES	BODY STYLE	
L	Plymouth	Horizon	M	E	44	
		Turismo	M	H	24	
		Horizon SE	M	H	44	
	Dodge		Turismo 2.2	M	P	24
			Omni	Z	E	44
			Charger	Z	H	24
			Omni SE	Z	H	44
			Charger 2.2	Z	P	24
			Shelby Turbo Charger	Z	S	24
E	Plymouth	Caravelle	J	H	41	
	Dodge	600	E	H-M	41	
	Chrysler	New Yorker	T	P	41	
S	Plymouth	Voyager	H	L	36	
		Voyager SE	H	H	36	
		Voyager LE	H	P	36	
	Dodge		Mini Ram	K	E	35
			Caravan	K	L	3
			Caravan SE	K	H	36
			Caravan LE	K	P	36
			Royal	K	S	35
G	Dodge	Daytona	V	H	24	
		Daytona Turbo	V	S	24	
	Chrysler	Laser	C	H	24	
		Laser XE	C	P	24	
K	Plymouth	Reliant	P	L	21-41	
		Reliant SE	P	M	21-41	
		Reliant LE	P	H	21-41	
		Reliant	P	H-P	45	
	Dodge		Aries	D	L	21-41
			Aries SE	D	M	21-41
			Aries LE	D	H	21-41
			Aries	D	H-P	45
			600	V	P	22-27
	Chrysler		LeBaron	C	P	22-27-41
			Town & Country	C	P	45
			Limousine	C	P	49
H	Dodge	Lancer	D	H	44	
		Lancer ES	D	S	44	
M	Chrysler	LeBaron GTS	C	H-P	44	
	Plymouth	Gran Fury Salon	B	L	41	
	Dodge	Diplomat Salon	G	L	41	
		Diplomat SE	G	P	41	
	Chrysler	Newport	F	H	41	
Fifth Avenue		F	S	41		

METRIC CONVERSION TABLE

LINEAR MEASUREMENT

1 foot (ft.) = 12 inches (in.)	1 centimeter (cm) = 10 millimeters (mm)
1 yard (yd.) = 3 ft. = 36 in.	1 meter (m) = 100 cm = 1000 mm
1 mile (statute) = 5,280 ft.	1 kilometer (km) = 1000 meters

To convert	Into	Multiply by	To convert	Into	Multiply by
inches	centimeters	2.5400	centimeters	inches	0.3937
inches	millimeters	25.4000	millimeters	inches	0.0394
feet	meters	0.3048	meters	feet	3.2808
feet	millimeters	304.8000	millimeters	feet	0.0033
yards	meters	0.9144	meters	yards	1.0936
miles	kilometers	1.6093	kilometers	miles	0.6214

AREA MEASUREMENT

1 square foot (sq.ft.) = 144 square inches (sq.in.)	1 sq. centimeter (cm ²) = 100 sq. millimeters (mm ²)
1 square yard (sq.yd.) = 9 square feet	1 sq. meter (m ²) = 10,000 cm ²
1 acre = 4,840 sq. ft.	1 are (a) = 100 m ²
1 square mile = 640 acres	1 sq. kilometer (km ²) = 1,000,000 m ²

To convert	Into	Multiply by	To convert	Into	Multiply by
square inches	sq. centimeters	6.4516	sq. centimeters	sq. inches	0.1550
square feet	sq. meters	0.0929	sq. meters	sq. feet	10.7639
square yards	sq. meters	0.8361	sq. meters	sq. yards	1.1960
acres	sq. meters	4.047.0	sq. meters	acres	0.0002
square miles	sq. kilometers	2.5900	sq. kilometers	sq. miles	0.3861

CUBIC MEASUREMENT (VOLUME)

1 cubic foot (cu. ft.) = 1.728 cubic inches (cu. in.)	1 cu. centimeter (cm ³) = 1000 cu. millimeters (mm ³)
1 cubic yard (cu. yd.) = 27 cubic feet	1 cubic meter (m ³) = 1,000,000 cm ³

To convert	Into	Multiply by	To convert	Into	Multiply by
cubic inches	cu. centimeters	16.3872	cu. centimeters	cubic inches	0.0610
cubic feet	cubic meters	0.0283	cubic meters	cubic feet	35.3145
cubic yards	cubic meters	0.7646	cubic meters	cubic yards	1.3079

LIQUID MEASUREMENT (CAPACITY)

1 pint (pt.) = 28.875 cubic inches	1 centimeter (cl.) = 10 milliliters (ml.)
1 quart (qt.) = 2 pints = 57.75 cu. in.	1 liter (l) = 100 cl. = 1000 ml.
1 gallon (gal.) = 4 qts. = 231 cu. in.	1 kiloliter (kl) = 1000 liters

To convert	Into	Multiply by	To convert	Into	Multiply by
cubic inches	liters	0.0164	liters	cubic inches	61.0250
pints	liters	2.1132	liters	pints	0.4732
quarts	liters	0.9463	liters	quarts	1.0566
gallons	liters	3.7853	liters	gallons	0.2642
cubic feet	liters	28.3162	liters	cubic feet	0.0353

WEIGHT MEASUREMENT

1 ounce (oz.) = 16 drams	1 centigram (cg.) = 10 milligrams (mg.)
1 pound (lb.) = 16 ounces	1 gram (g.) = 100 cg. = 1000 mg.
1 short ton = 2000 pounds	1 kilogram (kg.) = 1000 grams
1 long ton = 2240 pounds	1 metric ton (t.) = 1000 kg.

To convert	Into	Multiply by	To convert	Into	Multiply by
drams	grams	1.7718	grams	drams	0.5644
ounces	grams	28.3495	grams	ounces	0.0353
pounds	kilograms	0.4536	kilograms	pounds	2.2046
tons (short)	tons (metric)	0.9072	tons (metric)	tons (short)	1.1023

POWER MEASUREMENT

1 horsepower (hp) = 746 watts = 7457 kilowatts (kw)	1 horsepower (ps) = 736 watts = 7355 kw
---	---

To convert	Into	Multiply by	To convert	Into	Multiply by
horsepower (U.S.)	horsepower (met.)	1.0139	horsepower (met.)	horsepower (U.S.)	0.9863
horsepower (U.S.)	kilowatts	0.7457	kilowatts	horsepower (met.)	0.7355
kilowatts	horsepower (U.S.)	1.3405	horsepower (met.)	kilowatts	1.2596

DATE CODE CORRELATION TABLE

1984 DAY NUMBER												
DATE	JAN.	FEB.	MAR.	APR.	MAY	JUNE	JULY	AUG.	SEPT.	OCT.	NOV.	DEC.
1	8192	8223	8252	8283	8313	8344	8374	8405	8436	8466	8497	8527
2	8193	8224	8253	8284	8314	8345	8375	8406	8437	8467	8498	8528
3	8194	8225	8254	8285	8315	8346	8376	8407	8438	8468	8499	8529
4	8195	8226	8255	8286	8316	8347	8377	8408	8439	8469	8500	8530
5	8196	8227	8256	8287	8317	8348	8378	8409	8440	8470	8501	8531
6	8197	8228	8257	8288	8318	8349	8379	8410	8441	8471	8502	8532
7	8198	8229	8258	8289	8319	8350	8380	8411	8442	8472	8503	8533
8	8199	8230	8259	8290	8320	8351	8381	8412	8443	8473	8504	8534
9	8200	8231	8260	8291	8321	8352	8382	8413	8444	8474	8505	8535
10	8201	8232	8261	8292	8322	8353	8383	8414	8445	8475	8506	8536
11	8202	8233	8262	8293	8323	8354	8384	8415	8446	8476	8507	8537
12	8203	8234	8263	8294	8324	8355	8385	8416	8447	8477	8508	8538
13	8204	8235	8264	8295	8325	8356	8386	8417	8448	8478	8509	8539
14	8205	8236	8265	8296	8326	8357	8387	8418	8449	8479	8510	8540
15	8206	8237	8266	8297	8327	8358	8388	8419	8450	8480	8511	8541
16	8207	8238	8267	8298	8328	8359	8389	8420	8451	8481	8512	8542
17	8208	8239	8268	8299	8329	8360	8390	8421	8452	8482	8513	8543
18	8209	8240	8269	8300	8330	8361	8391	8422	8453	8483	8514	8544
19	8210	8241	8270	8301	8331	8362	8392	8423	8454	8484	8515	8545
20	8211	8242	8271	8302	8332	8363	8393	8424	8455	8485	8516	8546
21	8212	8243	8272	8303	8333	8364	8394	8425	8456	8486	8517	8547
22	8213	8244	8273	8304	8334	8365	8395	8426	8457	8487	8518	8548
23	8214	8245	8274	8305	8335	8366	8396	8427	8458	8488	8519	8549
24	8215	8246	8275	8306	8336	8367	8397	8428	8459	8489	8520	8550
25	8216	8247	8276	8307	8337	8368	8398	8429	8460	8490	8521	8551
26	8217	8248	8277	8308	8338	8369	8399	8430	8461	8491	8522	8552
27	8218	8249	8278	8309	8339	8370	8400	8431	8462	8492	8523	8553
28	8219	8250	8279	8310	8340	8371	8401	8432	8463	8493	8524	8554
29	8220	8251	8280	8311	8341	8372	8402	8433	8464	8494	8525	8555
30	8221	8252	8281	8312	8342	8373	8403	8434	8465	8495	8526	8556
31	8222	8253	8282	8313	8343	8374	8404	8435	8466	8496	8527	8557

1985 DAY NUMBER												
DATE	JAN.	FEB.	MAR.	APR.	MAY	JUNE	JULY	AUG.	SEPT.	OCT.	NOV.	DEC.
1	8558	8589	8617	8648	8678	8709	8739	8770	8801	8831	8862	8892
2	8559	8590	8618	8649	8679	8710	8740	8771	8802	8832	8863	8893
3	8560	8591	8619	8650	8680	8711	8741	8772	8803	8833	8864	8894
4	8561	8592	8620	8651	8681	8712	8742	8773	8804	8834	8865	8895
5	8562	8593	8621	8652	8682	8713	8743	8774	8805	8835	8866	8896
6	8563	8594	8622	8653	8683	8714	8744	8775	8806	8836	8867	8897
7	8564	8595	8623	8654	8684	8715	8745	8776	8807	8837	8868	8898
8	8565	8596	8624	8655	8685	8716	8746	8777	8808	8838	8869	8899
9	8566	8597	8625	8656	8686	8717	8747	8778	8809	8839	8870	8900
10	8567	8598	8626	8657	8687	8718	8748	8779	8810	8840	8871	8901
11	8568	8599	8627	8658	8688	8719	8749	8780	8811	8841	8872	8902
12	8569	8600	8628	8659	8689	8720	8750	8781	8812	8842	8873	8903
13	8570	8601	8629	8660	8690	8721	8751	8782	8813	8843	8874	8904
14	8571	8602	8630	8661	8691	8722	8752	8783	8814	8844	8875	8905
15	8572	8603	8631	8662	8692	8723	8753	8784	8815	8845	8876	8906
16	8573	8604	8632	8663	8693	8724	8754	8785	8816	8846	8877	8907
17	8574	8605	8633	8664	8694	8725	8755	8786	8817	8847	8878	8908
18	8575	8606	8634	8665	8695	8726	8756	8787	8818	8848	8879	8909
19	8576	8607	8635	8666	8696	8727	8757	8788	8819	8849	8880	8910
20	8577	8608	8636	8667	8697	8728	8758	8789	8820	8850	8881	8911
21	8578	8609	8637	8668	8698	8729	8759	8790	8821	8851	8882	8912
22	8579	8610	8638	8669	8699	8730	8760	8791	8822	8852	8883	8913
23	8580	8611	8639	8670	8700	8731	8761	8792	8823	8853	8884	8914
24	8581	8612	8640	8671	8701	8732	8762	8793	8824	8854	8885	8915
25	8582	8613	8641	8672	8702	8733	8763	8794	8825	8855	8886	8916
26	8583	8614	8642	8673	8703	8734	8764	8795	8826	8856	8887	8917
27	8584	8615	8643	8674	8704	8735	8765	8796	8827	8857	8888	8918
28	8585	8616	8644	8675	8705	8736	8766	8797	8828	8858	8889	8919
29	8586	8617	8645	8676	8706	8737	8767	8798	8829	8859	8890	8920
30	8587	8618	8646	8677	8707	8738	8768	8799	8830	8860	8891	8921
31	8588	8619	8647	8678	8708	8739	8769	8800	8831	8861	8892	8922

SALES CODES

Due to the increase complexity of qualifications required to describe the application of some replacement parts; particularly those related to Emission Control System, Sales Codes are used on a selected basis in some areas of this publication.

Normally, Sales Codes will be employed as secondary qualifiers and are for the express purpose of providing positive identification of parts applicable to vehicle components or systems so complex in nature that normal methods of written qualification are either inadequate or confusing.

The Sales code will always appear after the written description of the part; will be enclosed in parenthesis; will be prefixed S/C; and will follow a hyphen appended to the S/C. e.g.: (S/C-N95).

To determine whether or not the vehicle for which the part is being specified was built with a particular Sales Code it will be necessary to refer to the Body Code Plate depicted on page INF-9. Sales Codes are also listed on vehicle invoices and on the Maroney label which is affixed to the side glass on new units.

DEFINITION OF SALES CODES

HAO — ALL VEHICLES W/AIR CONDITIONING

HCO — ALL VEHICLES W/O AIR CONDITIONING

NAA — ELECTRONIC SPARK ADVANCE — Used in conjunction with a Catalytic Exhaust System — unleaded fuel is not required

NAB — ELECTRONIC SPARK ADVANCE — W/o catalyst, used in conjunction with a conventional non-catalytic exhaust system — unleaded fuel is required

NAC — W/O ELECTRONIC SPARK ADVANCE — Used in conjunction with a Catalytic Exhaust System — unleaded fuel required

NAD — W/O ELECTRONIC SPARK ADVANCE — Used in conjunction with a Conventional Exhaust — unleaded fuel is not required (Canada & Export)

NAE — EMISSION CONTROLS TESTING AND LABEL — Commonly referred to as California Emission Controls due to it being mandatory for designated engines on trucks sold in the state of California.

NAF — HIGH ALTITUDE EMISSION CONTROLS — Required for some truck lines and engine combinations sold in some geographical markets predominantly above 4000 feet elevation

NCA — AIR PUMP

NCB — ASPIRATOR

NDA — CATALYTIC CONVERTER

NDB — W/O CATALYTIC CONVERTER

NEM — EXTERIOR SOUND CONTROL

NMC — MAX ENGINE COOLING

XBC — WITHOUT BOX - CONV. CAB

XBS — SWEPTLINE BOX WITH CONV. CAB

XBU — UTILINE BOX WITH CONV. CAB

ABBREVIATIONS

Abbreviations as used throughout this catalog are interpreted as follows:

ABS	ABSORBER	BTM	BOTTOM
ACC	ACCESSORY	BTN	BUTTON
ACCEL	ACCELERATOR	B/UP	BACK UP
A/CLNR	AIR CLEANER	BUSH	BUSHING
A/COND	AIR CONDITIONING	CAD	CADIUM
ACTG	ACTUATING	CAN	CANADA-CANADIAN
ACTR	ACTUATOR	CAP	CAPACITY
ADAPT	ADAPTER-ADAPTATION	C.A.S.	CLEANER AIR SYSTEM
ADJ	ADJUSTING-ADJUSTOR- ADJUSTABLE-ADJUSTMENT	CARB	CARBURETOR
A/INL	AIR INLET	CATA	CATALYTIC
ALTR	ALTERNATOR	C/BAR	CROSS BAR
ALUM	ALUMINUM	CBL	CABLE
AMP	AMPERE	C/BRD	CIRCUIT BOARD
AMPL	AMPLIFIER	C.BRKR	CIRCUIT BREAKER
AMTR	AMMETER	CCW	COUNTERCLOCKWISE
ANCH	ANCHOR	C/E	COMMUTATOR END
&	AND	CHAM	CHAMFRED
A/OUT	AIR OUTLET	CHMBR	CHAMBER
APPROX	APPROXIMATE, APPROXIMATELY	CHR	CHROMIUM
AR	AS REQUIRED	C.I.	CUBIC INCH
A/RATLR	ANTI RATTLER	C/IRON	CAST IRON
A REST	ARM REST	C/CASE	CRANKCASE
ARM	ARMATURE	CK/CHFT	CRANKSHAFT
A/SQK	ANTISQUEAK	CL	CLEANER
ASSY	ASSEMBLY	CL/NUT	CLINCH NUT
A/SUSP	AIR SUSPENSION	C/LP	COURTESY LAMP
A.T.C.	AUTOMATIC TEMPERATURE CONTROL	CLSR	CLOSURE
ATT	ATTACHING	C/LTR	CIGAR OR CIGARETTE LIGHTER
A/TRANS	AUTOMATIC TRANSMISSION	C/MBR	CROSSMEMBER
AUTO	AUTOMATIC	COE	CAB OVER ENGINE
AUX	AUXILIARY	COL	COLUMN
BAL	BALANCE	COMB	COMBINATION
BATT	BATTERY	COMBN	COMBUSTION
BBL	BARREL	COMP	COMPLETE, COMPONENT
B/BRK	BOOSTER BRAKE	COMPN	COMPRESSION
B/CRK	BELL CRANK	COMPR	COMPRESSOR
B.E.	BLACK ENAMEL	COMPT	COMPARTMENT
B/JNT	BALL JOINT	COMTR	COMMUTATOR
BLK	BLOCK	COND	CONDENSER
BLT	BUILT	CONDT	CONDUIT
BLWR	BLOWER	CONDGTG	CONDITIONING
BMPR	BUMPER	CONN	CONNECTING-CONNECTION- CONNECTOR
BOLT & RET	BOLT & RETAINER	CONT	CONTINUED-CONTROL
BOLT & WA.	BOLT & WASHER	CONT'D	CONTINUED
BR	BRASS	CONV	CONVERTER
BRD	BOARD	COP	COPPER
BRG	BEARING	CO/SHFT	COUNTERSHAFT
BRK	BRAKE	CO/WT	COUNTERWEIGHT
BRKT	BRACKET	CP	CANDLEPOWER
BRKR	BREAKER	C/PILLAR	CENTER PILLAR
BRT	BRIGHT	CPLG	COUPLING
BRZ	BRONZE	C/SHFT	CROSS SHAFT
BSTR	BOOSTER	CSTG	CASTING
B/STUD	BALL STUD	CTR	CENTER
			CU	CUBIC
			CUSH	CUSHION

A15

ABBREVIATIONS (Cont'd.)

CUSH	CUSHION	EXP	EXPORT
CUST	CUSTOM	EXPN	EXPANSION
CV	CONVERTIBLE	EXT	EXTENSION
C/VAL	CONTROL VALVE	EXTL	EXTERNAL
CVR	COVER	EXTR	EXTRUDED
C/WT	COUNTERWEIGHT	F	FAHRENHEIT
CYL	CYLINDER	FACT	FACTORY
DBL	DOUBLE	F/AIR	FRESH AIR
D/CVR	DUST COVER	FAST	FASTENING-FASTENER
D/E	DRIVE END	F/AXLE	FRONT AXLE
DECAL	DECALCOMANIA	F/BRD	FLOOR BOARD
DEFL	DEFLECTOR	F/CPLG	FLUID COUPLING
DEFGR	DEFOGGER	F/DR	FRONT DOOR
DEFR	DEFROSTER	F/FILT	FUEL FILTER
DEG (°)	DEGREE	F/GA	FUEL GAGE
D/EXH	DUAL EXHAUST	F/IDLE	FAST IDLE
DIA	DIAMETER	FIL HD	FILLISTER HEAD
DIAG	DIAGONAL	FIN	FINISH
DIAPH	DIAPHRAGM	F/INJ	FUEL INJECTION
DIFF	DIFFERENTIAL	FLD	FIELD
DIM	DIMENSION	FLEX	FLEXIBLE
DIR	DIRECT-DIRECTIONAL	FLG	FLANGE
DIR CL	DIRECT CLUTCH	FL HD	FLAT HEAD
DIST	DISTRIBUTOR-DISTRIBUTING	FLR	FLOOR
DIV	DIVISION-DIVISIONAL	F/MLDG	FINISH MOULDING
D/LINK	DRAG LINK	FNDR	FENDER
D/LP	DOME LAMP	F/PAN	FLOOR PAN
DMPR	DAMPER	F/PUMP	FUEL PUMP
DOM	DOMESTIC	FREQ	FREQUENCY
D/PINION	DRIVE PINION	FRT	FRONT
DR	DOOR	FT	FOOT-FEET
D/R SHAFT	DOUBLE ROCKER SHAFT	F/TANK	FUEL TANK
DRIV	DRIVE	FTG	FITTING
DRVN	DRIVEN	F/TOP	FOLDING TOP
D/SEAL	DUST SEAL	GA	GAUGE-GAGE
D/SHLD	DUST SHIELD	GALV	GALVANIZED
D/SW	DIMMER SWITCH	GARN	GARNISH
EBL	ELECTRIC HEATED BACK LIGHT	G/BOX	GLOVE BOX
ECC	ECCENTRIC	GEN	GENERATOR
ECS	EVAPORATE EMISSION CONTROL SYSTEM	GLA	GLASS
E.F.I. (M)	ELECTRONIC FUEL INJECTION (METERING)	G/MLDG	GARNISH-MOULDING
E.G.R.	EXHAUST GAS RECIRCULATION	GND	GROUND
ELECT	ELECTRIC	GOV	GOVERNOR
ELIM	ELIMINATOR	GR	GEAR
EMR	ENGINE MAINTENANCE REMINDER	G/REG	GENERATOR-REGULATOR
ENG	ENGINE	GRL	GRILLE
EQ	EQUIPMENT	GRMT	GROMMET
ESC	ESCUTCHEON	G/SHIFT	GEARSHIFT
ETC	ET CETERA	GSKT	GASKET
EVAP	EVAPORATION-EVAPORATOR	GVW	GROSS VEHICLE WEIGHT
EX	EXTRA	H/BRK	HAND BRAKE
EXC	EXCLUDE	H/C	HIGH COMPRESSION
EXH	EXHAUST	HD	HEAD
		H/D	HEAVY DUTY
		HDL	HANDLE
		H/LIN	HEAD LINING
		HOLS	HEADLESS
		HDR	HEADER

ABBREVIATIONS (Cont'd.)

HEMI	HEMISPHERICAL	LOC	LOCATING
HEX	HEXAGON	LP	LAMP
HGE	HINGE	LPG	LIQUID PROPANE GAS
H/GUIDE	HYDRAGUIDE	L.S.H.	LOW SECTION HEIGHT
H/LP	HEADLAMP	LT	LEFT
H/PERF	HIGH PERFORMANCE	LUB	LUBRICANT-LUBRICATING
H/REST	HEAD REST	LUGG	LUGGAGE
HSG	HOUSING	LVR	LEVER
H/SNK	HEAT SINK	LWR	LOWER
H/SHLD	HEAT SHIELD	M & I	MARINE & INDUSTRIAL
NHT	HEATER	M/ADJ	MANUAL ADJUSTING
HVY	HEAVY	MAN	MANUAL
HYD	HYDRAULIC	MANF	MANIFOLD
I/ARM	IDLER ARM	MAR	MARINE
I.D.	INSIDE DIAMETER	MAX	MAXIMUM
IDENT	IDENTIFICATION	MAX PERF	MAXIMUM PERFORMANCE
IGN	IGNITION	M/BRK	MANUAL BRAKE
IN	INCH	MBR	MEMBER
INCL	INCLUSIVE-INCLUDES	M/CYL	MASTER CYLINDER
IND	INDUSTRIAL	MECH	MECHANISM
INDIC	INDICATOR	MED	MEDIUM
INL	INLET	MEDAL	MEDALLION
INR	INNER	MIL	MILITARY
INS	INSULATING-INSULATION-INSULATOR	MIN	MINIMUM
INST	INSTRUMENT-INSTRUCTION	MDLG	MOULDING
INT	INTAKE	MOD	MODEL
INTER	INTERMITTENTLY-INTERMEDIATE	M/MTRG	MAIN METERING
INTL	INTERNAL	M.P.H.	MILES PER HOUR
INTLK	INTERLOCK	MT	MOUNT
I/PNL	INSTRUMENT PANEL	MTG	MOUNTING
I/PULLEY	IDLER PULLEY	MTR	MOTOR
I/S	INSIDE	M/TRANS	MANUAL TRANSMISSION
J/BLK	JUNCTION BLOCK	MTRG	METERING
JNT	JOINT	NEG	NEGATIVE
K/DN	KICKDOWN	NEUT	NEUTRAL
KDX	KNOCK DOWN EXPORT	NI	NICKEL
KILO	KILOMETER	NO. OR #	NUMBER
KNU	KNUCKLE	NOM	NOMINAL
K/UP	KICKUP	NO	NITROGEN OXIDE EMISSION CONTROL
LBS	POUNDS	N/PLT	NAME PLATE
L/C	LOW COMPRESSION	NUT & WA	NUT AND WASHER
LCF	LOW CAB FORWARD	O/CTR	OVER CENTER
L/COMPT	LUGGAGE COMPARTMENT	O.D.	OUTSIDE DIAMETER
LEA	LEATHER	O/DRV	OVER DRIVE
LED	LIGHT EMITTING DIODE	O/GA	OIL GAUGE
LGH	LENGTH	OPER	OPERATING
LHD	LEFT HAND DRIVE	OPNG	OPENING
L.H. THD	LEFT HAND THREAD	OPP	OPPOSITE
LIC	LICENSE	OPT	OPTIONAL
LIN	LINING-LINER	O/PUMP	OIL PUMP
LK	LOCK	ORN	ORNAMENT
LKG	LOCKING	O/RUNN	OVERRUNNING
LK/NUT	LOCK NUT	O/S	OUTSIDE
LK/WA	LOCK WASHER	O/SIZE	OVERSIZE
		OTR	OUTER
		OUTL	OUTLET

A17

ABBREVIATIONS (Cont'd.)

OV	OVAL
O/W	OPTIONAL WITH
O/WRAP	OVERWRAP
OZ	OUNCE
P	PITCH
PACK	PACKING
PARK	PARKING
PART	PARTIAL PARTITION
PASS	PASSENGER
P/BRK	POWER BRAKE
P/BTN	PUSH BUTTON
PC/BRD	PRINTED CIRCUIT BOARD
PED	PEDAL
PERF	PERFORMANCE
PIST	PISTON
PIV	PIVOT
PKG	PACKAGE
PL	PLAIN
P/LAMP	PARKING LAMP
PLR	PILLAR
PLT	PLATE-PLATED
PLUNG	PLUNGER
PL/WA	PLAIN WASHER
P/MTR	POTENTIOMETER
PNL	PANEL
PNTD	PAINTED
POS	POSITIVE
POLY	POLYESTER
P/PNL	POCKET PANEL
PRESS	PRESSURE
PRI	PRIMARY
PROD	PRODUCTION
P/ROD	PUSH ROD
PROP	PROPELLER
PRPG	PROPORTIONING
PSF	POUNDS PER SQUARE FOOT
PSI	POUNDS PER SQUARE INCH
P/STRG	POWER STEERING
PT	POINT
PTO	POWER TAKE OFF
PWR	POWER
Q/PNL	QUARTER PANEL
QTR	QUARTER
Q/WDO	QUARTER WINDOW
R	RADIUS
R/A	REAR AXLE
R/AXLE	REAR AXXLE
RAD	RADIATOR
R/CONT	REMOTE CONTROL
RC/SHIFT	ROCKER SHAFT
RD	ROUND
R/DR	REAR DOOR
REC	RECEIVER
RECIR	RECIRCULATING
RECT	RECTANGULAR
RECTR	RECTIFIER
RED	REDUCTION
REFL	REFLECTOR
REG	REGULATOR
REINF	REINFORCEMENT
REL	RELEASE
REM	REMOTE
REQ	REQUIRED
RES	RESISTOR
RET	RETAINER
RETG	RETAINING
REV	REVERSE
REVERB	REVERBERATOR
R/FLR	REAR FLOOR
RHD	RIGHT HAND DRIVE
RHEO	RHEOSTAT
R.H. THD	RIGHT HAND THREAD
R/L	RIGHT AND LEFT
RPM	REVOLUTIONS PER MINUTE
R/QTR	REAR QUARTER
RR	REAR
RSVR	RESERVOIR
RT	RIGHT
R/WDO	REAR WINDOW
S/ABS	SHOCK ABSORBER
S/C	SALES CODE
S/COMP	SIDE COMPARTMENT
S/DEFL	STONE DEFLECTOR
SECT	SECTION
SER	SERIAL-SERVICE
S/EXH	SINGLE EXHAUST
S-FIN	SEMI-FINISHED
S/GR	STEERING GEAR
SHFT	SHIFT
SHLD	SHIELD
SIG	SIGNAL
S/KNU	STEERING KNUCKLE
SLD	SLIDE
SLDG	SLIDING
S/LP	STOP LAMP
SLTD	SLOTTED
SLV	SLEEVE
S/MBR	SIDE MARKER
SOC	SOCKET
SOL	SOLENOID
SPD	SPEED
SPEEDO	SPEEDOMETER
SPKR	SPEAKER
SPL	SPECIAL
SPL EQUIP	SPECIAL EQUIPMENT
SPRG	SPRING
S/PNL	SIDE PANEL
SP/SHLD	SPLASH SHIELD
SQ	SQUARE
S/R SHAFT	SINGLE ROCKER SHAFT
S/RAIL	SIDE RAIL
S/RING	SNAP RING

02-10-88

ABBREVIATIONS (CONT'D.)

S/SHLD	SIDE SHIELD
S/SILL	SIDE SILL
S/SPD	SINGLE SPEED
STA	STATION-STATIONARY
STAB	STABILIZER
STD	STANDARD
STGHT	STRAIGHT
STL	STEEL
STRG	STEERING
STRKR	STRIKER
STRNR	STRAINER
STRTR	STARTER
SUCT	SUCTION
SUPT	SUPPORT
SUSP	SUSPENSION
SW	SWITCH
SYNCH	SYNCHRONIZER
T	TEETH
TAP	TAPPING
TBI	THROTTLE BODY INJECTION
T/BKL	TURN BUCKLE
T/BLK	TERMINAL BLOCK
T/COMP	TRIMMED COMPLETE
T/CONT	THROTTLE CONTROL
T/CONV	TORQUE CONVERTER
TEMP	TEMPERATURE
TERM	TERMINAL
T/GA	TEMPERATURE GAUGE
T-GATE	TAILGATE
THD	THREAD
THK	THICK
THERMO	THERMOSTAT
3RD	THIRD
THR	THRUST
THROT	THROTTLE
T.I.C.	THERMOSTATIC IGNITION CONTROL
T/LP	TAIL LAMP
TORQ	TORQUE
TORS	TORSION
TPI	THREADS PER INCH
T/PIPE	TAIL PIPE
T/PLT	TAPPING PLATE
T/PNL	TRIM PANEL
TPR	TAPER
TRANS	TRANSMISSION
TRANSF	TRANSFER
TRIMD	TRIMMED
T/SIG	TURN SIGNAL
TRUN.	TRUNNION
TST	TAIL STOP & TURNING
T/STRIP	TACKING STRIP
TUB	TUBULAR
U/BODY	UNDERBODY
U/DRV	UNDERDRIVE
U/JNT	UNIVERSAL JOINT
UNIV	UNIVERSAL
UPR	UPPER
U/S	UNDERSIZE
U/SEAT	UNDERSEAT
U/W	USED WITH
V	VENTUR (QTY OF CARB BBL)
VAC	VACUUM
VAL	VALVE
V/DMPR	VIBRATION DAMPER
VENT	VENTILATOR-VENTILATING
VERT	VERTICAL
VOL CONT	VOLUME CONTROL
V/REG	VOLTAGE REGULATOR
V/SPD	VARIABLE SPEED
V/WING	VENT WING
W	WATT
WA	WASHER
WAG	WAGON
WB	WHEELBASE
W/BRG	WHEEL BEARING
W/CORD	WEATHERCORD
WDO	WINDOW
WHL	WHEEL
W/HSE	WHEELHOUSE
W/LIFT	WINDOW LIFT
W/O	WITHOUT
W/PUMP	WATER PUMP
W/REG	WINDOW REGULATOR
W/SHLD	WINDSHIELD
W/STRIP	WEATHERSTRIP
WT	WEIGHT
W/WASHER	WINDSHIELD WASHER
W/WPR	WINDSHIELD WIPER
X/MBR	X MEMBER

NOTES

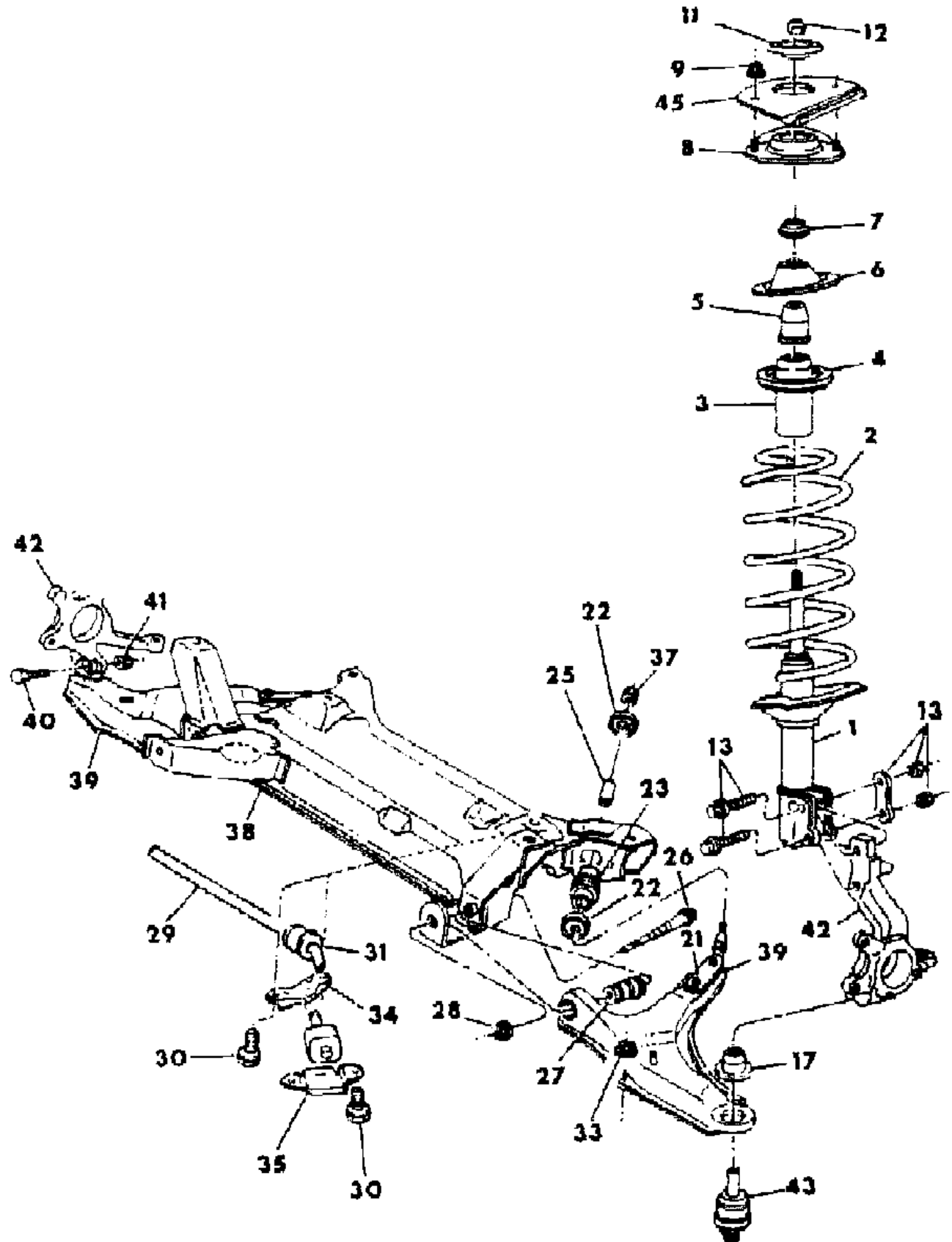
GROUP 2 - FRONT SUSPENSION & DRIVE

ILLUSTRATION TITLE	GROUP-FIG. NO.
FRONT SUSPENSION	
SUSPENSION, FRONT M,Z	Fig. 2-100
SUSPENSION, FRONT P,D,V,C,J,E,T,H,K	Fig. 2-200
SUSPENSION, FRONT B,F,G	Fig. 2-300
SWAY BAR	
SWAY BAR, FRONT B,F,G	Fig. 2-400
CONTROL ARM	
ARM-UPPER CONTROL B,F,G	Fig. 2-500
ARM-LOWER CONTROL B,F,G	Fig. 2-600
SHAFT IDENTIFICATION	
SHAFT, MAJOR COMPONENT LISTING	Fig. 2-725
FRONT DRIVE SHAFTS	
SHAFT, FRONT DRIVE (GKN) W/1.6 ENG. W/4 & 5 SPEED TRANS. M,Z	Fig. 2-800
SHAFT, FRONT DRIVE (G.K.N. & A.C.I.) W/2.2 & 2.6 ENG. WITH & W/O TURBO M,Z,P,D,V,C,J,E,T	Fig. 2-900
SHAFT, FRONT DRIVE (CITROEN) W/2.2 & 2.6 ENG. WITH & W/O TURBO M,Z,P,D,V,C,J,E,T,H,K	Fig. 2-1000

ILLUSTRATION NOT AVAILABLE AT TIME OF PUBLICATION

SUSPENSION, FRONT M,Z
Figure 2-100

5102 100



ITEM	PART NUMBER	QTY	BODY	MODEL	DESCRIPTION
NOTE 1 - PART NO. 4014441 SPACER REQUIRED WHEN REPLACING SPRING AS NOTED					
1	4052 647	2		24,44	SHOCK ABSORBER Std. (Except Shelby & Perf. Pkg.)
	5204 734	2		24,44	w/Heavy Duty (Except Shelby & Perf. Pkg.)
	4322 271	2		Z-S24,Z	w/Extra Heavy Duty (Shelby & Perf. Pkg.)
SPRING, Coil Front					
2	COIL-SPRING, 1.6 Eng. (Man.Trans.Only) w/o Air				
	4014 452	1		24,44	Std., Rt.
	4014 454	1		24,44	Std., Lt.
	4052 742	1		24,44	H.D., Rt. (See Note 1)
	4052 744	1		24,44	H.D., Lt.
	4014 454	1		24,44	w/Air, Std., Rt.
	4014 454	1		24,44	w/Air, Std., Lt. (See Note 1)
	4052 744	1		24,44	w/Air, H.D. or Firm Feel, Rt.
	4052 744	1		24,44	w/Air, H.D. or Firm Feel, Lt. (See Note 1)
	COIL-SPRING, 1.6L Eng. (Auto Trans.)				
	4014 452	1		24,44	w/o Air, Std., Rt. (See Note 1)
	4014 454	1		24,44	w/o Air, Std., Lt. (See Note 1)
	4052 742	1		24,44	w/o Air, H.D. or Firm Feel, Rt. (See Note 1)
	4052 744	1		24,44	w/o Air, H.D. or Firm Feel, Lt. (See Note 1)
	4014 454	1		24,44	w/Air, Std., Rt. (See Note 1)
	4014 456	1		24,44	w/Air, Std., Lt. (See Note 1)
	4052 744	1		24,44	w/Air, H.D. or Firm Feel, Rt. (See Note 1)
	4052 746	1		24,44	w/Air, H.D. or Firm Feel, Lt.
	COIL-SPRING, 2.2L or 2.2L H.P. Eng. (Man. Trans.)				
	4014 452	1		24,44	w/o Air, Std., Rt. (See Note 1)
	4014 454	1		24,44	w/o Air, Std., Lt.
4052 742	1		24,44	w/o Air, H.D. or Firm Feel, Rt. (See Note 1)	
4052 744	1		24,44	w/o Air, H.D. or Firm Feel, Lt.	
4014 454	1		24,44	w/Air, Std., Rt. (See Note 1)	
4014 456	1		24,44	w/Air, Std., Lt.	
4052 744	1		24,44	w/Air, H.D. or Firm Feel, Rt. (See Note 1)	
4052 746	1		24,44	w/Air, H.D. or Firm Feel, Lt.	
COIL-SPRING, 2.2L Eng.(Auto.Trans.)					
4014 454	1		24,44	w/o Air, Std., Rt.	
4014 456	1		24,44	w/o Air, Std., Lt.	
4052 744	1		24,44	w/o Air, H.D. or Firm Feel, Rt.	
4052 746	1		24,44	w/o Air, H.D. or Firm Feel, Lt.	

MODEL CODES

B = GRAN FURY	E = 600	M = HORIZON/TURISMO
C = LE BARON/TOWN & COUNTRY/LIMO	F = FIFTH AVENUE/NEWPORT	P = RELIANT
C24 = LASER	G = DIPLOMAT	T = NEW YORKER
C44 = LE BARON/GTS	H = VOYAGER	V = 600
D = ARIES	J = CARAVELLE	V24 = DAYTONA
D44 = LANCER	K = MINI VAN/CARAVAN/ROYAL	Z = OMNI/CHARGER

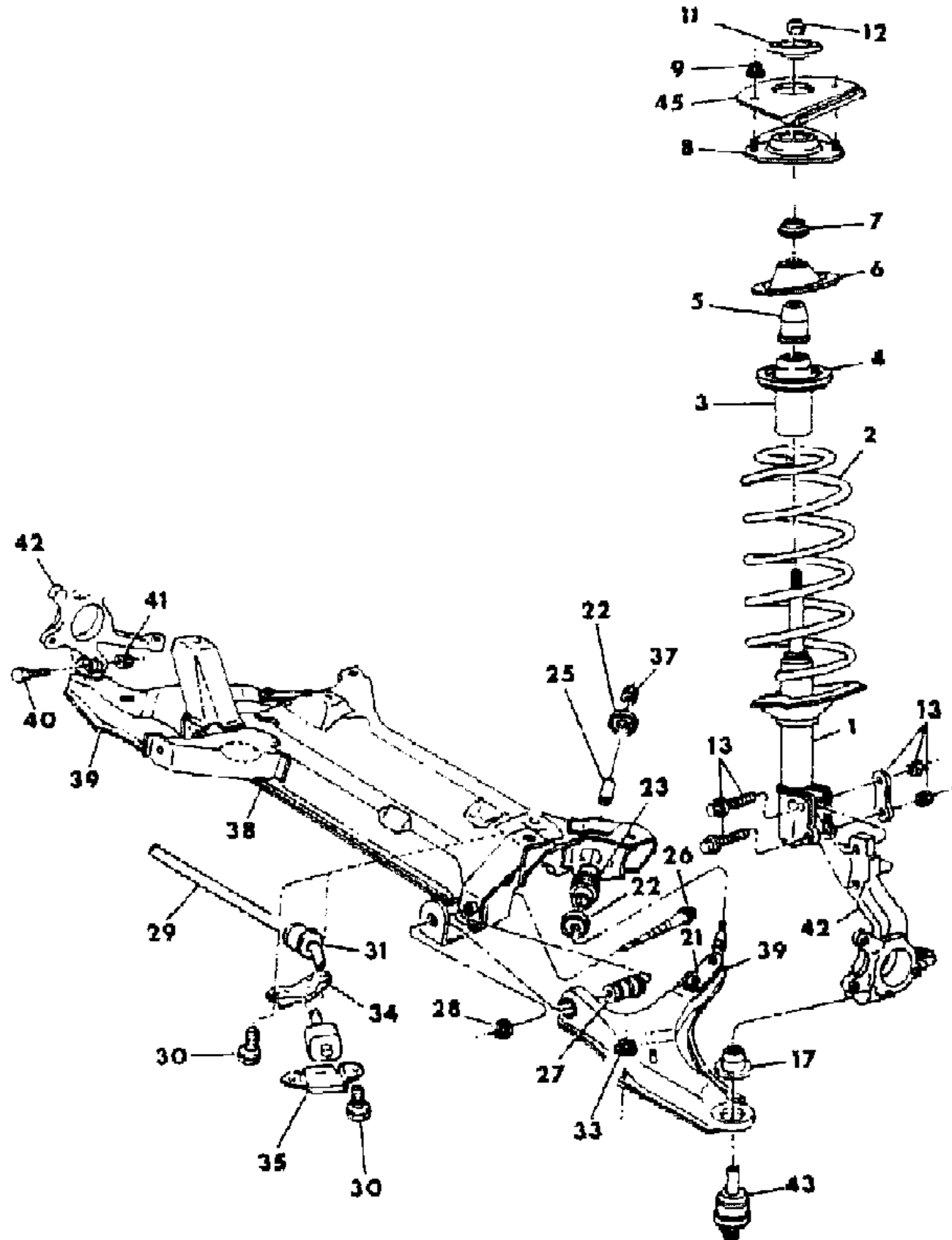
BODY STYLES

21 = 2-DOOR SEDAN	35 = FWD VAN	44 = 4-DOOR HATCHBACK
22 = 2-DOOR SPECIAL COUPE	36 = FWD WAGON	45 = 4-DOOR STATION WAGON
24 = 2-DOOR HATCHBACK	41 = 4-DOOR SEDAN	49 = LIMOUSINE
27 = 2-DOOR CONVERTIBLE		

AR = Use as Required - = Non Illustrated Part P.A.R. = Paint as Required

SUSPENSION, FRONT M,Z
Figure 2-100

5102 100



ITEM	PART NUMBER	QTY	BODY	MODEL	DESCRIPTION
	4014 456	1		24,44	w/Air, Std., Rt.
	4014 456	1		24,44	w/Air, Std., Lt. (See Note 1)
	4052 744	1		24,44	w/Air, H.D. or Firm Feel, Rt. (See Note 1)
	4052 746	1		24,44	w/Air, H.D. or Firm Feel, Lt. (See Note 1)
					COIL-SPRING, 2.2L H.P. Eng. (Man. Trans.) Perf. Pkg.
	4322 036	1		Z-E44	w/o Air, Rt.
	4322 036	1		Z-E44	w/o Air, Lt.
	4322 036	1		Z-E44	w/Air, Rt.
	4322 036	1		Z-E44	w/Air, Lt.
					COIL-SPRING, 2.2 H.P. Eng. (Man. Trans.) Shelby
	4322 036	1		Z-S24	w/o Air, Rt.
	4322 036	1		Z-S24	w/o Air, Lt.
	4322 036	1		Z-S24	w/Air, Rt.
	4322 036	1		Z-S24	w/Air, Lt.
					COIL SPRING, 2.2L H.P. Eng. (Auto Trans.) Shelby
	4322 036	1		Z-S24	w/o Air, Rt. (See Note 1)
	4322 036	1		Z-S24	w/o Air, Lt.
	4322 036	1		Z-S24	w/Air, Rt.
	4322 036	1		Z-S24	w/Air, Lt.
3	5204 610	2		All	DUST-SHIELD (Except Shelby & Perf. Pkg.)
	4052 997	2		Z-S24,Z	w/Shelby & Perf. Pkg.
4	4014 441	AR		All	SPACER, Spring Shock Upper
5	5204 608	2		All	BUMPER, Jounce (Except Shelby & Perf. Pkg.)
	4052 996	2		Z-S24,Z	w/Shelby & Perf. Pkg.
6	4052 931	2		All	SEAT, Shock Upper
7	5204 595	2		All	BALL-BEARING
8	4318 717	2		All	MOUNT, Front Shock Upper
9	6100 051	4		All	NUT,w/WASHER
11	4052 680	2		All	RETAINER, Shock Rebound Stop
12	6501 094	2		All	NUT, Shock Rod
13	4267 335	2		All	ATTACHING PKG., Frt. Shock
					Consists Of:
					1-6500450 Cam-Bolt, Shock Mtg. Upper
					1-6500451 Bolt, Shock Mtg. Lower
					1-4014327 Washer, Shock Damper
					2-6500536 Nut, Shock Knuckle Bolt
17	4052 509	2		All	SEAL, Ball Joint

MODEL CODES

B = GRAN FURY	E = 600	M = HORIZON/TURISMO
C = LE BARON/TOWN & COUNTRY/LIMO	F = FIFTH AVENUE/NEWPORT	P = RELIANT
C24 = LASER	G = DIPLOMAT	T = NEW YORKER
C44 = LE BARON/GTS	H = VOYAGER	V = 600
D = ARIES	J = CARAVELLE	V24 = DAYTONA
D44 = LANCER	K = MINI VAN/CARAVAN/ROYAL	Z = OMNI/CHARGER

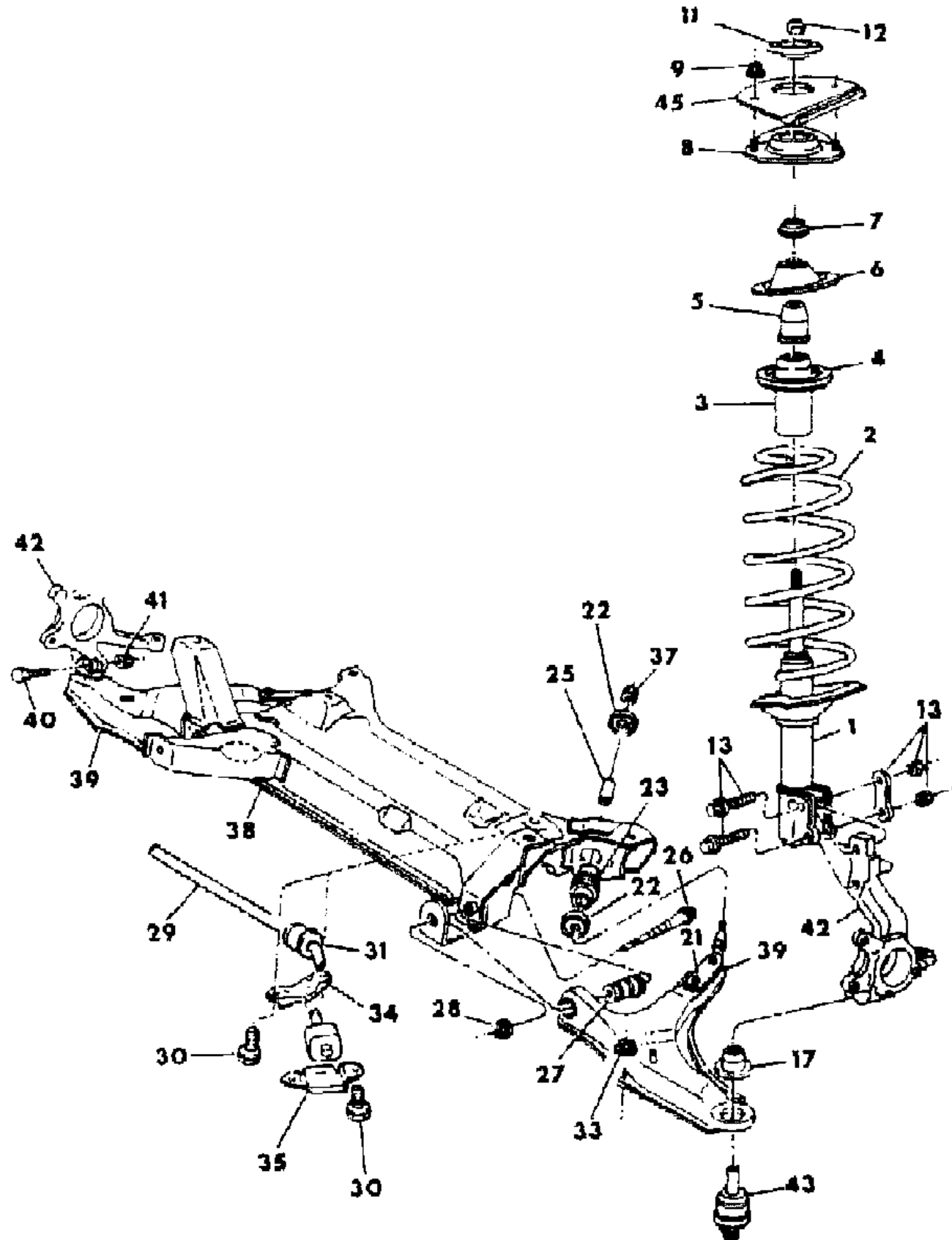
BODY STYLES

21 = 2-DOOR SEDAN	35 = FWD VAN	44 = 4-DOOR HATCHBACK
22 = 2-DOOR SPECIAL COUPE	36 = FWD WAGON	45 = 4-DOOR STATION WAGON
24 = 2-DOOR HATCHBACK	41 = 4-DOOR SEDAN	49 = LIMOUSINE
27 = 2-DOOR CONVERTIBLE		

AR = Use as Required - = Non Illustrated Part P.A.R. = Paint as Required

SUSPENSION, FRONT M,Z
Figure 2-100

5102 100



ITEM	PART NUMBER	QTY	BODY	MODEL	DESCRIPTION
21				All	RIVET (Not Serviced)
22	5204 534	4		All	RETAINER, Arm Strut Bushing
23	4322 285	2		All	BUSHING, Arm Strut Frt.
25	5204 535	2		All	SLEEVE, Strut Bushing
26	4014 239	2		All	BOLT, Pivot Shaft
27	5204 622	2		All	BUSHING, Cont.Arm Pivot Shaft
28	6500 231	2		All	NUT, Pivot Bolt
29	4322 011	1		All	SHAFT, Frt. Susp. Sway Elim. Std.
	4322 011	1		All	w/H.D., Firm Feel & Special Sport
30	6100 579	8		All	BOLT, Clamp
31	4322 015	2		All	CUSHION, Shaft - Std. Susp.
	4322 017	2		All	w/H.D. Susp.
33	6500 363	4		All	NUT, Bolt
34	4052 522	2		All	CLAMP, Shaft Bushing, Lower
35	4014 418	2		All	RETAINER, Shaft Arm
37	6100 502	2		All	NUT, Strut
38				All	C/MEMBER (Ref.Only)
39	4322 154-5	1		All	ARM, Lower Control
---	4106 180	2		All	TIE ROD END PKG. (Not Shown) CONSIST OF: 1-Rod End 1-6500121 Nut 1-6100024 C/Pin
40	6500 891	2		All	BOLT, Knuckle To Ball Joint (Up To 3-1-85)
	6501 248	2		All	(After 3-1-85)
41	6500 890	2		All	NUT, Knuckle To Ball Joint Bolt (Up To 3-1-85)
	6501 247	2		All	(After 3-1-85)
42	4052 844-5	1		All	KNUCKLE, Strg. (Except Shelby & Perf. Pkg.)
	4322 756-7	1		Z-S24,Z	w/Shelby & Perf. Pkg.
43	4052 583	2		All	BALL JOINT
45					PLATE, Shock Tower (See Fender Section)

MODEL CODES

B = GRAN FURY	E = 600	M = HORIZON/TURISMO
C = LE BARON/TOWN & COUNTRY/LIMO	F = FIFTH AVENUE/NEWPORT	P = RELIANT
C24 = LASER	G = DIPLOMAT	T = NEW YORKER
C44 = LE BARON/GTS	H = VOYAGER	V = 600
D = ARIES	J = CARAVELLE	V24 = DAYTONA
D44 = LANCER	K = MINI VAN/CARAVAN/ROYAL	Z = OMNI/CHARGER

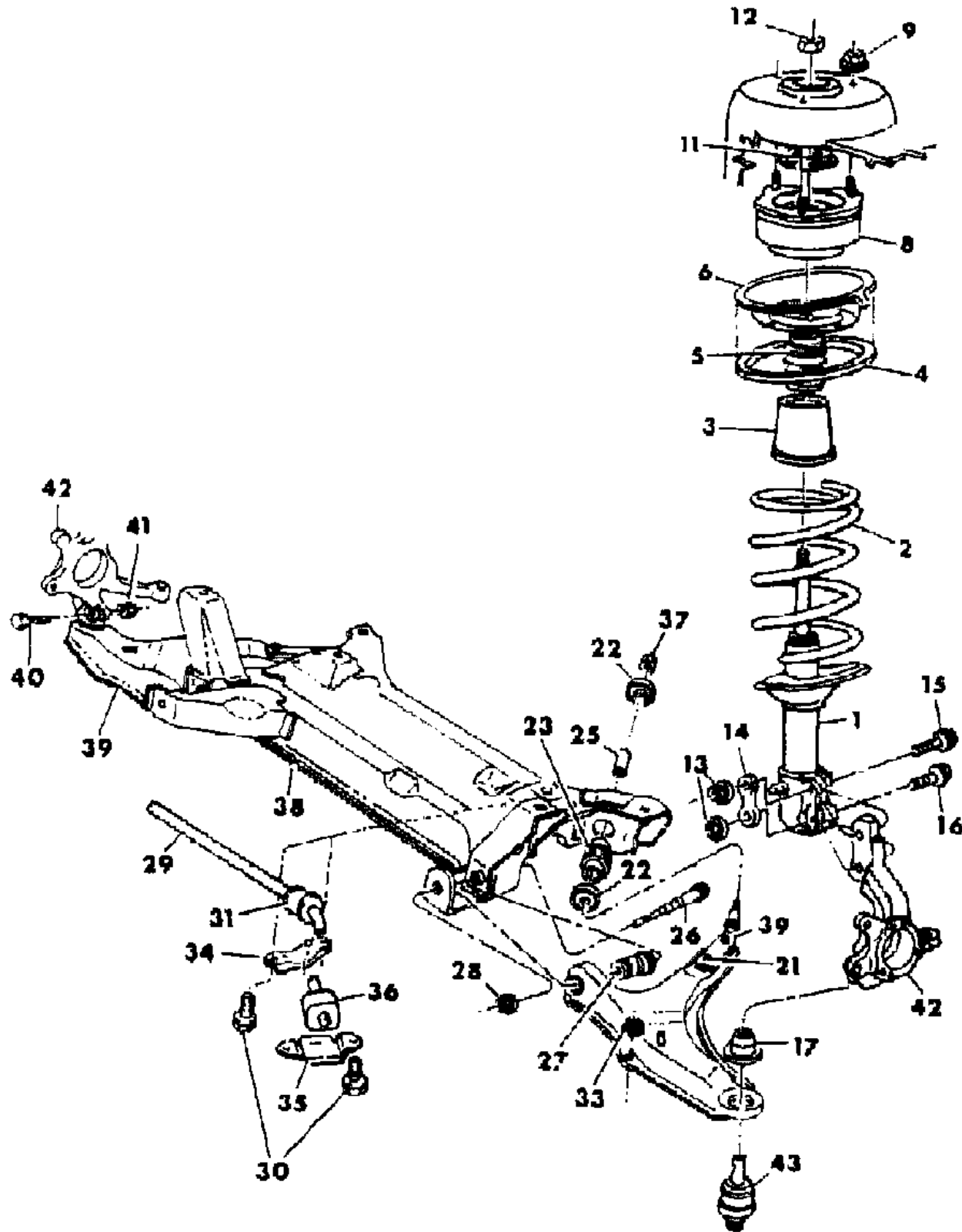
BODY STYLES

21 = 2-DOOR SEDAN	35 = FWD VAN	44 = 4-DOOR HATCHBACK
22 = 2-DOOR SPECIAL COUPE	36 = FWD WAGON	45 = 4-DOOR STATION WAGON
24 = 2-DOOR HATCHBACK	41 = 4-DOOR SEDAN	49 = LIMOUSINE
27 = 2-DOOR CONVERTIBLE		

AR = Use as Required - = Non Illustrated Part P.A.R. = Paint as Required

SUSPENSION, FRONT P,D,V,C,J,E,T,H,K
Figure 2-200

5102 200



ITEM	PART NUMBER	QTY	BODY	MODEL	DESCRIPTION
------	-------------	-----	------	-------	-------------

NOTE: 1 ISOLATOR Pt.NO. 4322047 REQUIRED WHEN REPLACING SPRING AS NOTED.

1	4052 861	2		PDVCJET	SHOCK ABSORBER, Std. (Except V,C-24,D,C-44)	
	4052 862	2		V,C-24	Heavy Duty	
	4322 276	2		PDVCJET	Heavy Duty & Std. on D,C44 (Gas Press.)	
	4322 277	2		T	Std. Shocks (Gas Press.)	
	4052 863	2		P,D,V,C	Extra Heavy Duty Shocks (Except V,C-24,D,C-44)	
2	4322 059	2		V,C24-D	Premium Shocks (Gas Press.)	
	4052 864	2		H,K	Std.	
	4052 865	2		H,K	H.D.	
						COIL-SPRING, 2.2L Eng.(Man.Trans.)
	4052 714	1		P,D	w/o Air, Std., Rt.	
	4052 714	1		P,D	w/o Air, Std., Lt. (See Note 1)	
	4052 912	1		P,D	w/o Air, H.D or Extra Duty, Rt.(See Note 1)	
	4052 914	1		P,D	w/o Air, H.D or Extra Duty, Lt.	
	4052 714	1		P,D	w/Air, Std., Rt. (See Note 1)	
	4052 716	1		P,D	w/Air, Std., Lt. (See Note 1)	
	4052 914	1		P,D	w/Air, H.D or Extra Duty, Rt.	
	4052 914	1		P,D	w/Air, H.D or Extra Duty, Lt. (See Note 1)	
						COIL-SPRING, 2.2L Eng. (Auto Trans.)
	4052 714	1		P,D	w/o Air, Std., Rt.	
	4052 716	1		P,D	w/o Air, Std., Lt. (See Note 1)	
	4052 912	1		P,D	w/o Air, H.D. or Extra Duty, Rt. (See Note 1)	
	4052 914	1		P,D	w/o Air, H.D. or Extra Duty, Lt. (See Note 1)	
	4052 716	1		P,D	w/Air, Std., Rt.	
	4052 718	1		P,D	w/Air, Std., Lt.	
	4052 914	1		P,D	w/Air, H.D or Extra Duty, Rt.	
4052 916	1		P,D	w/Air, H.D or Extra Duty, Lt.		
					COIL-SPRING, 2.6L Eng. (Auto Trans.)	
4052 716	1		P,D	w/o Air, Std., Rt.		
4052 716	1		P,D	w/o Air, Std., Lt. (See Note 1)		
4052 914	1		P,D	w/o Air, H.D. or Extra Duty, Rt.		
4052 914	1		P,D	w/o Air, H.D. or Extra Duty, Lt. (See Note 1)		
4052 716	1		P,D	w/Air, Std., Rt. (See Note 1)		
4052 718	1		P,D	w/Air, Std., Lt.		
4052 914	1		P,D	w/Air, H.D. or Extra Duty, Rt. (See Note 1)		

MODEL CODES

B = GRAN FURY	E = 600	M = HORIZON/TURISMO
C = LE BARON/TOWN & COUNTRY/LIMO	F = FIFTH AVENUE/NEWPORT	P = RELIANT
C24 = LASER	G = DIPLOMAT	T = NEW YORKER
C44 = LE BARON/GTS	H = VOYAGER	V = 600
D = ARIES	J = CARAVELLE	V24 = DAYTONA
D44 = LANCER	K = MINI VAN/CARAVAN/ROYAL	Z = OMNI/CHARGER

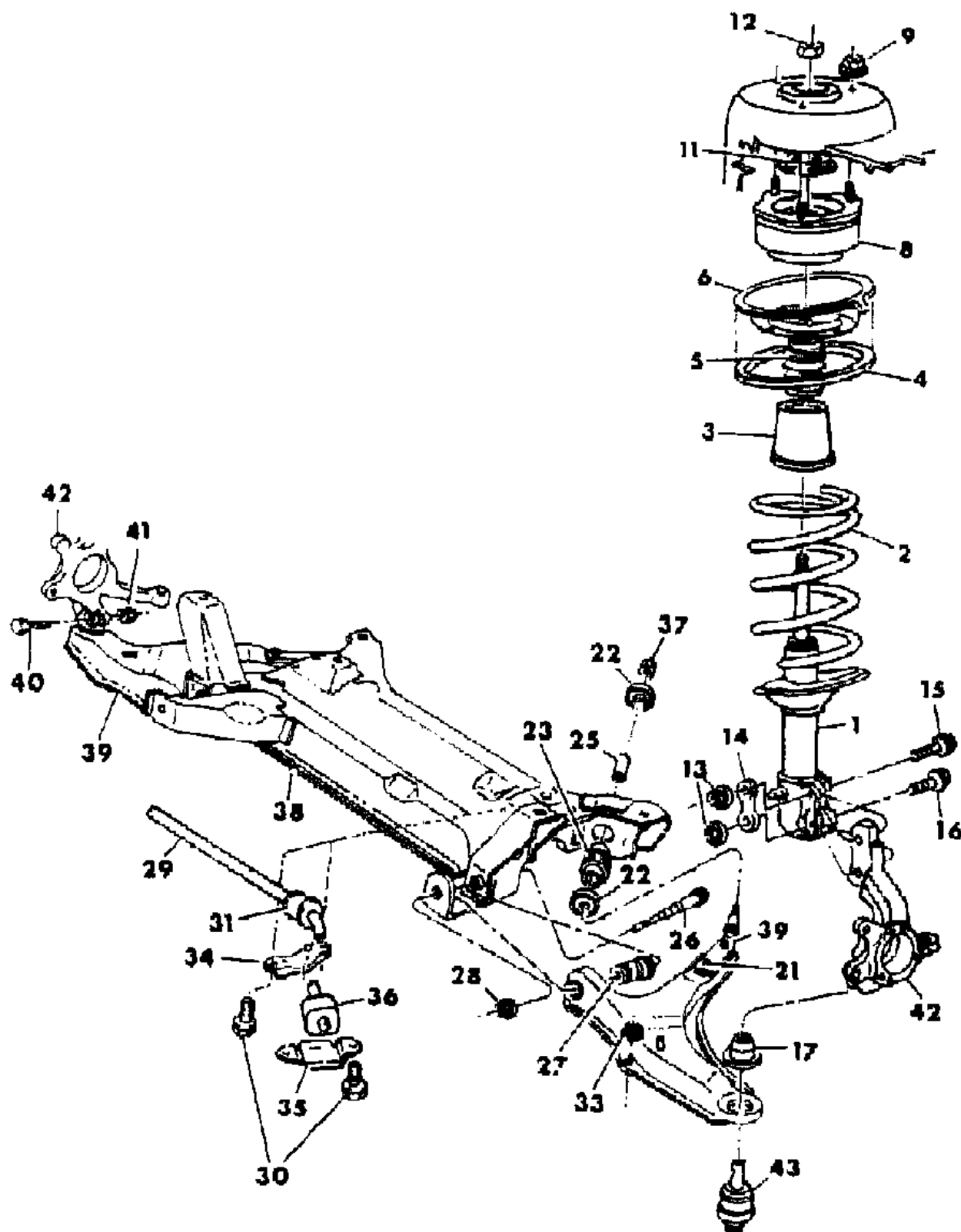
BODY STYLES

21 = 2-DOOR SEDAN	35 = FWD VAN	44 = 4-DOOR HATCHBACK
22 = 2-DOOR SPECIAL COUPE	36 = FWD WAGON	45 = 4-DOOR STATION WAGON
24 = 2-DOOR HATCHBACK	41 = 4-DOOR SEDAN	49 = LIMOUSINE
27 = 2-DOOR CONVERTIBLE		

AR = Use as Required - = Non Illustrated Part P.A.R. = Paint as Required

SUSPENSION, FRONT P,D,V,C,J,E,T,H,K
Figure 2-200

5102 200



ITEM	PART NUMBER	QTY	BODY	MODEL	DESCRIPTION
	4052 916	1		P,D	w/Air, H.D. or Extra Duty, Lt.
	4052 714	1		P,D	COIL-SPRING, 2.2L Turbo Eng. (Man. Trans.)
	4052 716	1		P,D	w/o Air Std., Rt. (See Note 1)
	4052 912	1		P,D	w/o Air Std., Lt. (See Note 1)
	4052 914	1		P,D	w/o Air, H.D. or Extra Duty, Rt.(See Note 1)
	4052 716	1		P,D	w/o Air, H.D. or Extra Duty, Lt.(See Note 1)
	4052 718	1		P,D	w/Air, Std., Rt. (See Note 1)
	4052 914	1		P,D	w/Air, Std., Lt.
	4052 914	1		P,D	w/Air H.D or Extra Duty, Rt.
	4052 914	1		P,D	w/Air H.D or Extra Duty, Lt. (See Note 1)
	4052 714	1		P,D	COIL-SPRING, 2.2 Turbo Eng. (Auto Trans.)
	4052 718	1		P,D	w/o Air, Std., Rt.(See Note 1)
	4052 914	1		P,D	w/o Air, Std., Lt.
	4052 916	1		P,D	w/o Air, H.D. or Extra Duty, Rt.
	4052 716	1		P,D	w/o Air, H.D. or Extra Duty, Lt.
	4052 718	1		P,D	w/Air, Std., Rt. (See Note 1)
	4052 718	1		P,D	w/Air, Std., Lt. (See Note 1)
	4052 914	1		P,D	w/Air H.D or Extra Duty, Rt. (See Note 1)
	4052 916	1		P,D	w/Air H.D or Extra Duty, Lt.
	4052 714	1		V,C	COIL-SPRING, 2.2L Eng.(Auto Trans.)Exc.V,C24,48-C44
	4052 716	1		J,E,T	w/o Air, Std.,Rt. (See Note 1)
	4052 718	1		V,C	w/o Air, Std., Lt.
	4052 718	1		J,E,T	w/o Air, Std., Lt. (See Note 1)
	4052 914	1		V,C,J,E	w/o Air, H.D. , Rt.
	4052 916	1		V,C,J,E	w/o Air, H.D., Lt.
	4052 714	1		V,C,J,E	w/o Air, Firm Feel, Rt.
	4052 716	1		V,C,J,E	w/o Air, Firm Feel, Lt. (See Note 1)
	4052 716	1		V,C,J,E	w/Air, Std., Rt. (See Note 1)
	4052 718	1		V,C,J,E	w/Air, Std., Lt. (See Note 1)
	4052 914	1		V,C,J,E	w/Air, H.D., Rt. (See Note 1)
	4052 916	1		V,C	w/Air, H.D., Lt.
	4052 916	1		J,E,T	w/Air, H.D., Lt. (See Note 1)
	4052 716	1		V,C,J,E	w/Air, Firm Feel, Rt.
	4052 718	1		V,C,J,E	w/Air, Firm Feel, Lt.
	4052 716	1		V,C,J,E	COIL-SPRING, 2.2 Turbo Eng.(Auto Trans.)Exc.V,C24,48-C44
	4052 716	1		V,C,J,E	w/o Air, Std., Rt.

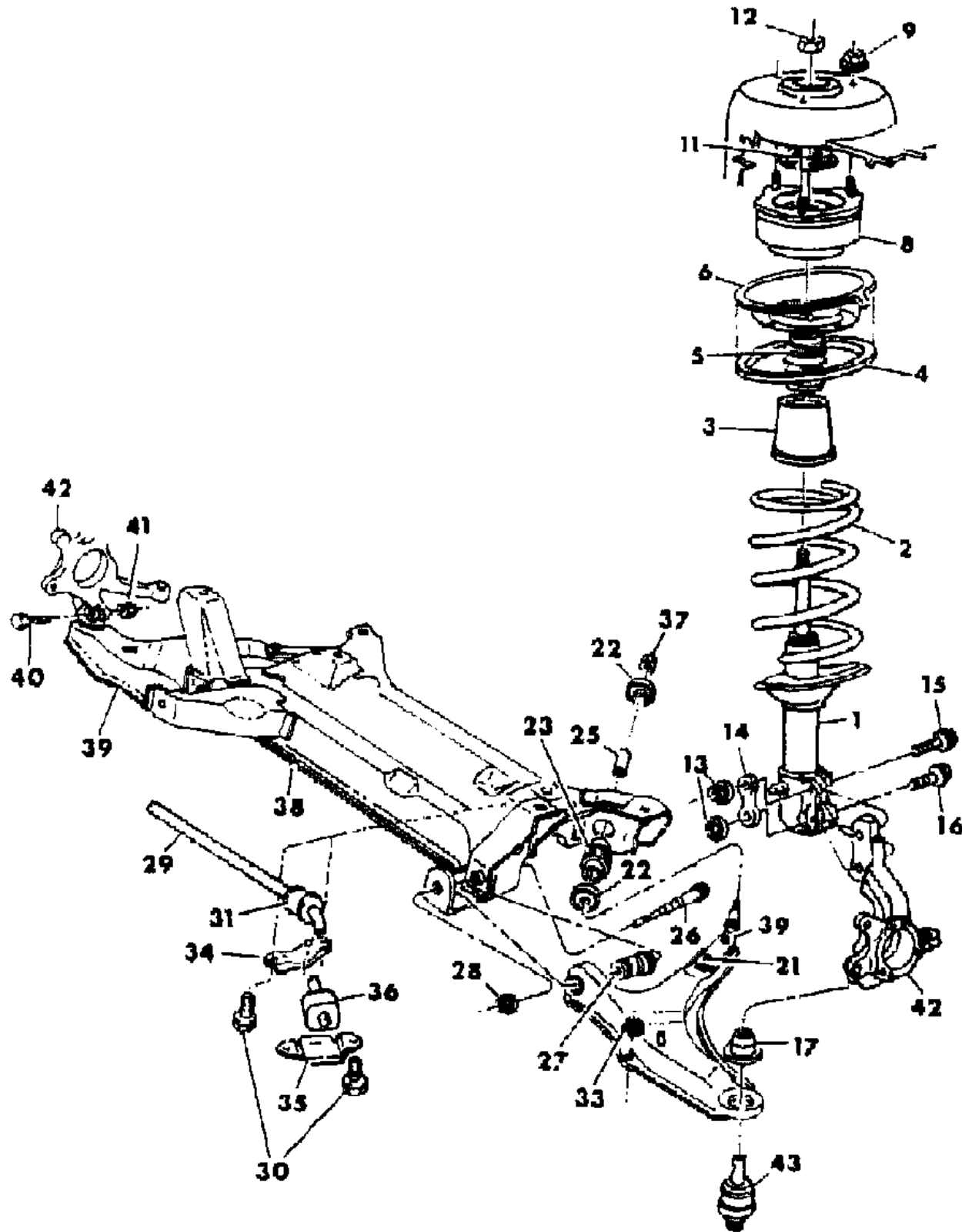
MODEL CODES
 B = GRAN FURY
 C = LE BARON/TOWN & COUNTRY/LIMO
 C24 = LASER
 C44 = LE BARON/GTS
 D = ARIES
 D44 = LANCER
 E = 600
 F = FIFTH AVENUE/NEWPORT
 G = DIPLOMAT
 H = VOYAGER
 J = CARAVELLE
 K = MINI VAN/CARAVAN/ROYAL
 M = HORIZON/TURISMO
 P = RELIANT
 T = NEW YORKER
 V = 600
 V24 = DAYTONA
 Z = OMNI/CHARGER

BODY STYLES
 21 = 2-DOOR SEDAN
 22 = 2-DOOR SPECIAL COUPE
 24 = 2-DOOR HATCHBACK
 27 = 2-DOOR CONVERTIBLE
 35 = FWD VAN
 36 = FWD WAGON
 41 = 4-DOOR SEDAN
 44 = 4-DOOR HATCHBACK
 45 = 4-DOOR STATION WAGON
 49 = LIMOUSINE

AR = Use as Required - = Non Illustrated Part P.A.R. = Paint as Required

SUSPENSION, FRONT P,D,V,C,J,E,T,H,K
Figure 2-200

5102 200



ITEM	PART NUMBER	QTY	BODY	MODEL	DESCRIPTION
	4052 718	1		V,C,J,E	w/o Air, Std., Lt. (See Note 1)
	4052 914	1		V,C,J,E	w/o Air, H.D., Rt.
	4052 916	1		V,C,J,E	w/o Air, H.D., Lt.
	4052 714	1		V,C,J,E	w/o Air, Firm Feel, Rt. (See Note 1)
	4052 718	1		V,C,J,E	w/o Air, Firm Feel, Lt.
	4052 718	1		V,C,J,E	w/Air, Std., Rt.
	4052 720	1		V,C,J,E	w/Air, Std., Lt.
	4052 914	1		V,C,J,E	w/Air, H.D., Rt. (See Note 1)
	4052 916	1		V,C,J,E	w/Air, H.D., Lt.
	4052 716	1		V,C,J,E	w/Air, Firm Feel, Rt. (See Note 1)
	4052 718	1		V,C,J,E	w/Air, Firm Feel, Lt. (See Note 1)
	4052 716	1		V,C,J,E	COIL-SPRING, 2.6 Eng. (Auto Trans.) Exc.V,C24,48 - C44
	4052 716	1		V,C,J,E	w/o Air, Std., Rt. (See Note 1)
	4052 718	1		V,C	w/o Air, Std., Lt. (See Note 1)
	4052 718	1		J,E,T	w/o Air, Std., Lt.
	4052 914	1		V,C,J,E	w/o Air, H.D., Rt. (See Note 1)
	4052 916	1		V,C,J,E	w/o Air, H.D., Lt.
	4052 716	1		V,C,J,E	w/o Air, Firm Feel, Rt.
	4052 718	1		V,C	w/o Air, Firm Feel, Lt.
	4052 716	1		J,E,T	w/o Air, Firm Feel, Lt. (See Note 1)
	4052 718	1		V,C,J,E	w/Air, Std., Rt. (See Note 1)
	4052 720	1		V,C,J,E	w/Air, Std., Lt.
	4052 916	1		V,C,J,E	w/Air, H.D., Rt.
	4052 916	1		V,C,J,E	w/Air, H.D., Lt. (See Note 1)
	4052 718	1		V,C,J,E	w/Air, Firm Feel, Rt.
	4052 718	1		V,C,J,E	w/Air, Firm Feel, Lt. (See Note 1)
	4052 718	1		V,C,J,E	COIL-SPRING, 2.2L Eng. (Man. Trans.), Front
	4052 714	1		D,C44	w/o Air, Std., Rt.
	4052 714	1		D,C44	w/o Air, Std., Lt. (See Note 1)
	4052 912	1		D,C44	w/o Air, Firm Feel, Rt. (See Note 1)
	4052 914	1		D,C44	w/o Air, Firm Feel, Lt. (See Note 1)
	4052 714	1		D,C44	w/Air, Std., Rt. (See Note 1)
	4052 716	1		D,C44	w/Air, Std., Lt.
	4052 914	1		D,C44	w/Air, Firm Feel, Rt.
	4052 914	1		D,C44	w/Air, Firm Feel, Lt. (See Note 1)
	4052 914	1		D,C44	COIL-SPRING, 2.2 Eng. (Auto Trans.)
	4052 714	1		D,C44	w/o Air, Std., Rt.

MODEL CODES

B = GRAN FURY	E = 600	M = HORIZON/TURISMO
C = LE BARON/TOWN & COUNTRY/LIMO	F = FIFTH AVENUE/NEWPORT	P = RELIANT
C24 = LASER	G = DIPLOMAT	T = NEW YORKER
C44 = LE BARON/GTS	H = VOYAGER	V = 600
D = ARIES	J = CARAVELLE	V24 = DAYTONA
D44 = LANCER	K = MINI VAN/CARAVAN/ROYAL	Z = OMNI/CHARGER

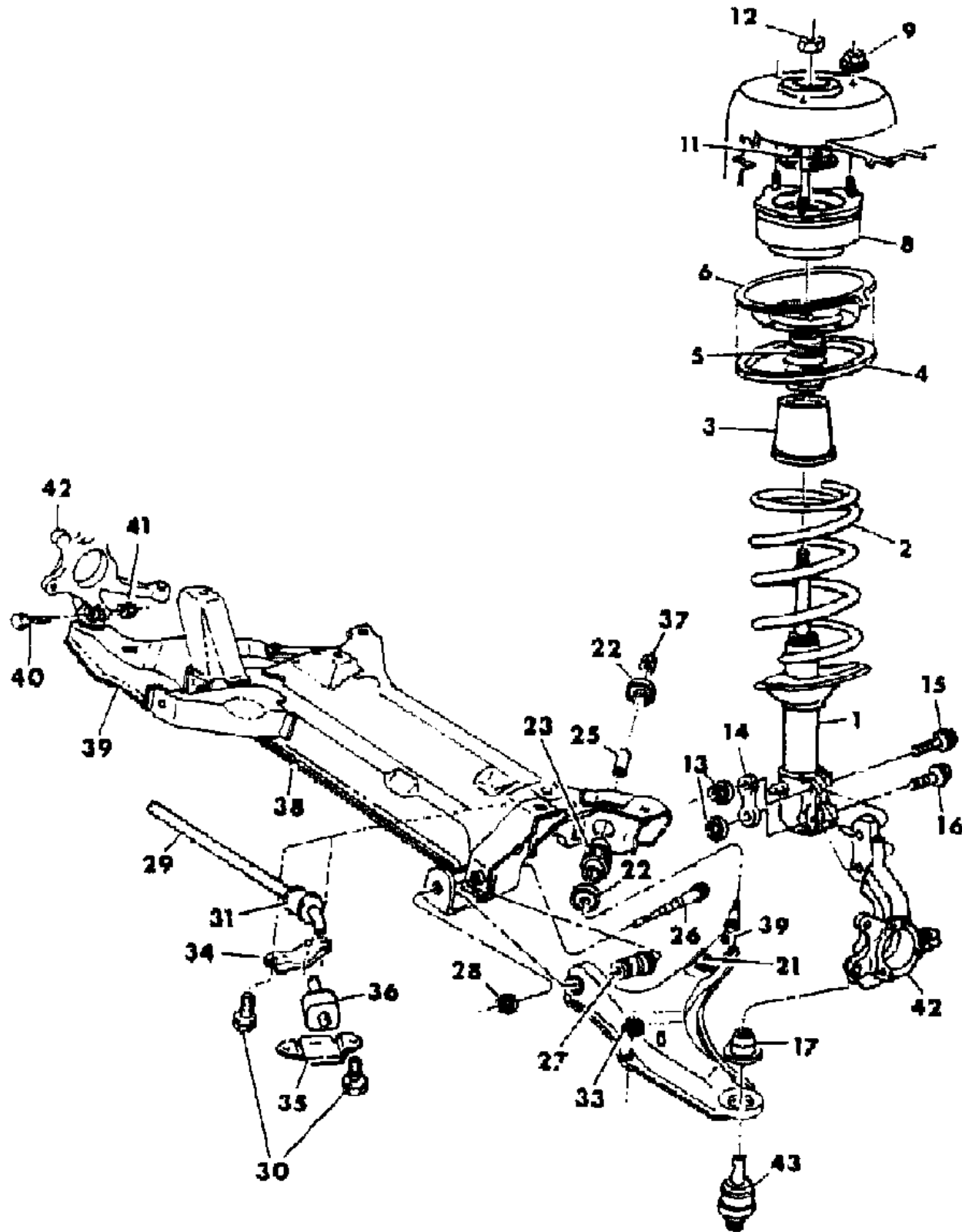
BODY STYLES

21 = 2-DOOR SEDAN	35 = FWD VAN	44 = 4-DOOR HATCHBACK
22 = 2-DOOR SPECIAL COUPE	36 = FWD WAGON	45 = 4-DOOR STATION WAGON
24 = 2-DOOR HATCHBACK	41 = 4-DOOR SEDAN	49 = LIMOUSINE
27 = 2-DOOR CONVERTIBLE		

AR = Use as Required - = Non Illustrated Part P.A.R. = Paint as Required

SUSPENSION, FRONT P,D,V,C,J,E,T,H,K
Figure 2-200

5102 200



ITEM	PART NUMBER	QTY	BODY	MODEL	DESCRIPTION
	4052 716	1		D,C44	w/o Air, Std., Lt. (See Note 1)
	4052 914	1		D,C44	w/o Air, Firm Feel, Rt.
	4052 916	1		D,C44	w/o Air, Firm Feel, Lt.
	4052 714	1		D,C44	w/Air, Std., Rt. (See Note 1)
	4052 716	1		D,C44	w/Air, Std., Lt. (See Note 1)
	4052 914	1		D,C44	w/Air, Firm Feel, Rt.
	4052 916	1		D,C44	w/Air, Firm Feel, Lt.
	4052 714	1		D,C44	w/o Air, Std. Rt.
	4052 716	1		D,C44	w/o Air, Std. Lt.
	4052 914	1		D,C44	w/o Air, Firm Feel, Rt.
	4052 916	1		D,C44	w/o Air, Firm Feel, Lt.
	4052 716	1		D,C44	w/Air, Std. Rt.
	4052 716	1		D,C44	w/Air, Std. Lt. (See Note 1)
	4052 914	1		D,C44	w/Air, Firm Feel, Rt. (See Note 1)
	4052 916	1		D,C44	w/Air, Firm Feel, Lt.
					COIL-SPRING, 2.2 Turbo Eng.(Man. Trans.)
	4052 714	1		D,C44	w/o Air, Std. Rt. (See Note 1)
	4052 716	1		D,C44	w/o Air, Std. Lt. (See Note 1)
	4052 914	1		D,C44	w/o Air, Firm Feel, Rt.
	4052 916	1		D,C44	w/o Air, Firm Feel, Lt.
	4052 716	1		D,C44	w/Air, Std., Rt.
	4052 718	1		D,C44	w/Air, Std., Lt.
	4052 914	1		D,C44	w/Air, Firm Feel, Rt. (See Note 1)
	4052 916	1		D,C44	w/Air, Firm Feel, Lt. (See Note 1)
					COIL-SPRING, 2.2L Eng. (Auto Trans.)
	4052 713	1		V,C24	w/o Air, Std. Rt.
	4052 714	1		V,C24	w/o Air, Std. Lt. (See Note 1)
	4052 912	1		V,C24	w/o Air, Firm Feel, Rt.
	4052 912	1		V,C24	w/o Air, Firm Feel, Rt. (See Note 1)
	4052 714	1		V,C24	w/Air Std., Rt. (See Note 1)
	4052 716	1		V,C24	w/Air Std., Lt.
	4052 912	1		V,C24	w/Air Firm Feel, Rt. (See Note 1)
	4052 914	1		V,C24	w/Air Firm Feel, Lt.
					COIL-SPRING, 2.2L Eng. (Auto Trans.)
	4052 713	1		V,C24	w/o Air, Std., Rt.
	4052 716	1		V,C24	w/o Air, Std., Lt.

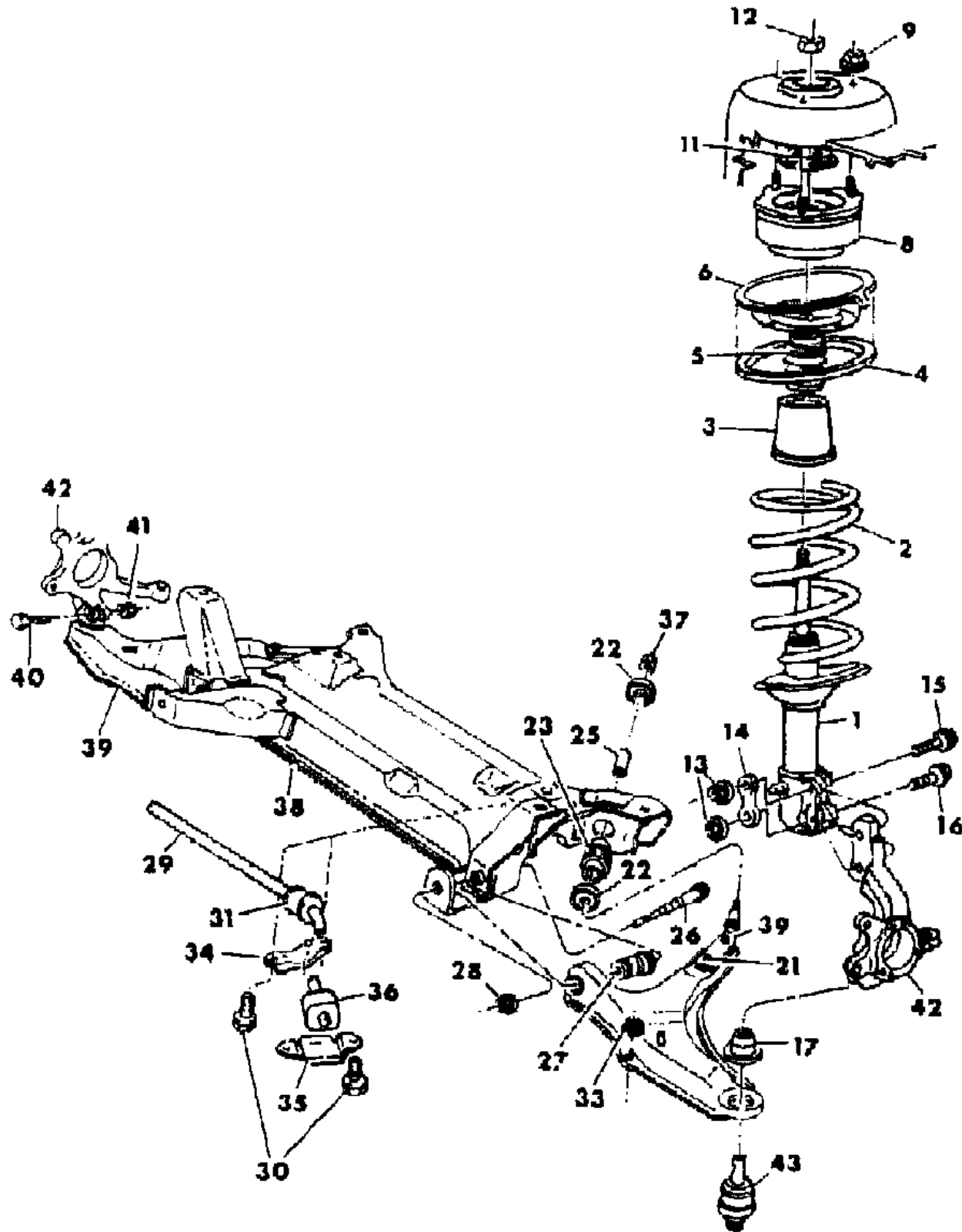
MODEL CODES
 B = GRAN FURY
 C = LE BARON/TOWN & COUNTRY/LIMO
 C24 = LASER
 C44 = LE BARON/GTS
 D = ARIES
 D44 = LANCER
 E = 600
 F = FIFTH AVENUE/NEWPORT
 G = DIPLOMAT
 H = VOYAGER
 J = CARAVELLE
 K = MINI VAN/CARAVAN/ROYAL
 M = HORIZON/TURISMO
 P = RELIANT
 T = NEW YORKER
 V = 600
 V24 = DAYTONA
 Z = OMNI/CHARGER

BODY STYLES
 21 = 2-DOOR SEDAN
 22 = 2-DOOR SPECIAL COUPE
 24 = 2-DOOR HATCHBACK
 27 = 2-DOOR CONVERTIBLE
 35 = FWD VAN
 36 = FWD WAGON
 41 = 4-DOOR SEDAN
 44 = 4-DOOR HATCHBACK
 45 = 4-DOOR STATION WAGON
 49 = LIMOUSINE

AR = Use as Required - = Non Illustrated Part P.A.R. = Paint as Required

SUSPENSION, FRONT P,D,V,C,J,E,T,H,K
Figure 2-200

5102 200



ITEM	PART NUMBER	QTY	BODY	MODEL	DESCRIPTION
	4052 912	1		V,C24	w/o Air, Firm Feel, Rt.
	4052 914	1		V,C24	w/o Air, Firm Feel, Lt.
	4052 714	1		V,C24	w/Air, Std., Rt. (See Note 1)
	4052 716	1		V,C24	w/Air, Std., Lt. (See Note 1)
	4052 912	1		V,C24	w/Air, Firm Feel, Rt. (See Note 1)
	4052 914	1		V,C24	w/Air, Firm Feel, Lt. (See Note 1)
					COIL-SPRING, 2.2 Turbo Eng. (Man. Trans.)
	4052 714	1		V,C24	w/o Air, Std., Rt.
	4052 716	1		V,C24	w/o Air, Std., Lt.
	4052 912	1		V,C24	w/o Air, Firm Feel, Rt.
	4052 912	1		V,C24	w/o Air, Firm Feel, Lt. (See Note 1)
	4052 714	1		V,C24	w/Air, Std., Rt. (See Note 1)
	4052 716	1		V,C24	w/Air, Std., Lt. (See Note 1)
	4052 912	1		V,C24	w/Air, Firm Feel, Rt. (See Note 1)
	4052 914	1		V,C24	w/Air, Firm Feel, Lt.
					COIL-SPRING, 2.2 Turbo Eng. (Auto Trans.)
	4052 714	1		V,C24	w/o Air, Std., Rt.
	4052 716	1		V,C24	w/o Air, Std., Lt. (See Note 1)
	4052 912	1		V,C24	w/o Air, Firm Feel, Rt.
	4052 914	1		V,C24	w/o Air, Firm Feel, Lt.
	4052 716	1		V,C24	w/Air, Std., Rt.
	4052 718	1		V,C24	w/Air, Std., Lt.
	4052 914	1		V,C24	w/Air, Firm Feel, Rt.
	4052 914	1		V,C24	w/Air, Firm Feel, Lt. (See Note 1)
	4052 920	2		C48	COIL-SPRING, 2.6L Eng. (Auto Trans.) w/Air
					COIL-SPRING, 2.2L Eng. (Man. Trans.) 5 PASS.
	4322 120	1		H,K36	w/o Air, Std., Rt. (See Note 1)
	4322 122	1		H,K36	w/o Air, Std., Lt. (See Note 1)
	4052 920	1		H,K35,3	w/o Air, H.D., Rt. (See Note 1)
	4052 922	1		H,K35,3	w/o Air, H.D., Lt.
	4322 122	1		H,K36	w/Air, Std., Rt. (See Note 1)
	4322 124	1		H,K36	w/Air, Std., Lt.
	4052 922	1		H,K35,3	w/Air, H.D., Rt.
	4052 922	1		H,K35,3	w/Air, H.D., Lt. (See Note 1)
					COIL-SPRING, 2.2L Eng. (Auto. Trans.) 5 PASS
	4322 122	1		H,K36	w/o Air, Std., Rt.
	4322 124	1		H,K36	w/o Air, Std., Lt.

MODEL CODES

B = GRAN FURY	E = 600	M = HORIZON/TURISMO
C = LE BARON/TOWN & COUNTRY/LIMO	F = FIFTH AVENUE/NEWPORT	P = RELIANT
C24 = LASER	G = DIPLOMAT	T = NEW YORKER
C44 = LE BARON/GTS	H = VOYAGER	V = 600
D = ARIES	J = CARAVELLE	V24 = DAYTONA
D44 = LANCER	K = MINI VAN/CARAVAN/ROYAL	Z = OMNI/CHARGER

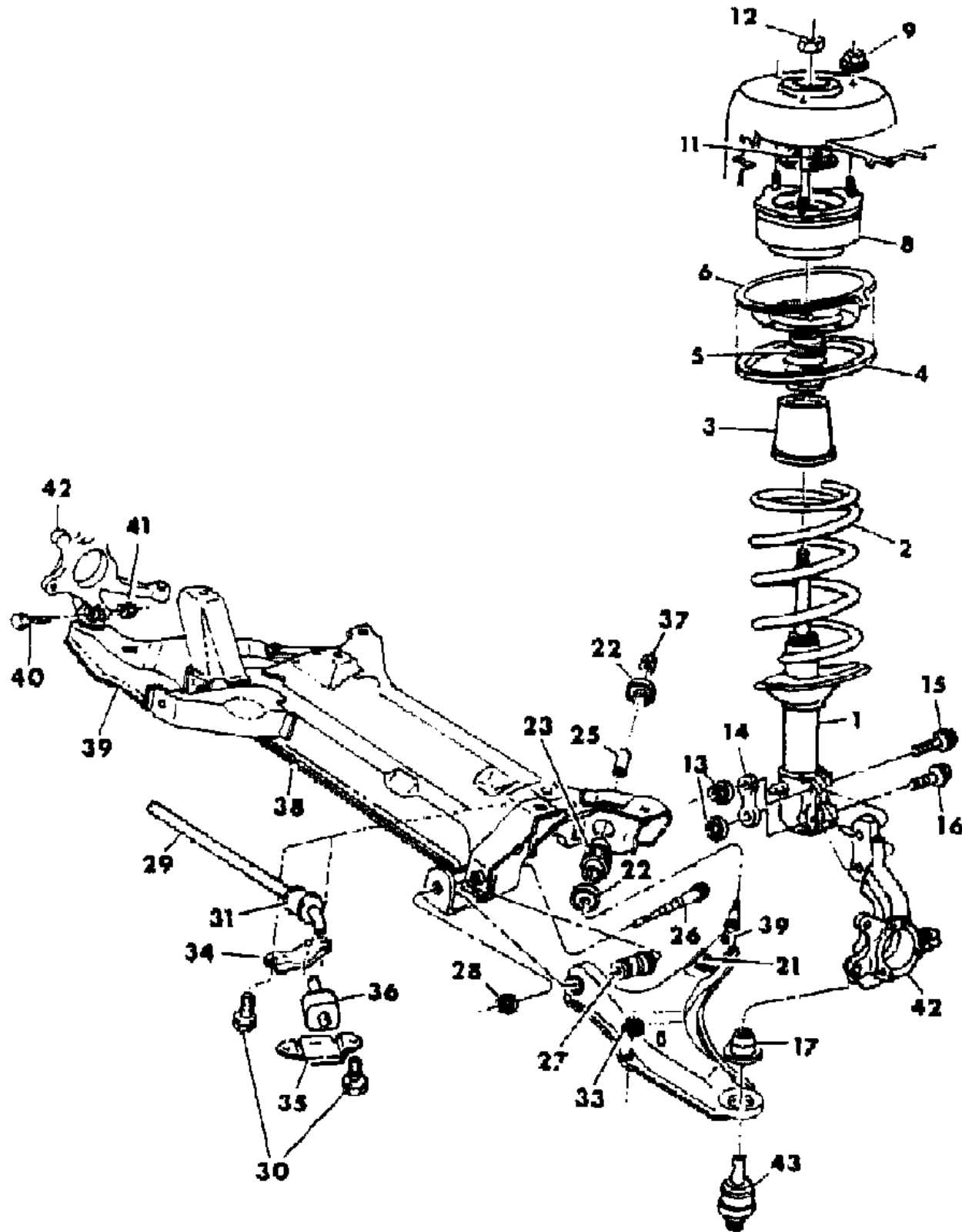
BODY STYLES

21 = 2-DOOR SEDAN	35 = FWD VAN	44 = 4-DOOR HATCHBACK
22 = 2-DOOR SPECIAL COUPE	36 = FWD WAGON	45 = 4-DOOR STATION WAGON
24 = 2-DOOR HATCHBACK	41 = 4-DOOR SEDAN	49 = LIMOUSINE
27 = 2-DOOR CONVERTIBLE		

AR = Use as Required - = Non Illustrated Part P.A.R. = Paint as Required

SUSPENSION, FRONT P,D,V,C,J,E,T,H,K
Figure 2-200

5102 200



ITEM	PART NUMBER	QTY	BODY	MODEL	DESCRIPTION
	4052 920	1		H,K35,3	w/o Air, H.D., Rt. (See Note 1)
	4052 922	1		H,K35,3	w/o Air, H.D., Lt. (See Note 1)
	4322 122	1		H,K36	w/Air Std., Rt. (See Note 1)
	4322 124	1		H,K36	w/Air Std., Lt. (See Note 1)
	4052 922	1		H,K35,3	w/Air, H.D., Rt.
	4052 924	1		H,K35,3	w/Air, H.D., Lt. COIL-SPRING, 2.6L Eng. (Auto Trans.) 5 PASS
	4322 122	1		H,K36	w/o Air, Std., Rt. (See Note 1)
	4322 124	1		H,K36	w/o Air, Std., Lt.
	4052 922	1		H,K35,3	w/o Air, H.D., Rt.
	4052 922	1		H,K35,3	w/o Air, H.D., Lt. (See Note 1)
	4322 124	1		H,K36	w/Air, Std., Rt.
	4322 124	1		H,K36	w/Air, Std., Lt. (See Note 1)
	4052 922	1		H,K35,3	w/Air, H.D., Rt. (See Note 1)
	4052 924	1		H,K35,3	w/Air, H.D., Lt. COIL-SPRING, 2.2L Eng. (Man. Trans.) 7 PASS.
	4052 920	1		H,K36	w/o Air, Std., Rt. (See Note 1)
	4052 922	1		H,K36	w/o Air, Std., Lt.
	4052 922	1		H,K36	w/Air, Std., Rt.
	4052 922	1		H,K36	w/Air, Std., Lt. (See Note 1)
	4052 924	1		H,K36	w/Air, Std., Lt. COIL-SPRING, 2.2L Eng. (Auto Trans.) 7 PASS.
	4052 920	1		H,K36	w/o Air, Std., Rt. (See Note 1)
	4052 922	1		H,K36	w/o Air, Std., Lt. (See Note 1)
	4052 922	1		H,K36	w/Air, Std., Rt.
	4052 924	1		H,K36	w/Air, Std., Lt. COIL-SPRING, 2.6L Eng. (Auto Trans.) 7 PASS.
	4052 922	1		H,K36	w/o Air, Std., Rt.
	4052 922	1		H,K36	w/o Air, Std., Lt. (See Note 1)
	4052 922	1		H,K36	w/Air, Std., Rt. (See Note 1)
	4052 924	1		H,K36	w/Air, Std., Lt.
3	4052 825	2	All		DUST-SHIELD
4	4322 046	AR	All		ISOLATOR, Frt. Susp. Sprg. Damper, Upper
5	4052 824	2	All		BUMPER, Jounce
6	4322 701	2	All		SEAT, Shock Upper
8	4322 298	2	All		MOUNT, Frt. Shock, Upper
9	6100 051	4	All		NUT,w/WASHER
	4322 291	2	All		BALL BEARING ASSY., Frt. Susp. Strut Damper

MODEL CODES

B = GRAN FURY	E = 600	M = HORIZON/TURISMO
C = LE BARON/TOWN & COUNTRY/LIMO	F = FIFTH AVENUE/NEWPORT	P = RELIANT
C24 = LASER	G = DIPLOMAT	T = NEW YORKER
C44 = LE BARON/GTS	H = VOYAGER	V = 600
D = ARIES	J = CARAVELLE	V24 = DAYTONA
D44 = LANCER	K = MINI VAN/CARAVAN/ROYAL	Z = OMNI/CHARGER

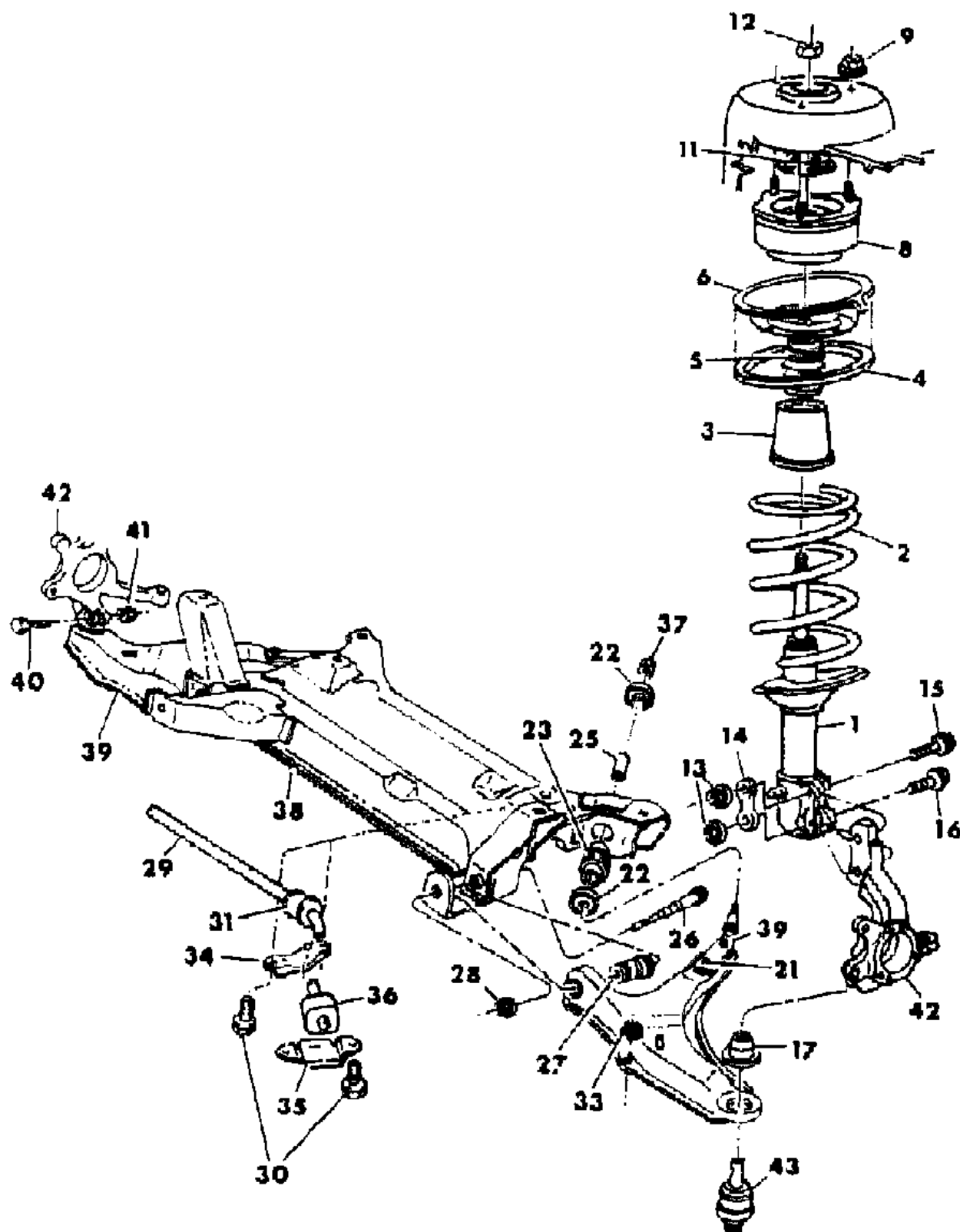
BODY STYLES

21 = 2-DOOR SEDAN	35 = FWD VAN	44 = 4-DOOR HATCHBACK
22 = 2-DOOR SPECIAL COUPE	36 = FWD WAGON	45 = 4-DOOR STATION WAGON
24 = 2-DOOR HATCHBACK	41 = 4-DOOR SEDAN	49 = LIMOUSINE
27 = 2-DOOR CONVERTIBLE		

AR = Use as Required - = Non Illustrated Part P.A.R. = Paint as Required

SUSPENSION, FRONT P,D,V,C,J,E,T,H,K
Figure 2-200

5102 200



ITEM	PART NUMBER	QTY	BODY	MODEL	DESCRIPTION
11	4052 822	2		All	RETAINER, Shock Rebound Stop
12	6501 094	2		All	NUT, Shock Rod
13	6500 593	4		All	NUT, Strut Damper to Frt. Susp. Strg. Knuckle Bolt
14	4014 444	2		All	WASHER, Frt. Susp. Strut Damper
15	6500 615	2		All	BOLT, Frt. Susp. Knuckle To Strut Damper Mtg. Upper Except D, C-44
	6501 116	2		D,C44	
16	6500 614	2		All	CAM BOLT, Damper to Frt. Susp. Strg. Knuckle Lwr.
17	4052 509	2		All	SEAL, Ball Joint
21				All	RIVET (Not Serviced)
22	5204 534	4		All	RETAINER, Arm Strut Bushing
23	4322 285	2		All	BUSHING, Arm Strut Frt.
25	5204 535	2		All	SLEEVE, Strut Bushing
26	4014 239	2		P,D,V,C	BOLT, Pivot Shaft
	6500 940	2		H,K	BOLT, Pivot Shaft
27	5204 622	2		All	BUSHING, Cont. Arm Pivot Shaft
	4052 646	2		P,D,V,C	Extra Duty
28	6500 231	2		All	NUT, Pivot Bolt
29	4322 014	1		J,E,T	SHAFT ASSY., Frt. Susp. Sway, Std. & H.D. Susp.
	4322 014	1		P,D,V,C	w/Std. & H.D. Susp. (Except V,C-24 & D,C-44)
	4322 014	1		PDVCJET	w/Firm Feel & Extra Duty Susp.
	4014 481	1		H,K	w/Std. Susp.
	4014 481	1		H,K	w/ H.D Susp.
30	6100 579	8		All	BOLT, Clamp
31	4322 017	2		PDVCJET	CUSHION, Frt. Susp. Sway Elim., Std. & H.D. (Except V,C-24 & D,C-44)
	4052 613	2		PDVCJET	w/Firm Feel & Extra Duty Susp.
	4322 677	2		H,K	w/Firm Feel Susp.
33	6100 517	4		All	NUT, Bolt
34	4052 522	2		All	CLAMP,Shaft Bushing, Lower
35	4014 418	2		All	RETAINER,Shaft Arm
36	4052 547	2		J,E,T	BUSHING, Sway Frt. Susp. Cont. w/Std. Susp.
	4014 420	2		All	w/All Susp. Except J,E,T w/ Std. Susp.
37	6100 502	2		All	NUT, Strut
38				All	C/MEMBER (Ref. Only)
39	4322 154-5	1		PDVCJET	ARM ASSY, Frt. Susp. Cont., Std. or H.D
	4322 158-9	1		P,D,V,C	w/Firm Feel or Extra Duty Susp.

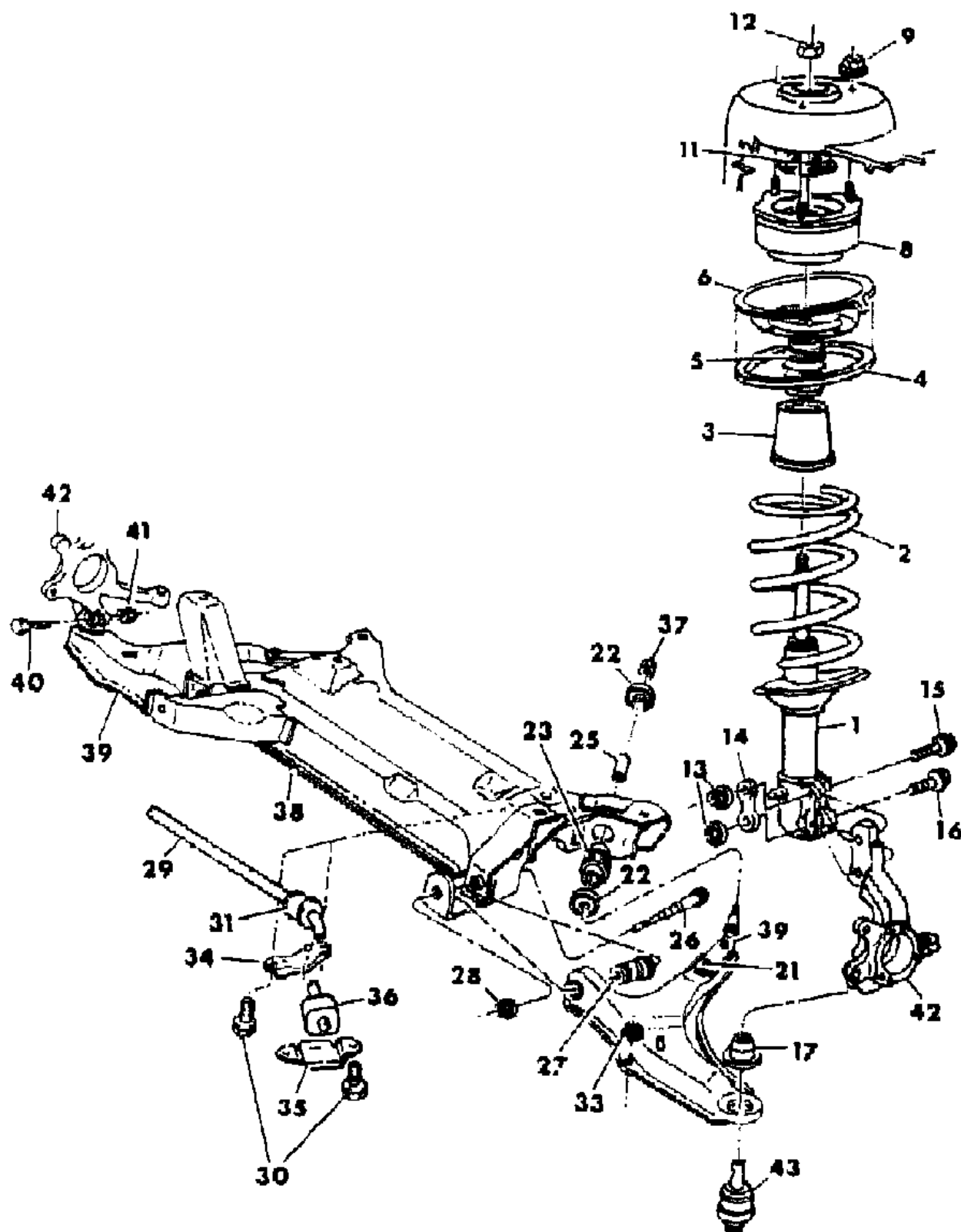
MODEL CODES
 B = GRAN FURY
 C = LE BARON/TOWN & COUNTRY/LIMO
 C24 = LASER
 C44 = LE BARON/GTS
 D = ARIES
 D44 = LANCER
 E = 600
 F = FIFTH AVENUE/NEWPORT
 G = DIPLOMAT
 H = VOYAGER
 J = CARAVELLE
 K = MINI VAN/CARAVAN/ROYAL
 M = HORIZON/TURISMO
 P = RELIANT
 T = NEW YORKER
 V = 600
 V24 = DAYTONA
 Z = OMNI/CHARGER

BODY STYLES
 21 = 2-DOOR SEDAN
 22 = 2-DOOR SPECIAL COUPE
 24 = 2-DOOR HATCHBACK
 27 = 2-DOOR CONVERTIBLE
 35 = FWD VAN
 36 = FWD WAGON
 41 = 4-DOOR SEDAN
 44 = 4-DOOR HATCHBACK
 45 = 4-DOOR STATION WAGON
 49 = LIMOUSINE

AR = Use as Required - = Non Illustrated Part P.A.R. = Paint as Required

SUSPENSION, FRONT P,D,V,C,J,E,T,H,K
Figure 2-200

5102 200



ITEM	PART NUMBER	QTY	BODY	MODEL	DESCRIPTION
	4322 288-9	1		H,K - C	w/Std. & H.D. Susp.
40	6500 891	2	All		BOLT, Knuckle To Ball Joint (Up To 3-1-85)
	6501 248	2	All		(After 3-1-85)
41	6500 890	2	All		NUT, Knuckle To Ball Joint Bolt (Up To 3-1-85)
	6501 247	2	All		(After 3-1-85)
42	4052 838-9	1	PDVCJET		KNUCKLE, Strg.
	4052 840-1	1	H,K		KNUCKLE, Strg.
43	4052 583	2	All		BALL JOINT, Frt.
---					PLATE, Shock Tower (See Fender Section)
	4106 180	2	All		TIE ROD END PKG. (Not III.)
					Consists Of:
					1----- Rod End
					1-6500121 Nut
					1-6100024 C/Pin

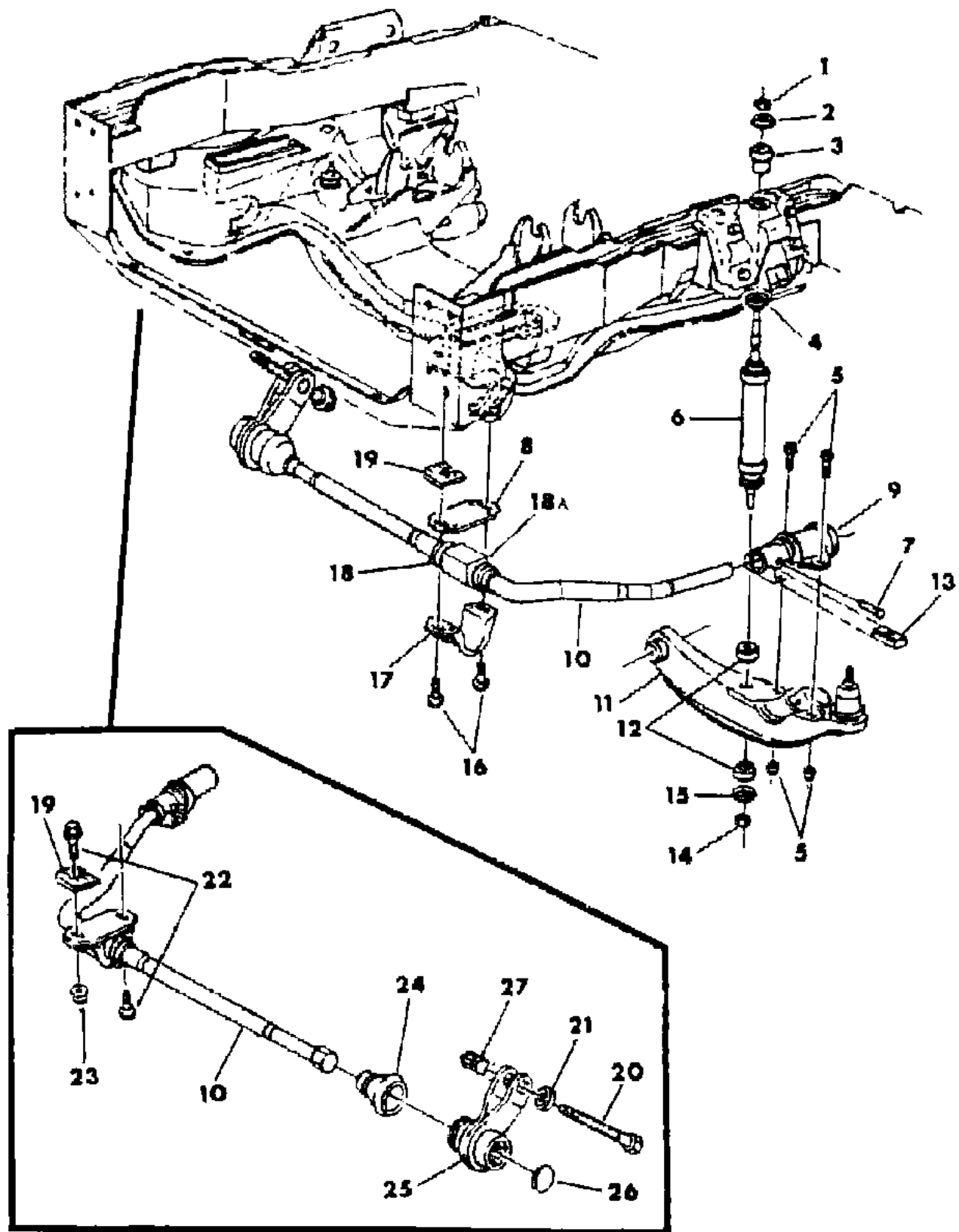
MODEL CODES
 B = GRAN FURY
 C = LE BARON/TOWN & COUNTRY/LIMO
 C24 = LASER
 C44 = LE BARON/GTS
 D = ARIES
 D44 = LANCER
 E = 600
 F = FIFTH AVENUE/NEWPORT
 G = DIPLOMAT
 H = VOYAGER
 J = CARAVELLE
 K = MINI VAN/CARAVAN/ROYAL
 M = HORIZON/TURISMO
 P = RELIANT
 T = NEW YORKER
 V = 600
 V24 = DAYTONA
 Z = OMNI/CHARGER

BODY STYLES
 21 = 2-DOOR SEDAN
 22 = 2-DOOR SPECIAL COUPE
 24 = 2-DOOR HATCHBACK
 27 = 2-DOOR CONVERTIBLE
 35 = FWD VAN
 36 = FWD WAGON
 41 = 4-DOOR SEDAN
 44 = 4-DOOR HATCHBACK
 45 = 4-DOOR STATION WAGON
 49 = LIMOUSINE

AR = Use as Required - = Non Illustrated Part P.A.R. = Paint as Required

SUSPENSION, FRONT B,F,G
Figure 2-300

5102 300



ITEM	PART NUMBER	QTY	BODY	MODEL	DESCRIPTION
	4106 153		All		BUSHING PACKAGE, Spring to Lower Cont. Arm Consists of: 1----- Bushing 1 - 181146 Bolt 1- 152346 Nut
					2 -----Nut 2 -----Bolt 1-4014073 Plate 1-9425686 Bolt
	4186 805		All		BUSHING PACKAGE, Spring to Lower Cont. Arm, Police And Taxi Only Consists of: 1----- Bushing 1-4014073 Plate 1-0181146 Bolt 1-0152346 Nut 2 ----- Nut 2 ----- Bolt 1- 9425686 Bolt
	4186 828	1	All		PIVOT, PKG., Cushion Spring Consists of: 1 ----- Plate 1 ----- Cushion 1 ----- Retainer 2 ----- Clamp 1-4014073 Plate 2-6031753 Bolt,w/Washer 2-9425686 Bolt 1-6030854 Nut
1	0114 942	2	All		NUT, Front Shock Upper Mtg.
2	3722 001	4	All		RETAINER, Front Shock Upper Mtg. Bushing
3	3722 006	2	All		BUSHING, Front Shock Upper Mtg.
4	3722 001	4	All		RETAINER, Front Shock Upper Mtg. Bushing
5	4026 849	4	All		SCREW and NUT PACKAGE, Spring to Lower Cont. Arm Consists of: 1-----Screw w/Washer 1-----Nut

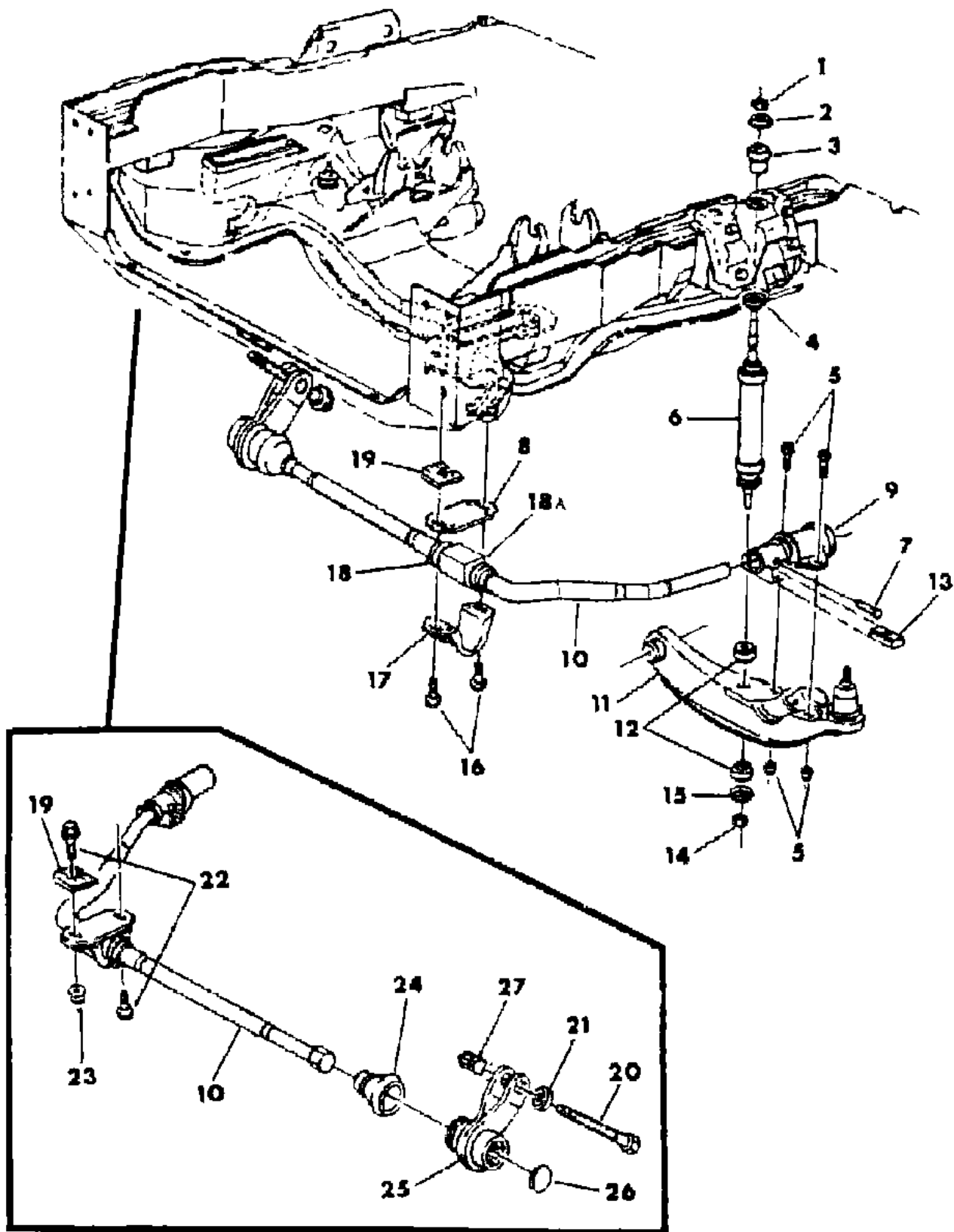
MODEL CODES
 B = GRAN FURY
 C = LE BARON/TOWN & COUNTRY/LIMO
 C24 = LASER
 C44 = LE BARON/GTS
 D = ARIES
 D44 = LANCER
 E = 600
 F = FIFTH AVENUE/NEWPORT
 G = DIPLOMAT
 H = VOYAGER
 J = CARAVELLE
 K = MINI VAN/CARAVAN/ROYAL
 M = HORIZON/TURISMO
 P = RELIANT
 T = NEW YORKER
 V = 600
 V24 = DAYTONA
 Z = OMNI/CHARGER

BODY STYLES
 21 = 2-DOOR SEDAN
 22 = 2-DOOR SPECIAL COUPE
 24 = 2-DOOR HATCHBACK
 27 = 2-DOOR CONVERTIBLE
 35 = FWD VAN
 36 = FWD WAGON
 41 = 4-DOOR SEDAN
 44 = 4-DOOR HATCHBACK
 45 = 4-DOOR STATION WAGON
 49 = LIMOUSINE

AR = Use as Required - = Non Illustrated Part P.A.R. = Paint as Required

SUSPENSION, FRONT B,F,G
Figure 2-300

5102 300



ITEM	PART NUMBER	QTY	BODY	MODEL	DESCRIPTION
6	4228 410	2	All		SHOCK, Frt., Std.
	4228 411	2	All		Heavy Duty
7		2	All		RIVET, (Serviced in Item 10)
8		2	All		PLATE, (Serviced in Item 10)
9		2	All		BUSHING, (Serviced in Item 10)(Also in Bush.Pkg.4106153)
10	4014 142-3	1	All		TORSION BAR Or SPRING, Frt.
	4014 288-9	1	All		Police Only
11	4014 004-5	1	All		ARM, w/Shaft and Ball Joint, Lower Cont. (Use w/Bolts 6030853-4, Washer 6028762)
12	3643 891	4	All		BUSHING, Front Shock Lower Mtg.
13	4014 023	2	All		NUT, Shaft Cushion Link
14	0271 506	2	All		NUT, Front Shock Lower Mtg.
15		2	All		RETAINER (Serviced in Item 6)
16	6031 993	4	All		BOLT w/ Washer, Pivot Cushion Ret.
17		2	All		RETAINER (Serviced in Item 10)
18	3815 738	4	All		CLAMP, Pivot Cushion Seal
18A	4186 828	1	All		PIVOT PKG., Cushion Spring
19	4014 073	2	All		PLATE, Spring Pivot Cushion Friction (Also In Bush. Pkg., 4106153)
20	3815 680	2	All		BOLT, Spring Anchor Adj.
21	4014 100	2	All		BEARING, Spring Anchor Adj. Bolt
22	6031 993	4	All		BOLT, w/Washer, Pivot Cushion Ret.
23	6030 854	4	All		NUT, Pivot Cushion Ret. Bolt
24	2269 250	2	All		SEAL, Anchor Inner
25	4094 070	2	All		ANCHOR, Torsion Bar
26		2	All		PLUG (Serviced in Item 25)
27	4094 071	2	All		SWIVEL, Anchor Adj. Bolt

MODEL CODES

B = GRAN FURY	E = 600	M = HORIZON/TURISMO
C = LE BARON/TOWN & COUNTRY/LIMO	F = FIFTH AVENUE/NEWPORT	P = RELIANT
C24 = LASER	G = DIPLOMAT	T = NEW YORKER
C44 = LE BARON/GTS	H = VOYAGER	V = 600
D = ARIES	J = CARAVELLE	V24 = DAYTONA
D44 = LANCER	K = MINI VAN/CARAVAN/ROYAL	Z = OMNI/CHARGER

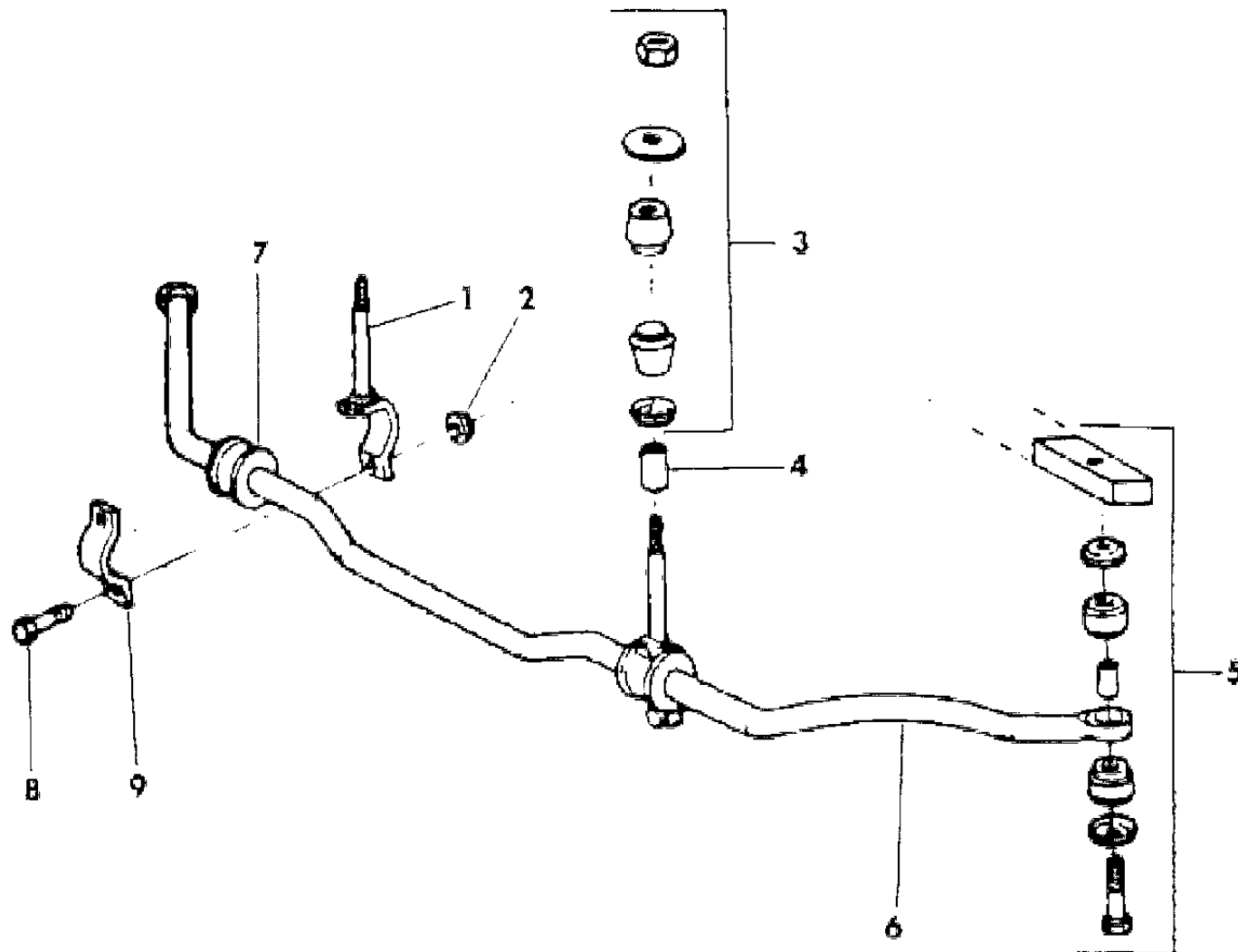
BODY STYLES

21 = 2-DOOR SEDAN	35 = FWD VAN	44 = 4-DOOR HATCHBACK
22 = 2-DOOR SPECIAL COUPE	36 = FWD WAGON	45 = 4-DOOR STATION WAGON
24 = 2-DOOR HATCHBACK	41 = 4-DOOR SEDAN	49 = LIMOUSINE
27 = 2-DOOR CONVERTIBLE		

AR = Use as Required - = Non Illustrated Part P.A.R. = Paint as Required

SWAY BAR, FRONT B,F,G
Figure 2-400

5102 400



ITEM	PART NUMBER	QTY	BODY	MODEL	DESCRIPTION
1	3815 669	2		ALL	LINK, Shaft Bush. Std. or H.D.
	4014 078	2		ALL	Extra Duty or Firm Feel Susp.
2	6025 405	2		ALL	NUT, Strap Bolt
3	4106 161	2		ALL	ATTACHING PKG. Sway Bar Consist of: 1- 181116 Bolt 1- 118615 Nut 2- ----- Retainer 2- ----- Insulator
					1- 118614 Nut 1- 6027880 Screw w/Washer 1- 6025405 Nut
4	3815 668	2		ALL	SLEEVE, Shaft Insulator Link
5	4267 328	2		ALL	ATTACHING PKG. Front Sway Bar Shaft End Consist of: 2- ----- Cushion 2- ----- Retainer 2- 4014023 Nut 1- ----- Sleeve 1- 9425686 Bolt Strap
6	4014 033	1		ALL	SHAFT, Sway Bar, Std. or H.D.
	4014 126	1		ALL	Extra Duty or Firm Feel
7	4014 035	2		ALL	BUSHING, Std. or H.D.
	4014 341	2		ALL	Extra Duty or Firm Feel
8	9425 686	2		ALL	BOLT, Strap
9	3815 720	2		ALL	STRAP, Bush. Retainer, Std. or H.D.
	4014 080	2		ALL	Extra Duty or Firm Feel Susp.

MODEL CODES

B = GRAN FURY	E = 600	M = HORIZON/TURISMO
C = LE BARON/TOWN & COUNTRY/LIMO	F = FIFTH AVENUE/NEWPORT	P = RELIANT
C24 = LASER	G = DIPLOMAT	T = NEW YORKER
C44 = LE BARON/GTS	H = VOYAGER	V = 600
D = ARIES	J = CARAVELLE	V24 = DAYTONA
D44 = LANCER	K = MINI VAN/CARAVAN/ROYAL	Z = OMNI/CHARGER

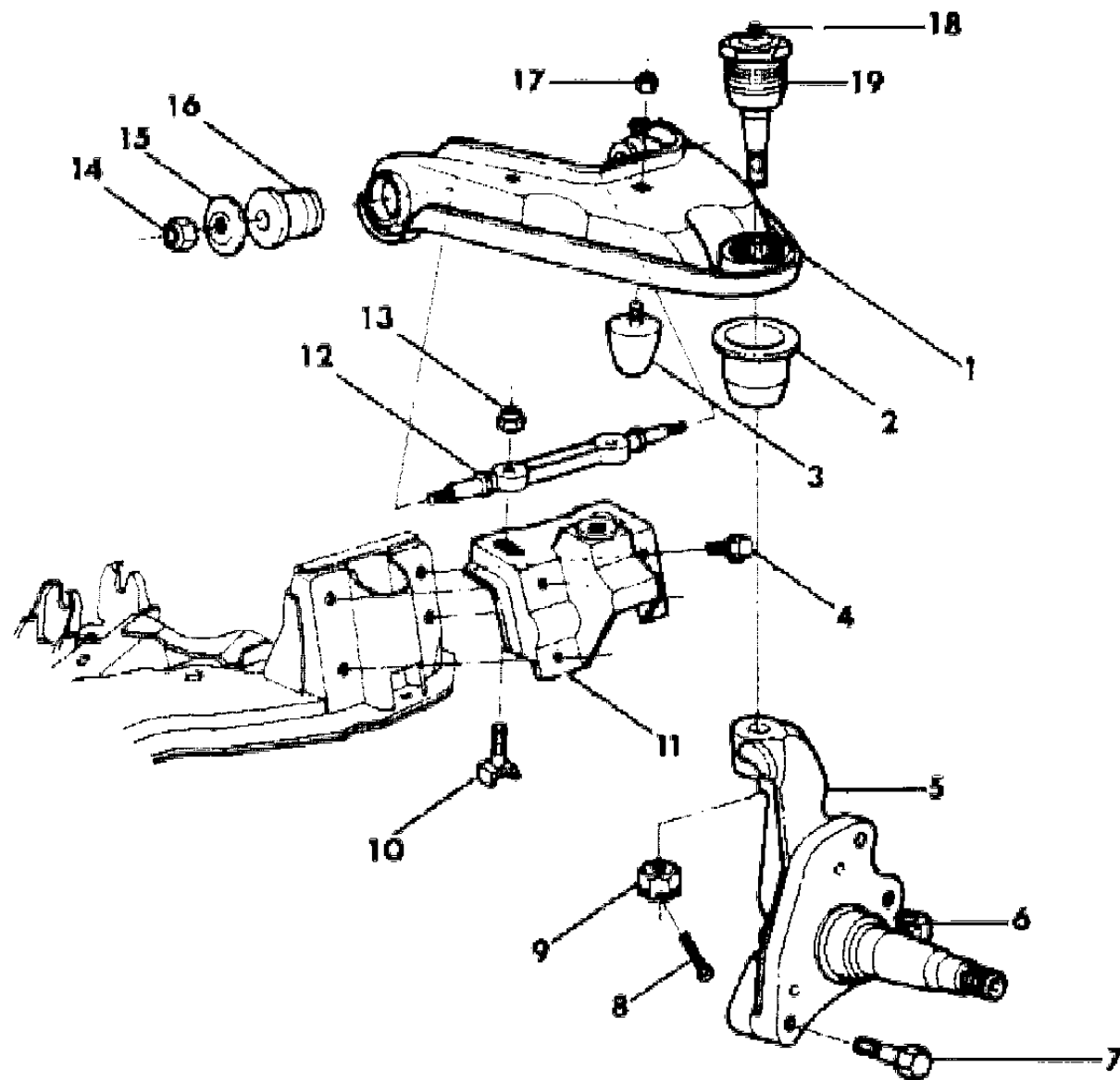
BODY STYLES

21 = 2-DOOR SEDAN	35 = FWD VAN	44 = 4-DOOR HATCHBACK
22 = 2-DOOR SPECIAL COUPE	36 = FWD WAGON	45 = 4-DOOR STATION WAGON
24 = 2-DOOR HATCHBACK	41 = 4-DOOR SEDAN	49 = LIMOUSINE
27 = 2-DOOR CONVERTIBLE		

AR = Use as Required - = Non Illustrated Part P.A.R. = Paint as Required

ARM-UPPER CONTROL B,F,G
Figure 2-500

5102 500



ITEM	PART NUMBER	QTY	BODY	MODEL	DESCRIPTION
1	4014 368-9	1		All	ARM, Frt. Wheel Upper Cont.
2	2269 127	2		All	SEAL, Ball Joint Upper
3	4014 050	2		All	BUMPER, Arm
4	6031 240	8		All	SCREW,w/WASHER
5	3402 640-1	1		All	KNUCKLE, Strg. Linkage
6	3815 712-3	1		All	ARM, Strg. Linkage Knuckle
7	6029 441	4		All	BOLT, Knuckle
8		2		All	C/PIN (Not Serv.)
9	0273 911	2		All	NUT, Ball Joint
10	3815 473	4		All	BOLT, Pivot Bar Support
11	3815 706-7	1		All	SUPPORT, Pivot
	4014 352	2		All	SPACER, Cont.Arm Pivot Supt.,Frt. (Not Ill.)
	4014 353	2		All	Rear
12		2		All	PIVOT BAR (Serviced in Upper Control Arm)
13	6031 282	4		All	NUT, Pivot Bar Support Mtg.
14	6031 282	4		All	NUT, Pivot
15	3815 704	4		All	RETAINER, Arm Bushing
16	4106 195	4		All	BUSHING, Arm
17	0118 615	2		All	NUT, Bumper
18	6030 099	2		All	FITTING, Ball Joint
19	2298 534	2		All	BALL JOINT PKG., Upper

Consists of:
 1 -----Ball Joint
 1 - 2269127 Seal
 1 - 0273911 NUT
 1 -----C/Pin
 1 - 1672960 Washer

MODEL CODES

B = GRAN FURY	E = 600	M = HORIZON/TURISMO
C = LE BARON/TOWN & COUNTRY/LIMO	F = FIFTH AVENUE/NEWPORT	P = RELIANT
C24 = LASER	G = DIPLOMAT	T = NEW YORKER
C44 = LE BARON/GTS	H = VOYAGER	V = 600
D = ARIES	J = CARAVELLE	V24 = DAYTONA
D44 = LANCER	K = MINI VAN/CARAVAN/ROYAL	Z = OMNI/CHARGER

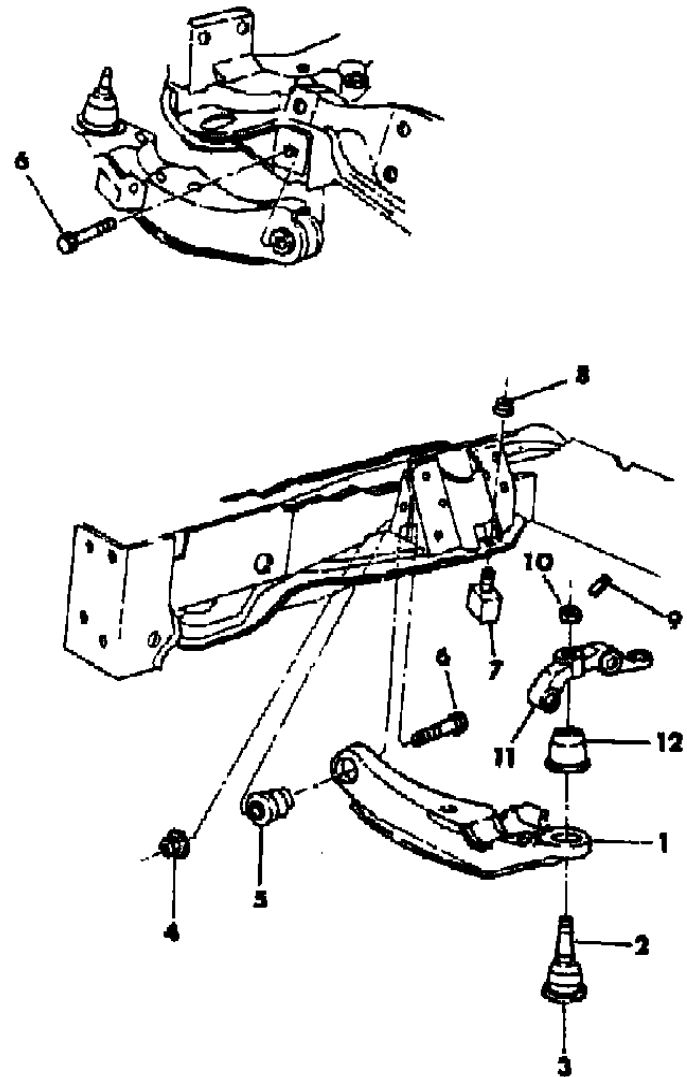
BODY STYLES

21 = 2-DOOR SEDAN	35 = FWD VAN	44 = 4-DOOR HATCHBACK
22 = 2-DOOR SPECIAL COUPE	36 = FWD WAGON	45 = 4-DOOR STATION WAGON
24 = 2-DOOR HATCHBACK	41 = 4-DOOR SEDAN	49 = LIMOUSINE
27 = 2-DOOR CONVERTIBLE		

AR = Use as Required - = Non Illustrated Part P.A.R. = Paint as Required

ARM-LOWER CONTROL B,F,G
Figure 2-600

5102 600



ITEM	PART NUMBER	QTY	BODY	MODEL	DESCRIPTION
1	4014 004-5	1		All	ARM, Lower Control
2	3837 087	2		All	BALL JOINT PKG., Lower Consists of: 1 -----Ball Joint 1-3402540 Seal 1 - 273912 Nut 1 -----C/Pin
3	6030 099	2		All	FITTING, Ball Joint, Lower
4	6030 854	2		All	NUT, Pivot Bolt
5	3815 688	2		All	BUSHING, Arm Pivot
6	6030 853	2		All	BOLT, Pivot
	6028 762	2		All	WASHER, Coned, Bolt Pivot (Not Shown)
7	3722 614	2		All	BUMPER, Arm
8	6025 011	2		All	NUT, Bumper
9		2		All	C/PIN (Not Serv.)
10	0273 912	2		All	NUT, Ball Joint Stud
11	3815 712-3	2		All	ARM, Steering Knuckle
12	3402 540	2		All	SEAL, Ball Joint Lower
---	6028 762	2		All	WASHER, Cone, Bolt Pivot (Not Shown)

MODEL CODES

B = GRAN FURY	E = 600	M = HORIZON/TURISMO
C = LE BARON/TOWN & COUNTRY/LIMO	F = FIFTH AVENUE/NEWPORT	P = RELIANT
C24 = LASER	G = DIPLOMAT	T = NEW YORKER
C44 = LE BARON/GTS	H = VOYAGER	V = 600
D = ARIES	J = CARAVELLE	V24 = DAYTONA
D44 = LANCER	K = MINI VAN/CARAVAN/ROYAL	Z = OMNI/CHARGER

BODY STYLES

21 = 2-DOOR SEDAN	35 = FWD VAN	44 = 4-DOOR HATCHBACK
22 = 2-DOOR SPECIAL COUPE	36 = FWD WAGON	45 = 4-DOOR STATION WAGON
24 = 2-DOOR HATCHBACK	41 = 4-DOOR SEDAN	49 = LIMOUSINE
27 = 2-DOOR CONVERTIBLE		

AR = Use as Required - = Non Illustrated Part P.A.R. = Paint as Required

SHAFT, MAJOR COMPONENT LISTING
Figure 2-725

ITEM	PART NUMBER	QTY	BODY	MODEL	DESCRIPTION					
NOTE: SHAFT ASSEMBLIES ARE NOT SERVICED, CHECK MIRCO-FICHE FOR LATEST CHANGES.										
NOTE: PARTS LISTED ARE A COMBINATION OF 1985-86 SHAFT NUMBERS.										
	ASSY NO. READ NOTE		VENDOR RT/LT	SHAFT W/CLIP	JOINT INNER	JOINT INNER	BOOT INNER	BOOT INNER	TRIPOD OUTER	PKG.
	4137 852		ACI-RT.	5212828	5212824	5212830	5212810	5212809	5212812	
	4137 874		ACI-RT.	5212826	5212824	5212830	5212810	5212809	5212812	
	4137 875		ACI-LT.	5212857	5212825	5212830	5212811	5212809	5212812	
	4137 902		ACI-RT.	5212832	5212824	5212830	5212810	5212809	5212812	
	4137 905		ACI-LT.	5212937	5212825	5212830	5212811	5212809	5212812	
	4137 926		ACI-RT.	5212828	5212824	5212830	5212810	5212809	5212812	
	4137 927		ACI-LT.	5212931	5212825	5212830	5212811	5212809	5212812	
	4137 965		ACI-LT.	5212931	5212825	5212830	5212811	5212809	5212812	
	4137 966		ACI-RT.	5212826	5212824	5212830	5212810	5212809	5212812	
	4137 867		ACI-LT.	5212857	5212825	5212830	5212811	5212809	5212812	
	4137 968		ACI-RT.	5212824	5212824	5212830	5212810	5212809	5212812	
	4137 969		ACI-LT.	5212937	5212825	5212830	5212811	5212809	5212812	
	4340 692		CIT-RT.	5212796	5212746	5212789	5212716	5212738	5212711	
	4340 693		CIT-LT.	5212769	5212747	5212789	5212717	5212738	5212711	
	4340 694		CIT-RT.	5212798	5212746	5212789	5212716	5212738	5212711	
	4340 695		CIT-LT.	5212763	5212747	5212789	5212717	5212738	5212711	
	4340 697		CIT-RT.	5212763	5212747	5212789	5212717	5212738	5212711	
	4340 874		CIT-RT.	5212798	5212746	5212789	5212716	5212738	5212711	
	4340 902		CIT-RT.	5212766	5212746	5212789	5212716	5212738	5212711	
	4340 905		CIT-LT.	5212935	5212747	5212789	5212717	5212738	5212711	
	4340 917		CIT-LT.	5212935	5212747	5212789	5212717	5212738	5212711	
	4340 919		CIT-RT.	5212935	5212747	5212789	5212717	5212738	5212711	
	4340 958		CIT-RT.	5212796	5212746	5212789	5212716	5212738	5212711	
	4340 959		CIT-LT.	5212769	5212747	5212789	5212717	5212738	5212711	
	4340 961		CIT-LT.	5212935	5212747	5212789	5212717	5212738	5212711	
	4340 963		CIT-RT.	5212935	5212747	5212789	5212717	5212738	5212711	
	4340 966		CIT-RT.	5212798	5212747	5212789	5212716	5212738	5212711	
	4340 967		CIT-LT.	5212763	5212747	5212789	5212717	5212738	5212711	
	4340 968		CIT-RT.	5212766	5212746	5212789	5212716	5212738	5212711	
	4340 969		CIT-LT.	5212935	5212747	5212789	5212717	5212738	5212711	
	4340 972		CIT-RT.	5212798	5212746	5212789	5212716	5212738	5212711	
	4340 973		CIT-LT.	5212763	5212747	5212789	5212717	5212738	5212711	

ILLUSTRATION NOT AVAILABLE AT TIME OF PUBLICATION

MODEL CODES

B = GRAN FURY	E = 600	M = HORIZON/TURISMO
C = LE BARON/TOWN & COUNTRY/LIMO	F = FIFTH AVENUE/NEWPORT	P = RELIANT
C24 = LASER	G = DIPLOMAT	T = NEW YORKER
C44 = LE BARON/GTS	H = VOYAGER	V = 600
D = ARIES	J = CARAVELLE	V24 = DAYTONA
D44 = LANCER	K = MINI VAN/CARAVAN/ROYAL	Z = OMNI/CHARGER

BODY STYLES

21 = 2-DOOR SEDAN	35 = FWD VAN	44 = 4-DOOR HATCHBACK
22 = 2-DOOR SPECIAL COUPE	36 = FWD WAGON	45 = 4-DOOR STATION WAGON
24 = 2-DOOR HATCHBACK	41 = 4-DOOR SEDAN	49 = LIMOUSINE
27 = 2-DOOR CONVERTIBLE		

AR = Use as Required - = Non Illustrated Part P.A.R. = Paint as Required

SHAFT, MAJOR COMPONENT LISTING
Figure 2-725

ITEM	PART NUMBER	QTY	BODY	MODEL	DESCRIPTION
	4340 975		CIT-RT.	5212763	5212747 5212789 5212717 5212738 5212711
	4367 874		SAG-RT.	4367018	4367015 4367038 4367010 4367009 4367026
	4367 875		SAG-LT.	4367019	4367014 4367038 4367011 4367009 4367013
	4367 966		SAG-RT.	4367018	4367015 4367038 4367010 4367009 4367026
	4367 967		SAG-LT.	4367019	4367014 4367038 4367011 4367009 4367013
	4367 972		SAG-RT.	4367018	4367015 4367038 4367010 4367009 4367026
	4367 973		SAG-LT.	4367019	4367014 4367038 4367011 4367009 4367013
	4367 975		SAG-RT.	4367019	4367014 4367038 4367011 4367009 4367013
	4384 926		GKN-LT.	5212862	5212896 5212856 5212627 5212858 5212859
	4384 927		GKN-LT.	5212933	5212897 5212856 4057033 5212858 5212859
	4384 958		GKN-RT.	5212688	5212898 5212696 5212612 4205853 5212608
	4384 959		GKN-LT.	5212915	5212899 5212696 5212613 4205853 5212608
	4384 966		GKN-RT.	5212872	5212896 5212869 5212627 5212858 5212859
	4384 967		GKN-LT.	5212913	5212897 5212869 4057033 5212858 5212859
	4384 972		GKN-RT.	5212698	5212898 5212696 5212612 4205853 5212608
	4384 973		GKN-LT.	5212891	5212899 5212696 5212613 4205853 5212608
	4384 975		GKN-RT.	5212891	5212899 5212696 5212613 4205853 5212608
	5212 692		GKN-RT.	5212688	5212898 5212696 5212612 4205853 5212608
	5212 693		GKN-LT.	5212915	5212899 5212696 5212613 4205854 5212608
	5212 694		GKN-RT.	5212698	5212898 5212696 5212612 4205853 5212608
	5212 895		GKN-LT.	5212891	5212899 5212696 5212613 4205853 5212608
	5212 697		GKN-RT.	5212891	5212899 5212696 5212613 4205853 5212608
	5212 852		GKN-RT.	5212862	5212896 5212856 5212627 5212858 5212859
	5212 874		GKN-RT.	5212872	5212896 5212869 5212627 5212858 5212859
	5212 875		GKN-LT.	5212913	5212897 5212869 4057033 5212858 5212859
	5212 965		GKN-LT.	5212933	5212897 5212856 4057033 5212858 5212859

ILLUSTRATION NOT AVAILABLE AT TIME OF PUBLICATION

MODEL CODES

B = GRAN FURY	E = 600	M = HORIZON/TURISMO
C = LE BARON/TOWN & COUNTRY/LIMO	F = FIFTH AVENUE/NEWPORT	P = RELIANT
C24 = LASER	G = DIPLOMAT	T = NEW YORKER
C44 = LE BARON/GTS	H = VOYAGER	V = 600
D = ARIES	J = CARAVELLE	V24 = DAYTONA
D44 = LANCER	K = MINI VAN/CARAVAN/ROYAL	Z = OMNI/CHARGER

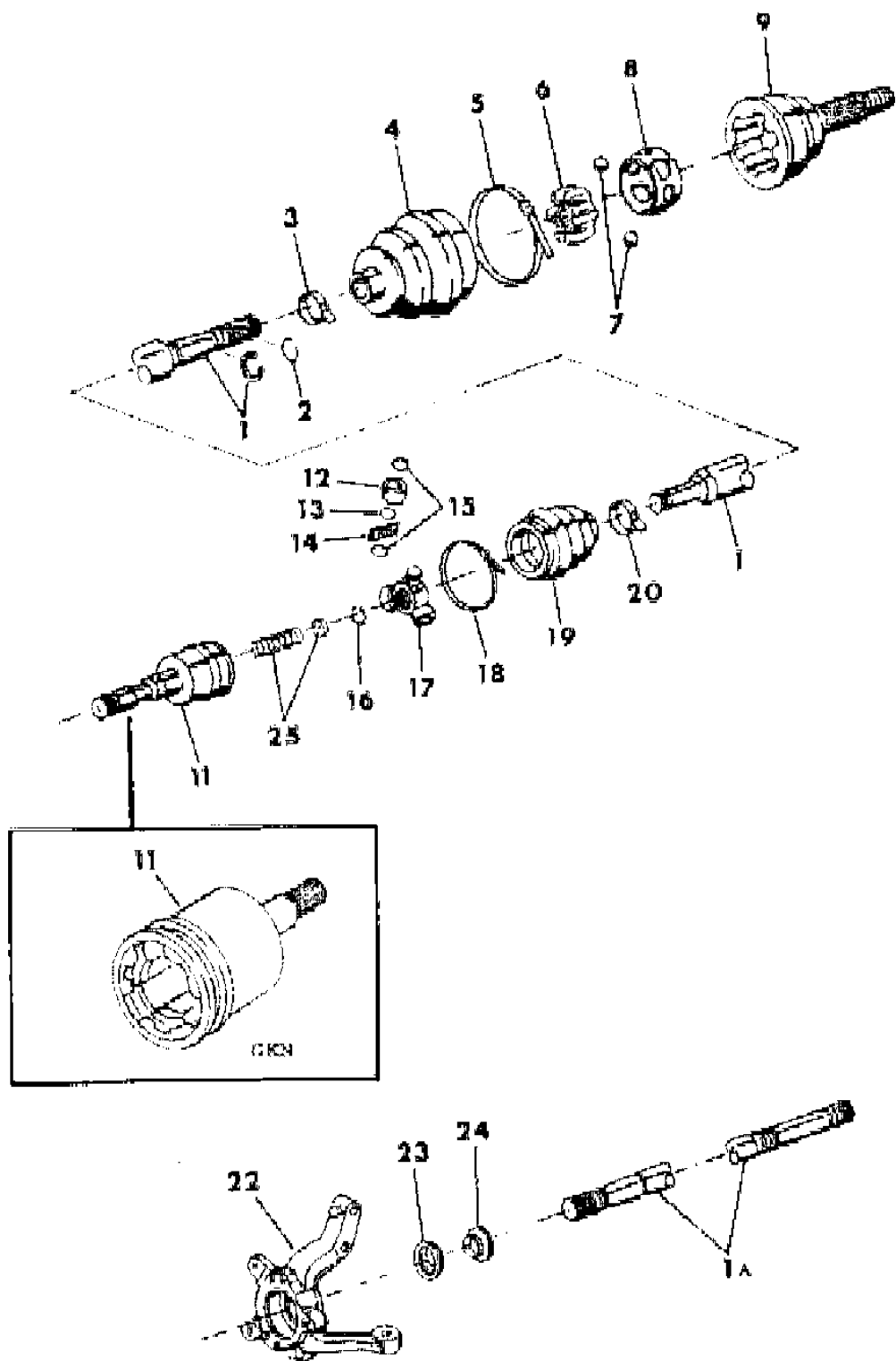
BODY STYLES

21 = 2-DOOR SEDAN	35 = FWD VAN	44 = 4-DOOR HATCHBACK
22 = 2-DOOR SPECIAL COUPE	36 = FWD WAGON	45 = 4-DOOR STATION WAGON
24 = 2-DOOR HATCHBACK	41 = 4-DOOR SEDAN	49 = LIMOUSINE
27 = 2-DOOR CONVERTIBLE		

AR = Use as Required - = Non Illustrated Part P.A.R. = Paint as Required

SHAFT, FRONT DRIVE (GKN) W/1.6 ENG. W/4 & 5 SPEED TRANS. M,Z
Figure 2-800

5102 800



ITEM	PART NUMBER	QTY	BODY	MODEL	DESCRIPTION
1	5212 862	1		All	SHAFT, w/Cir Clip, Frt. Whl. Drive - Right
1A	5212 863	1		All	SHAFT, w/Cir Clip, Frt. Whl. Drive - LT. (Up To 8-6-84)
	5212 933	1		All	(After 8-6-84)
2	5212 857	AR		All	SPACER-RING, Outer Joint (Also In 5212858 Pkg.)
3-5	5212 858	2		All	BOOT PKG, Outer Joint
3				All	Clamp, Inner
4				All	Boot
5				All	Clamp, Outer
6-9	5212 856	2		All	JOINT, Comp.Drive Shaft, Outer
6				All	Cross
7				All	Ball
8				All	Cage
9				All	Housing
11	5212 896-7	1		All	HOUSING, w/Shaft, Dr.Shaft Joint, Inner
12-1	5212 859	2		All	TRIPOD, Comp.
12				All	Race
13				All	Retainer
14				All	Needle
15				All	O Ring
16				All	Circlip
17				All	Cross
18-2	4205 852	1		All	BOOT PKG.,Inner Joint, Rt.
	4057 033	1		All	Lt.
18				All	Clamp, Inner
19				All	Boot
20				All	Clamp, Outer
21				All	Cylinder Block (Ref.)
22	4052 844-5	1		All	KNUCKLE, Strg.
23	5212 535	2		All	SEAL, Joint Outer
24	5212 536	2		All	WEAR-SLEEVE, Joint Outer
25	5212 675	AR		All	SPRING, w/Cup, Housing Shaft, Inner
---	#5212 839	1		All	WEIGHT, Frt. Whl. Dr. Shaft, Left (Not Shown)

MODEL CODES

B = GRAN FURY	E = 600	M = HORIZON/TURISMO
C = LE BARON/TOWN & COUNTRY/LIMO	F = FIFTH AVENUE/NEWPORT	P = RELIANT
C24 = LASER	G = DIPLOMAT	T = NEW YORKER
C44 = LE BARON/GTS	H = VOYAGER	V = 600
D = ARIES	J = CARAVELLE	V24 = DAYTONA
D44 = LANCER	K = MINI VAN/CARAVAN/ROYAL	Z = OMNI/CHARGER

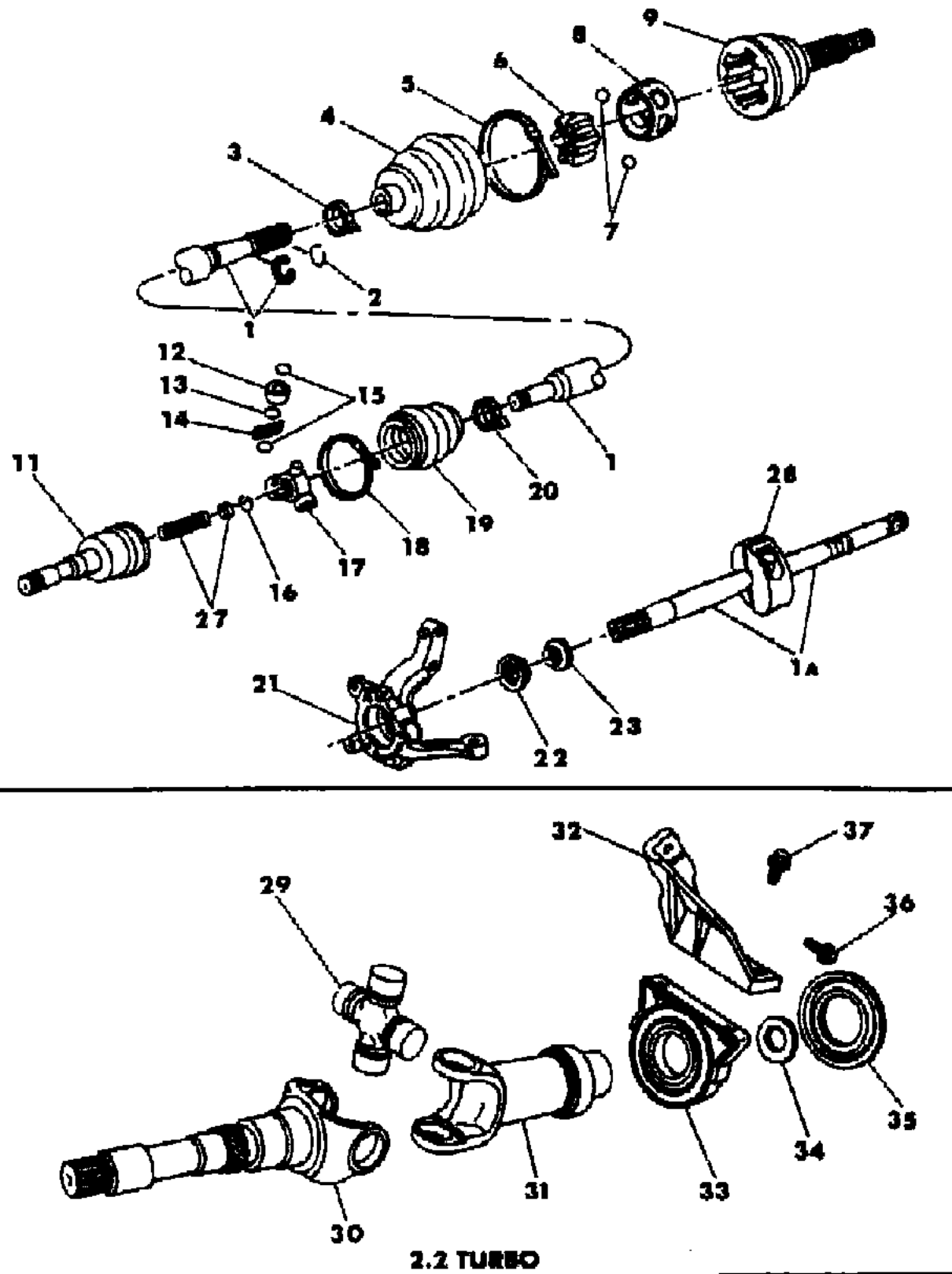
BODY STYLES

21 = 2-DOOR SEDAN	35 = FWD VAN	44 = 4-DOOR HATCHBACK
22 = 2-DOOR SPECIAL COUPE	36 = FWD WAGON	45 = 4-DOOR STATION WAGON
24 = 2-DOOR HATCHBACK	41 = 4-DOOR SEDAN	49 = LIMOUSINE
27 = 2-DOOR CONVERTIBLE		

AR = Use as Required - = Non Illustrated Part P.A.R. = Paint as Required

SHAFT, FRONT DRIVE (G.K.N. & A.C.I.) W/2.2 & 2.6 ENG. WITH & W/O TURBO M,Z,P,D,V,C,J,E,T
Figure 2-900

5102 900 A



ITEM	PART NUMBER	QTY	BODY	MODEL	DESCRIPTION
NOTE: For Identification of Shaft make (G.K.N., A.C.I. or Citroen) See Fig. 2-100					
1	5212 872	1		PDVCJET	SHAFT, Drive, Right - w/2.2 Eng. (G.K.N.)
	5212 826	1		PDVCJET	Right, w/2.2 Eng. (A.C.I.)
	5212 698	1		PDVCJET	Right, w/ 2.6 Eng. (G.K.N.)
	5212 891	1		PDVCJET	Right, w/ 2.2 Turbo (G.K.N.)
1A	5212 862	1		M,Z	Right, w/ 2.2 Eng. (G.K.N.)
	5212 913	1		PDVCJET	SHAFT DRIVE, Left - w/2.2 Eng. (G.K.N.)
	5212 827	1		PDVCJET	Left, w/2.2 Eng. (A.C.I.)
2	5212 891	1		PDVCJET	Left, w/ 2.2 Turbo & 2.6 Eng. (G.K.N.)
	5212 863	1		M,Z	Left, w/2.2 Eng. (G.K.N.) Up To 8-6-84
	5212 933	1		M,Z	After 8-6-84
3-5	5212 857	AR		MZPDVCJ	RING, Frt. Whl. Dr. Shaft, (G.K.N. or A.C.I.) w/o Turbo
	5212 566	AR		PDVCJET	w/2.2 Turbo & 2.6 Eng. (G.K.N.)
3-5	5212 858	2		MZPDVCJ	BOOT PKG., Outer Joint (G.K.N.) w/2.2 Eng.
	5212 809	2		PDVCJET	(A.C.I.) w/2.2 Eng.
	4205 853	2		PDVCJET	(G.K.N.) w/2.2 Turbo & 2.6 Eng.
3				All	Clamp, Inner
4				All	Boot
5				All	Clamp, Outer
6-9	5212 869	2		PDVCJET	JOINT COMP., w/2.2 Eng.- (G.K.N.)
	5212 830	2		PDVCJET	(A.C.I.)
	5212 696	2		PDVCJET	w/2.2 Turbo & 2.6 Eng. (G.K.N.)
	5212 856	2		M,Z	w/2.2 Eng. (G.K.N.)
6				All	Cross
7				All	Ball
8				All	Cage
9				All	Housing
11	5212 896-7	1		MZPDVCJ	HOUSING, w/SHAFT, Joint Inner, w/2.2 Eng. (G.K.N.)
	5212 824-5	1		PDVCJET	w/2.2 Eng. (A.C.I.)
	5212 898-9	1		PDVCJET	w/2.6 Eng. (G.K.N.)
	5212 899	2		PDVCJET	w/2.2 Turbo (G.K.N.)
12-1	5212 859	AR		MZPDVCJ	TRIPOD PKG., Comp.Inner Shaft, w/2.2 Eng. - (G.K.N.)
	5212 812	AR		PDVCJET	w/2.2 Eng. - (A.C.I.)
	5212 608	AR		PDVCJET	w/2.2 Turbo & 2.6 Eng. (G.K.N.)
12				All	Race
13				All	Retainer
14				All	Needle

MODEL CODES

B = GRAN FURY	E = 600	M = HORIZON/TURISMO
C = LE BARON/TOWN & COUNTRY/LIMO	F = FIFTH AVENUE/NEWPORT	P = RELIANT
C24 = LASER	G = DIPLOMAT	T = NEW YORKER
C44 = LE BARON/GTS	H = VOYAGER	V = 600
D = ARIES	J = CARAVELLE	V24 = DAYTONA
D44 = LANCER	K = MINI VAN/CARAVAN/ROYAL	Z = OMNI/CHARGER

BODY STYLES

21 = 2-DOOR SEDAN	35 = FWD VAN	44 = 4-DOOR HATCHBACK
22 = 2-DOOR SPECIAL COUPE	36 = FWD WAGON	45 = 4-DOOR STATION WAGON
24 = 2-DOOR HATCHBACK	41 = 4-DOOR SEDAN	49 = LIMOUSINE
27 = 2-DOOR CONVERTIBLE		

AR = Use as Required - = Non Illustrated Part P.A.R. = Paint as Required

SHAFT, FRONT DRIVE (G.K.N. & A.C.I.) W/2.2 & 2.6 ENG. WITH & W/O TURBO M,Z,P,D,V,C,J,E,T
Figure 2-900

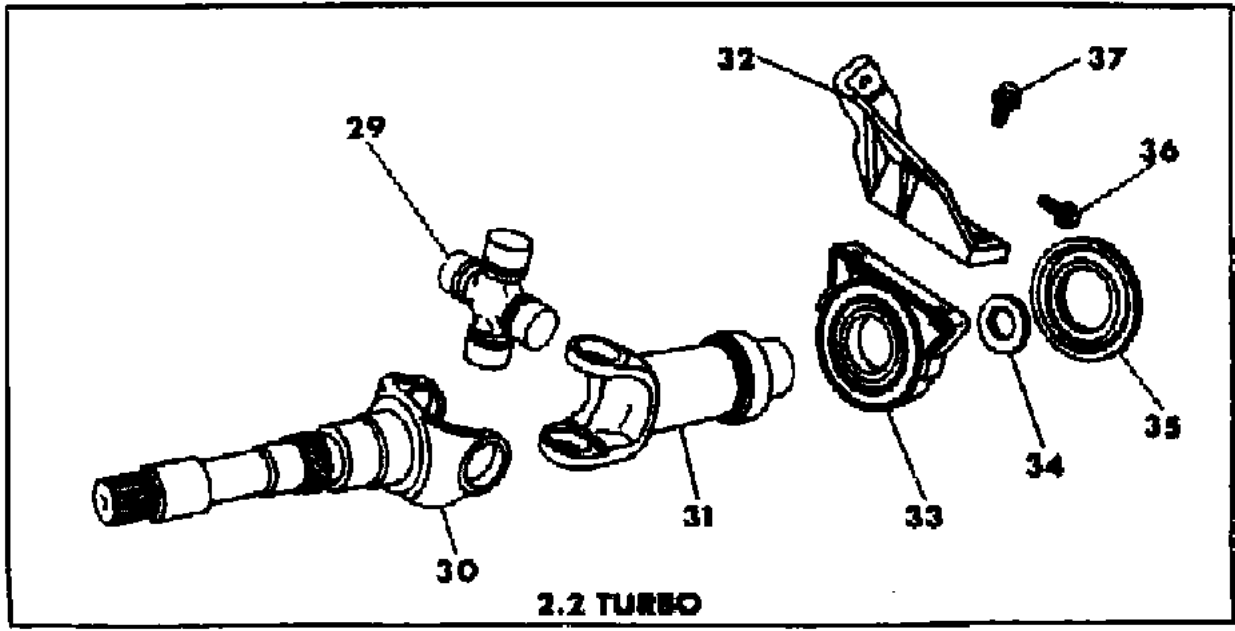
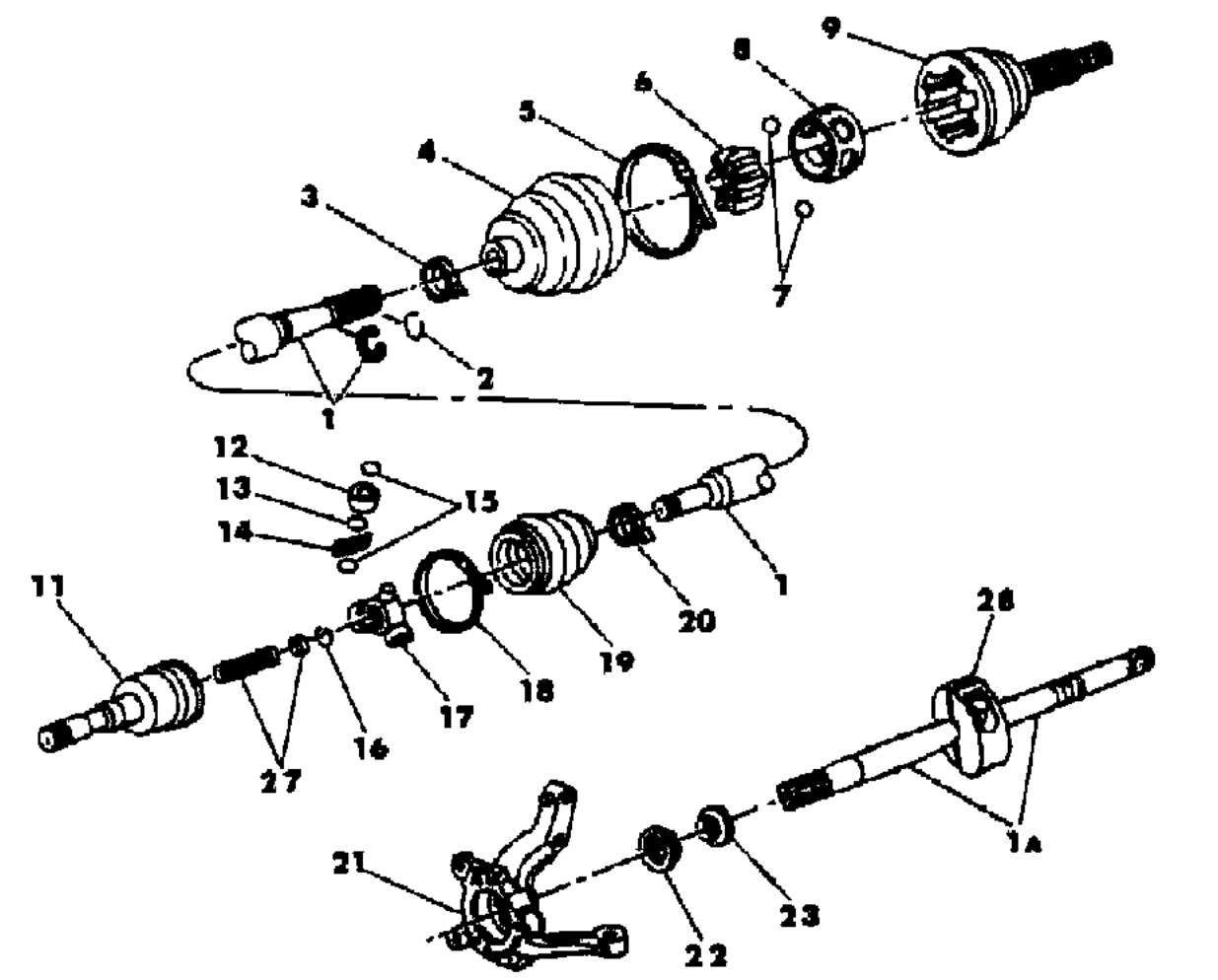
5102 900 A

ITEM	PART NUMBER	QTY	BODY	MODEL	DESCRIPTION
15				All	O Ring
16				All	Circlip
17				All	Cross
18-2	4205 852	1		MZPDVCJ	BOOT PKG.,Inner Joint - Rt. w/2.2 Eng. (G.K.N.)
	4057 033	1		MZPDVCJ	Left. w/2.2 Eng. (G.K.N.)
	5212 810-1	1		PDVCJET	Right & Left w/2.2 Eng. (A.C.I.)
	5212 612-3	1		PDVCJET	Right & Left w/2.6 Eng. (G.K.N.)
	5212 613	2		PDVCJET	Right & Left w/2.2 Turbo (G.K.N.)
18				All	Clamp, Inner
19				All	Boot
20				All	Clamp, Outer
21	4052 844-5	1	M,Z		KNUCKLE, Strg.
	4052 838-9	1		PDVCJET	
22	5212 535	2	All		SEAL, Joint Outer (Also Serv.In Joint Comp.)
23	5212 536	2	All		WEAR-SLEEVE, Joint Outer (Also Serv.In Joint Comp.)
27	5212 675	AR		MZPDVCJ	SPRING,w/CUP, Hsg. Shaft, Inner (G.K.N.)
	5212 823	AR		PDVCJET	SPRING,w/CUP, Hsg. Shaft, Inner (A.C.I.)
28	5212 831	1		PDVCJET	WEIGHT ASSY., Frt. Whl Dr. Shaft Damper, Lt.(A.C.I.)
	5212 767	1		PDVCJET	w/2.2 Turbo & 2.6 Eng. (G.K.N.)
29	3780 250	1		PDVCJET	U/JOINT KIT, w/Turbo
30	5212 958	1		PDVCJET	YOKE, F.W.D. Inter Shaft U/Joint Stub, w/Turbo
31	5212 967	1		PDVCJET	SHAFT, Frt. Whl. Dr. Inner, w/Turbo
32	5212 978	1		PDVCJET	BRACKET, F.W.D. Inner Shaft Brg., w/Turbo
33	5212 961	1		PDVCJET	BRG. & BRKT., Frt. Whl. Dr. Inner, w/Turbo
34	5212 964	1		PDVCJET	SEAL, Inner Joint Shaft, w/Turbo
35	5212 962	1		PDVCJET	SLINGER, Frt. Whl. Dr. Inter Shaft - Inner, w/Turbo
	5212 975	1		PDVCJET	OUTER, w/Turbo
36	6500 158	2		PDVCJET	SCREW & WASHER, Brkt., w/Turbo
37	6101 299	2		PDVCJET	SCREW & WASHER, Brkt. to Brg., w/Turbo

MODEL CODES
 B = GRAN FURY
 C = LE BARON/TOWN & COUNTRY/LIMO
 C24 = LASER
 C44 = LE BARON/GTS
 D = ARIES
 D44 = LANCER
 E = 600
 F = FIFTH AVENUE/NEWPORT
 G = DIPLOMAT
 H = VOYAGER
 J = CARAVELLE
 K = MINI VAN/CARAVAN/ROYAL
 M = HORIZON/TURISMO
 P = RELIANT
 T = NEW YORKER
 V = 600
 V24 = DAYTONA
 Z = OMNI/CHARGER

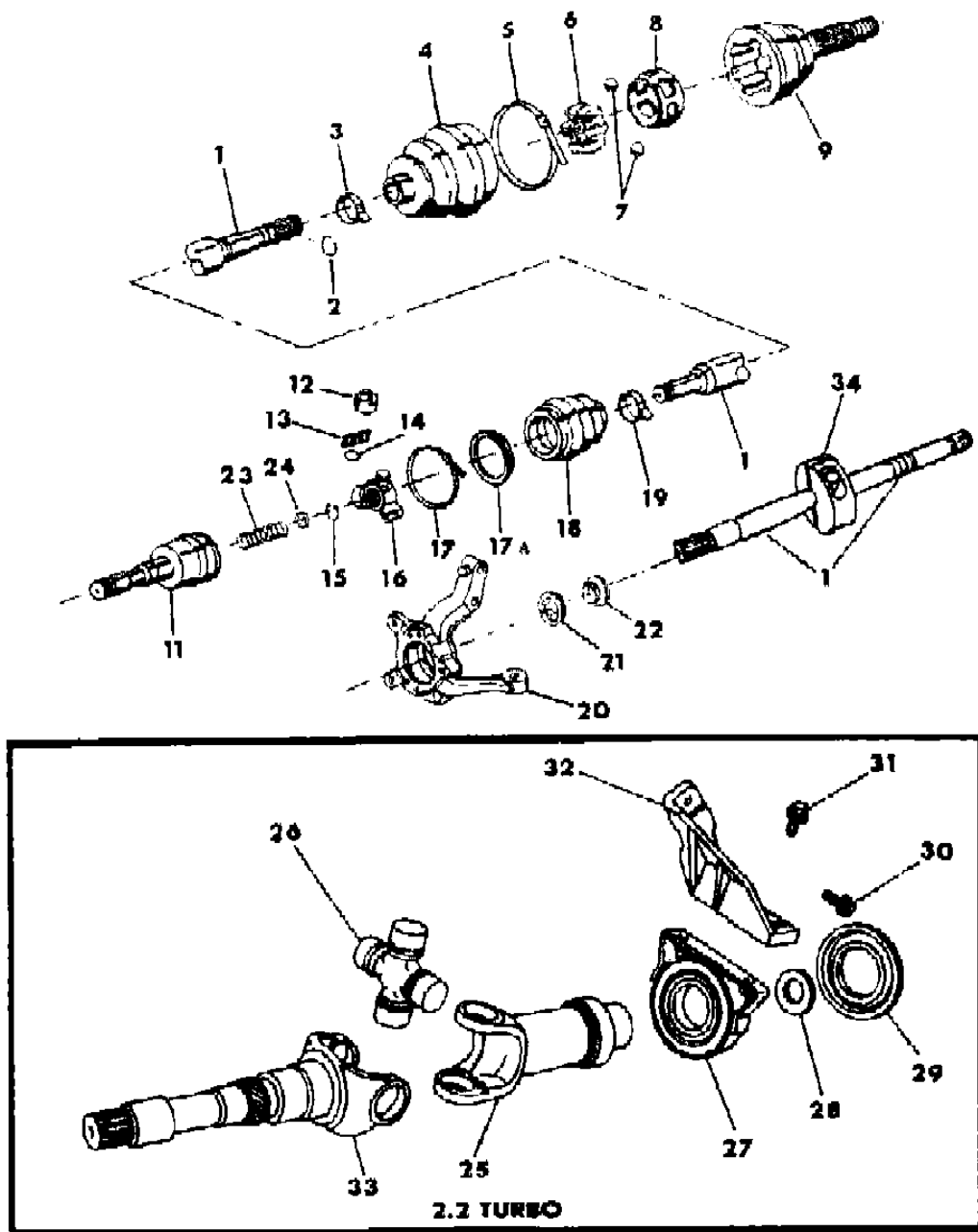
BODY STYLES
 21 = 2-DOOR SEDAN
 22 = 2-DOOR SPECIAL COUPE
 24 = 2-DOOR HATCHBACK
 27 = 2-DOOR CONVERTIBLE
 35 = FWD VAN
 36 = FWD WAGON
 41 = 4-DOOR SEDAN
 44 = 4-DOOR HATCHBACK
 45 = 4-DOOR STATION WAGON
 49 = LIMOUSINE

AR = Use as Required - = Non Illustrated Part P.A.R. = Paint as Required



SHAFT, FRONT DRIVE (CITROEN) W/2.2 & 2.6 ENG. WITH & W/O TURBO M,Z,P,D,V,C,J,E,T,H,K
Figure 2-1000

5102-1000



ITEM	PART NUMBER	QTY	BODY	MODEL	DESCRIPTION
NOTE: For Identification of Shaft make (G.K.N., A.C.I. & Citroen) See Fig. 2-100					
1	5212 796	1		H,K	SHAFT, w/Cir Clip - Right, w/2.2 & 2.6 Eng.
	5212 769	1		H,K	Left, w/2.2 & 2.6 Eng.
	5212 766	1		M,Z	Right, w/o Turbo w/2.2 Eng.
	5212 765	1		M,Z	Left, w/o Turbo w/2.2 Eng. (Up To 1-28-85)
	5212 935	1		M,Z	(After 1-28-85)
	5212 798	1		PDVCJET	Right, w/o Turbo w/2.2 & 2.6 Eng.
	5212 763	1		PDVCJET	Left, w/o Turbo w/2.2 & 2.6 Eng.
	5212 935	2		M,Z	Right & Left w/2.2 Turbo Eng.
	5212 763	2		PDVCJET	Right & Left w/2.2 Turbo Eng.
2	5212 710	AR		All	SNAP-RING, Outer Joint
3-5	5212 738	2		All	BOOT PKG.,Outer Joint
3				All	Clamp, Inner
4				All	Boot
5	5212 720	AR		All	Clamp, Outer
6-9	5212 789	2		All	JOINT,COMP.DRIVE SHAFT, Outer
6				All	Cross
7				All	Ball
8				All	Cage
9				All	Housing
11	5212 746-7	1		MZPDVCJ	HOUSING, w/SHAFT, Inner - w/o Turbo
	5212 747	2		MZPDVCJ	Right & Left w/Turbo Eng.
12-1	5212 711	AR		All	TRIPOD PKG.,Comp.,Inner Shaft
12				All	Race
13				All	Needle
14				All	O Ring
15				All	Circlip
16				All	Cross
17-1	5212 716-7	1		MZPDVCJ	BOOT PKG.,Inner Joint - w/o Turbo
	5212 717	2		MZPDVCJ	Right & Left w/Turbo Eng.
17				All	Clamp, Inner
17A				All	Retainer, Ring
18				All	Boot
19				All	Clamp,Outer
20	4052 844-5	1		M,Z	KNUCKLE, Strg.
	4052 840-1	1		H,K	
	4052 838-9	1		PDVCJET	

MODEL CODES

B = GRAN FURY	E = 600	M = HORIZON/TURISMO
C = LE BARON/TOWN & COUNTRY/LIMO	F = FIFTH AVENUE/NEWPORT	P = RELIANT
C24 = LASER	G = DIPLOMAT	T = NEW YORKER
C44 = LE BARON/GTS	H = VOYAGER	V = 600
D = ARIES	J = CARAVELLE	V24 = DAYTONA
D44 = LANCER	K = MINI VAN/CARAVAN/ROYAL	Z = OMNI/CHARGER

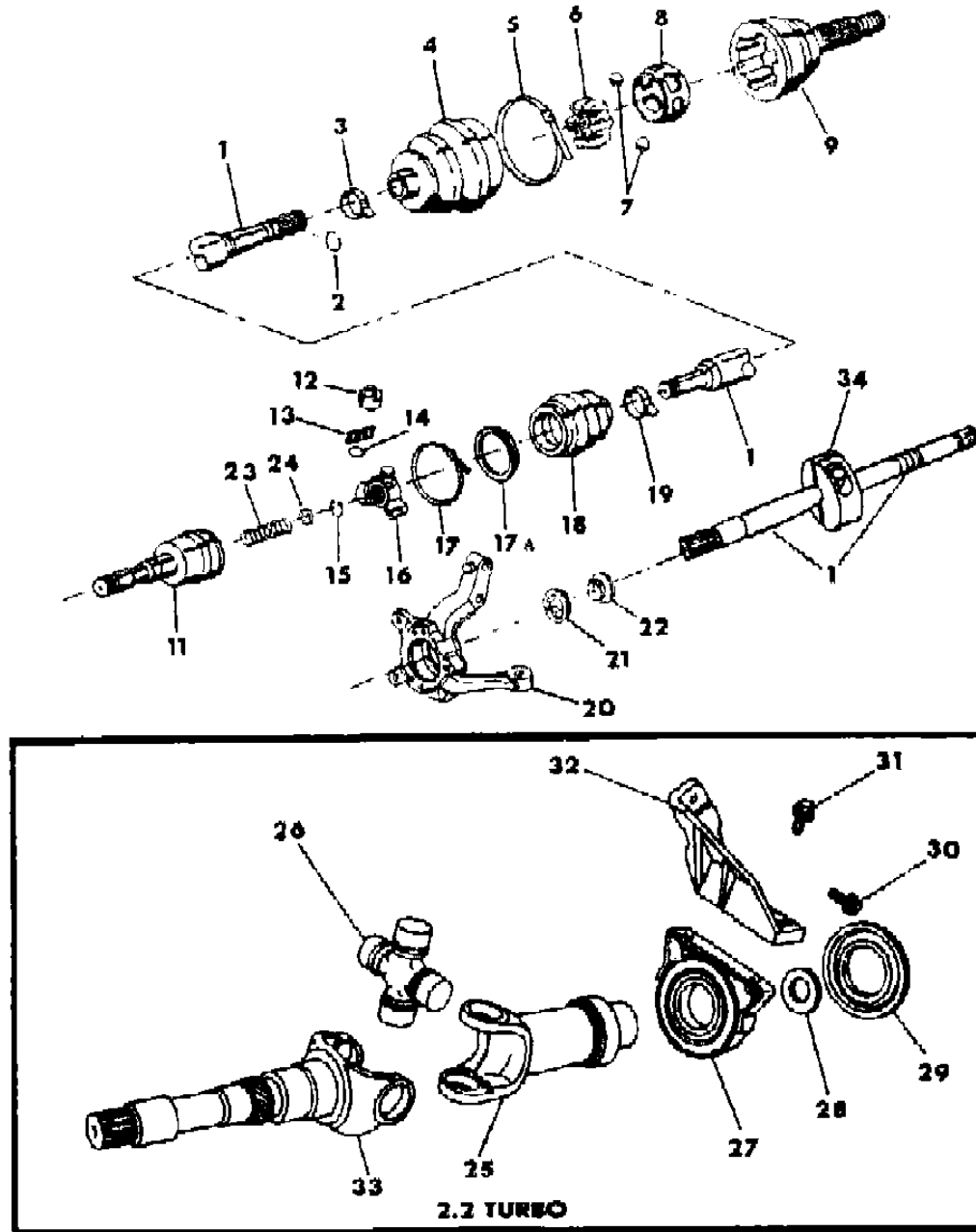
BODY STYLES

21 = 2-DOOR SEDAN	35 = FWD VAN	44 = 4-DOOR HATCHBACK
22 = 2-DOOR SPECIAL COUPE	36 = FWD WAGON	45 = 4-DOOR STATION WAGON
24 = 2-DOOR HATCHBACK	41 = 4-DOOR SEDAN	49 = LIMOUSINE
27 = 2-DOOR CONVERTIBLE		

AR = Use as Required - = Non Illustrated Part P.A.R. = Paint as Required

SHAFT, FRONT DRIVE (CITROEN) W/2.2 & 2.6 ENG. WITH & W/O TURBO M,Z,P,D,V,C,J,E,T,H,K
Figure 2-1000

5102 1000



ITEM	PART NUMBER	QTY	BODY	MODEL	DESCRIPTION
21	5212 535	2	All		SEAL, Joint Outer
22	5212 536	2	All		WEAR-SLEEVE, Joint Outer
23	5212 740	AR	All		SPRING, Hsg. Shaft, Inner
24	5212 741	AR	All		CUP, Hsg, Shaft, Inner
25	5212 928	1	M,Z		SHAFT, Frt. Whl. Dr. Inner (w/Turbo)
	5212 967	1	PDVCJET		(w/Turbo)
26	3780 250	1	MZPDVCJ		U/Joint Kit, w/Turbo
27	5212 961	1	MZPDVCJ		BRG. & Brkt., Frt. Whl. Dr. Inner, w/Turbo
28	5212 964	1	MZPDVCJ		SEAL - Inner Joint Shaft, w/Turbo
29	5212 962	1	MZPDVCJ		SLINGER, Frt. Whl. Dr. Inter Shaft - Inner, w/Turbo
	5212 975	1	MZPDVCJ		Outer, w/Turbo
30	6500 158	2	MZPDVCJ		SCREW & WASHER, Brkt., w/Turbo
31	6101 299	2	MZPDVCJ		SCREW & WASHER, Brkt. to Brg., w/Turbo
32	5212 960	1	M,Z		BRACKET, F.W.D. Inter Shaft Brg., w/Turbo
	5212 978	1	PDVCJET		w/Turbo
33	5212 958	1	MZPDVCJ		YOKE, F.W.D. Inter Shaft U/Joint Stub, w/Turbo
34	5212 767	1	All		WEIGHT ASSY., Frt. Whl. Dr. Shaft Damper - LT.

MODEL CODES

B = GRAN FURY	E = 600	M = HORIZON/TURISMO
C = LE BARON/TOWN & COUNTRY/LIMO	F = FIFTH AVENUE/NEWPORT	P = RELIANT
C24 = LASER	G = DIPLOMAT	T = NEW YORKER
C44 = LE BARON/GTS	H = VOYAGER	V = 600
D = ARIES	J = CARAVELLE	V24 = DAYTONA
D44 = LANCER	K = MINI VAN/CARAVAN/ROYAL	Z = OMNI/CHARGER

BODY STYLES

21 = 2-DOOR SEDAN	35 = FWD VAN	44 = 4-DOOR HATCHBACK
22 = 2-DOOR SPECIAL COUPE	36 = FWD WAGON	45 = 4-DOOR STATION WAGON
24 = 2-DOOR HATCHBACK	41 = 4-DOOR SEDAN	49 = LIMOUSINE
27 = 2-DOOR CONVERTIBLE		

AR = Use as Required - = Non Illustrated Part P.A.R. = Paint as Required

GROUP 3 - REAR AXLE

ILLUSTRATION TITLE

GROUP-FIG. NO.

REAR AXLE

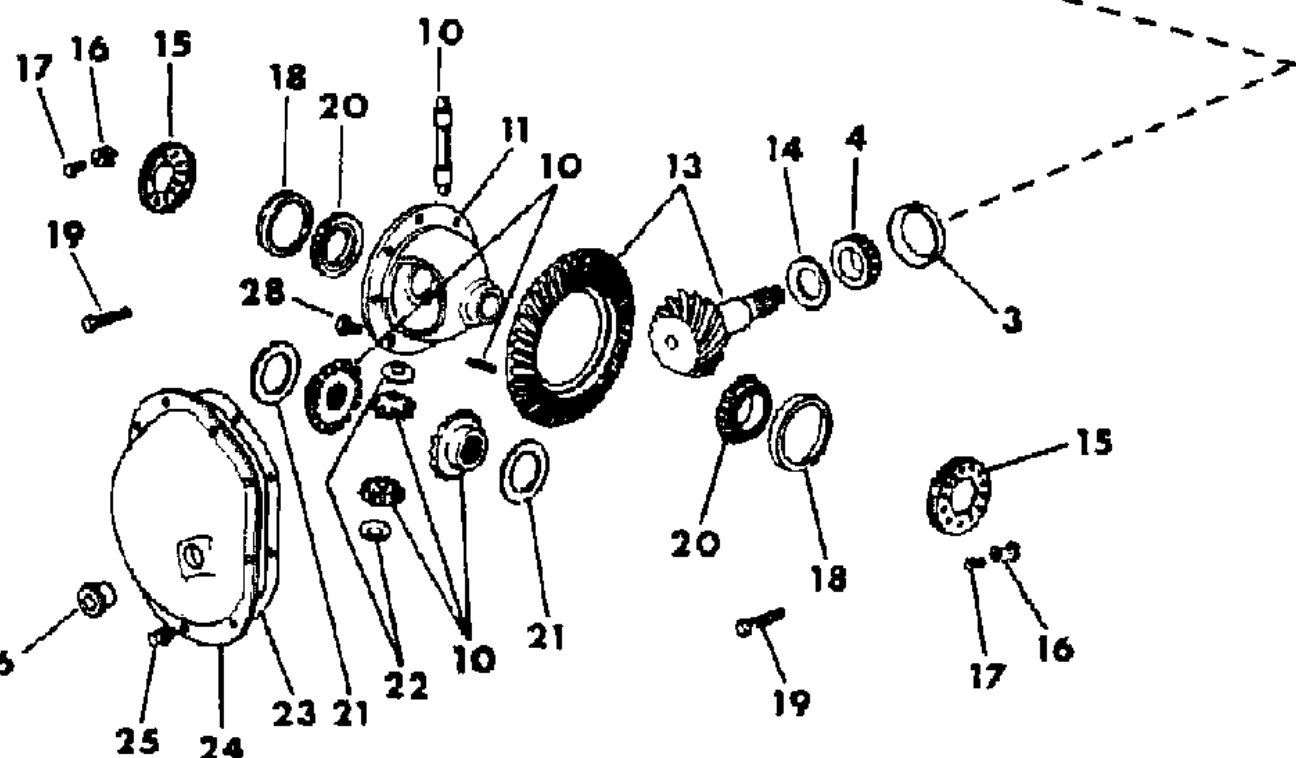
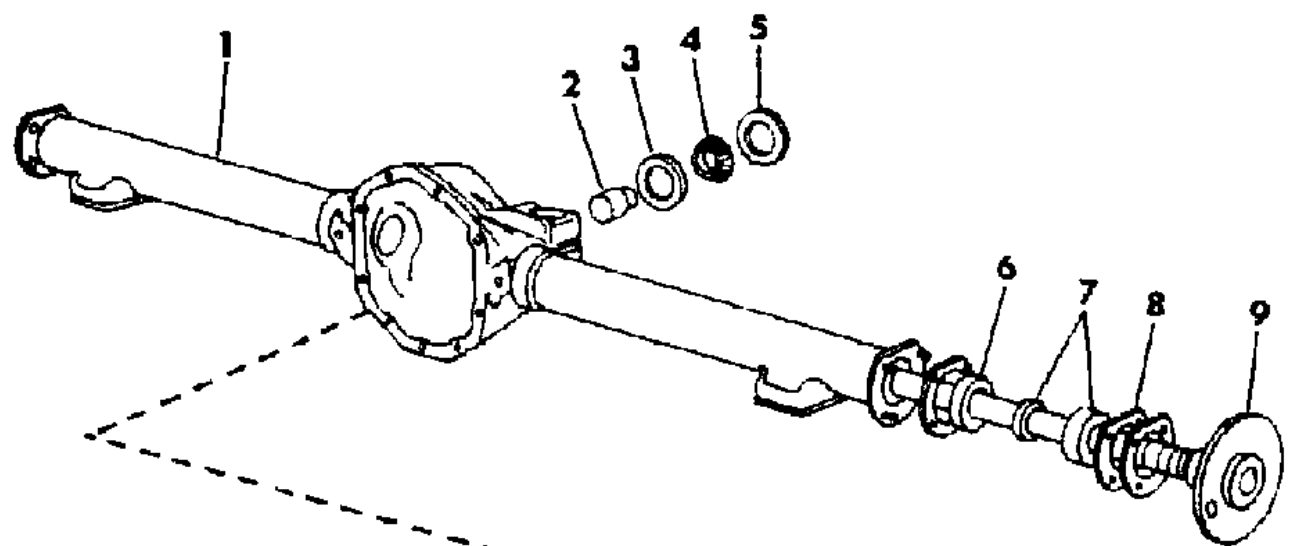
AXLE, REAR w/DIFFERENTIAL AND CARRIER - B,F,G 7-1/4" O.D. GEAR	Fig. 3-100
AXLE, REAR w/DIFFERENTIAL AND CARRIER - B,F,G 8-1/4" O.D. GEAR-1-5/8" DIA. STEM	Fig. 3-200

ILLUSTRATION NOT AVAILABLE AT TIME OF PUBLICATION

AXLE, REAR w/DIFFERENTIAL AND CARRIER - B,F,G 7-1/4" O.D. GEAR

Figure 3-100

5103 100



ITEM	PART NUMBER	QTY	BODY	MODEL	DESCRIPTION
					NOTE: Differential and Carriers have a metal tag bolted on them giving the ratio of the Rear Axle.
					NOTE: The 7-1/4" Dia. Gear Axle is only offered without Sure-Grip.
					NOTE: The 7-1/4" Dia. Gear Axle is only offered with 10" Brakes.
	4205 888	1			GEAR PACKAGE, Side Consists of: 2 - ---- --- Gear,Diff.Side 2 - ---- --- Pinion,Diff.Shaft 1 - ----- Shaft,Diff. Pinion 1 - 0152 229 Pin, Diff. Pinion Shaft Lock 1 - 4137026 Screw, Diff. Pinion Shaft Lock 2 - ----- Washer,Gear Thrust 1 - 4131292 Washer Pkg., Diff. Gear
	4186 969	1			GEAR and PINION PACKAGE, 2.26 To 1 (Stamp No. 4137027 Gear 4137033 Pinion) Consists of: 1 - ---- --- Gear,Set 1 - 3507 575 Spacer 1 - 2070 117 Washer,Flange 1 - 6028 041 Nut,Flange 1 - ---- --- Sheet,Instruction
	4137 614	1			DIFFERENTIAL, w/Carrier and Housing, 2.26 To 1 Ratio w/o Axle Shafts, 59.50 Track
1	4137 623	1			HOUSING, Axle w/Tubes, 2.26 Ratio
2	3507 575	1			SPACER, Collapsible Type, 31/64" Lgh.
3	2070 317	1			CUP, Axle Drive Pinion Brg., Front
	2070 319	1			Rear
4	2070 316	1			CONE w/Roller, Axle Drive Pinion, Front
	2931 817	1			SHIM, Axle Frt. Drive Pinion
	2070 318	1			Rear
5	2881 041	1			SEAL, Drive Pinion Frt. Oil (3-5/32" O.D.)
6	4137 426	2			SEAL, Drive Shaft Oil, Inner
7	3744 495	2			BEARING, ASSY. Axle Drive Shaft, 2-17/32 O.D.
8	3723 300	2			RETAINER, Drive Shaft Bearing
9	4137 621	2			SHAFT, Axle Drive, Rear (25 T)
10	4205 888	1			GEARS, PINIONS, SHAFT, WASHERS and PIN PACKAGE, Diff. Side, 2.26 Ratio
11	4137 013	1			CASE, Differential (Casting No. 4137014 2.26 To 1 Ratio)

MODEL CODES		
B = GRAN FURY	E = 600	M = HORIZON/TURISMO
C = LE BARON/TOWN & COUNTRY/LIMO	F = FIFTH AVENUE/NEWPORT	P = RELIANT
C24 = LASER	G = DIPLOMAT	T = NEW YORKER
C44 = LE BARON/GTS	H = VOYAGER	V = 600
D = ARIES	J = CARAVELLE	V24 = DAYTONA
D44 = LANCER	K = MINI VAN/CARAVAN/ROYAL	Z = OMNI/CHARGER

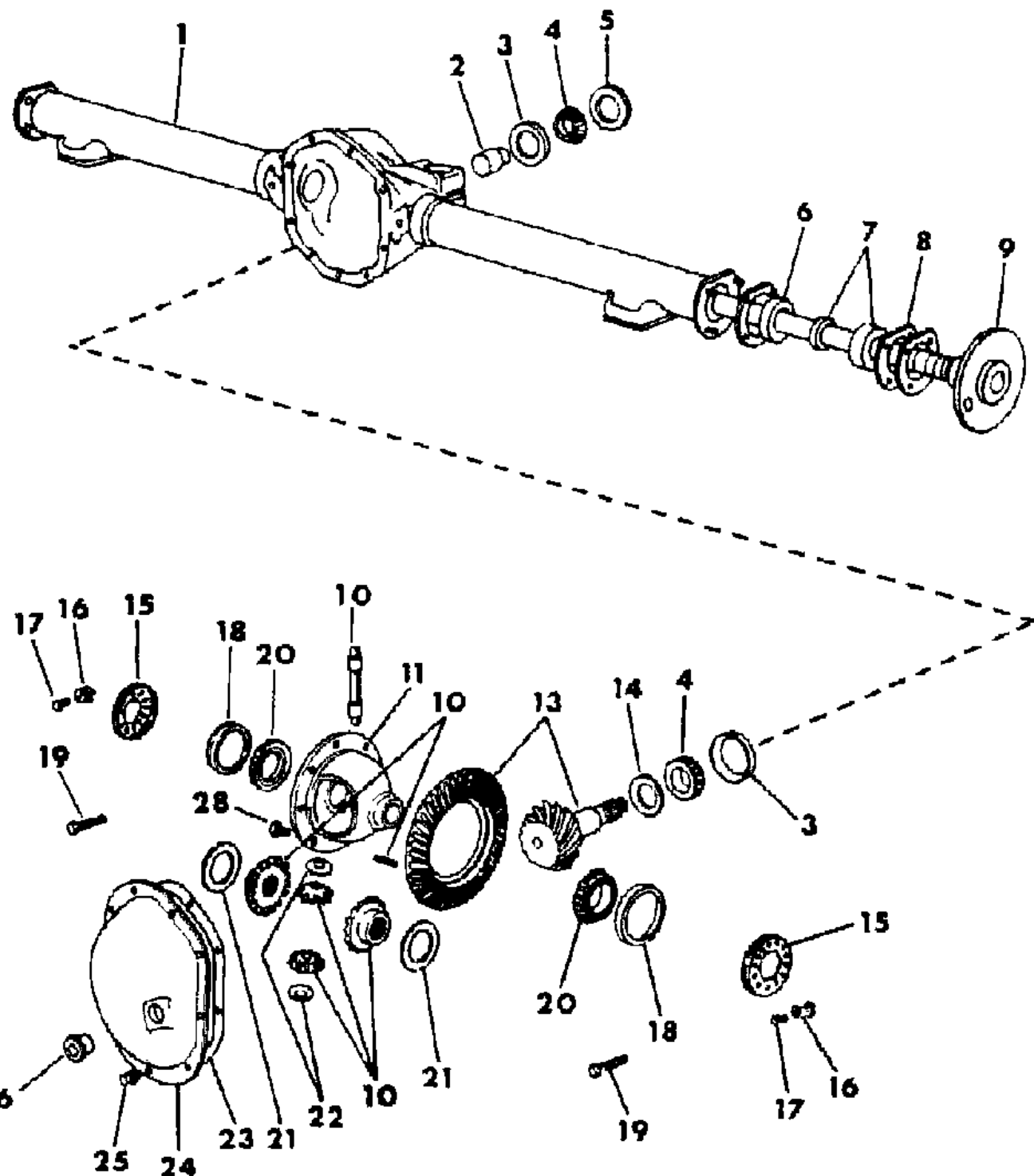
BODY STYLES		
21 = 2-DOOR SEDAN	35 = FWD VAN	44 = 4-DOOR HATCHBACK
22 = 2-DOOR SPECIAL COUPE	36 = FWD WAGON	45 = 4-DOOR STATION WAGON
24 = 2-DOOR HATCHBACK	41 = 4-DOOR SEDAN	49 = LIMOUSINE
27 = 2-DOOR CONVERTIBLE		

AR = Use as Required - = Non Illustrated Part P.A.R. = Paint as Required

AXLE, REAR w/DIFFERENTIAL AND CARRIER - B,F,G 7-1/4" O.D. GEAR

Figure 3-100

5103 100



ITEM	PART NUMBER	QTY	BODY	MODEL	DESCRIPTION
13	4186 969	1			GEAR and PINION PACKAGE, Axle, 2.26 Ratio
NOTE: Diff. Gear and Pinions are SERVICED by M ATCHED SET. THE SET NUMBER Must Be Ordered For Replacement Of Either The Gear Or Pinion.					
14	3723 020	AR			SHIM w/INSIDE TABS, Axle Drive Pinion Rr. Brg.,.020" Thk.
	3723 021	AR			.021" Thk.
	3723 022	AR			.022" Thk.
	3723 023	AR			.023" Thk.
	3723 024	AR			.024" Thk.
	3723 025	AR			.025" Thk.
	3723 026	AR			.026" Thk.
	3723 027	AR			.027" Thk.
	3723 028	AR			.028" Thk.
	3723 029	AR			.029" Thk.
	3723 030	AR			.030" Thk.
	3723 031	AR			.031" Thk.
	3723 032	AR			.032" Thk.
	3723 033	AR			.033" Thk.
	3723 034	AR			.034" Thk.
	3723 035	AR			.035" Thk.
	3723 036	AR			.036" Thk.
	3723 037	AR			.037" Thk.
	3723 038	AR			.038" Thk.
15	3507 876	2			ADJUSTER
16	3723 858	2			LOCK, Adjuster
17	6031 109	2			SCREW, Lock (1/4"-20 X 1/2")
	6023 092	2			5/16"-18 x 5/8"
18	1937 770	2			CUP, Diff. Brg. (2-57/64" O.D.)
19	3507 572	4			SCREW, Cap
20	1937 771	2			CONE w/ROLLERS, Diff. Bearing
21	4131 292	AR			WASHER PKG., Diff. Gear Thrust
					Consists Of:
					2 - Washer .031/.033
					2 - Washer .036/.038
					2 - Washer .041/.043
					2 - Washer .046/.048
22	4205 888	2			WASHER, Diff. Pinion
23					GASKET, Axle Carrier Cover (Use Adhesive Silicone)

MODEL CODES

B = GRAN FURY	E = 600	M = HORIZON/TURISMO
C = LE BARON/TOWN & COUNTRY/LIMO	F = FIFTH AVENUE/NEWPORT	P = RELIANT
C24 = LASER	G = DIPLOMAT	T = NEW YORKER
C44 = LE BARON/GTS	H = VOYAGER	V = 600
D = ARIES	J = CARAVELLE	V24 = DAYTONA
D44 = LANCER	K = MINI VAN/CARAVAN/ROYAL	Z = OMNI/CHARGER

BODY STYLES

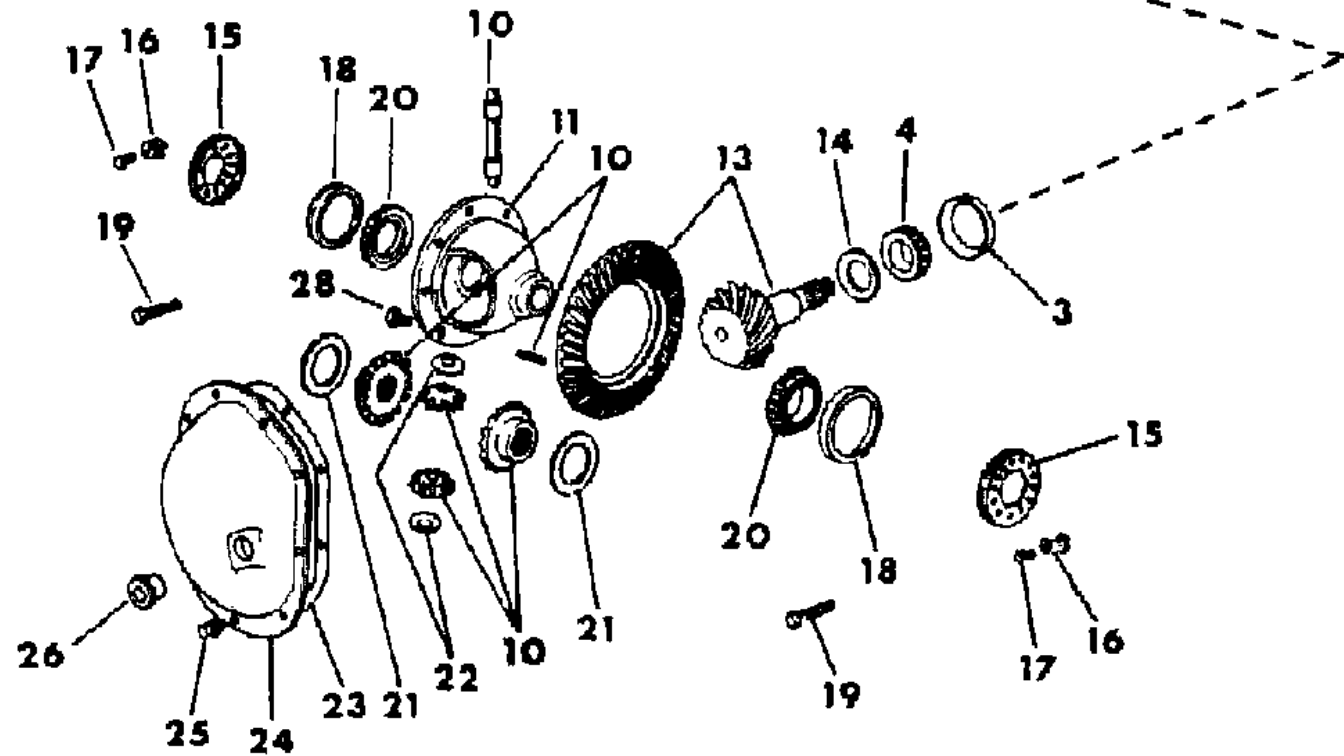
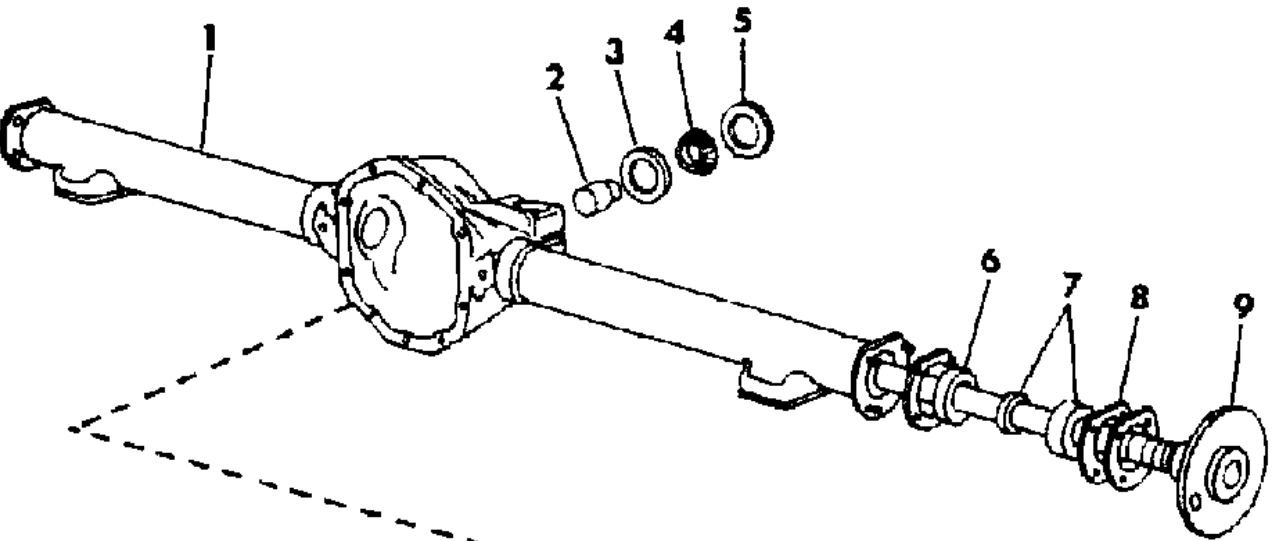
21 = 2-DOOR SEDAN	35 = FWD VAN	44 = 4-DOOR HATCHBACK
22 = 2-DOOR SPECIAL COUPE	36 = FWD WAGON	45 = 4-DOOR STATION WAGON
24 = 2-DOOR HATCHBACK	41 = 4-DOOR SEDAN	49 = LIMOUSINE
27 = 2-DOOR CONVERTIBLE		

AR = Use as Required - = Non Illustrated Part P.A.R. = Paint as Required

AXLE, REAR w/DIFFERENTIAL AND CARRIER - B,F,G 7-1/4" O.D. GEAR

Figure 3-100

5103 100



ITEM	PART NUMBER	QTY	BODY	MODEL	DESCRIPTION
24	4186 968	1			COVER w/RUBBER PLUG, Axle Carrier, 2.26 Ratio
25	6032 511	10			SCREW, Cover
26	3723 687	1			PLUG, Axle Carrier Cover Filler (Rubber)
28	4131 255	1			SCREW-PKG., Drive Gear, 3/8-24, w/Shoulder (Contains 10 Screws)
29	4137 026	1			SCREW, Diff. Pinion Shaft Lock, 2.26 Ratio
	2852 883	2			LOCK, Rr. Axle Drive Shaft (Not Ill.)

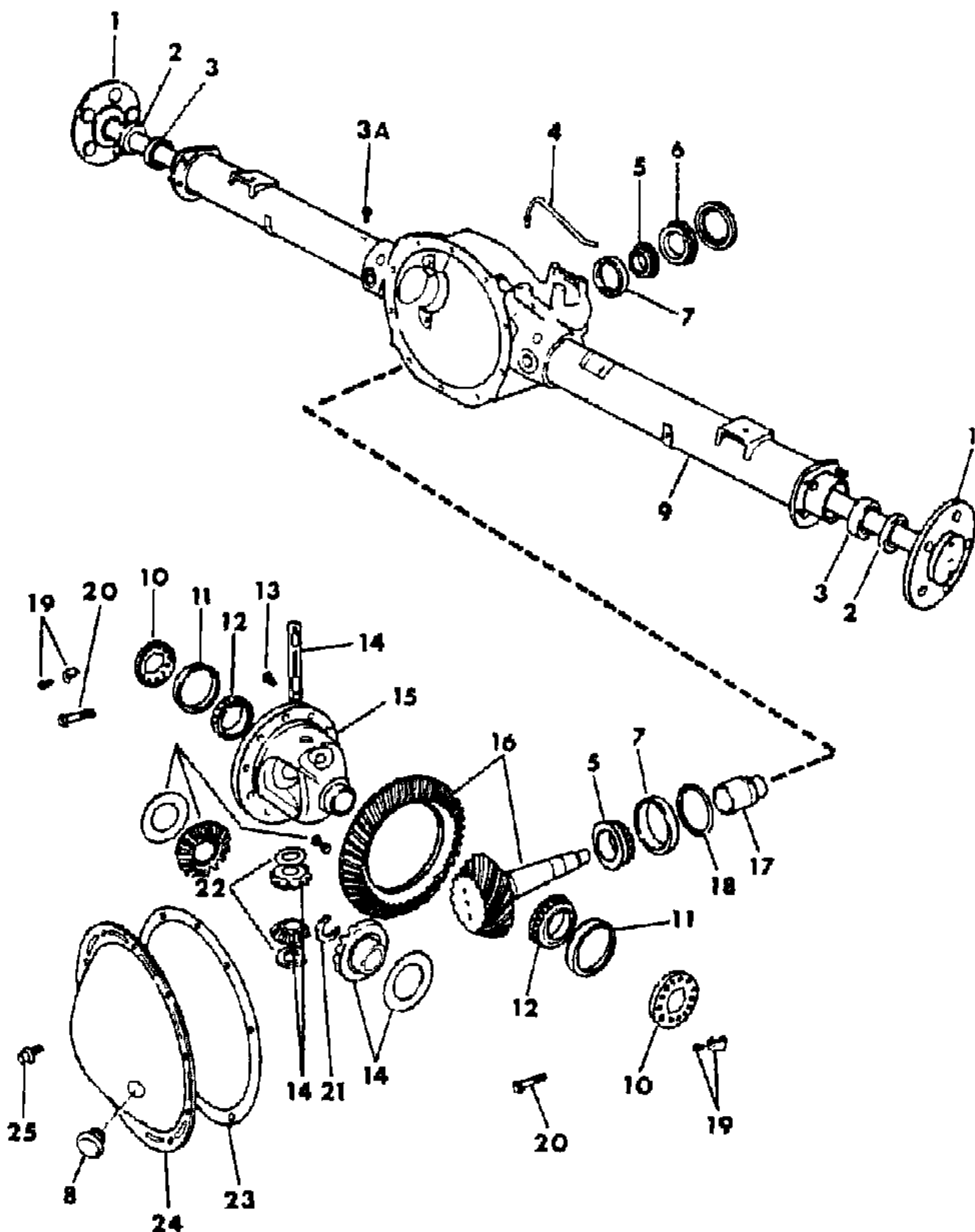
MODEL CODES
 B = GRAN FURY
 C = LE BARON/TOWN & COUNTRY/LIMO
 C24 = LASER
 C44 = LE BARON/GTS
 D = ARIES
 D44 = LANCER
 E = 600
 F = FIFTH AVENUE/NEWPORT
 G = DIPLOMAT
 H = VOYAGER
 J = CARAVELLE
 K = MINI VAN/CARAVAN/ROYAL
 M = HORIZON/TURISMO
 P = RELIANT
 T = NEW YORKER
 V = 600
 V24 = DAYTONA
 Z = OMNI/CHARGER

BODY STYLES
 21 = 2-DOOR SEDAN
 22 = 2-DOOR SPECIAL COUPE
 24 = 2-DOOR HATCHBACK
 27 = 2-DOOR CONVERTIBLE
 35 = FWD VAN
 36 = FWD WAGON
 41 = 4-DOOR SEDAN
 44 = 4-DOOR HATCHBACK
 45 = 4-DOOR STATION WAGON
 49 = LIMOUSINE

AR = Use as Required - = Non Illustrated Part P.A.R. = Paint as Required

AXLE, REAR w/DIFFERENTIAL AND CARRIER - B,F,G 8-1/4" O.D. GEAR-1-5/8" DIA. STEM
Figure 3-200

5103 200



ITEM	PART NUMBER	QTY	BODY	MODEL	DESCRIPTION
NOTE: The 8-1/4" Dia. gear axle has a 1-5/8" Dia. pinion shaft and carrier part number 3723598 or 3723599 embossed on it. It has a separate cover. ATCHED SET. THE SET NUMBER Must Be Ordered For Replacement Of Either The Gear Or Pinion.					
NOTE: Differential and carriers have a metal tag bolted on them giving the ratio of the rear axle. ATCHED SET. THE SET NUMBER Must Be Ordered For Replacement Of Either The Gear Or Pinion.					
	4186 957	1			GEAR and PINION PACKAGE, Axle Drive, 2.24/2.26 Ratio
	3837 581	1			2.93/ 2.94 Ratio Consists of: 1 - ---- --- Gear Set 1 - 2800484 Cone,Rr. 1 - 2800485 Cup,Rr. 1 - 3507575 Spacer,Brg. Adj. 1 - 2070316 Cone,Frt. 1 - 2070317 Cup,Frt.
	4176 754	1			1 - 2881041 Seal,Dr. Pinion Frt. Brg. 1 - 4131255 Screw Pkg., Dr. Gear GEAR PACKAGE, Axle Side Consists of: 2 - ---- --- Gear,Side 1 - 4131293 Washer Pkg., Diff. Gear Thrust 2 - ---- --- Pinion,Diff. 2 - 2852912 Washer,Pinion Thrust 1 - 2852913 Shaft 1 - 3507724 Screw,Lock
	3723 947	1			DIFFERENTIAL, w/Carrier and Housing,2.24 To 1 Ratio w/o Sure-Grip w/o Axle Shafts 59.50 Track
	3723 948	1			2.24 To 1 Ratio w/Sure Grip w/o Axle Shafts 59.50 Track
	3723 987	1			2.94 to 1 Ratio, w/o Sure-Grip, 59.50 Track
	3723 986	1			2.94 to 1 Ratio, w/Sure-Grip, 59.50 Track
	3723 690	1			DIFFERENTIAL, Partial, w/Sure-Grip, 2.94 To 1 Ratio
	3723 472	1			w/Sure Grip, 2.24 To 1 Ratio
NOTE: The Cone And Spring Type Sure-Grip Diff.,And Internal Parts Are Serviced As An Assy. Only. ATCHED SET. THE SET NUMBER Must Be Ordered For Replacement Of Either The Gear Or Pinion.					
1	3723 982	2			SHAFT, Axle Drive (27 T)
2	4137 426	2			OIL SEAL, Drive Shaft
3	3744 495	2			BEARING ASSEMBLY, Axle Drive Shaft, 2-17/32" O.D.
3A		1			SCREW, Brake Tube Tee Vent
4	3723 966	1			VENT, Axle Tube, Rear

MODEL CODES

B = GRAN FURY	E = 600	M = HORIZON/TURISMO
C = LE BARON/TOWN & COUNTRY/LIMO	F = FIFTH AVENUE/NEWPORT	P = RELIANT
C24 = LASER	G = DIPLOMAT	T = NEW YORKER
C44 = LE BARON/GTS	H = VOYAGER	V = 600
D = ARIES	J = CARAVELLE	V24 = DAYTONA
D44 = LANCER	K = MINI VAN/CARAVAN/ROYAL	Z = OMNI/CHARGER

BODY STYLES

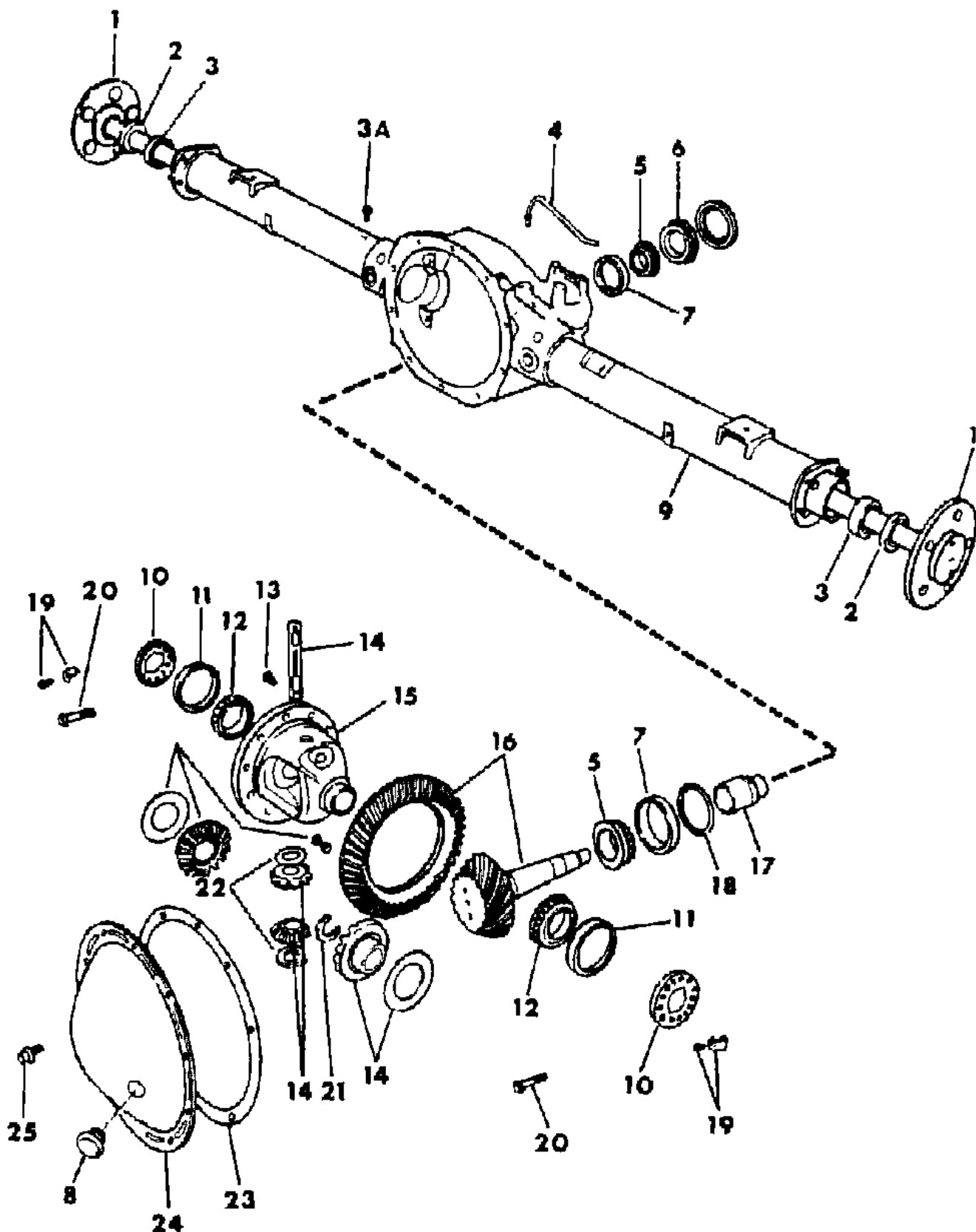
21 = 2-DOOR SEDAN	35 = FWD VAN	44 = 4-DOOR HATCHBACK
22 = 2-DOOR SPECIAL COUPE	36 = FWD WAGON	45 = 4-DOOR STATION WAGON
24 = 2-DOOR HATCHBACK	41 = 4-DOOR SEDAN	49 = LIMOUSINE
27 = 2-DOOR CONVERTIBLE		

AR = Use as Required - = Non Illustrated Part P.A.R. = Paint as Required

AXLE, REAR w/DIFFERENTIAL AND CARRIER - B,F,G 8-1/4" O.D. GEAR-1-5/8" DIA. STEM

Figure 3-200

5103 200



ITEM	PART NUMBER	QTY	BODY	MODEL	DESCRIPTION
5	2070 316	1			CONE w/ROLLERS, Axle Drive Pinion, Front
	2931 817	1			SHIM, Axle, Bearing Adjuster, Front
	2800 484	1			Rear
6	2881 041	1			OIL SEAL, Drive Pinion, 3-5/32" O.D.
7	2070 317	1			CUP, Brg. Axle Drive Pinion, Front
	2800 485	1			Rear
8	3723 687	1			PLUG, Axle Carrier Filler, Rubber
9	3723 967	1			HOUSING, Axle Drive Pinion
10	3507 876	2			ADJUSTER, Diff. Bearing
11	3723 569	2			CUP, Diff. Bearing
12	1790 541	2			CONE w/ROLLERS, Diff. Bearing
13	4131 255	1			SCREW-PKG., Gear Drive (Contains 10 Screws)
14	4176 754	1			GEAR, Pkg., Axle Diff. Side
	3507 724	1			SCREW, Diff. Pinion Shaft Lock
15	2881 423	1			CASE, Diff., 2.94 To 1 Ratio w/o Sure-Grip
	3432 435	1			2.24/2.26/ To 1 Ratio, w/o Sure-Grip
	4131 293	1			WASHER PACKAGE, Gear Thrust
16					GEAR and PINION PACKAGE, Axle Drive
	3837 581	1			2.93/2.94 to 1 Ratio, Incl. 2852933 Gear and 3507914 Pinion
	4186 957	1			2.24/2.26 to 1 Ratio
	4131 255	10			SCREW, Drive Gear
NOTE: Differential Gear and Pinion are serviced by MATCHED SET numbers only. The SET NUMBER must be ordered for replacement of either Gear or Pinion. Gear and Pinion numbers stamped on the item may be used to confirm the correct					
17	3507 575	1			SPACER
18	3723 620	1			SHIM, Drive Pinion Rr. Brg., .020" Thk.
	3723 621	1			.021" Thk.
	3723 623	1			.023" Thk.
	3723 625	1			.025" Thk.
	3723 627	1			.027" Thk.
	3723 628	1			.028" Thk.
	3723 629	1			.029" Thk.
	3723 630	1			.030" Thk.
	3723 631	1			.031" Thk.
	3723 633	1			.033" Thk.
	3723 635	1			.035" Thk.
	3723 637	1			.037" Thk.
19	3723 859	2			LOCK, Adjuster

MODEL CODES

B = GRAN FURY	E = 600	M = HORIZON/TURISMO
C = LE BARON/TOWN & COUNTRY/LIMO	F = FIFTH AVENUE/NEWPORT	P = RELIANT
C24 = LASER	G = DIPLOMAT	T = NEW YORKER
C44 = LE BARON/GTS	H = VOYAGER	V = 600
D = ARIES	J = CARAVELLE	V24 = DAYTONA
D44 = LANCER	K = MINI VAN/CARAVAN/ROYAL	Z = OMNI/CHARGER

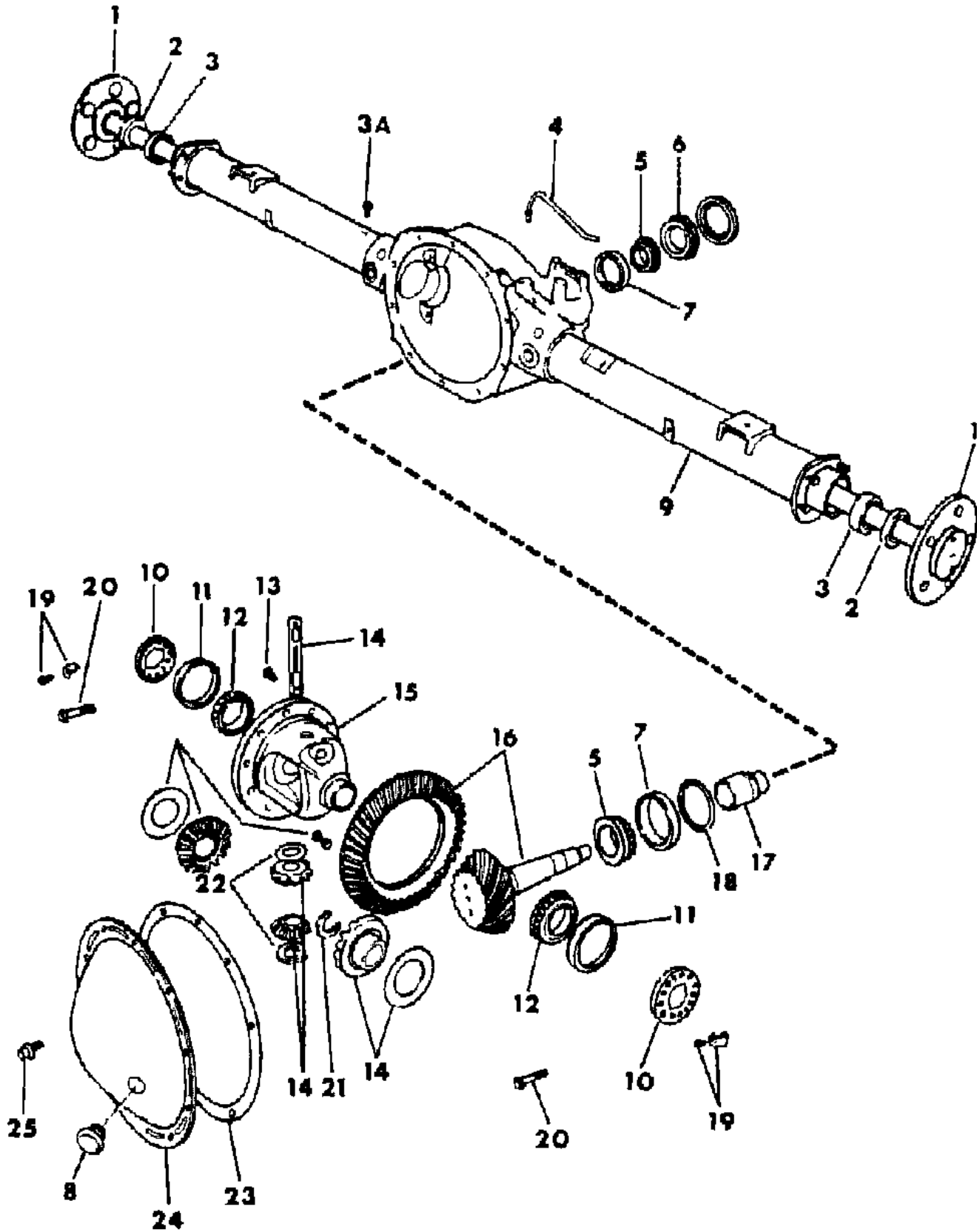
BODY STYLES

21 = 2-DOOR SEDAN	35 = FWD VAN	44 = 4-DOOR HATCHBACK
22 = 2-DOOR SPECIAL COUPE	36 = FWD WAGON	45 = 4-DOOR STATION WAGON
24 = 2-DOOR HATCHBACK	41 = 4-DOOR SEDAN	49 = LIMOUSINE
27 = 2-DOOR CONVERTIBLE		

AR = Use as Required - = Non Illustrated Part P.A.R. = Paint as Required

AXLE, REAR w/DIFFERENTIAL AND CARRIER - B,F,G 8-1/4" O.D. GEAR-1-5/8" DIA. STEM
Figure 3-200

5103 200



ITEM	PART NUMBER	QTY	BODY	MODEL	DESCRIPTION
	6031 109	2			SCREW, Lock (1/4"-20 X 1/2")
	6023 092	2			5/16"-18 x 5/8"
20	3432 695	4			SCREW, Cap
21	2852 883	2			LOCK, Drive Shaft
22	2852 912	2			WASHER, Drive Pinion Thrust
23					GASKET, Axle Carrier Cover Use (Silicone Adhesive)
24	4049 689	1			COVER w/RUBBER PLUG, Axle Carrier
25	6032 511	10			SCREW, Cover

MODEL CODES

B = GRAN FURY	E = 600	M = HORIZON/TURISMO
C = LE BARON/TOWN & COUNTRY/LIMO	F = FIFTH AVENUE/NEWPORT	P = RELIANT
C24 = LASER	G = DIPLOMAT	T = NEW YORKER
C44 = LE BARON/GTS	H = VOYAGER	V = 600
D = ARIES	J = CARAVELLE	V24 = DAYTONA
D44 = LANCER	K = MINI VAN/CARAVAN/ROYAL	Z = OMNI/CHARGER

BODY STYLES

21 = 2-DOOR SEDAN	35 = FWD VAN	44 = 4-DOOR HATCHBACK
22 = 2-DOOR SPECIAL COUPE	36 = FWD WAGON	45 = 4-DOOR STATION WAGON
24 = 2-DOOR HATCHBACK	41 = 4-DOOR SEDAN	49 = LIMOUSINE
27 = 2-DOOR CONVERTIBLE		

AR = Use as Required - = Non Illustrated Part P.A.R. = Paint as Required

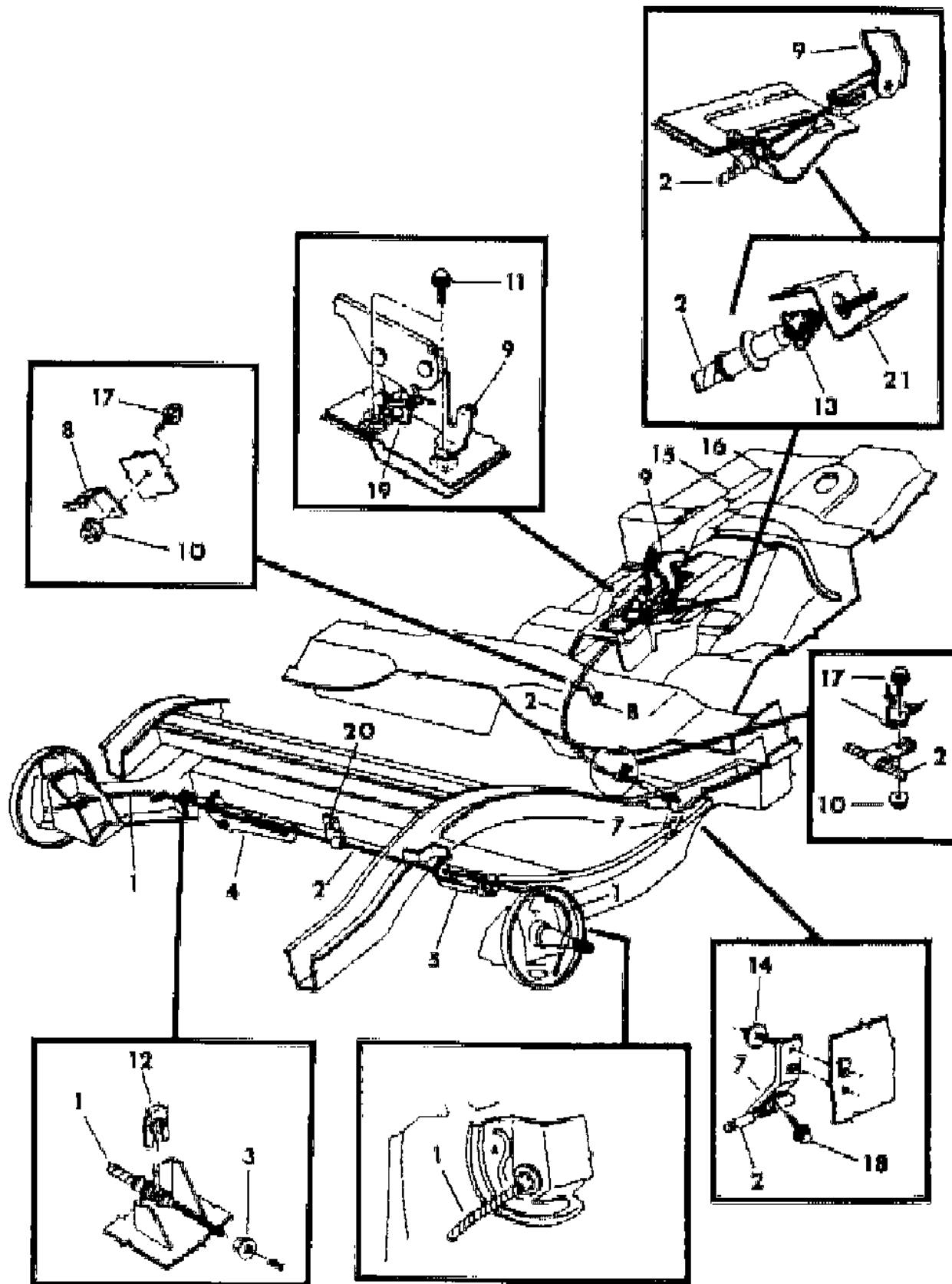
GROUP 4 - BRAKES, PARKING

ILLUSTRATION TITLE	GROUP-FIG. NO.
LEVER and CABLE, PARKING BRAKE M,Z-24,44	Fig. 4-100
LEVER, PARKING BRAKE P,D,C,V,J,E,T	Fig. 4-200
LEVER, PARKING BRAKE D,C-44	Fig. 4-300
CABLES, PARKING BRAKE P,D,C,V,J,E,T	Fig. 4-400
LEVER, PARKING BRAKE H,K	Fig. 4-500
CABLES, PARKING BRAKE H,K	Fig. 4-600
LEVER, PARKING BRAKE B,F,G	Fig. 4-700
CABLES, PARKING BRAKE B,F,G	Fig. 4-800

ILLUSTRATION NOT AVAILABLE AT TIME OF PUBLICATION

LEVER and CABLE, PARKING BRAKE M,Z-24,44
Figure 4-100

5104 1007



ITEM	PART NUMBER	QTY	BODY	MODEL	DESCRIPTION
1	4294 412	2	All		CABLE, Rear
2	5204 111	1	44		CABLE, Frt.
	5204 120	1	24		CABLE, Frt.
3	6030 607	1	All		NUT, Cable Adjusting Conn.
4	3575 604	1	All		CONNECTOR, Cable Adj.
5	3575 605	1	All		CONNECTOR, Frt. Cable To Rear Cable
7	4294 155	1	All		BRACKET, Cable Side Rail
	4294 256	1	All		BRACKET, Cable Side Rail Frt.
8	5204 122	1	All		CLIP, Cable Tunnel Frt.
	4294 255	1	All		CLIP, Cable Tunnel Side Rail Frt.
9	5211 931	1	All		LEVER, Parking Brake
10	0219 462	2	All		NUT, Frt. Cable Screw
11	6500 187	2	All		SCREW,w/WASHER, Park Brake Mtg.
12	2201 467	2	All		CLIP, Rear Cable
13	3467 924	1	All		RETAINER, Cable Frt.
14	6500 187	2	All		SCREW,w/WASHER, Park Brake Mtg.
15	5211 929	1	All		GRIP, Handle
16	4186 991	1	All		BUTTON REPAIR PKG.
17	0181 063	2	All		SCREW, Cable Clip
18	6100 583	1	All		SCREW, Frt., Cable Rail Brkt. (Not Serv.)
19	5209 922	1	All		SWITCH, Park Brake Lever
20	5204 125	1	All		BRACKET, Cable To Rr. C/Member
21	4294 155	1	All		BRACKET, Frt. Cable Rr. Side Rail

MODEL CODES

B = GRAN FURY	E = 600	M = HORIZON/TURISMO
C = LE BARON/TOWN & COUNTRY/LIMO	F = FIFTH AVENUE/NEWPORT	P = RELIANT
C24 = LASER	G = DIPLOMAT	T = NEW YORKER
C44 = LE BARON/GTS	H = VOYAGER	V = 600
D = ARIES	J = CARAVELLE	V24 = DAYTONA
D44 = LANCER	K = MINI VAN/CARAVAN/ROYAL	Z = OMNI/CHARGER

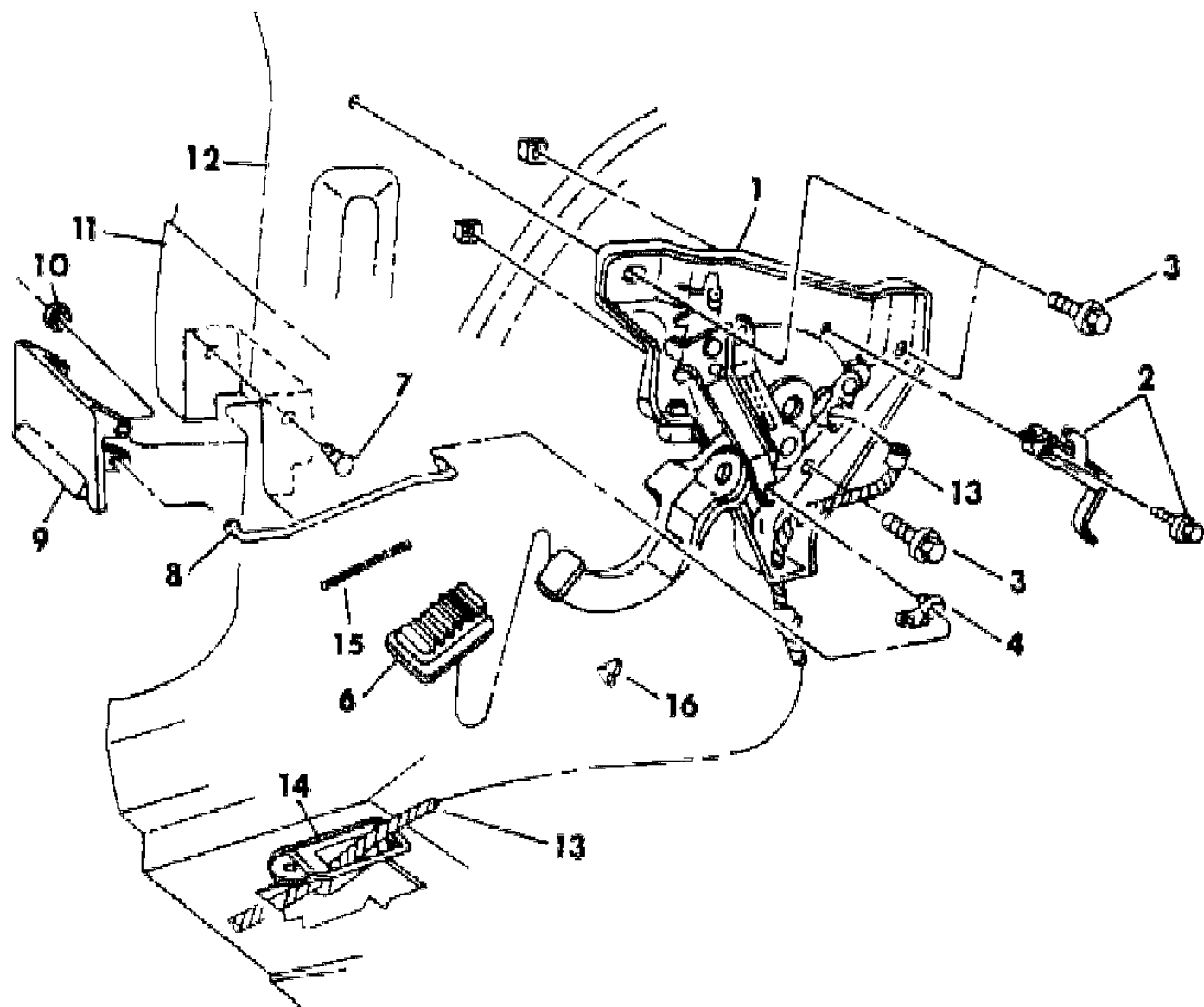
BODY STYLES

21 = 2-DOOR SEDAN	35 = FWD VAN	44 = 4-DOOR HATCHBACK
22 = 2-DOOR SPECIAL COUPE	36 = FWD WAGON	45 = 4-DOOR STATION WAGON
24 = 2-DOOR HATCHBACK	41 = 4-DOOR SEDAN	49 = LIMOUSINE
27 = 2-DOOR CONVERTIBLE		

AR = Use as Required - = Non Illustrated Part P.A.R. = Paint as Required

LEVER, PARKING BRAKE P,D,C,V,J,E,T
Figure 4-200

5104 200



ITEM	PART NUMBER	QTY	BODY	MODEL	DESCRIPTION
1	3880 426	1		All	LEVER, Park Brake
2	3747 327	1		All	SWITCH, Lever Release
3	6100 584	3		All	SCREW, w/WASHER
4	3454 220	1		All	CLIP, Lever Rel.Rod
6	4019 175	1		All	PAD, Lever
7	4019 174	1		All	PIN, Pivot Rel.Handle
8	4019 172	1		All	ROD, Rel.
	3880 188	1		C,V-24	ROD, Rel.
9	F296 BT8	1		All	Handle, Dk.Tan
	F296 VM6	1		All	Red
	F296 AC7	1		All	Dk.Blue
	F296 AA7	1		All	Dk.Silver
	P407 CX9	1		C,V-24	Black
10	6031 147	1		All	CLIP, Rel. Handle Pivot Pin
11					INST.Panel (Ref.Only)
12					COWL SIDE (Ref.Only)
13	3766 435	1		All	CABLE, Front
14					GROMMET (Ref.Only)
15	4205 997	1		All	SPRING PKG. Rel. Rod Retianer
16	#4019 355	1		All	BUMPER PKG., Park Brake Lever ***

MODEL CODES

B = GRAN FURY	E = 600	M = HORIZON/TURISMO
C = LE BARON/TOWN & COUNTRY/LIMO	F = FIFTH AVENUE/NEWPORT	P = RELIANT
C24 = LASER	G = DIPLOMAT	T = NEW YORKER
C44 = LE BARON/GTS	H = VOYAGER	V = 600
D = ARIES	J = CARAVELLE	V24 = DAYTONA
D44 = LANCER	K = MINI VAN/CARAVAN/ROYAL	Z = OMNI/CHARGER

BODY STYLES

21 = 2-DOOR SEDAN	35 = FWD VAN	44 = 4-DOOR HATCHBACK
22 = 2-DOOR SPECIAL COUPE	36 = FWD WAGON	45 = 4-DOOR STATION WAGON
24 = 2-DOOR HATCHBACK	41 = 4-DOOR SEDAN	49 = LIMOUSINE
27 = 2-DOOR CONVERTIBLE		

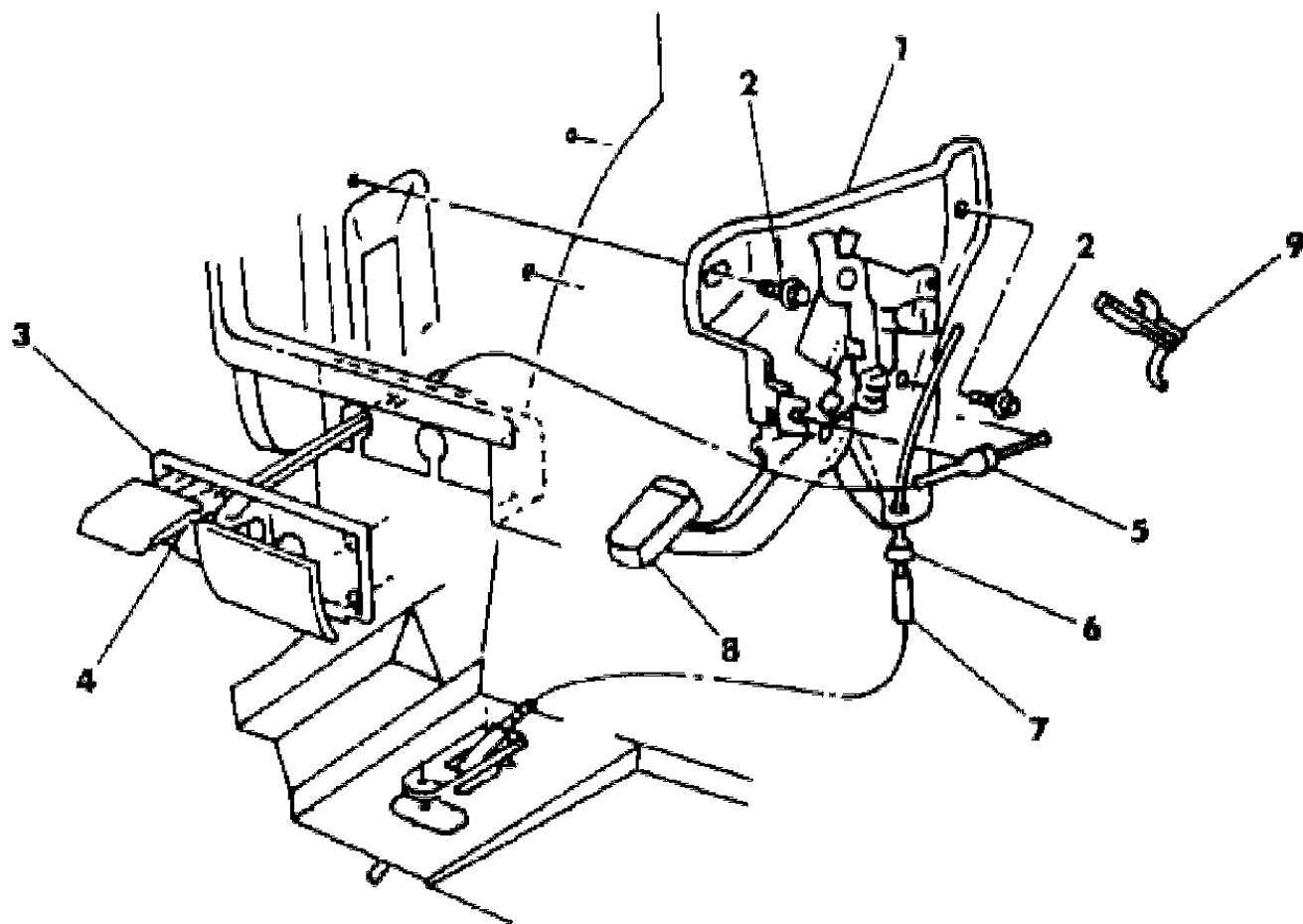
AR = Use as Required - = Non Illustrated Part P.A.R. = Paint as Required

LEVER, PARKING BRAKE D,C-44

Figure 4-300

5104 300

ITEM	PART NUMBER	QTY	BODY	MODEL	DESCRIPTION
1	4294 136	1			LEVER
2	6100 584	3			SCREW,w/Washer
3	P400 DX9	1			HANDLE, Brake Release (BLACK)
	P400 DM6	1			HANDLE, Brake Release (RED)
	P400 DS8	1			HANDLE, Brake Release (BROWN)
	P400 DT5	1			HANDLE, Brake Release (TAN)
4	4294 089	1			PIN, Handle Pivot
5	4294 090	1			CABLE, Handle Release
6	3467 939	1			RETIANER, Cable
7	3766 435	1			CABLE, Frt.
8	4019 175	1			PAD
9	3747 327	1			SWITCH



MODEL CODES

B = GRAN FURY	E = 600	M = HORIZON/TURISMO
C = LE BARON/TOWN & COUNTRY/LIMO	F = FIFTH AVENUE/NEWPORT	P = RELIANT
C24 = LASER	G = DIPLOMAT	T = NEW YORKER
C44 = LE BARON/GTS	H = VOYAGER	V = 600
D = ARIES	J = CARAVELLE	V24 = DAYTONA
D44 = LANCER	K = MINI VAN/CARAVAN/ROYAL	Z = OMNI/CHARGER

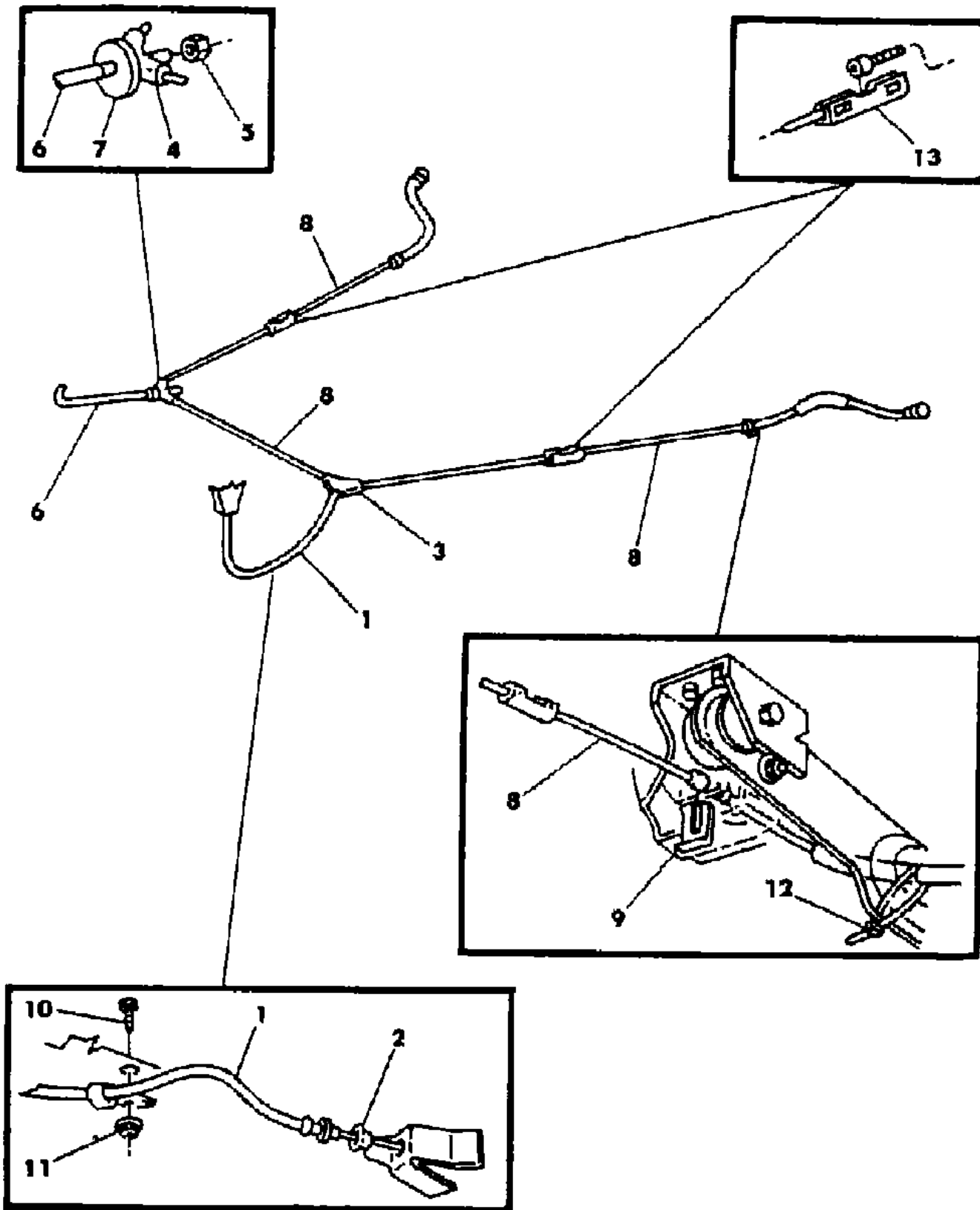
BODY STYLES

21 = 2-DOOR SEDAN	35 = FWD VAN	44 = 4-DOOR HATCHBACK
22 = 2-DOOR SPECIAL COUPE	36 = FWD WAGON	45 = 4-DOOR STATION WAGON
24 = 2-DOOR HATCHBACK	41 = 4-DOOR SEDAN	49 = LIMOUSINE
27 = 2-DOOR CONVERTIBLE		

AR = Use as Required - = Non Illustrated Part P.A.R. = Paint as Required

CABLES, PARKING BRAKE P,D,C,V,J,E,T
Figure 4-400

5104 400



ITEM	PART NUMBER	QTY	BODY	MODEL	DESCRIPTION
1	3766 435	1			CABLE, Frt.
	3880 349	1		C,V-24	CABLE, Frt.
2	3467 939	2			RETIANER
3	3575 593	1			CONNECTOR
4	3467 901	1			EQUALIZER
5	6030 607	1			NUT
6	3766 379	1			HOOK
7	3880 022	1			CUSHION
8	4318 708	1	P,D,C,V		CABLE PKG. w/200mm Brks. (69" Long) (D) ***
	4294 172	1	C,D-44		CABLE Frt. w/200mm Brks. ***
	4318 708	1	C,D-44		CABLE RR. w/200mm Brks. (69" Long) (D) ***
	4318 707	1	C,V-24		CABLE PKG. w/220mm Brks. (77" Long) (D) ***
	4318 709	1	P,D,C,V		CABLE PKG. w/220mm Brks. (95" Long) (D) ***
	4364 789	1	J,E,T		CABLE PKG. w/220mm Brks. (102" Long) (D) ***
	4339 719	1	C-48		CABLE PKG. w/220mm Brks.
	4339 999	1	C-49		CABLE PKG. w/220mm Brks.
	4294 276	1	C,V-24		CABLE RR. w/Rear Disc Brks.(BKR)
9	2201 467	2			CLIP
10	0181 063	2			SCREW
11	0219 462	2			NUT
12	6015 756	2	J,E,T		TIE STRAP
13	3766 234	2			CONNECTOR

MODEL CODES

B = GRAN FURY	E = 600	M = HORIZON/TURISMO
C = LE BARON/TOWN & COUNTRY/LIMO	F = FIFTH AVENUE/NEWPORT	P = RELIANT
C24 = LASER	G = DIPLOMAT	T = NEW YORKER
C44 = LE BARON/GTS	H = VOYAGER	V = 600
D = ARIES	J = CARAVELLE	V24 = DAYTONA
D44 = LANCER	K = MINI VAN/CARAVAN/ROYAL	Z = OMNI/CHARGER

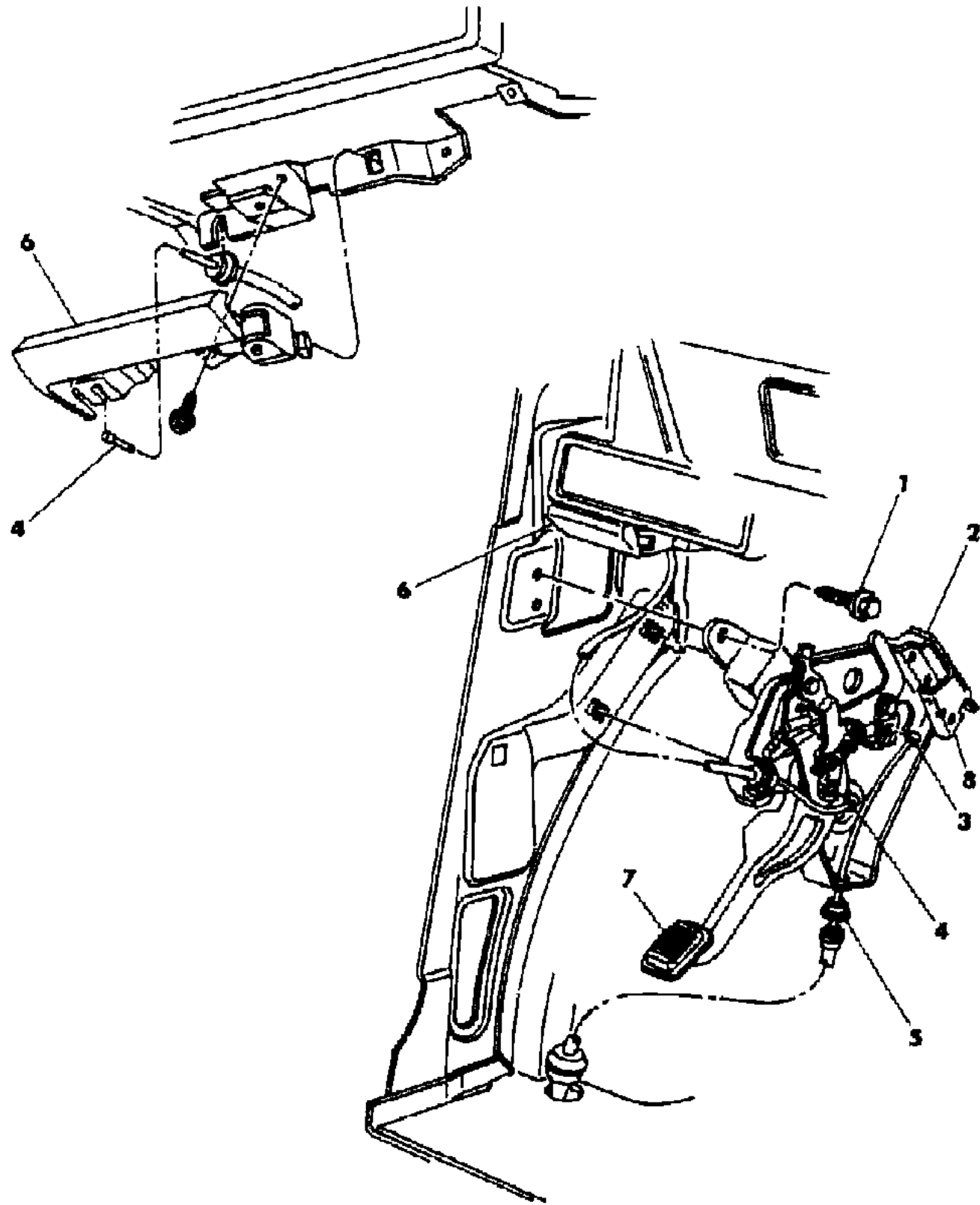
BODY STYLES

21 = 2-DOOR SEDAN	35 = FWD VAN	44 = 4-DOOR HATCHBACK
22 = 2-DOOR SPECIAL COUPE	36 = FWD WAGON	45 = 4-DOOR STATION WAGON
24 = 2-DOOR HATCHBACK	41 = 4-DOOR SEDAN	49 = LIMOUSINE
27 = 2-DOOR CONVERTIBLE		

AR = Use as Required - = Non Illustrated Part P.A.R. = Paint as Required

LEVER, PARKING BRAKE H,K
Figure 4-500

5104 500



ITEM	PART NUMBER	QTY	BODY	MODEL	DESCRIPTION
1	6100 584	3			SCREW w/Washer
2	4294 454	1			LEVER
3	4294 455	1			CABLE, Frt.
4	4294 026	1			CABLE, Release
5	3467 939	1			RETAINER
6	3880 434	1			HANDLE
7	4019 175	1			PAD
8	3747 327	1			SWITCH

MODEL CODES

B = GRAN FURY	E = 600	M = HORIZON/TURISMO
C = LE BARON/TOWN & COUNTRY/LIMO	F = FIFTH AVENUE/NEWPORT	P = RELIANT
C24 = LASER	G = DIPLOMAT	T = NEW YORKER
C44 = LE BARON/GTS	H = VOYAGER	V = 600
D = ARIES	J = CARAVELLE	V24 = DAYTONA
D44 = LANCER	K = MINI VAN/CARAVAN/ROYAL	Z = OMNI/CHARGER

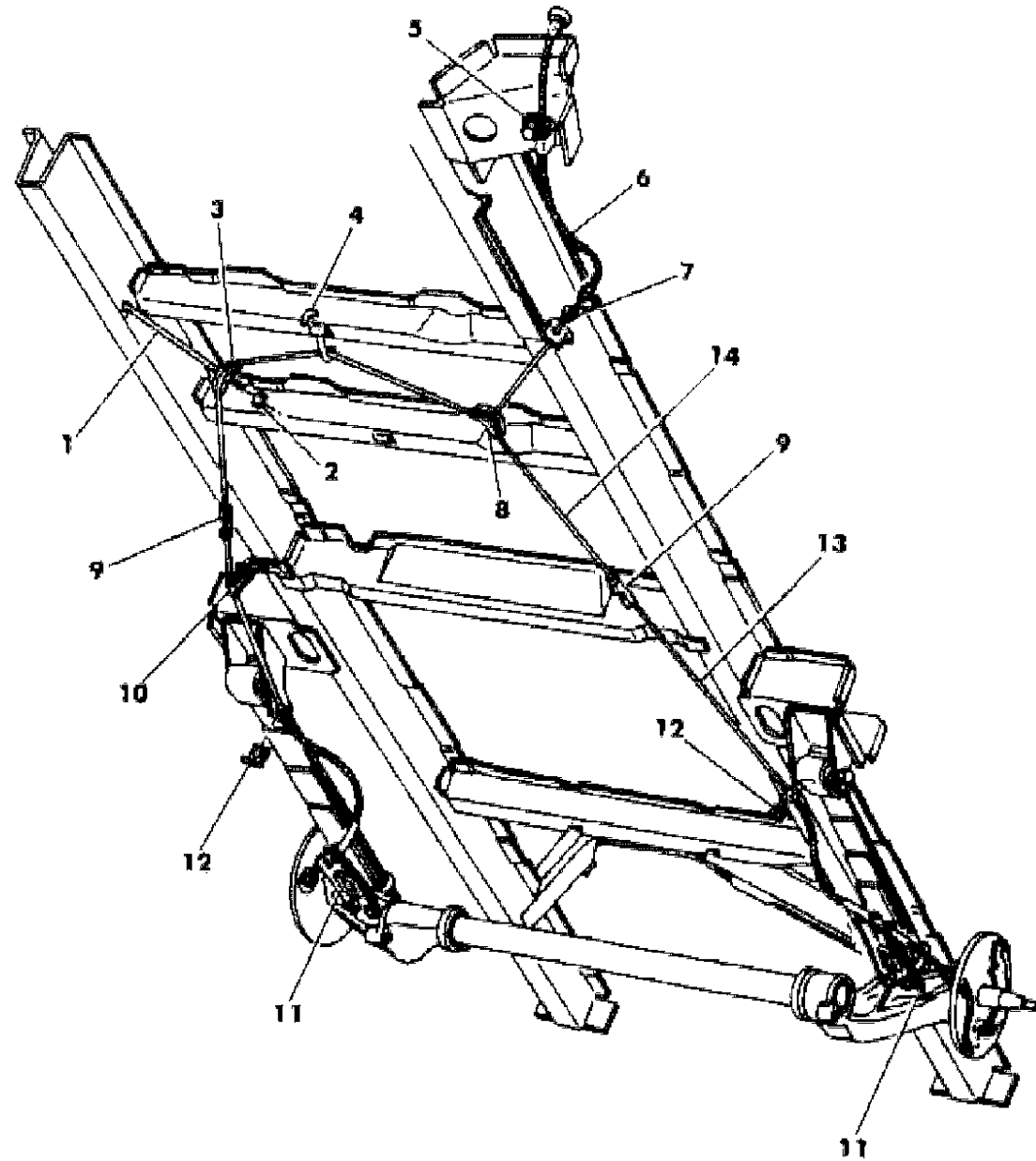
BODY STYLES

21 = 2-DOOR SEDAN	35 = FWD VAN	44 = 4-DOOR HATCHBACK
22 = 2-DOOR SPECIAL COUPE	36 = FWD WAGON	45 = 4-DOOR STATION WAGON
24 = 2-DOOR HATCHBACK	41 = 4-DOOR SEDAN	49 = LIMOUSINE
27 = 2-DOOR CONVERTIBLE		

AR = Use as Required - = Non Illustrated Part P.A.R. = Paint as Required

CABLES, PARKING BRAKE H,K
Figure 4-600

5104 600



ITEM	PART NUMBER	QTY	BODY	MODEL	DESCRIPTION
1	3880 487	1		All	HOOK, Adjusting
2	6030 607	1		All	NUT
3	3467 901	1		All	EQUALIZER
4	3880 482	1		All	HOOK, Int. Cable
5	4294 196	1		All	BRACKET
6	4294 455	1		All	CABLE, Frt.
7	3467 939	1		All	RETAINER
8	3575 593	1		All	CONNECTOR
9	3766 234	2		All	CONNECTOR
10	3880 479	1		All	BRACKET
11	4294 144-5	1		All	BRACKET
12	2201 467	2		All	CLIP
13	4294 238	2		All	CABLE
14	3880 493	1		All	CABLE

MODEL CODES

B = GRAN FURY	E = 600	M = HORIZON/TURISMO
C = LE BARON/TOWN & COUNTRY/LIMO	F = FIFTH AVENUE/NEWPORT	P = RELIANT
C24 = LASER	G = DIPLOMAT	T = NEW YORKER
C44 = LE BARON/GTS	H = VOYAGER	V = 600
D = ARIES	J = CARAVELLE	V24 = DAYTONA
D44 = LANCER	K = MINI VAN/CARAVAN/ROYAL	Z = OMNI/CHARGER

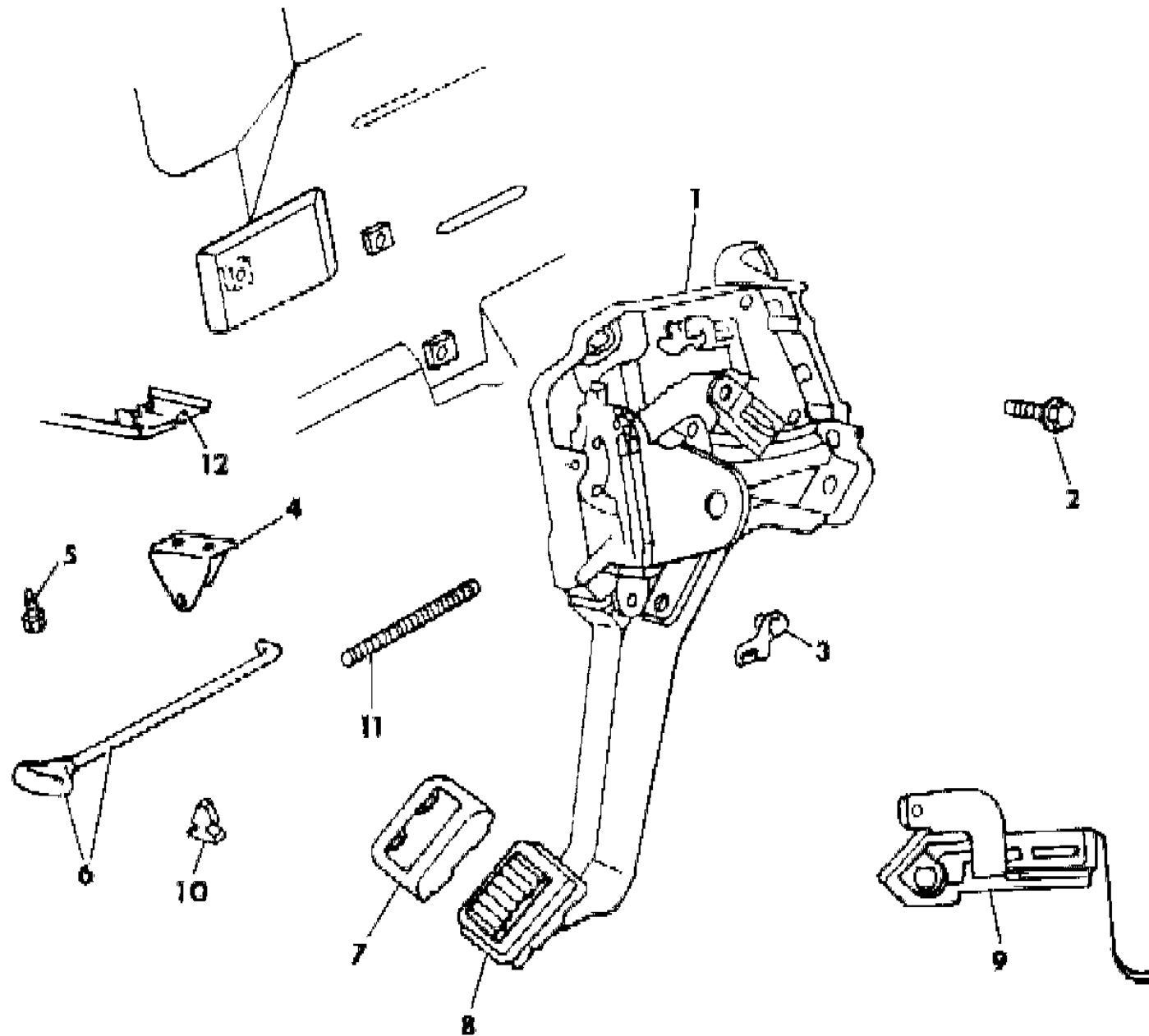
BODY STYLES

21 = 2-DOOR SEDAN	35 = FWD VAN	44 = 4-DOOR HATCHBACK
22 = 2-DOOR SPECIAL COUPE	36 = FWD WAGON	45 = 4-DOOR STATION WAGON
24 = 2-DOOR HATCHBACK	41 = 4-DOOR SEDAN	49 = LIMOUSINE
27 = 2-DOOR CONVERTIBLE		

AR = Use as Required - = Non Illustrated Part P.A.R. = Paint as Required

LEVER, PARKING BRAKE B,F,G
Figure 4-700

5104 700



ITEM	PART NUMBER	QTY	BODY	MODEL	DESCRIPTION
1	4019 369	1			LEVER
2	0181 088	3			SCREW w/Washer
3	3454 220	1			CLIP
4	4019 545	1			BEZEL
5		2			SCREW, (Not Serv.)
6	4019 543	1			ROD,w/Knob
7	2467 513	1			BEZEL
8	2467 514	1			PAD
9	3747 327	1			SWITCH
10	4019 355	1			BUMPER PKG.
11	4205 997	1			SPRING PKG.
12		1			REINF. (Ref. Only)

MODEL CODES

B = GRAN FURY	E = 600	M = HORIZON/TURISMO
C = LE BARON/TOWN & COUNTRY/LIMO	F = FIFTH AVENUE/NEWPORT	P = RELIANT
C24 = LASER	G = DIPLOMAT	T = NEW YORKER
C44 = LE BARON/GTS	H = VOYAGER	V = 600
D = ARIES	J = CARAVELLE	V24 = DAYTONA
D44 = LANCER	K = MINI VAN/CARAVAN/ROYAL	Z = OMNI/CHARGER

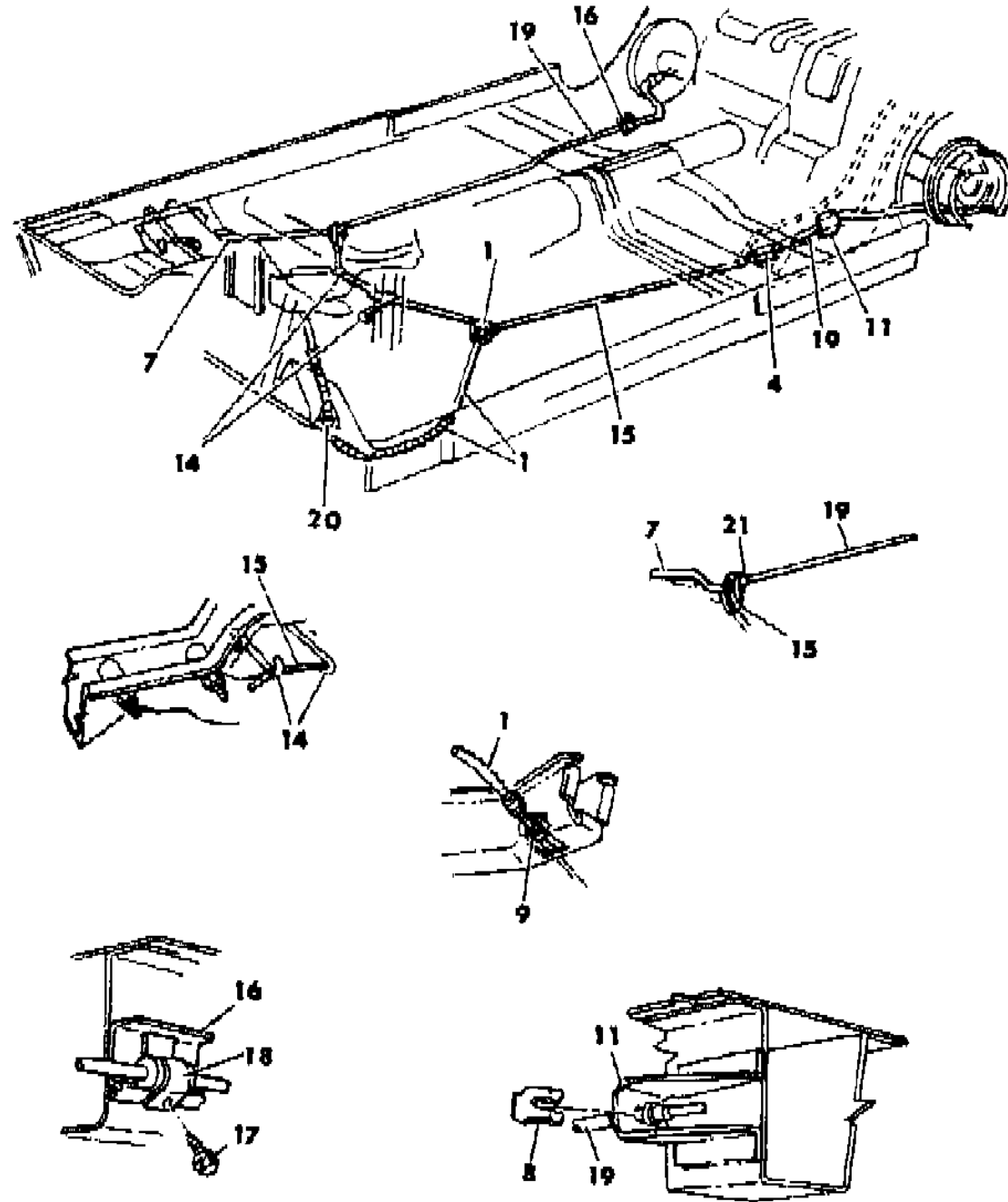
BODY STYLES

21 = 2-DOOR SEDAN	35 = FWD VAN	44 = 4-DOOR HATCHBACK
22 = 2-DOOR SPECIAL COUPE	36 = FWD WAGON	45 = 4-DOOR STATION WAGON
24 = 2-DOOR HATCHBACK	41 = 4-DOOR SEDAN	49 = LIMOUSINE
27 = 2-DOOR CONVERTIBLE		

AR = Use as Required - = Non Illustrated Part P.A.R. = Paint as Required

CABLES, PARKING BRAKE B,F,G
Figure 4-800

5104 800



ITEM	PART NUMBER	QTY	BODY	MODEL	DESCRIPTION
1	3766 292	1			CABLE, Frt.
4	3766 234	1			CONNECTOR, Inter. To Rear Cable LT.
7	3880 073	1			HOOK, Int. Cable Equalizer
8	2201 467	1			CLIP, Cable To Cable Supt.
9	3467 939	2			RETAINER, Cable Lwr.
10	3575 593	1			CONNECTOR, Frt. To Inter. Cable
11		1			BRACKET, Rear Side Rail Cable LT.(Not Serv.)
14	3766 289	1			HOOK, Inter. Cable Guide
15	3880 072	1			CABLE, Inter.
16	4314 662	1			BRACKET, Rear Side Rail Cable RT.
17		1			SCREW, (Not Serv.)
18	3699 186	1			CLAMP, Rear Cable Anchor,RT.
19	3880 074	2			CABLE, Rear,Exc. Police & Taxi
	3880 075	2			CABLE, Rear,w/ Police & Taxi
20	2259 118	1			SEAL
21	3467 901	1			EQUALIZER, Cable Inter.

MODEL CODES

B = GRAN FURY	E = 600	M = HORIZON/TURISMO
C = LE BARON/TOWN & COUNTRY/LIMO	F = FIFTH AVENUE/NEWPORT	P = RELIANT
C24 = LASER	G = DIPLOMAT	T = NEW YORKER
C44 = LE BARON/GTS	H = VOYAGER	V = 600
D = ARIES	J = CARAVELLE	V24 = DAYTONA
D44 = LANCER	K = MINI VAN/CARAVAN/ROYAL	Z = OMNI/CHARGER

BODY STYLES

21 = 2-DOOR SEDAN	35 = FWD VAN	44 = 4-DOOR HATCHBACK
22 = 2-DOOR SPECIAL COUPE	36 = FWD WAGON	45 = 4-DOOR STATION WAGON
24 = 2-DOOR HATCHBACK	41 = 4-DOOR SEDAN	49 = LIMOUSINE
27 = 2-DOOR CONVERTIBLE		

AR = Use as Required - = Non Illustrated Part P.A.R. = Paint as Required

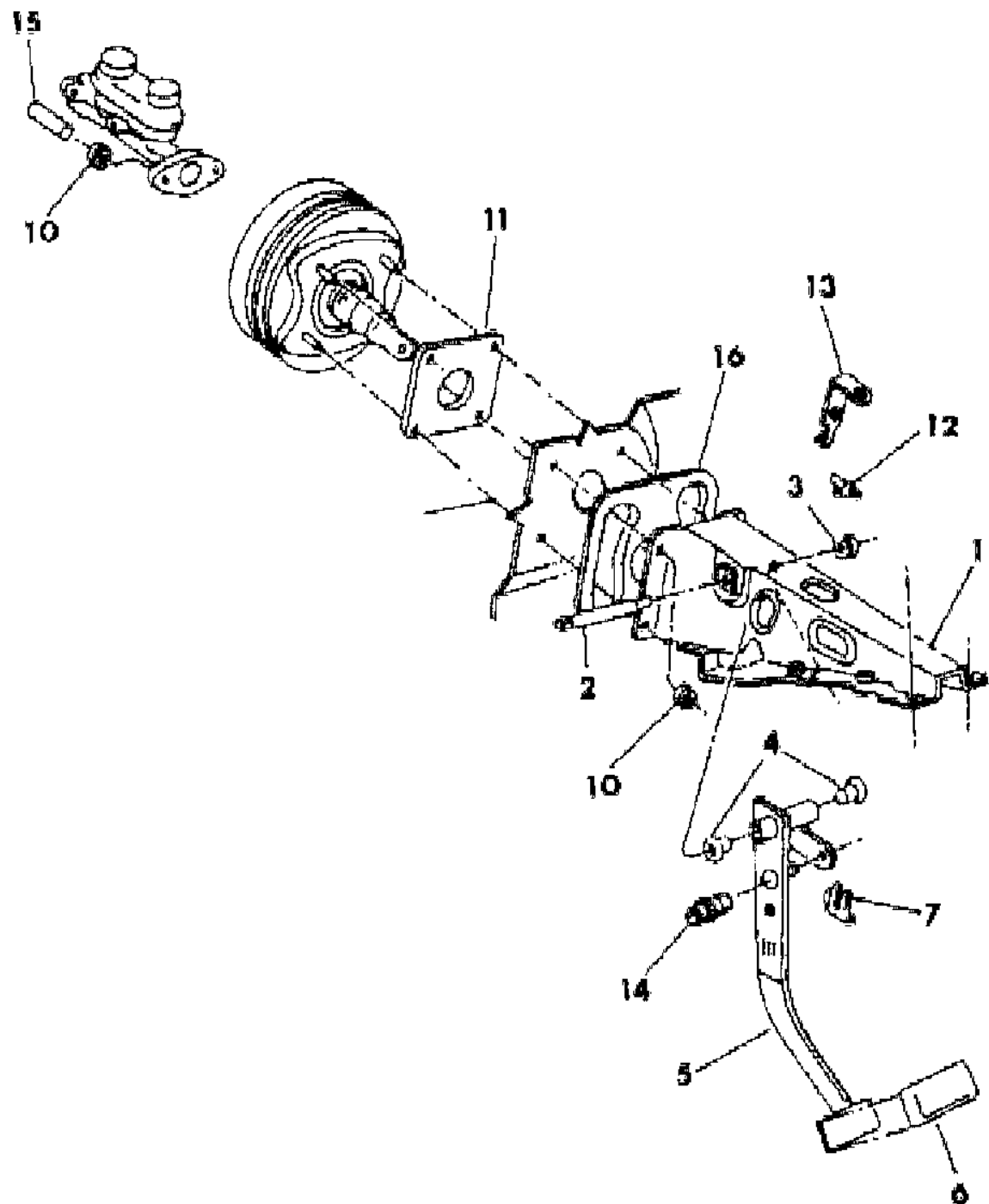
GROUP 5 - BRAKES, SERVICE

ILLUSTRATION TITLE	GROUP-FIG. NO.
PEDAL, BRAKE M,Z	Fig. 5-100
PEDAL, BRAKE P,D,C,V,J,E,T	Fig. 5-200
PEDAL, BRAKE D,C-44	Fig. 5-300
PEDAL, BRAKE H,K	Fig. 5-400
PEDAL, BRAKE F,G,B	Fig. 5-500
BOOSTER, POWER BRAKE M,Z	Fig. 5-600
BOOSTER, POWER BRAKE P,D,C,V,J,E,T,H,K	Fig. 5-700
BOOSTER, POWER BRAKE F,G,B	Fig. 5-800
MASTER CYLINDER, BRAKE M,Z,P,D C,V,J,E,T,H,K	Fig. 5-900
MASTER CYLINDER, BRAKE F,G,B	Fig. 5-1000
LINES And HOSES, BRAKE M,Z	Fig. 5-1100
LINES And HOSES, BRAKE P,D,C,V,J,E,T	Fig. 5-1200
LINES And HOSES, BRAKE H,K	Fig. 5-1300
LINES And HOSES, F,G,B	Fig. 5-1400
BRAKES FRONT M,Z (Exc. Shelby, GLH)	Fig. 5-1500
BRAKES FRONT P,D w/STD. Brakes (BGA)	Fig. 5-1600
BRAKES FRONT C,V-22,27,48 w/or w/o Brk. Sensors C,V-24 D,C-44 w/ Brk. Sensors	Fig. 5-1700
BRAKES FRONT P,D-41,45 w/H.D. Brake (BGB) C,J,E,T-41,45 C,V-24 w/o Sensors (SHELBY + GLH)	Fig. 5-1800
BRAKES FRONT H,K-35,36	Fig. 5-1900
BRAKES FRONT F,G,B	Fig. 5-2000
BRAKES REAR M,Z-All P,D-w/Std.(BGA) D,C-44 (200mmX32.5mm)	Fig. 5-2100
BRAKES REAR And WHEEL BEARINGS C,D,V,J,E,T-All P,D-w/H. Duty (BGB) Shelby, GLH (220mmX38.0mm)	Fig. 5-2200
BRAKES REAR DISC (BKR) C,V-24	Fig. 5-2250
BRAKES REAR And WHEEL BEARINGS H,K-35,36 (9"X2.5")	Fig. 5-2300
BRAKES REAR F,G,B-41 (10"+11"X2.5")	Fig. 5-2400

ILLUSTRATION NOT AVAILABLE AT TIME OF PUBLICATION

PEDAL, BRAKE M,Z
Figure 5-100

5105 100



ITEM	PART NUMBER	QTY	BODY	MODEL	DESCRIPTION
1	4294 060	1			BRACKET, Brake Pedal Support w/Man.
	4294 059	1			w/Auto.
2	4019 708	1			SHAFT, Brk Pedal, w/Man w/3.13/2.69 Gear Ratio
	5206 221	1			w/3.37 Gear Ratio
	5206 209	1			Auto.
3	6500 197	1			NUT
4	2467 770	2			BUSHING, Brake Pedal
5	4294 063	1			PEDAL, w/Man.
	4294 064	1			w/Auto.
6	5206 237	1			PAD, Brake Pedal, Man.
	5206 231	1			Auto.
7	4294 036	1			CLIP
10	6500 230	1			NUT
11	5204 061	1			GASKET
12	2926 275	1			SWITCH w/Clip, Stop Lamp
	4221 438	1			w/Speed Control
13	5209 928	1			BRACKET
	5209 965	1			w/Speed Control
14	4019 420	1			PIN
15	3580 172	1			CAP, Isolater w/A/Cond.
16	4294 066	1			PLATE

NOTE: Whenever the Brake Booster/Master Cyl. Push Rod is disconnected from Brk Pedal, replace Clip Part Number 4294036. Gear and Pinion numbers stamped on the item may be used to confirm the correct MATCHED SET they are contained in.

MODEL CODES

B = GRAN FURY	E = 600	M = HORIZON/TURISMO
C = LE BARON/TOWN & COUNTRY/LIMO	F = FIFTH AVENUE/NEWPORT	P = RELIANT
C24 = LASER	G = DIPLOMAT	T = NEW YORKER
C44 = LE BARON/GTS	H = VOYAGER	V = 600
D = ARIES	J = CARAVELLE	V24 = DAYTONA
D44 = LANCER	K = MINI VAN/CARAVAN/ROYAL	Z = OMNI/CHARGER

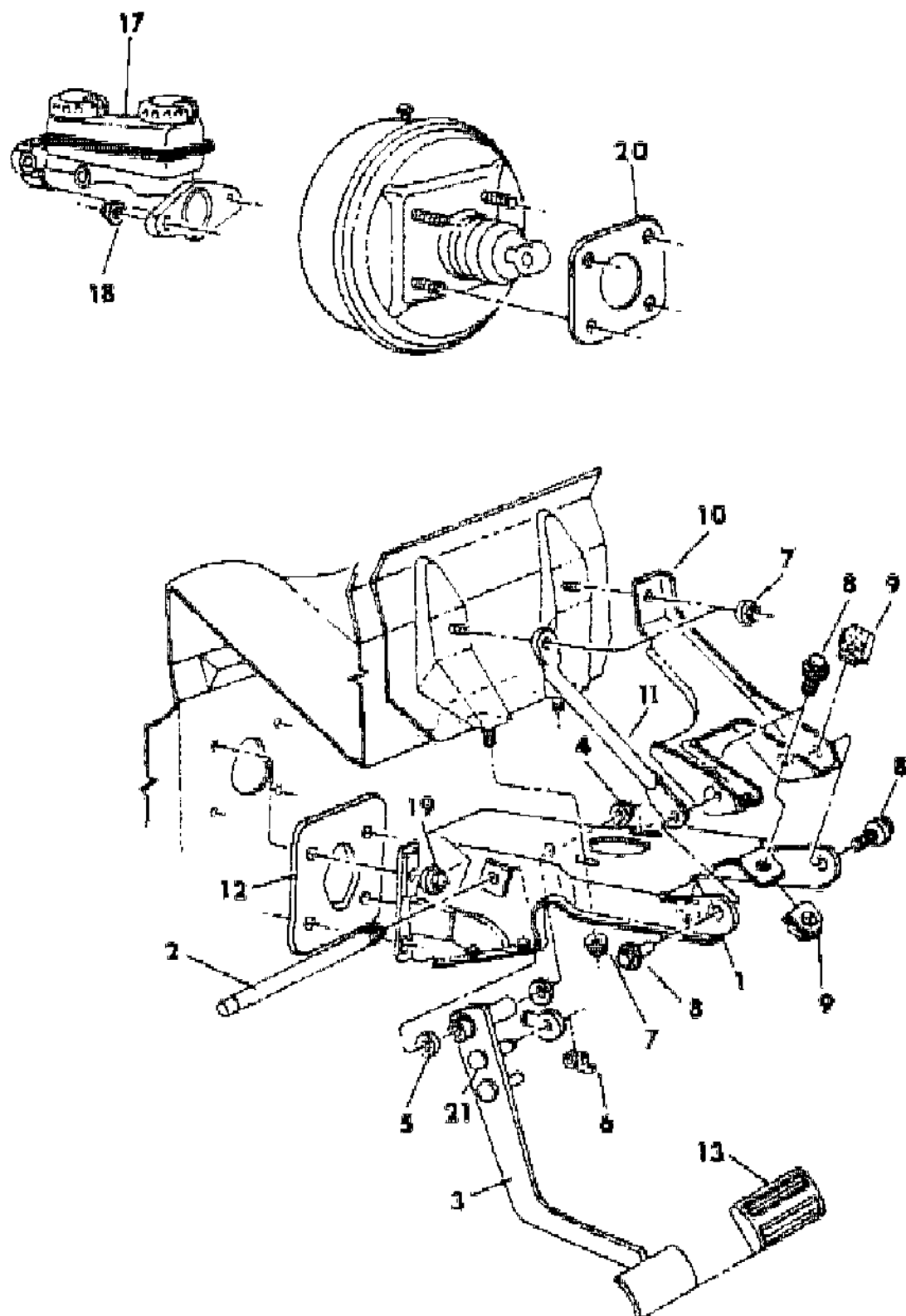
BODY STYLES

21 = 2-DOOR SEDAN	35 = FWD VAN	44 = 4-DOOR HATCHBACK
22 = 2-DOOR SPECIAL COUPE	36 = FWD WAGON	45 = 4-DOOR STATION WAGON
24 = 2-DOOR HATCHBACK	41 = 4-DOOR SEDAN	49 = LIMOUSINE
27 = 2-DOOR CONVERTIBLE		

AR = Use as Required - = Non Illustrated Part P.A.R. = Paint as Required

PEDAL, BRAKE P,D,C,V,J,E,T
Figure 5-200

5105 200



ITEM	PART NUMBER	QTY	BODY	MODEL	DESCRIPTION
1	3880 391	1			BRACKET, Auto. Trans.
	3880 392	1			Man. Trans.
2	4019 681	1			SHAFT PIVOT, Man. Trans.
	4019 685	1			Auto. Trans.
3	3880 397	1			PEDAL, w/Man. Trans.
	4294 450	1			w/Auto. Trans.
4	6500 197	1			NUT
5	2467 770	2			BUSHING
6	4294 036	1			CLIP
7	6500 532	4			NUT, w/Washer
8	6100 584	4			SCREW, w/Washer
9	6500 501	4			U-NUT
10	4294 030	1			SUPPORT
11	4294 044	1			STRUT
12	3880 257	1			SPACER
13	4019 715	1			PAD, Pedal w/ Man. Trans.
	4019 660	1			w/ Auto. Trans.
17					MASTER CYLINDER
18	6500 230	2			NUT w/Washer
19	6100 050	4			NUT w/Washer
20	3699 447	1			GASKET, Pwr. Bstr.
21	4019 420	1			PIN
	6031 704	1			CLIP, Stop Lp. Sw. (Not Shown)
	4221 651	1			SWITCH,w/or w/o Speed Control
	3747 992	1			BRACKET, Switch Mtg. (Not Shown)
	3747 990	1			STRIKER, Stop Lp. Sw. (not Shown)

NOTE: Whenever the Brake Booster/Master Cyl. Push Rod is disconnected from Brk Pedal, replace Clip Part Number 4019421. Gear and Pinion numbers stamped on the item may be used to confirm the correct MATCHED SET they are contained in.

MODEL CODES

B = GRAN FURY	E = 600	M = HORIZON/TURISMO
C = LE BARON/TOWN & COUNTRY/LIMO	F = FIFTH AVENUE/NEWPORT	P = RELIANT
C24 = LASER	G = DIPLOMAT	T = NEW YORKER
C44 = LE BARON/GTS	H = VOYAGER	V = 600
D = ARIES	J = CARAVELLE	V24 = DAYTONA
D44 = LANCER	K = MINI VAN/CARAVAN/ROYAL	Z = OMNI/CHARGER

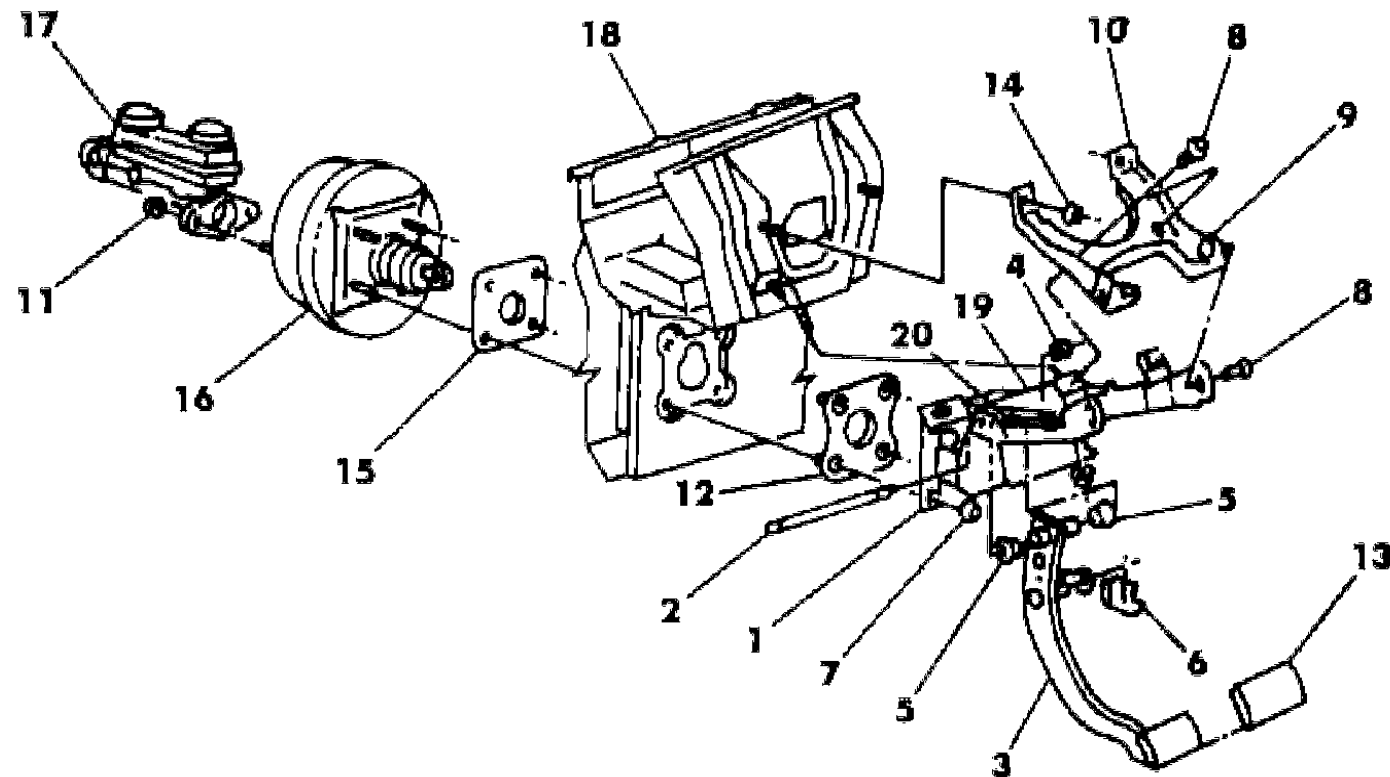
BODY STYLES

21 = 2-DOOR SEDAN	35 = FWD VAN	44 = 4-DOOR HATCHBACK
22 = 2-DOOR SPECIAL COUPE	36 = FWD WAGON	45 = 4-DOOR STATION WAGON
24 = 2-DOOR HATCHBACK	41 = 4-DOOR SEDAN	49 = LIMOUSINE
27 = 2-DOOR CONVERTIBLE		

AR = Use as Required - = Non Illustrated Part P.A.R. = Paint as Required

PEDAL, BRAKE D,C-44
Figure 5-300

5105 300



ITEM	PART NUMBER	QTY	BODY	MODEL	DESCRIPTION
1	4294 242	1			BRACKET w/Man.
	4294 243	1			BRACKET w/Auto
2	4019 681	1			SHAFT, Pivot w/Man.
	4019 685	1			SHAFT, Pivot w/Auto
3	3880 397	1			PEDAL, w/Man.
	6500 294	16			NUT, Chrome
	4294 450	1			PEDAL, w/Auto
4	6500 197	1			NUT
5	2467 770	2			BUSHING
6	4294 036	1			CLIP
7	6100 050	4			NUT, w/Washer
8	6100 584	4			SCREW, w/Washer
9	6500 501	4			U-NUT
10	4294 251	1			SUPPORT
11	6500 230	4			NUT w/Washer
12	4294 008	1			SPACER
13	4019 715	1			PAD w/Man.
	4019 660	1			PAD w/Auto
14	6500 086	2			NUT w/Washer
15	3699 447	1			GASKET
16	4364 773	1			BOOSTER w/Man.
	4342 709	1			BOOSTER w/Auto
17	4294 268	1			MASTER CYLINDER
18	6500 903	1			NUT w/Washer
19	4294 250	1			PLATE
20	6501 095	4			BOLT w/Washer

MODEL CODES

B = GRAN FURY	E = 600	M = HORIZON/TURISMO
C = LE BARON/TOWN & COUNTRY/LIMO	F = FIFTH AVENUE/NEWPORT	P = RELIANT
C24 = LASER	G = DIPLOMAT	T = NEW YORKER
C44 = LE BARON/GTS	H = VOYAGER	V = 600
D = ARIES	J = CARAVELLE	V24 = DAYTONA
D44 = LANCER	K = MINI VAN/CARAVAN/ROYAL	Z = OMNI/CHARGER

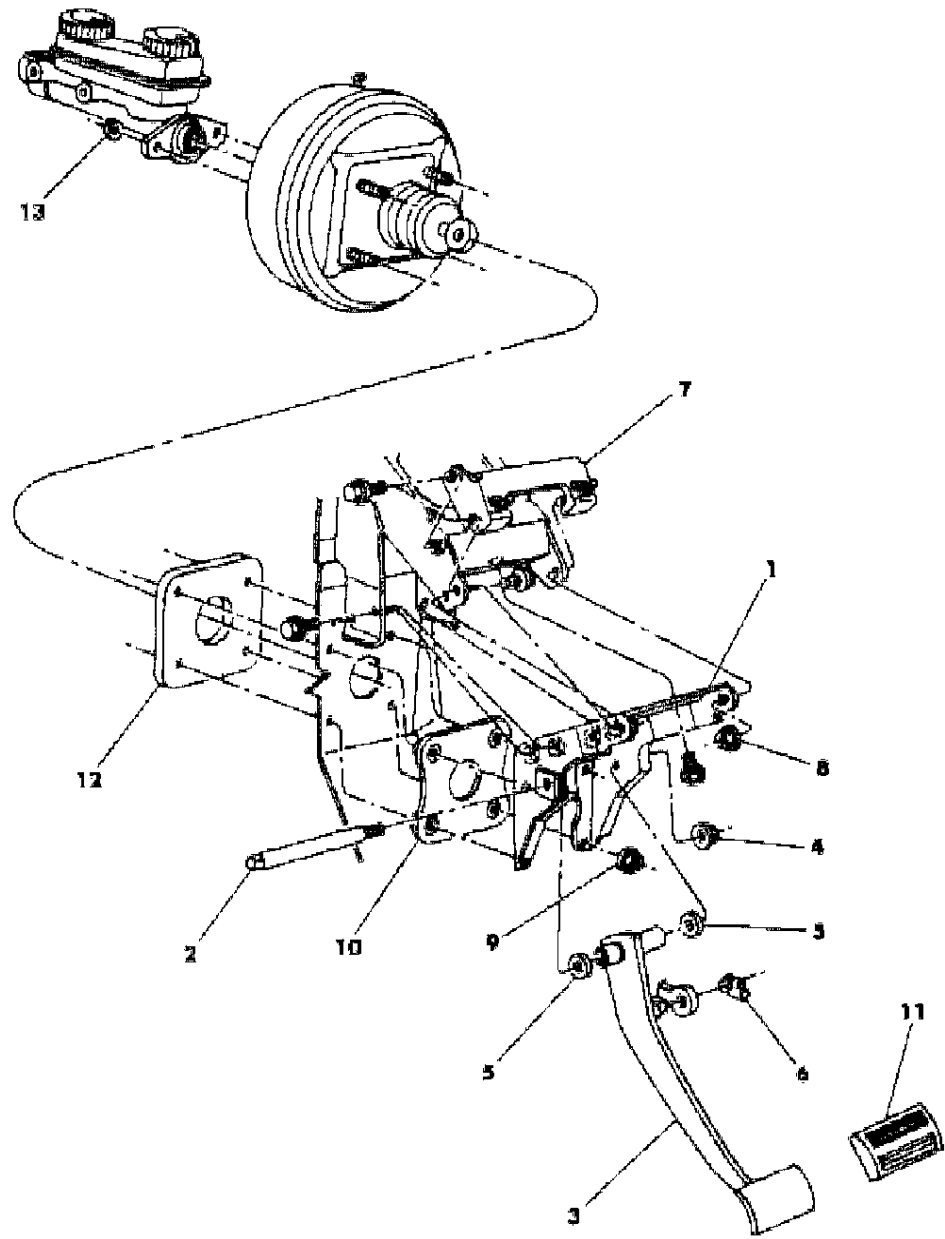
BODY STYLES

21 = 2-DOOR SEDAN	35 = FWD VAN	44 = 4-DOOR HATCHBACK
22 = 2-DOOR SPECIAL COUPE	36 = FWD WAGON	45 = 4-DOOR STATION WAGON
24 = 2-DOOR HATCHBACK	41 = 4-DOOR SEDAN	49 = LIMOUSINE
27 = 2-DOOR CONVERTIBLE		

AR = Use as Required - = Non Illustrated Part P.A.R. = Paint as Required

PEDAL, BRAKE H,K
Figure 5-400

5105 400



ITEM	PART NUMBER	QTY	BODY	MODEL	DESCRIPTION
1	4294 002	1		All	BRACKET
2	3880 452	1		All	SHAFT, Auto Trans
	3880 453	1		All	SHAFT, Man. Trans
3	4294 005	1		All	PEDAL, Auto Trans
	4294 006	1		All	PEDAL, Man. Trans
4	6500 197	1		All	NUT
5	2467 770	2		All	BUSHING
6	4294 036	1		All	CLIP
7	3880 463	1		All	BRACE
8	6100 051	1		All	NUT, w/ Washer
9	6100 050	4		All	NUT, w/ Washer
10	4294 008	1		All	SPACER
11	4019 660	1		All	PAD, Auto Trans
	4019 715	1		All	PAD, Man. Trans
12	3699 447	1		All	GASKET
13	6500 230	2		All	NUT w/Washer
---	4221 434	1		All	SWITCH, Brake w/Speed Cont.
---	4293 920	1		All	SWITCH, Brake w/o Speed Cont.
---	4221 488	1		All	STRIKER, Brake Switch

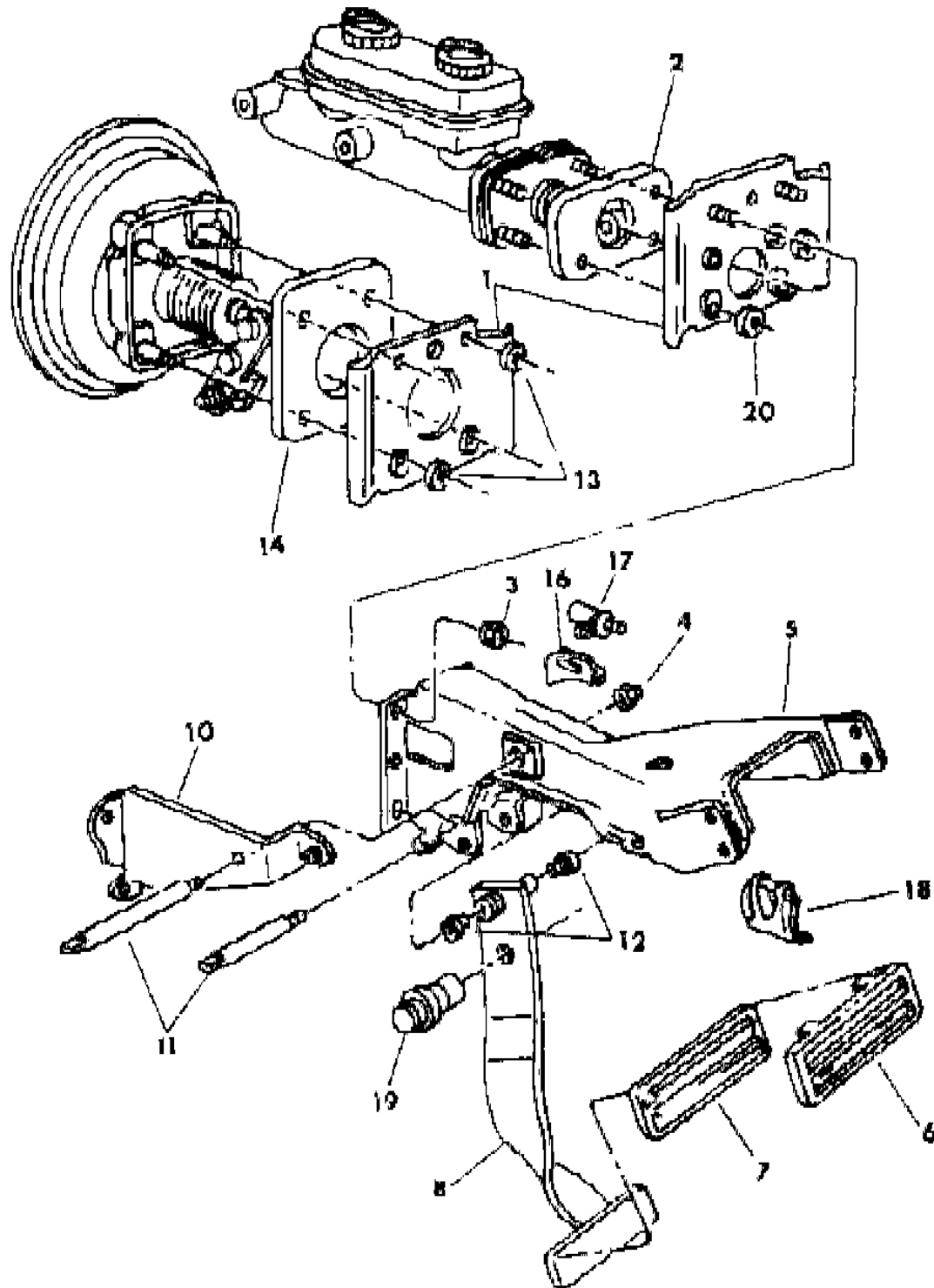
MODEL CODES
 B = GRAN FURY
 C = LE BARON/TOWN & COUNTRY/LIMO
 C24 = LASER
 C44 = LE BARON/GTS
 D = ARIES
 D44 = LANCER
 E = 600
 F = FIFTH AVENUE/NEWPORT
 G = DIPLOMAT
 H = VOYAGER
 J = CARAVELLE
 K = MINI VAN/CARAVAN/ROYAL
 M = HORIZON/TURISMO
 P = RELIANT
 T = NEW YORKER
 V = 600
 V24 = DAYTONA
 Z = OMNI/CHARGER

BODY STYLES
 21 = 2-DOOR SEDAN
 22 = 2-DOOR SPECIAL COUPE
 24 = 2-DOOR HATCHBACK
 27 = 2-DOOR CONVERTIBLE
 35 = FWD VAN
 36 = FWD WAGON
 41 = 4-DOOR SEDAN
 44 = 4-DOOR HATCHBACK
 45 = 4-DOOR STATION WAGON
 49 = LIMOUSINE

AR = Use as Required - = Non Illustrated Part P.A.R. = Paint as Required

PEDAL, BRAKE F,G,B
Figure 5-500

5105 500



ITEM	PART NUMBER	QTY	BODY	MODEL	DESCRIPTION
1	3766 120	1		All	REINFORCEMENT, Manual, Black
2	3766 122	1		All	GASKET
3	0118 614	4		All	NUT and WASHER
4	6023 035	1		All	NUT
5	4019 745	1		All	BRACKET
6	4019 661	1		All	BEZEL, w/Auto Trans.
7	3467 530	1		All	PAD, Manual
	4019 660	1		All	Auto.
8	4019 417	1		All	PEDAL, Man.
	4019 657	1		All	PEDAL and Clip, Auto.
10	4019 671	1		All	BRACKET
11	3748 703	1		All	SHAFT, Auto.
	3748 704	1		All	MANUAL
12	2467 770	2		All	BUSHING
13	6028 040	2		All	RETAINER
14	3699 190	1		All	GASKET
16	3747 020	1		All	BRACKET, Switch Mtg.
17	2926 275	1		All	SWITCH, Stop Lamp
	4221 438	1		All	w/Speed Control
	2809 033	1		All	Heavy Duty
18	4294 036	1		All	CLIP
19	4019 420	1		All	PIN
20	0118 614	2		All	NUT

NOTE: Whenever the Brake Booster/Master Cyl. Push Rod is disconnected from Brk pedal, replace Clip Part Number 4019421.
 Gear and Pinion numbers stamped on the item may be used to confirm the correct MATCHED SET they are contained in.

MODEL CODES

B = GRAN FURY	E = 600	M = HORIZON/TURISMO
C = LE BARON/TOWN & COUNTRY/LIMO	F = FIFTH AVENUE/NEWPORT	P = RELIANT
C24 = LASER	G = DIPLOMAT	T = NEW YORKER
C44 = LE BARON/GTS	H = VOYAGER	V = 600
D = ARIES	J = CARAVELLE	V24 = DAYTONA
D44 = LANCER	K = MINI VAN/CARAVAN/ROYAL	Z = OMNI/CHARGER

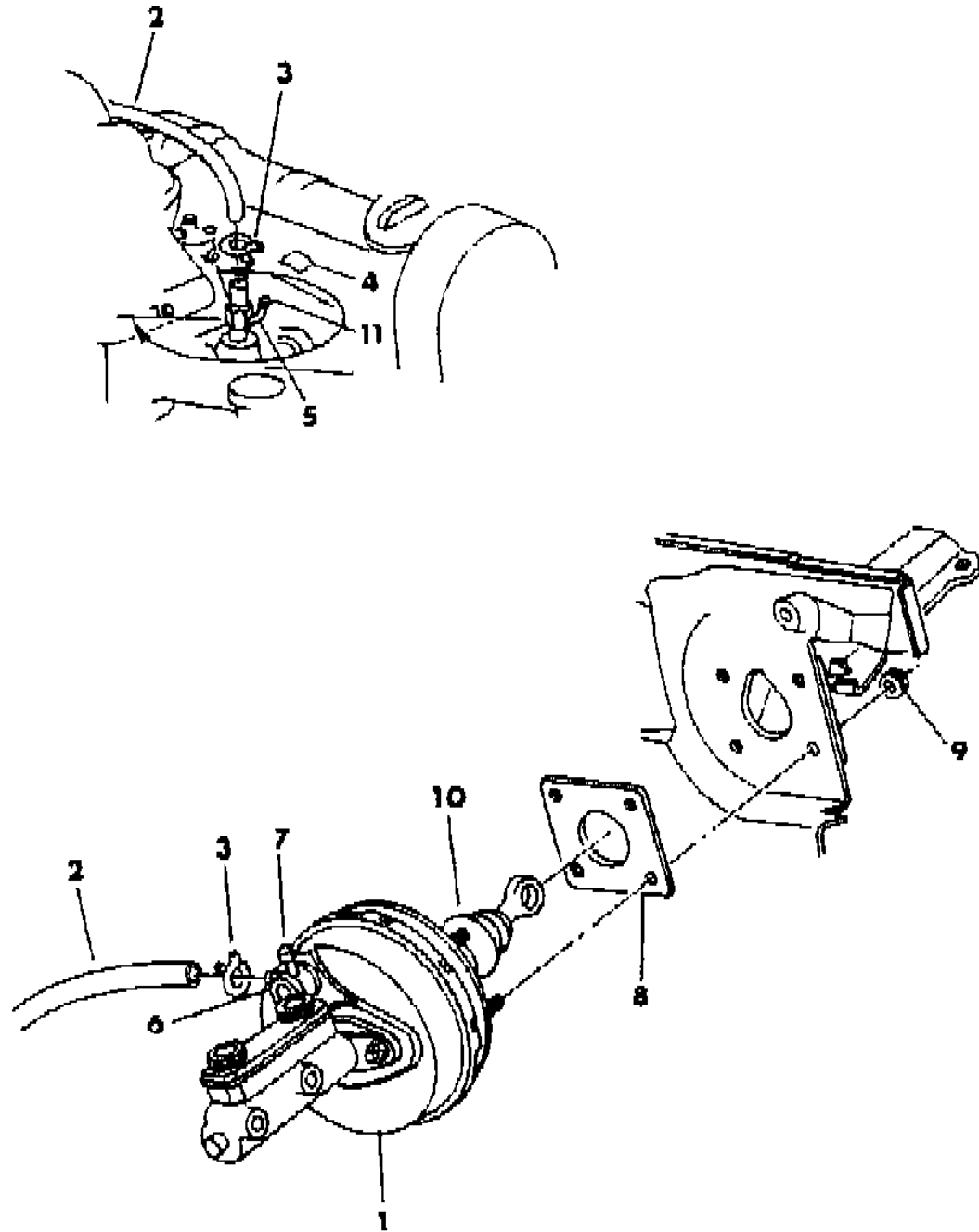
BODY STYLES

21 = 2-DOOR SEDAN	35 = FWD VAN	44 = 4-DOOR HATCHBACK
22 = 2-DOOR SPECIAL COUPE	36 = FWD WAGON	45 = 4-DOOR STATION WAGON
24 = 2-DOOR HATCHBACK	41 = 4-DOOR SEDAN	49 = LIMOUSINE
27 = 2-DOOR CONVERTIBLE		

AR = Use as Required - = Non Illustrated Part P.A.R. = Paint as Required

BOOSTER, POWER BRAKE M,Z
Figure 5-600

5105 600



ITEM	PART NUMBER	QTY	BODY	MODEL	DESCRIPTION
1	4342 707	1			BOOSTER, Brake
2	3879 277	AR			HOSE .34 I.D. 50 Ft. Roll
	4267 340	AR			.341 I.D. Hypalon
	4095 681	AR			.025 I.D. 50 Ft. Roll
	4026 511	AR			.145 I.D. 50 Ft. Roll
3	3880 431	1			20"long
	2448 761	2			CLAMP
4	3580 170	1			CAP, w/Bendix
	4294 232	1			CAP, w/Teves
5	4094 139	1			CONNECTOR, 2 Way
	4094 872	1			5 Way
	4026 117	1			7 Way
	4041 228	1			1 Way w/plug, P/Brk. Vac. Line
6	5240 798	1			1 Way, Vacuum Control
	4271 382	1			VALVE and GROMMET PKG. w/Bendix
	4294 230	1			VALVE, w/Teves
	4294 229	1			GROMMET, w/Teves
7	3880 044	1			CAP
8	5204 061	1			GASKET
9	6100 050	AR			NUT
10	5204 069	1			BOOT, w/Bendix
	4294 228	1			BOOT, w/Teves
11	3580 171	1			CAP, Tube 3/16" I.D. w/Bendix
	4294 231	1			CAP, Tube 3/16" I.D. w/Teves
	6500 230	2			NUT, Bstr. to M/Cyl. Mtg. (Not Shown)
	5204 048	1			PLATE, M/Cyl. Reif. (Not Shown)
	4095 681	AR			HOSE .025 I.D. 50 Ft. Roll (Not Shown)
	3766 429	1			FILTER, Vac. Hose (Not Shown)
	4019 421	1			CLIP, Push Rod Pin (not shown)

NOTE: Whenever the Brake Booster/Master Cyl. Push Rod is Disconnected from Brk Pedal, replace Clip Part Number 4019421.

Gear and Pinion numbers stamped on the item may be used to confirm the correct MATCHED SET they are contained in.

NOTE: Booster stamped with number 3880483 are Bendix made. Gear and Pinion numbers stamped on the item may be used to confirm the correct MATCHED SET they are contained in.

NOTE: Booster stamped with number 4294083 are Teves made. Gear and Pinion numbers stamped on the item may be used to confirm the correct MATCHED SET they are contained in.

MODEL CODES

B = GRAN FURY	E = 600	M = HORIZON/TURISMO
C = LE BARON/TOWN & COUNTRY/LIMO	F = FIFTH AVENUE/NEWPORT	P = RELIANT
C24 = LASER	G = DIPLOMAT	T = NEW YORKER
C44 = LE BARON/GTS	H = VOYAGER	V = 600
D = ARIES	J = CARAVELLE	V24 = DAYTONA
D44 = LANCER	K = MINI VAN/CARAVAN/ROYAL	Z = OMNI/CHARGER

BODY STYLES

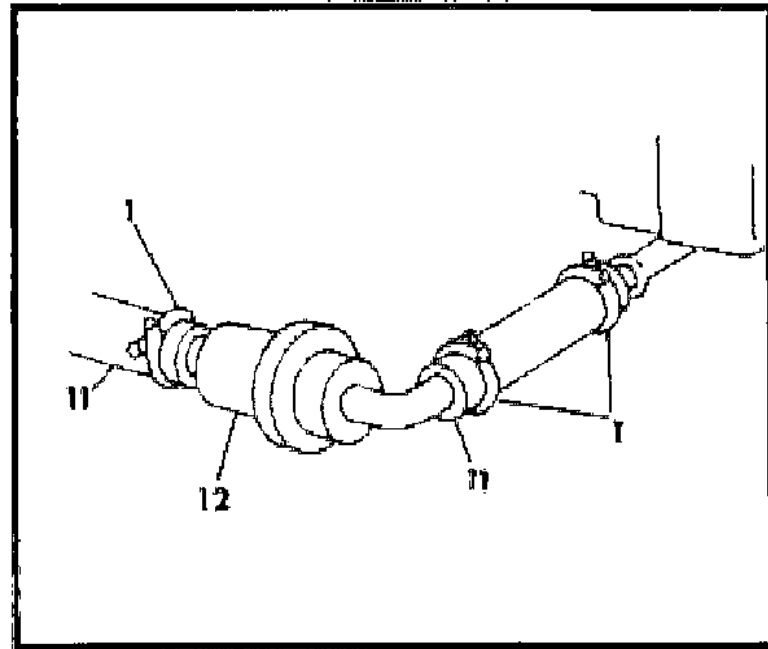
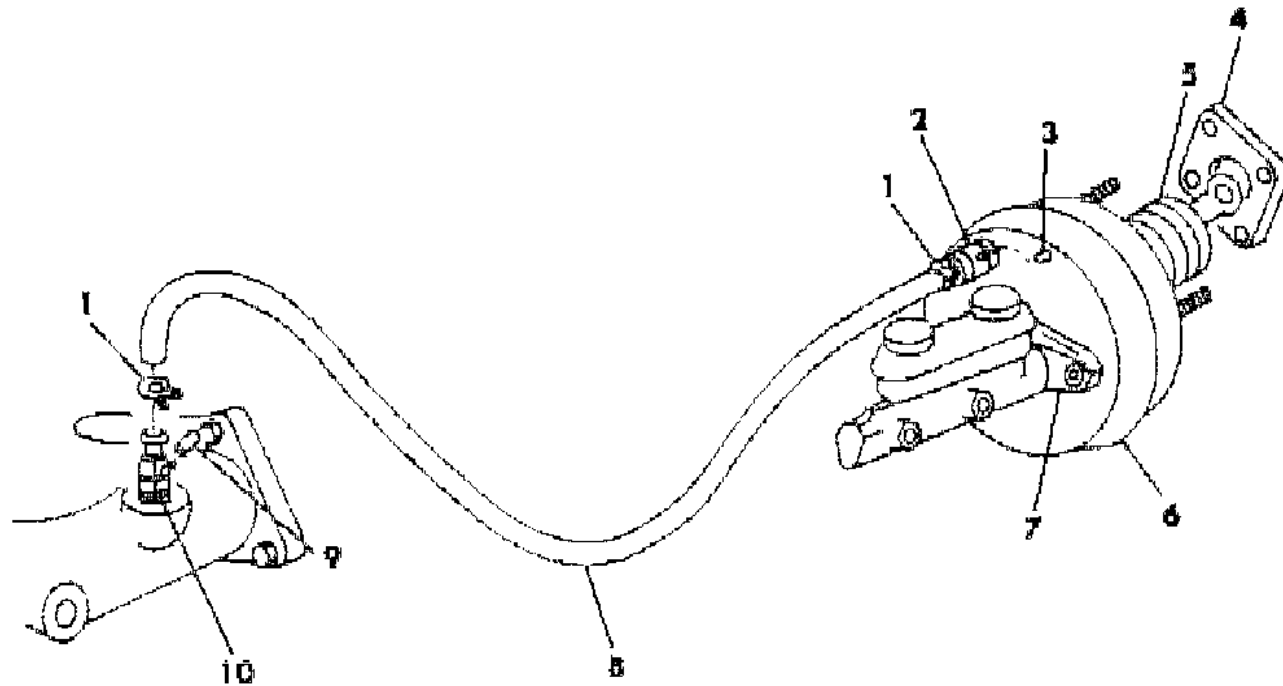
21 = 2-DOOR SEDAN	35 = FWD VAN	44 = 4-DOOR HATCHBACK
22 = 2-DOOR SPECIAL COUPE	36 = FWD WAGON	45 = 4-DOOR STATION WAGON
24 = 2-DOOR HATCHBACK	41 = 4-DOOR SEDAN	49 = LIMOUSINE
27 = 2-DOOR CONVERTIBLE		

AR = Use as Required - = Non Illustrated Part P.A.R. = Paint as Required

BOOSTER, POWER BRAKE P,D,C,V,J,E,T,H,K

Figure 5-700

5105 700



ITEM	PART NUMBER	QTY	BODY	MODEL	DESCRIPTION
1	2448 761	2			CLAMP
2	4271 382	1			VALVE, and Grommet, Check Vacuum
3	3880 044	1			CAP, Check Valve
4	3699 447	1			GASKET
5	3880 006	1			BOOT, Push Rod
6	4294 158	1		H,K	BOOSTER, Brake w/Man. w/ Auto All
	4364 773	1		P,D,C,V	
	4342 709	1		ALL	
	4294 236	1		H,K	
7	6500 230	2			NUT
8	3879 277	AR			HOSE, .34 I.D. 50 Ft. Roll
	3879 277	AR			HOSE, Bstr. to Filter
	3880 431	1			HOSE, Bstr. to Eng. Int. Manif. w/2.6 Eng.
9	3580 171	1			CAP, Conn. Alux Tube 3/16" I.D.
	3580 170	1			1/8" I.D.
10	4094 872	1			CONNECTOR, 5 Way
	4026 117	1			CONNECTOR, 7 Way
	4210 580	1			4 Way
	4241 873	1			3 Way
	5240 798	1			1 Way
	4267 340	AR			HOSE .341 I.D. Hypalon, 50 ft. Roll
11	4294 401	AR		H,K	HOSE .341 I.D. Hypalon, 50 ft. Roll
	3766 429	1			FILTER
12	4094 681	AR			HOSE .025 I.D. 50 Ft. Roll (Not Shwon)
	3847 935	1			CONNECTOR A/C Hose to Brk. Bstr. (Not Shown)
	3766 384	1			PLATE, M/cyl. Reinf. (not shown)
	4019 421	1			CLIP, Push Rod Pin (not shown)
	3880 431	1			HOSE, Bstr. to Eng. Int. Manif. (not shown)

NOTE: Whenever the Brake Booster/Master Cyl. Push Rod is disconnected from Brk Pedal, replace Clip Part Number 4019421. Gear and Pinion numbers stamped on the item may be used to confirm the correct MATCHED SET they are contained in.

MODEL CODES

B = GRAN FURY	E = 600	M = HORIZON/TURISMO
C = LE BARON/TOWN & COUNTRY/LIMO	F = FIFTH AVENUE/NEWPORT	P = RELIANT
C24 = LASER	G = DIPLOMAT	T = NEW YORKER
C44 = LE BARON/GTS	H = VOYAGER	V = 600
D = ARIES	J = CARAVELLE	V24 = DAYTONA
D44 = LANCER	K = MINI VAN/CARAVAN/ROYAL	Z = OMNI/CHARGER

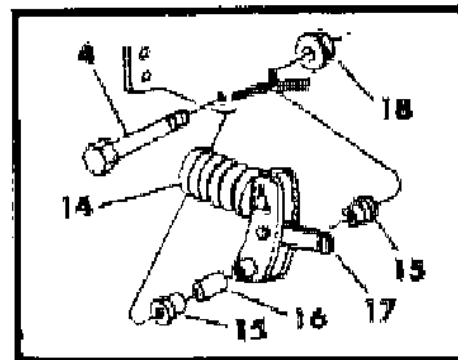
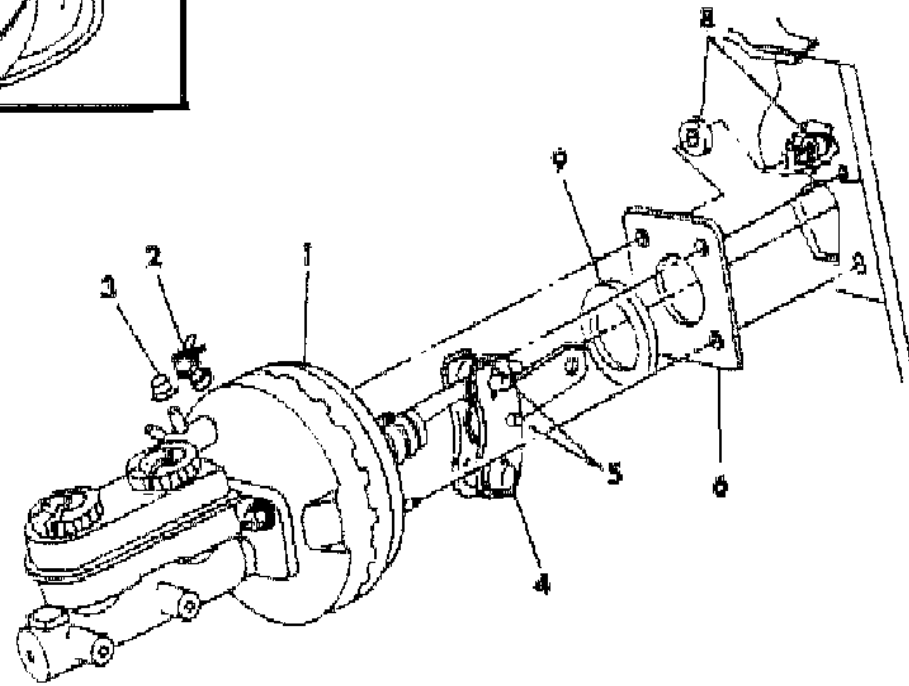
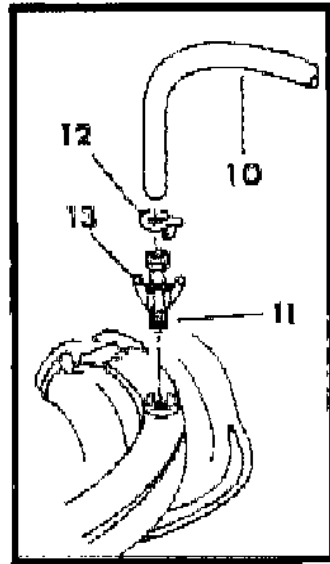
BODY STYLES

21 = 2-DOOR SEDAN	35 = FWD VAN	44 = 4-DOOR HATCHBACK
22 = 2-DOOR SPECIAL COUPE	36 = FWD WAGON	45 = 4-DOOR STATION WAGON
24 = 2-DOOR HATCHBACK	41 = 4-DOOR SEDAN	49 = LIMOUSINE
27 = 2-DOOR CONVERTIBLE		

AR = Use as Required - = Non Illustrated Part P.A.R. = Paint as Required

BOOSTER, POWER BRAKE F,G,B
Figure 5-800

5105 800



ITEM	PART NUMBER	QTY	BODY	MODEL	DESCRIPTION
1	3880 348	1		All	BOOSTER
2	3420 973	1		All	VALVE and GROMMET PKG.
3	2944 127	1		All	CAP
4	6028 165	1		All	BOLT
5					PIN, Serviced w/Booster
6	3699 447	1		All	GASKET
8	0118 614	AR		All	NUT
9	3766 046	1		All	RING, Boot
10	3880 431	1		All	HOSE, Lgh. 20"
	3837 042	1		All	.215 I.D. Neoprene 50 ft. Roll
	3879 277	1		All	.34 I.D. (Flexible) 50 ft. Roll
	4267 340	1		All	.341 I.D. Hypalon 50 ft. Roll
	4203 421	AR		All	.350 I.D. 50 Ft. Roll
	4095 681	AR		All	.025 I.D. 50 Ft. Roll
	4026 511	AR		All	.145 I.D. 50 Ft. Roll
11	4210 580	1		All	CONNECTOR, 4-Way, w/Caps
	4026 117	1		All	7-Way, w/Caps
12	2448 761	AR		All	CLAMP, Hose Mounting
13	3580 171	1		All	CAP, Conn. Aux Tube, 3/16" I.D.
	3580 170	1		All	1/8" I.D.
	3580 172	1		All	1/4" I.D.
14	3766 073	1		All	BOOT, Plunger to Push Rod, Bendix
15	2467 770	2		All	BUSHING, Brake Pedal
16	2534 227	1		All	SLEEVE, Brake Pedal
17	3766 167	1		All	HUB, LEVER, Serviced w/Booster
18	6023 035	AR		All	NUT
	3766 429	1		All	FILTER, Vac. Hose
	4094 036	1		All	CLIP, Push Rod Pin (not shown)

NOTE: Whenever the Brake Booster/Master Cyl. Push Rod is disconnected from Brk Pedal, replace Clip Part Number 4019421.
 Gear and Pinion numbers stamped on the item may be used to confirm the correct MATCHED SET they are contained in.

MODEL CODES

B = GRAN FURY	E = 600	M = HORIZON/TURISMO
C = LE BARON/TOWN & COUNTRY/LIMO	F = FIFTH AVENUE/NEWPORT	P = RELIANT
C24 = LASER	G = DIPLOMAT	T = NEW YORKER
C44 = LE BARON/GTS	H = VOYAGER	V = 600
D = ARIES	J = CARAVELLE	V24 = DAYTONA
D44 = LANCER	K = MINI VAN/CARAVAN/ROYAL	Z = OMNI/CHARGER

BODY STYLES

21 = 2-DOOR SEDAN	35 = FWD VAN	44 = 4-DOOR HATCHBACK
22 = 2-DOOR SPECIAL COUPE	36 = FWD WAGON	45 = 4-DOOR STATION WAGON
24 = 2-DOOR HATCHBACK	41 = 4-DOOR SEDAN	49 = LIMOUSINE
27 = 2-DOOR CONVERTIBLE		

AR = Use as Required - = Non Illustrated Part P.A.R. = Paint as Required

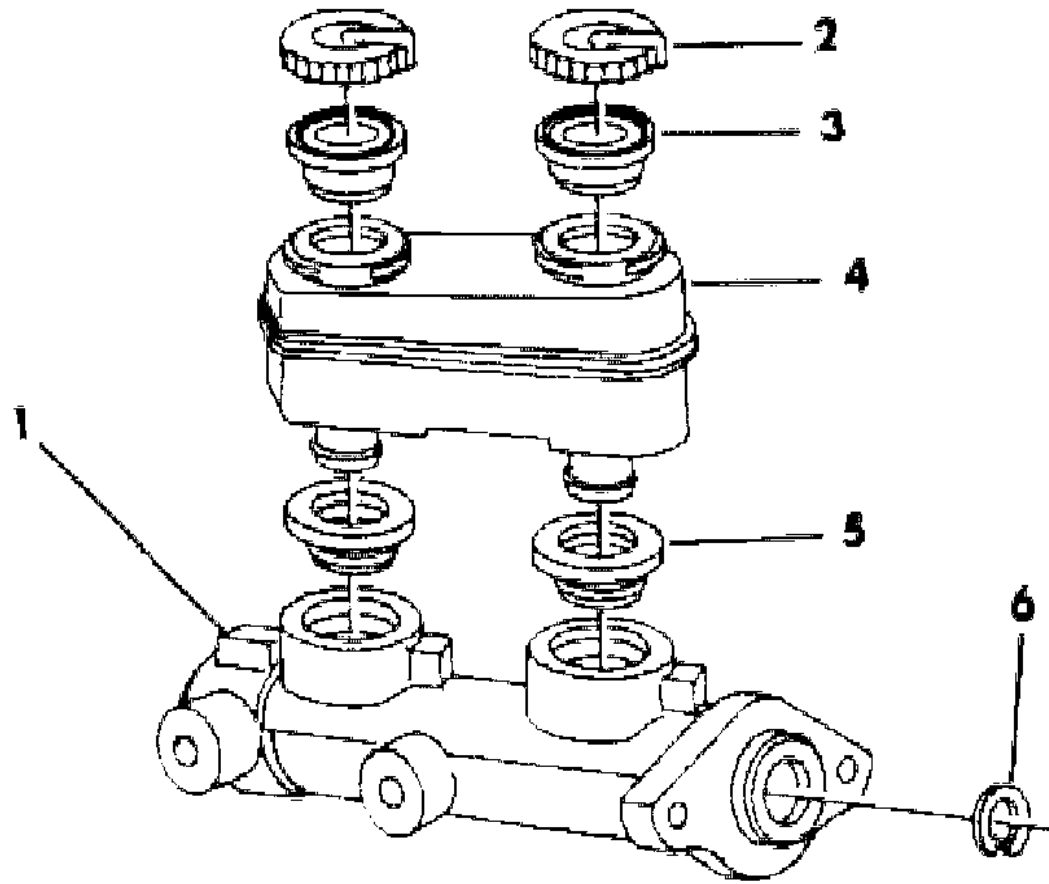
MASTER CYLINDER, BRAKE M,Z,P,D C,V,J,E,T,H,K

Figure 5-900

5105 900

ITEM	PART NUMBER	QTY	BODY	MODEL	DESCRIPTION
1	4294 268	1		All	MASTER CYL.
	4294 152	1		H,K	MASTER CYL.
2	5204 056	2	All		CAP, M/Cylinder Reservoir
3	5204 057	2	All		DIAPHRAGM, Reservoir
4	3766 498	1	All		RESERVOIR, Master Cyl.
	4294 482	1		C,V-24	RESERVOIR, Master Cyl. w/Rear Disc Brks.
	4294 045	1		H,K	w/ BGA (Std. Brk.)
	4294 032	1		H,K	w/ BGB (H.D. Brk.)
	3880 450	1		C,V-24	SENSOR
5	5204 149	2	All		GROMMET, Reservoir
6	6101 181	1	All		STOP, Snap Ring

NOTE: Whenever the Brake Booster/Master Cyl. Push Rod is Disconnected from Brk. Pedal, replace ClipPart Number 4019421 Gear and Pinion numbers stamped on the item may be used to confirm the correct MATCHED SET they are contained in.



WITH POWER DISC BRAKES

MODEL CODES

B = GRAN FURY	E = 600	M = HORIZON/TURISMO
C = LE BARON/TOWN & COUNTRY/LIMO	F = FIFTH AVENUE/NEWPORT	P = RELIANT
C24 = LASER	G = DIPLOMAT	T = NEW YORKER
C44 = LE BARON/GTS	H = VOYAGER	V = 600
D = ARIES	J = CARAVELLE	V24 = DAYTONA
D44 = LANCER	K = MINI VAN/CARAVAN/ROYAL	Z = OMNI/CHARGER

BODY STYLES

21 = 2-DOOR SEDAN	35 = FWD VAN	44 = 4-DOOR HATCHBACK
22 = 2-DOOR SPECIAL COUPE	36 = FWD WAGON	45 = 4-DOOR STATION WAGON
24 = 2-DOOR HATCHBACK	41 = 4-DOOR SEDAN	49 = LIMOUSINE
27 = 2-DOOR CONVERTIBLE		

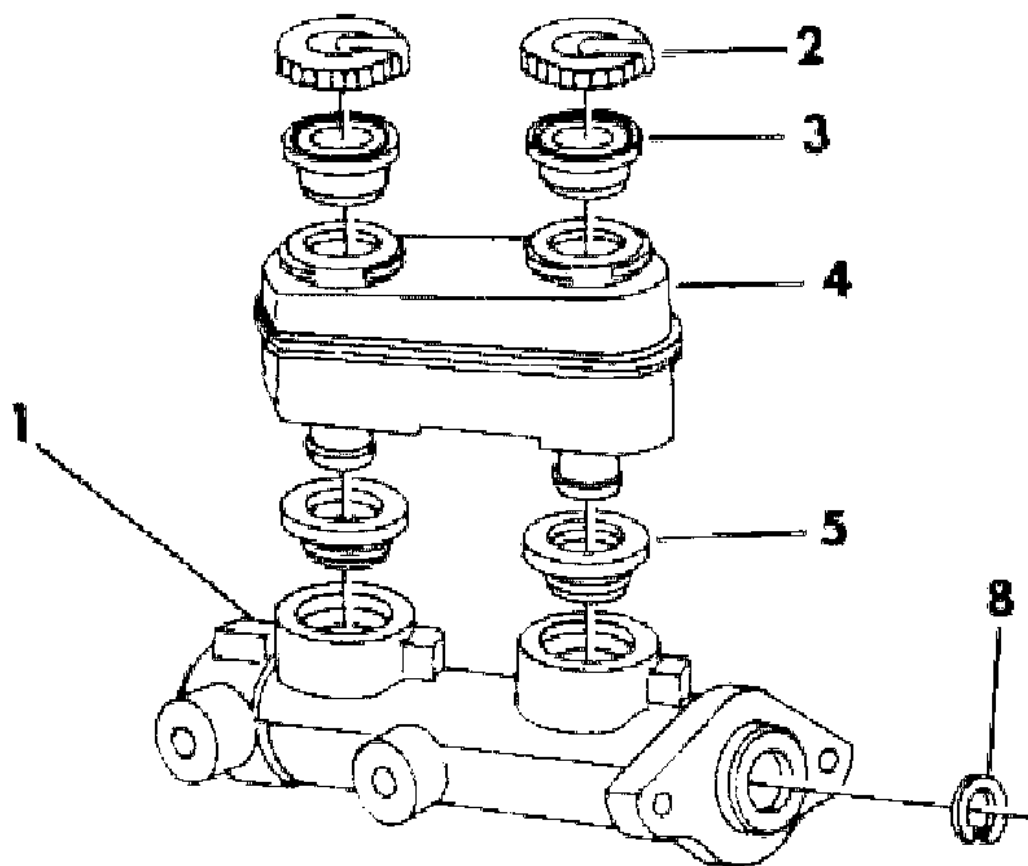
AR = Use as Required - = Non Illustrated Part P.A.R. = Paint as Required

MASTER CYLINDER, BRAKE F,G,B
Figure 5-1000

5105 1000

ITEM	PART NUMBER	QTY	BODY	MODEL	DESCRIPTION
1	3880 289	1		All	MASTER CYL.
2	5204 056	2		All	CAP
3	5204 057	2		All	DIAPHRAGM
4	3766 448	1		All	RESERVOIR
5	5204 149	2		All	GROMMET
8	6029 170	1		All	STOP, Snap Ring
	4318 051	AR		All	FLUID, Brake Hi Temp., 12 oz.
	4318 052	AR		All	1 Quart
	4318 053	AR		All	1 Gallon
	4318 054	AR		All	5 Gallon
	4094 036	1		All	CLIP, Push Rod Pin (not shown)

NOTE: Whenever the Brake Booster/Master Cyl. Push Rod is disconnected from Brk Pedal, replace PartNumber 4019421 Gear and Pinion numbers stamped on the item may be used to confirm the correct MATCHED SET they are contained in.



WITH POWER DISC BRAKES

MODEL CODES

B = GRAN FURY	E = 600	M = HORIZON/TURISMO
C = LE BARON/TOWN & COUNTRY/LIMO	F = FIFTH AVENUE/NEWPORT	P = RELIANT
C24 = LASER	G = DIPLOMAT	T = NEW YORKER
C44 = LE BARON/GTS	H = VOYAGER	V = 600
D = ARIES	J = CARAVELLE	V24 = DAYTONA
D44 = LANCER	K = MINI VAN/CARAVAN/ROYAL	Z = OMNI/CHARGER

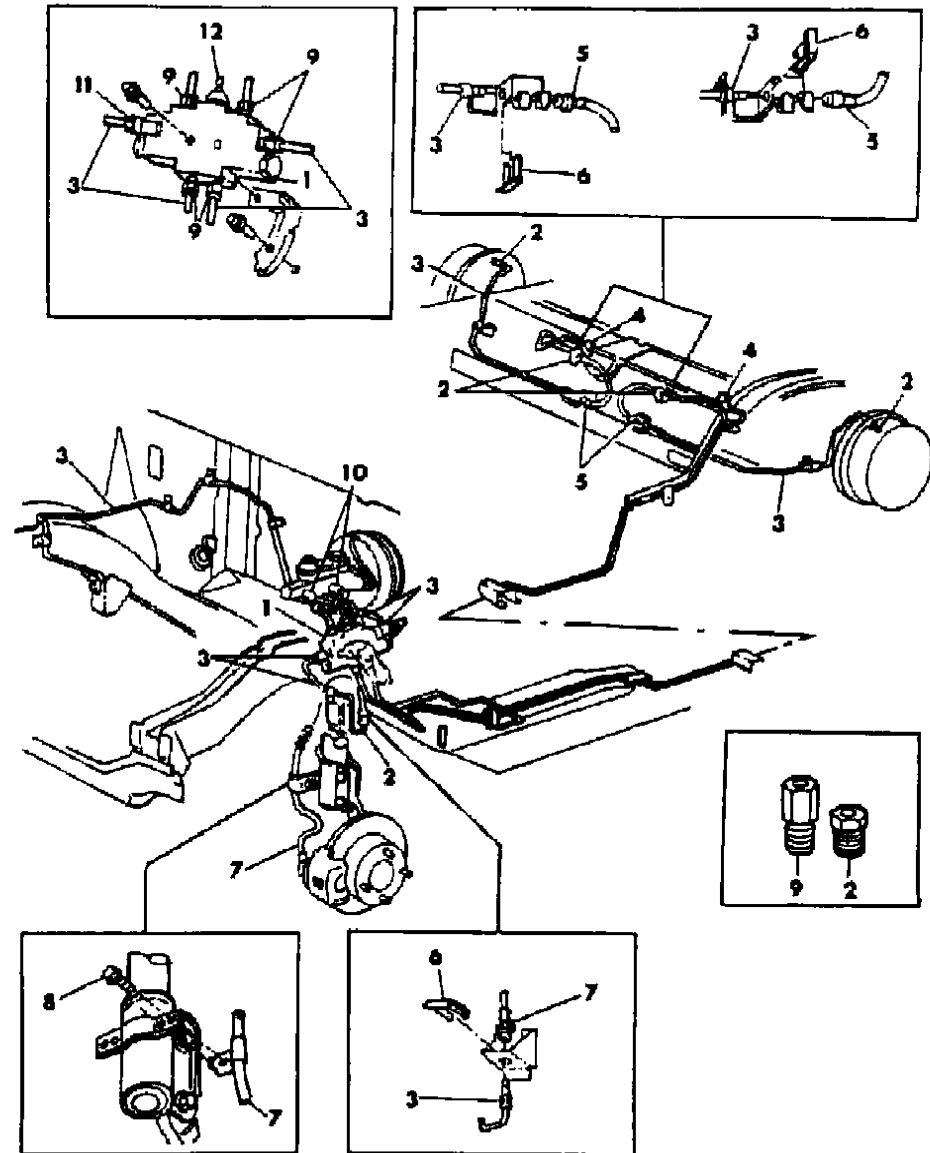
BODY STYLES

21 = 2-DOOR SEDAN	35 = FWD VAN	44 = 4-DOOR HATCHBACK
22 = 2-DOOR SPECIAL COUPE	36 = FWD WAGON	45 = 4-DOOR STATION WAGON
24 = 2-DOOR HATCHBACK	41 = 4-DOOR SEDAN	49 = LIMOUSINE
27 = 2-DOOR CONVERTIBLE		

AR = Use as Required - = Non Illustrated Part P.A.R. = Paint as Required

LINES And HOSES, BRAKE M,Z
Figure 5-1100

5105 1100



ITEM	PART NUMBER	QTY	BODY	MODEL	DESCRIPTION
1	4313 266	1			VALVE, Metering and Warning Brake
	4313 632	1			BRACKET, Valve Mtg.
2	6029 113	AR			NUT
3	1843 251	AR			TUBING BRAKE 25 Ft. Roll 3/16" O.D.
4	2123 341	2			CLIP
5	5204 264	2			HOSE, Rear Brake
6	2208 893	2			CLIP
7	4313 772-3	1			HOSE, Front Brake
8	6100 557	2			SCREW
9	6029 113	AR			NUT
10	6029 113	AR			NUT
11	6031 714	AR			NUT
12	3620 790	1			SWITCH, Brake Warning
	2881 984	1			"O" RING
	3879 283	AR			COVER 25 Ft. Roll, 3/16" O.D. Tubing
	4026 140	AR			3/8" O.D. Tubing
	6030 084	AR			GASKET, Inlet Hose (not shown)
	6029 113	AR			NUT 3/8-24 Thd. Lg. Hex (not shown)

MODEL CODES

B = GRAN FURY	E = 600	M = HORIZON/TURISMO
C = LE BARON/TOWN & COUNTRY/LIMO	F = FIFTH AVENUE/NEWPORT	P = RELIANT
C24 = LASER	G = DIPLOMAT	T = NEW YORKER
C44 = LE BARON/GTS	H = VOYAGER	V = 600
D = ARIES	J = CARAVELLE	V24 = DAYTONA
D44 = LANCER	K = MINI VAN/CARAVAN/ROYAL	Z = OMNI/CHARGER

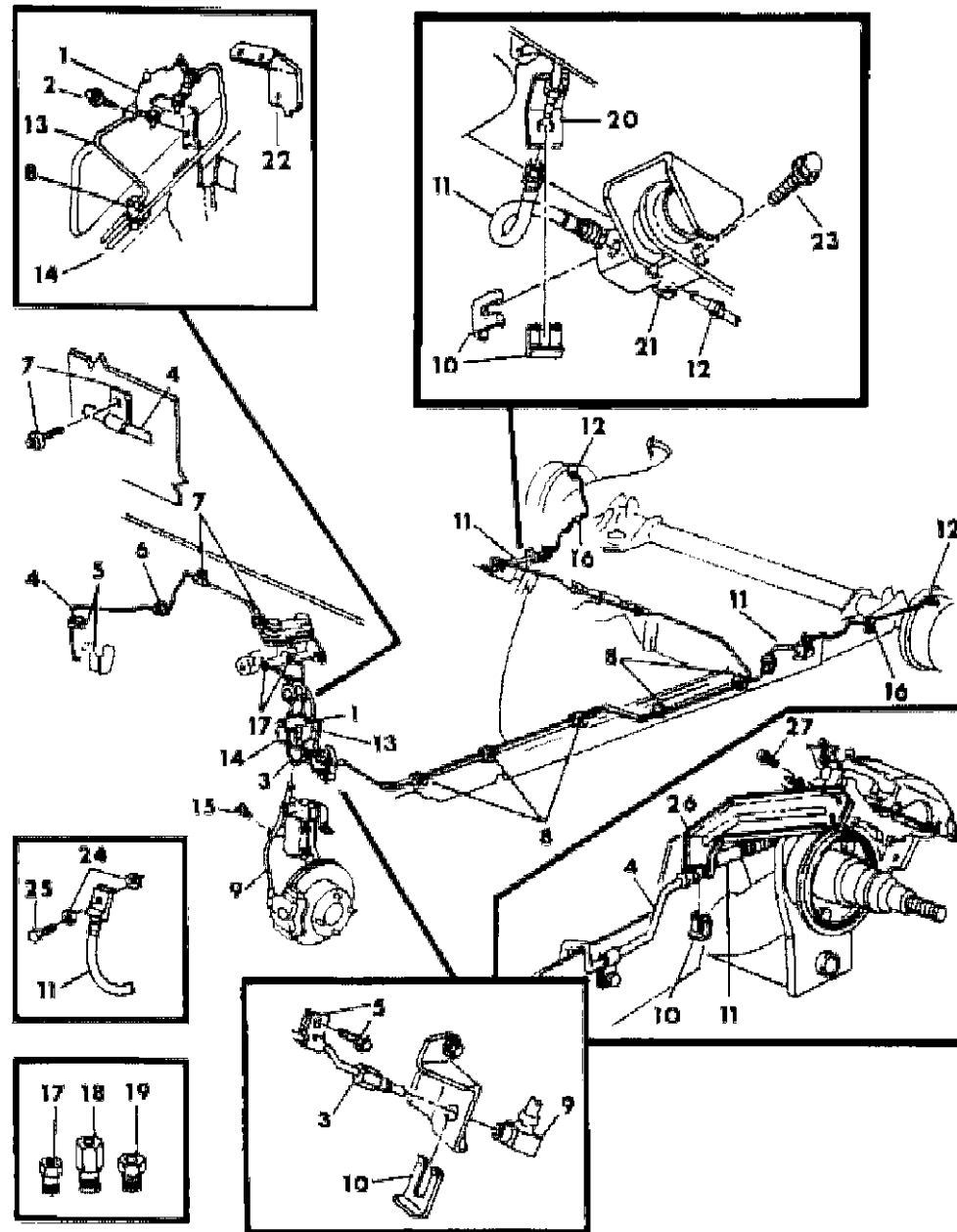
BODY STYLES

21 = 2-DOOR SEDAN	35 = FWD VAN	44 = 4-DOOR HATCHBACK
22 = 2-DOOR SPECIAL COUPE	36 = FWD WAGON	45 = 4-DOOR STATION WAGON
24 = 2-DOOR HATCHBACK	41 = 4-DOOR SEDAN	49 = LIMOUSINE
27 = 2-DOOR CONVERTIBLE		

AR = Use as Required - = Non Illustrated Part P.A.R. = Paint as Required

LINES And HOSES, BRAKE P,D,C,V,J,E,T
Figure 5-1200

5105 1200 A



ITEM	PART NUMBER	QTY	BODY	MODEL	DESCRIPTION
1	4238 588	1		P,D,C,V	VALVE
	4313 054	1		P,D	VALVE, H.D.(BGB)
	4313 031	1		J,E,T	VALVE
	4313 029	1		D,C-44	VALVE
2					SCREW (Not Serviced)
3	1843 251	AR			TUBING Brake 25 Ft. Roll 3/16" O.D.
4	1843 251	AR			TUBING Brake 25 Ft. Roll 3/16" O.D.
5					CLIP w/Screw (Not Serviced)
6					CLIP w/Screw (Not Serviced)
7					CLIP w/Screw (Not Serviced)
8	3766 495	6			CLIP
9	4313 630-1	1			HOSE, Frt. Whl. Brk.
10	2208 893	6			LOCK
11	4313 153	2			HOSE, Rr. Whl. Brk.
	4313 664-5	1			HOSE, Rr. Whl. Disc Brk. (BKR)
12	1843 251	AR			TUBING BRAKE 25 Ft. Roll 3/16" O.D.
13	1843 251	AR			TUBING BRAKE 25 Ft. Roll 3/16" O.D.
14	1843 251	AR			TUBING BRAKE 25 Ft. Roll 3/16" O.D.
	4339 832-3	1			LINE, Rear w/ Excutive Sedan
	4342 004-5	1			LINE, Rear w/ Limo
	6100 557	2			SCREW w/Washer
16					CLIP w/Screw (Not Serviced)
17	6029 113	AR			NUT 3/8-24 Thd.
18	6029 113	AR			NUT 3/8-24 Thd., Long Hex.
19	6031 714	AR			NUT 7/16-24 Thd.
20	4314 268	1			BRACKET, R/flr. Pan,Rail Brk.
21	4313 288-9	1			BRACKET, Rr. Whl. Brk. Hose .
22	4238 626	1			BRACKET,Brk. Tube Valve Mtg.
23	6501 013	1			SCREW, w/Washer
	3879 283	AR			COVER, 25 Ft. Roll 3/16" O.D. Tubing (Not Shown)
	6100 276	2			SCREW, Rr. Whl. Brk. Hose Guide (not shown)
24	6030 084	AR			WASHER, Brake Hose
25	6030 230	AR			BOLT, Brake Hose
26	4313 834-5	1			BRACKET, RR. Brk. Hose
	4313 848	1			CLIP, RR. Brk. Tube
27	6100 273	4			SCREW w/Washer

MODEL CODES

B = GRAN FURY	E = 600	M = HORIZON/TURISMO
C = LE BARON/TOWN & COUNTRY/LIMO	F = FIFTH AVENUE/NEWPORT	P = RELIANT
C24 = LASER	G = DIPLOMAT	T = NEW YORKER
C44 = LE BARON/GTS	H = VOYAGER	V = 600
D = ARIES	J = CARAVELLE	V24 = DAYTONA
D44 = LANCER	K = MINI VAN/CARAVAN/ROYAL	Z = OMNI/CHARGER

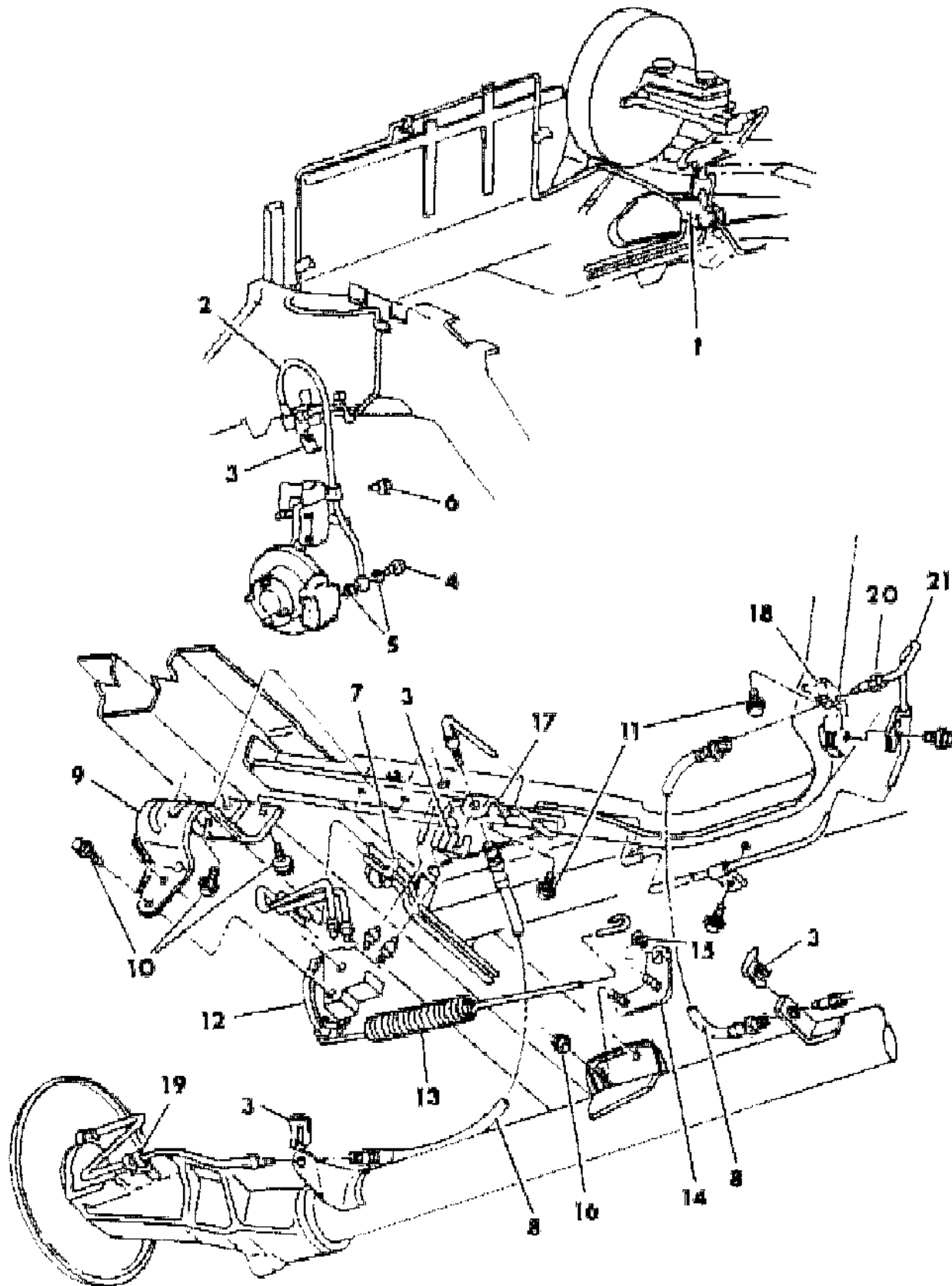
BODY STYLES

21 = 2-DOOR SEDAN	35 = FWD VAN	44 = 4-DOOR HATCHBACK
22 = 2-DOOR SPECIAL COUPE	36 = FWD WAGON	45 = 4-DOOR STATION WAGON
24 = 2-DOOR HATCHBACK	41 = 4-DOOR SEDAN	49 = LIMOUSINE
27 = 2-DOOR CONVERTIBLE		

AR = Use as Required - = Non Illustrated Part P.A.R. = Paint as Required

LINES And HOSES, BRAKE H,K
Figure 5-1300

5105 1300



ITEM	PART NUMBER	QTY	BODY	MODEL	DESCRIPTION
1	4313 031	1			VALVE, Frt.
	3620 790	1			SWITCH
2	4313 630-1	1			HOSE, Frt.
3	2208 893	6			LOCK
4	6030 230	2			BOLT
5	6030 084	4			GASKET
6	6100 557	2			SCREW w/Washer
7	3766 495	7			CLIP
8	4313 348	2			HOSE, Rear
9	4313 043	1			BRACKET
	4313 923	1			COVER
10	6100 302	4			BOLT w/Washer
11		6			BOLT w/Washer (Not Serv.)
12	4313 606	1			VALVE, Rear
13	4313 278	1			SPRING
14	4313 629	1			LEVER
15	4313 005	1			RETAINER
16	6100 050	2			NUT w/Washer
17	4313 715	1			BRACKET
18	4313 714	1			BRACKET
19	4313 025	2			CLIP
20	6029 113	AR			NUT, 3/8-24
	6031 714	AR			NUT, 7/16-24
21	1843 251	AR			TUBING, 3/16 o.d. (25ft. Roll)

MODEL CODES

B = GRAN FURY	E = 600	M = HORIZON/TURISMO
C = LE BARON/TOWN & COUNTRY/LIMO	F = FIFTH AVENUE/NEWPORT	P = RELIANT
C24 = LASER	G = DIPLOMAT	T = NEW YORKER
C44 = LE BARON/GTS	H = VOYAGER	V = 600
D = ARIES	J = CARAVELLE	V24 = DAYTONA
D44 = LANCER	K = MINI VAN/CARAVAN/ROYAL	Z = OMNI/CHARGER

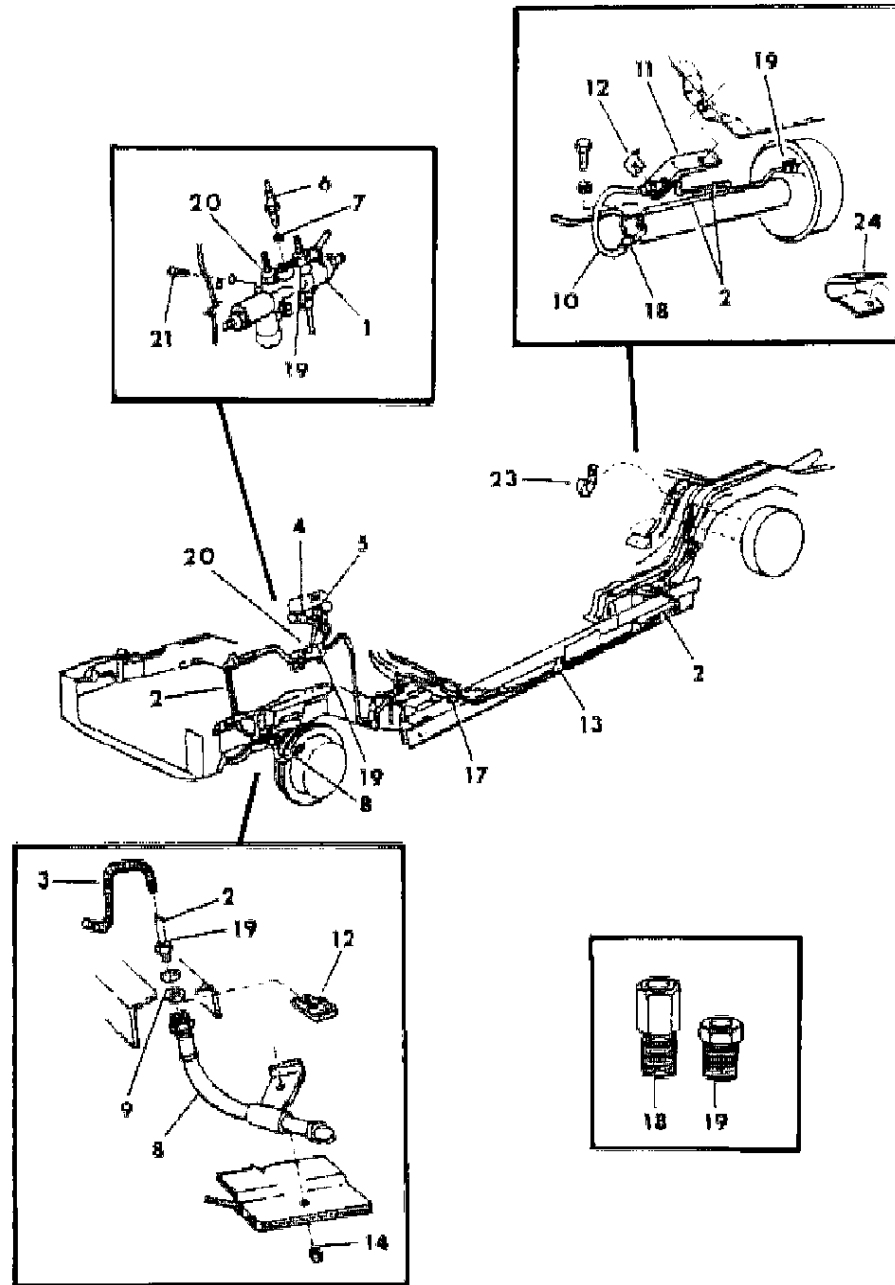
BODY STYLES

21 = 2-DOOR SEDAN	35 = FWD VAN	44 = 4-DOOR HATCHBACK
22 = 2-DOOR SPECIAL COUPE	36 = FWD WAGON	45 = 4-DOOR STATION WAGON
24 = 2-DOOR HATCHBACK	41 = 4-DOOR SEDAN	49 = LIMOUSINE
27 = 2-DOOR CONVERTIBLE		

AR = Use as Required - = Non Illustrated Part P.A.R. = Paint as Required

LINES And HOSES, F,G,B
Figure 5-1400

5105 1400



ITEM	PART NUMBER	QTY	BODY	MODEL	DESCRIPTION
1	4176 794	1		All	VALVE
	3880 038	1		All	VALVE, Police
2	1843 251	1		All	TUBING, Brake, 25 ft. Roll, 3/16" O.D.
	1843 252	1		All	1/4" O.D.
	1843 253	1		All	5/16" O.D.
	1843 254	1		All	3/8" O.D.
3	3879 283	1		All	COVER, 25 ft. Rolls, 3/16" O.D. Tubing
					9-1/4 Coils per inch
	3879 283	1		All	3/16" O.D. Tubing, 11-1/2 Coils per inch
	3879 284	1		All	1/4" O.D. Tubing
	4026 140	1		All	3/8" O.D. Tubing
	4238 762-3	1			LEVER, Pk/Brk.
4	6026 888	2		All	NUT, Secondary Tube
5	6026 887	2		All	NUT, Primary Tube
6	3620 790	1		All	SWITCH, Mtrg. Prpg.
7	2881 984	1		All	"O" RING, Sw. Mtrg. Prpg.
8	4240 508-9	1		All	HOSE, Front Whl. Brake (Flexible)
9	6030 084	1		All	GASKET, Inlet Hose
10	4126 502	1		All	HOSE and TEE, Rear Axle
11	4126 503	1		All	BRACKET, Brake Tube Rear Hose
12	2208 893	4		All	LOCK
13	2207 933	1		All	CLIP
14	6025 004	1		All	NUT
17	2123 341	1		All	CLIP
18	6029 113	AR		All	NUT, 3/8-24 Thd. Long Hex
19	6031 714	AR		All	NUT, 7/16-24 Thd.
20	6026 436	1		All	NUT, Primary, 3/16" O.D.
21	6030 607	1		All	LOCK, Nut
23	3723 689	1		All	CLIP
24	3880 807	1		All	GUARD Rr. Axle Brk. Tube Tee
	3766 357	1		All	SHIELD Brk. Val. to RR. Hose (not shown)
	4126 794	1		All	SHIELD Frt. Brake Lt. Hose Heat (not shown)
	6029 113	AR		All	NUT, 3/8-24 Thd. (not shown)

MODEL CODES

B = GRAN FURY	E = 600	M = HORIZON/TURISMO
C = LE BARON/TOWN & COUNTRY/LIMO	F = FIFTH AVENUE/NEWPORT	P = RELIANT
C24 = LASER	G = DIPLOMAT	T = NEW YORKER
C44 = LE BARON/GTS	H = VOYAGER	V = 600
D = ARIES	J = CARAVELLE	V24 = DAYTONA
D44 = LANCER	K = MINI VAN/CARAVAN/ROYAL	Z = OMNI/CHARGER

BODY STYLES

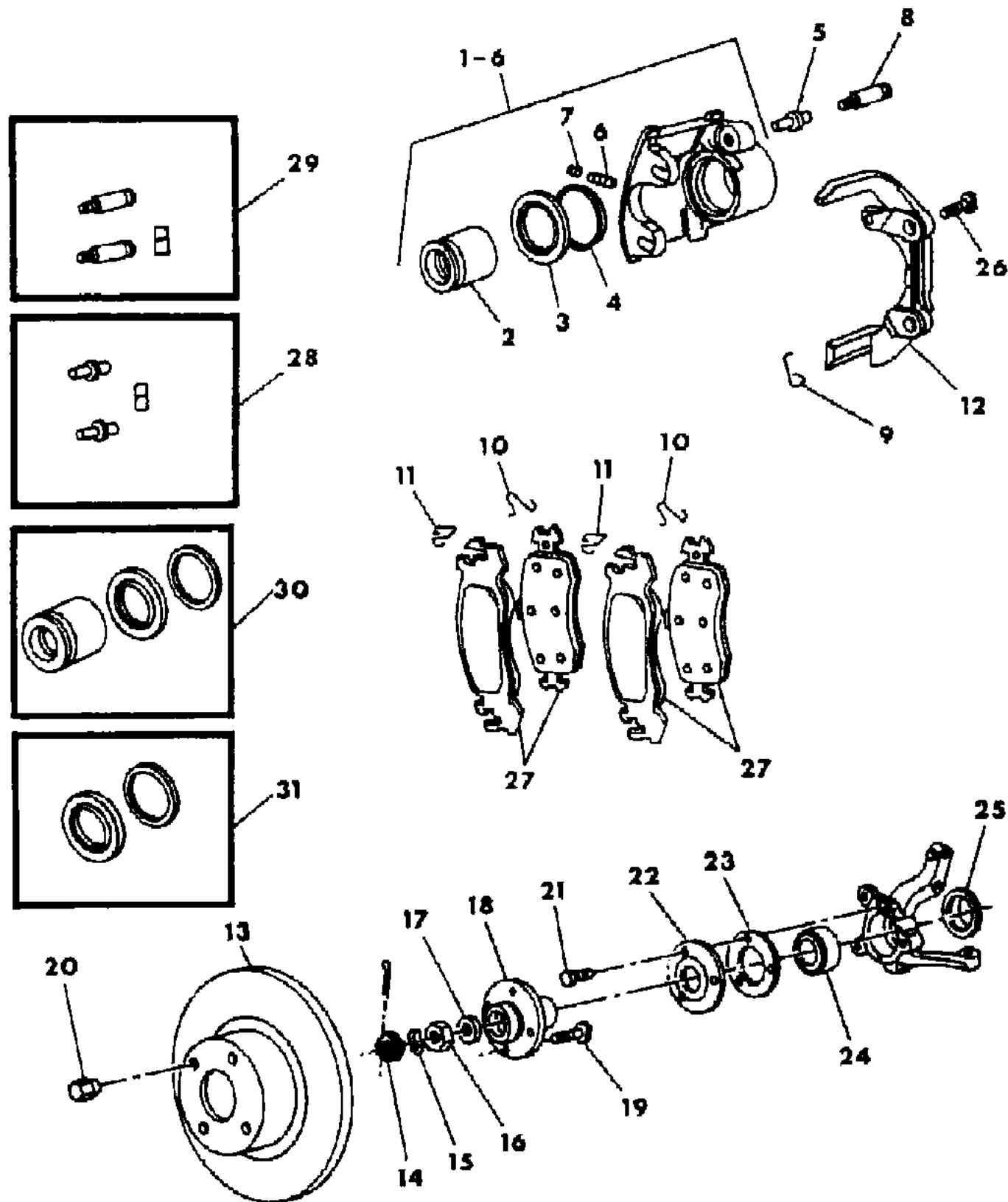
21 = 2-DOOR SEDAN	35 = FWD VAN	44 = 4-DOOR HATCHBACK
22 = 2-DOOR SPECIAL COUPE	36 = FWD WAGON	45 = 4-DOOR STATION WAGON
24 = 2-DOOR HATCHBACK	41 = 4-DOOR SEDAN	49 = LIMOUSINE
27 = 2-DOOR CONVERTIBLE		

AR = Use as Required - = Non Illustrated Part P.A.R. = Paint as Required

BRAKES FRONT M,Z (Exc. Shelby, GLH)

Figure 5-1500

5105 1500 A



ITEM	PART NUMBER	QTY	BODY	MODEL	DESCRIPTION
1-6	4238 676-7	1			HOUSING, Caliper Partail
2		2			PISTON (See Pkg. 4364778)
3		2			BOOT (See Pkg. 4364779)
4		2			SEAL (See Pkg. 4364779)
5		2			BUSHING (See Pkg. 4267331)
6	3780 788	2			SCREW, Bleeder
7	4126 733	2			CAP, Bleeder
8		2			PIN, Locating (See Pkg. 4293172)
9	4238 878-9	1			CLIP, Adapter To Hsg.
10	4238 884-5	1			CLIP, Inner Pad
11	4238 886-7	1			CLIP, Outer Pad
12	4238 688-9	1			ADAPTER
13	4313 591	2			DISC
14	4293 167	2			LOCK, Hub Nut
15	5212 684	2			WASHER, Hub Wave
16	6500 298	2			NUT, HUB
17	6500 299	2			WASHER
18	5212 521	2			HUB
19	6501 053	8			STUD
20	6500 526	16			NUT
	6500 294	16			NUT, Chrome
21	6500 544	6			BOLT, Brg. Ret.
22	5212 548	2			RETAINER, Brg.
23	5212 550	2			GASKET
24	4271 389	2			BEARING
25	5212 535	2			SEAL
26	6500 908	4			BOLT w/Washer, Caliper Mtg.
27	4238 786	1			BRAKE PAD SET
28	4267 331	1			BUSHING Pkg.
29	4293 172	1			PIN Pkg.
30	4364 778	1			PISTON + BOOT + SEAL Pkg.
31	4364 779	1			BOOT + SEAL Pkg.

MODEL CODES

B = GRAN FURY	E = 600	M = HORIZON/TURISMO
C = LE BARON/TOWN & COUNTRY/LIMO	F = FIFTH AVENUE/NEWPORT	P = RELIANT
C24 = LASER	G = DIPLOMAT	T = NEW YORKER
C44 = LE BARON/GTS	H = VOYAGER	V = 600
D = ARIES	J = CARAVELLE	V24 = DAYTONA
D44 = LANCER	K = MINI VAN/CARAVAN/ROYAL	Z = OMNI/CHARGER

BODY STYLES

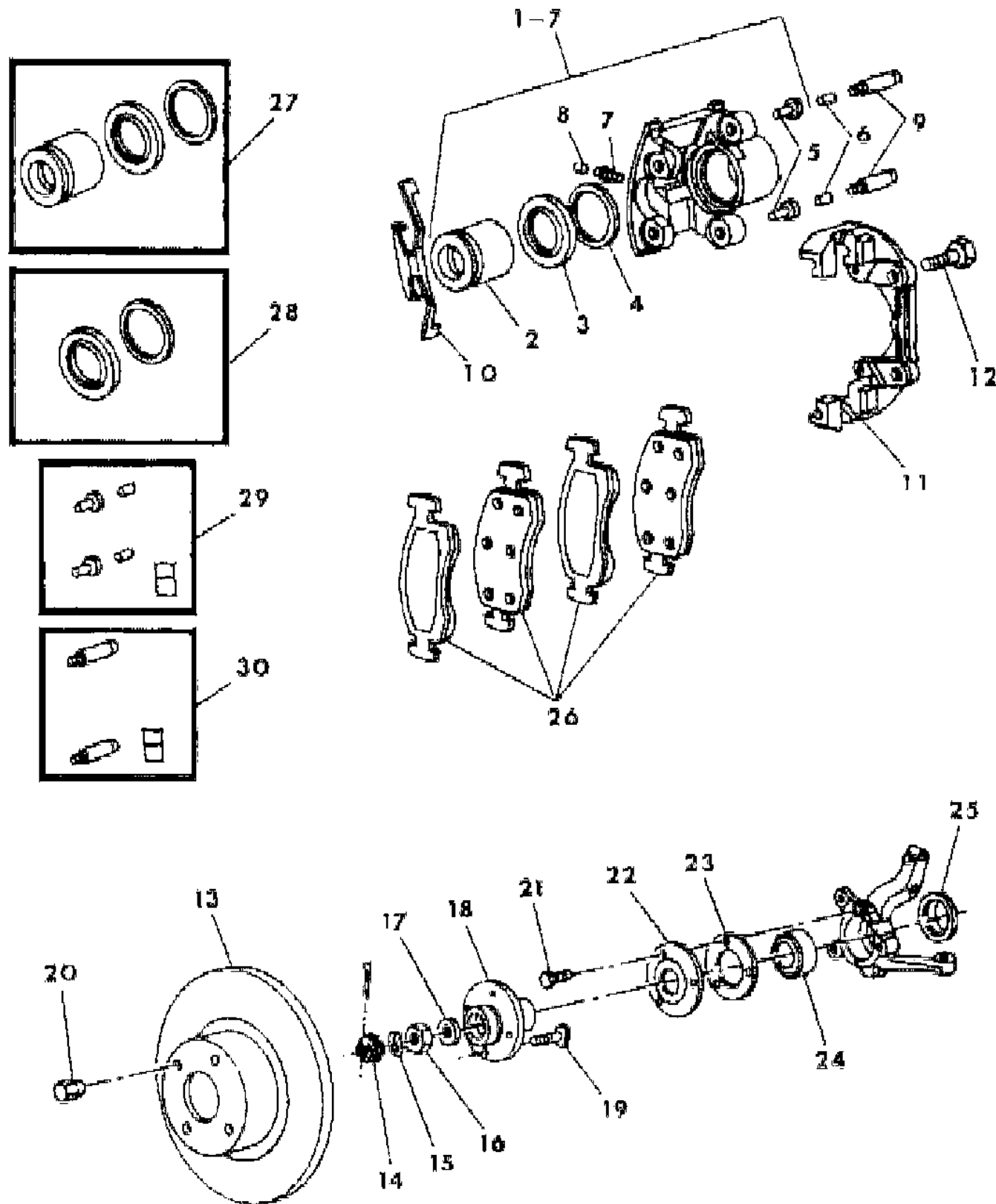
21 = 2-DOOR SEDAN	35 = FWD VAN	44 = 4-DOOR HATCHBACK
22 = 2-DOOR SPECIAL COUPE	36 = FWD WAGON	45 = 4-DOOR STATION WAGON
24 = 2-DOOR HATCHBACK	41 = 4-DOOR SEDAN	49 = LIMOUSINE
27 = 2-DOOR CONVERTIBLE		

AR = Use as Required - = Non Illustrated Part P.A.R. = Paint as Required

BRAKES FRONT P,D w/STD. Brakes (BGA)

Figure 5-1600

5105 1600



ITEM	PART NUMBER	QTY	BODY	MODEL	DESCRIPTION
1-7	4238 684-5	1			HOUSING, Caliper Partail
2		2			PISTON (See Pkg. 4205984)
3		2			BOOT (See Pkg. 4205985)
4		2			SEAL (See Pkg. 4205985)
5		4			BUSHING (See Pkg. 4205982)
6		4			SLEEVES (See Pkg. 4205982)
7	4126 879	2			SCREW, Bleeder
8	4126 733	2			CAP, Bleeder
9		4			PIN, Locating (See Pkg. 4267329)
10	4126 732	2			CLIP, Outer Pad To Hsg.
11	4238 683	2			ADAPTER
12	6500 908	4			BOLT w/Washer Caliper Mtg.
13	4313 592	2			DISC
14	4293 167	2			LOCK, Hub Nut
15	5212 684	2			WASHER, Hub Wave
16	6500 298	2			NUT, Hub
17	6500 299	2			WASHER
18	5212 545	2			HUB
19	6501 053	8			STUD
20	6500 526	16			NUT
	6500 294	16			NUT, Chrome
21	6500 544	6			BOLT, Brg. Mtg.
22	5212 980	2			RETAINER
23	5212 559	2			GASKET
24	4293 185	2			BEARING
25	5212 535	2			SEAL
26	4293 200	1			BRAKE PAD SET
27	4205 984	2			PISTON , BOOT And SEAL Pkg.
28	4205 985	2			BOOT And SEAL Pkg.
29	4205 982	2			BUSHING Pkg.
30	4267 329	2			PIN Pkg.

MODEL CODES

B = GRAN FURY	E = 600	M = HORIZON/TURISMO
C = LE BARON/TOWN & COUNTRY/LIMO	F = FIFTH AVENUE/NEWPORT	P = RELIANT
C24 = LASER	G = DIPLOMAT	T = NEW YORKER
C44 = LE BARON/GTS	H = VOYAGER	V = 600
D = ARIES	J = CARAVELLE	V24 = DAYTONA
D44 = LANCER	K = MINI VAN/CARAVAN/ROYAL	Z = OMNI/CHARGER

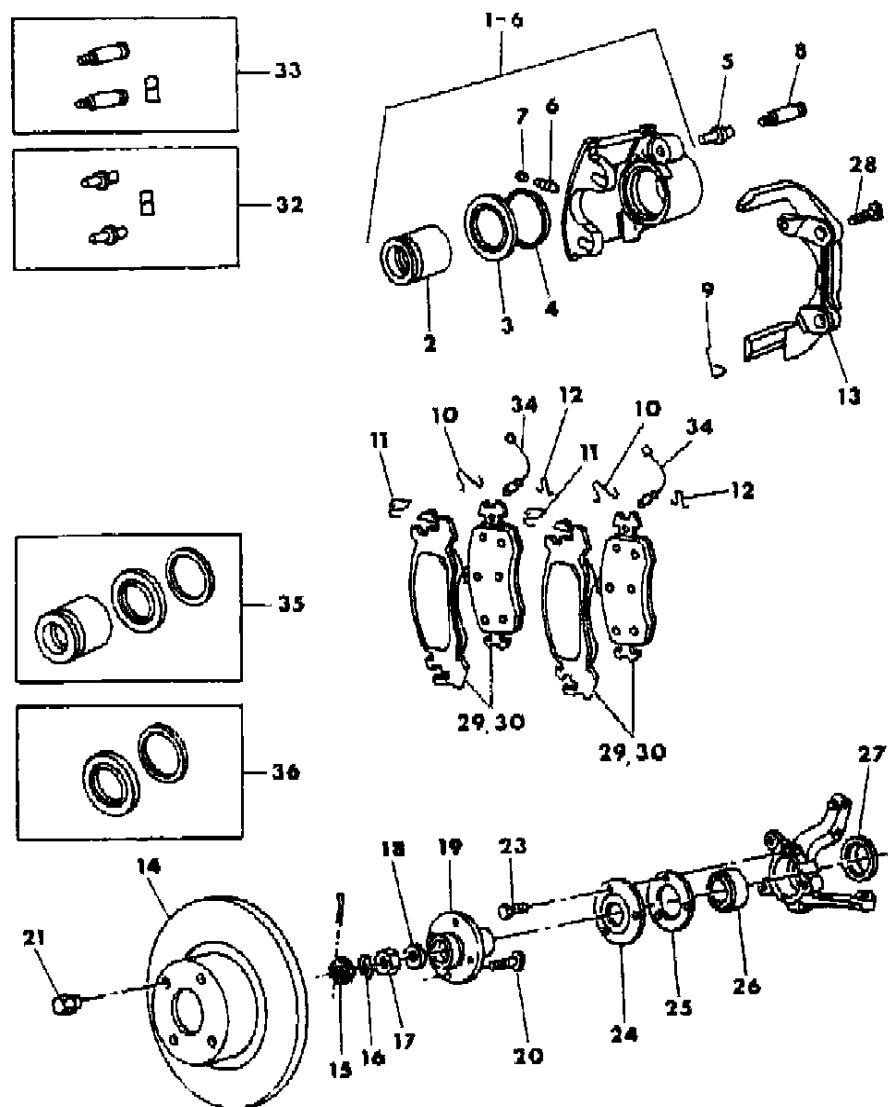
BODY STYLES

21 = 2-DOOR SEDAN	35 = FWD VAN	44 = 4-DOOR HATCHBACK
22 = 2-DOOR SPECIAL COUPE	36 = FWD WAGON	45 = 4-DOOR STATION WAGON
24 = 2-DOOR HATCHBACK	41 = 4-DOOR SEDAN	49 = LIMOUSINE
27 = 2-DOOR CONVERTIBLE		

AR = Use as Required - = Non Illustrated Part P.A.R. = Paint as Required

**BRAKES FRONT C,V-22,27,48 w/or w/o Brk. Sensors C,V-24 D,C-44 w/ Brk. Sensors
Figure 5-1700**

5105 1700 B



ITEM	PART NUMBER	QTY	BODY	MODEL	DESCRIPTION
1-6	4238 692-3	1			HOUSING, Caliper Partail
2		2			PISTON (See Pkg. 4364778)
3		2			BOOT (See Pkg. 4364779)
4		2			SEAL (See Pkg. 4364779)
5		2			BUSHING (See Pkg. 4267331)
6	3780 788	2			SCREW, Bleeder
7	4094 879	2			CAP, Bleeder
8		2			PIN, Locating (See Pkg. 4267330)
9	4238 892-3	2			CLIP, Adapter to Hsg.
10	4238 884-5	2			CLIP, Inner Pad
11	4238 886-7	2			CLIP, Outer Pad
12	4313 234-5	2			CLIP, Outer Pad w/Sensor
13	4313 962-3	1			ADAPTER
14	4313 593	2			DICS, 4-Stud
	4313 633	2			DICS, 5-Stud
15	4293 167	2			LOCK, Hub Nut
16	5212 684	2			WASHER, Hub Wave
17	6500 298	2			NUT, Hub
18	6500 299	2			WASHER
19	5212 545	2			HUB, 4-Stud
	5212 770	2			HUB, 5-Stud
20	6501 053	8			STUD
21	6500 526	AR			NUT, Std.
	6500 294	AR			NUT, Chrome
23	6500 544	6			BOLT, Brg. Ret.
24	5212 980	2			RETAINER, Brg.
25	5212 559	2			GASKET
26	4293 185	2			BEARING
27	5212 535	2			SEAL
28	6500 908	4			BOLT w/Washer Caliper Mtg.
29	4313 238	1			BRAKE PAD SET w/Clips, w/o Sensors
30	4313 642	1			BRAKE PAD SET w/Clips, w/Sensors
32	4267 331	1			BUSHING Pkg.
33	4267 330	1			PIN Pkg.
34	4313 040	2			SENSOR, Outer Pad
35	4364 778	1			PISTON + BOOT + SEAL Pkg.
36	4364 779	1			BOOT + SEAL Pkg.

MODEL CODES

B = GRAN FURY	E = 600	M = HORIZON/TURISMO
C = LE BARON/TOWN & COUNTRY/LIMO	F = FIFTH AVENUE/NEWPORT	P = RELIANT
C24 = LASER	G = DIPLOMAT	T = NEW YORKER
C44 = LE BARON/GTS	H = VOYAGER	V = 600
D = ARIES	J = CARAVELLE	V24 = DAYTONA
D44 = LANCER	K = MINI VAN/CARAVAN/ROYAL	Z = OMNI/CHARGER

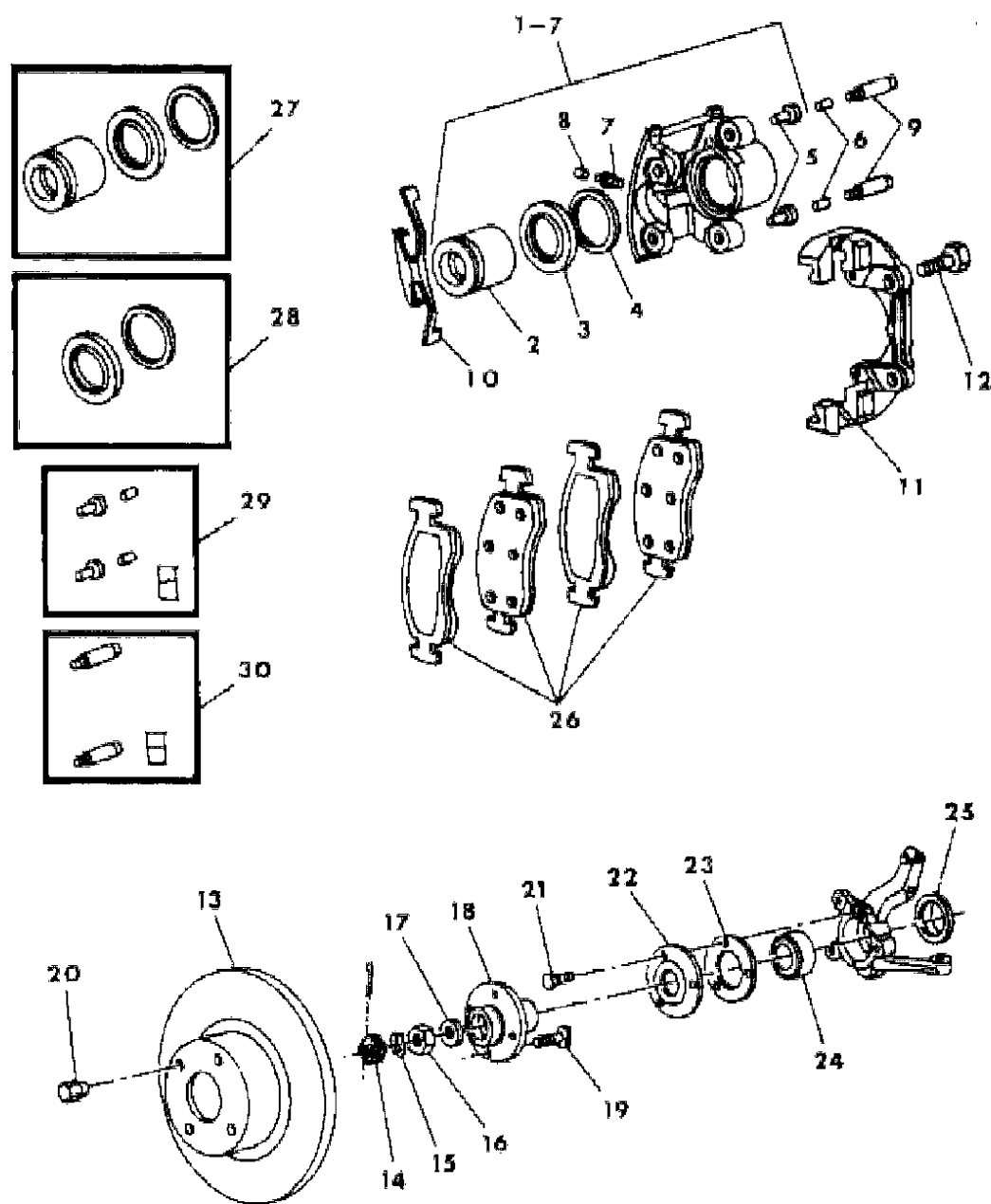
BODY STYLES

21 = 2-DOOR SEDAN	35 = FWD VAN	44 = 4-DOOR HATCHBACK
22 = 2-DOOR SPECIAL COUPE	36 = FWD WAGON	45 = 4-DOOR STATION WAGON
24 = 2-DOOR HATCHBACK	41 = 4-DOOR SEDAN	49 = LIMOUSINE
27 = 2-DOOR CONVERTIBLE		

AR = Use as Required - = Non Illustrated Part P.A.R. = Paint as Required

BRAKES FRONT P,D-41,45 w/H.D. Brake (BGB) C,J,E,T-41,45 C,V-24 w/o Sensors (SHELBY + GLH)
Figure 5-1800

5105 1800



ITEM	PART NUMBER	QTY	BODY	MODEL	DESCRIPTION
1-7	4238 710-1	1			HOUSING, Caliper Partail
2		2			PISTON (See pkg. 4205984)
3		2			BOOT (See pkg. 4205985)
4		2			SEAL (See pkg. 4205985)
5		4			BUSHINGS (See pkg. 4205982)
6		4			SLEEVES (See pkg. 4205982)
7	4126 879	2			SCREW, Bleeder
8	4126 733	2			CAP,Bleeder
9		4			PIN, Locating (See pkg. 4267329)
10	4238 900	2			CLIP, Outer Pad To Hsg.
11	4238 712	2			ADAPTER
12	6500 908	4			BOLT w/Washer Caplier Mtg.
13	4313 593	2			DISC, 4 Stud
	4313 633	2			DISC, 5 Stud
14	4293 167	2			LOCK, Hub Nut
15	5212 684	2			WASHER, Hub Wave
16	6500 298	2			NUT, Hub
17	6500 299	2			WASHER
18	5212 545	2			HUB, 4 Stud
	5212 770	2			HUB, 5 Stud
19	6501 053	8			STUD
20	6500 526	AR			NUT, Std.
	6500 294	AR			NUT, Chome
21	6500 544	6			BOLT, Brg. Ret.
22	5212 980	2			RETAINER, Brg.
	5212 548	2			W/ DDJ Eng.
23	5212 559	2			GASKET
24	4293 185	2			BEARING
25	5212 535	2			SEAL
26	4313 429	1			BRAKE PAD SET
27	4205 984	2			PISTON + BOOT + SEAL Pkg.
28	4205 985	2			BOOT + SEAL Pkg.
29	4205 982	2			BUSHING Pkg.
30	4267 329	2			PIN Pkg.

MODEL CODES

B = GRAN FURY	E = 600	M = HORIZON/TURISMO
C = LE BARON/TOWN & COUNTRY/LIMO	F = FIFTH AVENUE/NEWPORT	P = RELIANT
C24 = LASER	G = DIPLOMAT	T = NEW YORKER
C44 = LE BARON/GTS	H = VOYAGER	V = 600
D = ARIES	J = CARAVELLE	V24 = DAYTONA
D44 = LANCER	K = MINI VAN/CARAVAN/ROYAL	Z = OMNI/CHARGER

BODY STYLES

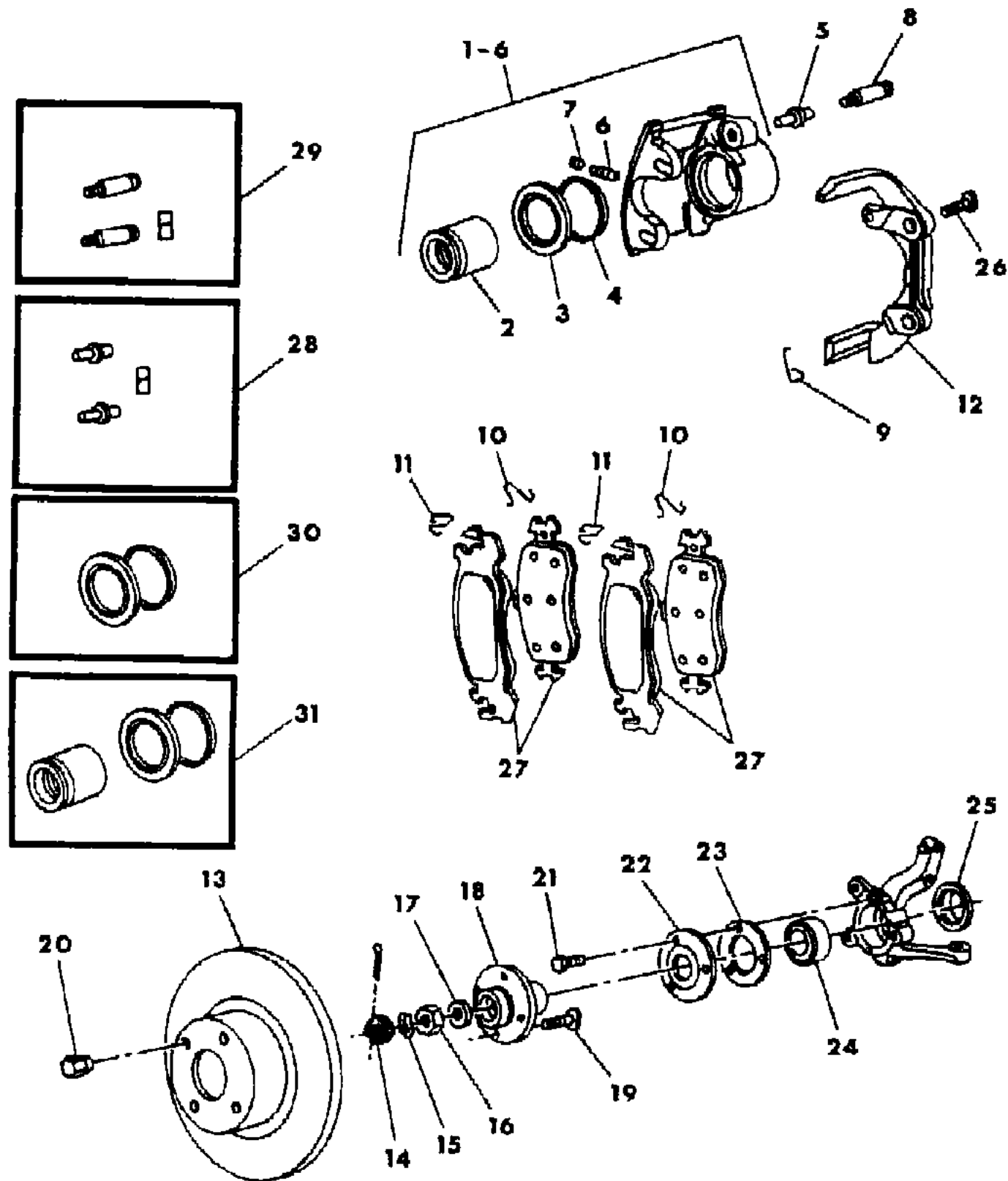
21 = 2-DOOR SEDAN	35 = FWD VAN	44 = 4-DOOR HATCHBACK
22 = 2-DOOR SPECIAL COUPE	36 = FWD WAGON	45 = 4-DOOR STATION WAGON
24 = 2-DOOR HATCHBACK	41 = 4-DOOR SEDAN	49 = LIMOUSINE
27 = 2-DOOR CONVERTIBLE		

AR = Use as Required - = Non Illustrated Part P.A.R. = Paint as Required

BRAKES FRONT H,K-35,36

Figure 5-1900

5105 1900 A



ITEM	PART NUMBER	QTY	BODY	MODEL	DESCRIPTION
1-6	4313 244-5	1			HOUSING, Caliper Partail
2		2			PISTON (See Pkg. 4364780)
3		2			BOOT (See Pkg. 4364781)
4		2			SEAL (See pkg. 4364781)
5		2			BUSHING (See Pkg. 4267331)
6	3780 788	2			SCREW, Bleeder
7	4094 879	2			CAP, Bleeder
8		2			PIN, Locating (See Pkg. 4267330)
9	4313 252-3	1			CLIP, Adapter to Hsg.
10	4238 884-5	2			CLIP, Inner Pad
11	4313 254-5	2			CLIP, Outer Pad
12	4313 256-7	1			ADAPTER
13	4313 594	2			DISC
14	4293 167	2			LOCK, Hub Nut
15	5212 684	2			WASHER, Hub Wave
16	6500 298	2			NUT, Hub
17	6500 299	2			WASHER
18	5212 545	2			HUB
19	6501 053	8			STUD
20	6500 526	16			NUT, Std.
	6500 294	16			NUT, Chrome
21	6500 544	6			BOLT, Brg. Retainer
22	5212 980	2			RETAINER, Brg.
23	5212 559	2			GASKET
24	4293 185	2			BEARING
25	5212 535	2			SEAL
26	6500 908	4			BOLT w/Washer Caliper Mtg.
27	4313 268	1			BRAKE PAD SET
28	4267 331	1			BUSHING Pkg.
29	4267 330	1			PIN Pkg.
30	4364 781	2			BOOT + SEAL Pkg.
31	4364 780	2			PISTON + BOOT + SEAL Pkg.

MODEL CODES

B = GRAN FURY	E = 600	M = HORIZON/TURISMO
C = LE BARON/TOWN & COUNTRY/LIMO	F = FIFTH AVENUE/NEWPORT	P = RELIANT
C24 = LASER	G = DIPLOMAT	T = NEW YORKER
C44 = LE BARON/GTS	H = VOYAGER	V = 600
D = ARIES	J = CARAVELLE	V24 = DAYTONA
D44 = LANCER	K = MINI VAN/CARAVAN/ROYAL	Z = OMNI/CHARGER

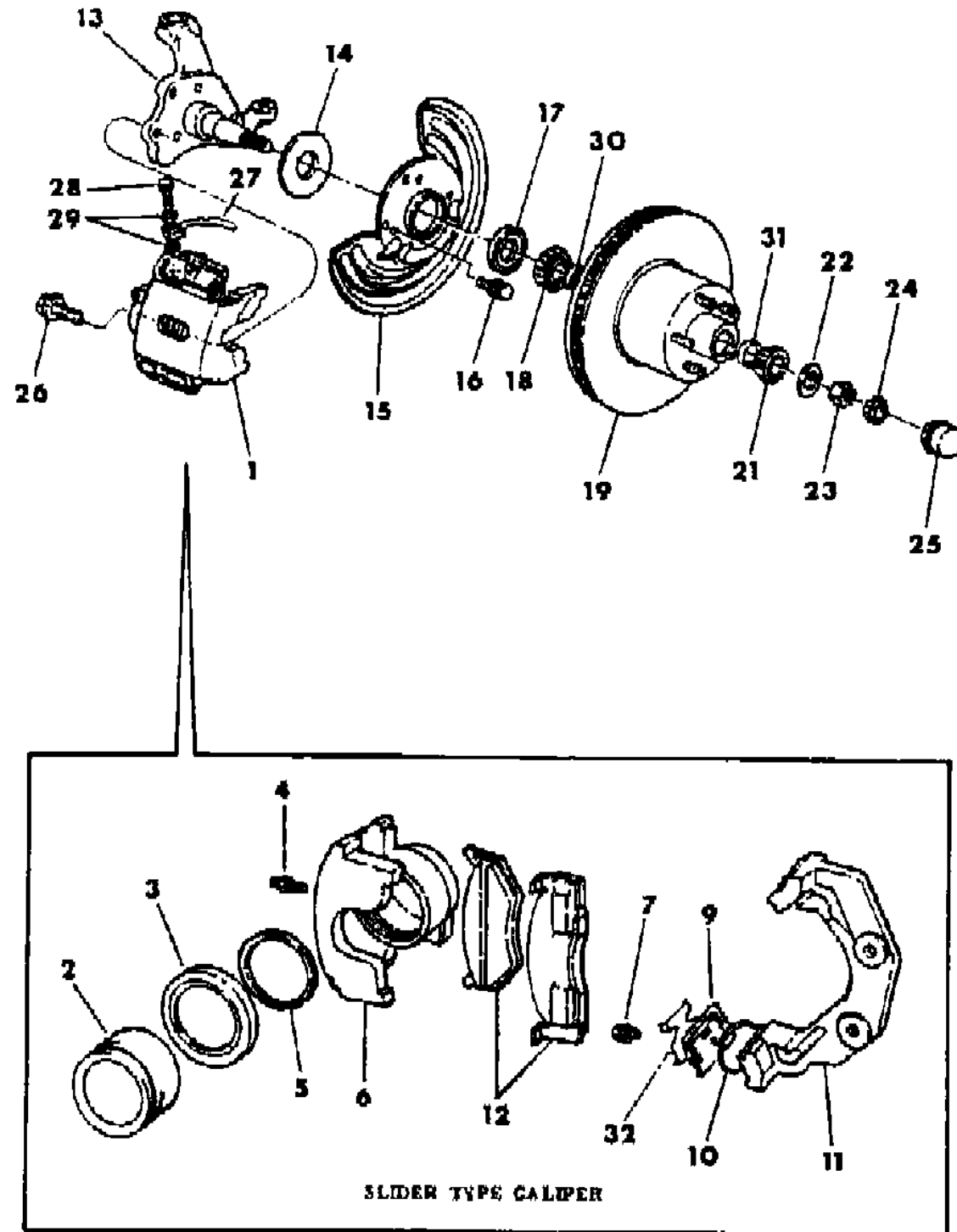
BODY STYLES

21 = 2-DOOR SEDAN	35 = FWD VAN	44 = 4-DOOR HATCHBACK
22 = 2-DOOR SPECIAL COUPE	36 = FWD WAGON	45 = 4-DOOR STATION WAGON
24 = 2-DOOR HATCHBACK	41 = 4-DOOR SEDAN	49 = LIMOUSINE
27 = 2-DOOR CONVERTIBLE		

AR = Use as Required - = Non Illustrated Part P.A.R. = Paint as Required

BRAKES FRONT F,G,B
Figure 5-2000

5105 2000



ITEM	PART NUMBER	QTY	BODY	MODEL	DESCRIPTION
	4176 778	1		All	SHOE and LINING PKG. (Axle Set)
	4049 699	1		All	SHOE and LINING PKG. H. Duty (Axle Set) Consists of: 2 - ---- Shoe and Lining, Outer 2 - ---- Shoe and Lining, Inner
	3683 975	1		All	1- 4186997 Spring Pkg. BEARING PACKAGE, Inner Consist of: 1 - 3580892 Cone 1 - ---- Cup 1 - 3580723 Seal
	1671 465	1		All	BEARING PACKAGE, Outer Consists of: 1- ---- Cone HOSE .025 I.D. 50 Ft. Roll (Not Shown) 1- ---- Cup
	4095 681	AR			BOOT and SEAL Pkg.
	4186 990	2			Pin (Not Shown)
	4293 172	1			1 - ---- Seal 1 - ---- Boot 1- ---- Silicon
	4186 989	1		All	1- ---- Gage PISTON, SEAL, BOOT PACKAGE Consists of: 1 - ---- Piston 1 - ---- Seal 1 - ---- Boot 1 - ---- Silicon 1 - ---- Gage
1-12		1		All	CALIPER, Slider Type (Service Components)
2	4186 989	2		All	PISTON, SEAL, BOOT PACKAGE
3	4186 990	2		All	BOOT, SEAL, PACKAGE
4	3780 788	2		All	BLEEDER SCREW
5	4186 990	2		All	SEAL, BOOT PACKAGE
6	4126 843	1		All	HOUSING, Partl. Lt.
	4126 842	1		All	Rt.
7	6029 930	4		All	SCREW

MODEL CODES

B = GRAN FURY	E = 600	M = HORIZON/TURISMO
C = LE BARON/TOWN & COUNTRY/LIMO	F = FIFTH AVENUE/NEWPORT	P = RELIANT
C24 = LASER	G = DIPLOMAT	T = NEW YORKER
C44 = LE BARON/GTS	H = VOYAGER	V = 600
D = ARIES	J = CARAVELLE	V24 = DAYTONA
D44 = LANCER	K = MINI VAN/CARAVAN/ROYAL	Z = OMNI/CHARGER

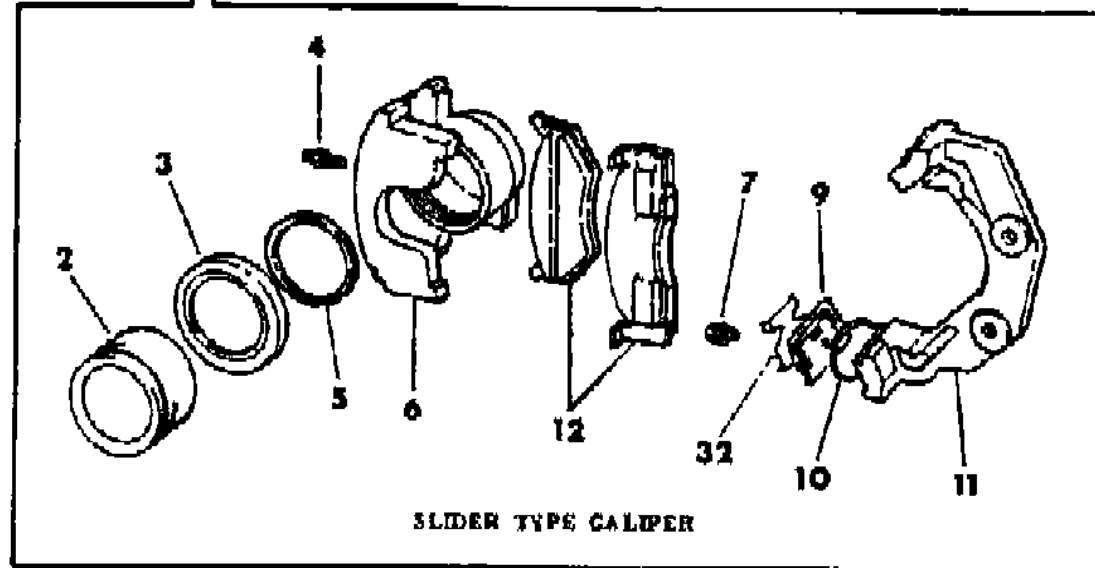
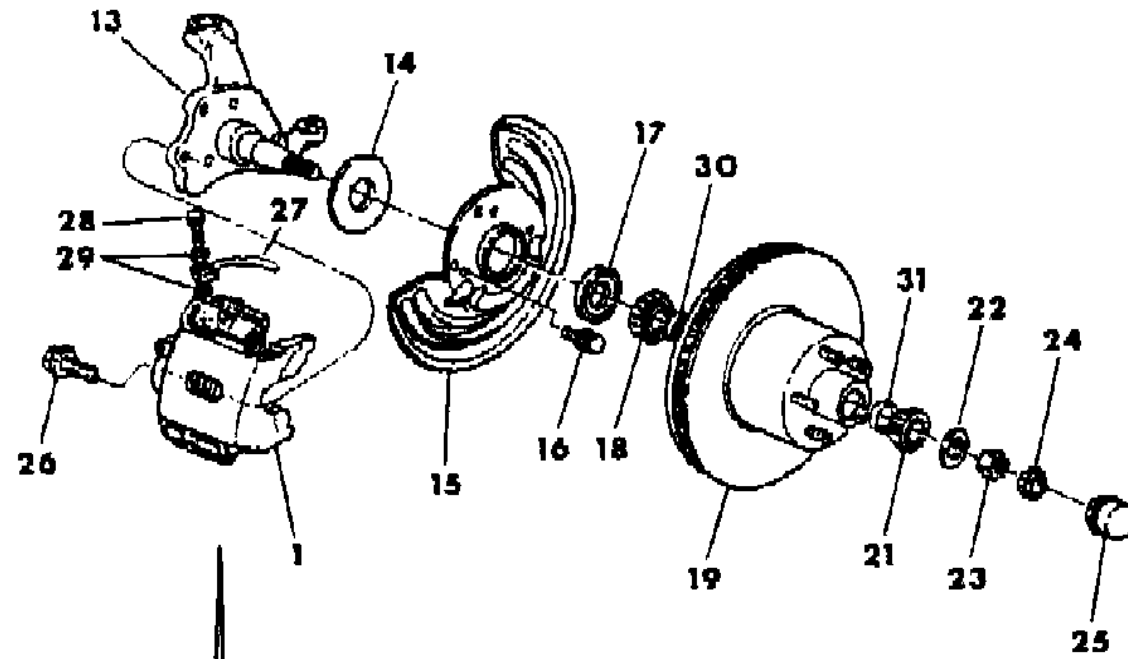
BODY STYLES

21 = 2-DOOR SEDAN	35 = FWD VAN	44 = 4-DOOR HATCHBACK
22 = 2-DOOR SPECIAL COUPE	36 = FWD WAGON	45 = 4-DOOR STATION WAGON
24 = 2-DOOR HATCHBACK	41 = 4-DOOR SEDAN	49 = LIMOUSINE
27 = 2-DOOR CONVERTIBLE		

AR = Use as Required - = Non Illustrated Part P.A.R. = Paint as Required

BRAKES FRONT F,G,B
Figure 5-2000

5105 2000



ITEM	PART NUMBER	QTY	BODY	MODEL	DESCRIPTION
9	3580 824	4		All	PLATE
10	3766 519	2		All	RUBBER BAND
11	4267 344	2		All	ADAPTER, Caliper
12		2		All	SHOE and LINING (See above Packages)
13	3402 640-1	2		All	KNUCKLE, Rt. and Lt.
	4238 884-5	2		All	CLIP, Anti-Rattle Inner Pad
14	3497 930	1			SEAL
15	3880 518-9	2		All	SHIELD, Splash
16	0181 084	2		All	SCREW
17	3580 723	2		All	SEAL, Dust
18	3683 975	2		All	CONE and ROLLER, Inner(Pkg.)
19	4131 251	2		F,G,B	HUB with DISC (Std)
	3880 685	2		F,G,B	H/Duty
	3699 902	AR			STUD, Wheel (Kelsy Hayes)
	3580 728	AR			STUD, Wheel (Motor Wheel)
21	1671 465	2		All	CONE and ROLLER, Outer (Pkg.)
22	0600 194	2		All	WASHER, Thrust
23	6029 692	2		All	NUT, Bearing Adjusting
24	1673 324	2			NUT, Lock
25	3580 894	2		All	CAP
26	6030 952	4		All	SCREW and WASHER, Caliper Mounting
27	4240 508-9	1		All	HOSE, Brake
28	6030 026	2		All	SCREW, Hose to Caliper
29	6030 084	4		All	GASKET, Hose Screw
30	3683 975	2		All	CUP, Bearing Inner
31	1671 465	2		All	CUP, Bearing Outer (Pkg.)
32	4186 997	4		All	SPRING

MODEL CODES

B = GRAN FURY	E = 600	M = HORIZON/TURISMO
C = LE BARON/TOWN & COUNTRY/LIMO	F = FIFTH AVENUE/NEWPORT	P = RELIANT
C24 = LASER	G = DIPLOMAT	T = NEW YORKER
C44 = LE BARON/GTS	H = VOYAGER	V = 600
D = ARIES	J = CARAVELLE	V24 = DAYTONA
D44 = LANCER	K = MINI VAN/CARAVAN/ROYAL	Z = OMNI/CHARGER

BODY STYLES

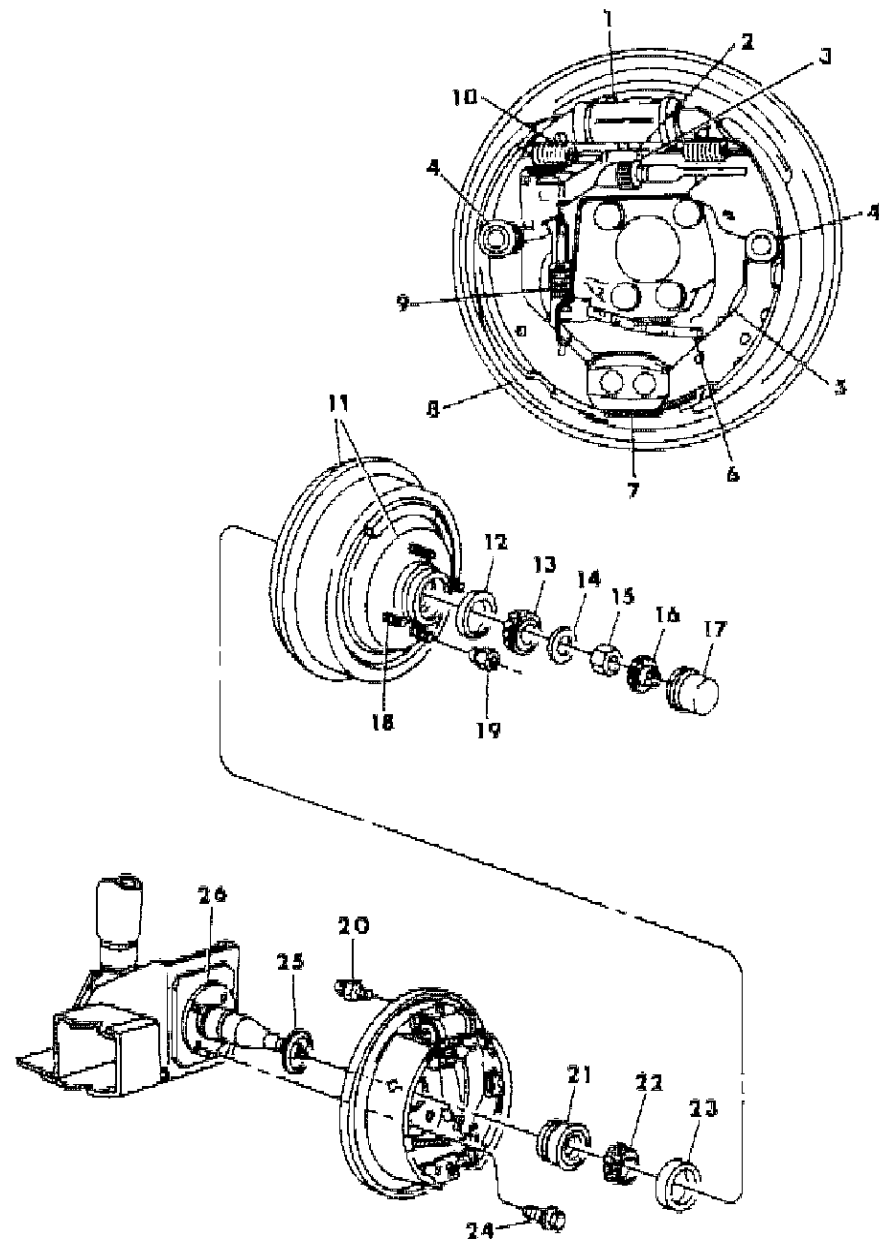
21 = 2-DOOR SEDAN	35 = FWD VAN	44 = 4-DOOR HATCHBACK
22 = 2-DOOR SPECIAL COUPE	36 = FWD WAGON	45 = 4-DOOR STATION WAGON
24 = 2-DOOR HATCHBACK	41 = 4-DOOR SEDAN	49 = LIMOUSINE
27 = 2-DOOR CONVERTIBLE		

AR = Use as Required - = Non Illustrated Part P.A.R. = Paint as Required

BRAKES REAR M,Z-All P,D-w/Std.(BGA) D,C-44 (200mmX32.5mm)

Figure 5-2100

5103 2100



ITEM	PART NUMBER	QTY	BODY	MODEL	DESCRIPTION
	4238 827	1			SHOE and LINING PKG. (Axle Set)
1	4238 701	2			CYLINDER, Wheel Comp.
	6028 921	4			SCREW, Cylinder Mtg.
2	4238 722-3	1			LEVER, Auto Adjuster
3	4238 724-5	1			SCREW, Auto Adjuster
	4238 726-7	1			NUT, Auto Adjuster
	4238 721	2			PLUG, Adjuster Hole
	4238 728	2			TUBE, Auto Adjuster Screw
4	4238 732	4			RETAINER SPRING, Shoe Hold Down
	4238 733	4			PIN, Shoe Hold Spring
5	4238 872-3	1			LEVER, Park Brake
	4238 715	2			WASHER, Wave
	4238 716	2			CLIP, Lever Retainer
6					CABLE, Park Brake
	4238 700	2			PLUG, Cable Hole
7	4238 730	2			SPRING, Lower Shoe Return
8	4238 697	2			SUPPORT, Brake
9	4238 851	2			SPRING, Auto Adjuster Lever
10	4238 731	2			SPRING, Shoe Return
11	4238 531	2			HUB And DRUM, 4-Stud
	4313 634	2			HUB And DRUM, 5-Stud
12	3683 974	2			CUP, Bearing Outer (Pkg.)
13	4293 196	2			CONE And ROLLER, Outer
14	0600 194	2			WASHER, Bearing Thrust
15	6029 692	2			NUT, Bearing Adjuster
16	1673 324	2			LOCK, Bearing Adjuster Nut
17	3580 894	2			CAP, Grease
18	6500 526	AR			NUT, Std.
	6500 294	AR			NUT, Chrome
19	6501 053	AR			STUD, Wheel
20	3766 674	2			SCREW, Bleeder
	4238 717	2			CAP, Bleeder Screw
21	4238 570	2			SEAL, Dust
22	4238 567	2			CONE And ROLLER, Inner (Pkg.)
23		2			CUP, Bearing Inner (Serv. Pkg.)
24	6500 844	8			BOLT, Spindle Mtg.
25	4238 853	2			SEAL, Support

MODEL CODES

B = GRAN FURY	E = 600	M = HORIZON/TURISMO
C = LE BARON/TOWN & COUNTRY/LIMO	F = FIFTH AVENUE/NEWPORT	P = RELIANT
C24 = LASER	G = DIPLOMAT	T = NEW YORKER
C44 = LE BARON/GTS	H = VOYAGER	V = 600
D = ARIES	J = CARAVELLE	V24 = DAYTONA
D44 = LANCER	K = MINI VAN/CARAVAN/ROYAL	Z = OMNI/CHARGER

BODY STYLES

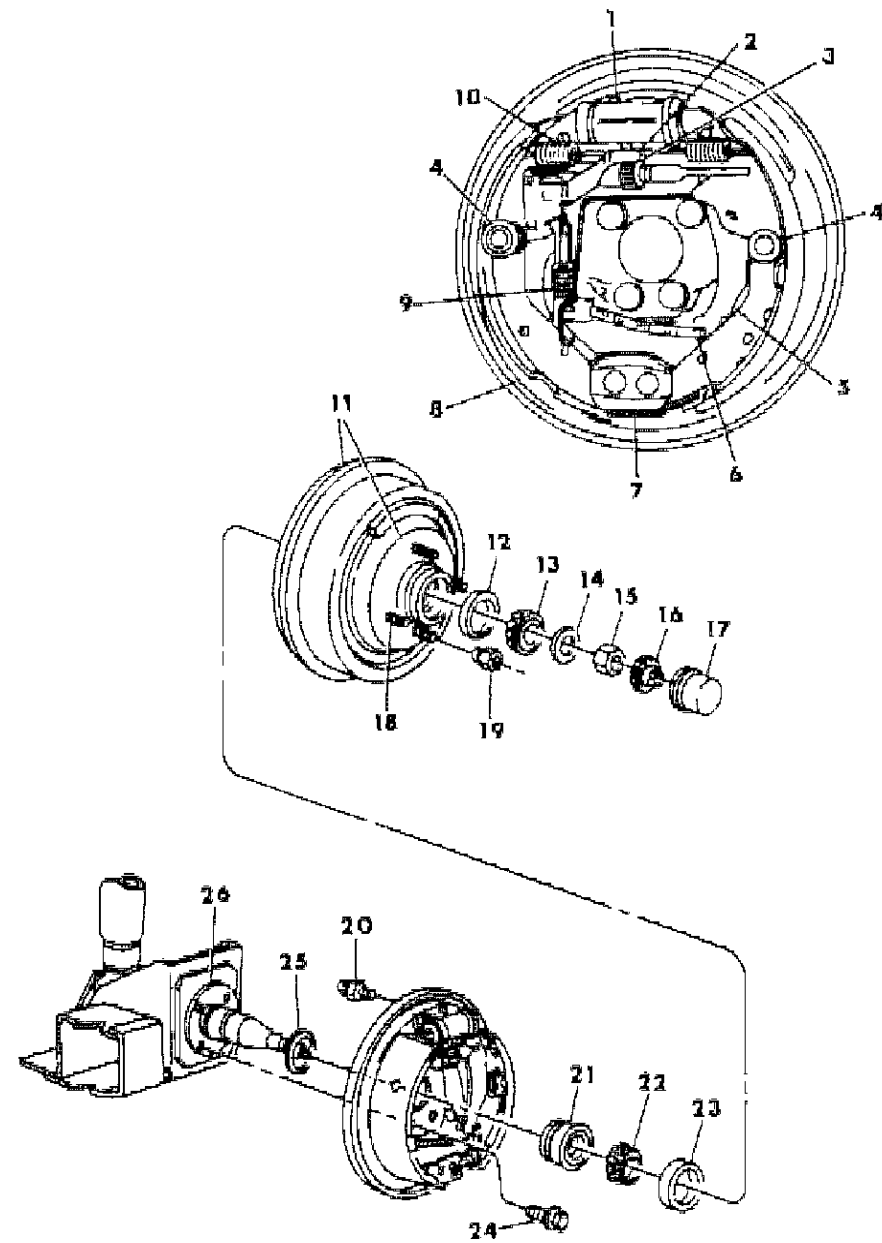
21 = 2-DOOR SEDAN	35 = FWD VAN	44 = 4-DOOR HATCHBACK
22 = 2-DOOR SPECIAL COUPE	36 = FWD WAGON	45 = 4-DOOR STATION WAGON
24 = 2-DOOR HATCHBACK	41 = 4-DOOR SEDAN	49 = LIMOUSINE
27 = 2-DOOR CONVERTIBLE		

AR = Use as Required - = Non Illustrated Part P.A.R. = Paint as Required

BRAKES REAR M,Z-All P,D-w/Std.(BGA) D,C-44 (200mmX32.5mm)

Figure 5-2100

5103 2100



ITEM	PART NUMBER	QTY	BODY	MODEL	DESCRIPTION
26					SPINDLE, Refer to Group 17

MODEL CODES
 B = GRAN FURY
 C = LE BARON/TOWN & COUNTRY/LIMO
 C24 = LASER
 C44 = LE BARON/GTS
 D = ARIES
 D44 = LANCER
 E = 600
 F = FIFTH AVENUE/NEWPORT
 G = DIPLOMAT
 H = VOYAGER
 J = CARAVELLE
 K = MINI VAN/CARAVAN/ROYAL
 M = HORIZON/TURISMO
 P = RELIANT
 T = NEW YORKER
 V = 600
 V24 = DAYTONA
 Z = OMNI/CHARGER

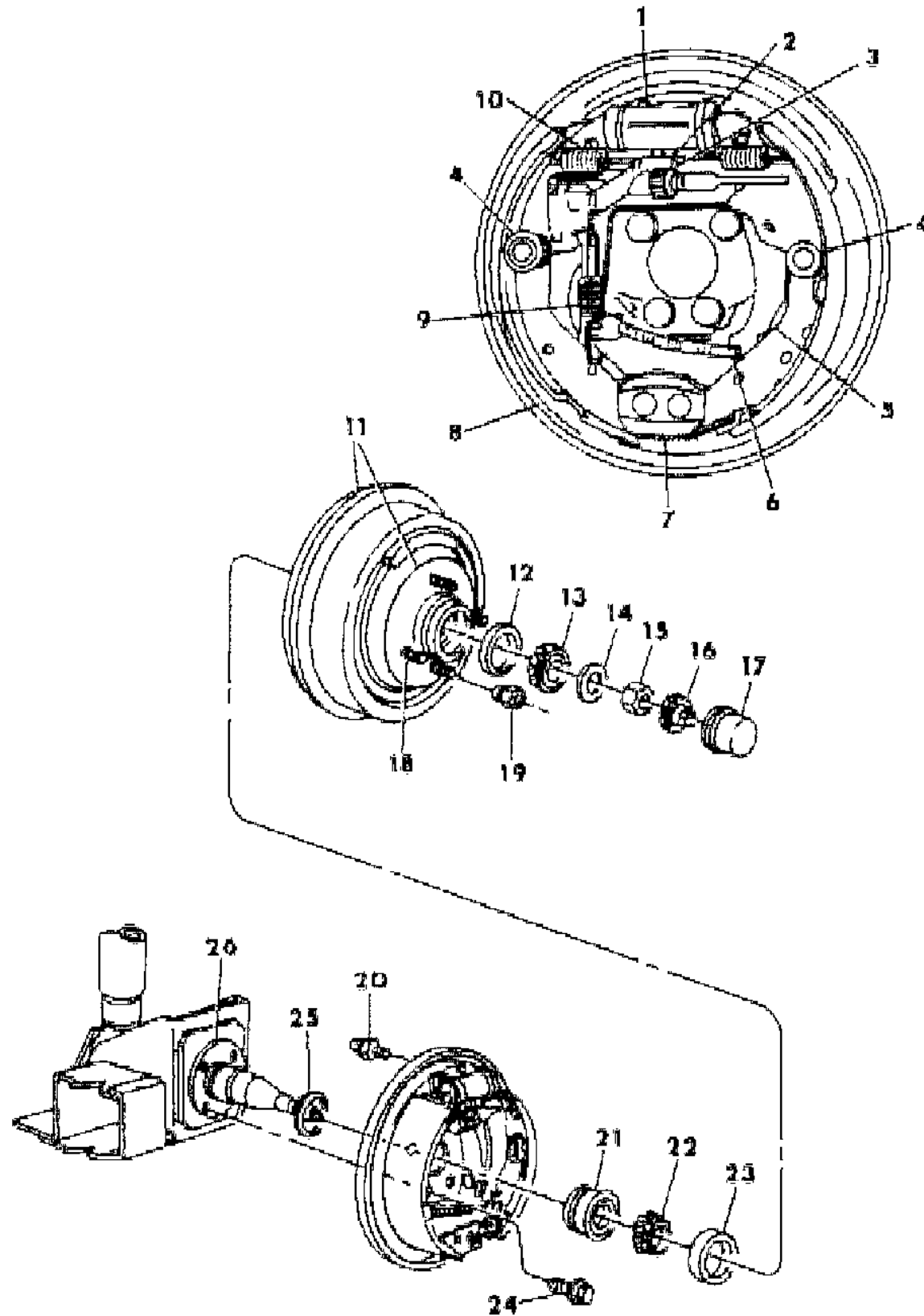
BODY STYLES
 21 = 2-DOOR SEDAN
 22 = 2-DOOR SPECIAL COUPE
 24 = 2-DOOR HATCHBACK
 27 = 2-DOOR CONVERTIBLE
 35 = FWD VAN
 36 = FWD WAGON
 41 = 4-DOOR SEDAN
 44 = 4-DOOR HATCHBACK
 45 = 4-DOOR STATION WAGON
 49 = LIMOUSINE

AR = Use as Required - = Non Illustrated Part P.A.R. = Paint as Required

BRAKES REAR And WHEEL BEARINGS C,D,V,J,E,T-All P,D-w/H. Duty (BGB) Shelby, GLH (220mmX38.0mm)

Figure 5-2200

5105 2200



ITEM	PART NUMBER	QTY	BODY	MODEL	DESCRIPTION
	4238 826	1			SHOE and LINING PKG. (Axle Set)
1	4238 706	2			CYLINDER, Wheel Comp.
	6028 921	4			SCREW, Cylinder Mtg.
2	4238 764-5	1			LEVER, Auto Adjuster
3	4238 766-7	1			SCREW, Auto Adjuster
	4238 726-7	1			NUT, Auto Adjuster
	4238 721	2			PLUG, Adjuster Hole
	4238 770	2			SOCKET, Auto Adjuster Screw
4	4238 732	4			RETAINER SPRING, Shoe Hole Down
	4238 771	4			PIN, Shoe Hold Down Spring
5	4238 762-3	1			LEVER, Park Brake
	4238 715	2			WASHER, Wave
	4238 716	2			CLIP, Lever
6					CABLE, Park Brake
	4238 700	2			PLUG, Cable Hole
7	4238 730	2			SPRING, Lower Shoe Return
8	4238 760	2			SUPPORT, Brake
9	4238 851	2			SPRING, Auto Adjuster Lever
10	4238 731	2			SPRING, Shoe Return
11	4238 538	2			HUB And DRUM, 4-Stud
	4313 635	2			HUB And DRUM, 5-Stud
12	3683 974	2			CUP, Bearing Outer
13	4293 196	2			CONE And ROLLER, Outer
14	0600 194	2			WASHER, Bearing Thrust
15	6029 692	2			NUT, Bearing Adjusting
16	1673 324	2			LOCK, Adjuster Nut
17	3580 894	2			CAP, Grease
18	6500 526	AR			NUT, Std.
	6500 294	AR			NUT, Chrome
19	5204 272	AR			STUD, Wheel
20	3766 674	2			SCREW, Bleeder
	4238 717	2			CAP, Bleeder
21	4238 570	2			SEAL, Dust
22	4238 567	2			CONE And ROLLER, Inner (Pkg.)
23		2			CUP, Bearing Inner (Serv. Pkg.)
24	6500 844	8			BOLT, Spindle Mtg.
25	4238 853	2			SEAL, Support

MODEL CODES

B = GRAN FURY	E = 600	M = HORIZON/TURISMO
C = LE BARON/TOWN & COUNTRY/LIMO	F = FIFTH AVENUE/NEWPORT	P = RELIANT
C24 = LASER	G = DIPLOMAT	T = NEW YORKER
C44 = LE BARON/GTS	H = VOYAGER	V = 600
D = ARIES	J = CARAVELLE	V24 = DAYTONA
D44 = LANCER	K = MINI VAN/CARAVAN/ROYAL	Z = OMNI/CHARGER

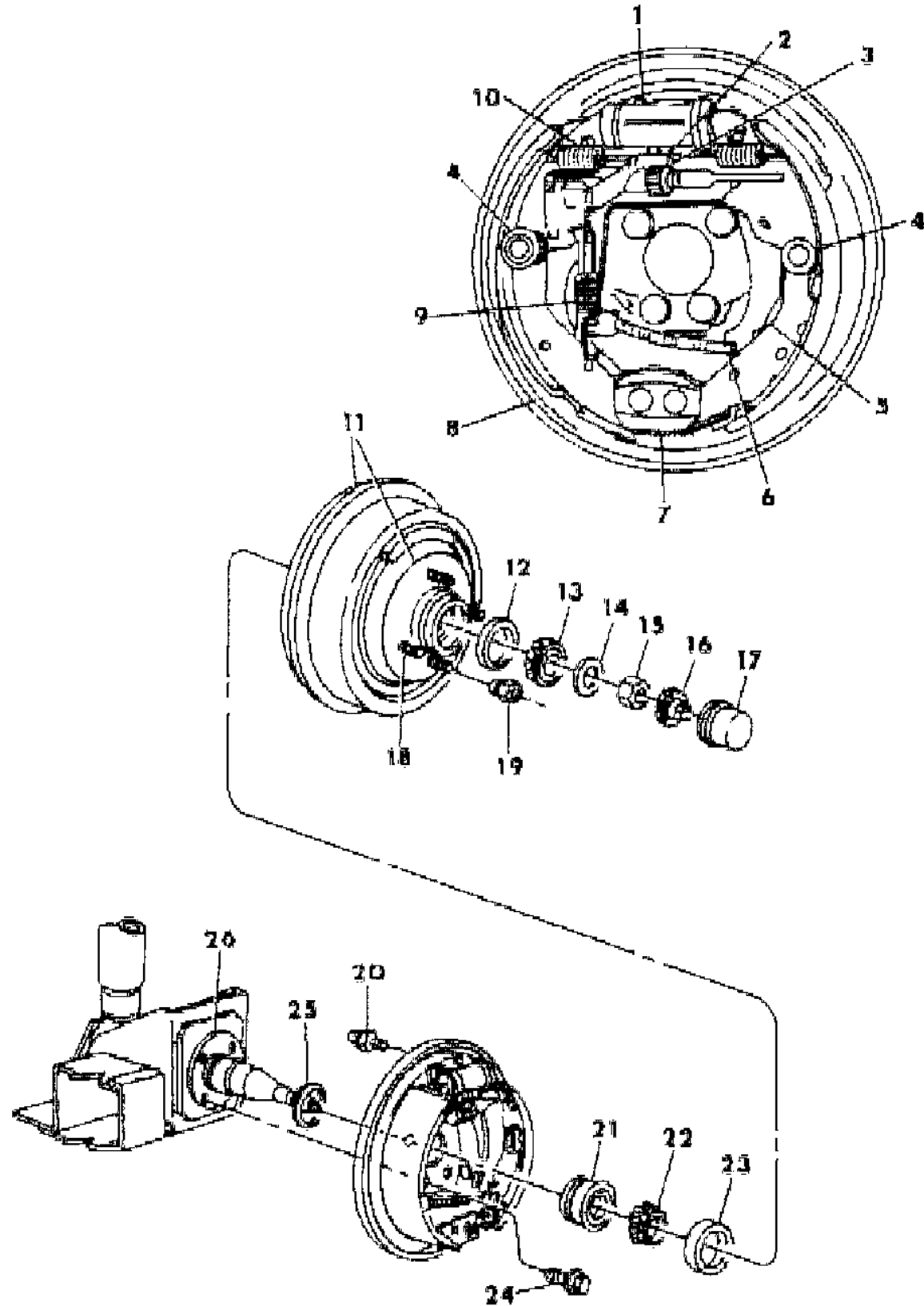
BODY STYLES

21 = 2-DOOR SEDAN	35 = FWD VAN	44 = 4-DOOR HATCHBACK
22 = 2-DOOR SPECIAL COUPE	36 = FWD WAGON	45 = 4-DOOR STATION WAGON
24 = 2-DOOR HATCHBACK	41 = 4-DOOR SEDAN	49 = LIMOUSINE
27 = 2-DOOR CONVERTIBLE		

AR = Use as Required - = Non Illustrated Part P.A.R. = Paint as Required

BRAKES REAR And WHEEL BEARINGS C,D,V,J,E,T-All P,D-w/H. Duty (BGB) Shelby, GLH (220mmX38.0mm)
Figure 5-2200

5105 2200



ITEM	PART NUMBER	QTY	BODY	MODEL	DESCRIPTION
26					SPINDLE, Refer to Group 17

MODEL CODES
 B = GRAN FURY
 C = LE BARON/TOWN & COUNTRY/LIMO
 C24 = LASER
 C44 = LE BARON/GTS
 D = ARIES
 D44 = LANCER
 E = 600
 F = FIFTH AVENUE/NEWPORT
 G = DIPLOMAT
 H = VOYAGER
 J = CARAVELLE
 K = MINI VAN/CARAVAN/ROYAL
 M = HORIZON/TURISMO
 P = RELIANT
 T = NEW YORKER
 V = 600
 V24 = DAYTONA
 Z = OMNI/CHARGER

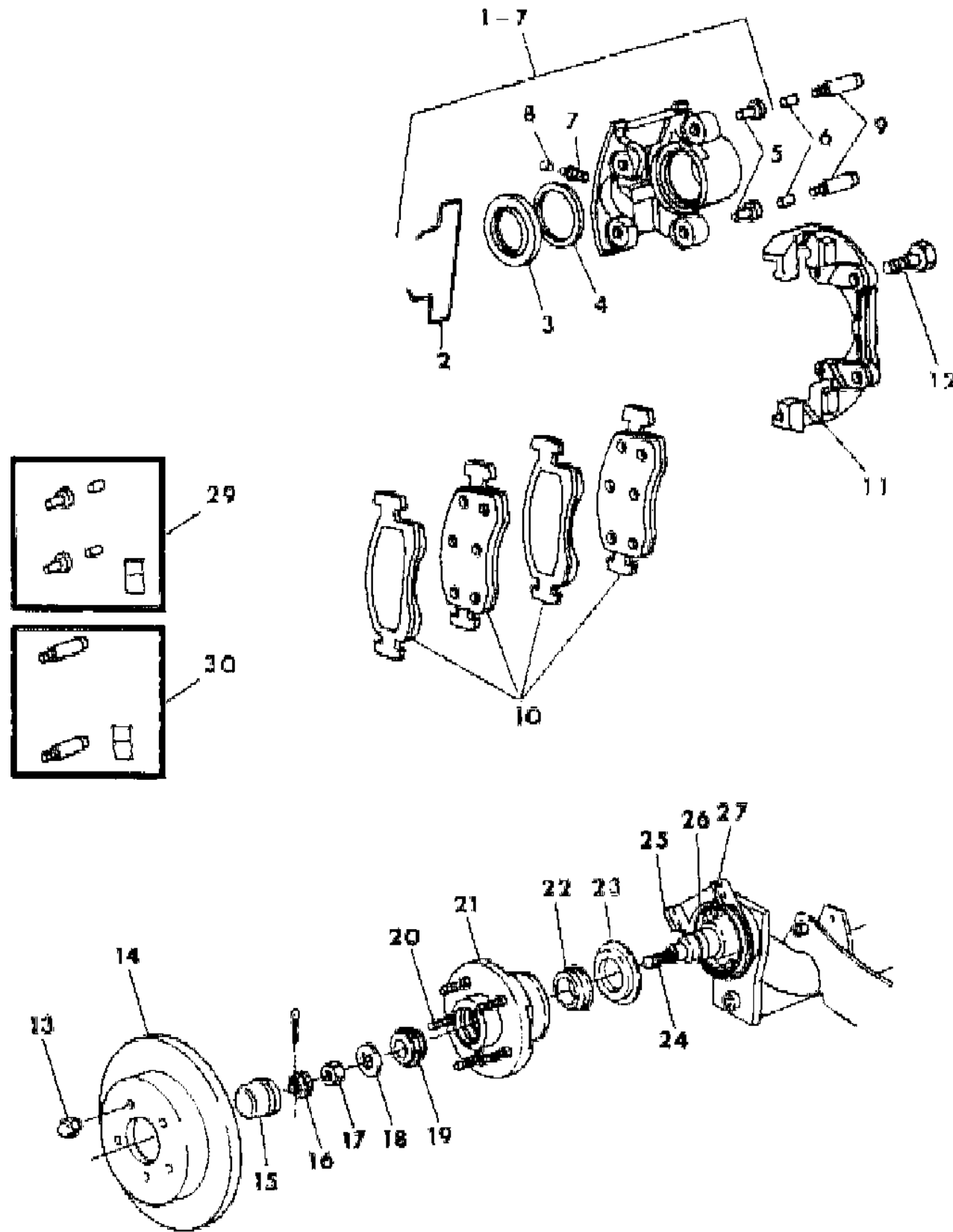
BODY STYLES
 21 = 2-DOOR SEDAN
 22 = 2-DOOR SPECIAL COUPE
 24 = 2-DOOR HATCHBACK
 27 = 2-DOOR CONVERTIBLE
 35 = FWD VAN
 36 = FWD WAGON
 41 = 4-DOOR SEDAN
 44 = 4-DOOR HATCHBACK
 45 = 4-DOOR STATION WAGON
 49 = LIMOUSINE

AR = Use as Required - = Non Illustrated Part P.A.R. = Paint as Required

BRAKES REAR DISC (BKR) C,V-24

Figure 5-2250

5105 2250 A



ITEM	PART NUMBER	QTY	BODY	MODEL	DESCRIPTION
1-7	#4313 716-7	1			HOUSING, Caliper Partail
	4313 849	2			SCREW, Adjusting Rear
	4313 724-5	1			SPRING, Park Lever
2	#4313 722	2			CLIP, Anti Rattle
3	#4313 723	2			BOOT, Piston
4	#4313 726	2			RING, Piston Boot
5	4126 733	2			CAP, Bleeder
6	4126 879	2			BLEEDER SCREW
7		4			BUSHING (See Pkg. 4205982)
8		4			SLEEVE (See Pkg. 4205982)
9		4			PIN (See Pkg. 4267329)
10	#4313 838	1			BRAKE PAD SET
11	#4313 720	2			ADAPTER
12	6500 158	4			SCREW
13	6500 294	AR			NUT, Chrome
14	4313 662	2			DISC
15	3580 894	2			CAP
16	1673 324	2			LOCK
17	6029 692	2			NUT
18	0600 194	2			WASHER
19	4293 196	2			BEARING Pkg. Outer
20	6501 053	AR			STUD
21	#4313 660	2			HUB
22	4238 567	2			BEARING Pkg. Inner
23	4238 570	2			SEAL
24					SPINDLE, Refer to Group 17
25	#4313 930-1	1			SUPPORT
26	#4313 663	2			SLINGER
27	6500 844	8			BOLT
28	4205 982	2			BUSHING Pkg.
29	4267 329	2			PIN Pkg.

MODEL CODES

B = GRAN FURY	E = 600	M = HORIZON/TURISMO
C = LE BARON/TOWN & COUNTRY/LIMO	F = FIFTH AVENUE/NEWPORT	P = RELIANT
C24 = LASER	G = DIPLOMAT	T = NEW YORKER
C44 = LE BARON/GTS	H = VOYAGER	V = 600
D = ARIES	J = CARAVELLE	V24 = DAYTONA
D44 = LANCER	K = MINI VAN/CARAVAN/ROYAL	Z = OMNI/CHARGER

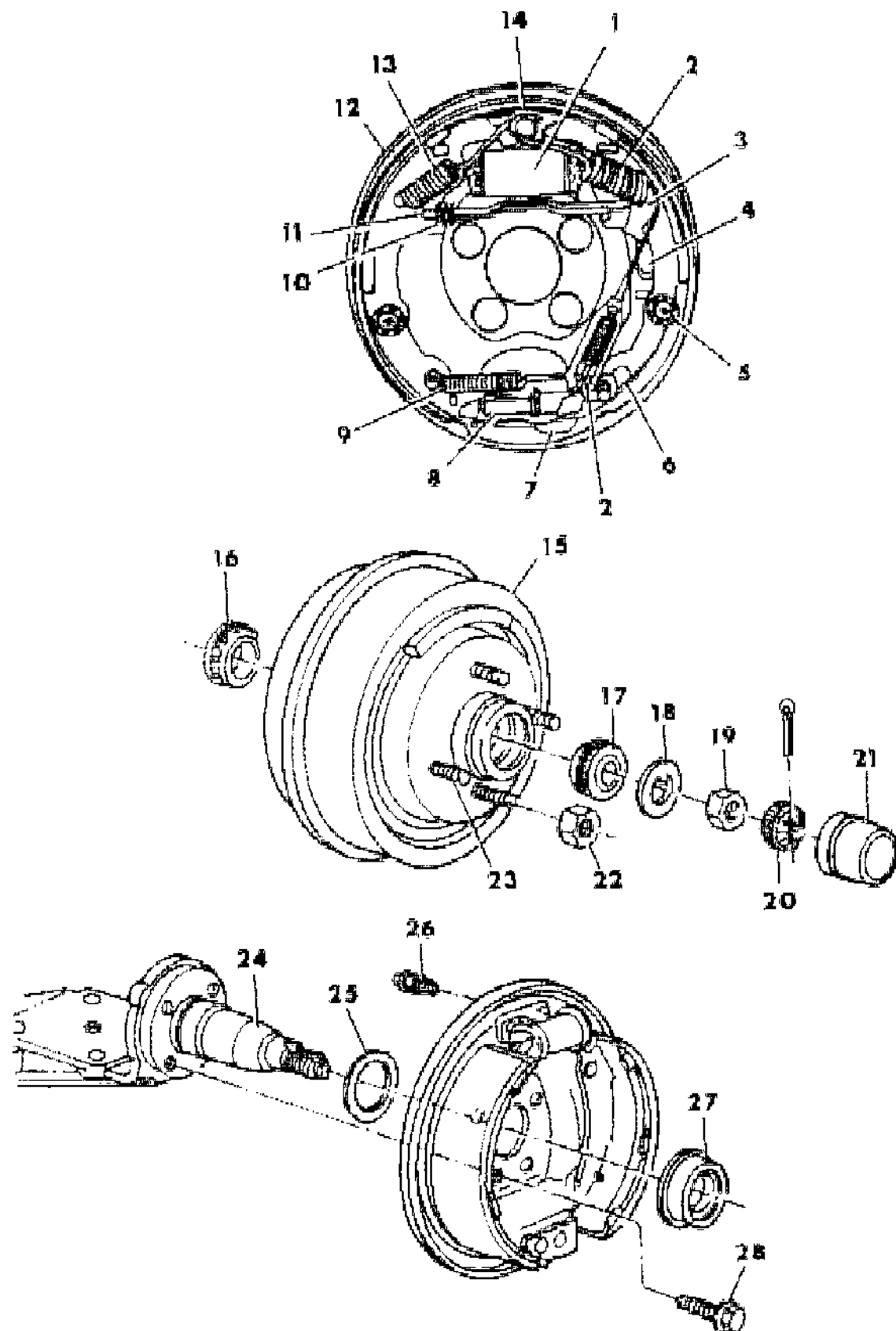
BODY STYLES

21 = 2-DOOR SEDAN	35 = FWD VAN	44 = 4-DOOR HATCHBACK
22 = 2-DOOR SPECIAL COUPE	36 = FWD WAGON	45 = 4-DOOR STATION WAGON
24 = 2-DOOR HATCHBACK	41 = 4-DOOR SEDAN	49 = LIMOUSINE
27 = 2-DOOR CONVERTIBLE		

AR = Use as Required - = Non Illustrated Part P.A.R. = Paint as Required

BRAKES REAR And WHEEL BEARINGS H,K-35,36 (9"X2.5")
Figure 5-2300

5105 2300



ITEM	PART NUMBER	QTY	BODY	MODEL	DESCRIPTION
	4313 080	1			SHOE and LINING PKG. (Axle Set)
1	4313 056	2			CYLINDER, Wheel
	6028 921	4			SCREW, Wheel Cylinder Mtg.
2	3461 662	2			CABLE, Brake Adjuster
	3461 660	2			SPRING, Adjuster Cable
3	4313 074	2			GUILD, Cable
4	4313 076-7	1			LEVER, Park Brake
5	4313 062	4			SPRING RETAINER
	2260 548	4			PIN
6	2944 580-1	1			SPRING
	4049 681	2			PIN
7	3461 665	2			LEVER, Brake Adjuster
8	2881 686-7	1			SCREW, Adjuster Pivot
	2944 692-3	1			NUT, Pivot Screw
	2944 586	2			BUTTON, Adjuster
	6027 559	2			WASHER, Adjuster Button
9	4313 069	2			SPRING, Adjuster
10	4313 079	2			SPRING, Strut
11	4313 078	2			STRUT
12	4313 055	2			SUPPORT
	4238 700	2			PLUG, Park Cable Hole
	4238 721	2			PLUG, Adjuster Hole
13	2881 676	4			SPRING, Shoe Return
14	4313 075	2			GUIDE
15	4313 037	2			HUB And DRUM, Std. (BKC)
	4313 009	2			HUB And DRUM, H.D. (BKD)
16	3683 975	2			BEARING PACKAGE, Inner
17	3683 974	2			BEARING PACKAGE, Outer
	4293 196	2			CONE and ROLLER, Outer Brg.
18	0600 194	2			WASHER, Thrust
19	6029 692	2			NUT
20	1673 324	2			LOCK
21	3580 894	2			CAP
22	6500 526	AR			NUT, Std.
	6500 294	AR			NUT, Chrome
23	6501 053	AR			STUD
24					SPINDLE, Refer to Group 17

MODEL CODES

B = GRAN FURY	E = 600	M = HORIZON/TURISMO
C = LE BARON/TOWN & COUNTRY/LIMO	F = FIFTH AVENUE/NEWPORT	P = RELIANT
C24 = LASER	G = DIPLOMAT	T = NEW YORKER
C44 = LE BARON/GTS	H = VOYAGER	V = 600
D = ARIES	J = CARAVELLE	V24 = DAYTONA
D44 = LANCER	K = MINI VAN/CARAVAN/ROYAL	Z = OMNI/CHARGER

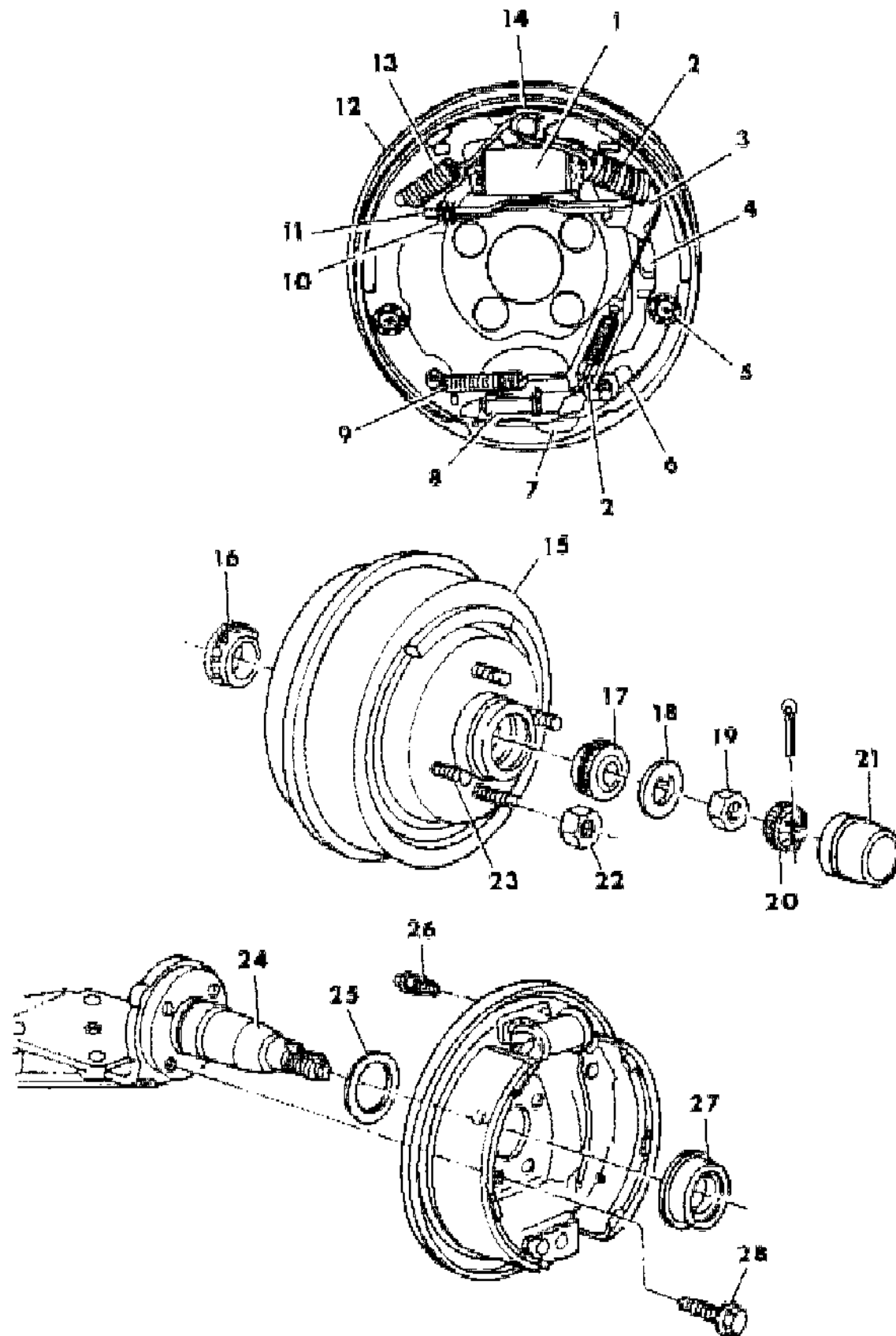
BODY STYLES

21 = 2-DOOR SEDAN	35 = FWD VAN	44 = 4-DOOR HATCHBACK
22 = 2-DOOR SPECIAL COUPE	36 = FWD WAGON	45 = 4-DOOR STATION WAGON
24 = 2-DOOR HATCHBACK	41 = 4-DOOR SEDAN	49 = LIMOUSINE
27 = 2-DOOR CONVERTIBLE		

AR = Use as Required - = Non Illustrated Part P.A.R. = Paint as Required

BRAKES REAR And WHEEL BEARINGS H,K-35,36 (9"X2.5")
Figure 5-2300

5105 2300



ITEM	PART NUMBER	QTY	BODY	MODEL	DESCRIPTION
25	4313 231	2			SEAL, Support
26	3766 674	2			BLEEDER, Screw
	4238 717	2			CAP, Bleeder Screw
27	4238 789	2			SEAL, Dust
28	6500 844	8			BOLT, Support To Spindle

MODEL CODES

B = GRAN FURY	E = 600	M = HORIZON/TURISMO
C = LE BARON/TOWN & COUNTRY/LIMO	F = FIFTH AVENUE/NEWPORT	P = RELIANT
C24 = LASER	G = DIPLOMAT	T = NEW YORKER
C44 = LE BARON/GTS	H = VOYAGER	V = 600
D = ARIES	J = CARAVELLE	V24 = DAYTONA
D44 = LANCER	K = MINI VAN/CARAVAN/ROYAL	Z = OMNI/CHARGER

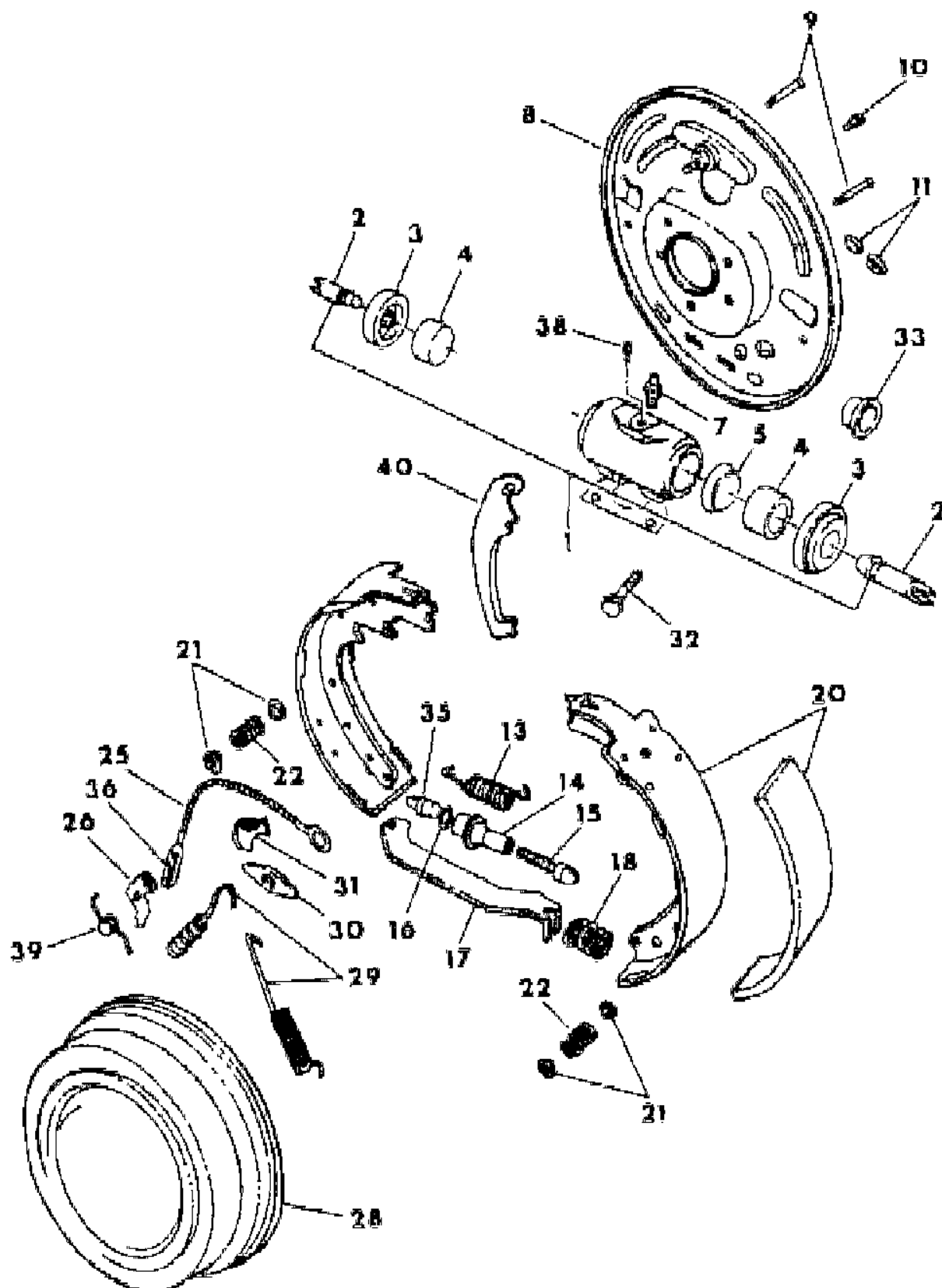
BODY STYLES

21 = 2-DOOR SEDAN	35 = FWD VAN	44 = 4-DOOR HATCHBACK
22 = 2-DOOR SPECIAL COUPE	36 = FWD WAGON	45 = 4-DOOR STATION WAGON
24 = 2-DOOR HATCHBACK	41 = 4-DOOR SEDAN	49 = LIMOUSINE
27 = 2-DOOR CONVERTIBLE		

AR = Use as Required - = Non Illustrated Part P.A.R. = Paint as Required

BRAKES REAR F,G,B-41 (10"+11"X2.5")
Figure 5-2400

5105 2400



ITEM	PART NUMBER	QTY	BODY	MODEL	DESCRIPTION
	4364 786	2		All	SHOE and LINING PKG., 10" Brakes Consists of: 2 - ---- --- Shoe and Lining, Primary 2 - ---- --- Shoe and Lining, Secondary 2 - 2260835 Spring
	4026 648	1		ALL	1 - 4049681 Pin, Washer and Lock Pkg. SHOE and LINING PKG., 11" Brakes Consists of: 2 - ---- --- Shoe and Lining, Primary 2 - ---- --- Shoe and Lining, Secondary
	4049 681	2		All	1 - 4049681 Pin, Washer and Lock Pkg. PIN, WASHER and Lock Pkg., Rr. Whl. Pk./Brk. and A/Adj. Consists of: 2 - ---- --- Pin, Rr. Whl. Brk. A/Adj. Lvr. 2- 2072643 Washer, Pkg./Brk. Lvr. Pin 2- 2072644 Lock Pkg./Brk. Lvr. Pin
1	3780 525	2		All	CYLINDER, WHEEL, 10" and 11" Brakes, Less P/Rods
2	2260 787	4		All	ROD, Wheel Cylinder Push
3	2881 618	4		All	BOOT, 10" and 11" Brakes
4	2660 325	4		All	PISTON, 10" and 11" Brakes
5		4		All	CUP, (Serv. in Cylinder)
7	3766 674	2		All	SCREW, Bleeder
8	3699 601	2		All	SUPPORT, 10" Brakes
	3699 603	2		All	11" Brakes
9	2260 548	4		All	Pin, 2-11/32" Lgh., Fig. 1 Stamped on Head
	4049 681	AR		All	Rr. Whl. Brake, Auto. Adj. Lvr.
10	6028 921	AR		All	SCREW, Whl. Brake Cyl. Mtg.
11	2072 614	4		All	COVER, Brake Adj. Hole
13	3766 574	2		All	SPRING, 10" Brakes
	2880 555	2		All	11" Brakes
14	2944 692-3	AR		All	NUT, Auto. Adj. Pivot Screw
15	2881 686-7	AR		All	SCREW, Auto. Adj. Pivot
16	6027 559	AR		All	WASHER, Auto. Adj. Button
17	3880 756-7	1		All	STRUT, 11" Brakes
18	2533 822	1		All	SPRING, Pk. Brk. Lvr. Strut, w/11" Brakes

MODEL CODES

B = GRAN FURY	E = 600	M = HORIZON/TURISMO
C = LE BARON/TOWN & COUNTRY/LIMO	F = FIFTH AVENUE/NEWPORT	P = RELIANT
C24 = LASER	G = DIPLOMAT	T = NEW YORKER
C44 = LE BARON/GTS	H = VOYAGER	V = 600
D = ARIES	J = CARAVELLE	V24 = DAYTONA
D44 = LANCER	K = MINI VAN/CARAVAN/ROYAL	Z = OMNI/CHARGER

BODY STYLES

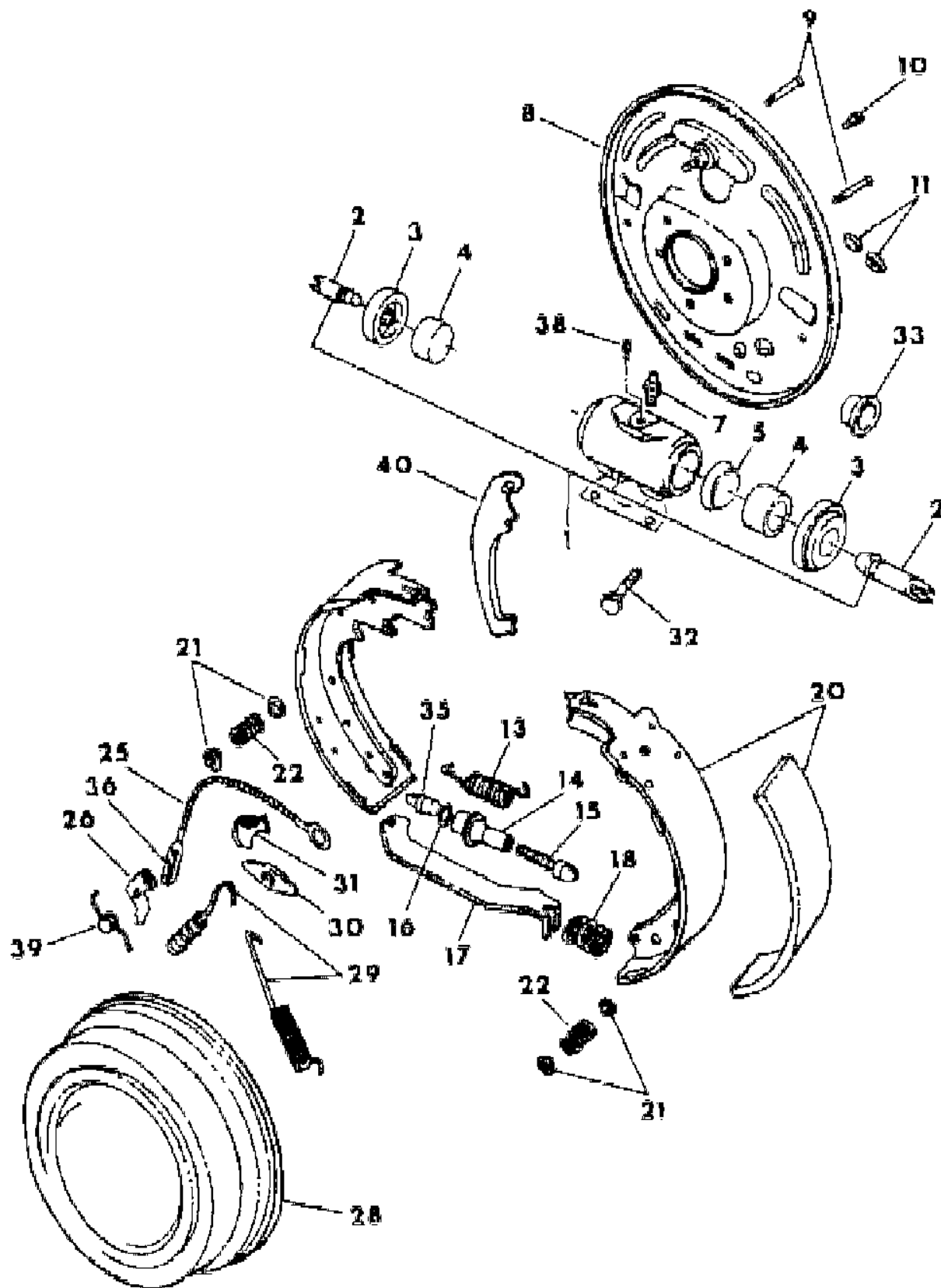
21 = 2-DOOR SEDAN	35 = FWD VAN	44 = 4-DOOR HATCHBACK
22 = 2-DOOR SPECIAL COUPE	36 = FWD WAGON	45 = 4-DOOR STATION WAGON
24 = 2-DOOR HATCHBACK	41 = 4-DOOR SEDAN	49 = LIMOUSINE
27 = 2-DOOR CONVERTIBLE		

AR = Use as Required - = Non Illustrated Part P.A.R. = Paint as Required

BRAKES REAR F,G,B-41 (10"+11"X2.5")

Figure 5-2400

5105 2400



ITEM	PART NUMBER	QTY	BODY	MODEL	DESCRIPTION
20		2	All		SHOE and LINING (Serviced in Shoe and Lining Pkg.)
21	4126 525	4	All		RETAINER, Spring
22	4126 525	4	All		SPRING, Hold-Down
25	3461 663	2	All		CABLE, 10" Brakes
	3461 664	2	All		11" Brakes
26	3461 665	2	All		LEVER, Auto. Adj.
28	4049 661	2	All		DRUM, Rear Wheel, 10" Brakes
	3780 537	2	All		w/11" Brakes
	3432 698	10	All		STUD
29	2260 835	4	All		SPRING, 10" Brakes
	2260 789	4	All		11" Brakes
30	2267 045	2	All		PLATE, 10" Brakes
	2260 788	2	All		11" Brakes
31	2260 793	2	All		GUIDE, Auto. Adj. Cable
32	3723 668	AR	All		BOLT, Rr. Whl. Mtg.,
33	3699 549	AR	All		PLUG, Park Brake Cable Hole
34	2881 314	AR	All		GASKET, Axle Hsg. Brake Support Plate,
					5 Holes, Inner
	2070 933	AR	All		5 Holes, Outer
35	2944 586	2	All		BUTTON, Auto. Adj.
36	3461 660	2	All		SPRING, Auto. Adj. Cable
38	6028 921	4	All		SCREW
39	2944 580	2	All		SPRING, Rr. Whl. Brake A/Adj. Lever, Rt.
	2944 581	2	All		Lt.
40	3880 628-9	1	All		LEVER, Park Brake w/10" Brakes
	3880 630-1	1	All		w/11" Brakes

MODEL CODES

B = GRAN FURY	E = 600	M = HORIZON/TURISMO
C = LE BARON/TOWN & COUNTRY/LIMO	F = FIFTH AVENUE/NEWPORT	P = RELIANT
C24 = LASER	G = DIPLOMAT	T = NEW YORKER
C44 = LE BARON/GTS	H = VOYAGER	V = 600
D = ARIES	J = CARAVELLE	V24 = DAYTONA
D44 = LANCER	K = MINI VAN/CARAVAN/ROYAL	Z = OMNI/CHARGER

BODY STYLES

21 = 2-DOOR SEDAN	35 = FWD VAN	44 = 4-DOOR HATCHBACK
22 = 2-DOOR SPECIAL COUPE	36 = FWD WAGON	45 = 4-DOOR STATION WAGON
24 = 2-DOOR HATCHBACK	41 = 4-DOOR SEDAN	49 = LIMOUSINE
27 = 2-DOOR CONVERTIBLE		

AR = Use as Required - = Non Illustrated Part P.A.R. = Paint as Required

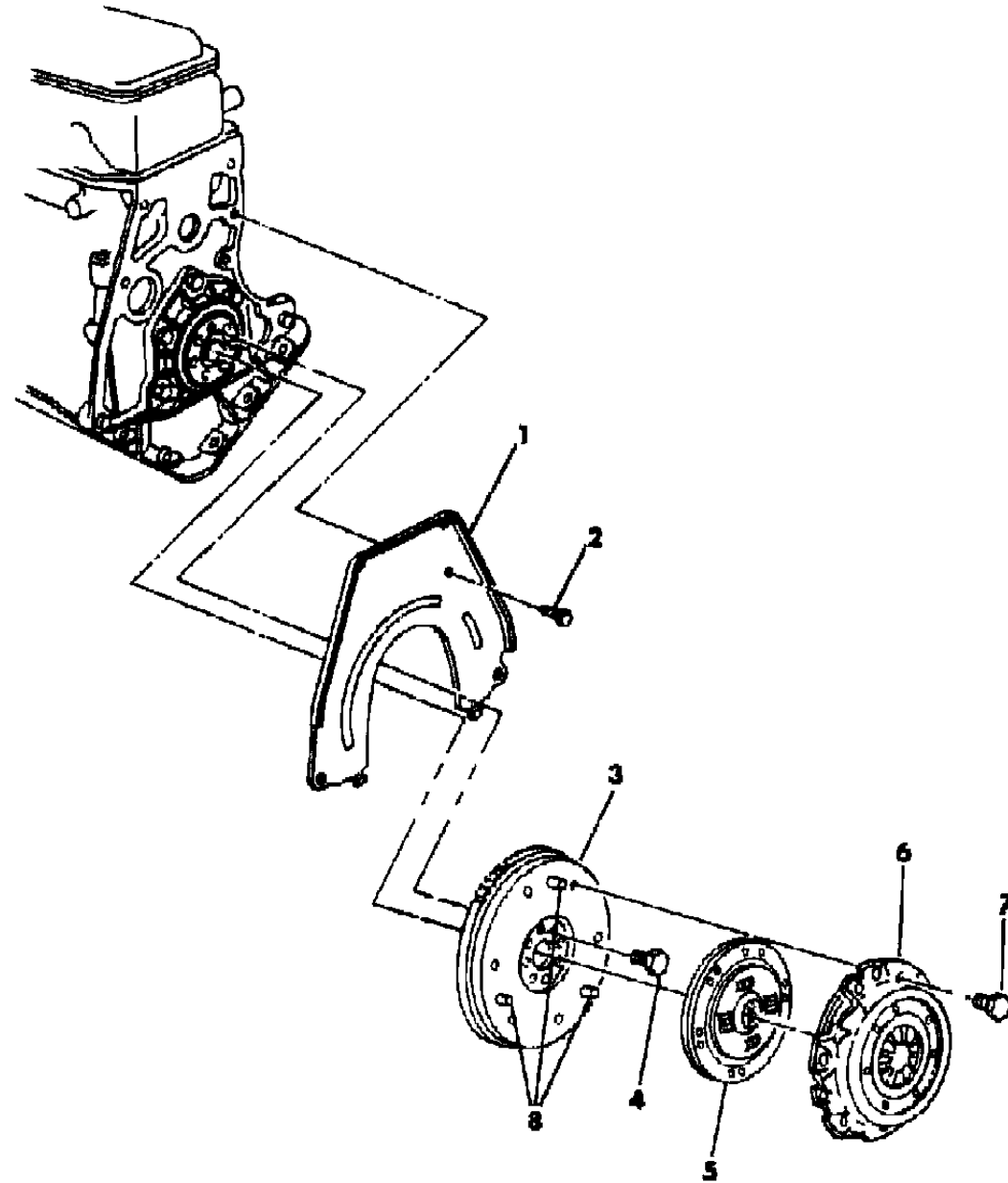
GROUP 6 - CLUTCH

ILLUSTRATION TITLE	GROUP-FIG. NO.
CLUTCH - M,Z 1.6 Liter Eng. w/A460 4 Speed Trans.	Fig. 6-100
CLUTCH - M,Z,P,D,V,C,H,K,V,C-24,D,C-44 w/2.2L Eng., w/A460,525 - 4&5 Speed Trans.	Fig. 6-200
CLUTCH PEDAL AND LINKAGE - M,Z,P,D,V,C,H,K,V,C-24,D,C-44, ALL ENG., w/A460,525 - 4&5 Speed Trans.	Fig. 6-300

ILLUSTRATION NOT AVAILABLE AT TIME OF PUBLICATION

**CLUTCH - M,Z 1.6 Liter Eng. w/A460 4 Speed Trans.
Figure 6-100**

5106 100



ITEM	PART NUMBER	QTY	BODY	MODEL	DESCRIPTION
1				All	COVER, Trans. Case Upper (Refer To Gr. 21)
2				All	SCREW, Cover (Refer To Gr. 21)
3				All	FLYWHEEL (Refer To Gr. 9)
4				All	SCREW, Flywheel (Refer To Gr. 9)
5	4205 865	1		All	DISC, Clutch
6	4205 864	1		All	COVER, w/PLATE, Clutch Pressure & Disc
7	6500 151	6		All	BOLT, w/Coned Washer, Cover to Flywheel
8				All	DOWEL, Cover (Refer To Gr. 9)

MODEL CODES
 B = GRAN FURY
 C = LE BARON/TOWN & COUNTRY/LIMO
 C24 = LASER
 C44 = LE BARON/GTS
 D = ARIES
 D44 = LANCER
 E = 600
 F = FIFTH AVENUE/NEWPORT
 G = DIPLOMAT
 H = VOYAGER
 J = CARAVELLE
 K = MINI VAN/CARAVAN/ROYAL
 M = HORIZON/TURISMO
 P = RELIANT
 T = NEW YORKER
 V = 600
 V24 = DAYTONA
 Z = OMNI/CHARGER

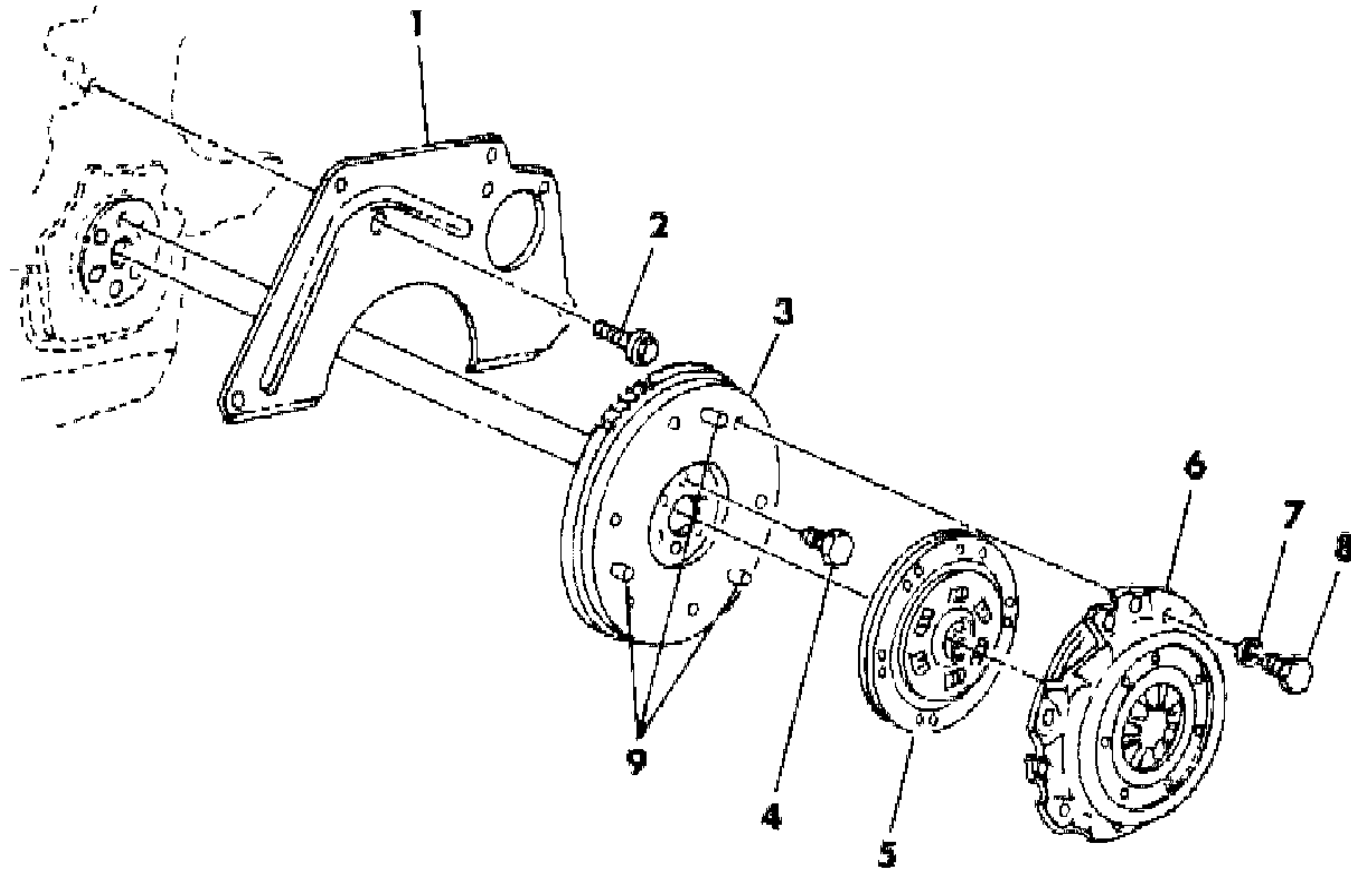
BODY STYLES
 21 = 2-DOOR SEDAN
 22 = 2-DOOR SPECIAL COUPE
 24 = 2-DOOR HATCHBACK
 27 = 2-DOOR CONVERTIBLE
 35 = FWD VAN
 36 = FWD WAGON
 41 = 4-DOOR SEDAN
 44 = 4-DOOR HATCHBACK
 45 = 4-DOOR STATION WAGON
 49 = LIMOUSINE

AR = Use as Required - = Non Illustrated Part P.A.R. = Paint as Required

**CLUTCH - M,Z,P,D,V,C,H,K,V,C-24,D,C-44 w/2.2L Eng., w/A460,525 - 4&5 Speed Trans.
Figure 6-200**

5106 200

ITEM	PART NUMBER	QTY	BODY	MODEL	DESCRIPTION
1				All	COVER, Trans. Case Upper (Refer To Gr. 21)
2				All	SCREW w/WA., (Refer To Gr. 21)
3				All	FLYWHEEL (Refer To Gr. 9)
4				All	BOLT, Flywheel Mtg. (Refer To Gr. 9)
5	4295 006	1			DISC, Clutch, Except H,K Model And TURBO CHARGED, LUK Clutch
	4269 308	1			w/TURBO CHARGED, FICHTEL & SACHS Clutch
	4348 345	1	H,K		FICHTEL & SACHS Clutch
6	4295 007	1			COVER w/PLATE, Clutch Pressure & Disc Pkg., Except H,K Model And TURBO CHARGED, LUK Clutch
	4269 309	1			w/TURBO CHARGED, FICHTEL & SACHS Clutch
	4348 346	1	H,K		FICHTEL & SACHS Clutch
7	6100 141	6	All		WASHER, Cover To Flywheel
8	6500 151	6	All		BOLT, w/Coned Washer, Cover to Flywheel
9			All		DOWEL, Flywheel To Cover (Refer To Gr. 9)



MODEL CODES

B = GRAN FURY	E = 600	M = HORIZON/TURISMO
C = LE BARON/TOWN & COUNTRY/LIMO	F = FIFTH AVENUE/NEWPORT	P = RELIANT
C24 = LASER	G = DIPLOMAT	T = NEW YORKER
C44 = LE BARON/GTS	H = VOYAGER	V = 600
D = ARIES	J = CARAVELLE	V24 = DAYTONA
D44 = LANCER	K = MINI VAN/CARAVAN/ROYAL	Z = OMNI/CHARGER

BODY STYLES

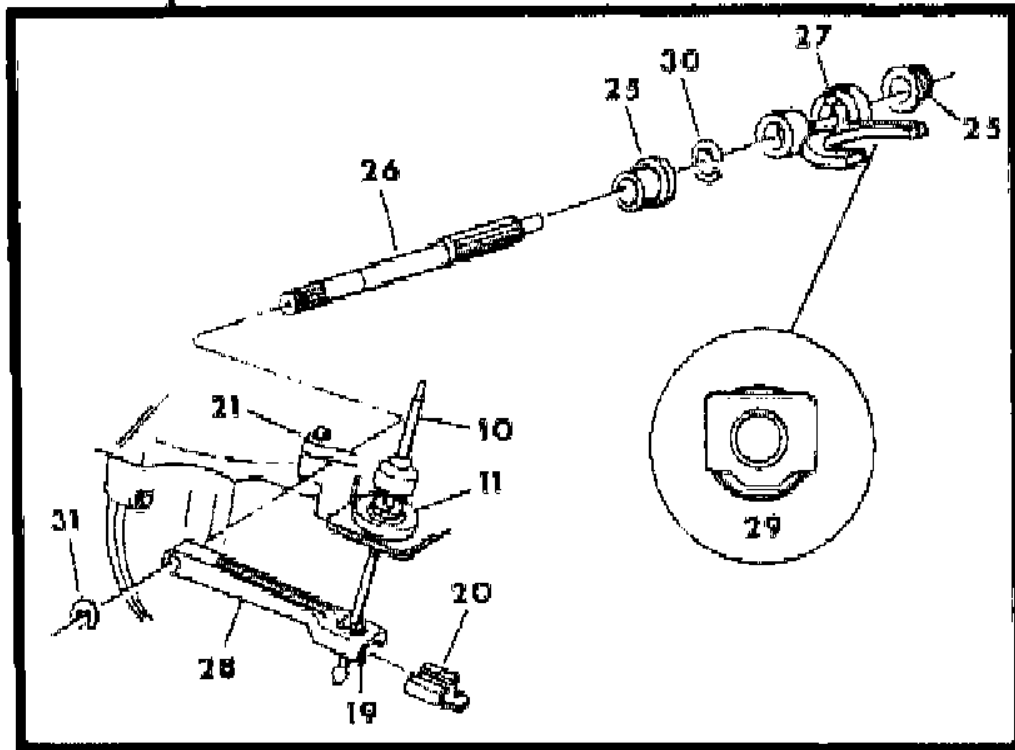
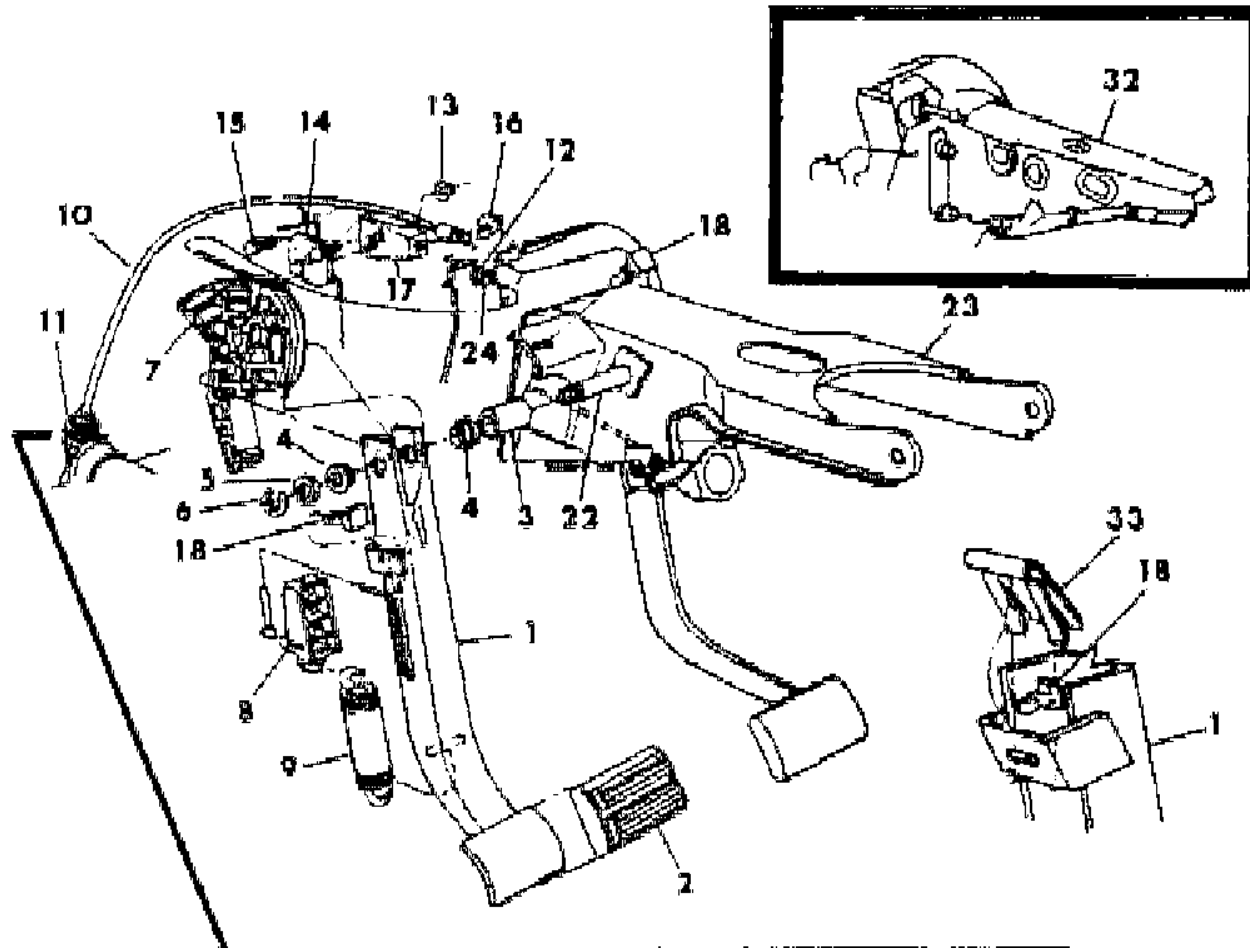
21 = 2-DOOR SEDAN	35 = FWD VAN	44 = 4-DOOR HATCHBACK
22 = 2-DOOR SPECIAL COUPE	36 = FWD WAGON	45 = 4-DOOR STATION WAGON
24 = 2-DOOR HATCHBACK	41 = 4-DOOR SEDAN	49 = LIMOUSINE
27 = 2-DOOR CONVERTIBLE		

AR = Use as Required - = Non Illustrated Part P.A.R. = Paint as Required

CLUTCH PEDAL AND LINKAGE - M,Z,P,D,V,C,H,K,V,C-24,D,C-44, ALL ENG., w/A460,525 - 4&5 Speed Trans.

Figure 6-300

5106 300



ITEM	PART NUMBER	QTY	BODY	MODEL	DESCRIPTION
1	4295 585	1		M,Z	PEDAL, Clutch
	4188 668	1		P,D,V,C	
2	5206 237	1		M,Z	PAD, Pedal
	4019 715	1		P,D,V,C	
3	4019 706	1		M,Z	SPACER, Pedal
	4019 716	1		P,D,V,C	
	4188 659	1		H,K	
4	4019 707	2		All	BUSHING, Pedal
5	2073 632	1		All	WASHER, Pedal Shaft
6	6030 373	1		All	LOCK-RING, Pedal Shaft
7	4188 669	1		M,Z,P,D	ADJUSTER, Pivot
	4188 660	1		H,K	
8	4019 695	1		All	POSITION-ADJUSTER
9	4188 666	1		All	SPRING, Clutch Cable Adj.
	4019 749	1		All	DAMPER, Clutch Pedal Adj. Spring (Not Illus.)
10	4377 771	1		M,Z	CABLE, Clutch Pedal
	4377 769	1		P,D,V,C	
	4377 770	1		H,K	
11	4295 594	1		All	ISOLATOR, Cable
12	3593 446	1		All	GROMMET, Cable Panel Dash
13	6100 050	2		All	NUT w/WA., Cable Mtg. Plate
14	4188 101	1		All	PLATE, Cable Mtg.
	6100 098	2		All	WELD-SCREW, Cable Plate Mtg.
15	3759 944	1		All	RETAINER, Plate
16	4295 369	1		All	CLIP, Cable
17	4188 664	1		M,Z	BRACKET, Cable Mtg.
	4295 577	1		P,D,V,C	
	4188 662	1		H,K	
18	2266 820	1		All	BUMPER, Pedal Stop Brkt.
	4188 673	1		H,K	BRACKET, Clutch Pedal Stop
19	5206 244	1		All	GROMMET, Cable Retainer
20	5206 245	1		All	RETAINER, Cable Lock
21				All	TRANS. (Ref.)
22				All	SHAFT (Refer To Grp.5)
23				P,D,V,C	BRACKET (Refer To Grp.5)
24	6031 447	1		All	NUT, Cable Mtg.
25	4295 759	1		All	BUSHING, Clutch Rel. Shaft, Inner

MODEL CODES

B = GRAN FURY	E = 600	M = HORIZON/TURISMO
C = LE BARON/TOWN & COUNTRY/LIMO	F = FIFTH AVENUE/NEWPORT	P = RELIANT
C24 = LASER	G = DIPLOMAT	T = NEW YORKER
C44 = LE BARON/GTS	H = VOYAGER	V = 600
D = ARIES	J = CARAVELLE	V24 = DAYTONA
D44 = LANCER	K = MINI VAN/CARAVAN/ROYAL	Z = OMNI/CHARGER

BODY STYLES

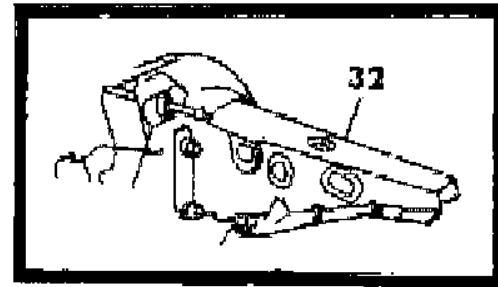
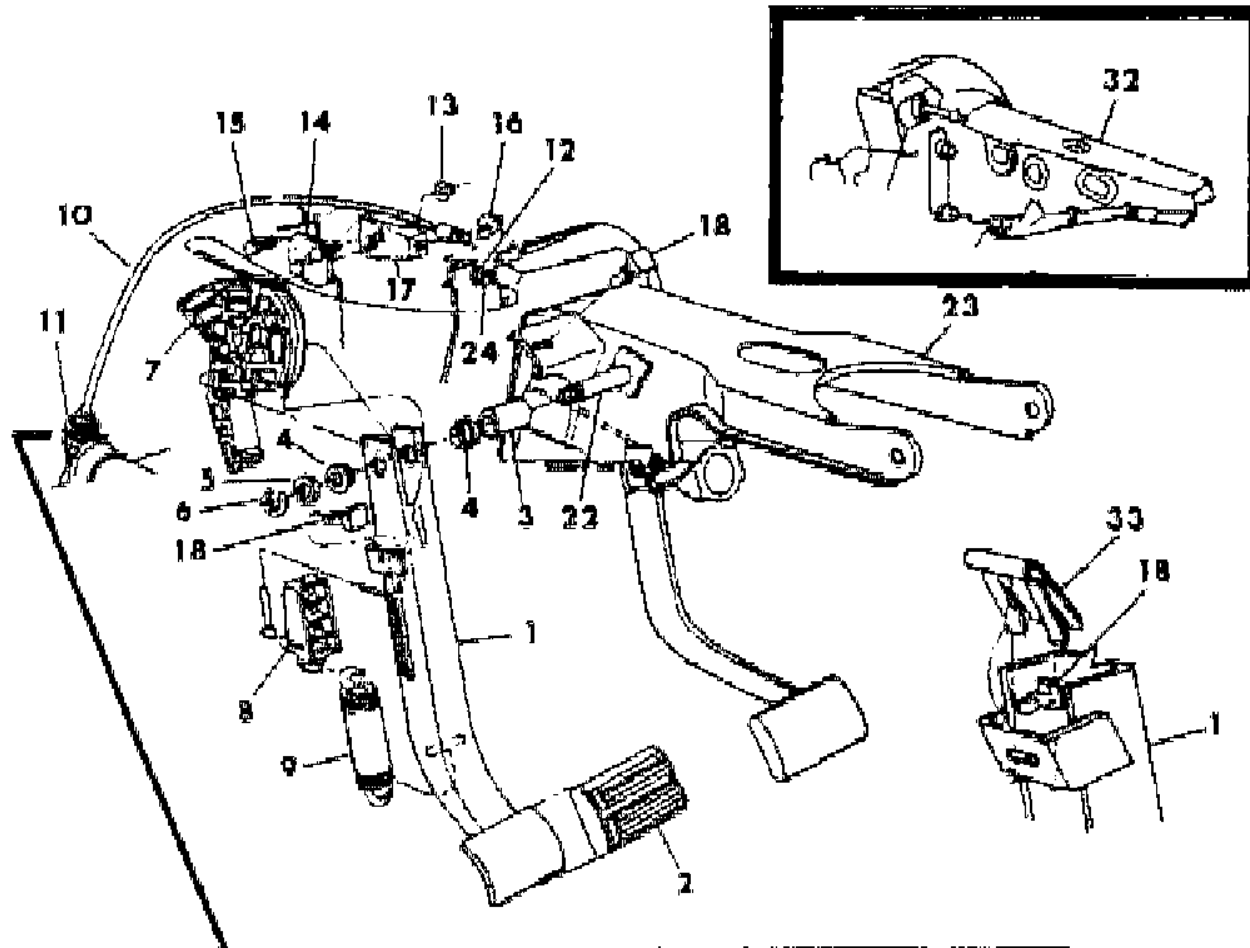
21 = 2-DOOR SEDAN	35 = FWD VAN	44 = 4-DOOR HATCHBACK
22 = 2-DOOR SPECIAL COUPE	36 = FWD WAGON	45 = 4-DOOR STATION WAGON
24 = 2-DOOR HATCHBACK	41 = 4-DOOR SEDAN	49 = LIMOUSINE
27 = 2-DOOR CONVERTIBLE		

AR = Use as Required - = Non Illustrated Part P.A.R. = Paint as Required

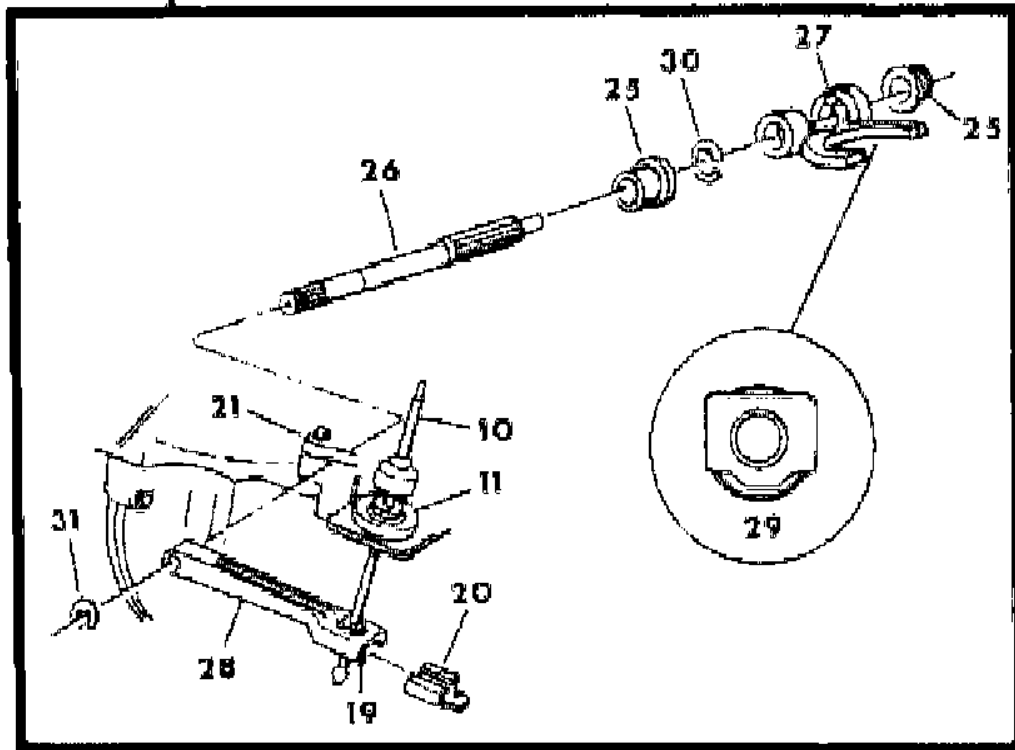
CLUTCH PEDAL AND LINKAGE - M,Z,P,D,V,C,H,K,V,C-24,D,C-44, ALL ENG., w/A460,525 - 4&5 Speed Trans.

Figure 6-300

5106 300



ITEM	PART NUMBER	QTY	BODY	MODEL	DESCRIPTION
	4295 438	1	All		Outer
26	4295 426	1	All		SHAFT, Clutch Release
27	4295 428	1	All		FORK, Clutch Release
28	4295 477	1	All		LEVER, Clutch Rel. Shaft
29	4202 378	1	All		BEARING w/SLEEVE, Clutch Release
30	6500 510	1	All		E-RING, Shaft Outer Bushing
31	6500 951	1	All		E-RING, Lever To Shaft
32			M,Z		BRACKET (Refer To Grp.5)
33	4188 653	1	All		CLIP, Clutch Cable Adj. Spring



MODEL CODES

B = GRAN FURY	E = 600	M = HORIZON/TURISMO
C = LE BARON/TOWN & COUNTRY/LIMO	F = FIFTH AVENUE/NEWPORT	P = RELIANT
C24 = LASER	G = DIPLOMAT	T = NEW YORKER
C44 = LE BARON/GTS	H = VOYAGER	V = 600
D = ARIES	J = CARAVELLE	V24 = DAYTONA
D44 = LANCER	K = MINI VAN/CARAVAN/ROYAL	Z = OMNI/CHARGER

BODY STYLES

21 = 2-DOOR SEDAN	35 = FWD VAN	44 = 4-DOOR HATCHBACK
22 = 2-DOOR SPECIAL COUPE	36 = FWD WAGON	45 = 4-DOOR STATION WAGON
24 = 2-DOOR HATCHBACK	41 = 4-DOOR SEDAN	49 = LIMOUSINE
27 = 2-DOOR CONVERTIBLE		

AR = Use as Required - = Non Illustrated Part P.A.R. = Paint as Required

GROUP 7 - COOLING

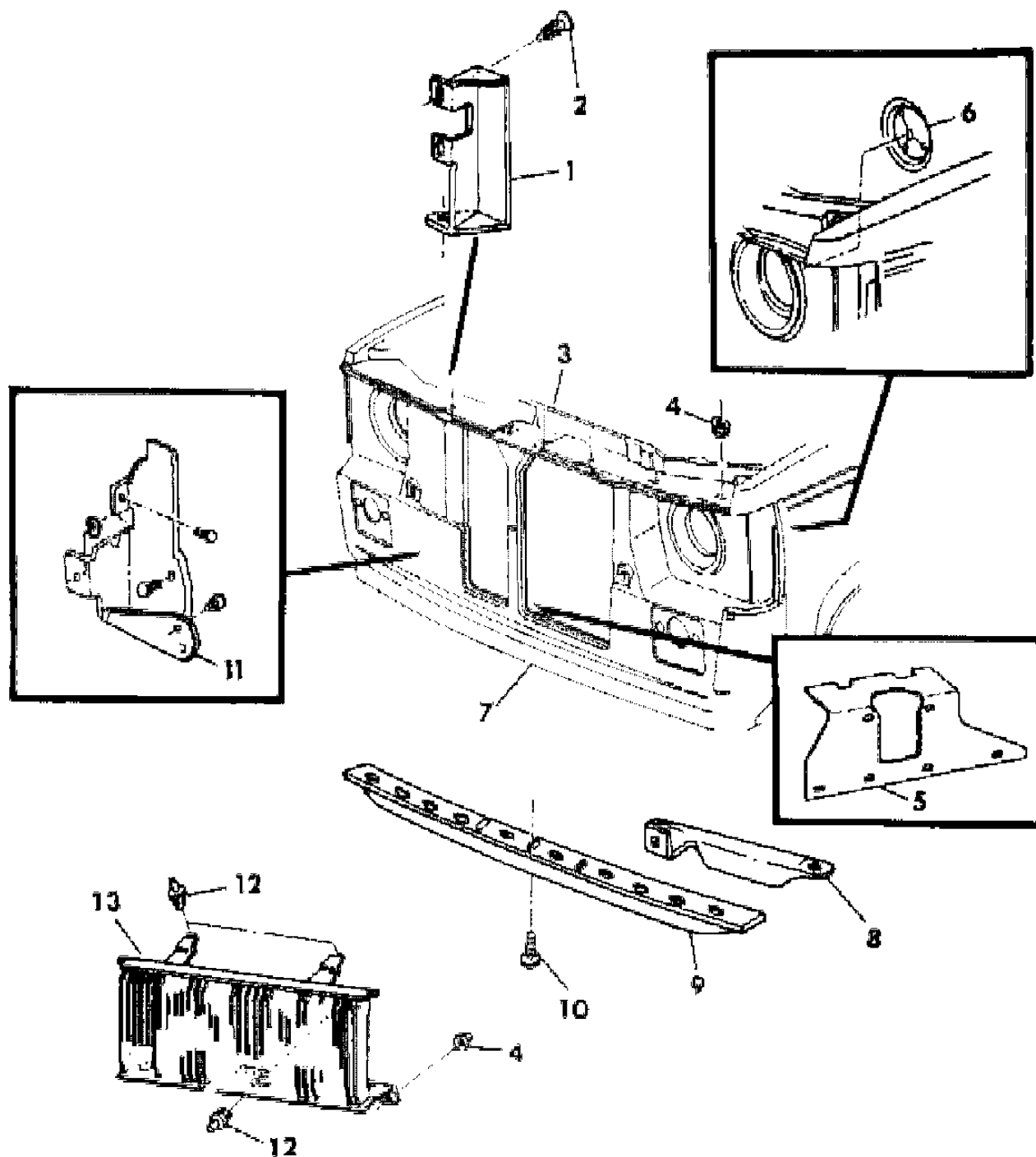
ILLUSTRATION TITLE	GROUP-FIG. NO.
GRILLE AND RELATED PARTS M,Z	Fig. 7-100
GRILLE AND RELATED PARTS P,D	Fig. 7-200
GRILLE AND RELATED PARTS J,V,E	Fig. 7-300
GRILLE AND RELATED PARTS C,T	Fig. 7-400
GRILLE AND RELATED PARTS C,D-44	Fig. 7-500
GRILLE AND RELATED PARTS H,K	Fig. 7-600
GRILLE AND RELATED PARTS F AND G-P	Fig. 7-700
GRILLE AND RELATED PARTS B AND G-L	Fig. 7-800
RADIATOR AND RELATED PARTS 1.6L ENGINE AND 2.2L ENGINE w/o AIR CONDITIONING M,Z	Fig. 7-900
RADIATOR AND RELATED PARTS 2.2L ENGINE w/AIR COND. or H/PERF. or T/C M,Z	Fig. 7-1000
RADIATOR AND RELATED PARTS 2.2L ENGINE P,D,C,V,J,E,T	Fig. 7-1100
RADIATOR AND RELATED PARTS 2.6L ENGINE P,D,C,V,J,E,T	Fig. 7-1200
RADIATOR AND RELATED PARTS 2.2L ENGINE H,K	Fig. 7-1300
RADIATOR AND RELATED PARTS 2.6L ENGINE H,K	Fig. 7-1400
RADIATOR AND RELATED PARTS B,F,G	Fig. 7-1500
COOLANT RESERVE TANKS	Fig. 7-1600
TRANSMISSION OIL COOLER 4 CYLINDER ENGINE	Fig. 7-1625
TRANSMISSION OIL COOLER 8 CYLINDER ENGINE	Fig. 7-1650
TRANSMISSION OIL COOLER - AUXILIARY 8 CYLINDER ENGINE	Fig. 7-1675
DRIVE BELTS 4 CYLINDER ENGINE	Fig. 7-1700
DRIVE BELTS 8 CYLINDER ENGINE	Fig. 7-1725
DRIVE PULLEYS 4 CYLINDER ENGINE	Fig. 7-1800
DRIVE PULLEYS 8 CYLINDER ENGINE	Fig. 7-1900
WATER PUMP AND RELATED PARTS 1.6L ENGINE	Fig. 7-2000
WATER PUMP AND RELATED PARTS 2.2L ENGINE	Fig. 7-2100
WATER PUMP AND RELATED PARTS 2.6L ENGINE	Fig. 7-2200
WATER PUMP AND RELATED PARTS 318 ENGINE	Fig. 7-2300
TURBO WATER COOLED SYSTEM	Fig. 7-2400

ILLUSTRATION NOT AVAILABLE AT TIME OF PUBLICATION

GRILLE AND RELATED PARTS M,Z

Figure 7-100

5107 100 B



ITEM	PART NUMBER	QTY	BODY	MODEL	DESCRIPTION
NOTE: FOR M,Z 24 GRILLE AND RELATED ITEMS NOT LISTED, REFER TO GROUP 13. Gear and Pinion numbers stamped on the item may be used to confirm the correct MATCHED SET they are contained in.					
1	4296 041	1			SHIELD, Closure Panel Radiator Air - Rt.
2	6030 538	3			RETAINER
3	4341 673	1			CROSSMEMBER, Radiator Closure Panel
4	6031 234	8			NUT
5	4341 850	1			REINFORCEMENT, Radiator Closure Panel Lower Crossmember 2.2L Eng. w/(S/C - EDG)
6	5201 335	2		24	COVER, Closure Panel Headlamp Mtg. Opening
7	4341 995	1			PANEL, Headlamp Closure Mtg.
8	4103 230-1	1		24	BRACE, Fender Closure Headlamp Mtg. Opening
9	4140 438	1			DAM, Air
10	6030 441	AR		44	RETAINER
11	5201 389	2		Z-S-24	BAFFLE, Closure Panel w/Air Cond. or Max. Cooling
	4296 763	2		M,Z-H,P	w/Air Cond. and/or Max. Cooling
	6030 883	1		24	PLUG, Closure Headlamp Mtg. Panel Vent Hose (not shown)
12	6031 383	3			PIN, Drive
13	4270 605	1		M-44	GRILLE, Radiator
	4270 610	1		Z-44	w/o Perf. Pkg.
	4334 455	1		Z-44	w/Perf. Pkg.

MODEL CODES

B = GRAN FURY	E = 600	M = HORIZON/TURISMO
C = LE BARON/TOWN & COUNTRY/LIMO	F = FIFTH AVENUE/NEWPORT	P = RELIANT
C24 = LASER	G = DIPLOMAT	T = NEW YORKER
C44 = LE BARON/GTS	H = VOYAGER	V = 600
D = ARIES	J = CARAVELLE	V24 = DAYTONA
D44 = LANCER	K = MINI VAN/CARAVAN/ROYAL	Z = OMNI/CHARGER

BODY STYLES

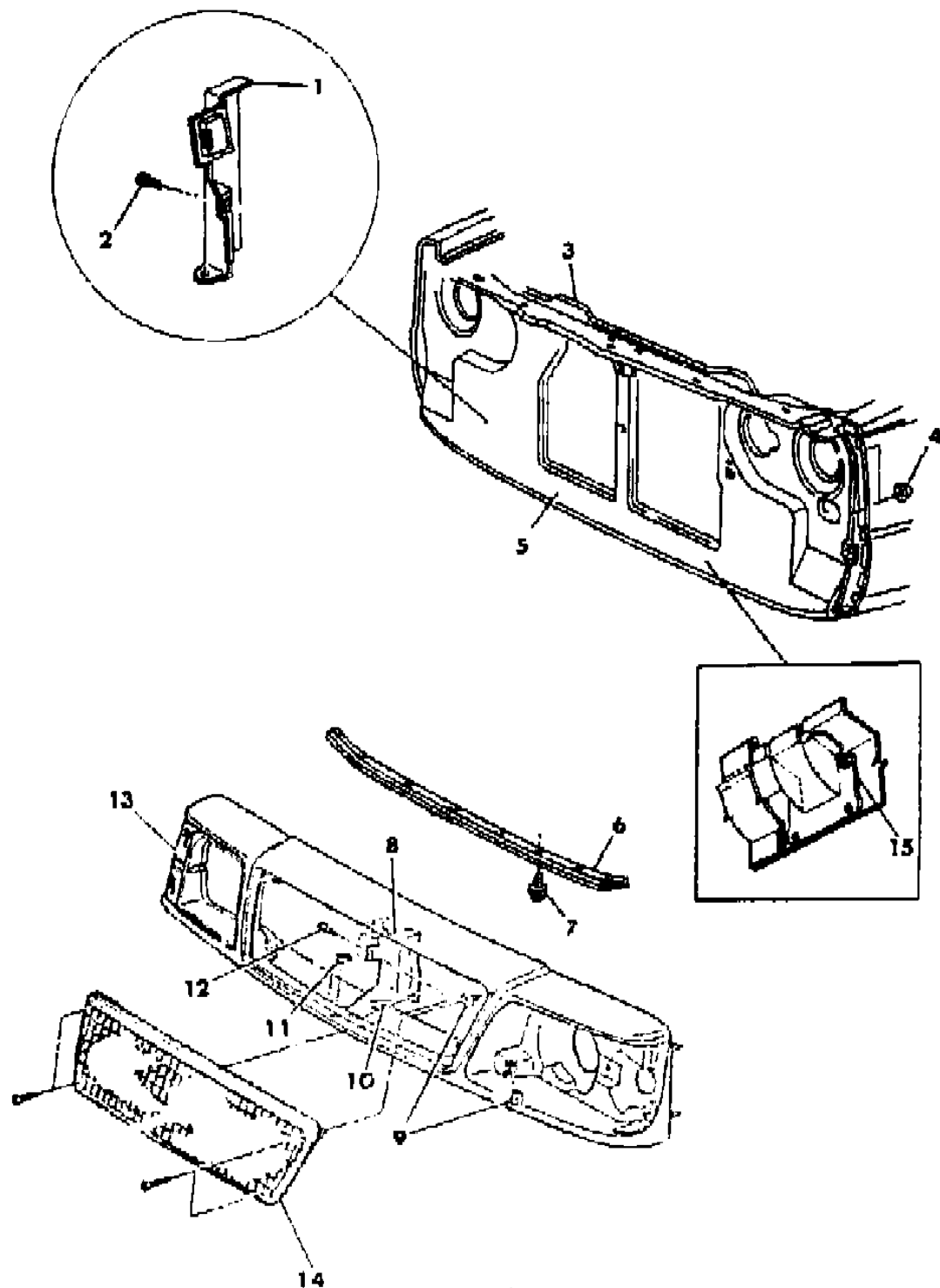
21 = 2-DOOR SEDAN	35 = FWD VAN	44 = 4-DOOR HATCHBACK
22 = 2-DOOR SPECIAL COUPE	36 = FWD WAGON	45 = 4-DOOR STATION WAGON
24 = 2-DOOR HATCHBACK	41 = 4-DOOR SEDAN	49 = LIMOUSINE
27 = 2-DOOR CONVERTIBLE		

AR = Use as Required - = Non Illustrated Part P.A.R. = Paint as Required

GRILLE AND RELATED PARTS P,D

Figure 7-200

5107 200 C



ITEM	PART NUMBER	QTY	BODY	MODEL	DESCRIPTION
1					SHIELD, Closure Panel Radiator Air - Rt.
	4103 168	1			2.2L Eng.
	4103 174	1			2.6L Eng.
	4103 943	1			2.6L Eng. - Canada
2	6030 538	2			RETAINER
3	4341 163	1			CROSSMEMBER, Radiator Closure Panel
4	0219 462	4			NUT
5	4296 830	1			PANEL, Headlamp Closure Mtg.
	4073 281	2			CAP, Closure Panel
6	4334 474	1			DAM, Air - Canada
7	6030 441	8			RETAINER
8	4334 047	1			BRACE, Headlamp & Grille Mtg. Panel - Center up to 9-15-84
	4334 970	1			after 9-15-84
9	6500 725	23			NUT
10	6029 198	2			SCREW w/WASHER
11	6100 041	3			U NUT
12	6100 568	3			SCREW
13	4334 030	1			PANEL, Radiator Grille Headlamp Mtg.
	4334 033	1			TIE STRAP, Grille & Headlamp Panel (not shown) after 9-10-84
14					GRILLE, Radiator
	4334 014	1		D	Dodge
	4334 012	1		P	Plymouth
15	4270 115	1			REINFORCEMENT, Crossmember Eng. Mtg. Frt. Brkt.

MODEL CODES

B = GRAN FURY	E = 600	M = HORIZON/TURISMO
C = LE BARON/TOWN & COUNTRY/LIMO	F = FIFTH AVENUE/NEWPORT	P = RELIANT
C24 = LASER	G = DIPLOMAT	T = NEW YORKER
C44 = LE BARON/GTS	H = VOYAGER	V = 600
D = ARIES	J = CARAVELLE	V24 = DAYTONA
D44 = LANCER	K = MINI VAN/CARAVAN/ROYAL	Z = OMNI/CHARGER

BODY STYLES

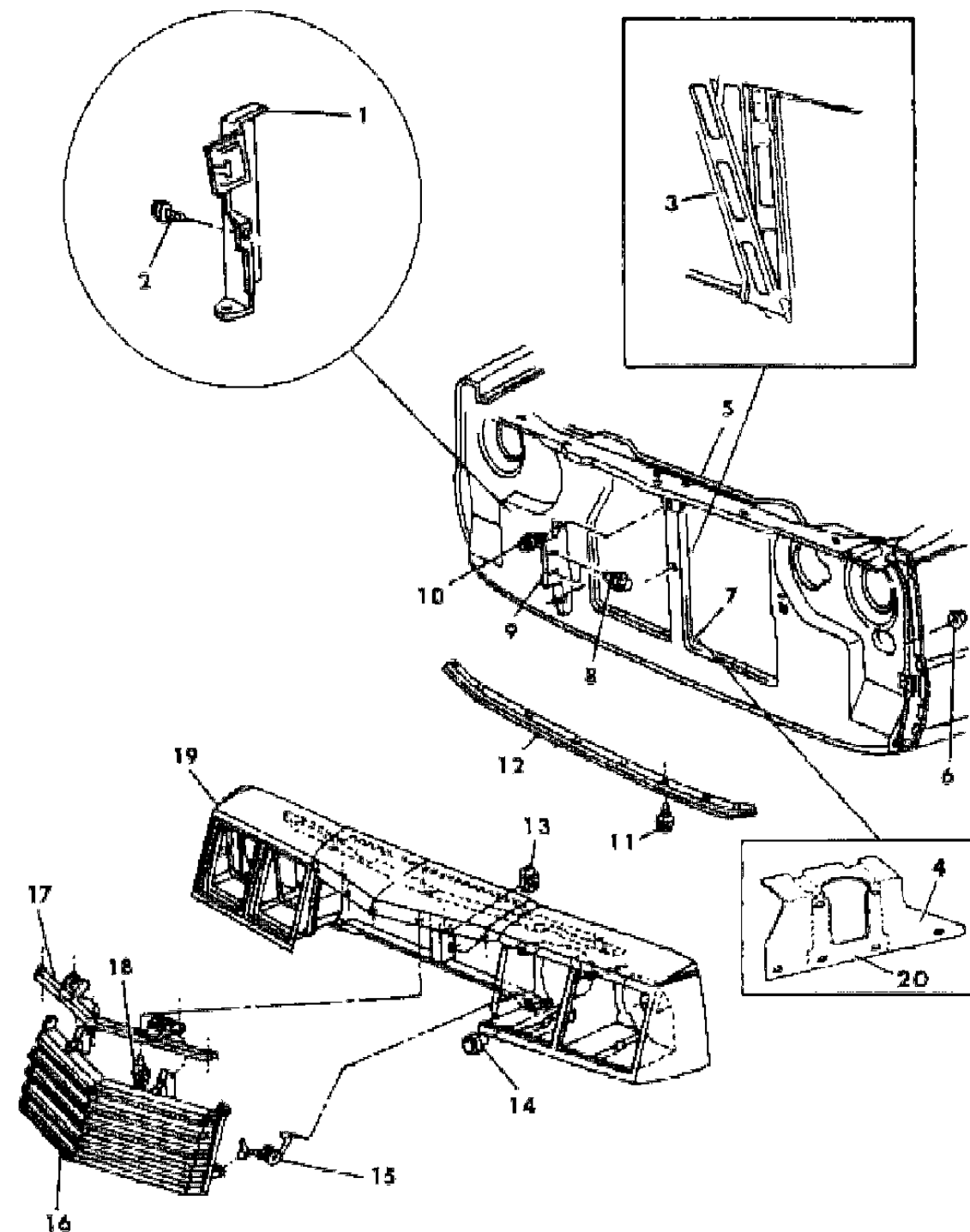
21 = 2-DOOR SEDAN	35 = FWD VAN	44 = 4-DOOR HATCHBACK
22 = 2-DOOR SPECIAL COUPE	36 = FWD WAGON	45 = 4-DOOR STATION WAGON
24 = 2-DOOR HATCHBACK	41 = 4-DOOR SEDAN	49 = LIMOUSINE
27 = 2-DOOR CONVERTIBLE		

AR = Use as Required - = Non Illustrated Part P.A.R. = Paint as Required

GRILLE AND RELATED PARTS J,V,E

Figure 7-300

5107 300 B



ITEM	PART NUMBER	QTY	BODY	MODEL	DESCRIPTION
1					SHIELD, Closure Panel Radiator Air - Rt.
	4103 168	1		exc. V-	2.2L Eng.
	4270 124	1		V-24	2.2L Eng.
	4103 174	1			2.6L Eng.
	4103 943	1			2.6L Eng. - Canada
2	6030 538	2			RETAINER
3	4103 983	1		V-24	SUPPORT, Radiator Closure Panel to Crossmember
4	4341 850	1		V	REINFORCEMENT, Radiator Closure Panel Lower Crossmember 2.2L Eng. w/(S/C - EDG) - Man. Trans.
5	4341 163	1		exc. V-	CROSSMEMBER, Radiator Closure Panel
	4341 228	1		V-24	
6	0219 462	4			NUT
7	4296 830	1		exc. V-	PANEL, Headlamp Closure Mtg.
	4341 188	1		V-24	
8	6100 566	2			SCREW w/WASHER
9	4103 774	1			BRACKET, Radiator Closure Panel to Support Radiator Grille Panel
10	6029 198	1			SCREW w/WASHER
11	6030 441	8			RETAINER
12	4334 474	1			DAM, Air - Canada
	4334 474	1		exc. V-	2.2L Eng. w/(S/C - EDG)
13	6100 041	2			U NUT
14	6500 725	8			NUT, Snap In
15	4270 539	2			SPRING, Radiator Grille Return
16					GRILLE, Radiator
	X613 CA1	1			Radiant Silver
	X613 DB1	1			Ice Blue
	X613 CC6	1			Gunmetal Blue
	X613 DB9	1			Nightwatch Blue
	X613 DT3	1			Cream
	X613 DT4	1			Gold Dust
	X613 CR6	1			Garnet Red
	X613 CT6	1			Mink Brown
	X613 DW2	1			White
	X613 DX8	1			Black
	4270 565	1		J	Chrome Plate
17	4270 573	1			MOULDING, Radiator Grille

MODEL CODES

B = GRAN FURY	E = 600	M = HORIZON/TURISMO
C = LE BARON/TOWN & COUNTRY/LIMO	F = FIFTH AVENUE/NEWPORT	P = RELIANT
C24 = LASER	G = DIPLOMAT	T = NEW YORKER
C44 = LE BARON/GTS	H = VOYAGER	V = 600
D = ARIES	J = CARAVELLE	V24 = DAYTONA
D44 = LANCER	K = MINI VAN/CARAVAN/ROYAL	Z = OMNI/CHARGER

BODY STYLES

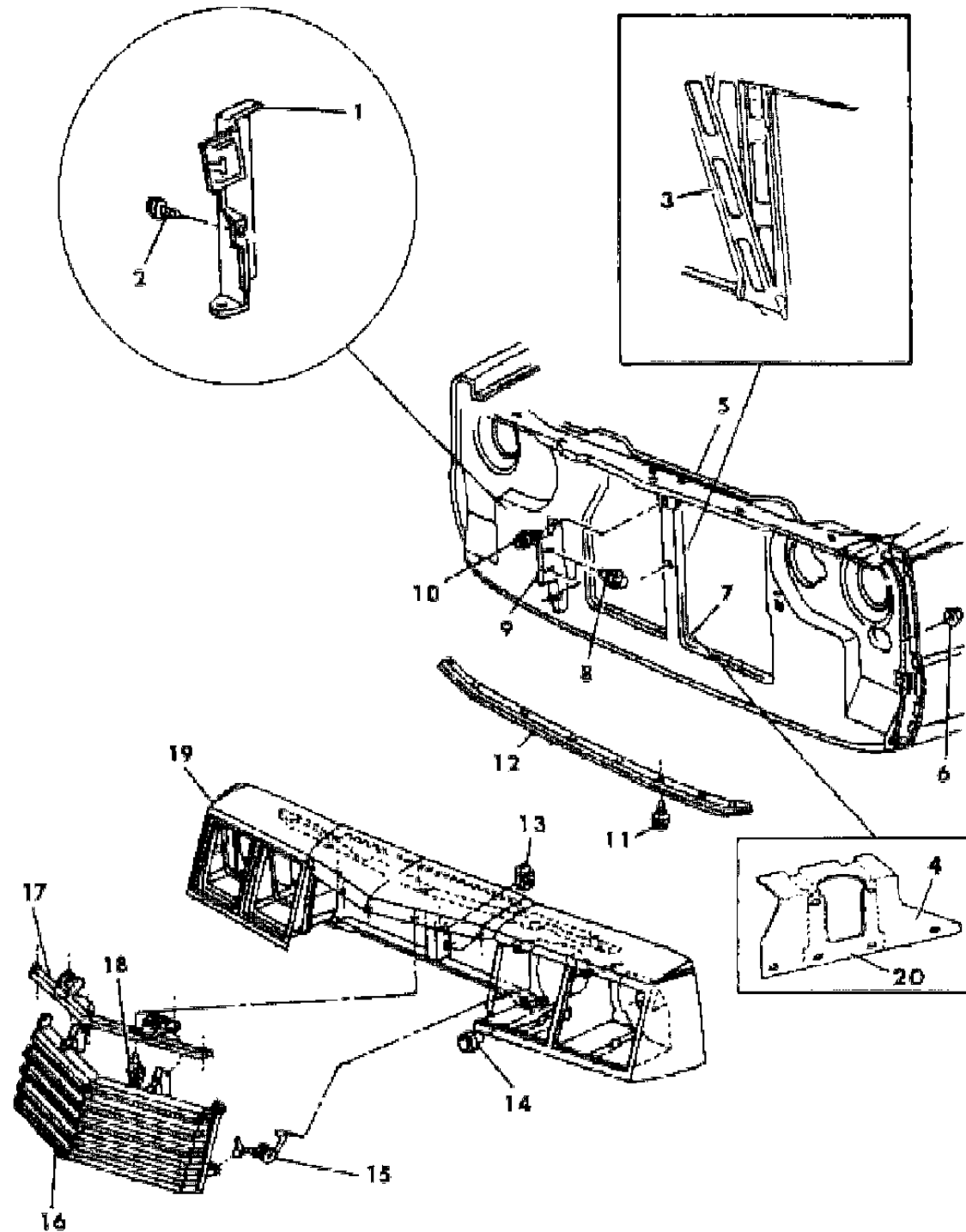
21 = 2-DOOR SEDAN	35 = FWD VAN	44 = 4-DOOR HATCHBACK
22 = 2-DOOR SPECIAL COUPE	36 = FWD WAGON	45 = 4-DOOR STATION WAGON
24 = 2-DOOR HATCHBACK	41 = 4-DOOR SEDAN	49 = LIMOUSINE
27 = 2-DOOR CONVERTIBLE		

AR = Use as Required - = Non Illustrated Part P.A.R. = Paint as Required

GRILLE AND RELATED PARTS J,V,E

Figure 7-300

5107 300 B



ITEM	PART NUMBER	QTY	BODY	MODEL	DESCRIPTION
18		7			SCREW w/WASHER (not serviced)
19	4334 760	1			PANEL, Radiator Grille Headlamp Mtg.
20	4270 115	1			REINFORCEMENT, Crossmember Eng. Mtg. Frt. Brkt.

MODEL CODES

B = GRAN FURY	E = 600	M = HORIZON/TURISMO
C = LE BARON/TOWN & COUNTRY/LIMO	F = FIFTH AVENUE/NEWPORT	P = RELIANT
C24 = LASER	G = DIPLOMAT	T = NEW YORKER
C44 = LE BARON/GTS	H = VOYAGER	V = 600
D = ARIES	J = CARAVELLE	V24 = DAYTONA
D44 = LANCER	K = MINI VAN/CARAVAN/ROYAL	Z = OMNI/CHARGER

BODY STYLES

21 = 2-DOOR SEDAN	35 = FWD VAN	44 = 4-DOOR HATCHBACK
22 = 2-DOOR SPECIAL COUPE	36 = FWD WAGON	45 = 4-DOOR STATION WAGON
24 = 2-DOOR HATCHBACK	41 = 4-DOOR SEDAN	49 = LIMOUSINE
27 = 2-DOOR CONVERTIBLE		

AR = Use as Required - = Non Illustrated Part P.A.R. = Paint as Required

GRILLE AND RELATED PARTS C,T

Figure 7-400

5107 400 B

ITEM	PART NUMBER	QTY	BODY	MODEL	DESCRIPTION
1					SHIELD, Closure Panel Radiator Air - Rt.
	4103 168	1		exc. C-	2.2L Eng.
	4270 124	1		C-24	2.2L Eng.
	4103 174	1			2.6L Eng.
	4103 943	1			2.6L Eng. - Canada
2	6030 538	3			RETAINER
3	4341 163	1			CROSSMEMBER, Radiator Closure Panel
	4341 228	1		C-24	
4	0219 462	4			NUT
5	4296 830	1			PANEL, Headlamp Closure Mtg.
	4341 188	1		C-24	
6	6100 566	2			SCREW W/WASHER
7	4103 774	1			BRACKET, Radiator Closure Panel to Sup. Rad. Grille Panel
8	6029 198	2			SCREW w/WASHER
9	4103 983	1			SUPPORT, Radiator Closure Panel to Crossmember
10	4341 850	1		C	REINFORCEMENT, Radiator Closure Panel Lower Crossmember 2.2L Eng. w/(S/C - EDG) - Man. Trans.
11	6030 441	8			RETAINER
12	4334 474	1			DAM, Air - Canada
	4334 474	1		exc. C-	2.2L Eng. w/(S/C - EDG)
13	4103 316	1			SHIELD, Grille to Ground Concealment
14	6031 299	5			RETAINER
15	6100 041	2			U-NUT
16	6500 725	8			NUT, Snap In
17	4103 368-9	1			MOULDING, Grille Ext. (T-P41 and Limo)
18	4270 539	2			SPRING, Radiator Grille Return
19	4103 362	1			GRILLE, Radiator - T-P-41 & Limo
	4074 585	1			Exc. T-P41 and Limo
20	4074 586	1		C	MOULDING, Rad. Grille Headlamp Mtg. Panel Center
	4103 366	1			T-P41 & Limo
21	4334 466	1			PANEL, Radiator Grille Headlamp Mtg.
22	4270 115	1			REINFORCEMENT, Crossmember Eng. Mtg. Frt. Brkt.

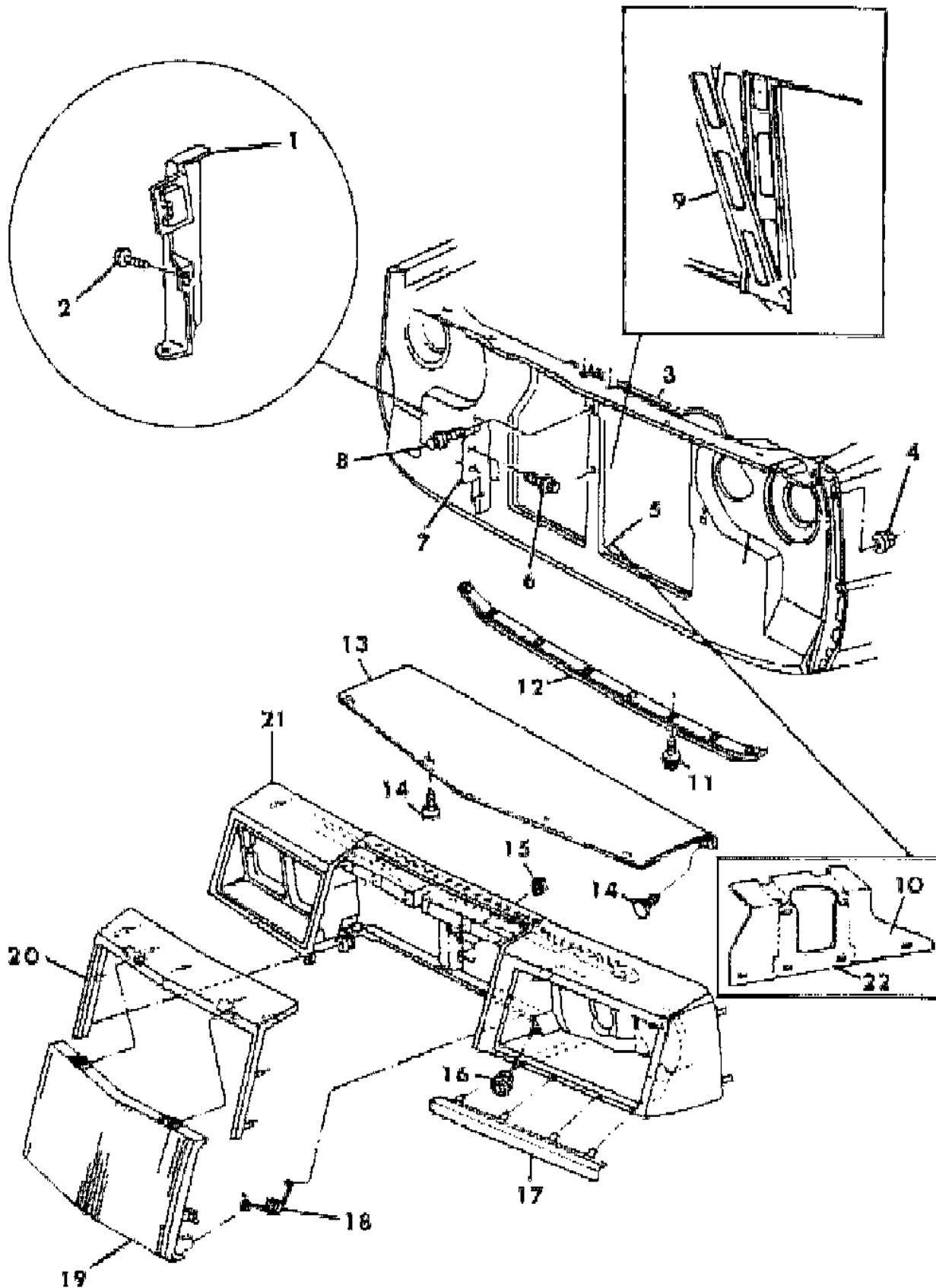
MODEL CODES

B = GRAN FURY	E = 600	M = HORIZON/TURISMO
C = LE BARON/TOWN & COUNTRY/LIMO	F = FIFTH AVENUE/NEWPORT	P = RELIANT
C24 = LASER	G = DIPLOMAT	T = NEW YORKER
C44 = LE BARON/GTS	H = VOYAGER	V = 600
D = ARIES	J = CARAVELLE	V24 = DAYTONA
D44 = LANCER	K = MINI VAN/CARAVAN/ROYAL	Z = OMNI/CHARGER

BODY STYLES

21 = 2-DOOR SEDAN	35 = FWD VAN	44 = 4-DOOR HATCHBACK
22 = 2-DOOR SPECIAL COUPE	36 = FWD WAGON	45 = 4-DOOR STATION WAGON
24 = 2-DOOR HATCHBACK	41 = 4-DOOR SEDAN	49 = LIMOUSINE
27 = 2-DOOR CONVERTIBLE		

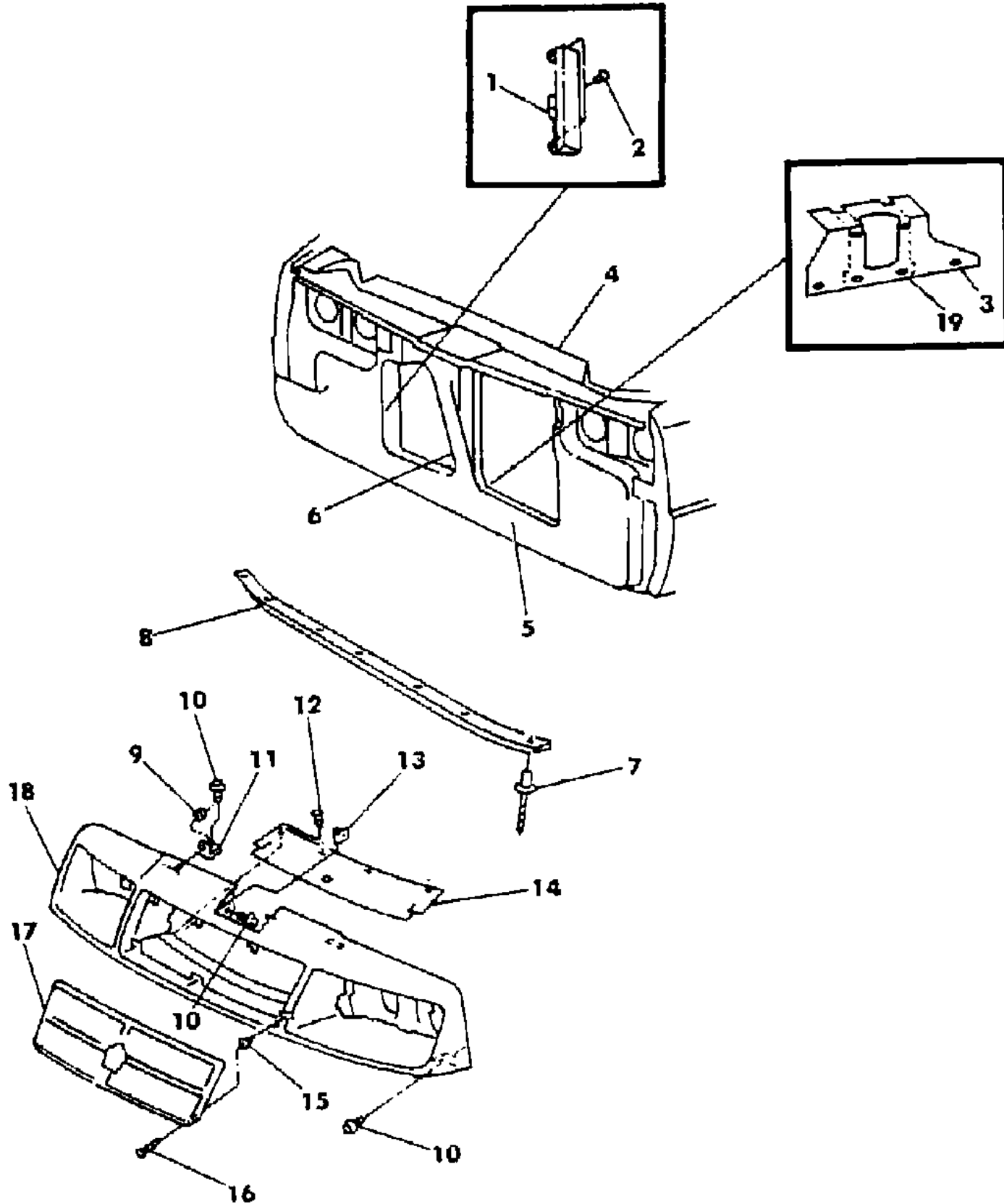
AR = Use as Required - = Non Illustrated Part P.A.R. = Paint as Required



GRILLE AND RELATED PARTS C,D-44

Figure 7-500

5107 500 B



ITEM	PART NUMBER	QTY	BODY	MODEL	DESCRIPTION
1	4296 814	1			SHIELD, Radiator Closure Panel Air - Rt.
2	6030 538	3			SCREW
3	4341 850	1			REINFORCEMENT, Radiator Closure Panel Lower Crossmember 2.2L Eng. w/(S/C - EDG) - Man. Trans.
4	4296 936	1			CROSSMEMBER, Radiator Closure Panel
5	4296 185	1			PANEL, Headlamp Closure Mtg.
6	4296 187	1			SUPPORT, Radiator Closure Panel to Upper Crossmember
7	6030 441	7			RETAINER
8	4334 474	1			DAM, Air - Canada 2.2L Eng. w/(S/C - EDG)
9	4334 474	1			NUT
10	6500 284	2			SCREW w/WASHER
11	6100 566	7			BRACKET, Headlamp Panel
12	4270 720	2			RETAINER (not serviced)
13		4			U NUT
14	6100 041	1			SHIELD, Panel Grille Opening Sight
15	4334 645	1			SPACER NUT
16	6031 138	7			SCREW (not serviced)
17	4270 999	1		C	GRILLE, Radiator
	4270 989	1		D	
18	4270 627	1			PANEL, Radiator Grille Headlamp Mtg.
19	4270 115	1			REINFORCEMENT, Crossmember Eng. Mtg. Frt. Brkt.

MODEL CODES

B = GRAN FURY	E = 600	M = HORIZON/TURISMO
C = LE BARON/TOWN & COUNTRY/LIMO	F = FIFTH AVENUE/NEWPORT	P = RELIANT
C24 = LASER	G = DIPLOMAT	T = NEW YORKER
C44 = LE BARON/GTS	H = VOYAGER	V = 600
D = ARIES	J = CARAVELLE	V24 = DAYTONA
D44 = LANCER	K = MINI VAN/CARAVAN/ROYAL	Z = OMNI/CHARGER

BODY STYLES

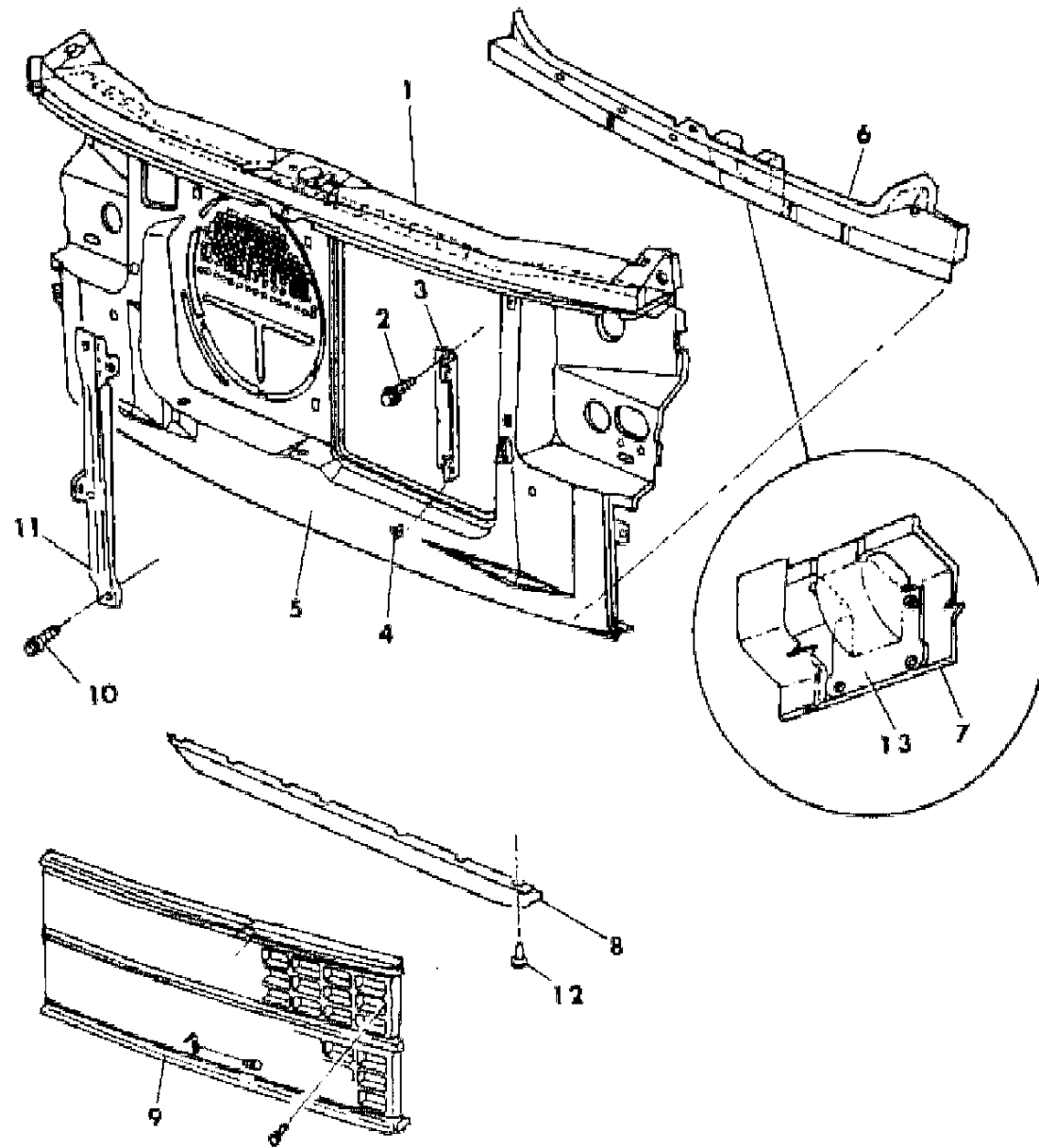
21 = 2-DOOR SEDAN	35 = FWD VAN	44 = 4-DOOR HATCHBACK
22 = 2-DOOR SPECIAL COUPE	36 = FWD WAGON	45 = 4-DOOR STATION WAGON
24 = 2-DOOR HATCHBACK	41 = 4-DOOR SEDAN	49 = LIMOUSINE
27 = 2-DOOR CONVERTIBLE		

AR = Use as Required - = Non Illustrated Part P.A.R. = Paint as Required

GRILLE AND RELATED PARTS H,K

Figure 7-600

5107 600



ITEM	PART NUMBER	QTY	BODY	MODEL	DESCRIPTION
1	4341 229	1			CROSSMEMBER, Radiator Closure Panel Upper
2	6100 567	12			SCREW w/WASHER
3	4270 318	2			BRACKET, Radiator Grille Adapter to Closure Panel
4	6100 041	8			U-NUT
5	4386 154	1			PANEL, Radiator Closure
6	4386 153	1			CROSSMEMBER, Radiator Closure Panel - Lower
7	4341 850	1			REINFORCEMENT, Radiator Closure Panel Lower Crossmember
8	4270 321	1			DAM, Air
9					GRILLE, Radiator
	4270 312	1		K	Chrome & Medium Argent
	4270 313	1		K	Brite & Medium Argent
	4270 340	1		H	Chrome & Black
10	6100 566	2			SCREW
11	4270 021	1			BRACE, Radiator Closure Panel - Center
12	6031 299	7			RETAINER
13	4270 115	1			REINFORCEMENT, Crossmember Eng. Mtg. Frt. Brkt.

MODEL CODES

B = GRAN FURY	E = 600	M = HORIZON/TURISMO
C = LE BARON/TOWN & COUNTRY/LIMO	F = FIFTH AVENUE/NEWPORT	P = RELIANT
C24 = LASER	G = DIPLOMAT	T = NEW YORKER
C44 = LE BARON/GTS	H = VOYAGER	V = 600
D = ARIES	J = CARAVELLE	V24 = DAYTONA
D44 = LANCER	K = MINI VAN/CARAVAN/ROYAL	Z = OMNI/CHARGER

BODY STYLES

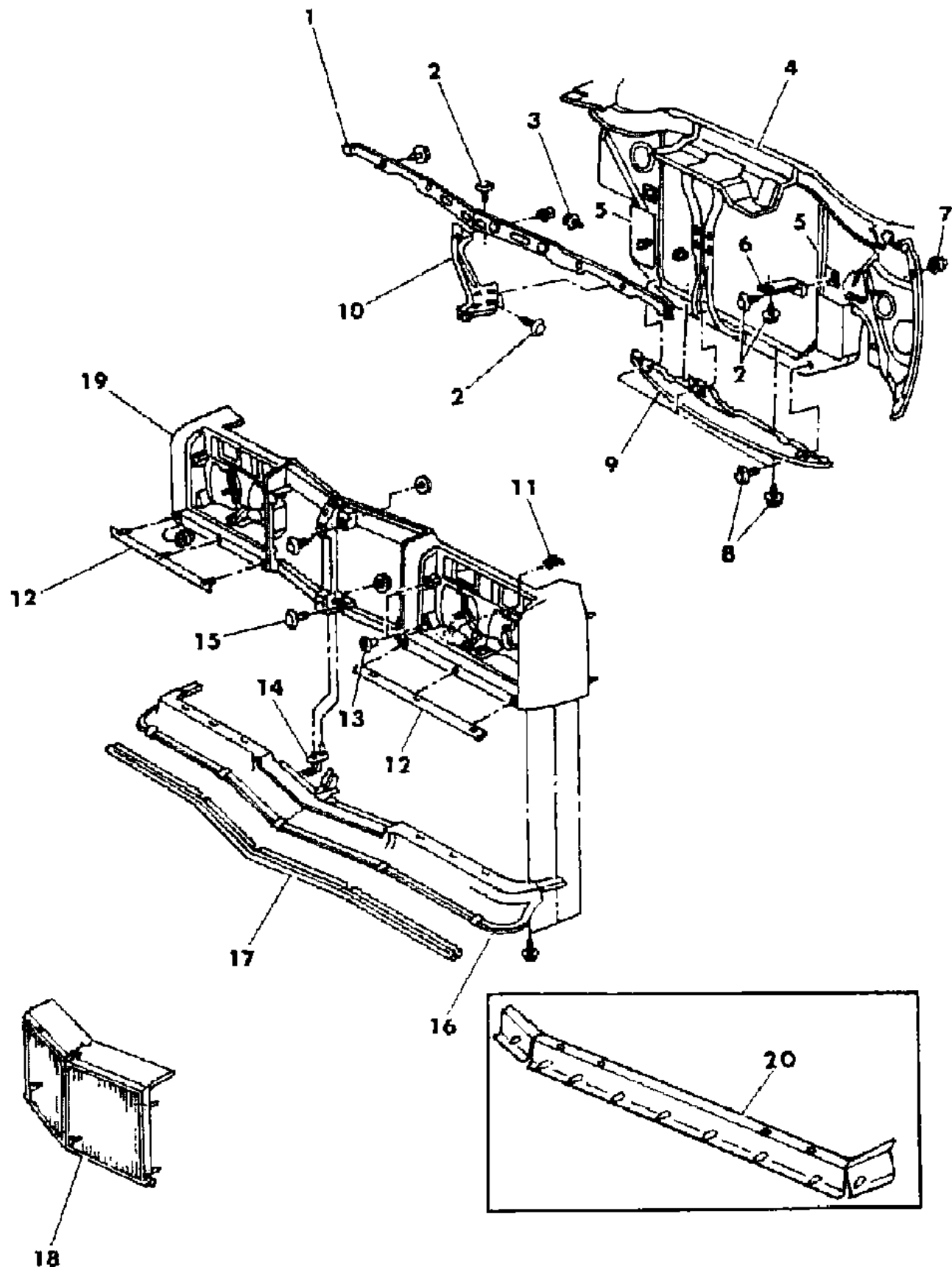
21 = 2-DOOR SEDAN	35 = FWD VAN	44 = 4-DOOR HATCHBACK
22 = 2-DOOR SPECIAL COUPE	36 = FWD WAGON	45 = 4-DOOR STATION WAGON
24 = 2-DOOR HATCHBACK	41 = 4-DOOR SEDAN	49 = LIMOUSINE
27 = 2-DOOR CONVERTIBLE		

AR = Use as Required - = Non Illustrated Part P.A.R. = Paint as Required

GRILLE AND RELATED PARTS F AND G-P

Figure 7-700

5107 700



ITEM	PART NUMBER	QTY	BODY	MODEL	DESCRIPTION
1		1			CROSSBAR, Closure Panel - Upper (serv. in #16)
2	0181 063	AR			SCREW
3	6024 073	2			SCREW w/WASHER
4	4103 464	1			CROSSMEMBER, Radiator Yoke
5					PANEL, Radiator Yoke
	3868 682	1			Right
	3868 683	1			Left
6	3868 650	1			BRACE, Headlamp Mounting Panel Lower
7	0219 462	6			NUT
8	6031 951	5			SCREW
9	4074 894	1			PANEL, Air Dam Valance
10	4074 800	1			BRACE, Closure Panel Center
11	6030 013	2			U-NUT
12	4103 624-5	1			MOULDING, Radiator Grille Ext.
13	6031 138	8			NUT
14	4074 502	1			SPACER, Filler Bumper Front
15	6029 887	2			SCREW
16	4271 411	1			FILLER, Closure Panel Front (Paint as Required)
17	4074 501	1			MOULDING, Front Bumper Filler Edge
18	4270 673	1		F	GRILLE, Radiator
	4334 167	1		G-P	
	4339 141	1		G-P	MOULDING, Radiator Grille - Center
	4103 621	1			FRAME, Radiator Grille
19	4103 658	1			PANEL, Radiator Grille Headlamp Mtg.
20	3868 952	1			SPOILER, Front Air w/Police Pkg.

MODEL CODES

B = GRAN FURY	E = 600	M = HORIZON/TURISMO
C = LE BARON/TOWN & COUNTRY/LIMO	F = FIFTH AVENUE/NEWPORT	P = RELIANT
C24 = LASER	G = DIPLOMAT	T = NEW YORKER
C44 = LE BARON/GTS	H = VOYAGER	V = 600
D = ARIES	J = CARAVELLE	V24 = DAYTONA
D44 = LANCER	K = MINI VAN/CARAVAN/ROYAL	Z = OMNI/CHARGER

BODY STYLES

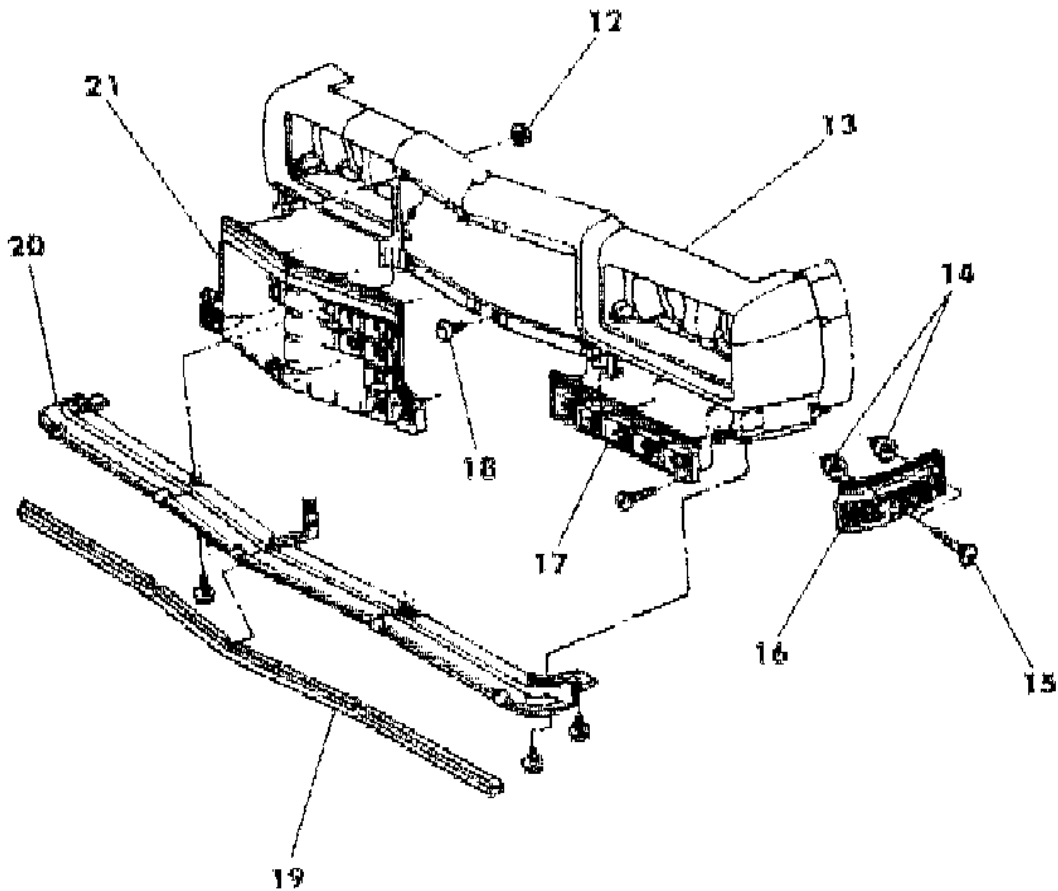
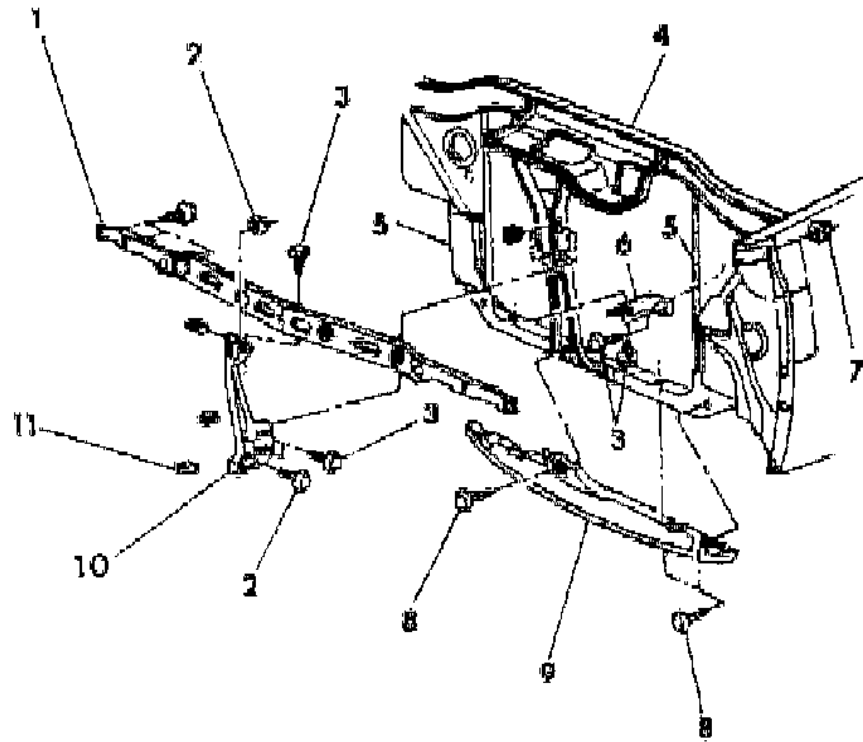
21 = 2-DOOR SEDAN	35 = FWD VAN	44 = 4-DOOR HATCHBACK
22 = 2-DOOR SPECIAL COUPE	36 = FWD WAGON	45 = 4-DOOR STATION WAGON
24 = 2-DOOR HATCHBACK	41 = 4-DOOR SEDAN	49 = LIMOUSINE
27 = 2-DOOR CONVERTIBLE		

AR = Use as Required - = Non Illustrated Part P.A.R. = Paint as Required

GRILLE AND RELATED PARTS B AND G-L

Figure 7-800

5107 800



ITEM	PART NUMBER	QTY	BODY	MODEL	DESCRIPTION
1		1			CROSSBAR, Closure Panel - Upper (serv. in #13)
2	6024 073	2			SCREW w/WASHER
3	0181 063	7			SCREW w/WASHER
4	4103 464	1			CROSSMEMBER, Radiator Yoke
5					PANEL, Radiator Yoke
	3868 682	1			Right
	3868 683	1			Left
6	3868 650	2			BRACE, Headlamp Mtg. Panel Lower
7	0219 462	7			NUT
8	6031 951	5			SCREW w/WASHER
9	4074 894	1			PANEL, Air Dam Valance
10	4074 800	1			BRACE, Closure Panel Center
11	6030 013	2			U-NUT
12	6025 002	7			NUT
13	4074 781	1			PANEL, Radiator Grille Headlamp Mtg.
14	6031 138	22			NUT
15	6031 939	5			CLIP
16	4074 754-5	1		B	GRILLE, Outer
	4103 410-1	1		G	
17	4074 786-7	1		B	GRILLE, Radiator Inter.
	4103 408-9	1		G	
18	6029 887	1			SCREW
19	4074 501	1			MOULDING, Front Bumper Filler Edge
20	X522 VW3	1			FILLER, Closure Panel - Tan (Paint as Required)
21	4074 768	1		B	GRILLE, Radiator
	4103 414	1		G	

MODEL CODES

B = GRAN FURY	E = 600	M = HORIZON/TURISMO
C = LE BARON/TOWN & COUNTRY/LIMO	F = FIFTH AVENUE/NEWPORT	P = RELIANT
C24 = LASER	G = DIPLOMAT	T = NEW YORKER
C44 = LE BARON/GTS	H = VOYAGER	V = 600
D = ARIES	J = CARAVELLE	V24 = DAYTONA
D44 = LANCER	K = MINI VAN/CARAVAN/ROYAL	Z = OMNI/CHARGER

BODY STYLES

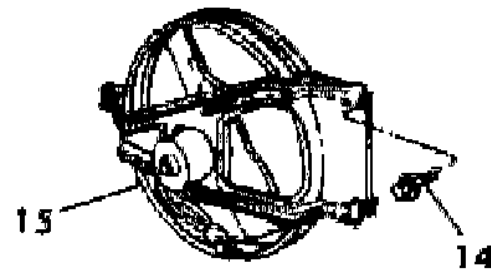
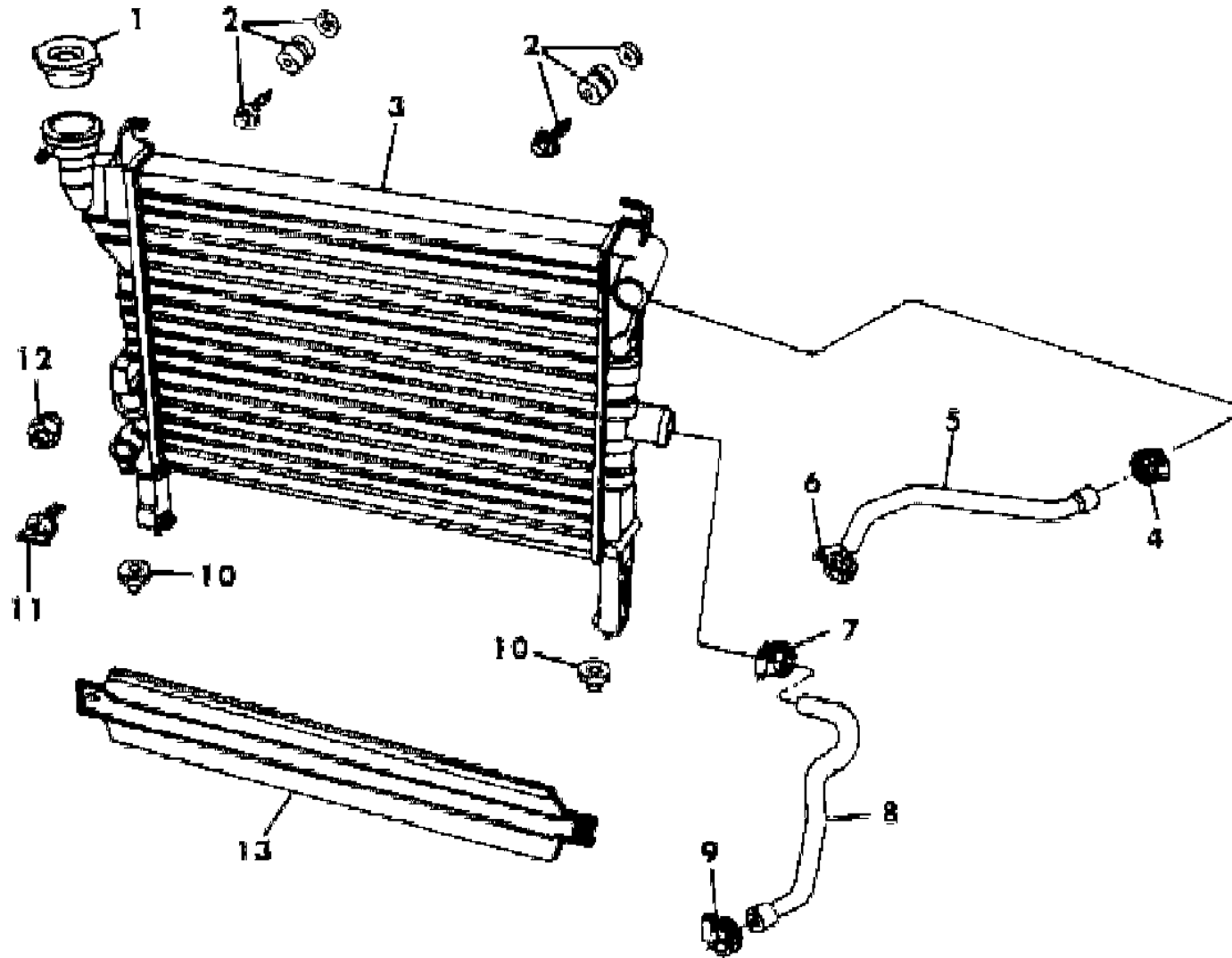
21 = 2-DOOR SEDAN	35 = FWD VAN	44 = 4-DOOR HATCHBACK
22 = 2-DOOR SPECIAL COUPE	36 = FWD WAGON	45 = 4-DOOR STATION WAGON
24 = 2-DOOR HATCHBACK	41 = 4-DOOR SEDAN	49 = LIMOUSINE
27 = 2-DOOR CONVERTIBLE		

AR = Use as Required - = Non Illustrated Part P.A.R. = Paint as Required

RADIATOR AND RELATED PARTS 1.6L ENGINE AND 2.2L ENGINE w/o AIR CONDITIONING M,Z

Figure 7-900

5107 900



ITEM	PART NUMBER	QTY	BODY	MODEL	DESCRIPTION
1	3781 830	1			CAP, Radiator
2	4266 418	1			ISOLATOR, Radiator Upper Mtg.
3	4266 534	1			RADIATOR (Includes #'s 1,2,10,11,12,13) stamped 4266534 - 1.6L Eng.
	4266 537	1			stamped 4266536, 4266537 - 2.2L Eng. w/(S/C - EDE)
4	3683 824	1			CLAMP, Inlet Hose (Rad. End)
5					HOSE, Inlet
	4266 345	1			1.6L Eng. (H0061309)
	4266 346	1			2.2L Eng. (H0061284)
6	6032 229	1			CLAMP, Inlet Hose (Eng. End)
7	2448 763	1			CLAMP, Outlet Hose (Rad. End)
8					HOSE, Outlet
	4266 723	1			1.6L Eng. (H0061310)
	4266 739	1			2.2L Eng. (H0061283)
9	6032 277	1			CLAMP, Outlet Hose (Eng. End)
10	4266 419	2			ISOLATOR, Radiator Lower Mtg.
11	4266 728	1			DRAINCOCK
12	4221 445	1			SWITCH, Radiator Temp. Fan 1.6L Eng.
	4221 446	1			GASKET, Radiator Temp. Fan Switch 1.6L Eng.
13	4266 173	1			SHIELD, Radiator Lower Air - Man. Trans.
14	6501 013	2			SCREW
15					FAN, MOTOR & BRKT. ASSY.
					stamped 4266655 consists of:
	4266 462	1			FAN
	4318 109	1			MOTOR
	4318 110	1			BRACKET
	6500 377	1			RETAINER

MODEL CODES

B = GRAN FURY	E = 600	M = HORIZON/TURISMO
C = LE BARON/TOWN & COUNTRY/LIMO	F = FIFTH AVENUE/NEWPORT	P = RELIANT
C24 = LASER	G = DIPLOMAT	T = NEW YORKER
C44 = LE BARON/GTS	H = VOYAGER	V = 600
D = ARIES	J = CARAVELLE	V24 = DAYTONA
D44 = LANCER	K = MINI VAN/CARAVAN/ROYAL	Z = OMNI/CHARGER

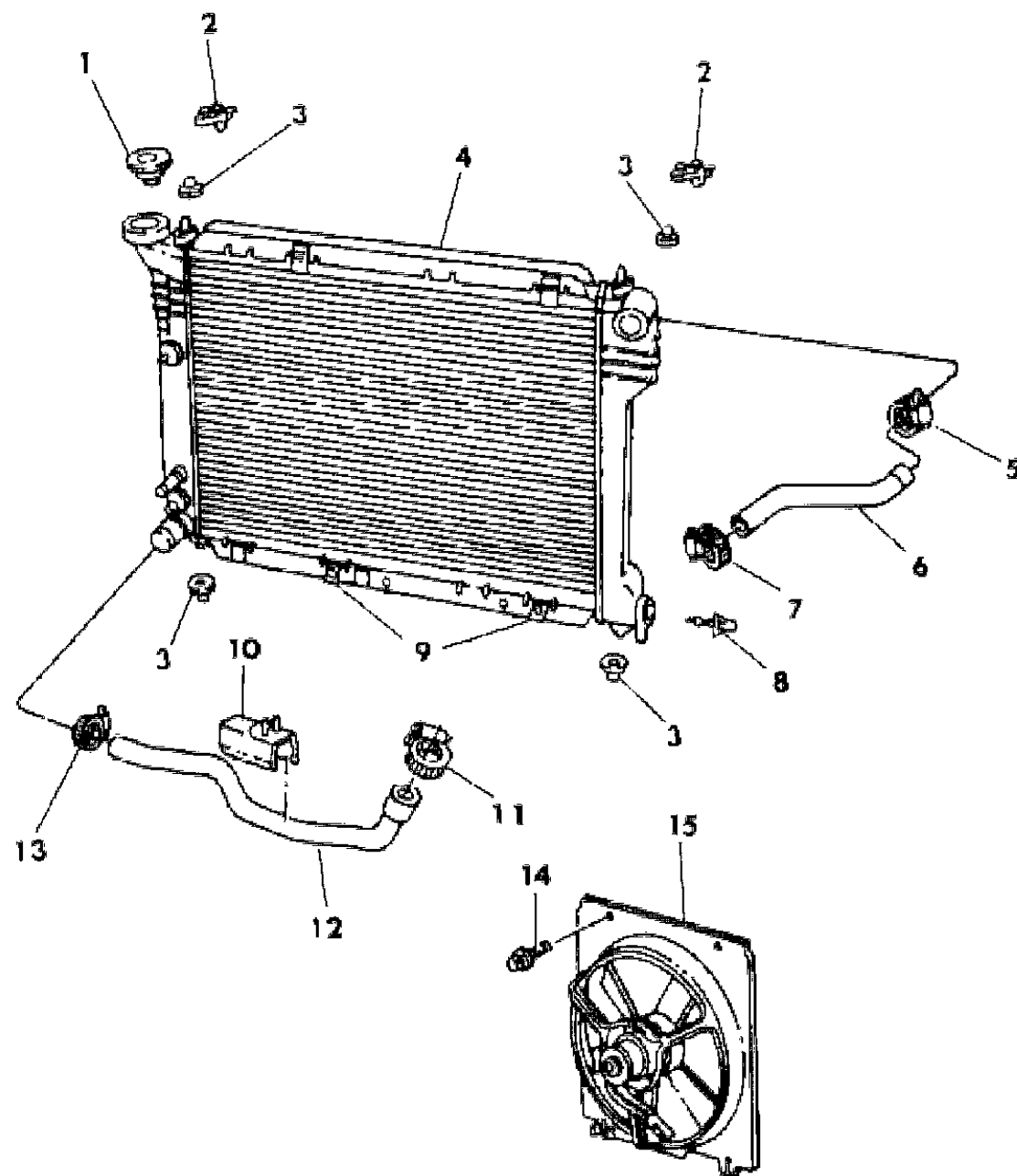
BODY STYLES

21 = 2-DOOR SEDAN	35 = FWD VAN	44 = 4-DOOR HATCHBACK
22 = 2-DOOR SPECIAL COUPE	36 = FWD WAGON	45 = 4-DOOR STATION WAGON
24 = 2-DOOR HATCHBACK	41 = 4-DOOR SEDAN	49 = LIMOUSINE
27 = 2-DOOR CONVERTIBLE		

AR = Use as Required - = Non Illustrated Part P.A.R. = Paint as Required

RADIATOR AND RELATED PARTS 2.2L ENGINE w/AIR COND. or H/PERF. or T/C M,Z
Figure 7-1000

5107 1000 A



ITEM	PART NUMBER	QTY	BODY	MODEL	DESCRIPTION
1	3781 830	1			CAP, Radiator
2	4140 566	1			BRACKET, Radiator Upper Mtg. Right
	4140 567	1			Left
3	4140 427	4			ISOLATOR, Radiator Mtg.
4	4266 577	1			RADIATOR (Includes #'s 1,3,8,9)
5	3683 824	1			CLAMP, Inlet Hose (Rad. End)
6	4266 346	1			HOSE, Inlet (H0061284)
7	6032 229	1			CLAMP, Inlet Hose (Eng. End)
8	1686 198	1			DRAINCOCK
9	4266 212	2			CLIP, Spring - Bottom Shroud Mtg.
	4140 538	2			
10	4140 849	1			CLIP, Outlet Hose
11	6032 277	1			CLAMP, Outlet Hose (Eng. End)
12	4266 262	1			HOSE, Outlet (H0061154)
13	2448 763	1			CLAMP, Outlet Hose (Rad. End)
14	6501 013	2			SCREW
15					FAN, MOTOR & SHROUD ASSY. stamped 4266663 used on: 2.2L Eng. w/(S/C - EDE, EDJ) consists of:
	4266 282	1			FAN
	4240 494	1			MOTOR
	4339 437	1			SHROUD
	6500 377	1			RETAINER
	3747 999	1			SENSOR stamped 4266659 used on: 2.2L Eng. w/(S/C - EDG) - up to approx. 11-15-85 consists of:
	4266 293	1			FAN
	4339 499	1			MOTOR
	4339 458	1			SHROUD
	6500 377	1			RETAINER
	4266 456	1			stamped 4266941 used on: 2.2L Eng. w/(S/C - EDG) - after approx. 11-15-85 consists of: FAN

MODEL CODES

B = GRAN FURY	E = 600	M = HORIZON/TURISMO
C = LE BARON/TOWN & COUNTRY/LIMO	F = FIFTH AVENUE/NEWPORT	P = RELIANT
C24 = LASER	G = DIPLOMAT	T = NEW YORKER
C44 = LE BARON/GTS	H = VOYAGER	V = 600
D = ARIES	J = CARAVELLE	V24 = DAYTONA
D44 = LANCER	K = MINI VAN/CARAVAN/ROYAL	Z = OMNI/CHARGER

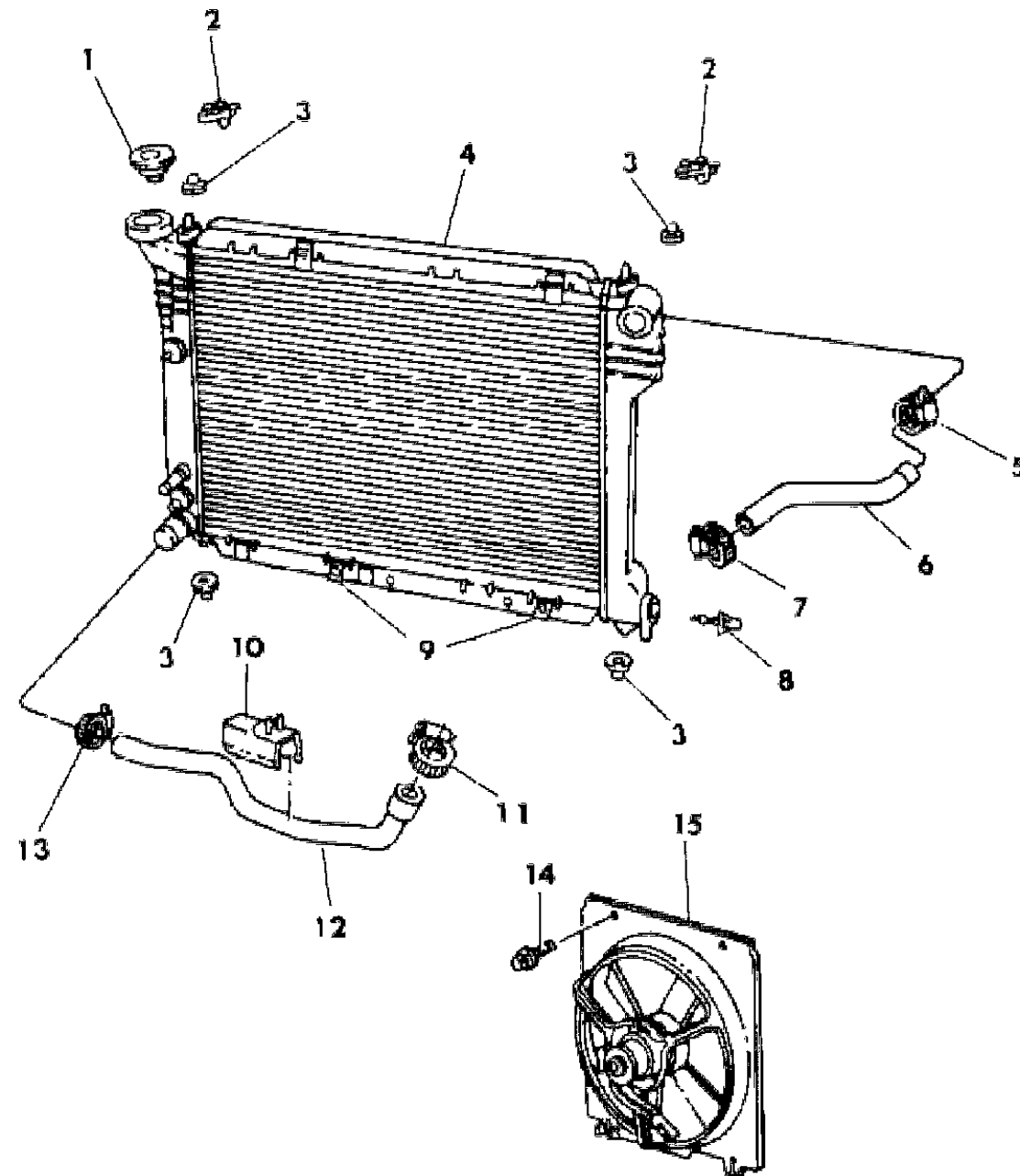
BODY STYLES

21 = 2-DOOR SEDAN	35 = FWD VAN	44 = 4-DOOR HATCHBACK
22 = 2-DOOR SPECIAL COUPE	36 = FWD WAGON	45 = 4-DOOR STATION WAGON
24 = 2-DOOR HATCHBACK	41 = 4-DOOR SEDAN	49 = LIMOUSINE
27 = 2-DOOR CONVERTIBLE		

AR = Use as Required - = Non Illustrated Part P.A.R. = Paint as Required

RADIATOR AND RELATED PARTS 2.2L ENGINE w/AIR COND. or H/PERF. or T/C M,Z
Figure 7-1000

5107 1000 A



ITEM	PART NUMBER	QTY	BODY	MODEL	DESCRIPTION
	4339 499	1			MOTOR
	4339 437	1			SHROUD
	6500 377	1			RETAINER

MODEL CODES

B = GRAN FURY	E = 600	M = HORIZON/TURISMO
C = LE BARON/TOWN & COUNTRY/LIMO	F = FIFTH AVENUE/NEWPORT	P = RELIANT
C24 = LASER	G = DIPLOMAT	T = NEW YORKER
C44 = LE BARON/GTS	H = VOYAGER	V = 600
D = ARIES	J = CARAVELLE	V24 = DAYTONA
D44 = LANCER	K = MINI VAN/CARAVAN/ROYAL	Z = OMNI/CHARGER

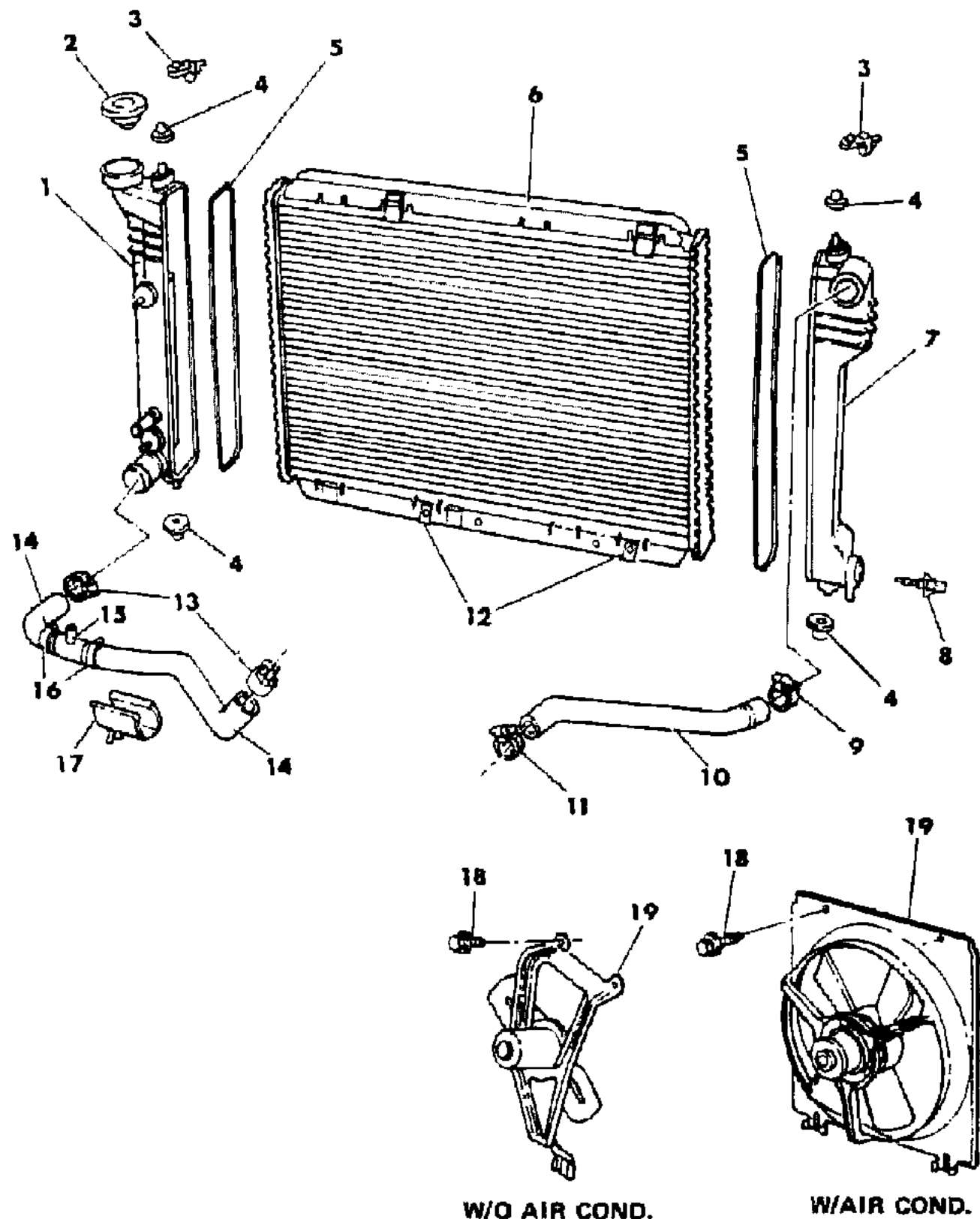
BODY STYLES

21 = 2-DOOR SEDAN	35 = FWD VAN	44 = 4-DOOR HATCHBACK
22 = 2-DOOR SPECIAL COUPE	36 = FWD WAGON	45 = 4-DOOR STATION WAGON
24 = 2-DOOR HATCHBACK	41 = 4-DOOR SEDAN	49 = LIMOUSINE
27 = 2-DOOR CONVERTIBLE		

AR = Use as Required - = Non Illustrated Part P.A.R. = Paint as Required

RADIATOR AND RELATED PARTS 2.2L ENGINE P,D,C,V,J,E,T
Figure 7-1100

5107 1100 A



ITEM	PART NUMBER	QTY	BODY	MODEL	DESCRIPTION
1					TANK, Radiator Outlet
	4266 485	1		P,D,C,V	2.2L Eng. w/(S/C - EDE) w/Max. Cooling - Auto. Trans. exc. C, V-24 & C,D-44
	4266 486	1		P,D,C,V	2.2L Eng. w/(S/C - EDE) w/o Max. Cooling - Auto. Trans. exc. C,V-24 & C,D-44
	4266 485	1		P,D,C,V	2.2L Eng. w/(S/C - EDE) - Man. Trans. exc. C,V-24 & C,D-44
	4266 486	1		J,E,T-C	2.2L Eng. w/(S/C - EDE) - Auto. Trans.
	4266 486	1			2.2L Eng. w/(S/C - EDF) - Auto. Trans.
	4266 485	1		C,V-24	2.2L Eng. w/(S/C - EDF) - Man. Trans.
	4266 485	1		C,D-44	2.2L Eng. w/(S/C - EDF) - Man. Trans.
	4266 485	1			2.2L Eng. w/(S/C - EDG)
2	3781 830	1			CAP, Radiator
3	4266 620	2		exc. C, C,D-44	BRACKET, Radiator Upper Mtg.
	4266 478	2			
4	4266 396	4			ISOLATOR, Radiator Mtg.
5	4266 726	2			GASKET, Tank to Header
6	4266 586	1			RADIATOR (Includes #'s 1,2,4,5,7,8,12)
7	4266 717	1			TANK, Radiator Outlet
8	4266 728	1			DRAINCOCK
9	3683 824	1			CLAMP, Inlet Hose (Rad. End)
	4041 606	1			Stainless Steel
10	4266 721	1			HOSE, Inlet (H0061285)
11	6032 229	1			CLAMP, Inlet Hose (Eng. End)
	4041 606	1			Stainless Steel
12	4140 538	2			CLIP, Spring
13	6032 277	2			CLAMP, Outlet Hose (Eng. End)
	4041 608	2			Stainless Steel
14					HOSE, Outlet
	4266 762	1			Right
	4266 763	1			Left
15	4266 683	1			TEE, Radiator Outlet Hose
16	2448 763	2			CLAMP
17	5240 760	1			CLIP, Radiator Outlet Hose
18	6501 013	2			SCREW
19					FAN, MOTOR & BRKT. ASSY. stamped 4266007 used on:

MODEL CODES

B = GRAN FURY	E = 600	M = HORIZON/TURISMO
C = LE BARON/TOWN & COUNTRY/LIMO	F = FIFTH AVENUE/NEWPORT	P = RELIANT
C24 = LASER	G = DIPLOMAT	T = NEW YORKER
C44 = LE BARON/GTS	H = VOYAGER	V = 600
D = ARIES	J = CARAVELLE	V24 = DAYTONA
D44 = LANCER	K = MINI VAN/CARAVAN/ROYAL	Z = OMNI/CHARGER

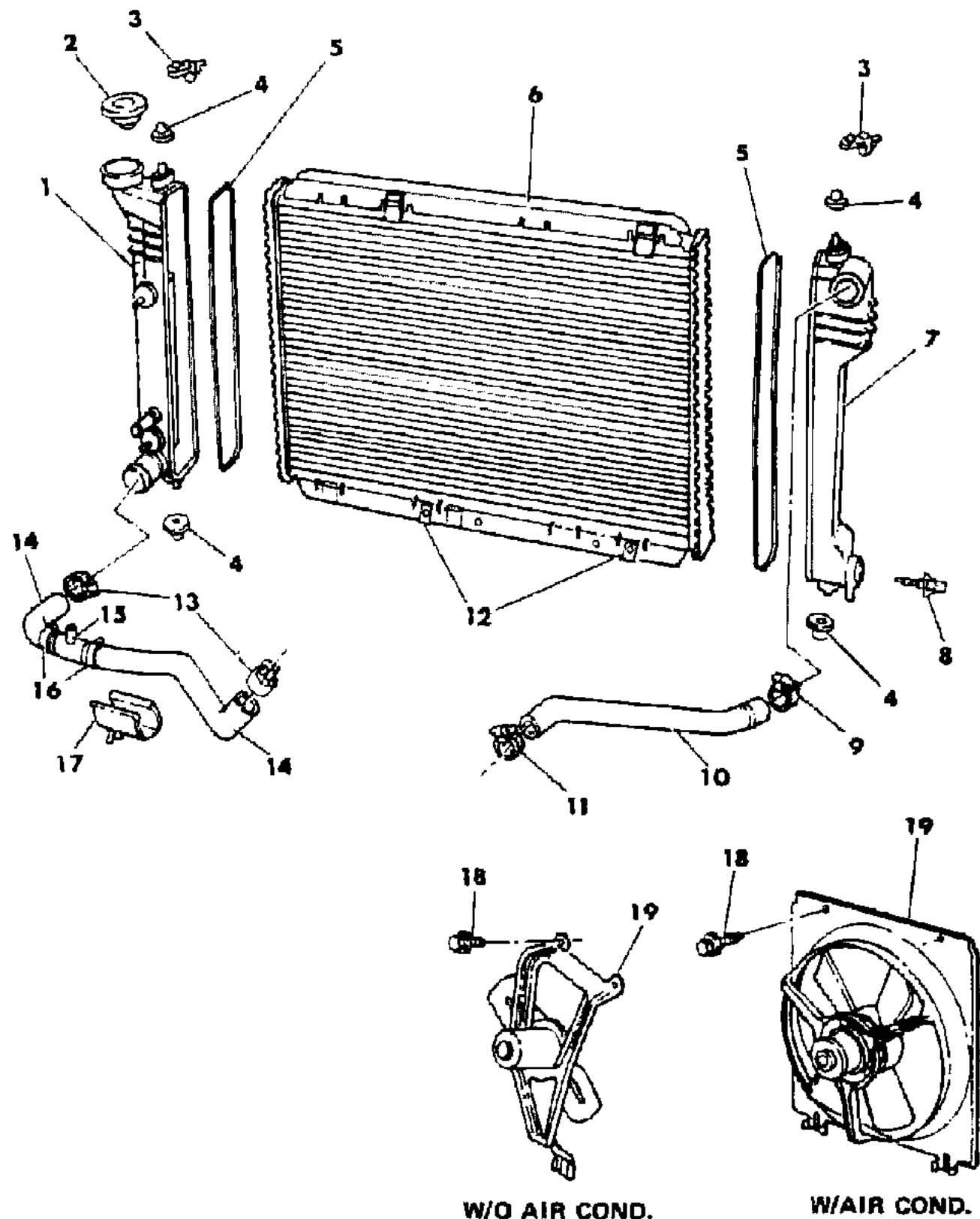
BODY STYLES

21 = 2-DOOR SEDAN	35 = FWD VAN	44 = 4-DOOR HATCHBACK
22 = 2-DOOR SPECIAL COUPE	36 = FWD WAGON	45 = 4-DOOR STATION WAGON
24 = 2-DOOR HATCHBACK	41 = 4-DOOR SEDAN	49 = LIMOUSINE
27 = 2-DOOR CONVERTIBLE		

AR = Use as Required - = Non Illustrated Part P.A.R. = Paint as Required

RADIATOR AND RELATED PARTS 2.2L ENGINE P,D,C,V,J,E,T
Figure 7-1100

5107 1100 A



ITEM	PART NUMBER	QTY	BODY	MODEL	DESCRIPTION
				P,D,C,V	2.2L Eng. w/(S/C - EDE, EDF) w/o Air Cond. w/o Max. Cooling - exc. C,V-24 & C,D-44
				J,E,T	2.2L Eng. w/(S/C - EDF) w/o Air Cond.
				C,V-24	2.2L Eng. w/(S/C - EDF) w/o Air Cond.
				C,D-44	2.2L Eng. w/(S/C - EDF) w/o Air Cond.
					consists of:
	4266 069	1			FAN
	4240 493	1			MOTOR
	4240 497	1			BRACKET
	6500 377	1			RETAINER
					FAN, MOTOR & SHROUD ASSY. stamped 4266374 used on:
				P,D,C,V	2.2L Eng. w/(S/C - EDE, EDF) w/Air Cond. w/o Max. Cooling - exc. C,V-24 & C,D-44
				J,E,T	2.2L Eng. w/(S/C - EDE, EDF) w/Air Cond.
				C,V-24	2.2L Eng. w/(S/C - EDF) w/Air Cond.
				C,D-44	2.2L Eng. w/(S/C - EDF) w/Air Cond.
				C,V-22,	2.2L Eng. w/(S/C - EDG) w/o Air Cond. w/o Max. Cooling
				C,V-41,	2.2L Eng. w/(S/C - EDG) w/o Air Cond. w/o Max. Cooling
				J,E,T	2.2L Eng. w/(S/C - EDG) w/o Air Cond.
				C,V-24	2.2L Eng. w/(S/C - EDG) w/o Air Cond.
				C,D-44	2.2L Eng. w/(S/C - EDG) w/o Air Cond.
					consists of:
	4266 282	1			FAN
	4240 494	1			MOTOR
	4339 437	1			SHROUD
	6500 377	1			RETAINER
					stamped 4266291 used on:
				P,D,C,V	2.2L Eng. w/(S/C - EDE) w/Max. Cooling - exc. C,V-24 & C,D-44
				P,D,C,V	2.2L Eng. w/(S/C - EDG) w/Air Cond. or w/Max. Cooling - exc. C,V-24 & C,D-44
				J,E,T	2.2L Eng. w/(S/C - EDG) w/Air Cond.
				C,V-24	2.2L Eng. w/(S/C - EDG) w/Air Cond.
				C,D-44	2.2L Eng. w/(S/C - EDG) w/Air Cond.
					consists of:
	4266 293	1			FAN

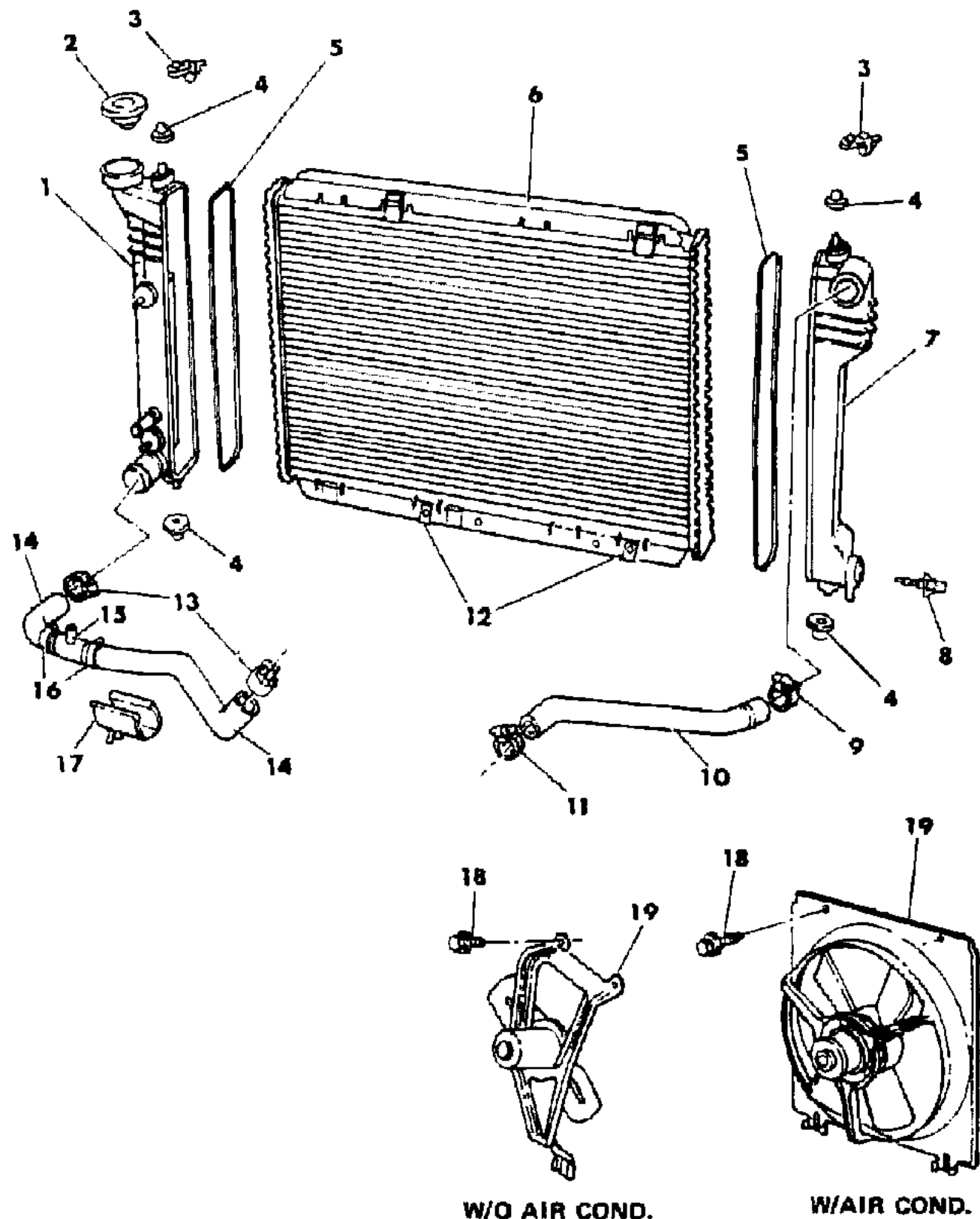
MODEL CODES
 B = GRAN FURY
 C = LE BARON/TOWN & COUNTRY/LIMO
 C24 = LASER
 C44 = LE BARON/GTS
 D = ARIES
 D44 = LANCER
 E = 600
 F = FIFTH AVENUE/NEWPORT
 G = DIPLOMAT
 H = VOYAGER
 J = CARAVELLE
 K = MINI VAN/CARAVAN/ROYAL
 M = HORIZON/TURISMO
 P = RELIANT
 T = NEW YORKER
 V = 600
 V24 = DAYTONA
 Z = OMNI/CHARGER

BODY STYLES
 21 = 2-DOOR SEDAN
 22 = 2-DOOR SPECIAL COUPE
 24 = 2-DOOR HATCHBACK
 27 = 2-DOOR CONVERTIBLE
 35 = FWD VAN
 36 = FWD WAGON
 41 = 4-DOOR SEDAN
 44 = 4-DOOR HATCHBACK
 45 = 4-DOOR STATION WAGON
 49 = LIMOUSINE

AR = Use as Required - = Non Illustrated Part P.A.R. = Paint as Required

RADIATOR AND RELATED PARTS 2.2L ENGINE P,D,C,V,J,E,T
Figure 7-1100

5107 1100 A



ITEM	PART NUMBER	QTY	BODY	MODEL	DESCRIPTION
------	-------------	-----	------	-------	-------------

	4240 495	1			MOTOR
	4339 437	1			SHROUD
	6500 377	1			RETAINER

MODEL CODES

B = GRAN FURY	E = 600	M = HORIZON/TURISMO
C = LE BARON/TOWN & COUNTRY/LIMO	F = FIFTH AVENUE/NEWPORT	P = RELIANT
C24 = LASER	G = DIPLOMAT	T = NEW YORKER
C44 = LE BARON/GTS	H = VOYAGER	V = 600
D = ARIES	J = CARAVELLE	V24 = DAYTONA
D44 = LANCER	K = MINI VAN/CARAVAN/ROYAL	Z = OMNI/CHARGER

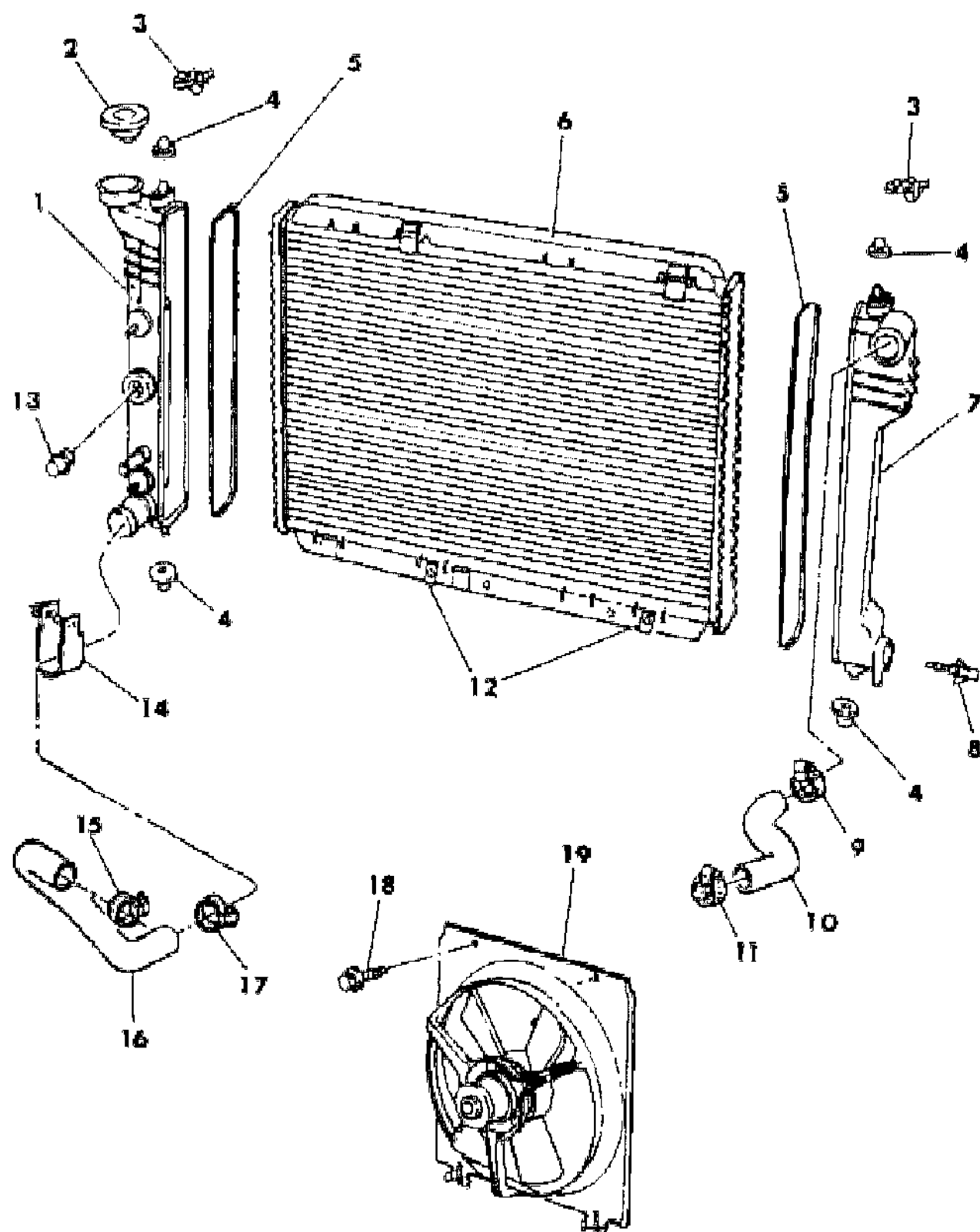
BODY STYLES

21 = 2-DOOR SEDAN	35 = FWD VAN	44 = 4-DOOR HATCHBACK
22 = 2-DOOR SPECIAL COUPE	36 = FWD WAGON	45 = 4-DOOR STATION WAGON
24 = 2-DOOR HATCHBACK	41 = 4-DOOR SEDAN	49 = LIMOUSINE
27 = 2-DOOR CONVERTIBLE		

AR = Use as Required - = Non Illustrated Part P.A.R. = Paint as Required

RADIATOR AND RELATED PARTS 2.6L ENGINE P,D,C,V,J,E,T
Figure 7-1200

51071200



ITEM	PART NUMBER	QTY	BODY	MODEL	DESCRIPTION
1	4266 718	1			TANK, Radiator Outlet
2	3781 830	1			CAP, Radiator
3	4266 620	1			BRACKET, Radiator Upper Mtg.
4	4266 396	4			ISOLATOR, Radiator Mtg.
5	4266 726	2			GASKET, Tank to Header
6					RADIATOR (Includes #'s 1,2,4,5,7,8,12,13)
	4266 548	1			stamped 4266548
	4266 547	1			stamped 4266547 - Canada
7	4266 717	1			TANK, Radiator Inlet
8	4266 728	1			DRAINCOCK
9	3683 824	1			CLAMP, Inlet Hose (Rad. End)
	4041 607	1			Stainless Steel
10	4140 576	1			HOSE, Inlet (H0061144)
	4266 138	1			Silicone (H0061144)
11	2448 763	1			CLAMP, Inlet Hose (Eng. End)
	4041 607	1			Stainless Steel
12	4140 538	2			CLIP, Spring
13	4221 284	1			SWITCH, Radiator Temp. Fan
	5209 923	1			Canada
14	4266 395	1			CLIP, Outlet Hose
15	2448 763	1			CLAMP, Outlet Hose (Eng. End)
	4041 608	1			Stainless Steel
16	4266 348	1			HOSE, Outlet (H0061287)
	4266 349	1			Silicone (H0061287)
17	6032 277	1			CLAMP, Outlet Hose (Rad. End)
	4041 608	1			Stainless Steel
18	6501 013	2			SCREW
19					FAN, MOTOR & SHROUD ASSY.
					stamped 4266374 used on:
				P,D,C,V	2.6L Eng. w/o Max. Cooling
				J,E,T	2.6L Eng.
					consists of:
	4266 282	1			FAN
	4240 494	1			MOTOR
	4339 437	1			SHROUD
	6500 377	1			RETAINER
					stamped 4266291 used on:

MODEL CODES

B = GRAN FURY	E = 600	M = HORIZON/TURISMO
C = LE BARON/TOWN & COUNTRY/LIMO	F = FIFTH AVENUE/NEWPORT	P = RELIANT
C24 = LASER	G = DIPLOMAT	T = NEW YORKER
C44 = LE BARON/GTS	H = VOYAGER	V = 600
D = ARIES	J = CARAVELLE	V24 = DAYTONA
D44 = LANCER	K = MINI VAN/CARAVAN/ROYAL	Z = OMNI/CHARGER

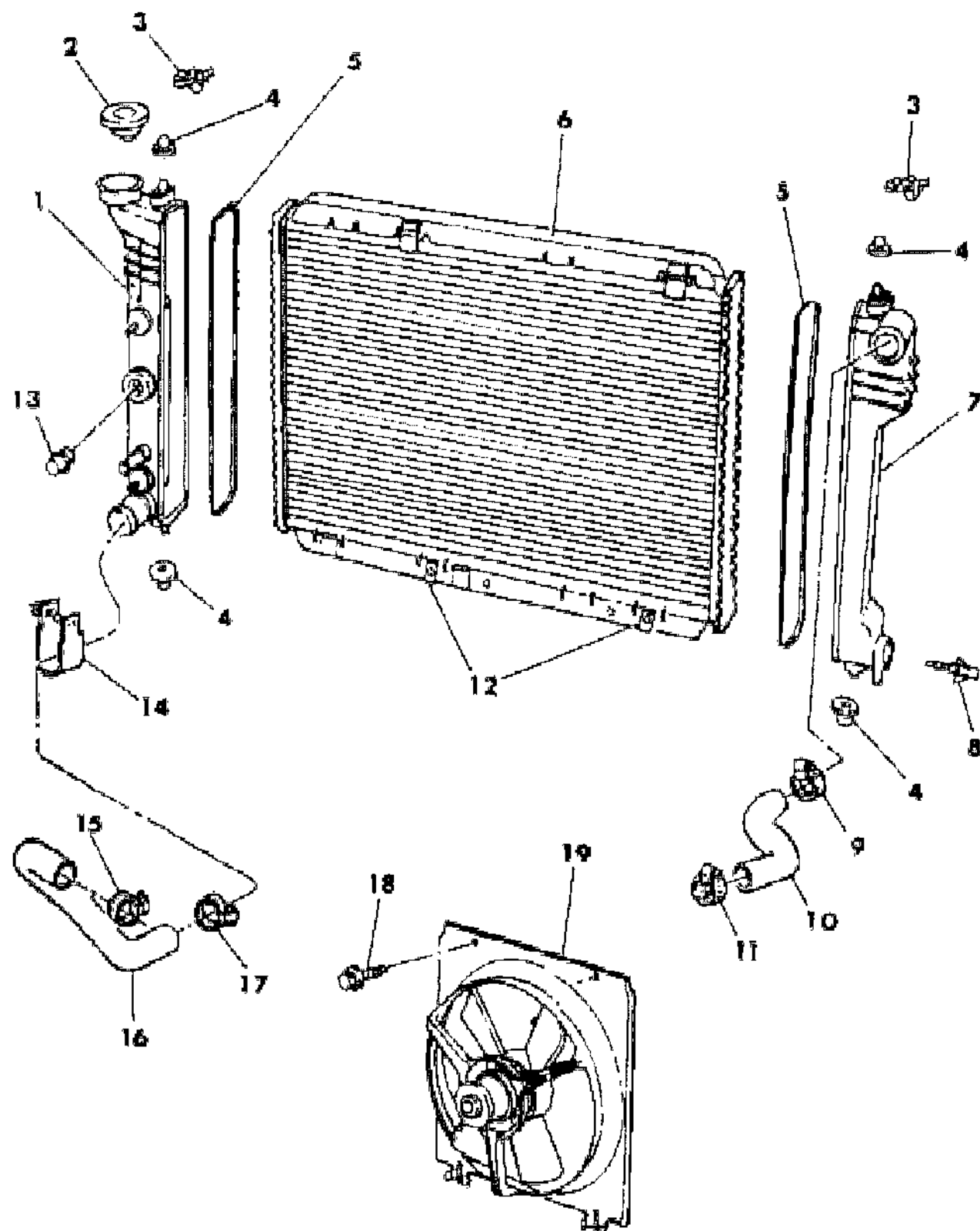
BODY STYLES

21 = 2-DOOR SEDAN	35 = FWD VAN	44 = 4-DOOR HATCHBACK
22 = 2-DOOR SPECIAL COUPE	36 = FWD WAGON	45 = 4-DOOR STATION WAGON
24 = 2-DOOR HATCHBACK	41 = 4-DOOR SEDAN	49 = LIMOUSINE
27 = 2-DOOR CONVERTIBLE		

AR = Use as Required - = Non Illustrated Part P.A.R. = Paint as Required

RADIATOR AND RELATED PARTS 2.6L ENGINE P,D,C,V,J,E,T
Figure 7-1200

51071200



ITEM	PART NUMBER	QTY	BODY	MODEL	DESCRIPTION
				P,D,C,V	2.6L Eng. w/Max. Cooling
					consists of:
	4266 293	1			FAN
	4240 495	1			MOTOR
	4339 437	1			SHROUD
	6500 377	1			RETAINER

MODEL CODES

B = GRAN FURY	E = 600	M = HORIZON/TURISMO
C = LE BARON/TOWN & COUNTRY/LIMO	F = FIFTH AVENUE/NEWPORT	P = RELIANT
C24 = LASER	G = DIPLOMAT	T = NEW YORKER
C44 = LE BARON/GTS	H = VOYAGER	V = 600
D = ARIES	J = CARAVELLE	V24 = DAYTONA
D44 = LANCER	K = MINI VAN/CARAVAN/ROYAL	Z = OMNI/CHARGER

BODY STYLES

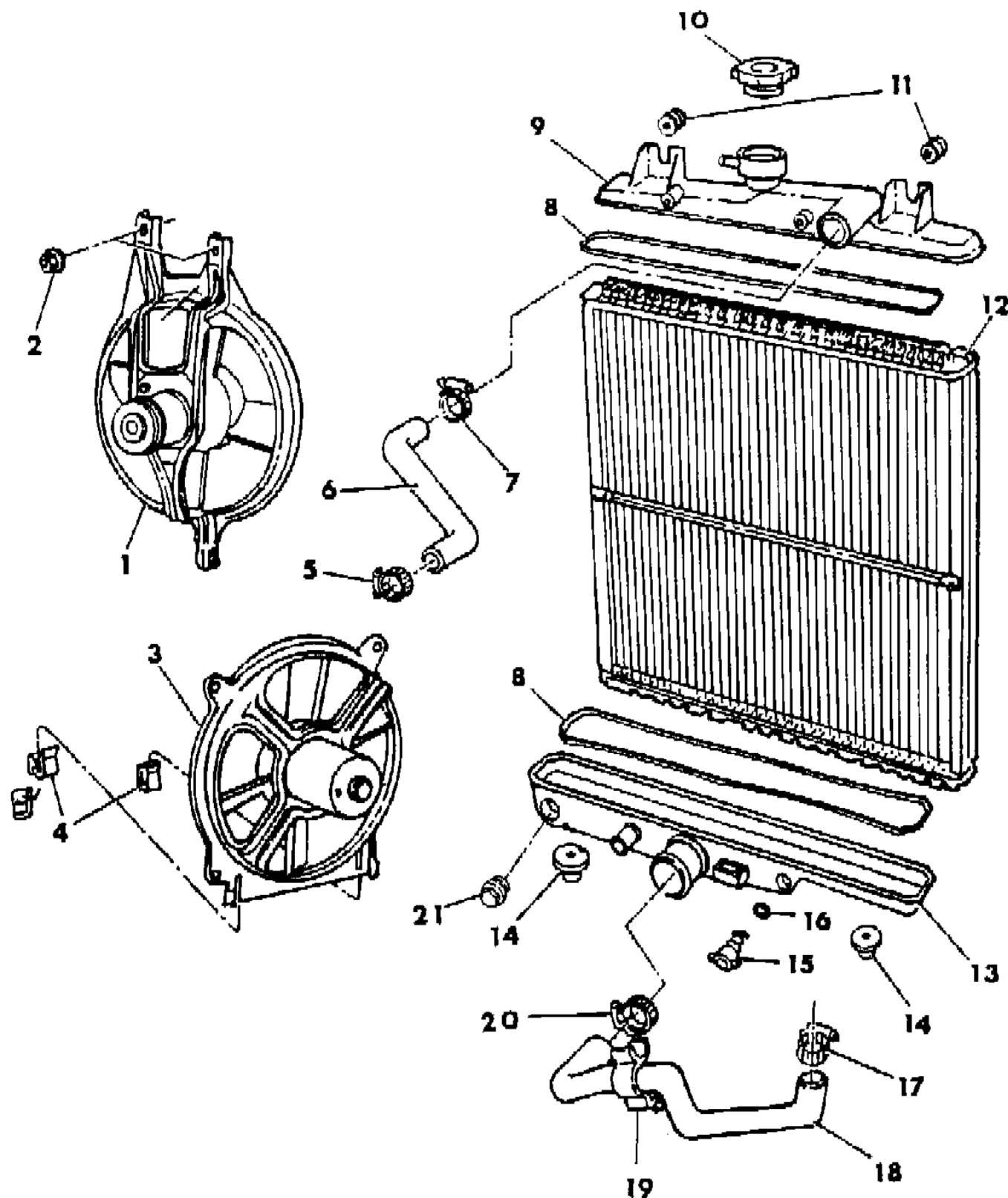
21 = 2-DOOR SEDAN	35 = FWD VAN	44 = 4-DOOR HATCHBACK
22 = 2-DOOR SPECIAL COUPE	36 = FWD WAGON	45 = 4-DOOR STATION WAGON
24 = 2-DOOR HATCHBACK	41 = 4-DOOR SEDAN	49 = LIMOUSINE
27 = 2-DOOR CONVERTIBLE		

AR = Use as Required - = Non Illustrated Part P.A.R. = Paint as Required

RADIATOR AND RELATED PARTS 2.2L ENGINE H,K

Figure 7-1300

51071300 8



ITEM	PART NUMBER	QTY	BODY	MODEL	DESCRIPTION
1					FAN, MOTOR & SHROUD ASSY., Radiator
					stamped 4266351 consists of:
	4266 462	1			FAN
	4318 109	1			MOTOR
	4318 119	1			SHROUD
	6500 377	1			RETAINER
2	6500 284	2			NUT
3					FAN, MOTOR & SHROUD ASSY., Condenser
					stamped 4266652 consists of:
	4266 473	1			FAN
	4266 474	1			MOTOR
	4266 466	1			SHROUD
4	4266 212	2			CLIP, Spring - Bottom Shroud Mtg.
5	6032 229	1			CLAMP, Inlet Hose (Eng. End)
6	4266 701	1			HOSE, Inlet (H0061285)
7	3683 824	1			CLAMP, Inlet Hose (Rad. End)
8	4266 604	2			GASKET, Tank to Header
9	4266 602	1			TANK, Radiator Inlet - Top
10	3781 830	1			CAP, Radiator
11	4266 142	2			ISOLATOR - Upper
12	4266 510	1			RADIATOR (Includes #'s 8,9,10,11,13,14,15,22)
13	4266 611	1			TANK, Radiator Outlet - Bottom
14	4266 396	2			ISOLATOR - Bottom
15	4266 155	2			DRAINCOCK
16	4266 156	1			O RING, Draincock ***
17	6032 277	1			CLAMP, Outlet Hose (Eng. End)
18					HOSE, Outlet
	4266 766	1			Right
	4266 767	1			Left
---	2448 763	2			CLAMP
19	5240 760	2			CLIP, Outlet Hose
20	6032 277	1			CLAMP, Outlet Hose (Rad. End)
21	0444 668	1			PLUG, Rad. Fan Switch
---	4266 683	1			TEE, Radiator Outlet Hose

MODEL CODES

B = GRAN FURY	E = 600	M = HORIZON/TURISMO
C = LE BARON/TOWN & COUNTRY/LIMO	F = FIFTH AVENUE/NEWPORT	P = RELIANT
C24 = LASER	G = DIPLOMAT	T = NEW YORKER
C44 = LE BARON/GTS	H = VOYAGER	V = 600
D = ARIES	J = CARAVELLE	V24 = DAYTONA
D44 = LANCER	K = MINI VAN/CARAVAN/ROYAL	Z = OMNI/CHARGER

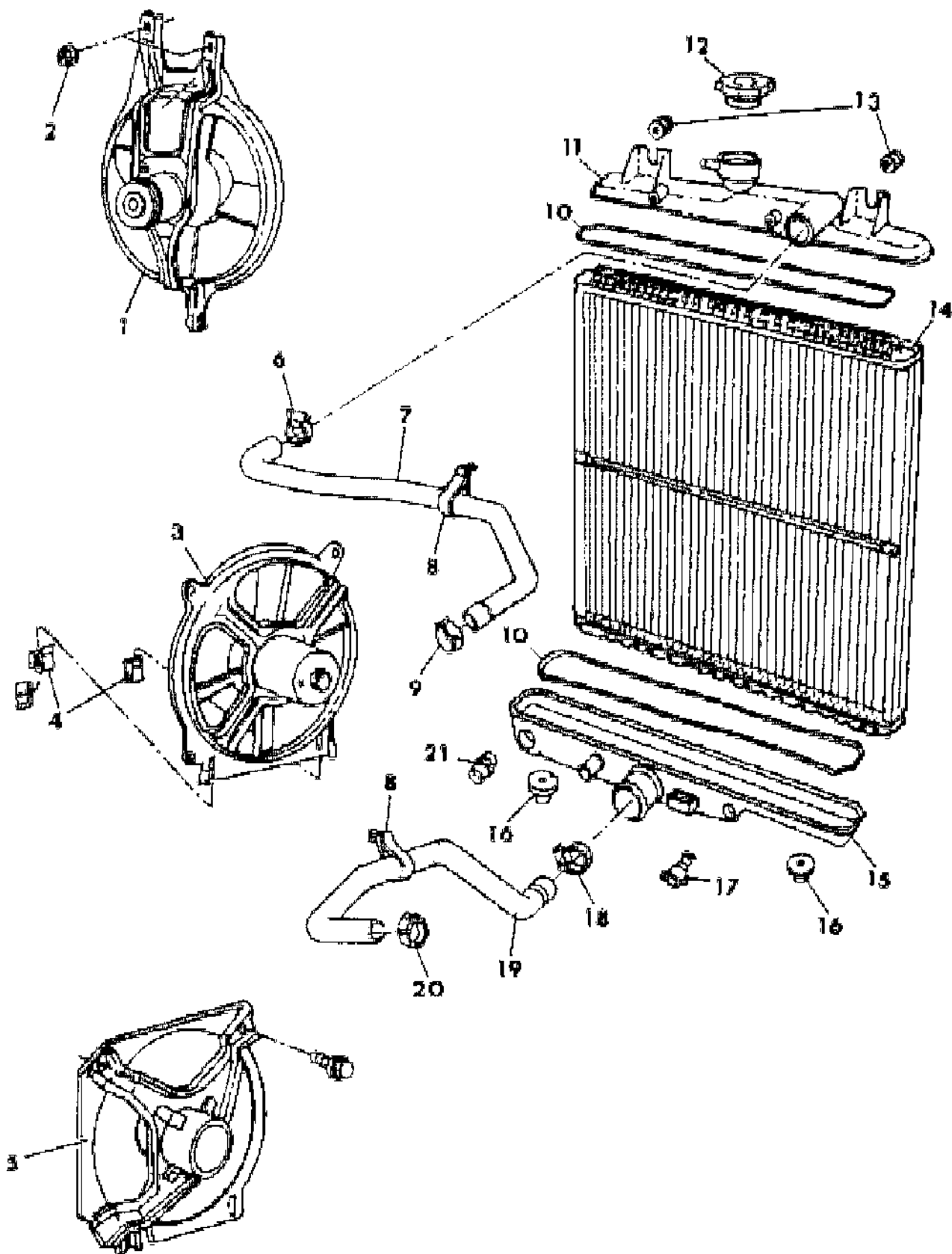
BODY STYLES

21 = 2-DOOR SEDAN	35 = FWD VAN	44 = 4-DOOR HATCHBACK
22 = 2-DOOR SPECIAL COUPE	36 = FWD WAGON	45 = 4-DOOR STATION WAGON
24 = 2-DOOR HATCHBACK	41 = 4-DOOR SEDAN	49 = LIMOUSINE
27 = 2-DOOR CONVERTIBLE		

AR = Use as Required - = Non Illustrated Part P.A.R. = Paint as Required

RADIATOR AND RELATED PARTS 2.6L ENGINE H,K
Figure 7-1400

5107 1400



ITEM	PART NUMBER	QTY	BODY	MODEL	DESCRIPTION
1					FAN, MOTOR & SHROUD ASSY., Radiator stamped 4266360 used on: 2.6L Eng. w/Calif. w/Max. Cooling consists of:
	4266 462	1			FAN
	4318 109	1			MOTOR
	4318 119	1			SHROUD
	6500 377	1			RETAINER
	3747 999	1			SENSOR
					stamped 4266351 used on: 2.6L Eng. exc. Calif. consists of:
	4266 462	1			FAN
	4318 109	1			MOTOR
	4318 119	1			SHROUD
	6500 377	1			RETAINER
					stamped 4266662 used on: 2.6L Eng. w/Calif. w/o Max. Cooling consists of:
	4266 686	1			FAN
	4339 442	1			MOTOR
	4318 108	1			SHROUD
	6500 377	1			RETAINER
	3747 999	1			SENSOR
2	6500 284	2			NUT
3					FAN, MOTOR & SHROUD ASSY., Condenser stamped 4266653 consists of:
	4266 473	1			FAN
	4266 475	1			MOTOR
	4266 481	1			SHROUD
4	4266 212	2			CLIP, Spring - Bottom Shroud Mtg.
5	4266 691	1			BLOCKER, Fan Shroud Impact w/o Air Cond.
6	3683 824	1			CLAMP, Inlet Hose (Rad. End)
7	4266 703	1			HOSE, Inlet (H0061312)
8	4266 395	2			STRAP, Radiator Hose
9	2448 763	1			CLAMP, Inlet Hose (Eng. End)
10	4266 604	2			GASKET, Tank to Header

MODEL CODES

B = GRAN FURY	E = 600	M = HORIZON/TURISMO
C = LE BARON/TOWN & COUNTRY/LIMO	F = FIFTH AVENUE/NEWPORT	P = RELIANT
C24 = LASER	G = DIPLOMAT	T = NEW YORKER
C44 = LE BARON/GTS	H = VOYAGER	V = 600
D = ARIES	J = CARAVELLE	V24 = DAYTONA
D44 = LANCER	K = MINI VAN/CARAVAN/ROYAL	Z = OMNI/CHARGER

BODY STYLES

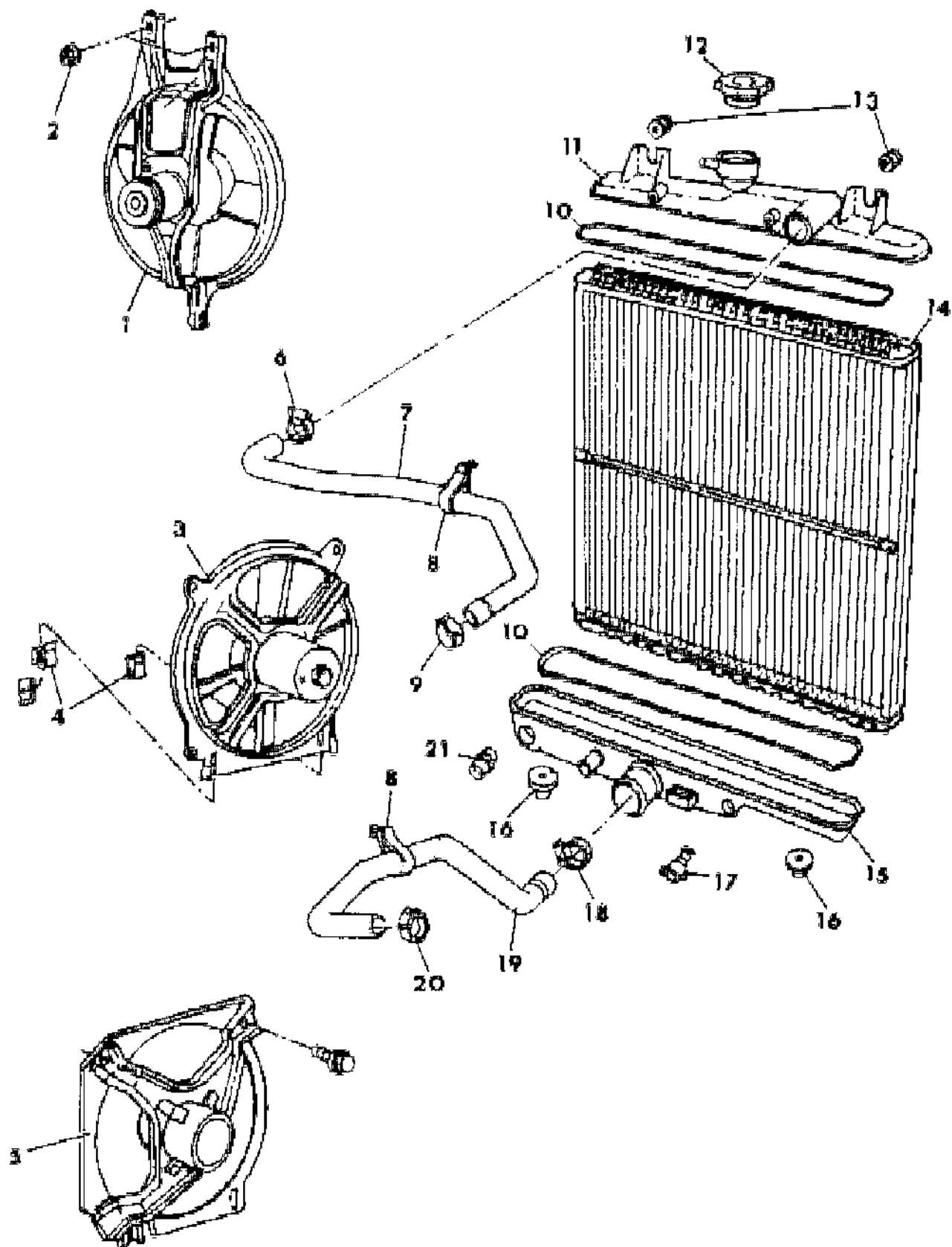
21 = 2-DOOR SEDAN	35 = FWD VAN	44 = 4-DOOR HATCHBACK
22 = 2-DOOR SPECIAL COUPE	36 = FWD WAGON	45 = 4-DOOR STATION WAGON
24 = 2-DOOR HATCHBACK	41 = 4-DOOR SEDAN	49 = LIMOUSINE
27 = 2-DOOR CONVERTIBLE		

AR = Use as Required - = Non Illustrated Part P.A.R. = Paint as Required

RADIATOR AND RELATED PARTS 2.6L ENGINE H,K

Figure 7-1400

5107 1400



ITEM	PART NUMBER	QTY	BODY	MODEL	DESCRIPTION
11	4266 602	1			TANK, Radiator Inlet - Top up to 11-19-84
	4266 857	1			after 11-19-84
12	3781 830	1			CAP, Radiator
13	4266 142	2			ISOLATOR - Upper
14	4266 510	1			RADIATOR (Includes #'s 10,11,12,13,15,16,17,21)
15	4266 611	1			TANK, Radiator Outlet - Bottom up to 11-19-84
	4266 873	1			after 11-19-84
16	4266 396	2			ISOLATOR - Lower
17	4266 155	1			DRAINCOCK
	4266 156	1			O RING, Draincock
18	6032 277	1			CLAMP, Outlet Hose (Rad. End)
19	4266 768	1			HOSE, Outlet (H0061314)
20	2448 763	1			CLAMP, Outlet Hose (Eng. End)
21	4221 284	1			SWITCH, Radiator Fan

MODEL CODES

B = GRAN FURY	E = 600	M = HORIZON/TURISMO
C = LE BARON/TOWN & COUNTRY/LIMO	F = FIFTH AVENUE/NEWPORT	P = RELIANT
C24 = LASER	G = DIPLOMAT	T = NEW YORKER
C44 = LE BARON/GTS	H = VOYAGER	V = 600
D = ARIES	J = CARAVELLE	V24 = DAYTONA
D44 = LANCER	K = MINI VAN/CARAVAN/ROYAL	Z = OMNI/CHARGER

BODY STYLES

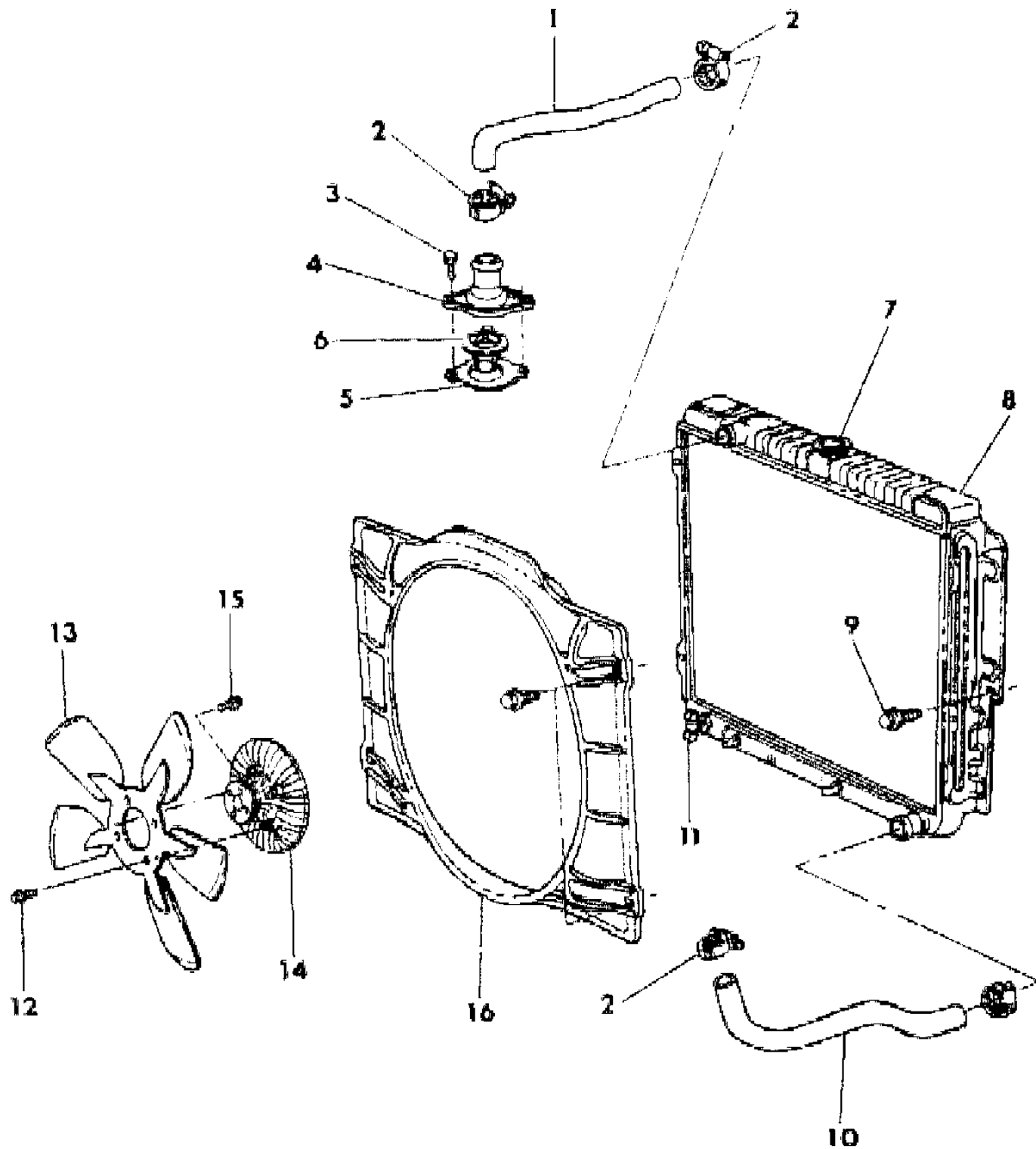
21 = 2-DOOR SEDAN	35 = FWD VAN	44 = 4-DOOR HATCHBACK
22 = 2-DOOR SPECIAL COUPE	36 = FWD WAGON	45 = 4-DOOR STATION WAGON
24 = 2-DOOR HATCHBACK	41 = 4-DOOR SEDAN	49 = LIMOUSINE
27 = 2-DOOR CONVERTIBLE		

AR = Use as Required - = Non Illustrated Part P.A.R. = Paint as Required

RADIATOR AND RELATED PARTS B,F,G

Figure 7-1500

5107 1500 A



ITEM	PART NUMBER	QTY	BODY	MODEL	DESCRIPTION
1					HOSE, Inlet
	4140 710	1			w/o Police or Fleet Pkg. (H0061156)
	4140 711	1			w/Police or Fleet Pkg. (H0061156)
	4140 712	1			Silicone (H0061156)
2	4041 608	4			CLAMP - Stainless Steel
3	6031 413	2			BOLT
4	4100 490	1			CONNECTOR, Cylinder Water Outlet
5	4173 461	1			GASKET, Cylinder Water Outlet Connector
6	4131 240	1			THERMOSTAT
7	3781 830	1			CAP, Radiator
8	4140 641	1			CORE, Radiator
9	0181 063	4			SCREW w/WASHER
10	3870 120	1			HOSE, Outlet (H0060929)
	4140 708	1			Silicone (H0060929)
11	1686 198	1			DRAINCOCK
12	0181 086	6			SCREW w/WASHER
13	4266 059	1			FAN
14					DRIVE, Fan
	4095 703	1			w/o Police or Fleet Pkg.
	3769 617	1			w/Air Cond. w/Max. Cooling w/Police or Fleet Pkg.
15	0181 088	4			SCREW w/WASHER
16	3869 812	1			SHROUD, Fan

MODEL CODES

B = GRAN FURY	E = 600	M = HORIZON/TURISMO
C = LE BARON/TOWN & COUNTRY/LIMO	F = FIFTH AVENUE/NEWPORT	P = RELIANT
C24 = LASER	G = DIPLOMAT	T = NEW YORKER
C44 = LE BARON/GTS	H = VOYAGER	V = 600
D = ARIES	J = CARAVELLE	V24 = DAYTONA
D44 = LANCER	K = MINI VAN/CARAVAN/ROYAL	Z = OMNI/CHARGER

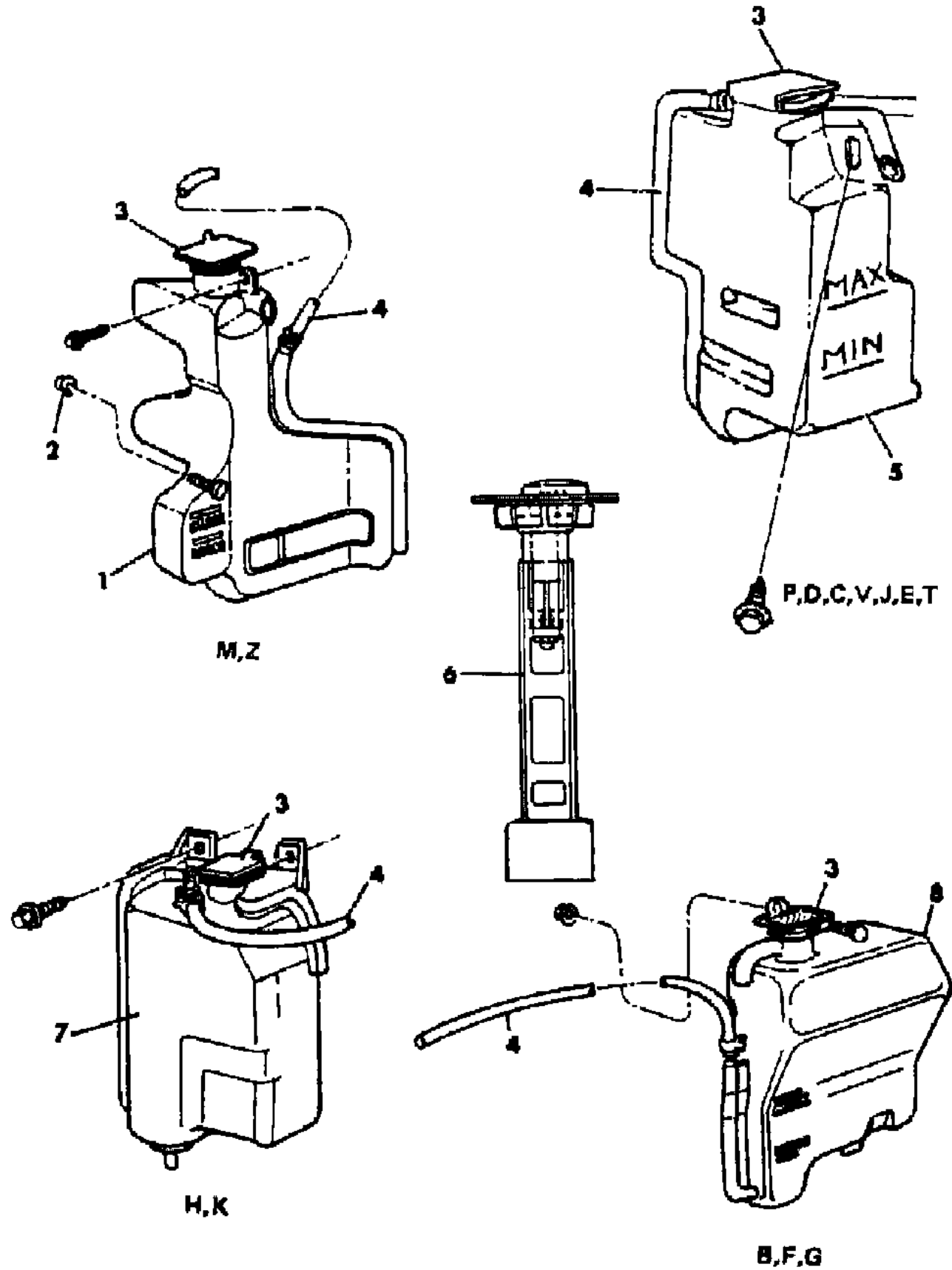
BODY STYLES

21 = 2-DOOR SEDAN	35 = FWD VAN	44 = 4-DOOR HATCHBACK
22 = 2-DOOR SPECIAL COUPE	36 = FWD WAGON	45 = 4-DOOR STATION WAGON
24 = 2-DOOR HATCHBACK	41 = 4-DOOR SEDAN	49 = LIMOUSINE
27 = 2-DOOR CONVERTIBLE		

AR = Use as Required - = Non Illustrated Part P.A.R. = Paint as Required

COOLANT RESERVE TANKS
Figure 7-1600

51071600 A



ITEM	PART NUMBER	QTY	BODY	MODEL	DESCRIPTION
1	4140 461	1		M,Z	TANK, Coolant Reserve
2	6100 046	1		M,Z	NUT
3	4266 441	1			CAP, Coolant Reserve Tank
4	4266 423	1	P,D,C,V		TUBE, Radiator to Coolant Reserve Tank (serv. in 50 ft. roll)
	4026 148	1	M,Z,B,F		
5	4266 423	1	H,K		
	4266 449	1	exc. C,		TANK, Coolant Reserve
	4266 442	1	C,V-24		w/Level Sensor
	4266 449	1	C,V-24		w/o Level Sensor
6	4339 418	1	C,V-24		SENSOR, Coolant Fluid Level
7	4266 612	1	H,K		TANK, Coolant Reserve
8	4140 741	1	B,F,G		TANK, Coolant Reserve

MODEL CODES

B = GRAN FURY	E = 600	M = HORIZON/TURISMO
C = LE BARON/TOWN & COUNTRY/LIMO	F = FIFTH AVENUE/NEWPORT	P = RELIANT
C24 = LASER	G = DIPLOMAT	T = NEW YORKER
C44 = LE BARON/GTS	H = VOYAGER	V = 600
D = ARIES	J = CARAVELLE	V24 = DAYTONA
D44 = LANCER	K = MINI VAN/CARAVAN/ROYAL	Z = OMNI/CHARGER

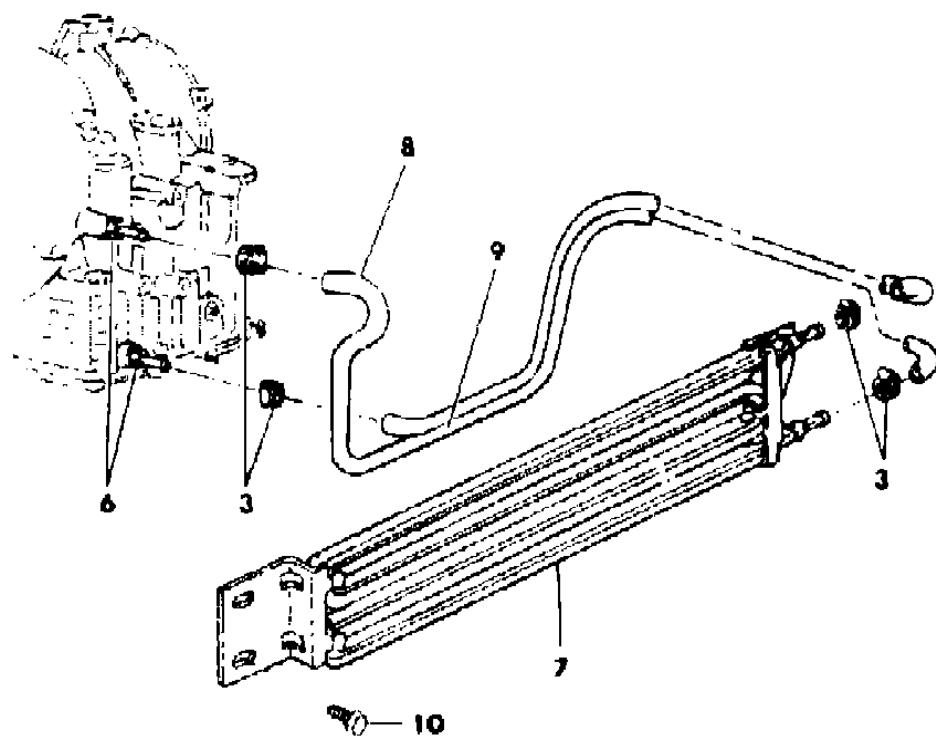
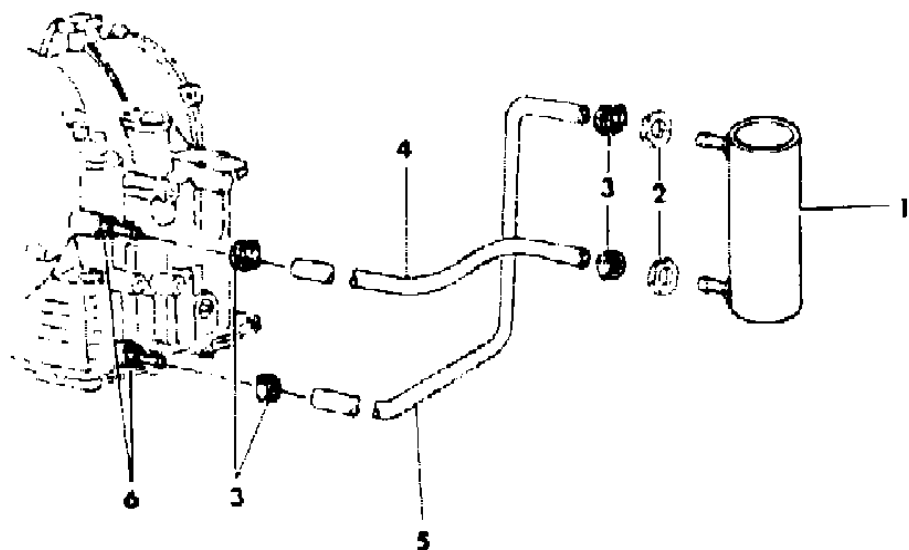
BODY STYLES

21 = 2-DOOR SEDAN	35 = FWD VAN	44 = 4-DOOR HATCHBACK
22 = 2-DOOR SPECIAL COUPE	36 = FWD WAGON	45 = 4-DOOR STATION WAGON
24 = 2-DOOR HATCHBACK	41 = 4-DOOR SEDAN	49 = LIMOUSINE
27 = 2-DOOR CONVERTIBLE		

AR = Use as Required - = Non Illustrated Part P.A.R. = Paint as Required

TRANSMISSION OIL COOLER 4 CYLINDER ENGINE
Figure 7-1625

5107 1625



ITEM	PART NUMBER	QTY	BODY	MODEL	DESCRIPTION
1	4140 568	1		M,Z	COOLER, Trans. Oil (Water Cooled)
	4266 729	1		P,D,C,V	exc. C,V-24 & C,D-44
	4266 729	1		J,E,T	
2	6030 435	2			NUT
3	6032 839	4			CLAMP
4	4266 179	1		M,Z	HOSE, Oil Cooler Return
	4266 682	1		P,D,C,V	exc. C,V-24 & C,D-44
	4266 682	1		J,E,T	
5	4266 178	1		M,Z	HOSE, Oil Cooler Pressure
	4266 193	1		P,D,C,V	exc. C,V-24 & C,D-44
	4266 193	1		J,E,T	
6	4269 775	2			CONNECTOR, Trans. Oil Cooler Hose
7	4266 350	1		M,Z	COOLER, Trans. Oil (Air Cooled)
	4266 482	1		P,D,C,V	exc. C,V-24 & C,D-44
	4266 482	1		J,E,T	
	4266 196	1		P,D	w/Police Pkg.
	4266 378	1			2.2L Eng. w/(S/C - EDG) C,V-24 & C,D-44
8	4266 377	1		H,K	
	4266 490	1		M,Z	HOSE, Oil Cooler Return
	4266 169	1		exc. M,	
9	4266 424	1		H,K	
	4266 490	1		M,Z	HOSE, Oil Cooler Pressure
	4266 167	1		exc. M,	
10	4266 425	1		H,K	
	6032 196	AR			SCREW

MODEL CODES

B = GRAN FURY	E = 600	M = HORIZON/TURISMO
C = LE BARON/TOWN & COUNTRY/LIMO	F = FIFTH AVENUE/NEWPORT	P = RELIANT
C24 = LASER	G = DIPLOMAT	T = NEW YORKER
C44 = LE BARON/GTS	H = VOYAGER	V = 600
D = ARIES	J = CARAVELLE	V24 = DAYTONA
D44 = LANCER	K = MINI VAN/CARAVAN/ROYAL	Z = OMNI/CHARGER

BODY STYLES

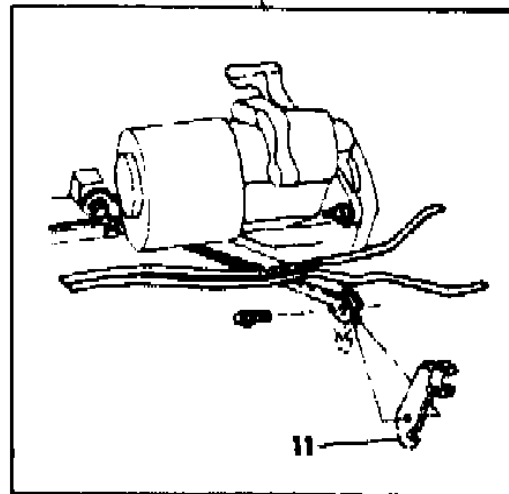
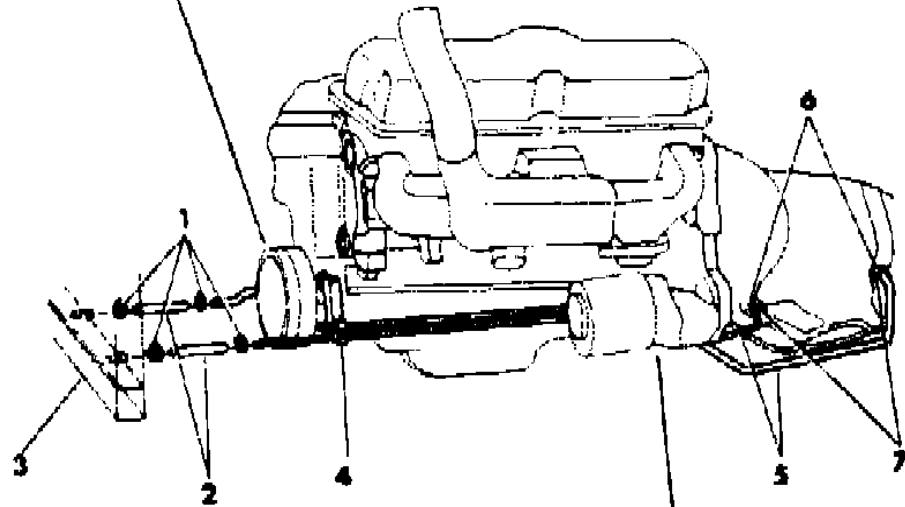
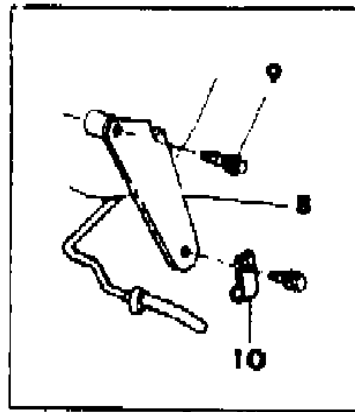
21 = 2-DOOR SEDAN	35 = FWD VAN	44 = 4-DOOR HATCHBACK
22 = 2-DOOR SPECIAL COUPE	36 = FWD WAGON	45 = 4-DOOR STATION WAGON
24 = 2-DOOR HATCHBACK	41 = 4-DOOR SEDAN	49 = LIMOUSINE
27 = 2-DOOR CONVERTIBLE		

AR = Use as Required - = Non Illustrated Part P.A.R. = Paint as Required

TRANSMISSION OIL COOLER 8 CYLINDER ENGINE

Figure 7-1650

7-1650



ITEM	PART NUMBER	QTY	BODY	MODEL	DESCRIPTION
1	6032 839	AR			CLAMP
2	4026 139	AR			HOSE, Rubber 5/16 (serv. in 50 ft. roll)
3	4140 383	1			COOLER, Trans. Oil
4	4140 415	1			BRACKET, Oil Cooler Tube to Eng.
5	1843 253	AR			TUBE, Steel 5/16 (serv. in 25 ft. roll)
6	0118 749	2			ADAPTER, Oil Cooler Tube
7	1941 667	2			NUT, Oil Cooler Adapter
8	4140 414	1			BRACKET, Oil Cooler Tube to Chain Cover
9	0181 126	1			BOLT
10		1			CLIP (not serviced)
11					BRACKET, Oil Cooler Tube to Trans. Housing
	4140 422	1			exc. A727 Trans.
	4140 340	1			w/A727 Trans.

MODEL CODES

B = GRAN FURY	E = 600	M = HORIZON/TURISMO
C = LE BARON/TOWN & COUNTRY/LIMO	F = FIFTH AVENUE/NEWPORT	P = RELIANT
C24 = LASER	G = DIPLOMAT	T = NEW YORKER
C44 = LE BARON/GTS	H = VOYAGER	V = 600
D = ARIES	J = CARAVELLE	V24 = DAYTONA
D44 = LANCER	K = MINI VAN/CARAVAN/ROYAL	Z = OMNI/CHARGER

BODY STYLES

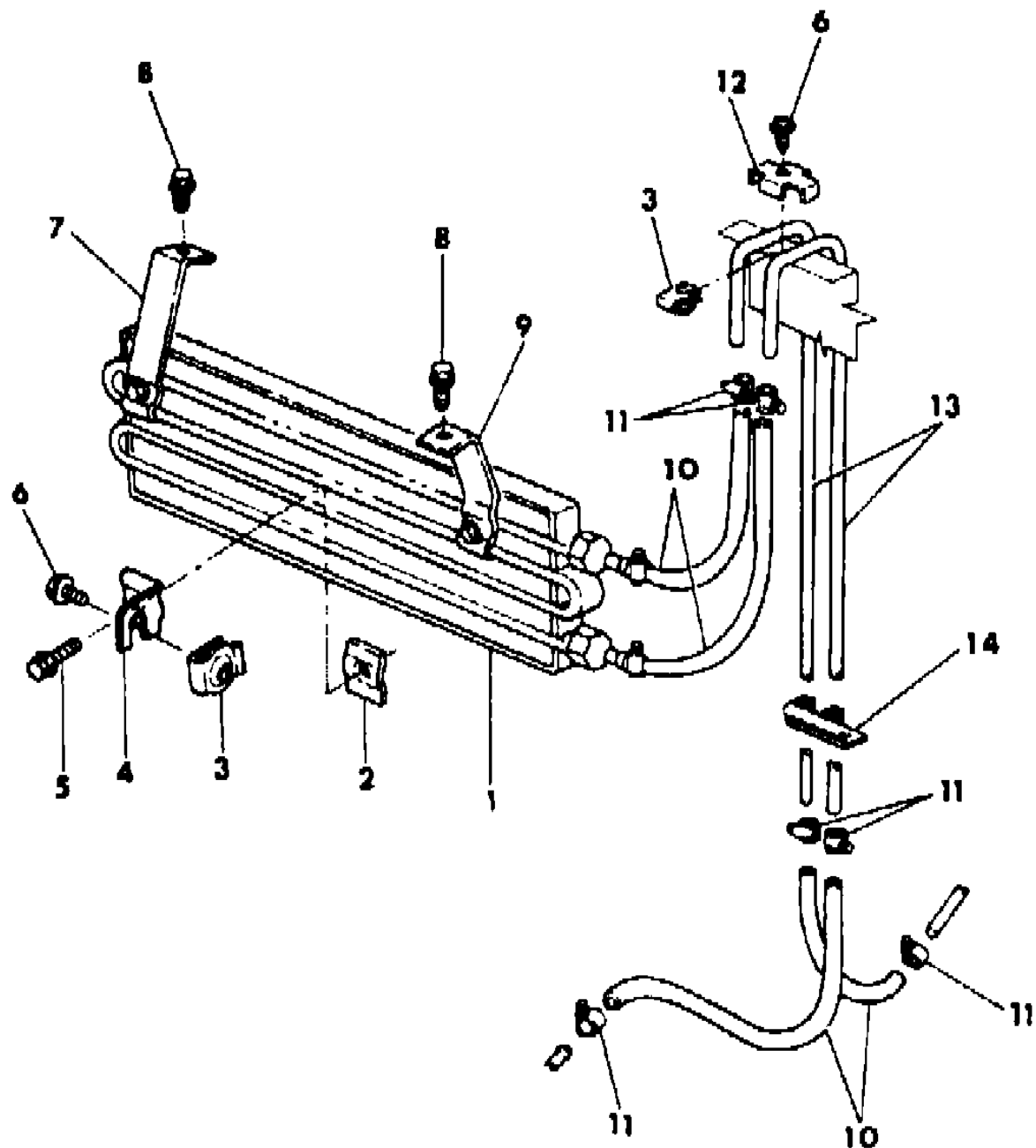
21 = 2-DOOR SEDAN	35 = FWD VAN	44 = 4-DOOR HATCHBACK
22 = 2-DOOR SPECIAL COUPE	36 = FWD WAGON	45 = 4-DOOR STATION WAGON
24 = 2-DOOR HATCHBACK	41 = 4-DOOR SEDAN	49 = LIMOUSINE
27 = 2-DOOR CONVERTIBLE		

AR = Use as Required - = Non Illustrated Part P.A.R. = Paint as Required

TRANSMISSION OIL COOLER - AUXILIARY 8 CYLINDER ENGINE

Figure 7-1675

5107 1675



ITEM	PART NUMBER	QTY	BODY	MODEL	DESCRIPTION
1	4266 038	1			COOLER, Auxiliary Oil
2	4266 037	3			BRACKET, Aux. Oil Cooler Mtg. - Rear
3	0153 292	2			U-NUT
4	4266 036	1			BRACKET, Aux. Oil Cooler Mtg. - Lower
5		3			SCREW (not serviced)
6	6024 073	2			SCREW w/WASHER
7	4266 034	1			BRACKET, Aux. Oil Cooler Mtg. - Right
8	0181 065	2			SCREW w/WASHER
9	4266 035	1			BRACKET, Aux. Oil Cooler Mtg. - Left
10	4026 139	AR			HOSE, Rubber 5/16 (serv. in 50 ft. roll)
11	6032 839	AR			CLAMP
12	3743 134	1			CLIP
13	1843 253	AR			TUBING, Steel 5/16 (serv. in 25 ft. roll)
14	4140 350	1			BRACKET, Aux. Oil Cooler Tube to Frame

MODEL CODES

B = GRAN FURY	E = 600	M = HORIZON/TURISMO
C = LE BARON/TOWN & COUNTRY/LIMO	F = FIFTH AVENUE/NEWPORT	P = RELIANT
C24 = LASER	G = DIPLOMAT	T = NEW YORKER
C44 = LE BARON/GTS	H = VOYAGER	V = 600
D = ARIES	J = CARAVELLE	V24 = DAYTONA
D44 = LANCER	K = MINI VAN/CARAVAN/ROYAL	Z = OMNI/CHARGER

BODY STYLES

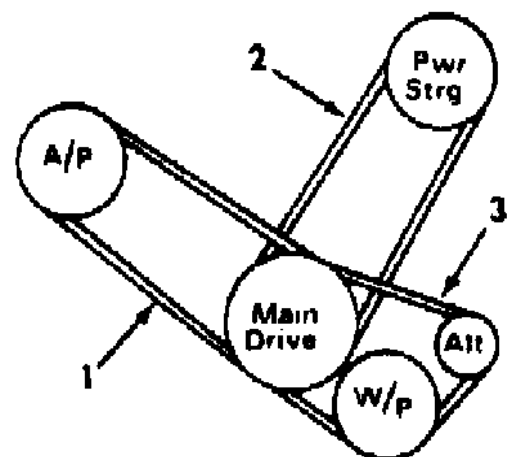
21 = 2-DOOR SEDAN	35 = FWD VAN	44 = 4-DOOR HATCHBACK
22 = 2-DOOR SPECIAL COUPE	36 = FWD WAGON	45 = 4-DOOR STATION WAGON
24 = 2-DOOR HATCHBACK	41 = 4-DOOR SEDAN	49 = LIMOUSINE
27 = 2-DOOR CONVERTIBLE		

AR = Use as Required - = Non Illustrated Part P.A.R. = Paint as Required

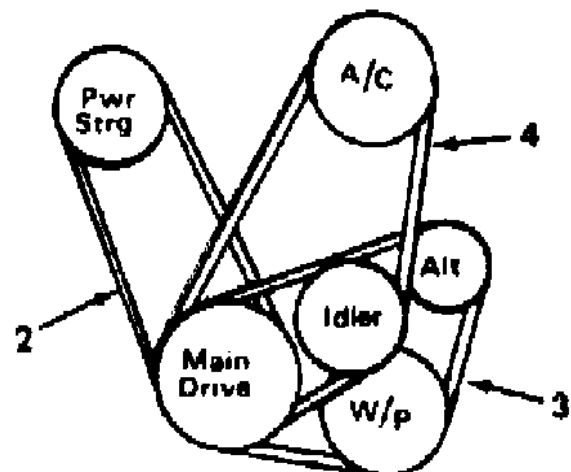
DRIVE BELTS 4 CYLINDER ENGINE

Figure 7-1700

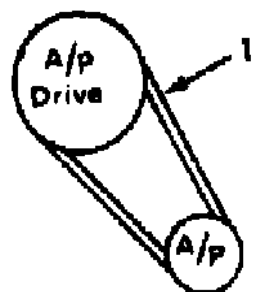
5107 1700 A



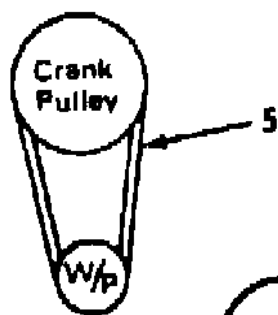
1.6L Eng.



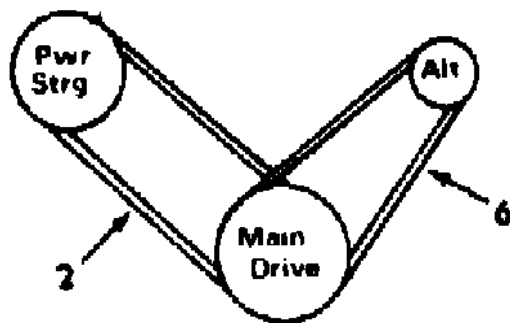
2.2L Eng.



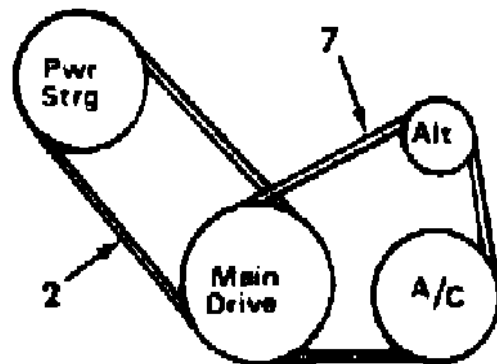
2.2L Eng.



2.6L Eng.



2.6L Eng.



2.6L Eng.

ITEM	PART NUMBER	QTY	BODY	MODEL	DESCRIPTION
1					BELT, Air Pump Drive
	4104 352	1			1.6L Eng. 39.50" O.S. Lgh. (B0013395)
	4201 481	1			2.2L Eng. 23.75" O.S. Lgh. (B0013241)
2					BELT, Power Steering Drive
	5214 136	1			1.6L Eng. 37.26" O.S. Lgh. (B0013375)
	4343 490	1			2.2L Eng. 43.00" O.S. Lgh. (B0013431)
	4027 330	1			2.6L Eng. 42.00" O.S. Lgh. (B0013421)
3					BELT, Alternator & Water Pump Drive
	4298 096	1			2.6L Eng. 4V Ribbed 30.11" O.S. Lgh. (B4040300)
	4298 114	1			2.2L Eng. 4V Ribbed w/60 or 78 Amp. Alt. 41.25" O.S. Lgh. (B4040412)
	4298 115	1			2.2L Eng. 4V Ribbed w/90 or 100 Amp. Alt. 41.00" O.S. Lgh. (B4040412)
4					BELT, Air Condition Drive
	4343 523	1		exc. H,	2.2L Eng. 47.80" O.S. Lgh. (B0015475)
	4343 524	1		H,K	2.2L Eng. 48.80" O.S. Lgh. (B0015491)
5	MD02 5221	1			BELT, Water Pump Drive 2.6L Eng. (B0013215)
6	4298 062	1			BELT, Alternator Drive 2.6L Eng. 39.00" O.S. Lgh. - Dual (B0013391)
7	4298 200	1			BELT, Alternator & Air Condition Drive 43.75" O.S. Lgh. - Dual (B0013441)

MODEL CODES

B = GRAN FURY	E = 600	M = HORIZON/TURISMO
C = LE BARON/TOWN & COUNTRY/LIMO	F = FIFTH AVENUE/NEWPORT	P = RELIANT
C24 = LASER	G = DIPLOMAT	T = NEW YORKER
C44 = LE BARON/GTS	H = VOYAGER	V = 600
D = ARIES	J = CARAVELLE	V24 = DAYTONA
D44 = LANCER	K = MINI VAN/CARAVAN/ROYAL	Z = OMNI/CHARGER

BODY STYLES

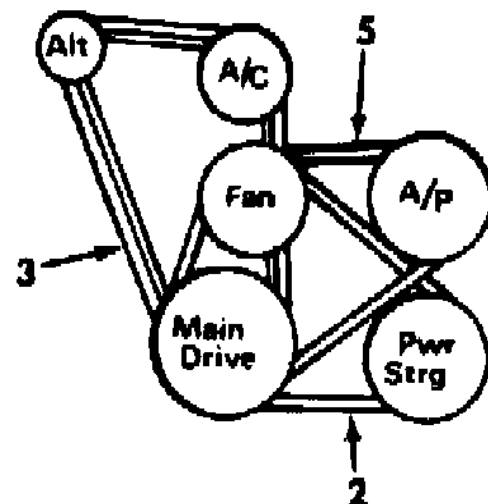
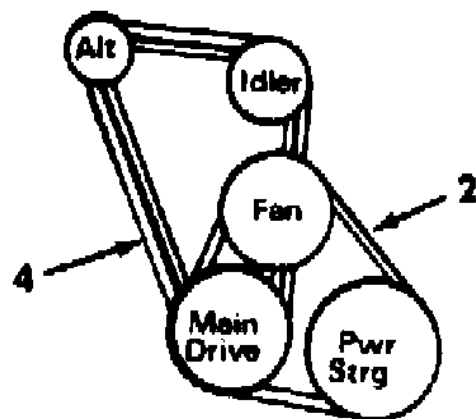
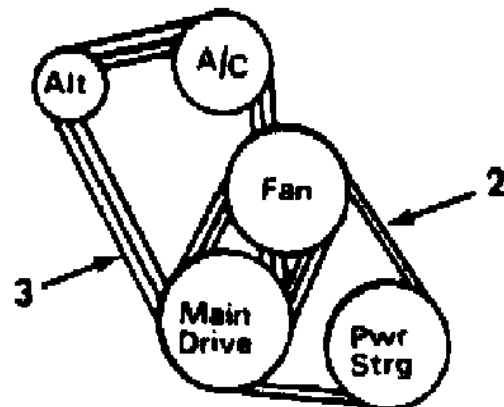
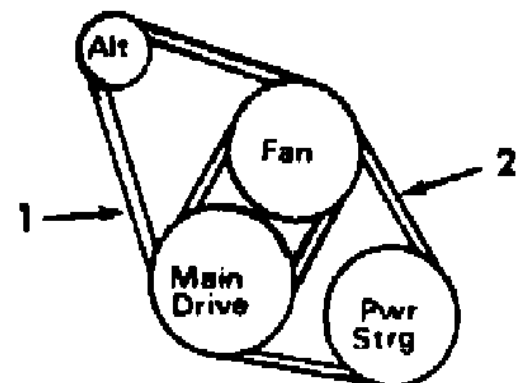
21 = 2-DOOR SEDAN	35 = FWD VAN	44 = 4-DOOR HATCHBACK
22 = 2-DOOR SPECIAL COUPE	36 = FWD WAGON	45 = 4-DOOR STATION WAGON
24 = 2-DOOR HATCHBACK	41 = 4-DOOR SEDAN	49 = LIMOUSINE
27 = 2-DOOR CONVERTIBLE		

AR = Use as Required - = Non Illustrated Part P.A.R. = Paint as Required

DRIVE BELTS 8 CYLINDER ENGINE

Figure 7-1725

5107 1725



ITEM	PART NUMBER	QTY	BODY	MODEL	DESCRIPTION
1					BELT, Fan & Alternator Drive
	4027 303	1			w/60 or 78 Amp. Alt. 47.76" O.S. Lgh. (B0013481)
	4179 718	1			w/114 Amp Alt. 60.50" O.S. Lgh. - Dual (B0013605)
2	4027 321	1			BELT, Fan & Power Steering Drive 44.75" O.S. Lgh. (B0013444)
3					BELT, Alternator & Air Condition Drive
	4241 309	1			w/60 or 78 Amp. Alt. 57.00" O.S. Lgh. - Dual (B0013571)
	4179 718	1			w/114 Amp. Alt. 60.50" O.S Lgh. - Dual (B0013605)
4	4179 718	1			BELT, Alternator & Idler Drive 60.50" O.S. Lgh. - Dual (B0013605)
5	3837 673	1			BELT, Fan & Air Pump Drive 48.50" O.S. Lgh. (B0013491)

MODEL CODES

B = GRAN FURY	E = 600	M = HORIZON/TURISMO
C = LE BARON/TOWN & COUNTRY/LIMO	F = FIFTH AVENUE/NEWPORT	P = RELIANT
C24 = LASER	G = DIPLOMAT	T = NEW YORKER
C44 = LE BARON/GTS	H = VOYAGER	V = 600
D = ARIES	J = CARAVELLE	V24 = DAYTONA
D44 = LANCER	K = MINI VAN/CARAVAN/ROYAL	Z = OMNI/CHARGER

BODY STYLES

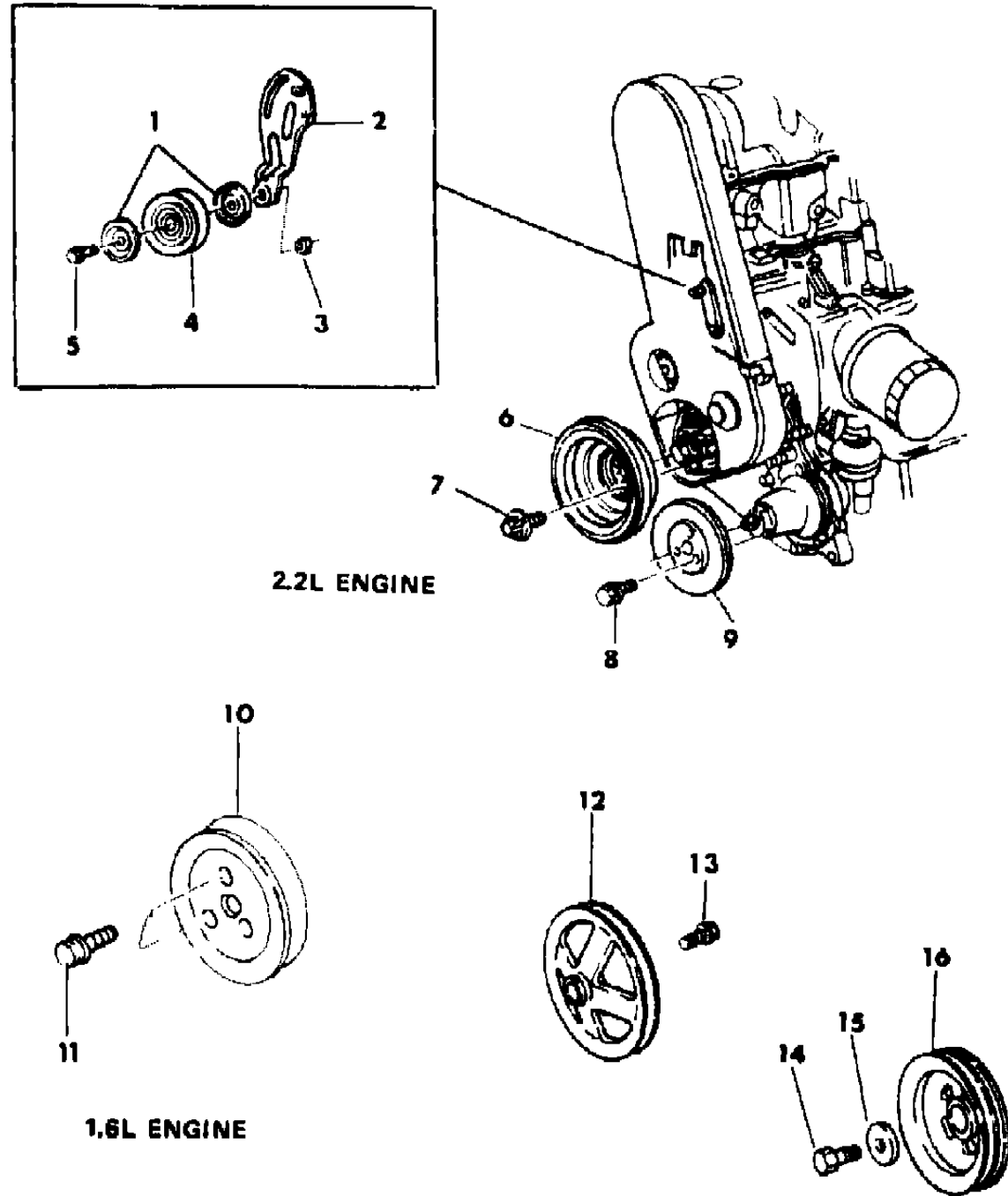
21 = 2-DOOR SEDAN	35 = FWD VAN	44 = 4-DOOR HATCHBACK
22 = 2-DOOR SPECIAL COUPE	36 = FWD WAGON	45 = 4-DOOR STATION WAGON
24 = 2-DOOR HATCHBACK	41 = 4-DOOR SEDAN	49 = LIMOUSINE
27 = 2-DOOR CONVERTIBLE		

AR = Use as Required - = Non Illustrated Part P.A.R. = Paint as Required

DRIVE PULLEYS 4 CYLINDER ENGINE

Figure 7-1800

5107 1800 A



2.2L ENGINE

1.6L ENGINE

2.6L ENGINE

ITEM	PART NUMBER	QTY	BODY	MODEL	DESCRIPTION
1	5214 065	2			SHIELD, Idler Pulley
2	4273 208	1			BRACKET, Idler Pulley
3	0271 502	1			NUT
4	3830 196	1			PULLEY, Idler
5	6025 677	1			SCREW
6					PULLEY, Drive
	4298 125	1	exc. H,		w/Air Cond.
	4273 163	1	H,K		w/Air Cond.
	4273 184	1	H,K		w/o Air Cond.
7	6500 350	4			BOLT
8	6500 136	3			SCREW w/WASHER
9	4273 181	1			PULLEY, Water Pump
10	4273 096	1			PULLEY, Water Pump
11	6500 665	3			SCREW w/WASHER
12	MD02 5669	1			PULLEY, Camshaft
13	MD00 8835	1			BOLT, Flange (10x25)
14	MD02 0830	1			BOLT, Crankshaft Pulley
15	MD02 0831	1			WASHER
16	MD07 4096	1			PULLEY, Crankshaft

MODEL CODES

B = GRAN FURY	E = 600	M = HORIZON/TURISMO
C = LE BARON/TOWN & COUNTRY/LIMO	F = FIFTH AVENUE/NEWPORT	P = RELIANT
C24 = LASER	G = DIPLOMAT	T = NEW YORKER
C44 = LE BARON/GTS	H = VOYAGER	V = 600
D = ARIES	J = CARAVELLE	V24 = DAYTONA
D44 = LANCER	K = MINI VAN/CARAVAN/ROYAL	Z = OMNI/CHARGER

BODY STYLES

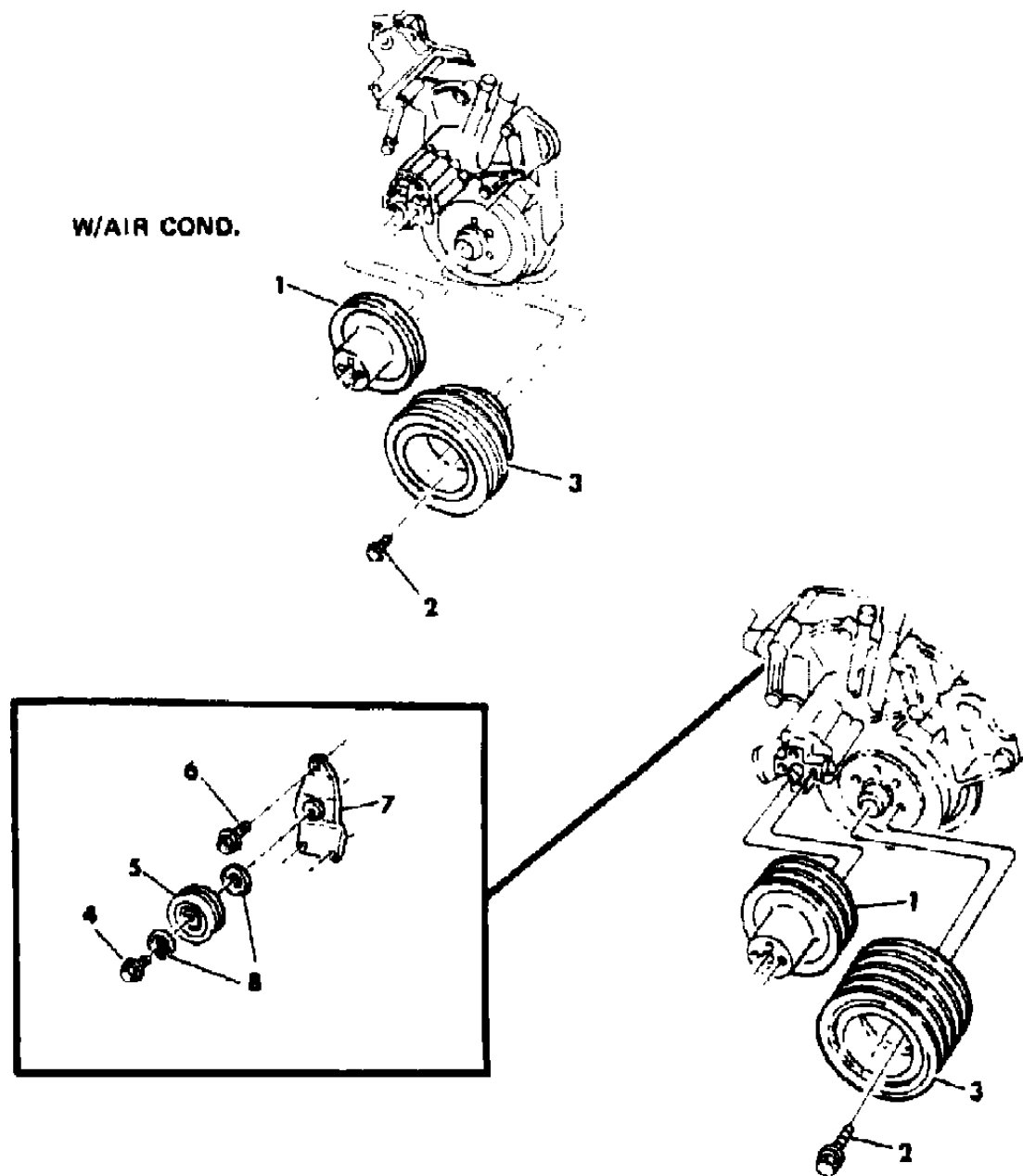
21 = 2-DOOR SEDAN	35 = FWD VAN	44 = 4-DOOR HATCHBACK
22 = 2-DOOR SPECIAL COUPE	36 = FWD WAGON	45 = 4-DOOR STATION WAGON
24 = 2-DOOR HATCHBACK	41 = 4-DOOR SEDAN	49 = LIMOUSINE
27 = 2-DOOR CONVERTIBLE		

AR = Use as Required - = Non Illustrated Part P.A.R. = Paint as Required

DRIVE PULLEYS 8 CYLINDER ENGINE

Figure 7-1900

5107 1900 A



ITEM	PART NUMBER	QTY	BODY	MODEL	DESCRIPTION
1					PULLEY, Fan
	3698 805	1			w/Air Cond.
	4179 953	1			w/o Air Cond. w/60 or 78 Amp. Alt.
	3870 211	1			w/o Air Cond. w/114 Amp. Alt.
2	0181 086	6			SCREW w/WASHER
3					PULLEY, Drive
	3614 382	1			w/Air Cond.
	3870 069	1			w/o Air Cond. w/60 or 78 Amp. Alt.
	3870 074	1			w/o Air Cond. and/or 114 Amp. Alt.
4	9418 275	1			SCREW w/WASHER
	0271 502	1			NUT
5	3879 131	1			PULLEY, Alt. Idler w/o Air Cond. w/114 Amp. Alt.
6	0181 112	3			SCREW w/WASHER
	0118 615	3			NUT
7	4100 639	1			BRACKET, Alt. Idler Pulley w/o Air Cond. w/114 Amp. Alt.
8	5214 065	2			SHIELD, Idler Pulley

W/O AIR COND.

MODEL CODES

B = GRAN FURY	E = 600	M = HORIZON/TURISMO
C = LE BARON/TOWN & COUNTRY/LIMO	F = FIFTH AVENUE/NEWPORT	P = RELIANT
C24 = LASER	G = DIPLOMAT	T = NEW YORKER
C44 = LE BARON/GTS	H = VOYAGER	V = 600
D = ARIES	J = CARAVELLE	V24 = DAYTONA
D44 = LANCER	K = MINI VAN/CARAVAN/ROYAL	Z = OMNI/CHARGER

BODY STYLES

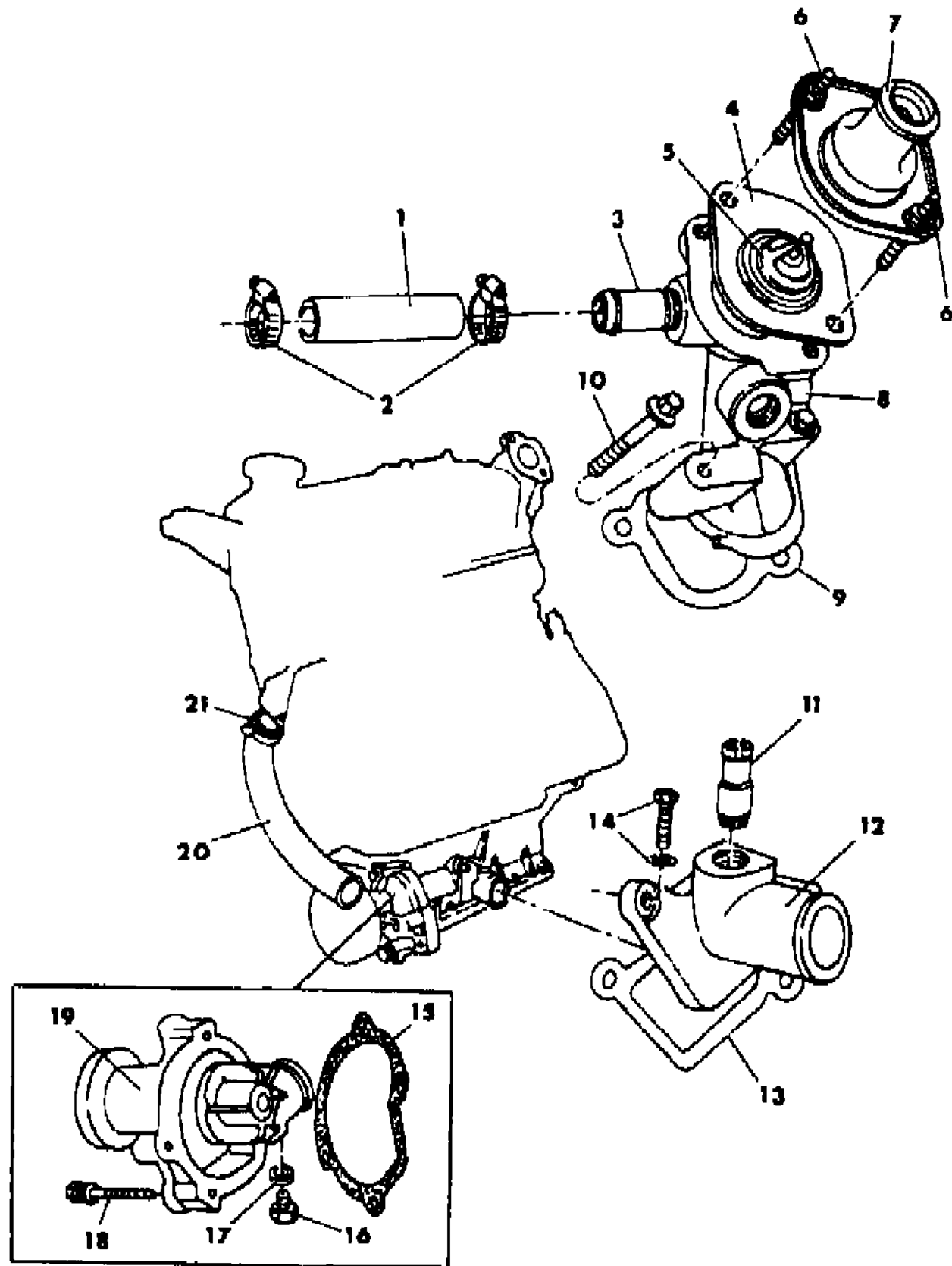
21 = 2-DOOR SEDAN	35 = FWD VAN	44 = 4-DOOR HATCHBACK
22 = 2-DOOR SPECIAL COUPE	36 = FWD WAGON	45 = 4-DOOR STATION WAGON
24 = 2-DOOR HATCHBACK	41 = 4-DOOR SEDAN	49 = LIMOUSINE
27 = 2-DOOR CONVERTIBLE		

AR = Use as Required - = Non Illustrated Part P.A.R. = Paint as Required

WATER PUMP AND RELATED PARTS 1.6L ENGINE

Figure 7-2000

5107 2000



ITEM	PART NUMBER	QTY	BODY	MODEL	DESCRIPTION
	4271 979	1			REPAIR KIT, Water Pump
1	4105 421	1			HOSE, Thermostat By-Pass
2	0153 640	2			CLAMP, By-Pass Hose
3	4273 036	1			NIPPLE, Water Control Box Outlet
4	4179 895	1			GASKET, Cyl. Water Outlet
5	4105 768	1			THERMOSTAT
6	6500 384	2			STUD, Cyl. Water Outlet Conn.
	6100 233	2			WASHER, Cyl. Water Outlet Conn. Stud
7	5214 514	1			CONNECTOR, Cyl. Water Outlet
8	4105 400	1			BOX, Water Control
9	4105 408	1			GASKET, Water Control Box
10	6500 589	2			SCREW, Water Control Box Attach.
11	1779 258	1			NIPPLE, Heater Water Return to Pump
12	4273 858	1			ELBOW, Water Inlet
13	4273 706	1			GASKET, Inlet Elbow
14	4273 717	2			SCREW w/WASHER
15	4273 702	1			GASKET, Water Pump
16	4273 511	1			PLUG, Water Pump Drain
17	4173 730	1			GASKET, Water Pump Drain Plug
18	4273 703	4			SCREW w/WASHER, Water Pump Attach.
19	4173 703	1			PUMP, Water
20	4273 708	1			HOSE, Water Pump to Front Cover
21	4273 710	2			CLAMP, Water Pump Hose

MODEL CODES

B = GRAN FURY	E = 600	M = HORIZON/TURISMO
C = LE BARON/TOWN & COUNTRY/LIMO	F = FIFTH AVENUE/NEWPORT	P = RELIANT
C24 = LASER	G = DIPLOMAT	T = NEW YORKER
C44 = LE BARON/GTS	H = VOYAGER	V = 600
D = ARIES	J = CARAVELLE	V24 = DAYTONA
D44 = LANCER	K = MINI VAN/CARAVAN/ROYAL	Z = OMNI/CHARGER

BODY STYLES

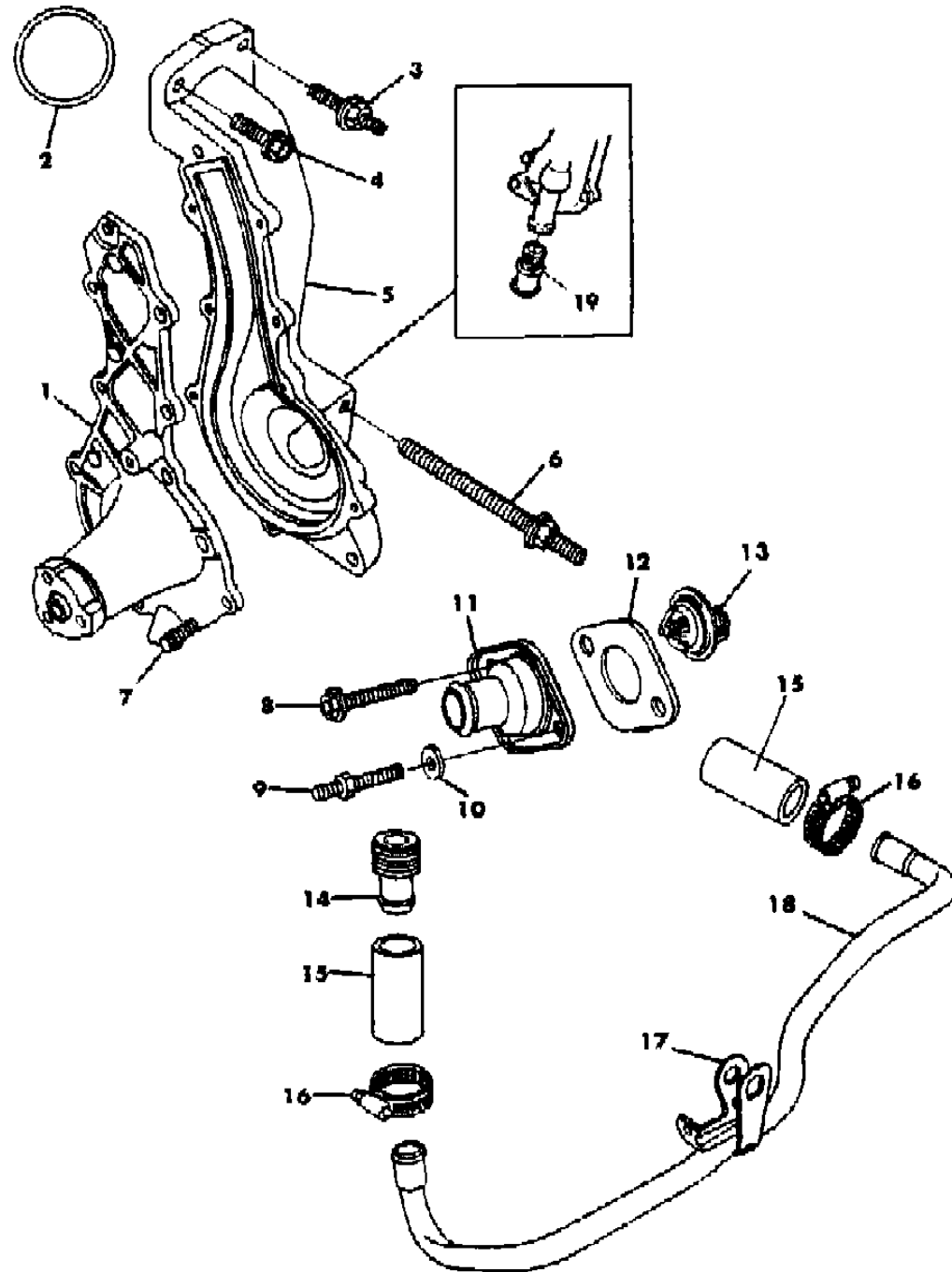
21 = 2-DOOR SEDAN	35 = FWD VAN	44 = 4-DOOR HATCHBACK
22 = 2-DOOR SPECIAL COUPE	36 = FWD WAGON	45 = 4-DOOR STATION WAGON
24 = 2-DOOR HATCHBACK	41 = 4-DOOR SEDAN	49 = LIMOUSINE
27 = 2-DOOR CONVERTIBLE		

AR = Use as Required - = Non Illustrated Part P.A.R. = Paint as Required

WATER PUMP AND RELATED PARTS 2.2L ENGINE

Figure 7-2100

5107 2100



ITEM	PART NUMBER	QTY	BODY	MODEL	DESCRIPTION
1	4293 898	1			PUMP, Water
2	5203 542	1			GASKET, Water Pump Housing
3	6500 798	2			STUD, Water Pump Hsg. Attach.
4	6500 799	1			SCREW, Water Pump Hsg. Attach.
5	5203 714	1			HOUSING, Water Pump
6	6500 811	1			STUD, Water Pump Hsg. Attach.
7	6101 278	9			SCREW w/WASHER, Water Pump Body Attach.
8	6500 253	1			SCREW w/WASHER, Cyl. Water Outlet Conn.
9	6500 384	1			STUD, Cyl. Water Outlet Conn.
10	6100 233	1			WASHER, Water Outlet Conn. Stud
11	5214 514	1			CONNECTOR, Cyl. Water Outlet
12	4179 895	1			GASKET, Cyl. Water Outlet Connector
13	4105 768	1			THERMOSTAT
14	5203 339	1			NIPPLE, Thermostat Water By-Pass
15	4273 488	2			HOSE, Water By-Pass Tube
16	0153 640	AR			CLAMP
17	4273 487	1			BRACKET, Water By-Pass Tube
18	4273 486	1			TUBE, Water By-Pass
19	4266 221	1			INSERT, Water Pump Nipple (see note)

NOTE: Insert must be installed when replacing water pump on 2.2L Eng. to meet Safety Standards. Refer to Service Manual for instructions. Gear and Pinion numbers stamped on the item may be used to confirm the correct MATCHED SET they are

MODEL CODES

B = GRAN FURY	E = 600	M = HORIZON/TURISMO
C = LE BARON/TOWN & COUNTRY/LIMO	F = FIFTH AVENUE/NEWPORT	P = RELIANT
C24 = LASER	G = DIPLOMAT	T = NEW YORKER
C44 = LE BARON/GTS	H = VOYAGER	V = 600
D = ARIES	J = CARAVELLE	V24 = DAYTONA
D44 = LANCER	K = MINI VAN/CARAVAN/ROYAL	Z = OMNI/CHARGER

BODY STYLES

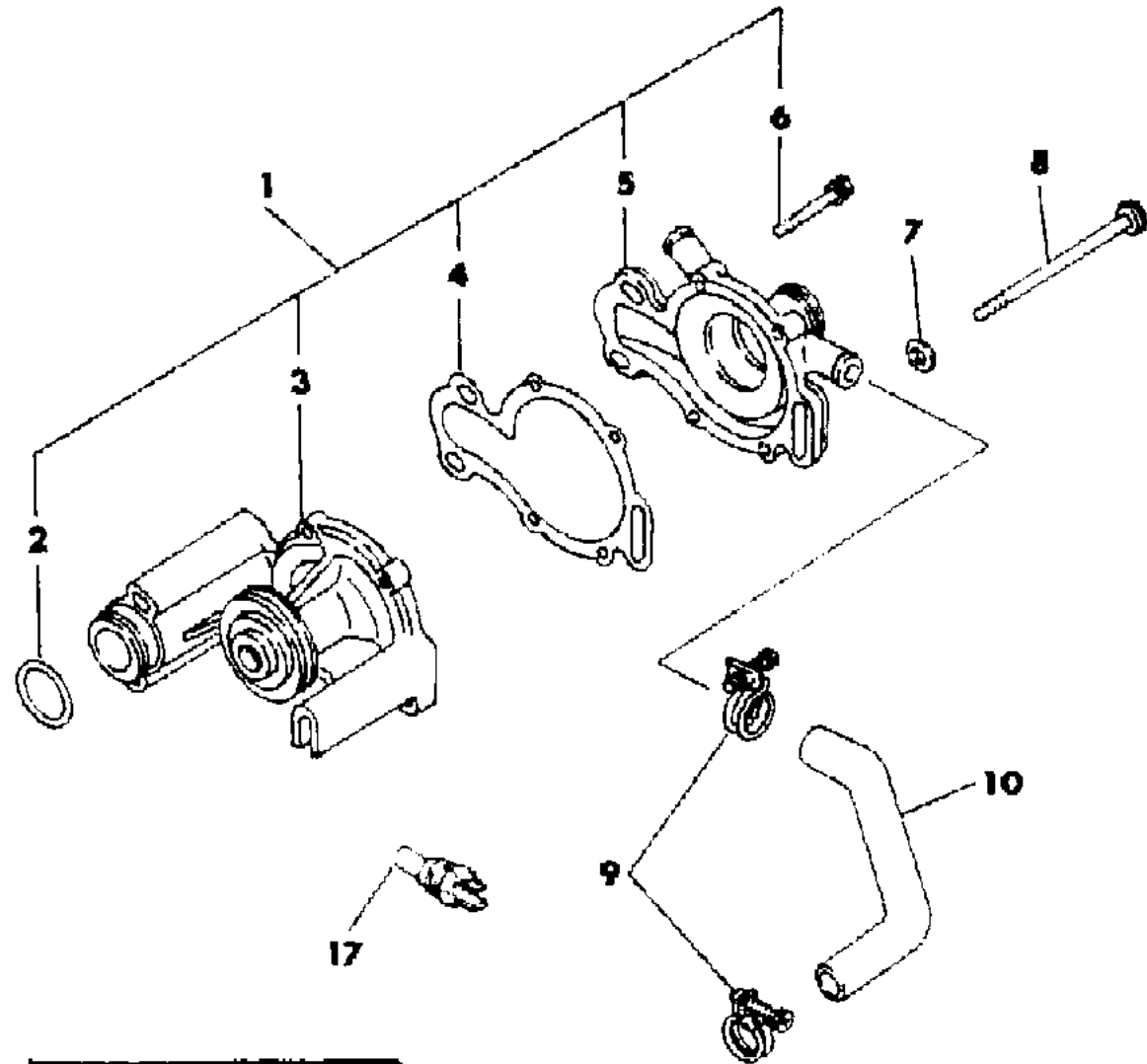
21 = 2-DOOR SEDAN	35 = FWD VAN	44 = 4-DOOR HATCHBACK
22 = 2-DOOR SPECIAL COUPE	36 = FWD WAGON	45 = 4-DOOR STATION WAGON
24 = 2-DOOR HATCHBACK	41 = 4-DOOR SEDAN	49 = LIMOUSINE
27 = 2-DOOR CONVERTIBLE		

AR = Use as Required - = Non Illustrated Part P.A.R. = Paint as Required

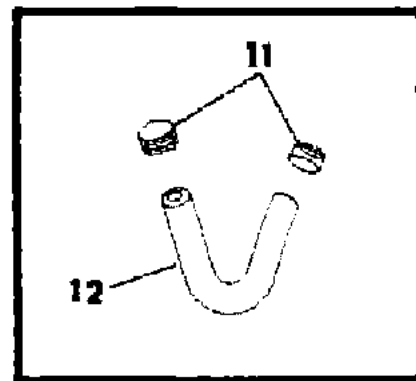
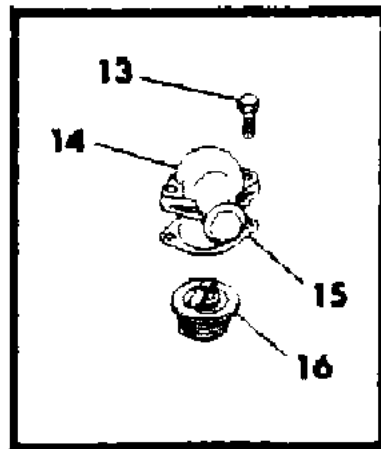
WATER PUMP AND RELATED PARTS 2.6L ENGINE

Figure 7-2200

5107 2200



ITEM	PART NUMBER	QTY	BODY	MODEL	DESCRIPTION
1	MD02 5190	1			PUMP, Water
2	MD03 0764	1			O-RING, Water Pipe
3	MD02 5191	1			BODY, Water Pump
4	MD02 5196	1			GASKET, Water Pump
5	MD02 5192	1			CASE, Water Pump
6	MF24 1231	4			BOLT w/WASHER
7	MF45 0005	3			WASHER
8	MD02 5198	3			BOLT, Flange
9	MA60 9047	2			CLIP
10	MD02 5199	1			HOSE, Water Bypass
11	MS66 0164	3			CLIP, Hose (13.1)
12	MD02 1472	1			HOSE, Water
13	MS10 1239	2			BOLT w/WASHER (8x25)
	MF24 0056	2			(8x28)
14	MD02 0634	1			FITTING, Water Outlet
15	MD08 3109	1			GASKET exc. Canada
	MD00 0551	1			exc. Limo - Canada
	MD08 3109	1			Limo - U.S. & Canada
16	MD07 5460	1			THERMOSTAT 180 Degree
17	MD08 2430	1			SENSOR, Water Temperature



MODEL CODES

B = GRAN FURY	E = 600	M = HORIZON/TURISMO
C = LE BARON/TOWN & COUNTRY/LIMO	F = FIFTH AVENUE/NEWPORT	P = RELIANT
C24 = LASER	G = DIPLOMAT	T = NEW YORKER
C44 = LE BARON/GTS	H = VOYAGER	V = 600
D = ARIES	J = CARAVELLE	V24 = DAYTONA
D44 = LANCER	K = MINI VAN/CARAVAN/ROYAL	Z = OMNI/CHARGER

BODY STYLES

21 = 2-DOOR SEDAN	35 = FWD VAN	44 = 4-DOOR HATCHBACK
22 = 2-DOOR SPECIAL COUPE	36 = FWD WAGON	45 = 4-DOOR STATION WAGON
24 = 2-DOOR HATCHBACK	41 = 4-DOOR SEDAN	49 = LIMOUSINE
27 = 2-DOOR CONVERTIBLE		

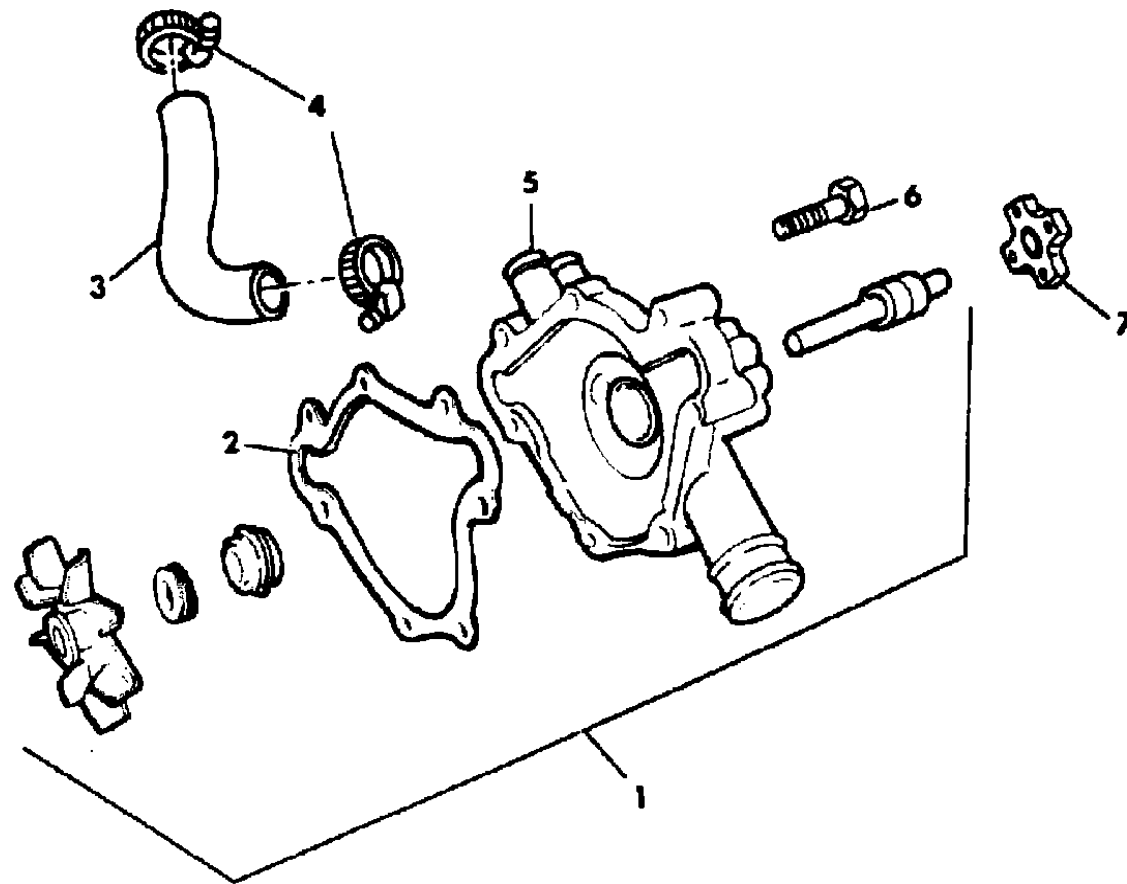
AR = Use as Required - = Non Illustrated Part P.A.R. = Paint as Required

WATER PUMP AND RELATED PARTS 318 ENGINE

Figure 7-2300

5107 2300

ITEM	PART NUMBER	QTY	BODY	MODEL	DESCRIPTION
1	3837 641	1			PUMP, Water
2	2129 013	1			GASKET, Water Pump Body
3	4095 227	1			HOSE, Water Pump By-Pass
	4012 595	1			Silicone
4	3683 824	1			CLAMP, By-Pass Hose
	4041 606	1			Stainless Steel
5	2402 903	1			NIPPLE, Water Pump By-Pass
6					SCREW, Water Pump
	6027 880	1			3/8 - 16 x 2.00
	6031 761	1			3/8 - 16 x 5.00
	9420 892	2			3/8 - 16 x 2 3/4
	6028 166	2			3/8 - 16 x 5 1/4
7	3671 525	1			HUB, Fan Pulley
	3751 812	1			4 Bbl. Police



MODEL CODES

B = GRAN FURY	E = 600	M = HORIZON/TURISMO
C = LE BARON/TOWN & COUNTRY/LIMO	F = FIFTH AVENUE/NEWPORT	P = RELIANT
C24 = LASER	G = DIPLOMAT	T = NEW YORKER
C44 = LE BARON/GTS	H = VOYAGER	V = 600
D = ARIES	J = CARAVELLE	V24 = DAYTONA
D44 = LANCER	K = MINI VAN/CARAVAN/ROYAL	Z = OMNI/CHARGER

BODY STYLES

21 = 2-DOOR SEDAN	35 = FWD VAN	44 = 4-DOOR HATCHBACK
22 = 2-DOOR SPECIAL COUPE	36 = FWD WAGON	45 = 4-DOOR STATION WAGON
24 = 2-DOOR HATCHBACK	41 = 4-DOOR SEDAN	49 = LIMOUSINE
27 = 2-DOOR CONVERTIBLE		

AR = Use as Required - = Non Illustrated Part P.A.R. = Paint as Required

TURBO WATER COOLED SYSTEM

Figure 7-2400

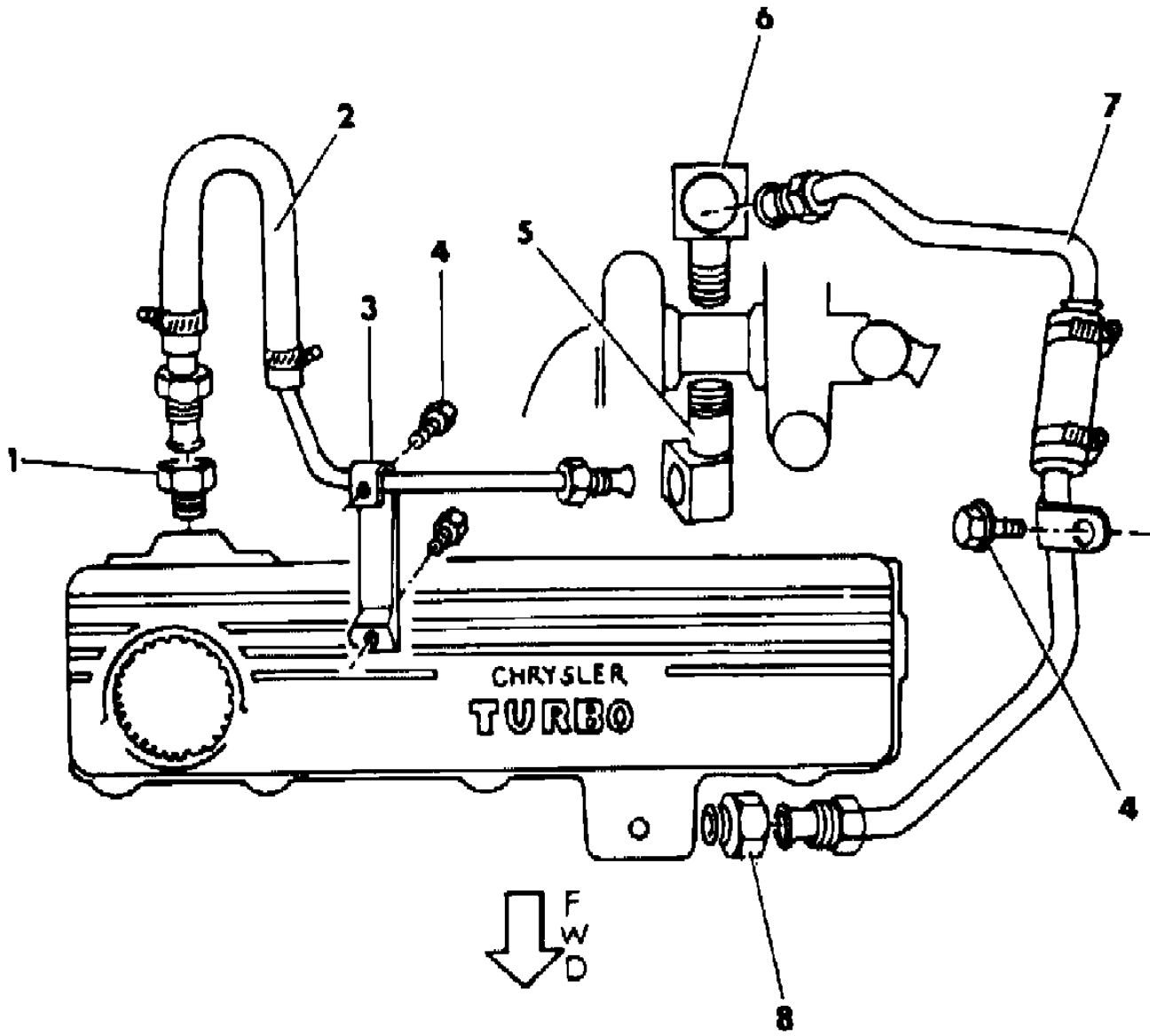
5107 2400

ITEM	PART NUMBER	QTY	BODY	MODEL	DESCRIPTION
1	6032 606	1			CONNECTOR, Cyl. Block to Turbo Water Inlet Tube
2	4323 122	1			TUBE, Turbo Water Inlet and Hose
3	4323 116	1			BRACKET, Water Inlet Tube Support
4	6500 399	2			SCREW w/WASHER
5	6032 566	1			ELBOW, Turbo Water Inlet
6	6032 565	1			ELBOW, Turbo Charger to Return Hose Tube
7	4323 115	1			TUBE, Turbo Water Return and Hose
8	6032 568	1			CONNECTOR, Turbo Water Return Tube

with Lean Burn, California Emission Control or High Altitude Emission Control. Gear and Pinion numbers stamped on the item may be used to confirm the correct MATCHED SET they are contained in.

to it Being Mandatory For Designated Engines on cars Sold in the State of Calif. Gear and Pinion numbers stamped on the item may be used to confirm the correct MATCHED SET they are contained in.

Combinations. Used in Conjunction with a Catalytic System. Gear and Pinion numbers stamped on the item may be used to confirm the correct MATCHED SET they are contained in.



MODEL CODES

- | | | |
|----------------------------------|----------------------------|---------------------|
| B = GRAN FURY | E = 600 | M = HORIZON/TURISMO |
| C = LE BARON/TOWN & COUNTRY/LIMO | F = FIFTH AVENUE/NEWPORT | P = RELIANT |
| C24 = LASER | G = DIPLOMAT | T = NEW YORKER |
| C44 = LE BARON/GTS | H = VOYAGER | V = 600 |
| D = ARIES | J = CARAVELLE | V24 = DAYTONA |
| D44 = LANCER | K = MINI VAN/CARAVAN/ROYAL | Z = OMNI/CHARGER |

BODY STYLES

- | | | |
|---------------------------|-------------------|---------------------------|
| 21 = 2-DOOR SEDAN | 35 = FWD VAN | 44 = 4-DOOR HATCHBACK |
| 22 = 2-DOOR SPECIAL COUPE | 36 = FWD WAGON | 45 = 4-DOOR STATION WAGON |
| 24 = 2-DOOR HATCHBACK | 41 = 4-DOOR SEDAN | 49 = LIMOUSINE |
| 27 = 2-DOOR CONVERTIBLE | | |

AR = Use as Required - = Non Illustrated Part P.A.R. = Paint as Required

GROUP 8 - ELECTRICAL

ILLUSTRATION TITLE	GROUP-FIG. NO.
SWITCHES--RELAYS--SOLENOIDS--SENSORS	
SWITCHES--RELAYS--SOLENOIDS--SENSORS	Fig. 8-100
BATTERY TRAY	
BATTERY TRAY MZ-PDCV-VC24-DC44-HK-JET	Fig. 8-200
BATTERY TRAY B-F-G	Fig. 8-300
DISTRIBUTOR 1.6 ENGINE	Fig. 8-400
DISTRIBUTOR 2.2 ENGINE	Fig. 8-450
DISTRIBUTOR 2.6 ENGINE	Fig. 8-500
DISTRIBUTOR 318 ENGINE	Fig. 8-600
STARTERS	
STARTER INSTALLATIONS	Fig. 8-700
STARTER 1.6 ENGINE	Fig. 8-800
STARTER COMPONENTS 2.2 ENGINE CHRYSLER NO. 5213190 (NIPPONDENSO)	Fig. 8-900
STARTER COMPONENTS 2.2 ENGINE 5213045 & 5213450	Fig. 8-1000
STARTER COMPONENTS 2.6 ENGINE	Fig. 8-1100
STARTER 318 ENGINE CHRYSLER NO. 4145360	Fig. 8-1200
ALTERNATORS	
ALTERNATOR & PULLEY 1.6 ENGINE	Fig. 8-1300
ALTERNATOR 2.2 ENGINE	Fig. 8-1400
ALTERNATOR 40/90 & 100 AMP.	Fig. 8-1500
ALTERNATOR 2.6 ENGINE	Fig. 8-1600
ALTERNATOR--60 AMP. 318 ENGINE	Fig. 8-1700
ALTERNATOR--78 AMP. 318 ENGINE	Fig. 8-1750
ALTERNATOR 114 AMP. 318 ENGINE	Fig. 8-1800
ALTERNATOR MOUNTING 2.2 ENGINE	Fig. 8-1900
ALTERNATOR MOUNTING 318 ENGINE	Fig. 8-2000
LAMPS	
LAMPS--FRONT M-Z 24	Fig. 8-2100
LAMPS & WIRING--REAR M-Z 24	Fig. 8-2200
LAMPS--FRONT M-Z 44	Fig. 8-2300
LAMPS & WIRING--REAR M-Z 44	Fig. 8-2400
LAMPS--FRONT P-D	Fig. 8-2500
LAMPS & WIRING--REAR P-D	Fig. 8-2600
LAMPS--FRONT C-V-J-E-T	Fig. 8-2700

ILLUSTRATION NOT AVAILABLE AT TIME OF PUBLICATION

GROUP 8 - ELECTRICAL

GROUP 8 - ELECTRICAL

ILLUSTRATION TITLE	GROUP-FIG. NO.
LAMPS (Continued)	
LAMPS--FRONT C-V-J-E-T	Fig. 8-2700
LAMPS & WIRING--REAR C-V-J-E-T	Fig. 8-2800
LAMPS--FRONT V-C 24	Fig. 8-2900
LAMPS & WIRING--REAR V-C 24	Fig. 8-3000
LAMPS--FRONT DC-44	Fig. 8-3100
LAMPS & WIRING--REAR DC-44	Fig. 8-3200
LAMPS--FRONT H-K	Fig. 8-3300
LAMPS & WIRING--REAR H-K	Fig. 8-3400
LAMPS--FRONT F	Fig. 8-3500
LAMPS & WIRING--REAR F	Fig. 8-3600
LAMPS--FRONT B-G	Fig. 8-3700
LAMPS & WIRING--REAR B-G	Fig. 8-3800
LAMPS--CARGO-DOME-COURTESY M-Z	Fig. 8-3900
LAMPS--CARGO-DOME-COURTESY P-D-C-V-J-E-T	Fig. 8-4000
LAMPS--DOME-COURTESY-READING LIMO	Fig. 8-4100
LAMPS--CARGO-DOME-COURTESY VC-24	Fig. 8-4200
LAMPS--CARGO-DOME-COURTESY DC-44	Fig. 8-4300
LAMPS--CARGO-DOME-COURTESY H-K	Fig. 8-4400
LAMPS--CARGO-DOME-COURTESY B-F-G	Fig. 8-4500
ILLUMINATED DOOR LOCK LIGHT	
ILLUMINATED DOOR LOCK LIGHT	Fig. 8-4600
SOCKETS & CABLES	
SOCKETS & CABLES	Fig. 8-4700
WIRING--ENGINE-FRONT END & RELATED PARTS	
WIRING--ENGINE-FRONT END & RELATED PARTS M-Z	Fig. 8-4900
WIRING--ENGINE-FRONT END & RELATED PARTS P-D-C-V-J-E-T	Fig. 8-5000
WIRING--ENGINE-FRONT END & RELATED PARTS V-C 24	Fig. 8-5100
WIRING--ENGINE-FRONT END & RELATED PARTS DC-44	Fig. 8-5200
WIRING--ENGINE-FRONT END & RELATED PARTS H-K	Fig. 8-5300
WIRING--ENGINE-FRONT END & RELATED PARTS B-F-G	Fig. 8-5400
HORN	
HORN ALL MODELS	Fig. 8-5500

ILLUSTRATION TITLE	GROUP-FIG. NO.
M.A.P. SENSOR & LOGIC MODULE	
M.A.P. SENSOR & LOGIC MODULE ALL MODELS	Fig. 8-5600
SWITCH, TURN SIGNAL AND HAZARD WARNING	
SWITCH, TURN SIGNAL AND HAZARD WARNING	Fig. 8-5700
WIRING--BODY & ACCESSORIES	
WIRING--BODY & ACCESSORIES M-Z	Fig. 8-5800
WIRING--BODY & ACCESSORIES P-D-C-V	Fig. 8-5900
WIRING--BODY & ACCESSORIES J-E-T	Fig. 8-6000
WIRING--BODY & ACCESSORIES LIMO	Fig. 8-6100
WIRING--BODY & ACCESSORIES V-C 24	Fig. 8-6200
WIRING--BODY & ACCESSORIES DC-44	Fig. 8-6300
WIRING--BODY & ACCESSORIES H-K	Fig. 8-6400
WIRING--BODY & ACCESSORIES B-F-G	Fig. 8-6500
WIRING & SWITCHES--FRONT DOOR P-D-C-V-J-E-T	Fig. 8-6600
WIRING & SWITCHES--REAR DOOR P-D-C-V-J-E-T	Fig. 8-6700
WIRING--LIFTGATE & TRUNK P-D-C-V-J-E-T	Fig. 8-6800
WIRING & SWITCHES--DOOR VC 24	Fig. 8-6900
WIRING--LIFTGATE VC-24	Fig. 8-7000
WIRING & SWITCHES--FRONT DOOR DC 44	Fig. 8-7100
WIRING & SWITCHES--REAR DOOR DC 44	Fig. 8-7200
WIRING--LIFTGATE DC-44	Fig. 8-7300
WIRING & SWITCHES--FRONT DOOR H-K	Fig. 8-7400
WIRING & SWITCHES--SLIDING DOOR H-K	Fig. 8-7500
WIRING--LIFTGATE HK	Fig. 8-7600
WIRING & SWITCHES--FRONT DOOR B-F-G	Fig. 8-7700
WIRING & SWITCHES--REAR DOOR B-F-G	Fig. 8-7800
TERMINAL CHARTS	
TERMINAL CHART	Fig. 8-7900
TERMINAL CHART	Fig. 8-8000
INSULATOR CHART	Fig. 8-8100
INSULATOR CHARTS	
INSULATOR CHART	Fig. 8-8200
RETAINERS, CONNECTORS, PLUGS, SLEEVES AND PARTS CHART	Fig. 8-8300
RETAINERS, CONNECTORS, PLUGS AND SLEEVES CHART	Fig. 8-8400

GROUP 8 - ELECTRICAL

ILLUSTRATION TITLE

GROUP-FIG. NO.

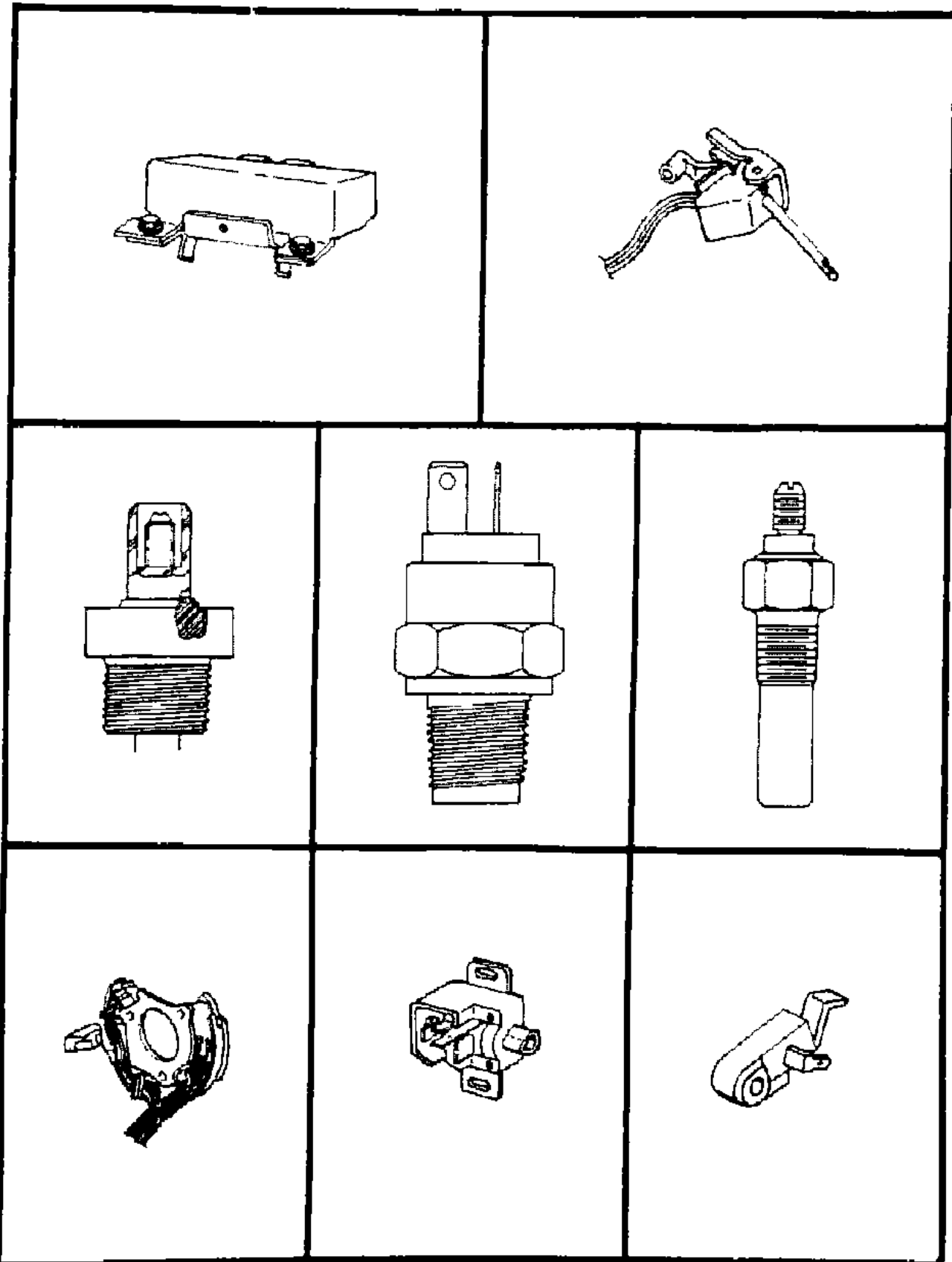
INSULATOR CHARTS (Continued)

RETAINERS, CONNECTORS, PLUGS AND SLEEVES CHART	Fig. 8-8400
INSULATOR CHART	Fig. 8-8500
INSULATOR 2 WAY	Fig. 8-8600
INSULATOR 2 WAY	Fig. 8-8700
INSULATOR 3 WAY	Fig. 8-8800
INSULATOR 4 WAY	Fig. 8-8900
INSULATOR 6 WAY	Fig. 8-9000
INSULATOR 8 WAY	Fig. 8-9100
INSULATOR 9-10 & 13 Way	Fig. 8-9200

SWITCHES--RELAYS--SOLENOIDS--SENSORS

Figure 8-100

5108 100



ITEM	PART NUMBER	QTY	BODY	MODEL	DESCRIPTION
RELAYS					
	4186 387			CV24,BF	RELAY, Illum. Door Lock
	4318 800			CV,JET	RELAY, Illum. Door Lock
	4342 216			DC44	RELAY, Illum. Door Lock
	5213 737			MZ,PDCV	RELAY, Starter
	5213 737			HK,DC-4	RELAY, Starter
	4221 670			CV,JET	RELAY, Horn
	2889 565				RELAY, Thermal Time Delay & Head Lamp
	4221 570			BFG	RELAY, Amplifier
	4221 065			PDCVJET	RELAY, Power Amp. (Control Unit)
	3747 299			PDCVJET	RELAY, Liftgate Release
	4221 695			DC44	RELAY, Headlamp Time Delay
	4221 576			HK	RELAY, Ign. Feed
	4221 684			PD,CVET	RELAY, Driving Light
	4221 615			PD,VC24	RELAY, Rad. Fan
	4221 615			JET,DC4	RELAY, Rad. Fan
	5226 915			MZ,HK	RELAY, Rad. Fan
	4221 753			MZ	RELAY, Rad. Fan 2.2 Eng.
	4221 285				RELAY, Rad. Fan 2.6 Eng.
	4221 386				RELAY, Rad. Fan 2.6 Eng. w/A.C.
	4221 674			HK	RELAY, Rad. Fan
	4221 743			HK	RELAY, Rad. Fan (Calif.)
	4221 656			MZ	RELAY, A/C Clutch Cutout
	4221 576			PD,CVJE	RELAY, A/C Clutch Cutout
	4221 576			HK,VC24	RELAY, A/C Clutch Cutout
	4221 549			Z-24	RELAY, A/C Clutch Cutout 2.2 High Perf.
	4221 691				RELAY, Top Control
	4221 279				RELAY, Automatic Shutdown
SOLENOIDS					
	4246 575				SOLENOID, Fuel Filler Door
	4246 500				SOLENOID, Liftgate Latch
	5226 352			MZ	SOLENOID, Quad. Vac.
SENSORS					
	4312 035			VC24	SENSOR, Tail Lamp Outage
	4312 108			VC24	SENSOR, Headlamp Outage
	5226 374				SENSOR, Coolant Temp. w/T.B.I. & Turbo.
	5213 629				SENSOR, Detonation

MODEL CODES
 B = GRAN FURY
 C = LE BARON/TOWN & COUNTRY/LIMO
 C24 = LASER
 C44 = LE BARON/GTS
 D = ARIES
 D44 = LANCER
 E = 600
 F = FIFTH AVENUE/NEWPORT
 G = DIPLOMAT
 H = VOYAGER
 J = CARAVELLE
 K = MINI VAN/CARAVAN/ROYAL
 M = HORIZON/TURISMO
 P = RELIANT
 T = NEW YORKER
 V = 600
 V24 = DAYTONA
 Z = OMNI/CHARGER

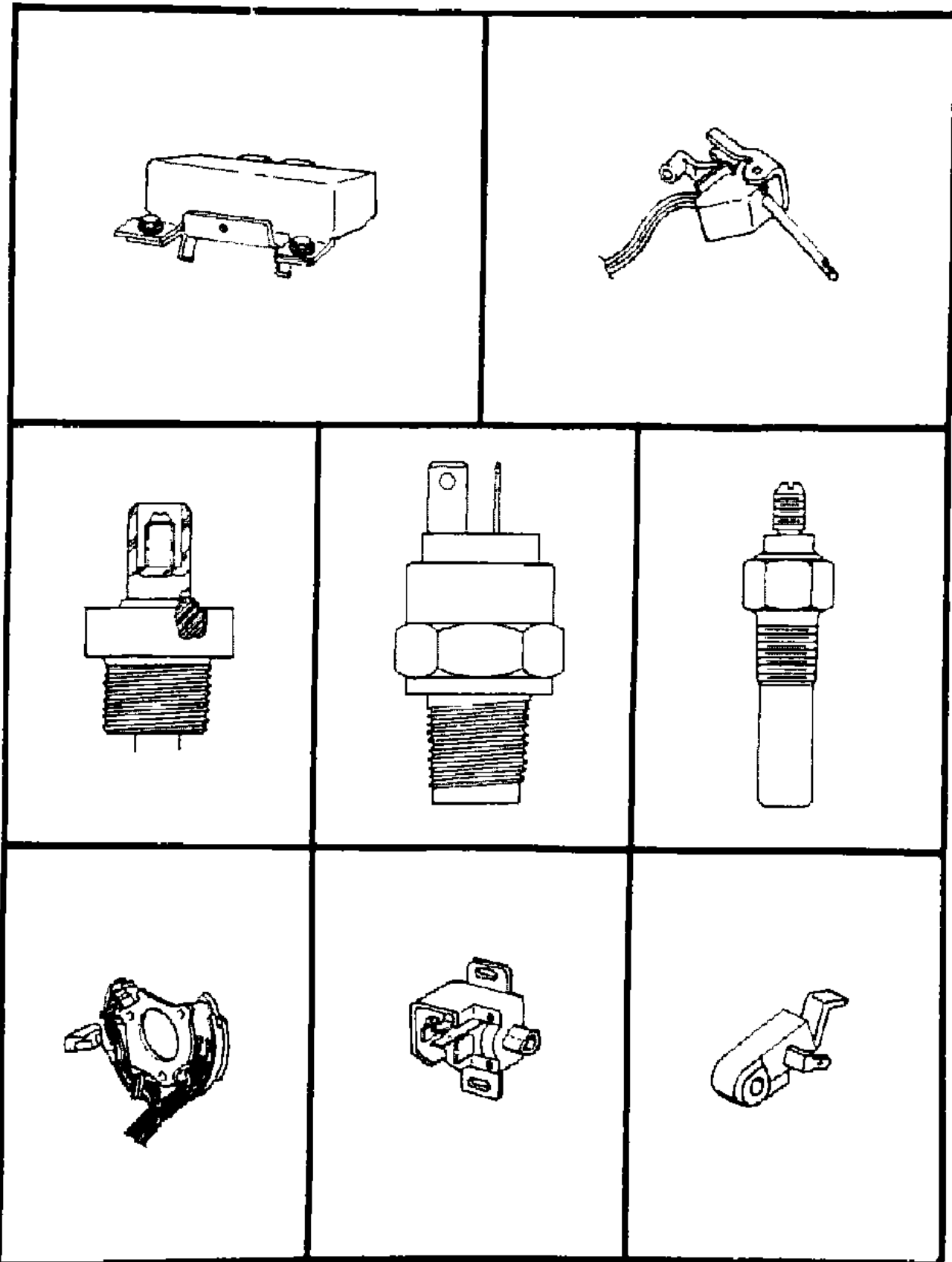
BODY STYLES
 21 = 2-DOOR SEDAN
 22 = 2-DOOR SPECIAL COUPE
 24 = 2-DOOR HATCHBACK
 27 = 2-DOOR CONVERTIBLE
 35 = FWD VAN
 36 = FWD WAGON
 41 = 4-DOOR SEDAN
 44 = 4-DOOR HATCHBACK
 45 = 4-DOOR STATION WAGON
 49 = LIMOUSINE

AR = Use as Required - = Non Illustrated Part P.A.R. = Paint as Required

SWITCHES--RELAYS--SOLENOIDS--SENSORS

Figure 8-100

5108 100



ITEM	PART NUMBER	QTY	BODY	MODEL	DESCRIPTION
	4318 118				SENSOR, Detonation w/Turbo.
	5226 356				SENSOR, Coolant Dual Therm.
	4267 281				SENSOR, Eng. Temp.
	4312 825			PDCV,JE	SENSOR, Ambient Temp. (Thermister) Outside Temp.
	5226 355			PDCVJET	SENSOR, Charge Temp. w/Gauge
	5226 355	M			
	MD07 3036			PDCV,JE	SENSOR, Oxygen 2.6 Eng.
	4301 346				2.2 Eng.
	4091 471			BFG	SENSOR, Eng. Temp.
	4222 920				SENSOR, Fuel Flow 2.6 Eng.
	4222 065				SENSOR, Fuel Flow 2.6 Eng.
	4312 032				SENSOR, Speed (Distance)
	4312 831			HK	SENSOR, Interlock
					SWITCHES
	3747 874			PD,BFG,	SWITCH, Amplifier Rr.
	3747 874			JET	SWITCH, Amplifier Rr.
	4221 452			CV24	SWITCH, Amplifier Rr.
	4221 587				SWITCH, Back Up Lamp 2.2L Eng. (Manual)
	4057 750			ALL	SWITCH, Back Up & Neutral Starter (a/Trans.)
	3620 790			ALL	SWITCH, Brake System Indicator Lamp
	5209 922			MZ24	SWITCH, Cargo Lamp
	4221 023			MZ44	SWITCH, Cargo Lamp
	4339 780				SWITCH, Fade Timer (Relay) Courtesy Lamp (LIMO)
	4221 696			MZ	SWITCH, Clutch Speed Control w/460 Trans.
	4221 416			MZ	SWITCH, Clutch Speed Control w/412 Trans.
	4221 697			PDCV,CV	SWITCH, Clutch Speed Control
	4221 697			DC44,J,	SWITCH, Clutch Speed Control
	4221 654			HK	SWITCH, Clutch Speed Control
	3747 154			PDCV,BF	SWITCH, Deck Lid Release
	3747 154			JET,BFG	SWITCH, Deck Lid Release
	4221 574			PDCV,HK	SWITCH, Door Ajar Front & Rear
	4221 574			DC44	SWITCH, Door Ajar Front & Rear
	4221 574			JET	SWITCH, Door Ajar Front & Rear
	4221 025			BFG	SWITCH, Door Ajar Frt. & Rr.
	4221 541			PD	SWITCH, Door Lock (Trim Panel Mtd.)
	3747 935			CV,HK,J	SWITCH, Door Lock (Arm Rest)
	4131 376			BFG	SWITCH, Door Lock (Arm Rest)

MODEL CODES
 B = GRAN FURY
 C = LE BARON/TOWN & COUNTRY/LIMO
 C24 = LASER
 C44 = LE BARON/GTS
 D = ARIES
 D44 = LANCER
 E = 600
 F = FIFTH AVENUE/NEWPORT
 G = DIPLOMAT
 H = VOYAGER
 J = CARAVELLE
 K = MINI VAN/CARAVAN/ROYAL
 M = HORIZON/TURISMO
 P = RELIANT
 T = NEW YORKER
 V = 600
 V24 = DAYTONA
 Z = OMNI/CHARGER

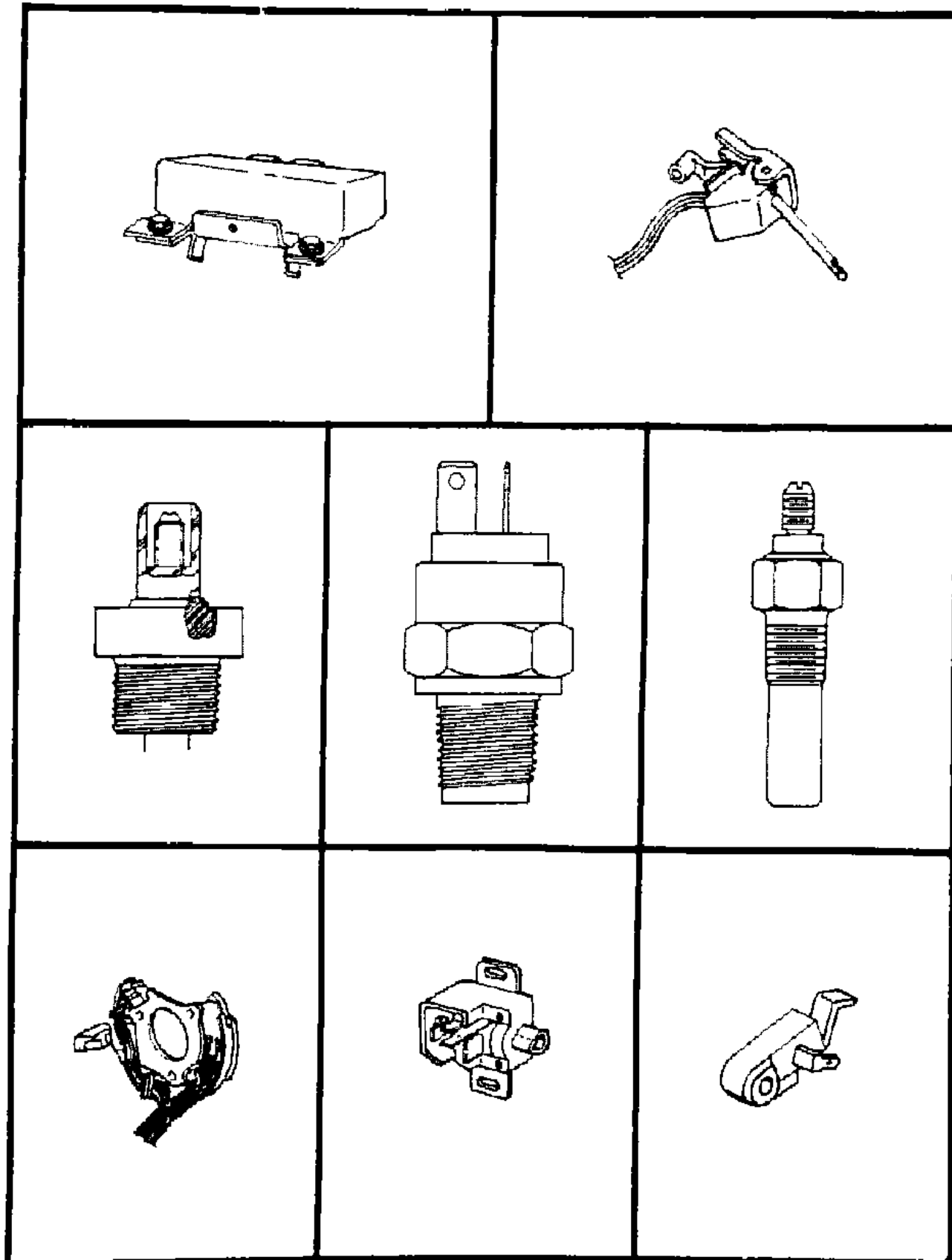
BODY STYLES
 21 = 2-DOOR SEDAN
 22 = 2-DOOR SPECIAL COUPE
 24 = 2-DOOR HATCHBACK
 27 = 2-DOOR CONVERTIBLE
 35 = FWD VAN
 36 = FWD WAGON
 41 = 4-DOOR SEDAN
 44 = 4-DOOR HATCHBACK
 45 = 4-DOOR STATION WAGON
 49 = LIMOUSINE

AR = Use as Required - = Non Illustrated Part P.A.R. = Paint as Required

SWITCHES--RELAYS--SOLENOIDS--SENSORS

Figure 8-100

5108 100



ITEM	PART NUMBER	QTY	BODY	MODEL	DESCRIPTION
	4221 254			MZ	SWITCH, Door Pillar
	4221 135			CV24	SWITCH, Door Lock
	4221 117			PD,CV,J	SWITCH, Door Pillar Front
	4221 387			HK,VC24	SWITCH, Door Pillar Front & Rr.Door Ajar
	3747 289			PD,CVJE	SWITCH, Door Pillar Rear
	4397 425			HK	SWITCH, Dome Lamp Override
	5209 985			MZ	SWITCH, Ebl.(Electric Backlite)
	4221 078			PD,CV,J	SWITCH, Ebl.
	3747 641			BFG	SWITCH, Ebl.
	4221 509			DC44	SWITCH, Ebl.
	4221 177			CV24	SWITCH, Ebl.
	4221 509			DC44	SWITCH, Ebl.
	4221 775			MZ	SWITCH, Fog Lamp (GLH)
	4339 780			LIMO	SWITCH, Fade Timer
	4111 482			BFG	SWITCH EGR, Charge Temp
				ALL	SWITCH, Eng. Temp.(See Engine Wiring Illus.)
	4221 023			MZ	SWITCH, Lift Gate Cargo (4 Door)
				PDC (45	SWITCH, Lift Gate Cargo (Serviced In Latch Assy.)
	5209 922			PDC (45	SWITCH, Lift Gate Ajar
	4221 818			HK	SWITCH, Lift Gate Open-Cargo & Dome
	4221 614			CV24,DC	SWITCH, Lift Gate Open-Cargo & Dome
	3747 079			MZ,BFG	SWITCH, Glove Box Lamp
	4221 625			PDCV,CV	SWITCH, Glove Box Lamp
	4221 625			JET	SWITCH, Glove Box Lamp
	5209 950			MZ	SWITCH, Hatch Release
	4221 223			MZ	SWITCH, Headlamp
	4221 405			PDCVHKB	SWITCH, Headlamp
	4221 405			JET	SWITCH, Headlamp
	4221 407			CV24	SWITCH, Headlamp
	4221 248			BFG	SWITCH, Headlamp
					SWITCH, Ignition Key (See Illus. 8-6000)
					SWITCH, Oil Press. (See Engine Wiring Illustrations)
	4221 463			PDCV,VC	SWITCH, Parking Brake
	4221 463			DC44,JE	SWITCH, Parking Brake
	3747 999			MZ,HK	SWITCH, Radiator Fan Air Temp. 2.2 & 2.6 Eng.
	3747 740			PD,CV,J	SWITCH, Seat Adjuster (60/40 Bench)
	3747 740			BFG	SWITCH, Seat Adjuster (60/40 Bench)

MODEL CODES

B = GRAN FURY	E = 600	M = HORIZON/TURISMO
C = LE BARON/TOWN & COUNTRY/LIMO	F = FIFTH AVENUE/NEWPORT	P = RELIANT
C24 = LASER	G = DIPLOMAT	T = NEW YORKER
C44 = LE BARON/GTS	H = VOYAGER	V = 600
D = ARIES	J = CARAVELLE	V24 = DAYTONA
D44 = LANCER	K = MINI VAN/CARAVAN/ROYAL	Z = OMNI/CHARGER

BODY STYLES

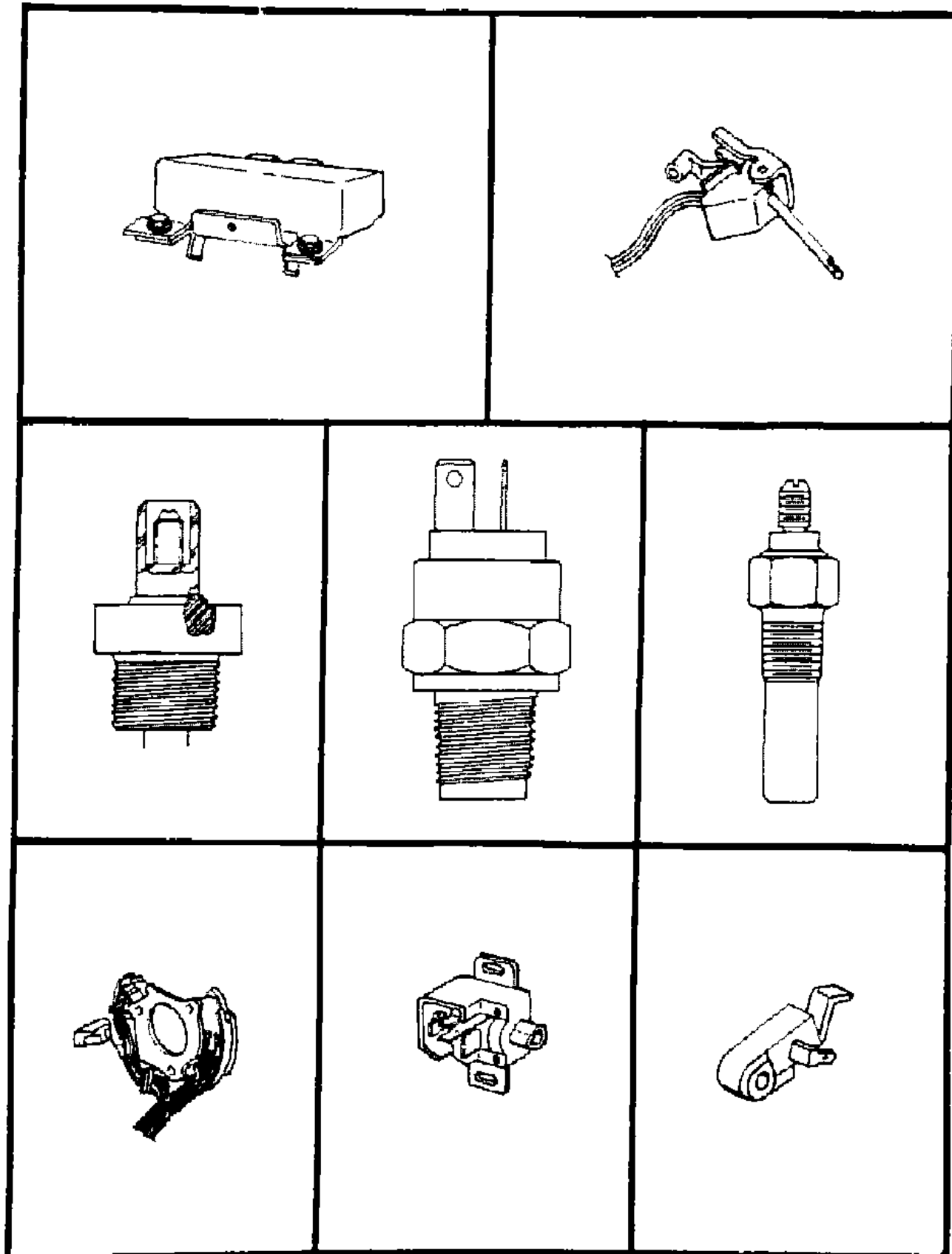
21 = 2-DOOR SEDAN	35 = FWD VAN	44 = 4-DOOR HATCHBACK
22 = 2-DOOR SPECIAL COUPE	36 = FWD WAGON	45 = 4-DOOR STATION WAGON
24 = 2-DOOR HATCHBACK	41 = 4-DOOR SEDAN	49 = LIMOUSINE
27 = 2-DOOR CONVERTIBLE		

AR = Use as Required - = Non Illustrated Part P.A.R. = Paint as Required

SWITCHES--RELAYS--SOLENOIDS--SENSORS

Figure 8-100

5108 100



ITEM	PART NUMBER	QTY	BODY	MODEL	DESCRIPTION
	3747 957			BFG	SWITCH, Seat Adjuster (60/40 Bench Right 4 Way)
	2926 275			MZBFG,H	SWITCH, Stop Lamp
	4293 920			MZBFG,	SWITCH, Stop Lamp w/Speed Control
	4318 753			PDCV,DC	SWITCH, Stop Lamp, w/Speed Control (2-Wire)
	4318 753			JET	SWITCH, Stop Lamp, w/Speed Control
	4221 438			MZ,BFG	SWITCH, Stop Lamp Speed Control
	4221 651			PDCV,CV	SWITCH, Stop Lamp Speed Control (6-Wire)
	4221 651			JET,DC	SWITCH, Stop Lamp Speed Control
	4221 434			HK	SWITCH, Stop Lamp Speed Control
	4293 920			HK	SWITCH, Stop Lamp w/o Speed Control
	5209 922			PD,CV,J	SWITCH, Trunk Ajar
	4221 346			CV24	SWITCH, Trans. Oil Press. SWITCH, Turn Signal & Hazard Warning
	4221 339			MZ	w/o Cornering Lamp
	4221 680				w/o Cornering Lamp w/o Tilt (All Except M,Z)
	4221 682				w/o Cornering Lamp w/o Tilt(All Except M,Z)
	4221 304				w/o Cornering Lamp w/ Tilt (All Except M,Z)
	4221 485			HK,BFG	w/ Tilt (All Except M,Z)
	4221 305			PD,CVJE	w/ Cornering Lamp, w/Tilt
	4221 344				SWITCH, Vacuum Audible Message (2.2L Eng.)
	4221 767				SWITCH, Vacuum Audible Message (Tbi Eng.)
	4221 514			PD,DC44	SWITCH, Window Lift (Trim Mtd. Single)
	4221 539			PD	SWITCH, Window Lift (Trim Mtd. 2 Gang)
	4221 515			PD,DC44	SWITCH, Window Lift (Trim Mtd. 5 Gang)
	3747 935			CV,JET,	SWITCH, Window Lift (Arm Rest Single)
	4221 133			CV,JET	SWITCH, Window Lift (Arm Rest 5 Gang)
	4131 376			BFG	SWITCH, Window Lift (Arm Rest Single)
	4131 377			BFG	SWITCH, Window Lift (Arm Rest 5 Gang)
					SWITCH, Windshield Wiper
	5209 863			MZ	2 Speed
	4221 282			MZ	w/Intermittent, w/o Tilt
	3747 914			PD,CV,J	2 Speed w/o Tilt
	3747 914			DC44	2 Speed w/o Tilt
	4221 232			PD,CV,J	w/Intermittent, w/o Tilt
	4221 232			CV24,DC	w/Intermittent, w/o Tilt
	4221 233			PD,CV,J	w/Intermittent w/ Tilt
	4221 233			CV24,DC	w/Intermittent w/ Tilt

MODEL CODES

B = GRAN FURY	E = 600	M = HORIZON/TURISMO
C = LE BARON/TOWN & COUNTRY/LIMO	F = FIFTH AVENUE/NEWPORT	P = RELIANT
C24 = LASER	G = DIPLOMAT	T = NEW YORKER
C44 = LE BARON/GTS	H = VOYAGER	V = 600
D = ARIES	J = CARAVELLE	V24 = DAYTONA
D44 = LANCER	K = MINI VAN/CARAVAN/ROYAL	Z = OMNI/CHARGER

BODY STYLES

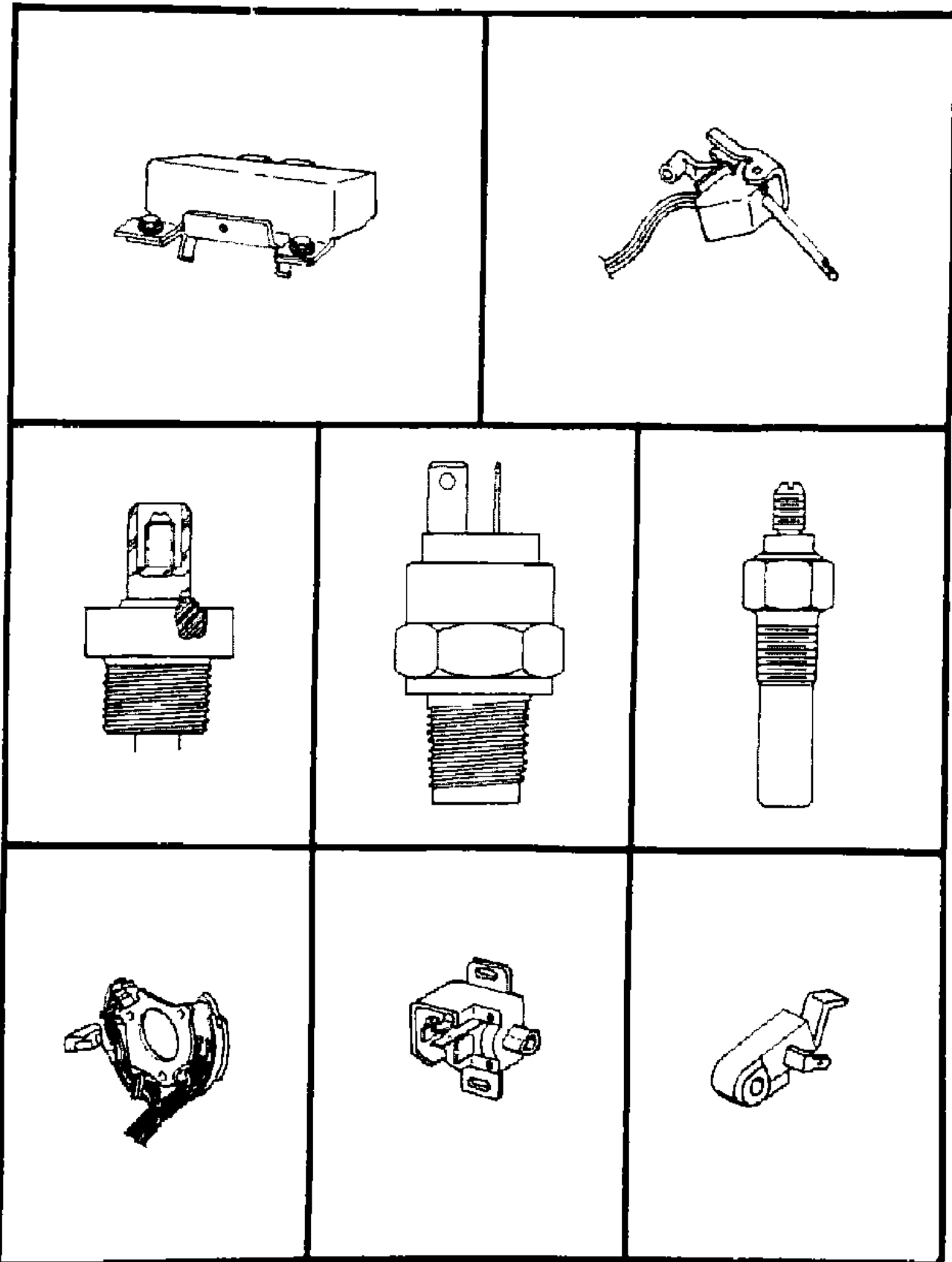
21 = 2-DOOR SEDAN	35 = FWD VAN	44 = 4-DOOR HATCHBACK
22 = 2-DOOR SPECIAL COUPE	36 = FWD WAGON	45 = 4-DOOR STATION WAGON
24 = 2-DOOR HATCHBACK	41 = 4-DOOR SEDAN	49 = LIMOUSINE
27 = 2-DOOR CONVERTIBLE		

AR = Use as Required - = Non Illustrated Part P.A.R. = Paint as Required

SWITCHES--RELAYS--SOLENOIDS--SENSORS

Figure 8-100

5108 100



ITEM	PART NUMBER	QTY	BODY	MODEL	DESCRIPTION
	4221 500			BFG,HK	2 Speed, w/o Tilt
	4221 486			BFG,HK	w/Intermittent, w/Tilt
	5209 875			MZ	SWITCH, Wiper & Washer (Rear)
	4221 180			VC-24	SWITCH, Wiper & Washer (Rear)
	4221 510			DC44	SWITCH, Wiper & Washer (Rear)
	4221 080			PDC	SWITCH, Wiper & Washer (Rear)
	4221 389			HK	SWITCH, Wiper & Washer (Rear)

MODEL CODES
 B = GRAN FURY
 C = LE BARON/TOWN & COUNTRY/LIMO
 C24 = LASER
 C44 = LE BARON/GTS
 D = ARIES
 D44 = LANCER
 E = 600
 F = FIFTH AVENUE/NEWPORT
 G = DIPLOMAT
 H = VOYAGER
 J = CARAVELLE
 K = MINI VAN/CARAVAN/ROYAL
 M = HORIZON/TURISMO
 P = RELIANT
 T = NEW YORKER
 V = 600
 V24 = DAYTONA
 Z = OMNI/CHARGER

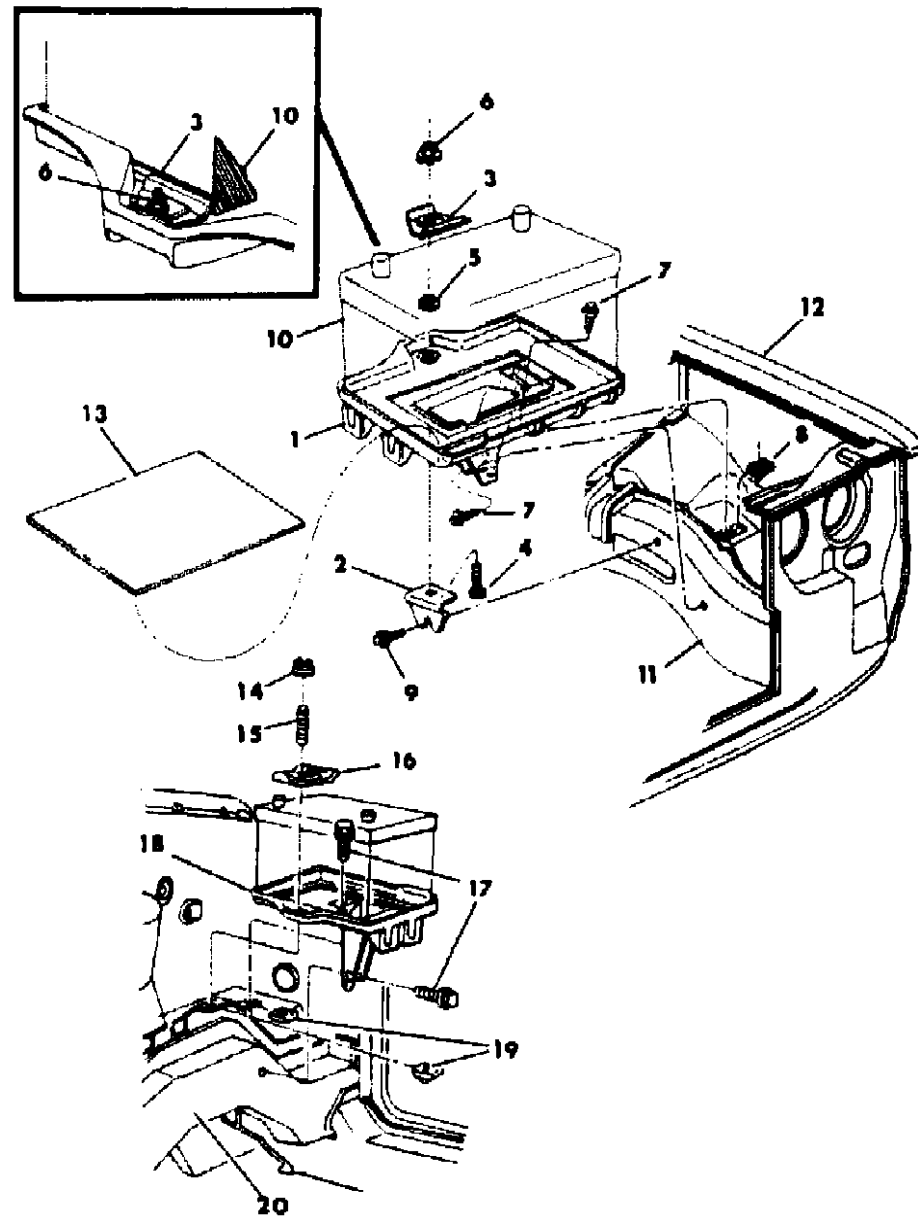
BODY STYLES
 21 = 2-DOOR SEDAN
 22 = 2-DOOR SPECIAL COUPE
 24 = 2-DOOR HATCHBACK
 27 = 2-DOOR CONVERTIBLE
 35 = FWD VAN
 36 = FWD WAGON
 41 = 4-DOOR SEDAN
 44 = 4-DOOR HATCHBACK
 45 = 4-DOOR STATION WAGON
 49 = LIMOUSINE

AR = Use as Required - = Non Illustrated Part P.A.R. = Paint as Required

BATTERY TRAY MZ-PDCV-VC24-DC44-HK-JET

Figure 8-200

5108 200



ITEM	PART NUMBER	QTY	BODY	MODEL	DESCRIPTION
1	5202 590	1		MZ	TRAY, Battery
	4296 452	1		PDVC,DC	TRAY, Battery
2	4103 775	1		PDVC,DC	BRACKET, Battery Hold Down
3	5202 576	1		PDVC,DC	RETAINER, Battery
4	6101 013	1		PDVC,DC	BOLT, Retainer
5				PDVC,DC	PUSH NUT, (Not Serv.)
6	6100 050	1		PDVC,DC	NUT and WASHER
7	6500 354	2		PDVC,DC	BOLT, Tray Attaching
8	6029 355	1		MZ	U-NUT
	6101 283	1		PDVC,DC	U-NUT
9	6100 583	1		PDVC,DC	SCREW and WASHER
10				PDVC,DC	BATTERY, (See Mopar Battery Catalog)
11				PDVC,DC	SIDE RAIL
12				PDVC,DC	FENDER
13	4296 145	1		ALL	SHIELD, w/Speed Control
14	6100 050	1		MZ,HK	NUT and WASHER
15		1		HK	STUD, (Not Serv.)
16	5202 576	1		MZ,HK	RETAINER
17	6500 300	2		MZ,HK,D	SCREW
18	4270 215	1		HK	TRAY, Battery
19	6101 283	1		HK	U-NUT
20				HK	SIDE RAIL

MODEL CODES

B = GRAN FURY	E = 600	M = HORIZON/TURISMO
C = LE BARON/TOWN & COUNTRY/LIMO	F = FIFTH AVENUE/NEWPORT	P = RELIANT
C24 = LASER	G = DIPLOMAT	T = NEW YORKER
C44 = LE BARON/GTS	H = VOYAGER	V = 600
D = ARIES	J = CARAVELLE	V24 = DAYTONA
D44 = LANCER	K = MINI VAN/CARAVAN/ROYAL	Z = OMNI/CHARGER

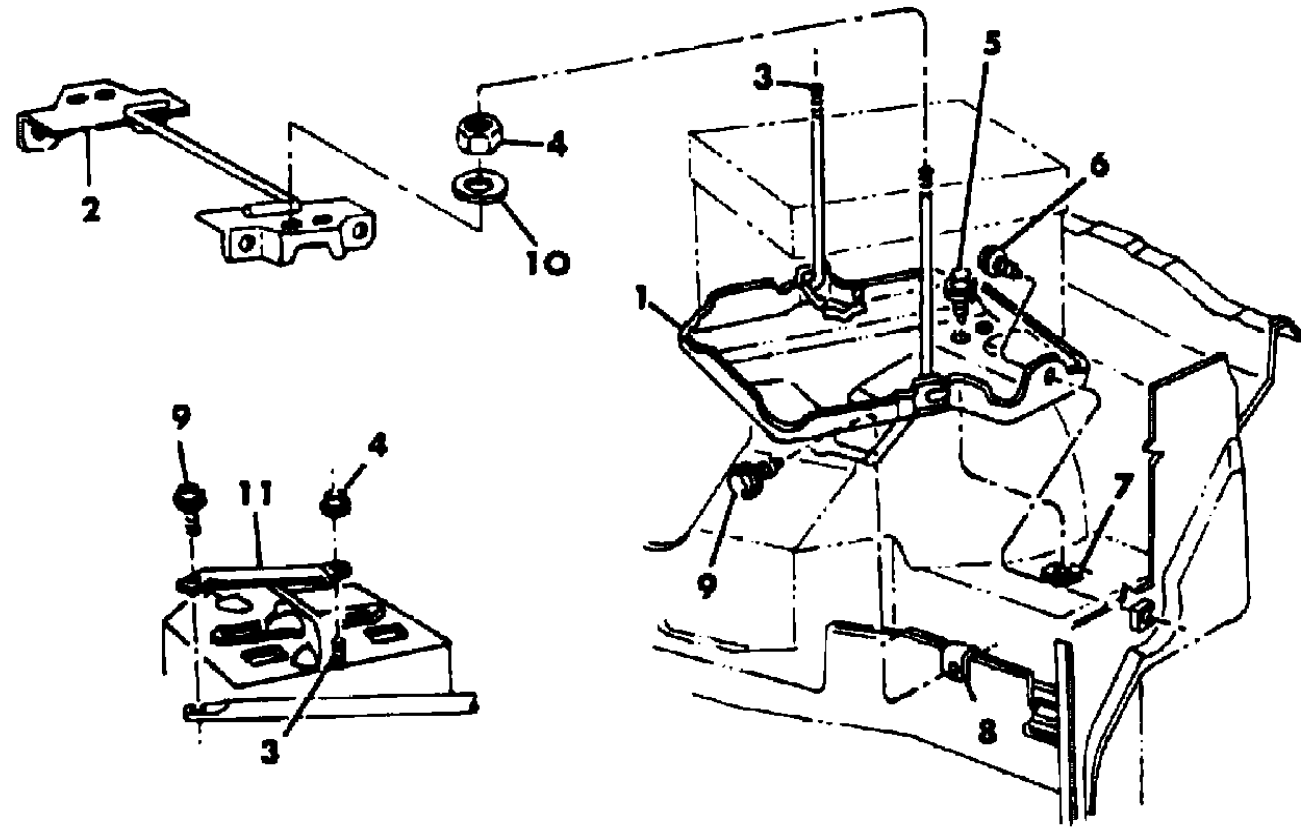
BODY STYLES

21 = 2-DOOR SEDAN	35 = FWD VAN	44 = 4-DOOR HATCHBACK
22 = 2-DOOR SPECIAL COUPE	36 = FWD WAGON	45 = 4-DOOR STATION WAGON
24 = 2-DOOR HATCHBACK	41 = 4-DOOR SEDAN	49 = LIMOUSINE
27 = 2-DOOR CONVERTIBLE		

AR = Use as Required - = Non Illustrated Part P.A.R. = Paint as Required

BATTERY TRAY B-F-G
Figure 8-300

5108 300



ITEM	PART NUMBER	QTY	BODY	MODEL	DESCRIPTION
1	4005 179	1			TRAY, Battery
2	3491 736	1			STRAP, Battery Hold Down
3	6032 836	2			BOLT, Hold Down Strap
4	0152 360	2			NUT and WASHER
5	6026 823	1			SCREW and WASHER
6	0181 063	AR			SCREW and WASHER
7	0153 294	AR			NUT
8	6029 324	1			U-NUT
9		2			SCREW and WASHER, (Not Serv.)
10		1			WASHER, (Not Serv.)
11	4005 182	1			STRUT, Battery Hold Down to Fender
	4005 185	1			SLEEVE, Battery Hold Down to Fender Strut H.D.

MODEL CODES

B = GRAN FURY	E = 600	M = HORIZON/TURISMO
C = LE BARON/TOWN & COUNTRY/LIMO	F = FIFTH AVENUE/NEWPORT	P = RELIANT
C24 = LASER	G = DIPLOMAT	T = NEW YORKER
C44 = LE BARON/GTS	H = VOYAGER	V = 600
D = ARIES	J = CARAVELLE	V24 = DAYTONA
D44 = LANCER	K = MINI VAN/CARAVAN/ROYAL	Z = OMNI/CHARGER

BODY STYLES

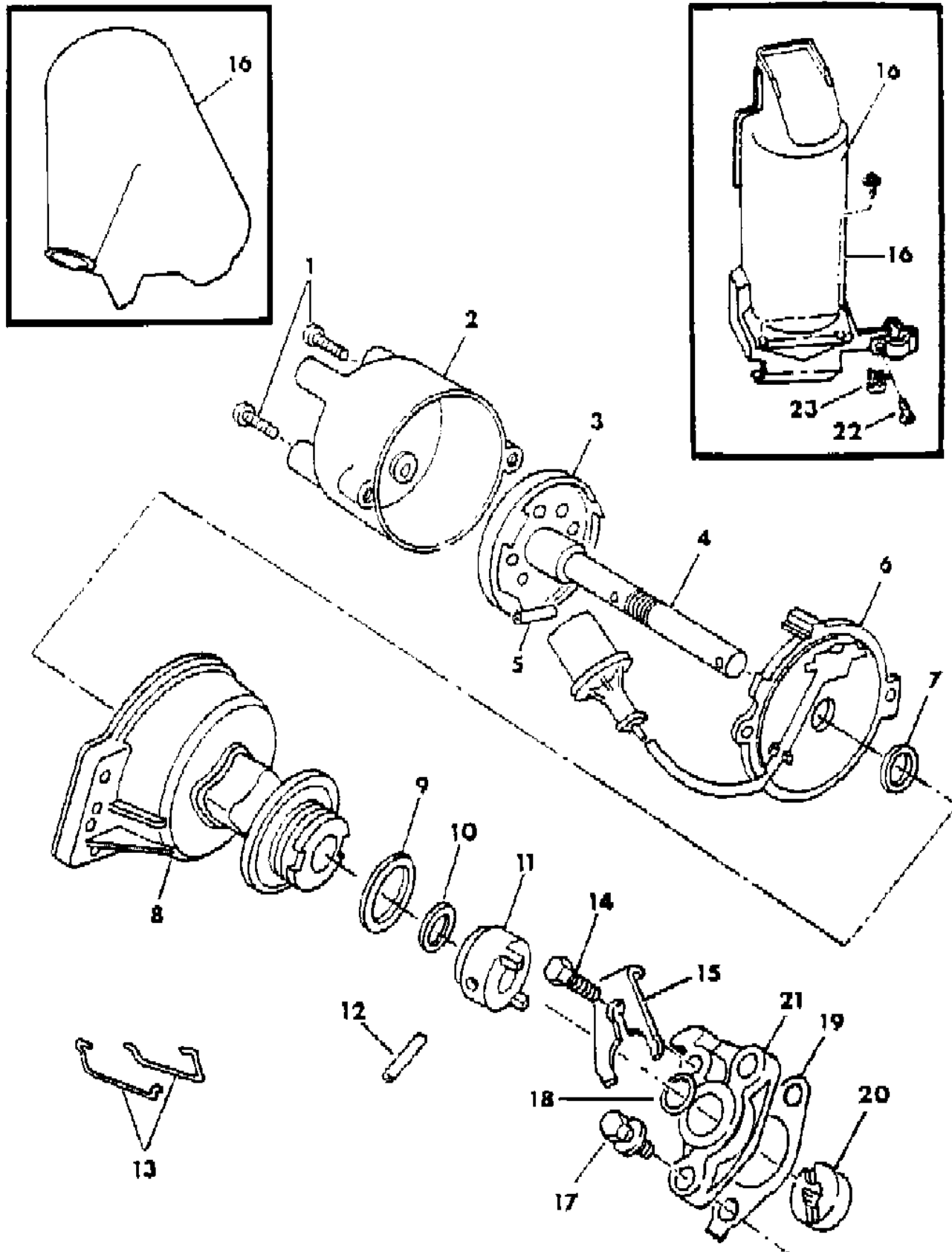
21 = 2-DOOR SEDAN	35 = FWD VAN	44 = 4-DOOR HATCHBACK
22 = 2-DOOR SPECIAL COUPE	36 = FWD WAGON	45 = 4-DOOR STATION WAGON
24 = 2-DOOR HATCHBACK	41 = 4-DOOR SEDAN	49 = LIMOUSINE
27 = 2-DOOR CONVERTIBLE		

AR = Use as Required - = Non Illustrated Part P.A.R. = Paint as Required

DISTRIBUTOR 1.6 ENGINE

Figure 8-400

5108 400



ITEM	PART NUMBER	QTY	BODY	MODEL	DESCRIPTION
A	5213 575				DISTRIBUTOR
1	6500 077				SCREW, Cap
2	4240 446				CAP
3	5213 728				ROTOR
4					SHAFT, (Serv. in Assy.)
5					PIN, (Serv. in Assy.)
6	5213 522				SWITCH, w/Plate
7					WASHER, (Not Serv.)
8					HOUSING, (Not Serv.)
9	6031 594				O-RING, Insert Large
	6031 196				O-RING, (Insert Small)
10					WASHER, Shaft (Not Serv.)
11					COUPLING or GEAR, (Not Serv.)
12					PIN, (Not Serv.)
13	5206 261				SPRING, Switch Plate Retainer
14					SCREW, Clamp
15	4273 834				CLAMP, Hold Down
16	4273 822				SHIELD, Splash
17	4273 832				SCREW, Support Mtg.
18	4273 820				GASKET, Support
19	4273 831				GASKET, Support Mtg.
20	4273 821				HUB, Drive
21	4273 830				SUPPORT, Drive
22					SCREW, Conn. Clamp (Not Serv.)
23					J-NUT, Conn. Clamp (Not Serv.)

MODEL CODES

B = GRAN FURY	E = 600	M = HORIZON/TURISMO
C = LE BARON/TOWN & COUNTRY/LIMO	F = FIFTH AVENUE/NEWPORT	P = RELIANT
C24 = LASER	G = DIPLOMAT	T = NEW YORKER
C44 = LE BARON/GTS	H = VOYAGER	V = 600
D = ARIES	J = CARAVELLE	V24 = DAYTONA
D44 = LANCER	K = MINI VAN/CARAVAN/ROYAL	Z = OMNI/CHARGER

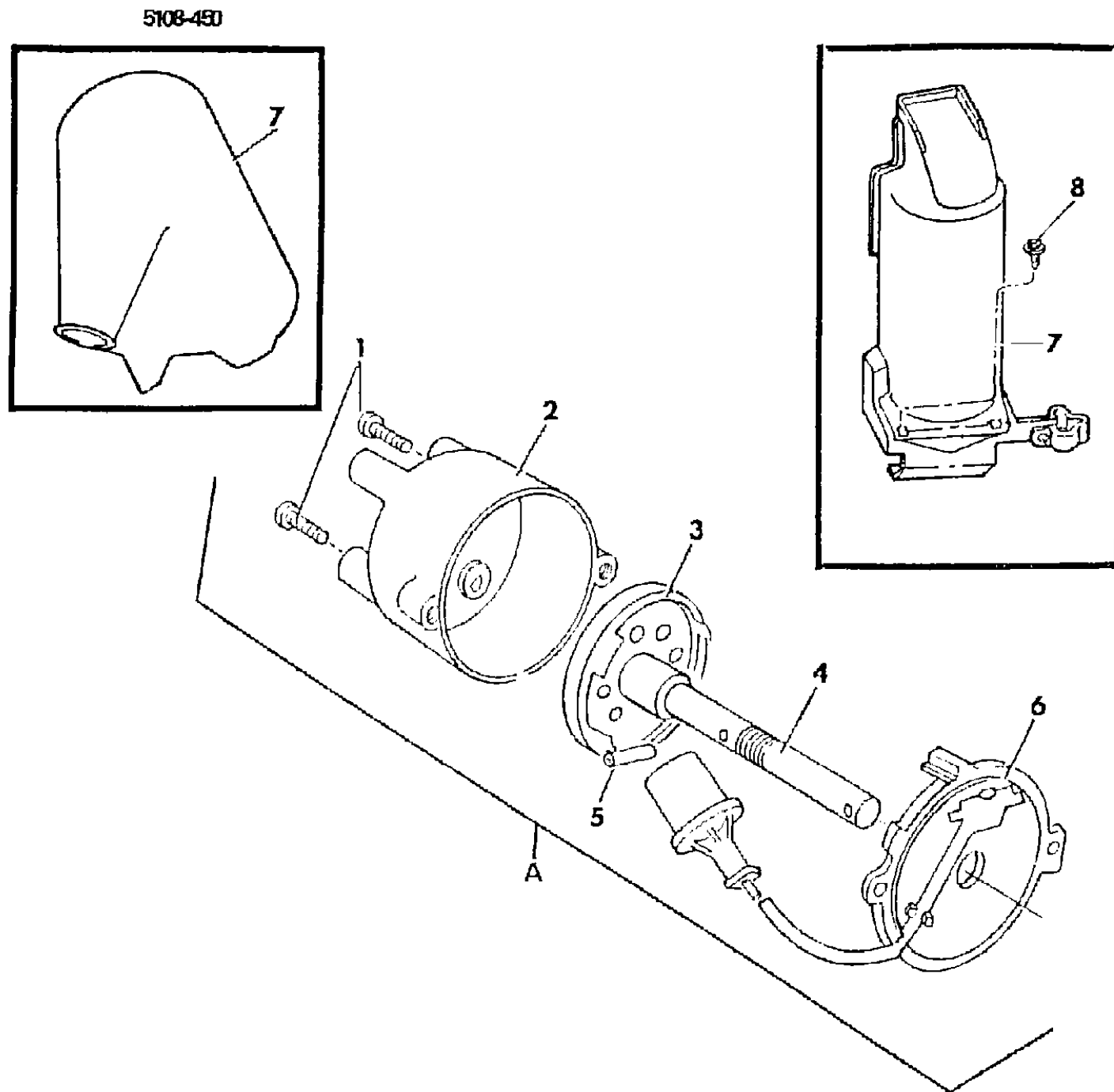
BODY STYLES

21 = 2-DOOR SEDAN	35 = FWD VAN	44 = 4-DOOR HATCHBACK
22 = 2-DOOR SPECIAL COUPE	36 = FWD WAGON	45 = 4-DOOR STATION WAGON
24 = 2-DOOR HATCHBACK	41 = 4-DOOR SEDAN	49 = LIMOUSINE
27 = 2-DOOR CONVERTIBLE		

AR = Use as Required - = Non Illustrated Part P.A.R. = Paint as Required

DISTRIBUTOR 2.2 ENGINE

Figure 8-450



ITEM	PART NUMBER	QTY	BODY	MODEL	DESCRIPTION
A	#5213 525				DISTRIBUTOR, Turbo (Dual Switch) Partial
	5226 575				DISTRIBUTOR, T.B.I.(Single Switch)
1	6500 077				SCREW, Cap
2	#4240 446				CAP, Dist., (Use w/Dist. 5213525)
	5226 546				(Use w/Dist. 5226575)
3	#5213 728				ROTOR, Dist. (Use w/Dist. 5213525)
	5213 728				(Use w/Dist. 5226525)
4					SHAFT, (Serv. in Assy.)
5					PIN, (Serv. in Assy.)
6	#				SWITCH, w/Plate
	5213 524				(Use w/Dist. 5213525)
	5227 271				(Use w/Dist. 5226575)
7	#5213 378				SHIELD, Dist. Splash
8	6500 703				SCREW, Dist. Splash

MODEL CODES

B = GRAN FURY	E = 600	M = HORIZON/TURISMO
C = LE BARON/TOWN & COUNTRY/LIMO	F = FIFTH AVENUE/NEWPORT	P = RELIANT
C24 = LASER	G = DIPLOMAT	T = NEW YORKER
C44 = LE BARON/GTS	H = VOYAGER	V = 600
D = ARIES	J = CARAVELLE	V24 = DAYTONA
D44 = LANCER	K = MINI VAN/CARAVAN/ROYAL	Z = OMNI/CHARGER

BODY STYLES

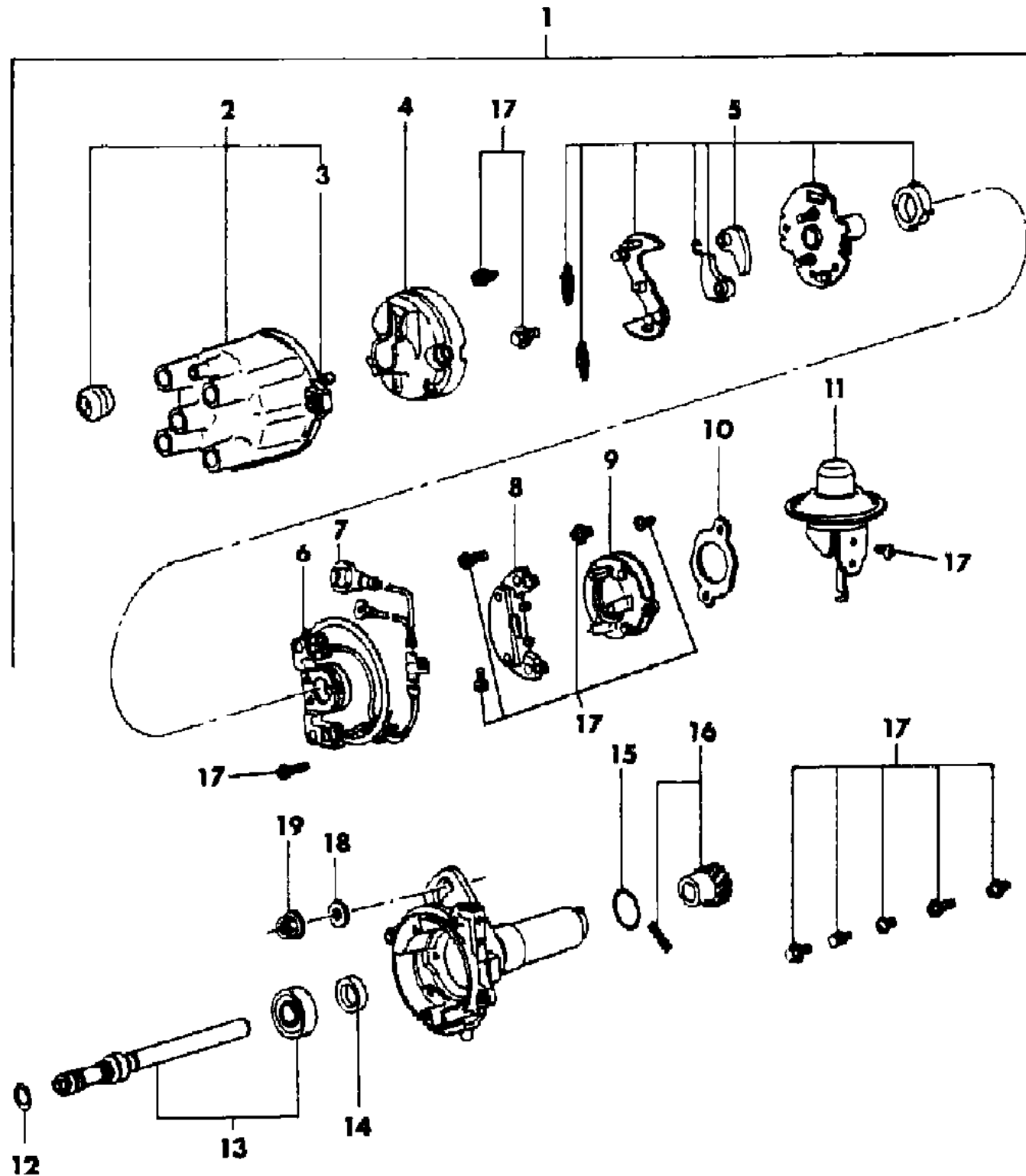
21 = 2-DOOR SEDAN	35 = FWD VAN	44 = 4-DOOR HATCHBACK
22 = 2-DOOR SPECIAL COUPE	36 = FWD WAGON	45 = 4-DOOR STATION WAGON
24 = 2-DOOR HATCHBACK	41 = 4-DOOR SEDAN	49 = LIMOUSINE
27 = 2-DOOR CONVERTIBLE		

AR = Use as Required - = Non Illustrated Part P.A.R. = Paint as Required

DISTRIBUTOR 2.6 ENGINE

Figure 8-500

5108 500



ITEM	PART NUMBER	QTY	BODY	MODEL	DESCRIPTION
1	MD06 7134	1		Exc. HK	DISTRIBUTOR, Ignition
	MD06 6251	1		HK	Calif. & High Alt.
	MD06 6251	1			Canada, Exc. Limo
	MD06 7134	1			Canada, Limo
	MD01 3792	1		HK	Exc. Calif. & High Alt.
2	MD60 7466	1			CAP
3	MD60 2757	1			CONTACT
4	MD60 7734	1			ROTOR
5	MD60 7474	1		HK	GOVERNOR, Advance Exc. Calif. & High Alt.
	MD60 7886	1		All	
6	MD60 7770	1			PICK-UP and PLATE
7	MD60 7771	1			WIRE, Lead
8	MD60 7478	1			IGNITER
9	MD60 7470	1			BREAKER
10	MD60 7359	1			PLATE
11	MD60 7475	1		HK	CONTROL, Vacuum Calif. & High Alt.
	MD60 7476	1		HK	Exc. Calif. & High Alt.
	MD60 7475	1			Canada, Exc. Limo
	MD60 7885	1			Canada, Limo
	MD60 7885	1			Exc. HK
12	MD60 7472	1			WASHER, Shaft
13	MD60 7468	1			SHAFT
14	MD60 7405	1			SEAL, Shaft Oil
15	MD60 2412	1			O-RING, Housing
16	#MD60 7226	1			COUPLING, Shaft
17	MD60 7469	1			SCREW SET
18	MD00 1521	1			WASHER, Hold-Down
19	#MF43 4104	1			NUT, Hold-Down

MODEL CODES

B = GRAN FURY	E = 600	M = HORIZON/TURISMO
C = LE BARON/TOWN & COUNTRY/LIMO	F = FIFTH AVENUE/NEWPORT	P = RELIANT
C24 = LASER	G = DIPLOMAT	T = NEW YORKER
C44 = LE BARON/GTS	H = VOYAGER	V = 600
D = ARIES	J = CARAVELLE	V24 = DAYTONA
D44 = LANCER	K = MINI VAN/CARAVAN/ROYAL	Z = OMNI/CHARGER

BODY STYLES

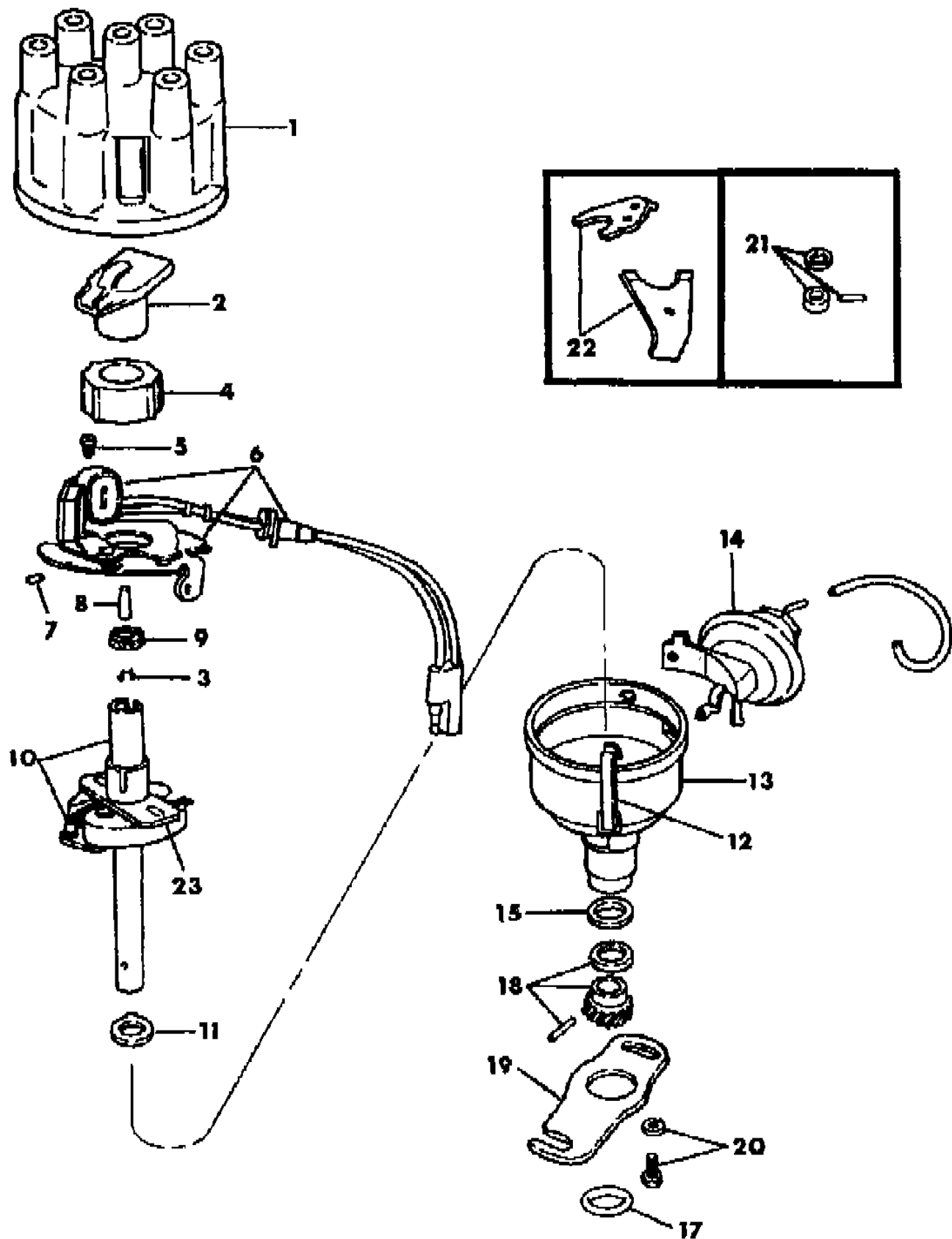
21 = 2-DOOR SEDAN	35 = FWD VAN	44 = 4-DOOR HATCHBACK
22 = 2-DOOR SPECIAL COUPE	36 = FWD WAGON	45 = 4-DOOR STATION WAGON
24 = 2-DOOR HATCHBACK	41 = 4-DOOR SEDAN	49 = LIMOUSINE
27 = 2-DOOR CONVERTIBLE		

AR = Use as Required - = Non Illustrated Part P.A.R. = Paint as Required

DISTRIBUTOR 318 ENGINE

Figure 8-600

5108 600A



ITEM	PART NUMBER	QTY	BODY	MODEL	DESCRIPTION
A	4145 754				DISTRIBUTOR, Dual Pick-Up, Prod. # 4145753
	4091 142				Single Pick-Up, Prod. # 4091142
	4289 840				4289839 (Serv. Only)
1	4111 640				CAP
2	3874 401				ROTOR
3					SNAP RING, w/Wick
4	3656 017				RELUCTOR
5	6026 763				SCREW
6	4145 239				PICK-UP and PLATE, Dual, w/4145754
	4091 147				Single, w/4091142
7	9417 599				PIN, 3/8
8	9414 521				PIN, 9/16
9	2642 988				SPACER, w/4091142
10					SHAFT, (Serv. in Assy.)
11	2875 028				SEAL, Housing
12	1838 508				SPRING
13					HOUSING and BEARING, (Serv. in Assy.)
14	3755 474				CONTROL, w/4091142
15					GASKET, Mtg. Oil Ring
17	2875 923				O-RING, Hsg.
18					GEAR and PIN PACKAGE
19					ARM, (Serv. in Assy.)
20	0181 088				SCREW, w/Washer, w/4091142
21	2932 988				COLLAR, PIN and WASHER PKG.
22	#4343 950				CLAMP
23					WEIGHT, Governor (Not Serv.)

MODEL CODES

B = GRAN FURY	E = 600	M = HORIZON/TURISMO
C = LE BARON/TOWN & COUNTRY/LIMO	F = FIFTH AVENUE/NEWPORT	P = RELIANT
C24 = LASER	G = DIPLOMAT	T = NEW YORKER
C44 = LE BARON/GTS	H = VOYAGER	V = 600
D = ARIES	J = CARAVELLE	V24 = DAYTONA
D44 = LANCER	K = MINI VAN/CARAVAN/ROYAL	Z = OMNI/CHARGER

BODY STYLES

21 = 2-DOOR SEDAN	35 = FWD VAN	44 = 4-DOOR HATCHBACK
22 = 2-DOOR SPECIAL COUPE	36 = FWD WAGON	45 = 4-DOOR STATION WAGON
24 = 2-DOOR HATCHBACK	41 = 4-DOOR SEDAN	49 = LIMOUSINE
27 = 2-DOOR CONVERTIBLE		

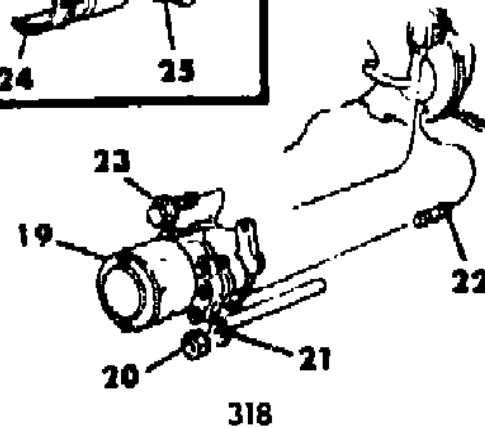
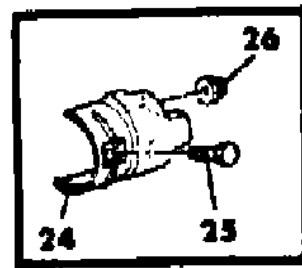
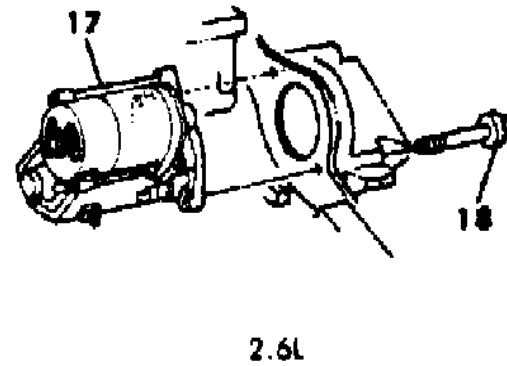
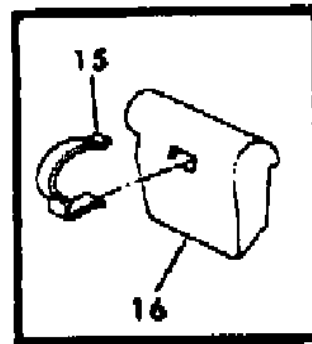
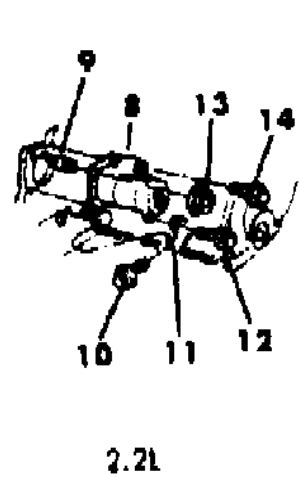
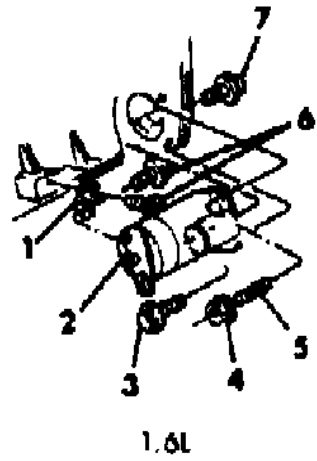
AR = Use as Required - = Non Illustrated Part P.A.R. = Paint as Required

STARTER INSTALLATIONS

Figure 8-700

5108 700

ITEM	PART NUMBER	QTY	BODY	MODEL	DESCRIPTION
1	5213 303	1		1.6L	BRACKET, Starter Mounting
2	5213 301	1		1.6L	MOTOR, Starter
3	6500 573	1		1.6L	SCREW, w/Washer
4	6101 362	1		1.6L	NUT, w/Washer
5	6500 952	1		1.6L	STUD
6	6500 276	2		1.6L	SCREW, w/Washer
7	6500 639	1		1.6L	SCREW, w/Washer
8	5213 045	1		2.2L	MOTOR, Starter
	5213 450	1		2.2L	"TURBO" ENG.
9	6500 522	1		2.2L	STUD
10	6500 486	1		2.2L	SCREW, w/Washer
11	5213 757	1		2.2L	BRACKET, Starter Mounting
12	6500 276	1		2.2L	SCREW, w/Washer
13	6101 318	1		2.2L	NUT, w/Washer
14	6500 278	2		2.2L	SCREW, w/Washer
15	4140 768	1		2.2L	CLIP, Starter Heat Shield
16	4140 428	1		2.2L	SHIELD, Starter Heat
17	MD02 5235	1		2.6L	MOTOR, Starter
18	#MF14 0271	2		2.6L	BOLT
19	4145 360	1		318	MOTOR, Starter
20	0272 235	1		318	NUT
21		1		318	WASHER, (Not Serv.)
22	2095 875	1		318	STUD
23	6023 899	1		318	SCREW, w/Washer
24	4140 724	1		318	SHIELD, Starter Heat
25	6028 921	1		318	BOLT
26	9420 867	2		318	NUT, Stamped
	5213 737	1		MZ,HK	RELAY, Starter
	5226 138	1		PDCVJET	



MODEL CODES

B = GRAN FURY	E = 600	M = HORIZON/TURISMO
C = LE BARON/TOWN & COUNTRY/LIMO	F = FIFTH AVENUE/NEWPORT	P = RELIANT
C24 = LASER	G = DIPLOMAT	T = NEW YORKER
C44 = LE BARON/GTS	H = VOYAGER	V = 600
D = ARIES	J = CARAVELLE	V24 = DAYTONA
D44 = LANCER	K = MINI VAN/CARAVAN/ROYAL	Z = OMNI/CHARGER

BODY STYLES

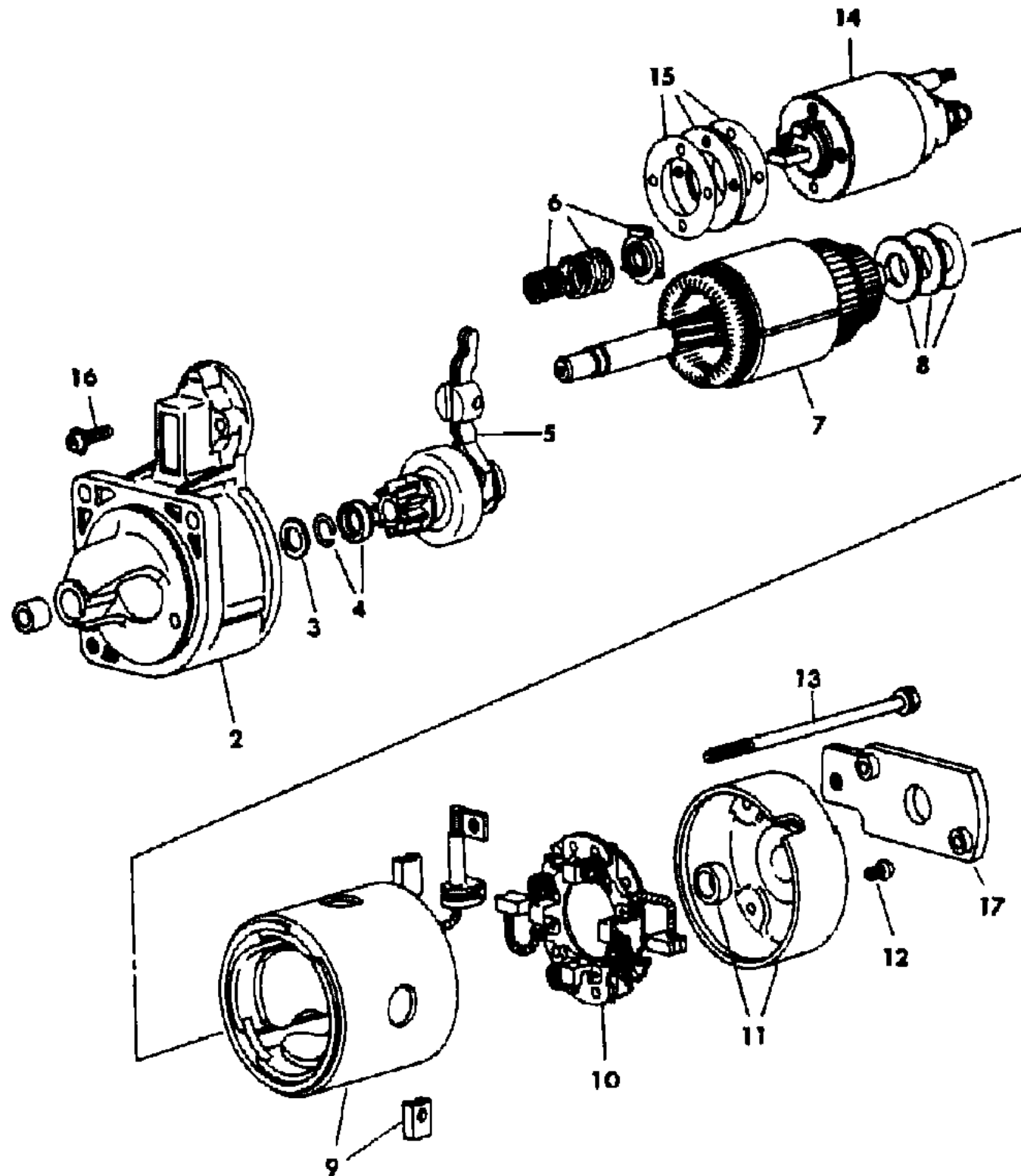
21 = 2-DOOR SEDAN	35 = FWD VAN	44 = 4-DOOR HATCHBACK
22 = 2-DOOR SPECIAL COUPE	36 = FWD WAGON	45 = 4-DOOR STATION WAGON
24 = 2-DOOR HATCHBACK	41 = 4-DOOR SEDAN	49 = LIMOUSINE
27 = 2-DOOR CONVERTIBLE		

AR = Use as Required - = Non Illustrated Part P.A.R. = Paint as Required

STARTER 1.6 ENGINE

Figure 8-800

5108 800



ITEM	PART NUMBER	QTY	BODY	MODEL	DESCRIPTION
1	5213 301	1			STARTER
2	5213 770	1			BRACKET, Starter
3	5213 773				STOPPER SET, Starter
4	5213 774	1			CLUTCH and BRACKET
5	5213 776	1			LEVER ASSEMBLY
6	5213 779	1			SPRING SET
7	5213 780	1			ARMATURE
8	5213 781	1			WASHER SET
9	5213 782	1			YOKE SET and POSITIVE BRUSH HOLDER
10	5213 785	1			BRUSH HOLDER and BRUSHES
11	5213 788	1			BRACKET, Rear
12	5213 792	2			HOLDER, Brush Screw (M5)
13	5213 793	2			BOLT, Thru (M6)
14	5213 794	1			SWITCH, Magnetic
15	5213 795	1			PACKING SET
16	5213 796	2			SCREW, Magnetic Switch (M6)
17	5213 797	1			SUPPORT

MODEL CODES

B = GRAN FURY	E = 600	M = HORIZON/TURISMO
C = LE BARON/TOWN & COUNTRY/LIMO	F = FIFTH AVENUE/NEWPORT	P = RELIANT
C24 = LASER	G = DIPLOMAT	T = NEW YORKER
C44 = LE BARON/GTS	H = VOYAGER	V = 600
D = ARIES	J = CARAVELLE	V24 = DAYTONA
D44 = LANCER	K = MINI VAN/CARAVAN/ROYAL	Z = OMNI/CHARGER

BODY STYLES

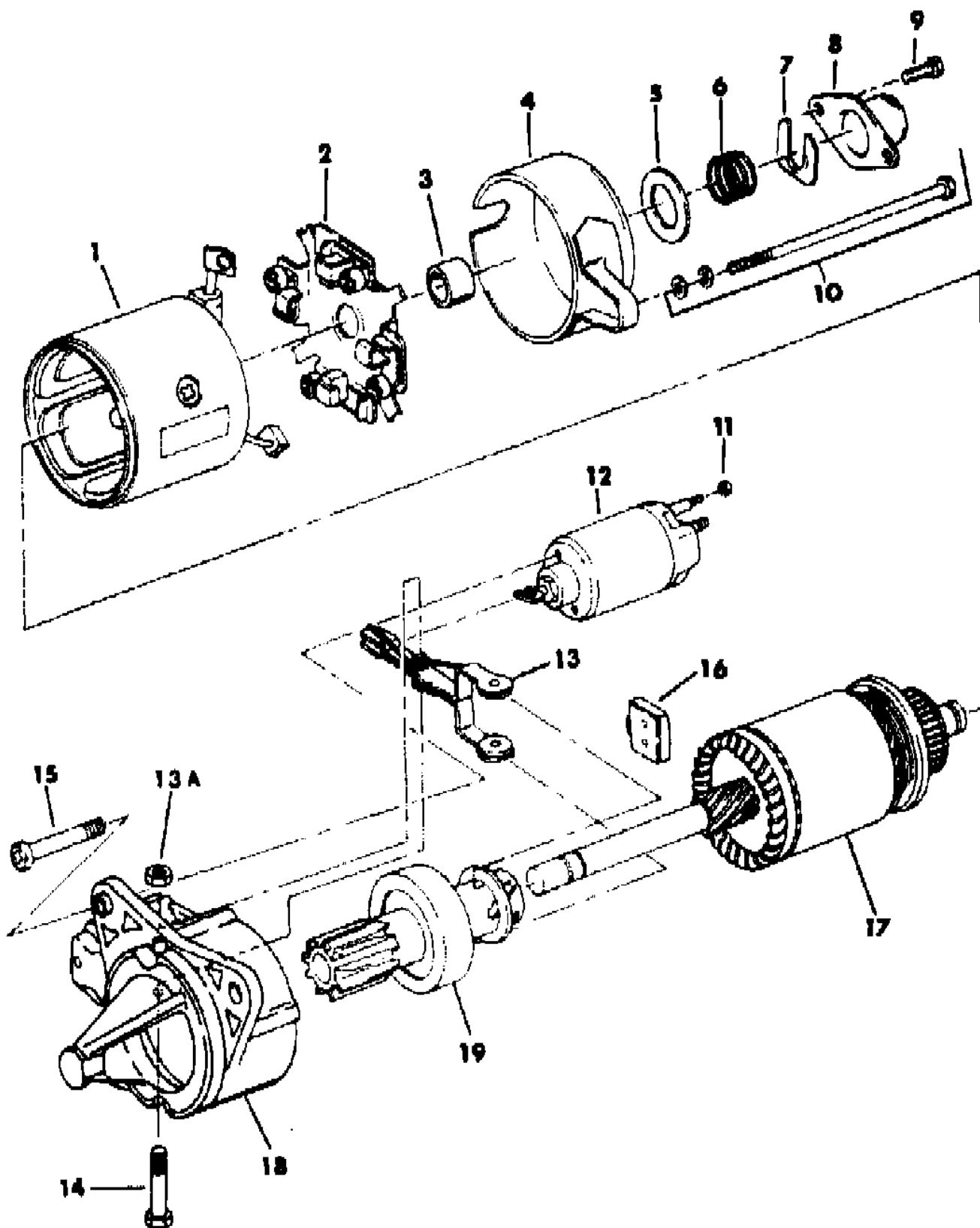
21 = 2-DOOR SEDAN	35 = FWD VAN	44 = 4-DOOR HATCHBACK
22 = 2-DOOR SPECIAL COUPE	36 = FWD WAGON	45 = 4-DOOR STATION WAGON
24 = 2-DOOR HATCHBACK	41 = 4-DOOR SEDAN	49 = LIMOUSINE
27 = 2-DOOR CONVERTIBLE		

AR = Use as Required - = Non Illustrated Part P.A.R. = Paint as Required

STARTER COMPONENTS 2.2 ENGINE CHRYSLER NO. 5213190 (NIPPONDENSO)

Figure 8-900

5108 900



ITEM	PART NUMBER	QTY	BODY	MODEL	DESCRIPTION
1	5213 311	1			FIELD FRAME
2	5206 634	1			BRUSH HOLDER
3					BEARING, End Head (Serv. In 5213312 Pkg.)
4	5213 312	1			HEAD, End. w/Brg.
5	5213 317				SEAL, (Serv.in 5206640 Armature Brake Pkg.)
6					SPRING, (Serv.in 5206640 Armature Brake Pkg.)
7					PLATE, (Serv. in 5206640 Armature Brake Pkg.)
8	5213 315	1			COVER, Bearing
9					SCREW, (Serv. in 5206640 Armature Brake Pkg.)
10	5206 642	2			BOLT THRU
11	5206 645	1			NUT PACKAGE
12	5213 875	1			SOLENOID
	5213 316				NUT, Solenoid
13	5213 873	1			LEVER, Shifting Fork
13A	5206 646	1			NUT, Shifting Fork Lever
14	5206 643	1			PIN, Fork Shift Lever
15	5206 644	2			SCREW, Solenoid
16	5206 637	1			SEAL PACKAGE
17	5206 631	1			ARMATURE
18	5213 872	1			HOUSING PACKAGE
19	5213 850	1			CLUTCH PACKAGE
	5206 966	1			SNAP RING, (Not Shown)

MODEL CODES

B = GRAN FURY	E = 600	M = HORIZON/TURISMO
C = LE BARON/TOWN & COUNTRY/LIMO	F = FIFTH AVENUE/NEWPORT	P = RELIANT
C24 = LASER	G = DIPLOMAT	T = NEW YORKER
C44 = LE BARON/GTS	H = VOYAGER	V = 600
D = ARIES	J = CARAVELLE	V24 = DAYTONA
D44 = LANCER	K = MINI VAN/CARAVAN/ROYAL	Z = OMNI/CHARGER

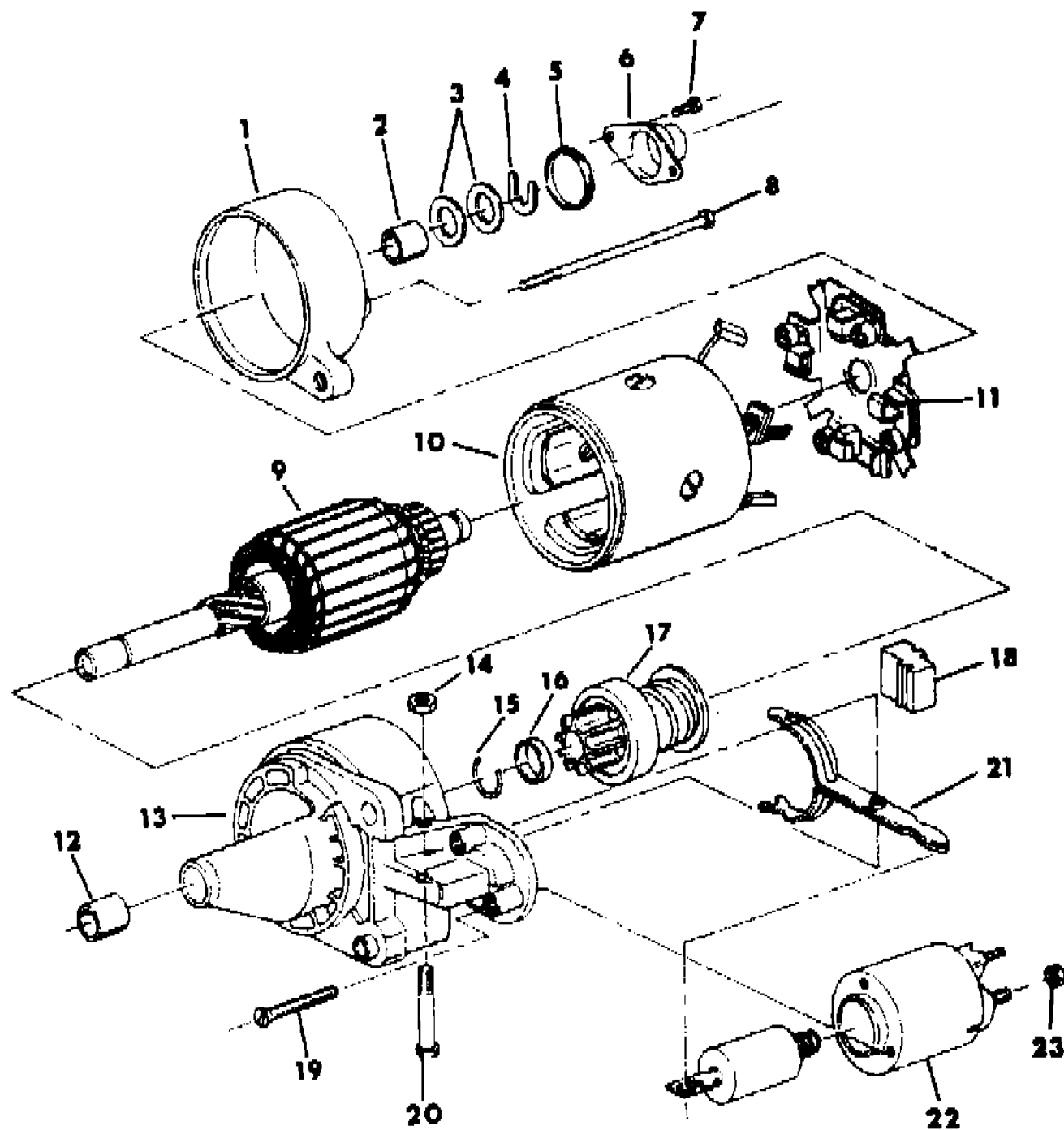
BODY STYLES

21 = 2-DOOR SEDAN	35 = FWD VAN	44 = 4-DOOR HATCHBACK
22 = 2-DOOR SPECIAL COUPE	36 = FWD WAGON	45 = 4-DOOR STATION WAGON
24 = 2-DOOR HATCHBACK	41 = 4-DOOR SEDAN	49 = LIMOUSINE
27 = 2-DOOR CONVERTIBLE		

AR = Use as Required - = Non Illustrated Part P.A.R. = Paint as Required

STARTER COMPONENTS 2.2 ENGINE 5213045 & 5213450
Figure 8-1000

51081000



ITEM	PART NUMBER	QTY	BODY	MODEL	DESCRIPTION
1	5206 606	1			HEAD, End
2	5206 610	1			BEARING, End Head
3	5213 392				SHIM PACKAGE
4	5213 393	1			WASHER, Retaining
5					SEAL, (Serv.in Seal Pkg. 5213387)
6	5206 612				COVER, Bearing
7	5213 396				SCREW, Bearing Cover
8	5206 613				BOLT THRU
	5213 390				Washer, Thru Bolt
9	5213 383				ARMATURE
10	5213 385				FIELD FRAME
11	5206 605	1			BRUSH HOLDER
12	5213 388	1			BEARING, Housing
13	5213 382	1			HOUSING
14	5213 391	1			NUT, Fork Shift Lever
15					SNAP RING, (Serv. in Shim Pkg. 5213392)
16					SEAL, (Serv. in Seal Pkg. 5213387)
17	5213 384	1			CLUTCH
18		1			SEAL, (Serv. in Seal Pkg. 5213387)
19	5206 615	1			SCREW, Solenoid
20	5206 628	1			PIN, Shift Fork Lever
21	5206 609	1			LEVER, Shift Fork
22	5206 607	1			SOLENOID
23	5206 616				NUT, Connecting Terminal

MODEL CODES
 B = GRAN FURY
 C = LE BARON/TOWN & COUNTRY/LIMO
 C24 = LASER
 C44 = LE BARON/GTS
 D = ARIES
 D44 = LANCER
 E = 600
 F = FIFTH AVENUE/NEWPORT
 G = DIPLOMAT
 H = VOYAGER
 J = CARAVELLE
 K = MINI VAN/CARAVAN/ROYAL
 M = HORIZON/TURISMO
 P = RELIANT
 T = NEW YORKER
 V = 600
 V24 = DAYTONA
 Z = OMNI/CHARGER

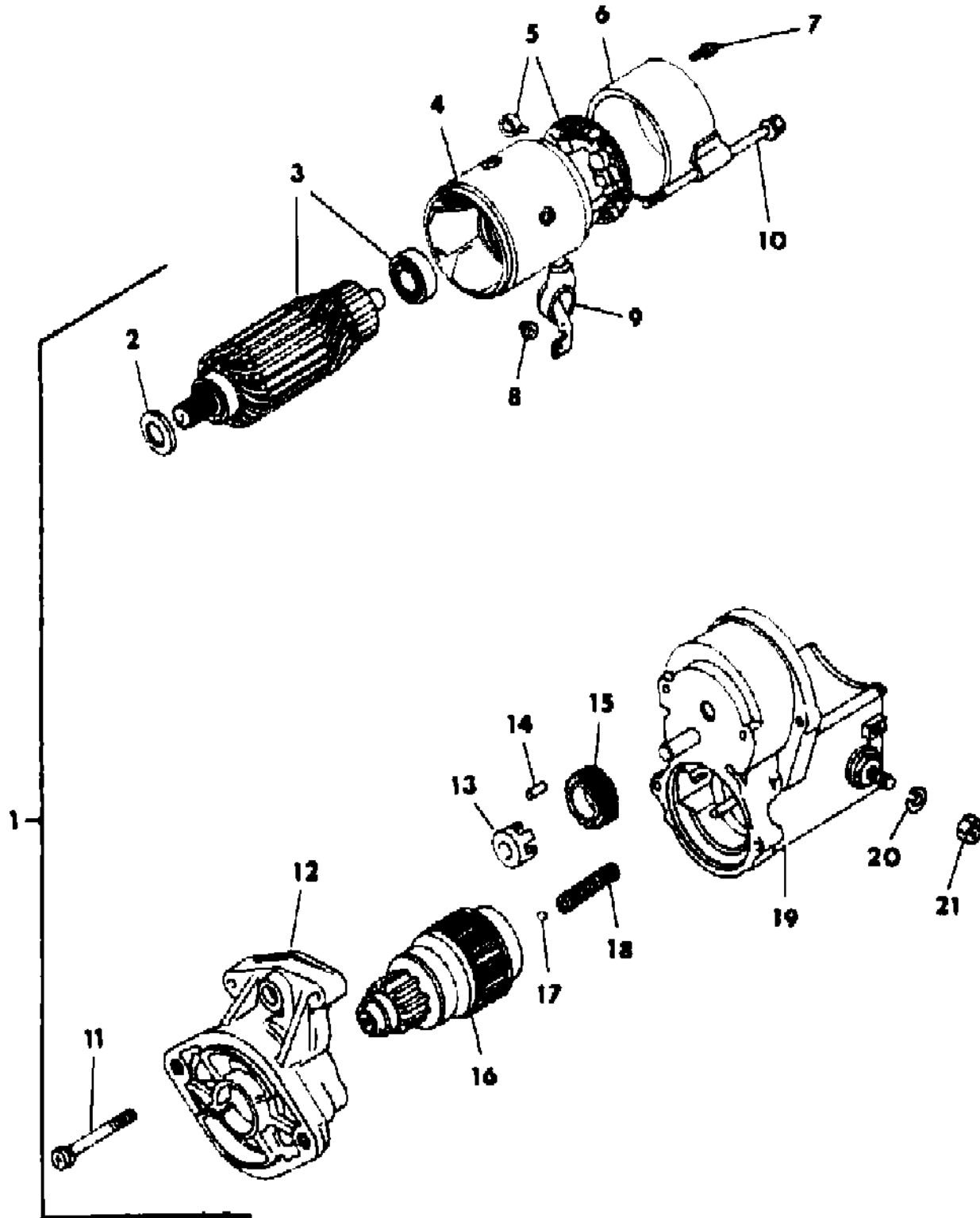
BODY STYLES
 21 = 2-DOOR SEDAN
 22 = 2-DOOR SPECIAL COUPE
 24 = 2-DOOR HATCHBACK
 27 = 2-DOOR CONVERTIBLE
 35 = FWD VAN
 36 = FWD WAGON
 41 = 4-DOOR SEDAN
 44 = 4-DOOR HATCHBACK
 45 = 4-DOOR STATION WAGON
 49 = LIMOUSINE

AR = Use as Required - = Non Illustrated Part P.A.R. = Paint as Required

STARTER COMPONENTS 2.6 ENGINE

Figure 8-1100

5108 1100



ITEM	PART NUMBER	QTY	BODY	MODEL	DESCRIPTION
1	MD02 5235	1			STARTER
2	MD60 4325	1			WASHER, FELT
3	MD60 4318	1			ARMATURE ASSEMBLY
4	MD60 4317	1			YOKE ASSEMBLY
5	MD60 4322	1			HOLDER ASSEMBLY
6	MD60 4333	1			FRAME ASSEMBLY
7	MD60 4335	2			SCREW, w/Washer
8	MD60 4330	1			NUT
9	MD60 4327	1			CAP, Terminal (Rubber)
10	MD60 4326	2			BOLT, w/Washer
11	MD60 4328	2			SCREW, w/Washer
12	MD60 4320	1			HOUSING, Sub Assy.
13	MD60 4332	1			RETAINER
14	MD60 4336	5			ROLLER, Clutch
15	MD60 4324	1			PINION
16	MD60 4319	1			CLUTCH SUB ASSEMBLY
17	MD60 4323	1			BALL, Steel
18	MD60 4334	1			SPRING
19	MD60 4321	1			SWITCH, Magnetic (Solenoid)
20	MD60 4329	1			WASHER, Spring
21	MD60 4331	1			NUT, Hexagon
	MF14 0271	2			BOLT, Flange (10x65)

MODEL CODES

B = GRAN FURY	E = 600	M = HORIZON/TURISMO
C = LE BARON/TOWN & COUNTRY/LIMO	F = FIFTH AVENUE/NEWPORT	P = RELIANT
C24 = LASER	G = DIPLOMAT	T = NEW YORKER
C44 = LE BARON/GTS	H = VOYAGER	V = 600
D = ARIES	J = CARAVELLE	V24 = DAYTONA
D44 = LANCER	K = MINI VAN/CARAVAN/ROYAL	Z = OMNI/CHARGER

BODY STYLES

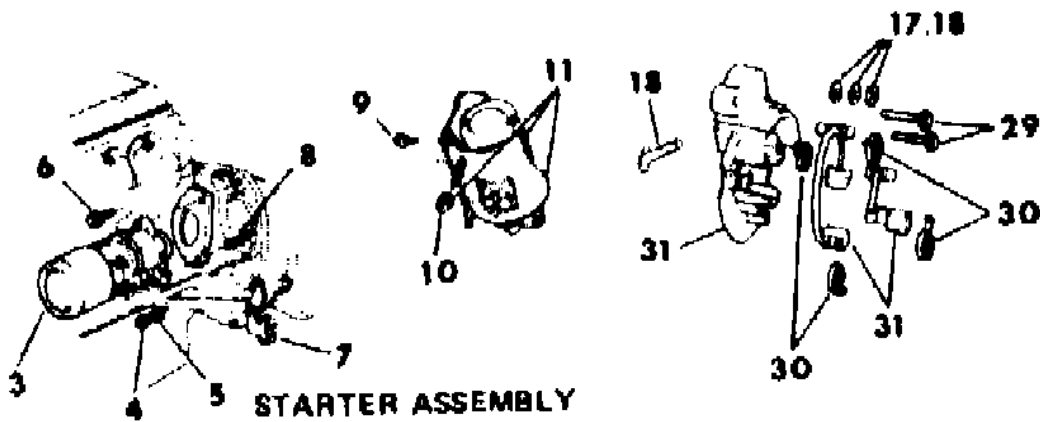
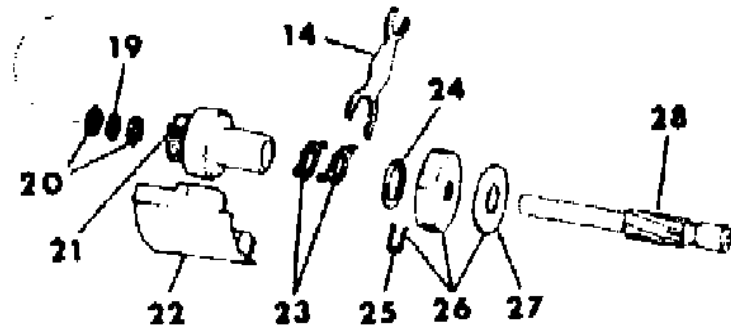
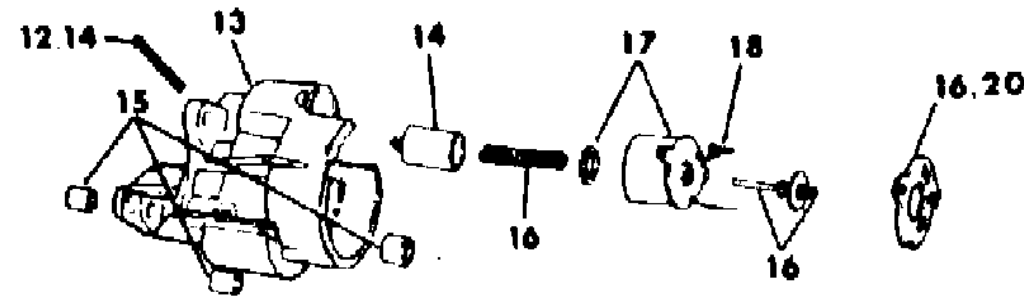
21 = 2-DOOR SEDAN	35 = FWD VAN	44 = 4-DOOR HATCHBACK
22 = 2-DOOR SPECIAL COUPE	36 = FWD WAGON	45 = 4-DOOR STATION WAGON
24 = 2-DOOR HATCHBACK	41 = 4-DOOR SEDAN	49 = LIMOUSINE
27 = 2-DOOR CONVERTIBLE		

AR = Use as Required - = Non Illustrated Part P.A.R. = Paint as Required

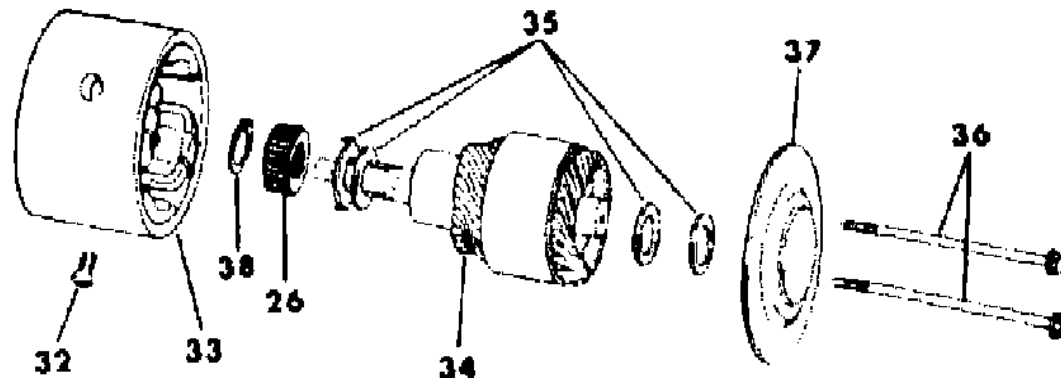
STARTER 318 ENGINE CHRYSLER NO. 4145360

Figure 8-1200

5108 1200



STARTER ASSEMBLY



ITEM	PART NUMBER	QTY	BODY	MODEL	DESCRIPTION
3	4145 360	1			STARTER
4	0272 235	1			NUT
5					WASHER, (Not Serv.)
6	6023 899	1			SCREW and WASHER
7					BRACKET, Oil Cooler Tube
8	2095 875	1			STUD, Mtg. 7/16 x 2.00
9	6023 092	2			SCREW and WASHER
10	6025 001	1			NUT and WASHER
11	4140 724	1			SHIELD STARTER
12	2095 133	1			PIN, Shifting Fork Pivot
13	3755 261	1			HOUSING and BEARING, Gear
14	4057 940	1			CORE and SHIFTING FORK PACKAGE
15	3874 817	2			BEARING, Pinion Housing
	3874 818	1			Bearing, Gear Housing
16	2932 814	2			CONTACT and SPRING PACKAGE
17	3837 337	1			SOLENOID PACKAGE
	2875 558	1			Seal, Solenoid
18	3579 193	1			STUD PACKAGE
19	6022 006	1			RING, Pinion Shaft Ret.
20	2275 558	1			THRUST WASHER and RETAINER RING PACKAGE
21	4145 978	1			CLUTCH ASSEMBLY
	4240 449	1			CLUTCH and SHIFTING FORK PACKAGE
22	2095 116	1			COVER, Gear Housing
23	2275 556				ACTUATOR, Starter Clutch
24	2095 130	1			RING, Clutch Actuator Ret.
25	2095 117	1			SNAP RING, Pinion Shaft Gear Ret.
26	4106 092	1			GEAR and RING PACKAGE, w/4145360 Starter
	4026 347	1			GEAR, Starter Repair Pkg., Armature w/4145360 Starter
27	3755 256	1			WASHER, Pinion Shaft Gear w/4145360 Starter
28	4091 914	1			SHAFT, Pinion
29	0153 468	2			SCREW and WASHER
30	2084 666	1			SPRING PACKAGE
31	3874 345	1			BRUSH HOLDER
32	6030 160	4			SCREW, 3/8-16.66
33	4111 959	1			FRAME and FIELD, 4145360 Starter
34	3837 334	1			ARMATURE, w/4145360 Starter
35	3837 340	1			THRUST WASHER PACKAGE

MODEL CODES

B = GRAN FURY	E = 600	M = HORIZON/TURISMO
C = LE BARON/TOWN & COUNTRY/LIMO	F = FIFTH AVENUE/NEWPORT	P = RELIANT
C24 = LASER	G = DIPLOMAT	T = NEW YORKER
C44 = LE BARON/GTS	H = VOYAGER	V = 600
D = ARIES	J = CARAVELLE	V24 = DAYTONA
D44 = LANCER	K = MINI VAN/CARAVAN/ROYAL	Z = OMNI/CHARGER

BODY STYLES

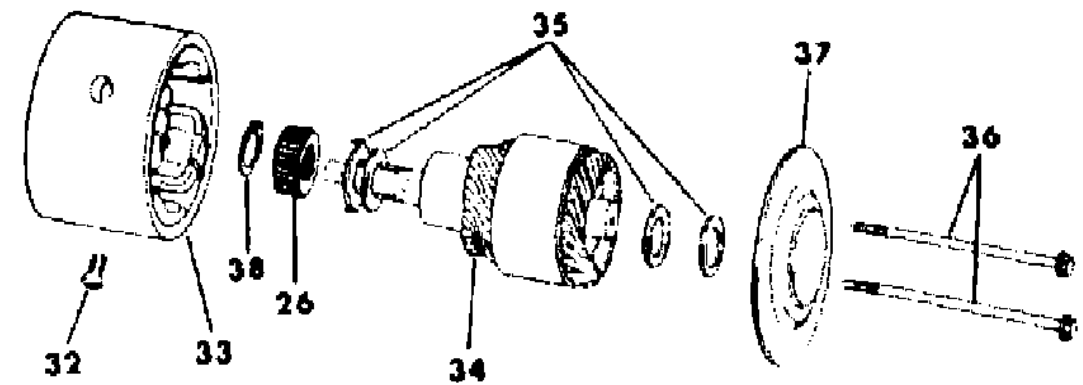
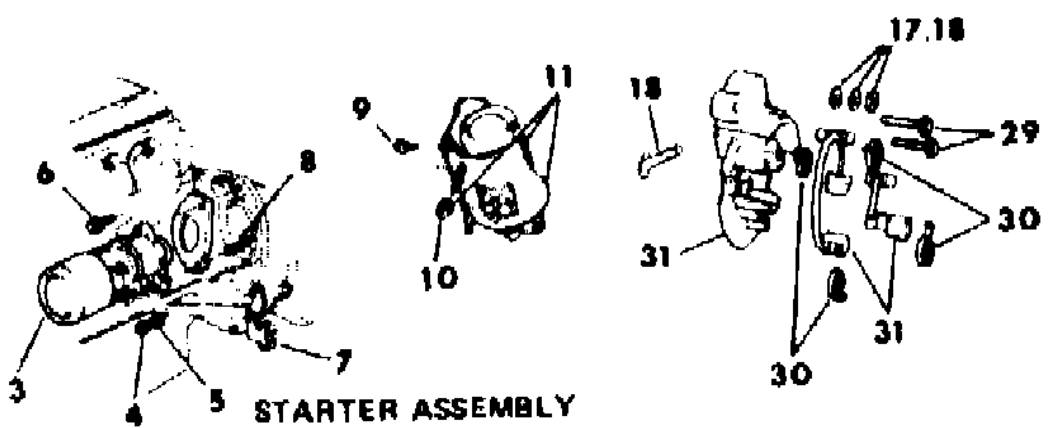
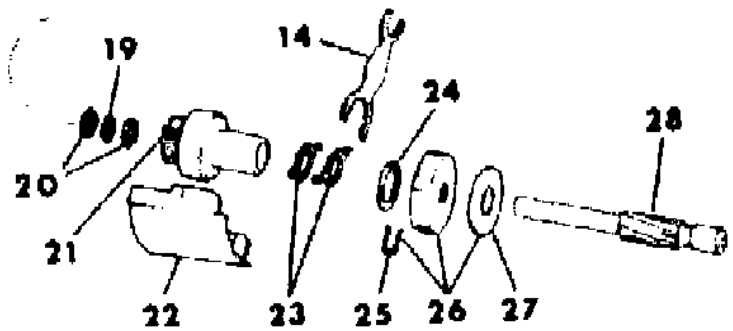
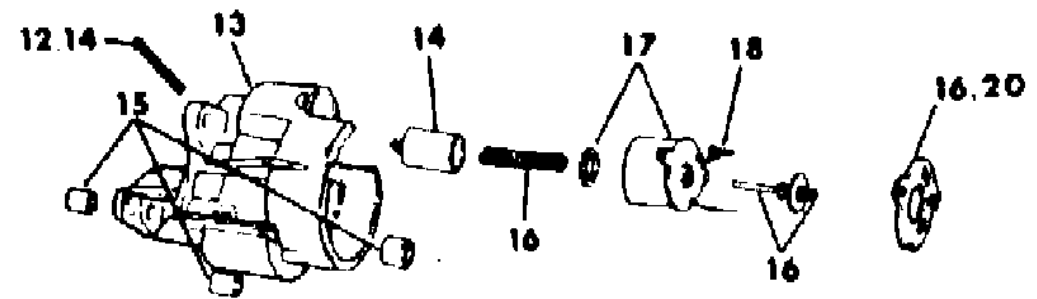
21 = 2-DOOR SEDAN	35 = FWD VAN	44 = 4-DOOR HATCHBACK
22 = 2-DOOR SPECIAL COUPE	36 = FWD WAGON	45 = 4-DOOR STATION WAGON
24 = 2-DOOR HATCHBACK	41 = 4-DOOR SEDAN	49 = LIMOUSINE
27 = 2-DOOR CONVERTIBLE		

AR = Use as Required - = Non Illustrated Part P.A.R. = Paint as Required

STARTER 318 ENGINE CHRYSLER NO. 4145360

Figure 8-1200

5108 1200



ITEM	PART NUMBER	QTY	BODY	MODEL	DESCRIPTION
36	3755 231	2			SCREW, 1/4-20x5.42 w/4145360 Starter
37	2095 076	1			HEAD, End
38	6022 006	1			RING, Armature Gear Ret. w/4145360
NOTE: The Following Part Not Shown On Illustration Gear and Pinion numbers stamped on the item may be used to confirm the correct MATCHED SET they are contained in.					
	4111 971				RELAY, Starter
	2423 737				PLUG, Heat Shield

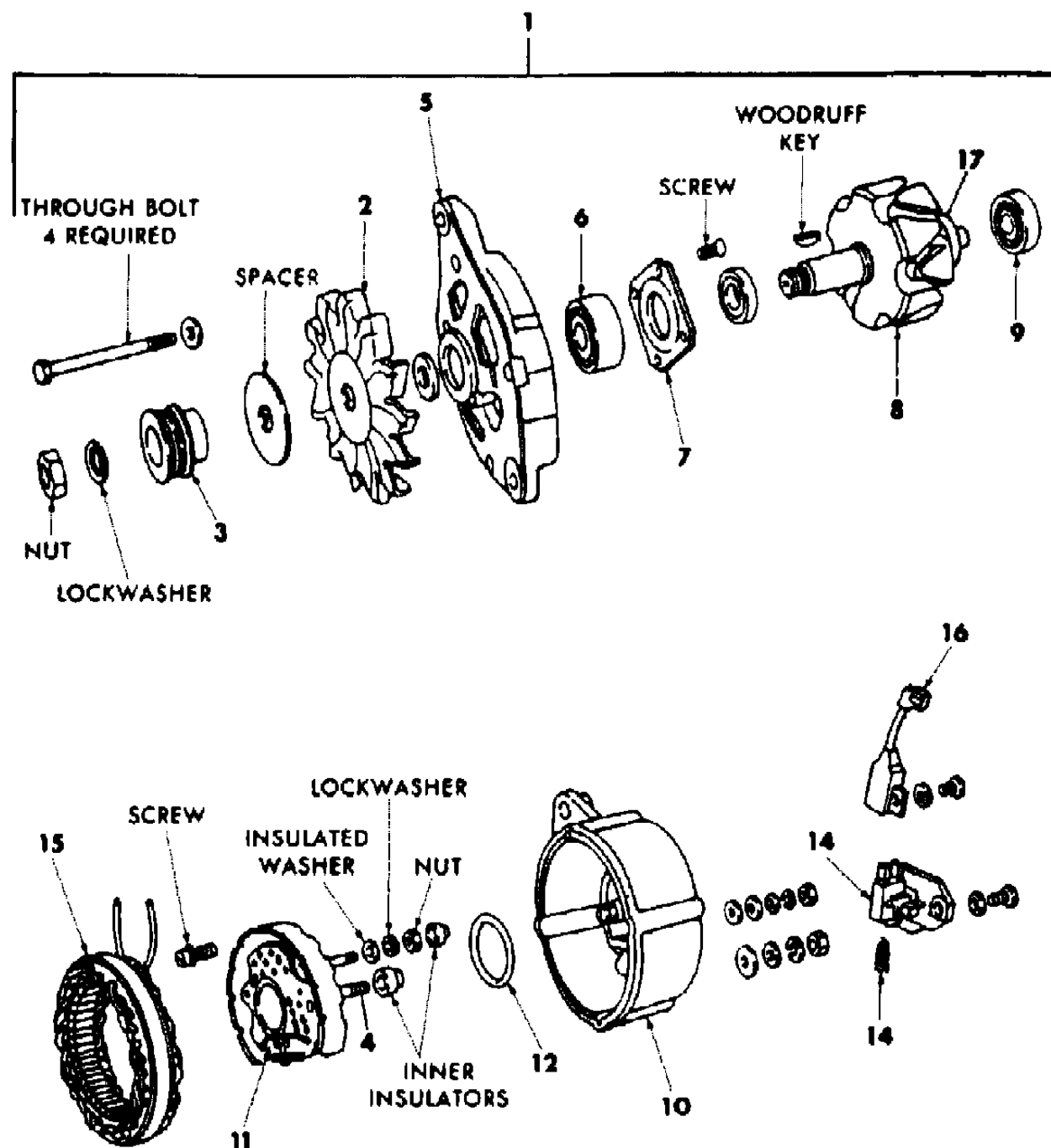
MODEL CODES		
B = GRAN FURY	E = 600	M = HORIZON/TURISMO
C = LE BARON/TOWN & COUNTRY/LIMO	F = FIFTH AVENUE/NEWPORT	P = RELIANT
C24 = LASER	G = DIPLOMAT	T = NEW YORKER
C44 = LE BARON/GTS	H = VOYAGER	V = 600
D = ARIES	J = CARAVELLE	V24 = DAYTONA
D44 = LANCER	K = MINI VAN/CARAVAN/ROYAL	Z = OMNI/CHARGER

BODY STYLES		
21 = 2-DOOR SEDAN	35 = FWD VAN	44 = 4-DOOR HATCHBACK
22 = 2-DOOR SPECIAL COUPE	36 = FWD WAGON	45 = 4-DOOR STATION WAGON
24 = 2-DOOR HATCHBACK	41 = 4-DOOR SEDAN	49 = LIMOUSINE
27 = 2-DOOR CONVERTIBLE		

AR = Use as Required - = Non Illustrated Part P.A.R. = Paint as Required

ALTERNATOR & PULLEY 1.6 ENGINE
Figure 8-1300

5108 1300



ITEM	PART NUMBER	QTY	BODY	MODEL	DESCRIPTION
1	5213 831				ALTERNATOR, (Bracket 4273862)
2	5226 571				FAN, (12 Blade)
2A	5226 020				PARTS SET, Rotor
3	5226 019				PULLEY
4	5226 021				TERMINAL, B+ D+ Parts
5	5213 964				SHIELD, Drive End
6	5213 982				BEARING, Ball Drive End Shield
7	5213 983				PLATE, Cover
8	5213 984				ROTOR
9	5213 986				BEARING, Ball Rectifier End Shield
10	5213 987				SHIELD, Collector Ring End
11	5213 988				RECTIFIER
12	5213 989				O-RING
13	5213 996				WASHER and SCREW ASSEMBLY
14	5213 991				HOLDER, Brush
	5226 572				BRUSH SET
15	5213 994				STATOR
16	5213 997				CAPACITOR, Suppression
	5213 998				WASHER
	5213 999				SCREW
	5213 996				SCREW and WASHER
17	5213 985				RING, Collector
	4273 862	1			BRACKET, Support

MODEL CODES
 B = GRAN FURY
 C = LE BARON/TOWN & COUNTRY/LIMO
 C24 = LASER
 C44 = LE BARON/GTS
 D = ARIES
 D44 = LANCER
 E = 600
 F = FIFTH AVENUE/NEWPORT
 G = DIPLOMAT
 H = VOYAGER
 J = CARAVELLE
 K = MINI VAN/CARAVAN/ROYAL
 M = HORIZON/TURISMO
 P = RELIANT
 T = NEW YORKER
 V = 600
 V24 = DAYTONA
 Z = OMNI/CHARGER

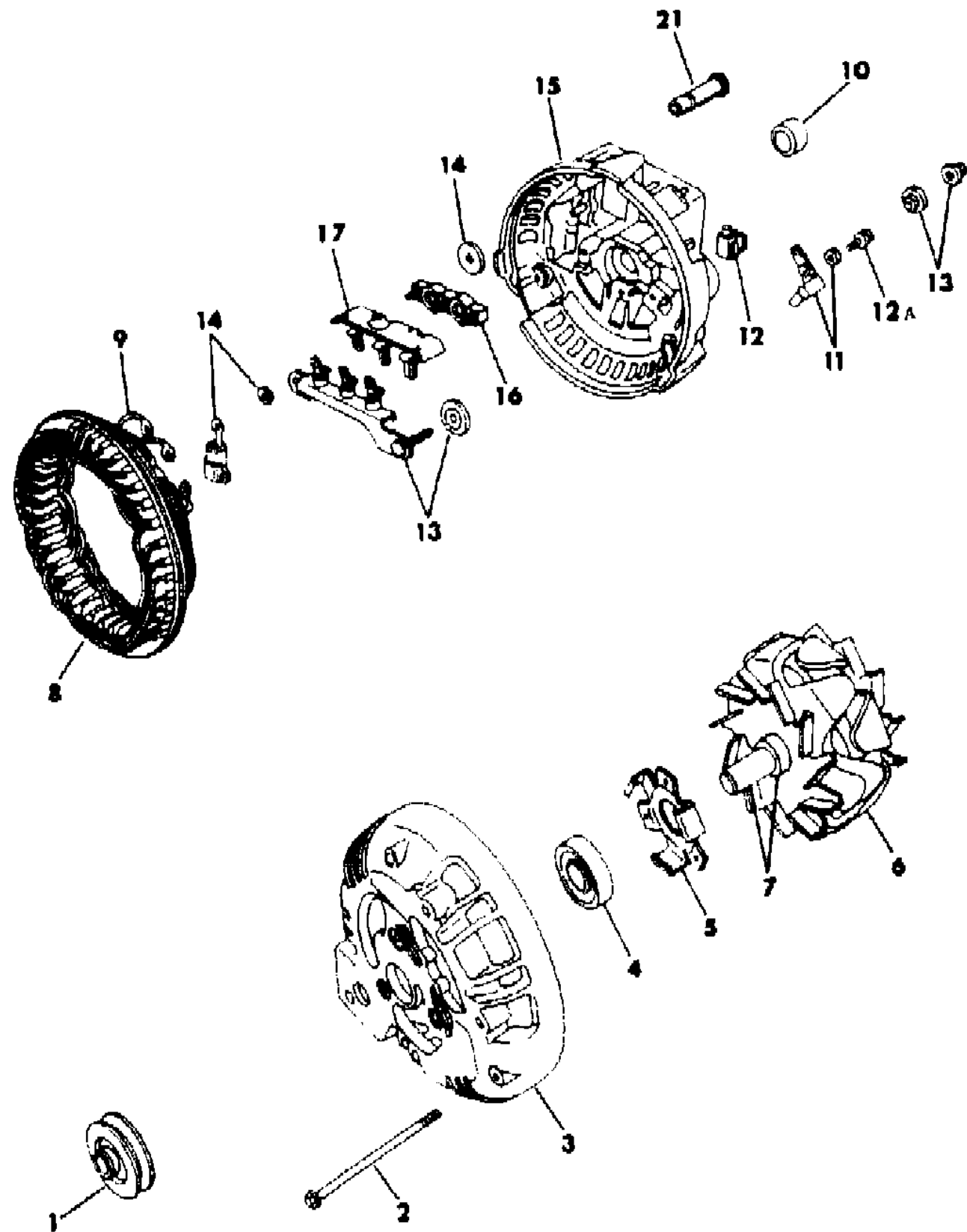
BODY STYLES
 21 = 2-DOOR SEDAN
 22 = 2-DOOR SPECIAL COUPE
 24 = 2-DOOR HATCHBACK
 27 = 2-DOOR CONVERTIBLE
 35 = FWD VAN
 36 = FWD WAGON
 41 = 4-DOOR SEDAN
 44 = 4-DOOR HATCHBACK
 45 = 4-DOOR STATION WAGON
 49 = LIMOUSINE

AR = Use as Required - = Non Illustrated Part P.A.R. = Paint as Required

ALTERNATOR 2.2 ENGINE

Figure 8-1400

5108 1400



ITEM	PART NUMBER	QTY	BODY	MODEL	DESCRIPTION
	5213 763	1			ALTERNATOR and PULLEY, 78 Amp.
	5226 135	1			ALTERNATOR and PULLEY, Turbo 78 Amp.
	5213 762	1			ALTERNATOR and PULLEY, 60 Amp.
	5213 847	1			100 Amp., High Capacity (FLEET)
1	5213 760	1			PULLEY, Single Groove
	5213 564	1			TBI
	4339 481	1			Turbo
2	4091 505	3			SCREW, Frame, 10-32 x 3.40
3	5206 422	1			SHIELD, Drive End 78 Amp.
	5206 421	1			SHIELD, Drive End 60 Amp.
4	3656 444	1			BEARING, Drive End Shield 60 & 78 Amp.
5	#5226 156	1			PLATE, Drive End Shield Ret.
6	4240 414	1			ROTOR, 78 Amp.
	4240 413	1			ROTOR, 60 Amp.
	4145 342	1			Spacer, Altr. Rotor
7	3744 889	1			RETAINER and RING PACKAGE
8	4091 517	1			STATOR, 78 Amp.
	4091 515	1			STATOR, 60 Amp.
9	3438 709	3			TERMINAL, Stator
10	3755 184	1			BEARING, Rectifier End Shield
11	5211 772	1			BRUSH and WASHER PACKAGE
12	3438 159	1			BRUSH HOLDER, Axial
	4091 667	1			BRUSH HOLDER, Radial
12A	6031 272	2			SCREW, Washer, 8-32 X .53
13	4240 488	1			BATTERY TERMINAL POSITIVE HEAT, 78 Amp.
	4026 082	1			BATTERY TERMINAL POSITIVE HEAT, 60 Amp.
14	3620 793	1			CAPACITOR, STUD & INSULATOR
15	4240 405	1			SHIELD, Rectifier End 78 Amp.
	4240 489	1			w/TURBO
	5213 092	1			SHIELD, Rectifier End 60 Amp.
16	3438 729	1			INSULATOR, Stator & Term. Stud
17	3755 114	1			HEAT SINK, Negative 78 Amp.
	3438 721	1			HEAT SINK, Negative 60 Amp.
21	5213 191	1			INSERT, Altr. Mtg.
NOTE: The Following Parts Not Shown On Illustration Gear and Pinion numbers stamped on the item may be used to confirm the correct MATCHED SET they are contained in.					
	9437 943				BOLT, Mtg. 3/8 x 7-1/4

MODEL CODES

B = GRAN FURY	E = 600	M = HORIZON/TURISMO
C = LE BARON/TOWN & COUNTRY/LIMO	F = FIFTH AVENUE/NEWPORT	P = RELIANT
C24 = LASER	G = DIPLOMAT	T = NEW YORKER
C44 = LE BARON/GTS	H = VOYAGER	V = 600
D = ARIES	J = CARAVELLE	V24 = DAYTONA
D44 = LANCER	K = MINI VAN/CARAVAN/ROYAL	Z = OMNI/CHARGER

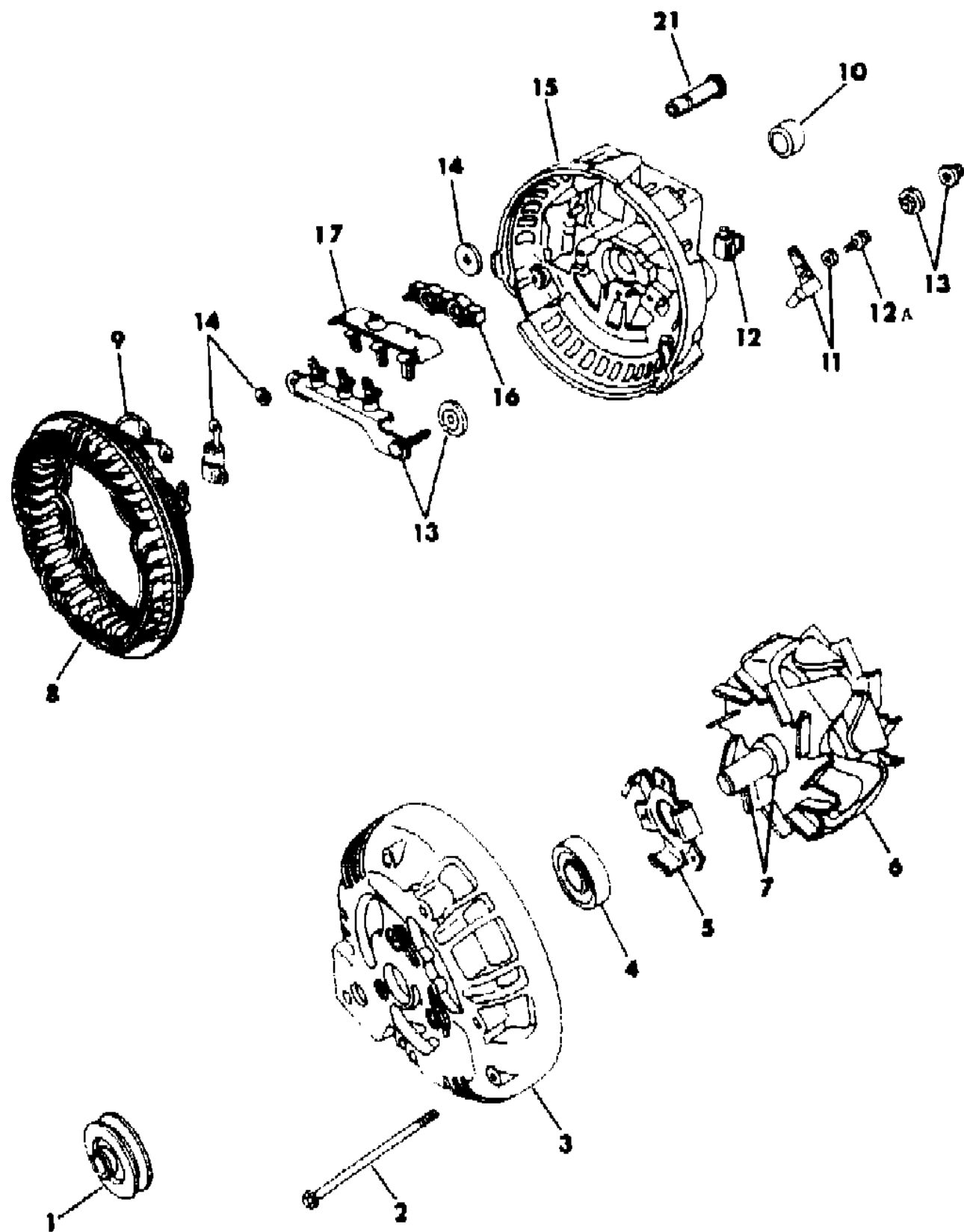
BODY STYLES

21 = 2-DOOR SEDAN	35 = FWD VAN	44 = 4-DOOR HATCHBACK
22 = 2-DOOR SPECIAL COUPE	36 = FWD WAGON	45 = 4-DOOR STATION WAGON
24 = 2-DOOR HATCHBACK	41 = 4-DOOR SEDAN	49 = LIMOUSINE
27 = 2-DOOR CONVERTIBLE		

AR = Use as Required - = Non Illustrated Part P.A.R. = Paint as Required

ALTERNATOR 2.2 ENGINE
Figure 8-1400

5108 1400



ITEM	PART NUMBER	QTY	BODY	MODEL	DESCRIPTION
	6500 273				WASHER, Altr. Mtg. Bolt Nut
	3838 078				STUD, Ground Cable
	3620 794				TERMINAL PACKAGE
	6023 914				NUT, Ground Stud
	6031 029				NUT and WASHER, Alt. Batt. Term.
	4124 952				MOLD, Field Term. SPRING, (Serv. in Brush Set)

MODEL CODES

B = GRAN FURY	E = 600	M = HORIZON/TURISMO
C = LE BARON/TOWN & COUNTRY/LIMO	F = FIFTH AVENUE/NEWPORT	P = RELIANT
C24 = LASER	G = DIPLOMAT	T = NEW YORKER
C44 = LE BARON/GTS	H = VOYAGER	V = 600
D = ARIES	J = CARAVELLE	V24 = DAYTONA
D44 = LANCER	K = MINI VAN/CARAVAN/ROYAL	Z = OMNI/CHARGER

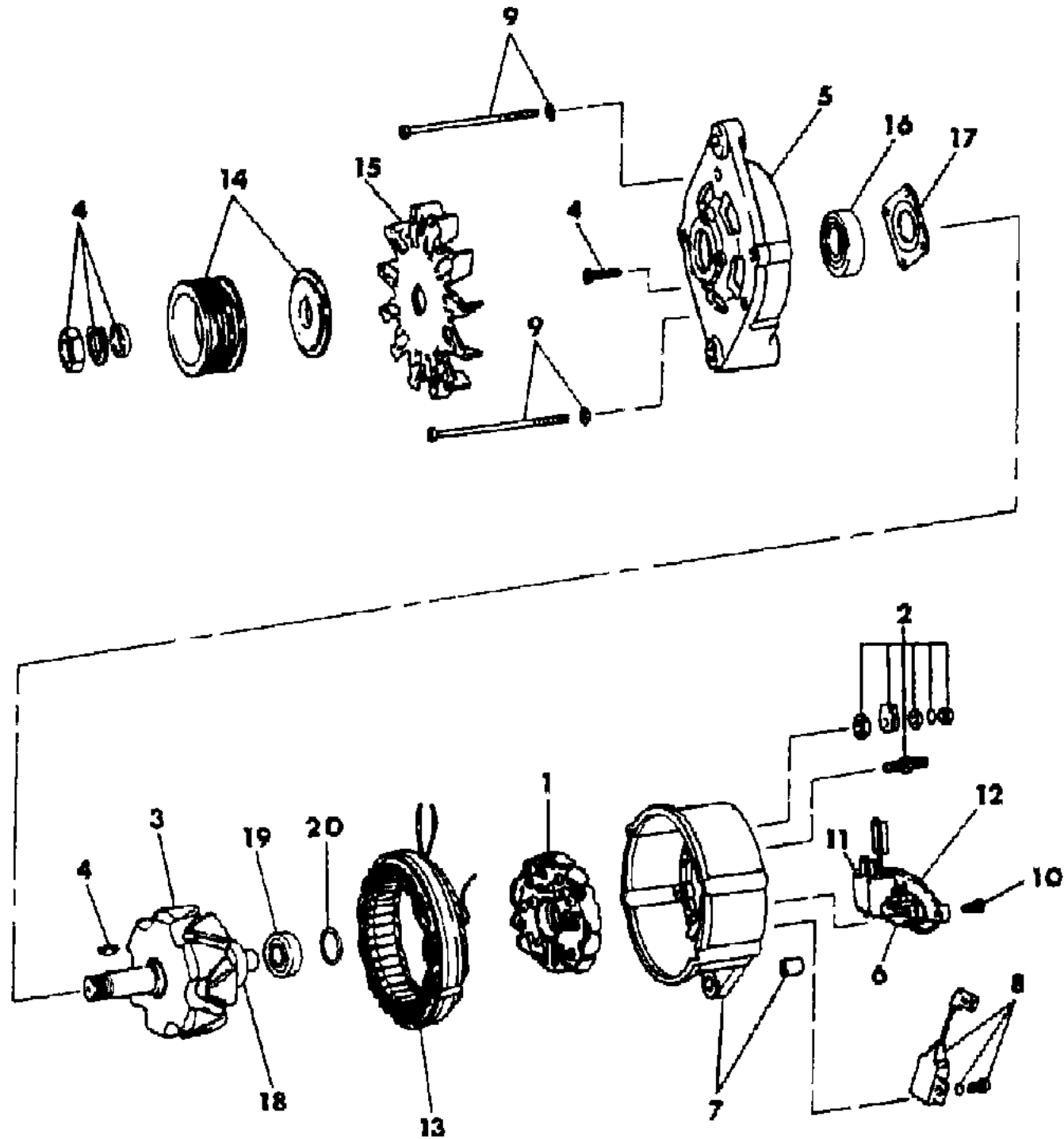
BODY STYLES

21 = 2-DOOR SEDAN	35 = FWD VAN	44 = 4-DOOR HATCHBACK
22 = 2-DOOR SPECIAL COUPE	36 = FWD WAGON	45 = 4-DOOR STATION WAGON
24 = 2-DOOR HATCHBACK	41 = 4-DOOR SEDAN	49 = LIMOUSINE
27 = 2-DOOR CONVERTIBLE		

AR = Use as Required - = Non Illustrated Part P.A.R. = Paint as Required

ALTERNATOR 40/90 & 100 AMP.
Figure 8-1500

5108 1500



ITEM	PART NUMBER	QTY	BODY	MODEL	DESCRIPTION
A	4339 440				ALTERNATOR, Prod. 5226200, Chry. Built
	4339 440				5226600, Bosch
	4226 432				Fleet
	5213 705				Limo
1	5226 096				RECTIFIER, Pos.-Neg. w/5226200
	5226 846				w/5226600
2	5226 020				PARTS SET, w/5226200
	5226 857				w/5226600
3	5226 068				ROTOR, w/5226200
	5226 841				w/5226600
	M436 4893				w/5213705
4	5226 327				ROTOR, Parts Set, w/5226600
5	#5226 619				SHIELD, Drive End, w/5226200
	5226 840				w/5226600
6	5226 084				BRUSH HOLDER and BRUSHES, w/5226200
	5226 848				w/5226600
7	5226 073				SHIELD, Rear End,w/Bushing, w/5226200
	5226 845				w/5226600
	M436 4894				w/5213705
8	5226 137				CAPACITOR ASSEMBLY, w/5226200
	5226 856				w/5226600
9	5226 855				BOLT, Thru, w/5226600
10	5226 847				SCREW and WASHER, w/5226600
11	5213 992				SPRING, Compression, w/5226600
12	5226 572				BRUSH SET, w/5226600
13	5226 072				STATOR, w/5226200
	5226 315				w/5226600
	M436 4897				w/5226705
	5226 002				COVER, Rectifier End, w/5226200
14	5226 032				PULLEY, w/5226200
	5226 324				w/5226600
15	5226 458				FAN, w/5226200
	5226 322				w/5226600
	5226 041				SPACER, Rotor, w/5226200
	5226 042				SPACER, Pulley,w/5226200
16	4364 851				BEARING, Drive End, w/5226200
	5226 307				w/5226600

MODEL CODES

B = GRAN FURY	E = 600	M = HORIZON/TURISMO
C = LE BARON/TOWN & COUNTRY/LIMO	F = FIFTH AVENUE/NEWPORT	P = RELIANT
C24 = LASER	G = DIPLOMAT	T = NEW YORKER
C44 = LE BARON/GTS	H = VOYAGER	V = 600
D = ARIES	J = CARAVELLE	V24 = DAYTONA
D44 = LANCER	K = MINI VAN/CARAVAN/ROYAL	Z = OMNI/CHARGER

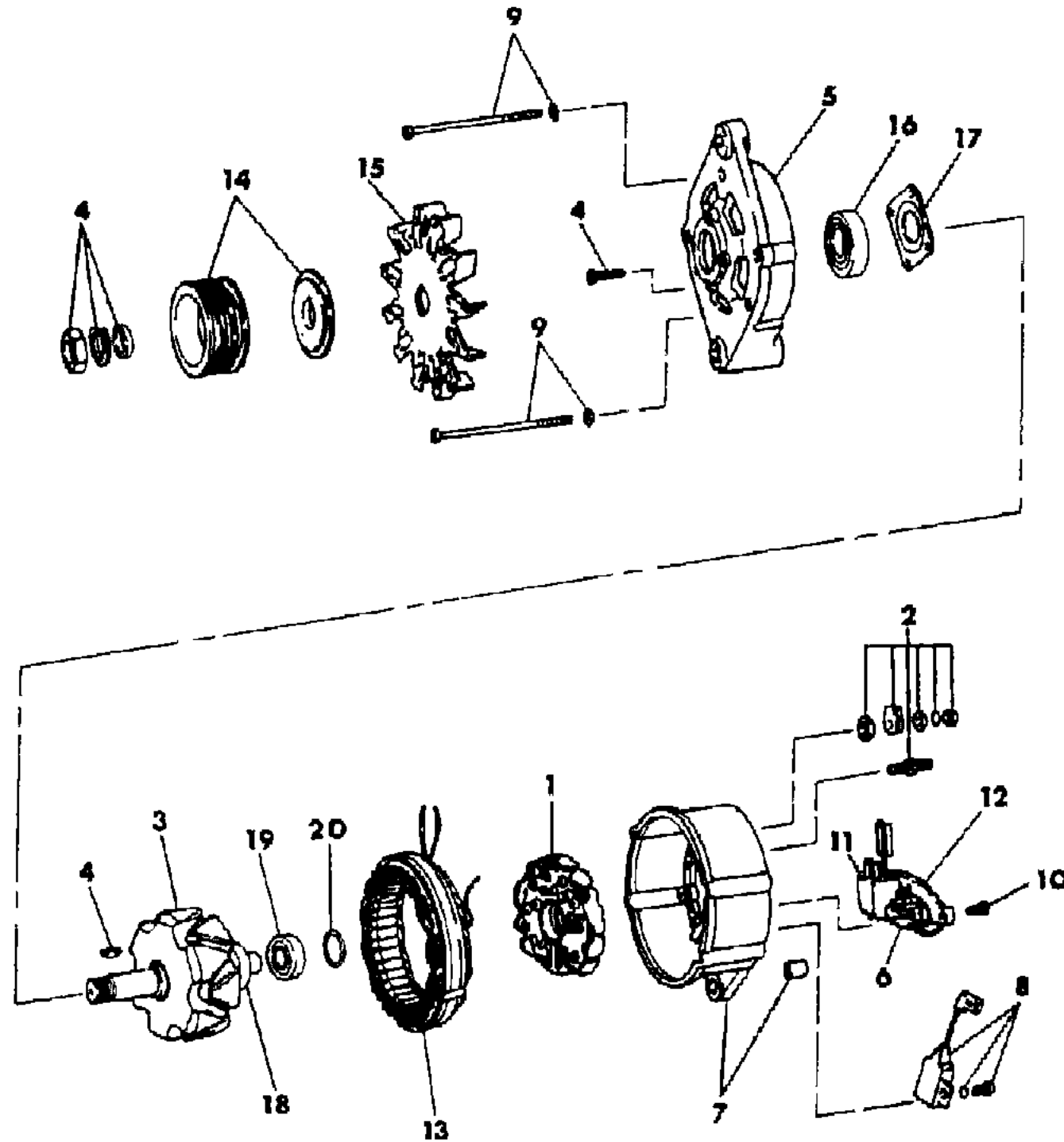
BODY STYLES

21 = 2-DOOR SEDAN	35 = FWD VAN	44 = 4-DOOR HATCHBACK
22 = 2-DOOR SPECIAL COUPE	36 = FWD WAGON	45 = 4-DOOR STATION WAGON
24 = 2-DOOR HATCHBACK	41 = 4-DOOR SEDAN	49 = LIMOUSINE
27 = 2-DOOR CONVERTIBLE		

AR = Use as Required - = Non Illustrated Part P.A.R. = Paint as Required

ALTERNATOR 40/90 & 100 AMP.
Figure 8-1500

5108 1500



ITEM	PART NUMBER	QTY	BODY	MODEL	DESCRIPTION
17	5226 308				COVER, Bearing, w/5226600
18	5226 310				RING, Collector,w/5226600
19	4364 852				BEARING, Rec. End, w/5226200
	5213 986				w/5226600
20	5213 989				O-RING, w/5226600
	6032 831				SEAL, O-RING, w/5226600
	6501 007				WASHER, Pulley Lock, w/5226200
	6501 006				NUT, Pulley Lock, w/5226200
	5213 992				COMPRESSION SPRING, w/5226200
	M436 4896				IC REGULATOR, w/5213705

MODEL CODES

B = GRAN FURY	E = 600	M = HORIZON/TURISMO
C = LE BARON/TOWN & COUNTRY/LIMO	F = FIFTH AVENUE/NEWPORT	P = RELIANT
C24 = LASER	G = DIPLOMAT	T = NEW YORKER
C44 = LE BARON/GTS	H = VOYAGER	V = 600
D = ARIES	J = CARAVELLE	V24 = DAYTONA
D44 = LANCER	K = MINI VAN/CARAVAN/ROYAL	Z = OMNI/CHARGER

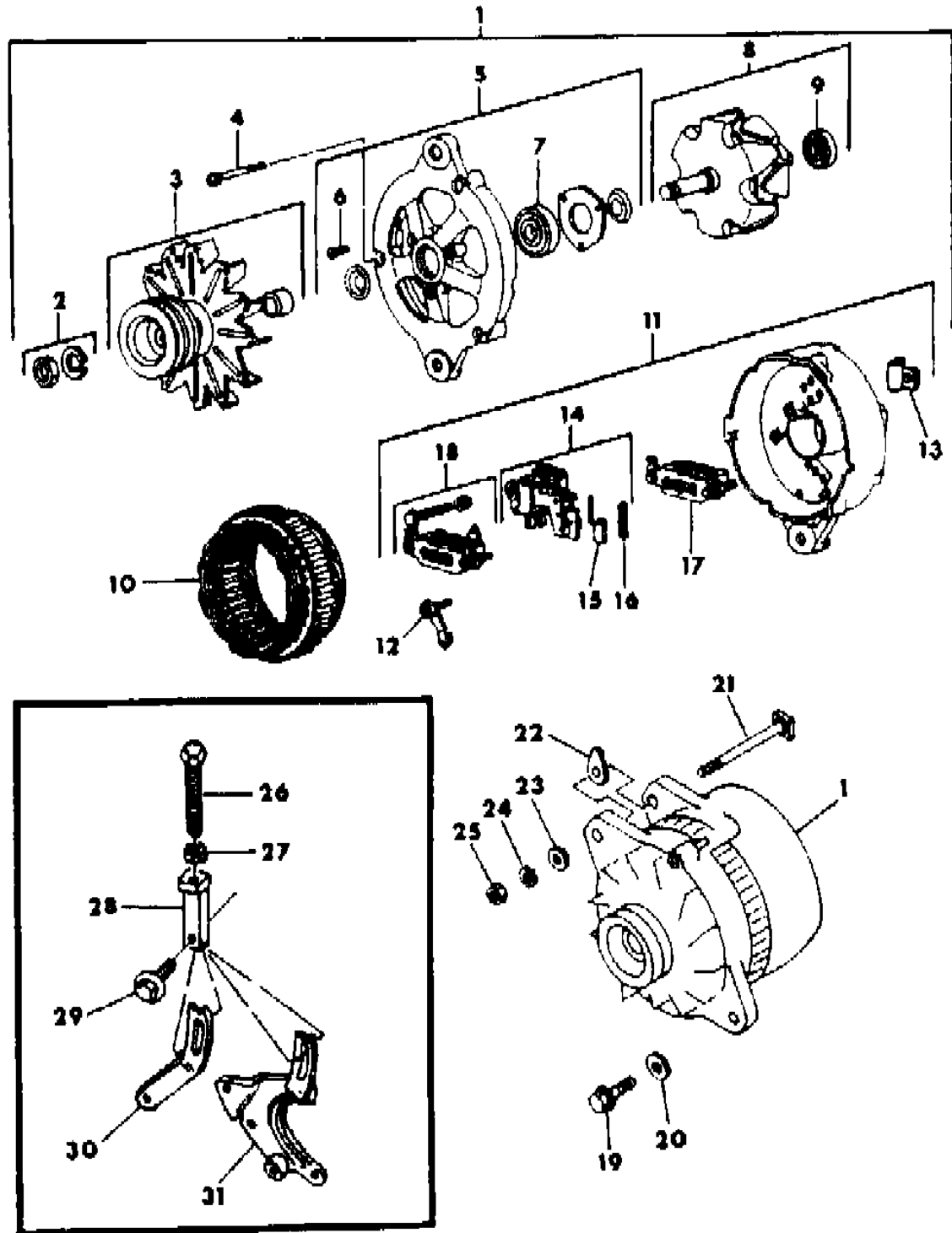
BODY STYLES

21 = 2-DOOR SEDAN	35 = FWD VAN	44 = 4-DOOR HATCHBACK
22 = 2-DOOR SPECIAL COUPE	36 = FWD WAGON	45 = 4-DOOR STATION WAGON
24 = 2-DOOR HATCHBACK	41 = 4-DOOR SEDAN	49 = LIMOUSINE
27 = 2-DOOR CONVERTIBLE		

AR = Use as Required - = Non Illustrated Part P.A.R. = Paint as Required

ALTERNATOR 2.6 ENGINE
Figure 8-1600

5108 1600



ITEM	PART NUMBER	QTY	BODY	MODEL	DESCRIPTION
1	MD06 2007	1			ALTERNATOR
2	MM50 2340	1			NUT SET
3	MD60 7779	1			PULLEY
4	MD60 7205	1			SCREW SET
5	MD60 7424	1			BRACKET, (Front)
6	MD60 2938	1			SCREW SET
7	MM50 2264	1			BEARING
8	MD60 7425	1			ROTOR ASSEMBLY
9	MD60 2789	1			BEARING, Rear
10	MD60 7590	1			WASHER, Spring
11	MD60 7428	1			STATOR ASSEMBLY
12	MD60 7427	1			BRACKET, (Rear)
13	MD60 7431	1			TERMINAL SET
14	MD60 7262	1			CONDENSER ASSEMBLY
15	MD60 7372	1			REGULATOR ASSEMBLY
16	MD60 7373	2			BRUSH
17	MD60 2227	2			SPRING, Brush
18	MD60 7429	1			RECTIFIER ASSEMBLY
19	MD60 7430	1			RECTIFIER SET
20	MD02 7754	1			BOLT, Flange
21	MD00 1521	1			WASHER
22	MD02 1662	1			BOLT
23	MD00 1517				SHIM
24	MF45 0005	1			WASHER, Plain
25	MF45 0405	1			WASHER, Spring
26	MF43 0005	1			NUT
27	6500 490	1			BOLT, Altr. Adj.
28	6500 491	1			JAM NUT, Clevis To Altr. Adj. Slot
29	4241 147	1			CLEVIS, Altr. Adj. Assy.
30		1			SCREW, Clevis To Altr. Adj. Slot (Not Serv.)
31	4240 438	1			STRAP, Altr. Adj.
	4273 050				BRACKET, Alt. Adj.

MODEL CODES

B = GRAN FURY	E = 600	M = HORIZON/TURISMO
C = LE BARON/TOWN & COUNTRY/LIMO	F = FIFTH AVENUE/NEWPORT	P = RELIANT
C24 = LASER	G = DIPLOMAT	T = NEW YORKER
C44 = LE BARON/GTS	H = VOYAGER	V = 600
D = ARIES	J = CARAVELLE	V24 = DAYTONA
D44 = LANCER	K = MINI VAN/CARAVAN/ROYAL	Z = OMNI/CHARGER

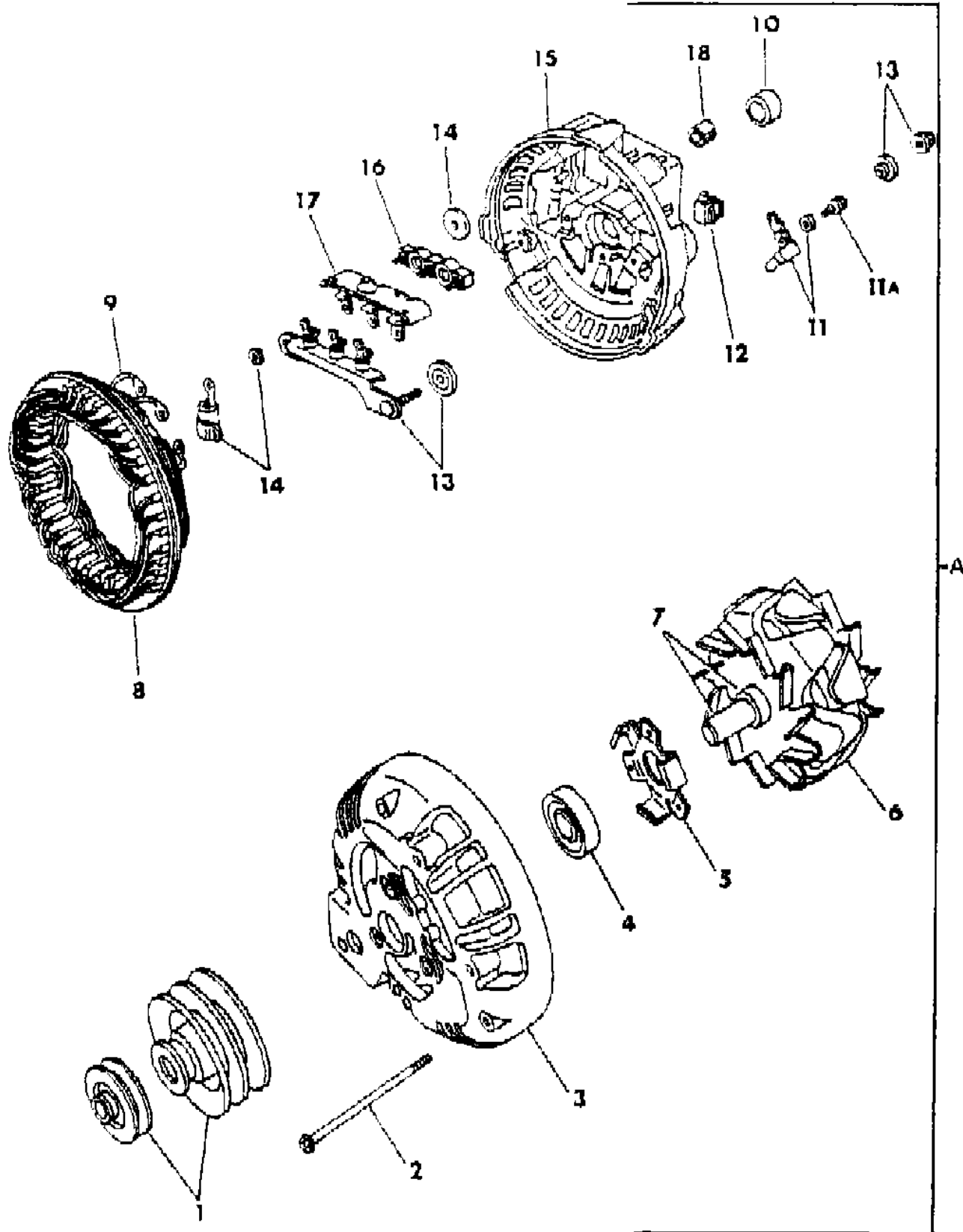
BODY STYLES

21 = 2-DOOR SEDAN	35 = FWD VAN	44 = 4-DOOR HATCHBACK
22 = 2-DOOR SPECIAL COUPE	36 = FWD WAGON	45 = 4-DOOR STATION WAGON
24 = 2-DOOR HATCHBACK	41 = 4-DOOR SEDAN	49 = LIMOUSINE
27 = 2-DOOR CONVERTIBLE		

AR = Use as Required - = Non Illustrated Part P.A.R. = Paint as Required

ALTERNATOR--60 AMP. 318 ENGINE
Figure 8-1700

5108 1700 A



ITEM	PART NUMBER	QTY	BODY	MODEL	DESCRIPTION
A	4091 565				ALTERNATOR, Single Groove Pulley-Prod. #4091565
	4176 004				Single Groove Pulley-Prod. #4111226
1	4106 094				PULLEY, w/4091565
	4111 768				w/4176004
2	4091 505				SCREW, Frame
3	4091 534				SHIELD, Drive End
4	3656 444				BEARING, Drive End Shield
5	2095 012				RETAINER, Drive End Shield
6	4240 413				ROTOR
7	3744 889				RETAINER and SLIP RING PACKAGE
8	4091 515				STATOR
9	3438 709				TERMINAL
10	3755 184				BEARING, Rectifier End Shield
11	4057 928				BRUSH and WASHER PACKAGE
11A	6031 272				SCREW
12	3438 159				BRUSH HOLDER, Axial
	4091 667				Radial
13	4240 488				BATTERY TERMINAL and POSITIVE HEAT SINK
14	3620 793				CAPACITOR and INSULATOR PACKAGE
15	5213 706				SHIELD, Rectifier End
16	3438 729				INSULATOR, Stator Term. Stud
17	3755 114				HEAT SINK, Negative
18					INSERT, (Serv. in Assy.)

MODEL CODES

B = GRAN FURY	E = 600	M = HORIZON/TURISMO
C = LE BARON/TOWN & COUNTRY/LIMO	F = FIFTH AVENUE/NEWPORT	P = RELIANT
C24 = LASER	G = DIPLOMAT	T = NEW YORKER
C44 = LE BARON/GTS	H = VOYAGER	V = 600
D = ARIES	J = CARAVELLE	V24 = DAYTONA
D44 = LANCER	K = MINI VAN/CARAVAN/ROYAL	Z = OMNI/CHARGER

BODY STYLES

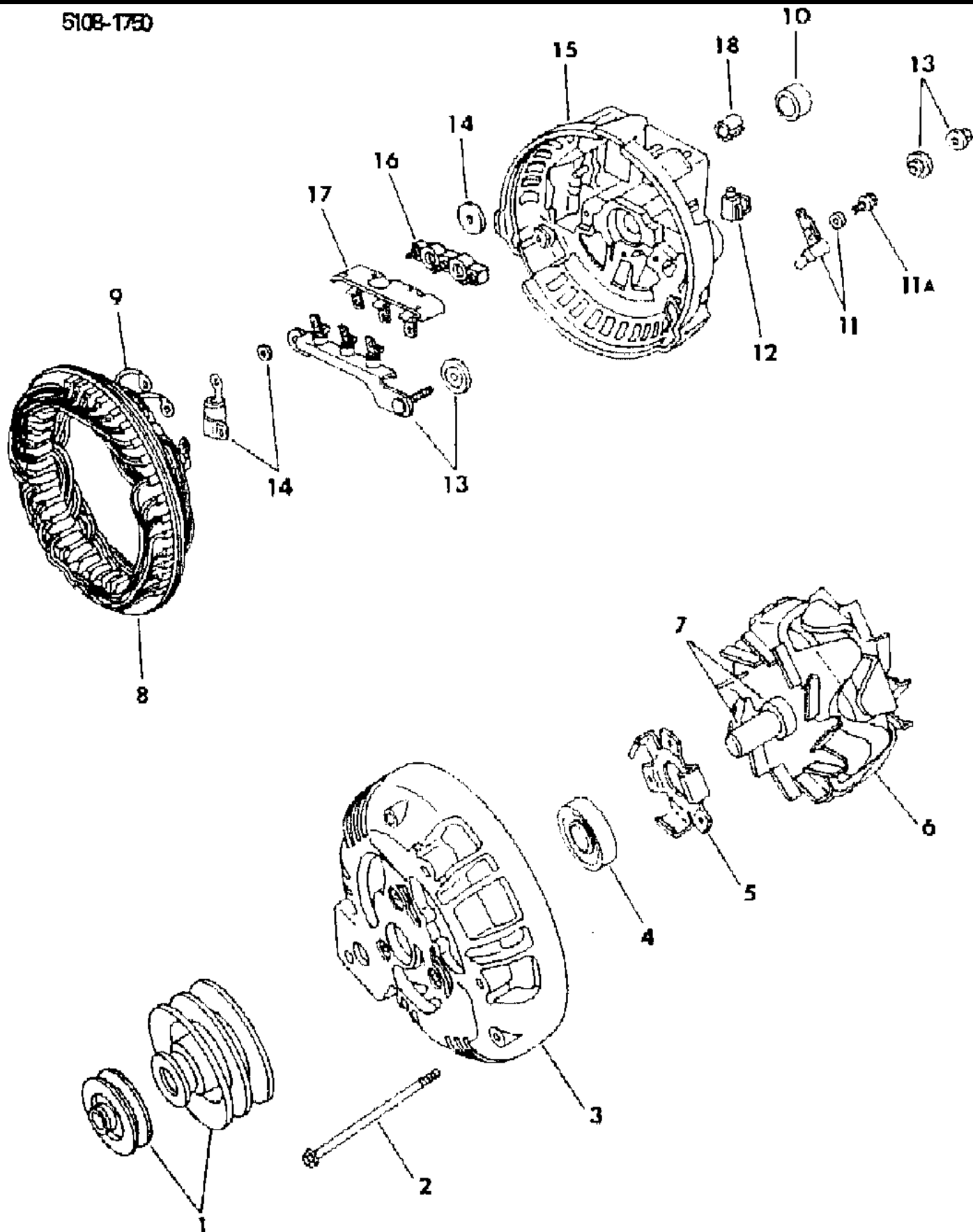
21 = 2-DOOR SEDAN	35 = FWD VAN	44 = 4-DOOR HATCHBACK
22 = 2-DOOR SPECIAL COUPE	36 = FWD WAGON	45 = 4-DOOR STATION WAGON
24 = 2-DOOR HATCHBACK	41 = 4-DOOR SEDAN	49 = LIMOUSINE
27 = 2-DOOR CONVERTIBLE		

AR = Use as Required - = Non Illustrated Part P.A.R. = Paint as Required

ALTERNATOR--78 AMP. 318 ENGINE

Figure 8-1750

510B-1750



ITEM	PART NUMBER	QTY	BODY	MODEL	DESCRIPTION
A	4176 007				ALTERNATOR, w/o Air, Prod. #4091566
	4176 006				ALTERNATOR, w/ Air, Prod. #4111204
	4289 689				
1	4106 094				PULLEY, w/4176007
	4111 768				w/ 4176006
2	4091 505				SCREW, Frame
3	4091 533				SHIELD, Drive End
4	3656 444				BEARING, Drive End Shield
5	2095 012				RETAINER, Drive End Shield
6	4240 414				ROTOR
	4240 413				w/4289689
7	3744 889				RETAINER and SLIP RING PACKAGE
8	4091 517				STATOR
9	3438 709				TERMINAL
10	3755 184				BEARING, Rectifier End Shield
11	4057 928				BRUSH and WASHER PACKAGE
11A	6031 272				SCREW
12	3438 159				BRUSH HOLDER, Axial
	4091 667				Radial
13	4240 488				BATTERY TERMINAL and POSITIVE HEAT SINK
14	3620 793				CAPACITOR and INSULATOR PACKAGE
15	5213 706				SHIELD, Rectifier End.
16	3438 729				INSULATOR, Stator Term. Stud
17	3755 114				HEAT SINK, Negative
18					INSERT, (Serv. in Assy.)

MODEL CODES

B = GRAN FURY	E = 600	M = HORIZON/TURISMO
C = LE BARON/TOWN & COUNTRY/LIMO	F = FIFTH AVENUE/NEWPORT	P = RELIANT
C24 = LASER	G = DIPLOMAT	T = NEW YORKER
C44 = LE BARON/GTS	H = VOYAGER	V = 600
D = ARIES	J = CARAVELLE	V24 = DAYTONA
D44 = LANCER	K = MINI VAN/CARAVAN/ROYAL	Z = OMNI/CHARGER

BODY STYLES

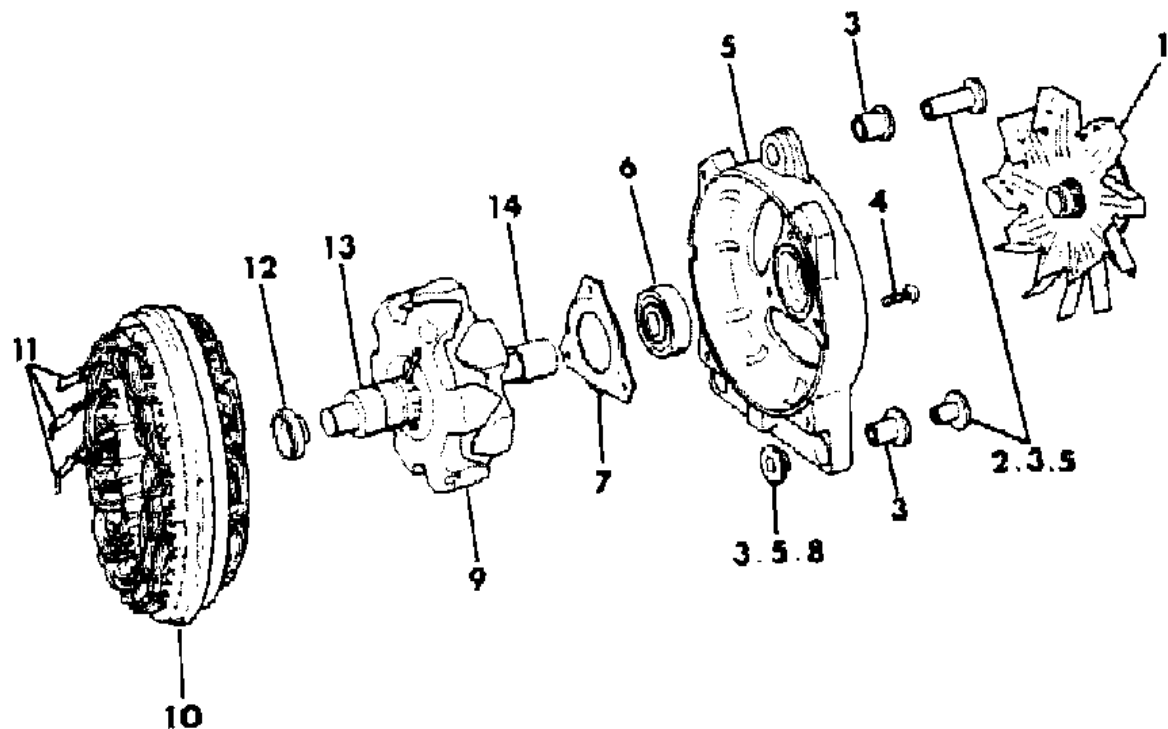
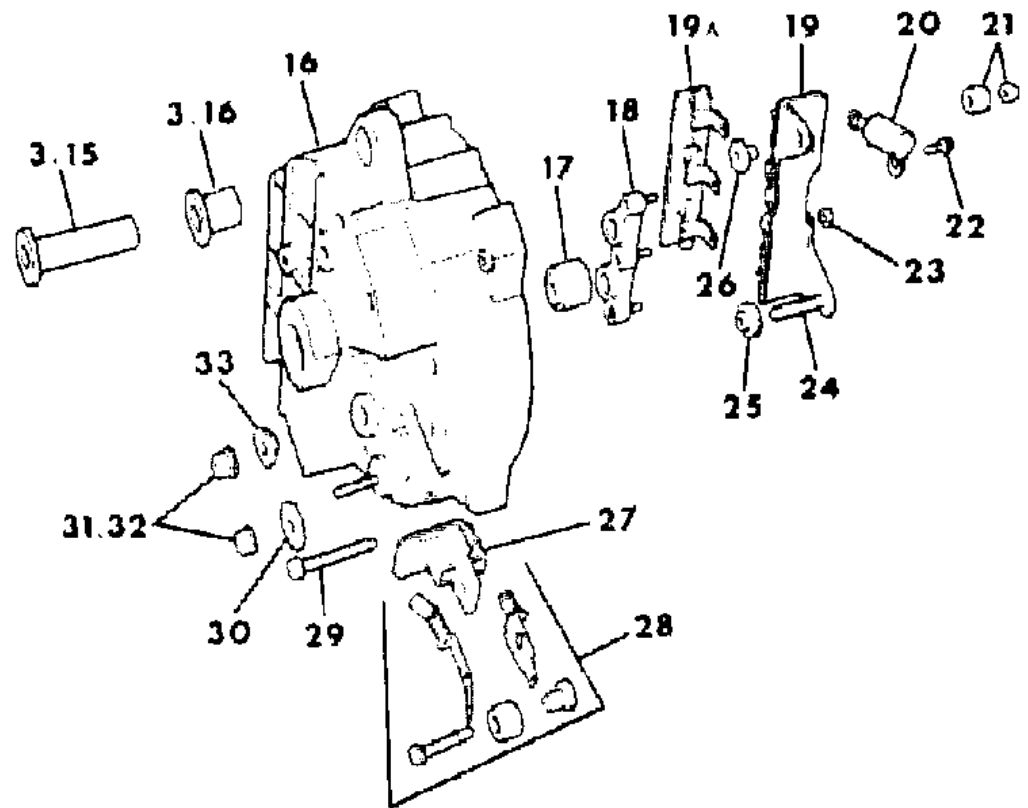
21 = 2-DOOR SEDAN	35 = FWD VAN	44 = 4-DOOR HATCHBACK
22 = 2-DOOR SPECIAL COUPE	36 = FWD WAGON	45 = 4-DOOR STATION WAGON
24 = 2-DOOR HATCHBACK	41 = 4-DOOR SEDAN	49 = LIMOUSINE
27 = 2-DOOR CONVERTIBLE		

AR = Use as Required - = Non Illustrated Part P.A.R. = Paint as Required

ALTERNATOR 114 AMP. 318 ENGINE

Figure 8-1800

5108 1800



ITEM	PART NUMBER	QTY	BODY	MODEL	DESCRIPTION
	4091 460	1			ALTERNATOR, PROD. 4091460
1	4094 028	1			FAN and PULLEY, Double Groove
2					SLEEVE, (Serv. in End Shield & Isolator Pkg.)
3	4094 012	1			ISOLATOR PACKAGE
4	9428 120	3			SCREW
5	3874 995	1			DRIVE END SHIELD
6	3755 951	1			BEARING, Drive End Shield
7	3755 737	1			RETAINER, Drive End Shield Bearing
8					FERRULE, (Serv. in End Shield & Isolator Pkg.)
9	4026 048	1			ROTOR and SPACER PACKAGE
10	3879 401	1			STATOR
11					TERMINAL, (Not Serv.)
12					RETAINER, (Serv. in Slip Ring & Retainer Pkg.)
13					SLIP RING, (Serv. in Slip Ring & Retainer Pkg.)
	3838 080	1			SLIP RING and RETAINER PACKAGE
14					SPACER, (Serv. in Rotor Pkg.)
15					SLEEVE, (Serv. in Isolator Pkg.)
16	4091 466	1			SHIELD, Rectifier End
17	3874 074	1			BEARING, Rectifier End Shield
18	3755 625	1			INSULATOR
19	4026 303	1			HEAT SINK PACKAGE, Positive
19A	3755 627	1			HEAT SINK PACKAGE, Negative
20					CAPACITOR, (Serv. in 3838078 Pkg.)
21					INSULATOR, (Serv. in 4026303 Pkg.)
22					SCREW, (Not Serv.)
23					NUT, (Not Serv.)
24					STUD, (Serv. in 3838078 Pkg.)
25					INSULATOR, (Serv. in 3838078 Pkg.)
26					SPACER, (Serv. in 3838078 Pkg.)
27	3838 078	1			CAPACITOR, STUD & INSULATOR PKG.
28	3838 079	1			BRUSH ASSEMBLY
	3755 773	1			Brush Holder
29	6030 547	1			SCREW, Frame, 10x24 1 5/8
30					WASHER, (Not Serv.)
31	6031 029	1			NUT and WASHER
32	6023 201	1			NUT and WASHER
33					INSULATOR, (Serv. in Rectifier End Shield)

MODEL CODES

B = GRAN FURY	E = 600	M = HORIZON/TURISMO
C = LE BARON/TOWN & COUNTRY/LIMO	F = FIFTH AVENUE/NEWPORT	P = RELIANT
C24 = LASER	G = DIPLOMAT	T = NEW YORKER
C44 = LE BARON/GTS	H = VOYAGER	V = 600
D = ARIES	J = CARAVELLE	V24 = DAYTONA
D44 = LANCER	K = MINI VAN/CARAVAN/ROYAL	Z = OMNI/CHARGER

BODY STYLES

21 = 2-DOOR SEDAN	35 = FWD VAN	44 = 4-DOOR HATCHBACK
22 = 2-DOOR SPECIAL COUPE	36 = FWD WAGON	45 = 4-DOOR STATION WAGON
24 = 2-DOOR HATCHBACK	41 = 4-DOOR SEDAN	49 = LIMOUSINE
27 = 2-DOOR CONVERTIBLE		

AR = Use as Required - = Non Illustrated Part P.A.R. = Paint as Required

ALTERNATOR 114 AMP. 318 ENGINE

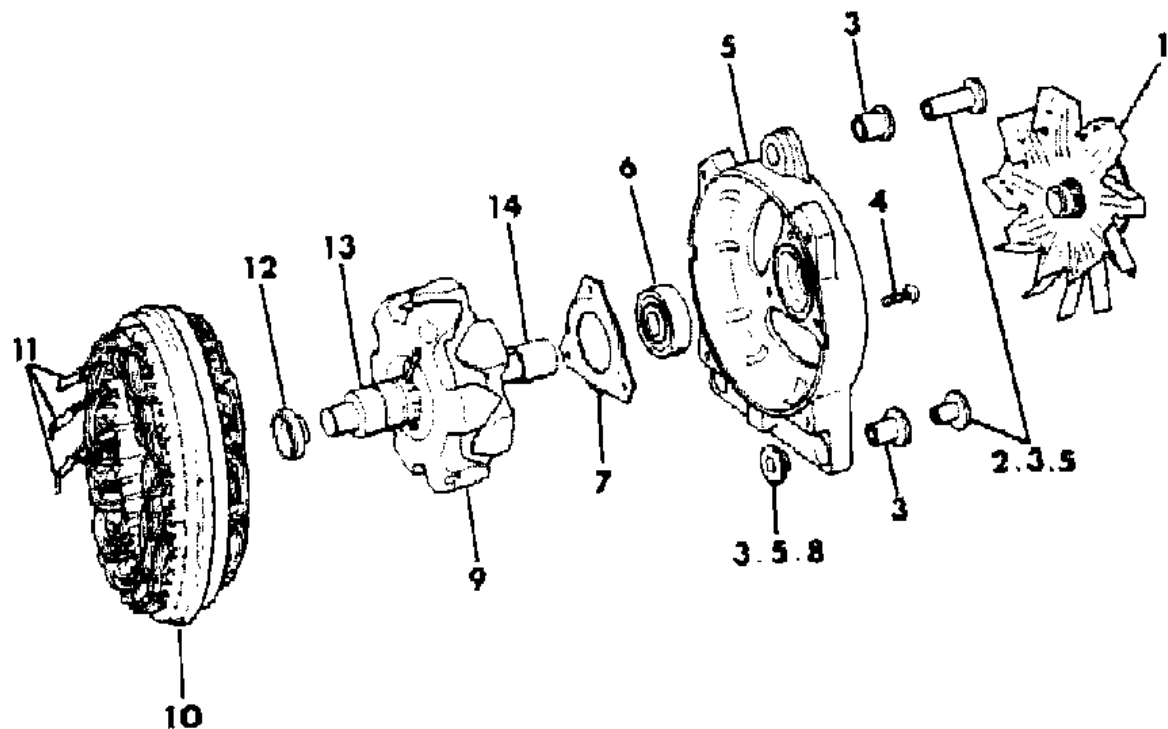
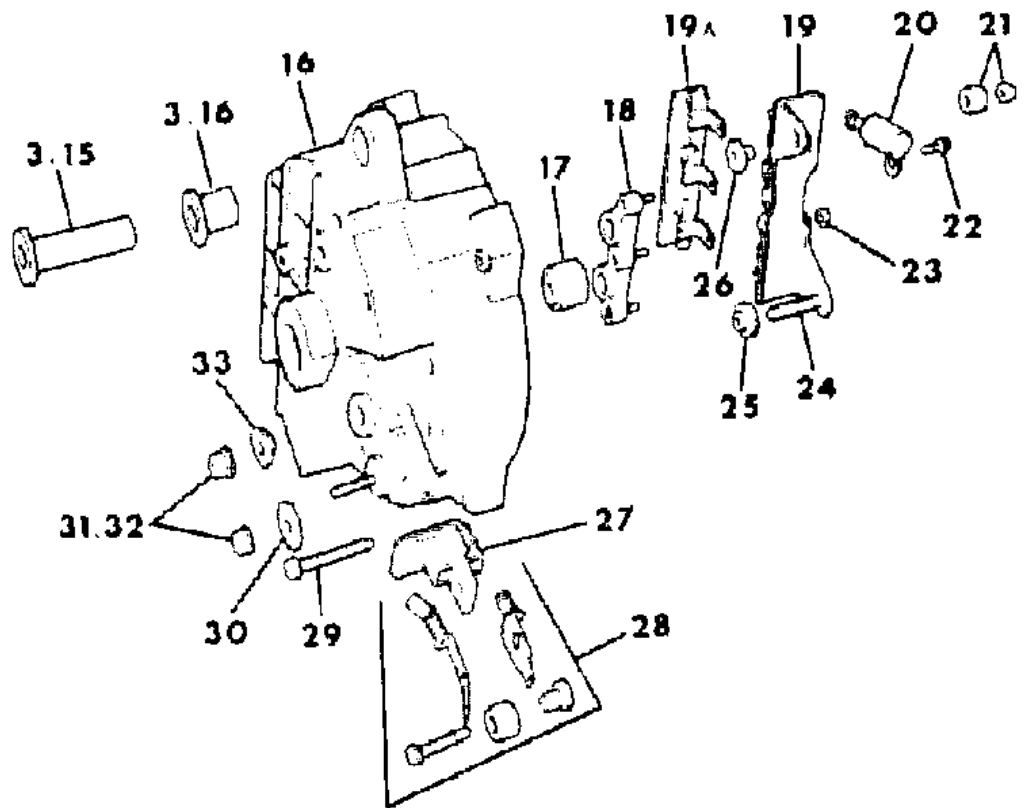
Figure 8-1800

5108 1800

ITEM	PART NUMBER	QTY	BODY	MODEL	DESCRIPTION
------	-------------	-----	------	-------	-------------

3549 591

BOLT, Altr. Pivot



MODEL CODES

- | | | |
|----------------------------------|----------------------------|---------------------|
| B = GRAN FURY | E = 600 | M = HORIZON/TURISMO |
| C = LE BARON/TOWN & COUNTRY/LIMO | F = FIFTH AVENUE/NEWPORT | P = RELIANT |
| C24 = LASER | G = DIPLOMAT | T = NEW YORKER |
| C44 = LE BARON/GTS | H = VOYAGER | V = 600 |
| D = ARIES | J = CARAVELLE | V24 = DAYTONA |
| D44 = LANCER | K = MINI VAN/CARAVAN/ROYAL | Z = OMNI/CHARGER |

BODY STYLES

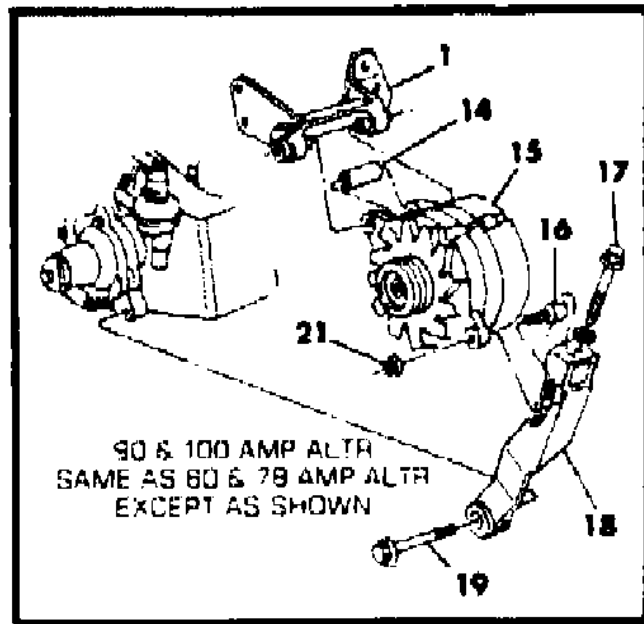
- | | | |
|---------------------------|-------------------|---------------------------|
| 21 = 2-DOOR SEDAN | 35 = FWD VAN | 44 = 4-DOOR HATCHBACK |
| 22 = 2-DOOR SPECIAL COUPE | 36 = FWD WAGON | 45 = 4-DOOR STATION WAGON |
| 24 = 2-DOOR HATCHBACK | 41 = 4-DOOR SEDAN | 49 = LIMOUSINE |
| 27 = 2-DOOR CONVERTIBLE | | |

AR = Use as Required - = Non Illustrated Part P.A.R. = Paint as Required

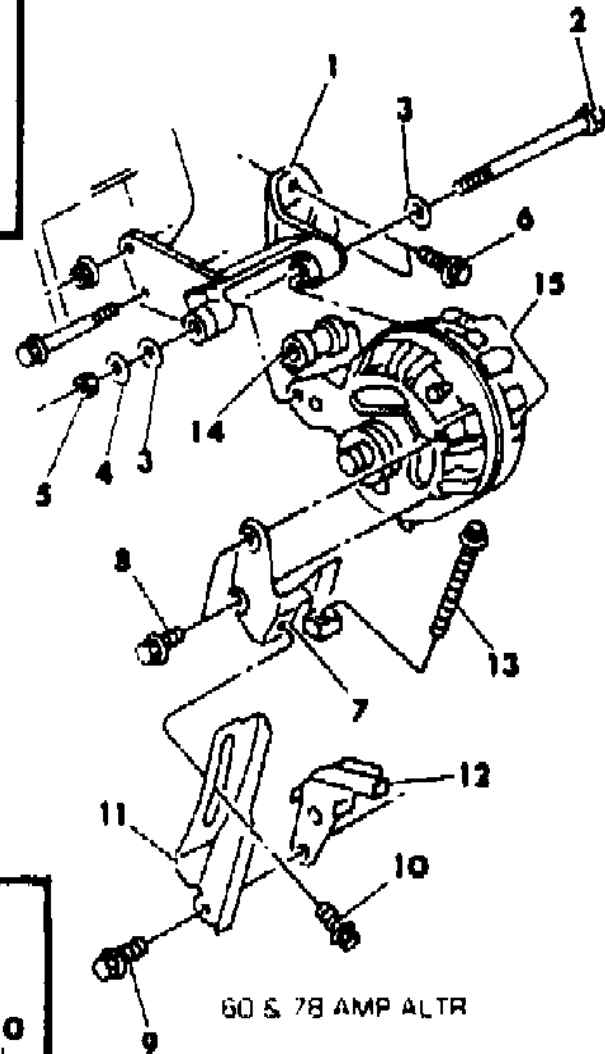
ALTERNATOR MOUNTING 2.2 ENGINE

Figure 8-1900

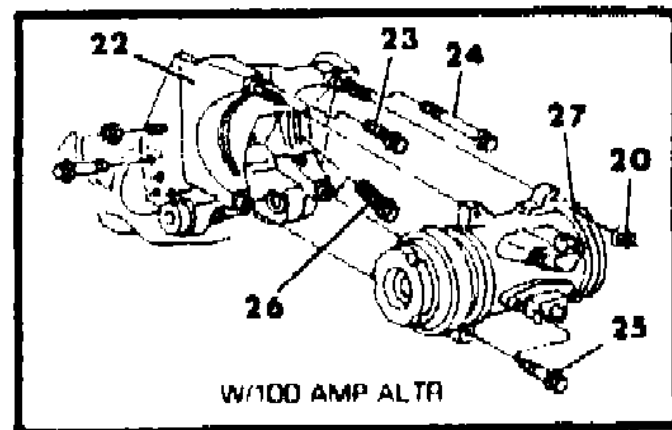
5108 1900



90 & 100 AMP ALTR
SAME AS 60 & 78 AMP ALTR
EXCEPT AS SHOWN



60 & 78 AMP ALTR



W/100 AMP ALTR

ITEM	PART NUMBER	QTY	BODY	MODEL	DESCRIPTION
1	4323 341				BRACKET, Mtg. w/o Air 60-78-90 Amp.
2	9437 943				SCREW
3	6500 273	2			WASHER, Flat
4					WASHER, (Not Serv.)
5	0152 344				NUT, Lock
6	6101 394	2			SCREW and WASHER
7	4241 192				BRACKET, Alt. Adjusting
8	6032 706				SCREW and WASHER
9	6500 375				SCREW and WASHER
10					SCREW and WASHER, (Not Serv.)
11	4241 283				STRAP, Adjusting
12	4241 153				BRACKET, Adjusting
13	6500 609				BOLT, Alt. Adjusting
14	4273 289				SPACER, 90-100 Amp.
	4273 079				SPACER, 60-78 Amp.
15					ALTERNATOR
16	6501 112				BOLT, Adj. Bracket
17	6500 877				BOLT
	6100 878				WASHER
18	4323 295				BRACKET, Alt. Adjusting
19	6500 775				SCREW and WASHER
20	6100 518	2			NUT, Flange Lock w/o Air
	6100 518	4			NUT, Flange Lock w/ Air
21	6100 051				NUT and WASHER
22	4323 383				ADAPTOR, Alt. & A.C. Comp. Mtg. w/100 Amp.
	4323 377				w/o 100 Amp.
	4241 157				SPACER
23					SCREW and WASHER, (Not Serv.)
24	6101 336				SCREW and WASHER
25	6101 054	2			SCREW and WASHER
26	6101 394	3			SCREW and WASHER
27					A/C COMPRESSOR, (See Group 24)
	4209 364				STRAP, Ground--6 1/2"
	4268 558				INSERT, Isolator
	4268 074				ISOLATOR, (Rubber)
	4268 068				SLEEVE, Alt. Rr.
	4268 067				SLEEVE, Alt.

MODEL CODES

B = GRAN FURY	E = 600	M = HORIZON/TURISMO
C = LE BARON/TOWN & COUNTRY/LIMO	F = FIFTH AVENUE/NEWPORT	P = RELIANT
C24 = LASER	G = DIPLOMAT	T = NEW YORKER
C44 = LE BARON/GTS	H = VOYAGER	V = 600
D = ARIES	J = CARAVELLE	V24 = DAYTONA
D44 = LANCER	K = MINI VAN/CARAVAN/ROYAL	Z = OMNI/CHARGER

BODY STYLES

21 = 2-DOOR SEDAN	35 = FWD VAN	44 = 4-DOOR HATCHBACK
22 = 2-DOOR SPECIAL COUPE	36 = FWD WAGON	45 = 4-DOOR STATION WAGON
24 = 2-DOOR HATCHBACK	41 = 4-DOOR SEDAN	49 = LIMOUSINE
27 = 2-DOOR CONVERTIBLE		

AR = Use as Required - = Non Illustrated Part P.A.R. = Paint as Required

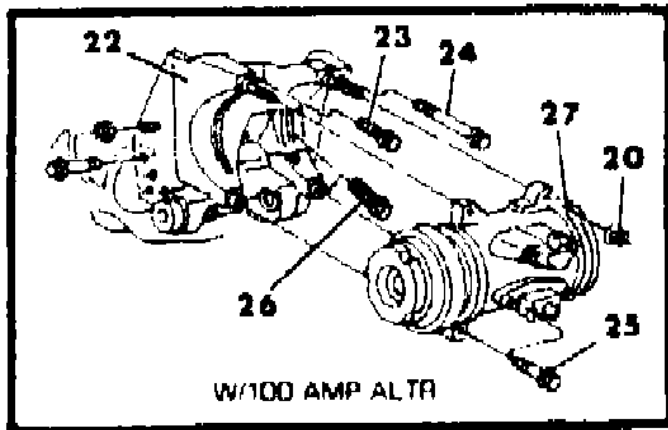
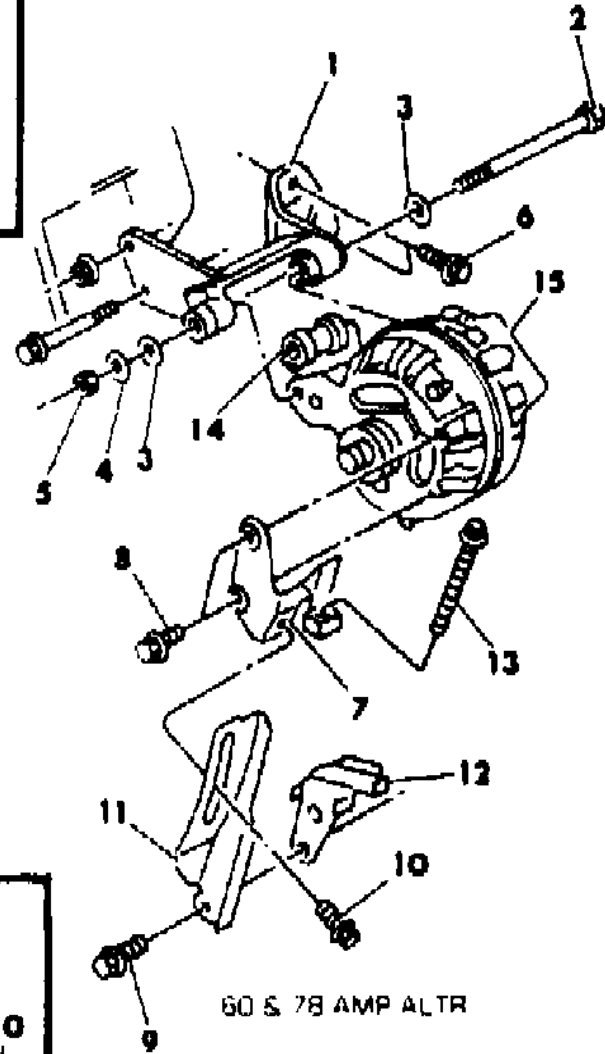
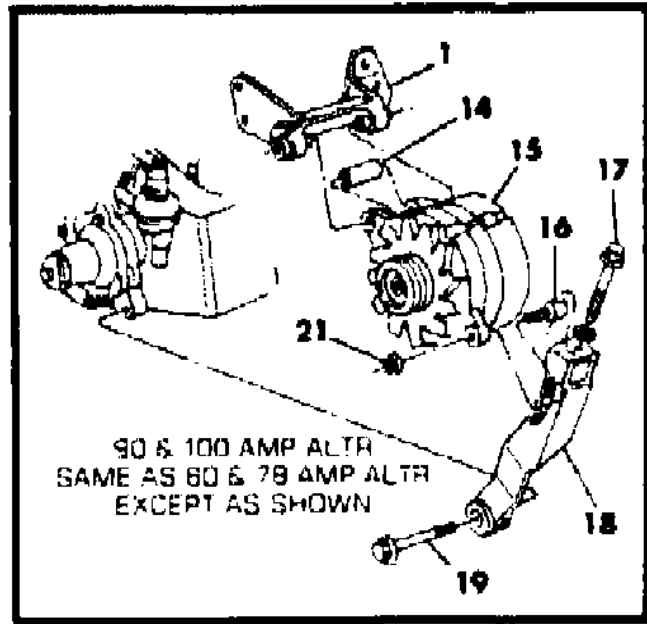
ALTERNATOR MOUNTING 2.2 ENGINE

Figure 8-1900

5108 1900

ITEM	PART NUMBER	QTY	BODY	MODEL	DESCRIPTION
------	-------------	-----	------	-------	-------------

	5211 210				STRAP, Radio Noise Supp. Ground
	5213 191				INSERT, Alt. Mtg.



MODEL CODES

B = GRAN FURY	E = 600	M = HORIZON/TURISMO
C = LE BARON/TOWN & COUNTRY/LIMO	F = FIFTH AVENUE/NEWPORT	P = RELIANT
C24 = LASER	G = DIPLOMAT	T = NEW YORKER
C44 = LE BARON/GTS	H = VOYAGER	V = 600
D = ARIES	J = CARAVELLE	V24 = DAYTONA
D44 = LANCER	K = MINI VAN/CARAVAN/ROYAL	Z = OMNI/CHARGER

BODY STYLES

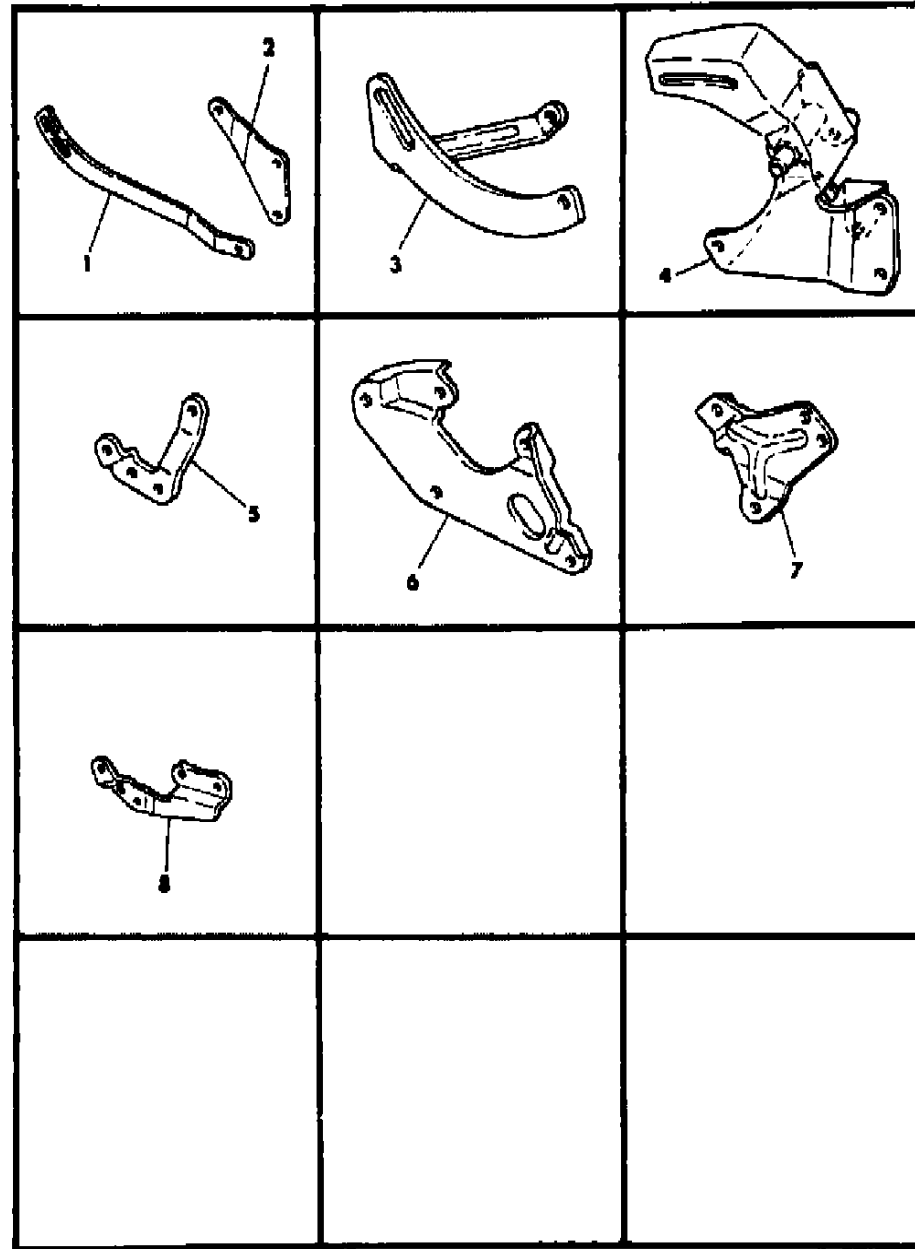
21 = 2-DOOR SEDAN	35 = FWD VAN	44 = 4-DOOR HATCHBACK
22 = 2-DOOR SPECIAL COUPE	36 = FWD WAGON	45 = 4-DOOR STATION WAGON
24 = 2-DOOR HATCHBACK	41 = 4-DOOR SEDAN	49 = LIMOUSINE
27 = 2-DOOR CONVERTIBLE		

AR = Use as Required - = Non Illustrated Part P.A.R. = Paint as Required

ALTERNATOR MOUNTING 318 ENGINE

Figure 8-2000

5108 2000



ITEM	PART NUMBER	QTY	BODY	MODEL	DESCRIPTION
1	3512 498	1			STRAP, Altr. Adj. w/60 or 78 Amp. Altr. w/o Air Cond.
2	2951 834	1			BRACKET, Altr. Mtg. to Block w/60 or 78 Amp. Altr. w/o Air Cond.
3	4095 271	1			BRACKET, Altr. Mtg. to Block w/60 or 78 Amp. Altr. w/Air Cond.
4	4100 604	1			BRACKET, Altr. Mtg., 114 Amp. Altr.
5	4071 733	1			SUPPORT, Altr. Mtg. and Adj. Bracket (Rear)
6					BRACKET, (See Group 24)
7	4100 653	1			BRACKET, Altr. Mtg. (Rear)
8	4104 388	1			BRACKET, w/114 Amp. Altr. w/Air Cond. Altr. Mtg.(Rear) 60 or 78 Amp.
	6029 381	1			SPACER, Altr. Mtg. w/ 60 or 78 Amp. Altr. w/Air Cond.
	6029 507	1			SPACER, Altr. Adj. Brkt. w/ 60 or 78 Amp. Altr. w/o Air Cond.
	6031 433	1			SPACER, to Altr. and Air Cond. Compressor Mtg. Br kt. w/ 114 Amp. Altr.

MODEL CODES

B = GRAN FURY	E = 600	M = HORIZON/TURISMO
C = LE BARON/TOWN & COUNTRY/LIMO	F = FIFTH AVENUE/NEWPORT	P = RELIANT
C24 = LASER	G = DIPLOMAT	T = NEW YORKER
C44 = LE BARON/GTS	H = VOYAGER	V = 600
D = ARIES	J = CARAVELLE	V24 = DAYTONA
D44 = LANCER	K = MINI VAN/CARAVAN/ROYAL	Z = OMNI/CHARGER

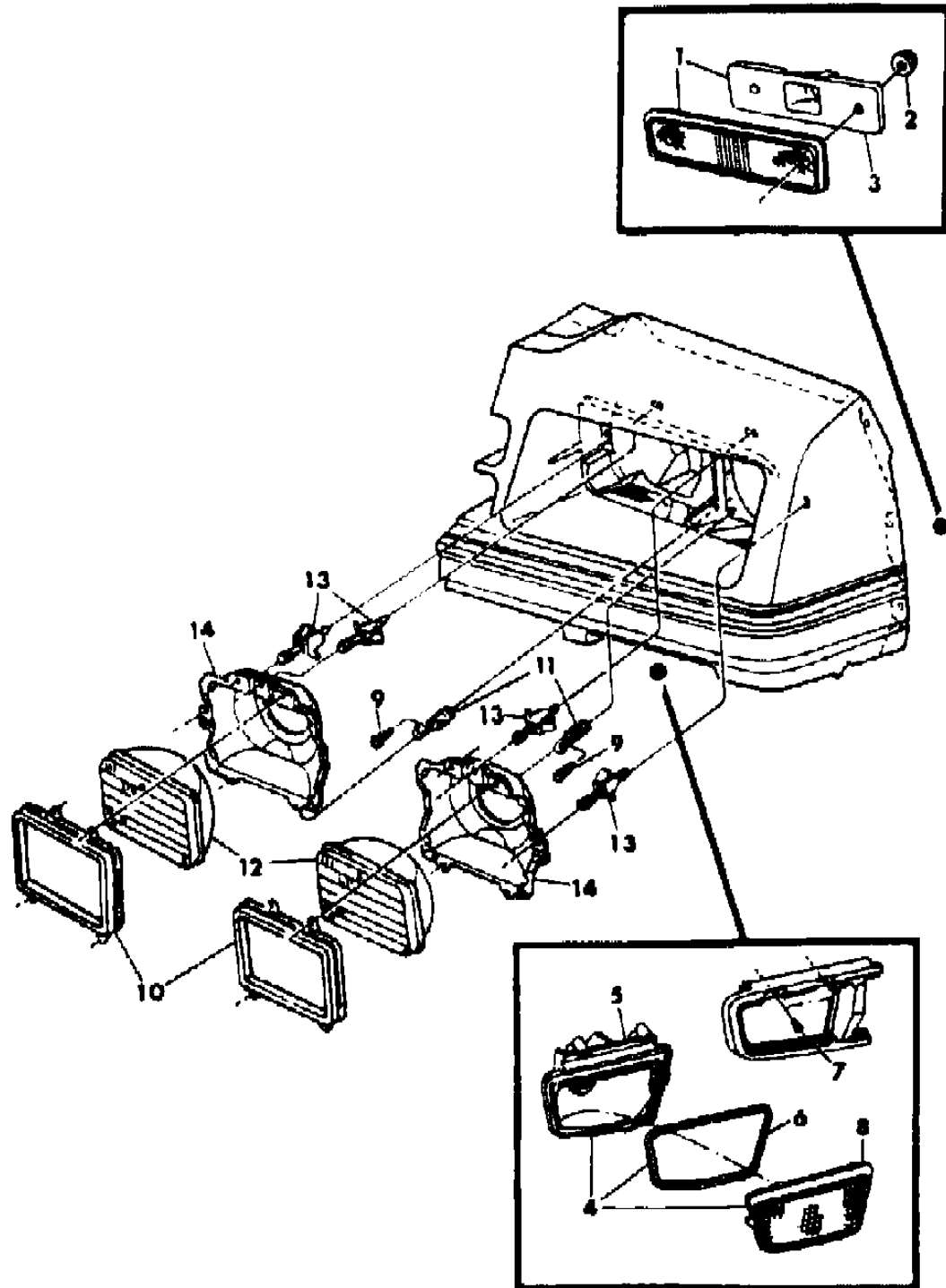
BODY STYLES

21 = 2-DOOR SEDAN	35 = FWD VAN	44 = 4-DOOR HATCHBACK
22 = 2-DOOR SPECIAL COUPE	36 = FWD WAGON	45 = 4-DOOR STATION WAGON
24 = 2-DOOR HATCHBACK	41 = 4-DOOR SEDAN	49 = LIMOUSINE
27 = 2-DOOR CONVERTIBLE		

AR = Use as Required - = Non Illustrated Part P.A.R. = Paint as Required

LAMPS--FRONT M-Z 24
Figure 8-2100

5108 2100



ITEM	PART NUMBER	QTY	BODY	MODEL	DESCRIPTION
1	4174 837	2			LAMP, Frt. Fender Side Marker
2	6028 471	4			NUT
3					HOUSING, (Serv. in Lamp Assy.)
4	5207 722-3	1			LAMP, Parking & Turn Signal Assy.
	5207 568-9	2			"SHELBY"
5					HOUSING, (Serv. in Lamp Assy.)
6	3798 253	2			SEAL, (Serv. in Lamp Assy.)
7					SCREW, (Serv. in Lamp Assy.)
8					LENS, (Serv. in Lamp Assy.)
9					SCREW, (Not Serv.)
10	4016 088				RETAINER, H/Lamp Bulb (Chrome)
	4270 548				RETAINER, H/Lamp Bulb (Black)
	4270 373	2			"SHELBY"
11	4334 142				SCREW, Sealed Beam Unit Mtg. Seat Adj.
12	0153 199	2			SEALED BEAM UNIT, (rt. way shift) "SHELBY"
	0153 440				High Beam
	0153 481				Hi-Low Beam
	0153 590	2			HALOGEN
13	5201 386	2			SPRING, Sealed Beam Unit Mtg.
14	4074 686-7	2			SEAT, Sealed Beam Unit, "SHELBY"
	3868 926-7				Hi-Lo Beam
	3868 928				Hi-Beam, Lt.
	3868 929				Hi-Beam, Rt.
NOTE: The following parts not on illustration Gear and Pinion numbers stamped on the item may be used to confirm the correct MATCHED SET they are contained in.					
	3588 314	AR			SOCKET, Side Marker
	4055 433	AR			Parking & Turn Signal Frt. Repair Pkg.
	3843 432	AR			Repair Pkg., (Park And Turn sig.)
	0153 700	2			BULB, Turn Sig. & Side Marker #916
	9425 542	2			BULB, Side Marker #168

MODEL CODES

B = GRAN FURY	E = 600	M = HORIZON/TURISMO
C = LE BARON/TOWN & COUNTRY/LIMO	F = FIFTH AVENUE/NEWPORT	P = RELIANT
C24 = LASER	G = DIPLOMAT	T = NEW YORKER
C44 = LE BARON/GTS	H = VOYAGER	V = 600
D = ARIES	J = CARAVELLE	V24 = DAYTONA
D44 = LANCER	K = MINI VAN/CARAVAN/ROYAL	Z = OMNI/CHARGER

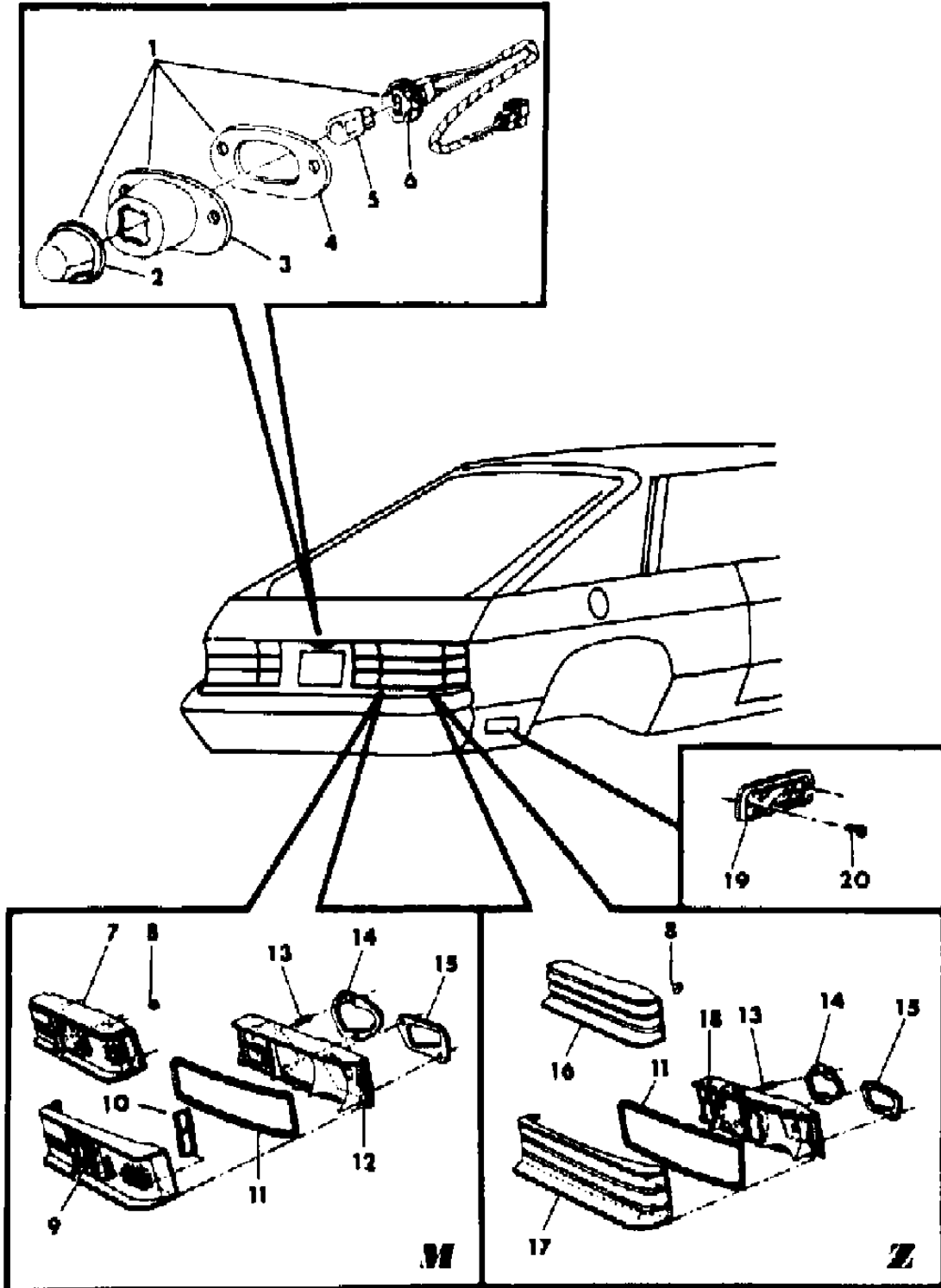
BODY STYLES

21 = 2-DOOR SEDAN	35 = FWD VAN	44 = 4-DOOR HATCHBACK
22 = 2-DOOR SPECIAL COUPE	36 = FWD WAGON	45 = 4-DOOR STATION WAGON
24 = 2-DOOR HATCHBACK	41 = 4-DOOR SEDAN	49 = LIMOUSINE
27 = 2-DOOR CONVERTIBLE		

AR = Use as Required - = Non Illustrated Part P.A.R. = Paint as Required

LAMPS & WIRING--REAR M-Z 24
Figure 8-2200

5108 2200



ITEM	PART NUMBER	QTY	BODY	MODEL	DESCRIPTION
1	5207 516	1			LAMP, (License)
2					LENS, (Serv. in Lamp Assy.)
3					HOUSING, (Serv. in Lamp Assy.)
4					GASKET, (Serv. in Lamp Assy.)
5	9425 542				BULB, #168
6					SOCKET and CABLE, (Not Serv.)
7	5207 564-5	1		M	LAMP, (Export)
	5207 788-9			M	LAMP ASSEMBLY
8	6023 205	8			NUT
9	5207 790-1	1		M	LENS ASSEMBLY
	5207 778-9	1		M	LENS, (Export)
10					
11	3798 253	2			SEAL, Adhesive Type 33" Long (Also Serv. in Lamp Assy.)
12					HOUSING, (Serv. in Assy.)
13					STUD, (Serv. in Lamp Assy.)
14	5207 626	2			GASKET, Inboard (Also Serv. in Lamp Assy.)
15	5207 628-9	1			GASKET, Outboard (Also Serv. in Lamp Assy.)
16	5207 564-5	1		Z	LAMP, (Export)
	5207 786-7			Z	LAMP ASSEMBLY
17	5207 784-5	1		Z	LENS ASSEMBLY
	5207 588-9	1		Z	LENS, (Export)
18				Z	HOUSING, (Serv. in Assy.)
19	4174 820				REFLECTOR, Qtr. Pnl. Side Marker
20					SCREW, (Not Serv.)
NOTE: The following parts not shown on illustration Gear and Pinion numbers stamped on the item may be used to confirm the correct MATCHED SET they are contained in.					
	5211 711	AR			SOCKET, Turn Signal Rr.
	2584 972	AR			Repair Pkg.
	4124 081	AR			Tail Light
	3588 314	AR			Side Marker
	5207 664	2			WELT, Lift Gate
	9417 866	2			BULB, Back up Lamp #1156

MODEL CODES

B = GRAN FURY	E = 600	M = HORIZON/TURISMO
C = LE BARON/TOWN & COUNTRY/LIMO	F = FIFTH AVENUE/NEWPORT	P = RELIANT
C24 = LASER	G = DIPLOMAT	T = NEW YORKER
C44 = LE BARON/GTS	H = VOYAGER	V = 600
D = ARIES	J = CARAVELLE	V24 = DAYTONA
D44 = LANCER	K = MINI VAN/CARAVAN/ROYAL	Z = OMNI/CHARGER

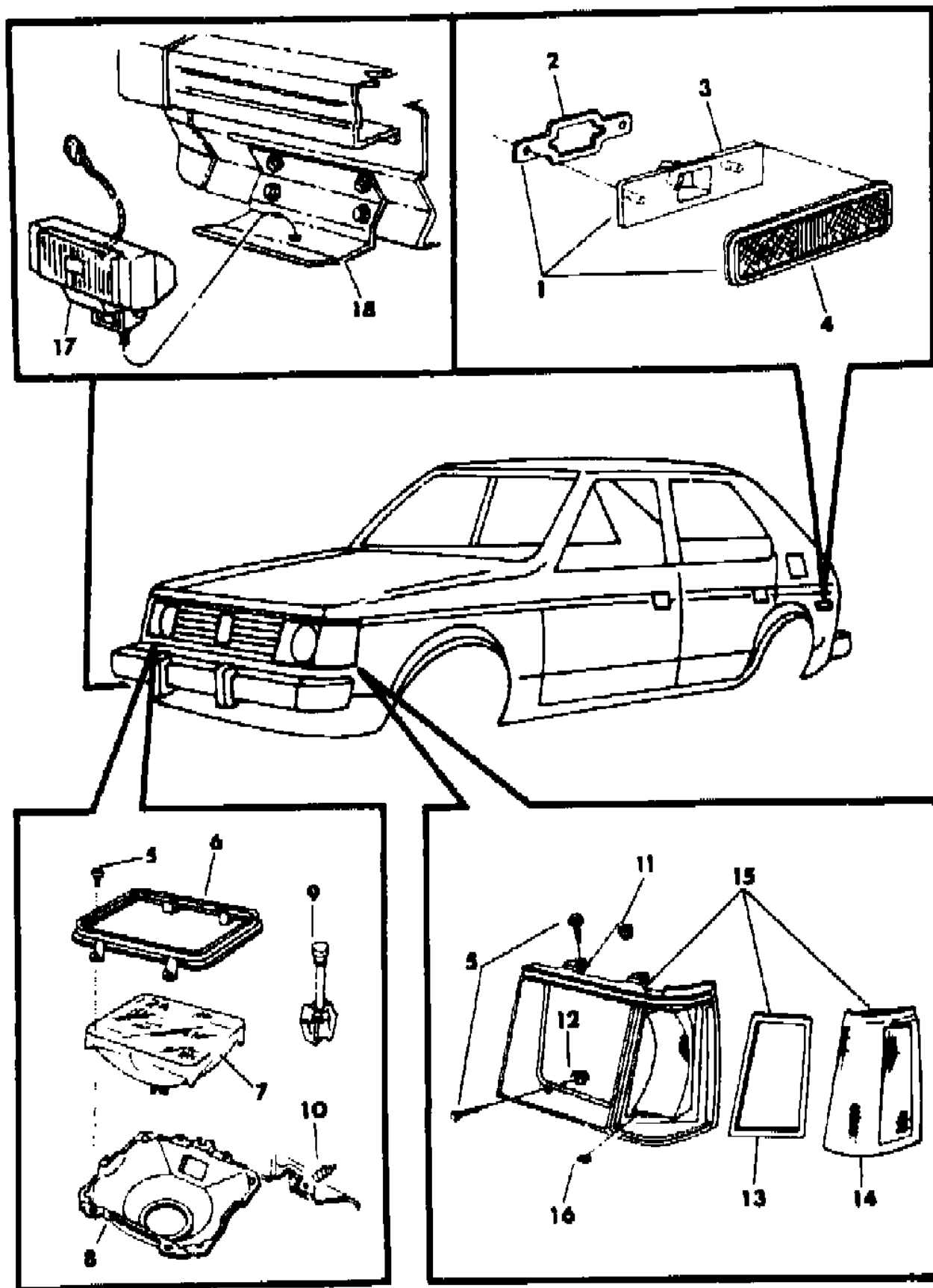
BODY STYLES

21 = 2-DOOR SEDAN	35 = FWD VAN	44 = 4-DOOR HATCHBACK
22 = 2-DOOR SPECIAL COUPE	36 = FWD WAGON	45 = 4-DOOR STATION WAGON
24 = 2-DOOR HATCHBACK	41 = 4-DOOR SEDAN	49 = LIMOUSINE
27 = 2-DOOR CONVERTIBLE		

AR = Use as Required - = Non Illustrated Part P.A.R. = Paint as Required

LAMPS--FRONT M-Z 44
Figure 8-2300

5108 2300



ITEM	PART NUMBER	QTY	BODY	MODEL	DESCRIPTION
1	5207 780	2			LAMP, Qtr. Pnl. S/Marker Assy.
2					GASKET, (Serv. in Lamp Assy.)
3					HOUSING, (Serv. in Lamp Assy.)
4					LENS, (Serv. in Lamp Assy.)
5					SCREW, (Not Serv.)
6	5201 204	2			RETAINER, Sealed Beam Unit
7	0153 199	2			SEALED BEAM UNIT, (Rt. Way Shift)
	0153 590	2			Halogen
8	4103 468-9	2			SEAT, Sealed Beam Unit
9	4270 581	4			SCREW, Nut, Sealed Beam Unit Seat Adj.
10	5201 386	2			SPRING, Sealed Beam Unit Mtg. Seat Adj.
11	6031 234	4			NUT, Spacer
12	#6031 138	4			NUT, Spacer
13	3798 253	2			SEAL
14	5207 624-5	1			LENS, (Also Serv. in Bezel Assy.)
15	4103 216-7	1			BEZEL, h/Lp., Park, t/Sig. and S/Marker Assy.
	4334 452-3	1			BEZEL, Head Lamp "GLH"
16					VENT STRIP, (Serv. in Bezel Assy.)
17	5207 792	2			LAMP, Front Bumper Fog
18	4334 460-1				BRACKET, Fog Lamp
	4334 462-3				PLATE, Fog Lamp Attaching
	5207 795				COVER, Frt. Bumper Fog Lamp
	5207 798				LENS and REFLECTOR, Frt. Bumper Fog Lamp
	5207 799				BULB, H3 Frt. Bumper Fog Lamp (Serv. in 5207792)
NOTE: The following parts not shown on illustration Gear and Pinion numbers stamped on the item may be used to confirm the correct MATCHED SET they are contained in.					
	3513 686				SOCKET, Side Marker
	3588 314				SOCKET, Side Marker (Repair)
	3764 863				Turn Signal Frt.
	3843 432				Repair Pkg. Park-t/sig. Lamp Socket
	4055 433				Park t/Sig. Repair Pkg.
	9417 867				BULB, Turn Sig. & Side Marker #1157
	0153 700				BULB, Side Marker #916

MODEL CODES

B = GRAN FURY	E = 600	M = HORIZON/TURISMO
C = LE BARON/TOWN & COUNTRY/LIMO	F = FIFTH AVENUE/NEWPORT	P = RELIANT
C24 = LASER	G = DIPLOMAT	T = NEW YORKER
C44 = LE BARON/GTS	H = VOYAGER	V = 600
D = ARIES	J = CARAVELLE	V24 = DAYTONA
D44 = LANCER	K = MINI VAN/CARAVAN/ROYAL	Z = OMNI/CHARGER

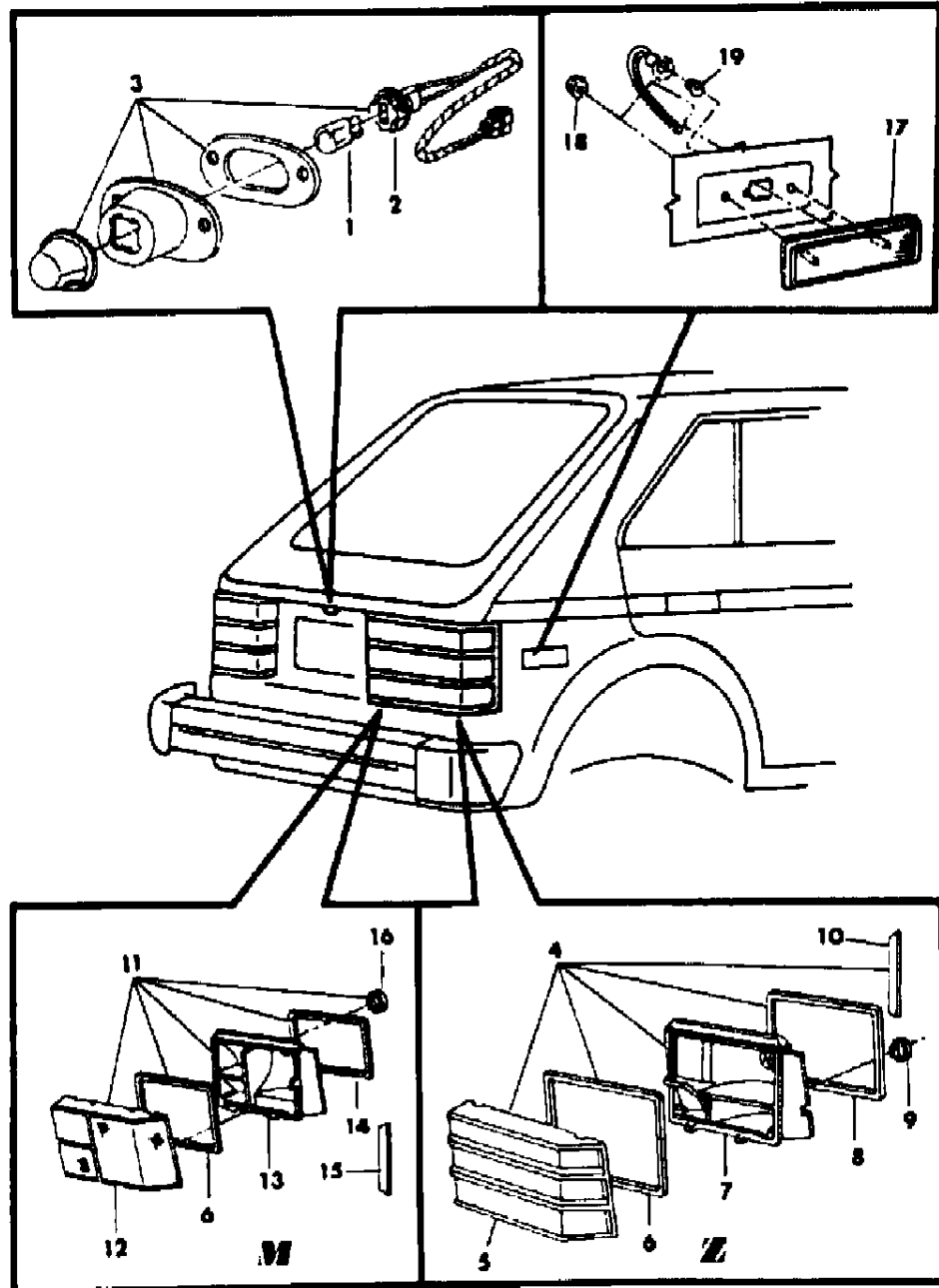
BODY STYLES

21 = 2-DOOR SEDAN	35 = FWD VAN	44 = 4-DOOR HATCHBACK
22 = 2-DOOR SPECIAL COUPE	36 = FWD WAGON	45 = 4-DOOR STATION WAGON
24 = 2-DOOR HATCHBACK	41 = 4-DOOR SEDAN	49 = LIMOUSINE
27 = 2-DOOR CONVERTIBLE		

AR = Use as Required - = Non Illustrated Part P.A.R. = Paint as Required

LAMPS & WIRING--REAR M-Z 44
Figure 8-2400

5108 2400



ITEM	PART NUMBER	QTY	BODY	MODEL	DESCRIPTION
1	9425 542				BULB, #168
2					SOCKET and CABLE, (Not Serv.)
3	5207 516				LAMP, (License) HOUSING, (License) (Serv. In Lamp Assy.)
4	5207 656-7			Z	LAMP ASSEMBLY
5	5207 662-3	1		Z	LENS
	5207 740-1	1		Z	LENS, (Export)
6	3798 253	2		M,Z	SEAL
7		2		Z	HOUSING, (Serv. in #4)
	5207 526-7	2		Z	HOUSING, (Export)
8	3798 253			Z	SEAL, (Also Serv. in Housing Assy.)
9				Z	GROUND RING, (Serv. in Housing Assy.)
10	5207 620			Z	WELT
11	5207 648-9			M	LAMP ASSEMBLY
12	5207 654-5	1		M	LENS
	5207 540-1	1		M	LENS, (Export)
13		1		M	HOUSING, (Serv. in #11)
	5207 526-7	1		M	HOUSING, (Export)
14	3798 253			M	SEAL
15	5207 666-7	2		M	WELT
16				M	GROUND RING, (Serv. in Housing Assy.)
17	5207 780				LAMP, Qtr. Pnl. Side Marker
18	6029 471	4			NUT
19	9425 542	2			BULB
	5207 533				TAPE, Lift Gate Opening
					NOTE: The following parts not shown on illustration. Gear and Pinion numbers stamped on the item may be used to confirm the correct MATCHED SET they are contained in.
	5211 711				SOCKET, Turn Signal Rr.
	2584 972				Repair Pkg.
	4124 081				Tail Light
	4274 800				Back Up
	9417 866				BULB, Back up Lamp #1156

MODEL CODES

B = GRAN FURY	E = 600	M = HORIZON/TURISMO
C = LE BARON/TOWN & COUNTRY/LIMO	F = FIFTH AVENUE/NEWPORT	P = RELIANT
C24 = LASER	G = DIPLOMAT	T = NEW YORKER
C44 = LE BARON/GTS	H = VOYAGER	V = 600
D = ARIES	J = CARAVELLE	V24 = DAYTONA
D44 = LANCER	K = MINI VAN/CARAVAN/ROYAL	Z = OMNI/CHARGER

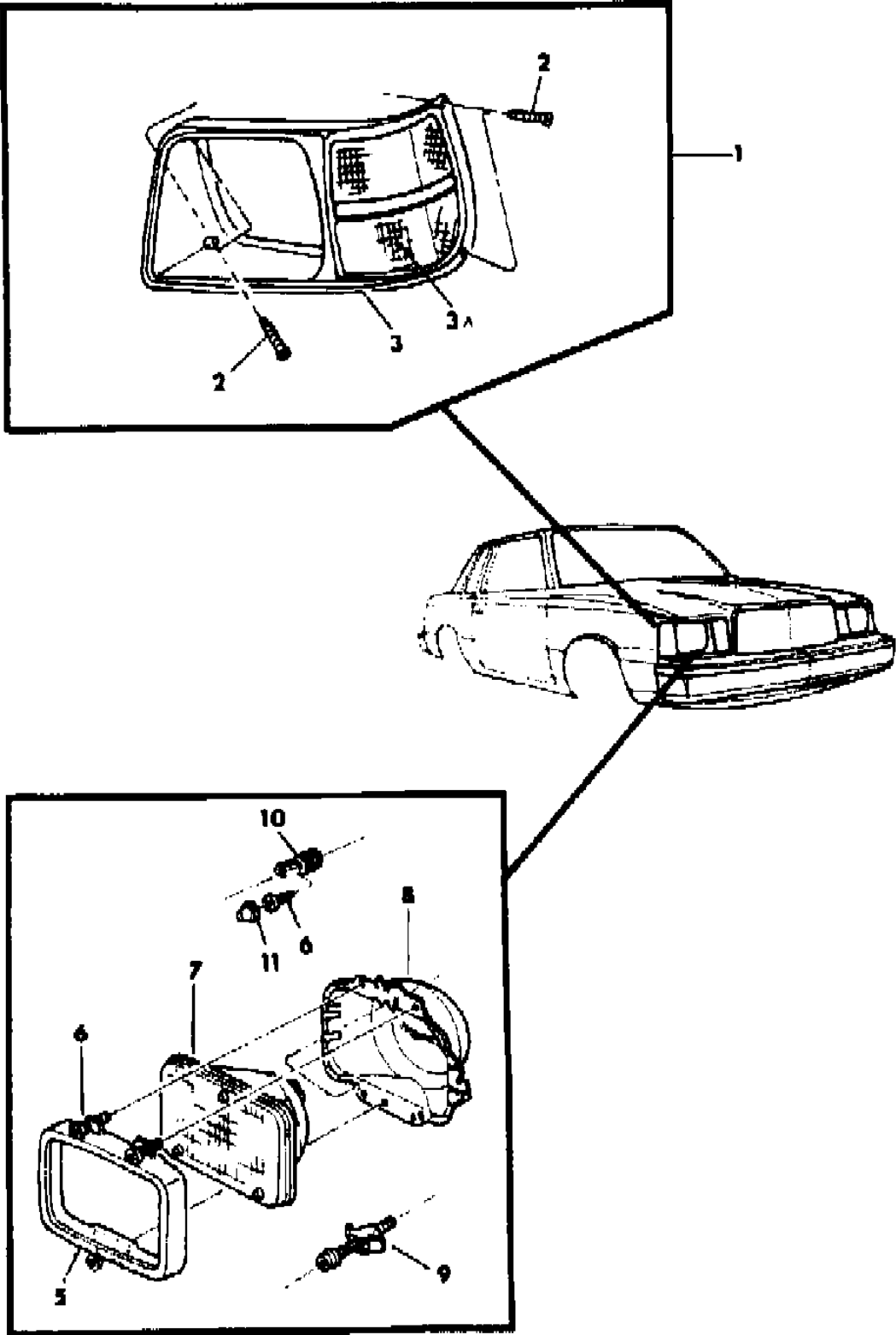
BODY STYLES

21 = 2-DOOR SEDAN	35 = FWD VAN	44 = 4-DOOR HATCHBACK
22 = 2-DOOR SPECIAL COUPE	36 = FWD WAGON	45 = 4-DOOR STATION WAGON
24 = 2-DOOR HATCHBACK	41 = 4-DOOR SEDAN	49 = LIMOUSINE
27 = 2-DOOR CONVERTIBLE		

AR = Use as Required - = Non Illustrated Part P.A.R. = Paint as Required

LAMPS--FRONT P-D
Figure 8-2500

5108 2500



ITEM	PART NUMBER	QTY	BODY	MODEL	DESCRIPTION
1					LAMP, h/Lamp Bezel Park & t/Sig. & Side Marker S.C.P.
2		4			SCREW, (Not Serv.)
3	4334 968-9				BEZEL, Head Lamp PLY. Low Line ARGENT
	4334 990-1				BEZEL, Head Lamp CHROME
	4334 074-5				BEZEL, Head Lamp (Black & Chrome) DODGE High Line
3A	4321 740-1				LENS
4					SCREW, (Not Serv.)
5	5201 204	2			RETAINER
6	0153 340	6			SCREW
7					SEALED BEAM UNIT
	0153 590				Halogen (Rt. Way Shift) 7"
	0153 199				(Rt. Way Shift) 7" (Exc. Halogen)
	0153 273				(Lt. Way Shift) 7" (Export)
8	5201 334				SEAT, Rect. h/Lamp
9	4270 581	2			NUT and SCREW
10	5201 386	2			SPRING, Rect. h/Lamp
11	6030 765	6			CAP, Screw Protector
	4221 150	6			LAMP, Underhood

NOTE: The following parts not shown on illustration Gear and Pinion numbers stamped on the item may be used to confirm the correct MATCHED SET they are contained in.

ITEM	PART NUMBER	QTY	BODY	MODEL	DESCRIPTION
					SOCKET
	3843 432	2			Park and T/Sig. Socket (Repair)
	3588 314	2			Side Marker
	4274 100	2			Side Marker (Repair)
	9438 850	2			BULB, Park & Turn Signal #2057NA Amber
	9425 542	2			BULB, Side Marker #168
	9417 866				BULB, Cornering Lamp #1156

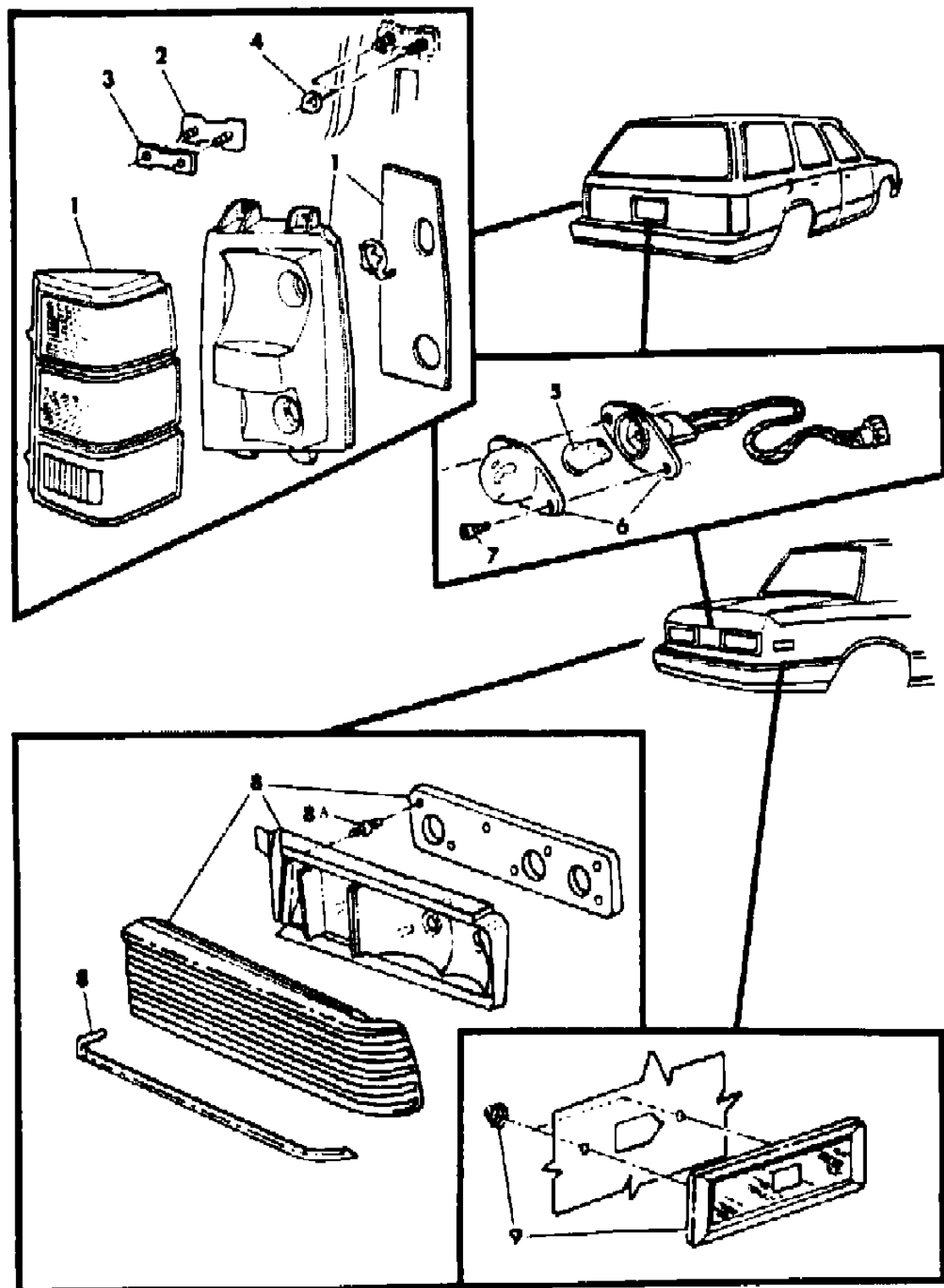
MODEL CODES
 B = GRAN FURY
 C = LE BARON/TOWN & COUNTRY/LIMO
 C24 = LASER
 C44 = LE BARON/GTS
 D = ARIES
 D44 = LANCER
 E = 600
 F = FIFTH AVENUE/NEWPORT
 G = DIPLOMAT
 H = VOYAGER
 J = CARAVELLE
 K = MINI VAN/CARAVAN/ROYAL
 M = HORIZON/TURISMO
 P = RELIANT
 T = NEW YORKER
 V = 600
 V24 = DAYTONA
 Z = OMNI/CHARGER

BODY STYLES
 21 = 2-DOOR SEDAN
 22 = 2-DOOR SPECIAL COUPE
 24 = 2-DOOR HATCHBACK
 27 = 2-DOOR CONVERTIBLE
 35 = FWD VAN
 36 = FWD WAGON
 41 = 4-DOOR SEDAN
 44 = 4-DOOR HATCHBACK
 45 = 4-DOOR STATION WAGON
 49 = LIMOUSINE

AR = Use as Required - = Non Illustrated Part P.A.R. = Paint as Required

LAMPS & WIRING--REAR P-D
Figure 8-2600

5108 2800



ITEM	PART NUMBER	QTY	BODY	MODEL	DESCRIPTION
1					LAMP, Qtr. Pnl. Tail, Stop, Turn, Back-Up & Side Marker
	4174 080-1			P (45)	
	4174 096-7			D (45)	
2	4174 298			P,D (45)	BRACKET, Qtr. Pnl.
3	4174 299			P,D (45)	GASKET, Qtr. Pnl.
4	6026 958	8		P,D (45)	PUSH NUT
5	9425 542	2			BULB, (License)
6	4321 792				LAMP, (License) HOUSING, License (Serv. In Lamp Assy.)
7					SCREW, (Not Serv.)
8	4321 062-3			P(21,41)	LAMP, t/Stop t/Sig. & b/Up Assy.
	4321 066-7			P(21,41)	LENS
	4321 068-9			D(21,41)	LAMP, t/Stop, t/Sig. & b/Up Assy.
	4321 070-1			D(21,41)	LENS
8A	6031 107				STUD
9	4321 072			PD-L21,	LAMP, Qtr. Pnl. s/Marker Assy. w/Bezel (Black)
	4321 074			PD-H,M	LAMP, Qtr. Pnl. s/Marker Assy.
	4209 799			P-D 45	WIRING, Rear Lamp
	4274 107			P-D 45	WIRING, License Lamp
	4274 638			P-D 21-	WIRING, License & Trunk Lamp
	4331 444				WIRING, Trunk Lamp & Ajar
	4221 454				LAMP PACKAGE, Trunk
NOTE: The following parts not shown on illustration Gear and Pinion numbers stamped on the item may be used to confirm the correct MATCHED SET they are contained in.					
					SOCKET
	3588 314	2		(21,41)	Side Marker
	4274 100	2			Side Marker, t/Sig. (Repair Pkg.)
	4124 081	4		(21,41)	Tail Stop
	3843 432	4			Park & t/Sig.
	2822 196	2		(45)	Tail Stop and T/Sig.
	5211 711	2			Rr. t/Sig. w/(60Deg.)
	5211 712	2			Back Up w/(90Deg.)
	4274 800				Back Up
	9417 866	2			BULB, Back-Up Lamp #1156
	9438 848				BULB, Tail,Stop & Turn Sig. #2057

MODEL CODES

B = GRAN FURY	E = 600	M = HORIZON/TURISMO
C = LE BARON/TOWN & COUNTRY/LIMO	F = FIFTH AVENUE/NEWPORT	P = RELIANT
C24 = LASER	G = DIPLOMAT	T = NEW YORKER
C44 = LE BARON/GTS	H = VOYAGER	V = 600
D = ARIES	J = CARAVELLE	V24 = DAYTONA
D44 = LANCER	K = MINI VAN/CARAVAN/ROYAL	Z = OMNI/CHARGER

BODY STYLES

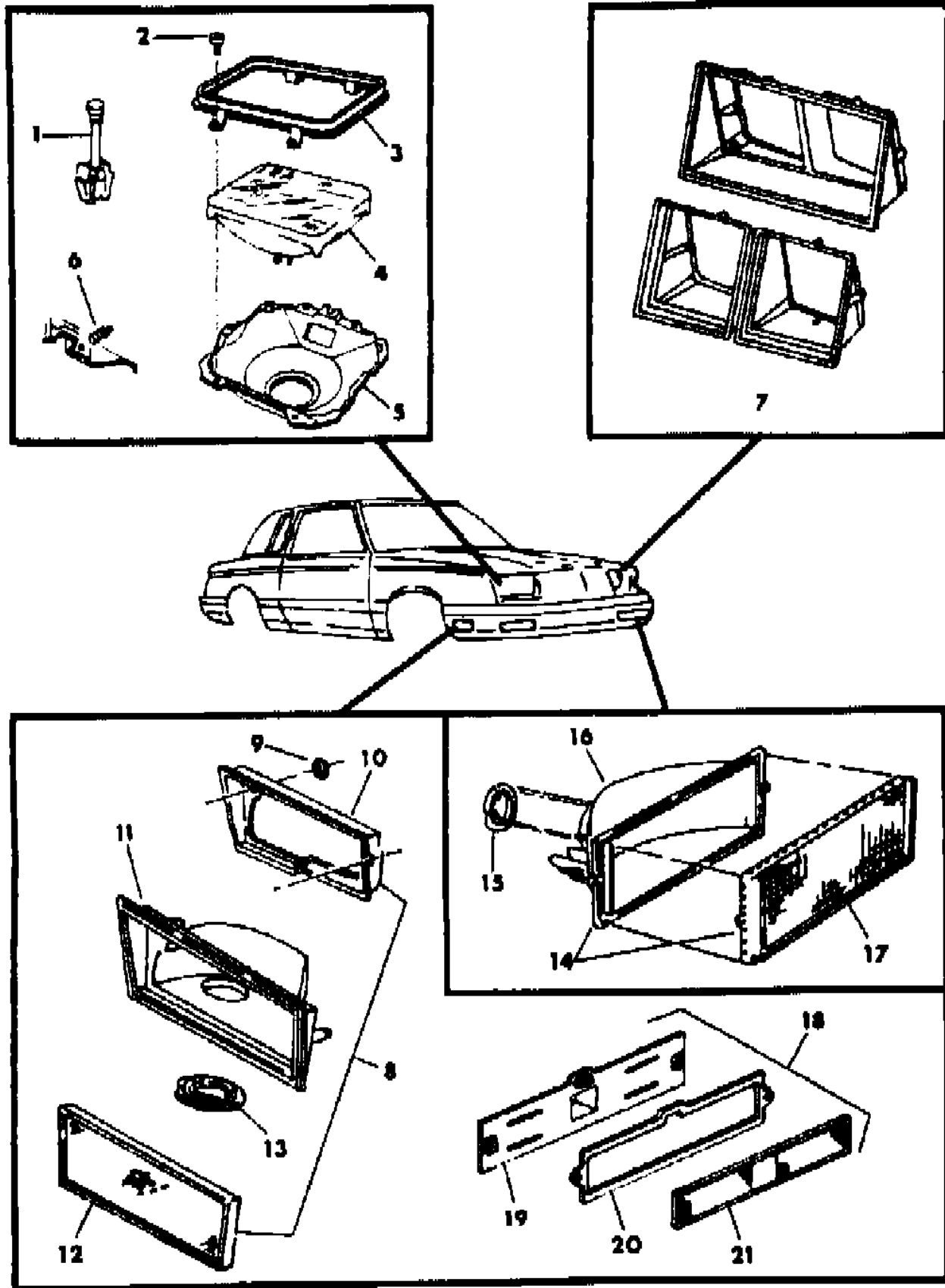
21 = 2-DOOR SEDAN	35 = FWD VAN	44 = 4-DOOR HATCHBACK
22 = 2-DOOR SPECIAL COUPE	36 = FWD WAGON	45 = 4-DOOR STATION WAGON
24 = 2-DOOR HATCHBACK	41 = 4-DOOR SEDAN	49 = LIMOUSINE
27 = 2-DOOR CONVERTIBLE		

AR = Use as Required - = Non Illustrated Part P.A.R. = Paint as Required

LAMPS--FRONT C-V-J-E-T

Figure 8-2700

5108 2700



ITEM	PART NUMBER	QTY	BODY	MODEL	DESCRIPTION
1	3868 985	1			SCREW, Nut, Sealed Beam Unit
2					SCREW, (Not Serv.)
3	4016 088				RETAINER, Sealed Beam Unit
4	0153 775				SEALED BEAM UNIT High Beam (Halogen) Plastic
	0153 784				High & Low Beam (Halogen) Plastic
5	3868 928-9				SEAT, Sealed Beam High Beam
	3868 926-7				High & Low Beam
6	#3868 789				SPRING, Sealed Beam Unit Seat Adj.
7	4270 550-1			C,T	BEZEL, H/Lamp Assy. Bezel
	4270 556-7			J,V,E	Bezel (Inner)
	4270 558-9			J,V,E	Bezel (Outer)
8	4174 206-7				LAMP, w/Cornering Assy., w/o Bracket
9	6029 471	4			NUT
10	4174 212-3				BRACKET, (Cornering Lamp)
11	4174 546-7	1		C	HOUSING, (Serv. In Lamp Assy.) BEZEL, "Town & Country, Side Marker
12					LENS, (Serv. In Lamp Assy.)
13					PLATE, (Serv. In Lamp Assy.)
14	4174 200-1				LAMP, Park & Turn Signal Assy.
15					PLATE, (Serv. In Lamp Assy.)
16					HOUSING, (Serv. In Lamp Assy.)
17					LENS, (Serv. In Lamp Assy.)
18	4174 224				LAMP, s/Marker Assy.
19					HOUSING, (Serv. In Lamp Assy.)
20					GASKET, (Serv. In Lamp Assy.)
21					LENS, (Serv. In Lamp Assy.)
	4221 150				LAMP, Underhood
	4274 100				SOCKET, Side Marker
	4124 721				w/Cable Cornering Lamp
	3843 432				SOCKET, Park & t/Sig.
	9438 850				BULB, Park & Turn Sig.
	9425 542				BULB, Side Marker Lamp #168

NOTE: The following parts not shown on illustration Gear and Pinion numbers stamped on the item may be used to confirm the correct MATCHED SET they are contained in.

MODEL CODES

B = GRAN FURY	E = 600	M = HORIZON/TURISMO
C = LE BARON/TOWN & COUNTRY/LIMO	F = FIFTH AVENUE/NEWPORT	P = RELIANT
C24 = LASER	G = DIPLOMAT	T = NEW YORKER
C44 = LE BARON/GTS	H = VOYAGER	V = 600
D = ARIES	J = CARAVELLE	V24 = DAYTONA
D44 = LANCER	K = MINI VAN/CARAVAN/ROYAL	Z = OMNI/CHARGER

BODY STYLES

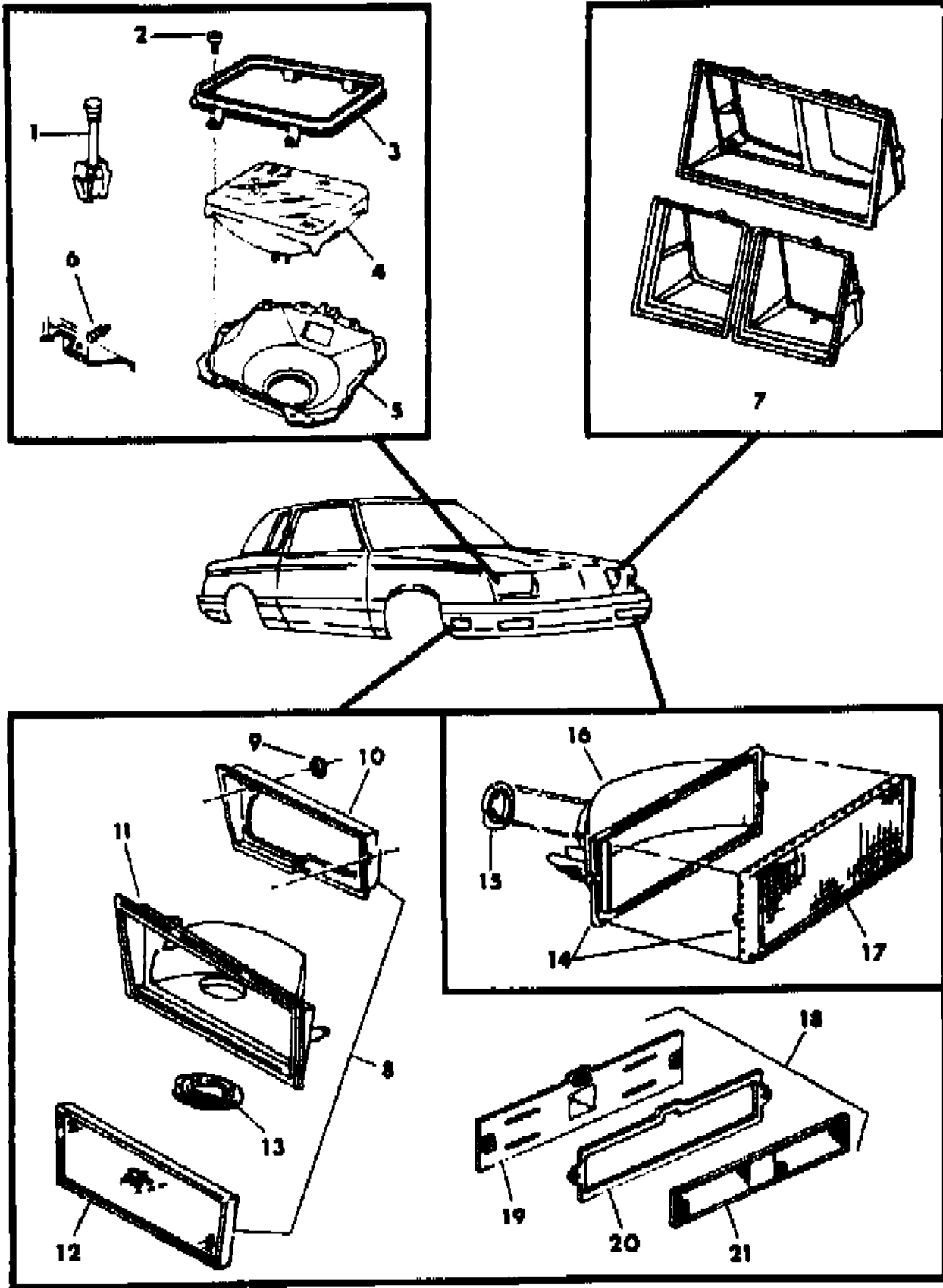
21 = 2-DOOR SEDAN	35 = FWD VAN	44 = 4-DOOR HATCHBACK
22 = 2-DOOR SPECIAL COUPE	36 = FWD WAGON	45 = 4-DOOR STATION WAGON
24 = 2-DOOR HATCHBACK	41 = 4-DOOR SEDAN	49 = LIMOUSINE
27 = 2-DOOR CONVERTIBLE		

AR = Use as Required - = Non Illustrated Part P.A.R. = Paint as Required

LAMPS--FRONT C-V-J-E-T

Figure 8-2700

5108 2700



ITEM	PART NUMBER	QTY	BODY	MODEL	DESCRIPTION
------	-------------	-----	------	-------	-------------

	9417 866				BULB, Cornering Lamp #1156
--	----------	--	--	--	----------------------------

MODEL CODES

B = GRAN FURY	E = 600	M = HORIZON/TURISMO
C = LE BARON/TOWN & COUNTRY/LIMO	F = FIFTH AVENUE/NEWPORT	P = RELIANT
C24 = LASER	G = DIPLOMAT	T = NEW YORKER
C44 = LE BARON/GTS	H = VOYAGER	V = 600
D = ARIES	J = CARAVELLE	V24 = DAYTONA
D44 = LANCER	K = MINI VAN/CARAVAN/ROYAL	Z = OMNI/CHARGER

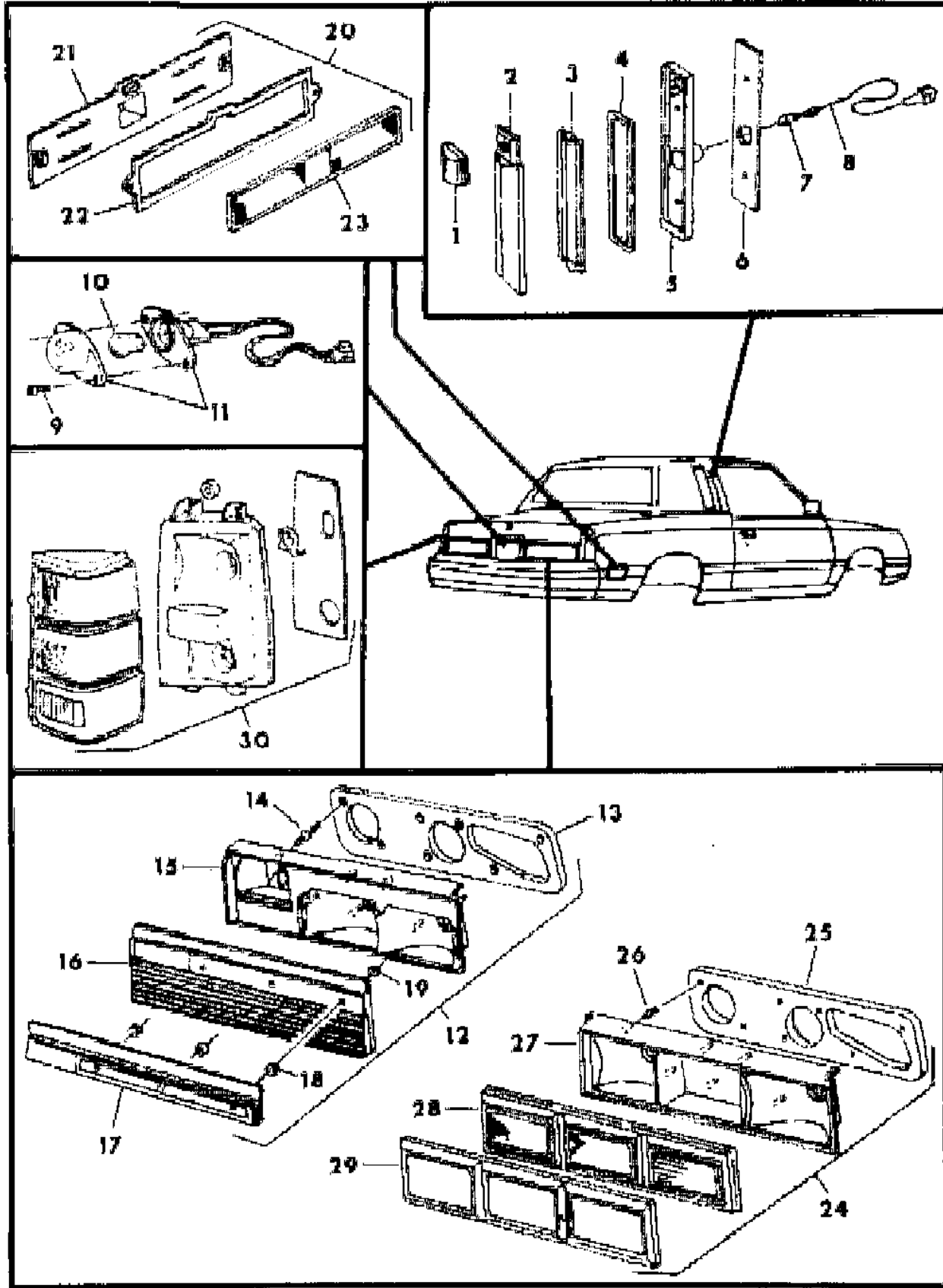
BODY STYLES

21 = 2-DOOR SEDAN	35 = FWD VAN	44 = 4-DOOR HATCHBACK
22 = 2-DOOR SPECIAL COUPE	36 = FWD WAGON	45 = 4-DOOR STATION WAGON
24 = 2-DOOR HATCHBACK	41 = 4-DOOR SEDAN	49 = LIMOUSINE
27 = 2-DOOR CONVERTIBLE		

AR = Use as Required - = Non Illustrated Part P.A.R. = Paint as Required

LAMPS & WIRING--REAR C-V-J-E-T
Figure 8-2800

5/08 2800



ITEM	PART NUMBER	QTY	BODY	MODEL	DESCRIPTION
1	3881 692				COVER
2	#3881 689				LENS ASSEMBLY
3	4318 202-3			TP-41	LENS and HOUSING
4	4174 598-9			TP-41	BEZEL, Opera Lamp
				TP-41	FILTER, (Serv. in Lens Assy.)
7	9437 448			TP-41	BULB, #658
	0153 365			TP-41	SCREW, Attaching
8	3746 516				SOCKET
9					SCREW, (Not Serv.)
10	9425 542				BULB, (License) #168
11	4312 792				LAMP, (License)
12	4174 744-5			C	LAMP, Tail Stop & t/Signal Assy.
	4174 768-9			T	LAMP, Tail Stop & Turn Signal
	4174 844-5			TP	LAMP, Tail Stop & Turn Signal
	4174 832-3			J	LAMP, Tail,Stop,Turn Signal & Back-Up
13				C,T	GASKET, (Serv. in Lamp Assy.)
14				C,T	STUD, (Serv. in Lamp Assy.)
15				C,T	HOUSING, (Serv. in Lamp Assy.)
16				C,T	LENS, (Serv. In Lamp Assy.)
17				C,T	BEZEL, (Serv. In Lamp Assy.)
18				C,T	GASKET, (Serv. In Lamp Assy.)
19	9420 294			C,T	NUT
20	4174 311			C-V-J-E	LAMP, s/Marker Assy.
	4319 882-3			CV 27	BEZEL, Side Marker Lamp
21					HOUSING, (Serv. in Lamp Assy.)
22					GASKET, (Serv. in Lamp Assy.)
23					LENS, (Serv. in Lamp Assy.)
24	4174 738-9			V 21-27	LAMP, Tail Stop & t/Signal Assy.
	4174 762-3			E	LAMP, Tail Stop & t/Signal Assy.
25				V,E	GASKET, (Serv. In Lamp Assy.)
26				V,E	STUD, (Serv. In Lamp Assy.)
27				V,E	HOUSING, (Serv. In Lamp Assy.)
28				V,E	LENS, (Serv. In Lamp Assy.)
29				V,E	BEZEL, (Serv. In Lamp Assy.)
30	4174 080-1			C (45)	LAMP, Qtr. Pnl. t/S t/Sig. b/Up & s/Marker Assy.
	4174 299			C (45)	GASKET, Qtr. Pnl. T/S T/Sig. B/Up & S/Marker (Not Shown)
	4174 298			C (45)	BRACKET, Qtr. Pnl. T/S T/Sig. B/Up & S/Marker (Not Shown)

MODEL CODES

B = GRAN FURY	E = 600	M = HORIZON/TURISMO
C = LE BARON/TOWN & COUNTRY/LIMO	F = FIFTH AVENUE/NEWPORT	P = RELIANT
C24 = LASER	G = DIPLOMAT	T = NEW YORKER
C44 = LE BARON/GTS	H = VOYAGER	V = 600
D = ARIES	J = CARAVELLE	V24 = DAYTONA
D44 = LANCER	K = MINI VAN/CARAVAN/ROYAL	Z = OMNI/CHARGER

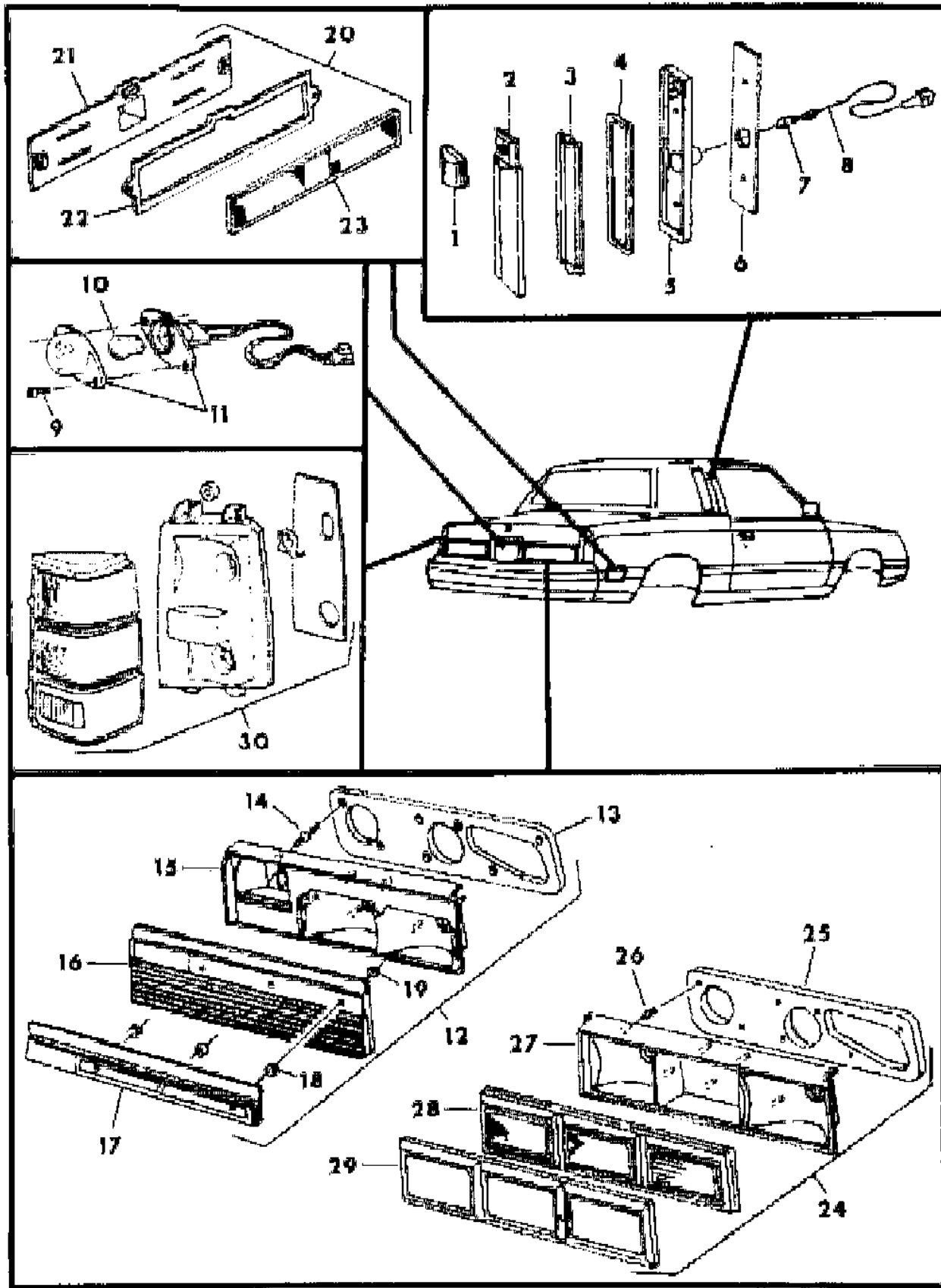
BODY STYLES

21 = 2-DOOR SEDAN	35 = FWD VAN	44 = 4-DOOR HATCHBACK
22 = 2-DOOR SPECIAL COUPE	36 = FWD WAGON	45 = 4-DOOR STATION WAGON
24 = 2-DOOR HATCHBACK	41 = 4-DOOR SEDAN	49 = LIMOUSINE
27 = 2-DOOR CONVERTIBLE		

AR = Use as Required - = Non Illustrated Part P.A.R. = Paint as Required

LAMPS & WIRING--REAR C-V-J-E-T
Figure 8-2800

5/08 2800



ITEM	PART NUMBER	QTY	BODY	MODEL	DESCRIPTION
	4209 799			C	WIRING, Rt. Rear Lamp
	4331 444			C-V 21-	WIRING, License & Trunk Ajar Lamp
	4221 577			C-V-E-T	LAMP PKG., Trunk
NOTE: The following parts not shown on illustration Gear and Pinion numbers stamped on the item may be used to confirm the correct MATCHED SET they are contained in.					
	3588 314				SOCKET, License Lamp
	4274 800				Side Marker
	3588 314				Back Up Repair Pkg.
	9417 866				Rr. s/Marker
	9438 848				BULB, Back-Up Lamp #1156
					BULB, Tail, Stop & Turn Signal

MODEL CODES

B = GRAN FURY	E = 600	M = HORIZON/TURISMO
C = LE BARON/TOWN & COUNTRY/LIMO	F = FIFTH AVENUE/NEWPORT	P = RELIANT
C24 = LASER	G = DIPLOMAT	T = NEW YORKER
C44 = LE BARON/GTS	H = VOYAGER	V = 600
D = ARIES	J = CARAVELLE	V24 = DAYTONA
D44 = LANCER	K = MINI VAN/CARAVAN/ROYAL	Z = OMNI/CHARGER

BODY STYLES

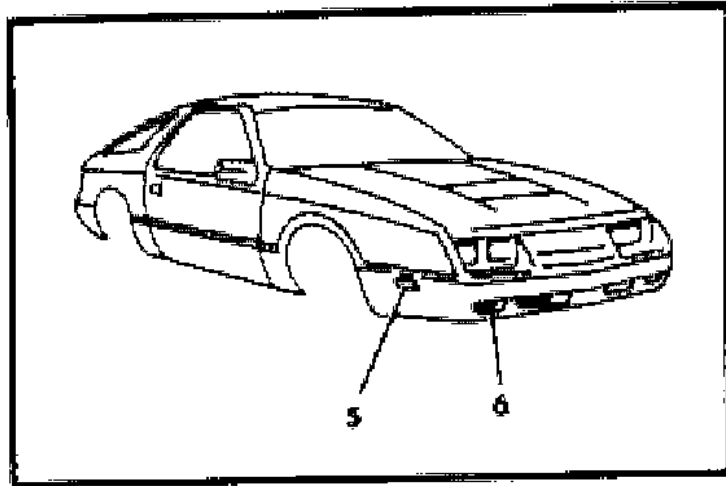
21 = 2-DOOR SEDAN	35 = FWD VAN	44 = 4-DOOR HATCHBACK
22 = 2-DOOR SPECIAL COUPE	36 = FWD WAGON	45 = 4-DOOR STATION WAGON
24 = 2-DOOR HATCHBACK	41 = 4-DOOR SEDAN	49 = LIMOUSINE
27 = 2-DOOR CONVERTIBLE		

AR = Use as Required - = Non Illustrated Part P.A.R. = Paint as Required

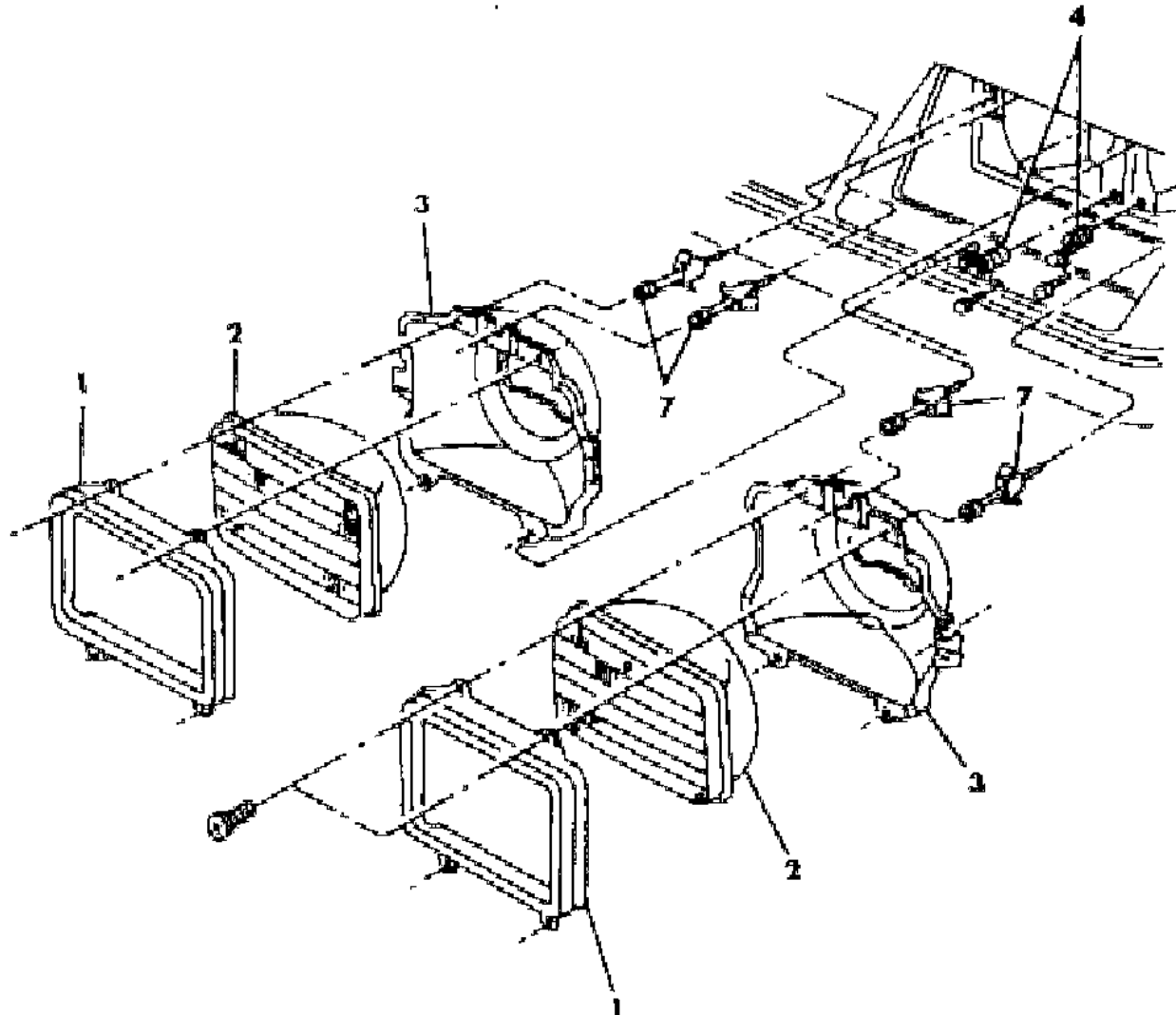
LAMPS--FRONT V-C 24

Figure 8-2900

8108 2900



ITEM	PART NUMBER	QTY	BODY	MODEL	DESCRIPTION
1	4270 937	4			RETAINER, H/Lamp
2	0153 784				BULB, Hi-Lo
	0153 775				Hi
3	3868 926-7				SEAT, H/Lamp Hi-Lo Black
	3868 928-9				Hi, Black
4	5201 386				SPRING, Adj.
5	4174 837				LAMP, Side Marker
6	4174 510-1				LAMP, Park & Turn Signal
	4270 930-1			V	BEZEL, Front Bumper Fascia Black
	4270 932-3			C	Chrome & Black
	9438 850				BULB, Park & Turn Signal #2057NA Amber
	9425 542				BULB, Side Marker #168
	4312 108				SENSOR, H/Lamp Outage (Left of Strg.Column)
	3843 432				SOCKET, T/Signal & Park Lamp Repair
	3513 307				TERMINAL, T/Signal Lamp
	2983 170				SPRING PACKAGE
7	4334 142				NUT and SCREW, Headlamp Adj.
	4221 453				LAMP, Underhood



MODEL CODES

B = GRAN FURY	E = 600	M = HORIZON/TURISMO
C = LE BARON/TOWN & COUNTRY/LIMO	F = FIFTH AVENUE/NEWPORT	P = RELIANT
C24 = LASER	G = DIPLOMAT	T = NEW YORKER
C44 = LE BARON/GTS	H = VOYAGER	V = 600
D = ARIES	J = CARAVELLE	V24 = DAYTONA
D44 = LANCER	K = MINI VAN/CARAVAN/ROYAL	Z = OMNI/CHARGER

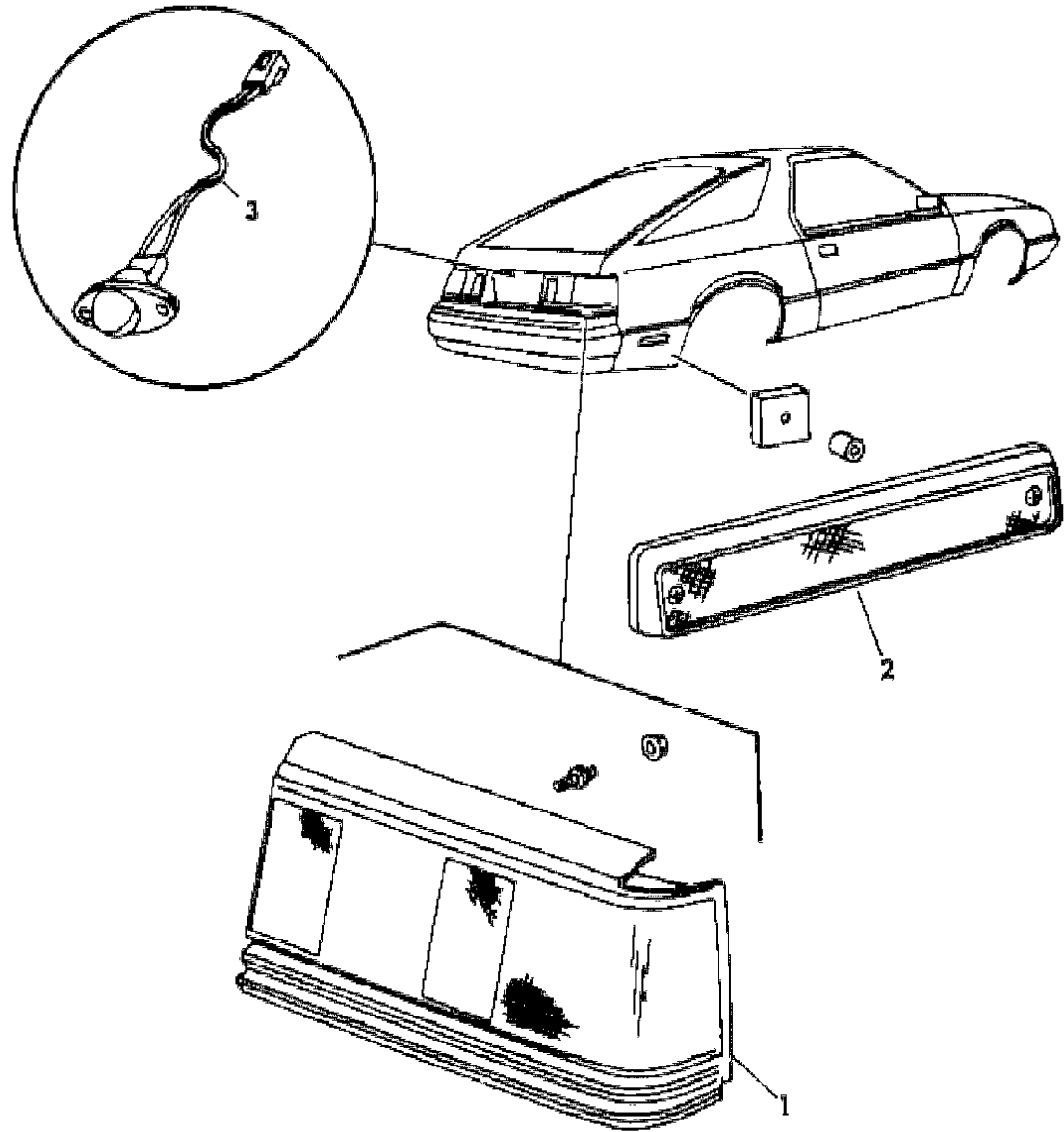
BODY STYLES

21 = 2-DOOR SEDAN	35 = FWD VAN	44 = 4-DOOR HATCHBACK
22 = 2-DOOR SPECIAL COUPE	36 = FWD WAGON	45 = 4-DOOR STATION WAGON
24 = 2-DOOR HATCHBACK	41 = 4-DOOR SEDAN	49 = LIMOUSINE
27 = 2-DOOR CONVERTIBLE		

AR = Use as Required - = Non Illustrated Part P.A.R. = Paint as Required

LAMPS & WIRING--REAR V-C 24
Figure 8-3000

5108 3000



ITEM	PART NUMBER	QTY	BODY	MODEL	DESCRIPTION
1	4174 842-3			C	LAMP, Tail, Stop, Turn Signal & Back-Up
	4174 814-5			V	
	4321 114-5			V	Lamp Assy.,(TURBO Z)
	4321 116-7			V	Lens, (TURBO Z)
2	4174 820				REFLECTOR, Qtr. Panel Side
3	4174 560				LAMP, License
	5211 712				SOCKET, Back-Up Lamp
	9417 866				BULB, Back-Up Lamp #1156
	9425 542				BULB, Side Marker #168
	4174 818-9			V	LENS
	4174 840-1			C	LENS
	4312 035				SENSOR, Tail Lamp Outage
	9438 848				BULB, Tail,Stop & Turn Signal #2057
	4124 081				SOCKET, Tail Lamp

MODEL CODES

B = GRAN FURY	E = 600	M = HORIZON/TURISMO
C = LE BARON/TOWN & COUNTRY/LIMO	F = FIFTH AVENUE/NEWPORT	P = RELIANT
C24 = LASER	G = DIPLOMAT	T = NEW YORKER
C44 = LE BARON/GTS	H = VOYAGER	V = 600
D = ARIES	J = CARAVELLE	V24 = DAYTONA
D44 = LANCER	K = MINI VAN/CARAVAN/ROYAL	Z = OMNI/CHARGER

BODY STYLES

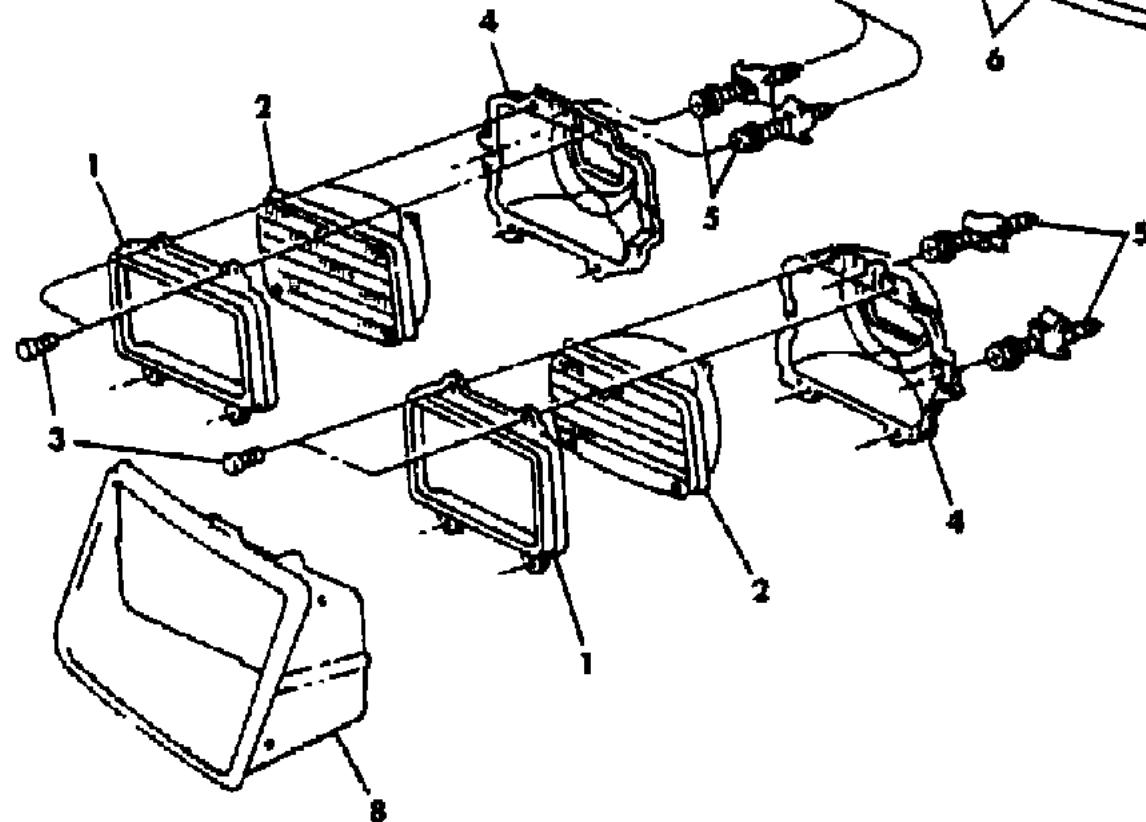
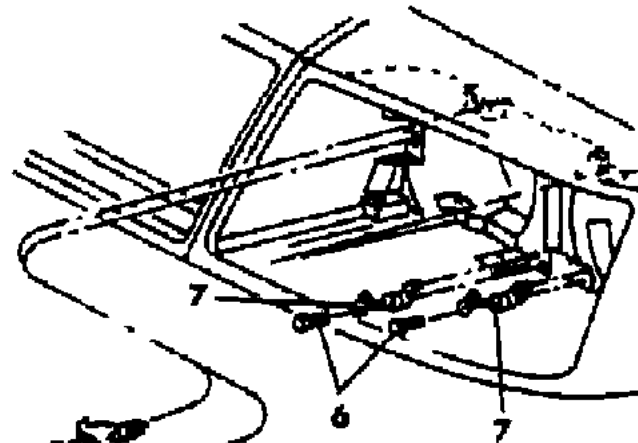
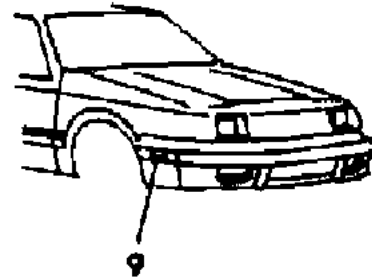
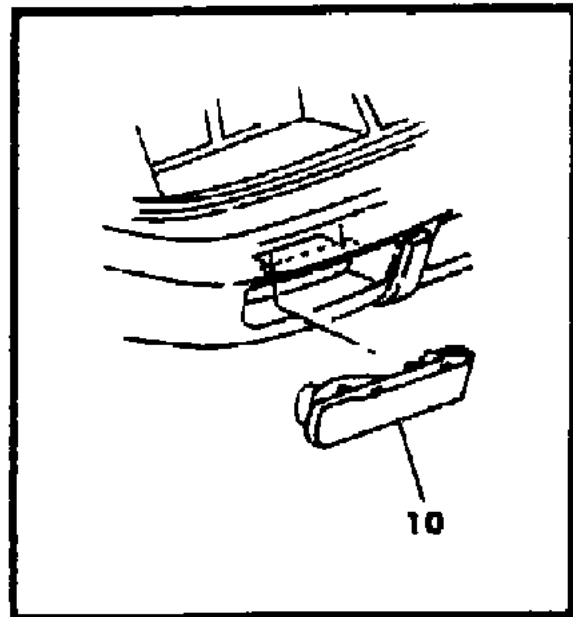
21 = 2-DOOR SEDAN	35 = FWD VAN	44 = 4-DOOR HATCHBACK
22 = 2-DOOR SPECIAL COUPE	36 = FWD WAGON	45 = 4-DOOR STATION WAGON
24 = 2-DOOR HATCHBACK	41 = 4-DOOR SEDAN	49 = LIMOUSINE
27 = 2-DOOR CONVERTIBLE		

AR = Use as Required - = Non Illustrated Part P.A.R. = Paint as Required

LAMPS--FRONT DC-44

Figure 8-3100

5108 3100



ITEM	PART NUMBER	QTY	BODY	MODEL	DESCRIPTION
1	4016 088				RETAINER, Rect. H/Lamp Bulb
2	0153 775				BULB, Hi.-Beam
	0153 784				BULB, Hi.-Lo
3					SCREW, (Not Serv.)
4	3868 926-7				SEAT, Hi-Lo
	3868 928				SEAT, Hi-Rt.
	3868 929				SEAT, Hi-Lt.
5	4334 142	8			NUT and SCREW
6		4			SCREW, (Not Serv.)
7	#3868 789	4			SPRING
8	4270 732-3			C	BEZEL, Head Lamp (Argent)
	4270 734-5			D	BEZEL, Head Lamp (Black)
	6501 281				NUT, Plasic, Bezel Mtg.
9	X670-1 DA9				LAMP, Frt. Bumper Nerf. Ext. & Side Marker (Gray)
	X670-1 DX9				(Black)
	6029 471				NUT
10	4321 716-7				LAMP, Frt. Bumper Park & T/Signal
	3843 432				SOCKET, Park, T/Signal Repair Pkg.
	3513 686				SOCKET, Side Marker Repair Pkg.

MODEL CODES

B = GRAN FURY	E = 600	M = HORIZON/TURISMO
C = LE BARON/TOWN & COUNTRY/LIMO	F = FIFTH AVENUE/NEWPORT	P = RELIANT
C24 = LASER	G = DIPLOMAT	T = NEW YORKER
C44 = LE BARON/GTS	H = VOYAGER	V = 600
D = ARIES	J = CARAVELLE	V24 = DAYTONA
D44 = LANCER	K = MINI VAN/CARAVAN/ROYAL	Z = OMNI/CHARGER

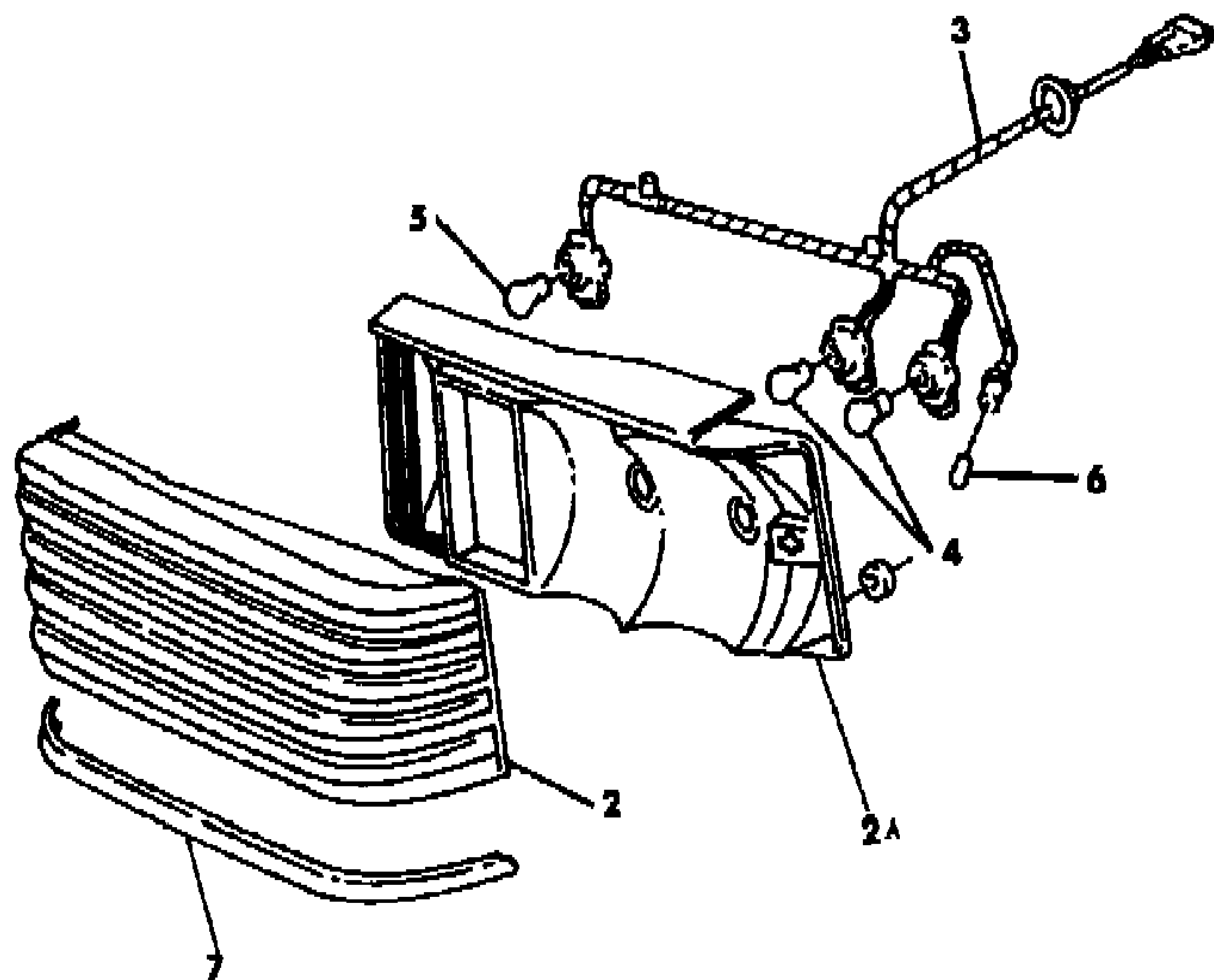
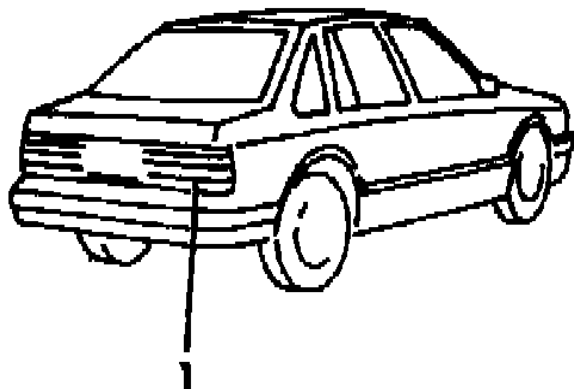
BODY STYLES

21 = 2-DOOR SEDAN	35 = FWD VAN	44 = 4-DOOR HATCHBACK
22 = 2-DOOR SPECIAL COUPE	36 = FWD WAGON	45 = 4-DOOR STATION WAGON
24 = 2-DOOR HATCHBACK	41 = 4-DOOR SEDAN	49 = LIMOUSINE
27 = 2-DOOR CONVERTIBLE		

AR = Use as Required - = Non Illustrated Part P.A.R. = Paint as Required

LAMPS & WIRING--REAR DC-44
Figure 8-3200

5108 3200A



ITEM	PART NUMBER	QTY	BODY	MODEL	DESCRIPTION
1					LAMP, (Serv. Comp. Parts)
2	4321 028-9			D	LENS
	4321 020-1			C	LENS
2A	4318 794-5				HOUSING
3	4331 042				WIRING ASSEMBLY
4	9438 848				BULB, Tail,Stop,T/Signal #2057
5	9417 866				BULB, Back-Up Lamp #1156
6	9425 542				BULB, Side Marker #168
	4321 792				LAMP, License
	4331 051				SOCKET, C-Base
	4331 058				SOCKET, B-Base
7					MOULDING, (Part of Lamp Assy.)

MODEL CODES

B = GRAN FURY	E = 600	M = HORIZON/TURISMO
C = LE BARON/TOWN & COUNTRY/LIMO	F = FIFTH AVENUE/NEWPORT	P = RELIANT
C24 = LASER	G = DIPLOMAT	T = NEW YORKER
C44 = LE BARON/GTS	H = VOYAGER	V = 600
D = ARIES	J = CARAVELLE	V24 = DAYTONA
D44 = LANCER	K = MINI VAN/CARAVAN/ROYAL	Z = OMNI/CHARGER

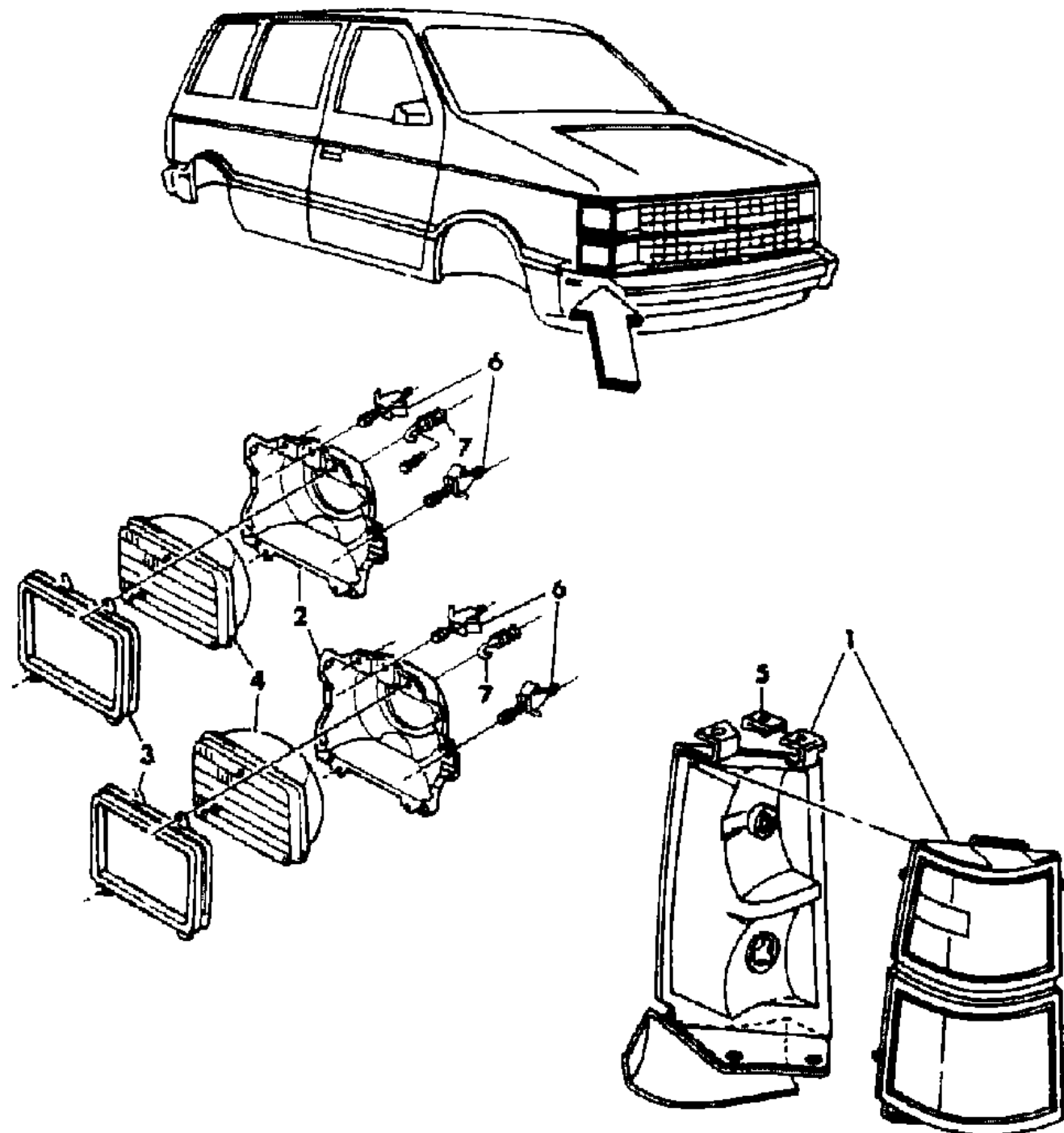
BODY STYLES

21 = 2-DOOR SEDAN	35 = FWD VAN	44 = 4-DOOR HATCHBACK
22 = 2-DOOR SPECIAL COUPE	36 = FWD WAGON	45 = 4-DOOR STATION WAGON
24 = 2-DOOR HATCHBACK	41 = 4-DOOR SEDAN	49 = LIMOUSINE
27 = 2-DOOR CONVERTIBLE		

AR = Use as Required - = Non Illustrated Part P.A.R. = Paint as Required

LAMPS--FRONT H-K
Figure 8-3300

5108 3300



ITEM	PART NUMBER	QTY	BODY	MODEL	DESCRIPTION
1	4174 884-5			L-H-P-S	LAMP ASSEMBLY
	4174 886-7			E	
	4270 314-5			K 36	BEZEL, H/Lamp Chrome
	4270 314			H-K 35	BEZEL, H/Lamp Chrome
	4270 332-3			H-K 35	Argent
	4270 342-3			H-36	Chrome & Black
	6031 234				NUT, Plastic Cap, Bezel to Rad.Grille
2	3868 928-9				SEAT, H/Lamp Bulb-Hi
	3868 926-7				Hi-Lo
3	4016 088	4			RETAINER, Rect. H/Lamp
	3868 789	4			SPRING, H/Lamp Bulb Seat Adjuster
	3764 863				SOCKET, Park Lamp (Repair)
4	0153 775				BULB, Dual Hi-Beam Halogen
	0153 784				Hi-Lo
	4270 316-7	1			ADAPTER, H/Lamp Bezel
	4270 318	2			BRACKET, Rad. Grille Adapter to Clsr. Pnl.
	0153 700				BULB, Frt. Side Marker #916
	9438 848				BULB, Park & T/Signal #2057
	3513 686				SOCKET, Side Marker
	4221 825				LAMP, Under Hood
	4331 549				WIRING, Underhood Lamp
5	6500 953				U-CLIP
6	4334 139	8			NUT and SCREW, Adjuster
7	#3868 789	4			SPRING, Adjuster

MODEL CODES

B = GRAN FURY	E = 600	M = HORIZON/TURISMO
C = LE BARON/TOWN & COUNTRY/LIMO	F = FIFTH AVENUE/NEWPORT	P = RELIANT
C24 = LASER	G = DIPLOMAT	T = NEW YORKER
C44 = LE BARON/GTS	H = VOYAGER	V = 600
D = ARIES	J = CARAVELLE	V24 = DAYTONA
D44 = LANCER	K = MINI VAN/CARAVAN/ROYAL	Z = OMNI/CHARGER

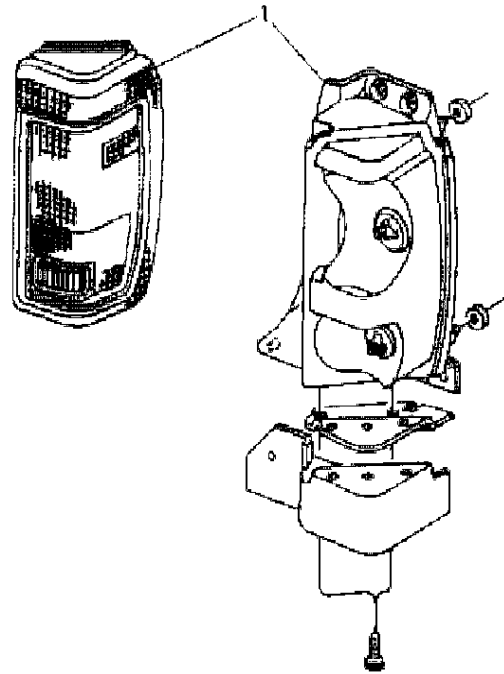
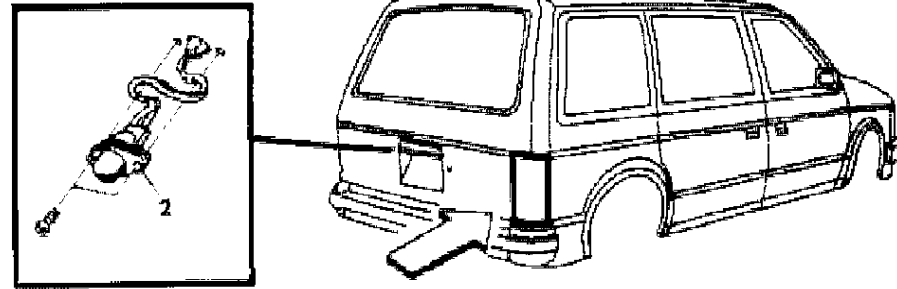
BODY STYLES

21 = 2-DOOR SEDAN	35 = FWD VAN	44 = 4-DOOR HATCHBACK
22 = 2-DOOR SPECIAL COUPE	36 = FWD WAGON	45 = 4-DOOR STATION WAGON
24 = 2-DOOR HATCHBACK	41 = 4-DOOR SEDAN	49 = LIMOUSINE
27 = 2-DOOR CONVERTIBLE		

AR = Use as Required - = Non Illustrated Part P.A.R. = Paint as Required

LAMPS & WIRING--REAR H-K
Figure 8-3400

8-3400



ITEM	PART NUMBER	QTY	BODY	MODEL	DESCRIPTION
1	4174 896-7			H-P-S	LAMP, Qtr. Pnl. Tail,Stop,Turn Sig.,Back-up & SideMarker
	4174 898-9			E-L	
	4174 872-3				GASKET, Tail Lamp
2	4174 869				LAMP, Lift Gate Handle Release
	4304 282				SOCKET and CABLE, Rear Lamp
	2584 972				Spring & Insulator Pkg.
	9417 866				BULB, Back-up Lamp #1156
	9425 542				BULB, License #168
	3764 865				SOCKET, B/UP Lamp
	3764 863				SOCKET, Tail,Stop & Turn Sig.Lamp
	9438 848				BULB, Tail,Stop & Turn Sig.

MODEL CODES

B = GRAN FURY	E = 600	M = HORIZON/TURISMO
C = LE BARON/TOWN & COUNTRY/LIMO	F = FIFTH AVENUE/NEWPORT	P = RELIANT
C24 = LASER	G = DIPLOMAT	T = NEW YORKER
C44 = LE BARON/GTS	H = VOYAGER	V = 600
D = ARIES	J = CARAVELLE	V24 = DAYTONA
D44 = LANCER	K = MINI VAN/CARAVAN/ROYAL	Z = OMNI/CHARGER

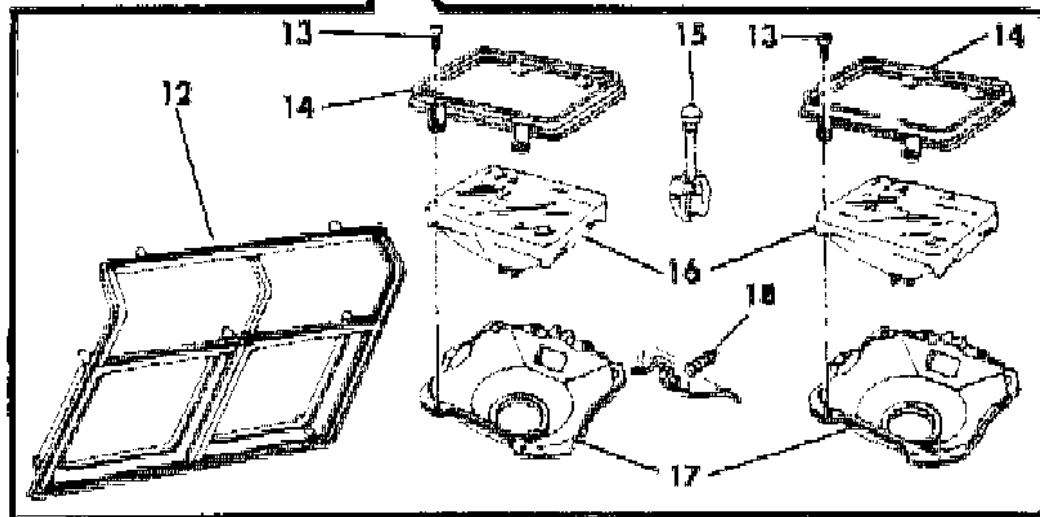
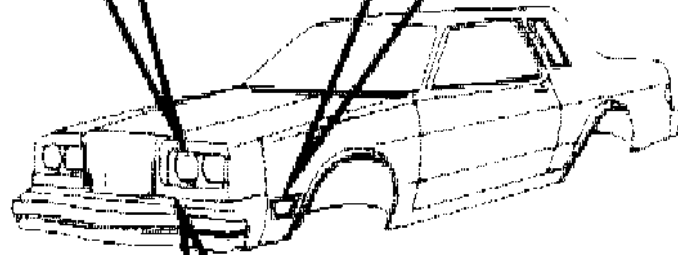
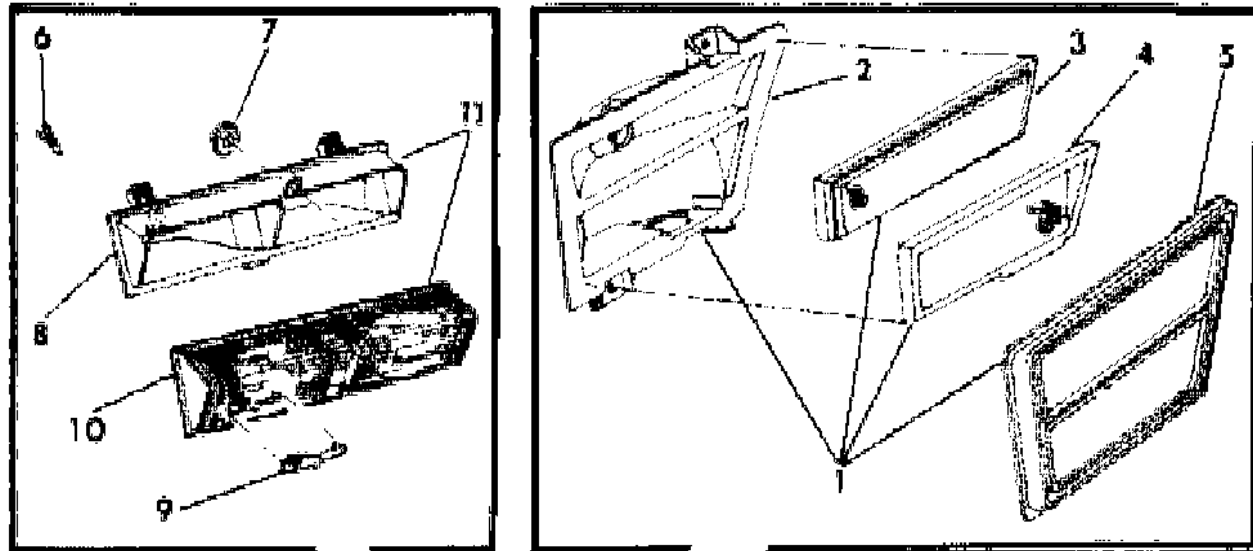
BODY STYLES

21 = 2-DOOR SEDAN	35 = FWD VAN	44 = 4-DOOR HATCHBACK
22 = 2-DOOR SPECIAL COUPE	36 = FWD WAGON	45 = 4-DOOR STATION WAGON
24 = 2-DOOR HATCHBACK	41 = 4-DOOR SEDAN	49 = LIMOUSINE
27 = 2-DOOR CONVERTIBLE		

AR = Use as Required - = Non Illustrated Part P.A.R. = Paint as Required

LAMPS--FRONT F
Figure 8-3500

5108 3500



ITEM	PART NUMBER	QTY	BODY	MODEL	DESCRIPTION
1	4174 867				LAMP, s/Marker Assy.
2					HOUSING, (Serv.In Lamp Assy.)
3					LENS, (Serv.in Lamp Assy.) Upper
4					LENS, (Serv. in Lamp Assy.) Lower
5					BEZEL, (Serv. in Lamp Assy.)
6					SCREW, (Not Serv.)
7					PLATE, (Serv. in Lamp Assy.)
8					HOUSING, (Serv. in Lamp Assy.)
9					NAME PLATE, Chrysler, (Serv. In 4076565 Lamp Assy.)
10					LENS, (Serv. in Lamp Assy.)
11	4174 364-5				LAMP, Park & t/Sig. Assy.
12	4103 638-9				BEZEL, (Fifth Ave.)
13					SCREW, (Not Serv.)
14	4016 088	4			RETAINER, Sealed Beam Unit
15	3868 985	8			SCREW, Nut Sealed Beam Unit
16	0153 440	2			SEALED BEAM UNIT, High Beam (Halogen)
	0153 481	2			High Low Beam (Halogen)
	0153 200	2			High Beam
	0153 201	2			High & Low Beam
17	3868 928-9	1			SEAT, Sealed Beam Unit, High Beam
	3868 926-7	1			High & Low Beam
18	#3868 789	4			SPRING, Sealed Beam Unit Mtg. Seat Adj.
	4221 008				LAMP, Under Hood
NOTE: The following parts not shown on illustration Gear and Pinion numbers stamped on the item may be used to confirm the correct MATCHED SET they are contained in.					
	3843 432				SOCKET, Turn Signal
	3513 686				SOCKET, Side Marker
	3843 893				GROMMET, Side Marker & Cornering Lamp
	9417 867				BULB, Turn Signal & Side Marker #1157
	9438 068				BULB, Parking Lamp #194NA Amber
	9438 850				BULB, Parking & Turn Signal Lamp #2057NA
	9425 542				BULB, Side Marker Lamp #168
	2584 972				SPRING & INSULATOR, Pkg.
	9438 848				BULB, Tail,Stop & Turn Sig. #2057

MODEL CODES

B = GRAN FURY

C = LE BARON/TOWN & COUNTRY/LIMO

C24 = LASER

C44 = LE BARON/GTS

D = ARIES

D44 = LANCER

E = 600

F = FIFTH AVENUE/NEWPORT

G = DIPLOMAT

H = VOYAGER

J = CARAVELLE

K = MINI VAN/CARAVAN/ROYAL

M = HORIZON/TURISMO

P = RELIANT

T = NEW YORKER

V = 600

V24 = DAYTONA

Z = OMNI/CHARGER

BODY STYLES

21 = 2-DOOR SEDAN

22 = 2-DOOR SPECIAL COUPE

24 = 2-DOOR HATCHBACK

27 = 2-DOOR CONVERTIBLE

35 = FWD VAN

36 = FWD WAGON

41 = 4-DOOR SEDAN

44 = 4-DOOR HATCHBACK

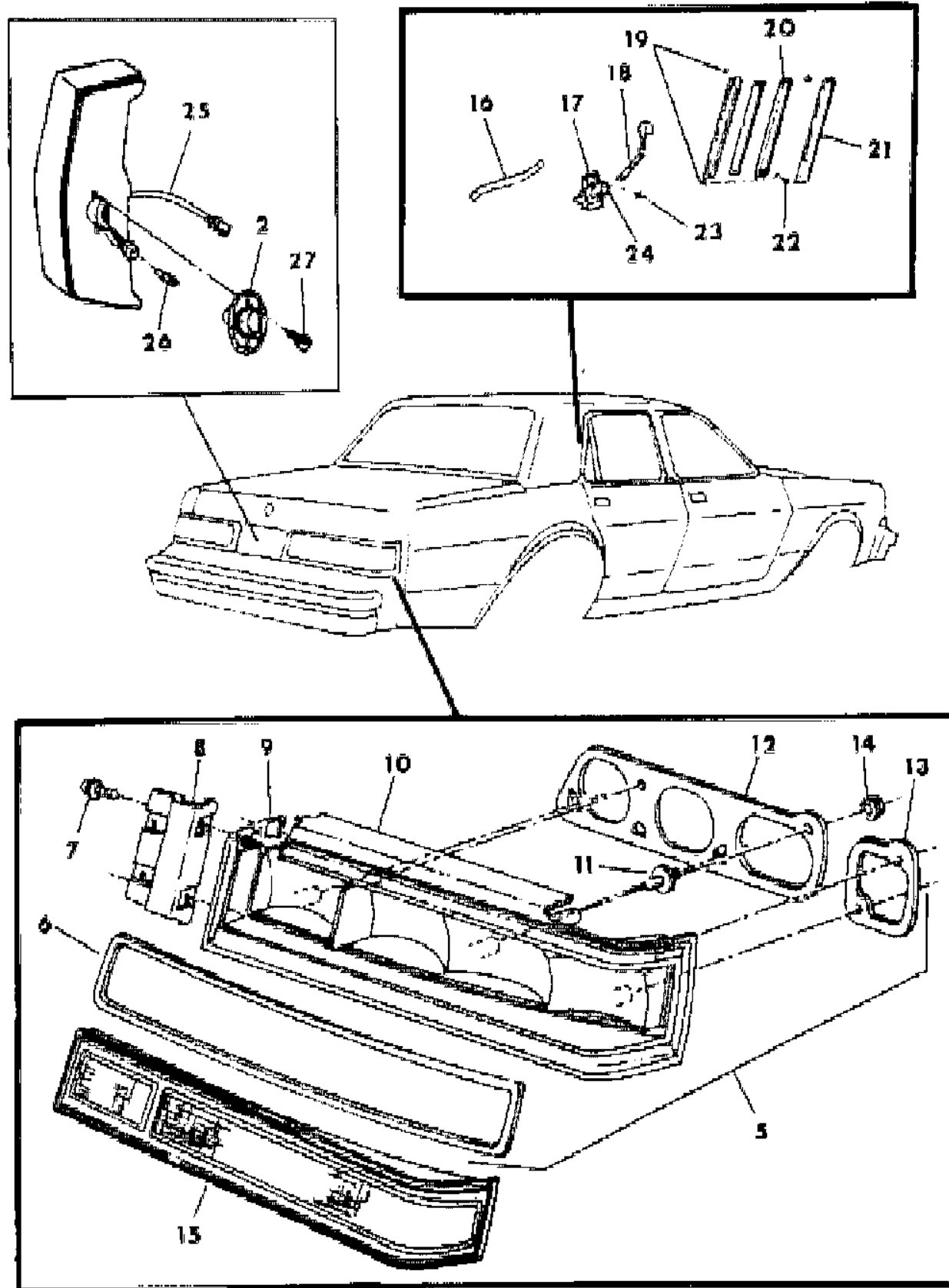
45 = 4-DOOR STATION WAGON

49 = LIMOUSINE

AR = Use as Required - = Non Illustrated Part P.A.R. = Paint as Required

LAMPS & WIRING--REAR F
Figure 8-3600

5108 3600



ITEM	PART NUMBER	QTY	BODY	MODEL	DESCRIPTION
1					LENS, (Serv. in Lamp Assy.)
2	4076 808				LAMP, (License)
3					HOUSING, (Serv. in Lamp Assy.)
4					SCREW, (Not Serv.)
5	4174 356-7	1			LAMP, Lwr.Deck Oping Pnl.t/Stop & t/Sig. Assy.
6					SEAL, (Serv. in Lamp Assy.)
7					SCREW, (Not Serv.)
8	4229 652				SUPPORT
9					NUT, Speed
10					HOUSING, (Serv. in Lamp Assy.)
11					STUD, (Serv. in Lamp Assy.)
12					GASKET, (Serv. In Lamp Assy.)
13					GASKET, (Serv. In Lamp Assy.)
14	6023 205	12			NUT
15	4076 892-3 4076 892				LENS LENS, Turn Sig., Side Marker & Back-Up Lamp
16	4229 163	AR			WIRE, 12 Volts
17	4229 291	AR			RETAINER, Inverter Assy.
18		AR			WIRE, Lamp, 110 Volts (Serv. in #20)
19	4057 555	AR			NUT, 3/16
20	4229 160-1				LENS, Light Insert Assy.
21	4229 806-7				BEZEL, Rear Dr. Qtr. Wdo. Assy.
22	4094 619				RETAINER PACKAGE
23		AR			RIVET, 1/8 x .032
24	4229 162	AR			INVERTER, Rear Opera Lamp Assy.
	4209 675				WIRING, Lamp Rear
	4267 275				LAMP PACKAGE, Trunk
25	4304 963				WIRING, License Lamps
26	9425 542				BULB, License Lamps #162
27	6032 525				SCREW
					NOTE: The following parts not shown on illustration Gear and Pinion numbers stamped on the item may be used to confirm the correct MATCHED SET they are contained in.
	4124 545				SOCKET, License
	4124 081				Tail & Turn Signal
	4124 545				Side Marker (Repair), Rt. Tail
	4124 500				Back Up
	9417 866				BULB, Back-Up Lamp

MODEL CODES

B = GRAN FURY	E = 600	M = HORIZON/TURISMO
C = LE BARON/TOWN & COUNTRY/LIMO	F = FIFTH AVENUE/NEWPORT	P = RELIANT
C24 = LASER	G = DIPLOMAT	T = NEW YORKER
C44 = LE BARON/GTS	H = VOYAGER	V = 600
D = ARIES	J = CARAVELLE	V24 = DAYTONA
D44 = LANCER	K = MINI VAN/CARAVAN/ROYAL	Z = OMNI/CHARGER

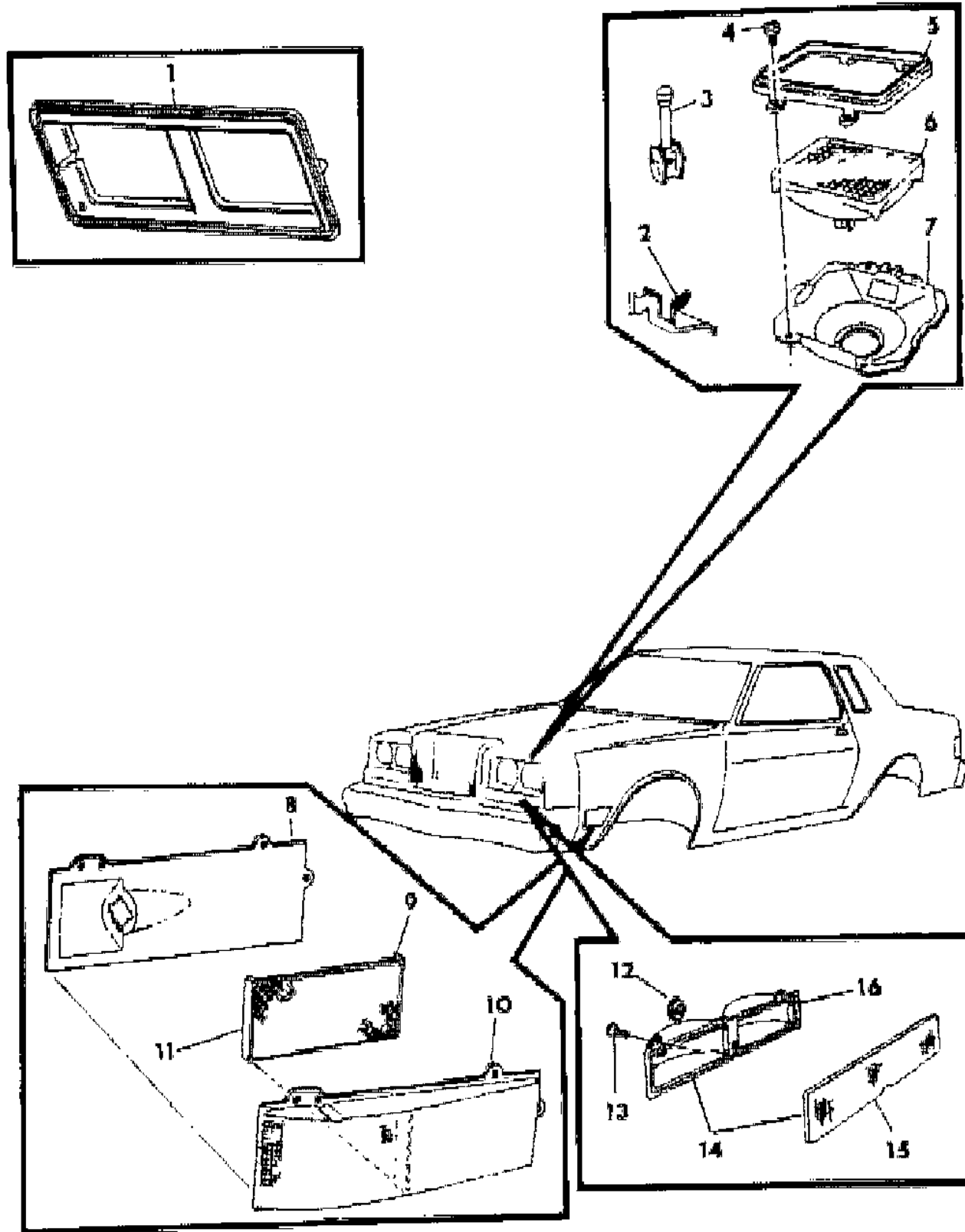
BODY STYLES

21 = 2-DOOR SEDAN	35 = FWD VAN	44 = 4-DOOR HATCHBACK
22 = 2-DOOR SPECIAL COUPE	36 = FWD WAGON	45 = 4-DOOR STATION WAGON
24 = 2-DOOR HATCHBACK	41 = 4-DOOR SEDAN	49 = LIMOUSINE
27 = 2-DOOR CONVERTIBLE		

AR = Use as Required - = Non Illustrated Part P.A.R. = Paint as Required

LAMPS--FRONT B-G
Figure 8-3700

5108 3700



ITEM	PART NUMBER	QTY	BODY	MODEL	DESCRIPTION
1	4074 626	2			BEZEL, H/Lamp Assy.
	4074 624-5			G-P	
2	#3868 789	4			SPRING, Sealed Beam Unit Seat Adj.
3	3868 985				SCREW, Nut, Sealed Beam Unit
4					SCREW, (Not Serv.)
5	4016 088				RETAINER, Sealed Beam Unit
6					SEALED BEAM UNIT
	0153 440				High Beam (Halogen)
	0153 481				High & Low Beam (Halogen)
	0153 200				High Beam
	0153 201				High & Low Beam
7					SEAT, Sealed Beam
	3868 928-9				High Beam
	3868 926-7				High & Low Beam
8					HOUSING, (Serv. in Lamp)
9					REFLECTOR, (Serv. in Lamp Assy.)
10					LENS, (Serv. in Lamp Assy.)
11	4076 570-1				LAMP, s/Marker Assy.
	4174 867	2			"SE"
12					PLATE
13					SCREW, (Not Serv.)
14	4076 566-7				LAMP, Park & t/Signal Assy.
	4076 564			G-P	Rt.
	4321 095			G-P	Lt.
15					LENS, (Serv. in Lamp Assy.)
16					HOUSING, (Serv. in Lamp Assy.)
	4221 008				LAMP, Under Hood

NOTE: The following parts not shown on illustration Gear and Pinion numbers stamped on the item may be used to confirm the correct MATCHED SET they are contained in.

3843 432	SOCKET, Turn Signal, Park
3513 686	SOCKET, Side Marker (Repair)
9417 867	BULB, Turn Signal & Side Marker #1157
9438 068	BULB, Parking Lamp #194NA Amber
9438 850	BULB, Parking & Turn Signal Lamp #2057NA Amber

MODEL CODES

B = GRAN FURY	E = 600	M = HORIZON/TURISMO
C = LE BARON/TOWN & COUNTRY/LIMO	F = FIFTH AVENUE/NEWPORT	P = RELIANT
C24 = LASER	G = DIPLOMAT	T = NEW YORKER
C44 = LE BARON/GTS	H = VOYAGER	V = 600
D = ARIES	J = CARAVELLE	V24 = DAYTONA
D44 = LANCER	K = MINI VAN/CARAVAN/ROYAL	Z = OMNI/CHARGER

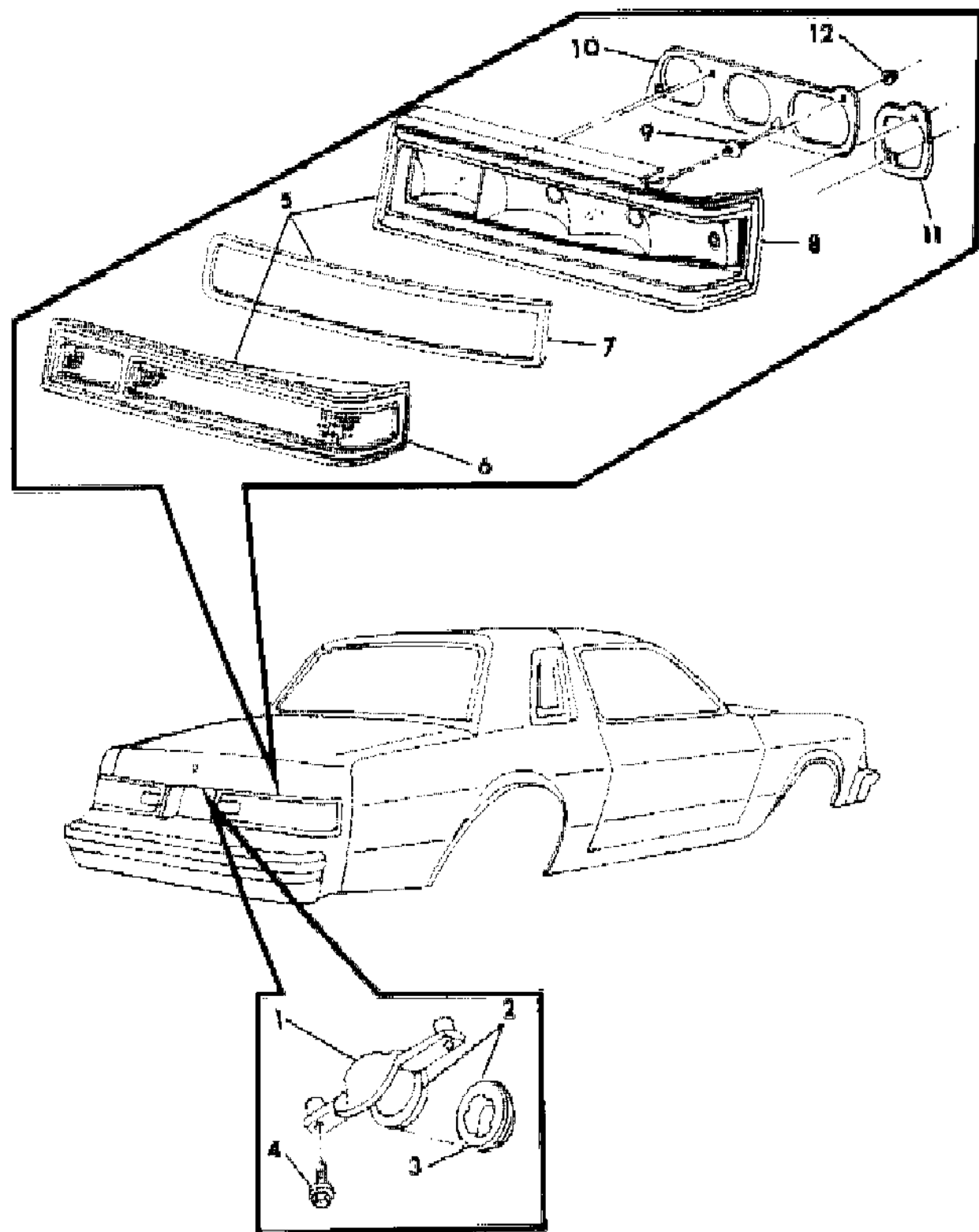
BODY STYLES

21 = 2-DOOR SEDAN	35 = FWD VAN	44 = 4-DOOR HATCHBACK
22 = 2-DOOR SPECIAL COUPE	36 = FWD WAGON	45 = 4-DOOR STATION WAGON
24 = 2-DOOR HATCHBACK	41 = 4-DOOR SEDAN	49 = LIMOUSINE
27 = 2-DOOR CONVERTIBLE		

AR = Use as Required - = Non Illustrated Part P.A.R. = Paint as Required

LAMPS & WIRING--REAR B-G
Figure 8-3800

5108 3800



ITEM	PART NUMBER	QTY	BODY	MODEL	DESCRIPTION
1					LENS, (Serv. in Lamp Assy.)
2	4076 812	1			LAMP, (License)
3					HOUSING, (Serv. in Lamp Assy.)
4	0152 490				U-NUT
5	4076 574-5	1		G	LAMP, t/S Side Marker & Back Up Assy.
	4225 074-5	1		B	LAMP, t/S Side Marker & Back Up Assy.
6	4076 688-9	1			LENS ASSEMBLY
7	3798 253				SEAL
8	4076 686-7			G	HOUSING
				B	HOUSING, (Serv. In Lamp Assy.)
9					STUD, (Serv. In Lamp Assy.)
10		8			GASKET, (Serv. In Lamp Assy.)
11					GASKET, (Serv. in Lamp Assy.)
12	6023 205	2			NUT
	4209 878				WIRING, Rear Lamps
	4267 275				LAMP PACKAGE, Trunk

NOTE: The following parts not shown on illustration Gear and Pinion numbers stamped on the item may be used to confirm the correct MATCHED SET they are contained in.

3513 686	SOCKET, License
4124 081	Tail Light, Turn Signal
4124 545	Side Marker (Repair)
4124 500	Back Up
9417 866	BULB, Back-Up Lamp #1156
9425 542	BULB, License Lamp #168
2584 972	SPRING AND INSULATOR, Pkg.

MODEL CODES

B = GRAN FURY	E = 600	M = HORIZON/TURISMO
C = LE BARON/TOWN & COUNTRY/LIMO	F = FIFTH AVENUE/NEWPORT	P = RELIANT
C24 = LASER	G = DIPLOMAT	T = NEW YORKER
C44 = LE BARON/GTS	H = VOYAGER	V = 600
D = ARIES	J = CARAVELLE	V24 = DAYTONA
D44 = LANCER	K = MINI VAN/CARAVAN/ROYAL	Z = OMNI/CHARGER

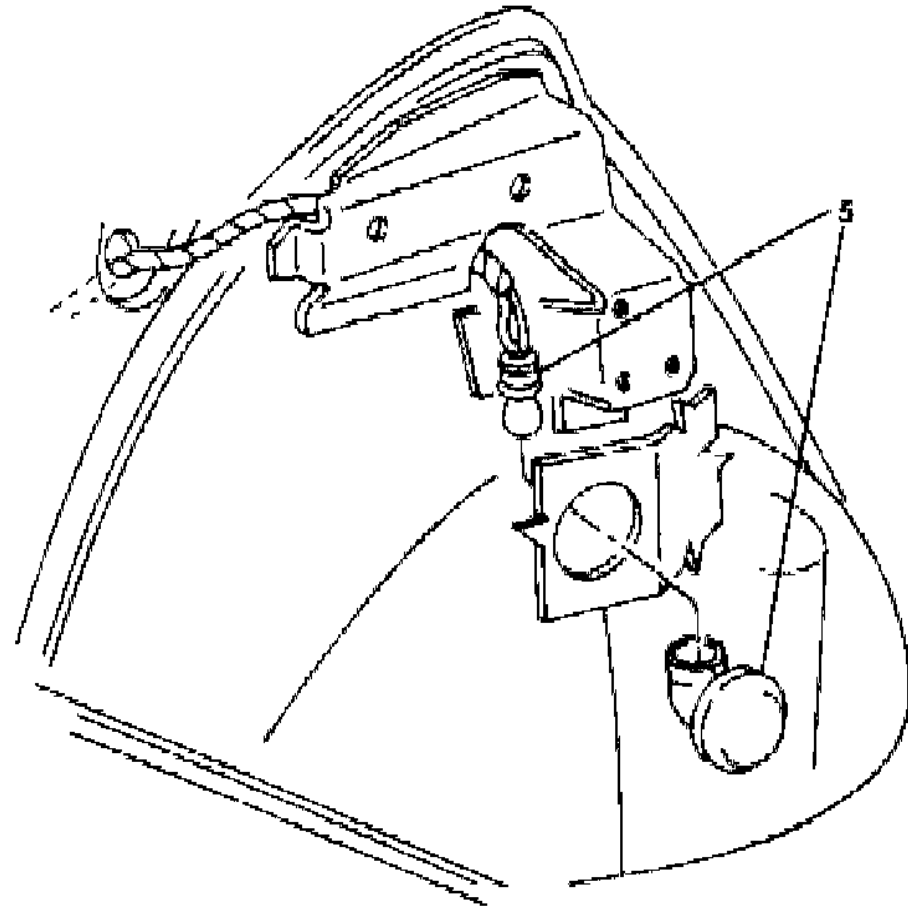
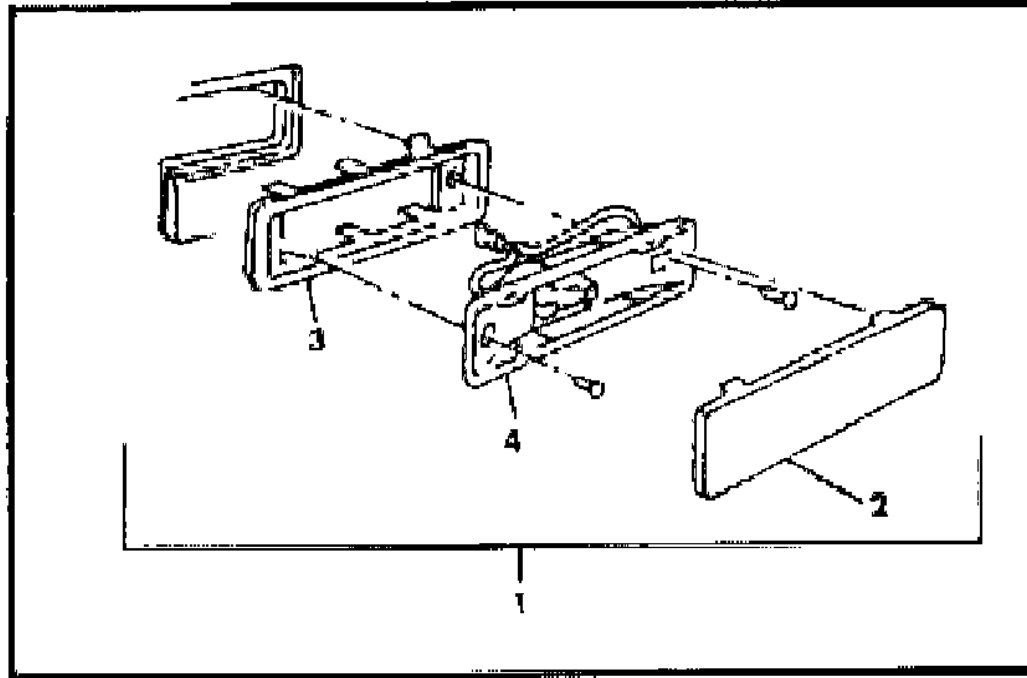
BODY STYLES

21 = 2-DOOR SEDAN	35 = FWD VAN	44 = 4-DOOR HATCHBACK
22 = 2-DOOR SPECIAL COUPE	36 = FWD WAGON	45 = 4-DOOR STATION WAGON
24 = 2-DOOR HATCHBACK	41 = 4-DOOR SEDAN	49 = LIMOUSINE
27 = 2-DOOR CONVERTIBLE		

AR = Use as Required - = Non Illustrated Part P.A.R. = Paint as Required

LAMPS--CARGO-DOME-COURTESY M-Z
Figure 8-3900

5108 3900



ITEM	PART NUMBER	QTY	BODY	MODEL	DESCRIPTION
1	4220 594			24	LAMP, Cargo
2	3488 995			24	LENS, Cargo Lamp
	5209 559			24	SEAL, Cargo Lamp
3	#3591 126				BRACKET, Cargo Lamp
4					HOUSING, Cargo Lamp (Serv. in Lamp Assy.)
5	5209 554			44	LENS, Cargo Lamp
				44	BRACKET or HOUSING, (Is The Qtr. Trim Panel)
	3488 995			44	LENS, Fwd. Dome Lp. w/Sun Roof
	5209 525			44	LENS, Fwd. Dome Lp. w/o Sun Roof
	5209 525			24	LENS, Fwd. Dome Lp.
	5209 523			24	HOUSING, Fwd. Dome Lp.
	5209 922			24	SWITCH, Cargo Lamp
	4221 023			44	SWITCH, Cargo Lamp

MODEL CODES

B = GRAN FURY	E = 600	M = HORIZON/TURISMO
C = LE BARON/TOWN & COUNTRY/LIMO	F = FIFTH AVENUE/NEWPORT	P = RELIANT
C24 = LASER	G = DIPLOMAT	T = NEW YORKER
C44 = LE BARON/GTS	H = VOYAGER	V = 600
D = ARIES	J = CARAVELLE	V24 = DAYTONA
D44 = LANCER	K = MINI VAN/CARAVAN/ROYAL	Z = OMNI/CHARGER

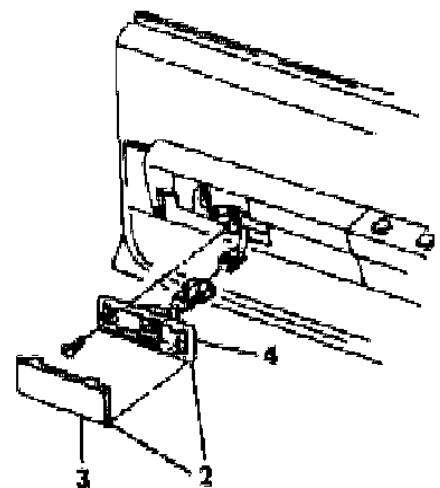
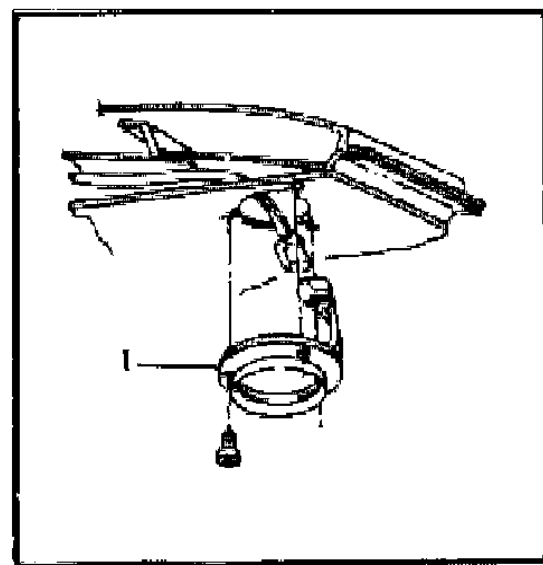
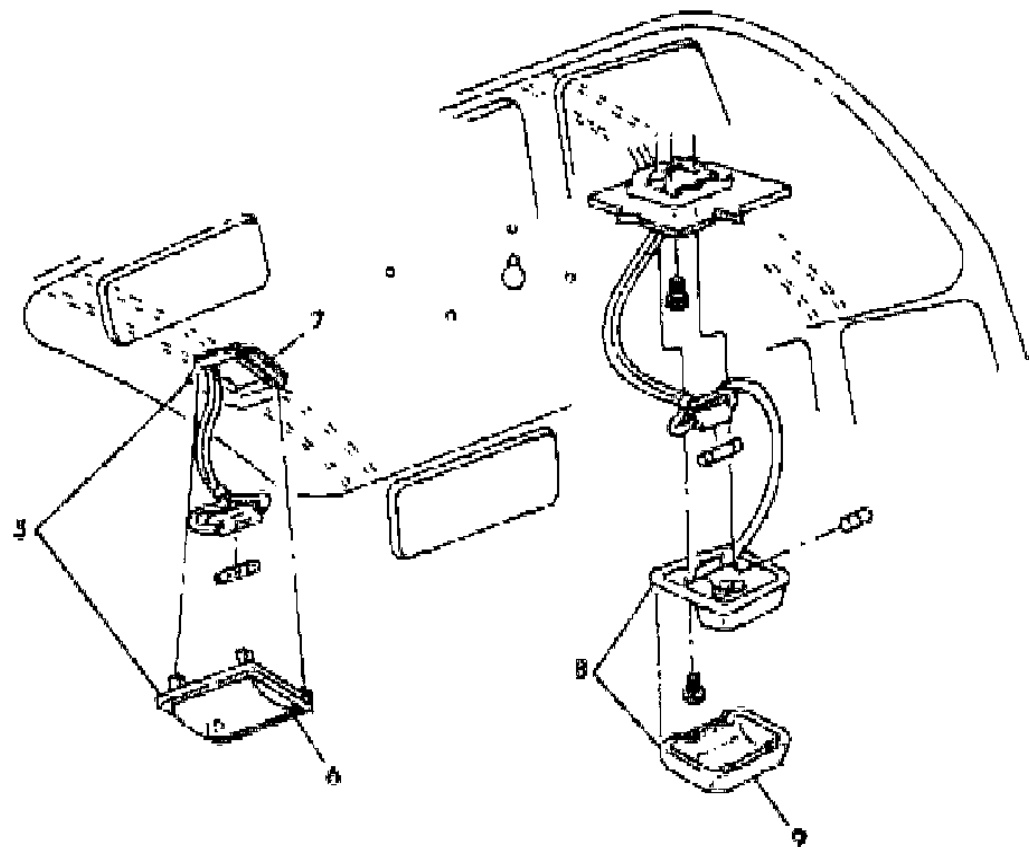
BODY STYLES

21 = 2-DOOR SEDAN	35 = FWD VAN	44 = 4-DOOR HATCHBACK
22 = 2-DOOR SPECIAL COUPE	36 = FWD WAGON	45 = 4-DOOR STATION WAGON
24 = 2-DOOR HATCHBACK	41 = 4-DOOR SEDAN	49 = LIMOUSINE
27 = 2-DOOR CONVERTIBLE		

AR = Use as Required - = Non Illustrated Part P.A.R. = Paint as Required

LAMPS--CARGO-DOME-COURTESY P-D-C-V-J-E-T
Figure 8-4000

5108 4000



ITEM	PART NUMBER	QTY	BODY	MODEL	DESCRIPTION
1	4220 490			P-D41	LAMP, Fwd. Dome w/Switch
2	4220 594			C-V22,2	LAMP, Frt. Door Courtesy
3	4220 595			C-V22,2	LENS, Frt. Door Courtesy
4				C-V22,2	HOUSING, Frt. Door Courtesy (Serv. in Lamp Assy.)
	3591 894			C-V22,2	LAMP, Door
	4221 722-3			C-V22,2	BRACKET
5	3593 728				LAMP, Dome & Cargo
6	3488 936				LENS, Dome & Cargo
7	4047 293				BRACKET, Dome Lamp
8	4220 249			PDCVJET	LAMP, Dome & Map
9	3591 873			PDCVJET	LENS, Dome & Map
				PDCVJET	BEZEL, Dome & Map Lamp (Serv. in Lamp Assy.)
	4312 728			CVJET,4	LENS, Frt. & Rear Door Courtesy
	4312 729			CVJET,4	HOUSING, Frt. & Rear Door Courtesy up to 11-15-84
	4312 949			CVJET,4	Aft. 11-15-84
	4312 727			CVJET,4	BEZEL, Frt. & Rear Door Courtesy
	4220 392			CVJET,4	BRKT, Frt. & Rear Door Courtesy
	4220 490			PDCVJET	LAMP, Dome w/Switch
	4312 498-9			E-T	HOUSING,w/Switch, C-Pillar
	4312 368-9			E-T	LENS, Rear Qtr. Reading & Courtesy Lp.
	F448-9 DT3			E-T	BEZEL, Rear Qtr. Reading & Courtesy Lamp (Paint As Required)
	4312 090-1			E-T	PLATE, Rear Qtr. Reading & Courtesy Lamp
	4312 372-3			E-T	BOARD, Rear Qtr. Reading & Courtesy Lamp

MODEL CODES

B = GRAN FURY	E = 600	M = HORIZON/TURISMO
C = LE BARON/TOWN & COUNTRY/LIMO	F = FIFTH AVENUE/NEWPORT	P = RELIANT
C24 = LASER	G = DIPLOMAT	T = NEW YORKER
C44 = LE BARON/GTS	H = VOYAGER	V = 600
D = ARIES	J = CARAVELLE	V24 = DAYTONA
D44 = LANCER	K = MINI VAN/CARAVAN/ROYAL	Z = OMNI/CHARGER

BODY STYLES

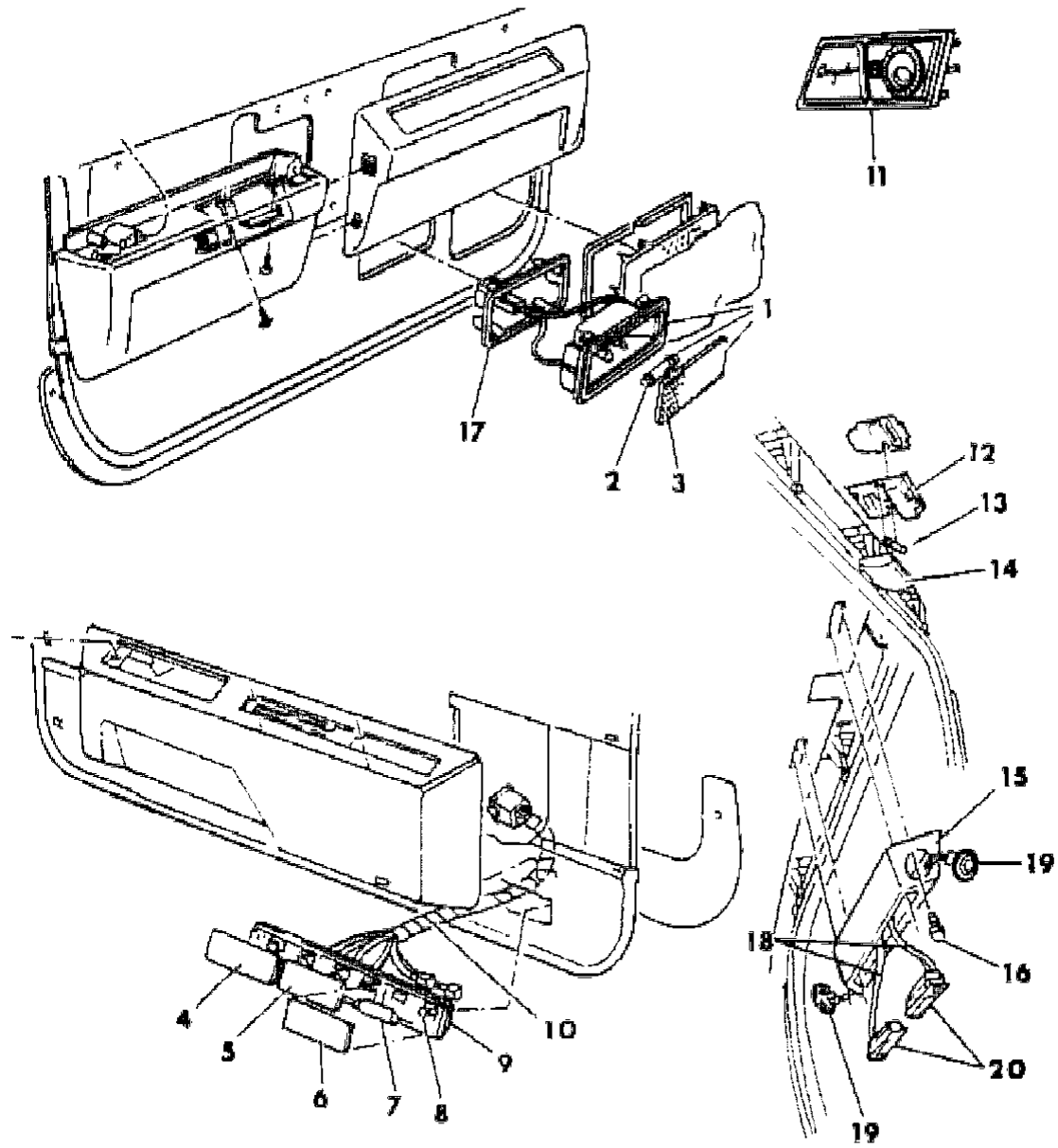
21 = 2-DOOR SEDAN	35 = FWD VAN	44 = 4-DOOR HATCHBACK
22 = 2-DOOR SPECIAL COUPE	36 = FWD WAGON	45 = 4-DOOR STATION WAGON
24 = 2-DOOR HATCHBACK	41 = 4-DOOR SEDAN	49 = LIMOUSINE
27 = 2-DOOR CONVERTIBLE		

AR = Use as Required - = Non Illustrated Part P.A.R. = Paint as Required

LAMPS--DOME-COURTESY-READING LIMO

Figure 8-4100

5108 4100



ITEM	PART NUMBER	QTY	BODY	MODEL	DESCRIPTION
1	4220 596				LAMPS, Courtesy, Front Door
2	9431 809				BULB
3	4220 597				LENS, Courtesy Lamp
4	5209 525				LENS, Courtesy Lamp, Rear Door
5	4339 735				LENS, Directional
6	4339 734				LENS, Courtesy Lamp Red
7					BULB
8					SCREW
9	4339 742				HOUSING, Courtesy Lamp
10	4339 716				WIRING, Door Courtesy Lamp
11	4339 740-1				LAMP, Quarter Reading
12	4220 249				LAMP, Front Dome
13					SCREW, (Not Serv.)
14					LENS, (Serv. in Lamp Assy.)
15	4342 066				LAMP, Reading (Silver)
	4342 067				Blue
	3591 946				LENS, Reading
16					SCREW, (Not Serv.)
17					RETAINER, Door Courtesy Lamp
18	4342 147				SWITCH, & Wiring, Overhead Glamour Lamp
19	3591 132	2			LAMP, Overhead Glamour Lamp
20	3591 944	2			LAMP, Overhead Glamour Lamp

MODEL CODES

B = GRAN FURY	E = 600	M = HORIZON/TURISMO
C = LE BARON/TOWN & COUNTRY/LIMO	F = FIFTH AVENUE/NEWPORT	P = RELIANT
C24 = LASER	G = DIPLOMAT	T = NEW YORKER
C44 = LE BARON/GTS	H = VOYAGER	V = 600
D = ARIES	J = CARAVELLE	V24 = DAYTONA
D44 = LANCER	K = MINI VAN/CARAVAN/ROYAL	Z = OMNI/CHARGER

BODY STYLES

21 = 2-DOOR SEDAN	35 = FWD VAN	44 = 4-DOOR HATCHBACK
22 = 2-DOOR SPECIAL COUPE	36 = FWD WAGON	45 = 4-DOOR STATION WAGON
24 = 2-DOOR HATCHBACK	41 = 4-DOOR SEDAN	49 = LIMOUSINE
27 = 2-DOOR CONVERTIBLE		

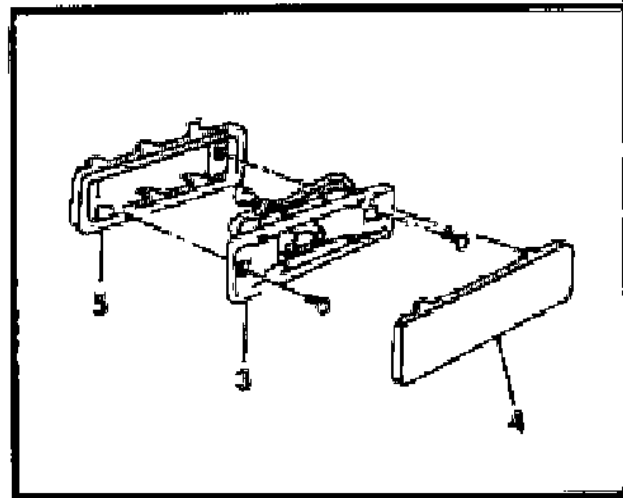
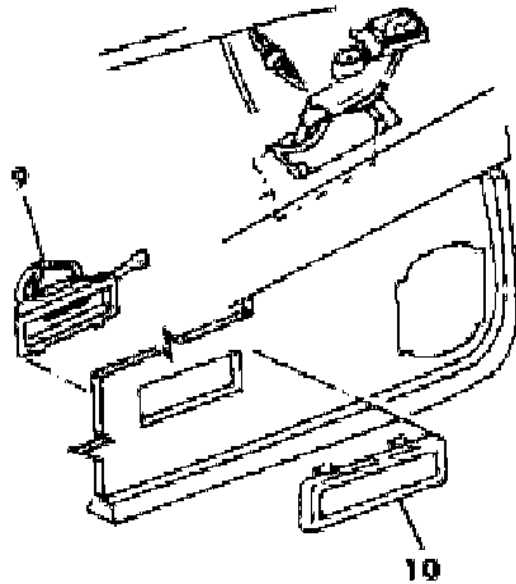
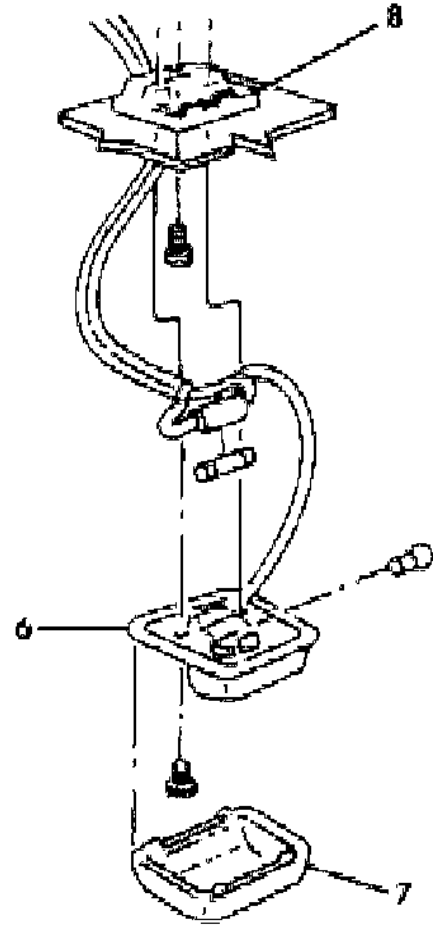
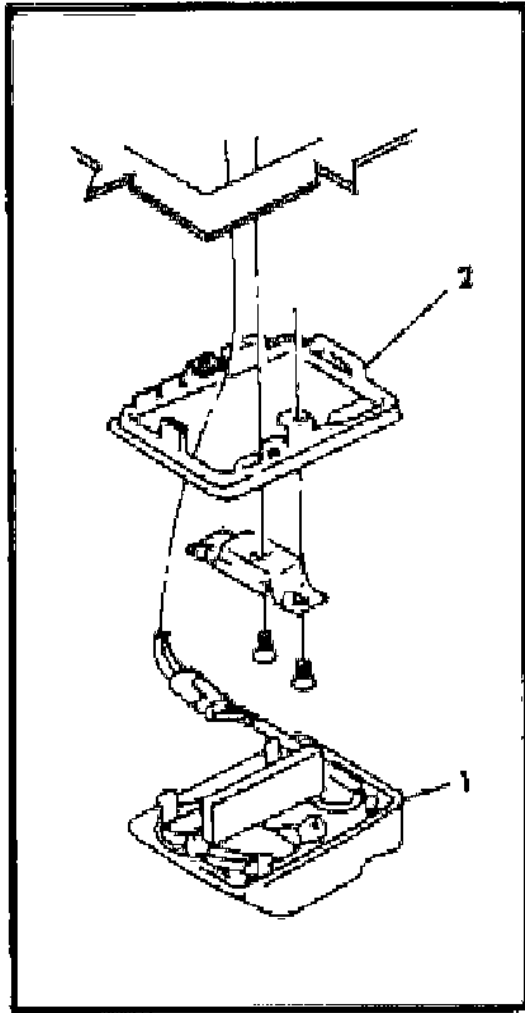
AR = Use as Required - = Non Illustrated Part P.A.R. = Paint as Required

LAMPS--CARGO-DOME-COURTESY VC-24

Figure 8-4200

5108 4200

ITEM	PART NUMBER	QTY	BODY	MODEL	DESCRIPTION
1	F511 DX9				LAMP, Frt. Header Reading BLACK
	F511 DT3				TAN
	F511 DM6				RED
	F511 DA3				SILVER
2	4312 706				BRACKET, Frt. Header Reading
3	4312 050				LAMP, Cargo
4	3488 995				LENS, Cargo Lamp
5	#3591 126				BRACKET, Cargo Lamp
6	4312 043				LAMP, Dome
7	3488 936				LENS, Dome Lamp
8	4047 293				BRACKET, Dome Lamp
9					LAMP, Front Door Courtesy (Serv. Component Parts)
	4312 729				HOUSING, Frt. Door Courtesy Lamp
10	4312 728				LENS, Frt. Door Courtesy Lamp
	4312 741				BEZEL, Frt. Door Courtesy Lamp
	4221 614				SWITCH, L/Gate Open, Dome & Courtesy Lamp
	4312 832				HOUSING, Inst. Panel Courtesy Lamp



MODEL CODES

B = GRAN FURY	E = 600	M = HORIZON/TURISMO
C = LE BARON/TOWN & COUNTRY/LIMO	F = FIFTH AVENUE/NEWPORT	P = RELIANT
C24 = LASER	G = DIPLOMAT	T = NEW YORKER
C44 = LE BARON/GTS	H = VOYAGER	V = 600
D = ARIES	J = CARAVELLE	V24 = DAYTONA
D44 = LANCER	K = MINI VAN/CARAVAN/ROYAL	Z = OMNI/CHARGER

BODY STYLES

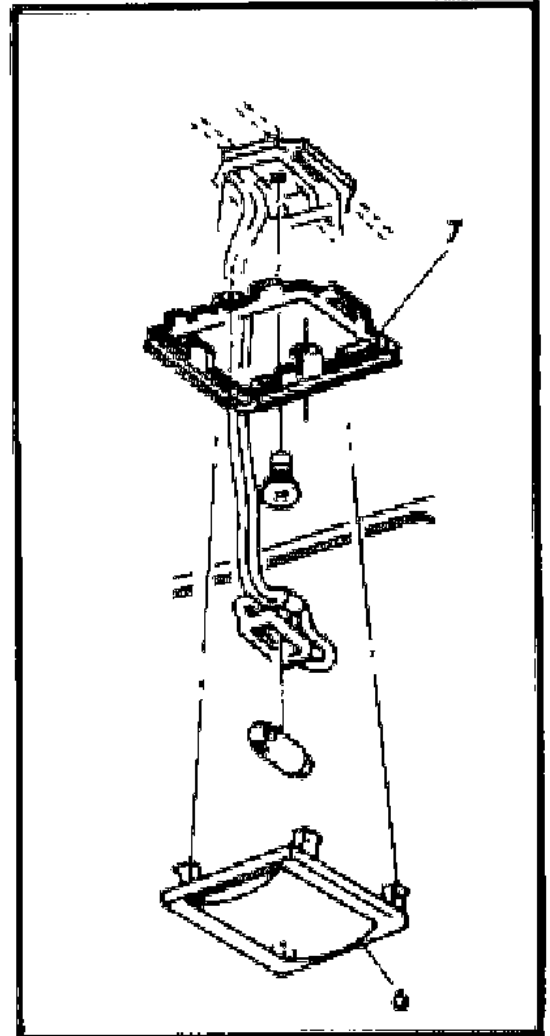
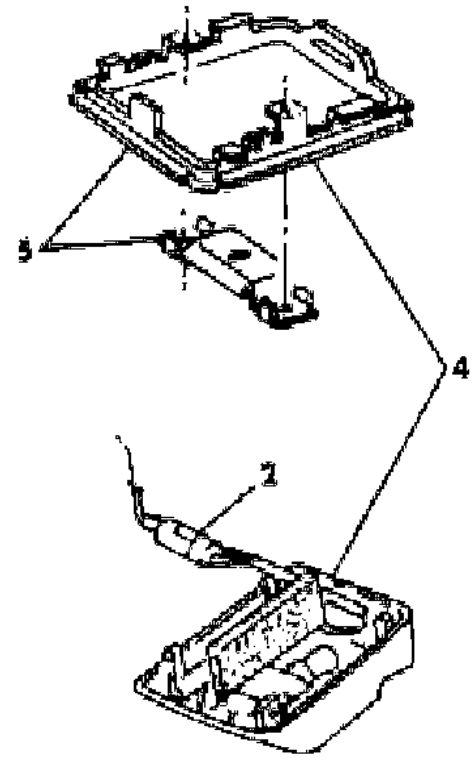
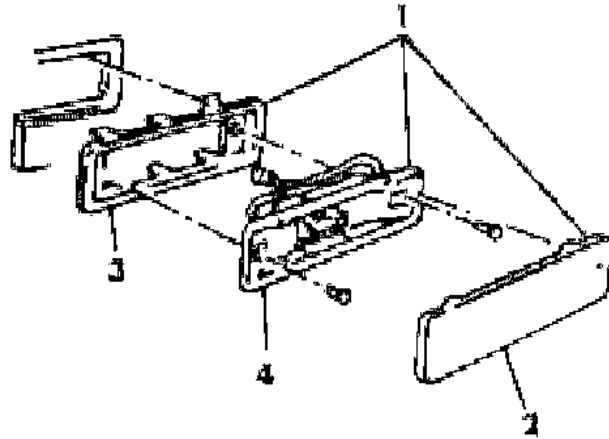
21 = 2-DOOR SEDAN	35 = FWD VAN	44 = 4-DOOR HATCHBACK
22 = 2-DOOR SPECIAL COUPE	36 = FWD WAGON	45 = 4-DOOR STATION WAGON
24 = 2-DOOR HATCHBACK	41 = 4-DOOR SEDAN	49 = LIMOUSINE
27 = 2-DOOR CONVERTIBLE		

AR = Use as Required - = Non Illustrated Part P.A.R. = Paint as Required

LAMPS--CARGO-DOME-COURTESY DC-44

Figure 8-4300

5108 4300



ITEM	PART NUMBER	QTY	BODY	MODEL	DESCRIPTION
1	4220 594				LAMP, Cargo
2	4220 595				LENS, Cargo
3					HOUSING, Cargo Lamp (Serv. in Lamp Assy.)
4					LAMP, Front Header Reading (Serv. in Assy.)
5	4312 706				BRACKET, Reading Lamp Mtg.
6	3593 728				LAMP, Dome
7	4047 293				BRACKET, Dome Lamp Mtg.
					LAMP, Front Header Reading (Silver)
					(Red)
					(Tan)
					(Black)
	4312 706				BRACKET, Front Header Reading
	4312 640-1				LENS, Front & Rear Door Courtesy Lamp
	4312 636-7				HOUSING, Courtesy Lamp
	4221 614				SWITCH, Liftgate Open, Dome & Courtesy Lamp

MODEL CODES

B = GRAN FURY	E = 600	M = HORIZON/TURISMO
C = LE BARON/TOWN & COUNTRY/LIMO	F = FIFTH AVENUE/NEWPORT	P = RELIANT
C24 = LASER	G = DIPLOMAT	T = NEW YORKER
C44 = LE BARON/GTS	H = VOYAGER	V = 600
D = ARIES	J = CARAVELLE	V24 = DAYTONA
D44 = LANCER	K = MINI VAN/CARAVAN/ROYAL	Z = OMNI/CHARGER

BODY STYLES

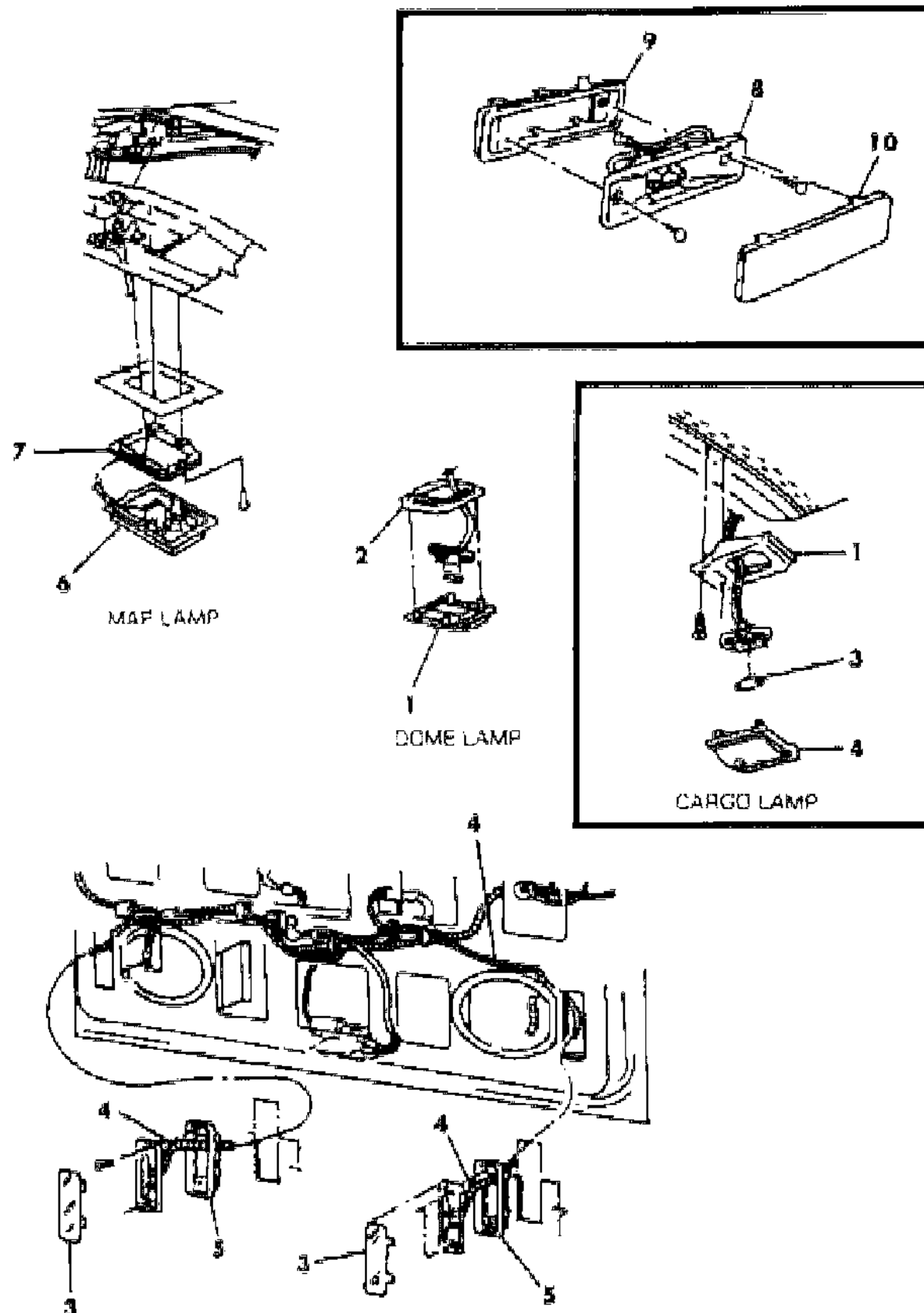
21 = 2-DOOR SEDAN	35 = FWD VAN	44 = 4-DOOR HATCHBACK
22 = 2-DOOR SPECIAL COUPE	36 = FWD WAGON	45 = 4-DOOR STATION WAGON
24 = 2-DOOR HATCHBACK	41 = 4-DOOR SEDAN	49 = LIMOUSINE
27 = 2-DOOR CONVERTIBLE		

AR = Use as Required - = Non Illustrated Part P.A.R. = Paint as Required

LAMPS--CARGO-DOME-COURTESY H-K

Figure 8-4400

5108 4400



ITEM	PART NUMBER	QTY	BODY	MODEL	DESCRIPTION
1	3593 728				LAMP, Cargo or Dome
	3488 995				LENS, Cargo or Dome Lamp
2	3593 282				BRACKET, Dome or Cargo Lamp (Wagon)
	4312 151				BRACKET, Dome or Cargo Lamp (Van)
3	4220 595				LENS, Liftgate Lamp (Clear)
4	4304 585				WIRING, w/Socket Liftgate Lamp
	4304 273				WIRING, w/Socket Liftgate Lamp & Speakers
5	#3591 126				BRACKET, Courtesy Lamp Liftgate
6	4312 814				LAMP, Frt. Header Reading
7	4312 968				BRACKET, Front Header Reading
8	4312 656				LAMP, Front Door Courtesy
9	#3591 126				BRACKET, Courtesy Lamp
10	3488 995				LENS, Front Door Courtesy (White)
	4220 595				(Clear)
	4221 709				SWITCH, Front & Rear Door Pillar

MODEL CODES

B = GRAN FURY	E = 600	M = HORIZON/TURISMO
C = LE BARON/TOWN & COUNTRY/LIMO	F = FIFTH AVENUE/NEWPORT	P = RELIANT
C24 = LASER	G = DIPLOMAT	T = NEW YORKER
C44 = LE BARON/GTS	H = VOYAGER	V = 600
D = ARIES	J = CARAVELLE	V24 = DAYTONA
D44 = LANCER	K = MINI VAN/CARAVAN/ROYAL	Z = OMNI/CHARGER

BODY STYLES

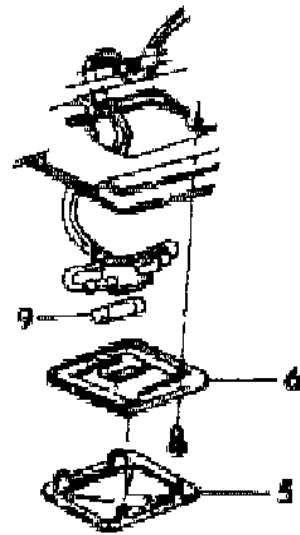
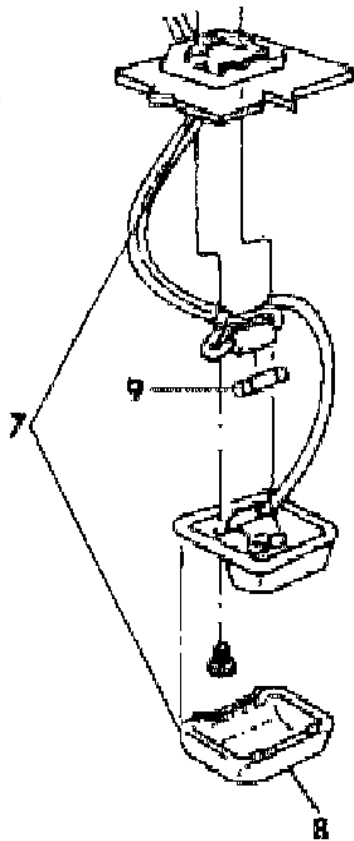
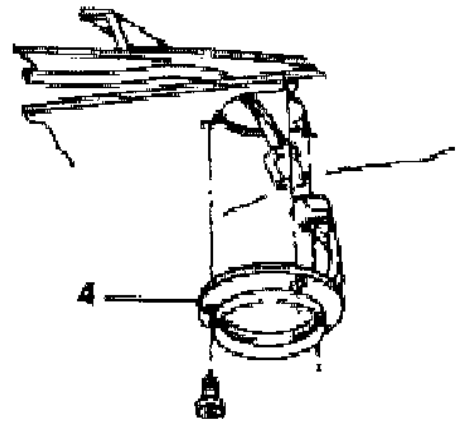
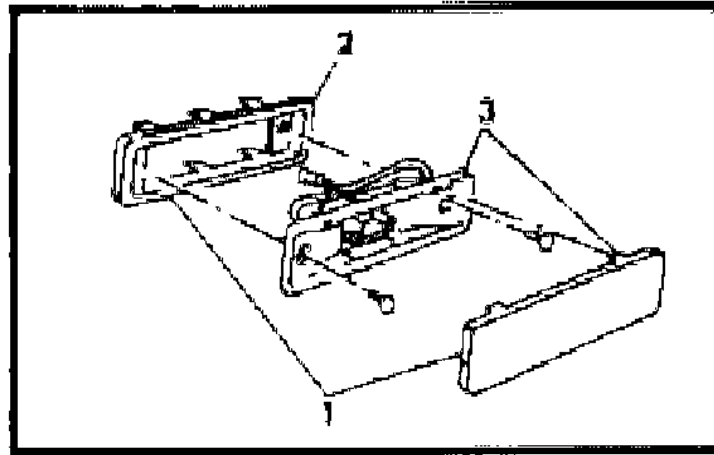
21 = 2-DOOR SEDAN	35 = FWD VAN	44 = 4-DOOR HATCHBACK
22 = 2-DOOR SPECIAL COUPE	36 = FWD WAGON	45 = 4-DOOR STATION WAGON
24 = 2-DOOR HATCHBACK	41 = 4-DOOR SEDAN	49 = LIMOUSINE
27 = 2-DOOR CONVERTIBLE		

AR = Use as Required - = Non Illustrated Part P.A.R. = Paint as Required

LAMPS--CARGO-DOME-COURTESY B-F-G

Figure 8-4500

5108 4500



ITEM	PART NUMBER	QTY	BODY	MODEL	DESCRIPTION
1	3591 803				LAMP, Courtesy, Front & Rear Door
2	#3591 126				BRACKET, Courtesy Lamp
3	3488 995				LENS, Courtesy Lamp
4	3593 616				LAMP, Dome w/Switch
5	3488 936				LENS, Dome Lamp w/Switch
	3593 282				BRACKET, Dome Lamp Switch
6	3593 541				BEZEL, Dome Lamp w/Switch
7	4220 249				LAMP, Dome & Map
8	3591 873				LENS, Dome & Map
9	9431 808				BULB, Dome Lamp
	3591 130				LAMP, Courtesy (Under Panel)
	4229 160-1		FS 41		LAMP, Rear Door Qtr. Trim

MODEL CODES

B = GRAN FURY	E = 600	M = HORIZON/TURISMO
C = LE BARON/TOWN & COUNTRY/LIMO	F = FIFTH AVENUE/NEWPORT	P = RELIANT
C24 = LASER	G = DIPLOMAT	T = NEW YORKER
C44 = LE BARON/GTS	H = VOYAGER	V = 600
D = ARIES	J = CARAVELLE	V24 = DAYTONA
D44 = LANCER	K = MINI VAN/CARAVAN/ROYAL	Z = OMNI/CHARGER

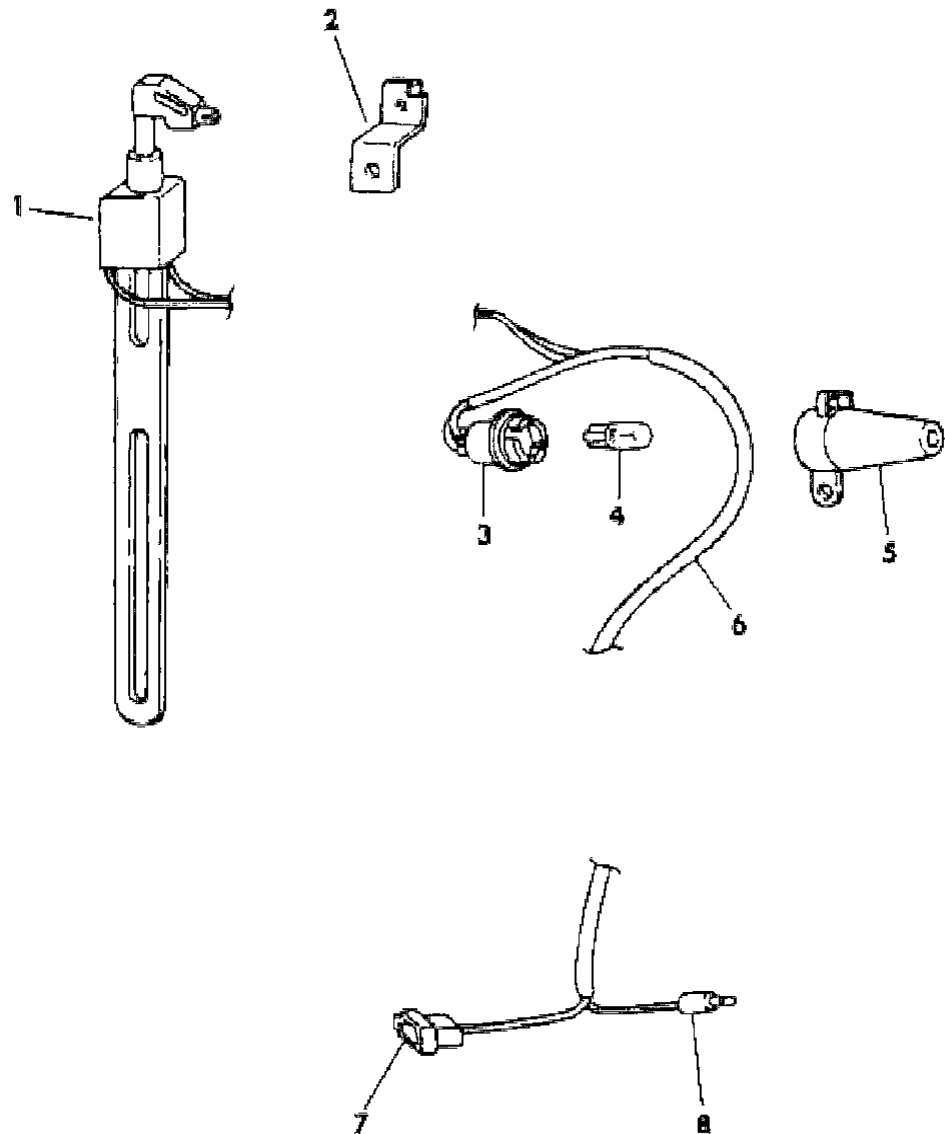
BODY STYLES

21 = 2-DOOR SEDAN	35 = FWD VAN	44 = 4-DOOR HATCHBACK
22 = 2-DOOR SPECIAL COUPE	36 = FWD WAGON	45 = 4-DOOR STATION WAGON
24 = 2-DOOR HATCHBACK	41 = 4-DOOR SEDAN	49 = LIMOUSINE
27 = 2-DOOR CONVERTIBLE		

AR = Use as Required - = Non Illustrated Part P.A.R. = Paint as Required

ILLUMINATED DOOR LOCK LIGHT
Figure 8-4600

5108 4600



ITEM	PART NUMBER	QTY	BODY	MODEL	DESCRIPTION
1	3747 819	1		B,F,G	SWITCH
	4221 130	1		VC24	SWITCH
	4221 729	2		DC44	SWITCH
	4221 724-5	1		PDCV,JE	
2	4221 722-3	1		PDCV,JE	BRACKET
	3747 803	1		B,F,G	BRACKET
3	3513 686				SOCKET
4	9415 969				BULB, #158
5	4312 880-1				HOUSING
6					WIRING, (Not Serv.)
7	4274 264				INSUL.
	3843 386				TERMINAL
8	2580 065				MOLD
	4186 387			VC24-B,	RELAY,(Not Shown)
	4318 800			CVJET	RELAY,(Not Shown)
	4342 216			DC 44	RELAY, (Not Shown)
	4172 675				CABLE ASSEMBLY

MODEL CODES

B = GRAN FURY	E = 600	M = HORIZON/TURISMO
C = LE BARON/TOWN & COUNTRY/LIMO	F = FIFTH AVENUE/NEWPORT	P = RELIANT
C24 = LASER	G = DIPLOMAT	T = NEW YORKER
C44 = LE BARON/GTS	H = VOYAGER	V = 600
D = ARIES	J = CARAVELLE	V24 = DAYTONA
D44 = LANCER	K = MINI VAN/CARAVAN/ROYAL	Z = OMNI/CHARGER

BODY STYLES

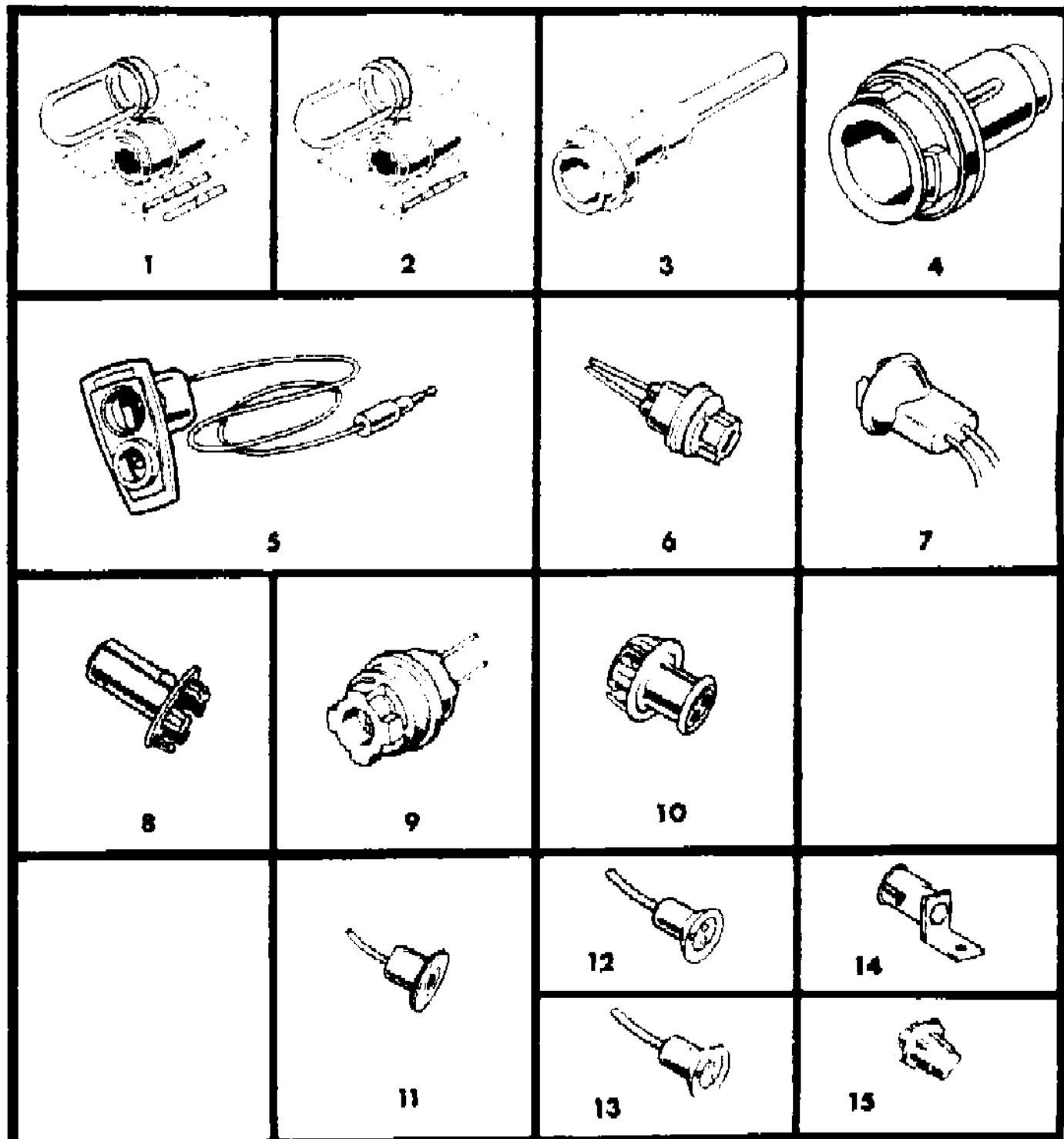
21 = 2-DOOR SEDAN	35 = FWD VAN	44 = 4-DOOR HATCHBACK
22 = 2-DOOR SPECIAL COUPE	36 = FWD WAGON	45 = 4-DOOR STATION WAGON
24 = 2-DOOR HATCHBACK	41 = 4-DOOR SEDAN	49 = LIMOUSINE
27 = 2-DOOR CONVERTIBLE		

AR = Use as Required - = Non Illustrated Part P.A.R. = Paint as Required

SOCKETS & CABLES

Figure 8-4700

5108 4700



ITEM	PART NUMBER	QTY	BODY	MODEL	DESCRIPTION
1					SOCKET
	3746 516			M,Z	Rr. Window Indic.
	3746 516			MZ,PDC,	Cargo
	3746 516				Opera
	3746 516			PD,CV,B	Console
2					SOCKET
	3746 515			All	Radio Illumination
	3746 515			B,F,G	Rr. Window Indic.
	3746 515			B,F,G	Head Lamp Switch Illumination
	3746 515			B,F,G	Wiper Switch
	3746 515			B,F,G	Ash Rec.
3	#4055 433			M,Z	SOCKET, Park Lamp Repair Pkg.
4	5211 537			M,Z	SOCKET, Type C-2
5					SOCKET and CABLE, Frt. Fender Turn Sig. Ind.
6					SOCKET, Back-Up & Side Marker
7	3588 314			B,F,G	SOCKET and CABLE, License Repair
8					SOCKET, Turn Signal
	2926 370			B,F,G	Fr.
9					SOCKET and CABLE
10	2822 196			P,D,C (SOCKET, Tail Stop t/Sig.
11	3764 865				SOCKET, Cornering Lamp Repair
12	4124 721			C,V	SOCKET, w/Cable Cornering
13	3843 432			M,Z,B,F	SOCKET, Park & Turn Signal Repair
14	2096 857			PD,CV,B	SOCKET and BRACE, Courtesy Lamp
15	3744 750			All	SOCKET, Printed Circuit Board
	4342 240				SOCKET, Message Center & Elec. Navigator
NOTE: The following parts not shown on illustration Gear and Pinion numbers stamped on the item may be used to confirm the correct MATCHED SET they are contained in.					
	3513 686			M,Z	SOCKET, Side Marker (Fr.)
	4274 800			B,F,G	SOCKET, Back-up Lamp
	3588 314			PD,CV(2	SOCKET, Side Marker (Rr)
	4124 081			PD,CV(2	SOCKET, Tail Stop and T/Sig.
	5211 712			PD,CV(2	SOCKET, Back UP
	5211 711			P,D,C (SOCKET, Back UP
	9421 330			L	Instrument Cluster (Power Loss)!194
	9421 330			E	Qtr. Reading & Courtesy Lamp!194
	9421 330			K-E-S	Warning Ind. Lamp Module!194

MODEL CODES

B = GRAN FURY	E = 600	M = HORIZON/TURISMO
C = LE BARON/TOWN & COUNTRY/LIMO	F = FIFTH AVENUE/NEWPORT	P = RELIANT
C24 = LASER	G = DIPLOMAT	T = NEW YORKER
C44 = LE BARON/GTS	H = VOYAGER	V = 600
D = ARIES	J = CARAVELLE	V24 = DAYTONA
D44 = LANCER	K = MINI VAN/CARAVAN/ROYAL	Z = OMNI/CHARGER

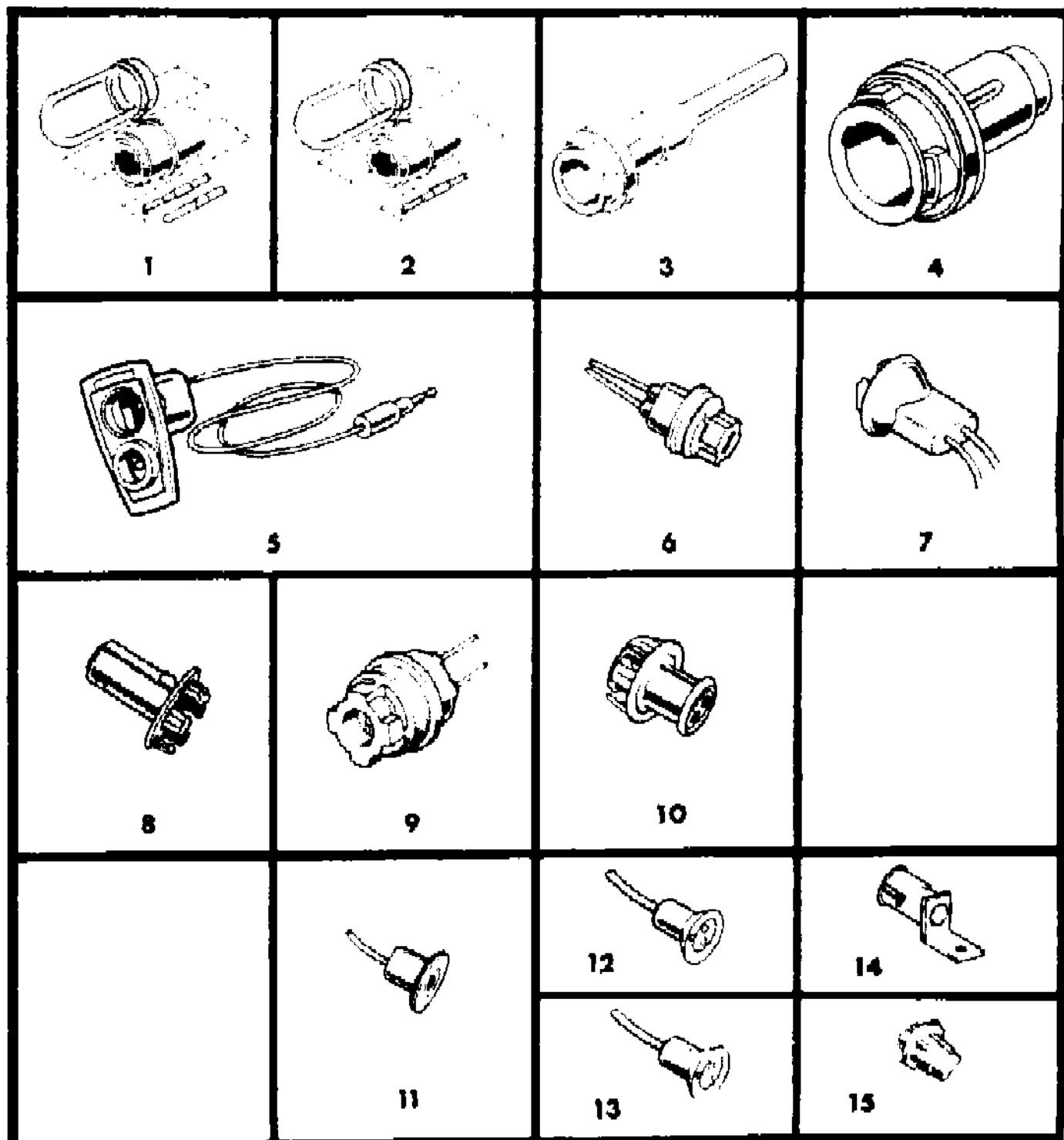
BODY STYLES

21 = 2-DOOR SEDAN	35 = FWD VAN	44 = 4-DOOR HATCHBACK
22 = 2-DOOR SPECIAL COUPE	36 = FWD WAGON	45 = 4-DOOR STATION WAGON
24 = 2-DOOR HATCHBACK	41 = 4-DOOR SEDAN	49 = LIMOUSINE
27 = 2-DOOR CONVERTIBLE		

AR = Use as Required - = Non Illustrated Part P.A.R. = Paint as Required

SOCKETS & CABLES
Figure 8-4700

5108 4700



ITEM	PART NUMBER	QTY	BODY	MODEL	DESCRIPTION
	9421 330			K (PD)	Door Open!194
	9421 330			L	Console Gear Selector Ind. Lamp!194
	9421 330			E (T)	Ash Receiver, Inst. Panel!194
	9421 330			P-H	Console (PRNDL)!194
	0142 453			M	Courtesy Lamp!68-90
	0142 456			K-M	Dome Lamp!1141
	9417 866			L-K-E-G	Back-Up Lamp!1156
	9417 866			P-J-S-M	Back-Up Lamp!1156
	9417 866			K-E	Cornering Lamp!1156
	9438 848			P-K-E-G	Tail, Stop, Turn Signal!2057
	9438 848			P-K-E-G	Park & Turn Signal!2057
	9438 848			H	Park & Turn Signal!2057
	9438 850			K	Park & Turn Signal!2057NA
	9431 809			L-H-G	Cargo Lamp!212
	9431 809			K-E-G-H	Courtesy Lamp, Frt. Door!212
	9431 809			K-E-H-M	Courtesy Lamp, Rear Door!212
	9431 809			S	Liftgate Courtesy Lamp!212
	9431 809			H	Rear Console Courtesy Lamp!212
	9431 808			K-E-G-H	Dome Lamp!211
	9431 808			L-P-S-M	Dome Lamp & Overhead Comsole!211
	9437 173			K-E-M	Dome & Map Lamp!912
	9437 173			L-P	Cargo Lamp!912
	9437 173			L-P	Hi-Mtd. Stop Lamp!912
	9438 068			S	Side Marker!194A
	9436 789			E-G-H	Elec. Navigator!37
	9436 789			P-J-H-G	A/C Control!#137
	9436 750			J-G-H	Front Header Reading!906
	9436 750			906	Rear Qtr. Reading & Courtesy!906

MODEL CODES
 B = GRAN FURY
 C = LE BARON/TOWN & COUNTRY/LIMO
 C24 = LASER
 C44 = LE BARON/GTS
 D = ARIES
 D44 = LANCER
 E = 600
 F = FIFTH AVENUE/NEWPORT
 G = DIPLOMAT
 H = VOYAGER
 J = CARAVELLE
 K = MINI VAN/CARAVAN/ROYAL
 M = HORIZON/TURISMO
 P = RELIANT
 T = NEW YORKER
 V = 600
 V24 = DAYTONA
 Z = OMNI/CHARGER

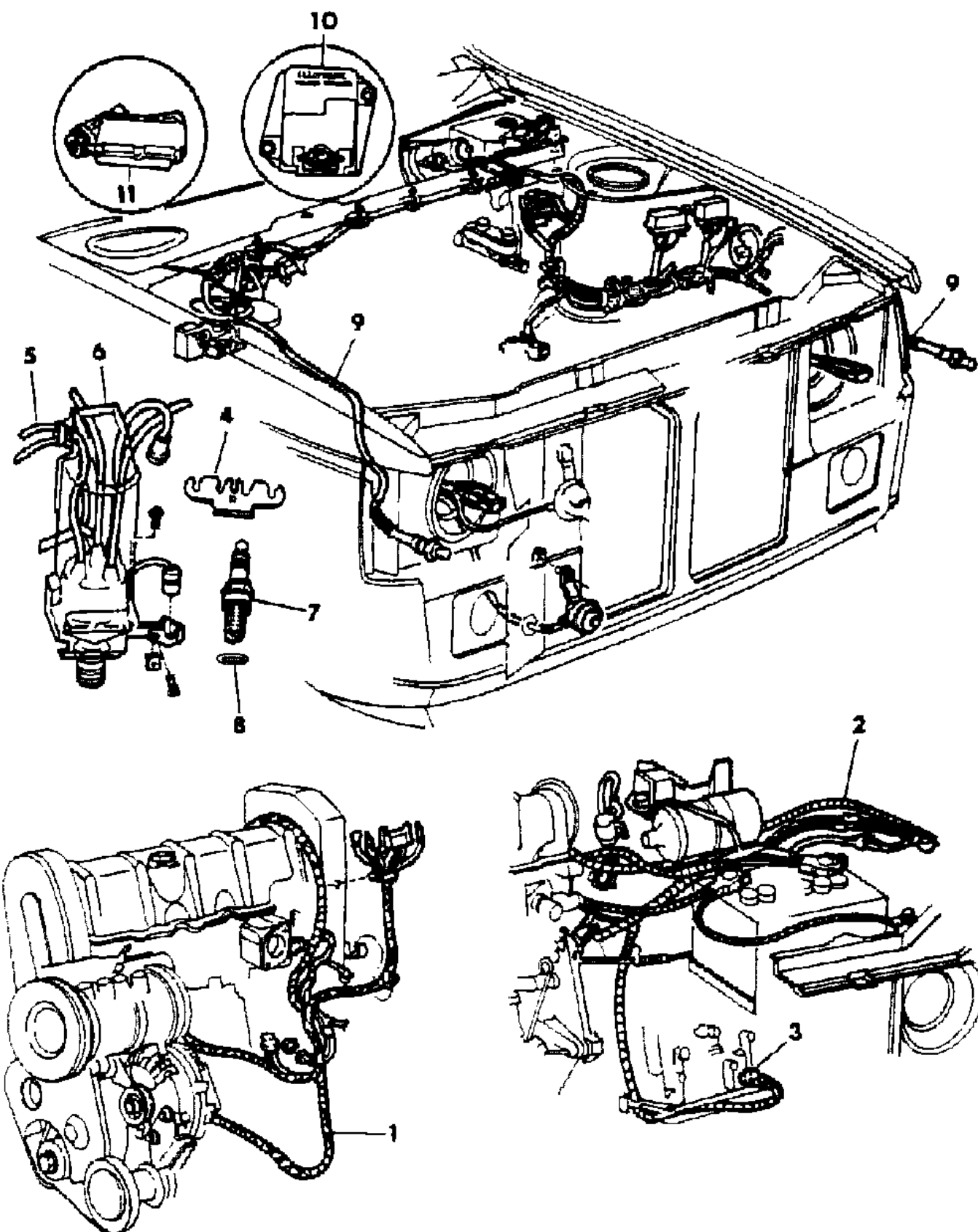
BODY STYLES
 21 = 2-DOOR SEDAN
 22 = 2-DOOR SPECIAL COUPE
 24 = 2-DOOR HATCHBACK
 27 = 2-DOOR CONVERTIBLE
 35 = FWD VAN
 36 = FWD WAGON
 41 = 4-DOOR SEDAN
 44 = 4-DOOR HATCHBACK
 45 = 4-DOOR STATION WAGON
 49 = LIMOUSINE

AR = Use as Required - = Non Illustrated Part P.A.R. = Paint as Required

WIRING--ENGINE-FRONT END & RELATED PARTS M-Z

Figure 8-4900

51084900



ITEM	PART NUMBER	QTY	BODY	MODEL	DESCRIPTION
1					WIRING, ENGINE
	4331 068				2.2 Eng. w/A.C.
	4331 069				2.2 Eng. w/o A.C.
	4304 828				1.6 Eng. Man.Trans.
	4304 618				1.6 Eng. Auto.Trans.
	4304 608				2.2 Eng. "SHELBY"
	4331 328				TURBO
	4331 329				Fuel Rail
	4331 613				WIRE,Radiator Fan Relay
	4331 490				2.2 Eng. High Perf.
2	4274 814				CABLE, Battery Ground, 1.6 Eng.
	4331 598				Positive (1.6 Eng.) Man. Trans.
	4274 892				Positive (1.6 Eng.) Auto.Trans.
	4331 488				Positive,2.2 Eng. Auto.Trans., up to 2-15-85
	4331 928				Aft. 2-15-85
	4331 489				Positive,2.2 Eng. Man.Trans., up to 2-15-85
	4331 927				Aft. 2-15-85
	4304 678				CABLE, Battery & Eng. Ground (Repair) (Insul. 4331545-6)
3	6500 275				BOLT, Ground to Body
4	1841 499				SEPERATOR, Spark Plug Cable, 1.6 Eng.
	4179 190				(2.2 Eng.)
5	5213 361	2			CABLE, Spark Plug, 1.6 Eng.-#1 & 4
	5213 363	2			(1.6 Eng.) #2 & 3
	5213 372	2			(2.2 Eng.) #2 & 3
	5213 373	2			(2.2 Eng.) #1 & 4
-	4419 359				CABLE SET, 2.2 Eng.
	4145 413				NIPPLE, Dist. End.
	5213 355				NIPPLE, Coil End
6	5213 351				CABLE, Ignition Coil (1.6 Eng.)
	5213 529				(2.2 Eng.)
7	5213 693				PLUG, Spark RN12YC
8	2642 919				GASKET, Spark Plug
	4176 009				COIL, Ignition
	5213 532				BRACKET, Coil Mtg.
	4311 388				CAPACITOR, Ign. Coil
9					WIRING, FRONT END, Headlamp to Dash. Panel M-Z
	4331 597		24		w/1.6 Eng.

MODEL CODES

B = GRAN FURY	E = 600	M = HORIZON/TURISMO
C = LE BARON/TOWN & COUNTRY/LIMO	F = FIFTH AVENUE/NEWPORT	P = RELIANT
C24 = LASER	G = DIPLOMAT	T = NEW YORKER
C44 = LE BARON/GTS	H = VOYAGER	V = 600
D = ARIES	J = CARAVELLE	V24 = DAYTONA
D44 = LANCER	K = MINI VAN/CARAVAN/ROYAL	Z = OMNI/CHARGER

BODY STYLES

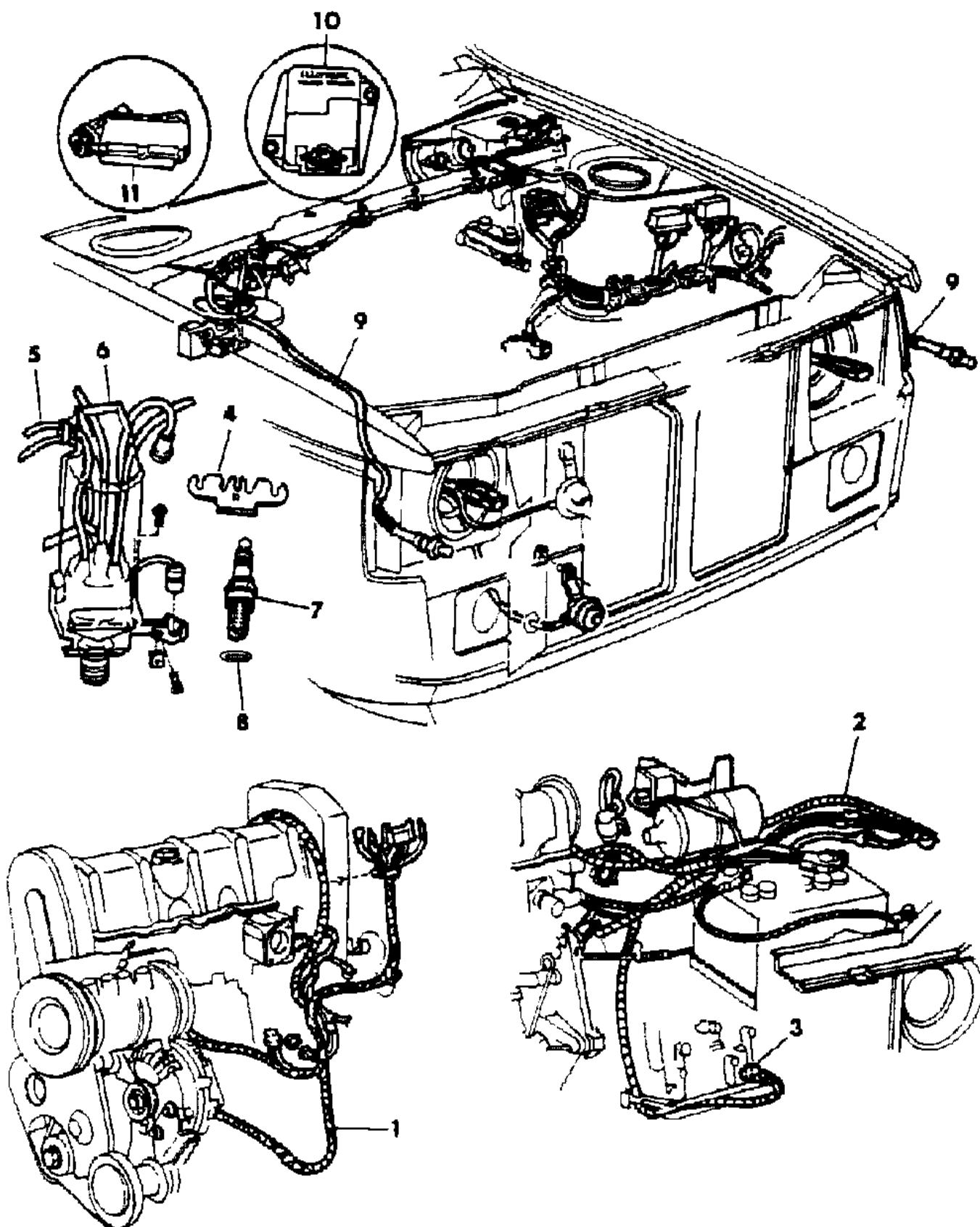
21 = 2-DOOR SEDAN	35 = FWD VAN	44 = 4-DOOR HATCHBACK
22 = 2-DOOR SPECIAL COUPE	36 = FWD WAGON	45 = 4-DOOR STATION WAGON
24 = 2-DOOR HATCHBACK	41 = 4-DOOR SEDAN	49 = LIMOUSINE
27 = 2-DOOR CONVERTIBLE		

AR = Use as Required - = Non Illustrated Part P.A.R. = Paint as Required

WIRING--ENGINE-FRONT END & RELATED PARTS M-Z

Figure 8-4900

5108 4900



ITEM	PART NUMBER	QTY	BODY	MODEL	DESCRIPTION
	4331 596			44	w/1.6 Eng.
	4331 060			24	w/2.2 Eng. A.C.
	4331 061			24	w/2.2Eng.w/o A.C.
	4331 062			44	w/2.2Eng.w/ A.C.
	4331 063			44	w/2.2Eng.w/o A.C.
	4331 327				TURBO
	4331 612				TURBO, (Performance Pkg.)
	4304 924				w/2.2, w/Carb. "SHELBY"
	4304 933				WIRING, Front Bumper Fog Lamp
	4304 939				WIRING, Fog Lamp
	4124 656				WIRING, Speed Control (Eng. Compartment)
10	5213 305				CONTROL UNIT, Elec. 2.2 Eng. Export
	4111 990				REGULATOR, Voltage
	4274 035				MOLD, Spark Advance (Repair w/Tab)
	4274 036				(Repair w/Bar)
	4209 978				(Repair 6-Way)
11					CONTROL, Elec. Spark Advance M-Z
	5226 411				All Trans. (1.6 Eng.)
	5226 429				w/All Trans. (1.6 Eng.) (CANADA)
	5226 449				(2.2 Eng. Hi-Perf. Carb.)
	5226 451				w/Auto.Trans. (2.2 Eng.) Calif.
	5226 455				w/Man. Trans. (2.2 Eng.) CALIF.
	5226 585				w/2.2 Eng. w/ESA, w/o Catalyst
	5226 455				w/2.2 Eng. CALIF.,Man. Trans.
	5226 507				2.2 Eng. Can.
	5226 439				2.2 Eng. Man. Trans. Exc. Calif.
	5226 449				"Shelby" All Trans.
	5226 433				2.2 Eng. All Trans.
	5226 505				2.2 Eng. Auto. Trans. Can.
	5226 645				"SHELBY, Calif.
	5226 765				MODULE, Power T.B.I. Exc. Calif.
	5226 766				Turbo
	5226 648				MODULE, Power T.B.I. Calif.
	4331 546				MOLD, Power Module
	4267 269				SWITCH, Oil Pressure (1.6 Eng.)
	4051 686				SENDING UNIT, Oil Pressure w/Gauge
	4221 673				SWITCH, Oil Pressure (2.2 Eng.)

MODEL CODES

B = GRAN FURY	E = 600	M = HORIZON/TURISMO
C = LE BARON/TOWN & COUNTRY/LIMO	F = FIFTH AVENUE/NEWPORT	P = RELIANT
C24 = LASER	G = DIPLOMAT	T = NEW YORKER
C44 = LE BARON/GTS	H = VOYAGER	V = 600
D = ARIES	J = CARAVELLE	V24 = DAYTONA
D44 = LANCER	K = MINI VAN/CARAVAN/ROYAL	Z = OMNI/CHARGER

BODY STYLES

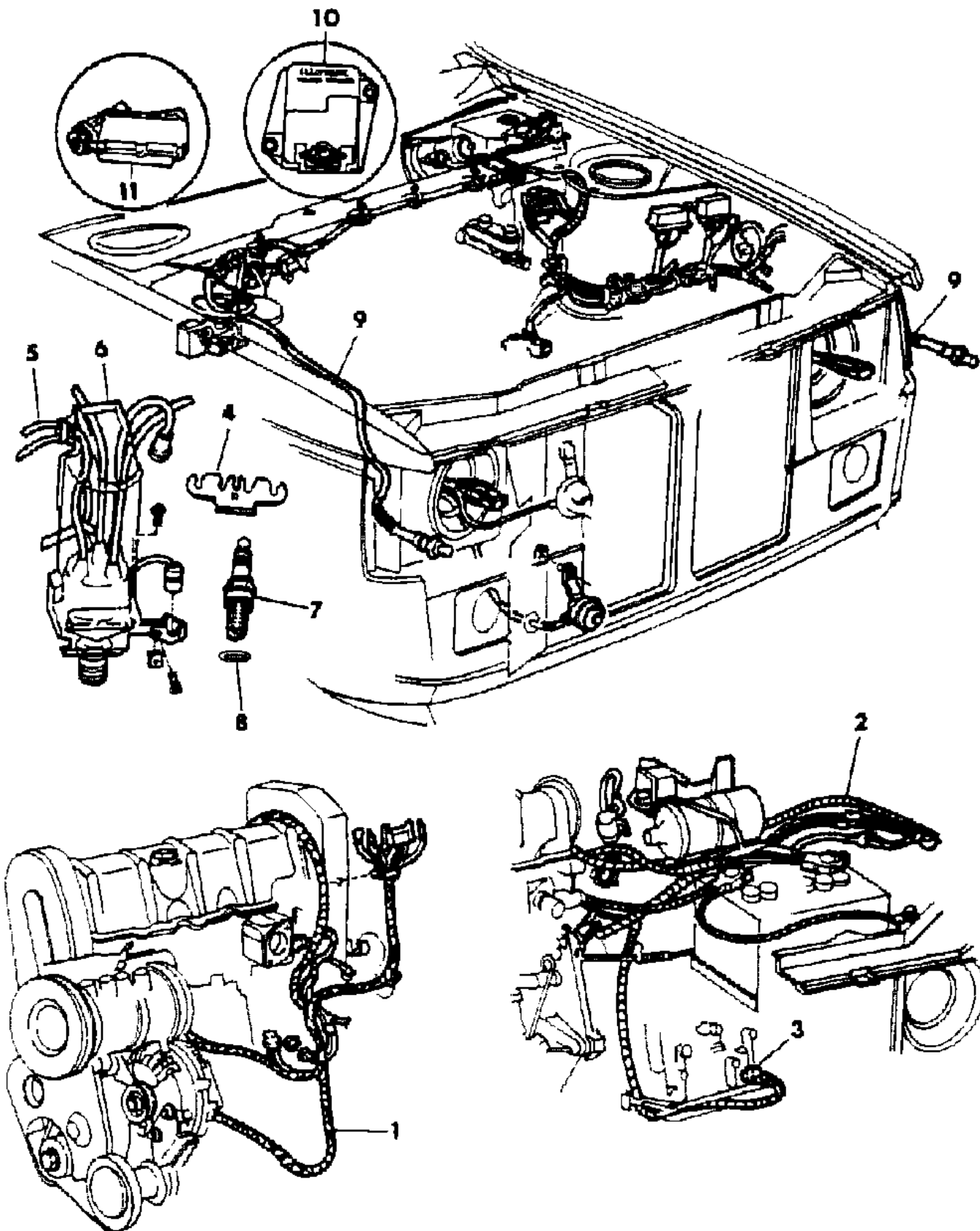
21 = 2-DOOR SEDAN	35 = FWD VAN	44 = 4-DOOR HATCHBACK
22 = 2-DOOR SPECIAL COUPE	36 = FWD WAGON	45 = 4-DOOR STATION WAGON
24 = 2-DOOR HATCHBACK	41 = 4-DOOR SEDAN	49 = LIMOUSINE
27 = 2-DOOR CONVERTIBLE		

AR = Use as Required - = Non Illustrated Part P.A.R. = Paint as Required

WIRING--ENGINE-FRONT END & RELATED PARTS M-Z

Figure 8-4900

51084900



ITEM	PART NUMBER	QTY	BODY	MODEL	DESCRIPTION
	4051 686				SENDING UNIT, Oil Pressure, w/Gauge
	4221 646				FITTING, Oil Pressure
	4051 687				SENDING UNIT, Eng. Temp. 1.6 2.2 Eng. w/Gauge
	4221 071				SWITCH, Eng. Temp. w/Light
	5226 374				SENSOR, Coolant Temp. 1.6 & 2.2 Eng.
	5213 737				RELAY, Starter
	5213 629				SENSOR, Detonation
	4318 118				w/TURBO
	5226 356				SENSOR, Coolant Dual Therm

MODEL CODES

B = GRAN FURY	E = 600	M = HORIZON/TURISMO
C = LE BARON/TOWN & COUNTRY/LIMO	F = FIFTH AVENUE/NEWPORT	P = RELIANT
C24 = LASER	G = DIPLOMAT	T = NEW YORKER
C44 = LE BARON/GTS	H = VOYAGER	V = 600
D = ARIES	J = CARAVELLE	V24 = DAYTONA
D44 = LANCER	K = MINI VAN/CARAVAN/ROYAL	Z = OMNI/CHARGER

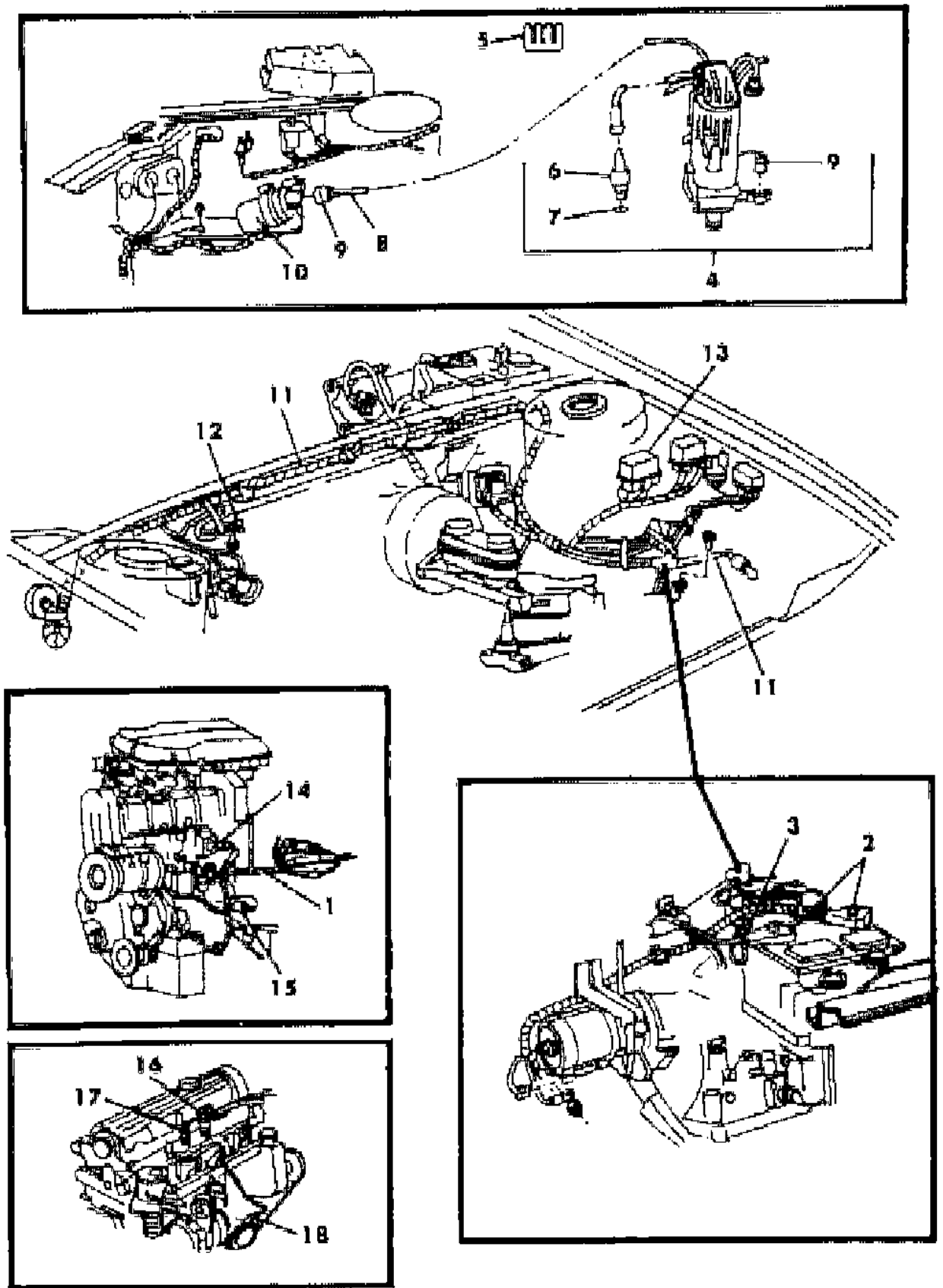
BODY STYLES

21 = 2-DOOR SEDAN	35 = FWD VAN	44 = 4-DOOR HATCHBACK
22 = 2-DOOR SPECIAL COUPE	36 = FWD WAGON	45 = 4-DOOR STATION WAGON
24 = 2-DOOR HATCHBACK	41 = 4-DOOR SEDAN	49 = LIMOUSINE
27 = 2-DOOR CONVERTIBLE		

AR = Use as Required - = Non Illustrated Part P.A.R. = Paint as Required

WIRING--ENGINE-FRONT END & RELATED PARTS P-D-C-V-J-E-T
Figure 8-5000

5108 5000



ITEM	PART NUMBER	QTY	BODY	MODEL	DESCRIPTION
1					WIRING ENGINE
	4331 112				w/TURBO
	4331 110				w/T.B.I.
	4331 516				w/Carb.
	4331 525				(2.6 Eng.)
	4331 329				Fuel Rail Wire (Turbo)
	4331 631				WIRING, Engine Feed-Back, 2.6 Eng.
	4331 613				WIRING, Radiator Fan Relay
	4304 692				"LIMO"
2	4274 273				CABLE, Battery Ground
	4331 519				Positive,2.6 Eng.
	4331 481				Positive,w/Auto. Trans. 2.2 Eng. up to 2-15-85
	4331 925				Aft. 2-15-85
	4331 482				Positive,w/Man. Trans. 2.2 & 2.6 Eng. up to 2-15-85
	4331 626				Aft. 2-15-85
	4304 935				Battery Feed, POLICE
	4304 678				CABLE, Battery & Eng. Ground (Repair)
3	6500 275				BOLT, Battery Ground
-	4419 359				CABLE SET, Spark Plug, 2.2 Eng.
4	MD08 5766	1			CABLE SET, Spark Plug 2.6 Eng.
	MD08 5763	1			#4 2.6 Eng.
	MD08 5738	1			#3 2.6 Eng.
	MD08 5736	1			#2 2.6 Eng.
	MD08 5733	1			#1 2.6 Eng.
	5213 372	2			# 2-3-(2.2 Eng.)
	5213 373	2			# 1-4-(2.2 Eng.)
	4240 435	1			CABLE SET, Spark Plug 2.2 Eng.
	5213 357	1			CABLE, Ignition
5	MD00 1790	2			SEPERATOR, Cable 2.6 Eng.
	MD02 7741	2			SEPERATOR, Cable 2.6 Eng.
	4179 190				SEPERATOR, Cable 2.2 Eng.
	MD00 1795				SEPERATOR, Cable 2.6 Eng.
6	5213 693	4			PLUG, Spark RN12YC
	MS85 1432	4			2.6 Eng. W16EU10
	MS85 1232	4			Canada BPR5ES
	5213 693				RN 12 YC Copper Tip
7	2642 919	AR			GASKET, Spark Plug

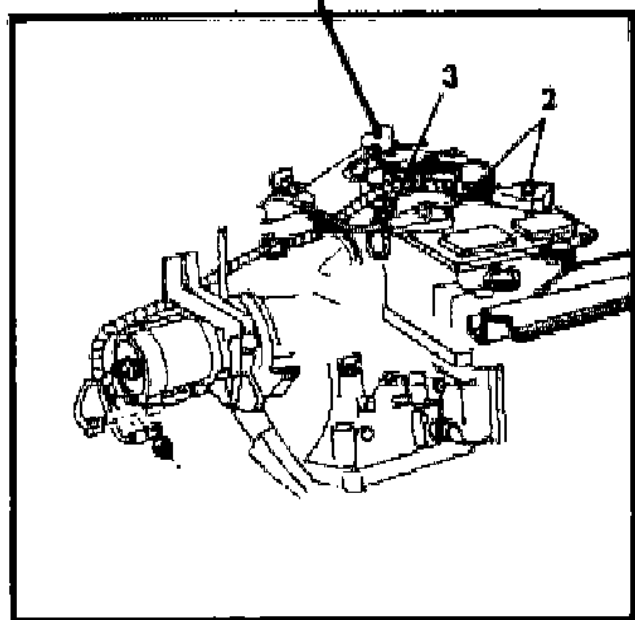
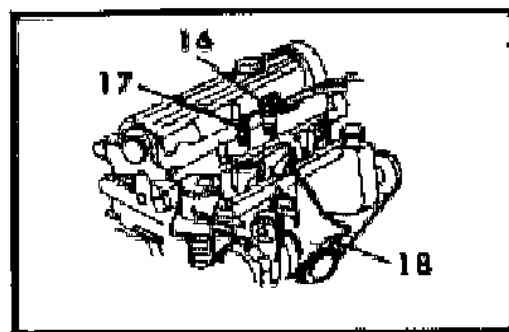
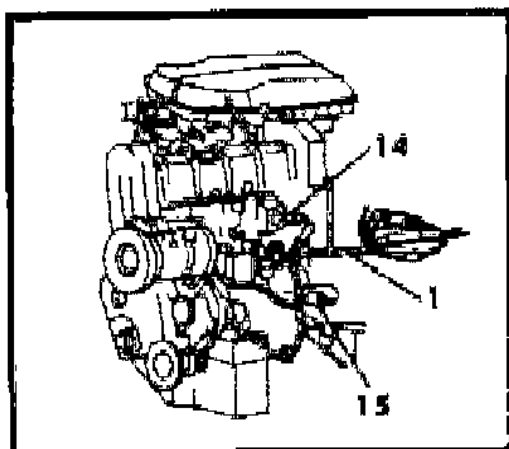
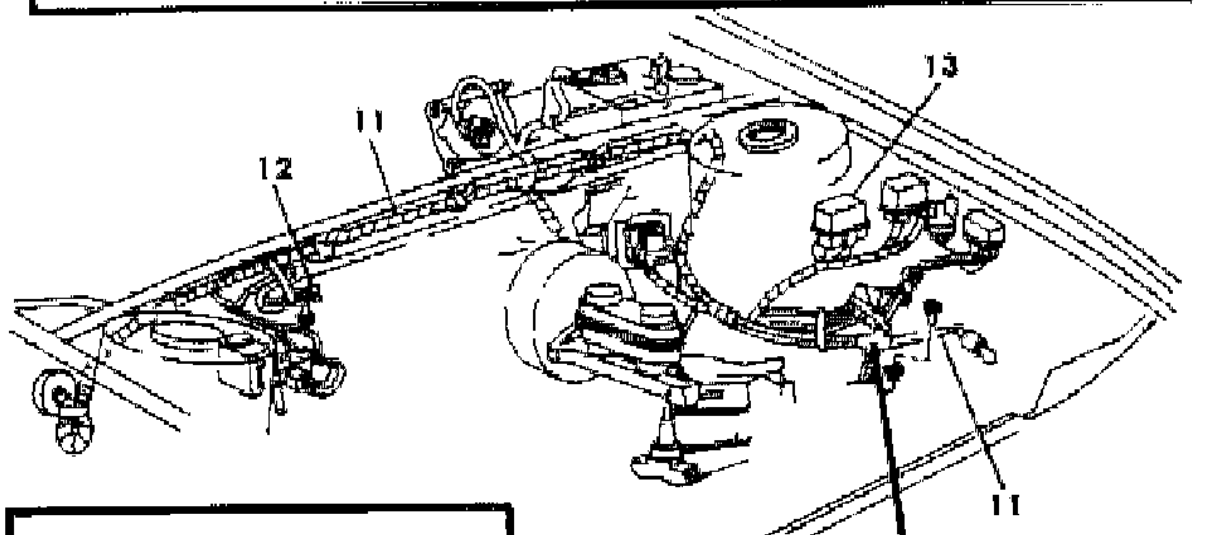
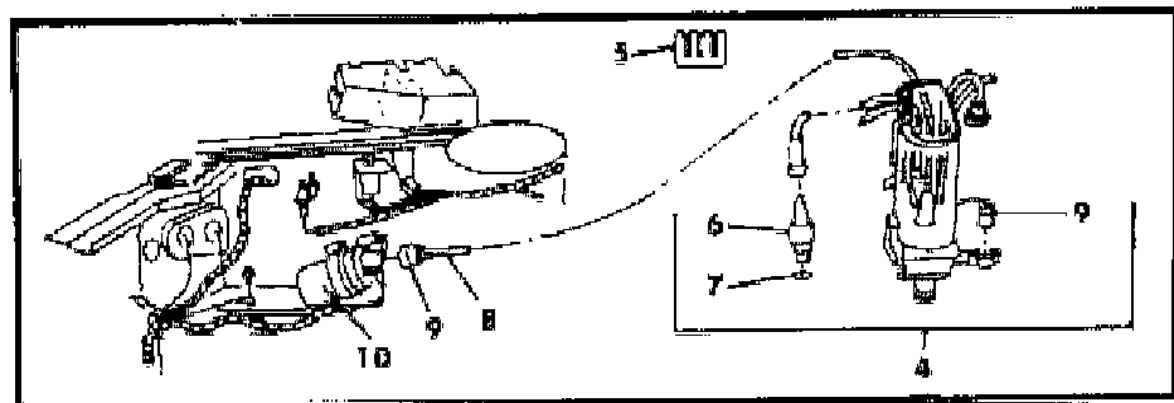
MODEL CODES
 B = GRAN FURY
 C = LE BARON/TOWN & COUNTRY/LIMO
 C24 = LASER
 C44 = LE BARON/GTS
 D = ARIES
 D44 = LANCER
 E = 600
 F = FIFTH AVENUE/NEWPORT
 G = DIPLOMAT
 H = VOYAGER
 J = CARAVELLE
 K = MINI VAN/CARAVAN/ROYAL
 M = HORIZON/TURISMO
 P = RELIANT
 T = NEW YORKER
 V = 600
 V24 = DAYTONA
 Z = OMNI/CHARGER

BODY STYLES
 21 = 2-DOOR SEDAN
 22 = 2-DOOR SPECIAL COUPE
 24 = 2-DOOR HATCHBACK
 27 = 2-DOOR CONVERTIBLE
 35 = FWD VAN
 36 = FWD WAGON
 41 = 4-DOOR SEDAN
 44 = 4-DOOR HATCHBACK
 45 = 4-DOOR STATION WAGON
 49 = LIMOUSINE

AR = Use as Required - = Non Illustrated Part P.A.R. = Paint as Required

WIRING--ENGINE-FRONT END & RELATED PARTS P-D-C-V-J-E-T
Figure 8-5000

5108 5000



ITEM	PART NUMBER	QTY	BODY	MODEL	DESCRIPTION	
8	MD08 8537				WIRE, Coil 2.6 Eng.	
	5213 358				WIRE, Coil 2.2 Eng.	
9	4145 413				NIPPLE, Dist. End 2.2 Eng.	
	5213 355				NIPPLE, Coil End 2.2 Eng.	
10	MD02 5703				COIL and BRACKET, 2.6 Eng.	
	4176 009				2.2 Eng.	
	5213 532				BRACKET, Coil 2.2 Eng.	
	4311 388				CAPACITOR, Coil	
11					WIRING, FRONT END, Headlamp to Dash Panel P-D-C-V-J-E-T	
	4331 734		P-D		w/75 Amp.Alt. w/A.C. 2.6 Eng.	
	4304 573		P-D		w/75 Amp.Alt. w/o A.C. 2.6 Eng.	
	4331 175		P-D		w/78 Amp.Alt. w/ A.C. 2.2 Eng.	
	4331 176		P-D		w/60 Amp.Alt. 2.2 Eng.	
	4331 179		P-D		w/75 Amp.Alt. 2.6 Eng. w/A.C. CANADA	
	4331 838		P-D		w/T.B.I	
	4331 183		C-V-J-E		w/78 Amp.Alt. 2.2 Eng. w/A.C.	
	4331 181		C-V-J-E		TURBO	
	4331 180		C-V-J-E		w/T.B.I.	
	4331 735		C-V-J-E		w/75 Amp.Alt. 2.6 Eng. w/ A.C. w/Cat.Conv. w/o ESA	
	4331 185		C-V-J-E		w/75 Amp.Alt. 2.6 Eng. w/A.C. w/o Cat. Conv. w/o ESA	
	4304 594		P-D		w/90 Amp.Alt. 2.6 Eng. FLEET	
	4304 206		P-D		w/90 Amp.Alt. 2.2 Eng. FLEET	
	4274 888				WIRING, Speed Control, Eng. Compartment	
	4274 600				WIRING, Relay (POLICE)	
	12	4111 990				REGULATOR, Voltage
		4274 036				MOLD, Elec. Spark Advance (Repair w/Bar)
		4274 035				w/Tab
4209 978					w/6-Way	
5226 455			PD		w/Man.Trans. 2.2 Eng. Calif.	
5227 709			PD		w/Auto.Trans. 2.2 Eng. Calif.	
5226 585					2.2 Eng. w/ESA, w/o Calalyst	
5226 439			PD		w/Man.Trans. 2.2 Eng.	
5226 433			PD		w/Auto. Trans. 2.2 Eng.	
5226 507					w/2.2 Eng. Can.	
5226 505				2.2 Eng. Can. Auto. Trans.		
5226 766				MODULE, POWER, Turbo		

MODEL CODES

B = GRAN FURY	E = 600	M = HORIZON/TURISMO
C = LE BARON/TOWN & COUNTRY/LIMO	F = FIFTH AVENUE/NEWPORT	P = RELIANT
C24 = LASER	G = DIPLOMAT	T = NEW YORKER
C44 = LE BARON/GTS	H = VOYAGER	V = 600
D = ARIES	J = CARAVELLE	V24 = DAYTONA
D44 = LANCER	K = MINI VAN/CARAVAN/ROYAL	Z = OMNI/CHARGER

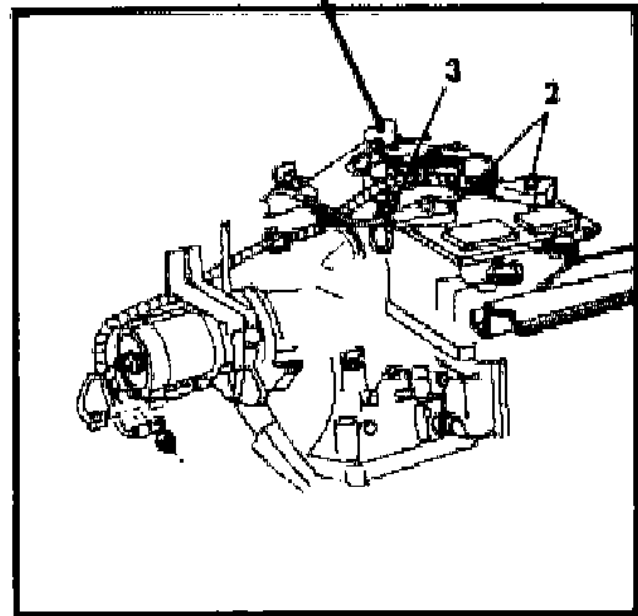
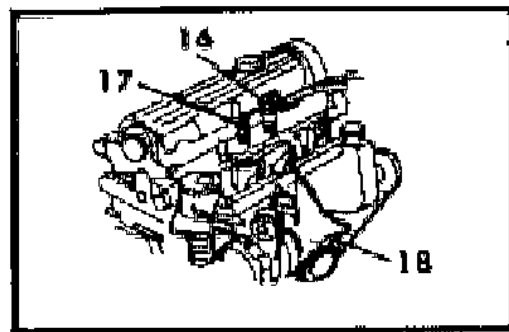
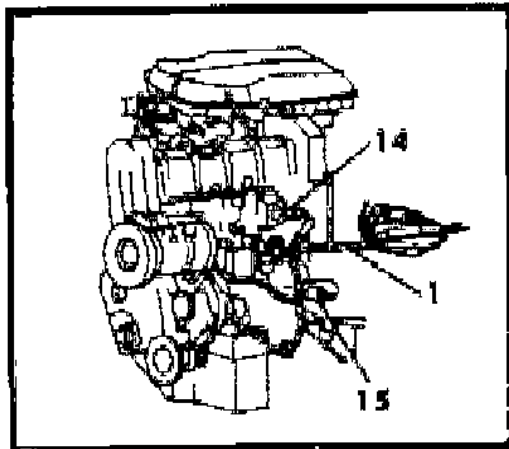
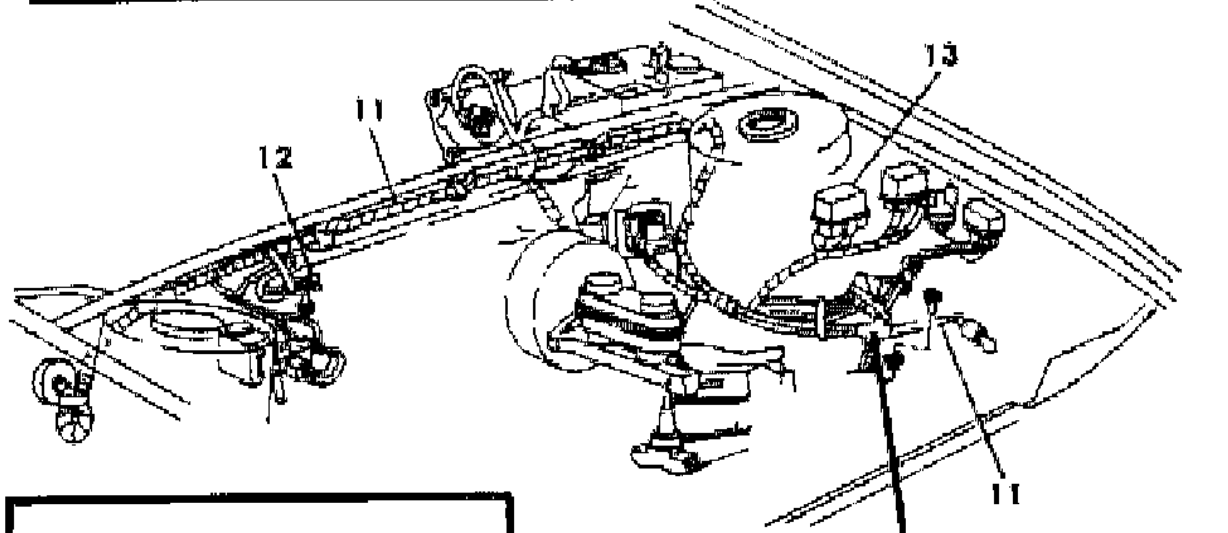
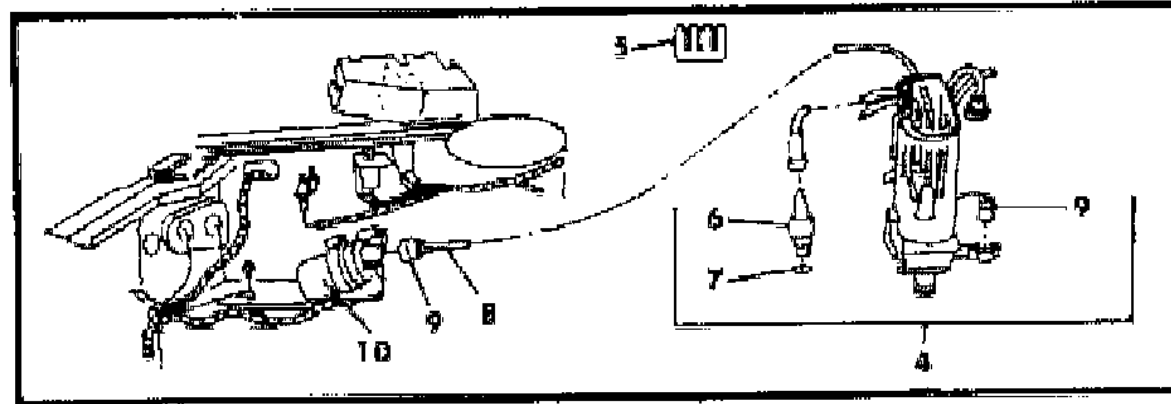
BODY STYLES

21 = 2-DOOR SEDAN	35 = FWD VAN	44 = 4-DOOR HATCHBACK
22 = 2-DOOR SPECIAL COUPE	36 = FWD WAGON	45 = 4-DOOR STATION WAGON
24 = 2-DOOR HATCHBACK	41 = 4-DOOR SEDAN	49 = LIMOUSINE
27 = 2-DOOR CONVERTIBLE		

AR = Use as Required - = Non Illustrated Part P.A.R. = Paint as Required

WIRING--ENGINE-FRONT END & RELATED PARTS P-D-C-V-J-E-T
Figure 8-5000

5108 5000



ITEM	PART NUMBER	QTY	BODY	MODEL	DESCRIPTION
	5226 765				T.B.I.
	4111 138				GASKET, Lean Burn Computer
13	5213 737				RELAY, Starter
14	4221 071				SWITCH, Eng. Temp. w/Light
	4051 687				SENDING UNIT, Eng. Temp.
	4267 281				SENSOR, Eng. Temp., Stamped 4145565
	MD06 9879				VALVE, Thermal, w/2.6 Eng. (Temp. Sending Unit)
	5226 356				SENSOR, Coolant Dual Therm. 3-Terminal (Pin)
	5226 374				SENSOR, Coolant T.B.I. & Turbo
	4312 825				SENSOR, Ambient Temp. (Thermister) Outside Temp
15	2889 298				SWITCH, Oil Press. 2.6 Eng.
	4221 673				SWITCH, Oil Press. w/T.B.I & Turbo 1 Term.
	4267 021				SWITCH, Oil Press. w/2.2 Eng. 3 Term.
	4051 686				SENDING UNIT, Oil Pressure w/Gauge
	4221 132				FITTING, Oil Pressure, w/Gauge
16	5226 355				SENSOR, Charge Temp. w/Gauge
17	5213 629				SENSOR, Detonation
	4318 118				SENSOR, Detonation w/Turbo
18	MD07 3036				SENSOR, Oxygen, 2.6 Eng.
	4221 344				SWITCH, Vacuum, Audible Message, 2.2 & 2.6 Eng.
	4221 767				SWITCH, Vacuum, Audible Message, w/T.B.I. & Turbo
	2574 792				PLUG, T.B.I. Control Hsg.

MODEL CODES

B = GRAN FURY	E = 600	M = HORIZON/TURISMO
C = LE BARON/TOWN & COUNTRY/LIMO	F = FIFTH AVENUE/NEWPORT	P = RELIANT
C24 = LASER	G = DIPLOMAT	T = NEW YORKER
C44 = LE BARON/GTS	H = VOYAGER	V = 600
D = ARIES	J = CARAVELLE	V24 = DAYTONA
D44 = LANCER	K = MINI VAN/CARAVAN/ROYAL	Z = OMNI/CHARGER

BODY STYLES

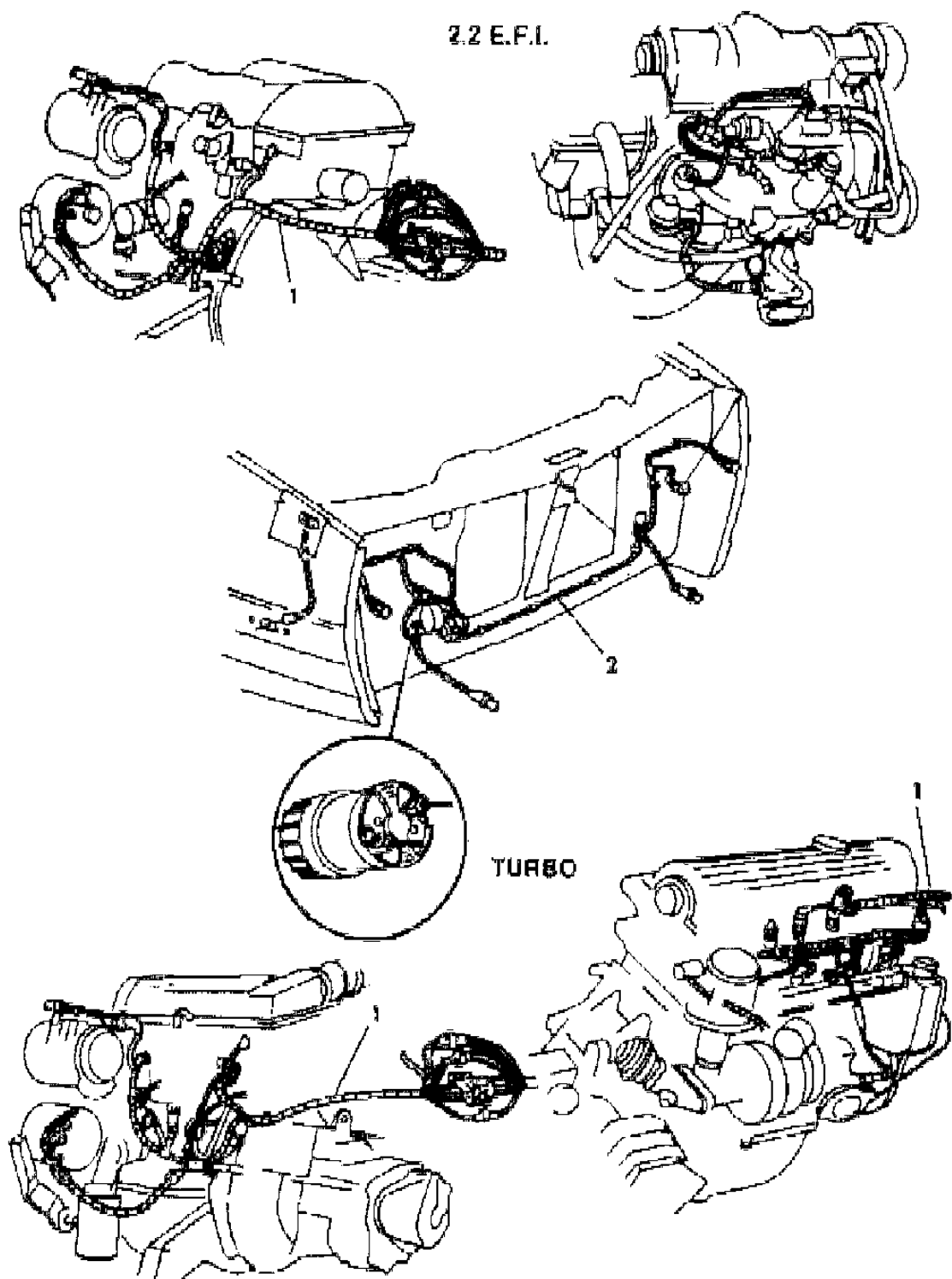
21 = 2-DOOR SEDAN	35 = FWD VAN	44 = 4-DOOR HATCHBACK
22 = 2-DOOR SPECIAL COUPE	36 = FWD WAGON	45 = 4-DOOR STATION WAGON
24 = 2-DOOR HATCHBACK	41 = 4-DOOR SEDAN	49 = LIMOUSINE
27 = 2-DOOR CONVERTIBLE		

AR = Use as Required - = Non Illustrated Part P.A.R. = Paint as Required

WIRING--ENGINE-FRONT END & RELATED PARTS V-C 24

Figure 8-5100

5100 5100



ITEM	PART NUMBER	QTY	BODY	MODEL	DESCRIPTION
1	4274 866				WIRING ENGINE, 2.2 Eng.
	4331 110				2.2 Eng. w/T.B.I.
	4331 112				2.2 Eng. "TURBO"
	4331 329				TURBO, Fuel Rail
2					WIRING, FRONT END, Headlamp to Dash Panel VC-24
	4331 116				2.2 Eng. w/T.B.I. w/o Message Center
	4331 117				2.2 Eng. w/Turbo w/o Message Center
	4331 592				2.2 Eng. w/T.B.I. w/Elec. Mess. Ctr.
	4331 593				2.2 Eng. "TURBO" w/Elec. Mess. Ctr.
	4209 695				WIRING, Auto. Trans.
	4331 481				WIRING, Battery Positive, Auto.Trans.
	4331 482				Man.Trans. up to 2-15-85
	4331 926				Aft. 2-15-85
	4304 678				CABLE, Battery & Engine Ground (Repair)
	4176 009				COIL, Ignition
	5213 532				BRACKET, Ignition Coil
	5213 357				CABLE, Ignition Coil
	4145 413				NIPPLE, Cable
	-	4419 359			CABLE SET, 2.2 Eng.
		5213 372			CABLE, Spark Plug #2-3
		5213 373			#1-4
		5213 693			SPARK PLUG, RN12Y
		2642 919			GASKET, Spark Plug
		4311 388			CAPACITOR, Ign. Coil
	4274 888			WIRING, Speed Control	
	4051 686			SENDING UNIT, Oil Pressure	
	4051 687			SENDING UNIT, Eng. Temp. Gauge	
	4221 071			SWITCH, w/Light	
	5226 766			MODULE, Power w/Turbo	
	5226 765			MODULE, Power w/T.B.I.	
				CONTROL ELECTRONIC SPARK ADVANCE, VC 24	
	5226 585			2.2 Eng.	
	5226 355			SENSOR, Charge Temp. Turbo	
	5226 374			SENSOR, Coolant T.B.I. & Turbo	
	4221 767			SWITCH, Vacuum	
	4221 132			FITTING, Oil Pressure	
	4323 107			w/Turbo	

MODEL CODES

B = GRAN FURY	E = 600	M = HORIZON/TURISMO
C = LE BARON/TOWN & COUNTRY/LIMO	F = FIFTH AVENUE/NEWPORT	P = RELIANT
C24 = LASER	G = DIPLOMAT	T = NEW YORKER
C44 = LE BARON/GTS	H = VOYAGER	V = 600
D = ARIES	J = CARAVELLE	V24 = DAYTONA
D44 = LANCER	K = MINI VAN/CARAVAN/ROYAL	Z = OMNI/CHARGER

BODY STYLES

21 = 2-DOOR SEDAN	35 = FWD VAN	44 = 4-DOOR HATCHBACK
22 = 2-DOOR SPECIAL COUPE	36 = FWD WAGON	45 = 4-DOOR STATION WAGON
24 = 2-DOOR HATCHBACK	41 = 4-DOOR SEDAN	49 = LIMOUSINE
27 = 2-DOOR CONVERTIBLE		

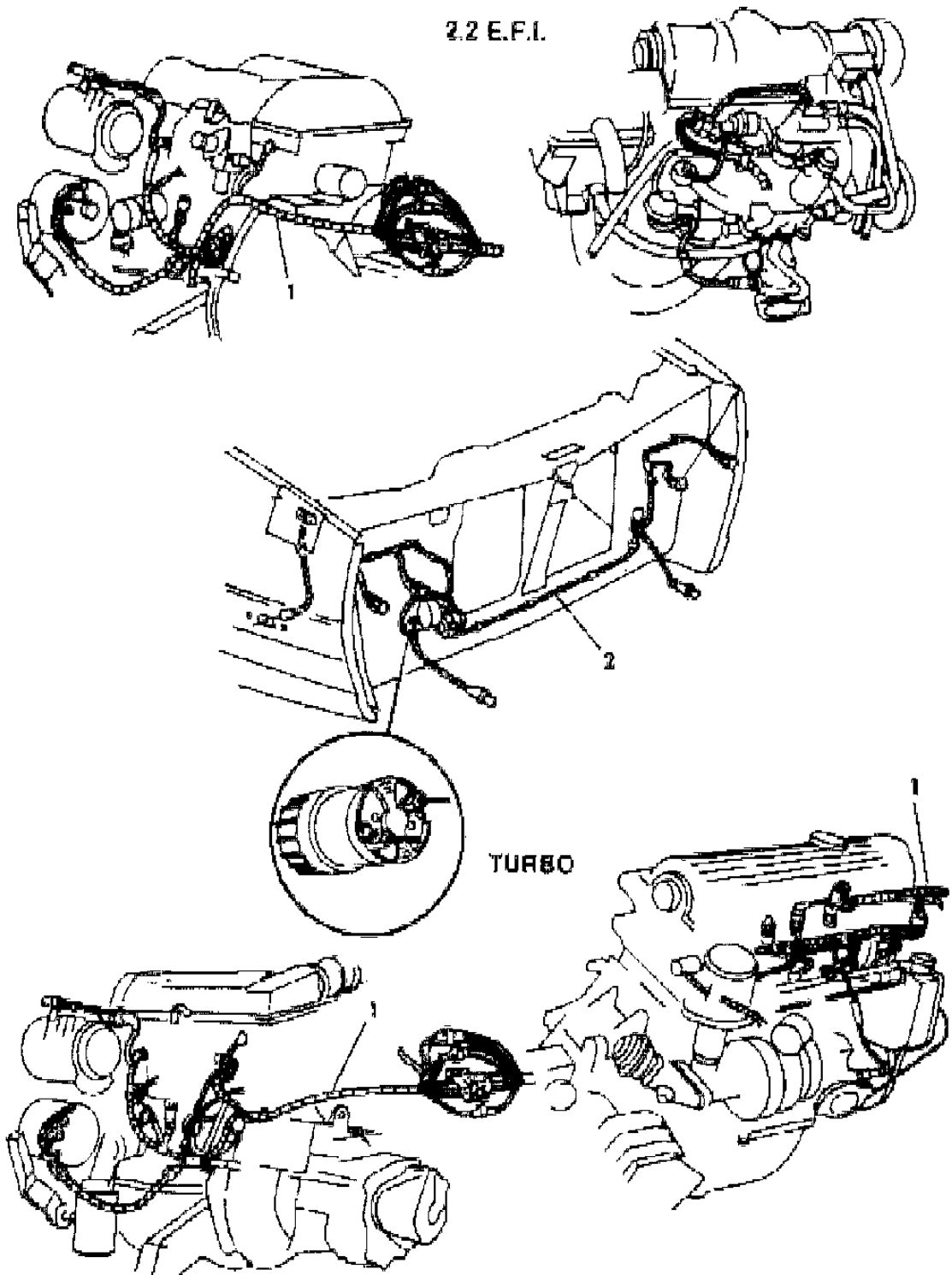
AR = Use as Required - = Non Illustrated Part P.A.R. = Paint as Required

WIRING--ENGINE-FRONT END & RELATED PARTS V-C 24

Figure 8-5100

5100 5100

2.2 E.F.I.



ITEM	PART NUMBER	QTY	BODY	MODEL	DESCRIPTION
	4267 021				SWITCH, Oil Pressure
	5226 356				SENSOR, Coolant Dual Therm

- MODEL CODES
- | | | |
|----------------------------------|----------------------------|---------------------|
| B = GRAN FURY | E = 600 | M = HORIZON/TURISMO |
| C = LE BARON/TOWN & COUNTRY/LIMO | F = FIFTH AVENUE/NEWPORT | P = RELIANT |
| C24 = LASER | G = DIPLOMAT | T = NEW YORKER |
| C44 = LE BARON/GTS | H = VOYAGER | V = 600 |
| D = ARIES | J = CARAVELLE | V24 = DAYTONA |
| D44 = LANCER | K = MINI VAN/CARAVAN/ROYAL | Z = OMNI/CHARGER |

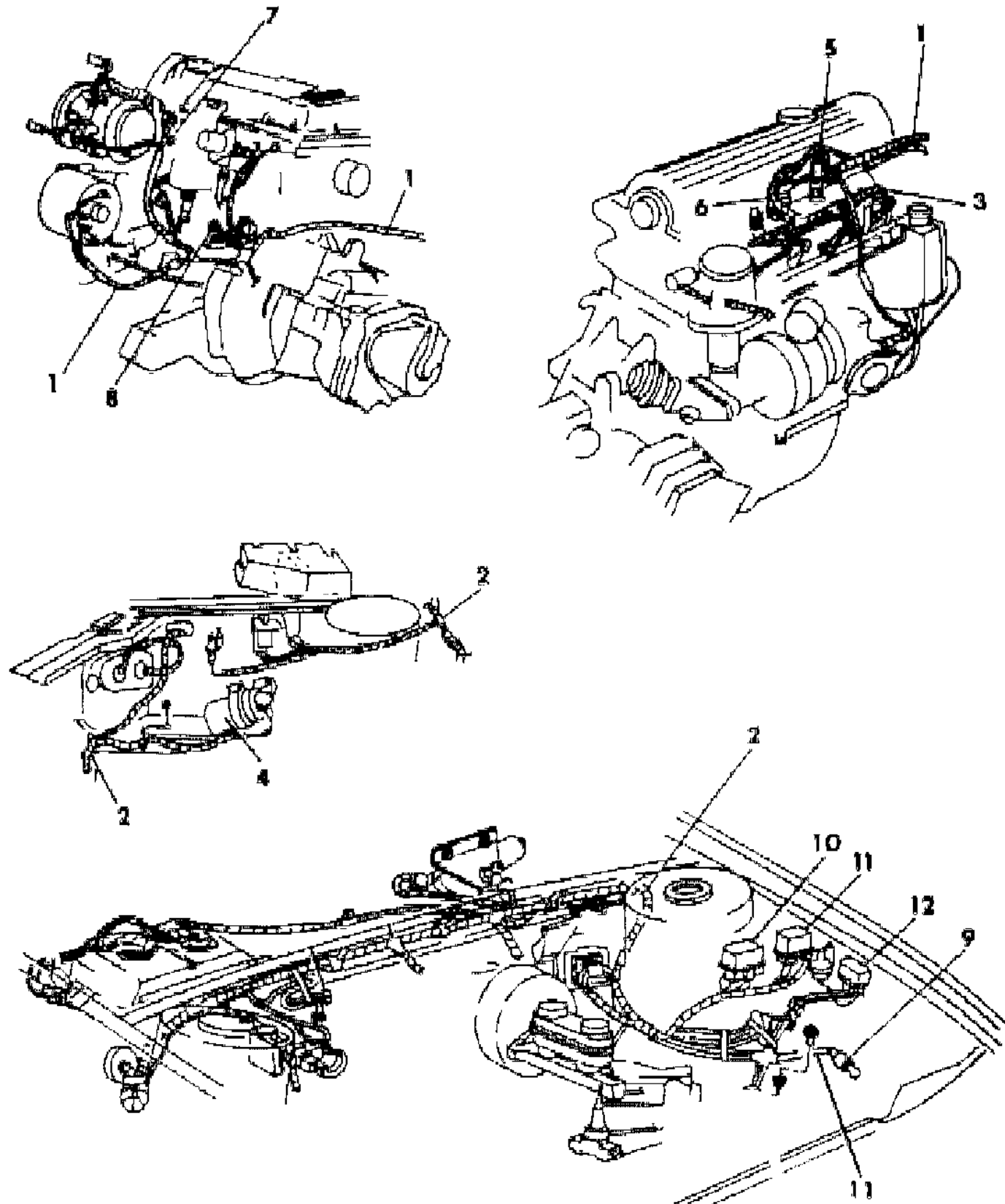
- BODY STYLES
- | | | |
|---------------------------|-------------------|---------------------------|
| 21 = 2-DOOR SEDAN | 35 = FWD VAN | 44 = 4-DOOR HATCHBACK |
| 22 = 2-DOOR SPECIAL COUPE | 36 = FWD WAGON | 45 = 4-DOOR STATION WAGON |
| 24 = 2-DOOR HATCHBACK | 41 = 4-DOOR SEDAN | 49 = LIMOUSINE |
| 27 = 2-DOOR CONVERTIBLE | | |

AR = Use as Required - = Non Illustrated Part P.A.R. = Paint as Required

WIRING--ENGINE-FRONT END & RELATED PARTS DC-44

Figure 8-5200

5108 5200



ITEM	PART NUMBER	QTY	BODY	MODEL	DESCRIPTION
1	4331 110				WIRING, ENGINE 2.2 Eng.
	4331 112				TURBO
	4331 613				WIRE, Radiator Fan Relay
2	4331 720				WIRING, FRONT END, Headlamp to Dash Panel DC 44 T.B.I.
	4331 722				TURBO
3	4331 329				WIRING, Fuel Rail Jumper
	4331 481				WIRING, Battery (Pos.) Auto. Trans.
	4331 482				WIRING, Battery (Pos.) Man. Trans. up to 2-15-85
4	4331 926				Aft. 2-15-85
	4304 678				CABLE, Battery & Eng. Ground (Repair)
	4176 009				COIL, Ign.
	5213 693				PLUG, Spark RN12YC
5	5226 374				SENSOR, Coolant T.B.I. & Turbo
6	4318 118				SENSOR, Detonation w/Turbo
7	4051 687				SENDING UNIT, Eng. Temp. w/Gauge
8	4051 686				SENDING UNIT, Oil Pressure
	4221 673				SWITCH, Oil Pressure
	4221 767				SWITCH, Vacuum
	5226 765				MODULE, Power T.B.I. 2.2-2.5 Eng.
9	5226 766				MODULE, Power, TURBO
	4209 978				MOLD, E.S.A. & E.F.I. Repair
10	5226 138				RELAY, Starter
11	5226 345				COVER, Vacuum Solenoid
12	4221 576				RELAY, A/C Clutch Cut-Out

MODEL CODES

B = GRAN FURY	E = 600	M = HORIZON/TURISMO
C = LE BARON/TOWN & COUNTRY/LIMO	F = FIFTH AVENUE/NEWPORT	P = RELIANT
C24 = LASER	G = DIPLOMAT	T = NEW YORKER
C44 = LE BARON/GTS	H = VOYAGER	V = 600
D = ARIES	J = CARAVELLE	V24 = DAYTONA
D44 = LANCER	K = MINI VAN/CARAVAN/ROYAL	Z = OMNI/CHARGER

BODY STYLES

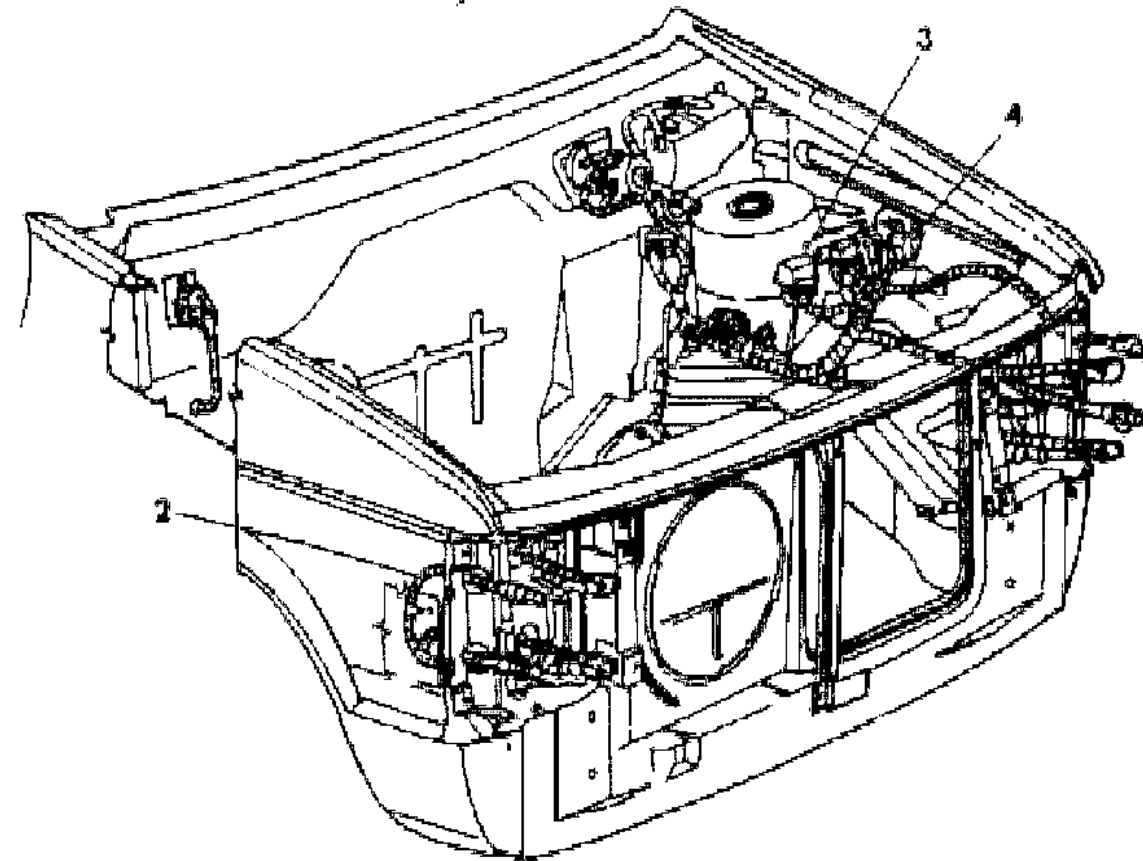
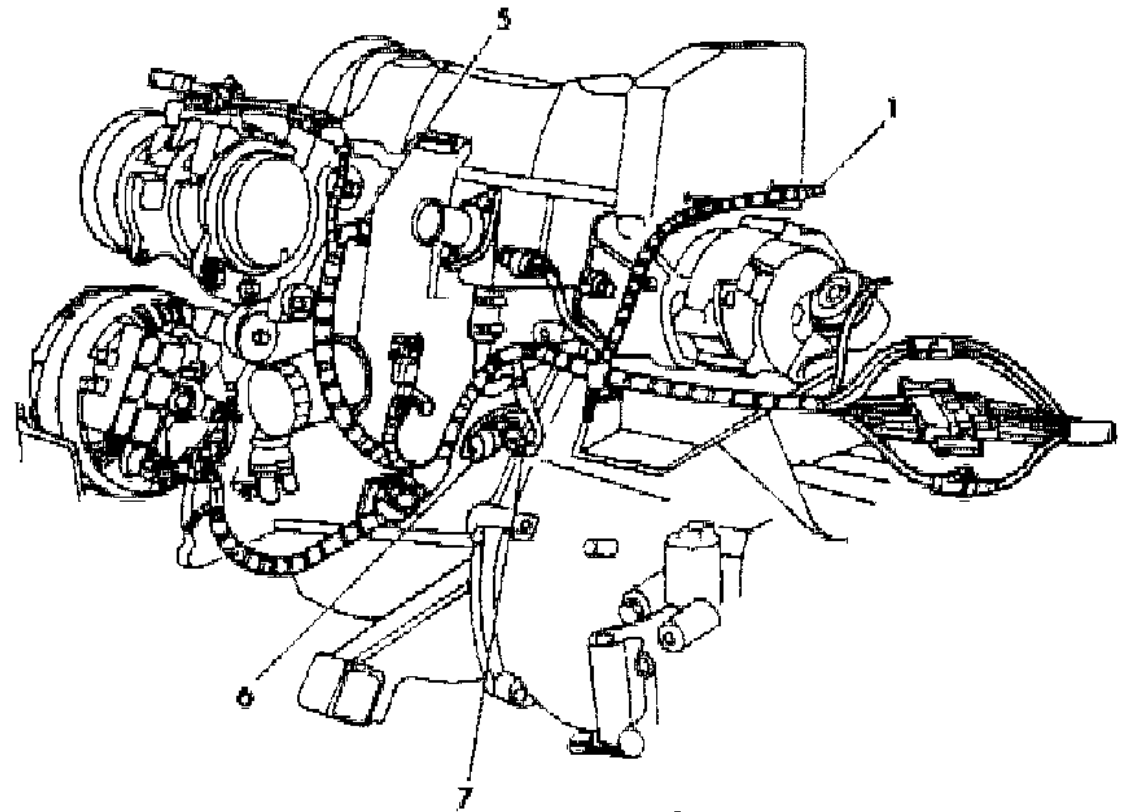
21 = 2-DOOR SEDAN	35 = FWD VAN	44 = 4-DOOR HATCHBACK
22 = 2-DOOR SPECIAL COUPE	36 = FWD WAGON	45 = 4-DOOR STATION WAGON
24 = 2-DOOR HATCHBACK	41 = 4-DOOR SEDAN	49 = LIMOUSINE
27 = 2-DOOR CONVERTIBLE		

AR = Use as Required - = Non Illustrated Part P.A.R. = Paint as Required

WIRING--ENGINE-FRONT END & RELATED PARTS H-K

Figure 8-5300

5108 5300



ITEM	PART NUMBER	QTY	BODY	MODEL	DESCRIPTION
1	4331 742				WIRING, ENGINE, 2.2 Eng. w/A.C.
	4331 743				2.2 Eng. w/o A.C.
	4331 744				100 Amp. High Output
	4304 316				2.6 Eng. w/o A.C.
	4331 745				2.6 Eng. w/ A.C.
	4331 758				Battery Feed Van Conversion
	4331 613				WIRE, Radiator Fan Relay
	4331 537				Wire, Oil Gauge & Switch Jumper
2					WIRING, FRONT END, Headlamp to Dash Panel H-K
	4331 748				2.2 Eng. w/Air
	4331 749				2.2 Eng. w/o A.C.
	4331 647				2.6 Eng. w/o A.C.
	4331 732				2.6 Eng. w/A.C.
	4331 731				2.6 Eng. w/A.C. (Calif.)
	4331 744				2.2 Eng. w/o A.C. (Calif.)
	4331 749				2.2 Eng. w/ A.C. (Calif.)
	4331 531				WIRING, Battery Positive, w/A.C., 2.6 Calif.
	4331 536				w/o A.C., 2.6 Calif.
	4331 533				w/Auto. Trans., 2.2 Eng.
	4331 532				w/Man. Trans., 2.2 Eng.
	4331 534				w/o A.C., 2.6 Eng.
	4331 535				w/A.C., 2.6 Eng.
	4304 678				CABLE, Battery & Eng. Ground (Repair)
	5213 357				CABLE, Ignition Coil
	4304 246				CABLE, Ign. Coil Neg.
	4145 413				NIPPLE, Ign. Coil
	-	4419 359			CABLE SET, 2.2 Eng.
		5213 372			CABLE, Spark Plug, 2.2 Eng. #2-3
		5213 373			#1-4 2.2 Eng.
		MD02 7766			CABLE SET, 2.6 Eng.
					CABLE, Spark Plug
	MD02 7716			#3, 2.6 Eng.	
	MD02 7715			#2, 2.6 Eng.	
	MD02 7714			#1 & 4, 2.6 Eng.	
	MD02 7723			WIRE, Coil 2.6 Eng.	
	5213 693			PLUG, SPARK, RN12YC 2.6 Eng.	
	4176 009			COIL, Ignition	

MODEL CODES

B = GRAN FURY	E = 600	M = HORIZON/TURISMO
C = LE BARON/TOWN & COUNTRY/LIMO	F = FIFTH AVENUE/NEWPORT	P = RELIANT
C24 = LASER	G = DIPLOMAT	T = NEW YORKER
C44 = LE BARON/GTS	H = VOYAGER	V = 600
D = ARIES	J = CARAVELLE	V24 = DAYTONA
D44 = LANCER	K = MINI VAN/CARAVAN/ROYAL	Z = OMNI/CHARGER

BODY STYLES

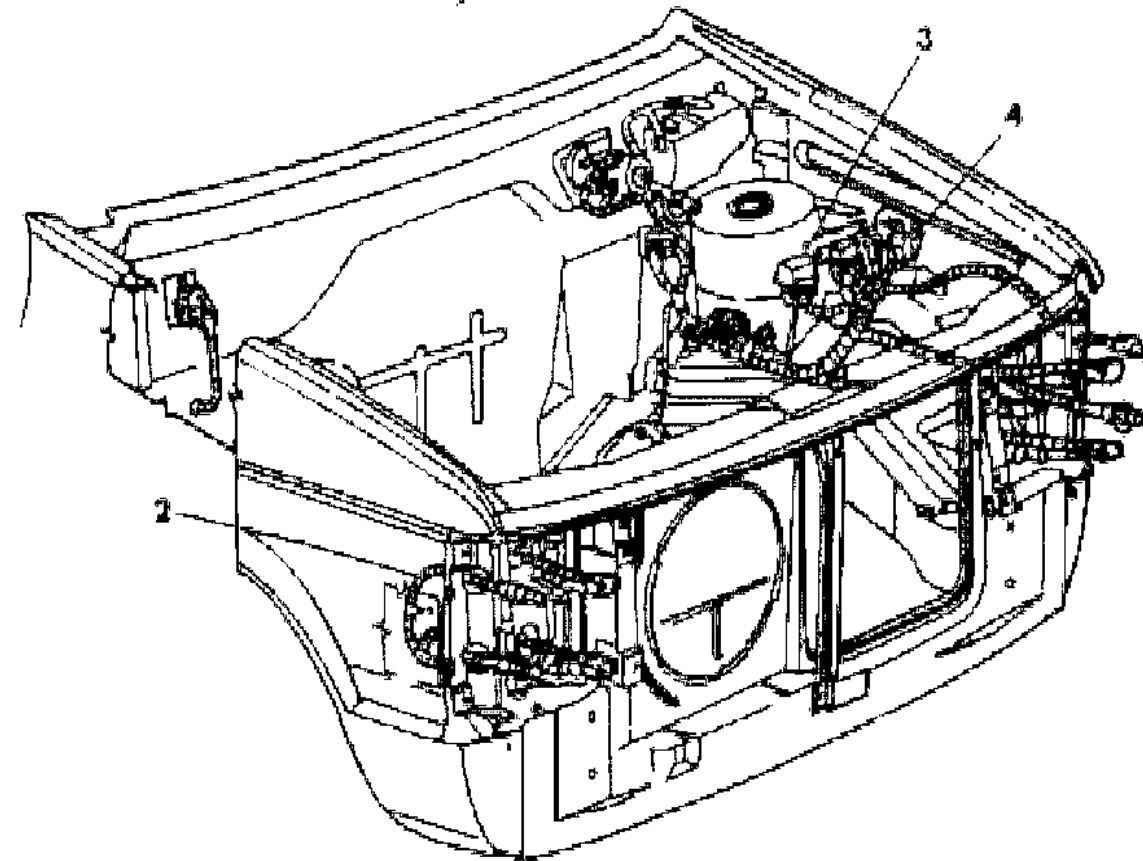
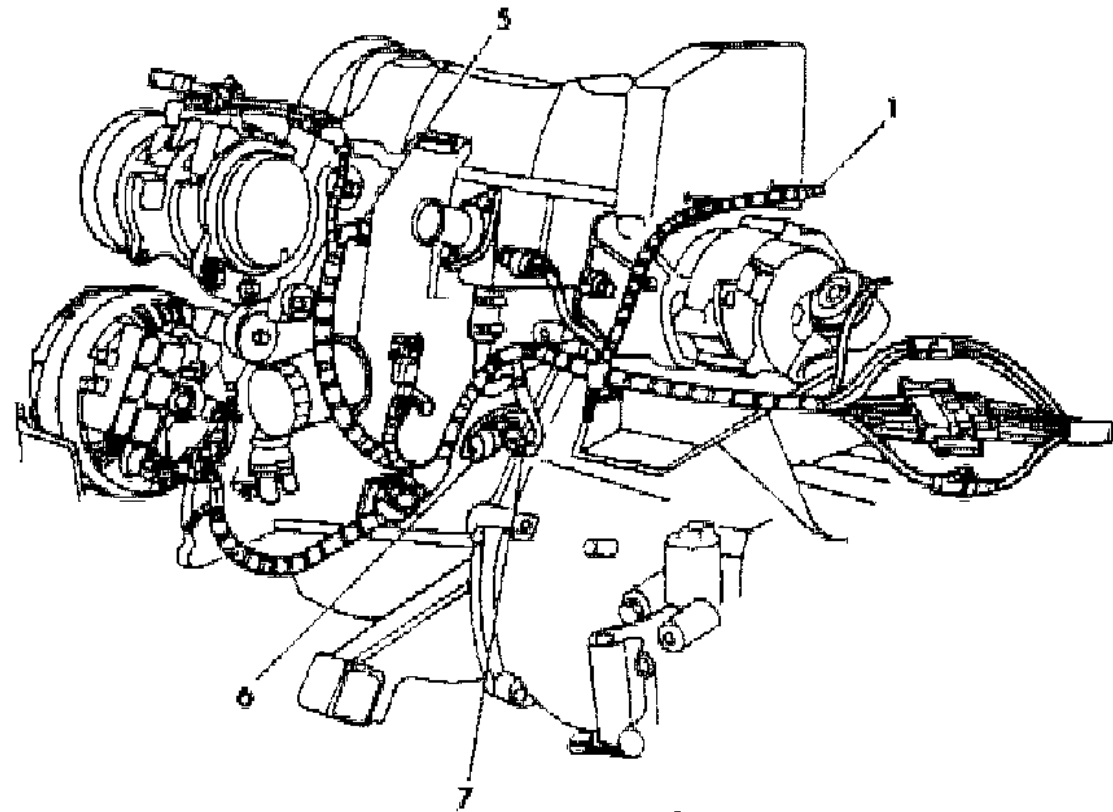
21 = 2-DOOR SEDAN	35 = FWD VAN	44 = 4-DOOR HATCHBACK
22 = 2-DOOR SPECIAL COUPE	36 = FWD WAGON	45 = 4-DOOR STATION WAGON
24 = 2-DOOR HATCHBACK	41 = 4-DOOR SEDAN	49 = LIMOUSINE
27 = 2-DOOR CONVERTIBLE		

AR = Use as Required - = Non Illustrated Part P.A.R. = Paint as Required

WIRING--ENGINE-FRONT END & RELATED PARTS H-K

Figure 8-5300

5108 5300



ITEM	PART NUMBER	QTY	BODY	MODEL	DESCRIPTION
	MD01 3789				2.6 Eng.
	4311 388				CAPACITOR, Ign. Coil
3	5213 737				RELAY, Starter
4	4111 990				REGULATOR, Voltage
5	4051 687				SENDING UNIT, Eng. Temp. w/Gauge
	4221 071				SWITCH, Eng. Temp. w/Light
	4274 036				MOLD, Elec. Spark Advance
6	4051 686				SENDING UNIT, Oil Pressure, w/Gauge
7	4221 132				FITTING, Oil Pressure
	4267 021				SWITCH, Oil Pressure
	4169 629				SWITCH, LOW Oil Pressure CONTROL ELECTRONIC SPARK ADVANCE, H-K
	5226 587				M/Trans. 2.2 Eng.
	5226 465				Auto. Trans. 2.2 Eng. Calif.
	5226 372				Auto. Trans. 2.2 Eng. High Alt.
	5226 589				2.2 Eng. Exc. Calif., w/4 Speed Trans.
	5226 587				2.2 Eng. Exc. Calif., w/5 Speed Trans.
	5226 591				2.2 Eng. Calif., w/5 Speed
	5226 497				2.2 Eng. w/Auto. Trans.
	5226 356				SENSOR, Coolant Dual Therm
	5226 374				SENSOR, Coolant T.B.I. & Turbo

MODEL CODES

B = GRAN FURY	E = 600	M = HORIZON/TURISMO
C = LE BARON/TOWN & COUNTRY/LIMO	F = FIFTH AVENUE/NEWPORT	P = RELIANT
C24 = LASER	G = DIPLOMAT	T = NEW YORKER
C44 = LE BARON/GTS	H = VOYAGER	V = 600
D = ARIES	J = CARAVELLE	V24 = DAYTONA
D44 = LANCER	K = MINI VAN/CARAVAN/ROYAL	Z = OMNI/CHARGER

BODY STYLES

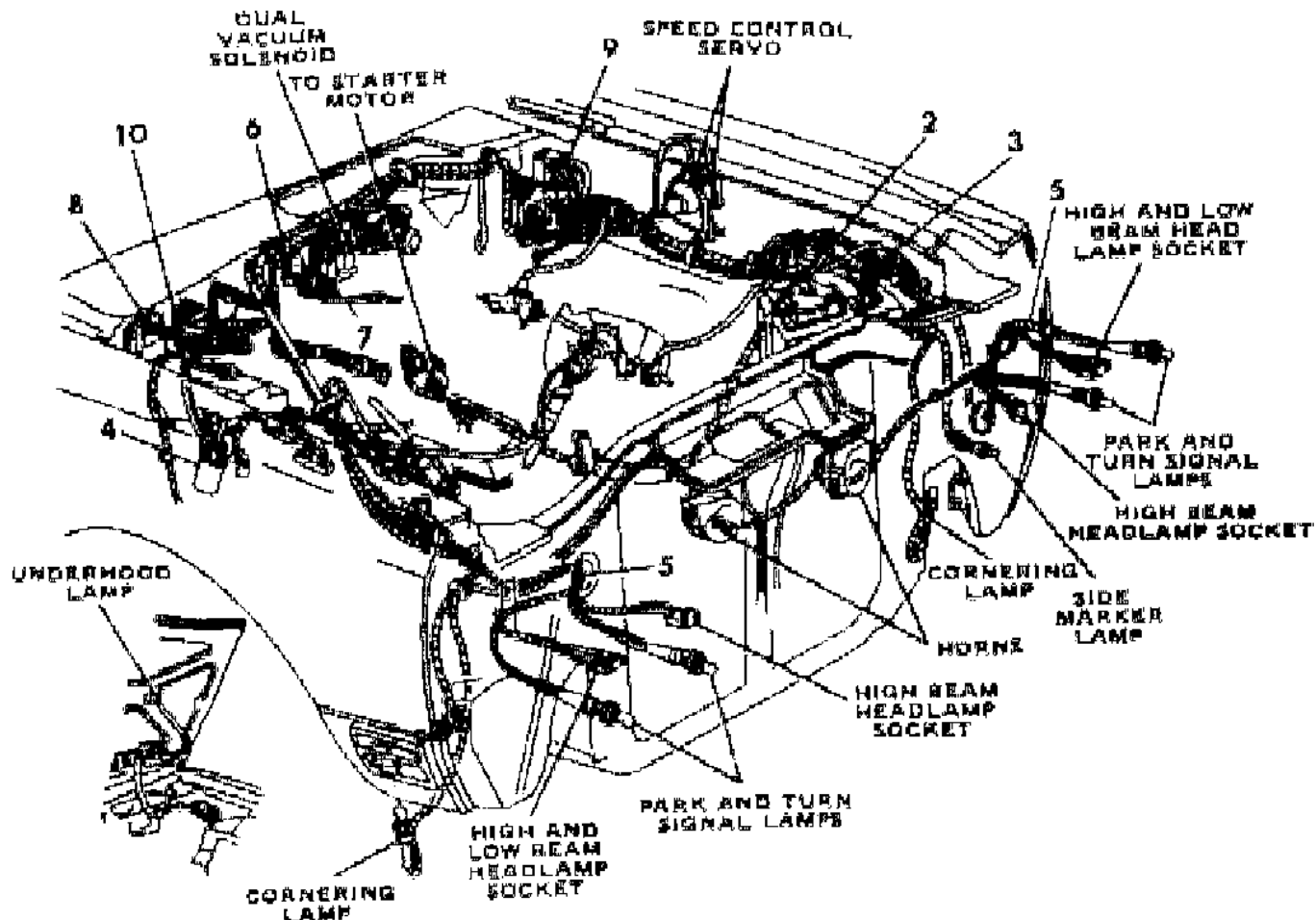
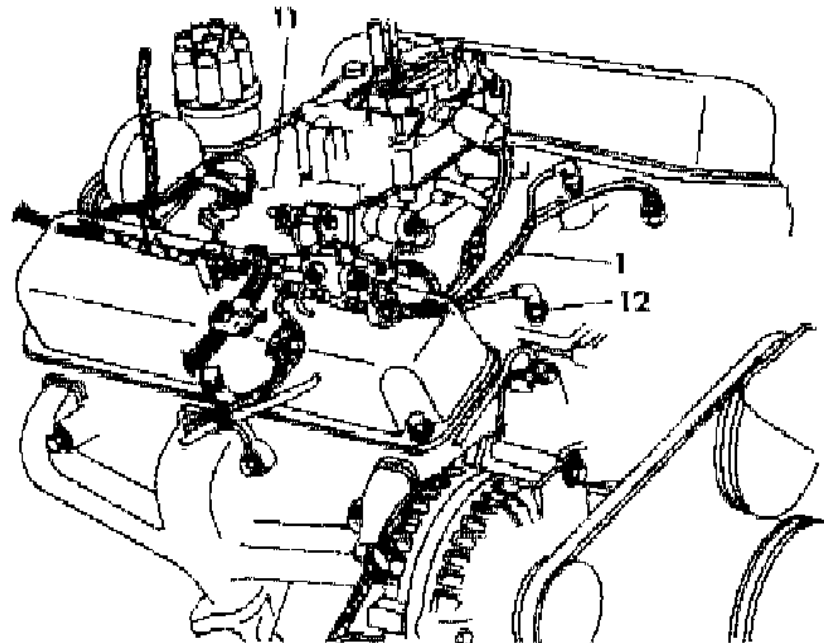
21 = 2-DOOR SEDAN	35 = FWD VAN	44 = 4-DOOR HATCHBACK
22 = 2-DOOR SPECIAL COUPE	36 = FWD WAGON	45 = 4-DOOR STATION WAGON
24 = 2-DOOR HATCHBACK	41 = 4-DOOR SEDAN	49 = LIMOUSINE
27 = 2-DOOR CONVERTIBLE		

AR = Use as Required - = Non Illustrated Part P.A.R. = Paint as Required

WIRING--ENGINE-FRONT END & RELATED PARTS B-F-G

Figure 8-5400

5108 5400



ITEM	PART NUMBER	QTY	BODY	MODEL	DESCRIPTION
1					WIRING, ENGINE
	4331 320				w/E.S.A.
	4331 513				w/E.S.A. CANADA
	4331 321				w/E.S.A. FLEET
	4124 776				WIRING,Battery Acc.Feed POLICE
2					CABLE, Battery Ground
	4274 210				w/318 Eng.
3					Positive w/60-78-114 Amp.Alt.
	4209 275				CONDUIT, Battery Cable
	1622 535				BOLT, Battery Cable Clamp
	1622 536				NUT, Battery Cable
	1841 499				SEPERATOR
	2875 604				SEPERATOR
	2875 605				SEPERATOR
	3755 972	2			SEPERATOR
					Cable, Spark Plug
	4145 925	4			#1-2-3-4
	4145 924	3			#5-7-8
	4145 923	1			#6
					CABLE SET, Spark Plug B,F,G
	4339 401				CABLE SET
	5213 367				CABLE, Coil
	4111 930				4BBL.
	4145 413				NIPPLE, Dist. End.
	5213 355				NIPPLE, Coil End
					SPARK PLUG
	5213 693				Copper Tip RN12YC
	2642 919				GASKET, Spark Plug
4					COIL, Ignition
	5213 532				BRACKET, Coil
	4048 646				CAPACITOR, Ign. Coil
5					WIRING, FRONT END, Headlamp to Dash Panel B-F-G
	4331 325				w/114 Amp.Alt.
	4331 323				w/60 Amp.Alt.
	4331 324				w/78 Amp.Alt.
	4209 695				Auto.Trans.Switch Conn.(Repair)
	4085 679				Head Lamp Extension

MODEL CODES

B = GRAN FURY	E = 600	M = HORIZON/TURISMO
C = LE BARON/TOWN & COUNTRY/LIMO	F = FIFTH AVENUE/NEWPORT	P = RELIANT
C24 = LASER	G = DIPLOMAT	T = NEW YORKER
C44 = LE BARON/GTS	H = VOYAGER	V = 600
D = ARIES	J = CARAVELLE	V24 = DAYTONA
D44 = LANCER	K = MINI VAN/CARAVAN/ROYAL	Z = OMNI/CHARGER

BODY STYLES

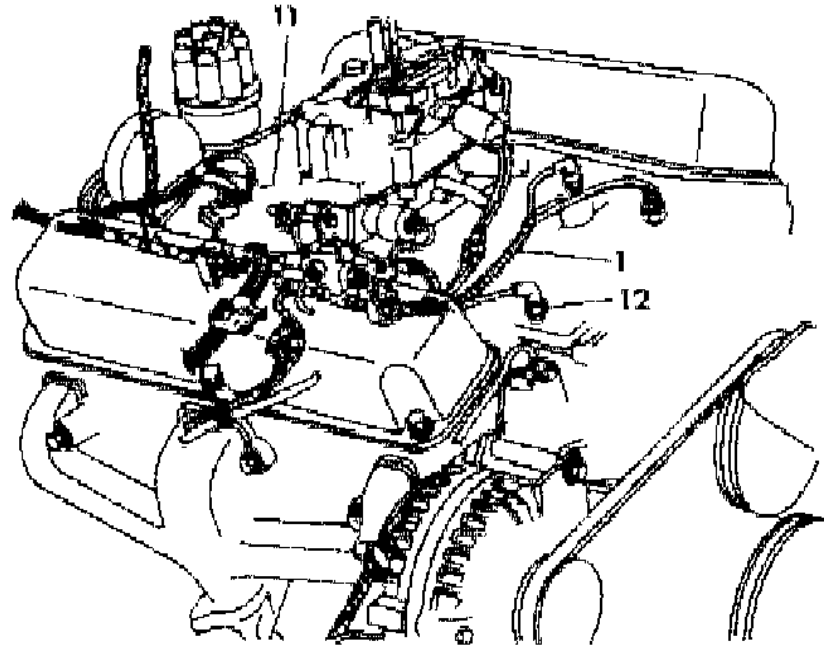
21 = 2-DOOR SEDAN	35 = FWD VAN	44 = 4-DOOR HATCHBACK
22 = 2-DOOR SPECIAL COUPE	36 = FWD WAGON	45 = 4-DOOR STATION WAGON
24 = 2-DOOR HATCHBACK	41 = 4-DOOR SEDAN	49 = LIMOUSINE
27 = 2-DOOR CONVERTIBLE		

AR = Use as Required - = Non Illustrated Part P.A.R. = Paint as Required

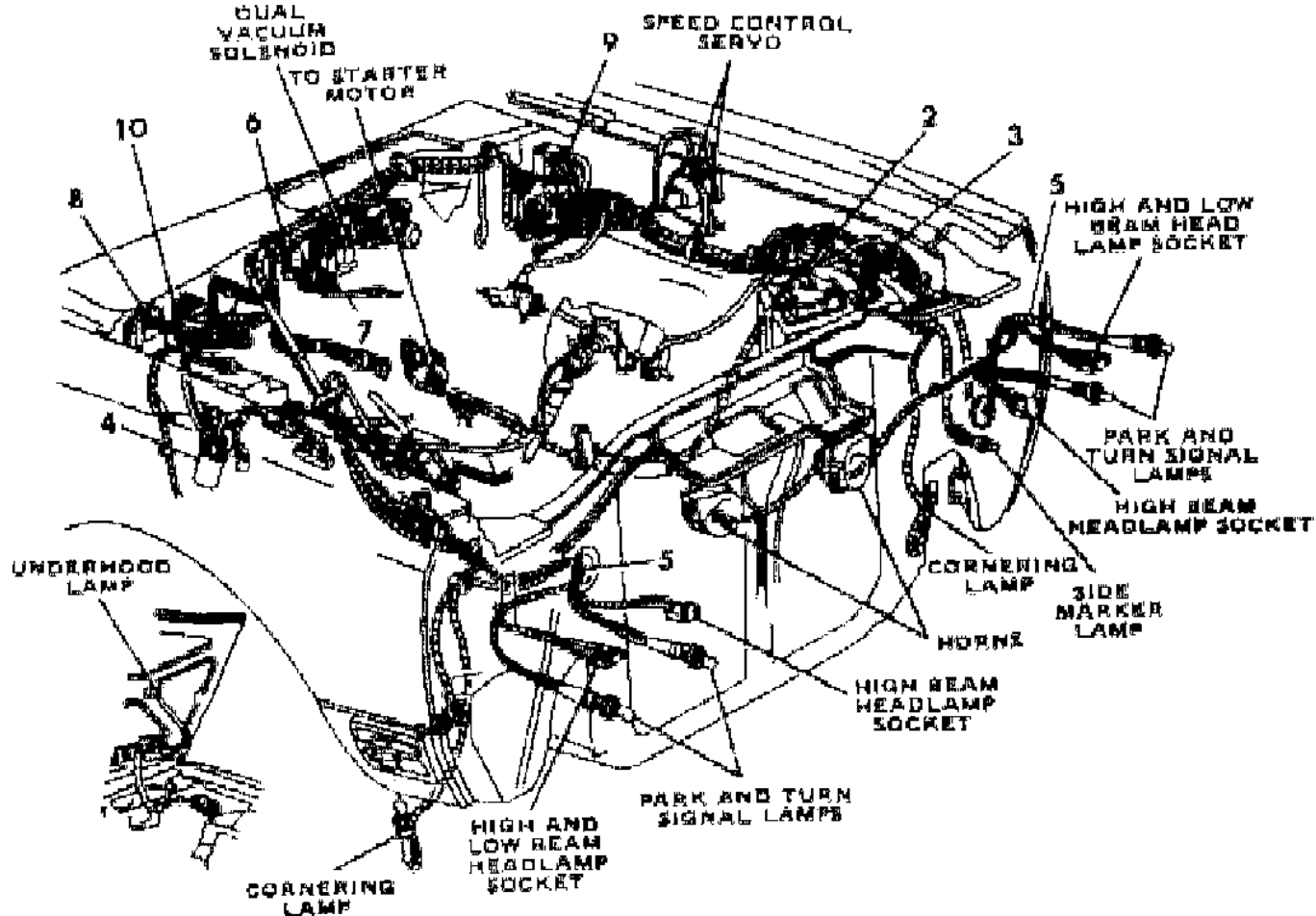
WIRING--ENGINE-FRONT END & RELATED PARTS B-F-G

Figure 8-5400

8108 5400



ITEM	PART NUMBER	QTY	BODY	MODEL	DESCRIPTION
	4124 736				WIRING, Speed Control (Eng. Compartment)
6	4111 850				CONTROL UNIT, Elec. Ign.
7	3588 421				WIRING, Elec. Ign. w/Mold
8	4111 990				REGULATOR, Voltage
9	4111 971				RELAY, Starter
	4145 370				RELAY, Switching Elec. Ign. Dist.
	4274 035				MOLD, Elec. Spark Advance (Repair)
	4274 036				w/Bar
	4209 978				6-Way E.S.A. & E.F.I. Repair
	4289 913				CONTROL ELECTRONIC SPARK ADVANCE,B-F-G
	4289 919				2 BBL. Calif.
	4289 921				Police, Auto. Trans.
	4289 813				Police, Under Dash
	4289 687				2 BBL., Exc.,Calif.
	4111 138				Canada
	4289 003				GASKET, Lean Burn
10	2423 737				SHIELD, Heat E.S.A. Hsg.
11	4186 352				PLUG, E.C.U. Mtg.
	2427 237				SWITCH, Oil Press.w/Light
	3747 433				SENDING UNIT, Oil w/Gauge
	3747 434				FITTING, w/o Vacuum Advance
12	4051 140				FITTING, w/Vacuum Adv.
	4091 471				SENDING UNIT, Temp. Gauge
	5213 629				SENSOR, Eng. Temp.
	4331 650				SENSOR, Detonation
					WIRING, Oil Press. Switch



MODEL CODES

B = GRAN FURY	E = 600	M = HORIZON/TURISMO
C = LE BARON/TOWN & COUNTRY/LIMO	F = FIFTH AVENUE/NEWPORT	P = RELIANT
C24 = LASER	G = DIPLOMAT	T = NEW YORKER
C44 = LE BARON/GTS	H = VOYAGER	V = 600
D = ARIES	J = CARAVELLE	V24 = DAYTONA
D44 = LANCER	K = MINI VAN/CARAVAN/ROYAL	Z = OMNI/CHARGER

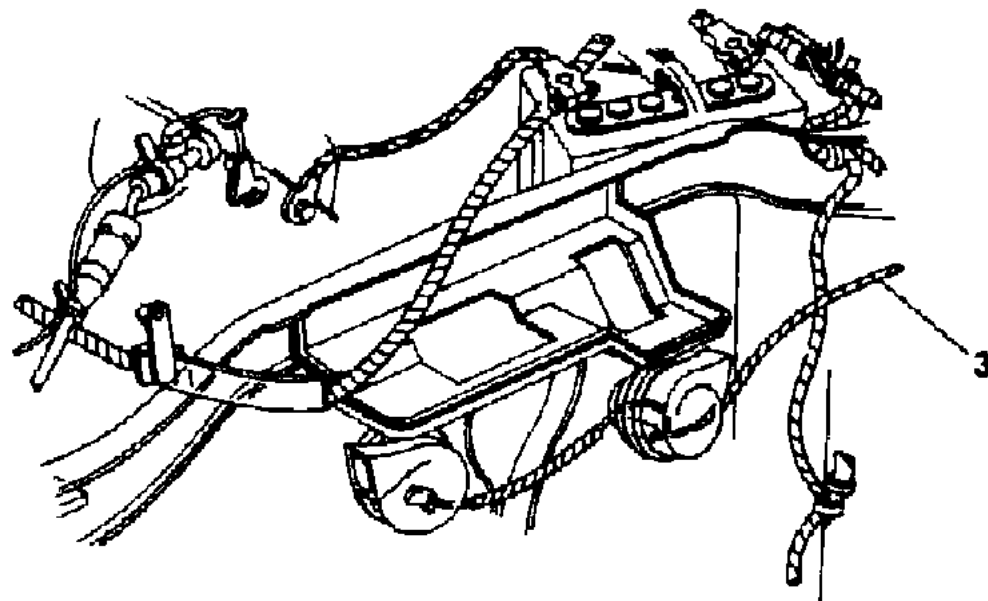
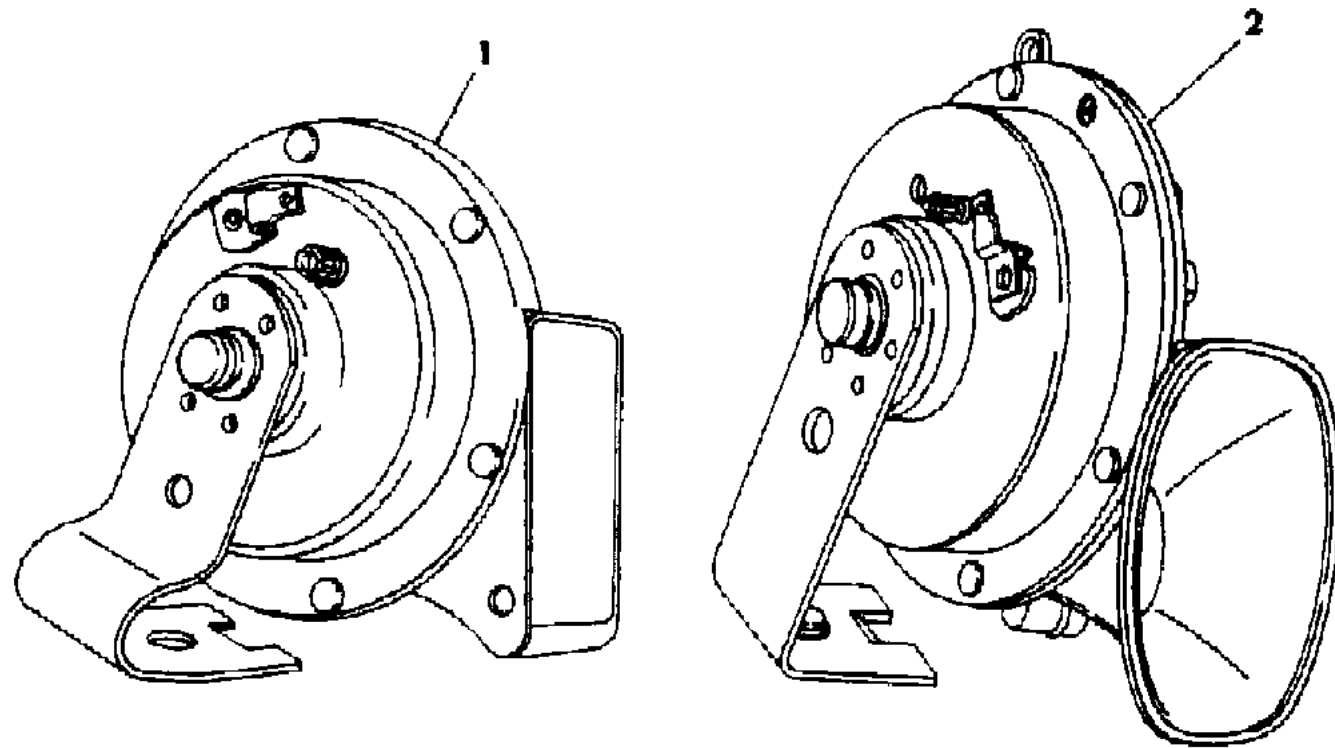
BODY STYLES

21 = 2-DOOR SEDAN	35 = FWD VAN	44 = 4-DOOR HATCHBACK
22 = 2-DOOR SPECIAL COUPE	36 = FWD WAGON	45 = 4-DOOR STATION WAGON
24 = 2-DOOR HATCHBACK	41 = 4-DOOR SEDAN	49 = LIMOUSINE
27 = 2-DOOR CONVERTIBLE		

AR = Use as Required - = Non Illustrated Part P.A.R. = Paint as Required

HORN ALL MODELS
Figure 8-5500

5108 5500



ITEM	PART NUMBER	QTY	BODY	MODEL	DESCRIPTION
1	2808 869			All	HORN, High Note Pkg.
2	2808 868			MZBFG,H	HORN, Low Note Pkg.
	4311 840			PDCVJET	HORN and BRACKET, Low Note
	4311 963			HK	HORN and BRACKET, Low Note
	4311 481			HK	HORN and BRACKET, High Note
	4372 065			VC24	HORN and BRACKET, Air
	4372 064			VC24	COMPRESSOR, Air Horn
	4311 806			VC24	SHIELD, Air Horn Splash
	5211 213			M,Z	BRACKET, Horn
	4222 126			P,D,C.V	BRACKET, Horn High Note
	4311 142			MZPDCVE	PLATE, Horn Mounting or Backing
	4222 646			VC 24	PLATE, Horn Mounting or Backing
	4220 849			HK	PLATE, Horn Mounting or Backing
	4311 830			DC-44	PLATE, Horn Mounting or Backing
	4222 449			B,F,G	BRACKET, Horn
	4221 670			CVJET	RELAY, Horn
3	4304 739			H-K	WIRING, Horn Triad

MODEL CODES

B = GRAN FURY	E = 600	M = HORIZON/TURISMO
C = LE BARON/TOWN & COUNTRY/LIMO	F = FIFTH AVENUE/NEWPORT	P = RELIANT
C24 = LASER	G = DIPLOMAT	T = NEW YORKER
C44 = LE BARON/GTS	H = VOYAGER	V = 600
D = ARIES	J = CARAVELLE	V24 = DAYTONA
D44 = LANCER	K = MINI VAN/CARAVAN/ROYAL	Z = OMNI/CHARGER

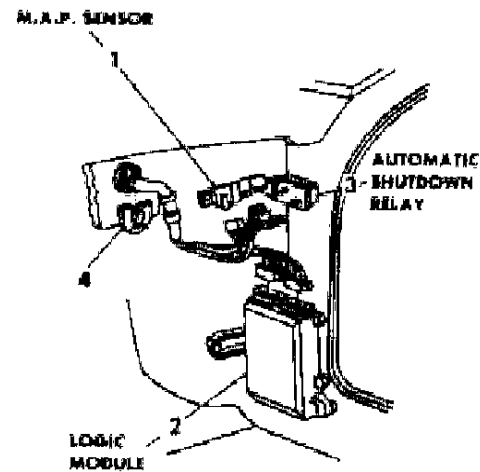
BODY STYLES

21 = 2-DOOR SEDAN	35 = FWD VAN	44 = 4-DOOR HATCHBACK
22 = 2-DOOR SPECIAL COUPE	36 = FWD WAGON	45 = 4-DOOR STATION WAGON
24 = 2-DOOR HATCHBACK	41 = 4-DOOR SEDAN	49 = LIMOUSINE
27 = 2-DOOR CONVERTIBLE		

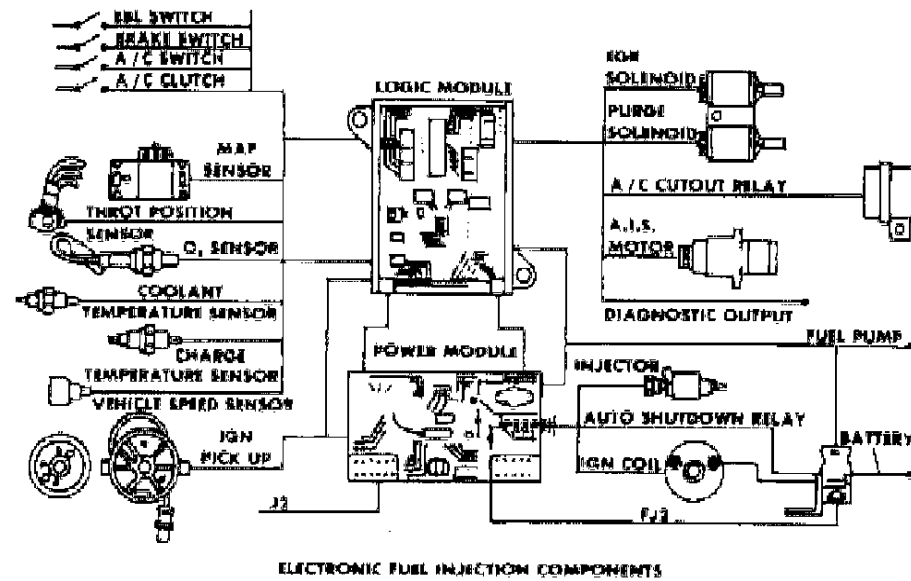
AR = Use as Required - = Non Illustrated Part P.A.R. = Paint as Required

M.A.P. SENSOR & LOGIC MODULE ALL MODELS
Figure 8-5600

5108 5600



ITEM	PART NUMBER	QTY	BODY	MODEL	DESCRIPTION
1	5226 223	1			M.A.P. SENSOR, w/T.B.I.
	5226 224	1			M.A.P. SENSOR, w/TURBO
2	5226 611	1			LOGIC MODULE, Turbo w/Auto.
	5226 794	1			Turbo w/Man. Trans.
	5226 741	1			LOGIC MODULE, w/T.B.I, Auto. Trans.
	5226 648	1			T.B.I. w/Auto. Trans. (Calif.)
3	5226 272	1			T.B.I. w/Man. Trans.
	MD08 2058	1			2.6 Eng.
	4221 279	1			RELAY, Auto Shutdown
	4300 908	1			TUBE, M.A.P. Sensor Jumper
	5226 157	1			COVER, T.B.I. & Logic Module
			1		CLIP, (Not Serv.)



MODEL CODES

B = GRAN FURY	E = 600	M = HORIZON/TURISMO
C = LE BARON/TOWN & COUNTRY/LIMO	F = FIFTH AVENUE/NEWPORT	P = RELIANT
C24 = LASER	G = DIPLOMAT	T = NEW YORKER
C44 = LE BARON/GTS	H = VOYAGER	V = 600
D = ARIES	J = CARAVELLE	V24 = DAYTONA
D44 = LANCER	K = MINI VAN/CARAVAN/ROYAL	Z = OMNI/CHARGER

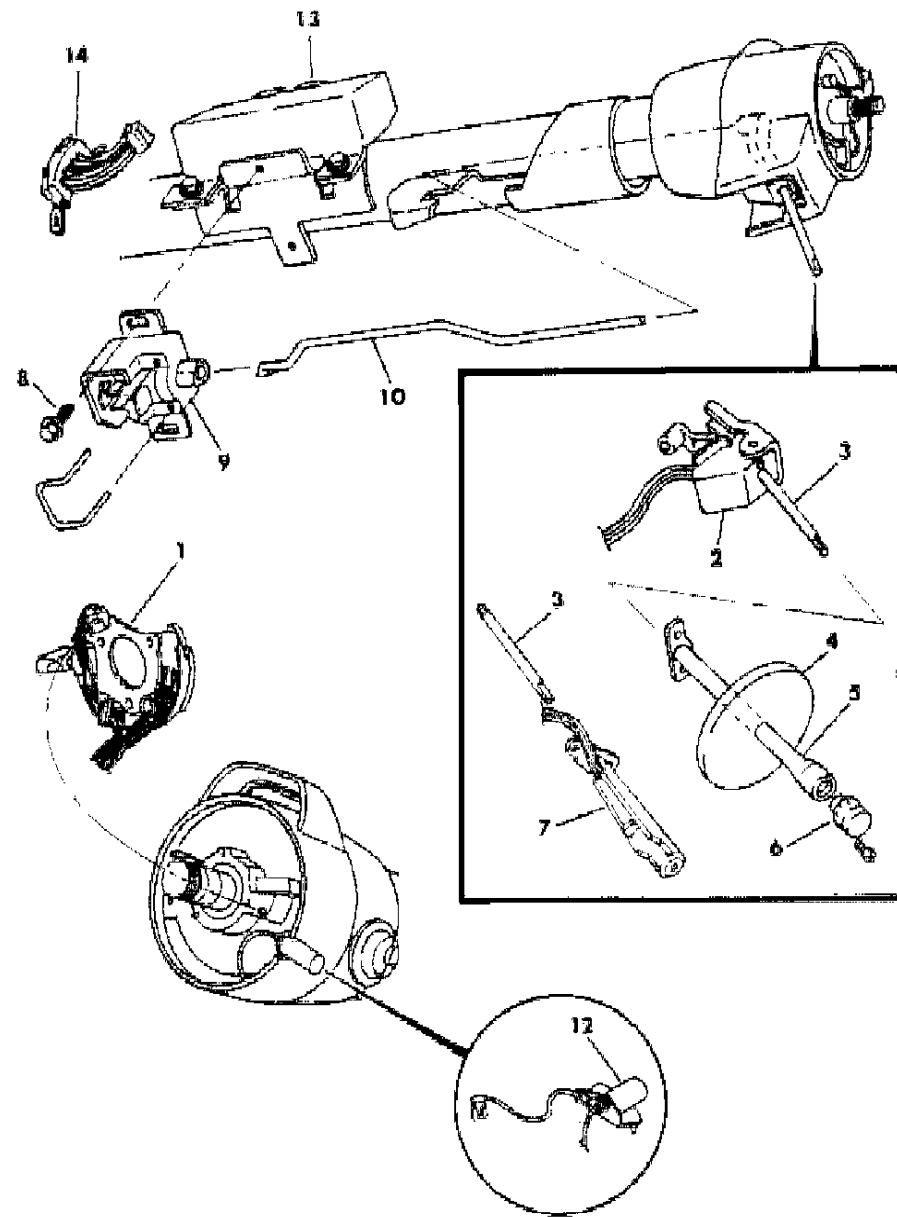
BODY STYLES

21 = 2-DOOR SEDAN	35 = FWD VAN	44 = 4-DOOR HATCHBACK
22 = 2-DOOR SPECIAL COUPE	36 = FWD WAGON	45 = 4-DOOR STATION WAGON
24 = 2-DOOR HATCHBACK	41 = 4-DOOR SEDAN	49 = LIMOUSINE
27 = 2-DOOR CONVERTIBLE		

AR = Use as Required - = Non Illustrated Part P.A.R. = Paint as Required

SWITCH, TURN SIGNAL AND HAZARD WARNING
Figure 8-5700

5100 5700



ITEM	PART NUMBER	QTY	BODY	MODEL	DESCRIPTION	
1	4221 339	1		M,Z	SWITCH, Turn Signal & Hazard Warning	
	4221 680			PDCVJET	w/o Cornering Lamp, w/o Tilt Strg.	
	4221 682			BFG,HK	w/o Cornering Lamp, w/o Tilt Strg.	
	4221 304			PDCVJET	w/o Cornering Lamp, w/Tilt Strg. Sag.#7841454	
	4221 485			HK	w/Tilt Strg. Sag.#7844423	
	4221 485			B,F,G	w/o Cornering Lamp, w/Tilt Strg.,Sag.#7844423	
	4221 305			PD,CVJE	w/Cornering Lamp, w/Tilt Strg.Sag.#7841455	
	4221 681			PD,CVJE	w/Cornering Lamp, w/o Tilt Strg.	
	4019 782	1		ALL	ARM, Sig. Switch w/Tilt Strg.	
2	4221 231			PDCVJET	SWITCH, w/Shield Wiper & Washer (SEE ILLUS.100) w/Shield Wiper & Washer,2 Speed w/o Intermittent Wiper. (w/ Lever & Knob)	
	4221 282			M,Z	2 Speed w/Intermittent Wiper w/o Tilt Strg. w/Shaft	
	3747 653			B,F,G	w/Shield Wiper and Washer,2 Speed w/o Intermittent Wipe. w/ Shaft	
	4221 232			PDCVJET	2 Speed w/Intermittent Wiper w/o Tilt Strg. w/Shaft	
	4221 233			PD,CVJE	2 Speed w/Intermittent Wiper w/ Tilt Strg.	
	4221 233			CV24,DC	2 Speed w/Intermittent Wiper w/ Tilt Strg.	
	4221 500			BFG	2 Speed w/Intermittent Wiper w/o Tilt Strg. w/Shaft	
	4221 486			BFG	2 Speed w/Intermittent Wiper w/Tilt Strg.	
	3					SHAFT, Turn Signal & w/Shield Wiper Switch
		3747 946	1		Exc.BFG	SHAFT, w/o Tilt w/Intermittent
3747 946		1		B,F,G	SHAFT, w/o Tilt	
3747 566		1		ALL	SHAFT, w/Tilt	
4		P199 VX9			ALL	SHIELD, Turn Signal Switch Opening
	5	4293 911	1		Exc.VC2	COVER, Turn Signal and w/Shield Wiper Switch, w/o Auto. Speed Control
4221 460		1		VC24	COVER, Turn Signal and w/Shield Wiper Switch, w/o Auto. Speed Control	
6	3747 645	1		ALL	CLIP, W/S Wiper & Wash. Switch Cover	
	4221 418	1		ALL	SILENCER, Switch Cover w/o Speed Control	
	4221 469	1		B,F,G	KNOB, w/s Wiper and Washer Switch (w/o Intermittent) Assy. KNOB, w/s Wiper and Washer Switch (w/Intermittent) Assy.	
	P159 BA7	1			Silver	
	P159 BC7				Blue	
	P159 BM6				Red	
	P159 BT8				Tan	

MODEL CODES

B = GRAN FURY	E = 600	M = HORIZON/TURISMO
C = LE BARON/TOWN & COUNTRY/LIMO	F = FIFTH AVENUE/NEWPORT	P = RELIANT
C24 = LASER	G = DIPLOMAT	T = NEW YORKER
C44 = LE BARON/GTS	H = VOYAGER	V = 600
D = ARIES	J = CARAVELLE	V24 = DAYTONA
D44 = LANCER	K = MINI VAN/CARAVAN/ROYAL	Z = OMNI/CHARGER

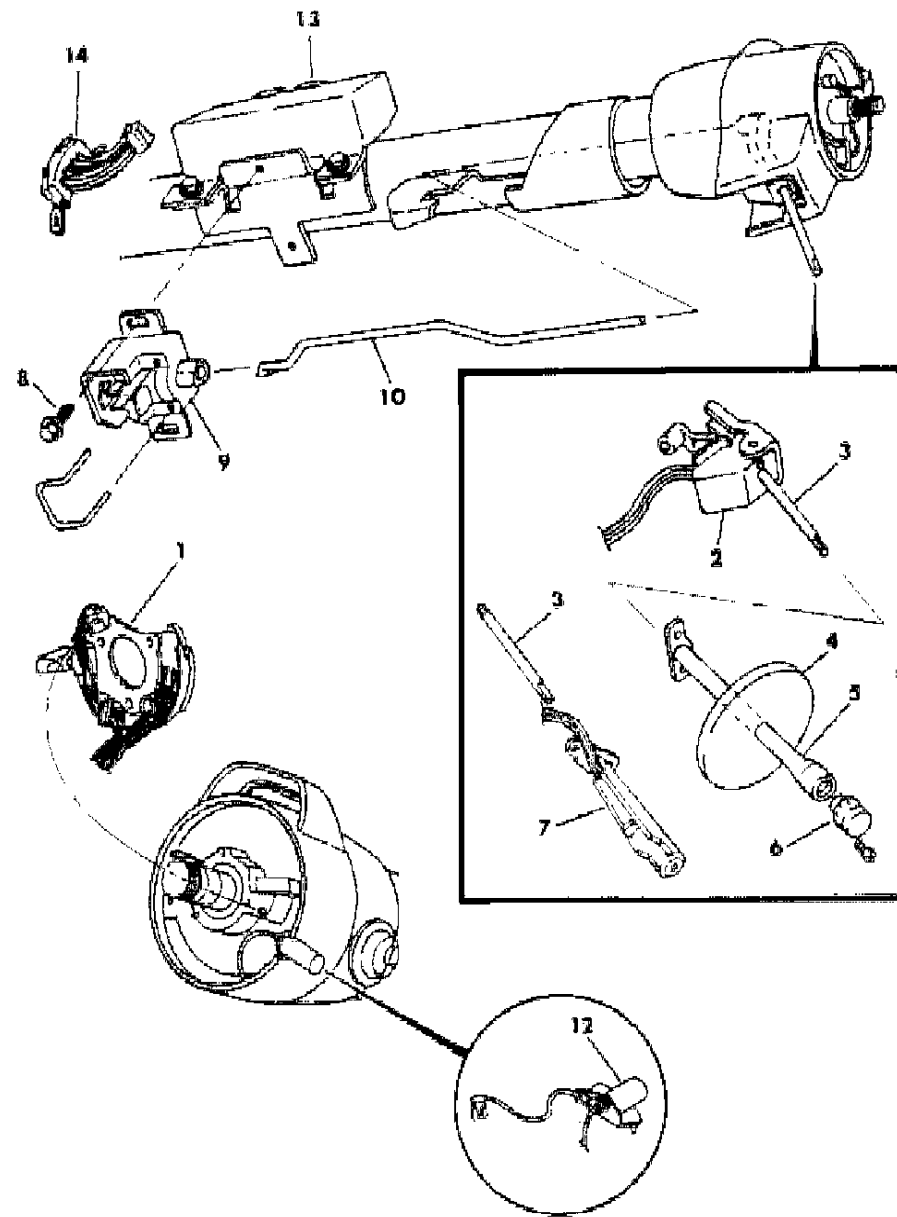
BODY STYLES

21 = 2-DOOR SEDAN	35 = FWD VAN	44 = 4-DOOR HATCHBACK
22 = 2-DOOR SPECIAL COUPE	36 = FWD WAGON	45 = 4-DOOR STATION WAGON
24 = 2-DOOR HATCHBACK	41 = 4-DOOR SEDAN	49 = LIMOUSINE
27 = 2-DOOR CONVERTIBLE		

AR = Use as Required - = Non Illustrated Part P.A.R. = Paint as Required

SWITCH, TURN SIGNAL AND HAZARD WARNING
Figure 8-5700

5108 5700



ITEM	PART NUMBER	QTY	BODY	MODEL	DESCRIPTION
	P159 BX9				Black
	P159 DT5			CV-27	Tan
	4221 458			VC24	
	4221 499			HK	
	3747 914	1		PDCVJET	KNOB and SHAFT, Wiper & Washer Switch (w/o Intermittent)
	4188 491	1		PDCVJET	KNOB and SCREW, Hazard Warning, w/Tilt
	4188 491	1		BFG, HK	KNOB and SCREW, Hazard Warning, w/Tilt.
7	3747 881	1		PDCVJET	SWITCH and LEVER, w/Speed Control Tilt Strg.
	3747 881	1		B,F,G	SWITCH and LEVER, w/Speed Control Tilt Strg.
	P160 VM6	1		G-P	Red
	P160 CS8	1		G-P	Charcoal
	4342 211	1		G-P	Brown
	P160 VC7	1		G-P	Blue
	P160 AA7	1		G-P	Silver
	P165 AM6	1		C,V (27	SWITCH and LEVER, w/Speed Control Tilt Strg. (Red)
	P165 DS8	1		C,V (27	Charcoal
	P165 BT8	1		C,V (27	Brown
	4221 455	1		CV-24	SWITCH and LEVER, w/Speed Control, w/o Tilt Strg.
	4221 456	1		VC24	w/Tilt Strg.
	4221 482			ALL	SWITCH and LEVER, w/Speed Control w/o Tilt
8					SCREW, (Not Serviced)
9	4057 985	1		M,Z	SWITCH, Head Lamp Beam Selector
	4131 373	1		B,F,G	w/o Tilt Strg.
	4221 198	1		Exc.BFG	w/o Tilt Strg.
	4131 525	1		B,F,G	w/Tilt Strg.
	4221 200	1		Exc.BFG	w/Tilt Strg.
10	5209 904	1		M,Z	ROD, H/Lamp Beam Selector Actuating
	3747 920	1		Exc.BFG	w/Tilt w/Console w/A/Trans.
	3747 887	1		Exc.BFG	w/Tilt w/o Console w/A/Trans.
	4221 062	1		PDCV, JE	w/o Tilt
	4221 062	1		VC24-DC	w/o Tilt
	3747 816	1		B,F,G	w/o Tilt Strg.
	3747 921	1		B,F,G	w/Tilt Strg. w/A/Trans. w/Console
	3747 837	1		B,F,G	w/Tilt Strg. w/A/Trans. w/o Console
	4019 787	1			ACTUATOR, Dimmer Switch Rod w/Tilt Strg.
	4188 291	1		PD, CV, J	(w/o Tilt)
	4188 291	1		HK, DC	(w/o Tilt)

MODEL CODES

B = GRAN FURY	E = 600	M = HORIZON/TURISMO
C = LE BARON/TOWN & COUNTRY/LIMO	F = FIFTH AVENUE/NEWPORT	P = RELIANT
C24 = LASER	G = DIPLOMAT	T = NEW YORKER
C44 = LE BARON/GTS	H = VOYAGER	V = 600
D = ARIES	J = CARAVELLE	V24 = DAYTONA
D44 = LANCER	K = MINI VAN/CARAVAN/ROYAL	Z = OMNI/CHARGER

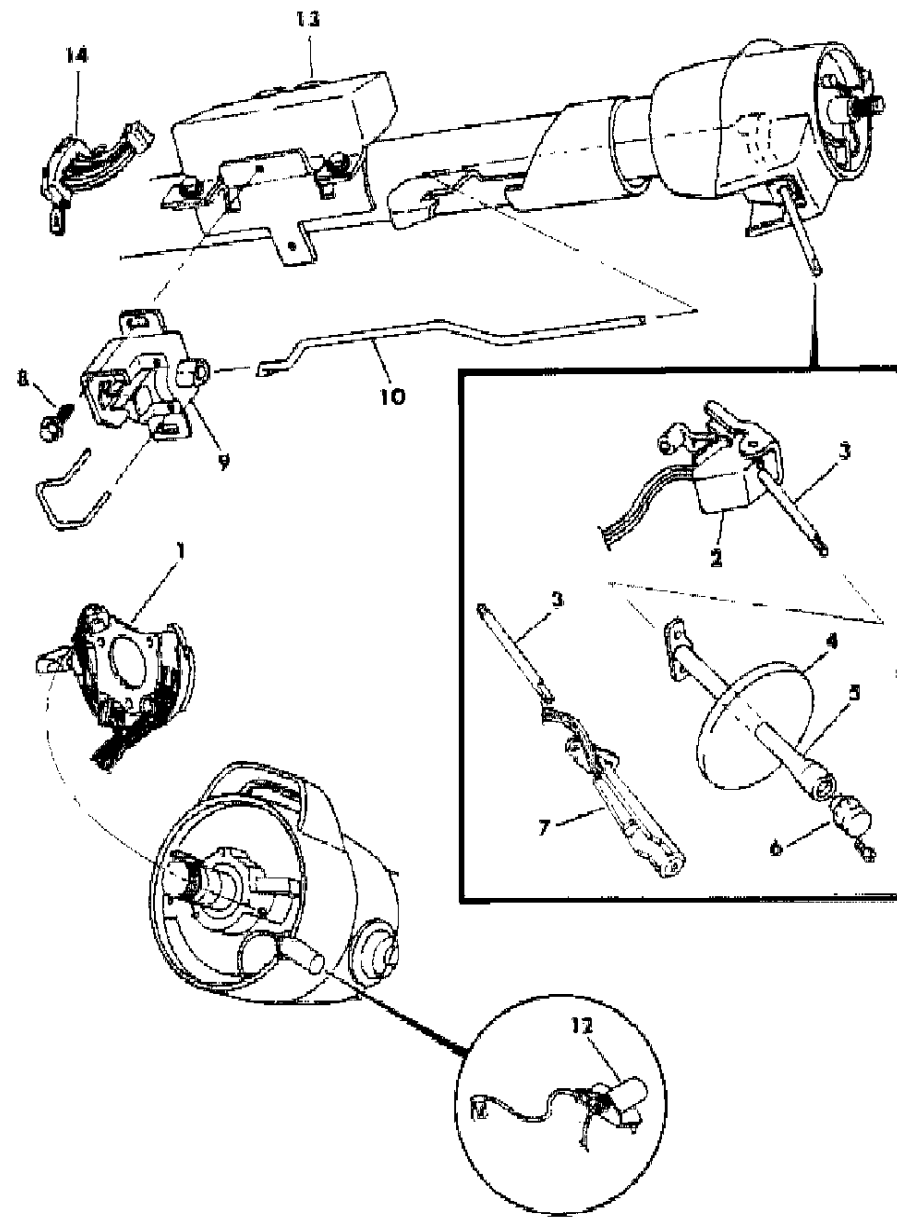
BODY STYLES

21 = 2-DOOR SEDAN	35 = FWD VAN	44 = 4-DOOR HATCHBACK
22 = 2-DOOR SPECIAL COUPE	36 = FWD WAGON	45 = 4-DOOR STATION WAGON
24 = 2-DOOR HATCHBACK	41 = 4-DOOR SEDAN	49 = LIMOUSINE
27 = 2-DOOR CONVERTIBLE		

AR = Use as Required - = Non Illustrated Part P.A.R. = Paint as Required

SWITCH, TURN SIGNAL AND HAZARD WARNING
Figure 8-5700

5100 5700



ITEM	PART NUMBER	QTY	BODY	MODEL	DESCRIPTION
	5206 025	1		M,Z	(w/o Tilt)
	4019 902	1		B,F,G	(w/o Tilt)
12	4221 308	1		M,Z	LAMP, Ignition & Starter Switch, w/Time Delay
	4221 769	1		PDCVJET	w/o Tilt Strg.
	4221 770	1		HK,VC24	w/o Tilt Strg.
	4221 302	1		PDCVJET	w/Tilt Strg.
	4221 302	1		CV24,DC	w/Tilt Strg.
	4221 148	1		B,F,G	w/o Tilt Strg.
	4293 919	1		B,F,G	w/Tilt Strg.
13	5209 891	1		M,Z	SWITCH, Ignition & Starter
	3747 529	1		B,F,G	w/Tilt Strg.
	4131 367	1		B,F,G	w/o Tilt Strg.
	3747 882	1		PDCV,JE	w/o Tilt Strg.
	3747 882	1		CV24,DC	w/o Tilt Strg.
	4221 218	1		VC24	w/ Tilt Strg.
	4221 201	1		PDCVJET	w/ Tilt Strg.
14	4274 200	1		B,F,G	WIRING, w/Tilt Strg. (Jumper)
	4274 899	1			WIRING, w/Tilt Strg. (Jumper)
NOTE: The following parts not Shown on illustration Gear and Pinion numbers stamped on the item may be used to confirm the correct MATCHED SET they are contained in.					
	6023 088	1		B,F,G	SCREW, Mtg. Std. Column
	3747 595	1		ALL	PLUG, Ignition Switch Lamp Opening w/o Tilt Strg.
	4221 303	1		PDCVJET	SWITCH, Ignition Key Buzzer w/o Tilt Strg.
	4221 497	1		HK	SWITCH, Ignition Key Buzzer w/o Tilt Strg.
	4131 522	1		BFG	SWITCH, Ignition Key Buzzer w/o Tilt Strg.
	3488 432	1		ALL	SWITCH, Ignition Key Buzzer w/Tilt Strg.
	4221 309	1		MZ	SWITCH, Ingition Key Buzzer

MODEL CODES

B = GRAN FURY	E = 600	M = HORIZON/TURISMO
C = LE BARON/TOWN & COUNTRY/LIMO	F = FIFTH AVENUE/NEWPORT	P = RELIANT
C24 = LASER	G = DIPLOMAT	T = NEW YORKER
C44 = LE BARON/GTS	H = VOYAGER	V = 600
D = ARIES	J = CARAVELLE	V24 = DAYTONA
D44 = LANCER	K = MINI VAN/CARAVAN/ROYAL	Z = OMNI/CHARGER

BODY STYLES

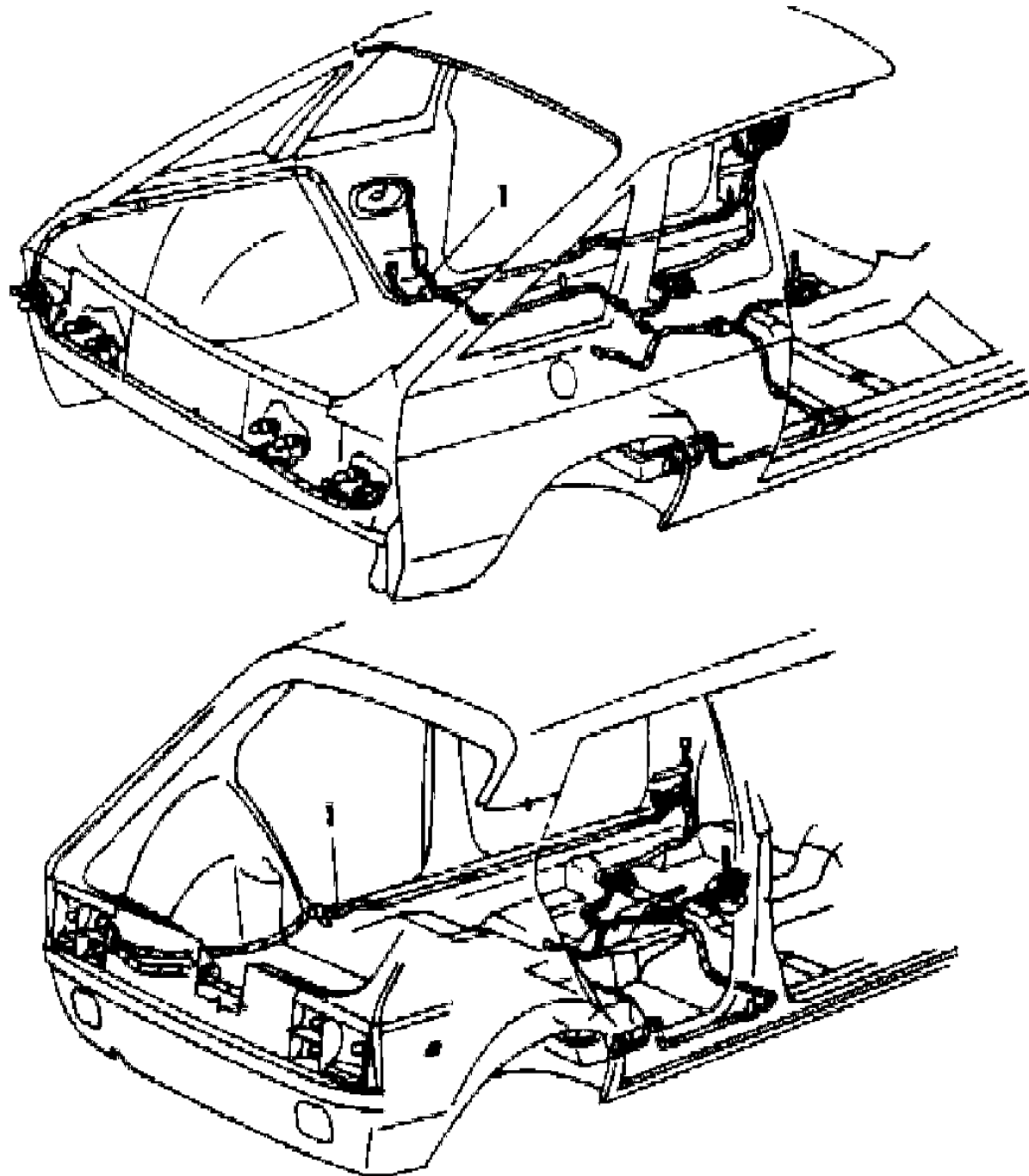
21 = 2-DOOR SEDAN	35 = FWD VAN	44 = 4-DOOR HATCHBACK
22 = 2-DOOR SPECIAL COUPE	36 = FWD WAGON	45 = 4-DOOR STATION WAGON
24 = 2-DOOR HATCHBACK	41 = 4-DOOR SEDAN	49 = LIMOUSINE
27 = 2-DOOR CONVERTIBLE		

AR = Use as Required - = Non Illustrated Part P.A.R. = Paint as Required

WIRING--BODY & ACCESSORIES M-Z

Figure 8-5800

5108 5800



ITEM	PART NUMBER	QTY	BODY	MODEL	DESCRIPTION
1					WIRING, BODY
	4304 362	1		M (44)	w/Rr. Wiper & Washer
	4304 360	1		Z (44)	w/Rr. Wiper & Washer
	4274 920			Z (44)	w/Heated Rear Window
	4274 958			M (44)	w/Heated Rear Window
	4304 894			M,Z (24	w/Heated Rear Window
	4304 893			M,Z (24	w/o Heated Rear Window
					WIRING, ACCESSORIES
	4274 812	1		M-Z	Floor Pan, w/E.T.R. & Cassette
	4274 811			M-Z	Floor Pan, w/AM-FM-MX-E.T.R & M.T.R.
	4274 965			M-Z	Heated Rear Window--Rear
	4304 476			M-Z	Hatch w/Heated Rear Wdo.
	4304 477			M-Z44	Heated Rear Window & Lift Gate
	4304 298	1			Console, w/o Acc. Lamp
	4209 729			M-Z	Wiper,Rear
	4209 695				Auto. Trans.
	4209 865				L/Gate Release,(Inst.Panel)
	4274 042				Dome Lamp & Body (Ground)
	4274 814				Battery & Engine Ground
	4304 060			44	Stereo Radio, Inst. Panel
	4304 065				Speed Control (w/Auto. Trans.)
	4304 236				Cigar Lighter
	4304 455				Console w/o A/C
	4304 456				Console w/ A/C
	4304 642				Console w/Acc. Lamp
	4304 643				Acc. Lamp
	4304 933			44	Front Bumper Fog Lamp (Lnj)
	4304 939			44	Front Bumper Fog Lamp (Agb)
	4331 309			24	Floor Pan, Rear Speaker
	5211 717	2			Door Speaker Stereo,(Front Rt. & Lt.)
	4221 254			M-Z	SWITCH, Door Pillar
	5209 922			21	SWITCH, Cargo Lamp
	4221 023			44	SWITCH & GASKET, Liftgate,Cargo Lamp

MODEL CODES

B = GRAN FURY	E = 600	M = HORIZON/TURISMO
C = LE BARON/TOWN & COUNTRY/LIMO	F = FIFTH AVENUE/NEWPORT	P = RELIANT
C24 = LASER	G = DIPLOMAT	T = NEW YORKER
C44 = LE BARON/GTS	H = VOYAGER	V = 600
D = ARIES	J = CARAVELLE	V24 = DAYTONA
D44 = LANCER	K = MINI VAN/CARAVAN/ROYAL	Z = OMNI/CHARGER

BODY STYLES

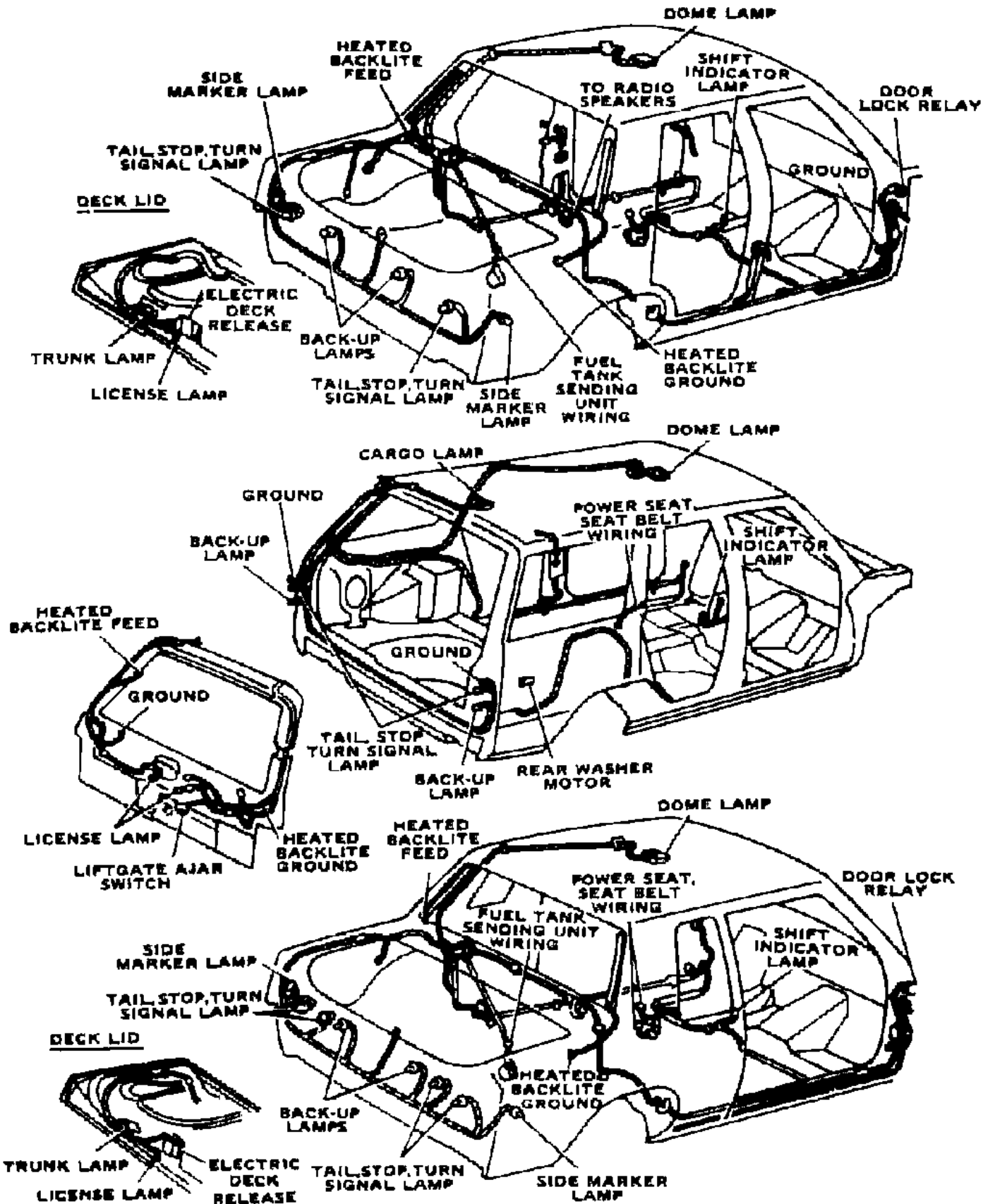
21 = 2-DOOR SEDAN	35 = FWD VAN	44 = 4-DOOR HATCHBACK
22 = 2-DOOR SPECIAL COUPE	36 = FWD WAGON	45 = 4-DOOR STATION WAGON
24 = 2-DOOR HATCHBACK	41 = 4-DOOR SEDAN	49 = LIMOUSINE
27 = 2-DOOR CONVERTIBLE		

AR = Use as Required - = Non Illustrated Part P.A.R. = Paint as Required

WIRING--BODY & ACCESSORIES P-D-C-V

Figure 8-5900

5108 5900



ITEM	PART NUMBER	QTY	BODY	MODEL	DESCRIPTION
1	4331 263			PD 21,4	WIRING, BODY, w/o Heated Rear Window
	4331 264				w/E.B.L., Carb. Eng.
	4331 835	1		P-D 21-	w/Heated Rear Window
	4331 837			P-D 45	w/ or w/o Heated Rear Window
	4331 449				Body Rear, Fuel Tank
	4331 122				Body Rear,w/TBI, Fuel Tank
	4331 336				Body Rear,w/TURBO, Fuel Tank
	4274 108			P-D 45	w/Heated Window & Lift Gate
	4331 562			P-D 45	w/Liftgate Release & E.T.R.Radio
	4274 982			P-D 45	w/Liftgate Release,Rear Wiper & M.T.R.
	4331 560			VC-27	Rt. Frt. Body
	4331 271				Lt. Frt. Body
	4331 442				Lt. Body, w/E.B.L.
2					WIRING, ACCESSORY
	4274 700				Dome Lamp Foward
	4331 265				Lt. Body E.B.L. & Turbo
	4124 815				Roof Light Jumper
	4274 726			41	Roof Light Jumper,w/Grommet
	4274 699				Roof Light Jumper,w/Grommet (Fleet)
	4304 326				Oil Gauge (Inst.Pnl.)
	4274 748				Dome Lamp
	4274 749				Dome & Map Lamp
	4274 573			P-D 21-	M.T.R. & Deck Lid Release
	4304 159				Visor Vanity,Map & Dome Lamp
	4209 695				Auto. Trans.
	4209 799			P,D,C 4	Rear Lamp
	4274 108			P,D,C 4	L/Gate Heated Rear Wdo.
	4274 127			P,D,C 4	Left Rear Speaker w/E.T.R.
	4274 273				Battery & Engine Ground
	4274 600			P,D	Police Relay Pkg.
	4274 700			P,D 44	Foward Dome Lamp
	4274 888			P,D,V,C	Speed Control
	4274 996			P,D,C 4	Lift Gate
	4304 403			P,D,V,C	Floor Pan, Power Seat
	4304 956			P,D,V,C	Bucket Seat Adjusting
	4304 796			27	Console Floor Pan
	4304 811			27	Warning Lamp Module

MODEL CODES

B = GRAN FURY	E = 600	M = HORIZON/TURISMO
C = LE BARON/TOWN & COUNTRY/LIMO	F = FIFTH AVENUE/NEWPORT	P = RELIANT
C24 = LASER	G = DIPLOMAT	T = NEW YORKER
C44 = LE BARON/GTS	H = VOYAGER	V = 600
D = ARIES	J = CARAVELLE	V24 = DAYTONA
D44 = LANCER	K = MINI VAN/CARAVAN/ROYAL	Z = OMNI/CHARGER

BODY STYLES

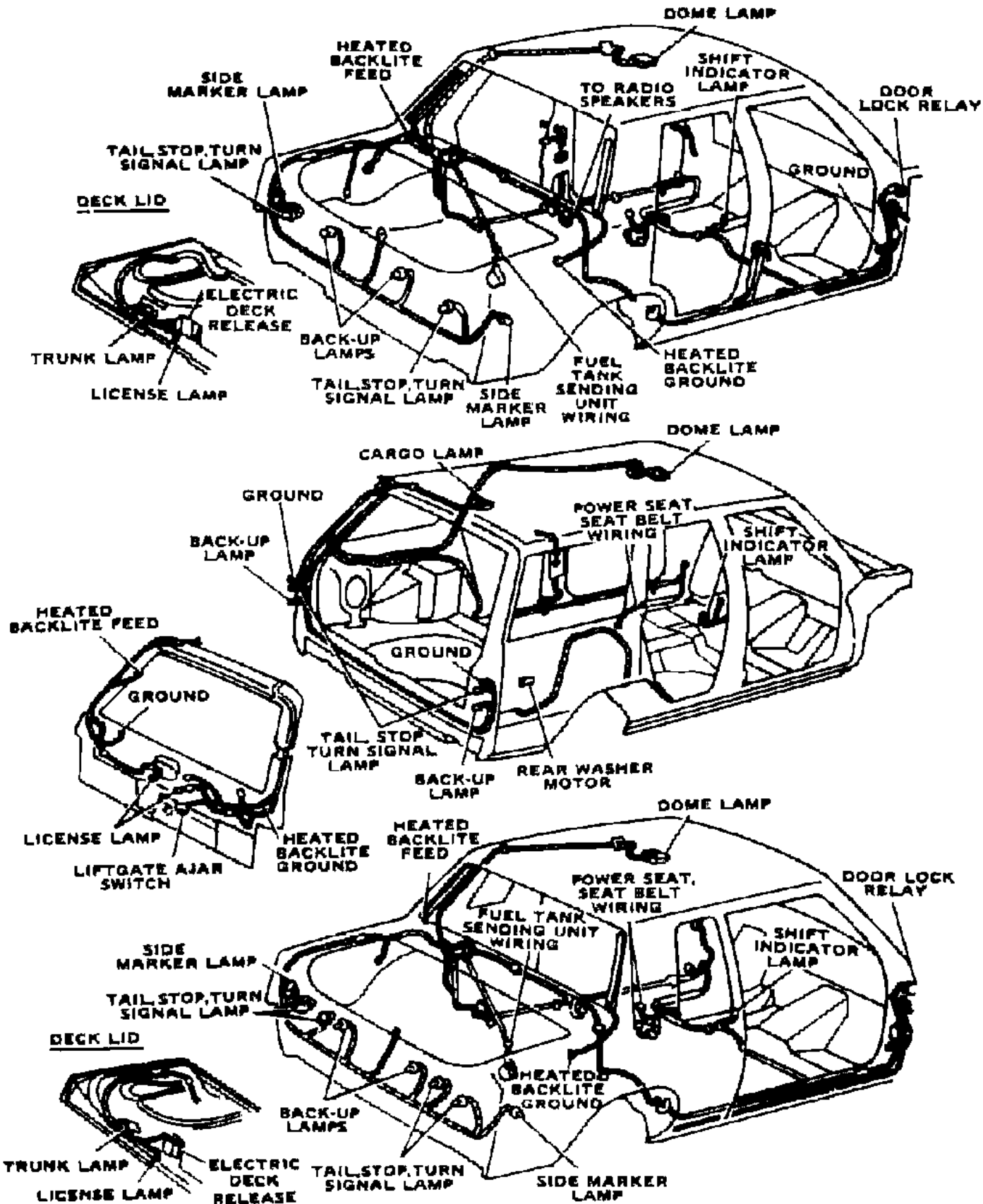
21 = 2-DOOR SEDAN	35 = FWD VAN	44 = 4-DOOR HATCHBACK
22 = 2-DOOR SPECIAL COUPE	36 = FWD WAGON	45 = 4-DOOR STATION WAGON
24 = 2-DOOR HATCHBACK	41 = 4-DOOR SEDAN	49 = LIMOUSINE
27 = 2-DOOR CONVERTIBLE		

AR = Use as Required - = Non Illustrated Part P.A.R. = Paint as Required

WIRING--BODY & ACCESSORIES P-D-C-V

Figure 8-5900

5108 5900



ITEM	PART NUMBER	QTY	BODY	MODEL	DESCRIPTION
	4304 968				Deck Lid Ajar & Rel.
	4304 957				Power Seat 50/50 Body
	4331 232		P,D 21		Rt. Front Door Lock & Wdo. Lift
	4331 863		P,D 21		Lt. Front Door Lock & Wdo. Lift
	4331 233		P,D 21		Front Door Lock & Wdo. Lift (Up to 1-15-85)
	4331 866		P,D 21		(Aft. 1-15-85)
	4331 235		P,D 44,		Left Front Door Lock, (Up to 1-15-85)
	4331 869		P,D 44,		(Aft. 1-15-85)
	4331 236		P,D 44,		Right Front Door Lock
	4331 237		P,D 44,		Lt. Front Door Lock & Window Lift (Up to 2-15-85)
	4331 871		P,D 44,		(Aft. 2-15-85)
	4331 238		P,D 44,		Rt.,Front Door Lock & Window Lift (Up to 1-15-85)
	4331 868		P,D 44,		(Aft. 1-15-85)
	4331 241	2	VC,22,2		Front Door Courtesy Lamp
	4331 242	2	VC,22,2		Front Door Speaker & Illum. Entry (Up to 1-28-85)
	4331 872	2	VC,22,2		(Aft. 1-28-85)
	4331 243		VC,22		Left Front Door & Power Mirror (Up to 11-6-84)
	4331 881		VC,22		(Aft. 11-6-84)
	4331 244		VC,22,2		Rt. Frt. Door Lock & Power Mirror (Up to 11-12-84)
	4331 874		VC,22,2		(Aft. 11-12-84)
	4331 245		VC,22,2		Lt.Frt.Door Lock & Power Mirror (Up to 11-27-84)
	4331 883		VC,22,2		(Aft. 11-27-84)
	4331 246		VC,22,2		Rt. Frt. Door Lock, Pwr.Mirror & Wdo. Lift (Up to 11-2-84)
	4331 880		VC,22,2		(Aft. 11-2-84)
	4331 247		VC,22,2		Lt.Frt. Door Lock,Power Mirror & Wdo. Lift (Up to 1-15-85)
	4331 885		VC,22,2		(Aft. 1-15-85)
	4331 248		VC,22		Rt. Frt. Wdo. Lift & Power Mirror (Up to 11-12-84)
	4331 876		VC,22		(Aft. 11-12-84)
	4331 249		VC-27		Lt. Frt. Wdo. Lift & Power Mirror (Up to 11-7-84)
	4331 887		VC-27		(Aft. 11-7-84)
	4331 250	2	C,41,45		Lt. & Rt.Frt. Door Courtesy Lamp
	4331 251		VC 27		Lt. & Rt.Frt. Door Lock & Window Lift
	4331 877	2	VC 27		(Aft. 10-31-84)
	4331 252		C41,45		Door Speaker & Illum. Entry (Up to 2-15-85)
	4331 882		C41,45		(Aft. 2-15-85)
	4331 253		C,41,45		Lt. Door Lock & Window Lift
	4331 254		C,41,45		Rt. Front Door Lock & Power Mirror

MODEL CODES

B = GRAN FURY	E = 600	M = HORIZON/TURISMO
C = LE BARON/TOWN & COUNTRY/LIMO	F = FIFTH AVENUE/NEWPORT	P = RELIANT
C24 = LASER	G = DIPLOMAT	T = NEW YORKER
C44 = LE BARON/GTS	H = VOYAGER	V = 600
D = ARIES	J = CARAVELLE	V24 = DAYTONA
D44 = LANCER	K = MINI VAN/CARAVAN/ROYAL	Z = OMNI/CHARGER

BODY STYLES

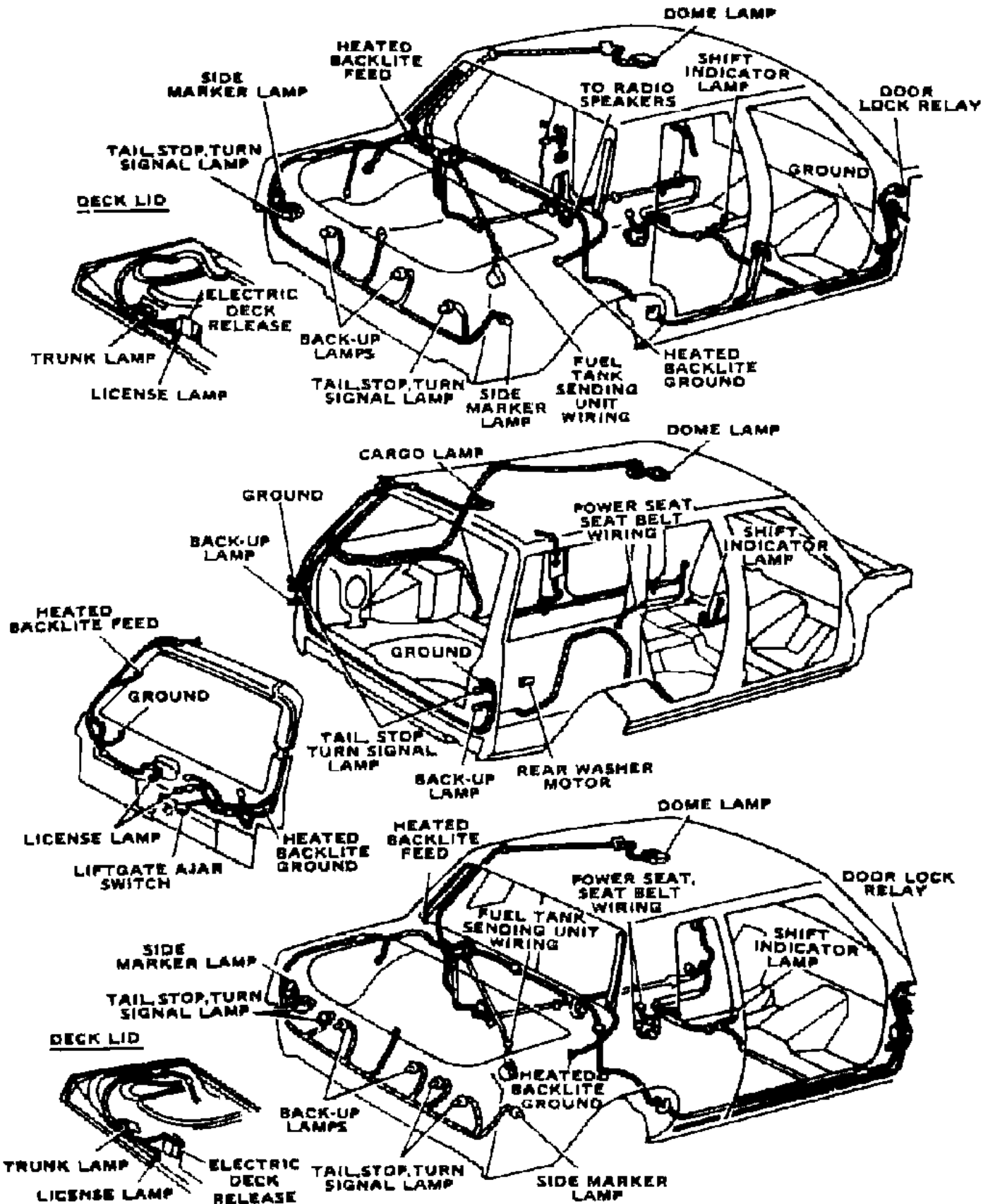
21 = 2-DOOR SEDAN	35 = FWD VAN	44 = 4-DOOR HATCHBACK
22 = 2-DOOR SPECIAL COUPE	36 = FWD WAGON	45 = 4-DOOR STATION WAGON
24 = 2-DOOR HATCHBACK	41 = 4-DOOR SEDAN	49 = LIMOUSINE
27 = 2-DOOR CONVERTIBLE		

AR = Use as Required - = Non Illustrated Part P.A.R. = Paint as Required

WIRING--BODY & ACCESSORIES P-D-C-V

Figure 8-5900

5108 5900



ITEM	PART NUMBER	QTY	BODY	MODEL	DESCRIPTION
	4331 255			C,41,45	Lt. Door Lock & Power Mirror (Up to 2-15-85)
	4331 255			C,41,45	(Aft. 2-15-85)
	4331 256			C,41,45	Rt.Rear Door Lock & Wdo.Lift & Power Mirror
	4331 257			C,41,45	Lt.Rear Door Lock & Wdo.Lift & Power Mirror
	4331 258			C,41,45	Rt.Frt. Wdo. Lift & Power Mirror
	4331 259			C,41,45	Lt.Frt. Wdo. Lift
	4331 090			VC	Inst. Panel w/Chimes & A.T.C.
	4331 421				Rear Wash & Wiper
	4331 453			C,41-45	Rear Door Courtesy Lamp
	4331 455			C,41-45	Rear Door Lock & Wdo. Lift & Courtesy Lamp
	4331 459			PD,41,4	Rear Door Lock & Wdo. Lift
	4331 465			VC	Stereo Speakers
	4331 474				Console
	4331 517				Under Hood Lamp
	4331 550			VC	Rt. Door Ajar Sill
	4331 551			P,D,C	Lt. Floor Pan & Door Lock
	4331 552			C	Rt. Rear Door Sill
	4331 554			PD	Rear Speaker, E.T.R.
	4331 556			CV	Deck Lid Release
	4331 557			PD	Elec. Deck Lid Release & Spotlights
	4331 558				Rear Speaker, E.T.R.
	4331 575				Seat Belt & Door Lock
	4331 578			PD	Right Frt. Door Switch Jumper
	4331 579				Left Floor Pan, Wdo. Lift, Door Locks
	4331 581			PD	Left Floor Pan, Seat Belt
	4331 583			CV	Left Floor Pan, Seat Belt
	4331 585			PDCV	Left Floor Pan, Console Lamp
	4331 587			PDCV	Left Floor Pan, Power Seat
	4331 589			C	Left Floor Pan, Door Courtesy Lamp
	4331 591			C,41-44	Left Floor Pan, Power Seat
	4221 117				SWITCH, Door Pillar Front
	3747 289				SWITCH, Door Pillar Rear
	4221 326				SWITCH, Door Ajar Indicator (Aud. Message Center)
	5209 922				SWITCH, Trunk Ajar Indicator
	4221 052			45	SWITCH, Liftgate Ajar

MODEL CODES

B = GRAN FURY	E = 600	M = HORIZON/TURISMO
C = LE BARON/TOWN & COUNTRY/LIMO	F = FIFTH AVENUE/NEWPORT	P = RELIANT
C24 = LASER	G = DIPLOMAT	T = NEW YORKER
C44 = LE BARON/GTS	H = VOYAGER	V = 600
D = ARIES	J = CARAVELLE	V24 = DAYTONA
D44 = LANCER	K = MINI VAN/CARAVAN/ROYAL	Z = OMNI/CHARGER

BODY STYLES

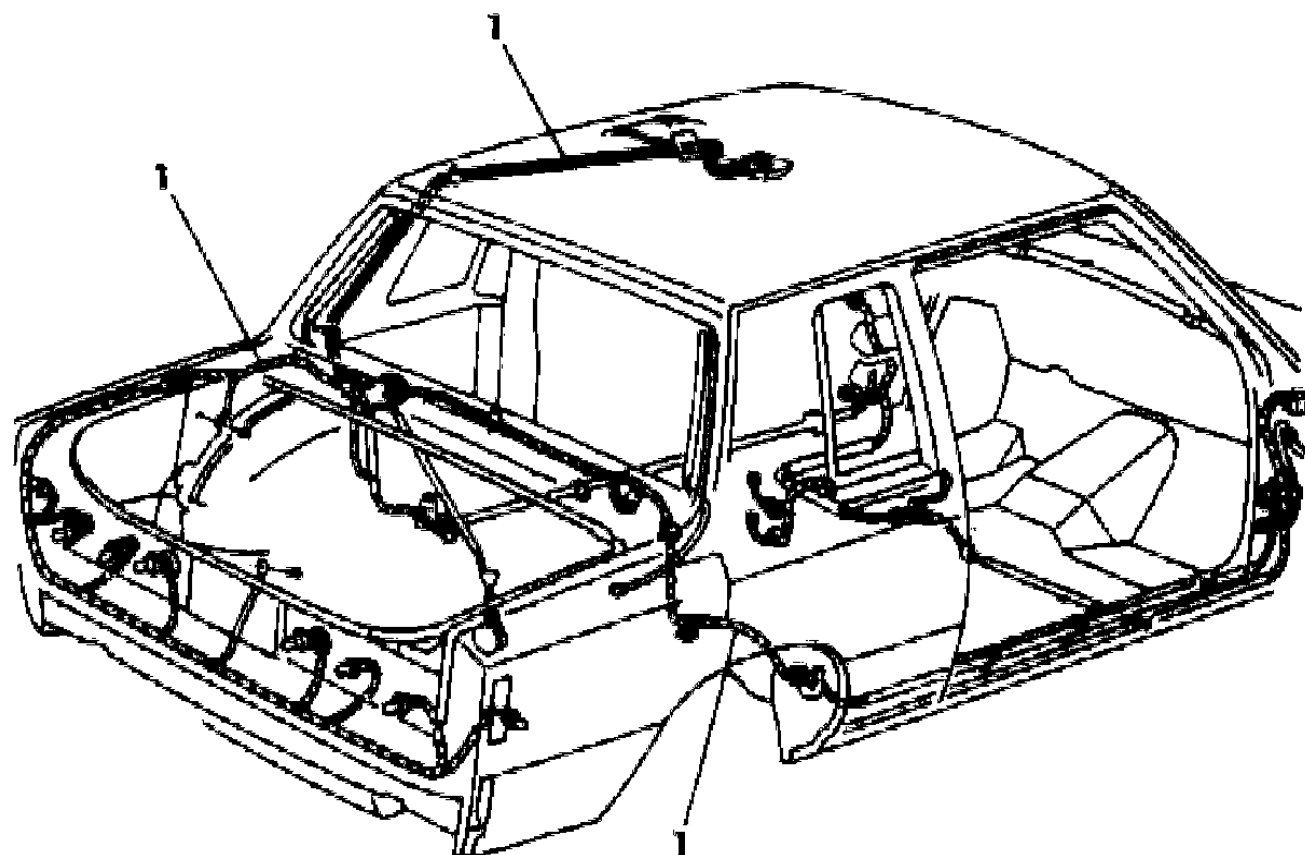
21 = 2-DOOR SEDAN	35 = FWD VAN	44 = 4-DOOR HATCHBACK
22 = 2-DOOR SPECIAL COUPE	36 = FWD WAGON	45 = 4-DOOR STATION WAGON
24 = 2-DOOR HATCHBACK	41 = 4-DOOR SEDAN	49 = LIMOUSINE
27 = 2-DOOR CONVERTIBLE		

AR = Use as Required - = Non Illustrated Part P.A.R. = Paint as Required

WIRING--BODY & ACCESSORIES J-E-T
Figure 8-6000

5108 6000

ITEM	PART NUMBER	QTY	BODY	MODEL	DESCRIPTION
1	4331 269			J-E-T	WIRING, BODY
	4331 830			TP41	WIRING, BODY
	4331 336				Rear Body, Fuel Tank (TURBO)
	4331 122				Rear Body, Fuel Tank, T.B.I.
	4331 449				Rear Body, Fuel Tank, CARB.
	4209 695				Auto. Trans
	4274 273				Battery & Engine Feed
	4274 888				Speed Control
	4304 162			E	Seat Adjuster Switch
	4304 733			T	Console
	4304 956				Bucket Seat Adjust.
	4304 968				Deck Lid Ajar & Release
	4312 368-9				Rear Qtr. Reading & Courtesy Lamp
	4304 957				Power Seat 50/50 Body
	4331 250			E-J	Lt. & Rt. Frt. Door Courtesy Lamp
	4331 253				Lt. Door Lock & Wdo. Lift
	4331 254			E-J	Rt. Front Door Lock & Power Mirror
	4331 255			E-J	Lt. Front Door Lock & Power Mirror
	4331 256			J-E-T	Rt. Front Door Lock & Power Mirror & Wdo.Lift
	4331 257			J-E-T	Lt. Front Door Lock & Power Mirror & Wdo.Lift
	4331 258			J-E-T	Rt. Front Power Mirror & Wdo.Lift
	4331 259			J-E-T	Rt. Front Power Mirror & Wdo.Lift
	4331 090				Inst. Panel,w/Chimes & A.T.C.
	4331 091				Inst. Panel,w/E.V.A
	4331 446			E-T	Dome, Overhead Console up to 1-2-85
	4331 831			E-T	Aft. 1-2-85
	4331 827			E-T	Overhead Console, up to 1-2-85
	4331 832			E-T	Aft. 1-2-85
	4331 518			E-T	Ambient Temp. Sensor to H/Lamp & Dash Panel Wiring
	4331 453	2			Rear Door Courtesy Lamp
	4331 455	2			Rear Door Lock, Wdo. Lift & Courtesy Lamp
	4331 790			T	Lt. Floor Pan, Wdo. Lift & Door Lock
	4331 465				Stereo Speakers
	4331 466				Premium Speakers, Inst. Panel
	4331 493				Radio Choke Jumper
	4331 517				Under Hood Lamp
	4331 663				Front Door Locks & Illum. Entry



MODEL CODES

B = GRAN FURY	E = 600	M = HORIZON/TURISMO
C = LE BARON/TOWN & COUNTRY/LIMO	F = FIFTH AVENUE/NEWPORT	P = RELIANT
C24 = LASER	G = DIPLOMAT	T = NEW YORKER
C44 = LE BARON/GTS	H = VOYAGER	V = 600
D = ARIES	J = CARAVELLE	V24 = DAYTONA
D44 = LANCER	K = MINI VAN/CARAVAN/ROYAL	Z = OMNI/CHARGER

BODY STYLES

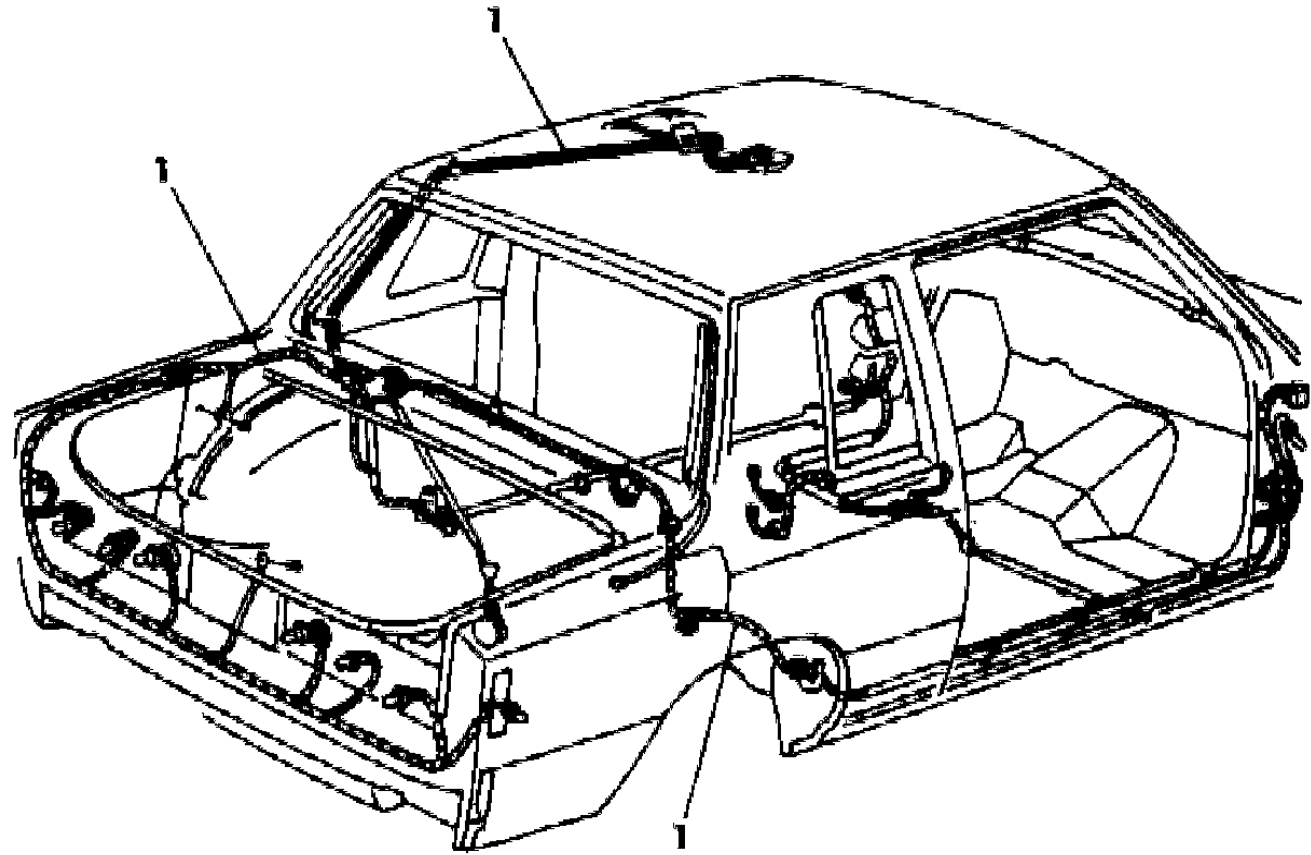
21 = 2-DOOR SEDAN	35 = FWD VAN	44 = 4-DOOR HATCHBACK
22 = 2-DOOR SPECIAL COUPE	36 = FWD WAGON	45 = 4-DOOR STATION WAGON
24 = 2-DOOR HATCHBACK	41 = 4-DOOR SEDAN	49 = LIMOUSINE
27 = 2-DOOR CONVERTIBLE		

AR = Use as Required - = Non Illustrated Part P.A.R. = Paint as Required

WIRING--BODY & ACCESSORIES J-E-T
Figure 8-6000

5108 6000

ITEM	PART NUMBER	QTY	BODY	MODEL	DESCRIPTION
	4331 551				Lt. Floor Pan & Door Locks
	4331 552				Rt. Rear Door Sill
	4331 553				Wdo. Lift, Floor Pan
	4331 554				E.T.R. Rear Speaker
	4331 555				Lt. Floor Pan, Wdo.Lift & Door Locks
	4331 589				Lt. Floor Pan, & Door Courtesy Lamp
	4331 591				Lt. Floor Pan, & Power Seat
	4304 159			ET	w/Dome,Reading & Visor Courtesy Lamp
	4246 575				SOLENOID, Fuel Filler Door
	4221 117				SWITCH, Door Pillar Front
	3747 289				SWITCH, Door Pillar Rear
	4221 326				SWITCH, Door Ajar (Aud. Message)
	5209 922				SWITCH, Trunk Ajar Indicator
	4221 052			C-45	SWITCH, Liftgate Ajar



MODEL CODES

B = GRAN FURY	E = 600	M = HORIZON/TURISMO
C = LE BARON/TOWN & COUNTRY/LIMO	F = FIFTH AVENUE/NEWPORT	P = RELIANT
C24 = LASER	G = DIPLOMAT	T = NEW YORKER
C44 = LE BARON/GTS	H = VOYAGER	V = 600
D = ARIES	J = CARAVELLE	V24 = DAYTONA
D44 = LANCER	K = MINI VAN/CARAVAN/ROYAL	Z = OMNI/CHARGER

BODY STYLES

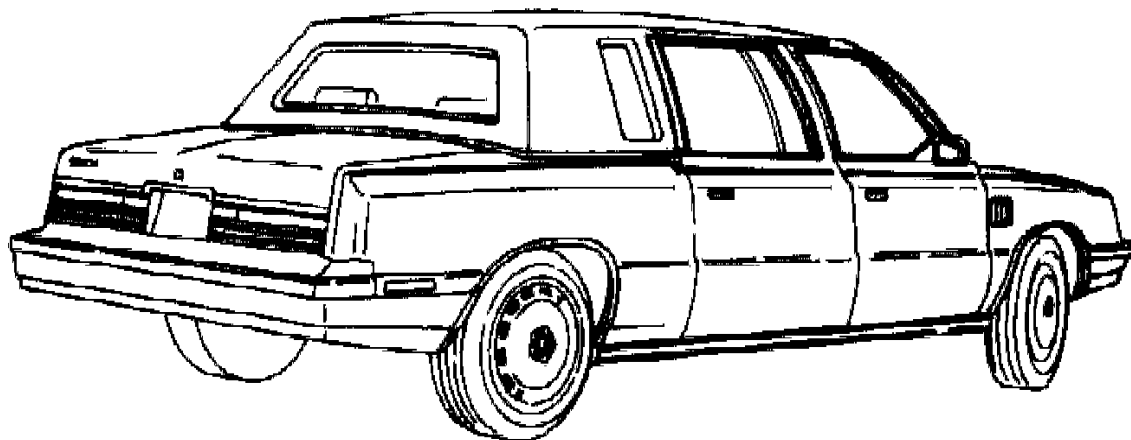
21 = 2-DOOR SEDAN	35 = FWD VAN	44 = 4-DOOR HATCHBACK
22 = 2-DOOR SPECIAL COUPE	36 = FWD WAGON	45 = 4-DOOR STATION WAGON
24 = 2-DOOR HATCHBACK	41 = 4-DOOR SEDAN	49 = LIMOUSINE
27 = 2-DOOR CONVERTIBLE		

AR = Use as Required - = Non Illustrated Part P.A.R. = Paint as Required

WIRING--BODY & ACCESSORIES LIMO

Figure 8-6100

51008 6100



ITEM	PART NUMBER	QTY	BODY	MODEL	DESCRIPTION
	4364 285	1			WIRING, BODY
	4364 286	1			WIRING, Divider
	4342 147	1			WIRING, Glamour Lamp, w/Switch,Light
	4364 288	1			WIRING, Rear Compt. Courtesy Lamp
	4342 149	1			WIRING, Rear Door Courtesy Lamp
	4342 150	1			WIRING, Battery Feed
	4364 284	1			WIRING, Floor Pan
	4339 996	1			WIRING, Dome & Vanity Visor
	4364 282-3	1			WIRING, Front Door
	4364 280-1	1			WIRING, Rear Door
	4364 287	1			WIRING, Speaker Shelf
	4339 780	1			SWITCH, Fade Timer

MODEL CODES

B = GRAN FURY	E = 600	M = HORIZON/TURISMO
C = LE BARON/TOWN & COUNTRY/LIMO	F = FIFTH AVENUE/NEWPORT	P = RELIANT
C24 = LASER	G = DIPLOMAT	T = NEW YORKER
C44 = LE BARON/GTS	H = VOYAGER	V = 600
D = ARIES	J = CARAVELLE	V24 = DAYTONA
D44 = LANCER	K = MINI VAN/CARAVAN/ROYAL	Z = OMNI/CHARGER

BODY STYLES

21 = 2-DOOR SEDAN	35 = FWD VAN	44 = 4-DOOR HATCHBACK
22 = 2-DOOR SPECIAL COUPE	36 = FWD WAGON	45 = 4-DOOR STATION WAGON
24 = 2-DOOR HATCHBACK	41 = 4-DOOR SEDAN	49 = LIMOUSINE
27 = 2-DOOR CONVERTIBLE		

AR = Use as Required - = Non Illustrated Part P.A.R. = Paint as Required

WIRING--BODY & ACCESSORIES V-C 24
Figure 8-6200

ILLUSTRATION NOT AVAILABLE AT TIME OF PUBLICATION

ITEM	PART NUMBER	QTY	BODY	MODEL	DESCRIPTION
	4331 431			H-S	WIRING, BODY
	4331 429			P	Up to 10-1-84
	4331 683			P	Aft. 10-1-84
	4331 430			H-S	WIRING, Body & Accessory Up to 10-1-84
	4331 685			H-S	Aft. 10-1-84
					WIRING, ACCESSORIES
	4304 979				WIRING - L/Gate, License Lp. & Heated Rear Wdo. Up to 10-1-84
	4331 689				Aft. 10-1-84
	4304 981				Heated Rear Wdo. & Rear Wipe, Up to 10-1-84
	4331 691				Aft. 10-1-84
	4331 336				Rear Body (TURBO) (To Fuel Tank)
	4331 122				Rear Body (TBI) (To Fuel Tank)
	4331 437				Lt. Door Illum. Entry & Wdo. Lift
	4304 051				Liftgate Up to 10-1-84
	4331 692				Aft. 10-1-84
	4274 748				Dome Lamp
	4274 749				Dome & Map Lamp
	4304 549				Illum. Entry Jumper
	4274 869				Under Hood Lamp
	4209 695				Auto Trans.
	4274 532				Power Seat Switch (Console)
	4274 738				Console E.B.L., Rear Wipe & Window Lift
	4274 739				Console E.B.L.
	4331 692				Liftgate Body
	4331 607				Power Seat Feed
	4304 869				Spot Light (Inst. Pnl. Lwr.)
	4304 870				Spot Light (Inst. Pnl. Upper)
	4331 691				Liftgate, E.B.L. & Rear Wipe
	4331 120				Dome, Map & Reading
	4331 425				Lt. Door w/Lift & Power Mirror & Illum. Entry
	4331 426				Rt. Door w/Lift & Power Mirror & Illum. Entry
	4331 427				Lt. Door w/Lift, Door Locks & Illum. Entry
	4331 428				Rt. Door w/Lift, Door Locks & Illum. Entry
	4331 433				Lt. Console
	4331 439				Lt. Door Courtesy Lamps & Speakers Up to 10-1-84
	4331 687				Aft. 10-1-84

MODEL CODES

B = GRAN FURY	E = 600	M = HORIZON/TURISMO
C = LE BARON/TOWN & COUNTRY/LIMO	F = FIFTH AVENUE/NEWPORT	P = RELIANT
C24 = LASER	G = DIPLOMAT	T = NEW YORKER
C44 = LE BARON/GTS	H = VOYAGER	V = 600
D = ARIES	J = CARAVELLE	V24 = DAYTONA
D44 = LANCER	K = MINI VAN/CARAVAN/ROYAL	Z = OMNI/CHARGER

BODY STYLES

21 = 2-DOOR SEDAN	35 = FWD VAN	44 = 4-DOOR HATCHBACK
22 = 2-DOOR SPECIAL COUPE	36 = FWD WAGON	45 = 4-DOOR STATION WAGON
24 = 2-DOOR HATCHBACK	41 = 4-DOOR SEDAN	49 = LIMOUSINE
27 = 2-DOOR CONVERTIBLE		

AR = Use as Required - = Non Illustrated Part P.A.R. = Paint as Required

WIRING--BODY & ACCESSORIES V-C 24
Figure 8-6200

ITEM	PART NUMBER	QTY	BODY	MODEL	DESCRIPTION
	4331 440				Rt. Door Courtesy Lamps & Speakers
	4331 456				Rt. Sill (Rear Speakers)
	4331 492				Sill (Door Ajar)
	4331 494				Floor Pan Rt.
	4331 607				Power Seat Feed
	4304 660				A.C. & Heater
	4221 346				SWITCH, Trans.Oil Pressure
	4221 387				SWITCH, Front Door Pillar
	4221 574				SWITCH, Door Ajar
	4221 326				SWITCH, Frt.Door Ind.Lamp
	4246 575				SOLENOID, Fuel Filler Door
	4246 500				SOLENOID & BRACKET, Liftgate Latch
	4304 773				CABLE, Heated Rear Wdo. (Ground)
	4304 774				CABLE, Heated Rear Wdo. (Feed)

ILLUSTRATION NOT AVAILABLE AT TIME OF PUBLICATION

MODEL CODES

B = GRAN FURY	E = 600	M = HORIZON/TURISMO
C = LE BARON/TOWN & COUNTRY/LIMO	F = FIFTH AVENUE/NEWPORT	P = RELIANT
C24 = LASER	G = DIPLOMAT	T = NEW YORKER
C44 = LE BARON/GTS	H = VOYAGER	V = 600
D = ARIES	J = CARAVELLE	V24 = DAYTONA
D44 = LANCER	K = MINI VAN/CARAVAN/ROYAL	Z = OMNI/CHARGER

BODY STYLES

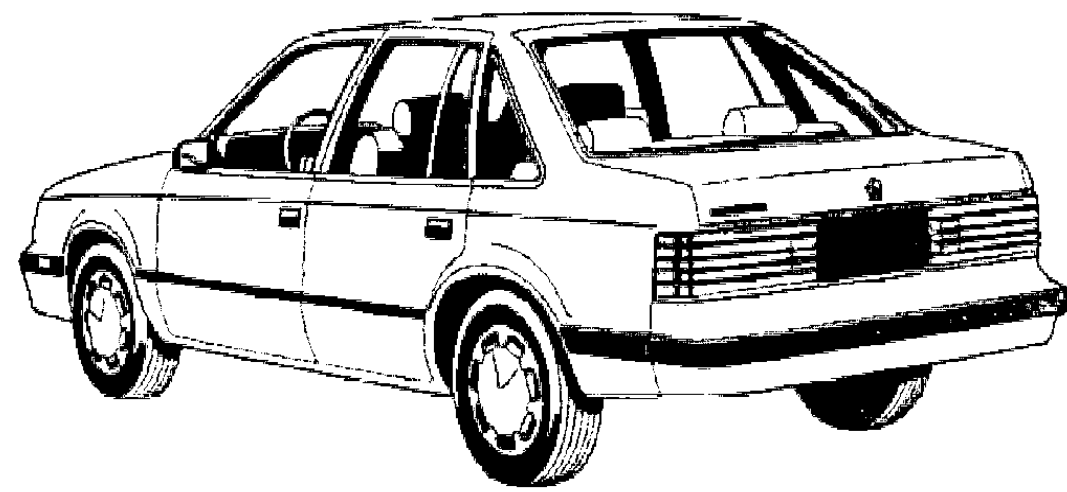
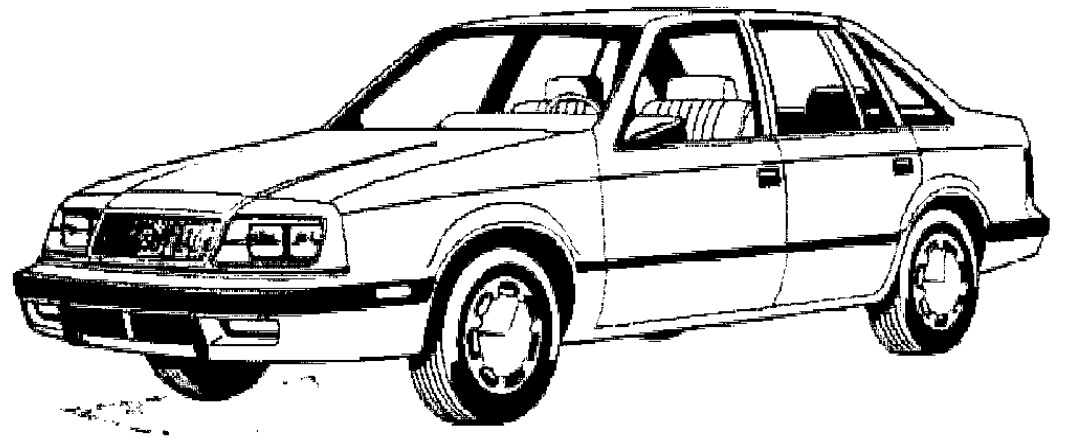
21 = 2-DOOR SEDAN	35 = FWD VAN	44 = 4-DOOR HATCHBACK
22 = 2-DOOR SPECIAL COUPE	36 = FWD WAGON	45 = 4-DOOR STATION WAGON
24 = 2-DOOR HATCHBACK	41 = 4-DOOR SEDAN	49 = LIMOUSINE
27 = 2-DOOR CONVERTIBLE		

AR = Use as Required - = Non Illustrated Part P.A.R. = Paint as Required

WIRING--BODY & ACCESSORIES DC-44

Figure 8-6300

5108 6300



ITEM	PART NUMBER	QTY	BODY	MODEL	DESCRIPTION
	4331 163				WIRING, Body Left
	4331 165				Left, w/E.B.L.
	4331 336				Rear Body (TURBO) WIRING, Accessories
	4209 695				Auto. Trans.
	4331 122				Fuel Tank, (Sending Unit To Body Harness)
	4331 042				Rear Lamp
	4331 723				Under Hood Lamp
	4331 619				Lift Gate Lic. Lamp Lt.
	4331 126				Dome Lamp
	4331 133				Dome, Visor & Foward Reading
	4331 201				Rear Door Courtesy Lamps
	4331 203				Rear Door Courtesy Lamps & Door Locks
	4331 206				Rt. Sill Rear Speakers
	4331 224				Rear Door Courtesy Lamps, Door Locks & Window Lift
	4331 228				Power Mirror Pigtail, Rt. Frt. Door
	4331 727				Console (Man. Trans.)
	4331 728				Console (Auto.Trans.)
	4331 808				Front Door Speaker Jumper
	4331 809				Front Door Courtesy Lamps & Speaker
	4331 811				Front Door Illum. Entry
	4331 364				Lt. Pwr. Seat Switch
	4331 815				Front Door Locks & Illum. Entry
	4331 663				Sunroof Wiring

MODEL CODES

B = GRAN FURY	E = 600	M = HORIZON/TURISMO
C = LE BARON/TOWN & COUNTRY/LIMO	F = FIFTH AVENUE/NEWPORT	P = RELIANT
C24 = LASER	G = DIPLOMAT	T = NEW YORKER
C44 = LE BARON/GTS	H = VOYAGER	V = 600
D = ARIES	J = CARAVELLE	V24 = DAYTONA
D44 = LANCER	K = MINI VAN/CARAVAN/ROYAL	Z = OMNI/CHARGER

BODY STYLES

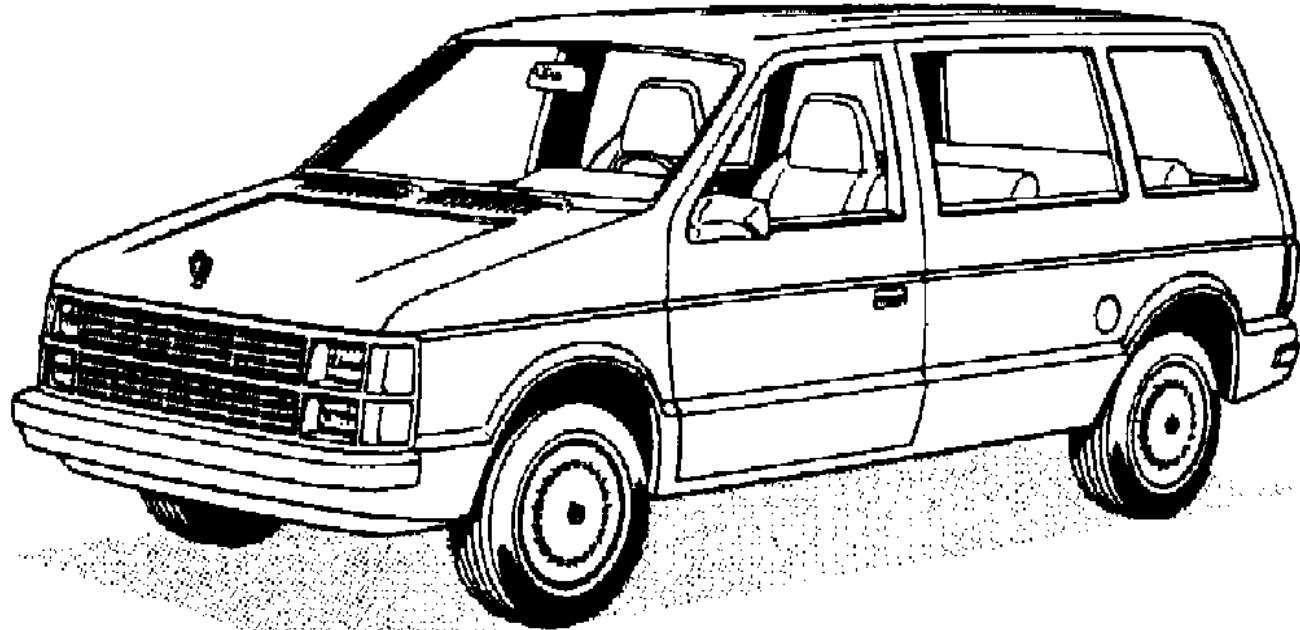
21 = 2-DOOR SEDAN	35 = FWD VAN	44 = 4-DOOR HATCHBACK
22 = 2-DOOR SPECIAL COUPE	36 = FWD WAGON	45 = 4-DOOR STATION WAGON
24 = 2-DOOR HATCHBACK	41 = 4-DOOR SEDAN	49 = LIMOUSINE
27 = 2-DOOR CONVERTIBLE		

AR = Use as Required - = Non Illustrated Part P.A.R. = Paint as Required

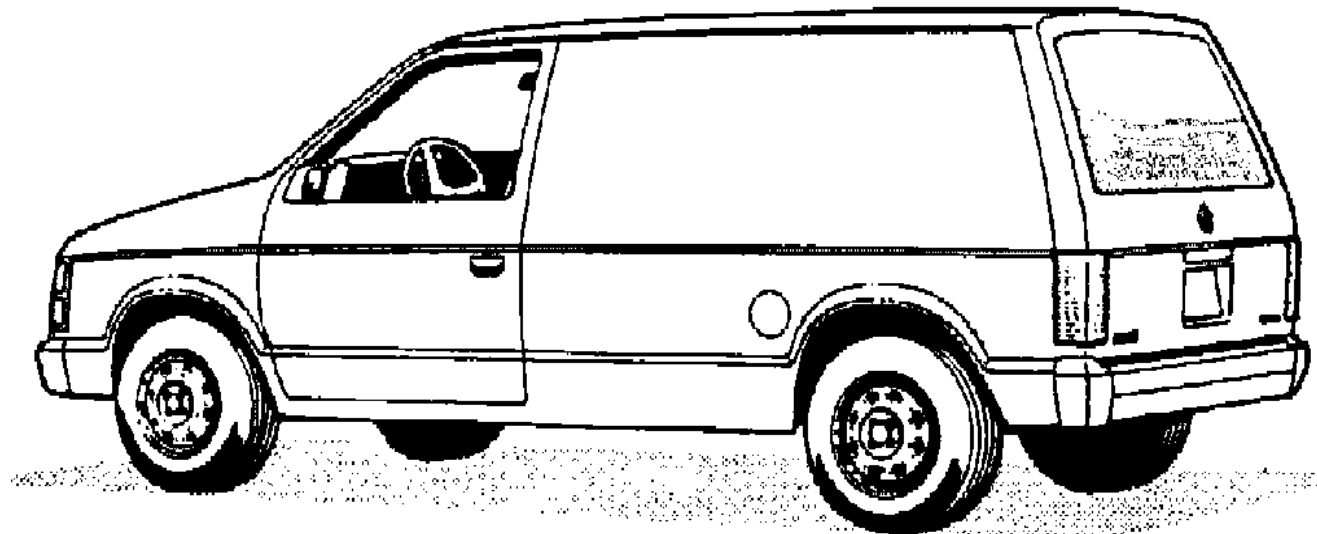
WIRING--BODY & ACCESSORIES H-K

Figure 8-6400

5108 6400



ITEM	PART NUMBER	QTY	BODY	MODEL	DESCRIPTION
1	4304 260				WIRING, BODY, Std.
	4304 261				w/Heated Rear Wdo.
	4304 262				w/Accessories (Minor)
	4304 263				w/Accessories (Major)
2	4304 585				WIRING, Liftgate & Courtesy Lamps
	4304 586				WIRING, Liftgate & Speaker
	4304 318				Under Hood Lamp
	4304 277				w/Dome Lamp
	4304 279				w/Dome & Visor
	4304 281				w/Rear Speakers & Door Lock Body (Rt.)
	4304 284				w/Fuel Tank & Low Fuel
	4304 289				w/Rear Speaker Body (Rt.)
	4304 264				w/Liftgate Wipe (Rt.)
	4304 266				w/Liftgate Release (Rt.)
	4304 265				(Lt.)
	4304 267				w/Liftgate Release & E.B.L. (Lt.)
	4304 268				w/Liftgate Wipe & Release (Rt.)
	4304 269				w/Liftgate & C/Lamp (Lt.)
	4304 270				w/Liftgate Release,Wipe & Speaker (Rt.)
	4304 272				w/Liftgate,Speakers (Rt.)
	4304 273				w/Liftgate,C/Lamp & Speakers
	4304 288				w/Liftgate,Cargo Door Locks (Body)
	4304 290				w/Heated Rear Wdo. Pigtail Ground (Rt.)
	4304 291				w/Heated Rear Wdo. Pigtail Feed
	4304 407				w/Rear Header,T.S.T,Liftgate Release & Wipe
	4304 581				w/Pwr.Seat Side Cowl (Lt.)
	4304 009				w/Liftgate Release
	4209 695				Auto Trans., Plug w/Wires
	4304 246				Battery Neg.
	4304 289				Rear Speaker Body Rt.
4304 408				Rear Header,Tail Stop & T/Sig. Body Rear	
4304 409				Rear Header,Tail Stop & T/Sig. Liftgate	
4304 410				Rear Header,Tail Stop & T/Sig. Liftgate & Wiper	
4304 540				Lift Gate Soc. & Cable Lic. Lamps	
4304 541				Dual Contact Door Lock	
4304 545				Rear Header Tail Stop Turn & Rear Dome	
4304 659				Heater	



MODEL CODES

B = GRAN FURY	E = 600	M = HORIZON/TURISMO
C = LE BARON/TOWN & COUNTRY/LIMO	F = FIFTH AVENUE/NEWPORT	P = RELIANT
C24 = LASER	G = DIPLOMAT	T = NEW YORKER
C44 = LE BARON/GTS	H = VOYAGER	V = 600
D = ARIES	J = CARAVELLE	V24 = DAYTONA
D44 = LANCER	K = MINI VAN/CARAVAN/ROYAL	Z = OMNI/CHARGER

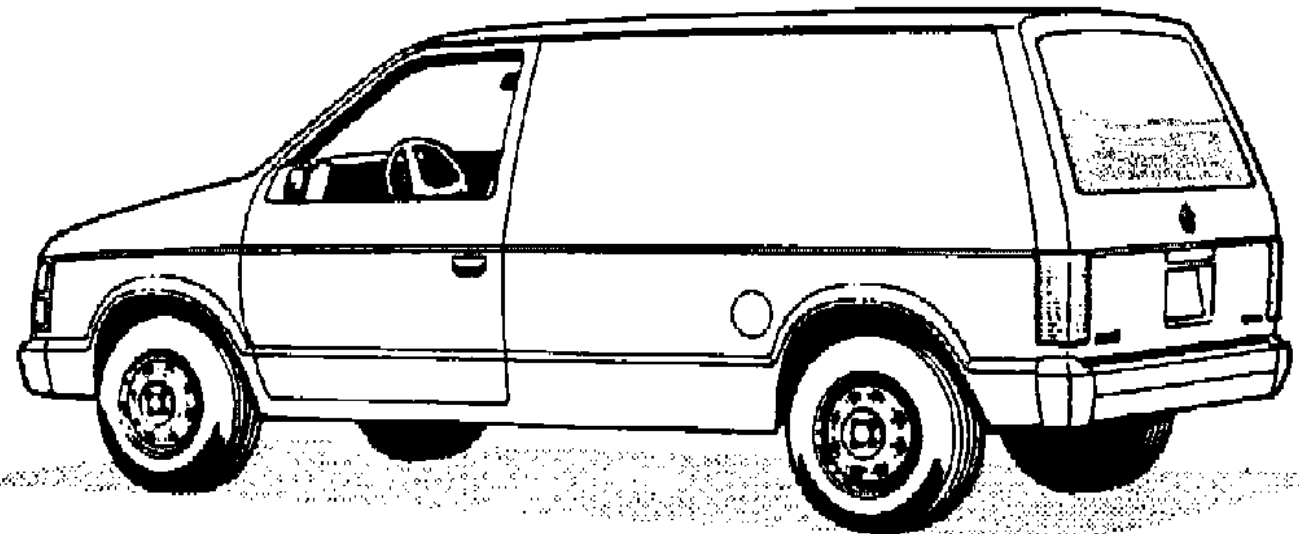
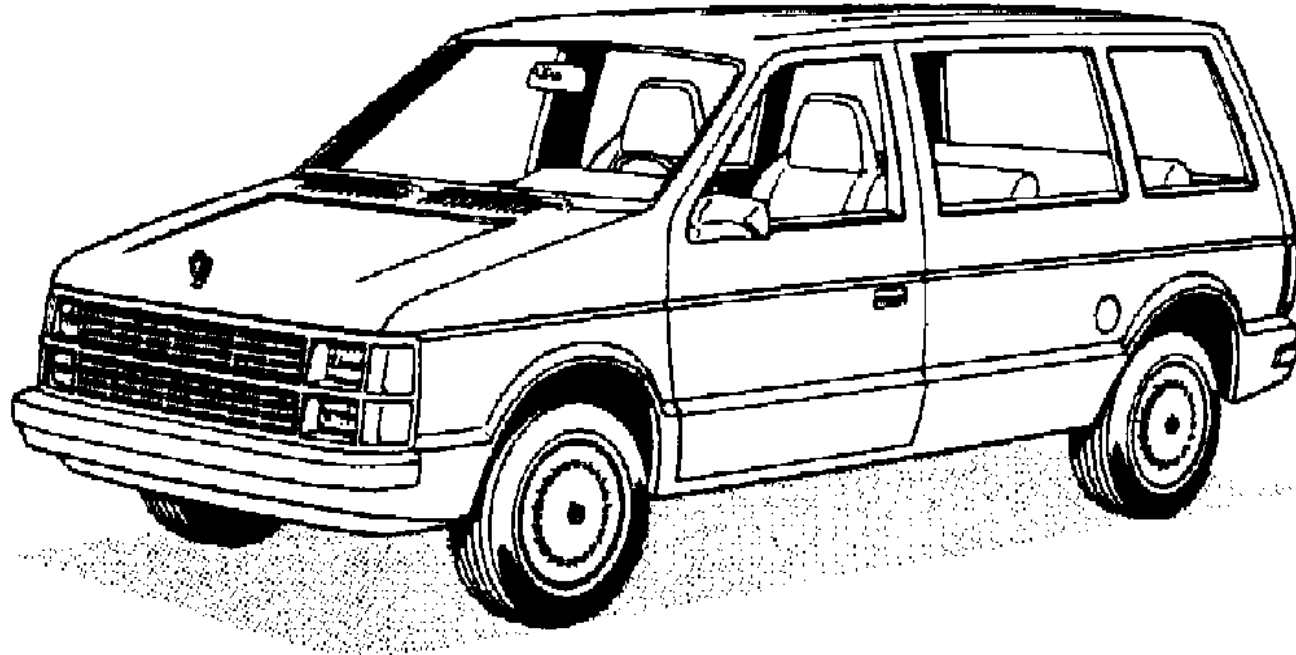
BODY STYLES

21 = 2-DOOR SEDAN	35 = FWD VAN	44 = 4-DOOR HATCHBACK
22 = 2-DOOR SPECIAL COUPE	36 = FWD WAGON	45 = 4-DOOR STATION WAGON
24 = 2-DOOR HATCHBACK	41 = 4-DOOR SEDAN	49 = LIMOUSINE
27 = 2-DOOR CONVERTIBLE		

AR = Use as Required - = Non Illustrated Part P.A.R. = Paint as Required

WIRING--BODY & ACCESSORIES H-K
Figure 8-6400

5108 6400



ITEM	PART NUMBER	QTY	BODY	MODEL	DESCRIPTION
	4304 660				Heater & A.C.
	4304 800				Power Mirror, Rt. Front Door
	4304 835				Roof Lamp (Taxi)
	4304 923				Pwr. Brake Switch Jumper
	4331 538				Speaker, G-Equalizer
	4331 290				Dome & Frt. Header Reading Lamp
	4304 739				Triad Horn
	4331 370				Dome & Visor Frt. & Rear Reading Lamps
	4331 544				Elec. Seat Adjuster
	4331 548				Under Hood Lamp
	4331 701				Door Lock, Courtesy Lamp, Up to 3-1-85
	4331 792				Aft. 3-1-85
	4331 702				Door Lock, Courtesy Lamp & Wdo. Lift, Lt. Up to 3-1-85
	4331 793				Aft. 3-1-85
	4331 703				Courtesy Lamp, Up to 3-1-85
	4331 794				Aft.,3-1-85
	4331 704				Pwr. Mirrors,Door Locks,Courtesy Lamps,Up to 1-14-85
	4331 795				Aft. 1-14-85
	4331 705				Pwr. Mirrors,Door Locks,Courtesy Lamps & Wdo.Lift,Up to 1-14-85
	4331 796				Aft.,1-14-85
	4331 706				Pwr. Mirrors, & Courtesy Lamps, Up to 4-1-85
	4331 797				Aft.,4-1-85
	4221 387				SWITCH, Frt. Door Pillar & Rear Door Ajar
	4221 326				SWITCH, Frt. Door Ind. Lamp
	4221 548				SWITCH, Dome & Flood Lamp

MODEL CODES

B = GRAN FURY	E = 600	M = HORIZON/TURISMO
C = LE BARON/TOWN & COUNTRY/LIMO	F = FIFTH AVENUE/NEWPORT	P = RELIANT
C24 = LASER	G = DIPLOMAT	T = NEW YORKER
C44 = LE BARON/GTS	H = VOYAGER	V = 600
D = ARIES	J = CARAVELLE	V24 = DAYTONA
D44 = LANCER	K = MINI VAN/CARAVAN/ROYAL	Z = OMNI/CHARGER

BODY STYLES

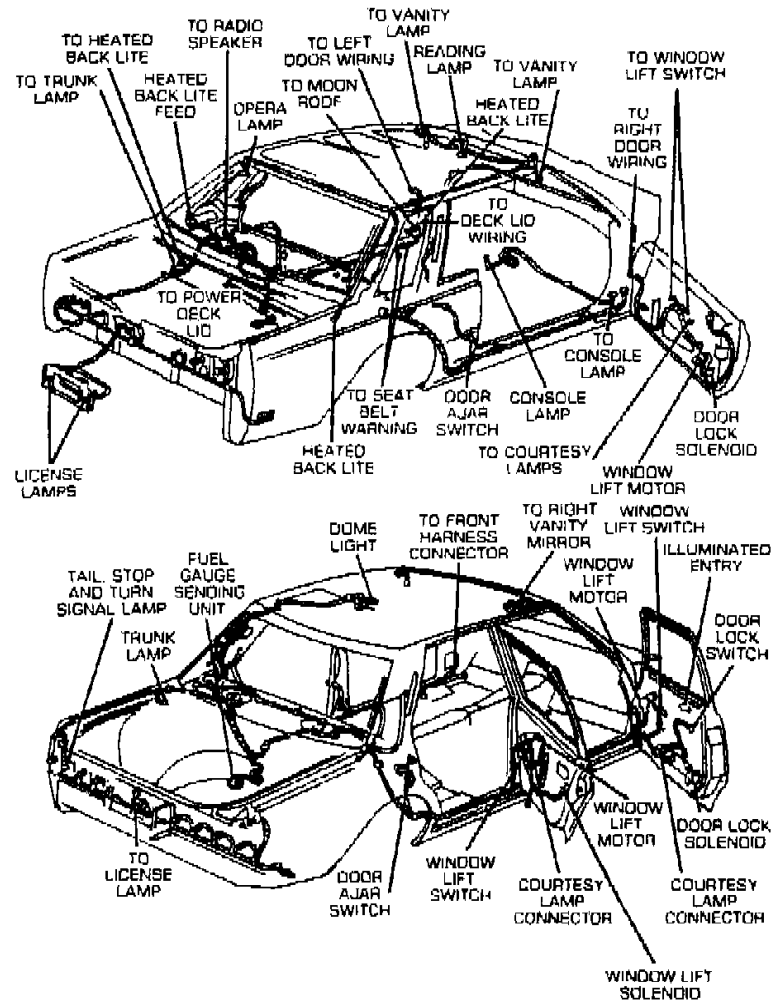
21 = 2-DOOR SEDAN	35 = FWD VAN	44 = 4-DOOR HATCHBACK
22 = 2-DOOR SPECIAL COUPE	36 = FWD WAGON	45 = 4-DOOR STATION WAGON
24 = 2-DOOR HATCHBACK	41 = 4-DOOR SEDAN	49 = LIMOUSINE
27 = 2-DOOR CONVERTIBLE		

AR = Use as Required - = Non Illustrated Part P.A.R. = Paint as Required

WIRING--BODY & ACCESSORIES B-F-G

Figure 8-6500

5108 (6500)



ITEM	PART NUMBER	QTY	BODY	MODEL	DESCRIPTION
1	4209 876				WIRING, BODY
2					WIRING, ACCESSORIES
	4274 159				Heated Rear Window w/Diode
	4209 971				Front Door & Illum. Entry
	4124 814				Roof Wire 8 Ft. (Dome)
	4304 689				Power Antenna
	4124 815				Roof Light Jumper
	4055 789				Fuel Tank Sending Unit
	4209 675				Wiring Rear Lamps
	4124 747				A.T.C. Unit
	4124 748				Chimes
	4124 776				Battery Acces. Feed Jumper (Fleet)
	4209 431				Elec. Seat Adj.
	4274 172				Illum. Entry & Courtesy Lamp
	4274 210				Battery & Engine Ground
	4274 218				Battery Positive
	4274 340-1				Front Door Lock & Arm Rest
	4274 342-3				Front Door Lock & Arm Rest & Window Lift
	4274 345	2			Rear Door, Arm Rest & Window Lift
	4304 688				Speed Control
	4304 690				Rear Speakers, Premium
	4304 884	2		41	Rear Door Courtesy Lamp
	4304 885	2		41	Rear Door Courtesy Lamp & Window Lift
	4304 886	2		41	Rear Door Lock & Courtesy Lamp
	4304 887	2		41	Rear Door Lock & Window Lift
	4304 888	2		41	Rear Door Lock & Opera Lamp
	4331 295				Visor Mtd. Map & Vanity
	4331 300				Stereo Inst. Panel
	4331 334				Rear Speaker, Ultimate Sound
	4331 493				Radio Choke Jumper
	3747 289				SWITCH,Door Pillar Frt. & Rear
	4221 024				SWITCH,Door Ajar Indicator
	4221 572				SWITCH,Frnt.& Rear Door Ajar Ind.Lamp
	4331 692				Liftgate Body
	4221 275				SWITCH, Liftgate Ajar & Cargo Lamp

MODEL CODES

B = GRAN FURY	E = 600	M = HORIZON/TURISMO
C = LE BARON/TOWN & COUNTRY/LIMO	F = FIFTH AVENUE/NEWPORT	P = RELIANT
C24 = LASER	G = DIPLOMAT	T = NEW YORKER
C44 = LE BARON/GTS	H = VOYAGER	V = 600
D = ARIES	J = CARAVELLE	V24 = DAYTONA
D44 = LANCER	K = MINI VAN/CARAVAN/ROYAL	Z = OMNI/CHARGER

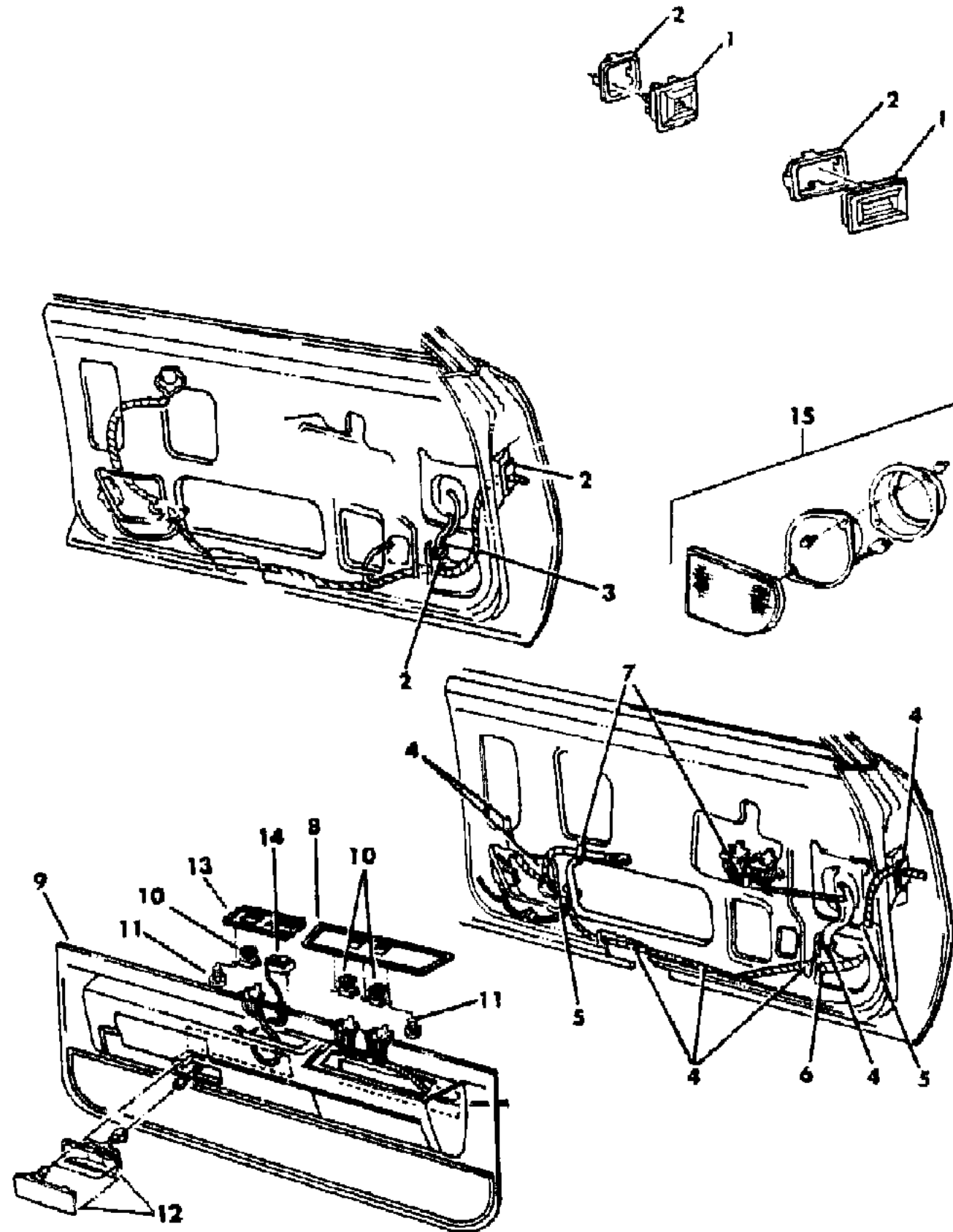
BODY STYLES

21 = 2-DOOR SEDAN	35 = FWD VAN	44 = 4-DOOR HATCHBACK
22 = 2-DOOR SPECIAL COUPE	36 = FWD WAGON	45 = 4-DOOR STATION WAGON
24 = 2-DOOR HATCHBACK	41 = 4-DOOR SEDAN	49 = LIMOUSINE
27 = 2-DOOR CONVERTIBLE		

AR = Use as Required - = Non Illustrated Part P.A.R. = Paint as Required

WIRING & SWITCHES--FRONT DOOR P-D-C-V-J-E-T
Figure 8-6600

5108 6600



ITEM	PART NUMBER	QTY	BODY	MODEL	DESCRIPTION
1				P,D	SWITCH, Window Lift, Door Lock
	4221 541			P,D	Single
	4221 515		41-45		5 Gang
2-4				P,D	WIRING, Front Door
	4331 230			P,D	Right Door Lock
	4331 234			P,D	Right Door Lock & Window Lift
	4331 232			P,D	Right Window Lift
	4331 229			P,D	Left Door Lock
	4331 233			P,D	Left Door Lock & Window Lift
	4331 231			P,D	Left Window Lift
	4331 238		P,D 41-		Right Window Lift
	4331 236		P,D 41-		Right Door Lock
	4331 240		P,D 41-		Right Door Lock & Window Lift
	4331 235		P,D 41-		Left Door Lock
	4331 237		P,D 41-		Left Window Lift
	4331 239		P,D 41-		Left Door Lock & Window Lift
	4331 254		CVJET 4		Right Door Lock & Elec. Mirror
	4331 256		CVJET 4		Right Door Lock, Window Lift & Elec.Mirror
	4331 258		CVJET 4		Right Window Lift & Elec.Mirror
	4331 259		CVJET 4		Left Window Lift
	4331 253		CVJET 4		Left Door Lock & Window Lift
	4331 255		CVJET 4		Left Door Lock & Elec. Mirror
	4331 257		CVJET 4		Left Door Lock, Window Lift & Elec. Mirror
	4364 282-3		LIMO		
5					CLIP, Snap (Not Serv.)
6				C,V	WIRING, Door w/Courtesy Lamps
	4331 244			C,V	Right Door Lock & Elec. Mirror
	4331 248			C,V	Right Door Window Lift & Elec. Mirror
	4331 246			C,V	Right Door Lock, Window Lift & Elec.Mirror
	4331 243			C,V	Left Door Window Lift
	4331 245			C,V	Left Door Lock & Elec. Mirror
	4331 247			C,V	Left Door Lock, Window Lift & Elec. Mirror
	4331 249			C,V	Left Door Window Lift
	4331 251			C,V	Left Door Lock & Window Lift
7				C,V	TAPE, (Not Serv.)
8				C,V	BEZEL, Power Window (See 23C)
9				C,V	PANEL, Door Trim, (See 23IT.)

MODEL CODES

B = GRAN FURY	E = 600	M = HORIZON/TURISMO
C = LE BARON/TOWN & COUNTRY/LIMO	F = FIFTH AVENUE/NEWPORT	P = RELIANT
C24 = LASER	G = DIPLOMAT	T = NEW YORKER
C44 = LE BARON/GTS	H = VOYAGER	V = 600
D = ARIES	J = CARAVELLE	V24 = DAYTONA
D44 = LANCER	K = MINI VAN/CARAVAN/ROYAL	Z = OMNI/CHARGER

BODY STYLES

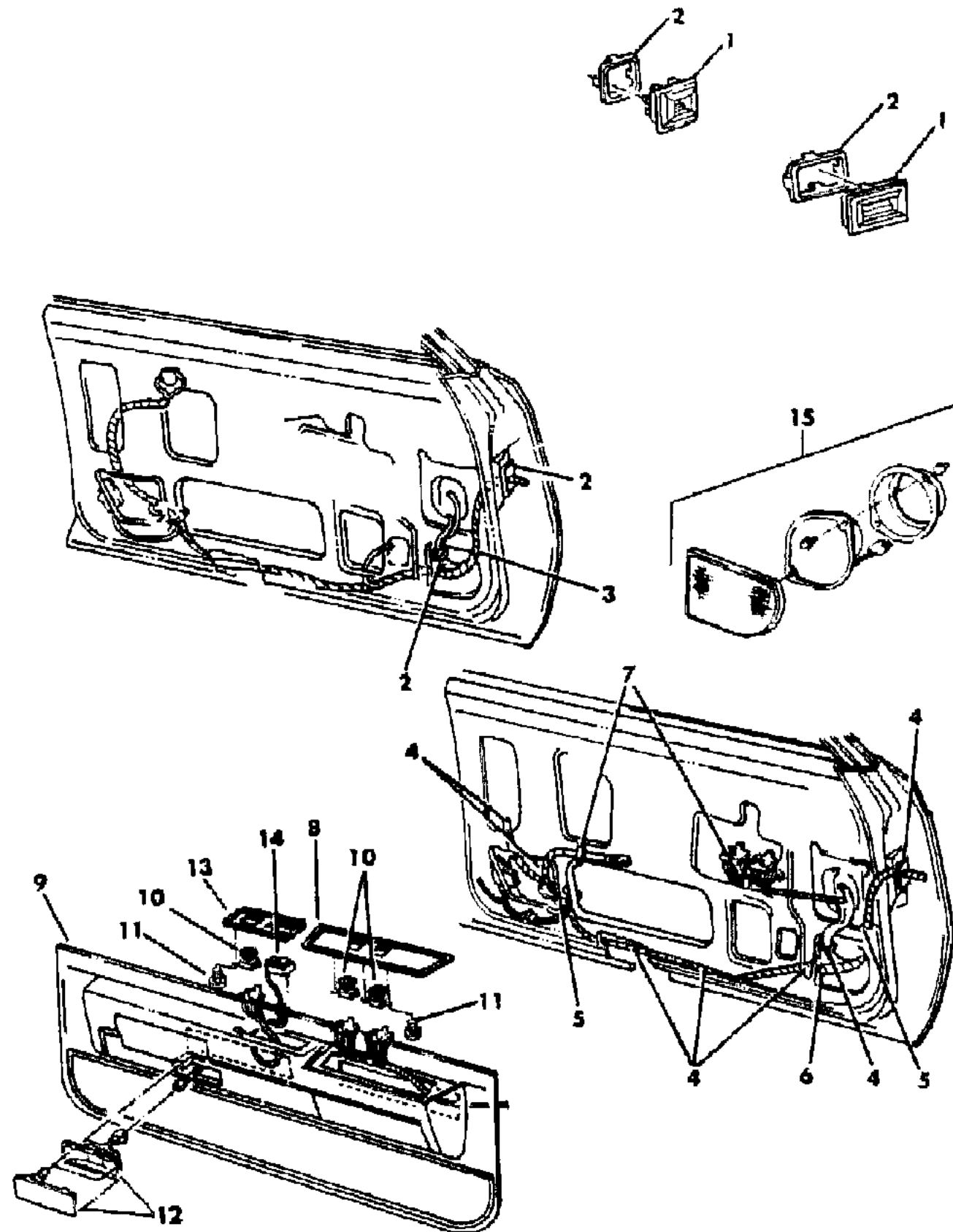
21 = 2-DOOR SEDAN	35 = FWD VAN	44 = 4-DOOR HATCHBACK
22 = 2-DOOR SPECIAL COUPE	36 = FWD WAGON	45 = 4-DOOR STATION WAGON
24 = 2-DOOR HATCHBACK	41 = 4-DOOR SEDAN	49 = LIMOUSINE
27 = 2-DOOR CONVERTIBLE		

AR = Use as Required - = Non Illustrated Part P.A.R. = Paint as Required

WIRING & SWITCHES--FRONT DOOR P-D-C-V-J-E-T

Figure 8-6600

5108 6600



ITEM	PART NUMBER	QTY	BODY	MODEL	DESCRIPTION
10	3747 935			C,V	SWITCH, Single
	4221 539			C,V22	Double
	4221 133			C,V27	Five Gang
11				C,V	SCREW, (Not Serv.)
12					LAMP, Courtesy (See Illus.4200)
13					BEZEL, Door Armrest (See 23C)
14	4221 395			C,V	SWITCH, Dual Remote Elec. Mirrors
	4221 129			41,45,4	SWITCH, Dual Remote Elec. Mirrors
15					SPEAKERS, Front Door (See Group 8A)
	4331 242			C,V	WIRING, Speaker & Illum. Entry
	4331 252			41,45,4	

MODEL CODES

B = GRAN FURY	E = 600	M = HORIZON/TURISMO
C = LE BARON/TOWN & COUNTRY/LIMO	F = FIFTH AVENUE/NEWPORT	P = RELIANT
C24 = LASER	G = DIPLOMAT	T = NEW YORKER
C44 = LE BARON/GTS	H = VOYAGER	V = 600
D = ARIES	J = CARAVELLE	V24 = DAYTONA
D44 = LANCER	K = MINI VAN/CARAVAN/ROYAL	Z = OMNI/CHARGER

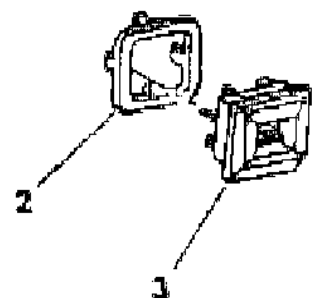
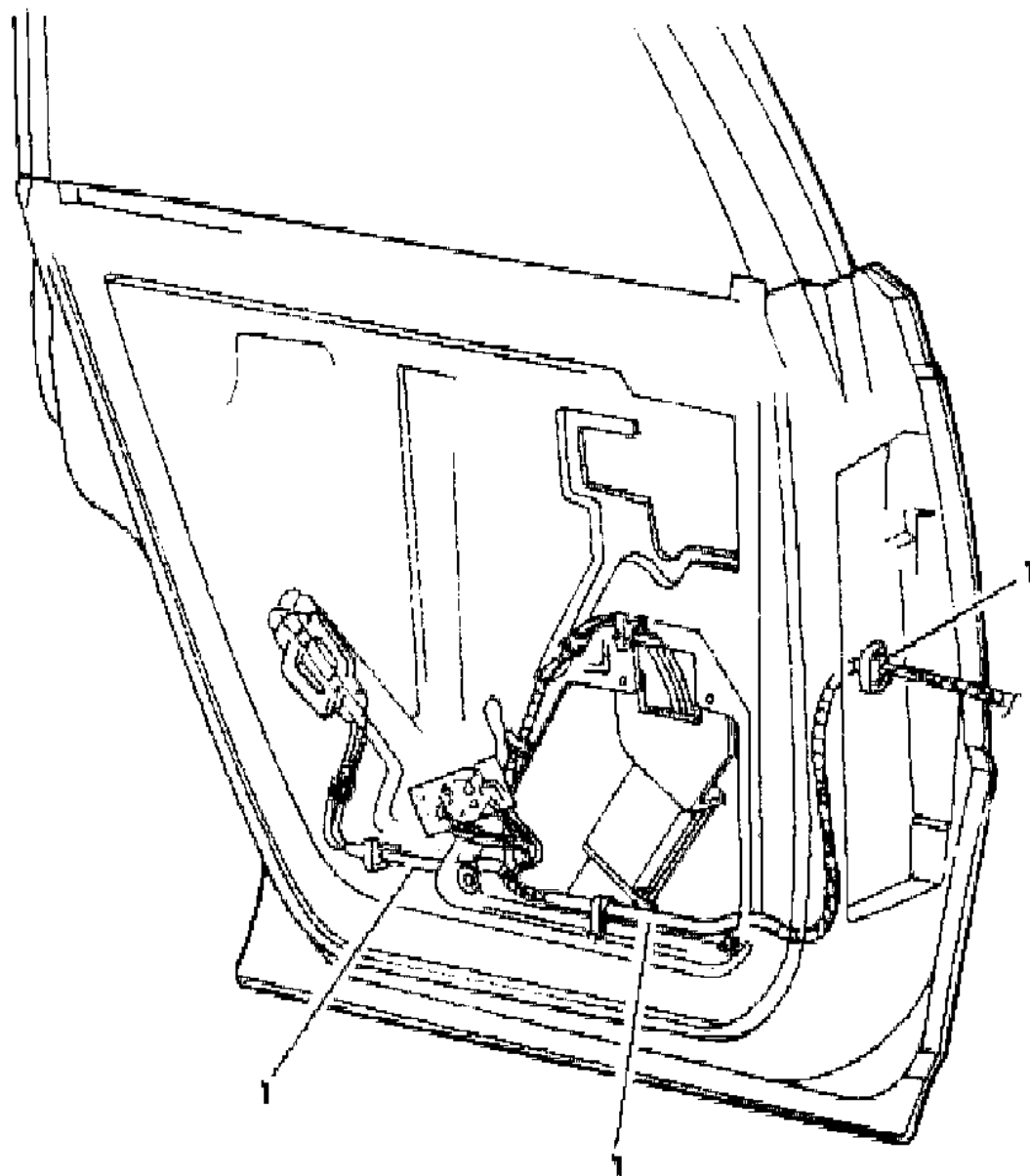
BODY STYLES

21 = 2-DOOR SEDAN	35 = FWD VAN	44 = 4-DOOR HATCHBACK
22 = 2-DOOR SPECIAL COUPE	36 = FWD WAGON	45 = 4-DOOR STATION WAGON
24 = 2-DOOR HATCHBACK	41 = 4-DOOR SEDAN	49 = LIMOUSINE
27 = 2-DOOR CONVERTIBLE		

AR = Use as Required - = Non Illustrated Part P.A.R. = Paint as Required

WIRING & SWITCHES--REAR DOOR P-D-C-V-J-E-T
Figure 8-6700

5108 6700



ITEM	PART NUMBER	QTY	BODY	MODEL	DESCRIPTION
1	4331 261			P,D	WIRING, Door Lock & Window Lift
	4331 454			C,V,J,E	WIRING, Door Lock
	4331 455			C,V,J,E	WIRING, Door Lock,Window Lift & Courtesy Lamp
	4364 280-1			LIMO	
2	4221 540			P,D	RETAINER, Window Lift Switch up to 11-12-84
	4221 893			P,D	Aft. 11-12-84
3	4221 541			P,D	SWITCH, Window Lift
	3747 935			C,V,J,E	SWITCH, Window Lift

MODEL CODES

B = GRAN FURY	E = 600	M = HORIZON/TURISMO
C = LE BARON/TOWN & COUNTRY/LIMO	F = FIFTH AVENUE/NEWPORT	P = RELIANT
C24 = LASER	G = DIPLOMAT	T = NEW YORKER
C44 = LE BARON/GTS	H = VOYAGER	V = 600
D = ARIES	J = CARAVELLE	V24 = DAYTONA
D44 = LANCER	K = MINI VAN/CARAVAN/ROYAL	Z = OMNI/CHARGER

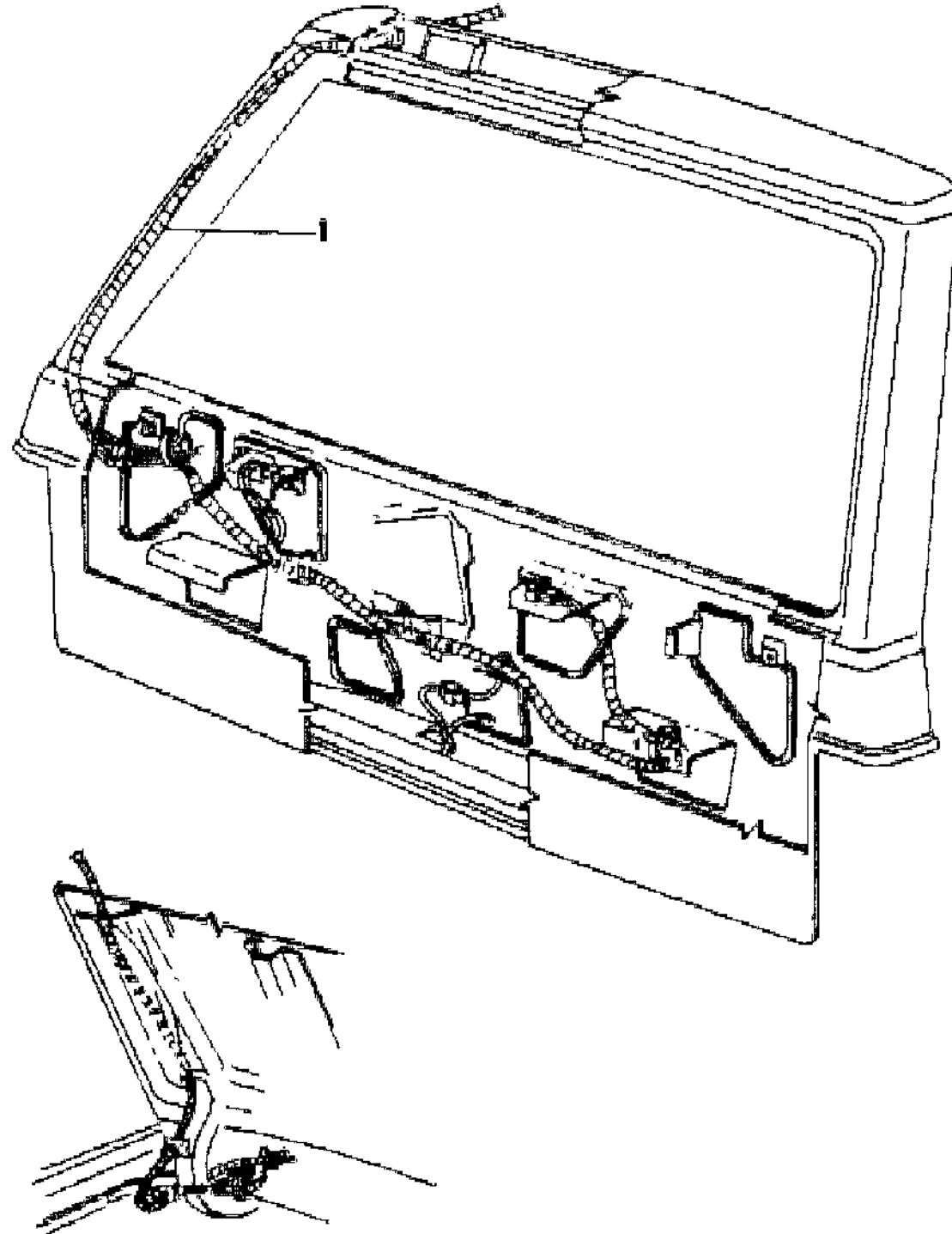
BODY STYLES

21 = 2-DOOR SEDAN	35 = FWD VAN	44 = 4-DOOR HATCHBACK
22 = 2-DOOR SPECIAL COUPE	36 = FWD WAGON	45 = 4-DOOR STATION WAGON
24 = 2-DOOR HATCHBACK	41 = 4-DOOR SEDAN	49 = LIMOUSINE
27 = 2-DOOR CONVERTIBLE		

AR = Use as Required - = Non Illustrated Part P.A.R. = Paint as Required

WIRING--LIFTGATE & TRUNK P-D-C-V-J-E-T
Figure 8-6800

5108 6800



ITEM	PART NUMBER	QTY	BODY	MODEL	DESCRIPTION
1	#4368 295			45	WIRING, Liftgate Heated Rear Window
	4274 982			45	Rear Wiper & Liftgate Release
	4368 276			45	Liftgate
	4331 457			21-45	License Lamp
	4368 379			J,E,T	Deck Lid Lamp Ajar
	4304 968			P,D,C,V	Deck Lid Release
	4368 293			27	Deck Lid Release

MODEL CODES

B = GRAN FURY	E = 600	M = HORIZON/TURISMO
C = LE BARON/TOWN & COUNTRY/LIMO	F = FIFTH AVENUE/NEWPORT	P = RELIANT
C24 = LASER	G = DIPLOMAT	T = NEW YORKER
C44 = LE BARON/GTS	H = VOYAGER	V = 600
D = ARIES	J = CARAVELLE	V24 = DAYTONA
D44 = LANCER	K = MINI VAN/CARAVAN/ROYAL	Z = OMNI/CHARGER

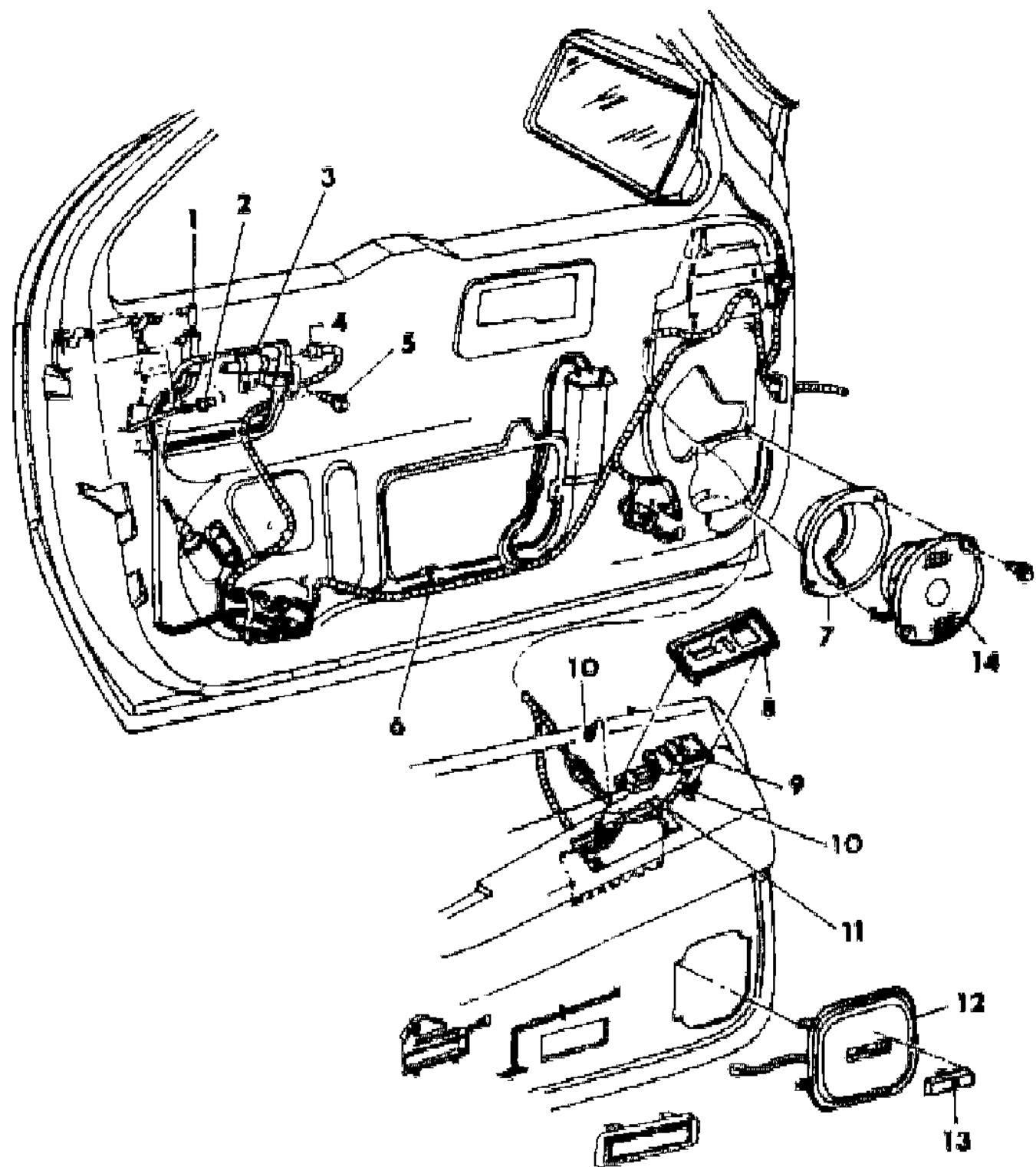
BODY STYLES

21 = 2-DOOR SEDAN	35 = FWD VAN	44 = 4-DOOR HATCHBACK
22 = 2-DOOR SPECIAL COUPE	36 = FWD WAGON	45 = 4-DOOR STATION WAGON
24 = 2-DOOR HATCHBACK	41 = 4-DOOR SEDAN	49 = LIMOUSINE
27 = 2-DOOR CONVERTIBLE		

AR = Use as Required - = Non Illustrated Part P.A.R. = Paint as Required

WIRING & SWITCHES--DOOR VC 24
Figure 8-6900

5108 6900



ITEM	PART NUMBER	QTY	BODY	MODEL	DESCRIPTION
1	4221 130				SWITCH, Illum. Entry
2					CLIP, Switch (Not Serv.)
3	3591 894				HOUSING, Illum. Entry
4	9421 330				BULB
5					SCREW, (Not Serv.)
6					WIRING, Door
	4274 766				WIRING, Right w/Illum. Entry & Elec. Mirror
	4331 428				Right w/Illum. Entry,Door Locks & Window Lift
	4331 436				Right w/Illum. Entry,Door Locks,Window Lift,Elec. Mirror
	4331 426				Right, w/Elec. Mirror & Window Lift
	4331 438				Right, w/Illum. Entry & Window Lift
	4331 425				Left, w/Elec. Mirrors & Window Lift
	4331 427				Left, w/Illum. Entry, Door Locks, Window Lift
	4331 435				Left, w/Illum. Entry, Door Locks, Elec. Mirror & Window Lift
7					ADAPTOR PLATE, Speaker, See 8A
8					BEZEL, Armrest Switch, (See 23C)
9	4221 395				SWITCH, w/Selector, Dual Mirrors
10					SCREW, (Not Serv.)
11	4221 135				SWITCH, Door Lock
12					GRILLE, Speaker, See 8A
13					ESCUTCHEON, Speaker Grille, See 8A
14					SPEAKER, Door, See 8A

MODEL CODES
 B = GRAN FURY
 C = LE BARON/TOWN & COUNTRY/LIMO
 C24 = LASER
 C44 = LE BARON/GTS
 D = ARIES
 D44 = LANCER
 E = 600
 F = FIFTH AVENUE/NEWPORT
 G = DIPLOMAT
 H = VOYAGER
 J = CARAVELLE
 K = MINI VAN/CARAVAN/ROYAL
 M = HORIZON/TURISMO
 P = RELIANT
 T = NEW YORKER
 V = 600
 V24 = DAYTONA
 Z = OMNI/CHARGER

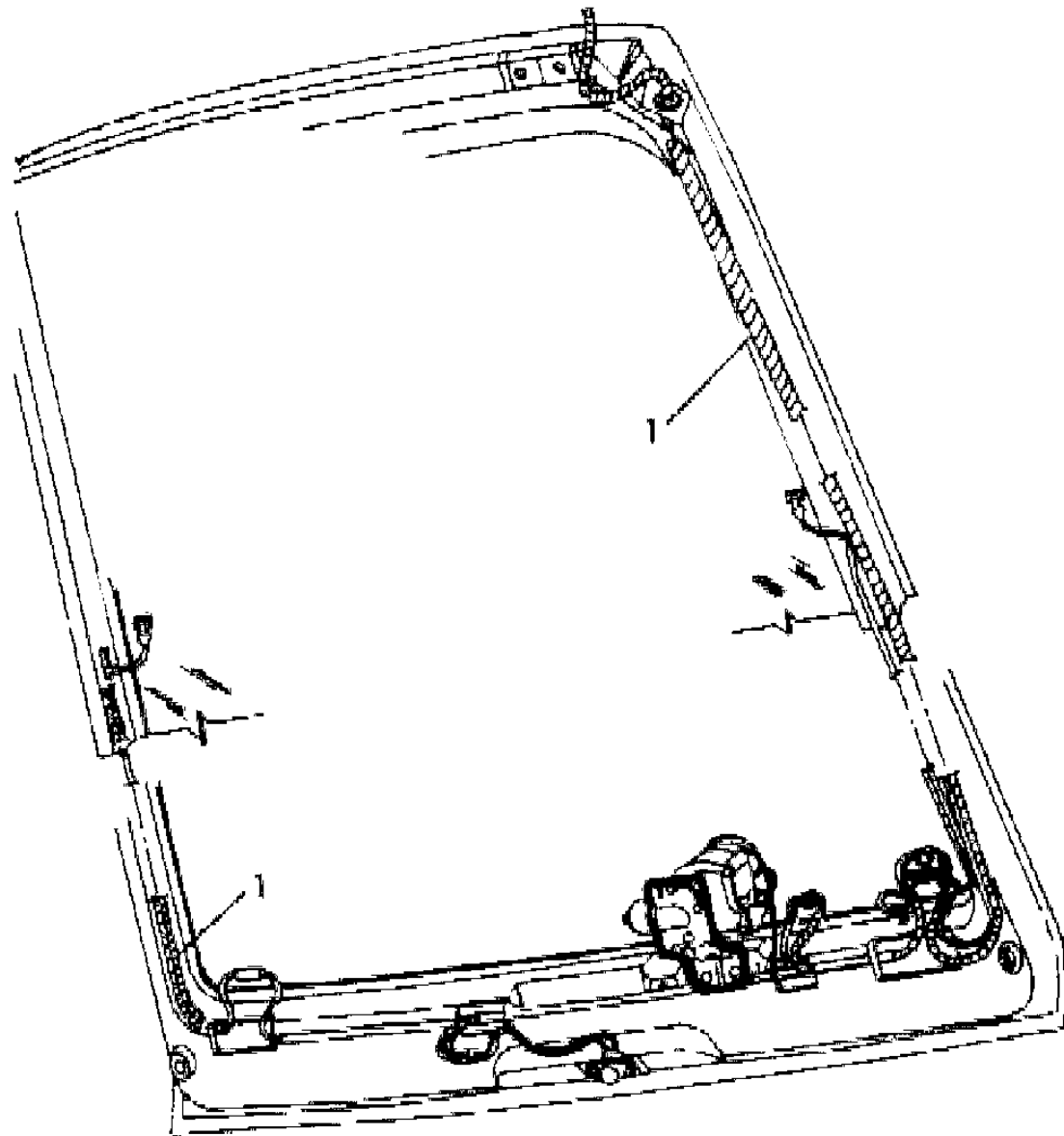
BODY STYLES
 21 = 2-DOOR SEDAN
 22 = 2-DOOR SPECIAL COUPE
 24 = 2-DOOR HATCHBACK
 27 = 2-DOOR CONVERTIBLE
 35 = FWD VAN
 36 = FWD WAGON
 41 = 4-DOOR SEDAN
 44 = 4-DOOR HATCHBACK
 45 = 4-DOOR STATION WAGON
 49 = LIMOUSINE

AR = Use as Required - = Non Illustrated Part P.A.R. = Paint as Required

WIRING--LIFTGATE VC-24
Figure 8-7000

5108 7000

ITEM	PART NUMBER	QTY	BODY	MODEL	DESCRIPTION
1	4304 051				WIRING, Liftgate, up to 10-1-84
	4331 692				Aft. 10-1-84
	4331 691				w/E.B.L. & Rear Wiper



MODEL CODES

B = GRAN FURY	E = 600	M = HORIZON/TURISMO
C = LE BARON/TOWN & COUNTRY/LIMO	F = FIFTH AVENUE/NEWPORT	P = RELIANT
C24 = LASER	G = DIPLOMAT	T = NEW YORKER
C44 = LE BARON/GTS	H = VOYAGER	V = 600
D = ARIES	J = CARAVELLE	V24 = DAYTONA
D44 = LANCER	K = MINI VAN/CARAVAN/ROYAL	Z = OMNI/CHARGER

BODY STYLES

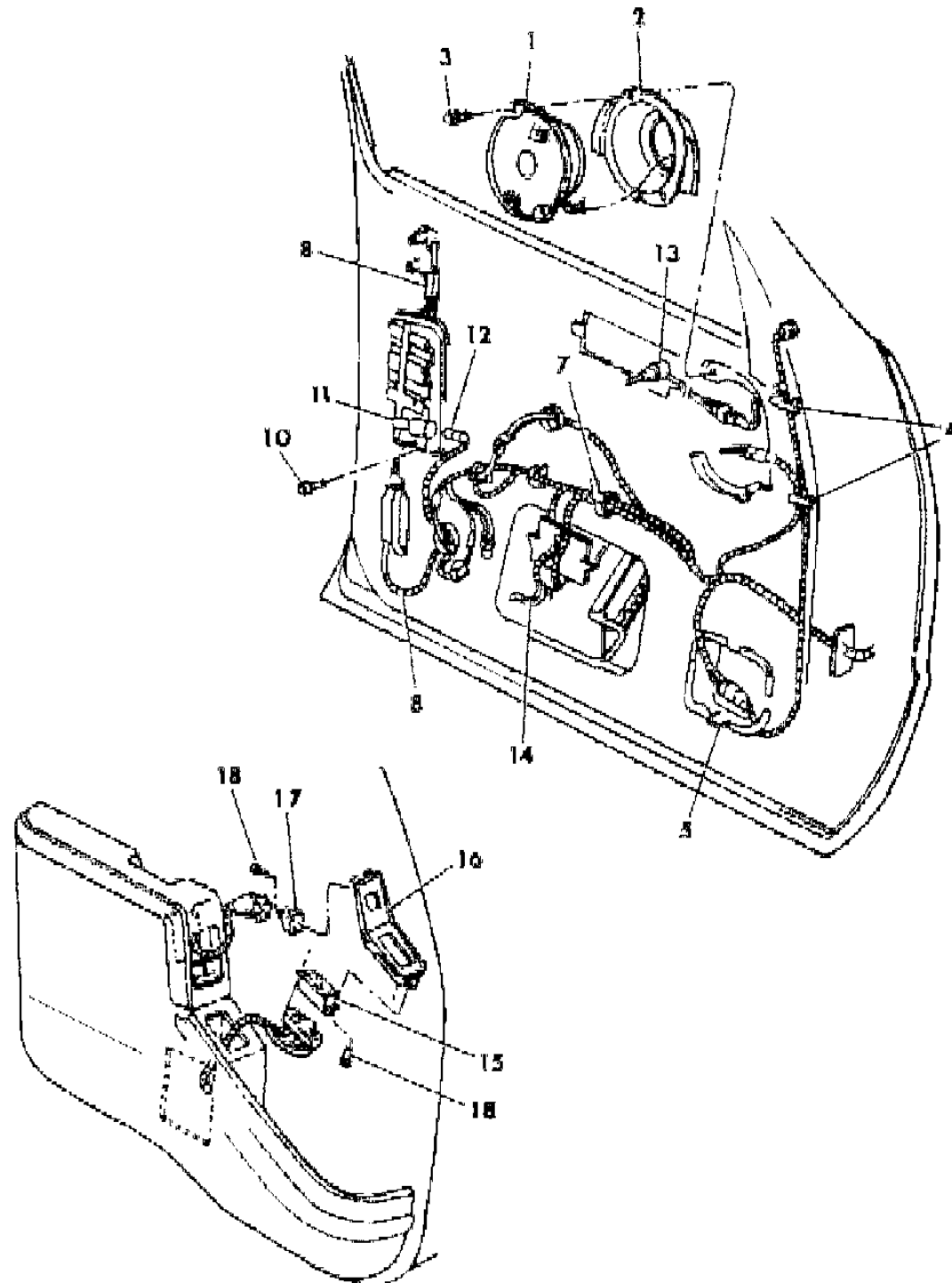
21 = 2-DOOR SEDAN	35 = FWD VAN	44 = 4-DOOR HATCHBACK
22 = 2-DOOR SPECIAL COUPE	36 = FWD WAGON	45 = 4-DOOR STATION WAGON
24 = 2-DOOR HATCHBACK	41 = 4-DOOR SEDAN	49 = LIMOUSINE
27 = 2-DOOR CONVERTIBLE		

AR = Use as Required - = Non Illustrated Part P.A.R. = Paint as Required

WIRING & SWITCHES--FRONT DOOR DC 44

Figure 8-7100

5108 7100



ITEM	PART NUMBER	QTY	BODY	MODEL	DESCRIPTION
1					SPEAKER, Door(See 8A)
2					ADAPTOR, Speaker (See 8A)
3					SCREW, Speaker (Not Serv.)
4	6016 123				CLIP
5	4331 487				CUP, Wiring
6					MOTOR, Elec. Window (See 8A)
7	6015 756				TIE, Wiring
8	4221 729				SWITCH, w/Wiring, Illum. Entry
9	4310 739				SOLENOID, Power Door Lock
10					SCREW, (Not Serv.)
11	4312 880-1				HOUSING, Illum. Entry
12	9431 330				BULB, Illum. Entry
13	4221 617				SWITCH, Elec. Mirror
14					WIRING, DOOR
	4331 808	2			Speaker
	4331 809	2			Speaker And Courtesy Lamp
	4331 811	2			Illum. Entry.
	4331 813	2			Illum. Entry. And Elec. Mirror
	4331 815	2			Illum. Entry. And Door Locks
	4331 817	2			Illum. Entry. And Window Lift
	4331 819	2			Illum. Entry, Door Lock, Elec. Mirror
	4331 821	2			Illum. Entry, Elec. Mirror, Window Lift
	4331 823	2			Door Lock And Window Lift
	4331 825	2			Door Lock, Window Lift, Illum. Entry
15	4221 515				SWITCH, Five Gang
16					BEZEL, w/Finish Plate,Pocket Panel (See 23C)
17	4221 514				SWITCH, Single
18					SCREW, (Not Serv.)

MODEL CODES

B = GRAN FURY	E = 600	M = HORIZON/TURISMO
C = LE BARON/TOWN & COUNTRY/LIMO	F = FIFTH AVENUE/NEWPORT	P = RELIANT
C24 = LASER	G = DIPLOMAT	T = NEW YORKER
C44 = LE BARON/GTS	H = VOYAGER	V = 600
D = ARIES	J = CARAVELLE	V24 = DAYTONA
D44 = LANCER	K = MINI VAN/CARAVAN/ROYAL	Z = OMNI/CHARGER

BODY STYLES

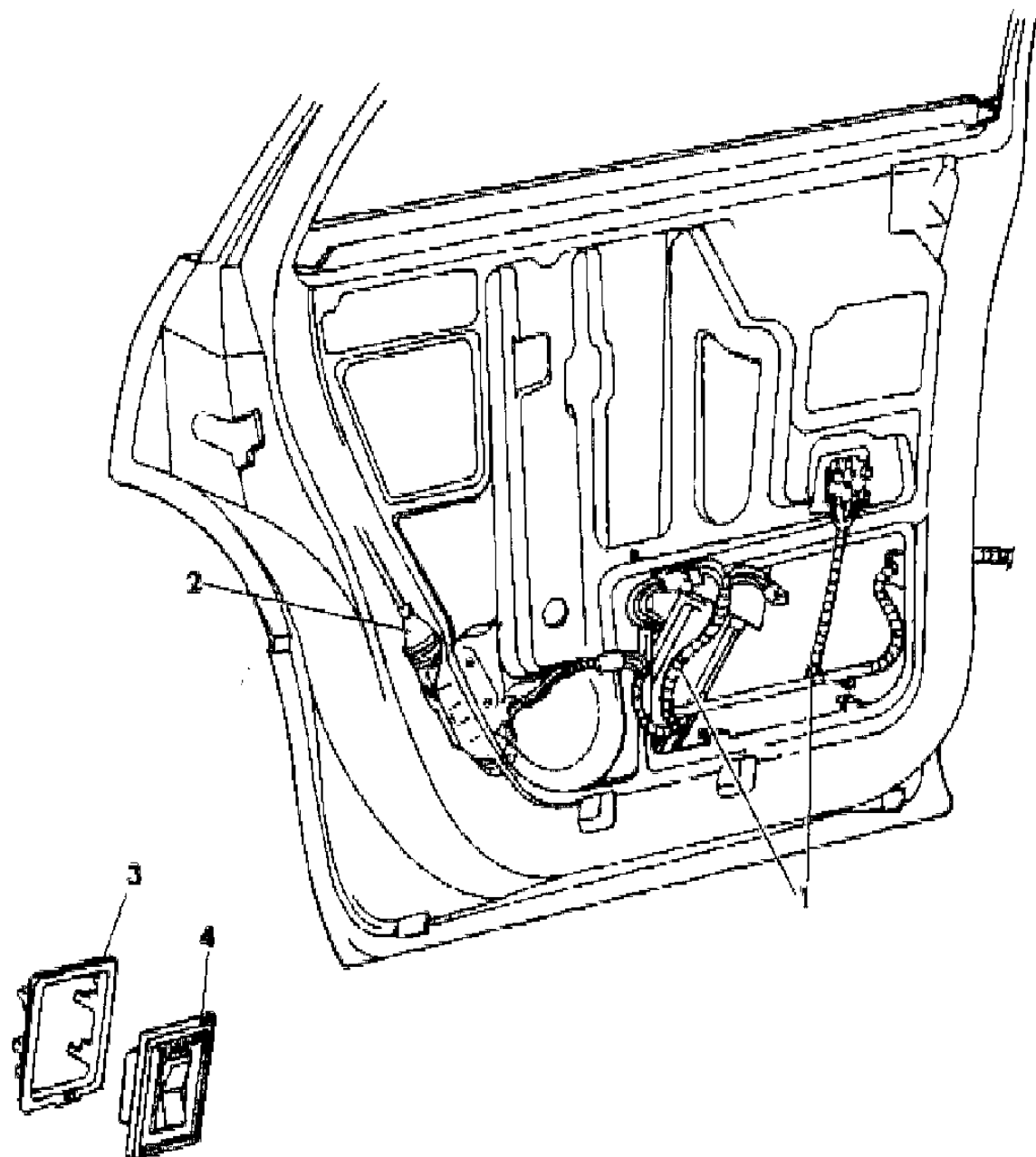
21 = 2-DOOR SEDAN	35 = FWD VAN	44 = 4-DOOR HATCHBACK
22 = 2-DOOR SPECIAL COUPE	36 = FWD WAGON	45 = 4-DOOR STATION WAGON
24 = 2-DOOR HATCHBACK	41 = 4-DOOR SEDAN	49 = LIMOUSINE
27 = 2-DOOR CONVERTIBLE		

AR = Use as Required - = Non Illustrated Part P.A.R. = Paint as Required

WIRING & SWITCHES--REAR DOOR DC 44
Figure 8-7200

5108 7200

ITEM	PART NUMBER	QTY	BODY	MODEL	DESCRIPTION
1					WIRING, DOOR
	4331 201	2			Courtesy Lamp
	4331 203	2			Courtesy Lamp, Door Lock
	4331 224	2			Door Lock, Window Lift
2	4310 739	2			SOLENOID, Power Door Lock
3	4221 517	2			RETAINER, Window Lift Switch
4	4221 638	2			SWITCH, w/Bezel, Window Lift



MODEL CODES

B = GRAN FURY	E = 600	M = HORIZON/TURISMO
C = LE BARON/TOWN & COUNTRY/LIMO	F = FIFTH AVENUE/NEWPORT	P = RELIANT
C24 = LASER	G = DIPLOMAT	T = NEW YORKER
C44 = LE BARON/GTS	H = VOYAGER	V = 600
D = ARIES	J = CARAVELLE	V24 = DAYTONA
D44 = LANCER	K = MINI VAN/CARAVAN/ROYAL	Z = OMNI/CHARGER

BODY STYLES

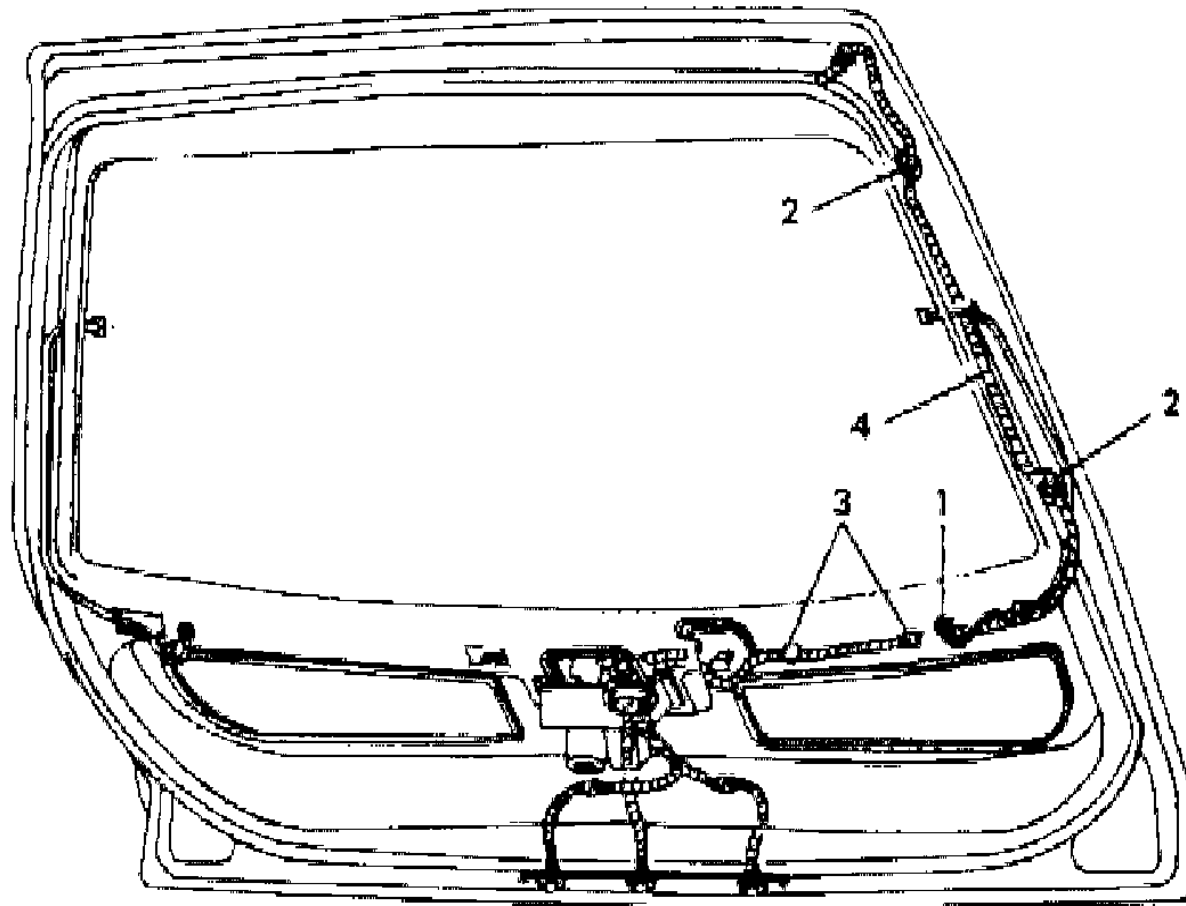
21 = 2-DOOR SEDAN	35 = FWD VAN	44 = 4-DOOR HATCHBACK
22 = 2-DOOR SPECIAL COUPE	36 = FWD WAGON	45 = 4-DOOR STATION WAGON
24 = 2-DOOR HATCHBACK	41 = 4-DOOR SEDAN	49 = LIMOUSINE
27 = 2-DOOR CONVERTIBLE		

AR = Use as Required - = Non Illustrated Part P.A.R. = Paint as Required

WIRING--LIFTGATE DC-44
Figure 8-7300

5108 7300

ITEM	PART NUMBER	QTY	BODY	MODEL	DESCRIPTION
1	6032 114				SCREW
2	4304 560				LINER, Hole
3	6030 441				CLIP, Push
4	4331 619				WIRING, Liftgate Lic. Lamp, w/o E.B.L & RR Washer
	4331 621				Liftgate, w/E.B.L.
	4331 623				Liftgate, w/E.B.L. & RR Washer



MODEL CODES

B = GRAN FURY	E = 600	M = HORIZON/TURISMO
C = LE BARON/TOWN & COUNTRY/LIMO	F = FIFTH AVENUE/NEWPORT	P = RELIANT
C24 = LASER	G = DIPLOMAT	T = NEW YORKER
C44 = LE BARON/GTS	H = VOYAGER	V = 600
D = ARIES	J = CARAVELLE	V24 = DAYTONA
D44 = LANCER	K = MINI VAN/CARAVAN/ROYAL	Z = OMNI/CHARGER

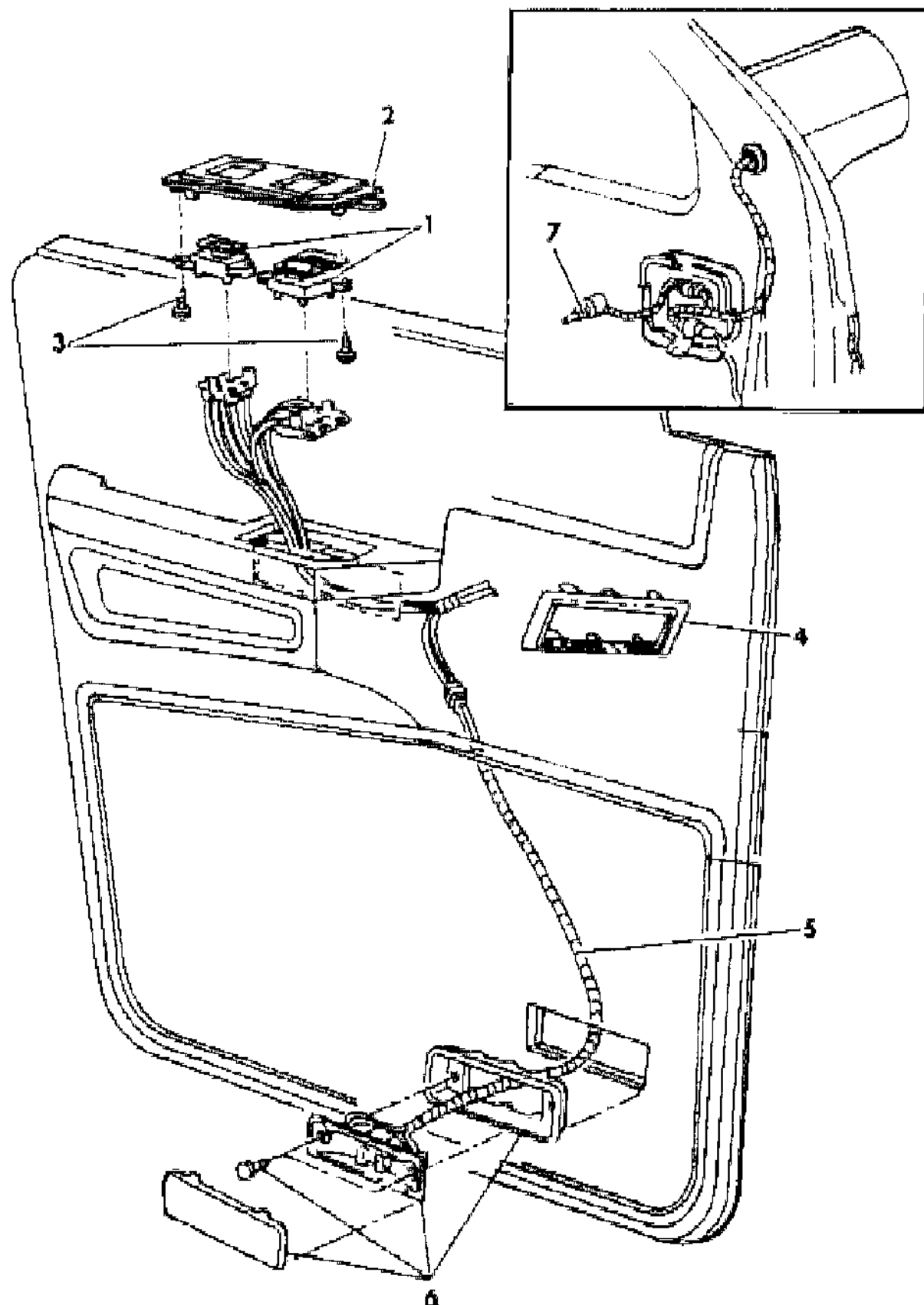
BODY STYLES

21 = 2-DOOR SEDAN	35 = FWD VAN	44 = 4-DOOR HATCHBACK
22 = 2-DOOR SPECIAL COUPE	36 = FWD WAGON	45 = 4-DOOR STATION WAGON
24 = 2-DOOR HATCHBACK	41 = 4-DOOR SEDAN	49 = LIMOUSINE
27 = 2-DOOR CONVERTIBLE		

AR = Use as Required - = Non Illustrated Part P.A.R. = Paint as Required

WIRING & SWITCHES--FRONT DOOR H-K
Figure 8-7400

5108 7400



ITEM	PART NUMBER	QTY	BODY	MODEL	DESCRIPTION
1					SWITCH, Window Lift & Door Lock
	3747 935				Single
	3747 936				Double
2					BEZEL, Window Lift & Door Lock (See 23C)
	4247 211				RETAINER, Armrest Switch Bezel
3					SCREW, (Not Serv.)
4					BEZEL, Remote Control Handle (See 23C)
5					WIRING, Door Courtesy Lamp
	4331 703				Door Lock, Window Lift, Courtesy Lamp
	4331 702				Door Lock, Courtesy Lamp
	4331 705				Door Lock, Courtesy Lamp, Window Lift, Elec. Mirror
	4331 706				Courtesy Lamp, Elec. Mirror
	4331 704				Courtesy Lamp, Elec. Mirror, Door Lock
6					COURTESY LAMP, (See Illus. 4400)
7	4221 768				SWITCH, Elec. Mirror

MODEL CODES

B = GRAN FURY	E = 600	M = HORIZON/TURISMO
C = LE BARON/TOWN & COUNTRY/LIMO	F = FIFTH AVENUE/NEWPORT	P = RELIANT
C24 = LASER	G = DIPLOMAT	T = NEW YORKER
C44 = LE BARON/GTS	H = VOYAGER	V = 600
D = ARIES	J = CARAVELLE	V24 = DAYTONA
D44 = LANCER	K = MINI VAN/CARAVAN/ROYAL	Z = OMNI/CHARGER

BODY STYLES

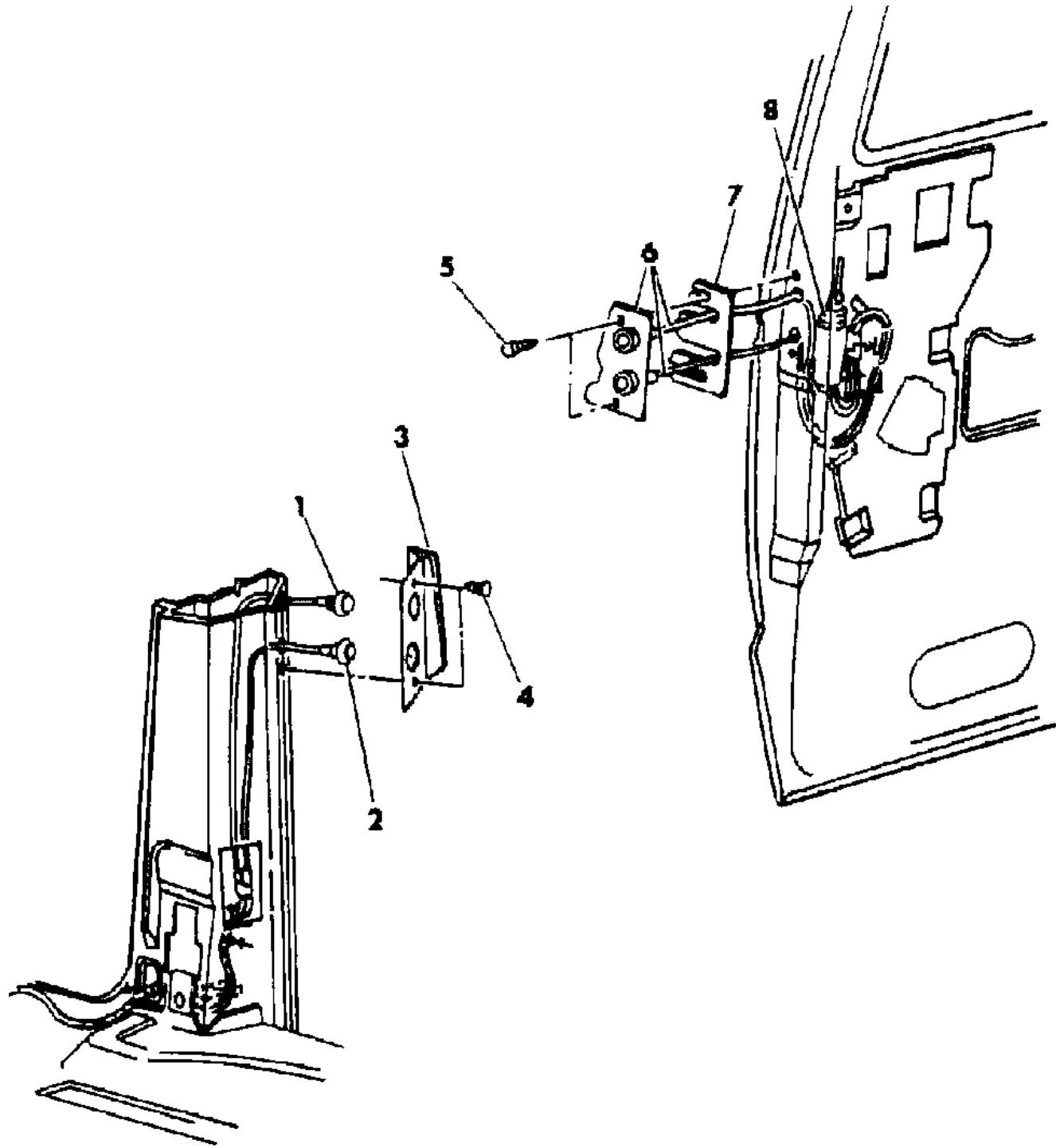
21 = 2-DOOR SEDAN	35 = FWD VAN	44 = 4-DOOR HATCHBACK
22 = 2-DOOR SPECIAL COUPE	36 = FWD WAGON	45 = 4-DOOR STATION WAGON
24 = 2-DOOR HATCHBACK	41 = 4-DOOR SEDAN	49 = LIMOUSINE
27 = 2-DOOR CONVERTIBLE		

AR = Use as Required - = Non Illustrated Part P.A.R. = Paint as Required

WIRING & SWITCHES--SLIDING DOOR H-K
Figure 8-7500

5108 7500

ITEM	PART NUMBER	QTY	BODY	MODEL	DESCRIPTION
1	4304 543	1			WIRING, Door Unlock
2	4304 542	1			WIRING, Door Lock
3	4304 584	1			COVER, Door Lock
4		2			SCREW, (Not Serv.)
5		2			SCREW, (Not Serv.)
6	4304 541	1			WIRING, (Door Lock)
7					SHIM, Contact Base (Not Serv.)
8	4310 739	1			SOLENOID, Power Door Lock



MODEL CODES

B = GRAN FURY	E = 600	M = HORIZON/TURISMO
C = LE BARON/TOWN & COUNTRY/LIMO	F = FIFTH AVENUE/NEWPORT	P = RELIANT
C24 = LASER	G = DIPLOMAT	T = NEW YORKER
C44 = LE BARON/GTS	H = VOYAGER	V = 600
D = ARIES	J = CARAVELLE	V24 = DAYTONA
D44 = LANCER	K = MINI VAN/CARAVAN/ROYAL	Z = OMNI/CHARGER

BODY STYLES

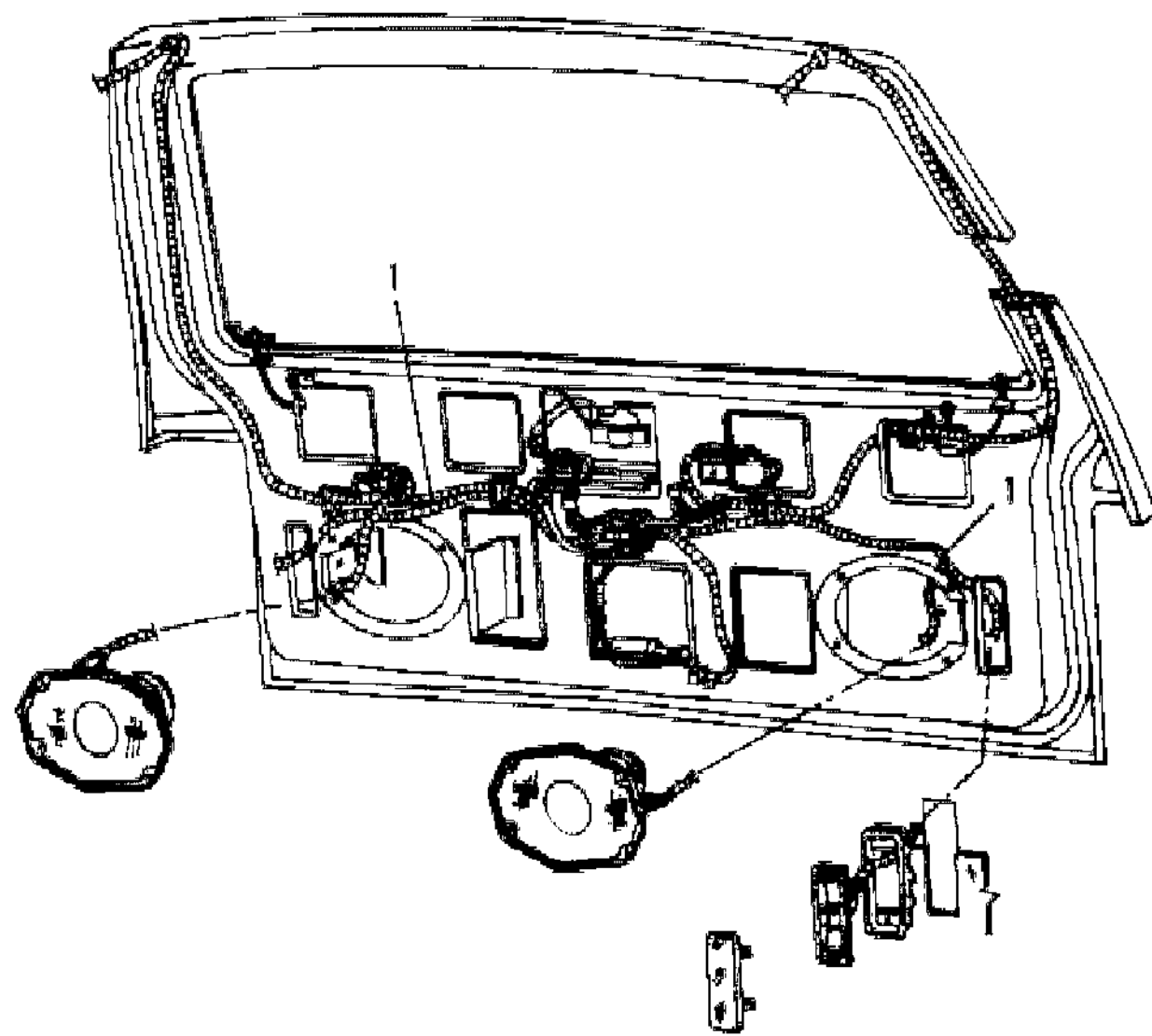
21 = 2-DOOR SEDAN	35 = FWD VAN	44 = 4-DOOR HATCHBACK
22 = 2-DOOR SPECIAL COUPE	36 = FWD WAGON	45 = 4-DOOR STATION WAGON
24 = 2-DOOR HATCHBACK	41 = 4-DOOR SEDAN	49 = LIMOUSINE
27 = 2-DOOR CONVERTIBLE		

AR = Use as Required - = Non Illustrated Part P.A.R. = Paint as Required

WIRING--LIFTGATE HK
Figure 8-7600

5108 7600

ITEM	PART NUMBER	QTY	BODY	MODEL	DESCRIPTION
1	4304 264				WIRING, Liftgate Wiper (Rt.)
	4304 266				Liftgate Release,(Rt.)
	4304 265				(Lt.)
	4304 267				Liftgate Release & E.B.L. (Lt.)
	4304 268				Liftgate Release & Wipe (Rt.)
	4304 269				Liftgate Courtesy Lamp (Lt.)
	4304 270				Liftgate Release, Wiper & Speaker (Rt.)
	4304 272				Liftgate Speaker (Rt.)
	4304 273				Liftgate Courtesy Lamp & Speakers
	4304 290				Liftgate Heated Rear Window Pigtail Grd. (Rt.)
	4304 291				Liftgate Heated Rear Window Pigtail Feed



MODEL CODES
 B = GRAN FURY
 C = LE BARON/TOWN & COUNTRY/LIMO
 C24 = LASER
 C44 = LE BARON/GTS
 D = ARIES
 D44 = LANCER
 E = 600
 F = FIFTH AVENUE/NEWPORT
 G = DIPLOMAT
 H = VOYAGER
 J = CARAVELLE
 K = MINI VAN/CARAVAN/ROYAL
 M = HORIZON/TURISMO
 P = RELIANT
 T = NEW YORKER
 V = 600
 V24 = DAYTONA
 Z = OMNI/CHARGER

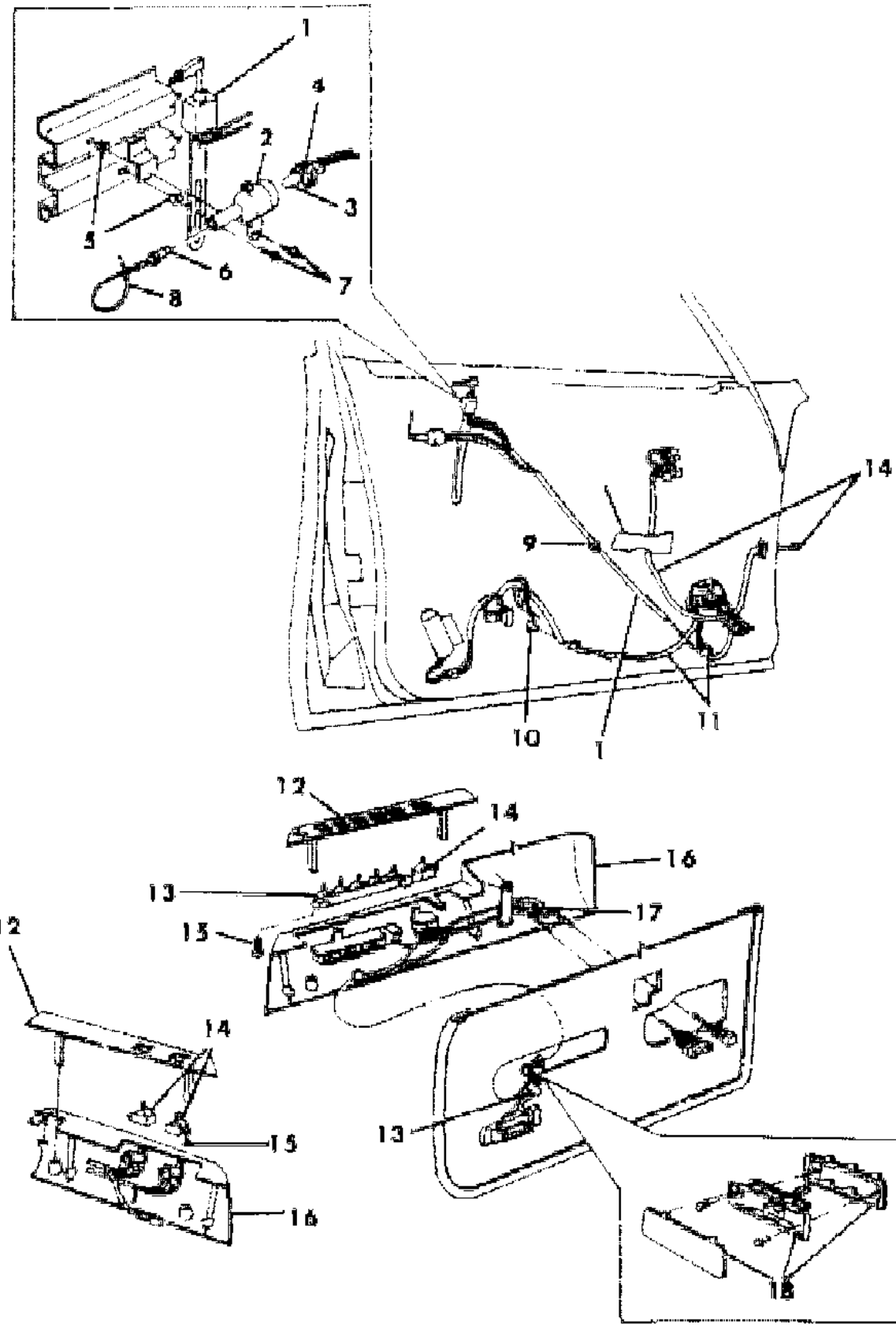
BODY STYLES
 21 = 2-DOOR SEDAN
 22 = 2-DOOR SPECIAL COUPE
 24 = 2-DOOR HATCHBACK
 27 = 2-DOOR CONVERTIBLE
 35 = FWD VAN
 36 = FWD WAGON
 41 = 4-DOOR SEDAN
 44 = 4-DOOR HATCHBACK
 45 = 4-DOOR STATION WAGON
 49 = LIMOUSINE

AR = Use as Required - = Non Illustrated Part P.A.R. = Paint as Required

WIRING & SWITCHES--FRONT DOOR B-F-G
Figure 8-7700

5108 7700

ITEM	PART NUMBER	QTY	BODY	MODEL	DESCRIPTION
1	3747 819	2			SWITCH, w/Wiring, Illum. Entry
2	3591 894	2			HOUSING, Lamp
3	9415 969	2			BULB
4	3513 686	2			SOCKET
5	6031 234	AR			NUT, Switch Mounting
6		AR			CLIP, (Not Serv.)
7		AR			SCREW, (Not Serv.)
8	4172 675	AR			CABLE
9		AR			CLIP, (Not Serv.)
10		AR			RETAINER, (Not Serv.)
11					WIRING, Front Door
	4274 172				Illum. Entry & Courtesy Lamp
	4209 971				Pwr. Windows, Illum. Entry, w/ or w/o Pwr. Door Locks
	4274 342-3				Power Windows, Door Locks
	4274 340-1				Door Locks
12					BEZEL, Finish Plate, Armrest (See 23C)
13	4131 377				SWITCH, Five Gang
14	4131 376				SWITCH, Single
15					SCREW, (Not Serv.)
16					ARMREST, (See IT Section)
17					CLIP, (Not Serv.)
18					LAMP, Courtesy (See Illus. 4700)



MODEL CODES

B = GRAN FURY	E = 600	M = HORIZON/TURISMO
C = LE BARON/TOWN & COUNTRY/LIMO	F = FIFTH AVENUE/NEWPORT	P = RELIANT
C24 = LASER	G = DIPLOMAT	T = NEW YORKER
C44 = LE BARON/GTS	H = VOYAGER	V = 600
D = ARIES	J = CARAVELLE	V24 = DAYTONA
D44 = LANCER	K = MINI VAN/CARAVAN/ROYAL	Z = OMNI/CHARGER

BODY STYLES

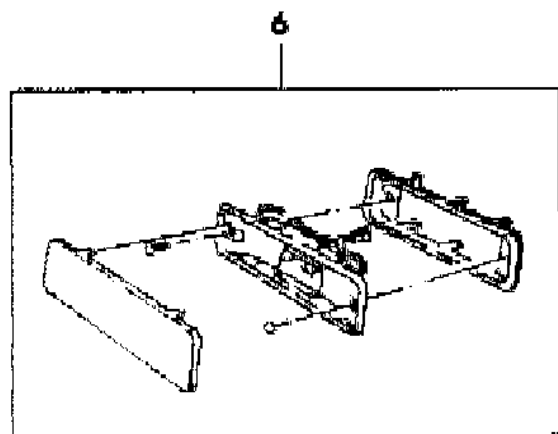
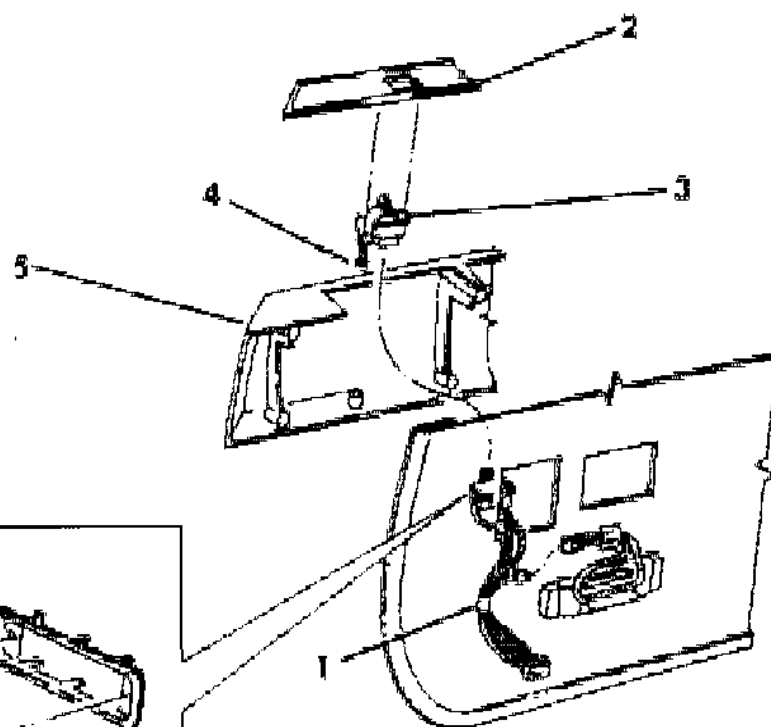
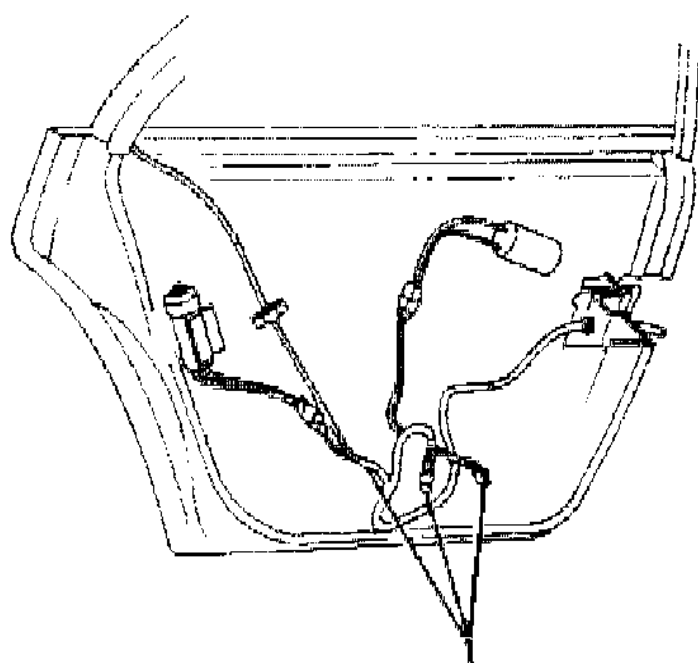
21 = 2-DOOR SEDAN	35 = FWD VAN	44 = 4-DOOR HATCHBACK
22 = 2-DOOR SPECIAL COUPE	36 = FWD WAGON	45 = 4-DOOR STATION WAGON
24 = 2-DOOR HATCHBACK	41 = 4-DOOR SEDAN	49 = LIMOUSINE
27 = 2-DOOR CONVERTIBLE		

AR = Use as Required - = Non Illustrated Part P.A.R. = Paint as Required

WIRING & SWITCHES--REAR DOOR B-F-G
Figure 8-7800

5108 7800

ITEM	PART NUMBER	QTY	BODY	MODEL	DESCRIPTION
1					WIRING, Door
	4304 888	2			Opera Lamp
	4304 886	2			Power Locks, Courtesy Lamp
	4304 887	2			Power Locks, Power Windows
	4304 885	2			Power Windows, Courtesy Lamps
	4304 884	2			Courtesy Lamps
	4274 345	2			Power Windows
2		1			BEZEL, Armrest (See 23C)
3	4131 376	2			SWITCH, Single
4		AR			SCREW, (Not Serv.)
5					ARMREST, (See 23IT)
6					LAMP, Courtesy (See 4700)



MODEL CODES

B = GRAN FURY	E = 600	M = HORIZON/TURISMO
C = LE BARON/TOWN & COUNTRY/LIMO	F = FIFTH AVENUE/NEWPORT	P = RELIANT
C24 = LASER	G = DIPLOMAT	T = NEW YORKER
C44 = LE BARON/GTS	H = VOYAGER	V = 600
D = ARIES	J = CARAVELLE	V24 = DAYTONA
D44 = LANCER	K = MINI VAN/CARAVAN/ROYAL	Z = OMNI/CHARGER

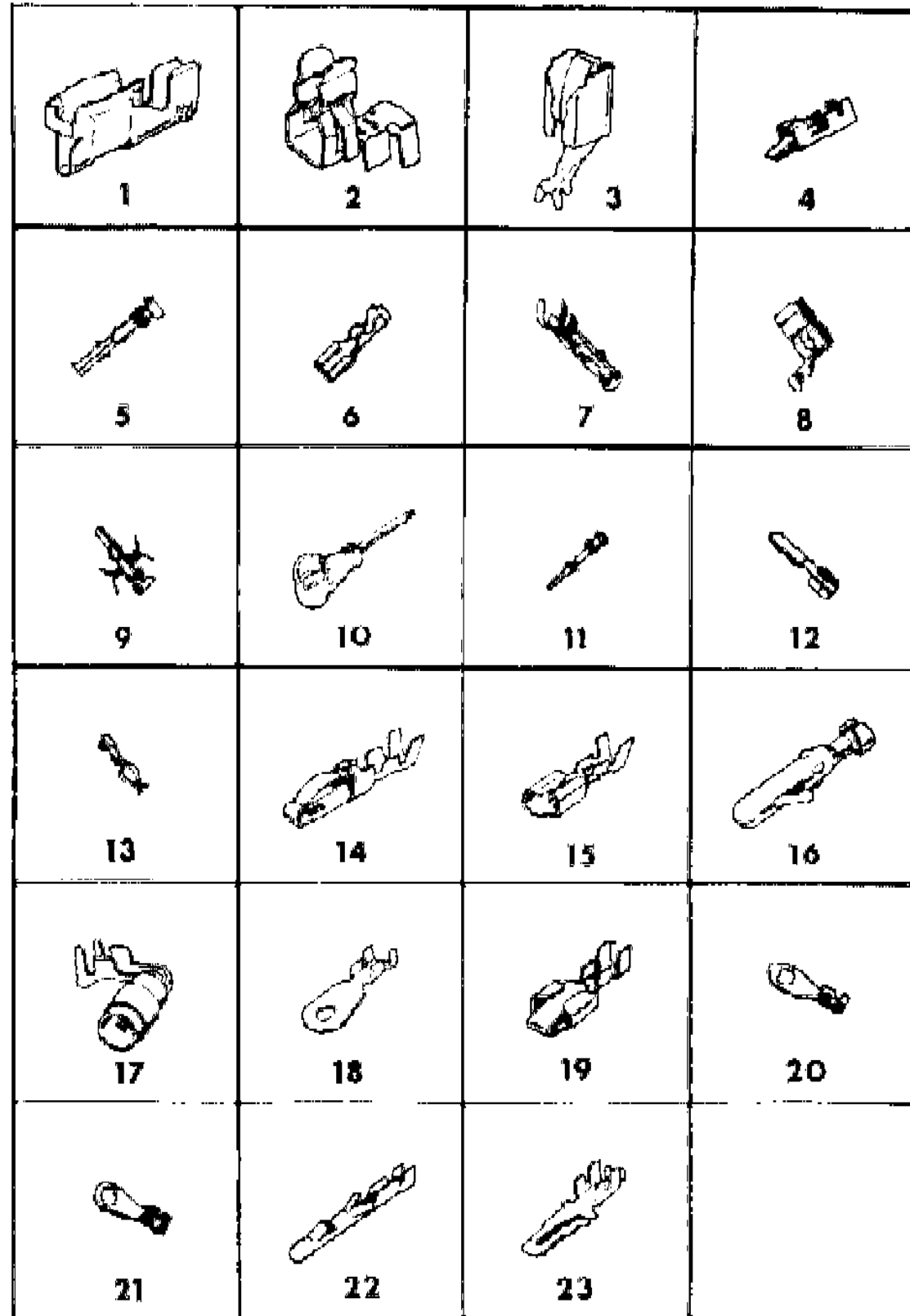
BODY STYLES

21 = 2-DOOR SEDAN	35 = FWD VAN	44 = 4-DOOR HATCHBACK
22 = 2-DOOR SPECIAL COUPE	36 = FWD WAGON	45 = 4-DOOR STATION WAGON
24 = 2-DOOR HATCHBACK	41 = 4-DOOR SEDAN	49 = LIMOUSINE
27 = 2-DOOR CONVERTIBLE		

AR = Use as Required - = Non Illustrated Part P.A.R. = Paint as Required

TERMINAL CHART
Figure 8-7900

5108 7900



ITEM	PART NUMBER	QTY	BODY	MODEL	DESCRIPTION
1	3513 613				TERMINAL
2	3591 596				TERMINAL
3	3764 607				TERMINAL
4	2496 532				TERMINAL
5	2983 410				TERMINAL
6	2580 061				TERMINAL
7	3513 544				TERMINAL
8	2926 722				TERMINAL
9	2983 411				TERMINAL
10	3588 946				TERMINAL
11	2983 409				TERMINAL
12	2983 412				TERMINAL
13	3513 586				TERMINAL
14	3764 556				TERMINAL
15	3764 570				TERMINAL
16	3513 543				TERMINAL
17	3843 577				TERMINAL
18					
19	3588 819				TERMINAL
20	3513 637				TERMINAL
21	3438 709				TERMINAL
22	3513 756				TERMINAL
23	3513 692				TERMINAL

MODEL CODES

B = GRAN FURY	E = 600	M = HORIZON/TURISMO
C = LE BARON/TOWN & COUNTRY/LIMO	F = FIFTH AVENUE/NEWPORT	P = RELIANT
C24 = LASER	G = DIPLOMAT	T = NEW YORKER
C44 = LE BARON/GTS	H = VOYAGER	V = 600
D = ARIES	J = CARAVELLE	V24 = DAYTONA
D44 = LANCER	K = MINI VAN/CARAVAN/ROYAL	Z = OMNI/CHARGER

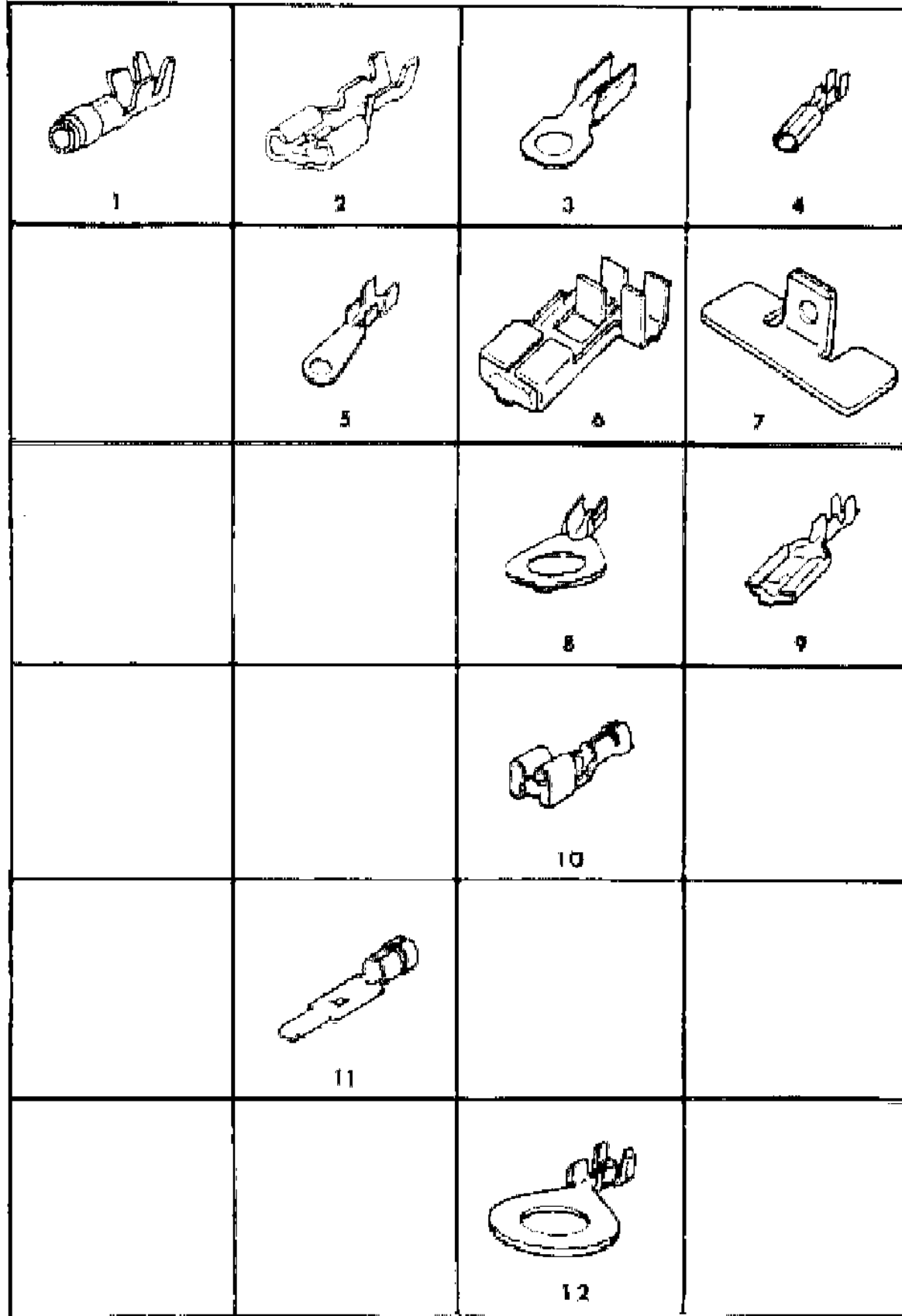
BODY STYLES

21 = 2-DOOR SEDAN	35 = FWD VAN	44 = 4-DOOR HATCHBACK
22 = 2-DOOR SPECIAL COUPE	36 = FWD WAGON	45 = 4-DOOR STATION WAGON
24 = 2-DOOR HATCHBACK	41 = 4-DOOR SEDAN	49 = LIMOUSINE
27 = 2-DOOR CONVERTIBLE		

AR = Use as Required - = Non Illustrated Part P.A.R. = Paint as Required

TERMINAL CHART
Figure 8-7900

5108 8000



ITEM	PART NUMBER	QTY	BODY	MODEL	DESCRIPTION
1	3843 576				TERMINAL
2	#3843 935				TERMINAL
3	2197 947				TERMINAL
4	2983 410				TERMINAL
5	2290 069				TERMINAL
6	4055 468				TERMINAL
7	4055 775				TERMINAL
8	5211 602				TERMINAL
9	1704 562				TERMINAL
10	3843 601				TERMINAL
11	3843 386				TERMINAL
12	5211 599				TERMINAL

MODEL CODES

B = GRAN FURY	E = 600	M = HORIZON/TURISMO
C = LE BARON/TOWN & COUNTRY/LIMO	F = FIFTH AVENUE/NEWPORT	P = RELIANT
C24 = LASER	G = DIPLOMAT	T = NEW YORKER
C44 = LE BARON/GTS	H = VOYAGER	V = 600
D = ARIES	J = CARAVELLE	V24 = DAYTONA
D44 = LANCER	K = MINI VAN/CARAVAN/ROYAL	Z = OMNI/CHARGER

BODY STYLES

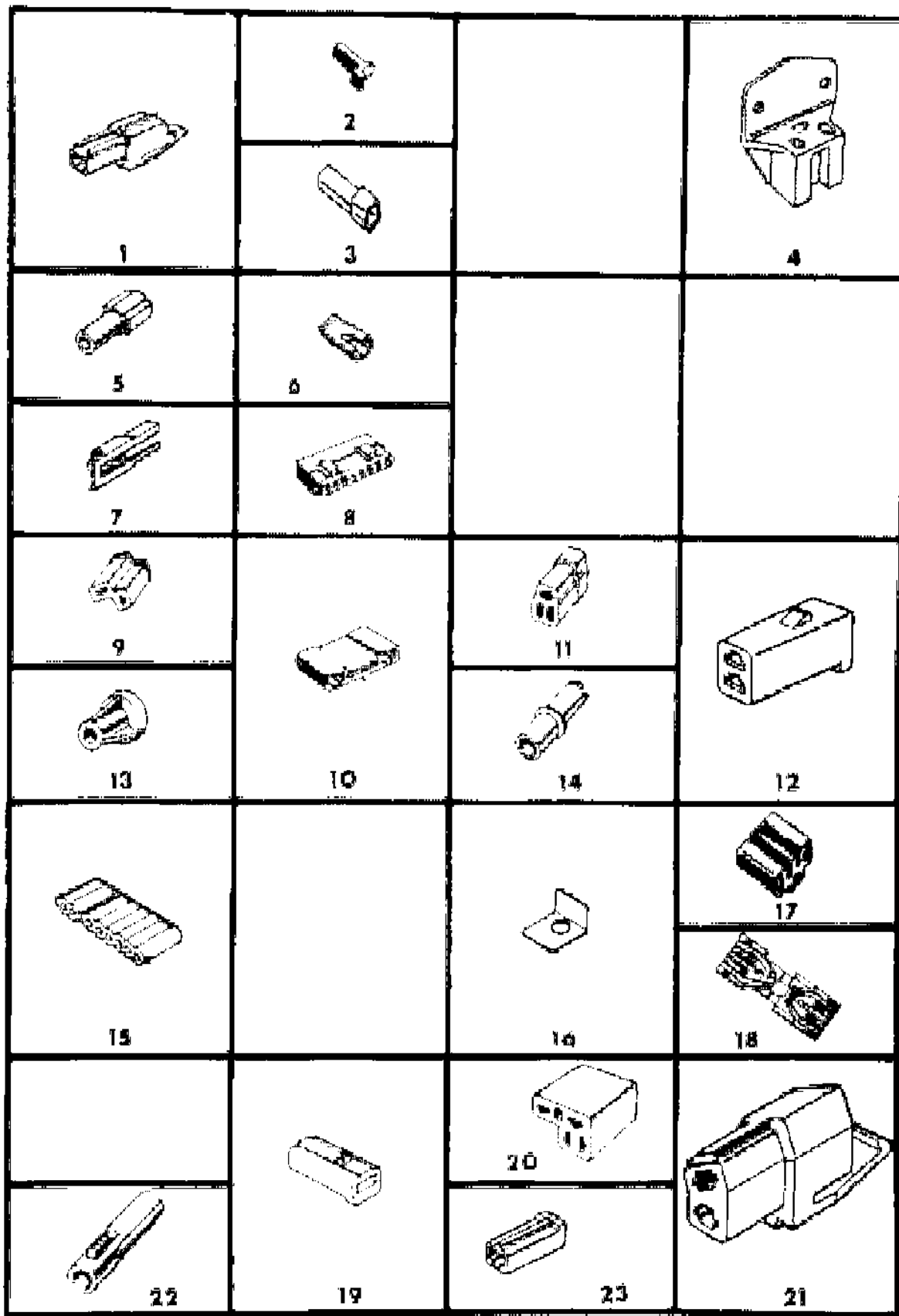
21 = 2-DOOR SEDAN	35 = FWD VAN	44 = 4-DOOR HATCHBACK
22 = 2-DOOR SPECIAL COUPE	36 = FWD WAGON	45 = 4-DOOR STATION WAGON
24 = 2-DOOR HATCHBACK	41 = 4-DOOR SEDAN	49 = LIMOUSINE
27 = 2-DOOR CONVERTIBLE		

AR = Use as Required - = Non Illustrated Part P.A.R. = Paint as Required

INSULATOR CHART

Figure 8-8100

5108 8100



ITEM	PART NUMBER	QTY	BODY	MODEL	DESCRIPTION
1	3764 945				INSULATOR
2	2497 701				INSULATOR
3	4124 235				INSULATOR
4	3513 696				INSULATOR
5	3513 346				INSULATOR
6	3588 518				INSULATOR
7	3764 856				INSULATOR
8	2983 403				INSULATOR
9	3588 523				INSULATOR
10	3588 399				INSULATOR
11	3588 522				INSULATOR
12	3764 263				INSULATOR
13	3764 325				INSULATOR
14	3588 781				INSULATOR
15	3730 649				INSULATOR
16	3730 587				INSULATOR
17	2857 754				INSULATOR
18	3513 665				INSULATOR
19	3764 857				INSULATOR
20	2889 432				INSULATOR
21	3764 943				INSULATOR
22	3513 345				INSULATOR
23	3764 946				INSULATOR

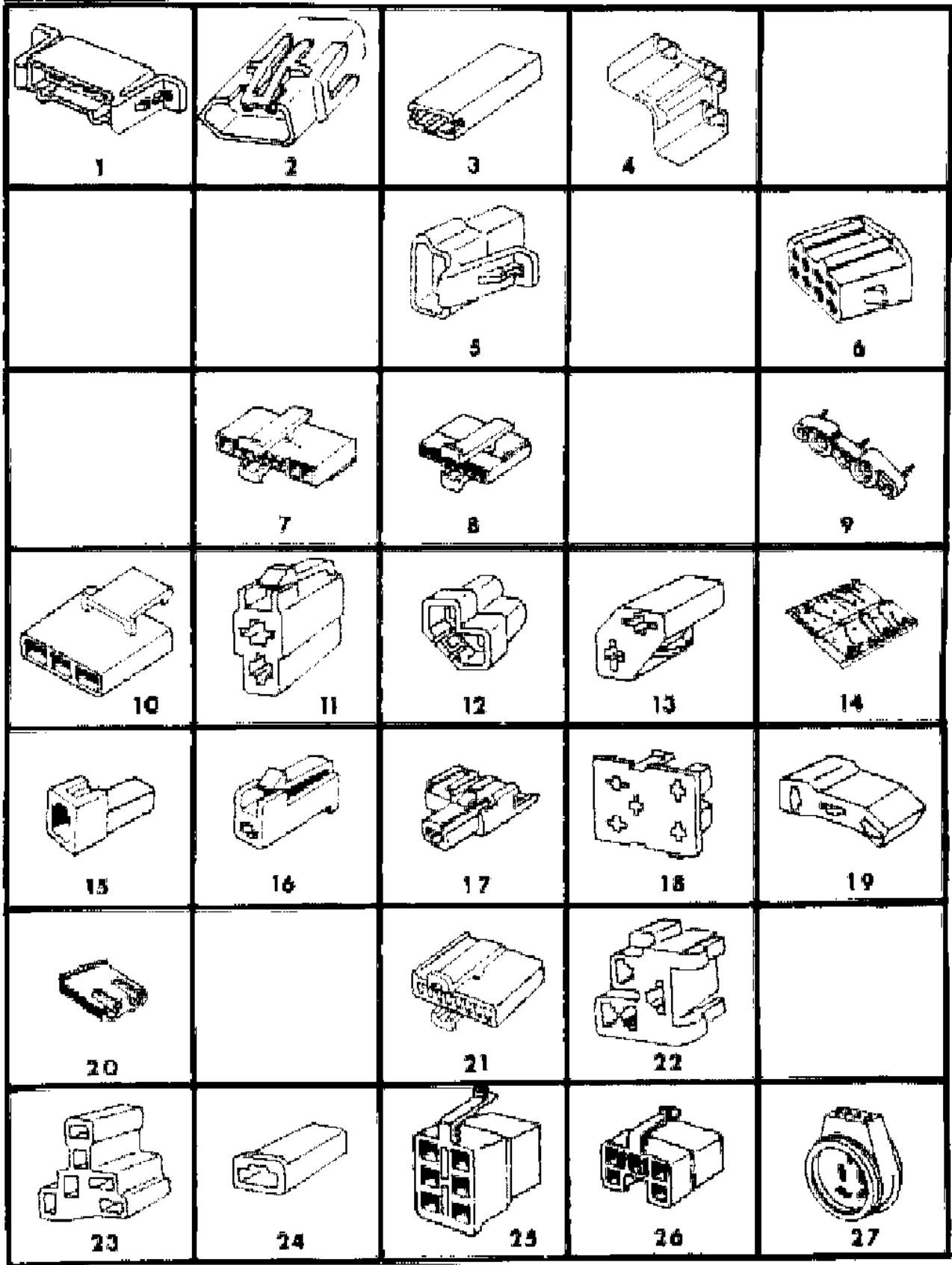
MODEL CODES
 B = GRAN FURY
 C = LE BARON/TOWN & COUNTRY/LIMO
 C24 = LASER
 C44 = LE BARON/GTS
 D = ARIES
 D44 = LANCER
 E = 600
 F = FIFTH AVENUE/NEWPORT
 G = DIPLOMAT
 H = VOYAGER
 J = CARAVELLE
 K = MINI VAN/CARAVAN/ROYAL
 M = HORIZON/TURISMO
 P = RELIANT
 T = NEW YORKER
 V = 600
 V24 = DAYTONA
 Z = OMNI/CHARGER

BODY STYLES
 21 = 2-DOOR SEDAN
 22 = 2-DOOR SPECIAL COUPE
 24 = 2-DOOR HATCHBACK
 27 = 2-DOOR CONVERTIBLE
 35 = FWD VAN
 36 = FWD WAGON
 41 = 4-DOOR SEDAN
 44 = 4-DOOR HATCHBACK
 45 = 4-DOOR STATION WAGON
 49 = LIMOUSINE

AR = Use as Required - = Non Illustrated Part P.A.R. = Paint as Required

INSULATOR CHART
Figure 8-8100

5108 B200



ITEM	PART NUMBER	QTY	BODY	MODEL	DESCRIPTION
1	3843 413				INSULATOR
3	#3843 895				INSULATOR
4	4055 589				INSULATOR
5	4055 005				INSULATOR
6	4055 047				INSULATOR
7	3764 557				INSULATOR
8	3764 572				INSULATOR
9	3755 625				INSULATOR
10					
11	4055 019				INSULATOR
12	4055 020				INSULATOR
13	4055 021				INSULATOR
14	3513 664				INSULATOR
15	4274 267				INSULATOR
16	3843 754				INSULATOR
17	3588 520				INSULATOR
18	4055 026				INSULATOR
19	4055 148				INSULATOR
20	3588 517				INSULATOR
21	4055 582				INSULATOR
22	4055 311				INSULATOR
23	#4055 384				INSULATOR
24	4055 395				INSULATOR
25	5211 546				INSULATOR
26	5211 545				INSULATOR
27	4055 680				INSULATOR

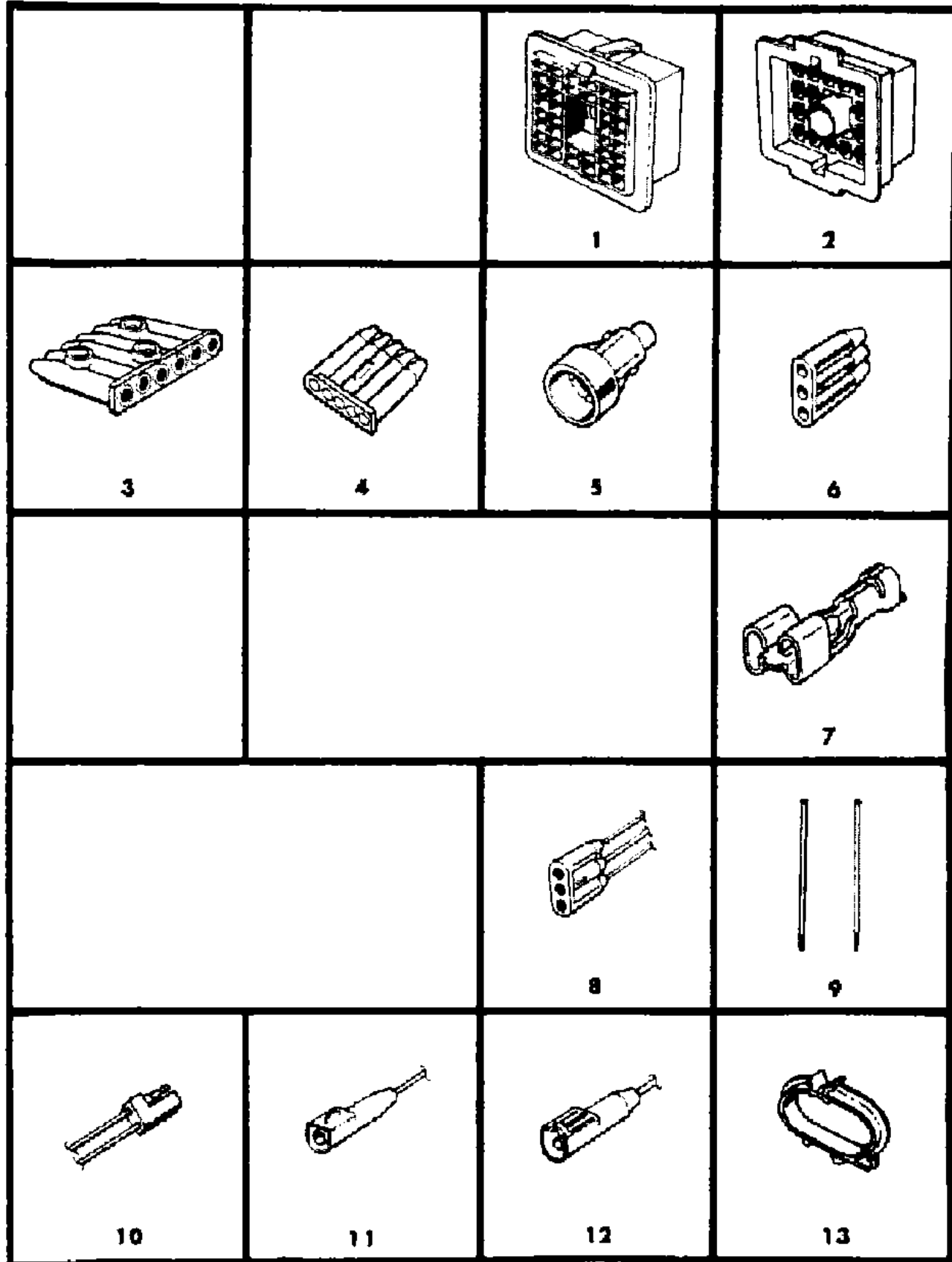
MODEL CODES
 B = GRAN FURY
 C = LE BARON/TOWN & COUNTRY/LIMO
 C24 = LASER
 C44 = LE BARON/GTS
 D = ARIES
 D44 = LANCER
 E = 600
 F = FIFTH AVENUE/NEWPORT
 G = DIPLOMAT
 H = VOYAGER
 J = CARAVELLE
 K = MINI VAN/CARAVAN/ROYAL
 M = HORIZON/TURISMO
 P = RELIANT
 T = NEW YORKER
 V = 600
 V24 = DAYTONA
 Z = OMNI/CHARGER

BODY STYLES
 21 = 2-DOOR SEDAN
 22 = 2-DOOR SPECIAL COUPE
 24 = 2-DOOR HATCHBACK
 27 = 2-DOOR CONVERTIBLE
 35 = FWD VAN
 36 = FWD WAGON
 41 = 4-DOOR SEDAN
 44 = 4-DOOR HATCHBACK
 45 = 4-DOOR STATION WAGON
 49 = LIMOUSINE

AR = Use as Required - = Non Illustrated Part P.A.R. = Paint as Required

RETAINERS, CONNECTORS, PLUGS, SLEEVES AND PARTS CHART
Figure 8-8300

5108 8300



ITEM	PART NUMBER	QTY	BODY	MODEL	DESCRIPTION
1	4055 401				CONNECTOR,(FEMALE 40 WAY)
2	4055 405				CONNECTOR,(MALE 40 WAY)
3	4209 978				MOLD,(6 Way) Repair Esa & Efm (w/Bar)
	4209 977				MOLD,(6 Way) Repair Esa & Efm (w/Tab)
4	#4055 466				MOLD, w/Tab (Electronic Spark Advance Repair)
	4055 467				MOLD, w/Bar (Electronic Spark Advance Repair)
5	3843 398				CONNECTOR
6	3843 399				CONNECTOR
7	3843 601				TERMINAL
8	3843 428				CONNECTOR
9	2945 704				TY STRIP
10	3588 743				CONNECTOR
11	3843 427				CONNECTOR,(FEMALE)
12	3843 426				CONNECTOR,(MALE)
13	6016 046				CLIP

MODEL CODES

B = GRAN FURY	E = 600	M = HORIZON/TURISMO
C = LE BARON/TOWN & COUNTRY/LIMO	F = FIFTH AVENUE/NEWPORT	P = RELIANT
C24 = LASER	G = DIPLOMAT	T = NEW YORKER
C44 = LE BARON/GTS	H = VOYAGER	V = 600
D = ARIES	J = CARAVELLE	V24 = DAYTONA
D44 = LANCER	K = MINI VAN/CARAVAN/ROYAL	Z = OMNI/CHARGER

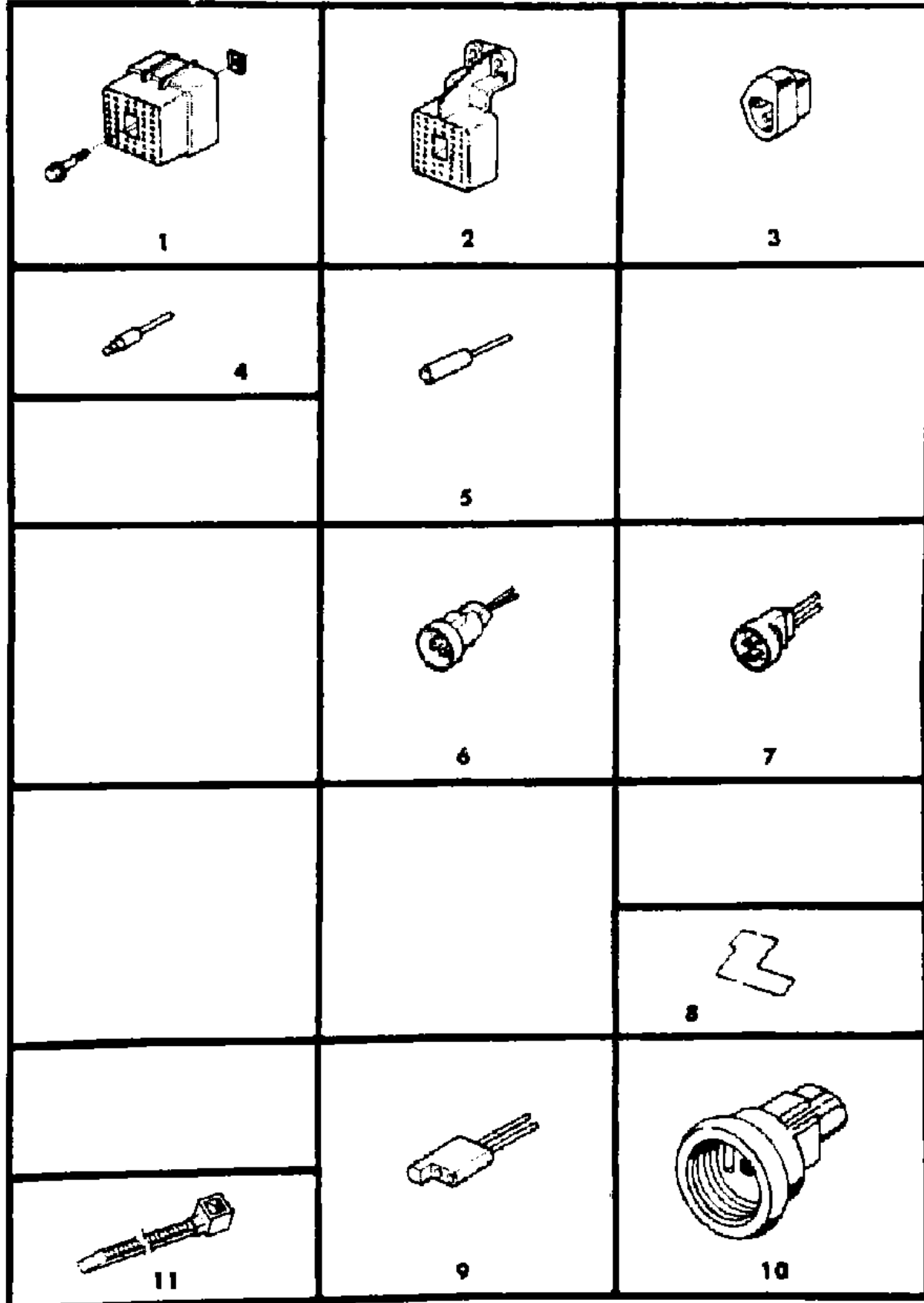
BODY STYLES

21 = 2-DOOR SEDAN	35 = FWD VAN	44 = 4-DOOR HATCHBACK
22 = 2-DOOR SPECIAL COUPE	36 = FWD WAGON	45 = 4-DOOR STATION WAGON
24 = 2-DOOR HATCHBACK	41 = 4-DOOR SEDAN	49 = LIMOUSINE
27 = 2-DOOR CONVERTIBLE		

AR = Use as Required - = Non Illustrated Part P.A.R. = Paint as Required

RETAINERS, CONNECTORS, PLUGS AND SLEEVES CHART
Figure 8-8400

51088400



ITEM	PART NUMBER	QTY	BODY	MODEL	DESCRIPTION
1	3843 606				DISCONNECT,(MALE 40 WAY)
2	3843 608				DISCONNECT,(FEMALE 40 WAY)
3	3843 397				CONNECTOR,(v/Reg.)
4	3843 922				CONNECTOR,(MALE)
5	3843 923				CONNECTOR,(FEMALE)
6	3843 945				MOLD
7	3843 430				MOLD
8	4055 335				CONNECTOR
9	3843 949				MOLD, Dist.
10	5211 620				MOLD
11	4124 807				MOLD,Detonation Sensor

MODEL CODES

B = GRAN FURY	E = 600	M = HORIZON/TURISMO
C = LE BARON/TOWN & COUNTRY/LIMO	F = FIFTH AVENUE/NEWPORT	P = RELIANT
C24 = LASER	G = DIPLOMAT	T = NEW YORKER
C44 = LE BARON/GTS	H = VOYAGER	V = 600
D = ARIES	J = CARAVELLE	V24 = DAYTONA
D44 = LANCER	K = MINI VAN/CARAVAN/ROYAL	Z = OMNI/CHARGER

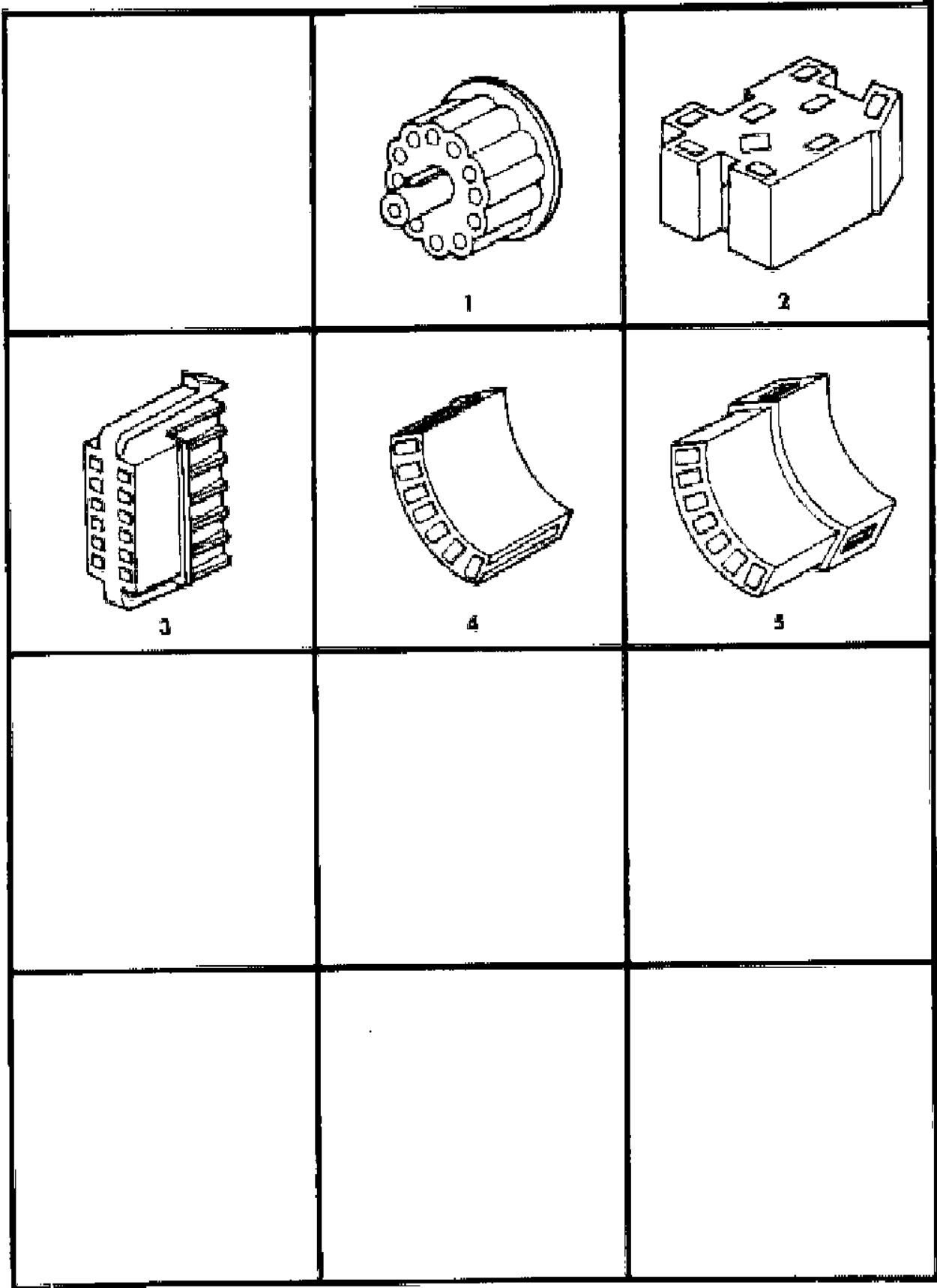
BODY STYLES

21 = 2-DOOR SEDAN	35 = FWD VAN	44 = 4-DOOR HATCHBACK
22 = 2-DOOR SPECIAL COUPE	36 = FWD WAGON	45 = 4-DOOR STATION WAGON
24 = 2-DOOR HATCHBACK	41 = 4-DOOR SEDAN	49 = LIMOUSINE
27 = 2-DOOR CONVERTIBLE		

AR = Use as Required - = Non Illustrated Part P.A.R. = Paint as Required

INSULATOR CHART
Figure 8-8100

5108 B500



ITEM	PART NUMBER	QTY	BODY	MODEL	DESCRIPTION
1	3635 477				INSULATOR
2	3843 141				INSULATOR
3	3843 001				INSULATOR
4	4055 023				INSULATOR
5	4055 022				INSULATOR

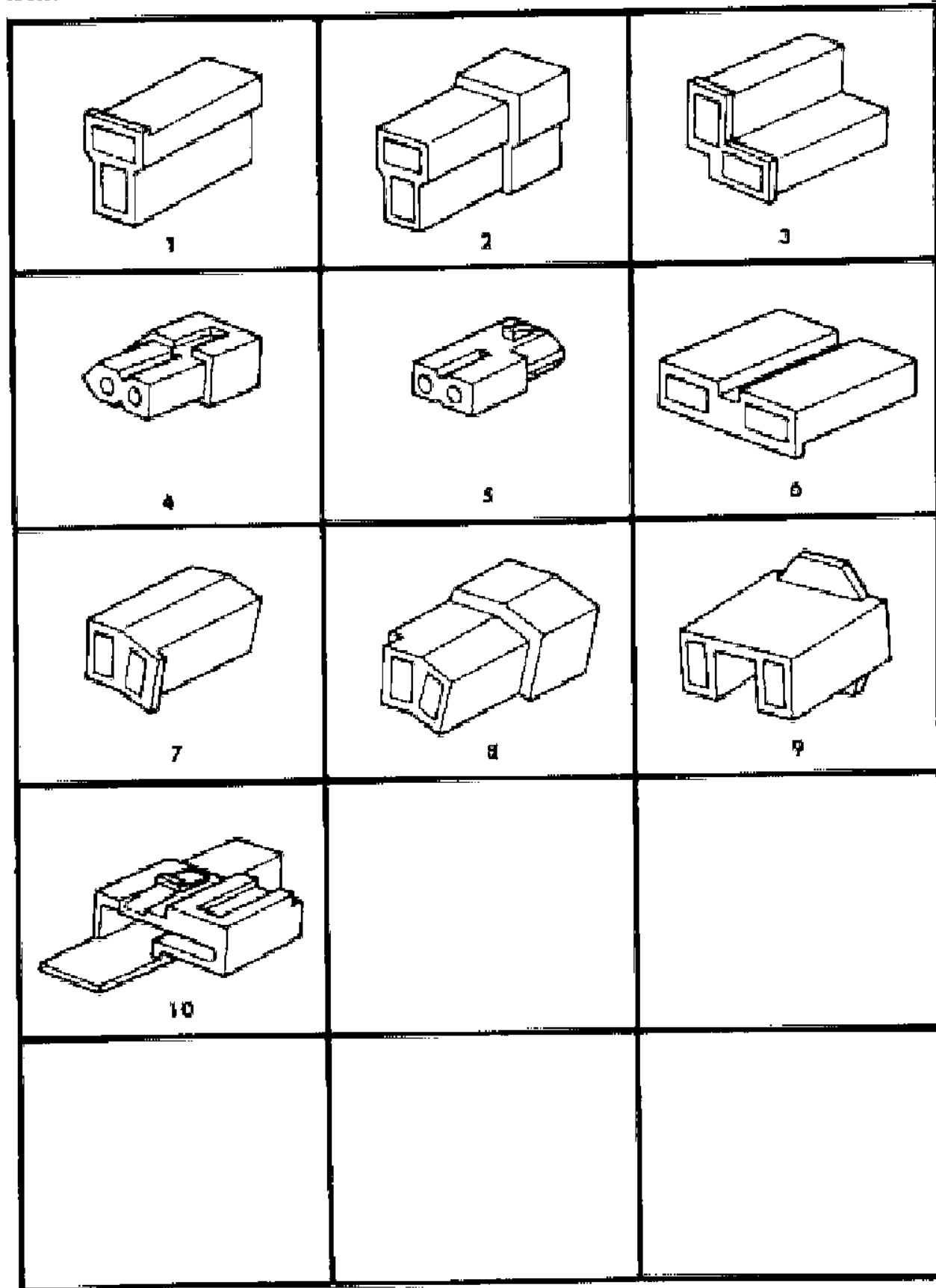
MODEL CODES
 B = GRAN FURY
 C = LE BARON/TOWN & COUNTRY/LIMO
 C24 = LASER
 C44 = LE BARON/GTS
 D = ARIES
 D44 = LANCER
 E = 600
 F = FIFTH AVENUE/NEWPORT
 G = DIPLOMAT
 H = VOYAGER
 J = CARAVELLE
 K = MINI VAN/CARAVAN/ROYAL
 M = HORIZON/TURISMO
 P = RELIANT
 T = NEW YORKER
 V = 600
 V24 = DAYTONA
 Z = OMNI/CHARGER

BODY STYLES
 21 = 2-DOOR SEDAN
 22 = 2-DOOR SPECIAL COUPE
 24 = 2-DOOR HATCHBACK
 27 = 2-DOOR CONVERTIBLE
 35 = FWD VAN
 36 = FWD WAGON
 41 = 4-DOOR SEDAN
 44 = 4-DOOR HATCHBACK
 45 = 4-DOOR STATION WAGON
 49 = LIMOUSINE

AR = Use as Required - = Non Illustrated Part P.A.R. = Paint as Required

INSULATOR 2 WAY
Figure 8-8600

5108 8600



ITEM	PART NUMBER	QTY	BODY	MODEL	DESCRIPTION
1	3764 944				INSULATOR
2	2298 882				INSULATOR
3	2298 882				INSULATOR
4	3513 350				INSULATOR
5	3513 349				INSULATOR
6	3588 517				INSULATOR
7					
8	3764 943				INSULATOR
9	4186 045				INSULATOR,(use 3 way insulator)
10	2809 036				INSULATOR

MODEL CODES

B = GRAN FURY	E = 600	M = HORIZON/TURISMO
C = LE BARON/TOWN & COUNTRY/LIMO	F = FIFTH AVENUE/NEWPORT	P = RELIANT
C24 = LASER	G = DIPLOMAT	T = NEW YORKER
C44 = LE BARON/GTS	H = VOYAGER	V = 600
D = ARIES	J = CARAVELLE	V24 = DAYTONA
D44 = LANCER	K = MINI VAN/CARAVAN/ROYAL	Z = OMNI/CHARGER

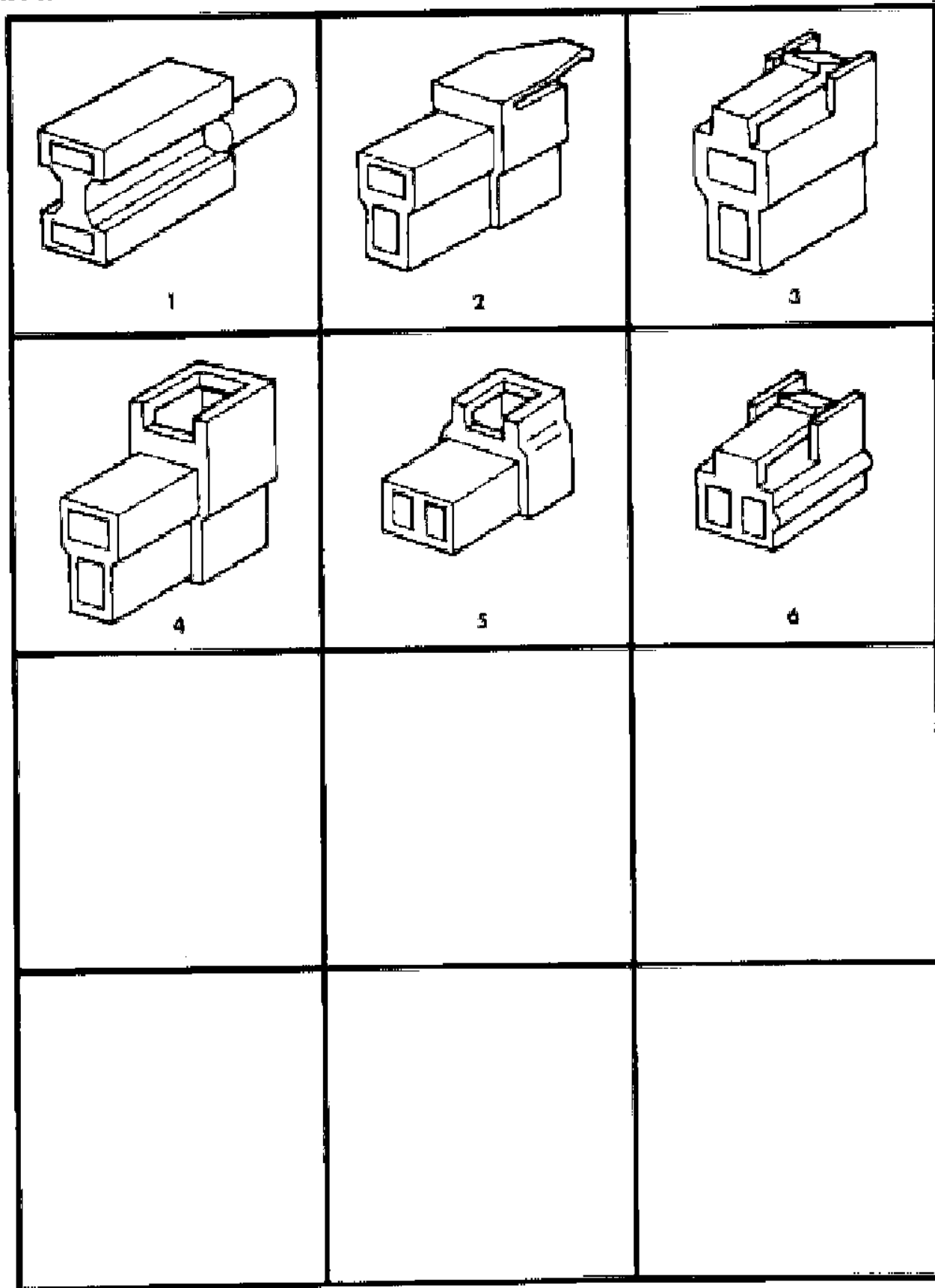
BODY STYLES

21 = 2-DOOR SEDAN	35 = FWD VAN	44 = 4-DOOR HATCHBACK
22 = 2-DOOR SPECIAL COUPE	36 = FWD WAGON	45 = 4-DOOR STATION WAGON
24 = 2-DOOR HATCHBACK	41 = 4-DOOR SEDAN	49 = LIMOUSINE
27 = 2-DOOR CONVERTIBLE		

AR = Use as Required - = Non Illustrated Part P.A.R. = Paint as Required

INSULATOR 2 WAY
Figure 8-8600

5108 8700



ITEM	PART NUMBER	QTY	BODY	MODEL	DESCRIPTION
1	3588 525				INSULATOR
2	3764 949				INSULATOR
3	4055 019				INSULATOR
4	4055 018				INSULATOR
5	4274 936				INSULATOR
6	4055 012				INSULATOR

MODEL CODES

B = GRAN FURY	E = 600	M = HORIZON/TURISMO
C = LE BARON/TOWN & COUNTRY/LIMO	F = FIFTH AVENUE/NEWPORT	P = RELIANT
C24 = LASER	G = DIPLOMAT	T = NEW YORKER
C44 = LE BARON/GTS	H = VOYAGER	V = 600
D = ARIES	J = CARAVELLE	V24 = DAYTONA
D44 = LANCER	K = MINI VAN/CARAVAN/ROYAL	Z = OMNI/CHARGER

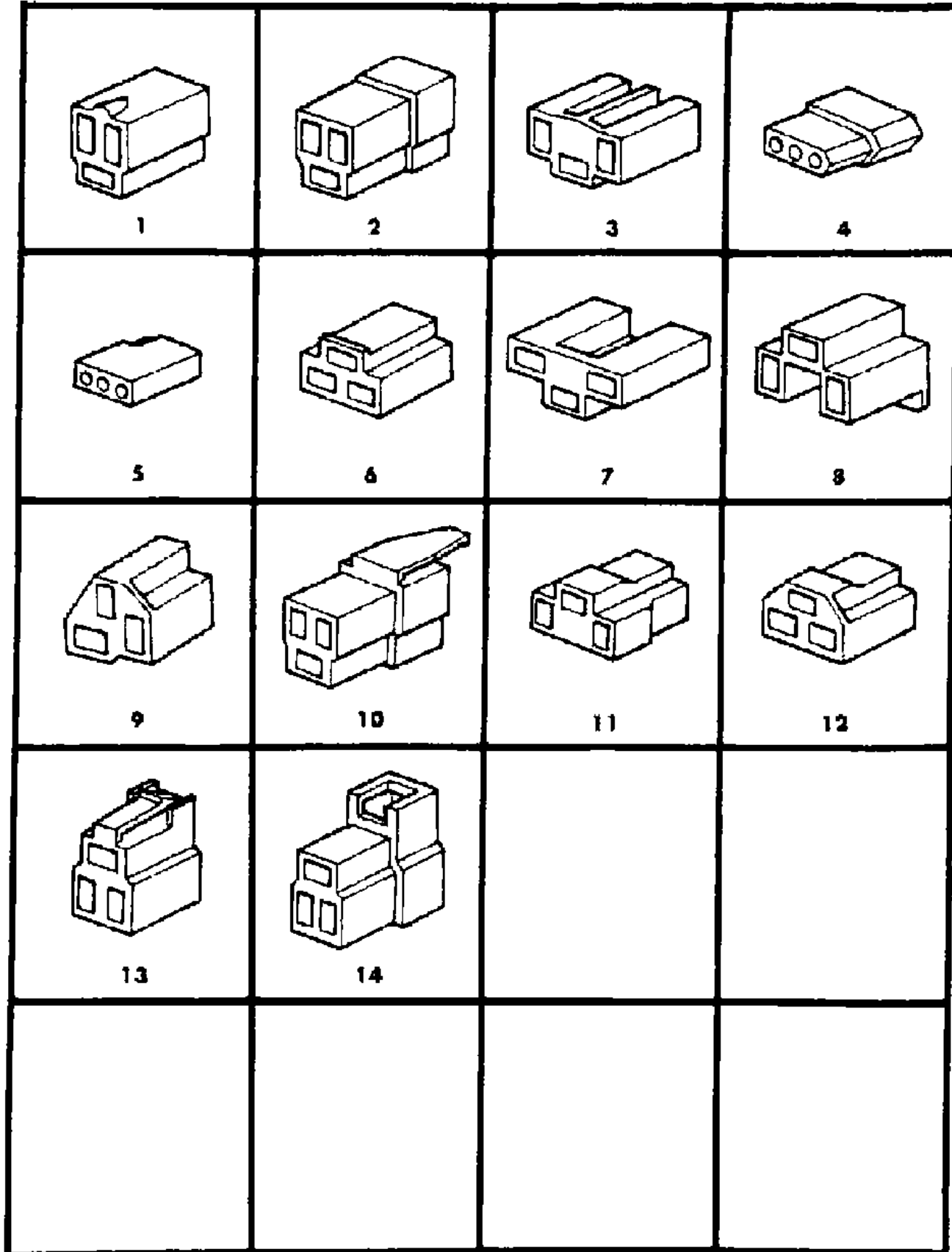
BODY STYLES

21 = 2-DOOR SEDAN	35 = FWD VAN	44 = 4-DOOR HATCHBACK
22 = 2-DOOR SPECIAL COUPE	36 = FWD WAGON	45 = 4-DOOR STATION WAGON
24 = 2-DOOR HATCHBACK	41 = 4-DOOR SEDAN	49 = LIMOUSINE
27 = 2-DOOR CONVERTIBLE		

AR = Use as Required - = Non Illustrated Part P.A.R. = Paint as Required

INSULATOR 3 WAY
Figure 8-8800

5108 8800



ITEM	PART NUMBER	QTY	BODY	MODEL	DESCRIPTION
1	2298 882				INSULATOR
2	2298 882				INSULATOR
3					
4	3843 795				INSULATOR
5	2983 408				INSULATOR
6	2298 882				INSULATOR
7	2298 882				INSULATOR
8	4186 045				INSULATOR
9	2889 650				INSULATOR
10	3764 947				INSULATOR
11	3843 282				INSULATOR
12	3843 059				INSULATOR
13	4055 008				INSULATOR
14	4055 007				INSULATOR

MODEL CODES

B = GRAN FURY	E = 600	M = HORIZON/TURISMO
C = LE BARON/TOWN & COUNTRY/LIMO	F = FIFTH AVENUE/NEWPORT	P = RELIANT
C24 = LASER	G = DIPLOMAT	T = NEW YORKER
C44 = LE BARON/GTS	H = VOYAGER	V = 600
D = ARIES	J = CARAVELLE	V24 = DAYTONA
D44 = LANCER	K = MINI VAN/CARAVAN/ROYAL	Z = OMNI/CHARGER

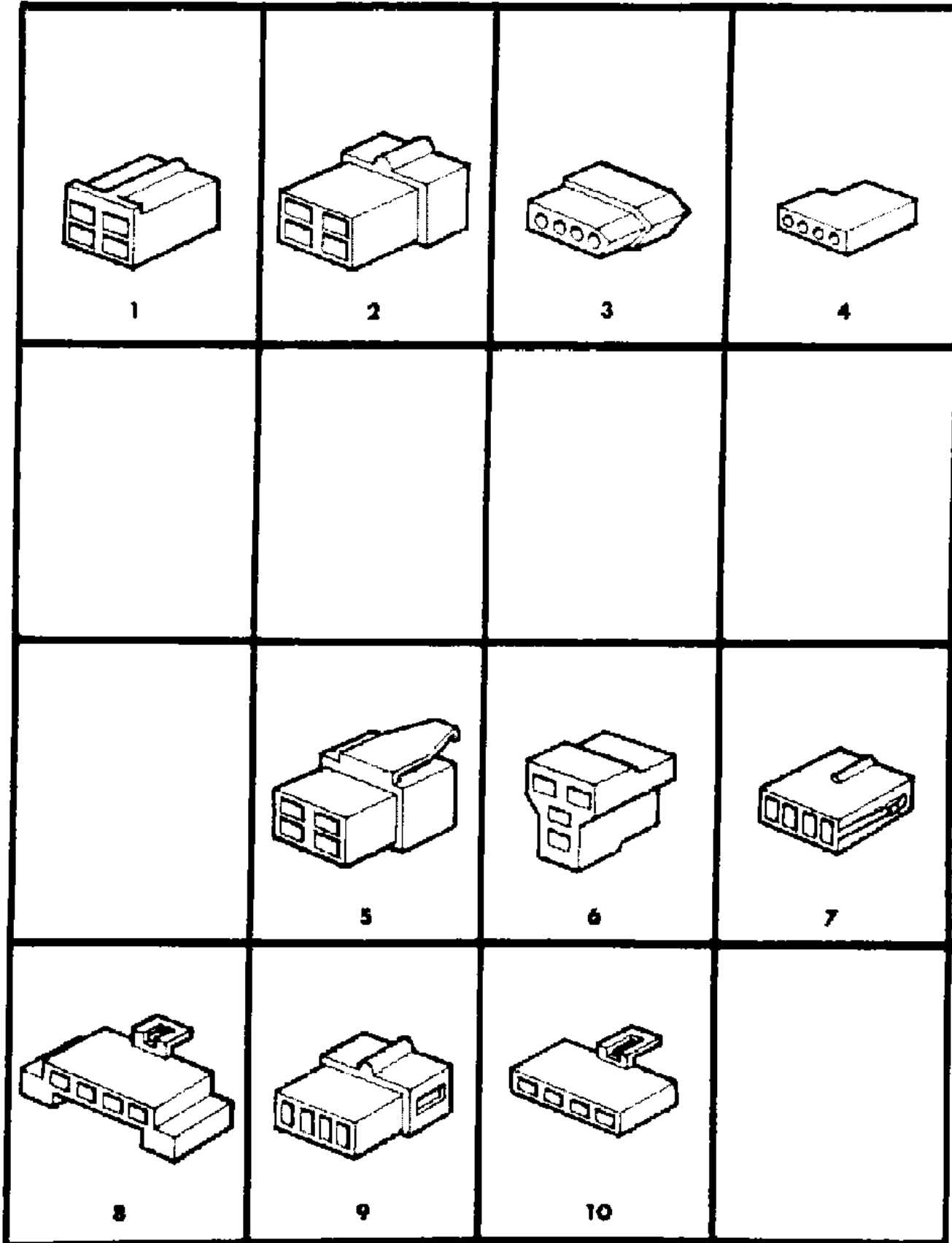
BODY STYLES

21 = 2-DOOR SEDAN	35 = FWD VAN	44 = 4-DOOR HATCHBACK
22 = 2-DOOR SPECIAL COUPE	36 = FWD WAGON	45 = 4-DOOR STATION WAGON
24 = 2-DOOR HATCHBACK	41 = 4-DOOR SEDAN	49 = LIMOUSINE
27 = 2-DOOR CONVERTIBLE		

AR = Use as Required - = Non Illustrated Part P.A.R. = Paint as Required

INSULATOR 4 WAY
Figure 8-8900

5108 8900



ITEM	PART NUMBER	QTY	BODY	MODEL	DESCRIPTION
1	2298 882				INSULATOR
2	2298 882				INSULATOR
3	2983 405				INSULATOR
4	2983 406				INSULATOR
5					
6	3843 283				INSULATOR
7	4055 025				INSULATOR
8	3843 896				INSULATOR
9	4055 024				INSULATOR
10	4055 249				INSULATOR
	4124 262				INSULATOR, 5 WAY

MODEL CODES

B = GRAN FURY	E = 600	M = HORIZON/TURISMO
C = LE BARON/TOWN & COUNTRY/LIMO	F = FIFTH AVENUE/NEWPORT	P = RELIANT
C24 = LASER	G = DIPLOMAT	T = NEW YORKER
C44 = LE BARON/GTS	H = VOYAGER	V = 600
D = ARIES	J = CARAVELLE	V24 = DAYTONA
D44 = LANCER	K = MINI VAN/CARAVAN/ROYAL	Z = OMNI/CHARGER

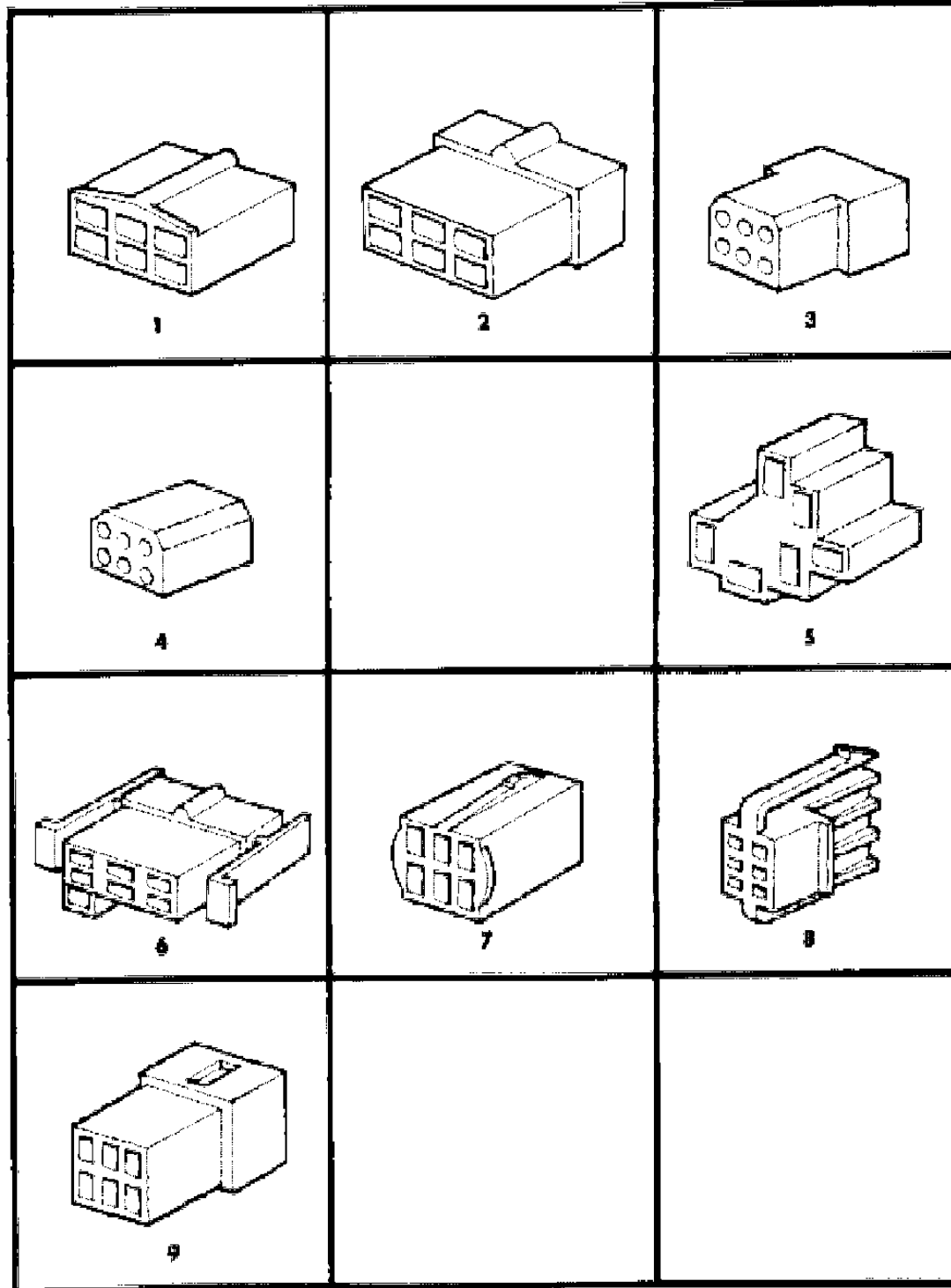
BODY STYLES

21 = 2-DOOR SEDAN	35 = FWD VAN	44 = 4-DOOR HATCHBACK
22 = 2-DOOR SPECIAL COUPE	36 = FWD WAGON	45 = 4-DOOR STATION WAGON
24 = 2-DOOR HATCHBACK	41 = 4-DOOR SEDAN	49 = LIMOUSINE
27 = 2-DOOR CONVERTIBLE		

AR = Use as Required - = Non Illustrated Part P.A.R. = Paint as Required

INSULATOR 6 WAY
Figure 8-9000

5108 9000



ITEM	PART NUMBER	QTY	BODY	MODEL	DESCRIPTION
1	2448 822				INSULATOR
2	2448 822				INSULATOR
3	3513 348				INSULATOR
4	3513 347				INSULATOR
5	3588 024				INSULATOR
6	3764 640-1				INSULATOR
7	4055 015				INSULATOR
8	3843 002				INSULATOR
9	4055 014				INSULATOR

MODEL CODES

B = GRAN FURY	E = 600	M = HORIZON/TURISMO
C = LE BARON/TOWN & COUNTRY/LIMO	F = FIFTH AVENUE/NEWPORT	P = RELIANT
C24 = LASER	G = DIPLOMAT	T = NEW YORKER
C44 = LE BARON/GTS	H = VOYAGER	V = 600
D = ARIES	J = CARAVELLE	V24 = DAYTONA
D44 = LANCER	K = MINI VAN/CARAVAN/ROYAL	Z = OMNI/CHARGER

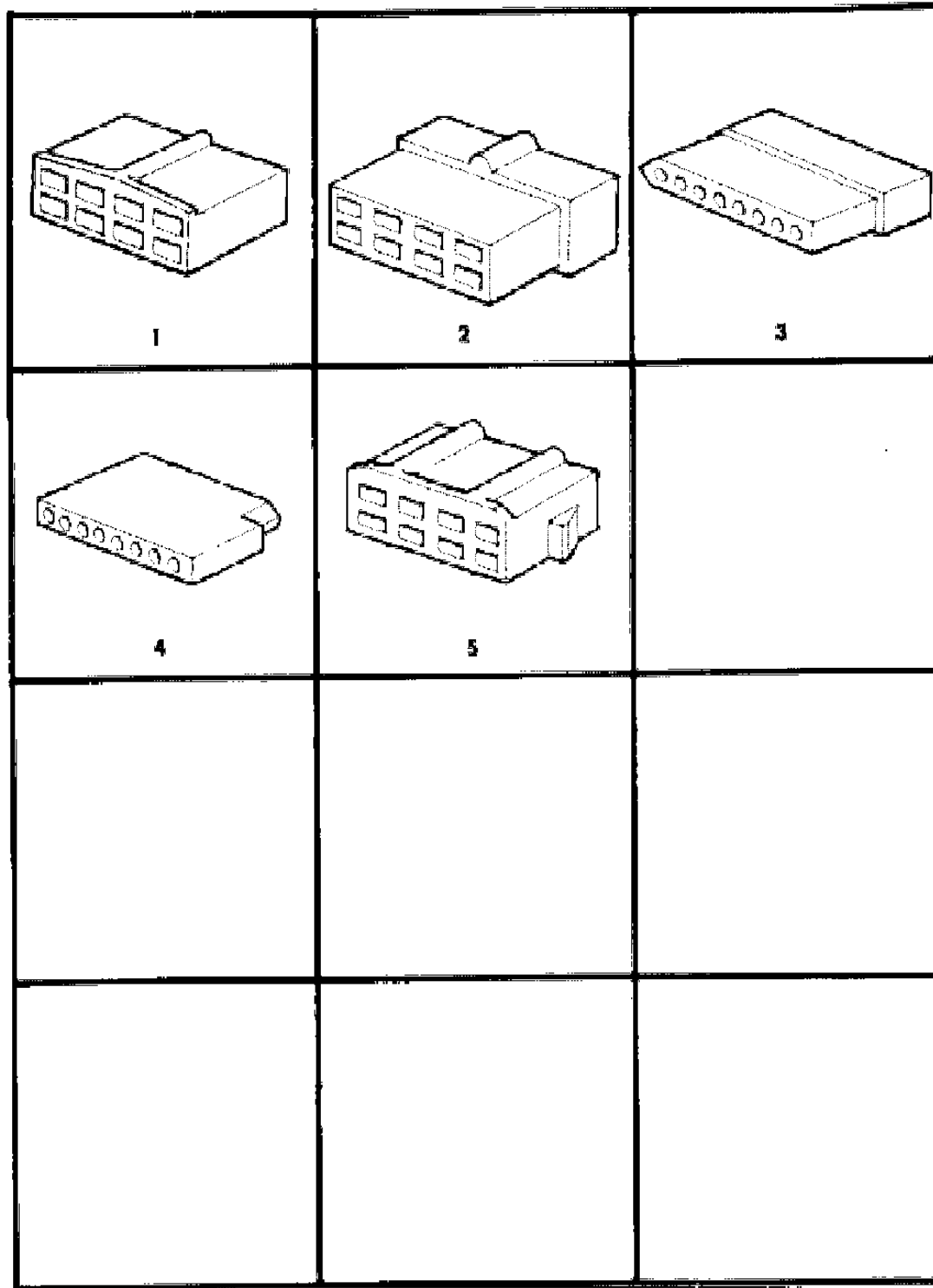
BODY STYLES

21 = 2-DOOR SEDAN	35 = FWD VAN	44 = 4-DOOR HATCHBACK
22 = 2-DOOR SPECIAL COUPE	36 = FWD WAGON	45 = 4-DOOR STATION WAGON
24 = 2-DOOR HATCHBACK	41 = 4-DOOR SEDAN	49 = LIMOUSINE
27 = 2-DOOR CONVERTIBLE		

AR = Use as Required - = Non Illustrated Part P.A.R. = Paint as Required

INSULATOR 8 WAY
Figure 8-9100

5108 9100



ITEM	PART NUMBER	QTY	BODY	MODEL	DESCRIPTION
1					
2	3764 953				INSULATOR
3	2983 403				INSULATOR
4	2983 404				INSULATOR
5	3588 945				INSULATOR

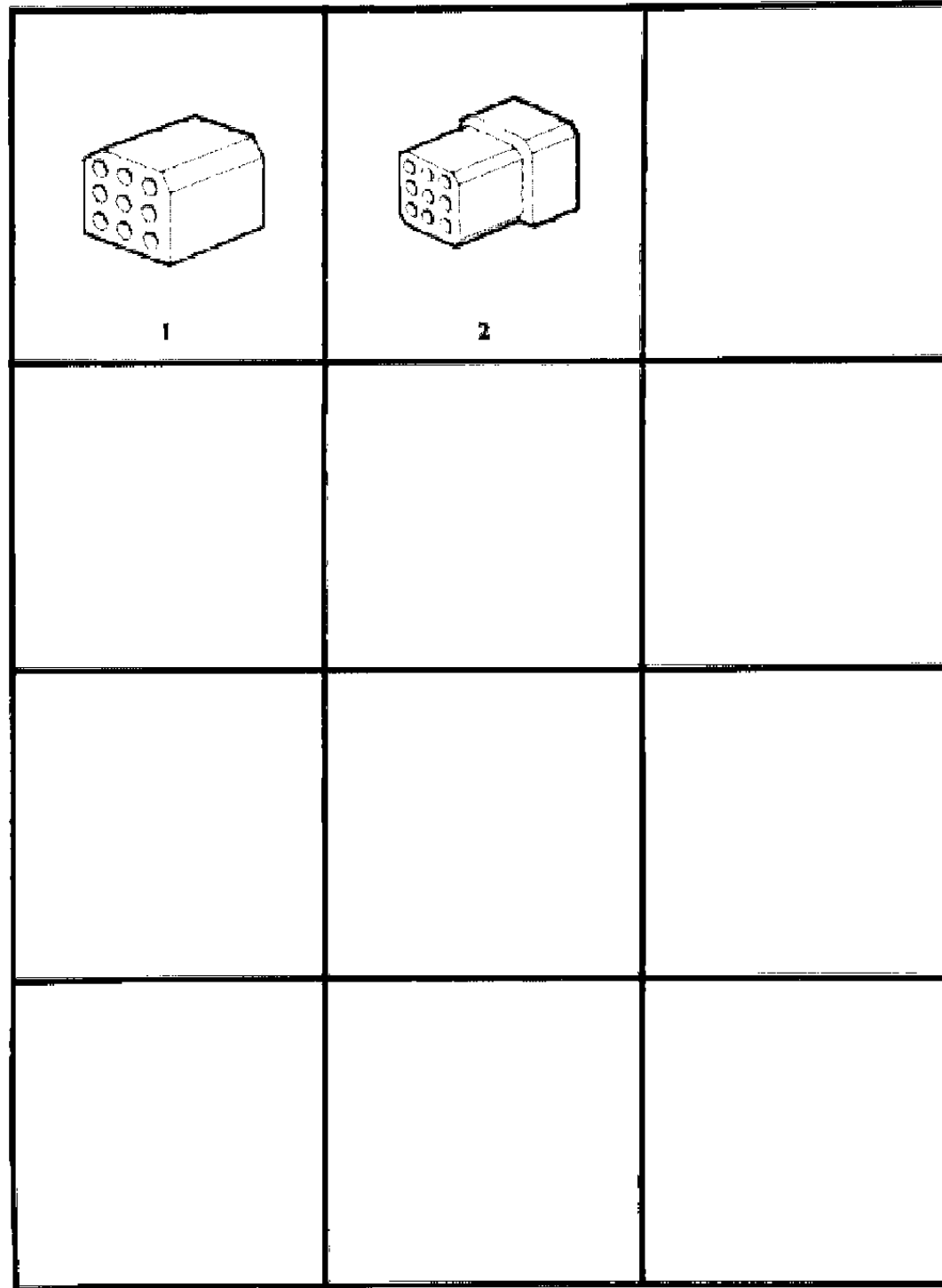
MODEL CODES
 B = GRAN FURY
 C = LE BARON/TOWN & COUNTRY/LIMO
 C24 = LASER
 C44 = LE BARON/GTS
 D = ARIES
 D44 = LANCER
 E = 600
 F = FIFTH AVENUE/NEWPORT
 G = DIPLOMAT
 H = VOYAGER
 J = CARAVELLE
 K = MINI VAN/CARAVAN/ROYAL
 M = HORIZON/TURISMO
 P = RELIANT
 T = NEW YORKER
 V = 600
 V24 = DAYTONA
 Z = OMNI/CHARGER

BODY STYLES
 21 = 2-DOOR SEDAN
 22 = 2-DOOR SPECIAL COUPE
 24 = 2-DOOR HATCHBACK
 27 = 2-DOOR CONVERTIBLE
 35 = FWD VAN
 36 = FWD WAGON
 41 = 4-DOOR SEDAN
 44 = 4-DOOR HATCHBACK
 45 = 4-DOOR STATION WAGON
 49 = LIMOUSINE

AR = Use as Required - = Non Illustrated Part P.A.R. = Paint as Required

**INSULATOR 9-10 & 13 Way
Figure 8-9200**

5108 9200



ITEM	PART NUMBER	QTY	BODY	MODEL	DESCRIPTION
1	3764 639				INSULATOR
2	3843 099				INSULATOR,(Male)
	3764 639				INSULATOR,(Female)
	4209 948				INSULATOR
	4304 740				INSULATOR,(Natural)
	4304 741				INSULATOR,(Black)
	4304 742				INSULATOR,(Blue)
	4304 743				INSULATOR,(Red)

MODEL CODES

B = GRAN FURY	E = 600	M = HORIZON/TURISMO
C = LE BARON/TOWN & COUNTRY/LIMO	F = FIFTH AVENUE/NEWPORT	P = RELIANT
C24 = LASER	G = DIPLOMAT	T = NEW YORKER
C44 = LE BARON/GTS	H = VOYAGER	V = 600
D = ARIES	J = CARAVELLE	V24 = DAYTONA
D44 = LANCER	K = MINI VAN/CARAVAN/ROYAL	Z = OMNI/CHARGER

BODY STYLES

21 = 2-DOOR SEDAN	35 = FWD VAN	44 = 4-DOOR HATCHBACK
22 = 2-DOOR SPECIAL COUPE	36 = FWD WAGON	45 = 4-DOOR STATION WAGON
24 = 2-DOOR HATCHBACK	41 = 4-DOOR SEDAN	49 = LIMOUSINE
27 = 2-DOOR CONVERTIBLE		

AR = Use as Required - = Non Illustrated Part P.A.R. = Paint as Required

GROUP 8A - ELECTRICAL - INSTRUMENT PANEL AND CONSOLES

ILLUSTRATION TITLE	GROUP-FIG. NO.
L BODY M,Z	
INSTRUMENT PANEL CLUSTER, BEZELS AND PAD M,Z	Fig. 8A-100
INSTRUMENT PANEL WIRING M,Z	Fig. 8A-200
INSTRUMENT PANEL SWITCHES, GLOVEBOX, RADIO AND SPEAKERS M,Z	Fig. 8A-300
CONSOLE M,Z	Fig. 8A-400
K & E BODY P,D,C,V,J,E,T	
INSTRUMENT PANEL CLUSTER, BEZELS AND RADIO P,D,C,V,J,E,T (EXCEPT C,V 24 AND D,C 44)	Fig. 8A-500
INSTRUMENT PANEL WIRING P,D,C,V,J,E,T (EXCEPT C,V 24 AND D,C 44)	Fig. 8A-600
INSTRUMENT PANEL GLOVEBOX, ASH RECEIVER AND CONTROLS P,D,C,V,J,E,T (EXCEPT C,V 24 AND D,C 44)	Fig. 8A-700
CONSOLE AND ARM REST P,D,C,V	Fig. 8A-800
CONSOLE AND ARM REST C,V 27	Fig. 8A-900
INSTRUMENT PANEL CONSOLE TP	Fig. 8A-1000
CONSOLE, OVERHEAD TP	Fig. 8A-1100
CONSOLE, FRONT LIMO	Fig. 8A-1200
CONSOLE, REAR LIMO	Fig. 8A-1300
G BODY C,V 24	
INSTRUMENT PANEL BEZELS AND PAD C,V 24	Fig. 8A-1400
INSTRUMENT PANEL WIRING C,V 24	Fig. 8A-1500
INSTRUMENT PANEL CLUSTER, SWITCHES, CONTROLS AND GLOVEBOX C,V 24	Fig. 8A-1600
INSTRUMENT PANEL CONSOLE C,V 24	Fig. 8A-1700
CONSOLE, CENTER C,V 24	Fig. 8A-1800
H BODY D,C 44	
INSTRUMENT PANEL BEZELS, ASH RECEIVER, GLOVEBOX AND RADIO D,C 44	Fig. 8A-1900
INSTRUMENT PANEL CONSOLE D,C 44	Fig. 8A-2000
INSTRUMENT PANEL CLUSTER, SWITCHES AND CONTROLS D,C 44	Fig. 8A-2100
CONSOLE D,C 44	Fig. 8A-2200
S BODY H,K	
INSTRUMENT PANEL H,K	Fig. 8A-2300
INSTRUMENT PANEL WIRING H,K	Fig. 8A-2400
INSTRUMENT PANEL CONSOLE H,K	Fig. 8A-2500
CONSOLE, OVERHEAD H,K	Fig. 8A-2600

ILLUSTRATION NOT AVAILABLE AT TIME OF PUBLICATION

GROUP 8A - ELECTRICAL - INSTRUMENT PANEL AND CONSOLES

ILLUSTRATION TITLE

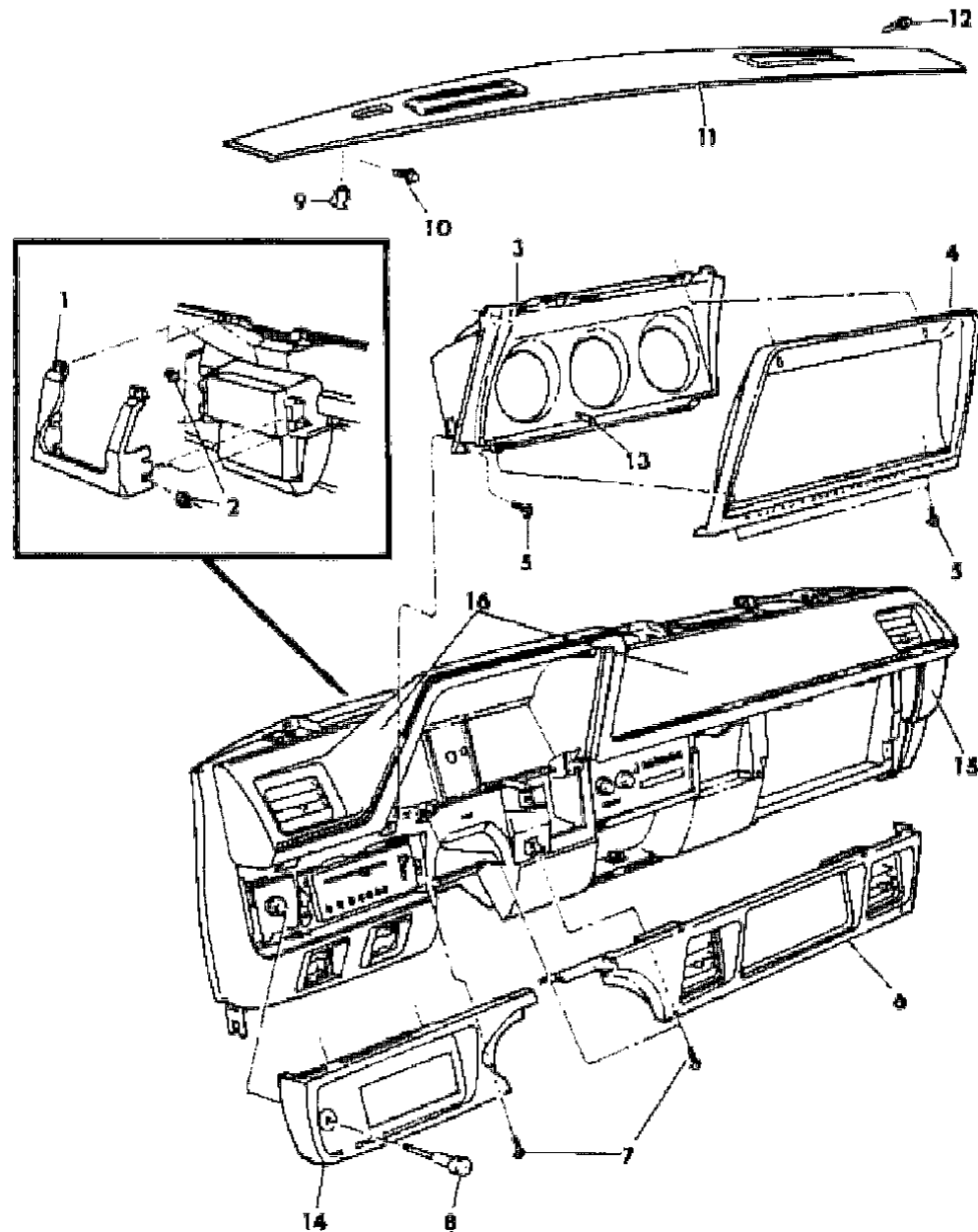
GROUP-FIG. NO.

M BODY B,F,G

INSTRUMENT PANEL GLOVEBOX, PAD AND ASH RECEIVER B,F,G	Fig. 8A-2700
INSTRUMENT PANEL WIRING B,F,G	Fig. 8A-2800
INSTRUMENT PANEL BEZELS AND RADIO B,F,G	Fig. 8A-2900
INSTRUMENT PANEL SPEECOMETER, GAUGES AND LENSES B,F,G	Fig. 8A-3000
INSTRUMENT PANEL CARRIER AND SWITCHES B,F,G	Fig. 8A-3100

INSTRUMENT PANEL CLUSTER, BEZELS AND PAD M,Z
Figure 8A-100

5182 100



ITEM	PART NUMBER	QTY	BODY	MODEL	DESCRIPTION
1	4220 516	1			BRACE, Center Support
2	6023 205	4			NUT w/WASHER
3					CLUSTER, Instrument Panel
	4051 725	1			HOUSING, Cluster
	4051 748	1			GAUGE, Volt, w/o Rallye
	4375 008	1			GAUGE, Oil, Temp. and Ammeter, w/Rallye
	4051 885	1			GAUGE, Fuel, w/Word "Brake", w/o Rallye
	4051 833	1			TACHOMETER, w/Fuel Gauge, w/Rallye and Word "Brake"
	4342 240	1			SOCKET, Fuel Pacer
	9436 790	1			BULB, Fuel Pacer
	4051 977	1			CIRCUIT BOARD, Tachometer
					SPEEDOMETER
	4051 734	1			w/o Rallye
	4051 737	1			w/Rallye
	3592 750	1			LABEL, Speedometer
	4051 315	1			GROMMET, Speedometer to Housing
	4051 838	1			MASK and LENS, w/o Rallye
	4051 839	1			w/Rallye
	4085 191	7			DIFFUSER
	3591 814	1			PIN, Mask and Lens Retainer
	4051 837	1			CHIMNEY, Hi-Beam, w/Rallye
	2258 413	1			LIMITER, Voltage
					BOARD, Printed Circuit
	4051 899	1			W/Rallye
	4051 729	1			w/o Rallye
	3591 814	1			CLIP, Circuit Board Retainer
4	4312 804	1			BEZEL, Instrument Panel Cluster
5					SCREW (DNS)
6					BEZEL, Center Trim
					w/o Air
	P611 CC7	1			Blue
	P611 CM6	1			Red
	P611 CS8	1			Charcoal
	P611 DT5	1			Brown
					W/AIR
	P610 CC7	1			Blue
	P610 CM6	1			Red

MODEL CODES

B = GRAN FURY	E = 600	M = HORIZON/TURISMO
C = LE BARON/TOWN & COUNTRY/LIMO	F = FIFTH AVENUE/NEWPORT	P = RELIANT
C24 = LASER	G = DIPLOMAT	T = NEW YORKER
C44 = LE BARON/GTS	H = VOYAGER	V = 600
D = ARIES	J = CARAVELLE	V24 = DAYTONA
D44 = LANCER	K = MINI VAN/CARAVAN/ROYAL	Z = OMNI/CHARGER

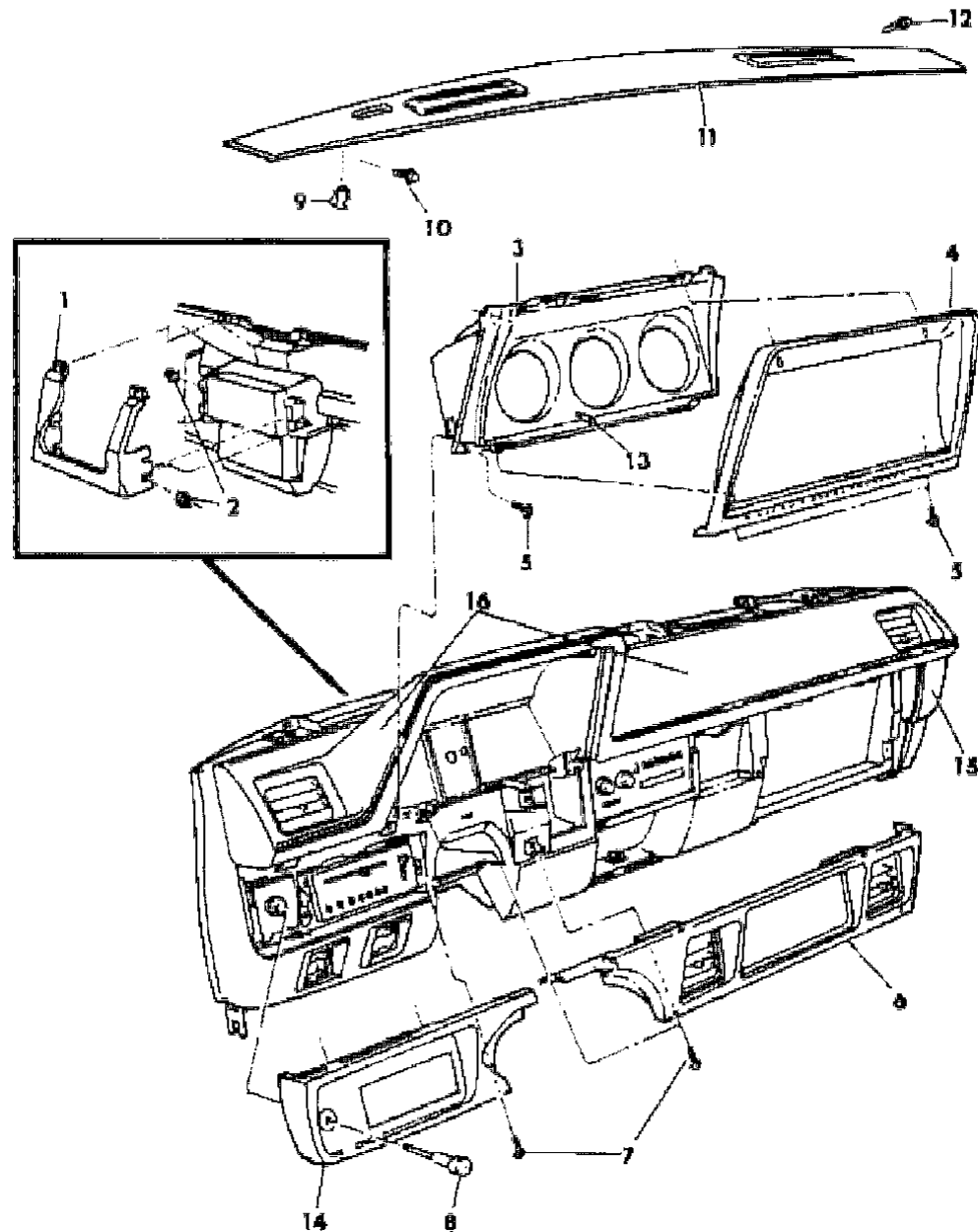
BODY STYLES

21 = 2-DOOR SEDAN	35 = FWD VAN	44 = 4-DOOR HATCHBACK
22 = 2-DOOR SPECIAL COUPE	36 = FWD WAGON	45 = 4-DOOR STATION WAGON
24 = 2-DOOR HATCHBACK	41 = 4-DOOR SEDAN	49 = LIMOUSINE
27 = 2-DOOR CONVERTIBLE		

AR = Use as Required - = Non Illustrated Part P.A.R. = Paint as Required

INSTRUMENT PANEL CLUSTER, BEZELS AND PAD M,Z
Figure 8A-100

5182 100



ITEM	PART NUMBER	QTY	BODY	MODEL	DESCRIPTION
	P610 CS8	1			Charcoal
	P610 DT5	1			Brown
7					SCREW (DNS)
8	5209 991	1			KNOB and SHAFT, Headlamp Switch
9	3590 389	4			CLIP, Top Cover
	0152 490	AR			NUT, Top Cover
10		AR			SCREW (DNS)
11	5209 707	1			COVER, Instrument Panel Top
12		AR			SCREW (DNS)
13	4051 796	1			KNOB and SHAFT, Odometer Reset
14					BEZEL, Trim, Left
	P612 CC7	1			Blue
	P612 CM6	1			Red
	P612 CS8	1			Charcoal
	P612 DT5	1			Brown
15	4342 220	1			BEZEL, Instrument Panel Trim, Right
	5209 780	1			BRACKET, Heater to Instrument Panel
	5209 781	1			BRACKET, A/C to Instrument Panel Support Brace
16	P412 DT5	1			PANEL and PAD

MODEL CODES

B = GRAN FURY	E = 600	M = HORIZON/TURISMO
C = LE BARON/TOWN & COUNTRY/LIMO	F = FIFTH AVENUE/NEWPORT	P = RELIANT
C24 = LASER	G = DIPLOMAT	T = NEW YORKER
C44 = LE BARON/GTS	H = VOYAGER	V = 600
D = ARIES	J = CARAVELLE	V24 = DAYTONA
D44 = LANCER	K = MINI VAN/CARAVAN/ROYAL	Z = OMNI/CHARGER

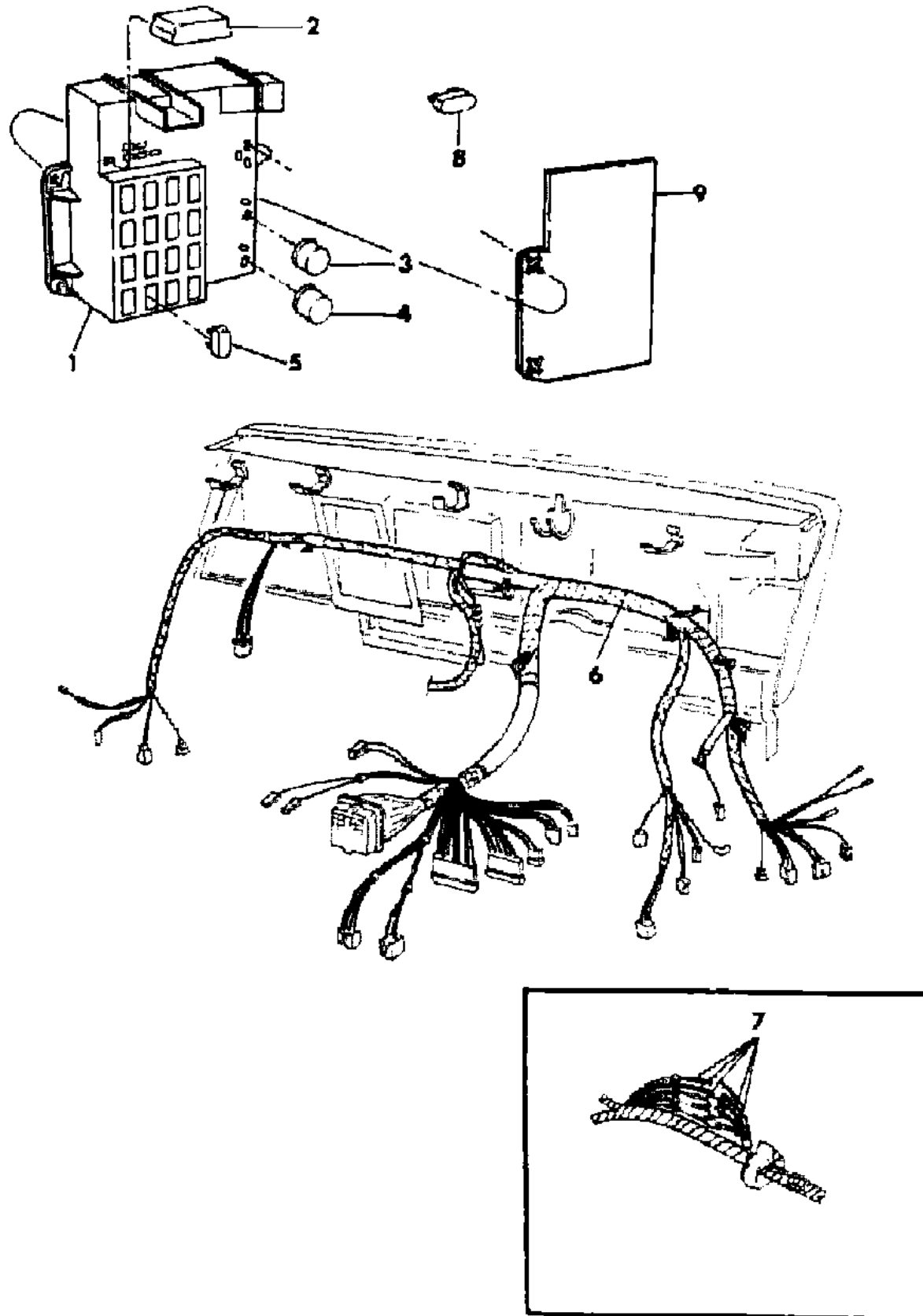
BODY STYLES

21 = 2-DOOR SEDAN	35 = FWD VAN	44 = 4-DOOR HATCHBACK
22 = 2-DOOR SPECIAL COUPE	36 = FWD WAGON	45 = 4-DOOR STATION WAGON
24 = 2-DOOR HATCHBACK	41 = 4-DOOR SEDAN	49 = LIMOUSINE
27 = 2-DOOR CONVERTIBLE		

AR = Use as Required - = Non Illustrated Part P.A.R. = Paint as Required

INSTRUMENT PANEL WIRING M,Z
Figure 8A-200

5182 200 A



ITEM	PART NUMBER	QTY	BODY	MODEL	DESCRIPTION
1					MODULE, Fuse Block
	4304 519	1			w/o Dots
	5211 741	1			w/Dots
	4124 752	1			TERMINAL, Buss Bar
	4124 258	1			3 Way
	4124 258	1			1 Way
2	4221 730	1			BUZZER, Key Warning, H/Lamp, Seat Belt Warning
3	2932 877	1			FLASHER, Hazard Warning
4					FLASHER, Turn Signal
	3837 161	1			2 Lamp
	3837 162	1			3 Lamp
5					BREAKER, Circuit
	4186 377	AR			6 Amp.
	4186 379	AR			30 Amp.
6					WIRING, Instrument Panel
	4331 079	1			w/o Air
	4331 080	1			w/Air
	4304 901	1			w/Electric Fuel Pump
	4304 643	1			w/Light Pkg.
	4209 729	1			Rear Wiper
	4209 865	1			Lift Gate
	4304 065	1			Speed Control
	4304 060	1			Stereo Speaker
	4274 161	1			DIODE and MOLD, Repair Pkg.
	4274 091	1			w/Air, w/Heated Backlile
7					CABLE, Fusible Link (25' Roll)
	4026 095	1			No. 16 Dark Blue
	4026 094	1			No. 14 Red
	4026 093	1			No. 12 Black
	4026 092	1			No. 10 Dark Green
	4026 096	1			No. 18 Gray
	4131 507	1			No. 20 Orange
8					FUSES
	6101 132	AR			4 Amp.
	6101 131	AR			3 Amp.
	6101 133	AR			5 Amp.
	6101 137	AR			20 Amp.

MODEL CODES

B = GRAN FURY	E = 600	M = HORIZON/TURISMO
C = LE BARON/TOWN & COUNTRY/LIMO	F = FIFTH AVENUE/NEWPORT	P = RELIANT
C24 = LASER	G = DIPLOMAT	T = NEW YORKER
C44 = LE BARON/GTS	H = VOYAGER	V = 600
D = ARIES	J = CARAVELLE	V24 = DAYTONA
D44 = LANCER	K = MINI VAN/CARAVAN/ROYAL	Z = OMNI/CHARGER

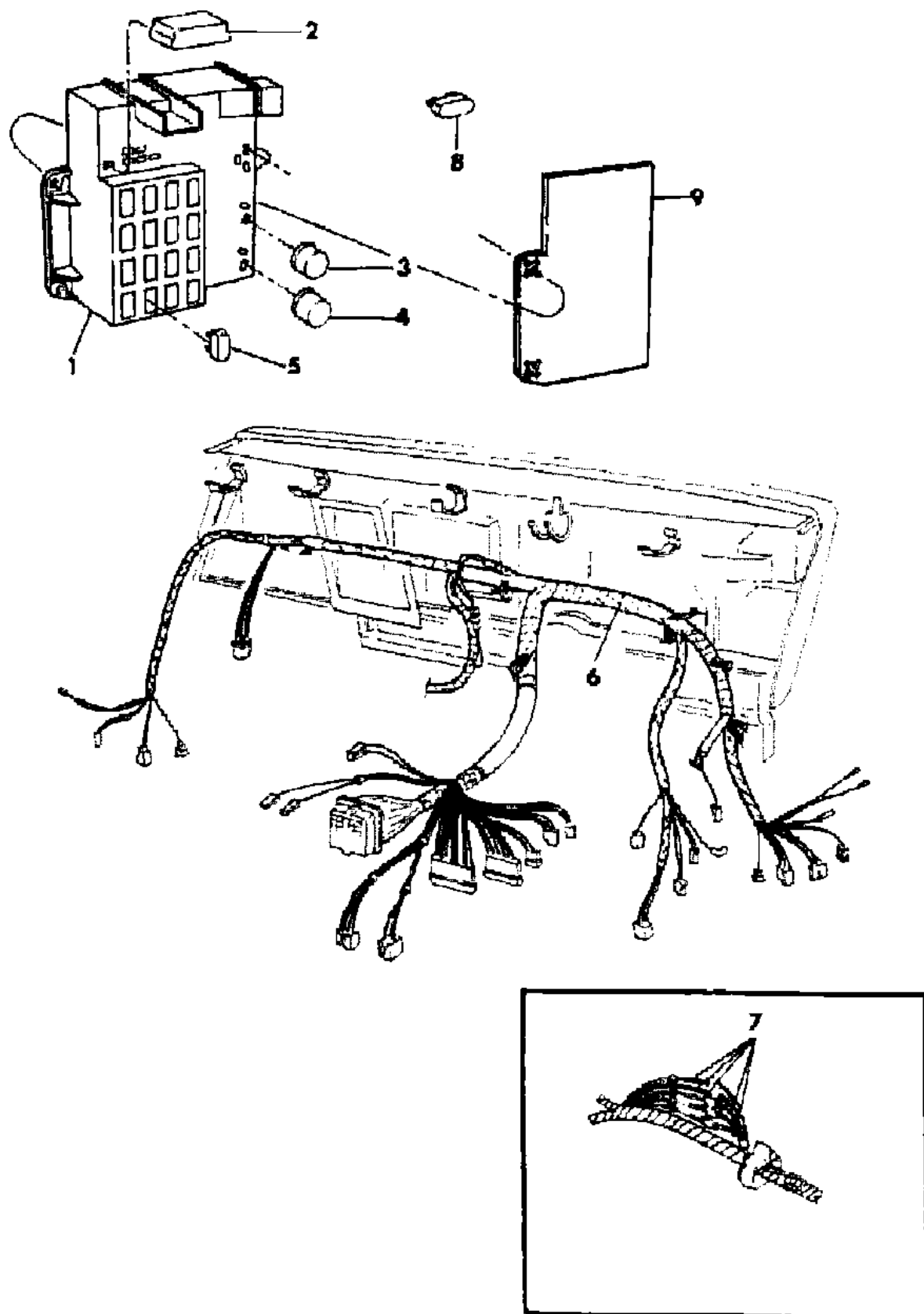
BODY STYLES

21 = 2-DOOR SEDAN	35 = FWD VAN	44 = 4-DOOR HATCHBACK
22 = 2-DOOR SPECIAL COUPE	36 = FWD WAGON	45 = 4-DOOR STATION WAGON
24 = 2-DOOR HATCHBACK	41 = 4-DOOR SEDAN	49 = LIMOUSINE
27 = 2-DOOR CONVERTIBLE		

AR = Use as Required - = Non Illustrated Part P.A.R. = Paint as Required

INSTRUMENT PANEL WIRING M,Z
Figure 8A-200

5182 200 A



ITEM	PART NUMBER	QTY	BODY	MODEL	DESCRIPTION
	6101 135	AR			10 Amp.
	6101 138	AR			25 Amp.
	6101 139	AR			30 Amp.
9	4274 056	1			COVER, Fuse Block Back

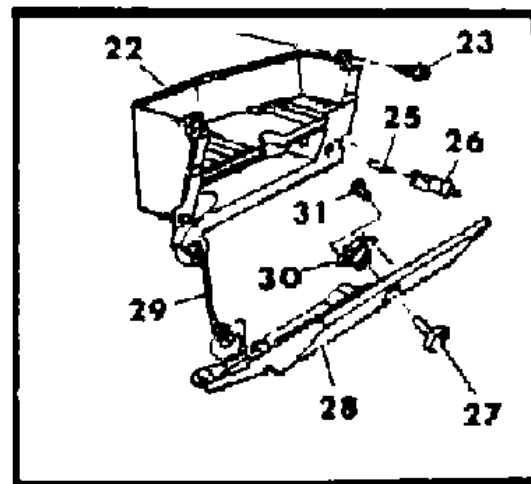
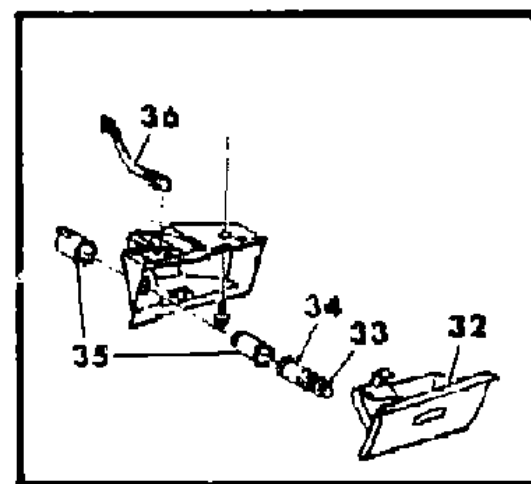
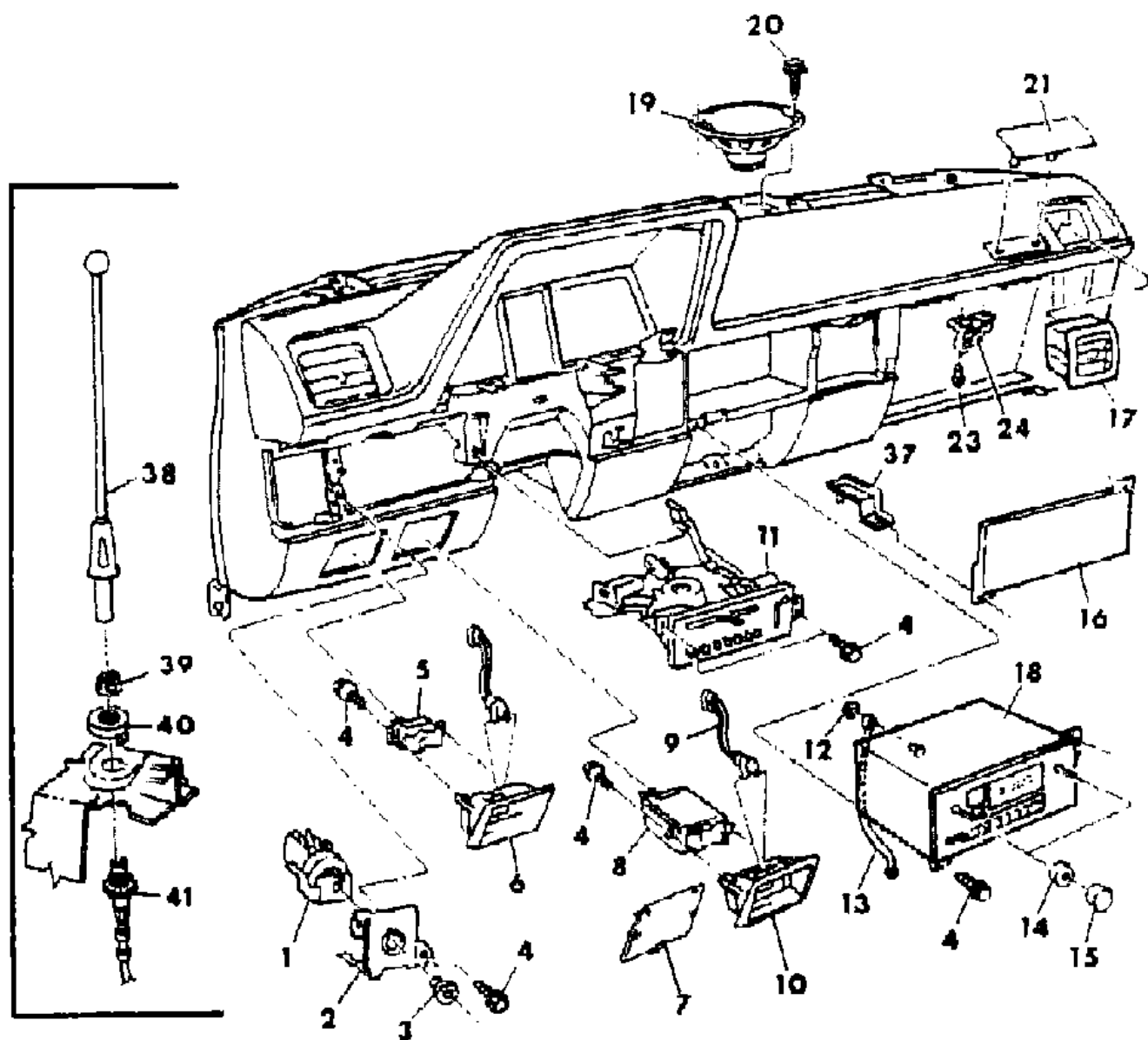
MODEL CODES
 B = GRAN FURY E = 600 M = HORIZON/TURISMO
 C = LE BARON/TOWN & COUNTRY/LIMO F = FIFTH AVENUE/NEWPORT P = RELIANT
 C24 = LASER G = DIPLOMAT T = NEW YORKER
 C44 = LE BARON/GTS H = VOYAGER V = 600
 D = ARIES J = CARAVELLE V24 = DAYTONA
 D44 = LANCER K = MINI VAN/CARAVAN/ROYAL Z = OMNI/CHARGER

BODY STYLES
 21 = 2-DOOR SEDAN 35 = FWD VAN 44 = 4-DOOR HATCHBACK
 22 = 2-DOOR SPECIAL COUPE 36 = FWD WAGON 45 = 4-DOOR STATION WAGON
 24 = 2-DOOR HATCHBACK 41 = 4-DOOR SEDAN 49 = LIMOUSINE
 27 = 2-DOOR CONVERTIBLE

AR = Use as Required - = Non Illustrated Part P.A.R. = Paint as Required

INSTRUMENT PANEL SWITCHES, GLOVEBOX, RADIO AND SPEAKERS M,Z
Figure 8A-300

5182 300



ITEM	PART NUMBER	QTY	BODY	MODEL	DESCRIPTION
1	4221 398	1			SWITCH, Headlamp and Dome Lamp
2	4221 229	1			BRACKET, Headlamp Switch Mounting
3	4221 064	1			RETAINER, Headlamp Switch Mounting
4		AR			SCREW (DNS)
5	5209 875	1		44	SWITCH, Rear Wipe and Wash
6	5209 876	1		44	BEZEL, Rear Wipe/Wash Switch
7	5209 980	1			COVER, Heated Backlite Switch
8	5209 985	1			SWITCH, Heated Backlite
	5209 950	1			SWITCH, Liftgate Release
	4221 775	1			SWITCH, Fog Lamp
	6032 809	1			NUT, Fog Lamp Switch
	5209 955	1			BEZEL, Liftgate Release Switch
9	4221 103	1			LAMP, Acc. Switch Nomenclature, w/Rear Wipe/Wash
10	5209 983	1			BEZEL, Heated Backlite Switch
11					CONTROL, Heater and A/C (Refer to Group 24)
12	6023 205	1			NUT, Radio Ground Strap
13	4311 472	1			STRAP, Radio Supp. Ground
	5211 210	1			STRAP, Radio Supp. Ground (A/C to Cowl)
	5211 212	1			STRAP, Radio Supp. Ground (Eng. Mount)
14					KNOB, Radio
					KNOB PACKAGE, "Joy Stick"
	4364 484	1			Bright
	4364 483	1			Black
					Secondary
	4311 558	2			w/4311103 Radio
	4311 329	AR			w/4311001 Radio
	4311 341	AR			w/4311687,4311828,4311002 Radios
					Treble
	4311 339	AR			w/4311687,4311828 Radios
15					KNOB, Radio
					Primary
	4311 555	2			w/4311103 Radio
	4311 334	AR			w/4311687,4311828,4311002 Radios
					Bass
	4311 337	AR			w/4311687,4311828 Radios
16	4220 482	1			PLATE, Radio Opening, w/o Radio
17					VENTILATION OUTLET (Refer to Grp.24)

MODEL CODES

B = GRAN FURY	E = 600	M = HORIZON/TURISMO
C = LE BARON/TOWN & COUNTRY/LIMO	F = FIFTH AVENUE/NEWPORT	P = RELIANT
C24 = LASER	G = DIPLOMAT	T = NEW YORKER
C44 = LE BARON/GTS	H = VOYAGER	V = 600
D = ARIES	J = CARAVELLE	V24 = DAYTONA
D44 = LANCER	K = MINI VAN/CARAVAN/ROYAL	Z = OMNI/CHARGER

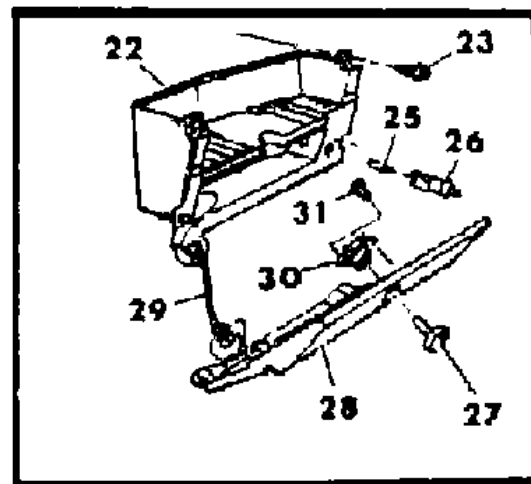
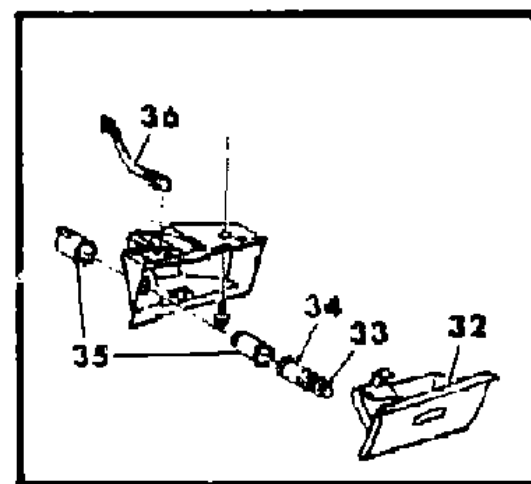
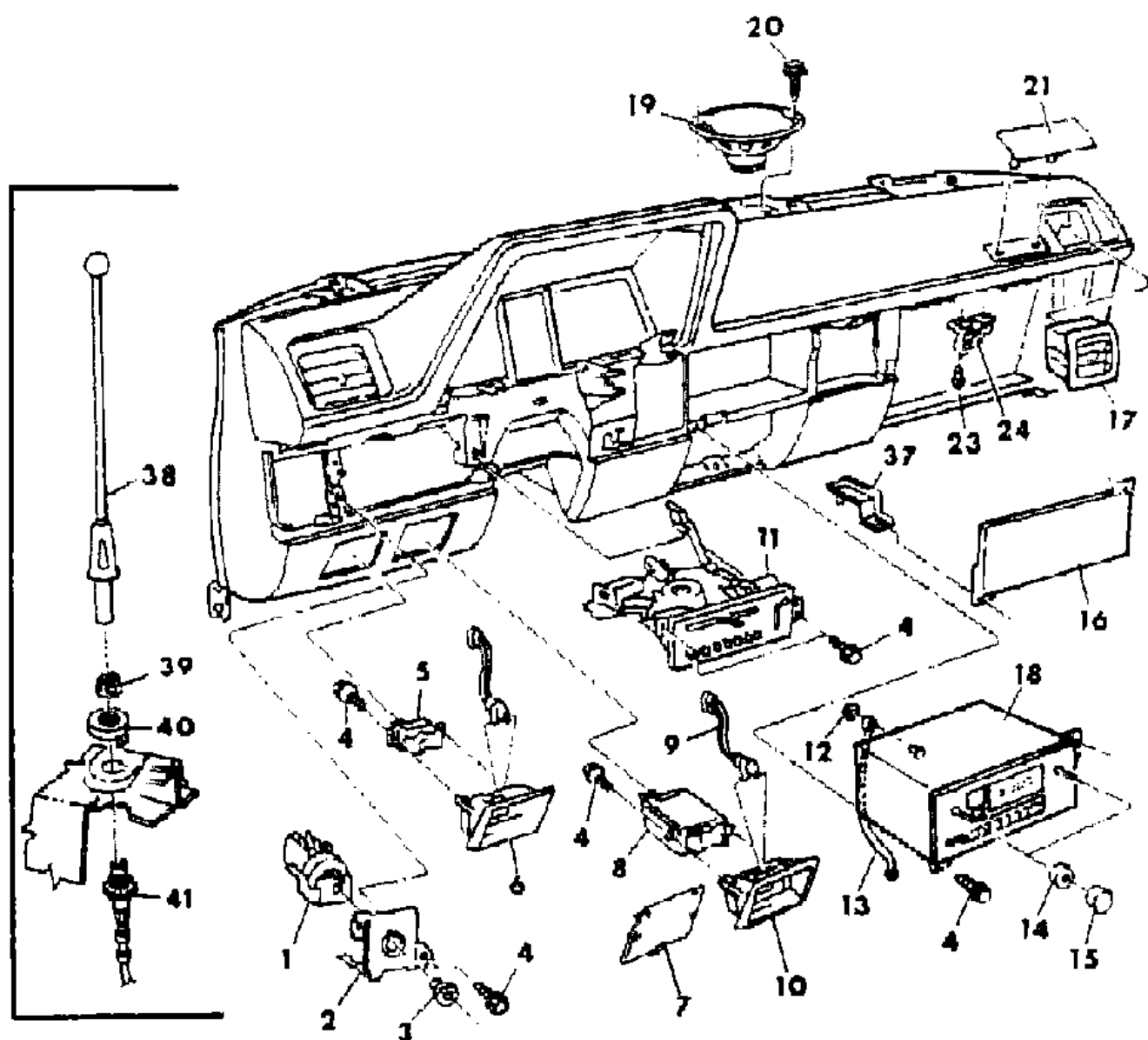
BODY STYLES

21 = 2-DOOR SEDAN	35 = FWD VAN	44 = 4-DOOR HATCHBACK
22 = 2-DOOR SPECIAL COUPE	36 = FWD WAGON	45 = 4-DOOR STATION WAGON
24 = 2-DOOR HATCHBACK	41 = 4-DOOR SEDAN	49 = LIMOUSINE
27 = 2-DOOR CONVERTIBLE		

AR = Use as Required - = Non Illustrated Part P.A.R. = Paint as Required

INSTRUMENT PANEL SWITCHES, GLOVEBOX, RADIO AND SPEAKERS M,Z
Figure 8A-300

5182 300



ITEM	PART NUMBER	QTY	BODY	MODEL	DESCRIPTION
18		1			RADIO, E.T.R. w/Clock
	4331 529	1			JUMPER, Radio
	4311 828	1			AM/FM/MX Standard (Black Face)
	4311 002	1			AM (Black Face)
	4311 001	1			AM (Black Face)
	4311 687	1			AM/FM/MX w/Cassette (Black Face)
	4311 103	1			Ultimate Sound (Black Face)
	4222 560	1			DIFFUSER, Illuminated Bulb
	4222 037	1			CASSETTE
	4222 912	1			CAPACITOR, Radio Noise Suppression (Blower Motor)
	4222 916	1			CAPACITOR, Radio Noise Suppression (Ign. Coil)
19					SPEAKERS, Front and Rear
	4311 098	1			Inst. Panel, Monural
	4222 535	2	24		Rear Compartment
20					SCREW (DNS)
21					NAME PLATE, Instrument Panel Trim Pad
	4311 164	1			"Horizon"
	4311 165	1			"Turismo"
	4311 167	1			"Omni"
	4311 168	1			"Charger"
	6029 168	2			CLIP, Name Plate Attaching
	0445 153	2			NUT, Name Plate Attaching
22	4311 486	1			BOX, Instrument Panel Glove
23					SCREW (DNS)
24	5209 773	1			CATCH, Glove Box Door Lock
25	0152 244	1			BULB, Glove Box Lamp
26	4221 625	1			LAMP and SWITCH, Glove Box
	2947 226	1			PLUG, Glove Box Lamp, w/o Lamp
	2822 583	1			LENS, Glove Box Lamp
27		1			CYLINDER w/KEY, Glove Box (Refer to Group 23D)
28	P638 CC7	1			DOOR and BOX, Glove
	2218 683	1			BUMPER, Glove Box
29	4047 424	1			CABLE, Glove Box Door Check
30	3508 886	1			LATCH, Glove Box Lock Cylinder
31		2			SCREW (DNS)
32	P651 CC7	1			FACE PLATE and REC.
	5209 758	1			HOUSING, Ash Rec.

MODEL CODES

B = GRAN FURY	E = 600	M = HORIZON/TURISMO
C = LE BARON/TOWN & COUNTRY/LIMO	F = FIFTH AVENUE/NEWPORT	P = RELIANT
C24 = LASER	G = DIPLOMAT	T = NEW YORKER
C44 = LE BARON/GTS	H = VOYAGER	V = 600
D = ARIES	J = CARAVELLE	V24 = DAYTONA
D44 = LANCER	K = MINI VAN/CARAVAN/ROYAL	Z = OMNI/CHARGER

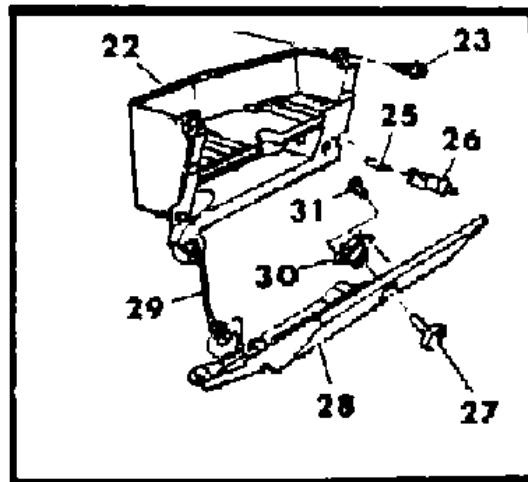
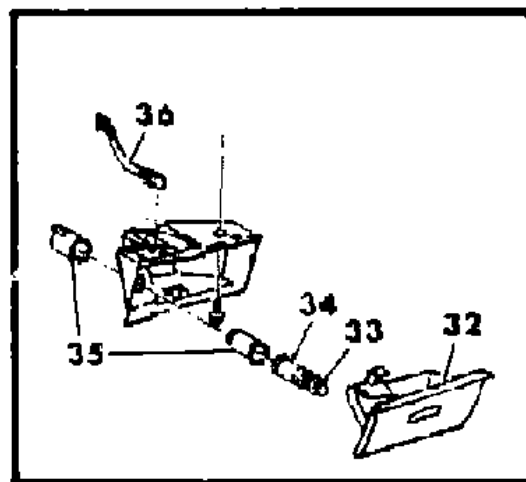
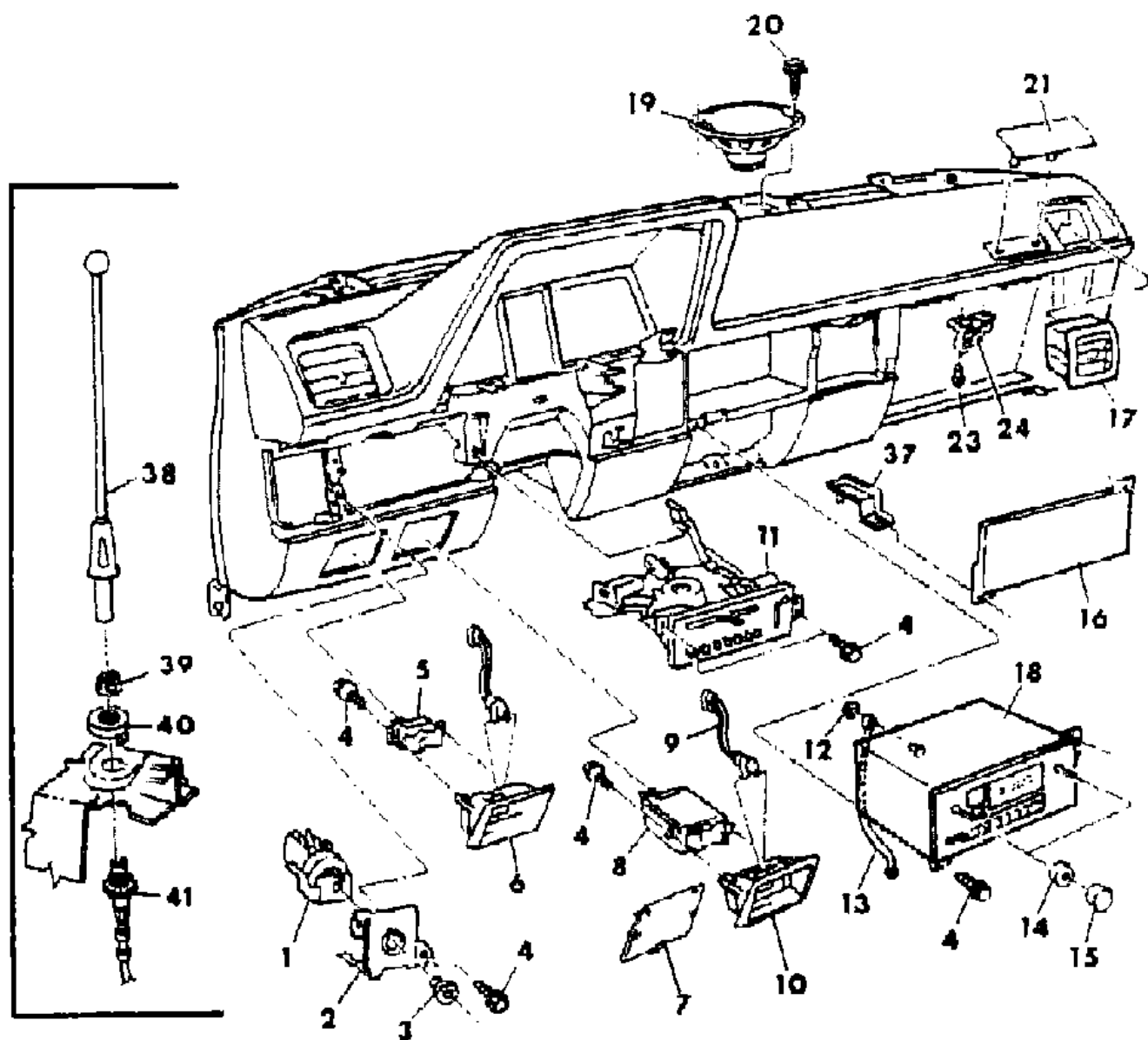
BODY STYLES

21 = 2-DOOR SEDAN	35 = FWD VAN	44 = 4-DOOR HATCHBACK
22 = 2-DOOR SPECIAL COUPE	36 = FWD WAGON	45 = 4-DOOR STATION WAGON
24 = 2-DOOR HATCHBACK	41 = 4-DOOR SEDAN	49 = LIMOUSINE
27 = 2-DOOR CONVERTIBLE		

AR = Use as Required - = Non Illustrated Part P.A.R. = Paint as Required

INSTRUMENT PANEL SWITCHES, GLOVEBOX, RADIO AND SPEAKERS M,Z
Figure 8A-300

5182 300



ITEM	PART NUMBER	QTY	BODY	MODEL	DESCRIPTION
	2985 816	1			BUMPER, Instrument Panel Ash Rec. Stop
	4220 887	1			BUMPER, Instrument Panel Ash Rec. to Housing
33	3747 165	1			KNOB, C/Lighter
34	3004 190	1			ELEMENT, C/Lighter
35	2808 912	1			SHELL and CLAMP, C/Lighter
36	4221 236	1			LAMP, Ash Rec.
	3746 516	1			SOCKET, Ash Rec. Lamp
	2947 226	1			PLUG, Ash Rec. Lamp
37	5209 782	1			BRACE, Instrument Panel to A/C and Heater Bracket
38	4222 729	1			MAST, Radio Antenna
39	4222 728	1			NUT, Cap
40	4222 725	1			ADAPTER and GASKET
41	4311 507	1			BODY and CABLE
	4222 723	1			LOCK WASHER, Antenna Mounting
	4222 731	1			PLUG, Antenna Hole

MODEL CODES

B = GRAN FURY	E = 600	M = HORIZON/TURISMO
C = LE BARON/TOWN & COUNTRY/LIMO	F = FIFTH AVENUE/NEWPORT	P = RELIANT
C24 = LASER	G = DIPLOMAT	T = NEW YORKER
C44 = LE BARON/GTS	H = VOYAGER	V = 600
D = ARIES	J = CARAVELLE	V24 = DAYTONA
D44 = LANCER	K = MINI VAN/CARAVAN/ROYAL	Z = OMNI/CHARGER

BODY STYLES

21 = 2-DOOR SEDAN	35 = FWD VAN	44 = 4-DOOR HATCHBACK
22 = 2-DOOR SPECIAL COUPE	36 = FWD WAGON	45 = 4-DOOR STATION WAGON
24 = 2-DOOR HATCHBACK	41 = 4-DOOR SEDAN	49 = LIMOUSINE
27 = 2-DOOR CONVERTIBLE		

AR = Use as Required - = Non Illustrated Part P.A.R. = Paint as Required

CONSOLE M,Z
Figure 8A-400

5182 400

ITEM	PART NUMBER	QTY	BODY	MODEL	DESCRIPTION
1	F436 CS8	1			CONSOLE, Auto Gear Selector
2	0167 541	2			SCREW
3	F278 SX9	1			COVER, Park Brake, w/o Console
4		AR			SCREW (DNS)
5	4248 437	1			BRACKET, Front Console Upper
6		AR			SCREW (DNS)
7	4282 250	1			ASH RECEIVER
8	4282 508	2			HEATER OUTLET, w/o Air
9		1			CUBBY BOX, Serviced in item 34
10					CONSOLE, Forward, w/Air
	F456 BC7	1			Blue
	F456 BM6	1			Red
	F456 DT5	1			Tan
	F456 CS8	1			Charcoal w/o Air
	F455 BC7	1			Blue
	F455 BM6	1			Red
	F455 DT5	1			Tan
	F455 CS8	1			Charcoal
11		AR			SCREW (DNS)
12		AR			SCREW (DNS)
13					STORAGE BIN
	F457 BC7	1			Blue
	F457 BM6	1			Red
	F457 DT5	1			Tan
	F457 CS8	1			Charcoal
14		AR			SCREW (DNS)
15	F443 CS8	1			HOUSING, Shift
16					BEZEL, Shift Housing
	F436 CS8	1			w/Auto Shift Housing
	4282 511	1			w/Manual Shift Housing
17					BRACKET, Shift Housing
	4248 335	1			w/Auto Trans.
	4248 486	1			w/Manual Trans.
18	4248 328	1			BRACKET, Front Console Lower
19	4314 177	1			BRACKET, Front Console Floor Pan
20	F547 CC7	1			BASE and SLIDE MECHANISM, Console

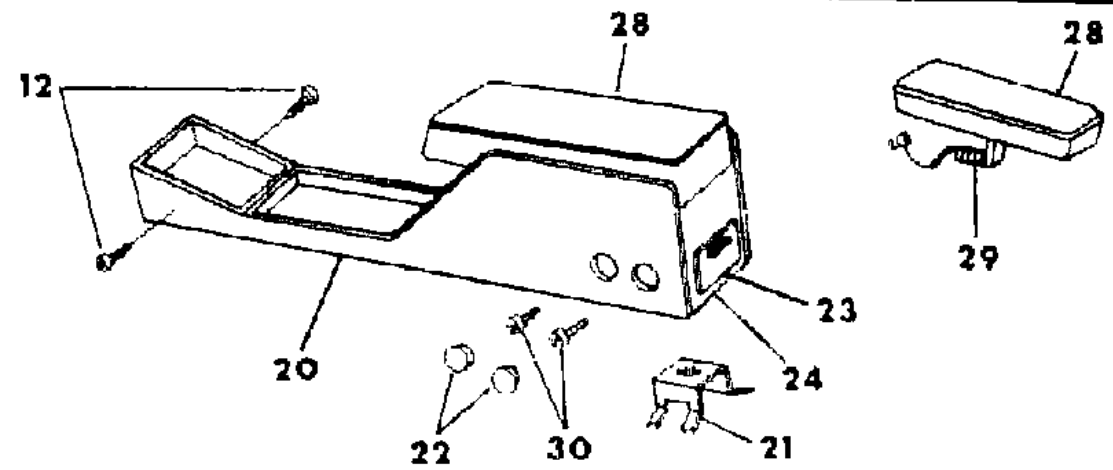
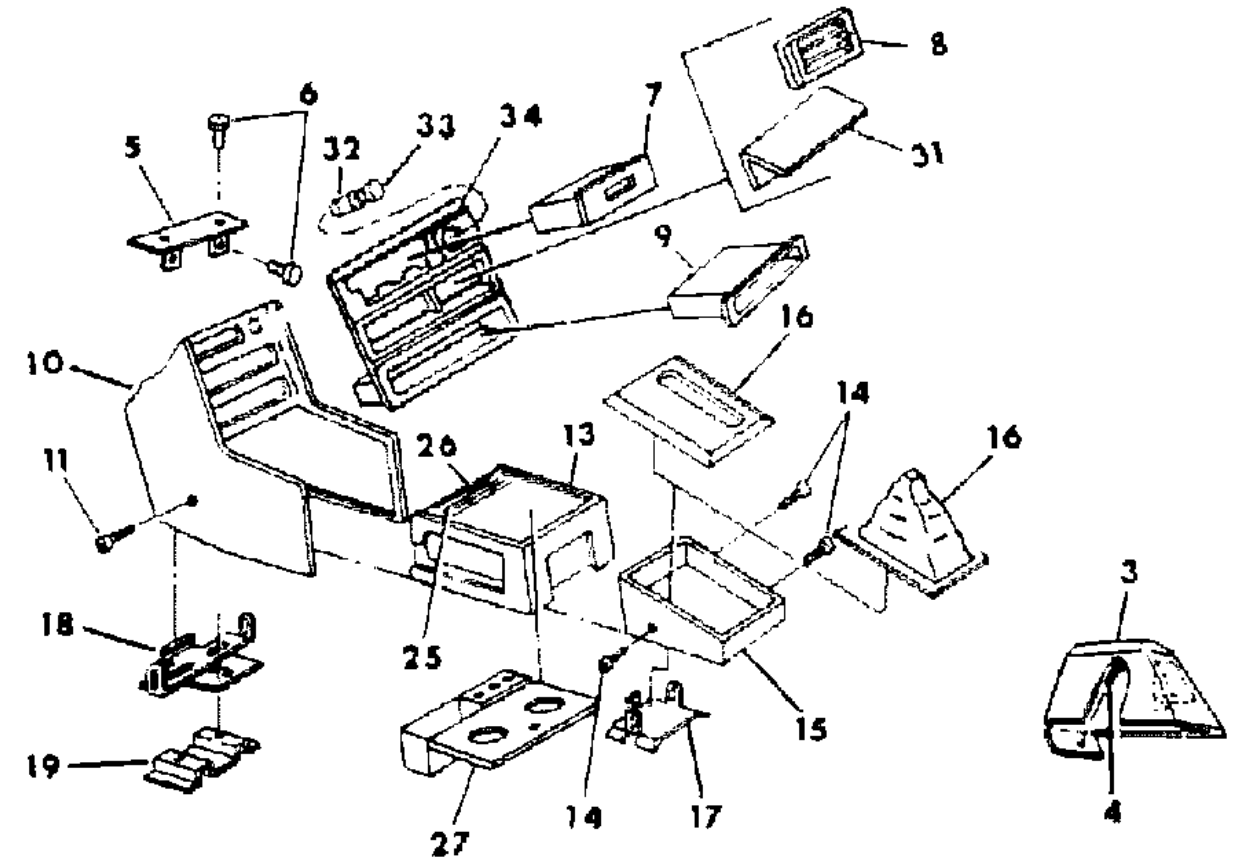
MODEL CODES

B = GRAN FURY	E = 600	M = HORIZON/TURISMO
C = LE BARON/TOWN & COUNTRY/LIMO	F = FIFTH AVENUE/NEWPORT	P = RELIANT
C24 = LASER	G = DIPLOMAT	T = NEW YORKER
C44 = LE BARON/GTS	H = VOYAGER	V = 600
D = ARIES	J = CARAVELLE	V24 = DAYTONA
D44 = LANCER	K = MINI VAN/CARAVAN/ROYAL	Z = OMNI/CHARGER

BODY STYLES

21 = 2-DOOR SEDAN	35 = FWD VAN	44 = 4-DOOR HATCHBACK
22 = 2-DOOR SPECIAL COUPE	36 = FWD WAGON	45 = 4-DOOR STATION WAGON
24 = 2-DOOR HATCHBACK	41 = 4-DOOR SEDAN	49 = LIMOUSINE
27 = 2-DOOR CONVERTIBLE		

AR = Use as Required - = Non Illustrated Part P.A.R. = Paint as Required



CONSOLE M,Z
Figure 8A-400

5182 400

ITEM	PART NUMBER	QTY	BODY	MODEL	DESCRIPTION
21	4314 178	1			BRACKET, Rear Console
	6100 557	4			SCREW
22	F332 DT5	4			PLUG, Rear Bolt Hole
23	4283 853	1			RECEPTACLE, Ash Receiver
24	3510 868	1			BEZEL w/RETAINER, Ash Receiver
25	4282 528	1			LID, Storage Box
26		1			HANDLE, Serviced in item 25
27	4248 647	1			CUP HOLDER and COIN HOLDER
28					ARM REST
	F446 BA3	1			Silver
	F446 BB5	1			Blue
	F446 BM6	1			Red
	F446 DT3	1			Tan
	F446 CS8	1			Charcoal
	4282 596	1			SPACER PACKAGE, Arm Rest
29	4248 649	1			SPRING RELEASE, Arm Rest
30	6100 566	AR			SCREW
31	4282 529	1			CONVENIENCE LIGHT, w/Air
	4304 237	1			WIRING, Convenience Light
32	3004 190	1			ELEMENT, C/Lighter
	2808 912	1			SHELL w/CLAMP, C/Lighter
33	3747 763	1			KNOB, C/Lighter
	4304 236	1			WIRING, C/Lighter
34					FACE PLATE
	4364 487	1			w/o Air
	4364 488	1			w/Air
	4221 465	1			LAMP, Ash Receiver

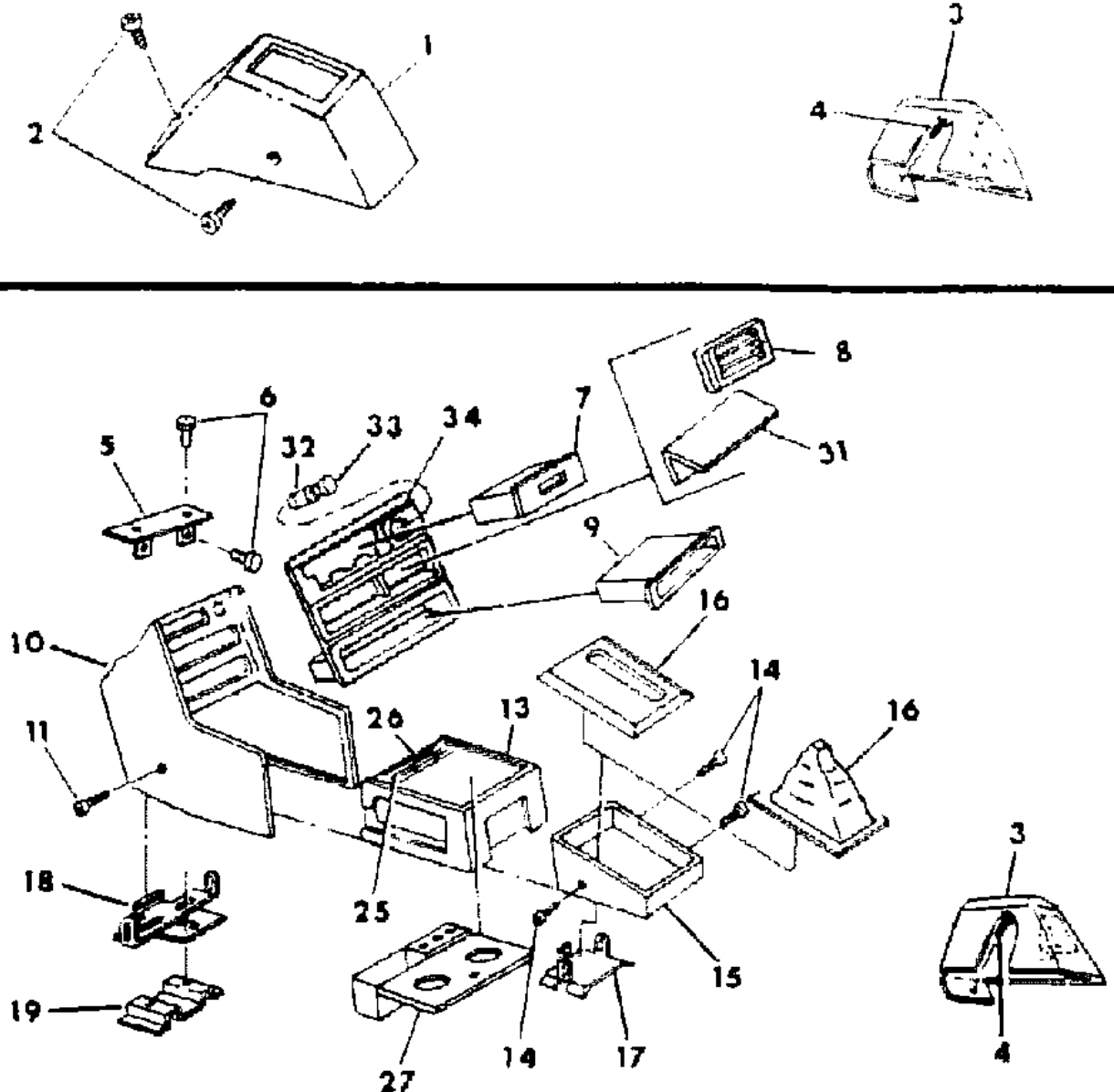
MODEL CODES

B = GRAN FURY	E = 600	M = HORIZON/TURISMO
C = LE BARON/TOWN & COUNTRY/LIMO	F = FIFTH AVENUE/NEWPORT	P = RELIANT
C24 = LASER	G = DIPLOMAT	T = NEW YORKER
C44 = LE BARON/GTS	H = VOYAGER	V = 600
D = ARIES	J = CARAVELLE	V24 = DAYTONA
D44 = LANCER	K = MINI VAN/CARAVAN/ROYAL	Z = OMNI/CHARGER

BODY STYLES

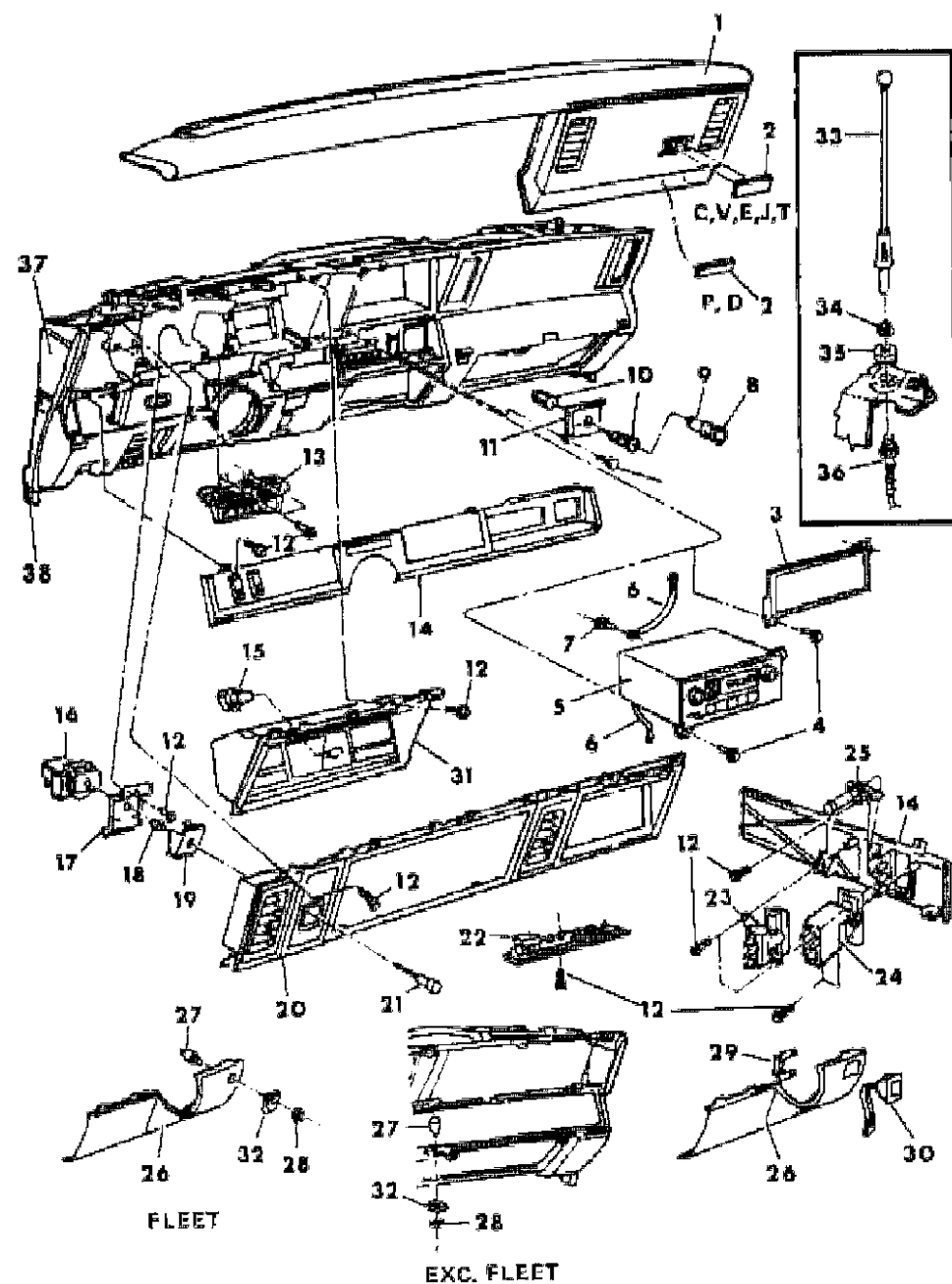
21 = 2-DOOR SEDAN	35 = FWD VAN	44 = 4-DOOR HATCHBACK
22 = 2-DOOR SPECIAL COUPE	36 = FWD WAGON	45 = 4-DOOR STATION WAGON
24 = 2-DOOR HATCHBACK	41 = 4-DOOR SEDAN	49 = LIMOUSINE
27 = 2-DOOR CONVERTIBLE		

AR = Use as Required - = Non Illustrated Part P.A.R. = Paint as Required



INSTRUMENT PANEL CLUSTER, BEZELS AND RADIO P,D,C,V,J,E,T (EXCEPT C,V 24 AND D,C 44)
Figure 8A-500

5122 500



ITEM	PART NUMBER	QTY	BODY	MODEL	DESCRIPTION
1					PAD, Instrument Panel
	P454 DS8	1	P,D		Charcoal, Up to 2-1-85
	P532 DS8	1	P,D		Charcoal, After 2-1-85
	P454 DC7	1	P,D		Dark Blue, Up to 2-1-85
	P532 DC7	1	P,D		Dark Blue, After 2-1-85
	P454 DM6	1	P,D		Red, Up to 2-1-85
	P532 DM6	1	P,D		Red, After 2-1-85
	P454 DT5	1	P,D		Tan, Up to 2-1-85
	P532 DT5	1	P,D		Tan, After 2-1-85
	P391 DC7	1	C,V,J,E		Blue
	P391 DM6	1	C,V,J,E		Red
	P391 DT5	1	C,V,J,E		Tan
	P391 DT8	1	C,V,J,E		Brown
	P391 DS8	1	C,V,J,E		Charcoal
	4364 473	1	P,D,C,V		MOULDING, Instrument Panel Pad
	4220 828	2			SEAL, Trim Pad A/C Duct
2					NAME PLATE, Instrument Panel Pad
	4311 617	1			"Caravelle"
	4311 150	1			"Le Baron"
	4311 158	1			"600"
	4311 154	1			"Town & Country"
	4311 160	1			"New Yorker"
	4311 185	1			"Aries"
	4311 184	1			"Reliant"
	0445 153	2			NUT, Name Plate Att.
	6029 168	AR			CLIP, Name Plate Attaching
3	4220 482	1			PLATE, Radio Opening, w/o Radio
4	6031 665	1			SCREW, Radio Att.
5					RADIO, E.T.R. w/Clock
	4331 529	1			JUMPER, Radio
	4311 001	1			AM (Bright Face)
	4311 002	1			AM (Black Face)
	4311 827	1			AM/FM/MX Standard (Bright Face)
	4311 828	1			AM/FM/MX Standard (Black Face)
	4311 102	1			Ultimate Sound (Bright Face)
	4311 686	1			AM/FM/MX Premium,w/Cassette (Bright Face)
	4311 687	1			AM/FM/MX Premium,w/Cassette (Black Face)

MODEL CODES

B = GRAN FURY	E = 600	M = HORIZON/TURISMO
C = LE BARON/TOWN & COUNTRY/LIMO	F = FIFTH AVENUE/NEWPORT	P = RELIANT
C24 = LASER	G = DIPLOMAT	T = NEW YORKER
C44 = LE BARON/GTS	H = VOYAGER	V = 600
D = ARIES	J = CARAVELLE	V24 = DAYTONA
D44 = LANCER	K = MINI VAN/CARAVAN/ROYAL	Z = OMNI/CHARGER

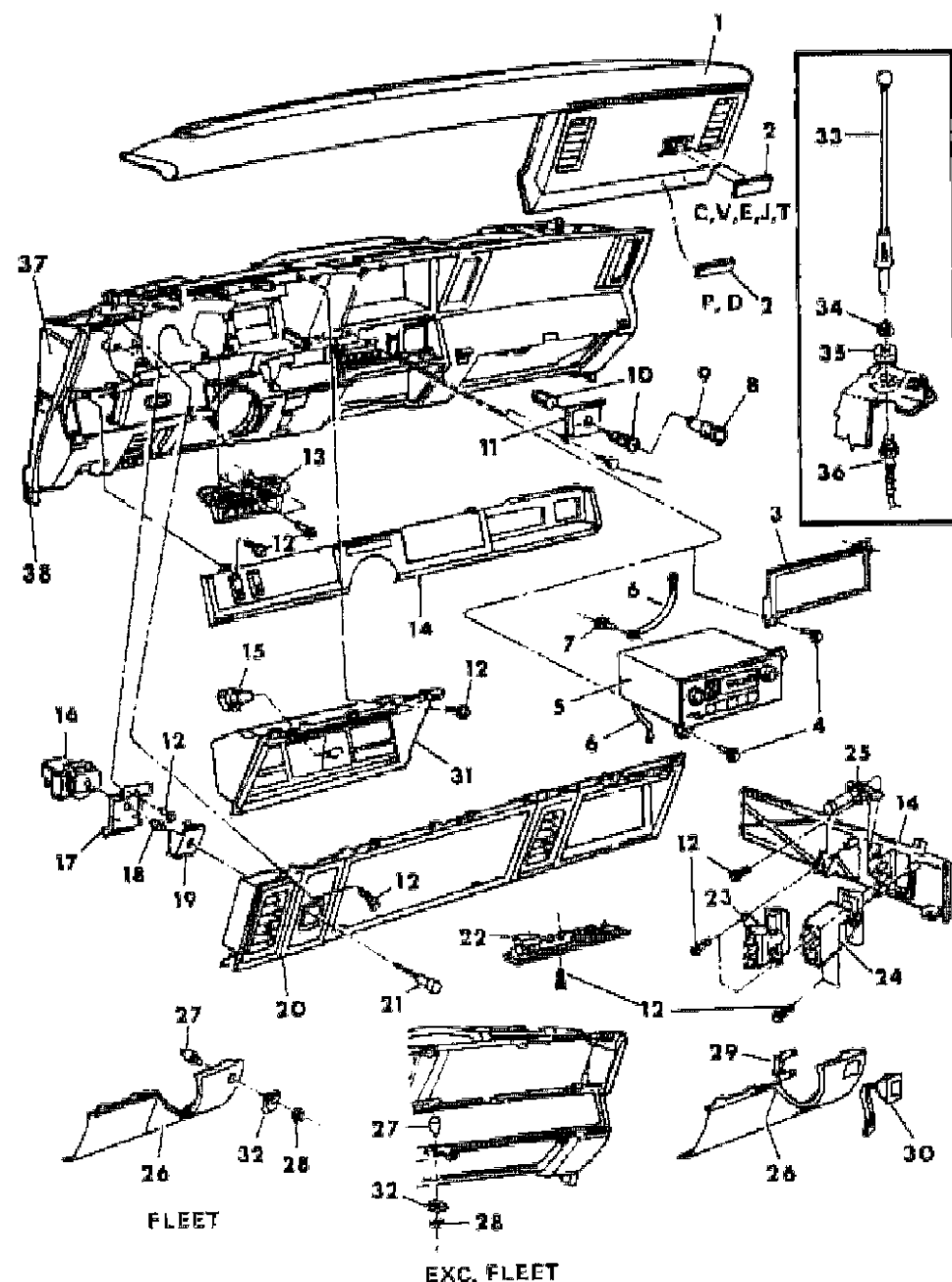
BODY STYLES

21 = 2-DOOR SEDAN	35 = FWD VAN	44 = 4-DOOR HATCHBACK
22 = 2-DOOR SPECIAL COUPE	36 = FWD WAGON	45 = 4-DOOR STATION WAGON
24 = 2-DOOR HATCHBACK	41 = 4-DOOR SEDAN	49 = LIMOUSINE
27 = 2-DOOR CONVERTIBLE		

AR = Use as Required - = Non Illustrated Part P.A.R. = Paint as Required

INSTRUMENT PANEL CLUSTER, BEZELS AND RADIO P,D,C,V,J,E,T (EXCEPT C,V 24 AND D,C 44)
Figure 8A-500

5122 500



ITEM	PART NUMBER	QTY	BODY	MODEL	DESCRIPTION
	4222 560	1			DIFFUSER, Bulb
					KNOB, Radio
					KNOB PACKAGE, "Joy Stick"
	4364 484	1			Black
	4364 483	1			Bright
	4311 554	2			Primary w/4311102 Radio
	4311 325	AR			w/4311686,4311827,4311001 Radios
	4311 334	AR			w/4311687,4311828,4311002 Radios
	4311 327	AR			Bass w/4311686,4311827 Radios
	4311 337	AR			w/4311687,4311828 Radios
					Secondary
	4311 557	2			w/4311102 Radio
	4311 329	AR			w/4311686,4311827,4311001 Radios
	4311 341	AR			w/4311687,4311828,4311002 Radios
					Treble
	4311 328	AR			w/4311686,4311827 Radios
	4311 339	AR			w/4311687,4311828 Radios
	4222 037	1			CASSETTE
	4267 298	1			SUPPRESSION, Windshield Wiper Motor (Radio Noise)
	4222 912	1			CAPACITOR, Radio Noise Supp. (Blower Motor)
6					STRAP, Radio Ground (DNS)
7		1			SCREW (DNS)
8	3747 763	1			KNOB, C/Lighter
9	3004 190	1			ELEMENT, C/Lighter
10	3747 633	1			SHELL and CLAMP, C/Lighter
11	4221 391	1		C,V,J,E	BEZEL, C/Lighter
	4221 692	1		P,D	
	P199 VX9	1			BEZEL, C/Lighter Mounting
12		2			SCREW (DNS)
13					INDICATOR, Gear Selector
	4220 096	1			w/Auto Trans.
	4220 097	1			w/Manual Trans.
	4047 594	1			COVER, Gear Selector ("Front Wheel Drive")
	4312 921	1			LAMP, Fuel Pacer Indicator
	6032 456	2			SCREW, Fuel Pacer Indicator Lamp

MODEL CODES

B = GRAN FURY	E = 600	M = HORIZON/TURISMO
C = LE BARON/TOWN & COUNTRY/LIMO	F = FIFTH AVENUE/NEWPORT	P = RELIANT
C24 = LASER	G = DIPLOMAT	T = NEW YORKER
C44 = LE BARON/GTS	H = VOYAGER	V = 600
D = ARIES	J = CARAVELLE	V24 = DAYTONA
D44 = LANCER	K = MINI VAN/CARAVAN/ROYAL	Z = OMNI/CHARGER

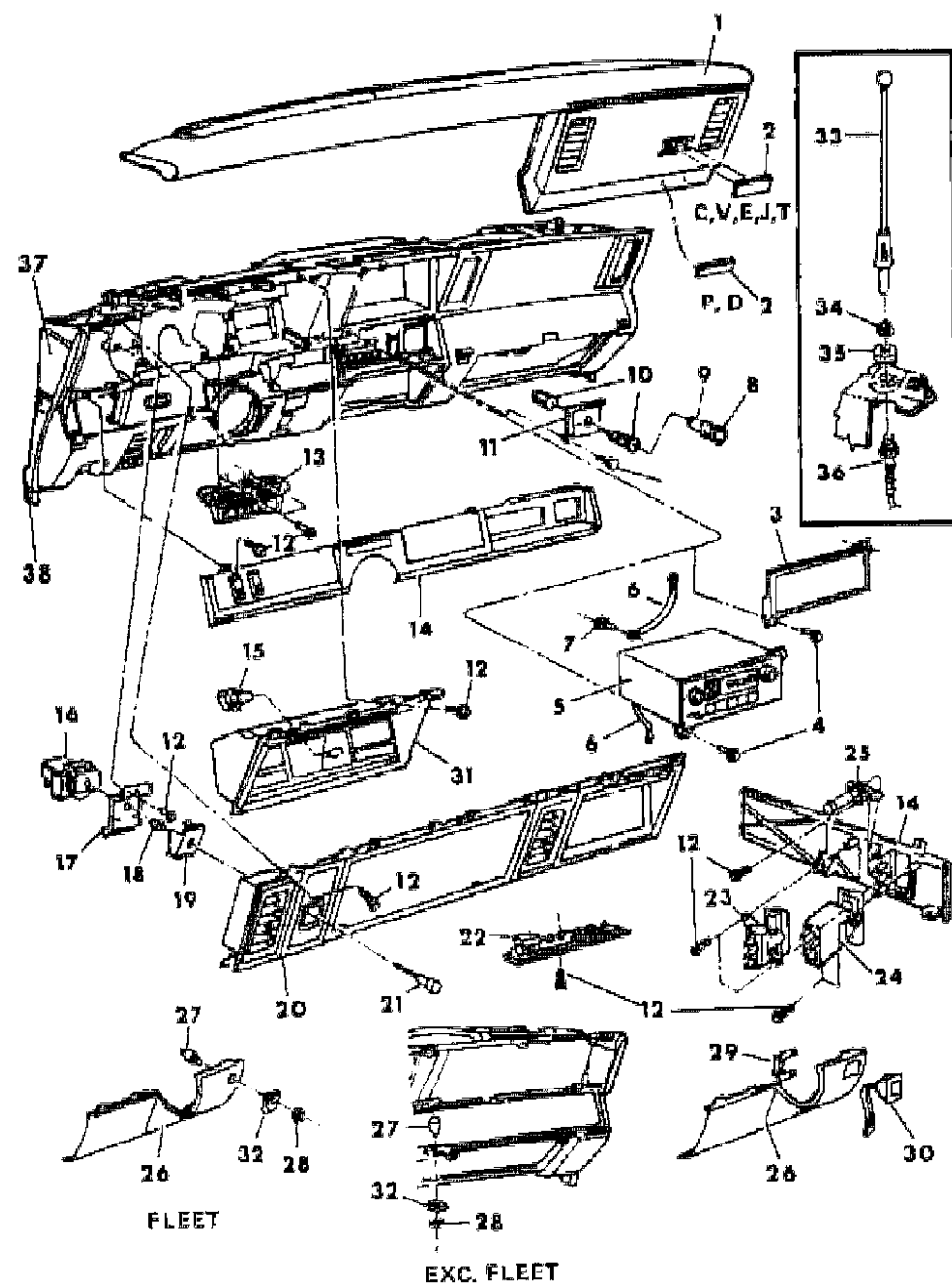
BODY STYLES

21 = 2-DOOR SEDAN	35 = FWD VAN	44 = 4-DOOR HATCHBACK
22 = 2-DOOR SPECIAL COUPE	36 = FWD WAGON	45 = 4-DOOR STATION WAGON
24 = 2-DOOR HATCHBACK	41 = 4-DOOR SEDAN	49 = LIMOUSINE
27 = 2-DOOR CONVERTIBLE		

AR = Use as Required - = Non Illustrated Part P.A.R. = Paint as Required

INSTRUMENT PANEL CLUSTER, BEZELS AND RADIO P,D,C,V,J,E,T (EXCEPT C,V 24 AND D,C 44)
Figure 8A-500

5122 500



ITEM	PART NUMBER	QTY	BODY	MODEL	DESCRIPTION
14					BEZEL, Lower Left
	4311 081	1		C,V,J,E	w/One Switch Opening
	4312 691	1		P,D	w/One Switch Opening,Black
	4312 694	1		P,D	w/One Switch Opening,Woodgrain
	4311 083	1		C,V,J,E	w/Two Switch Opening
	4312 695	1		P,D	w/Two Switch Opening,Woodgrain
	4311 079	1		C,V,J,E	w/o Switch Opening
	4312 679	1		P,D	w/o Switch Opening,Black
	4312 693	1		P,D	w/o Switch Opening,Woodgrain
15	3744 750	AR			SOCKET, Instrument Cluster
	4342 240	AR			w/Electronic Cluster
	9421 330	1			BULB
	9433 184	AR			w/Electronic Cluster
16					SWITCH, Headlamp
	4221 407	1		C,V,J,E	
	4221 405	1		P,D	
17	4221 227	1			PLATE, Headlamp Switch Mounting
18	4221 063	1			RETAINER, Headlamp Switch
19	3747 863	1			ESCUTCHEON, Headlamp Switch Mounting
20					BEZEL, Instrument Cluster
	4312 275	1		PL,PM,D	w/o Ind. Lamp Module
	4312 271	1		PH,PP,D	w/o Ind. Lamp Module
	4220 837	1			w/o Ind. Lamp Module, w/Message Center
	4312 362	1			w/Elect. Cluster, w/Tach., w/Ind. Lamp Module
	4312 364	1			w/Elect. Cluster, w/o Tach., w/o Ind. Lamp Module
	6032 216	5			CLIP, Bezel Attaching
	4085 191	1			DIFFUSER
21	3747 760	1		C,V,J,E	KNOB and SHAFT, Headlamp Switch
	4221 636	1		P,D	
22					MODULE, Warning Indicator Lamp
	4220 598	1			Fuel, Trunk, Door, Washer, Turbo Boost
	3591 451	1			RELAY, Module
23	4221 080	1		C 45	SWITCH, Rear Wipe/Wash
	4221 389	1		P,D 45	
24					SWITCH, Heated Backlite
	4221 078	1		C,V,J,E	
	4221 627	1		P,D	

MODEL CODES

B = GRAN FURY	E = 600	M = HORIZON/TURISMO
C = LE BARON/TOWN & COUNTRY/LIMO	F = FIFTH AVENUE/NEWPORT	P = RELIANT
C24 = LASER	G = DIPLOMAT	T = NEW YORKER
C44 = LE BARON/GTS	H = VOYAGER	V = 600
D = ARIES	J = CARAVELLE	V24 = DAYTONA
D44 = LANCER	K = MINI VAN/CARAVAN/ROYAL	Z = OMNI/CHARGER

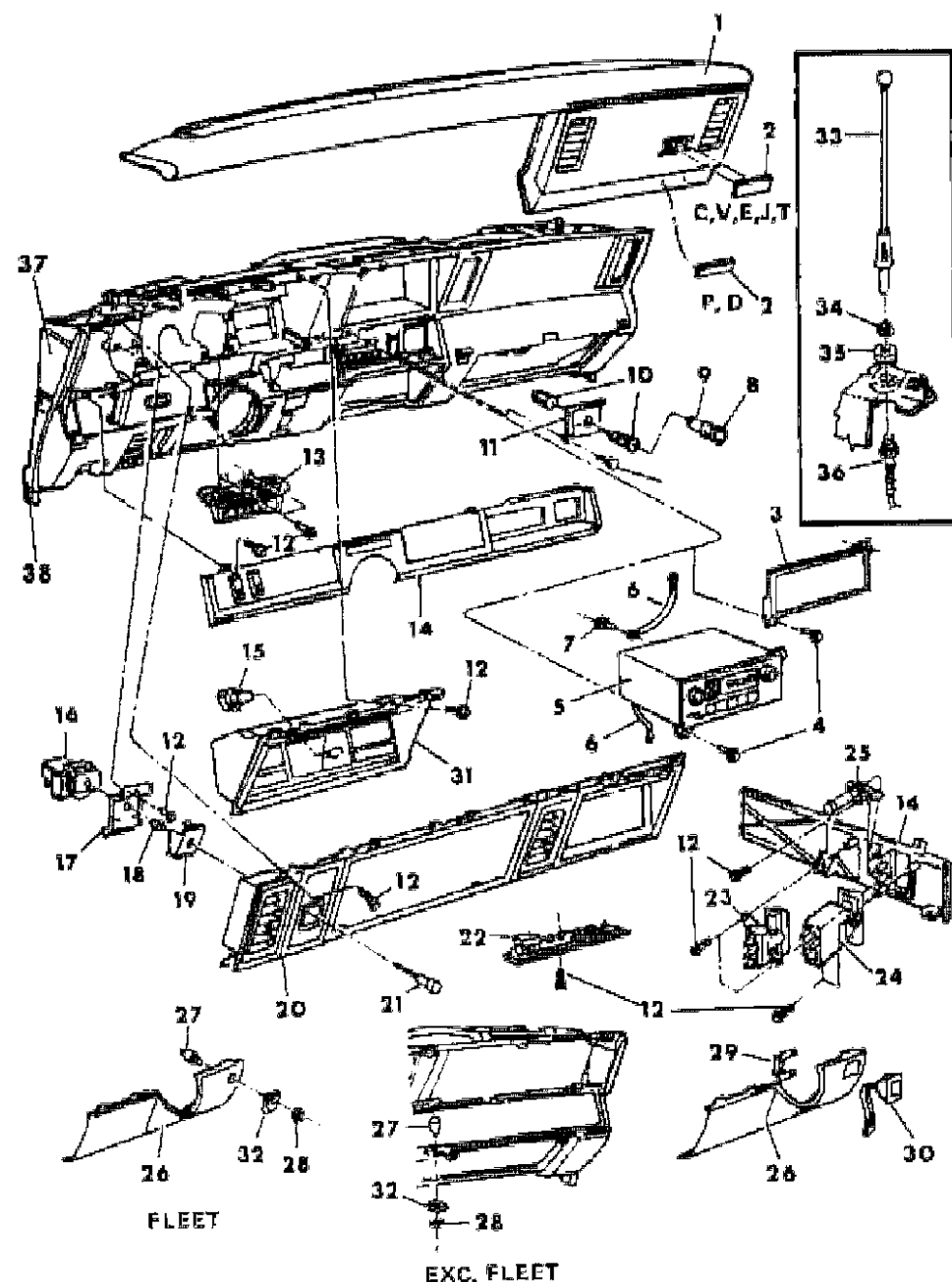
BODY STYLES

21 = 2-DOOR SEDAN	35 = FWD VAN	44 = 4-DOOR HATCHBACK
22 = 2-DOOR SPECIAL COUPE	36 = FWD WAGON	45 = 4-DOOR STATION WAGON
24 = 2-DOOR HATCHBACK	41 = 4-DOOR SEDAN	49 = LIMOUSINE
27 = 2-DOOR CONVERTIBLE		

AR = Use as Required - = Non Illustrated Part P.A.R. = Paint as Required

INSTRUMENT PANEL CLUSTER, BEZELS AND RADIO P,D,C,V,J,E,T (EXCEPT C,V 24 AND D,C 44)
Figure 8A-500

5122 500



ITEM	PART NUMBER	QTY	BODY	MODEL	DESCRIPTION
25					LAMP, Accessory Switch Nomenclature
	4221 239	1			One Switch
	4221 240	1			Two Switch
26	P682 BT8	1			COVER, Steering Column Opening
	6500 442	AR			CLIP,Cover
27	3747 154	1			SWITCH, Remote Deck Lid and Liftgate
	3747 875	1			BEZEL, Remote Deck Lid and Liftgate Switch
28	6028 824	1			NUT, Switch
29	3747 750	1			RETAINER
30	3747 874	1			SWITCH, Rear Amplifier
31	4051 555	1		C,V,J,E	HOUSING, Instrument Cluster
	4051 771	1		P,D	
	4051 767	1		C,V,J,E	MASK and LENS, w/o Electronic Cluster
	4051 875	1		P,D	w/Oil Light
	4051 877	1		P,D	w/Certified Speed.,w/4051776 Oil Gauge
	4051 630	1		C,V,J,E	CHIMNEY
	4051 774	1		P,D	Warning Lamp, Center
	4051 773	1		P,D	Warning Lamp, Left
	4051 775	1		P,D	Warning Lamp, Right
	4051 565	1			GAUGE, Fuel
	4051 772	1			GAUGE, Fuel, Volt and Temp.
	4051 832	1			RELAY, Fuel Warning
	4051 776	1			GAUGE, Oil
	4051 429	1			BOARD, Printed Circuit SPEEDOMETER
	4051 640	1		C,V,J,E	
	4051 786	1		P,D	85 Mile
	4051 793	1		P,D	125 Mile Certified
	3592 750	1			LABEL, Speedometer
	4220 297	1			MODULE, Message Center CLUSTER, Electronic
	4312 770	1			w/Message Center
	4312 771	1			w/Tach
	4051 796	1		P,D	KNOB and SHAFT, Odometer
	4051 806	1		P,D	BOARD, Printed Circuit
	4051 807	1		P,D	BOARD, Printed Circuit (Fleet)
	4312 969	1			FUEL PULSE COUNT CORRECTOR

MODEL CODES

B = GRAN FURY	E = 600	M = HORIZON/TURISMO
C = LE BARON/TOWN & COUNTRY/LIMO	F = FIFTH AVENUE/NEWPORT	P = RELIANT
C24 = LASER	G = DIPLOMAT	T = NEW YORKER
C44 = LE BARON/GTS	H = VOYAGER	V = 600
D = ARIES	J = CARAVELLE	V24 = DAYTONA
D44 = LANCER	K = MINI VAN/CARAVAN/ROYAL	Z = OMNI/CHARGER

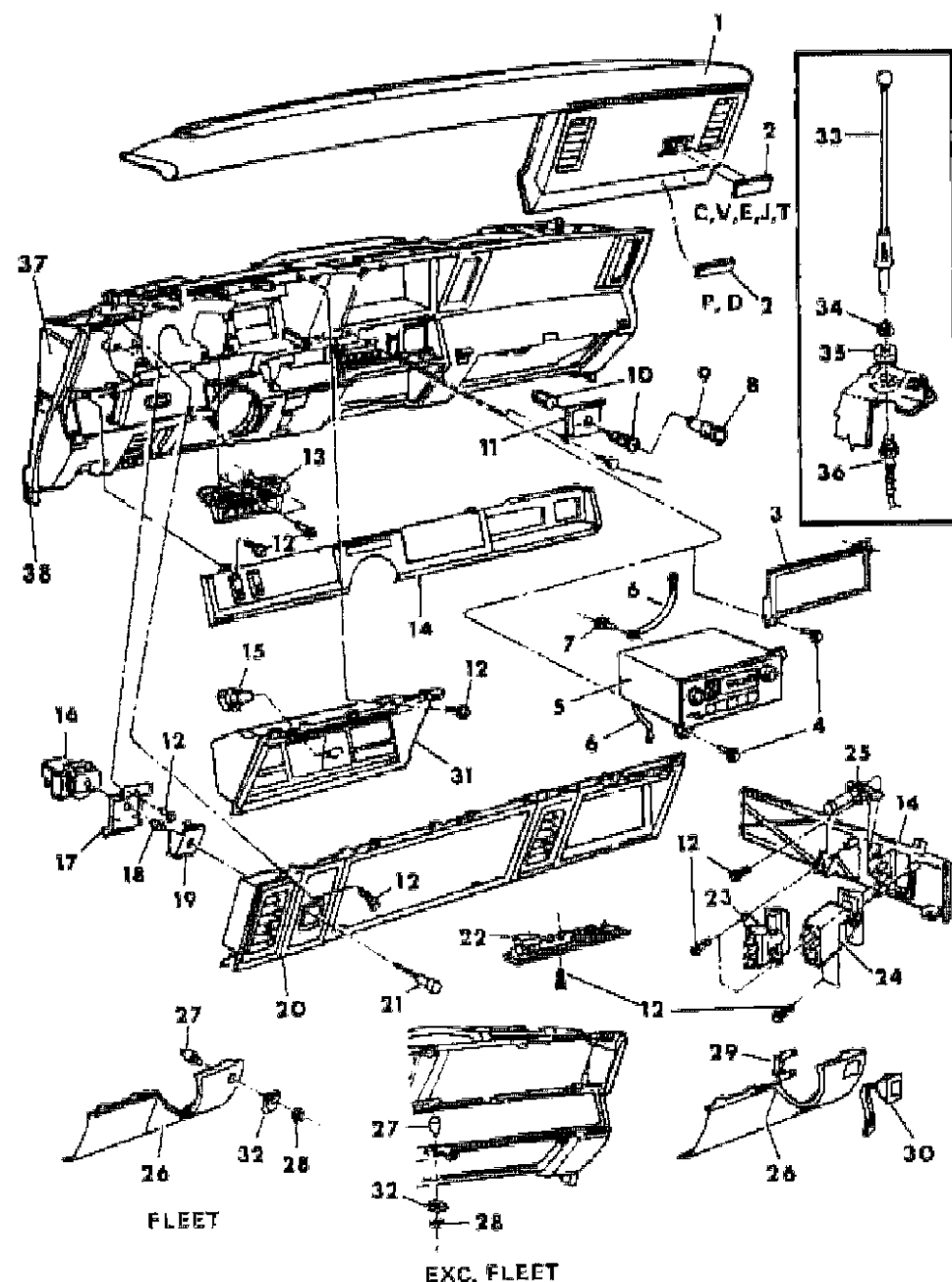
BODY STYLES

21 = 2-DOOR SEDAN	35 = FWD VAN	44 = 4-DOOR HATCHBACK
22 = 2-DOOR SPECIAL COUPE	36 = FWD WAGON	45 = 4-DOOR STATION WAGON
24 = 2-DOOR HATCHBACK	41 = 4-DOOR SEDAN	49 = LIMOUSINE
27 = 2-DOOR CONVERTIBLE		

AR = Use as Required - = Non Illustrated Part P.A.R. = Paint as Required

INSTRUMENT PANEL CLUSTER, BEZELS AND RADIO P,D,C,V,J,E,T (EXCEPT C,V 24 AND D,C 44)
Figure 8A-500

5122 500



ITEM	PART NUMBER	QTY	BODY	MODEL	DESCRIPTION
32	3747 875	1			BEZEL, Switch
33	4222 729	1			MAST, Antenna
	4342 013	1		Limo	ANTENNA PACKAGE, Rear Quarter
	4342 011	1		Limo	BRACKET, Antenna Mounting
	4342 012	1		Limo	ADAPTOR PACKAGE, Antenna Mtg.
	4342 049	1		Limo	CABLE, Antenna
	4339 961	1		Limo	SEAL, Antenna
34	4222 728	1			NUT, Cap
35	4222 725	1			ADAPTER and GASKET
36	4222 721	1			BODY and CABLE
	4222 723	1			LOCK WASHER
	4222 731	1			PLUG, Antenna Hole
37	P496 DT5	1			PANEL, Instrument
38	4047 568-9	1			SUPPORT, Lower Reinforcement End

MODEL CODES

B = GRAN FURY	E = 600	M = HORIZON/TURISMO
C = LE BARON/TOWN & COUNTRY/LIMO	F = FIFTH AVENUE/NEWPORT	P = RELIANT
C24 = LASER	G = DIPLOMAT	T = NEW YORKER
C44 = LE BARON/GTS	H = VOYAGER	V = 600
D = ARIES	J = CARAVELLE	V24 = DAYTONA
D44 = LANCER	K = MINI VAN/CARAVAN/ROYAL	Z = OMNI/CHARGER

BODY STYLES

21 = 2-DOOR SEDAN	35 = FWD VAN	44 = 4-DOOR HATCHBACK
22 = 2-DOOR SPECIAL COUPE	36 = FWD WAGON	45 = 4-DOOR STATION WAGON
24 = 2-DOOR HATCHBACK	41 = 4-DOOR SEDAN	49 = LIMOUSINE
27 = 2-DOOR CONVERTIBLE		

AR = Use as Required - = Non Illustrated Part P.A.R. = Paint as Required

INSTRUMENT PANEL WIRING P,D,C,V,J,E,T (EXCEPT C,V 24 AND D,C 44)
Figure 8A-600

5182 600

ITEM	PART NUMBER	QTY	BODY	MODEL	DESCRIPTION
1	4331 464	1			MODULE
	4124 752	1			TERMINAL, Buss Bar (3 Way)
	4124 258	1			(1 Way)
	4304 612	1			BRACKET, Module Mtg.
	4221 730	1			BUZZER, Key, H/Lamp and Seat Belt Warning
	4312 627	1			CONTROL, Chimes
	4222 555	1			BRACKET, Chimes
2	0152 490	1			U/NUT, Chime Mtg.
	2932 877	1			FLASHER, Hazard Warning
					FLASHER, Turn Signal
3	3837 161	1			2 Lamp
	3837 162	1			3 Lamp
					BREAKER, Circuit
4	4186 377	AR			6 Amp.
	4186 379	AR			30 Amp.
4					WIRING, Instrument Panel
	4331 089	1		P,D	w/Air (Low Line Options) Up to 2-5-85
	4331 843	1		P,D	w/Air (Low Line Options) After 2-5-85
	4331 419	1		P,D	Hi Line Options, Up to 2-5-85
	4331 844	1		P,D	Hi Line Options, After 2-5-85
	4331 669	1		C,V,J,E	w/E.V.A, w/Electronic Cluster, Up to 2-6-85
	4331 806	1		C,V,J,E	w/E.V.A, w/Electronic Cluster, After 2-6-85
	4331 090	1		C,V,J,E	w/Mechanical Cluster
	4331 091	1		C,V,J,E	w/E.V.A
	4331 521	1		C,V,J,E	w/Electronic Cluster and Chimes
5	4274 161	1			DIODE and MOLD, Repair Pkg.
	4274 091	1			w/Air and Heated Backlite
5					CABLE, Fuseible Link (25' Roll)
	4026 095	1			No. 16 Blue
	4026 094	1			No. 14 Red
	4026 093	1			No. 12 Black
	4026 092	1			No. 10 Green
	4026 096	1			No. 18 Gray
6	4131 507	1			No. 20 Orange
					FUSES
6	6101 132	AR			4 Amp.
	6101 131	AR			3 Amp.

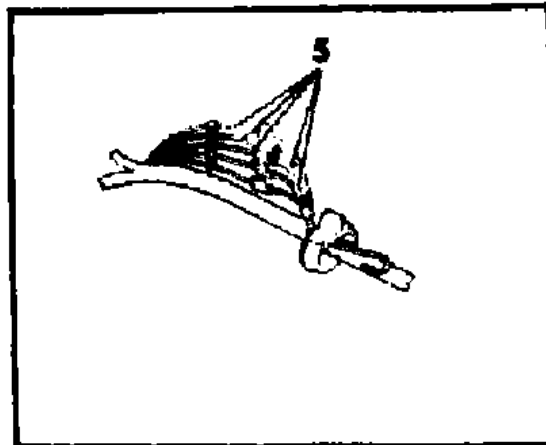
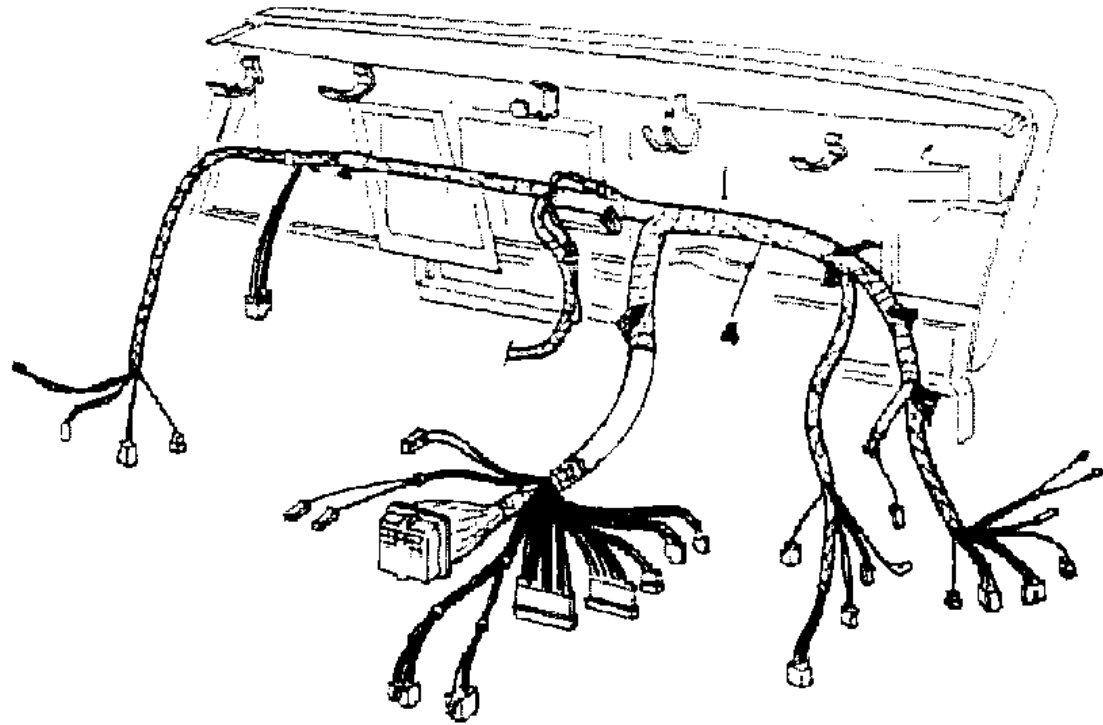
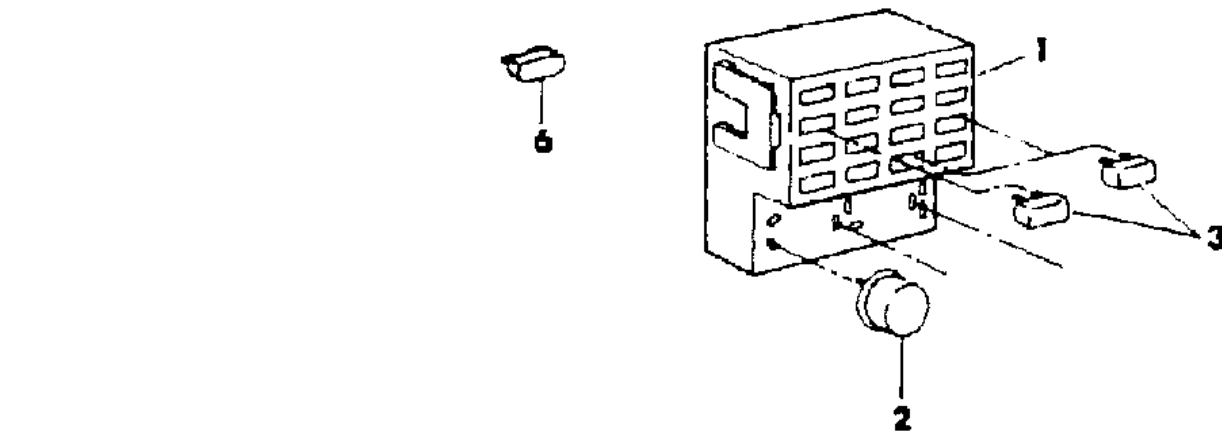
MODEL CODES

B = GRAN FURY	E = 600	M = HORIZON/TURISMO
C = LE BARON/TOWN & COUNTRY/LIMO	F = FIFTH AVENUE/NEWPORT	P = RELIANT
C24 = LASER	G = DIPLOMAT	T = NEW YORKER
C44 = LE BARON/GTS	H = VOYAGER	V = 600
D = ARIES	J = CARAVELLE	V24 = DAYTONA
D44 = LANCER	K = MINI VAN/CARAVAN/ROYAL	Z = OMNI/CHARGER

BODY STYLES

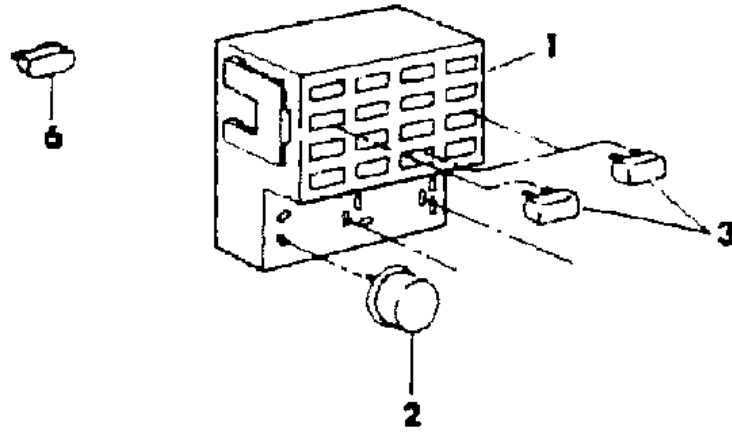
21 = 2-DOOR SEDAN	35 = FWD VAN	44 = 4-DOOR HATCHBACK
22 = 2-DOOR SPECIAL COUPE	36 = FWD WAGON	45 = 4-DOOR STATION WAGON
24 = 2-DOOR HATCHBACK	41 = 4-DOOR SEDAN	49 = LIMOUSINE
27 = 2-DOOR CONVERTIBLE		

AR = Use as Required - = Non Illustrated Part P.A.R. = Paint as Required

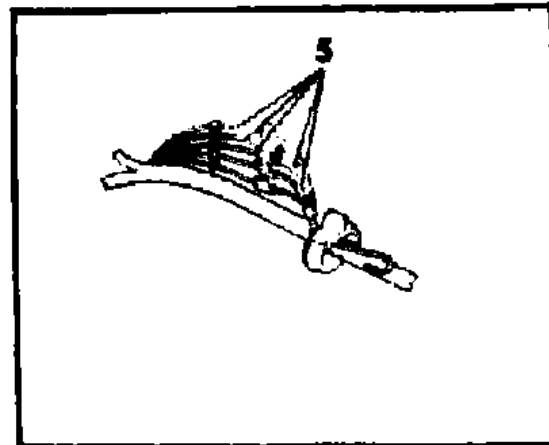
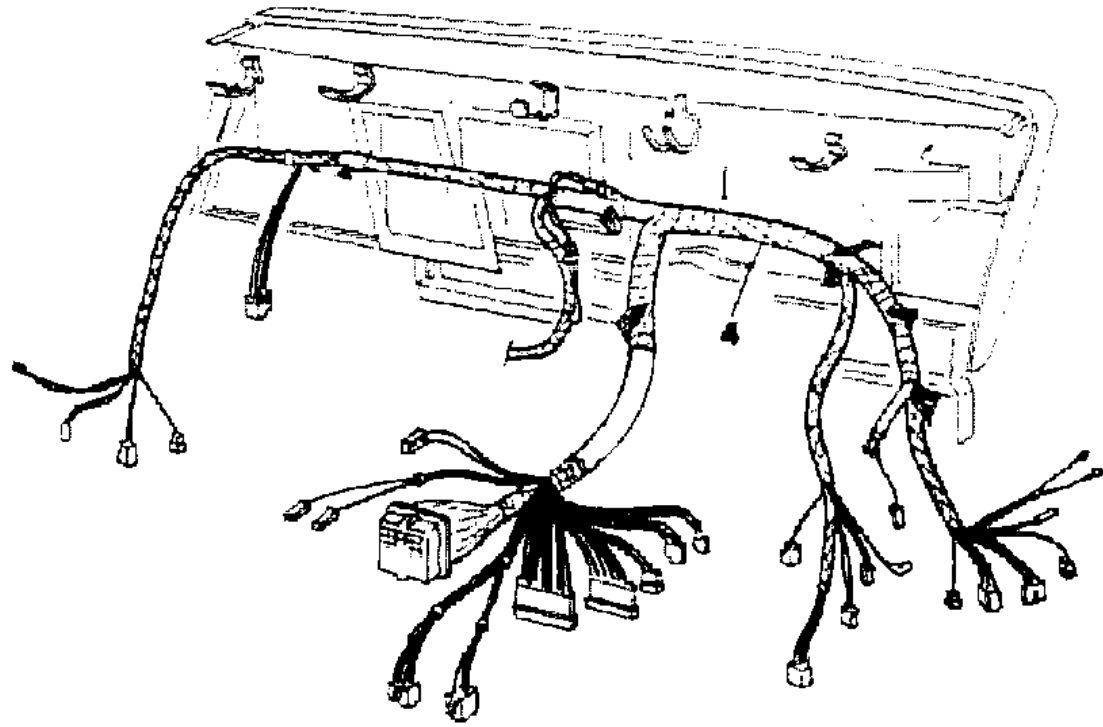


INSTRUMENT PANEL WIRING P,D,C,V,J,E,T (EXCEPT C,V 24 AND D,C 44)
Figure 8A-600

5182 600



ITEM	PART NUMBER	QTY	BODY	MODEL	DESCRIPTION
	6101 133	AR			5 Amp.
	6101 137	AR			20 Amp.
	6101 136	AR			10 Amp.
	6101 138	AR			25 Amp.
	6101 139	AR			30 Amp.



MODEL CODES

- | | | |
|----------------------------------|----------------------------|---------------------|
| B = GRAN FURY | E = 600 | M = HORIZON/TURISMO |
| C = LE BARON/TOWN & COUNTRY/LIMO | F = FIFTH AVENUE/NEWPORT | P = RELIANT |
| C24 = LASER | G = DIPLOMAT | T = NEW YORKER |
| C44 = LE BARON/GTS | H = VOYAGER | V = 600 |
| D = ARIES | J = CARAVELLE | V24 = DAYTONA |
| D44 = LANCER | K = MINI VAN/CARAVAN/ROYAL | Z = OMNI/CHARGER |

BODY STYLES

- | | | |
|---------------------------|-------------------|---------------------------|
| 21 = 2-DOOR SEDAN | 35 = FWD VAN | 44 = 4-DOOR HATCHBACK |
| 22 = 2-DOOR SPECIAL COUPE | 36 = FWD WAGON | 45 = 4-DOOR STATION WAGON |
| 24 = 2-DOOR HATCHBACK | 41 = 4-DOOR SEDAN | 49 = LIMOUSINE |
| 27 = 2-DOOR CONVERTIBLE | | |

AR = Use as Required - = Non Illustrated Part P.A.R. = Paint as Required

INSTRUMENT PANEL GLOVEBOX, ASH RECEIVER AND CONTROLS P,D,C,V,J,E,T (EXCEPT C,V 24 AND D,C 44)

Figure 8A-700

ITEM	PART NUMBER	QTY	BODY	MODEL	DESCRIPTION
1		AR			SCREW (DNS)
2					SPEAKER, Instrument Panel
	4222 528	AR			w/Four Speaker System
	4311 490	AR			w/Six Speaker System
					SPEAKER, Rear Compartment
	4222 531	2			Stereo
	4311 288	2			w/Power Amplifier
	4222 776	2		C,V 27	
	4048 970	1		C 45	BRACKET, Rear Speaker Mounting
	W235 BT8	2		C 45	GRILLE, Rear Speaker
	D504-5 CM6	1		C,V 27	Red
	D504-5 CS8	1		C,V 27	Charcoal
	D504-5 CT8	1		C,V 27	Brown
	4048 984	AR		C 45	CLIP, Rear Speaker Grille Mounting
3	4311 497	1			AMPLIFIER, Audio Power
	4221 065	1			RELAY, Power Amplifier (Control Unit)
4	4311 098	1			SPEAKER, Instrument Panel Center
5		1			SCREW (DNS)
6	3508 886	1			LATCH, Glove Box Lock Cylinder
	4220 092	1			CATCH, Glove Box Lock
7					GLOVE BOX and DOOR
	P687 BC7	1			Blue
	P687 DT5	1			Med. Brown
	P687 BT8	1			Drk. Brown
	P687 CS8	1			Charcoal
	P687 BM6	1			Red
	4221 625	1			LAMP and SWITCH, Glove Box
	0152 244	1			BULB, Glove Box Lamp
8		1			CYLINDER w/KEY, Refer to 23D
9		AR			SCREW (DNS)
10	4047 424	1			CABLE, Glove Box Door Check
11	3747 452	1			HOLDER, Ash Receiver Bulb
12	4047 230	1			HOUSING, Ash Receiver
	6028 213	1			U/NUT, Ash Rec. Housing, Right
13	4048 784	1			COIL, Power Amplifier (Radio Choke)
14	4222 555	1			BRACKET, Chime and Buzzer Mounting
15	3747 751	1			BUZZER, Warning, w/o Electronic Switch

MODEL CODES

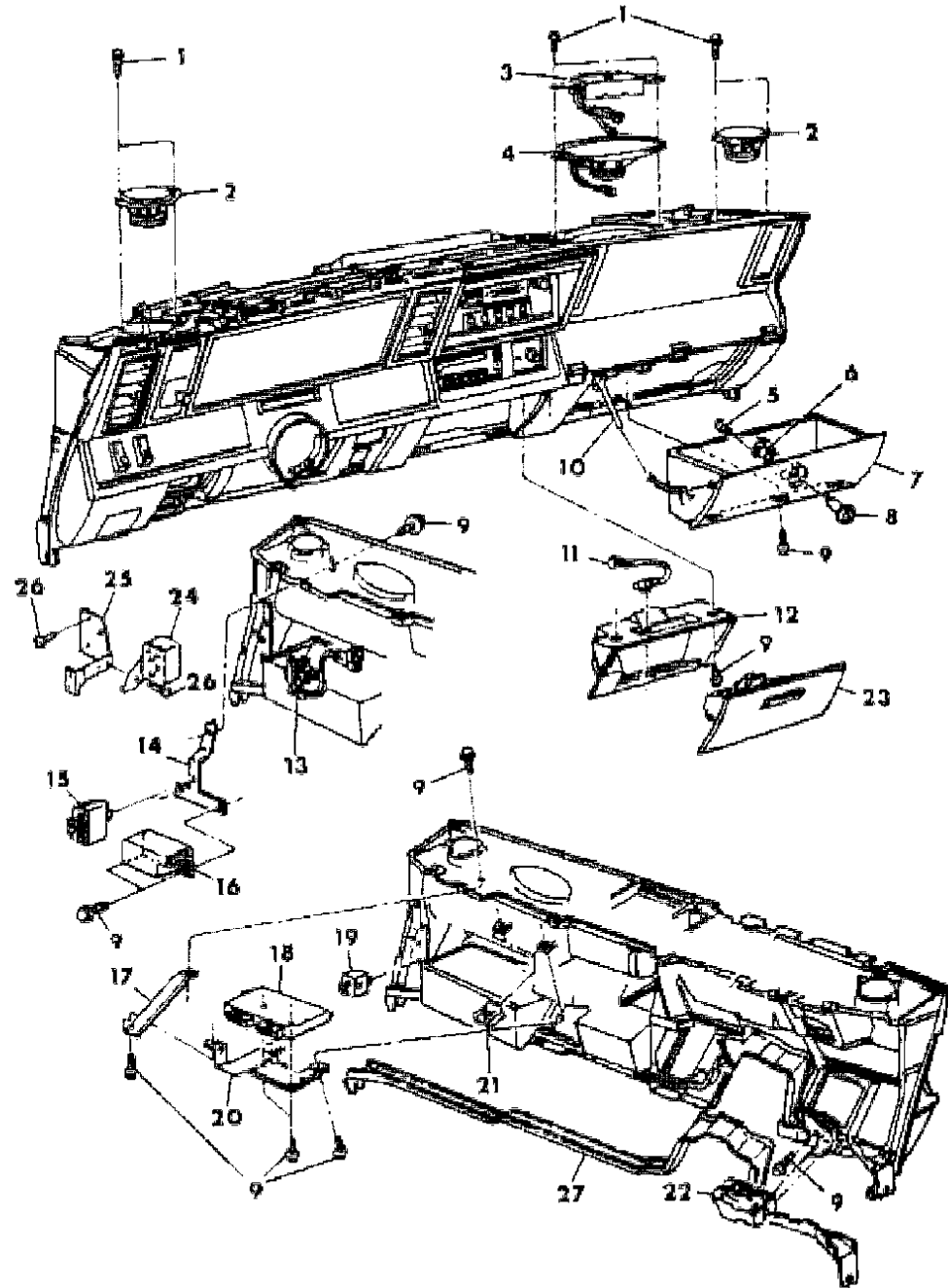
B = GRAN FURY	E = 600	M = HORIZON/TURISMO
C = LE BARON/TOWN & COUNTRY/LIMO	F = FIFTH AVENUE/NEWPORT	P = RELIANT
C24 = LASER	G = DIPLOMAT	T = NEW YORKER
C44 = LE BARON/GTS	H = VOYAGER	V = 600
D = ARIES	J = CARAVELLE	V24 = DAYTONA
D44 = LANCER	K = MINI VAN/CARAVAN/ROYAL	Z = OMNI/CHARGER

BODY STYLES

21 = 2-DOOR SEDAN	35 = FWD VAN	44 = 4-DOOR HATCHBACK
22 = 2-DOOR SPECIAL COUPE	36 = FWD WAGON	45 = 4-DOOR STATION WAGON
24 = 2-DOOR HATCHBACK	41 = 4-DOOR SEDAN	49 = LIMOUSINE
27 = 2-DOOR CONVERTIBLE		

AR = Use as Required - = Non Illustrated Part P.A.R. = Paint as Required

5182 700 A

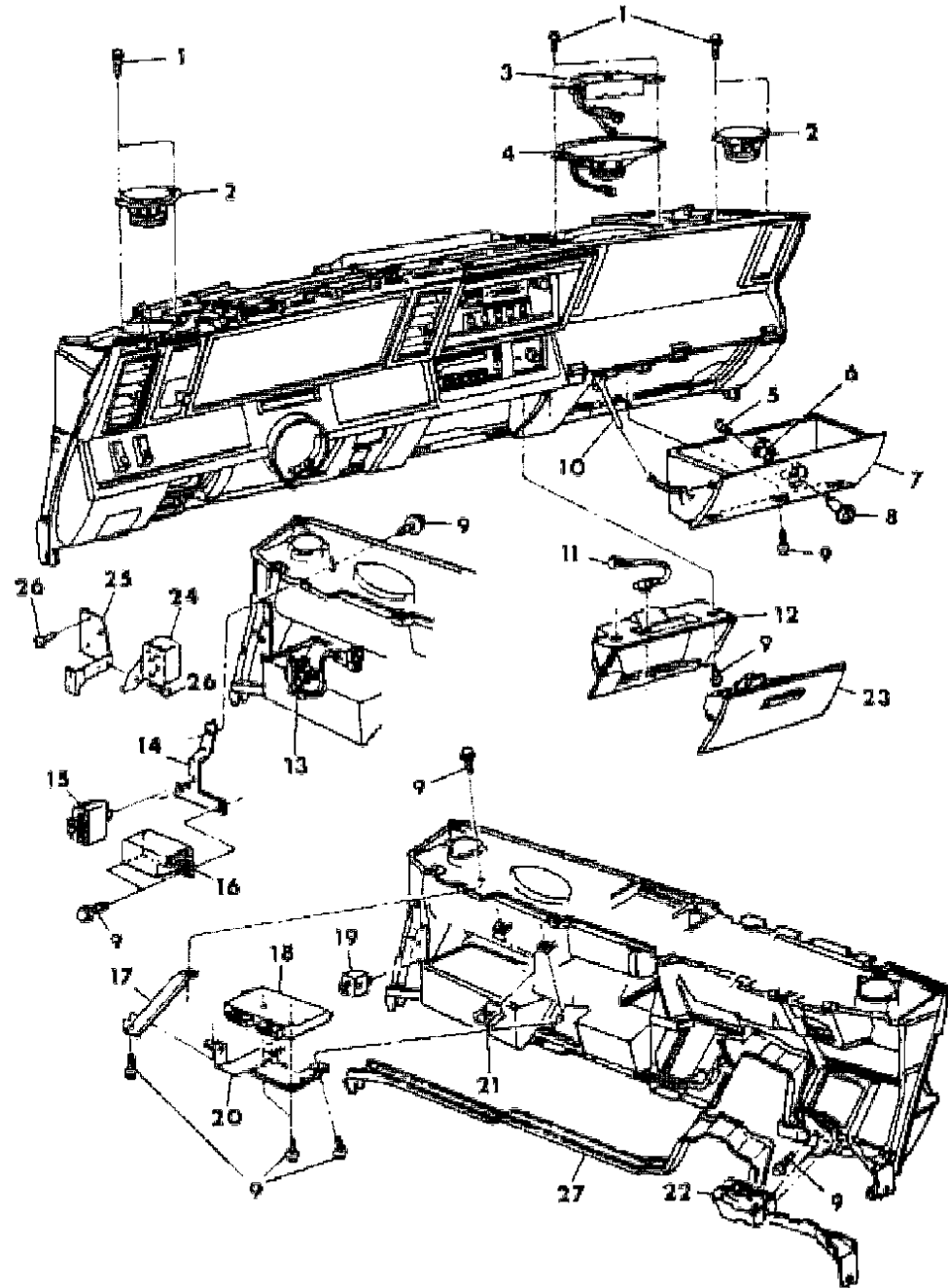


INSTRUMENT PANEL GLOVEBOX, ASH RECEIVER AND CONTROLS P,D,C,V,J,E,T (EXCEPT C,V 24 AND D,C 44)

Figure 8A-700

ITEM	PART NUMBER	QTY	BODY	MODEL	DESCRIPTION
16	4312 627	1			CONTROL, Warning Signal Chimes
17	4312 023	1			SUPPORT, Voice Alert
18	4312 757	1			CONTROL, Electronic Voice Alert
19	3747 299	1			RELAY, Liftgate Release
20	4312 022	1			BRACKET, Electronic Voice Alert Mounting
21	6032 719	2			U/NUT, Voice Alert Mounting Bracket
22	4312 002	1			CONTROL and BRACKET, Windshield Wiper, w/Deluxe Wipers
23	4267 268	1			FACE PLATE and REC.
24	4318 800	1			RELAY, Illuminated Entry
25	4331 559	1			BRACKET, Twenty Five Way
26		AR			SCREW (DNS)
27	4220 708	1			REINFORCEMENT, Instrument Panel Lower

5182 700 A



MODEL CODES

B = GRAN FURY	E = 600	M = HORIZON/TURISMO
C = LE BARON/TOWN & COUNTRY/LIMO	F = FIFTH AVENUE/NEWPORT	P = RELIANT
C24 = LASER	G = DIPLOMAT	T = NEW YORKER
C44 = LE BARON/GTS	H = VOYAGER	V = 600
D = ARIES	J = CARAVELLE	V24 = DAYTONA
D44 = LANCER	K = MINI VAN/CARAVAN/ROYAL	Z = OMNI/CHARGER

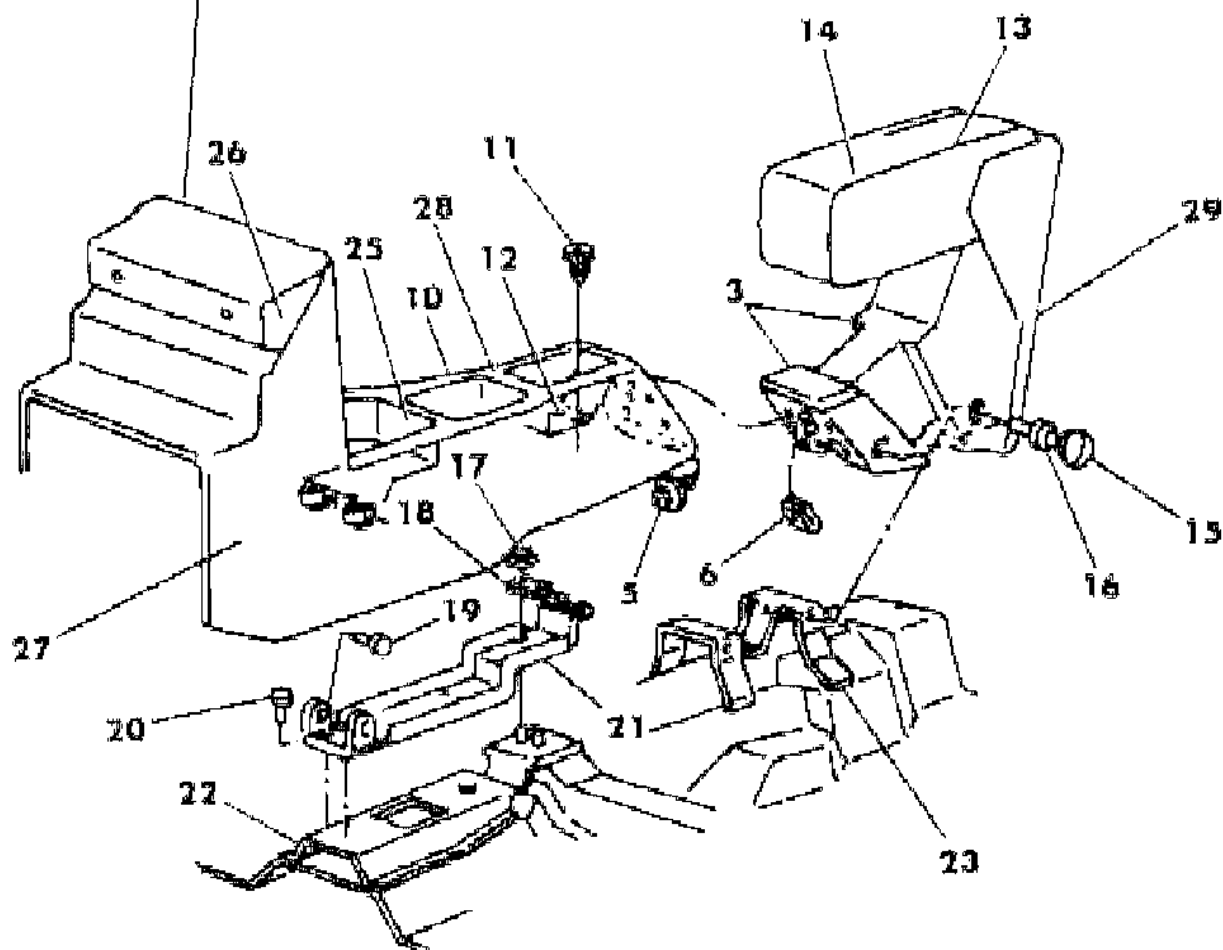
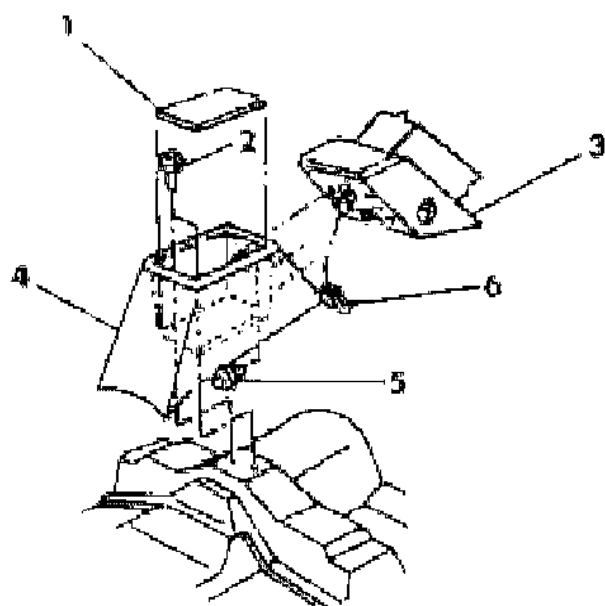
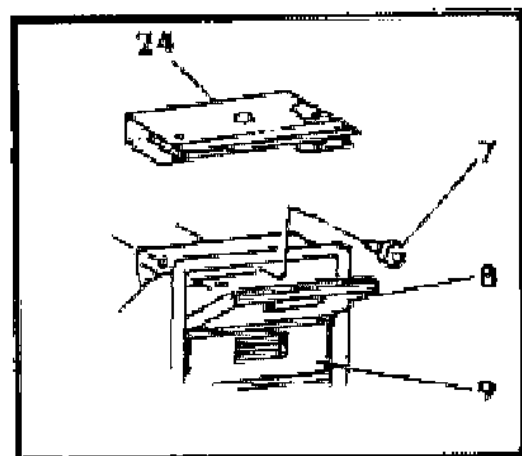
BODY STYLES

21 = 2-DOOR SEDAN	35 = FWD VAN	44 = 4-DOOR HATCHBACK
22 = 2-DOOR SPECIAL COUPE	36 = FWD WAGON	45 = 4-DOOR STATION WAGON
24 = 2-DOOR HATCHBACK	41 = 4-DOOR SEDAN	49 = LIMOUSINE
27 = 2-DOOR CONVERTIBLE		

AR = Use as Required - = Non Illustrated Part P.A.R. = Paint as Required

CONSOLE AND ARM REST P,D,C,V
Figure 8A-800

5182 933



ITEM	PART NUMBER	QTY	BODY	MODEL	DESCRIPTION
1	4247 391	1			PLATE
2					SCREW (DNS)
3	4364 482	1			HOUSING, Arm Rest
	4283 710	1			BRACKET, Inside Housing
4	F325 DT5	1			HOUSING, Storage Compartment
5		4			SCREW w/WASHER (DNS)
6	0152 490	4			U/NUT
7		2			SCREW (DNS)
8	4283 343	1			DOOR, Cubby Box
9	4311 475	1			ASH RECEIVER
	4309 494	1			SLIDE, Ash Receiver
10					BASE, Console
	F440 DT5	1		P,D	
	F441 DT5	1		C,V	
	4283 336	1			HOLDER, Cassette Storage
	4282 366	1			BOX, Cassette Storage
	4282 367	1			HOLDER, Cup
	4282 130	1			HOLDER, Coin
11		AR			SCREW (DNS)
12	4283 338	1			LINER
13					ARM REST w/COVER
					Cloth, Up to 2-1-85
	F247 CC7			M5C	
	F247 CM6			M5M	
	F247 DT3			M5T3	
	F247 CT8			M5T8	
	F247 CS8			M5S	
					Cloth, After 2-1-85
	F415 DC7			M5C	
	F415 DM6			M5M	
	F415 DT3			M5T3	
	F415 DT8			M5T8	
	F415 DS8			M5S	
					Vinyl
	F244 CM6			V8M	
	F244 DT3			V8T	
14					COVER, Arm Rest (Serviced in item 13)

MODEL CODES

B = GRAN FURY	E = 600	M = HORIZON/TURISMO
C = LE BARON/TOWN & COUNTRY/LIMO	F = FIFTH AVENUE/NEWPORT	P = RELIANT
C24 = LASER	G = DIPLOMAT	T = NEW YORKER
C44 = LE BARON/GTS	H = VOYAGER	V = 600
D = ARIES	J = CARAVELLE	V24 = DAYTONA
D44 = LANCER	K = MINI VAN/CARAVAN/ROYAL	Z = OMNI/CHARGER

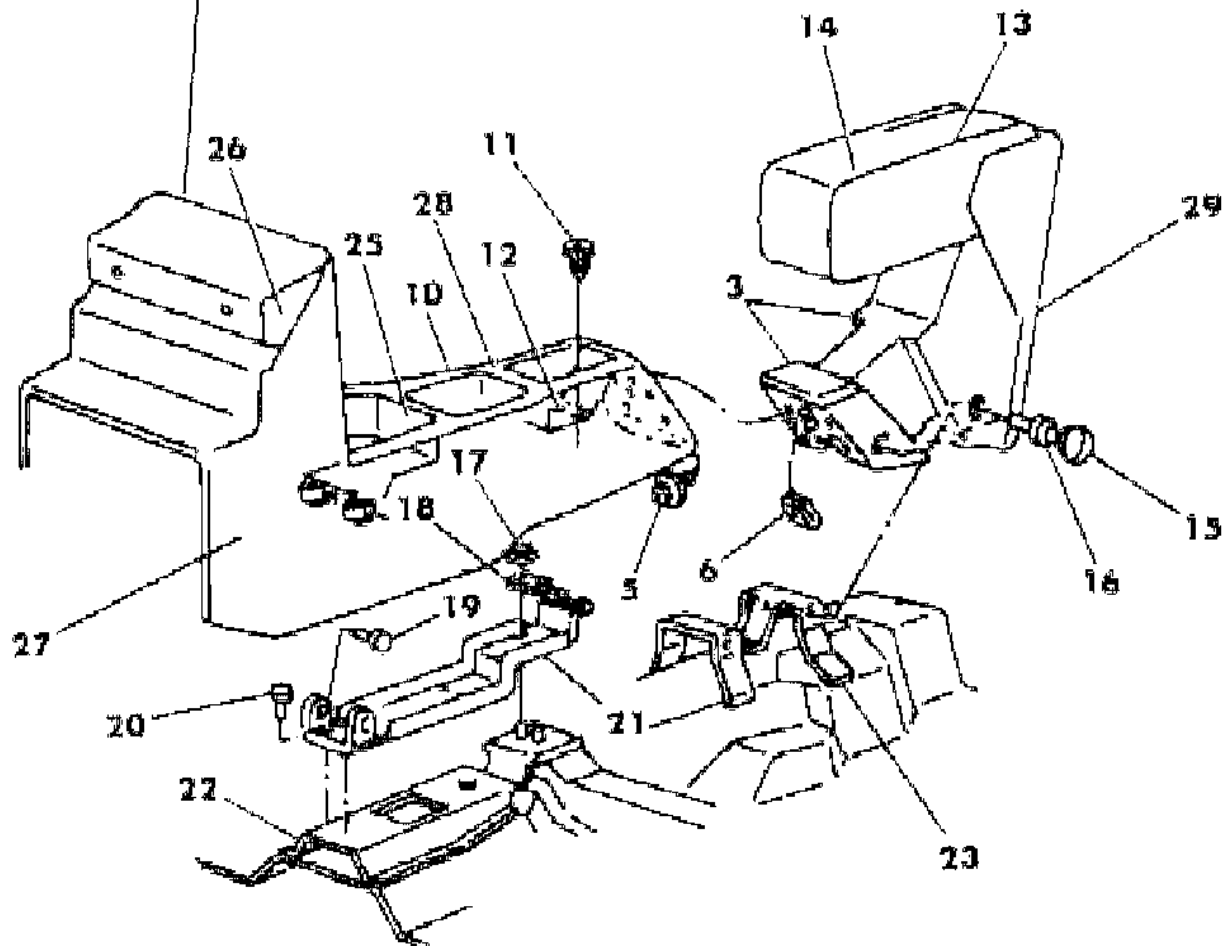
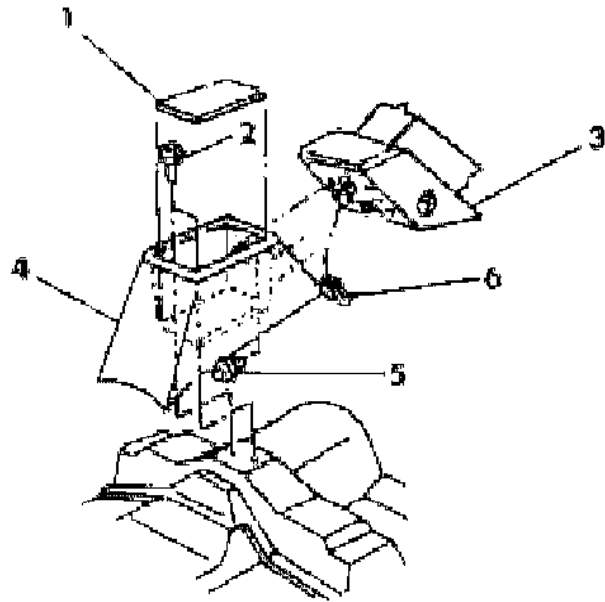
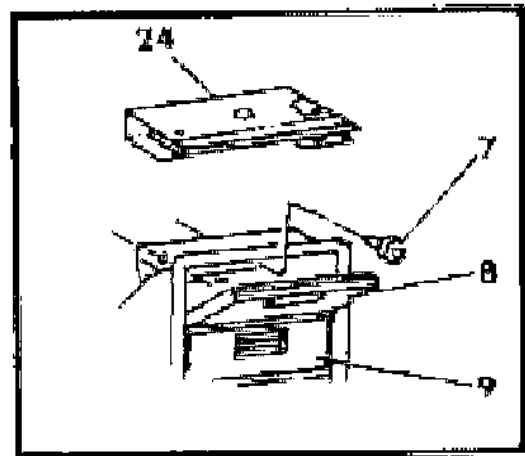
BODY STYLES

21 = 2-DOOR SEDAN	35 = FWD VAN	44 = 4-DOOR HATCHBACK
22 = 2-DOOR SPECIAL COUPE	36 = FWD WAGON	45 = 4-DOOR STATION WAGON
24 = 2-DOOR HATCHBACK	41 = 4-DOOR SEDAN	49 = LIMOUSINE
27 = 2-DOOR CONVERTIBLE		

AR = Use as Required - = Non Illustrated Part P.A.R. = Paint as Required

CONSOLE AND ARM REST P,D,C,V
Figure 8A-800

5182 933



ITEM	PART NUMBER	QTY	BODY	MODEL	DESCRIPTION
15	F515 DT5	4			PLUG, Arm Rest Mounting Hole
16	0181 063	4			SCREW w/WASHER
17	6100 050	2			NUT w/WASHER
18		1			PLATE, Console Bracket to Floor Bracket (DNS)
19		2			SCREW (DNS)
20	6032 557	4			SCREW
21	4282 374	1			BRACKET, Console to Floor Mounting
22					BRACKET, Refer to 23A
23	4283 225	1			BRACKET, Arm Rest Mounting
24	4311 086	1			BRACKET, Instrument Panel Console Mtg.
25	F533 DT5	1			COVER, Console Access Opening
26		1			FILLER, Console to Instrument Panel (Serviced in item 10)
27		1			PANEL, Console Side Trim (Serviced in item 10)
28	4283 340	1			BEZEL, Manual Shift Opening
29	F497 CT8	1			COVER, Rear Arm Rest

MODEL CODES

B = GRAN FURY	E = 600	M = HORIZON/TURISMO
C = LE BARON/TOWN & COUNTRY/LIMO	F = FIFTH AVENUE/NEWPORT	P = RELIANT
C24 = LASER	G = DIPLOMAT	T = NEW YORKER
C44 = LE BARON/GTS	H = VOYAGER	V = 600
D = ARIES	J = CARAVELLE	V24 = DAYTONA
D44 = LANCER	K = MINI VAN/CARAVAN/ROYAL	Z = OMNI/CHARGER

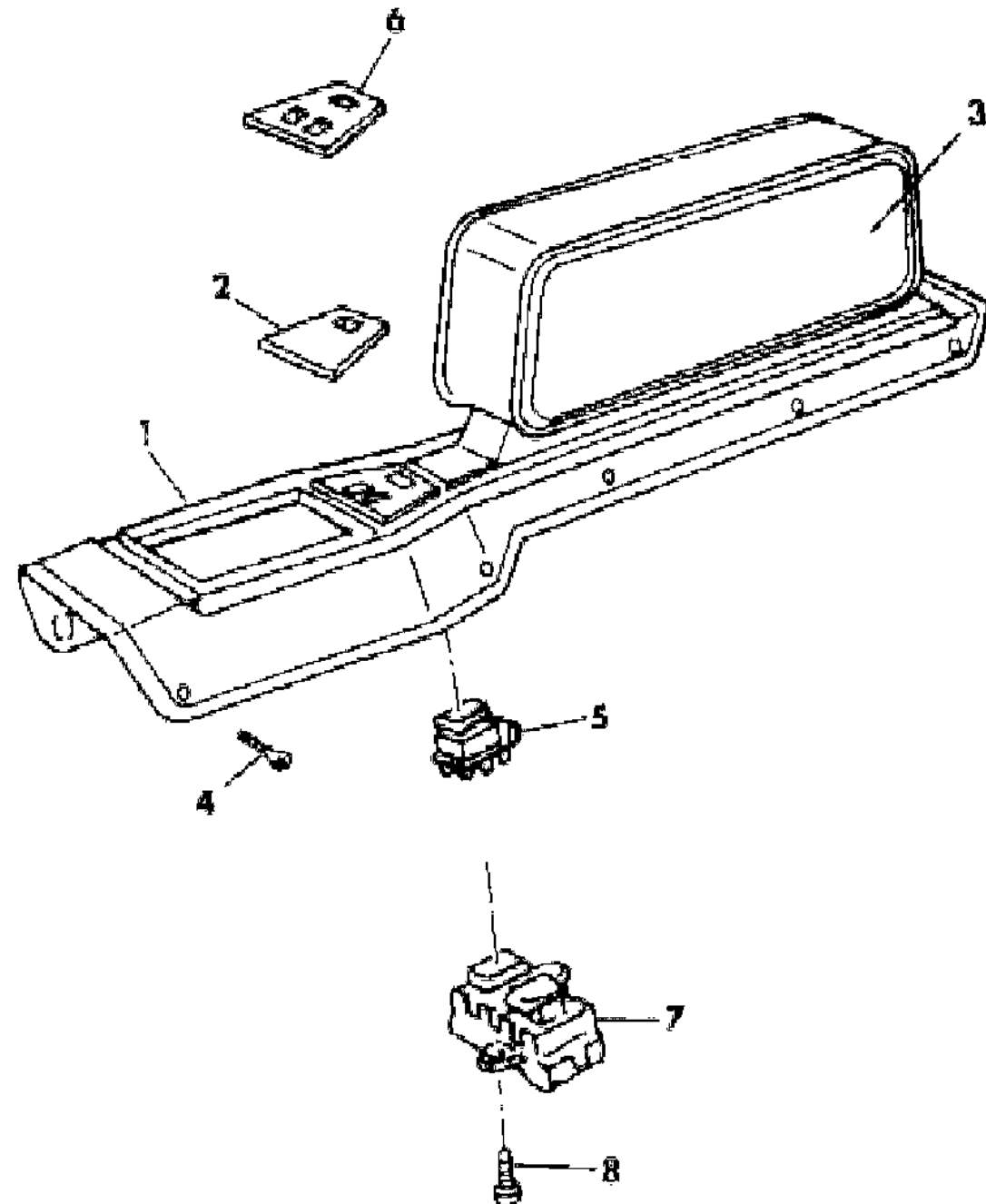
BODY STYLES

21 = 2-DOOR SEDAN	35 = FWD VAN	44 = 4-DOOR HATCHBACK
22 = 2-DOOR SPECIAL COUPE	36 = FWD WAGON	45 = 4-DOOR STATION WAGON
24 = 2-DOOR HATCHBACK	41 = 4-DOOR SEDAN	49 = LIMOUSINE
27 = 2-DOOR CONVERTIBLE		

AR = Use as Required - = Non Illustrated Part P.A.R. = Paint as Required

CONSOLE AND ARM REST C,V 27
Figure 8A-900

5182 900



ITEM	PART NUMBER	QTY	BODY	MODEL	DESCRIPTION
1	F434 CS8	1			CONSOLE
2	4282 605	1			BEZEL, Switch, w/o Electric Quarter Windows
3					ARM REST
	F405 DT3	1		V8T	
	F405 BM6	1		V8M	
	F405 BW1	1		V8MW	
					w/Mark Cross Pkg.
	F464 CAS			RLSA	
	F464 DTT			RLTU	
					w/o Mark Cross Pkg.
	F499 CAS			GLSA	
	F499 DTT			GLTU	
4					SCREW (DNS)
5	3747 935	1			SWITCH, Folding Top
6	4248 907	1			APPLIQUE, Switch, w/Electric Quarter Windows
7	3747 936	1			SWITCH, Electric Quarter Window
8		AR			SCREW (DNS)

MODEL CODES

B = GRAN FURY	E = 600	M = HORIZON/TURISMO
C = LE BARON/TOWN & COUNTRY/LIMO	F = FIFTH AVENUE/NEWPORT	P = RELIANT
C24 = LASER	G = DIPLOMAT	T = NEW YORKER
C44 = LE BARON/GTS	H = VOYAGER	V = 600
D = ARIES	J = CARAVELLE	V24 = DAYTONA
D44 = LANCER	K = MINI VAN/CARAVAN/ROYAL	Z = OMNI/CHARGER

BODY STYLES

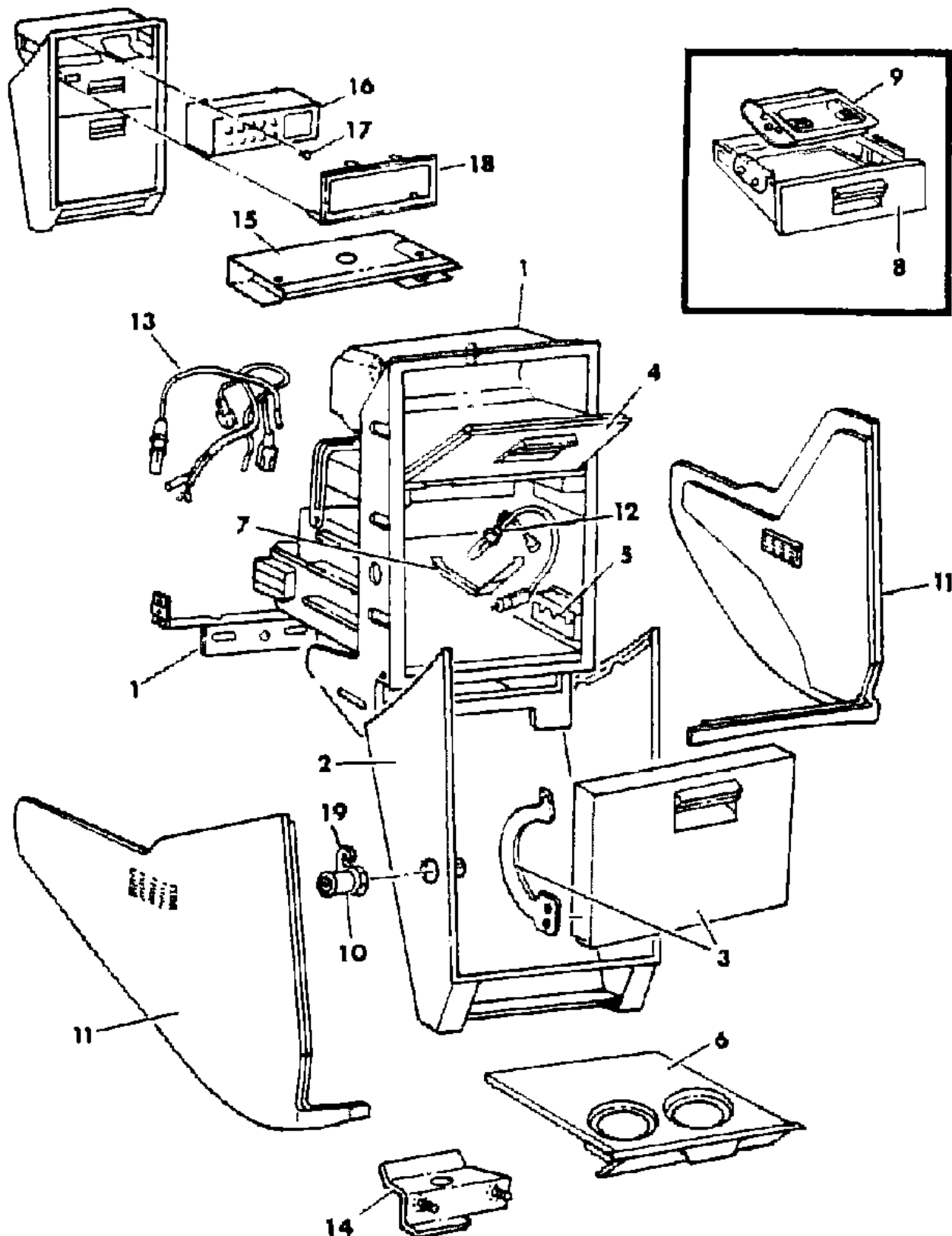
21 = 2-DOOR SEDAN	35 = FWD VAN	44 = 4-DOOR HATCHBACK
22 = 2-DOOR SPECIAL COUPE	36 = FWD WAGON	45 = 4-DOOR STATION WAGON
24 = 2-DOOR HATCHBACK	41 = 4-DOOR SEDAN	49 = LIMOUSINE
27 = 2-DOOR CONVERTIBLE		

AR = Use as Required - = Non Illustrated Part P.A.R. = Paint as Required

INSTRUMENT PANEL CONSOLE TP

Figure 8A-1000

5182 1000



ITEM	PART NUMBER	QTY	BODY	MODEL	DESCRIPTION
1					HOUSING, Console
	4311 473	1			w/o Navigator
	4311 474	1			w/Navigator
2	P428 CC7	1			BEZEL, Console
3	4311 477	1			DOOR, Console Glove Box
	4342 213	1			STRIKER, Glove Box Door Latch
4	4311 476	1			DOOR, Console Cubby Box, w/o Navigator
	4342 212	4			PIN, Cubby and Glove Box Door
	4342 214	1			STRIKER, Cubby Box Door Latch
5	4311 386	1			COIN HOLDER, Console
6	P429 CC7	1			CUP HOLDER, Console (Paint as Req.)
7	4312 222	1			LENS, Storage Box
8	4311 475	1			ASH RECEIVER, Console
	4309 494	1			SLIDE, Ash Receiver
9	4311 478	1			RECEPTACLE, Ash Rec.
10					CYLINDER w/KEY, Console Glove Box (Refer to 23D)
					KEY, Glove Box (Refer to 23D)
11					CARPET, Console
	P440-1 BA7	1			Silver
	P440-1 BC7	1			Blue
	P440-1 BM6	1			Red
	P440-1 BT8	1			Brown
	P440-1 DT5	1			Tan
12	4304 669	1			WIRING, Switch and Lamp, Console
13	4304 591	1			WIRING, Console
	9421 330	1			BULB #161
	9425 542	1			BULB #168
14	4314 805	1			BRACKET and WELD SCREW, Console
	6100 049	2			NUT w/WASHER
15	4311 086	1			BRACKET, Inst. Panel Att.
16	4312 870	1			NAVIGATOR, Electronic
	4374 086	1			NOISE SUPPRESSION PACKAGE, Navigator
17		2			SCREW (DNS)
18	4311 483	1			BEZEL, Navigator Opening
19	4342 215	1			CAM, Instrument Panel Glove Box Lock Cylinder

MODEL CODES

B = GRAN FURY	E = 600	M = HORIZON/TURISMO
C = LE BARON/TOWN & COUNTRY/LIMO	F = FIFTH AVENUE/NEWPORT	P = RELIANT
C24 = LASER	G = DIPLOMAT	T = NEW YORKER
C44 = LE BARON/GTS	H = VOYAGER	V = 600
D = ARIES	J = CARAVELLE	V24 = DAYTONA
D44 = LANCER	K = MINI VAN/CARAVAN/ROYAL	Z = OMNI/CHARGER

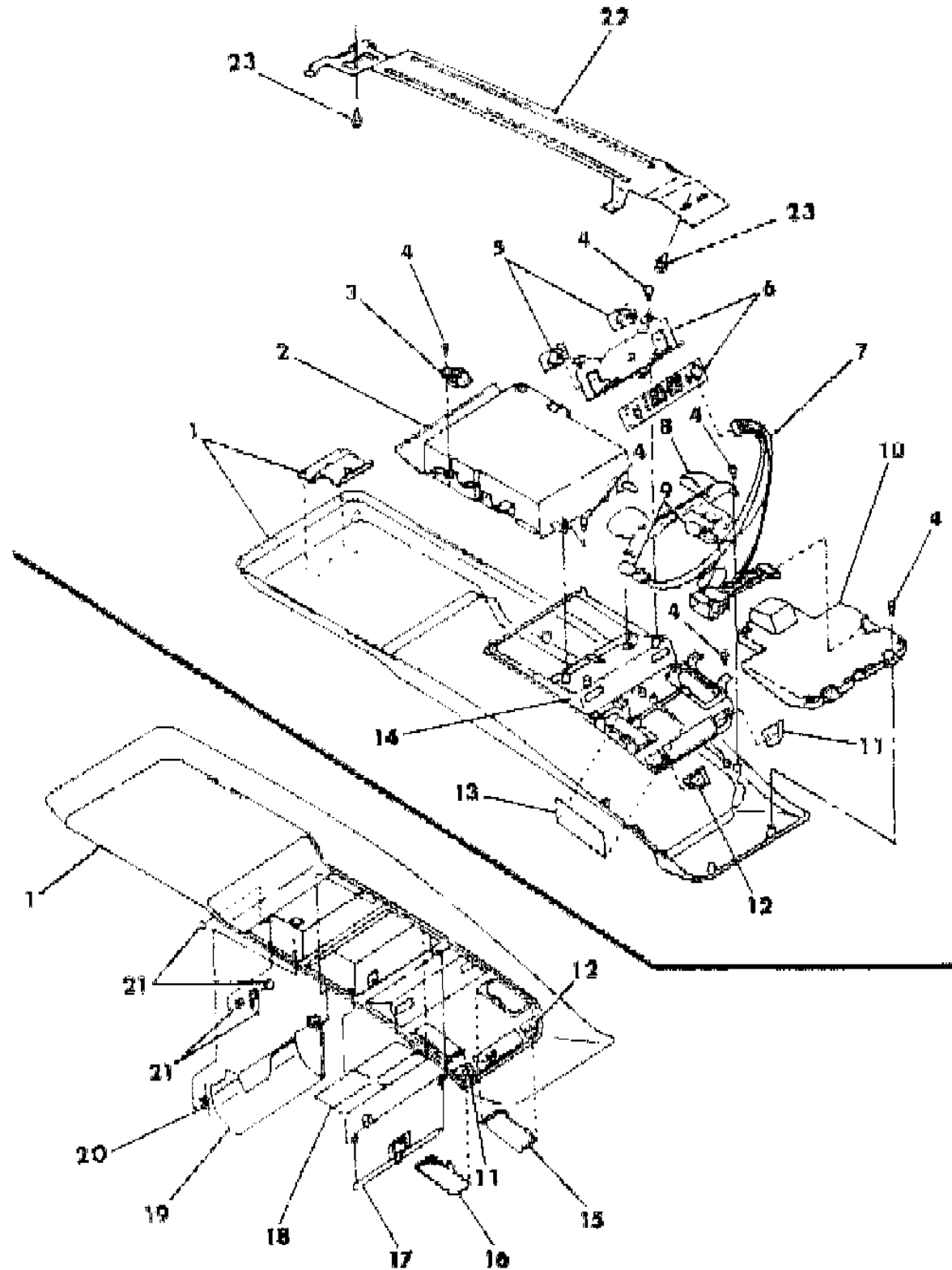
BODY STYLES

21 = 2-DOOR SEDAN	35 = FWD VAN	44 = 4-DOOR HATCHBACK
22 = 2-DOOR SPECIAL COUPE	36 = FWD WAGON	45 = 4-DOOR STATION WAGON
24 = 2-DOOR HATCHBACK	41 = 4-DOOR SEDAN	49 = LIMOUSINE
27 = 2-DOOR CONVERTIBLE		

AR = Use as Required - = Non Illustrated Part P.A.R. = Paint as Required

CONSOLE, OVERHEAD TP
Figure 8A-1100

5182 102



ITEM	PART NUMBER	QTY	BODY	MODEL	DESCRIPTION
1					HOUSING, Console
	H529 DC7	1			Blue
	H529 DM6	1			Red
	H529 DT3	1			Tan
	H529 DT8	1			Brown
	H529 DS8	1			Charcoal
2					HOUSING, Sunglass and Garage Opener Storage
	4309 330	1			Up to 1-1-85
	4381 270	1			After 1-1-85
	4397 895	1			FOAM PAD PACKAGE, Sunglass Bin
3	4309 336	1			DEVICE, Viscous Dampening
4		AR			SCREW (DNS)
5	4309 335	2			BUTTON, Lamp
6					HOLDER, Map Lamp Switch and Circuit Board
	4309 334	1			w/o Compass and Temperature Assy.
	4381 273	1			w/Compass and Temperature Assy.
7					HARNESS, Wiring
	4309 346	1			w/Compass and Temperature Assy.
	4309 347	1			w/o Compass and Temperature Assy., Up to 1-1-85
	4381 275	1			w/o Compass and Temperature Assy., After 1-1-85
8	4309 333	1			REFLECTOR w/BRACKET, Lamp
9	9437 173	2			BULB
10	4309 339	1			COMPASS and TEMPERATURE ASSEMBLY
11	4309 332	1			BUTTON, Compass and Temperature
12	4309 331	1			BUTTON, U.S./Metric
13	4309 338	1			SHIELD, Light w/o Compass and Temperature Assy.
14					PANEL, Center
	4309 329	1			w/Compass and Temperature Assy., Up to 1-1-85
	4381 272	1			w/Compass and Temperature Assy., After 1-1-85
	4309 328	1			w/o Compass and Temperature Assy., Up to 1-1-85
	4381 271	1			w/o Compass and Temperature Assy., After 1-1-85
15	4283 818	1			LENS, Right
16	4283 819	1			LENS, Left
17					DOOR, Bin
	4309 342	1			Up to 1-1-85
	4381 269	1			After 1-1-85
18	4309 345	1			HOOK, Housing

MODEL CODES

B = GRAN FURY	E = 600	M = HORIZON/TURISMO
C = LE BARON/TOWN & COUNTRY/LIMO	F = FIFTH AVENUE/NEWPORT	P = RELIANT
C24 = LASER	G = DIPLOMAT	T = NEW YORKER
C44 = LE BARON/GTS	H = VOYAGER	V = 600
D = ARIES	J = CARAVELLE	V24 = DAYTONA
D44 = LANCER	K = MINI VAN/CARAVAN/ROYAL	Z = OMNI/CHARGER

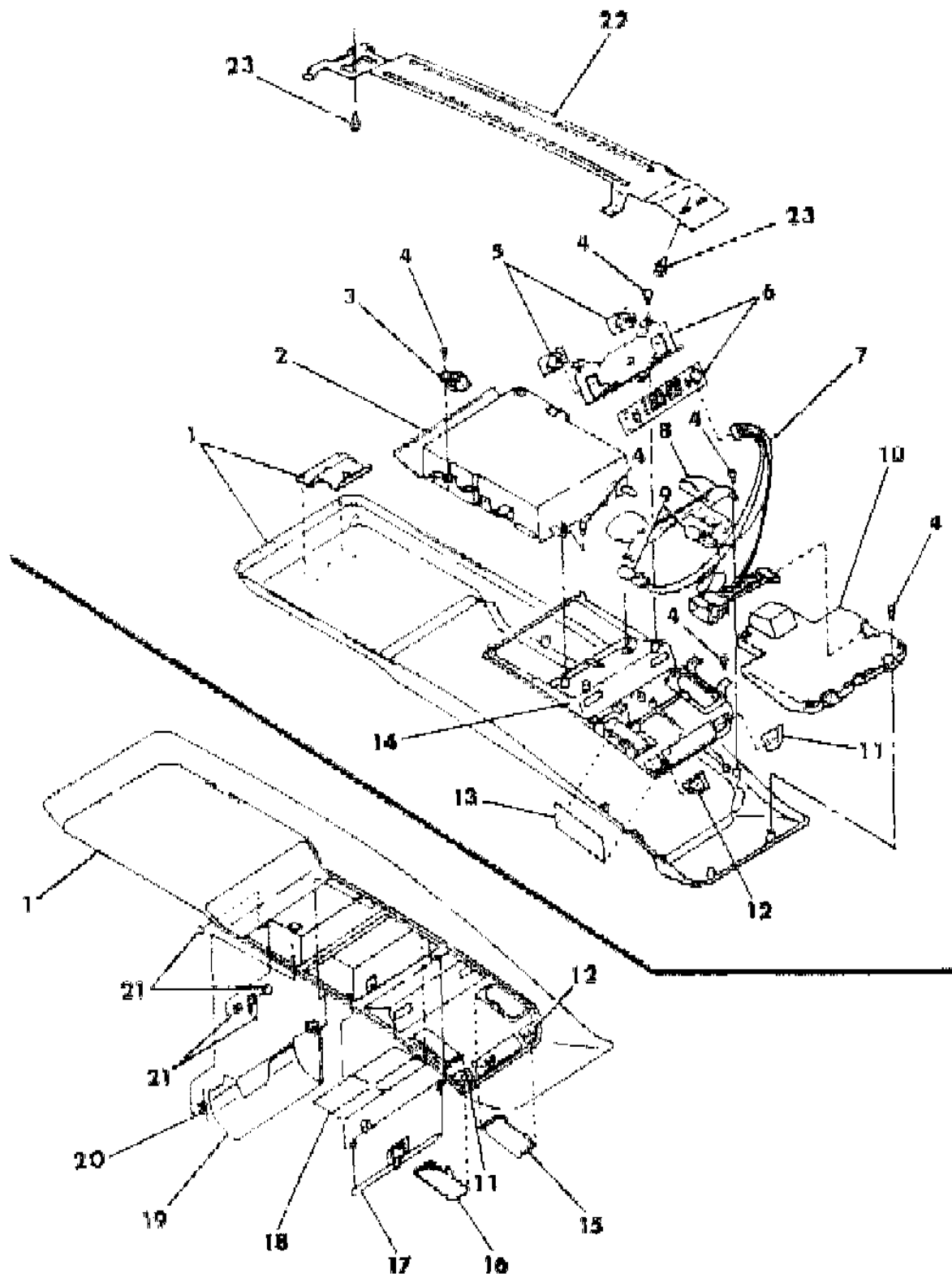
BODY STYLES

21 = 2-DOOR SEDAN	35 = FWD VAN	44 = 4-DOOR HATCHBACK
22 = 2-DOOR SPECIAL COUPE	36 = FWD WAGON	45 = 4-DOOR STATION WAGON
24 = 2-DOOR HATCHBACK	41 = 4-DOOR SEDAN	49 = LIMOUSINE
27 = 2-DOOR CONVERTIBLE		

AR = Use as Required - = Non Illustrated Part P.A.R. = Paint as Required

CONSOLE, OVERHEAD TP
Figure 8A-1100

5182 102



ITEM	PART NUMBER	QTY	BODY	MODEL	DESCRIPTION
19	4309 341	1			DOOR, Storage Bin
20	4309 340	1			SPRING, Door
21	4309 343	1			MECHANISM PACKAGE, Storage Bin
	4309 344	1			ADAPTER PACKAGE, Garage Door Opener
22	4283 688	1			BRACKET, Console Mtg.
23		AR			SCREW (DNS)

MODEL CODES

B = GRAN FURY	E = 600	M = HORIZON/TURISMO
C = LE BARON/TOWN & COUNTRY/LIMO	F = FIFTH AVENUE/NEWPORT	P = RELIANT
C24 = LASER	G = DIPLOMAT	T = NEW YORKER
C44 = LE BARON/GTS	H = VOYAGER	V = 600
D = ARIES	J = CARAVELLE	V24 = DAYTONA
D44 = LANCER	K = MINI VAN/CARAVAN/ROYAL	Z = OMNI/CHARGER

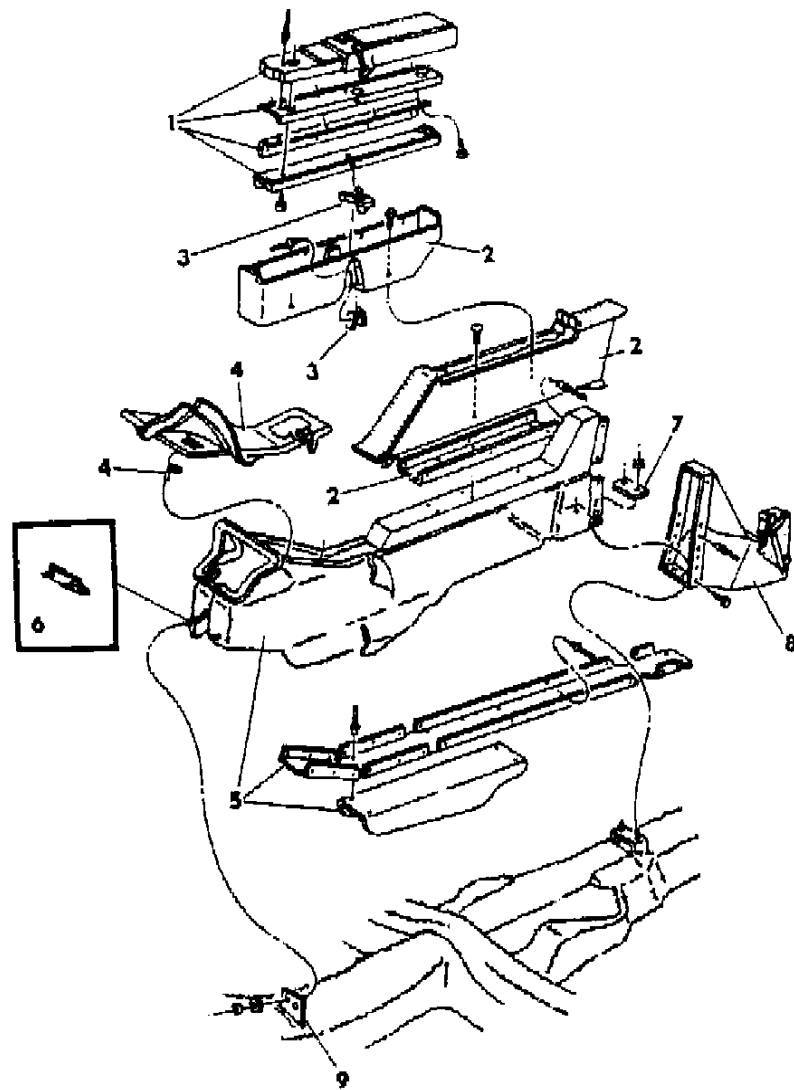
BODY STYLES

21 = 2-DOOR SEDAN	35 = FWD VAN	44 = 4-DOOR HATCHBACK
22 = 2-DOOR SPECIAL COUPE	36 = FWD WAGON	45 = 4-DOOR STATION WAGON
24 = 2-DOOR HATCHBACK	41 = 4-DOOR SEDAN	49 = LIMOUSINE
27 = 2-DOOR CONVERTIBLE		

AR = Use as Required - = Non Illustrated Part P.A.R. = Paint as Required

CONSOLE, FRONT LIMO
Figure 8A-1200

5182 1200



ITEM	PART NUMBER	QTY	BODY	MODEL	DESCRIPTION
1					DOOR, Storage Compartment w/Latch
	4397 354	1			Silver
	4364 167	1			Blue
2					CONSOLE, Upper w/Compartment, Cover and Striker
	4364 224	1			Silver
	4364 225	1			Blue
					COVER Console Upper
	4339 752	1			Silver
	4339 753	1			Blue
3	4342 082	1			STRIKER and LATCH PACKAGE
4		1			EXTENSION, Console (Serviced in item 5)
5					CONSOLE, Lower w/Carpet
	4342 156	1			Silver
	4342 157	1			Blue
	4339 810	1			BAFFLE, Heater Duct
					CARPET, Lower Console
	4342 198	1			Charcoal
	4342 081	1			Blue
6	4339 797	1			BRACKET, Front
7	4339 795	1			BRACKET, Upper Rear
8	4342 046	1			DIVERTER
	4342 047	1			ACTUATOR ASSEMBLY
9	4339 798	1			BRACKET, Front Mtg.

MODEL CODES

B = GRAN FURY	E = 600	M = HORIZON/TURISMO
C = LE BARON/TOWN & COUNTRY/LIMO	F = FIFTH AVENUE/NEWPORT	P = RELIANT
C24 = LASER	G = DIPLOMAT	T = NEW YORKER
C44 = LE BARON/GTS	H = VOYAGER	V = 600
D = ARIES	J = CARAVELLE	V24 = DAYTONA
D44 = LANCER	K = MINI VAN/CARAVAN/ROYAL	Z = OMNI/CHARGER

BODY STYLES

21 = 2-DOOR SEDAN	35 = FWD VAN	44 = 4-DOOR HATCHBACK
22 = 2-DOOR SPECIAL COUPE	36 = FWD WAGON	45 = 4-DOOR STATION WAGON
24 = 2-DOOR HATCHBACK	41 = 4-DOOR SEDAN	49 = LIMOUSINE
27 = 2-DOOR CONVERTIBLE		

AR = Use as Required - = Non Illustrated Part P.A.R. = Paint as Required

CONSOLE, REAR LIMO
Figure 8A-1300

5182 1300

ITEM	PART NUMBER	QTY	BODY	MODEL	DESCRIPTION
1	4342 023	1			DUCT, Rear Console Upper
2	4342 036	1			BOX, Storage
3	4342 163	1			BODY, Lower Charcoal
	4342 030	1			Blue
	4342 199	1			COVER, Body Lower Charcoal
	4342 034	1			Blue
4	3847 978	AR			BEZEL, Air Conditioning
5	4342 196	1			PANEL, Lower Divider Charcoal
	4339 904	1			Blue
6		AR			SCREW (DNS)
7	4342 045	2			BRACKET, Body Mtg.
8		AR			BOLT (DNS)
9	4342 031	1			BODY, Upper Silver
	4342 032	1			Blue
10	4342 028	1			MOULDING, Console
11	4342 037	1			BRACKET, Faceplate Mtg.
12	4342 035	1			BRACKET, Door Mtg.
13	4342 128	1			FACEPLATE, Radio
14					PANEL, Console Door Inner (Serviced in item 15)
15	4342 129	1			DOOR
	4342 042	1			HARDWARE PACKAGE
16					ARM, Door (Serviced in item 15)
17					BRACKET, Door Arm (Serviced in item 15)
18	4342 041	1			NAME PLATE, Door
19	4342 044	1			BRACKET, Upper Mtg.
20	4342 043	1			HOUSING, Lamp
21	#4221 170	1			SWITCH, Lamp
22					LAMP, Console (Serviced in item 21)
23	4364 345	1			BRACKET, Radio Mtg.
24	4342 026	1			DUCT, Console A/C Lower

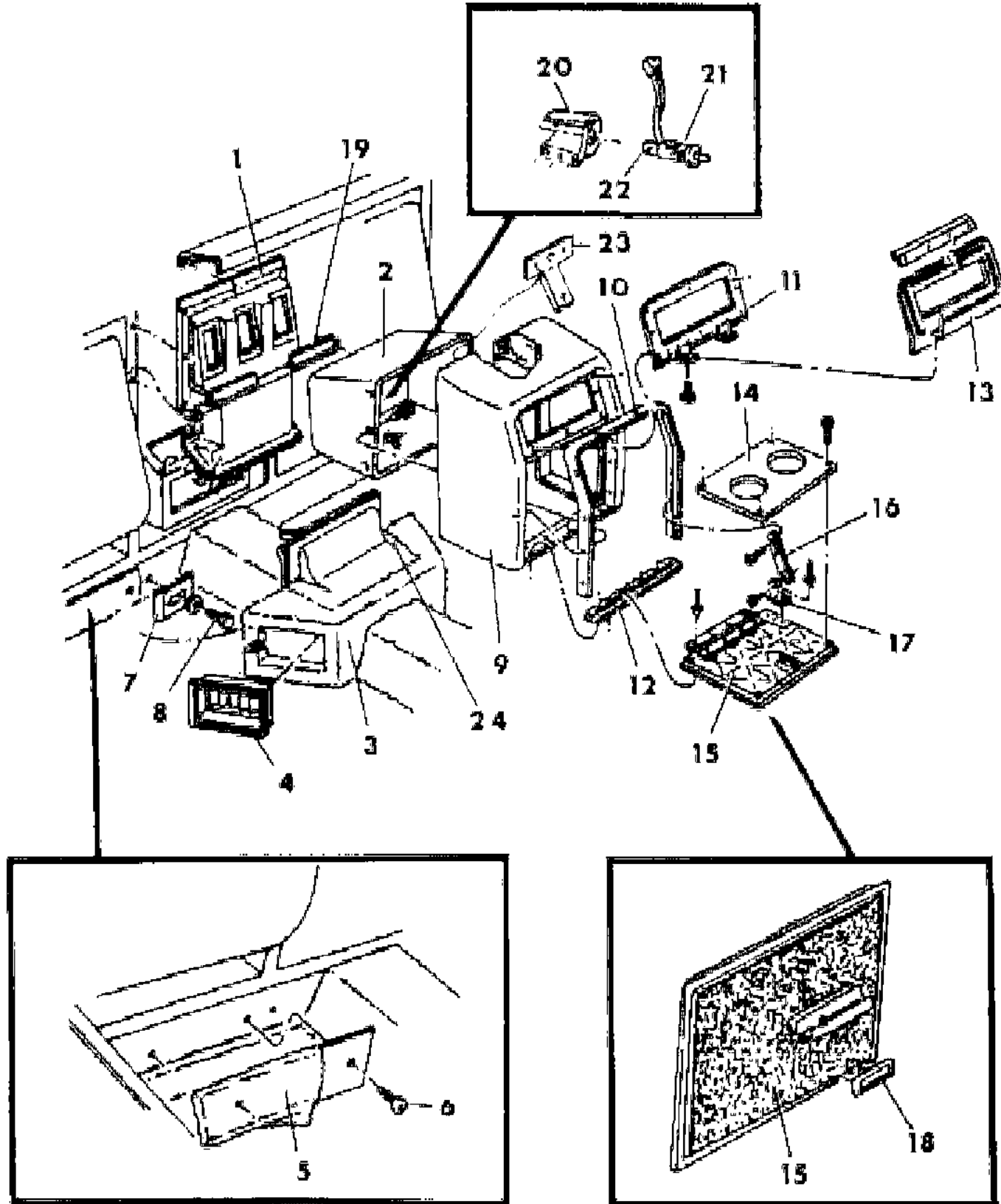
MODEL CODES

B = GRAN FURY	E = 600	M = HORIZON/TURISMO
C = LE BARON/TOWN & COUNTRY/LIMO	F = FIFTH AVENUE/NEWPORT	P = RELIANT
C24 = LASER	G = DIPLOMAT	T = NEW YORKER
C44 = LE BARON/GTS	H = VOYAGER	V = 600
D = ARIES	J = CARAVELLE	V24 = DAYTONA
D44 = LANCER	K = MINI VAN/CARAVAN/ROYAL	Z = OMNI/CHARGER

BODY STYLES

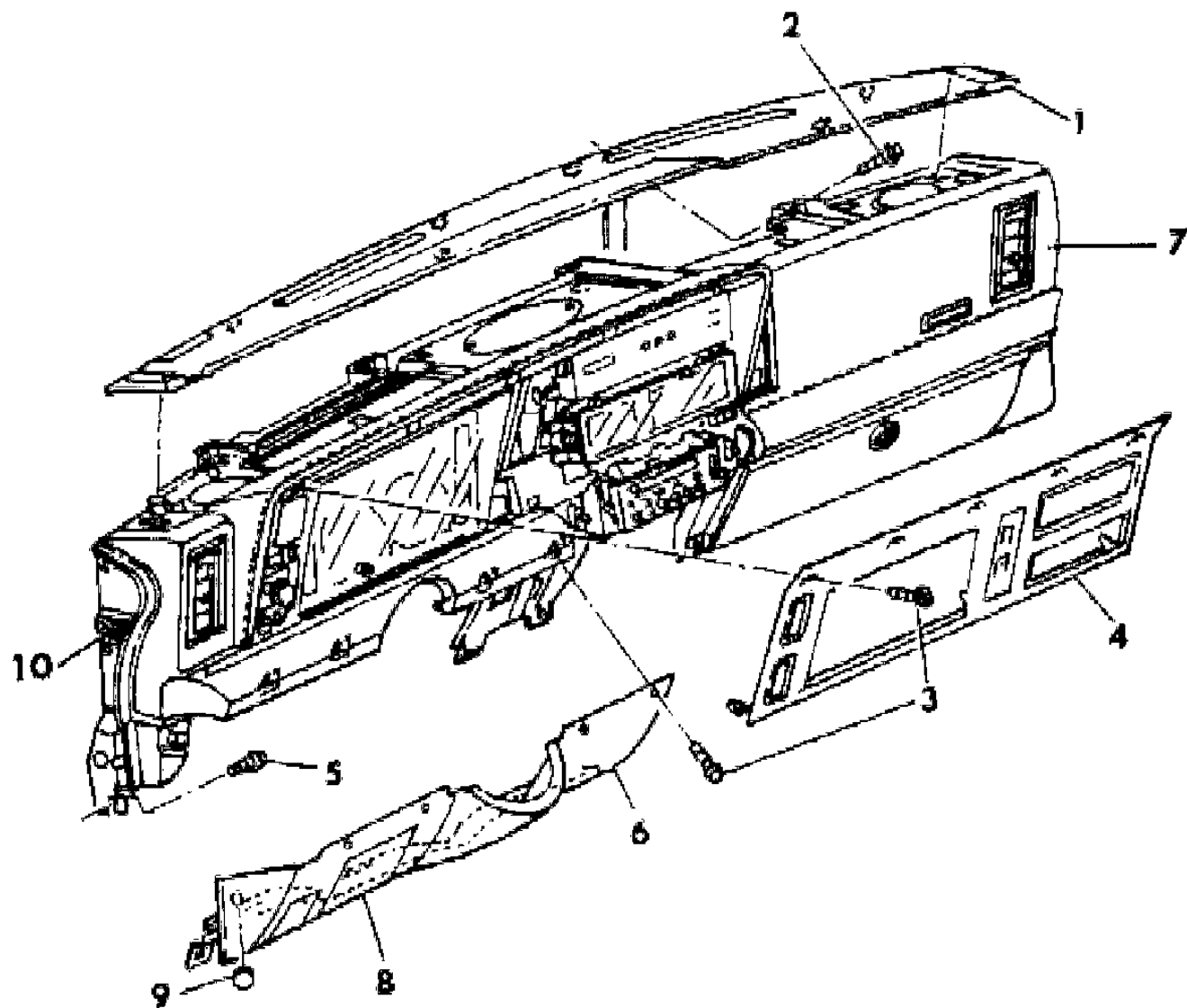
21 = 2-DOOR SEDAN	35 = FWD VAN	44 = 4-DOOR HATCHBACK
22 = 2-DOOR SPECIAL COUPE	36 = FWD WAGON	45 = 4-DOOR STATION WAGON
24 = 2-DOOR HATCHBACK	41 = 4-DOOR SEDAN	49 = LIMOUSINE
27 = 2-DOOR CONVERTIBLE		

AR = Use as Required - = Non Illustrated Part P.A.R. = Paint as Required



INSTRUMENT PANEL BEZELS AND PAD C,V 24
Figure 8A-1400

5182 1400



ITEM	PART NUMBER	QTY	BODY	MODEL	DESCRIPTION
1					COVER, Instrument Panel Top
	P518 DM6	1			Red
	P518 DS8	1			Charcoal
	P518 DT5	1			Brown
	P518 DX9	1			Black
	4220 415	2			CLIP, Top Cover Front
	3590 389	5			Rear
	4220 696-7	1			GRILLE, Instrument Panel Top Cover Side Window Demister
2					SCREW (DNS)
3					SCREW (DNS)
4					BEZEL, Cluster
	4220 307	1			w/o Electronic Cluster
	4312 360	1			w/Electronic Cluster
	6032 205	3			CLIP, Bezel Att.
5					SCREW (DNS)
6					COVER, Steering Column
	P413 DM6	1			Red
	P413 DS8	1			Charcoal
	P413 DT5	1			Brown
	P413 DX9	1			Black
7					PANEL and PAD, Instrument Panel
	P393 DM6	1			Red
	P393 DS8	1			Charcoal
	P393 DT5	1			Tan
	P393 DX9	1			Black
8	4220 272	1			COVER, Fuse Block
9	F245 CA3	1			PLUG, Trim
10	6032 020	6			STUD, Collar

MODEL CODES

B = GRAN FURY	E = 600	M = HORIZON/TURISMO
C = LE BARON/TOWN & COUNTRY/LIMO	F = FIFTH AVENUE/NEWPORT	P = RELIANT
C24 = LASER	G = DIPLOMAT	T = NEW YORKER
C44 = LE BARON/GTS	H = VOYAGER	V = 600
D = ARIES	J = CARAVELLE	V24 = DAYTONA
D44 = LANCER	K = MINI VAN/CARAVAN/ROYAL	Z = OMNI/CHARGER

BODY STYLES

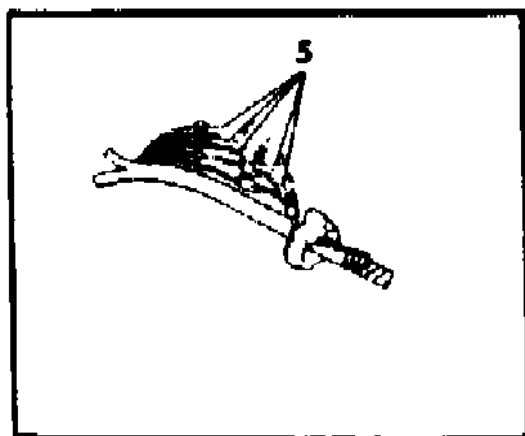
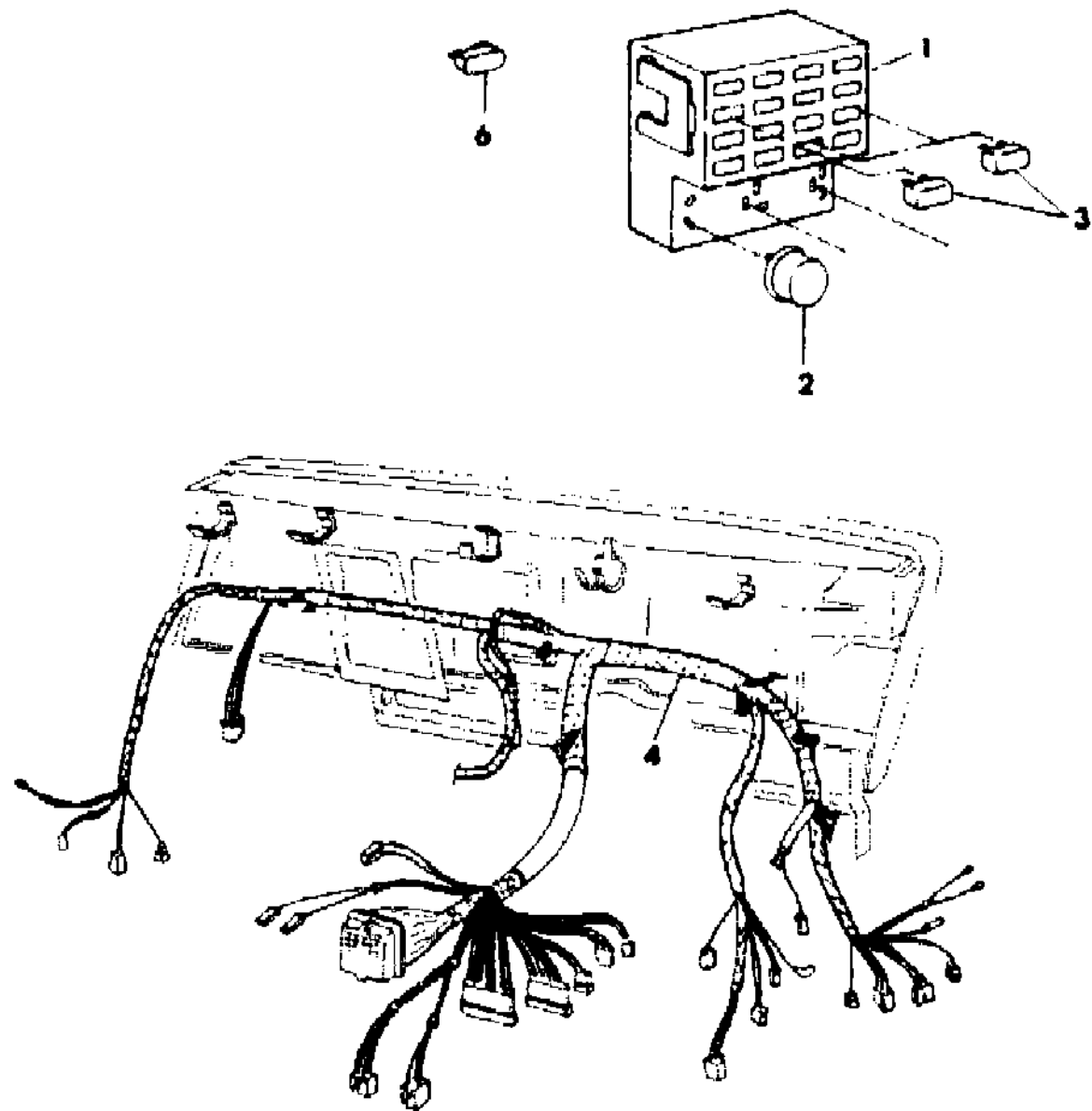
21 = 2-DOOR SEDAN	35 = FWD VAN	44 = 4-DOOR HATCHBACK
22 = 2-DOOR SPECIAL COUPE	36 = FWD WAGON	45 = 4-DOOR STATION WAGON
24 = 2-DOOR HATCHBACK	41 = 4-DOOR SEDAN	49 = LIMOUSINE
27 = 2-DOOR CONVERTIBLE		

AR = Use as Required - = Non Illustrated Part P.A.R. = Paint as Required

INSTRUMENT PANEL WIRING C,V 24

Figure 8A-1500

5182 1500



ITEM	PART NUMBER	QTY	BODY	MODEL	DESCRIPTION
1	4304 499	1			MODULE, Fuse Block
	4124 752	1			TERMINAL, Buss Bar
	4124 258	1			3 Way
	4274 530	1			1 Way
	4221 730	1			BRACKET, Module Mtg.
	4312 627	1			BUZZER, Key, H/Lamp and Seat Belt Warning
2	2932 877	1			CONTROL, Chimes
	3837 161	1			FLASHER, Hazard Warning
	3837 162	1			Turn Signal, 2 Lamp
3	4186 377	AR			Turn Signal, 3 Lamp
	4186 379	AR			BREAKER, Circuit
					6 Amp.
					30 Amp.
4	4331 542	1			WIRING, Instrument Panel
	4331 086	1			w/Electronic Cluster and E.V.A.
	4331 085	1			w/Voice Alert
	4274 161	1			w/o Voice Alert
	4274 091	1			DIODE and MOLD, Reapir Pkg.
5	4026 095	1			w/Air and Heated Back Lite
	4026 094	1			CABLE, Fusible Link (25'Ft. Roll)
	4026 093	1			No. 16 Blue
	4026 092	1			No. 14 Red
	4026 096	1			No. 12 Black
	4131 507	1			No. 10 Green
					No. 18 Gray
					No. 20 Orange
6	6101 132	AR			FUSES
	6101 131	AR			4 Amp.
	6101 133	AR			3 Amp.
	6101 137	AR			5 Amp.
	6101 135	AR			20 Amp.
	6101 138	AR			10 Amp.
	6101 139	AR			25 Amp.
					30 Amp.

MODEL CODES

B = GRAN FURY	E = 600	M = HORIZON/TURISMO
C = LE BARON/TOWN & COUNTRY/LIMO	F = FIFTH AVENUE/NEWPORT	P = RELIANT
C24 = LASER	G = DIPLOMAT	T = NEW YORKER
C44 = LE BARON/GTS	H = VOYAGER	V = 600
D = ARIES	J = CARAVELLE	V24 = DAYTONA
D44 = LANCER	K = MINI VAN/CARAVAN/ROYAL	Z = OMNI/CHARGER

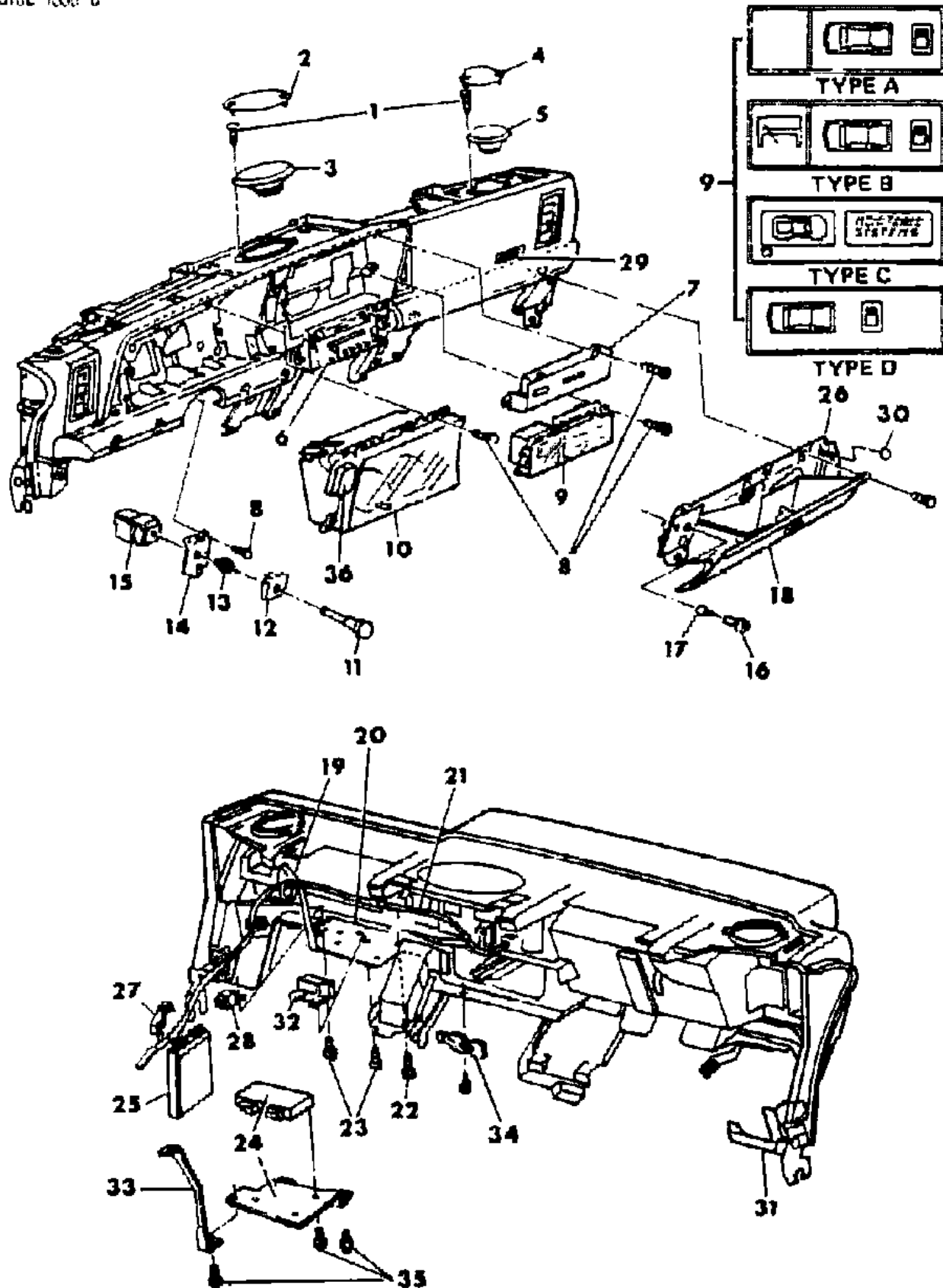
BODY STYLES

21 = 2-DOOR SEDAN	35 = FWD VAN	44 = 4-DOOR HATCHBACK
22 = 2-DOOR SPECIAL COUPE	36 = FWD WAGON	45 = 4-DOOR STATION WAGON
24 = 2-DOOR HATCHBACK	41 = 4-DOOR SEDAN	49 = LIMOUSINE
27 = 2-DOOR CONVERTIBLE		

AR = Use as Required - = Non Illustrated Part P.A.R. = Paint as Required

INSTRUMENT PANEL CLUSTER, SWITCHES, CONTROLS AND GLOVEBOX C,V 24
Figure 8A-1600

5182 1600 0



ITEM	PART NUMBER	QTY	BODY	MODEL	DESCRIPTION
1					SCREW (DNS)
2	4311 082	1			SHIELD, Speaker Opening, Center
	6025 249	AR			FASTENER, Shield
3	4311 098	1			SPEAKER, Mono
4	4311 084	2			SHIELD, Speaker Opening
5	4222 528	2			SPEAKER, Stero Standard
	4311 490	2			Premium
	4222 531	2			Rear Compartment
6					CONTROL, Heater and A/C (Refer to Group 24)
7	4220 951	1			CHRONOMETER, Elapsed Time
	4312 871	1			NAVIGATOR, Electronic
	4374 085	1			MODULE, Navigator Noise Supp.
8		AR			SCREW (DNS)
9					MESSAGE CENTER
					w/o Turbo Gauge, Type D
					Consists of:
					1 - 4375117 Housing
					1 - 4375120 Board w/Seal
					w/Turbo Gauge, Type B
					Consists of:
					1 - 4375126 Housing
					1 - 4375123 Wire w/Seal
	4051 762	1			w/Turbo Gauge Opening, w/o Turbo Gauge, Type A
	4312 810	1			MODULE, Electronic Monitor, Type C
	4342 240	7			Socket
	9421 330	8			Bulb
	4051 763	1			GAUGE, Turbo
10	4051 881	1			HOUSING, Instrument Cluster
	4051 602	1			SPEEDOMETER, w/Odometer
	4342 240	1			SOCKET, Fuel Pacer
	9436 790	1			BULB, Fuel Pacer
	3592 750	1			LABEL, Speedometer Replacement
	4051 882	1			TACHOMETER
	4051 977	1			CIRCUIT BOARD, Tachometer
	4051 804	1			GAUGE, Oil and Temp.
	4051 805	1			GAUGE, Volt and Fuel
	4051 832	1			RELAY, Low Fuel

MODEL CODES

B = GRAN FURY	E = 600	M = HORIZON/TURISMO
C = LE BARON/TOWN & COUNTRY/LIMO	F = FIFTH AVENUE/NEWPORT	P = RELIANT
C24 = LASER	G = DIPLOMAT	T = NEW YORKER
C44 = LE BARON/GTS	H = VOYAGER	V = 600
D = ARIES	J = CARAVELLE	V24 = DAYTONA
D44 = LANCER	K = MINI VAN/CARAVAN/ROYAL	Z = OMNI/CHARGER

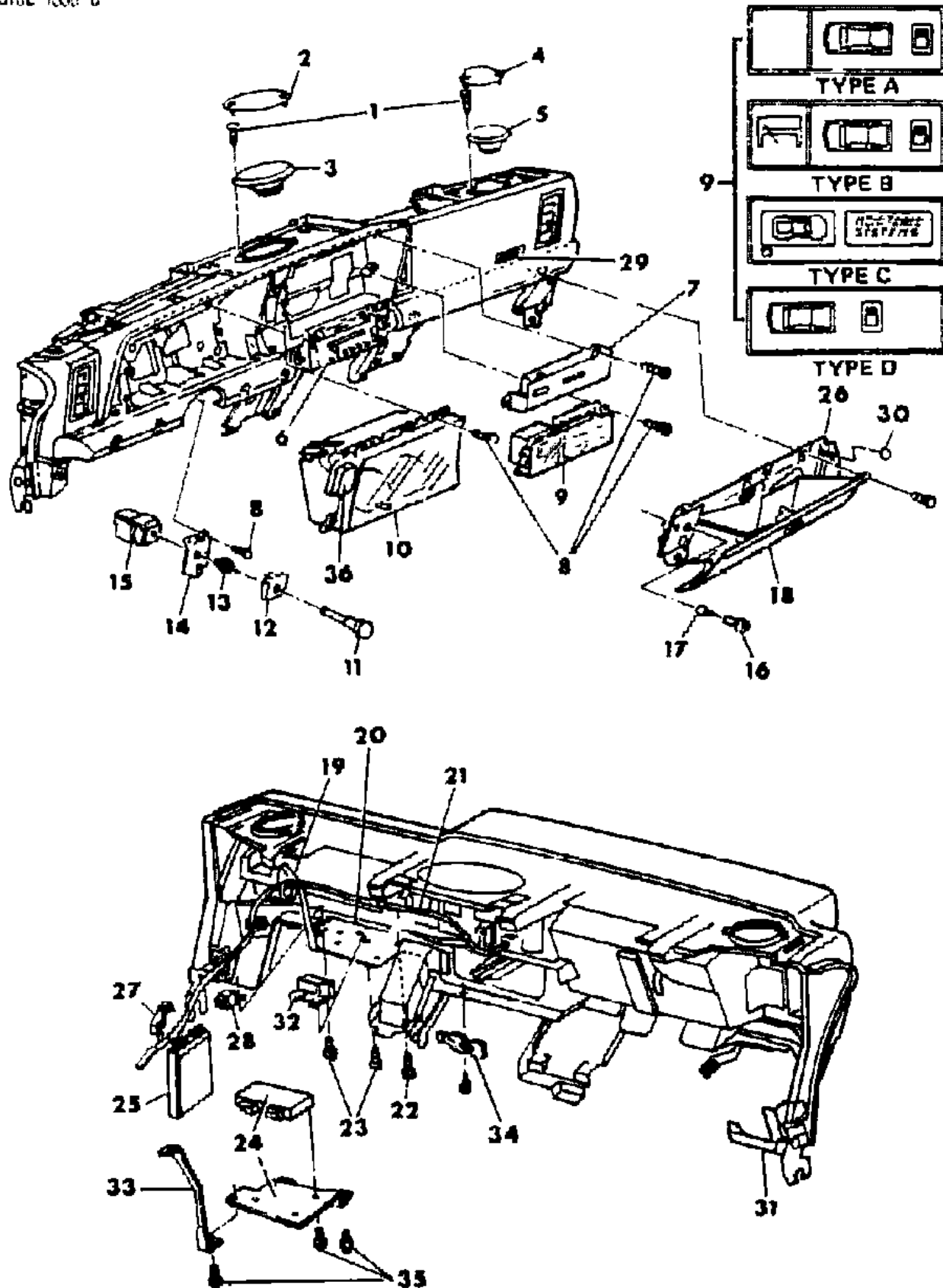
BODY STYLES

21 = 2-DOOR SEDAN	35 = FWD VAN	44 = 4-DOOR HATCHBACK
22 = 2-DOOR SPECIAL COUPE	36 = FWD WAGON	45 = 4-DOOR STATION WAGON
24 = 2-DOOR HATCHBACK	41 = 4-DOOR SEDAN	49 = LIMOUSINE
27 = 2-DOOR CONVERTIBLE		

AR = Use as Required - = Non Illustrated Part P.A.R. = Paint as Required

INSTRUMENT PANEL CLUSTER, SWITCHES, CONTROLS AND GLOVEBOX C,V 24
Figure 8A-1600

5182 1600 0



ITEM	PART NUMBER	QTY	BODY	MODEL	DESCRIPTION
					BOARD, Printed Circuit w/Flex Board
	4051 617	1			w/Three Terminal Flex Board
	4051 860	1			w/Four Terminal Flex Board
	4342 206	1			BOARD, Printed Circuit and Gauge Alert
	4051 654	1			LENS, Cluster w/Odometer Reset
	4051 604	1			MASK, 85 Mile, w/o Gauge Alert, w/o Lens
	4051 605	1			MASK, 85 Mile, w/Gauge Alert, w/o Lens
	4312 654	1			CLUSTER, Electronic
	4312 969	1			FUEL PULSE COUNT CORRECTOR
11	4221 197	1			KNOB and SHAFT, Headlamp Switch
12	4221 195	1			ESCUTCHEON, Headlamp Switch Mounting
13	4221 063	1			RETAINER
14	4221 196	1			PLATE, Headlamp Switch Mtg.
15	4221 407	1			SWITCH, H/Lamp
16	4221 625	1			SWITCH, Glove Box Lamp
17	0152 244	1			BULB, Glove Box Lamp
	2947 226	1			PLUG, Glove Box Lamp
18	P684 DT5	1			DOOR and BOX, Glove
	3508 886	1			LATCH, Glove Box Door
	4220 259	1			CATCH, Glove Box Door
	4220 268	2			PIN w/RETAINER, Glove Box Door Pivot
	3590 551	4			BUMPER, Glove Box Catch
	4311 232	2			BUMPER, Glove Box Door Stop
	4220 684	2			STOP, Glove Box Door
		1			CYLINDER w/KEY, Glove Box (Refer to 23D)
19	4312 024	1			SUPPORT, Electronic Voice Alert
20	4312 748	1			BRACKET, Electronic Voice Alert Mtg.
21	4105 167	1			HOSE, Message Center w/Turbo
22	9415 464	AR			SCREW
23		AR			SCREW (DNS)
24					CONTROL, Electronic Voice Alert
	4312 757	1			Eleven Functions
	4312 751	1			Twenty Four Functions
25					MODULE, Throttle Body Injection Logic (Refer to Group 8)
26	P686 DT5	1			PANEL, Instrument Panel Lower Right
27					SENSOR, Manifold Absolute Pressure (Refer to Group 8)
28	4186 387	1			RELAY, Illuminated Entry

MODEL CODES

B = GRAN FURY	E = 600	M = HORIZON/TURISMO
C = LE BARON/TOWN & COUNTRY/LIMO	F = FIFTH AVENUE/NEWPORT	P = RELIANT
C24 = LASER	G = DIPLOMAT	T = NEW YORKER
C44 = LE BARON/GTS	H = VOYAGER	V = 600
D = ARIES	J = CARAVELLE	V24 = DAYTONA
D44 = LANCER	K = MINI VAN/CARAVAN/ROYAL	Z = OMNI/CHARGER

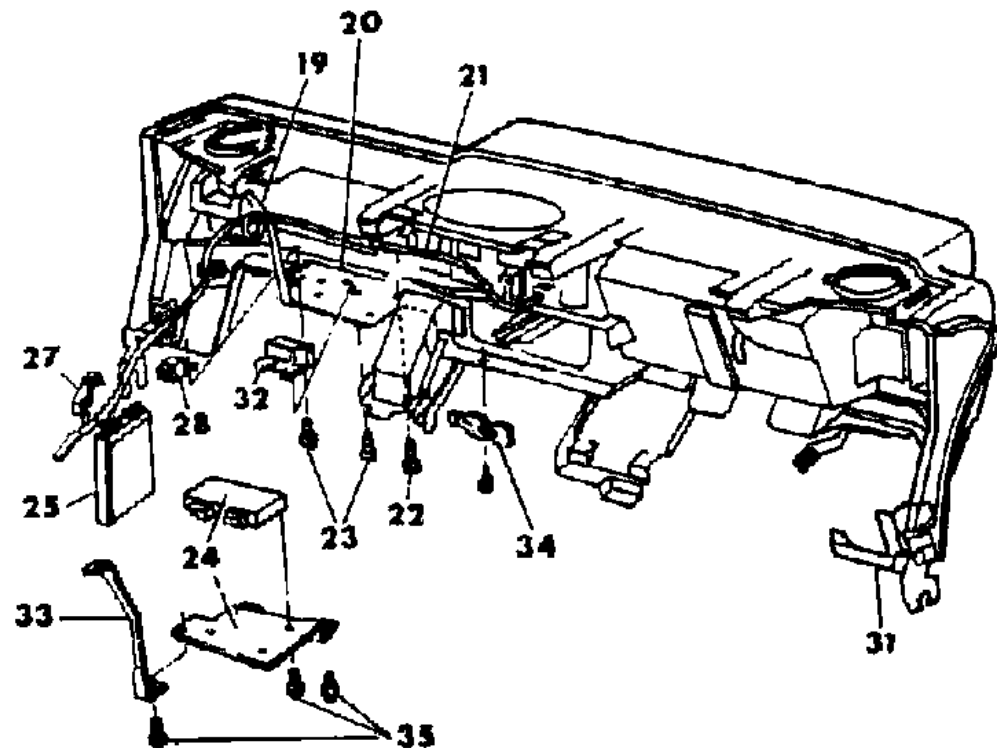
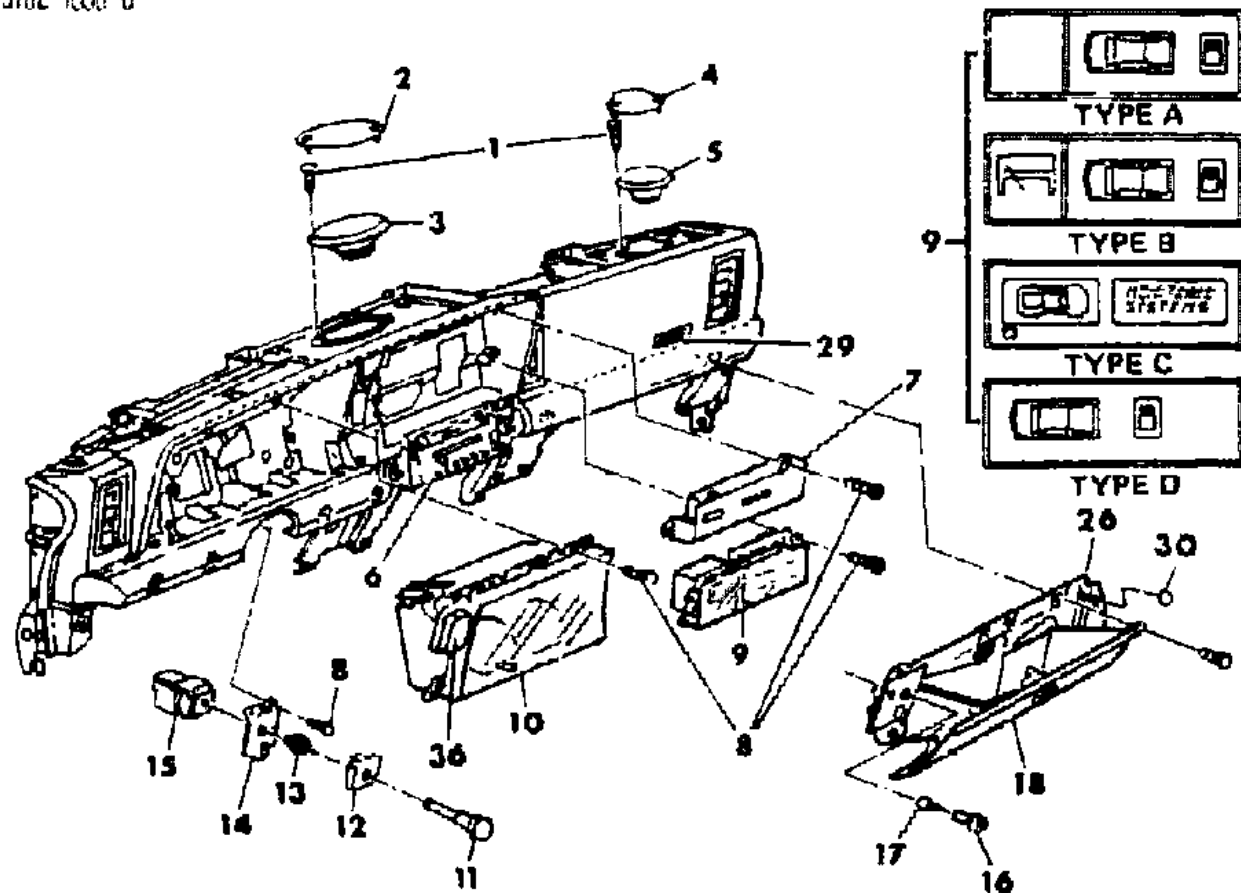
BODY STYLES

21 = 2-DOOR SEDAN	35 = FWD VAN	44 = 4-DOOR HATCHBACK
22 = 2-DOOR SPECIAL COUPE	36 = FWD WAGON	45 = 4-DOOR STATION WAGON
24 = 2-DOOR HATCHBACK	41 = 4-DOOR SEDAN	49 = LIMOUSINE
27 = 2-DOOR CONVERTIBLE		

AR = Use as Required - = Non Illustrated Part P.A.R. = Paint as Required

INSTRUMENT PANEL CLUSTER, SWITCHES, CONTROLS AND GLOVEBOX C,V 24
Figure 8A-1600

5182 1600 0



ITEM	PART NUMBER	QTY	BODY	MODEL	DESCRIPTION
29					NAME PLATE, Instrument Panel
	4311 284	1			"Laser"
	4311 345	1			"Daytona"
	6029 168	2			CLIP, Name Plate Att.
	0445 153	2			Nut, Name Plate Att.
30	F245 CA3	1			PLUG, Trim
31	4220 501	1			SUPPORT, Instrument Panel End, Left
	4220 251	1			REINFORCEMENT, Instrument Panel Center
	4220 254	1			SUPPORT, Instrument Panel End, Right
32	4312 627	1			CONTROL, Warning Chimes
33	4312 024	1			SUPPORT, E.V.A. Mtg.
34		1			BRACKET, Wiring Clip Mtg. (DNS)
35		AR			SCREW (DNS)
36	4051 861	1			GAUGE, Alert

MODEL CODES

B = GRAN FURY	E = 600	M = HORIZON/TURISMO
C = LE BARON/TOWN & COUNTRY/LIMO	F = FIFTH AVENUE/NEWPORT	P = RELIANT
C24 = LASER	G = DIPLOMAT	T = NEW YORKER
C44 = LE BARON/GTS	H = VOYAGER	V = 600
D = ARIES	J = CARAVELLE	V24 = DAYTONA
D44 = LANCER	K = MINI VAN/CARAVAN/ROYAL	Z = OMNI/CHARGER

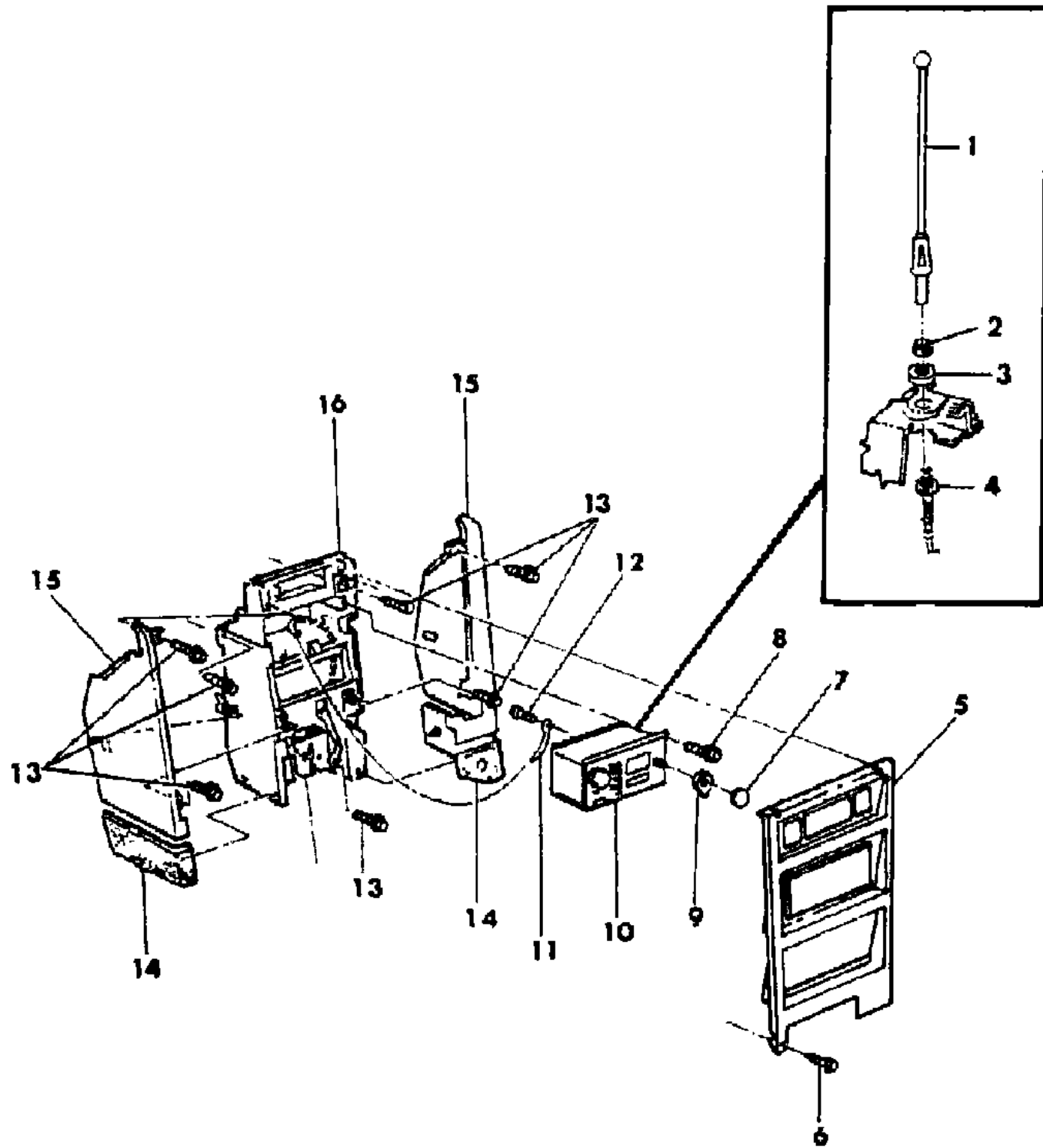
BODY STYLES

21 = 2-DOOR SEDAN	35 = FWD VAN	44 = 4-DOOR HATCHBACK
22 = 2-DOOR SPECIAL COUPE	36 = FWD WAGON	45 = 4-DOOR STATION WAGON
24 = 2-DOOR HATCHBACK	41 = 4-DOOR SEDAN	49 = LIMOUSINE
27 = 2-DOOR CONVERTIBLE		

AR = Use as Required - = Non Illustrated Part P.A.R. = Paint as Required

INSTRUMENT PANEL CONSOLE C,V 24
Figure 8A-1700

5182 1700



ITEM	PART NUMBER	QTY	BODY	MODEL	DESCRIPTION
1					MAST, Antenna
	4222 729	1			Bright
	4311 392	1			Black
2					NUT, Cap
	4222 728	1			Bright
	4311 394	1			Black
3					ADAPTER and GASKET
	4222 725	1			Bright
	4311 398	1			Black
4	4222 721	1			BODY and CABLE
5	4220 421	1			BEZEL, Console Trim
	4220 455	3			CLIP, Trim Bezel
6					SCREW (DNS)
7					KNOB, Radio
					Bass
	4311 337	AR			w/4311687,4311828 Radios
					Treble
	4311 339	AR			w/4311687,4311828 Radios
8	6031 665	2			SCREW, Radio Att.
9					KNOB, Radio
					KNOB PACKAGE, "Joy Stick"
	4364 484	1			Black
	4364 483	1			Bright
					Secondary
	4311 558	2			w/4311103 Radio
	4311 341	AR			w/4311687,4311828,4311002 Radios
					Primary
	4311 555	2			w/4311103 Radio
	4311 334	AR			w/4311687,4311828,4311002 Radios
10					RADIO, E.T.R. w/Clock
	4331 529	1			JUMPER, Radio
	4311 103	1			Ultimate Sound (Black Face)
	4311 002	1			AM (Black Face)
	4311 828	1			Am/Fm/Mx Standard (Black Face)
	4311 687	1			Am/Fm/Mx w/Cassette (Black Face)
	4220 482	1			PLATE, Radio Opening, w/o Radio

MODEL CODES

B = GRAN FURY	E = 600	M = HORIZON/TURISMO
C = LE BARON/TOWN & COUNTRY/LIMO	F = FIFTH AVENUE/NEWPORT	P = RELIANT
C24 = LASER	G = DIPLOMAT	T = NEW YORKER
C44 = LE BARON/GTS	H = VOYAGER	V = 600
D = ARIES	J = CARAVELLE	V24 = DAYTONA
D44 = LANCER	K = MINI VAN/CARAVAN/ROYAL	Z = OMNI/CHARGER

BODY STYLES

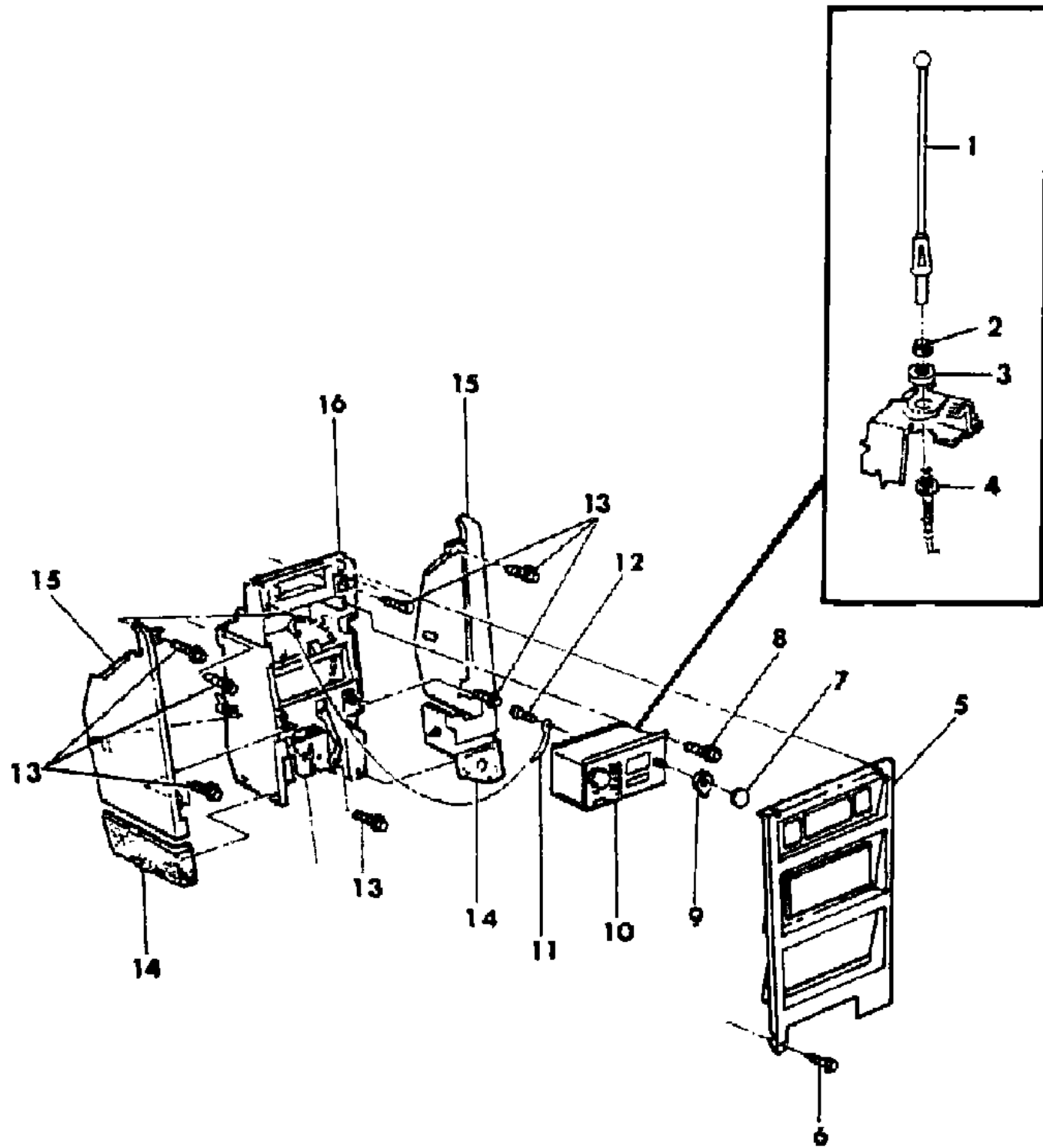
21 = 2-DOOR SEDAN	35 = FWD VAN	44 = 4-DOOR HATCHBACK
22 = 2-DOOR SPECIAL COUPE	36 = FWD WAGON	45 = 4-DOOR STATION WAGON
24 = 2-DOOR HATCHBACK	41 = 4-DOOR SEDAN	49 = LIMOUSINE
27 = 2-DOOR CONVERTIBLE		

AR = Use as Required - = Non Illustrated Part P.A.R. = Paint as Required

INSTRUMENT PANEL CONSOLE C,V 24

Figure 8A-1700

5182 1700



ITEM	PART NUMBER	QTY	BODY	MODEL	DESCRIPTION
	4267 298	1			SUPPRESSION, Windshield Wiper Motor Noise (Dual Contact Relay)
11					STRAP, Radio Ground (DNS)
12					SCREW (DNS)
13					SCREW (DNS)
14					CARPET, Console Side
	F320-1 CM6	1			Red
	F320-1 CS8	1			Charcoal
	F320-1 CT9	1			Brown
	F320-1 CX9	1			Black
15	P464-5 CX9	1			PANEL, Console Side
16	4220 252	1			CARRIER, Console
	4220 582	1			BOX, Storage, w/Cup Holder
	4311 270	1			CRADLE, Console Cup Holder
	4220 263	1			BRACKET, Carrier to Gear Shift Mounting Bracket
	4220 289	1			BRACE, Instrument Panel to Reinf., Right Side of Console
	4311 920	1			Left Side of Console

MODEL CODES

B = GRAN FURY	E = 600	M = HORIZON/TURISMO
C = LE BARON/TOWN & COUNTRY/LIMO	F = FIFTH AVENUE/NEWPORT	P = RELIANT
C24 = LASER	G = DIPLOMAT	T = NEW YORKER
C44 = LE BARON/GTS	H = VOYAGER	V = 600
D = ARIES	J = CARAVELLE	V24 = DAYTONA
D44 = LANCER	K = MINI VAN/CARAVAN/ROYAL	Z = OMNI/CHARGER

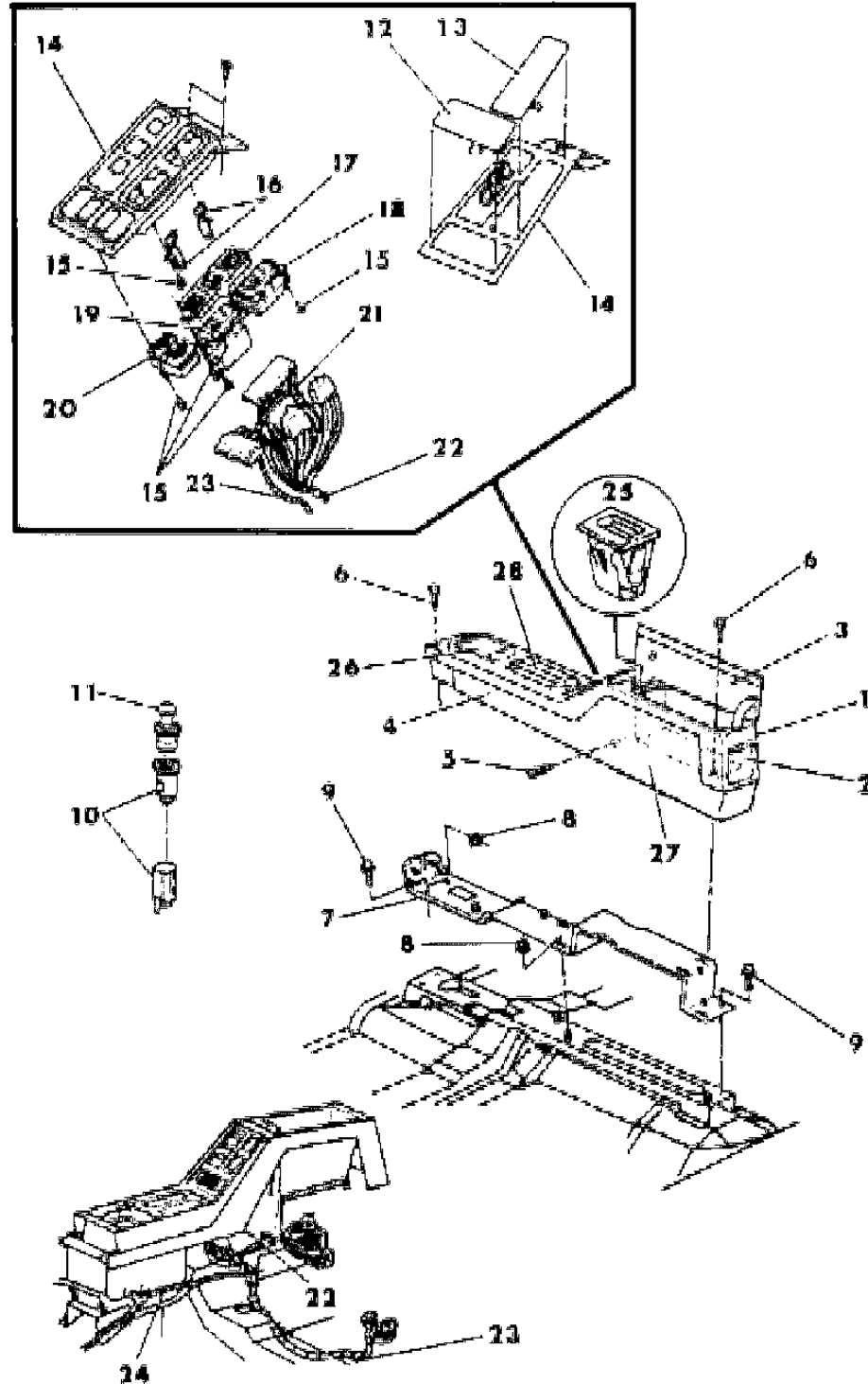
BODY STYLES

21 = 2-DOOR SEDAN	35 = FWD VAN	44 = 4-DOOR HATCHBACK
22 = 2-DOOR SPECIAL COUPE	36 = FWD WAGON	45 = 4-DOOR STATION WAGON
24 = 2-DOOR HATCHBACK	41 = 4-DOOR SEDAN	49 = LIMOUSINE
27 = 2-DOOR CONVERTIBLE		

AR = Use as Required - = Non Illustrated Part P.A.R. = Paint as Required

CONSOLE, CENTER C,V 24
Figure 8A-1800

5182 1800



ITEM	PART NUMBER	QTY	BODY	MODEL	DESCRIPTION
1					BASE, w/o Lid, w/Ash Receiver
	F476 DM6	1			Red
	F476 DT5	1			Brown
	F476 DS8	1			Charcoal
	F476 DX9	1			Black
2	4247 034	1			ASH RECEIVER, Rear
	4247 113	1			SNUFFER, Ash Receiver
3					LID w/LATCH, Console
	F302 CM6	1			Red
	F302 DT5	1			Tan
	F302 CS8	1			Charcoal
	F302 CX9	1			Black
4					CARPET, Access Panel
	F314 CM6	1			Red
	F314 DT5	1			Tan
	F314 CS8	1			Charcoal
	F314 CX9	1			Black
	6032 155	4			CLIP, Carpet to Console Att.
5	6032 154	2			SCREW w/WASHER
6		AR			SCREW (DNS)
7	4283 330	1			BRACKET, Floor Console Mtg.
8	6100 049	AR			NUT
9		AR			SCREW (DNS)
10	3747 635	1			SHELL w/CLAMP, C/Lighter
11	3004 190	1			ELEMENT, C/Lighter
	4221 761	1			KNOB, C/Lighter
12	4221 176	1			COVER, w/o Electric Windows
13	4221 174	1			COVER, w/o Heated Backlite and Rear Wiper
	4221 175	1			w/o Electric Seat
14					BEZEL, Switch Mtg.
	4221 155	1			w/o Switches
	4221 154	1			w/Heated Backlite
	4221 153	1			w/Electric Windows, Electric Seat Adj.,Heated Backlite or Rear
					Washer/Wiper
	4221 152	1			w/Electric Windows, Electric Seat Adj.,Heated Backlite And
					Rear Washer/Wiper
	6024 214	2			U/NUT, Switch Bezel to Console Att.

MODEL CODES

B = GRAN FURY	E = 600	M = HORIZON/TURISMO
C = LE BARON/TOWN & COUNTRY/LIMO	F = FIFTH AVENUE/NEWPORT	P = RELIANT
C24 = LASER	G = DIPLOMAT	T = NEW YORKER
C44 = LE BARON/GTS	H = VOYAGER	V = 600
D = ARIES	J = CARAVELLE	V24 = DAYTONA
D44 = LANCER	K = MINI VAN/CARAVAN/ROYAL	Z = OMNI/CHARGER

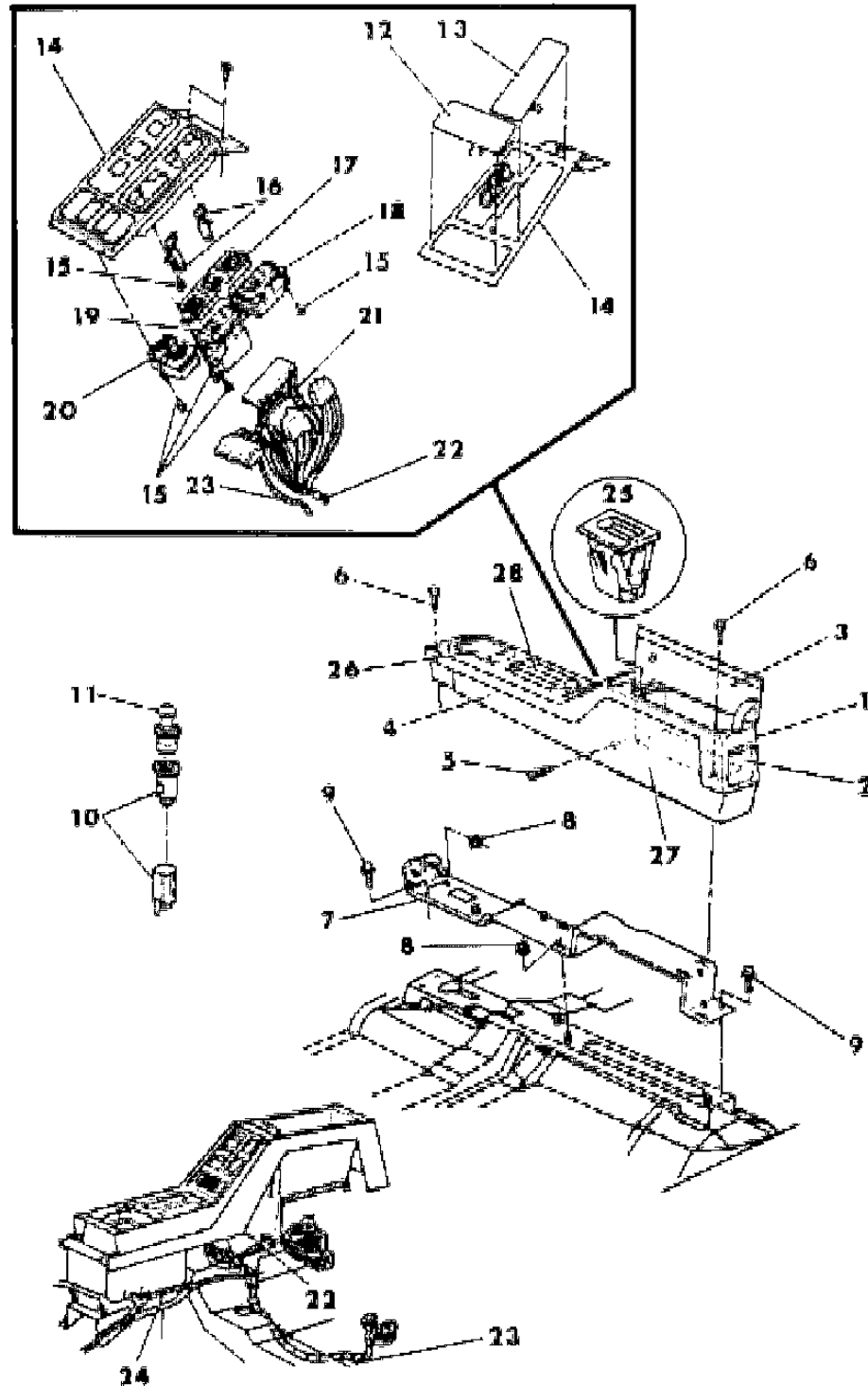
BODY STYLES

21 = 2-DOOR SEDAN	35 = FWD VAN	44 = 4-DOOR HATCHBACK
22 = 2-DOOR SPECIAL COUPE	36 = FWD WAGON	45 = 4-DOOR STATION WAGON
24 = 2-DOOR HATCHBACK	41 = 4-DOOR SEDAN	49 = LIMOUSINE
27 = 2-DOOR CONVERTIBLE		

AR = Use as Required - = Non Illustrated Part P.A.R. = Paint as Required

CONSOLE, CENTER C,V 24
Figure 8A-1800

5182 1800



ITEM	PART NUMBER	QTY	BODY	MODEL	DESCRIPTION
15	6032 456	AR			SCREW, Switch Att.
16	4221 194	AR			LAMP, Switch
17	4221 183	1			SWITCH, Seat Adj.
18	4221 180	1			SWITCH, Rear Wash/Wipe
19	4221 177	1			SWITCH, Heated Backlite
20	4221 184	1			SWITCH, Electric Window Lift
21		AR			BULB, Refer to Group 8
22	4274 739	1			WIRING, Console w/Heated Backlite
	4274 738	1			w/Heated Backlite,Rear Wash/Wipe and Electric Windows
23	4274 532	1			WIRING, Console to Electric Seats
24					WIRING, Console Lights and C/Lighter (Refer to Group 8)
25	4247 211	1			CATCH, Console Lid
26		1			LID, Ash Receiver (Serviced in Bezel)
	4283 194	1			RECEPTACLE, Front Ash Receiver
	4247 393	1			SPRING, Front Ash Receiver Lid
27					CARPET, Console Rear
	F312 CM6	1			Red
	F312 DT5	1			Tan
	F312 CS8	1			Charcoal
	F312 CX9	1			Black
28					BEZEL, Console Top
	4247 374	1			w/Auto Trans.
	4247 375	1			w/Manual Trans.

MODEL CODES

B = GRAN FURY	E = 600	M = HORIZON/TURISMO
C = LE BARON/TOWN & COUNTRY/LIMO	F = FIFTH AVENUE/NEWPORT	P = RELIANT
C24 = LASER	G = DIPLOMAT	T = NEW YORKER
C44 = LE BARON/GTS	H = VOYAGER	V = 600
D = ARIES	J = CARAVELLE	V24 = DAYTONA
D44 = LANCER	K = MINI VAN/CARAVAN/ROYAL	Z = OMNI/CHARGER

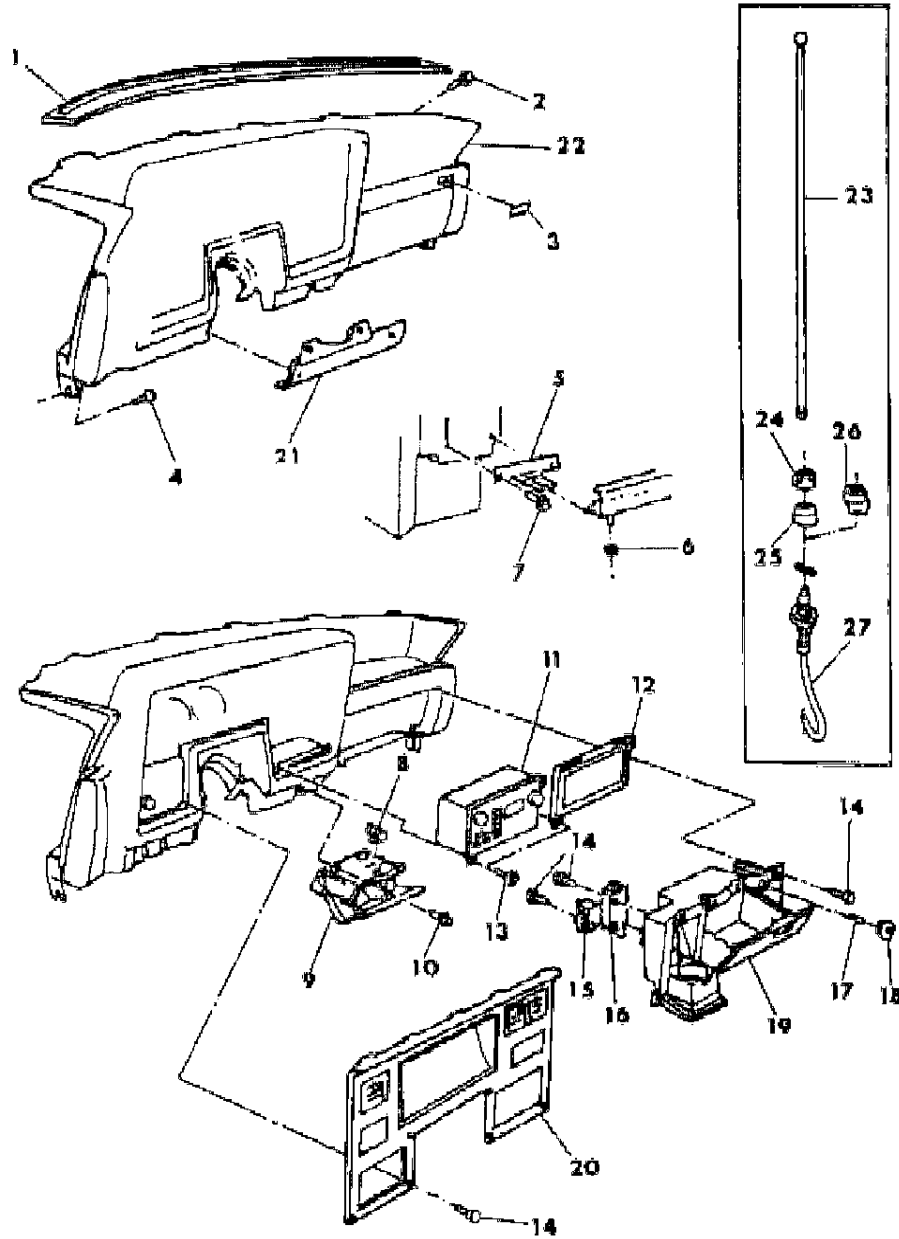
BODY STYLES

21 = 2-DOOR SEDAN	35 = FWD VAN	44 = 4-DOOR HATCHBACK
22 = 2-DOOR SPECIAL COUPE	36 = FWD WAGON	45 = 4-DOOR STATION WAGON
24 = 2-DOOR HATCHBACK	41 = 4-DOOR SEDAN	49 = LIMOUSINE
27 = 2-DOOR CONVERTIBLE		

AR = Use as Required - = Non Illustrated Part P.A.R. = Paint as Required

INSTRUMENT PANEL BEZELS, ASH RECEIVER, GLOVEBOX AND RADIO D,C 44
Figure 8A-1900

5182 1900



ITEM	PART NUMBER	QTY	BODY	MODEL	DESCRIPTION
1	P383 DT5	1			COVER, Top
	6500 926	AR			CLIP, Top Cover
2		AR			SCREW (DNS)
3					NAME PLATE, Instrument Panel
	4311 504	1			"Lancer"
	4311 965	1			"Le Baron"
4		AR			SCREW (DNS)
5	4311 308	1			BRACKET, Instrument Panel Lower Right
	4311 206	1			SUPPORT, Instrument Panel End Right
	4311 226	1			REINFORCEMENT, Instrument Panel Lower Right
	4311 205	1			REINFORCEMENT, Instrument Panel Left
6		AR			NUT (DNS)
7		AR			SCREW (DNS)
8	4312 672	1			HOUSING, Courtesy Lamp
9	P388 DT5	1			RECEIVER, Ash
	4311 462	1			RECEPTACLE, Ash Rec.
	4221 761	1			KNOB, C/Lighter
	3004 190	1			ELEMENT, C/Lighter
	2808 912	1			SHELL and CLAMP, C/Lighter
	3746 629	1			BEZEL, C/Lighter
10		1			SCREW (DNS)
11					RADIO E.T.R. w/CLOCK
	4331 529	1			JUMPER, Radio
	4311 103	1			Ultimate Sound
	4311 687	1			Am/Fm/Mx w/Cassette
	4311 828	1			Am/Fm/Mx
					KNOBS, Radio
					KNOB PACKAGE, "Joy Stick"
	4364 484	1			Black
	4364 483	1			Bright
					Secondary
	4311 558	2			w/4311103 Radio
	4311 341	AR			w/4311687,4311828 Radios
					Primary
	4311 555	2			w/4311103 Radio
	4311 334	AR			w/4311687,4311828 Radios
					Treble

MODEL CODES

B = GRAN FURY	E = 600	M = HORIZON/TURISMO
C = LE BARON/TOWN & COUNTRY/LIMO	F = FIFTH AVENUE/NEWPORT	P = RELIANT
C24 = LASER	G = DIPLOMAT	T = NEW YORKER
C44 = LE BARON/GTS	H = VOYAGER	V = 600
D = ARIES	J = CARAVELLE	V24 = DAYTONA
D44 = LANCER	K = MINI VAN/CARAVAN/ROYAL	Z = OMNI/CHARGER

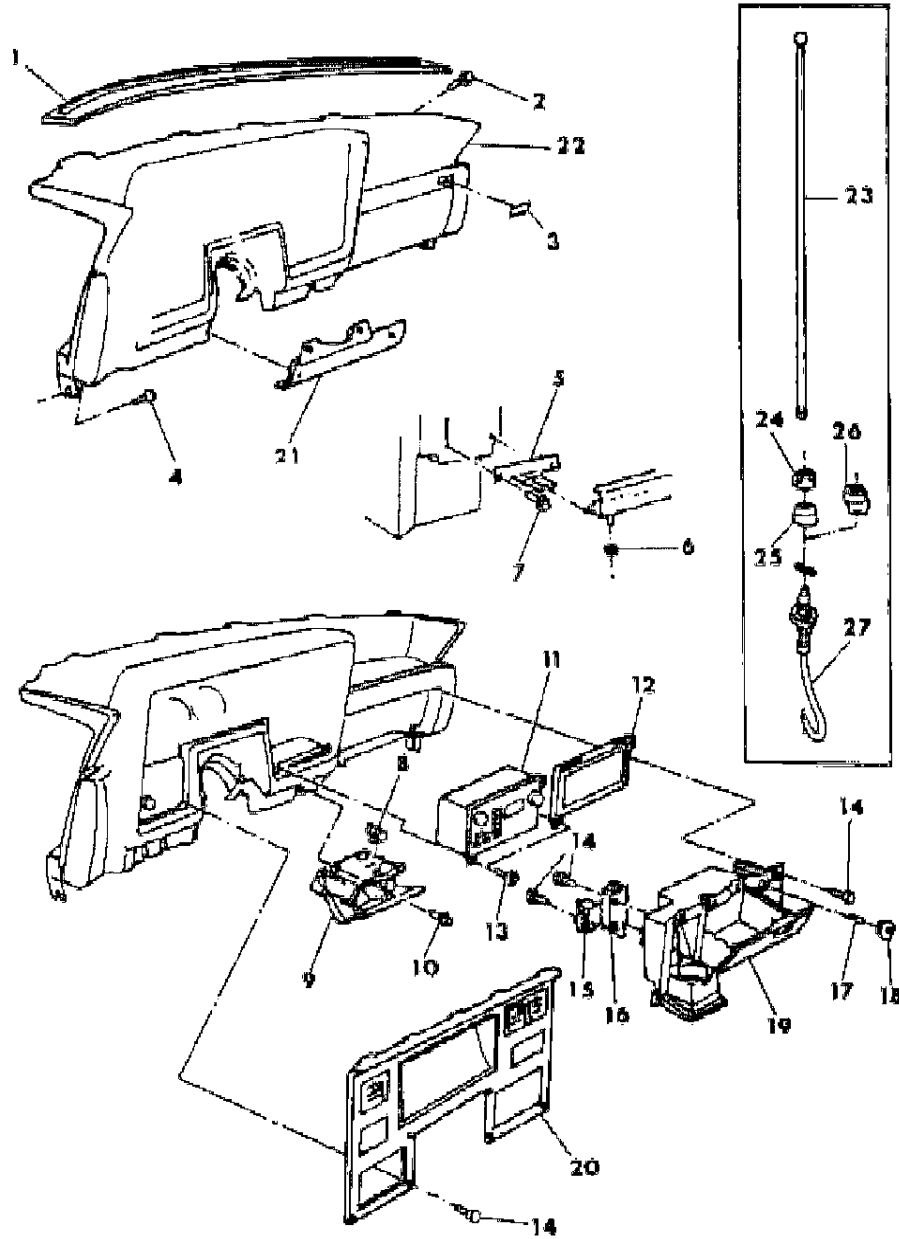
BODY STYLES

21 = 2-DOOR SEDAN	35 = FWD VAN	44 = 4-DOOR HATCHBACK
22 = 2-DOOR SPECIAL COUPE	36 = FWD WAGON	45 = 4-DOOR STATION WAGON
24 = 2-DOOR HATCHBACK	41 = 4-DOOR SEDAN	49 = LIMOUSINE
27 = 2-DOOR CONVERTIBLE		

AR = Use as Required - = Non Illustrated Part P.A.R. = Paint as Required

INSTRUMENT PANEL BEZELS, ASH RECEIVER, GLOVEBOX AND RADIO D,C 44
Figure 8A-1900

5182 1900



ITEM	PART NUMBER	QTY	BODY	MODEL	DESCRIPTION
	4311 339	AR			w/4311687,4311828 Radios
					Bass
	4311 337	AR			w/4311687,4311828 Radios
12	4220 482	1			PLATE, Radio Opening w/o Radio
13	6031 665	2			SCREW, Radio Att.
14	6032 632	AR			SCREW
15	4221 695	1			RELAY, Headlamp Delay
16	4312 627	1			MODULE, Chimes
17	0152 244	1			BULB, Glove Box
18	4221 625	1			SWITCH, Glove Box
19	P390 DT5	1			DOOR and BIN, Glove Box
	4311 468	1			FRAME, Glove Box and Cup Holder Module
	4311 465	1			HOLDER, Cup Primary
	4311 464	1			HOLDER, Cup Secondary
	4397 894	1			HOUSING, Cup Holder
	4397 900	AR			COVER, Cup Holder Housing Screw
					PLATE, Cup Holder Face
	P389 DM6	1			Red
	P389 DT5	1			Brown
	P389 DX9	1			Black
	P389 DS8	1			Charcoal
	4311 469	1			DOOR, Fuse Access
	4331 020	1			FUSE PULLER
					LATCH and HANDLE, Glove Box
	P387 DM6	1			Red
	P387 DT5	1			Brown
	P387 DS8	1			Charcoal
	P387 DX9	1			Black
20	4312 681	1			BEZEL, Cluster
	6030 249	11			U/NUT, Bezel Mtg.
21	P382 DT5	1			COVER, Steering Column Opening
	4311 202	1			SUPPORT, Steering Column Opening
22					PANEL and PAD, Instrument Panel
	P381 DM6	1			Red, Up to 4-10-85
	P509 DM6	1			Red, After 4-10-85
	P381 DT5	1			Tan, Up to 4-10-85
	P509 DT5	1			Tan, After 4-10-85

MODEL CODES

B = GRAN FURY	E = 600	M = HORIZON/TURISMO
C = LE BARON/TOWN & COUNTRY/LIMO	F = FIFTH AVENUE/NEWPORT	P = RELIANT
C24 = LASER	G = DIPLOMAT	T = NEW YORKER
C44 = LE BARON/GTS	H = VOYAGER	V = 600
D = ARIES	J = CARAVELLE	V24 = DAYTONA
D44 = LANCER	K = MINI VAN/CARAVAN/ROYAL	Z = OMNI/CHARGER

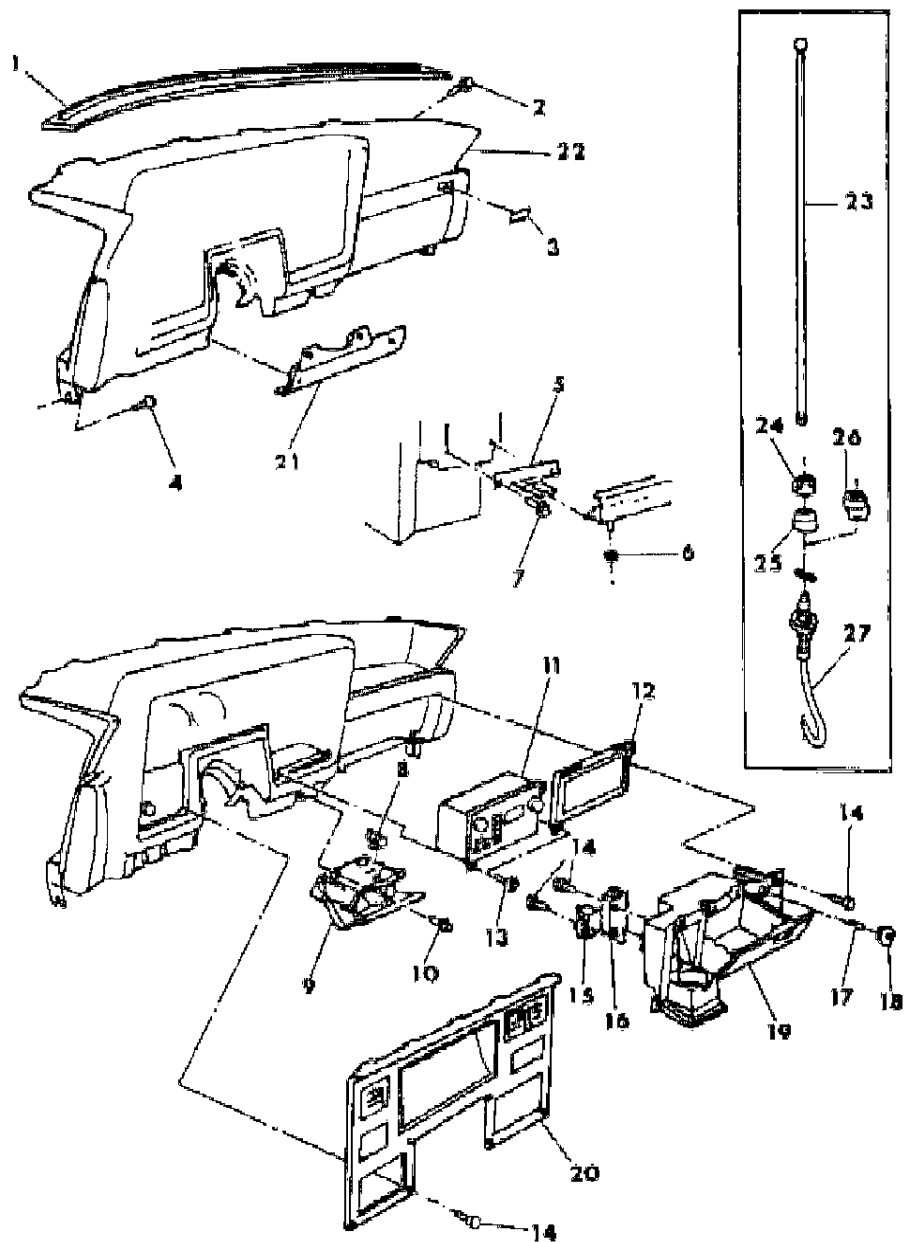
BODY STYLES

21 = 2-DOOR SEDAN	35 = FWD VAN	44 = 4-DOOR HATCHBACK
22 = 2-DOOR SPECIAL COUPE	36 = FWD WAGON	45 = 4-DOOR STATION WAGON
24 = 2-DOOR HATCHBACK	41 = 4-DOOR SEDAN	49 = LIMOUSINE
27 = 2-DOOR CONVERTIBLE		

AR = Use as Required - = Non Illustrated Part P.A.R. = Paint as Required

INSTRUMENT PANEL BEZELS, ASH RECEIVER, GLOVEBOX AND RADIO D,C 44
Figure 8A-1900

5182 1900



ITEM	PART NUMBER	QTY	BODY	MODEL	DESCRIPTION
	P381 DS8	1			Charcoal, Up to 4-10-85
	P509 DS8	1			Charcoal, After 4-10-85
	P381 DX9	1			Black, Up to 4-10-85
	P509 DX9	1			Black, After 4-10-85
	4311 487	1			GUSSET, Trim Pad Support
23	4222 729	1			MAST, Antenna
24	4222 728	1			CAP NUT, Antenna Mtg.
25	4222 736	1			ADAPTER and GASKET, Antenna
26	4222 739	1			PLUG, Hole
27	4222 733	1			BODY and CABLE

MODEL CODES

B = GRAN FURY	E = 600	M = HORIZON/TURISMO
C = LE BARON/TOWN & COUNTRY/LIMO	F = FIFTH AVENUE/NEWPORT	P = RELIANT
C24 = LASER	G = DIPLOMAT	T = NEW YORKER
C44 = LE BARON/GTS	H = VOYAGER	V = 600
D = ARIES	J = CARAVELLE	V24 = DAYTONA
D44 = LANCER	K = MINI VAN/CARAVAN/ROYAL	Z = OMNI/CHARGER

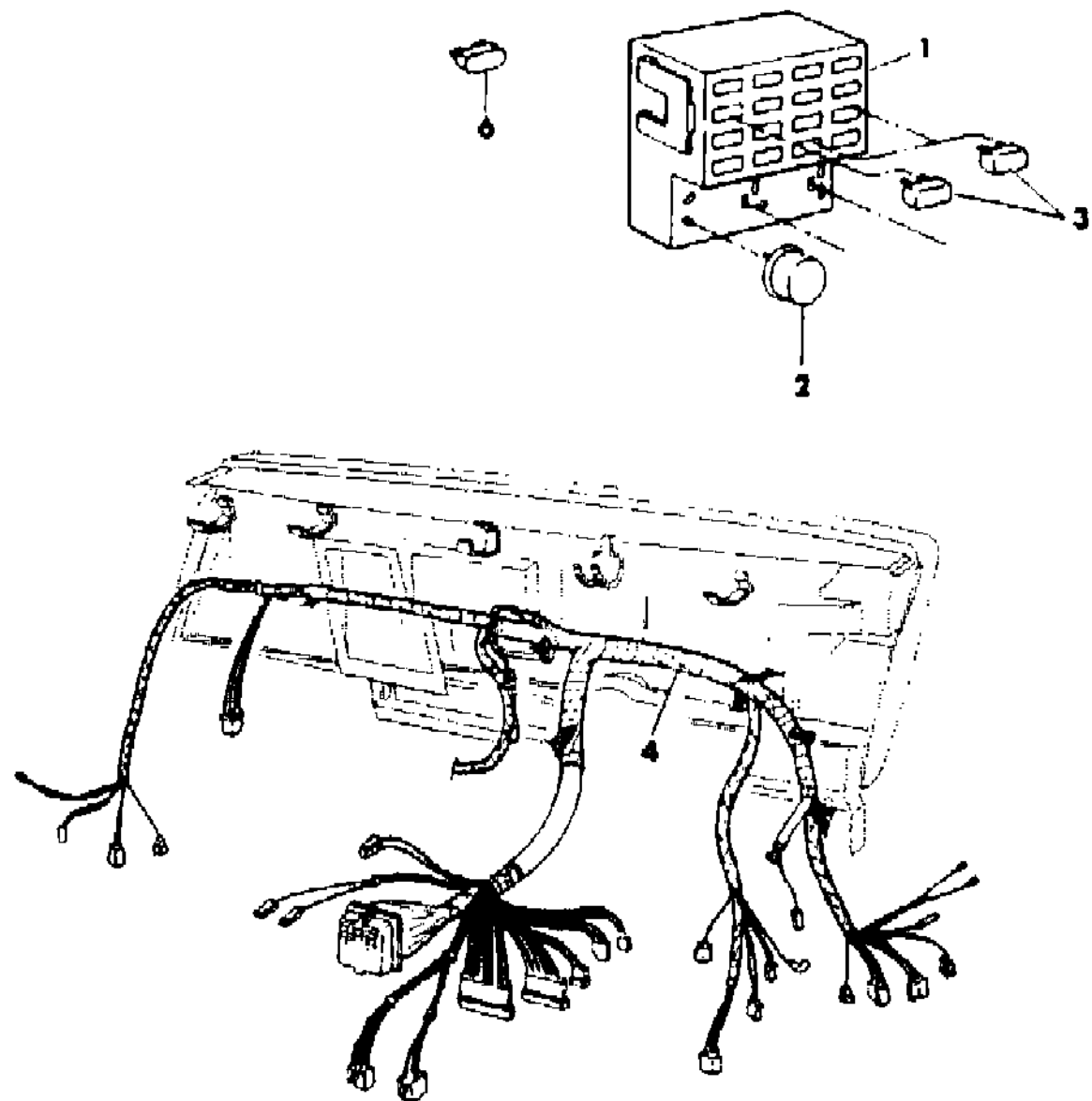
BODY STYLES

21 = 2-DOOR SEDAN	35 = FWD VAN	44 = 4-DOOR HATCHBACK
22 = 2-DOOR SPECIAL COUPE	36 = FWD WAGON	45 = 4-DOOR STATION WAGON
24 = 2-DOOR HATCHBACK	41 = 4-DOOR SEDAN	49 = LIMOUSINE
27 = 2-DOOR CONVERTIBLE		

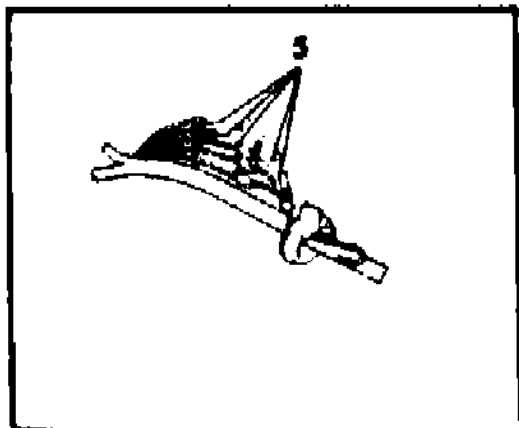
AR = Use as Required - = Non Illustrated Part P.A.R. = Paint as Required

INSTRUMENT PANEL CONSOLE D,C 44
Figure 8A-2000

5182 2000



ITEM	PART NUMBER	QTY	BODY	MODEL	DESCRIPTION
1	4331 464	1			MODULE, Fuse Block
	4124 752	1			TERMINAL, Buss Bar, 3 Way
	4124 258	1			1 Way
	4221 730	1			BUZZER, Key, H/Lamp and Seat Belt Warning
	4312 627	1			CONTROL, Chimes
2	2932 877	1			FLASHER, Hazard Warning
	3837 161	1			Turn Signal, 2 Lamp
	3837 162	1			Turn Signal, 3 Lamp
3					BREAKER, Circuit
	4186 377	AR			6 Amp.
4	4186 379	1			30 Amp.
					WIRING, Instrument Panel
	4331 803	1			w/o Electronic Cluster
	4331 804	1			w/ Electronic Cluster, w/o Voice Alert
	4331 805	1			w/ Electronic Cluster, w/Voice Alert
	4274 161	1			DIODE and MOLD, Repair Pkg.
5	4274 091	1			w/Air and Heated Backlite
					CABLE, Fusible Link (25 Ft. Roll)
	4026 095	1			No. 16 Blue
	4026 094	1			No. 14 Red
	4026 093	1			No. 12 Black
	4026 092	1			No. 10 Green
	4026 096	1			No. 18 Grey
4131 507	1			No. 20 Orange	
6					FUSES
	6101 132	AR			4 Amp.
	6101 131	AR			3 Amp.
	6101 133	AR			5 Amp.
	6101 137	AR			20 Amp.
	6101 135	AR			10 Amp.
	6101 138	AR			25 Amp.
	6101 139	AR			30 Amp.



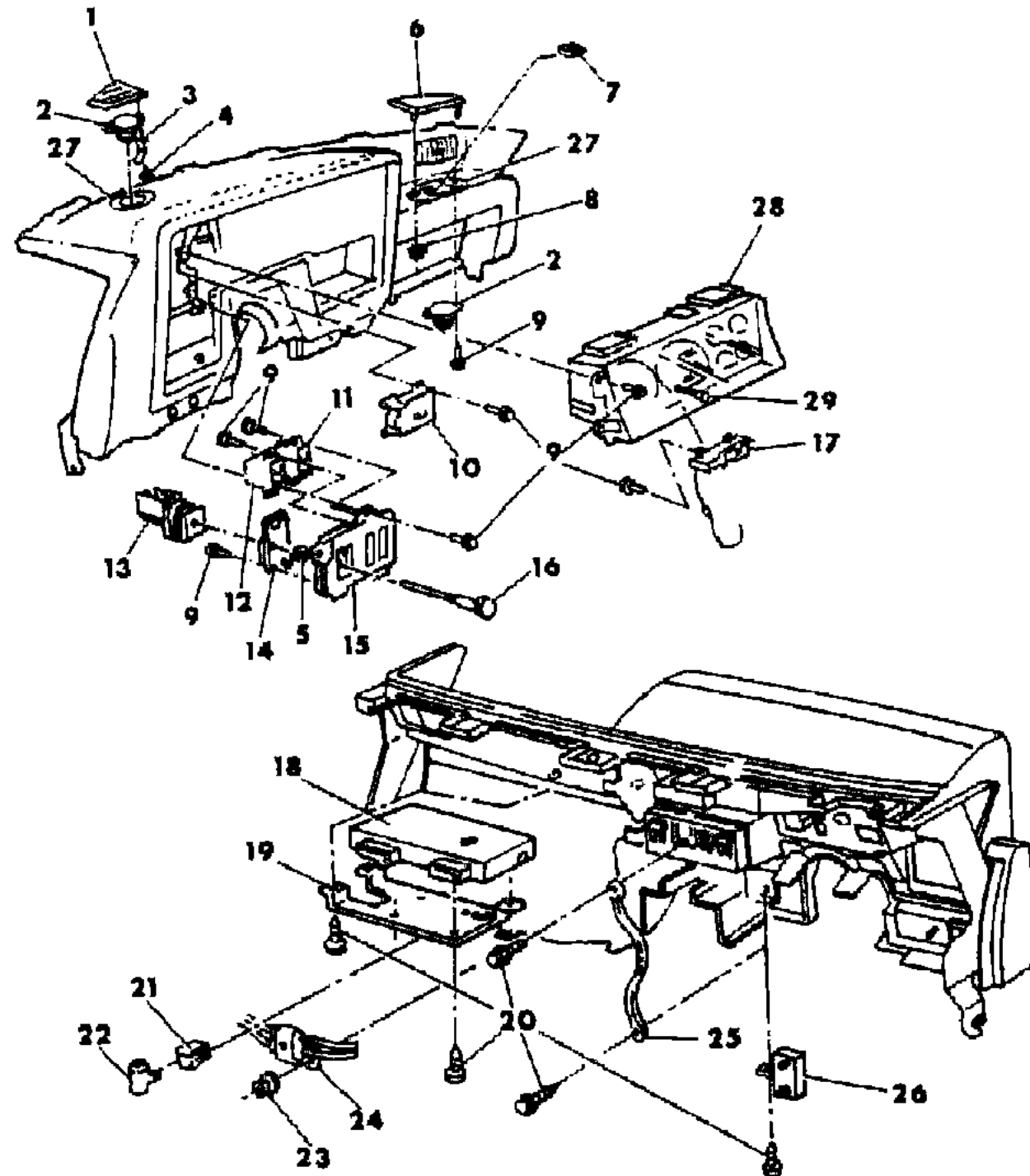
MODEL CODES
 B = GRAN FURY
 C = LE BARON/TOWN & COUNTRY/LIMO
 C24 = LASER
 C44 = LE BARON/GTS
 D = ARIES
 D44 = LANCER
 E = 600
 F = FIFTH AVENUE/NEWPORT
 G = DIPLOMAT
 H = VOYAGER
 J = CARAVELLE
 K = MINI VAN/CARAVAN/ROYAL
 M = HORIZON/TURISMO
 P = RELIANT
 T = NEW YORKER
 V = 600
 V24 = DAYTONA
 Z = OMNI/CHARGER

BODY STYLES
 21 = 2-DOOR SEDAN
 22 = 2-DOOR SPECIAL COUPE
 24 = 2-DOOR HATCHBACK
 27 = 2-DOOR CONVERTIBLE
 35 = FWD VAN
 36 = FWD WAGON
 41 = 4-DOOR SEDAN
 44 = 4-DOOR HATCHBACK
 45 = 4-DOOR STATION WAGON
 49 = LIMOUSINE

AR = Use as Required - = Non Illustrated Part P.A.R. = Paint as Required

INSTRUMENT PANEL CLUSTER, SWITCHES AND CONTROLS D,C 44
Figure 8A-2100

5182 2/03



ITEM	PART NUMBER	QTY	BODY	MODEL	DESCRIPTION
1					GRILLE, Speaker Left
	P499 DM6	1			Red
	P499 DT5	1			Brown
	P499 DS8	1			Charcoal
	P499 DX9	1			Black
2	4311 641	2			SPEAKER, Instrument Panel
	4364 711	2			Instrument Panel, Clarion #S335Cry
	4222 535	2			Rear Compartment
3	6032 637	AR			SPRING CLIP, Speaker and Grille Mtg.
4		2			SCREW (DNS)
5	4221 063	1			RETAINER
6	P498 DT5	1			GRILLE, Speaker, Right
7	#6032 778	1			U/NUT
8	0120 622	2			STAMPED NUT
9		AR			SCREW (DNS)
10	4312 206	1			MODULE, Message Center
	4342 240	7			SOCKET, Message Center
11	4221 509	1			CONTROL ELECTRONIC, Heated Backlite
12	4221 510	1			CONTROL ELECTRONIC, Rear w/Wash
13	4221 407	1			SWITCH, Headlamp
14	4221 511	1			PLATE, Headlamp Switch Mtg.
15					BEZEL, Headlamp Switch
	4221 504	1			w/o Switch Openings
	4221 503	1			w/One Switch Opening
	4221 502	1			w/Two Switch Openings
16	4221 512	1			KNOB and SHAFT, Headlamp Switch
17					INDICATOR, Gear Selection
	4312 200	1			w/Mechanical Cluster
	4312 232	1			w/Electronic Cluster
	4312 201	1			COVER, Indicator, w/Mechanical Cluster
	4312 246	1			w/Electronic Cluster
18	4312 757	1			CONTROL, Electronic Voice Alert
	4312 025	1			BOARD, E.V.A. By Pass
19	4312 643	1			BRACKET, Electronic Voice Alert Mtg.
20		AR			SCREW (DNS)
21		AR			CLIP (DNS)
22	4312 672	1			HOUSING, Courtesy Lamp

MODEL CODES

B = GRAN FURY	E = 600	M = HORIZON/TURISMO
C = LE BARON/TOWN & COUNTRY/LIMO	F = FIFTH AVENUE/NEWPORT	P = RELIANT
C24 = LASER	G = DIPLOMAT	T = NEW YORKER
C44 = LE BARON/GTS	H = VOYAGER	V = 600
D = ARIES	J = CARAVELLE	V24 = DAYTONA
D44 = LANCER	K = MINI VAN/CARAVAN/ROYAL	Z = OMNI/CHARGER

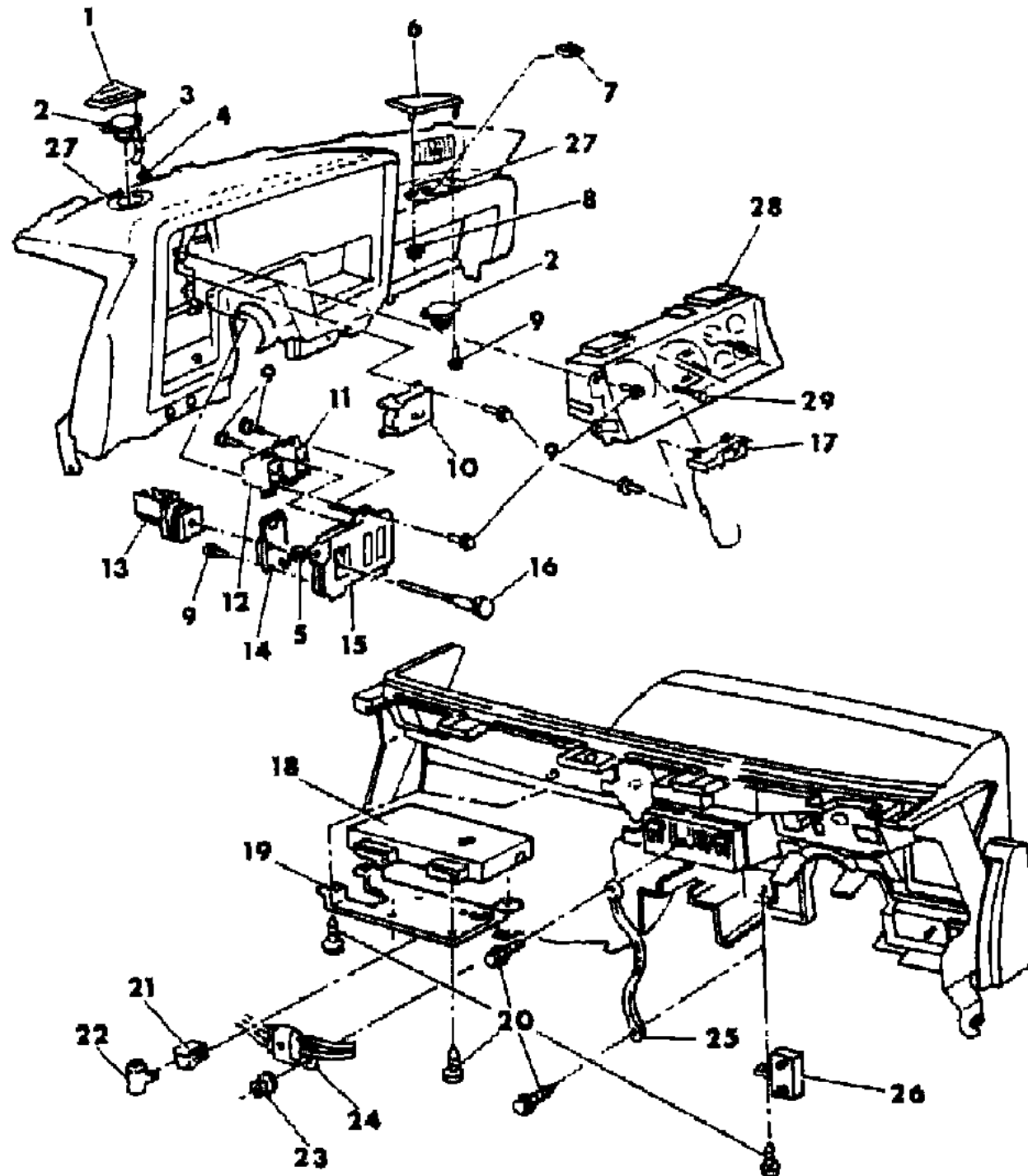
BODY STYLES

21 = 2-DOOR SEDAN	35 = FWD VAN	44 = 4-DOOR HATCHBACK
22 = 2-DOOR SPECIAL COUPE	36 = FWD WAGON	45 = 4-DOOR STATION WAGON
24 = 2-DOOR HATCHBACK	41 = 4-DOOR SEDAN	49 = LIMOUSINE
27 = 2-DOOR CONVERTIBLE		

AR = Use as Required - = Non Illustrated Part P.A.R. = Paint as Required

INSTRUMENT PANEL CLUSTER, SWITCHES AND CONTROLS D,C 44
Figure 8A-2100

5182 2/03



ITEM	PART NUMBER	QTY	BODY	MODEL	DESCRIPTION
23	6023 201	1			NUT w/WASHER
24					CAPACITOR, Refer to Group 8
25					STRAP, Radio Ground (DNS)
26	4221 671	1			RELAY, Illuminated Entry
27	4221 063	AR			RETAINER, Speaker
28					CLUSTER, Instrument
	4439 001	1			LENS PACKAGE, Electronic Cluster
	4051 818	1			HOUSING, Cluster
	4312 204	1			CLUSTER, Electronic
	4051 824	1			TACHOMETER
	4051 977	1			CIRCUIT BOARD, Tachometer
	4051 868	1			GAUGE, Oil and Temp.
	4051 869	1			GAUGE, Volt and Fuel
	4051 832	1			RELAY, Low Fuel
	4051 820	1			MASK and LENS, w/Mechanical Cluster
	4051 831	1			SPEEDOMETER
	4051 822	1			CIRCUIT BOARD
	4342 240	1			SOCKET, Fuel Pacer
	9436 790	1			BULB, Fuel Pacer
	4331 012	1			MODULE, Hazard, Turn Signal, Horn and Time Relays
	4051 861	1			MODULE, Gauge Alert
	4312 969	1			FUEL PULSE COUNT CORRECTOR
29	4051 796	1			KNOB and SHAFT, Odometer Rest

MODEL CODES

B = GRAN FURY	E = 600	M = HORIZON/TURISMO
C = LE BARON/TOWN & COUNTRY/LIMO	F = FIFTH AVENUE/NEWPORT	P = RELIANT
C24 = LASER	G = DIPLOMAT	T = NEW YORKER
C44 = LE BARON/GTS	H = VOYAGER	V = 600
D = ARIES	J = CARAVELLE	V24 = DAYTONA
D44 = LANCER	K = MINI VAN/CARAVAN/ROYAL	Z = OMNI/CHARGER

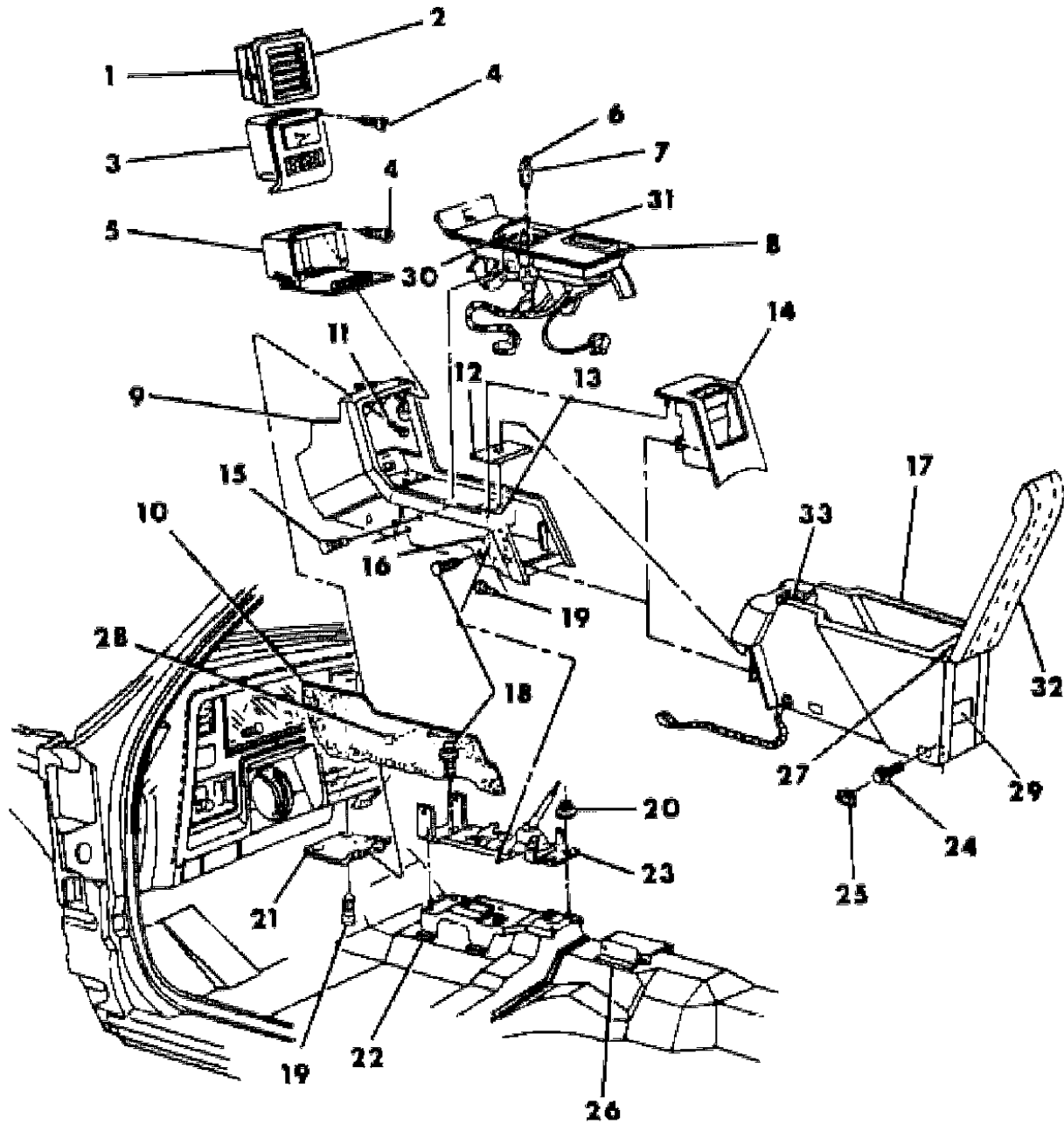
BODY STYLES

21 = 2-DOOR SEDAN	35 = FWD VAN	44 = 4-DOOR HATCHBACK
22 = 2-DOOR SPECIAL COUPE	36 = FWD WAGON	45 = 4-DOOR STATION WAGON
24 = 2-DOOR HATCHBACK	41 = 4-DOOR SEDAN	49 = LIMOUSINE
27 = 2-DOOR CONVERTIBLE		

AR = Use as Required - = Non Illustrated Part P.A.R. = Paint as Required

CONSOLE D,C 44
Figure 8A-2200

5182 2200 A



ITEM	PART NUMBER	QTY	BODY	MODEL	DESCRIPTION
1	4283 336	6			HOLDER, Cassette Storage Box
2	4283 335	1			BEZEL, Cassette Storage Box
3	4312 298	1			NAVIGATOR, Electronic
	4374 085	1			MODULE, Navigator
4		AR			SCREW (DNS)
5	4309 279	1			BIN, Front Storage
	0455 798	1			PIN, Bin Lid
	6022 297	1			NUT, Push
6	4221 761	1			KNOB, C/Lighter
7	3004 190	1			ELEMENT, C/Lighter
	3747 635	1			SHELL w/CLAMP, C/Lighter
8	4309 206	1			BEZEL, Forward Console w/Auto Trans.
	4309 207	1			w/Manual Trans.
	6032 689	1			CLIP, Bezel Att.
	0152 490	AR			U/NUT
9	F579 DT5	1			BASE, Console
10					CARPET, Console
	F538-9 DM6	1			Red
	F538-9 DT5	1			Tan
	F538-9 DS8	1			Charcoal
	F538-9 DX9	1			Black
11	6032 456	AR			SCREW
12	4309 280	1			BEZEL, Rear Console Front Extension
13		AR			SCREW (DNS)
14					BEZEL and COIN HOLDER
	4283 382	1			Black
	4282 130	1			Holder
15		AR			SCREW (DNS)
16		AR			NUT (DNS)
17	F512 DT5	1			BASE, Rear
18		AR			SCREW (DNS)
19		AR			SCREW (DNS)
20	6100 049	AR			NUT w/WASHER
21					BRACKET, Console to Instrument Panel
	4309 030	1			Up to 1-10-85
	4381 021	1			After 1-10-85

MODEL CODES

B = GRAN FURY	E = 600	M = HORIZON/TURISMO
C = LE BARON/TOWN & COUNTRY/LIMO	F = FIFTH AVENUE/NEWPORT	P = RELIANT
C24 = LASER	G = DIPLOMAT	T = NEW YORKER
C44 = LE BARON/GTS	H = VOYAGER	V = 600
D = ARIES	J = CARAVELLE	V24 = DAYTONA
D44 = LANCER	K = MINI VAN/CARAVAN/ROYAL	Z = OMNI/CHARGER

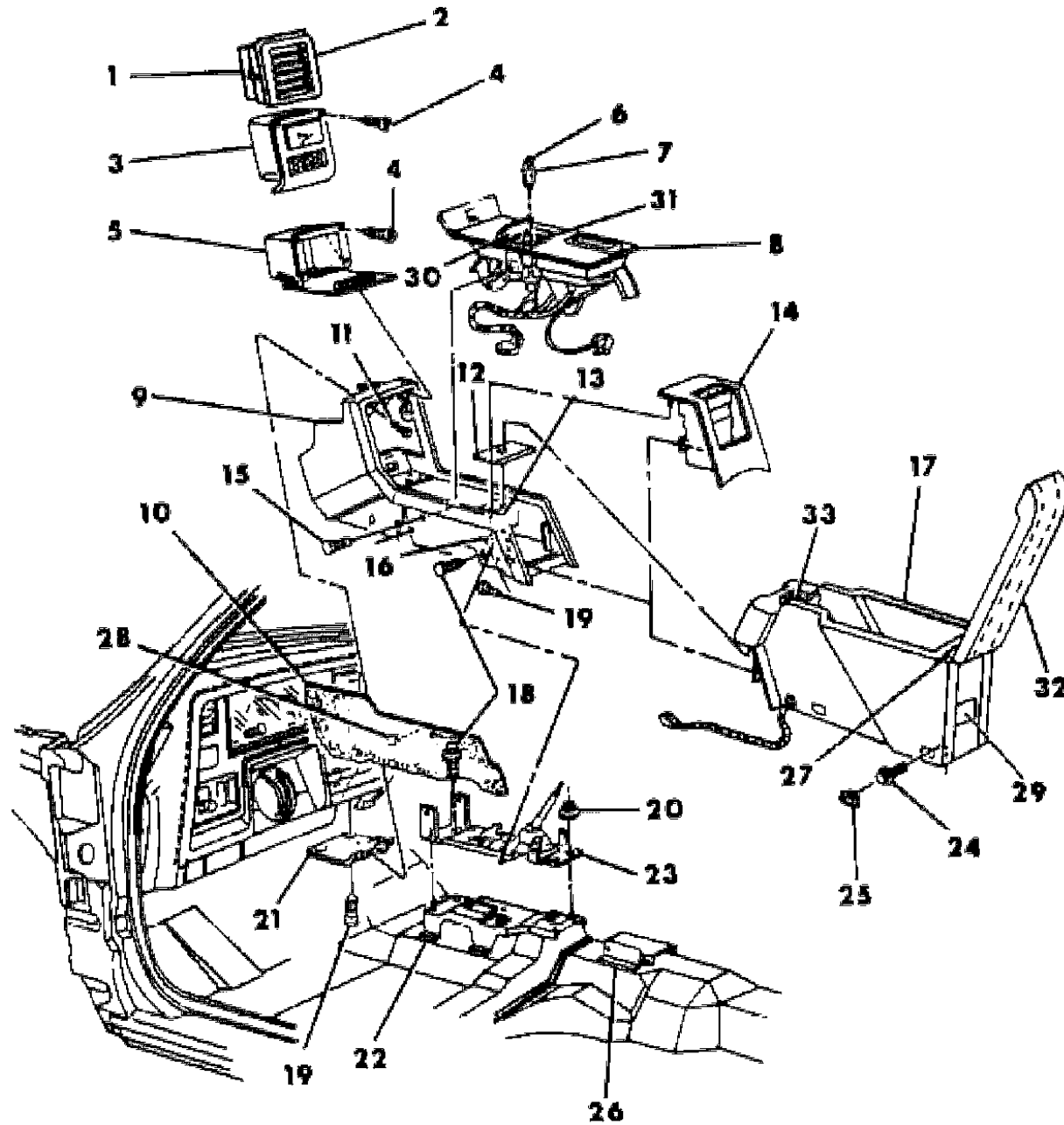
BODY STYLES

21 = 2-DOOR SEDAN	35 = FWD VAN	44 = 4-DOOR HATCHBACK
22 = 2-DOOR SPECIAL COUPE	36 = FWD WAGON	45 = 4-DOOR STATION WAGON
24 = 2-DOOR HATCHBACK	41 = 4-DOOR SEDAN	49 = LIMOUSINE
27 = 2-DOOR CONVERTIBLE		

AR = Use as Required - = Non Illustrated Part P.A.R. = Paint as Required

CONSOLE D,C 44
Figure 8A-2200

5182 2200 A



ITEM	PART NUMBER	QTY	BODY	MODEL	DESCRIPTION
22					BRACKET, Console to Floor Pan (Refer to 23A)
23	4282 203	1			BRACKET, Console to Floor Upper Mtg.
24		AR			SCREW (DNS)
25					PLUG, Console Base
	F524 DM6	4			Red
	F524 DT5	4			Tan
	F524 DS8	4			Charcoal
	F524 DX9	4			Black
26		1			BRACKET, Console to Floor Pan Att. (Refer to 23A)
27	4282 121	1			HINGE, Arm Rest
28	6032 155	2			CLIP, Carpet to Console
29	4312 630	1			LENS, Rear Console Outer
	2822 583	1			Inner
30	4247 393	2			SPRING, Ash Receiver Lid Bezel
31	4283 194	1			RECEPTICAL, Ash Receiver Bezel
32					ARM REST, Console
	F470 DM6	1			Red
	F470 DT5	1			Tan
	F470 DS8	1			Charcoal
	F470 DX9	1			Black
33	4247 211	1			CATCH, Rear Console
	4364 490	2			STRIKER, Armrest Lid

MODEL CODES

B = GRAN FURY	E = 600	M = HORIZON/TURISMO
C = LE BARON/TOWN & COUNTRY/LIMO	F = FIFTH AVENUE/NEWPORT	P = RELIANT
C24 = LASER	G = DIPLOMAT	T = NEW YORKER
C44 = LE BARON/GTS	H = VOYAGER	V = 600
D = ARIES	J = CARAVELLE	V24 = DAYTONA
D44 = LANCER	K = MINI VAN/CARAVAN/ROYAL	Z = OMNI/CHARGER

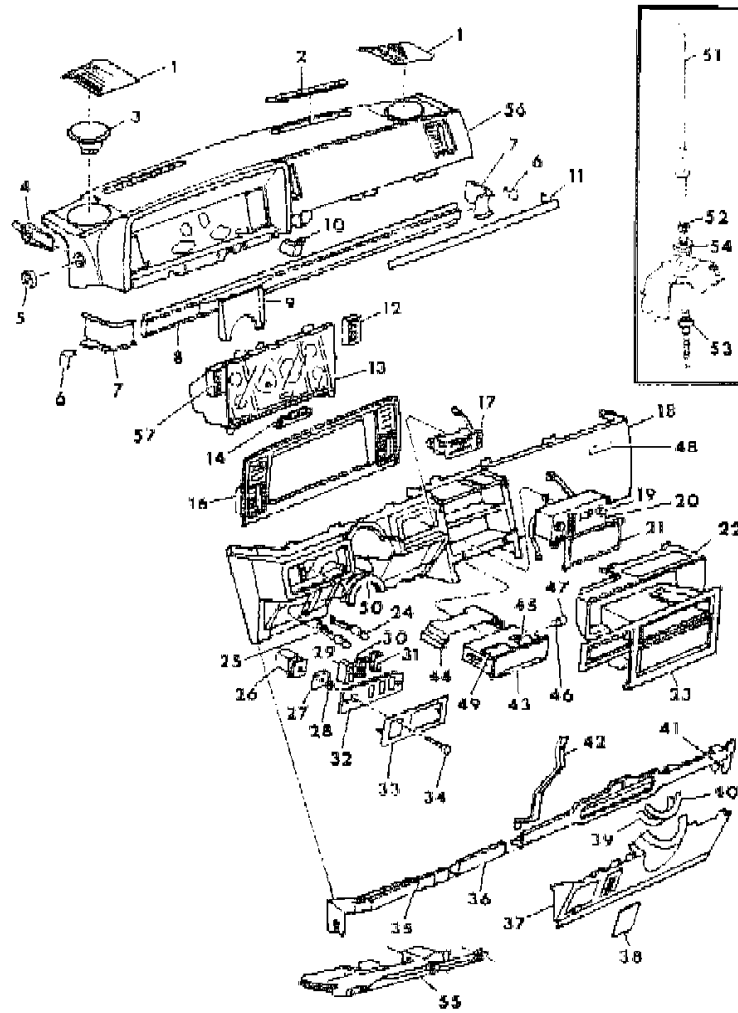
BODY STYLES

21 = 2-DOOR SEDAN	35 = FWD VAN	44 = 4-DOOR HATCHBACK
22 = 2-DOOR SPECIAL COUPE	36 = FWD WAGON	45 = 4-DOOR STATION WAGON
24 = 2-DOOR HATCHBACK	41 = 4-DOOR SEDAN	49 = LIMOUSINE
27 = 2-DOOR CONVERTIBLE		

AR = Use as Required - = Non Illustrated Part P.A.R. = Paint as Required

INSTRUMENT PANEL H,K
Figure 8A-2300

8162 0000 A



ITEM	PART NUMBER	QTY	BODY	MODEL	DESCRIPTION
1	P488-9 CB5	1			GRILLE, Instrument Panel Speaker
2	P476 DT5	2			GRILLE, Defroster
3	4222 923	AR			SPEAKER, Instrument Panel
	4222 535	2			Rear Compartment
4					ADAPTER, Demister (Refer to Group 24)
5	4220 772	2			GRILLE, Side Window Demister
6	4220 614-5	1			BRACKET, Support to Cowl Side
7					BRACKET, Support (Serviced in Item #8)
8	4311 816	1			REINFORCEMENT, Center
9		1			BRACKET, Steering Column Support(Serviced in Item #8)
10		1			BRACKET, Steering Column Support to Lower Bracket (Serviced in Item #8)
11					MOULDING, Trim
	4220 638	1			Woodgrain
	4220 639	1			Black
12	4220 564	1			INDICATOR, Low Fuel, Door Ajar and Washer
13	4051 688	1			HOUSING, Cluster
	4051 708	1			GAUGE, Fuel
	4051 832	1			RELAY, Low Fuel
	4051 710	1			GAUGE, Voltmeter
	4051 711	1			GAUGE, Oil and Temp.
					SPEEDOMETER
	4051 697	1			w/o Trip Odometer
	4051 700	1			w/Trip Odometer
	4312 920	1			LAMP, Fuel Pacer Indicator
	6032 456	2			SCREW, Fuel Pacer Indicator Lamp
					CHIMNEY
	4051 717	1			Seat Belt and Turn Signal, Right
	4051 812	1			Turn Signal, Left
	4051 811	1			Hi-Beam
	4051 716	1			Oil and Temp.Lite
					BOARD, Printed Circuit
	4051 862	1			w/o Gauge Alert
	4051 863	1			w/Gauge Alert
	4342 227	1			BOARD PKG., Circuit and Gauge Alert
					MASK and LENS, Cluster
	4051 689	1			w/o Trip Odometer

MODEL CODES

B = GRAN FURY	E = 600	M = HORIZON/TURISMO
C = LE BARON/TOWN & COUNTRY/LIMO	F = FIFTH AVENUE/NEWPORT	P = RELIANT
C24 = LASER	G = DIPLOMAT	T = NEW YORKER
C44 = LE BARON/GTS	H = VOYAGER	V = 600
D = ARIES	J = CARAVELLE	V24 = DAYTONA
D44 = LANCER	K = MINI VAN/CARAVAN/ROYAL	Z = OMNI/CHARGER

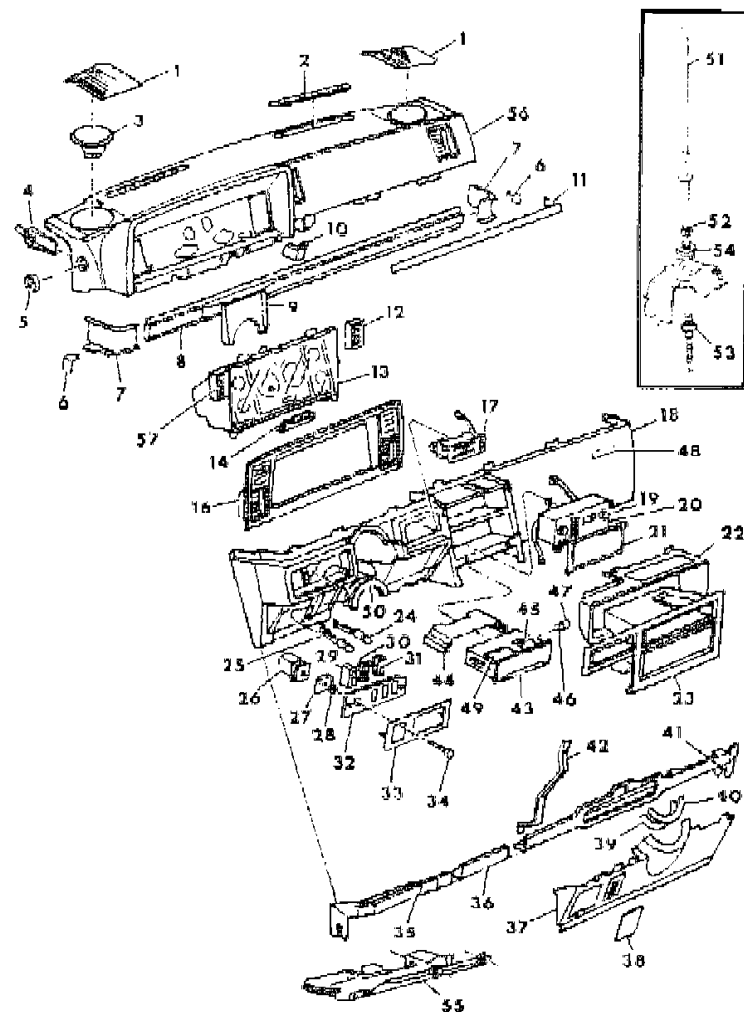
BODY STYLES

21 = 2-DOOR SEDAN	35 = FWD VAN	44 = 4-DOOR HATCHBACK
22 = 2-DOOR SPECIAL COUPE	36 = FWD WAGON	45 = 4-DOOR STATION WAGON
24 = 2-DOOR HATCHBACK	41 = 4-DOOR SEDAN	49 = LIMOUSINE
27 = 2-DOOR CONVERTIBLE		

AR = Use as Required - = Non Illustrated Part P.A.R. = Paint as Required

INSTRUMENT PANEL H,K
Figure 8A-2300

8162 0000 A



ITEM	PART NUMBER	QTY	BODY	MODEL	DESCRIPTION
	4051 690	1			w/Trip Odometer and Knob
14	3591 814	6			CLIP, Mask and Lens
	4220 572	1			INDICATOR w/CABLE, Gear Selector w/Auto Trans.
	6032 732	1			CLIP, Gear Selector Cable Retainer
	4220 760	1			COVER, Indicator w/Manual Trans.
16					BEZEL, Instrument Cluster
	4312 875	1			w/o Module Openings, Low Line
	4312 874	1			w/Module Openings, Low Line
	4312 873	1			w/o Module Openings, Hi Line and Premium
17	4312 872	1			w/Module Openings, Hi Line and Premium
	6029 168	AR			CLIP, Bezel Attaching
18		1			CONTROL, Heater and A/C (Refer to Group 24)
19					PANEL, Instrument Panel Lower
	P485 CA3	1			Up to 1-2-85
20	P497 DA3	1			After 1-2-85
					KNOB, Radio
					KNOB PACKAGE, "Joy Stick"
	4364 484	1			Black
	4364 483	1			Bright
					Secondary
	4311 558	2			w/4311103 Radio
	4311 341	AR			w/4311687,4311828,4311002 Radios
					Treble
	4311 339	AR			w/4311687,4311828 Radios
				Primary	
21	4311 555	2			w/4311103 Radio
	4311 334	AR			w/4311687,4311828,4311002 Radios
22					Bass
	4311 337	AR			w/4311687,4311828 Radios
					RADIO, E.T.R w/CLOCK
	4331 529	1			JUMPER, Radio
	4311 103	1			Ultimate Sound (Black Face)
	4311 002	1			AM (Black Face)
21	4311 828	1			Am/Fm/Mx (Black Face)
	4311 687	1			Am/Fm/Mx w/Cassette (Black Face)
21	4220 482	1			PLATE, Radio Opening w/o Radio
22	P474 CA3	1			CONSOLE, Instrument Panel

MODEL CODES

B = GRAN FURY	E = 600	M = HORIZON/TURISMO
C = LE BARON/TOWN & COUNTRY/LIMO	F = FIFTH AVENUE/NEWPORT	P = RELIANT
C24 = LASER	G = DIPLOMAT	T = NEW YORKER
C44 = LE BARON/GTS	H = VOYAGER	V = 600
D = ARIES	J = CARAVELLE	V24 = DAYTONA
D44 = LANCER	K = MINI VAN/CARAVAN/ROYAL	Z = OMNI/CHARGER

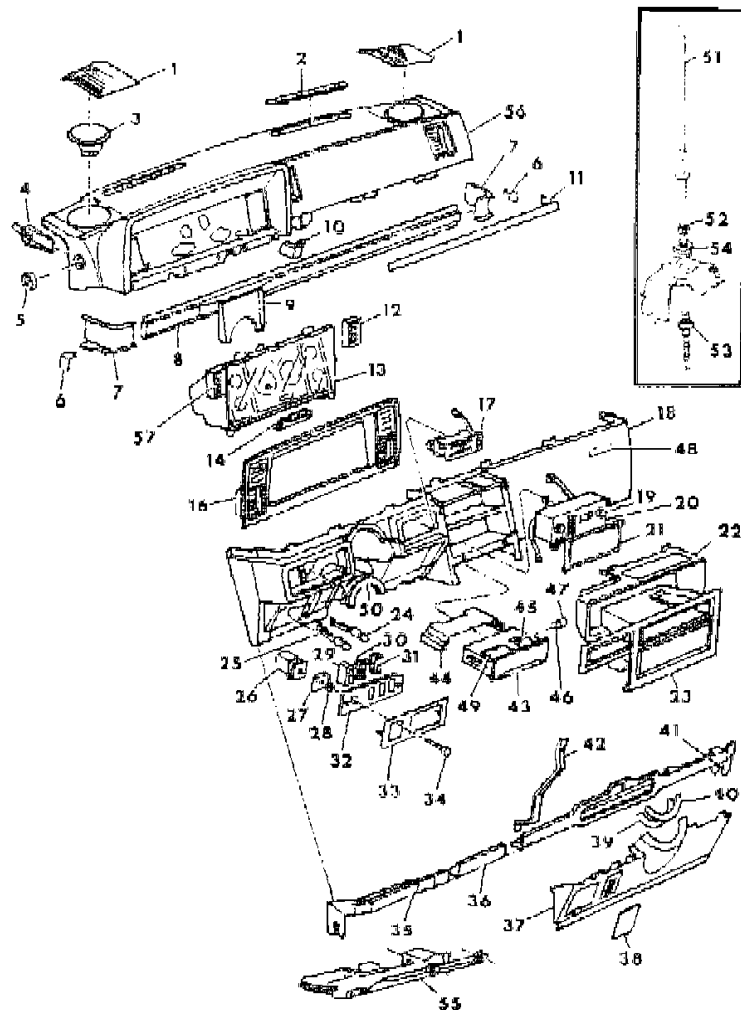
BODY STYLES

21 = 2-DOOR SEDAN	35 = FWD VAN	44 = 4-DOOR HATCHBACK
22 = 2-DOOR SPECIAL COUPE	36 = FWD WAGON	45 = 4-DOOR STATION WAGON
24 = 2-DOOR HATCHBACK	41 = 4-DOOR SEDAN	49 = LIMOUSINE
27 = 2-DOOR CONVERTIBLE		

AR = Use as Required - = Non Illustrated Part P.A.R. = Paint as Required

INSTRUMENT PANEL H,K
Figure 8A-2300

8162 0000 A



ITEM	PART NUMBER	QTY	BODY	MODEL	DESCRIPTION
23					BEZEL, Instrument Panel Console
	4311 912	1			Black
	4311 914	1			Woodgrain
	4220 455	1			CLIP, Bezel
24	4221 240	1			LAMP, Accessory Switch
25	4221 239	1			
26	4221 405	1			SWITCH, Headlamp
27	4221 372	1			PLATE, Headlamp Switch Mtg.
28	4221 063	1			RETAINER, Headlamp Switch Mtg.
29	4221 627	1			SWITCH, Heated Backlite
30	4221 389	1			SWITCH, Rear Wipe/Wash
31	4221 369	1			SWITCH, Liftgate Release
32					BEZEL, Headlamp and Acc. Switch
	4221 357	1			w/One Opening
	4221 356	1			w/Two Openings
	4221 355	1			w/Three Openings
	4221 358	1			w/o Openings
33	4221 817	1			BEZEL, Low Line
	4221 816	1			Hi-Line and Premium
34	4221 626	1			KNOB and SHAFT, Headlamp Switch
35	4220 623	1			REINFORCEMENT, Lower Left
36	4311 190	1			REINFORSEMENT, Lower Center
37	P480 CL3	1			COVER, Steering Column
38		1			PLATE, Fuse Block(Serviced in Item #37)
39		1			RETAINER, See Group 19
40		1			SHIELD, See Group 19
41	4220 620	1			REINFORSEMENT, Lower Right
42	4220 611	1			BRACKET, Lower to Bracket Column Support Att.
	4220 866	1			BRACKET, Instrument Panel Lower Reinf. to A/C or Heater Att., Right
	4220 869	1			Left
43					HOUSING, Ash Rec.
	4311 922	1			Black
	4311 923	1			Woodgrain
44	4311 456	1			HOUSING, Ash Rec. Upper
45	2808 912	1			SHELL and CLAMP, C/Lighter
46	3004 190	1			ELEMENT, C/Lighter

MODEL CODES

B = GRAN FURY	E = 600	M = HORIZON/TURISMO
C = LE BARON/TOWN & COUNTRY/LIMO	F = FIFTH AVENUE/NEWPORT	P = RELIANT
C24 = LASER	G = DIPLOMAT	T = NEW YORKER
C44 = LE BARON/GTS	H = VOYAGER	V = 600
D = ARIES	J = CARAVELLE	V24 = DAYTONA
D44 = LANCER	K = MINI VAN/CARAVAN/ROYAL	Z = OMNI/CHARGER

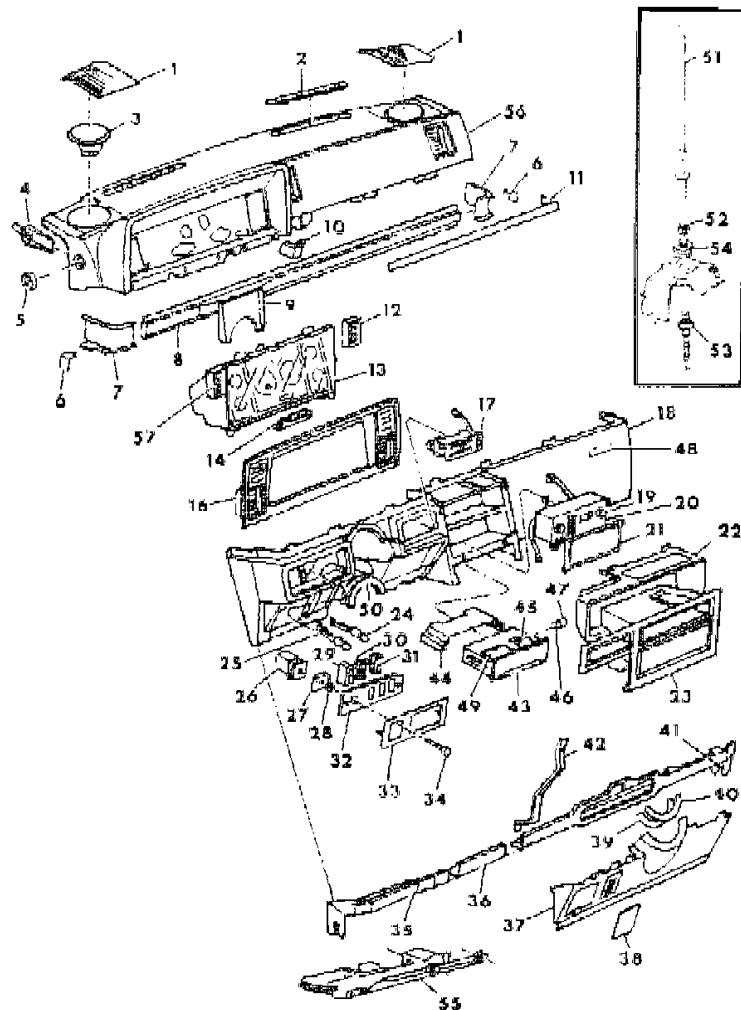
BODY STYLES

21 = 2-DOOR SEDAN	35 = FWD VAN	44 = 4-DOOR HATCHBACK
22 = 2-DOOR SPECIAL COUPE	36 = FWD WAGON	45 = 4-DOOR STATION WAGON
24 = 2-DOOR HATCHBACK	41 = 4-DOOR SEDAN	49 = LIMOUSINE
27 = 2-DOOR CONVERTIBLE		

AR = Use as Required - = Non Illustrated Part P.A.R. = Paint as Required

INSTRUMENT PANEL H,K
Figure 8A-2300

8162 0000 A



ITEM	PART NUMBER	QTY	BODY	MODEL	DESCRIPTION
47	3747 165	1			KNOB, C/Lighter
	4221 408	1			HOOD, Instrument Panel Ash Rec. Lamp
	4048 038	2			BULB, Ash Rec. Lamp, Refer to Group 8 DIFFUSER, Ash Rec. Lamp
48					NAME PLATE, Instrument Panel
	4311 355	1			"Ram Van"
	4311 353	1			"Voyager"
	4311 351	1			"Caravan"
	6029 168	2			CLIP, Name Plate Att.
	0445 153	2			NUT, Name Plate Att.
49	4311 460	1			RECEPTACLE, Ash Rec.
50	4220 773	1			SHIELD, Steering Column Upper
51	4222 729	1			MAST, Antenna
52	4222 728	1			NUT, Cap
53	4222 733	1			BODY and CABLE
54	4222 736	1			ADAPTER and GASKET
	4222 735	1			LOCK WASHER
	4222 739	1			PLUG, Antenna Hole
55					SILENCER, Instrument Panel
	4311 397	1			w/Manual Trans.
	4311 393	1			w/Auto Trans.
56					PAD, Instrument Panel
	P501 CB5	1			Blue
	P501 CM6	1			Red
	P501 DT5	1			Tan
	P501 CS8	1			Charcoal
57	4051 715	1			CHIMNEY, Gauge Alert

MODEL CODES

B = GRAN FURY	E = 600	M = HORIZON/TURISMO
C = LE BARON/TOWN & COUNTRY/LIMO	F = FIFTH AVENUE/NEWPORT	P = RELIANT
C24 = LASER	G = DIPLOMAT	T = NEW YORKER
C44 = LE BARON/GTS	H = VOYAGER	V = 600
D = ARIES	J = CARAVELLE	V24 = DAYTONA
D44 = LANCER	K = MINI VAN/CARAVAN/ROYAL	Z = OMNI/CHARGER

BODY STYLES

21 = 2-DOOR SEDAN	35 = FWD VAN	44 = 4-DOOR HATCHBACK
22 = 2-DOOR SPECIAL COUPE	36 = FWD WAGON	45 = 4-DOOR STATION WAGON
24 = 2-DOOR HATCHBACK	41 = 4-DOOR SEDAN	49 = LIMOUSINE
27 = 2-DOOR CONVERTIBLE		

AR = Use as Required - = Non Illustrated Part P.A.R. = Paint as Required

INSTRUMENT PANEL WIRING H,K
Figure 8A-2400

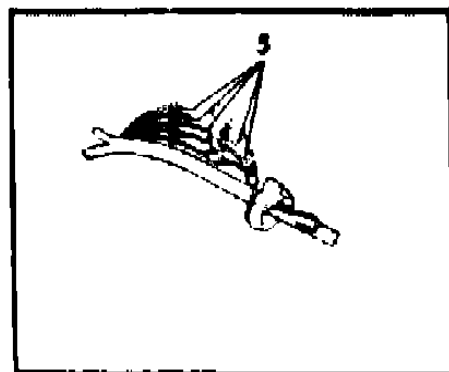
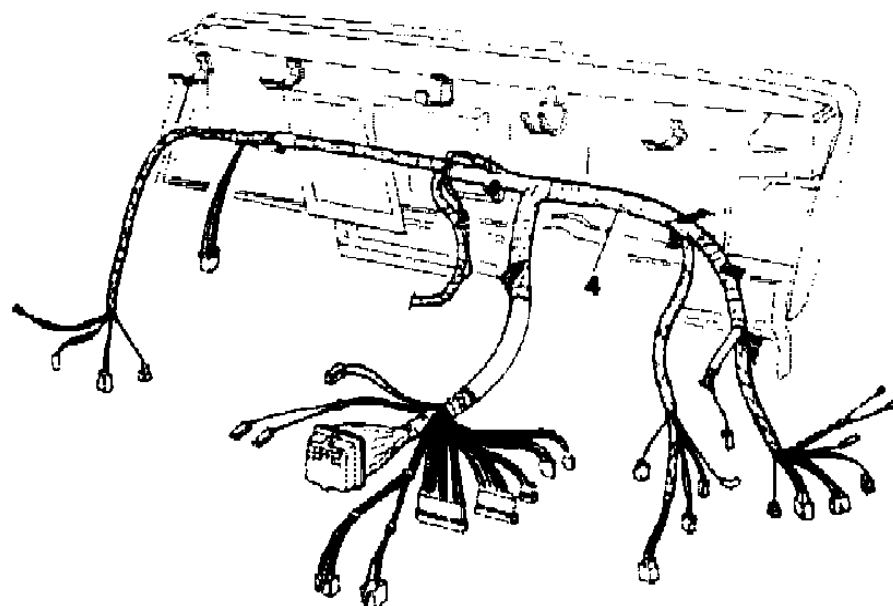
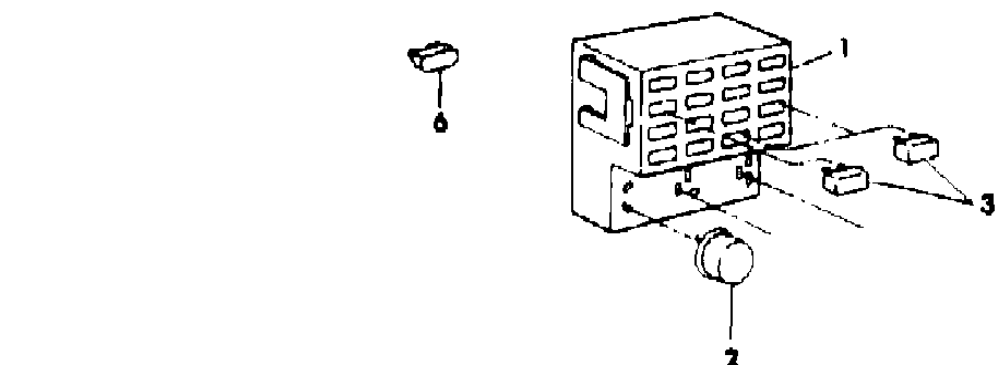
5162 2400

ITEM	PART NUMBER	QTY	BODY	MODEL	DESCRIPTION
1	4304 499	1			MODULE, Fuse Block
	4124 752	1			TERMINAL, Buss Bar, 3 Way
	4124 258	1			1 Way
	4304 001	1			BRACKET, Fuse Block Mtg.
	4221 730	1			BUZZER, Key, H/Lamp and Seat Belt Warning
2	4312 627	1			CONTROL, Chimes
	2932 877	1			FLASHER, Hazard Warning
	3837 161	1			Turn Signal, 2 Lamp
	3837 162	1			Turn Signal, 3 Lamp
3	4186 377	AR			BREAKER, Circuit 6 Amp.
	4186 379	AR			30 Amp.
4					WIRING, Instrument Panel
	4331 472	1			w/o Light Pkg.
	4331 473	1			w/Light Pkg.
	4331 681	1			w/o Light Pkg. (Low Line Options)
	4331 782	1			w/Light Pkg. (Hi Line Options)
	4331 757	1			w/Van Conversion
	4304 869	1			Spotlite, Lower
	4304 870	1			Spotlite, Upper
	4274 161	1			DIODE and MOLD, Repair Pkg.
	4274 091	1			w/Air and Heated Backlite
5					CABLE, Fusible Link (25 Ft. Roll)
	4026 095	1			No. 16 Blue
	4026 094	1			No. 14 Red
	4026 093	1			No. 12 Black
	4026 092	1			No. 10 Green
	4026 096	1			No. 18 Grey
	4131 507	1			No. 20 Orange
6					FUSES
	6101 132	AR			4 Amp.
	6101 131	AR			3 Amp.
	6101 133	AR			5 Amp.
	6101 137	AR			20 Amp.
	6101 135	AR			10 Amp.
	6101 138	AR			25 Amp.
6101 139	AR			30 Amp.	

MODEL CODES
 B = GRAN FURY
 C = LE BARON/TOWN & COUNTRY/LIMO
 C24 = LASER
 C44 = LE BARON/GTS
 D = ARIES
 D44 = LANCER
 E = 600
 F = FIFTH AVENUE/NEWPORT
 G = DIPLOMAT
 H = VOYAGER
 J = CARAVELLE
 K = MINI VAN/CARAVAN/ROYAL
 M = HORIZON/TURISMO
 P = RELIANT
 T = NEW YORKER
 V = 600
 V24 = DAYTONA
 Z = OMNI/CHARGER

BODY STYLES
 21 = 2-DOOR SEDAN
 22 = 2-DOOR SPECIAL COUPE
 24 = 2-DOOR HATCHBACK
 27 = 2-DOOR CONVERTIBLE
 35 = FWD VAN
 36 = FWD WAGON
 41 = 4-DOOR SEDAN
 44 = 4-DOOR HATCHBACK
 45 = 4-DOOR STATION WAGON
 49 = LIMOUSINE

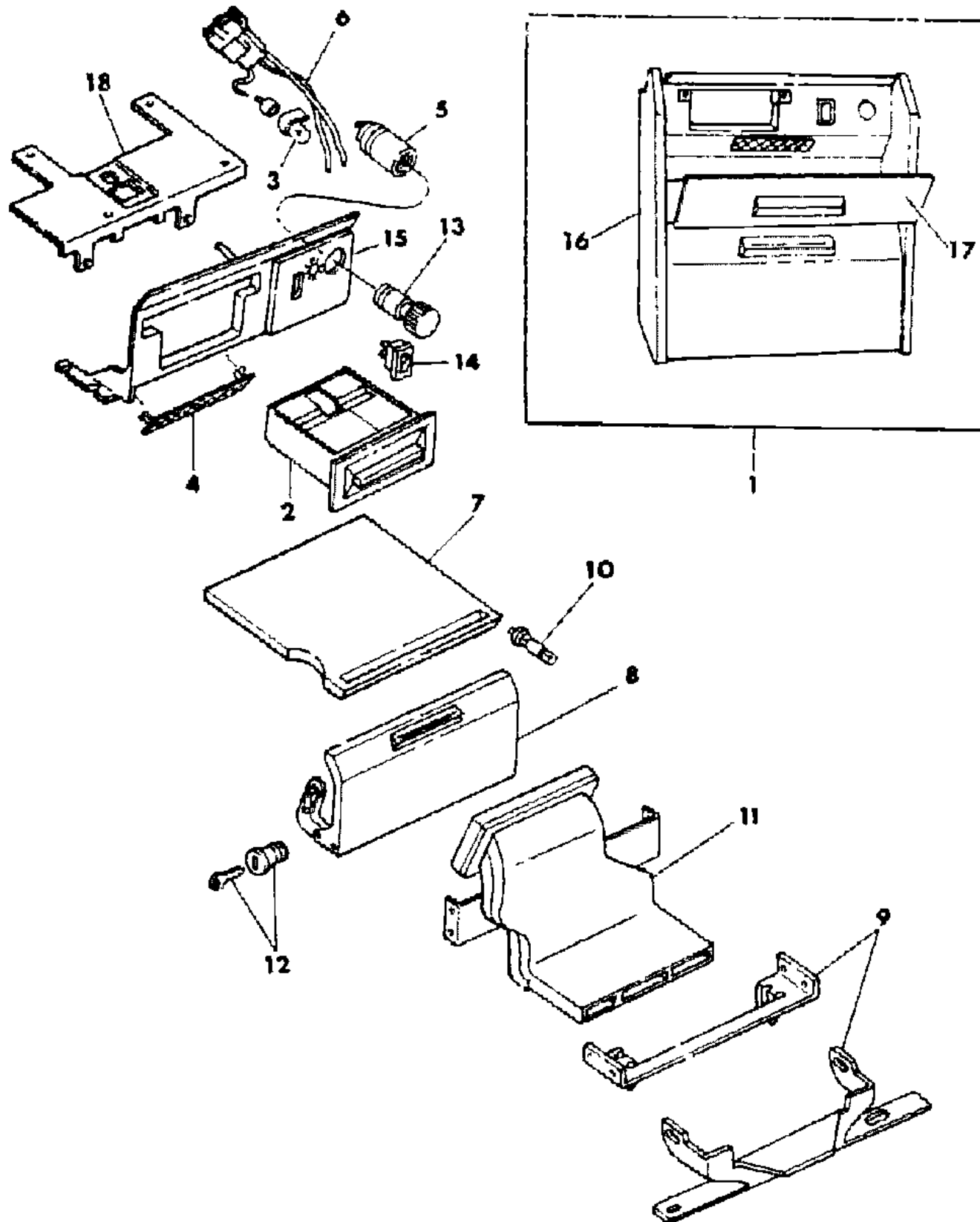
AR = Use as Required - = Non Illustrated Part P.A.R. = Paint as Required



INSTRUMENT PANEL CONSOLE H,K

Figure 8A-2500

5182 2500 C



ITEM	PART NUMBER	QTY	BODY	MODEL	DESCRIPTION
1	F473 DA3	1			CONSOLE, Base
2	4311 648	1			ASH RECEIVER
3	4311 979	1			HOOD, Ash Rec. Lamp
4	4311 864	2			BULB, Map and Ash Rec., Refer to Group 8
5	4311 864	1			LENS, Map Lamp
5	3747 633	1			LIGHTER and CLAMP, C/Lighter
6	4311 867	1			WIRING, Console
7	4311 869	1			CLIP BOARD, Console
8	F537 DA3	1			DOOR, Lower
	4504 549	1			LATCH PACKAGE, Door
9	4311 872	1			BRACKET, Console Lower
10	4221 625	1			LAMP, Console
11	4311 649	1			HEATER DUCT and BRACKET, Console
12		1			CYLINDER w/KEY, Lower Door (Refer to 23D)
13	3747 165	1			KNOB, C/Lighter
	3004 190	1			ELEMENT, C/Lighter
14	4311 980	1			SWITCH, Map Lamp
15		1			PANEL, Serviced in item #1
16	P574-5 DA3	1			PANEL, Console Side
17		1			DOOR, Upper
	4311 875	1			Black
	4311 870	1			Woodgrain
18	4311 647	1			BRACKET, Upper Console Mtg.

MODEL CODES

B = GRAN FURY	E = 600	M = HORIZON/TURISMO
C = LE BARON/TOWN & COUNTRY/LIMO	F = FIFTH AVENUE/NEWPORT	P = RELIANT
C24 = LASER	G = DIPLOMAT	T = NEW YORKER
C44 = LE BARON/GTS	H = VOYAGER	V = 600
D = ARIES	J = CARAVELLE	V24 = DAYTONA
D44 = LANCER	K = MINI VAN/CARAVAN/ROYAL	Z = OMNI/CHARGER

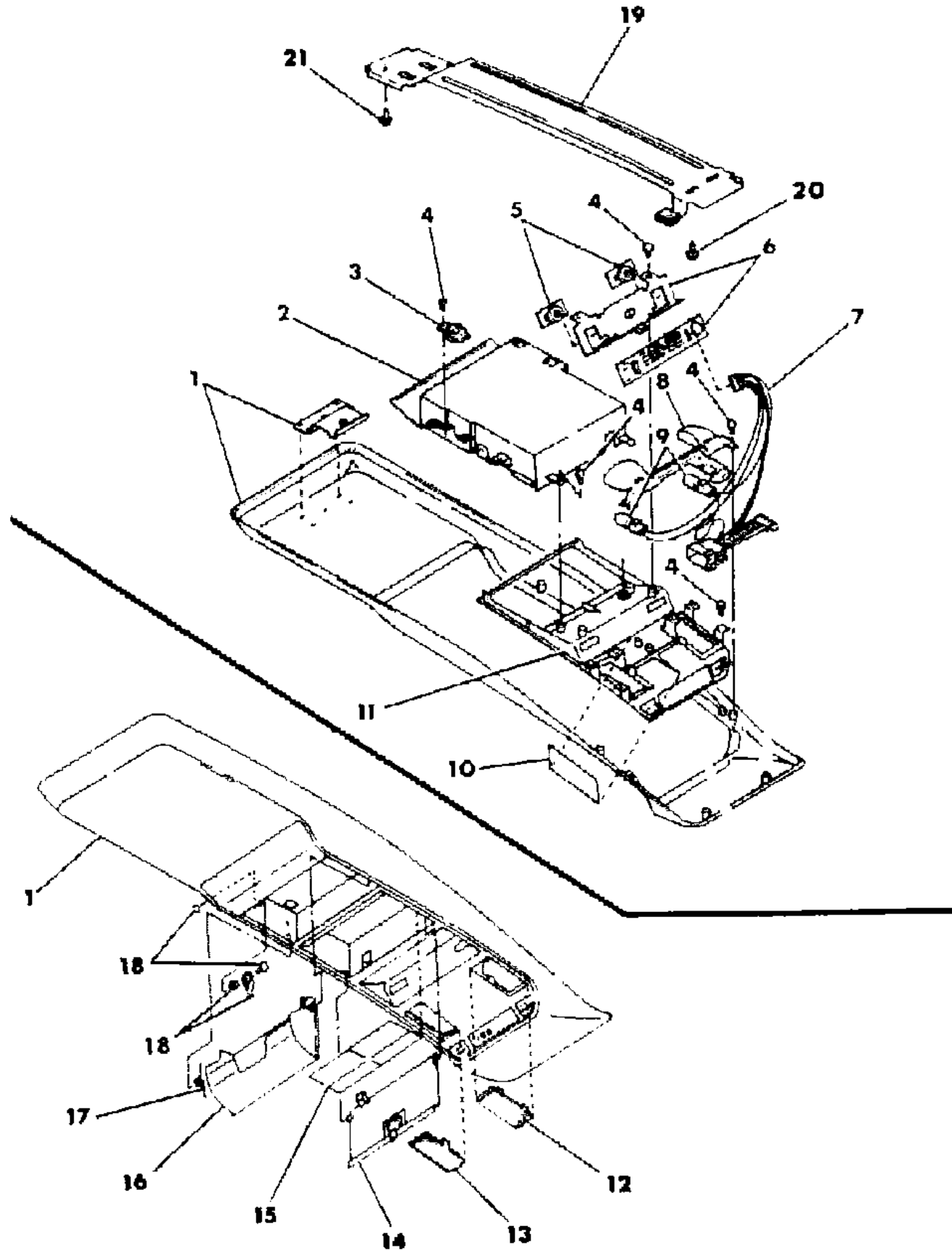
BODY STYLES

21 = 2-DOOR SEDAN	35 = FWD VAN	44 = 4-DOOR HATCHBACK
22 = 2-DOOR SPECIAL COUPE	36 = FWD WAGON	45 = 4-DOOR STATION WAGON
24 = 2-DOOR HATCHBACK	41 = 4-DOOR SEDAN	49 = LIMOUSINE
27 = 2-DOOR CONVERTIBLE		

AR = Use as Required - = Non Illustrated Part P.A.R. = Paint as Required

CONSOLE, OVERHEAD H,K
Figure 8A-2600

5132 2500 A



ITEM	PART NUMBER	QTY	BODY	MODEL	DESCRIPTION
1					HOUSING, Console
	H531 DA3	1			Silver
	H531 DB5	1			Blue
	H531 DM6	1			Red
	H531 DT3	1			Tan
2					HOUSING, Sunglass and Garage Door Opener
	4309 330	1			Up to 1-1-85
	4381 270	1			After 1-1-85
3	4309 336	1			DEVICE, Viscous Dampening
4		AR			SCREW (DNS)
5	4309 335	2			BUTTON, Lamp
6	4309 334	1			HOLDER, Map Light Switch and Circuit Board
7	4309 348	1			HARNESS, Wiring
8	4309 333	1			REFLECTOR, Bracket Lamp
9	9437 173	2			BULB
10	4309 338	1			SHIELD, Light
11					PANEL, Center
	4309 328	1			Up to 1-1-85
	4381 271	1			After 1-1-85
12	4283 818	1			LENS, Right
13	4283 819	1			LENS, Left
14					DOOR, Bin
	4309 342	1			Up to 1-1-85
	4381 269	1			After 1-1-85
15	4309 345	1			HOOK, Housing
16	4309 341	1			DOOR, Sunglass Bin
17	4309 340	1			SPRING, Door
18	4309 343	1			MECHANISM PACKAGE, Sunglass Bin
	4309 344	1			ADAPTER PACKAGE, Garage Door Opener
19	4283 689	1			BRACKET, Console Mtg.
20	9421 776	2			SCREW
21	6032 304	2			FASTENER

MODEL CODES

B = GRAN FURY	E = 600	M = HORIZON/TURISMO
C = LE BARON/TOWN & COUNTRY/LIMO	F = FIFTH AVENUE/NEWPORT	P = RELIANT
C24 = LASER	G = DIPLOMAT	T = NEW YORKER
C44 = LE BARON/GTS	H = VOYAGER	V = 600
D = ARIES	J = CARAVELLE	V24 = DAYTONA
D44 = LANCER	K = MINI VAN/CARAVAN/ROYAL	Z = OMNI/CHARGER

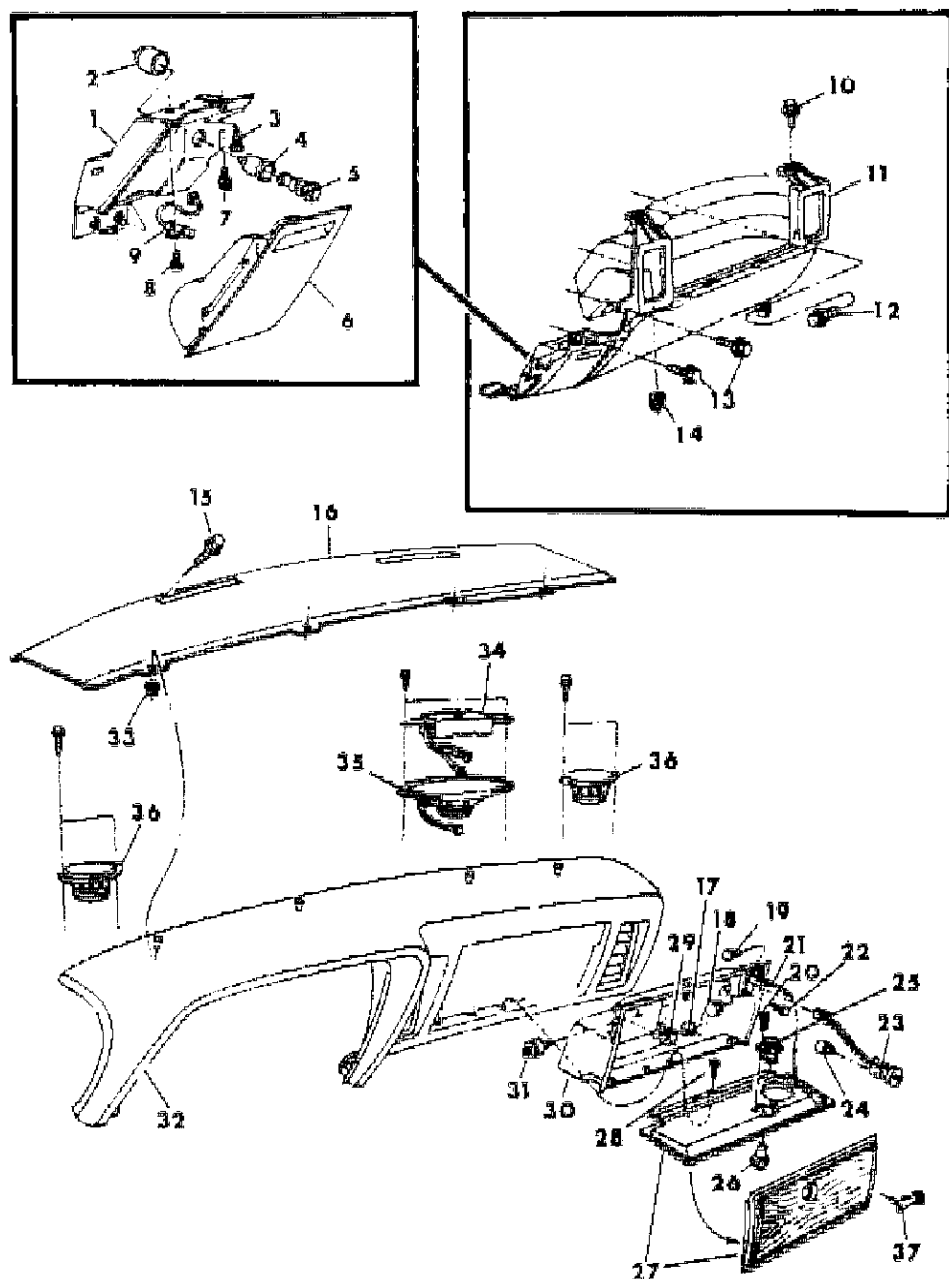
BODY STYLES

21 = 2-DOOR SEDAN	35 = FWD VAN	44 = 4-DOOR HATCHBACK
22 = 2-DOOR SPECIAL COUPE	36 = FWD WAGON	45 = 4-DOOR STATION WAGON
24 = 2-DOOR HATCHBACK	41 = 4-DOOR SEDAN	49 = LIMOUSINE
27 = 2-DOOR CONVERTIBLE		

AR = Use as Required - = Non Illustrated Part P.A.R. = Paint as Required

INSTRUMENT PANEL GLOVEBOX, PAD AND ASH RECEIVER B,F,G
Figure 8A-2700

5182 2700



ITEM	PART NUMBER	QTY	BODY	MODEL	DESCRIPTION
1	3590 763	1			HOUSING, Ash Rec.
2	2932 727	1			SHELL and CLAMP, C/Lighter
3	2661 690	1			BUMPER, Instrument Panel Ash Rec. Stop
4	2932 727	1			SHELL and CLAMP, C/Lighter
	3004 190	1			ELEMENT, Cigar Lighter
5	3747 165	1			KNOB, Cigar Lighter
6	P632 DT5	1			RECEPTACLE w/FACE PLATE, Instrument Panel Ash Rec.
7					SCREW (DNS)
8					SCREW (DNS)
9	3747 089	1			LAMP, Ash Receiver
10					SCREW (DNS)
11	P667 BT8	1			PANEL, Instrument Lower
	P409 DT5	1			INSERT, ATC Sensor
12					SCREW w/WASHER (DNS)
13					SCREW (DNS)
14					NUT (DNS)
15					SCREW (DNS)
16					COVER, Instrument Panel Upper
	3590 736	1			w/Stereo Radio
	3590 734	1			w/o Radio
17					NUT, Deck Lid Release Mtg. (See Deck Lid Illus.)
18	2822 583	1			LENS, Glove Box
19	6030 538	1			RETAINER, Glove Box Door Check Strap
20					SCREW (DNS)
21	3591 926	1			CABLE, Glove Box Door
22	2218 683	2			BUMPER, Inst. Pnl. to Glove Box Door
23	4221 625	1			LAMP and SWITCH, Glove Box
24	0152 244	1			BULB, Glove Box
25	3508 886	1			LATCH, Glove Box Lock Cyl.
		1			CATCH, Glove Box Lock Cyl.(Serv. in Item #34)
26					CYLINDER, Glove Box Door (Refer to 23D)
27					DOOR, Glove Box
	4220 410	1		B,G	
	4311 451	1		F	
28					SCREW (DNS)
29					BEZEL, Deck Lid Release (Refer to 23A)
30	3591 940	1			BOX, Glove

MODEL CODES

B = GRAN FURY	E = 600	M = HORIZON/TURISMO
C = LE BARON/TOWN & COUNTRY/LIMO	F = FIFTH AVENUE/NEWPORT	P = RELIANT
C24 = LASER	G = DIPLOMAT	T = NEW YORKER
C44 = LE BARON/GTS	H = VOYAGER	V = 600
D = ARIES	J = CARAVELLE	V24 = DAYTONA
D44 = LANCER	K = MINI VAN/CARAVAN/ROYAL	Z = OMNI/CHARGER

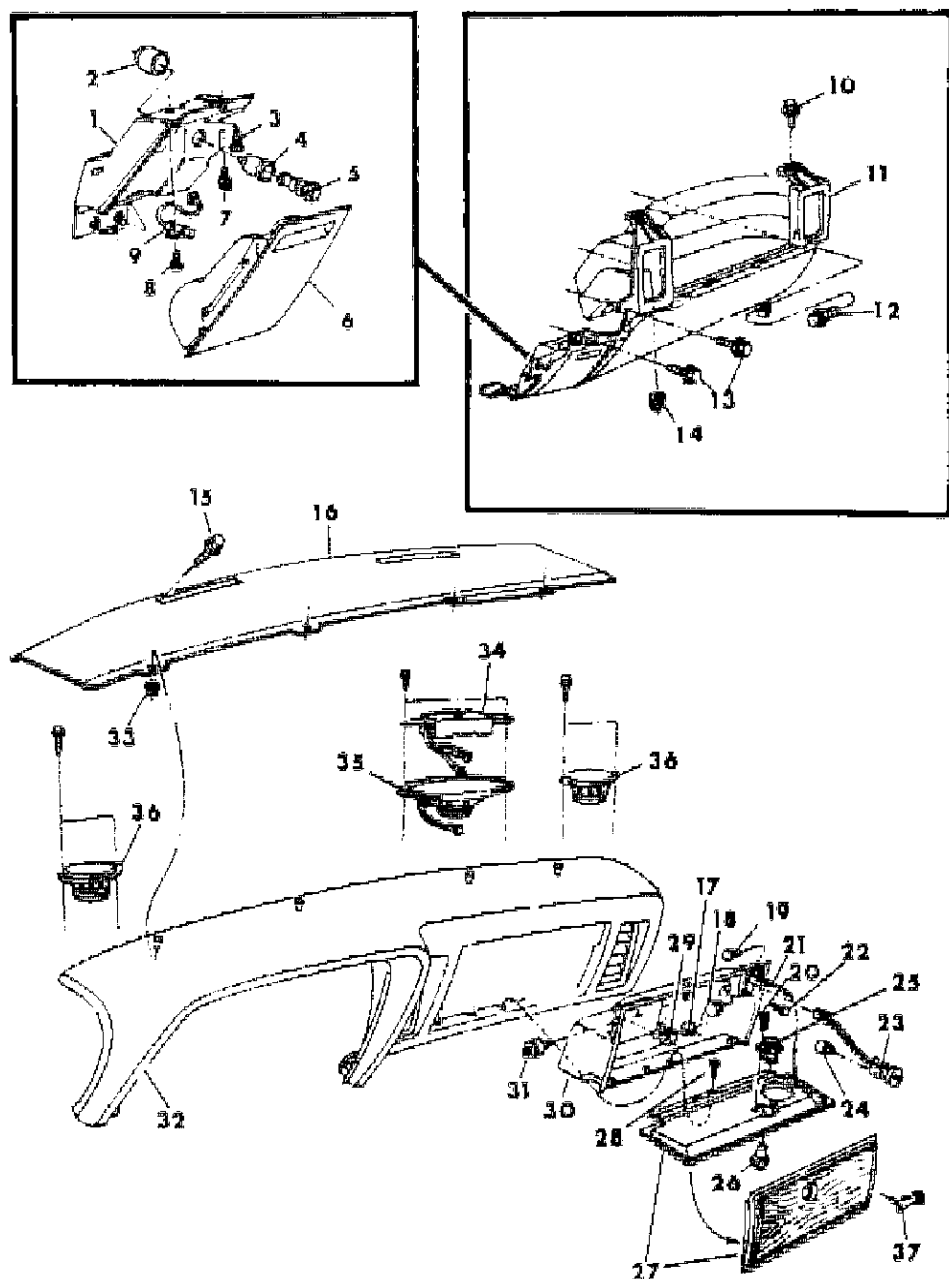
BODY STYLES

21 = 2-DOOR SEDAN	35 = FWD VAN	44 = 4-DOOR HATCHBACK
22 = 2-DOOR SPECIAL COUPE	36 = FWD WAGON	45 = 4-DOOR STATION WAGON
24 = 2-DOOR HATCHBACK	41 = 4-DOOR SEDAN	49 = LIMOUSINE
27 = 2-DOOR CONVERTIBLE		

AR = Use as Required - = Non Illustrated Part P.A.R. = Paint as Required

INSTRUMENT PANEL GLOVEBOX, PAD AND ASH RECEIVER B,F,G
Figure 8A-2700

5182 2700



ITEM	PART NUMBER	QTY	BODY	MODEL	DESCRIPTION
31					SWITCH, Deck Lid Release (Refer to 23A)
32	P411 AA7	1			PAD, Instrument Panel
33	6030 301	AR			NUT
34	4311 498	1			AMPLIFIER, Audio Power
	4221 203	1			SWITCH, Rear Amplifier
	3747 750	1			CLIP, Switch Rear Amplifier
	4048 784	1			COIL, Audio Power Amplifier(Radio Choke)
35	3501 277	1			SPEAKER, Instrument Panel
36	4222 532	2			SPEAKER, Instrument Panel, Stereo
	4222 531	2			SPEAKER, Rear Shelf, Stereo
	4311 288	2			w/Power Amplifier
37	4311 455	1	F		PLATE, Glove Box Name "Chrysler"

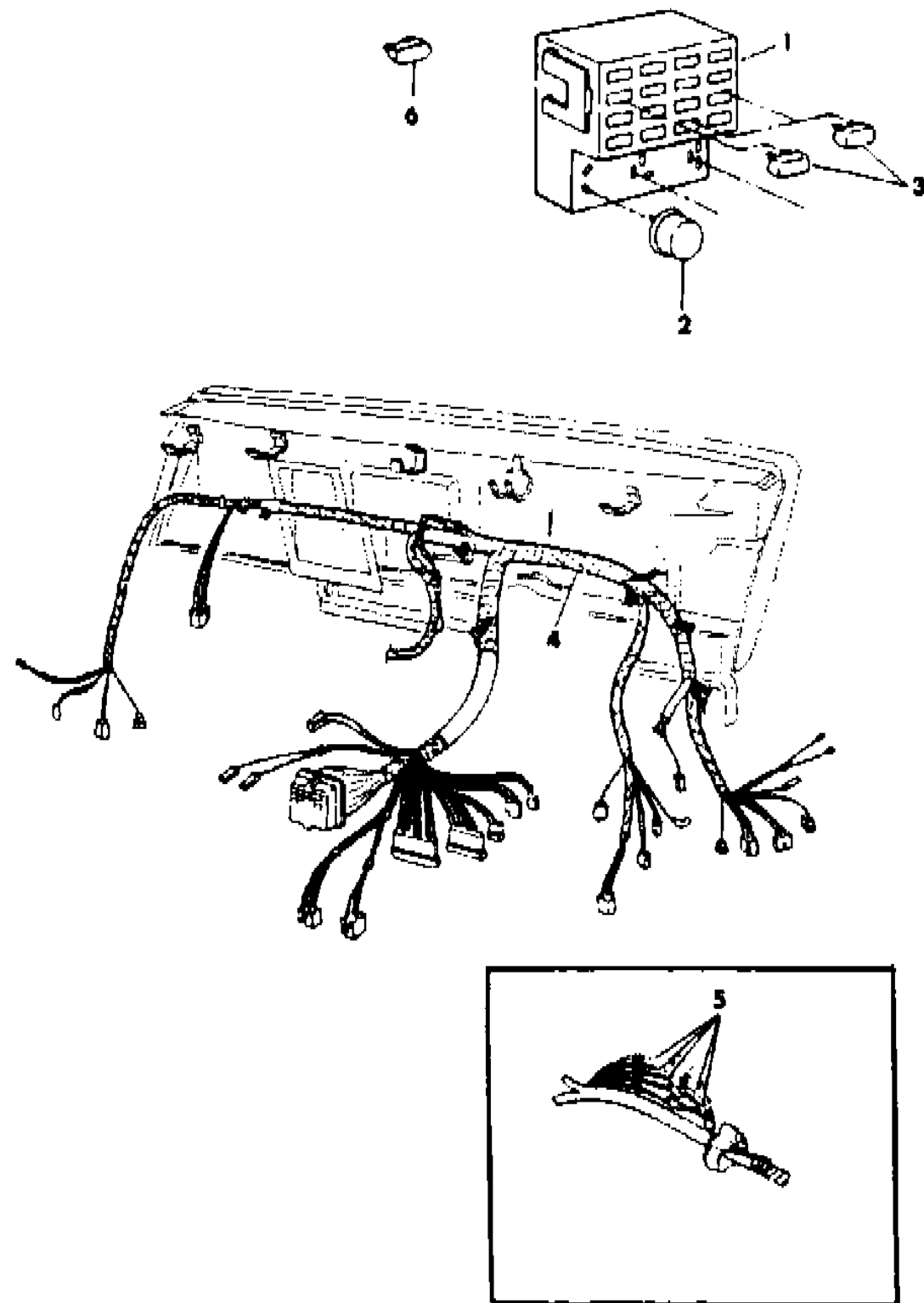
MODEL CODES
 B = GRAN FURY
 C = LE BARON/TOWN & COUNTRY/LIMO
 C24 = LASER
 C44 = LE BARON/GTS
 D = ARIES
 D44 = LANCER
 E = 600
 F = FIFTH AVENUE/NEWPORT
 G = DIPLOMAT
 H = VOYAGER
 J = CARAVELLE
 K = MINI VAN/CARAVAN/ROYAL
 M = HORIZON/TURISMO
 P = RELIANT
 T = NEW YORKER
 V = 600
 V24 = DAYTONA
 Z = OMNI/CHARGER

BODY STYLES
 21 = 2-DOOR SEDAN
 22 = 2-DOOR SPECIAL COUPE
 24 = 2-DOOR HATCHBACK
 27 = 2-DOOR CONVERTIBLE
 35 = FWD VAN
 36 = FWD WAGON
 41 = 4-DOOR SEDAN
 44 = 4-DOOR HATCHBACK
 45 = 4-DOOR STATION WAGON
 49 = LIMOUSINE

AR = Use as Required - = Non Illustrated Part P.A.R. = Paint as Required

INSTRUMENT PANEL WIRING B,F,G
Figure 8A-2800

5182 2800



ITEM	PART NUMBER	QTY	BODY	MODEL	DESCRIPTION
1	4124 697	1			MODULE, Fuse Block
					TERMINAL, Buss Bar
	4124 752	1			3 Way
	4124 258	1			1 Way
	4221 730	1			BUZZER, Key, H/Lamp and Seat Belt Warning
2	4312 627	1			CONTROL, Chimes
	4048 581	1			BRACKET, Chimes
	2932 877	1			FLASHER, Hazard Warning
	3837 161	1			Turn Signal, 2 Lamp
	3837 162	1			Turn Signal, 3 Lamp
3					BREAKER, Circuit
	4186 377	AR			6 Amp.
	4186 379	AR			30 Amp.
4	4331 595	1			WIRING, Instrument Panel
	4304 688	1			Speed Control
	4124 803	1			Relay Control (Police)
	4274 172	1			Illuminated Entry
	4274 161	1			DIODE and MOLD, Repair Pkg. w/Air and Heated Backlite
	4274 091	1			
5					CABLE, Fusible Link (25 Ft. Roll)
	4026 095	1			No. 16 Blue
	4026 094	1			No. 14 Red
	4026 093	1			No. 12 Black
	4026 092	1			No. 10 Green
	4026 096	1			No. 18 Grey
	4131 507	1			No. 20 Orange
6					FUSES
	6101 132	AR			4 Amp.
	6101 131	AR			3 Amp.
	6101 133	AR			5 Amp.
	6101 137	AR			20 Amp.
	6101 135	AR			10 Amp.
	6101 138	AR			25 Amp.
	6101 139	AR			30 Amp.

MODEL CODES

B = GRAN FURY	E = 600	M = HORIZON/TURISMO
C = LE BARON/TOWN & COUNTRY/LIMO	F = FIFTH AVENUE/NEWPORT	P = RELIANT
C24 = LASER	G = DIPLOMAT	T = NEW YORKER
C44 = LE BARON/GTS	H = VOYAGER	V = 600
D = ARIES	J = CARAVELLE	V24 = DAYTONA
D44 = LANCER	K = MINI VAN/CARAVAN/ROYAL	Z = OMNI/CHARGER

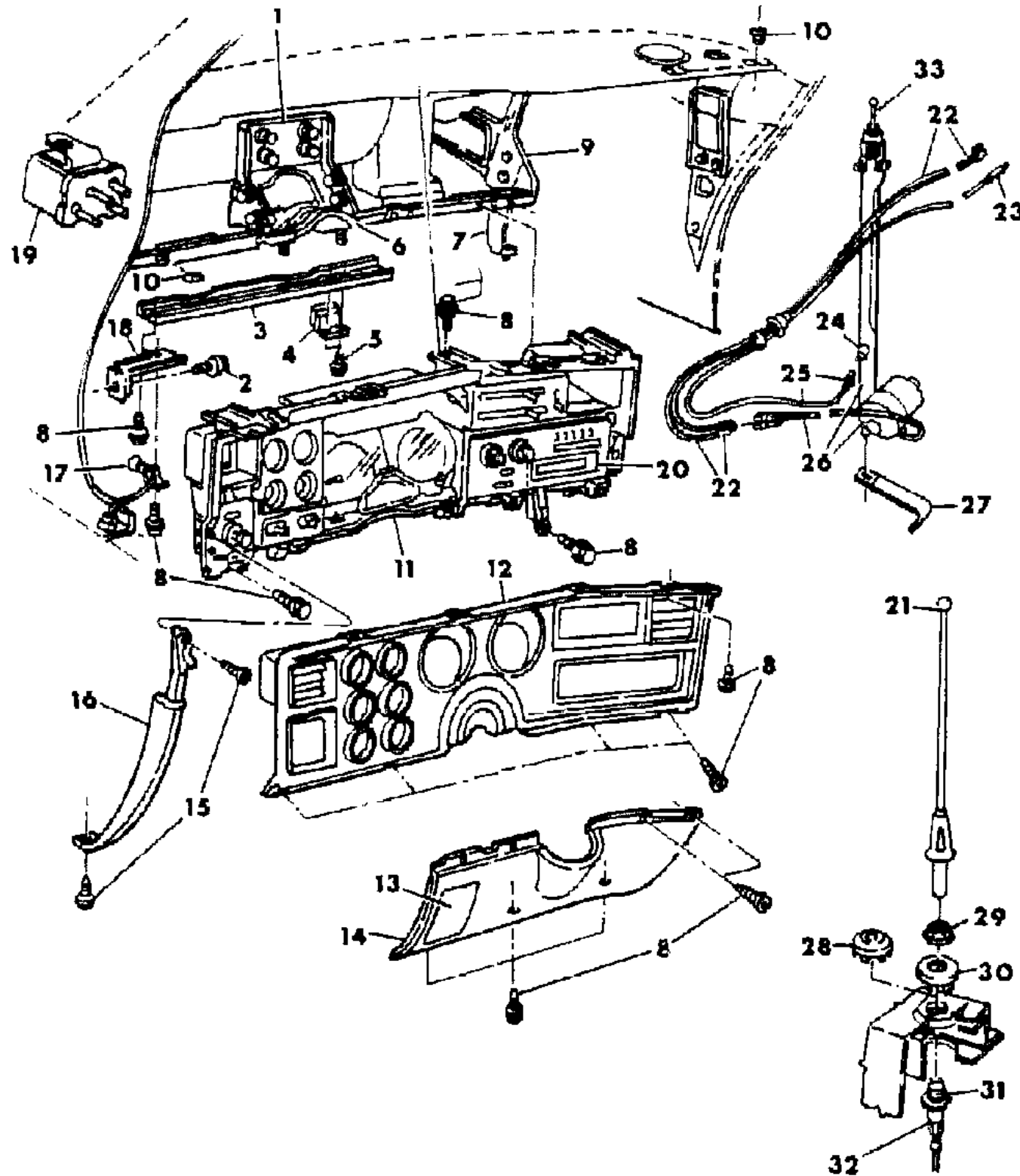
BODY STYLES

21 = 2-DOOR SEDAN	35 = FWD VAN	44 = 4-DOOR HATCHBACK
22 = 2-DOOR SPECIAL COUPE	36 = FWD WAGON	45 = 4-DOOR STATION WAGON
24 = 2-DOOR HATCHBACK	41 = 4-DOOR SEDAN	49 = LIMOUSINE
27 = 2-DOOR CONVERTIBLE		

AR = Use as Required - = Non Illustrated Part P.A.R. = Paint as Required

INSTRUMENT PANEL BEZELS AND RADIO B,F,G
Figure 8A-2900

5182 2900



ITEM	PART NUMBER	QTY	BODY	MODEL	DESCRIPTION
1	3590 876	1			BRACKET
2		AR			SCREW (DNS)
3	4047 295	1			REINFORCEMENT, Instrument Panel Lower Left
	4047 089	1			REINFORCEMENT, Instrument Panel Intermediate Left
4	4222 060	1			CONTROL, w/Intermittent Wipe
5		2			SCREW (DNS)
6	4047 087	1			BRACKET, Steering Column Support
7	3591 878	1			SUPPORT, Instrument Panel Center to Lower Reinforcement
8					SCREW (DNS)
9	3590 772	1			SUPPORT, Instrument Panel Center to Cowl Top
10	6030 301	AR			NUT
11					HOUSING, Instrument Cluster
	4051 072	1			Speedometer, Fuel Gauge
	4051 079	1			Amp., Temp., Washer, Brake/Oil
12					BEZEL, Speedometer
	4220 004		F-S		BEZEL, Speedometer and Instrument Cluster
	4047 129	1	B,G		w/Air Conditioning, w/o Radio
	4047 130	1	B,G		w/o Air Conditioning, w/Radio
	4047 131	1	B,G		w/Air Conditioning, w/Radio
	6029 168	AR			CLIP, Bezel Attaching
13	4106 724	1			PLATE, Fuse Block Cover
14	P635 TB2	1			COVER, Steering Column Opening
	0152 490	2			U-NUT, Instrument Panel Lower to Steering Column Cover
15					SCREW (DNS)
16	P513 DT5	1			CAP, Instrument Panel
17	#3591 130	1			LAMP, Instrument Panel Courtesy
18	3591 081	1			BRACKET
19	3879 696	1			RELAY w/BRACKET, Electronic Window Lift
20					RADIO, E.T.R w/Clock
	4331 529	1			JUMPER, Radio
	4311 001	1			Am (Bright Face)
	4311 002	1			Am (Black Face)
	4311 102	1			Ultimate Sound (Bright Face)
	4311 103	1			Ultimate Sound (Black Face)
	4311 827	1			Am/Fm/Mx (Bright Face)
	4311 828	1			Am/Fm/Mx (Black Face)
	4311 686	1			Am/Fm/Mx w/Cassette (Bright Face)

MODEL CODES

B = GRAN FURY	E = 600	M = HORIZON/TURISMO
C = LE BARON/TOWN & COUNTRY/LIMO	F = FIFTH AVENUE/NEWPORT	P = RELIANT
C24 = LASER	G = DIPLOMAT	T = NEW YORKER
C44 = LE BARON/GTS	H = VOYAGER	V = 600
D = ARIES	J = CARAVELLE	V24 = DAYTONA
D44 = LANCER	K = MINI VAN/CARAVAN/ROYAL	Z = OMNI/CHARGER

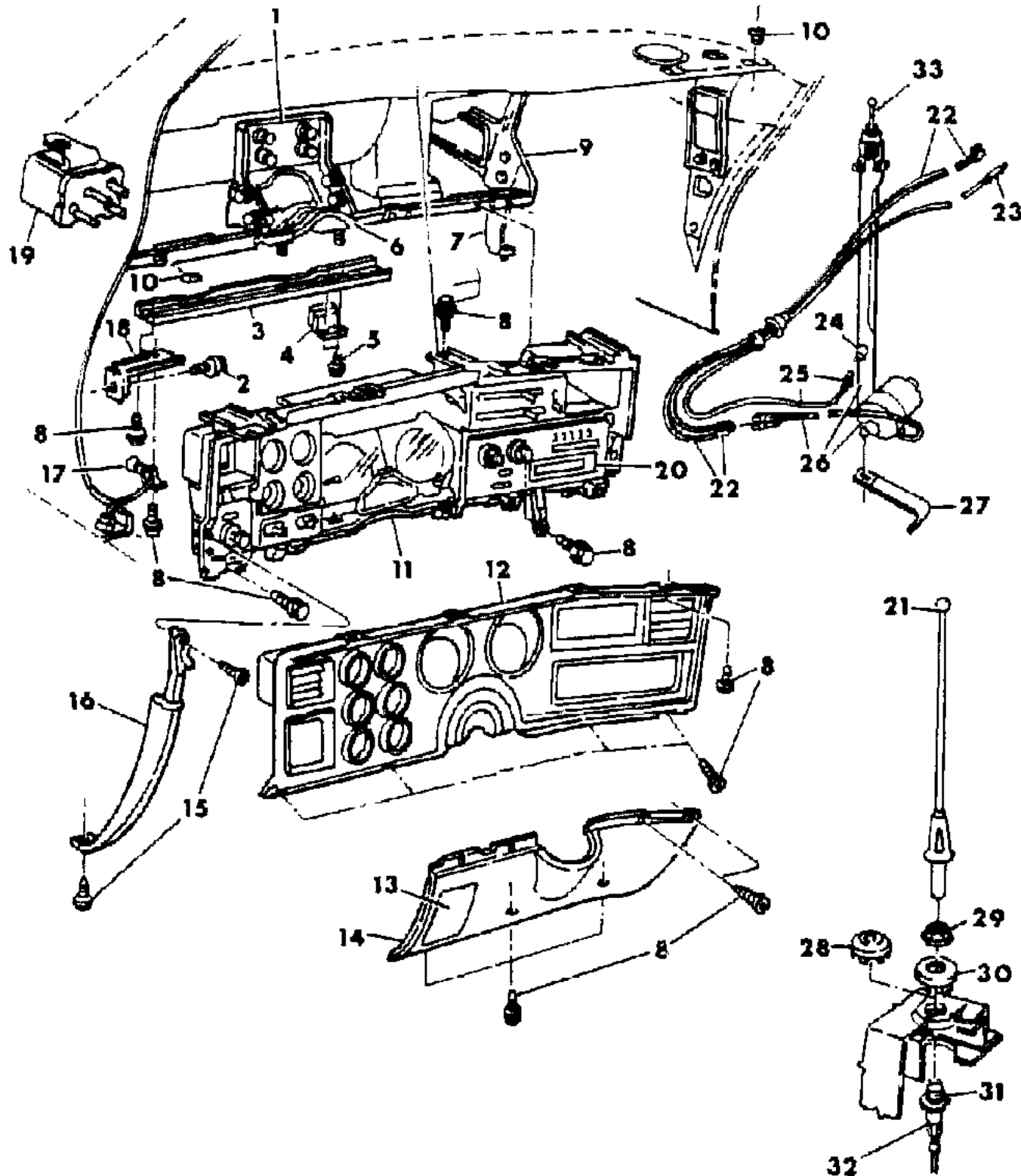
BODY STYLES

21 = 2-DOOR SEDAN	35 = FWD VAN	44 = 4-DOOR HATCHBACK
22 = 2-DOOR SPECIAL COUPE	36 = FWD WAGON	45 = 4-DOOR STATION WAGON
24 = 2-DOOR HATCHBACK	41 = 4-DOOR SEDAN	49 = LIMOUSINE
27 = 2-DOOR CONVERTIBLE		

AR = Use as Required - = Non Illustrated Part P.A.R. = Paint as Required

INSTRUMENT PANEL BEZELS AND RADIO B,F,G
Figure 8A-2900

5182 2900



ITEM	PART NUMBER	QTY	BODY	MODEL	DESCRIPTION
	4311 687	1			Am/Fm/Mx w/Cassette (Black Face)
	4222 560	1			DIFFUSER, Illuminated Bulb
	4048 499	1			CHOKE, A Lead Filter w/100 Amp. Alternator
	4222 702	1			SUPPRESSION, Windshield Wiper Motor (Radio Noise)
	4293 916	1			STRAP, Noise Supp. Ground
	5211 211	2			16" Lgth. (Eng. to Cowl, Police Pkg.)
	4222 912	1			CAPACITOR, Radio Noise Supp. (Blower Motor)
	4048 784	1			COIL, Audio Power Amp. A Line
	0131 282	1			BULB, Radio Illumination
	3501 277	1			Instrument Panel Monural KNOB, Radio KNOB PACKAGE, "Joy Stick"
	4364 484	1			Black
	4364 483	1			Bright Primary
	4311 554	2			w/4311102 Radio
	4311 555	2			w/4311103 Radio
	4311 325	AR			w/4311686,4311827,4311001 Radios Bass
	4311 327	AR			w/4311686,4311827 Radios
	4311 337	AR			w/4311687,4311828 Radios
	4311 328	AR			Treble w/4311686,4311827 Radios
	4311 339	AR			w/4311687,4311828 Radios Secondary
	4311 557	2			w/4311102 Radio
	4311 558	2			w/4311103 Radio
	4311 339	AR			w/4311686,4311827,4311001 Radios
	4311 341	AR			w/4311687,4311828,4311002 Radios
21	4222 797	1			MAST, Antenna
22		1			CABLE and LEAD, Make Locally See Grp.8 for Connec tors
23	2580 065	1			MOLD, Power Antenna
24					PIN and CONNECTOR (DNS)
25	4372 106	1			CABLE PACKAGE, Power Antenna
	4222 160	1			CABLE, Power Antenna
26	4364 481	1			ANTENNA, Power
27	4222 297	1			BRACKET, Power Antenna to Side Cowl

MODEL CODES

B = GRAN FURY	E = 600	M = HORIZON/TURISMO
C = LE BARON/TOWN & COUNTRY/LIMO	F = FIFTH AVENUE/NEWPORT	P = RELIANT
C24 = LASER	G = DIPLOMAT	T = NEW YORKER
C44 = LE BARON/GTS	H = VOYAGER	V = 600
D = ARIES	J = CARAVELLE	V24 = DAYTONA
D44 = LANCER	K = MINI VAN/CARAVAN/ROYAL	Z = OMNI/CHARGER

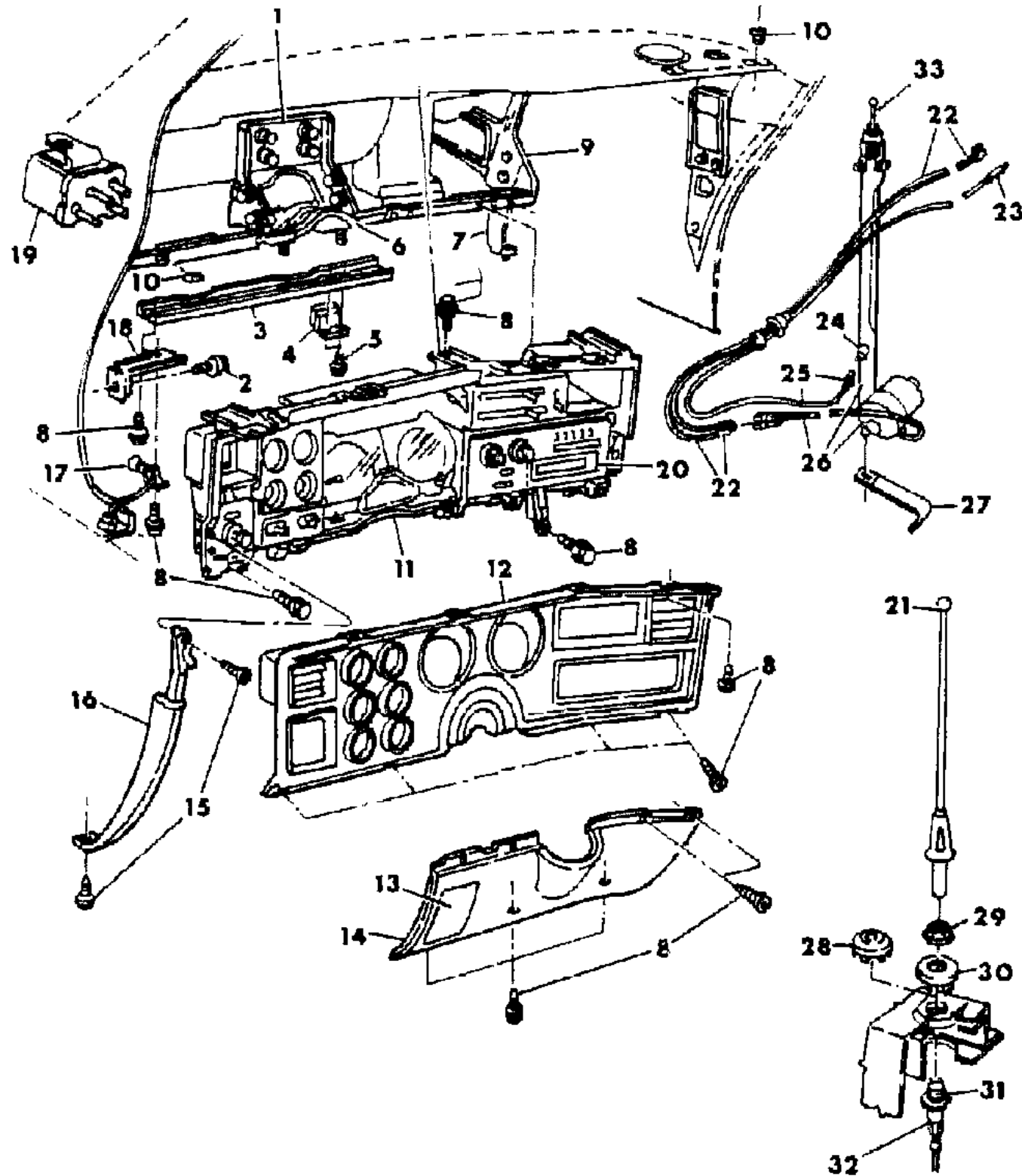
BODY STYLES

21 = 2-DOOR SEDAN	35 = FWD VAN	44 = 4-DOOR HATCHBACK
22 = 2-DOOR SPECIAL COUPE	36 = FWD WAGON	45 = 4-DOOR STATION WAGON
24 = 2-DOOR HATCHBACK	41 = 4-DOOR SEDAN	49 = LIMOUSINE
27 = 2-DOOR CONVERTIBLE		

AR = Use as Required - = Non Illustrated Part P.A.R. = Paint as Required

INSTRUMENT PANEL BEZELS AND RADIO B,F,G
Figure 8A-2900

5182 2900



ITEM	PART NUMBER	QTY	BODY	MODEL	DESCRIPTION
	4221 570	1			RELAY, Power Antenna and Power Amplifier
28	3501 331	1			PLUG, Antenna Hole
29	3501 287	1			NUT, Cap
30	3501 293	1			ADAPTER and GASKET
31	3501 321	1			LOCKWASHER
32	3501 294	1			BODY and CABLE
33	4372 103	1			MAST PACKAGE, Power Antenna

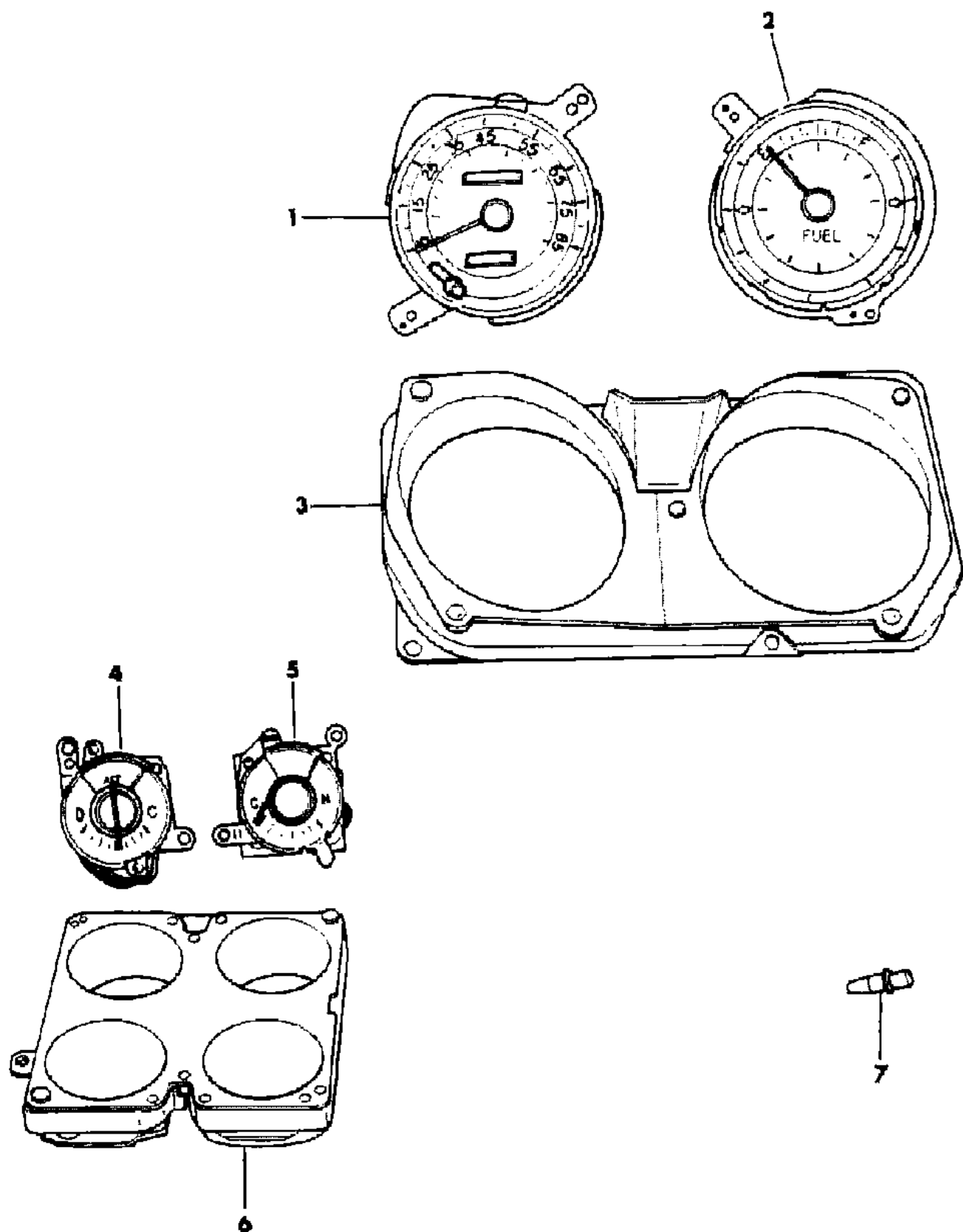
MODEL CODES
 B = GRAN FURY
 C = LE BARON/TOWN & COUNTRY/LIMO
 C24 = LASER
 C44 = LE BARON/GTS
 D = ARIES
 D44 = LANCER
 E = 600
 F = FIFTH AVENUE/NEWPORT
 G = DIPLOMAT
 H = VOYAGER
 J = CARAVELLE
 K = MINI VAN/CARAVAN/ROYAL
 M = HORIZON/TURISMO
 P = RELIANT
 T = NEW YORKER
 V = 600
 V24 = DAYTONA
 Z = OMNI/CHARGER

BODY STYLES
 21 = 2-DOOR SEDAN
 22 = 2-DOOR SPECIAL COUPE
 24 = 2-DOOR HATCHBACK
 27 = 2-DOOR CONVERTIBLE
 35 = FWD VAN
 36 = FWD WAGON
 41 = 4-DOOR SEDAN
 44 = 4-DOOR HATCHBACK
 45 = 4-DOOR STATION WAGON
 49 = LIMOUSINE

AR = Use as Required - = Non Illustrated Part P.A.R. = Paint as Required

INSTRUMENT PANEL SPEECOMETER, GAUGES AND LENSES B,F,G
Figure 8A-3000

5182 3000



ITEM	PART NUMBER	QTY	BODY	MODEL	DESCRIPTION
1					SPEEDOMETER
	4051 524	1			85 Mile
	4051 525	1			125 Cert.
	4051 195	1			KNOB, Odometer Reset
	3592 750	1			Label, Speedometer
					BOARD, Printed Circuit
	4051 419	1			Speedometer, Fuel Gauge w/L.E.D
	4051 180	1			Amp., Temp., Washer, Brake/Oil
2					GAUGE, Fuel
	4051 388	1			w/Unleaded
	4051 389	1			w/Leaded, Canada
3	#4051 027	1			LENS, w/Mask (Speedometer, Fuel)
4	4051 397				GAUGE, Ammeter
5	4051 348	1			GAUGE, Temperature
	4196 430	1			GAUGE, Oil Pressure
6	4051 339	1			LENS w/MASK (Amp.,Temp.,Washer, Brake/Oil)
7	3591 814	4			PIN, Lens Mtg. (Plastic)

MODEL CODES

B = GRAN FURY	E = 600	M = HORIZON/TURISMO
C = LE BARON/TOWN & COUNTRY/LIMO	F = FIFTH AVENUE/NEWPORT	P = RELIANT
C24 = LASER	G = DIPLOMAT	T = NEW YORKER
C44 = LE BARON/GTS	H = VOYAGER	V = 600
D = ARIES	J = CARAVELLE	V24 = DAYTONA
D44 = LANCER	K = MINI VAN/CARAVAN/ROYAL	Z = OMNI/CHARGER

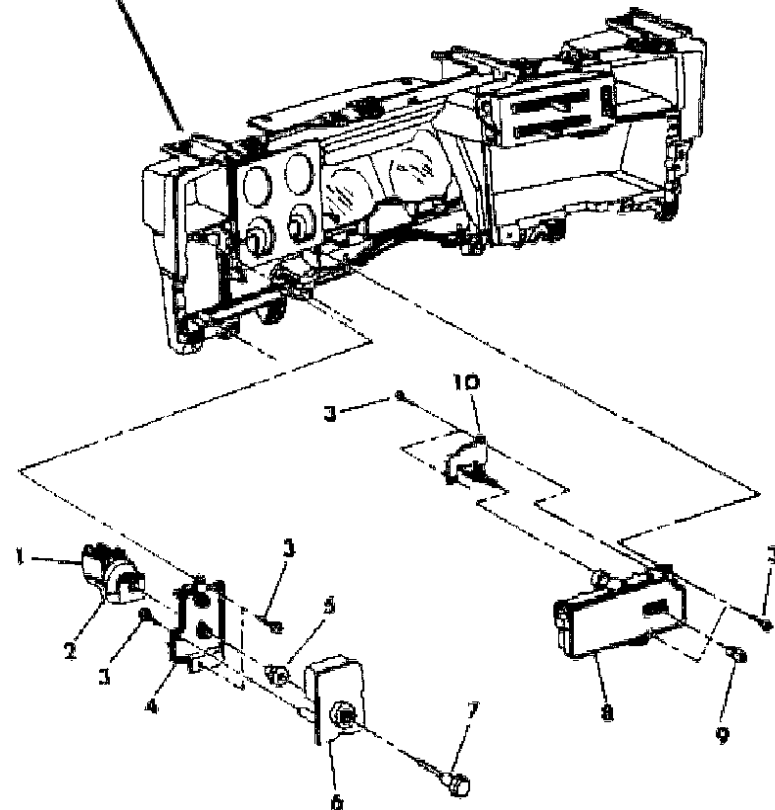
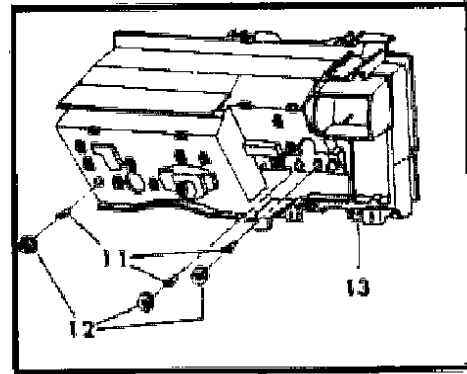
BODY STYLES

21 = 2-DOOR SEDAN	35 = FWD VAN	44 = 4-DOOR HATCHBACK
22 = 2-DOOR SPECIAL COUPE	36 = FWD WAGON	45 = 4-DOOR STATION WAGON
24 = 2-DOOR HATCHBACK	41 = 4-DOOR SEDAN	49 = LIMOUSINE
27 = 2-DOOR CONVERTIBLE		

AR = Use as Required - = Non Illustrated Part P.A.R. = Paint as Required

INSTRUMENT PANEL CARRIER AND SWITCHES B,F,G
Figure 8A-3100

5182 3100



ITEM	PART NUMBER	QTY	BODY	MODEL	DESCRIPTION
1	4221 248	1			SWITCH, Head Lamp, Instrument Lamp and Dome Lamp
	3747 751	1			BUZZER, Key and Headlamp Warning
2	3747 258	1			RHEOSTAT, Head Lamp Switch
3					SCREW (DNS)
4	#3747 225	1			PLATE, Head Lamp Switch Mtg.
5	4221 063	1			RETAINER, Head Lamp Switch Mtg.
6	4221 607	1			BEZEL, Head Lamp Switch
	4221 608	1		F-S	BEZEL, Head Lamp Switch
7	3747 760	1			KNOB w/SHAFT, Head Lamp Switch
8	3747 974	1			BEZEL and PLATE, Heated Rear Window Mtg.
	3747 675	1			PLATE, Heated Rear Window
9	#3747 244				KNOB, Acc. Switch
10	3747 641	1			SWITCH, Heated Rear Window
11	9421 330	AR			BULB
12	3744 750	AR			SOCKET
13	4051 841	1			CARRIER, Speedometer and Instrument Cluster

MODEL CODES

B = GRAN FURY	E = 600	M = HORIZON/TURISMO
C = LE BARON/TOWN & COUNTRY/LIMO	F = FIFTH AVENUE/NEWPORT	P = RELIANT
C24 = LASER	G = DIPLOMAT	T = NEW YORKER
C44 = LE BARON/GTS	H = VOYAGER	V = 600
D = ARIES	J = CARAVELLE	V24 = DAYTONA
D44 = LANCER	K = MINI VAN/CARAVAN/ROYAL	Z = OMNI/CHARGER

BODY STYLES

21 = 2-DOOR SEDAN	35 = FWD VAN	44 = 4-DOOR HATCHBACK
22 = 2-DOOR SPECIAL COUPE	36 = FWD WAGON	45 = 4-DOOR STATION WAGON
24 = 2-DOOR HATCHBACK	41 = 4-DOOR SEDAN	49 = LIMOUSINE
27 = 2-DOOR CONVERTIBLE		

AR = Use as Required - = Non Illustrated Part P.A.R. = Paint as Required

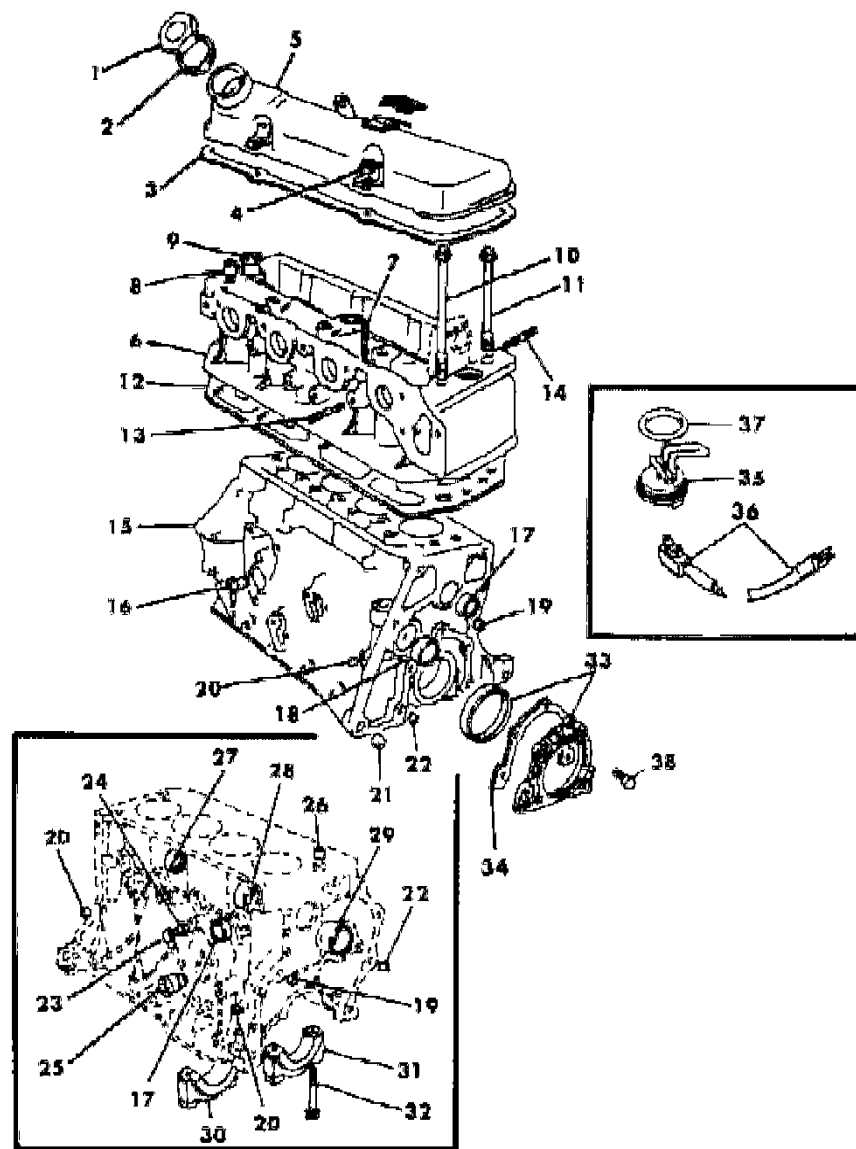
GROUP 9A - ENGINE, 4 CYLINDER

ILLUSTRATION TITLE	GROUP-FIG. NO.
1.6 L ENGINE	
ENGINE, CYLINDER BLOCK, CYLINDER HEAD 4 CYLINDER ENG. 1.6 L, M,Z	Fig. 9A-100
OIL PUMP, OIL PAN, OIL LEVEL INDICATOR, OIL FILTER 4 CYLINDER ENG. 1.6 L, M,Z	Fig. 9A-200
CRANKSHAFT, CONNECTING ROD, PISTONS, RINGS, FLYWHEEL 4 CYLINDER ENG. 1.6 L, M,Z	Fig. 9A-300
CAMSHAFT, ROCKER SHAFT, INTAKE AND EXHAUST VALVES 4 CYLINDER ENG. 1.6 L, M,Z	Fig. 9A-400
TIMING CHAIN, SPROCKETS, COVER 4 CYLINDER ENG. 1.6 L, M,Z	Fig. 9A-500
MANIFOLD, INTAKE AND EXHAUST, CRANKCASE VENT VALVE 4 CYLINDER ENG. 1.6 L, M,Z	Fig. 9A-600
MOUNTINGS, ENGINE 4 CYLINDER ENG. 1.6 L, M,Z	Fig. 9A-700
ENGINE STRUT, W/MAN. TRANS. 4 CYLINDER ENG. 1.6 L, M,Z	Fig. 9A-800
2.2 L ENGINE	
ENGINE, CYLINDER BLOCK, CYLINDER HEAD 4 CYLINDER 2.2 L. ENG. M,Z,P,D,C,V,E,T,H,K,J	Fig. 9A-1100
TORQUE CONVERTER, DRIVE PLATE 4 CYLINDER 2.2 L. ENG., M,Z,P,D,C,V,E,T,H,K,J	Fig. 9A-1200
OIL PUMP, OIL PAN, OIL LEVEL INDICATOR, OIL FILTER, TURBOCHARGER LUBRICATION 4 CYLINDER 2.2 L. ENG., M,Z,P,D,C,V,E,T,H,K,J	Fig. 9A-1400
CRANKSHAFT, CONNECTING ROD, PISTONS, RINGS, FLYWHEEL 4 CYLINDER 2.2 L ENGINE M,Z,P,D,C,V,E,T,H,K,J	Fig. 9A-1500
CAMSHAFT, INTERMEDIATE SHAFT, INTAKE AND EXHAUST VALVES 4 CYLINDER 2.2 L ENGINE, M,Z,P,D,C,V,E,T,H,K,J	Fig. 9A-1600
TIMING BELT, SPROCKETS, COVERS 4 CYLINDER 2.2 L ENGINE, M,Z,P,D,C,V,E,T,H,K,J	Fig. 9A-1700
MANIFOLD, INTAKE, EXHAUST, CRANKCASE VENT SYSTEM 4 CYLINDER 2.2 L ENGINE, M,Z,P,D,C,V,E,T,H,K,J	Fig. 9A-1800
MOUNTING, ENGINE 4 CYLINDER 2.2 L ENGINE, M,Z,P,D,C,V,E,T,H,K,J	Fig. 9A-1900
ENGINE STRUT, w/MAN. TRANS. 4 CYLINDER 2.2 L ENG., M,Z,P,D,C,V,E,T,H,K,J	Fig. 9A-2000
2.6 L ENGINE	
ENGINE, SHORT ENGINE 4 CYLINDER 2.6 L ENG., P,D,C,V,E,T,H,K,J	Fig. 9A-2100
ENGINE OVERHAUL GASKET SET 4 CYLINDER 2.6 L ENG., P,D,C,V,E,T,H,K,J	Fig. 9A-2200
CYLINDER HEAD AND RELATED PARTS 4 CYLINDER 2.6 L ENG., P,D,C,V,E,T,H,K,J	Fig. 9A-2300
CYLINDER BLOCK AND RELATED PARTS 4 CYLINDER 2.6 L ENG., P,D,C,V,E,T,H,K,J	Fig. 9A-2400
TORQUE CONVERTER, DRIVE PLATE 4 CYLINDER 2.6 L ENG. P,D,C,V,E,T,H,K,J	Fig. 9A-2500
CRANKSHAFT, CONNECTING RODS, PISTONS, RINGS 4 CYLINDER 2.6 L ENG., P,D,C,V,E,T,H,K,J	Fig. 9A-2700
CAMSHAFT, VALVES, TIMING CHAIN AND RELATED PARTS 4 CYLINDER 2.6 L ENG., P,D,C,V,E,T,H,K,J	Fig. 9A-2800
BALANCING SHAFT AND RELATED PARTS 4 CYLINDER 2.6 L ENG., P,D,C,V,E,T,H,K,J	Fig. 9A-2900
MANIFOLD, INTAKE AND EXHAUST 4 CYLINDER 2.6 L ENG., P,D,C,V,E,T,H,K,J	Fig. 9A-3000
OIL PUMP, OIL PAN, OIL LEVEL INDICATOR, TIMING COVER 4 CYLINDER 2.6 L ENG., P,D,C,V,E,T,H,K,J	Fig. 9A-3100
MOUNTING, ENGINE 4 CYLINDER 2.6 L Engine, P,D,C,V,E,T,H,K,J	Fig. 9A-3200

ILLUSTRATION NOT AVAILABLE AT TIME OF PUBLICATION

ENGINE, CYLINDER BLOCK, CYLINDER HEAD 4 CYLINDER ENG. 1.6 L, M,Z
Figure 9A-100

5158 100



ITEM	PART NUMBER	QTY	BODY	MODEL	DESCRIPTION
	4271 980	1		M,Z	GASKET SET, Engine, Complete
					Consist of:
					2-4273512 Gasket, Cyl. Block Water Drain Plug
					1-4273517 OIL SEAL, Front Cover
					1-4273532 Gasket, Rear Seal Housing
					1-4173774 SEAL W/HOUSING, Assy., Crankshaft
					1-4273608 GASKET, Cylinder Head
					1-4273621 GASKET, Cylinder Head Cover
					1-4273631 GASKET, Oil Filler Cap
					8-4273515 OIL SEAL, Valve Stem
					1-4273716 GASKET, Oil Pan
					1-4273722 GASKET, Oil Pan Bottom Cover
					1-4273726 GASKET, Oil Pan Drain Plug
					1-4273735 GASKET, Oil Level Indicator
					1-4273737 GASKET, Oil Level Indicator Bracket
					1- GASKET, Oil Pump Relief Valve Plug (Service Pkg. 4271998)
					1- SEAL, Oil Pump Relief Valve (Service in Pkg. 4271998)
					1-4273772 Gasket, Oil Pick-Up Strainer
					1-4273702 Gasket, Water Pump To Oil Pan
					1-4273706 Gasket, Water Inlet Elbow To Oil Pan
					1-4273787 Gasket, Intake Manifold
					1-4273793 Gasket, Exhaust Manifold
					1-4273519 Gasket, Front Cover
Note: This Short Engine Assy. includes a Cylinder Block with Pistons and Rings Crankshaft and Bearings with Caps, Connecting Rods and Bearings, camshaft and Oil Pump Drive Shaft Bushing.					
	4173 751	1			SHORT ENGINE, Assy. (See Note)
1	4293 702	1			CAP, Oil Filler
2	4273 631	1			GASKET, Oil Filler Cap
3	4273 621	1			GASKET, Cylinder Head Cover
4	4173 713	6			NUT, Cylinder Head Cover Stud
5	4173 780	1			COVER, Cylinder Head
6	4273 884	1			HEAD, Cylinder
7	4273 624	6			STUD, Cylinder Head Cover
8	4273 614	5			DOWEL, Rocker Shaft Locating
9	#4273 872	3			PLUG, Cylinder Head
10	4273 613	5			BOLT, Cylinder Head (M10x1.25x151.5)

MODEL CODES

B = GRAN FURY	E = 600	M = HORIZON/TURISMO
C = LE BARON/TOWN & COUNTRY/LIMO	F = FIFTH AVENUE/NEWPORT	P = RELIANT
C24 = LASER	G = DIPLOMAT	T = NEW YORKER
C44 = LE BARON/GTS	H = VOYAGER	V = 600
D = ARIES	J = CARAVELLE	V24 = DAYTONA
D44 = LANCER	K = MINI VAN/CARAVAN/ROYAL	Z = OMNI/CHARGER

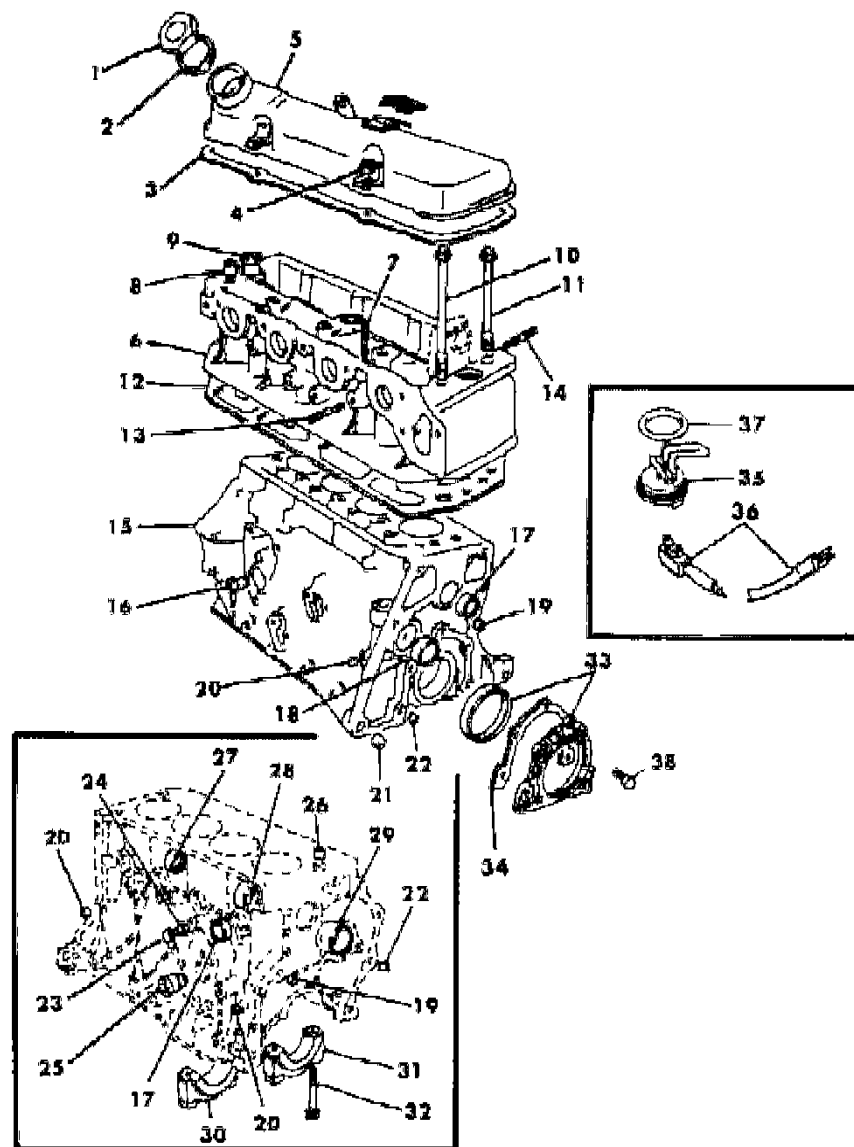
BODY STYLES

21 = 2-DOOR SEDAN	35 = FWD VAN	44 = 4-DOOR HATCHBACK
22 = 2-DOOR SPECIAL COUPE	36 = FWD WAGON	45 = 4-DOOR STATION WAGON
24 = 2-DOOR HATCHBACK	41 = 4-DOOR SEDAN	49 = LIMOUSINE
27 = 2-DOOR CONVERTIBLE		

AR = Use as Required - = Non Illustrated Part P.A.R. = Paint as Required

ENGINE, CYLINDER BLOCK, CYLINDER HEAD 4 CYLINDER ENG. 1.6 L, M,Z
Figure 9A-100

5156 100



ITEM	PART NUMBER	QTY	BODY	MODEL	DESCRIPTION
11	4273 612	6			BOLT, Cylinder Head (M10x1.25x128)
12	4273 608	1			GASKET, Cylinder Head
13	4273 624	8			STUD, Intake Manifold
14	4273 791	5			STUD, Exhaust Manifold
15		1			BLOCK, Assy. (Serviced in Short Eng. Assy.)
16	4273 778	1			BUSHING, Oil Pump
17	4273 508	5			PLUG, Cyl. Block
18	4273 510	1			PLUG, Cyl. Block
19	4273 506	2			PLUG, Cyl. Block
20	4273 504	2			PLUG, Cyl. Block
21	4273 525	2			DOWEL, Clutch Housing Locating
22	4273 514	4			DOWEL, Front Cover Locating
23	4273 511	1			PLUG, Cyl. Block Water Drain
24	4173 730	1			GASKET, Cyl. Block Water Drain Plug
25	4273 782	1			BUSHING, Oil Pump
26	4273 614	2			DOWEL, Cyl. Head Locating
27	4173 752	1			BEARING, Camshaft, No.1
28	4173 753	1			BEARING, Camshaft, No.2
29	4173 754	1			BEARING, Camshaft, No.3
30		4			CAP, Crankshaft Bearing (1,2,4,5) (Serviced in Short Eng. 4173751)
31		1			CAP, Crankshaft Bearing (3) (Serviced in Short Eng. 4173751)
32	4273 540	10			SCREW, Crankshaft Bearing Cap
33	4173 774	1			HOUSING, Assy. Crankshaft Rear Seal (w/Seal)
34	4273 532	1			GASKET, Crankshaft Rear Seal Housing
35	5213 548	1			HEATER, Eng. Block
36	5213 549	1			CORD, Eng. Block Heater
37	6027 513	AR			"O"RING, Eng. Block Heater
38	4273 534	5			SCREW, Rear Seal Housing

MODEL CODES

B = GRAN FURY	E = 600	M = HORIZON/TURISMO
C = LE BARON/TOWN & COUNTRY/LIMO	F = FIFTH AVENUE/NEWPORT	P = RELIANT
C24 = LASER	G = DIPLOMAT	T = NEW YORKER
C44 = LE BARON/GTS	H = VOYAGER	V = 600
D = ARIES	J = CARAVELLE	V24 = DAYTONA
D44 = LANCER	K = MINI VAN/CARAVAN/ROYAL	Z = OMNI/CHARGER

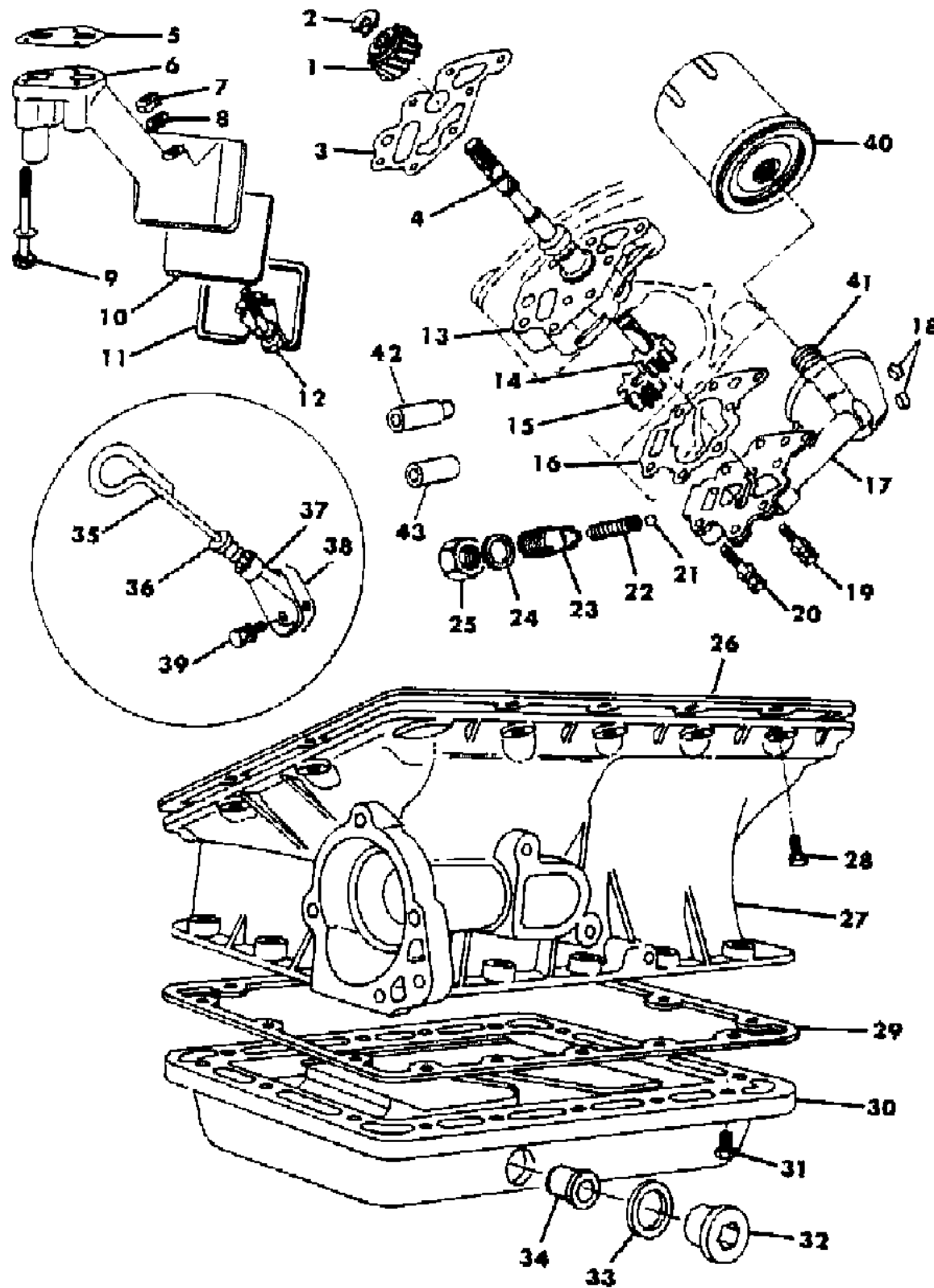
BODY STYLES

21 = 2-DOOR SEDAN	35 = FWD VAN	44 = 4-DOOR HATCHBACK
22 = 2-DOOR SPECIAL COUPE	36 = FWD WAGON	45 = 4-DOOR STATION WAGON
24 = 2-DOOR HATCHBACK	41 = 4-DOOR SEDAN	49 = LIMOUSINE
27 = 2-DOOR CONVERTIBLE		

AR = Use as Required - = Non Illustrated Part P.A.R. = Paint as Required

OIL PUMP, OIL PAN, OIL LEVEL INDICATOR, OIL FILTER 4 CYLINDER ENG. 1.6 L, M,Z
Figure 9A-200

5159 200



ITEM	PART NUMBER	QTY	BODY	MODEL	DESCRIPTION
	4273 802				OIL PUMP, Assy. Consists of: 1- 4273752 Gasket Oil Pump 1- ----- Body Assy. Oil Pump 1- ----- Drive Gear, Oil Pump 1- ----- Gear, Oil Pump 1- ----- Gasket, Body 1- ----- Plug, Oil Pump Cover 1- ----- Cover, Assy., Oil Pump 3- ----- Screw, Oil Pump Cover (MM 7x1.0x50) 4- ----- Screw, Oil Pump Cover (MM 7x1.0x60) 1- ----- Plug, Relief Valve (also in 4271998) 1- ----- Ball, Valve Oil Pump (also in 4271998) 1- ----- Spring, Relief Valve (also in 4271998) 1- ----- Body, Relief Valve (also in 4271998) 1- ----- Gasket, Relief Valve (also in 4271998)
	4271 998				PACKAGE, Oil Pump Relief Valve Consists of: 1 ----- Valve, Oil Pump Relief 1 ----- Spring, Relief Valve 1 ----- Gasket, Relief Valve Plug 1 ----- Plug, Relief Valve 1 ----- Body, Relief Valve 1 ----- Seal, Relief Valve
	4293 858				REPAIR PACKAGE, Distributer and Oil Pump Drive Shaft Consists of: 1----- Drive Gear, Oil Pump 1-4173736 Gasket, Distributor to Cyl. Block 1----- Thrust Washer 1-4273767 "E" Ring Clip Retainer 1----- Bushing
1		1			DRIVE GEAR, Oil Pump (Service in 4293858 Pkg.)
2	4273 767	1			RETAINING RING, Oil Pump Gear
3	4273 752	1			GASKET, Oil Pump
4	4273 761	1			DRIVE SHAFT, Oil Pump
5	4273 772	1			GASKET, Strainer Oil Pick-Up
6	4273 768	1			STRAINER, Oil Pick-Up

MODEL CODES

B = GRAN FURY	E = 600	M = HORIZON/TURISMO
C = LE BARON/TOWN & COUNTRY/LIMO	F = FIFTH AVENUE/NEWPORT	P = RELIANT
C24 = LASER	G = DIPLOMAT	T = NEW YORKER
C44 = LE BARON/GTS	H = VOYAGER	V = 600
D = ARIES	J = CARAVELLE	V24 = DAYTONA
D44 = LANCER	K = MINI VAN/CARAVAN/ROYAL	Z = OMNI/CHARGER

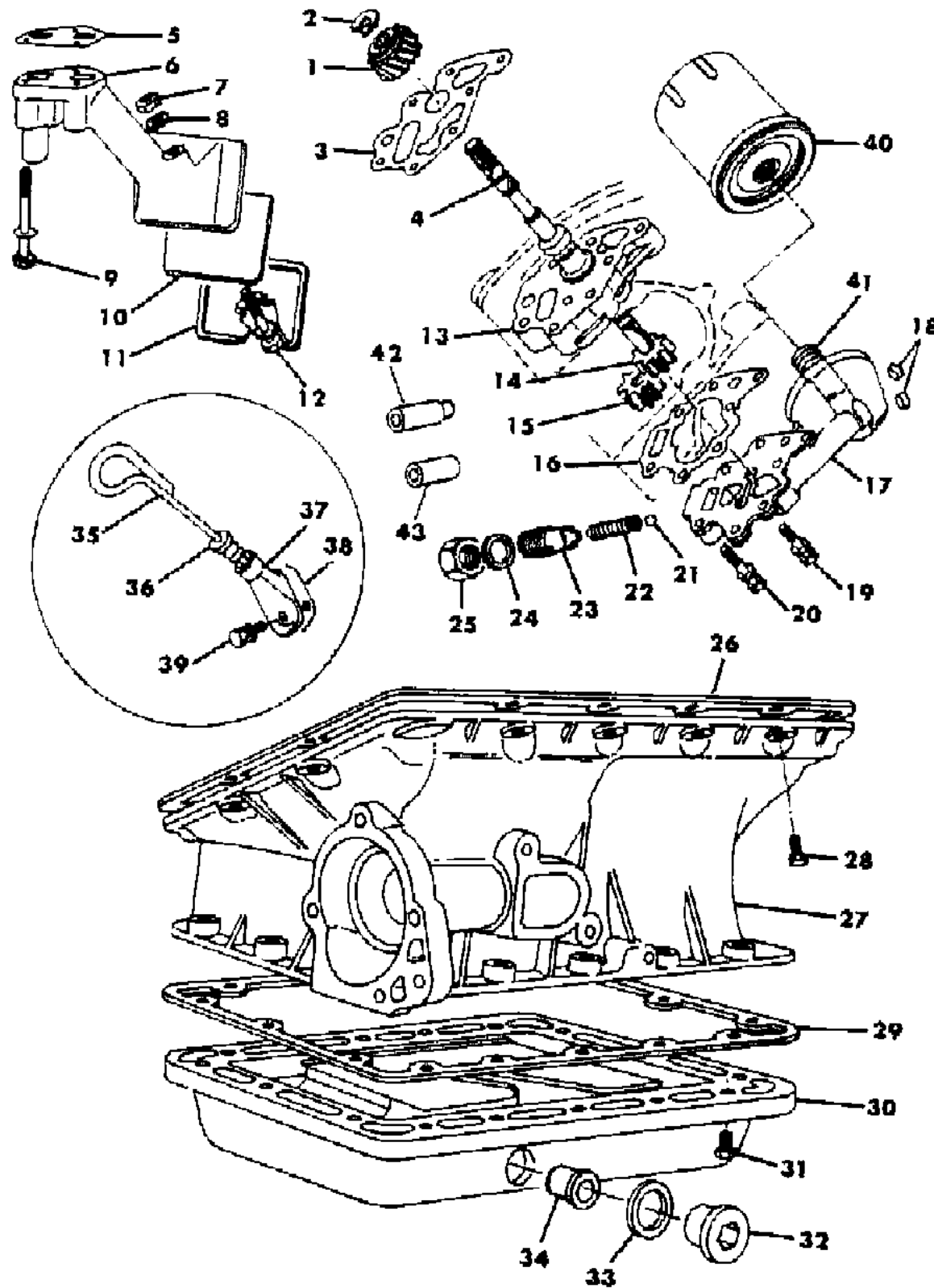
BODY STYLES

21 = 2-DOOR SEDAN	35 = FWD VAN	44 = 4-DOOR HATCHBACK
22 = 2-DOOR SPECIAL COUPE	36 = FWD WAGON	45 = 4-DOOR STATION WAGON
24 = 2-DOOR HATCHBACK	41 = 4-DOOR SEDAN	49 = LIMOUSINE
27 = 2-DOOR CONVERTIBLE		

AR = Use as Required - = Non Illustrated Part P.A.R. = Paint as Required

OIL PUMP, OIL PAN, OIL LEVEL INDICATOR, OIL FILTER 4 CYLINDER ENG. 1.6 L, M,Z
Figure 9A-200

5159 200



ITEM	PART NUMBER	QTY	BODY	MODEL	DESCRIPTION
7	4273 776	1			NUT, Screen Cover Strainer Screw
8	4273 775	1			WASHER, Screen Cover Strainer Screw
9	4273 773	3			SCREW, Oil Pick-Up Strainer (M7x1.0x50)
10	4273 770	1			SCREEN, Strainer Oil Pick-Up
11	4273 771	1			COVER, Oil Strainer Screen
12	4273 774	1			SCREW, Screen Cover Strainer
13		1			BODY, Oil Pump (Service in 4273802 Pump)
14		1			DRIVE GEAR, Oil Pump (Service in 4273802 Pump)
15		1			GEAR, Oil Pump (Service in 4273802 Pump)
16		1			GASKET, Oil Pump (Between Body and Cover)(Service in 4273802 Pump)
17		1			COVER, Oil Pump (Service in 4273802 Pump)
18		2			PLUG, Oil Pump Cover (Service in 4273802 Pump)
19		3			SCREW, Oil Pump Cover (M7x1.0x50)(Service in 4273802 Pump)
20		4			SCREW, Oil Pump Cover (M7x1.0x60) (Service in 4273802 Pump)
21		1			BALL, Relief Valve
22		1			SPRING, Relief Valve, Oil Pump (Service Pkg. 4271998)
23		1			BODY, Relief Valve (Service Pkg. 4271998)
24		1			GASKET, Relief Valve Plug (Service Pkg. 4271998)
25		1			PLUG, Relief Valve (Service Pkg. 4271998)
26	4273 716	1			GASKET, Oil Pan
27	4273 714	1			OIL PAN
28	4273 717	14			SCREW, Oil Pan
29	4273 722	1			GASKET, Oil Pan Bottom Cover
30	4273 857	1			COVER Assy., Oil Pan Bottom
31	4273 724	6			SCREW, Oil Pan Bottom Cover
32	4273 728	1			PLUG, Oil Pan Drain
33	4273 726	1			GASKET, Oil Pan Drain Plug
34	4273 720	1			COLLAR, Oil Pan Drain Plug
35	4273 731	1			INDICATOR, Oil Level
36	4273 735	1			GASKET, Oil Level Indicator
37	4273 736	1			BRACKET, Oil Level Indicator
38	4273 737	1			GASKET, Oil Level Indicator Bracket
39	4173 732	2			SCREW, Oil Level Indicator Bracket
40	4273 810	1			OIL FILTER
41	4273 811	1			ADAPTER, Oil Filter

MODEL CODES

B = GRAN FURY	E = 600	M = HORIZON/TURISMO
C = LE BARON/TOWN & COUNTRY/LIMO	F = FIFTH AVENUE/NEWPORT	P = RELIANT
C24 = LASER	G = DIPLOMAT	T = NEW YORKER
C44 = LE BARON/GTS	H = VOYAGER	V = 600
D = ARIES	J = CARAVELLE	V24 = DAYTONA
D44 = LANCER	K = MINI VAN/CARAVAN/ROYAL	Z = OMNI/CHARGER

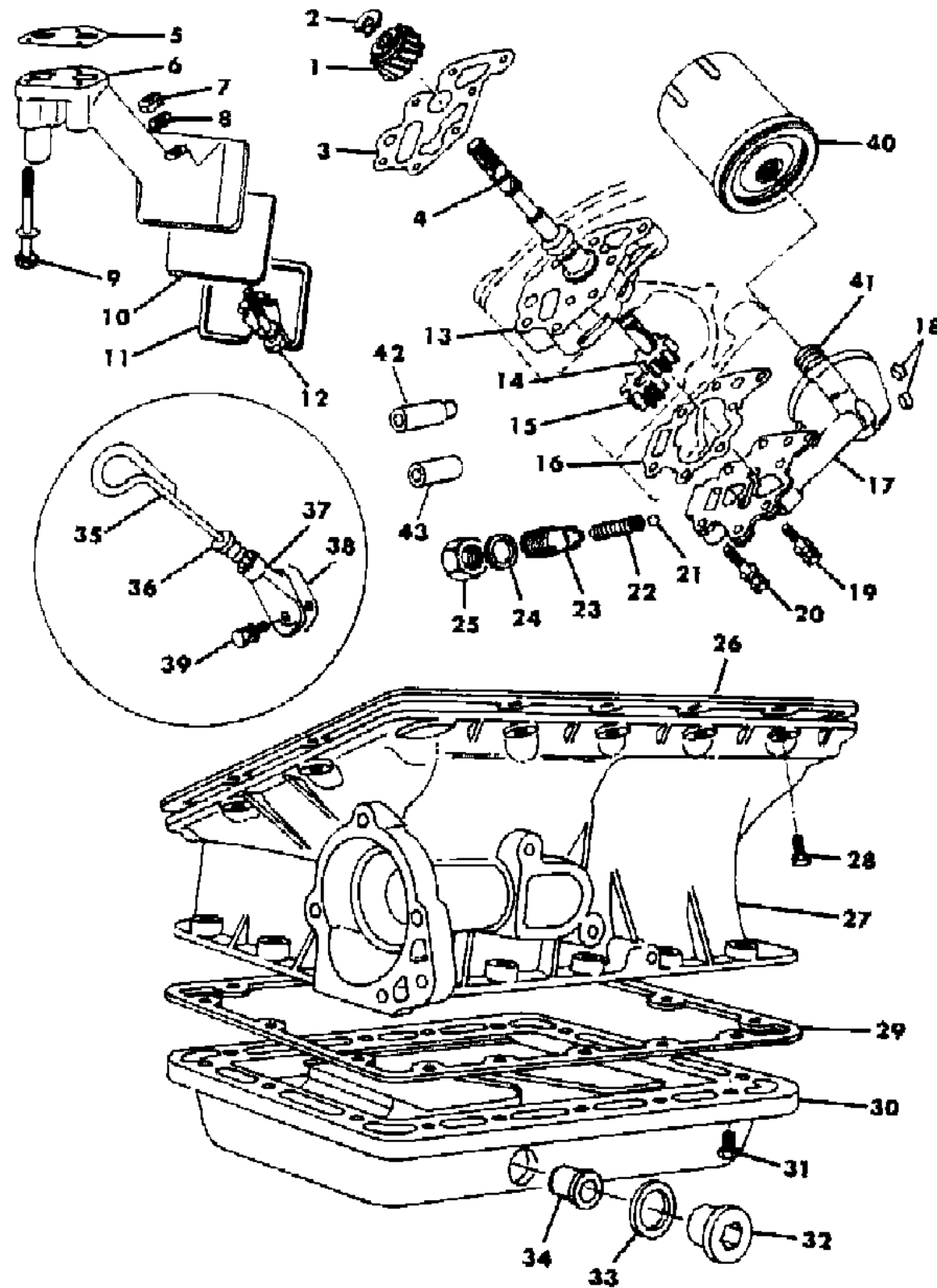
BODY STYLES

21 = 2-DOOR SEDAN	35 = FWD VAN	44 = 4-DOOR HATCHBACK
22 = 2-DOOR SPECIAL COUPE	36 = FWD WAGON	45 = 4-DOOR STATION WAGON
24 = 2-DOOR HATCHBACK	41 = 4-DOOR SEDAN	49 = LIMOUSINE
27 = 2-DOOR CONVERTIBLE		

AR = Use as Required - = Non Illustrated Part P.A.R. = Paint as Required

OIL PUMP, OIL PAN, OIL LEVEL INDICATOR, OIL FILTER 4 CYLINDER ENG. 1.6 L, M,Z
Figure 9A-200

5159 200



ITEM	PART NUMBER	QTY	BODY	MODEL	DESCRIPTION
------	-------------	-----	------	-------	-------------

42	4273 778	1			BUSHING, Oil Pump
43	4273 782	1			BUSHING, Oil Pump
-	4273 759	3			SCREW w/Washer, Oil Pump to Cyl. Block ***

MODEL CODES

B = GRAN FURY	E = 600	M = HORIZON/TURISMO
C = LE BARON/TOWN & COUNTRY/LIMO	F = FIFTH AVENUE/NEWPORT	P = RELIANT
C24 = LASER	G = DIPLOMAT	T = NEW YORKER
C44 = LE BARON/GTS	H = VOYAGER	V = 600
D = ARIES	J = CARAVELLE	V24 = DAYTONA
D44 = LANCER	K = MINI VAN/CARAVAN/ROYAL	Z = OMNI/CHARGER

BODY STYLES

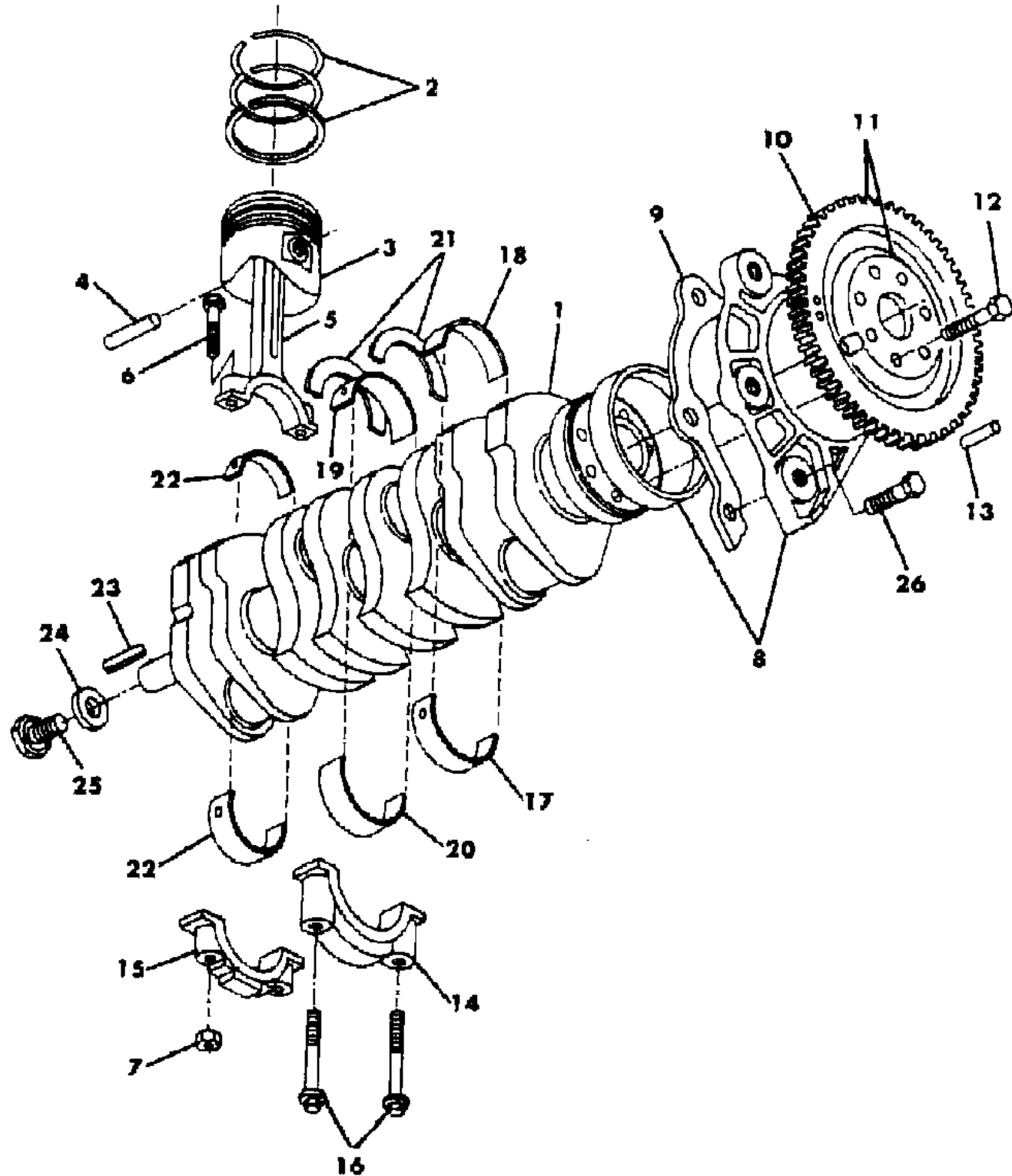
21 = 2-DOOR SEDAN	35 = FWD VAN	44 = 4-DOOR HATCHBACK
22 = 2-DOOR SPECIAL COUPE	36 = FWD WAGON	45 = 4-DOOR STATION WAGON
24 = 2-DOOR HATCHBACK	41 = 4-DOOR SEDAN	49 = LIMOUSINE
27 = 2-DOOR CONVERTIBLE		

AR = Use as Required - = Non Illustrated Part P.A.R. = Paint as Required

CRANKSHAFT, CONNECTING ROD, PISTONS, RINGS, FLYWHEEL 4 CYLINDER ENG. 1.6 L, M,Z

Figure 9A-300

5158 300



ITEM	PART NUMBER	QTY	BODY	MODEL	DESCRIPTION
1	4273 530	1			CRANKSHAFT
2	4271 995	4			RING SET, Piston, Std. (For One Piston)
	4271 996	4			0.10 MM O/S
	4271 997	4			0.40 MM O/S
3	4173 739	4			PISTON, Std. (Stamped B)
	4173 740	4			Std. (Stamped C)
	4173 741	4			Std. (Stamped D)
	4173 737	4			0.10 MM O/S
	4173 738	4			0.40 MM O/S
4	4273 561	4			PIN, Piston
5	4173 775	4			ROD Assy. Connecting, w/Cap
6	4273 548	8			SCREW, Connecting Rod Bearing Cap
7	4273 549	8			NUT, Connecting Rod Bearing Cap Screw
8	4173 774	1			HOUSHING Assy., Crankshaft Rear Seal (w/Seal)
9	4273 532	1			GASKET, Crankshaft Rear Seal Housing
10	4202 950	1			GEAR, Flywheel Ring
11	4202 927	1			FLYWHEEL Assy., w/Ring Gear
12	6500 636	7			BOLT, Flywheel To Crankshaft
13	6031 923	3			DOWEL, Clutch Cover To Flywheel
14					CAP, Crankshaft Bearing (Service in Short Eng. 4173751)
15					CAP, Connecting Rod Bearing (Service in Connecting Rod Assy. 4173775)
16	4273 540	10			SCREW, Crankshaft Bearing Cap
17	4173 756	2			BEARING, Crankshaft No.1 and 5 Lower, Std.
	4173 760	2			0.10 MM U/S
	4173 764	2			0.20 MM U/S
	4173 768	2			0.50 MM U/S
18	4173 757	6			BEARING, Crankshaft No.1,2,4,5 Upper And No.2,4 Lower, Std.
	4173 761	6			0.10 MM U/S.
	4173 765	6			0.20 MM U/S.
	4173 769	6			0.50 MM U/S.
19	4173 758	1			BEARING, Crankshaft No.3 Upper, Std.
	4173 762	1			0.10 MM U/S.
	4173 766	1			0.20 MM U/S.
	4173 770	1			0.50 MM U/S.
	4173 755	1			BEARING, Crankshaft No.3 Lower, Std.
	4173 759	1			0.10 MM U/S.

MODEL CODES

B = GRAN FURY	E = 600	M = HORIZON/TURISMO
C = LE BARON/TOWN & COUNTRY/LIMO	F = FIFTH AVENUE/NEWPORT	P = RELIANT
C24 = LASER	G = DIPLOMAT	T = NEW YORKER
C44 = LE BARON/GTS	H = VOYAGER	V = 600
D = ARIES	J = CARAVELLE	V24 = DAYTONA
D44 = LANCER	K = MINI VAN/CARAVAN/ROYAL	Z = OMNI/CHARGER

BODY STYLES

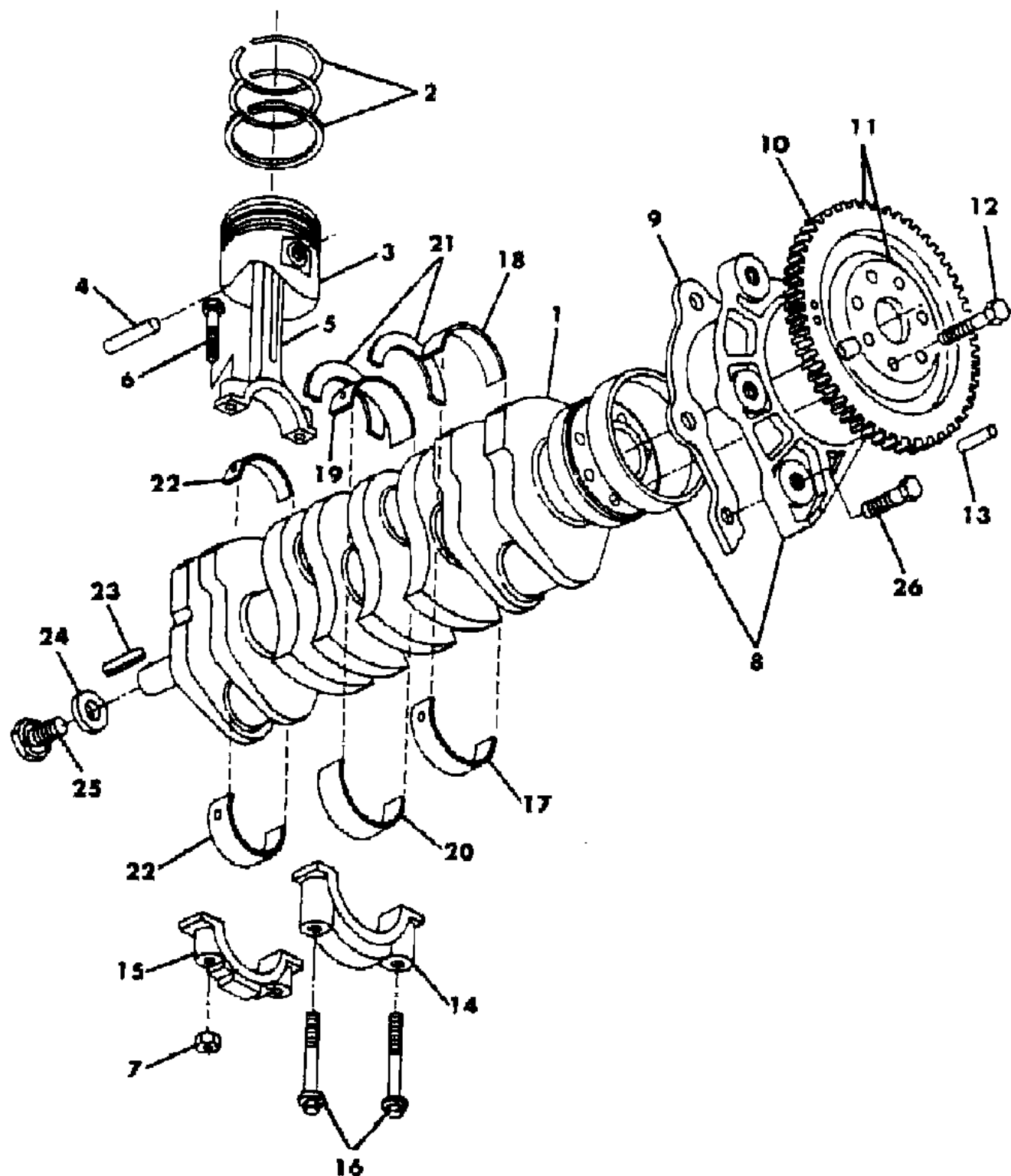
21 = 2-DOOR SEDAN	35 = FWD VAN	44 = 4-DOOR HATCHBACK
22 = 2-DOOR SPECIAL COUPE	36 = FWD WAGON	45 = 4-DOOR STATION WAGON
24 = 2-DOOR HATCHBACK	41 = 4-DOOR SEDAN	49 = LIMOUSINE
27 = 2-DOOR CONVERTIBLE		

AR = Use as Required - = Non Illustrated Part P.A.R. = Paint as Required

CRANKSHAFT, CONNECTING ROD, PISTONS, RINGS, FLYWHEEL 4 CYLINDER ENG. 1.6 L, M,Z

Figure 9A-300

5158 300



ITEM	PART NUMBER	QTY	BODY	MODEL	DESCRIPTION
	4173 763	1			0.20 MM U/S.
	4173 767	1			0.50 MM U/S.
21	4173 771	2			THRUST WASHER, Std.
	4173 772	2			0.10 MM U/S.
	4173 773	2			0.20 MM U/S.
22	4273 551	8			BEARING, Connecting Rod, Std.
	4173 779	8			0.10 MM U/S.
23	4273 804	1			KEY, Crankshaft Timing Sprocket and Pulley
24	4273 865	1			WASHER, Crankshaft and Pulley Screw
25	4273 806	1			SCREW, Crankshaft and Pulley
26	4273 534	5			SCREW, Crankshaft Rear Seal Housing

MODEL CODES

B = GRAN FURY	E = 600	M = HORIZON/TURISMO
C = LE BARON/TOWN & COUNTRY/LIMO	F = FIFTH AVENUE/NEWPORT	P = RELIANT
C24 = LASER	G = DIPLOMAT	T = NEW YORKER
C44 = LE BARON/GTS	H = VOYAGER	V = 600
D = ARIES	J = CARAVELLE	V24 = DAYTONA
D44 = LANCER	K = MINI VAN/CARAVAN/ROYAL	Z = OMNI/CHARGER

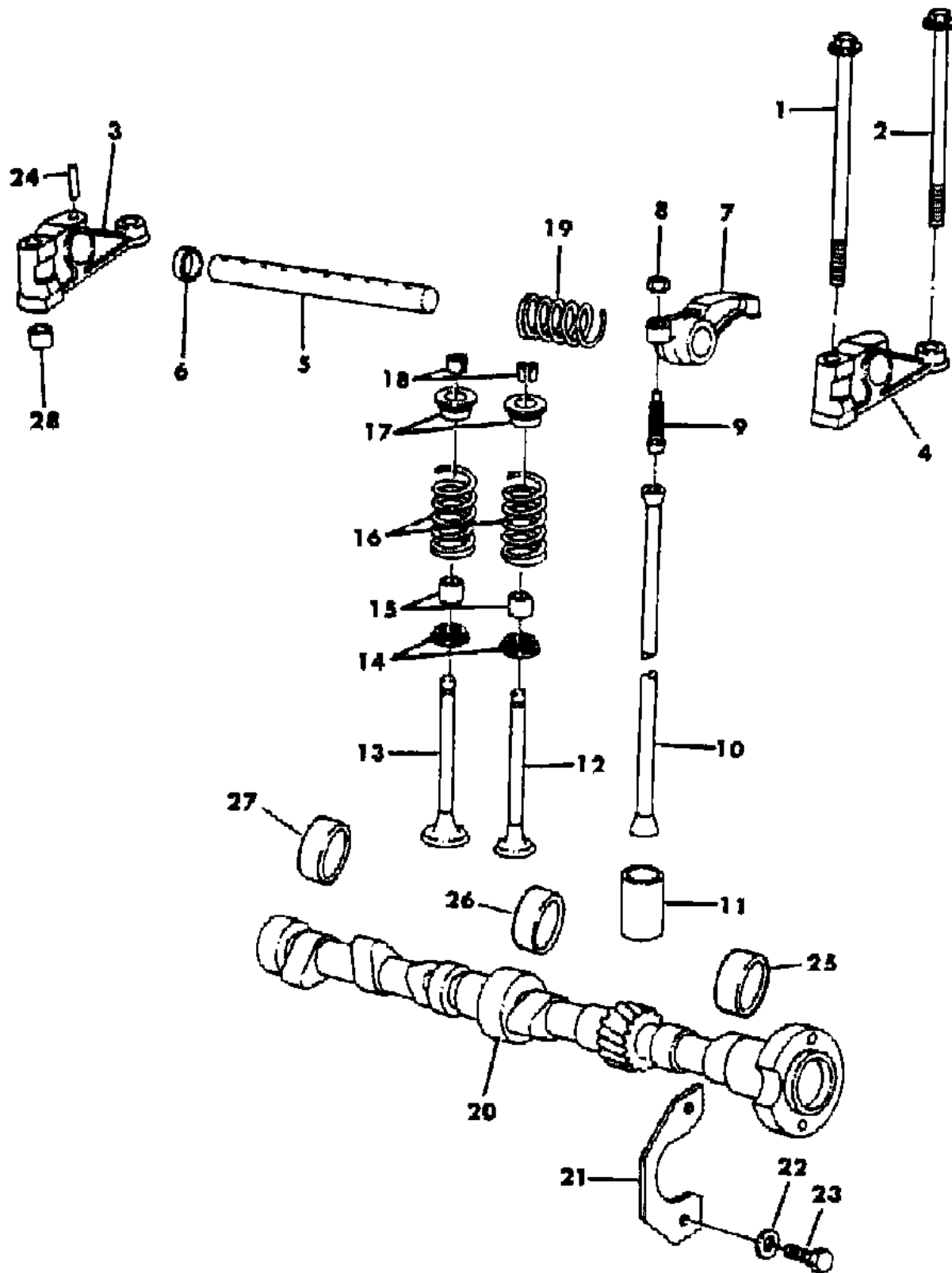
BODY STYLES

21 = 2-DOOR SEDAN	35 = FWD VAN	44 = 4-DOOR HATCHBACK
22 = 2-DOOR SPECIAL COUPE	36 = FWD WAGON	45 = 4-DOOR STATION WAGON
24 = 2-DOOR HATCHBACK	41 = 4-DOOR SEDAN	49 = LIMOUSINE
27 = 2-DOOR CONVERTIBLE		

AR = Use as Required - = Non Illustrated Part P.A.R. = Paint as Required

CAMSHAFT, ROCKER SHAFT, INTAKE AND EXHAUST VALVES 4 CYLINDER ENG. 1.6 L, M,Z
Figure 9A-400

5158 400



ITEM	PART NUMBER	QTY	BODY	MODEL	DESCRIPTION
1	4273 613	5			BOLT, Cylinder Head (M10x1.25x151)
2	4273 612	5			(M10x1.25x128)
3	4273 684	3			SUPPORT, Rocker Shaft No. 1,3,5
4	4273 685	2			SUPPORT, Rocker Shaft No. 2 and 4
5	4273 679	2			SHAFT Assy., Rocker
6		2			PLUG, Rocker Shaft (Do Not Service)
7	4273 678	4			ROCKER, Right
	4273 677	4			Left
8	4273 687	8			LOCK NUT, Rocker Adjusting Screw
9	4273 686	8			SCREW, Rocker Adjusting
10	4273 676	8			STEM, Rocker (Push Rod)
11	4273 601	8			TAPPET, Valve
12	4273 879	4			VALVE, Exhaust
13	4273 874	4			VALVE, Intake
14	4273 660	8			WASHER, Valve Spring Lower
15	4273 515	8			SEAL, Valve Stem
16	4273 657	8			SPRING, Valve
17	4273 663	8			RETAINER, Valve
18	4273 667	16			LOCK, Valve Spring
19	4273 536	4			SPRING, Rocker Spacer
20	4273 587	1			CAMSHAFT
21	4273 590	1			PLATE, Camshaft Lateral Retaining
22	#4273 871	2			WASHER, Camshaft Retaining Plate
23	4273 583	2			SCREW, Camshaft Retaining Plate
24	4273 682	2			PIN, Rocker Shaft
25	4173 754	1			BEARING, Camshaft No.3
26	4173 753	1			BEARING, Camshaft No.2
27	4173 752	1			BEARING, Camshaft No.1
28	4273 614	5			DOWEL, Rocker Shaft Locating

MODEL CODES

B = GRAN FURY	E = 600	M = HORIZON/TURISMO
C = LE BARON/TOWN & COUNTRY/LIMO	F = FIFTH AVENUE/NEWPORT	P = RELIANT
C24 = LASER	G = DIPLOMAT	T = NEW YORKER
C44 = LE BARON/GTS	H = VOYAGER	V = 600
D = ARIES	J = CARAVELLE	V24 = DAYTONA
D44 = LANCER	K = MINI VAN/CARAVAN/ROYAL	Z = OMNI/CHARGER

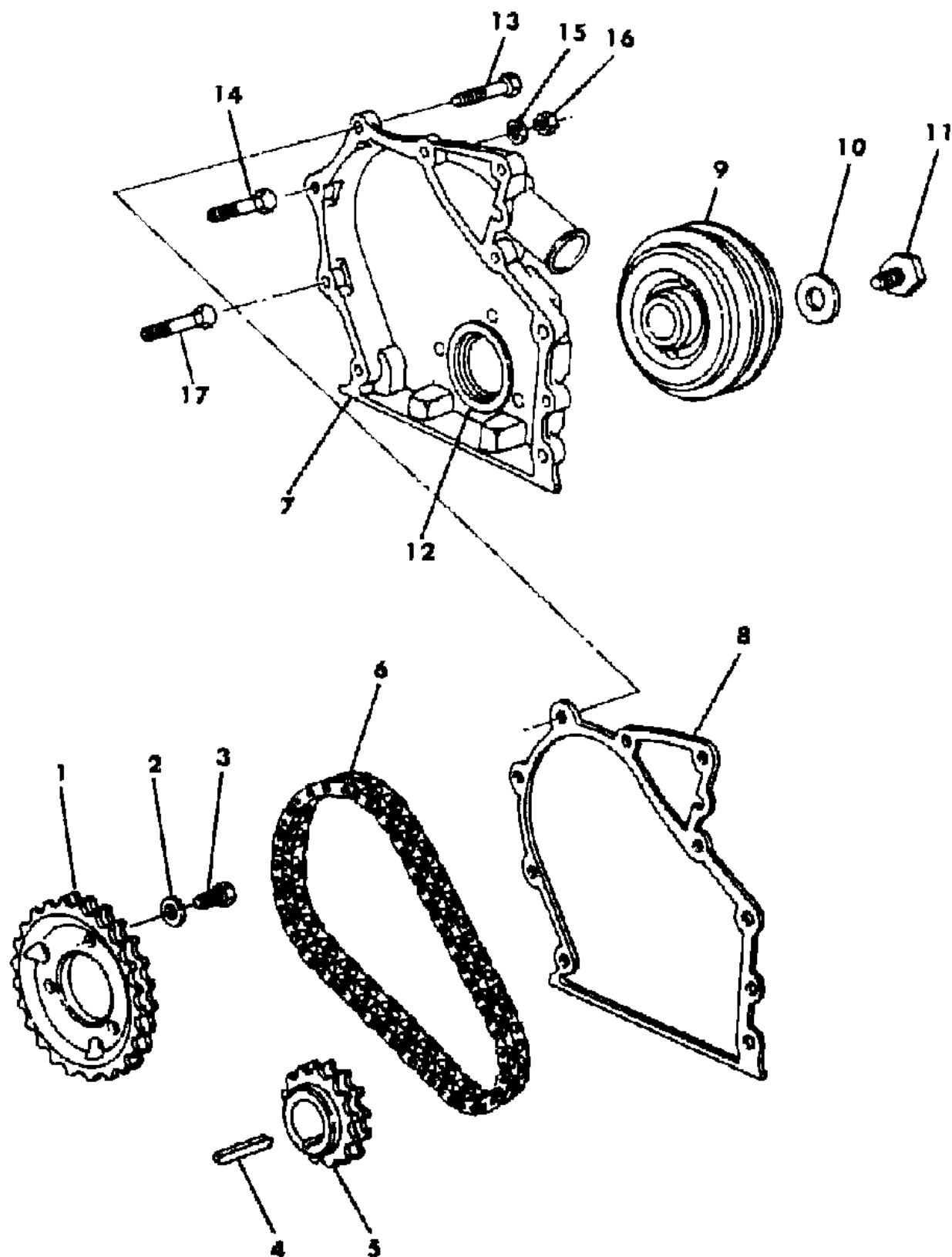
BODY STYLES

21 = 2-DOOR SEDAN	35 = FWD VAN	44 = 4-DOOR HATCHBACK
22 = 2-DOOR SPECIAL COUPE	36 = FWD WAGON	45 = 4-DOOR STATION WAGON
24 = 2-DOOR HATCHBACK	41 = 4-DOOR SEDAN	49 = LIMOUSINE
27 = 2-DOOR CONVERTIBLE		

AR = Use as Required - = Non Illustrated Part P.A.R. = Paint as Required

TIMING CHAIN, SPROCKETS, COVER 4 CYLINDER ENG. 1.6 L, M,Z
Figure 9A-500

5158 500



ITEM	PART NUMBER	QTY	BODY	MODEL	DESCRIPTION
1	4273 847	1			SPROCKET, Camshaft
2	4173 711	3			WASHER, Camshaft Sprocket Screw
3	4273 583	3			SCREW, Camshaft Sprocket
4	4273 804	1			KEY, Camshaft Sprocket and Pulley
5	4273 535	1			SPROCKET, Crankshaft Timing Chain
6	4273 635	1			CHAIN, Timing
7	4273 842	1			COVER, Chain Case
8	4273 519	1			GASKET, Chain Case Cover (Front Cover)
9	4273 803	1			PULLEY, Crankshaft Drive
10	4273 865	1			WASHER, Crankshaft and Pulley Screw
11	4273 806	1			SCREW, Crankshaft and Pulley
12	4173 789	1			OIL SEAL, Front Cover
13	4273 521	2			SCREW, Front Cover
14	4273 522	1			SCREW, Front Cover
15	#4273 869	1			WASHER, Front Cover
16	#4273 870	1			NUT, Front Cover
17	4273 873	7			SCREW, Front Cover

MODEL CODES

B = GRAN FURY	E = 600	M = HORIZON/TURISMO
C = LE BARON/TOWN & COUNTRY/LIMO	F = FIFTH AVENUE/NEWPORT	P = RELIANT
C24 = LASER	G = DIPLOMAT	T = NEW YORKER
C44 = LE BARON/GTS	H = VOYAGER	V = 600
D = ARIES	J = CARAVELLE	V24 = DAYTONA
D44 = LANCER	K = MINI VAN/CARAVAN/ROYAL	Z = OMNI/CHARGER

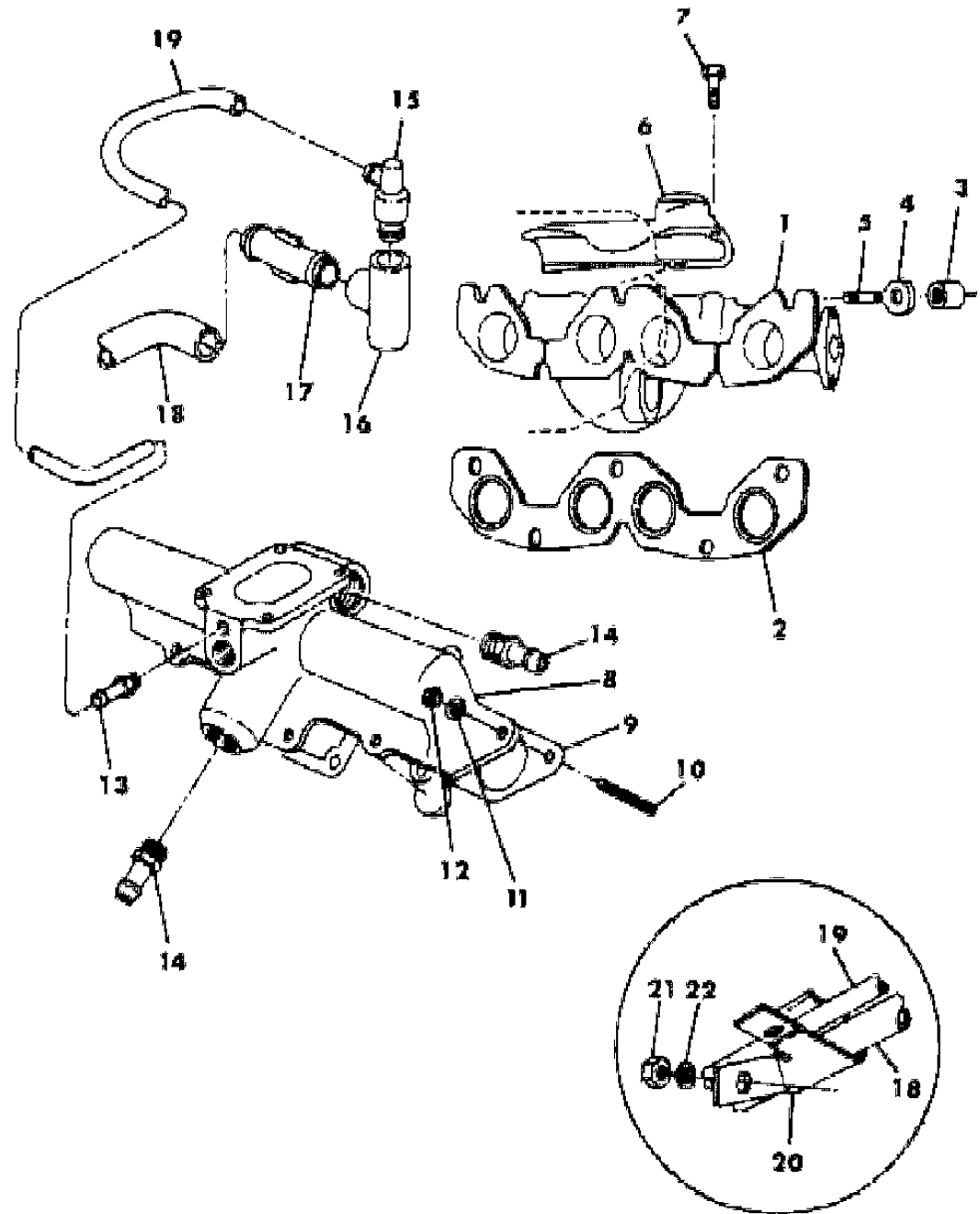
BODY STYLES

21 = 2-DOOR SEDAN	35 = FWD VAN	44 = 4-DOOR HATCHBACK
22 = 2-DOOR SPECIAL COUPE	36 = FWD WAGON	45 = 4-DOOR STATION WAGON
24 = 2-DOOR HATCHBACK	41 = 4-DOOR SEDAN	49 = LIMOUSINE
27 = 2-DOOR CONVERTIBLE		

AR = Use as Required - = Non Illustrated Part P.A.R. = Paint as Required

MANIFOLD, INTAKE AND EXHAUST, CRANKCASE VENT VALVE 4 CYLINDER ENG. 1.6 L, M,Z
Figure 9A-600

5159 600



ITEM	PART NUMBER	QTY	BODY	MODEL	DESCRIPTION
1	4273 790	1			MANIFOLD, Exhaust
2	4273 793	1			GASKET, Exhaust Manifold
3	4173 798	5			NUT, Exhaust Manifold
4	4173 717	5			WASHER, Exhaust Manifold
5	4173 716	5			STUD, Exhaust Manifold
6	4273 798	1			PLATE, Hot Air Intake
7	4173 796	4			SCREW, Hot Air Intake Plate
8	4293 860	1			MANIFOLD, Intake
9	4273 787	1			GASKET, Intake Manifold
10	4273 624	8			STUD, Intake Manifold
11	4173 733	8			WASHER, Intake Manifold Stud
12	4173 715	8			NUT, Intake Manifold Stud
13	4273 861	1			CONNECTOR, Blow By Pickup Intake Manifold
14	4173 799	2			CONNECTOR, Intake Manifold To Water Pump, Water Outlet
15	4273 145	1			VALVE, Crankcase Vent
16	4273 332	1			ELBOW, Crankcase Vent Valve (Attaching)
17	4105 734	1			CONNECTOR, Crankcase Vent Valve Elbow to Hose
18	5214 992	1			HOSE, Crankcase Vent Valve to Air Cleaner
19	5214 991	1			HOSE, Crankcase Vent Valve to Intake Manifold Vacuum Source
20	4273 337	1			BRACKET, Crankcase Vent Hose Support
21	6100 517	1			NUT, Crankcase Vent Hose Support Bracket (attaching)
22		1			WASHER, Crankcase Vent Hose Support Bracket Nut (attaching)
-	4273 861	1			NIPPLE, Crankcase Vent Hose

MODEL CODES

B = GRAN FURY	E = 600	M = HORIZON/TURISMO
C = LE BARON/TOWN & COUNTRY/LIMO	F = FIFTH AVENUE/NEWPORT	P = RELIANT
C24 = LASER	G = DIPLOMAT	T = NEW YORKER
C44 = LE BARON/GTS	H = VOYAGER	V = 600
D = ARIES	J = CARAVELLE	V24 = DAYTONA
D44 = LANCER	K = MINI VAN/CARAVAN/ROYAL	Z = OMNI/CHARGER

BODY STYLES

21 = 2-DOOR SEDAN	35 = FWD VAN	44 = 4-DOOR HATCHBACK
22 = 2-DOOR SPECIAL COUPE	36 = FWD WAGON	45 = 4-DOOR STATION WAGON
24 = 2-DOOR HATCHBACK	41 = 4-DOOR SEDAN	49 = LIMOUSINE
27 = 2-DOOR CONVERTIBLE		

AR = Use as Required - = Non Illustrated Part P.A.R. = Paint as Required

MOUTINGS, ENGINE 4 CYLINDER ENG. 1.6 L, M,Z
Figure 9A-700

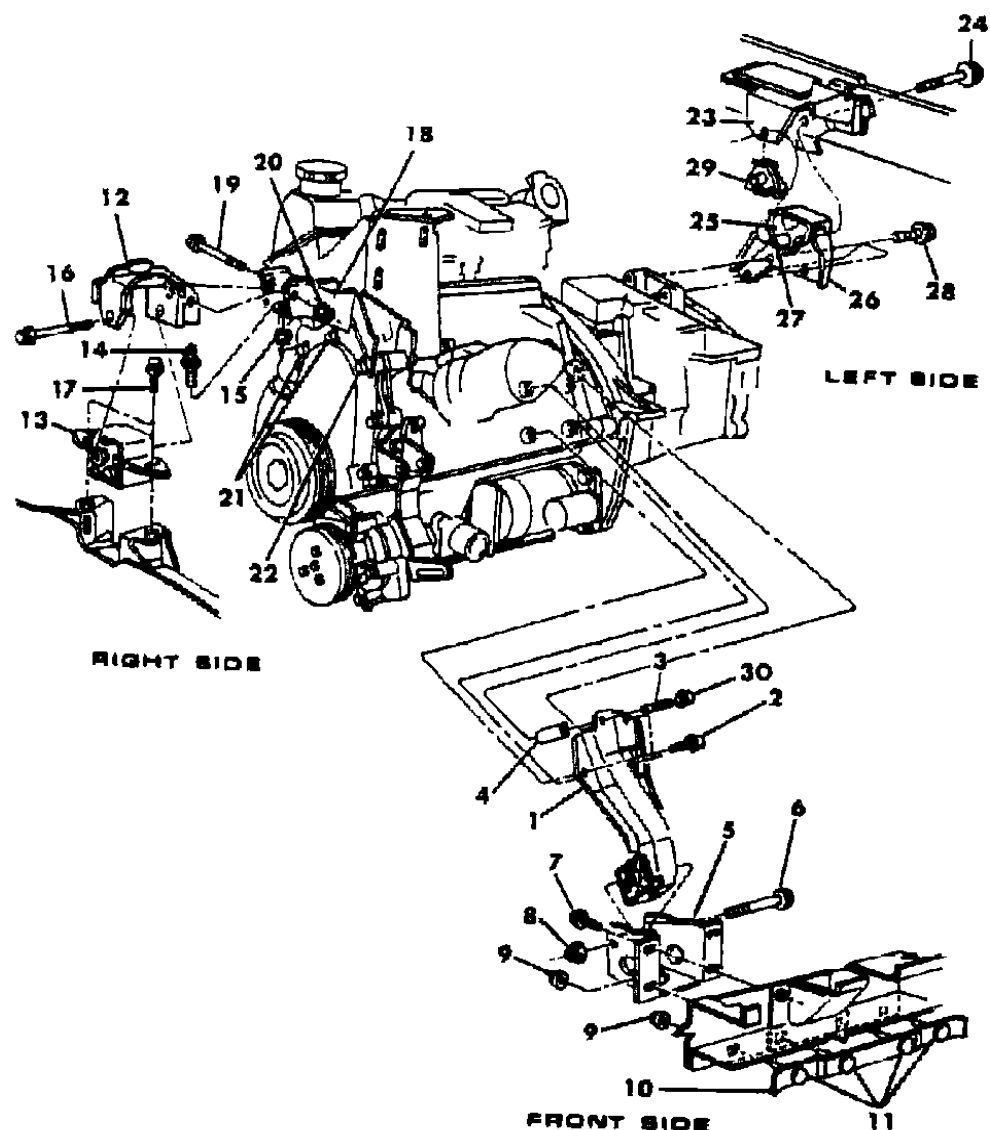
5:58 700

ITEM	PART NUMBER	QTY	BODY	MODEL	DESCRIPTION
1	4269 354	1			INSULATOR, Engine Support Front
2	6500 157	3			SCREW W/WASHER, Front Engine Support To Block
3	6500 825	1			STUD, Front Engine Support To Block
4	6032 258	1			SPACER, Front Engine Support To Block
	4273 526	1			SPACER, Engine Support Bracket
5	4270 120	1			BRACKET, Front Side Rail Front Crossmember Engine Mounting Front
6	4271 953	1			SCREW w/Washer, Bracket to Insulator Engine Front Support ***
7	6500 535	2			SCREW w/Washer, Bracket to Front Side Rail Crossmember Reinforcement
8	6100 053	1			NUT, Bracket to Insulator Eng. Front Support Screw
9	6100 518	4			NUT, Front Crossmember Tie Plate Screw
10	4296 259	1			TIE PLATE, Front Crossmember
11	6500 233	4			SCREW, Front Crossmember Tie Plate
12	4295 264	1			BRACKET, Eng. Support Insulator, Right
13	4505 411	1			BUSHING, Engine Support Insulator Rt.
14	4295 274	1			STUD, Eng. Support Insulator Bracket to Eng. Mounting, Right and Power Strg. Pump Mounting Bracket
15	6500 164	1			NUT, Eng. Bracket Right and Power Strg. Pump Bracket Stud
16	6500 839	1			SCREW w/Washer, Eng. Support Insulator and Bracket, Right
17	6500 555	2			SCREW w/Washer, Bushing to Side Rail Bracket, Right
18	4273 203	1			BRACKET, Eng. Mounting Right and Power Strg. Pump Mounting
19	6501 076	1			BOLT, Bracket to Bracket Right and Power Strg. Pump Mounting Bracket
20	6100 519	1			NUT, Bracket Right and Power Strg. Pump Mounting Bracket Bolt
21	6500 192	2			SCREW w/Washer, Bracket Mounting
22		1			SCREW w/Washer, Bracket Mounting (Not Serviced)
23		1			BRACKET, Frame Side Rail (Welded) Left
24	6500 840	1			SCREW w/Washer, Insulator to Frame Side Rail Bracket, Left
25	4295 237	1			BUSHING, Eng. Support Insulator Left
26	4295 256	1			BRACKET, Eng. Support Insulator Left, w/Man. Trans.
	4295 254	1			w/Auto. Trans.
27		1			SPACER, Insulator Bushing, Left (Serviced in item 25)
28	6500 495	3			SCREW w/Washer, Eng. Support Insulator Bracket to Trans. Case, Left
29	6500 833	1			NUT, Bushing to Insulator Bracket Screw
30	6100 053	1			NUT w/Washer, Front Eng. Support Bracket to Eng. Block Stud

MODEL CODES
 B = GRAN FURY
 C = LE BARON/TOWN & COUNTRY/LIMO
 C24 = LASER
 C44 = LE BARON/GTS
 D = ARIES
 D44 = LANCER
 E = 600
 F = FIFTH AVENUE/NEWPORT
 G = DIPLOMAT
 H = VOYAGER
 J = CARAVELLE
 K = MINI VAN/CARAVAN/ROYAL
 M = HORIZON/TURISMO
 P = RELIANT
 T = NEW YORKER
 V = 600
 V24 = DAYTONA
 Z = OMNI/CHARGER

BODY STYLES
 21 = 2-DOOR SEDAN
 22 = 2-DOOR SPECIAL COUPE
 24 = 2-DOOR HATCHBACK
 27 = 2-DOOR CONVERTIBLE
 35 = FWD VAN
 36 = FWD WAGON
 41 = 4-DOOR SEDAN
 44 = 4-DOOR HATCHBACK
 45 = 4-DOOR STATION WAGON
 49 = LIMOUSINE

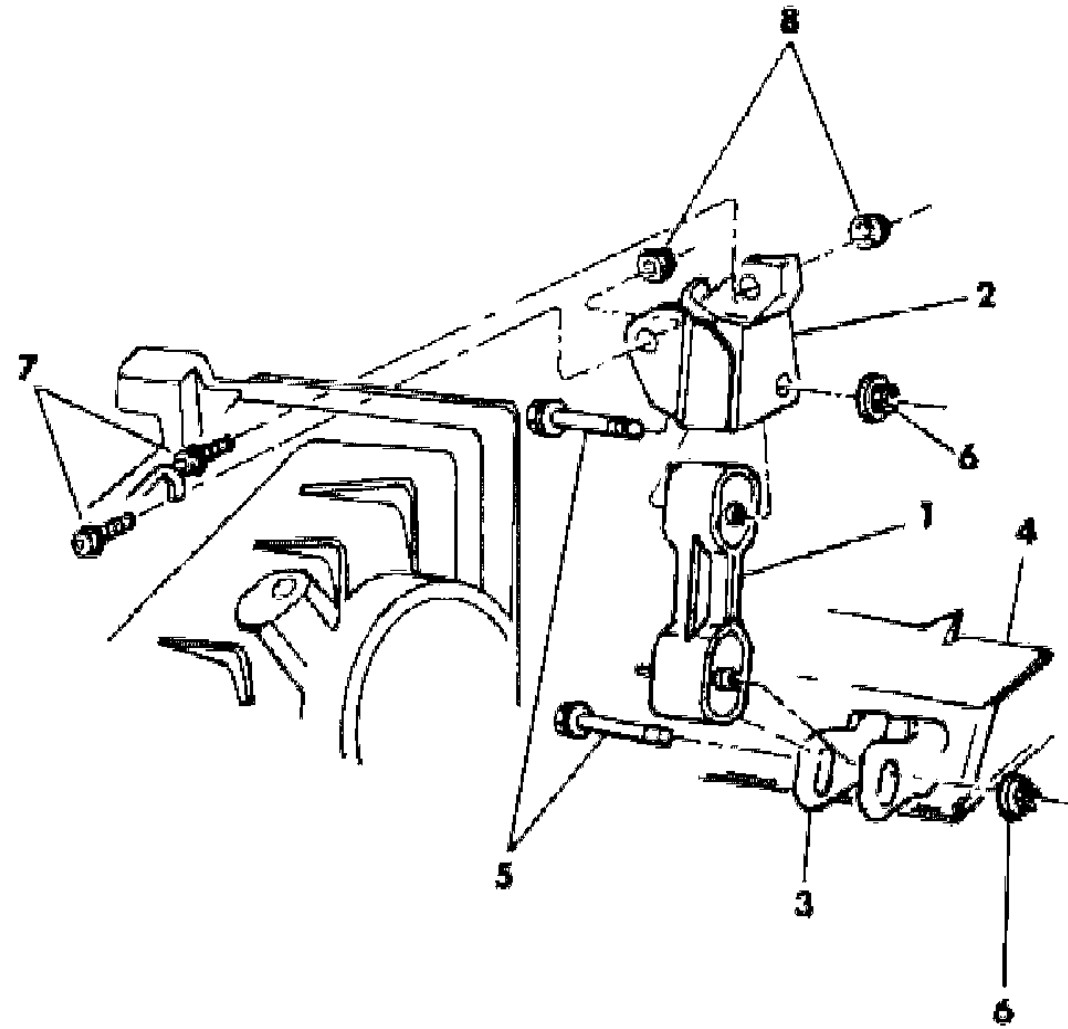
AR = Use as Required - = Non Illustrated Part P.A.R. = Paint as Required



ENGINE STRUT, W/MAN. TRANS. 4 CYLINDER ENG. 1.6 L, M,Z
Figure 9A-800

5158 800

ITEM	PART NUMBER	QTY	BODY	MODEL	DESCRIPTION
1	4191 282	1			STRUT, Man. Trans. to Support Crossmember Roll, w/Man. Trans.
2	4191 284	1			BRACKET, Man. Trans. to Engine Roll Strut w/Man. Trans.
3		1			BRACKET, Support Crossmember to Eng. Roll Strut (Serviced in Crossmember)
4		1			CROSSMEMBER, Front Suspension (See Group 13)
5	6101 342	2			SCREW w/Washer, Bracket to Strut
6	6100 053	2			NUT, Bracket to Strut Screw
7		2			STUD, Man. Trans. to Eng. Roll Strut Bracket (Not Serviced)
8	6100 517	2			NUT, Man. Trans. to Eng. Roll Strut Bracket Bolt



MODEL CODES

B = GRAN FURY	E = 600	M = HORIZON/TURISMO
C = LE BARON/TOWN & COUNTRY/LIMO	F = FIFTH AVENUE/NEWPORT	P = RELIANT
C24 = LASER	G = DIPLOMAT	T = NEW YORKER
C44 = LE BARON/GTS	H = VOYAGER	V = 600
D = ARIES	J = CARAVELLE	V24 = DAYTONA
D44 = LANCER	K = MINI VAN/CARAVAN/ROYAL	Z = OMNI/CHARGER

BODY STYLES

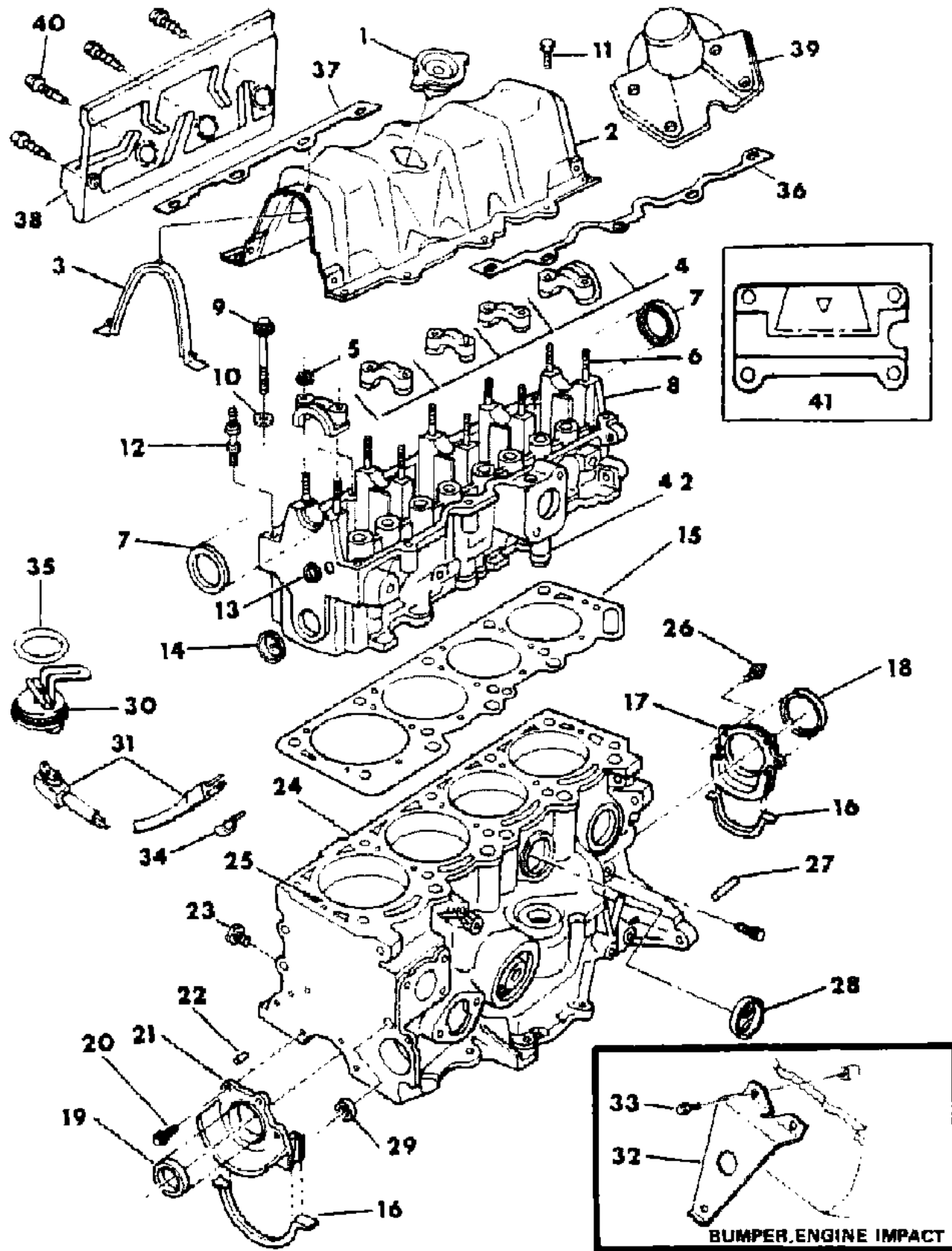
21 = 2-DOOR SEDAN	35 = FWD VAN	44 = 4-DOOR HATCHBACK
22 = 2-DOOR SPECIAL COUPE	36 = FWD WAGON	45 = 4-DOOR STATION WAGON
24 = 2-DOOR HATCHBACK	41 = 4-DOOR SEDAN	49 = LIMOUSINE
27 = 2-DOOR CONVERTIBLE		

AR = Use as Required - = Non Illustrated Part P.A.R. = Paint as Required

ENGINE, CYLINDER BLOCK, CYLINDER HEAD 4 CYLINDER 2.2 L. ENG. M,Z,P,D,C,V,E,T,H,K,J

Figure 9A-1100

9A-1100 A



ITEM	PART NUMBER	QTY	BODY	MODEL	DESCRIPTION
NOTE 1: These Packages do not contain Gaskets for all required sealings. R.T.V. Sealer #4318025 and Gasket Eliminator #4318029 must be used in addition as described in the Chrysler repair Manual.					
NOTE 2: When replacing a cyl. Head that is stamped O/S. J .050 O/S. Camshaft Journals use the Std. Cyl. Head # 4323288 and the Std. Camshaft Package #4293817 for replacement.					
	4271 994	1			GASKET PACKAGE, Engine Upper (See Note 1) Except EDG-Turbo Charge Eng.
	4271 926	1			w/EDG-Turbo Charge Eng. Consists of: 1-5203780 Gasket, Cyl. Head 8-4201332 Seal, Valve Stem Oil 2-5214479 Seal, Cyl. Head Cover End 1-4179895 Gasket, Cyl. Water Outlet Connection
	4240 098	1			GASKET PACKAGE, Engine Lower (See Note 1) Consists of: 1-1407748 Seal, Oil Pump Cover to Oil Pump Suction Pipe 1-5203542 Gasket, Water Pump Housing 1-5203778 Seal, Oil Pan to Retainer
NOTE: Short Engine Assembly consists of the Cylinder Block with Piston and Rings, Crankshaft and Bearings, Connecting Rods and Bearings. #4293817 for replacement.					
1A	4387 201	1			SHORT ENGINE, Assy. (Except EDJ-Eng. for M,Z and except EDG-Turbo Charge Eng.)
	4387 203	1		M,Z	w/EDJ-H/Perf. Eng.
	4387 202	1			w/EDG-Turbo Charge Eng.
1	2946 051	1			CAP ASSY., Oil Filler, Except EDG-Turbo Charge Eng.
	4105 484	1			w/EDG-Turbo Charge Eng.
2	4343 614	1			COVER, Cylinder Head, (See Note 1) (Except EDG-Turbo Charge Eng. and Except EDJ-Eng. for M,Z
	4105 483	1			(w/EDG-Turbo Charge Eng.)
	4343 701	1		M,Z	(w/EDJ-H/Perf. Eng.)
		1			GASKET, Cylinder Head Cover w/EDG Turbo (For 4105483 Cover) (See Note 1)
	4343 882	1			w/EDG Turbo (Includes Full Gasket for 4315875 Cover)
3	5214 479	2			SEAL, Cylinder Head Cover End (Except EDG-Turbo Charge Eng.)
	4105 475	2			(w/EDG-Turbo Charge Eng.) (Exc. 4315875 Cover)
		2			(w/EDG-Turbo Charge Eng.) (For 4315875 Cover Serviced in Full Gasket)

MODEL CODES

B = GRAN FURY	E = 600	M = HORIZON/TURISMO
C = LE BARON/TOWN & COUNTRY/LIMO	F = FIFTH AVENUE/NEWPORT	P = RELIANT
C24 = LASER	G = DIPLOMAT	T = NEW YORKER
C44 = LE BARON/GTS	H = VOYAGER	V = 600
D = ARIES	J = CARAVELLE	V24 = DAYTONA
D44 = LANCER	K = MINI VAN/CARAVAN/ROYAL	Z = OMNI/CHARGER

BODY STYLES

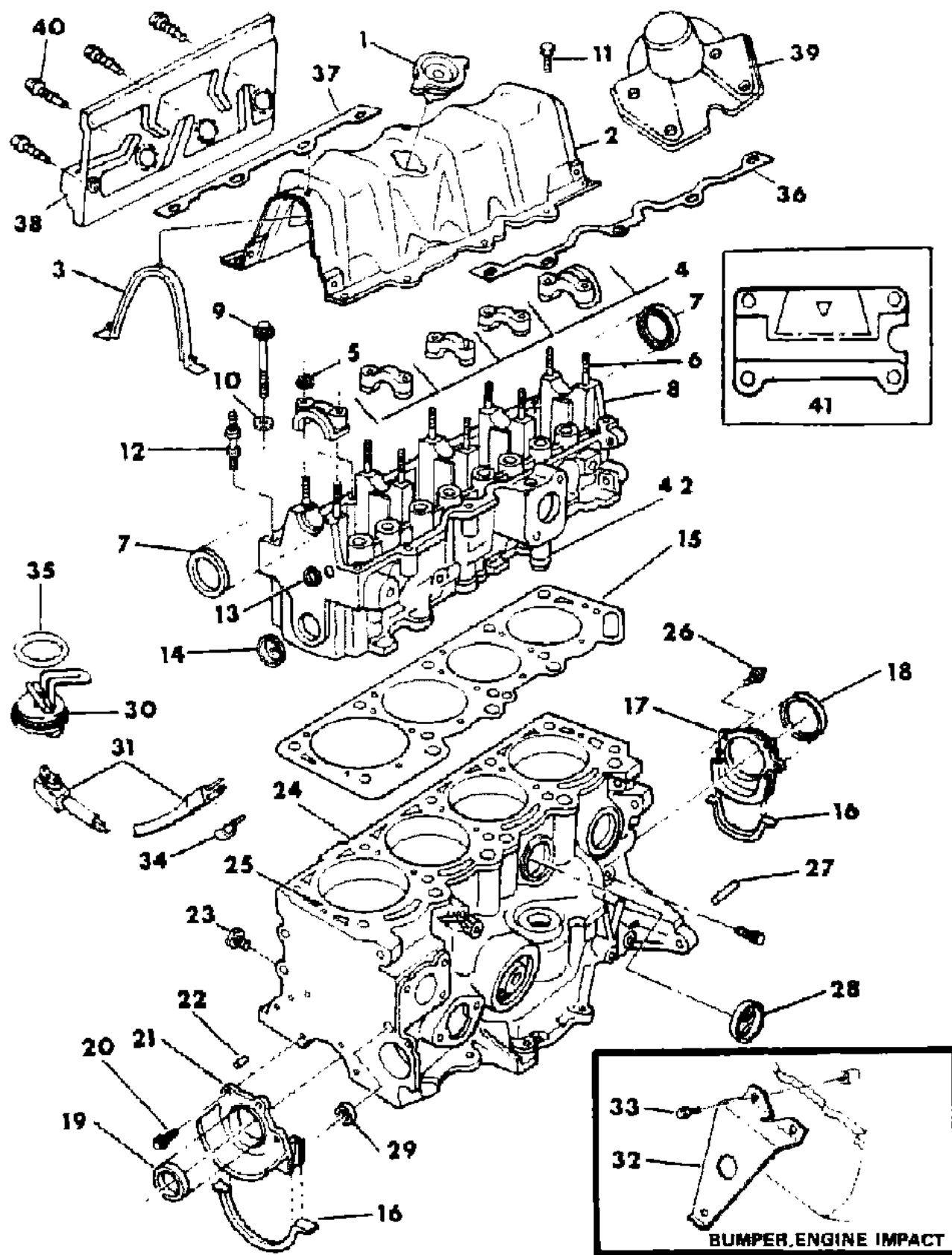
21 = 2-DOOR SEDAN	35 = FWD VAN	44 = 4-DOOR HATCHBACK
22 = 2-DOOR SPECIAL COUPE	36 = FWD WAGON	45 = 4-DOOR STATION WAGON
24 = 2-DOOR HATCHBACK	41 = 4-DOOR SEDAN	49 = LIMOUSINE
27 = 2-DOOR CONVERTIBLE		

AR = Use as Required - = Non Illustrated Part P.A.R. = Paint as Required

ENGINE, CYLINDER BLOCK, CYLINDER HEAD 4 CYLINDER 2.2 L. ENG. M,Z,P,D,C,V,E,T,H,K,J

Figure 9A-1100

9A-1100 A



ITEM	PART NUMBER	QTY	BODY	MODEL	DESCRIPTION
4					CAPS, Camshaft Bearing (Serviced in Cyl. Head), (See Note 1)
5					NUT, Camshaft Bearing Cap Stud (Not Serviced)
6		10			SCREW, Camshaft Bearing Cap (Serviced in Cyl. head)
7	4105 395	1			SEAL, Camshaft Front (Timing Belt End)
	4105 397	1			SEAL, Camshaft Rear (Trans. End) (52.35 MM O.D.) (Painted Yellow)
	4105 396	1			(53.62 MM O.D. White)
8	4323 288	1			HEAD ASSY. Cylinder (Partial) w/Std. Camshaft journals
		1			w/.050 O/S. Camshaft journals (See Note 2)
9	6500 754	10			SCREW, Cylinder Head (10x122.5 MM)
	6500 399	1			SCREW w/Washer, Cyl. Head Plug w/EDG-Turbo Eng.
10	6500 757	10			WASHER, Cylinder Head Screw
11	6100 275	3			SCREW, w/Washer, Cyl. Head
12	6500 435	4			STUD, Cylinder Head Cover (M6) (Except EDG-Turbo Charge Eng.)
	6500 734	4			(w/EDG-Turbo Charge Eng.)
	6100 276	5			SCREW w/Washer (Except EDG-Turbo Eng.)
	6100 277	5			(w/EDG-Turbo Eng.)
13	5203 340	2			PLUG, Cyl. Head Oil Gallery Hole (5/8)
	4105 971	AR			(.065" O/Size)
14	5203 341	2			PLUG, Cyl. Head Water Hole (1-1/4")
	4105 972	AR			(1-1/4")
	6033 046	1			(3/8-18)
15	4105 468	1			GASKET, Cyl. Head
16	5203 778	2			SEALER, Oil Pan To Retainer
17	5214 784	1			RETAINER ASSY. Crankshaft Oil Seal Rear, w/Oil Seal, (See Note 1)
18	5203 590	1			OIL SEAL, Crankshaft Rear
19	4105 395	1			OIL SEAL, Crankshaft Front
20	6101 278	2			SCREW, w/Washer, Crankshaft Oil Seal Retainer, Front
21	5214 788	1			RETAINER ASSY., Crankshaft Oil Seal Front, w/Oil Seal, (See Note 1)
22		4			DOWEL, Cyl. Block To Crankshaft Seal Retainer (Not Serviced)
23		1			PLUG, Cyl. Block Water Jacket Drain 1/4" Pipe (Not Serviced)
24					BLOCK ASSY., Cyl. (Service in Short Eng. Assy.)
25					DOWEL, Cyl. Block To Cyl. Head (Not Serviced)
26	6101 278	2			SCREW, w/Washer, Crankshaft Oil Seal Retainer, Rear

MODEL CODES

B = GRAN FURY	E = 600	M = HORIZON/TURISMO
C = LE BARON/TOWN & COUNTRY/LIMO	F = FIFTH AVENUE/NEWPORT	P = RELIANT
C24 = LASER	G = DIPLOMAT	T = NEW YORKER
C44 = LE BARON/GTS	H = VOYAGER	V = 600
D = ARIES	J = CARAVELLE	V24 = DAYTONA
D44 = LANCER	K = MINI VAN/CARAVAN/ROYAL	Z = OMNI/CHARGER

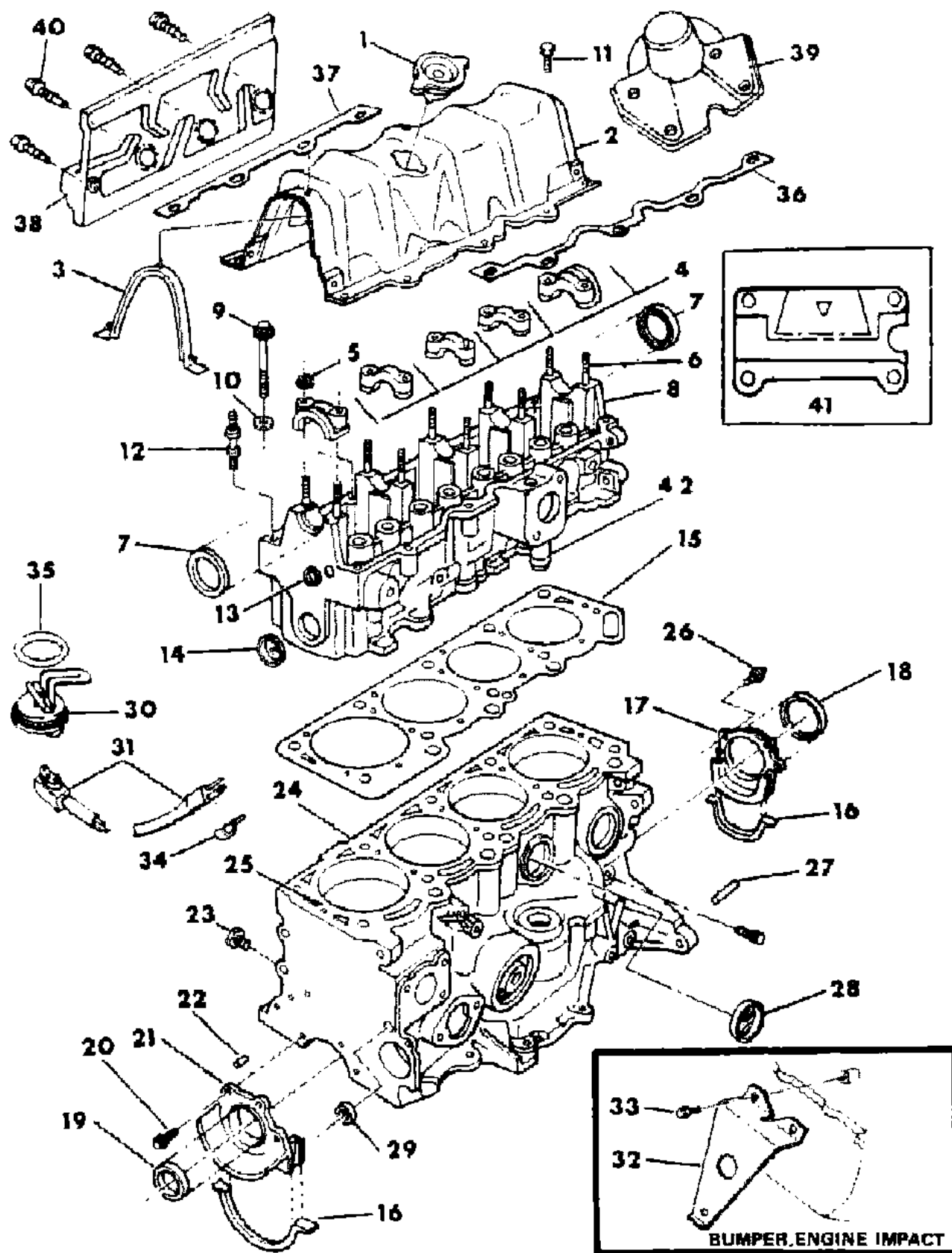
BODY STYLES

21 = 2-DOOR SEDAN	35 = FWD VAN	44 = 4-DOOR HATCHBACK
22 = 2-DOOR SPECIAL COUPE	36 = FWD WAGON	45 = 4-DOOR STATION WAGON
24 = 2-DOOR HATCHBACK	41 = 4-DOOR SEDAN	49 = LIMOUSINE
27 = 2-DOOR CONVERTIBLE		

AR = Use as Required - = Non Illustrated Part P.A.R. = Paint as Required

ENGINE, CYLINDER BLOCK, CYLINDER HEAD 4 CYLINDER 2.2 L. ENG. M,Z,P,D,C,V,E,T,H,K,J
Figure 9A-1100

9A-1100 A



ITEM	PART NUMBER	QTY	BODY	MODEL	DESCRIPTION
27	5240 849	2			DOWEL, Cyl. Block To Clutch Housing or Trans. Case
28	5203 342	5			PLUGL, Cyl. Block Water Hole 1-5/8"
	4556 023	AR			.065 O/S ***
29	5203 340	2			PLUG, Cyl. Block Oil Gallery 5/8"
	4105 971	AR			(.065 O/S)
30	5213 083	1			HEATER, Eng. Block
31	5206 359	1			CORD, Eng. Block Heater
32		1			BUMPER, Eng. Impact
33		2			SCREW w/Washer, Impact Bumper
34	6015 412	3			CLIP, Eng. Block Heater Cord
35	6027 513	AR			"O" RING, Eng. Block Heater
36	4201 977	1			DOUBLER, Cylinder Head Cover Front (Except EDG-Turbo Charge Eng.)
37	4201 978	1			DOUBLER, Cylinder Head Cover Rear (Except EDG-Turbo Charge Eng.)
38	4105 476	1			SEPARATOR, Cyl. Head Cover Oil (w/EDG-Turbo Charge Eng.)
39	4298 087	1			COVER, Camshaft Rear
40	6500 217	4			SCREW, Cyl. Head Cover Oil Separator (w/EDG-Turbo Eng.)
41	4105 775	1			SHIELD, Camshaft Oil Splash
42	4105 295	1			NIPPLE, Thermostat Water By-Pass (See Group 7)

MODEL CODES

B = GRAN FURY	E = 600	M = HORIZON/TURISMO
C = LE BARON/TOWN & COUNTRY/LIMO	F = FIFTH AVENUE/NEWPORT	P = RELIANT
C24 = LASER	G = DIPLOMAT	T = NEW YORKER
C44 = LE BARON/GTS	H = VOYAGER	V = 600
D = ARIES	J = CARAVELLE	V24 = DAYTONA
D44 = LANCER	K = MINI VAN/CARAVAN/ROYAL	Z = OMNI/CHARGER

BODY STYLES

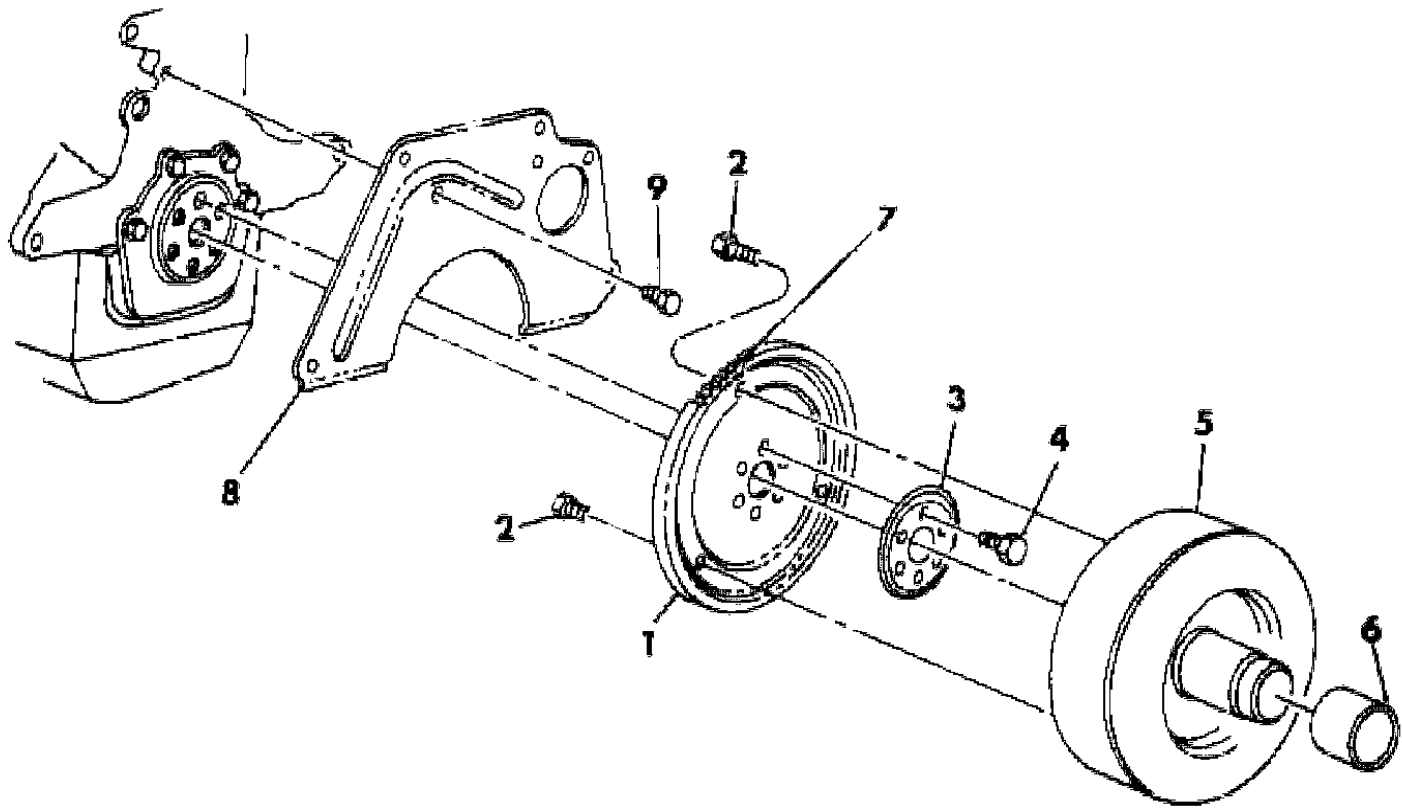
21 = 2-DOOR SEDAN	35 = FWD VAN	44 = 4-DOOR HATCHBACK
22 = 2-DOOR SPECIAL COUPE	36 = FWD WAGON	45 = 4-DOOR STATION WAGON
24 = 2-DOOR HATCHBACK	41 = 4-DOOR SEDAN	49 = LIMOUSINE
27 = 2-DOOR CONVERTIBLE		

AR = Use as Required - = Non Illustrated Part P.A.R. = Paint as Required

TORQUE CONVERTER, DRIVE PLATE 4 CYLINDER 2.2 L. ENG., M,Z,P,D,C,V,E,T,H,K,J
Figure 9A-1200

5153 1200

ITEM	PART NUMBER	QTY	BODY	MODEL	DESCRIPTION
1	4348 286	1			PLATE ASSY., Torque Converter Drive
2	6500 500	3			BOLT, Drive Plate To Torque Converter
3	5222 613	1			PLATE, Crankshaft Bolt Backing
4	6500 311	6			BOLT, Drive Plate To Crankshaft
5	4293 058	1			TORQUE CONVETER ASSY., (w/S/C-EDF Eng.)
	4293 068	1			(w/S/C-EDG Turbo Charge Eng.)
	4293 057	1			(Except S/C-EFD, EDG Eng's)
6	3515 138	1			SEAL, Torque Converter Impeller Hub To Trans.
7		1			GEAR, Torque Converter Ring (Serviced in Item 1)
8	5222 454	1			COVER, Trans. Case Upper (See Group 21)
9	6100 265	2			SCREW, Trans. Case Upper (See Group 21)



MODEL CODES

B = GRAN FURY	E = 600	M = HORIZON/TURISMO
C = LE BARON/TOWN & COUNTRY/LIMO	F = FIFTH AVENUE/NEWPORT	P = RELIANT
C24 = LASER	G = DIPLOMAT	T = NEW YORKER
C44 = LE BARON/GTS	H = VOYAGER	V = 600
D = ARIES	J = CARAVELLE	V24 = DAYTONA
D44 = LANCER	K = MINI VAN/CARAVAN/ROYAL	Z = OMNI/CHARGER

BODY STYLES

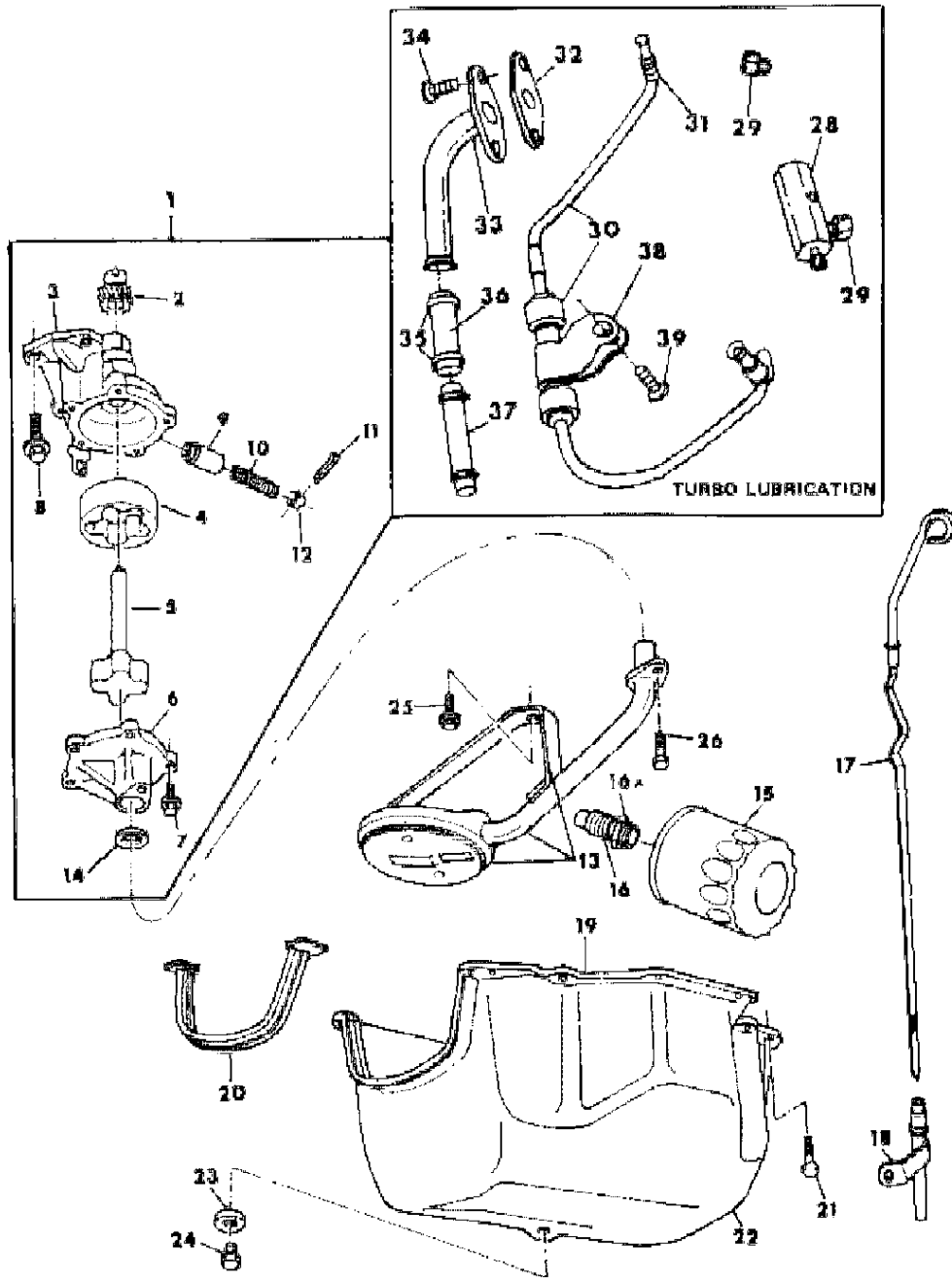
21 = 2-DOOR SEDAN	35 = FWD VAN	44 = 4-DOOR HATCHBACK
22 = 2-DOOR SPECIAL COUPE	36 = FWD WAGON	45 = 4-DOOR STATION WAGON
24 = 2-DOOR HATCHBACK	41 = 4-DOOR SEDAN	49 = LIMOUSINE
27 = 2-DOOR CONVERTIBLE		

AR = Use as Required - = Non Illustrated Part P.A.R. = Paint as Required

OIL PUMP, OIL PAN, OIL LEVEL INDICATOR, OIL FILTER, TURBOCHARGER LUBRICATION 4 CYLINDER 2.2 L. ENG., M,Z,P,D,C,V,E,T,H,K,J

Figure 9A-1400

5152 1400



ITEM	PART NUMBER	QTY	BODY	MODEL	DESCRIPTION
NOTE 1 For all required sealings R.T.V, Sealer 4318025 and Gasket eliminator 4318029 must be used as described in the Chrysler Repair Manual. #4293817 for replacement.					
1	4293 888	1			PUMP ASSY. OIL
2		1			GEAR, Oil Pump and Distributor Drive (Service in Oil Pump Assy. 4293888)
3		1			BODY, Oil Pump (Service in Oil Pump 4293888)
4		1			ROTOR, Oil Pump Outer (Service in Oil Pump Drive Shaft and Rotor Pkg. 4240008)
5		1			ROTOR, Oil Pump Inner (Service in Oil Pump Drive Shaft and Rotor Pkg. 4240008)
6	5203 322	1			COVER, Oil Pump
7	6100 277	5			SCREW w/Washer, Oil Pump Cover
8	6500 151	2			SCREW w/Washer, Oil Pump Mounting
9	2120 764	1			PLUNGER, Oil Pressure Relief Valve
10	4323 326	1			SPRING, Oil Pressure Relief Valve
11		1			PIN, Oil Pressure Relief Valve (Not Serviced)
12	2806 273	1			CAP, Oil Pressure Relief Valve
13	5203 324	1			STRAINER ASSY. Oil Pump Suction Pipe (5/8" tube) ***
14	1407 748	1			SEAL, Oil Pump Cover To Oil Pump Suction Pipe
15	4105 409	1			FILTER ASSY., Oil
16	4273 323	1			STANDPIPE ASSY., Oil Filter Base to Oil Filter
16A	2120 017	1			GASKET, Oil Filter Standpipe Adapter
17	4105 446	1			INDICATER, Oil Level
18	4173 376	1			TUBE, Oil Level Indicator and Clip (Except EDG-Turbo Eng.)
	4343 632	1			(w/EDG-Turbo Charge Eng.)
19		AR			SEALER, Oil Pan (Apply as Required), (See Note 1)
20	5203 778	2			SEAL, Oil Pan To Retainer
21	6500 507	11			SCREW w/Washer, Oil Pan Attaching
22	4173 393	1			PAN ASSY. Oil-4 dimple ***
23	6032 145	1			GASKET, Oil Pan Drain Plug
24	4271 941	1			PLUG, Oil Pan Drain
25	6100 276	1			SCREW w/Washer, Suction Pipe And Strainer Bracket Attaching
26	6500 070	1			SCREW, Suction Pipe And Strainer Bracket Assy. Attaching
28	4323 107	1			FITTING, Cyl. Block To Turbo Oil Feed Tube
29	6032 570	2			CONNECTOR, Turbo Oil Inlet
30	4323 108	1			TUBE Assy., Turbo Oil Feed
31	0137 398	2			NUT, Turbo Oil Feed Tube

MODEL CODES

B = GRAN FURY	E = 600	M = HORIZON/TURISMO
C = LE BARON/TOWN & COUNTRY/LIMO	F = FIFTH AVENUE/NEWPORT	P = RELIANT
C24 = LASER	G = DIPLOMAT	T = NEW YORKER
C44 = LE BARON/GTS	H = VOYAGER	V = 600
D = ARIES	J = CARAVELLE	V24 = DAYTONA
D44 = LANCER	K = MINI VAN/CARAVAN/ROYAL	Z = OMNI/CHARGER

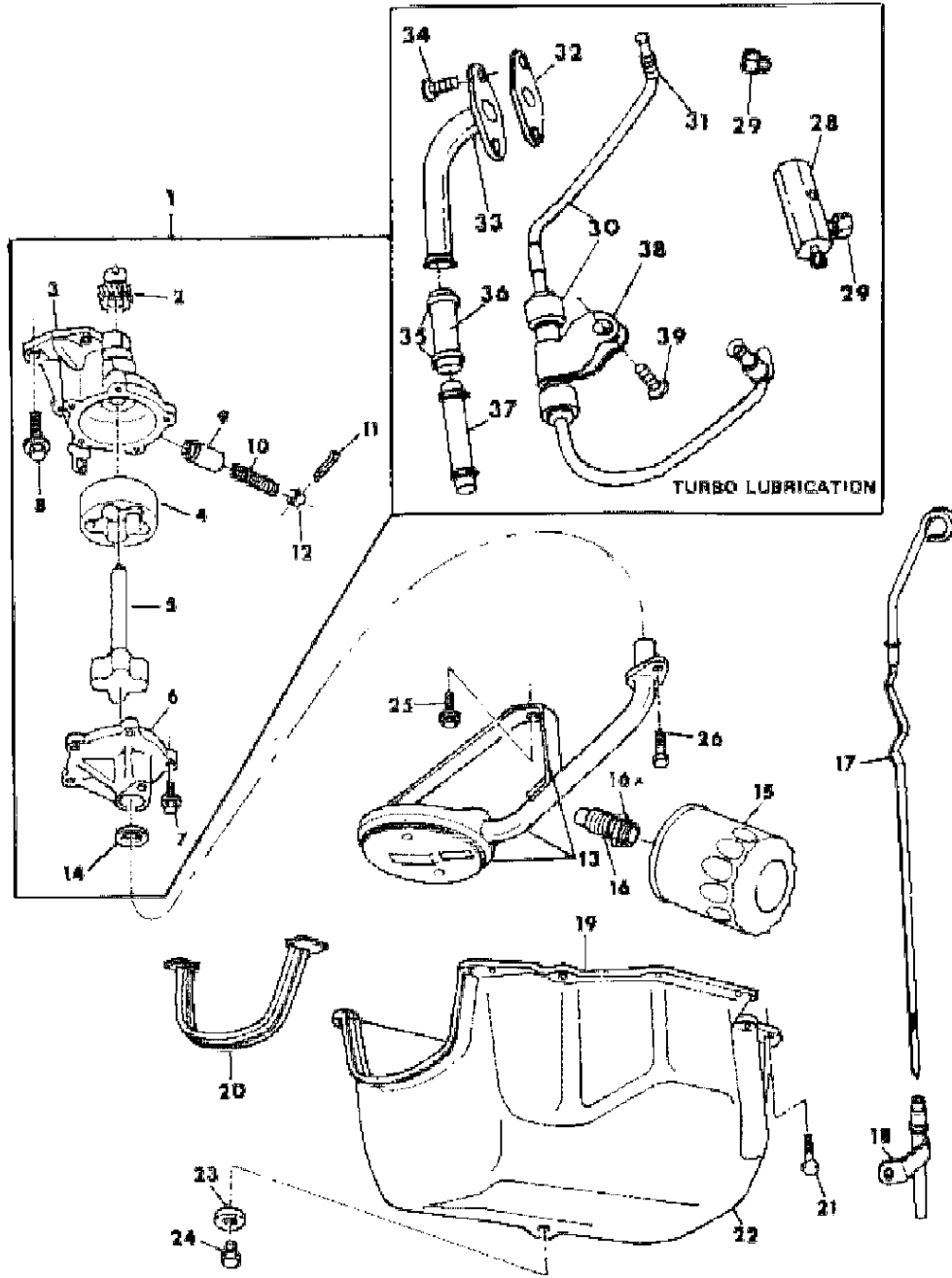
BODY STYLES

21 = 2-DOOR SEDAN	35 = FWD VAN	44 = 4-DOOR HATCHBACK
22 = 2-DOOR SPECIAL COUPE	36 = FWD WAGON	45 = 4-DOOR STATION WAGON
24 = 2-DOOR HATCHBACK	41 = 4-DOOR SEDAN	49 = LIMOUSINE
27 = 2-DOOR CONVERTIBLE		

AR = Use as Required - = Non Illustrated Part P.A.R. = Paint as Required

OIL PUMP, OIL PAN, OIL LEVEL INDICATOR, OIL FILTER, TURBOCHARGER LUBRICATION 4 CYLINDER 2.2 L. ENG., M,Z,P,D,C,V,E,T,H,K,J
Figure 9A-1400

5152 1400



ITEM	PART NUMBER	QTY	BODY	MODEL	DESCRIPTION
32	4227 980	1			GASKET, Turbo Oil Drain Back Tube
33	4323 111	1			TUBE Assy., Turbo Oil Drain Back
34	6100 296	2			SCREW w/Washer, Turbo Oil Drain Back Tube Assy.
35	6032 446	2			CLAMP, Turbo Oil Drain Back Hose
36	4105 457	1			HOSE, Turbo Oil Drain Back
37	4105 456	1			TUBE, Turbo Oil Drain Back Cyl Block
38	4323 125	1			CLAMP, Turbo Oil Feed Tube Assy.
39		1			SCREW, Turbo Oil Feed Tube Clamp

MODEL CODES

B = GRAN FURY	E = 600	M = HORIZON/TURISMO
C = LE BARON/TOWN & COUNTRY/LIMO	F = FIFTH AVENUE/NEWPORT	P = RELIANT
C24 = LASER	G = DIPLOMAT	T = NEW YORKER
C44 = LE BARON/GTS	H = VOYAGER	V = 600
D = ARIES	J = CARAVELLE	V24 = DAYTONA
D44 = LANCER	K = MINI VAN/CARAVAN/ROYAL	Z = OMNI/CHARGER

BODY STYLES

21 = 2-DOOR SEDAN	35 = FWD VAN	44 = 4-DOOR HATCHBACK
22 = 2-DOOR SPECIAL COUPE	36 = FWD WAGON	45 = 4-DOOR STATION WAGON
24 = 2-DOOR HATCHBACK	41 = 4-DOOR SEDAN	49 = LIMOUSINE
27 = 2-DOOR CONVERTIBLE		

AR = Use as Required - = Non Illustrated Part P.A.R. = Paint as Required

CRANKSHAFT, CONNECTING ROD, PISTONS, RINGS, FLYWHEEL 4 CYLINDER 2.2 L ENGINE M,Z,P,D,C,V,E,T,H,K,J

Figure 9A-1500

5159 1500

ITEM	PART NUMBER	QTY	BODY	MODEL	DESCRIPTION
1	5214 737	1			CRANKSHAFT, Except EDG-Turbo Charge Eng.
	4105 498	1			w/EDG-Turbo Charge Eng.
2	4240 137	1			RING SET, Piston, Std. (For Complete Engine), (Except EDG-Turbo Charge)
	4240 138	1			0.5 O/S
	4240 139	1			RING PKG., Piston, Std. (For Single Piston) (Except EDG-Turbo Charge Eng.)
	4240 140	1			0.5 O/S
	4293 799	1			RING SET, Piston, Std. For Complete Eng. w/EDG-Turbo Charge Eng.
	4293 800	1			0.50 O/S MM
3	4271 929	4			PISTON, w/Pin, Std., (Except EDG-Turbo Charge Eng.)
	4271 930	4			0.50 MM O/S
	4271 927	4			Std., w/EDG-Turbo Charge Eng.
	4271 928	4			0.50 MM O/S
4	5203 800	4			PIN, Piston (Except EDG-Turbo Charge Eng.)
5	5203 384	4			ROD ASSY, Connecting, w/Cap (Except EDG-Turbo Charge Eng.)
	4105 486	4			(W/EDG-Turbo Charge Eng.)
6	4227 677	8			BOLT, Connecting Rod Bearing Cap
7	4227 678	8			NUT, Connecting Rod Bearing Cap Bolt
8	4240 025	4			BEARING PACKAGE, Connecting Rod, Std. (Except EDG-Turbo Charge Eng.)
					Consists of:
					2 ----- Bearings, Connecting Rod
	4240 026	4			0.025 U/S
	4240 027	4			0.050 U/S
	4240 028	4			0.250 U/S
	4240 029	4			0.275 U/S
	4240 030	4			0.300 U/S
	4342 751	4			Std. w/EDG-Turbo Charge Eng.
	4342 752	4			.025 U/S
	4342 753	4			.050 U/S
	4342 754	4			.250 U/S
	4342 755	4			.275 U/S
	4342 756	4			.300 U/S
9					CAP, Connecting Rod (Service in Connecting Rod Assy.)

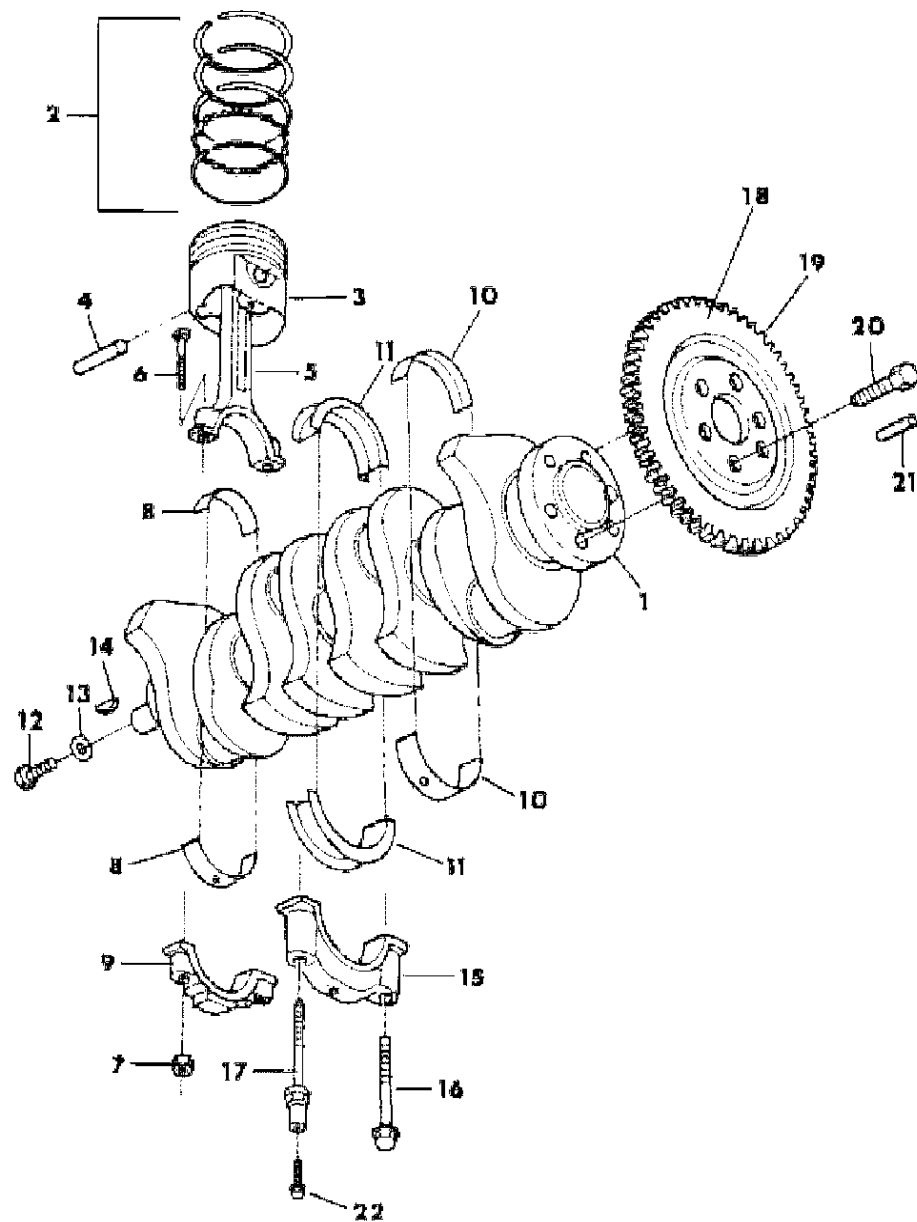
MODEL CODES

B = GRAN FURY	E = 600	M = HORIZON/TURISMO
C = LE BARON/TOWN & COUNTRY/LIMO	F = FIFTH AVENUE/NEWPORT	P = RELIANT
C24 = LASER	G = DIPLOMAT	T = NEW YORKER
C44 = LE BARON/GTS	H = VOYAGER	V = 600
D = ARIES	J = CARAVELLE	V24 = DAYTONA
D44 = LANCER	K = MINI VAN/CARAVAN/ROYAL	Z = OMNI/CHARGER

BODY STYLES

21 = 2-DOOR SEDAN	35 = FWD VAN	44 = 4-DOOR HATCHBACK
22 = 2-DOOR SPECIAL COUPE	36 = FWD WAGON	45 = 4-DOOR STATION WAGON
24 = 2-DOOR HATCHBACK	41 = 4-DOOR SEDAN	49 = LIMOUSINE
27 = 2-DOOR CONVERTIBLE		

AR = Use as Required - = Non Illustrated Part P.A.R. = Paint as Required



CRANKSHAFT, CONNECTING ROD, PISTONS, RINGS, FLYWHEEL 4 CYLINDER 2.2 L ENGINE M,Z,P,D,C,V,E,T,H,K,J

Figure 9A-1500

5159 1500

ITEM	PART NUMBER	QTY	BODY	MODEL	DESCRIPTION
10	4240 013	4			BEARING PACKAGE, Crankshaft Upper And Lower No. 1,2,4,5 Std. (Except EDG-Turbo Charge Eng.) Consists of: 1 ----- Bearing, Upper No. 1,2,4,5 1 ----- Bearing, Lower No. 1,2,4,5
	4240 014	4			0.025 U/S
	4240 015	4			0.050 U/S
	4240 016	4			0.250 U/S
	4240 017	4			0.275 U/S
	4240 018	4			0.300 U/S
	4293 824	4			Std., w/EDG-Turbo Charge Eng.
	4293 825	4			0.025 MM U/S
	4293 826	4			0.050 MM U/S
	4293 827	4			0.250 MM U/S
	4293 828	4			0.275 MM U/S
	4293 829	4			0.300 MM U/S
11	4240 019	1			BEARING PACKAGE, Crankshaft Upper and Lower No. 3 Std. (Except EDG-Turbo Charge Eng.) Consists of: 1 ----- Bearing, Upper No.3 1 ----- Bearing, Lower No.3
	4240 020	1			0.025 U/S
	4240 021	1			0.050 U/S
	4240 022	1			0.250 U/S
	4240 023	1			0.275 U/S
	4240 024	1			0.300 U/S
	4293 830	1			Std., W/EDG-Turbo Charge Eng.
	4293 831	1			0.025 MM U/S
	4293 832	1			0.050 MM U/S
	4293 833	1			0.250 MM U/S
	4293 834	1			0.270 MM U/S
	4293 835	1			0.300 MM U/S
12	6502 976	1			SCREW, Crankshaft Sprocket
13	6500 431	1			WASHER, Crankshaft Sprocket Screw
14	6500 150	1			KEY, Crankshaft Sprocket
15	4105 211	1			CAP, Crankshaft Bearing No.1
	4105 212	1			No.2

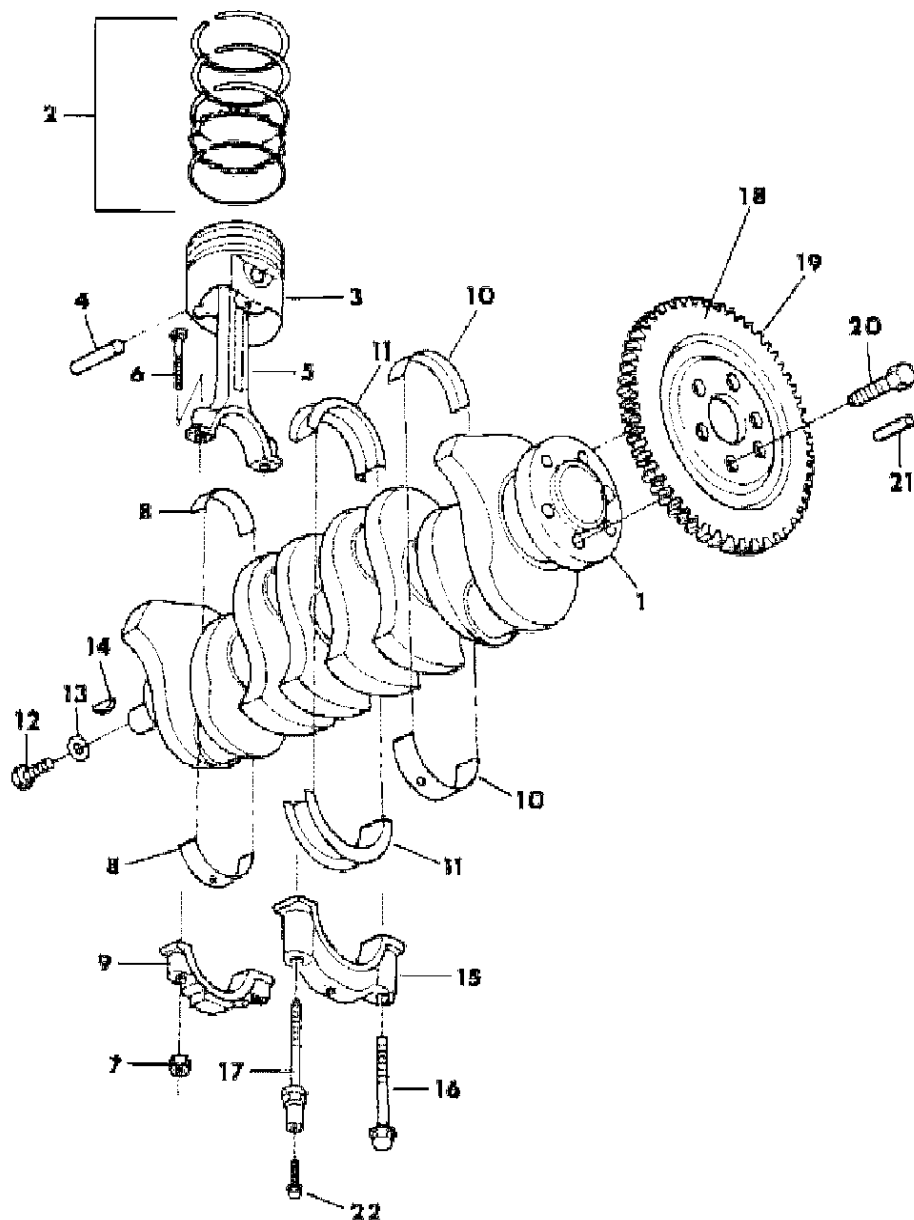
MODEL CODES

B = GRAN FURY	E = 600	M = HORIZON/TURISMO
C = LE BARON/TOWN & COUNTRY/LIMO	F = FIFTH AVENUE/NEWPORT	P = RELIANT
C24 = LASER	G = DIPLOMAT	T = NEW YORKER
C44 = LE BARON/GTS	H = VOYAGER	V = 600
D = ARIES	J = CARAVELLE	V24 = DAYTONA
D44 = LANCER	K = MINI VAN/CARAVAN/ROYAL	Z = OMNI/CHARGER

BODY STYLES

21 = 2-DOOR SEDAN	35 = FWD VAN	44 = 4-DOOR HATCHBACK
22 = 2-DOOR SPECIAL COUPE	36 = FWD WAGON	45 = 4-DOOR STATION WAGON
24 = 2-DOOR HATCHBACK	41 = 4-DOOR SEDAN	49 = LIMOUSINE
27 = 2-DOOR CONVERTIBLE		

AR = Use as Required - = Non Illustrated Part P.A.R. = Paint as Required

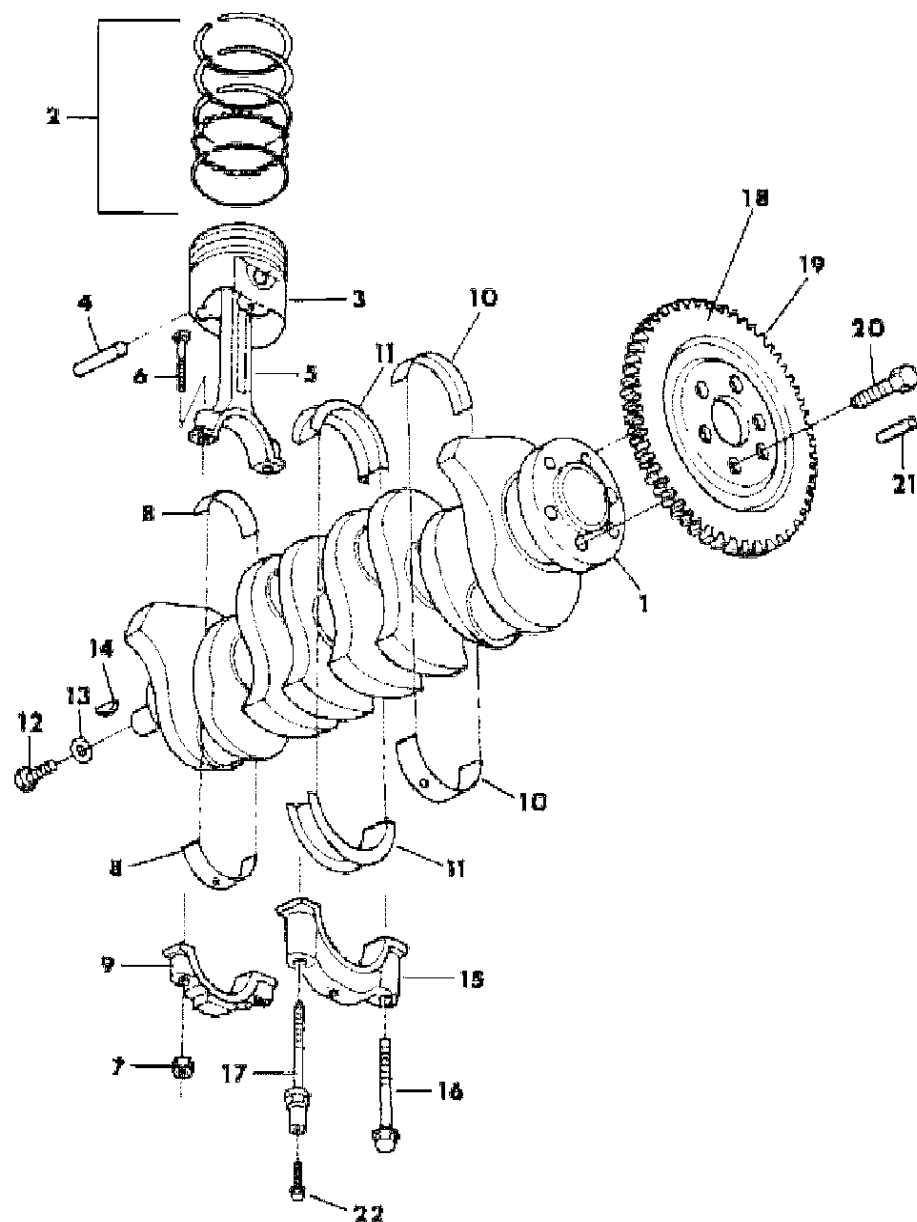


CRANKSHAFT, CONNECTING ROD, PISTONS, RINGS, FLYWHEEL 4 CYLINDER 2.2 L ENGINE M,Z,P,D,C,V,E,T,H,K,J

Figure 9A-1500

5159 1500

ITEM	PART NUMBER	QTY	BODY	MODEL	DESCRIPTION
	4105 213	1			No.3
	4105 214	1			No.4
	4105 215	1			No.5
16	6500 755	9			SCREW, Crankshaft Bearing Cap
17	6500 756	1			SCREW, Crankshaft Bearing Cap
18	4348 312	1		Except	FLYWHEEL ASSY., (w/Ring Gear) w/Man. Trans., (Except EDG-Turbo Charge Eng.)
	4348 314	1			w/EDG-Turbo Charge Eng.
	4348 314	1		H,K	
19		1			GEAR, Flywheel (Service in Flywheel Assy.)
20	6500 553	6			BOLT, Flywheel To Crankshaft
21	6031 923	3			DOWEL, Clutch Cover To Flywheel
22	6500 461	1			SCREW w/Washer



MODEL CODES

B = GRAN FURY	E = 600	M = HORIZON/TURISMO
C = LE BARON/TOWN & COUNTRY/LIMO	F = FIFTH AVENUE/NEWPORT	P = RELIANT
C24 = LASER	G = DIPLOMAT	T = NEW YORKER
C44 = LE BARON/GTS	H = VOYAGER	V = 600
D = ARIES	J = CARAVELLE	V24 = DAYTONA
D44 = LANCER	K = MINI VAN/CARAVAN/ROYAL	Z = OMNI/CHARGER

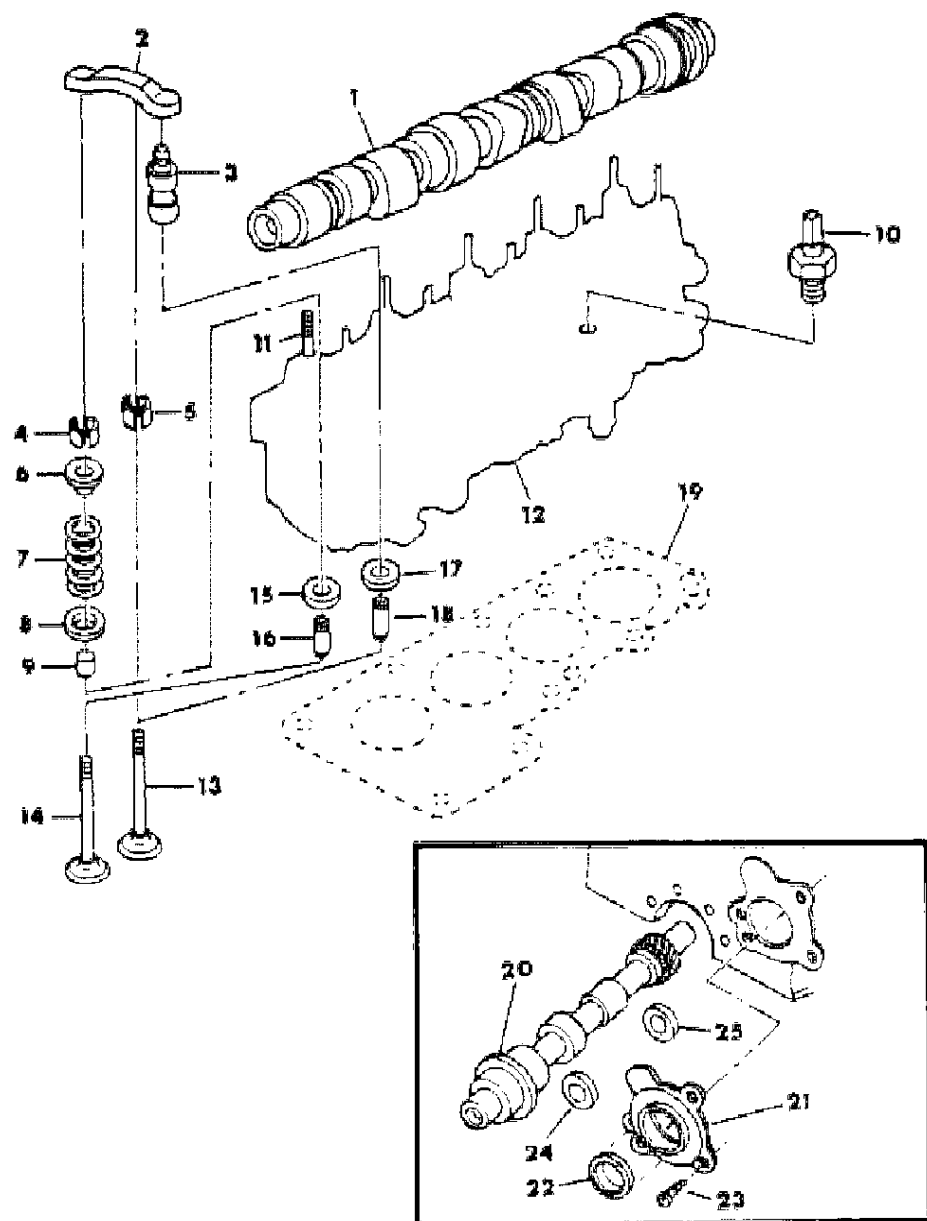
BODY STYLES

21 = 2-DOOR SEDAN	35 = FWD VAN	44 = 4-DOOR HATCHBACK
22 = 2-DOOR SPECIAL COUPE	36 = FWD WAGON	45 = 4-DOOR STATION WAGON
24 = 2-DOOR HATCHBACK	41 = 4-DOOR SEDAN	49 = LIMOUSINE
27 = 2-DOOR CONVERTIBLE		

AR = Use as Required - = Non Illustrated Part P.A.R. = Paint as Required

CAMSHAFT, INTERMEDIATE SHAFT, INTAKE AND EXHAUST VALVES 4 CYLINDER 2.2 L ENGINE, M,Z,P,D,C,V,E,T,H,K,J
Figure 9A-1600

5158 1600



ITEM	PART NUMBER	QTY	BODY	MODEL	DESCRIPTION
NOTE 1: GASKET Eliminator #4318029 must be used as described in the Chrysler repair Manual. #4293817 for replacement.					
1	4293 817	1			CAMSHAFT PACKAGE, w/Std. Journals (Except EDG-Turbo Charge Eng.) Consists of: 1----- Camshaft
	4293 818	1			8-5203491 Rocker, Valve CAMSHAFT PACKAGE, w/.050 O/S Journals (Except EDG-Turbo Charge Eng.) Consists of: 1----- Camshaft, w/50 O/S Journals (Stamped O/S.J)
	4293 819				8-5203491 Rocker, Valve CAMSHAFT PACKAGE, W/Std. Journals, (w/EDG-Turbo Charge Eng.)
2	4173 390	8			ROCKER, Valve
3	4240 007	8			ADJUSTER, Valve Lash
4	5203 577	8			LOCK, Exhaust Valve Spring Retainer
5	4201 349	8			LOCK, Intake Valve Spring Retainer
6	5203 578	8			RETAINER, Valve Spring Intake and Exhaust
7	4323 225	8			SPRING, Valve (Except EDG Eng.) (4.24 MM Dia.) (Orange)
	4105 793	8			w/EDG-Turbo Charge Eng. (4.50 MM Dia.) (Pink)
8	5203 474	8			SEAT, Valve Spring
9	4201 332	8			SEAL, Valve Guide, Std.
	4105 366	8			0.15 MM O/S (Green)
	4105 367	8			0.40 MM O/S (Yellow)
	4105 368	8			0.80 MM O/S (Red)
10	5203 339	1			NIPPLE, Thermostat Water By-Pass
11	6500 342	10			STUD, Camshaft Bearing Cap
12	4323 288	1			HEAD ASSY., Cylinder (partial)
13	5214 861	4			VALVE, Intake, Std. (Except EDG-Turbo Charge Eng.)
	5214 862	4			0.15 MM O/S
	5214 863	4			0.40 MM O/S
	5214 864	4			0.80 MM O/S
	5214 895	4			Std., w/EDG-Turbo Charge Eng.
	5214 896	4			0.15 MM O/S
	5214 897	4			0.40 MM O/S
	5214 898	4			0.80 MM O/S
14	5214 866	4			VALVE, Exhaust, Std., (Except EDG-Turbo Charge Eng.)

MODEL CODES

B = GRAN FURY	E = 600	M = HORIZON/TURISMO
C = LE BARON/TOWN & COUNTRY/LIMO	F = FIFTH AVENUE/NEWPORT	P = RELIANT
C24 = LASER	G = DIPLOMAT	T = NEW YORKER
C44 = LE BARON/GTS	H = VOYAGER	V = 600
D = ARIES	J = CARAVELLE	V24 = DAYTONA
D44 = LANCER	K = MINI VAN/CARAVAN/ROYAL	Z = OMNI/CHARGER

BODY STYLES

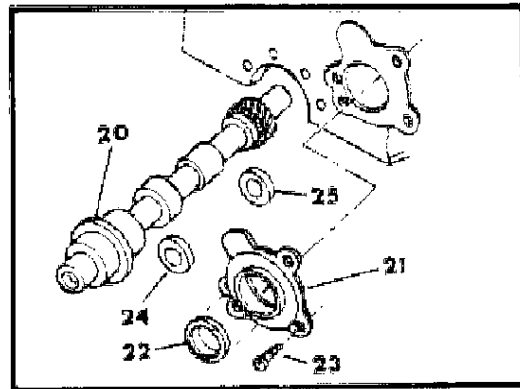
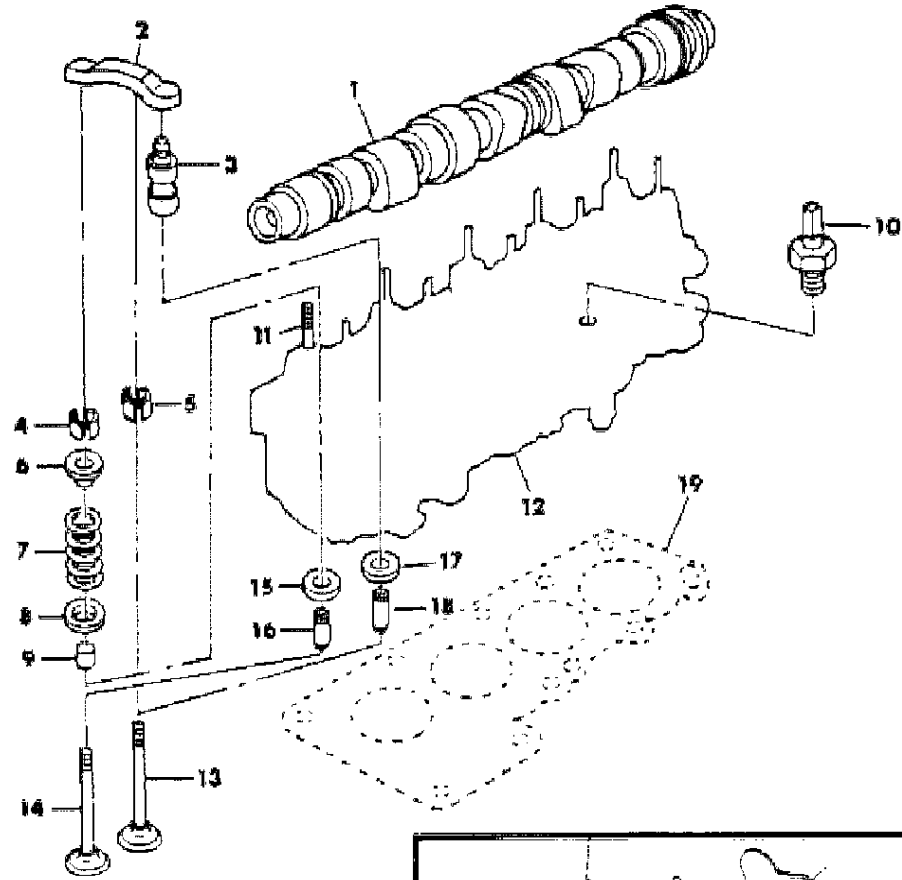
21 = 2-DOOR SEDAN	35 = FWD VAN	44 = 4-DOOR HATCHBACK
22 = 2-DOOR SPECIAL COUPE	36 = FWD WAGON	45 = 4-DOOR STATION WAGON
24 = 2-DOOR HATCHBACK	41 = 4-DOOR SEDAN	49 = LIMOUSINE
27 = 2-DOOR CONVERTIBLE		

AR = Use as Required - = Non Illustrated Part P.A.R. = Paint as Required

CAMSHAFT, INTERMEDIATE SHAFT, INTAKE AND EXHAUST VALVES 4 CYLINDER 2.2 L ENGINE, M,Z,P,D,C,V,E,T,H,K,J

Figure 9A-1600

5158 1600



ITEM	PART NUMBER	QTY	BODY	MODEL	DESCRIPTION
	5214 867	4			0.15 MM O/S
	5214 868	4			0.40 MM O/S
	5214 869	4			0.80 MM O/S
	5214 959	4			Std., w/EDG-Turbo Charge Eng.
	5214 960	4			0.15 MM O/S
	5214 961	4			0.40 MM O/S
	5214 962	4			0.80 MM O/S
15	5203 792	4			SEAT, Exhaust Valve 36.815 MM O/S
16	4105 715	4			GUIDE, Exhaust Valve, 43 MM Lgh., 12.740 MM O/D
17	5203 472	4			SEAT, Intake Valve, 43.375 MM O/D
18	4105 716	4			GUIDE, Intake Valve, 12.740 MM O/D, 40 MM Lgh.
19	5203 780	1			GASKET, Cyl. Head
20	4293 815	1			SHAFT, Intermediate
21	5203 325	1			RETAINER ASSY. Intermediate Shaft Oil Seal (See Note 1)
22	4105 395	1			SEAL, Intermediate Shaft
23	6101 278	3			SCREW, Intermediate Shaft Oil Seal Retainer Mounting
24	4105 216	1			BEARING, Intermediate Shaft, Front
25	4105 217	1			BEARING, Intermediate Shaft, Rear

MODEL CODES

B = GRAN FURY	E = 600	M = HORIZON/TURISMO
C = LE BARON/TOWN & COUNTRY/LIMO	F = FIFTH AVENUE/NEWPORT	P = RELIANT
C24 = LASER	G = DIPLOMAT	T = NEW YORKER
C44 = LE BARON/GTS	H = VOYAGER	V = 600
D = ARIES	J = CARAVELLE	V24 = DAYTONA
D44 = LANCER	K = MINI VAN/CARAVAN/ROYAL	Z = OMNI/CHARGER

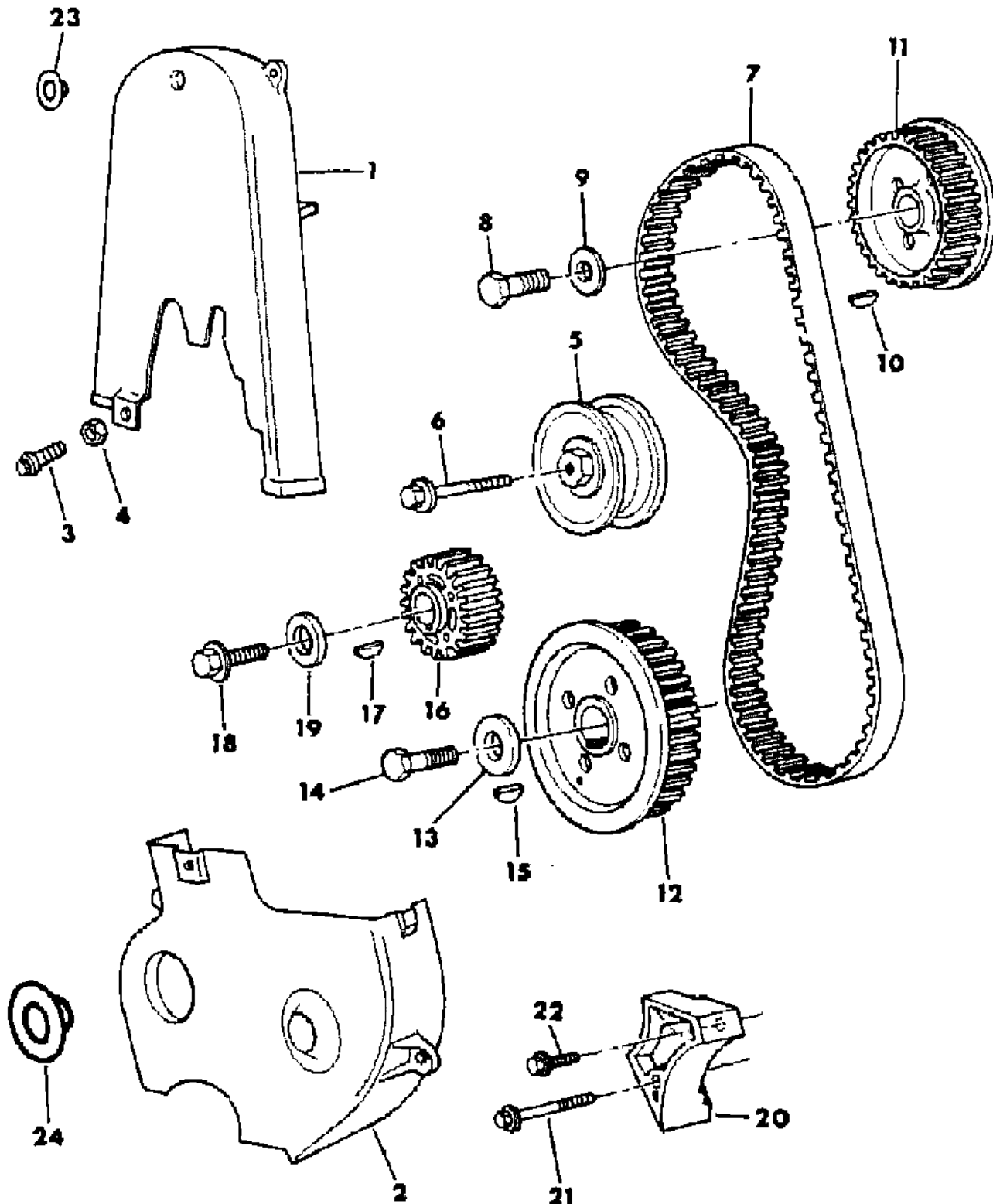
BODY STYLES

21 = 2-DOOR SEDAN	35 = FWD VAN	44 = 4-DOOR HATCHBACK
22 = 2-DOOR SPECIAL COUPE	36 = FWD WAGON	45 = 4-DOOR STATION WAGON
24 = 2-DOOR HATCHBACK	41 = 4-DOOR SEDAN	49 = LIMOUSINE
27 = 2-DOOR CONVERTIBLE		

AR = Use as Required - = Non Illustrated Part P.A.R. = Paint as Required

TIMING BELT, SPROCKETS, COVERS 4 CYLINDER 2.2 L ENGINE, M,Z,P,D,C,V,E,T,H,K,J
Figure 9A-1700

5158 1700



ITEM	PART NUMBER	QTY	BODY	MODEL	DESCRIPTION
1	4105 714	1			COVER, Timing Belt, Upper
2	4343 639	1			COVER, Timing Belt, Lower
3	6500 778	3			SCREW, Timing Belt Cover (M6 x 20 Lgh.)
4	6100 516	2			NUT, Timing Belt Cover
	6100 041	1			U-NUT, Timing Belt Cover
5	5203 469	1			PULLEY, Tension
6	6101 277	1			SCREW w/Washer, Tension Pulley Mounting
7	5203 401	1			BELT, Timing
8	6500 831	1			SCREW, Camshaft Sprocket
9	6500 346	1			WASHER, Camshaft Sprocket Screw
10	6500 150	1			KEY, Camshaft Sprocket
11	4201 974	1			SPROCKET, Camshaft (Except EDJ-H/Perf. Eng.)
	4201 992	1	M,Z		W/(EDJ-H/Perf. Eng.)
12	4201 974	1			SPROCKET, Intermediate Shaft (Except EDJ-H/Perf. Eng.)
	4201 992	1	M,Z		W/(EDJ-H/Perf. Eng.)
13	6500 346	1			WASHER, Intermediate Shaft Sprocket Screw
14	6500 831	1			SCREW, Intermediate Shaft Sprocket
15	6500 150	1			KEY, Intermediate Shaft Sprocket
16	5203 575	1			SPROCKET, Crankshaft
17	6500 150	1			KEY, Crankshaft Sprocket
18	6502 976	1			SCREW, Crankshaft Sprocket
19	6500 431	1			WASHER, Crankshaft Sprocket Screw
20	5214 636	1			SHIELD, Timing Belt
21	6101 278	1			SCREW w/Washer, Timing Belt Shield Mounting (20mm lgh.)
22	6101 279	1			SCREW w/Washer, Timing Belt Shield Mounting (55mm lgh.)
23	2094 631	1			PLUG, Timing Belt Cover, Upper
24	4227 940	1			PLUG, Timing Belt Cover, Lower

MODEL CODES

B = GRAN FURY	E = 600	M = HORIZON/TURISMO
C = LE BARON/TOWN & COUNTRY/LIMO	F = FIFTH AVENUE/NEWPORT	P = RELIANT
C24 = LASER	G = DIPLOMAT	T = NEW YORKER
C44 = LE BARON/GTS	H = VOYAGER	V = 600
D = ARIES	J = CARAVELLE	V24 = DAYTONA
D44 = LANCER	K = MINI VAN/CARAVAN/ROYAL	Z = OMNI/CHARGER

BODY STYLES

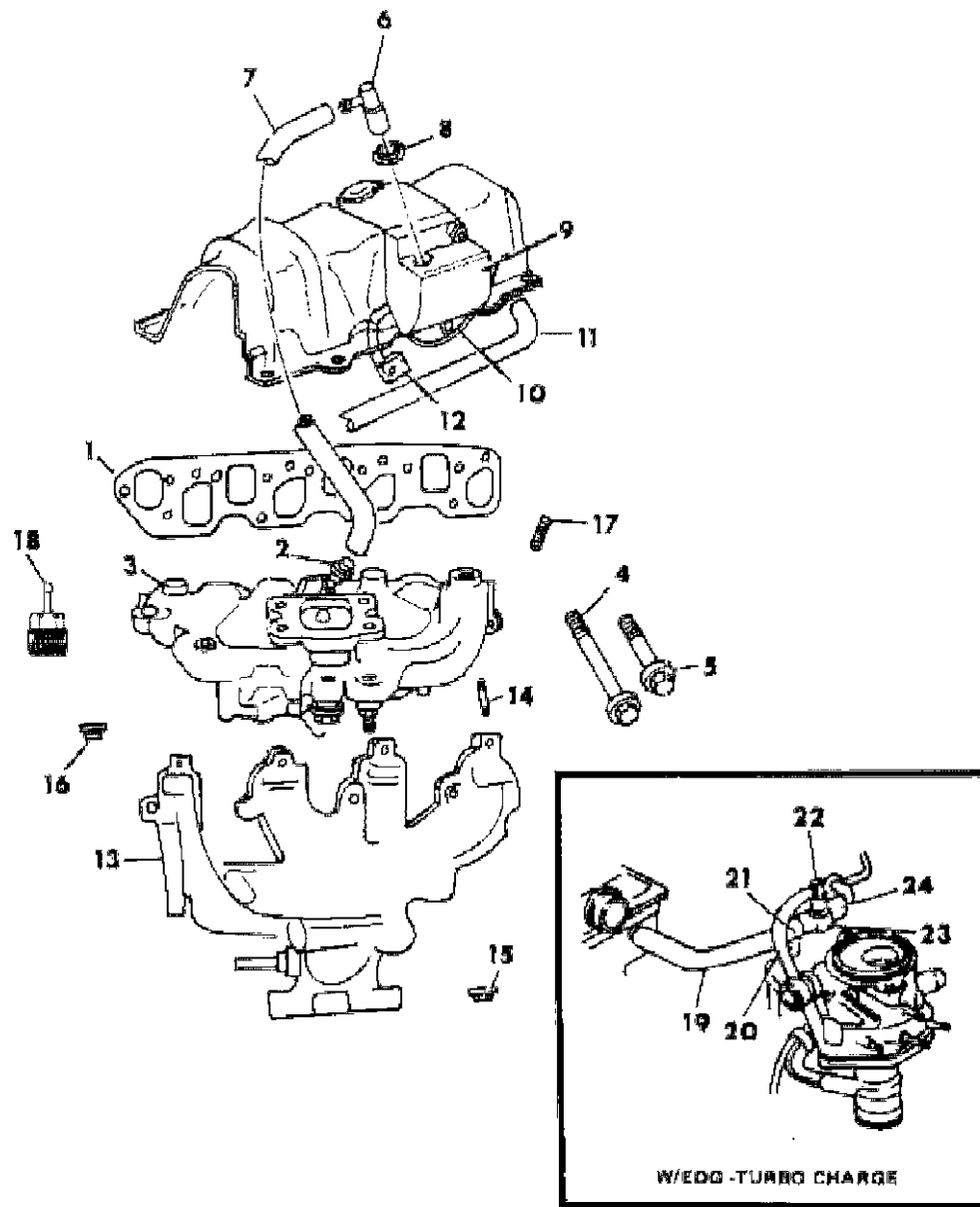
21 = 2-DOOR SEDAN	35 = FWD VAN	44 = 4-DOOR HATCHBACK
22 = 2-DOOR SPECIAL COUPE	36 = FWD WAGON	45 = 4-DOOR STATION WAGON
24 = 2-DOOR HATCHBACK	41 = 4-DOOR SEDAN	49 = LIMOUSINE
27 = 2-DOOR CONVERTIBLE		

AR = Use as Required - = Non Illustrated Part P.A.R. = Paint as Required

MANIFOLD, INTAKE, EXHAUST, CRANKCASE VENT SYSTEM 4 CYLINDER 2.2 L ENGINE, M,Z,P,D,C,V,E,T,H,K,J

Figure 9A-1800

5159 1800



ITEM	PART NUMBER	QTY	BODY	MODEL	DESCRIPTION
NOTE 1: These Packages do not contain Gaskets for all required sealings. R.T.V. Sealer #4318025 and Gasket Eliminator #4318029 must be used in addition as described in the Chrysler repair Manual.					
NOTE (2) Part No. 4026136 Consists of a 50 Foot Roll Hose (Use as Required) on as described in the Chrysler repair Manual.					
	4240 096	1			GASKET PACKAGE, Manifold (See Note 1) Consists of: 1-4105745 Gasket, Intake and Exhaust Manifold 1-4201384 Gasket, Exhaust Manifold Crossover Flange
1	4105 745	1			GASKET, Intake and Exhaust Manifold
2	5203 143	1			NIPPLE, Crankcase Vent Hole
3	4343 738	1			MANIFOLD, Intake, (Except EDF, EDG, EDJ Eng's)
	4343 419	1			w/EDF-Elect. Fuel Injection Eng.
	4323 279	1			w/EDG-Turbo Charge Eng.
	4343 739	1	M,Z		w/EDJ-H/Perf. Eng.
4	6500 391	4			BOLT, Intake Manifold to Cyl. Head (M8x90), (Except EDG-Turbo Charge Eng.)
5	6500 390	4			BOLT, Intake Manifold to Cyl. Head (M8x65), (Except EDG-Turbo Charge Eng.)
	6500 676	8			w/EDG-Turbo Charge Eng.
6	4273 145	1			VALVE, Crankcase Vent, w/EDJ-Hi Perf. w/Calif.
	4343 581	1			All 2.2 except EDG or EDJ w/Calif.
7	4026 136	AR			HOSE, Crankcase Vent Valve to Intake Manifold (8.00 MM Lgh.), (See Note 2)
	4293 793	1			HEATER PKG. PCV System (7.50 MM Lgh.)
	4173 380	1			w/EDF-Elect. Fuel Injection Eng.
8	3751 510	1			GROMMET, Vent Valve
9	4201 993	1			MODULE ASSY, Crankcase Vent (Includes Grommet and Gasket)
10	5214 597	1			GASKET, Crankcase Vent Module
11	4343 637	1			HOSE, Crankcase Vent Module to Air Cleaner (Formed Hose) (up to 8/20/84)
	4343 675	1			(after 8/20/84)
	4173 378	1			w/EDF-Elect. Fuel Injection Eng.
12	4201 975	1			CLIP, Crankcase Vent Module Retaining
13	4273 099	1			MAINFOLD, Exhaust w/EDE Carb. or EDJ Hi-Performance
	4448 746	1			w/EDF Injected Engine
	4227 685	1			w/EDG-Turbo Charge Eng.
14	6500 679	8			STUD, Exhaust Manifold to Cyl. Head
15	6500 363	8			NUT, Exhaust Manifold to Cyl. Head Stud

MODEL CODES

B = GRAN FURY	E = 600	M = HORIZON/TURISMO
C = LE BARON/TOWN & COUNTRY/LIMO	F = FIFTH AVENUE/NEWPORT	P = RELIANT
C24 = LASER	G = DIPLOMAT	T = NEW YORKER
C44 = LE BARON/GTS	H = VOYAGER	V = 600
D = ARIES	J = CARAVELLE	V24 = DAYTONA
D44 = LANCER	K = MINI VAN/CARAVAN/ROYAL	Z = OMNI/CHARGER

BODY STYLES

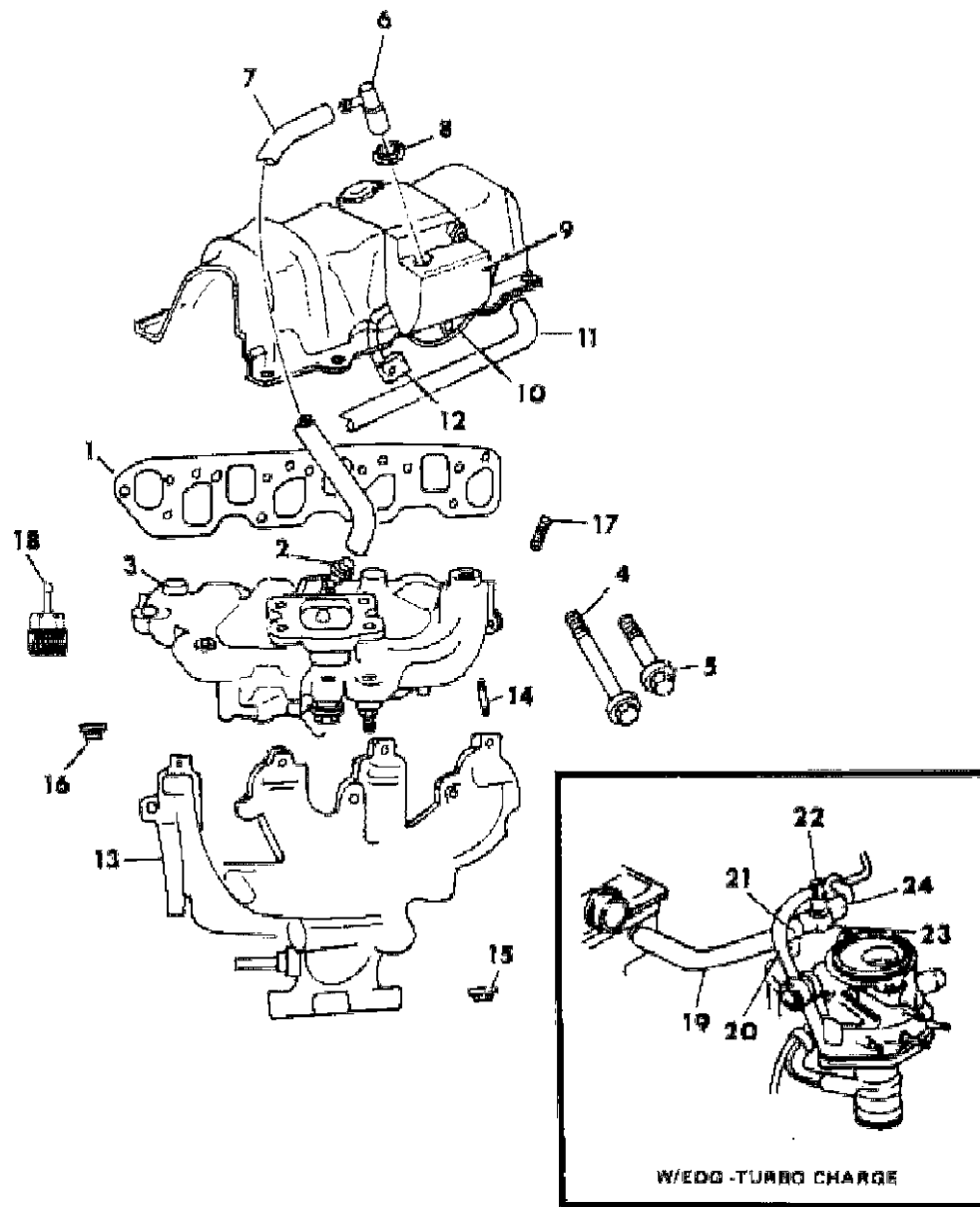
21 = 2-DOOR SEDAN	35 = FWD VAN	44 = 4-DOOR HATCHBACK
22 = 2-DOOR SPECIAL COUPE	36 = FWD WAGON	45 = 4-DOOR STATION WAGON
24 = 2-DOOR HATCHBACK	41 = 4-DOOR SEDAN	49 = LIMOUSINE
27 = 2-DOOR CONVERTIBLE		

AR = Use as Required - = Non Illustrated Part P.A.R. = Paint as Required

MANIFOLD, INTAKE, EXHAUST, CRANKCASE VENT SYSTEM 4 CYLINDER 2.2 L ENGINE, M,Z,P,D,C,V,E,T,H,K,J

Figure 9A-1800

5159 1800



ITEM	PART NUMBER	QTY	BODY	MODEL	DESCRIPTION
16	6500 362	1			PLUG, Exhaust Manifold (M18)
17	1859 127	1			PLUG, Intake Manifold Vaccumm
18	4026 117	1			CONNECTOR, Vaccumm Control (3/8")
	4306 283	1			w/Turbo Eng.
	6031 789	1			CONNECTOR, Exhaust Manifold
19	4105 732	1		Exc. M,	HOSE, Vent Valve to Air Cleaner (w/EDG-Turbo Charge Eng.) up to 3/8/85
	4343 708	1		M,Z,D,C	up to 3/8/85
	4343 665	1			after 3/8/85
20	4323 391	1			HOSE, Vent Valve to Turbo (w/EDG-Turbo Charge Eng.) Up to 3/8/85
	4343 664	1		M,Z,D,C	TUBE, Crankcase Vent Valve (w/EDG-Turbo Engine) after 3/8/85
	4343 667	1		exc. M,	TUBE, Crankcase Vent Valve (w/EDG-Turbo Engine) after 3/8/85
21	4105 734	1			CONNECTOR, Vent Valve Hose (w/EDG-Turbo Charge Eng.)
22	3671 076	1			VALVE, Crankcase Vent (w/EDG-Turbo Charge Eng.)
23	4105 733	1			HOSE, Crankcase Vent Valve,(w/EDG-Turbo Charge Eng.)
24	4105 477	1			ELBOW, Crankcase Vent Valve(w/EDG-Turbo Charge Eng.)
	4343 707	1		M,Z,D,C	ELBOW, Crankcase Vent Valve Hose (w/EDG-Turbo Eng.)
NOTE: The following items are not shown on illustration. on as described in the Chrysler repair Manual.					
	4343 606	1			HOSE, Tube to Manifold Vac. Source (w/EDE,EDJ) Up to 3/8/85
	4343 669	1			After 3/8/85

MODEL CODES

B = GRAN FURY	E = 600	M = HORIZON/TURISMO
C = LE BARON/TOWN & COUNTRY/LIMO	F = FIFTH AVENUE/NEWPORT	P = RELIANT
C24 = LASER	G = DIPLOMAT	T = NEW YORKER
C44 = LE BARON/GTS	H = VOYAGER	V = 600
D = ARIES	J = CARAVELLE	V24 = DAYTONA
D44 = LANCER	K = MINI VAN/CARAVAN/ROYAL	Z = OMNI/CHARGER

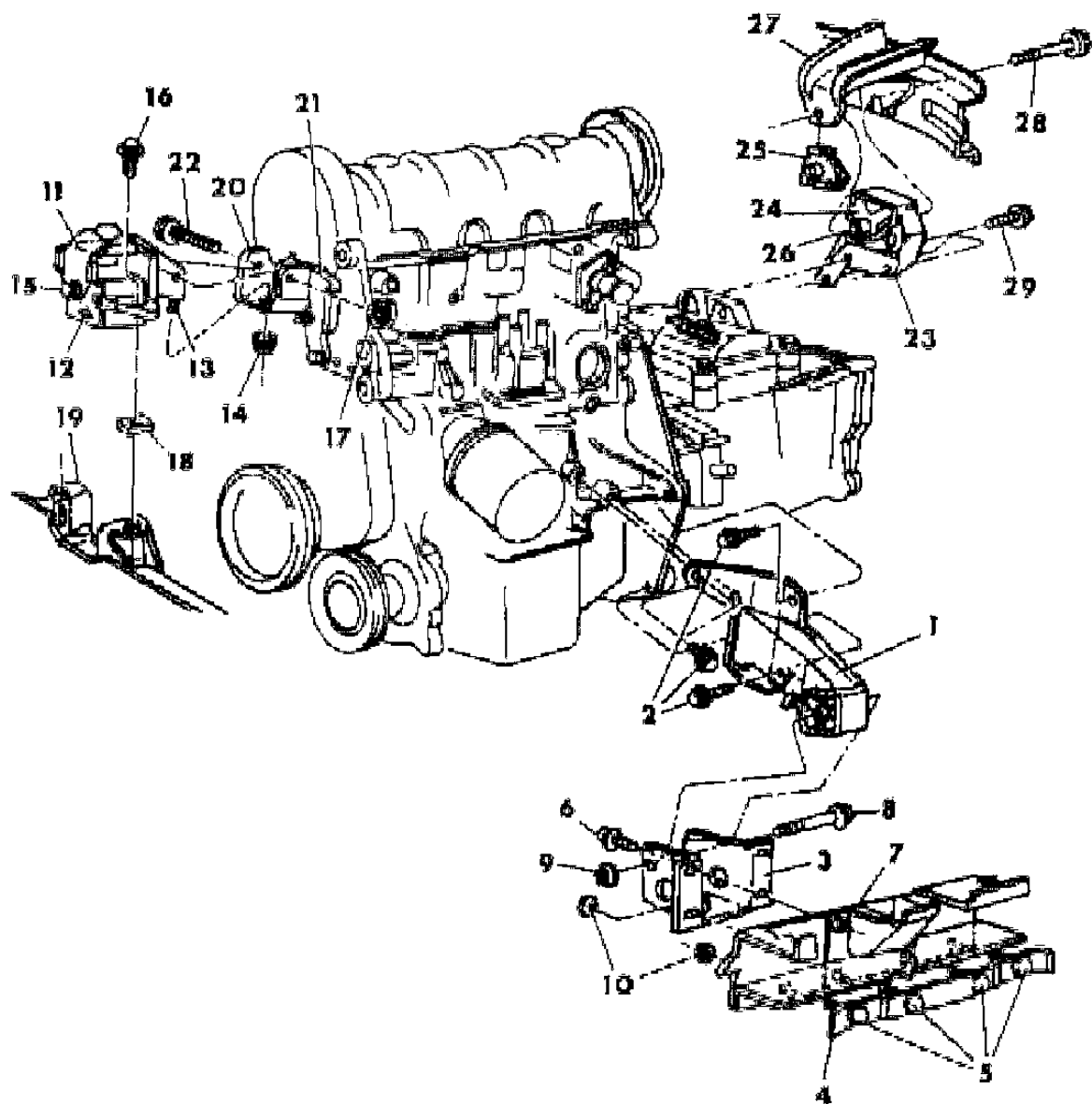
BODY STYLES

21 = 2-DOOR SEDAN	35 = FWD VAN	44 = 4-DOOR HATCHBACK
22 = 2-DOOR SPECIAL COUPE	36 = FWD WAGON	45 = 4-DOOR STATION WAGON
24 = 2-DOOR HATCHBACK	41 = 4-DOOR SEDAN	49 = LIMOUSINE
27 = 2-DOOR CONVERTIBLE		

AR = Use as Required - = Non Illustrated Part P.A.R. = Paint as Required

MOUNTING, ENGINE 4 CYLINDER 2.2 L ENGINE, M,Z,P,D,C,V,E,T,H,K,J
Figure 9A-1900

5158 1900



ITEM	PART NUMBER	QTY	BODY	MODEL	DESCRIPTION
1	4269 279	1		M,Z	INSULATOR, Engine Support Front (Except Turbo Eng.)
	4377 449	1		M,Z	(w/Turbo Eng.)
	4295 018	1		Except	Except Turbo Eng.
	4329 588	1		Except	w/Turbo Eng., also w/S/C-BGB Heavy Duty Disc Brakes Front and Rear Drums
2	6501 162	1			SCREW w/Washer, Eng. Support Insulator Bracket to Eng. Block, Left
	6501 161	1			SCREW w/Washer, Bracket to Trans. Front
	6500 486	2			SCREW w/Washer, Eng. Support Insulator Bracket to Eng. Block Front
3	4270 119	1			BRACKET, Front Side Rail Front Crossmember Engine Mounting Front
4	4296 259	1			TIEPLATE ASSY.,Front Crossmember Flange
5	6500 233	4			SCREW, Front Crossmember Flange Tie Plate
6	6500 535	2			SCREW w/Washer, Eng. Support Insulator Bracket to Eng. Mounting Front Bracket Front
7	6100 518	2			NUT, Eng. Support Insulator Bracket to Eng. Mounting Front Bracket Screw
8	6500 180	1			SCREW w/Washer, Eng. Support Insulator to Frame Front
9	6100 053	1			NUT, Eng. Support Insulator to Frame Front
10	6100 518	4			NUT, Front Crossmember Flange Tie Plate
11	4295 264	1		M,Z	BRACKET ASSY., Eng. Support Insulator Rt.
	4295 265	1		Except	
12	4505 411	1			BUSHING, Engine Support Insulator Rt.
13	4295 274	1			STUD, Eng. Support Insulator Bracket to Eng. Mounting Assy. Rt.
14	6500 164	1			NUT, Eng. Support Insulator Bracket to Eng. Mounting Assy. Stud Rt.
15	6500 839	1			SCREW w/Washer, Eng. Support Bushing
16	6500 555	2			SCREW w/Washer, Bushing to Frame Bracket
17	6100 519	2			NUT, Eng. Support Insulator Bracket to Eng. Mounting Assy. Bolt
18	4329 446	2			SPACER, Eng. Support Assy., Right (w/EDG-Turbo Charge Eng.)
19					SIDE RAIL (See Group 13) I
20	4298 169	1			BRACKET ASSY., Eng. Mounting, Rt.
21	4323 642	1			STRUT, Eng. Mounting Right, (w/EDG-Turbo Charge Eng.)
	6500 157	2			SCREW w/Washer, (M10 x 1.50 - 25 lgh.)
22	6501 076	1			BOLT, Eng. Support Insulator Bracket To Eng. Mounting Assy., Right

MODEL CODES

B = GRAN FURY	E = 600	M = HORIZON/TURISMO
C = LE BARON/TOWN & COUNTRY/LIMO	F = FIFTH AVENUE/NEWPORT	P = RELIANT
C24 = LASER	G = DIPLOMAT	T = NEW YORKER
C44 = LE BARON/GTS	H = VOYAGER	V = 600
D = ARIES	J = CARAVELLE	V24 = DAYTONA
D44 = LANCER	K = MINI VAN/CARAVAN/ROYAL	Z = OMNI/CHARGER

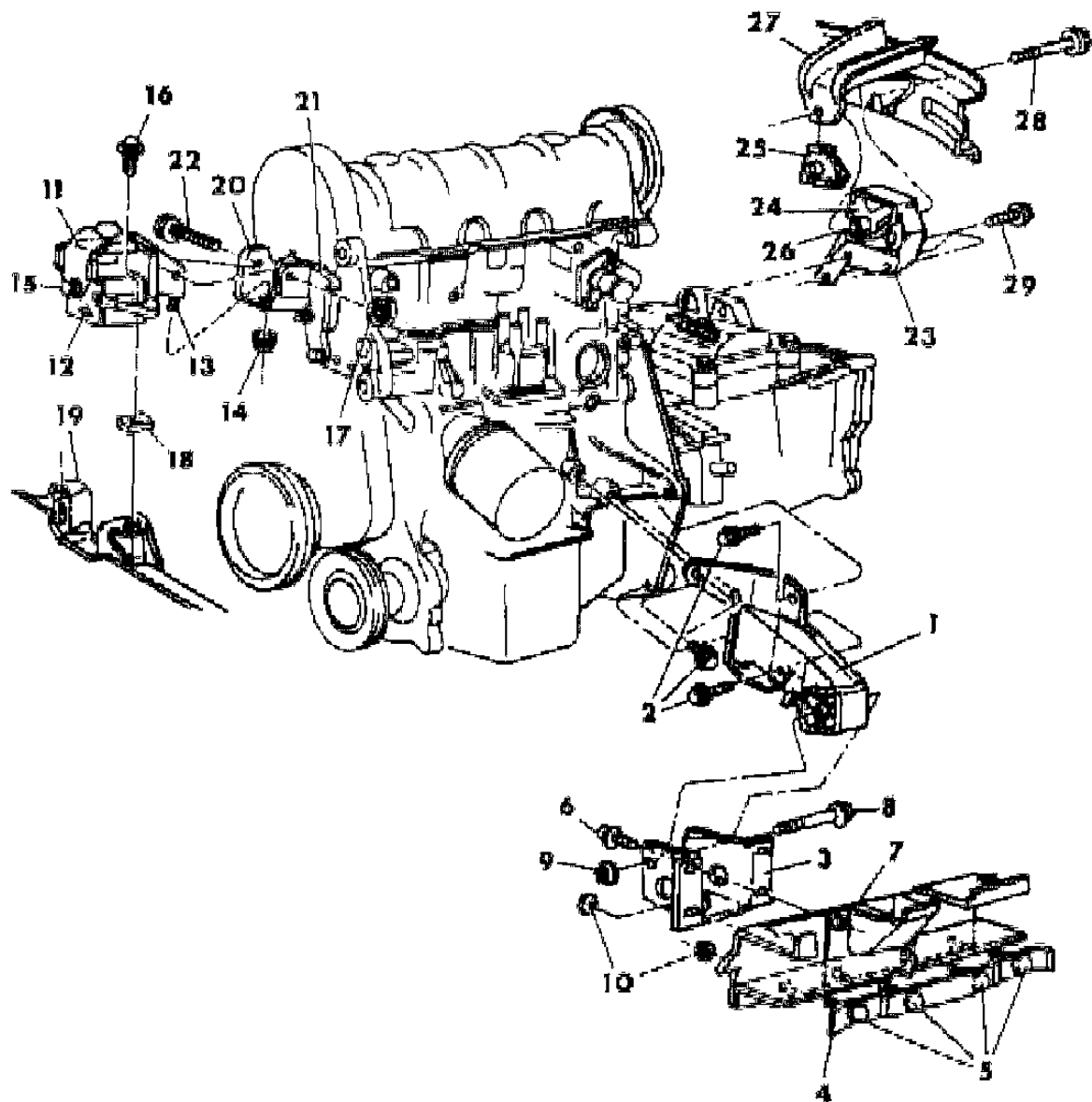
BODY STYLES

21 = 2-DOOR SEDAN	35 = FWD VAN	44 = 4-DOOR HATCHBACK
22 = 2-DOOR SPECIAL COUPE	36 = FWD WAGON	45 = 4-DOOR STATION WAGON
24 = 2-DOOR HATCHBACK	41 = 4-DOOR SEDAN	49 = LIMOUSINE
27 = 2-DOOR CONVERTIBLE		

AR = Use as Required - = Non Illustrated Part P.A.R. = Paint as Required

MOUNTING, ENGINE 4 CYLINDER 2.2 L ENGINE, M,Z,P,D,C,V,E,T,H,K,J
Figure 9A-1900

5158 1900



ITEM	PART NUMBER	QTY	BODY	MODEL	DESCRIPTION
23	4295 256	1		M,Z	SUPPORT, Engine Left, w/Man. Trans.
	4295 254	1		M,Z	w/Auto. Trans.
	4295 257	1		Except	w/Man. Trans.
	4295 255	1		Except	w/Auto. Trans.
24	4295 237	1			BUSHING ASSY., Engine Support Insulator
25	6500 833	1			U-NUT, Insulator To Front Side Rail, Left
26		1			SPACER, Eng. Support Bushing, Left (Serviced in Item 24)
27		1			BRACKET, Frame Side Rail (See Group 13)
28	6500 840	1			SCREW w/Washer, Engine Support Insulator to Frame Side Rail Bracket
29	6500 495	3			SCREW w/Washer, Engine Support Insulator Bracket to Trans. Case, Left
-	6501 200	1			STUD, Engine Mounting and Spacer to Block (10-1.50x 110 Lgh.)
-	4105 790	1			CLOSURE, Right Eng. Mounting Stone Guard

MODEL CODES

B = GRAN FURY	E = 600	M = HORIZON/TURISMO
C = LE BARON/TOWN & COUNTRY/LIMO	F = FIFTH AVENUE/NEWPORT	P = RELIANT
C24 = LASER	G = DIPLOMAT	T = NEW YORKER
C44 = LE BARON/GTS	H = VOYAGER	V = 600
D = ARIES	J = CARAVELLE	V24 = DAYTONA
D44 = LANCER	K = MINI VAN/CARAVAN/ROYAL	Z = OMNI/CHARGER

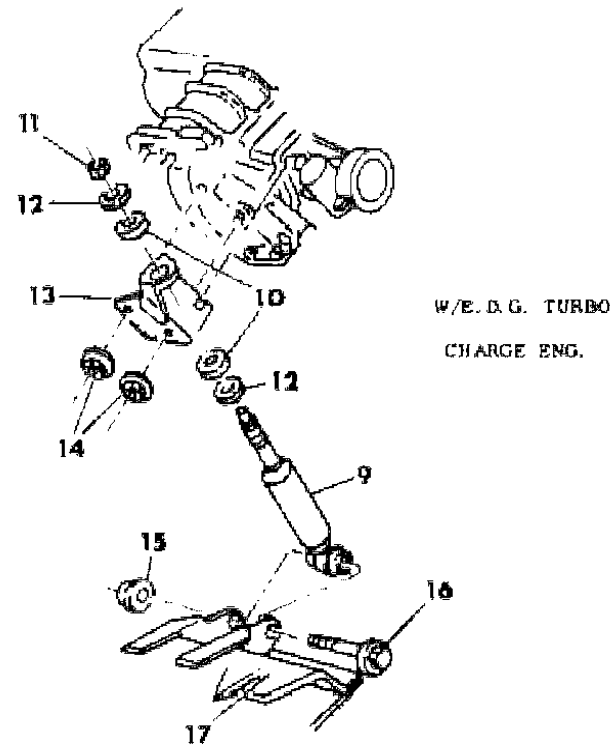
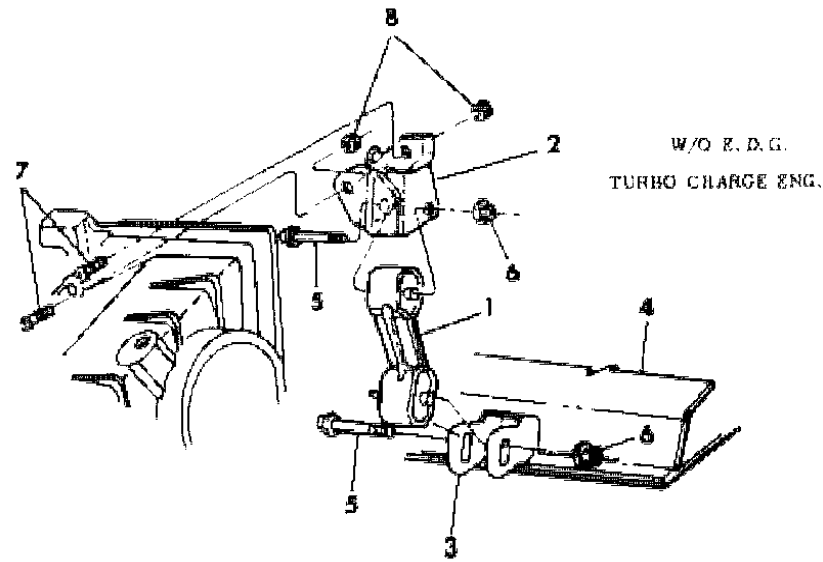
BODY STYLES

21 = 2-DOOR SEDAN	35 = FWD VAN	44 = 4-DOOR HATCHBACK
22 = 2-DOOR SPECIAL COUPE	36 = FWD WAGON	45 = 4-DOOR STATION WAGON
24 = 2-DOOR HATCHBACK	41 = 4-DOOR SEDAN	49 = LIMOUSINE
27 = 2-DOOR CONVERTIBLE		

AR = Use as Required - = Non Illustrated Part P.A.R. = Paint as Required

ENGINE STRUT, w/MAN. TRANS. 4 CYLINDER 2.2 L ENG., M,Z,P,D,C,V,E,T,H,K,J
Figure 9A-2000

9/53 2000



ITEM	PART NUMBER	QTY	BODY	MODEL	DESCRIPTION
1	4191 282	1			STRUT, Man. Trans. to Support Crossmember Roll, w /Man. Trans.
2	4340 037	1			BRACKET, Man. Trans. to Engine Roll Strut, w/Man. Trans.
3		1			BRACKET, Support Crossmember to Eng. Roll Strut, Serviced in Front side Rail Front Crossmember(See Group 13)
4		1			CROSSMEMBER, Front Side Rail Front (See Group 13)
5	6101 342	2			SCREW W/Washer, Bracket to Strut
6	6100 053	2			NUT, Bracket to Strut Screw
7	6100 342	2			BOLT, Man. Trans. to Eng. Roll Strut Bracket
8	6100 517	2			NUT, Man. Trans. to Eng. Roll Strut Bracket Bolt
9	4329 162	1			DAMPER, Man. Trans. to Support Crossmember Eng. Roll, up to 5/1/85
10	4329 163	2			BUSHING, Man. Trans. Damper to Bracket, up to 5/1/85
9&10	4364 769	1			DAMPER & BUSHINGS, Engine Roll, after 5/1/85
11	6100 525	1			NUT, Damper Upper
12	6500 966	1			RETAINER, Damper Bushing, Upper
	6500 967	1			Lower
013	4329 160	1			BRACKET, Man. Trans. to Eng. Damper
014	6100 517	2			NUT, Man. Trans. to Eng. Roll Strut Bracket
015	6100 053	1			NUT, Man. Trans. to Support Crossmember Eng. Damper
016	6101 342	1			SCREW, Support Crossmember to Eng. Damper
017		1			CROSSMEMBER (See Group 13)

MODEL CODES

B = GRAN FURY	E = 600	M = HORIZON/TURISMO
C = LE BARON/TOWN & COUNTRY/LIMO	F = FIFTH AVENUE/NEWPORT	P = RELIANT
C24 = LASER	G = DIPLOMAT	T = NEW YORKER
C44 = LE BARON/GTS	H = VOYAGER	V = 600
D = ARIES	J = CARAVELLE	V24 = DAYTONA
D44 = LANCER	K = MINI VAN/CARAVAN/ROYAL	Z = OMNI/CHARGER

BODY STYLES

21 = 2-DOOR SEDAN	35 = FWD VAN	44 = 4-DOOR HATCHBACK
22 = 2-DOOR SPECIAL COUPE	36 = FWD WAGON	45 = 4-DOOR STATION WAGON
24 = 2-DOOR HATCHBACK	41 = 4-DOOR SEDAN	49 = LIMOUSINE
27 = 2-DOOR CONVERTIBLE		

AR = Use as Required - = Non Illustrated Part P.A.R. = Paint as Required

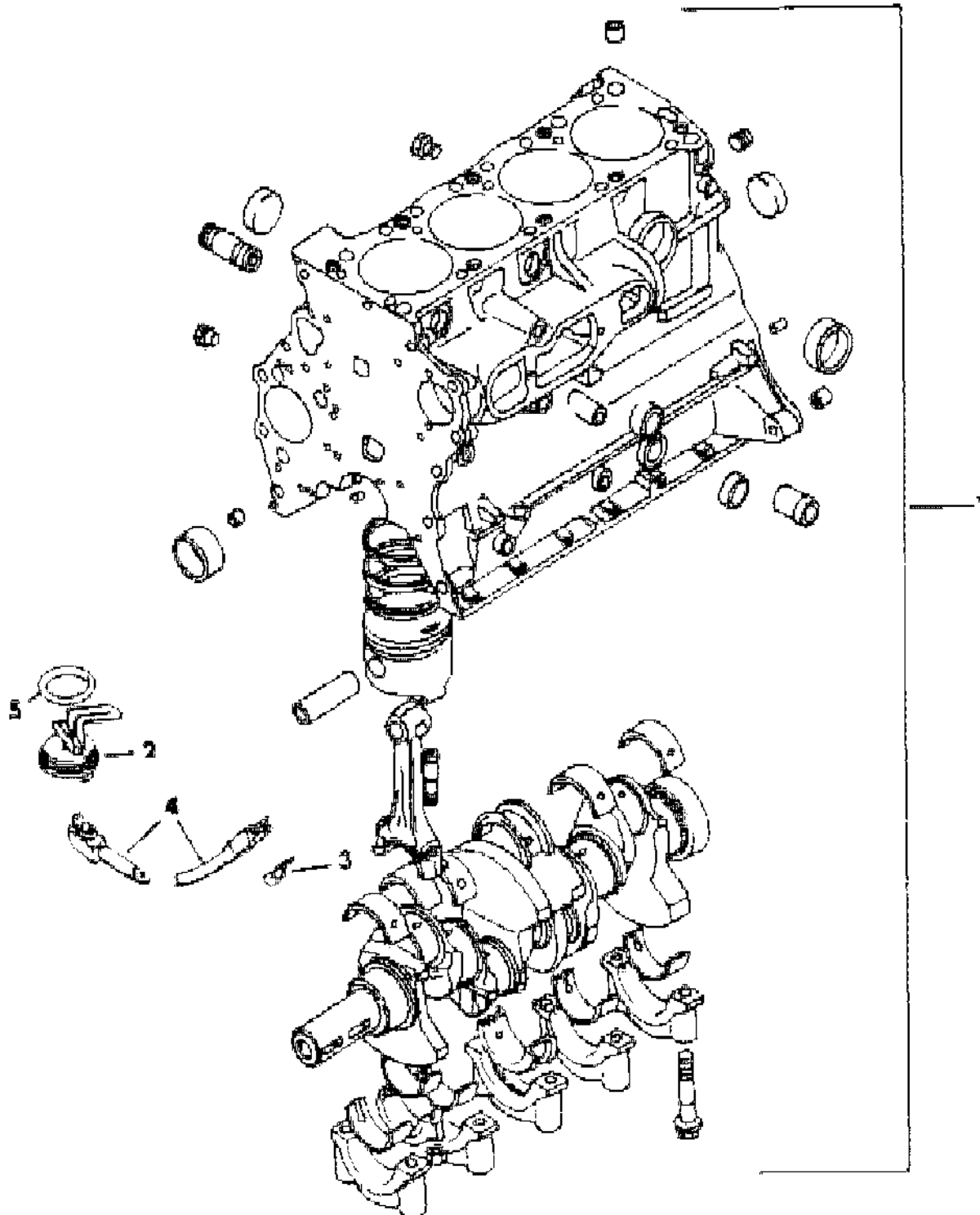
ENGINE, SHORT ENGINE 4 CYLINDER 2.6 L ENG., P,D,C,V,E,T,H,K,J
Figure 9A-2100

5158 2100

ITEM	PART NUMBER	QTY	BODY	MODEL	DESCRIPTION
------	-------------	-----	------	-------	-------------

Note: This Short Engine includes a Cylinder Block with Pistons and Rings, Connecting Rod and Bearings, Crankshaft and Bearings with Caps. on as described in the Chrysler repair Manual.

1	MD07 6310			Except	ENGINE, Short (See Note) (U.S. and Calif.)
	MD07 6309			Except	(Canada, up to May 84)
	MD09 1023			Except	(Canada, after May 84)
	MD07 6309			H,K	(U.S. and Canada) (up to May 84)
	MD09 1023			H,K	(U.S. and Canada) (after May 84)
	MD07 6311			H,K	(U.S. w/High Altitude and Calif.)
2	5213 084	1			HEATER, Engine Block
3	6015 412	1			CLIP, Engine Block Heater Cord
4	3614 282	1			CORD, Engine Block Heater
5	6027 513	1			"O"RING, Engine Block Heater (.06 O/S)



MODEL CODES

B = GRAN FURY	E = 600	M = HORIZON/TURISMO
C = LE BARON/TOWN & COUNTRY/LIMO	F = FIFTH AVENUE/NEWPORT	P = RELIANT
C24 = LASER	G = DIPLOMAT	T = NEW YORKER
C44 = LE BARON/GTS	H = VOYAGER	V = 600
D = ARIES	J = CARAVELLE	V24 = DAYTONA
D44 = LANCER	K = MINI VAN/CARAVAN/ROYAL	Z = OMNI/CHARGER

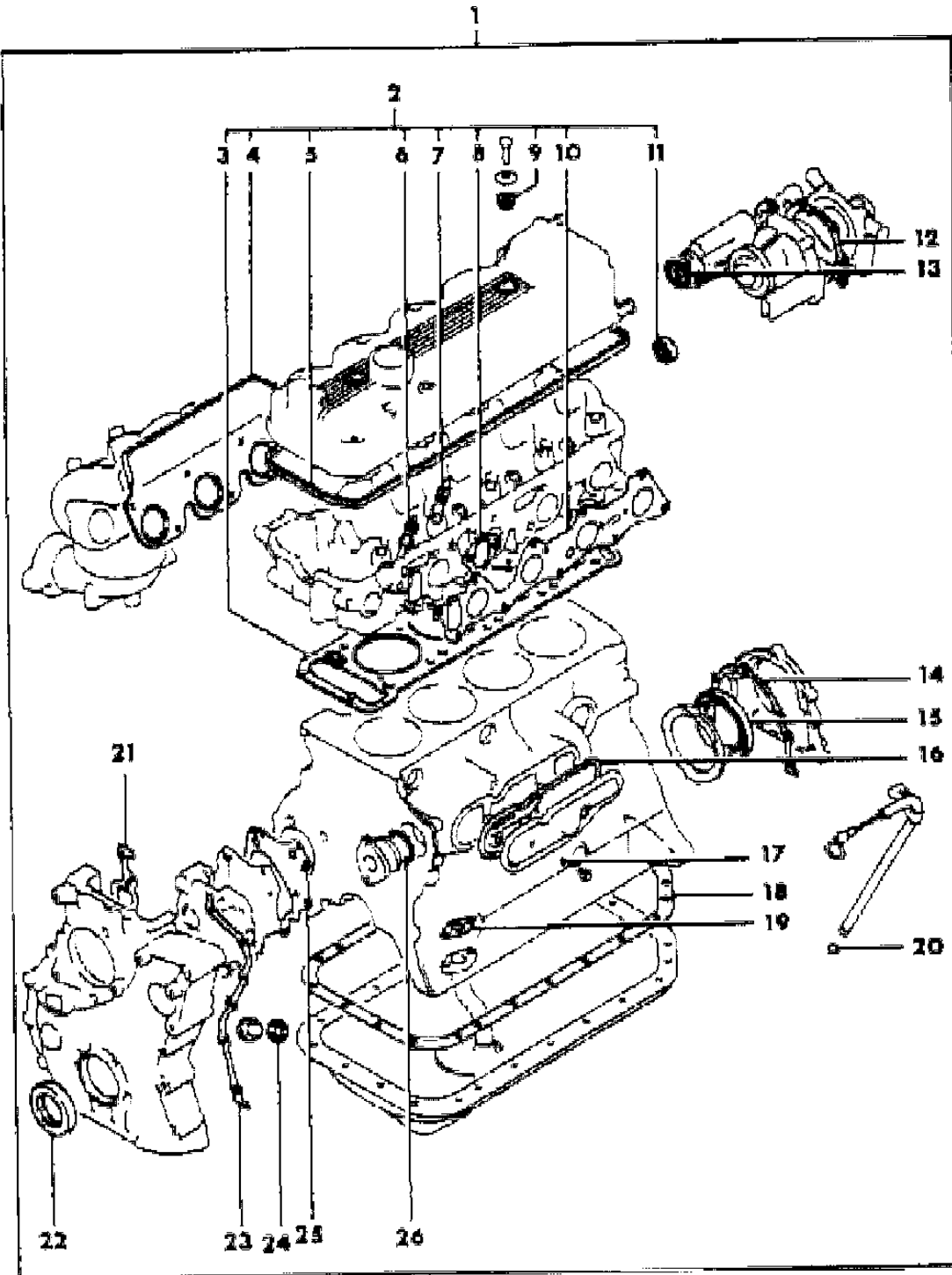
BODY STYLES

21 = 2-DOOR SEDAN	35 = FWD VAN	44 = 4-DOOR HATCHBACK
22 = 2-DOOR SPECIAL COUPE	36 = FWD WAGON	45 = 4-DOOR STATION WAGON
24 = 2-DOOR HATCHBACK	41 = 4-DOOR SEDAN	49 = LIMOUSINE
27 = 2-DOOR CONVERTIBLE		

AR = Use as Required - = Non Illustrated Part P.A.R. = Paint as Required

ENGINE OVERHAUL GASKET SET 4 CYLINDER 2.6 L ENG., P,D,C,V,E,T,H,K,J
Figure 9A-2200

9A-2200



ITEM	PART NUMBER	QTY	BODY	MODEL	DESCRIPTION
1	MD99 7050	1			GASKET SET, Engine Overhaul
2	MD99 7021	1			GASKET SET, Engine Upper
3	MD02 6654	1			GASKET, Cylinder Head
4	MD02 5684	1			GASKET, Exhaust Manifold
5	MD02 4682	1			GASKET, Rocker Cover
6	MD00 0508	8			SEAL, Valve Stem
7	MD00 9786	4			"O"Ring
8	MD02 3388	2			GASKET, Fuel Pump
9	MD00 0523	2			Oil Seal
10	MD02 4628	1			Gasket, Inlet Manifold
11	MD02 4529	1			OIL SEAL
12	MD02 5196	1			GASKET, Water Pump
13	MD03 0764	1			O-RING, Water Pipe
14	MD02 0292	1			Gasket, Oil Seal Case
15	MD05 0604	1			Oil Seal
	MD07 0695	4			SEAL, Valve Stem (Exhaust)
16	MD02 0239	1			GASKET, Cover
17	MD02 0256	2			O-RING
18	MD02 4777	1			GASKET, Oil Pan
19	MD02 1577	1			GASKET, Oil Screen
20	MF52 0004	1			O-RING
21	MD02 0324	1			GASKET, Chain Case
22	MD02 0308	1			OIL SEAL
23	MD02 0325	1			GASKET, Chain Case
24	MD00 0312	1			GASKET, Oil Drain Plug (18)
24	MD05 0317	1			GASKET, Oil Drain Plug (14)
25	MD06 0521	1			GASKET, Oil Pump
26	MD02 1045	1			O-RING

MODEL CODES

B = GRAN FURY	E = 600	M = HORIZON/TURISMO
C = LE BARON/TOWN & COUNTRY/LIMO	F = FIFTH AVENUE/NEWPORT	P = RELIANT
C24 = LASER	G = DIPLOMAT	T = NEW YORKER
C44 = LE BARON/GTS	H = VOYAGER	V = 600
D = ARIES	J = CARAVELLE	V24 = DAYTONA
D44 = LANCER	K = MINI VAN/CARAVAN/ROYAL	Z = OMNI/CHARGER

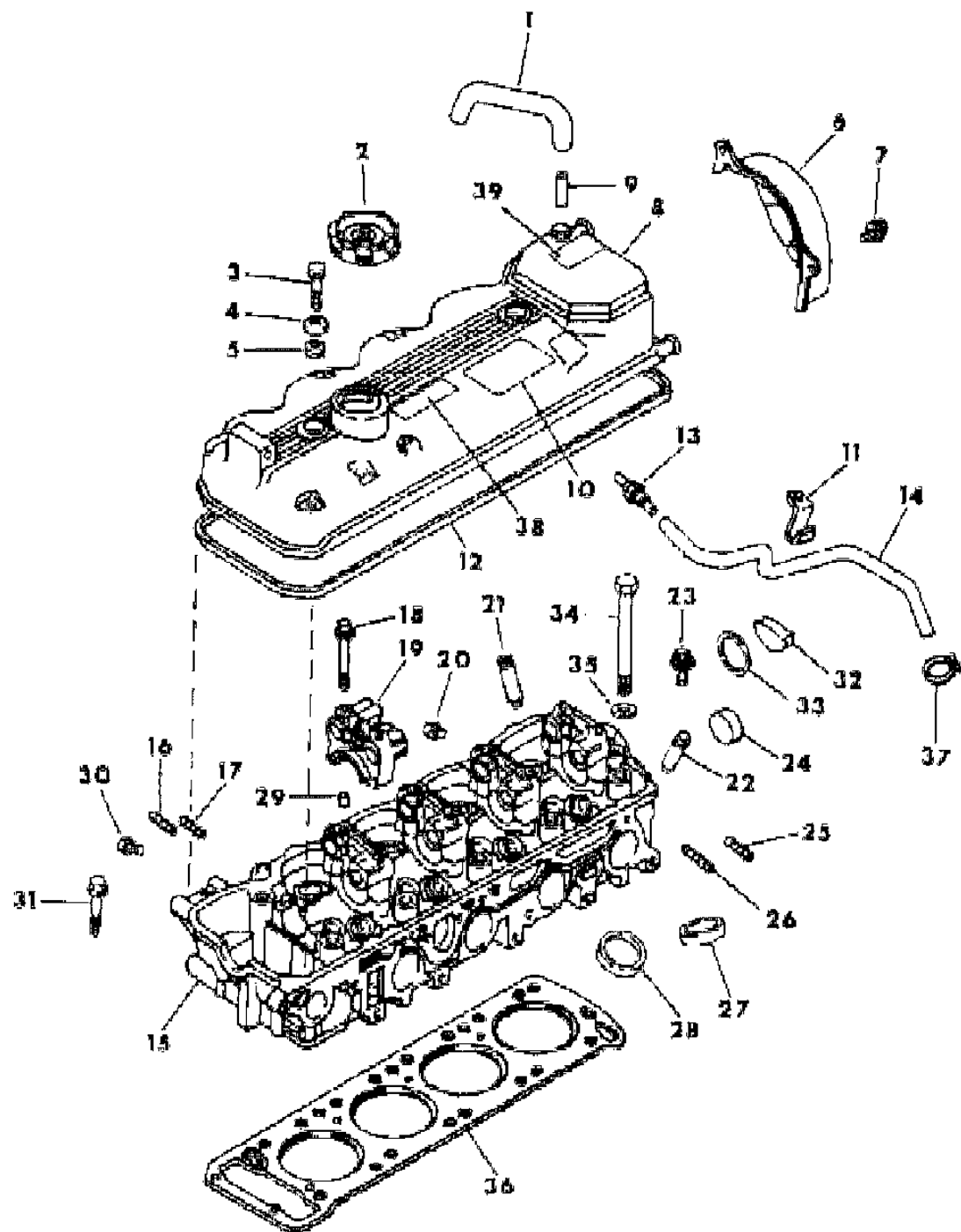
BODY STYLES

21 = 2-DOOR SEDAN	35 = FWD VAN	44 = 4-DOOR HATCHBACK
22 = 2-DOOR SPECIAL COUPE	36 = FWD WAGON	45 = 4-DOOR STATION WAGON
24 = 2-DOOR HATCHBACK	41 = 4-DOOR SEDAN	49 = LIMOUSINE
27 = 2-DOOR CONVERTIBLE		

AR = Use as Required - = Non Illustrated Part P.A.R. = Paint as Required

CYLINDER HEAD AND RELATED PARTS 4 CYLINDER 2.6 L ENG., P,D,C,V,E,T,H,K,J
Figure 9A-2300

5158 2300



ITEM	PART NUMBER	QTY	BODY	MODEL	DESCRIPTION
1	MD01 5753	1			HOSE, Breather
2	#MD00 8784	1			CAP, Oil Filler
	MD10 3148	1			PACKING, Oil Filler Cap
3	MF10 3663	2			BOLT (8x40)
4	MD00 0522	2			WASHER
5	MD00 0523	2			OIL SEAL
6	MD02 4883	1			COVER, Belt
7	MF14 0021	2			BOLT, Cover Belt (8x12)
8	MD08 7904	1		Except	COVER, Assy. Rocker (Includes Pipe) (U.S. Except Calif. and
					Canada) Up to 3/1/85
	MD09 9230	1			After 3/1/85
	MD08 4388	1		Except	(Canada) Up to 3/1/85
	MD09 9232	1			After 3/1/85
	MD08 4387	1		Except	(Calif.) Up to 3/1/85
	MD09 9231	1			After 3/1/85
	MD08 5080	1		H,K	(U,S Except High Altitude)
	MD08 5082	1		H,K	(U,S, w/High Altitude)
	MD08 7903	1		H,K	(Calif.)
	MD09 0036	1		H,K	(Canada)
9	MD02 6618	1			PIPE, Breather
10	MD00 9781	1			LABEL, Caution
11	MD02 4869	1			CLAMP, P.C.V. Hose
12	MD02 4682	1			GASKET, Rocker Cover
13	MD02 6613	1			VALVE, P.C.V.
14	MD08 8141	1		Except	HOSE, P.C.V.
	MD02 6609	1		H,K	
	MD02 6609	1			CANADA
15	MD15 1982	1		Except	HEAD, Cyl.(U.S. and Calif.)w/jet vlv holes.
15	MD02 6520	1		Except	Canada
	MD15 1982	1		H,K	(U.S w/High Altitude and Calif.)w/jet vlv holes.
	MD02 6520	1		H,K	(U.S and Canada Except High Altitude)
16	MD00 5470	5			STUD, (8x25)
17	MD00 5317	3			STUD
	MF40 1937	1			STUD (8x28)
18	#MD02 0566	10			BOLT, Flange
19					CAP, Camshaft (Serviced in Head Assy.)
20	MD02 2295	2			PLUG, Taper

MODEL CODES

B = GRAN FURY	E = 600	M = HORIZON/TURISMO
C = LE BARON/TOWN & COUNTRY/LIMO	F = FIFTH AVENUE/NEWPORT	P = RELIANT
C24 = LASER	G = DIPLOMAT	T = NEW YORKER
C44 = LE BARON/GTS	H = VOYAGER	V = 600
D = ARIES	J = CARAVELLE	V24 = DAYTONA
D44 = LANCER	K = MINI VAN/CARAVAN/ROYAL	Z = OMNI/CHARGER

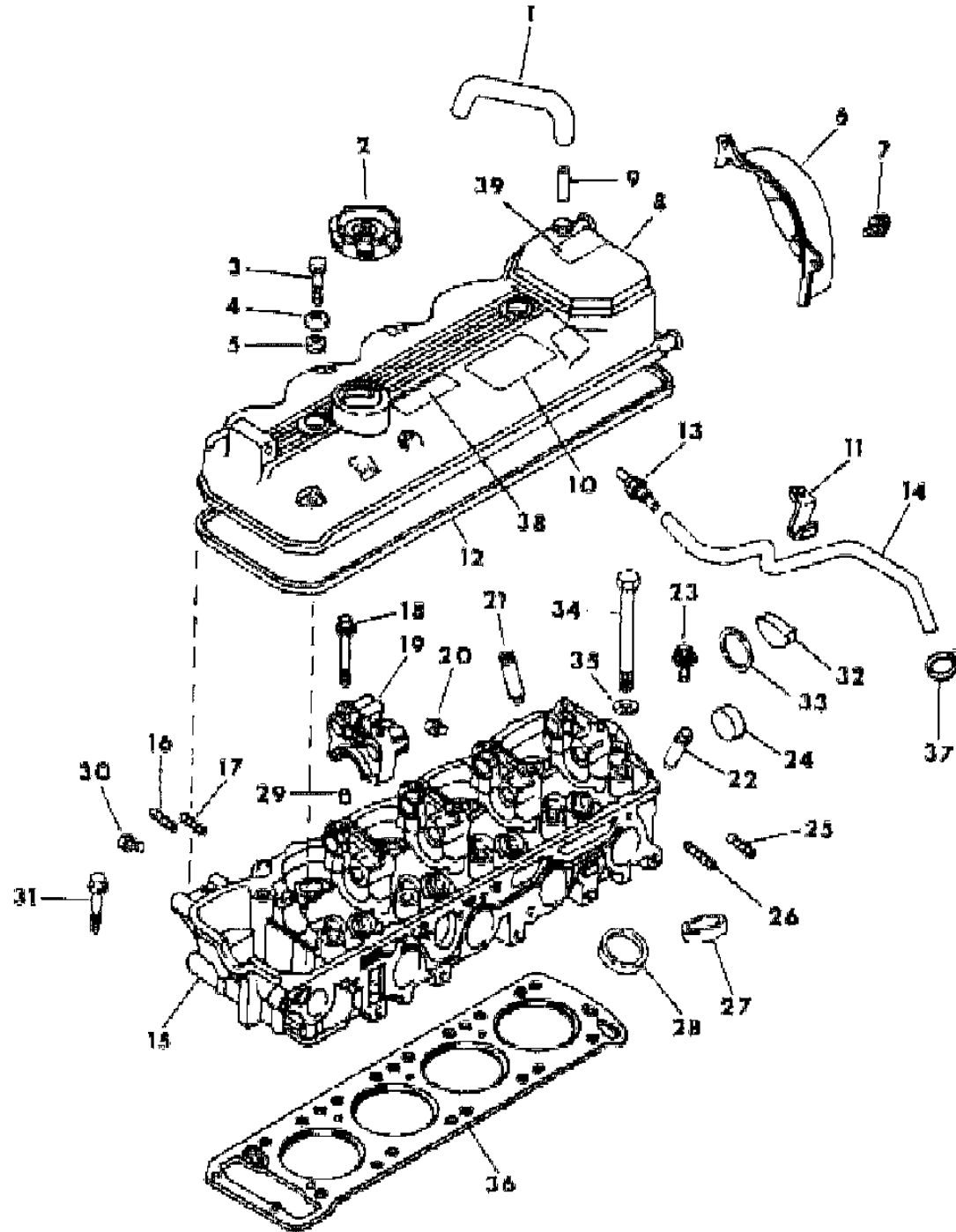
BODY STYLES

21 = 2-DOOR SEDAN	35 = FWD VAN	44 = 4-DOOR HATCHBACK
22 = 2-DOOR SPECIAL COUPE	36 = FWD WAGON	45 = 4-DOOR STATION WAGON
24 = 2-DOOR HATCHBACK	41 = 4-DOOR SEDAN	49 = LIMOUSINE
27 = 2-DOOR CONVERTIBLE		

AR = Use as Required - = Non Illustrated Part P.A.R. = Paint as Required

CYLINDER HEAD AND RELATED PARTS 4 CYLINDER 2.6 L ENG., P,D,C,V,E,T,H,K,J
Figure 9A-2300

5158 2300



ITEM	PART NUMBER	QTY	BODY	MODEL	DESCRIPTION
21					GUIDE, Valve, Exhaust
	MD02 0561	4			0.05 MM O/S
	MD02 0562	4			0.25 MM O/S
	MD02 0563	4			0.50 MM O/S
22					GUIDE, Valve Inlet
	MD02 0551	4			0.05 MM O/S
	MD02 0552	4			0.25 MM O/S
	MD02 0553	4			0.50 MM O/S
23	MF14 0227	2			BOLT, Flange (8x25)
24	MD00 0427	1			PLUG, Expansion
25	MS40 1428	6			STUD (8x28)
26	MS40 1427	6			STUD (8x25)
27		4			SEAT, Valve, Exhaust
	MD02 6517	4			0.30 MM O/S (U.S.)
	MD02 6518	4			0.60 MM O/S (U.S.)
	MD02 4546	4			0.30 MM O/S (Canada)
	MD02 4547	4			0.60 MM O/S (Canada)
28		4			SEAT, Valve, Intake
	MD02 6514	4			0.30 MM O/S
	MD02 6515	4			0.60 MM O/S
29	MS47 1104	10			BUSHING, Knock (8x9)
30	MD00 0429	1			PLUG, Taper
31	MS24 1076	2			BOLT, w/Washer (8x50)
32	MD02 0718	1			PACKING, Semi- Circular
33	MD02 4529	1			SEAL, Camshaft
34	MD02 0730	10			BOLT, Cylinder Head
35	MD02 0733	10			WASHER, Cylinder Head Bolt
36	MD02 6654	1			GASKET, Cylinder Head
37	MD08 8142	1			CLIP, P.C.V., Hose
38		1			LABEL
39	MD08 7902	1		Except	LABEL, Engine Part No. U.S., Canada (Up to 5/1/84 thru 3/1/85)
	MD09 9227	1			After 3/1/85
	MD08 4382	1		Except	Calif. (Up to 5/1/84 thru 3/1/85)
	MD09 9228	1			After 3/1/85
	MD08 4383	1		Except	Canada (Up to 5/1/84 thru 3/1/85)
	MD09 9229	1			After 3/1/85
	MD08 5081	1		H,K	U.S. (From May 84)

MODEL CODES

B = GRAN FURY	E = 600	M = HORIZON/TURISMO
C = LE BARON/TOWN & COUNTRY/LIMO	F = FIFTH AVENUE/NEWPORT	P = RELIANT
C24 = LASER	G = DIPLOMAT	T = NEW YORKER
C44 = LE BARON/GTS	H = VOYAGER	V = 600
D = ARIES	J = CARAVELLE	V24 = DAYTONA
D44 = LANCER	K = MINI VAN/CARAVAN/ROYAL	Z = OMNI/CHARGER

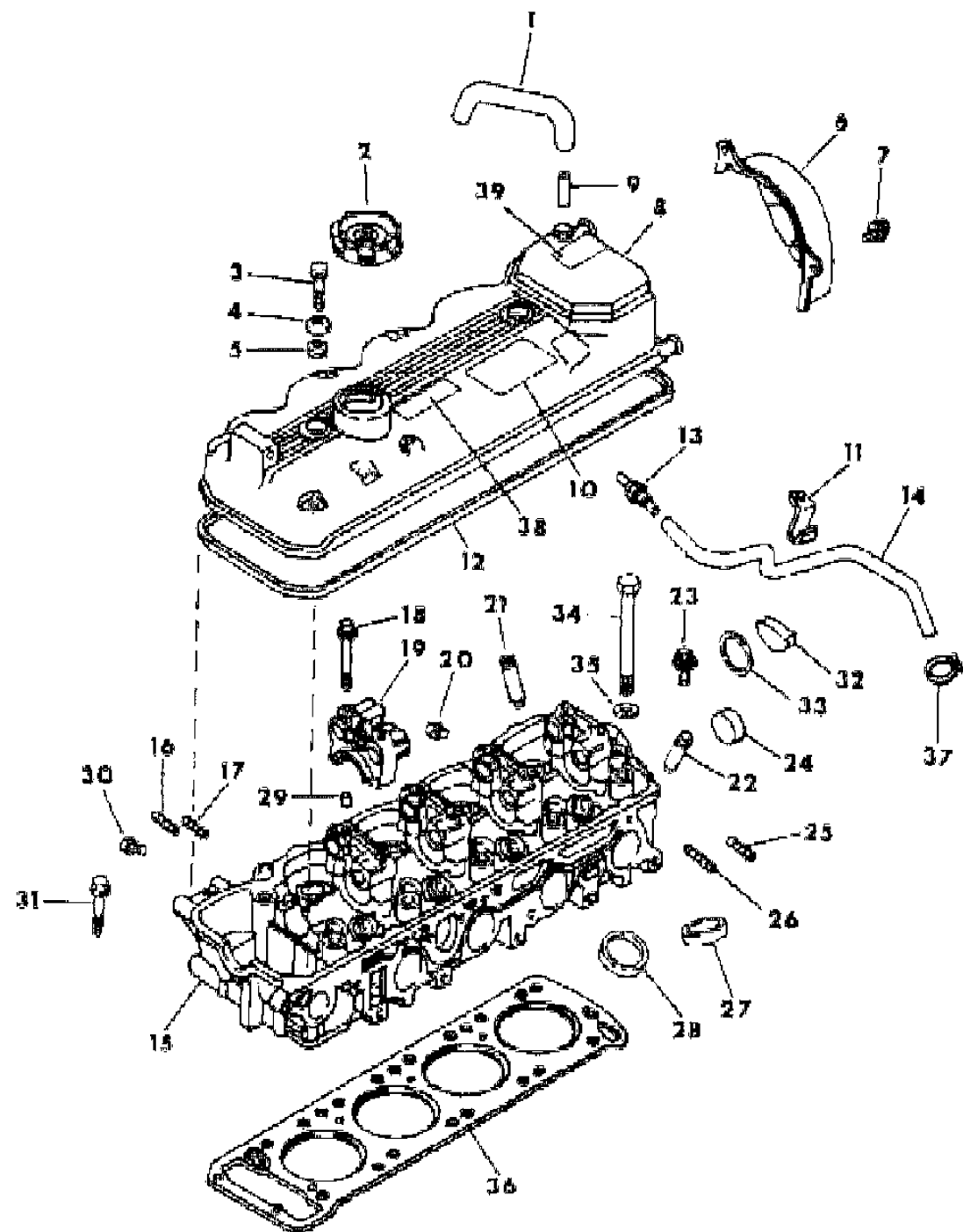
BODY STYLES

21 = 2-DOOR SEDAN	35 = FWD VAN	44 = 4-DOOR HATCHBACK
22 = 2-DOOR SPECIAL COUPE	36 = FWD WAGON	45 = 4-DOOR STATION WAGON
24 = 2-DOOR HATCHBACK	41 = 4-DOOR SEDAN	49 = LIMOUSINE
27 = 2-DOOR CONVERTIBLE		

AR = Use as Required - = Non Illustrated Part P.A.R. = Paint as Required

CYLINDER HEAD AND RELATED PARTS 4 CYLINDER 2.6 L ENG., P,D,C,V,E,T,H,K,J
Figure 9A-2300

5158 2300



ITEM	PART NUMBER	QTY	BODY	MODEL	DESCRIPTION
	MD08 5083	1		H,K	U.S. w/High Altitude (From May 84)
	MD08 7901	1		H,K	Calif. (From May 84)
	MD09 0037	1		H,K	Canada

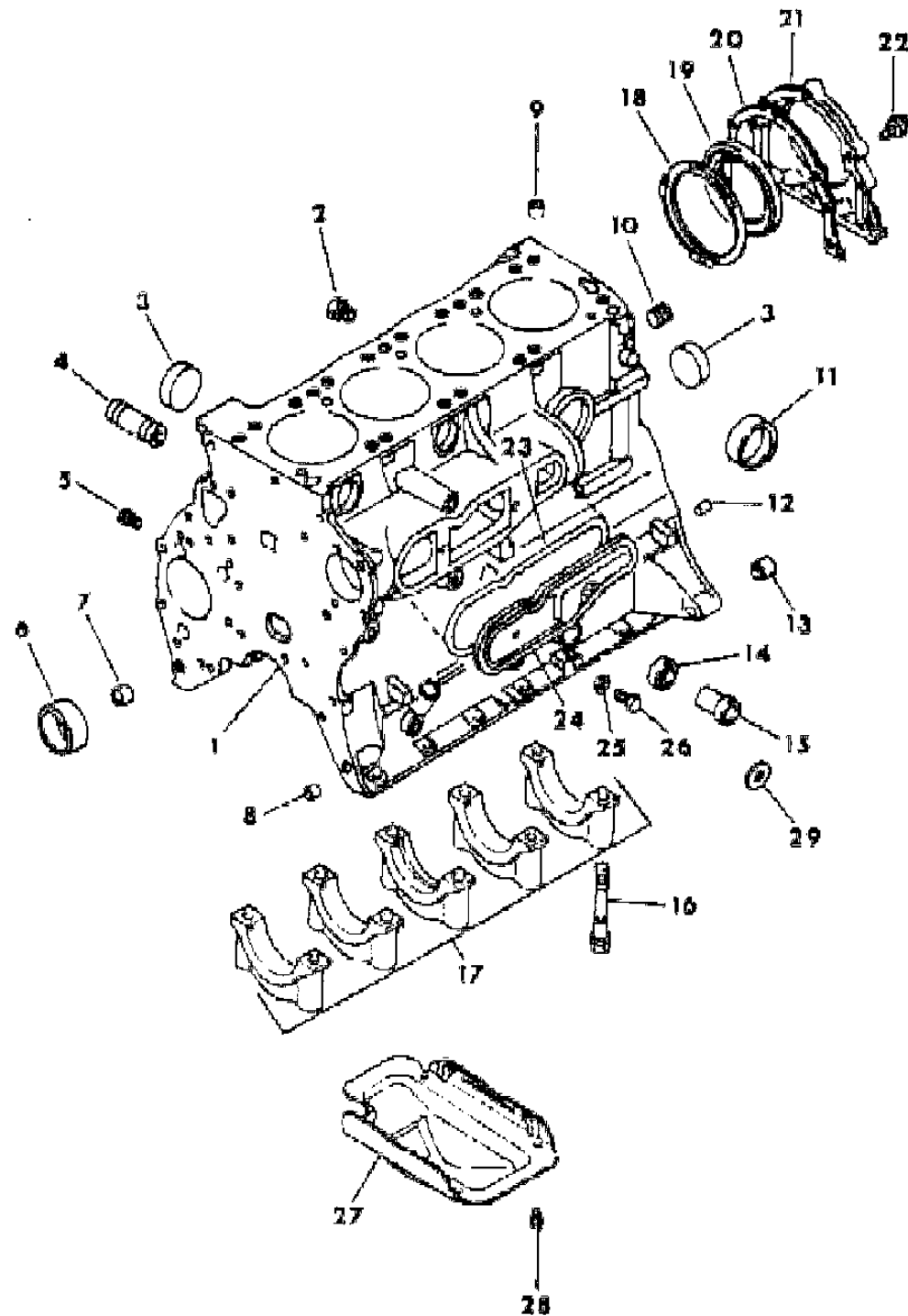
MODEL CODES
 B = GRAN FURY
 C = LE BARON/TOWN & COUNTRY/LIMO
 C24 = LASER
 C44 = LE BARON/GTS
 D = ARIES
 D44 = LANCER
 E = 600
 F = FIFTH AVENUE/NEWPORT
 G = DIPLOMAT
 H = VOYAGER
 J = CARAVELLE
 K = MINI VAN/CARAVAN/ROYAL
 M = HORIZON/TURISMO
 P = RELIANT
 T = NEW YORKER
 V = 600
 V24 = DAYTONA
 Z = OMNI/CHARGER

BODY STYLES
 21 = 2-DOOR SEDAN
 22 = 2-DOOR SPECIAL COUPE
 24 = 2-DOOR HATCHBACK
 27 = 2-DOOR CONVERTIBLE
 35 = FWD VAN
 36 = FWD WAGON
 41 = 4-DOOR SEDAN
 44 = 4-DOOR HATCHBACK
 45 = 4-DOOR STATION WAGON
 49 = LIMOUSINE

AR = Use as Required - = Non Illustrated Part P.A.R. = Paint as Required

CYLINDER BLOCK AND RELATED PARTS 4 CYLINDER 2.6 L ENG., P,D,C,V,E,T,H,K,J
Figure 9A-2400

5150 2400



ITEM	PART NUMBER	QTY	BODY	MODEL	DESCRIPTION
1	MD07 6312	1		Except	BLOCK Assy., Cylinder (U.S. And Calif.)
	MD02 6200	1		Except	(Canada)
	MD02 6200	1	H,K		(U.S. except High Altitude, Canada)
	MD02 4505	1	H,K		(U.S. w/High Altitude, Calif.)
2	MD00 0269	1			PLUG, Taper
3	MD00 0427	3			Plug, Expansion
4	MD02 0235	1			STUD, Oil Filter
5		1			PLUG, Taper (Not Serviced)
6	MD02 1118	2			BEARING, Rear
	MD08 2303	AR			1.0 O/S.
7	MD02 0234	1			NOZZLE
8	MS47 1104	2			BUSHING, Knock (8x9)
9	MS47 1111	2			BUSHING, Knock (12x13)
10	MS66 1142	1			PLUG, Taper (3/8)
11	MF66 5544	3			CAP, Sealing (50)
12	MF47 2403	2			PIN, Dowel (6)
13	MS47 1109	2			BUSHING, Knock
14	MF66 5539	4			CAP, Sealing (28)
15	MD02 5364	2			JOINT
16	MD02 0223	10			BOLT, Bearing Cap
17					CAP, Crankshaft Bearing (Serviced in Block Assy.)
18	MD02 0436	1			OIL SEPARATOR
19	MD05 0604	1			OIL SEAL, Rear
20	MD02 0292	1			GASKET, Oil Seal Case
21	MD02 4509	1			CASE, Oil Seal
22	MF14 0207	5			BOLT, Flange (6x22)
23	MD02 0239	1			GASKET, Cover
24	MD02 0237	1			COVER
25	MD02 0256	2			"O"RING
26	MF14 0003	2			BOLT (6x12)
27	MD02 4524	1			SEAL, Crankcase
28	MF24 1223	5			BOLT, w/Washer (6x12)
29	MD02 6203	2			CAP, Sealing

MODEL CODES

B = GRAN FURY	E = 600	M = HORIZON/TURISMO
C = LE BARON/TOWN & COUNTRY/LIMO	F = FIFTH AVENUE/NEWPORT	P = RELIANT
C24 = LASER	G = DIPLOMAT	T = NEW YORKER
C44 = LE BARON/GTS	H = VOYAGER	V = 600
D = ARIES	J = CARAVELLE	V24 = DAYTONA
D44 = LANCER	K = MINI VAN/CARAVAN/ROYAL	Z = OMNI/CHARGER

BODY STYLES

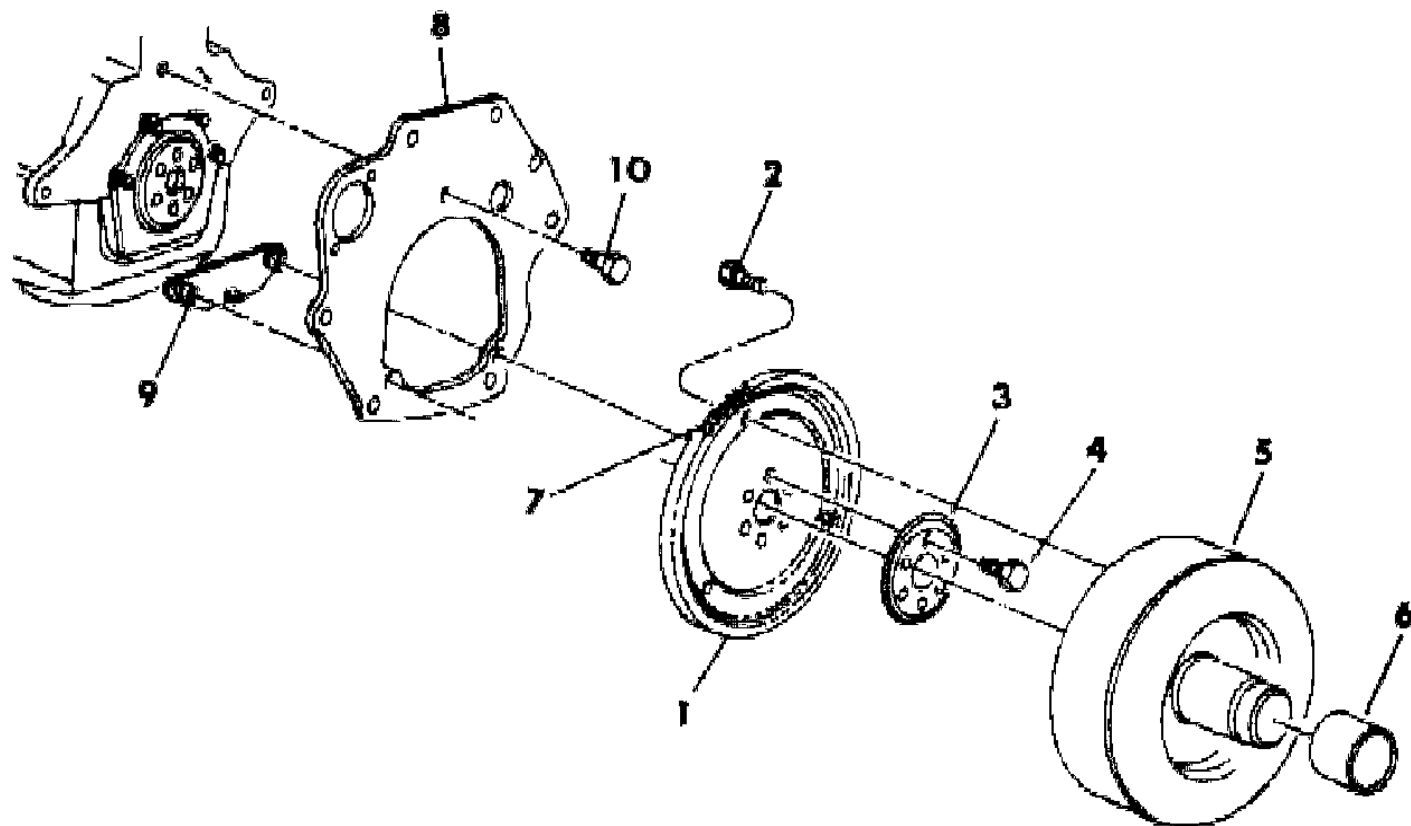
21 = 2-DOOR SEDAN	35 = FWD VAN	44 = 4-DOOR HATCHBACK
22 = 2-DOOR SPECIAL COUPE	36 = FWD WAGON	45 = 4-DOOR STATION WAGON
24 = 2-DOOR HATCHBACK	41 = 4-DOOR SEDAN	49 = LIMOUSINE
27 = 2-DOOR CONVERTIBLE		

AR = Use as Required - = Non Illustrated Part P.A.R. = Paint as Required

TORQUE CONVERTER, DRIVE PLATE 4 CYLINDER 2.6 L ENG. P,D,C,V,E,T,H,K,J
Figure 9A-2500

5158 2500

ITEM	PART NUMBER	QTY	BODY	MODEL	DESCRIPTION
1	4348 287	1			PLATE ASSY., Torque Converter
2	6500 500	3			BOLT, Drive Plate to Torque Converter
3	5222 585	1			PLATE, Crankshaft Bolt Backing
4	6500 269	6			BOLT, Drive Plate to Crankshaft
5	4293 058	1			TORQUE CONVERTER ASSY.
6	3515 138	1			SEAL, Trans. Torque Converter Impeller Hub
7		1			GEAR, Torque Converter Ring (Serviced in Item 1)
8	5224 388	1			SPACER, Plate Trans. (See Group 21)
9	5224 393	1			COVER, Trans. Torque Converter (See Group 21)
10	6101 221	1			SCREW, Trans. Spacer Plate



MODEL CODES

B = GRAN FURY	E = 600	M = HORIZON/TURISMO
C = LE BARON/TOWN & COUNTRY/LIMO	F = FIFTH AVENUE/NEWPORT	P = RELIANT
C24 = LASER	G = DIPLOMAT	T = NEW YORKER
C44 = LE BARON/GTS	H = VOYAGER	V = 600
D = ARIES	J = CARAVELLE	V24 = DAYTONA
D44 = LANCER	K = MINI VAN/CARAVAN/ROYAL	Z = OMNI/CHARGER

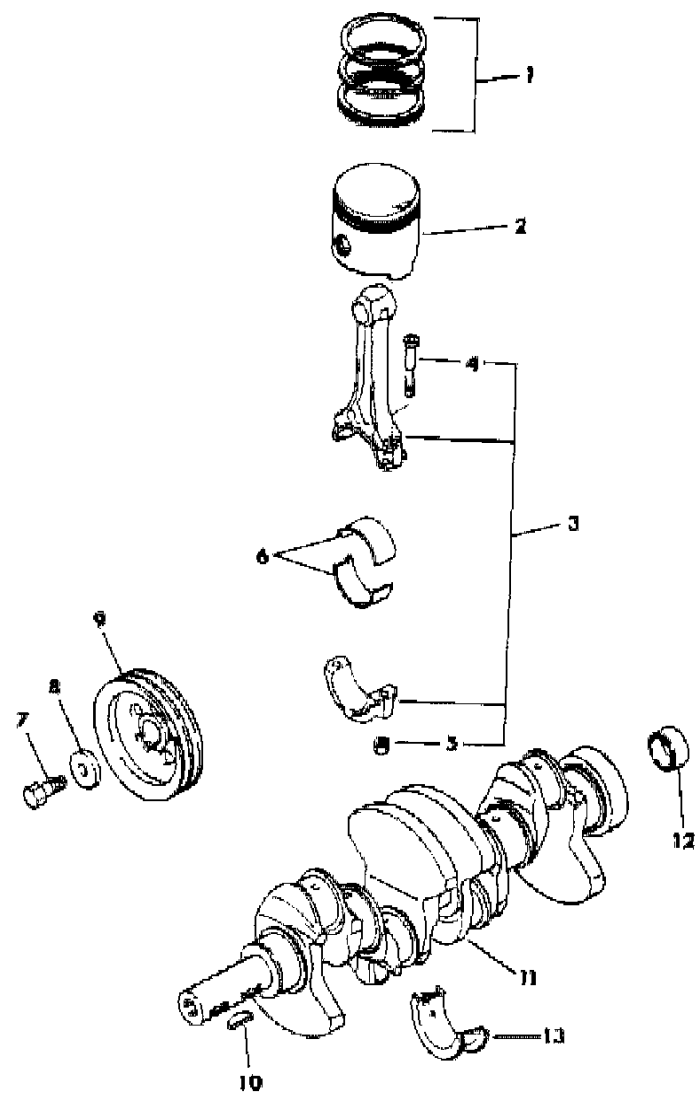
BODY STYLES

21 = 2-DOOR SEDAN	35 = FWD VAN	44 = 4-DOOR HATCHBACK
22 = 2-DOOR SPECIAL COUPE	36 = FWD WAGON	45 = 4-DOOR STATION WAGON
24 = 2-DOOR HATCHBACK	41 = 4-DOOR SEDAN	49 = LIMOUSINE
27 = 2-DOOR CONVERTIBLE		

AR = Use as Required - = Non Illustrated Part P.A.R. = Paint as Required

CRANKSHAFT, CONNECTING RODS, PISTONS, RINGS 4 CYLINDER 2.6 L ENG., P,D,C,V,E,T,H,K,J
Figure 9A-2700

5158 2700



ITEM	PART NUMBER	QTY	BODY	MODEL	DESCRIPTION
1	MD06 1258	1			RING SET, Piston, Std.
	MD06 1259	1			0.25 MM O/S
	MD06 1260	1			0.50 MM O/S
	MD06 1261	1			0.75 MM O/S
	MD06 1262	1			1.00 MM O/S
2	MD07 1172	4			PISTON, w/Pin, Std.
	MD07 1174	4			0.25 MM O/S
	MD07 1175	4			0.50 MM O/S
	MD07 1176	4			0.75 MM O/S
	MD07 1177	4			1.00 MM O/S
3	MD02 0855	4			ROD Assy. Connecting
4	MD02 1105	8			BOLT, Connecting Rod
5	MD00 6704	8			NUT, Connecting Rod
6	MD02 6430	1			BEARING SET, Connecting Rod, Std.
	MD02 6431	1			0.25 MM U/S
	MD02 6432	1			0.50 MM U/S
	MD02 6433	1			0.75 MM U/S
7	MD02 0830	1			BOLT Crankshaft Pulley
8	MD02 0831	1			WASHER
9	MD07 4096	1			PULLEY, Crankshaft
10	#MD00 0606	2			KEY
11	MD02 6408	1			CRANKSHAFT
12	MD02 4893	1			BUSHING, Crankshaft-41mm
13	MD02 6815	1			BEARING SET, Crankshaft, Std.
	MD02 6816	1			0.25 MM U/S
	MD02 6817	1			0.50 MM U/S
	MD02 6818	1			0.75 MM U/S

MODEL CODES

B = GRAN FURY	E = 600	M = HORIZON/TURISMO
C = LE BARON/TOWN & COUNTRY/LIMO	F = FIFTH AVENUE/NEWPORT	P = RELIANT
C24 = LASER	G = DIPLOMAT	T = NEW YORKER
C44 = LE BARON/GTS	H = VOYAGER	V = 600
D = ARIES	J = CARAVELLE	V24 = DAYTONA
D44 = LANCER	K = MINI VAN/CARAVAN/ROYAL	Z = OMNI/CHARGER

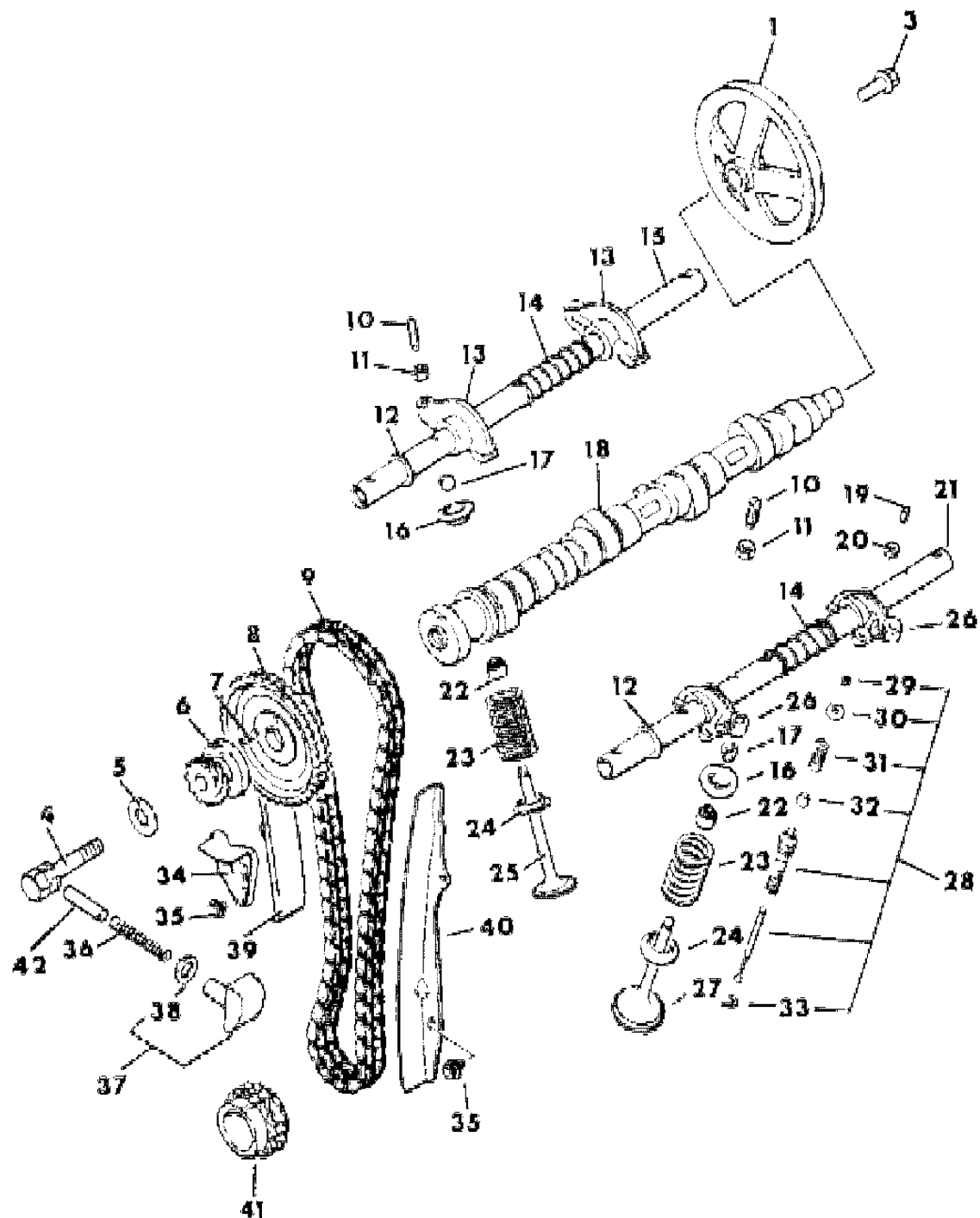
BODY STYLES

21 = 2-DOOR SEDAN	35 = FWD VAN	44 = 4-DOOR HATCHBACK
22 = 2-DOOR SPECIAL COUPE	36 = FWD WAGON	45 = 4-DOOR STATION WAGON
24 = 2-DOOR HATCHBACK	41 = 4-DOOR SEDAN	49 = LIMOUSINE
27 = 2-DOOR CONVERTIBLE		

AR = Use as Required - = Non Illustrated Part P.A.R. = Paint as Required

CAMSHAFT, VALVES, TIMING CHAIN AND RELATED PARTS 4 CYLINDER 2.6 L ENG., P,D,C,V,E,T,H,K,J
Figure 9A-2800

5158 2800 A



ITEM	PART NUMBER	QTY	BODY	MODEL	DESCRIPTION
1	MD02 5669	1			PULLEY, Camshaft
3	MF14 0262	1			BOLT, Flange (10x25)
4	MS24 1117	1			BOLT, w/Washer (14x70)
5	MF45 0008	1			WASHER, Plain (14)
6	MD02 1247	1			GEAR, Distributor
7	MD02 1219	1			PIN, Spring
8	MD02 1246	1			SPROCKET, Camshaft
9	MD02 1230	1			CHAIN, Timing
10	MD01 9845	8			SCREW, Adjusting Rocker Arm (up to May 84)
	MD06 5628	8			(after May 84)
11	MD00 0961	8			NUT
12	MD00 0964	2			WASHER, Waved
13	MD02 3226	8			ARM, Rocker (C)
14	MD02 1211	6			SPRING, Rocker Shaft
15	MD02 3198	1			SHAFT Assy., Rocker Arm Rt.
16	#MD00 8761	8			RETAINER, Valve Spring (up to May 84)
	MD06 6498	8			(after May 84)
17	#MD00 8760	16			LOCK, Valve Spring Retainer (up to May 84)
	MD06 1895	16			(after May 84)
18	MD02 6730	1			CAMSHAFT
19	MD00 9371	4			SCREW, Adjusting Rocker Arm
20	MD00 9372	4			NUT
21	MD02 3196	1			SHAFT, Assy. Rocker Arm, Lt.
22	MD00 0508	8			SEAL, Valve Stem
23	MD02 2591	8			SPRING, Valve (up to May 84)
	MD07 3398	8			(after May 84)
24	MD00 0507	8			SEAT, Valve Spring
25	MD02 4548	4			VALVE, Exhaust (up to May 84)
	MD08 3851	4			(after May 84)
26	MD02 3225	4			ARM, Rocker, (A)
27	MD02 4518	4			VALVE, Inlet (up to May 84)
	MD08 3848	4			(after May 84)
28	MD00 9440	4			VALVE Assy. Jet
29	MD00 9365	8			LOCK, Valve Spring Retainer
30	MD00 9784	4			RETAINER, Valve Spring
31	MD00 9783	4			SPRING, Valve
32	MD00 6268	4			SEAL, Valve Stem

MODEL CODES

B = GRAN FURY	E = 600	M = HORIZON/TURISMO
C = LE BARON/TOWN & COUNTRY/LIMO	F = FIFTH AVENUE/NEWPORT	P = RELIANT
C24 = LASER	G = DIPLOMAT	T = NEW YORKER
C44 = LE BARON/GTS	H = VOYAGER	V = 600
D = ARIES	J = CARAVELLE	V24 = DAYTONA
D44 = LANCER	K = MINI VAN/CARAVAN/ROYAL	Z = OMNI/CHARGER

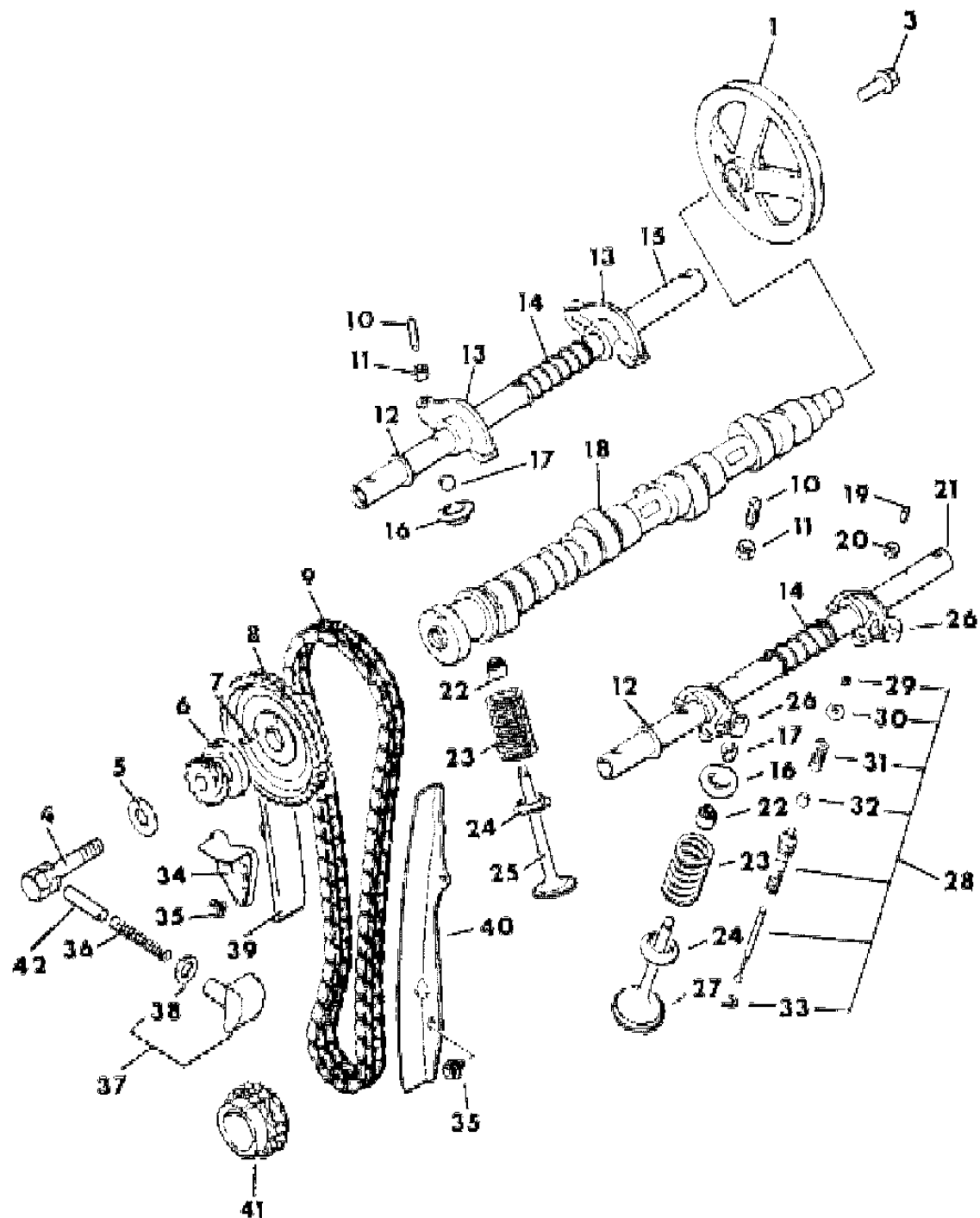
BODY STYLES

21 = 2-DOOR SEDAN	35 = FWD VAN	44 = 4-DOOR HATCHBACK
22 = 2-DOOR SPECIAL COUPE	36 = FWD WAGON	45 = 4-DOOR STATION WAGON
24 = 2-DOOR HATCHBACK	41 = 4-DOOR SEDAN	49 = LIMOUSINE
27 = 2-DOOR CONVERTIBLE		

AR = Use as Required - = Non Illustrated Part P.A.R. = Paint as Required

CAMSHAFT, VALVES, TIMING CHAIN AND RELATED PARTS 4 CYLINDER 2.6 L ENG., P,D,C,V,E,T,H,K,J
Figure 9A-2800

5158 2800 A



ITEM	PART NUMBER	QTY	BODY	MODEL	DESCRIPTION
33	MD00 9786	4			"O"RING
34	MD02 1237	1			HOLDER, Camshaft Sprocket
35	MS10 1311	4			BOLT, Flange (6x10)
36	MD02 1234	1			SPRING, Tensioner
37	MD02 1233	1			SLEEVE, Complete
38	MD02 1242	1			SHEET, Rubber
39	MD02 1232	1			GUIDE, Chain Loose Side
40	MD02 1231	1			GUIDE, Chain Tension Side
41	MD02 0843	1			SPROCKET, Crankshaft
42	MD08 4945	1			DAMPER, Tensioner

MODEL CODES

B = GRAN FURY	E = 600	M = HORIZON/TURISMO
C = LE BARON/TOWN & COUNTRY/LIMO	F = FIFTH AVENUE/NEWPORT	P = RELIANT
C24 = LASER	G = DIPLOMAT	T = NEW YORKER
C44 = LE BARON/GTS	H = VOYAGER	V = 600
D = ARIES	J = CARAVELLE	V24 = DAYTONA
D44 = LANCER	K = MINI VAN/CARAVAN/ROYAL	Z = OMNI/CHARGER

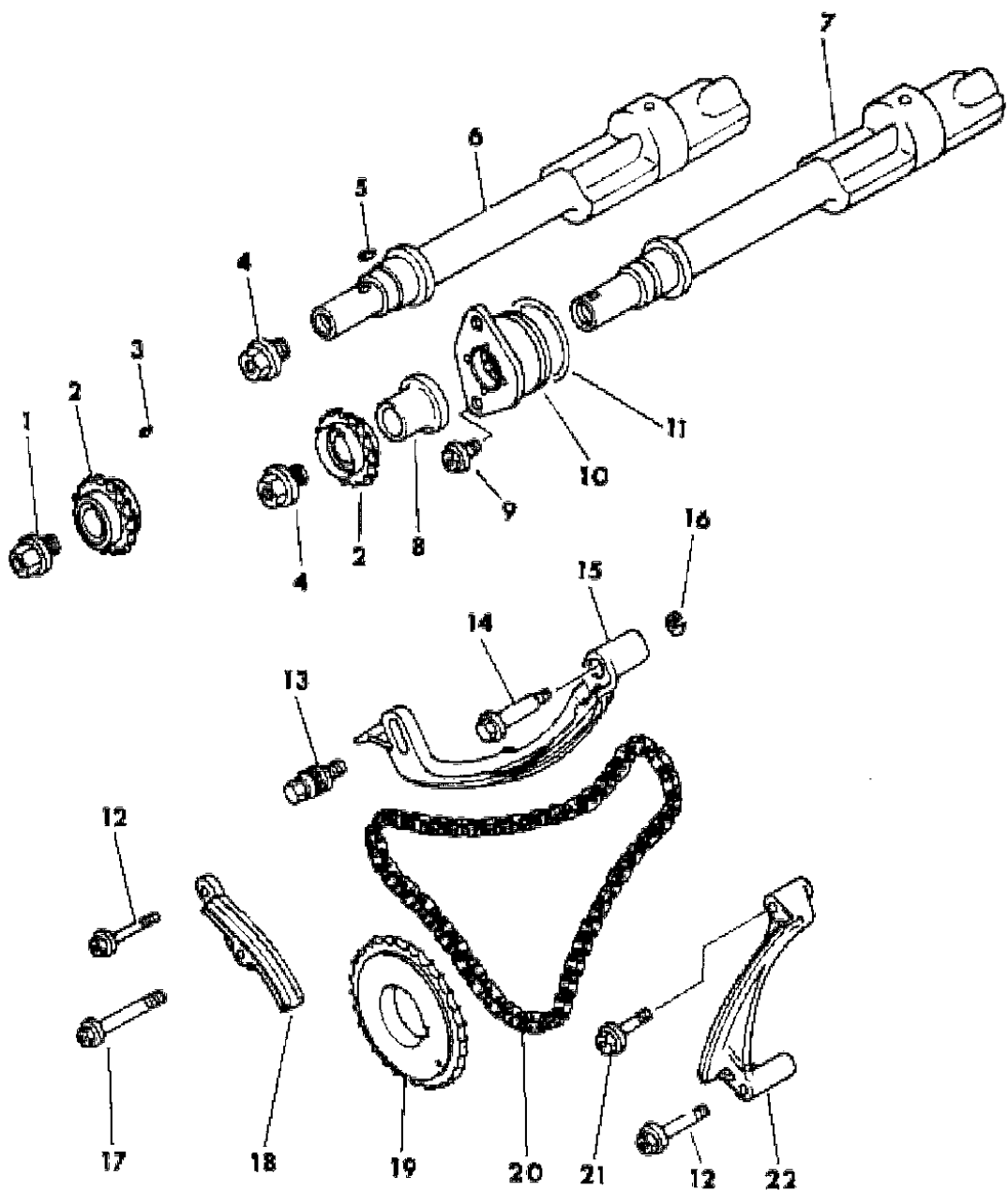
BODY STYLES

21 = 2-DOOR SEDAN	35 = FWD VAN	44 = 4-DOOR HATCHBACK
22 = 2-DOOR SPECIAL COUPE	36 = FWD WAGON	45 = 4-DOOR STATION WAGON
24 = 2-DOOR HATCHBACK	41 = 4-DOOR SEDAN	49 = LIMOUSINE
27 = 2-DOOR CONVERTIBLE		

AR = Use as Required - = Non Illustrated Part P.A.R. = Paint as Required

BALANCING SHAFT AND RELATED PARTS 4 CYLINDER 2.6 L ENG., P,D,C,V,E,T,H,K,J
Figure 9A-2900

5156 2900



ITEM	PART NUMBER	QTY	BODY	MODEL	DESCRIPTION
1	MD02 7152	1			BOLT
2	MD02 1172	2			SPROCKET Assy.
3	MF47 6204	1			KEY, Woodruff (3x10)
4	MD02 7152	1			BOLT
5	MF47 6204	2			KEY, Woodruff (3x10)
6	MD02 4845	1			SHAFT, Counterbalance Rt.
7	MD02 4846	1			SHAFT, Counterbalance Lt.
8	MD02 0255	1			SPACER
9	#MF14 0204	2			BOLT Flange
10	MD02 0897	1			PLATE Assy., Thrust
11	MD02 1045	1			"O"RING
12	MS10 1322	2			BOLT, Flange
13	MD02 1158	1			BOLT, Special B
14	MD02 1157	1			BOLT, Special A
15	MD02 1156	1			GUIDE, Chain B
16	MF45 0404	1			WASHER, Spring (6)
17	MS10 1325	1			BOLT, Flange (6x60)
18	MD02 1114	1			GUIDE, Chain C
19	MD02 1170	1			SPROCKET, Crankshaft B
20	MD02 1155	1			CHAIN B
21	MS10 1317	1			BOLT, Flange (6x32)
22	MD02 1111	1			GUIDE, Chain A (Counter Balance)

MODEL CODES

B = GRAN FURY	E = 600	M = HORIZON/TURISMO
C = LE BARON/TOWN & COUNTRY/LIMO	F = FIFTH AVENUE/NEWPORT	P = RELIANT
C24 = LASER	G = DIPLOMAT	T = NEW YORKER
C44 = LE BARON/GTS	H = VOYAGER	V = 600
D = ARIES	J = CARAVELLE	V24 = DAYTONA
D44 = LANCER	K = MINI VAN/CARAVAN/ROYAL	Z = OMNI/CHARGER

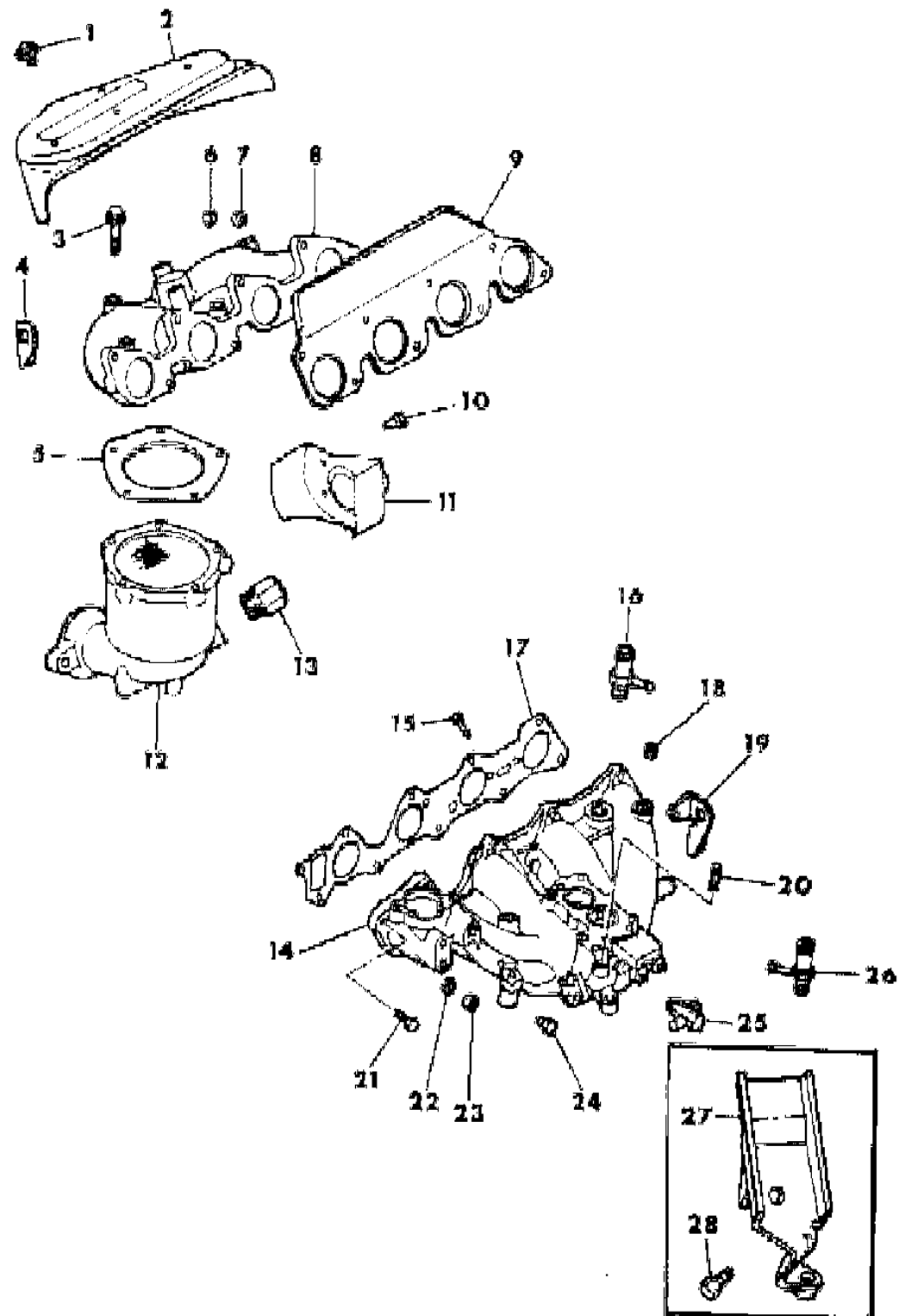
BODY STYLES

21 = 2-DOOR SEDAN	35 = FWD VAN	44 = 4-DOOR HATCHBACK
22 = 2-DOOR SPECIAL COUPE	36 = FWD WAGON	45 = 4-DOOR STATION WAGON
24 = 2-DOOR HATCHBACK	41 = 4-DOOR SEDAN	49 = LIMOUSINE
27 = 2-DOOR CONVERTIBLE		

AR = Use as Required - = Non Illustrated Part P.A.R. = Paint as Required

MANIFOLD, INTAKE AND EXHAUST 4 CYLINDER 2.6 L ENG., P,D,C,V,E,T,H,K,J
Figure 9A-3000

5158 3000



ITEM	PART NUMBER	QTY	BODY	MODEL	DESCRIPTION
1	MD00 9669	5			BOLT, Flange, w/Washer
2	MD07 0774	1		except	COWL, Heat (U.S. and Calif.)
	MD09 0483	1		H,K	(U.S. Built except High Altitude)
	MD02 5543	1		H,K	(Calif.)
	MD02 5153	1			(U.S. w/High Altitude and Canada)
	MD02 5156	1			PROTECTOR, Heat (Canada)
	MD07 3159	1		H,K	(U.S.)
3	MD02 3492	5			BOLT, Flange
4	MD00 0255	1			HANGER, Engine, Front
5	MD02 5614	1			GASKET Assy.
6	MD00 0569	8			NUT
7	MS45 0035	8			WASHER, Plain (8)
8	MD07 0898	1		except	MANIFOLD, Exhaust (U.S. and Calif.)
	MD02 5534	1		H,K	(Calif.)
	MD06 5963	1		H,K	(U.S.)
	MD02 5155	1			(Canada)
9	MD02 5684	1			GASKET, Exhaust Manifold
10	MD00 9669	3			BOLT, Flange
11	MD02 5544	1		H,K	COVER (U.S. and Calif.) ***
12	MD07 1445	1			CASE Assy., Catalyst
	MD02 7223	1			(Calif.)w/hole
13	MD02 5365	1			JOINT
14	MD07 2162	1		except	MANIFOLD, Inlet (U.S. and Calif.)
	MD02 4637	1		except	(Canada)
	MD02 4637	1		H,K	(U.S. except High Altitude and Canada)
	MD02 4626	1		H,K	(U.S. w/High Altitude and Calif.)
	MD02 4626	1			(Calif.)
15	MD02 4599	1			NIPPLE
16	MD02 4705	1			JOINT
17	MD02 4628	1		except	GASKET, Inlet Manifold (U.S. and Calif.)
	MD02 6535	1			(Canada)
	MD02 6535	1		H,K	(U.S. except High Altitude)
	MD02 4628	1		H,K	(U.S. w/High Altitude and Calif.)
18	MD02 6621	1			PLUG, Taper
19	MD02 6525	1			HANGER, Engine Rear
20	MS40 1403	1			STUD (6x8)
21	MF24 1256	1			BOLT, w/Washer (8x28)

MODEL CODES

B = GRAN FURY	E = 600	M = HORIZON/TURISMO
C = LE BARON/TOWN & COUNTRY/LIMO	F = FIFTH AVENUE/NEWPORT	P = RELIANT
C24 = LASER	G = DIPLOMAT	T = NEW YORKER
C44 = LE BARON/GTS	H = VOYAGER	V = 600
D = ARIES	J = CARAVELLE	V24 = DAYTONA
D44 = LANCER	K = MINI VAN/CARAVAN/ROYAL	Z = OMNI/CHARGER

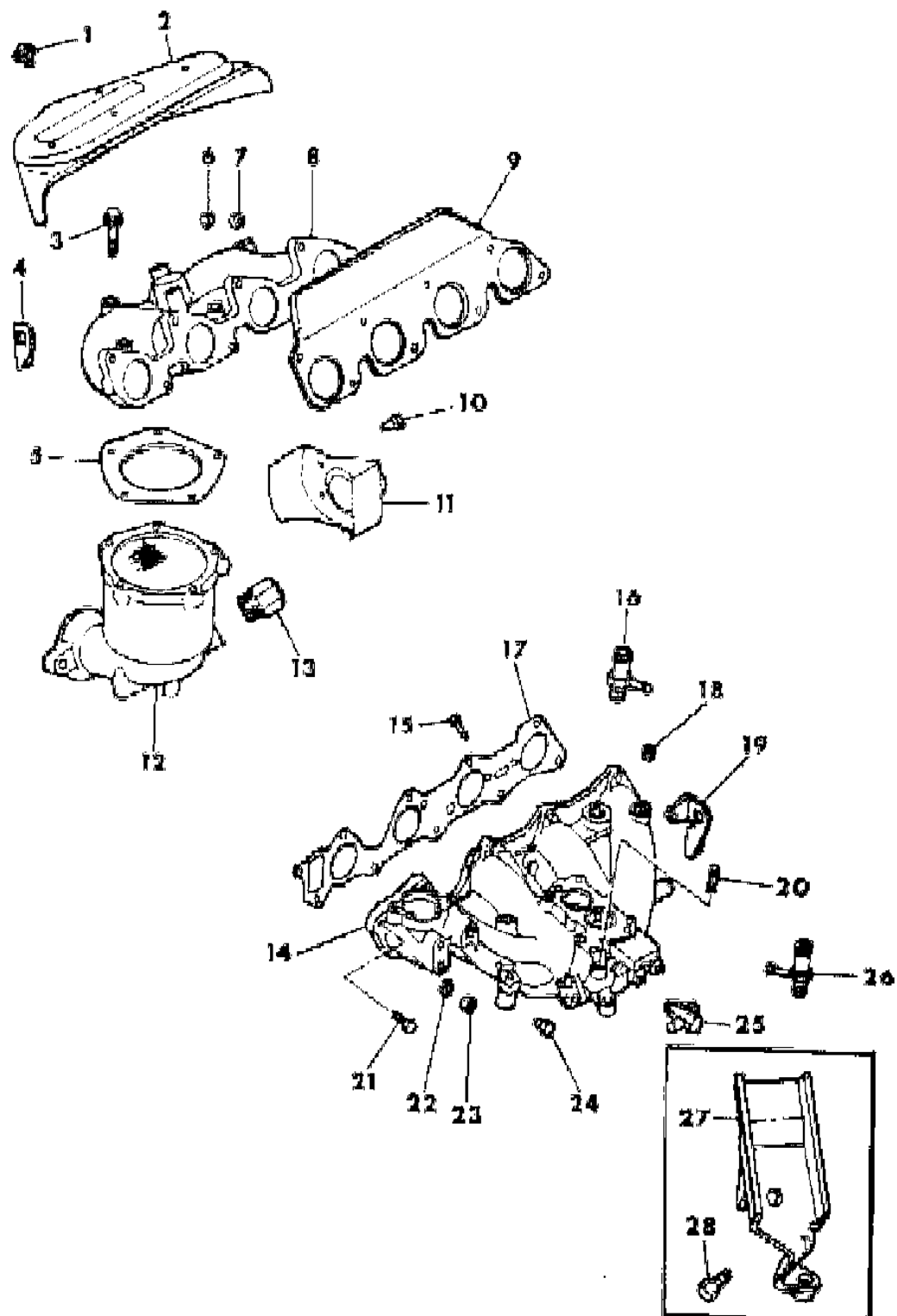
BODY STYLES

21 = 2-DOOR SEDAN	35 = FWD VAN	44 = 4-DOOR HATCHBACK
22 = 2-DOOR SPECIAL COUPE	36 = FWD WAGON	45 = 4-DOOR STATION WAGON
24 = 2-DOOR HATCHBACK	41 = 4-DOOR SEDAN	49 = LIMOUSINE
27 = 2-DOOR CONVERTIBLE		

AR = Use as Required - = Non Illustrated Part P.A.R. = Paint as Required

MANIFOLD, INTAKE AND EXHAUST 4 CYLINDER 2.6 L ENG., P,D,C,V,E,T,H,K,J
Figure 9A-3000

5158 3000



ITEM	PART NUMBER	QTY	BODY	MODEL	DESCRIPTION
22	MF45 0405	9			WASHER, Spring (8)
23	MF43 0005	9			NUT (8)
24	MD02 5474	1			PLUG, Taper
25	MD02 6657	1		except	JOINT (U.S. and Calif.)4-port ***
	MD02 6763	1		except	(Canada)
	MD07 7786	1		H,K	(U.S. except High Altitude)
	MD02 6657	1		H,K	(U.S. w/High Altitude and Calif.)
	MD02 6761	1			CAP, Rubber
26	4241 986	1			CONNECTOR, Vacuum Control (Audible Message Center 2-3/8" Outlets)
27	MD02 6848	1			BLOCKER
28	#MF14 0022	1			BOLT, Flange (8x14)
	MF14 0026	1			(8x22)

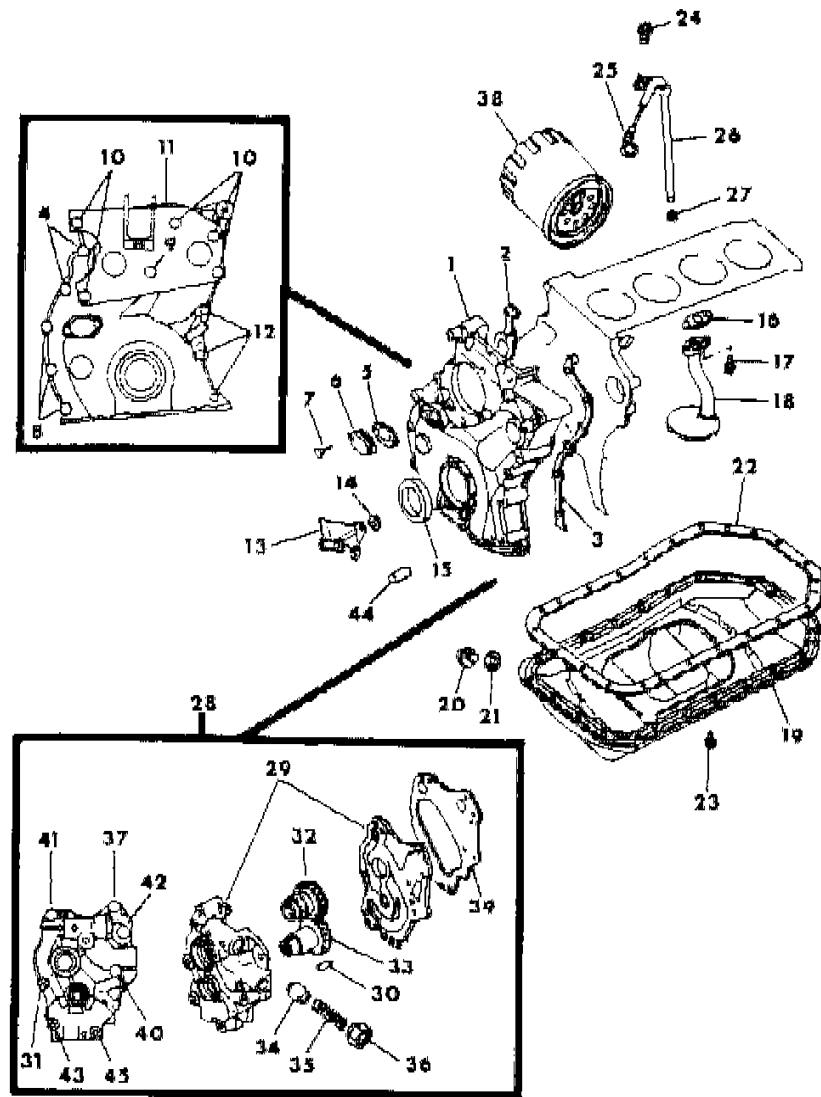
MODEL CODES
 B = GRAN FURY
 C = LE BARON/TOWN & COUNTRY/LIMO
 C24 = LASER
 C44 = LE BARON/GTS
 D = ARIES
 D44 = LANCER
 E = 600
 F = FIFTH AVENUE/NEWPORT
 G = DIPLOMAT
 H = VOYAGER
 J = CARAVELLE
 K = MINI VAN/CARAVAN/ROYAL
 M = HORIZON/TURISMO
 P = RELIANT
 T = NEW YORKER
 V = 600
 V24 = DAYTONA
 Z = OMNI/CHARGER

BODY STYLES
 21 = 2-DOOR SEDAN
 22 = 2-DOOR SPECIAL COUPE
 24 = 2-DOOR HATCHBACK
 27 = 2-DOOR CONVERTIBLE
 35 = FWD VAN
 36 = FWD WAGON
 41 = 4-DOOR SEDAN
 44 = 4-DOOR HATCHBACK
 45 = 4-DOOR STATION WAGON
 49 = LIMOUSINE

AR = Use as Required - = Non Illustrated Part P.A.R. = Paint as Required

OIL PUMP, OIL PAN, OIL LEVEL INDICATOR, TIMING COVER 4 CYLINDER 2.6 L ENG., P,D,C,V,E,T,H,K,J
Figure 9A-3100

5158 3:00



ITEM	PART NUMBER	QTY	BODY	MODEL	DESCRIPTION
1	MD02 4770	1			CASE, Timing Chain
2	MD02 0324	1			GASKET, Chain Case, Rt.
3	MD02 0325	1			GASKET, Chain Case, Lt.
4	#MS10 1243	2			BOLT, Flange (8x58)
5	MD02 0353	1			GASKET
6	MD02 0349	1			COVER
7	MF14 0206	2			BOLT, Flange (6x18)
8	#MS10 1245	3			BOLT, Flange (8x68)
9	MF24 1257	1			BOLT, w/Washer (8x30)
10	MF24 1269	5			BOLT, w/Washer (8x80)
11	MD07 1550	1			BRACKET, Engine Support, Right
12	MF24 1269	3			BOLT, w/Washer (8x75)
13	MD07 4097	1			BRACKET, Timing Indicator
14	MD02 4397	1			SPACER
15	MD02 0308	1			OIL SEAL, Front
16	MD02 1577	1			GASKET, Oil Screen
17	MS24 1071	2			BOLT, w/Washer
18	MD02 5223	1			SCREEN Assy., Oil
19	MD02 4775	1			PAN Assy., Oil
20	MD00 0318	1			PLUG, Oil Drain (M18)
	MD05 0316	1			(M14)
21	MD05 0317	1			GASKET, Oil Drain Plug (M14)
22	MD02 4777	1			GASKET, Oil Pan
23	MF24 1223	24			BOLT, w/Washer (6x12)
24	MF24 0050	1			BOLT w/Washer, (8x14)
25	MD02 6762	1			ROD Assy., Oil Level Gauge
26	MD02 4928	1			GUIDE, Oil Level Gauge
27	MF52 0004	1			"O"RING (9)
28	MD06 0517	1			PUMP ASSEMBLY, (Does Not Include Item 39)
29	MD06 0518	1			BODY w/Cover Assy., Oil Pump
30	MD02 3415	2			PIN
31	MF35 0083	1			SCREW, w/Washer (6x40)
32	MD06 1314	1			GEAR, Oil Pump Driven
33	MD06 1313	1			GEAR, Oil Pump Drive
34	MD02 1563	1			PLUNGER, Relief
35	MD05 0299	1			SPRING, Relief
36	MD02 1564	1			PLUG

MODEL CODES

B = GRAN FURY	E = 600	M = HORIZON/TURISMO
C = LE BARON/TOWN & COUNTRY/LIMO	F = FIFTH AVENUE/NEWPORT	P = RELIANT
C24 = LASER	G = DIPLOMAT	T = NEW YORKER
C44 = LE BARON/GTS	H = VOYAGER	V = 600
D = ARIES	J = CARAVELLE	V24 = DAYTONA
D44 = LANCER	K = MINI VAN/CARAVAN/ROYAL	Z = OMNI/CHARGER

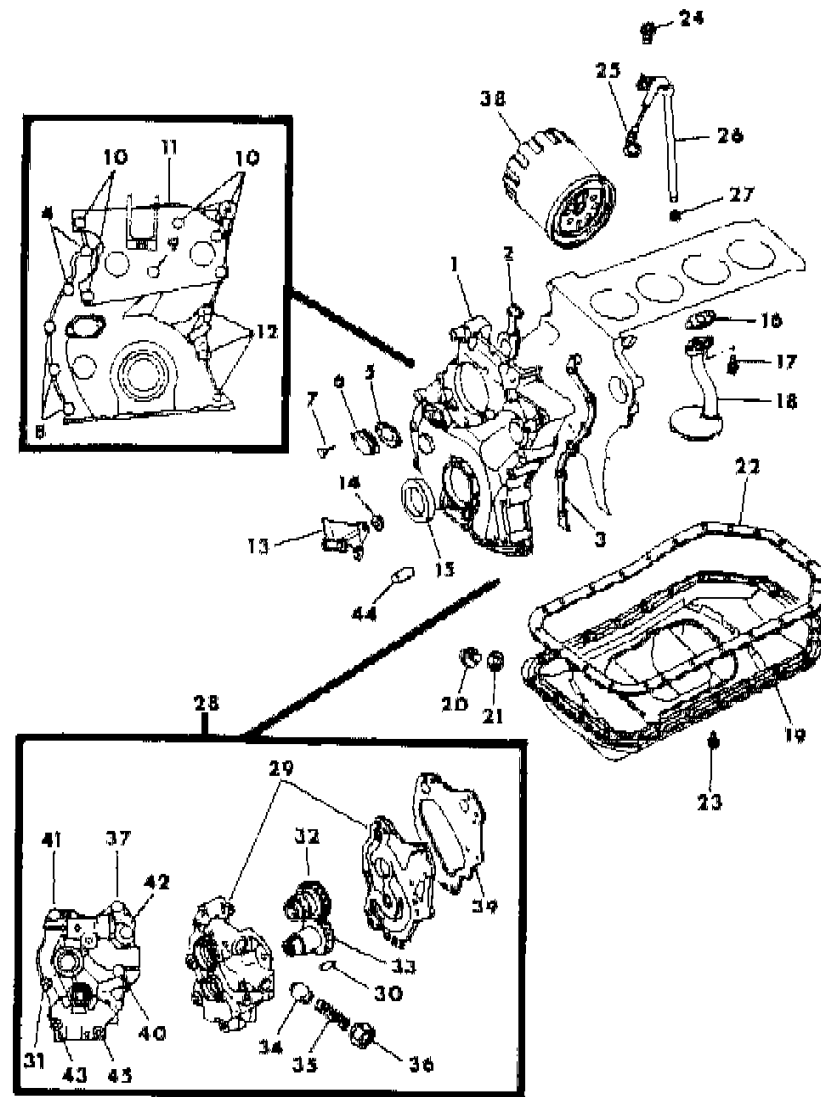
BODY STYLES

21 = 2-DOOR SEDAN	35 = FWD VAN	44 = 4-DOOR HATCHBACK
22 = 2-DOOR SPECIAL COUPE	36 = FWD WAGON	45 = 4-DOOR STATION WAGON
24 = 2-DOOR HATCHBACK	41 = 4-DOOR SEDAN	49 = LIMOUSINE
27 = 2-DOOR CONVERTIBLE		

AR = Use as Required - = Non Illustrated Part P.A.R. = Paint as Required

OIL PUMP, OIL PAN, OIL LEVEL INDICATOR, TIMING COVER 4 CYLINDER 2.6 L ENG., P,D,C,V,E,T,H,K,J
Figure 9A-3100

5158 3:00



ITEM	PART NUMBER	QTY	BODY	MODEL	DESCRIPTION
37	MS10 1315	1			BOLT, Flange (6x16)
38	MD03 1805	1			FILTER Assy., Oil
39	MD06 0521	1			GASKET, Oil Pump
40	MS10 1319	1			BOLT, Flange (6x38)
41	MS10 1322	1			BOLT, Flange (6x45)
42	MS10 1316	1			BOLT, Flange (6x22)
43	MD02 7152	1			BOLT w/Washer (8x14)
44	MD02 4419	1			SPACER
45	MD02 7152	1			BOLT
-	MF24 0050	1			BOLT (8x14) ***

MODEL CODES

B = GRAN FURY	E = 600	M = HORIZON/TURISMO
C = LE BARON/TOWN & COUNTRY/LIMO	F = FIFTH AVENUE/NEWPORT	P = RELIANT
C24 = LASER	G = DIPLOMAT	T = NEW YORKER
C44 = LE BARON/GTS	H = VOYAGER	V = 600
D = ARIES	J = CARAVELLE	V24 = DAYTONA
D44 = LANCER	K = MINI VAN/CARAVAN/ROYAL	Z = OMNI/CHARGER

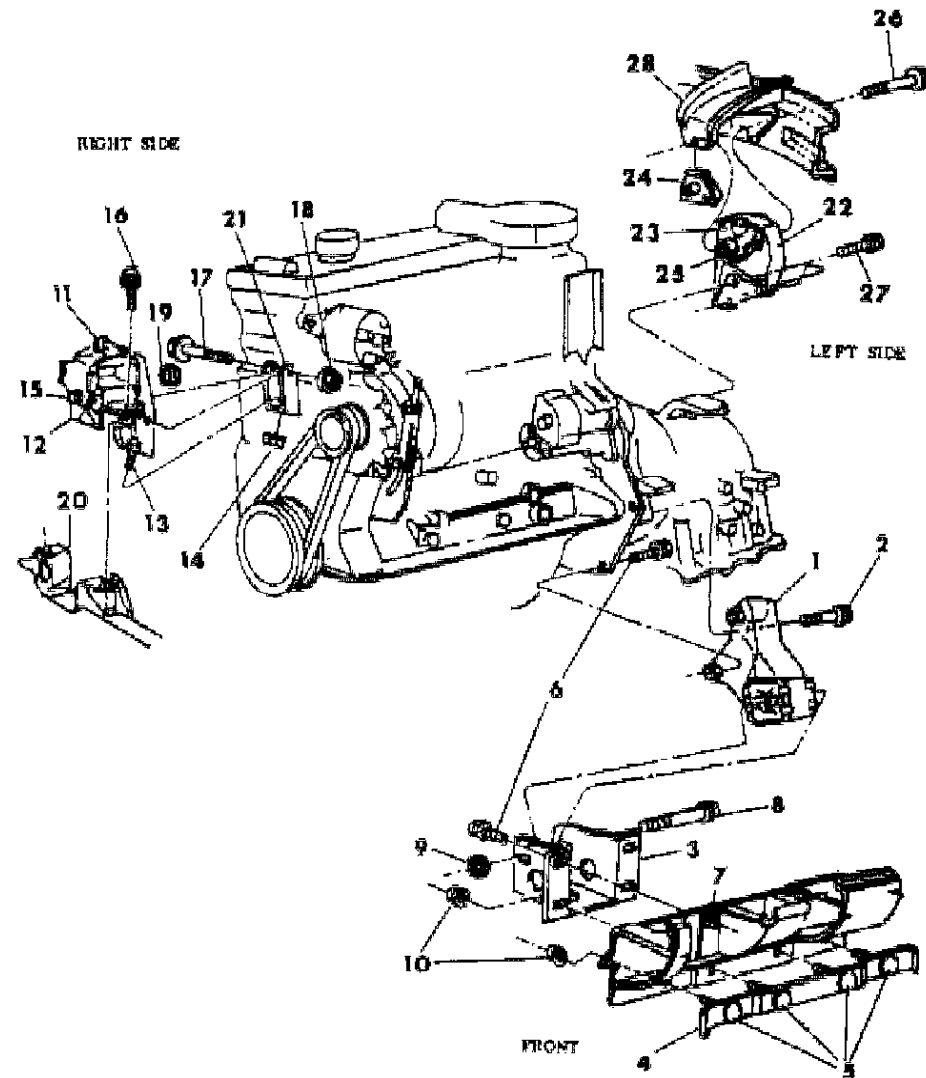
BODY STYLES

21 = 2-DOOR SEDAN	35 = FWD VAN	44 = 4-DOOR HATCHBACK
22 = 2-DOOR SPECIAL COUPE	36 = FWD WAGON	45 = 4-DOOR STATION WAGON
24 = 2-DOOR HATCHBACK	41 = 4-DOOR SEDAN	49 = LIMOUSINE
27 = 2-DOOR CONVERTIBLE		

AR = Use as Required - = Non Illustrated Part P.A.R. = Paint as Required

MOUNTING, ENGINE 4 CYLINDER 2.6 L Engine, P,D,C,V,E,T,H,K,J
Figure 9A-3200

5158 3200



ITEM	PART NUMBER	QTY	BODY	MODEL	DESCRIPTION
1	4191 891	1			INSULATOR, Engine Support Front
	4340 035	1			w/S/C-BGB w/H/Duty Disc Brakes Front and Rear
2	6500 527	1			Bolt w/Washer, Eng. Support Insulator Bracket to Trans. Case
3	4270 119	1			BRACKET, Front Side Rail Front Crossmember Eng. Mounting Front Crossmember
4	4296 259	1			TIE PLATE ASSY., Front Crossmember Flange
5	6500 233	4			SCREW, Front Crossmember Flange Tie Plate
6	6500 535	3			SCREW w/Washer, Eng. Support Insulator to Adapter Plate
7	6100 518	2			NUT w/Washer, Eng. Support Insulator to Frame, Front
8	6500 180	1			SCREW w/Washer, Eng. Support Insulator Bracket to Adapter Plate
9	6100 053	1			NUT, Eng. Support Insulator to Frame, Front
10	6100 518	4			NUT, Front Crossmember Flange Tie Plate
11	4295 266	1			BRACKET ASSY., Eng. Support Insulator, Rt.
12	4505 411	1			BUSHING, Engine Support Insulator Rt.
13	4295 274	1			STUD, Eng. Support Insulator Bracket to Eng. Mounting Assy. Rt.
14	6500 164	1			NUT, Eng. Support Insulator Bracket to Eng. Mounting Assy. Stud
15	6500 839	1			SCREW w/Washer, Eng. Support Insulator to Frame Bushing
16	6500 555	2			BOLT, Bushing Assy. to Bracket
17	6501 076	1			BOLT, Eng. Support Insulator Bracket to Eng. Mounting Assy., Right
18	6500 085	1			NUT, Eng. Support Insulator Bracket to Eng. Mounting Assy. Bolt, Right
19		1			NUT, Service in Bracket Assy. (4295266)
20		1			RAIL, Frame Front Side (See Group 13)
21	MD07 1550	1			BRACKET Assy. Engine Mounting, Right
22	4295 255	1			BRACKET ASSY., Eng. Support Insulator, Lt.
23	4295 237	1			BUSHING ASSY., Eng. Support Insulator
24	6500 833	1			U-NUT, Insulator to Frame, Left
25	4295 240	1			SPACER, Eng. Support Insulator Bushing, Left
26	6500 840	1			SCREW w/Washer, Eng. Support Insulator to Frame, Left
27	6500 495	3			SCREW w/Washer, Eng. Support Insulator Bracket to Trans. Case Left
28					BRACKET, Side Rail Eng. Mounting Lt. (See Group 13 Front Frame Left Side Rail)

MODEL CODES

B = GRAN FURY	E = 600	M = HORIZON/TURISMO
C = LE BARON/TOWN & COUNTRY/LIMO	F = FIFTH AVENUE/NEWPORT	P = RELIANT
C24 = LASER	G = DIPLOMAT	T = NEW YORKER
C44 = LE BARON/GTS	H = VOYAGER	V = 600
D = ARIES	J = CARAVELLE	V24 = DAYTONA
D44 = LANCER	K = MINI VAN/CARAVAN/ROYAL	Z = OMNI/CHARGER

BODY STYLES

21 = 2-DOOR SEDAN	35 = FWD VAN	44 = 4-DOOR HATCHBACK
22 = 2-DOOR SPECIAL COUPE	36 = FWD WAGON	45 = 4-DOOR STATION WAGON
24 = 2-DOOR HATCHBACK	41 = 4-DOOR SEDAN	49 = LIMOUSINE
27 = 2-DOOR CONVERTIBLE		

AR = Use as Required - = Non Illustrated Part P.A.R. = Paint as Required

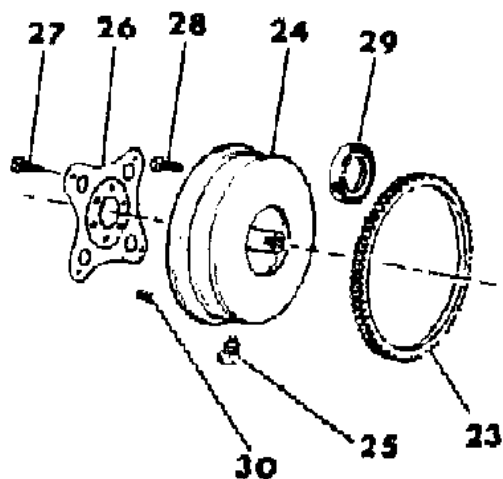
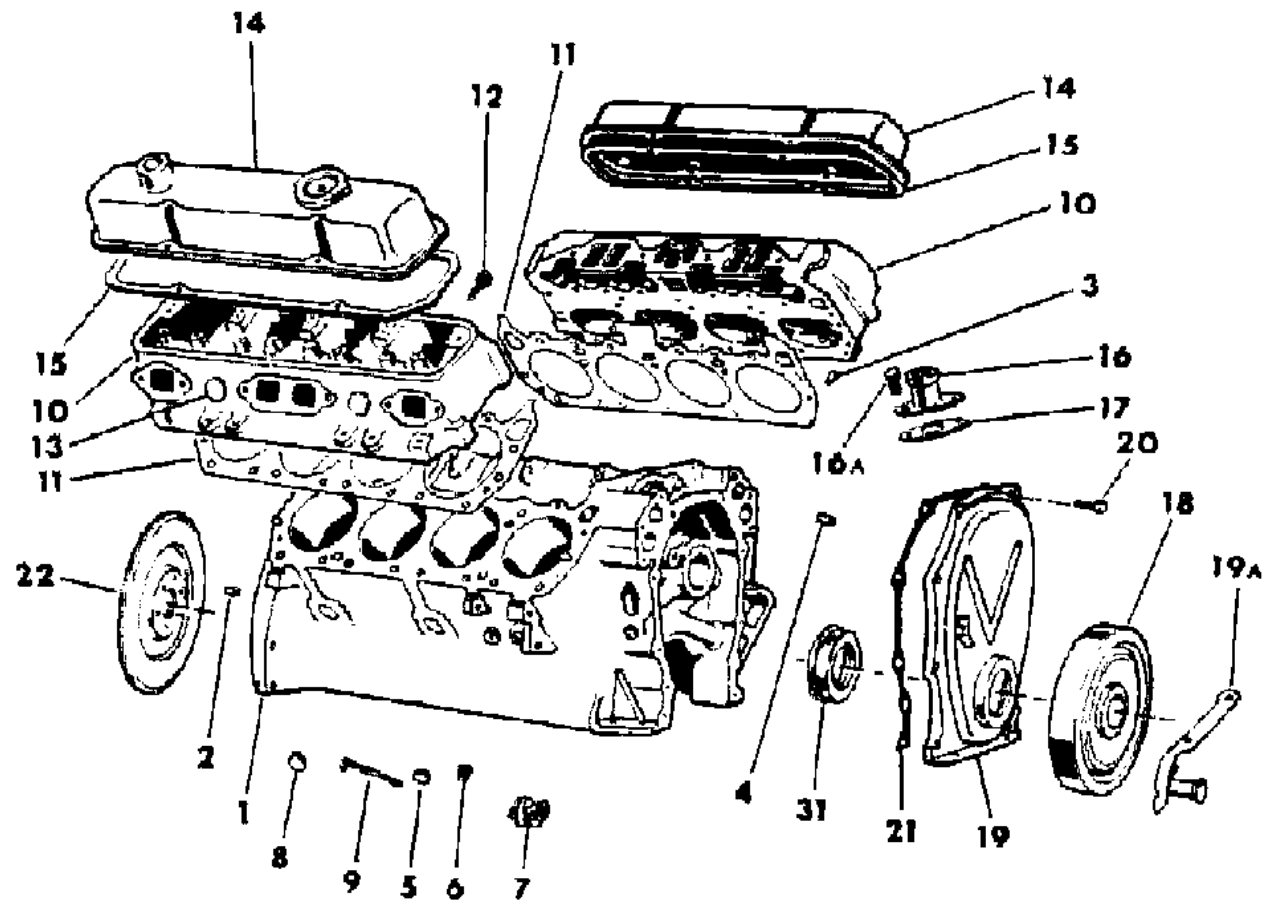
GROUP 9C - ENGINE, 8 CYLINDER

ILLUSTRATION TITLE	GROUP-FIG. NO.
5.2 L ENGINE	
ENGINE 8 CYLINDER	Fig. 9C-100
ENGINE OIL COOLER F,G,B 8 CYLINDER ENGINE	Fig. 9C-200
OIL PUMP AND OIL FILTER, OIL PAN, OIL LEVEL INDICATOR 8 CYLINDER ENGINE	Fig. 9C-500
CAMSHAFT, VALVES, ROCKERS, TIMING CHAIN, SPROCKET 8 CYLINDER ENGINE	Fig. 9C-600
CRANKSHAFT, PISTONS, AND RINGS 8 CYLINDER ENGINE	Fig. 9C-700
ENGINE MOUNTINGS 8 CYLINDER	Fig. 9C-800
MANIFOLD WITH HEAT CONTROL 8 CYLINDER	Fig. 9C-900
CRANKCASE VENT, CAP, HOSE, VALVE 8 CYLINDER ENGINE	Fig. 9C-1000

ILLUSTRATION NOT AVAILABLE AT TIME OF PUBLICATION

ENGINE 8 CYLINDER Figure 9C-100

5109 100



ITEM	PART NUMBER	QTY	BODY	MODEL	DESCRIPTION
<p>NOTE: The following symbols are used in connection with engine numbers. Engine numbers without symbols indicate Standard Cylinders and Crankshaft Bearings. The Letter "A" immediately following the engine number indicates Bore .020" (.508 MM) larger than the engine identification number indicates Main and Connecting Rod Bearings .010" (.254 MM) smaller than Standard. rings. The Letter "A" immediately following the engine number indicates Bore .020" (.508 MM) larger than Standard. The Letter "B" The Letters "AB" immediately following the engine identification number indicates Cylinder Bore .020" (.508 MM) larger than Standard. Main and Connecting Rod Bearings .010" (.254 MM) smaller than Standard.</p> <p>The Letters in the circular pads at either end of the engine numbers are for the use of factory inspectors only and should not be connected with the engine numbers. Always mention Serial Numbers when ordering major assemblies.</p> <p>NOTE 1: When a complete overhaul engine gasket set is required for 8 cylinder engines use upper and lower Engine Gasket Sets, Intake Manifold Gasket, also Exhaust Manifold Gasket and Oil Pan Gaskets.</p> <p>NOTE 2: When a valve grinding gasket set is required for 8 cylinder engines use Upper Engine Gasket Set, Intake Manifold Gasket also Exhaust Manifold Gasket</p> <p>NOTE 3: All Parts listed are for 318 Engines Gasket</p>					
	4049 264	1			GASKET SET, Engine, Upper, w/318 Except ELE-318 4BBI Police Eng. Consists of: 2 - 4186348 Gasket. Cyl. Head 2 - 4273129 Gasket. Cyl. Head Cover 8 - 2205958 Shield. Valve Stem Oil, Exhaust 8 - 4071006 Shield. Valve Stem Oil, Exhaust 8 - 4095543 Seal, Valve Guide, Intake
	3837 644	1			2 - 3818115 Gasket, Exh. Pipe Flange GASKET SET, Engine, Lower w/318 Eng. Consists of: 1 - 2129012 Gasket, Chain Case Cover 1 - 50082 Gasket, Cyl. Water Outlet 2 - ----- Gasket, Oil Pan End 1 - 212903 Gasket, Water Pump Body 1 - 3577870 Gasket, Fuel Pump Flange 1 - 1326837 Gasket, Ignition Distributor 1 - 2899532 Seal, Chain Case Cover Oil 1 - 6027245 O-Ring, Ign. Dist. Housing 1 - 2875923 O-Ring, Ign. Dist. Housing
	4049 265	1			GASKET SET, Engine, Upper (w/ELE-318 4BLL. Police Eng.) Consists of: 2 - 4131141 Gasket, Cyl. Head 2 - 4095088 Gasket, Cyl. Head Cover

MODEL CODES

B = GRAN FURY	E = 600	M = HORIZON/TURISMO
C = LE BARON/TOWN & COUNTRY/LIMO	F = FIFTH AVENUE/NEWPORT	P = RELIANT
C24 = LASER	G = DIPLOMAT	T = NEW YORKER
C44 = LE BARON/GTS	H = VOYAGER	V = 600
D = ARIES	J = CARAVELLE	V24 = DAYTONA
D44 = LANCER	K = MINI VAN/CARAVAN/ROYAL	Z = OMNI/CHARGER

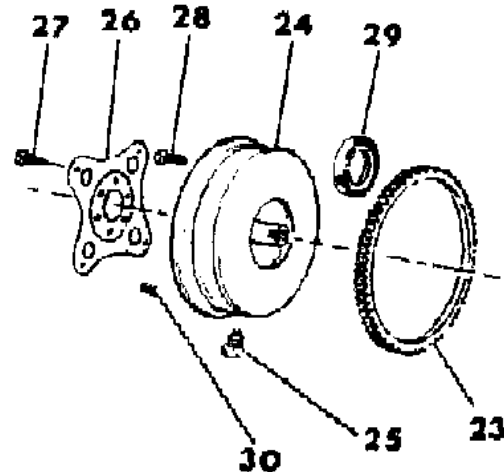
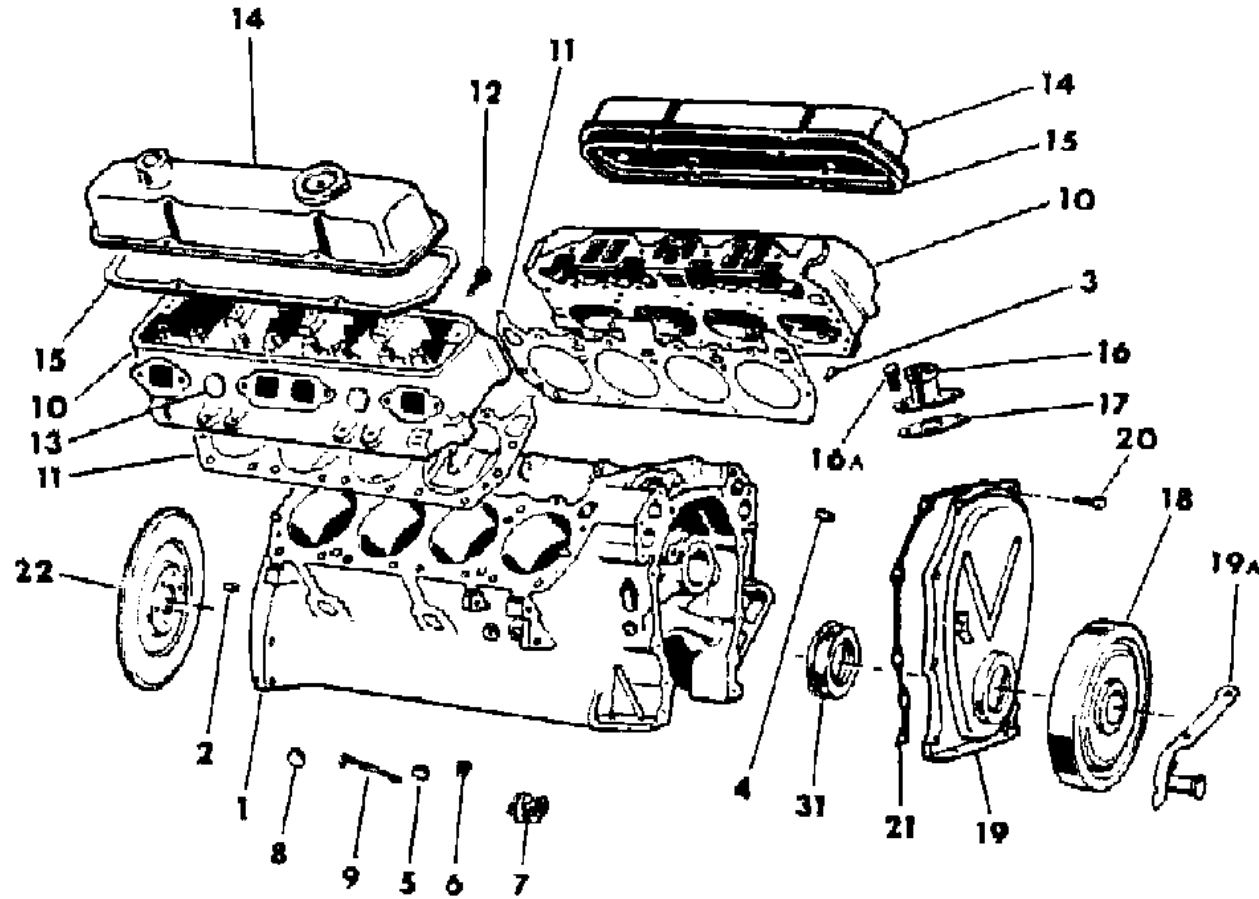
BODY STYLES

21 = 2-DOOR SEDAN	35 = FWD VAN	44 = 4-DOOR HATCHBACK
22 = 2-DOOR SPECIAL COUPE	36 = FWD WAGON	45 = 4-DOOR STATION WAGON
24 = 2-DOOR HATCHBACK	41 = 4-DOOR SEDAN	49 = LIMOUSINE
27 = 2-DOOR CONVERTIBLE		

AR = Use as Required - = Non Illustrated Part P.A.R. = Paint as Required

ENGINE 8 CYLINDER
Figure 9C-100

5109 100



ITEM	PART NUMBER	QTY	BODY	MODEL	DESCRIPTION
					1 - 3491023 Gasket, Cyl. Head Cover Oil Filler Pipe
					8 - 4095543 Seal, Valve Guide, Intake
					2 - 3818115 Gasket, Exh. Pipe Flange
					8 - 4071006 Shield, Valve Stem Oil, Exhaust
NOTE: Short Engine Assemblies consists of the Cylinder Block with Pistons and Rings, Crankshaft and Bearings, Connecting Rods and Bearings. Gasket					
1	4323 619	1			SHORT ENGINE,(w/318 Except ELE-318 4BBL. Police Eng.)
	4323 621	1			w/ELE-318 4BBL. Police Eng.
2	1122 532	2			DOWEL, Cyl. Block to Clutch or Torque Converter Housing, Std.
	1736 347	AR			.007 Over Center
	1736 348	AR			.014 Over Center
	1736 353	AR			.021 Over Center
3	0141 215	4			DOWEL, Cyl. Block to Cyl. Head
5	5203 342	9			PLUG, Cyl. Block Core Hole, 1.635
	4556 023	AR			1.695
	5203 341	1			1.2585
6	3462 871	1			PLUG, Cyl. Block Oil Line
	3751 818	2			PLUG, Cyl. Block Oil Hole
7	3755 677	2			HEATER, Engine Block
8	6027 513	AR			"O"RING, Engine Heater
9	5206 359	1			CORD, Engine Block Heater
10	4323 423	2			HEAD, Cylinder, w/318 Except ELE-318 4BBL. Police Eng.
	4323 346	2			w/(ELE-318 4BBL. Police Eng.)
11	4186 348	2			GASKET, Cyl. Head, w/318 Except ELE-318 4BBL. Police Eng.
	4131 141	2			w/ELE-318 4BBL. Police Eng.
12	#6031 045	10			BOLT, Cyl. Head, 1/2 x 1-7/8"
	6031 101	8			1/2 x 3-5/8"
	2463 260	2			1/2 x 4-5/8"
13	5203 341	AR			PLUG, Cyl. Head Core Hole
14	4071 035	1			COVER, Cyl. Head, Right
	4041 016	1			Left
14a	6031 688	10			SCREW, Cyl. Head Cover
15	4273 129	2			GASKET, Cyl. Head Cover, w/318 Except ELE-318 4BBL. Police Eng.
	4095 088	2			w/(ELE-318 4BBL. Police Eng.)
16	4100 490	1			CONNECTOR, Cyl. Water Outlet
16a	6031 413	2			BOLT, Cyl. Water Outlet Connector

MODEL CODES

B = GRAN FURY	E = 600	M = HORIZON/TURISMO
C = LE BARON/TOWN & COUNTRY/LIMO	F = FIFTH AVENUE/NEWPORT	P = RELIANT
C24 = LASER	G = DIPLOMAT	T = NEW YORKER
C44 = LE BARON/GTS	H = VOYAGER	V = 600
D = ARIES	J = CARAVELLE	V24 = DAYTONA
D44 = LANCER	K = MINI VAN/CARAVAN/ROYAL	Z = OMNI/CHARGER

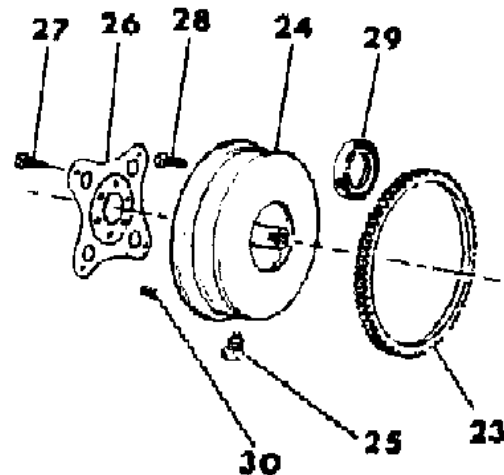
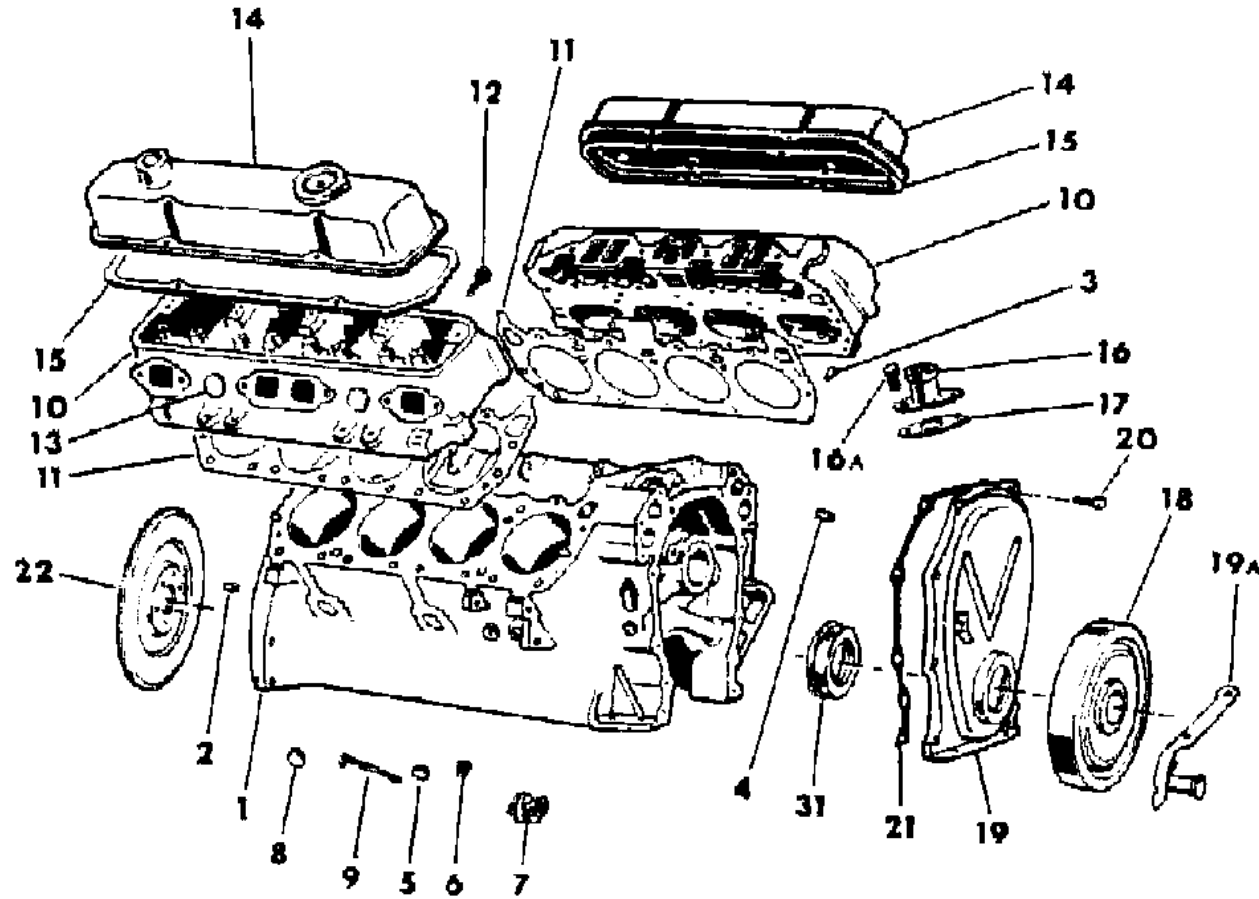
BODY STYLES

21 = 2-DOOR SEDAN	35 = FWD VAN	44 = 4-DOOR HATCHBACK
22 = 2-DOOR SPECIAL COUPE	36 = FWD WAGON	45 = 4-DOOR STATION WAGON
24 = 2-DOOR HATCHBACK	41 = 4-DOOR SEDAN	49 = LIMOUSINE
27 = 2-DOOR CONVERTIBLE		

AR = Use as Required - = Non Illustrated Part P.A.R. = Paint as Required

ENGINE 8 CYLINDER
Figure 9C-100

5109 100



ITEM	PART NUMBER	QTY	BODY	MODEL	DESCRIPTION
17	4173 461	1			GASKET, Cyl. Water Outlet Connector
18	4173 443	1			DAMPER, Crankshaft Vibration, w/318 Eng.
19	3769 964	1			COVER, Chain Case, Assy.
19A	4095 625	1			INDICATOR, Timing
20	0181 112	3			SCREW, Chain Case Cover, 3/8 x 1"
	9420 892	1			3/8 x 2-3/4"
21	2129 012	1			GASKET, Chain Case Cover
22					FLYWHEEL, w/Ring Gear (Not used)
23					GEAR, Flywheel Ring (Not used)
	2121 196	1			GEAR, Torque Converter Ring, (I.D. 11.250")
24	4293 052	1			TORQUE CONVERTER, (See Note)
25	6023 092	1			SCREW w/Washer, Torque Converter Drain
26	4058 429	1			PLATE, Torque Converter Drive
27	1949 424	6			SCREW, Drive Plate to Crankshaft
28	1949 765	4			SCREW, Drive Plate to Torque Converter
29	4269 057	1			SEAL, Trans. Torque Converter Impeller Hub, w/A904 Auto. Trans.
	3515 137	1			w/A727 Auto. Trans.
30	1942 187	8			SPRING, Torque Converter Overrunning Clutch Roller
31	3830 109	1			OIL SEAL, Chain Case Cover

NOTE: To replace the original Production Torque Converter look on the front cover surface for a Decal which will indicate a Lockup or a Non-Lockup Torque Converter. The Trans. Input Shaft and the Torque Converter Hub has one less spline for the Lockup. Lock units are not interchangeable. On the curved surface of the rear Torque Converter Cover will be stamped the last three digits of the production Part No. stamped (488) For service replacement use the following Cross Reference.

PRODUCTION	REMANUFACTURED
TORQUE CONVERTER	TORQUE CONVERTER
STAMPED	SERVICE
385 w/Axle Ratio 2.24, 2.26	4293052
w/Taxi Pkg.	4293063

MODEL CODES

B = GRAN FURY	E = 600	M = HORIZON/TURISMO
C = LE BARON/TOWN & COUNTRY/LIMO	F = FIFTH AVENUE/NEWPORT	P = RELIANT
C24 = LASER	G = DIPLOMAT	T = NEW YORKER
C44 = LE BARON/GTS	H = VOYAGER	V = 600
D = ARIES	J = CARAVELLE	V24 = DAYTONA
D44 = LANCER	K = MINI VAN/CARAVAN/ROYAL	Z = OMNI/CHARGER

BODY STYLES

21 = 2-DOOR SEDAN	35 = FWD VAN	44 = 4-DOOR HATCHBACK
22 = 2-DOOR SPECIAL COUPE	36 = FWD WAGON	45 = 4-DOOR STATION WAGON
24 = 2-DOOR HATCHBACK	41 = 4-DOOR SEDAN	49 = LIMOUSINE
27 = 2-DOOR CONVERTIBLE		

AR = Use as Required - = Non Illustrated Part P.A.R. = Paint as Required

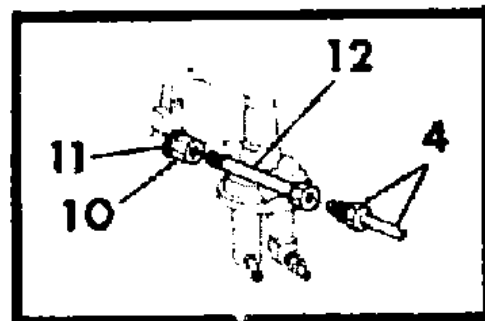
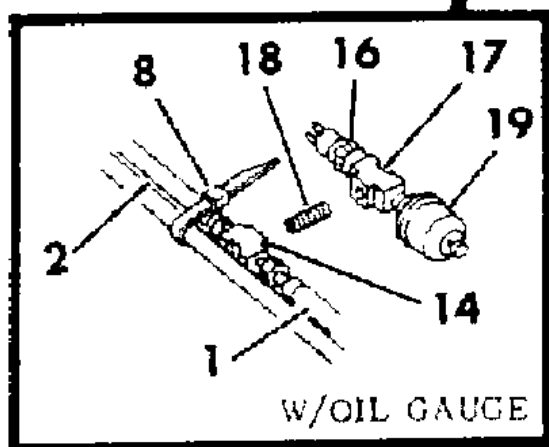
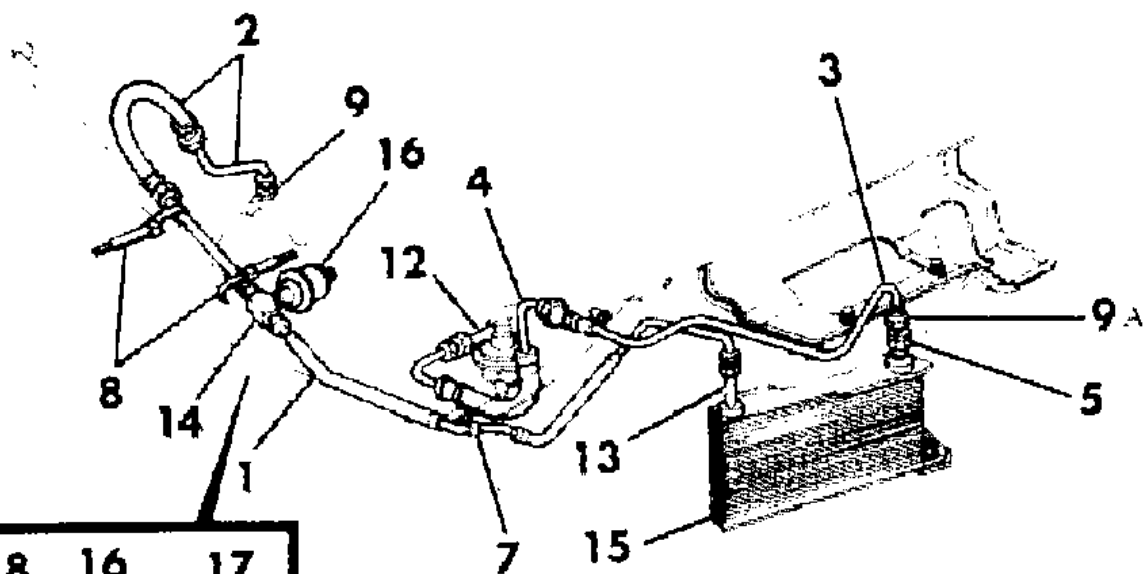
ENGINE OIL COOLER F,G,B 8 CYLINDER ENGINE
Figure 9C-200

5109 200

ITEM	PART NUMBER	QTY	BODY	MODEL	DESCRIPTION
------	-------------	-----	------	-------	-------------

NOTE 1 All Tubes for all locations Contained in Pkg. No. 4026548. rt No. stamped (488) For service replacement use the following Cross Reference.

1	4140 400	1			TUBE, Engine Oil Cooler, Front
2		1			TUBE, Engine Oil Cooler, Rear (See Note 1)
3		1			TUBE, Oil Cooler to Engine, Front (See Note 1)
4		1			TUBE, Oil Cooler to Engine, Rear (See Note 1)
5	2264 514	1			VALVE, Engine Oil Cooler Check
6		1			CLIP, (Not Serviced)
7		1			CLIP, (Not Serviced)
8		2			CLIP, (Not Serviced)
9	6031 741	1			CONNECTOR, Engine to Oil Cooler Tube
9A	0137 406	1			CONNECTOR, Check Valve to Oil Cooler Tube
10	4071 712	1			SCREW, Fuel Pump
11		1			WASHER, (Not Serviced)
12	6032 002	1			PIPE Nipple, Return Line
13	6032 005	1			PIPE Nipple, Outlet Line
14	0128 275	1			TEE, Oil Pressure Sensing Unit
15	4140 394	1			OIL COOLER, Engine
16		1			SWITCH, Oil Pressure (See Group 8 Electrical)
17		1			TEE, Dual Sensing Unit (w/Oil Gauge) (Not Serviced)
18		1			NIPPLE, Connector (w/Oil Gauge) (Not Serviced)
19		1			SENDING UNIT, Oil Pressure w/(Oil Gauge) (See Group 8 Electrical)
-	1316 864	1			"O"RING, Engine Oil Cooler Tube Junction Seal ***



MODEL CODES

B = GRAN FURY	E = 600	M = HORIZON/TURISMO
C = LE BARON/TOWN & COUNTRY/LIMO	F = FIFTH AVENUE/NEWPORT	P = RELIANT
C24 = LASER	G = DIPLOMAT	T = NEW YORKER
C44 = LE BARON/GTS	H = VOYAGER	V = 600
D = ARIES	J = CARAVELLE	V24 = DAYTONA
D44 = LANCER	K = MINI VAN/CARAVAN/ROYAL	Z = OMNI/CHARGER

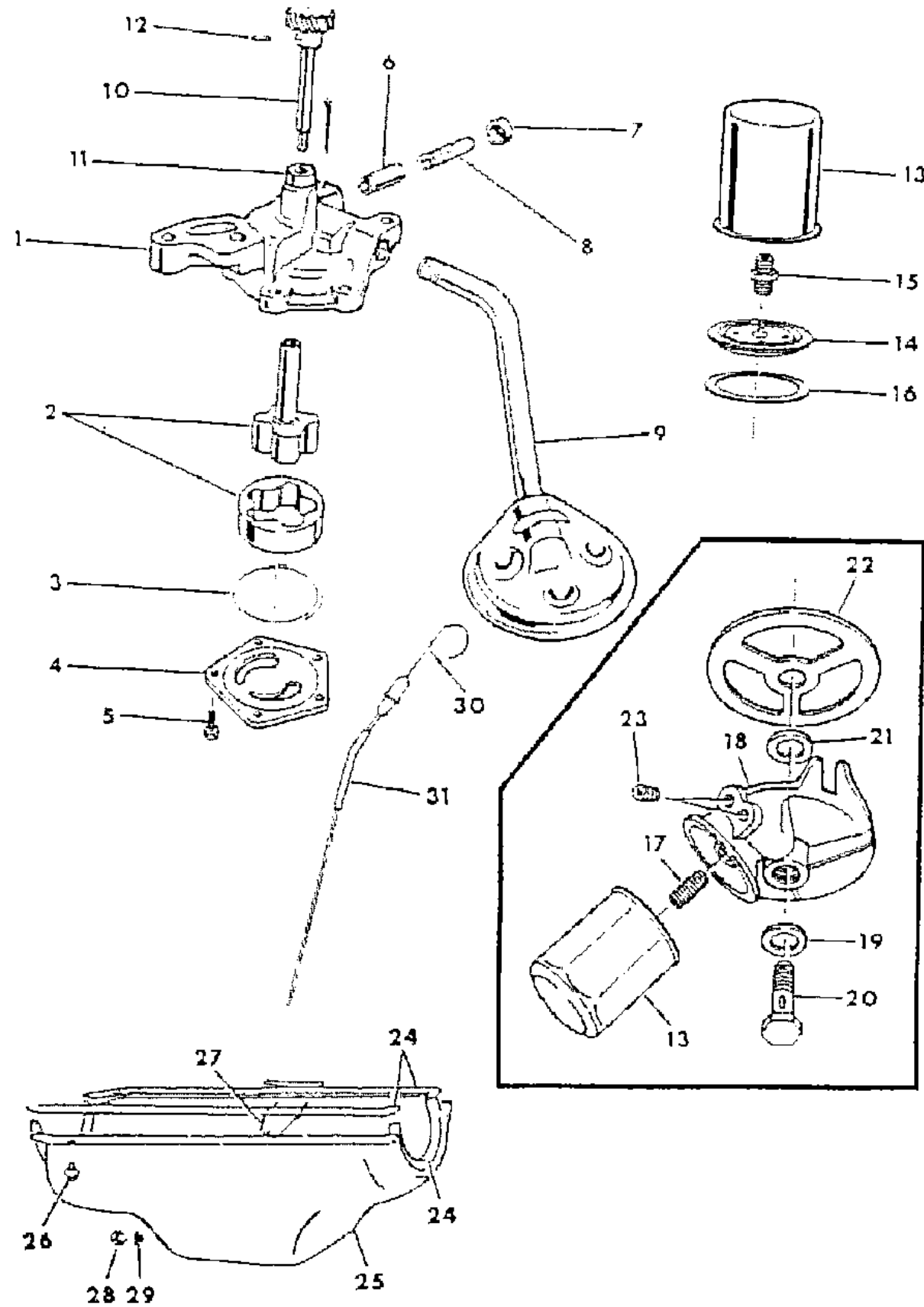
BODY STYLES

21 = 2-DOOR SEDAN	35 = FWD VAN	44 = 4-DOOR HATCHBACK
22 = 2-DOOR SPECIAL COUPE	36 = FWD WAGON	45 = 4-DOOR STATION WAGON
24 = 2-DOOR HATCHBACK	41 = 4-DOOR SEDAN	49 = LIMOUSINE
27 = 2-DOOR CONVERTIBLE		

AR = Use as Required - = Non Illustrated Part P.A.R. = Paint as Required

OIL PUMP AND OIL FILTER, OIL PAN, OIL LEVEL INDICATOR 8 CYLINDER ENGINE
Figure 9C-500

9129 500



ITEM	PART NUMBER	QTY	BODY	MODEL	DESCRIPTION
1	2806 270	1			OIL PUMP
2	3837 648	1			DRIVE SHAFT AND ROTOR PACKAGE, Oil Pump Consists of: 1- ----- Shaft w/Inner Rotor 1- ----- Rotor, Outer
3	2268 921	1			1- 2268921 Gasket, Oil Pump Cover Consists of: 1- ----- Shaft, Assy. Oil Pump Drive 1- ----- Rotor Outer, Oil Pump
4	#4071 043	1			GASKET, Oil Pump Cover
5		5			COVER, Oil Pump
6	2843 208	1			SCREW, Oil Pump Cover (1/4-20 x .75")(Not Serviced)
7	2806 273	1			PLUNGER, Oil Pressure Relief Valve
8	2402 473	1			CAP, Oil Pressure Relief Valve
9	2468 849	1			SPRING, Oil Pressure Relief Valve
10	4095 260	1			SHAFT, Oil Pump and Distributer Drive . Assy.
11	2863 584	1			BUSHING, Oil Pump Distributer Drive Shaft
12		1			PIN, Oil Pump & Distributer Drive Gear (3/16 x 1.25")(Not Serviced)
13	3549 957	1			FILTER, Oil
14	2402 103	1			PLATE, Oil Filter Adapter
15	3671 602	1			ADAPTER, Oil Filter to Cylinder Block
16	3671 314	1			GASKET, Oil Filter Adapter Plate
17	4104 511	1			ADAPTER, Oil Filter to Oil Filter Base
18	4179 726	1			BASE, Oil Filter Assy.
19	4105 210	1			GASKET, Oil Filter Base Screw
20	4186 347	1			SCREW, Oil Filter Base
21	2463 512	1			SEAL, Oil Filter Base Screw
22	3577 674	1			GASKET, Oil Filter Base
23		1			PLUG, Oil Filter Base, (3/8 dia.)
24	4240 153	1			GASKET SET, Oil Pan Consists of: 2- ----- Gasket, Oil Pan Side 2- ----- Gasket, Oil Pan End
25	4006 387	1			PAN, Oil
26	6031 413	14			SCREW, w/Washer, Oil Pan 5/16" X 13/16"

MODEL CODES

B = GRAN FURY	E = 600	M = HORIZON/TURISMO
C = LE BARON/TOWN & COUNTRY/LIMO	F = FIFTH AVENUE/NEWPORT	P = RELIANT
C24 = LASER	G = DIPLOMAT	T = NEW YORKER
C44 = LE BARON/GTS	H = VOYAGER	V = 600
D = ARIES	J = CARAVELLE	V24 = DAYTONA
D44 = LANCER	K = MINI VAN/CARAVAN/ROYAL	Z = OMNI/CHARGER

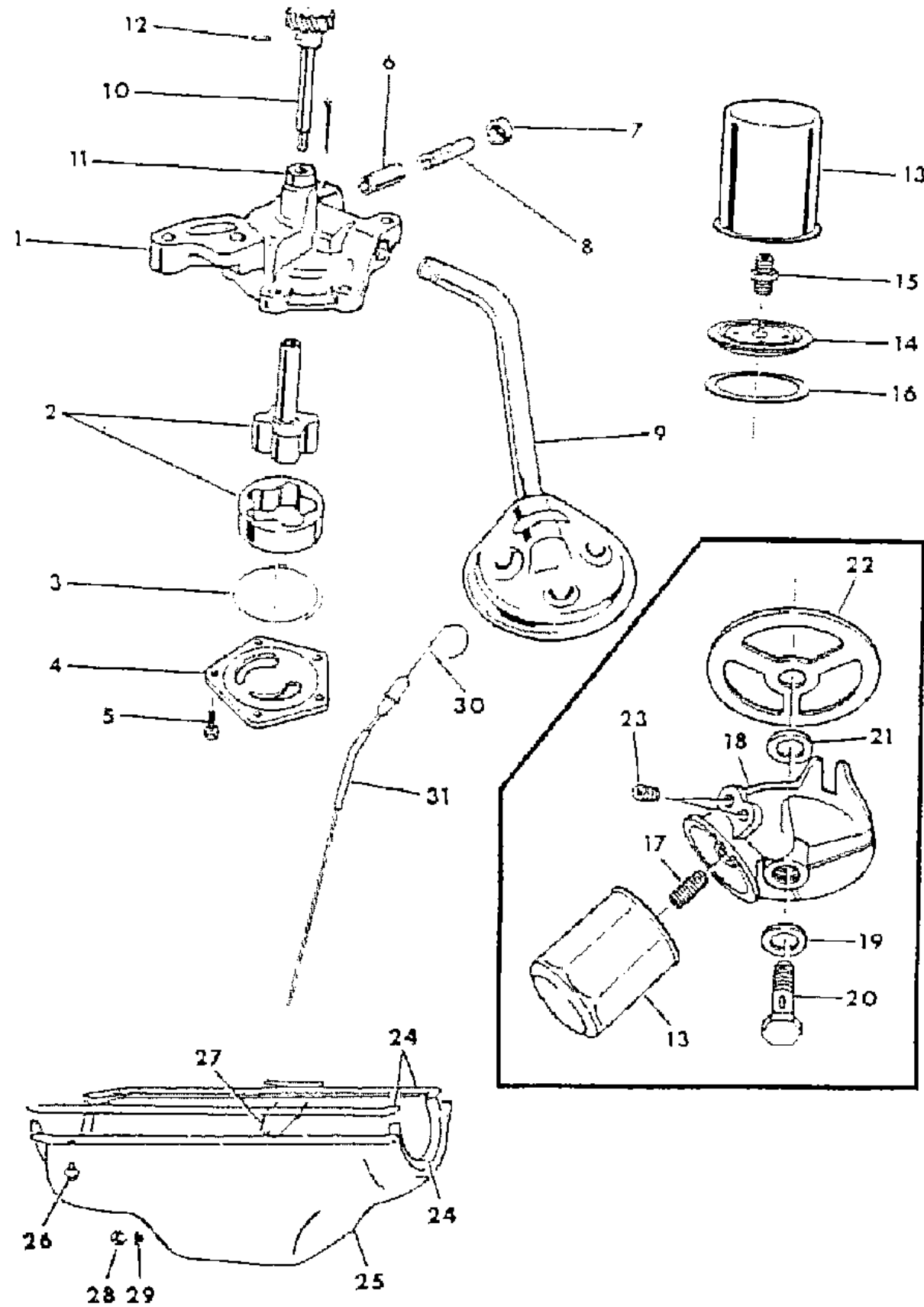
BODY STYLES

21 = 2-DOOR SEDAN	35 = FWD VAN	44 = 4-DOOR HATCHBACK
22 = 2-DOOR SPECIAL COUPE	36 = FWD WAGON	45 = 4-DOOR STATION WAGON
24 = 2-DOOR HATCHBACK	41 = 4-DOOR SEDAN	49 = LIMOUSINE
27 = 2-DOOR CONVERTIBLE		

AR = Use as Required - = Non Illustrated Part P.A.R. = Paint as Required

OIL PUMP AND OIL FILTER, OIL PAN, OIL LEVEL INDICATOR 8 CYLINDER ENGINE
Figure 9C-500

9109 500



ITEM	PART NUMBER	QTY	BODY	MODEL	DESCRIPTION
	6025 926	4			SCREW, w/Washer, Oil Pan 5/16" X 1"
	6030 163	4			SCREW, Oil Scraper Baffle (1/4" x 1/2")
27	3577 794	1			BAFFLE, Crankshaft Oil Scraper, (ELE-318 4BBL. Police Eng.)
28	4271 941	1			PLUG, Oil Pan Drain
29	6032 145	1			GASKET, Oil Pan Drain Plug
30	3870 265	1			INDICATOR, Oil Level
31	4027 249	1			TUBE, Oil Level Indicator

MODEL CODES

B = GRAN FURY	E = 600	M = HORIZON/TURISMO
C = LE BARON/TOWN & COUNTRY/LIMO	F = FIFTH AVENUE/NEWPORT	P = RELIANT
C24 = LASER	G = DIPLOMAT	T = NEW YORKER
C44 = LE BARON/GTS	H = VOYAGER	V = 600
D = ARIES	J = CARAVELLE	V24 = DAYTONA
D44 = LANCER	K = MINI VAN/CARAVAN/ROYAL	Z = OMNI/CHARGER

BODY STYLES

21 = 2-DOOR SEDAN	35 = FWD VAN	44 = 4-DOOR HATCHBACK
22 = 2-DOOR SPECIAL COUPE	36 = FWD WAGON	45 = 4-DOOR STATION WAGON
24 = 2-DOOR HATCHBACK	41 = 4-DOOR SEDAN	49 = LIMOUSINE
27 = 2-DOOR CONVERTIBLE		

AR = Use as Required - = Non Illustrated Part P.A.R. = Paint as Required

CAMSHAFT, VALVES, ROCKERS, TIMING CHAIN, SPROCKET 8 CYLINDER ENGINE
Figure 9C-600

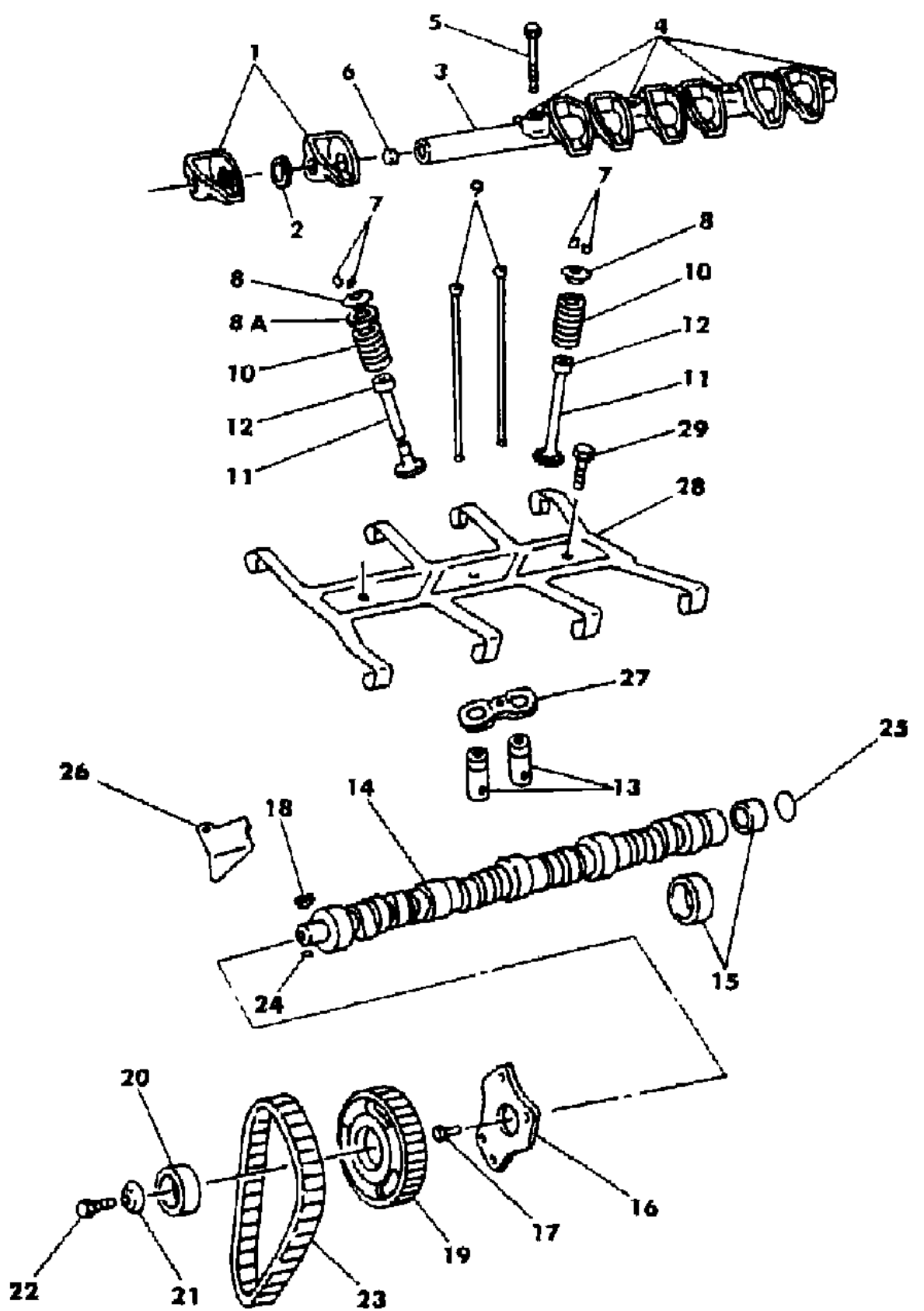
5109 600

ITEM	PART NUMBER	QTY	BODY	MODEL	DESCRIPTION
1	4095 708	8			ROCKER, Valve, Right, w/318 Eng.
	4095 709	8			Left, w/318 Eng.
3	2532 149	2			SHAFT, Valve Rocker
4	2463 322	6			RETAINER, Valve Rocker Shaft, End and Center
	2463 323	4			Intermediate
5	0181 095	10			SCREW, Valve Rocker Shaft Retainer
6	1324 268	4			PLUG, Valve Rocker Shaft
7	0381 875	16			LOCK, Intake Valve Spring Retainer (w/2 Grooves)
	1614 666	16			LOCK, Exhaust Spring Retainer (w/4 Grooves)
8	2402 045	16			RETAINER, Valve Spring
8A	1859 144	AR			SPACER, Valve Spring
9	4095 291	16			ROD, Valve Push (w/o Roller Type Tappet)
	4323 205	16			(w/Roller Type Tappet, w/S/C-NCA Air Pump)
10	1739 534	16			SPRING, Valve, w/318 except ELE-318 4BBL. Police Eng.
	3751 741	16			w/ELE-318 4BBL. Police Eng.
11	2465 335	8			VALVE, Intake, Std., w/318 Except ELE-318 4BBL. POLice Eng.
	2465 336	8			.005 O/S
	2465 337	8			.015 O/S
	2465 338	8			.030 O/S
	3683 801	8			Std., w/ELE-318 4BBL. Police Eng.
	3683 802	8			.005 O/S
	3683 803	8			.015 O/S
	3683 804	8			.030 O/S
	4100 387	8			VALVE, Exhaust, Std. w/318 Except ELE-318 4BBL. Police Eng.
	4100 388	8			.005 O/S
4100 389	8			.015 O/S	
4100 390	8			.030 O/S	
4100 632	8			w/(ELE-318 4BBL. Police Eng.)	
4100 633	8			.005 O/S	
4100 634	8			.015 O/S	
4100 635	8			.030 O/S	
12	4071 006	8			SHIELD, Valve Stem Oil Exhaust
	4095 543	8			SEAL, Valve Guide Intake
	4049 338	16			TAPPET, Valve, Std. (w/o Roller Type)
13	4049 339	16			.001 O/S
	4049 340	16			.008 O/S

MODEL CODES
 B = GRAN FURY
 C = LE BARON/TOWN & COUNTRY/LIMO
 C24 = LASER
 C44 = LE BARON/GTS
 D = ARIES
 D44 = LANCER
 E = 600
 F = FIFTH AVENUE/NEWPORT
 G = DIPLOMAT
 H = VOYAGER
 J = CARAVELLE
 K = MINI VAN/CARAVAN/ROYAL
 M = HORIZON/TURISMO
 P = RELIANT
 T = NEW YORKER
 V = 600
 V24 = DAYTONA
 Z = OMNI/CHARGER

BODY STYLES
 21 = 2-DOOR SEDAN
 22 = 2-DOOR SPECIAL COUPE
 24 = 2-DOOR HATCHBACK
 27 = 2-DOOR CONVERTIBLE
 35 = FWD VAN
 36 = FWD WAGON
 41 = 4-DOOR SEDAN
 44 = 4-DOOR HATCHBACK
 45 = 4-DOOR STATION WAGON
 49 = LIMOUSINE

AR = Use as Required - = Non Illustrated Part P.A.R. = Paint as Required



CAMSHAFT, VALVES, ROCKERS, TIMING CHAIN, SPROCKET 8 CYLINDER ENGINE
Figure 9C-600

5109 600

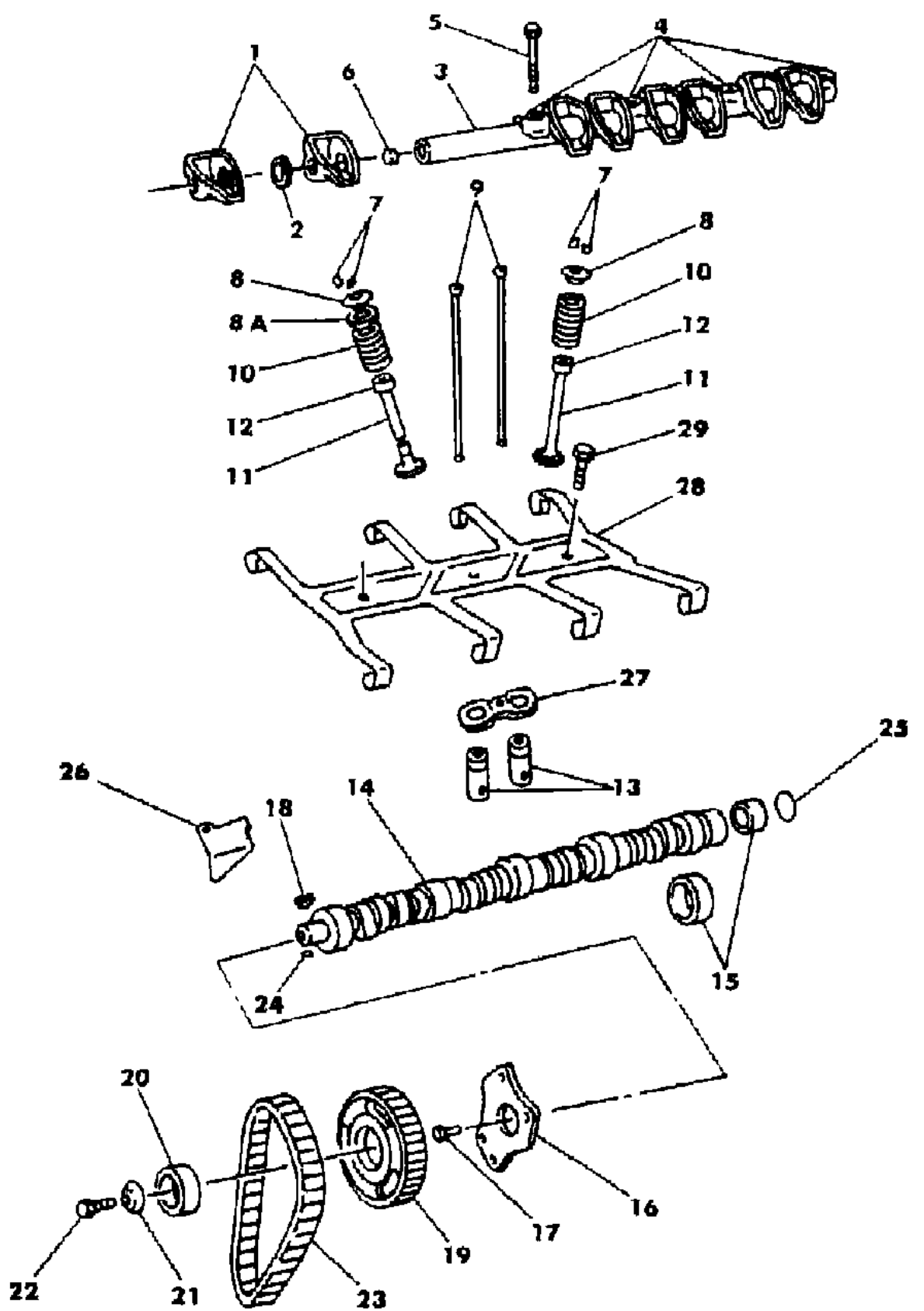
ITEM	PART NUMBER	QTY	BODY	MODEL	DESCRIPTION
	4049 341	16			.030 O/S
	4323 235	16			Std., (Roller Type Tappet)
	4323 236	16			.001 O/S
	4323 237	16			.008 O/S
	4323 238	16			.030 O/S
14	4323 239	1			CAMSHAFT, w/318 Except ELE-318 4BBL. Police Eng.
	4227 879	1			w/ELE-318 4BBL. Police Eng.
15	3830 603	1			BEARING, Camshaft No. 1
	4179 776	1			No. 2
	4179 777	1			No. 3
	4179 778	1			No. 4
	1632 526	1			No. 5
16	1618 670	1			PLATE, Camshaft Sprocket Thrust
17	0191 674	3			SCREW, Thrust Plate
18	0106 751	1			KEY, Camshaft
19	2843 610	1			SPROCKET, Camshaft (Except ELE-318 4BBL. Police, ELD-318 2BBL. H-Duty)
	2899 556	1			w/(ELE-318 4BBL. Police Eng., ELD-318-2BBL. H-Duty Eng.)
20	2843 661	1			ECCENTRIC, Camshaft
21	1618 732	1			WASHER, Sprocket Retainer Screw
22	6024 027	1			SCREW, Camshaft Sprocket Retainer
23	3514 182	1			CHAIN, Timing, Except ELD, ELE-318 Engines
	8350 7095	1			w/(ELD-318 2BBL. H-Duty, ELE-318 4BBL. Police Eng.)
25	1821 722	1			PLUG, Camshaft Rear Bearing
26	3671 649	1			TAB, Timing Chain Oil
27	4323 227	8			YOKE, Tappet Aligning (w/Roller Type Tappet)
28	4323 207	1			RETAINER, Tappet Aligning Yoke (w/Roller Type Tappet)
29	0180 077	3			SCREW w/Washer, Yoke Retainer (w/Roller Type Tappets)

NOTE: To Identify Between a Right & Left Rocker For the 318 Engine. The Left Rocker Push Rod Socket is approx. 1/16" to the Left and the Right Rocker SOCKET is approx. 1/16" to the right.

MODEL CODES		
B = GRAN FURY	E = 600	M = HORIZON/TURISMO
C = LE BARON/TOWN & COUNTRY/LIMO	F = FIFTH AVENUE/NEWPORT	P = RELIANT
C24 = LASER	G = DIPLOMAT	T = NEW YORKER
C44 = LE BARON/GTS	H = VOYAGER	V = 600
D = ARIES	J = CARAVELLE	V24 = DAYTONA
D44 = LANCER	K = MINI VAN/CARAVAN/ROYAL	Z = OMNI/CHARGER

BODY STYLES		
21 = 2-DOOR SEDAN	35 = FWD VAN	44 = 4-DOOR HATCHBACK
22 = 2-DOOR SPECIAL COUPE	36 = FWD WAGON	45 = 4-DOOR STATION WAGON
24 = 2-DOOR HATCHBACK	41 = 4-DOOR SEDAN	49 = LIMOUSINE
27 = 2-DOOR CONVERTIBLE		

AR = Use as Required - = Non Illustrated Part P.A.R. = Paint as Required

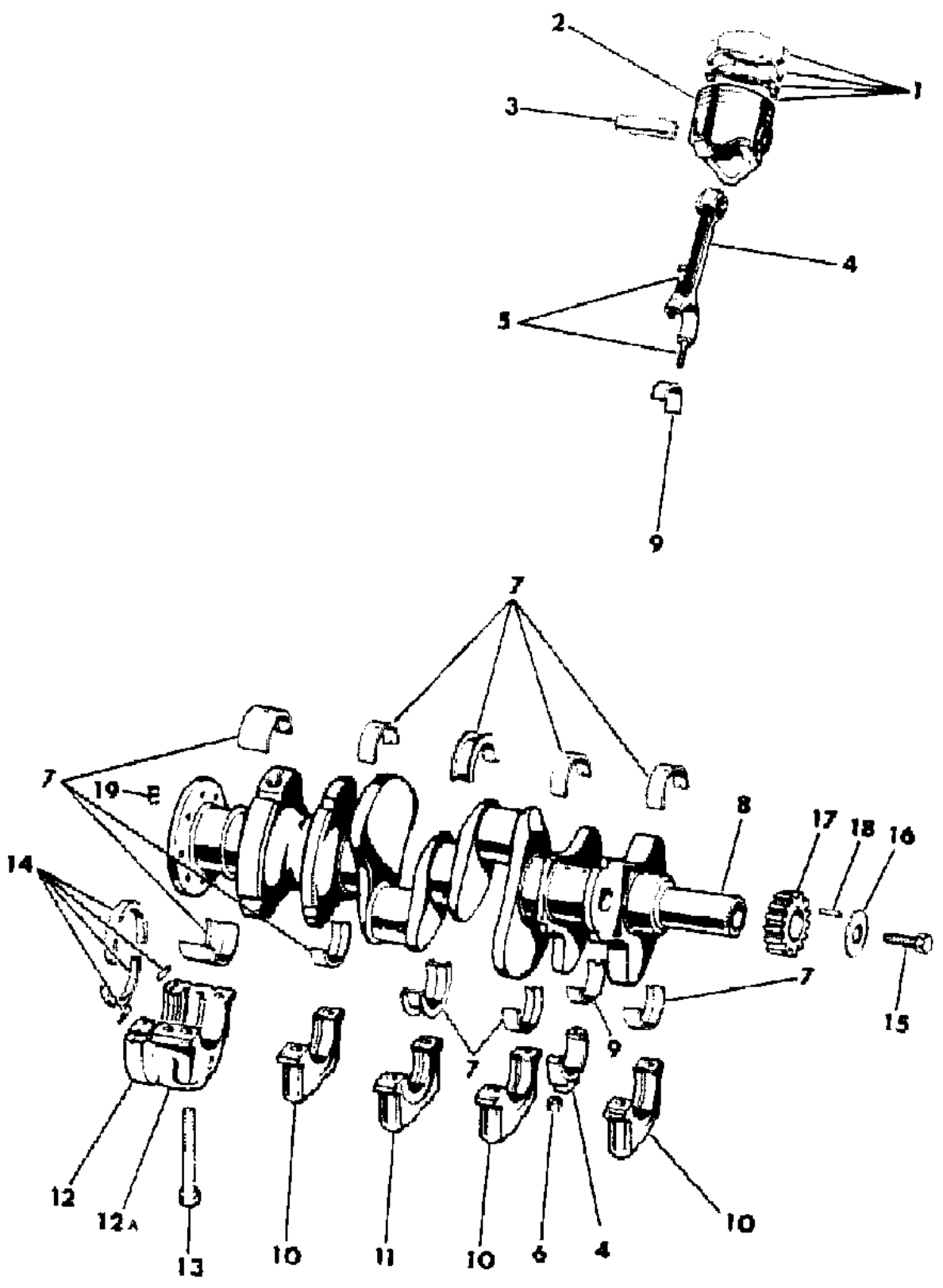


CRANKSHAFT, PISTONS, AND RINGS 8 CYLINDER ENGINE

Figure 9C-700

5139 700

ITEM	PART NUMBER	QTY	BODY	MODEL	DESCRIPTION
1	2808 550	1			RING SET, Piston, (Set for all Pistons) w/318 Except ELE-318 4BBL. Police Eng., Std. to .009 O/S
	2808 551	1			.020 to .029 O/S
1	2808 553	1			(Set for all Pistons) w/ELE-318 4BBL. Police Eng. Std. to .009 O/S
	2808 554	1			.020 to .029 O/S
	3780 004	8			(Set for one Piston), w/318 Except ELE-318 4BBL. Police Eng., Std. to .009 O/S
	3780 005	8			.020 to .029 O/S
	3780 007	8			(Set for one Piston) w/ELE-318 4BBL. Police Eng., Std. to .009 O/S
	3780 008	8			.020 to .029 O/S
NOTE: The following Pistons include Pin and Piston. SOCKET is approx. 1/16" to the right.					
2	4342 772	8			PISTON, w/Pin, w/318 Eng.
	4342 773	8			.020 O/S, w/318 Eng.
3	2658 878	8			PIN, Piston, Std.
	2658 879	8			.003 O/S
	2658 880	8			.008 O/S
NOTE: Connecting Rod includes Cap, Bolt, Nut, Lockwasher and Bushing. SOCKET is approx. 1/16" to the right.					
4	3751 015	8			ROD, Connecting
5	4273 344	16			BOLT, Connecting Rod Bearing Cap
6	1737 695	16			NUT, Rod Cap Bolt
NOTE: Crankshaft Bearing Package consists of one Upper and one Lower Bearing. SOCKET is approx. 1/16" to the right.					
7					BEARING PACKAGE, Crankshaft
	4106 009	1			No.1, w/318 Except ELE 318 4BBL. Police Eng.!Std.
	4106 010	1			.001 U/S
	4106 011	1			.002 U/S
	4106 012	1			.003 U/S
	4106 013	1			.010 U/S
	4106 014	1			.012 U/S
	4186 194	2			Nos. 2,4, w/318 Except ELE 318 4BBL. Police Eng.!Std.
	4186 195	2			.001 U/S
	4186 196	2			.002 U/S
	4186 197	2			.003 U/S
	4186 198	2			.010 U/S
	4186 199	2			.012 U/S
	4240 083	3			Nos. 1,2,4, w/(E48-318 Eng.)!Std.



MODEL CODES
 B = GRAN FURY
 C = LE BARON/TOWN & COUNTRY/LIMO
 C24 = LASER
 C44 = LE BARON/GTS
 D = ARIES
 D44 = LANCER
 E = 600
 F = FIFTH AVENUE/NEWPORT
 G = DIPLOMAT
 H = VOYAGER
 J = CARAVELLE
 K = MINI VAN/CARAVAN/ROYAL
 M = HORIZON/TURISMO
 P = RELIANT
 T = NEW YORKER
 V = 600
 V24 = DAYTONA
 Z = OMNI/CHARGER

BODY STYLES
 21 = 2-DOOR SEDAN
 22 = 2-DOOR SPECIAL COUPE
 24 = 2-DOOR HATCHBACK
 27 = 2-DOOR CONVERTIBLE
 35 = FWD VAN
 36 = FWD WAGON
 41 = 4-DOOR SEDAN
 44 = 4-DOOR HATCHBACK
 45 = 4-DOOR STATION WAGON
 49 = LIMOUSINE

AR = Use as Required - = Non Illustrated Part P.A.R. = Paint as Required

CRANKSHAFT, PISTONS, AND RINGS 8 CYLINDER ENGINE
Figure 9C-700

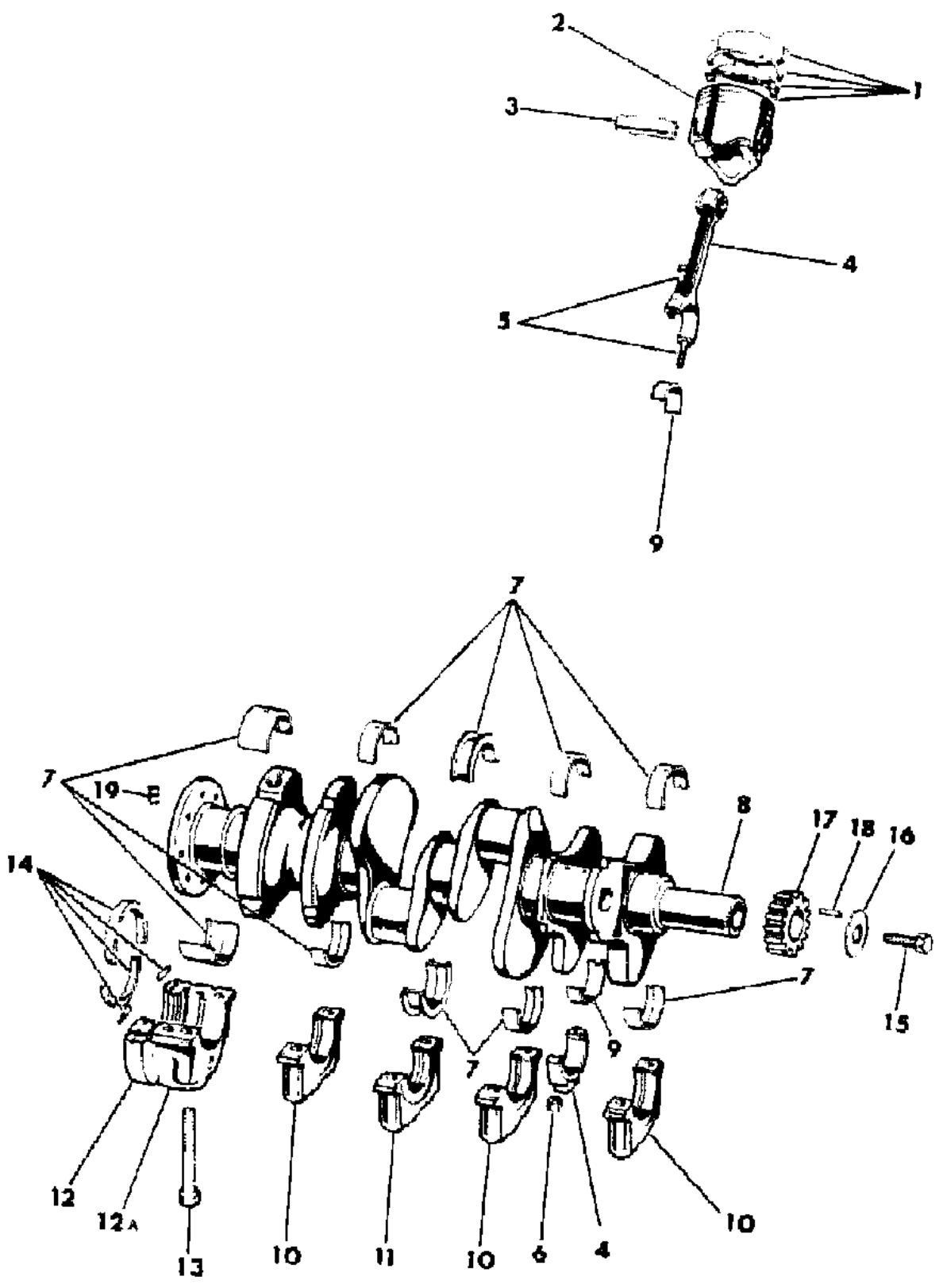
5139 700

ITEM	PART NUMBER	QTY	BODY	MODEL	DESCRIPTION
	4240 084	3			.001 U/S
	4240 085	3			.002 U/S
	4240 086	3			.003 U/S
	4240 087	3			.010 U/S
	4240 088	3			.012 U/S
	3780 075	1			No.3, w/(318 Eng.)!Std .
	3780 076	1			.001 U/S
	3780 077	1			.002 U/S
	3780 078	1			.003 U/S
	3780 079	1			.010 U/S
	3780 080	1			.012 U/S
	3514 151	1			No. 5 w/318 Eng. !Std.
	3514 152	1			.001 U/S
	3514 153	1			.002 U/S
	3514 154	1			.003 U/S
	3514 155	1			.010 U/S
	3514 156	1			.012 U/S
8	3751 831	1			CRANKSHAFT, w/318 Except ELE-318 4BBL. Police Eng.
	4227 880	1			w/ELE-318 4BBL. Police Eng.
9					BEARING PACKAGE, Connecting Rod
	4186 118	8			w/318 Except ELE-318 4BBL. Police Eng.!Std.
	4186 119	8			.001 U/S
	4186 120	8			.002 U/S
	4186 121	8			.003 U/S
	4186 122	8			.010 U/S
	4186 123	8			.012 U/S
	2421 305	8			w/ELE-318 4BBL. Police Eng.!Std.
	2421 306	8			.001 U/S
	2421 307	8			.002 U/S
	2421 308	8			.003 U/S
	2421 309	8			.010 U/S
	2421 310	8			.012 U/S
10					CAP, Crankshaft Bearing
	2863 854	3			Nos. 1,2,4!w/318Eng.
11	2863 855	1			CAP, Crankshaft Bearing, No. 3, w/318 Eng.
12	4173 189	1			CAP, Crankshaft Bearing, No. 5, w/318 Eng.
13	1618 695	AR			SCREW, Crankshaft Bearing Cap, w/318 Eng.

MODEL CODES
 B = GRAN FURY
 C = LE BARON/TOWN & COUNTRY/LIMO
 C24 = LASER
 C44 = LE BARON/GTS
 D = ARIES
 D44 = LANCER
 E = 600
 F = FIFTH AVENUE/NEWPORT
 G = DIPLOMAT
 H = VOYAGER
 J = CARAVELLE
 K = MINI VAN/CARAVAN/ROYAL
 M = HORIZON/TURISMO
 P = RELIANT
 T = NEW YORKER
 V = 600
 V24 = DAYTONA
 Z = OMNI/CHARGER

BODY STYLES
 21 = 2-DOOR SEDAN
 22 = 2-DOOR SPECIAL COUPE
 24 = 2-DOOR HATCHBACK
 27 = 2-DOOR CONVERTIBLE
 35 = FWD VAN
 36 = FWD WAGON
 41 = 4-DOOR SEDAN
 44 = 4-DOOR HATCHBACK
 45 = 4-DOOR STATION WAGON
 49 = LIMOUSINE

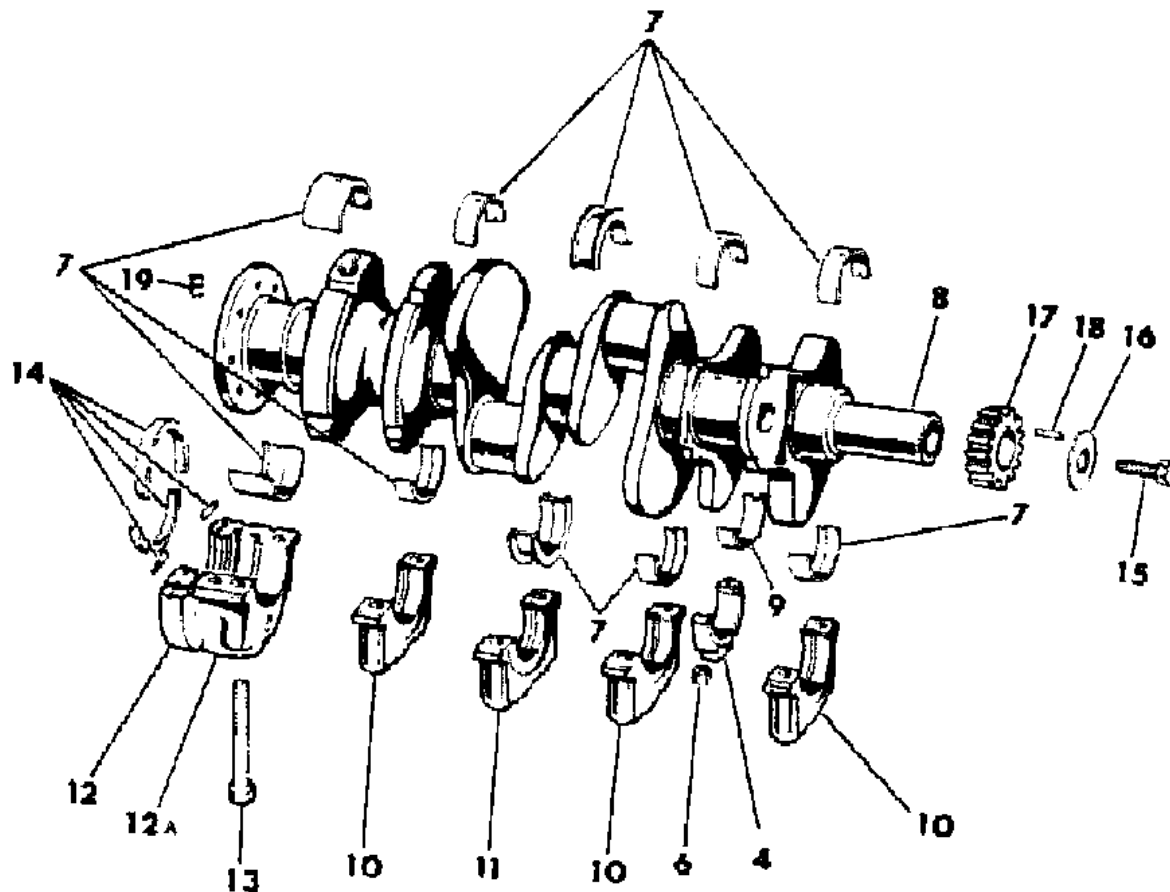
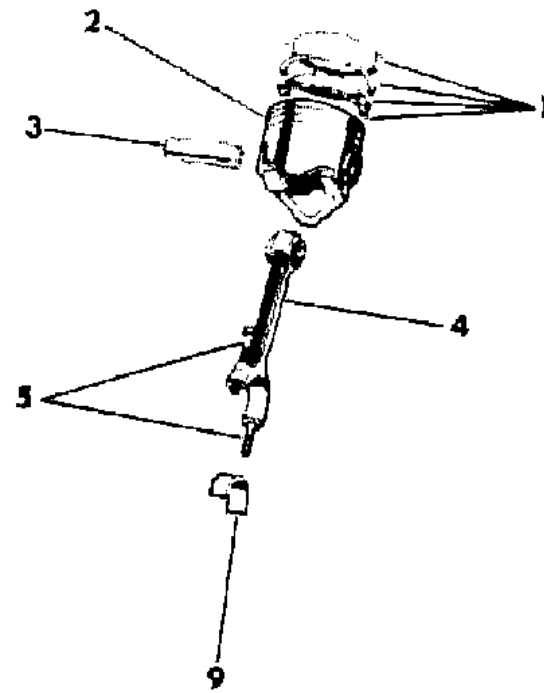
AR = Use as Required - = Non Illustrated Part P.A.R. = Paint as Required



CRANKSHAFT, PISTONS, AND RINGS 8 CYLINDER ENGINE
Figure 9C-700

5139 700

ITEM	PART NUMBER	QTY	BODY	MODEL	DESCRIPTION
	6032 082	4			w/ELE-318 4BBL. Police Eng.
14	4240 044	1			OIL SEAL PACKAGE, Crankshaft Rear Bearing, w/318 Eng. Consists of: 1 - ----- Seal, Cap, Upper 1 - ----- Seal, Cap, Lower
15	1821 414	1			SCREW, Crankshaft
16	1855 561	1			WASHER Crankshaft Screw
17					SPROCKET, Crankshaft
	2463 385	1			Except ELD, ELE-318 Engines
	1637 657	1			w/(ELD-318 2BBL. H/Duty, ELE-318 4BBL. Police Eng.)
18	6029 411	1			KEY, Sprocket



MODEL CODES

B = GRAN FURY	E = 600	M = HORIZON/TURISMO
C = LE BARON/TOWN & COUNTRY/LIMO	F = FIFTH AVENUE/NEWPORT	P = RELIANT
C24 = LASER	G = DIPLOMAT	T = NEW YORKER
C44 = LE BARON/GTS	H = VOYAGER	V = 600
D = ARIES	J = CARAVELLE	V24 = DAYTONA
D44 = LANCER	K = MINI VAN/CARAVAN/ROYAL	Z = OMNI/CHARGER

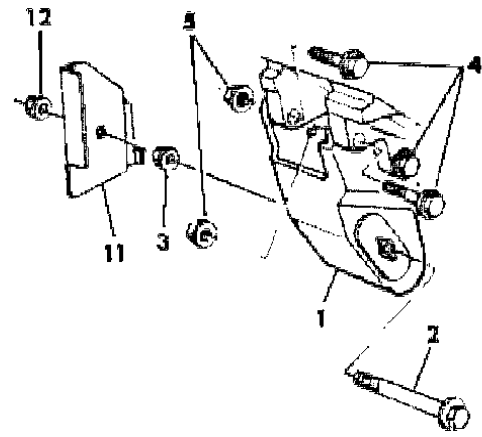
BODY STYLES

21 = 2-DOOR SEDAN	35 = FWD VAN	44 = 4-DOOR HATCHBACK
22 = 2-DOOR SPECIAL COUPE	36 = FWD WAGON	45 = 4-DOOR STATION WAGON
24 = 2-DOOR HATCHBACK	41 = 4-DOOR SEDAN	49 = LIMOUSINE
27 = 2-DOOR CONVERTIBLE		

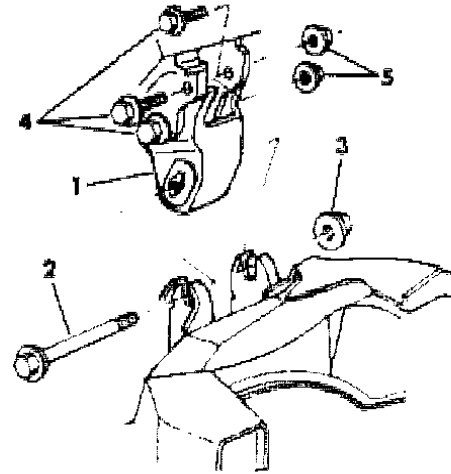
AR = Use as Required - = Non Illustrated Part P.A.R. = Paint as Required

ENGINE MOUNTINGS 8 CYLINDER Figure 9C-800

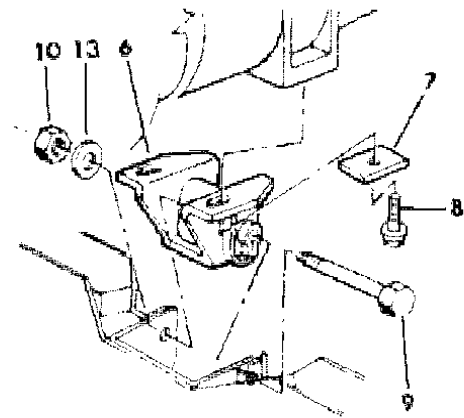
SIZE 800 A



RIGHT SIDE FRT. ENG. MTO. 318 ENG.



LEFT SIDE FRT. ENG. MTO. 318 ENG.



RR. ENG. MTO. 318 ENG. B.F.G

ITEM	PART NUMBER	QTY	BODY	MODEL	DESCRIPTION
1	3642 818	1		ALL	INSULATOR, Engine Front Support, Right, w/318 Eng.
	3817 237	1		ALL	Left, w/318 Eng.
2	6031 205	2			BOLT, Engine Front Support Insulator to Frame
3	6030 478	2			NUT, Insulator to Frame Bolt
4	0870 469	AR		ALL	SCREW, Insulator Bracket to Cylinder Block, Front Lug
	6030 713	2			SCREW, Insulator Bracket to Cylinder Block, Rear Lug
5		AR			NUT, Insulator Bracket to Cylinder Block (Not Serviced)
6					INSULATOR, Engine Rear Support
	3726 821	1			w/o Heavy Duty Crossmember, w/318 Eng.
	3817 295	1			w/Heavy Duty Crossmember, w/318 Eng.
7	3410 700	2			SPACER, Eng. Rear Support Insulator Brkt.
8	6029 770	2			SCREW, Eng. Rear Support
9	6028 237	1			BOLT, Eng. Rear Support Insulator to Crossmember Mounting
10	0152 348	1			NUT, Insulator to Crossmember Mounting Bolt
11	4237 022	1			SHIELD, Right, Engine Mount Heat, w/Catalytic Exhaust System
12	6030 478	1			NUT, Engine Mount Heat Shield
13	9417 098	2			WASHER, Insulator To Crossmember Mounting Bolt Nut

MODEL CODES

B = GRAN FURY	E = 600	M = HORIZON/TURISMO
C = LE BARON/TOWN & COUNTRY/LIMO	F = FIFTH AVENUE/NEWPORT	P = RELIANT
C24 = LASER	G = DIPLOMAT	T = NEW YORKER
C44 = LE BARON/GTS	H = VOYAGER	V = 600
D = ARIES	J = CARAVELLE	V24 = DAYTONA
D44 = LANCER	K = MINI VAN/CARAVAN/ROYAL	Z = OMNI/CHARGER

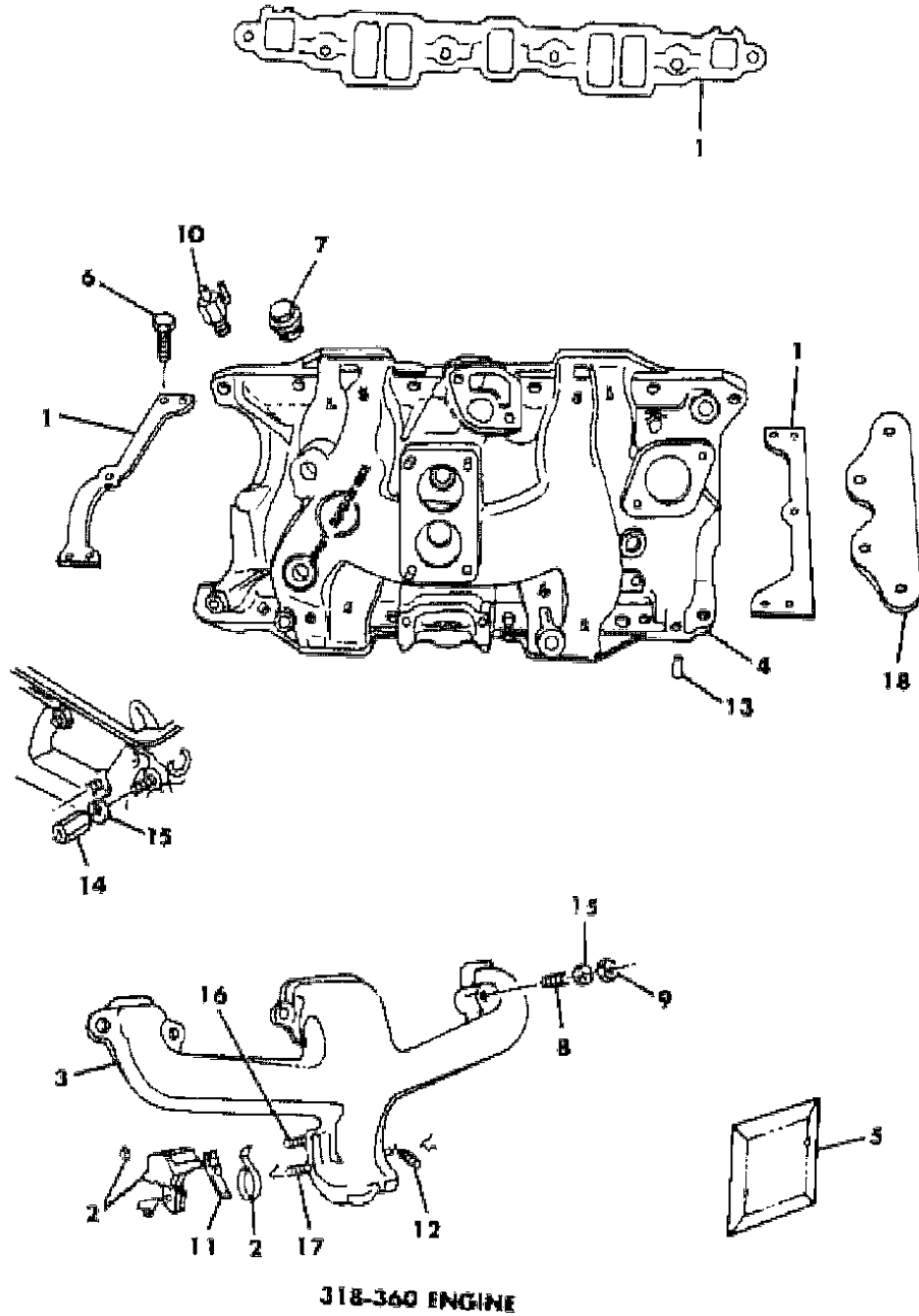
BODY STYLES

21 = 2-DOOR SEDAN	35 = FWD VAN	44 = 4-DOOR HATCHBACK
22 = 2-DOOR SPECIAL COUPE	36 = FWD WAGON	45 = 4-DOOR STATION WAGON
24 = 2-DOOR HATCHBACK	41 = 4-DOOR SEDAN	49 = LIMOUSINE
27 = 2-DOOR CONVERTIBLE		

AR = Use as Required - = Non Illustrated Part P.A.R. = Paint as Required

MANIFOLD WITH HEAT CONTROL 8 CYLINDER
Figure 9C-900

5109 900



ITEM	PART NUMBER	QTY	BODY	MODEL	DESCRIPTION
1	3837 605	1			GASKET SET, Intake Manifold, w/(318 Eng. 2BBL.) Consists of: 2 - ----- Gasket, Intake Manifold 1 - ----- Gasket, Intake Manifold Frt. 1 - ----- Gasket, Intake Manifold Rr.
	3514 187	1			GASKET SET, Intake Manifold, w/(318 4BBL.) Consists of: 2 - ----- Gasket, Intake Manifold 1 - ----- Gasket, Intake Manifold Frt. 1 - ----- Gasket, Intake Manifold Rr. 1 - ----- Sealer, Intake Manifold End Gasket
2	3683 947	1			PACKAGE, Manifold Heat Control Valve Consists of: 1 - ----- Plate, Valve 1 - ----- Shaft, Valve 1 - 2946083 Stop, Valve 1 - ----- Wheel 1 - ----- Thermostat, Valve 1 - 2951626 Spring, Valve Shaft 2 - ----- Bushing, Shaft 2 - ----- Seal, Shaft
3	4227 756	1			Manifold, Exhaust, Right, w/(318-2BBL. Eng. w/Catalyst, Aspirator)
	4105 058	1			Right, w/(318 2 and 4BBL., w/Air Pump except ELE-318 4BBL. Police Eng.)
	4105 059	1			Right, w/(ELE-318 4BBL. Police Eng.)
	4095 239	1			Left, w/(318-2BBL. Eng., w/Catlyst, Aspirator)
	4173 162	1			Left, w/(318-2 and 4BBL. Eng., w/Air Pump Except ELE-318 4BBL. Police Eng.)
	4173 165	1			Left, w/(ELE-318 4BBL. Police Eng.)
4	4201 135	1		ALL	MANIFOLD, Intake w/(318 2BBL. Eng.)
	4323 354	1		ALL	w/(318 4BBL. Eng.)
5	3698 458	1		ALL	SHIELD, Intake Manifold Heat
6	0454 467	11		ALL	BOLT, Intake Manifold, 3/8 x 1-5/8"
7	4041 067	1		ALL	JET, Intake Manifold Floor
8	6028 356	1		ALL	SCREW, Exhaust Manifold Left, 3-3/16" Lgh., w/Tapped Head
	6028 355	1		ALL	STUD, Exhaust Manifold Left, 1-14/16" Lgh. Hex.

MODEL CODES

B = GRAN FURY	E = 600	M = HORIZON/TURISMO
C = LE BARON/TOWN & COUNTRY/LIMO	F = FIFTH AVENUE/NEWPORT	P = RELIANT
C24 = LASER	G = DIPLOMAT	T = NEW YORKER
C44 = LE BARON/GTS	H = VOYAGER	V = 600
D = ARIES	J = CARAVELLE	V24 = DAYTONA
D44 = LANCER	K = MINI VAN/CARAVAN/ROYAL	Z = OMNI/CHARGER

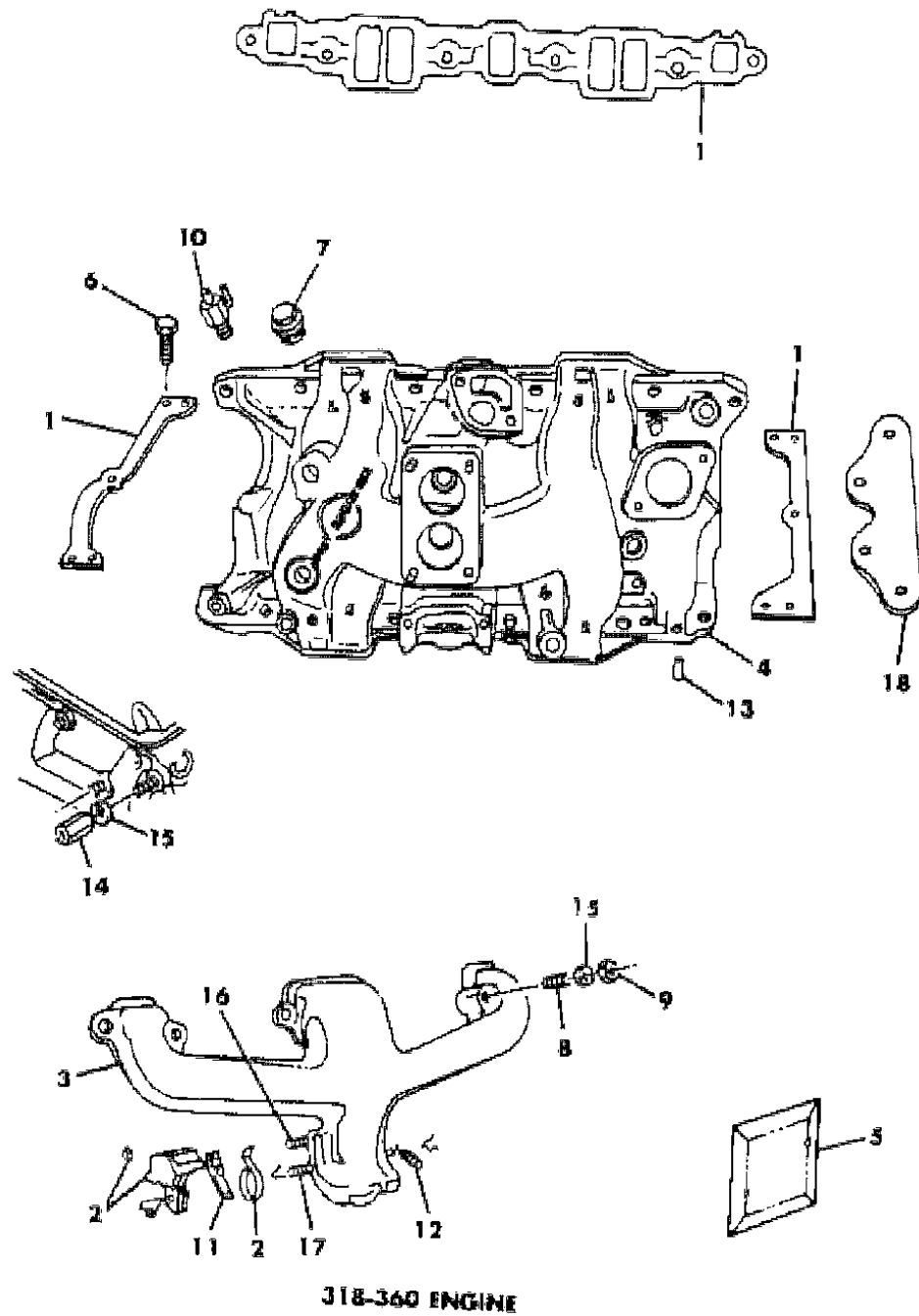
BODY STYLES

21 = 2-DOOR SEDAN	35 = FWD VAN	44 = 4-DOOR HATCHBACK
22 = 2-DOOR SPECIAL COUPE	36 = FWD WAGON	45 = 4-DOOR STATION WAGON
24 = 2-DOOR HATCHBACK	41 = 4-DOOR SEDAN	49 = LIMOUSINE
27 = 2-DOOR CONVERTIBLE		

AR = Use as Required - = Non Illustrated Part P.A.R. = Paint as Required

MANIFOLD WITH HEAT CONTROL 8 CYLINDER
Figure 9C-900

5109 900



ITEM	PART NUMBER	QTY	BODY	MODEL	DESCRIPTION
	6030 622	1		ALL	2-15/16" Lgh. Hex.
	6025 991	4		ALL	STUD, Exhaust End
	0181 097	3		ALL	SCREW, Exhaust Manifold Long, 5/16 x 2-1/8"
	0181 096	2		ALL	5/16 x 1-7/8"
	6029 832	3		ALL	5/16 x 1-1/8"
	2121 223	AR		ALL	WASHER
9	0120 368	AR		ALL	NUT, Exhaust Manifold
10		1		ALL	CONNECTOR, Intake Manifold Vacuum Control (See Group 5)
	4210 580	1		ALL	4-Connections 2-3/16", 1-1/8", 1-1/4"
11	2946 083	1		ALL	STOP, Exhaust Manifold Heat Control Valve
12	2951 626	1		ALL	SPRING, Exhaust Manifold Heat Control Valve Shaft
13	4006 583	2		ALL	DOWEL, Intake Manifold Gasket
14	6031 179	1		ALL	Nut, Exhaust Manifold End
15	2121 223	1		ALL	WASHER, Exhaust Manifold End
16	9409 667	1		ALL	PIN, Heat control Valve Stop
17	2951 627	1		ALL	PIN, Exhaust Manifold Heat Control
18	4105 671	1		ALL	BLOCKER, Intake Manifold Gasket Rear

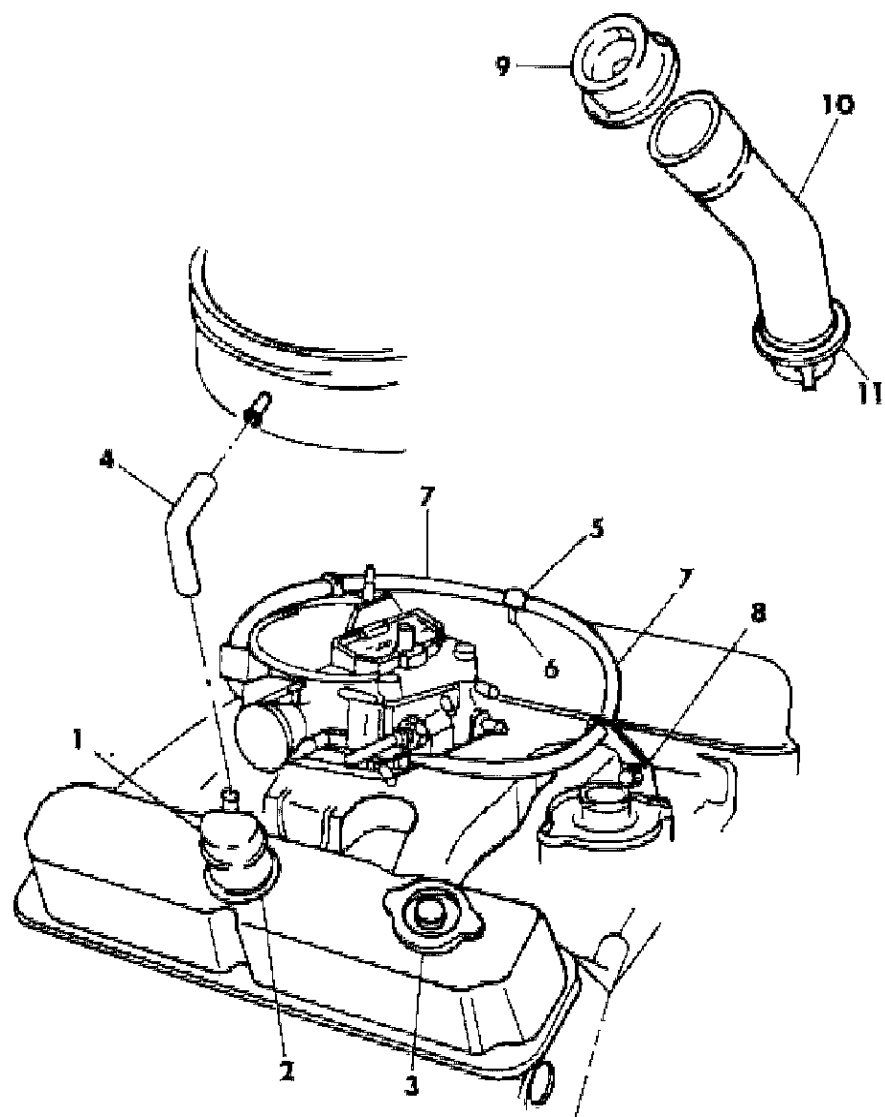
MODEL CODES
 B = GRAN FURY
 C = LE BARON/TOWN & COUNTRY/LIMO
 C24 = LASER
 C44 = LE BARON/GTS
 D = ARIES
 D44 = LANCER
 E = 600
 F = FIFTH AVENUE/NEWPORT
 G = DIPLOMAT
 H = VOYAGER
 J = CARAVELLE
 K = MINI VAN/CARAVAN/ROYAL
 M = HORIZON/TURISMO
 P = RELIANT
 T = NEW YORKER
 V = 600
 V24 = DAYTONA
 Z = OMNI/CHARGER

BODY STYLES
 21 = 2-DOOR SEDAN
 22 = 2-DOOR SPECIAL COUPE
 24 = 2-DOOR HATCHBACK
 27 = 2-DOOR CONVERTIBLE
 35 = FWD VAN
 36 = FWD WAGON
 41 = 4-DOOR SEDAN
 44 = 4-DOOR HATCHBACK
 45 = 4-DOOR STATION WAGON
 49 = LIMOUSINE

AR = Use as Required - = Non Illustrated Part P.A.R. = Paint as Required

CRANKCASE VENT, CAP, HOSE, VALVE 8 CYLINDER ENGINE
Figure 9C-1000

5129 1000 C



ITEM	PART NUMBER	QTY	BODY	MODEL	DESCRIPTION
NOTE Part Number 4095681, 4026146 Consists of 50Ft. Roll (Use as Required) SOCKET is approx. 1/16" to the right.					
1	4273 322	1			AIR CLEANER, Crankcase Vent Inlet
2	2946 079	1			GROMMET, Crankcase Vent Inlet Air Cleaner
3	2946 051	1			CAP, Oil Filler (Except ELD 2BBL. H-Duty, ELE 4BBL. Police 318 Eng.)
4	4026 146	AR			HOSE, Crankcase Vent Inlet Air Cleaner to Air Cleaner, 5.25 Lgh. required w/(318 4BBL.) (See Note)
	3462 679	1			HOSE, Crankcase Vent Inlet Air Cleaner to Air Cleaner, (Molded Hose Cut to Fit 3x3")w/318 2BBL Ene.
5	3671 076	1			VALVE, Crankcase Vent
6	3751 510	1			GROMMET, Crankcase Vent Valve
7	4095 681	AR		See Not	HOSE, Crankcase Vent Valve to Carb., Cut to 19" Lgh. w/2 BBL. 318 Eng.
	4343 604	1			(Molded Hose), w/4 BBL. 318 Eng.
8	4179 924	1			BRACKET, Crankcase Vent Hose Retainer, w/(318 4BBL. Eng.)
9	2960 622	1			CAP, Oil Filler w/(ELD 2BBL. H-Duty, ELE 4BBL. Police 318 Eng.)
10	4173 223	1			TUBE, Oil Filler, w/(2 bbl. H.D. 318 Eng., 4bbl. 318 Eng. Police Pkg.)
11	5214 876	1			GASKET, Oil Filter Tube (w/2 bbl. H/Duty, 4bbl. 318 Eng. Police Pkg.)

ection 27150.1 and with the Department of California Highway Patrols regulations adopted pursuant to Vehicle Code Section 27150.2 when used in the applications specified in this document.

da & Export. applications specified in this document.

xhaust System. Unleaded Fuel is required. applications specified in this document.

h Lean Burn, California Emission Control or High Altitude Emission Control. applications specified in this document.

State of California. applications specified in this document.

00 feet elevation. applications specified in this document.

MODEL CODES

B = GRAN FURY	E = 600	M = HORIZON/TURISMO
C = LE BARON/TOWN & COUNTRY/LIMO	F = FIFTH AVENUE/NEWPORT	P = RELIANT
C24 = LASER	G = DIPLOMAT	T = NEW YORKER
C44 = LE BARON/GTS	H = VOYAGER	V = 600
D = ARIES	J = CARAVELLE	V24 = DAYTONA
D44 = LANCER	K = MINI VAN/CARAVAN/ROYAL	Z = OMNI/CHARGER

BODY STYLES

21 = 2-DOOR SEDAN	35 = FWD VAN	44 = 4-DOOR HATCHBACK
22 = 2-DOOR SPECIAL COUPE	36 = FWD WAGON	45 = 4-DOOR STATION WAGON
24 = 2-DOOR HATCHBACK	41 = 4-DOOR SEDAN	49 = LIMOUSINE
27 = 2-DOOR CONVERTIBLE		

AR = Use as Required - = Non Illustrated Part P.A.R. = Paint as Required

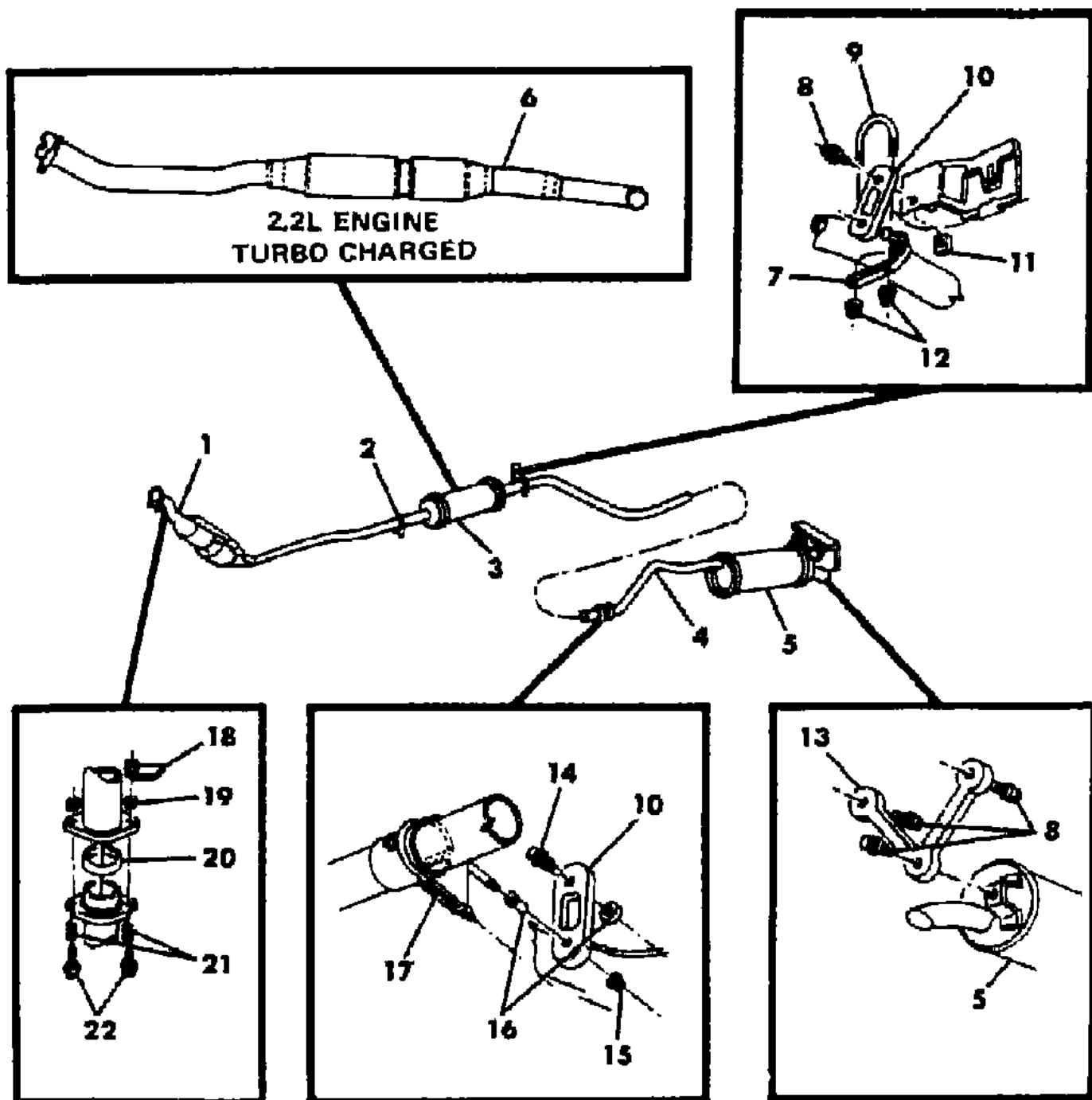
GROUP 11 - EXHAUST

ILLUSTRATION TITLE	GROUP-FIG. NO.
EXHAUST SYSTEM M,Z	Fig. 11-100
EXHAUST SYSTEM P,D,C,V,J,E,T	Fig. 11-200
EXHAUST SYSTEM H,K	Fig. 11-300
EXHAUST SYSTEM B,F,G	Fig. 11-400
HEAT SHIELDS - EXHAUST M,Z	Fig. 11-500
HEAT SHIELDS - EXHAUST P,D,C,V,J,E,T	Fig. 11-600
HEAT SHIELDS - EXHAUST H,K	Fig. 11-700
HEAT SHIELDS - EXHAUST B,F,G	Fig. 11-800

ILLUSTRATION NOT AVAILABLE AT TIME OF PUBLICATION

EXHAUST SYSTEM M,Z
Figure 11-100

5111 100



ITEM	PART NUMBER	QTY	BODY	MODEL	DESCRIPTION
1					CONVERTER, Catalytic w/Pipes - Front
	4301 324	1			1.6L Eng.
	4150 965	1			1.6L Eng. w/(S/C - NAA) - Canada
	4301 470	1			2.2L Eng. w/(S/C - EDE, EDJ) w/(S/C - NAA, NAE, NAF)
	4301 425	1			2.2L Eng. w/(S/C - EDE) w/(S/C - NAA) - Canada
	4301 394	1			PIPE, Exhaust 2.2L Eng. w/(S/C - EDG)
2	4301 378	1			CLAMP exc. w/(S/C - EDG)
3					PIPE, Exhaust Extension
	4301 220	1	24		1.6L Eng.
	4301 221	1	44		1.6L Eng.
	4301 220	1	24		2.2L Eng. w/(S/C - EDE) w/(S/C - NAA, NAE, NAF) w/o (S/C - NEB)
	4301 221	1	44		2.2L Eng. w/(S/C - EDE) w/(S/C - NAA, NAE, NAF)
					w/Resonator
	4301 223	1	24		2.2L Eng. w/(S/C - EDE) w/(S/C - NEB, NAA, NAE, NAF)
	4301 223	1	24		2.2L Eng. w/(S/C - EDE) w/(S/C - NAA) - Canada
	4301 223	1	24		2.2L Eng. w/(S/C - EDJ) w/(S/C - NAA, NAE, NAF)
	4301 224	1	44		2.2L Eng. w/(S/C - EDJ) w/(S/C - NEB)
	4301 224	1	44		2.2L Eng. w/(S/C - EDE) w/(S/C - NAA) - Canada
4					PIPE, Tail
	4150 438	1	24		1.6L Eng.
	4150 439	1	44		1.6L Eng.
	4150 438	1	24		2.2L Eng. w/(S/C - EDE, EDJ)
	4150 439	1	44		2.2L Eng. w/(S/C - EDJ) w/(S/C - NEB)
	4150 439	1	44		2.2L Eng. w/(S/C - EDE)
5					MUFFLER
	4301 312	1			1.6L Eng.
	4301 312	1	24		2.2L Eng. w/(S/C - EDE, EDJ) w/o (S/C - NEB)
	4301 312	1	44		2.2L Eng. w/(S/C - EDE)
	4301 561	1			2.2L Eng. w/(S/C - EDJ) w/(S/C - NEB)
					PIPE, Tail w/Muffler
	4301 564	1	24		2.2L Eng. w/(S/C - EDE) w/(S/C - NEB)
	4301 567	1	24		2.2L Eng. w/(S/C - EDJ)
	4301 397	1	24		2.2L Eng. w/(S/C - EDG)
	4301 561	1	44		2.2L Eng. w/(S/C - EDJ) w/(S/C - NEB)
	4301 474	1	44		2.2L Eng. w/(S/C - EDG)
6	4301 395	1	24		CONVERTER, Catalytic w/Pipes - Rear 2.2L Eng. w/(S/C - EDG)

MODEL CODES

B = GRAN FURY	E = 600	M = HORIZON/TURISMO
C = LE BARON/TOWN & COUNTRY/LIMO	F = FIFTH AVENUE/NEWPORT	P = RELIANT
C24 = LASER	G = DIPLOMAT	T = NEW YORKER
C44 = LE BARON/GTS	H = VOYAGER	V = 600
D = ARIES	J = CARAVELLE	V24 = DAYTONA
D44 = LANCER	K = MINI VAN/CARAVAN/ROYAL	Z = OMNI/CHARGER

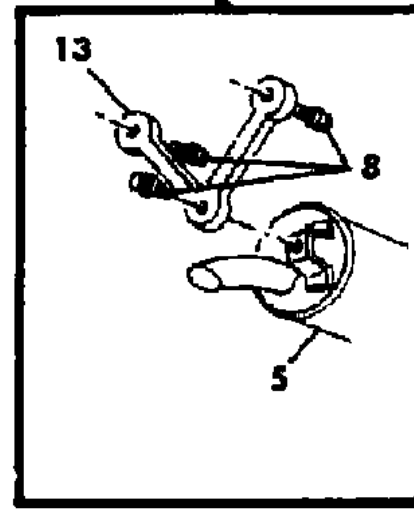
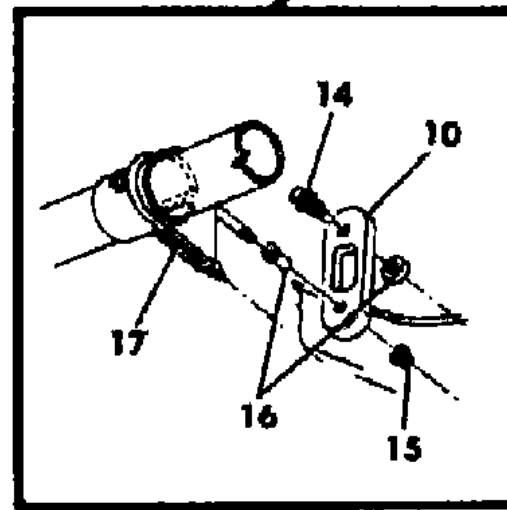
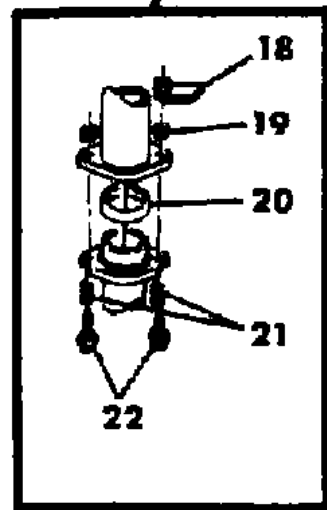
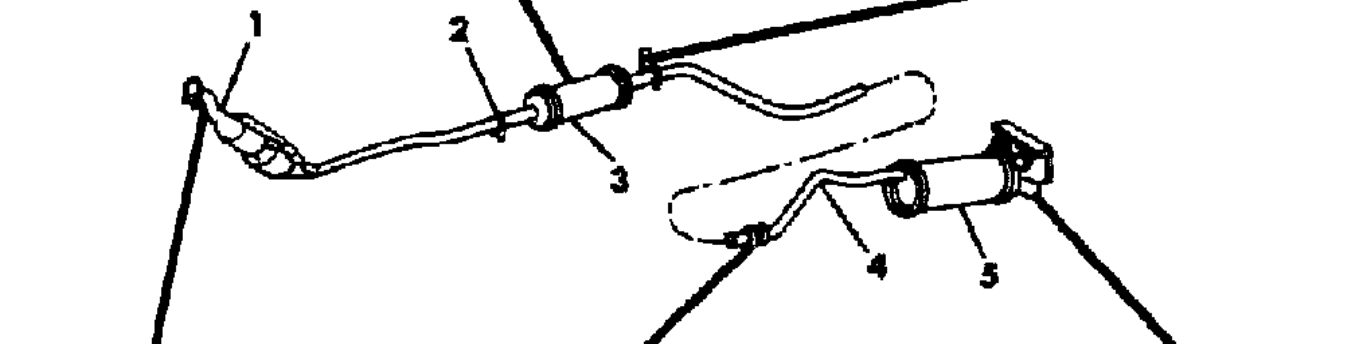
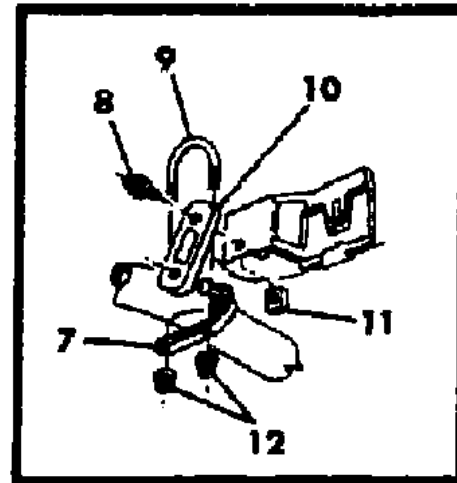
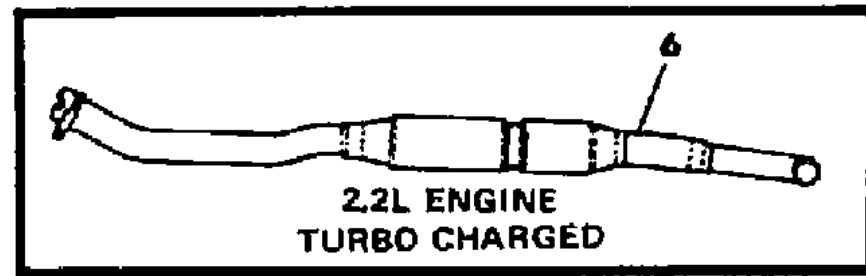
BODY STYLES

21 = 2-DOOR SEDAN	35 = FWD VAN	44 = 4-DOOR HATCHBACK
22 = 2-DOOR SPECIAL COUPE	36 = FWD WAGON	45 = 4-DOOR STATION WAGON
24 = 2-DOOR HATCHBACK	41 = 4-DOOR SEDAN	49 = LIMOUSINE
27 = 2-DOOR CONVERTIBLE		

AR = Use as Required - = Non Illustrated Part P.A.R. = Paint as Required

EXHAUST SYSTEM M,Z
Figure 11-100

5111 100



ITEM	PART NUMBER	QTY	BODY	MODEL	DESCRIPTION
	4301 396	1		44	w/(S/C - EDG)
7	4301 595	1			SUPPORT, Extension Pipe exc. w/(S/C - EDG)
	4150 325	1			w/(S/C - EDG)
8	6500 202	AR			SCREW
9	4301 556	1			U BOLT exc. w/(S/C - EDG)
	4301 557	1			w/(S/C - EDG)
10	5217 108	1			INSULATOR
11	6101 283	AR			U NUT
12	6500 274	2			NUT
13	5217 133	1			INSULATOR, Tail Pipe Rear Support exc. w/(S/C - EDG)
	4150 798	1			w/(S/C - EDG)
14	6500 306	1			SCREW
15	6500 305	1			NUT
16	4131 336	AR			SPACER, Tail Pipe Front Support Insulator
17	4150 335	1			SUPPORT, Tail Pipe Front exc. w/(S/C - EDG)
	4301 401	1			w/(S/C - EDG)
18	4301 250	1			NUT w/(S/C - EDG) - Lt.
19	6100 499	2			NUT exc. w/(S/C - EDG)
	6100 499	1			w/(S/C - EDG) - Rt.
20	4301 350	1			RING, Sealing exc. w/(S/C - EDG)
	4301 436	1			w/(S/C - EDG)
21	4301 631	2			SPRING
22	5217 003	2			BOLT

MODEL CODES

B = GRAN FURY	E = 600	M = HORIZON/TURISMO
C = LE BARON/TOWN & COUNTRY/LIMO	F = FIFTH AVENUE/NEWPORT	P = RELIANT
C24 = LASER	G = DIPLOMAT	T = NEW YORKER
C44 = LE BARON/GTS	H = VOYAGER	V = 600
D = ARIES	J = CARAVELLE	V24 = DAYTONA
D44 = LANCER	K = MINI VAN/CARAVAN/ROYAL	Z = OMNI/CHARGER

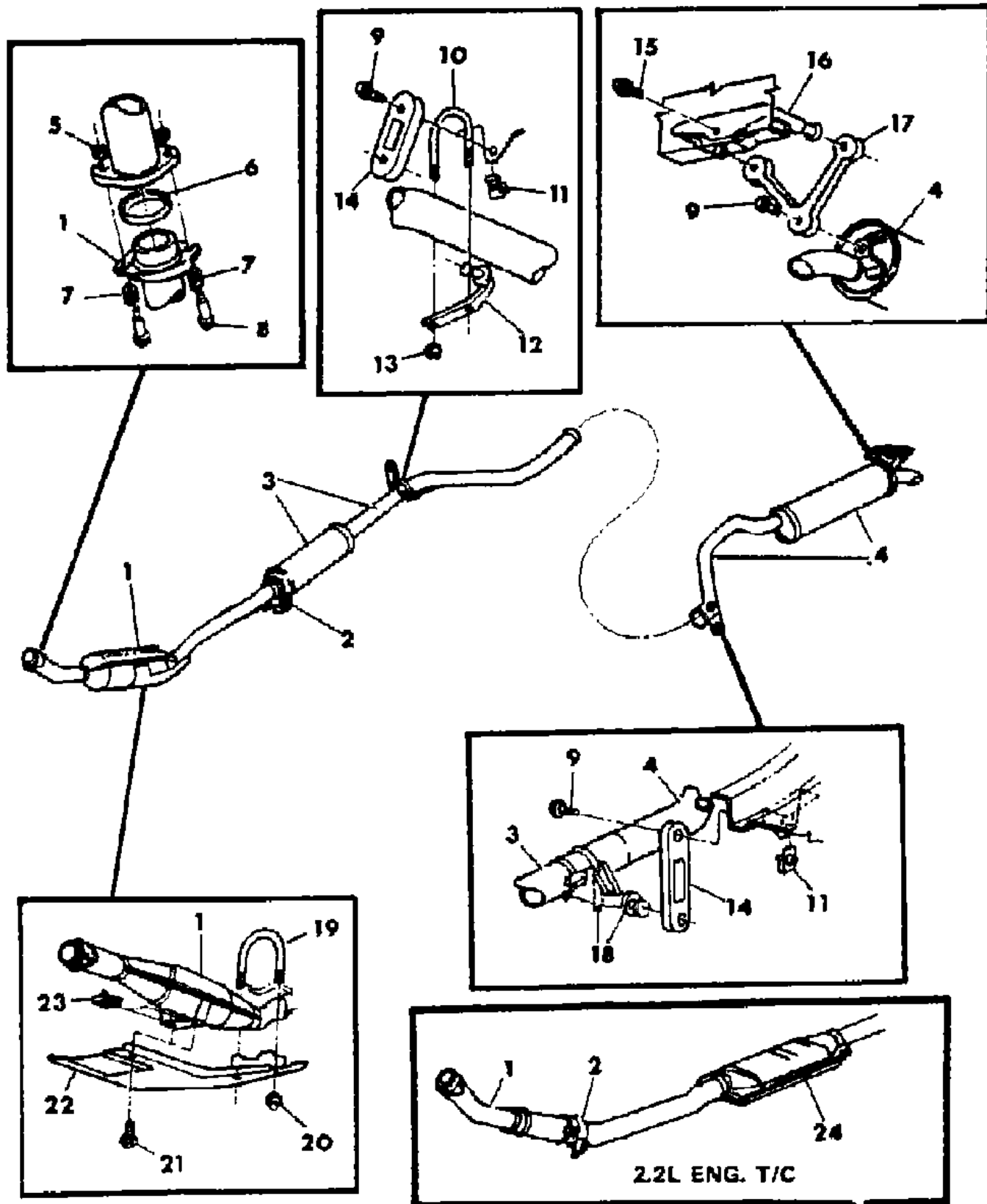
BODY STYLES

21 = 2-DOOR SEDAN	35 = FWD VAN	44 = 4-DOOR HATCHBACK
22 = 2-DOOR SPECIAL COUPE	36 = FWD WAGON	45 = 4-DOOR STATION WAGON
24 = 2-DOOR HATCHBACK	41 = 4-DOOR SEDAN	49 = LIMOUSINE
27 = 2-DOOR CONVERTIBLE		

AR = Use as Required - = Non Illustrated Part P.A.R. = Paint as Required

EXHAUST SYSTEM P,D,C,V,J,E,T
Figure 11-200

5111 200



ITEM	PART NUMBER	QTY	BODY	MODEL	DESCRIPTION
1					CONVERTER, Catalytic w/Pipes - Frt.
	4301 473	1	P,D,C,V		2.2L Eng. w/(S/C - EDE) w/(S/C - NAA, NAE, NAF) exc. C,V-24 & C,D-44
	4301 426	1	P,D,C,V		2.2L Eng. w/(S/C - EDE) w/(S/C - NAA) - Canada - exc. C,V-24 & C,D-44
	4301 427	1	exc. C,		2.2L Eng. w/(S/C - EDF) w/(S/C - NAA, NAE, NAF)
	4301 441	1	C,V-24		2.2L Eng. w/(S/C - EDF) w/(S/C - NAA, NAE, NAF)
	4301 426	1	exc. C,		2.2L Eng. w/(S/C - EDF) w/(S/C - NAA) - Canada
	4301 518	1	C,V-24		2.2L Eng. w/(S/C - EDF) w/(S/C - NAA) - Canada
	MD06 9867	1			2.6L Eng. exc. Calif. & Canada
	MD01 5531	1			2.6L Eng. w/Calif. up to Eng. Serial # DW6223
	MD06 9867	1			after Eng. Serial # EA2116
	MD06 9867	1			2.6L Eng. Limo
	4301 037	1			PIPE, Exhaust 2.2L Eng. w/(S/C - EDG) w/(S/C - NAA, NAE, NAF) exc. C,V-24 & C,D-44
	4301 037	1	C,V-24		2.2L Eng. w/(S/C - EDG)
	4301 037	1	C,D-44		2.2L Eng. w/(S/C - EDG)
	4342 154	1			2.6L Eng. - Limo w/Resonator
	4301 016	1			2.6L Eng. w/(S/C - NAD) - Canada - exc. Limo
2	4301 378	1			CLAMP exc. w/(S/C - EDG)
	4301 050	1			w/(S/C - EDG)
3					PIPE, Exhaust Extension
	4301 428	1	P,D,C,V		2.2L Eng. w/(S/C - EDE) w/(S/C - NAA, NAE, NAF) exc. C,V-24 & C,D-44
	4301 229	1	C,V-24		2.2L Eng. w/(S/C - EDF) w/(S/C - NAA, NAE, NAF)
	4301 452	1	C,D-44		2.2L Eng. w/(S/C - EDF) w/(S/C - NAA, NAE, NAF)
	4301 227	1	P,D,C,V		2.2L Eng. w/(S/C - EDE) w/(S/C - NAA) - Canada - exc. C,V-24 & C,D-44
	4301 227	1	P,D,C,V		2.2L Eng. w/(S/C - EDF) w/(S/C - NAA, NAE, NAF) exc. C,V-24 & C,D-44
	4301 225	1	J,E,T		2.2L Eng. w/(S/C - EDE, EDF)
	4301 591	1	C,V-24		2.2L Eng. w/(S/C - EDF) w/(S/C - NAA) - Canada
	4301 448	1	C,D-44		2.2L Eng. w/(S/C - EDF) w/(S/C - NAA) - Canada
	4301 227	1			2.6L Eng. w/(S/C - NAC, NAE, NAF) exc. Limo

MODEL CODES

B = GRAN FURY	E = 600	M = HORIZON/TURISMO
C = LE BARON/TOWN & COUNTRY/LIMO	F = FIFTH AVENUE/NEWPORT	P = RELIANT
C24 = LASER	G = DIPLOMAT	T = NEW YORKER
C44 = LE BARON/GTS	H = VOYAGER	V = 600
D = ARIES	J = CARAVELLE	V24 = DAYTONA
D44 = LANCER	K = MINI VAN/CARAVAN/ROYAL	Z = OMNI/CHARGER

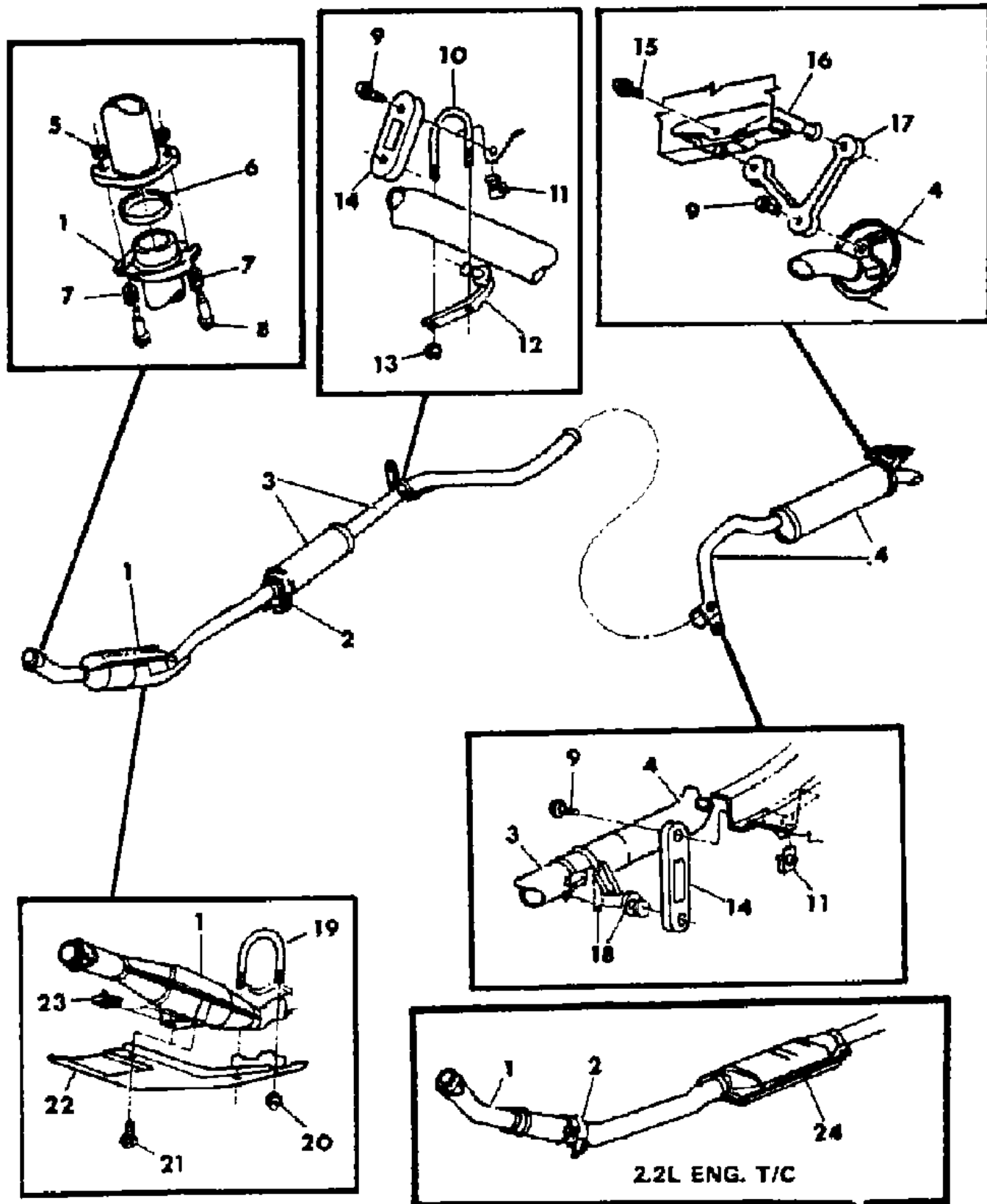
BODY STYLES

21 = 2-DOOR SEDAN	35 = FWD VAN	44 = 4-DOOR HATCHBACK
22 = 2-DOOR SPECIAL COUPE	36 = FWD WAGON	45 = 4-DOOR STATION WAGON
24 = 2-DOOR HATCHBACK	41 = 4-DOOR SEDAN	49 = LIMOUSINE
27 = 2-DOOR CONVERTIBLE		

AR = Use as Required - = Non Illustrated Part P.A.R. = Paint as Required

EXHAUST SYSTEM P,D,C,V,J,E,T
Figure 11-200

5111 200



ITEM	PART NUMBER	QTY	BODY	MODEL	DESCRIPTION
	4301 293	1			2.6L Eng. w/(S/C - NAD) - Canada - exc. Limo
	4301 225	1	J,E,T		2.6L Eng. w/(S/C - NAC, NAE, NAF)
	4301 294	1	J,E,T		2.6L Eng. w/(S/C - NAD) - Canada
	4342 154	1			2.6L Eng. Limo
4					PIPE, Tail w/Muffler
	4301 429	1	P,D,C,V		2.2L Eng. w/(S/C - EDE) exc. C,V-24 & C,D-44
	4150 783	1	P,D,C,V		2.2L Eng. w/(S/C - EDF) w/(S/C - NAA, NAE, NAF) exc. C,V-24 & C,D-44
	4301 530	1	C,V-22,		2.2L Eng. w/(S/C - EDG) w/(S/C - NAA, NAE, NAF)
	4301 547	1	C,V-41,		2.2L Eng. w/(S/C - EDG) w/(S/C - NAA, NAE, NAF)
	4301 193	1	J,E,T		2.2L Eng. w/(S/C - EDE, EDF)
	4301 551	1	J,E,T		2.2L Eng. w/(S/C - EDG) w/(S/C - NAA, NAE, NAF)
	4301 438	1	C,V-24		2.2L Eng. w/(S/C - EDF)
	4301 406	1	C,V-24		2.2L Eng. w/(S/C - EDG)
	4301 576	1	C,D-44		2.2L Eng. w/(S/C - EDF)
	4301 578	1	C,D-44		2.2L Eng. w/(S/C - EDG)
	4150 784	1	P,D,C,V		2.6L Eng. w/(S/C - NAC, NAE, NAF) exc. Limo
	4301 296	1	P,D,C,V		2.6L Eng. w/(S/C - NAD) - Canada - exc. Limo
	4301 296	1			2.6L Eng. Limo
	4301 193	1	J,E,T		2.6L Eng. w/(S/C - NAE, NAC, NAF)
	4301 301	1	J,E,T		2.6L Eng. w/(S/C - NAD) - Canada
5	6100 499	2			NUT exc. w/(S/C - EDG)
	6100 499	1			w/(S/C - EDG) - Rt.
	4301 250	1			w/(S/C - EDG) - Lt.
6	4301 350	1			RING, Sealing exc. w/(S/C - EDG)
	4301 436	1			w/(S/C - EDG)
7	4301 631	2			SPRING
8	5217 003	2			BOLT
9	6500 202	3			BOLT, Shoulder
10	4301 556	1			U-BOLT exc. w/(S/C - EDG)
	4301 555	1			w/(S/C - EDG)
	4301 557	1			2.6L Eng. w/(S/C - NAD) - Canada - exc. Limo
	4301 556	1			2.6L Eng. Limo
11	6101 283	2			U-NUT
12	4301 595	1			SUPPORT, Ext. Pipe exc. w/(S/C - EDG)
	4150 876	1			w/(S/C - EDG)
	4150 325	1			2.6L Eng. w/(S/C - NAD) - Canada - exc. Limo

MODEL CODES

B = GRAN FURY	E = 600	M = HORIZON/TURISMO
C = LE BARON/TOWN & COUNTRY/LIMO	F = FIFTH AVENUE/NEWPORT	P = RELIANT
C24 = LASER	G = DIPLOMAT	T = NEW YORKER
C44 = LE BARON/GTS	H = VOYAGER	V = 600
D = ARIES	J = CARAVELLE	V24 = DAYTONA
D44 = LANCER	K = MINI VAN/CARAVAN/ROYAL	Z = OMNI/CHARGER

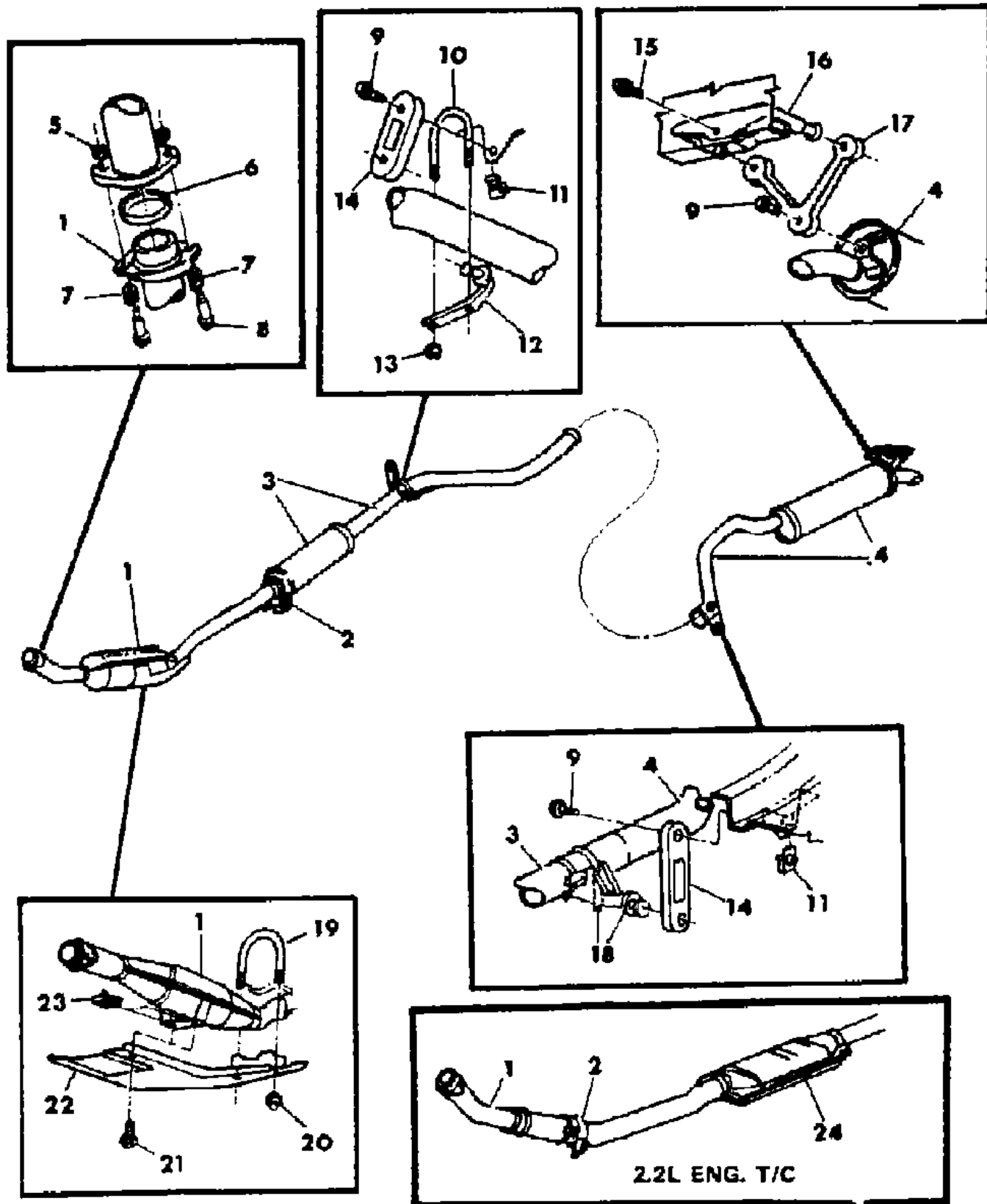
BODY STYLES

21 = 2-DOOR SEDAN	35 = FWD VAN	44 = 4-DOOR HATCHBACK
22 = 2-DOOR SPECIAL COUPE	36 = FWD WAGON	45 = 4-DOOR STATION WAGON
24 = 2-DOOR HATCHBACK	41 = 4-DOOR SEDAN	49 = LIMOUSINE
27 = 2-DOOR CONVERTIBLE		

AR = Use as Required - = Non Illustrated Part P.A.R. = Paint as Required

EXHAUST SYSTEM P,D,C,V,J,E,T
Figure 11-200

5111 200



ITEM	PART NUMBER	QTY	BODY	MODEL	DESCRIPTION
	4150 325	1			2.6L Eng. Limo
13	6500 274	AR			NUT
14	5217 108	AR			INSULATOR
15	6100 590	1			SCREW
16	4301 619	1			BRACKET, Tail Pipe Rear Support
17	5217 133	1			INSULATOR, Tail Pipe Rear Support exc. C,V-24 & C,D-44
	4150 798	1			C,V-24 & C,D-44
18	4301 617	1			SUPPORT, Tail Pipe Front exc. w/(S/C - EDG)
	4301 598	1			w/(S/C - EDG)
	4301 618	1			2.6L Eng. w/(S/C - NAD) - Canada - exc. Limo
	4301 618	1			2.6L Eng. Limo
19	4150 513	1			U-BOLT 2.6L Eng.
20	6500 274	2			NUT 2.6L Eng.
21	6100 276	2			SCREW 2.6L Eng.
22	4150 939	1			SHIELD, Catalytic Converter Heat 2.6L Eng.
23	6101 308	2			U-NUT 2.6L Eng.
24					CONVERTER, Catalytic w/Pipes - Rear
	4301 231	1		C,V	2.2L Eng. w/(S/C - EDG) w/(S/C - NAA, NAE, NAF) exc. C,V-24 & C,D-44
	4301 230	1		C,V-24	2.2L Eng. w/(S/C - EDG)
	4301 232	1		J,E,T-C	2.2L Eng. w/(S/C - EDG)

MODEL CODES

B = GRAN FURY	E = 600	M = HORIZON/TURISMO
C = LE BARON/TOWN & COUNTRY/LIMO	F = FIFTH AVENUE/NEWPORT	P = RELIANT
C24 = LASER	G = DIPLOMAT	T = NEW YORKER
C44 = LE BARON/GTS	H = VOYAGER	V = 600
D = ARIES	J = CARAVELLE	V24 = DAYTONA
D44 = LANCER	K = MINI VAN/CARAVAN/ROYAL	Z = OMNI/CHARGER

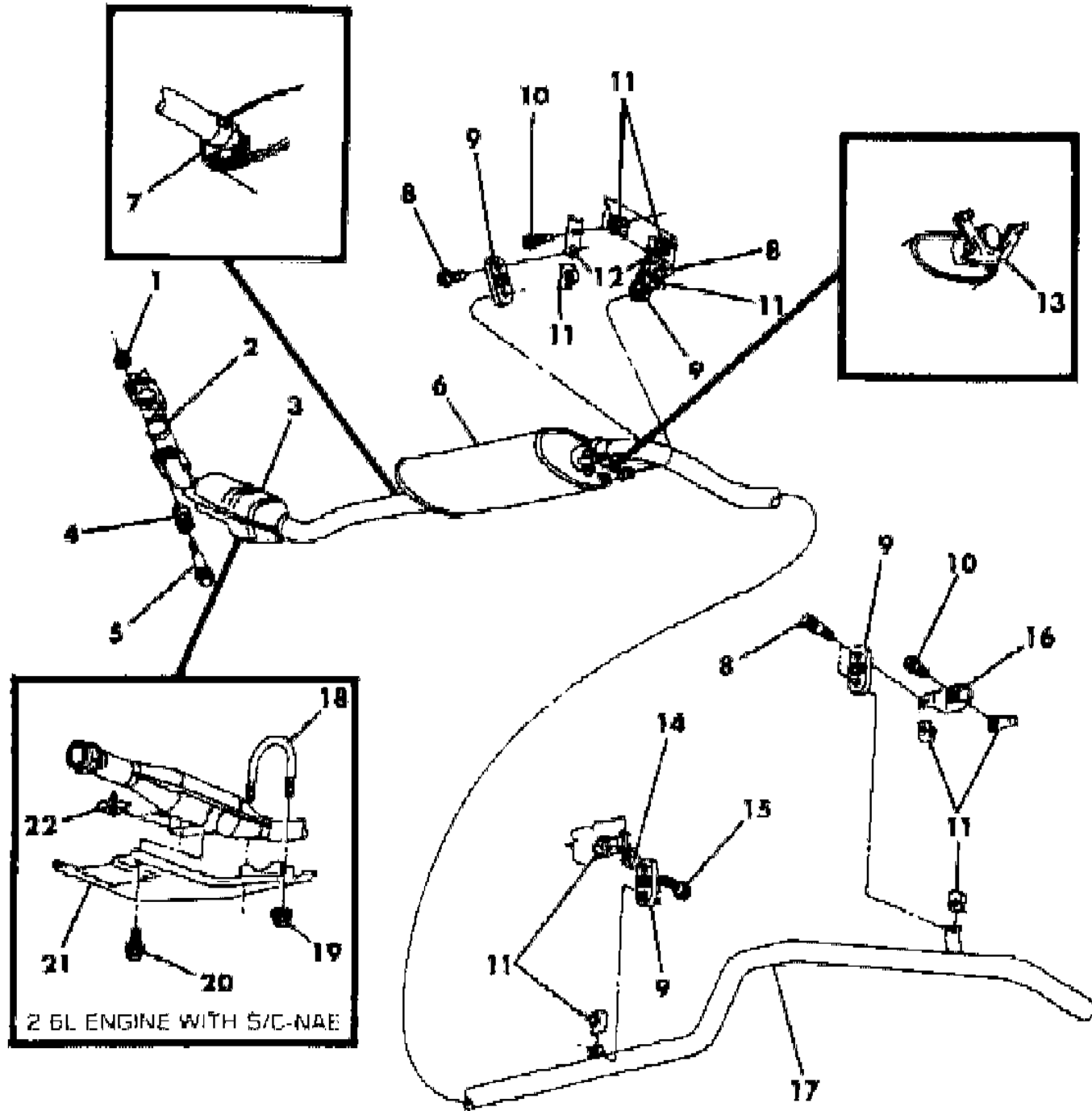
BODY STYLES

21 = 2-DOOR SEDAN	35 = FWD VAN	44 = 4-DOOR HATCHBACK
22 = 2-DOOR SPECIAL COUPE	36 = FWD WAGON	45 = 4-DOOR STATION WAGON
24 = 2-DOOR HATCHBACK	41 = 4-DOOR SEDAN	49 = LIMOUSINE
27 = 2-DOOR CONVERTIBLE		

AR = Use as Required - = Non Illustrated Part P.A.R. = Paint as Required

EXHAUST SYSTEM H,K
Figure 11-300

5111 300



ITEM	PART NUMBER	QTY	BODY	MODEL	DESCRIPTION
1	6100 499	2			NUT
2	4301 350	1			RING, Sealing
3					CONVERTER, Catalytic w/Pipes
	4301 478	1			2.2L Eng. w/(S/C - NAE, NAF)
	4301 269	1			2.2L Eng. w/(S/C - NAA)
	4301 184	1			2.2L Eng. w/(S/C - NAA) - Canada
	MD07 2486	1			2.6L Eng. w/(S/C - NAE)
	4301 269	1			2.6L Eng. w/(S/C - NAC, NAF)
	4301 461	1			PIPE, Exhaust w/Resonator w/(S/C - NAB, NAD) - Canada
4	4301 631	2			SPRING
5	5217 003	2			BOLT
6	4301 317	1			MUFFLER
7	4301 081	1			CLAMP
8	6500 202	4			BOLT, Shoulder
9	5217 108	4			INSULATOR
10	6100 296	1			SCREW
11	6101 283	7			U-NUT
12	4150 960	2			BRACKET, Muffler Support Ins. Mtg.
13	4301 333	1			SUPPORT, Saddle Clamp
14	4131 336	1			SPACER
15	6500 306	2			BOLT, Shoulder
16	4150 999	1			BRACKET, Tail Pipe Rear Support
17	4301 520	1			PIPE, Tail
18	4150 513	1			U-BOLT, Heat Shield Saddle Bracket
19	6500 274	2			NUT
20	6100 276	2			SCREW w/WASHER
21	4150 939	1			SHIELD, Front Converter Heat
22	6101 308	2			U-NUT

MODEL CODES

B = GRAN FURY	E = 600	M = HORIZON/TURISMO
C = LE BARON/TOWN & COUNTRY/LIMO	F = FIFTH AVENUE/NEWPORT	P = RELIANT
C24 = LASER	G = DIPLOMAT	T = NEW YORKER
C44 = LE BARON/GTS	H = VOYAGER	V = 600
D = ARIES	J = CARAVELLE	V24 = DAYTONA
D44 = LANCER	K = MINI VAN/CARAVAN/ROYAL	Z = OMNI/CHARGER

BODY STYLES

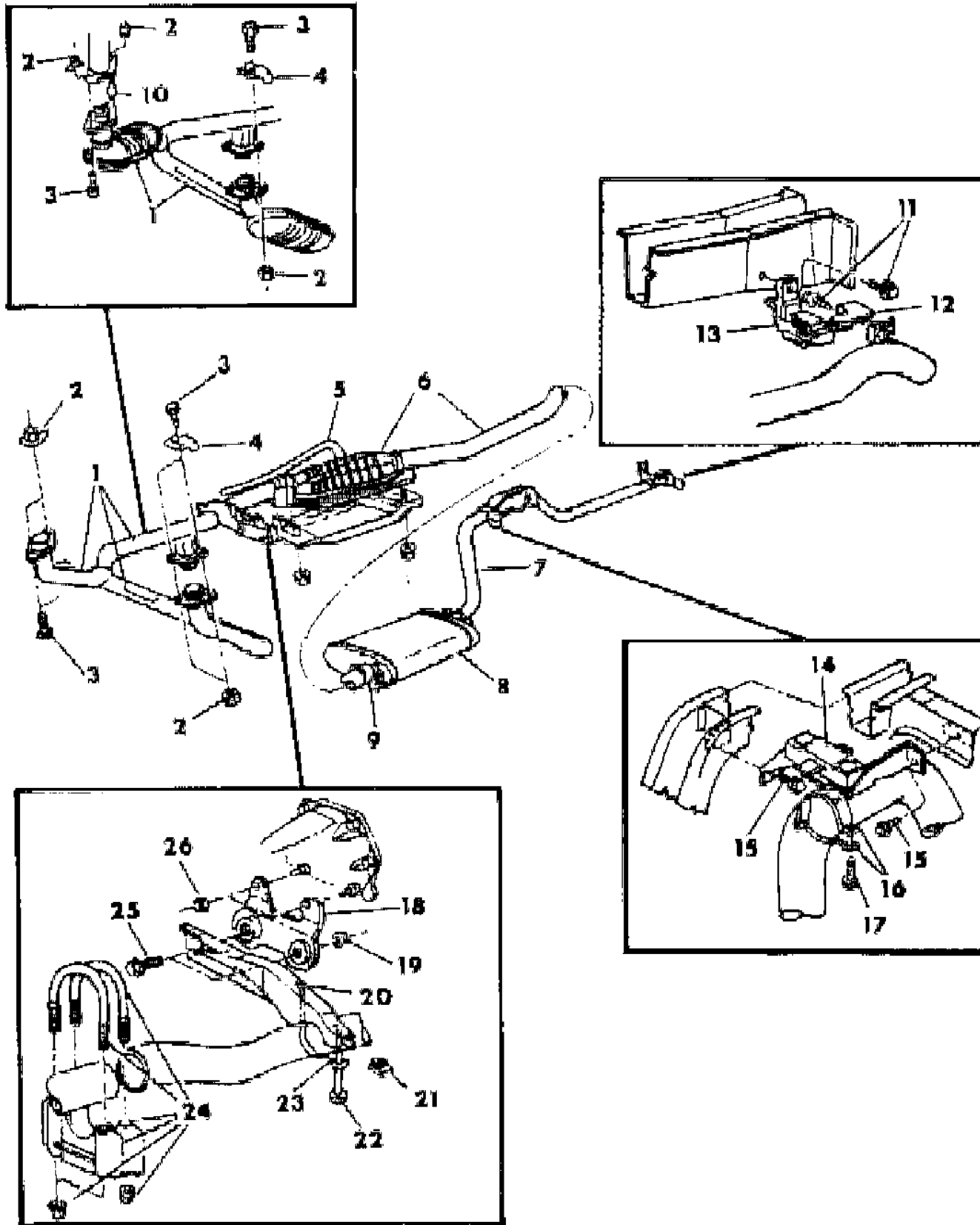
21 = 2-DOOR SEDAN	35 = FWD VAN	44 = 4-DOOR HATCHBACK
22 = 2-DOOR SPECIAL COUPE	36 = FWD WAGON	45 = 4-DOOR STATION WAGON
24 = 2-DOOR HATCHBACK	41 = 4-DOOR SEDAN	49 = LIMOUSINE
27 = 2-DOOR CONVERTIBLE		

AR = Use as Required - = Non Illustrated Part P.A.R. = Paint as Required

EXHAUST SYSTEM B,F,G

Figure 11-400

5111 400



ITEM	PART NUMBER	QTY	BODY	MODEL	DESCRIPTION
1					CONVERTER, Catalytic w/Pipes - Front
	4150 524	1			318 Eng. 2 Bbl.
	4150 330	1			318 Eng. 4 Bbl.
	4150 342	1			PIPE, Exhaust - Canada
2					NUT
	6031 959	AR			Right
	6025 405	AR			Left
3	0181 127	AR			BOLT
4	4004 001	2			RETAINER
5	4150 638	1			TUBE, Airline to Catalytic Converter
6					CONVERTER, Catalytic w/Pipes - Rear
	4150 744	1			318 Eng. 2 Bbl.
	4150 718	1			318 Eng. 4 Bbl.
	4150 354	1			318 Eng. - Canada
7					PIPE, Tail
	4150 170	1			318 Eng. 2 Bbl.
	4301 339	1			318 Eng. 4 Bbl.
8					MUFFLER
	4301 534	1			318 Eng. 2 Bbl.
	4301 341	1			318 Eng. 4 Bbl.
9					CLAMP, Saddle
	4301 378	1			Inlet
	4004 961	1			Outlet
10	6031 888	1			STUD, Shoulder
11	6031 734	2			SCREW
12	4004 940	1			BLADE, Tail Pipe Rear Support
13	4004 742	1			SUPPORT, Tail Pipe Rear
14	4004 581	1			BRACKET, Tail Pipe Front Support
15	6031 734	2			SCREW
16					SUPPORT, Tail Pipe - Front
	4004 552	1			Natural
	4004 553	1			Silver
17	6027 086	1			SCREW
18	4150 623	1			PLATE, Cat. Conv. Support Brkt.
19	0118 614	2			NUT
20	4150 334	1			BRACKET, Cat. Conv. Support
21	6029 355	1			U-NUT

MODEL CODES

B = GRAN FURY	E = 600	M = HORIZON/TURISMO
C = LE BARON/TOWN & COUNTRY/LIMO	F = FIFTH AVENUE/NEWPORT	P = RELIANT
C24 = LASER	G = DIPLOMAT	T = NEW YORKER
C44 = LE BARON/GTS	H = VOYAGER	V = 600
D = ARIES	J = CARAVELLE	V24 = DAYTONA
D44 = LANCER	K = MINI VAN/CARAVAN/ROYAL	Z = OMNI/CHARGER

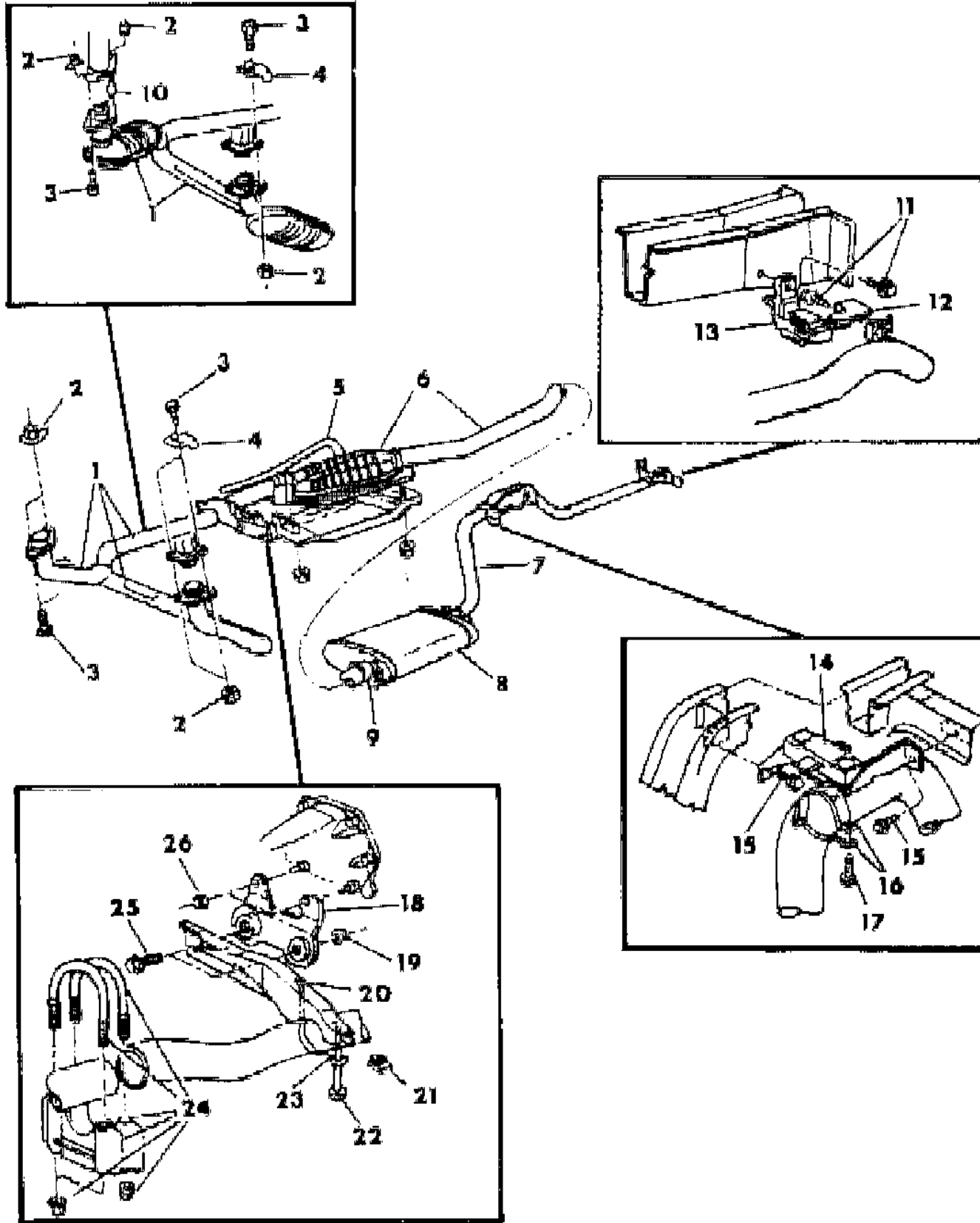
BODY STYLES

21 = 2-DOOR SEDAN	35 = FWD VAN	44 = 4-DOOR HATCHBACK
22 = 2-DOOR SPECIAL COUPE	36 = FWD WAGON	45 = 4-DOOR STATION WAGON
24 = 2-DOOR HATCHBACK	41 = 4-DOOR SEDAN	49 = LIMOUSINE
27 = 2-DOOR CONVERTIBLE		

AR = Use as Required - = Non Illustrated Part P.A.R. = Paint as Required

EXHAUST SYSTEM B,F,G
Figure 11-400

5111 400



ITEM	PART NUMBER	QTY	BODY	MODEL	DESCRIPTION
22	0153 190	1			SCREW
23	4150 219	1			CLAMP
24	4004 961	2			CLAMP, Saddle
25	6022 245	1			SCREW
26	6025 405	2			NUT

MODEL CODES

B = GRAN FURY	E = 600	M = HORIZON/TURISMO
C = LE BARON/TOWN & COUNTRY/LIMO	F = FIFTH AVENUE/NEWPORT	P = RELIANT
C24 = LASER	G = DIPLOMAT	T = NEW YORKER
C44 = LE BARON/GTS	H = VOYAGER	V = 600
D = ARIES	J = CARAVELLE	V24 = DAYTONA
D44 = LANCER	K = MINI VAN/CARAVAN/ROYAL	Z = OMNI/CHARGER

BODY STYLES

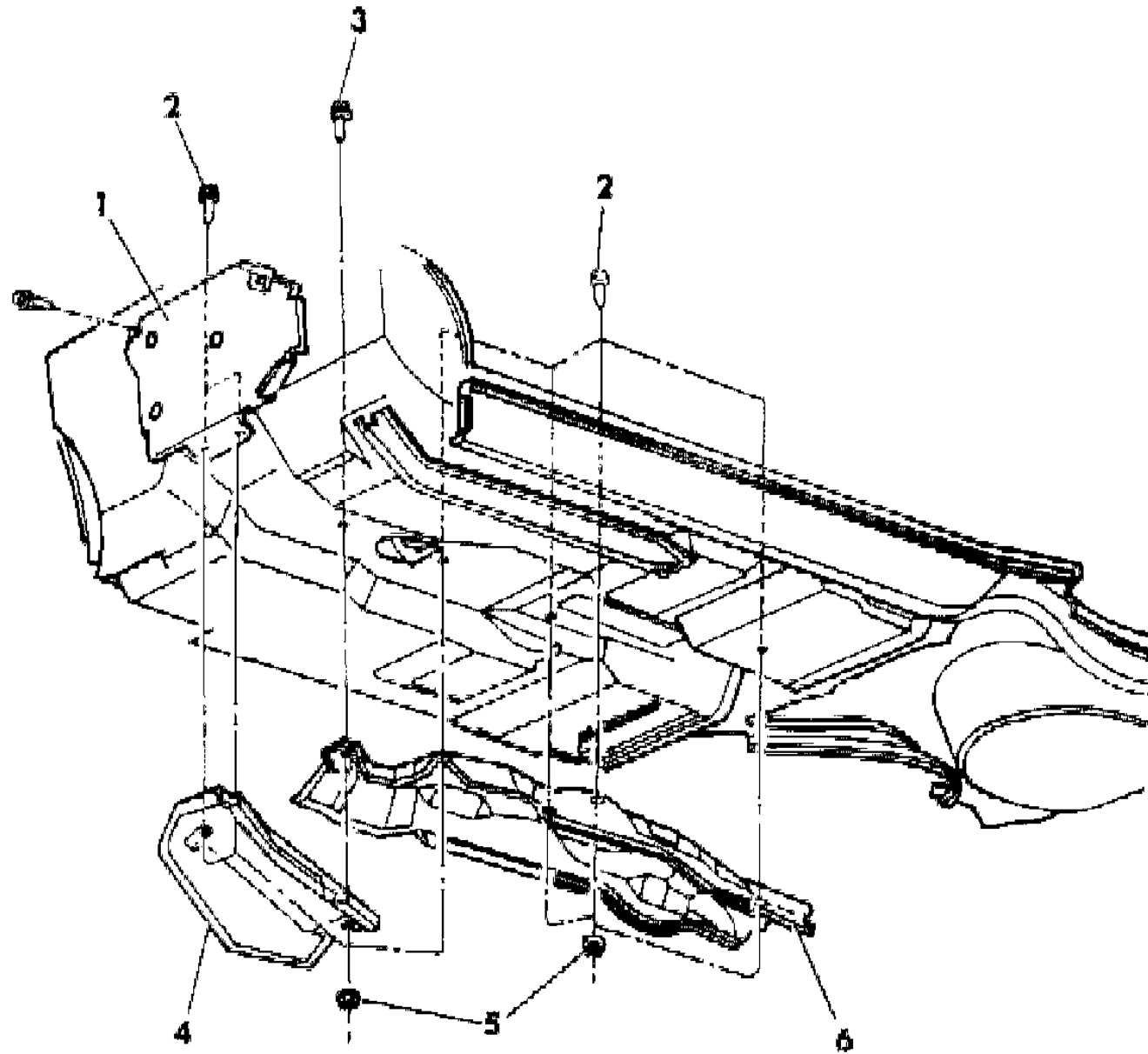
21 = 2-DOOR SEDAN	35 = FWD VAN	44 = 4-DOOR HATCHBACK
22 = 2-DOOR SPECIAL COUPE	36 = FWD WAGON	45 = 4-DOOR STATION WAGON
24 = 2-DOOR HATCHBACK	41 = 4-DOOR SEDAN	49 = LIMOUSINE
27 = 2-DOOR CONVERTIBLE		

AR = Use as Required - = Non Illustrated Part P.A.R. = Paint as Required

HEAT SHIELDS - EXHAUST M,Z
Figure 11-500

5111 500 A

ITEM	PART NUMBER	QTY	BODY	MODEL	DESCRIPTION
1	4266 764	1			SHIELD, Firewall Heat w/(S/C - DG)
2		6			SCREW w/WASHER (not serviced)
3	0181 063	1			SCREW
4	4266 737	1			SHIELD, Front Floor Pan
5	0219 462	7			NUT
6					SHIELD, Underbody Heat
	4266 093	1		24	exc. w/(S/C - EDG)
	4266 094	1		44	exc. w/(S/C - EDG)
	4266 098	1		24	w/(S/C - EDG)
	4266 095	1		44	



MODEL CODES

B = GRAN FURY	E = 600	M = HORIZON/TURISMO
C = LE BARON/TOWN & COUNTRY/LIMO	F = FIFTH AVENUE/NEWPORT	P = RELIANT
C24 = LASER	G = DIPLOMAT	T = NEW YORKER
C44 = LE BARON/GTS	H = VOYAGER	V = 600
D = ARIES	J = CARAVELLE	V24 = DAYTONA
D44 = LANCER	K = MINI VAN/CARAVAN/ROYAL	Z = OMNI/CHARGER

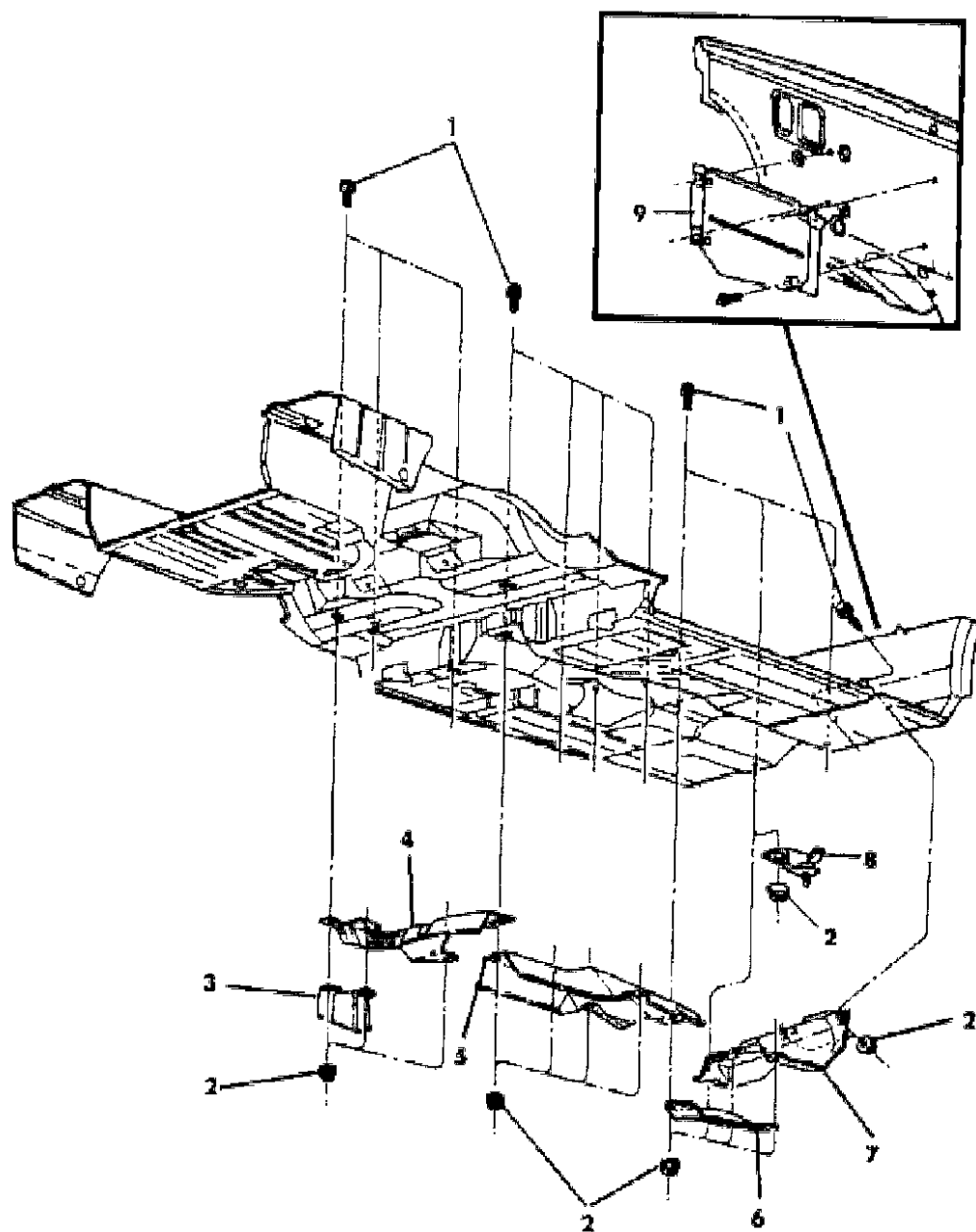
BODY STYLES

21 = 2-DOOR SEDAN	35 = FWD VAN	44 = 4-DOOR HATCHBACK
22 = 2-DOOR SPECIAL COUPE	36 = FWD WAGON	45 = 4-DOOR STATION WAGON
24 = 2-DOOR HATCHBACK	41 = 4-DOOR SEDAN	49 = LIMOUSINE
27 = 2-DOOR CONVERTIBLE		

AR = Use as Required - = Non Illustrated Part P.A.R. = Paint as Required

HEAT SHIELDS - EXHAUST P,D,C,V,J,E,T
Figure 11-600

5111 600



ITEM	PART NUMBER	QTY	BODY	MODEL	DESCRIPTION
1		AR			SCREW (not serviced)
2	0219 462	AR			NUT
3	4140 824	1			SHIELD, Front Floor Pan Rear Heat Aux.
4	4140 803	1			SHIELD, Front Floor Rear Heat 2.2L Eng. w/(S/C - EDG) & 2.6L Eng.
5					SHIELD, Underbody Catalytic Heat
					Upper
	4266 273	1	P,D,C,V		2.2L Eng. w/(S/C - EDE) w/(S/C - NAA, NAE, NAF)
	4266 273	1	C,V,J,E		2.2L Eng. w/(S/C - EDF) w/(S/C - NAA, NAE, NAF) exc. C,V-24 & C,D-44
	4266 273	1	C,V,J,E		2.2L Eng. w/(S/C - EDG) exc. C,V-24 & C,D-44
	4266 249	1	C,V-24		2.2L Eng. w/(S/C - EDF, EDG) w/(S/C - NAA, NAE, NAF)
	4266 273	1	C,D-44		2.2L Eng. w/(S/C - EDE, EDG) w/(S/C - NAA, NAE, NAF)
	4266 273	1			2.6L Eng. (NAC, NAE, NAF)
					Lower
	4266 246	1	exc. C,		2.2L Eng. w/(S/C - EDG)
	4266 250	1	C,V-24		2.2L Eng. w/(S/C - EDG)
6					SHIELD, Front Floor Front Heat
	4140 801	1	P,D,C,V		2.2L Eng. w/(S/C - EDE) w/(S/C - NAA, NAE, NAF) exc. C,V-24 & C,D-44
	4140 802	1	exc. C,		2.2L Eng. w/(S/C - EDF) w/(S/C - NAA, NAE, NAF)
7					SHIELD, Dash Panel Heat
	4266 958	1	P,D,C,V		2.2L Eng. w/(S/C - EDE) w/(S/C - NAA, NAE, NAF) exc. C,V-24 & C,D-44
	4266 958	1			2.2L Eng. w/(S/C - EDF) w/(S/C - NAA, NAE, NAF)
					SHIELD, Dash Panel Heat - Upper
	4140 811	1	J,E,T		2.2L Eng. w/(S/C - EDE) up to 2-10-85
	4140 811	1			2.2L Eng. w/(S/C - EDF) - C,V-24 & C,D-44 up to 2-10-85
	4140 811	1			2.2L Eng. w/(S/C - EDG) - Man. Trans. up to 2-10-85
	4140 811	1			2.6L Eng. w/(S/C - NAC, NAE, NAF) up to 2-10-85
	4266 955	1			after 2-10-85
8	4266 299	1	exc. J,		BRACKET, Dash Panel Heat Shield Attach. - Man. Trans.
9	4266 248	1			SHIELD, Firewall Heat 2.2L Eng. w/(S/C - EDG)

MODEL CODES

B = GRAN FURY	E = 600	M = HORIZON/TURISMO
C = LE BARON/TOWN & COUNTRY/LIMO	F = FIFTH AVENUE/NEWPORT	P = RELIANT
C24 = LASER	G = DIPLOMAT	T = NEW YORKER
C44 = LE BARON/GTS	H = VOYAGER	V = 600
D = ARIES	J = CARAVELLE	V24 = DAYTONA
D44 = LANCER	K = MINI VAN/CARAVAN/ROYAL	Z = OMNI/CHARGER

BODY STYLES

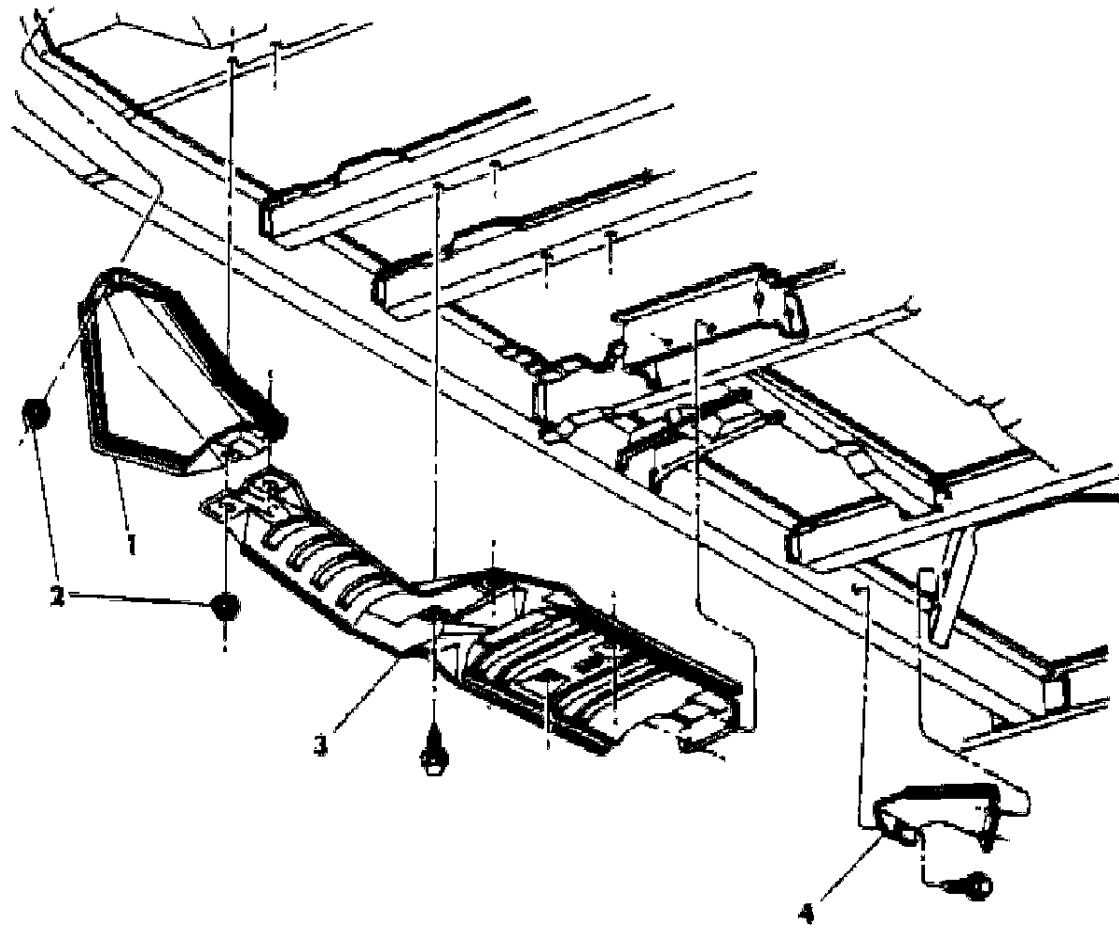
21 = 2-DOOR SEDAN	35 = FWD VAN	44 = 4-DOOR HATCHBACK
22 = 2-DOOR SPECIAL COUPE	36 = FWD WAGON	45 = 4-DOOR STATION WAGON
24 = 2-DOOR HATCHBACK	41 = 4-DOOR SEDAN	49 = LIMOUSINE
27 = 2-DOOR CONVERTIBLE		

AR = Use as Required - = Non Illustrated Part P.A.R. = Paint as Required

HEAT SHIELDS - EXHAUST H,K
Figure 11-700

ITEM	PART NUMBER	QTY	BODY	MODEL	DESCRIPTION
1	4266 237	1			SHIELD, Toeboard Heat Upper
	4266 238	1			Lower
2	0219 462	3			NUT
3	4266 240	1			SHIELD, Muffler Heat Upper
	4266 241	1			Lower
4	4266 244	1			SHIELD, Kick Up Heat

5111 700



MODEL CODES

B = GRAN FURY	E = 600	M = HORIZON/TURISMO
C = LE BARON/TOWN & COUNTRY/LIMO	F = FIFTH AVENUE/NEWPORT	P = RELIANT
C24 = LASER	G = DIPLOMAT	T = NEW YORKER
C44 = LE BARON/GTS	H = VOYAGER	V = 600
D = ARIES	J = CARAVELLE	V24 = DAYTONA
D44 = LANCER	K = MINI VAN/CARAVAN/ROYAL	Z = OMNI/CHARGER

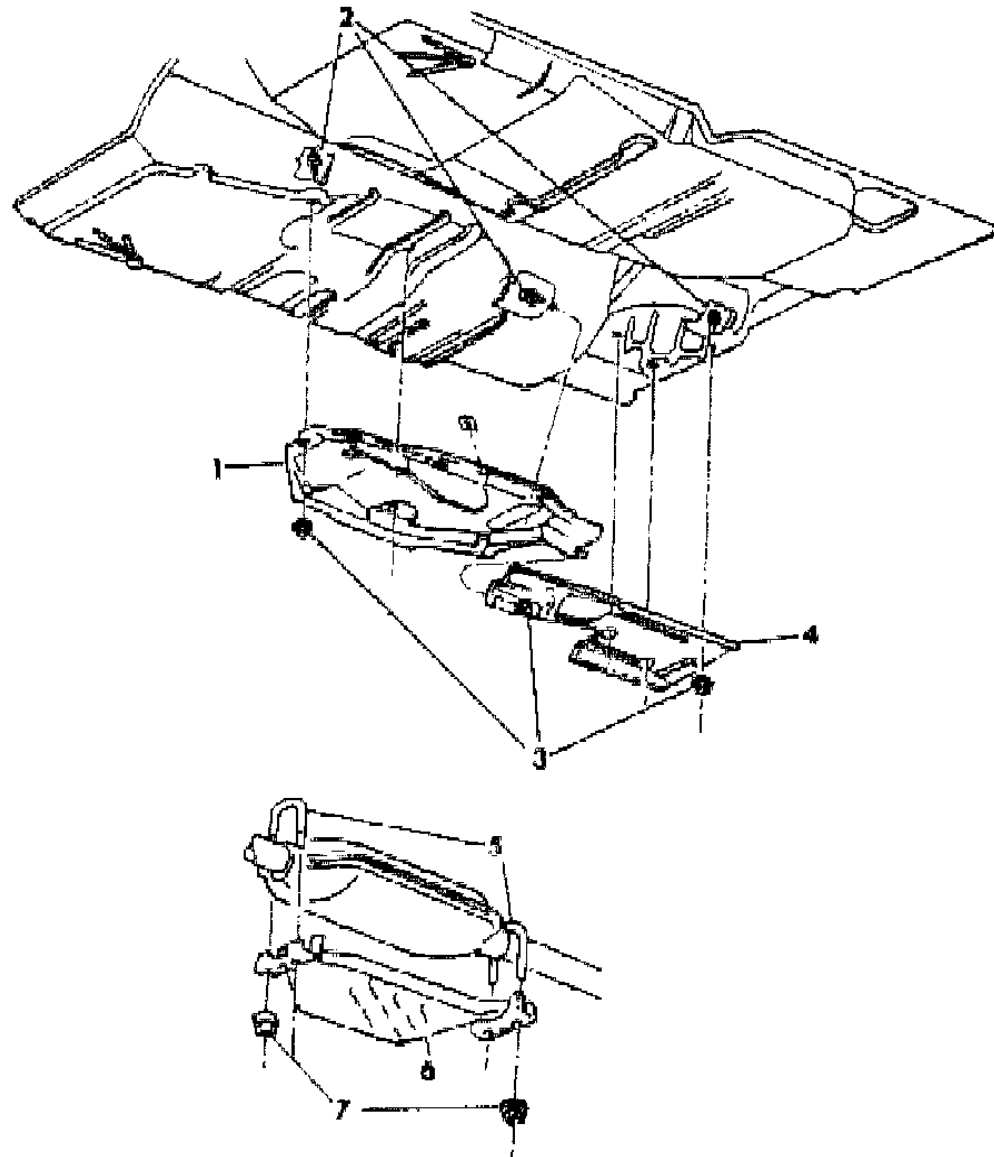
BODY STYLES

21 = 2-DOOR SEDAN	35 = FWD VAN	44 = 4-DOOR HATCHBACK
22 = 2-DOOR SPECIAL COUPE	36 = FWD WAGON	45 = 4-DOOR STATION WAGON
24 = 2-DOOR HATCHBACK	41 = 4-DOOR SEDAN	49 = LIMOUSINE
27 = 2-DOOR CONVERTIBLE		

AR = Use as Required - = Non Illustrated Part P.A.R. = Paint as Required

HEAT SHIELDS - EXHAUST B,F,G
Figure 11-800

511 800



ITEM	PART NUMBER	QTY	BODY	MODEL	DESCRIPTION
1	4266 011	1			SHIELD, Front Floor Pan Heat
2	0181 063	AR			SCREW
3	0219 462	AR			NUT
4	3791 301	1			SHIELD, Center Floor Pan
5	4150 155	2			U-BOLT, Heat Shield Brkt. 2.25
	4004 050	2			Canada 2.50
6	4150 151	1			SHIELD, Catalytic Heat
	4004 385	1			Canada
7	6025 004	4			NUT

MODEL CODES

B = GRAN FURY	E = 600	M = HORIZON/TURISMO
C = LE BARON/TOWN & COUNTRY/LIMO	F = FIFTH AVENUE/NEWPORT	P = RELIANT
C24 = LASER	G = DIPLOMAT	T = NEW YORKER
C44 = LE BARON/GTS	H = VOYAGER	V = 600
D = ARIES	J = CARAVELLE	V24 = DAYTONA
D44 = LANCER	K = MINI VAN/CARAVAN/ROYAL	Z = OMNI/CHARGER

BODY STYLES

21 = 2-DOOR SEDAN	35 = FWD VAN	44 = 4-DOOR HATCHBACK
22 = 2-DOOR SPECIAL COUPE	36 = FWD WAGON	45 = 4-DOOR STATION WAGON
24 = 2-DOOR HATCHBACK	41 = 4-DOOR SEDAN	49 = LIMOUSINE
27 = 2-DOOR CONVERTIBLE		

AR = Use as Required - = Non Illustrated Part P.A.R. = Paint as Required

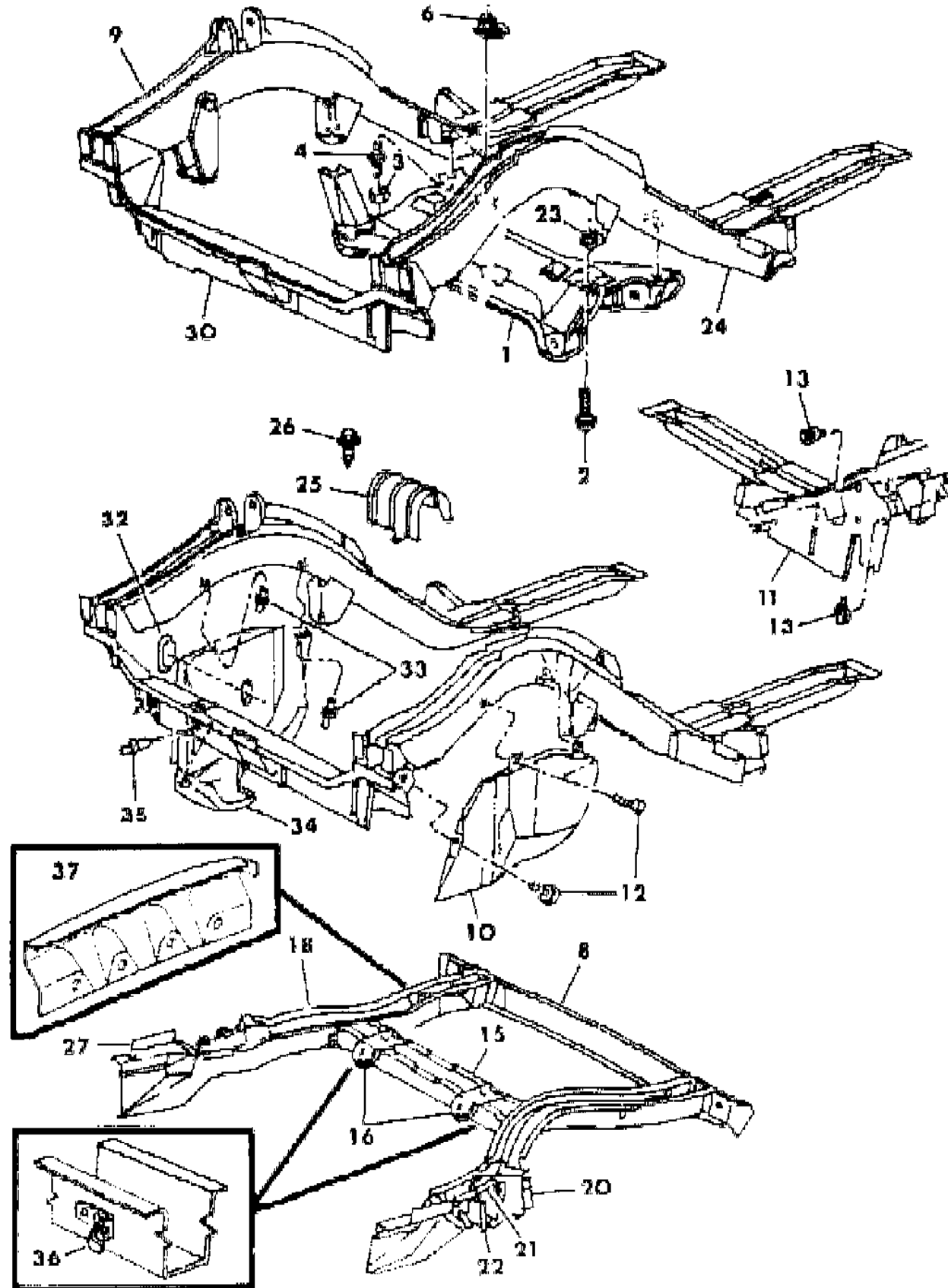
GROUP 13 - FRAME & BUMPERS

ILLUSTRATION TITLE	GROUP-FIG. NO.
FRAME	
FRAME L BODY	Fig. 13-100
FRAME FRONT K,G,E,H BODY	Fig. 13-300
FRAME REAR K,G,E,H BODY	Fig. 13-325
FRAME FRONT S BODY	Fig. 13-400
FRAME REAR S BODY	Fig. 13-500
SHIELD, BOOT AIR DEFLECTOR EXC M BODY	Fig. 13-550
FRAME M BODY	Fig. 13-600
BUMPER AND FASCIA	
FASCIA, BUMPER FRONT L BODY - 24	Fig. 13-1100
FASCIA, BUMPER REAR L BODY - 24	Fig. 13-1200
BUMPER, FRONT AND REAR L BODY - 44	Fig. 13-1300
BUMPER, FRONT K BODY	Fig. 13-1400
BUMPER, FRONT V,J,E	Fig. 13-1500
BUMPER, FRONT C,T	Fig. 13-1600
BUMPER, REAR K BODY - 21,41	Fig. 13-1700
BUMPER, REAR V,C,J,E,T - 22,27,41	Fig. 13-1800
BUMPER, REAR P,D,C-45	Fig. 13-1900
FASCIA, BUMPER, FRONT G BODY	Fig. 13-2000
FASCIA, BUMPER, REAR G BODY	Fig. 13-2100
FASCIA, BUMPER, FRONT H BODY	Fig. 13-2200
FASCIA, BUMPER REAR H BODY	Fig. 13-2300
BUMPER, FRONT S BODY	Fig. 13-2400
BUMPER, REAR S BODY	Fig. 13-2500
BUMPER, FRONT M BODY	Fig. 13-2600
BUMPER, REAR B,G - 41	Fig. 13-2700
BUMPER, REAR F-41	Fig. 13-2800
BUMPER FILLER	
FILLER, BUMPER F	Fig. 13-2900
FILLER, BUMPER B,G	Fig. 13-3000

ILLUSTRATION NOT AVAILABLE AT TIME OF PUBLICATION

FRAME L BODY
Figure 13-100

5113 100 C



ITEM	PART NUMBER	QTY	BODY	MODEL	DESCRIPTION
1	4322 244	1			CROSSMEMBER, Frt. Susp. Comp.
	4341 973	1			REINFORCEMENT, Front Crossmember to Adapter, Rt. (w/2.2 L Eng. w/Turbo Charge) (Not Ill.)
	4296 258	1			TIE-PLATE, Frt. C/Member Flange (Not Ill.)
2	6500 245	2			BOLT and WASHER
	6500 122	2			NUT, Stud
4	5202 246	2			STUD, Frt. Susp. C/Member, Rear
6	6501 075	2			NUT, Plate
8	5218 493	1			CROSSMEMBER, Rear Floor Pan, Rear
	4314 256	2			REINFORCEMENT, w/Bolt, Rear Floor Pan Fuel Tank Strap Mounting, Rear
9	5218 326-7	1			RAIL, Front Side
	4270 119	1			BRACKET, Front Side Rail Eng. Mtg., Front (Not Illustrated)
	6029 940	1			PLUG, Front Side Rail, Left (Not Illustrated)
	2424 864	1			PLUG, Front Side Rail Front Crossmember Adapter (Not Ill.)
10	4296 142	1			SHIELD, Trans. Appearance Lt. (See Group 7 For Rt. Side - GRILLE AND RELATED PARTS - Shield, Closure Panel To Rad. Air)
11	5202 617	1			SHIELD, Front Side Rail Rr. Splash, Right (Rubber)
12					SCREW (Not Serviced)
13	6029 886	AR			FASTENER, Shield Splash S/Rail
15	5218 438	1		24,44	CROSSMEMBER, Rr. Floor Pan Front
16				24,44	REINFORCEMENT, Slat Belt Inner Anchor, Rear (Not Serviced)
18	5218 526-7	1		44	RAIL, Rear, Floor Pan Side
	5218 530-1	1		24	
20					GUSSET, w/Nut, Rear Side, Left (Not Serviced)
21	4314 326	2			REINFORCEMENT w/WELD NUT, Rear Side Rail to Rear suspension Mtg. Gusset
22	4314 974-5	1			SUPPORT, Rr. Floor Pan To Sill Lower Jacking
23	4191 299	2			PLATE, Front S/Rail Front Susp. C/Mbr. Front Supt.
24	5200 008-9	1			BRACE, Front Rail To Sill Inner Extension, Jacking Assist
25	4053 000	1			SHIELD, Strg. Gear Boot Splash, Right
	4052 999	1			Left
26					SCREW (Not Serviced)
27	5200 034-5	1			PANEL, Side Sill Inner, Rear
30	5218 325	1			CROSSMEMBER, w/Brkt., Eng. Mounting, Front
32	2811 825	2			PLUG, Acc. Pulley Shield

MODEL CODES

B = GRAN FURY	E = 600	M = HORIZON/TURISMO
C = LE BARON/TOWN & COUNTRY/LIMO	F = FIFTH AVENUE/NEWPORT	P = RELIANT
C24 = LASER	G = DIPLOMAT	T = NEW YORKER
C44 = LE BARON/GTS	H = VOYAGER	V = 600
D = ARIES	J = CARAVELLE	V24 = DAYTONA
D44 = LANCER	K = MINI VAN/CARAVAN/ROYAL	Z = OMNI/CHARGER

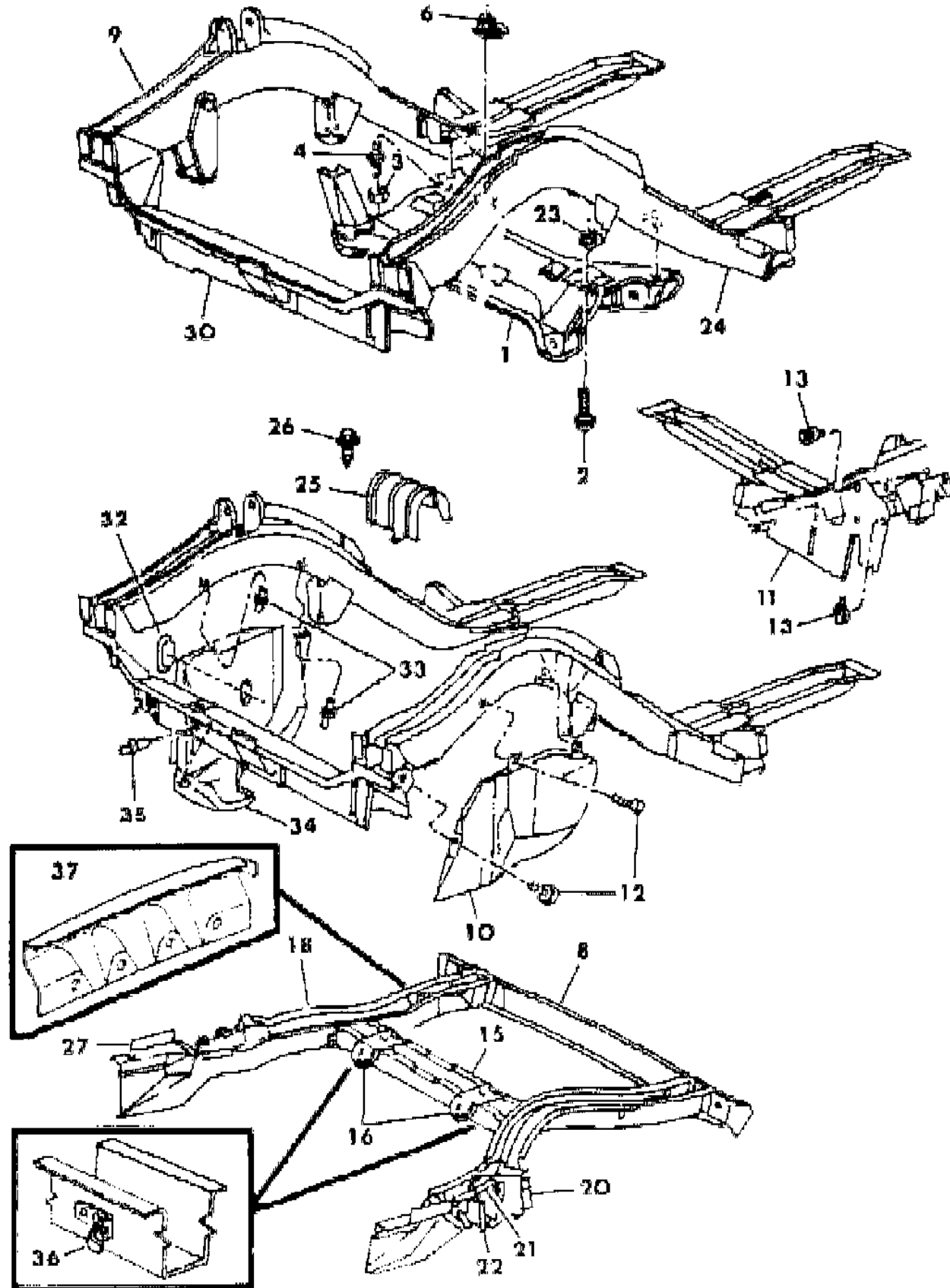
BODY STYLES

21 = 2-DOOR SEDAN	35 = FWD VAN	44 = 4-DOOR HATCHBACK
22 = 2-DOOR SPECIAL COUPE	36 = FWD WAGON	45 = 4-DOOR STATION WAGON
24 = 2-DOOR HATCHBACK	41 = 4-DOOR SEDAN	49 = LIMOUSINE
27 = 2-DOOR CONVERTIBLE		

AR = Use as Required - = Non Illustrated Part P.A.R. = Paint as Required

FRAME L BODY
Figure 13-100

5113 100 C



ITEM	PART NUMBER	QTY	BODY	MODEL	DESCRIPTION
33	6032 049	AR			RETAINER
34	4341 304	1			SHIELD, Acc. Pulley Splash, Rt. w/2.2 Eng.
	4341 868	1			w/1.6 Eng.
35	6031 390	AR			RETAINER
36	4314 970-1	1		24,44	BRACKET, Rear Floor Pan C/Mem. Rear Brake Line
37	5230 340	1		24	DEFLECTOR, Floor Pan Side Rail, Fuel Filler, Rear
		4		24	SCREW, Deflector Att. (Not Serviced)

MODEL CODES

B = GRAN FURY	E = 600	M = HORIZON/TURISMO
C = LE BARON/TOWN & COUNTRY/LIMO	F = FIFTH AVENUE/NEWPORT	P = RELIANT
C24 = LASER	G = DIPLOMAT	T = NEW YORKER
C44 = LE BARON/GTS	H = VOYAGER	V = 600
D = ARIES	J = CARAVELLE	V24 = DAYTONA
D44 = LANCER	K = MINI VAN/CARAVAN/ROYAL	Z = OMNI/CHARGER

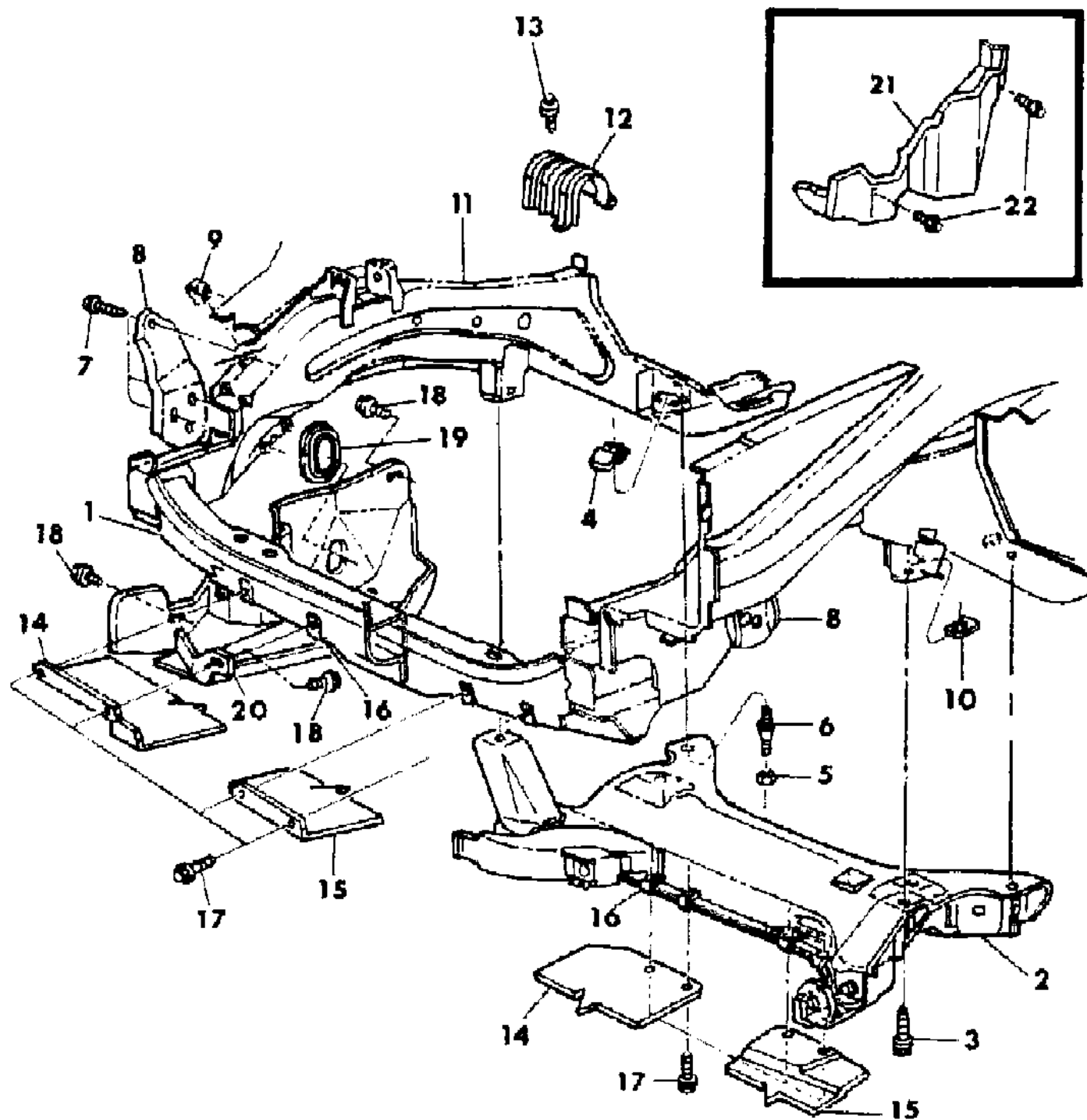
BODY STYLES

21 = 2-DOOR SEDAN	35 = FWD VAN	44 = 4-DOOR HATCHBACK
22 = 2-DOOR SPECIAL COUPE	36 = FWD WAGON	45 = 4-DOOR STATION WAGON
24 = 2-DOOR HATCHBACK	41 = 4-DOOR SEDAN	49 = LIMOUSINE
27 = 2-DOOR CONVERTIBLE		

AR = Use as Required - = Non Illustrated Part P.A.R. = Paint as Required

FRAME FRONT K,G,E,H BODY
Figure 13-300

5113 300 C



ITEM	PART NUMBER	QTY	BODY	MODEL	DESCRIPTION
1	4341 678	1			CROSSMEMBER, Frt. S/Rail Frt. (Also Service 2 Of 4266328 Isolator)
2	4322 249	1	Exc. H		CROSSMEMBER, Frt. Susp. Comp. w/Auto Trans. (Welded Engine Mtg. Bracket w/Slotted Holes)
	4322 249	1	K		w/Man. Trans. (Welded Engine Mtg. Bracket w/Slotted Holes)
	4322 249	1	G		w/Man. Trans. w/o Turbo (Welded Engine Mtg. Bracket w/ Slotted Holes)
	4322 250	1	G		w/Man. Trans. w/Turbo (Welded Engine Mtg. Bracket w/Round Holes)
	4322 734	1	H		w/Auto Trans.
	4322 734	1	H		w/Man. Trans., w/o Turbo
	4322 735	1	H		w/Man. Trans., w/Turbo
	4322 735	1	H		Up To 1/2/85
	4322 250	1	H		After 1/2/85
	4296 258	1			TIE-PLATE, Front, C/Mem. Flange (Not Ill.)
3	6500 245	2			SCREW and WASHER, C/Member Mtg.
4	5202 328	2			NUT-PLATE, C/Member Mtg., Rear
	4296 416	1			REINFORCEMENT, Frt. S/Rail Rr. Rail Pk.Brake Cable Right (Not Illustrated)
5	6500 122	2			NUT, Stud
6	5202 246	2			STUD, C/Member Mtg.
7	6100 230	6			SCREW and WASHER
8	4296 417	1			BRACKET, Frt. S/Rail Shipping Tie Down (Not Serviced) BRACKET, Frt. S/Rail Rr. Rail Pk. Brake Cable, Left (Not Illustrated)
9		2			U-NUT (Not Serviced)
10	4191 299	2			PLATE, Frt. S/Rail C/Member Frt. Supt.
11	4297 906-7	1			RAIL, Frt. Side and Reinf. Frt. Side Rail, Front Up to 9/26/84
	4386 004-5	1			After 9/26/84
	4270 119	1			BRACKET, Front, Side Rail Front, Eng. Mtg., Front
12	4053 000	1			SHIELD, Strg. Gear Boot Splash, Right
	4052 999	1			Left
13					SCREW (Not Serviced) RAIL & REINFORCEMENT, Frt. S/Rail Rr. & Park Brake Cable, Right (Not Ill.)
	4297 918	1			Up to 11/7/84

MODEL CODES

B = GRAN FURY	E = 600	M = HORIZON/TURISMO
C = LE BARON/TOWN & COUNTRY/LIMO	F = FIFTH AVENUE/NEWPORT	P = RELIANT
C24 = LASER	G = DIPLOMAT	T = NEW YORKER
C44 = LE BARON/GTS	H = VOYAGER	V = 600
D = ARIES	J = CARAVELLE	V24 = DAYTONA
D44 = LANCER	K = MINI VAN/CARAVAN/ROYAL	Z = OMNI/CHARGER

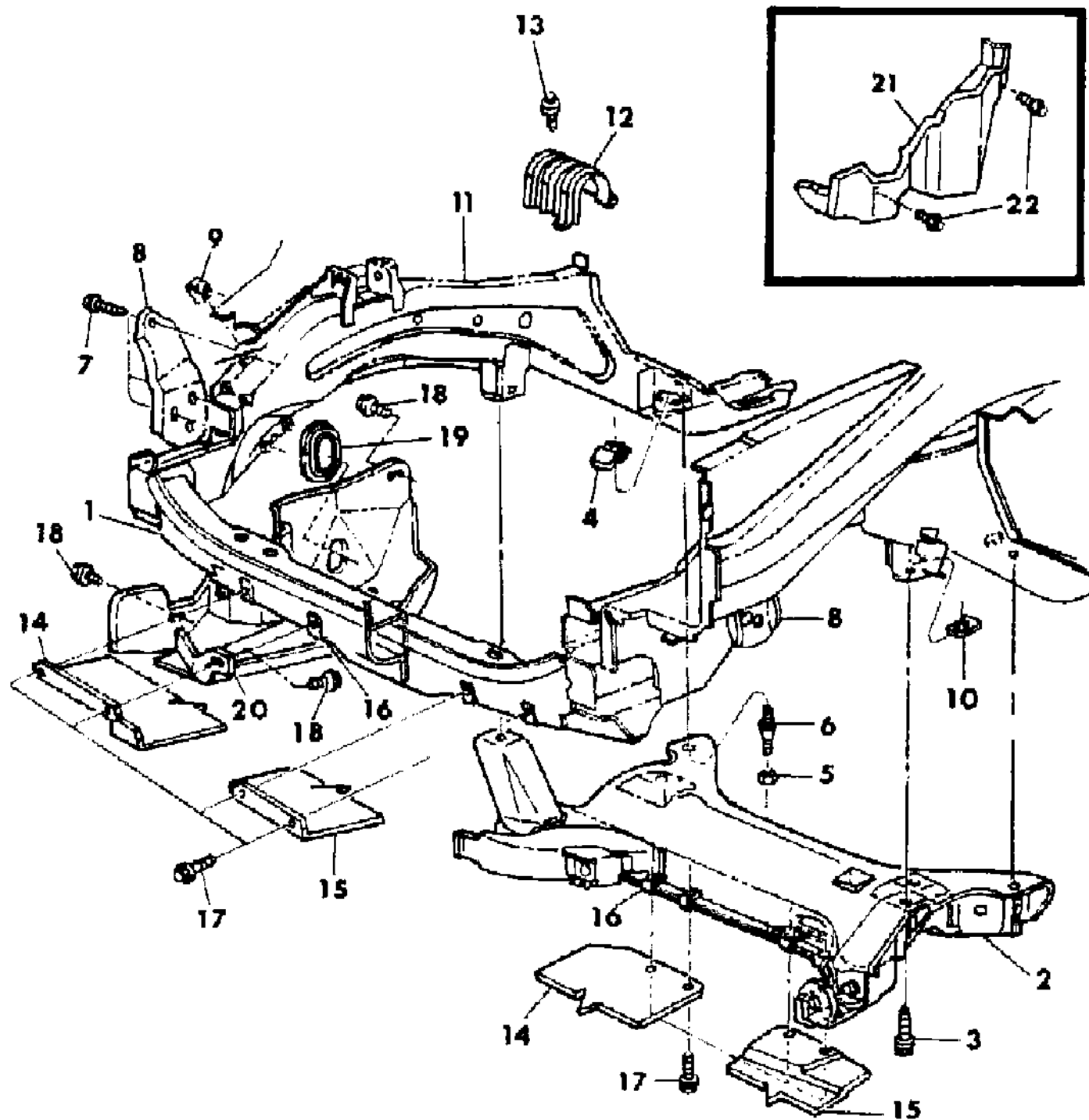
BODY STYLES

21 = 2-DOOR SEDAN	35 = FWD VAN	44 = 4-DOOR HATCHBACK
22 = 2-DOOR SPECIAL COUPE	36 = FWD WAGON	45 = 4-DOOR STATION WAGON
24 = 2-DOOR HATCHBACK	41 = 4-DOOR SEDAN	49 = LIMOUSINE
27 = 2-DOOR CONVERTIBLE		

AR = Use as Required - = Non Illustrated Part P.A.R. = Paint as Required

FRAME FRONT K,G,E,H BODY
Figure 13-300

5113 300 C



ITEM	PART NUMBER	QTY	BODY	MODEL	DESCRIPTION
	4386 008	1			After 11/7/84 RAIL, w/Bracket, Frt. S/Rail Rr. & Park Brake Cable, Left (Not Illustrated)
	4297 919	1			Up to 11/7/84
	4386 009	1			After 11/7/84
	4296 373	1			BRACKET, Front Side Rail Engine Mount-Upper Left (Not Ill.)
	4296 375	1			BRACKET, Front Side Rail Engine Mount-Lower Left (Not Ill.)
14	4322 259	1	K		SHIELD, Eng. Oil Pan w/H.D. Serv.Pkg.
15	4052 679	1			SHIELD, Trans. Oil Pan
16	6101 308	8			U-NUT
17	6100 287	8			BOLT and WASHER
18		AR			SCREW (Not Serviced)
19	2811 825	1			PLUG, Splash Shield
20					SHIELD, Accessory Splash
	4191 532	1			w/2.2 Eng.
	4191 534	1			w/2.6 Eng.
21	4296 107	1			SHIELD, Trans. Appearance, Left
22		2	Exc. H		SCREW and WASHER (Not Serviced)

MODEL CODES

B = GRAN FURY	E = 600	M = HORIZON/TURISMO
C = LE BARON/TOWN & COUNTRY/LIMO	F = FIFTH AVENUE/NEWPORT	P = RELIANT
C24 = LASER	G = DIPLOMAT	T = NEW YORKER
C44 = LE BARON/GTS	H = VOYAGER	V = 600
D = ARIES	J = CARAVELLE	V24 = DAYTONA
D44 = LANCER	K = MINI VAN/CARAVAN/ROYAL	Z = OMNI/CHARGER

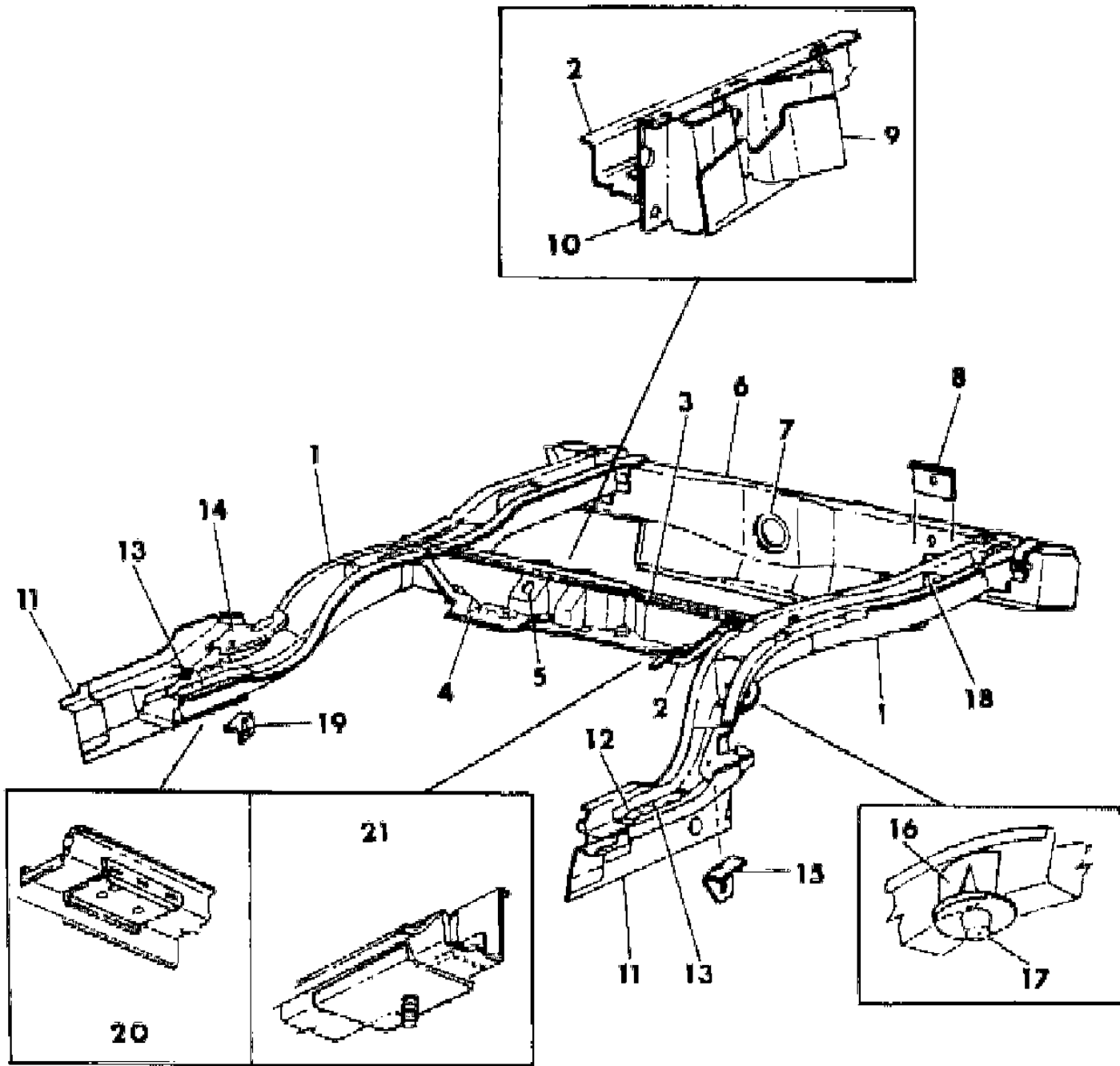
BODY STYLES

21 = 2-DOOR SEDAN	35 = FWD VAN	44 = 4-DOOR HATCHBACK
22 = 2-DOOR SPECIAL COUPE	36 = FWD WAGON	45 = 4-DOOR STATION WAGON
24 = 2-DOOR HATCHBACK	41 = 4-DOOR SEDAN	49 = LIMOUSINE
27 = 2-DOOR CONVERTIBLE		

AR = Use as Required - = Non Illustrated Part P.A.R. = Paint as Required

FRAME REAR K,G,E,H BODY
Figure 13-325

5113 325



ITEM	PART NUMBER	QTY	BODY	MODEL	DESCRIPTION
1	4325 414-5	1	K		RAIL, Rear Floor Pan Side
	4325 432-3	1	E		
	4325 438-9	1	G,H		
2	4325 378	1			CROSSMEMBER, Floor Pan Center Rear Suspension
3		1			REINFORCEMENT, w/Weld Nut, Rear Floor Pan Rear Suspension Crossmember (Serviced In Item No. 2)
4	4314 256	2			REINFORCEMENT, w/Bolt, Rear Floor Pan Fuel Tank Strap Mtg., Rear
5		1			REINFORCEMENT, Rear Floor Pan Rear Suspension Crossmember Internal (Serviced In Item No. 2)
6	4200 978	1	G,H		CROSSMEMBER, Rear Floor Pan Rear
	4297 892	1	Exc G,H		
7	5200 456	1	G,H		PLUG, 2.75" Dia./70mm
8		1	G,H		REINFORCEMENT, Rear Floor Pan Rear Crossmember Muffler Mtg. (Serviced In Item No. 6)
9		1			PLATE, Rear Floor Pan Rear Suspension Crossmember External Reinforcement (Serviced In Item No. 2)
10		1			REINFORCEMENT, Rear Floor Pan Rear Suspension Crossmember External (Serviced In Item No. 2)
11		1			EXTENSION, Sill Inner Rear (See Group 23A)
12		1	G,H		REINFORCEMENT, Rear Floor Side Rail Suspension Mtg. (Serviced In Item No. 1)
13	4278 520	2			PLATE TAPPING, Rear Floor Pan Side Rail Suspension
14		1	G,H		REINFORCEMENT, w/Nut, Front Floor Pan Rear Seat Belt Anchor Outer (See Group 23A)
15	4314 267	1			BRACKET, Rear Floor Pan Side Rail Exhaust Mtg. Front, Left
16		2			REINFORCEMENT, Rear Floor Pan Side Rail Spring Seat Bracket (Serviced In Item No. 1)
17		2			BRACKET, Rear Floor Pan Side Rail Spring Seat (Serviced In Item No. 1)
18		1	G,H		REINFORCEMENT, Rear Floor Pan Rear Side Rail E.A.U. Mtg. (Serviced In Item No. 1)
19	4314 268	2			BRACKET, Rear Floor Pan Rear Rail Brake Line Ret.
20	4278 538-9	1	K,E		REINFORCEMENT, Rear Floor Pan Side Rail Suspension Mtg. Lower (Police and Taxi)
21	4278 606	1	K,E		REINFORCEMENT, Rear Floor Pan Rear Suspension Crossmember Track Bar Mtg. (Police and Taxi)

MODEL CODES

B = GRAN FURY	E = 600	M = HORIZON/TURISMO
C = LE BARON/TOWN & COUNTRY/LIMO	F = FIFTH AVENUE/NEWPORT	P = RELIANT
C24 = LASER	G = DIPLOMAT	T = NEW YORKER
C44 = LE BARON/GTS	H = VOYAGER	V = 600
D = ARIES	J = CARAVELLE	V24 = DAYTONA
D44 = LANCER	K = MINI VAN/CARAVAN/ROYAL	Z = OMNI/CHARGER

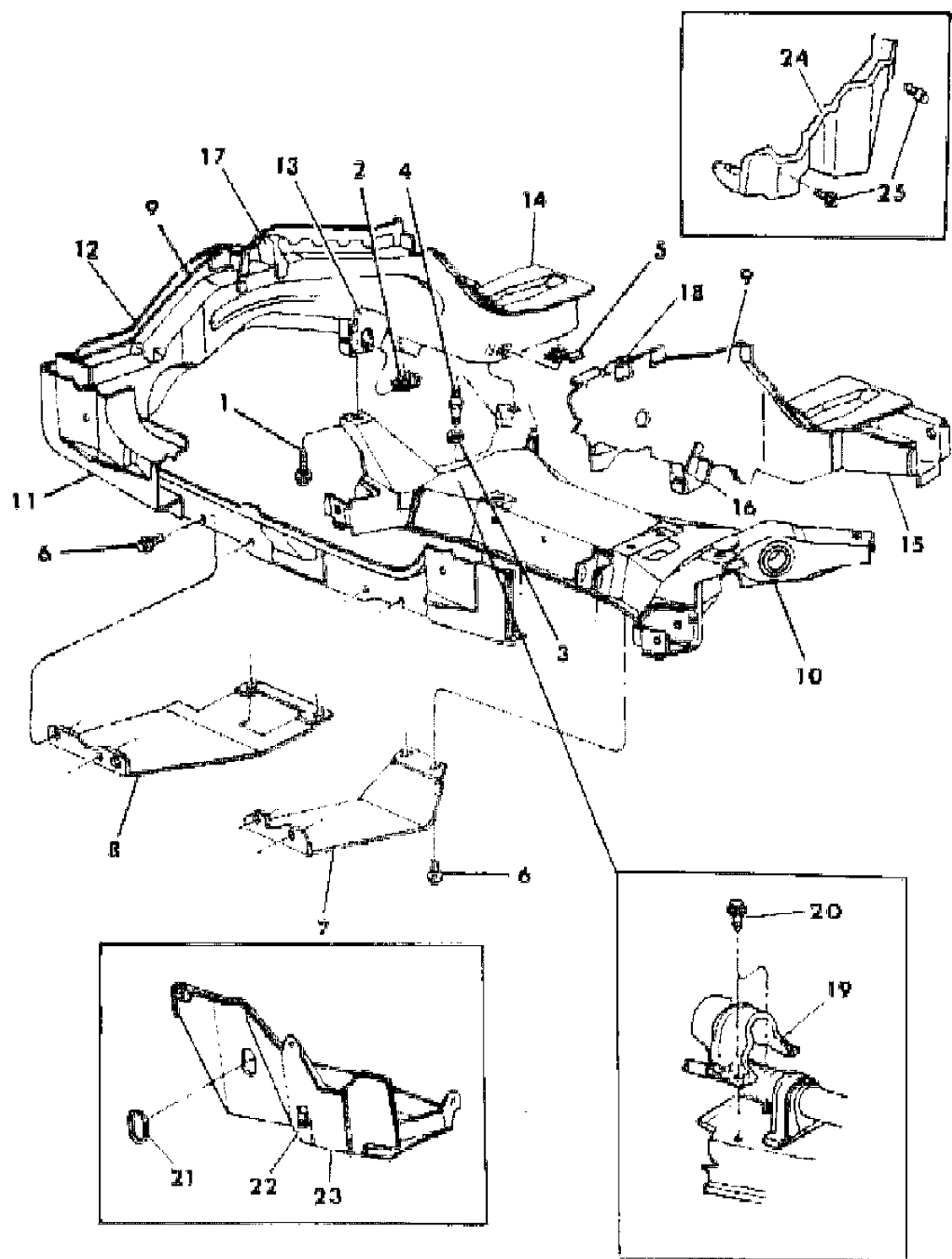
BODY STYLES

21 = 2-DOOR SEDAN	35 = FWD VAN	44 = 4-DOOR HATCHBACK
22 = 2-DOOR SPECIAL COUPE	36 = FWD WAGON	45 = 4-DOOR STATION WAGON
24 = 2-DOOR HATCHBACK	41 = 4-DOOR SEDAN	49 = LIMOUSINE
27 = 2-DOOR CONVERTIBLE		

AR = Use as Required - = Non Illustrated Part P.A.R. = Paint as Required

FRAME FRONT S BODY
Figure 13-400

5113 400 E



ITEM	PART NUMBER	QTY	BODY	MODEL	DESCRIPTION
1	6500 604	2			BOLT and WASHER
2	4191 299	2			PLATE-NUT, C/Mem. To Frt. S/Rail
3	6500 122	2			NUT, Front C/Mem., Rear
4	5202 246	2			STUD, Front C/Mem., Rear
5	6501 075	2			PLATE-NUT, Front C/Mem., Rear
6		8			BOLT and WASHER (Not Serviced)
7	4322 019	1			SHIELD, Trans. Oil Pan
8	4322 018	1			SHIELD, Eng. Oil Pan
9					RAIL, Side, Front
	4341 652	1			Right, Up To 4/15/85
	4386 568	1			Right, After 4/15/85
	4341 655	1			Left, Up To 4/15/85
	4386 567	1			Left, After 4/15/85
	4270 119	1			BRACKET, Front Side Rail, Front Eng. Mtg., Front
	4270 106-7	1			REINFORCEMENT, Side Front Rail, Inner (Not Illustrated)
10	4322 669	1			CROSSMEMBER, Front Suspension Complete
	4296 258	1			TIE PLATE, Front Crossmember Flange (Not Ill.)
11					PANEL, Rad. Closure (Reference Only)
12	4270 100-1	1			REINFORCEMENT, Side Front Rail, Outer
13	4270 212-3	1			BRACKET, Crossmember Mounting
14	4270 104	2			REINFORCEMENT, Side Front Rail to Dash Panel
15	4270 102-3	1			REINFORCEMENT, Side Front Rail to Sill Inner
16	4270 210-1	1			BRACKET, Side Front Rail Outer Reinforcement Brake Tube Support
17					BRACKET, Front Side Rail Engine Mounting
	4270 224	1			Right, Up To 4/15/85
	4386 570	1			Right, After 4/15/85
18	4296 373	1			BRACKET, Front Side Rail Engine Mount, Upper Left
	4296 375	1			BRACKET, Front Side Rail Engine Mount, Lower Left (Not Ill.)
19	4052 642	2			SHIELD, Front Suspension Crossmember Steering Gear Boot Splash Shield
20		4			SCREW (Not Serviced)
21	2811 825	1			PLUG
22	6029 509	2			U-NUT
23					SHIELD, Accessory Drive Splash
	4270 230	1			w/2.6 Eng.
	4270 228	1			w/2.2 Eng.

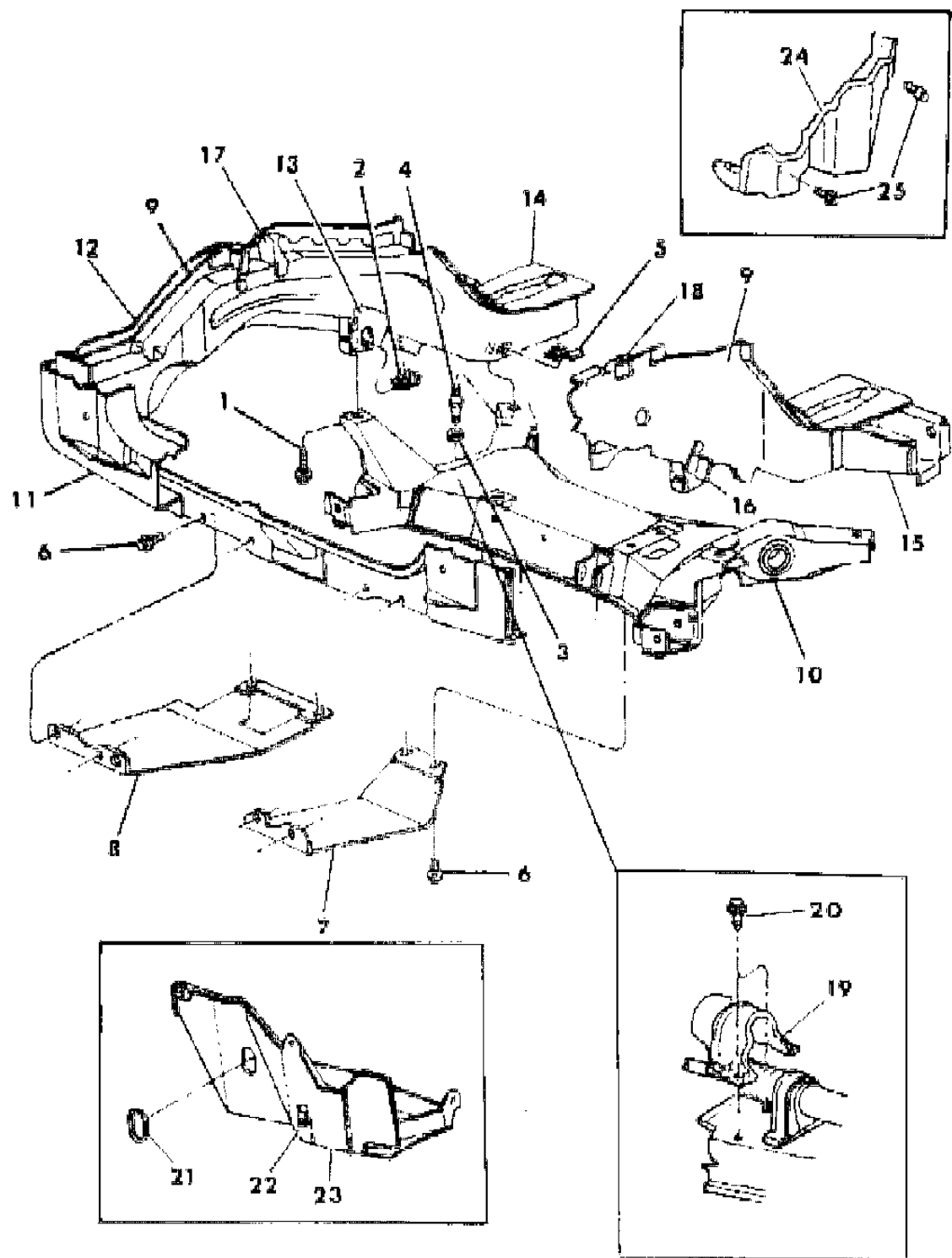
MODEL CODES
 B = GRAN FURY
 C = LE BARON/TOWN & COUNTRY/LIMO
 C24 = LASER
 C44 = LE BARON/GTS
 D = ARIES
 D44 = LANCER
 E = 600
 F = FIFTH AVENUE/NEWPORT
 G = DIPLOMAT
 H = VOYAGER
 J = CARAVELLE
 K = MINI VAN/CARAVAN/ROYAL
 M = HORIZON/TURISMO
 P = RELIANT
 T = NEW YORKER
 V = 600
 V24 = DAYTONA
 Z = OMNI/CHARGER

BODY STYLES
 21 = 2-DOOR SEDAN
 22 = 2-DOOR SPECIAL COUPE
 24 = 2-DOOR HATCHBACK
 27 = 2-DOOR CONVERTIBLE
 35 = FWD VAN
 36 = FWD WAGON
 41 = 4-DOOR SEDAN
 44 = 4-DOOR HATCHBACK
 45 = 4-DOOR STATION WAGON
 49 = LIMOUSINE

AR = Use as Required - = Non Illustrated Part P.A.R. = Paint as Required

FRAME FRONT S BODY
Figure 13-400

5113 400 E



ITEM	PART NUMBER	QTY	BODY	MODEL	DESCRIPTION
24	4296 932	1			SHIELD, Trans. Appearance, Left
25		2			SCREW and WASHER (Not Serviced)

MODEL CODES

B = GRAN FURY	E = 600	M = HORIZON/TURISMO
C = LE BARON/TOWN & COUNTRY/LIMO	F = FIFTH AVENUE/NEWPORT	P = RELIANT
C24 = LASER	G = DIPLOMAT	T = NEW YORKER
C44 = LE BARON/GTS	H = VOYAGER	V = 600
D = ARIES	J = CARAVELLE	V24 = DAYTONA
D44 = LANCER	K = MINI VAN/CARAVAN/ROYAL	Z = OMNI/CHARGER

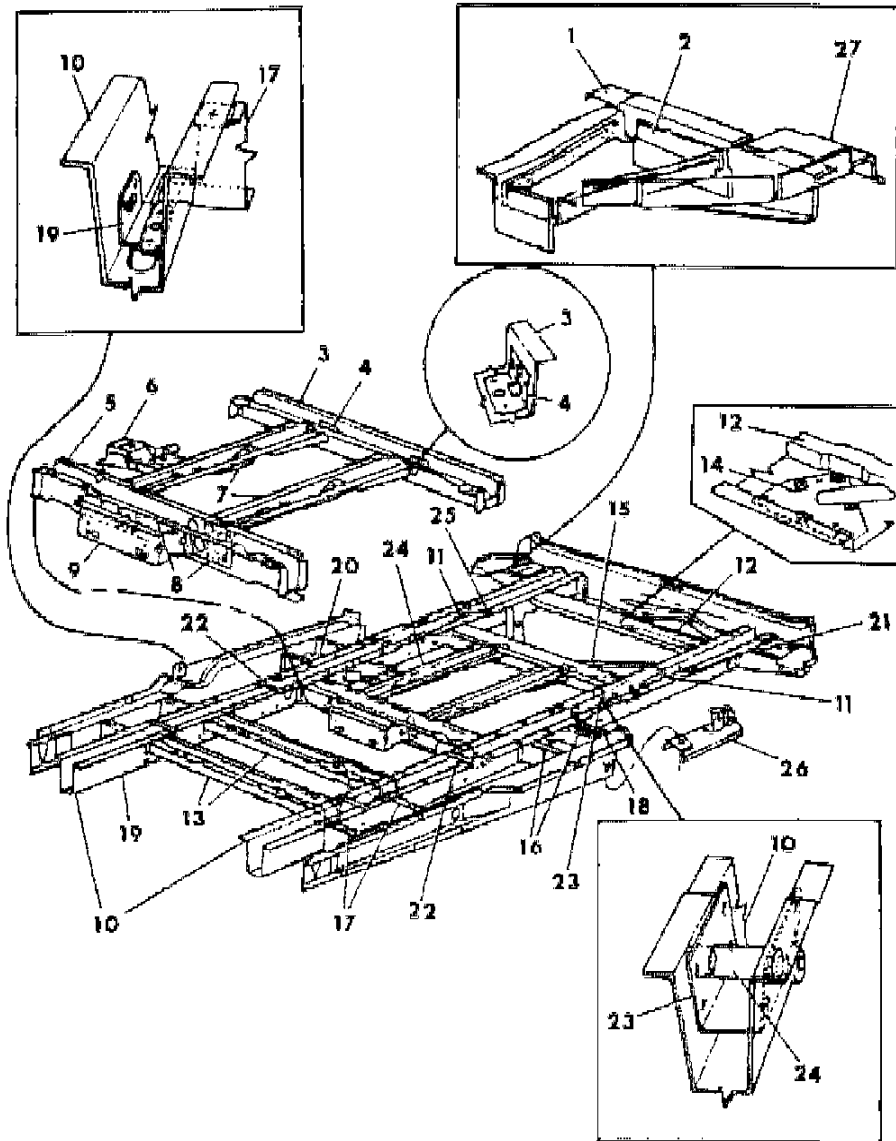
BODY STYLES

21 = 2-DOOR SEDAN	35 = FWD VAN	44 = 4-DOOR HATCHBACK
22 = 2-DOOR SPECIAL COUPE	36 = FWD WAGON	45 = 4-DOOR STATION WAGON
24 = 2-DOOR HATCHBACK	41 = 4-DOOR SEDAN	49 = LIMOUSINE
27 = 2-DOOR CONVERTIBLE		

AR = Use as Required - = Non Illustrated Part P.A.R. = Paint as Required

FRAME REAR S BODY
Figure 13-500

5113 500 A



ITEM	PART NUMBER	QTY	BODY	MODEL	DESCRIPTION
1	4278 194-5	1			SUPPPORT, Floor Pan, Rear Susp. Hanger, Rear Bracket
2	4278 398	2			PLATE, Floor Pan, Rear Susp. Hanger, Rear Bracket
3	4278 029	1			CROSSMEMBER, Floor Pan, Fuel Tank Supt., Rear Up To 3/22/85
	4371 344	1			After 3/22/85
4	4278 500	2			REINFORCEMENT, Floor Pan, Fuel Tank Supt., Rear C/Member Strap Mtg.
5	4337 695	1			CROSSMEMBER, Floor Pan Fuel Tank Supt., Front
6	4314 518	1			REINFORCEMENT, Floor Pan Fuel Tank Supt. to Side Rail Side, Right
7	4278 196	2			STRAINER, Floor Pan, Fuel Tank Supt.
8	4278 492	2			REINFORCEMENT, Floor Pan, Fuel Tank Supt., Front, C/Member Strap Mtg.
9	4278 681	1			BRACKET, Tail Pipe Hanger, Front
10	4337 807	2			RAIL, Floor Pan, Side Up To 3/18/85
	4371 345	2			After 3/18/85
11	4337 808	2			REINFORCEMENT, Floor Pan S/Rail Jounce & Shipping Tie Down
12	4278 402	1			CROSSMEMBER, Floor Pan Tire Stowage Support
13	4278 037	2			Up to 10/18/84
	4371 269	2			After 10/18/84
	4371 122	4			REINFORCEMENT, Flr. Pan Frt. & Rr. Seat Supt. Crossmember (Not Ill.)
14	4314 734	1			REINFORCEMENT, Floor Pan Tire Stowage C/Mem.
15	4337 961	1			BRACKET, Sensing Valve & Tire Supt. Frt. Hanger Mtg.
16	4314 101	2			BRACKET, Floor Pan Rear Susp. Hanger, Front
	4314 223	2			PLUG, Floor Pan Rear Suspension Hanger Front Bracket
17	4278 960	4			REINFORCEMENT, Floor Pan S/Rail To Sill, Inner
18	4314 333	1			SUPPORT, Rear Spring To Fuel Filler Tube Ret., Front, Left
19	4278 930	1			REINFORCEMENT, Body Side Rail Brake Cable, Right
20	4314 103	2			PLATE, Rear Susp. Hanger Brkt. Mtg., Front
21	4314 732	1			REINFORCEMENT, Floor Pan Rear S/Rail Winch Mtg., Left
22	4278 554	2			PLATE, Floor Pan Rear Rail Tie
23	4314 148	2			BRACKET, Floor Pan Rear Shock Abs. Sleeve Mtg. Up To 3/18/85

MODEL CODES

B = GRAN FURY	E = 600	M = HORIZON/TURISMO
C = LE BARON/TOWN & COUNTRY/LIMO	F = FIFTH AVENUE/NEWPORT	P = RELIANT
C24 = LASER	G = DIPLOMAT	T = NEW YORKER
C44 = LE BARON/GTS	H = VOYAGER	V = 600
D = ARIES	J = CARAVELLE	V24 = DAYTONA
D44 = LANCER	K = MINI VAN/CARAVAN/ROYAL	Z = OMNI/CHARGER

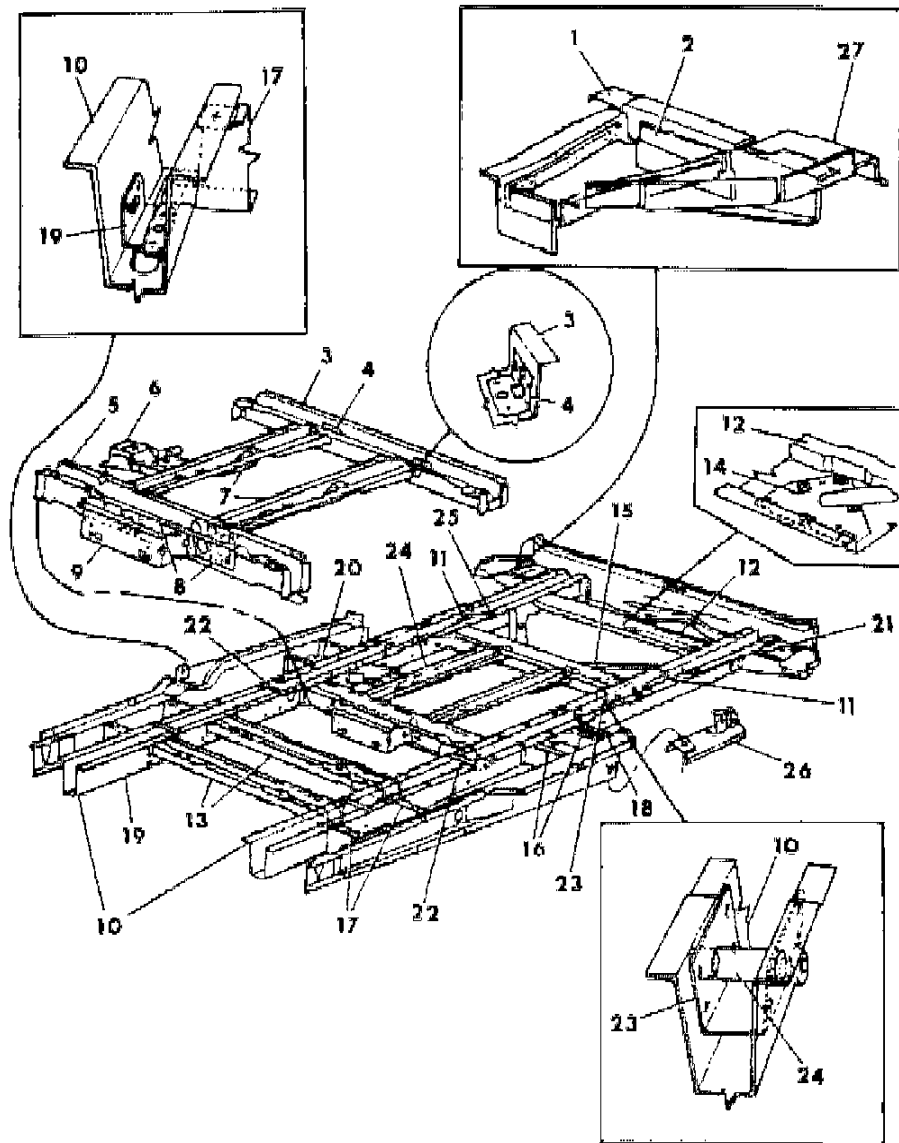
BODY STYLES

21 = 2-DOOR SEDAN	35 = FWD VAN	44 = 4-DOOR HATCHBACK
22 = 2-DOOR SPECIAL COUPE	36 = FWD WAGON	45 = 4-DOOR STATION WAGON
24 = 2-DOOR HATCHBACK	41 = 4-DOOR SEDAN	49 = LIMOUSINE
27 = 2-DOOR CONVERTIBLE		

AR = Use as Required - = Non Illustrated Part P.A.R. = Paint as Required

FRAME REAR S BODY
Figure 13-500

5113 500 A



ITEM	PART NUMBER	QTY	BODY	MODEL	DESCRIPTION
	4371 622	2			After 3/18/85
24	4278 579	2			SLEEVE, Floor Pan Rail Rear Shock Abs. Mtg. Up To 3/18/85
	4371 620	2			After 3/18/85
25	4337 806	4			STRAP, Floor Pan S/Rail Rear Seat Striker Reinf.
26	4314 329	1			RETAINER, Rear Spring To Fuel Filler Tube, Left
27	4278 192-3	1			BRACKET, Floor Pan Rear Suspension Hanger, Rear

MODEL CODES

B = GRAN FURY	E = 600	M = HORIZON/TURISMO
C = LE BARON/TOWN & COUNTRY/LIMO	F = FIFTH AVENUE/NEWPORT	P = RELIANT
C24 = LASER	G = DIPLOMAT	T = NEW YORKER
C44 = LE BARON/GTS	H = VOYAGER	V = 600
D = ARIES	J = CARAVELLE	V24 = DAYTONA
D44 = LANCER	K = MINI VAN/CARAVAN/ROYAL	Z = OMNI/CHARGER

BODY STYLES

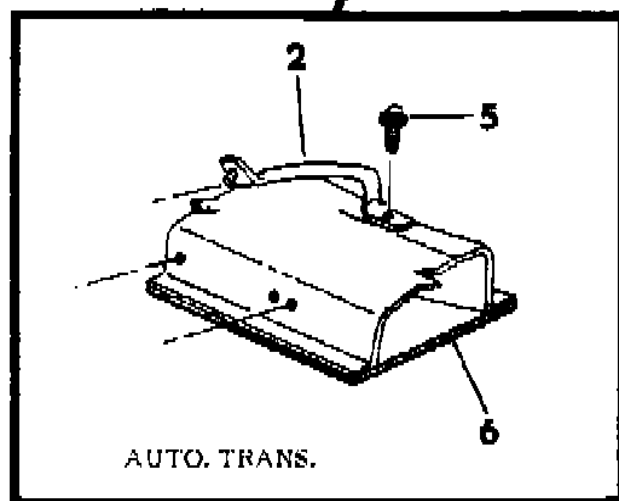
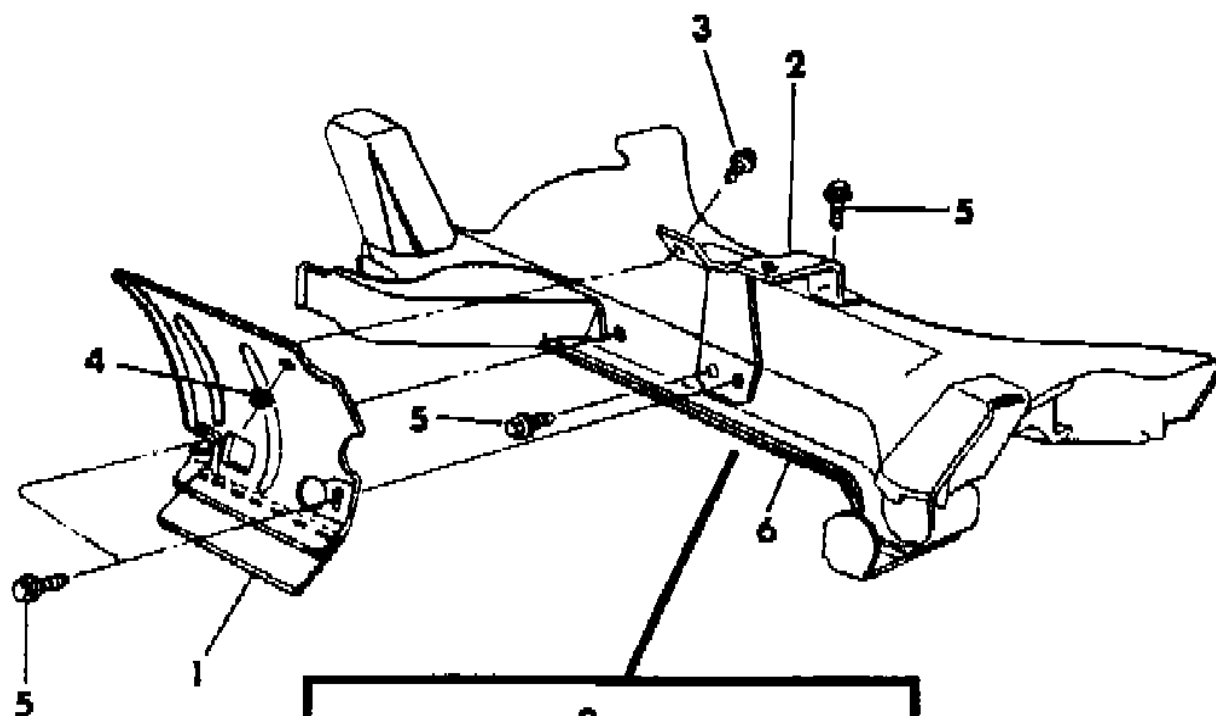
21 = 2-DOOR SEDAN	35 = FWD VAN	44 = 4-DOOR HATCHBACK
22 = 2-DOOR SPECIAL COUPE	36 = FWD WAGON	45 = 4-DOOR STATION WAGON
24 = 2-DOOR HATCHBACK	41 = 4-DOOR SEDAN	49 = LIMOUSINE
27 = 2-DOOR CONVERTIBLE		

AR = Use as Required - = Non Illustrated Part P.A.R. = Paint as Required

SHIELD, BOOT AIR DEFLECTOR EXC M BODY
Figure 13-550

5113 550

ITEM	PART NUMBER	QTY	BODY	MODEL	DESCRIPTION
1					SHIELD, Boot Air Deflector
	4266 744	1	Exc H,K		Up To 2/1/85
	4266 557	1	Exc H,K		After 2/1/85
	4266 321	1	H,K		
2	4188 375	1			BRACKET, Shield Att., Man. Trans.
	4140 765	1			Auto. Trans.
3	6100 286	1			SCREW and WASHER
4	6100 047	1			NUT and WASHER
5	6501 087	AR			BOLT
6					C/MEMBER, Frt. (Ref.)



MODEL CODES

B = GRAN FURY	E = 600	M = HORIZON/TURISMO
C = LE BARON/TOWN & COUNTRY/LIMO	F = FIFTH AVENUE/NEWPORT	P = RELIANT
C24 = LASER	G = DIPLOMAT	T = NEW YORKER
C44 = LE BARON/GTS	H = VOYAGER	V = 600
D = ARIES	J = CARAVELLE	V24 = DAYTONA
D44 = LANCER	K = MINI VAN/CARAVAN/ROYAL	Z = OMNI/CHARGER

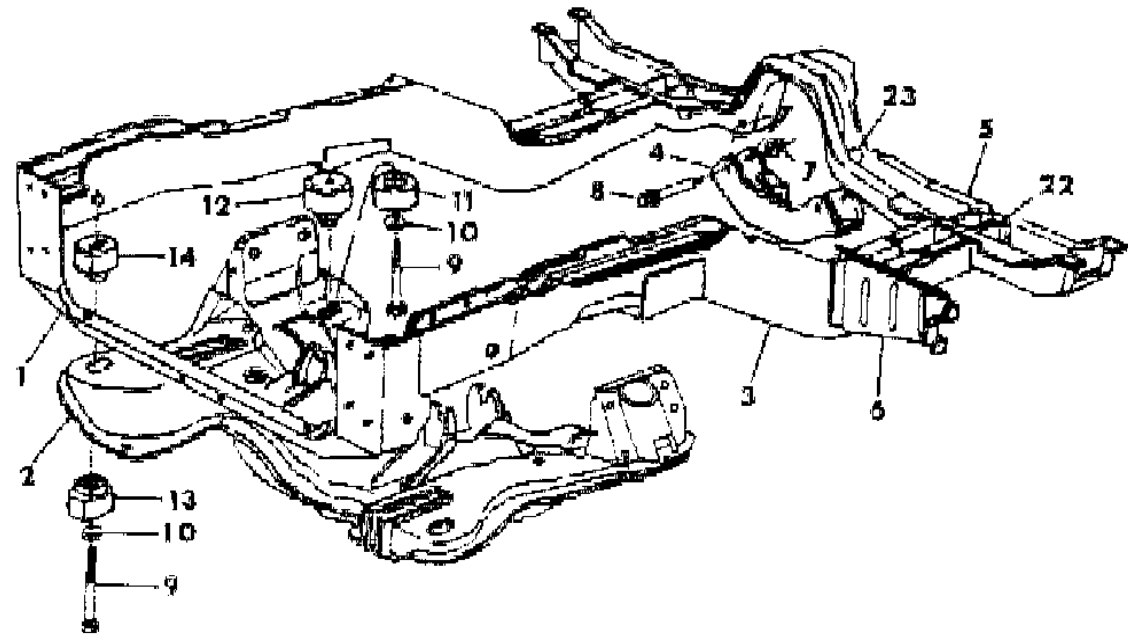
BODY STYLES

21 = 2-DOOR SEDAN	35 = FWD VAN	44 = 4-DOOR HATCHBACK
22 = 2-DOOR SPECIAL COUPE	36 = FWD WAGON	45 = 4-DOOR STATION WAGON
24 = 2-DOOR HATCHBACK	41 = 4-DOOR SEDAN	49 = LIMOUSINE
27 = 2-DOOR CONVERTIBLE		

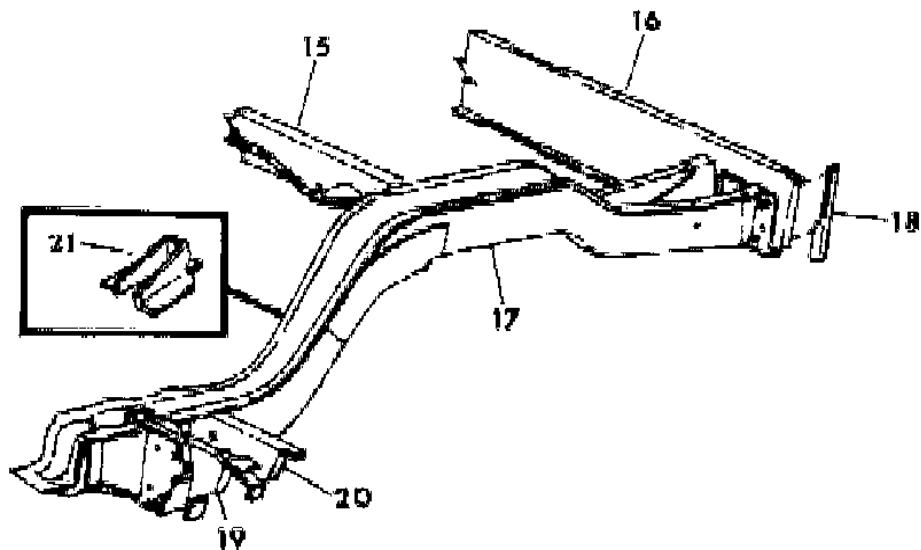
AR = Use as Required - = Non Illustrated Part P.A.R. = Paint as Required

FRAME M BODY
Figure 13-600

5113 600



ITEM	PART NUMBER	QTY	BODY	MODEL	DESCRIPTION
1	4296 620	1			CROSSMEMBER, Frt. Side Rail, Front
2	4322 172	1			CROSSMEMBER, Frt. Suspension Comp.
3	4129 898-9	1			RAIL, w/Reinforcement, Front
4	4001 797	1			CROSSMEMBER, Frame Trans. Mtg.
5	4296 617	1			CROSSMEMBER, Frt. Side Rail Rear
6	4314 640-1	1			REINFORCEMENT, Frt. Side Rail to Side Sill, Inner
7	0152 344	2			NUT, Std.
8	6029 550	2			BOLT, Std.
9	6031 150	4			BOLT, Body Hold Down
10	4001 701	4			WASHER, Body Hold Down
11	4001 552	2			ISOLATOR, Rr. Lwr. Cushion
12	4001 554	2			ISOLATOR, Rr. Upr. Cushion
13	4001 596	2			ISOLATOR, Frt. Lwr. Cushion
14	4001 595	2			ISOLATOR, Frt. Upr. Cushion
15	4314 665	1			CROSSMEMBER, Rr. Shock Abs.
16	4314 663	1			CROSSMEMBER, Rr. Floor Pan, Rear
17	4325 152-3	1			RAIL, Rear Floor Pan, Right
18	4015 634	2			REINFORCEMENT, Rr. Floor Pan Rr. C/Member, w/H.D.Service Pkg.
19	4325 148-9	1			SUPPORT, w/Gusset Ctr. Flr. Pan Rr. Susp. Frt. Hgr. Brkt.
20		1			REINFORCEMENT, Rr. Side Rail to Side Sill Inr. Rr.(Not Serviced)
21	4314 662	2			BRACKET, Rear Side Rail Park Brake Cable
	4296 686-7	1			PLATE, Frt. S/Rail C/Member Reinf.Rr., H.D. (Not Ill.)
	4296 684-5	1			DOUBLER, Frt. S/Rail Frt. Susp. C/Member Reinf. Outer, Rt, H.D. (Not Illustrated)
22	4296 618	4			REINFORCEMENT, Front Side Rail Rear Crossmember Outer
23	4296 619	2			SPACER, Front Side Rail Rear Crossmember



MODEL CODES

B = GRAN FURY	E = 600	M = HORIZON/TURISMO
C = LE BARON/TOWN & COUNTRY/LIMO	F = FIFTH AVENUE/NEWPORT	P = RELIANT
C24 = LASER	G = DIPLOMAT	T = NEW YORKER
C44 = LE BARON/GTS	H = VOYAGER	V = 600
D = ARIES	J = CARAVELLE	V24 = DAYTONA
D44 = LANCER	K = MINI VAN/CARAVAN/ROYAL	Z = OMNI/CHARGER

BODY STYLES

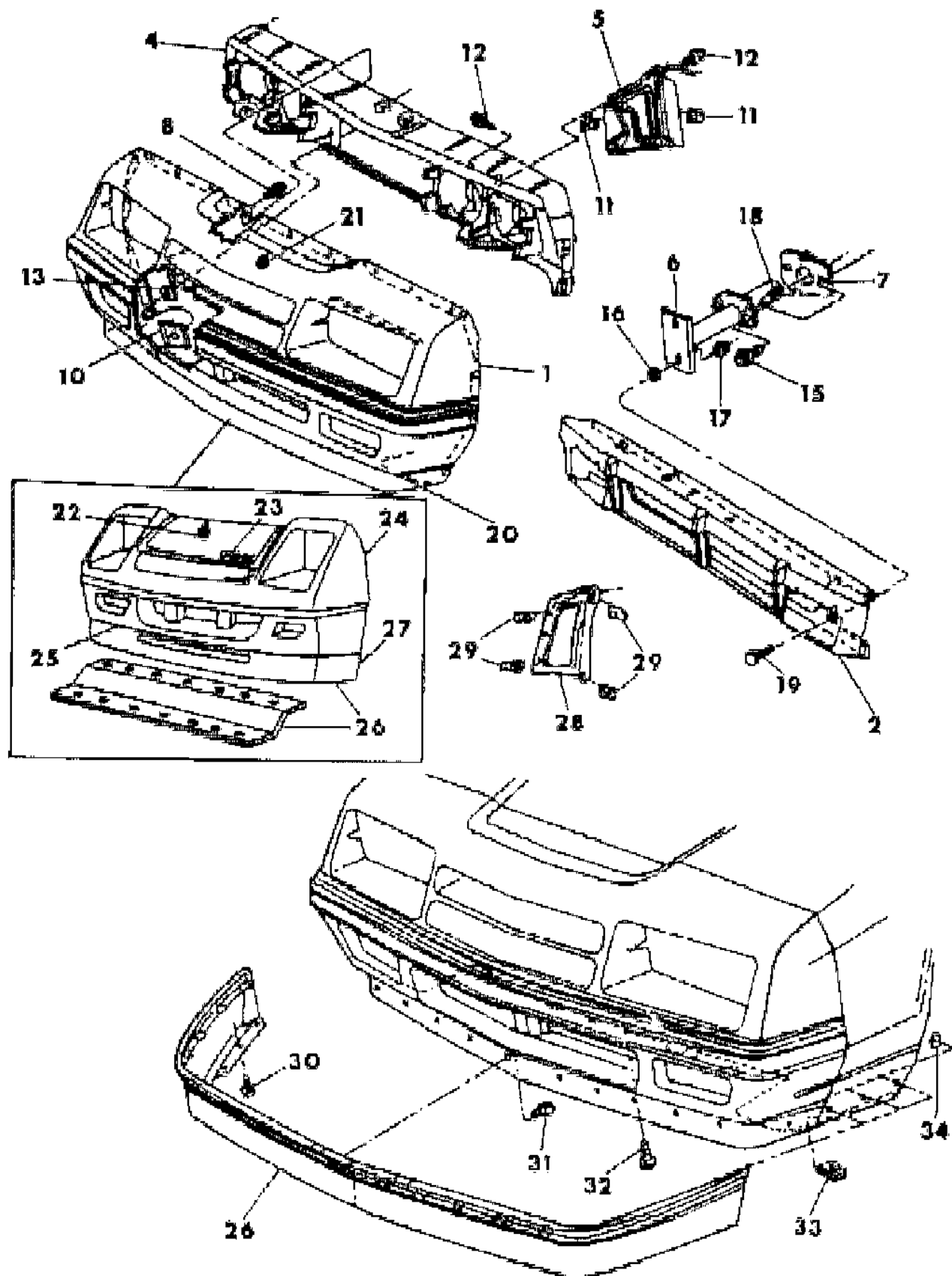
21 = 2-DOOR SEDAN	35 = FWD VAN	44 = 4-DOOR HATCHBACK
22 = 2-DOOR SPECIAL COUPE	36 = FWD WAGON	45 = 4-DOOR STATION WAGON
24 = 2-DOOR HATCHBACK	41 = 4-DOOR SEDAN	49 = LIMOUSINE
27 = 2-DOOR CONVERTIBLE		

AR = Use as Required - = Non Illustrated Part P.A.R. = Paint as Required

FASCIA, BUMPER FRONT L BODY - 24

Figure 13-1100

5131100



ITEM	PART NUMBER	QTY	BODY	MODEL	DESCRIPTION
1	4270 500	1		M-H,Z-H	FASCIA, Bumper Front
	4334 197	1		M-P,Z-P	w/Air Dam Holes
2	4270 520	1			REINFORCEMENT, Fascia
	5216 104	1		Z-S	REINFORCEMENT, Fascia
4	4270 504	1			PANEL, Fascia H/Lamp Mtg.
	5201 328	1		Z-S	
5	4270 596-7	1		M,Z	BRACE, Fascia H/Lamp Mtg.
6	4270 528	2			ABSORBER, Impact, w/Man. Trans.
	4270 530	2			Auto. Trans. w/o Nut and Retainer
	4270 645	2			w/Nut and Retainer
	5205 109	2		Z-S	Absorber (5 mile)
	4194 959	2		Z-S	Absorber (2 1/2 Mile)
7	4194 965	2			BRACKET, Limiter
8					SCREW and WASHER (Not Serviced)
9	6100 049	10			NUT and WASHER
10	6500 272	4			STUD, w/Retainer
11	6100 041	AR			U-NUT
12	6100 566	AR			SCREW and WASHER
13	6500 321	4			NUT, Spring
15	6500 702	4			SCREW and WASHER
16					PUSH-NUT (Not Serviced)
17	6500 086	4			NUT and WASHER
18					NUT, w/Retainer (Not Serviced)
19	6500 381	4			BOLT, Pad Impact
20	4270 512	1			LICENSE-PLATE PKG., Front
	4270 389	1		Z-S	
21	4270 517	1			PENASTAR, Fascia, Chrome
	4103 380	1		M-P,Z-P	Painted
22	4270 369	1		Z-S	PENASTAR, Frt. Bumper Fascia
23	T444 BA1	1		Z-S	DECAL, (DODGE), Silver
	T444 BB6	1		Z-S	Blue
	T444 CR6	1		Z-S	Red
	T444 CX9	1		Z-S	Black
24	4270 376	1		Z-S	FASCIA, Frt.Bumper (Paint As Req.)
25	4270 389	1		Z-S	LICENSE PLATE PKG. Frt.
	5216 050	1		Z-S	BUTTON, License Plate Mtg.
26	X901 BAB	1		Z-S	AIR DAM, Frt. Bumper Fascia, Silver w/Blue Accent

MODEL CODES

B = GRAN FURY	E = 600	M = HORIZON/TURISMO
C = LE BARON/TOWN & COUNTRY/LIMO	F = FIFTH AVENUE/NEWPORT	P = RELIANT
C24 = LASER	G = DIPLOMAT	T = NEW YORKER
C44 = LE BARON/GTS	H = VOYAGER	V = 600
D = ARIES	J = CARAVELLE	V24 = DAYTONA
D44 = LANCER	K = MINI VAN/CARAVAN/ROYAL	Z = OMNI/CHARGER

BODY STYLES

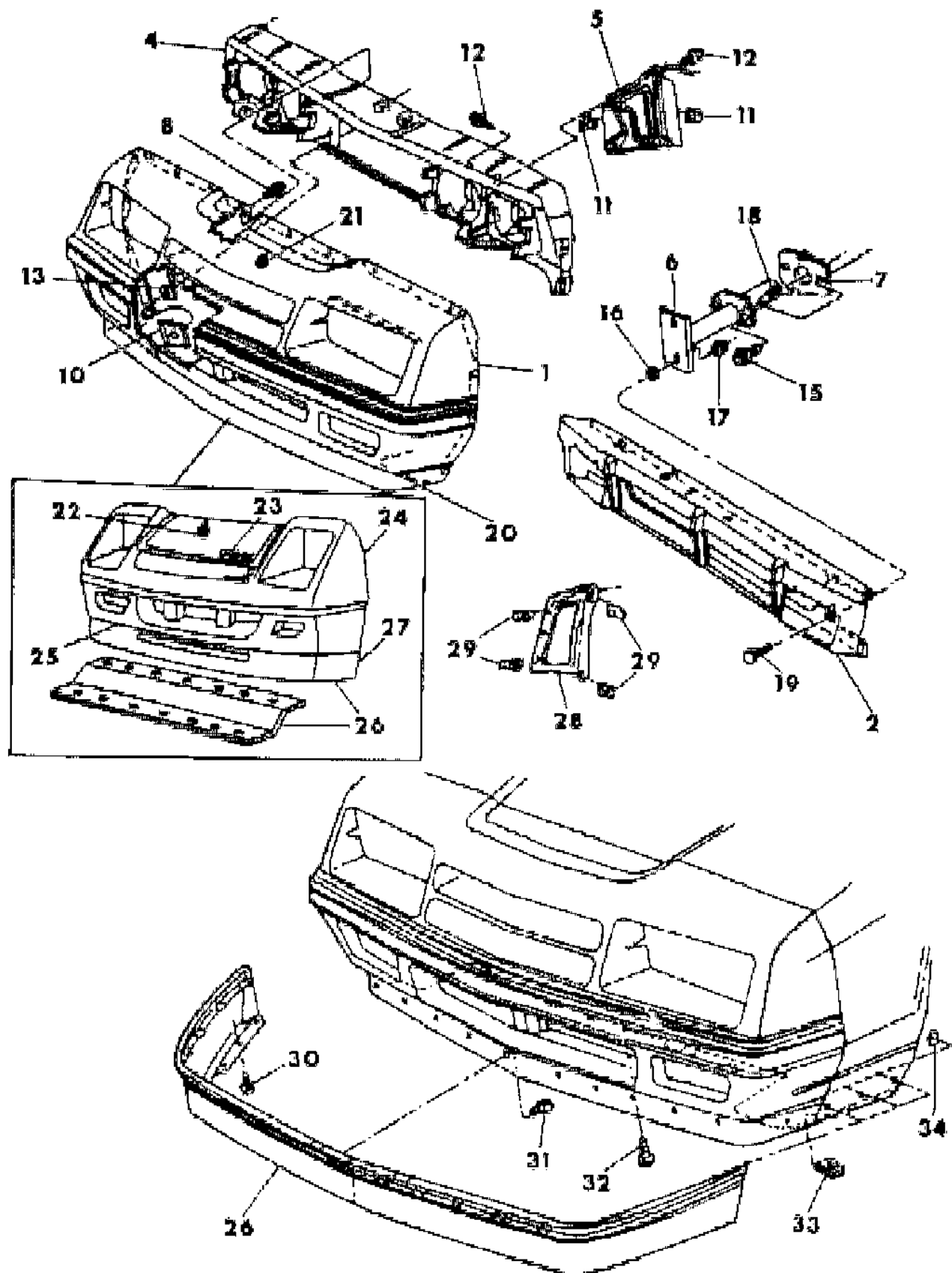
21 = 2-DOOR SEDAN	35 = FWD VAN	44 = 4-DOOR HATCHBACK
22 = 2-DOOR SPECIAL COUPE	36 = FWD WAGON	45 = 4-DOOR STATION WAGON
24 = 2-DOOR HATCHBACK	41 = 4-DOOR SEDAN	49 = LIMOUSINE
27 = 2-DOOR CONVERTIBLE		

AR = Use as Required - = Non Illustrated Part P.A.R. = Paint as Required

FASCIA, BUMPER FRONT L BODY - 24

Figure 13-1100

5131100



ITEM	PART NUMBER	QTY	BODY	MODEL	DESCRIPTION
	X901 BBA	1		Z-S	Blue w/Silver Accent
	X901 CAR	1		Z-S	Red w/Silver Accent
	X901 DAX	1		Z-S	Black w/Silver Accent
	X884 DA1	1		M-P,Z-P	Silver
	X884 DT4	1		M-P,Z-P	Gold Dust
	X884 DX9	1		M-P,Z-P	Black
		1		M-P,Z-P	PARTS PACKAGE, Air Dam Attaching (Not Serviced)
	6031 390	AR		Z-S	RETAINER, Air Dam (Not Ill.)
	6500 897	AR		Z-S	U-CLIP, Air-Dam Att.
	6500 898	AR		Z-S	RIVET, Air-Dam Att.
27	4293 604	1		Z-S	TAPE SET, Air Dam Side, Blue
	4293 605	1		Z-S	Silver
	4270 472	2		Z-S	STRAP, Air-Dam To Fender Ext.(Not Ill.)
28	4296 098-9	1		Z-S	BRACE, Fascia Supt. Closure Panel
29	6100 041	AR		Z-S	U-NUT
30	6024 067	4		M-P,Z-P	SCREW and WASHER
31		12		M-P,Z-P	SCREW and WASHER, 10-16 X 3/4 (Not Serviced)
32		8		M-P,Z-P	RETAINER, X-Mas Tree Type (Not Serviced)
33		4		M-P,Z-P	U-NUT, 10-24 Thd. (Not Serviced)
34	6026 430	6		M-P,Z-P	PUSH NUT

MODEL CODES

B = GRAN FURY	E = 600	M = HORIZON/TURISMO
C = LE BARON/TOWN & COUNTRY/LIMO	F = FIFTH AVENUE/NEWPORT	P = RELIANT
C24 = LASER	G = DIPLOMAT	T = NEW YORKER
C44 = LE BARON/GTS	H = VOYAGER	V = 600
D = ARIES	J = CARAVELLE	V24 = DAYTONA
D44 = LANCER	K = MINI VAN/CARAVAN/ROYAL	Z = OMNI/CHARGER

BODY STYLES

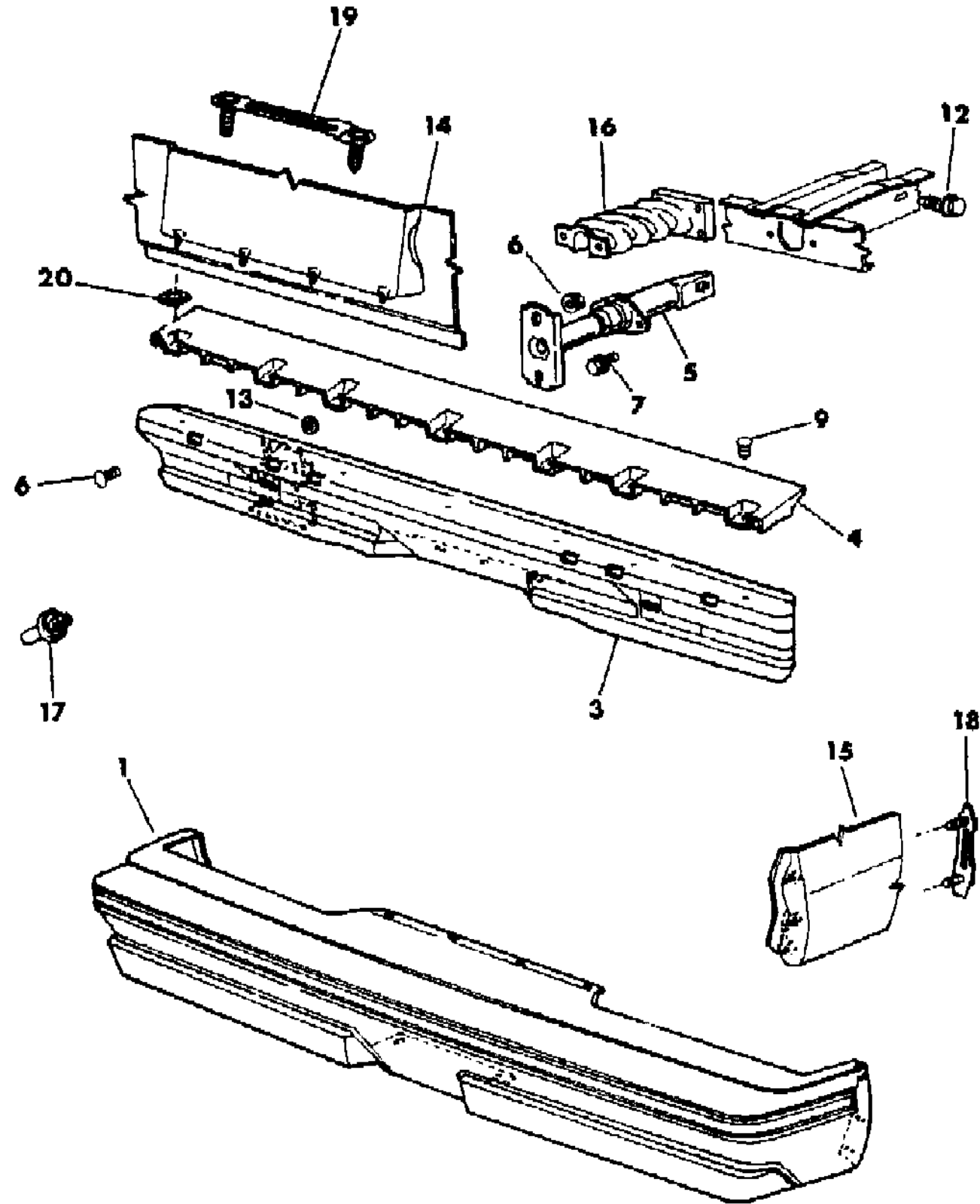
21 = 2-DOOR SEDAN	35 = FWD VAN	44 = 4-DOOR HATCHBACK
22 = 2-DOOR SPECIAL COUPE	36 = FWD WAGON	45 = 4-DOOR STATION WAGON
24 = 2-DOOR HATCHBACK	41 = 4-DOOR SEDAN	49 = LIMOUSINE
27 = 2-DOOR CONVERTIBLE		

AR = Use as Required - = Non Illustrated Part P.A.R. = Paint as Required

FASCIA, BUMPER REAR L BODY - 24
Figure 13-1200

5113 1200 A

ITEM	PART NUMBER	QTY	BODY	MODEL	DESCRIPTION
1	5216 312	1			FASCIA, Rear Bumper, Prime
	6500 321	AR			NUT, Spring
3	4103 322	1			REINFORCEMENT, Fascia
4	5216 308	1			SUPPORT, Fascia
5	5205 165	2			ABSORBER, Rear (5 Mile Impact)
	4194 976	2			(2 1/2 Mile Impact)
6	6500 381	4			BOLT
	6500 086	4			SCREW and WASHER
7	6100 592	4			SCREW and WASHER
9	6031 390	7			RETAINER, Support To Reinforcement
12	6500 309	AR			SCREW and WASHER
13					PUSHNUT (Not Serviced)
14					PANEL, Liftgate Opening (Ref.)
15					PANEL, Qtr. (Ref.)
16	4103 213	2			BOOT, Absorber Unit
	6003 654	8			RETAINER
17	6031 548	2			RETAINER, Fascia To Reinf.
18	5230 144	2			RETAINER, Qtr. O/S Panel Rr. Bumper Fascia
19	5230 140	2			RETAINER, Lower Panel To Fascia
20	6500 321	9			SPRING NUT
	4270 974	1			LICENSE-PLATE ATTACHING PKG. (Not Ill.)



MODEL CODES

B = GRAN FURY	E = 600	M = HORIZON/TURISMO
C = LE BARON/TOWN & COUNTRY/LIMO	F = FIFTH AVENUE/NEWPORT	P = RELIANT
C24 = LASER	G = DIPLOMAT	T = NEW YORKER
C44 = LE BARON/GTS	H = VOYAGER	V = 600
D = ARIES	J = CARAVELLE	V24 = DAYTONA
D44 = LANCER	K = MINI VAN/CARAVAN/ROYAL	Z = OMNI/CHARGER

BODY STYLES

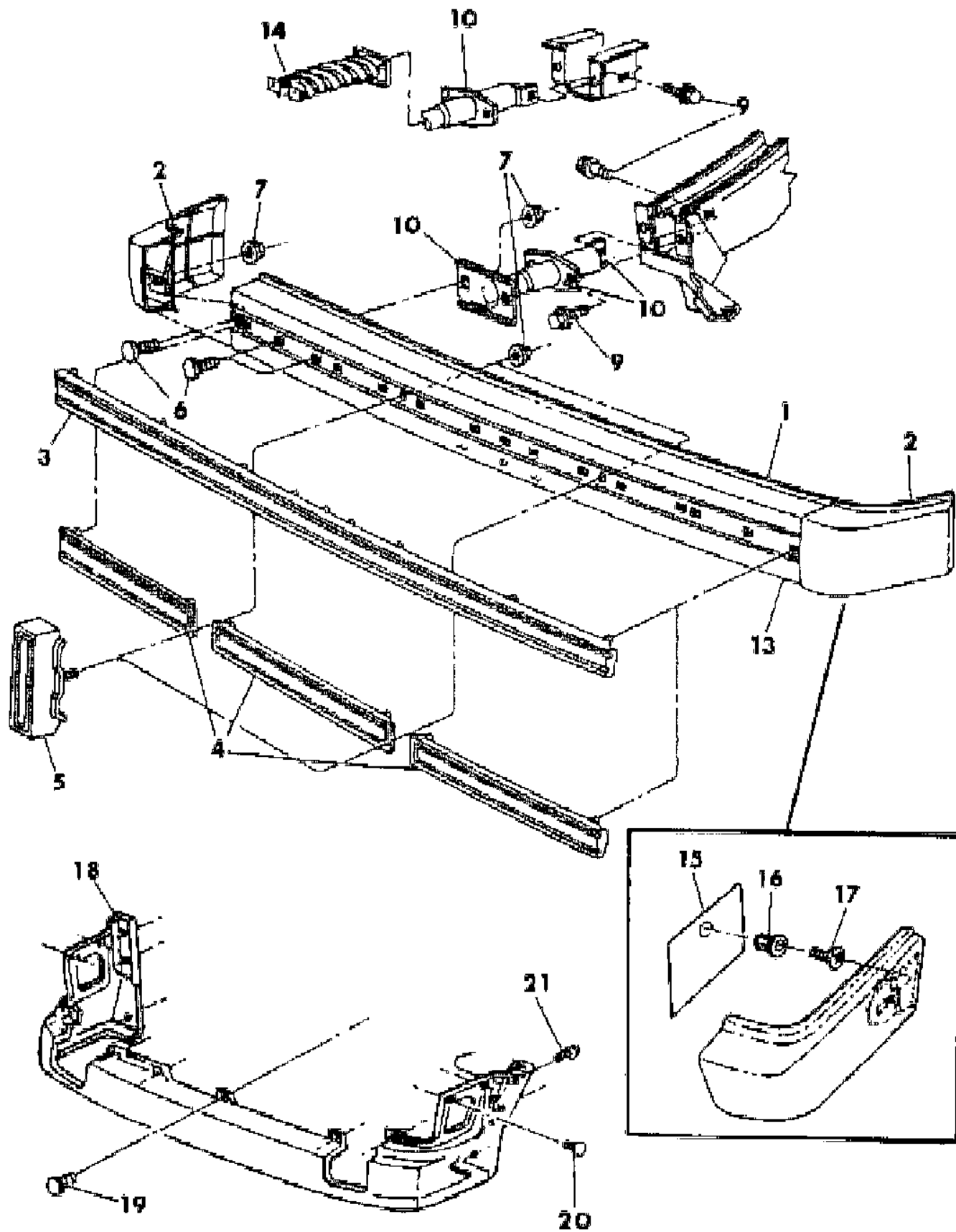
21 = 2-DOOR SEDAN	35 = FWD VAN	44 = 4-DOOR HATCHBACK
22 = 2-DOOR SPECIAL COUPE	36 = FWD WAGON	45 = 4-DOOR STATION WAGON
24 = 2-DOOR HATCHBACK	41 = 4-DOOR SEDAN	49 = LIMOUSINE
27 = 2-DOOR CONVERTIBLE		

AR = Use as Required - = Non Illustrated Part P.A.R. = Paint as Required

BUMPER, FRONT AND REAR L BODY - 44

Figure 13-1300

5113 1300



ITEM	PART NUMBER	QTY	BODY	MODEL	DESCRIPTION
1	5216 002	1			BUMPER, Front and Rear W/Nerf and Guards
	4194 270	1		Z-E	(Black) w/Performance Pkg.
2	4270 600-1	1			CAP, Bumper End Front
	4334 456-7	1		Z-E	w/Performance Pkg.
	4270 612-3	1			CAP, Bumper End Rear
	6500 750	2			SCREW, Cap To Fender
	6500 381	2			BOLT, End Cap, Front and Rear
	6500 086	2			NUT and WASHER, End Cap, Front and Rear
		2			FASTENER, w/Nut, Rear Bumper To Qtr. Panel (Not Serviced)
3	4194 862	1			NERF STRIP, w/o Guards
4	5216 012	3			NERF STRIP, w/Guards
5	5216 190	2			GUARD, Front and Rear
6	6500 075	6			BOLT
7	6500 086	8			NUT and WASHER
9	6100 592	6			SCREW and WASHER
10					ABSORBER, Front, (2 1/2 Mile Impact)
	4194 971	2			w/Man. Trans.
	4194 963	2			w/Auto.Trans.
	4194 986	2			ABSORBER, Rear (2 1/2 Mile Impact)
	4194 965	2			LIMITER-BRACKET, Frt.Bumper (2 1/2 Mile Impact) Use w/ Auto. Trans. (Not Ill.)
13	4194 462	1			LICENSE PLATE PKG., Front
	4270 974	1			Rear
	5216 050	AR			BUTTON, Rubber
	6023 925	AR			NUT
14	4103 318	2			BOOT, Absorber, Front
	4103 213	2			Rear
	6003 654	AR			RETAINER (Push-Nut)
15	4270 604	4			TAPE, Isolator Bumper End Cap, Front and Rear
16	6500 797	4			RIVET-NUT
17	6500 750	4			SCREW, Rivet-Nut
18	4334 294	1		Z-E	AIR DAM, Front w/Performance Pkg.
19	6031 976	6		Z-E	RETAINER, Air Dam to Closure Panel
20	6031 976	4		Z-E	RETAINER, Air Dam to Fender
21		6		Z-E	SCREW, Air Dam to Fender (Not Serviced)

MODEL CODES

B = GRAN FURY	E = 600	M = HORIZON/TURISMO
C = LE BARON/TOWN & COUNTRY/LIMO	F = FIFTH AVENUE/NEWPORT	P = RELIANT
C24 = LASER	G = DIPLOMAT	T = NEW YORKER
C44 = LE BARON/GTS	H = VOYAGER	V = 600
D = ARIES	J = CARAVELLE	V24 = DAYTONA
D44 = LANCER	K = MINI VAN/CARAVAN/ROYAL	Z = OMNI/CHARGER

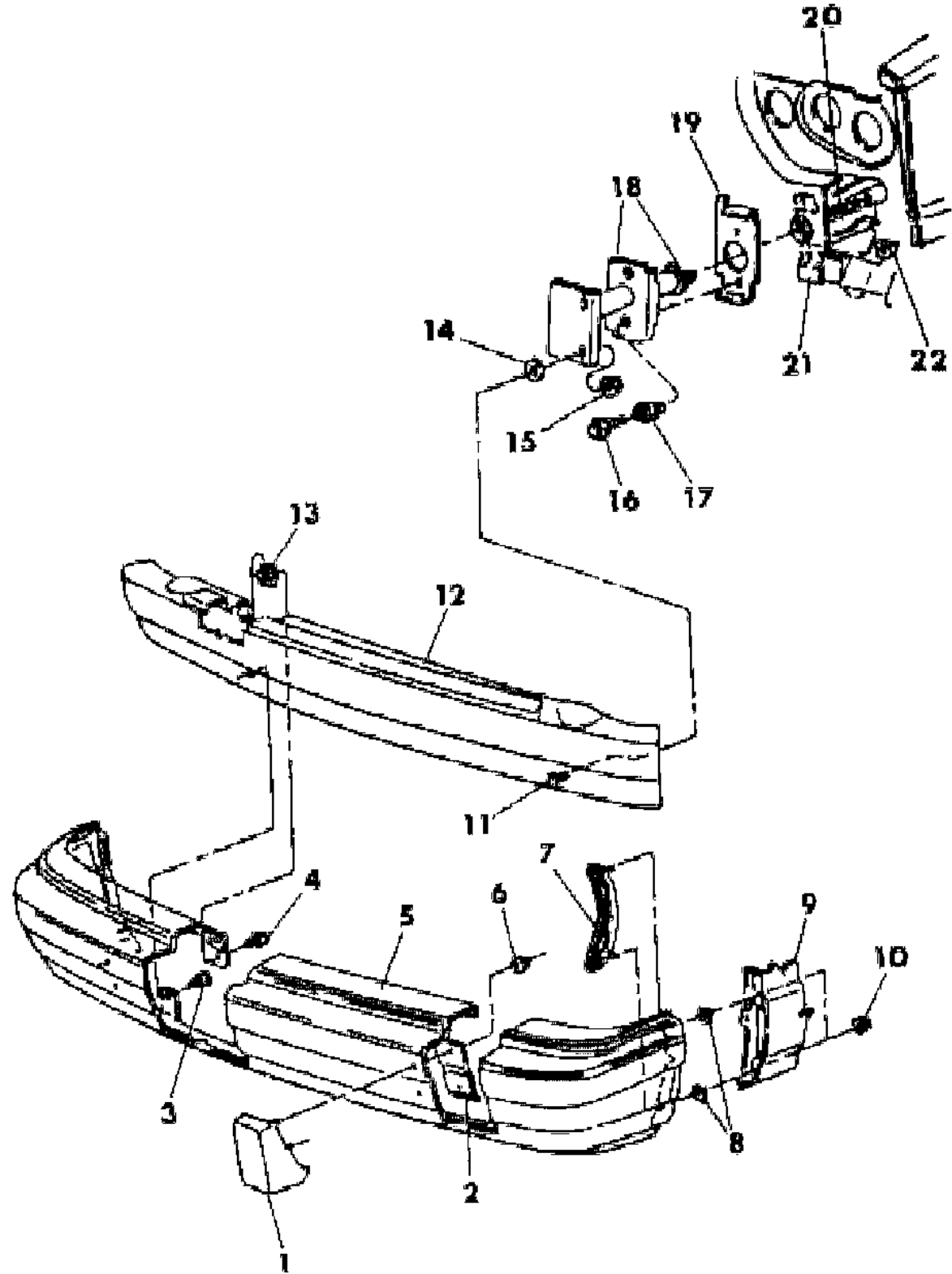
BODY STYLES

21 = 2-DOOR SEDAN	35 = FWD VAN	44 = 4-DOOR HATCHBACK
22 = 2-DOOR SPECIAL COUPE	36 = FWD WAGON	45 = 4-DOOR STATION WAGON
24 = 2-DOOR HATCHBACK	41 = 4-DOOR SEDAN	49 = LIMOUSINE
27 = 2-DOOR CONVERTIBLE		

AR = Use as Required - = Non Illustrated Part P.A.R. = Paint as Required

BUMPER, FRONT K BODY
Figure 13-1400

5113 1400



ITEM	PART NUMBER	QTY	BODY	MODEL	DESCRIPTION
1	4334 026-7	1			GUARD, w/Bolt and Cushion
2	4334 009	2			PLATE, Guard Attaching
3	6030 441	6			RETAINER
4	6100 286	4			SCREW and WASHER
5	4334 003	1			FASCIA, Front Bumper
	4334 006	1			NERF STRIP, Front Bumper Fascia
6	6100 047	4			NUT and WASHER
7	4334 034-5	1			RETAINER, Bumper Fascia to Fender
8	6100 840	4			PUSH NUT
9					PANEL, Fender (Ref. Only)
10	6500 284	4			NUT and WASHER
11	6500 463	4			BOLT
12	4334 040	1			REINFORCEMENT, w/Support, Bumper Fascia
13	6100 041	4			U-NUT
14		4			RETAINER (Not Serviced)
15	6100 051	4			NUT and WASHER
16	6500 702	4			BOLT and WASHER (w/Auto Trans.)
17		4			ISOLATOR (Serviced In Item No. 18)
18	4194 950	2			ABSORBER, 2 1/2 Mile Impact, w/Man. Trans.
	4194 917	2			2 1/2 Mile Impact w/Auto Trans.
	4194 946	2			5 Mile Impact
19	4194 927	2			LIMITER-BRACKET
20		2			GROMMET (Serviced In Item No. 18)
21					RAIL, Front (Ref. Only)
22	6500 634	2			U-NUT
	4334 038	1			LICENSE-PLATE ATTACHING PKG. (Not Ill.)
	4334 474	1			AIR DAM, Radiator Closure Panel (Not Ill.)

MODEL CODES

B = GRAN FURY	E = 600	M = HORIZON/TURISMO
C = LE BARON/TOWN & COUNTRY/LIMO	F = FIFTH AVENUE/NEWPORT	P = RELIANT
C24 = LASER	G = DIPLOMAT	T = NEW YORKER
C44 = LE BARON/GTS	H = VOYAGER	V = 600
D = ARIES	J = CARAVELLE	V24 = DAYTONA
D44 = LANCER	K = MINI VAN/CARAVAN/ROYAL	Z = OMNI/CHARGER

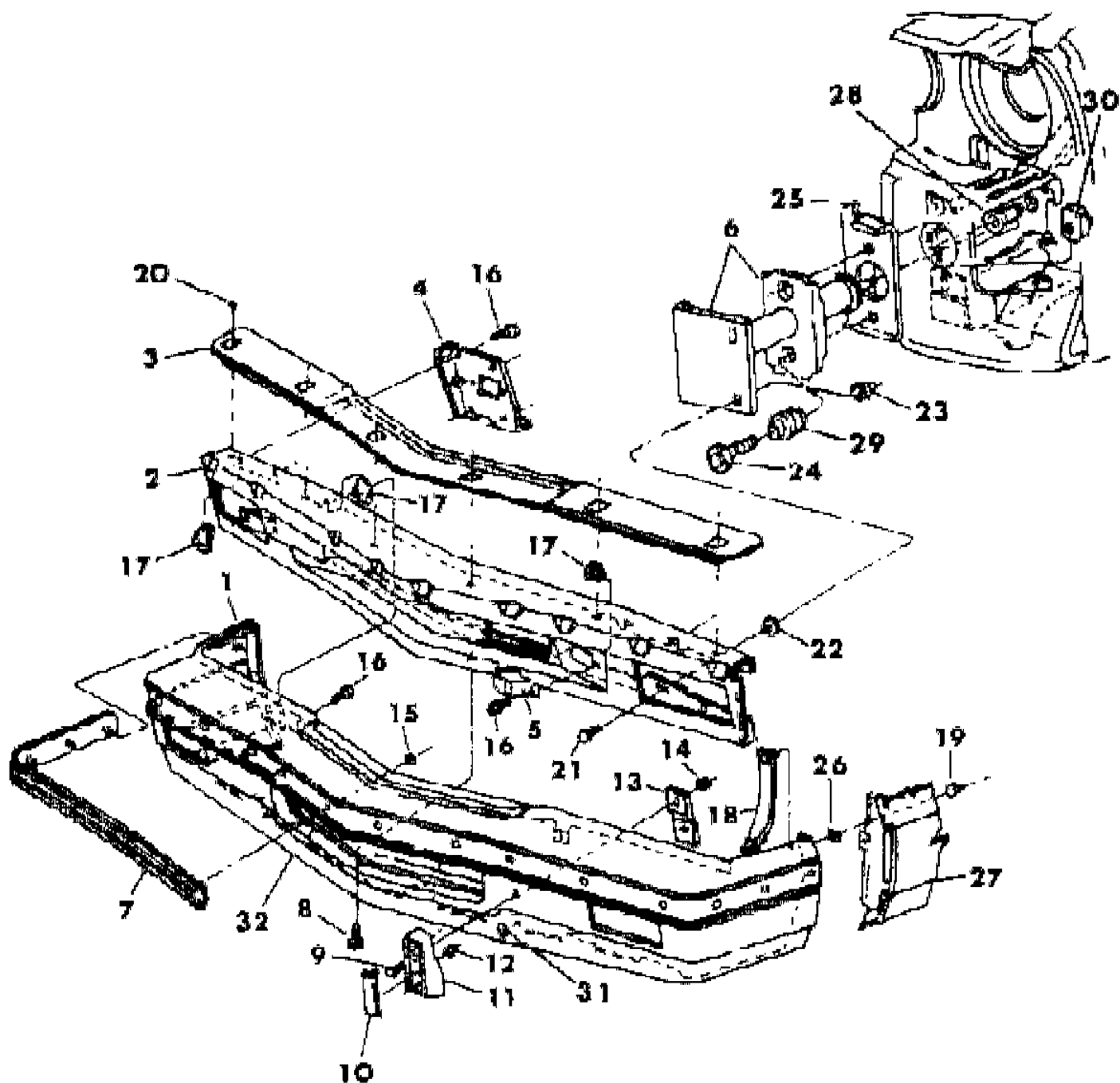
BODY STYLES

21 = 2-DOOR SEDAN	35 = FWD VAN	44 = 4-DOOR HATCHBACK
22 = 2-DOOR SPECIAL COUPE	36 = FWD WAGON	45 = 4-DOOR STATION WAGON
24 = 2-DOOR HATCHBACK	41 = 4-DOOR SEDAN	49 = LIMOUSINE
27 = 2-DOOR CONVERTIBLE		

AR = Use as Required - = Non Illustrated Part P.A.R. = Paint as Required

BUMPER, FRONT V,J,E
Figure 13-1500

5113 1500



ITEM	PART NUMBER	QTY	BODY	MODEL	DESCRIPTION
1	4194 440	1			FASCIA, Bumper, Front (Paint As Req.)
2	4194 439	1			REINFORCEMENT, Fascia
3	4194 414	1			SUPPORT, Fascia
4	4194 356-7	1			BRACKET, Fascia, Park and Turn Lamp Mtg.
5	4194 386	2			BRACE, Fascia Guard
6	4194 946	2			ABSORBER, Frt. (5 Mile Impact)
	4194 917	2			2 1/2 Mile Impact, w/Auto. Trans.
	4194 950	2			2 1/2 Mile Impact, w/Man.,Trans.
7	4074 504	1		V-P,27	NERF, Bumper Frt., w/Turbo Pkg.
	4074 595	1		V	w/o Turbo
	4074 595	1		J,E	
8	6030 441	8			RETAINER, Bumper To Reinf.
9	6500 489	4			BOLT, Guard
10	4194 422	2			CUSHION, Front
11	X574-5 AT3	1			GUARD, Front (Paint As Req.)
12	6031 147	4			SPRING-NUT
13	4194 417	2			PLATE, Guard Att.
14	6100 047	4			NUT and WASHER
15					WASHER (Not Serviced)
16	6100 286	16			SCREW and WASHER
17	6100 041	16			U-NUT
18	4194 274-5	2			RETAINER
19	6500 284	4			NUT and WASHER
20					RIVET (Not Serviced)
21	6500 463	4			BOLT, Carriage
22					RETAINER (Not Serviced)
23	6100 051	4			NUT and WASHER
24	6500 702	4			SCREW and WASHER
25	4194 927	2			LIMITER-BRACKET
26	6100 840	4			PUSH-NUT, Retainer
27					PANEL (Fender Ref.)
28		2			GROMMET (Serviced In Absorber Item 6)
29					ISOLATOR (Serviced In Absorber Item 6)
30	6500 634	2			U-NUT
31	6030 592	4			RETAINER
32	4194 434	1			LICENSE PLATE, Frt. Att. Pkg.
	4334 474	1			AIR DAM, Radiator Closure Panel (Not Ill.)

MODEL CODES

B = GRAN FURY	E = 600	M = HORIZON/TURISMO
C = LE BARON/TOWN & COUNTRY/LIMO	F = FIFTH AVENUE/NEWPORT	P = RELIANT
C24 = LASER	G = DIPLOMAT	T = NEW YORKER
C44 = LE BARON/GTS	H = VOYAGER	V = 600
D = ARIES	J = CARAVELLE	V24 = DAYTONA
D44 = LANCER	K = MINI VAN/CARAVAN/ROYAL	Z = OMNI/CHARGER

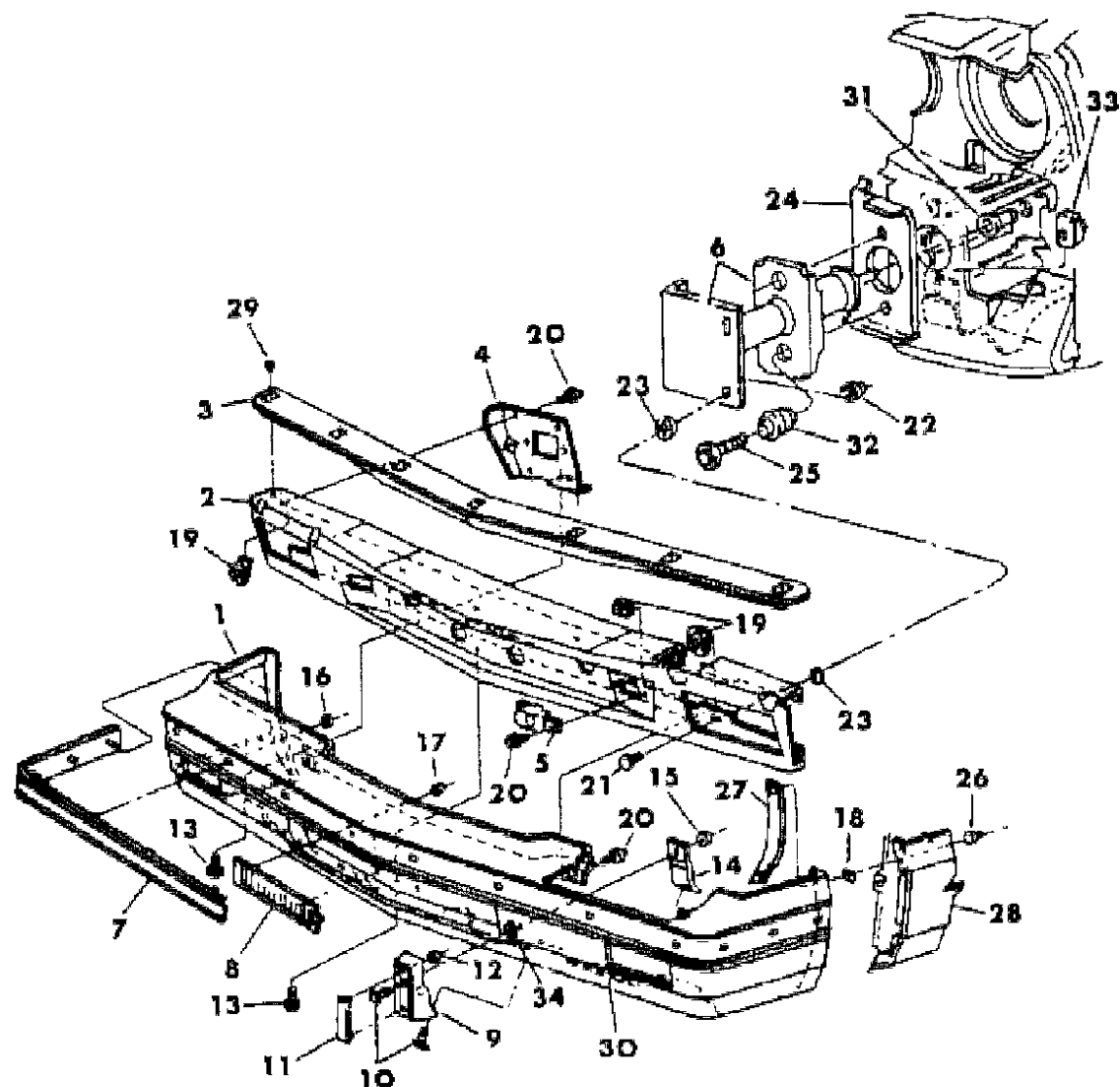
BODY STYLES

21 = 2-DOOR SEDAN	35 = FWD VAN	44 = 4-DOOR HATCHBACK
22 = 2-DOOR SPECIAL COUPE	36 = FWD WAGON	45 = 4-DOOR STATION WAGON
24 = 2-DOOR HATCHBACK	41 = 4-DOOR SEDAN	49 = LIMOUSINE
27 = 2-DOOR CONVERTIBLE		

AR = Use as Required - = Non Illustrated Part P.A.R. = Paint as Required

BUMPER, FRONT C,T
Figure 13-1600

5113 1600



ITEM	PART NUMBER	QTY	BODY	MODEL	DESCRIPTION
1	4103 379	1			FASCIA, Bumper, Front (Paint As Req.)
2	4103 374	1			REINFORCEMENT, Fascia, Front
3	4194 362	1			SUPPORT, Fascia, Front
4	4194 356-7	1			BRACKET, Fascia Park And Turn Lamp Mtg.
5	4194 386	2			BRACE, Fascia Guard
6	4194 946	2			ABSORBER, Front (5 Mile Impact)
	4194 917	2			2 1/2 Mile Impact w/ Auto. Trans.
	4194 950	2			2 1/2 Mile Impact w/Man. Trans.
7	4074 589	1			NERF, Brite w/Black Accent
	4103 337	1		E,TC45,	NERF, Brite
8	4103 370	1		E,T,C-4	GRILLE, Fascia, Lower
	4074 587	1		C	
9	X572-3 AT3	1			GUARD, Front (Paint As Req.)
10	6500 489	1			BOLT, Guard
11	4194 380	2			CUSHION, Guard
12	6031 147	4			SPRING-NUT
13					RETAINER, Bumper To Reinf.
	6030 441	AR			Up To 3/18/85
	6501 067	AR			After 3/18/85
14	4194 382	2			PLATE, Guard Attaching
15	6100 047	4			NUT and WASHER
16					WASHER (Not Serviced)
17	6029 471	4			NUT
18	6100 840	4			PUSH-NUT
19	6100 041	14			U-NUT
20	6100 286	14			SCREW and WASHER
21	6500 463	4			BOLT, Carriage
22	6100 051	4			NUT and WASHER
23					RETAINER (Not Serviced)
24	4194 927	2			LIMITER-PLATE, Brkt. To Rail
25	6500 702	4			SCREW and WASHER
26	6500 284	4			NUT, Retainer
27	4194 274-5	1			RETAINER, Fascia
28					PANEL (Fender Ref.)
29					RIVET (Not Serviced)
30	4194 372	1			LICENSE-PLATE, Front Att. Pkg.
					CONSISTS OF:

MODEL CODES

B = GRAN FURY	E = 600	M = HORIZON/TURISMO
C = LE BARON/TOWN & COUNTRY/LIMO	F = FIFTH AVENUE/NEWPORT	P = RELIANT
C24 = LASER	G = DIPLOMAT	T = NEW YORKER
C44 = LE BARON/GTS	H = VOYAGER	V = 600
D = ARIES	J = CARAVELLE	V24 = DAYTONA
D44 = LANCER	K = MINI VAN/CARAVAN/ROYAL	Z = OMNI/CHARGER

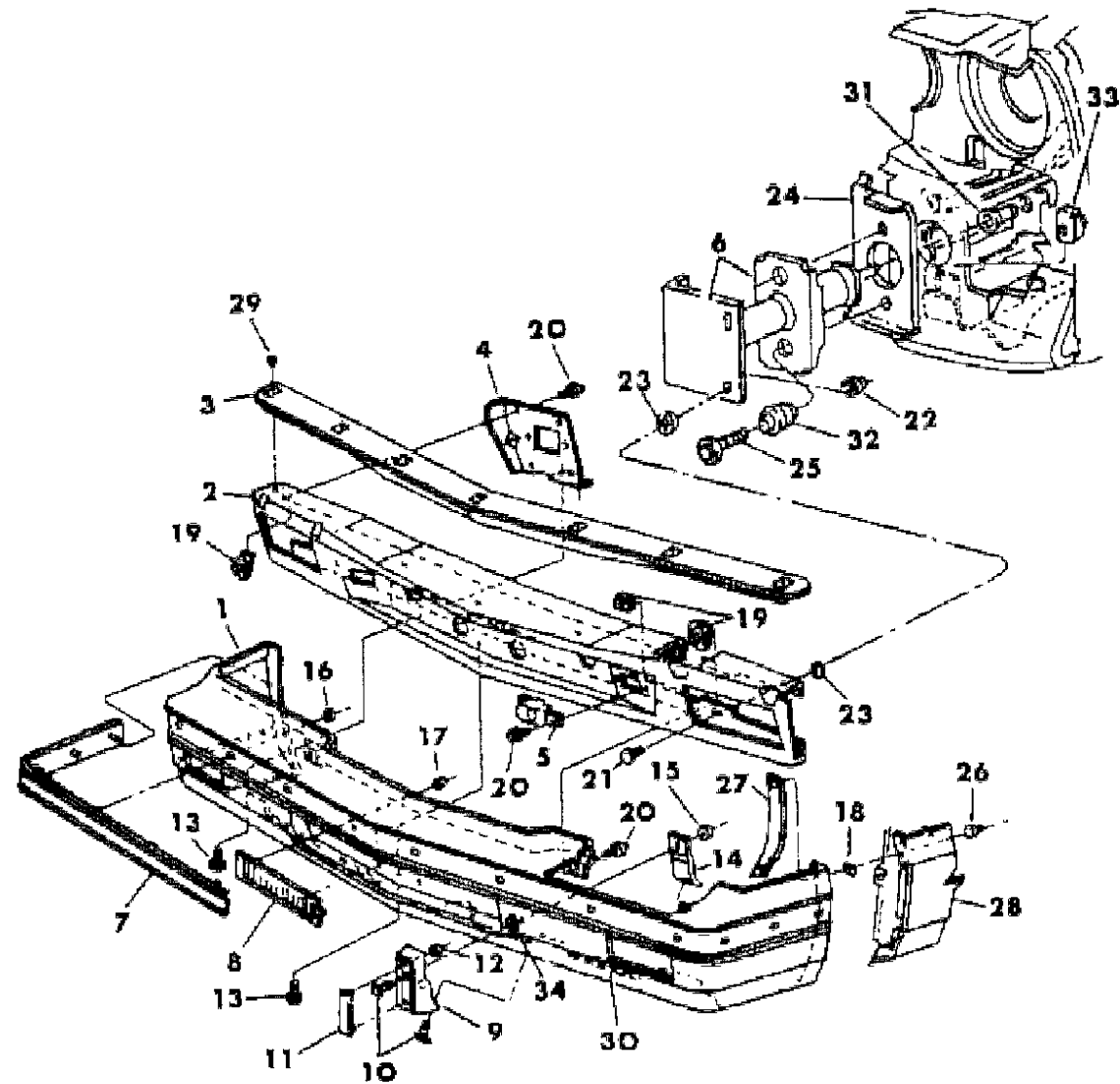
BODY STYLES

21 = 2-DOOR SEDAN	35 = FWD VAN	44 = 4-DOOR HATCHBACK
22 = 2-DOOR SPECIAL COUPE	36 = FWD WAGON	45 = 4-DOOR STATION WAGON
24 = 2-DOOR HATCHBACK	41 = 4-DOOR SEDAN	49 = LIMOUSINE
27 = 2-DOOR CONVERTIBLE		

AR = Use as Required - = Non Illustrated Part P.A.R. = Paint as Required

BUMPER, FRONT C,T
Figure 13-1600

5113 1600



ITEM	PART NUMBER	QTY	BODY	MODEL	DESCRIPTION
					2-6023925 NUT (Plastic)
					2-6031902 J-NUT
					4-_____ SCREW
					1-_____ BRACKET, License Plate
					1-_____ INSTRUCTION CARD
					1-5216050 BUTTON (Rubber)
31					GROMMET (Serviced In Absorber Item 6)
32					ISOLATOR (Serviced In Absorber Item 6)
33	6500 634	2			U-NUT
34	6030 592	2			RETAINER, Upper
	4334 474	1			AIR DAM, Radiator Closure Panel (Not Ill.)

MODEL CODES

B = GRAN FURY	E = 600	M = HORIZON/TURISMO
C = LE BARON/TOWN & COUNTRY/LIMO	F = FIFTH AVENUE/NEWPORT	P = RELIANT
C24 = LASER	G = DIPLOMAT	T = NEW YORKER
C44 = LE BARON/GTS	H = VOYAGER	V = 600
D = ARIES	J = CARAVELLE	V24 = DAYTONA
D44 = LANCER	K = MINI VAN/CARAVAN/ROYAL	Z = OMNI/CHARGER

BODY STYLES

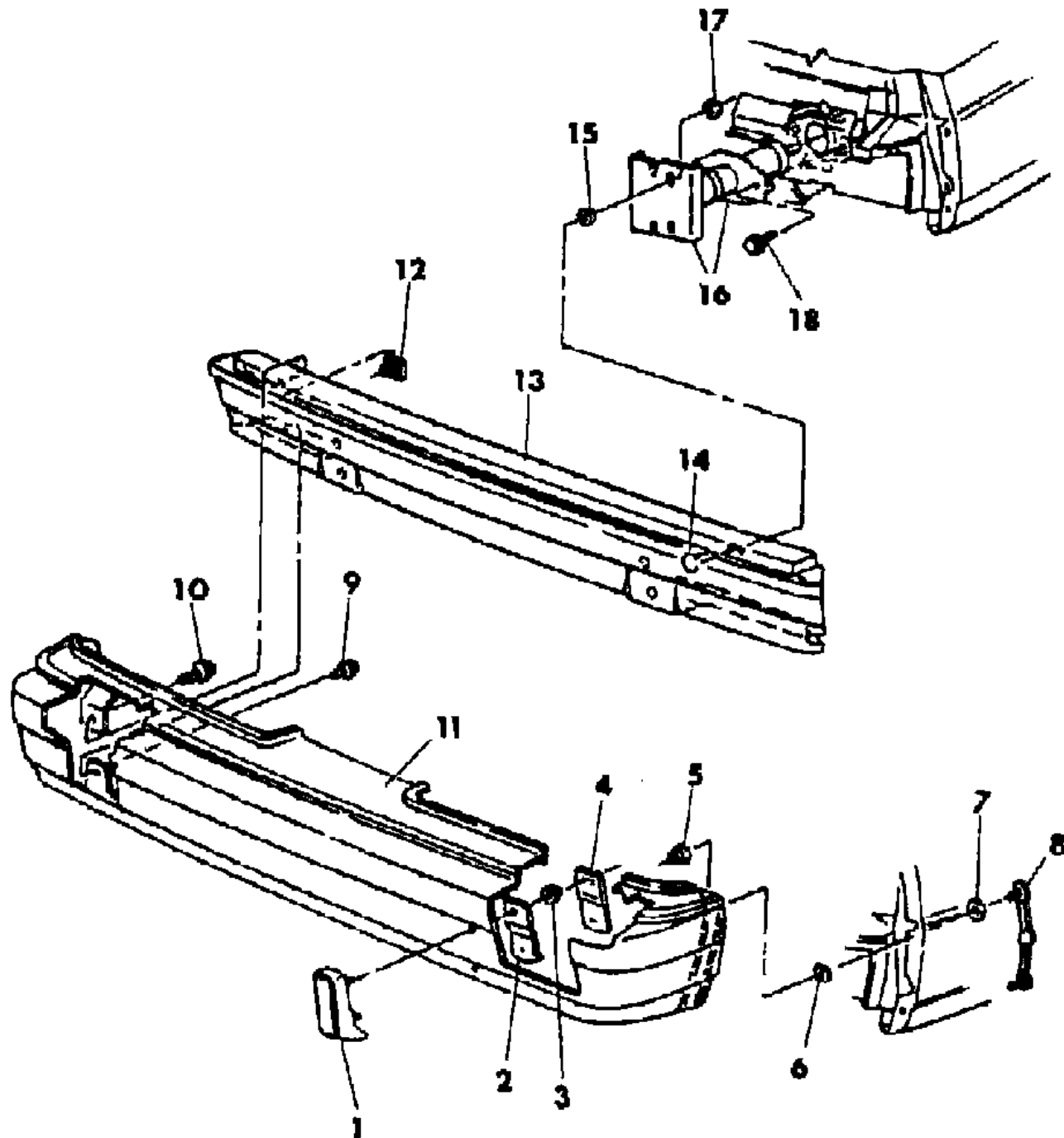
21 = 2-DOOR SEDAN	35 = FWD VAN	44 = 4-DOOR HATCHBACK
22 = 2-DOOR SPECIAL COUPE	36 = FWD WAGON	45 = 4-DOOR STATION WAGON
24 = 2-DOOR HATCHBACK	41 = 4-DOOR SEDAN	49 = LIMOUSINE
27 = 2-DOOR CONVERTIBLE		

AR = Use as Required - = Non Illustrated Part P.A.R. = Paint as Required

BUMPER, REAR K BODY - 21,41
Figure 13-1700

5113 1700

ITEM	PART NUMBER	QTY	BODY	MODEL	DESCRIPTION
1	4334 150	2			GUARD, Bumper
	4334 153	2			CUSHION, Guard
	6031 147	2			SPRING NUT
	6500 489	2			BOLT
	6030 592	4			RETAINER
2	4334 009	2			PLATE, Attaching
3	6100 047	4			NUT and WASHER
4	4194 715	2			ISOLATER
5	6500 284	4			NUT and WASHER
6	6100 840	4			PUSH NUT
7		4			WASHER, Sealing (Not Serviced)
8	4334 752	2			RETAINER
9					RETAINER
	6030 441	AR			Up To 3/18/85
	6501 067	AR			After 3/18/85
10	6100 286	4			SCREW and WASHER
11	4334 052	1			FASCIA (Paint As Required)
	4334 077	1			NERF STRIP, Rear Bumper Fascia
12	6100 041	4			U-NUT
13					REINFORCEMENT, Bumper Fascia
	4334 158	1			Up To 4/1/85
	4334 507	1			After 4/1/85
14	6500 463	4			BOLT
15		4			PUSH NUT (Not Serviced)
16	4334 597	2			ABSORBER, 2 1/2 Mile Impact
17	6100 051	4			NUT and WASHER
18		4			SCREW and WASHER (Not Serviced)
	6031 299	6			RETAINER, Fascia to Reinforcement (Not Ill.)



MODEL CODES

B = GRAN FURY	E = 600	M = HORIZON/TURISMO
C = LE BARON/TOWN & COUNTRY/LIMO	F = FIFTH AVENUE/NEWPORT	P = RELIANT
C24 = LASER	G = DIPLOMAT	T = NEW YORKER
C44 = LE BARON/GTS	H = VOYAGER	V = 600
D = ARIES	J = CARAVELLE	V24 = DAYTONA
D44 = LANCER	K = MINI VAN/CARAVAN/ROYAL	Z = OMNI/CHARGER

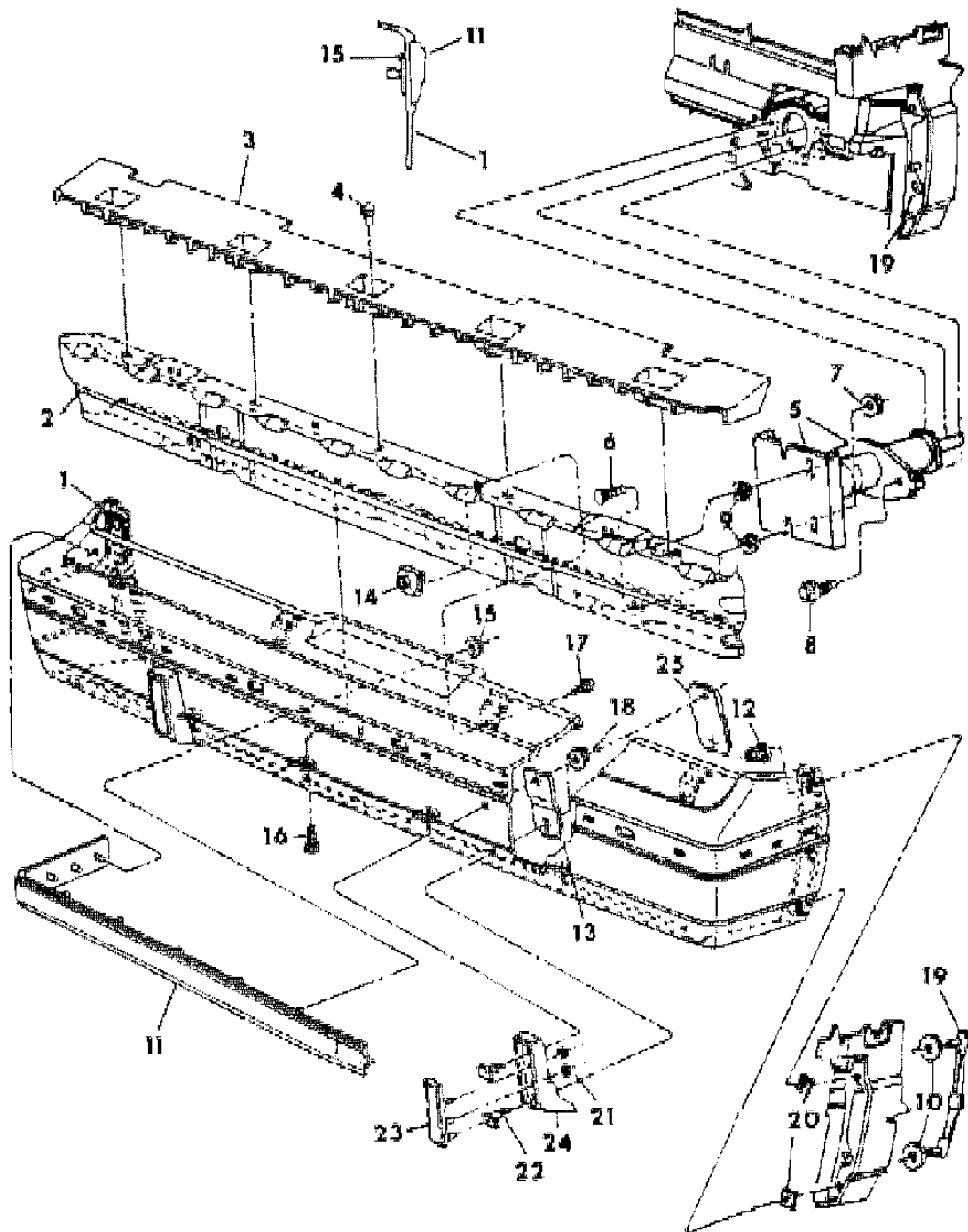
BODY STYLES

21 = 2-DOOR SEDAN	35 = FWD VAN	44 = 4-DOOR HATCHBACK
22 = 2-DOOR SPECIAL COUPE	36 = FWD WAGON	45 = 4-DOOR STATION WAGON
24 = 2-DOOR HATCHBACK	41 = 4-DOOR SEDAN	49 = LIMOUSINE
27 = 2-DOOR CONVERTIBLE		

AR = Use as Required - = Non Illustrated Part P.A.R. = Paint as Required

BUMPER, REAR V,C,J,E,T - 22,27,41
Figure 13-1800

5113 1800



ITEM	PART NUMBER	QTY	BODY	MODEL	DESCRIPTION
1	X586 AW3	1			FASCIA, Bumper, Rear (Paint As Req.)
2	4103 347	1			REINFORCEMENT, Fascia
3	4194 672	1			SUPPORT, Fascia
4					RIVET (Not Serviced)
5	4147 742	2			ABSORBER, Rear Impact (5 Mile Impact)
	4334 195	2		V,C	(2 1/2 Mile Impact)
	4194 740	2		J,E,T	(2 1/2 Mile Impact)
6	6500 463	6			BOLT, Reinf.
7	6100 051	6			NUT and WASHER
8		4			SCREW and WASHER (Not Serviced)
9		4			PUSH-NUT (Not Serviced)
10		4			WASHER (Not Serviced)
11	4074 558	1		V	NERF, Black
	4074 590	1		V,C,J,E	NERF, Brite w/Black Accent
	4103 339	1		E,T,C-4	NERF, Brite
12	6500 284	4			NUT and WASHER
13	4194 714	2			PLATE, Attaching
14	6100 041	4			U-NUT
15					WASHER (Not Serviced)
16					RETAINER
	6030 441	AR			Up To 3/18/85
	6501 067	AR			After 3/18/85
17	6100 286	4			SCREW and WASHER
18	6100 047	4			NUT and WASHER
19	4206 955	2			RETAINER
20	6100 840	4			PUSH NUT
21	6031 147	4			SPRING NUT
22	6500 489	4			BOLT
23	4103 664	2			CUSHION, Guard, Rear
24	4271 409	2			GUARD, Rear (Paint As Req.)
25	4194 715	2			ISOLATOR, Guard Plate Attaching

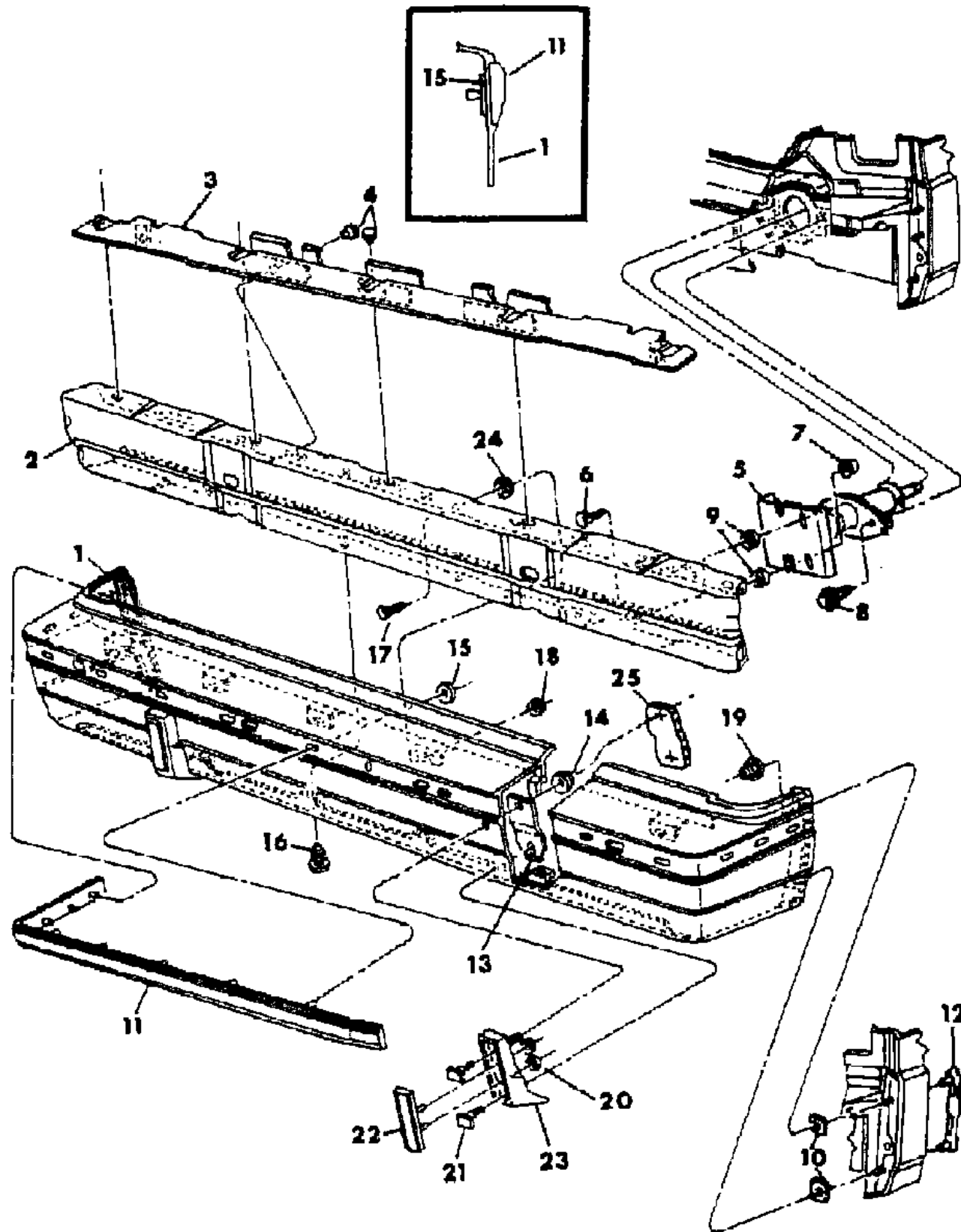
MODEL CODES
 B = GRAN FURY
 C = LE BARON/TOWN & COUNTRY/LIMO
 C24 = LASER
 C44 = LE BARON/GTS
 D = ARIES
 D44 = LANCER
 E = 600
 F = FIFTH AVENUE/NEWPORT
 G = DIPLOMAT
 H = VOYAGER
 J = CARAVELLE
 K = MINI VAN/CARAVAN/ROYAL
 M = HORIZON/TURISMO
 P = RELIANT
 T = NEW YORKER
 V = 600
 V24 = DAYTONA
 Z = OMNI/CHARGER

BODY STYLES
 21 = 2-DOOR SEDAN
 22 = 2-DOOR SPECIAL COUPE
 24 = 2-DOOR HATCHBACK
 27 = 2-DOOR CONVERTIBLE
 35 = FWD VAN
 36 = FWD WAGON
 41 = 4-DOOR SEDAN
 44 = 4-DOOR HATCHBACK
 45 = 4-DOOR STATION WAGON
 49 = LIMOUSINE

AR = Use as Required - = Non Illustrated Part P.A.R. = Paint as Required

BUMPER, REAR P,D,C-45
Figure 13-1900

5113 1900



ITEM	PART NUMBER	QTY	BODY	MODEL	DESCRIPTION
1	4334 062	1		P,D	FASCIA, Bumper Rear (Paint As Required)
	4270 617	1		C	
2	4103 348	1			REINFORCEMENT, Fascia
3	4194 725	1		C	SUPPORT, Fascia
	4334 066	1		P,D	
4					RIVET (Not Serviced)
5	4147 742	2			ABSORBER, Rr., Impact (5 Mile Impact)
	4334 195	2			(2 1/2 Mile Impact)
6	6500 463	6			BOLT, Reinforcement
7	6100 051	6			NUT and WASHER
8		4			SCREW and WASHER (Not Serviced)
9					PUSH-NUT (Not Serviced)
10	6100 840	6			PUSH NUT
11	4103 375	1			NERF, Bumper Rear, Brite
12	4206 956	2			RETAINER
13	4194 714	2			PLATE, Attaching
14	6100 047	4			NUT and WASHER
15					WASHER (Not Serviced)
16					RETAINER
	6030 441	AR			Up To 3/18/85
	6501 067	AR			After 3/18/85
17	6100 286	6			SCREW and WASHER
18	6100 041	6			U-NUT
19	6500 284	4			NUT and WASHER
20	6031 147	4			SPRING NUT
21	6500 489	4			BOLT
22	4103 664	2		C	CUSHION, Guard Rear
	4334 157	2		P,D	
23	4271 409	2		C	GUARD, Rear (Paint As Req.)
	4334 154	2		P,D	
24	6100 840	6			RETAINER
25	4194 715	2			ISOLATOR, Guard Plate Attaching
	4270 974	1			LICENSE-PLATE ATTACHING PKG. (Not Ill.)

MODEL CODES

B = GRAN FURY	E = 600	M = HORIZON/TURISMO
C = LE BARON/TOWN & COUNTRY/LIMO	F = FIFTH AVENUE/NEWPORT	P = RELIANT
C24 = LASER	G = DIPLOMAT	T = NEW YORKER
C44 = LE BARON/GTS	H = VOYAGER	V = 600
D = ARIES	J = CARAVELLE	V24 = DAYTONA
D44 = LANCER	K = MINI VAN/CARAVAN/ROYAL	Z = OMNI/CHARGER

BODY STYLES

21 = 2-DOOR SEDAN	35 = FWD VAN	44 = 4-DOOR HATCHBACK
22 = 2-DOOR SPECIAL COUPE	36 = FWD WAGON	45 = 4-DOOR STATION WAGON
24 = 2-DOOR HATCHBACK	41 = 4-DOOR SEDAN	49 = LIMOUSINE
27 = 2-DOOR CONVERTIBLE		

AR = Use as Required - = Non Illustrated Part P.A.R. = Paint as Required

FASCIA, BUMPER, FRONT G BODY
Figure 13-2000

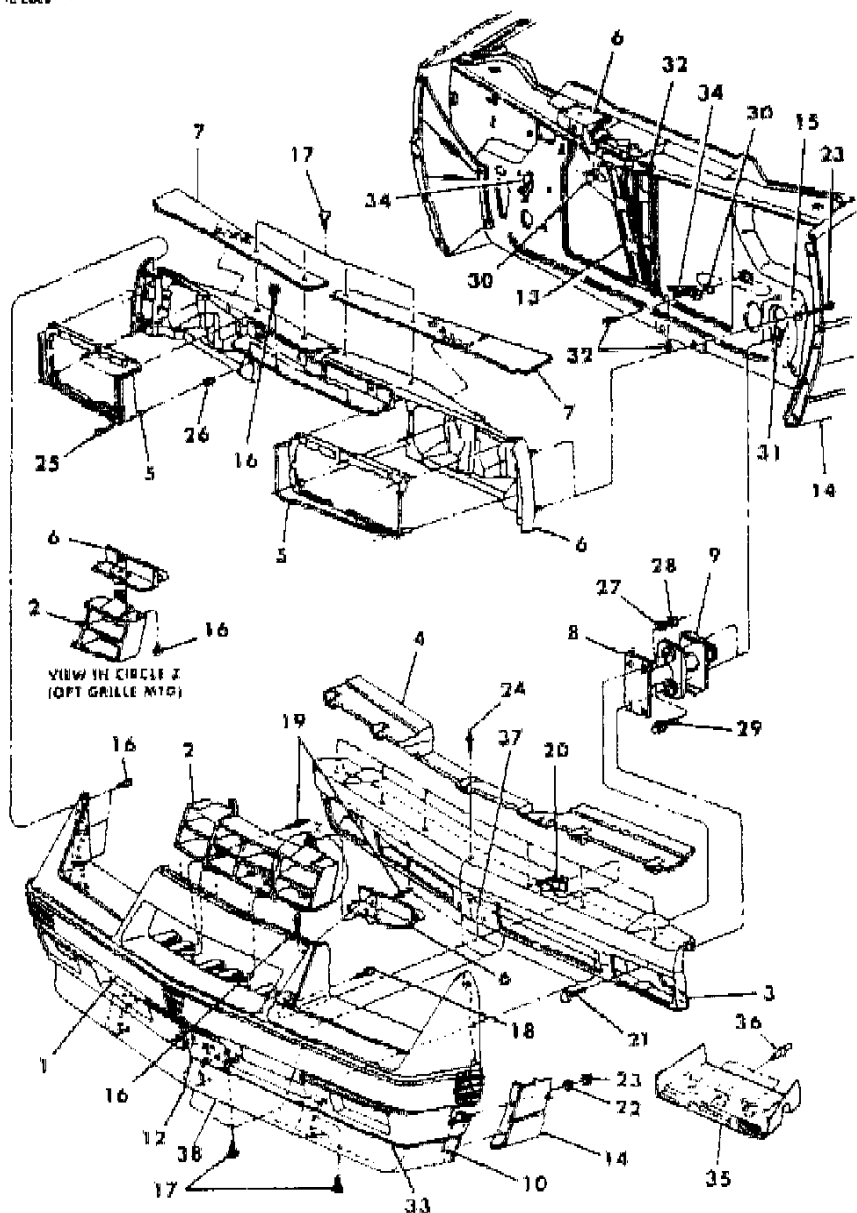
ITEM	PART NUMBER	QTY	BODY	MODEL	DESCRIPTION
1	4270 904	1		V,C	FASCIA, Front, w/o Turbo Z Pkg. (Paint As Req.)
	4270 495	1		V-S	w/Turbo Z Pkg. (Paint As Req.)
	4334 476	1		C-P	FASCIA, Front Bumper Upper, LASER XT
	4334 480	1		C-P	FASCIA, Front Bumper Lower, LASER XT
2	4334 290	1			GRILLE, Fascia
	4270 675	1		V-S	GRILLE, Lower, w/Turbo Z
3	4270 913	1			REINFORCEMENT, Fascia
4	4270 922	1			SUPPORT, Fascia
5	4270 930-1	1		V	BEZEL, Fascia H/L
	4270 932-3	1		C	
6	4270 927	1			PANEL, Fascia H/L Mtg.
7	4270 938-9	1			SIGHT-SHIELD, H/L Mtg. Panel
8	4194 950	2			ABSORBER, Energy Impact, Man.Trans.
	4194 918	2			Auto.Trans.
9	4194 927	2			BRACKET, Limiter, Absorber Mtg.
10	4103 332	2			RETAINER, Fascia
12					AIR-DAM, Fascia, w/Turbo Z Pkg.(Paint As Req.)
	4334 291	1		V-S	Up To 5/21/85
	4334 818	1		V-S	After 5/21/85
	4334 474	1			w/o Turbo Z Pkg., w/o Performance Pkg. (Paint As Req.)
	6032 746	AR		V	U-NUT, Air-Dam To Fascia, w/Turbo Z Pkg.
13					SUPPORT, Rad. Panel (Ref.)
14					PANEL, Fender (Ref.)
15					RAIL, Front (Ref.)
16					SCREW and WASHER (Not Serviced)
17	6501 067	9			RETAINER, Fascia
18	6100 286	2			SCREW and WASHER
19					RIVET (Not Serviced)
20					U-NUT (Not Serviced)
21	6500 381	4			BOLT, Reinforcement
22	6100 840	6			PUSH-NUT
23	6100 049	6			NUT and WASHER
24					RIVET (Not Serviced)
25					SCREW (Not Serviced)
26	#6031 138	10			NUT, Snap-In
27					PUSH-NUT (Not Serviced)
28	6100 051	4			NUT and WASHER

MODEL CODES
 B = GRAN FURY
 C = LE BARON/TOWN & COUNTRY/LIMO
 C24 = LASER
 C44 = LE BARON/GTS
 D = ARIES
 D44 = LANCER
 E = 600
 F = FIFTH AVENUE/NEWPORT
 G = DIPLOMAT
 H = VOYAGER
 J = CARAVELLE
 K = MINI VAN/CARAVAN/ROYAL
 M = HORIZON/TURISMO
 P = RELIANT
 T = NEW YORKER
 V = 600
 V24 = DAYTONA
 Z = OMNI/CHARGER

BODY STYLES
 21 = 2-DOOR SEDAN
 22 = 2-DOOR SPECIAL COUPE
 24 = 2-DOOR HATCHBACK
 27 = 2-DOOR CONVERTIBLE
 35 = FWD VAN
 36 = FWD WAGON
 41 = 4-DOOR SEDAN
 44 = 4-DOOR HATCHBACK
 45 = 4-DOOR STATION WAGON
 49 = LIMOUSINE

AR = Use as Required - = Non Illustrated Part P.A.R. = Paint as Required

5113 2000 A



FASCIA, BUMPER, FRONT G BODY
Figure 13-2000

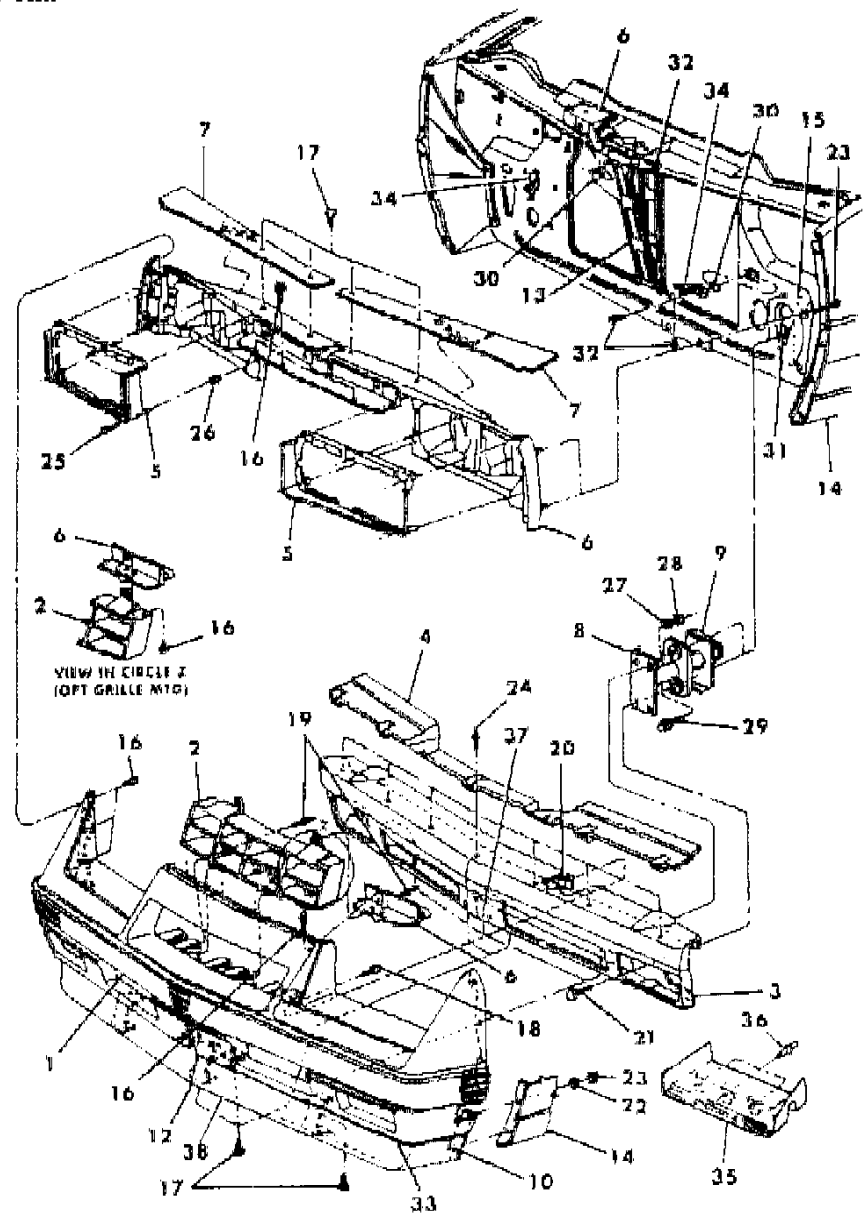
ITEM	PART NUMBER	QTY	BODY	MODEL	DESCRIPTION
29	6500 702	4			BOLT, Absorber
30	6100 041	5			U-NUT
31	6500 634	4			U-NUT
32	6100 568	5			SCREW and WASHER
33	4103 831	1			LICENSE-PLATE PKG., w/o Turbo Z Pkg.
	4334 170	1		V-S	w/Turbo Z Pkg.
	4334 677	1		C-P	w/LASER XT
	5216 050	2			BUTTON, License Plate Mtg.
	6023 925	2			NUT, License plate Mtg.
34	4270 594-5	1			BRACE, H/Lamp Panel To Closure Panel
35	4103 898-9	1			SIGHT-SHIELD, Rein. Air Opening Bumper
36	6031 390	AR			RETAINER
37	4334 121	1		V-S	TAPE, Frt. Bumper Reinf.,w/Turbo Z Pkg.
38	4270 483	1		V-S	AIR-FENCE, Closure Panel (w/Turbo Z Pkg.)
	4270 536	2		V-S	AIR-FENCE, Side Sill Extension (w/Turbo Z Pkg.)
NOTE: The Following Items Are Not Shown On Illustration. applications specified in this document.					
	4334 662	3		C-P	TAB, Front Bumper Fascia Lower to Reinforcement, LASER XT
	4334 694	4		C-P	SPRING-CLIP, Front Bumper Fascia Upper, LASER XT
					STUD, w/Retainer, Front Bumper Fascia Upper to Fender, LASER XT
	6500 272	2		C-P	Up To 3/4/85
	6501 331	2		C-P	After 3/4/85
		9		C-P	SCREW and WASHER, Front Fascia Lower to Front Fascia Upper, LASER XT (Not Serviced)
	6032 746	4		C-P	U-NUT, Front Bumper Fascia Lower Tab, LASER XT
		4		C-P	SCREW and WASHER, Front Fascia Lower to Tab, LASERXT (Not Serviced)

MODEL CODES
 B = GRAN FURY
 C = LE BARON/TOWN & COUNTRY/LIMO
 C24 = LASER
 C44 = LE BARON/GTS
 D = ARIES
 D44 = LANCER
 E = 600
 F = FIFTH AVENUE/NEWPORT
 G = DIPLOMAT
 H = VOYAGER
 J = CARAVELLE
 K = MINI VAN/CARAVAN/ROYAL
 M = HORIZON/TURISMO
 P = RELIANT
 T = NEW YORKER
 V = 600
 V24 = DAYTONA
 Z = OMNI/CHARGER

BODY STYLES
 21 = 2-DOOR SEDAN
 22 = 2-DOOR SPECIAL COUPE
 24 = 2-DOOR HATCHBACK
 27 = 2-DOOR CONVERTIBLE
 35 = FWD VAN
 36 = FWD WAGON
 41 = 4-DOOR SEDAN
 44 = 4-DOOR HATCHBACK
 45 = 4-DOOR STATION WAGON
 49 = LIMOUSINE

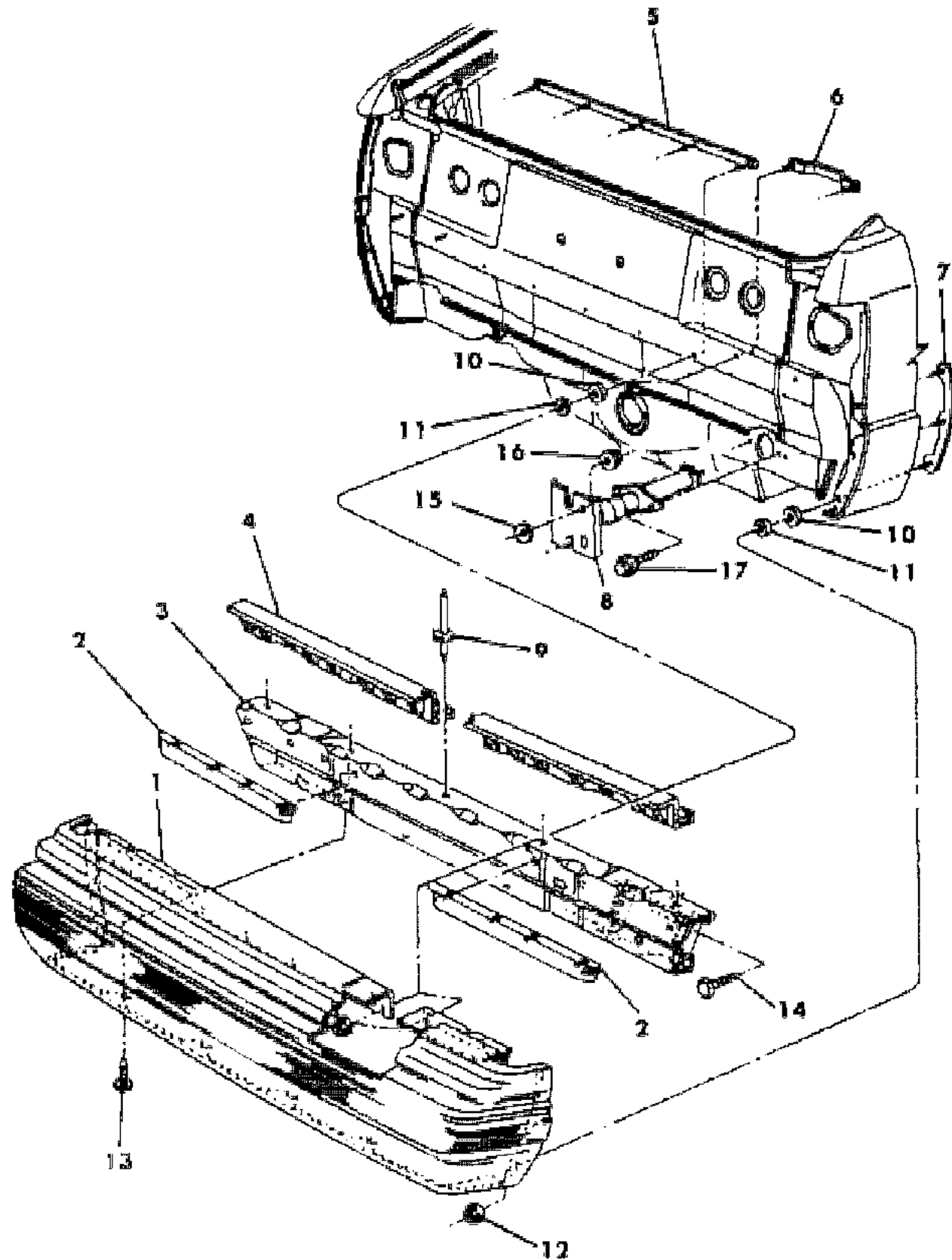
AR = Use as Required - = Non Illustrated Part P.A.R. = Paint as Required

5113 2000 A



FASCIA, BUMPER, REAR G BODY
Figure 13-2100

5113-2100



ITEM	PART NUMBER	QTY	BODY	MODEL	DESCRIPTION
1	4334 191	1		V,C	FASCIA, Bumper Rear w/o Turbo Z Pkg., w/o Performance Pkg. (Paint As Required)
	4334 497	1		V-S,C-P	w/o Turbo Z Impression (Paint As Required)
	4270 682	1		V-S	w/Turbo Z Pkg. (Paint as Required)
2	4103 892	2			PAD, Impact
3	4103 887	1			REINFORCEMENT, Fascia
4	4103 886	2			SUPPORT, Fascia
5	4103 869	1			PLATE, Center
6	4103 874	2			PLATE, Outer
7	4103 882	2			RETAINER
8	4334 195	2			ABSORBER, Impact
9					RIVET (Not Serviced)
10	3835 550	15			WASHER, Sealing
11	6100 840	AR			PUSH-NUT
12	6500 284	AR			NUT and WASHER
13	6501 067	4			RETAINER, Reinf.
14	6500 381	AR			BOLT, Carriage
15					PUSH-NUT (Not Serviced)
16					NUT and WASHER (Not Serviced)
17					BOLT and WASHER (Not Serviced)
	4270 974	1			LICENSE-PLATE ATT. PKG., Rear (Not Ill.)

MODEL CODES

B = GRAN FURY	E = 600	M = HORIZON/TURISMO
C = LE BARON/TOWN & COUNTRY/LIMO	F = FIFTH AVENUE/NEWPORT	P = RELIANT
C24 = LASER	G = DIPLOMAT	T = NEW YORKER
C44 = LE BARON/GTS	H = VOYAGER	V = 600
D = ARIES	J = CARAVELLE	V24 = DAYTONA
D44 = LANCER	K = MINI VAN/CARAVAN/ROYAL	Z = OMNI/CHARGER

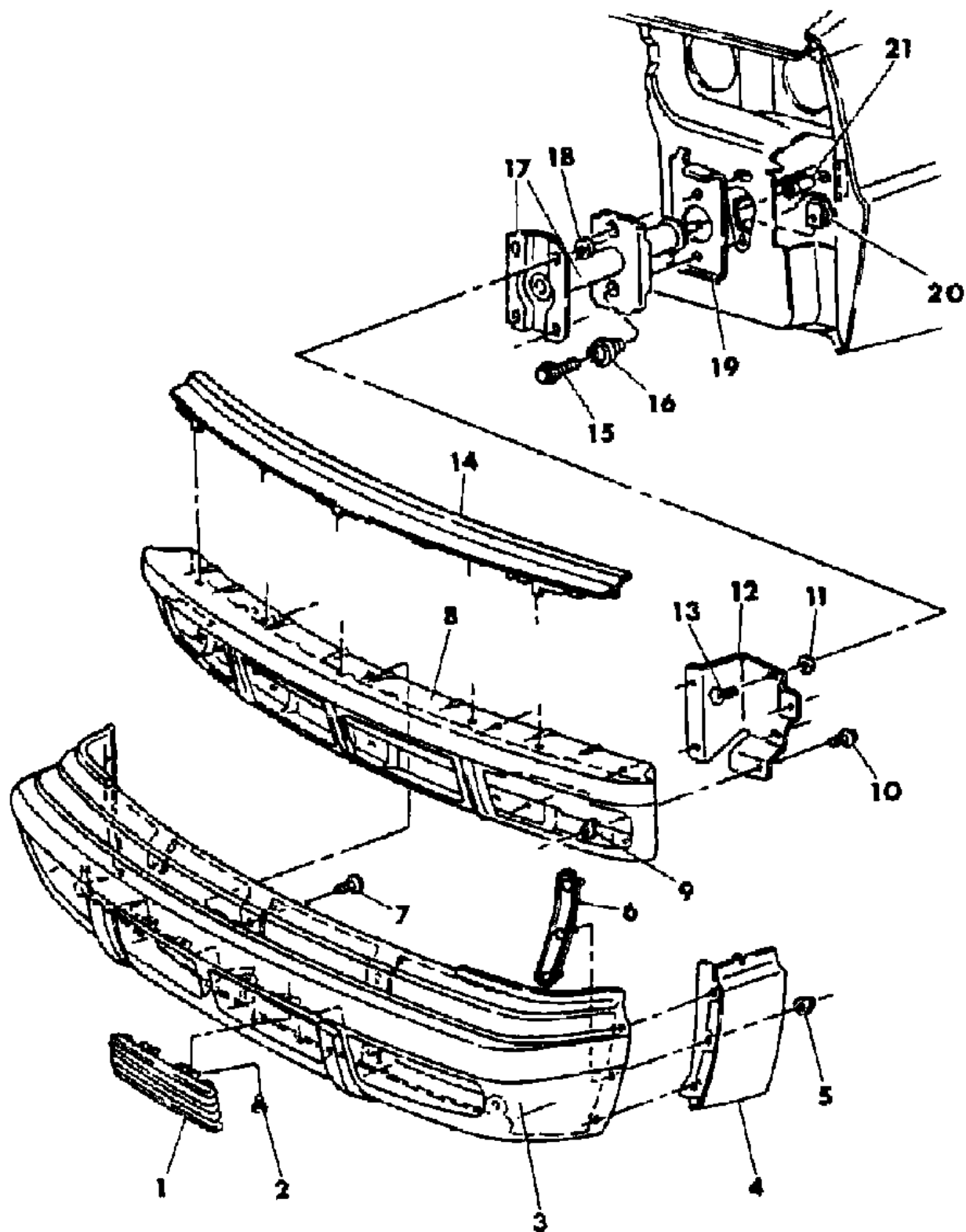
BODY STYLES

21 = 2-DOOR SEDAN	35 = FWD VAN	44 = 4-DOOR HATCHBACK
22 = 2-DOOR SPECIAL COUPE	36 = FWD WAGON	45 = 4-DOOR STATION WAGON
24 = 2-DOOR HATCHBACK	41 = 4-DOOR SEDAN	49 = LIMOUSINE
27 = 2-DOOR CONVERTIBLE		

AR = Use as Required - = Non Illustrated Part P.A.R. = Paint as Required

FASCIA, BUMPER, FRONT H BODY
Figure 13-2200

5113 2200



ITEM	PART NUMBER	QTY	BODY	MODEL	DESCRIPTION
1					GRILLE, Fascia (Paint As Required)
	X162-3 DX9	1			Up to 11/6/84
	X162-3 DXX	1			After 11/6/84
2		AR			FASTENER (Not Serviced)
3	4270 701	1			FASCIA, Front (Paint As Required)
	4334 078-9	1		D-S	AIR DAM, Front Bumper Fascia (Not Ill.)
	4334 080-1	1		D-S	RETAINER, Air Dam Front Bumper Fascia (Not Ill.)
	4270 703	1			NERF STRIP, Front Fascia (Not Ill.)
4					PANEL, Fender (Ref. Only)
5	6100 049	6			NUT and WASHER
6	4270 714	2			RETAINER, Bumper Fascia to Fender
7	6030 441	8			RETAINER
8	4270 710	1			REINFORCEMENT, Bumper Fascia (Aluminum)
	4270 711	1			(Steel)
9		8			U-NUT (Not Serviced)
10		8			SCREW and WASHER (Not Serviced)
11	6501 025	4			RETAINER
12	4270 728-9	1			BRACKET ADAPTER, Reinforcement to Bumper
13		4			BOLT, Carriage (Not Serviced)
14	4270 708	1			SUPPORT, Bumper Fascia
15	6500 702	4			BOLT, w/Auto Trans.
		4			BOLT, w/Man. Trans. (Not Serviced)
16		4			ISOLATOR (Serviced In Item No. 17)
17	4334 144	2			ABSORBER (w/Man. Trans.)
	4334 595	2		D-S,C-P	(w/Auto Trans.) w/o Turbo
	4334 771	2		D-S,C-P	(w/Auto Trans.) w/Turbo
	4334 771	2		D-H,C-H	(w/Auto Trans.)
18		4			NUT and WASHER (Not Serviced)
19	4194 927	2			BRACKET, Limiter, Absorber Mtg.
20	6500 634	2			U-NUT
21		2			GROMMET (Serviced In Item No. 17)
	4270 696	1			LICENSE-PLATE ATTACHING PKG. (Not Ill.)

MODEL CODES

B = GRAN FURY	E = 600	M = HORIZON/TURISMO
C = LE BARON/TOWN & COUNTRY/LIMO	F = FIFTH AVENUE/NEWPORT	P = RELIANT
C24 = LASER	G = DIPLOMAT	T = NEW YORKER
C44 = LE BARON/GTS	H = VOYAGER	V = 600
D = ARIES	J = CARAVELLE	V24 = DAYTONA
D44 = LANCER	K = MINI VAN/CARAVAN/ROYAL	Z = OMNI/CHARGER

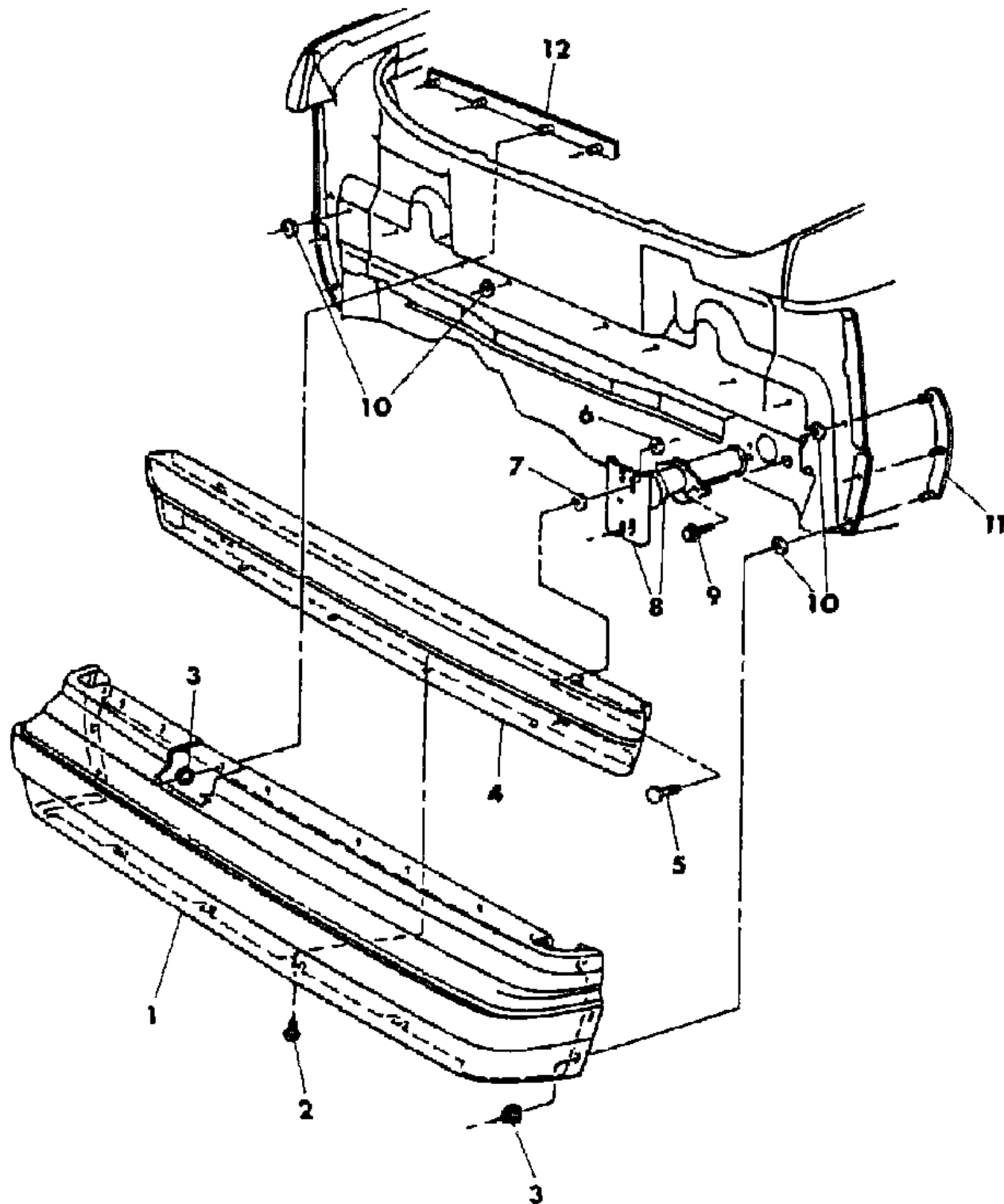
BODY STYLES

21 = 2-DOOR SEDAN	35 = FWD VAN	44 = 4-DOOR HATCHBACK
22 = 2-DOOR SPECIAL COUPE	36 = FWD WAGON	45 = 4-DOOR STATION WAGON
24 = 2-DOOR HATCHBACK	41 = 4-DOOR SEDAN	49 = LIMOUSINE
27 = 2-DOOR CONVERTIBLE		

AR = Use as Required - = Non Illustrated Part P.A.R. = Paint as Required

FASCIA, BUMPER REAR H BODY
Figure 13-2300

5113 2300



ITEM	PART NUMBER	QTY	BODY	MODEL	DESCRIPTION
1	4270 764	1			FASCIA, Rear (Paint As Required)
	4270 762	1			NERF STRIP, or Moulding, Rear Fascia (Not Ill.)
2	6030 441	4			RETAINER
3	6100 049	14			NUT and WASHER
4	4334 592	1			REINFORCEMENT, w/Impact Pads, Rear Fascia
	4334 471	3			PAD, Impact, Rear Fascia Reinforcement
5	6500 463	4			BOLT
6	6100 051	4			NUT and WASHER
7		4			PUSH NUT (Not Serviced)
8	4334 597	2			ABSORBER, Impact (2 1/2 M.P.H.)
9		4			SCREW and WASHER (Not Serviced)
10		8			PUSH NUT (Not Serviced)
11	4334 088-9	1			RETAINER, Rear Bumper Fascia to Aperture Panel
12	4334 091	2			PLATE, Rear Bumper Fascia Center Attaching
	4270 974	1			LICENSE-PLATE ATTACHING PKG. (Not Ill.)

MODEL CODES

B = GRAN FURY	E = 600	M = HORIZON/TURISMO
C = LE BARON/TOWN & COUNTRY/LIMO	F = FIFTH AVENUE/NEWPORT	P = RELIANT
C24 = LASER	G = DIPLOMAT	T = NEW YORKER
C44 = LE BARON/GTS	H = VOYAGER	V = 600
D = ARIES	J = CARAVELLE	V24 = DAYTONA
D44 = LANCER	K = MINI VAN/CARAVAN/ROYAL	Z = OMNI/CHARGER

BODY STYLES

21 = 2-DOOR SEDAN	35 = FWD VAN	44 = 4-DOOR HATCHBACK
22 = 2-DOOR SPECIAL COUPE	36 = FWD WAGON	45 = 4-DOOR STATION WAGON
24 = 2-DOOR HATCHBACK	41 = 4-DOOR SEDAN	49 = LIMOUSINE
27 = 2-DOOR CONVERTIBLE		

AR = Use as Required - = Non Illustrated Part P.A.R. = Paint as Required

BUMPER, FRONT S BODY
Figure 13-2400

5113 2400

ITEM	PART NUMBER	QTY	BODY	MODEL	DESCRIPTION
1	4270 344-5	1			SUPPORT, Bumper
2	4270 300	1			BUMPER, Frt. w/o Nerf
	4334 593	1			w/Nerf
3	4270 338-9	1			END CAP, Bumper Front, w/o Nerf, Black
	X556-7 CA1	1			w/Nerf, Radiant Silver
	X556-7 CC4	1			Glacier Blue
	X556-7 CC6	1			Gunmetal Blue
	X556-7 DX8	1			Black (Up To 1/14/85)
	X552-3 DX9	1			Black (After 1/14/85)
	X556-7 DT4	1			Gold Dust
	X556-7 DM6	1			Crimson Red
	X556-7 DT3	1			Cream
	X556-7 CR6	1			Garnet
	X556-7 CT6	1			Mink Brown
	X556-7 DW2	1			White
	4270 585	2			PLATE, End-Cap To Fender (Not Ill.)
4	4334 599	1			NERF, Bumper Frt. (Use w/ or w/o Guard Holes)
5					FENDER (Reference Only)
6	4270 321	1			AIR DAM, Rad. Closure Panel
	6031 976	7			RETAINER, Air Dam to Closure Panel
7		4			SCREW and WASHER (Not Serviced)
8	6500 075	8			BOLT, Support
9	6100 051	8			NUT and WASHER
10					SCREW and WASHER (Not Serviced)
11					NUT, Plastic (Not Serviced)
12					NUT and WASHER (Not Serviced)
13					STUD (Serviced In Item 3)
14	4270 328	1			LICENSE PLATE PKG., Front
15	4334 522-3	1			GUARD, Bumper
16		2			SCREW (Not Serviced)
17		2			NUT, Plastic (Not Serviced)
18	6100 051	AR			NUT and WASHER
19		AR			U-NUT (Not Serviced)

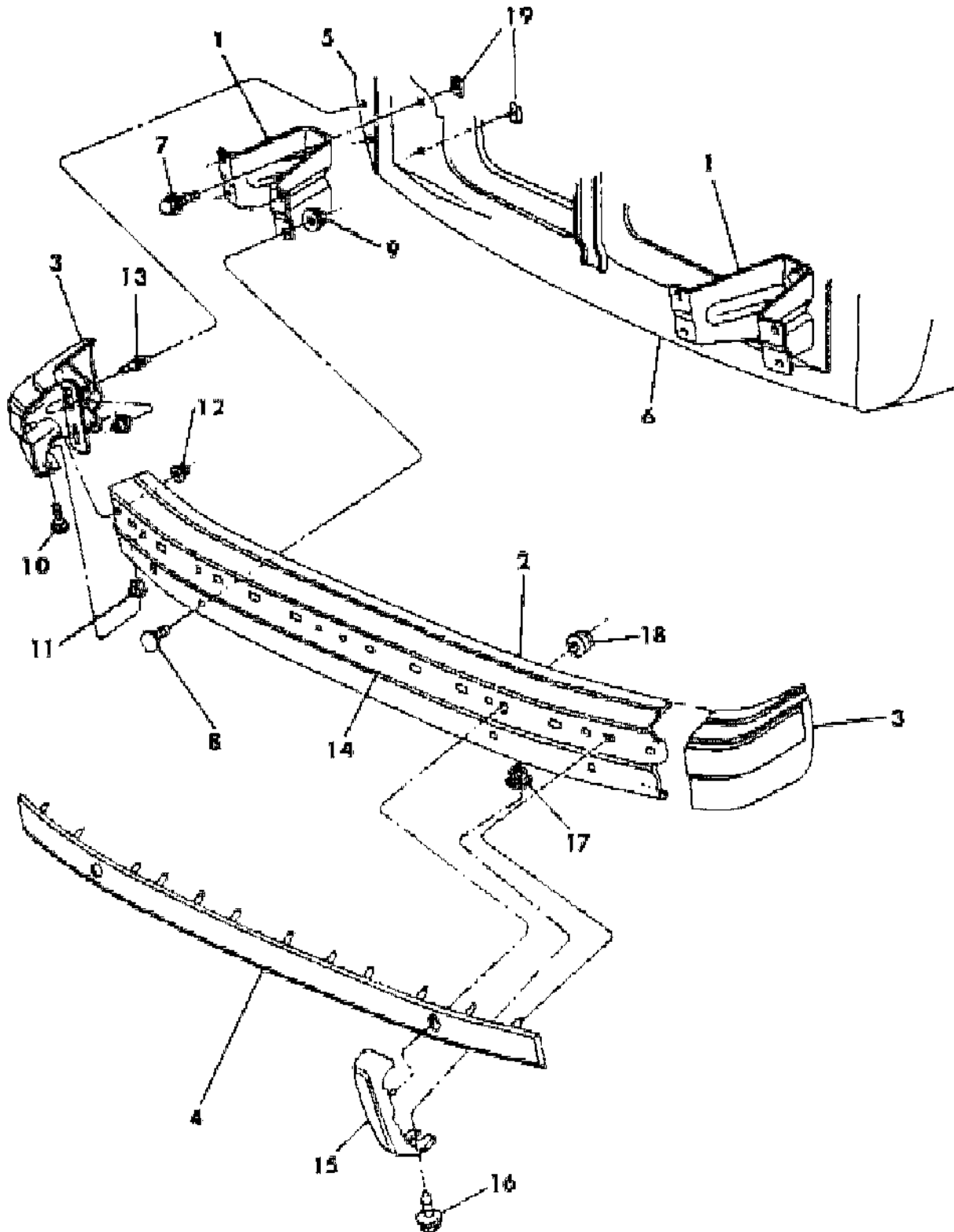
MODEL CODES

B = GRAN FURY	E = 600	M = HORIZON/TURISMO
C = LE BARON/TOWN & COUNTRY/LIMO	F = FIFTH AVENUE/NEWPORT	P = RELIANT
C24 = LASER	G = DIPLOMAT	T = NEW YORKER
C44 = LE BARON/GTS	H = VOYAGER	V = 600
D = ARIES	J = CARAVELLE	V24 = DAYTONA
D44 = LANCER	K = MINI VAN/CARAVAN/ROYAL	Z = OMNI/CHARGER

BODY STYLES

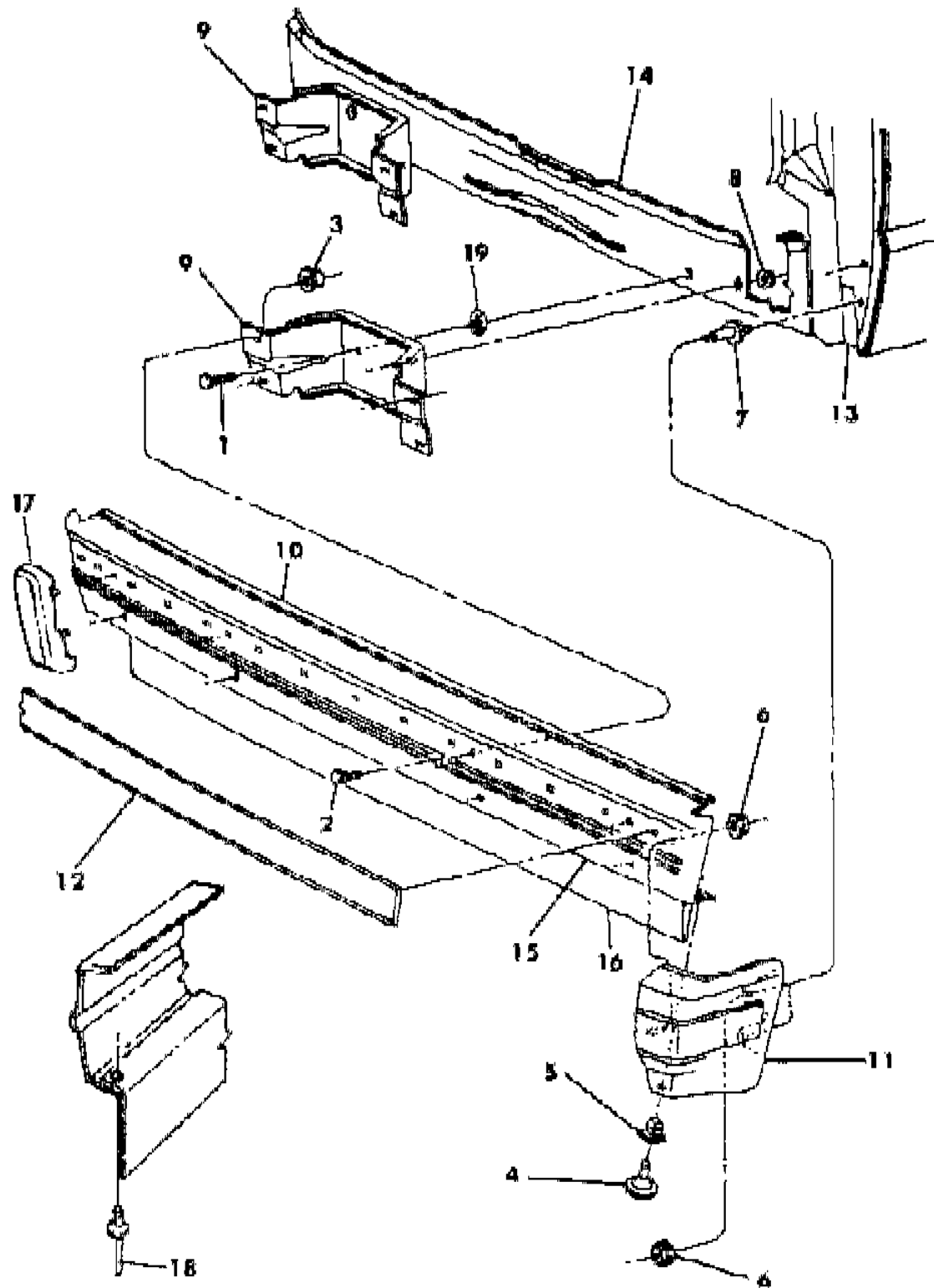
21 = 2-DOOR SEDAN	35 = FWD VAN	44 = 4-DOOR HATCHBACK
22 = 2-DOOR SPECIAL COUPE	36 = FWD WAGON	45 = 4-DOOR STATION WAGON
24 = 2-DOOR HATCHBACK	41 = 4-DOOR SEDAN	49 = LIMOUSINE
27 = 2-DOOR CONVERTIBLE		

AR = Use as Required - = Non Illustrated Part P.A.R. = Paint as Required



BUMPER, REAR S BODY
Figure 13-2500

5113 2500



ITEM	PART NUMBER	QTY	BODY	MODEL	DESCRIPTION
1					BOLT (Not Serviced)
2	6500 075	8			BOLT, Support
3	6100 051	8			NUT and WASHER
4					SCREW (Not Serviced)
5					NUT, Plastic (Not Serviced)
6					NUT and WASHER (Not Serviced)
7		4			STUD (Not Serviced)
8					NUT (Not Serviced)
9	4270 356-7	1			SUPPORT, Bumper
10	4270 350	1			BUMPER, w/o Nerf
	4270 351	1			w/Nerf
11	4270 362-3	1			END CAP, Bumper Rr. w/o Nerf, Black
	X558-9 CA1	1			w/Nerf, Radiant Silver
	X558-9 CC4	1			Glacier Blue
	X558-9 CC6	1			Gunmetal Blue
	X558-9 DX8	1			Black (Up To 1/14/85)
	X554-5 DX9	1			Black (After 1/14/85)
	X558-9 DT4	1			Gold Dust
	X558-9 DM6	1			Crimson Red
	X558-9 DT3	1			Cream
	X558-9 CR6	1			Garnet
	X558-9 CT6	1			Mink Brown
	X558-9 DW2	1			White
	4270 585	2			PLATE, End-Cap Ext. Apert. Panel Att.(Not Ill.)
12	4270 358	1			NERF, Bumper
13					PANEL, Body Side (Ref.)
14					PANEL, L/Gate (Ref.)
15	4103 421	1			SHIELD, Sight, Bumper Rear
16	4270 974	1			LICENSE PLATE PACKAGE, Attaching Rear
17	4270 360	2			GUARD, Bumper
18		9			RIVET (Not Serviced)
19		4			PUSH NUT (Not Serviced)

MODEL CODES

B = GRAN FURY	E = 600	M = HORIZON/TURISMO
C = LE BARON/TOWN & COUNTRY/LIMO	F = FIFTH AVENUE/NEWPORT	P = RELIANT
C24 = LASER	G = DIPLOMAT	T = NEW YORKER
C44 = LE BARON/GTS	H = VOYAGER	V = 600
D = ARIES	J = CARAVELLE	V24 = DAYTONA
D44 = LANCER	K = MINI VAN/CARAVAN/ROYAL	Z = OMNI/CHARGER

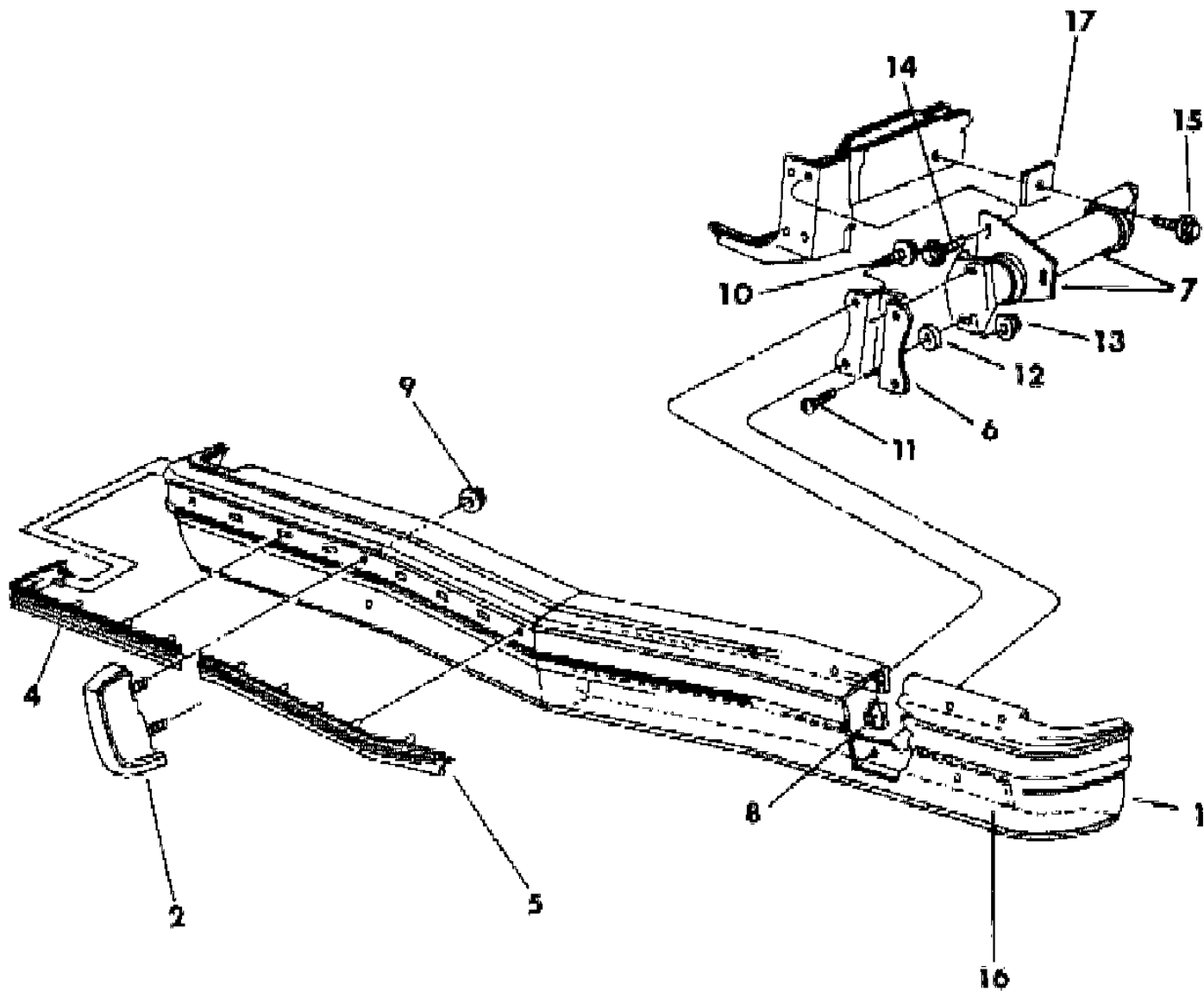
BODY STYLES

21 = 2-DOOR SEDAN	35 = FWD VAN	44 = 4-DOOR HATCHBACK
22 = 2-DOOR SPECIAL COUPE	36 = FWD WAGON	45 = 4-DOOR STATION WAGON
24 = 2-DOOR HATCHBACK	41 = 4-DOOR SEDAN	49 = LIMOUSINE
27 = 2-DOOR CONVERTIBLE		

AR = Use as Required - = Non Illustrated Part P.A.R. = Paint as Required

BUMPER, FRONT M BODY
Figure 13-2600

5113 2600



ITEM	PART NUMBER	QTY	BODY	MODEL	DESCRIPTION
1	4110 263	1			BUMPER, Frt., w/Guards w/Nerf
2	4110 214	2			GUARD, Bumper Frt., w/Nerf
4	4110 266	2			NERF, Bumper, End
5	4110 268	1			NERF, Bumper, Center
6	4110 269	2			ADAPTER, Bumper, Front
7	4147 506-7	1			ABSORBER, Impact, Front
8					U-NUT (Not Serviced)
9	0118 614	4			NUT and WASHER, Guard Att.
10		8			SCREW and WASHER (Not Serviced)
11	0153 366	4			BOLT, Adapter Att.
12	6026 334	4			RETAINER, Adapter
13	6031 572	4			NUT, Bolt
14	6031 627	4			SCREW and WASHER, Absorber Att.
15	6030 471	2			SCREW and WASHER, Absorber Att.
16	4110 226	1			BRACKET, License Plate Mtg.
	4194 464	1			LICENSE-PLATE, Front, Attaching Pkg.
17	3753 122	2			PLATE, Anti-Slip

MODEL CODES

B = GRAN FURY	E = 600	M = HORIZON/TURISMO
C = LE BARON/TOWN & COUNTRY/LIMO	F = FIFTH AVENUE/NEWPORT	P = RELIANT
C24 = LASER	G = DIPLOMAT	T = NEW YORKER
C44 = LE BARON/GTS	H = VOYAGER	V = 600
D = ARIES	J = CARAVELLE	V24 = DAYTONA
D44 = LANCER	K = MINI VAN/CARAVAN/ROYAL	Z = OMNI/CHARGER

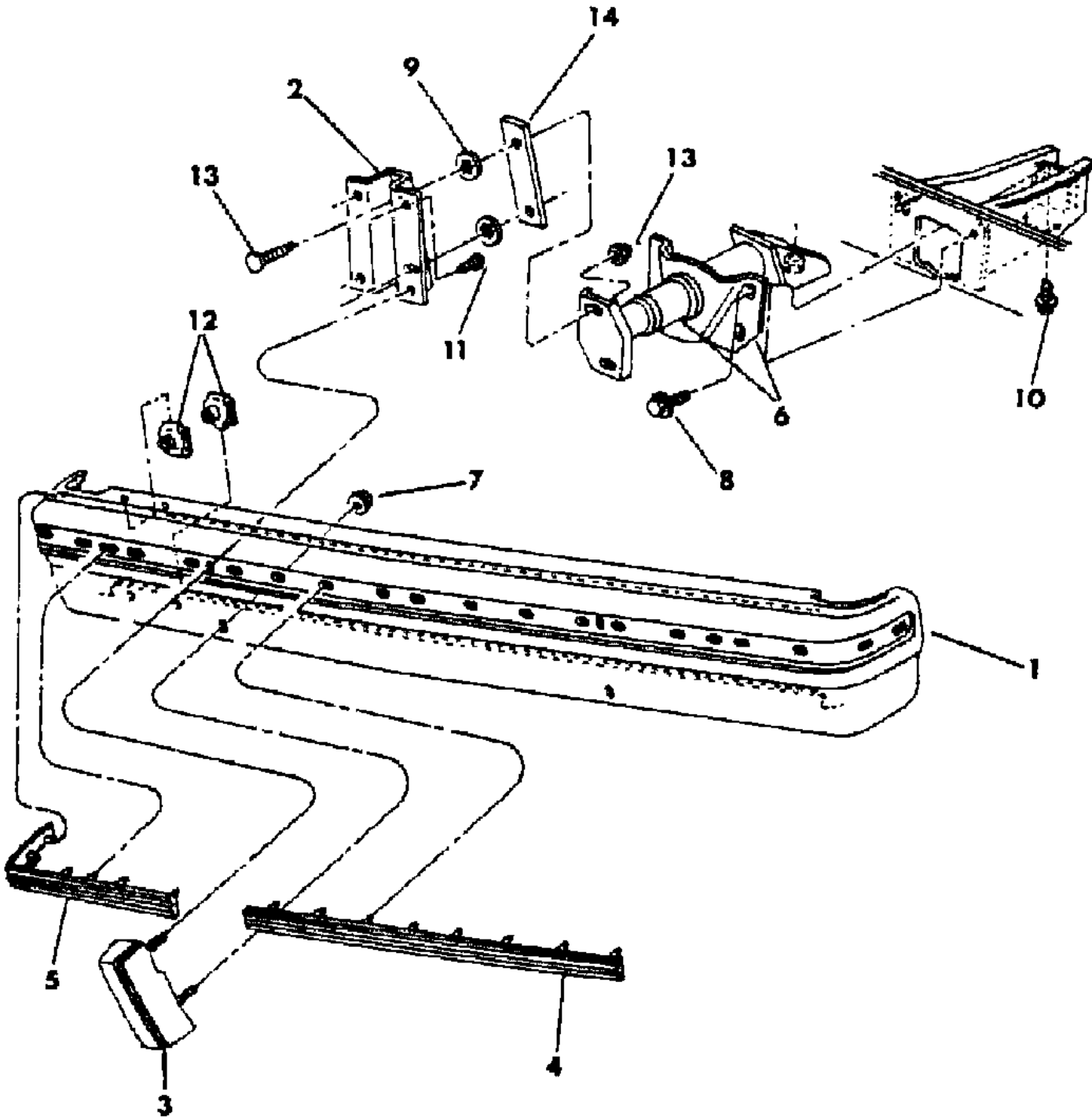
BODY STYLES

21 = 2-DOOR SEDAN	35 = FWD VAN	44 = 4-DOOR HATCHBACK
22 = 2-DOOR SPECIAL COUPE	36 = FWD WAGON	45 = 4-DOOR STATION WAGON
24 = 2-DOOR HATCHBACK	41 = 4-DOOR SEDAN	49 = LIMOUSINE
27 = 2-DOOR CONVERTIBLE		

AR = Use as Required - = Non Illustrated Part P.A.R. = Paint as Required

BUMPER, REAR B,G - 41
Figure 13-2700

5113 2700



ITEM	PART NUMBER	QTY	BODY	MODEL	DESCRIPTION
1	4110 578	1			BUMPER, Rear w/Guards, w/Nerf
2	4110 530	2			ADAPTER, Absorber
3	4110 508	2			GUARD, Bumper Rear, w/Nerf
4	4110 586	1			NERF, Bumper Center, w/Guards
	4110 583	1			w/o Guards
5	4110 584-5	1			NERF, Bumper End, w/Guards
6	4103 931	2			ABSORBER, Impact, Rear
7	0118 614	4			NUT and WASHER, Guard Att.
8	6031 627	4			SCREW and WASHER, Absorber Mtg.
9	6026 334	4			RETAINER, Adapter
10	6030 471	2			SCREW and WASHER, Absorber Att.
11		8			SCREW and WASHER (Not Serviced)
12		8			U-NUT (Not Serviced)
13	0153 366	4			BOLT, Adapter
	6031 572	4			NUT and WASHER
14	3753 124	AR			SHIM
	4110 598	2			BLOCKER, Bumper Rr. (Not Ill.)

MODEL CODES

B = GRAN FURY	E = 600	M = HORIZON/TURISMO
C = LE BARON/TOWN & COUNTRY/LIMO	F = FIFTH AVENUE/NEWPORT	P = RELIANT
C24 = LASER	G = DIPLOMAT	T = NEW YORKER
C44 = LE BARON/GTS	H = VOYAGER	V = 600
D = ARIES	J = CARAVELLE	V24 = DAYTONA
D44 = LANCER	K = MINI VAN/CARAVAN/ROYAL	Z = OMNI/CHARGER

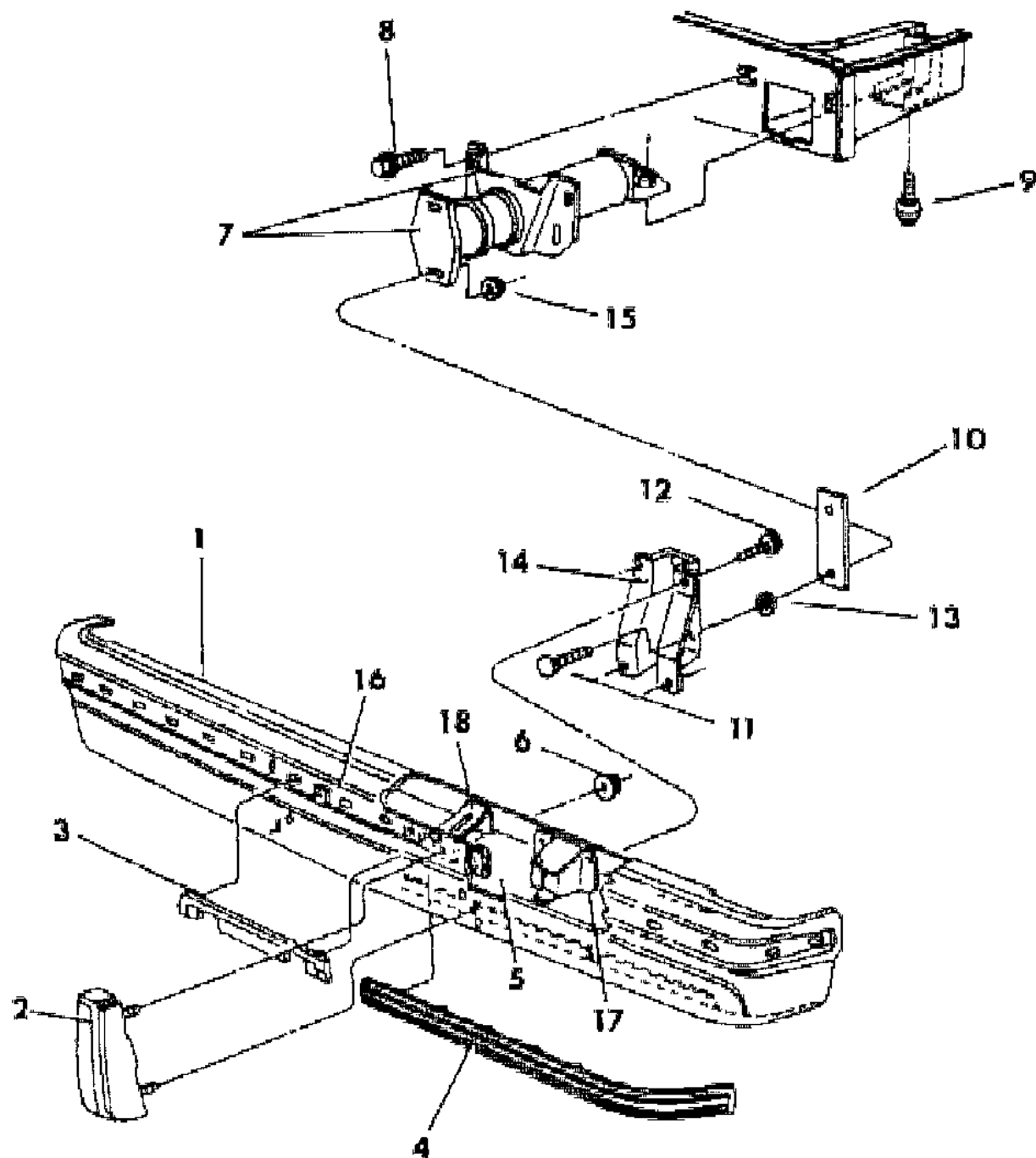
BODY STYLES

21 = 2-DOOR SEDAN	35 = FWD VAN	44 = 4-DOOR HATCHBACK
22 = 2-DOOR SPECIAL COUPE	36 = FWD WAGON	45 = 4-DOOR STATION WAGON
24 = 2-DOOR HATCHBACK	41 = 4-DOOR SEDAN	49 = LIMOUSINE
27 = 2-DOOR CONVERTIBLE		

AR = Use as Required - = Non Illustrated Part P.A.R. = Paint as Required

BUMPER, REAR F-41
Figure 13-2800

5113 2800



ITEM	PART NUMBER	QTY	BODY	MODEL	DESCRIPTION
1	4194 564	1			BUMPER, Rear, w/Guards, w/Nerf
2	4194 566-7	1			GUARD, Bumper Rear, w/Nerf
3	4110 536	1			NERF, Bumper, Center
4	4194 568-9	1			NERF, Bumper End
5		8			U-NUT (Not Serviced)
6	0118 614	4			NUT and WASHER, Guard Att.
7	4103 931	2			ABSORBER, Impact, Rear
8	6031 627	4			SCREW and WASHER, Absorber Mtg.
9	6030 471	2			SCREW and WASHER, Absorber Mtg.
10	3753 124	AR			SHIM
11	0153 366	4			BOLT, Bracket
12		8			SCREW and WASHER (Not Serviced)
13	6026 334	4			RETAINER, Brkt.
14	4110 530	2			BRACKET, Bumper Adapter
15	6031 572	4			NUT and WASHER, Absorber Mtg.
17	4110 598	2			BLOCKER, Bumper, Rear
18	4110 550	2			BULKHEAD, Bumper, Rear

MODEL CODES

B = GRAN FURY	E = 600	M = HORIZON/TURISMO
C = LE BARON/TOWN & COUNTRY/LIMO	F = FIFTH AVENUE/NEWPORT	P = RELIANT
C24 = LASER	G = DIPLOMAT	T = NEW YORKER
C44 = LE BARON/GTS	H = VOYAGER	V = 600
D = ARIES	J = CARAVELLE	V24 = DAYTONA
D44 = LANCER	K = MINI VAN/CARAVAN/ROYAL	Z = OMNI/CHARGER

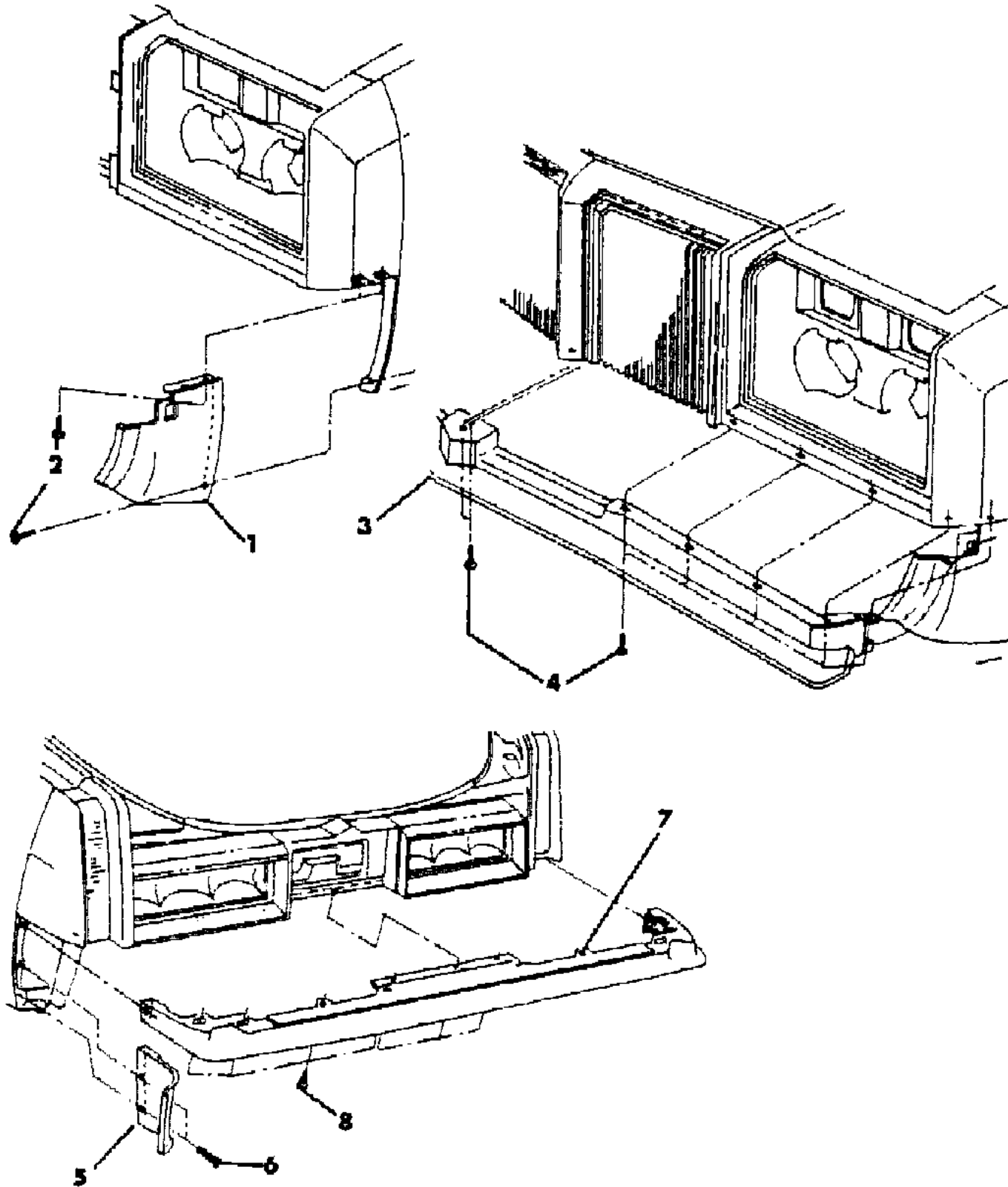
BODY STYLES

21 = 2-DOOR SEDAN	35 = FWD VAN	44 = 4-DOOR HATCHBACK
22 = 2-DOOR SPECIAL COUPE	36 = FWD WAGON	45 = 4-DOOR STATION WAGON
24 = 2-DOOR HATCHBACK	41 = 4-DOOR SEDAN	49 = LIMOUSINE
27 = 2-DOOR CONVERTIBLE		

AR = Use as Required - = Non Illustrated Part P.A.R. = Paint as Required

FILLER, BUMPER F
Figure 13-2900

5113 2900



ITEM	PART NUMBER	QTY	BODY	MODEL	DESCRIPTION
1	X518-9 VW3	1			FILLER, Frt. Fender Bumper Side (Paint As Req.)
2		AR			SCREW (Not Serviced)
3	4271 411	1			FILLER, Grill Closure Pnl.Bumper Frt.(Paint As Req.)
4		AR			SCREW (Not Serviced)
	4074 501	AR			SUPPORT, Frt. Bumper Filler Edge Repair (Not Ill.)
	6031 939	AR			CLIP, Supt. (Not Ill.)
	4074 502	1			SPACER, Frt. Bumper Filler (Not Ill.)
5	X536-7 VW3	1			FILLER, Qtr. o/s Panel Bumper Rr.(Paint As Req.)
6		AR			SCREW (Not Serviced)
7	X539 BT8	1			FILLER, Deck Opng. Rr. Bumper Center, Sable Brown
	X539 DT6	1			Mink Brown
	X539 DT4	1			Gold Dust
	X539 DB1	1			Ice Blue
	X539 DC6	1			Gunmetal Blue
	X539 DB9	1			Nightwatch Blue
	X539 DM6	1			Crimson Red
	X539 DW2	1			White
	X539 DX8	1			Black
8		AR			SCREW (Not Serviced)
	4206 338	AR			SUPPORT, Rr. Bumper Filler Lip Edge Repair (Not Ill.)

MODEL CODES

B = GRAN FURY	E = 600	M = HORIZON/TURISMO
C = LE BARON/TOWN & COUNTRY/LIMO	F = FIFTH AVENUE/NEWPORT	P = RELIANT
C24 = LASER	G = DIPLOMAT	T = NEW YORKER
C44 = LE BARON/GTS	H = VOYAGER	V = 600
D = ARIES	J = CARAVELLE	V24 = DAYTONA
D44 = LANCER	K = MINI VAN/CARAVAN/ROYAL	Z = OMNI/CHARGER

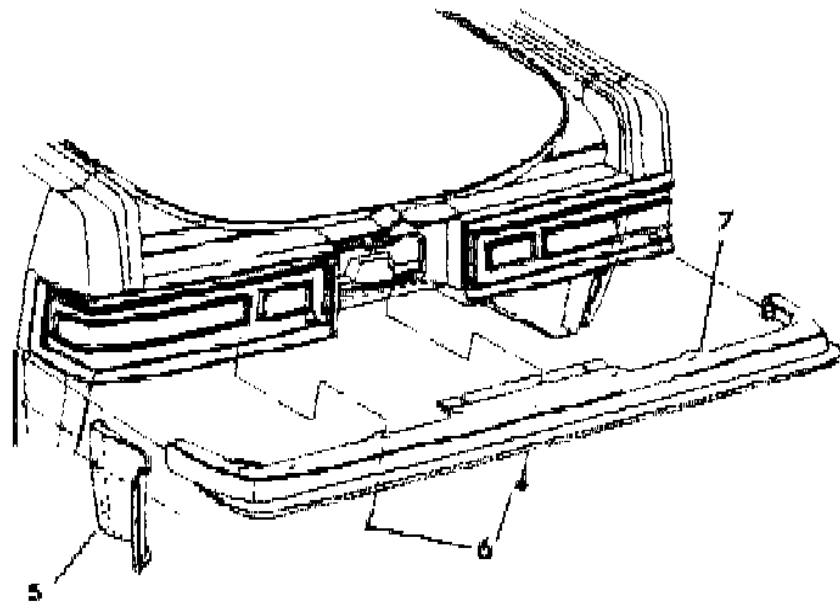
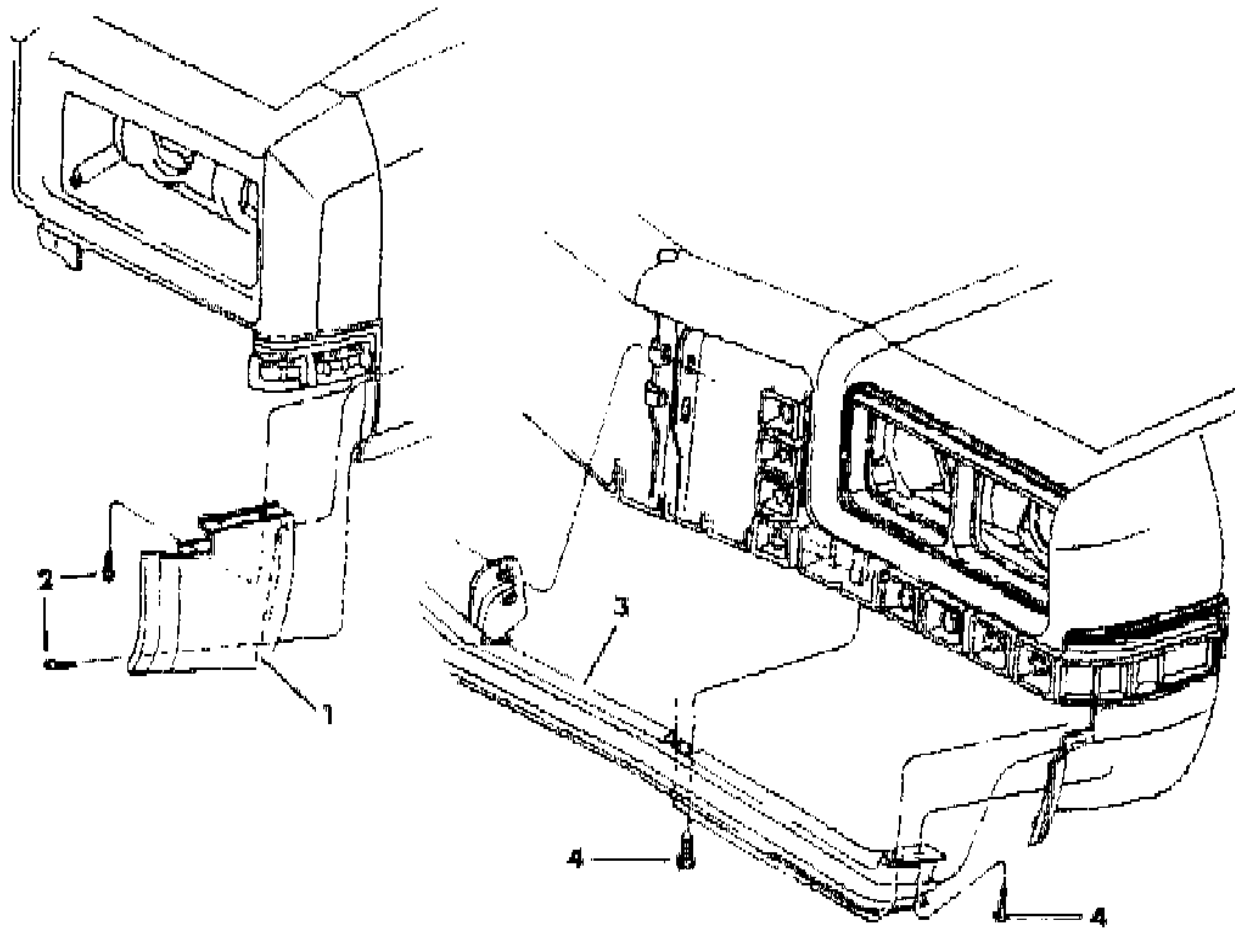
BODY STYLES

21 = 2-DOOR SEDAN	35 = FWD VAN	44 = 4-DOOR HATCHBACK
22 = 2-DOOR SPECIAL COUPE	36 = FWD WAGON	45 = 4-DOOR STATION WAGON
24 = 2-DOOR HATCHBACK	41 = 4-DOOR SEDAN	49 = LIMOUSINE
27 = 2-DOOR CONVERTIBLE		

AR = Use as Required - = Non Illustrated Part P.A.R. = Paint as Required

FILLER, BUMPER B,G
Figure 13-3000

5113 3000



ITEM	PART NUMBER	QTY	BODY	MODEL	DESCRIPTION
1	X532-3 TT1	1		B-L,G-L	FILLER, Fender Bumper Side, (Paint As Req.)
	X518-9 VW3	1		G-P	
2		AR			SCREW (Not Serviced)
3	X522 VW3	1		B-L,G-L	FILLER, Bumper Frt., (Paint As Req.)
	4271 411	1		G-P	
4		AR			SCREW (Not Serviced)
	4074 501	AR			SUPPORT, Frt. Bumper Filler Edge Repair (Not Ill.)
	6031 939	AR			CLIP, Supt. (Not Ill.)
5	X536-7 VW3	1			FILLER, Qtr. O/S Panel Bumper Rr.(Paint As Req.)
6		AR			SCREW (Not Serviced)
7	X539 BT8	1			FILLER, Deck Opng. Bumper Rr., Sable Brown
	X539 DT6	1			Mink Brown
	X539 DT4	1			Gold Dust
	X539 DB1	1			Ice Blue
	X539 DC6	1			Gunmetal Blue
	X539 DB9	1			Nightwatch Blue
	X539 DM6	1			Crimson Red
	X539 DW2	1			White
	X539 DX8	1			Black
	4206 338	AR			SUPPORT, Rr. Bumper Filler Lip Edge Repair (Not Ill.)
	4074 502	1		G-P	SPACER, Filler Front Bumper (Not Ill.)

cars sold in the State of California. applications specified in this document.

Feet elevation applications specified in this document.

MODEL CODES

B = GRAN FURY	E = 600	M = HORIZON/TURISMO
C = LE BARON/TOWN & COUNTRY/LIMO	F = FIFTH AVENUE/NEWPORT	P = RELIANT
C24 = LASER	G = DIPLOMAT	T = NEW YORKER
C44 = LE BARON/GTS	H = VOYAGER	V = 600
D = ARIES	J = CARAVELLE	V24 = DAYTONA
D44 = LANCER	K = MINI VAN/CARAVAN/ROYAL	Z = OMNI/CHARGER

BODY STYLES

21 = 2-DOOR SEDAN	35 = FWD VAN	44 = 4-DOOR HATCHBACK
22 = 2-DOOR SPECIAL COUPE	36 = FWD WAGON	45 = 4-DOOR STATION WAGON
24 = 2-DOOR HATCHBACK	41 = 4-DOOR SEDAN	49 = LIMOUSINE
27 = 2-DOOR CONVERTIBLE		

AR = Use as Required - = Non Illustrated Part P.A.R. = Paint as Required

GROUP 14 - FUEL

ILLUSTRATION NOT AVAILABLE AT TIME OF PUBLICATION

ILLUSTRATION TITLE	GROUP-FIG. NO.
FRESH AIR INLET SYSTEM B,F,G	Fig. 14-100
FRESH AIR INLET SYSTEM Except B,F,G	Fig. 14-200
AIR CLEANER - W/1.6 LITER ENGINE	Fig. 14-300
AIR CLEANER - TURBO CHARGER V,J,E,T,C (except C-44)	Fig. 14-400
AIR CLEANER - TURBO CHARGER Z,D,C - 44	Fig. 14-500
AIR CLEANER - T.B.I	Fig. 14-600
AIR CLEANER - W/2.2 LITER ENGINE	Fig. 14-700
AIR CLEANER - W/2.6 LITER ENGINE	Fig. 14-800
AIR CLEANER - W/318-2BBL ENGINE	Fig. 14-900
AIR CLEANER - W/318-4BBL ENGINE	Fig. 14-1000
CARBURETOR CHOKE, CHOKE CONTROL, FLANGE GASKETS	Fig. 14-1100
CARBURETOR IDENTIFECATION AND CROSS REFERANCE	Fig. 14-1200
CARBURETOR AND COMPONENT PARTS HOLLEY-2BBL.(5220)	Fig. 14-1300
CARBURETOR AND COMPONENT PARTS HOLLEY-2BBL.(6520)	Fig. 14-1400
CARBURETOR AND COMPONENT PARTS HOLLEY-2BBL.(6280)	Fig. 14-1500
CARBURETOR AND COMPONENT PARTS HOLLEY-2BBL.(2280)	Fig. 14-1600
CARBURETOR AND COMPONENT PARTS ROCHESTER - 4BBL.(QUADRA JET ELECTRONIC)	Fig. 14-1700
CARBURETOR AND COMPONENT PARTS ROCHESTER - 4BBL.(QUADRA JET NON - ELECTRONIC) ...	Fig. 14-1800
CARBURETOR, GASKETS AND ATTACHING PARTS W/2.6 LITRE ENGINE	Fig. 14-1900
CARBURETOR EXTERNAL COMPONENTS W/2.6 LITER ENGINE	Fig. 14-2000
CARBURETOR INTERNAL COMPONENTS W/2.6 LITER ENGINE	Fig. 14-2100
CARBURETOR THROTTLE BODY COMPONENTS W/2.6 LITER ENGINE	Fig. 14-2200
THROTTLE BODY INJECTOR	Fig. 14-2300
THROTTLE BODY AND ADAPTER - TURBO CHARGER	Fig. 14-2400
TURBO CHARGER	Fig. 14-2500
FUEL RAIL AND RELATED PARTS - TURBO CHARGER	Fig. 14-2600
CARBURETOR FUEL FILTER AND RELATED PARTS	Fig. 14-2700
FUEL FLOW SENSORS	Fig. 14-2800
FUEL FILTER T.B.I. and TURBO CHARGER	Fig. 14-2900
THROTTLE CONTROL W/1.6 LITER ENGINE	Fig. 14-3000
THROTTLE CONTROL - M,Z W/2.2 LITER ENGINE	Fig. 14-3100
THROTTLE CONTROL - TURBO CHARGER Z	Fig. 14-3200
THROTTLE CONTROL - P,D,C,V,E,T,H,K W/2.2 LITER ENGINE	Fig. 14-3300
THROTTLE CONTROLS - T.B.I	Fig. 14-3400
THROTTLE CONTROLS - TURBO CHARGER (EXCEPT Z)	Fig. 14-3500
THROTTLE CONTROL - P,D,C,V,E,T,H,K W/2.6 LITER ENGINE	Fig. 14-3600
THROTTLE CONTROL W/318 - 2BBL - F,G,B	Fig. 14-3700
THROTTLE CONTROL W/318 - 4BBL ENGINE - F,G,B	Fig. 14-3800

GROUP 14 - FUEL

ILLUSTRATION TITLE

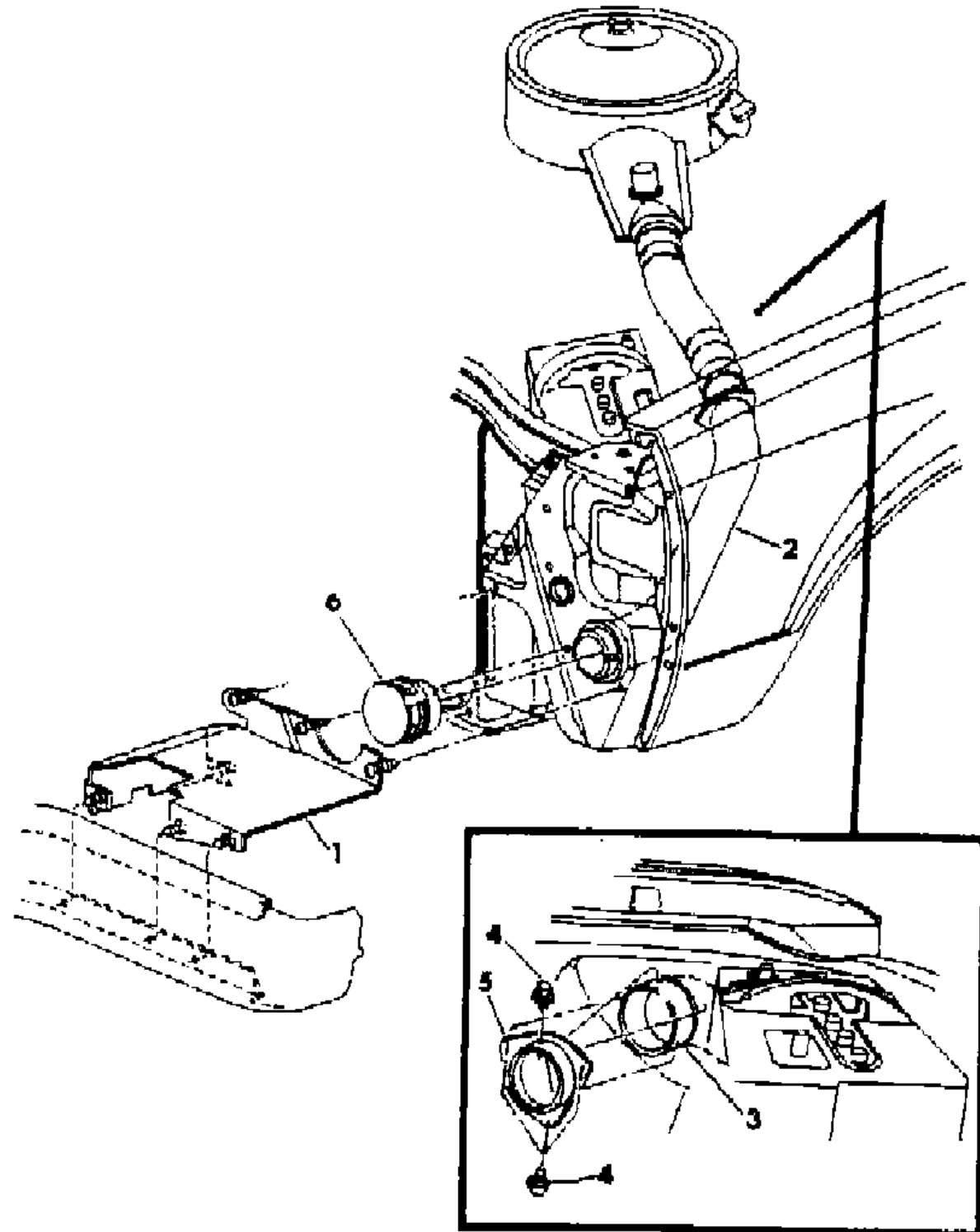
GROUP-FIG. NO.

BUMPER FILLER (Continued)

THROTTLE CONTROL W/318 - 4BBL ENGINE - F,G,B	Fig. 14-3800
SPEED CONTROL ELECTRO MECHANICAL W/2.2 LITER ENGINE - M,Z	Fig. 14-3900
SPEED CONTROL ELECTRONIC M,Z - 1.6 AND 2.2 LITER ENGINE (EXCEPT - TC)	Fig. 14-4000
SPEED CONTROL ELECTRO MECHANICAL T.B.I.	Fig. 14-4100
SPEED CONTROL ELECTRO MECHANICAL TURBO CHARGER	Fig. 14-4200
SPEED CONTROL ELECTRONIC T.B.I. AND TURBO CHARGER (EXCEPT - Z)	Fig. 14-4300
SPEED CONTROL ELECTRO MECHANICAL P,D,C,V,E,T - 2.2 LITER ENGINE	Fig. 14-4400
SPEED CONTROL ELECTRO MECHANICAL P,D,C,V,E,T - 2.6 LITER ENGINE	Fig. 14-4500
SPEED CONTROL ELECTRONIC P,D,C,V,E,T - 2.2 AND 2.6 LITER ENGINE	Fig. 14-4600
SPEED CONTROL ELECTRO MECHANICAL H,K - 2.6 LITER ENGINE	Fig. 14-4700
SPEED CONTROL ELECTRO MECHANICAL H,K - 2.2 LITER ENGINE	Fig. 14-4800
SPEED CONTROL ELECTRONIC H,K - 2.2 AND 2.6 LITER ENGINE	Fig. 14-4900
SPEED CONTROL ELECTRO MECHANICAL F,G,B	Fig. 14-5000
SPEED CONTROL ELECTRONIC F,G,B	Fig. 14-5100
SPEED CONTROL CABLES	Fig. 14-5200
ACCELERATOR PEDAL M,Z,P,D,C,V,E,T	Fig. 14-5300
ACCELERATOR PEDAL - H,K	Fig. 14-5400
ACCELERATOR PEDAL F,G,B	Fig. 14-5500
FUEL PUMP AND FUEL FILTER - W/2.6 LITER ENGINE	Fig. 14-5600
FUEL PUMPS	Fig. 14-5700
FUEL PUMP AND SENDING UNIT TURBO CHARGER - (EXCEPT Z)	Fig. 14-5800
FUEL PUMP AND SENDING UNIT T.B.I.	Fig. 14-5900
FUEL PUMP AND SENDING UNIT Z - TURBO CHARGER	Fig. 14-6000
FUEL LINES - M,Z (EXCEPT TURBO CHARGER)	Fig. 14-6100
FUEL LINES - Z TURBO CHARGER	Fig. 14-6200
FUEL LINES - P,D,C,V,E,T (EXCEPT T.B.I. - TURBO CHARGER)	Fig. 14-6300
FUEL LINES - TBI	Fig. 14-6400
FUEL LINES - TURBO CHARGER (EXCEPT Z)	Fig. 14-6500
FUEL LINES - H,K	Fig. 14-6600
FUEL LINES - F,G,B	Fig. 14-6700
FUEL TANK AND FUEL FILLER TUBES M,Z - (EXCEPT TURBO CHARGER)	Fig. 14-6800
FUEL TANK AND FILLER TUBES P,D,C,V,J,E,T - (EXCEPT T.B.I. - TURBO CHARGER)	Fig. 14-6900
FUEL TANK AND FILLER TUBES T.B.I. AND TURBO CHARGER	Fig. 14-7000
FUEL TANK AND FUEL FILLER TUBES H,K	Fig. 14-7100
FUEL TANK AND FUEL FILLER TUBES F,G,B	Fig. 14-7200

FRESH AIR INLET SYSTEM B,F,G
Figure 14-100

5114 100



ITEM	PART NUMBER	QTY	BODY	MODEL	DESCRIPTION
1	4074 745	1			BAFFLE, Engine Air
2	#3868 689				DUCT, Engine Air
3	3868 920	1			SEAL, Air Duct
4		2			SCREW (not serviced)
5	3868 552	1			COLLAR, Air Duct
6	3868 957	1			DEFLECTOR and ADAPTER, Air Intake Duct
NOTE: The following items are not illustrated applications specified in this document.					
	6031 299	AR			RETAINER, Engine Air Baffle

MODEL CODES

B = GRAN FURY	E = 600	M = HORIZON/TURISMO
C = LE BARON/TOWN & COUNTRY/LIMO	F = FIFTH AVENUE/NEWPORT	P = RELIANT
C24 = LASER	G = DIPLOMAT	T = NEW YORKER
C44 = LE BARON/GTS	H = VOYAGER	V = 600
D = ARIES	J = CARAVELLE	V24 = DAYTONA
D44 = LANCER	K = MINI VAN/CARAVAN/ROYAL	Z = OMNI/CHARGER

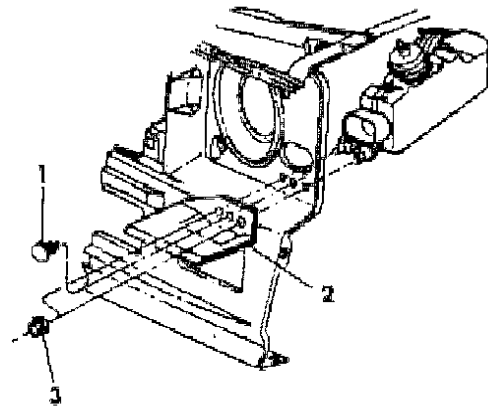
BODY STYLES

21 = 2-DOOR SEDAN	35 = FWD VAN	44 = 4-DOOR HATCHBACK
22 = 2-DOOR SPECIAL COUPE	36 = FWD WAGON	45 = 4-DOOR STATION WAGON
24 = 2-DOOR HATCHBACK	41 = 4-DOOR SEDAN	49 = LIMOUSINE
27 = 2-DOOR CONVERTIBLE		

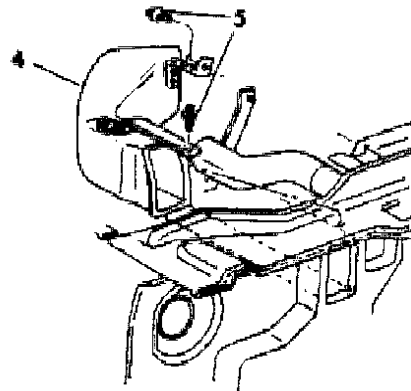
AR = Use as Required - = Non Illustrated Part P.A.R. = Paint as Required

FRESH AIR INLET SYSTEM Except B,F,G
Figure 14-200

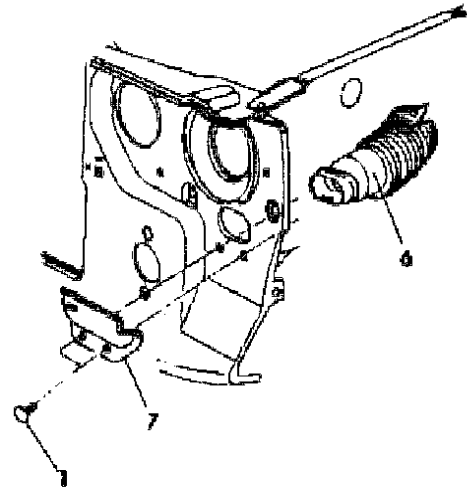
5114 200



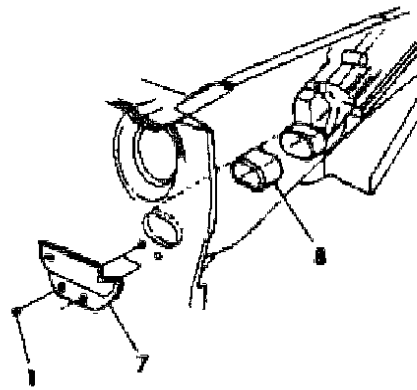
M, Z



W/2.6L ENGINE



W/2.6L ENGINE



W/2.2L ENGINE

ITEM	PART NUMBER	QTY	BODY	MODEL	DESCRIPTION
1	6031 299	AR			RETAINER
2	5201 395	1		M,Z	SHIELD, Air Inlet Closure Panel
3	6029 471	AR			NUT
4	4266 666	1		PDCVETJ	DUCT, Carburetor Air
5					SCREW (not serviced)
6	4287 977	1			DUCT, Air Cleaner
7	4103 277	1		P,D,C,V	BAFFLE, Air Inlet
8	4103 182	1		PDCVET	DUCT, Panel to E.S.A. Housing
	5204 394	1			ADAPTER, Air Inlet (not illustrated)

MODEL CODES

B = GRAN FURY	E = 600	M = HORIZON/TURISMO
C = LE BARON/TOWN & COUNTRY/LIMO	F = FIFTH AVENUE/NEWPORT	P = RELIANT
C24 = LASER	G = DIPLOMAT	T = NEW YORKER
C44 = LE BARON/GTS	H = VOYAGER	V = 600
D = ARIES	J = CARAVELLE	V24 = DAYTONA
D44 = LANCER	K = MINI VAN/CARAVAN/ROYAL	Z = OMNI/CHARGER

BODY STYLES

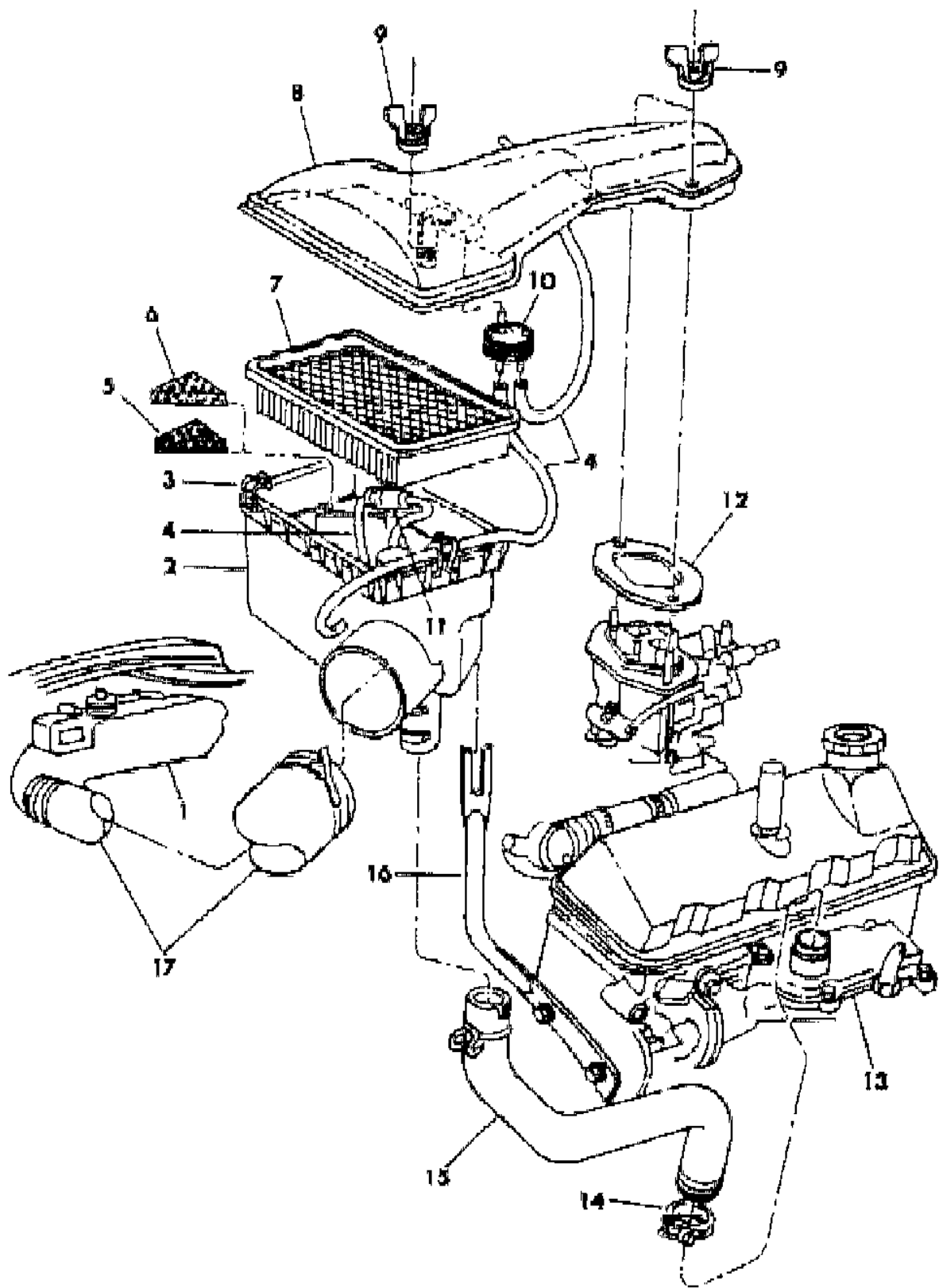
21 = 2-DOOR SEDAN	35 = FWD VAN	44 = 4-DOOR HATCHBACK
22 = 2-DOOR SPECIAL COUPE	36 = FWD WAGON	45 = 4-DOOR STATION WAGON
24 = 2-DOOR HATCHBACK	41 = 4-DOOR SEDAN	49 = LIMOUSINE
27 = 2-DOOR CONVERTIBLE		

AR = Use as Required - = Non Illustrated Part P.A.R. = Paint as Required

AIR CLEANER - W/1.6 LITER ENGINE

Figure 14-300

5/14/200



ITEM	PART NUMBER	QTY	BODY	MODEL	DESCRIPTION
1					CONTROL, Refer to GR. 8
2	4275 723	1			BODY, Air Cleaner
3	4227 053	3			LATCH, Air Cleaner Cover
4	4026 511	AR			HOSE
5	4275 087	1			FILTER, Crankcase Inlet Air
6	4275 088	1			ARRESTOR, Flame Crankcase
7	4342 801	1			FILTER, Air Cleaner
8	4300 944	1			COVER, Air Cleaner
	4300 945	1			Canada
9	4275 973	1			WINGNUT, Air Cleaner
10	4342 765	1			SENSOR, Air Cleaner Temp.
	6031 147	2			NUT, Temp. Sensor
11	4201 385	1			VALVE, Heated Air Delay
12	5214 058	1			GASKET, Air Cleaner to Carb.
13					HEATER, Refer to Gr. 9
14					CLAMP, (not serviced)
15	4306 121	1			CONNECTOR, Air Heater to Air Cleaner
16	4227 154	1			BRACKET, Air Cleaner Mounting
17	4287 917	1			DUCT, Air Cleaner Fresh Air Inlet

MODEL CODES

B = GRAN FURY	E = 600	M = HORIZON/TURISMO
C = LE BARON/TOWN & COUNTRY/LIMO	F = FIFTH AVENUE/NEWPORT	P = RELIANT
C24 = LASER	G = DIPLOMAT	T = NEW YORKER
C44 = LE BARON/GTS	H = VOYAGER	V = 600
D = ARIES	J = CARAVELLE	V24 = DAYTONA
D44 = LANCER	K = MINI VAN/CARAVAN/ROYAL	Z = OMNI/CHARGER

BODY STYLES

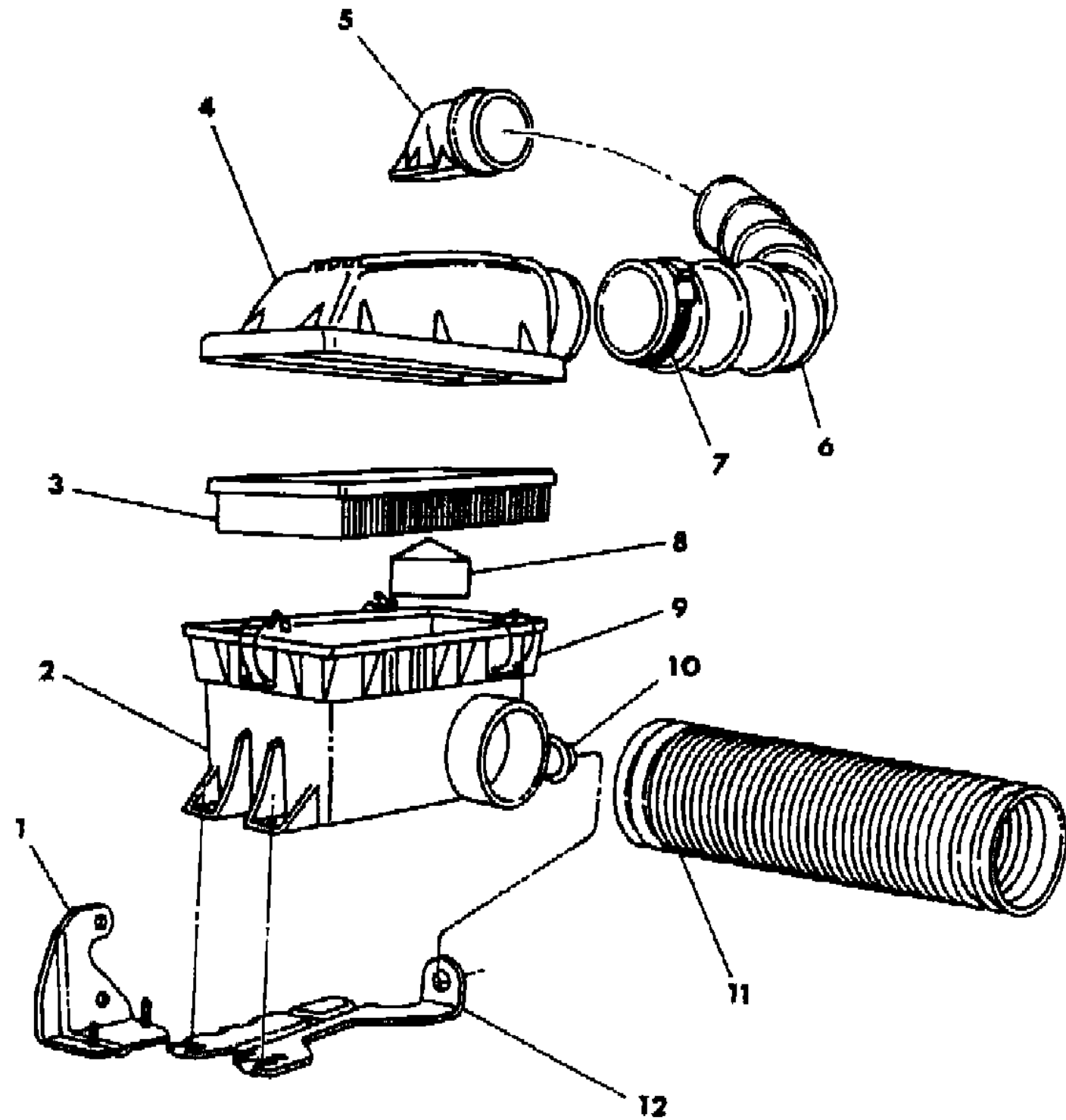
21 = 2-DOOR SEDAN	35 = FWD VAN	44 = 4-DOOR HATCHBACK
22 = 2-DOOR SPECIAL COUPE	36 = FWD WAGON	45 = 4-DOOR STATION WAGON
24 = 2-DOOR HATCHBACK	41 = 4-DOOR SEDAN	49 = LIMOUSINE
27 = 2-DOOR CONVERTIBLE		

AR = Use as Required - = Non Illustrated Part P.A.R. = Paint as Required

AIR CLEANER - TURBO CHARGER V,J,E,T,C (except C-44)

Figure 14-400

5114 400



ITEM	PART NUMBER	QTY	BODY	MODEL	DESCRIPTION
1	4275 981	1			BRACKET, Air Cleaner Support
	6500 158	2			SCREW, w/WASHER, Support Bracket to Head
2	4275 665	1			BODY, Air Cleaner
	6101 308	2			U-NUT
	6100 286	2			SCREW, Air Cleaner to Bracket
3	4342 801	1			FILTER, Air Cleaner
4	4268 488	1			COVER, Air Cleaner
5	4275 355	1			ADAPTOR, Air Cleaner Hose to Throttle Body
	6500 512	2			NUT, Air Cleaner Adaptor to Throttle Body
6	4275 535	1			HOSE, Air Cleaner to Throttle Body Adaptor
7	6032 368	2			CLAMP, Hose
8	4275 087	1			FILTER, Crankcase Inlet Air
9	4227 053	3			LATCH, Air Cleaner Cover
10	4268 295	1			GROMMET, Air Cleaner Support Bracket
11	4287 917	1			DUCT, Air Cleaner
12	4275 660	1			BRACKET, Air Cleaner
	6500 284	2			NUT, w/WASHER, Bracket to Support

MODEL CODES

B = GRAN FURY	E = 600	M = HORIZON/TURISMO
C = LE BARON/TOWN & COUNTRY/LIMO	F = FIFTH AVENUE/NEWPORT	P = RELIANT
C24 = LASER	G = DIPLOMAT	T = NEW YORKER
C44 = LE BARON/GTS	H = VOYAGER	V = 600
D = ARIES	J = CARAVELLE	V24 = DAYTONA
D44 = LANCER	K = MINI VAN/CARAVAN/ROYAL	Z = OMNI/CHARGER

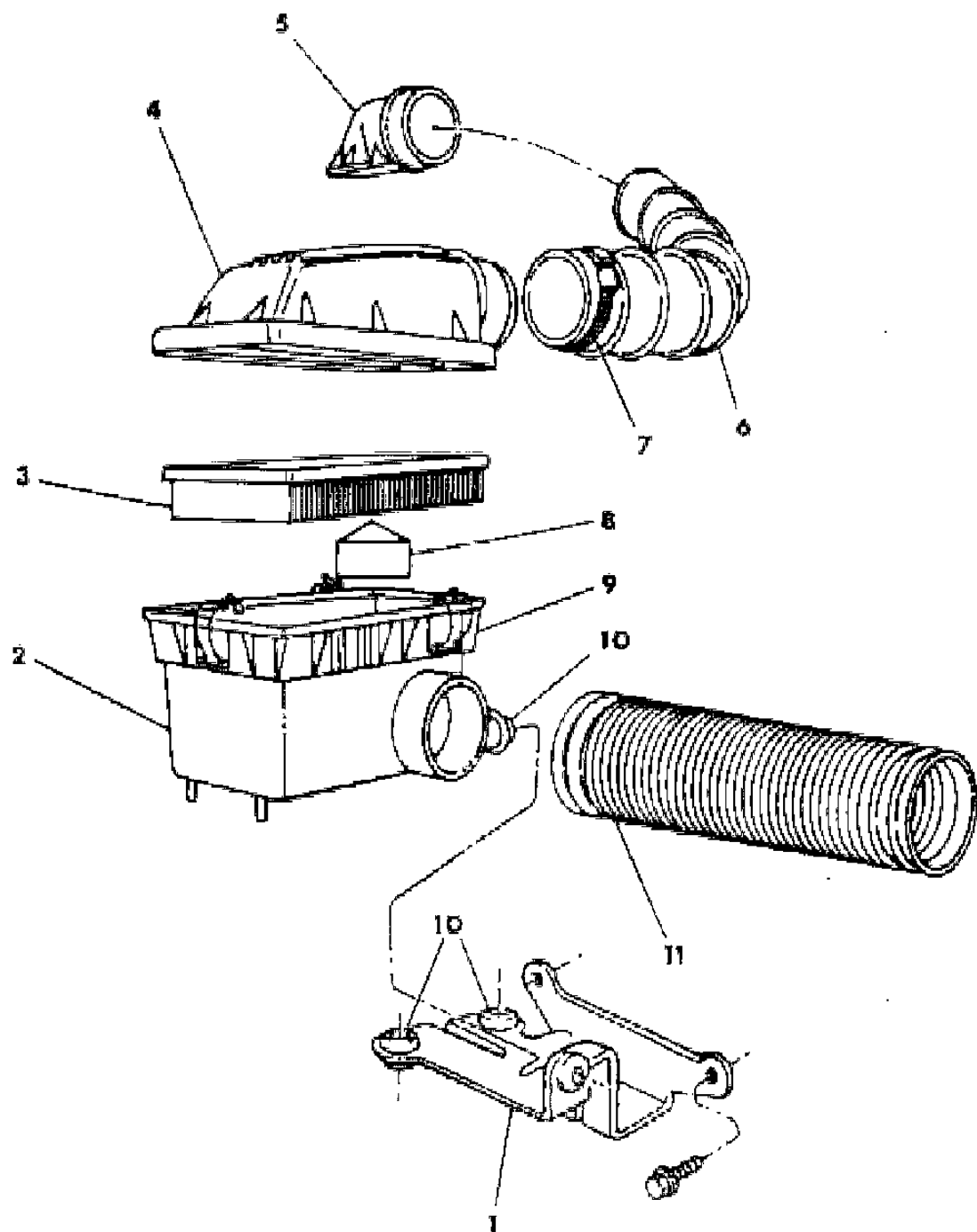
BODY STYLES

21 = 2-DOOR SEDAN	35 = FWD VAN	44 = 4-DOOR HATCHBACK
22 = 2-DOOR SPECIAL COUPE	36 = FWD WAGON	45 = 4-DOOR STATION WAGON
24 = 2-DOOR HATCHBACK	41 = 4-DOOR SEDAN	49 = LIMOUSINE
27 = 2-DOOR CONVERTIBLE		

AR = Use as Required - = Non Illustrated Part P.A.R. = Paint as Required

AIR CLEANER - TURBO CHARGER Z,D,C - 44
Figure 14-500

5114 500



ITEM	PART NUMBER	QTY	BODY	MODEL	DESCRIPTION
1	4287 723	1		C,D	BRACKET, Air Cleaner Support
	4287 723	1		Z-24S	
	4306 056	1		Z-44	
	6500 399	2			SCREW, w/WASHER, Bracket to Head
2	4300 925	1		C,D	BODY, Air Cleaner
	4300 926	1		Z-24S	
	4306 108	1		Z-44	
3	4342 801	1			FILTER, Air Cleaner
	4268 488	1			COVER, Air Cleaner
5	4287 721	1		C,D	ADAPTER, Air Cleaner Hose to Throttle Body
	4287 721	1		Z-24S	
	4306 109	1		Z-44	Up to 10-22-84
	4306 119	1		Z	After 10-22-84
	6500 512	2			NUT, Adapter to Throttle Body
6	4287 720	1		C,D	HOSE, Air Cleaner to Throttle Body Adapter
	4287 720	1		Z-24S	
	4306 119	1		Z-44	
7	6032 368	AR			CLAMP, Hose
8	4275 087	1			FILTER, Crankcase Inlet Air
9	4227 053	4			LATCH, Air Cleaner Cover
10	4268 295	3			GROMMET, Air Cleaner Bracket
	4275 669	1		C,D	DUCT, Air Cleaner
11	4275 670	1		Z	

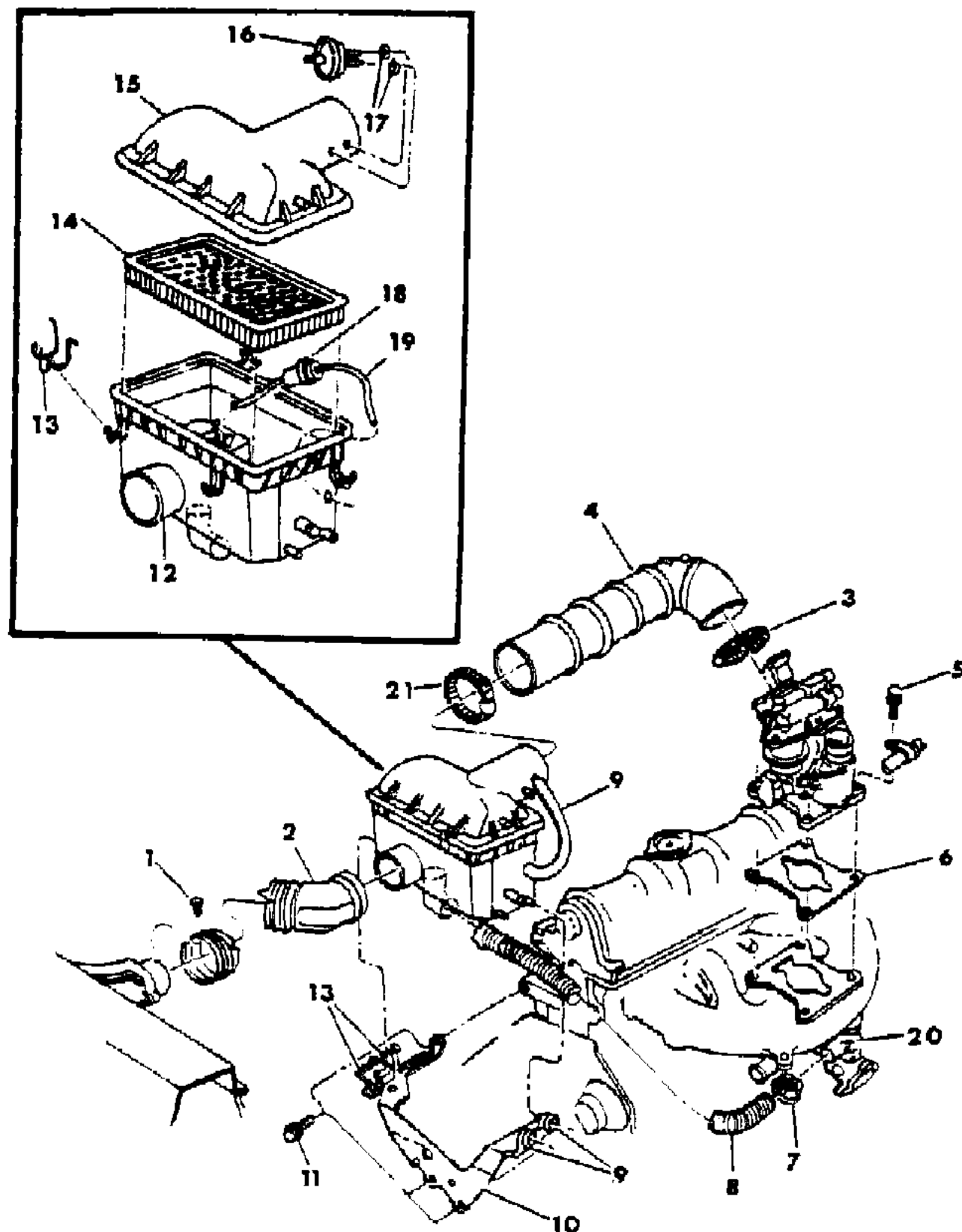
MODEL CODES
 B = GRAN FURY
 C = LE BARON/TOWN & COUNTRY/LIMO
 C24 = LASER
 C44 = LE BARON/GTS
 D = ARIES
 D44 = LANCER
 E = 600
 F = FIFTH AVENUE/NEWPORT
 G = DIPLOMAT
 H = VOYAGER
 J = CARAVELLE
 K = MINI VAN/CARAVAN/ROYAL
 M = HORIZON/TURISMO
 P = RELIANT
 T = NEW YORKER
 V = 600
 V24 = DAYTONA
 Z = OMNI/CHARGER

BODY STYLES
 21 = 2-DOOR SEDAN
 22 = 2-DOOR SPECIAL COUPE
 24 = 2-DOOR HATCHBACK
 27 = 2-DOOR CONVERTIBLE
 35 = FWD VAN
 36 = FWD WAGON
 41 = 4-DOOR SEDAN
 44 = 4-DOOR HATCHBACK
 45 = 4-DOOR STATION WAGON
 49 = LIMOUSINE

AR = Use as Required - = Non Illustrated Part P.A.R. = Paint as Required

AIR CLEANER - T.B.I
Figure 14-600

5114 EDD



ITEM	PART NUMBER	QTY	BODY	MODEL	DESCRIPTION
1					SCREW (not serviced)
2	4287 916	1			DUCT, Air Cleaner Fresh Air
3	6032 742	1			CLAMP
4	4275 363	1			HOSE, Air Cleaner to Throttle Body
5	6500 134	4			SCREW and Washer
6	4275 531	1			GASKET, Throttle Body
7		1			CLAMP (not serviced)
8	4306 121	1			CONNECTOR, Heater Air
9	4268 295	2			GROMMET, Air Cleaner Bracket
10	4287 337	1			BRACKET, Air Cleaner Mounting
11	6500 158	3			SCREW and WASHER
12	4287 350	1			BODY, Air Cleaner
13	4227 053	AR			LATCH, Air Cleaner Cover
14	4342 800	1			FILTER, Air Cleaner
15	4275 360	1			COVER, Air Cleaner
16	4131 147	1			SENSOR, Air Cleaner Temp
17	6031 147	2			NUT, Temp Sensor
18	4201 385	1			DELAY, Heated Air
19	4026 511	AR			HOSE, Delay Valve
20	5203 338	1			HEATER, Carb. Air
21	6032 368	1			CLAMP

MODEL CODES

B = GRAN FURY	E = 600	M = HORIZON/TURISMO
C = LE BARON/TOWN & COUNTRY/LIMO	F = FIFTH AVENUE/NEWPORT	P = RELIANT
C24 = LASER	G = DIPLOMAT	T = NEW YORKER
C44 = LE BARON/GTS	H = VOYAGER	V = 600
D = ARIES	J = CARAVELLE	V24 = DAYTONA
D44 = LANCER	K = MINI VAN/CARAVAN/ROYAL	Z = OMNI/CHARGER

BODY STYLES

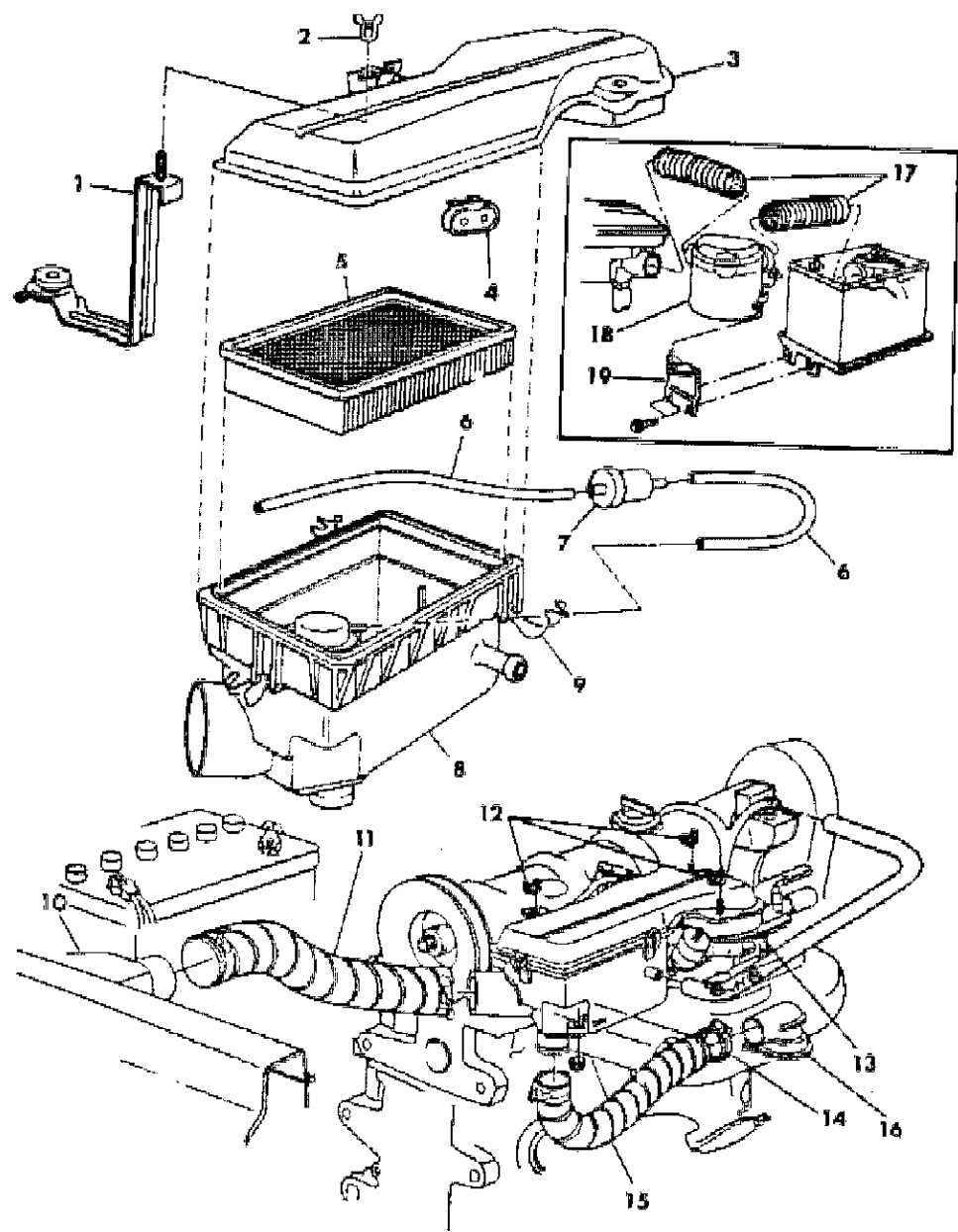
21 = 2-DOOR SEDAN	35 = FWD VAN	44 = 4-DOOR HATCHBACK
22 = 2-DOOR SPECIAL COUPE	36 = FWD WAGON	45 = 4-DOOR STATION WAGON
24 = 2-DOOR HATCHBACK	41 = 4-DOOR SEDAN	49 = LIMOUSINE
27 = 2-DOOR CONVERTIBLE		

AR = Use as Required - = Non Illustrated Part P.A.R. = Paint as Required

AIR CLEANER - W/2.2 LITER ENGINE

Figure 14-700

5114 700



ITEM	PART NUMBER	QTY	BODY	MODEL	DESCRIPTION
1	4268 570	1			BRACKET, Air Cleaner Support
2	4275 973	3			WINGNUT, Air Cleaner Attaching
3					COVER, Air Cleaner
	4275 561	1		M,Z	except High Performance
	4275 724	1		M,Z	w/ High Performance
	4275 724	1		PDCVETH	
	4275 702	1		M,Z-28	
4	4342 765	1			SENSOR, Air Cleaner Temp.
5	4342 801	1			FILTER, Air Cleaner
6	4026 511	AR			HOSE
7	4201 385	1			VALVE, Heated Air Delay
8	4275 723	1			BODY, Air Cleaner
9	4227 053	3			LATCH, Air Cleaner Cover
10					CONTROL, Ref. to Gr. 8
11					DUCT, Air Cleaner Fresh Air
	4287 921	1		P,D,C,V	
	4287 919	1		M,Z	
12	4275 973	3			WINGNUT, Air Cleaner
13	5214 058	1			GASKET, Air Cleaner to Carburetor
14	3683 824	1			CLAMP
15	4300 933	1			CONNECTOR, Carburetor Air Heater to Air Cleaner
16	5203 338	1			HEATER, Carburetor Air
17	4287 915	2			DUCT, Fresh Air Resonator
18	4241 960	1			RESONATOR, Fresh Air Intake
19	4241 962	1			BRACKET, Resonator Mounting

MODEL CODES

B = GRAN FURY	E = 600	M = HORIZON/TURISMO
C = LE BARON/TOWN & COUNTRY/LIMO	F = FIFTH AVENUE/NEWPORT	P = RELIANT
C24 = LASER	G = DIPLOMAT	T = NEW YORKER
C44 = LE BARON/GTS	H = VOYAGER	V = 600
D = ARIES	J = CARAVELLE	V24 = DAYTONA
D44 = LANCER	K = MINI VAN/CARAVAN/ROYAL	Z = OMNI/CHARGER

BODY STYLES

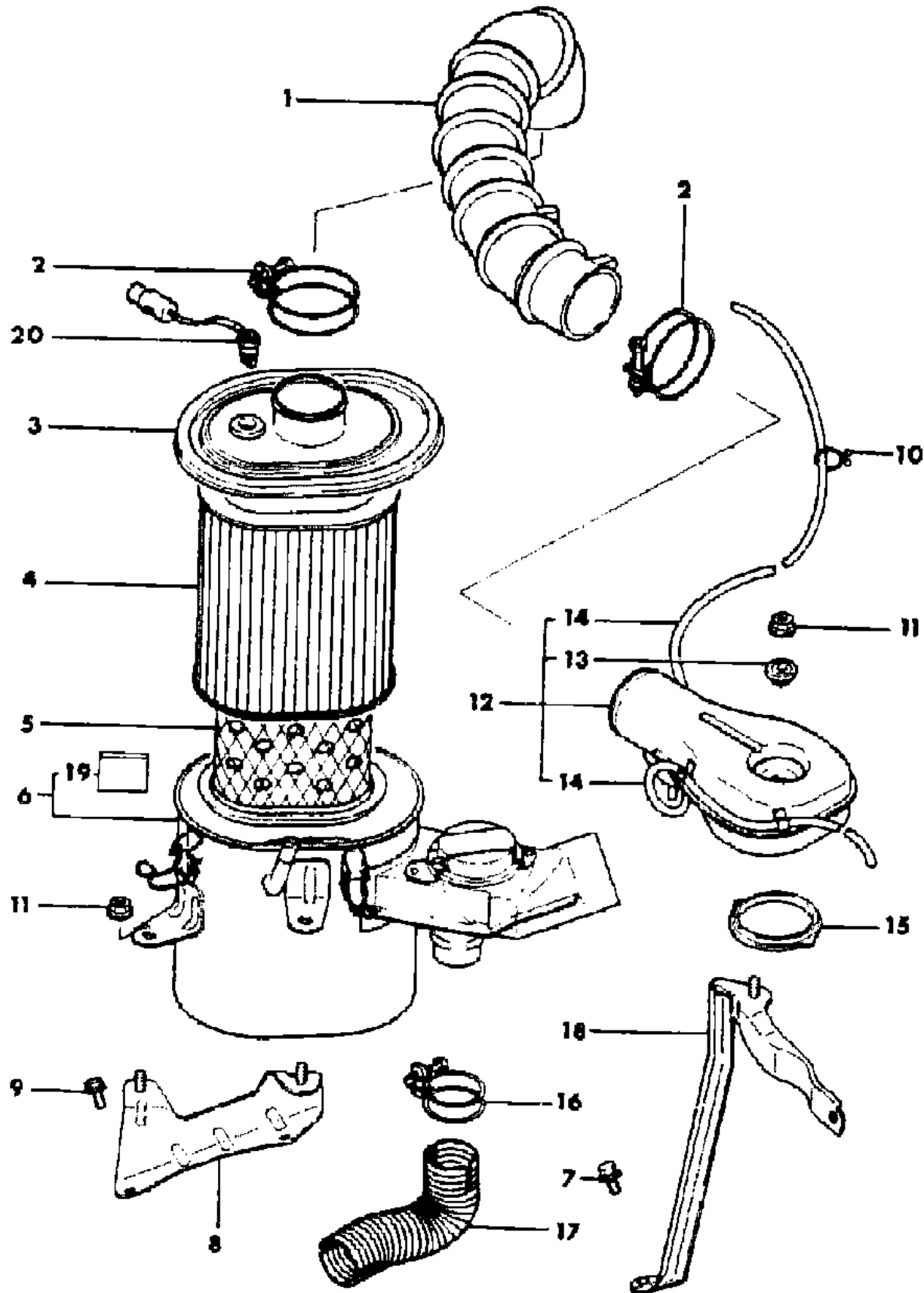
21 = 2-DOOR SEDAN	35 = FWD VAN	44 = 4-DOOR HATCHBACK
22 = 2-DOOR SPECIAL COUPE	36 = FWD WAGON	45 = 4-DOOR STATION WAGON
24 = 2-DOOR HATCHBACK	41 = 4-DOOR SEDAN	49 = LIMOUSINE
27 = 2-DOOR CONVERTIBLE		

AR = Use as Required - = Non Illustrated Part P.A.R. = Paint as Required

AIR CLEANER - W/2.6 LITER ENGINE

Figure 14-800

5114 800



ITEM	PART NUMBER	QTY	BODY	MODEL	DESCRIPTION
1	MD02 5188	1			HOSE, Air Intake
2	MF66 1034	2			CLAMP, Hose
3	MD60 3786	1			COVER, Air Cleaner
	MD60 3339	1			Limo, U.S. and Canada except Limo, H,K and Calif and Canada, Up to Engine Serial No. DW6223
	MD60 3547	1			except Limo, H,K and Calif and Canada, After Engine Serial No. EA2116
	MD60 3453	1	H,K		except Calif, Up to Engine Serial No. DW6223
	MD60 3622	1	H,K		except Calif, After Engine Serial No. EA2116
	MD60 3339	1	H,K		Calif, UP to Engine Serial No. DW6223
	MD60 3546	1	H,K		Calif and H/Alt., After Engine Serial No. EA2116
	MD60 3544	1			Canada, except Limo
4	MD60 3340	1			ELEMENT, Air Cleaner
5	MD60 3341	1			ELEMENT, Carbon
6	MD60 3578	1			BODY, Air Cleaner
	MD60 3338	1			Limo, U.S. and Canada except Limo, H,K and Calif and Canada, Up to Engine Serial No. DW6223
	MD60 3549	1			except Limo, H,K and Calif and Canada, After Engine Serial No. EA2116
	MD60 3452	1	H,K		except Calif, Up to Engine Serial No. DW6223
	MD60 3620	1	H,K		except Calif, After Engine Serial No. EA2116
	MD60 3338	1	H,K		Calif, Up to Engine Serial No. DW6223
	MD60 3548	1	H,K		Calif and H/Alt., After Engine Serial No. EA2116
	MD60 3455	1			Canada, except Limo
	MD60 3387	1			Canada
7	MF24 3649	1			BOLT w/WASHER
8	MD07 1450	1			BRACKET, Air Cleaner
	MD02 7671	1	H,K		except H, K and except Calif, Canada
	MD02 7671	1			except Limo, Canada
	MD07 1450	1			Limo, Canada
	MD02 7507	1			Calif.
9	MD02 5178	2			BOLT, Flange
10	MS47 0362	1			CLIP, Snap
11	MS44 0503	1			NUT

MODEL CODES

B = GRAN FURY	E = 600	M = HORIZON/TURISMO
C = LE BARON/TOWN & COUNTRY/LIMO	F = FIFTH AVENUE/NEWPORT	P = RELIANT
C24 = LASER	G = DIPLOMAT	T = NEW YORKER
C44 = LE BARON/GTS	H = VOYAGER	V = 600
D = ARIES	J = CARAVELLE	V24 = DAYTONA
D44 = LANCER	K = MINI VAN/CARAVAN/ROYAL	Z = OMNI/CHARGER

BODY STYLES

21 = 2-DOOR SEDAN	35 = FWD VAN	44 = 4-DOOR HATCHBACK
22 = 2-DOOR SPECIAL COUPE	36 = FWD WAGON	45 = 4-DOOR STATION WAGON
24 = 2-DOOR HATCHBACK	41 = 4-DOOR SEDAN	49 = LIMOUSINE
27 = 2-DOOR CONVERTIBLE		

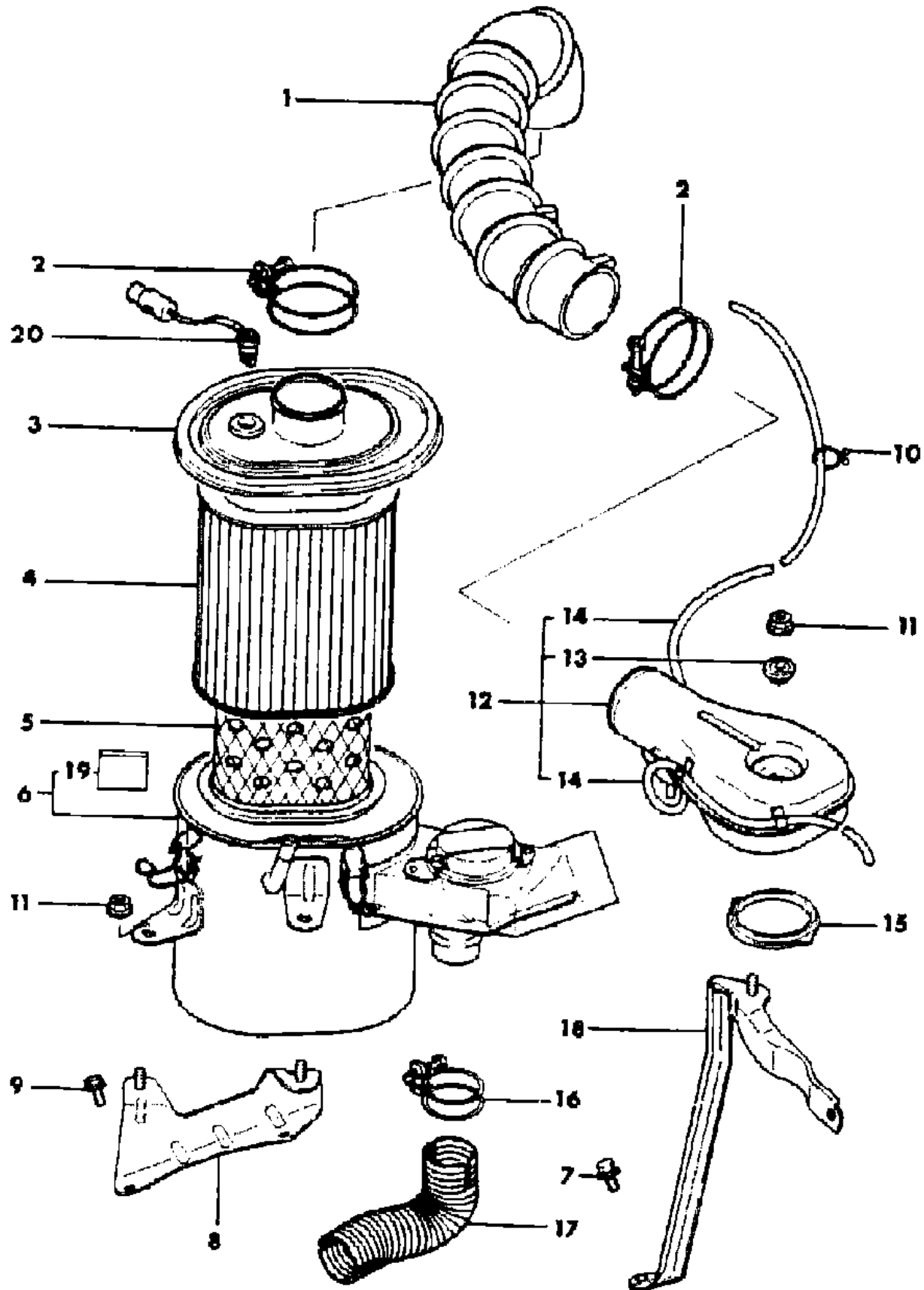
AR = Use as Required - = Non Illustrated Part P.A.R. = Paint as Required

AIR CLEANER - W/2.6 LITER ENGINE

Figure 14-800

5114 800

ITEM	PART NUMBER	QTY	BODY	MODEL	DESCRIPTION
12	MD02 5187	1			HORN, Air
	MD02 5187	1		H,K	except Calif, Up to Engine Serial No. DW6223
	MD08 9655	1		H,K	except Calif, After Engine Serial No. EA2116
13	MD60 3366	1			WASHER, Seal
14	MD03 0216	1			HOSE
15	MD02 5181	1			GASKET, Air Cleaner
16	MF66 1023	2			CLAMP, Hose
17	MD02 5185	1			DUCT, Heat
18	MD02 7508	1			STAY, Air Cleaner
19	MD60 3386	1			FILTER, Crankcase Vent
20	MD07 6783	1			SENSOR, Air Temp



MODEL CODES

B = GRAN FURY	E = 600	M = HORIZON/TURISMO
C = LE BARON/TOWN & COUNTRY/LIMO	F = FIFTH AVENUE/NEWPORT	P = RELIANT
C24 = LASER	G = DIPLOMAT	T = NEW YORKER
C44 = LE BARON/GTS	H = VOYAGER	V = 600
D = ARIES	J = CARAVELLE	V24 = DAYTONA
D44 = LANCER	K = MINI VAN/CARAVAN/ROYAL	Z = OMNI/CHARGER

BODY STYLES

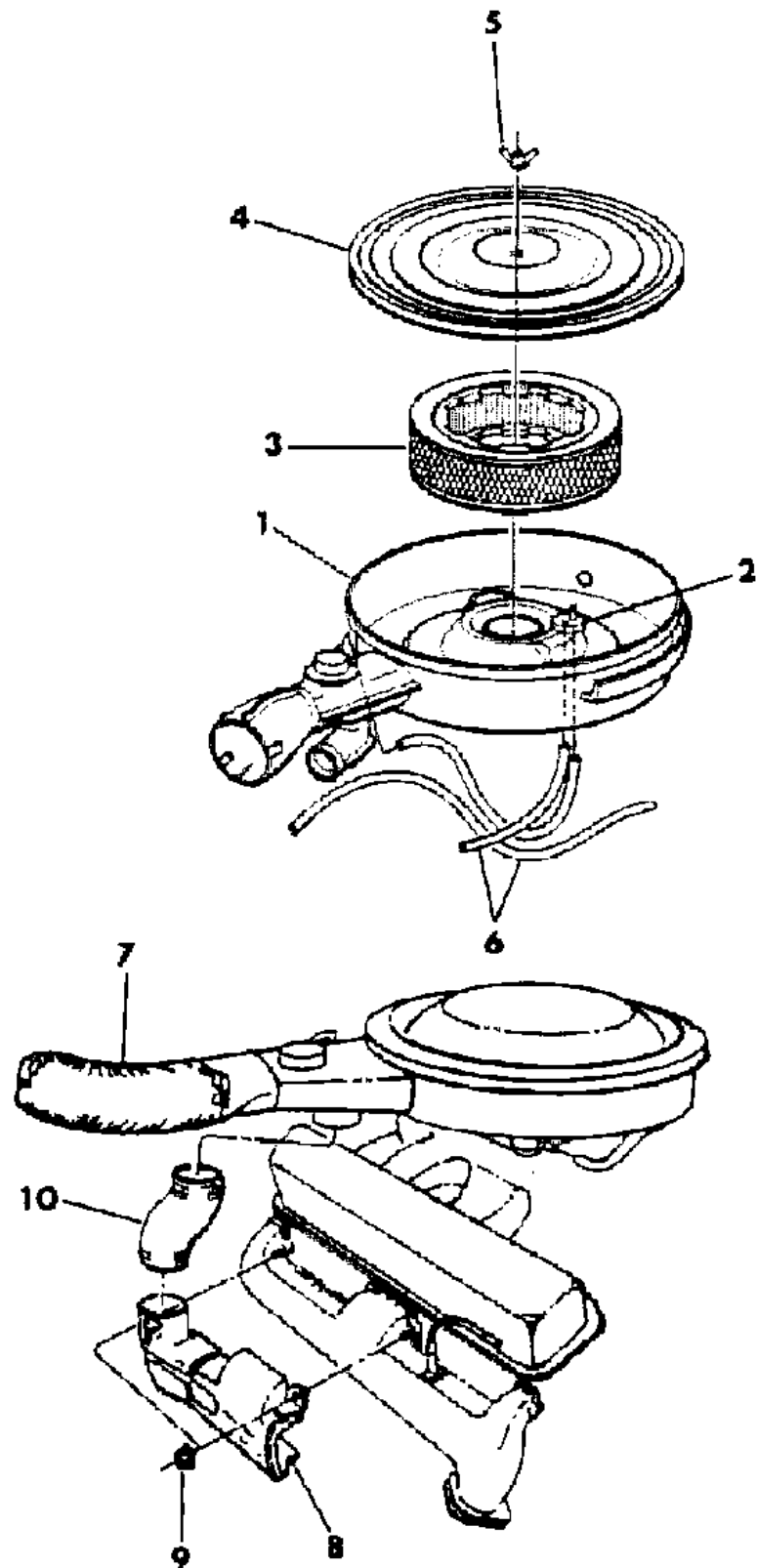
21 = 2-DOOR SEDAN	35 = FWD VAN	44 = 4-DOOR HATCHBACK
22 = 2-DOOR SPECIAL COUPE	36 = FWD WAGON	45 = 4-DOOR STATION WAGON
24 = 2-DOOR HATCHBACK	41 = 4-DOOR SEDAN	49 = LIMOUSINE
27 = 2-DOOR CONVERTIBLE		

AR = Use as Required - = Non Illustrated Part P.A.R. = Paint as Required

AIR CLEANER - W/318-2BBL ENGINE

Figure 14-900

5174 900



ITEM	PART NUMBER	QTY	BODY	MODEL	DESCRIPTION
1					BODY, Air Cleaner
	4227 093	1			w/ELD,ELA, w/(SC-NAA,NAE,NAF)
	4227 092	1			w/ELA w/(SC-NAA),Canada
2	4240 062	1			SENSOR, Air Cleaner Temp.
3					FILTER, Air Cleaner
	4201 103	1			w/ELA,ELD w/(SC-NAA,NAE,NAF)
	1739 547	1			w/ELA,ELD w/(SC-NAA) Canada
4	4041 654	1			COVER, Air Cleaner
5	0118 614	1			NUT, Air Cleaner
6	4026 511	AR			HOSE, Air Cleaner
7	#4049 348	1			DUCT, Air Cleaner to Bodyside
8	4227 981	1			HEATER, Carburetor Air
9	6025 004	2			NUT, w/ WASHER
10	4241 310	1			CONNECTOR, Air Heater to Air Cleaner
NOTE: The following items are not illustrated. applications specified in this document.					
	2951 393	1			CLAMP, Air Cleaner
	2536 626	1			GASKET, Air Cleaner to Carb.
	4100 432	1			DIAPHRAGM, Air Cleaner Snorkel Vacuum
	4071 703	1			GASKET, Air Cleaner Cover
	4213 632	1			ADAPTER, Snorkel to Fresh Air Duct

MODEL CODES

B = GRAN FURY	E = 600	M = HORIZON/TURISMO
C = LE BARON/TOWN & COUNTRY/LIMO	F = FIFTH AVENUE/NEWPORT	P = RELIANT
C24 = LASER	G = DIPLOMAT	T = NEW YORKER
C44 = LE BARON/GTS	H = VOYAGER	V = 600
D = ARIES	J = CARAVELLE	V24 = DAYTONA
D44 = LANCER	K = MINI VAN/CARAVAN/ROYAL	Z = OMNI/CHARGER

BODY STYLES

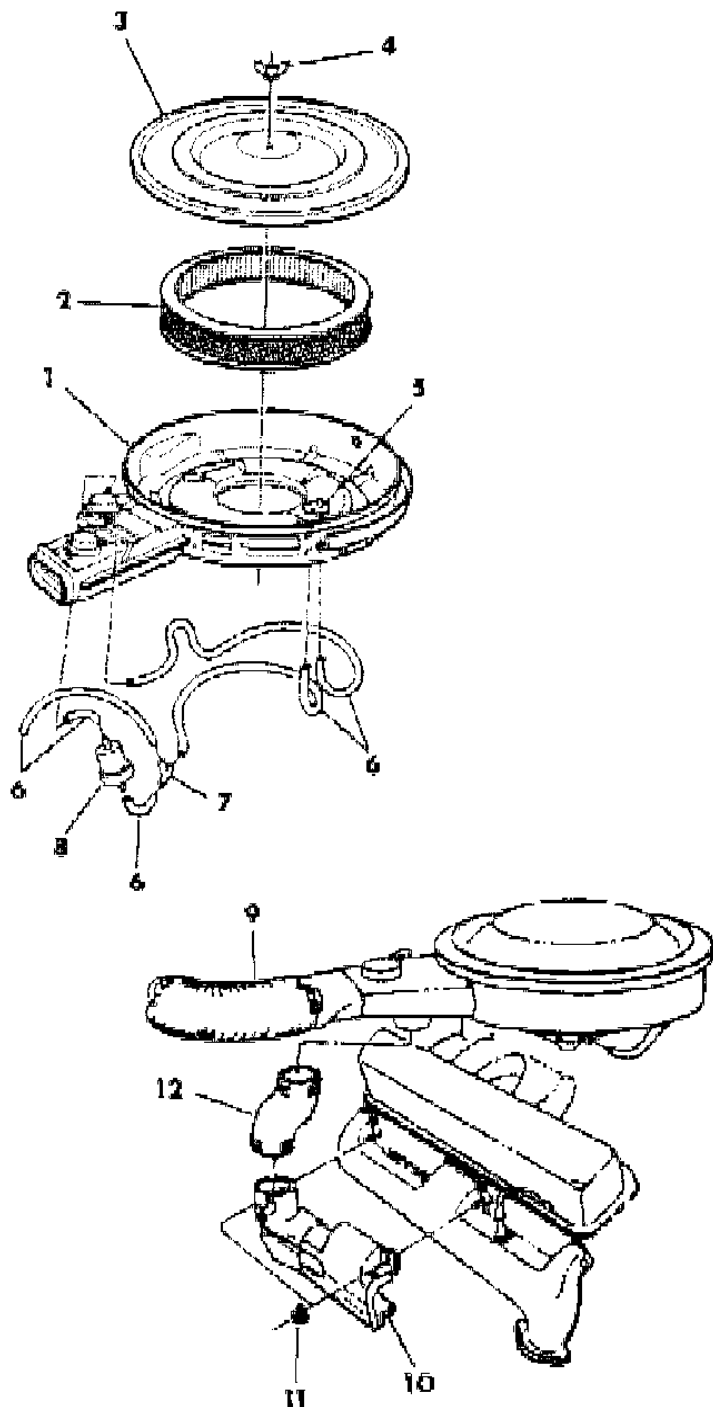
21 = 2-DOOR SEDAN	35 = FWD VAN	44 = 4-DOOR HATCHBACK
22 = 2-DOOR SPECIAL COUPE	36 = FWD WAGON	45 = 4-DOOR STATION WAGON
24 = 2-DOOR HATCHBACK	41 = 4-DOOR SEDAN	49 = LIMOUSINE
27 = 2-DOOR CONVERTIBLE		

AR = Use as Required - = Non Illustrated Part P.A.R. = Paint as Required

AIR CLEANER - W/318-4BBL ENGINE

Figure 14-1000

5114 1000



ITEM	PART NUMBER	QTY	BODY	MODEL	DESCRIPTION
1					BODY, Air Cleaner
	4300 973	1			w/ELC w/(SC-NAB)
	4275 494	1			w/ELE w/(SC-NAA,NAF)
2	2863 349	1			FILTER, Air Cleaner
3	2951 757	1			COVER, Air Cleaner
4	6031 609	1			WINGNUT, Air Cleaner
5	4240 062	1			SENSOR, Air Cleaner Temp.
6	4026 511	AR			HOSE, Air Cleaner
7	2857 908	2			TEE
8	4201 385	1			VALVE, Heated Air Delay
9					DUCT, Air Cleaner to Bodyside
	4049 348	1			w/ELC w/(SC-NAA)
	4179 789	1			w/ELE w/(SC-NAA,NAF)
10	4227 981	1			HEATER, Carburetor Air
11	6025 004	2			NUT, w/ WASHER
12	4241 310	1			CONNECTOR, Air Heater to Air Cleaner
NOTE: The following items are not illustrated. applications specified in this document.					
					DIAPHRAGM, Air Cleaner Snorkel Vacuum
	4100 432	1			w/ELC w/(SC-NAB)
	4201 010	1			w/ELE w/(SC-NAA)
	4105 938	1			Vapor Containment Vacuum, w/(SC-NAA,NAF)
	4071 703	1			GASKET, Air Cleaner Cover
	1826 286	1			STUD, Air Cleaner to Carb.
	4100 602	1			GASKET, Air Cleaner to Carb.
	4213 632	1			ADAPTER, Snorkel to Fresh Air Duct
	3830 144	1			WRAP, Air Filter, w/(SC-NAB)

MODEL CODES

B = GRAN FURY	E = 600	M = HORIZON/TURISMO
C = LE BARON/TOWN & COUNTRY/LIMO	F = FIFTH AVENUE/NEWPORT	P = RELIANT
C24 = LASER	G = DIPLOMAT	T = NEW YORKER
C44 = LE BARON/GTS	H = VOYAGER	V = 600
D = ARIES	J = CARAVELLE	V24 = DAYTONA
D44 = LANCER	K = MINI VAN/CARAVAN/ROYAL	Z = OMNI/CHARGER

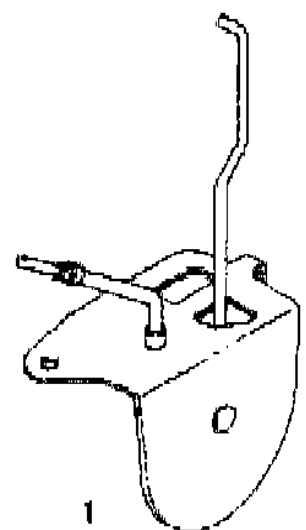
BODY STYLES

21 = 2-DOOR SEDAN	35 = FWD VAN	44 = 4-DOOR HATCHBACK
22 = 2-DOOR SPECIAL COUPE	36 = FWD WAGON	45 = 4-DOOR STATION WAGON
24 = 2-DOOR HATCHBACK	41 = 4-DOOR SEDAN	49 = LIMOUSINE
27 = 2-DOOR CONVERTIBLE		

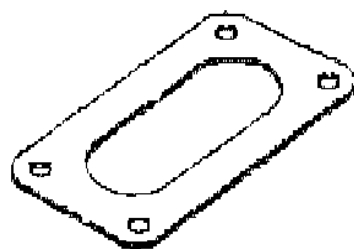
AR = Use as Required - = Non Illustrated Part P.A.R. = Paint as Required

CARBURETOR CHOKE, CHOKE CONTROL, FLANGE GASKETS
Figure 14-1100

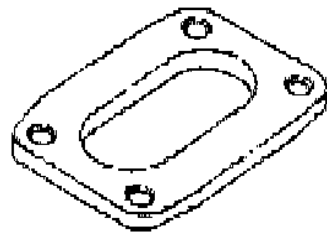
5114 1100



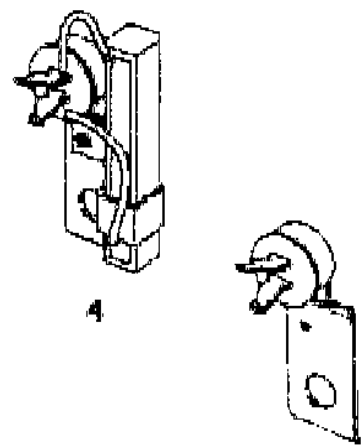
1



2



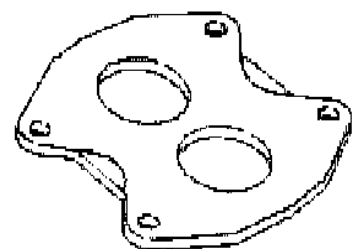
3



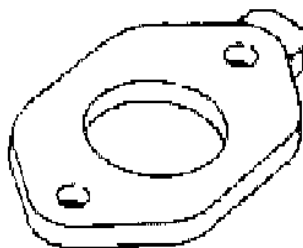
4



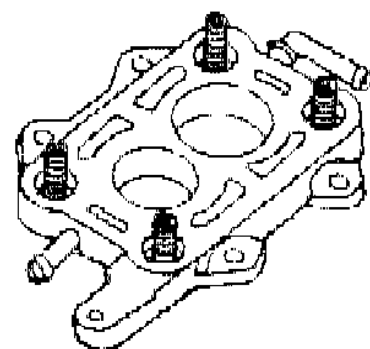
5



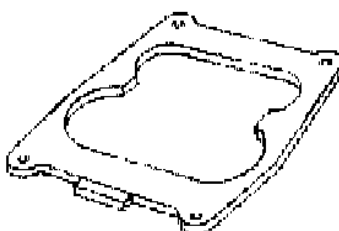
6



7



8



9



10

ITEM	PART NUMBER	QTY	BODY	MODEL	DESCRIPTION
1					CHOKE, Carburetor
	4095 339	1			w/318-2BBL.
	4095 331	1			w/318-4BBL., w/(SC-NAB)
	4095 984	1			w/318-4BBL., w/(SC-NAA,NAF)
2					GASKET, Carb. Flange
	4095 975	1			w/2.2 Liter Eng., Spacer to Carb.
	4095 975	1			w/1.6 Liter Eng., Carb. Flange
3					GASKET, Carb. Flange
	3870 535	1			w/318-2BBL.
4					CONTROL, Choke
	4049 777	1			w/318-2BBL.
	4106 096	1			w/318-4BBL., w/(SC-NAA)
	4049 777	1			w/318-4BBL., w/(SC-NAB)
6	4179 302	1			INSULATOR, Spacer, w/2.2 Liter Eng.
8					SPACER, Carb., w/2.2 Liter Eng.
	4300 955	1			w/(SC-NAA,NAE,NAF)
	4300 988	1			w/(SC-NAB)
	4300 941	1		H,K	
9	4306 309	1			GASKET, Flange, w/318-4BBL.
10					CLIP, Choke Rod End
	4095 966	1			w/318-2BBL.
	4041 917	1			w/318-4BBL.

MODEL CODES

B = GRAN FURY	E = 600	M = HORIZON/TURISMO
C = LE BARON/TOWN & COUNTRY/LIMO	F = FIFTH AVENUE/NEWPORT	P = RELIANT
C24 = LASER	G = DIPLOMAT	T = NEW YORKER
C44 = LE BARON/GTS	H = VOYAGER	V = 600
D = ARIES	J = CARAVELLE	V24 = DAYTONA
D44 = LANCER	K = MINI VAN/CARAVAN/ROYAL	Z = OMNI/CHARGER

BODY STYLES

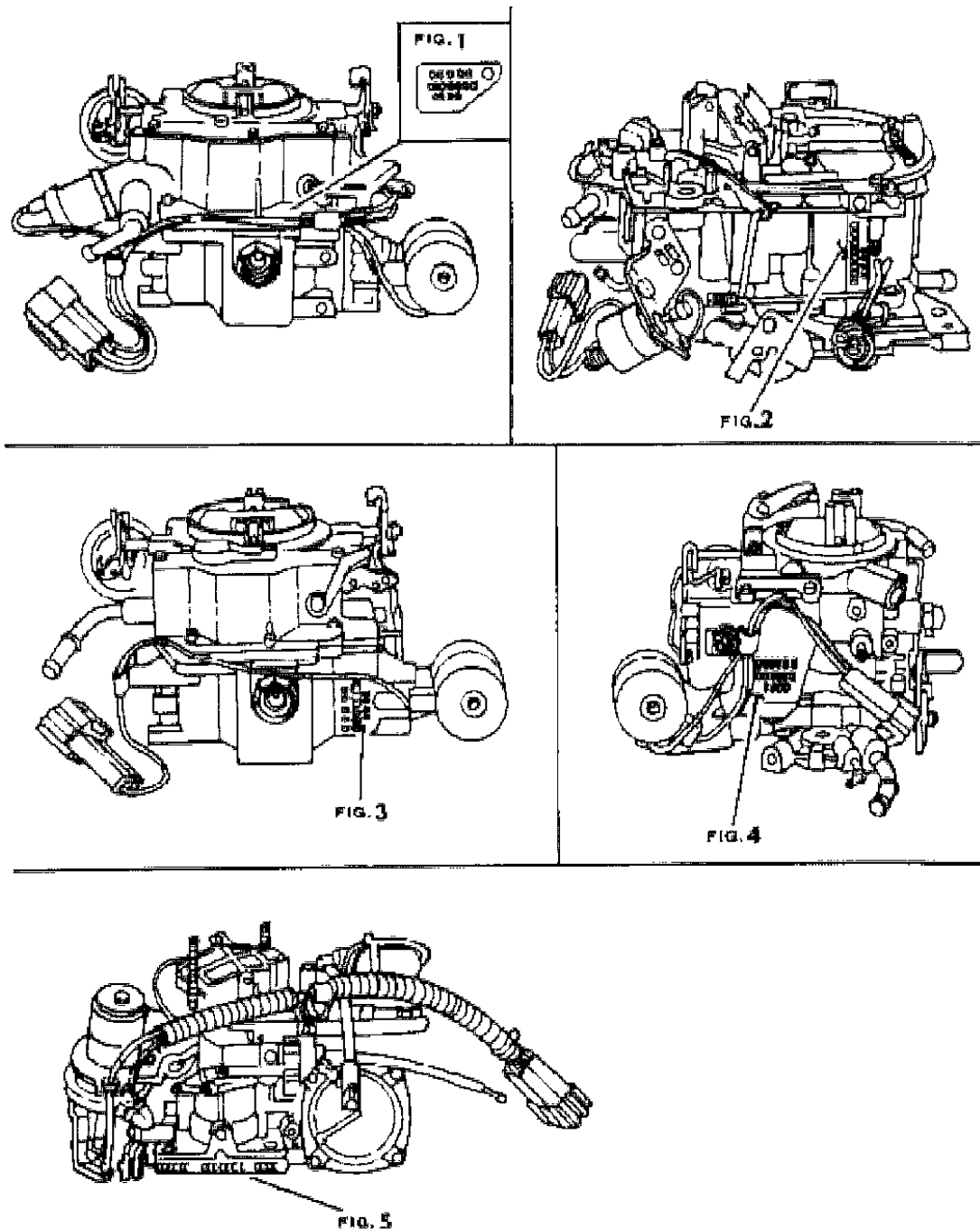
21 = 2-DOOR SEDAN	35 = FWD VAN	44 = 4-DOOR HATCHBACK
22 = 2-DOOR SPECIAL COUPE	36 = FWD WAGON	45 = 4-DOOR STATION WAGON
24 = 2-DOOR HATCHBACK	41 = 4-DOOR SEDAN	49 = LIMOUSINE
27 = 2-DOOR CONVERTIBLE		

AR = Use as Required - = Non Illustrated Part P.A.R. = Paint as Required

CARBURETOR IDENTIFICATION AND CROSS REFERENCE

Figure 14-1200

14-1200 A



ITEM	PART NUMBER	QTY	BODY	MODEL	DESCRIPTION
1					HOLLEY 6280 SERIES CARBURETOR N N N N
					NOTE: The Holley 6280 Carburetor is identified by a tag attached to the top of the Carburetor it contains both the Holley and Chrysler No.
2					ROCHESTER QUADRA JET CARBURETOR N N N N
					NOTE: The Rochester Quadra Jet Carburetor is identified by the Rochester No. stamped on the throttle side of the float bowl.
3					HOLLEY 2280 SERIES CARBURETOR N N N N
					NOTE: The Holley 2280 Carburetor is identified by the Holley and Chrysler No. stamped on the front to the left side of the fuel inlet.
4					HOLLEY 1945 and 6145 SERIES CARBURETOR N N N N
					NOTE: The Holley 1945 and 6145 Carburetors are identified by the Holley and Chrysler No. stamped on the side of the Carburetor next to the solenoid bracket
5					HOLLEY 5220 and 6520 SERIES CARBURETOR N N N N
					NOTE: The Holley 5220 and 6520 Carburetors are identified by the Holley and Chrysler No. stamped on the rear of the carburetor throttle body. A mirror is required to read the no. when the carburetor is installed on the vehicle. e rear of the carburetor throttle body. A mirror is required to read the no. when the carburetor is
					6520 ! 1400 N4288436 NR-40058-1 N1.6L N1
					5220 ! 1300 N4288484 NR-40060-2 N1.6L N1
					5220 ! 1300 N4288518 NR-40116 N2.2L N6
					5220 ! 1300 N4288519 NR-40117 N2.2L N7
					5220 ! 1300 N4288521 NR-40142 N2.2L N2
					5220 ! 1300 N4288522 NR-40143 N2.2L N3
					5220 ! 1300 N4288524 NR-40145 N2.2L N4
					5220 ! 1300 N4288525 NR-40146 N2.2L N5
					6520 ! 1400 N4288533 NR-40134 N2.2L N2
					6520 ! 1400 N4288534 NR-40135 N2.2L N3
					6520 ! 1400 N4288535 NR-40136 N2.2L N4
					6520 ! 1400 N4288536 NR-40137 N2.2L N5
					6520 ! 1400 N4288537 NR-40138 N2.2L N6
					6520 ! 1400 N4288538 NR-40139 N2.2L N7
					6520 ! 1400 N4288539 NR-40140 N2.2L N8
					6520 ! 1400 N4288540 NR-40141 N2.2L N9
					6520 ! 1400 N4288550 NR-40134-1 N2.2L N2
					6520 ! 1400 N4288551 NR-40135-1 N2.2L N3
					6520 ! 1400 N4288552 NR-40136-1 N2.2L N4
					6520 ! 1400 N4288553 NR-40137-1 N2.2L N5
					6520 ! 1400 N4288554 NR-40138-1 N2.2L N6
					6520 ! 1400 N4288555 NR-40139-1 N2.2L N7
					6520 ! 1400 N4288556 NR-40140-1 N2.2L N8

MODEL CODES

B = GRAN FURY	E = 600	M = HORIZON/TURISMO
C = LE BARON/TOWN & COUNTRY/LIMO	F = FIFTH AVENUE/NEWPORT	P = RELIANT
C24 = LASER	G = DIPLOMAT	T = NEW YORKER
C44 = LE BARON/GTS	H = VOYAGER	V = 600
D = ARIES	J = CARAVELLE	V24 = DAYTONA
D44 = LANCER	K = MINI VAN/CARAVAN/ROYAL	Z = OMNI/CHARGER

BODY STYLES

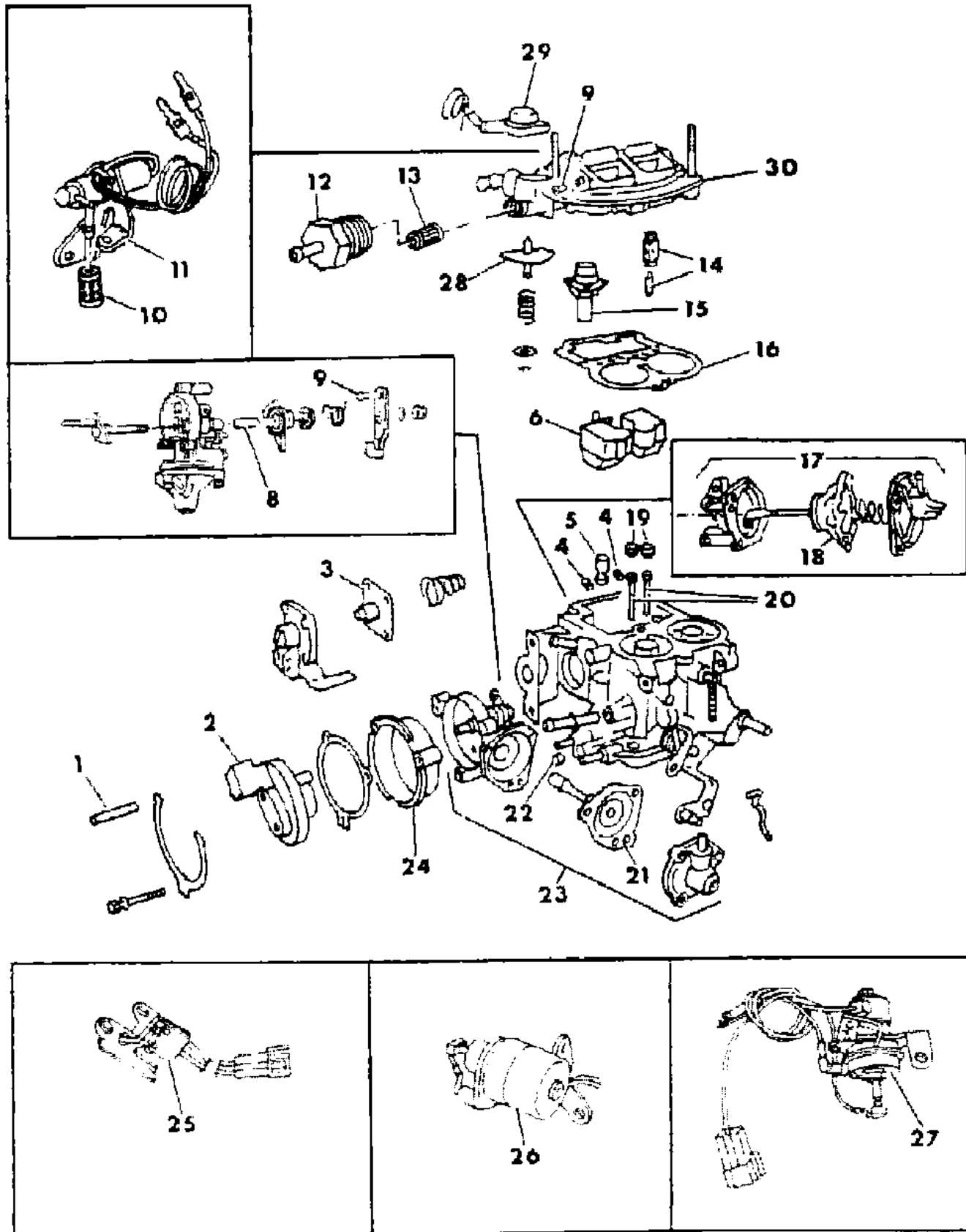
21 = 2-DOOR SEDAN	35 = FWD VAN	44 = 4-DOOR HATCHBACK
22 = 2-DOOR SPECIAL COUPE	36 = FWD WAGON	45 = 4-DOOR STATION WAGON
24 = 2-DOOR HATCHBACK	41 = 4-DOOR SEDAN	49 = LIMOUSINE
27 = 2-DOOR CONVERTIBLE		

AR = Use as Required - = Non Illustrated Part P.A.R. = Paint as Required

CARBURETOR AND COMPONENT PARTS HOLLEY-2BBL.(5220)

Figure 14-1300

5114 1300 B



ITEM	PART NUMBER	QTY	BODY	MODEL	DESCRIPTION
	4288 484				M,Z w/(SC-NAA) w or w/o Air Cond. (Canada) ! 1.6L/M NR-40060-2 N4288484 Y4288484 N1
	4288 521				M,Z w/(SC-NAA) w or w/o Air Cond. (Federal) ! 2.2L/A NR-40142 N4288521 Y4288521 N2
	4342 892				H,K w/(SC-NAA) w or w/o Air Cond. (Federal) ! 2.2L/M NR-40143 N4288522 Y4342892 N3
	4342 892				H,K w/(SC-NAA) w/o Air Cond. (Federal & Canada) ! 2.2L/A NR-40145 N4288524 Y4342892 N4
	4342 892				H,K w/(SC-NAA) w/ Air Cond. (Federal & Canada) ! 2.2L/A NR-40146 N4288525 Y4342892 N5
	4342 893				M,Z,P,D w/(SC-NAA) w or w/o Air Cond. (Canada) ! 2.2L/M NR-40116 N4288518 Y4342893 N6
	4342 893				M,Z,P,D w/(SC-NAA) w or w/o Air Cond. (Canada) ! 2.2L/A NR-40117 N4288519 Y4342893 N7
	4342 892				H,K w/(SC-NAA) w or w/o Air Cond. (Canada) ! 2.2L/M NR-40143-1 N4288558 Y4342892 N3
	4342 893				H,K w/(SC-NAA) w/o Air Cond. (Federal & Canada) ! 2.2L/A NR-40145-1 N4288559 Y4342893 N4
	4342 893				H,K w/(SC-NAA) w/ Air Cond. (Federal & Canada) ! 2.2L/A NR-40146-1 N4288560 Y4342893 N5
	4342 892				M,Z,P,D w/(SC-NAA) w or w/o Air Cond. (Canada) ! 2.2L/M NR-40116-1 N4288561 Y4342892 N6
	4342 892				M,Z,P,D w/(SC-NAA) w or w/o Air Cond. (Canada) ! 2.2L/A NR-40117-1 N4288562 Y4342892 N7
	4293 850				GASKET SET, Carb. Y4293850 N4342872 N4342872
	4342 872				GASKET SET, Carb. N4293850 Y4342872 Y4342872 Y4342872
	4293 851				REPAIR KIT, Carb. Y4293851 N4342876 N4342876 N4342876
	4342 876				REPAIR KIT, Carb. N4293851 Y4342876 Y4342876 Y4342876
1	4293 790				RIVET, Thermostat Ring, Carb. Y4293790 Y4293790 Y4293790 Y4293790
2	4186 295				THERMOSTAT, w/CAP, Choke, Carb. Y4186295 N4342868 N4342868 N4342868
2	4342 868				THERMOSTAT, w/CAP, Choke, Carb. N4186295 Y4342868 Y4342868 Y4342868

MODEL CODES

B = GRAN FURY	E = 600	M = HORIZON/TURISMO
C = LE BARON/TOWN & COUNTRY/LIMO	F = FIFTH AVENUE/NEWPORT	P = RELIANT
C24 = LASER	G = DIPLOMAT	T = NEW YORKER
C44 = LE BARON/GTS	H = VOYAGER	V = 600
D = ARIES	J = CARAVELLE	V24 = DAYTONA
D44 = LANCER	K = MINI VAN/CARAVAN/ROYAL	Z = OMNI/CHARGER

BODY STYLES

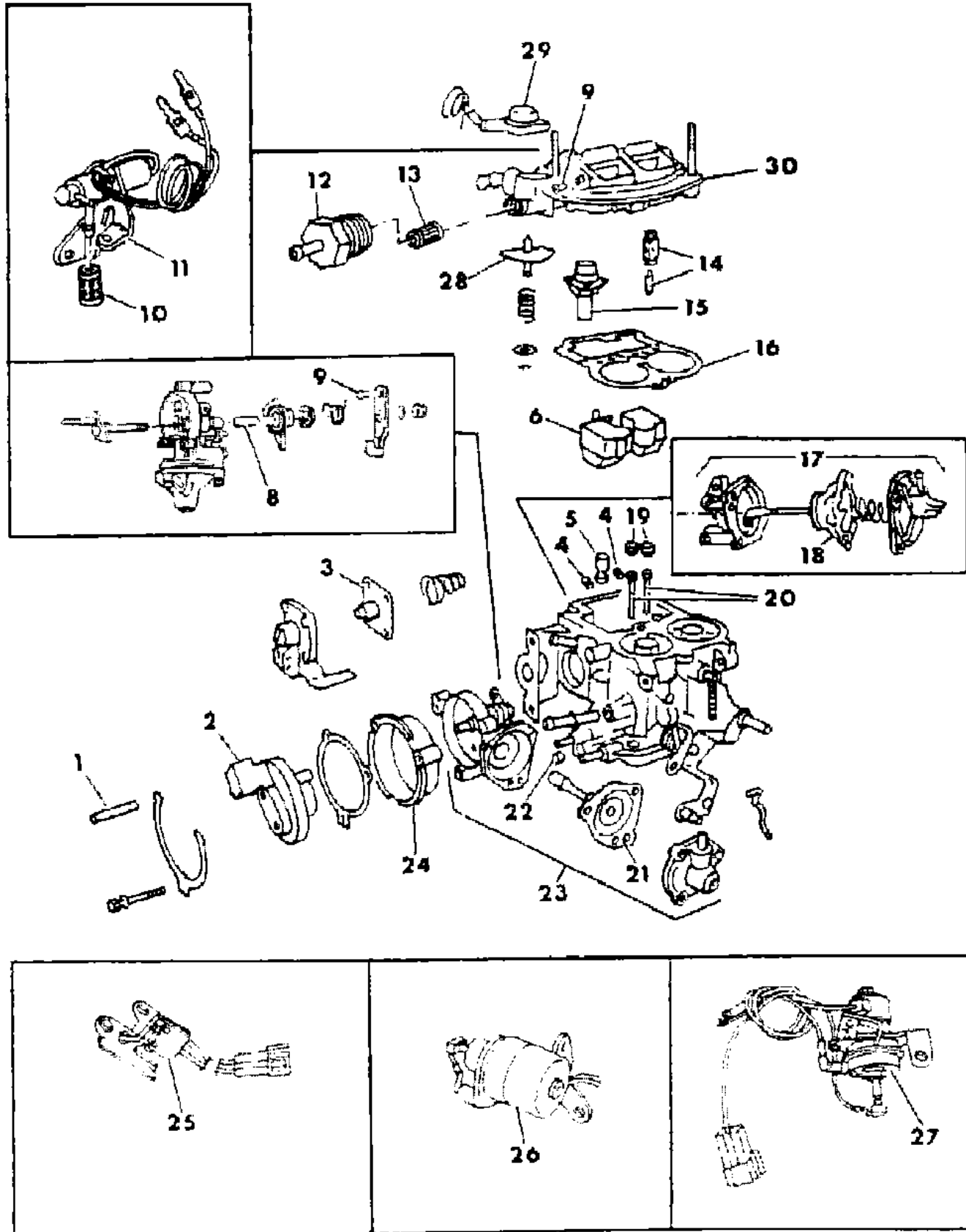
21 = 2-DOOR SEDAN	35 = FWD VAN	44 = 4-DOOR HATCHBACK
22 = 2-DOOR SPECIAL COUPE	36 = FWD WAGON	45 = 4-DOOR STATION WAGON
24 = 2-DOOR HATCHBACK	41 = 4-DOOR SEDAN	49 = LIMOUSINE
27 = 2-DOOR CONVERTIBLE		

AR = Use as Required - = Non Illustrated Part P.A.R. = Paint as Required

CARBURETOR AND COMPONENT PARTS HOLLEY-2BBL.(5220)

Figure 14-1300

5114 1300 B



ITEM	PART NUMBER	QTY	BODY	MODEL	DESCRIPTION
3	4131 121				DIAPHRAGM, Pump, Carb. Y4131121 Y4131121 Y4131121 Y4131121
4	4293 868				JET, Main, Carb. N0 N0 N0 N0
	4267 184				Primary Y4293868 N4267184 N4293711 N4293711
	4293 711				Primary N4293868 Y4267184 N4293711 N4293711
	4240 006				Secondary Y4240006 N4342878 N4342878 N4293786
	4342 878				Secondary N4240006 Y4342878 Y4342878 N4293786
	4293 786				Secondary N4240006 N4342878 N4342878 Y4293786
5	4131 168				VALVE, Power, Carb. Y4131168 Y4131168 Y4131168 Y4131168
6	4240 081				FLOAT, Carb. Y4240081 N4186293 N0 N0
6	4186 293				FLOAT, Carb. N4240081 Y4186293 N0 N0
	4186 293				w/ R-40143 & R-40145 N0 N0 Y4186293 Y4186293
	4240 081				w/ R-40143-1 & R-40145-1 N0 N0 Y4240081 Y4240081
8	4131 131				BUSHING, Choke Shaft, Carb. Y4131131 Y4131131 Y4131131 Y4131131
9	4131 114				RETAINER, Choke Rod, Carb. Y4131114 Y4131114 Y4131114 Y4131114
10	4342 880				FILTER, Dump Solenoid Secondary, Carb. N0 N0 Y4342880 Y4342880
11	4342 871				SOLENOID, Dump Valve Secondary, Carb. N0 N0 Y4342871 Y4342871
12	4342 793				FITTING, Fuel Inlet, Carb. Y4342793 Y4342793 Y4342793 Y4342793
13	4131 113				FILTER, Fuel Inlet, Carb. Y4131113 Y4131113 Y4131113 Y4131113
14	4131 116				NEEDLE and SEAT, Carb. Y4131116 Y4131116 Y4131116 Y4131116
15	4131 115				DIAPHRAGM, w/ STEM, Power Valve, Carb. Y4131115 Y4131115 Y4131115 Y4131115
16	4293 846				GASKET, Air Horn, Carb. Y4293846 Y4293846 Y4293846 Y4293846
17	4342 869				HOUSING, w/ DIAPHRAGM, Secondary, Carb. N0 Y4342869 Y4342869 Y4342869
18	4342 776				DIAPHRAGM, w/ LINK, Secondary, Carb. N0 Y4342776 Y4342776 Y4342776
19					BLEED, Hi-Speed, Carb. N0 N0 N0 N0

MODEL CODES

B = GRAN FURY	E = 600	M = HORIZON/TURISMO
C = LE BARON/TOWN & COUNTRY/LIMO	F = FIFTH AVENUE/NEWPORT	P = RELIANT
C24 = LASER	G = DIPLOMAT	T = NEW YORKER
C44 = LE BARON/GTS	H = VOYAGER	V = 600
D = ARIES	J = CARAVELLE	V24 = DAYTONA
D44 = LANCER	K = MINI VAN/CARAVAN/ROYAL	Z = OMNI/CHARGER

BODY STYLES

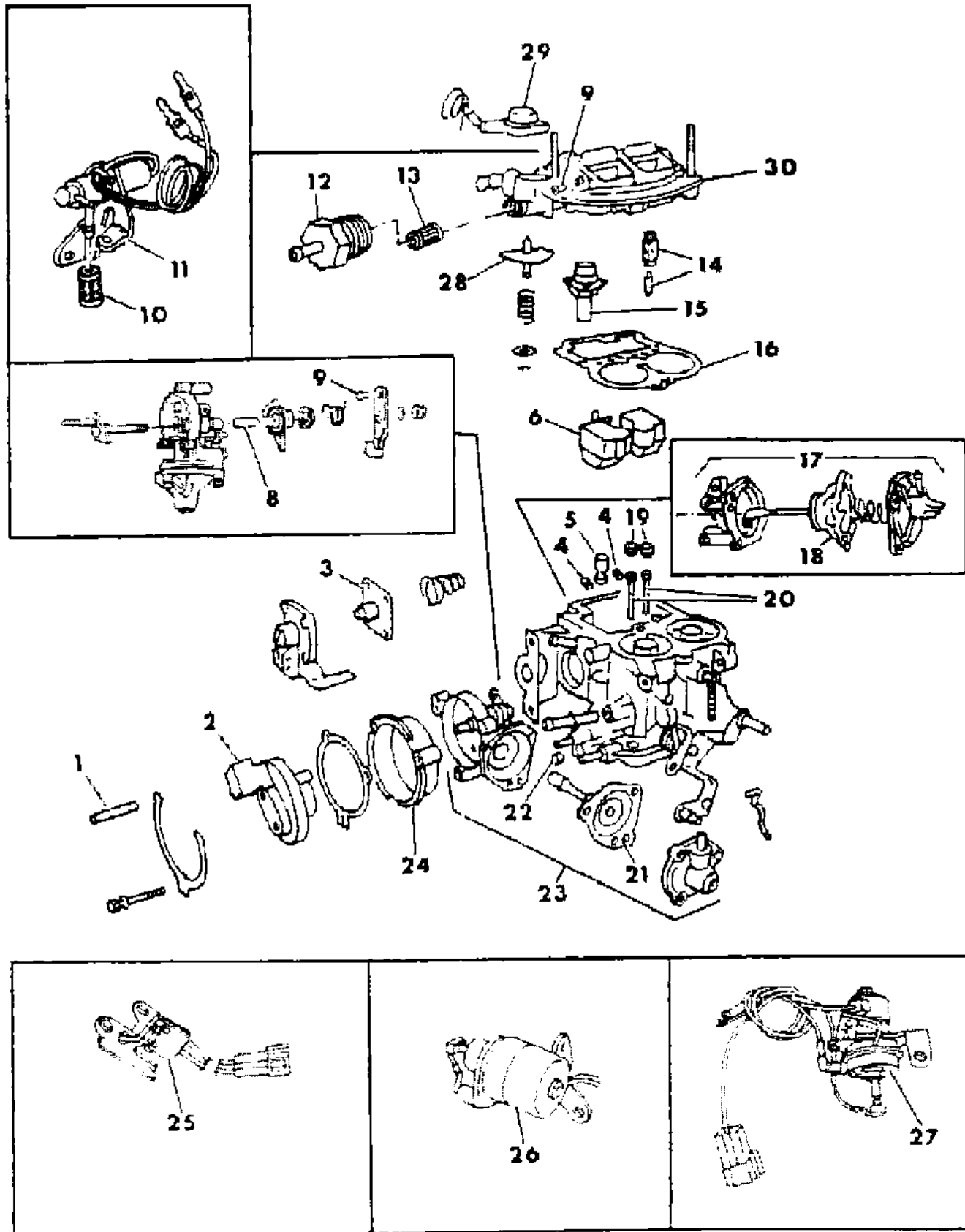
21 = 2-DOOR SEDAN	35 = FWD VAN	44 = 4-DOOR HATCHBACK
22 = 2-DOOR SPECIAL COUPE	36 = FWD WAGON	45 = 4-DOOR STATION WAGON
24 = 2-DOOR HATCHBACK	41 = 4-DOOR SEDAN	49 = LIMOUSINE
27 = 2-DOOR CONVERTIBLE		

AR = Use as Required - = Non Illustrated Part P.A.R. = Paint as Required

CARBURETOR AND COMPONENT PARTS HOLLEY-2BBL.(5220)

Figure 14-1300

5114 1300 B



ITEM	PART NUMBER	QTY	BODY	MODEL	DESCRIPTION
	4267 107				Primary Y4267107 N4131127 N4131127 N4131127
	4131 127				Primary N4267107 Y4131127 Y4131127 Y4131127
	4131 128				Secondary Y4131128 N4271925 N4271925 N4271925
	4271 925				Secondary N4131128 Y4271925 Y4271925 Y4271925
20					TUBE, Main Well, Carb. N0 N0 N0 N0
	4186 291				Primary Y4186291 Y4186291 Y4186291 Y4186291
	4186 291				Secondary Y4186291 Y4186291 Y4186291 Y4186291
21	4267 178				DIAPHRAGM, Choke, Carb. Y4267178 N4293772 N0 N0
21	4293 772				DIAPHRAGM, Choke, Carb. N4267178 Y4293772 N0 N0
	4293 772				w/ R-40143,R-40145 N0 N0 Y4293772 Y4293772
	4131 210				w/ R-40143-1,R-40145-1 N0 N0 Y4131210 Y4131210
22	4267 140				PLUG, Idle Needle, Carb. Y4267140 Y4267140 Y4267140
	4267 140				Y4267140
23	4293 735				HOUSING, w/ DIAPHRAGM, Choke, Carb. Y4293735 N4293780
	4293 780				N4293780 N4293780
23	4293 780				HOUSING, w/ DIAPHRAGM, Choke, Carb. N4293735 Y4293780
	4293 780				Y4293780 Y4293780
24	4267 096				HOUSING, Thermostat, Carb. Y4267096 Y4267096 Y4267096
	4267 096				Y4267096
25					SWITCH, A/C Cut Off, Carb. N0 N0 N0 N0
26	4293 873				SOLENOID, Speed-Up, Carb. Y4293873 N N N
27	4342 794				SOLENOID, Kicker, Carb. Y4342794 N4342796 N4342796
	4342 798				N4342798
27	4342 796				SOLENOID, Kicker, Carb. N4342794 Y4342796 Y4342796
	4342 798				N4342798
27	4342 798				SOLENOID, Kicker, Carb. N4342794 N4342796 N4342796
	4342 798				Y4342798
28	4131 139				DIAPHRAGM, w/SHAFT, EVA Y4131139 N0 N0 N0
29	4342 757				SOLENOID, EVA Y4342757 N0 N0 N0
30	4397 696				HORN, Air Y4397696 N4397695 N4397694 N4397694
30	4397 695				HORN, Air N4397696 Y4397695 N4397694 N4397694
30	4397 694				HORN, Air N4397696 N4397695 Y4397694 Y4397694
	4342 872				GASKET SET Y4342872 Y4342872 Y4342872 N
	4342 876				REPAIR KIT Y4342876 Y4342876 N4342873 N
	4342 873				REPAIR KIT N4342876 N4342876 Y4342873 N
1	4293 790				RIVET, Thermostat Ring Y4293790 N0 N4293790 N
1	4293 790				RIVET, Thermostat Ring N4293790 N0 Y4293790 N

MODEL CODES

B = GRAN FURY	E = 600	M = HORIZON/TURISMO
C = LE BARON/TOWN & COUNTRY/LIMO	F = FIFTH AVENUE/NEWPORT	P = RELIANT
C24 = LASER	G = DIPLOMAT	T = NEW YORKER
C44 = LE BARON/GTS	H = VOYAGER	V = 600
D = ARIES	J = CARAVELLE	V24 = DAYTONA
D44 = LANCER	K = MINI VAN/CARAVAN/ROYAL	Z = OMNI/CHARGER

BODY STYLES

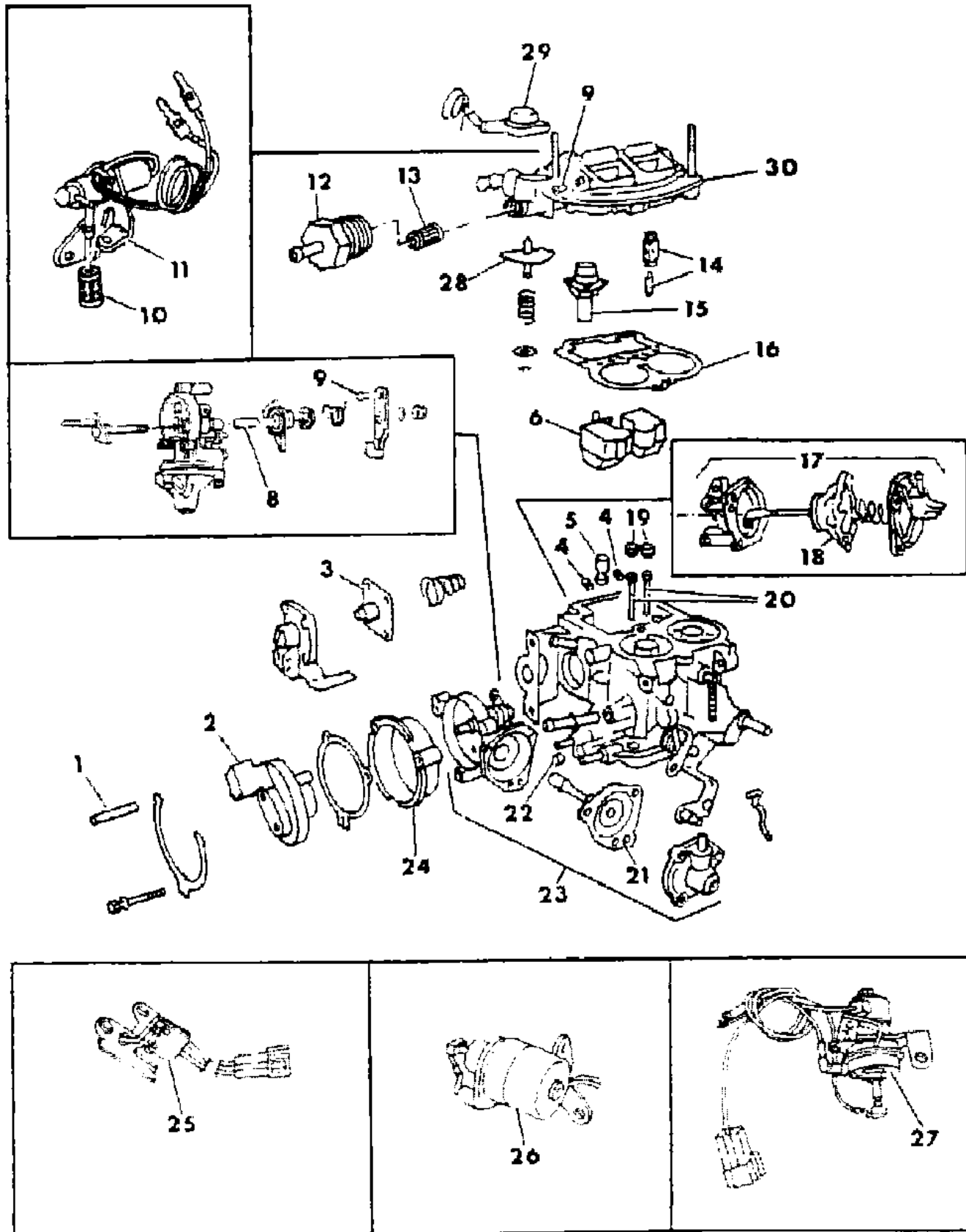
21 = 2-DOOR SEDAN	35 = FWD VAN	44 = 4-DOOR HATCHBACK
22 = 2-DOOR SPECIAL COUPE	36 = FWD WAGON	45 = 4-DOOR STATION WAGON
24 = 2-DOOR HATCHBACK	41 = 4-DOOR SEDAN	49 = LIMOUSINE
27 = 2-DOOR CONVERTIBLE		

AR = Use as Required - = Non Illustrated Part P.A.R. = Paint as Required

CARBURETOR AND COMPONENT PARTS HOLLEY-2BBL.(5220)

Figure 14-1300

5114 1300 B



ITEM	PART NUMBER	QTY	BODY	MODEL	DESCRIPTION
2	4342 867				THERMOSTAT, w/ CAP, Choke NO Y4342867 NO N
	4342 868				w/ R-40146 & R-40117 Y4342868 NO N4342867 N
	4342 867				w/ R-40146 & R-40117 N4342868 NO Y4342867 N
	4342 867				w/ R-40146-1 & R-40117-1 Y4342867 NO N4342868 N
	4342 868				w/ R-40146-1 & R-40117-1 N4342867 NO Y4342868 N
3	4131 121				DIAPHRAGM, Pump Y4131121 Y4131121 Y4131121 N
4					JET, Main NO NO NO N
	4293 711				Primary Y4293711 Y4293711 Y4293711 N
	4293 786				Secondary Y4293786 N4293878 N4293878 N
	4293 878				Secondary N4293786 Y4293878 Y4293878 N
5	4131 168				VALVE, Power Y4131168 Y4131168 Y4131168 N
6	4240 081				FLOAT Y4240081 NO NO N
	4186 293				w/ R-40116 & R-40117 NO Y4186293 Y4186293 N
	4240 081				w/ R-40116-1 & R-40117-1 NO Y4240081 Y4240081 N
8	4131 131				BUSHING, Choke Shaft Y4131131 Y4131131 Y4131131 N
9	4131 114				RETAINER, Choke Rod Y4131114 Y4131114 Y4131114 N
10	4342 880				FILTER, Dump Solenoid Secondary Y4342880 Y4342880 Y4342880 N
11	4342 871				SOLENOID, Dump Valve Secondary Y4342871 Y4342871 Y4342871 N
12	4342 793				FITTING, Fuel Inlet Y4342793 Y4342793 Y4342793 N
13	4131 113				FILTER, Fuel Inlet Y4131113 Y4131113 Y4131113 N
14	4131 116				NEEDLE and SEAT Y4131116 Y4131116 Y4131116 N
15	4131 115				DIAPHRAGM, w/STEM, Power Valve Y4131115 Y4131115 Y4131115 N
16	4293 846				GASKET, Air Horn Y4293846 Y4293846 Y4293846 N
17	4342 869				HOUSING, w/ DIAPHRAGM, Secondary Y4342869 Y4342869 Y4342869 N
18	4342 776				DIAPHRAGM, w/ LINK, Secondary Y4342776 Y4342776 Y4342776 N
19					BLEED, Hi-Speed NO NO NO N
	4131 127				Primary Y4131127 Y4131127 Y4131127 N
	4271 925				Secondary Y4271925 Y4271925 Y4271925 N
20					TUBE, Main Well NO NO NO N
	4186 291				Primary Y4186291 Y4186291 Y4186291 N
	4186 291				Secondary Y4186291 Y4186291 Y4186291 N
21	4293 772				DIAPHRAGM, Choke NO Y4293772 Y4293772 N

MODEL CODES

B = GRAN FURY	E = 600	M = HORIZON/TURISMO
C = LE BARON/TOWN & COUNTRY/LIMO	F = FIFTH AVENUE/NEWPORT	P = RELIANT
C24 = LASER	G = DIPLOMAT	T = NEW YORKER
C44 = LE BARON/GTS	H = VOYAGER	V = 600
D = ARIES	J = CARAVELLE	V24 = DAYTONA
D44 = LANCER	K = MINI VAN/CARAVAN/ROYAL	Z = OMNI/CHARGER

BODY STYLES

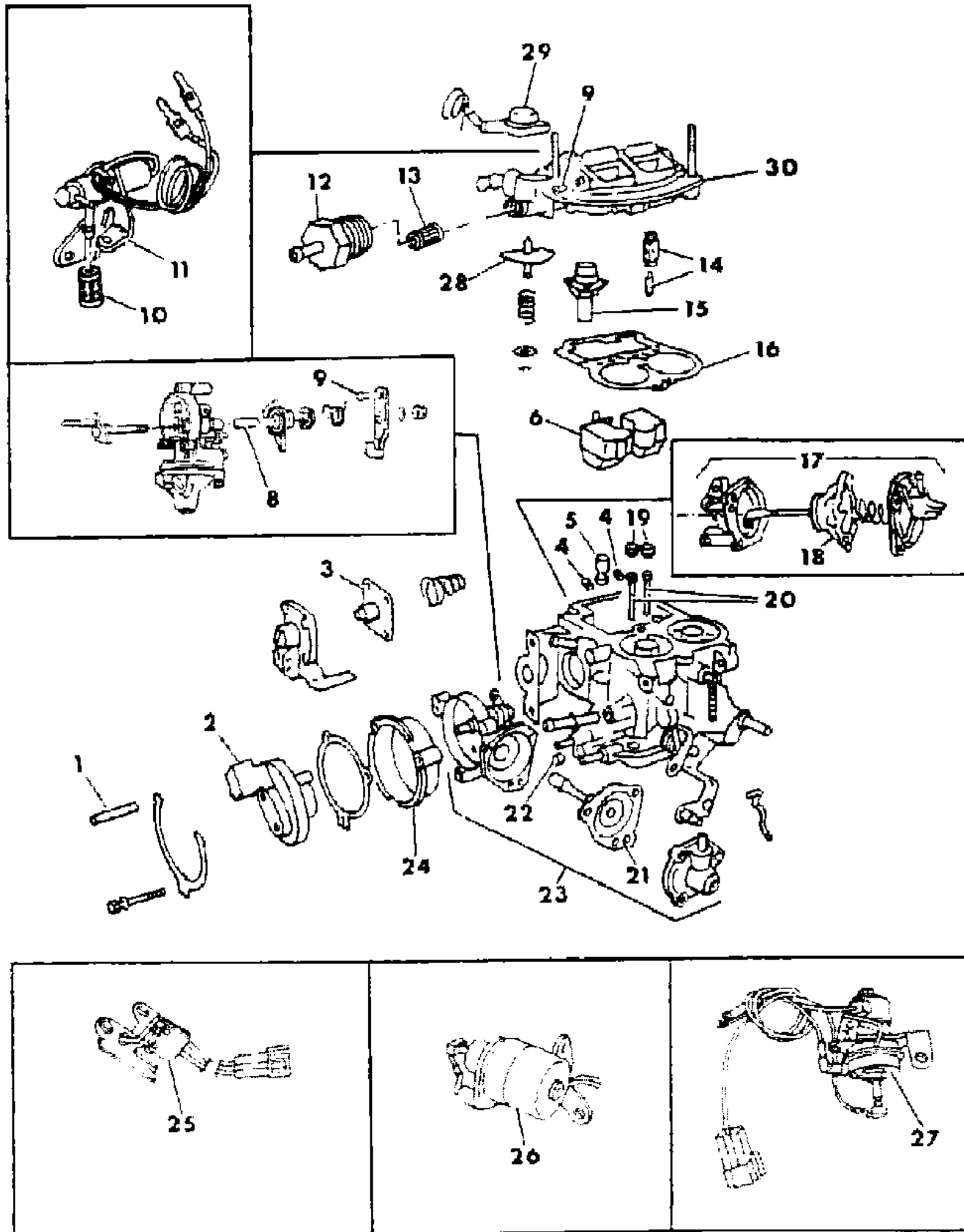
21 = 2-DOOR SEDAN	35 = FWD VAN	44 = 4-DOOR HATCHBACK
22 = 2-DOOR SPECIAL COUPE	36 = FWD WAGON	45 = 4-DOOR STATION WAGON
24 = 2-DOOR HATCHBACK	41 = 4-DOOR SEDAN	49 = LIMOUSINE
27 = 2-DOOR CONVERTIBLE		

AR = Use as Required - = Non Illustrated Part P.A.R. = Paint as Required

CARBURETOR AND COMPONENT PARTS HOLLEY-2BBL.(5220)

Figure 14-1300

5114 1300 B



ITEM	PART NUMBER	QTY	BODY	MODEL	DESCRIPTION
	4293 772				w/ R-40146 Y4293772 N0 N0 N
	4131 210				w/ R-40146-1 Y4131210 N0 N0 N
22	4267 140				PLUG, Idle Needle Y4267140 Y4267140 Y4267140 N
23	4342 865				HOUSING, w/ DIAPHRAGM, Choke Y4342865 N4342866 N0 N
23	4342 866				HOUSING, w/ DIAPHRAGM, Choke N4342865 Y4342866 N0 N
	4342 866				w/ R-40117 N0 N0 Y4342866 N
	4342 865				w/ R-40117-1 N0 N0 Y4342865 N
24	4267 182				HOUSING, Thermostat N0 Y4267182 N0 N
	4267 096				w/ R-40146 & R-40117 Y4267096 N0 N4267182 N
	4267 182				w/ R-40146 & R-40117 N4267096 N0 Y4267182 N
	4267 182				w/ R-40146-1 & R-40117-1 Y4267182 N0 N4267096 N
	4267 096				w/ R-40146-1 & R-40117-1 N4267182 N0 Y4267096 N
25	4293 867				SWITCH, Air Cond. Cut-Off Y4293867 N0 N0 N
26					SOLENOID, Speed-Up N0 N0 N0 N
27	4342 794				SOLENOID, Kicker N0 Y4342794 N0 N
	4342 798				w/ R-40146 & R-40117 Y4342798 N0 N4342796 N
	4342 796				w/ R-40146 & R-40117 N4342798 N0 Y4342796 N
	4342 796				w/ R-40146-1 & R-40117-1 Y4342796 N0 N4342798 N
	4342 798				w/ R-40146-1 & R-40117-1 N4342796 N0 Y4342798 N
28					DIAPHRAGM, w/SHAFT, EVA N0 N0 N0 N
29					SOLENOID, EVA N0 N0 N0 N
30	4397 694				HORN, Air Y4397694 Y4397694 Y4397694 N

MODEL CODES

B = GRAN FURY	E = 600	M = HORIZON/TURISMO
C = LE BARON/TOWN & COUNTRY/LIMO	F = FIFTH AVENUE/NEWPORT	P = RELIANT
C24 = LASER	G = DIPLOMAT	T = NEW YORKER
C44 = LE BARON/GTS	H = VOYAGER	V = 600
D = ARIES	J = CARAVELLE	V24 = DAYTONA
D44 = LANCER	K = MINI VAN/CARAVAN/ROYAL	Z = OMNI/CHARGER

BODY STYLES

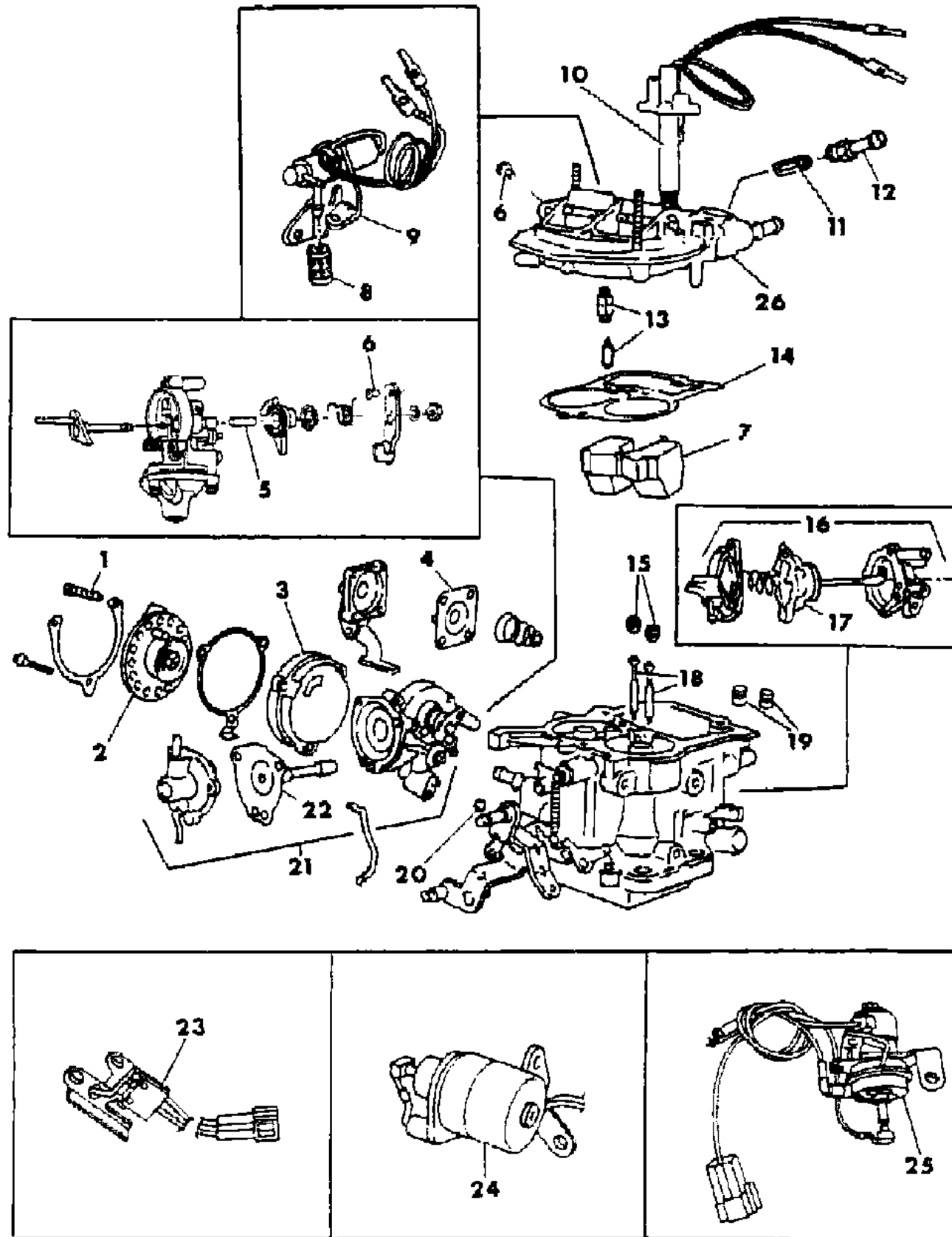
21 = 2-DOOR SEDAN	35 = FWD VAN	44 = 4-DOOR HATCHBACK
22 = 2-DOOR SPECIAL COUPE	36 = FWD WAGON	45 = 4-DOOR STATION WAGON
24 = 2-DOOR HATCHBACK	41 = 4-DOOR SEDAN	49 = LIMOUSINE
27 = 2-DOOR CONVERTIBLE		

AR = Use as Required - = Non Illustrated Part P.A.R. = Paint as Required

CARBURETOR AND COMPONENT PARTS HOLLEY-2BBL.(6520)

Figure 14-1400

5114 1400 A



ITEM	PART NUMBER	QTY	BODY	MODEL	DESCRIPTION
	4288 436				M,Z w/(SC-NAA,NAE) w or w/o Air Cond. (Federal) ! 1.6L/B NR-40058-1 N4288436 Y4288436 N1
	4342 890				M,Z w/(SC-NAA,NAF) w or w/o Air Cond. (Federal & Hi/Alt) ! 2.2L/M NR-40134 N4288533 Y4342890 N2
	4342 890				M,Z,P,D w/(SC-NAA,NAF) w or w/o Air Cond. (Federal & Hi/Alt) ! 2.2L/A NR-40135 N4288534 Y4342890 N3
	4342 891				H,K w/(SC-NAF) w or w/o Air Cond. (Federal) ! 2.2L/M NR-40136 N4288535 Y4342891 N4
	4342 891				H,K w/(SC-NAF) w or w/o Air Cond. (Federal & Hi/Alt) ! 2.2L/A NR-40137 N4288536 Y4342891 N5
	4342 890				M,Z w/(SC-NAE) w or w/o Air Cond. (Calif) ! 2.2L/M NR-40138 N4288537 Y4342890 N6
	4342 890				M,Z,P,D w/(SC-NAA,NAE) w or w/o Air Cond. (Calif) ! 2.2L/A NR-40139 N4288538 Y4342890 N7
	4342 891				H,K w/(SC-NAE) w or w/o Air Cond. (Calif) ! 2.2L/M NR-40140 N4288539 Y4342891 N8
	4342 891				H,K w/(SC-NAE) w or w/o Air Cond. (Calif) ! 2.2L/A NR-40141 N4288540 Y4342891 N9
	4342 890				M,Z,P,D w/(SC-NAE,NAA) w or w/o Air Cond (Calif) ! 2.2L/A NR-40139-1 N4288555 Y4342890 N7
	4342 890				M,Z,P,D w/(SC-NAE) w or w/o Air Cond (Calif) ! 2.2L/M NR-40138-1 N4288554 Y4342890 N6
	4342 890				M,Z,P,D w/(SC-NAF,NAA) w or w/o Air Cond (Federal & Hi/Alt) ! 2.2L/A NR-40135-1 N4288551 Y4342890 N3
	4342 890				M,Z,P,D w/(SC-NAF,NAA) w or w/o Air Cond (Federal & Hi/Alt) ! 2.2L/M NR-40134-1 N4288550 Y4342890 N2
	4342 891				H,K w/(SC-NAE) w or w/o Air Cond (Calif) ! 2.2L/A NR-40141-1 N4288557 Y4342891 N9
	4342 891				H,K w/(SC-NAE) w or w/o Air Cond (Calif) ! 2.2L/M NR-40140-1 N4288556 Y4342891 N8
	4342 891				H,K w/(SC-NAF) w or w/o Air Cond (Federal & Hi/Alt) ! 2.2L/A NR-40137-1 N4288553 Y4342891 N5
	4342 891				H,K w/(SC-NAF) w or w/o Air Cond (Federal) ! 2.2L/M NR-40136-1 N4288552 Y4342891 N4
	4293 838				GASKET SET Y4293838 Y4293838 Y4293838 Y4293838
	4293 839				REPAIR KIT Y4293839 N4342882 N4342882 N4342882
	4342 882				REPAIR KIT N4293839 Y4342882 Y4342882 Y4342882

MODEL CODES

B = GRAN FURY	E = 600	M = HORIZON/TURISMO
C = LE BARON/TOWN & COUNTRY/LIMO	F = FIFTH AVENUE/NEWPORT	P = RELIANT
C24 = LASER	G = DIPLOMAT	T = NEW YORKER
C44 = LE BARON/GTS	H = VOYAGER	V = 600
D = ARIES	J = CARAVELLE	V24 = DAYTONA
D44 = LANCER	K = MINI VAN/CARAVAN/ROYAL	Z = OMNI/CHARGER

BODY STYLES

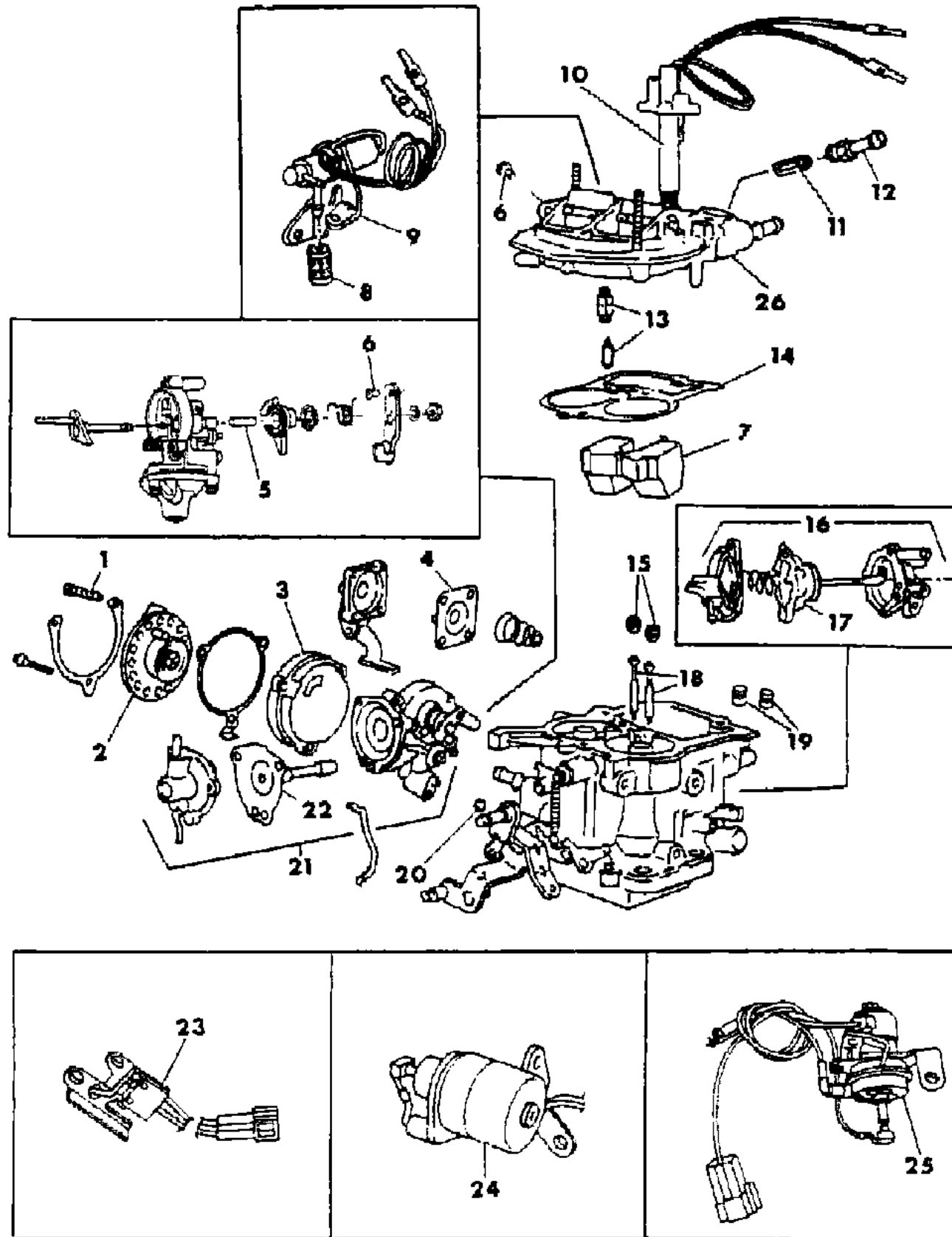
21 = 2-DOOR SEDAN	35 = FWD VAN	44 = 4-DOOR HATCHBACK
22 = 2-DOOR SPECIAL COUPE	36 = FWD WAGON	45 = 4-DOOR STATION WAGON
24 = 2-DOOR HATCHBACK	41 = 4-DOOR SEDAN	49 = LIMOUSINE
27 = 2-DOOR CONVERTIBLE		

AR = Use as Required - = Non Illustrated Part P.A.R. = Paint as Required

CARBURETOR AND COMPONENT PARTS HOLLEY-2BBL.(6520)

Figure 14-1400

5114 1400 A



ITEM	PART NUMBER	QTY	BODY	MODEL	DESCRIPTION
1	4293 790				RIVET, Thermostat Ring Y4293790 Y4293790 Y4293790
2	4186 295				THERMOSTAT, w/CAP, Choke Y4186295 N4342868 N4342868
2	4342 868				THERMOSTAT, w/CAP, Choke N4186295 Y4342868 Y4342868
3	4267 096				HOUSING, Thermostat Y4267096 Y4267096 Y4267096
4	4131 121				DIAPHRAGM, Pump Y4131121 Y4131121 Y4131121 Y4131121
5	4131 131				BUSHING, Choke Shaft Y4131131 Y4131131 Y4131131
6	4131 114				RETAINER, Choke Shaft Y4131114 Y4131114 Y4131114
7	4186 293				FLOAT Y4186293 Y4186293 Y4186293 Y4186293
8	4342 880				FILTER, Dump Solenoid Secondary N0 Y4342880 Y4342880
9	4342 780				SOLENOID, Dump Valve Secondary N0 Y4342780 Y4342780
10	4293 736				SOLENOID, Duty-Cycle Y4293736 Y4293736 Y4293736
11	4342 791				FILTER, Fuel Y4342791 Y4342791 Y4342791 Y4342791
12	4342 781				FITTING, Fuel Inlet Y4342781 Y4342781 Y4342781 Y4342781
13	4131 116				NEEDLE and SEAT Y4131116 Y4131116 Y4131116 Y4131116
14	4293 836				GASKET, Air Horn Y4293836 Y4293836 Y4293836 Y4293836
15					BLEED, Hi-Speed N N N N
					Primary Y4131127 N4186340 N4186340 N4186340
					Primary N4131127 Y4186340 Y4186340 Y4186340
					Secondary Y4273925 N4131128 N4131128 N4131128
					Secondary N4273925 Y4131128 Y4131128 Y4131128
16	4342 879				HOUSING, w/Diaphragm, Secondary N Y4342879 Y4342879
17	4342 776				DIAPHRAGM, w/Link, Secondary N Y4342776 Y4342776
18					TUBE, Main Well N N N N
					Primary Y4186291 Y4186291 Y4186291 Y4186291
					Secondary Y4186291 Y4186291 Y4186291 Y4186291
19					JET, Main N N N N

MODEL CODES

B = GRAN FURY	E = 600	M = HORIZON/TURISMO
C = LE BARON/TOWN & COUNTRY/LIMO	F = FIFTH AVENUE/NEWPORT	P = RELIANT
C24 = LASER	G = DIPLOMAT	T = NEW YORKER
C44 = LE BARON/GTS	H = VOYAGER	V = 600
D = ARIES	J = CARAVELLE	V24 = DAYTONA
D44 = LANCER	K = MINI VAN/CARAVAN/ROYAL	Z = OMNI/CHARGER

BODY STYLES

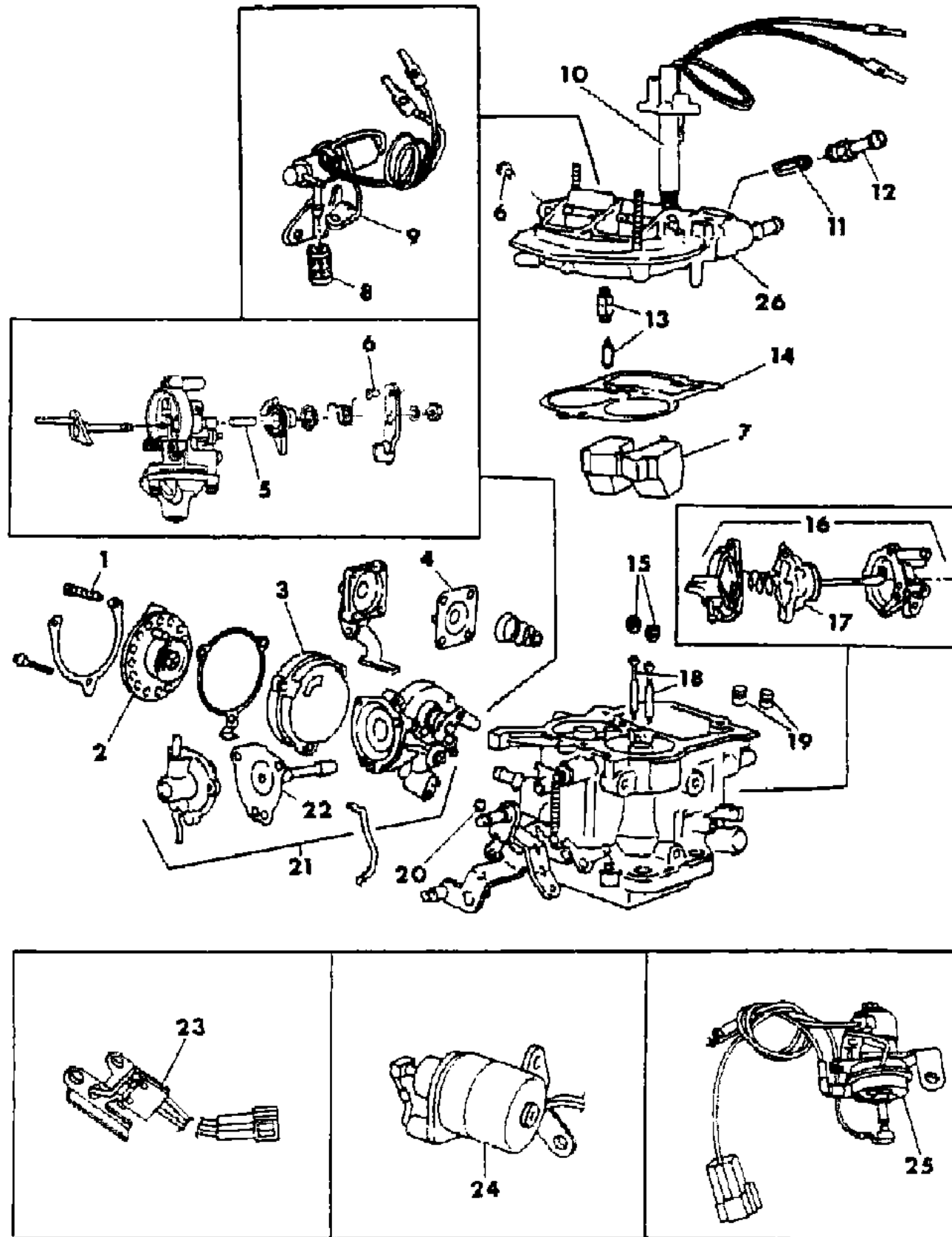
21 = 2-DOOR SEDAN	35 = FWD VAN	44 = 4-DOOR HATCHBACK
22 = 2-DOOR SPECIAL COUPE	36 = FWD WAGON	45 = 4-DOOR STATION WAGON
24 = 2-DOOR HATCHBACK	41 = 4-DOOR SEDAN	49 = LIMOUSINE
27 = 2-DOOR CONVERTIBLE		

AR = Use as Required - = Non Illustrated Part P.A.R. = Paint as Required

CARBURETOR AND COMPONENT PARTS HOLLEY-2BBL.(6520)

Figure 14-1400

5114 1400 A



ITEM	PART NUMBER	QTY	BODY	MODEL	DESCRIPTION
	4342 899				Primary Y4342899 N4342877 N4342877 N4342899
	4342 877				Primary N4342899 Y4342877 Y4342877 N4342899
	4342 899				Primary N4342899 N4342877 N4342877 Y4342899
	4342 878				Secondary Y4342878 Y4342878 Y4342878 Y4342878
20	4267 140				PLUG, Idle Needle Y4267140 Y4267140 Y4267140 Y4267140
21	4293 735				HOUSING, w/ DIAPHRAGM, Choke Y4293735 N4293770 N4293770 N4293770
21	4293 770				HOUSING, w/ DIAPHRAGM, Choke N4293735 Y4293770 Y4293770 Y4293770
22	4267 178				DIAPHRAGM, w/Shaft, Choke, Carb. Y4267178 N4293772 N4293772 N4293772
22	4293 772				DIAPHRAGM, w/Shaft, Choke, Carb. N4267178 Y4293772 Y4293772 Y4293772
23					SWITCH, Air Cond. Cut-Off N N N N
24	4293 873				SOLENOID, Speed-Up Y4293873 N N N
25	4342 796				SOLENOID, Kicker N Y4342796 Y4342796 Y4342796
26	4397 687				HORN, Air Y4397687 N4397686 N4397686 N4397686
26	4397 686				HORN, Air N4397687 Y4397686 Y4397686 Y4397686
	4293 838				GASKET SET Y4293838 Y4293838 Y4293838 Y4293838
	4342 882				REPAIR KIT Y4342882 Y4342882 Y4342882 Y4342882
1	4293 790				RIVET, Thermostat Housing Y4293790 Y4293790 Y4293790 Y4293790
2	4342 868				THERMOSTAT, w/ CAP, Choke Y4342868 Y4342868 Y4342868 Y4342868
3	4267 096				HOUSING, Thermostat Y4267096 Y4267096 Y4267096 Y4267096
4	4131 121				DIAPHRAGM, Pump Y4131121 Y4131121 Y4131121 Y4131121
5	4131 131				BUSHING, Choke Shaft Y4131131 Y4131131 Y4131131 Y4131131
6	4131 114				RETAINER, Rod Y4131114 Y4131114 Y4131114 Y4131114
7	4186 293				FLOAT Y4186293 Y4186293 Y4186293 Y4186293
8	4342 880				FILTER, Dump Solenoid Secondary Y4342880 Y4342880 Y4342880 Y4342880
9	4342 780				SOLENOID, Dump Valve Secondary Y4342780 Y4342780 Y4342780 Y4342780
10	4293 736				SOLENOID, Duty-Cycle Y4293736 Y4293736 Y4293736 Y4293736

MODEL CODES

B = GRAN FURY	E = 600	M = HORIZON/TURISMO
C = LE BARON/TOWN & COUNTRY/LIMO	F = FIFTH AVENUE/NEWPORT	P = RELIANT
C24 = LASER	G = DIPLOMAT	T = NEW YORKER
C44 = LE BARON/GTS	H = VOYAGER	V = 600
D = ARIES	J = CARAVELLE	V24 = DAYTONA
D44 = LANCER	K = MINI VAN/CARAVAN/ROYAL	Z = OMNI/CHARGER

BODY STYLES

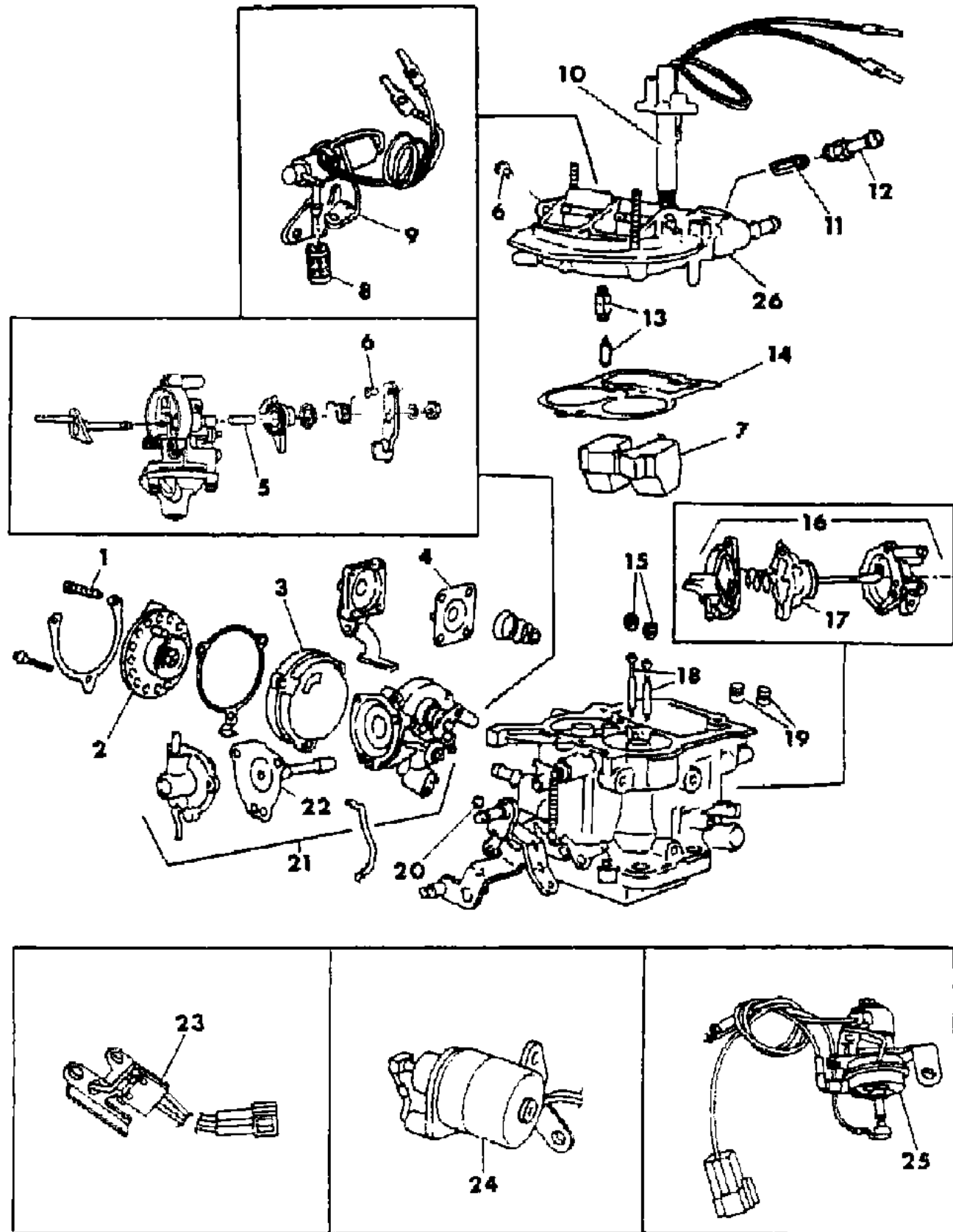
21 = 2-DOOR SEDAN	35 = FWD VAN	44 = 4-DOOR HATCHBACK
22 = 2-DOOR SPECIAL COUPE	36 = FWD WAGON	45 = 4-DOOR STATION WAGON
24 = 2-DOOR HATCHBACK	41 = 4-DOOR SEDAN	49 = LIMOUSINE
27 = 2-DOOR CONVERTIBLE		

AR = Use as Required - = Non Illustrated Part P.A.R. = Paint as Required

CARBURETOR AND COMPONENT PARTS HOLLEY-2BBL.(6520)

Figure 14-1400

5114 1400 A



ITEM	PART NUMBER	QTY	BODY	MODEL	DESCRIPTION
11	4342 791				FILTER, Fuel Y4342791 Y4342791 Y4342791 Y4342791
12	4342 781				FITTING, Fuel Inlet Y4342781 Y4342781 Y4342781 Y4342781
13	4131 116				NEEDLE and SEAT Y4131116 Y4131116 Y4131116 Y4131116
14	4293 836				GASKET, Air Horn Y4293836 Y4293836 Y4293836 Y4293836
15					BLEED, Hi-Speed N N N N
	4186 340				Primary Y4186340 Y4186340 Y4186340 Y4186340
	4131 128				Secondary Y4131128 Y4131128 Y4131128 Y4131128
16	4342 879				HOUSING, w/Diaphragm, Secondary Y4342879 Y4342879
17	4342 776				DIAPHRAGM, w/Link, Secondary Y4342776 Y4342776 Y4342776
18					TUBE, Main Well N N N N
	4186 291				Primary Y4186291 Y4186291 Y4186291 Y4186291
	4186 291				Secondary Y4186291 Y4186291 Y4186291 Y4186291
19					JET, Main N N N N
	4342 899				Primary Y4342899 N4342877 N4342877 N
	4342 877				Primary N4342899 Y4342877 Y4342877 N
	4342 878				Secondary Y4342878 Y4342878 Y4342878 N
20	4267 140				PLUG, Idle Needle Y4267140 Y4267140 Y4267140 Y4267140
21	4293 770				HOUSING, w/ DIAPHRAGM, Choke Y4293770 Y4293770
					Y4293770 Y4293770
22	4293 772				DIAPHRAGM, w/ SHAFT, Choke Y4293772 Y4293772 Y4293772
23	4342 764				SWITCH, Air Cond. Cut-Off Y4342764 N N N
24					SOLENOID, Speed-Up N N N N
25	4342 796				SOLENOID, Kicker Y4342796 Y4342796 Y4342796 Y4342796
26	4397 686				HORN, Air Y4397686 Y4397686 Y4397686 Y4397686
	4293 836				GASKET SET Y4293836 N N N
	4342 882				REPAIR KIT Y4342882 N N N
1	4293 790				RIVET, Thermoat Housing Y4293790 N N N
2	4342 868				THERMOSTAT, w/ CAP, Choke Y4342868 N N N
3	4267 096				HOUSING, Thermostat Y4267096 N N N
4	4131 121				DIAPHRAGM, Pump Y4131121 N N N
5	4131 131				BUSHING, Choke Shaft Y4131131 N N N
6	4131 114				RETAINER, Rod Y4131114 N N N
7	4186 293				FLOAT Y4186293 N N N
8	4342 880				FILTER, Dump Solenoid Secondary Y4342880 N N N

MODEL CODES

B = GRAN FURY	E = 600	M = HORIZON/TURISMO
C = LE BARON/TOWN & COUNTRY/LIMO	F = FIFTH AVENUE/NEWPORT	P = RELIANT
C24 = LASER	G = DIPLOMAT	T = NEW YORKER
C44 = LE BARON/GTS	H = VOYAGER	V = 600
D = ARIES	J = CARAVELLE	V24 = DAYTONA
D44 = LANCER	K = MINI VAN/CARAVAN/ROYAL	Z = OMNI/CHARGER

BODY STYLES

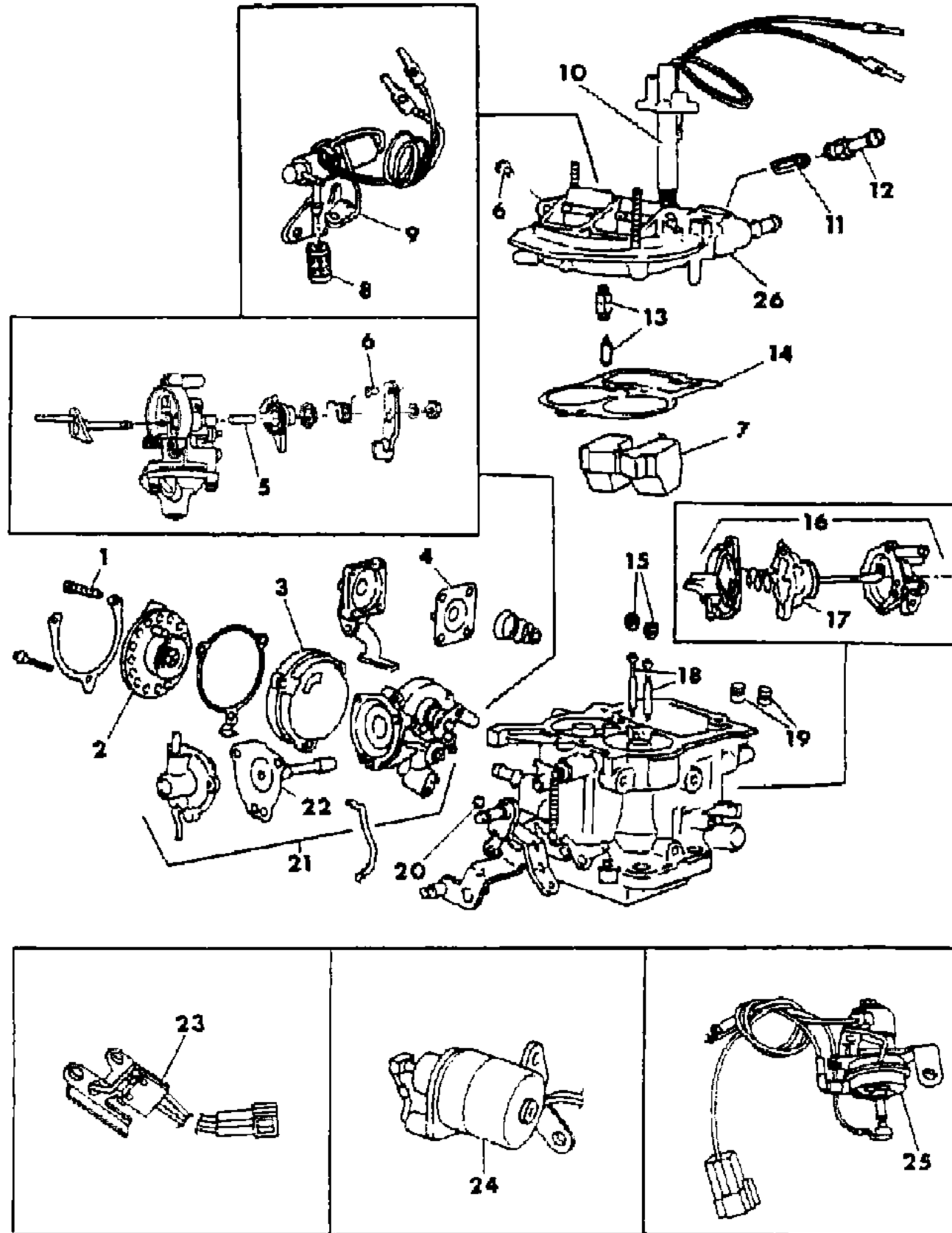
21 = 2-DOOR SEDAN	35 = FWD VAN	44 = 4-DOOR HATCHBACK
22 = 2-DOOR SPECIAL COUPE	36 = FWD WAGON	45 = 4-DOOR STATION WAGON
24 = 2-DOOR HATCHBACK	41 = 4-DOOR SEDAN	49 = LIMOUSINE
27 = 2-DOOR CONVERTIBLE		

AR = Use as Required - = Non Illustrated Part P.A.R. = Paint as Required

CARBURETOR AND COMPONENT PARTS HOLLEY-2BBL.(6520)

Figure 14-1400

5114 1400 A



ITEM	PART NUMBER	QTY	BODY	MODEL	DESCRIPTION
9	4342 780				SOLENOID, Dump Valve Secondary Y4342780 N N N
10	4293 736				SOLENOID, Duty-Cycle Y4293736 N N N
11	4342 791				FILTER, Fuel Y4342791 N N N
12	4342 781				FITTING, Fuel Inlet Y4342781 N N N
13	4131 116				NEEDLE and SEAT Y4131116 N N N
14	4293 836				GASKET, Air Horn Y4293836 N N N
15					BLEED, Hi-Speed N N N N
	4186 340				Primary Y4186340 N N N
	4131 128				Secondary Y4131128 N N N
16	4342 879				HOUSING, w/Diaphragm, Secondary Y4342879 N N N
17	4342 776				DIAPHRAGM, w/Link, Secondary Y4342776 N N N
18					TUBE, Main Well N N N N
	4186 291				Primary Y4186291 N N N
	4186 291				Secondary Y4186291 N N N
19					JET, Main N N N N
					Primary N N N N
					Secondary N N N N
20	4267 140				PLUG, Idle Needle Y4267140 N N N
21	4293 770				HOUSING, w/Diaphragm, Choke Y4293770 N N N
22	4293 772				DIAPHRAGM, w/Shaft, Choke Y4293772 N N N
23	4293 867				SWITCH, Air Cond. Cut-Off Y4293867 N N N
24					SOLENOID, Speed-Up N N N N
25	4342 796				SOLENOID, Kicker Y4342796 N N N
26	4397 686				HORN, Air Y4397686 N N N

MODEL CODES

B = GRAN FURY	E = 600	M = HORIZON/TURISMO
C = LE BARON/TOWN & COUNTRY/LIMO	F = FIFTH AVENUE/NEWPORT	P = RELIANT
C24 = LASER	G = DIPLOMAT	T = NEW YORKER
C44 = LE BARON/GTS	H = VOYAGER	V = 600
D = ARIES	J = CARAVELLE	V24 = DAYTONA
D44 = LANCER	K = MINI VAN/CARAVAN/ROYAL	Z = OMNI/CHARGER

BODY STYLES

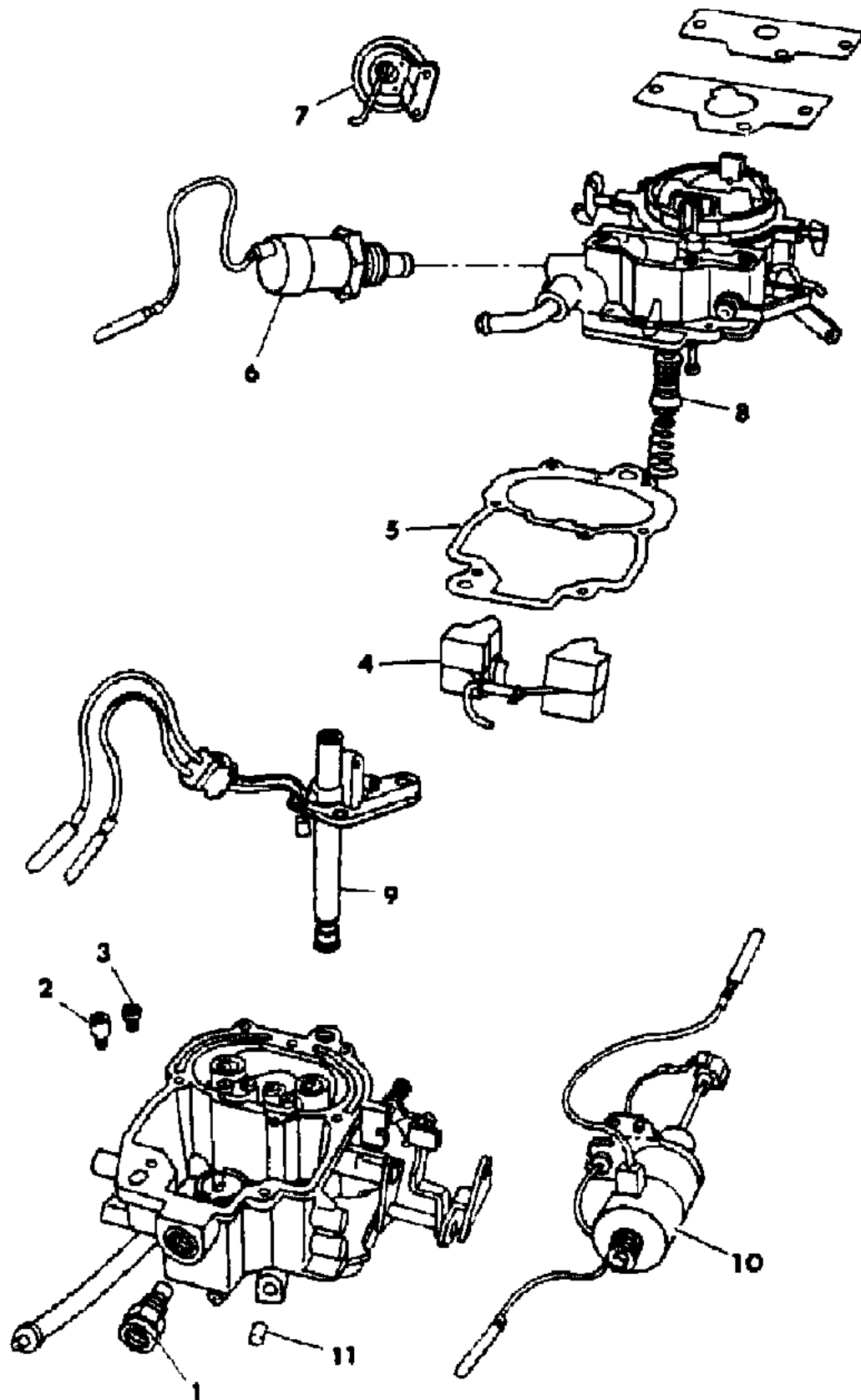
21 = 2-DOOR SEDAN	35 = FWD VAN	44 = 4-DOOR HATCHBACK
22 = 2-DOOR SPECIAL COUPE	36 = FWD WAGON	45 = 4-DOOR STATION WAGON
24 = 2-DOOR HATCHBACK	41 = 4-DOOR SEDAN	49 = LIMOUSINE
27 = 2-DOOR CONVERTIBLE		

AR = Use as Required - = Non Illustrated Part P.A.R. = Paint as Required

CARBURETOR AND COMPONENT PARTS HOLLEY-2BBL.(6280)

Figure 14-1500

5114 1500



ITEM	PART NUMBER	QTY	BODY	MODEL	DESCRIPTION
	4288 576				B,F,G w/(SC-NAA,NAF,NAE) w or w/o Air Cond. (Federal) ! 318/A NR-40121 N4288576 Y4288576 N1
	4288 565				B,F,G w/(SC-NAA,NAF,NAE) w or w/o Air Cond. (Federal) ! 318/A NR-40243 N4288565 Y4288565 N2
	4342 859				GASKET SET Y4342859 Y4342859 N N
	4342 860				REPAIR KIT Y4342860 Y4342860 N N
1	4131 084				NEEDLE and SEAT Y4131084 Y4131084 N N
2					VALVE, Power N N N N Mechanical N N N N
	4186 125				Vacuum Y4186125 Y4186125 N N
3	4271 889				JET, Main Metering Y4271889 N4293706 N N
3	4293 706				JET, Main Metering N4271889 Y4293706 N N
4	4342 857				FLOAT Y4342857 Y4342857 N N
5	4342 854				GASKET, Air Horn Y4342854 Y4342854 N0 N0
6	4342 863				SOLENOID, Switch Valve Y4342863 Y4342863 N N
7	4293 895				DIAPHRAGM, w/Link, Choke Y4293895 Y4293895 N N
8	4267 090				CUP, Pump Y4267090 Y4267090 N N
	4267 160				STEM and HEAD, Pump Y4267160 Y4267160 N N
9	4342 861				SOLENOID, Feed Back, Carb. Y4342861 Y4342861 N N
10	4342 862				SOLENOID, Idle Stop Y4342862 Y4342862 N N
11	4267 140				PLUG, Idle Needle Y4267140 Y4267140 N N

MODEL CODES

B = GRAN FURY	E = 600	M = HORIZON/TURISMO
C = LE BARON/TOWN & COUNTRY/LIMO	F = FIFTH AVENUE/NEWPORT	P = RELIANT
C24 = LASER	G = DIPLOMAT	T = NEW YORKER
C44 = LE BARON/GTS	H = VOYAGER	V = 600
D = ARIES	J = CARAVELLE	V24 = DAYTONA
D44 = LANCER	K = MINI VAN/CARAVAN/ROYAL	Z = OMNI/CHARGER

BODY STYLES

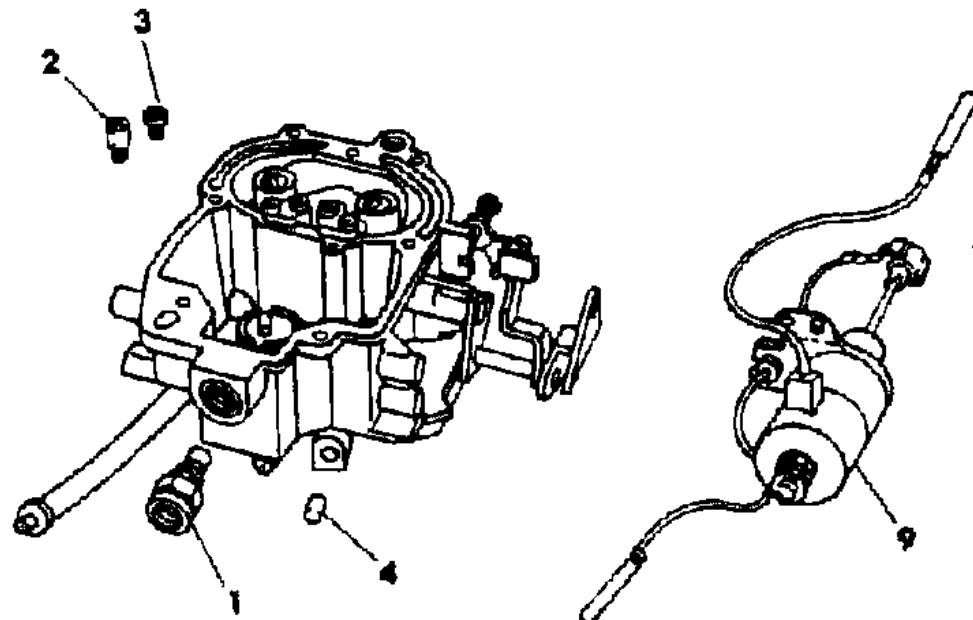
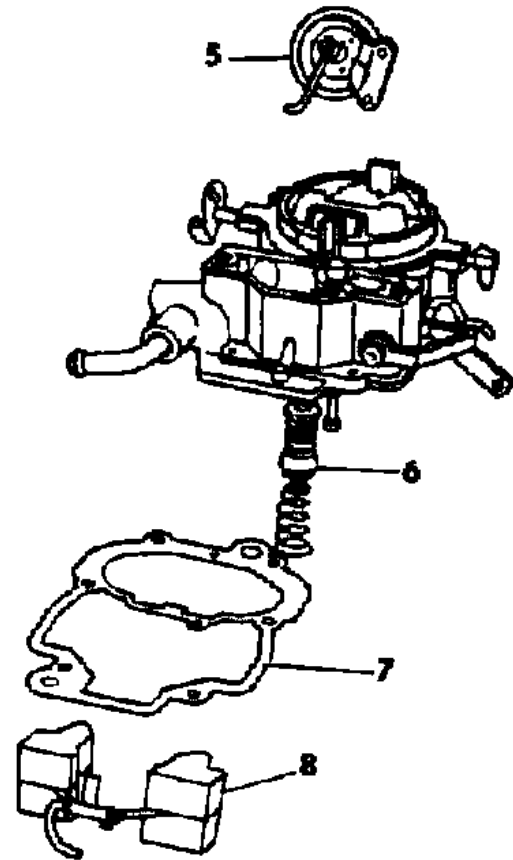
21 = 2-DOOR SEDAN	35 = FWD VAN	44 = 4-DOOR HATCHBACK
22 = 2-DOOR SPECIAL COUPE	36 = FWD WAGON	45 = 4-DOOR STATION WAGON
24 = 2-DOOR HATCHBACK	41 = 4-DOOR SEDAN	49 = LIMOUSINE
27 = 2-DOOR CONVERTIBLE		

AR = Use as Required - = Non Illustrated Part P.A.R. = Paint as Required

CARBURETOR AND COMPONENT PARTS HOLLEY-2BBL.(2280)

Figure 14-1600

5114 1600



ITEM	PART NUMBER	QTY	BODY	MODEL	DESCRIPTION
	4288 578				B,F,G w/(SC-NAA) w or w/o Air Cond. (Canada) ! 318/A NR-40157 N4288578 Y4288578 N1
	4288 578				B,F,G w/(SC-NAA) w or w/o Air Cond. (Canada) ! 318/A NR-40157-1 N4288564 Y4288578 N2
	4288 581				B,F,G w/(SC-NAN) w or w/o Air Cond. (Canada) ! 318/A NR-40245 N4288581 Y4288581 N3
	4267 175				GASKET SET Y4267175 Y4267175 Y4267175 N
	4267 245				REPAIR KIT Y4267245 Y4267245 Y4267245 N
1	4131 084				NEEDLE and SEAT Y4131084 Y4131084 Y4131084 N
2					VALVE, Power N N N N
	4267 243				Mechanical Y4267243 Y4267243 Y4267243 N
	4186 125				Vacuum Y4186125 Y4186125 Y4186125 N
3	4131 241				JET, Main Metering Y4131241 Y4131241 N4186127 N
3	4186 127				JET, Main Metering N4131241 N4131241 Y4186127 N
4	4267 140				PLUG, Idle Needle Y4267140 Y4267140 Y4267140 N
5	4293 895				DIAPHRAGM, w/Link, Choke Y4293895 Y4293895 Y4293895 N
6	3879 771				CUP, Pump Y3879771 Y3879771 Y3879771 N
	4267 159				STEAM and HEAD, Pump Y4267159 Y4267159 Y4267159 N
7	4131 083				GASKET, Air Horn Y4131083 Y4131083 Y4131083 N
8	4186 230				FLOAT Y4186230 Y4186230 Y4186230 N
9	4293 876				SOLENOID, Idle Stop Y4293876 Y4293876 Y4293876 N

MODEL CODES

B = GRAN FURY	E = 600	M = HORIZON/TURISMO
C = LE BARON/TOWN & COUNTRY/LIMO	F = FIFTH AVENUE/NEWPORT	P = RELIANT
C24 = LASER	G = DIPLOMAT	T = NEW YORKER
C44 = LE BARON/GTS	H = VOYAGER	V = 600
D = ARIES	J = CARAVELLE	V24 = DAYTONA
D44 = LANCER	K = MINI VAN/CARAVAN/ROYAL	Z = OMNI/CHARGER

BODY STYLES

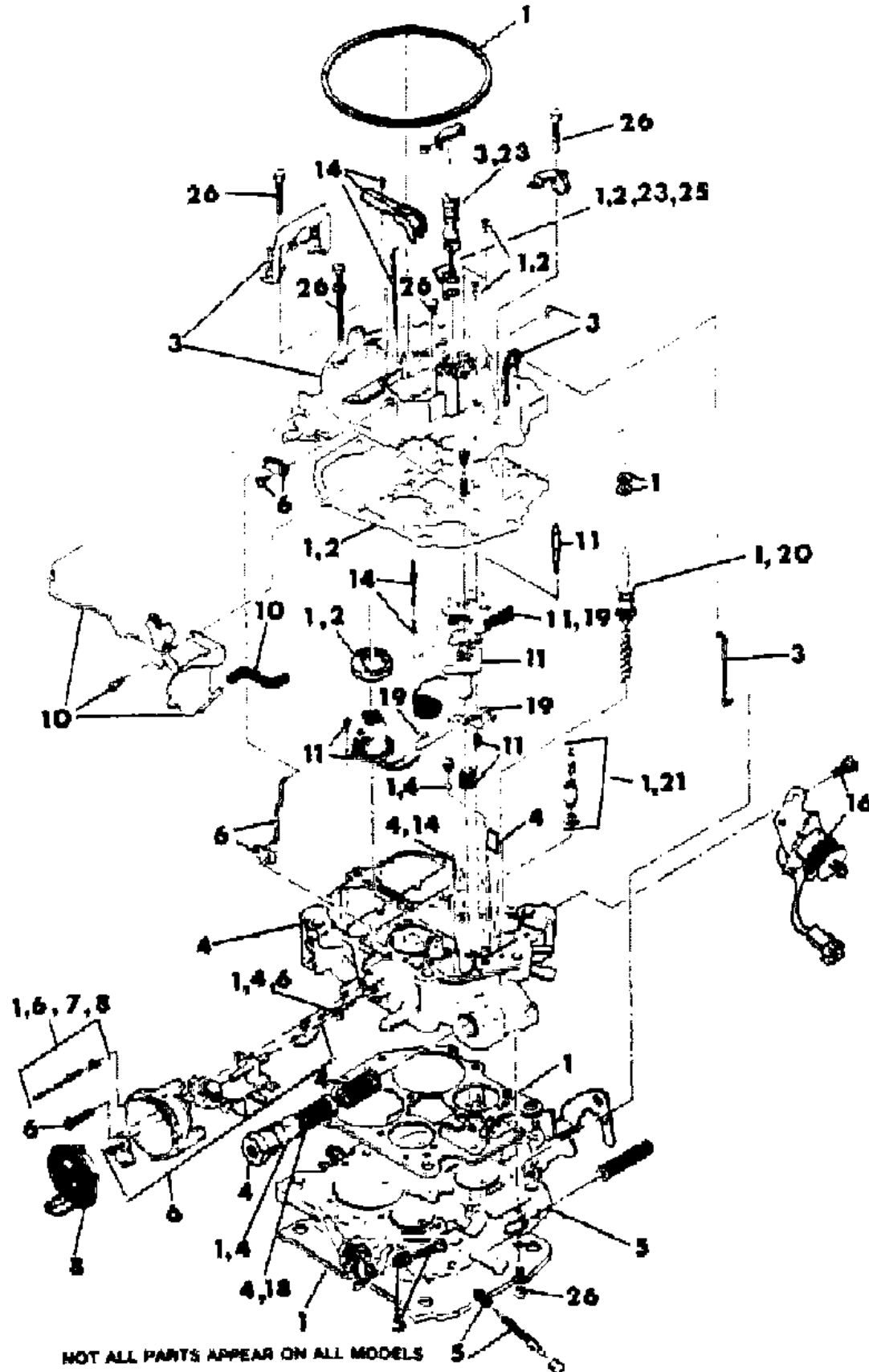
21 = 2-DOOR SEDAN	35 = FWD VAN	44 = 4-DOOR HATCHBACK
22 = 2-DOOR SPECIAL COUPE	36 = FWD WAGON	45 = 4-DOOR STATION WAGON
24 = 2-DOOR HATCHBACK	41 = 4-DOOR SEDAN	49 = LIMOUSINE
27 = 2-DOOR CONVERTIBLE		

AR = Use as Required - = Non Illustrated Part P.A.R. = Paint as Required

CARBURETOR AND COMPONENT PARTS ROCHESTER - 4BBL.(QUADRA JET ELECTRONIC)

Figure 14-1700

5114 1700



ITEM	PART NUMBER	QTY	BODY	MODEL	DESCRIPTION
	4342 805				B,F,G w/(SC-NAA,NAF,NAE) w or w/o Air Cond. ! 318/A N17085407 N4306407 Y4342805 N1
	4397 609				B,F,G w/(SC-NAA,NAF,NAE) w or w/o Air Cond. ! 318/A N17085433 N4306433 Y4397609 N2
1	4342 812				REPAIR KIT Y4342812 Y4342812 N N
2	4342 813				GASKET PACKAGE, Air Horn, Carb. Y4342813 Y4342813 N N
3	4342 814				AIR HORN PACKAGE, Carb. Y4342814 Y4342814 N N
4	4342 815				BOWL PACKAGE, Float, Carb. Y4342815 Y4342815 N N
5	4342 816				BODY PACKAGE, Throttle, Carb. Y4342816 Y4342816 N N
6	4342 817				HOUSING PACKAGE, Choke, Carb. Y4342817 Y4342817 N N
7	4342 818				RETAINER KIT, Choke Cover, Carb. Y4342818 Y4342818 N N
8	4342 819				STAT and COVER PACKAGE, Electric Choke, Carb. Y4342819 N4342934 N N
8	4342 934				STAT and COVER PACKAGE, Electric Choke, Carb. N4342819 Y4342934 N N
9					COVER and COIL PACKAGE, Choke N N N N
10	4342 912				BREAK PACKAGE, Primary Vacuum, Carb. Y4342912 Y4342912 N N
11					BREAK PACKAGE, Secondary Vacuum, Carb N N N N
12	4342 822				SOLENOID PACKAGE, Mixture Control, Carb. Y4342822 Y4342822 N N
13					PISTON PACKAGE, Power N N N N
14	4342 823				JET and ROD PACKAGE, Metering, Carb. Y4342823 Y4342823 N N
15					SENSOR PACKAGE, Throttle Position N N N N
16	4342 824				SOLENOID PACKAGE, Idle, Carb. Y4342824 Y4342824 N N
17					CONTROL PACKAGE, Idle Speed N N N N
18	4342 825				FILTER PACKAGE, Fuel, Carb. Y4342825 Y4342825 N N
19	4342 826				FLOAT and INSERT PACKAGE, Carb. Y4342826 Y4342826 N N
20	4342 827				PUMP, Carb. Y4342827 Y4342827 N N
21	4342 828				NEEDLE and SEAT PACKAGE, Carb. Y4342828 Y4342828 N N
22					COMPENSATOR PACKAGE, Idle N N N N
23	4342 829				VALVE PACKAGE, Air Bleed, Carb. Y4342829 Y4342829 N N
24					COMPENSATOR PACKAGE, Idle Load N N N N
25	4342 830				O-RING PACKAGE, Idle Air Bleed, Carb. Y4342830 Y4342830 N N
26	4342 831				SCREW PACKAGE, Assortment, Carb. Y4342831 Y4342831 N N

MODEL CODES

B = GRAN FURY	E = 600	M = HORIZON/TURISMO
C = LE BARON/TOWN & COUNTRY/LIMO	F = FIFTH AVENUE/NEWPORT	P = RELIANT
C24 = LASER	G = DIPLOMAT	T = NEW YORKER
C44 = LE BARON/GTS	H = VOYAGER	V = 600
D = ARIES	J = CARAVELLE	V24 = DAYTONA
D44 = LANCER	K = MINI VAN/CARAVAN/ROYAL	Z = OMNI/CHARGER

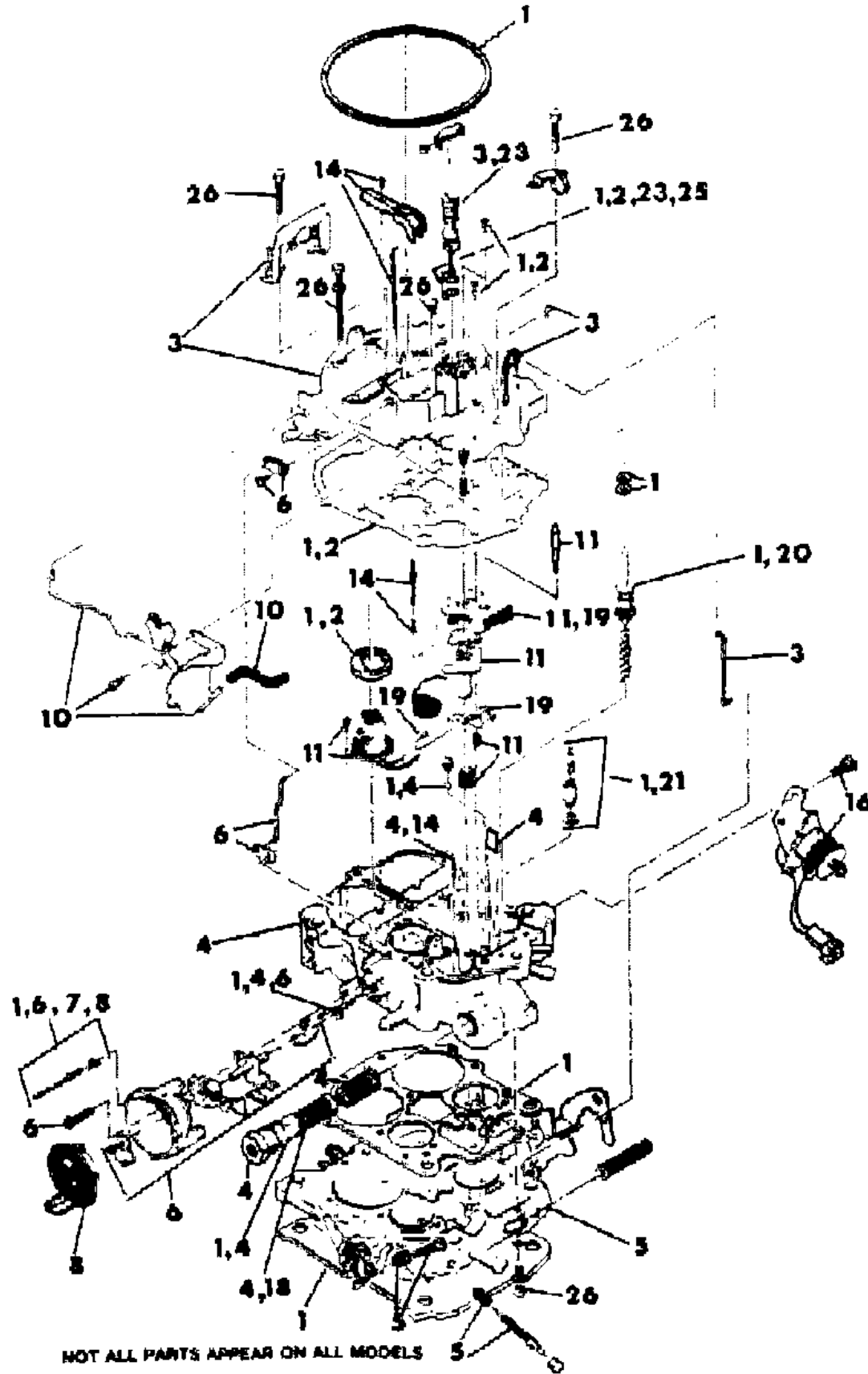
BODY STYLES

21 = 2-DOOR SEDAN	35 = FWD VAN	44 = 4-DOOR HATCHBACK
22 = 2-DOOR SPECIAL COUPE	36 = FWD WAGON	45 = 4-DOOR STATION WAGON
24 = 2-DOOR HATCHBACK	41 = 4-DOOR SEDAN	49 = LIMOUSINE
27 = 2-DOOR CONVERTIBLE		

AR = Use as Required - = Non Illustrated Part P.A.R. = Paint as Required

CARBURETOR AND COMPONENT PARTS ROCHESTER - 4BBL.(QUADRA JET ELECTRONIC)
Figure 14-1700

5114 1700



ITEM	PART NUMBER	QTY	BODY	MODEL	DESCRIPTION
------	-------------	-----	------	-------	-------------

27					KICKER PACKAGE, Throttle N N N N
----	--	--	--	--	----------------------------------

MODEL CODES

B = GRAN FURY	E = 600	M = HORIZON/TURISMO
C = LE BARON/TOWN & COUNTRY/LIMO	F = FIFTH AVENUE/NEWPORT	P = RELIANT
C24 = LASER	G = DIPLOMAT	T = NEW YORKER
C44 = LE BARON/GTS	H = VOYAGER	V = 600
D = ARIES	J = CARAVELLE	V24 = DAYTONA
D44 = LANCER	K = MINI VAN/CARAVAN/ROYAL	Z = OMNI/CHARGER

BODY STYLES

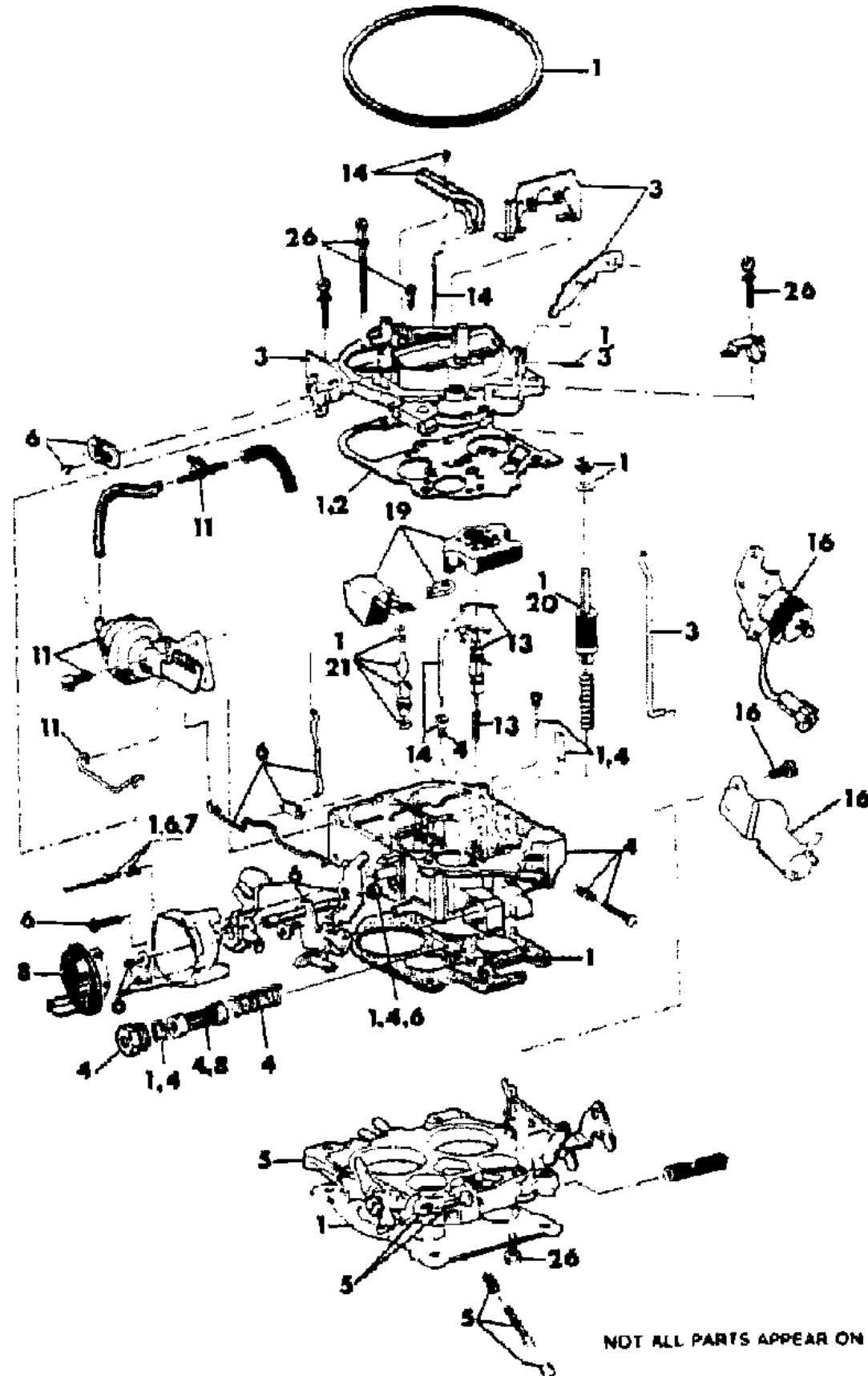
21 = 2-DOOR SEDAN	35 = FWD VAN	44 = 4-DOOR HATCHBACK
22 = 2-DOOR SPECIAL COUPE	36 = FWD WAGON	45 = 4-DOOR STATION WAGON
24 = 2-DOOR HATCHBACK	41 = 4-DOOR SEDAN	49 = LIMOUSINE
27 = 2-DOOR CONVERTIBLE		

AR = Use as Required - = Non Illustrated Part P.A.R. = Paint as Required

CARBURETOR AND COMPONENT PARTS ROCHESTER - 4BBL.(QUADRA JET NON - ELECTRONIC)

Figure 14-1800

5114 1800



NOT ALL PARTS APPEAR ON ALL MODELS

ITEM	PART NUMBER	QTY	BODY	MODEL	DESCRIPTION
	4342 808				B,F,G w/(SC-NAB) w or w/o Air Cond. ! 318/A N17085411 N4306411 Y4342808 N1
1	4342 832				REPAIR KIT Y4342832 N N N
2	4342 833				GASKET PACKAGE, Air Horn Y4342833 N N N
3	4342 834				AIR HORN PACKAGE Y4342834 N N N
4	4342 835				BOWL PACKAGE, Float Y4342835 N N N
5	4342 836				BODY PACKAGE, Throttle Y4342836 N N N
6	4342 837				HOUSING PACKAGE, Choke Y4342837 N N N
7	4342 818				RETAINER KIT, Choke Cover Y4342818 N N N
8	4342 819				STAT and COVER PACKAGE, Electric Choke Y4342819 N N N
9					COVER and COIL PACKAGE, Choke N N N N
10					BREAK PACKAGE, Primary Vacuum N N N N
11	4342 838				BREAK PACKAGE, Secondary Vacuum Y4342838 N N N
12					SOLENOID PACKAGE, Mixture Control N N N N
13	4342 839				PISTON PACKAGE, Power Y4342839 N N N
14	4342 840				JET and ROD PACKAGE, Metering Y4342840 N N N
15					SENSOR PACKAGE, Throttle Position N N N N
16	4342 841				SOLENOID PACKAGE, Idle Y4342841 N N N
17					CONTROL PACKAGE, Idle Speed N N N N
18	4342 825				FILTER PACKAGE, Fuel Y4342825 N N N
19	4342 842				FLOAT and INSERT PACKAGE Y4342842 N N N
20	4342 843				PUMP Y4342843 N N N
21	4342 828				NEEDLE and SEAT PACKAGE Y4342828 N N N
22					COMPENSATOR PACKAGE, Idle N N N N
23					VALVE PACKAGE, Air Bleed N N N N
24					COMPENSATOR PACKAGE, Idle Load N N N N
25					O-RING PACKAGE, Idle Air Bleed N N N N
26	4342 831				SCREW PACKAGE, Assortment Y4342831 N N N
27					KICKER PACKAGE, Throttle N N N N

MODEL CODES

B = GRAN FURY	E = 600	M = HORIZON/TURISMO
C = LE BARON/TOWN & COUNTRY/LIMO	F = FIFTH AVENUE/NEWPORT	P = RELIANT
C24 = LASER	G = DIPLOMAT	T = NEW YORKER
C44 = LE BARON/GTS	H = VOYAGER	V = 600
D = ARIES	J = CARAVELLE	V24 = DAYTONA
D44 = LANCER	K = MINI VAN/CARAVAN/ROYAL	Z = OMNI/CHARGER

BODY STYLES

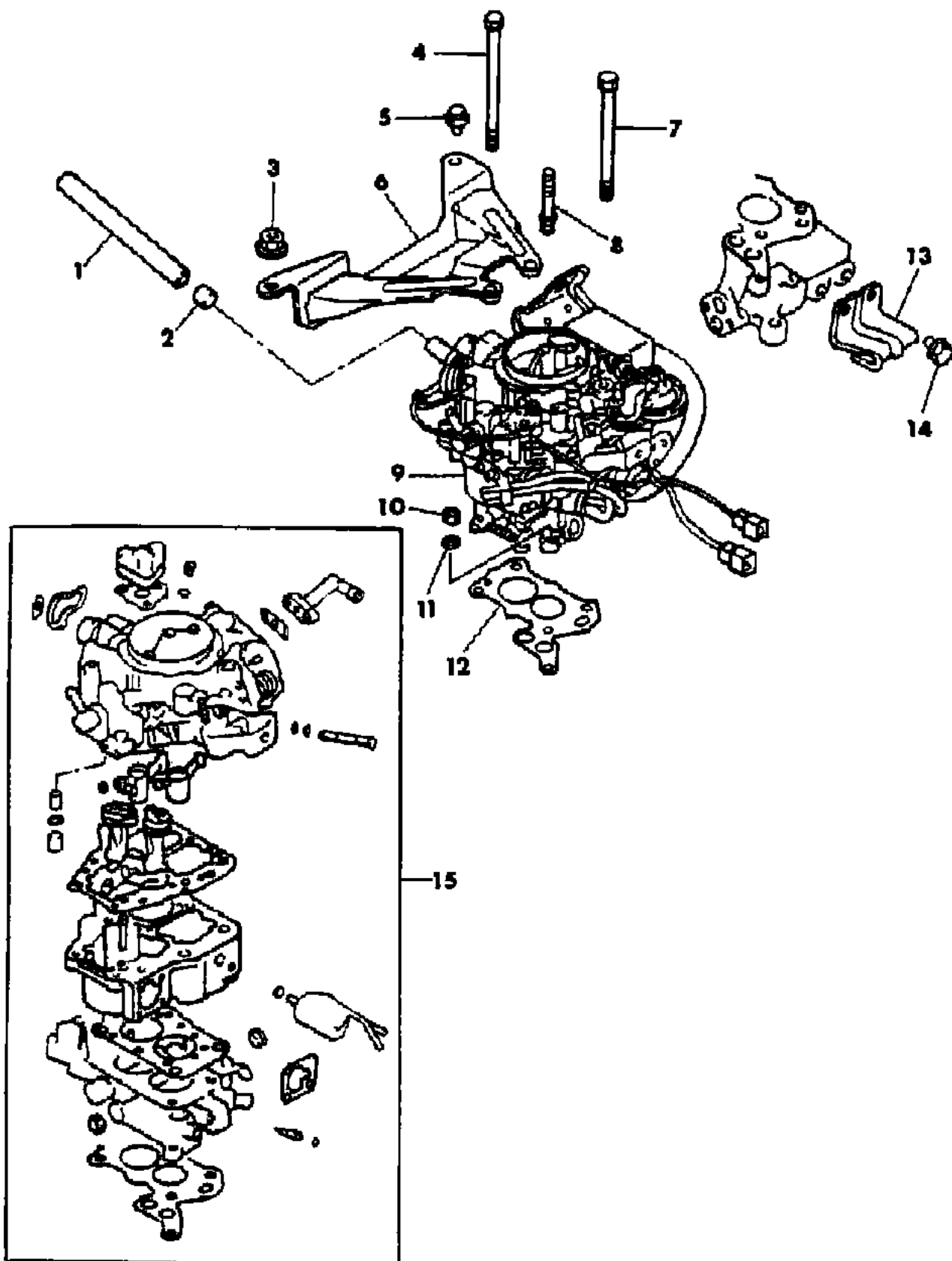
21 = 2-DOOR SEDAN	35 = FWD VAN	44 = 4-DOOR HATCHBACK
22 = 2-DOOR SPECIAL COUPE	36 = FWD WAGON	45 = 4-DOOR STATION WAGON
24 = 2-DOOR HATCHBACK	41 = 4-DOOR SEDAN	49 = LIMOUSINE
27 = 2-DOOR CONVERTIBLE		

AR = Use as Required - = Non Illustrated Part P.A.R. = Paint as Required

CARBURETOR, GASKETS AND ATTACHING PARTS W/2.6 LITRE ENGINE

Figure 14-1900

5114 1900



ITEM	PART NUMBER	QTY	BODY	MODEL	DESCRIPTION
1	MD07 1896	1			HOSE, Vapor
2	MS66 0165	1			CLIP, Hose
3	#MF43 4104	1			NUT, Flange
4	MD02 7419	2			BOLT, w/WASHER
5	#MF14 0202	1			BOLT, Flange
6	MD07 6040	1			SUPPORT, Carburetor
7	MD02 7419	2			BOLT, w/ WASHER
8	MD02 5402	1			STUD
9					CARBURETOR
	MD08 1509	1			Limo, U.S. and Canada, Up to Engine Serial No. DW6223
	MD08 8137	1			Limo, U.S. and Canada, After Engine Serial No. EA2116
	MD08 1509	1			except H,K, Limo and Except Calif., Canada, Up to Engine Serial No. DW6223
	MD08 8137	1			except H,K, Limo and Except Calif., Canada, After Engine Serial No. EA2116
	MD09 5106	1			Stamped 106
	MD08 4289	1			CALIF., except H,K, Up to Engine Serial No. DW6223
	MD08 2758	1			CALIF., except H,K, After Engine Serial No. EA2116
	MD09 5107	1			Calif. Stamped 107
	MD08 8443	1		H,K	except Calif., Up to Engine Serial No. DW6223
	MD08 8138	1		H,K	except Calif., From Engine Serial No. EA2116 to 12/84
	MD09 6783	1	H,K		except Calif., After 1/85
	MD08 4289	1		H,K	Calif., Up to Engine Serial No. DW6223
	MD08 2749	1		H,K	Calif., After Engine Serial No. EA2116
	MD08 3781	1		H,K	H/ALT., From Engine Serial No. EA2116 to 12/84
	MD09 4913	1	H,K		H/ALT., After 1/85
	MD08 4655	1			Canada, except Limo and H,K, Up to Engine Serial No. DW6223
	MD08 3779	1			Canada, except Limo and H,K, After Engine Serial No. EA2116
	MD08 9796	1		H,K	Canada, Up to Engine Serial No. DW6223
	MD08 9840	1		H,K	Canada, From Engine Serial No. EA2116 to 12/84
	MD09 6784	1	H,K		Canada Stamped 784
	MD09 5108	1	H,K		Canada Stamped 108
10	MF43 0004	1			NUT
11	MF45 0404	1			WASHER
12					GASKET, Carburetor
	MD02 5344	1			Limo, U.S. and Canada

MODEL CODES

B = GRAN FURY	E = 600	M = HORIZON/TURISMO
C = LE BARON/TOWN & COUNTRY/LIMO	F = FIFTH AVENUE/NEWPORT	P = RELIANT
C24 = LASER	G = DIPLOMAT	T = NEW YORKER
C44 = LE BARON/GTS	H = VOYAGER	V = 600
D = ARIES	J = CARAVELLE	V24 = DAYTONA
D44 = LANCER	K = MINI VAN/CARAVAN/ROYAL	Z = OMNI/CHARGER

BODY STYLES

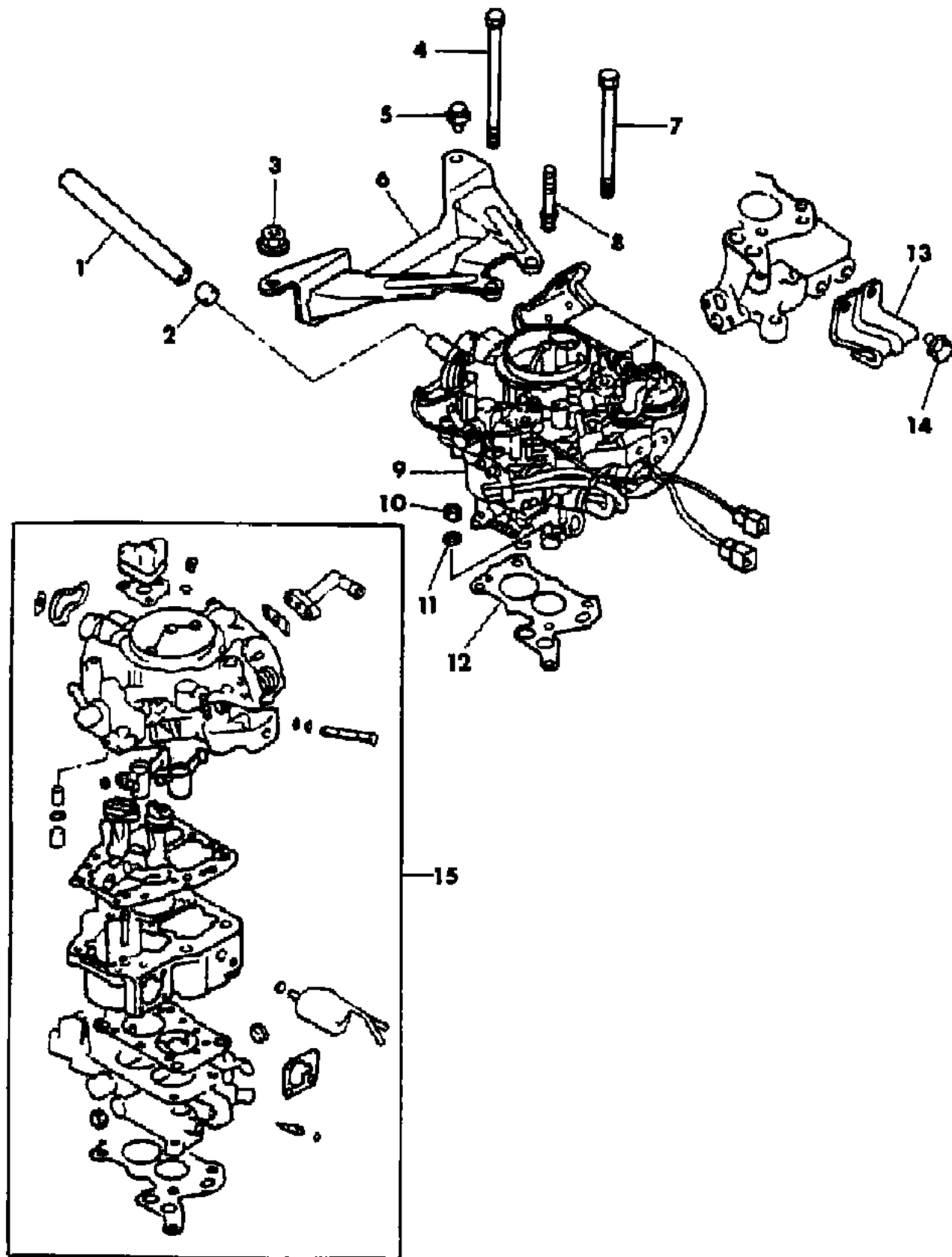
21 = 2-DOOR SEDAN	35 = FWD VAN	44 = 4-DOOR HATCHBACK
22 = 2-DOOR SPECIAL COUPE	36 = FWD WAGON	45 = 4-DOOR STATION WAGON
24 = 2-DOOR HATCHBACK	41 = 4-DOOR SEDAN	49 = LIMOUSINE
27 = 2-DOOR CONVERTIBLE		

AR = Use as Required - = Non Illustrated Part P.A.R. = Paint as Required

CARBURETOR, GASKETS AND ATTACHING PARTS W/2.6 LITRE ENGINE

Figure 14-1900

5114 1900



ITEM	PART NUMBER	QTY	BODY	MODEL	DESCRIPTION
	MD02 5344	1			except H,K, Limo and Canada
	MD02 5434	1		H,K	except Calif, H/Alt. and Canada
	MD02 5344	1		H,K	Calif., and H/Alt.
	MD02 5434	1			Canada, except Limo
13	MD02 5438	1			BRACKET
14	#MF14 0022	2			BOLT, Flange
15					GASKET SET
	MD60 8797	1			Limo, U.S. and Canada, Up to Engine Serial No. DW6223
	MD61 2215	1			Limo, U.S. and Canada, After Engine Serial No. EA2116
	MD60 8797	1			except H,K, Limo and except Calif., Canada Up to Engine Serial No. DW6223
	MD61 2215	1			except H,K, Limo and except Calif., Canada After Engine Serial No. EA2116
	MD61 2215	1			Calif., except H,K
	MD60 8604	1		H,K	except Calif. and H/Alt.
	MD60 8571	1		H,K	Calif. and H/Alt.
	MD60 8604	1			Canada, except Limo

MODEL CODES

B = GRAN FURY	E = 600	M = HORIZON/TURISMO
C = LE BARON/TOWN & COUNTRY/LIMO	F = FIFTH AVENUE/NEWPORT	P = RELIANT
C24 = LASER	G = DIPLOMAT	T = NEW YORKER
C44 = LE BARON/GTS	H = VOYAGER	V = 600
D = ARIES	J = CARAVELLE	V24 = DAYTONA
D44 = LANCER	K = MINI VAN/CARAVAN/ROYAL	Z = OMNI/CHARGER

BODY STYLES

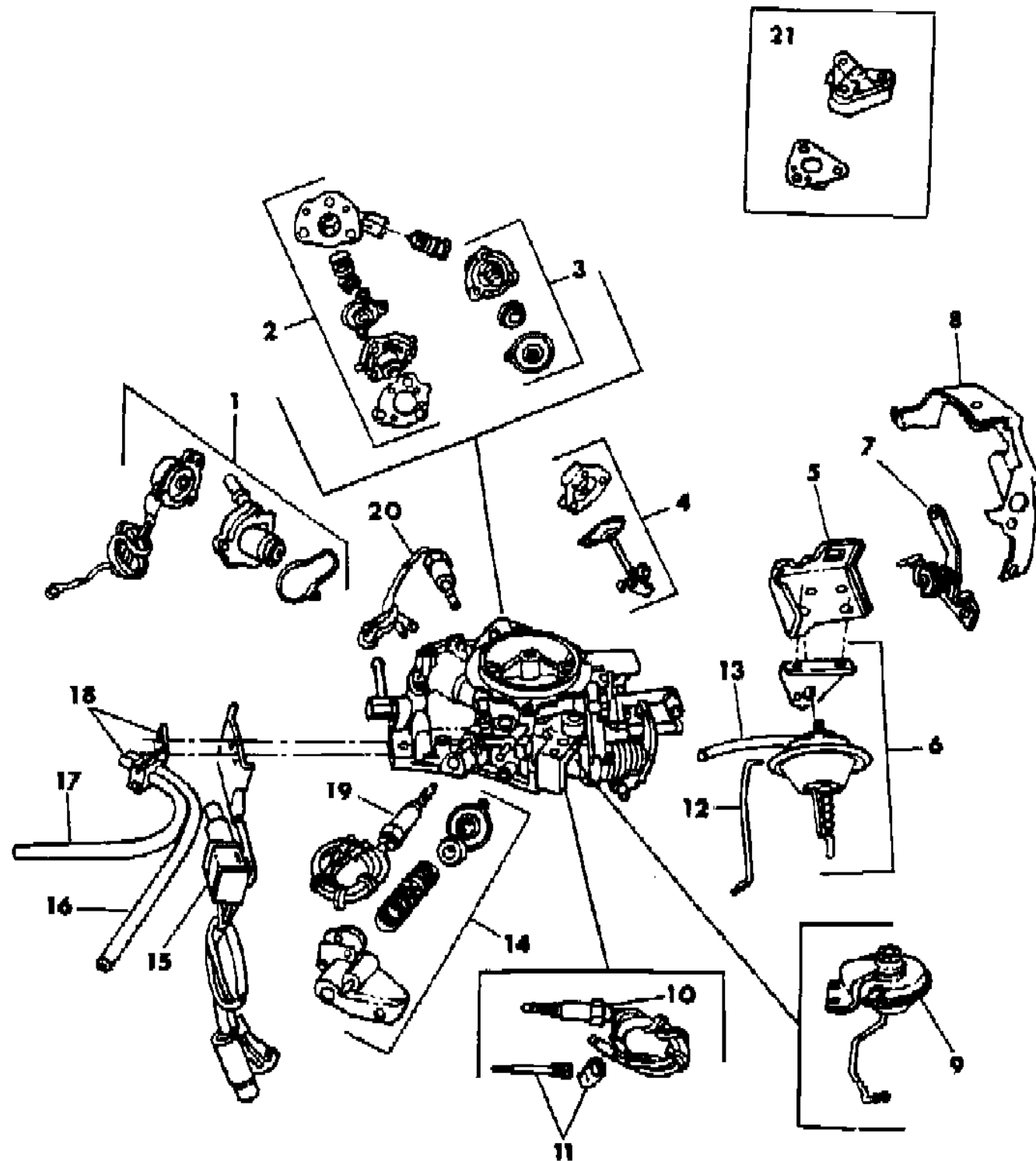
21 = 2-DOOR SEDAN	35 = FWD VAN	44 = 4-DOOR HATCHBACK
22 = 2-DOOR SPECIAL COUPE	36 = FWD WAGON	45 = 4-DOOR STATION WAGON
24 = 2-DOOR HATCHBACK	41 = 4-DOOR SEDAN	49 = LIMOUSINE
27 = 2-DOOR CONVERTIBLE		

AR = Use as Required - = Non Illustrated Part P.A.R. = Paint as Required

CARBURETOR EXTERNAL COMPONENTS W/2.6 LITER ENGINE

Figure 14-2000

5114 2000



ITEM	PART NUMBER	QTY	BODY	MODEL	DESCRIPTION
1					VALVE, Bowl Vent
	MD60 8635	1			Limo, U.S. and Canada, Up to Engine Serial No DW6223
	MD61 2216	1			Limo, U.S. and Canada, After Engine Serial No EA2116
	MD60 8635	1			except H,K, Limo and except Calif., Canada, Up to Engine Serial No. DW6223
	MD61 2216	1			except H,K, Limo and except Calif., Canada, After Engine Serial No. EA2116
	MD61 2216	1			Calif., except H,K
	MD60 8222	1		H,K	Canada, except Limo
					SCREW, w/WASHER
	MF35 0025	AR			4x12
	MF35 0029	AR			4x20
	MF35 0023	AR			4x8
2					VALVE, Mixture Control
	MD60 6665	1			except H,K and Canada
	MD60 6665	1			Limo, Canada
3					VALVE KIT, Coasting Air
	MD60 8567	1			Calif.
	MD60 8567	1		H,K	Calif. and H/Alt
4	MD60 8570	1			BREAKER KIT, Choke
5	MD60 8640	1			BRACKET, Cable
	MF35 0047	AR			SCREW, w/WASHER 5x10
6	MD60 8603	1			BODY, Depression Chamber
	MD60 6527	1			RETAINER, Snap
7	MD60 8576	1			ARM, w/PINION, Carb
8					COVER, Choke, Carb
	MD60 8612	1			except H,K and Canada
	MD60 8612	1			Limo, Canada
	MD60 8599	1		H,K	Canada, except Limo
	MD60 8599	1			SCREW KIT, Choke Cover
	MD60 6977	1			
9					OPENER KIT, Throttle
	MD60 8634	1			except H,K and Canada
	MD60 8422	1		H,K	Limo, Canada
	MD60 8634	1			Canada, except Limo
	MD60 8422	1			

MODEL CODES

B = GRAN FURY	E = 600	M = HORIZON/TURISMO
C = LE BARON/TOWN & COUNTRY/LIMO	F = FIFTH AVENUE/NEWPORT	P = RELIANT
C24 = LASER	G = DIPLOMAT	T = NEW YORKER
C44 = LE BARON/GTS	H = VOYAGER	V = 600
D = ARIES	J = CARAVELLE	V24 = DAYTONA
D44 = LANCER	K = MINI VAN/CARAVAN/ROYAL	Z = OMNI/CHARGER

BODY STYLES

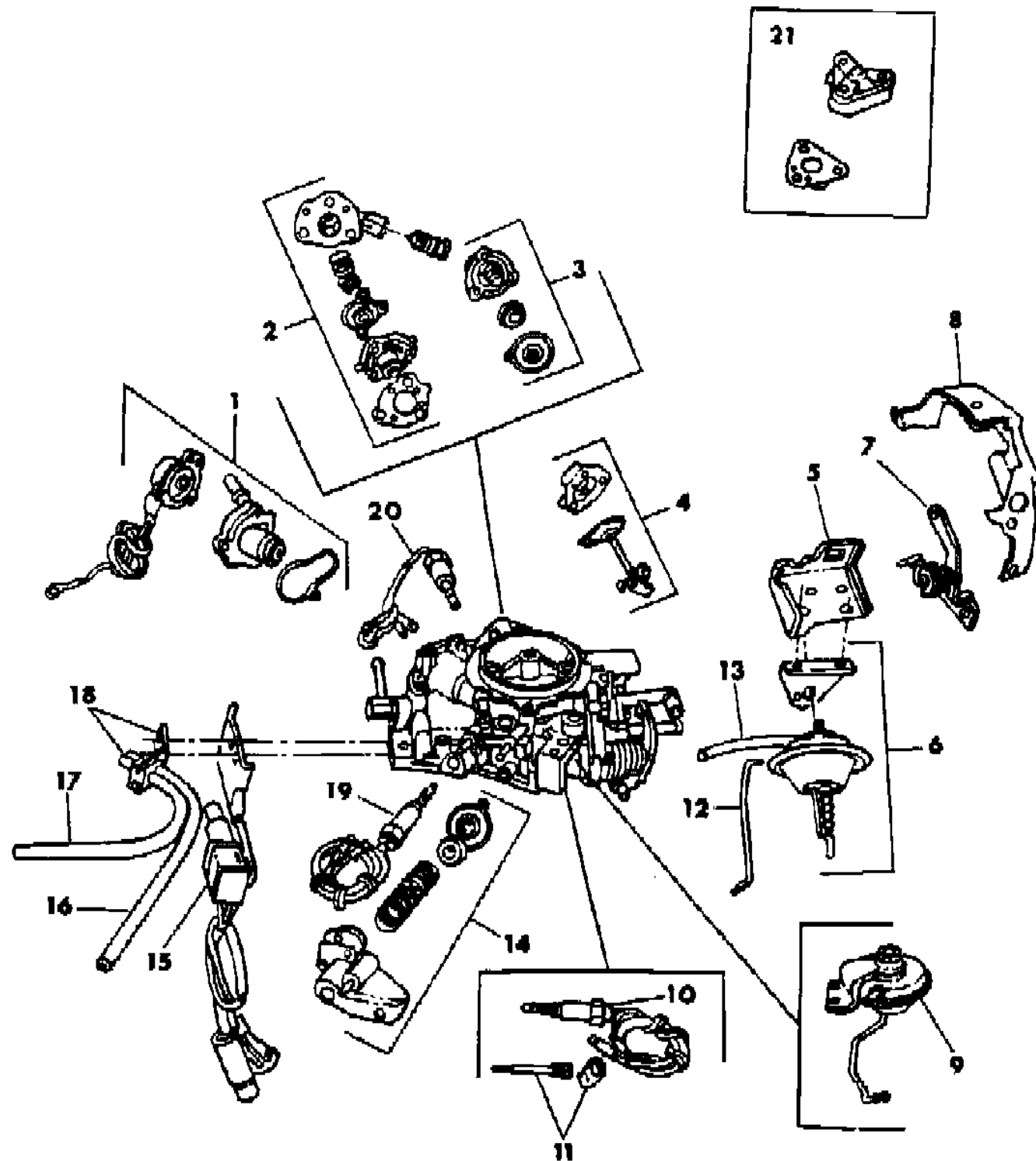
21 = 2-DOOR SEDAN	35 = FWD VAN	44 = 4-DOOR HATCHBACK
22 = 2-DOOR SPECIAL COUPE	36 = FWD WAGON	45 = 4-DOOR STATION WAGON
24 = 2-DOOR HATCHBACK	41 = 4-DOOR SEDAN	49 = LIMOUSINE
27 = 2-DOOR CONVERTIBLE		

AR = Use as Required - = Non Illustrated Part P.A.R. = Paint as Required

CARBURETOR EXTERNAL COMPONENTS W/2.6 LITER ENGINE

Figure 14-2000

5114 2000



ITEM	PART NUMBER	QTY	BODY	MODEL	DESCRIPTION
					SCREW, w/WASHER
	MF35 0047	AR			5x10
	MF35 0048	AR			5x12
10	MD61 2218	1			SOLENOID (DSV) Calif., except H,K
	MD60 8796	1			except H,K and except Calif., Canada, Up to Engine Serial No DW6223
	MD61 2218	1			except H,K and except Calif., Canada, After Engine Serial No EA2116
	MD60 8796	1			Limo, Canada, Up to Engine Serial No DW6223
	MD61 2218	1			Limo, Canada, After Engine Serial No EA2116
11					JET
	MD60 8241	1		H,K	Pilot #58.8, Calif., and H/Alt.
	MD60 8281	1		H,K	Pilot #60, Calif., and H/Alt
	MD60 8281	1			Pilot #60, Canada, except Limo
	MD60 6848	1			Enrichment #65, except H,K and Canada
	MD60 6848	1			Enrichment #65, Limo, Canada
12	MD60 6854	1			ROD, Choke
	MD60 0213	1			SNAP RING
13	MD60 6951	1			HOSE, Vacuum 1000
14	MD60 8563	1		H,K	VALVE KIT, Air Switching, Calif. and H/Alt.
15					SENSOR or SWITCH, A/C Cut-Out ***
	MD60 8613	1			except H,K and Canada
	MD61 2221	1		H,K	
	MD60 8613	1			Limo, Canada
	MD61 2221	1			Canada, except Limo
16	MD60 8609	AR			SCREW, w/WASHER
17	MD03 0204	1			HOSE, Vacuum 140
	MD03 0241	1			Calif., except H,K
	MD03 1102	1		H,K	Calif.
18					JOINT KIT
	MD60 6953	1			except H,K and Canada
	MD60 8605	1		H,K	
	MD60 6953	1			Limo, Canada
	MD60 8605	1			Canada, except Limo
19					SOLENOID (ESV)

MODEL CODES

B = GRAN FURY	E = 600	M = HORIZON/TURISMO
C = LE BARON/TOWN & COUNTRY/LIMO	F = FIFTH AVENUE/NEWPORT	P = RELIANT
C24 = LASER	G = DIPLOMAT	T = NEW YORKER
C44 = LE BARON/GTS	H = VOYAGER	V = 600
D = ARIES	J = CARAVELLE	V24 = DAYTONA
D44 = LANCER	K = MINI VAN/CARAVAN/ROYAL	Z = OMNI/CHARGER

BODY STYLES

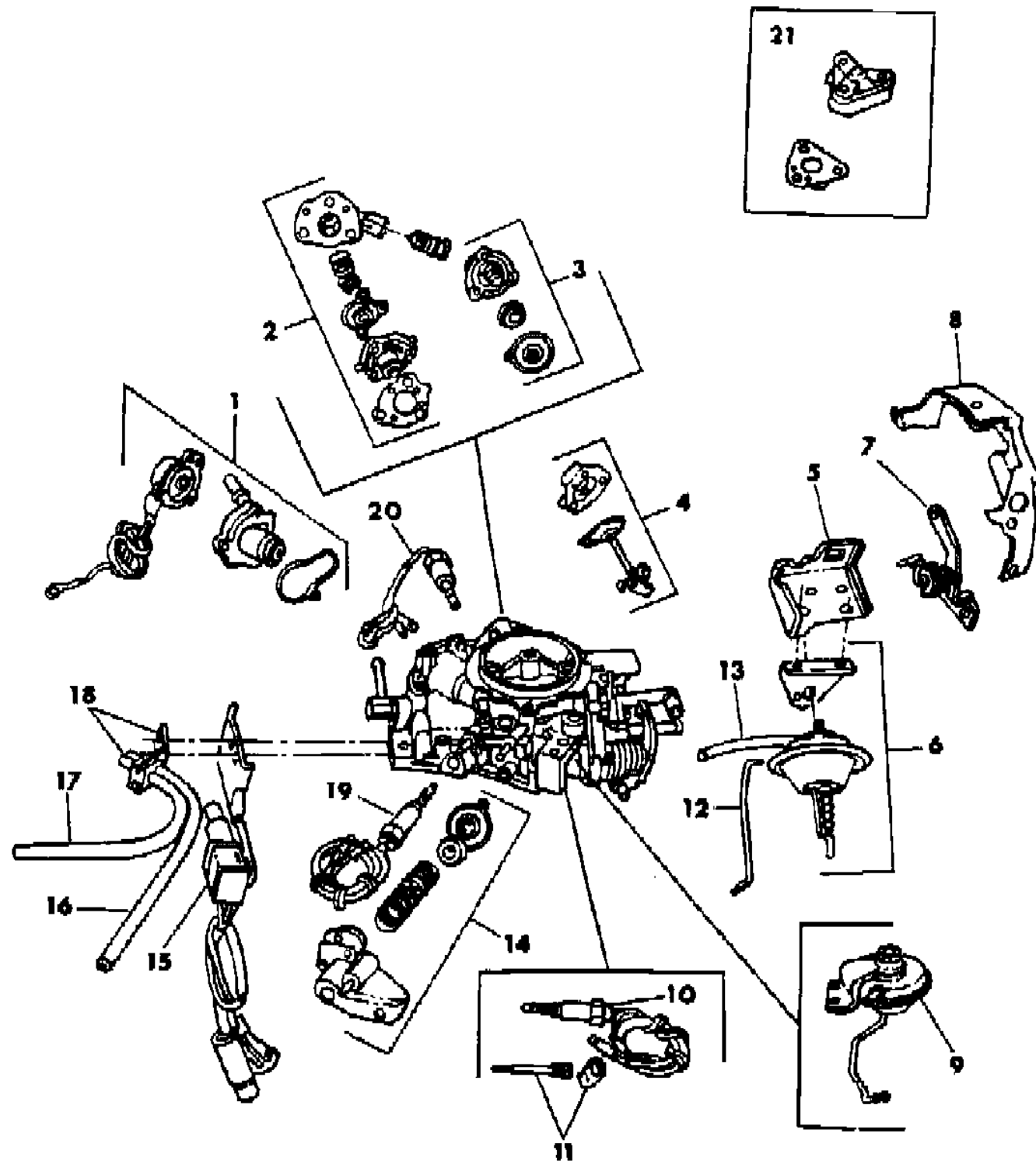
21 = 2-DOOR SEDAN	35 = FWD VAN	44 = 4-DOOR HATCHBACK
22 = 2-DOOR SPECIAL COUPE	36 = FWD WAGON	45 = 4-DOOR STATION WAGON
24 = 2-DOOR HATCHBACK	41 = 4-DOOR SEDAN	49 = LIMOUSINE
27 = 2-DOOR CONVERTIBLE		

AR = Use as Required - = Non Illustrated Part P.A.R. = Paint as Required

CARBURETOR EXTERNAL COMPONENTS W/2.6 LITER ENGINE

Figure 14-2000

5114 2000



ITEM	PART NUMBER	QTY	BODY	MODEL	DESCRIPTION
	MD60 8622	1			except H,K and except Calif., Canada, Up to Engine Serial No DW6223
	MD61 2219	1			except H,K and except Calif., Canada, After Engine Serial No EA2116
	MD61 2219	1			Calif., except H,K
20	MD60 8622	1			Limo, Canada, Up to Engine Serial No DW6223
	MD61 2219	1			Limo, Canada, After Engine Serial No EA2116
					SOLENOID (JSV)
	MD60 8795	1			except H,K and except Calif., Canada, Up to Engine Serial No DW6223
	MD61 2214	1			except H,K and except Calif., Canada, After Engine Serial No EA2116
	MD61 2214	1			Calif., except H,K
	MD60 8795	1			Limo, Canada, Up to Engine Serial No DW6223
	MD61 2214	1			Limo, Canada, After Engine Serial No EA2116
21	MD60 6933	1			BODY, Enrichment Valve
22					Nipple
	MD02 5279	1			w/Carburetor Stamped 783
	MD02 5658	1			w/Carburetor Stamped 913
NOTE: The following items are not illustrated e rear of the carburetor throttle body. A mirror is required to read the no. when the carburetor is					
	MD60 6865	2			SCREW, w/WASHER 5x70
	MF35 0061	1			SCREW, w/WASHER 5x45
	MF35 0056	3			SCREW, w/WASHER 5x30
	MD60 6948	1			SCREW, w/WASHER 5x65
	MF35 0032	1			SCREW, w/WASHER 4x28
	MF35 0026	2			SCREW, w/WASHER 4x14
	MF35 0049	2			SCREW, w/WASHER 5x14
	MD60 6222	AR			CLIP

MODEL CODES

B = GRAN FURY	E = 600	M = HORIZON/TURISMO
C = LE BARON/TOWN & COUNTRY/LIMO	F = FIFTH AVENUE/NEWPORT	P = RELIANT
C24 = LASER	G = DIPLOMAT	T = NEW YORKER
C44 = LE BARON/GTS	H = VOYAGER	V = 600
D = ARIES	J = CARAVELLE	V24 = DAYTONA
D44 = LANCER	K = MINI VAN/CARAVAN/ROYAL	Z = OMNI/CHARGER

BODY STYLES

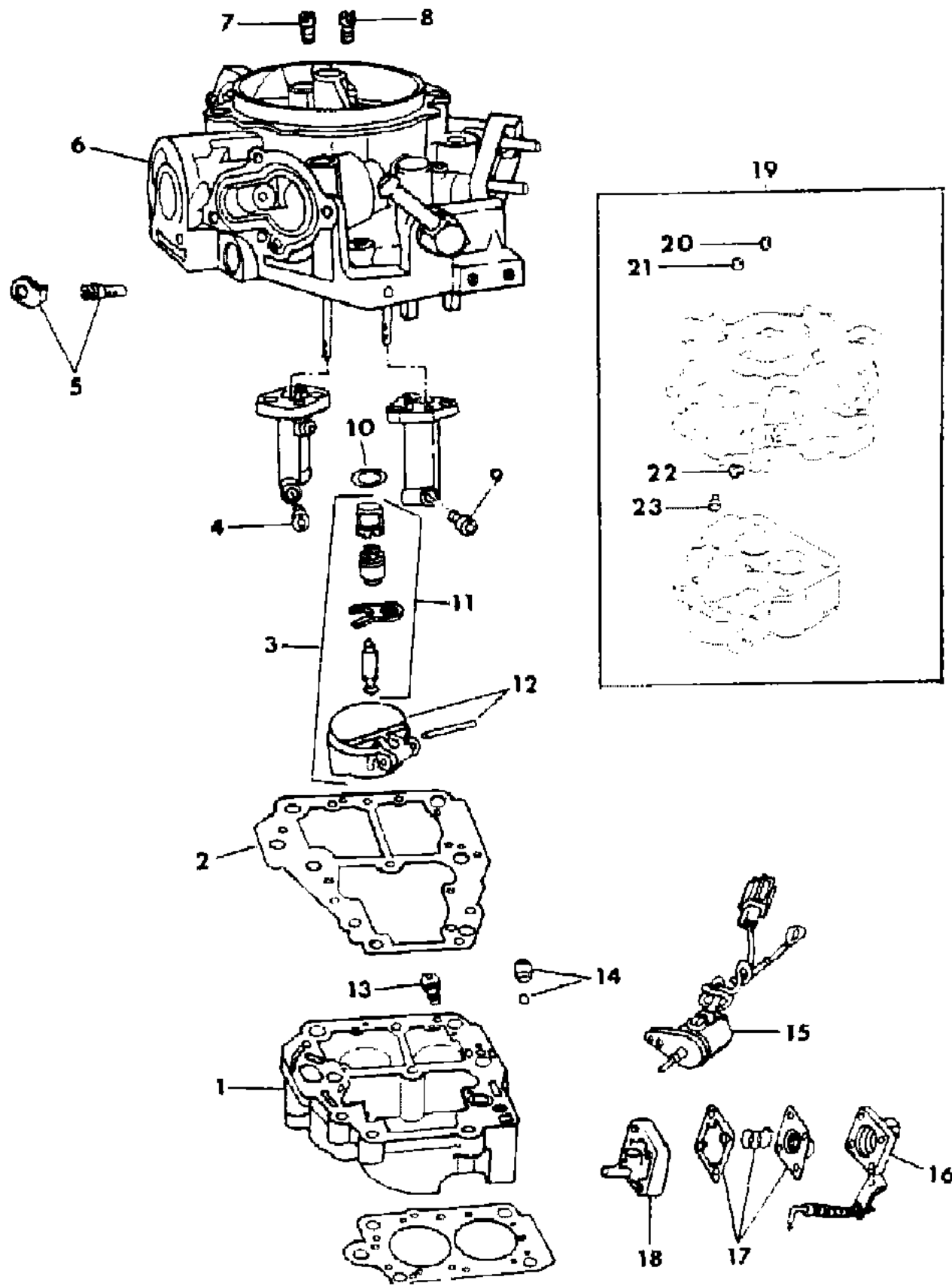
21 = 2-DOOR SEDAN	35 = FWD VAN	44 = 4-DOOR HATCHBACK
22 = 2-DOOR SPECIAL COUPE	36 = FWD WAGON	45 = 4-DOOR STATION WAGON
24 = 2-DOOR HATCHBACK	41 = 4-DOOR SEDAN	49 = LIMOUSINE
27 = 2-DOOR CONVERTIBLE		

AR = Use as Required - = Non Illustrated Part P.A.R. = Paint as Required

CARBURETOR INTERNAL COMPONENTS W/2.6 LITER ENGINE

Figure 14-2100

51142100 A



ITEM	PART NUMBER	QTY	BODY	MODEL	DESCRIPTION
1					BODY, Mixing
	MD60 8619	1			except H,K and Canada
	MD60 8166	1	H,K		Calif., and H/Alt.
	MD60 6947	1	H,K		except Calif., and H/Alt
	MD60 8619	1			Limo, Canada
	MD60 6947	1			Canada, except Limo
2					GASKET, Float Chamber Cover
	MD60 8639	1			except H,K and Canada
	MD60 8135	1	H,K		
	MD60 8639	1			Limo, Canada
	MD60 8135	1			Canada, except Limo
3					FLOAT and NEEDLE VALVE KIT
	MD60 6946	1			Up to Engine Serial No DW6223
	MD61 2217	1			After Engine Serial No EA2116
4					JET, Main
	MD60 0844	1			#175, except H,K and Canada
	MD60 0844	1			#175, Limo, Canada
	MD61 2226	1	H,K		#145, H/Alt.
	MD60 6234	1	H,K		#185, except H/Alt
	MD60 6234	1			#185, Canada, except Limo
5					JET, Pilot
	MD60 8792	1			#65, except H,K and Canada
	MD60 6847	1	H,K		#75
	MD60 8792	1			#65, Limo, Canada
	MD60 6847	1			#75, Canada, except Limo
6					COVER, Float Chamber
	MD60 8793	1			except H,K and except Calif., Canada, Up to engine Serial No DW6223
	MD61 2464	1			except H,K and except Calif., Canada, After engine Serial No EA2116
	MD61 2465	1			Calif., except H,K
	MD61 2211	1			w/Carburetor Stamped 107
	MD61 2463	1	H,K		Canada
	MD61 2085	1	H,K		Calif., and H/Alt.
	MD60 8793	1			Limo, Canada, Up to Engine Serial No DW6223
	MD61 2210	1			Limo, Canada, After Engine Serial No EA2116
	MD61 2210	1			w/Carburetor Stamped 106

MODEL CODES

B = GRAN FURY	E = 600	M = HORIZON/TURISMO
C = LE BARON/TOWN & COUNTRY/LIMO	F = FIFTH AVENUE/NEWPORT	P = RELIANT
C24 = LASER	G = DIPLOMAT	T = NEW YORKER
C44 = LE BARON/GTS	H = VOYAGER	V = 600
D = ARIES	J = CARAVELLE	V24 = DAYTONA
D44 = LANCER	K = MINI VAN/CARAVAN/ROYAL	Z = OMNI/CHARGER

BODY STYLES

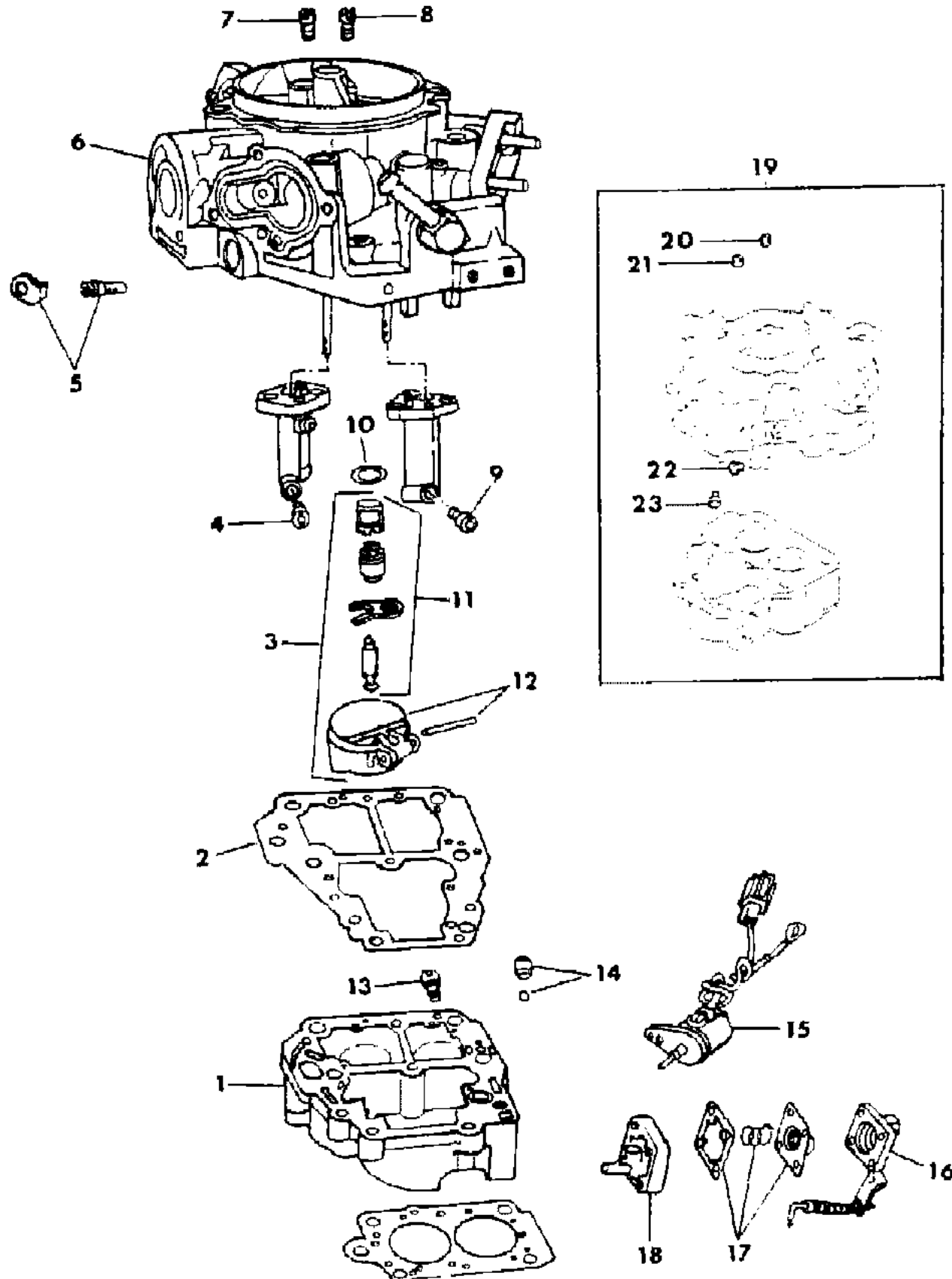
21 = 2-DOOR SEDAN	35 = FWD VAN	44 = 4-DOOR HATCHBACK
22 = 2-DOOR SPECIAL COUPE	36 = FWD WAGON	45 = 4-DOOR STATION WAGON
24 = 2-DOOR HATCHBACK	41 = 4-DOOR SEDAN	49 = LIMOUSINE
27 = 2-DOOR CONVERTIBLE		

AR = Use as Required - = Non Illustrated Part P.A.R. = Paint as Required

CARBURETOR INTERNAL COMPONENTS W/2.6 LITER ENGINE

Figure 14-2100

51142100 A



ITEM	PART NUMBER	QTY	BODY	MODEL	DESCRIPTION
	MD61 2086	1			Canada, except Limo
	MD61 2086	1	H,K		w/Carburetor Stamped 108
7	MD60 6377	1			JET, Main #95
	MD60 0422	1			#100
8					JET
	MD60 8003	1	H,K		Econostat #75, except Calif., and H/Alt.
	MD60 8003	1	H,K		Econostat #75, Canada
	MD60 6848	1			Enrichment #65, Except H,K and Canada
	MD60 6848	1			Enrichment #65, Limo, Canada
	MD60 6979	1	H,K		Enrichment #80, H/Alt.
	MD60 0116	1			Enrichment #60
	MD60 6971	1			Primary 1 #75 w/Carburetors Stamped 786 and 784
	MD60 0116	1			Primary #1 w/Carburetor Stamped 913
	MD60 0116	1			Primary #2 w/Carburetors Stamped 783,784,913
9					JET, Main
	MD60 6195	1			#106.3, except H,K and Canada
	MD60 6195	1			#106.3, Limo, Canada
	MD60 8280	1	H,K		#114.4, except Calif and H/Alt
	MD60 6929	1	H,K		Calif
	MD60 8240	1	H,K		#116.9, H/Alt
	MD60 8280	1			Canada, except Limo
	MD60 8007	1			JET, Jet Mixture Pilot, except H,K and Canada
	MD60 8007	1			Limo, Canada
10	MD60 6952	1			SHIM KIT
11	MD60 6931	1			VALVE KIT, Needle
12					FLOAT and PIN
	MD60 6844	1			Up to Engine Serial No DW6223
	MD61 2213	1			After Engine Serial No EA2116
	MD61 2534	1			For Carb. # MD095106, Stamped 106
13					JET
	MD60 8003	1	H,K		Econostat #75, Calif.
	MD60 6848	1	H,K		Enrichment #65, except Calif., H/Alt.
	MD60 0027	1	H,K		Enrichment #55, H/Alt.
	MD60 6848	1			Enrichment #65, Canada, except Limo
14	MD60 6852	1			VALVE KIT, Pump Check
15					SOLENOID
	MD60 6943	1	H,K		

MODEL CODES

B = GRAN FURY	E = 600	M = HORIZON/TURISMO
C = LE BARON/TOWN & COUNTRY/LIMO	F = FIFTH AVENUE/NEWPORT	P = RELIANT
C24 = LASER	G = DIPLOMAT	T = NEW YORKER
C44 = LE BARON/GTS	H = VOYAGER	V = 600
D = ARIES	J = CARAVELLE	V24 = DAYTONA
D44 = LANCER	K = MINI VAN/CARAVAN/ROYAL	Z = OMNI/CHARGER

BODY STYLES

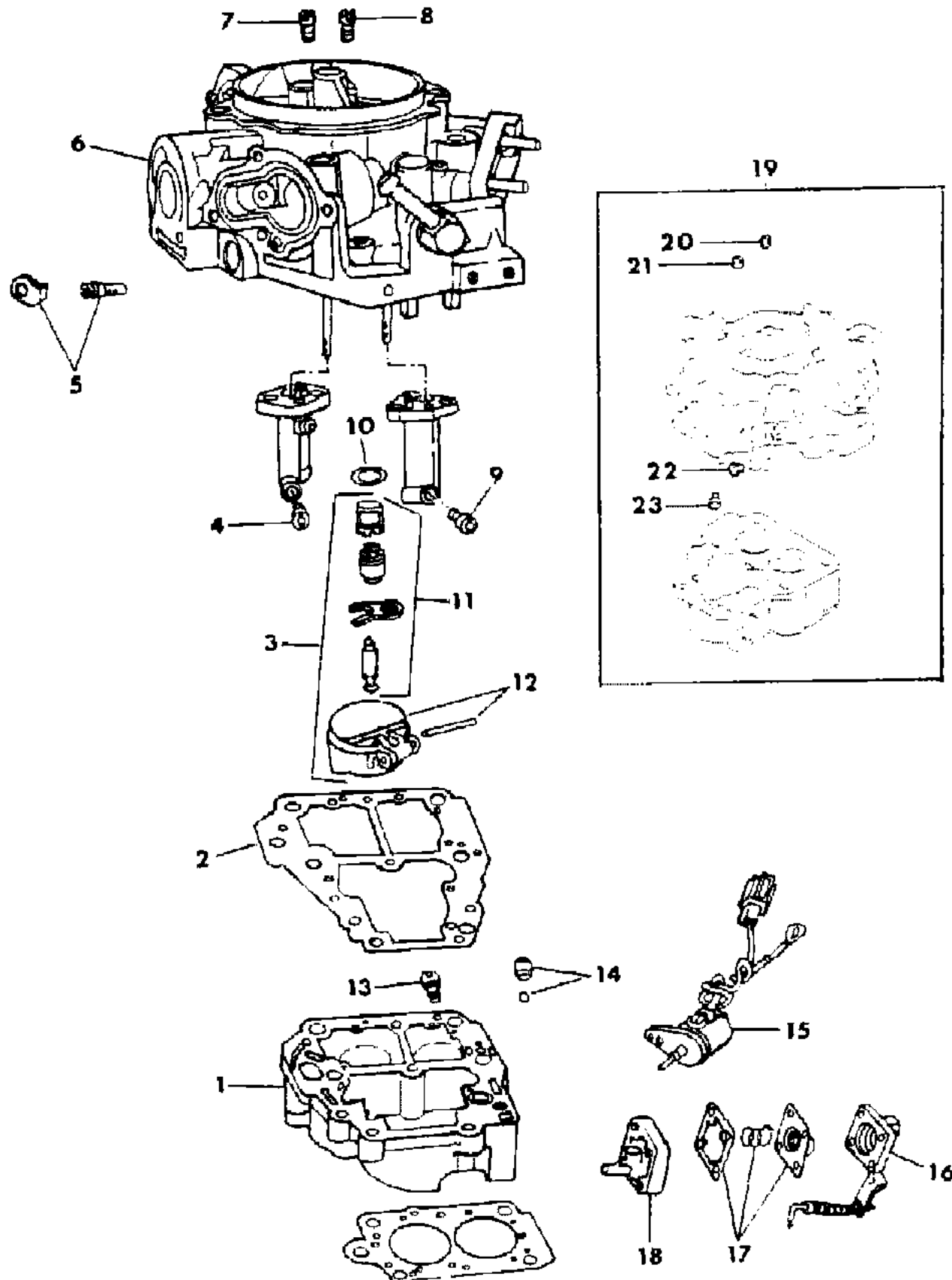
21 = 2-DOOR SEDAN	35 = FWD VAN	44 = 4-DOOR HATCHBACK
22 = 2-DOOR SPECIAL COUPE	36 = FWD WAGON	45 = 4-DOOR STATION WAGON
24 = 2-DOOR HATCHBACK	41 = 4-DOOR SEDAN	49 = LIMOUSINE
27 = 2-DOOR CONVERTIBLE		

AR = Use as Required - = Non Illustrated Part P.A.R. = Paint as Required

CARBURETOR INTERNAL COMPONENTS W/2.6 LITER ENGINE

Figure 14-2100

51142100 A



ITEM	PART NUMBER	QTY	BODY	MODEL	DESCRIPTION
	MD60 6943	1			Canada, except Limo
16	MD60 6850	1			COVER, Pump
	MD60 6972	1			w/Carburetor Stamped 783,784
17	MD60 6849	1			DIAPHRAGM KIT, Pump
18	MD60 6851	1			BODY, Pump
19	MD08 8294	1	H,K		JET KIT, Carburetor Hi Alt.
20	MD60 0442	1	H,K		JET, Econostat (#100), Hi Alt.
21	MD60 0613	1	H,K		JET, Enrichment (#120) Hi Alt.
22	MD60 6029	1	H,K		JET, Main (#110), Hi Alt.
23	MD60 0844	1	H,K		JET, Main (#175), Hi Alt.
NOTE: The following items are not illustrated e rear of the carburetor throttle body. A mirror is required to read the no. when the carburetor is					
	MF35 0050	1			SCREW, w/WASHER 5x16
	MF43 0003	3			NUT 5
	MF43 0002	4			NUT 4

MODEL CODES

B = GRAN FURY	E = 600	M = HORIZON/TURISMO
C = LE BARON/TOWN & COUNTRY/LIMO	F = FIFTH AVENUE/NEWPORT	P = RELIANT
C24 = LASER	G = DIPLOMAT	T = NEW YORKER
C44 = LE BARON/GTS	H = VOYAGER	V = 600
D = ARIES	J = CARAVELLE	V24 = DAYTONA
D44 = LANCER	K = MINI VAN/CARAVAN/ROYAL	Z = OMNI/CHARGER

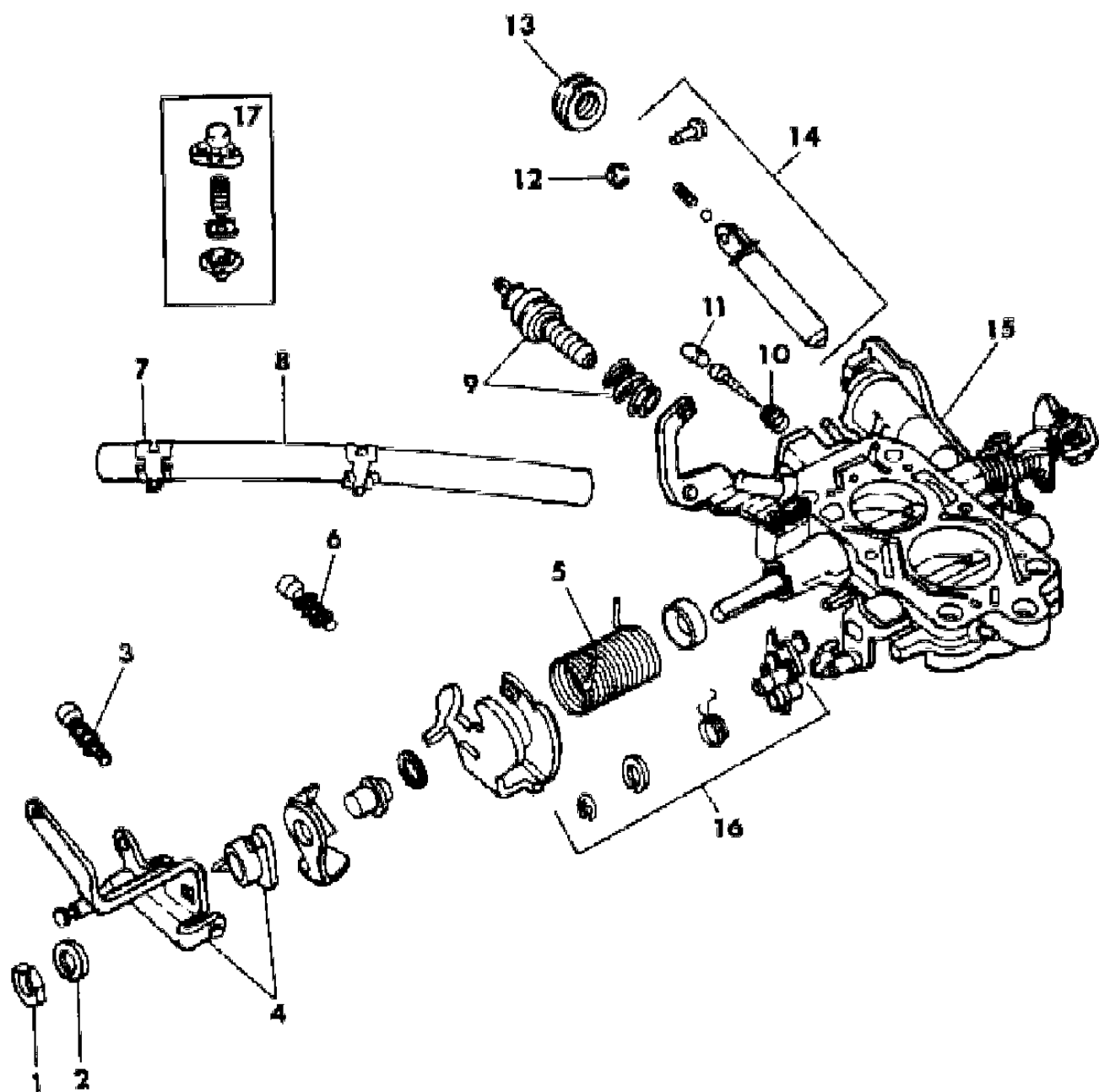
BODY STYLES

21 = 2-DOOR SEDAN	35 = FWD VAN	44 = 4-DOOR HATCHBACK
22 = 2-DOOR SPECIAL COUPE	36 = FWD WAGON	45 = 4-DOOR STATION WAGON
24 = 2-DOOR HATCHBACK	41 = 4-DOOR SEDAN	49 = LIMOUSINE
27 = 2-DOOR CONVERTIBLE		

AR = Use as Required - = Non Illustrated Part P.A.R. = Paint as Required

CARBURETOR THROTTLE BODY COMPONENTS W/2.6 LITER ENGINE
Figure 14-2200

5114 2200



ITEM	PART NUMBER	QTY	BODY	MODEL	DESCRIPTION
1	MD60 0059	1			NUT 8x1
2	MF45 0405	1			WASHER, Spring 8
3	MD60 6517	1			SCREW KIT, Fast Idle Adjusting
4	MD60 8160	1			LEVER, Throttle
5					SPRING
	MD60 6944	1			except H,K and Canada
	MD60 6944	1			Limo, Canada
	MD60 8116	1		H,K	except Calif., and H/Alt., Up to Engine Serial No DW6223
	MD61 2149	1		H,K	except Calif., and H/Alt., After Engine Serial No EA2116
	MD61 2150	1		H,K	Calif., and H/Alt.
	MD60 8116	1			Canada, except Limo, Up to Engine Serial No DW6223
	MD61 2149	1			Canada, except Limo, After Engine Serial No EA2116
6	MD60 6855	1			SCREW KIT, Speed Adjusting
7	MS66 0164	2			CLIP, Hose
8	MD60 6941	1			HOSE, Water
9					SWITCH KIT, Idle Position
	MD60 8644	1			except H,K and Canada
	MD60 8644	1			Limo, Canada
10	MD60 6939	1			SCREW KIT, Mixture Adjusting
11	MD60 8086	1			PLUG
12					SNAP RING
	MD60 6522	1			except H,K and Canada
	MD60 6522	1			Limo, Canada
	MD60 6522	1		H,K	Calif. and H/Alt.
13					CAP, Rubber
	MD60 6523	1			except H,k and Canada
	MD60 6523	1			Limo, Canada
	MD60 6523	1		H,K	CALIF. and H/Alt
14					VALVE KIT, Sub EGR
	MD60 6660	1			except H,K and Canada, Up to Engine Serial No DW6223
	MD61 2220	1			except H,K and Canada, After Engine Serial No EA2116
	MD60 6660	1			Limo, Canada, Up to Engine Serial No DW6223
	MD61 2220	1			Limo, Canada, After Engine Serial No EA2116
	MD60 6660	1		H,K	Calif., Up to Engine Serial No DW6223
	MD61 2220	1		H,K	Calif., and H/Alt., After Engine Serial No EA2116
15					BODY, Throttle
	MD61 2212	1			except H,K and Canada

MODEL CODES

B = GRAN FURY	E = 600	M = HORIZON/TURISMO
C = LE BARON/TOWN & COUNTRY/LIMO	F = FIFTH AVENUE/NEWPORT	P = RELIANT
C24 = LASER	G = DIPLOMAT	T = NEW YORKER
C44 = LE BARON/GTS	H = VOYAGER	V = 600
D = ARIES	J = CARAVELLE	V24 = DAYTONA
D44 = LANCER	K = MINI VAN/CARAVAN/ROYAL	Z = OMNI/CHARGER

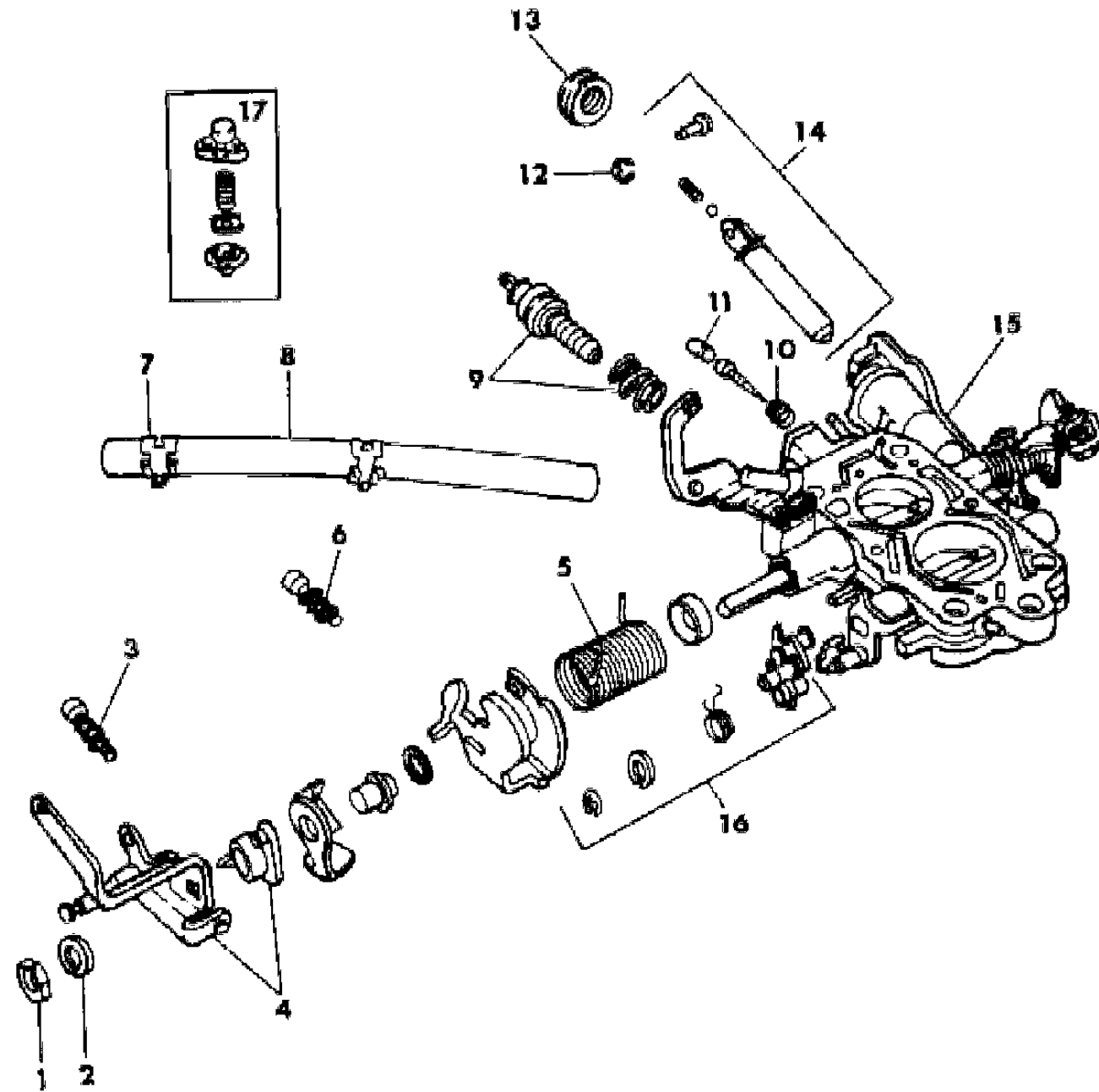
BODY STYLES

21 = 2-DOOR SEDAN	35 = FWD VAN	44 = 4-DOOR HATCHBACK
22 = 2-DOOR SPECIAL COUPE	36 = FWD WAGON	45 = 4-DOOR STATION WAGON
24 = 2-DOOR HATCHBACK	41 = 4-DOOR SEDAN	49 = LIMOUSINE
27 = 2-DOOR CONVERTIBLE		

AR = Use as Required - = Non Illustrated Part P.A.R. = Paint as Required

CARBURETOR THROTTLE BODY COMPONENTS W/2.6 LITER ENGINE
Figure 14-2200

5114 2200



ITEM	PART NUMBER	QTY	BODY	MODEL	DESCRIPTION
	MD61 2212	1			Limo, Canada
	MD61 2222	1		H,K	except Calif and H/Alt
	MD61 2223	1		H,K	Calif and H/Alt
	MD61 2225	1			Canada, except Limo
	MD61 2437	1			w/Carburetor Stamped 783
	MD61 2438	1			w/Carburetor Stamped 784
16	MD60 6938	1			SPRING KIT, Secondary
17					VALVE KIT, Jet Air Control
	MD60 8569	1		H,K	Calif., and H/Alt.
	MF35 0027	3		H,K	SCREW, w/WASHER 4x16

MODEL CODES

B = GRAN FURY	E = 600	M = HORIZON/TURISMO
C = LE BARON/TOWN & COUNTRY/LIMO	F = FIFTH AVENUE/NEWPORT	P = RELIANT
C24 = LASER	G = DIPLOMAT	T = NEW YORKER
C44 = LE BARON/GTS	H = VOYAGER	V = 600
D = ARIES	J = CARAVELLE	V24 = DAYTONA
D44 = LANCER	K = MINI VAN/CARAVAN/ROYAL	Z = OMNI/CHARGER

BODY STYLES

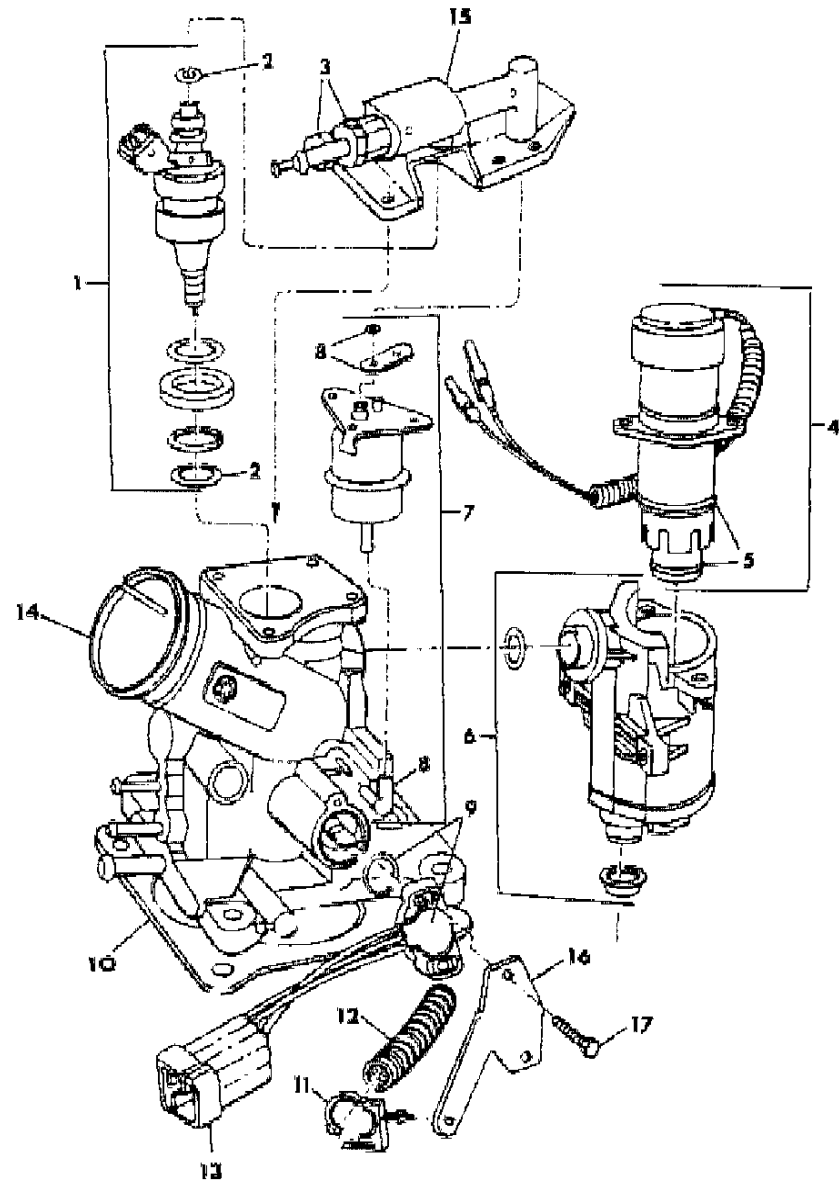
21 = 2-DOOR SEDAN	35 = FWD VAN	44 = 4-DOOR HATCHBACK
22 = 2-DOOR SPECIAL COUPE	36 = FWD WAGON	45 = 4-DOOR STATION WAGON
24 = 2-DOOR HATCHBACK	41 = 4-DOOR SEDAN	49 = LIMOUSINE
27 = 2-DOOR CONVERTIBLE		

AR = Use as Required - = Non Illustrated Part P.A.R. = Paint as Required

THROTTLE BODY INJECTOR

Figure 14-2300

3114 2300 B



ITEM	PART NUMBER	QTY	BODY	MODEL	DESCRIPTION
1	4275 985	1			INJECTOR KIT, Throttle Body
2	4275 991	1			O-RING KIT, Injector
3	4287 316	1			FITTING KIT, Hose
4	4227 151	1			MOTOR KIT, A.I.S.
5	4287 714	1			O-RING KIT, A.I.S. Motor
6	4287 730	1			HOUSING KIT, A.I.S. Motor
7	4287 320	1			REGULATOR KIT, Pressure
8	4287 324	1			HOSE and SEAL KIT, Pressure Regulator
9	4179 848	1			POTENTIOMETER KIT
10	4275 531	1			GASKET, Throttle Body to Intake Manifold
11	6016 057	1			CLIP
12	4364 374	1			TUBING, Convoluted
13	4274 905	1			CONNECTOR, 6-Way
14	4419 111	1			BODY, Throttle
15	4241 499	1			HEAD, Power
16	4275 905	1			BRACKET
17	6501 478	AR			SCREW, w/WASHER

NOTE: The following item is not illustrated e rear of the carburetor throttle body. A mirror is required to read the no. when the carburetor is

4287 749	1	WIRE KIT, Ground
----------	---	------------------

MODEL CODES

B = GRAN FURY	E = 600	M = HORIZON/TURISMO
C = LE BARON/TOWN & COUNTRY/LIMO	F = FIFTH AVENUE/NEWPORT	P = RELIANT
C24 = LASER	G = DIPLOMAT	T = NEW YORKER
C44 = LE BARON/GTS	H = VOYAGER	V = 600
D = ARIES	J = CARAVELLE	V24 = DAYTONA
D44 = LANCER	K = MINI VAN/CARAVAN/ROYAL	Z = OMNI/CHARGER

BODY STYLES

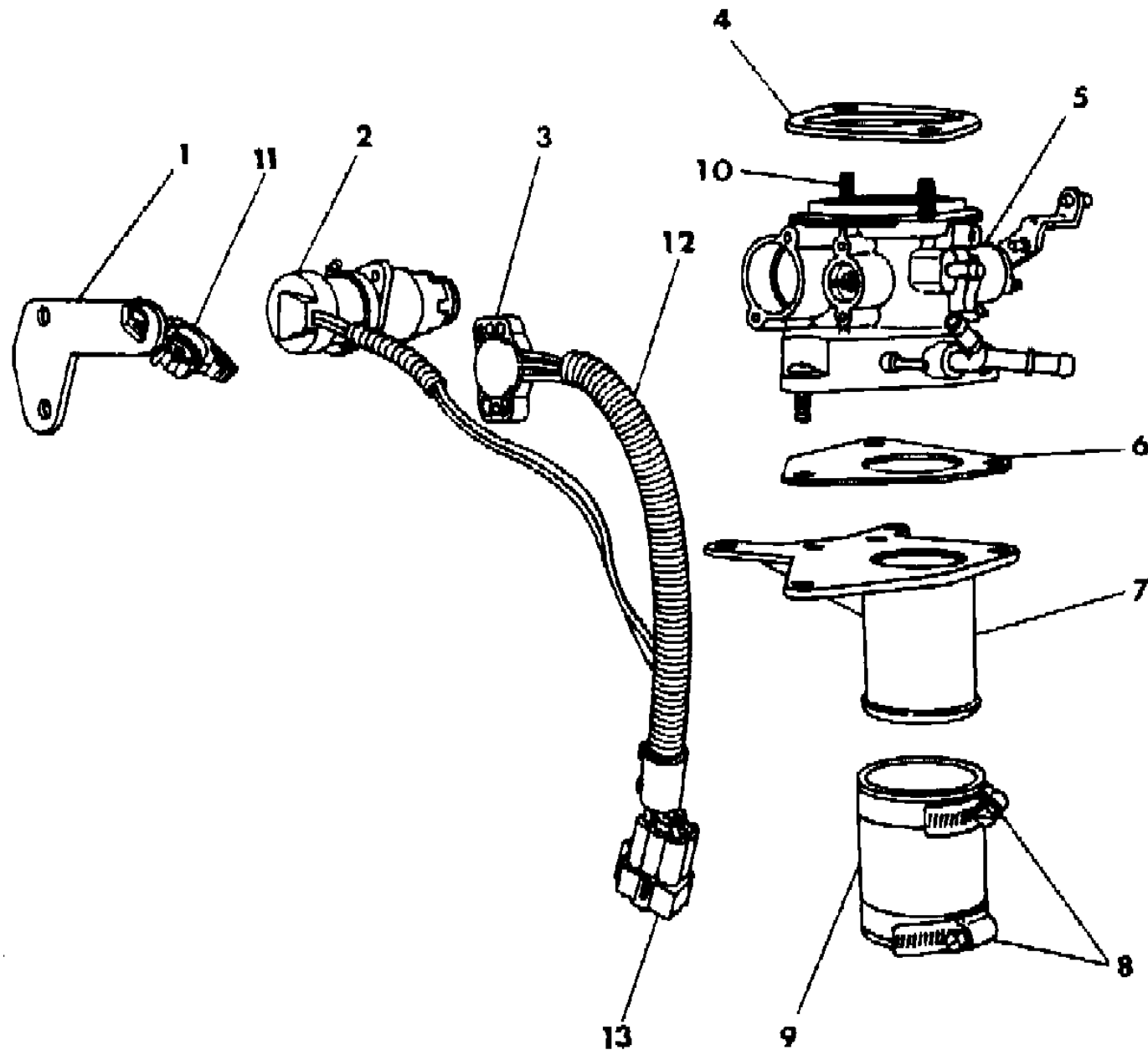
21 = 2-DOOR SEDAN	35 = FWD VAN	44 = 4-DOOR HATCHBACK
22 = 2-DOOR SPECIAL COUPE	36 = FWD WAGON	45 = 4-DOOR STATION WAGON
24 = 2-DOOR HATCHBACK	41 = 4-DOOR SEDAN	49 = LIMOUSINE
27 = 2-DOOR CONVERTIBLE		

AR = Use as Required - = Non Illustrated Part P.A.R. = Paint as Required

THROTTLE BODY AND ADAPTER - TURBO CHARGER

Figure 14-2400

5114 2400 A



ITEM	PART NUMBER	QTY	BODY	MODEL	DESCRIPTION
1	4275 905	1			BRACKET
2	4275 651	1			MOTOR KIT, A.I.S.
	4287 714	1			O-RING KIT, A.I.S. Motor
3	4179 849	1			POTENTIOMETER KIT
4	4275 356	1			GASKET, Throttle Body to Air Cleaner Adaptor
5	4288 276	1			BODY, Throttle
	4288 277	1		Z	
6	4268 804	1			GASKET, Throttle Body to Adaptor
7	4227 152	1			ADAPTOR, Throttle Body
8	6032 440	2			CLAMP
9	4323 444	1			HOSE
10	6501 068	2			STUD
11	6016 059	1			CLIP
12	4364 374	1			TUBING, Convoluted
13	4274 905	1			CONNECTOR, 6-Way

MODEL CODES

B = GRAN FURY	E = 600	M = HORIZON/TURISMO
C = LE BARON/TOWN & COUNTRY/LIMO	F = FIFTH AVENUE/NEWPORT	P = RELIANT
C24 = LASER	G = DIPLOMAT	T = NEW YORKER
C44 = LE BARON/GTS	H = VOYAGER	V = 600
D = ARIES	J = CARAVELLE	V24 = DAYTONA
D44 = LANCER	K = MINI VAN/CARAVAN/ROYAL	Z = OMNI/CHARGER

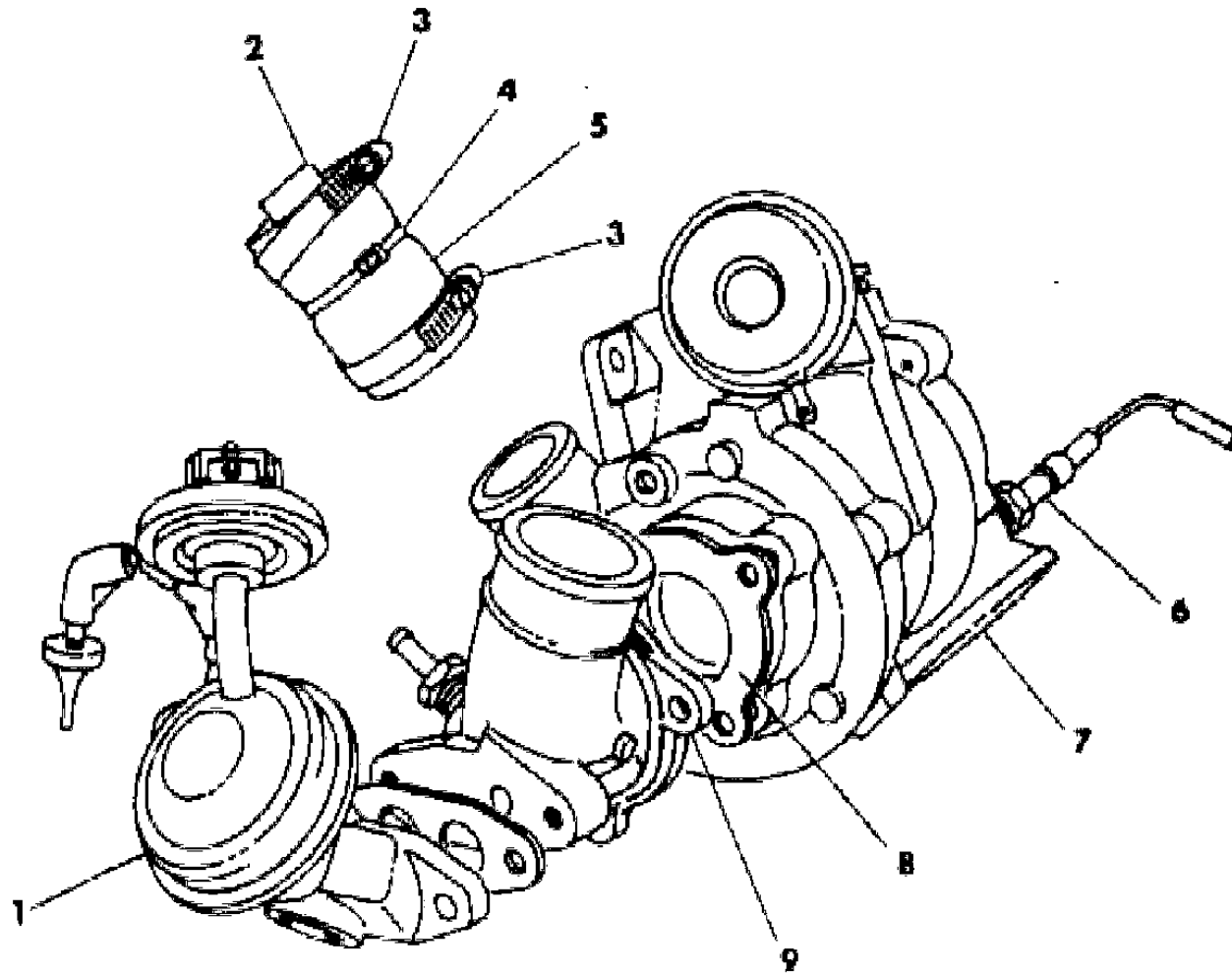
BODY STYLES

21 = 2-DOOR SEDAN	35 = FWD VAN	44 = 4-DOOR HATCHBACK
22 = 2-DOOR SPECIAL COUPE	36 = FWD WAGON	45 = 4-DOOR STATION WAGON
24 = 2-DOOR HATCHBACK	41 = 4-DOOR SEDAN	49 = LIMOUSINE
27 = 2-DOOR CONVERTIBLE		

AR = Use as Required - = Non Illustrated Part P.A.R. = Paint as Required

TURBO CHARGER
Figure 14-2500

5114 2500



ITEM	PART NUMBER	QTY	BODY	MODEL	DESCRIPTION
1					EGR (refer to GR. 25)
2	4105 465	1			VANE, Air Flow
3	6032 440	2			CLAMP
4	4105 719	1			STRAP, Vane to Hose
5	4323 444	1			HOSE, Connector
6					SENSOR, O2 Feedback (refer to GR. 25)
7					CHARGER, Turbo
	4105 800	1			Except E Body Premium Line
	4323 385	1			For E Body Premium Line
	6500 830	4			STUD, Turbo Attaching
	6500 680	4			NUT, Turbo Attaching
8	4227 973	1			GASKET, Inlet Elbow to Compressor
9	4105 461	1			ELBOW, Compressor Inlet
	4105 773	1			BRACKET, Support (not illustrated)

MODEL CODES

B = GRAN FURY	E = 600	M = HORIZON/TURISMO
C = LE BARON/TOWN & COUNTRY/LIMO	F = FIFTH AVENUE/NEWPORT	P = RELIANT
C24 = LASER	G = DIPLOMAT	T = NEW YORKER
C44 = LE BARON/GTS	H = VOYAGER	V = 600
D = ARIES	J = CARAVELLE	V24 = DAYTONA
D44 = LANCER	K = MINI VAN/CARAVAN/ROYAL	Z = OMNI/CHARGER

BODY STYLES

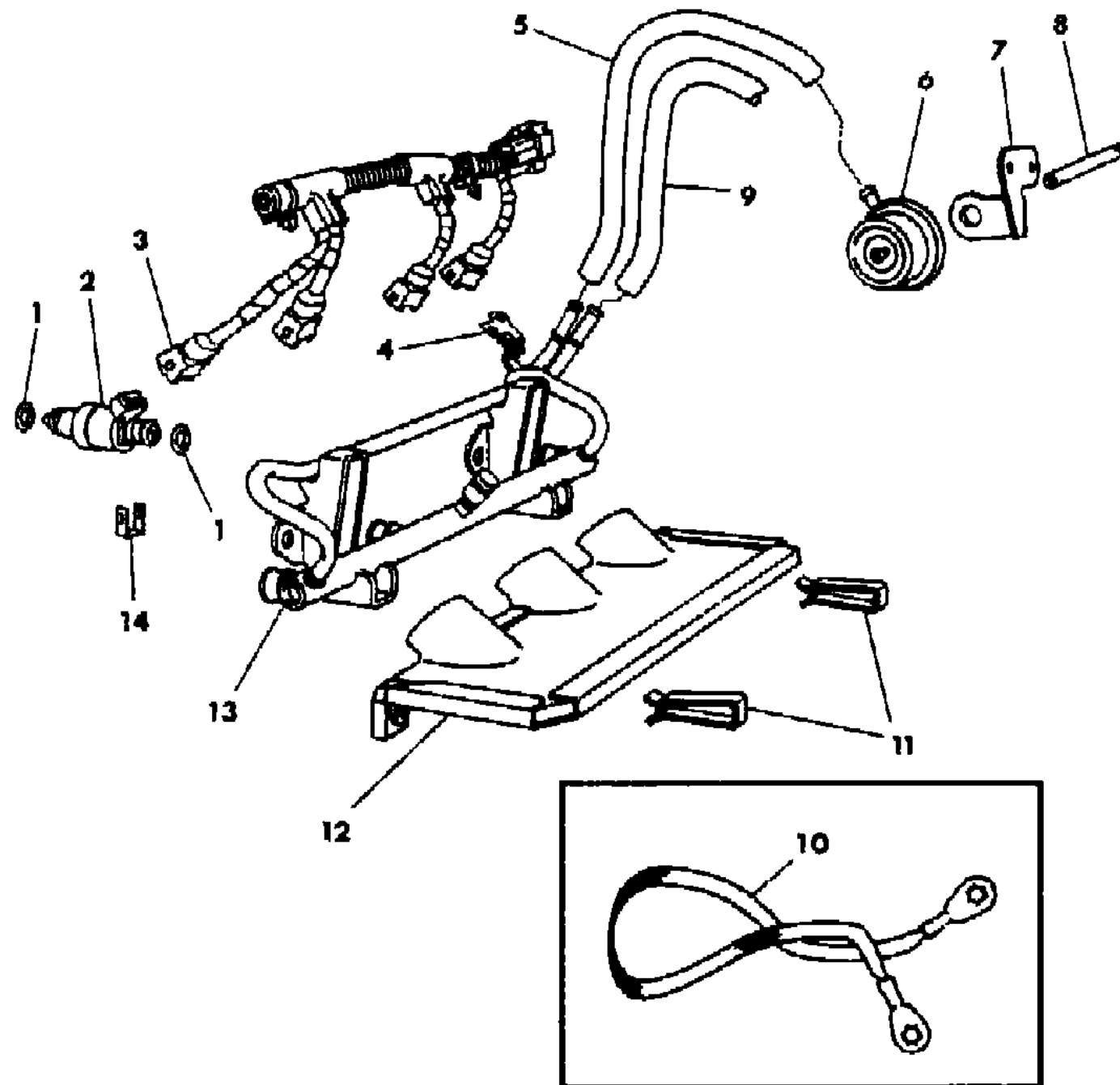
21 = 2-DOOR SEDAN	35 = FWD VAN	44 = 4-DOOR HATCHBACK
22 = 2-DOOR SPECIAL COUPE	36 = FWD WAGON	45 = 4-DOOR STATION WAGON
24 = 2-DOOR HATCHBACK	41 = 4-DOOR SEDAN	49 = LIMOUSINE
27 = 2-DOOR CONVERTIBLE		

AR = Use as Required - = Non Illustrated Part P.A.R. = Paint as Required

FUEL RAIL AND RELATED PARTS - TURBO CHARGER

Figure 14-2600

5114 2600



ITEM	PART NUMBER	QTY	BODY	MODEL	DESCRIPTION
1		AR			O-RING (serviced in item 2)
2	4306 024	4			INJECTOR, w/O-RINGS, Fuel
3		1			WIRE, Fuel Injector (refer to Gr. 8)
4	4275 306	1			BRACKET, Fuel Rail to Valve Cover
5	4443 179	AR			HOSE, Fuel Rail to Fuel Regulator (1/4" serviced in 25 foot spool)
6	4275 313	1			REGULATOR, Fuel Pressure
	6500 748	1			NUT, Regulator Mounting
7	4275 582	1			BRACKET, Fuel Pressure Regulator
8	4185 500	AR			HOSE, Fuel Supply to Fuel Rail (3/8" serviced in 25 foot spool)
9	4443 180	AR			HOSE, Fuel Supply to Fuel Rail (5/16" serviced in 25 foot spool)
10		1			STRAP, Ground
11	6032 237	2			CLIP, Heat Shield to Fuel Rail
12	4275 436	1			SHIELD, Heat
13	4275 555	1			RAIL, Fuel
14	4275 317	4			CLIP, Fuel Injector

MODEL CODES

B = GRAN FURY	E = 600	M = HORIZON/TURISMO
C = LE BARON/TOWN & COUNTRY/LIMO	F = FIFTH AVENUE/NEWPORT	P = RELIANT
C24 = LASER	G = DIPLOMAT	T = NEW YORKER
C44 = LE BARON/GTS	H = VOYAGER	V = 600
D = ARIES	J = CARAVELLE	V24 = DAYTONA
D44 = LANCER	K = MINI VAN/CARAVAN/ROYAL	Z = OMNI/CHARGER

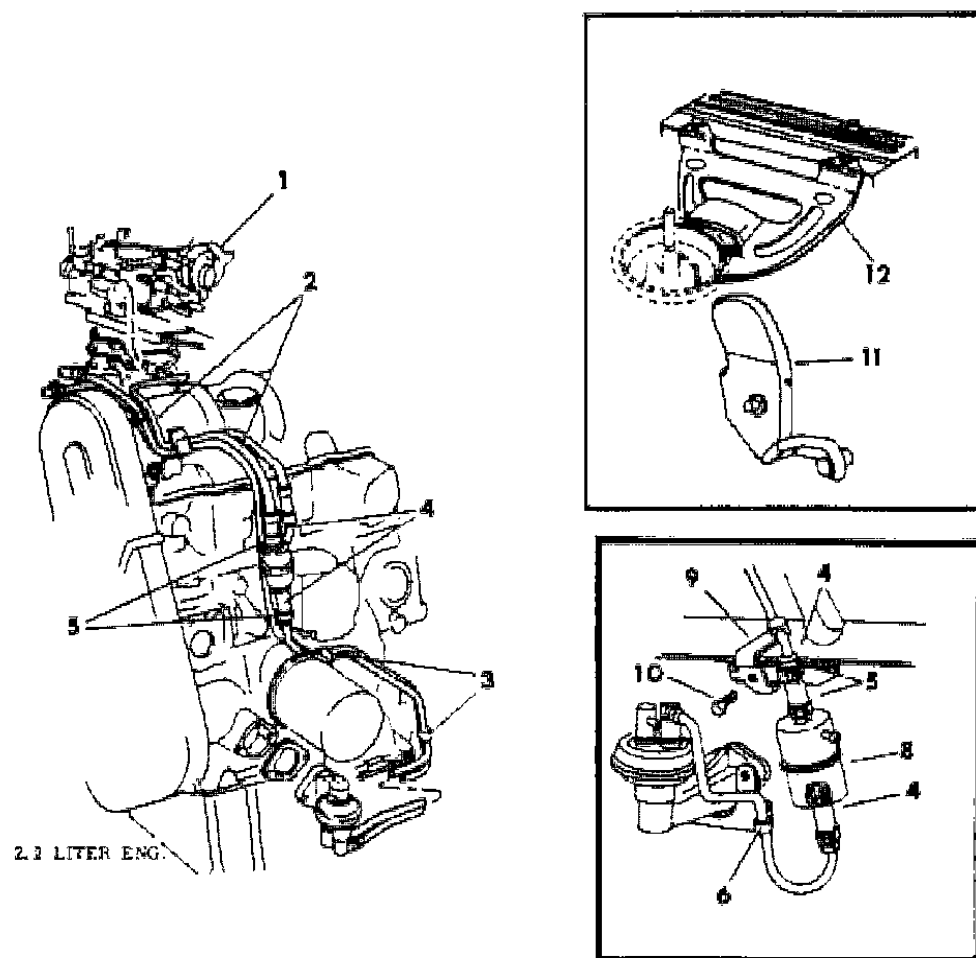
BODY STYLES

21 = 2-DOOR SEDAN	35 = FWD VAN	44 = 4-DOOR HATCHBACK
22 = 2-DOOR SPECIAL COUPE	36 = FWD WAGON	45 = 4-DOOR STATION WAGON
24 = 2-DOOR HATCHBACK	41 = 4-DOOR SEDAN	49 = LIMOUSINE
27 = 2-DOOR CONVERTIBLE		

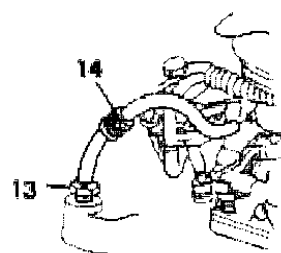
AR = Use as Required - = Non Illustrated Part P.A.R. = Paint as Required

CARBURETOR FUEL FILTER AND RELATED PARTS Figure 14-2700

5114 2700



2.2 LITER ENG.



ITEM	PART NUMBER	QTY	BODY	MODEL	DESCRIPTION
1					CARBURETOR, See Carburetor Charts
2	1843 253	AR			TUBE, Fuel Filter Hose to Carburetor (serviced in 50' roll)
	4268 268	AR			w/1.6 Liter Engine
3					TUBE, Fuel Pump to Fuel Filter
	4027 122	AR			w/318 Eng.
4	4203 316	AR			HOSE, Fuel Filter
5	2448 761	AR			CLAMP
6					CLIP, Fuel Pump to Fuel Filter Hose (not serviced)
7					STUD, Carburetor Attaching
	6500 579	4			w/1.6 Liter Engine
	0152 534	2			w/318 Eng. Front
	6032 436	2			w/318 Eng. Rear
8					FILTER, Fuel
	4240 049	1			w/1.6 Liter Engine
	4240 102	1			w/2.2 Liter Engine, w/Vapor Separator
	4049 224	1			w/2.2 Liter Engine, w/(SC-EDH), w/Vapor Separator
	4186 209	1			w/2.2 Liter Engine, w/o Vapor Separator
	4049 224	1			w/318-2bbl. Engine, w/ Vapor Separator
	4186 209	1			w/318-2bbl. Engine, w/o Vapor Separator
	4106 001	1			w/318-4bbl. Engine, w/ Vapor Separator
	4186 209	1			w/318-4bbl. Engine, w/o Vapor Separator
9	4179 975	1			CLIP, Fuel Filter Hose to Carburetor Hose Tube
10	6028 370	1			SCREW w/WASHER
11	4241 239	1			BLOCKER, Front Impact, w/2.6L Eng. (E72)
12	MD07 6040	1			BLOCKER, Rear Impact, w/2.6L Eng. (E72)
13	4026 117	1			CONNECTOR, Intake Manifold Vacuum Control, w/2.2L Eng.
14	4213 590	1			VALVE, w/HOSE, Flow Control, w/2.2L Eng.
	6500 182	4			NUT, Carb. Attaching, 2.2L Eng. (not illustrated)
	6032 305	2			NUT, Carb. Attaching Front, 318 Eng. (not illustrated)

MODEL CODES

B = GRAN FURY	E = 600	M = HORIZON/TURISMO
C = LE BARON/TOWN & COUNTRY/LIMO	F = FIFTH AVENUE/NEWPORT	P = RELIANT
C24 = LASER	G = DIPLOMAT	T = NEW YORKER
C44 = LE BARON/GTS	H = VOYAGER	V = 600
D = ARIES	J = CARAVELLE	V24 = DAYTONA
D44 = LANCER	K = MINI VAN/CARAVAN/ROYAL	Z = OMNI/CHARGER

BODY STYLES

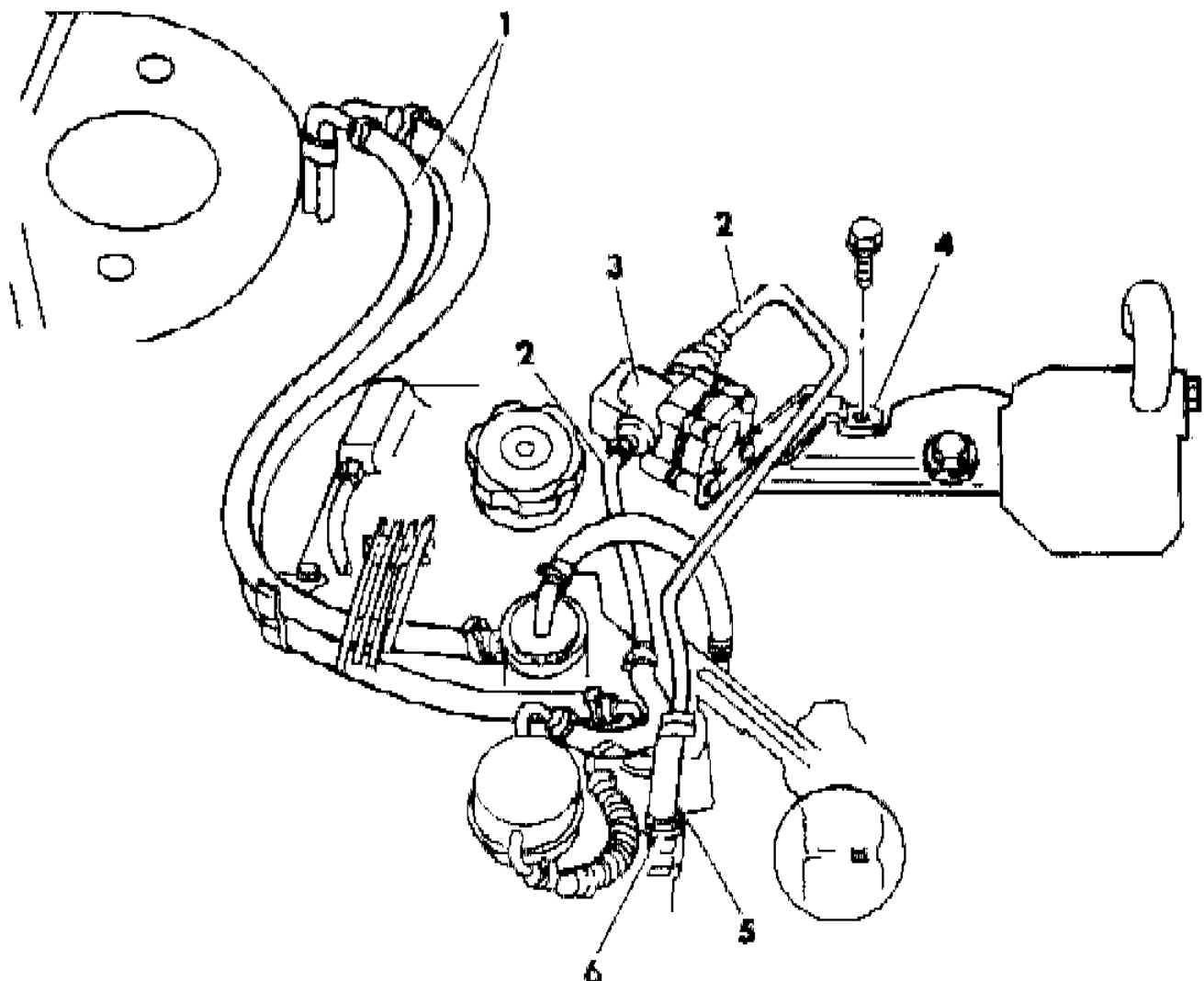
21 = 2-DOOR SEDAN	35 = FWD VAN	44 = 4-DOOR HATCHBACK
22 = 2-DOOR SPECIAL COUPE	36 = FWD WAGON	45 = 4-DOOR STATION WAGON
24 = 2-DOOR HATCHBACK	41 = 4-DOOR SEDAN	49 = LIMOUSINE
27 = 2-DOOR CONVERTIBLE		

AR = Use as Required - = Non Illustrated Part P.A.R. = Paint as Required

FUEL FLOW SENSORS
Figure 14-2800

5114 2800

ITEM	PART NUMBER	QTY	BODY	MODEL	DESCRIPTION
1	4279 397	1			SLEEVE
2	1843 252	AR			TUBE Carburetor to Sensor Outlet
3	4222 920	1			SENSOR, Fuel Flow
4	4275 344	1			BRACKET, Fuel Flow Sensor
5	4203 211	AR			HOSE
6	2448 761	3			CLAMP



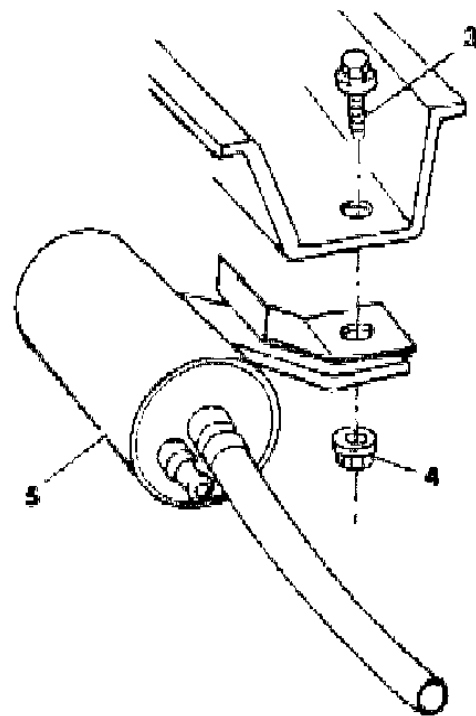
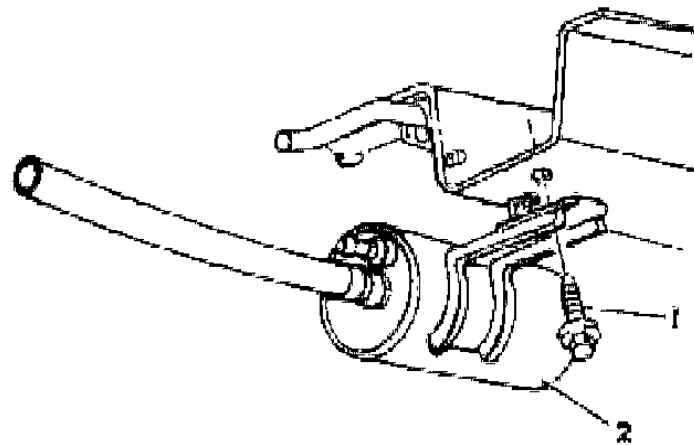
MODEL CODES
 B = GRAN FURY
 C = LE BARON/TOWN & COUNTRY/LIMO
 C24 = LASER
 C44 = LE BARON/GTS
 D = ARIES
 D44 = LANCER
 E = 600
 F = FIFTH AVENUE/NEWPORT
 G = DIPLOMAT
 H = VOYAGER
 J = CARAVELLE
 K = MINI VAN/CARAVAN/ROYAL
 M = HORIZON/TURISMO
 P = RELIANT
 T = NEW YORKER
 V = 600
 V24 = DAYTONA
 Z = OMNI/CHARGER

BODY STYLES
 21 = 2-DOOR SEDAN
 22 = 2-DOOR SPECIAL COUPE
 24 = 2-DOOR HATCHBACK
 27 = 2-DOOR CONVERTIBLE
 35 = FWD VAN
 36 = FWD WAGON
 41 = 4-DOOR SEDAN
 44 = 4-DOOR HATCHBACK
 45 = 4-DOOR STATION WAGON
 49 = LIMOUSINE

AR = Use as Required - = Non Illustrated Part P.A.R. = Paint as Required

FUEL FILTER T.B.I. and TURBO CHARGER
Figure 14-2900

5114 2900



ITEM	PART NUMBER	QTY	BODY	MODEL	DESCRIPTION
1		1			SCREW, Fuel Filter Mounting (except Z), (not serviced)
2	4279 987	1			FILTER, Fuel (except Z)
3	0181 063	1		Z	SCREW, Filter Mounting
4	0219 462	1		Z	NUT, Filter Mounting Screw
5	4279 898	1		Z	FILTER, Fuel

MODEL CODES

B = GRAN FURY	E = 600	M = HORIZON/TURISMO
C = LE BARON/TOWN & COUNTRY/LIMO	F = FIFTH AVENUE/NEWPORT	P = RELIANT
C24 = LASER	G = DIPLOMAT	T = NEW YORKER
C44 = LE BARON/GTS	H = VOYAGER	V = 600
D = ARIES	J = CARAVELLE	V24 = DAYTONA
D44 = LANCER	K = MINI VAN/CARAVAN/ROYAL	Z = OMNI/CHARGER

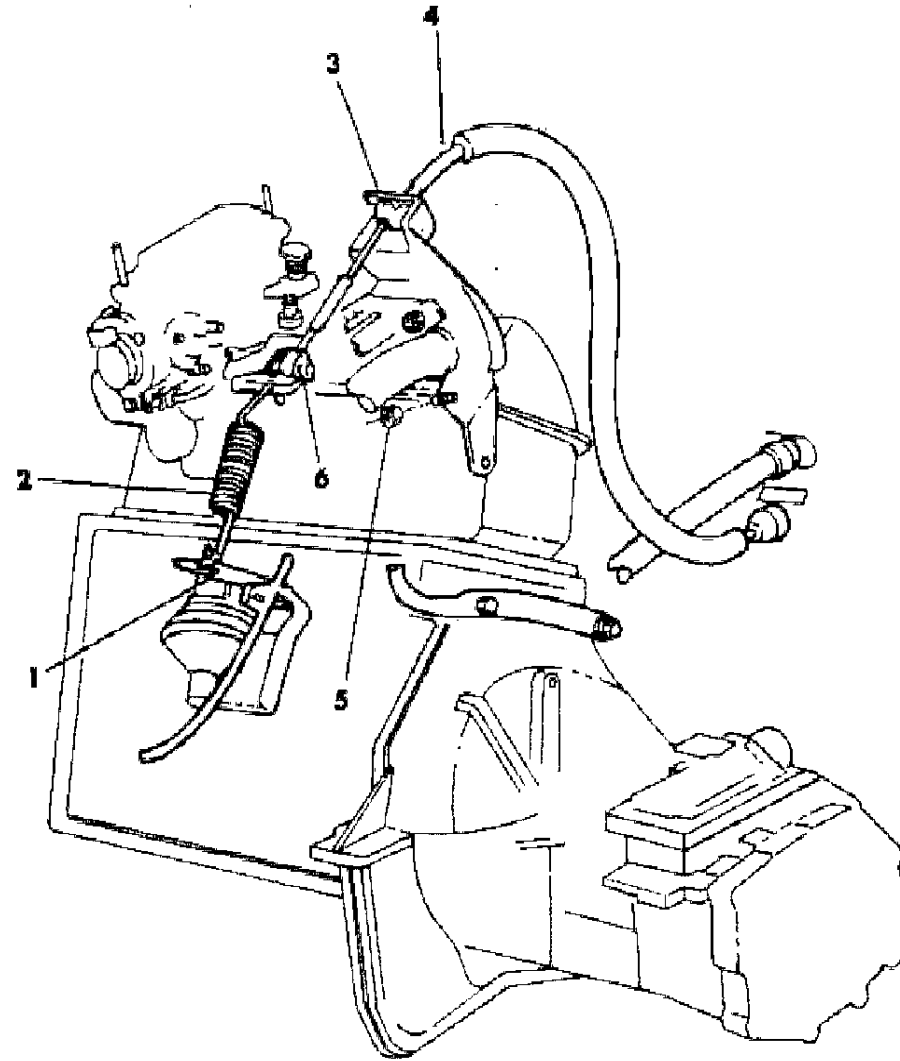
BODY STYLES

21 = 2-DOOR SEDAN	35 = FWD VAN	44 = 4-DOOR HATCHBACK
22 = 2-DOOR SPECIAL COUPE	36 = FWD WAGON	45 = 4-DOOR STATION WAGON
24 = 2-DOOR HATCHBACK	41 = 4-DOOR SEDAN	49 = LIMOUSINE
27 = 2-DOOR CONVERTIBLE		

AR = Use as Required - = Non Illustrated Part P.A.R. = Paint as Required

THROTTLE CONTROL W/1.6 LITER ENGINE
Figure 14-3000

5114 3000



ITEM	PART NUMBER	QTY	BODY	MODEL	DESCRIPTION
1	4268 846	1			BRACKET, Throttle Spring Mounting
2	4306 152	1			SPRING
3	4275 990	1			BRACKET, Throttle Control Mounting
4	4288 067	1			CABLE, Throttle Control
5	6500 363	1			NUT
6	5214 613	1			CLIP

MODEL CODES

B = GRAN FURY	E = 600	M = HORIZON/TURISMO
C = LE BARON/TOWN & COUNTRY/LIMO	F = FIFTH AVENUE/NEWPORT	P = RELIANT
C24 = LASER	G = DIPLOMAT	T = NEW YORKER
C44 = LE BARON/GTS	H = VOYAGER	V = 600
D = ARIES	J = CARAVELLE	V24 = DAYTONA
D44 = LANCER	K = MINI VAN/CARAVAN/ROYAL	Z = OMNI/CHARGER

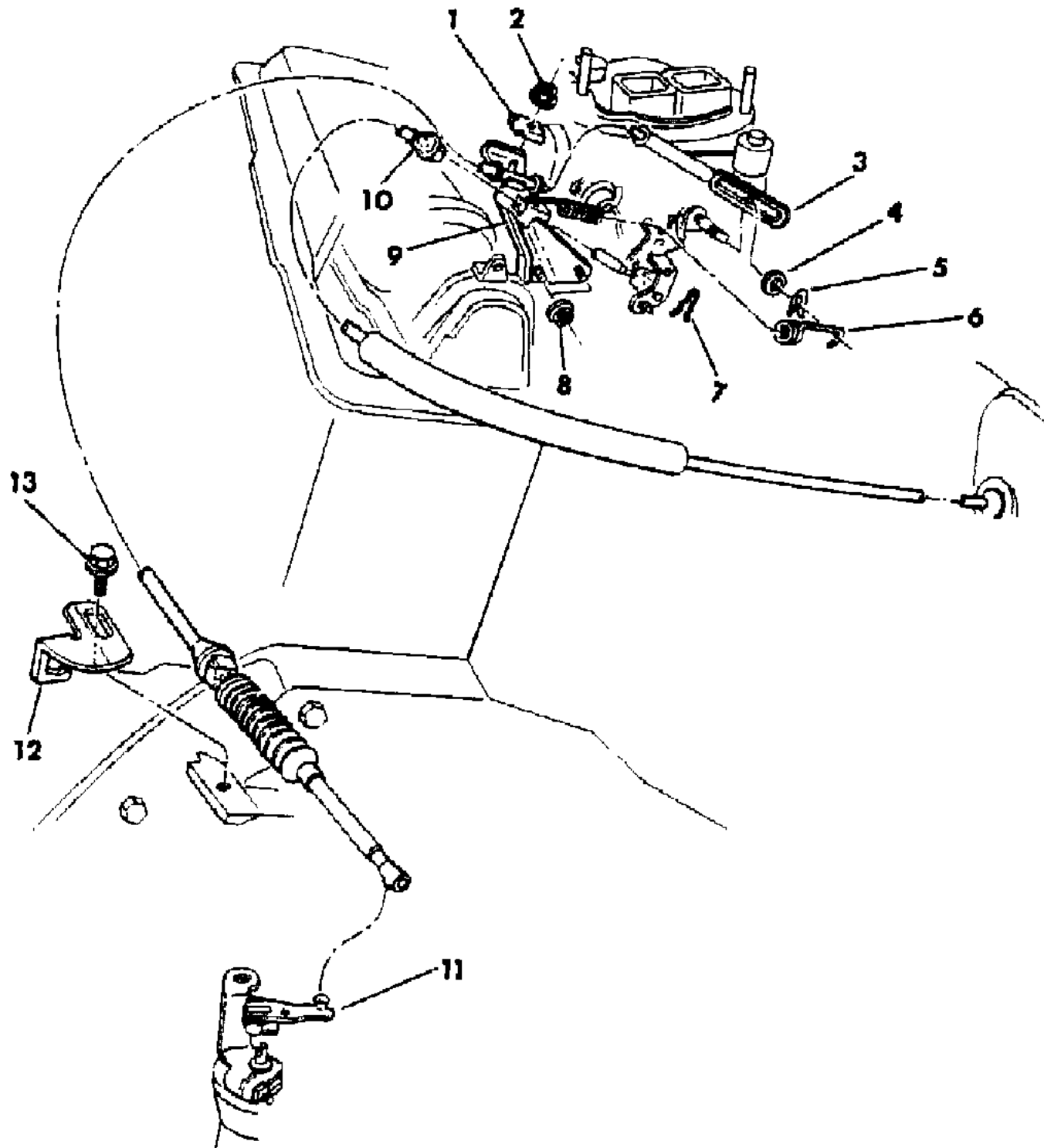
BODY STYLES

21 = 2-DOOR SEDAN	35 = FWD VAN	44 = 4-DOOR HATCHBACK
22 = 2-DOOR SPECIAL COUPE	36 = FWD WAGON	45 = 4-DOOR STATION WAGON
24 = 2-DOOR HATCHBACK	41 = 4-DOOR SEDAN	49 = LIMOUSINE
27 = 2-DOOR CONVERTIBLE		

AR = Use as Required - = Non Illustrated Part P.A.R. = Paint as Required

THROTTLE CONTROL - M,Z W/2.2 LITER ENGINE
Figure 14-3100

5114 3100



ITEM	PART NUMBER	QTY	BODY	MODEL	DESCRIPTION
1	2402 210	1			CLIP, Auto Trans. Cable Mounting
2	0219 462	1			NUT w/WASHER
3					CABLE, Auto Trans.
	4287 539	1			Up to 5-20-85
	4288 083	1			After 5-20-85
4		1			WASHER, Carburetor Lever Stud, Auto Trans. (not serviced)
5	6031 511	1			CLIP, Carburetor Lever Stud, Auto Trans.
6					SPRING, Accel. Pedel Return
	4306 152	1			w/Manual Trans.
	4275 920	1			w/Auto Trans.
7	5214 613	1			CLIP, Throttle Control Cable
8	6100 047	2			NUT w/WASHER
9	4287 740	1			BRACKET, Cable Mounting
10	4288 065	1			CABLE, Throttle Control
11	5240 826	1			LEVER, Auto Trans. Throttle Control
12					BRACKET, Atuo Trans. Cable Mounting
	5214 346	1			Up to 5-20-85
	4300 982	1			After 5-20-85
13	6500 136	1			SCREW w/WASHER
	5214 081	1			SPRING, Auto Trans. Cable

MODEL CODES

B = GRAN FURY	E = 600	M = HORIZON/TURISMO
C = LE BARON/TOWN & COUNTRY/LIMO	F = FIFTH AVENUE/NEWPORT	P = RELIANT
C24 = LASER	G = DIPLOMAT	T = NEW YORKER
C44 = LE BARON/GTS	H = VOYAGER	V = 600
D = ARIES	J = CARAVELLE	V24 = DAYTONA
D44 = LANCER	K = MINI VAN/CARAVAN/ROYAL	Z = OMNI/CHARGER

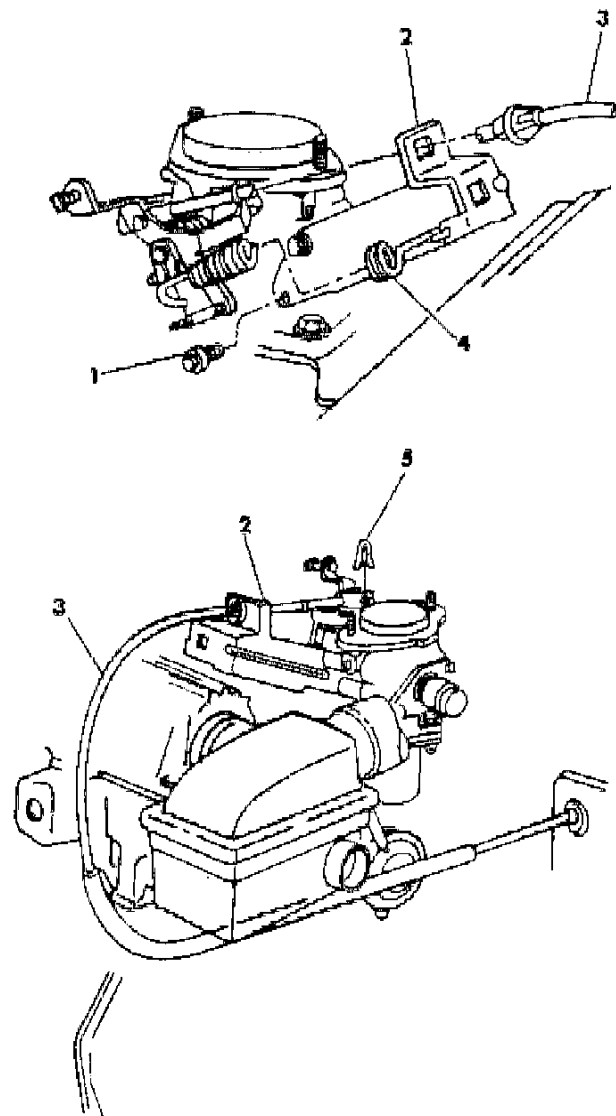
BODY STYLES

21 = 2-DOOR SEDAN	35 = FWD VAN	44 = 4-DOOR HATCHBACK
22 = 2-DOOR SPECIAL COUPE	36 = FWD WAGON	45 = 4-DOOR STATION WAGON
24 = 2-DOOR HATCHBACK	41 = 4-DOOR SEDAN	49 = LIMOUSINE
27 = 2-DOOR CONVERTIBLE		

AR = Use as Required - = Non Illustrated Part P.A.R. = Paint as Required

THROTTLE CONTROL - TURBO CHARGER Z
Figure 14-3200

5114-3200



ITEM	PART NUMBER	QTY	BODY	MODEL	DESCRIPTION
1	6500 716	2			SCREW, w/WASHER, Bracket Mounting
2	4268 807	1			BRACKET, Cable Mounting UP to 10-22-84
	4288 071	1			After 10-22-84
3	4288 066	1			CABLE, Throttle Control
4	4306 152	1			SPRING, Accel. Pedal Return
5	6031 628	1			CLIP, Throttle Control Cable Pin

MODEL CODES

B = GRAN FURY	E = 600	M = HORIZON/TURISMO
C = LE BARON/TOWN & COUNTRY/LIMO	F = FIFTH AVENUE/NEWPORT	P = RELIANT
C24 = LASER	G = DIPLOMAT	T = NEW YORKER
C44 = LE BARON/GTS	H = VOYAGER	V = 600
D = ARIES	J = CARAVELLE	V24 = DAYTONA
D44 = LANCER	K = MINI VAN/CARAVAN/ROYAL	Z = OMNI/CHARGER

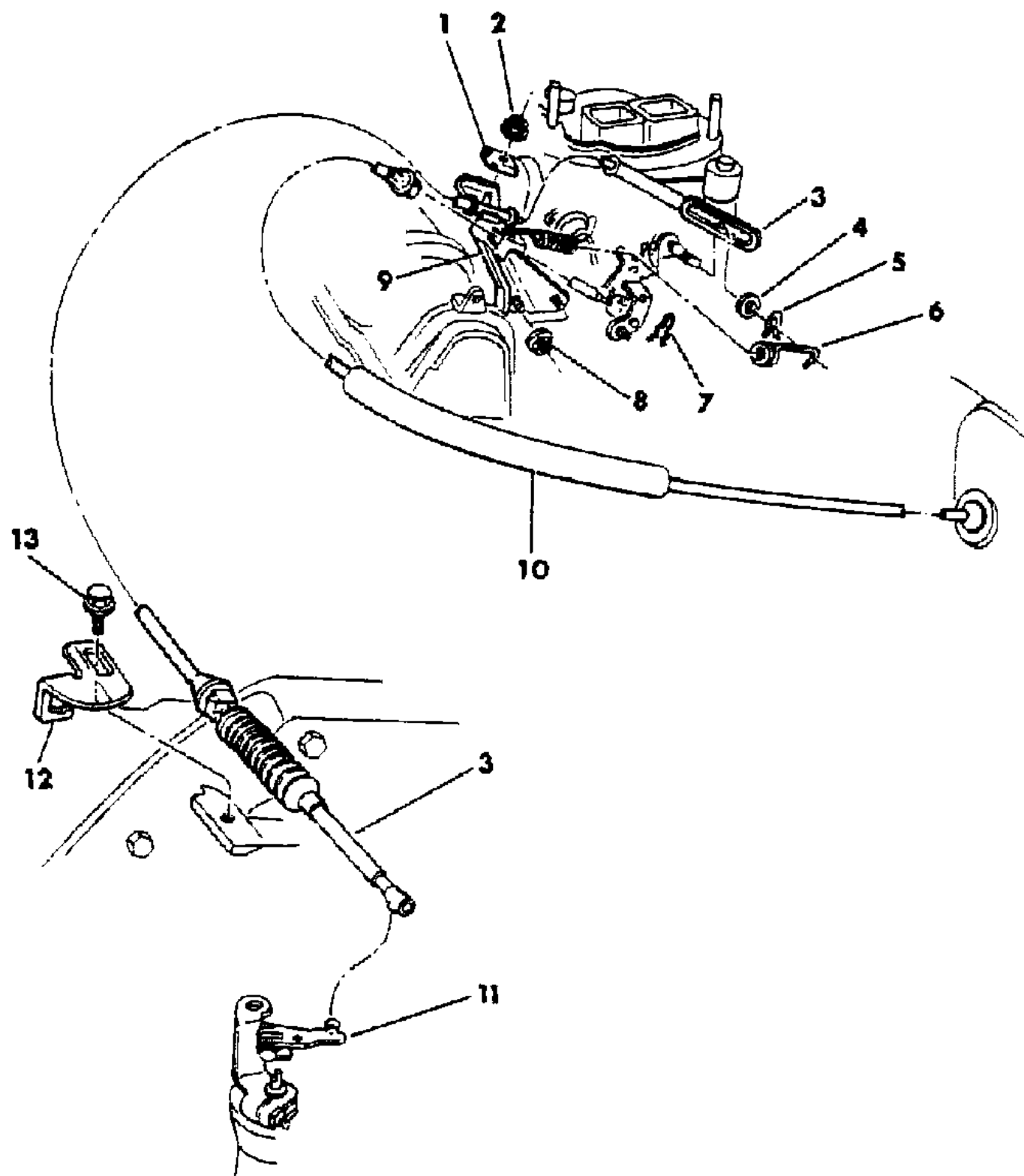
BODY STYLES

21 = 2-DOOR SEDAN	35 = FWD VAN	44 = 4-DOOR HATCHBACK
22 = 2-DOOR SPECIAL COUPE	36 = FWD WAGON	45 = 4-DOOR STATION WAGON
24 = 2-DOOR HATCHBACK	41 = 4-DOOR SEDAN	49 = LIMOUSINE
27 = 2-DOOR CONVERTIBLE		

AR = Use as Required - = Non Illustrated Part P.A.R. = Paint as Required

THROTTLE CONTROL - P,D,C,V,E,T,H,K W/2.2 LITER ENGINE
Figure 14-3300

5114 3300



ITEM	PART NUMBER	QTY	BODY	MODEL	DESCRIPTION
1	2402 210	1			CLIP, Auto Trans. Cable Mounting
2	0120 375	1			NUT w/WASHER
3	4275 912	1			CABLE, Auto Trans. up to 5-20-85
	4288 082	1			after 5-20-85
4		1			WASHER (not serviced)
5	6031 511	1			CLIP, Carburetor Lever Stud Auto Trans.
6	4306 152	1			SPRING, Accel. Pedel Return w/Manual Trans.
	4288 188	1			w/Auto Trans.
7	5214 613	1			CLIP, Throttle Control Cable Pin
8	6100 047	2			NUT w/WASHER
9	4287 740	1			BRACKET, Cable Mounting
10	4287 531	1			CABLE, Throttle Control
	4288 068	1	H,K		
11	5240 826	1			LEVER, Auto Trans. Throttle Control
12	5214 346	1			BRACKET, Auto Trans. Cable Mounting up to 5-20-85
	4300 982	1			after 5-20-85
13	6500 136	1			SCREW w/WASHER
	5214 081	1			SPRING, Auto Trans. Cable

MODEL CODES

B = GRAN FURY	E = 600	M = HORIZON/TURISMO
C = LE BARON/TOWN & COUNTRY/LIMO	F = FIFTH AVENUE/NEWPORT	P = RELIANT
C24 = LASER	G = DIPLOMAT	T = NEW YORKER
C44 = LE BARON/GTS	H = VOYAGER	V = 600
D = ARIES	J = CARAVELLE	V24 = DAYTONA
D44 = LANCER	K = MINI VAN/CARAVAN/ROYAL	Z = OMNI/CHARGER

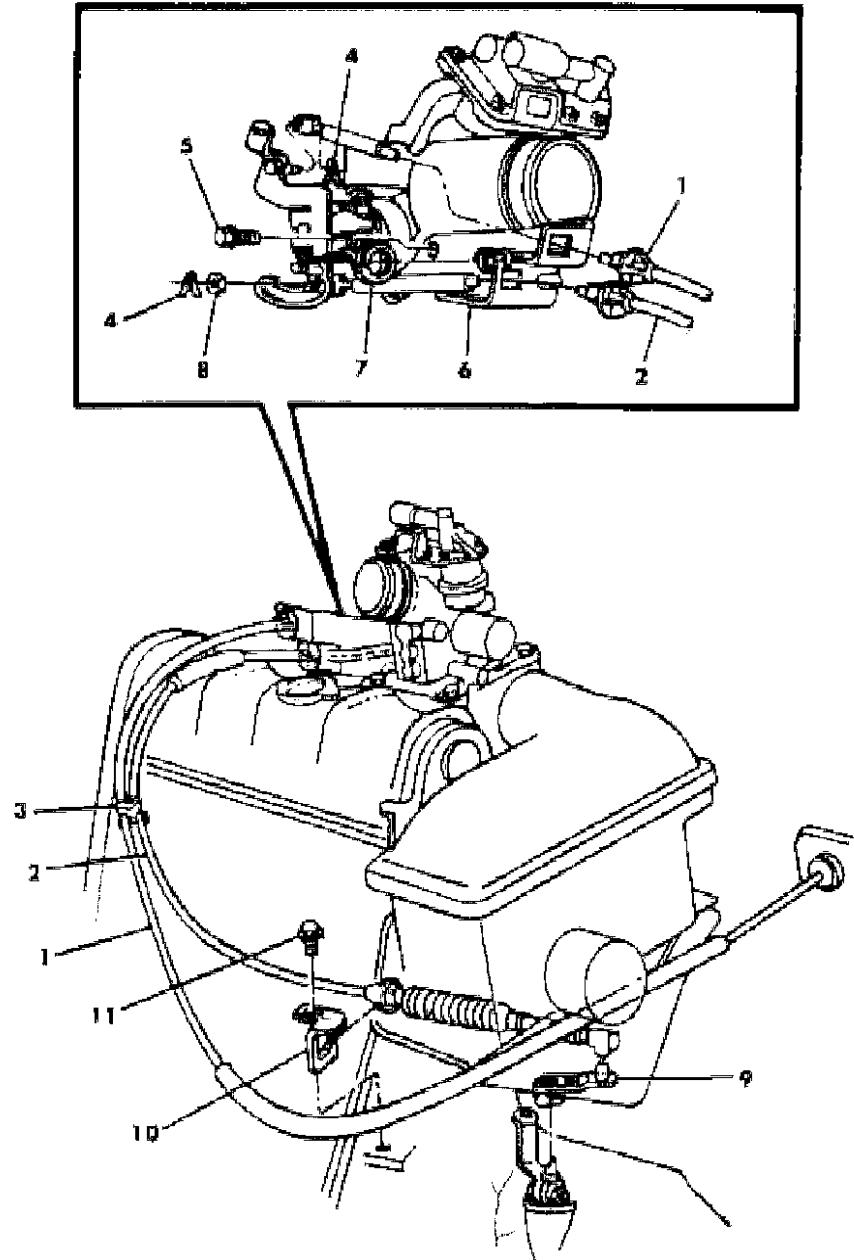
BODY STYLES

21 = 2-DOOR SEDAN	35 = FWD VAN	44 = 4-DOOR HATCHBACK
22 = 2-DOOR SPECIAL COUPE	36 = FWD WAGON	45 = 4-DOOR STATION WAGON
24 = 2-DOOR HATCHBACK	41 = 4-DOOR SEDAN	49 = LIMOUSINE
27 = 2-DOOR CONVERTIBLE		

AR = Use as Required - = Non Illustrated Part P.A.R. = Paint as Required

THROTTLE CONTROLS - T.B.I
Figure 14-3400

5114 3400



ITEM	PART NUMBER	QTY	BODY	MODEL	DESCRIPTION
1	4287 530	1			CABLE, Throttle Control
2	4287 503	1			CABLE, Auto Trans. up to 5-20-85
	4288 076	1			after 5-20-85
3	4241 555	1			RETAINER, Cable
4	6031 628	2			CLIP
5	6500 716	2			SCREW and WASHER, Bracket Attaching
6	4268 831	1			BRACKET, Cable Mounting
7					SPRING, Accel. Pedal Return
	4306 154	1			w/ Manual Trans
	4306 153	1			w/ Auto Trans
8					WASHER (not serviced)
9	5240 826	1			LEVER, Auto Trans. Throttle Control
10					BRACKET, Auto Trans. Cable Mounting
	5214 346	1			up to 5-20-85
	4300 982	1			after 5-20-85
11	6500 136	1			SCREW and WASHER, Auto Trans. Cable Mounting

MODEL CODES

B = GRAN FURY	E = 600	M = HORIZON/TURISMO
C = LE BARON/TOWN & COUNTRY/LIMO	F = FIFTH AVENUE/NEWPORT	P = RELIANT
C24 = LASER	G = DIPLOMAT	T = NEW YORKER
C44 = LE BARON/GTS	H = VOYAGER	V = 600
D = ARIES	J = CARAVELLE	V24 = DAYTONA
D44 = LANCER	K = MINI VAN/CARAVAN/ROYAL	Z = OMNI/CHARGER

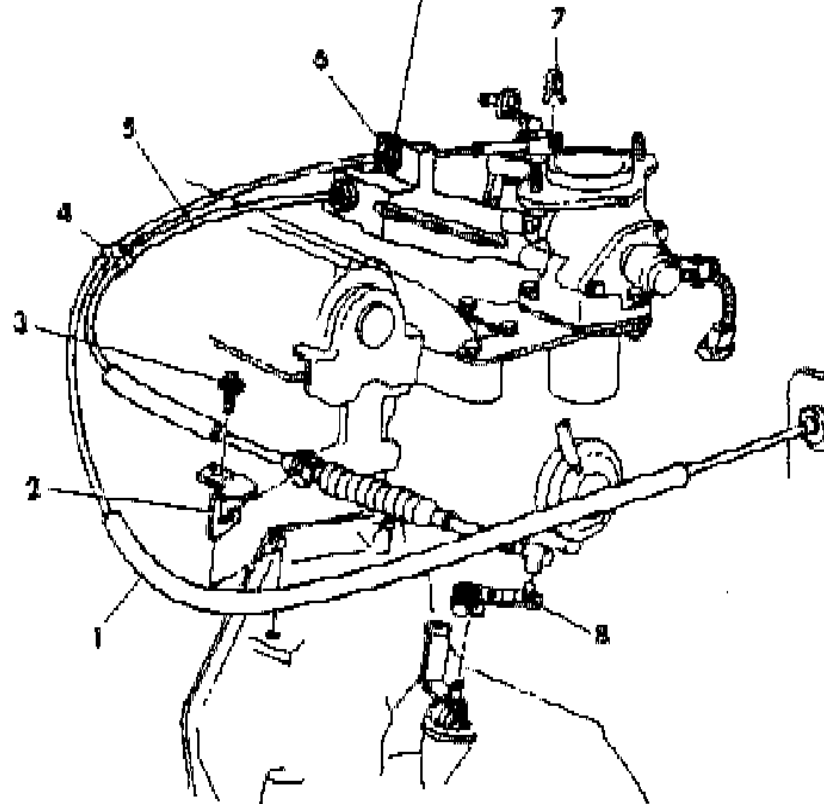
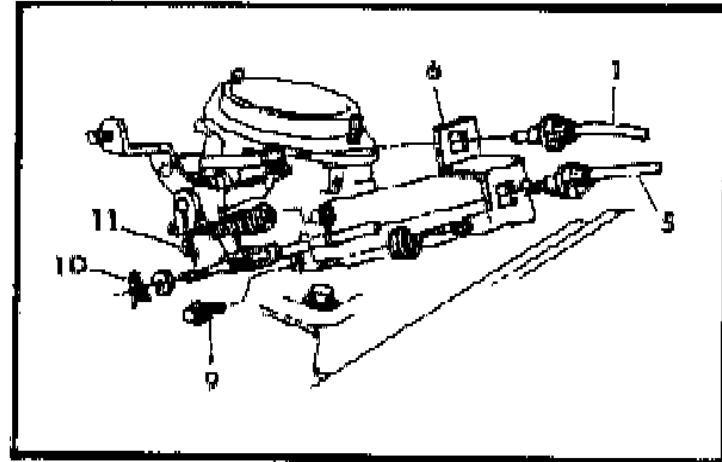
BODY STYLES

21 = 2-DOOR SEDAN	35 = FWD VAN	44 = 4-DOOR HATCHBACK
22 = 2-DOOR SPECIAL COUPE	36 = FWD WAGON	45 = 4-DOOR STATION WAGON
24 = 2-DOOR HATCHBACK	41 = 4-DOOR SEDAN	49 = LIMOUSINE
27 = 2-DOOR CONVERTIBLE		

AR = Use as Required - = Non Illustrated Part P.A.R. = Paint as Required

THROTTLE CONTROLS - TURBO CHARGER (EXCEPT Z)
Figure 14-3500

5114 3500



ITEM	PART NUMBER	QTY	BODY	MODEL	DESCRIPTION
1	4287 531	1			CABLE, Throttle Control
2	5214 346	1			BRACKET, Trans. Cable Mounting up to 5-20-85
	4300 982	1			after 5-20-85
3	6500 716	1			SCREW, w/WASHER
4	4241 555	1			RETAINER
5	4268 811	1			CABLE, Auto Trans. up to 5-20-85
	4288 077	1			after 5-20-85
6	4268 807	1			BRACKET, Cable Mounting
7	6031 628	1			CLIP, Throttle Control Cable
8	5240 826	1			LEVER, Throttle Control
9	6100 276	1			SCREW, w/WASHER
10	6031 511	1			CLIP, Auto Trans. Lever
11	4306 152	1			SPRING, Accel Pedal Return w/Manual Trans.
	4288 190	1			w/Auto Trans.

MODEL CODES

B = GRAN FURY	E = 600	M = HORIZON/TURISMO
C = LE BARON/TOWN & COUNTRY/LIMO	F = FIFTH AVENUE/NEWPORT	P = RELIANT
C24 = LASER	G = DIPLOMAT	T = NEW YORKER
C44 = LE BARON/GTS	H = VOYAGER	V = 600
D = ARIES	J = CARAVELLE	V24 = DAYTONA
D44 = LANCER	K = MINI VAN/CARAVAN/ROYAL	Z = OMNI/CHARGER

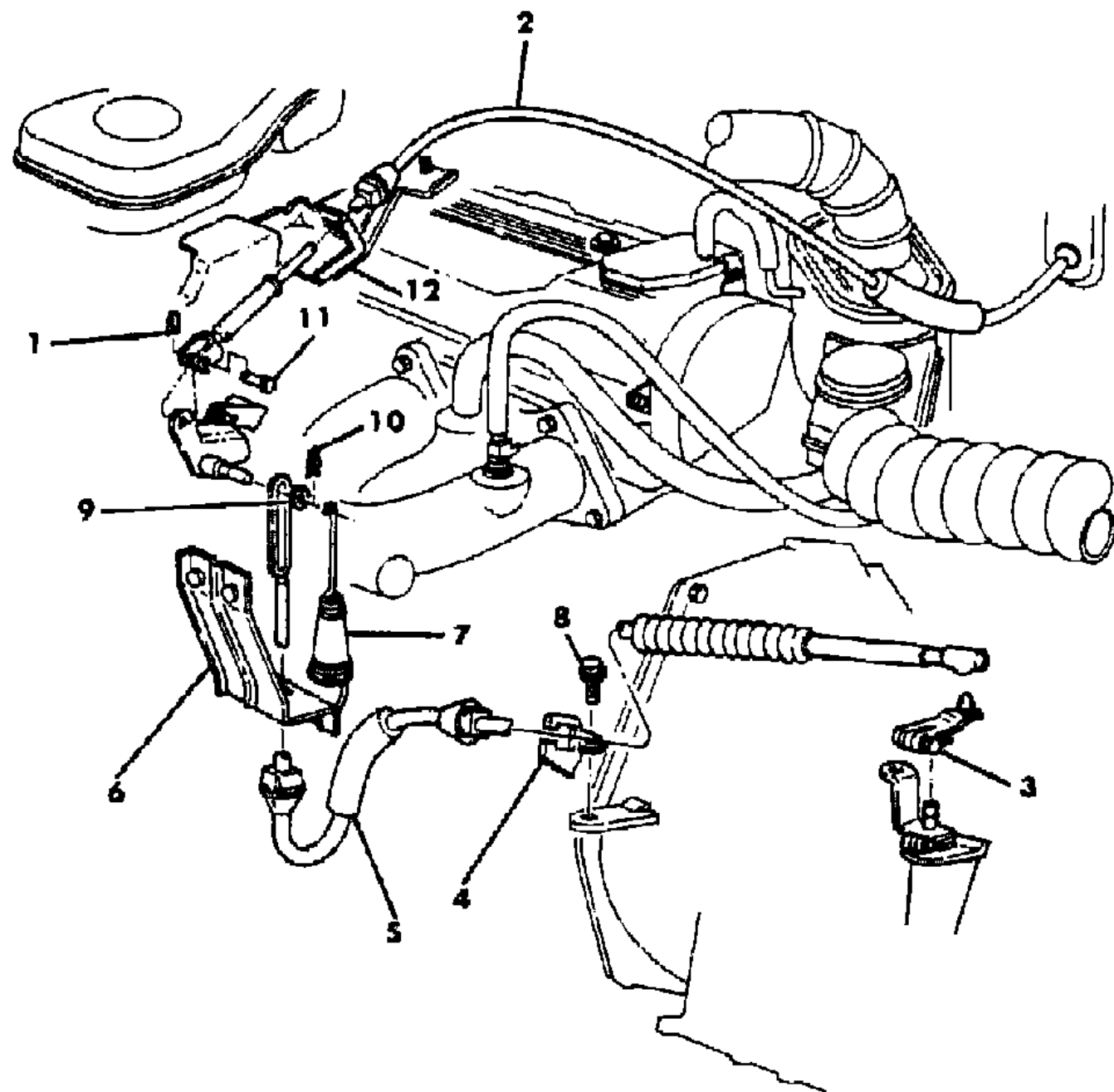
BODY STYLES

21 = 2-DOOR SEDAN	35 = FWD VAN	44 = 4-DOOR HATCHBACK
22 = 2-DOOR SPECIAL COUPE	36 = FWD WAGON	45 = 4-DOOR STATION WAGON
24 = 2-DOOR HATCHBACK	41 = 4-DOOR SEDAN	49 = LIMOUSINE
27 = 2-DOOR CONVERTIBLE		

AR = Use as Required - = Non Illustrated Part P.A.R. = Paint as Required

THROTTLE CONTROL - P,D,C,V,E,T,H,K W/2.6 LITER ENGINE
Figure 14-3600

5114 3600



ITEM	PART NUMBER	QTY	BODY	MODEL	DESCRIPTION
1	5214 613	1			CLIP, Throttle Control Cable
2	4288 191	1			CABLE, Throttle Control
	4288 069	1		H,K	
3	5240 826	1			LEVER, Throttle Control
4					BRACKET
	5214 344	1			up to 5-20-85
	4306 251	1			after 5-20-85
5					CABLE, Auto Trans
	4287 514	1			up to 5-20-85
	4288 080	1			after 5-20-85
6	MD02 5438	1			BRACKET
7	4288 189	1			SPRING, Accelerator Return
8	6500 136	1			SCREW, w/WASHER
9		1			WASHER (not serviced)
10	6031 511	1			CLIP, Carb Lever Stud
11	2264 706	1			PIN, Throttle Control Cable
12	MD60 6949	1			BRACKET, Throttle Control Cable
	5214 081	1			SPRING, Auto Trans. Cable

MODEL CODES

B = GRAN FURY	E = 600	M = HORIZON/TURISMO
C = LE BARON/TOWN & COUNTRY/LIMO	F = FIFTH AVENUE/NEWPORT	P = RELIANT
C24 = LASER	G = DIPLOMAT	T = NEW YORKER
C44 = LE BARON/GTS	H = VOYAGER	V = 600
D = ARIES	J = CARAVELLE	V24 = DAYTONA
D44 = LANCER	K = MINI VAN/CARAVAN/ROYAL	Z = OMNI/CHARGER

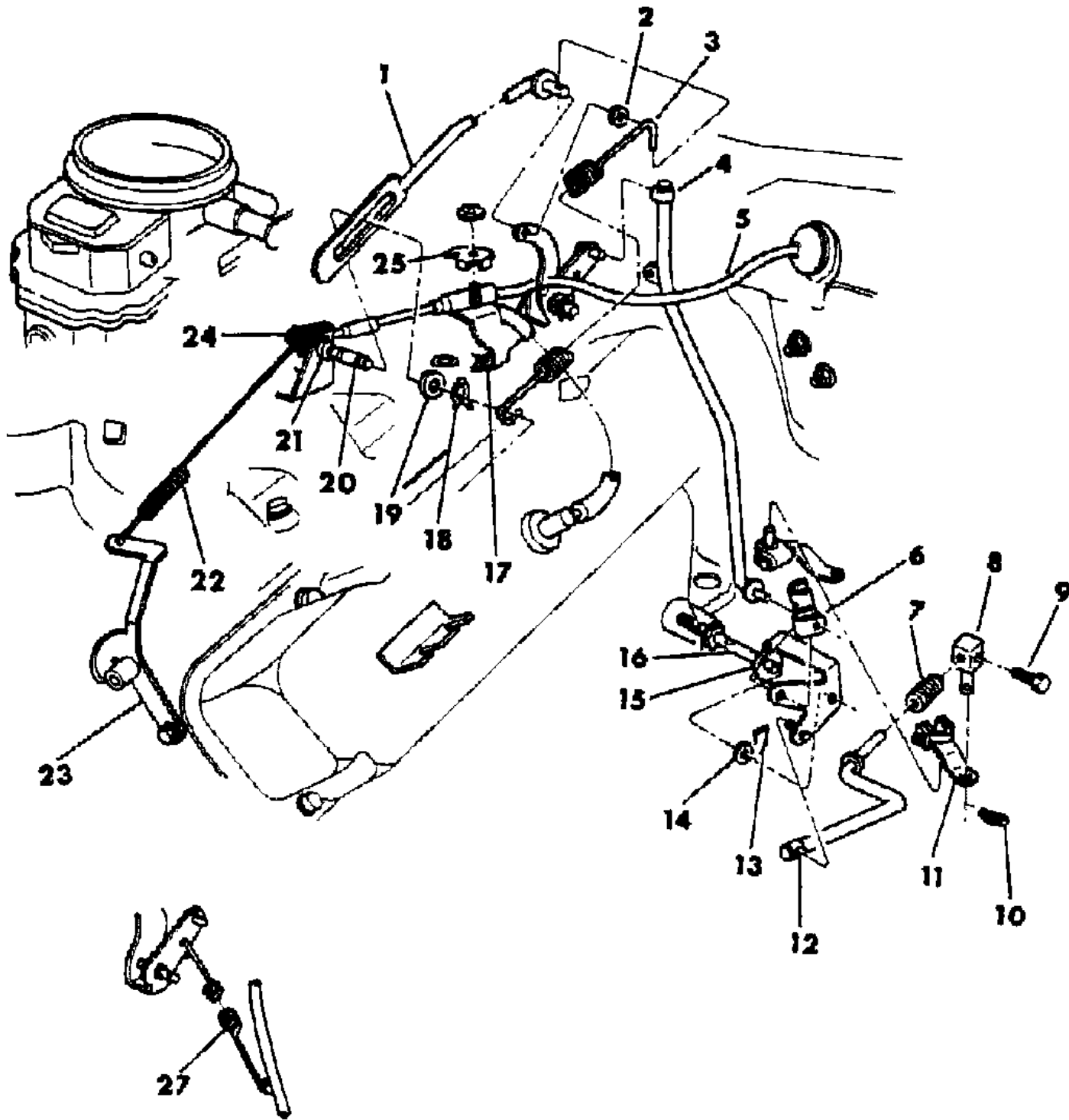
BODY STYLES

21 = 2-DOOR SEDAN	35 = FWD VAN	44 = 4-DOOR HATCHBACK
22 = 2-DOOR SPECIAL COUPE	36 = FWD WAGON	45 = 4-DOOR STATION WAGON
24 = 2-DOOR HATCHBACK	41 = 4-DOOR SEDAN	49 = LIMOUSINE
27 = 2-DOOR CONVERTIBLE		

AR = Use as Required - = Non Illustrated Part P.A.R. = Paint as Required

THROTTLE CONTROL W/318 - 2BBL - F,G,B
Figure 14-3700

5114 3700



ITEM	PART NUMBER	QTY	BODY	MODEL	DESCRIPTION
1	3769 872	1			ROD
2	0120 393	1			WASHER
3	3870 696	1			SPRING
4					ROD
	4041 509	1			w/A904 Trans.
	4041 520	1			w/A727 Trans.
5	4027 358	1			CABLE
6	2899 361	1			CLIP
7	3769 198	1			SPRING
8	4027 374	1			SWIVEL
9	0181 082	1			SCREW
10	6025 867	1			CLIP
11					LEVER, Trans. See Group 21
12					ROD
	4071 978	1			w/904 Trans.
	4026 536	1			w/727 Trans.
13	6027 983	1			CLIP
14	0120 394	1			WASHER
15					BELLCRANK
	3751 529	1			w/A904 Trans.
	3751 535	1			w/A727 Trans.
16	3751 531	1			STUD, Trans. Bellcrank
17	3870 670	1			BRACKET, Cable Mounting
18	6026 776	1			CLIP
19					WASHER (not serviced)
20	3418 900	1			STUD
21	6030 607	1			NUT
22					SPRING
	3870 659	1			Inner
	3870 660	1			Outer
23					BRACKET, See Group 25
24	6023 285	1			CLIP
25	2402 210	1			CLIP
26	0120 375	1			NUT w/WASHER
27	3870 666	1			SPRING, Linkage Assist
					NOTE: The following items are used with the Fast Idle Throttle Control e rear of the carburetor throttle body. A mirror is required to read the no. when the carburator is
	2536 847	1			COLLAR, Cable Adjusting

MODEL CODES

B = GRAN FURY	E = 600	M = HORIZON/TURISMO
C = LE BARON/TOWN & COUNTRY/LIMO	F = FIFTH AVENUE/NEWPORT	P = RELIANT
C24 = LASER	G = DIPLOMAT	T = NEW YORKER
C44 = LE BARON/GTS	H = VOYAGER	V = 600
D = ARIES	J = CARAVELLE	V24 = DAYTONA
D44 = LANCER	K = MINI VAN/CARAVAN/ROYAL	Z = OMNI/CHARGER

BODY STYLES

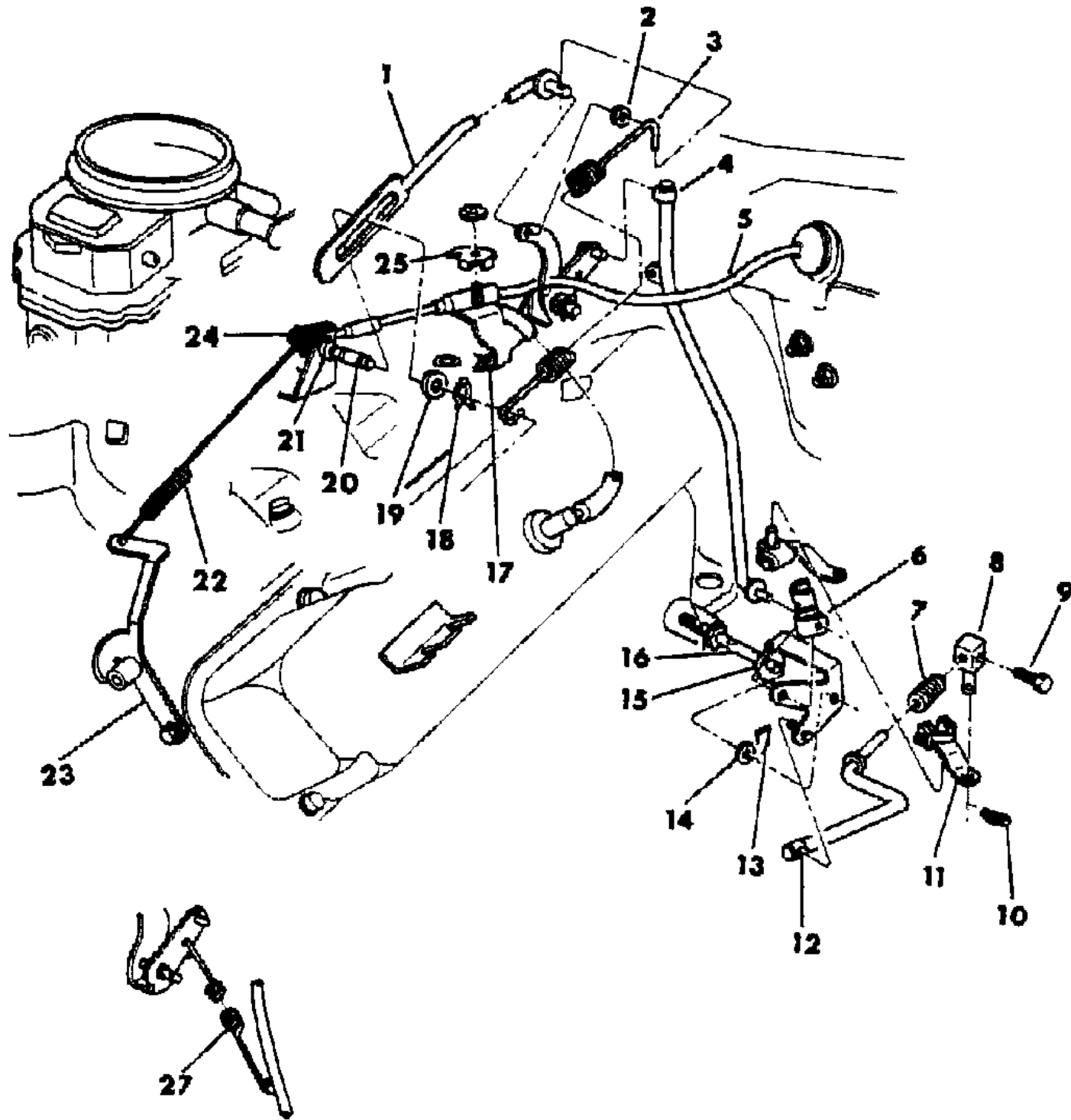
21 = 2-DOOR SEDAN	35 = FWD VAN	44 = 4-DOOR HATCHBACK
22 = 2-DOOR SPECIAL COUPE	36 = FWD WAGON	45 = 4-DOOR STATION WAGON
24 = 2-DOOR HATCHBACK	41 = 4-DOOR SEDAN	49 = LIMOUSINE
27 = 2-DOOR CONVERTIBLE		

AR = Use as Required - = Non Illustrated Part P.A.R. = Paint as Required

THROTTLE CONTROL W/318 - 2BBL - F,G,B
Figure 14-3700

5114 3700

ITEM	PART NUMBER	QTY	BODY	MODEL	DESCRIPTION
	4041 547	1			LEVER, Fast Idle Adjusting
	4041 545	1			CABLE, Fast Idle
	4041 546	1			BRACKET, Fast Idle Cable



MODEL CODES

B = GRAN FURY	E = 600	M = HORIZON/TURISMO
C = LE BARON/TOWN & COUNTRY/LIMO	F = FIFTH AVENUE/NEWPORT	P = RELIANT
C24 = LASER	G = DIPLOMAT	T = NEW YORKER
C44 = LE BARON/GTS	H = VOYAGER	V = 600
D = ARIES	J = CARAVELLE	V24 = DAYTONA
D44 = LANCER	K = MINI VAN/CARAVAN/ROYAL	Z = OMNI/CHARGER

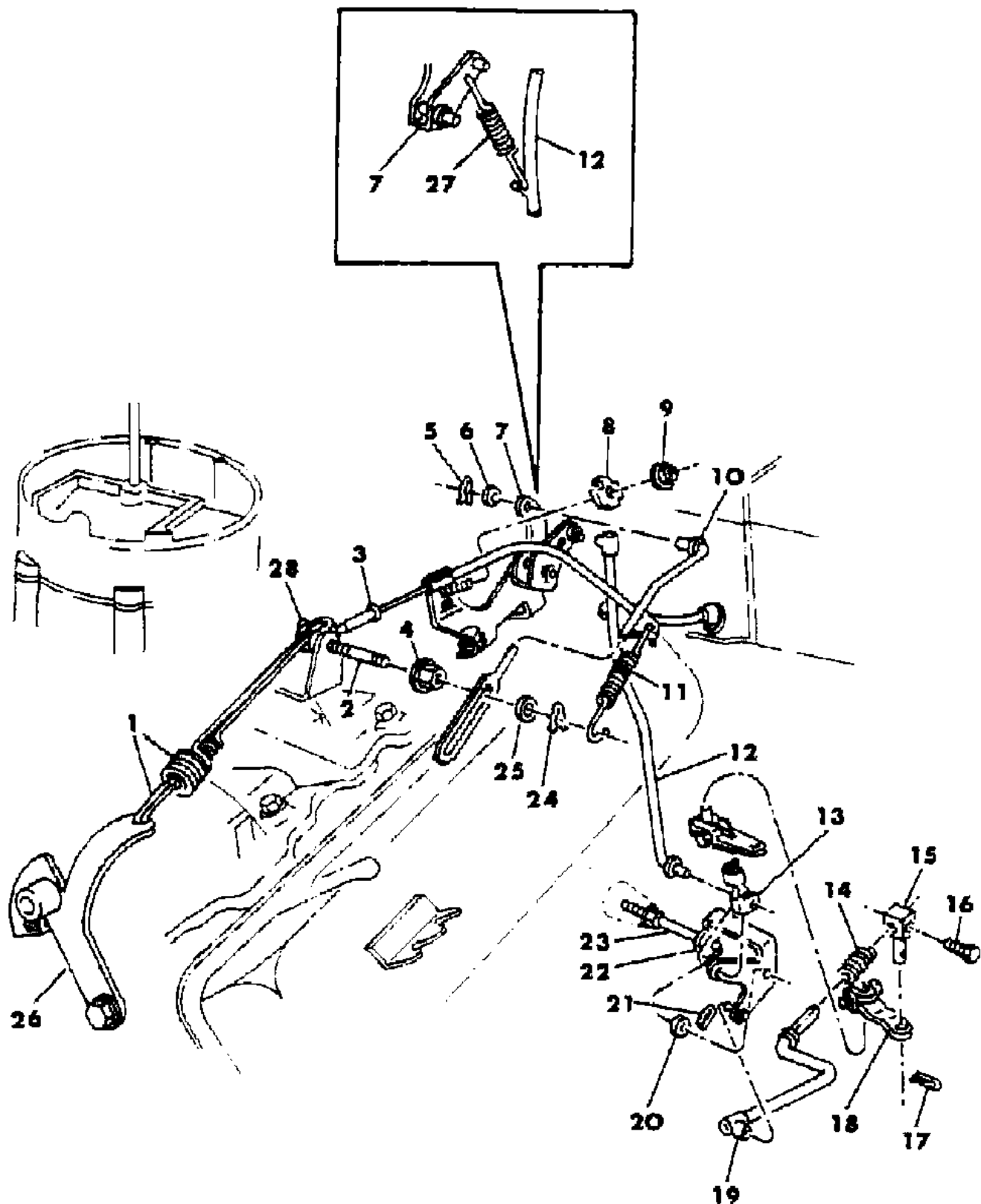
BODY STYLES

21 = 2-DOOR SEDAN	35 = FWD VAN	44 = 4-DOOR HATCHBACK
22 = 2-DOOR SPECIAL COUPE	36 = FWD WAGON	45 = 4-DOOR STATION WAGON
24 = 2-DOOR HATCHBACK	41 = 4-DOOR SEDAN	49 = LIMOUSINE
27 = 2-DOOR CONVERTIBLE		

AR = Use as Required - = Non Illustrated Part P.A.R. = Paint as Required

THROTTLE CONTROL W/318 - 4BBL ENGINE - F,G,B
Figure 14-3800

5114 3900



ITEM	PART NUMBER	QTY	BODY	MODEL	DESCRIPTION
1					SPRING
	4288 229	1			Inner
	4288 228	1			Outer
2	3418 900	1			STUD
3	4027 355	1			CABLE, Throttle Control
4	6030 607	1			NUT
5	6025 867	1			CLIP
6	0120 393	1			WASHER
7	4287 969	1			BRACKET, Cable Mounting
8	2402 210	1			CLIP
9	0120 375	1			NUT w/WASHER
10	4287 972	1			ROD
11	4027 590	1			SPRING
12					ROD
	4041 509	1			w/A904 Trans.
	4041 520	1			w/A727 Trans.
13	2899 361	1			CLIP
14	3769 198	1			SPRING
15	4027 374	1			SWIVEL
16	0181 082	1			SCRRW
17	6025 867	1			CLIP
18					LEVER, See Group 21
19					ROD
	4071 978	1			w/A904 Trans.
	4173 225	1			w/A727 Trans.
20	0120 394	1			WASHER
21	6027 983	1			CLIP
22					BELLCRANK
	3751 529	1			w/A904 Trans.
	3751 535	1			w/A727 Trans.
23	3751 531	1			STUD
24	6026 776	1			CLIP
25					WASHER (not serviced)
26					BRACKET, See Group 25
27	3870 666	1			SPRING, Linkage Assist
28	6023 285	1			CLIP, Throttle Control

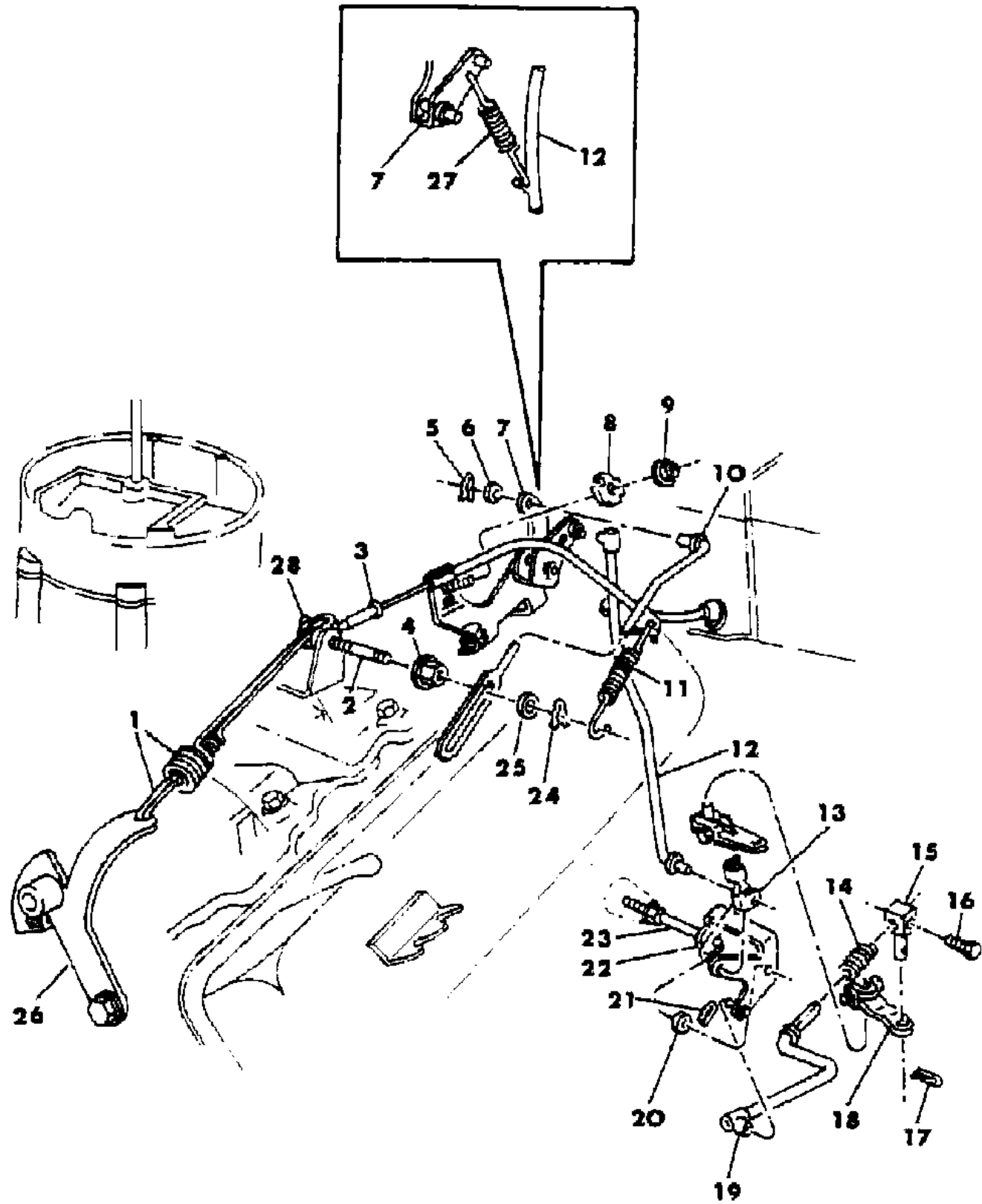
MODEL CODES
 B = GRAN FURY
 C = LE BARON/TOWN & COUNTRY/LIMO
 C24 = LASER
 C44 = LE BARON/GTS
 D = ARIES
 D44 = LANCER
 E = 600
 F = FIFTH AVENUE/NEWPORT
 G = DIPLOMAT
 H = VOYAGER
 J = CARAVELLE
 K = MINI VAN/CARAVAN/ROYAL
 M = HORIZON/TURISMO
 P = RELIANT
 T = NEW YORKER
 V = 600
 V24 = DAYTONA
 Z = OMNI/CHARGER

BODY STYLES
 21 = 2-DOOR SEDAN
 22 = 2-DOOR SPECIAL COUPE
 24 = 2-DOOR HATCHBACK
 27 = 2-DOOR CONVERTIBLE
 35 = FWD VAN
 36 = FWD WAGON
 41 = 4-DOOR SEDAN
 44 = 4-DOOR HATCHBACK
 45 = 4-DOOR STATION WAGON
 49 = LIMOUSINE

AR = Use as Required - = Non Illustrated Part P.A.R. = Paint as Required

Figure 14-3800

5114 3900



THROTTLE CONTROL W/318 - 4BBL ENGINE - F,G,B
Figure 14-3800

ITEM	PART NUMBER	QTY	BODY	MODEL	DESCRIPTION
------	-------------	-----	------	-------	-------------

NOTE: The following items are used with the Fast Idle Throttle Control e rear of the carburetor throttle body. A mirror is required to read the no. when the carburator is

	2536 847	1			COLLAR, Cable Adjusting
	4041 547	1			LEVER, Fast Idle Adjusting
	4041 545	1			CABLE, Fast Idle
	4041 546	1			BRACKET, Fast Idle Cable

MODEL CODES

B = GRAN FURY	E = 600	M = HORIZON/TURISMO
C = LE BARON/TOWN & COUNTRY/LIMO	F = FIFTH AVENUE/NEWPORT	P = RELIANT
C24 = LASER	G = DIPLOMAT	T = NEW YORKER
C44 = LE BARON/GTS	H = VOYAGER	V = 600
D = ARIES	J = CARAVELLE	V24 = DAYTONA
D44 = LANCER	K = MINI VAN/CARAVAN/ROYAL	Z = OMNI/CHARGER

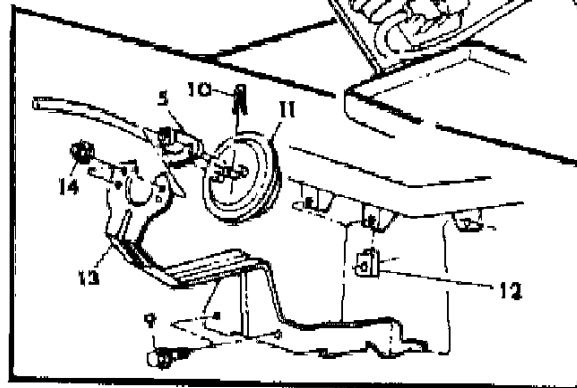
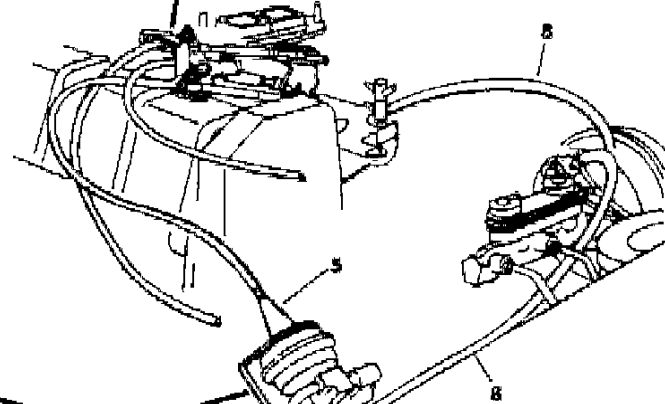
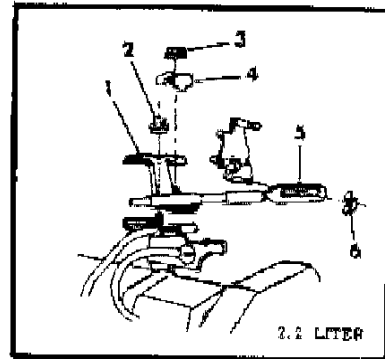
BODY STYLES

21 = 2-DOOR SEDAN	35 = FWD VAN	44 = 4-DOOR HATCHBACK
22 = 2-DOOR SPECIAL COUPE	36 = FWD WAGON	45 = 4-DOOR STATION WAGON
24 = 2-DOOR HATCHBACK	41 = 4-DOOR SEDAN	49 = LIMOUSINE
27 = 2-DOOR CONVERTIBLE		

AR = Use as Required - = Non Illustrated Part P.A.R. = Paint as Required

SPEED CONTROL ELECTRO MECHANICAL W/2.2 LITER ENGINE - M,Z
Figure 14-3900

5114 3900



ITEM	PART NUMBER	QTY	BODY	MODEL	DESCRIPTION
	4364 351	1			SPEED CONTROL PACKAGE
1	4275 976	1			BRACKET, Speed Control Cable Mounting
2	6025 004	1			NUT, w/WASHER
3	0120 375	1			NUT, w/WASHER
4	2402 210	1			CLIP, Cable Mounting
5	4288 054	1			CABLE, Speed Control
6	6031 629	1			CLIP, Cable to Carb.
7	0219 462	1			SCREW, w/WASHER, Cable Mounting Bracket Attaching
8	4203 211	AR			HOSE
9	6025 004	2			NUT, w/WASHER
10	6025 867	1			CLIP, Cable to Servo
11	4241 551	1			SERVO, Speed Control
12	6500 300	1			SCREW, Bracket to Battery Tray Mounting, Inner
13	4275 904	1			BRACKET, Servo Mounting
14	6100 304	2			SCREW, Bracket to Battery Tray

MODEL CODES

B = GRAN FURY	E = 600	M = HORIZON/TURISMO
C = LE BARON/TOWN & COUNTRY/LIMO	F = FIFTH AVENUE/NEWPORT	P = RELIANT
C24 = LASER	G = DIPLOMAT	T = NEW YORKER
C44 = LE BARON/GTS	H = VOYAGER	V = 600
D = ARIES	J = CARAVELLE	V24 = DAYTONA
D44 = LANCER	K = MINI VAN/CARAVAN/ROYAL	Z = OMNI/CHARGER

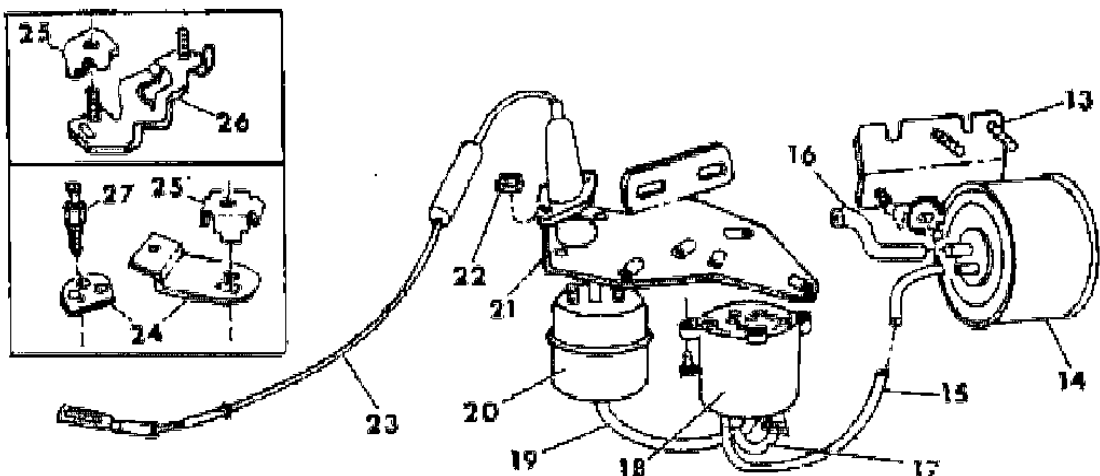
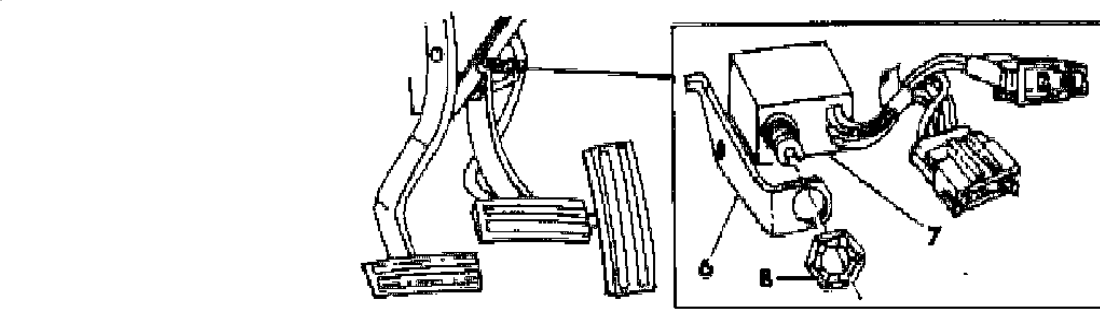
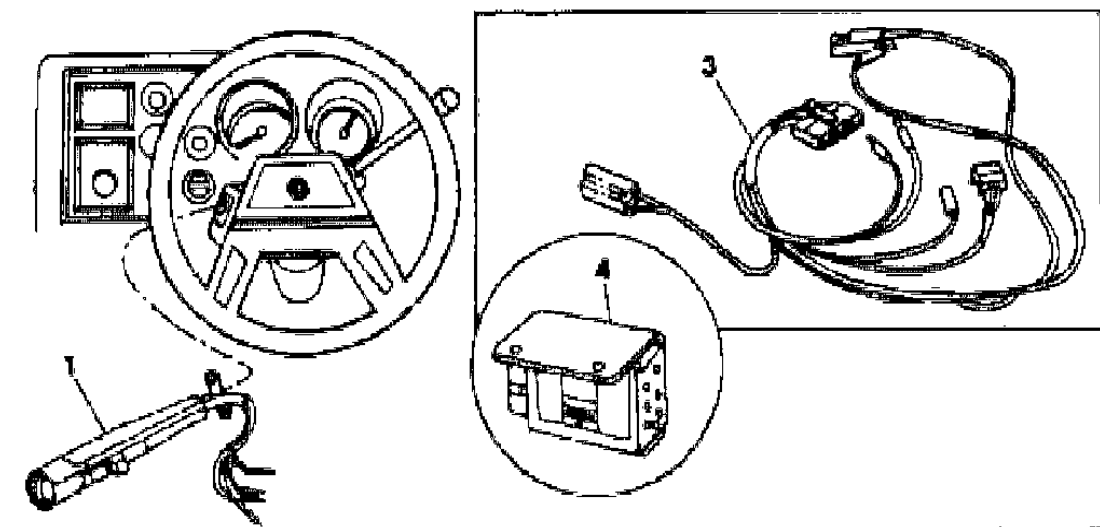
BODY STYLES

21 = 2-DOOR SEDAN	35 = FWD VAN	44 = 4-DOOR HATCHBACK
22 = 2-DOOR SPECIAL COUPE	36 = FWD WAGON	45 = 4-DOOR STATION WAGON
24 = 2-DOOR HATCHBACK	41 = 4-DOOR SEDAN	49 = LIMOUSINE
27 = 2-DOOR CONVERTIBLE		

AR = Use as Required - = Non Illustrated Part P.A.R. = Paint as Required

**SPEED CONTROL ELECTRONIC M,Z - 1.6 AND 2.2 LITER ENGINE (EXCEPT - TC)
Figure 14-4000**

5114 4000



ITEM	PART NUMBER	QTY	BODY	MODEL	DESCRIPTION
	4364 360	1			SPEED CONTROL PACKAGE, w/ 1.6L and 2.2l Engine
1	4342 209	1			SWITCH, Control
	4209 534	1			PLUG, Connector
3	4364 365	1			HARNESS, Master Wire
4	4318 829	1			MODULE, Electronic
	6032 639	2			SCREW, Module Mounting
5	4221 696	1			SWITCH, w/BRACKET, Clutch
	6500 512	1			NUT
	6100 047	1			NUT
6	4221 580	1			BRACKET, Brake Switch
7	4221 438	1			SWITCH, Stop Lamp
8	0107 825	1			NUT, Stop Lamp Switch
9	4312 816	1			CABLE, Sensor to Coupling
10	4312 032	1			SENSOR, w/ Auto Trans
11	4312 328	1			CABLE, Speedo to Coupling
12	4318 842	1			HARNESS, Sensor Adaptor
13	4318 823	1			BRACKET, Reservoir
14	4318 821	1			RESERVOIR, w/BRACKET
	6024 682	2			SPACER, Reservoir Mounting
15	4318 826	AR			HOSE, Reservoir to Valve Body, 5/32 I.D. - 1/2 O.D. x 36"
16	4318 828	AR			HOSE, Reservoir to Booster Brake or Intake Manifold Fitting 7/32 I.D. x 70"
17	4318 822	1			HOSE, Moled Horshoe
18	4318 818	1			BODY, Valve
19	4318 827	1			HOSE, Vacuum Motor to Valve Body 5/32 x 50"
20	4318 819	1			MOTOR, Vacuum
21	4318 820	1			BRACKET, Valve Body and Motor Mounting
	6500 681	2			U-NUT, Bracket Mounting
	6100 288	2			SCREW, w/ WASHER, Bracket Mounting
22	6025 001	2			NUT, Cable Mounting
23	4288 057	1			CABLE, Servo
	6025 867	2			R-CLIP, Servo Cable
	6015 327	2			CLIP, Servo Cable Harness
24	4318 824	1			BRACKET, Clamp and BRACKET, Throttle Link, 1.6L Engine
25	2402 210	1			CLAMP, Cable
26	4275 976	1			BRACKET, Clamp, w/ 2.2L Engine
27	5214 596	1			STUD, w/ 1.6L Engine

MODEL CODES

B = GRAN FURY	E = 600	M = HORIZON/TURISMO
C = LE BARON/TOWN & COUNTRY/LIMO	F = FIFTH AVENUE/NEWPORT	P = RELIANT
C24 = LASER	G = DIPLOMAT	T = NEW YORKER
C44 = LE BARON/GTS	H = VOYAGER	V = 600
D = ARIES	J = CARAVELLE	V24 = DAYTONA
D44 = LANCER	K = MINI VAN/CARAVAN/ROYAL	Z = OMNI/CHARGER

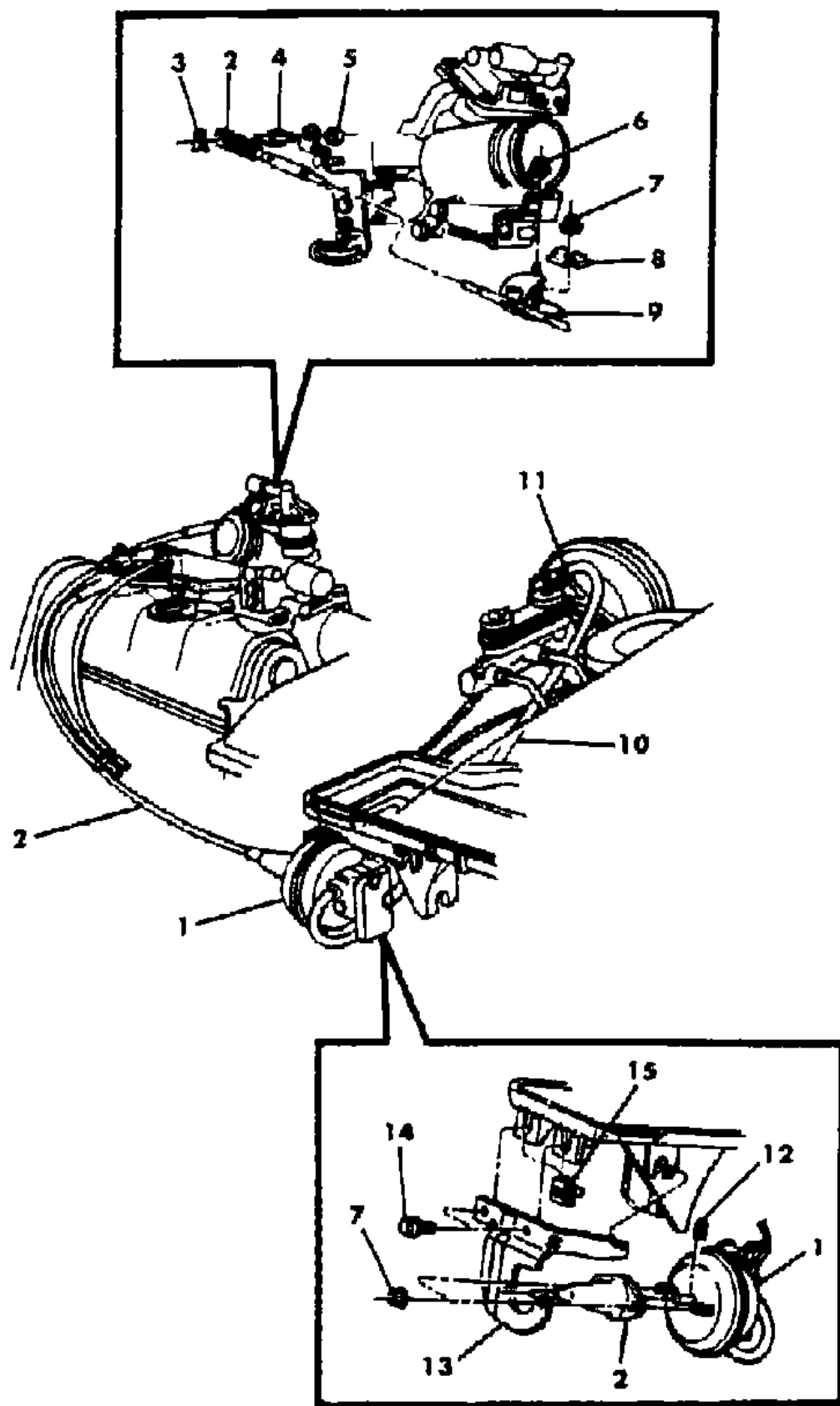
BODY STYLES

21 = 2-DOOR SEDAN	35 = FWD VAN	44 = 4-DOOR HATCHBACK
22 = 2-DOOR SPECIAL COUPE	36 = FWD WAGON	45 = 4-DOOR STATION WAGON
24 = 2-DOOR HATCHBACK	41 = 4-DOOR SEDAN	49 = LIMOUSINE
27 = 2-DOOR CONVERTIBLE		

AR = Use as Required - = Non Illustrated Part P.A.R. = Paint as Required

SPEED CONTROL ELECTRO MECHANICAL T.B.I.
Figure 14-4100

5/14 4:00



ITEM	PART NUMBER	QTY	BODY	MODEL	DESCRIPTION
	4364 353	1			SPEED CONTROL PACKAGE, (see note 1)
1	4241 575	1			SERVO, Speed Control
2	4288 057	1			CABLE, Servo to Throttle Body
3	6031 629	1			CLIP, Cable to Stud
4	5214 596	1			STUD
5	6100 496	1			NUT, Lock
6	6025 001	1			NUT and WASHER, Cable Mounting Bracket
7	6025 004	3			NUT and WASHER
8	2402 210	1			CLIP, Cable Mounting
9	4287 506	1			BRACKET, Speed Control Cable Mounting
10	4203 211	AR			HOSE
11	2448 761	1			CLAMP
12	6025 867	1			CLIP
13	4241 770	1			BRACKET, Servo Mounting
14	6100 288	2			SCREW and WASHER
15	6500 681	2			U-NUT

NOTE 1: For vehicles which are not equipped with Intermittant Wipers you must also specify part no. 4293098 Intermittant Wiper Conversion Pkg. e rear of the carburetor throttle body. A mirror is required to read the no. when the carburetor is

MODEL CODES

B = GRAN FURY	E = 600	M = HORIZON/TURISMO
C = LE BARON/TOWN & COUNTRY/LIMO	F = FIFTH AVENUE/NEWPORT	P = RELIANT
C24 = LASER	G = DIPLOMAT	T = NEW YORKER
C44 = LE BARON/GTS	H = VOYAGER	V = 600
D = ARIES	J = CARAVELLE	V24 = DAYTONA
D44 = LANCER	K = MINI VAN/CARAVAN/ROYAL	Z = OMNI/CHARGER

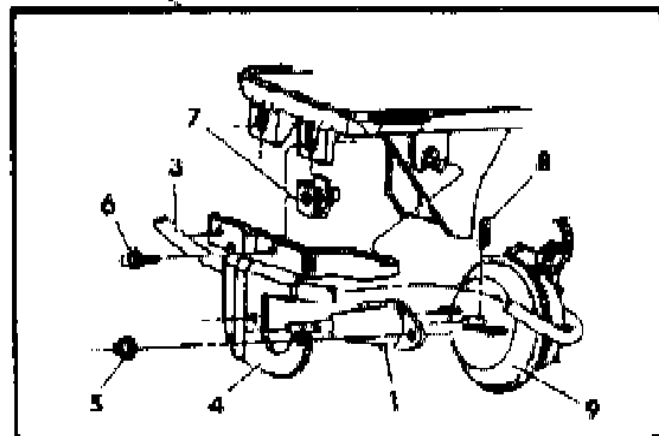
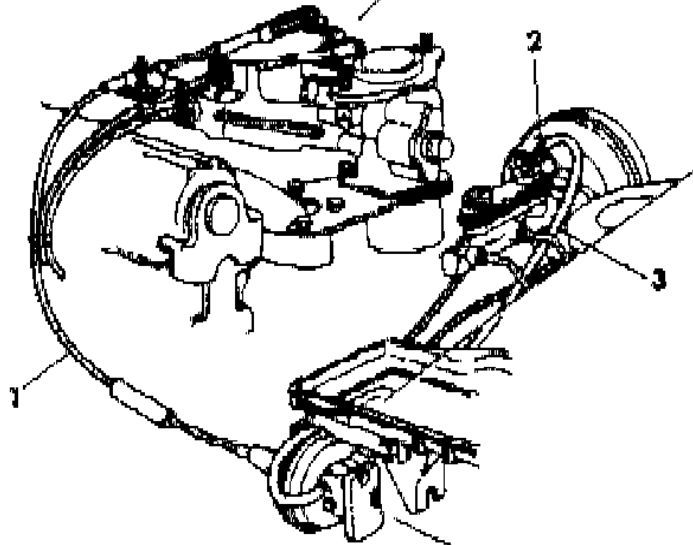
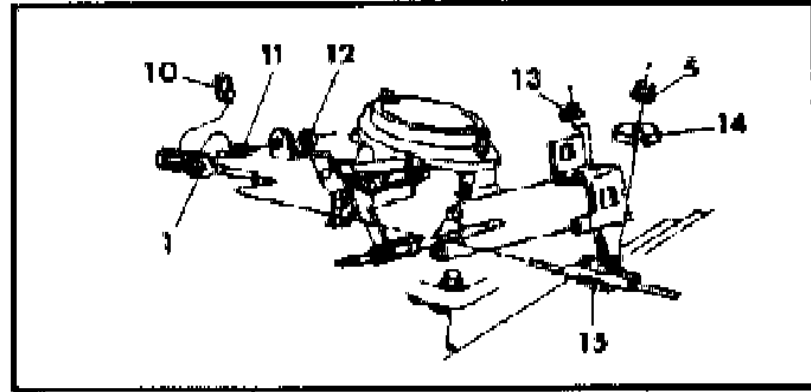
BODY STYLES

21 = 2-DOOR SEDAN	35 = FWD VAN	44 = 4-DOOR HATCHBACK
22 = 2-DOOR SPECIAL COUPE	36 = FWD WAGON	45 = 4-DOOR STATION WAGON
24 = 2-DOOR HATCHBACK	41 = 4-DOOR SEDAN	49 = LIMOUSINE
27 = 2-DOOR CONVERTIBLE		

AR = Use as Required - = Non Illustrated Part P.A.R. = Paint as Required

SPEED CONTROL ELECTRO MECHANICAL TURBO CHARGER
Figure 14-4200

5114 4200



ITEM	PART NUMBER	QTY	BODY	MODEL	DESCRIPTION
	4364 353	1			SPEED CONTROL PACKAGE (see note 1)
1	4288 058	1			CABLE, Servo
2	2448 761	1			CLAMP
3	4203 211	AR			HOSE
4	4241 770	1			BRACKET, Servo Mounting
5	6025 004	3			NUT,w/WASHER
6	6100 288	2			SCREW, w/WASHER
7	6500 681	2			U-NUT
8	6025 867	1			CLIP
9	4241 575	1			SERVO
10	6031 629	1			CLIP
11	5214 596	1			STUD
12	6100 496	1			NUT
13	6025 001	1			NUT, w/WASHER
14	2402 210	1			CLIP, Cable Mounting
15	4287 508	1			BRACKET, Cable Mounting

NOTE 1: For vehicles which are not equipped with Intermittant Wipers you must also specify part no. 4293098 Intermittant Wiper Conversion Pkg. e rear of the carburetor throttle body. A mirror is required to read the no. when the carburator is

MODEL CODES

B = GRAN FURY	E = 600	M = HORIZON/TURISMO
C = LE BARON/TOWN & COUNTRY/LIMO	F = FIFTH AVENUE/NEWPORT	P = RELIANT
C24 = LASER	G = DIPLOMAT	T = NEW YORKER
C44 = LE BARON/GTS	H = VOYAGER	V = 600
D = ARIES	J = CARAVELLE	V24 = DAYTONA
D44 = LANCER	K = MINI VAN/CARAVAN/ROYAL	Z = OMNI/CHARGER

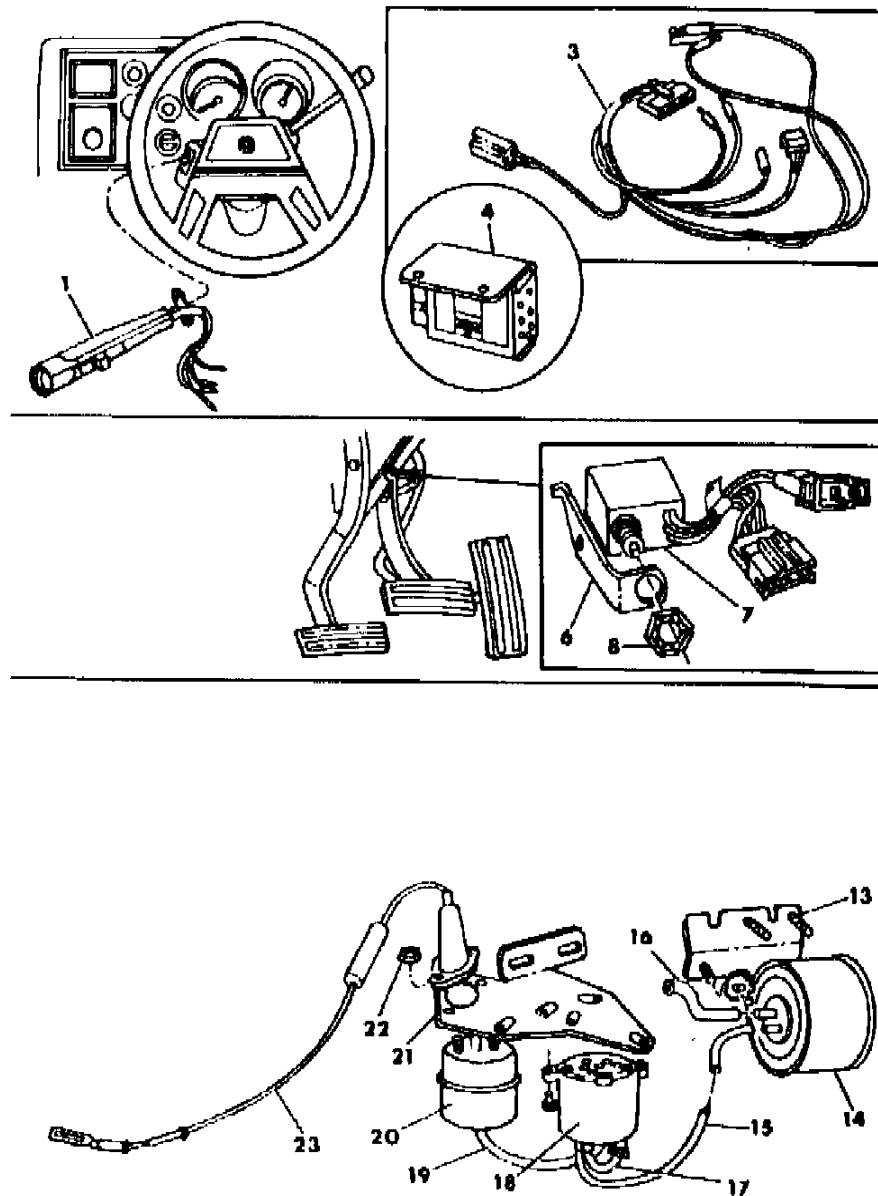
BODY STYLES

21 = 2-DOOR SEDAN	35 = FWD VAN	44 = 4-DOOR HATCHBACK
22 = 2-DOOR SPECIAL COUPE	36 = FWD WAGON	45 = 4-DOOR STATION WAGON
24 = 2-DOOR HATCHBACK	41 = 4-DOOR SEDAN	49 = LIMOUSINE
27 = 2-DOOR CONVERTIBLE		

AR = Use as Required - = Non Illustrated Part P.A.R. = Paint as Required

SPEED CONTROL ELECTRONIC T.B.I. AND TURBO CHARGER (EXCEPT - Z)
Figure 14-4300

5114 4300



ITEM	PART NUMBER	QTY	BODY	MODEL	DESCRIPTION
	4364 362	1			SPEED CONTROL PACKAGE, w/ T.B.I. and T.C. (see note 1)
1	4342 207	1			SWITCH, Control
	4209 534	1			PLUG, Connector
3	4364 365	1			HARNESS, Master Wire
4	4318 829	1			MODULE, Electronic
	6032 639	2			SCREW, Module Mounting
5	4221 697	1			SWITCH, w/ BRACKET, Clutch
	6500 512	1			NUT
	6100 047	1			NUT
6	4221 580	1			BRACKET, Brake Switch
7	4221 651	1			SWITCH, Stop Lamp
8	0107 825	1			NUT, Stop Lamp Switch
12	4318 842	1			HARNESS, Sensor Adapter
13	4318 823	1			BRACKET, Reservoir Mounting
14	4318 821	1			RESERVOIR, w/ BRACKET
	6024 682	2			SPACER, Reservoir Mounting
15	4318 826	1			HOSE, Reservoir to Valve Body, 5/32 I.D. - 1/2 O.D. x 36"
16	4318 828	AR			HOSE, Reservoir to Booster Brake or Intake Manifold Fitting, 7/32 x 70"
17	4318 822	1			HOSE, Molded Horshoe
18	4318 818	1			BODY, Valve
19	4318 827	1			HOSE, Vacuum Motor to Valve Body 5/32 x 50"
20	4318 819	1			MOTOR, Vacuum
21	4318 820	1			BRACKET, Valve Body and Motor Mounting
	6500 681	2			U - NUT, Bracket Mounting
	6100 288	2			SCREW, w/ WASHER, Bracket Mounting
22	6025 001	2			NUT, Cable Mounting
23	4288 057	1			CABLE, Servo
	6025 867	2			R - CLIP, Servo Cable
	6015 327	1			CLIP, Servo Cable Harness
	4287 506	1			BRACKET, Clamp, w/ T.B.I.
	2402 210	1			CLAMP, Cable
	4287 508	1			BRACKET, Clamp, w/ T.C.
	5214 596	1			STUD
	6100 496	1			NUT
	6101 131	1			FUSE, ATC 3 Amp.

MODEL CODES

B = GRAN FURY	E = 600	M = HORIZON/TURISMO
C = LE BARON/TOWN & COUNTRY/LIMO	F = FIFTH AVENUE/NEWPORT	P = RELIANT
C24 = LASER	G = DIPLOMAT	T = NEW YORKER
C44 = LE BARON/GTS	H = VOYAGER	V = 600
D = ARIES	J = CARAVELLE	V24 = DAYTONA
D44 = LANCER	K = MINI VAN/CARAVAN/ROYAL	Z = OMNI/CHARGER

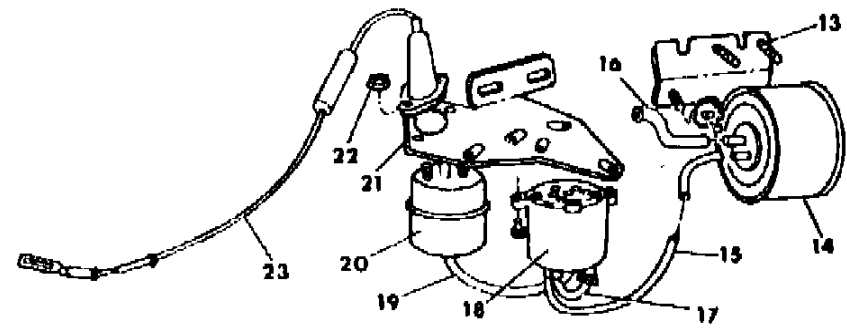
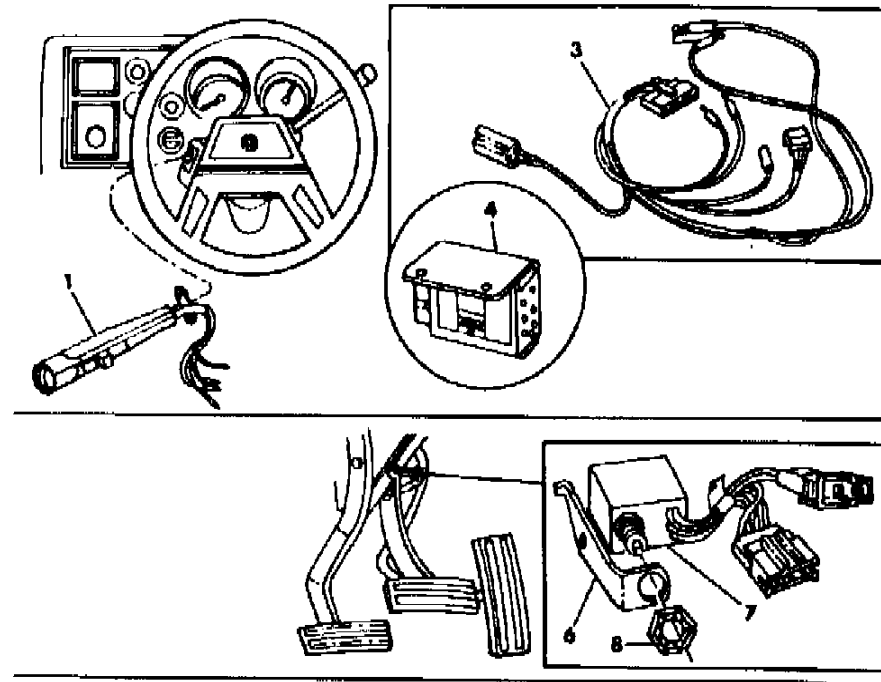
BODY STYLES

21 = 2-DOOR SEDAN	35 = FWD VAN	44 = 4-DOOR HATCHBACK
22 = 2-DOOR SPECIAL COUPE	36 = FWD WAGON	45 = 4-DOOR STATION WAGON
24 = 2-DOOR HATCHBACK	41 = 4-DOOR SEDAN	49 = LIMOUSINE
27 = 2-DOOR CONVERTIBLE		

AR = Use as Required - = Non Illustrated Part P.A.R. = Paint as Required

Figure 14-4300

5114 4300



**SPEED CONTROL ELECTRONIC T.B.I. AND TURBO CHARGER (EXCEPT - Z)
Figure 14-4300**

ITEM	PART NUMBER	QTY	BODY	MODEL	DESCRIPTION
------	----------------	-----	------	-------	-------------

NOTE 1: For vehicles which are not equipped with Intermittant Wipers you must also specify part no. 4293098 Intermittant Wipe conversion Pkg. e rear of the carburetor throttle body. A mirror is required to read the no. when the carburator is

MODEL CODES

B = GRAN FURY	E = 600	M = HORIZON/TURISMO
C = LE BARON/TOWN & COUNTRY/LIMO	F = FIFTH AVENUE/NEWPORT	P = RELIANT
C24 = LASER	G = DIPLOMAT	T = NEW YORKER
C44 = LE BARON/GTS	H = VOYAGER	V = 600
D = ARIES	J = CARAVELLE	V24 = DAYTONA
D44 = LANCER	K = MINI VAN/CARAVAN/ROYAL	Z = OMNI/CHARGER

BODY STYLES

21 = 2-DOOR SEDAN	35 = FWD VAN	44 = 4-DOOR HATCHBACK
22 = 2-DOOR SPECIAL COUPE	36 = FWD WAGON	45 = 4-DOOR STATION WAGON
24 = 2-DOOR HATCHBACK	41 = 4-DOOR SEDAN	49 = LIMOUSINE
27 = 2-DOOR CONVERTIBLE		

AR = Use as Required - = Non Illustrated Part P.A.R. = Paint as Required

SPEED CONTROL ELECTRO MECHANICAL P,D,C,V,E,T - 2.2 LITER ENGINE
Figure 14-4400

5114 4400

ITEM	PART NUMBER	QTY	BODY	MODEL	DESCRIPTION
	4364 352	1			SPEED CONTROL PACKAGE (see note 1,2,3)
1	4288 055	1			CABLE, Speed Control
2	4275 976	1			BRACKET, Cable Mounting
3	2402 210	1			CLIP, Cable Mounting
4	6025 004	1			NUT, w/WASHER
5	6031 629	1			CLIP, Cable to Carb
6		AR			HOSE, w/Manual Brakes (not serviced)
7	2448 761	1			CLAMP
8	4203 211	AR			HOSE, w/Power Brakes
9	6500 681	2			U-NUT
10	4241 770	1			BRACKET, Servo Mounting
11	6100 288	2			SCREW, w/WASHER
12	6025 004	2			NUT
13	4179 306	1			SERVO, Speed Control
14	6025 867	1			CLIP

NOTE 1: For vehicles which are not equipped with Intermittant Wipers you must also specify part no. 4293098 Intermittant Wiper Conversion Pkg. e rear of the carburetor throttle body. A mirror is required to read the no. when the carburetor is

NOTE 2: For vehicles which are equipped with a Manual Trans order 1 of 4221697 Clutch Switch e rear of the carburetor throttle body. A mirror is required to read the no. when the carburetor is

NOTE 3: Cannot be used on Police or Fleet Vehicles equipped with a spotlight e rear of the carburetor throttle body. A mirror is required to read the no. when the carburetor is

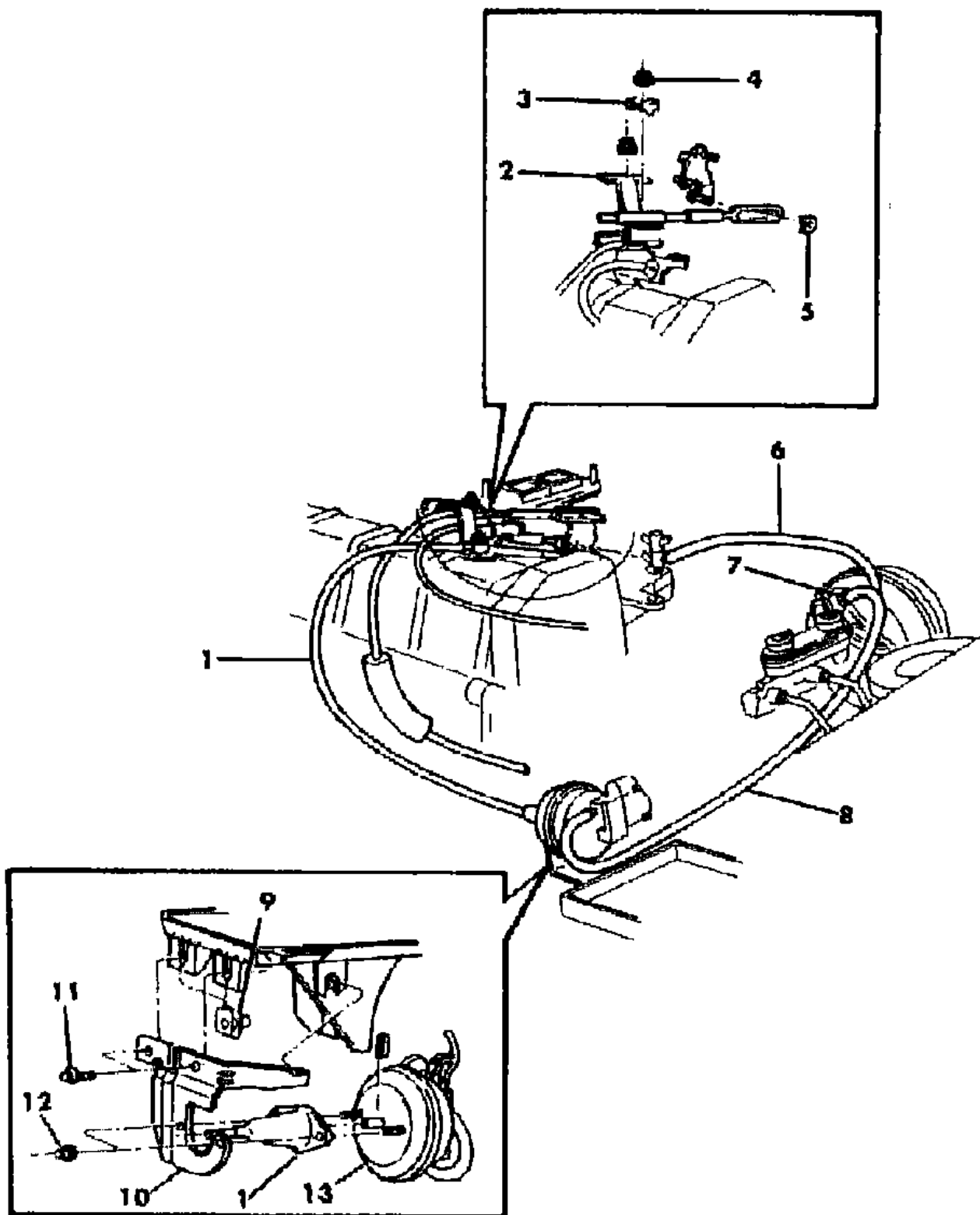
MODEL CODES

B = GRAN FURY	E = 600	M = HORIZON/TURISMO
C = LE BARON/TOWN & COUNTRY/LIMO	F = FIFTH AVENUE/NEWPORT	P = RELIANT
C24 = LASER	G = DIPLOMAT	T = NEW YORKER
C44 = LE BARON/GTS	H = VOYAGER	V = 600
D = ARIES	J = CARAVELLE	V24 = DAYTONA
D44 = LANCER	K = MINI VAN/CARAVAN/ROYAL	Z = OMNI/CHARGER

BODY STYLES

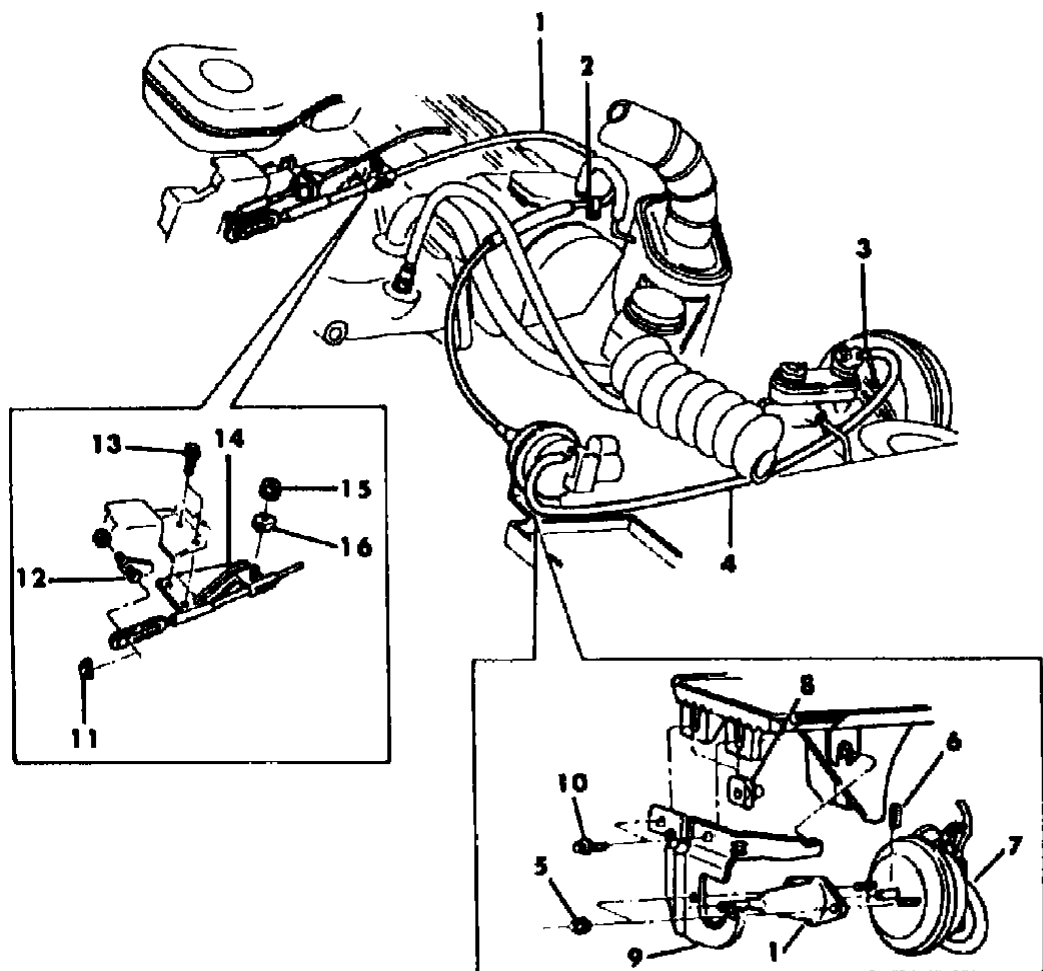
21 = 2-DOOR SEDAN	35 = FWD VAN	44 = 4-DOOR HATCHBACK
22 = 2-DOOR SPECIAL COUPE	36 = FWD WAGON	45 = 4-DOOR STATION WAGON
24 = 2-DOOR HATCHBACK	41 = 4-DOOR SEDAN	49 = LIMOUSINE
27 = 2-DOOR CONVERTIBLE		

AR = Use as Required - = Non Illustrated Part P.A.R. = Paint as Required



SPEED CONTROL ELECTRO MECHANICAL P,D,C,V,E,T - 2.6 LITER ENGINE
Figure 14-4500

5114 4500



ITEM	PART NUMBER	QTY	BODY	MODEL	DESCRIPTION
	4364 352	1			SPEED CONTROL PACKAGE (see note 1,2,3)
1	4288 059	1			CABLE, Speed Control
2	5214 591	1			CLIP
3	2448 761	1			CLAMP
4	4203 211	AR			HOSE
5	6025 004	2			NUT
6	6025 867	1			CLIP
7	4179 306	1			SERVO, Speed Control
8	6500 681	2			U-NUT
9	4241 770	1			BRACKET, Servo Mounting
10	6100 288	2			SCREW, w/WASHER
11	6031 629	1			CLIP
12	5214 596	1			STUD, Carb Lever
13	6100 239	1			SCREW, w/WASHER
14	4287 504	1			BRACKET, Cable Mounting
15	6025 004	1			NUT, w/WASHER
16	2402 210	1			CLIP, Cable Mounting

NOTE 1: For vehicles which are not equipped with Intermittant Wipers you must also specify part no. 4293098 Intermittant Wiper Conversion Pkg. e rear of the carburetor throttle body. A mirror is required to read the no. when the carburetor is

NOTE 2: For vehicles which are equipped with Manual Trans. order 1 of 4221697 Clutch Switch e rear of the carburetor throttle body. A mirror is required to read the no. when the carburetor is

NOTE 3: Cannot be used on Police or Fleet Vehicles equipped with a spotlight e rear of the carburetor throttle body. A mirror is required to read the no. when the carburetor is

MODEL CODES

B = GRAN FURY	E = 600	M = HORIZON/TURISMO
C = LE BARON/TOWN & COUNTRY/LIMO	F = FIFTH AVENUE/NEWPORT	P = RELIANT
C24 = LASER	G = DIPLOMAT	T = NEW YORKER
C44 = LE BARON/GTS	H = VOYAGER	V = 600
D = ARIES	J = CARAVELLE	V24 = DAYTONA
D44 = LANCER	K = MINI VAN/CARAVAN/ROYAL	Z = OMNI/CHARGER

BODY STYLES

21 = 2-DOOR SEDAN	35 = FWD VAN	44 = 4-DOOR HATCHBACK
22 = 2-DOOR SPECIAL COUPE	36 = FWD WAGON	45 = 4-DOOR STATION WAGON
24 = 2-DOOR HATCHBACK	41 = 4-DOOR SEDAN	49 = LIMOUSINE
27 = 2-DOOR CONVERTIBLE		

AR = Use as Required - = Non Illustrated Part P.A.R. = Paint as Required

SPEED CONTROL ELECTRONIC P,D,C,V,E,T - 2.2 AND 2.6 LITER ENGINE
Figure 14-4600

ITEM	PART NUMBER	QTY	BODY	MODEL	DESCRIPTION
	4364 361	1			SPEED CONTROL PACKAGE (see note 1,2)
1	4342 209	1			SWITCH, Control
	4209 534	1			PLUG, Connector
3	4364 365	1			HARNESS, Master Wire
4	4318 829	1			MODULE, Electronic
	6032 639	2			SCREW, Module Mounting
7	4221 651	1			SWITCH, Stop Lamp
8	0107 825	1			NUT, Stop Lamp Switch
9	4312 816	1			CABLE, Coupling to Sensor
10	4312 032	1			SENSOR, w/ Auto Trans.
11	4312 332	1			CABLE, Coupling to Speedo
12	4318 842	1			HARNESS, Sensor Adaptor
13	4318 823	1			BRACKET, Reservoir Mounting
14	4318 821	1			RESERVOIR, w/ BRACKET
	6024 682	2			SPACER, Reservoir Mounting
15	4318 826	1			HOSE, Reservoir to Valve Body, 5/32 I.D. - 1/2 o.D. x 36"
16	4318 828	AR			HOSE, Reservoir to Booster Brake or Intake Manifold Fitting, 7/32 x 70"
17	4318 822	1			HOSE, Molded Horshoe
18	4318 818	1			BODY, Valve
19	4318 827	AR			HOSE, Vacuum Motor to Valve Body, 5/32 x 50"
20	4318 819	1			MOTOR, Vacuum
21	4318 820	1			BRACKET, Valve Body and Motor Mounting
	6500 681	2			U - NUT, Bracket Mounting
	6100 288	2			SCREW, w/ WASHER, Bracket Mounting
22	6025 001	2			NUT, Cable Mounting
23	4288 057	1			CABLE, Servo
	6025 867	2			R - CLIP, Servo Cable
	6015 327	2			CLIP, Servo Cable Harness
24	4287 504	1			BRACKET, Clamp, w/ 2.6L Engine
25	2402 210	1			CLAMP, Cable
26	4275 976	1			BRACKET, Clamp, w/ 2.2L Engine
	5214 596	1			STUD, w/ 2.6L Engine
	6100 496	1			NUT, Stud, w/ 2.6L Engine
	6101 131	1			FUSE, ATC 3 Amp.

NOTE 1: For vehicles which are not equipped with Intermittant Wipers you must also specify part no. 4293098 Intermittant Wiper Conversion Pkg. e rear of the carburetor throttle body. A mirror is required to read the no. when the carburator is

MODEL CODES		
B = GRAN FURY	E = 600	M = HORIZON/TURISMO
C = LE BARON/TOWN & COUNTRY/LIMO	F = FIFTH AVENUE/NEWPORT	P = RELIANT
C24 = LASER	G = DIPLOMAT	T = NEW YORKER
C44 = LE BARON/GTS	H = VOYAGER	V = 600
D = ARIES	J = CARAVELLE	V24 = DAYTONA
D44 = LANCER	K = MINI VAN/CARAVAN/ROYAL	Z = OMNI/CHARGER

BODY STYLES		
21 = 2-DOOR SEDAN	35 = FWD VAN	44 = 4-DOOR HATCHBACK
22 = 2-DOOR SPECIAL COUPE	36 = FWD WAGON	45 = 4-DOOR STATION WAGON
24 = 2-DOOR HATCHBACK	41 = 4-DOOR SEDAN	49 = LIMOUSINE
27 = 2-DOOR CONVERTIBLE		

AR = Use as Required - = Non Illustrated Part P.A.R. = Paint as Required

5114 4600

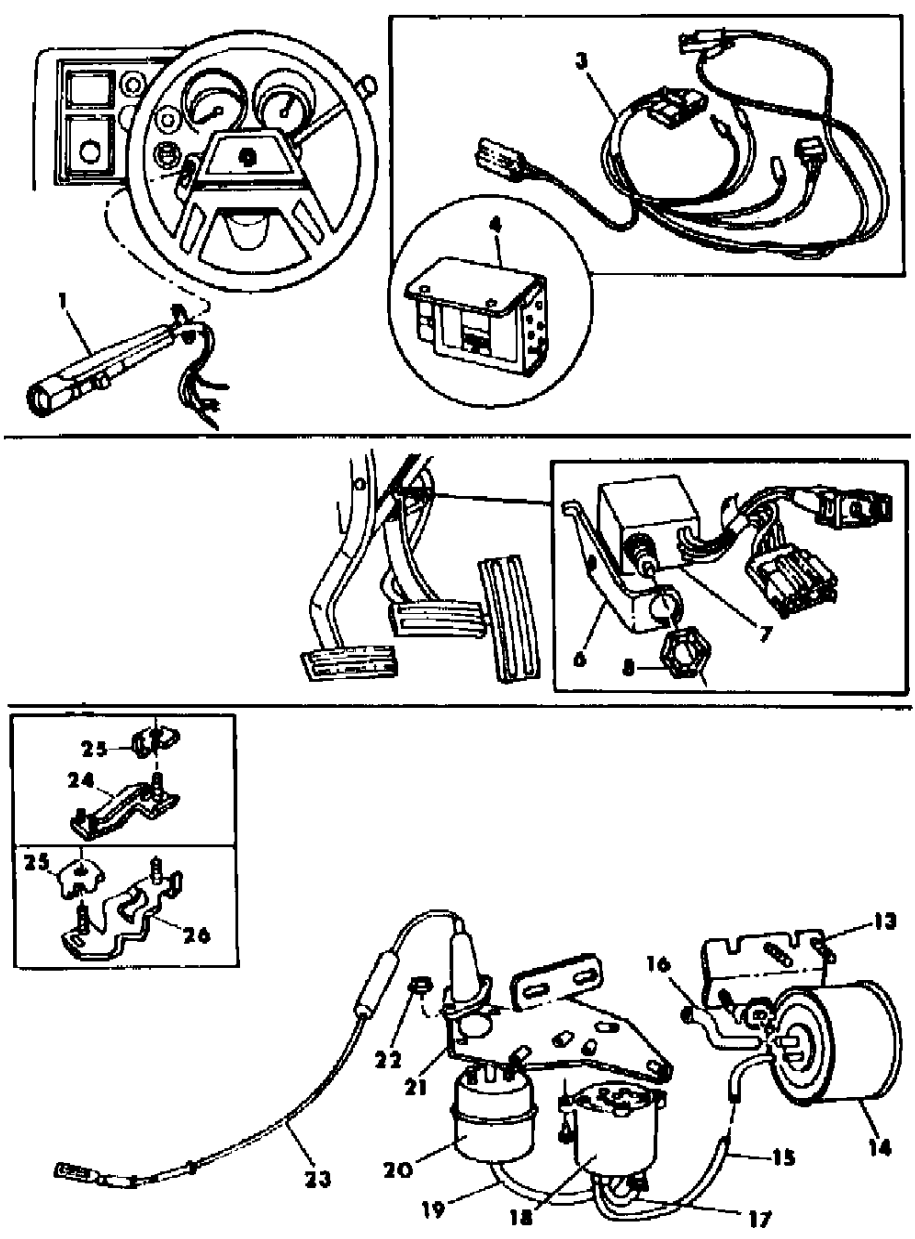
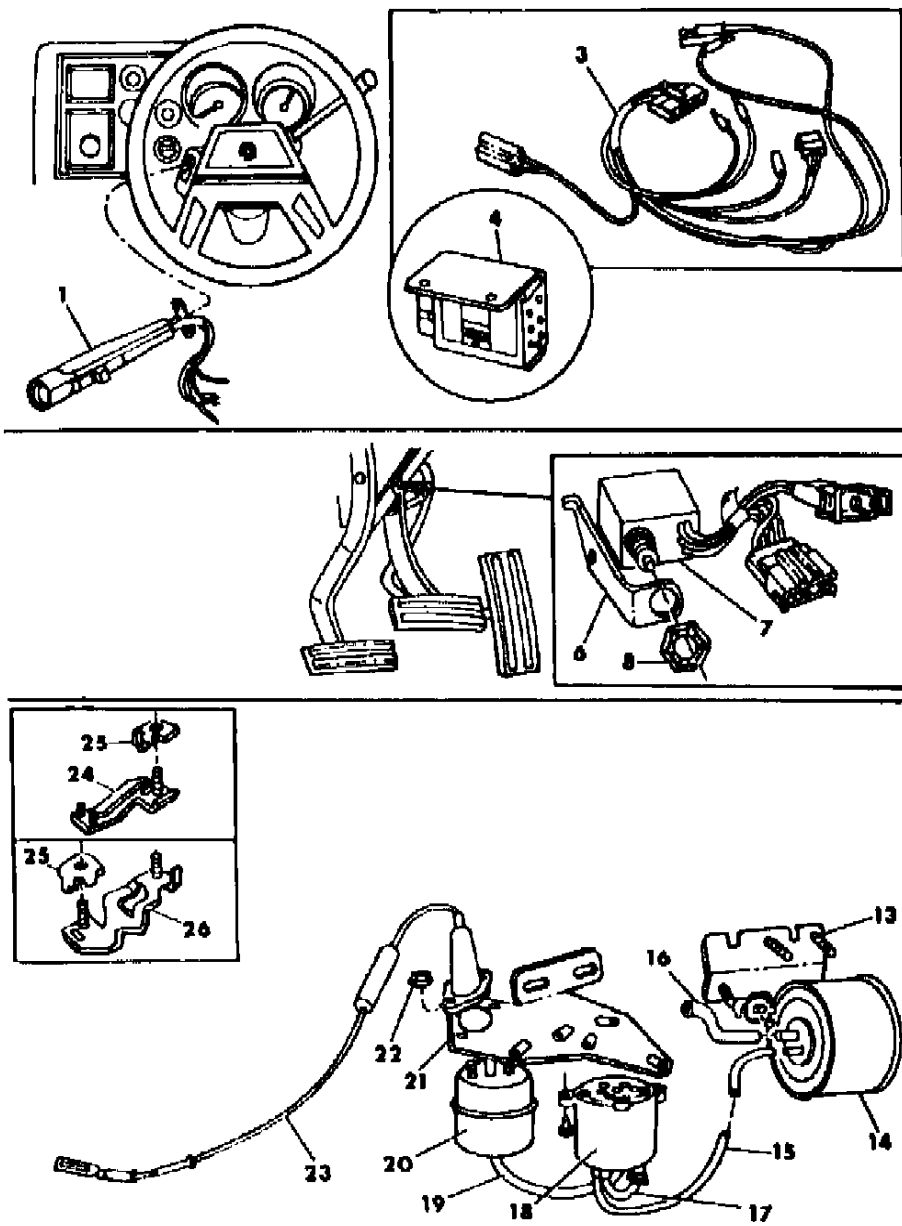


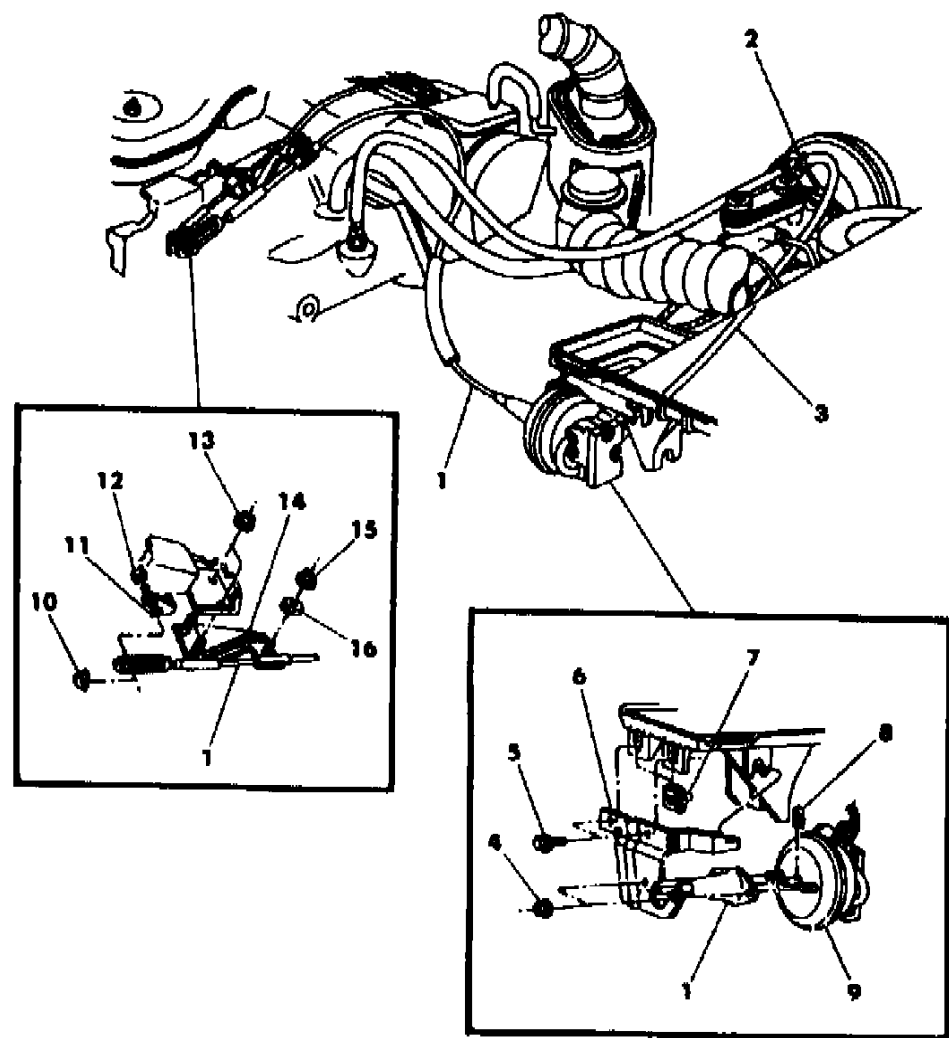
Figure 14-4600

5114 4600



SPEED CONTROL ELECTRO MECHANICAL H,K - 2.6 LITER ENGINE
Figure 14-4700

5114 4700



ITEM	PART NUMBER	QTY	BODY	MODEL	DESCRIPTION
	4364 354	1			SPEED CONTROL PACKAGE (see note 1,2)
1	4288 059	1			CABLE, Servo
2	2448 761	1			CLAMP
3	4203 211	AR			HOSE
4	6025 004	2			NUT, w/WASHER
5	6100 288	2			SCREW, w/WASHER
6	4275 437	1			BRACKET, Servo Mounting
7	6500 681	2			U-NUT
8	6025 867	1			CLIP
9	4179 306	1			SERVO
10	6031 629	1			CLIP
11	5214 596	1			STUD
12	6100 496	1			NUT, Lock
13	6025 001	2			NUT, w/WASHER
14	4287 504	1			BRACKET, Cable Mounting
15	6100 047	1			NUT, w/WASHER
16	2402 210	1			CLIP, Cable Mounting

NOTE 1: For vehicles which are not equipped with intermittent Wipers you must also specify part no. 4293097 Intermittant Wiper Conversion Pkg. e rear of the carburetor throttle body. A mirror is required to read the no. when the carburetor is

NOTE 2: For vehicles which are equipped with Manual Trans. order 1 of 4221654 Clutch Switch e rear of the carburetor throttle body. A mirror is required to read the no. when the carburetor is

MODEL CODES

B = GRAN FURY	E = 600	M = HORIZON/TURISMO
C = LE BARON/TOWN & COUNTRY/LIMO	F = FIFTH AVENUE/NEWPORT	P = RELIANT
C24 = LASER	G = DIPLOMAT	T = NEW YORKER
C44 = LE BARON/GTS	H = VOYAGER	V = 600
D = ARIES	J = CARAVELLE	V24 = DAYTONA
D44 = LANCER	K = MINI VAN/CARAVAN/ROYAL	Z = OMNI/CHARGER

BODY STYLES

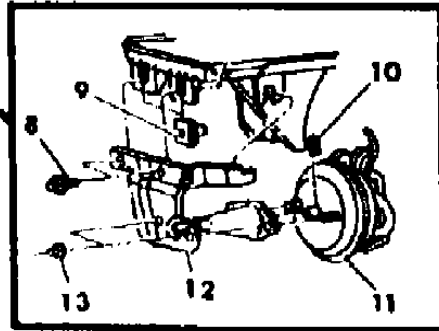
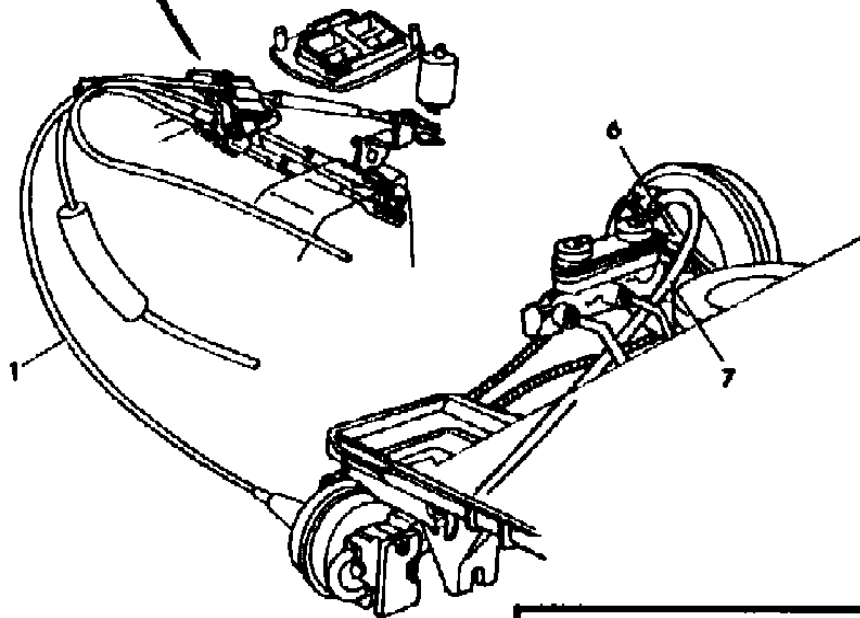
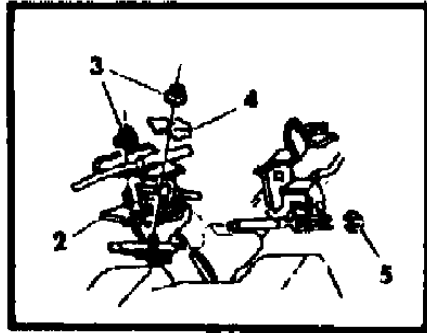
21 = 2-DOOR SEDAN	35 = FWD VAN	44 = 4-DOOR HATCHBACK
22 = 2-DOOR SPECIAL COUPE	36 = FWD WAGON	45 = 4-DOOR STATION WAGON
24 = 2-DOOR HATCHBACK	41 = 4-DOOR SEDAN	49 = LIMOUSINE
27 = 2-DOOR CONVERTIBLE		

AR = Use as Required - = Non Illustrated Part P.A.R. = Paint as Required

SPEED CONTROL ELECTRO MECHANICAL H,K - 2.2 LITER ENGINE

Figure 14-4800

5114 4800



ITEM	PART NUMBER	QTY	BODY	MODEL	DESCRIPTION
	4364 354	1			SPEED CONTROL PACKAGE (see note 1,2)
1	4288 056	1			CABLE, Speed Control
2	4275 976	1			BRACKET
3	6100 047	2			NUT, w/WASHER
4	2402 210	1			CLIP, Cable Mounting
5	6031 629	1			CLIP, Cable to Carb.
6	2448 761	1			CLAMP
7	4203 211	AR			HOSE
8	6100 288	2			SCREW, w/WASHER, Bracket to Battery Tray
9	6500 681	2			U-NUT, Bracket to Battery Tray
10	6025 867	1			CLIP
11	4179 306	1			SERVO, Speed Control
12	4275 437	1			BRACKET, Servo Mounting
13	6025 004	2			NUT, w/WASHER

NOTE 1: For vehicles which are not equipped with Intermittant Wipers you must also specify part no. 4293097 Intermittant Wiper Conversion Pkg. e rear of the carburetor throttle body. A mirror is required to read the no. when the carburetor is

NOTE 2: For vehicles which are equipped with Manual Trans. order 1 of 4221654 Clutch Switch e rear of the carburetor throttle body. A mirror is required to read the no. when the carburetor is

MODEL CODES

B = GRAN FURY	E = 600	M = HORIZON/TURISMO
C = LE BARON/TOWN & COUNTRY/LIMO	F = FIFTH AVENUE/NEWPORT	P = RELIANT
C24 = LASER	G = DIPLOMAT	T = NEW YORKER
C44 = LE BARON/GTS	H = VOYAGER	V = 600
D = ARIES	J = CARAVELLE	V24 = DAYTONA
D44 = LANCER	K = MINI VAN/CARAVAN/ROYAL	Z = OMNI/CHARGER

BODY STYLES

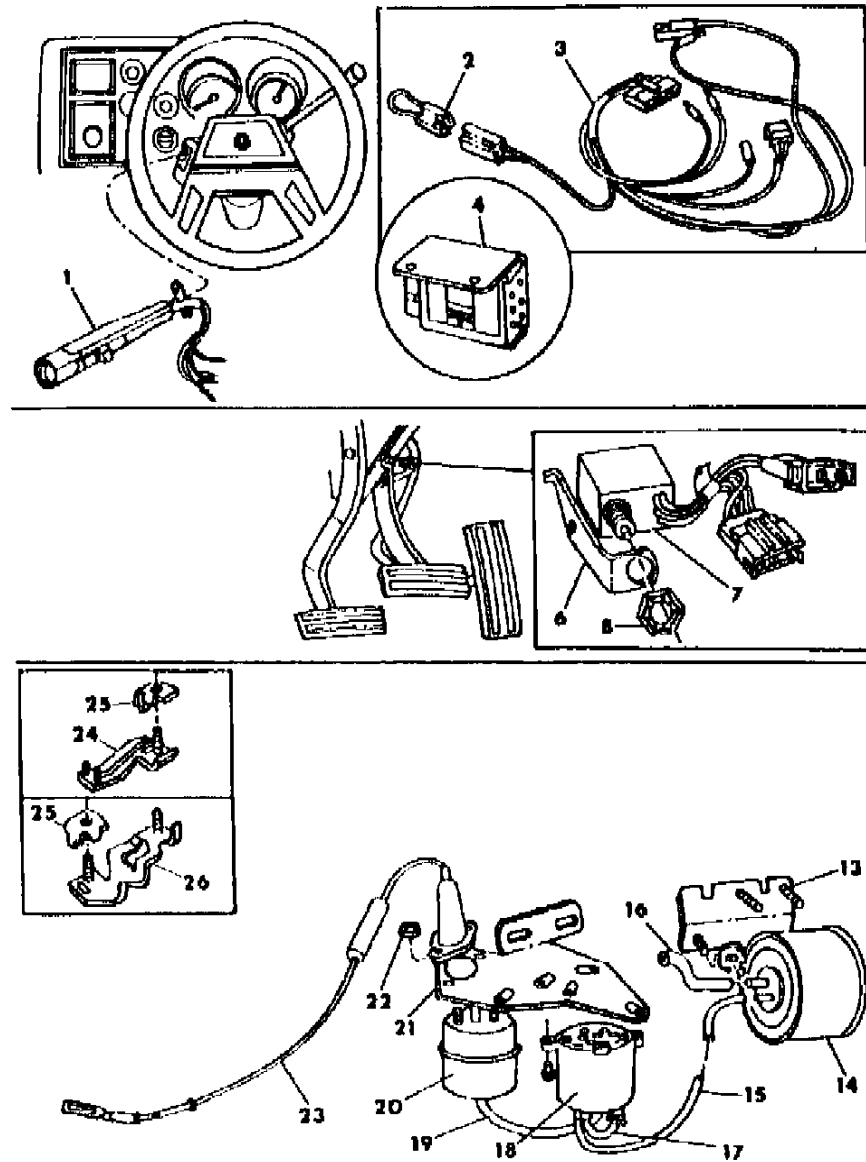
21 = 2-DOOR SEDAN	35 = FWD VAN	44 = 4-DOOR HATCHBACK
22 = 2-DOOR SPECIAL COUPE	36 = FWD WAGON	45 = 4-DOOR STATION WAGON
24 = 2-DOOR HATCHBACK	41 = 4-DOOR SEDAN	49 = LIMOUSINE
27 = 2-DOOR CONVERTIBLE		

AR = Use as Required - = Non Illustrated Part P.A.R. = Paint as Required

SPEED CONTROL ELECTRONIC H,K - 2.2 AND 2.6 LITER ENGINE

Figure 14-4900

5114 4900



ITEM	PART NUMBER	QTY	BODY	MODEL	DESCRIPTION
	4364 363	1			SPEED CONTROL PACKAGE (see note 1,2)
1	4342 209	1			SWITCH, Control
	4209 534	1			PLUG, Connector
2	4304 099	1			JUMPER, Auto Trans
3	4318 831	1			HARNESS, Master Wire
4	4318 829	1			MODULE, Electronic
	6032 639	2			SCREW, Module Mounting
6	4221 580	1			BRACKET, Stop Lamp
7	4221 434	1			SWITCH, Stop Lamp
8	0107 825	1			NUT, Stop Lamp Switch
10	4312 032	1			SENSOR, w/ Auto Trans
11	4312 819	1			CABLE, Speedo to Sensor, w/ Auto Trans
12	4318 842	1			HARNESS, Sensor Adaptor
13	4318 823	1			BRACKET, Reservoir Mounting
14	4318 821	1			RESERVOIR, w/ BRACKET
	6024 682	2			SPACER, Reservoir Mounting
15	4318 826	1			HOSE, Reservoir to Valve Body, 5/32 I.D. - 1/2 O.D. x 36"
16	4318 828	1			HOSE, Reservoir to Booster Brake or Intake Manifold Fitting 7/32 x 70"
17	4318 822	1			HOSE, Molded Horshoe
18	4318 818	1			BODY, Valve
19	4318 827	AR			HOSE, Vacuum Motor to Valve Body 5/32 x 50"
20	4318 819	1			MOTOR, Vacuum
21	4318 820	1			BRACKET, Valve Body and Motor Mounting
	6500 681	2			U - NUT, Bracket Mounting
	6100 288	2			SCREW, w/ WASHER, Bracket Mounting
22	6025 001	2			NUT, Cable Mounting
23	4288 057	1			CABLE, Servo
	6025 867	2			R - CLIP, Servo Cable
	6015 327	1			CLIP, Servo Cable Harness
24	4287 504	1			BRACKET, Clamp, w/ 2.6L Engine
25	2402 210	1			CLAMP, Cable
26	4275 976	1			BRACKET, Clamp, w/ 2.2L Engine
	5214 596	1			STUD, w/ 2.6L Engine
	6100 496	1			NUT, Stud, w/ 2.6L Engine
	6101 131	1			FUSE, ATC 3 Amp.

MODEL CODES

B = GRAN FURY	E = 600	M = HORIZON/TURISMO
C = LE BARON/TOWN & COUNTRY/LIMO	F = FIFTH AVENUE/NEWPORT	P = RELIANT
C24 = LASER	G = DIPLOMAT	T = NEW YORKER
C44 = LE BARON/GTS	H = VOYAGER	V = 600
D = ARIES	J = CARAVELLE	V24 = DAYTONA
D44 = LANCER	K = MINI VAN/CARAVAN/ROYAL	Z = OMNI/CHARGER

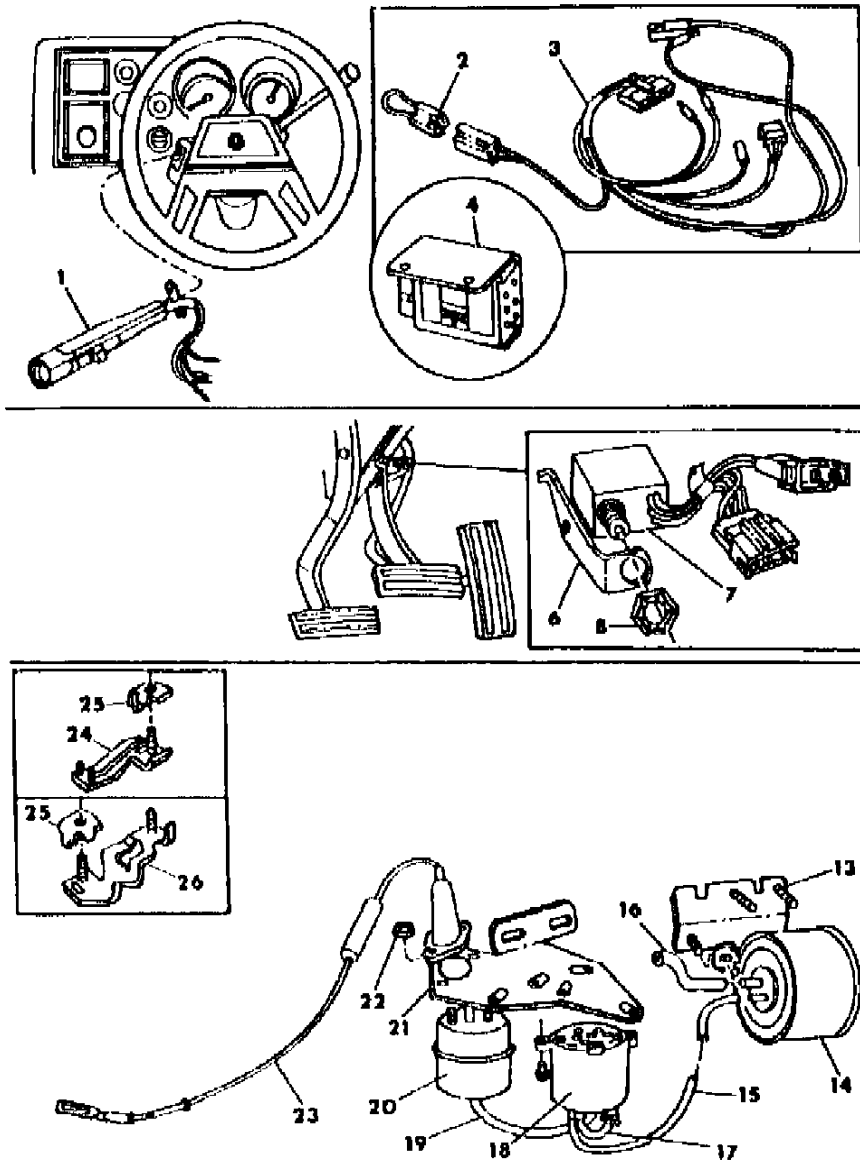
BODY STYLES

21 = 2-DOOR SEDAN	35 = FWD VAN	44 = 4-DOOR HATCHBACK
22 = 2-DOOR SPECIAL COUPE	36 = FWD WAGON	45 = 4-DOOR STATION WAGON
24 = 2-DOOR HATCHBACK	41 = 4-DOOR SEDAN	49 = LIMOUSINE
27 = 2-DOOR CONVERTIBLE		

AR = Use as Required - = Non Illustrated Part P.A.R. = Paint as Required

Figure 14-4900

5114 4900



SPEED CONTROL ELECTRONIC H,K - 2.2 AND 2.6 LITER ENGINE
Figure 14-4900

ITEM	PART NUMBER	QTY	BODY	MODEL	DESCRIPTION
------	-------------	-----	------	-------	-------------

NOTE 1: For vehicles which are not equipped with Intermittant Wipers you must also specify part no. 4293097 Intermittant Wiper Conversion Pkg. e rear of the carburetor throttle body. A mirror is required to read the no. when the carburator is

NOTE 2: For vehicles which are equipped with Manual Trans. order 1 of 4221654 Clutch Switch e rear of the carburetor throttle body. A mirror is required to read the no. when the carburator is

MODEL CODES

B = GRAN FURY	E = 600	M = HORIZON/TURISMO
C = LE BARON/TOWN & COUNTRY/LIMO	F = FIFTH AVENUE/NEWPORT	P = RELIANT
C24 = LASER	G = DIPLOMAT	T = NEW YORKER
C44 = LE BARON/GTS	H = VOYAGER	V = 600
D = ARIES	J = CARAVELLE	V24 = DAYTONA
D44 = LANCER	K = MINI VAN/CARAVAN/ROYAL	Z = OMNI/CHARGER

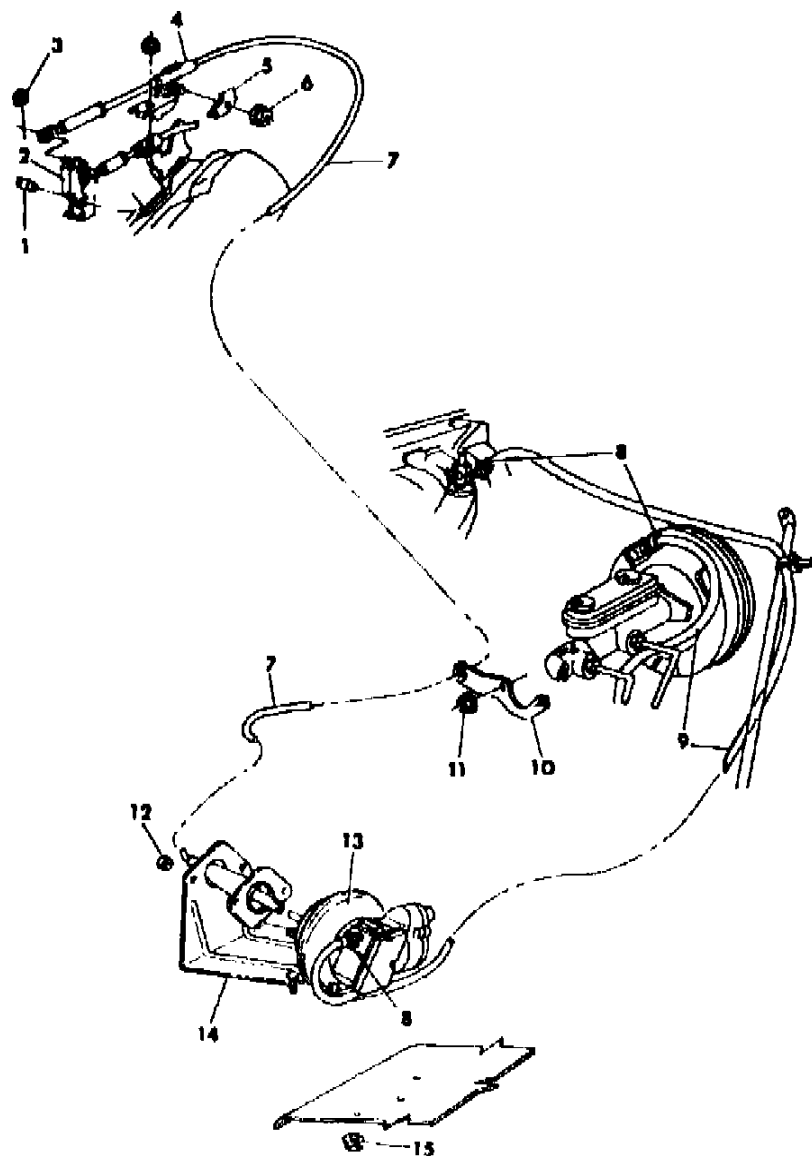
BODY STYLES

21 = 2-DOOR SEDAN	35 = FWD VAN	44 = 4-DOOR HATCHBACK
22 = 2-DOOR SPECIAL COUPE	36 = FWD WAGON	45 = 4-DOOR STATION WAGON
24 = 2-DOOR HATCHBACK	41 = 4-DOOR SEDAN	49 = LIMOUSINE
27 = 2-DOOR CONVERTIBLE		

AR = Use as Required - = Non Illustrated Part P.A.R. = Paint as Required

SPEED CONTROL ELECTRO MECHANICAL F,G,B
Figure 14-5000

51145000



ITEM	PART NUMBER	QTY	BODY	MODEL	DESCRIPTION
	4364 355	1			SPEED CONTROL PACKAGE (see note 1)
1	6032 164	1			PIN, Lost Motion Link
2	3769 261	1			LINK, Lost Motion
3	6030 479	1			CLIP
4					BRACKET
	2899 376	1			w/318-2BBL.
	3830 868	1			w/318-4BBL.
5	2402 210	1			CLIP
6	0120 375	1			NUT, w/WASHER
7	4241 249	1			CABLE, Speed Control
8	2448 761	AR			CLAMP
9	4203 211	AR			HOSE
10	4173 480	1			BRACKET, Cable Routing
11	0118 614	1			NUT
12	6025 004	2			NUT
13	4241 551	1			SERVO, Speed Control
14	4104 323	1			BRACKET
15	0120 375	3			NUT

NOTE 1: For vehicles which are not equipped with Intermittant Wipers you must also specify part no. 4293096 Intermittant Wiper Conversion Pkg. e rear of the carburetor throttle body. A mirror is required to read the no. when the carburetor is

MODEL CODES

B = GRAN FURY	E = 600	M = HORIZON/TURISMO
C = LE BARON/TOWN & COUNTRY/LIMO	F = FIFTH AVENUE/NEWPORT	P = RELIANT
C24 = LASER	G = DIPLOMAT	T = NEW YORKER
C44 = LE BARON/GTS	H = VOYAGER	V = 600
D = ARIES	J = CARAVELLE	V24 = DAYTONA
D44 = LANCER	K = MINI VAN/CARAVAN/ROYAL	Z = OMNI/CHARGER

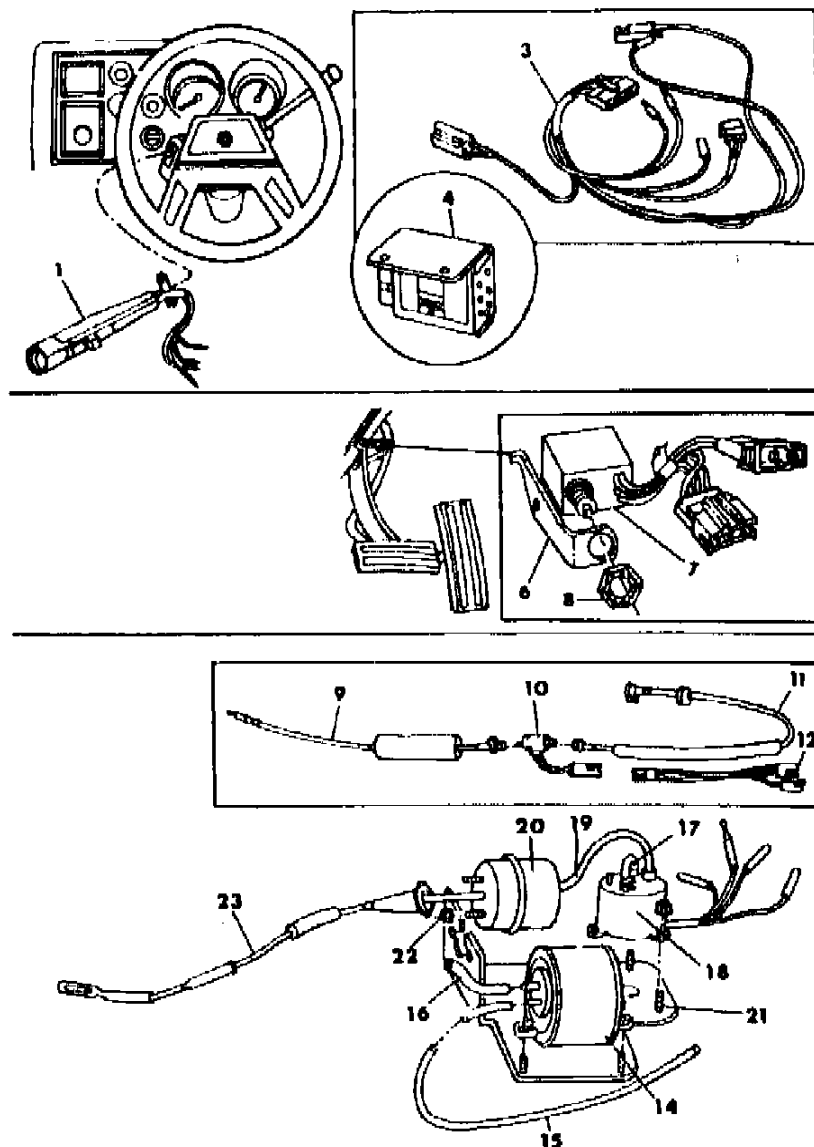
BODY STYLES

21 = 2-DOOR SEDAN	35 = FWD VAN	44 = 4-DOOR HATCHBACK
22 = 2-DOOR SPECIAL COUPE	36 = FWD WAGON	45 = 4-DOOR STATION WAGON
24 = 2-DOOR HATCHBACK	41 = 4-DOOR SEDAN	49 = LIMOUSINE
27 = 2-DOOR CONVERTIBLE		

AR = Use as Required - = Non Illustrated Part P.A.R. = Paint as Required

SPEED CONTROL ELECTRONIC F,G,B
Figure 14-5100

5114 5100



ITEM	PART NUMBER	QTY	BODY	MODEL	DESCRIPTION
	4318 811	1			SPEED CONTROL PACKAGE (see note 1)
1	4342 209	1			SWITCH, Control
	4209 534	1			PLUG, Connector
3	4318 831	1			HARNESS, Master Wire
4	4318 829	1			MODULE, Electronic
7	4221 438	1			SWITCH, Stop Light
8	0107 825	1			NUT, Switch Mounting
9	4312 342	1			CABLE, Sensor to Transmission
10	4312 186	1			SENSOR
11	4312 349	1			CABLE, Speedo to Sensor
14	4318 821	1			RESERVOIR, w/ BRACKET
15	4318 826	1			HOSE, 5/32 I.D. - 1/2 O.D. x 36"
16	4318 828	1			HOSE, 7/32 x 70"
17	4318 822	1			HOSE, Molded Horseshoe
18	4318 818	1			BODY, Valve
19	4318 827	1			HOSE, 5/32 x 50"
20	4318 819	1			MOTOR, Vacuum
21	4318 843	1			BRACKET, Mounting
22	0219 462	1			NUT, w/ WASHER, Cable Mounting
23	4241 249	1			CABLE, Servo
	2402 210	1			CLAMP
	3769 261	1			LINK
	6032 134	1			PIN, Link to Lever
	6030 479	1			CLIP, Mounting to Lost Motion
	2899 376	1			BRACKET, Cable Mounting, w/ 2 Bbl.
	3830 868	1			BRACKET, Cable Mounting, w/ 4 Bbl.
	6101 131	1			FUSE, ATC 3 Amp.

NOTE 1: For vehicles which are not equipped with Intermittant Wipers you must also specify part no. 4293096 Intermittant Wiper Conversion Pkg. e rear of the carburetor throttle body. A mirror is required to read the no. when the carburator is

MODEL CODES

B = GRAN FURY	E = 600	M = HORIZON/TURISMO
C = LE BARON/TOWN & COUNTRY/LIMO	F = FIFTH AVENUE/NEWPORT	P = RELIANT
C24 = LASER	G = DIPLOMAT	T = NEW YORKER
C44 = LE BARON/GTS	H = VOYAGER	V = 600
D = ARIES	J = CARAVELLE	V24 = DAYTONA
D44 = LANCER	K = MINI VAN/CARAVAN/ROYAL	Z = OMNI/CHARGER

BODY STYLES

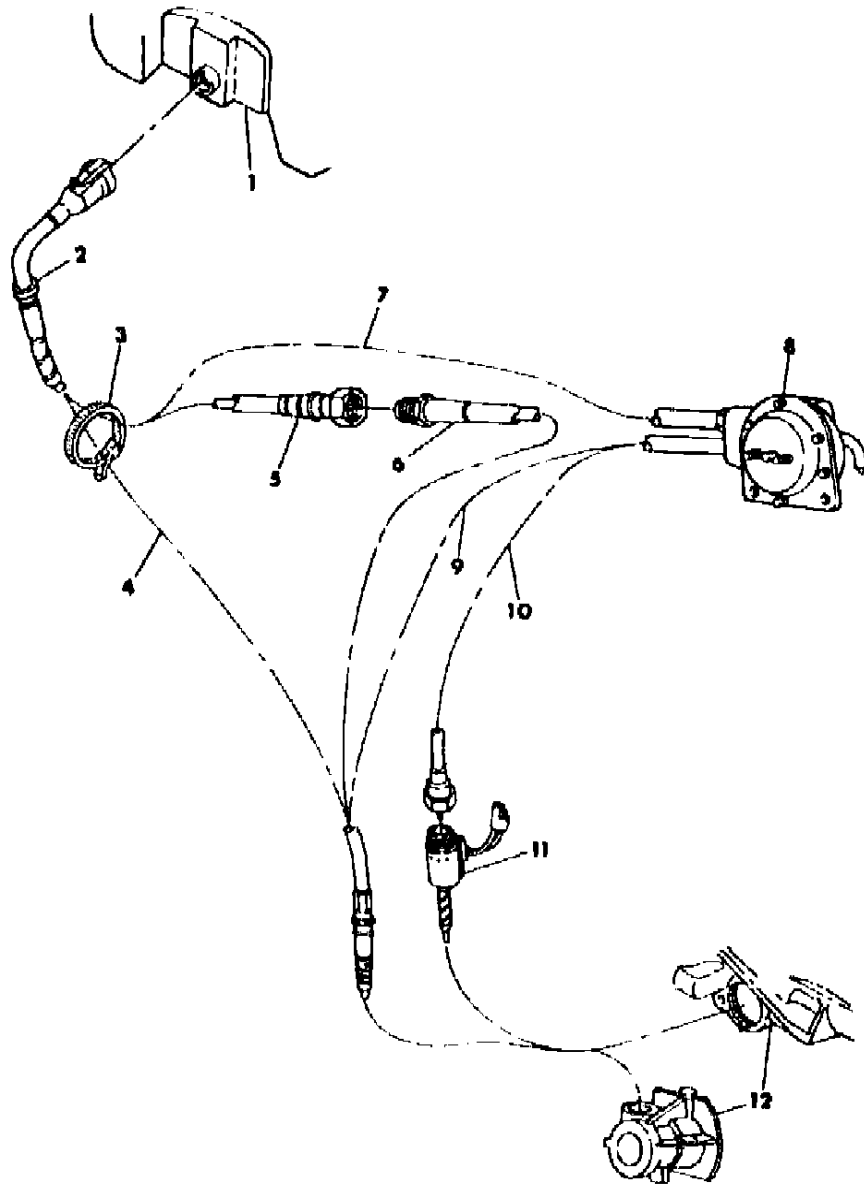
21 = 2-DOOR SEDAN	35 = FWD VAN	44 = 4-DOOR HATCHBACK
22 = 2-DOOR SPECIAL COUPE	36 = FWD WAGON	45 = 4-DOOR STATION WAGON
24 = 2-DOOR HATCHBACK	41 = 4-DOOR SEDAN	49 = LIMOUSINE
27 = 2-DOOR CONVERTIBLE		

AR = Use as Required - = Non Illustrated Part P.A.R. = Paint as Required

SPEED CONTROL CABLES

Figure 14-5200

5114 5200 A



ITEM	PART NUMBER	QTY	BODY	MODEL	DESCRIPTION
1					SPEEDOMETER (Ref.)
2	3593 446	1			GROMMET, Speedo Cable Dash
3	6015 756	AR			CLIP, Speedo Cable to Heater Hose
4					CABLE, Speedo to Trans (refer to Gr 21)
5					CABLE, Speedo to Coupling (refer to Gr 21)
6					CABLE, Coupling to Trans (refer to Gr21)
7					CABLE, Speedometer to Speed Control
	4312 328	1		M,Z	2.2L Engine, 40" Long
	4312 328	1		Z	2.2L Engine T.C., 40" Long
	4312 332	1		P,D,C,V	2.2L Engine, 44" Long
	4312 332	1		D,C,V,J	2.2L Engine T.B.I., 44" Long
	4312 332	1		D,C,V,J	2.2L Engine T.C., 44" Long
	4312 332	1		PDCVJET	2.6L Engine, 44" Long
	4312 337	1		H,K	2.2L Engine, 42" Long
	4312 337	1		H,K	2.6L Engine, 42" Long
	4312 634	1		B,F,G	318 Engine, 35" Long
8					SERVO, Speed Control (Ref)
9					CABLE, Speed Control to Sensor
	4312 329	1		M,Z	2.2 Liter Engine, Auto Trans., 31" Long
	4312 821	1		M,Z	2.2 Liter Engine, Manual Trans., 29" Long
	4312 821	1		Z	2.2 Liter Engine T.C., 29" Long
	4312 333	1		P,D,C,V	2.2 Liter Engine, w/o Electronic Cluster, 37" Long
	4312 817	1		P,D,C,V	2.2 Liter Engine, w/Electronic Cluster, 36" Long
	4312 333	1		PDCVJET	2.6 Liter Engine, w/o Electronic Cluster, 37" Long
	4312 817	1		PDCVJET	2.6 Liter Engine, w/Electronic Cluster, 36" Long
	4312 817	1		DCVJET	2.2 Liter Engine T.B.I., 36" Long
	4312 817	1		DCVJET	2.2 Liter Engine T.C., 36" Long
	4312 338	1		H,K	2.2 Liter Engine, Auto Trans., 33" Long
	4312 818	1		H,K	2.2 Liter Engine, Manual trans., 31" Long
	4312 338	1		H,K	2.6 Liter Engine, 33" Long
10					CABLE, Speed Control to Speed Sensor Switch
	4220 753	1		B,F,G	318 Engine, 4" Long
11					SWITCH, Speed Sensor (Ref)
12					TRANSMISSION (Ref)
					CABLE, Speed Sensor Switch to Transmission (not illustrated)
	3591 615	1		B,F,G	318 Engine, 52" Long
13					SWITCH, Speed Sensor (Ref)

MODEL CODES

B = GRAN FURY	E = 600	M = HORIZON/TURISMO
C = LE BARON/TOWN & COUNTRY/LIMO	F = FIFTH AVENUE/NEWPORT	P = RELIANT
C24 = LASER	G = DIPLOMAT	T = NEW YORKER
C44 = LE BARON/GTS	H = VOYAGER	V = 600
D = ARIES	J = CARAVELLE	V24 = DAYTONA
D44 = LANCER	K = MINI VAN/CARAVAN/ROYAL	Z = OMNI/CHARGER

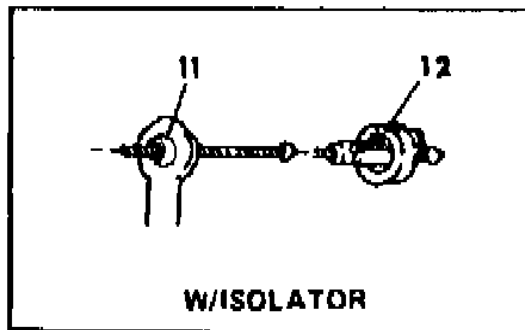
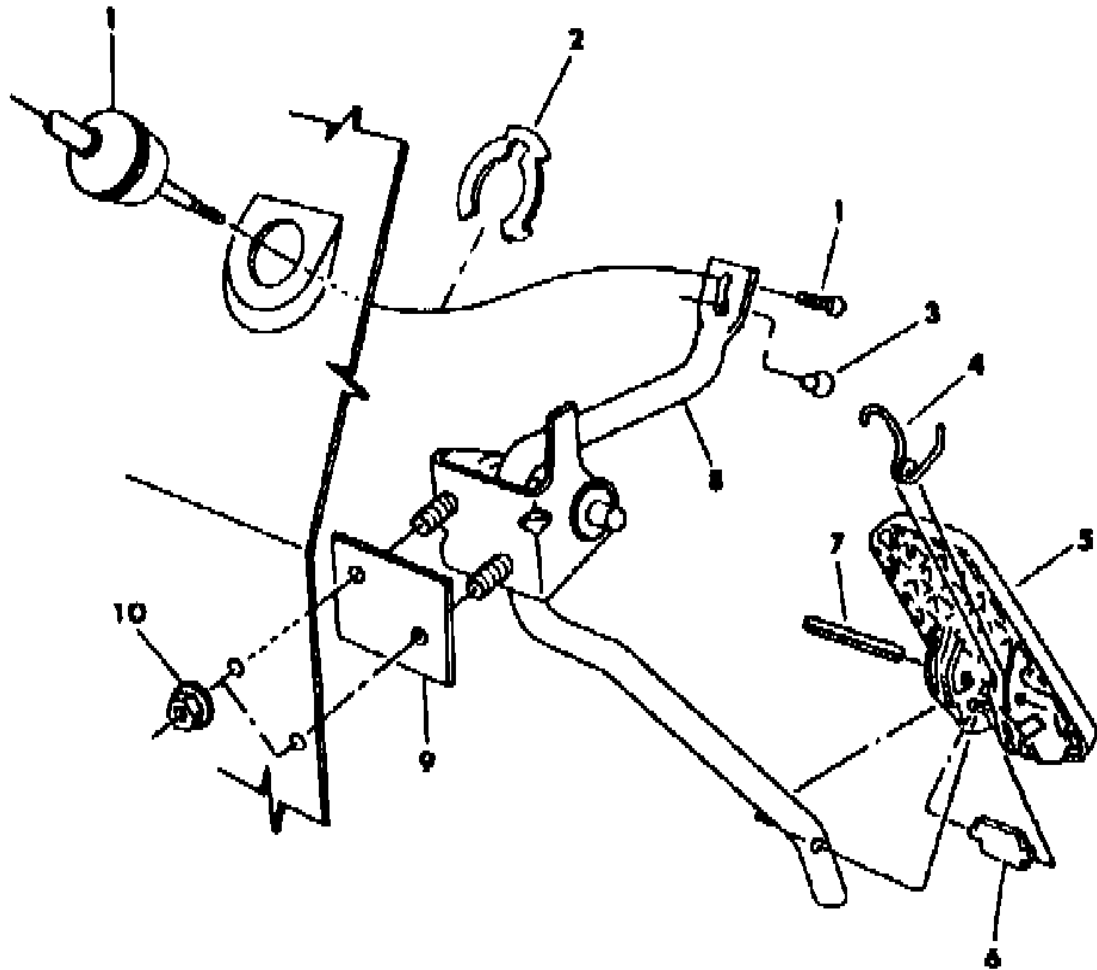
BODY STYLES

21 = 2-DOOR SEDAN	35 = FWD VAN	44 = 4-DOOR HATCHBACK
22 = 2-DOOR SPECIAL COUPE	36 = FWD WAGON	45 = 4-DOOR STATION WAGON
24 = 2-DOOR HATCHBACK	41 = 4-DOOR SEDAN	49 = LIMOUSINE
27 = 2-DOOR CONVERTIBLE		

AR = Use as Required - = Non Illustrated Part P.A.R. = Paint as Required

ACCELERATOR PEDAL M,Z,P,D,C,V,E,T
Figure 14-5300

5114 5300



ITEM	PART NUMBER	QTY	BODY	MODEL	DESCRIPTION
1					CABLE, Throttle Control, see Throttle Control Illustration
2	5214 613	1			CLIP, Retainer
3	2465 483	1			PLUG
4	2899 354	1			SPRING
	4104 196	1			w/T.B.I., T.C.
5	4105 073	1			PEDAL, Accelerator
	4227 170	1			w/2.2L Eng. (EDJ)
	4105 073	1			w/2.2L Eng., w/o (EDJ)
	4105 073	1		V,C 24	w/Auto Trans.
	4227 170	1		V,C 24	w/Manual Trans.
6	2899 342	1			PAD
7	0273 752	1			PIN, Spring
8					BRACKET and SHAFT, Accelerator
	4300 954	1		M,Z	except Shelby Charger and T.C.
	4300 980	1		M,Z	w/ T.C.
	4288 036	1		M,Z	Shelby Charger
	4288 032	1		P,D,C,V	w/o Isolator
	4288 034	1		P,D,C,V	w/Isolator
9	4201 048	1		P,D,C,V	SEAL, Bracket Mounting
	4275 540	1		M,Z	
10	6500 284	2			NUT w/WASHER
	3769 054	1		P,D,C,V	BEZEL, Accel Pedal
	5214 416	1			GROMMET, Throttle Control (not illustrated)
11	#4306 150	1			ISOLATOR, Throttle Cable
12	4287 736	1			RETAINER, w/Isolator

MODEL CODES

B = GRAN FURY	E = 600	M = HORIZON/TURISMO
C = LE BARON/TOWN & COUNTRY/LIMO	F = FIFTH AVENUE/NEWPORT	P = RELIANT
C24 = LASER	G = DIPLOMAT	T = NEW YORKER
C44 = LE BARON/GTS	H = VOYAGER	V = 600
D = ARIES	J = CARAVELLE	V24 = DAYTONA
D44 = LANCER	K = MINI VAN/CARAVAN/ROYAL	Z = OMNI/CHARGER

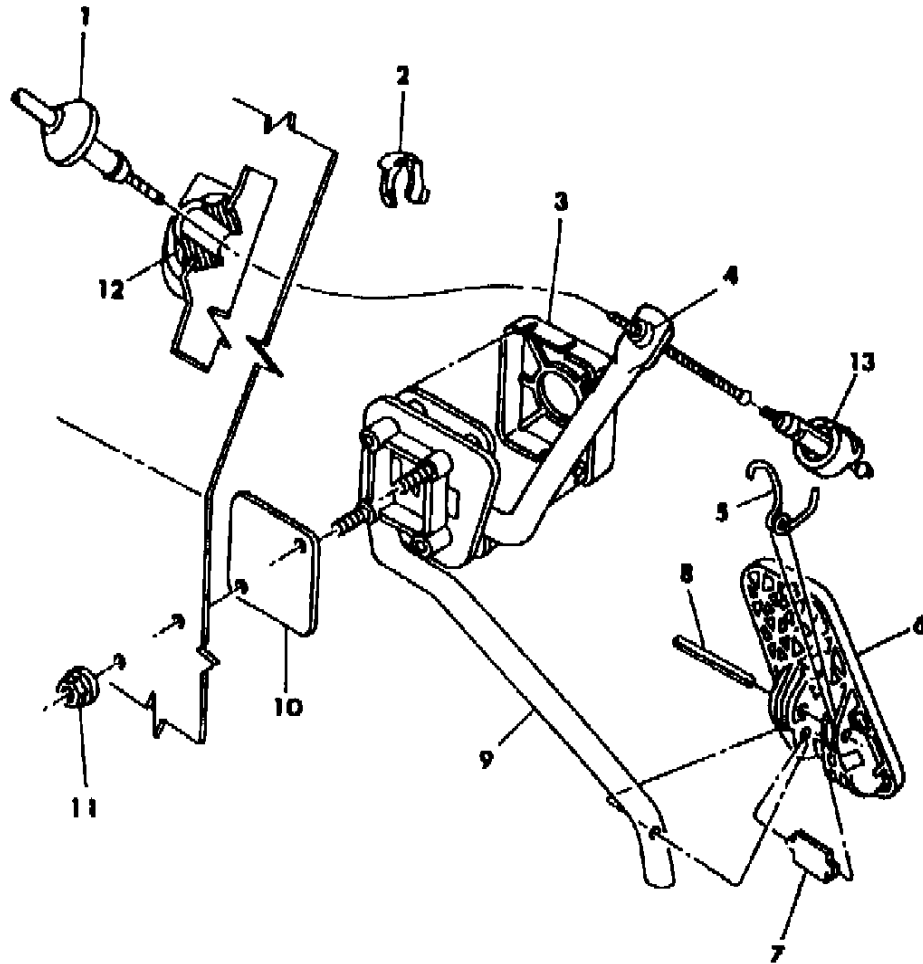
BODY STYLES

21 = 2-DOOR SEDAN	35 = FWD VAN	44 = 4-DOOR HATCHBACK
22 = 2-DOOR SPECIAL COUPE	36 = FWD WAGON	45 = 4-DOOR STATION WAGON
24 = 2-DOOR HATCHBACK	41 = 4-DOOR SEDAN	49 = LIMOUSINE
27 = 2-DOOR CONVERTIBLE		

AR = Use as Required - = Non Illustrated Part P.A.R. = Paint as Required

ACCELERATOR PEDAL - H,K
Figure 14-5400

5114 5400



ITEM	PART NUMBER	QTY	BODY	MODEL	DESCRIPTION
1					CABLE, Throttle Control see Throttle Control Illustration
2	5214 613	1			CLIP, Retainer
3	4275 539	1			COVER, Dress up
4	#4306 150	1			PLUG
5	4104 196	1			SPRING
6	4105 073	1			PEDAL, Accelerator
7	2899 342	1			PAD
8	9429 032	1			PIN, Spring
9	4300 974	1			BRACKET and SHAFT, Accelerator
10	4275 099	1			SEAL
11	6500 274	2			NUT, w/WASHER
12	5214 416	1			GROMMET
13	4287 736	1			RETAINER, w/ISOLATOR

MODEL CODES

B = GRAN FURY	E = 600	M = HORIZON/TURISMO
C = LE BARON/TOWN & COUNTRY/LIMO	F = FIFTH AVENUE/NEWPORT	P = RELIANT
C24 = LASER	G = DIPLOMAT	T = NEW YORKER
C44 = LE BARON/GTS	H = VOYAGER	V = 600
D = ARIES	J = CARAVELLE	V24 = DAYTONA
D44 = LANCER	K = MINI VAN/CARAVAN/ROYAL	Z = OMNI/CHARGER

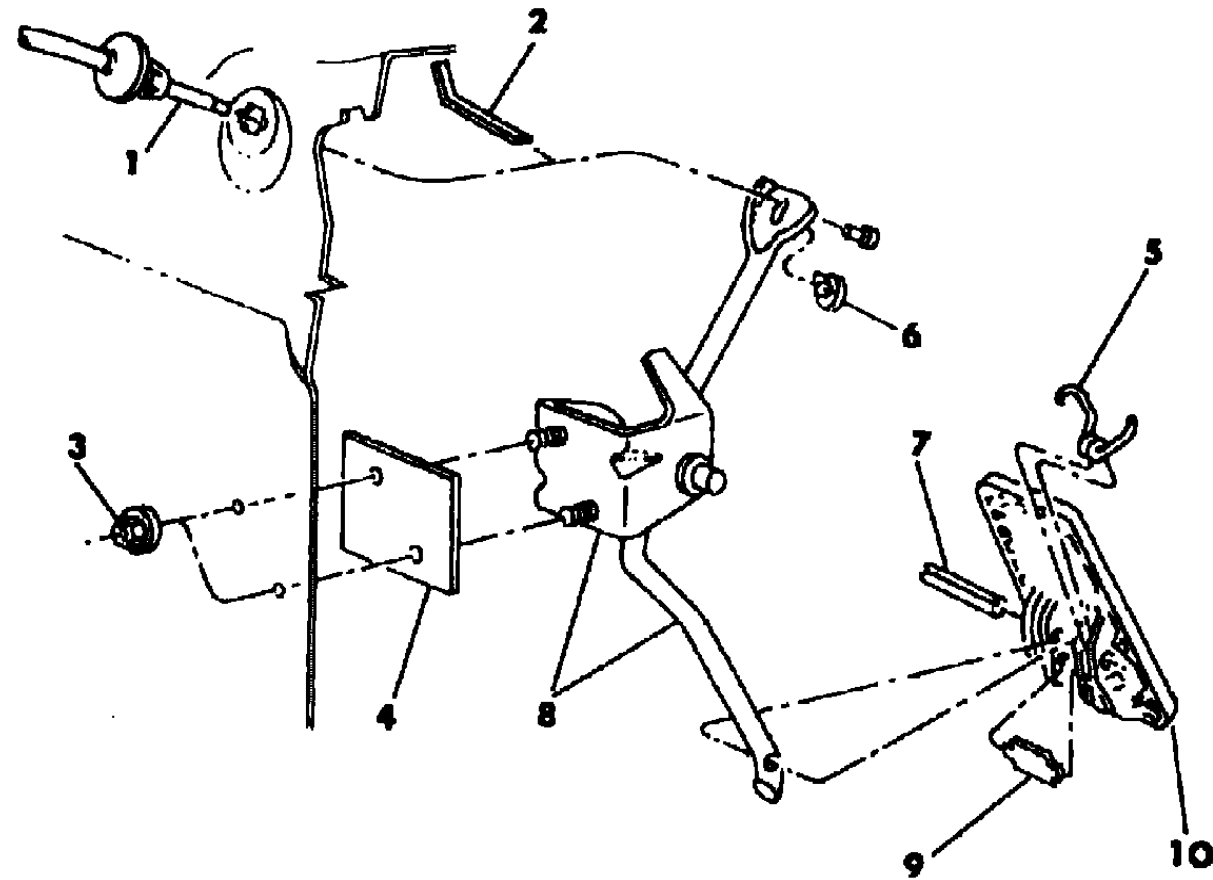
BODY STYLES

21 = 2-DOOR SEDAN	35 = FWD VAN	44 = 4-DOOR HATCHBACK
22 = 2-DOOR SPECIAL COUPE	36 = FWD WAGON	45 = 4-DOOR STATION WAGON
24 = 2-DOOR HATCHBACK	41 = 4-DOOR SEDAN	49 = LIMOUSINE
27 = 2-DOOR CONVERTIBLE		

AR = Use as Required - = Non Illustrated Part P.A.R. = Paint as Required

ACCELERATOR PEDAL F,G,B
Figure 14-5500

5114 5500



ITEM	PART NUMBER	QTY	BODY	MODEL	DESCRIPTION
1					CABLE, Throttle Control, see Throttle Control Illustration
2	3462 725	1			RETAINER
3	6025 004	2			NUT w/WASHER
4	1242 974	1			SEAL
5	2899 354	1			SPRING
6	2465 483	1			PLUG
7	9429 032	1			PIN, Spring
8	3870 689	1			BRACKET, Accelerator Shaft
9	2899 342	1			PAD
10	4105 073	1			PEDAL, Accelecator
NOTE: The following items are not illustrated e rear of the carburetor throttle body. A mirror is required to read the no. when the carburator is					
	4241 256	1			SPACER, Accel. Pedal Bracket
	2129 856	1			SPACER, Accel. Pedal Bracket Spacer, w/318 Engine
	2899 351	2			BUSHING, Accel. Shaft Bracket

MODEL CODES

B = GRAN FURY	E = 600	M = HORIZON/TURISMO
C = LE BARON/TOWN & COUNTRY/LIMO	F = FIFTH AVENUE/NEWPORT	P = RELIANT
C24 = LASER	G = DIPLOMAT	T = NEW YORKER
C44 = LE BARON/GTS	H = VOYAGER	V = 600
D = ARIES	J = CARAVELLE	V24 = DAYTONA
D44 = LANCER	K = MINI VAN/CARAVAN/ROYAL	Z = OMNI/CHARGER

BODY STYLES

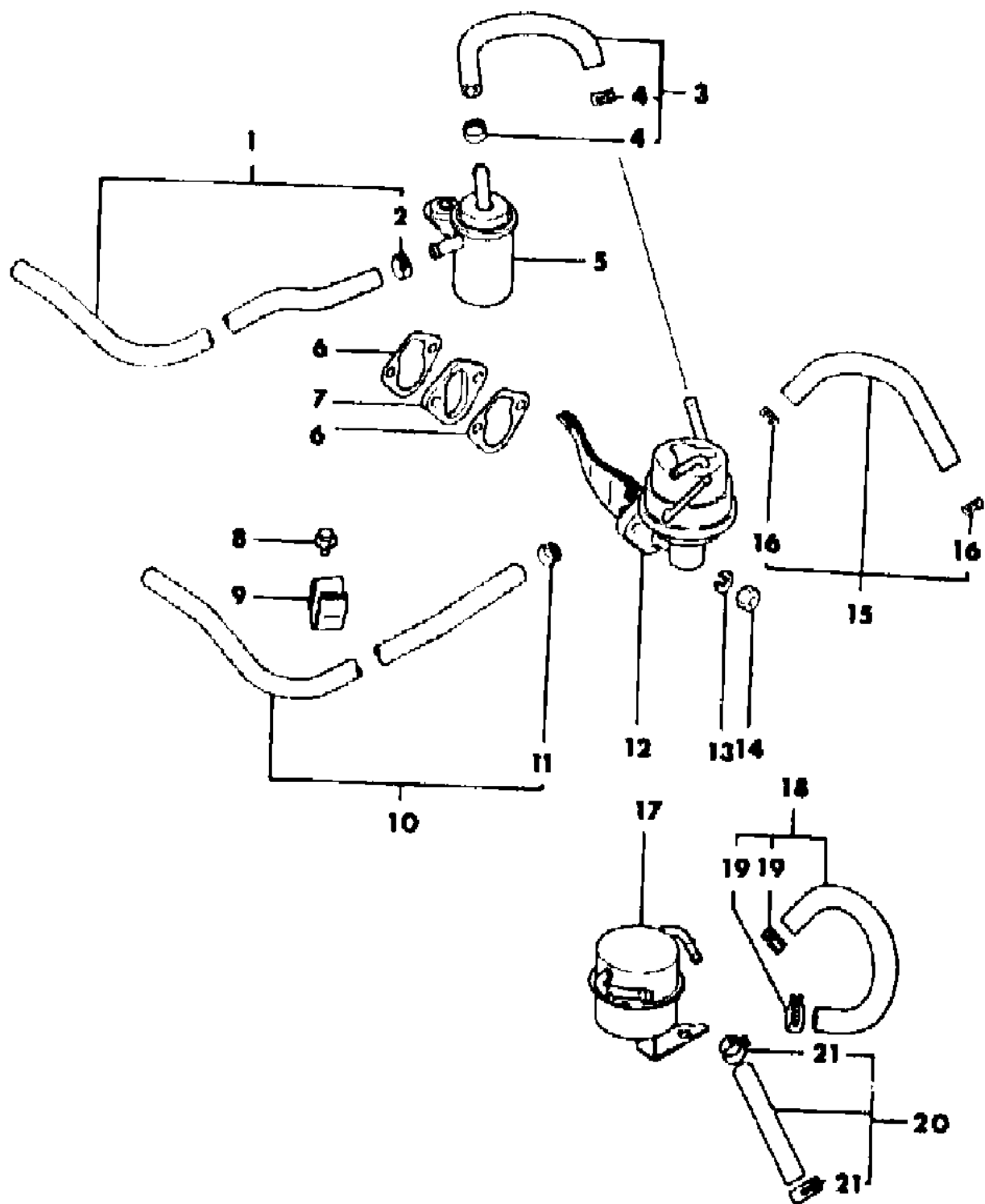
21 = 2-DOOR SEDAN	35 = FWD VAN	44 = 4-DOOR HATCHBACK
22 = 2-DOOR SPECIAL COUPE	36 = FWD WAGON	45 = 4-DOOR STATION WAGON
24 = 2-DOOR HATCHBACK	41 = 4-DOOR SEDAN	49 = LIMOUSINE
27 = 2-DOOR CONVERTIBLE		

AR = Use as Required - = Non Illustrated Part P.A.R. = Paint as Required

FUEL PUMP AND FUEL FILTER - W/2.6 LITER ENGINE

Figure 14-5600

5714 5600



ITEM	PART NUMBER	QTY	BODY	MODEL	DESCRIPTION
1					HOSE, w/CLIP
	MD06 3139	1			Calif, except H,K and Limo
	MD06 3139	1			Canada except H,K and Limo
2					CLIP, Hose
	MS66 0164	2			Calif, except H,K and Limo
	MS66 0164	2			Canada except H,K and Limo
3	MD02 6606	1			HOSE, w/ Clip, Fuel
4	MS66 0164	2			CLIP, Hose
5	MD02 6581	1			FILTER, Fuel
6	MD02 3388	2			GASKET, Fuel Pump
7	MD02 3389	1			INSULATOR, Fuel Pump
8	#MF14 0202	1			BOLT, Flange
9	MD02 6604	1			SUPPORT, Fuel Hose
10					HOSE, w/ CLIP, Fuel
	MD06 3140	1			Calif, except H,K and Limo
	MD06 3140	1			Canada except H,K and Limo
11					CLIP, Hose
	MS66 0162	1			Calif, except H,K and Limo
	MS66 0162	1			Canada except H,K and Limo
12	MD02 6591	1			PUMP, Fuel
13	MF45 0405	2			WASHER, Spring
14	MF43 0005	2			NUT
15	MD02 6607	1			HOSE, w/ CLIP, except H,K H/Alt.
16	MS66 0162	1			CLIP, Hose except H,K H/Alt.
17	MD08 2109	1			RESERVOIR, Fuel, except Canada
18	MD08 3360	1			HOSE, w/ CLIP, except Canada
19	MS66 0162	2			CLIP, Hose, except Canada
20	MD08 3895	1			HOSE, w/ CLIP, except Canada
21	MS66 0162	1			CLIP, Hose, except Canada

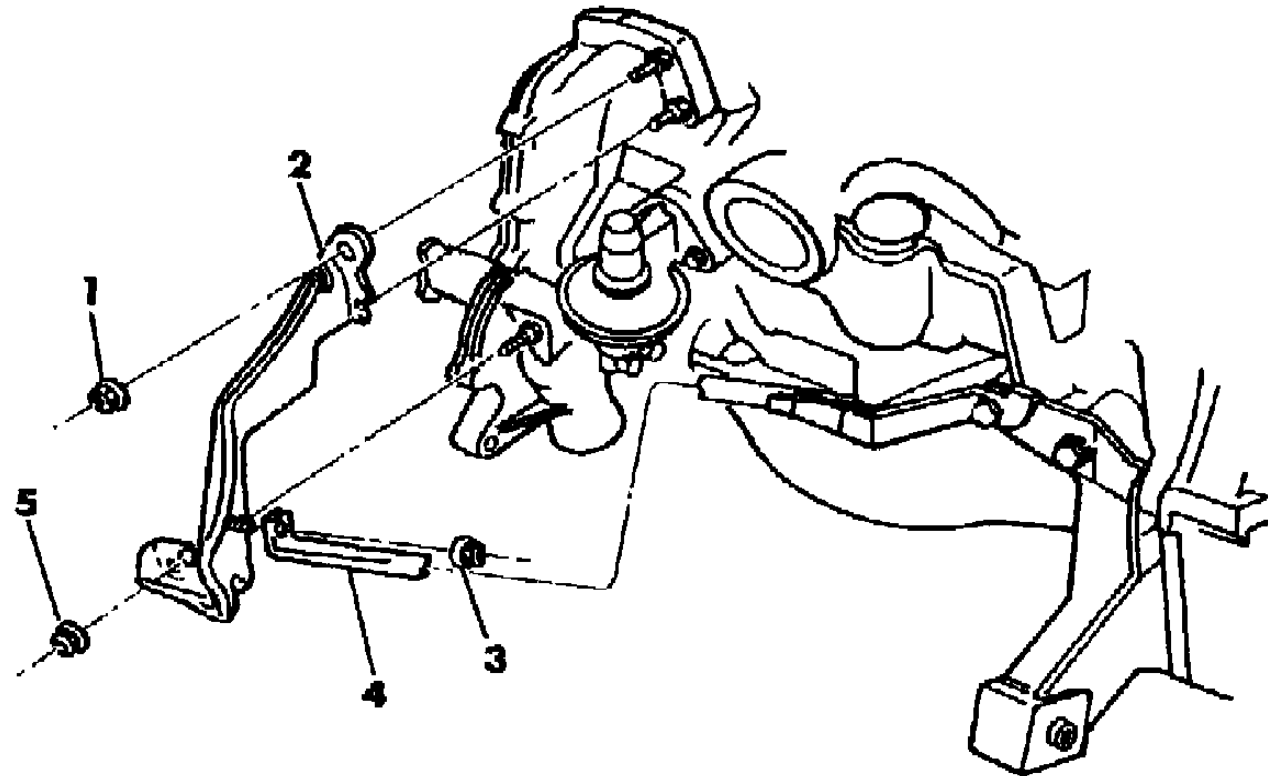
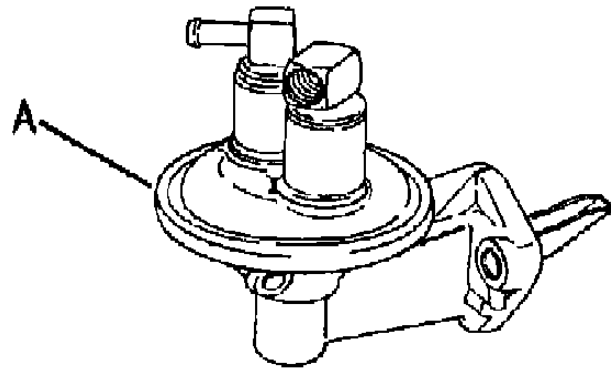
MODEL CODES
 B = GRAN FURY
 C = LE BARON/TOWN & COUNTRY/LIMO
 C24 = LASER
 C44 = LE BARON/GTS
 D = ARIES
 D44 = LANCER
 E = 600
 F = FIFTH AVENUE/NEWPORT
 G = DIPLOMAT
 H = VOYAGER
 J = CARAVELLE
 K = MINI VAN/CARAVAN/ROYAL
 M = HORIZON/TURISMO
 P = RELIANT
 T = NEW YORKER
 V = 600
 V24 = DAYTONA
 Z = OMNI/CHARGER

BODY STYLES
 21 = 2-DOOR SEDAN
 22 = 2-DOOR SPECIAL COUPE
 24 = 2-DOOR HATCHBACK
 27 = 2-DOOR CONVERTIBLE
 35 = FWD VAN
 36 = FWD WAGON
 41 = 4-DOOR SEDAN
 44 = 4-DOOR HATCHBACK
 45 = 4-DOOR STATION WAGON
 49 = LIMOUSINE

AR = Use as Required - = Non Illustrated Part P.A.R. = Paint as Required

FUEL PUMPS
Figure 14-5700

5114 5700A



ITEM	PART NUMBER	QTY	BODY	MODEL	DESCRIPTION
A					PUMP, Fuel
	4293 801	1			w/1.6 Liter Engine
	4293 802	1			w/2.2 Liter Engine
	4293 803	1			w/318 Engine
					GASKET, Fuel Pump Flange
	5240 332	1			w/1.6 Liter Engine
	5214 680	1			w/2.2 Liter Engine
	3577 870	1			w/318 Engine
					BOLT, Fuel Pump Attaching
	6500 564	2			w/1.6 Liter Engine
	6023 526	2			w/318 Engine
1	6500 363	1			NUT, Hex Lock, w/2.2 Liter Eng.
2	4104 182	1			BLOCKER, Fuel Pump, w/2.2 Liter Eng.
	4275 448	1		H,K	
3	6500 274	1			NUT, Hex Lock, w/2.2 Liter Eng.
4	4104 183	1			STRUT, Fuel Pump Blocker, w/2.2 Liter Eng.
	4275 449	1		H,K	
5	6100 518	1			NUT, Hex Lock, w/2.2 Liter Eng.

MODEL CODES

B = GRAN FURY	E = 600	M = HORIZON/TURISMO
C = LE BARON/TOWN & COUNTRY/LIMO	F = FIFTH AVENUE/NEWPORT	P = RELIANT
C24 = LASER	G = DIPLOMAT	T = NEW YORKER
C44 = LE BARON/GTS	H = VOYAGER	V = 600
D = ARIES	J = CARAVELLE	V24 = DAYTONA
D44 = LANCER	K = MINI VAN/CARAVAN/ROYAL	Z = OMNI/CHARGER

BODY STYLES

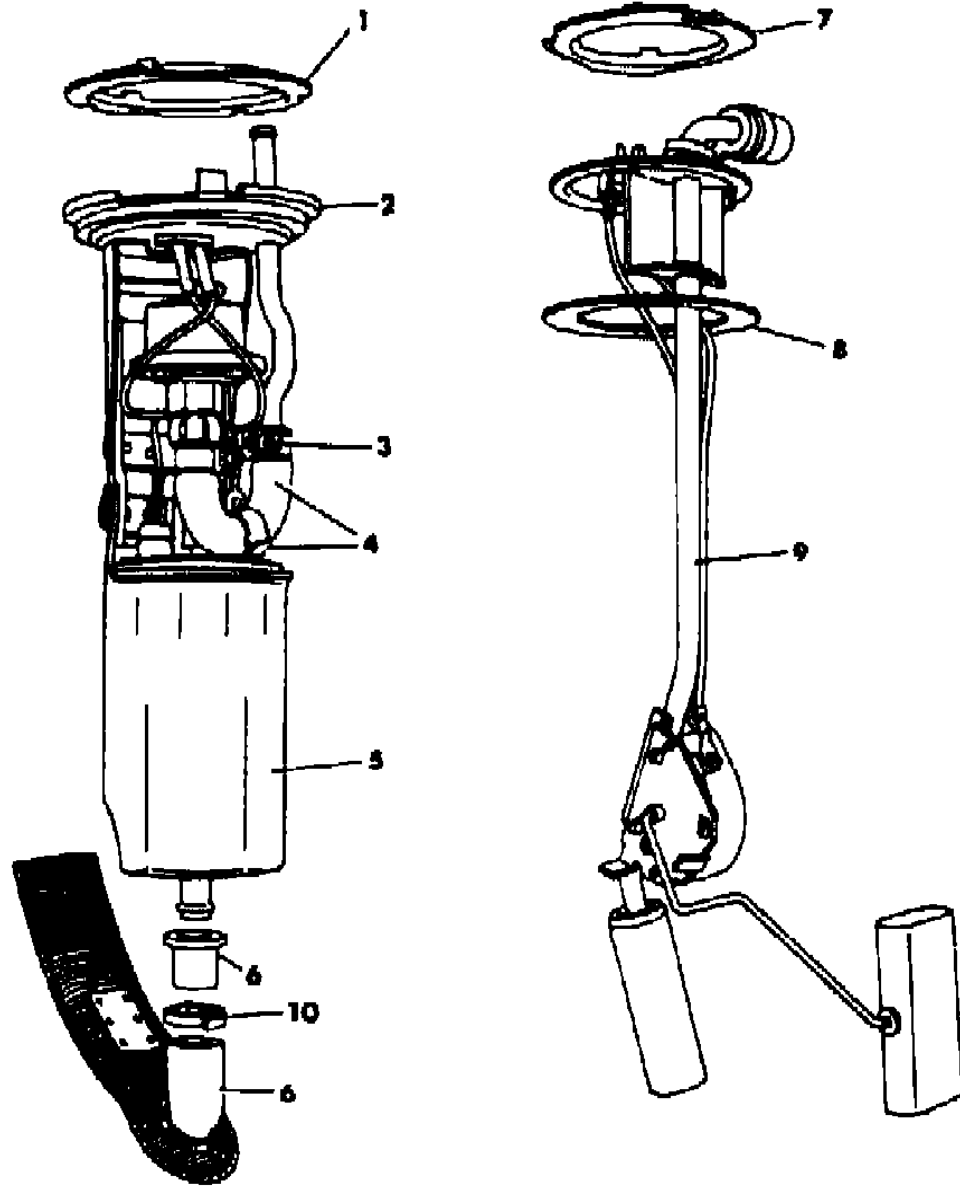
21 = 2-DOOR SEDAN	35 = FWD VAN	44 = 4-DOOR HATCHBACK
22 = 2-DOOR SPECIAL COUPE	36 = FWD WAGON	45 = 4-DOOR STATION WAGON
24 = 2-DOOR HATCHBACK	41 = 4-DOOR SEDAN	49 = LIMOUSINE
27 = 2-DOOR CONVERTIBLE		

AR = Use as Required - = Non Illustrated Part P.A.R. = Paint as Required

FUEL PUMP AND SENDING UNIT TURBO CHARGER - (EXCEPT Z)
Figure 14-5800

5114 5800

ITEM	PART NUMBER	QTY	BODY	MODEL	DESCRIPTION
1	4279 445	1			RETAINER, Fuel PUMP
2	6031 475	1			SEAL, Fuel Pump
3	6500 651	2			CLAMP
4	4279 405	1			HOSE, w/SLEEVE
5					PUMP, Less Filter, Fuel
	4279 917	1			Double Nipple
	4203 941	1			Single Nipple
6	4279 940	1			FILTER, Fuel Pump
7	1730 095	1			RETAINER, Fuel Sending Unit
8	1948 757	1			SEAL, Fuel Sending Unit
9	4051 663	1			UNIT, Fuel Sending
10	6032 263	1			CLAMP, Fuel Pump Filter
	4275 325	1			COVER, Fuel Pump Pad (not illustrated)
	5214 680	1			GASKET, Fuel Pump Pad Cover (not illustrated)
	4221 279	1			RELAY, Fuel Pump (not illustrated)



MODEL CODES

B = GRAN FURY	E = 600	M = HORIZON/TURISMO
C = LE BARON/TOWN & COUNTRY/LIMO	F = FIFTH AVENUE/NEWPORT	P = RELIANT
C24 = LASER	G = DIPLOMAT	T = NEW YORKER
C44 = LE BARON/GTS	H = VOYAGER	V = 600
D = ARIES	J = CARAVELLE	V24 = DAYTONA
D44 = LANCER	K = MINI VAN/CARAVAN/ROYAL	Z = OMNI/CHARGER

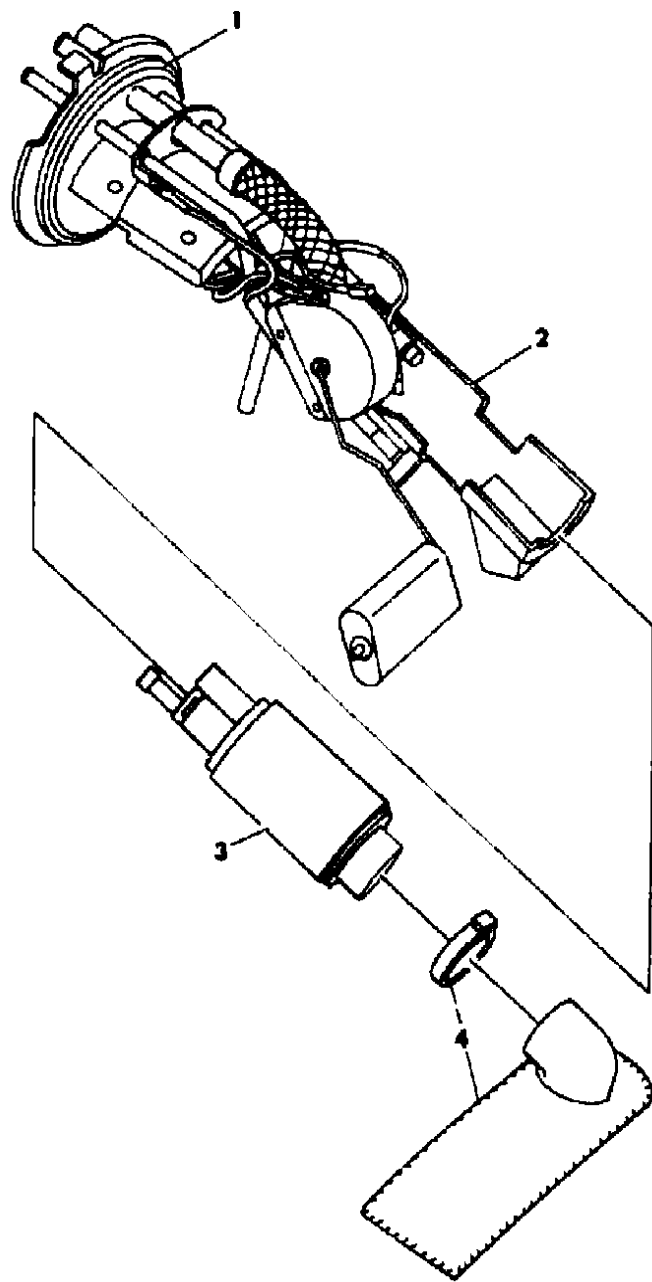
BODY STYLES

21 = 2-DOOR SEDAN	35 = FWD VAN	44 = 4-DOOR HATCHBACK
22 = 2-DOOR SPECIAL COUPE	36 = FWD WAGON	45 = 4-DOOR STATION WAGON
24 = 2-DOOR HATCHBACK	41 = 4-DOOR SEDAN	49 = LIMOUSINE
27 = 2-DOOR CONVERTIBLE		

AR = Use as Required - = Non Illustrated Part P.A.R. = Paint as Required

FUEL PUMP AND SENDING UNIT T.B.I.
Figure 14-5900

5114 5900



ITEM	PART NUMBER	QTY	BODY	MODEL	DESCRIPTION
1	6031 475	1			SEAL
2	4279 950	1			LEVEL UNIT
	4279 445	1			RETAINER, Fuel Pump and Level Unit
3	4279 951	1			PUMP, Fuel
4	4279 943	1			FILTER, Fuel Pump

MODEL CODES

B = GRAN FURY	E = 600	M = HORIZON/TURISMO
C = LE BARON/TOWN & COUNTRY/LIMO	F = FIFTH AVENUE/NEWPORT	P = RELIANT
C24 = LASER	G = DIPLOMAT	T = NEW YORKER
C44 = LE BARON/GTS	H = VOYAGER	V = 600
D = ARIES	J = CARAVELLE	V24 = DAYTONA
D44 = LANCER	K = MINI VAN/CARAVAN/ROYAL	Z = OMNI/CHARGER

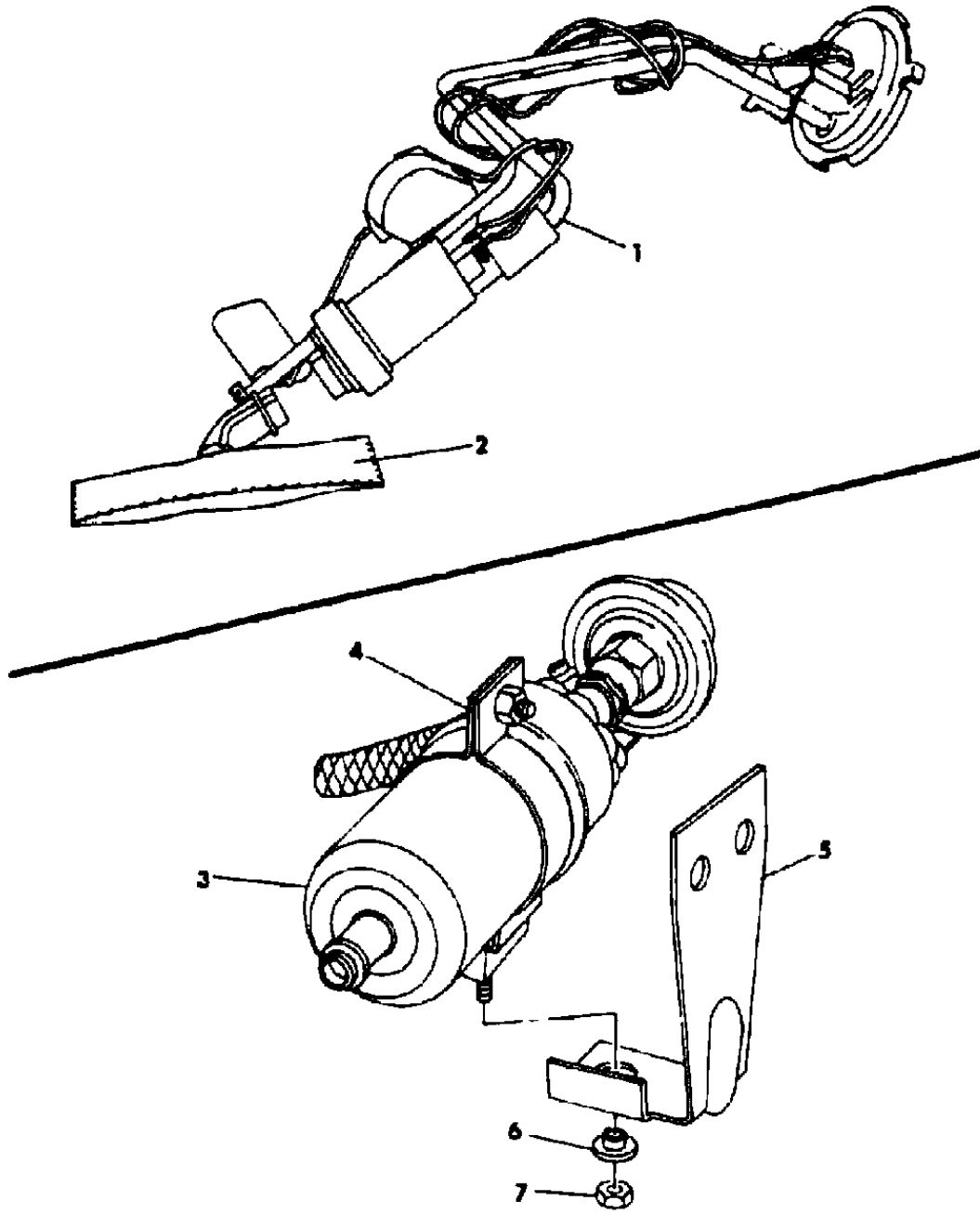
BODY STYLES

21 = 2-DOOR SEDAN	35 = FWD VAN	44 = 4-DOOR HATCHBACK
22 = 2-DOOR SPECIAL COUPE	36 = FWD WAGON	45 = 4-DOOR STATION WAGON
24 = 2-DOOR HATCHBACK	41 = 4-DOOR SEDAN	49 = LIMOUSINE
27 = 2-DOOR CONVERTIBLE		

AR = Use as Required - = Non Illustrated Part P.A.R. = Paint as Required

FUEL PUMP AND SENDING UNIT Z - TURBO CHARGER
Figure 14-6000

5114 6000



ITEM	PART NUMBER	QTY	BODY	MODEL	DESCRIPTION
1	4279 949	1			PUMP, w/LEVEL UNIT, Fuel
2	4051 857	1			FILTER, Fuel Pump
3	4203 652	1			PUMP, Fuel
4	4279 679	1			CLAMP, Fuel Pump
5	4203 712	1			BRACKET, Fuel Pump Mounting
6	4279 988	1			ISOLATOR, Fuel Pump
7		1			NUT, Fuel Pump to Bracket (not serviced)

MODEL CODES

B = GRAN FURY	E = 600	M = HORIZON/TURISMO
C = LE BARON/TOWN & COUNTRY/LIMO	F = FIFTH AVENUE/NEWPORT	P = RELIANT
C24 = LASER	G = DIPLOMAT	T = NEW YORKER
C44 = LE BARON/GTS	H = VOYAGER	V = 600
D = ARIES	J = CARAVELLE	V24 = DAYTONA
D44 = LANCER	K = MINI VAN/CARAVAN/ROYAL	Z = OMNI/CHARGER

BODY STYLES

21 = 2-DOOR SEDAN	35 = FWD VAN	44 = 4-DOOR HATCHBACK
22 = 2-DOOR SPECIAL COUPE	36 = FWD WAGON	45 = 4-DOOR STATION WAGON
24 = 2-DOOR HATCHBACK	41 = 4-DOOR SEDAN	49 = LIMOUSINE
27 = 2-DOOR CONVERTIBLE		

AR = Use as Required - = Non Illustrated Part P.A.R. = Paint as Required

FUEL LINES - M,Z (EXCEPT TURBO CHARGER)

Figure 14-6100

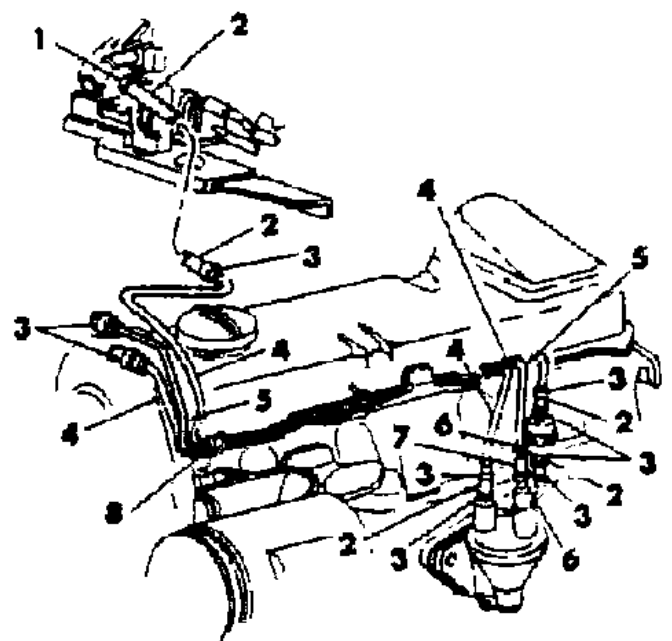
51145100

ITEM	PART NUMBER	QTY	BODY	MODEL	DESCRIPTION
1	2463 937	AR			CLAMP
2	4203 316	AR			HOSE, (50 ft. roll) 5/16 I.D. Carb. to Fuel Tube Fuel Filter Fuel Pump
					Return Tube Front to Engine Fuel Return Tube Fuel Tube Front to Engine Fuel Pump Tube Fuel Tube Rear to Fuel Tank Fuel Filter Tube to Reservoir Fuel Reservoir to Carb.
3	2448 761	AR			CLAMP
4	1843 253	AR			TUBE, (25 ft. roll) 5/16 I.D. Fuel Filter Hose to Carb. Hose Fuel Pump to Fuel Tank Tube Hose Fuel Fuel Filter to Reservoir
	4268 268	AR			TUBE, Fuel Filter Hose to Carb. Hose, w/1.6 Liter Engine
5	1843 252	AR			TUBE, (25 ft. roll) 1/4 O.D. Fuel Vapor Return Fuel Pump to Filter Hose Fuel Pump to Fuel Tank Tube Hose Fuel Vapor Return Fuel Return
6		AR			CLAMP (not serviced)
7	4203 211	AR			HOSE, (50 ft. roll) 1/4 I.D. Fuel Pump Fuel Filter to Fuel Vapor Return Tube Vapor Tube Front to Canister Fuel Return Tube Rear to Fuel Tank
8	5214 412	AR			CLIP, Fuel Tubes
9		AR			CLAMP (not serviced)
10	2925 705	AR			CLIP
11	2530 700	AR			CLIP
12	1843 251	AR			TUBE, (25 ft. roll) 3/16 O.D. Fuel Vapor
13		AR			CLIP (not serviced)
14					RESERVOR, w/2.2L Engine

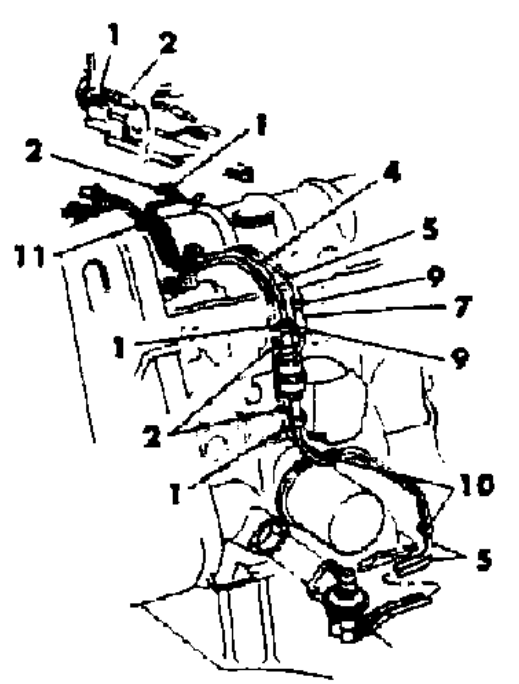
MODEL CODES
 B = GRAN FURY
 C = LE BARON/TOWN & COUNTRY/LIMO
 C24 = LASER
 C44 = LE BARON/GTS
 D = ARIES
 D44 = LANCER
 E = 600
 F = FIFTH AVENUE/NEWPORT
 G = DIPLOMAT
 H = VOYAGER
 J = CARAVELLE
 K = MINI VAN/CARAVAN/ROYAL
 M = HORIZON/TURISMO
 P = RELIANT
 T = NEW YORKER
 V = 600
 V24 = DAYTONA
 Z = OMNI/CHARGER

BODY STYLES
 21 = 2-DOOR SEDAN
 22 = 2-DOOR SPECIAL COUPE
 24 = 2-DOOR HATCHBACK
 27 = 2-DOOR CONVERTIBLE
 35 = FWD VAN
 36 = FWD WAGON
 41 = 4-DOOR SEDAN
 44 = 4-DOOR HATCHBACK
 45 = 4-DOOR STATION WAGON
 49 = LIMOUSINE

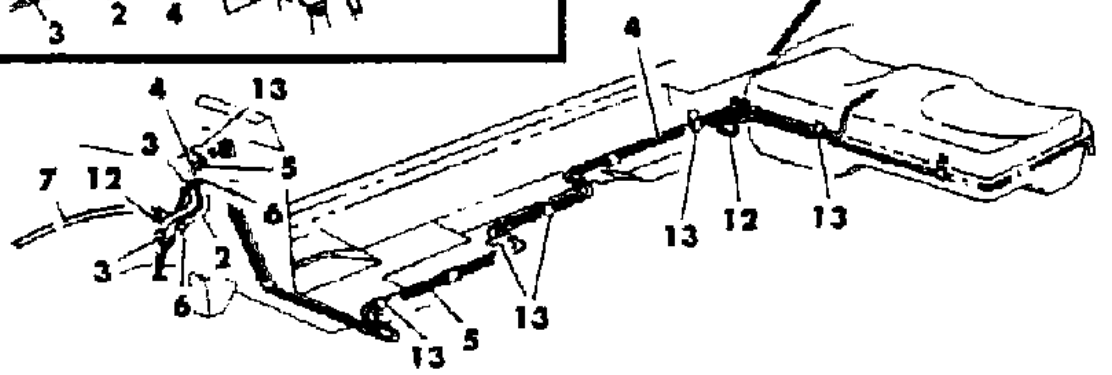
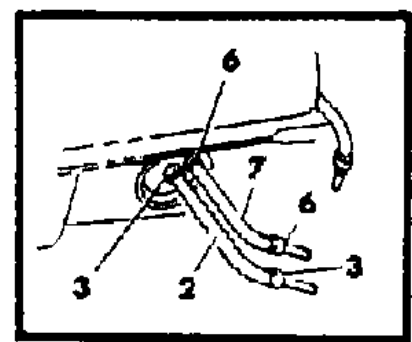
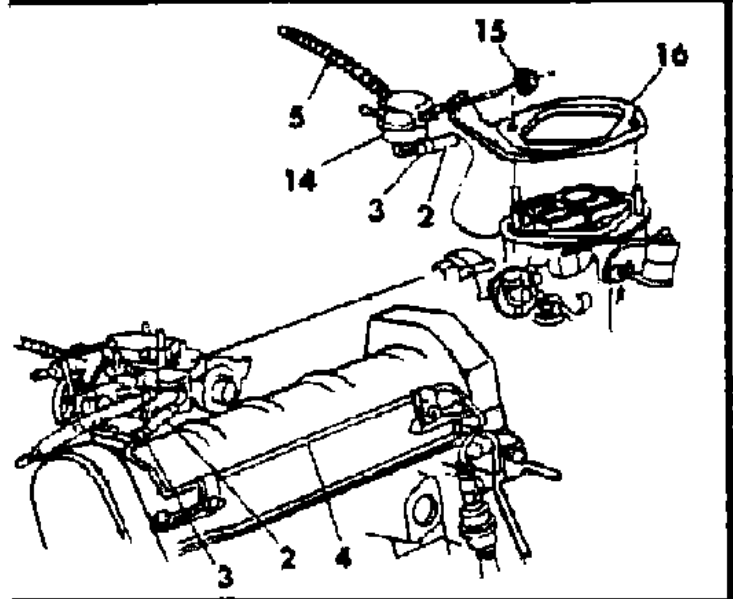
AR = Use as Required - = Non Illustrated Part P.A.R. = Paint as Required



1.6 LITER ENGINE



2.2 LITER ENGINE

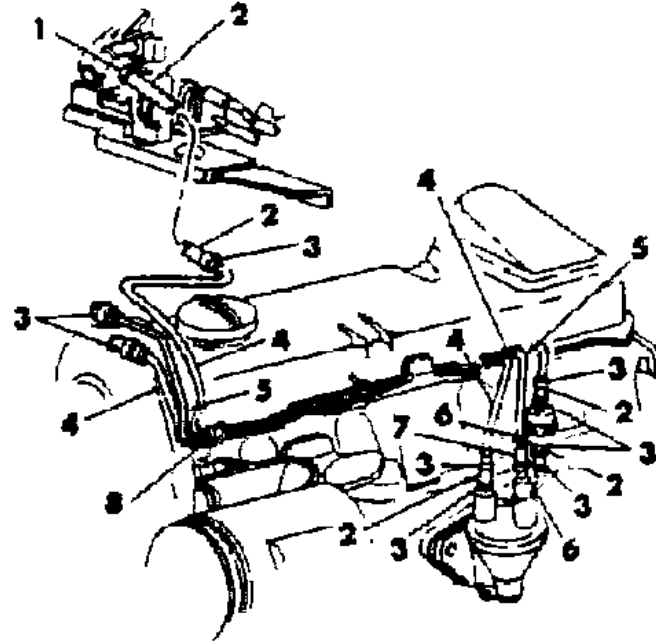


FUEL LINES - M,Z (EXCEPT TURBO CHARGER)

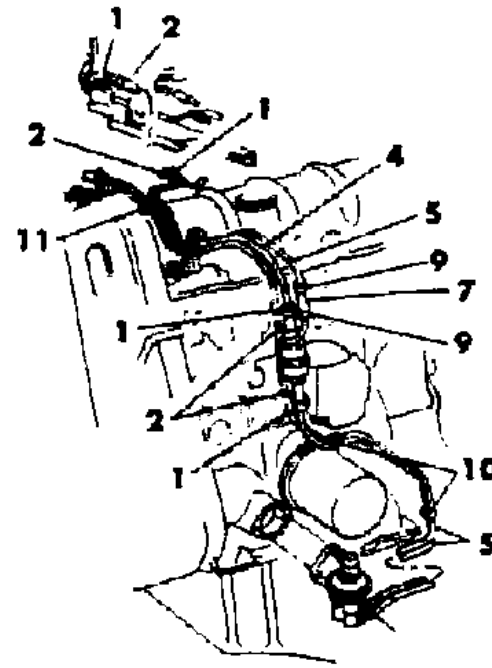
Figure 14-6100

51145100

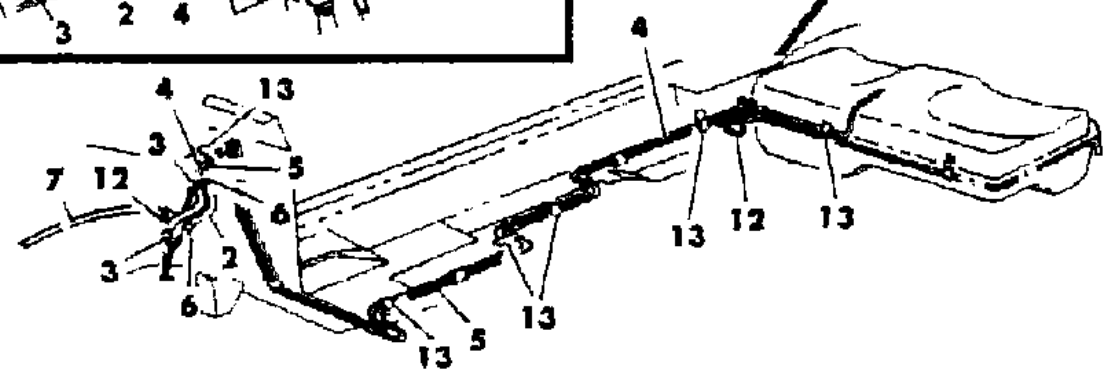
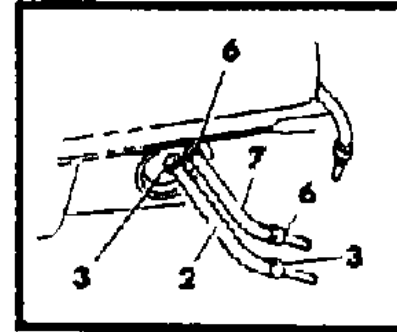
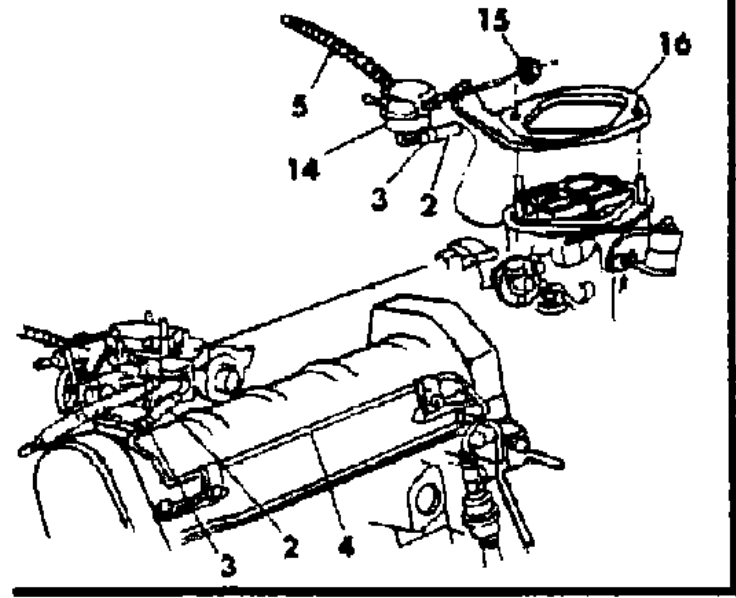
ITEM	PART NUMBER	QTY	BODY	MODEL	DESCRIPTION
	4306 261	1			w/ Air Cond. or w/ Max. Cooling
	4306 262	1			w/o Air Cond. or w/o Max Cooling
15	6100 047	2			NUT, Reservoir Mounting
16	4288 210	1			GASKET, Air Cleaner and BRACKET, Fuel Reservoir Mounting up to 1-5-85
	4306 932	1			after 1-5-85



1.6 LITER ENGINE



2.2 LITER ENGINE



MODEL CODES

- | | | |
|----------------------------------|----------------------------|---------------------|
| B = GRAN FURY | E = 600 | M = HORIZON/TURISMO |
| C = LE BARON/TOWN & COUNTRY/LIMO | F = FIFTH AVENUE/NEWPORT | P = RELIANT |
| C24 = LASER | G = DIPLOMAT | T = NEW YORKER |
| C44 = LE BARON/GTS | H = VOYAGER | V = 600 |
| D = ARIES | J = CARAVELLE | V24 = DAYTONA |
| D44 = LANCER | K = MINI VAN/CARAVAN/ROYAL | Z = OMNI/CHARGER |

BODY STYLES

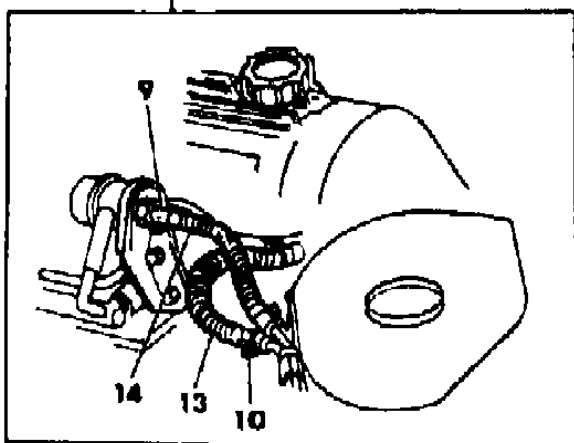
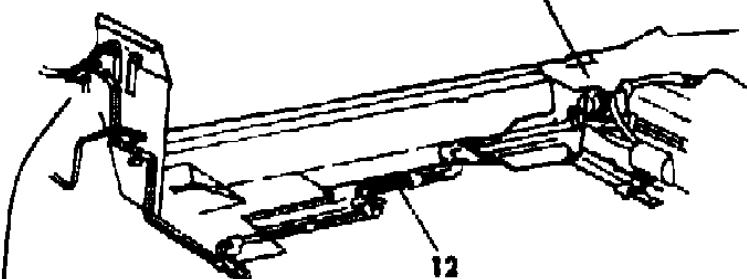
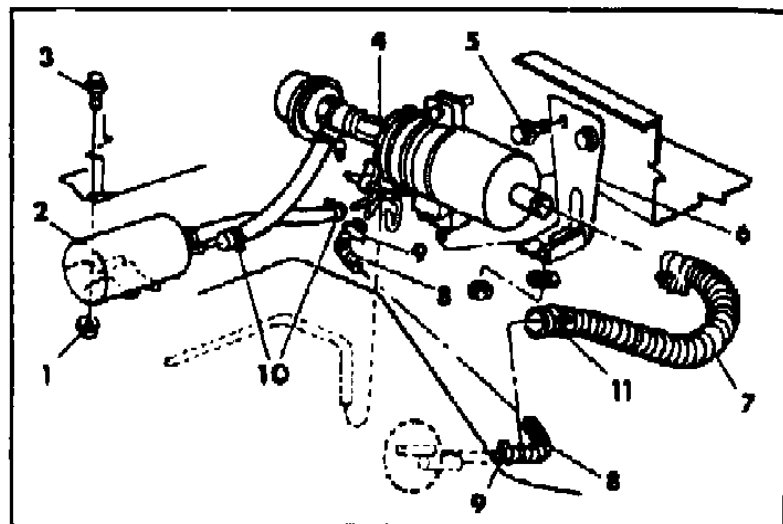
- | | | |
|---------------------------|-------------------|---------------------------|
| 21 = 2-DOOR SEDAN | 35 = FWD VAN | 44 = 4-DOOR HATCHBACK |
| 22 = 2-DOOR SPECIAL COUPE | 36 = FWD WAGON | 45 = 4-DOOR STATION WAGON |
| 24 = 2-DOOR HATCHBACK | 41 = 4-DOOR SEDAN | 49 = LIMOUSINE |
| 27 = 2-DOOR CONVERTIBLE | | |

AR = Use as Required - = Non Illustrated Part P.A.R. = Paint as Required

FUEL LINES - Z TURBO CHARGER

Figure 14-6200

5114 6200



ITEM	PART NUMBER	QTY	BODY	MODEL	DESCRIPTION
1	0219 462	1			NUT, Filter Mounting
2					FILTER, Fuel
3	0181 063	1			SCREW, Filter Mounting
4					PUMP, Fuel
5					SCREW (not serviced)
6					BRACKET, Fuel Pump Mounting
7	4279 931	1			HOSE, Fuel Pump to Tank
8	4279 992	AR			HOSE, Fuel Return Tube to Tank
	4279 699	AR			SLEEVE, Fuel Return Hose
9	6500 650	4			CLAMP
10	6500 651	4			CLAMP
11	6500 722	1			CLAMP
12					TUBE
	1843 253	AR			Fuel Supply
	1843 252	AR			Fuel Return
	1843 251	AR			Fuel Vapor
13	4279 991	1			HOSE, Fuel Supply Tube Front to Fuel Rail
14	4279 992	AR			HOSE, Fuel Return Tube to Engine
	4279 699	1			SLEEVE, Fuel Return Tube Hose to Engine
	4306 340	1			SLEEVE, Fuel Return Hose (not illustrated) after 11-1-84
15	4185 500	AR			HOSE, 3/8"

MODEL CODES

B = GRAN FURY	E = 600	M = HORIZON/TURISMO
C = LE BARON/TOWN & COUNTRY/LIMO	F = FIFTH AVENUE/NEWPORT	P = RELIANT
C24 = LASER	G = DIPLOMAT	T = NEW YORKER
C44 = LE BARON/GTS	H = VOYAGER	V = 600
D = ARIES	J = CARAVELLE	V24 = DAYTONA
D44 = LANCER	K = MINI VAN/CARAVAN/ROYAL	Z = OMNI/CHARGER

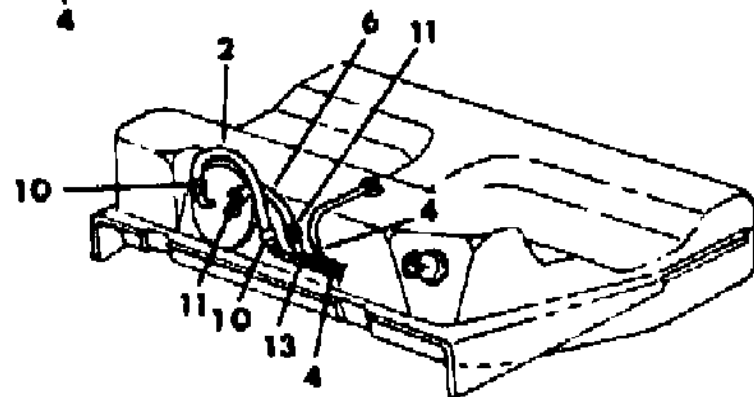
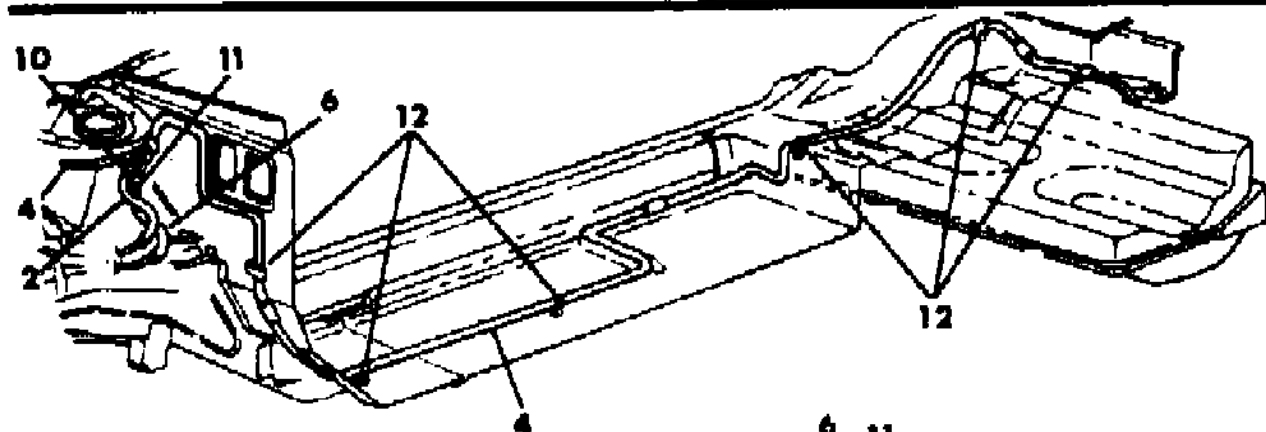
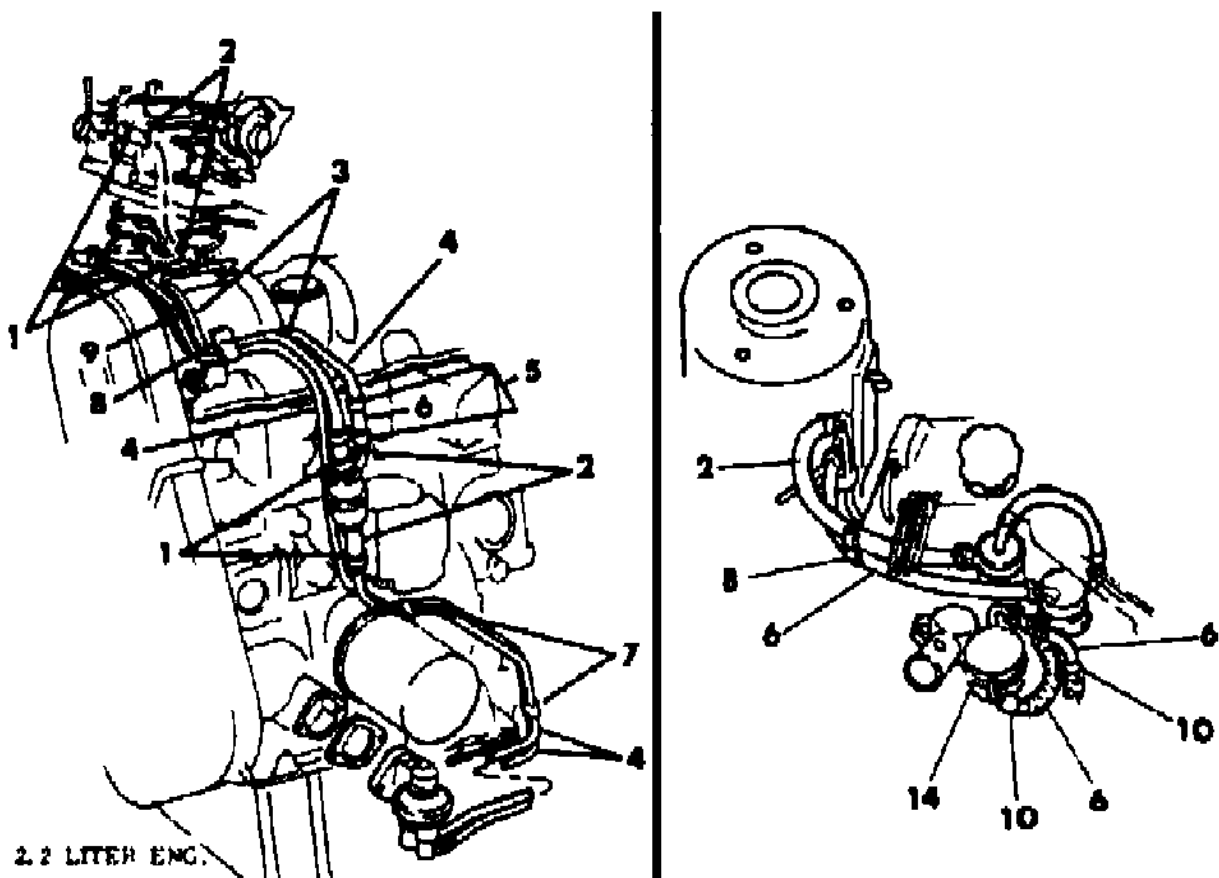
BODY STYLES

21 = 2-DOOR SEDAN	35 = FWD VAN	44 = 4-DOOR HATCHBACK
22 = 2-DOOR SPECIAL COUPE	36 = FWD WAGON	45 = 4-DOOR STATION WAGON
24 = 2-DOOR HATCHBACK	41 = 4-DOOR SEDAN	49 = LIMOUSINE
27 = 2-DOOR CONVERTIBLE		

AR = Use as Required - = Non Illustrated Part P.A.R. = Paint as Required

FUEL LINES - P,D,C,V,E,T (EXCEPT T.B.I. - TURBO CHARGER)
Figure 14-6300

5114 6300



ITEM	PART NUMBER	QTY	BODY	MODEL	DESCRIPTION
1	2463 937	AR			CLAMP
2	4203 316	AR			HOSE, (50 ft. roll) 5/16 I.D. Fuel Filter Hose Tube to Carb. Fuel Filter Hose Fuel Tube Front to Fuel Pump Fuel Tube Rear to Fuel Tank
3	1843 253	AR			TUBE, (25 ft. roll) 5/16 O.D. Fuel Filter Hose to Carb. Hose
4	1843 252	AR			TUBE, (25 ft. roll) 1/4 O.D. Fuel Vapor Return Fuel Pump to Filter Hose Fuel Pump to Fuel Tank Tube Hose Fuel
5		AR			Fuel Vapor CLAMP (not serviced)
6	4203 211	AR			HOSE, (50 ft. roll) 1/4 I.D. Fuel Filter to Fuel Vapor Return Tube Fuel Return Front to Engine Fuel Return Rear to Fuel Tank Reservoir to Fuel Pump Reservoir to Carburetor
	4279 699	AR			SLEEVE, Reservoir Return Hose 2.2L Eng.
7	2925 705	2			CLIP
8		AR			CLIP (not serviced)
9	2530 700	1			CLIP
10	2448 761	AR			CLAMP
11		AR			CLAMP (not serviced)
12		AR			CLIP (not serviced)
13	1843 252	1			TUBE, Fuel Return
14					RESERVOIR, Fuel
	4306 260	1			w/2.2L Eng. GASKET, Air Cleaner and BRACKET, Fuel Reservoir Mounting, w/2.2L Engine
	4288 210	1			up to 1-5-85
	4306 932	1			after 1-5-85

MODEL CODES

B = GRAN FURY	E = 600	M = HORIZON/TURISMO
C = LE BARON/TOWN & COUNTRY/LIMO	F = FIFTH AVENUE/NEWPORT	P = RELIANT
C24 = LASER	G = DIPLOMAT	T = NEW YORKER
C44 = LE BARON/GTS	H = VOYAGER	V = 600
D = ARIES	J = CARAVELLE	V24 = DAYTONA
D44 = LANCER	K = MINI VAN/CARAVAN/ROYAL	Z = OMNI/CHARGER

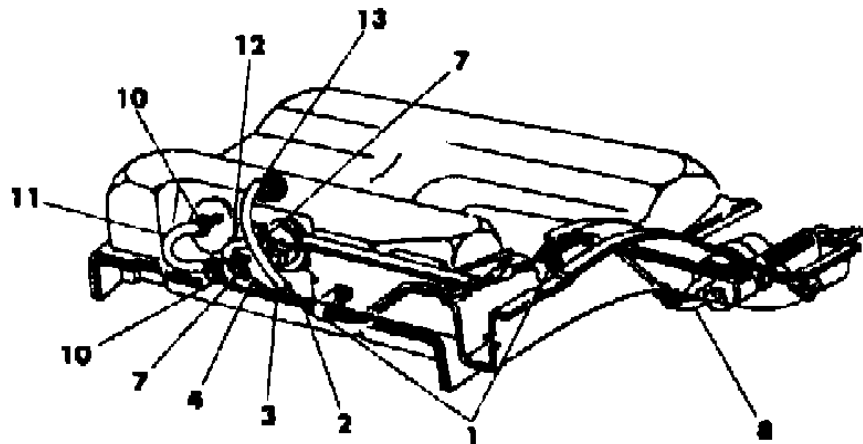
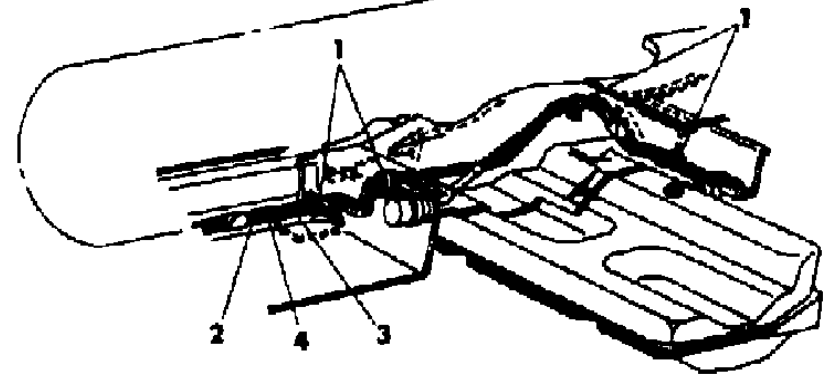
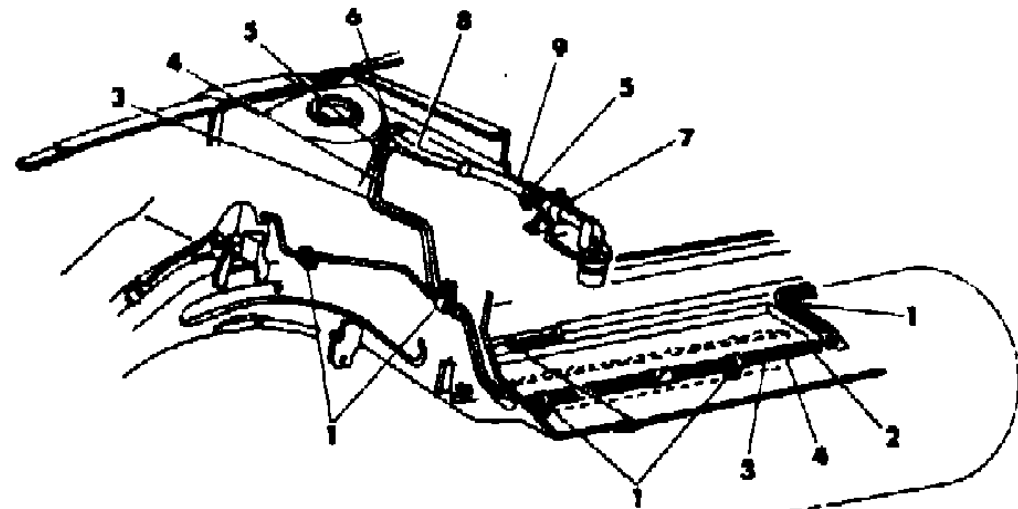
BODY STYLES

21 = 2-DOOR SEDAN	35 = FWD VAN	44 = 4-DOOR HATCHBACK
22 = 2-DOOR SPECIAL COUPE	36 = FWD WAGON	45 = 4-DOOR STATION WAGON
24 = 2-DOOR HATCHBACK	41 = 4-DOOR SEDAN	49 = LIMOUSINE
27 = 2-DOOR CONVERTIBLE		

AR = Use as Required - = Non Illustrated Part P.A.R. = Paint as Required

FUEL LINES - TBI
Figure 14-6400

5714 E-400



ITEM	PART NUMBER	QTY	BODY	MODEL	DESCRIPTION
1		AR			CLIP, Fuel Lines (not serviced)
2	1843 251	AR			TUBE, 3/16 O.D., 25 FT. Length, Vapor
3	1843 254	AR			TUBE, 3/8 O.D., 25 FT. Length, Fuel Supply
4	1843 252	AR			TUBE, 1/4 O.D., 25 FT. Length, Fuel Return
5	6032 287	1			CLIP
6	6500 722	2			CLAMP
7	6500 650	4			CLAMP
8	4279 991	AR			HOSE Fuel Supply
					Rear Fuel Tube to Fuel Filter
					Fuel Supply Tube to Throttle Body
9	4279 992	AR			HOSE, Fuel Return
10	6500 651	2			CLAMP
11	4379 877	1			HOSE, Fuel
12	4279 366	1			HOSE, Return (Formed)
13	4203 106	AR			HOSE, Vapor

MODEL CODES

B = GRAN FURY	E = 600	M = HORIZON/TURISMO
C = LE BARON/TOWN & COUNTRY/LIMO	F = FIFTH AVENUE/NEWPORT	P = RELIANT
C24 = LASER	G = DIPLOMAT	T = NEW YORKER
C44 = LE BARON/GTS	H = VOYAGER	V = 600
D = ARIES	J = CARAVELLE	V24 = DAYTONA
D44 = LANCER	K = MINI VAN/CARAVAN/ROYAL	Z = OMNI/CHARGER

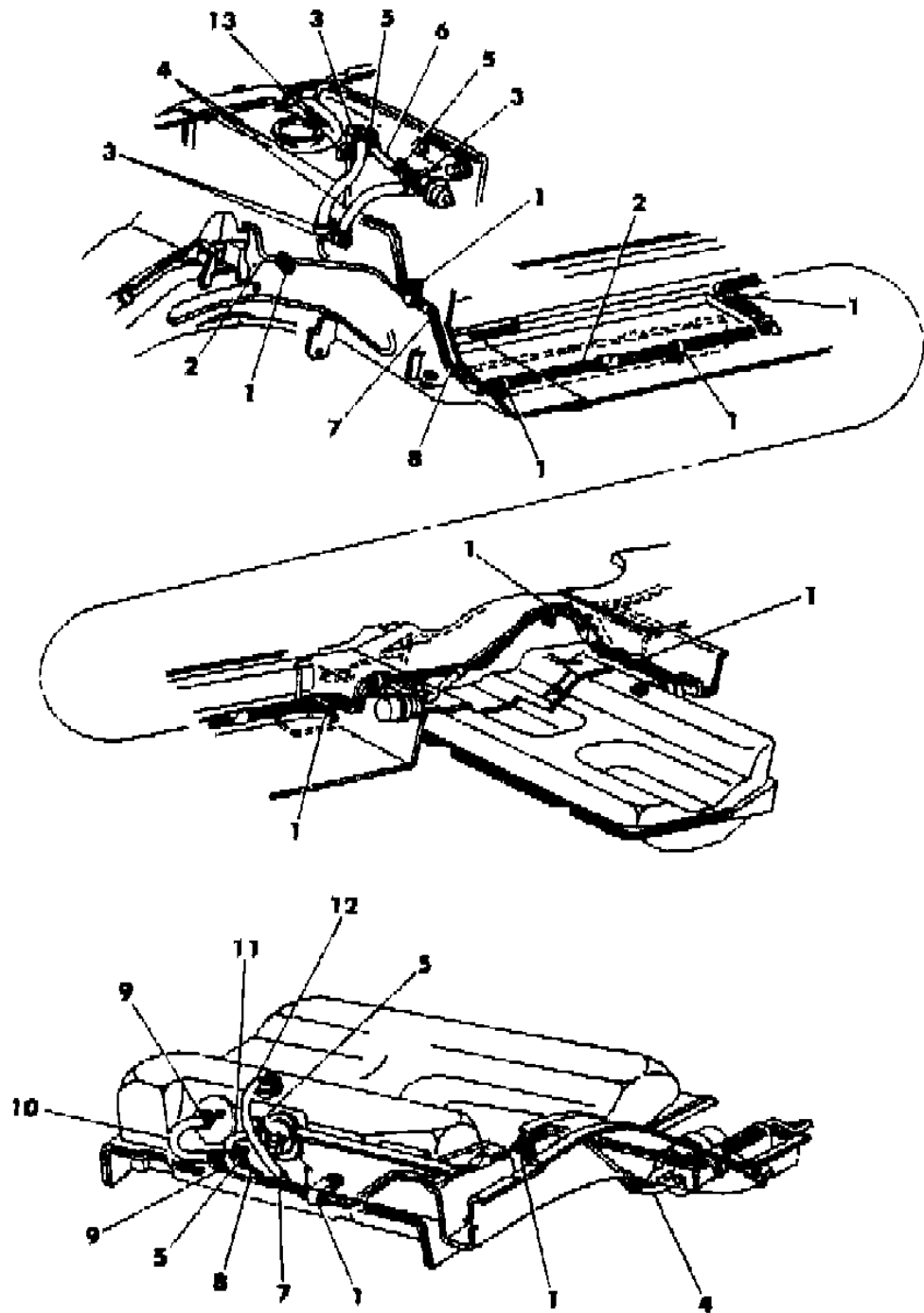
BODY STYLES

21 = 2-DOOR SEDAN	35 = FWD VAN	44 = 4-DOOR HATCHBACK
22 = 2-DOOR SPECIAL COUPE	36 = FWD WAGON	45 = 4-DOOR STATION WAGON
24 = 2-DOOR HATCHBACK	41 = 4-DOOR SEDAN	49 = LIMOUSINE
27 = 2-DOOR CONVERTIBLE		

AR = Use as Required - = Non Illustrated Part P.A.R. = Paint as Required

FUEL LINES - TURBO CHARGER (EXCEPT Z)
Figure 14-6500

514 6500



ITEM	PART NUMBER	QTY	BODY	MODEL	DESCRIPTION
1					CLIP (not serviced)
2	1843 251	AR			TUBE, Vapor
3	6500 722	4			CLAMP
4	4279 828	AR			HOSE Fuel Pressure Regulator to Fuel Rail
					Fuel Supply Tube to Fuel Rail
					Rear Fuel tube to Fuel Filter
5	6500 650	4			CLAMP
6	4279 992	AR			HOSE, Fuel Return Front Tube Pressure Regulator
7	1843 254	AR			TUBE, (25 Ft. Roll) 3/8 O.D. Fuel Supply Fuel Rear
8	1843 252	AR			TUBE, Fuel Return (25 Ft. Roll) 1/4 O.D.
9	6500 651	2			CLAMP
10	4279 877	1			HOSE, Fuel
11	4279 366	1			HOSE, Return (Formed)
12	4203 106	AR			HOSE, Vapor
13	6032 287	1			CLIP

MODEL CODES

B = GRAN FURY	E = 600	M = HORIZON/TURISMO
C = LE BARON/TOWN & COUNTRY/LIMO	F = FIFTH AVENUE/NEWPORT	P = RELIANT
C24 = LASER	G = DIPLOMAT	T = NEW YORKER
C44 = LE BARON/GTS	H = VOYAGER	V = 600
D = ARIES	J = CARAVELLE	V24 = DAYTONA
D44 = LANCER	K = MINI VAN/CARAVAN/ROYAL	Z = OMNI/CHARGER

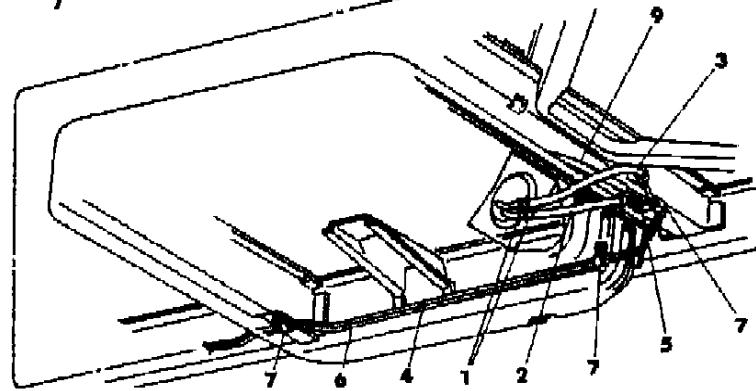
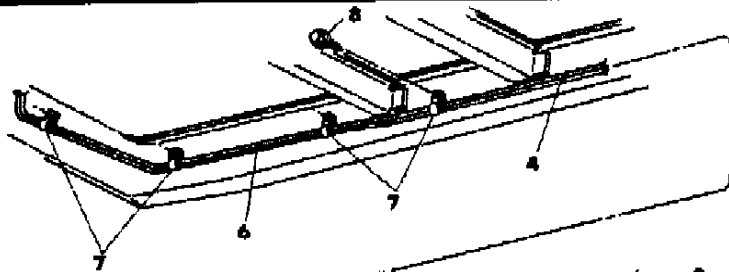
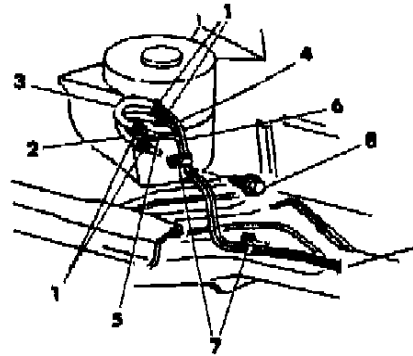
BODY STYLES

21 = 2-DOOR SEDAN	35 = FWD VAN	44 = 4-DOOR HATCHBACK
22 = 2-DOOR SPECIAL COUPE	36 = FWD WAGON	45 = 4-DOOR STATION WAGON
24 = 2-DOOR HATCHBACK	41 = 4-DOOR SEDAN	49 = LIMOUSINE
27 = 2-DOOR CONVERTIBLE		

AR = Use as Required - = Non Illustrated Part P.A.R. = Paint as Required

FUEL LINES - H,K
Figure 14-6600

51146600 A



ITEM	PART NUMBER	QTY	BODY	MODEL	DESCRIPTION
1	2448 761	AR			CLAMP
2	4203 211	AR			HOSE Fuel Return Tube Front to Engine Fuel Return Tube Rear to Fuel Tank
3	4203 316	AR			HOSE Fuel Supply Tube Front to Engine Fuel Supply Tube Rear to Fuel Tank
4	1843 252	AR			TUBE, Fuel Return (25 Ft. Roll) 1/4 O.D.
5	1843 251	AR			TUBE, Vapor (25 Ft. Roll) 3/16 O.D.
6	1843 253	AR			TUBE, Fuel Supply (25 Ft. Roll) 3/8 O.D.
7					CLIP (not serviced)
8					SCREW (not serviced)
9	4203 106	AR			HOSE, Vapor Tube Rear to Rollover Valve

MODEL CODES

B = GRAN FURY	E = 600	M = HORIZON/TURISMO
C = LE BARON/TOWN & COUNTRY/LIMO	F = FIFTH AVENUE/NEWPORT	P = RELIANT
C24 = LASER	G = DIPLOMAT	T = NEW YORKER
C44 = LE BARON/GTS	H = VOYAGER	V = 600
D = ARIES	J = CARAVELLE	V24 = DAYTONA
D44 = LANCER	K = MINI VAN/CARAVAN/ROYAL	Z = OMNI/CHARGER

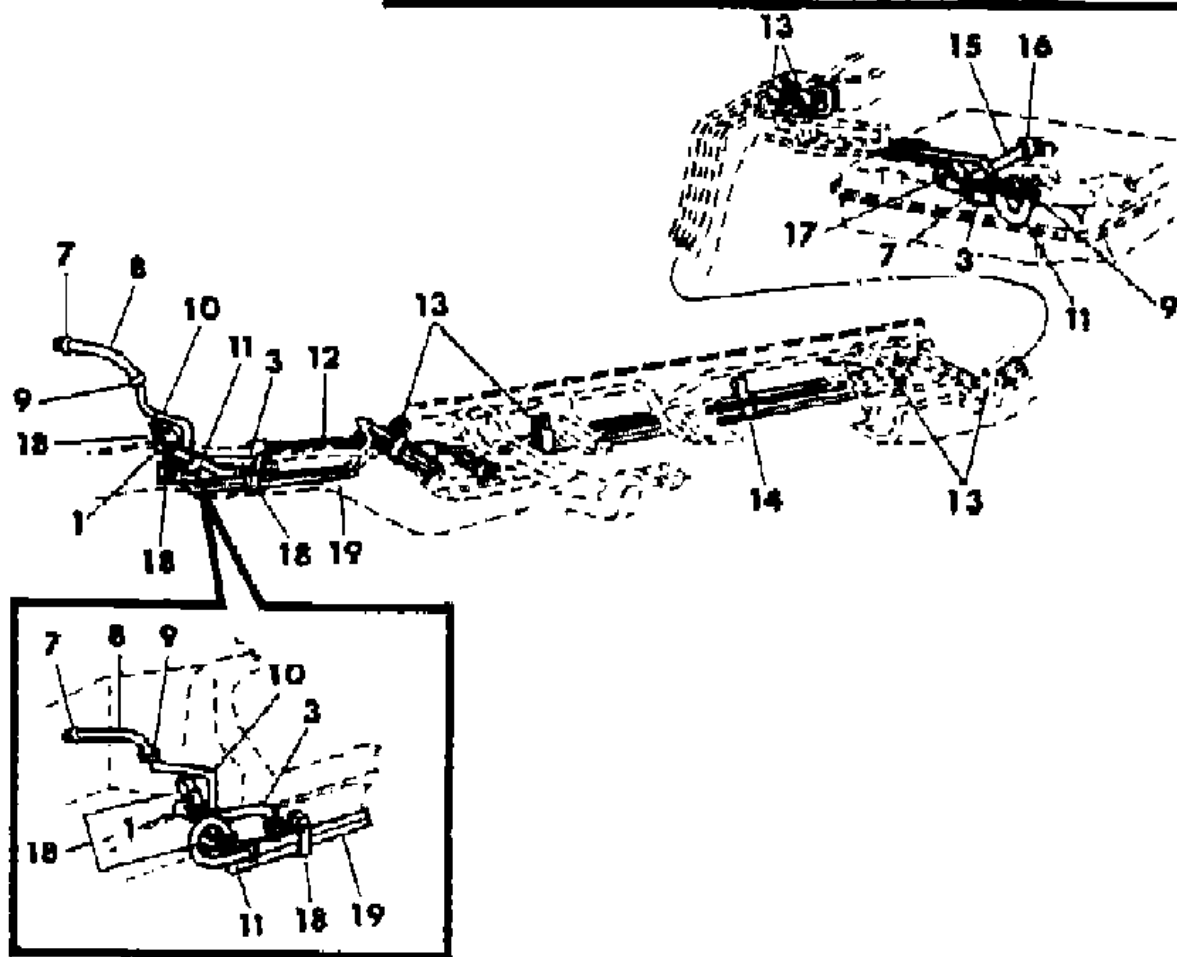
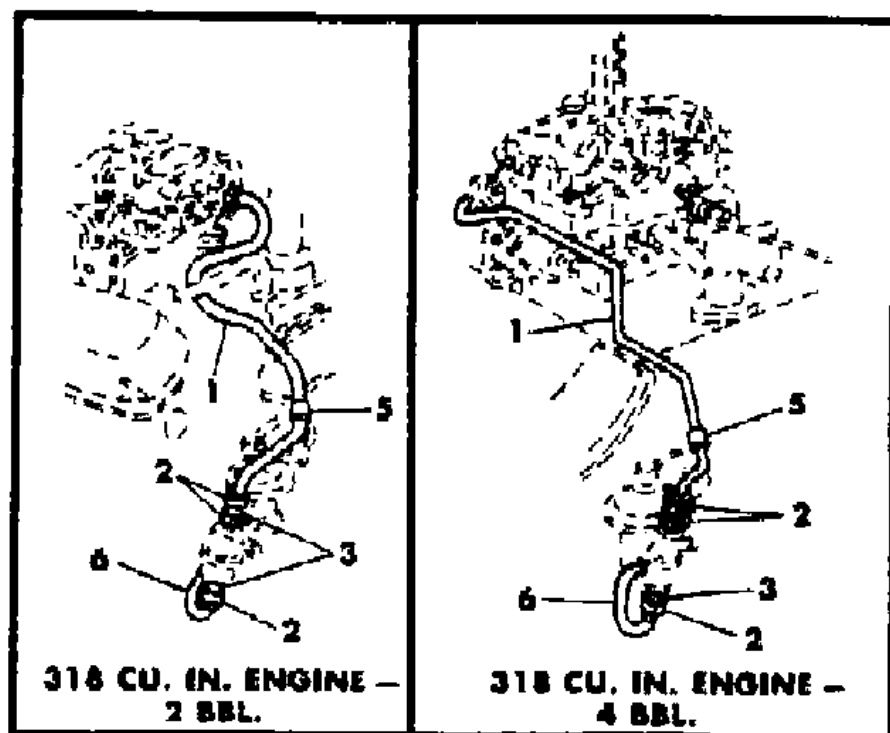
BODY STYLES

21 = 2-DOOR SEDAN	35 = FWD VAN	44 = 4-DOOR HATCHBACK
22 = 2-DOOR SPECIAL COUPE	36 = FWD WAGON	45 = 4-DOOR STATION WAGON
24 = 2-DOOR HATCHBACK	41 = 4-DOOR SEDAN	49 = LIMOUSINE
27 = 2-DOOR CONVERTIBLE		

AR = Use as Required - = Non Illustrated Part P.A.R. = Paint as Required

FUEL LINES - F,G,B
Figure 14-6700

5114 6700



ITEM	PART NUMBER	QTY	BODY	MODEL	DESCRIPTION
1	1843 253	AR			TUBE, (25 ft. roll) 5/16 O.D. Fuel Filter Hose to Carb. Fuel Pump to Fuel Filter Hose Fuel Front Fuel Rear
2	2463 937	AR			CLAMP
3	4203 316	AR			HOSE, (50 ft. roll) 5/16 Fuel Filter Fuel Pump
4	4179 975	1			Fuel Tube Rear to Tank Front Fuel to Rear CLIP, Fuel Filter Hose to Carb. Tube
5	4179 759	1			CLIP, Fuel Tube Locating
6	4027 122	1			TUBE, Fuel Pump to Fuel Filter Hose
7	2448 761	AR			CLAMP
8					HOSE, Vapor Canister to Fuel Tank Vapor Tube Front
9		AR			CLAMP (not serviced)
10	1843 251	AR			TUBE, (25 ft. roll) 3/16 O.D. Fuel Vapor Front Fuel Vapor Rear
11	4203 211	AR			HOSE, (50 ft. roll) 1/4 I.D. Fuel Return Tube Front to Filter Separator Fuel Return Tube Rear to Tank Fuel Return Tube Front to Fuel Return Tube Rear
12	4185 424	1			PLATE, Fuel Tube Cover
13	3583 483	AR			CLIP
14		AR			CLIP, Fuel Vapor Tube Sill Push-On (not serviced)
15	4203 106	AR			HOSE, (50 ft. roll) 3/16 I.D. Fuel Vapor Tube Rear to Tank Fuel Vapor Tube Front to Fuel Vapor Tube Rear
16		AR			CLAMP (not serviced)
17	6032 282	AR			CLAMP
18		AR			CLIP (not serviced)
19	1843 252	AR			TUBE, (25 ft. roll) 1/4 O.D. Fuel Return Front Fuel Return Rear

MODEL CODES

B = GRAN FURY	E = 600	M = HORIZON/TURISMO
C = LE BARON/TOWN & COUNTRY/LIMO	F = FIFTH AVENUE/NEWPORT	P = RELIANT
C24 = LASER	G = DIPLOMAT	T = NEW YORKER
C44 = LE BARON/GTS	H = VOYAGER	V = 600
D = ARIES	J = CARAVELLE	V24 = DAYTONA
D44 = LANCER	K = MINI VAN/CARAVAN/ROYAL	Z = OMNI/CHARGER

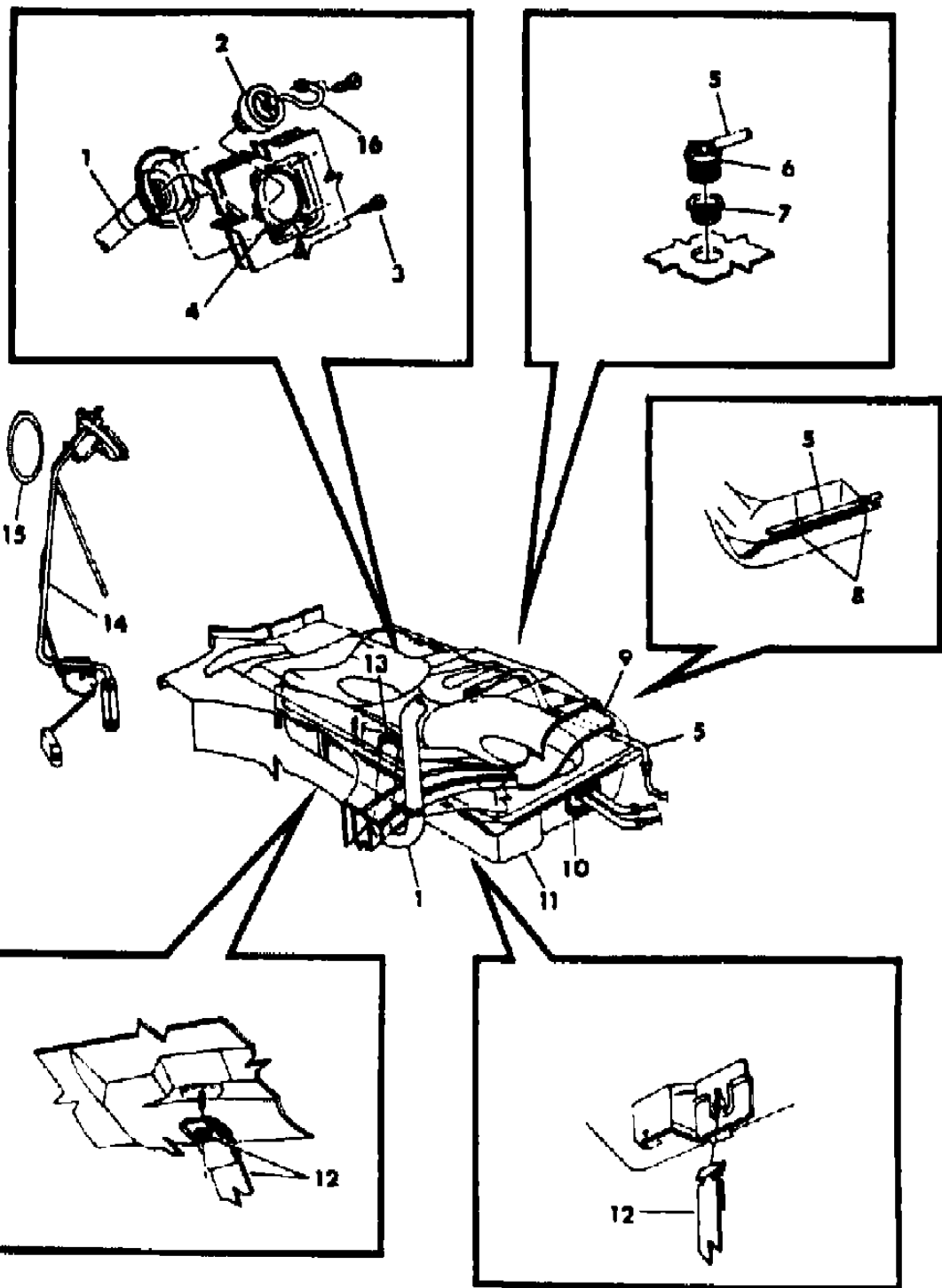
BODY STYLES

21 = 2-DOOR SEDAN	35 = FWD VAN	44 = 4-DOOR HATCHBACK
22 = 2-DOOR SPECIAL COUPE	36 = FWD WAGON	45 = 4-DOOR STATION WAGON
24 = 2-DOOR HATCHBACK	41 = 4-DOOR SEDAN	49 = LIMOUSINE
27 = 2-DOOR CONVERTIBLE		

AR = Use as Required - = Non Illustrated Part P.A.R. = Paint as Required

FUEL TANK AND FUEL FILLER TUBES M,Z - (EXCEPT TURBO CHARGER)
Figure 14-6800

5114 6800



ITEM	PART NUMBER	QTY	BODY	MODEL	DESCRIPTION
1					TUBE, Fuel Tank Filler
	4279 855	1	44		w/Unleaded Gas
	4279 853	1	24		w/Unleaded Gas
	4279 218	1	28		w/Leaded Gas, Canada & Export
	4279 856	1	44		w/Leaded Gas, Canada & Export
	4279 854	1	24		w/Leaded Gas, Canada & Export
2					CAP, Gas
	4279 839	1	44		Non Locking
	4279 835	1	24		Non Locking
	5217 646	1	24		Locking
3		AR			SCREW (not serviced)
4	5200 436	1	24		GASKET
5	4203 106	AR			HOSE, Vapor Tube Rear to Rollover Valve
6	4185 254	1			VALVE, Rollover and Vapor Separator
7	4002 149	1			GROMMET, Valve
8	5217 564	AR			CLIP, Vapor Hose to Fuel Tank
9	5217 516	2			INSULATOR, Fuel Tank
10	4279 445	1			RETAINER, Fuel Gauge
11	4279 896	1			TANK, Fuel
12	4185 520-1	1			STRAP, Fuel Tank Support
13	5217 578	1			GROMMET, Tank to Tube
14	4203 540	1			GAUGE, Tank Unit
15	6031 475	1			SEAL, O-Ring
16	4279 144	1			TETHER, Gas Cap

NOTE: The following items are not illustrated e rear of the carburetor throttle body. A mirror is required to read the no. when the carburetor is

3792 550	1	LABEL, Unleaded Fuel Only
4304 651	1	Unleaded Gas Premium Recommand

MODEL CODES

B = GRAN FURY	E = 600	M = HORIZON/TURISMO
C = LE BARON/TOWN & COUNTRY/LIMO	F = FIFTH AVENUE/NEWPORT	P = RELIANT
C24 = LASER	G = DIPLOMAT	T = NEW YORKER
C44 = LE BARON/GTS	H = VOYAGER	V = 600
D = ARIES	J = CARAVELLE	V24 = DAYTONA
D44 = LANCER	K = MINI VAN/CARAVAN/ROYAL	Z = OMNI/CHARGER

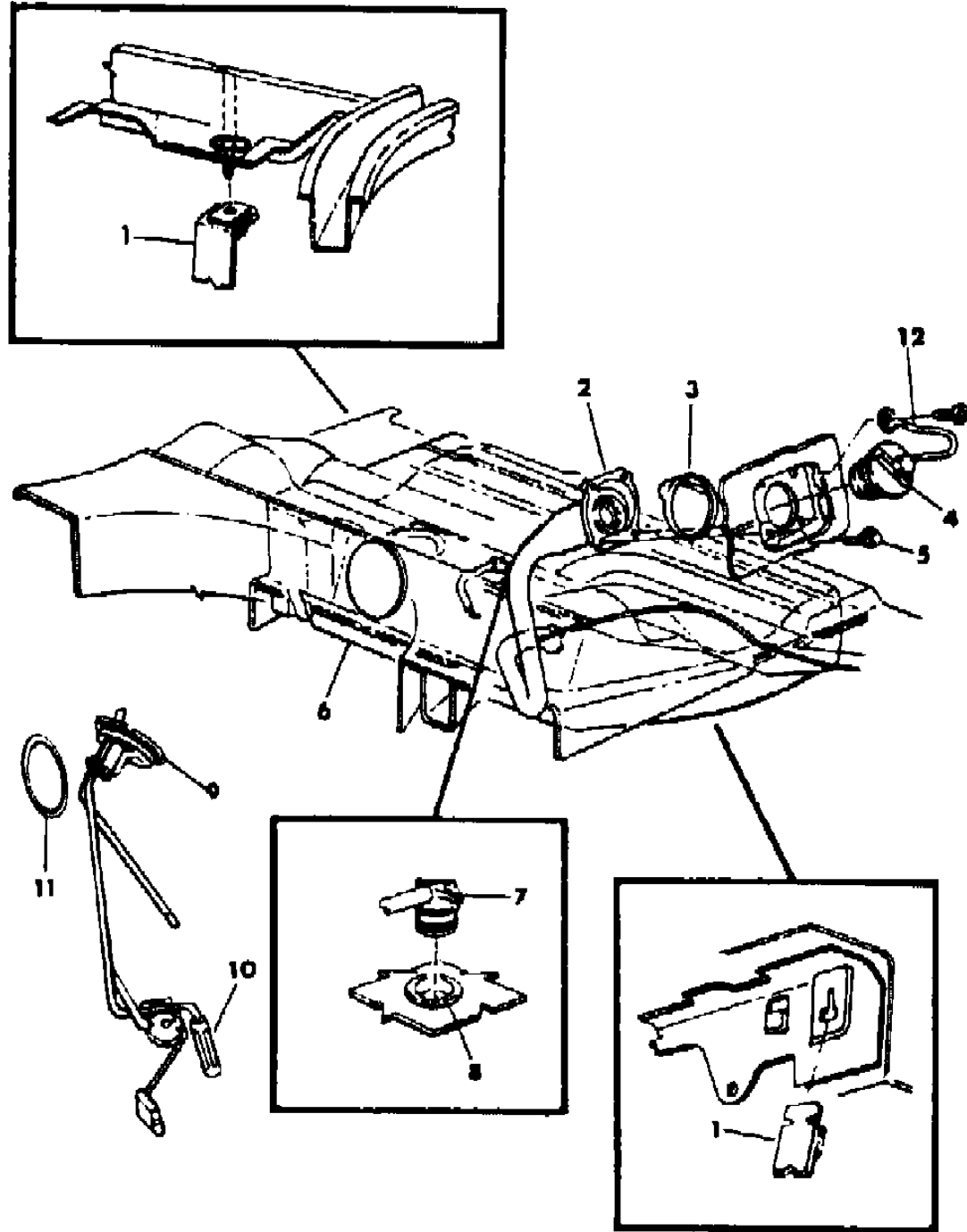
BODY STYLES

21 = 2-DOOR SEDAN	35 = FWD VAN	44 = 4-DOOR HATCHBACK
22 = 2-DOOR SPECIAL COUPE	36 = FWD WAGON	45 = 4-DOOR STATION WAGON
24 = 2-DOOR HATCHBACK	41 = 4-DOOR SEDAN	49 = LIMOUSINE
27 = 2-DOOR CONVERTIBLE		

AR = Use as Required - = Non Illustrated Part P.A.R. = Paint as Required

FUEL TANK AND FILLER TUBES P,D,C,V,J,E,T - (EXCEPT T.B.I. - TURBO CHARGER)
Figure 14-6900

514 6900



ITEM	PART NUMBER	QTY	BODY	MODEL	DESCRIPTION
1	4279 174-5	1			STRAP, Fuel Tank Support
2	4279 594	1			TUBE, Fuel Tank Filler w/ Unleaded Gas w/(SC - NDA)
	4279 595	1			w/ Leaded Gas, Canada & Export w/(SC - NDB)
	4279 131	1		C,V-24	w/ Unleaded Gas
	4279 132	1		C,V-24	w/ Leaded Gas
3					GASKET, Filler Tube to Panel (serviced in Tube)
4					CAP, Gas Non Locking
	4279 839	1			Locking
	4279 841	1			Locking
5		4			SCREW, Filler tube to Panel (not serviced)
6	4279 653	1			TANK, Fuel
7	4185 254	1			VALVE, Rollover
8	4002 149	1			GROMMET, Rollover Valve
9	4051 849	1			GAUGE, Tank Unit
10	1670 694	1			FILTER, Tank Unit Gauge
11	6031 475	1			SEAL, Tank Unit Gauge
12	4279 144	1			TETHER, Gas Cap
NOTE: The following items are not illustrated e rear of the carburetor throttle body. A mirror is required to read the no. when the carburetor is					
	5217 578	1			GROMMET, Fuel Tank to Filler Tube
	3792 550	1			LABEL, Unleaded Gas
	4185 506	1			PAD, Fuel Tank Positioning
	4279 445	1			RETAINER, Fuel Tank Gauge

MODEL CODES

B = GRAN FURY	E = 600	M = HORIZON/TURISMO
C = LE BARON/TOWN & COUNTRY/LIMO	F = FIFTH AVENUE/NEWPORT	P = RELIANT
C24 = LASER	G = DIPLOMAT	T = NEW YORKER
C44 = LE BARON/GTS	H = VOYAGER	V = 600
D = ARIES	J = CARAVELLE	V24 = DAYTONA
D44 = LANCER	K = MINI VAN/CARAVAN/ROYAL	Z = OMNI/CHARGER

BODY STYLES

21 = 2-DOOR SEDAN	35 = FWD VAN	44 = 4-DOOR HATCHBACK
22 = 2-DOOR SPECIAL COUPE	36 = FWD WAGON	45 = 4-DOOR STATION WAGON
24 = 2-DOOR HATCHBACK	41 = 4-DOOR SEDAN	49 = LIMOUSINE
27 = 2-DOOR CONVERTIBLE		

AR = Use as Required - = Non Illustrated Part P.A.R. = Paint as Required

FUEL TANK AND FILLER TUBES T.B.I. AND TURBO CHARGER
Figure 14-7000

5114 7000

ITEM	PART NUMBER	QTY	BODY	MODEL	DESCRIPTION
------	-------------	-----	------	-------	-------------

NOTE: For Fuel Tank Sending Units refer to the Fuel Pump Illustrations. e rear of the carburetor throttle body. A mirror is required to read the no. when the carburetor is

1	4279 174-5	1			STRAP, Fuel Tank Support
2	4279 594	1			TUBE, Fuel Tank Filler
	4279 572	1		C,D-44	Unleaded Gas w/(SC - NDA)
	4279 573	1		C,D-44	Leaded Gas w/(SC - NDB)
3					GASKET, Filler Tube to Panel (serviced in Tube)
4					CAP, Gas
	4279 839	1			Non Locking
	4279 841	1			Locking
5					SCREW, Filler Tube to panel (not serviced)
6					TANK, Fuel
	4279 657	1			w/ T.B.I.
	4279 603	1		DCVJET	w/ T.C.
	4279 661	1		Z	w/ T.C.
7	4185 254	1			VALVE, Rollover
8	4002 149	1			GROMMET, Rollover Valve
9	4279 144	1			TETHER, Gas Cap

NOTE: The following items are not illustrated e rear of the carburetor throttle body. A mirror is required to read the no. when the carburetor is

	4185 506	1			PAD, Fuel Tank Positioning
	5217 578	1			GROMMET, Fuel Filler Tube
	4304 718	1			LABEL, Turbo, Unleaded Gas (English)
	4274 754	1		C,V 24	WIRING, Fuel Tank Jumper
	4279 046	1			HOSE, Fuel Return Tube to Reservoir

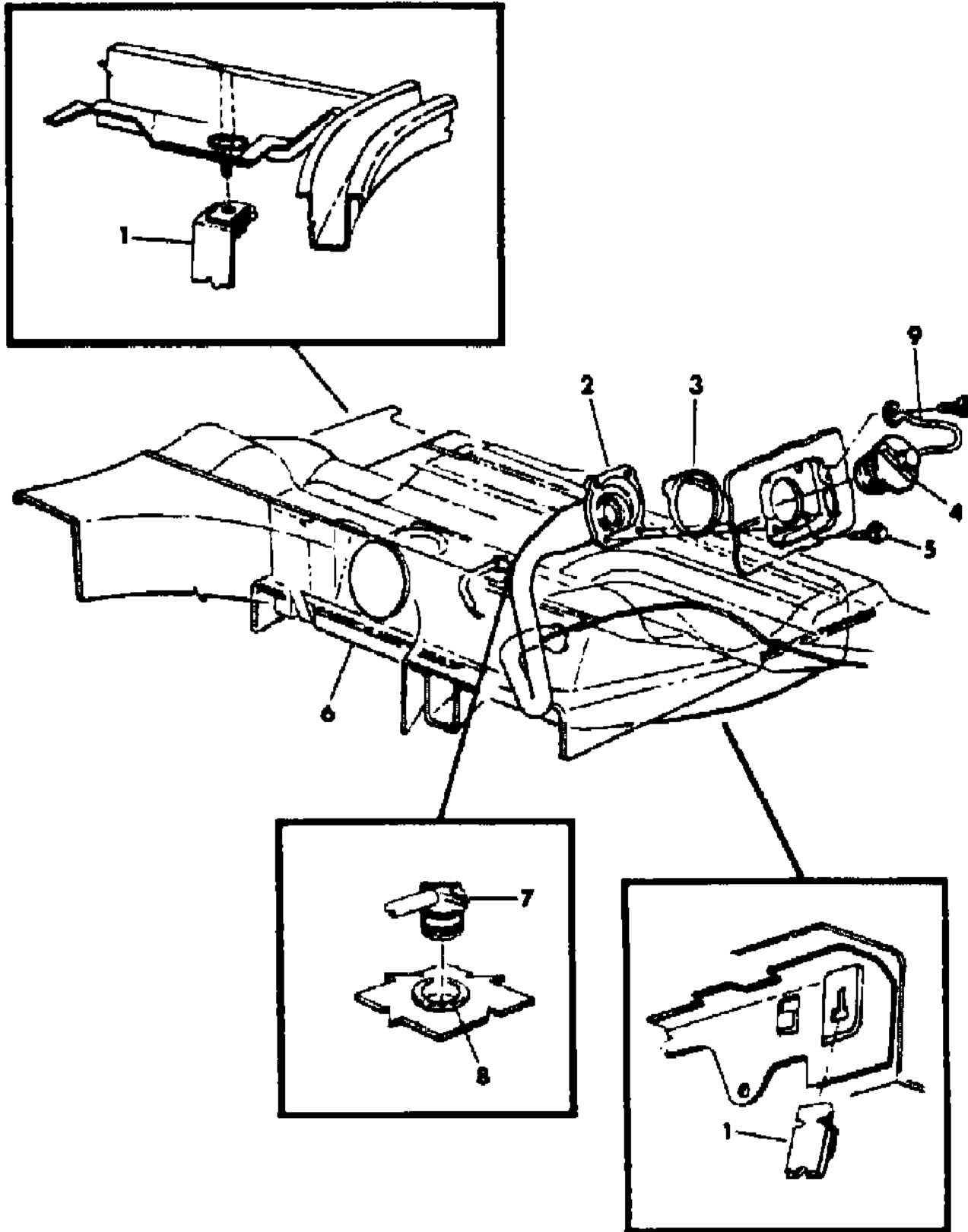
MODEL CODES

B = GRAN FURY	E = 600	M = HORIZON/TURISMO
C = LE BARON/TOWN & COUNTRY/LIMO	F = FIFTH AVENUE/NEWPORT	P = RELIANT
C24 = LASER	G = DIPLOMAT	T = NEW YORKER
C44 = LE BARON/GTS	H = VOYAGER	V = 600
D = ARIES	J = CARAVELLE	V24 = DAYTONA
D44 = LANCER	K = MINI VAN/CARAVAN/ROYAL	Z = OMNI/CHARGER

BODY STYLES

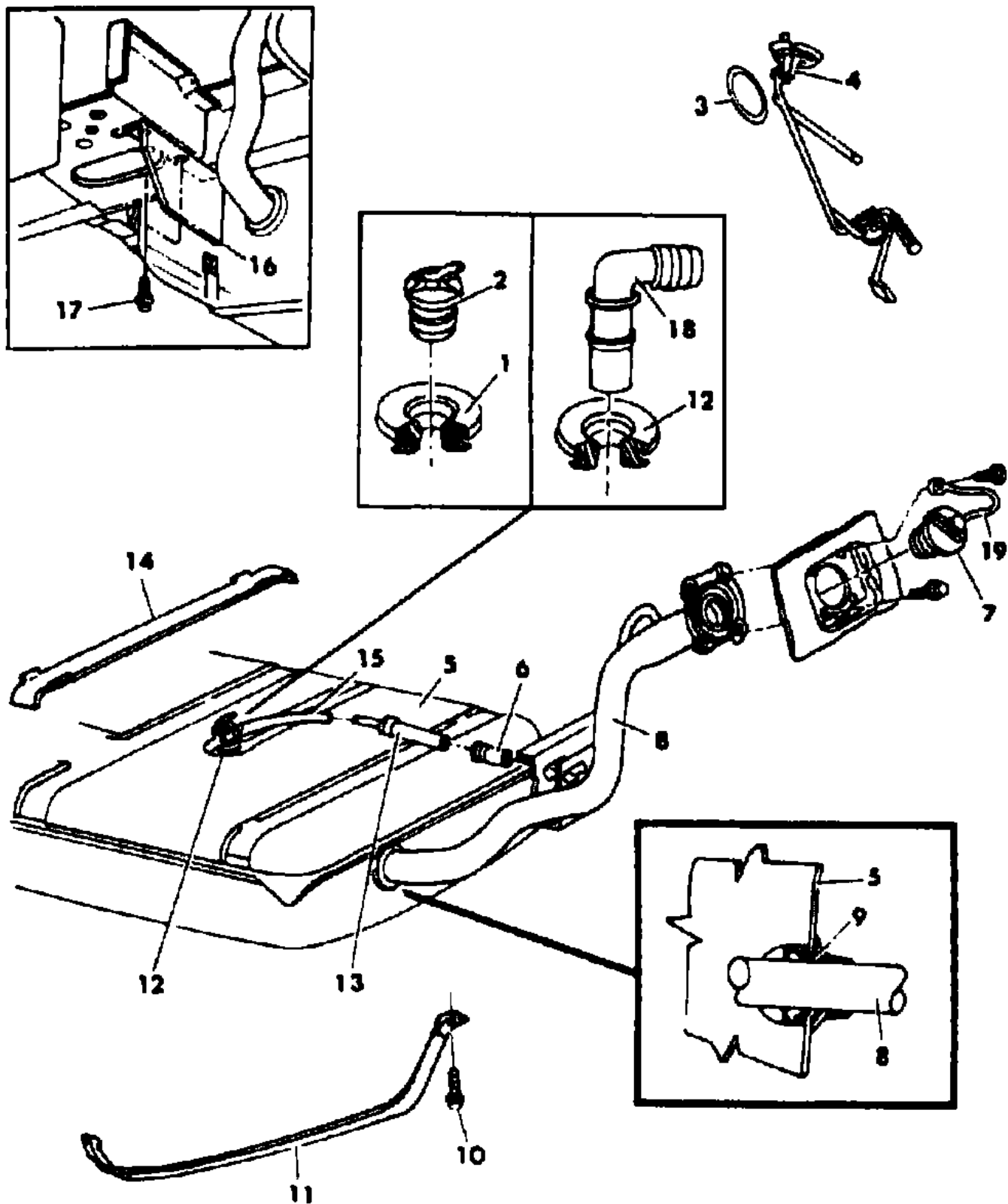
21 = 2-DOOR SEDAN	35 = FWD VAN	44 = 4-DOOR HATCHBACK
22 = 2-DOOR SPECIAL COUPE	36 = FWD WAGON	45 = 4-DOOR STATION WAGON
24 = 2-DOOR HATCHBACK	41 = 4-DOOR SEDAN	49 = LIMOUSINE
27 = 2-DOOR CONVERTIBLE		

AR = Use as Required - = Non Illustrated Part P.A.R. = Paint as Required



FUEL TANK AND FUEL FILLER TUBES H,K
Figure 14-7100

5114 7100



ITEM	PART NUMBER	QTY	BODY	MODEL	DESCRIPTION
1	4002 149	1			GROMMET, Rollover Valve
2	4279 850	1			VALVE, Rollover
3	6031 475	1			SEAL, Fuel Tank Sending Unit
4	4279 445	1			RETAINER, Fuel Tank Sending Unit
	4075 374	1			UNIT, Fuel Tank Sending
	4279 996	1			w/15 Gal. Tank
5	4279 980	1			w/20 Gal. Tank
	4279 980	1			TANK, Fuel - 15 and 20 Gal.
	4203 673	1			Up to 1-14-85
6	4279 205	1			After 1-14-85
7	4279 839	1			SLEEVE, Fuel Filler Vent Hose
	4279 841	1			CAP, Gas
	4279 841	1			Non - Locking
8	4279 985	1			Locking
	4279 986	1			TUBE, Fuel Tank Filler
9	5217 578	1			Unleaded Gas w/(SC - NDA)
10	6101 341	2			Leaded Gas w/(SC - NDB)
	6101 340	2			GROMMET, Fuel Filler Tube
11	4279 691	2			BOLT, Fuel Tank Strap
12	4279 279	1			U-NUT, Fuel Tank Strap Bolt
13	4279 284	1			STRAP, Fuel Tank Mounting
14	4279 275	1			GROMMET, Fuel Tank to Fuel Filler Vent Tube
15	4279 904	1			HOSE, Fuel Filler Vent Tube
16	4279 904	1			INSULATOR, Fuel Tank to Floor Pan (not serviced)
17		2			TUBE, Fuel Filler Vent
18		1			SHIELD, Filler Tube Stone
	4279 273	1			SCREW, Stone Shield (not serviced)
	4279 274	1			NIPPLE, Fuel Tank Tube Vent
19	4279 144	1			w/ 15 Gal. Tank (Red)
					w/ 20 Gal. Tank (Black)
					TETHER, Gas Cap

MODEL CODES

B = GRAN FURY	E = 600	M = HORIZON/TURISMO
C = LE BARON/TOWN & COUNTRY/LIMO	F = FIFTH AVENUE/NEWPORT	P = RELIANT
C24 = LASER	G = DIPLOMAT	T = NEW YORKER
C44 = LE BARON/GTS	H = VOYAGER	V = 600
D = ARIES	J = CARAVELLE	V24 = DAYTONA
D44 = LANCER	K = MINI VAN/CARAVAN/ROYAL	Z = OMNI/CHARGER

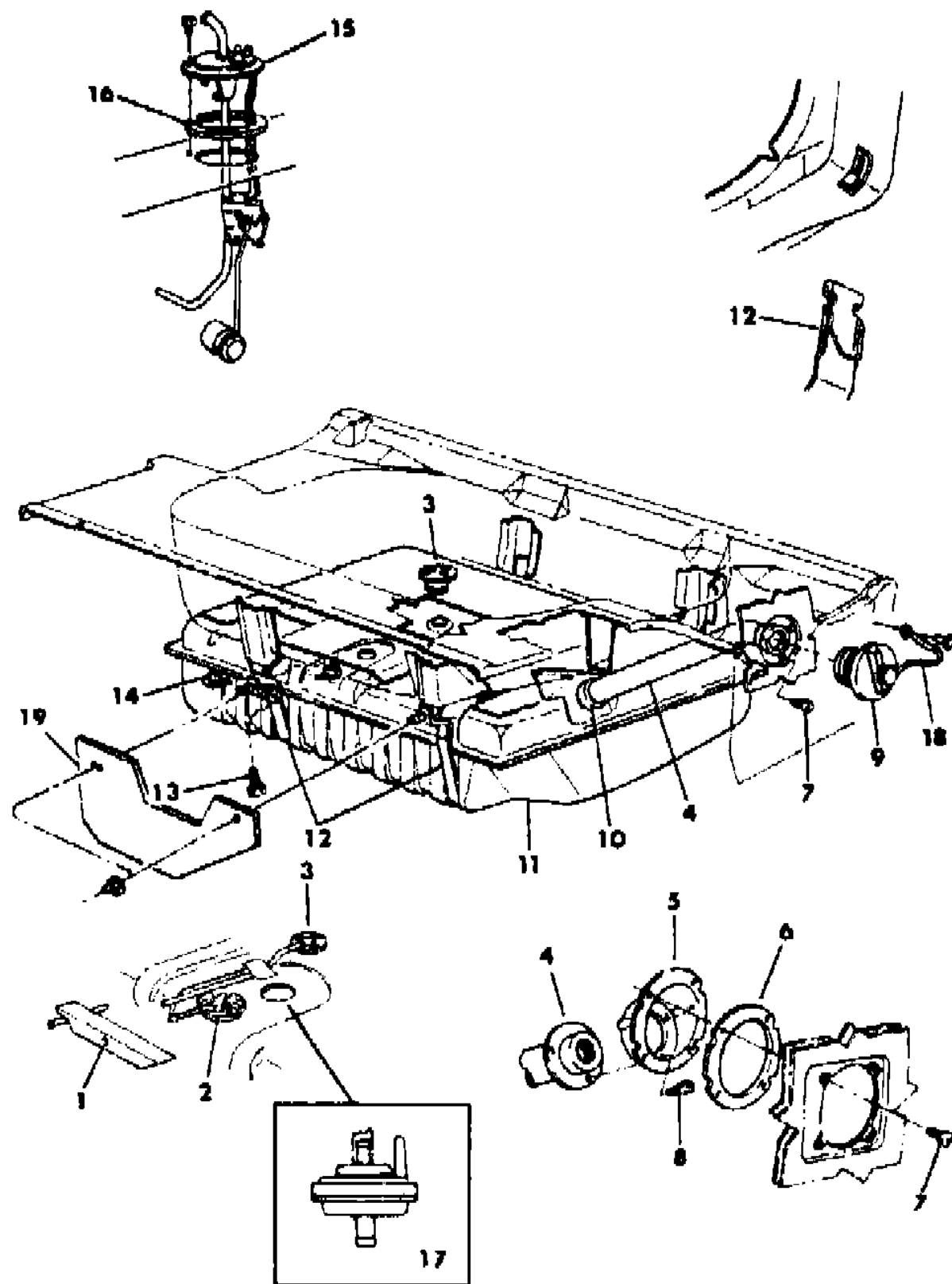
BODY STYLES

21 = 2-DOOR SEDAN	35 = FWD VAN	44 = 4-DOOR HATCHBACK
22 = 2-DOOR SPECIAL COUPE	36 = FWD WAGON	45 = 4-DOOR STATION WAGON
24 = 2-DOOR HATCHBACK	41 = 4-DOOR SEDAN	49 = LIMOUSINE
27 = 2-DOOR CONVERTIBLE		

AR = Use as Required - = Non Illustrated Part P.A.R. = Paint as Required

FUEL TANK AND FUEL FILLER TUBES F,G,B
Figure 14-7200

5114 7200



ITEM	PART NUMBER	QTY	BODY	MODEL	DESCRIPTION
1	4002 677	1			SHIELD, Fuel Tank to Floor Pan Splash
2	4279 445	1			RETAINER, Fuel Gauge
3	4002 252	1			VALVE, Rollover
	4002 149	1			GROMMET, Rollover Valve
4					TUBE, Fuel Tank Filler
	4279 429	1			Unleaded Gas
	4185 312	1			Leaded Gas
5	4185 019	1			HOUSING, Filler Tube
6	4185 037	1			GASKET, Filler Tube to Wheel House Panel
7		4			SCREW, Housing to Body Panel (not serviced)
8	9414 722	3			SCREW, Housing to Filler Tube
9					CAP, Filler Tube
	4279 839	1			Non Locking
	4279 841	1			Locking
10	4002 010	1			GROMMET, Fuel Tank to Filler Tube
11	4279 479	1			TANK, Fuel
12					STRAP, Fuel Tank Mounting
	4185 452	1			Right
	4185 453	1			Left
13	6031 706	2			BOLT
14		2			U-NUT (not serviced)
15	4051 398	1			GAUGE, Tank Unit
16	6031 475	1			SEAL, Fuel Tank Gauge
17	4185 414	1			VALVE, Fuel Tank Vent By - Pass
18	4279 144	1			TETHER, Gas Cap
19	4185 449	1			SHIELD

MODEL CODES

B = GRAN FURY	E = 600	M = HORIZON/TURISMO
C = LE BARON/TOWN & COUNTRY/LIMO	F = FIFTH AVENUE/NEWPORT	P = RELIANT
C24 = LASER	G = DIPLOMAT	T = NEW YORKER
C44 = LE BARON/GTS	H = VOYAGER	V = 600
D = ARIES	J = CARAVELLE	V24 = DAYTONA
D44 = LANCER	K = MINI VAN/CARAVAN/ROYAL	Z = OMNI/CHARGER

BODY STYLES

21 = 2-DOOR SEDAN	35 = FWD VAN	44 = 4-DOOR HATCHBACK
22 = 2-DOOR SPECIAL COUPE	36 = FWD WAGON	45 = 4-DOOR STATION WAGON
24 = 2-DOOR HATCHBACK	41 = 4-DOOR SEDAN	49 = LIMOUSINE
27 = 2-DOOR CONVERTIBLE		

AR = Use as Required - = Non Illustrated Part P.A.R. = Paint as Required

GROUP 16 - PROP.SHAFT

ILLUSTRATION TITLE

GROUP-FIG. NO.

PROPELLER SHAFT

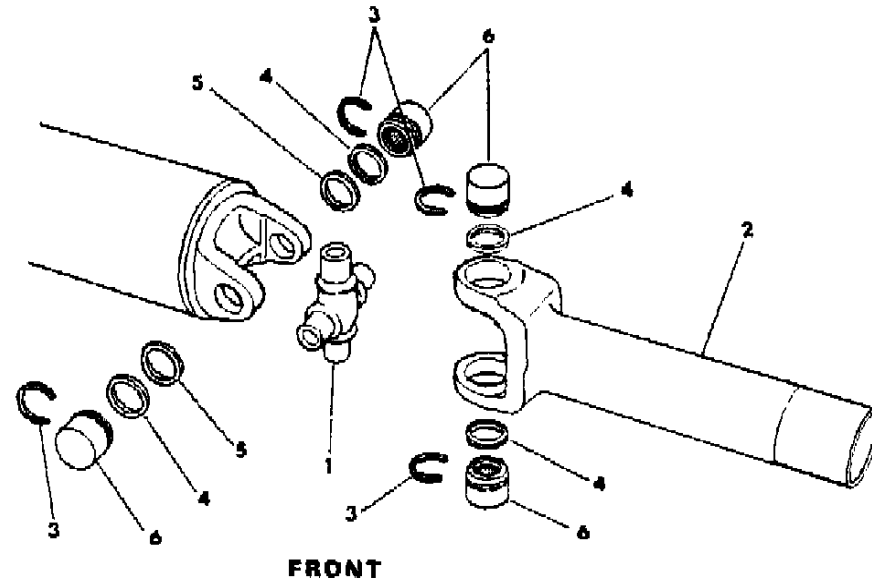
SHAFT, PROPELLER AND UNIVERSAL JOINT Fig. 16-200

ILLUSTRATION NOT AVAILABLE AT TIME OF PUBLICATION

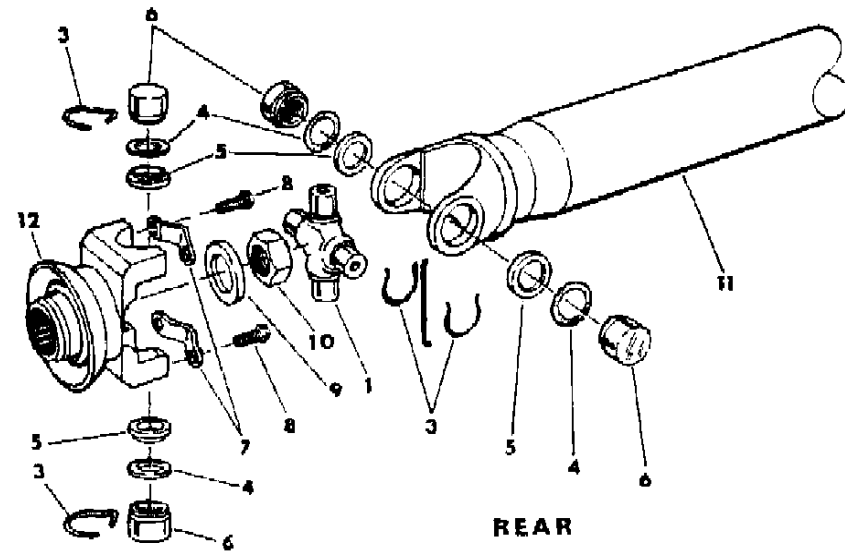
SHAFT, PROPELLER AND UNIVERSAL JOINT

Figure 16-200

5716 200



FRONT



REAR

ITEM	PART NUMBER	QTY	BODY	MODEL	DESCRIPTION
	3780 250	1			CROSS and ROLLER BUSHING PKG. Consists of: 4- ---- Cross Roller and Bushing 1- ---- Cross 4- ---- Retainer
1	3780 250	1			CROSS PKG.
2	3578 220	1			YOKE, Assy., U/Jnt. Slip Spline, 6.86 Lgh., 25 Tooth Spline
3	0858 006	AR			RETAINER, U/Jnt. Cross Roller Bushing (Oversize)
	3516 517	AR			RETAINER, U/Jnt. Cross Roller
4	0857 999	AR			SEAL
5	1739 912	AR			RETAINER, Roller Dust Shield
6		AR			ROLLER and BUSHING, (Serviced in above Pkg.)
7	1828 824	2			CLAMP
8	6029 562	4			SCREW
9	2070 117	1			WASHER
10	6028 041	1			NUT
11		1			SHAFT (See Chart)
12	3723 251	1			YOKE, Assy. Axle Drive Pinion, w/7-1/4", 8-1/4" Axle

MODEL CODES

B = GRAN FURY	E = 600	M = HORIZON/TURISMO
C = LE BARON/TOWN & COUNTRY/LIMO	F = FIFTH AVENUE/NEWPORT	P = RELIANT
C24 = LASER	G = DIPLOMAT	T = NEW YORKER
C44 = LE BARON/GTS	H = VOYAGER	V = 600
D = ARIES	J = CARAVELLE	V24 = DAYTONA
D44 = LANCER	K = MINI VAN/CARAVAN/ROYAL	Z = OMNI/CHARGER

BODY STYLES

21 = 2-DOOR SEDAN	35 = FWD VAN	44 = 4-DOOR HATCHBACK
22 = 2-DOOR SPECIAL COUPE	36 = FWD WAGON	45 = 4-DOOR STATION WAGON
24 = 2-DOOR HATCHBACK	41 = 4-DOOR SEDAN	49 = LIMOUSINE
27 = 2-DOOR CONVERTIBLE		

AR = Use as Required - = Non Illustrated Part P.A.R. = Paint as Required

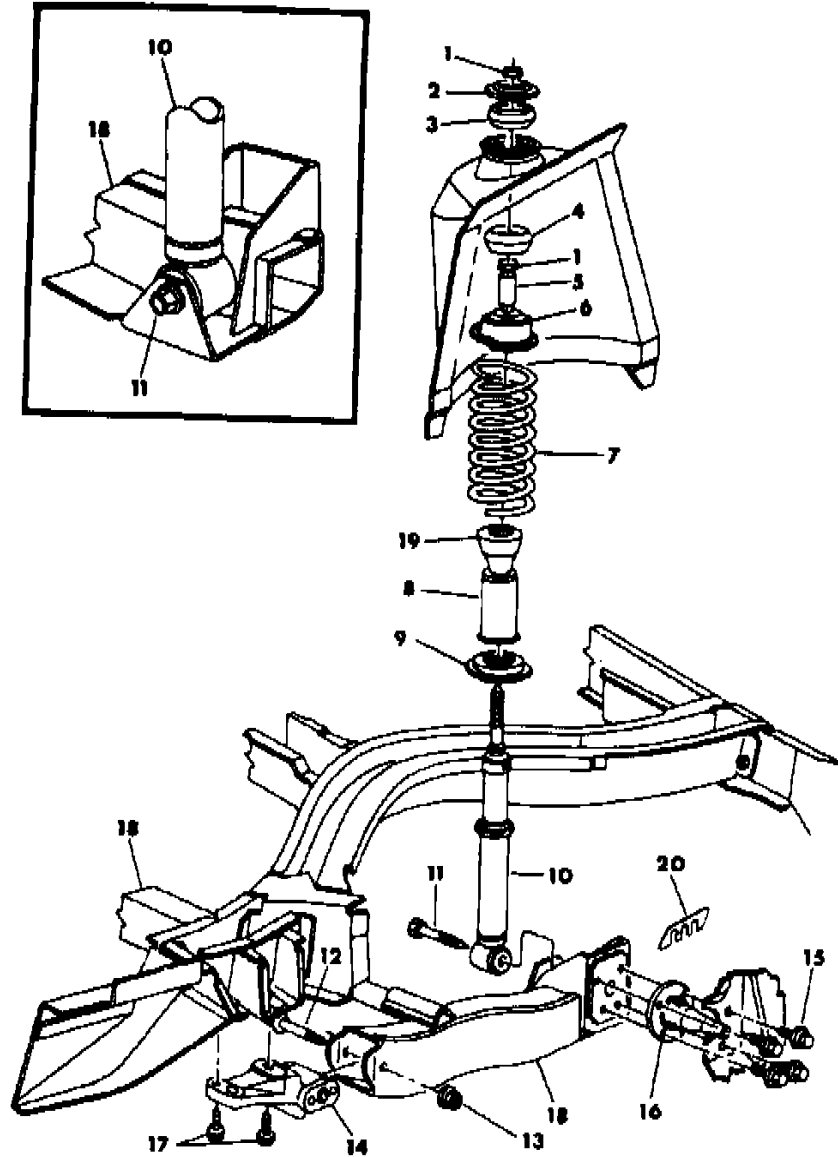
GROUP 17 - REAR SUSPENSION

ILLUSTRATION TITLE	GROUP-FIG. NO.
REAR SUSPENSION	
SUSPENSION, REAR M-Z24,44	Fig. 17-100
SUSPENSION, REAR H,K	Fig. 17-200
SUSPENSION, REAR P,D,V,C,J,E,T	Fig. 17-300
SUSPENSION, REAR B,F,G	Fig. 17-400
SWAY BAR	
SWAY BAR, REAR B,F,G	Fig. 17-500

ILLUSTRATION NOT AVAILABLE AT TIME OF PUBLICATION

SUSPENSION, REAR M-Z24,44
Figure 17-100

5117 100



ITEM	PART NUMBER	QTY	BODY	MODEL	DESCRIPTION
1	6100 219	4		All	NUT, Shock Mtg.
2	5205 032	2		All	RETAINER, Upper
3	5204 969	2		All	ISOLATOR, Upper
4	5204 932	2		All	ISOLATOR, Lower
5	5204 939	2		All	SLEEVE, Seat
6	4228 083	2		All	SEAT, Upper
7	5205 154	2		M,Z24-4	COIL-SPRING, Rear Std. (Exc. Shelby & Perf. Pkg.)
	5205 174	2		M,Z24-4	H.D. Or w/Firm Feel Susp. (Exc. Shelby & Perf. Pkg.)
	4228 324	2		Z-S24,Z	Shelby & Perf. Pkg.
8	5204 937	2		All	DUST-SHIELD
9	5205 186	2		All	SEAT, Lower
10	5205 194	2		44	SHOCK ABSORBER, Rear, Std. (Except Z-E44)
	5205 195	2		24	STD. (Except Z-S24)
	5205 191	2		24	H.D. (Except Z-S24)
	5205 189	2		44	H.D. (Except Z-E44)
	4228 401	2		Z-S24	(w/Shelby)
	4228 450	2		Z-E44	Perf. Pkg.
11	6500 115	2		All	BOLT, Shock Mtg. Lower
12	6100 986	2		All	BOLT, Hanger To Cont. Arm (Up To 6-7-85)
	6501 337	2		All	(After 6-7-85)
13	6100 518	2		All	NUT, Bolt
14	5205 097	2		All	HANGER, w/Bushing, Rear Pivot, Std. (Up To 6-7-85)
	4228 562	2		All	(After 6-7-85)
	5205 142	2		All	w/Firm Feel Suspension (Up To 6-7-85)
	4228 563	2		All	(After 6-7-85)
15	6500 844	8		All	BOLT, Spindle
16	4228 117	2		All	SPINDLE, Rear Wheel Mtg.
17	6501 165	4		All	SCREW,w/WASHER, Rear Hanger Mtg.
18	5205 038	1		All	ARM & C/MEMBER, Rr. Susp. Lwr. w/o Sway Bar (Except Shelby & Perf. Pkg.)
	4228 396	1		Z-S24,Z	w/Firm Feel Susp. (Shelby & Perf. Pkg.)
19	5205 182	2		All	BUMPER, Jounce (Except Shelby & Perf. Pkg.)
	4228 330	2		Z-S24,Z	w/Firm Feel Susp. (Shelby & Perf. Pkg.)
	5208 884	2		44	INSULATOR,Rear Shock (In Rear Wheel Well Area) (Not Ill.)
	5208 537	2		44	COVER,Rear Shock (In Rear Wheel Well Area) (Not Ill.)
20	5205 114	AR		All	SHIM, Rear Wheel Alignment
	5205 125	2		24	COVER, Insulator Sound (Not Ill.)

MODEL CODES

B = GRAN FURY	E = 600	M = HORIZON/TURISMO
C = LE BARON/TOWN & COUNTRY/LIMO	F = FIFTH AVENUE/NEWPORT	P = RELIANT
C24 = LASER	G = DIPLOMAT	T = NEW YORKER
C44 = LE BARON/GTS	H = VOYAGER	V = 600
D = ARIES	J = CARAVELLE	V24 = DAYTONA
D44 = LANCER	K = MINI VAN/CARAVAN/ROYAL	Z = OMNI/CHARGER

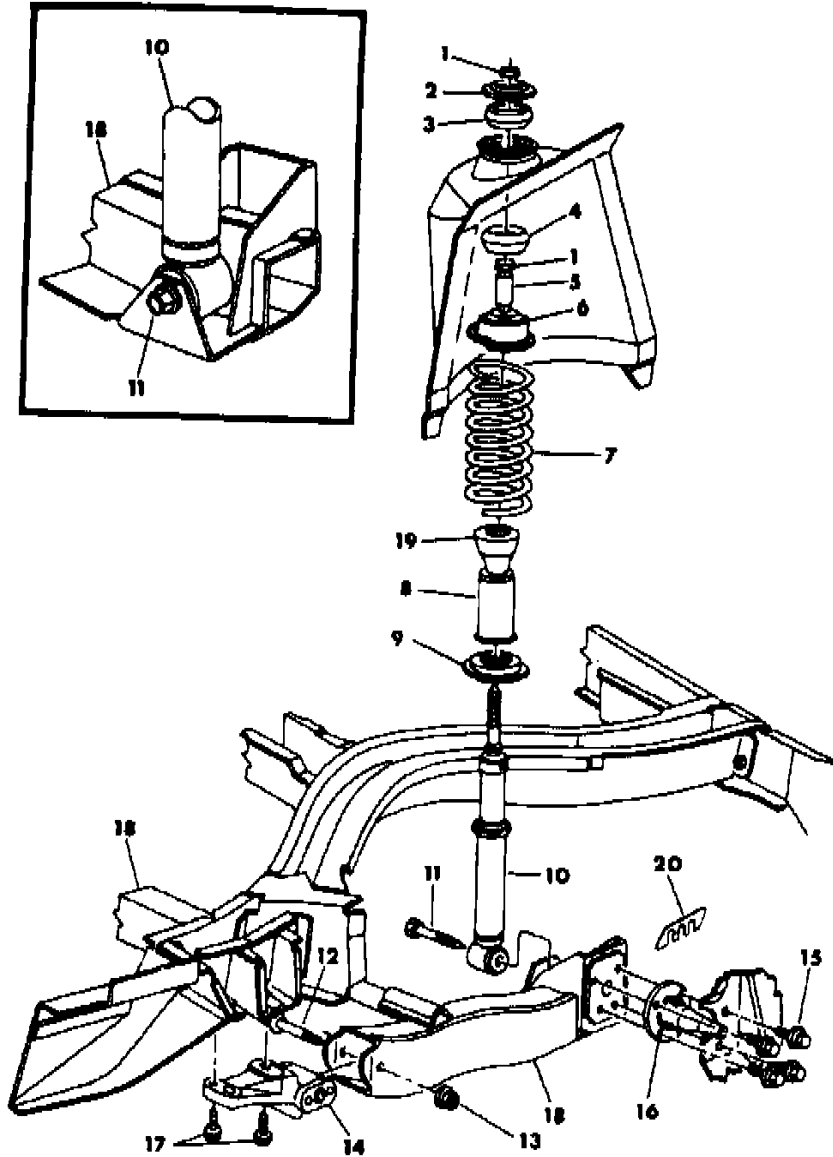
BODY STYLES

21 = 2-DOOR SEDAN	35 = FWD VAN	44 = 4-DOOR HATCHBACK
22 = 2-DOOR SPECIAL COUPE	36 = FWD WAGON	45 = 4-DOOR STATION WAGON
24 = 2-DOOR HATCHBACK	41 = 4-DOOR SEDAN	49 = LIMOUSINE
27 = 2-DOOR CONVERTIBLE		

AR = Use as Required - = Non Illustrated Part P.A.R. = Paint as Required

SUSPENSION, REAR M-Z24,44
Figure 17-100

5117 100



ITEM	PART NUMBER	QTY	BODY	MODEL	DESCRIPTION
	5205 126	2		24	RETAINER, Cover Insulator Sound (Not Ill.)

MODEL CODES

B = GRAN FURY	E = 600	M = HORIZON/TURISMO
C = LE BARON/TOWN & COUNTRY/LIMO	F = FIFTH AVENUE/NEWPORT	P = RELIANT
C24 = LASER	G = DIPLOMAT	T = NEW YORKER
C44 = LE BARON/GTS	H = VOYAGER	V = 600
D = ARIES	J = CARAVELLE	V24 = DAYTONA
D44 = LANCER	K = MINI VAN/CARAVAN/ROYAL	Z = OMNI/CHARGER

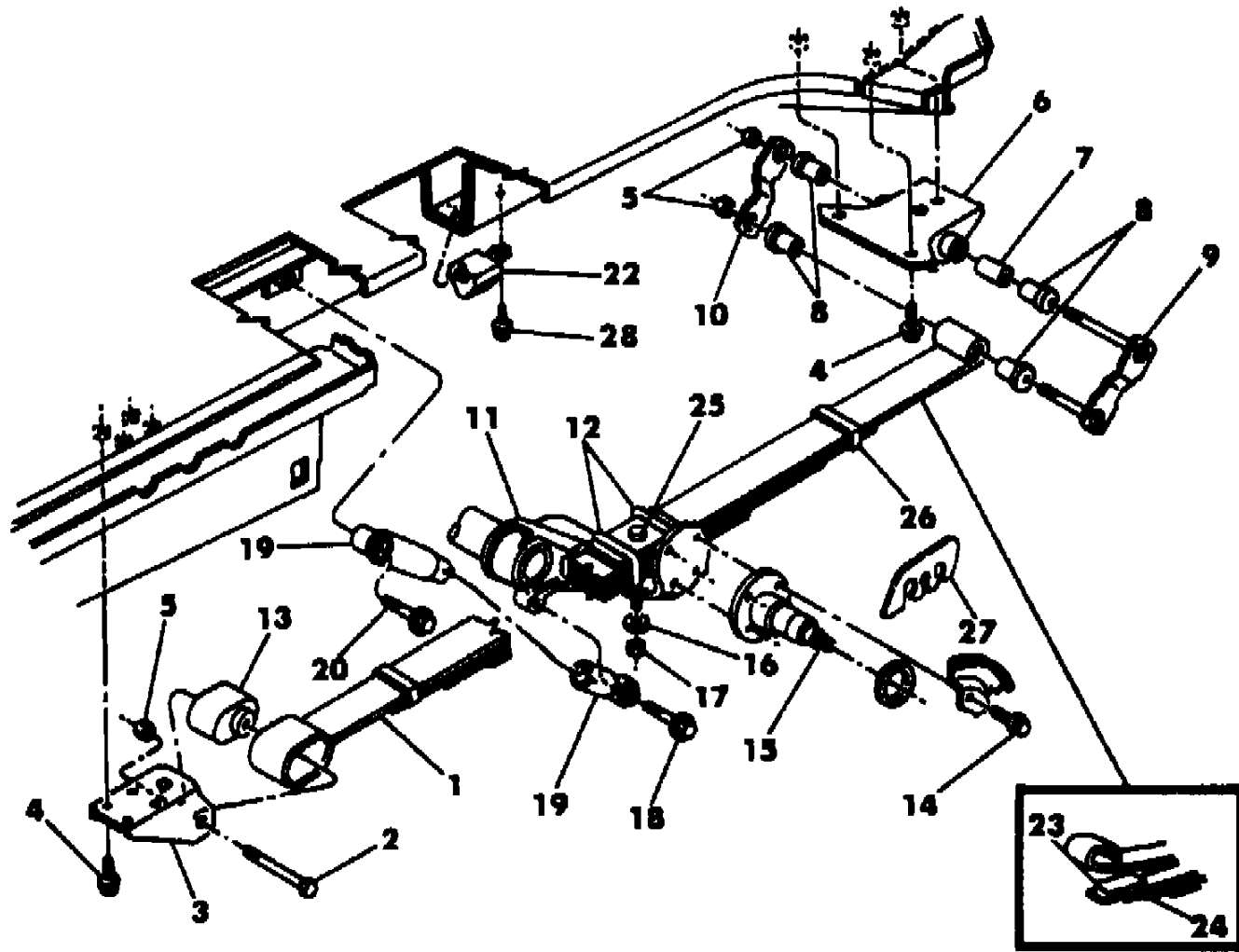
BODY STYLES

21 = 2-DOOR SEDAN	35 = FWD VAN	44 = 4-DOOR HATCHBACK
22 = 2-DOOR SPECIAL COUPE	36 = FWD WAGON	45 = 4-DOOR STATION WAGON
24 = 2-DOOR HATCHBACK	41 = 4-DOOR SEDAN	49 = LIMOUSINE
27 = 2-DOOR CONVERTIBLE		

AR = Use as Required - = Non Illustrated Part P.A.R. = Paint as Required

SUSPENSION, REAR H,K
Figure 17-200

5117 200 B



ITEM	PART NUMBER	QTY	BODY	MODEL	DESCRIPTION
1	4228 216	2		H,K36	SPRING, Rr. Leaf 5 Pass. - Std.
	4228 224	2		H,K36	H.D.
	4228 226	2		H,K36	SPRING, Rr. Leaf 7 Pass. - Std.
	4228 236	2		H,K36	H.D.
	4228 224	2		H,K35	SPRING, Rr. w/3900# GVW
2	4228 236	2		H,K35	w/4400# GVW
	6101 376	2		H,K	PIVOT BOLT, Rr. Sprg. Frt. Bushing
3	4147 938-9	1		H,K	HANGER, Rr. Sprg. Frt.
4	6101 076	14		H,K	BOLT, Frt. & Rr. Hanger
5	6100 502	6		H,K	NUT
6	4147 927	2		H,K	HANGER, Rr. Sprg. Rr.
7	3722 073	2		H,K	INSERT, Rr. Sprg. Shackle Bushing
8	1400 269	8		H,K	BUSHING, Rr. Sprg. Shackle
9	4094 060	2		H,K	SHACKLE & BUSHING PKG. Rr. Spring
10	4014 703	2		H,K	PLATE, Rr. Sprg. Shackle - Loose
11	4228 370	1		H,K	AXLE & TUBE, Rear
12	4228 112	4		H,K	CLIP, Rr. Spring
13	3815 210	2		H,K	BUSHING, Rr. Sprg. Frt. Pivot
14	6500 815	8		H,K	SCREW w/Washer, Rr. Susp. Spindle Mtg.
15	4228 120	2		H,K	SPINDLE, Rr. Susp. Whl. Mtg.
16	6100 132	8		H,K	WASHER
17	6500 480	8		H,K	NUT
18	6101 364	2		H,K	SCREW w/WASHER, Rr. Shock Lwr.
19	4147 884	2		H,K	SHOCK ABS. & Busing Rr. - Std.
	4147 885	2		H,K	H.D.
20	6101 364	2		H,K	BOLT, w/Washer, Rr. Shock Abs. Upr. Mtg.
22	4228 114	2		H,K	BUMPER ASSY., Rr. Susp., Rr. Axle
23	3638 666	AR		H,K	INTERLINER, Leaf Spring - Std.
	4228 030	AR		H,K	H.D.
24	2539 512	AR		H,K	INTER LEAF - Leaf Spring
25	2953 358	2		H,K	BOLT, Rr. Spring Ctr. - Std.
	2961 234	2		H,K	H.D.
26	2808 399	4		H,K	CLIP & CLAMP PKG.
					CONSIST OF:
					1---- Insulator
					1---- Clip
					1---- Clamp

MODEL CODES

B = GRAN FURY	E = 600	M = HORIZON/TURISMO
C = LE BARON/TOWN & COUNTRY/LIMO	F = FIFTH AVENUE/NEWPORT	P = RELIANT
C24 = LASER	G = DIPLOMAT	T = NEW YORKER
C44 = LE BARON/GTS	H = VOYAGER	V = 600
D = ARIES	J = CARAVELLE	V24 = DAYTONA
D44 = LANCER	K = MINI VAN/CARAVAN/ROYAL	Z = OMNI/CHARGER

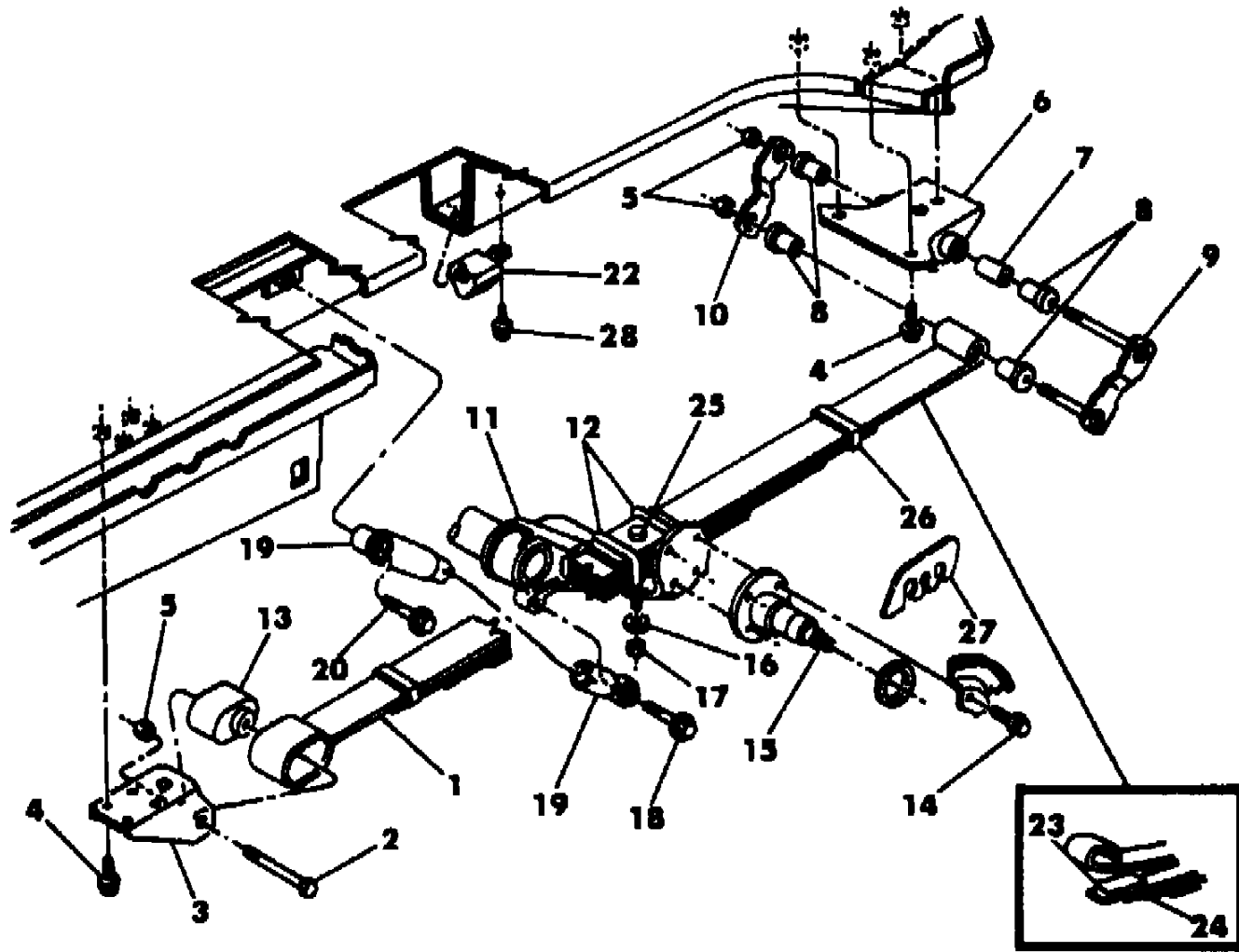
BODY STYLES

21 = 2-DOOR SEDAN	35 = FWD VAN	44 = 4-DOOR HATCHBACK
22 = 2-DOOR SPECIAL COUPE	36 = FWD WAGON	45 = 4-DOOR STATION WAGON
24 = 2-DOOR HATCHBACK	41 = 4-DOOR SEDAN	49 = LIMOUSINE
27 = 2-DOOR CONVERTIBLE		

AR = Use as Required - = Non Illustrated Part P.A.R. = Paint as Required

SUSPENSION, REAR H,K
Figure 17-200

5117 200 B



ITEM	PART NUMBER	QTY	BODY	MODEL	DESCRIPTION
	4228 129	2		H,K	SEAT, Rr. Spring Clip
27	5205 114	2		H,K	SHIM, Rr. Wheel Alignment
28	6501 188	2		H,K	SCREW, Bumper Rear

MODEL CODES

B = GRAN FURY	E = 600	M = HORIZON/TURISMO
C = LE BARON/TOWN & COUNTRY/LIMO	F = FIFTH AVENUE/NEWPORT	P = RELIANT
C24 = LASER	G = DIPLOMAT	T = NEW YORKER
C44 = LE BARON/GTS	H = VOYAGER	V = 600
D = ARIES	J = CARAVELLE	V24 = DAYTONA
D44 = LANCER	K = MINI VAN/CARAVAN/ROYAL	Z = OMNI/CHARGER

BODY STYLES

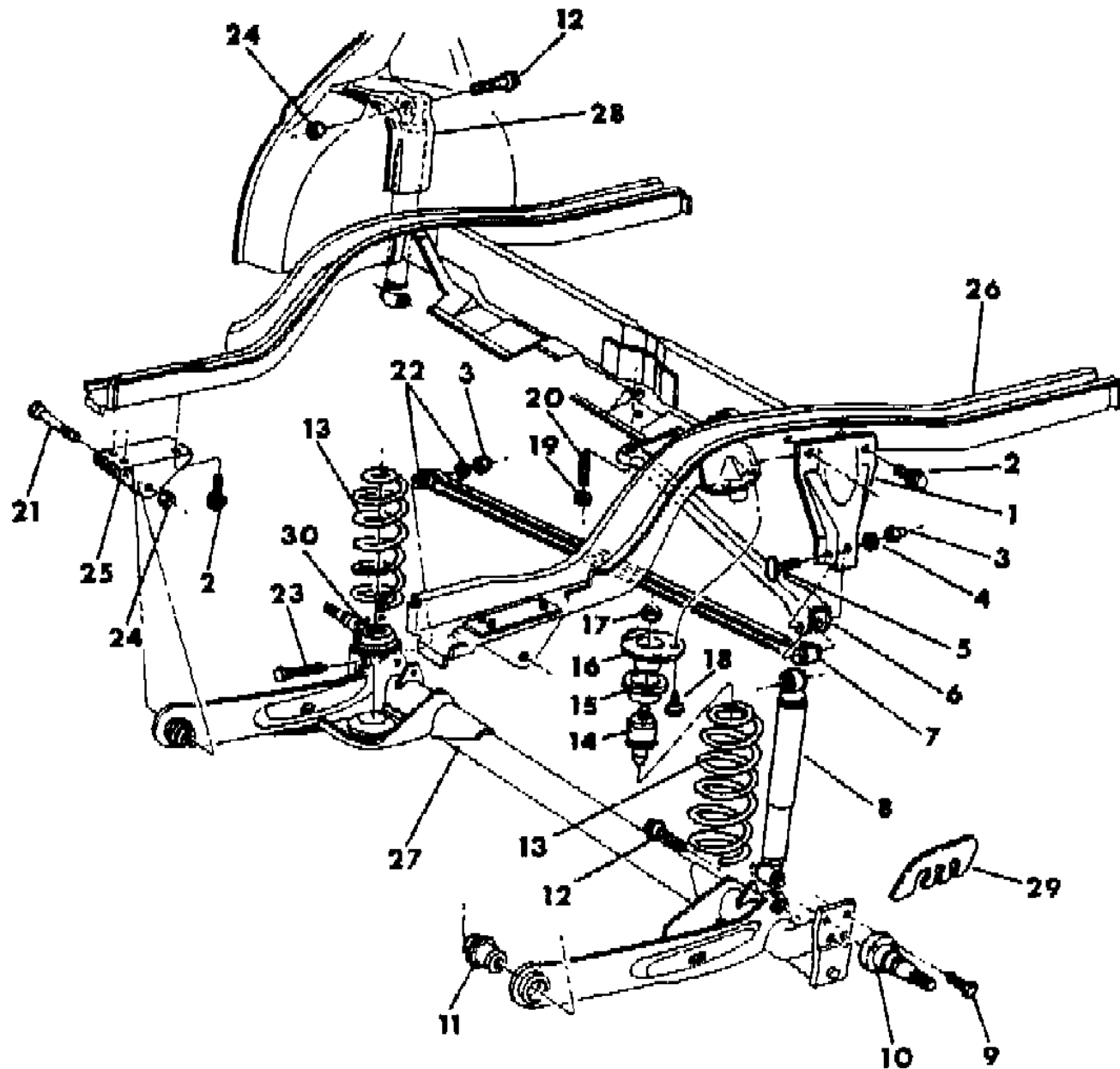
21 = 2-DOOR SEDAN	35 = FWD VAN	44 = 4-DOOR HATCHBACK
22 = 2-DOOR SPECIAL COUPE	36 = FWD WAGON	45 = 4-DOOR STATION WAGON
24 = 2-DOOR HATCHBACK	41 = 4-DOOR SEDAN	49 = LIMOUSINE
27 = 2-DOOR CONVERTIBLE		

AR = Use as Required - = Non Illustrated Part P.A.R. = Paint as Required

SUSPENSION, REAR P,D,V,C,J,E,T
Figure 17-300

5117 300

ITEM	PART NUMBER	QTY	BODY	MODEL	DESCRIPTION
	4271 374	1		All	ASSIST PACKAGE, Rear Suspension
					Consists Of:
					1- 4147921 Tubing, w/Tee & Valve
					2- 4147954 Cylinder
					2- 4147937 Sleeve
					2- 6032174 Clamp
					1----- Label
					2-4147936 Valve-Cap
					11----- Strap
					1----- Instruction Sheet
1	4228 316	1		All	BRACKET, Track Bar Mtg.
2	6500 969	8		All	BOLT, Brkt.
3	6500 480	1		All	NUT, Pivot Bolt
4	6100 132	1		All	WASHER, Pivot Bolt
5	6500 415	1		All	PIVOT-BOLT
6	4228 251	1		All	BRACE, Track Bar Mtg.
7	4318 723	1		All	TRACK-BAR, PKG.
8	4147 848	2		P,D-21,	SHOCK ABSORBER, w/Bushing, Std.
	4228 377	2		V,C,J,E	Premium Shock (Except V,C-24 & D,C-44)
	4228 334	2		V,C-24	w/Std. Susp.
	4228 335	2		All	w/H.D. Susp. (Except V,C-24 & D,C-44)
	4228 333	2		V,C-24	w/Firm Feel Susp.
	4228 336	2		D,C-44	w/Firm Feel Susp.
	4228 261	2		P,D-21,	Extra Duty
9	6500 844	8		All	BOLT, Spindle
10	4228 117	2		All	SPINDLE, Rear Wheel Mtg.
11	4147 857	2		All	BUSHING, Cont. Arm Pivot, Std. Or H.D.
	4147 951	2		All	Firm Feel & Extra Duty Susp.(Except D,C-44)
12	6101 272	4		All	BOLT, Shock Mtg.
13	4147 823	2		P,D,21	COIL-SPRING, Std., Rear
	4147 833	2		P,D,21	w/H.D Susp.
	4147 897	2		P,D,21	w/Extra Duty Susp.
	4147 824	2		P,D,41	w/Std. Susp.
	4147 834	2		P,D,41	w/H.D. Susp.
	4147 897	1		P,D,41	w/Extra Duty Susp.
	4147 828	2		P,D,45	w/Std. Susp.
	4147 838	2		P,D,45	w/H.D. Susp.



MODEL CODES

B = GRAN FURY	E = 600	M = HORIZON/TURISMO
C = LE BARON/TOWN & COUNTRY/LIMO	F = FIFTH AVENUE/NEWPORT	P = RELIANT
C24 = LASER	G = DIPLOMAT	T = NEW YORKER
C44 = LE BARON/GTS	H = VOYAGER	V = 600
D = ARIES	J = CARAVELLE	V24 = DAYTONA
D44 = LANCER	K = MINI VAN/CARAVAN/ROYAL	Z = OMNI/CHARGER

BODY STYLES

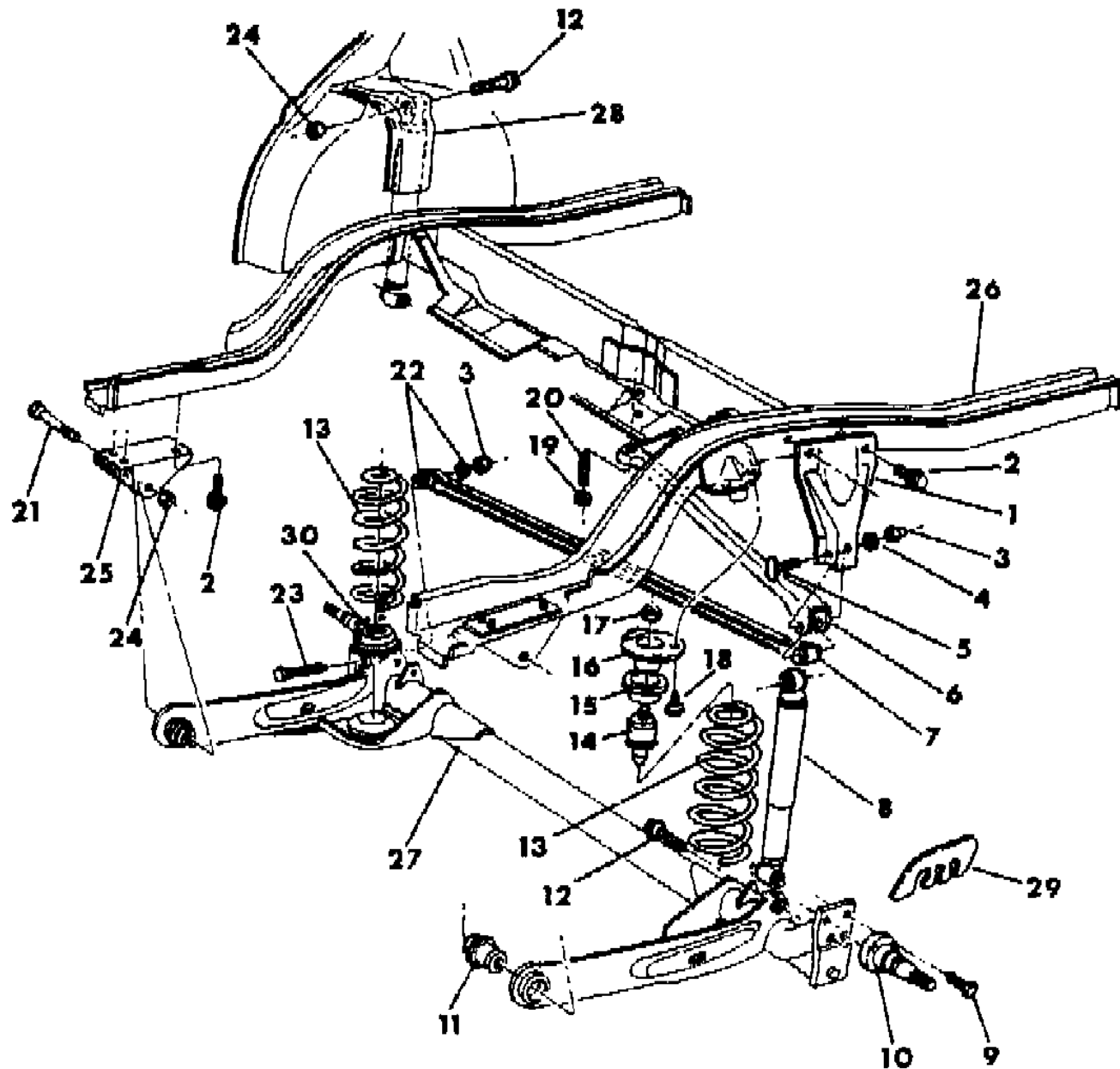
21 = 2-DOOR SEDAN	35 = FWD VAN	44 = 4-DOOR HATCHBACK
22 = 2-DOOR SPECIAL COUPE	36 = FWD WAGON	45 = 4-DOOR STATION WAGON
24 = 2-DOOR HATCHBACK	41 = 4-DOOR SEDAN	49 = LIMOUSINE
27 = 2-DOOR CONVERTIBLE		

AR = Use as Required - = Non Illustrated Part P.A.R. = Paint as Required

SUSPENSION, REAR P,D,V,C,J,E,T
Figure 17-300

5117 300

ITEM	PART NUMBER	QTY	BODY	MODEL	DESCRIPTION
	4147 899	2		P,D,45	w/Extra Duty Susp.
	4147 823	2		V,C,22	STD. or w/Firm Feel Susp.
	4147 833	2		V,C,22	w/H.D. Susp.
	4147 824	2		V,C,27	w/Std. or Firm Feel Susp.
	4147 833	2		V,C,27	w/H.D. Susp.
	4147 824	2		V,C41	STD. or w/Firm Feel Susp.
	4147 834	2		V,C41	w/H.D. Susp.
	4147 824	2		D,C44	w/Std. Susp.
	4147 834	2		D,C44	w/Firm Feel Susp.
	4147 829	2		C,45	STD. or w/Firm Feel Susp.
	4147 838	2		C,45	H.D. or w/Extra Duty Susp.
	4147 827	2		J,E,T	w/Std. or Firm Feel Susp.
	4147 836	2		J,E,T	w/H.D. Susp.
	4147 821	2		V,C24	w/Std. Susp.
	4147 893	2		V,C24	w/Firm Feel Susp.
	4147 838	2		C48	H.D. or w/Extra Duty Susp.
14	4228 159	2	All		BUMPER, Jounce
15	4147 759	2	All		ISOLATOR, Spring Upper
16	4228 096	2	All		CUP, Jounce Bumper, w/p185/75 R14 SBA-w/W,W Tires w/P185/70 R14 SBR w/B,SW Tires w/P185/70 R14 FBR w/B,SW Tires
17	6100 518	2	All		NUT, Bumper
	6026 648	2	All		Retainer
18			All		SCREW (Not Serviced)
19	6500 691	1	All		NUT, Stud
20	6500 909	1	All		STUD, Brace
21	6100 412	1	All		BOLT, Hanger
22	6500 547	2	All		WASHER, Pivot Bolt
23	6500 836	1	All		PIVOT-BOLT
24	6500 197	3	All		NUT, Bolt
25	4228 312-3	1	All		HANGER, Frt. Pivot (Except V,C-24 & D,C-44)
	4228 098-9	1	D,V,C-2		
26			All		FRAME (Ref.)
27	4147 814	1	All		CONTROL-ARM, w/AXLE CHANNEL, Rr. Axle, Std. ***
	4147 903	1	All		w/H.D. & Extra Duty Susp. (Except D,V,C-24,44)
	4147 904	1	All		w/Firm Feel Susp. (Except V,C-24)
	4147 912	1	V,C-24		w/Std. & Firm Feel Susp.



MODEL CODES

B = GRAN FURY	E = 600	M = HORIZON/TURISMO
C = LE BARON/TOWN & COUNTRY/LIMO	F = FIFTH AVENUE/NEWPORT	P = RELIANT
C24 = LASER	G = DIPLOMAT	T = NEW YORKER
C44 = LE BARON/GTS	H = VOYAGER	V = 600
D = ARIES	J = CARAVELLE	V24 = DAYTONA
D44 = LANCER	K = MINI VAN/CARAVAN/ROYAL	Z = OMNI/CHARGER

BODY STYLES

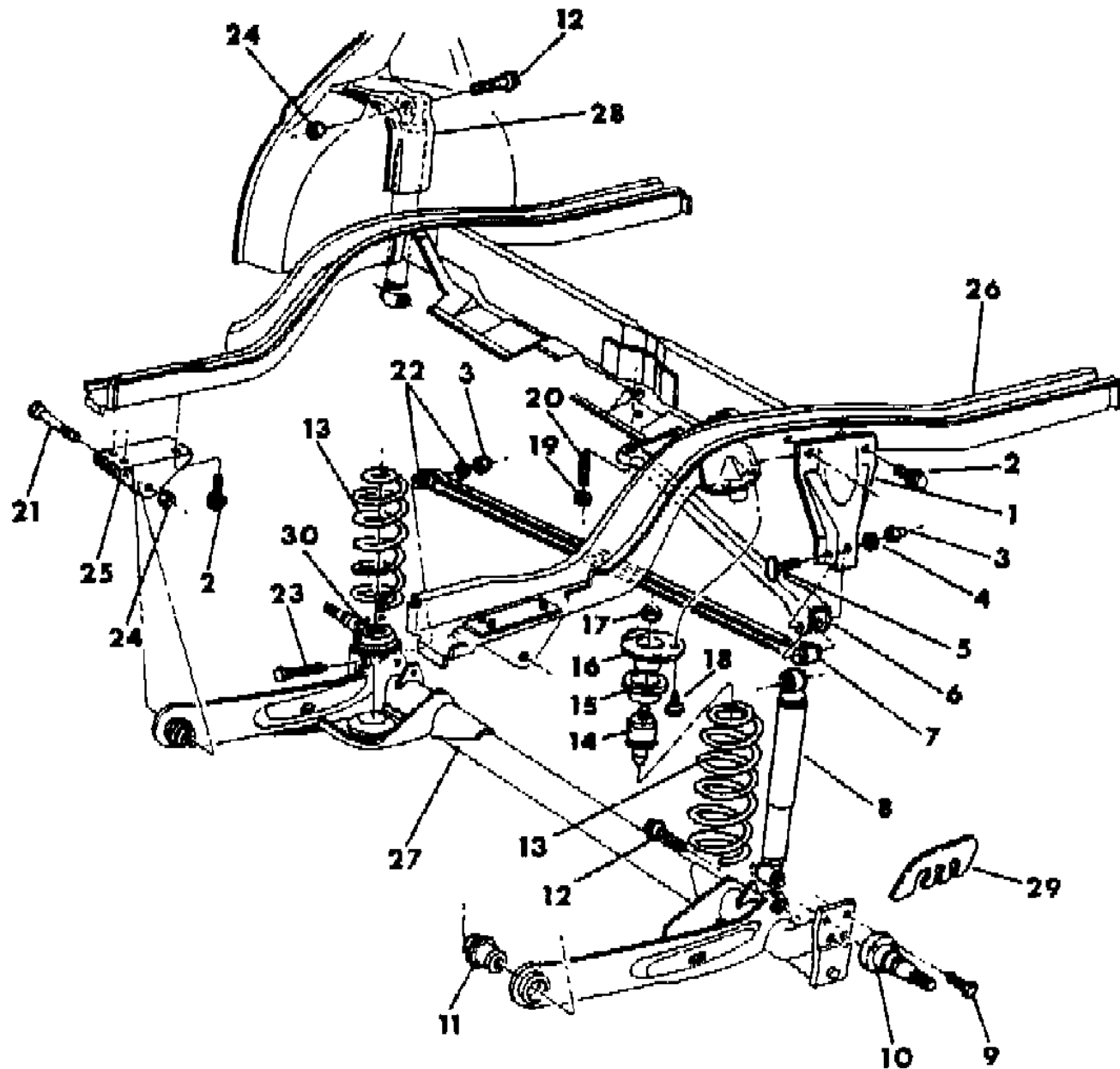
21 = 2-DOOR SEDAN	35 = FWD VAN	44 = 4-DOOR HATCHBACK
22 = 2-DOOR SPECIAL COUPE	36 = FWD WAGON	45 = 4-DOOR STATION WAGON
24 = 2-DOOR HATCHBACK	41 = 4-DOOR SEDAN	49 = LIMOUSINE
27 = 2-DOOR CONVERTIBLE		

AR = Use as Required - = Non Illustrated Part P.A.R. = Paint as Required

SUSPENSION, REAR P,D,V,C,J,E,T
Figure 17-300

5117 300

ITEM	PART NUMBER	QTY	BODY	MODEL	DESCRIPTION
28				All	REINF. w/House (Ref.)
29	5205 114	AR		All	SHIM, Rear Wheel Alignment
30	4147 853	2		All	ISOLATOR, Spring Lower
	4147 916	1		All	DAMPER, Axle Torque Shaft, use w/H.D. Service Pkg.(Not Ill.)



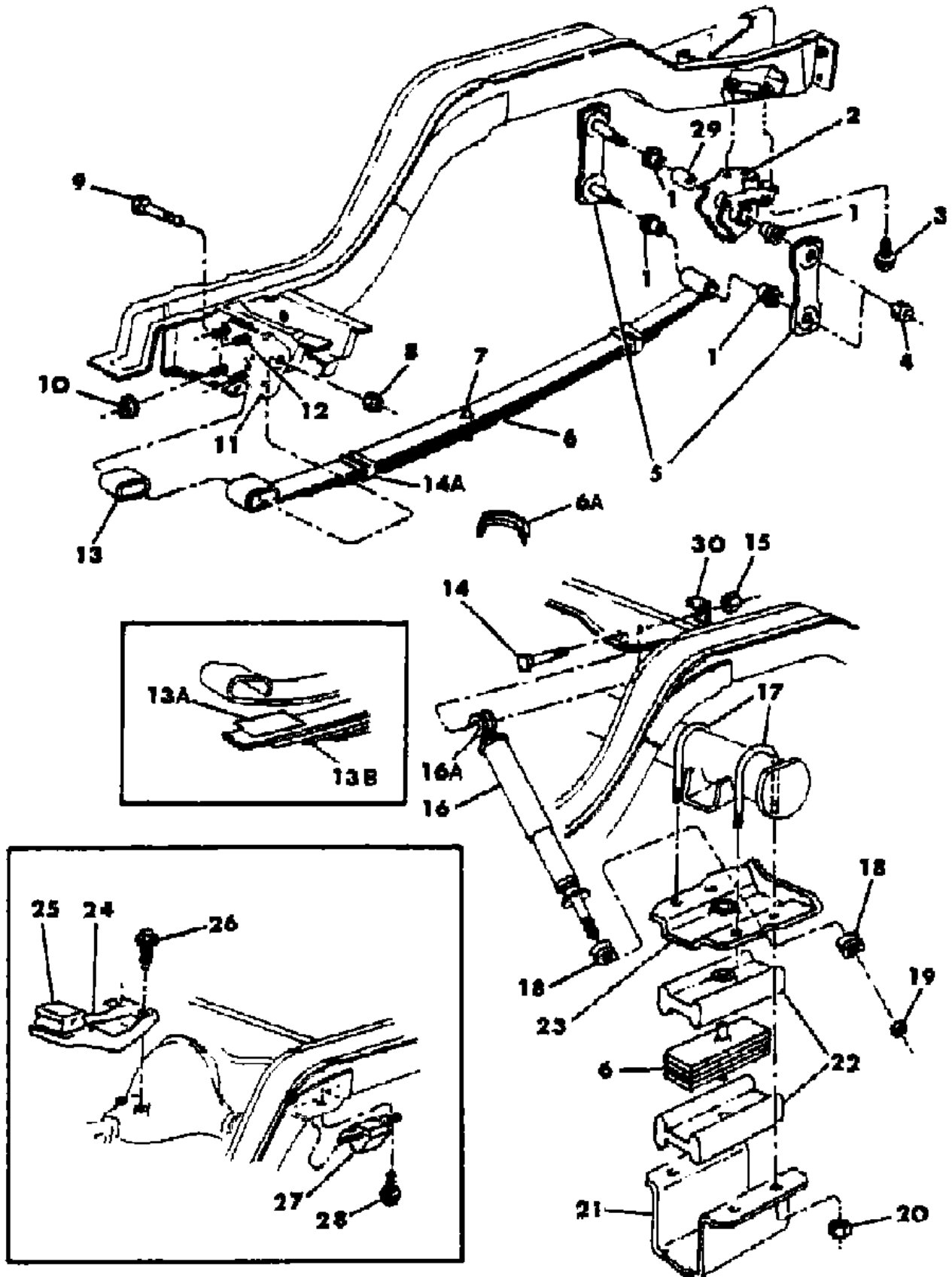
MODEL CODES		
B = GRAN FURY	E = 600	M = HORIZON/TURISMO
C = LE BARON/TOWN & COUNTRY/LIMO	F = FIFTH AVENUE/NEWPORT	P = RELIANT
C24 = LASER	G = DIPLOMAT	T = NEW YORKER
C44 = LE BARON/GTS	H = VOYAGER	V = 600
D = ARIES	J = CARAVELLE	V24 = DAYTONA
D44 = LANCER	K = MINI VAN/CARAVAN/ROYAL	Z = OMNI/CHARGER

BODY STYLES		
21 = 2-DOOR SEDAN	35 = FWD VAN	44 = 4-DOOR HATCHBACK
22 = 2-DOOR SPECIAL COUPE	36 = FWD WAGON	45 = 4-DOOR STATION WAGON
24 = 2-DOOR HATCHBACK	41 = 4-DOOR SEDAN	49 = LIMOUSINE
27 = 2-DOOR CONVERTIBLE		

AR = Use as Required - = Non Illustrated Part P.A.R. = Paint as Required

SUSPENSION, REAR B,F,G
Figure 17-400

5117 400



ITEM	PART NUMBER	QTY	BODY	MODEL	DESCRIPTION
1	3643 989	8		All	BUSHING, Shackle Pivot
2	4014 634-5	1		All	HANGER, Rear,Std. Or H.D. w/o Rear Sway Bar
	4014 704-5	1		All	w/Rear Sway Bar
3	6030 876	4		All	BOLT, Hanger
4	0271 502	4		All	NUT, Shackle
5	3780 515	2		All	SHACKLE AND BUSHING PKG., STD. Or H.D. w/o Rear Sway Bar
					Consists of:
					1 - ---- Shackle w/Pin
					1 - ---- Plate
					4 - 3643 989 Bushing
					2 - 271 502 Nut
	4094 060	2		All	SHACKLE AND BUSHING PKG., w/7 1/4 Or 8 1/4" Axle, w/ Rear Sway Bar
					Consists of:
					1 - ---- Shackle w/Pin
					1 - 4014 703 Plate
					4 - 3643 989 Bushing
					2 - 271 502 Nut
6	4026 817	2		All	SPRING,w/BUSHING, Std. (4 Leaf)
	4131 332	2		All	H.D. Police Cars Only (5 Leaf)
	4293 178	2		All	H.D. (5 Leaf)
6A	1829 929	AR		All	INSULATOR, Alignment Clip
7	3643 558	2		All	BOLT, Rear Spring Center
8	0152 370	2		All	NUT, Bolt Pivot
9	0433 179	2		All	BOLT, Bushing Pivot
10	6025 011	8		All	NUT, Hanger, Frt.
11	4052 205	2		All	HANGER, Frt.
12	2403 247	8		All	BOLT, Hanger, Frt.
13	3815 210	2		All	BUSHING, Frt. Pivot
	4052 125	2		All	w/Extra Duty Susp.
13A	3638 666	AR		All	INTERLINER
13B	2539 512	AR		All	INTERLEAF
14	0181 173	2		All	Bolt, Rear Shock Upper Mtg.
14A	2808 399	AR		All	CLIP AND CLAMP PKG.
					Consists of:
					1 - ---- Insulator

MODEL CODES

B = GRAN FURY	E = 600	M = HORIZON/TURISMO
C = LE BARON/TOWN & COUNTRY/LIMO	F = FIFTH AVENUE/NEWPORT	P = RELIANT
C24 = LASER	G = DIPLOMAT	T = NEW YORKER
C44 = LE BARON/GTS	H = VOYAGER	V = 600
D = ARIES	J = CARAVELLE	V24 = DAYTONA
D44 = LANCER	K = MINI VAN/CARAVAN/ROYAL	Z = OMNI/CHARGER

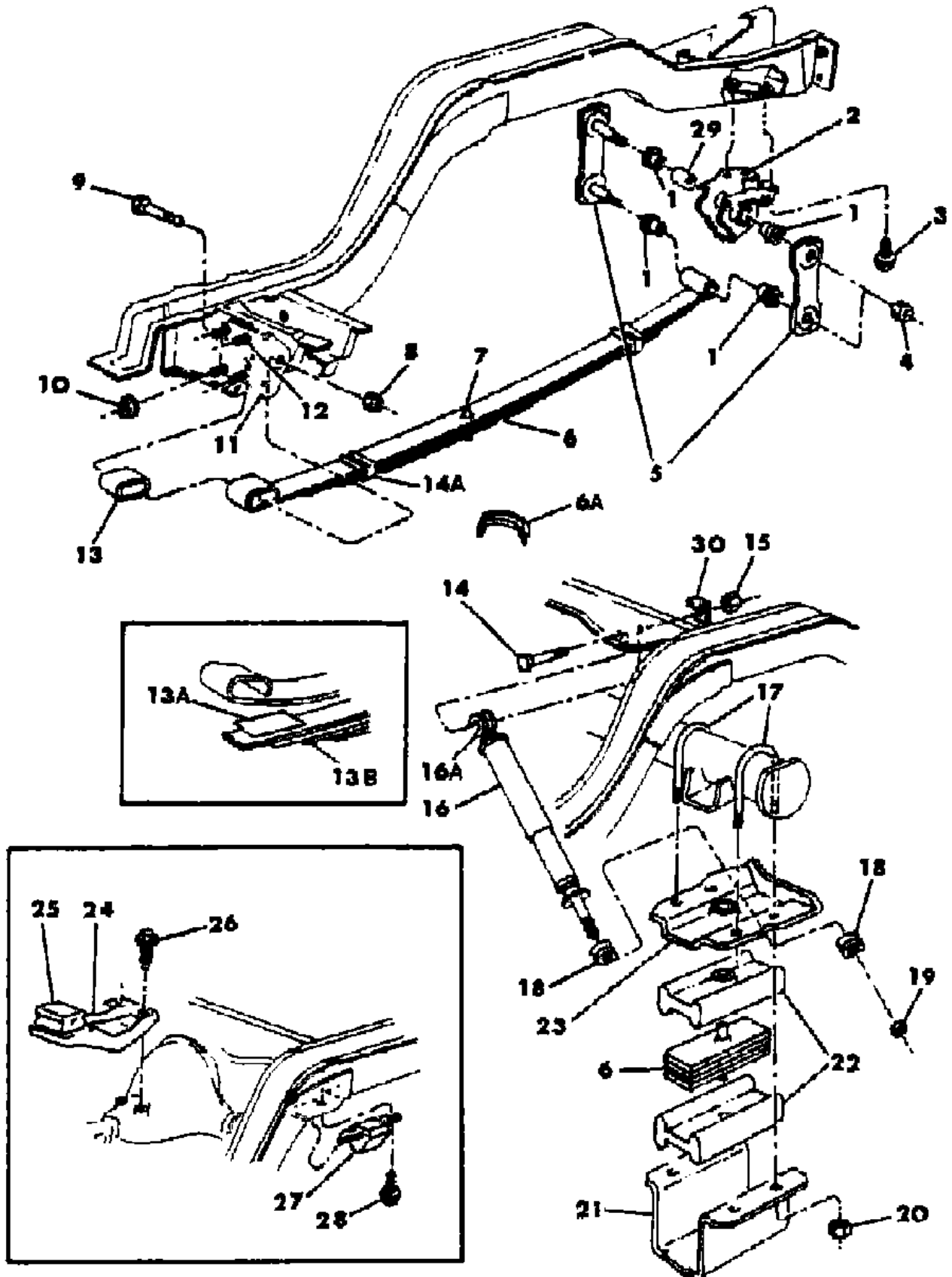
BODY STYLES

21 = 2-DOOR SEDAN	35 = FWD VAN	44 = 4-DOOR HATCHBACK
22 = 2-DOOR SPECIAL COUPE	36 = FWD WAGON	45 = 4-DOOR STATION WAGON
24 = 2-DOOR HATCHBACK	41 = 4-DOOR SEDAN	49 = LIMOUSINE
27 = 2-DOOR CONVERTIBLE		

AR = Use as Required - = Non Illustrated Part P.A.R. = Paint as Required

SUSPENSION, REAR B,F,G
Figure 17-400

5117 400



ITEM	PART NUMBER	QTY	BODY	MODEL	DESCRIPTION
					1 - ---- --- Clip
					1 - ---- --- Clamp
15	0152 348	2	All		NUT, Bolt
16	4228 413	2	All		SHOCK, Rear, Std.
	4228 414	2	All		H.D., 1" Dia.
	4057 094	2	All		H.D., 1-3/8" Dia.
16A	1319 902	2	All		BUSHING, Rear Shock Upper Mtg., 1" Dia. Std. Or H.D.
17	3845 264	4	All		CLIP, 4-3/8" Lgh., 7/16-20 Thd.
18	3643 891	4	All		BUSHING, Lower Mtg.
19	0272 235	2	All		NUT, Lower Mtg.
20	0152 347	8	All		NUT, Clip
21	3815 206	2	All		CLAMP, Spring Isolator, Std.
	3815 309	2	All		H.D. Or Firm Feel Susp.
22	3815 207	4	All		ISOLATOR
23	3845 128-9	1	All		SPRING-PLATE, 7-1/4" or 8-1/4" Axle w/o Sway Bar
	4014 710-1	1	All		7-1/4" or 8-1/4" Axle w/Sway Bar
24	3845 241	1	All		SUPPORT, Pinion Carrier Bumper, w/7-1/4" Axle
	3845 249	1	All		w/8-1/4"
25	3845 139	1	All		BUMPER, w/o Support
26	0181 086	2	All		SCREW, w/WASHER, Support Mtg. Std.
	0181 112	2	All		H.D.
27	3845 988	2	All		BUMPER, w/Support Side Rail, Std. Or H.D., w/o Rear Sway Bar
	4014 503	2	All		w/Support, w/Rear Sway Bar
	2834 767	2	All		w/o Support, w/Rear Sway Bar
28		2	All		SCREW, w/WASHER, Side Rail Att. (Not Serv.)
	2403 462	4	All		SPACER, Spring Center Bolt (Not Shown)
	4014 703	2	All		PLATE, Spring Shackle, Loose, w/Rear Sway Bar (Not Ill.)
29	3722 073	2	All		INSERT, Extra Duty
30	3722 711	AR	All		PLATE, Spring Seat Angle (1- Degree)- Not Illus.
	3722 712	AR	All		(2- Degree)
	3722 713	AR	All		(3- Degree)
	3722 714	AR	All		(4- Degree)

MODEL CODES

B = GRAN FURY	E = 600	M = HORIZON/TURISMO
C = LE BARON/TOWN & COUNTRY/LIMO	F = FIFTH AVENUE/NEWPORT	P = RELIANT
C24 = LASER	G = DIPLOMAT	T = NEW YORKER
C44 = LE BARON/GTS	H = VOYAGER	V = 600
D = ARIES	J = CARAVELLE	V24 = DAYTONA
D44 = LANCER	K = MINI VAN/CARAVAN/ROYAL	Z = OMNI/CHARGER

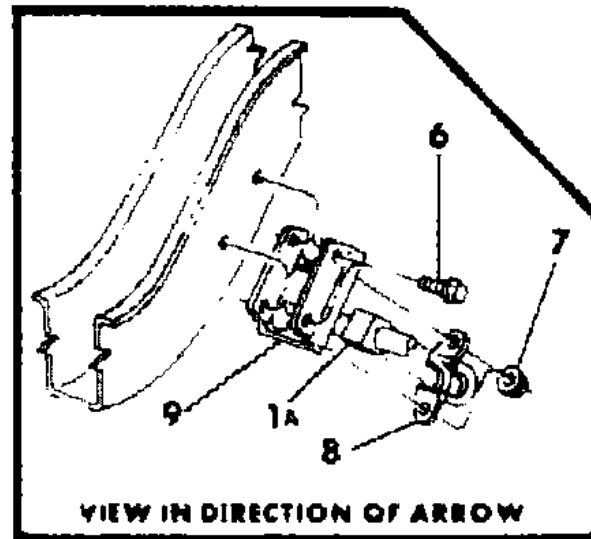
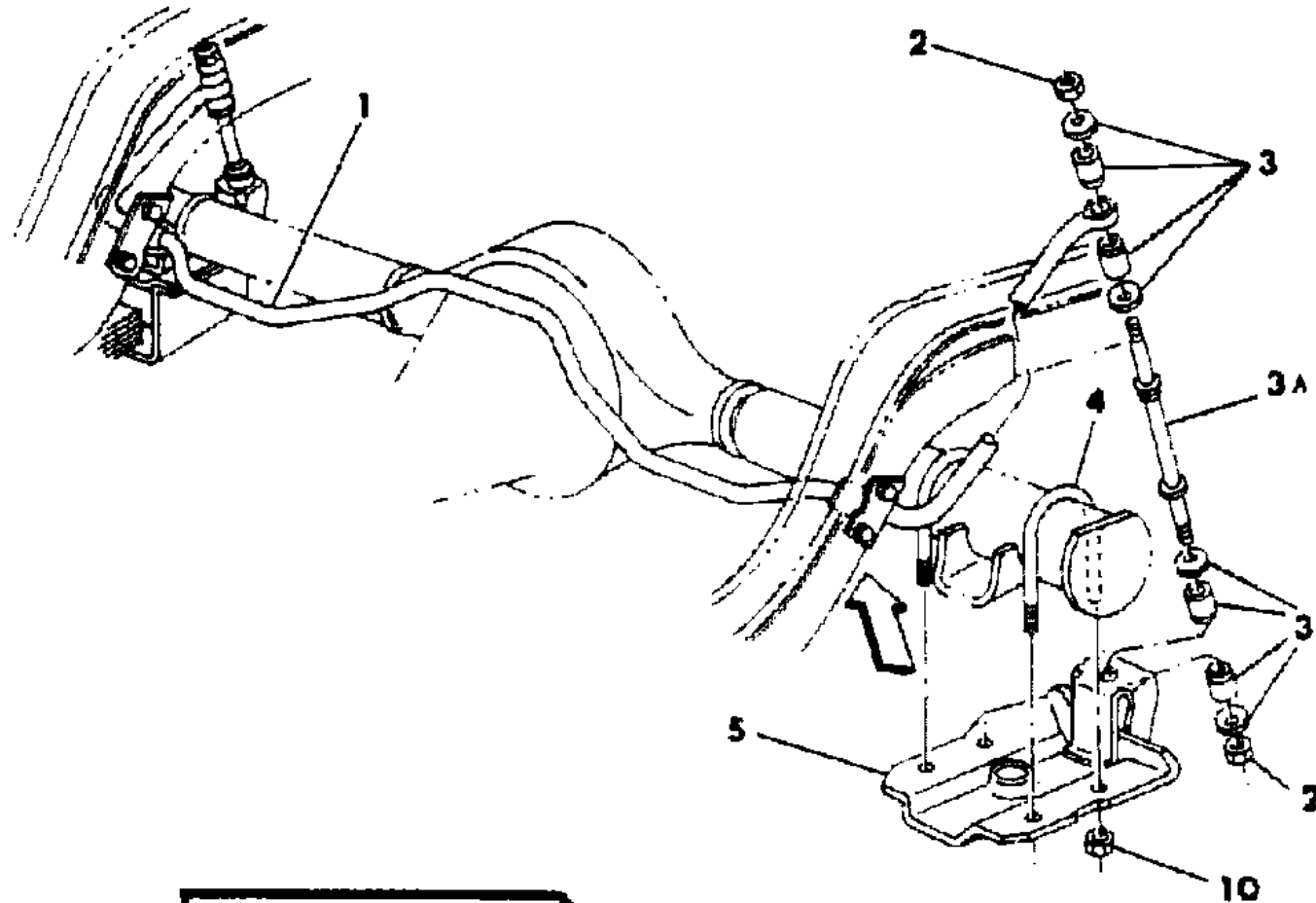
BODY STYLES

21 = 2-DOOR SEDAN	35 = FWD VAN	44 = 4-DOOR HATCHBACK
22 = 2-DOOR SPECIAL COUPE	36 = FWD WAGON	45 = 4-DOOR STATION WAGON
24 = 2-DOOR HATCHBACK	41 = 4-DOOR SEDAN	49 = LIMOUSINE
27 = 2-DOOR CONVERTIBLE		

AR = Use as Required - = Non Illustrated Part P.A.R. = Paint as Required

SWAY BAR, REAR B,F,G
Figure 17-500

5117 500



ITEM	PART NUMBER	QTY	BODY	MODEL	DESCRIPTION
1	4014 714	1		All	SHAFT, Sway Bar, Rear
1A	3722 992	1		All	BUSHING, Shaft
2	0118 614	4		All	NUT, Link
3	3879 212	2		All	ATTACHING PKG.,Sway Bar Rear Consists of: 2 - ---- --- Insulator 1 - 118 614 Nut 2 - ---- --- Retainer
3A	4057 086	2		All	LINK AND INSULATOR PKG. Consists of: 1 - ---- --- Link 4 - ---- --- Insulator 2 - 118 614 Nut
4	3845 264	4		All	CLIP, 4-3/8" Lgh., 7/16-20 Thd.
5	4014 710-1	2		All	PLATE, Shaft
6	6030 466	8		All	SCREW, Brkt. Att.
7	6030 607	8		All	NUT, Brkt.
8	3643 506	2		All	STRAP, Shaft Brkt.
9	4014 708-9	1		All	BRACKET, Shaft
10	6023 018	8		All	NUT, CLIP

MODEL CODES

B = GRAN FURY	E = 600	M = HORIZON/TURISMO
C = LE BARON/TOWN & COUNTRY/LIMO	F = FIFTH AVENUE/NEWPORT	P = RELIANT
C24 = LASER	G = DIPLOMAT	T = NEW YORKER
C44 = LE BARON/GTS	H = VOYAGER	V = 600
D = ARIES	J = CARAVELLE	V24 = DAYTONA
D44 = LANCER	K = MINI VAN/CARAVAN/ROYAL	Z = OMNI/CHARGER

BODY STYLES

21 = 2-DOOR SEDAN	35 = FWD VAN	44 = 4-DOOR HATCHBACK
22 = 2-DOOR SPECIAL COUPE	36 = FWD WAGON	45 = 4-DOOR STATION WAGON
24 = 2-DOOR HATCHBACK	41 = 4-DOOR SEDAN	49 = LIMOUSINE
27 = 2-DOOR CONVERTIBLE		

AR = Use as Required - = Non Illustrated Part P.A.R. = Paint as Required

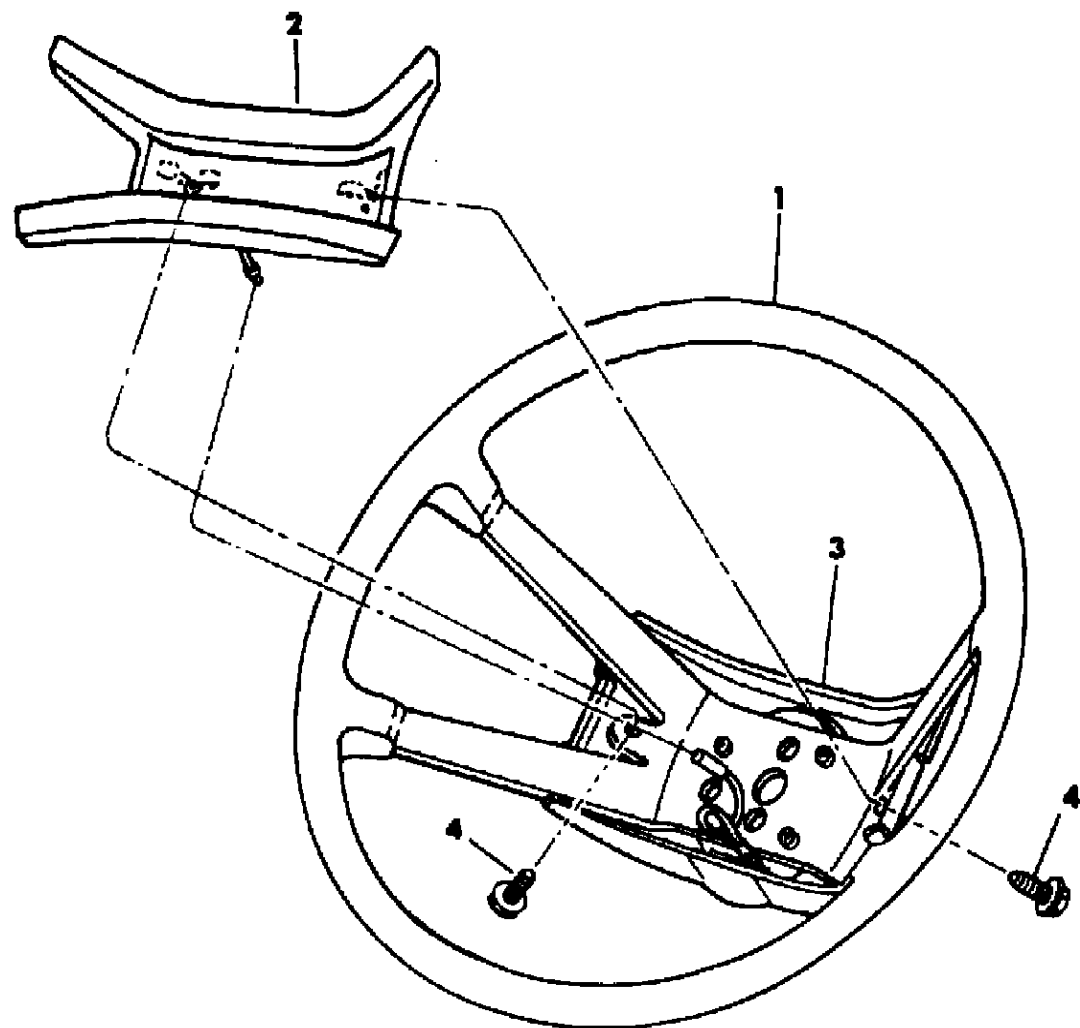
GROUP 19 - STEERING

ILLUSTRATION TITLE	GROUP-FIG. NO.
STEERING WHEELS	
WHEEL, STEERING 4 - SPOKE M,Z	Fig. 19-100
WHEEL, STEERING 2 SPOKE P,D,C,H,K	Fig. 19-200
WHEEL, STEERING EURO/SPORT TYPE D-S44,V-S24,V-P27	Fig. 19-300
WHEEL, STEERING - 2 SPOKE LUXURY WITH OR WITHOUT LEATHER WRAPPED P,D,V,C,J,E,T,B,F,G, H,K	Fig. 19-400
STEERING COLUMNS	
COLUMN ATTACHING PARTS STUDS, BOLTS, COVER, SEAL M,Z	Fig. 19-500
COLUMN, STEERING JACKET SHAFT & COUPLING ASSY. M,Z	Fig. 19-600
COLUMN, STEERING, UPPER WITHOUT TILT P,D,V,C,J,E,T,B,F,G,H,K	Fig. 19-700
COLUMN, STEERING, LOWER WITHOUT TILT B,F,G	Fig. 19-800
COLUMN, STEERING, LOWER WITH OR WITHOUT TILT STRG. P,D,V,C,J,E,T,H,K	Fig. 19-900
COLUMN, STEERING, UPPER WITH TILT P,D,V,C,J,E,T,B,F,G,H,K	Fig. 19-1000
COLUMN, STEERING, LOWER WITH TILT B,F,G	Fig. 19-1100
MANUAL RACK AND PINION GEARS	
GEAR, RACK & PINION, MANUAL ATTACHING PARTS M,Z,P,D,V,C	Fig. 19-1200
GEAR, RACK & PINION, MANUAL AND ATTACHING PARTS H,K	Fig. 19-1300
POWER RACK AND PINION GEARS	
GEAR, RACK & PINION, POWER (SAGINAW) AND ATTACHING PARTS M,Z,P,D,V,C,J,E,T	Fig. 19-1400
GEAR, RACK & PINION, POWER (TRW) AND ATTACHING PARTS P,D,V,C,J,E,T,H,K	Fig. 19-1500
POWER STEERING GEAR AND LINKAGE	
GEAR, POWER STEERING B,F,G	Fig. 19-1600
TIE RODS, STEERING GEAR AND LINKAGE B,F,G	Fig. 19-1700
PUMP, POWER STEERING AND ATTACHING PARTS, W/2.2, & 2.6 ENG. M,Z,P,D,V,C,J,E,T,H,K	Fig. 19-1800
PUMP, POWER STEERING AND ATTACHING PARTS, W/1.6 ENG. M,Z	Fig. 19-1900
PUMP, POWER STEERING PULLEY, BRACKETS, OIL COOLER B,F,G	Fig. 19-2000
POWER STEERING PUMP	
PUMP, POWER STEERING ENGINE BRACKETS B,F,G	Fig. 19-2100
POWER STEERING HOSES	
HOSE CHART, POWER STRG. PUMP M,Z,P,D,V,C,J,E,T,H,K	Fig. 19-2200

ILLUSTRATION NOT AVAILABLE AT TIME OF PUBLICATION

WHEEL, STEERING 4 - SPOKE M,Z
Figure 19-100

5119 100



ITEM	PART NUMBER	QTY	BODY	MODEL	DESCRIPTION
1	P065 BC7	1			STEERING WHEEL, 4 Spoke, Blue
	P065 AM6	1			Red
	P065 DT5	1			Brown
	P065 CS8	1			Charcoal
2	P203 BC7	1			PAD ASSY., Strg. Wheel Horn, Blue
	P203 AM6	1			Red
	P203 DT5	1			Brown
	P203 CS8	1			Charcoal
3	P058 BC7	1			SHROUD, Strg. Wheel Hub, Blue (Izumi, Stamped # 41530)
	P058 AM6	1			Red
	P058 DT5	1			Brown
	P058 CS8	1			Charcoal
	P068 BC7	1			Blue (Sheller Globe, Stamped # 26387)
	P068 AM6	1			Red
	P068 DT5	1			Brown
4	P068 CS8	1			Charcoal
	6031 652	2			SCREW, Strg. Wheel Horn Pad

MODEL CODES

B = GRAN FURY	E = 600	M = HORIZON/TURISMO
C = LE BARON/TOWN & COUNTRY/LIMO	F = FIFTH AVENUE/NEWPORT	P = RELIANT
C24 = LASER	G = DIPLOMAT	T = NEW YORKER
C44 = LE BARON/GTS	H = VOYAGER	V = 600
D = ARIES	J = CARAVELLE	V24 = DAYTONA
D44 = LANCER	K = MINI VAN/CARAVAN/ROYAL	Z = OMNI/CHARGER

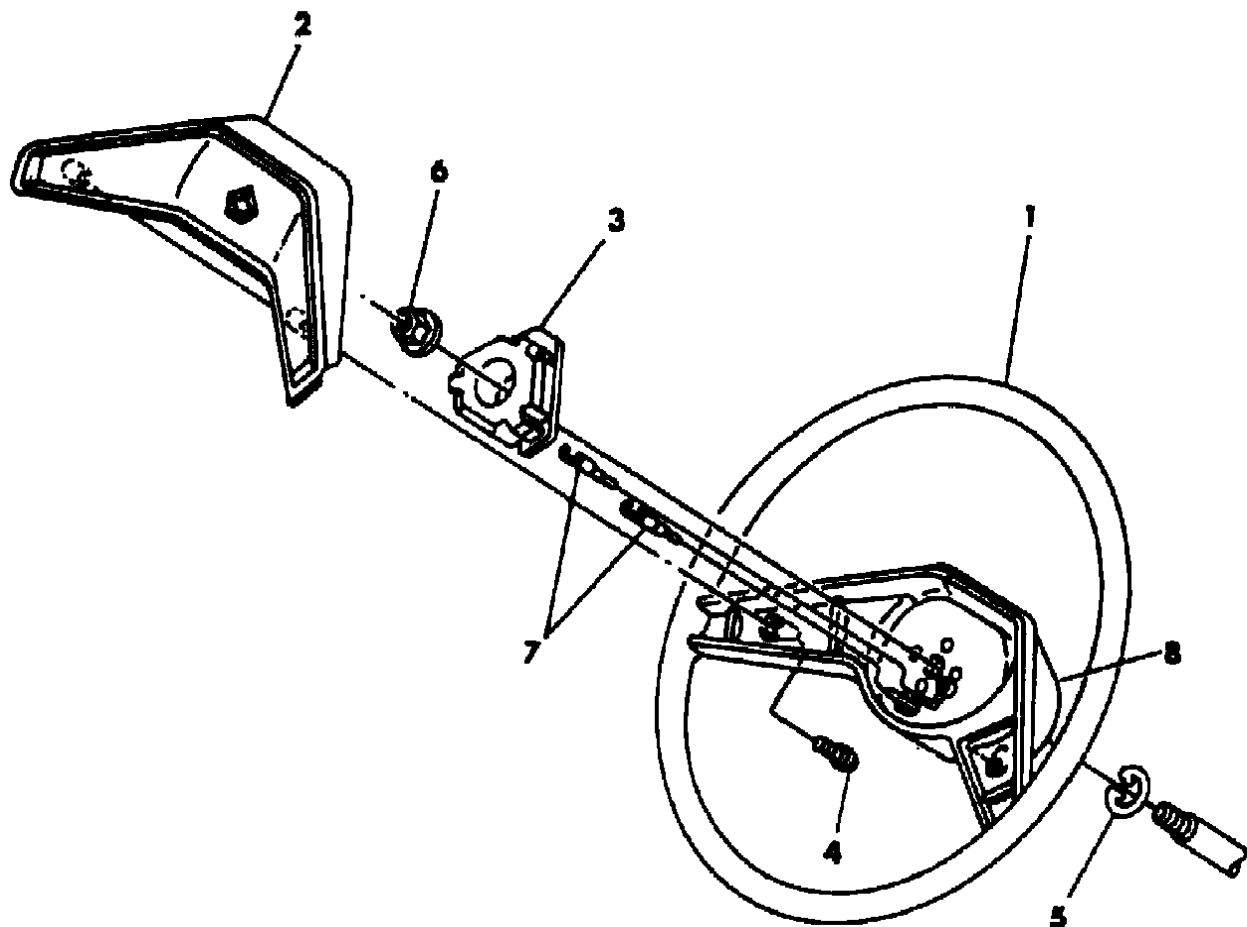
BODY STYLES

21 = 2-DOOR SEDAN	35 = FWD VAN	44 = 4-DOOR HATCHBACK
22 = 2-DOOR SPECIAL COUPE	36 = FWD WAGON	45 = 4-DOOR STATION WAGON
24 = 2-DOOR HATCHBACK	41 = 4-DOOR SEDAN	49 = LIMOUSINE
27 = 2-DOOR CONVERTIBLE		

AR = Use as Required - = Non Illustrated Part P.A.R. = Paint as Required

WHEEL, STEERING 2 SPOKE P,D,C,H,K
Figure 19-200

5119 200



ITEM	PART NUMBER	QTY	BODY	MODEL	DESCRIPTION
1	P074 CB5	1		H,K	WHEEL ASSY. Strg.,(Med. Blue)
	P074 CC7	1		D-P21,4	(Blue)
	P074 CM6	1		ALL	(Red)
	P074 DT5	1		ALL	(Brown)
	P074 CS8	1		ALL	(Charcoal)
2	P074 CX9	1		D-C44	(Black)
	P215 CB5	1		H,K	PAD ASSY., Strg. Whl. (Med. Blue.)
	P215 CC7	1		P-D21,4	(Blue)
	P215 CM6	1		ALL	(Red)
	P215 DT5	1		ALL	(Brown)
3	P215 CS8	1		ALL	(Charcoal)
	P215 CX9	1		D-C44	(Black)
	4147 070	1		D-P21,4	DAMPER ASSY., Strg. Whl. (w/Auto Trans.)
4		2	ALL	SCREW, (Not Serv.)	
5	3747 899	1	ALL	CAM, Turn Signal Cancelling (w/o Tilt)	
6	6500 906	1	ALL	NUT, Strg. Wheel	
7		2	ALL	CONTACT WIRES, (Serv. in Group 8)	
8	P193 CB5	1		H,K	SHROUD, Strg. Whl. Hub (Med. Blue)
	P193 CC7	1		D-P21,4	(Blue)
	P193 CM6	1		ALL	(Red)
	P193 CS8	1		ALL	(Charcoal)
	P193 DT5	1		ALL	(Brown)
	P193 CX9	1		D-C44	(Black)

MODEL CODES
 B = GRAN FURY
 C = LE BARON/TOWN & COUNTRY/LIMO
 C24 = LASER
 C44 = LE BARON/GTS
 D = ARIES
 D44 = LANCER
 E = 600
 F = FIFTH AVENUE/NEWPORT
 G = DIPLOMAT
 H = VOYAGER
 J = CARAVELLE
 K = MINI VAN/CARAVAN/ROYAL
 M = HORIZON/TURISMO
 P = RELIANT
 T = NEW YORKER
 V = 600
 V24 = DAYTONA
 Z = OMNI/CHARGER

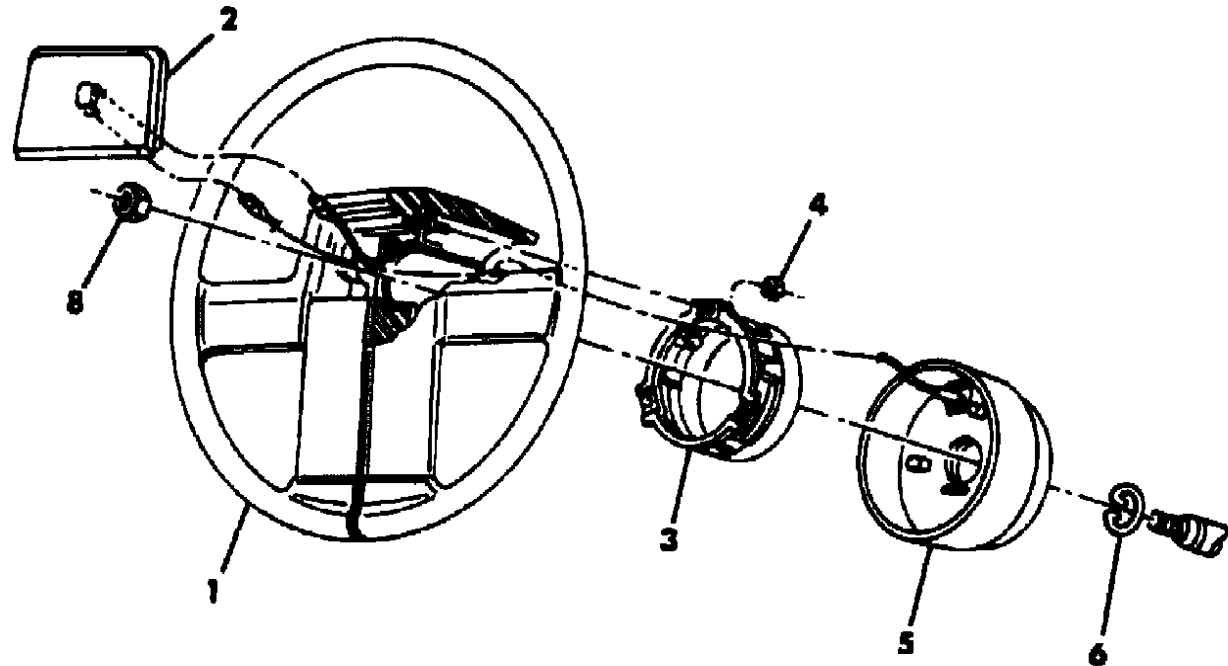
BODY STYLES
 21 = 2-DOOR SEDAN
 22 = 2-DOOR SPECIAL COUPE
 24 = 2-DOOR HATCHBACK
 27 = 2-DOOR CONVERTIBLE
 35 = FWD VAN
 36 = FWD WAGON
 41 = 4-DOOR SEDAN
 44 = 4-DOOR HATCHBACK
 45 = 4-DOOR STATION WAGON
 49 = LIMOUSINE

AR = Use as Required - = Non Illustrated Part P.A.R. = Paint as Required

WHEEL, STEERING EURO/SPORT TYPE D-S44,V-S24,V-P27

Figure 19-300

5119 300



ITEM	PART NUMBER	QTY	BODY	MODEL	DESCRIPTION
1	P054 DM5	1			WHEEL, Strg. w/Leather Wrap, Red
	P054 DS9	1			Charcoal
	P054 DX9	1			Black
	P054 DT6	1			Med. Brown
	P078 DM6	1			WHEEL, Strg. w/o Leather Wrap, Red
	P078 DS8	1			Charcoal
	P078 DX9	1			Black
	P078 DT5	1			Med. Brown
2	P078 DT8	1			Dark Brown
	P078 DC7	1			Blue
	P216 DM6	1			PAD, Strg. Wheel, Red
	P216 DS8	1			Charcoal
	P216 DX9	1			Black
	P216 DT5	1			Med. Brown
	P216 DT8	1			Dark Brown
3	P216 DC7	1			Blue
	4147 253	1			DAMPER ASSY
	4	6100 507	3		
5		4147 260	1		SKIRT, Strg. Whl.
		6	3747 899	1	
6	3747 988		1		w/Tilt
	8	6500 906	1		NUT, Strg. Whl. Shaft

MODEL CODES

B = GRAN FURY	E = 600	M = HORIZON/TURISMO
C = LE BARON/TOWN & COUNTRY/LIMO	F = FIFTH AVENUE/NEWPORT	P = RELIANT
C24 = LASER	G = DIPLOMAT	T = NEW YORKER
C44 = LE BARON/GTS	H = VOYAGER	V = 600
D = ARIES	J = CARAVELLE	V24 = DAYTONA
D44 = LANCER	K = MINI VAN/CARAVAN/ROYAL	Z = OMNI/CHARGER

BODY STYLES

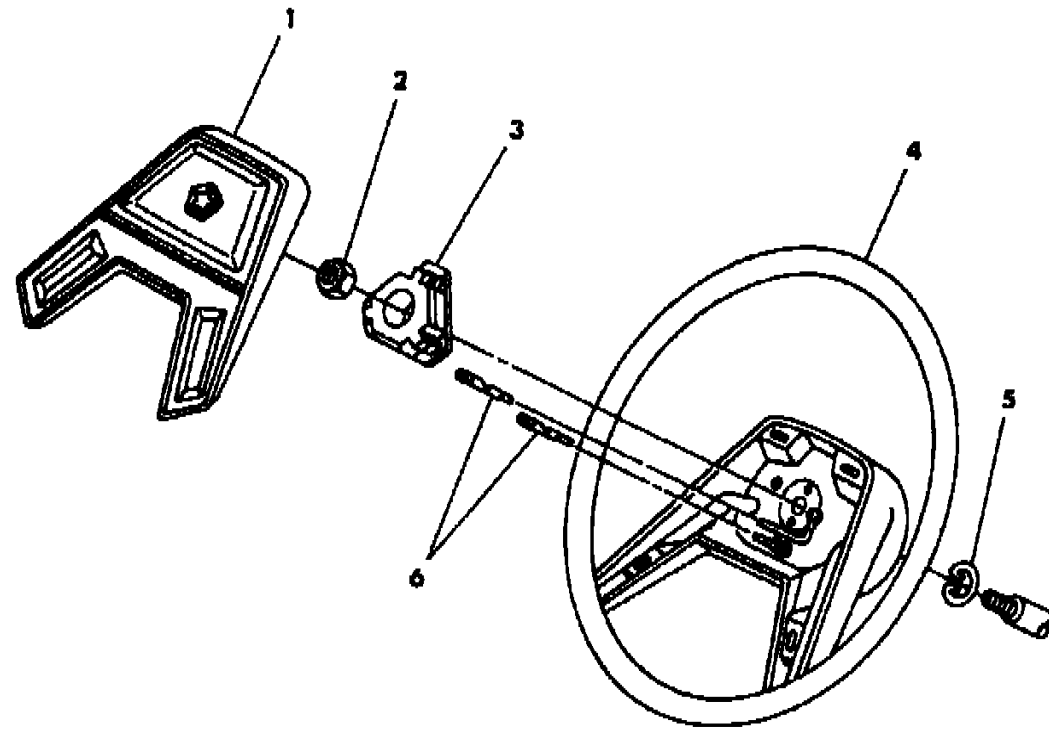
21 = 2-DOOR SEDAN	35 = FWD VAN	44 = 4-DOOR HATCHBACK
22 = 2-DOOR SPECIAL COUPE	36 = FWD WAGON	45 = 4-DOOR STATION WAGON
24 = 2-DOOR HATCHBACK	41 = 4-DOOR SEDAN	49 = LIMOUSINE
27 = 2-DOOR CONVERTIBLE		

AR = Use as Required - = Non Illustrated Part P.A.R. = Paint as Required

WHEEL, STEERING - 2 SPOKE LUXURY WITH OR WITHOUT LEATHER WRAPPED P,D,V,C,J,E,T,B,F,G,H,K

Figure 19-400

5119 400



ITEM	PART NUMBER	QTY	BODY	MODEL	DESCRIPTION
1	P198 CB5	1			PAD ASSY.,Strg. Whl.,w/Bright Penta Star(Blue,Med)
	P198 CC7	1			(Dark Blue)
	P198 CM6	1			(Red)
	P198 CT8	1			(Brown, Dark)
	P198 DT5	1			(Brown, Med.)
	P198 CS8	1			(Charcoal)
	P198 CX9	1			(Black)
	P198 CA7	1			(Silver)
	P209 CC7	1			PAD ASSY.,Whl. w/Acrylic Crystal Penta Star (Blue,Dark)
	P209 CM6	1			(Red)
	P209 CT8	1			(Brown, Dark)
	P209 DT5	1			(Brown, Med.)
	P209 CS8	1			(Charcoal)
	P209 CA7	1			(Silver)
2	6500 126	1			NUT, Strg. Whl.
	4147 070	1			DAMPER ASSY., Strg. Whl. (w/Auto Trans.)
4	P067 CB5	1			WHEEL ASSY.,w/o Leather Wrap (Blue,Med.)
	P067 CC7	1			(Blue, Dark)
	P067 CM6	1			(Red)
	P067 CT8	1			(Brown, Dark)
	P067 DT5	1			(Brown, Med.)
	P067 CS8	1			(Charcoal)
	P067 CX9	1			(Black)
	P067 CA7	1			(Silver)
	P072 CC7	1			WHEEL ASSY.,Strg. Whl. w/Leather Wrap (Blue,Dark)
	P072 CM5	1			(Red)
	P072 CT9	1			(Brown, Dark)
	P072 DT6	1			(Brown, Med.)
	P072 CS9	1			(Charcoal)
	P072 CX9	1			(Black)
P072 CA7	1			(Silver)	
5	3747 899	1			CAM, Turn Signal Cancelling
	4304 852	1			CONTACT WIRES

MODEL CODES

B = GRAN FURY	E = 600	M = HORIZON/TURISMO
C = LE BARON/TOWN & COUNTRY/LIMO	F = FIFTH AVENUE/NEWPORT	P = RELIANT
C24 = LASER	G = DIPLOMAT	T = NEW YORKER
C44 = LE BARON/GTS	H = VOYAGER	V = 600
D = ARIES	J = CARAVELLE	V24 = DAYTONA
D44 = LANCER	K = MINI VAN/CARAVAN/ROYAL	Z = OMNI/CHARGER

BODY STYLES

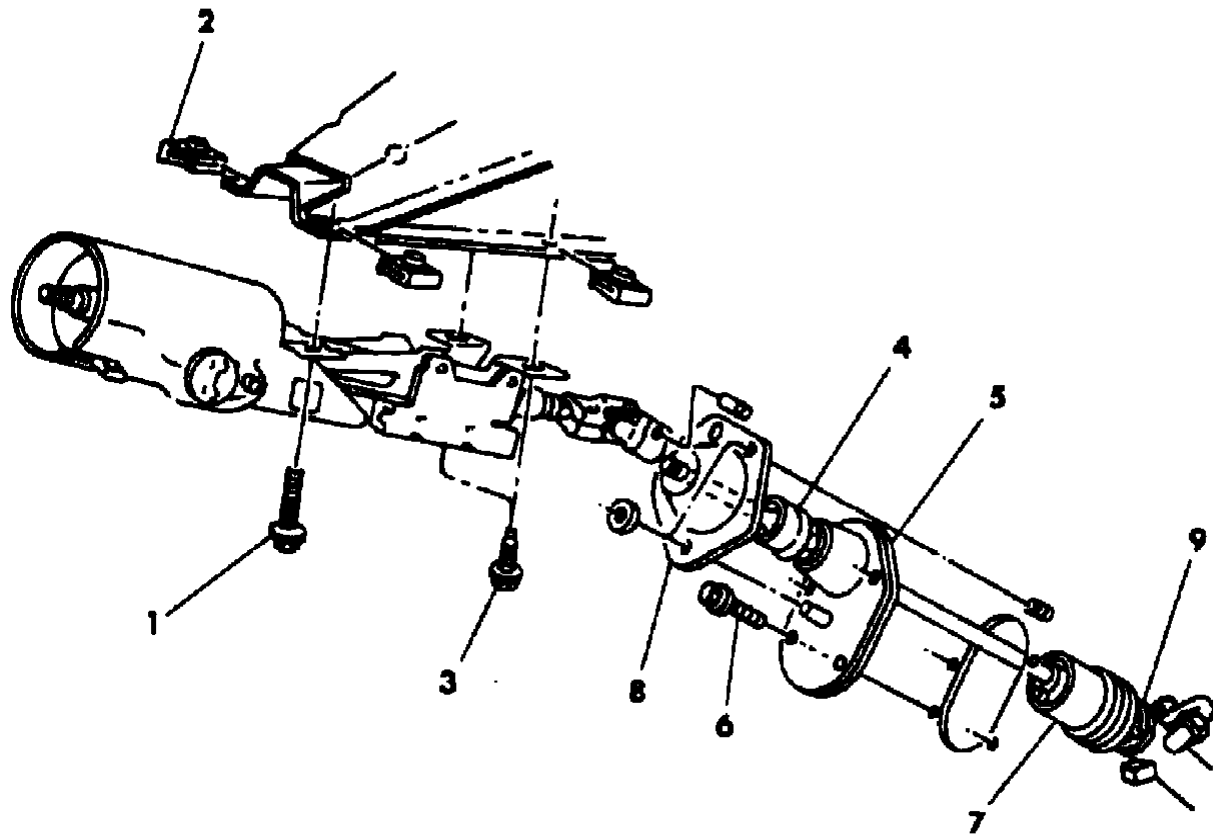
21 = 2-DOOR SEDAN	35 = FWD VAN	44 = 4-DOOR HATCHBACK
22 = 2-DOOR SPECIAL COUPE	36 = FWD WAGON	45 = 4-DOOR STATION WAGON
24 = 2-DOOR HATCHBACK	41 = 4-DOOR SEDAN	49 = LIMOUSINE
27 = 2-DOOR CONVERTIBLE		

AR = Use as Required - = Non Illustrated Part P.A.R. = Paint as Required

COLUMN ATTACHING PARTS STUDS, BOLTS, COVER, SEAL M,Z
Figure 19-500

5119 500

ITEM	PART NUMBER	QTY	BODY	MODEL	DESCRIPTION
1	6101 371	2			STUD, Strg. Col. Attaching
2		2			NUT, Strg. Col. Attaching Stud (Not Serv.)
3	6101 370	2			SCREW, w/Washer, Strg. Col. Attaching
4	5206 038	1			SEAL, Strg. Shaft
5	4147 165	1			COVER, w/Seal Strg. Column Dash
6		4			SCREW, Strg. Col. Dash Cover (Not Serv.)
7	4147 157	1			SHIELD, Strg. Col. Intermediate Shaft Coupling
8	4147 156	1			SHELL & SILENCER ASSY, Dash Pnl.
9	6032 277	1			CLAMP



MODEL CODES

B = GRAN FURY	E = 600	M = HORIZON/TURISMO
C = LE BARON/TOWN & COUNTRY/LIMO	F = FIFTH AVENUE/NEWPORT	P = RELIANT
C24 = LASER	G = DIPLOMAT	T = NEW YORKER
C44 = LE BARON/GTS	H = VOYAGER	V = 600
D = ARIES	J = CARAVELLE	V24 = DAYTONA
D44 = LANCER	K = MINI VAN/CARAVAN/ROYAL	Z = OMNI/CHARGER

BODY STYLES

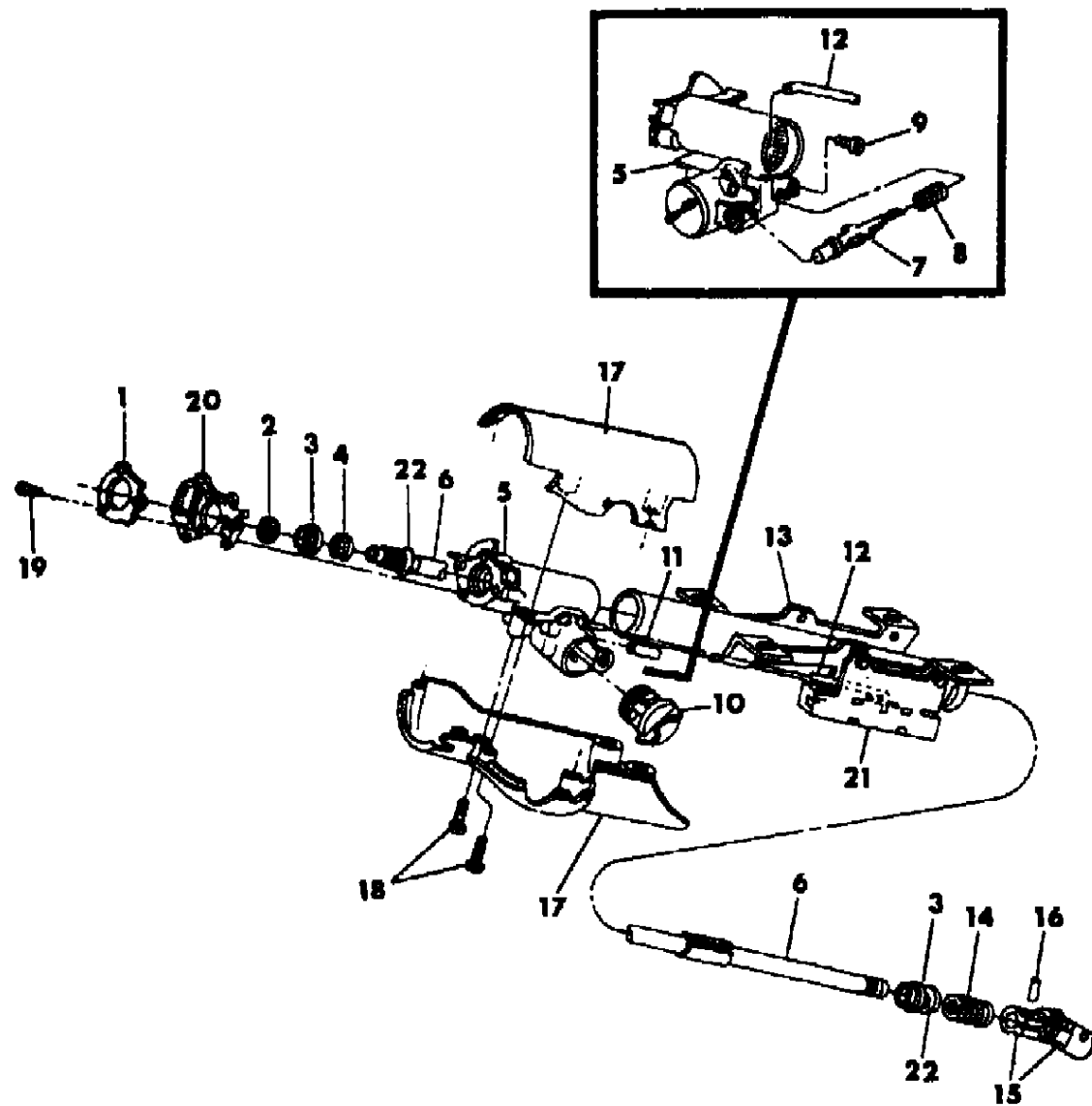
21 = 2-DOOR SEDAN	35 = FWD VAN	44 = 4-DOOR HATCHBACK
22 = 2-DOOR SPECIAL COUPE	36 = FWD WAGON	45 = 4-DOOR STATION WAGON
24 = 2-DOOR HATCHBACK	41 = 4-DOOR SEDAN	49 = LIMOUSINE
27 = 2-DOOR CONVERTIBLE		

AR = Use as Required - = Non Illustrated Part P.A.R. = Paint as Required

COLUMN, STEERING JACKET SHAFT & COUPLING ASSY. M,Z

Figure 19-600

5119 600



ITEM	PART NUMBER	QTY	BODY	MODEL	DESCRIPTION
1	4188 927	1			PLATE, Strg. Column Shaft Bearing Retainer
		3			SCREW, Strg. Column Shaft Bearing Retainer Plate (Not Serviced)
2	6032 364	1			SNAP RING, Strg. Column Shaft Bearing, Upper
3	5211 820	2			BEARING, Strg. Shaft Shift
4	6023 045	1			SNAP RING, Strg. Column Shaft Bearing, Lower
5	4147 001	1			HOUSING, Strg. Lock, Assy.
6	4188 795	1			SHAFT, Strg., Upper, Assy.
7	5206 177	1			LEVER, Lock Inhibitor, Assy.
8	5206 010	1			SPRING, Lock Inhibitor Lever
8	5206 070	1			SPRING, Lock Bolt
9		1			SCREW, Lock Inhibitor Lever (Not Serviced)
10		1			LOCK, Ignition (See Cylinder and Key Illustration in Body Section)
11	6100 685	1			PIN, Ignition Lock Cylinder Spring
12	5206 025	1			ACTUATOR, Ignition Switch
13	5211 956	1			JACKET, Strg. Column, Assy.,w/4Door
	5211 956	1			w/2Door
14	5206 183	1			SPRING, Strg. Column Lower Bearing
15	4147 171	1			COUPLING, Upper Strg. Shaft
	4147 168	1			w/Lower Strg. Shaft (w/Man. Strg.)
	4147 170	1			(w/Power Strg.)
16	6500 148	3			PIN, Strg. Shaft Coupling Spring
17	P678 VX9	1			SHROUD, Strg. Column, Upper
	P679 VX9	1			Strg. Column, Lower
18	9414 716	4			SCREW, Strg. Column Shroud
19		3			SCREW, Strg. Column Shaft Bearing Retainer Plate (Not Serviced)
20		1			SWITCH, Turn Signal And Hazzard Warning (See Group 8)
21		1			SWITCH, Ignition And Starter (SEE GROUP 8)
22	6030 655	1			"O" RING

MODEL CODES

B = GRAN FURY	E = 600	M = HORIZON/TURISMO
C = LE BARON/TOWN & COUNTRY/LIMO	F = FIFTH AVENUE/NEWPORT	P = RELIANT
C24 = LASER	G = DIPLOMAT	T = NEW YORKER
C44 = LE BARON/GTS	H = VOYAGER	V = 600
D = ARIES	J = CARAVELLE	V24 = DAYTONA
D44 = LANCER	K = MINI VAN/CARAVAN/ROYAL	Z = OMNI/CHARGER

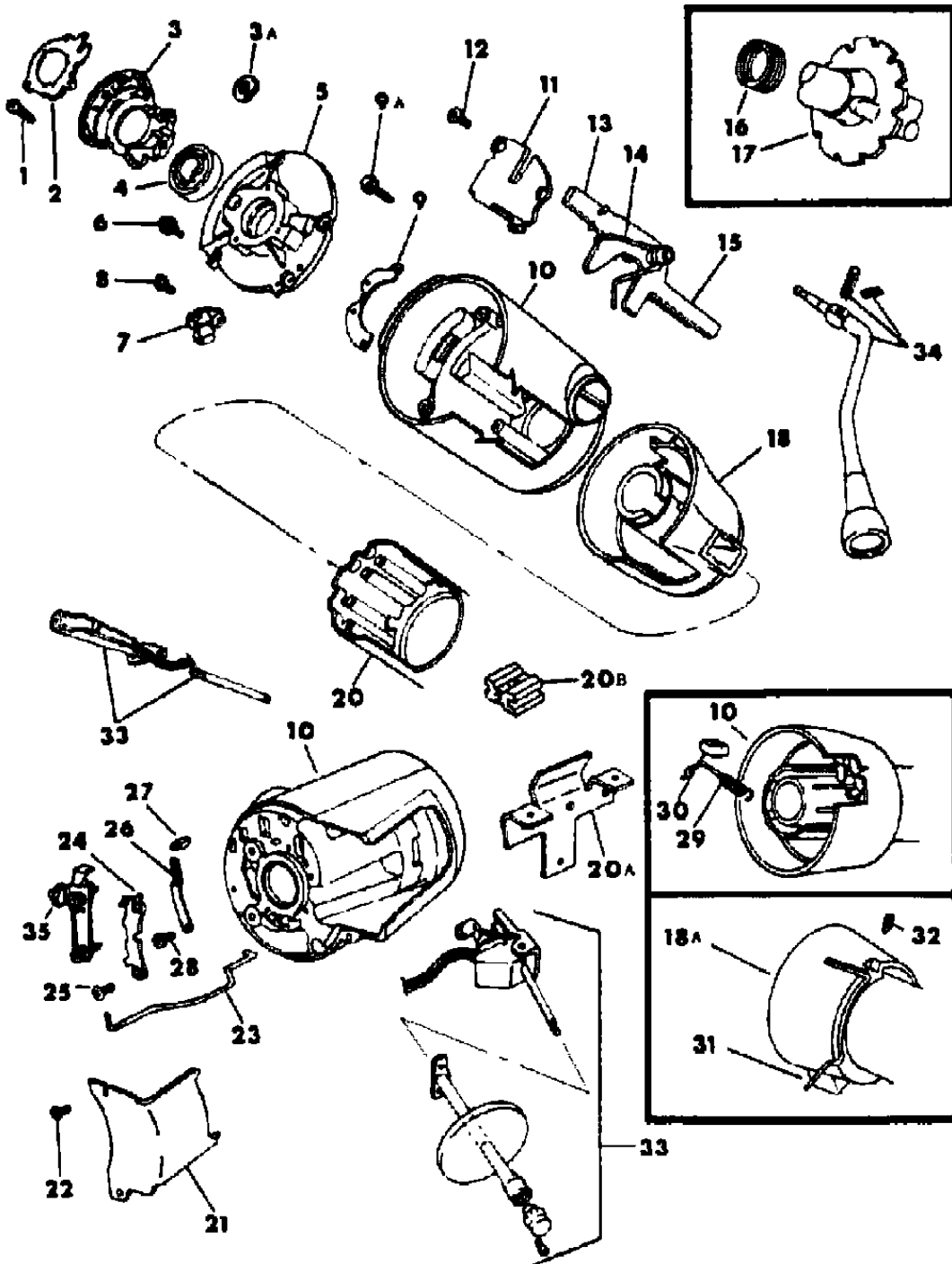
BODY STYLES

21 = 2-DOOR SEDAN	35 = FWD VAN	44 = 4-DOOR HATCHBACK
22 = 2-DOOR SPECIAL COUPE	36 = FWD WAGON	45 = 4-DOOR STATION WAGON
24 = 2-DOOR HATCHBACK	41 = 4-DOOR SEDAN	49 = LIMOUSINE
27 = 2-DOOR CONVERTIBLE		

AR = Use as Required - = Non Illustrated Part P.A.R. = Paint as Required

COLUMN, STEERING, UPPER WITHOUT TILT P,D,V,C,J,E,T,B,F,G,H,K
Figure 19-700

5119 700



ITEM	PART NUMBER	QTY	BODY	MODEL	DESCRIPTION
1		1			SCREW, Strg. Column Shaft Brg. Retainer(Not Serviced)
2	4188 907	1		H,K	PLATE, Strg. Column Shaft Brg. Retainer
3					SWITCH, Turn Sig. & Flasher (See Group 8)
3A	6032 364	1			SNAP RING, Bearing
4	2265 656	1			BEARING, Strg. Col. Upper Shaft
5	4147 247	1			HOUSING, Strg. Col. Shaft Bearing
6		1			SCREW, Bearing Housing (Not Serviced)
7					LAMP, Ign. & Starter Sw. (See Group 8)
8					SCREW, Lamp (See Group 8)
9	4188 076	1			PLATE, Strg. Col. Lock Housing
9A		4			SCREW, Plate (Not Serviced)
10	P231 DX9	1			HOUSING, Strg. Column Lock
11	4188 063	1			BELLCRANK, Ignition Switch
12		4			SCREW, Bellcrank (Not Serviced)
13	2950 840	1			LEVER, Strg. Col. Shaft Lock
14	2996 858				SPRING, Strg. Col. Lock
15	2950 844	1			LEVER, Strg. Col. Gearshift Housing Lock Assy.
16	4019 549	1			SPRING, Strg. Column Shaft Lock Plate
17	4019 612	1			PLATE, Strg. Col. Shaft Lock
18	4147 474	1		PDVCJET	HOUSING, Strg. Col. Gearshift, w/Auto Trans., Col. Shift (Except V,C24 & D,C44)
	4188 966	1		H,K - D	w/ Column Shift
	2996 799	1			SUPPORT, Strg. Col. Gearshift Housing
18A	4147 049	1		P,D,V,C	HOUSING, Strg. Col. Lock Control, Floor Shift (Except V,C24 & D,C44)
	4188 836	1		HK-VC24	HOUSING, Strg. Col. Lock Control (Floor Shift)
20	4019 897	1		B,F,G	JACKET, Strg. Col.
	4147 188	1		PDVCJET	JACKET, Strg. Col. (Exc. V,C24 & D,C44) Up To 12-5-84
	4333 043	1		PDVCJET	(After 12-5-84)
	4333 043	1		H,K - D	JACKET, Strg. Col.
	4147 191	1		V,C24	JACKET, Strg. Col.
20A	4019 759	1		B,F,G	PLATE, Strg. Col. Switch Mounting
	4188 283	1		PDVCJET	Exc. V,C24
20B	3748 492	1			SPACER, Strg. Col. Support Bracket (Exc. V,C24)
21	4188 699	1			COVER, Strg. Col. Lock
22		2			SCREW, Cover (Not Serviced)
23	4019 902	1		B,F,G	ACTUATOR, Ignition Switch

MODEL CODES

B = GRAN FURY	E = 600	M = HORIZON/TURISMO
C = LE BARON/TOWN & COUNTRY/LIMO	F = FIFTH AVENUE/NEWPORT	P = RELIANT
C24 = LASER	G = DIPLOMAT	T = NEW YORKER
C44 = LE BARON/GTS	H = VOYAGER	V = 600
D = ARIES	J = CARAVELLE	V24 = DAYTONA
D44 = LANCER	K = MINI VAN/CARAVAN/ROYAL	Z = OMNI/CHARGER

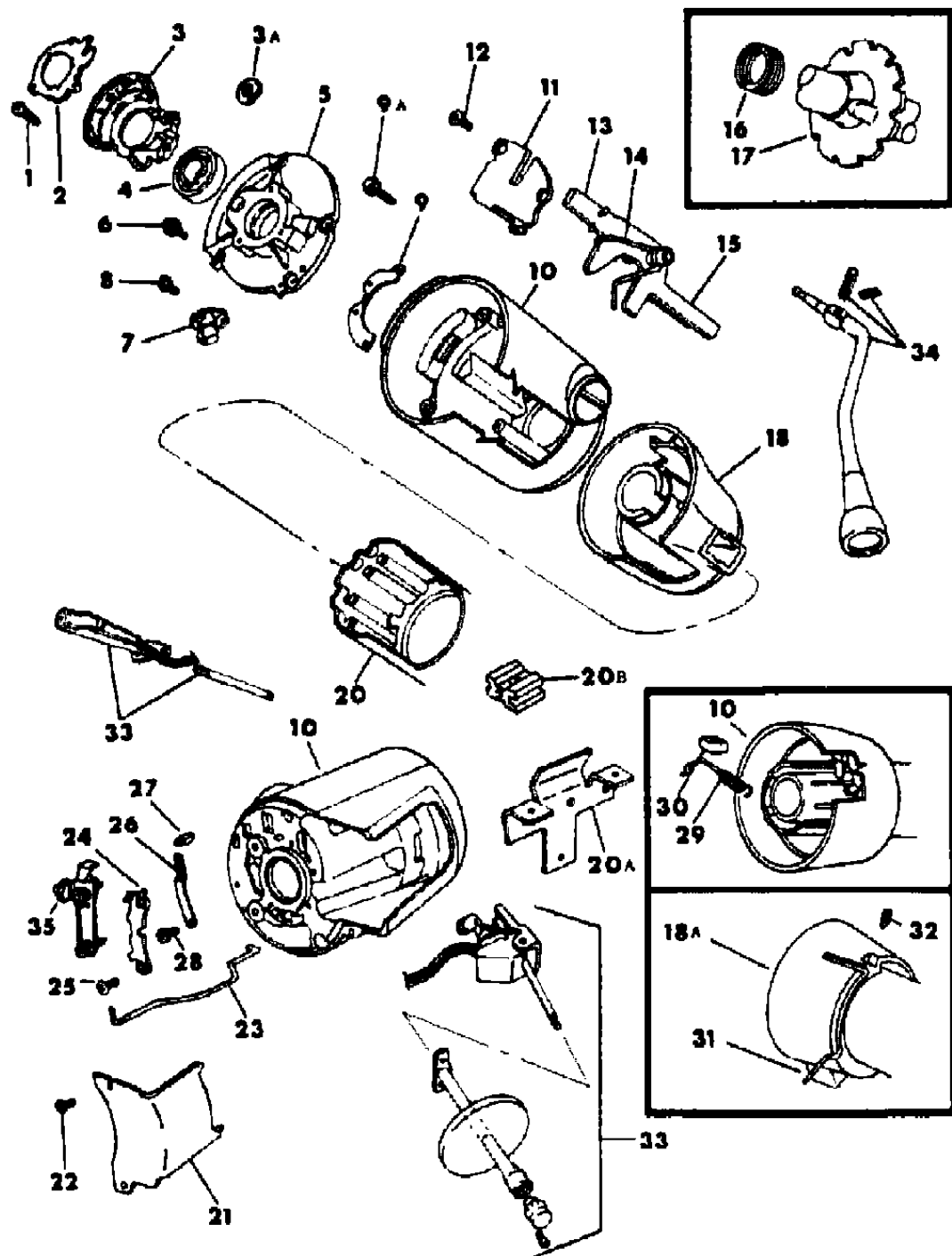
BODY STYLES

21 = 2-DOOR SEDAN	35 = FWD VAN	44 = 4-DOOR HATCHBACK
22 = 2-DOOR SPECIAL COUPE	36 = FWD WAGON	45 = 4-DOOR STATION WAGON
24 = 2-DOOR HATCHBACK	41 = 4-DOOR SEDAN	49 = LIMOUSINE
27 = 2-DOOR CONVERTIBLE		

AR = Use as Required - = Non Illustrated Part P.A.R. = Paint as Required

COLUMN, STEERING, UPPER WITHOUT TILT P,D,V,C,J,E,T,B,F,G,H,K
Figure 19-700

5119 700



ITEM	PART NUMBER	QTY	BODY	MODEL	DESCRIPTION
	4188 590	1		V,C24	"
	4188 291	1		PDVCJET	" (Exc. V,C24)
24	4188 572	1	B,F,G		GATE, Col. Gearshift Lever
	4333 072	1	PDVCJET		GATE, Col. Gearshift Lever (Exc. V,C24)
25					SCREW,(Not Serviced)
26	4019 588	1			SPRING, Lock Cylinder Retainer
27	4019 548	1			PLUNGER, Lock Cylinder Retainer
28					SCREW (Not Serviced)
29	3575 256	1			SPRING, Strg. Col. Lock Control Housing (Floor Shift)
30	3575 257	1			BUMPER, Strg. Col. Lock Control Housing (Floor Shift)
31		1			POINTER, Gear Selector Indicator (See Group 21)
32	0125 735	1			SCREW, Set, Col. Shift
33					SEE Group 8 Electrical
34					LEVER, Assy. Strg. Col. Gearshift (See Group 21)
35	4147 443	1			LOCK INHIBITOR, Flr. Shift

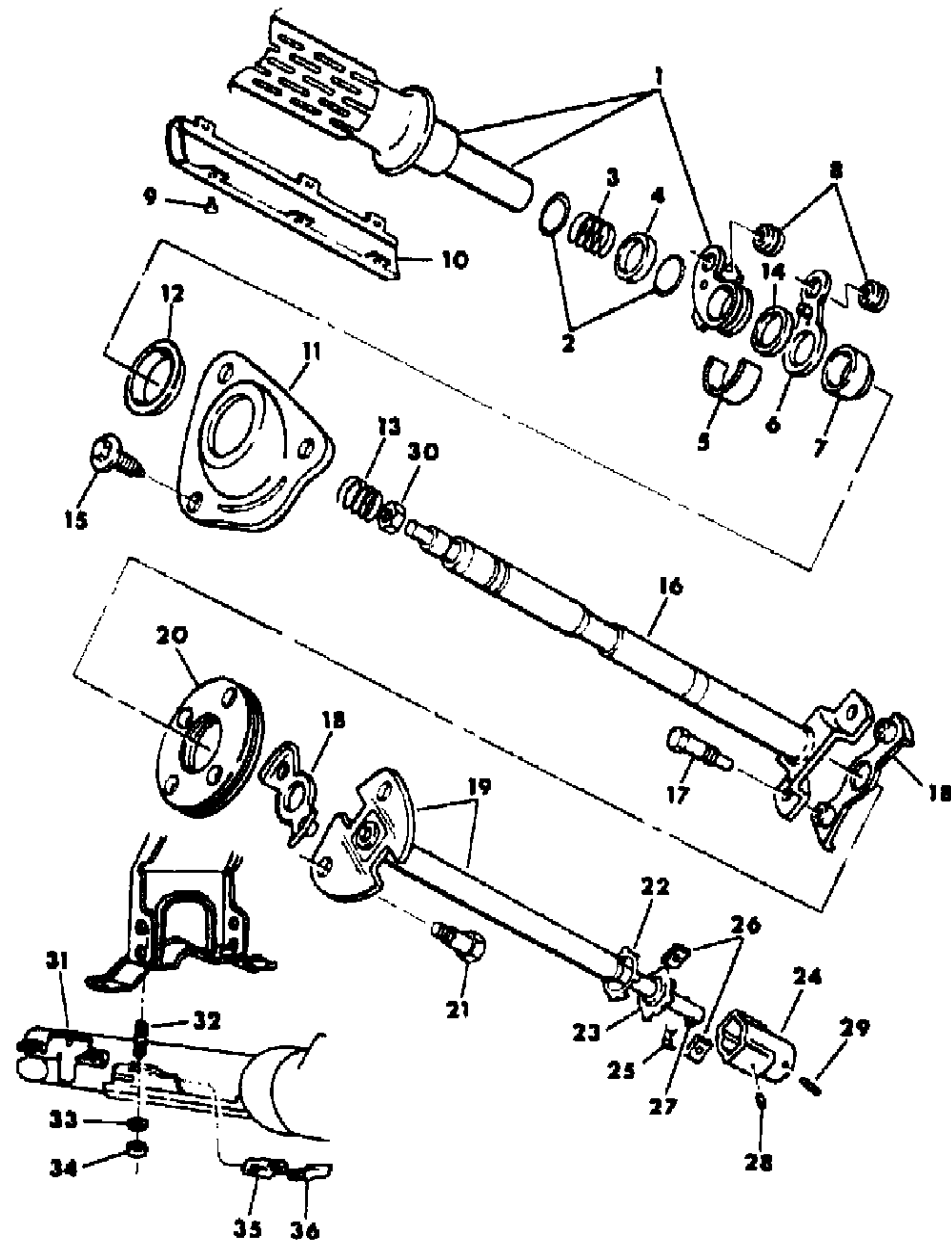
MODEL CODES
 B = GRAN FURY E = 600 M = HORIZON/TURISMO
 C = LE BARON/TOWN & COUNTRY/LIMO F = FIFTH AVENUE/NEWPORT P = RELIANT
 C24 = LASER G = DIPLOMAT T = NEW YORKER
 C44 = LE BARON/GTS H = VOYAGER V = 600
 D = ARIES J = CARAVELLE V24 = DAYTONA
 D44 = LANCER K = MINI VAN/CARAVAN/ROYAL Z = OMNI/CHARGER

BODY STYLES
 21 = 2-DOOR SEDAN 35 = FWD VAN 44 = 4-DOOR HATCHBACK
 22 = 2-DOOR SPECIAL COUPE 36 = FWD WAGON 45 = 4-DOOR STATION WAGON
 24 = 2-DOOR HATCHBACK 41 = 4-DOOR SEDAN 49 = LIMOUSINE
 27 = 2-DOOR CONVERTIBLE

AR = Use as Required - = Non Illustrated Part P.A.R. = Paint as Required

COLUMN, STEERING, LOWER WITHOUT TILT B,F,G
Figure 19-800

5119 800



ITEM	PART NUMBER	QTY	BODY	MODEL	DESCRIPTION
1	3748 247	1			TUBE, Strg. Col. Gearshift, w/Auto. Trans., w/Col.Shift
2		2			WASHER, Tube Retainer (Serviced in Tube Assy.)
3		1			SPRING, Tube Retainer (Serviced in Tube Assy.)
4	4147 318	1			BEARING, Strg. Col. Shaft
	4147 319	1			WEDGE, Shaft Bearing
5	3575 082	1			SEAL, Strg. Col. Jacket to Tube
6		1			
7	3748 229	1			SUPPORT, Shaft Bearing (Floor Shift)
8					
9	6015 925	4			RETAINER, Wiring Trough
10	4188 202	1			TROUGH, Strg. Col. Wiring
11	3748 802	1			PLATE, Jacket Support
12	3748 634	1			GROMMET, Strg. Col.
13	3748 242	1			SPRING, Strg. Col. Lower Bearing
15	0181 088	3			SCREW and WASHER, Jacket Support Plate
16	4094 080	1			SHAFT, Strg. Col. Upper,
17	6031 801	2			BOLT, Strg. Col. Shaft Coupling
18	4186 826	2			STRAP PKG., Steering Col. Coupling, w/Bolts
19	3748 649	1			SHAFT, Strg. Col. Coupling, Intermediate, w/Power Strg.
20	3748 310	1			COUPLING, Strg. Col. Shaft
21	6031 802	2			BOLT, Strg. Col. Shaft Coupling
22	2530 538	1			COVER, Shaft Coupling Body
23	4019 278	1			SEAL, Shaft Coupling Body
24	3748 268	1			BODY, Strg. Col. Shaft Coupling, w/Power Strg.
25	2925 492	1			SPRING, Shaft Coupling Body
26	2800 738	2			SHOE, Strg. Col. Shaft Coupling Body
27	2266 743	1			PIN, Strg. Col. Intermediate Shaft Coupling
28	6029 951	1			PIN, Coupling Body
29	6028 750	1			PIN, Spring Coupling
30	6500 126	1			NUT, Steering Wheel
31	4019 759	1			PLATE, Strg. Col. Switch Mounting
32	6027 947	2			STUD, Strg. Col. Mounting
33		2			WASHER, Stud (Not Serviced)
34	6027 403	2			Nut, Stud
35	4147 290	1			CLIP, Strg. Col. Ground
36	4188 843	2			SPACER, Strg. Col. Ground Clip

MODEL CODES

B = GRAN FURY	E = 600	M = HORIZON/TURISMO
C = LE BARON/TOWN & COUNTRY/LIMO	F = FIFTH AVENUE/NEWPORT	P = RELIANT
C24 = LASER	G = DIPLOMAT	T = NEW YORKER
C44 = LE BARON/GTS	H = VOYAGER	V = 600
D = ARIES	J = CARAVELLE	V24 = DAYTONA
D44 = LANCER	K = MINI VAN/CARAVAN/ROYAL	Z = OMNI/CHARGER

BODY STYLES

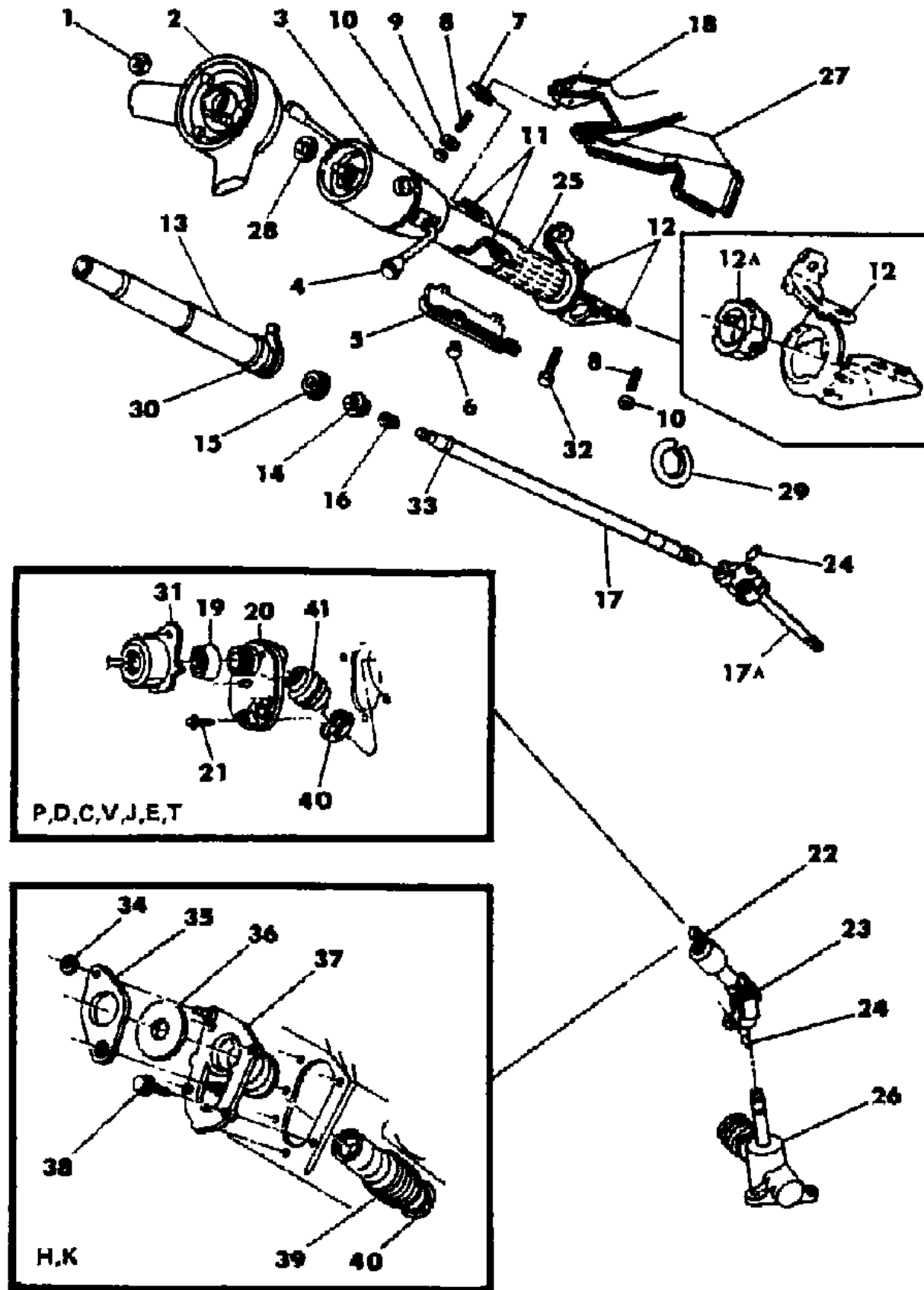
21 = 2-DOOR SEDAN	35 = FWD VAN	44 = 4-DOOR HATCHBACK
22 = 2-DOOR SPECIAL COUPE	36 = FWD WAGON	45 = 4-DOOR STATION WAGON
24 = 2-DOOR HATCHBACK	41 = 4-DOOR SEDAN	49 = LIMOUSINE
27 = 2-DOOR CONVERTIBLE		

AR = Use as Required - = Non Illustrated Part P.A.R. = Paint as Required

COLUMN, STEERING, LOWER WITH OR WITHOUT TILT STRG. P,D,V,C,J,E,T,H,K

Figure 19-900

5119 900



ITEM	PART NUMBER	QTY	BODY	MODEL	DESCRIPTION
1	6500 906	1			NUT, Strg. Wheel
2					WHEEL, Strg. (See Strg. Wheels)
3					STEERING COLUMN (See Strg. Column Upper)
4					LEVER, Gear Shift (See Group 21)
5	5211 997	1			TROUGH, Strg. Col. Wiring
6	6015 925	4			RETAINER, Trough
7	3748 492	2			SPACER, Strg. Col. Support Bracket (Except D,C44)
	4147 217	2		D,C44	
8	6500 240	5			STUD, Strg. Col. Mounting
9					WASHER (Not Serviced)
10	6500 512	5			NUT, Strg. Col. Mounting Stud
11		1			BRACKET, Strg. Col. Support Upper (Serviced in Jacket Assy.)
12	4147 229	1			BRACKET, Strg. Col. Support Lwr. w/o Tilt
	4188 284	1		PDVCJET	BRACKET, Strg. Col. Support Lwr. w/Tilt (Except V,C24)
	4188 845	1		V,C24	BRACKET, Strg. Col. Support Lwr. w/Tilt
	4147 020	1		H,K	BRACKET, Strg. Col. Support Lwr. w/Tilt
12A	4147 200	1		PDVCHK	ADAPTOR, Strg. Col. Lwr. w/o Tilt (Floor Shift) Up To 3-1-85
	4333 373	1		PDVCHK	(After 3-1-85)
	4147 227	1		PDVCJET	(COLUMN SHIFT) Up To 3-1-85
	4333 374	1		PDVCJET	(After 3-1-85)
13	4147 198	1		PDVCJET	TUBE, Strg. Col. g/Shift w/o Tilt w/Auto - Col. Shift (Exc. V,C24)
	4188 295	1		H,K	w/o Tilt (Up To 11-5-84)
	4147 198	1		H,K	w/o Tilt (After 11-5-84)
	4188 320	1		PDVCJET	w/Tilt,w/o Console
14	4147 362	1		PDVCJET	BEARING, Strg. Col. Shaft (Col Shift), w/o Tilt Strg.
	4147 374	1		PDVCJET	WEDGE, Strg. Col. Shaft Lower w/o Tilt
	4147 318	1		H,K	BEARING, Strg. Col. Shaft (Col. Shift) w/o Tilt (Up To 11-5-84)
	4147 362	1		H,K	(After 11-5-84)
	4147 319	1		H,K	WEDGE, Shaft Bearing, w/o Tilt (Up To 11-5-84)
	4147 374	1		H,K	(After 11-5-84)
	4188 307	1			BEARING, w/Tilt Strg.
15	3748 229	1		H,K	SUPPORT, Strg. Col. Shaft Bearing (Floor Shift), w/o Tilt Strg.
	4188 314	1			RETAINER, Bearing, w/Tilt Strg.
16	5206 183	1		PDVCJET	SPRING, Strg. Col. Lower Bearing
	3748 242	1		H,K	Spring (Up to 11-5-84)
	5206 183	1		H,K	(After 11-5-84)
17	4147 482	1		PDVCJET	SHAFT, Strg. Col. Upper, (Except Tilt Strg.)

MODEL CODES

B = GRAN FURY	E = 600	M = HORIZON/TURISMO
C = LE BARON/TOWN & COUNTRY/LIMO	F = FIFTH AVENUE/NEWPORT	P = RELIANT
C24 = LASER	G = DIPLOMAT	T = NEW YORKER
C44 = LE BARON/GTS	H = VOYAGER	V = 600
D = ARIES	J = CARAVELLE	V24 = DAYTONA
D44 = LANCER	K = MINI VAN/CARAVAN/ROYAL	Z = OMNI/CHARGER

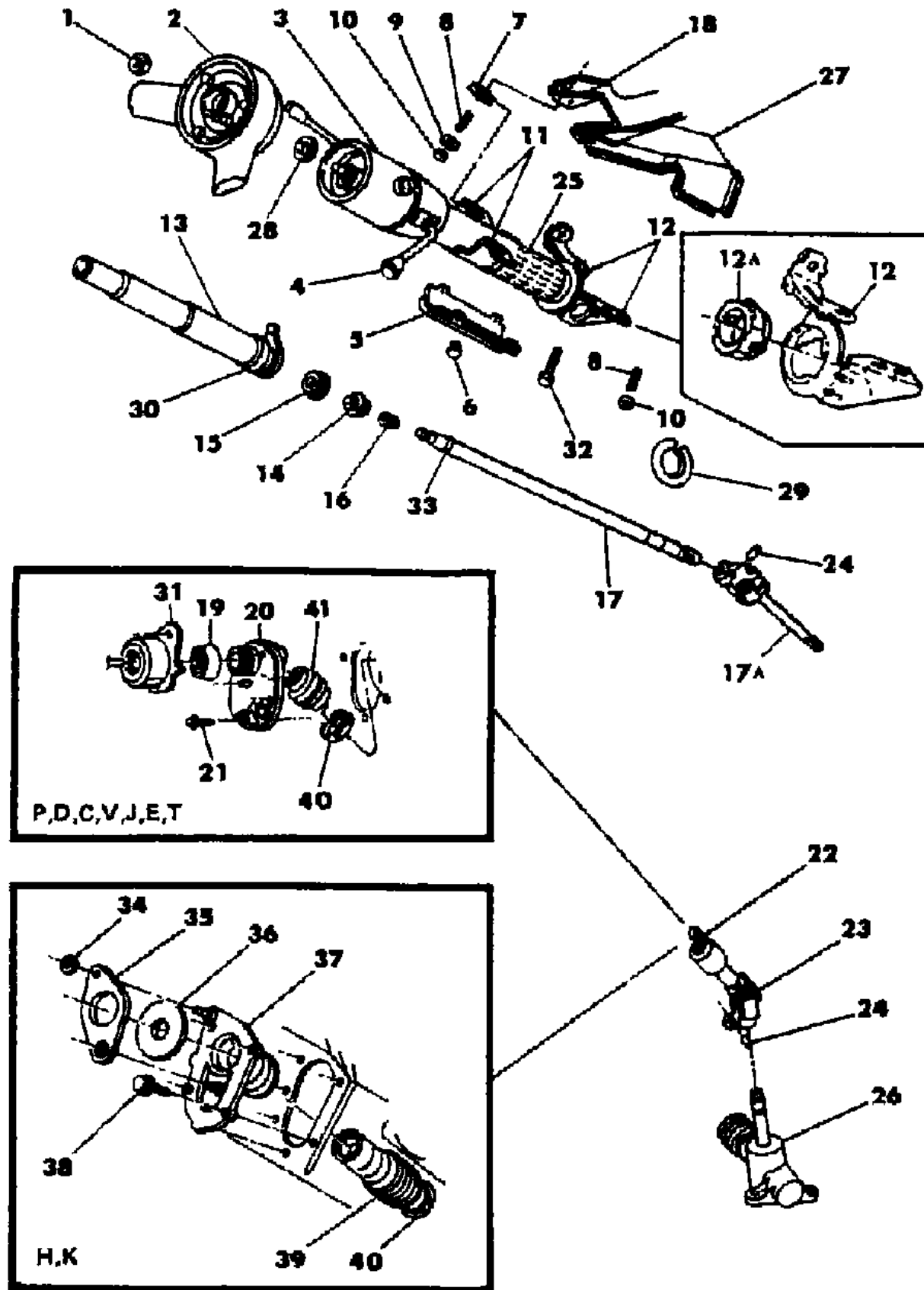
BODY STYLES

21 = 2-DOOR SEDAN	35 = FWD VAN	44 = 4-DOOR HATCHBACK
22 = 2-DOOR SPECIAL COUPE	36 = FWD WAGON	45 = 4-DOOR STATION WAGON
24 = 2-DOOR HATCHBACK	41 = 4-DOOR SEDAN	49 = LIMOUSINE
27 = 2-DOOR CONVERTIBLE		

AR = Use as Required - = Non Illustrated Part P.A.R. = Paint as Required

COLUMN, STEERING, LOWER WITH OR WITHOUT TILT STRG. P,D,V,C,J,E,T,H,K
Figure 19-900

5119 900



ITEM	PART NUMBER	QTY	BODY	MODEL	DESCRIPTION
	4188 964	1		H,K	(Except Tilt Strg.) Up to 11-5-84
	4147 482	1		H,K	(Except Tilt Strg.) After 11-5-84
17A	4147 484	1		PDVCJET	COUPLING, Upper Strg. Shaft
	4147 485	1		H,K	
18		1			BRACKET, Strg. Col. Support (See Brake Group 5)
19	4188 794	1		PDVCJET	SEAL, Strg. Shaft
20	4147 284	1		PDVCJET	COVER, Dash Seal
21	6032 332	4			SCREW, Dash Seal Cover
22	4188 296	1			SPRING, Strg. Shaft Coupling
23	4147 169	1		PDVCHK	COUPLING ASSY. Lower Strg. Shaft (Man. Strg.)
	4188 281	1			(Power Strg.)
24	6500 148	1			PIN, Strg. Shaft Coupling
25	4188 312	1			JACKET ASSY., Pwr. Strg. w/Tilt, w/Floor Shift (Exc. V.C24)
	4188 311	1			w/Tilt, w/Col. Shift (Exc. V.C24)
	4188 854	1		V,C24	JACKET ASSY., w/Pwr Strg.
	4147 191	1		V,C24	w/o Tilt Wheel
26					GEAR ASSY. (See Strg. Gear)
27					BRACKET, Brake Pedal (See Brake Group 5)
28	6032 364	1			SNAP RING, Strg. Col. Shaft Bearing Upper
29	P446 BT8	1		PDVCJET	SHIELD, Instrument Panel to Steering Column (Paint as required)
30	3575 082	1			SEAL, Strg. Col. Jacket to Tube (Exc. V.C24)
31	4188 868	1			SHELL & Silencer Assy. Dash
32	6101 221	2			BOLT, Strg. Col. Support Bracket, w/Tilt Strg.
33	1733 612	1			"O"RING, Strg. Col. Shaft
34	6031 147	2		H,K	NUT, Push On
35	4188 993	1		H,K	RETAINER, Seal & Dash Liner
36	4188 994	1		H,K	SEAL, Dash
37	4147 355	1		H,K	COVER, Dash Seal
38	6032 332	4		H,K	SCREW, Cover To Dash
39	4188 986	1		H,K	BOOT, Strg. Coupling
40	6032 277	1			CLAMP, Boot To Strg. Gear
41	4147 286	1		PDVCJET	SHIELD, Strg. Col Cplg.

MODEL CODES

B = GRAN FURY	E = 600	M = HORIZON/TURISMO
C = LE BARON/TOWN & COUNTRY/LIMO	F = FIFTH AVENUE/NEWPORT	P = RELIANT
C24 = LASER	G = DIPLOMAT	T = NEW YORKER
C44 = LE BARON/GTS	H = VOYAGER	V = 600
D = ARIES	J = CARAVELLE	V24 = DAYTONA
D44 = LANCER	K = MINI VAN/CARAVAN/ROYAL	Z = OMNI/CHARGER

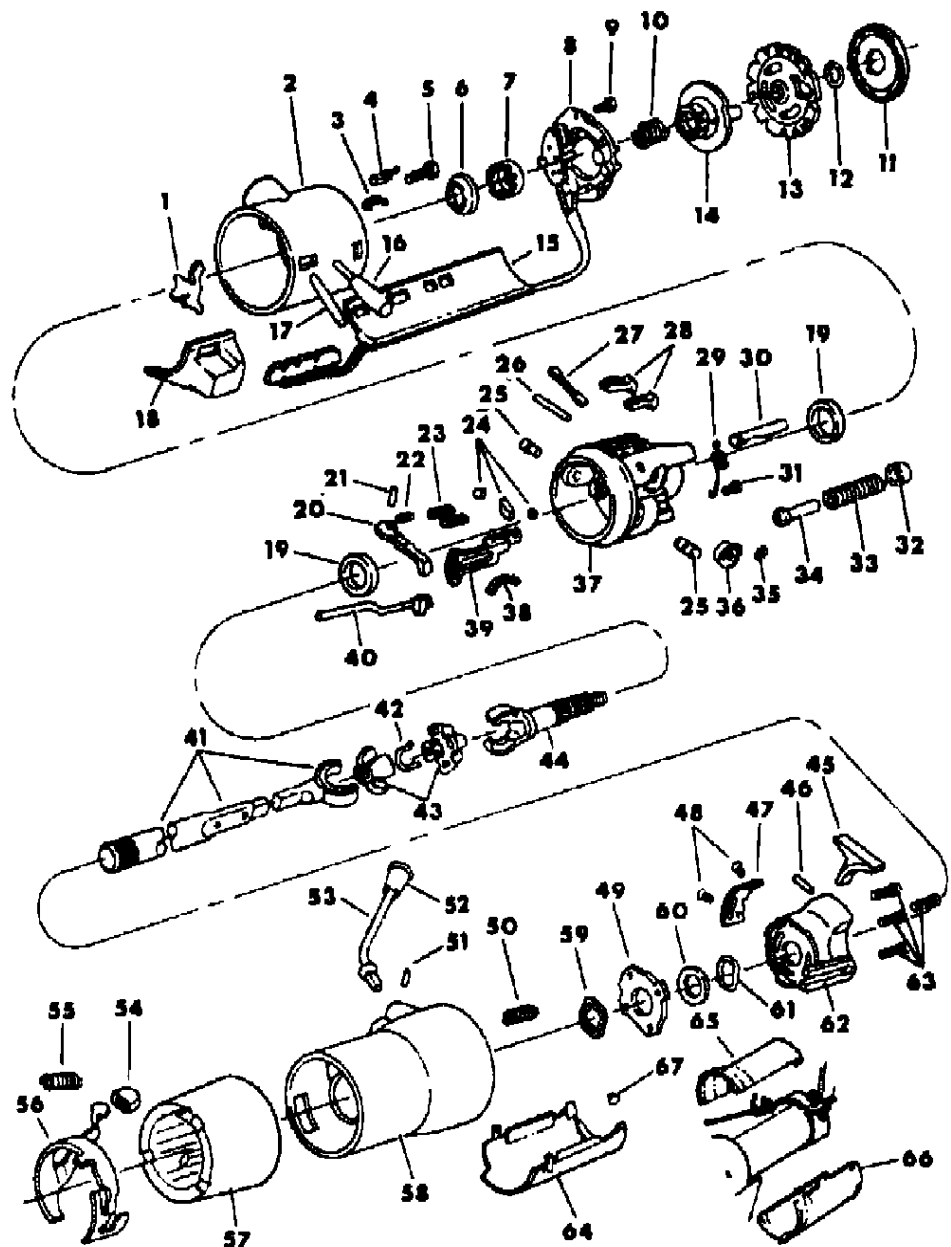
BODY STYLES

21 = 2-DOOR SEDAN	35 = FWD VAN	44 = 4-DOOR HATCHBACK
22 = 2-DOOR SPECIAL COUPE	36 = FWD WAGON	45 = 4-DOOR STATION WAGON
24 = 2-DOOR HATCHBACK	41 = 4-DOOR SEDAN	49 = LIMOUSINE
27 = 2-DOOR CONVERTIBLE		

AR = Use as Required - = Non Illustrated Part P.A.R. = Paint as Required

COLUMN, STEERING, UPPER WITH TILT P,D,V,C,J,E,T,B,F,G,H,K
Figure 19-1000

5119 1000



ITEM	PART NUMBER	QTY	BODY	MODEL	DESCRIPTION
1	4019 778	1			SHIELD, Tilt Lever Opening
2	4188 838	1			COVER, Lock Housing
3	4019 793	1			CLIP, Buzzer Switch Retaining
4	3488 432	1			SWITCH, Ignition Key Buzzer
5	3467 402	2			SCREW, Oval Head Cross Recess
6		1			RACE, Inner (Serv. in Kit 4147363)
7		1			SEAT, Upper Bearing Inner Race (Serv. in Kit 4147363)
8		1			SWITCH, Turn Signal & Hazzard Warning (See Group 8)
8A	4019 782	1			ARM ASSY., Switch (Not Shown)
9	3467 814	3			SCREW, Binding Head Cross Recess
10	3575 981	1			SPRING, Upper Bearing
11		1			COVER, Shaft Lock
12	2925 062	1			RING, Retainer
13	4019 336	1			LOCK, Shaft
14	4188 484	1			CAM, Turn Signal Switch Cancelling
15	4188 202	1	B,F,G		TROUGH, Strg. Column Wiring
	5211 997	1	PDVCJET		
16		1			LEVER, Turn Signal Indicator, (See Group 8)
17	4147 435	1	All		LEVER, Strg. Col. Release Lock (Exc. V,C24)
	4147 436	1	V,C24		
18	4147 002	1			CAP, End Cover
19		2			BEARING, Strg. Shaft Upper (Serv. in Kit 4147364)
20	4188 478	1			LEVER, Shoe Release
21	2880 259	1			PIN, Shoe Release Lever
22	2880 262	1			SPRING, Shoe Release Lever
23	3467 392	2			SPRING, Shoe
24	3467 378	3			BUMPER
25		2			PIN, Pivot (Serv. in Kit 4147363)
26	3467 382	1			PIN, Dowel
27	4188 835	1			SHAFT, Drive
28	3467 388	1			SHOE, Strg. Wheel Lock, w/3 Position
	4019 785	1			w/4 Position
29		1			SPRING, Lock Bolt (Serv. in Kit 4147364)
30	3467 377	1			BOLT, Lock
31	3467 431	1			SCREW, Hex. Washer Head
		1			SCREW, Hex. Washer Head (Serv. in Kit 4147363)
32		1			RETAINER, Spring (Serv. in Kit 4147363)

MODEL CODES

B = GRAN FURY	E = 600	M = HORIZON/TURISMO
C = LE BARON/TOWN & COUNTRY/LIMO	F = FIFTH AVENUE/NEWPORT	P = RELIANT
C24 = LASER	G = DIPLOMAT	T = NEW YORKER
C44 = LE BARON/GTS	H = VOYAGER	V = 600
D = ARIES	J = CARAVELLE	V24 = DAYTONA
D44 = LANCER	K = MINI VAN/CARAVAN/ROYAL	Z = OMNI/CHARGER

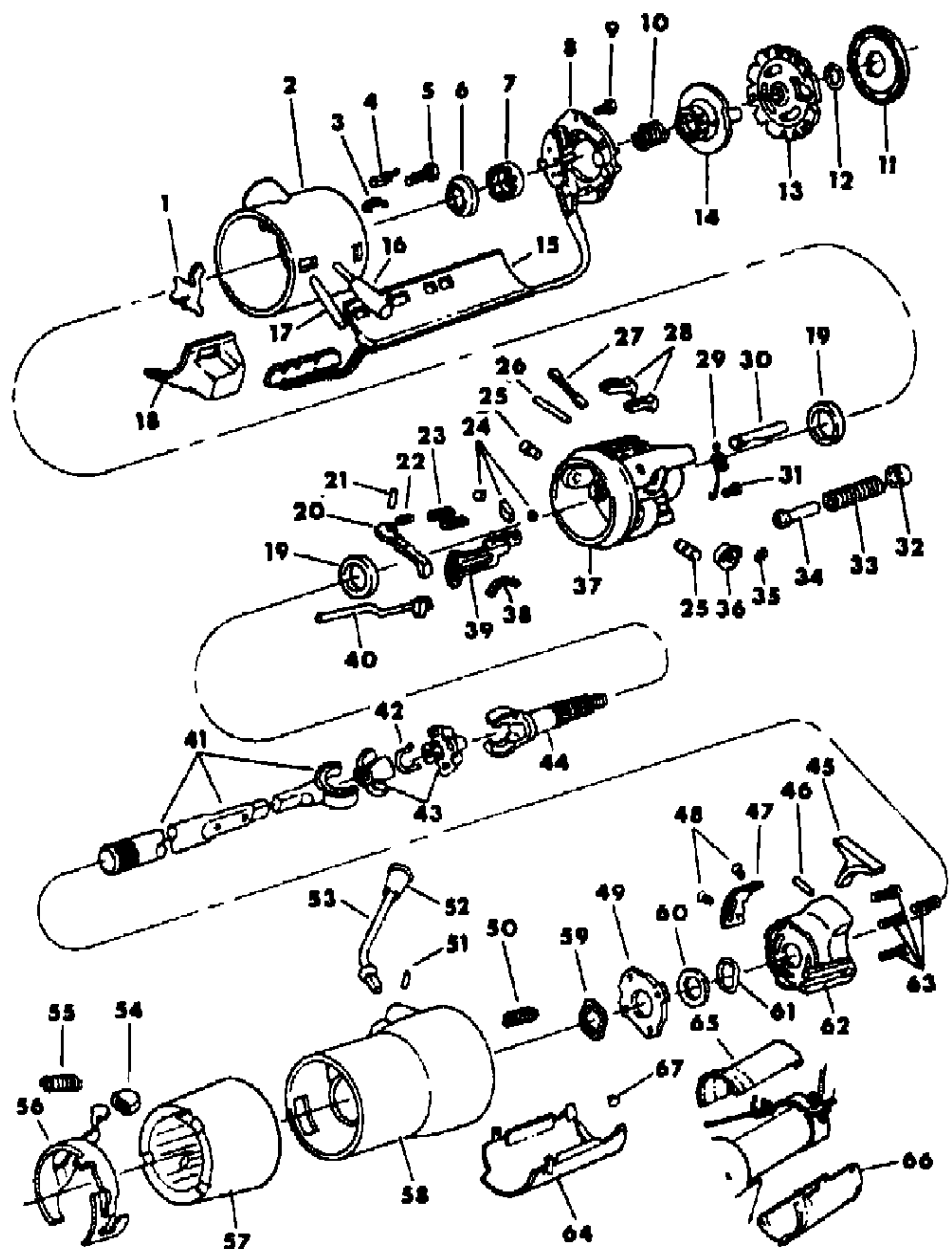
BODY STYLES

21 = 2-DOOR SEDAN	35 = FWD VAN	44 = 4-DOOR HATCHBACK
22 = 2-DOOR SPECIAL COUPE	36 = FWD WAGON	45 = 4-DOOR STATION WAGON
24 = 2-DOOR HATCHBACK	41 = 4-DOOR SEDAN	49 = LIMOUSINE
27 = 2-DOOR CONVERTIBLE		

AR = Use as Required - = Non Illustrated Part P.A.R. = Paint as Required

COLUMN, STEERING, UPPER WITH TILT P,D,V,C,J,E,T,B,F,G,H,K
Figure 19-1000

5119 1000



ITEM	PART NUMBER	QTY	BODY	MODEL	DESCRIPTION
33		1			SPRING, Wheel Tilt (Serv. in Kit 4147363)
34		1			GUIDE, Spring (Serv. in Kit 4147363)
35	3467 384	1			RING, Retaining
36		1			SECTOR, Switch Actuator (Serv. Kit 4147364)
37	4333 083	1			HOUSING, Steering Col. Shaft, Upper Bearing
38	3467 391	1			SPRING, Rack Preload
39		1			RACK, Switch Actuator (Serv. in Kit 4147364)
40	4188 486	1		B,F,G	ACTUATOR, Ignition Switch
	4188 716	1		P,D,V,C	w/o Console (Exc. V,C24)
	4188 716	1		J,E,T	With or Without Console, All Trans.
	4188 716	1		H,K	w/Auto Trans.
	4188 717	1		P,D,V,C	w/Console (Exc. V,C24)
	4188 855	1		V,C24	w/Console, All Trans. All Eng.
	4188 717	1		H,K	w/Man. Trans.
41	4188 315	1		B,F,G	SHAFT ASSY. Strg. Column
	4333 085	1		PDVCJET	Strg. Col.
	4188 476	1		B,F,G	SHAFT ASSY., Lower
	4188 322	1		PDVCJET	Lower
	4147 205	1		H,K	Lower
42		1			SPRING, (Service in Kit 4147365)
43		1			SPHERE, and Spring,(Serv. Kit 4147365)
44	4094 094	1			SHAFT, Upper w/Race, Strg. Column
44A	3748 501	1		B,F,G	SPACER, Upper Strg. Shaft (Col. Shift)
45	4019 296	1		PDVCJET	PLATE, Shroud Retaing, w/Floor Shift
46	2880 259	1			PIN, Release Lever
47	3748 497	1		B,F,G	GATE, Shift Lever
	4147 429	1		PDVCJET	GATE, Shift Lever
48	3467 402	2			SCREW, Oval Head Cross Recess
49	3748 498	1			PLATE, Lock
50	2880 284	1			SPRING, Strg. Column Shift Lever (Exc. V,C24)
51	9412 281	1			PIN, Lever Spring
52		1			KNOB, Column Shift Lever (See Group 21)
53		1			LEVER W/Knob, Column Gear Shift (See Group 21)
54	4019 619	1			PAD, Key Release Lever, w/Floor Shift
55	4019 298	1			SPRING, Key Release, w/Floor Shift
56	4019 297	1			LEVER, Key Release, w/Floor Shift

MODEL CODES

B = GRAN FURY	E = 600	M = HORIZON/TURISMO
C = LE BARON/TOWN & COUNTRY/LIMO	F = FIFTH AVENUE/NEWPORT	P = RELIANT
C24 = LASER	G = DIPLOMAT	T = NEW YORKER
C44 = LE BARON/GTS	H = VOYAGER	V = 600
D = ARIES	J = CARAVELLE	V24 = DAYTONA
D44 = LANCER	K = MINI VAN/CARAVAN/ROYAL	Z = OMNI/CHARGER

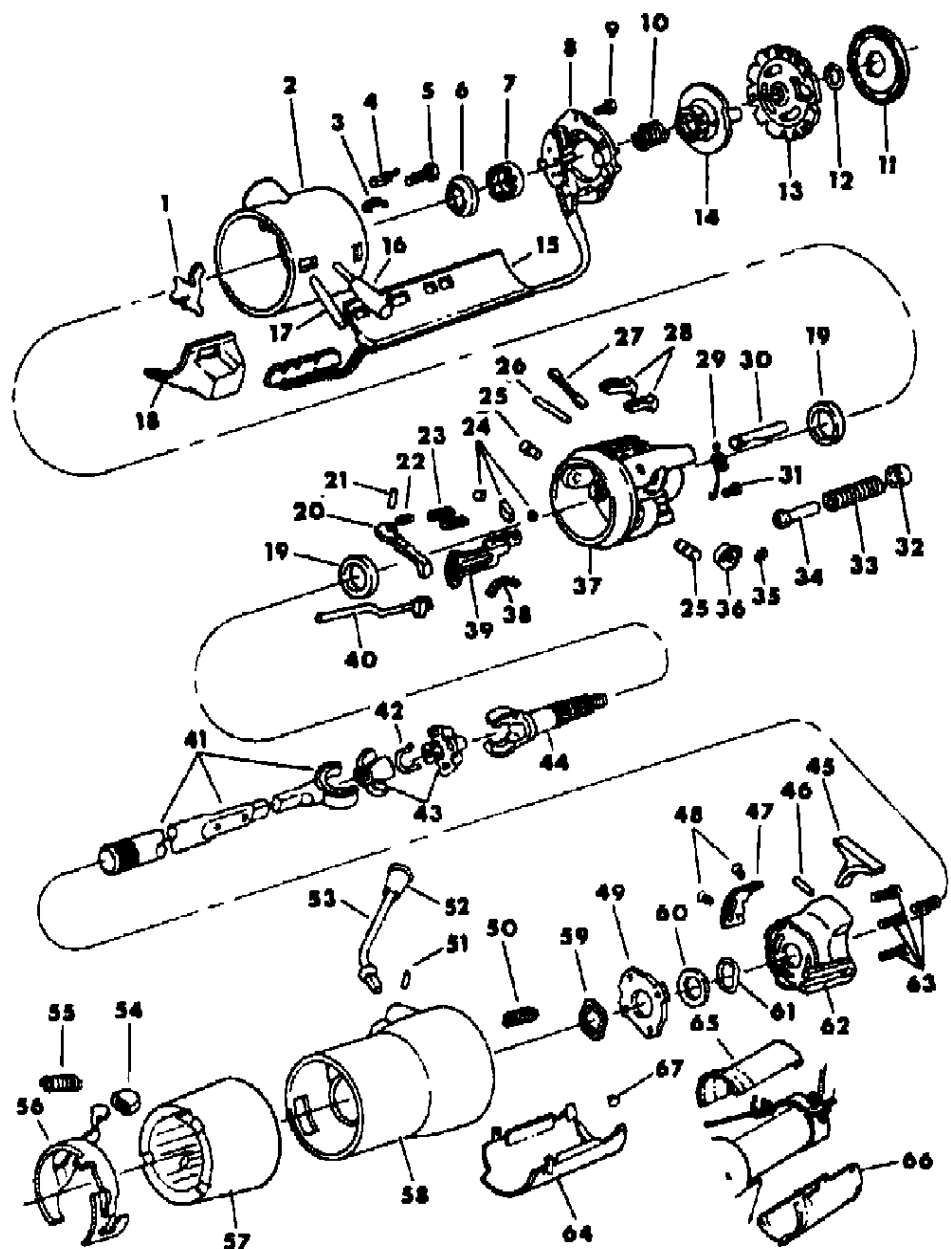
BODY STYLES

21 = 2-DOOR SEDAN	35 = FWD VAN	44 = 4-DOOR HATCHBACK
22 = 2-DOOR SPECIAL COUPE	36 = FWD WAGON	45 = 4-DOOR STATION WAGON
24 = 2-DOOR HATCHBACK	41 = 4-DOOR SEDAN	49 = LIMOUSINE
27 = 2-DOOR CONVERTIBLE		

AR = Use as Required - = Non Illustrated Part P.A.R. = Paint as Required

COLUMN, STEERING, UPPER WITH TILT P,D,V,C,J,E,T,B,F,G,H,K
Figure 19-1000

5119 1000



ITEM	PART NUMBER	QTY	BODY	MODEL	DESCRIPTION
57	4188 325	1			SHROUD, Col. Housing, w/Floor Shift (Except H,K & V,C24) (Vendor #7834997)
	4188 030	1		H,K - V	(Vendor #7833422)
58	4333 090	1		PDVCJET	BOWL, Gearshift Lever, w/Col. Shift (Exc. V,C24 & D,C44)
	4333 091	1		D,C44 -	w/Auto Trans.
59	3748 592	1			WASHER, Wave ,Col. Shift (Exc. V,C24)
60	3467 423	1			WASHER, Thrust (Exc. V,C24)
61	3467 415	1			RING, Shift Tube Retainer (Exc. V,C24)
62	4333 088	1		B,F,G	SUPPORT, Bearing Housing, w/o Console
	4333 087	1		P,D,V,C	w/Auto Trans. w/o Console (Exc. V,C24)
	4333 087	1		J,E,T	w/All Trans.
	4333 087	1		H,K	w/Auto Trans.
	4333 086	1		P,D,V,C	w/Man. Trans.
	4333 086	1		P,D,V,C	w/Auto Trans., w/Console
	4333 086	1		V,C24	w/All Trans.
63	3748 500	4			SCREW, Support
67	6015 925	4			RETAINER, Strg. Col. Wiring Trough
---		1			SEAL, Strg. Shaft, w/Floor Shift (Serv. In Jacket Assy)
---	6500 906	1			NUT, Strg. Wheel
---	4188 872	1			PIN, Switch Actuator Pivot
---	4147 363	1		All	PARTS KIT, Upper Column
---	4147 364	1		All	RACK KIT, Column Sector
---	4147 365	1		All	SPHERE KIT, Tilt Column

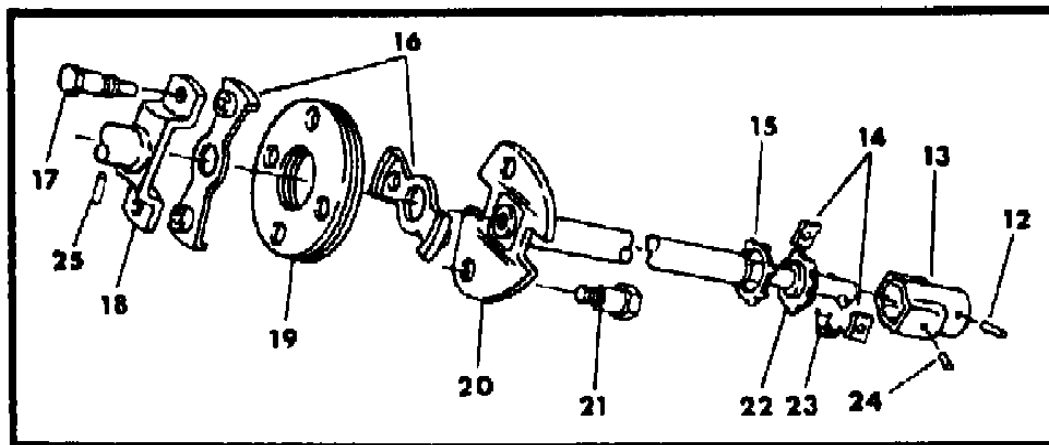
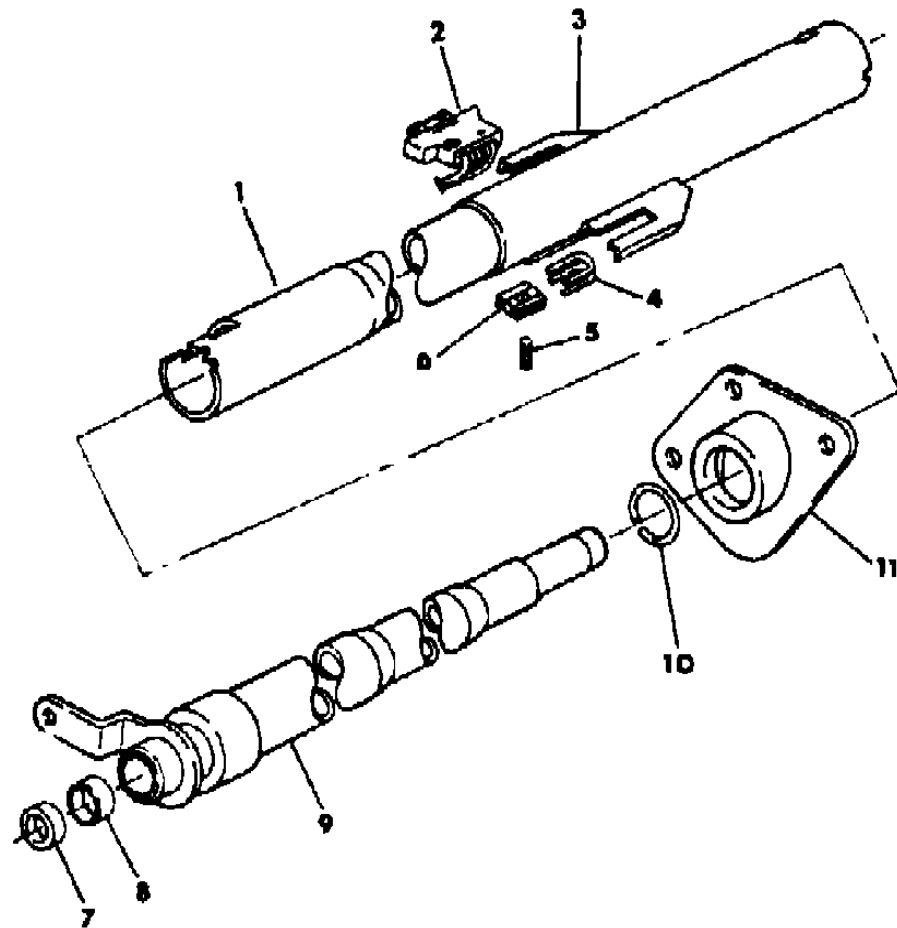
MODEL CODES
 B = GRAN FURY
 C = LE BARON/TOWN & COUNTRY/LIMO
 C24 = LASER
 C44 = LE BARON/GTS
 D = ARIES
 D44 = LANCER
 E = 600
 F = FIFTH AVENUE/NEWPORT
 G = DIPLOMAT
 H = VOYAGER
 J = CARAVELLE
 K = MINI VAN/CARAVAN/ROYAL
 M = HORIZON/TURISMO
 P = RELIANT
 T = NEW YORKER
 V = 600
 V24 = DAYTONA
 Z = OMNI/CHARGER

BODY STYLES
 21 = 2-DOOR SEDAN
 22 = 2-DOOR SPECIAL COUPE
 24 = 2-DOOR HATCHBACK
 27 = 2-DOOR CONVERTIBLE
 35 = FWD VAN
 36 = FWD WAGON
 41 = 4-DOOR SEDAN
 44 = 4-DOOR HATCHBACK
 45 = 4-DOOR STATION WAGON
 49 = LIMOUSINE

AR = Use as Required - = Non Illustrated Part P.A.R. = Paint as Required

COLUMN, STEERING, LOWER WITH TILT B,F,G
Figure 19-1100

5119 1100



ITEM	PART NUMBER	QTY	BODY	MODEL	DESCRIPTION
1	4147 366	1		B,F,G	JACKET ASSY. Strg. Col., w/ Col. Shift
2					(See Group 8)
3	4019 271	1		B,F,G	BRACKET, Strg. Col. Support
4		1			CLIP, Strg. Col. Ground (Not Serviced)
5	6500 127	4		B,F,G	SCREW, w/Washer, Bracket To Strg. Col.
	6027 947	2		B,F,G,	STUD, Strg. Col. Mounting
6	3748 492	2		B,F,G	SPACER, Strg. Col. Support Bracket
7	4019 501	1		B,F,G	BEARING, Strg. Shaft, Lower, w/Col. Shift
	4019 294	1		F,G	w/Floor Shift
8	4019 501	1		B,F,G	INSULATOR, Bearing (Col, Shift)
9	4188 319	1		B,F,G	TUBE, Strg. Col. Gearshift, w/o Console
10	3748 400	1		B,F,G	GROMMET, Strg. Col.
11	4019 274	1		B,F,G	PLATE, Strg. Col. Jacket Support
12	2266 743	1		B,F,G	PIN, Strg. Col. Shaft Lower Coupling
13	3748 268	1		B,F,G	Body, Strg. Col. Shaft Coupling
14	2800 738	2		B,F,G	SHOE, Coupling Body
15	2530 538	1		B,F,G	COVER, Coupling Body
16	4186 826	1		B,F,G	STRAP PACKAGE, Strg. Col. Coupling, w/Bolts
17	6030 999	2		B,F,G	BOLT, Coupling
18	3748 271	1		B,F,G	FLANGE, Strg. Col. Shaft Coupling
19	3748 310	1		B,F,G	COUPLING, Strg. Col. Shaft
20	4019 262	1		B,F,G	SHAFT, Strg. Col. Coupling Intermediate, 6.34" Lgh
21	6031 168	2		B,F,G	BOLT, Coupling
22	4019 278	1		B,F,G	SEAL, Coupling Body
23	2925 492	1		B,F,G	SPRING, Strg. Col. Shaft Coupling Body
24	6029 951	1		B,F,G	PIN, Coupling Body
25	6028 750	1		B,F,G	PIN, Coupling Body

MODEL CODES

B = GRAN FURY	E = 600	M = HORIZON/TURISMO
C = LE BARON/TOWN & COUNTRY/LIMO	F = FIFTH AVENUE/NEWPORT	P = RELIANT
C24 = LASER	G = DIPLOMAT	T = NEW YORKER
C44 = LE BARON/GTS	H = VOYAGER	V = 600
D = ARIES	J = CARAVELLE	V24 = DAYTONA
D44 = LANCER	K = MINI VAN/CARAVAN/ROYAL	Z = OMNI/CHARGER

BODY STYLES

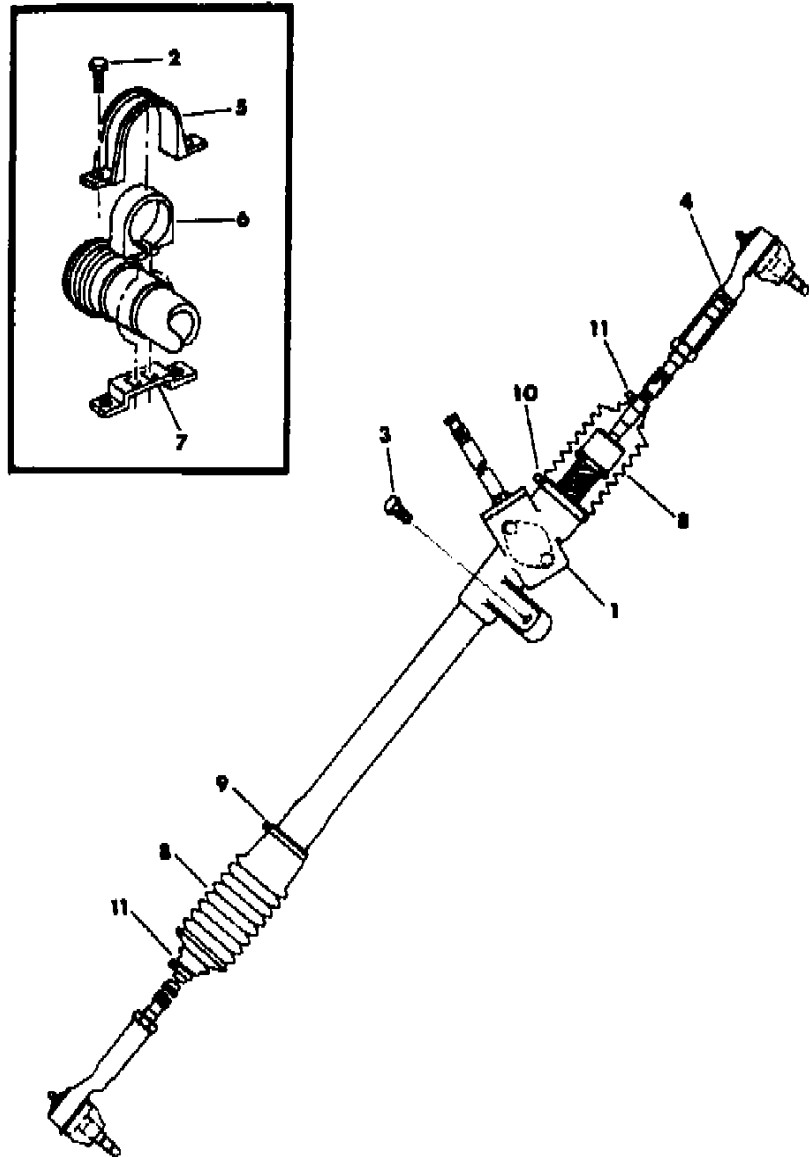
21 = 2-DOOR SEDAN	35 = FWD VAN	44 = 4-DOOR HATCHBACK
22 = 2-DOOR SPECIAL COUPE	36 = FWD WAGON	45 = 4-DOOR STATION WAGON
24 = 2-DOOR HATCHBACK	41 = 4-DOOR SEDAN	49 = LIMOUSINE
27 = 2-DOOR CONVERTIBLE		

AR = Use as Required - = Non Illustrated Part P.A.R. = Paint as Required

GEAR, RACK & PINION, MANUAL ATTACHING PARTS M,Z,P,D,V,C
Figure 19-1200

ITEM	PART NUMBER	QTY	BODY	MODEL	DESCRIPTION
1	4147 230	1		M,Z	GEAR, Rack and Pinion (Manual Strg.)
	4147 415	1		P,D,V,C	
2	6100 576	2			BOLT, Rack and Pinion Strg. Gear, Rt.
3	6101 265	2			BOLT, Rack and Pinion Strg. Gear, Lt.
4	4106 180	2			TIE ROD, Strg. Gear, Outer End
5	5205 225	1		M,Z,P,D	BRACKET, Rack Pinion Strg. Gear Mounting Outer
6	5205 227	1		M,Z,P,D	BUSHING, Rack and Pinion Strg. Gear Mounting
7	5205 226	1		M,Z,P,D	BRACKET, Rack and Pinion Strg. Gear Mounting Inner
8	4131 348	1			SERVICE KIT, Boot and Clamp, Rt. Consists of: 1 - 4147138 Boot, Tie Rod to Rack Tube, Rt. 1 - 5205313 Clamp, Boot to Tie Rod 1 - 5205315 Clamp, Boot to Tube, Rt.
---	4147 071	1		M,Z,P,D	ADAPTOR, Tube To Boot - Rt.
	4131 349	1			SERVICE KIT, Boot and Clamp, Lt. Consists of: 1 - 4147137 Boot, Tie Rod to Housing, Lt. 1 - 5205313 Clamp, Boot to Tie Rod 1 - 5205314 Clamp, Boot to Casting, Lt.
9	3815 816	1		M,Z,P,D	CLAMP, Boot to Tube, Rt.
10	4147 139	1		M,Z,P,D	CLAMP, Boot to Tube, Lt. (Gear Housing)
11	5205 313	2			CLAMP, Boot to Tie Rod
11	4147 233	1			ADAPTOR, Strg. Gear To Epic Shield (Not Shown)

5119 1200



MODEL CODES

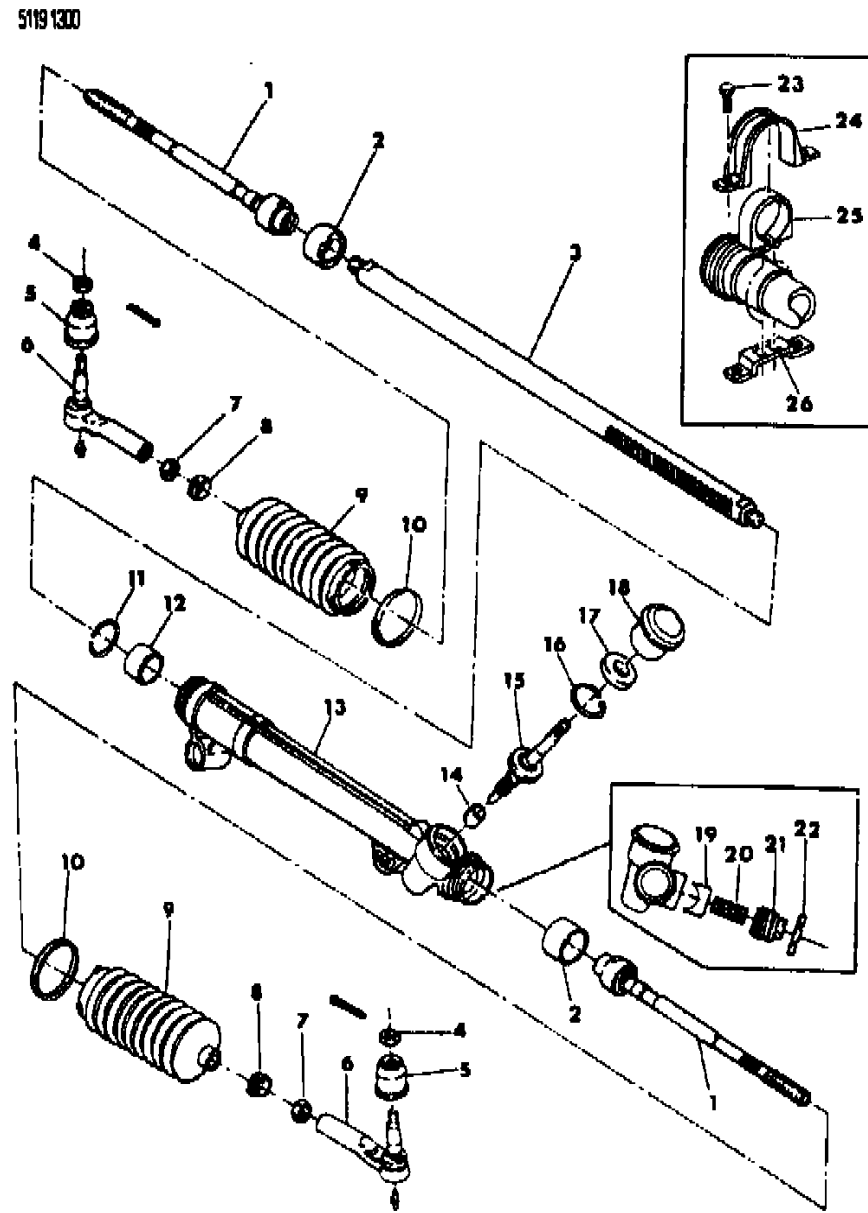
B = GRAN FURY	E = 600	M = HORIZON/TURISMO
C = LE BARON/TOWN & COUNTRY/LIMO	F = FIFTH AVENUE/NEWPORT	P = RELIANT
C24 = LASER	G = DIPLOMAT	T = NEW YORKER
C44 = LE BARON/GTS	H = VOYAGER	V = 600
D = ARIES	J = CARAVELLE	V24 = DAYTONA
D44 = LANCER	K = MINI VAN/CARAVAN/ROYAL	Z = OMNI/CHARGER

BODY STYLES

21 = 2-DOOR SEDAN	35 = FWD VAN	44 = 4-DOOR HATCHBACK
22 = 2-DOOR SPECIAL COUPE	36 = FWD WAGON	45 = 4-DOOR STATION WAGON
24 = 2-DOOR HATCHBACK	41 = 4-DOOR SEDAN	49 = LIMOUSINE
27 = 2-DOOR CONVERTIBLE		

AR = Use as Required - = Non Illustrated Part P.A.R. = Paint as Required

GEAR, RACK & PINION, MANUAL AND ATTACHING PARTS H,K
Figure 19-1300



ITEM	PART NUMBER	QTY	BODY	MODEL	DESCRIPTION
---	4147 075	1		H,K	GEAR, Rack & Pinion (Manual Strg.)
1	4333 104	1		H,K	ROD ASSY., Inner Tie - Kit
2	5205 287	1		H,K	RING, Shock Dampener
3	4147 243	1		H,K	RACK, Steering
4	5205 268	1		H,K	NUT, Hex Lock
5	4147 241	1		H,K	SEAL, Tie Rod
6	4106 180	1		H,K	ROD ASSY., Outer Tie - Kit
7	5205 275	1		H,K	NUT, Hex Jam
8		1		H,K	CLAMP, Boot -(Serv. in Kit 4147245)
9		1		H,K	BOOT, Rack & Pinion - (Serv. in Kit 4147245)
10		1		H,K	CLAMP, Boot - (Serv. in Kit 4147245)
11	4147 238	1		H,K	RING, Bushing Retaining
12	4147 294	1		H,K	BUSHING, Rack
13	4147 236	1		H,K	HOUSING ASSY., Rack & Pinion
14	4147 237	1		H,K	BEARING ASSY., Roller
15	4147 239	1		H,K	PINION ASSY., Bearing
16	4147 244	1		H,K	RING, Retaining
17		1		H,K	SEAL, Strg. Pinion - (Serv. in 4147246 Kit)
18	4147 242	1		H,K	ADAPTER, Seal
19	5205 282	1		H,K	BEARING, Rack
20	5205 280	1		H,K	SPRING, Adjuster
21	5205 286	1		H,K	PLUG, Adjuster
22	5205 285	1		H,K	NUT, Adjuster Plug Lock
23	6100 576	2		H,K	BOLT, Rack & Pinion Strg. Gear - Rt.
24	3643 470	1		H,K	BRACKET, Rack & Pinion Strg. Gear Mtg.- Outer
25	3643 471	1		H,K	BUSHING, Rack & Pinion Strg. Gear Mtg.- Outer
26	3643 469	1		H,K	BRACKET, Rack & Pinion Strg. Gear Mtg.

MODEL CODES

B = GRAN FURY	E = 600	M = HORIZON/TURISMO
C = LE BARON/TOWN & COUNTRY/LIMO	F = FIFTH AVENUE/NEWPORT	P = RELIANT
C24 = LASER	G = DIPLOMAT	T = NEW YORKER
C44 = LE BARON/GTS	H = VOYAGER	V = 600
D = ARIES	J = CARAVELLE	V24 = DAYTONA
D44 = LANCER	K = MINI VAN/CARAVAN/ROYAL	Z = OMNI/CHARGER

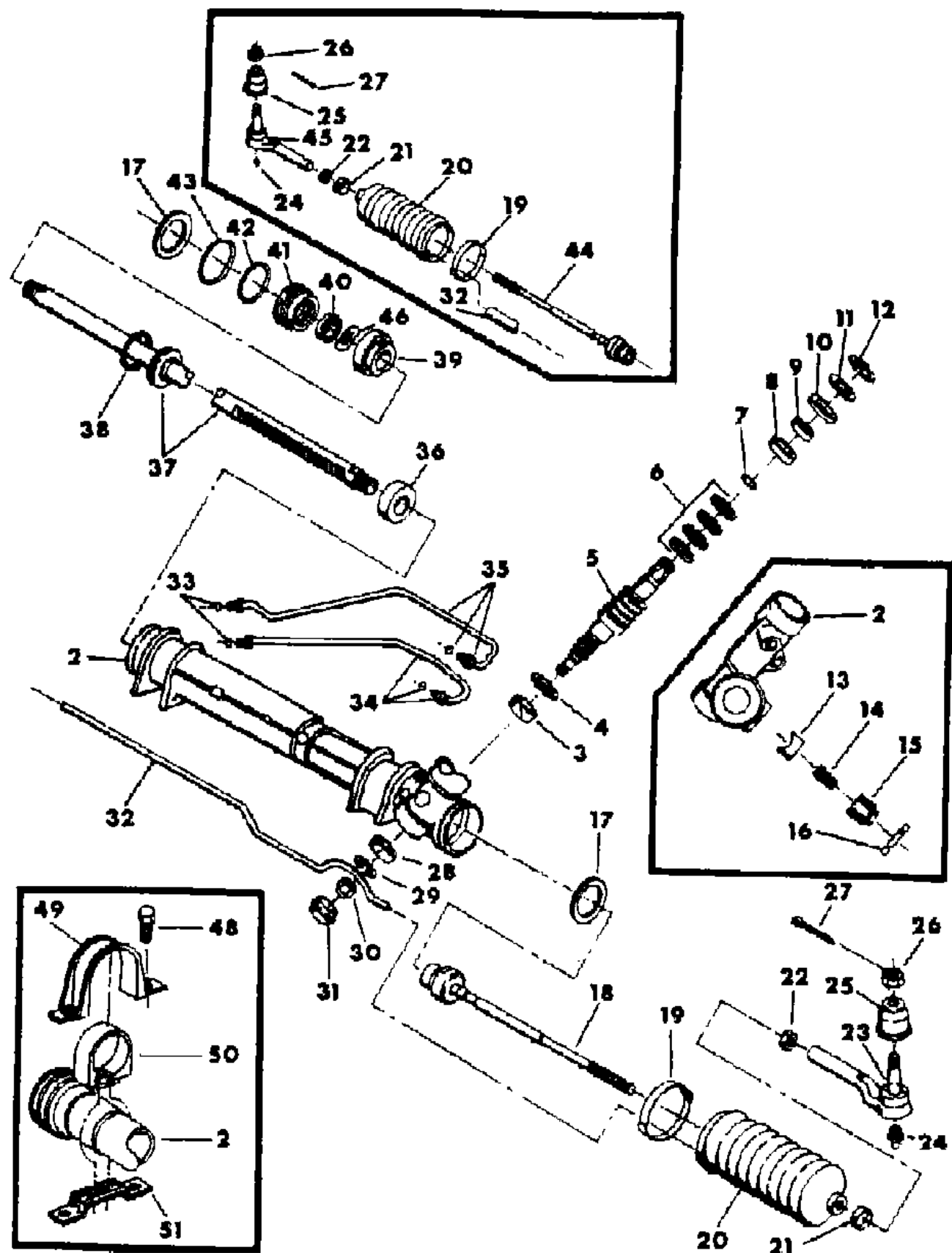
BODY STYLES

21 = 2-DOOR SEDAN	35 = FWD VAN	44 = 4-DOOR HATCHBACK
22 = 2-DOOR SPECIAL COUPE	36 = FWD WAGON	45 = 4-DOOR STATION WAGON
24 = 2-DOOR HATCHBACK	41 = 4-DOOR SEDAN	49 = LIMOUSINE
27 = 2-DOOR CONVERTIBLE		

AR = Use as Required - = Non Illustrated Part P.A.R. = Paint as Required

GEAR, RACK & PINION, POWER (SAGINAW) AND ATTACHING PARTS M,Z,P,D,V,C,J,E,T
Figure 19-1400

5119 1400



ITEM	PART NUMBER	QTY	BODY	MODEL	DESCRIPTION
A	4106 180	2			SERVICE KIT, Tie Rod, Outer Consists of: 1 ----- Tie Rod, Outer 1- 6500121 Nut 1 ----- Pin, Cotter
B	3815 947	1		MZPDVCJ	SERVICE KIT, Valve Pinion, w/Std. Pwr. Strg.(Except Shelby & Perf. Pkg.)
	4333 340	1		Z-S24,Z	w/Shelby & Perf. Pkg.
	4333 098	1		PDVCJET	w/Firm Feel Strg.
					Consists of: 1 ----- Bushing, Upper Pinion 1 ----- Seal, Rack and Pinion 1 ----- Valve Assy. w/Pinion 4 ----- Ring, Valve Body 1- 5205288 Ring, Retaining, Spool Shaft 1 ----- Seal, Stub Shaft 1 ----- Seal, Stub Shaft Dust
C	4147 092	1			SERVICE KIT, Boot, Strg. Gear, Right
	4147 093	1			Left
					Consists, of: 1 ----- Boot, Rack and Pinion 1- ----- Clamp, Boot
D	4147 094	1		M,Z	SERVICE KIT, Inner Tie Rod, Assy. Right (Except Shelby & Perf. Pkg.)
	4147 133	1		M,Z	Left (Except Shelby & Perf. Pkg.)
	4333 124	1		Z-S24,Z	Right, w/Shelby & Perf. Pkg.
	4333 125	1		Z-S24,Z	Left, w/Shelby & Perf. Pkg.
	4147 095	1		PDVCJET	Right, w/Std. Pwr. Strg.
	4333 104	1		PDVCJET	Left, w/Std. Pwr. Strg.
	4147 095	1		PDVCJET	Right, w/Firm Feel Strg. & w/o 15" Tires
	4333 104	1		PDVCJET	Left, w/Firm Feel Strg. & w/o 15" Tires
	4333 123	1		V,C24-D	Right, w/Firm Feel Strg., With 15" Tires
	4333 122	1		V,C24-D	Left, w/Firm Feel Strg., With 15" Tires
					Consists of: 1- 5205287 Ring, Shock Dampener 1----- Clamp, Boot 1- 5205275 Nut, Hex Jam

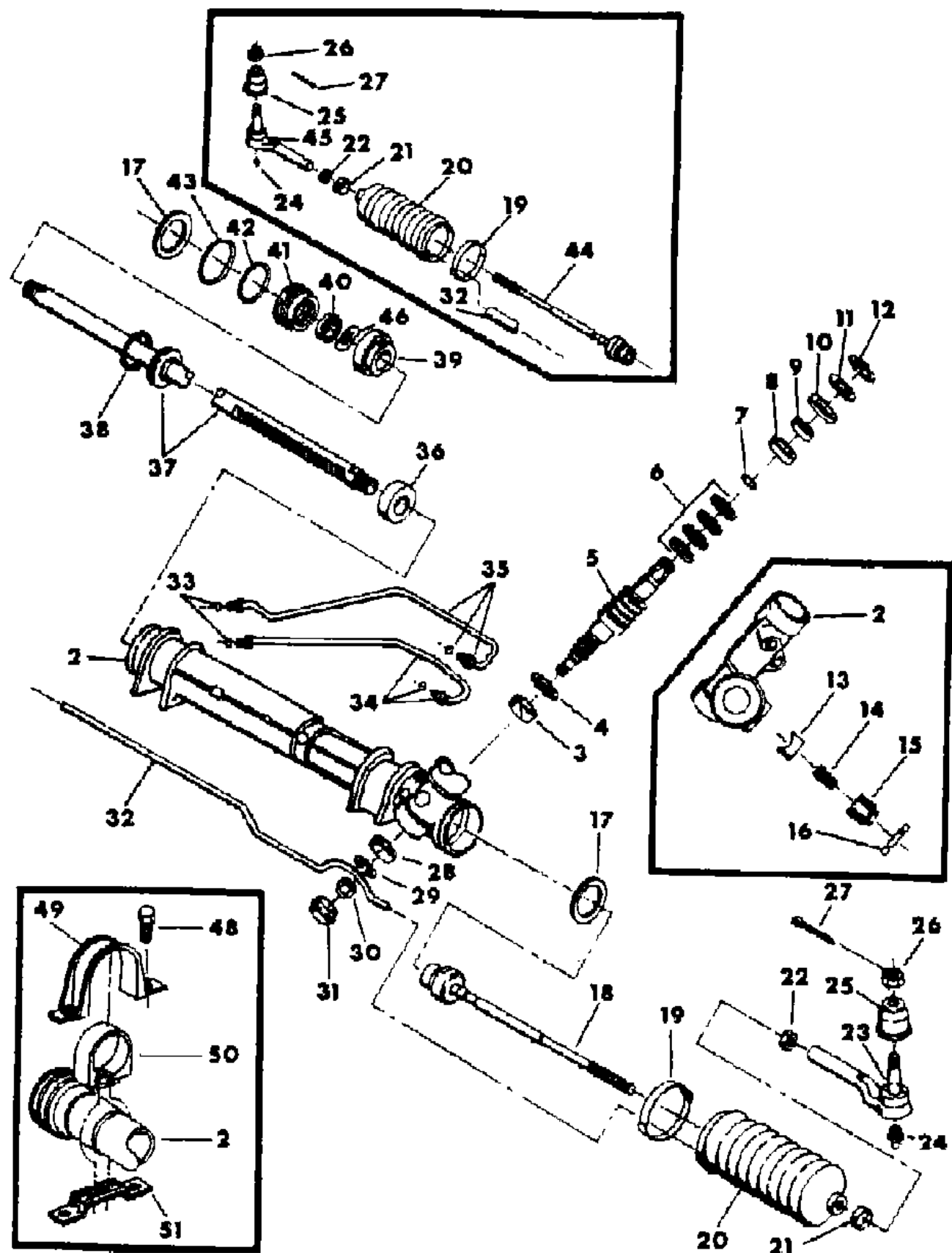
MODEL CODES
 B = GRAN FURY
 C = LE BARON/TOWN & COUNTRY/LIMO
 C24 = LASER
 C44 = LE BARON/GTS
 D = ARIES
 D44 = LANCER
 E = 600
 F = FIFTH AVENUE/NEWPORT
 G = DIPLOMAT
 H = VOYAGER
 J = CARAVELLE
 K = MINI VAN/CARAVAN/ROYAL
 M = HORIZON/TURISMO
 P = RELIANT
 T = NEW YORKER
 V = 600
 V24 = DAYTONA
 Z = OMNI/CHARGER

BODY STYLES
 21 = 2-DOOR SEDAN
 22 = 2-DOOR SPECIAL COUPE
 24 = 2-DOOR HATCHBACK
 27 = 2-DOOR CONVERTIBLE
 35 = FWD VAN
 36 = FWD WAGON
 41 = 4-DOOR SEDAN
 44 = 4-DOOR HATCHBACK
 45 = 4-DOOR STATION WAGON
 49 = LIMOUSINE

AR = Use as Required - = Non Illustrated Part P.A.R. = Paint as Required

GEAR, RACK & PINION, POWER (SAGINAW) AND ATTACHING PARTS M,Z,P,D,V,C,J,E,T
Figure 19-1400

5119 1400



ITEM	PART NUMBER	QTY	BODY	MODEL	DESCRIPTION
E	4147 096	1		MZPDVCJ	SERVICE KIT, Bulkhead, Assy., w/Std. Pwr. Strg.
	4333 103	1		Z-S24,Z	w/Shelby & Perf. Pkg.
	4333 103	1		V,C24-D	w/Firm Feel Strg. w/15" Tires
	4333 147	1		PDVCJET	w/Firm Feel Strg. w/o 15" Tires
					Consists of:
					1----- Clamp, Boot
					1 ----- Bulkhead, Cylinder Inner
					1 ----- Seal, Rack and Pinion (Bulkhead)
					1 ----- Seal, "O"Ring
					1 ----- Bulkhead, Cylinder Outer
					1 ----- Ring, Bulkhead Retaining
					1 ----- Tie Rod, Assy., Inner
					1 ----- Spring, Wave Washer
F	4147 098	1			SERVICE KIT, Seal, Rack and Pinion
					Consists of:
					1----- Clamp, Boot
					1 ----- Seal, Inner Rack
					1 ----- Ring, Piston
					1 ----- Seal, Rack and Pinion (Bulkhead)
					1 ----- Seal, "O"Ring
					1 ----- Ring, Bulkhead Retaining
G	4147 099	1			SERVICE KIT, Seal, Strg. Gear Bulkhead
					Consists of:
					1----- Clamp, Boot
					1----- Ring, Bulkhead Retaining
					1----- Seal, Outer Rack
					1----- Seal, Ring
H	5205 295	1			SERVICE KIT, Pinion Bearing
					Consists of:
					1 ----- Seal, Rack and Pinion
					1 ----- Seal, Stub Shaft
					1- 5205278 Ring, Seal Retaining
					1 ----- Seal, Stub Shaft Dust
					1 ----- Bearing, Ball, Assy.
J	5205 296	1			SERVICE KIT, Seal, Stub Shaft, Hyd. Strg. Gear
K	4147 100	1			SERVICE KIT, Valve Ring Seal .

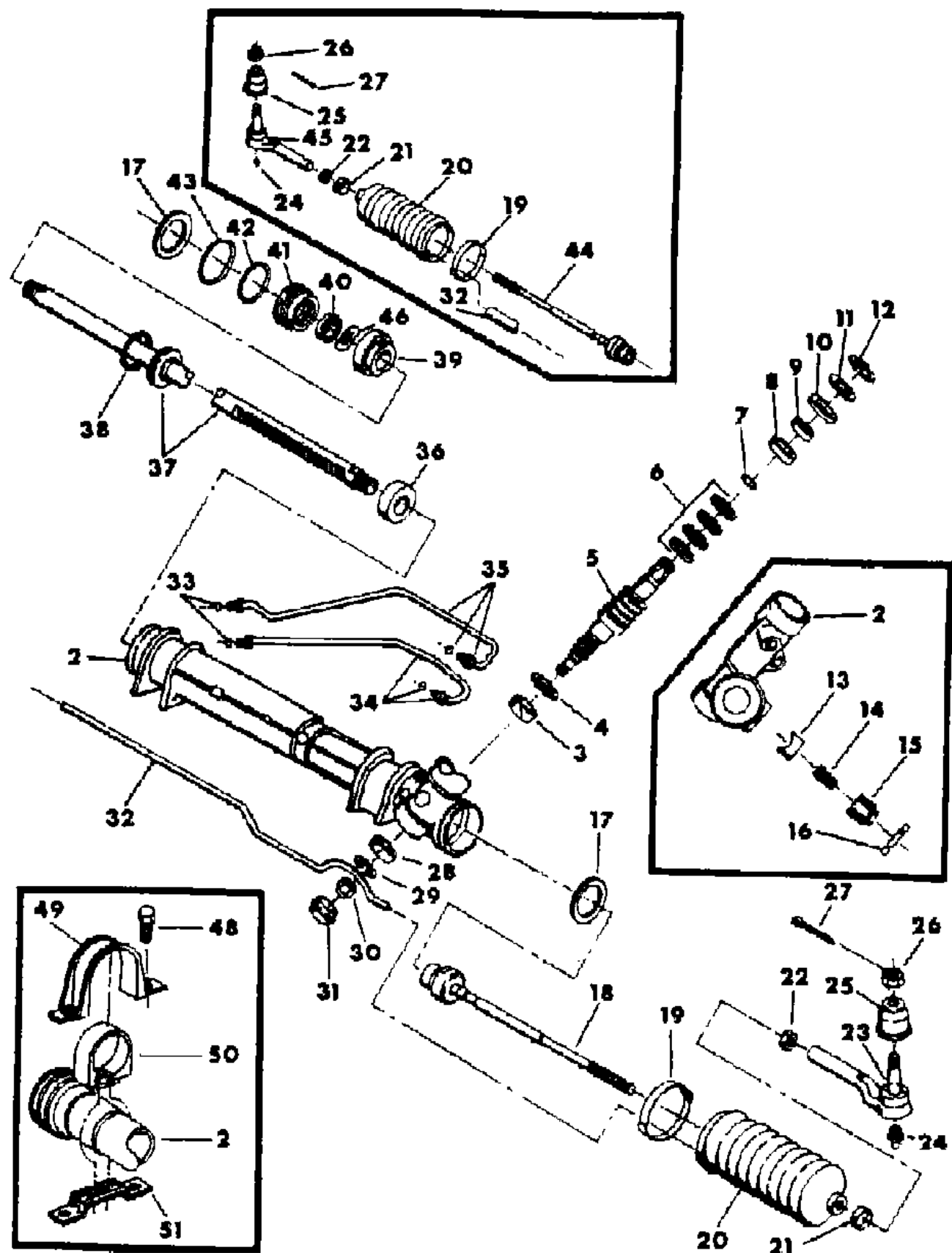
MODEL CODES
 B = GRAN FURY
 C = LE BARON/TOWN & COUNTRY/LIMO
 C24 = LASER
 C44 = LE BARON/GTS
 D = ARIES
 D44 = LANCER
 E = 600
 F = FIFTH AVENUE/NEWPORT
 G = DIPLOMAT
 H = VOYAGER
 J = CARAVELLE
 K = MINI VAN/CARAVAN/ROYAL
 M = HORIZON/TURISMO
 P = RELIANT
 T = NEW YORKER
 V = 600
 V24 = DAYTONA
 Z = OMNI/CHARGER

BODY STYLES
 21 = 2-DOOR SEDAN
 22 = 2-DOOR SPECIAL COUPE
 24 = 2-DOOR HATCHBACK
 27 = 2-DOOR CONVERTIBLE
 35 = FWD VAN
 36 = FWD WAGON
 41 = 4-DOOR SEDAN
 44 = 4-DOOR HATCHBACK
 45 = 4-DOOR STATION WAGON
 49 = LIMOUSINE

AR = Use as Required - = Non Illustrated Part P.A.R. = Paint as Required

GEAR, RACK & PINION, POWER (SAGINAW) AND ATTACHING PARTS M,Z,P,D,V,C,J,E,T
Figure 19-1400

5119 1400



ITEM	PART NUMBER	QTY	BODY	MODEL	DESCRIPTION
					Consists of:
					4 ----- Ring, Valve Body
					1 ----- Seal, Stub Shaft
					1 ----- Seal, Stub Shaft Dust
L	5205 298	1			SERVICE KIT, Pinion and Shaft Seal
					Consists of:
					1 ----- Bushing Upper Pinion
					1 ----- Seal, Rack and Pinion
					1 ----- Seal, Stub Shaft
M	5205 299	1			SERVICE KIT, Spool Shaft Bearing, Assy.
					Consists of:
					1 ----- Seal, Rack and Pinion
					1 ----- Annulus, Stub Shaft Bearing
					1 ----- Bearing, Needle
					1 ----- Seal, Stub Shaft
					1 ----- Seal, Stub Shaft Dust
N	4333 341	1		Z-S24,Z	SERVICE KIT, Strg. Assy Prtl.(Used with 4333149 Gear)
1-46	4318 726	1		M,Z	GEAR, Assy. Rack and Pinion w/All Pwr. Strg. (Except Shelby & Perf. Pkg.)
	4333 149	1		Z-S24,Z	w/Shelby & Perf. Pkg.
	4293 164	1		PDVCJET	w/Std. Strg. (Except V,C24)
	4147 451	1		PDVCJET	w/Firm Feel Strg. (Except V,C24 & D,C44)
	4147 451	1		V,C24-D	w/Firm Feel Strg. w/o 15" Tire
	4147 289	1		V,C24	w/Firm Feel Strg. w/15" Tires
	4147 472	1		D,C44	w/Firm Feel Strg. w/15" Tires
2	4147 082	1		M,Z	HOUSING, Assy. (Except Shelby & Perf. Pkg.)
	4333 099	1		Z-S24,Z	w/Shelby & Perf. Pkg.
	4147 083	1		PDVCJET	All Except V,C24 & D,C44
	4147 083	1		V,C24-D	w/o 15" Tires
	4333 100	1		V,C24-D	w/15" Tires
3		1			Bushing, Upper Pinion (Serviced Kit B & L)
4		1			SEAL, Rack and Pinion (Serviced Kits B,L & M)
5		1			PINION, w/Valve Assy. (Serviced Kit B)
6		4			RING, Valve Body (Serviced Kits B & K)
7	5205 288	1			RING, Spool Shaft Retaining (Also Serviced in Kit B)
8		1			ANNULUS, Stub Shaft Bearing (Serviced in Kit M)

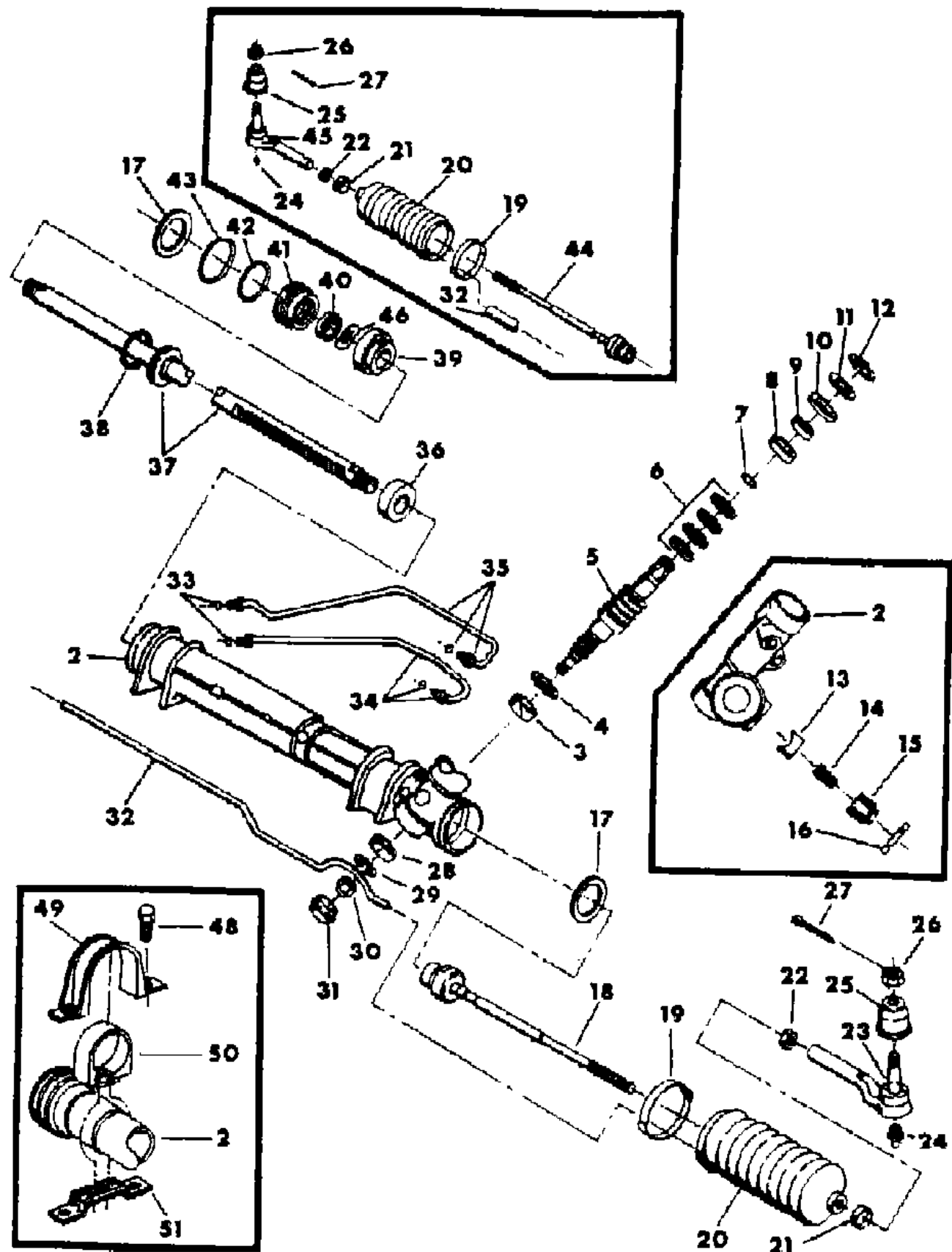
MODEL CODES
 B = GRAN FURY
 C = LE BARON/TOWN & COUNTRY/LIMO
 C24 = LASER
 C44 = LE BARON/GTS
 D = ARIES
 D44 = LANCER
 E = 600
 F = FIFTH AVENUE/NEWPORT
 G = DIPLOMAT
 H = VOYAGER
 J = CARAVELLE
 K = MINI VAN/CARAVAN/ROYAL
 M = HORIZON/TURISMO
 P = RELIANT
 T = NEW YORKER
 V = 600
 V24 = DAYTONA
 Z = OMNI/CHARGER

BODY STYLES
 21 = 2-DOOR SEDAN
 22 = 2-DOOR SPECIAL COUPE
 24 = 2-DOOR HATCHBACK
 27 = 2-DOOR CONVERTIBLE
 35 = FWD VAN
 36 = FWD WAGON
 41 = 4-DOOR SEDAN
 44 = 4-DOOR HATCHBACK
 45 = 4-DOOR STATION WAGON
 49 = LIMOUSINE

AR = Use as Required - = Non Illustrated Part P.A.R. = Paint as Required

GEAR, RACK & PINION, POWER (SAGINAW) AND ATTACHING PARTS M,Z,P,D,V,C,J,E,T
Figure 19-1400

5119 1400



ITEM	PART NUMBER	QTY	BODY	MODEL	DESCRIPTION
9		1			BEARING, Needle, Assy. (Serviced in Kit M)
10		1			SEAL, Stub Shaft (Serviced in Kits B,H,L & M)
11		1			SEAL, Stub Shaft Dust (Serviced in Kits B,H,L,K & M)
12	5205 278	1			RING, Seal Retaining (Also Serviced Kit H)
13	5205 282	1			BEARING, Rack
14	5205 280	1			SPRING, Adjuster
15	5205 286	1			PLUG, Adjuster
16	5205 285	1			NUT, Adjuster Plug Lock
17	5205 287	2	P,D,V,C		RING, Shock Dampener
	4147 088	2	M,Z		(Except Shelby & Perf. Pkg.)
	4333 101	2	Z-S24,Z		(w/Shelby & Perf. Pkg.)
18		1			TIE ROD, Assy. Inner (Serviced in Package)
19	4147 084	2			CLAMP, Boot (Also Serviced in Package)
20		1			BOOT, Rack and Pinion (Serviced in Kit C)
21	4147 085	2			CLAMP, Boot (Tie Rod End)
22	5205 275	2			NUT, Hex Jam
23		1			TIE ROD, Outer, Left (Serviced in Kit A)
24		2			FITTING, Lubrication (Not Serviced)
25		2			SEAL, Tie Rod (Serviced in Kit A)
26	6500 121	2			NUT, Outer Tie Rod
27		2			PIN, Cotter (Not Serviced)
28		1			BEARING, Ball, Assy. (Serviced in Kit H)
29	5205 279	1			RING, Pinion Bearing Retaining
30	5205 268	1			NUT, Hex Lock
31	5205 284	1			COVER, Dust
32	4147 086	1	M,Z		TUBE, Breather
	4147 087	1	P,D,V,C		
33	3815 859	4			SEAL, Cylinder Oil Line "O"Ring
34	4147 090	1			KIT, Cylinder Oil Line, Left, w/"O"Ring Seal
35	4147 089	1			KIT, Cylinder Oil Line, Right w/"O"Ring Seal
36		1			SEAL, Inner Rack (Serviced in Kit F)
37	4147 079	1	M,Z		RACK, Assy. w/Piston, Strg. (Except Shelby & Perf. Pkg.)
	4147 224	1	Z-S24,Z		w/Shelby & Perf. Pkg.
	4147 080	1	P,D,V,C		Except (Firm Feel Power Strg.)
	4147 081	1	P,D,V,C		With (Firm Feel Power Strg.)
38		1			RING, Piston (Serviced in Kit F)
39		1			BULKHEAD, Cylinder Inner (Serviced in Kit E)

MODEL CODES

B = GRAN FURY	E = 600	M = HORIZON/TURISMO
C = LE BARON/TOWN & COUNTRY/LIMO	F = FIFTH AVENUE/NEWPORT	P = RELIANT
C24 = LASER	G = DIPLOMAT	T = NEW YORKER
C44 = LE BARON/GTS	H = VOYAGER	V = 600
D = ARIES	J = CARAVELLE	V24 = DAYTONA
D44 = LANCER	K = MINI VAN/CARAVAN/ROYAL	Z = OMNI/CHARGER

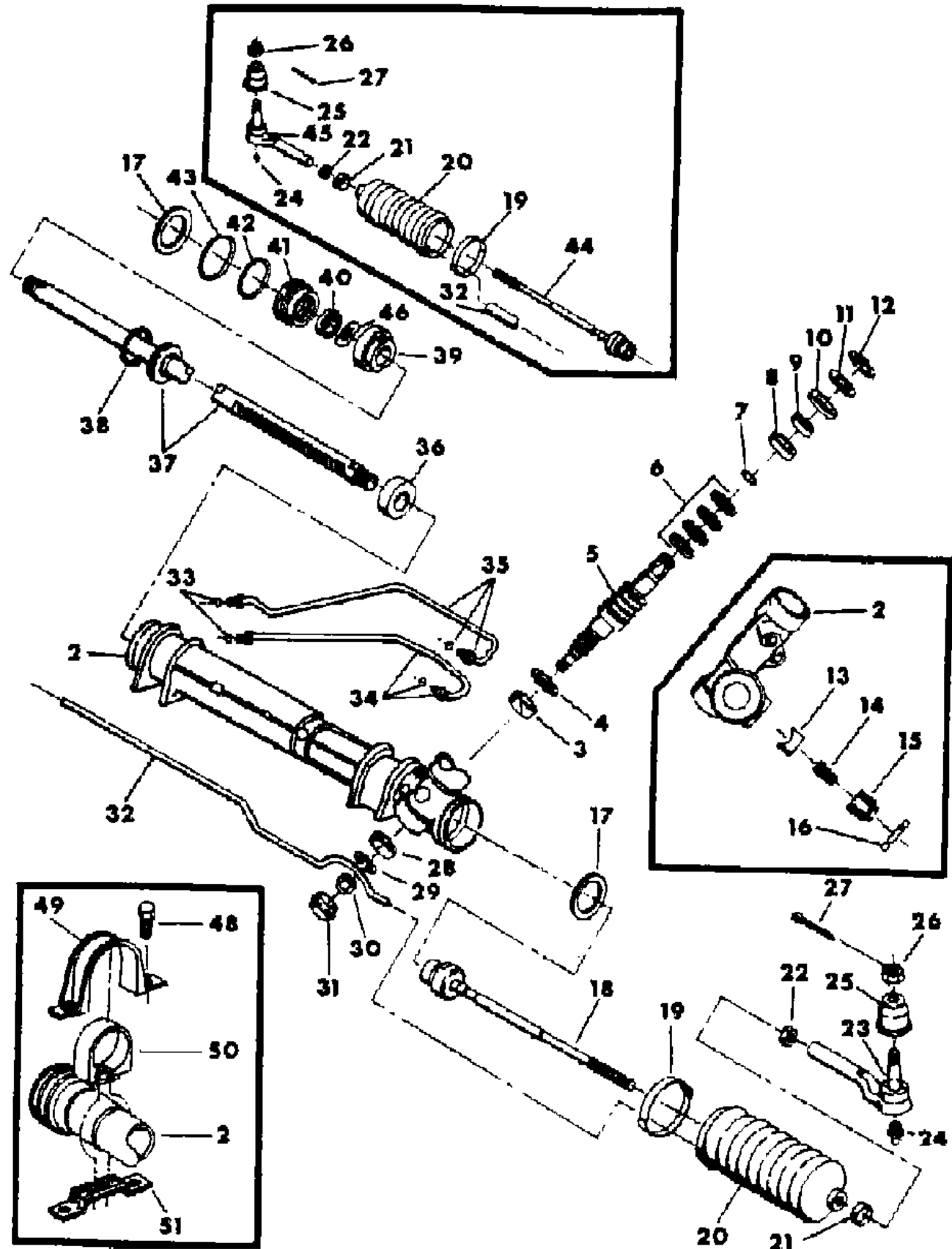
BODY STYLES

21 = 2-DOOR SEDAN	35 = FWD VAN	44 = 4-DOOR HATCHBACK
22 = 2-DOOR SPECIAL COUPE	36 = FWD WAGON	45 = 4-DOOR STATION WAGON
24 = 2-DOOR HATCHBACK	41 = 4-DOOR SEDAN	49 = LIMOUSINE
27 = 2-DOOR CONVERTIBLE		

AR = Use as Required - = Non Illustrated Part P.A.R. = Paint as Required

GEAR, RACK & PINION, POWER (SAGINAW) AND ATTACHING PARTS M,Z,P,D,V,C,J,E,T
Figure 19-1400

5119 1400



ITEM	PART NUMBER	QTY	BODY	MODEL	DESCRIPTION
40		1			SEAL, Rack and Pinion (Bulkhead) (Serviced in Kits E & F)
41		1			Bulkhead, Cylinder Outer (Serviced in Kit E)
42		1			SEAL, "O"Ring (Serviced in Kits E & F)
43	4147 097	1			RING, Bulkhead Retaining (Serviced also in Kits E & F)
44		1			TIE ROD, Assy., Inner, Right (Serviced in Kit D)
45		1			TIE ROD, Assy., Outer, Right (Serviced in Kit A)
46		1			SPRING, Wave Washer (Serviced in Kit E)
47	6101 265	2			BOLT, Rack and Pinion Strg. Gear Mounting, Left
48	6100 576	2			BOLT, Rack and Pinion Strg. Gear Mounting, Right
49	3643 424	1			BRACKET, Rack and Pinion Strg. Gear Mounting, Outer, Left
	3643 470	1			Right
50	3643 425	1			BUSHING, Rack and Pinion Strg. Gear, Left
	3643 471	1			Right
51	3643 423	1			BRACKET, Rack and Pinion Strg. Gear Mounting, Inner, Left
	3643 469	1			Right

MODEL CODES

B = GRAN FURY	E = 600	M = HORIZON/TURISMO
C = LE BARON/TOWN & COUNTRY/LIMO	F = FIFTH AVENUE/NEWPORT	P = RELIANT
C24 = LASER	G = DIPLOMAT	T = NEW YORKER
C44 = LE BARON/GTS	H = VOYAGER	V = 600
D = ARIES	J = CARAVELLE	V24 = DAYTONA
D44 = LANCER	K = MINI VAN/CARAVAN/ROYAL	Z = OMNI/CHARGER

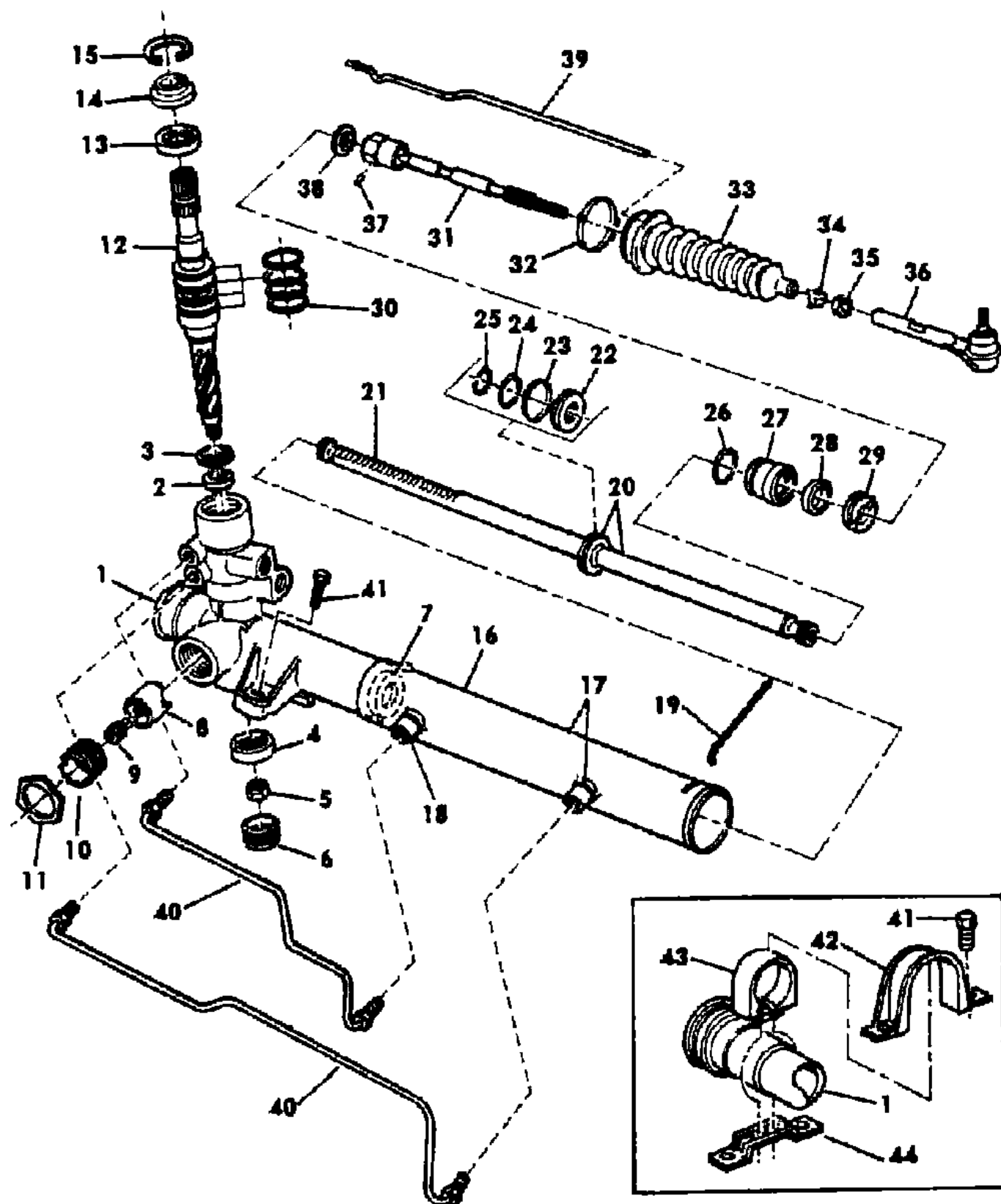
BODY STYLES

21 = 2-DOOR SEDAN	35 = FWD VAN	44 = 4-DOOR HATCHBACK
22 = 2-DOOR SPECIAL COUPE	36 = FWD WAGON	45 = 4-DOOR STATION WAGON
24 = 2-DOOR HATCHBACK	41 = 4-DOOR SEDAN	49 = LIMOUSINE
27 = 2-DOOR CONVERTIBLE		

AR = Use as Required - = Non Illustrated Part P.A.R. = Paint as Required

GEAR, RACK & PINION, POWER (TRW) AND ATTACHING PARTS P,D,V,C,J,E,T,H,K
Figure 19-1500

5119 1500



ITEM	PART NUMBER	QTY	BODY	MODEL	DESCRIPTION
	4106 180	2		PDVCJET	PACKAGE, Tie Rod Outer Consists of: 1 ----- Tie Rod Outer 1-6500121 Nut 1 ----- Pin Cotter
	3815 865	1		PDVCJET	SERVICE KIT, Yoke Consists of: 1 ----- Bearing, Yoke 1 ----- Spring, Yoke
	3815 866	1		PDVCJET	SERVICE KIT, Yoke Plug Consists of: 1 ----- Plug 1 ----- Locknut
	3815 874	2		PDVCJET	SERVICE RING KIT, Shock Dampner Consists of: 1 ----- Dampner, Shock 1-3815885 Spring Pin, Inner Tie Rod
	3815 875	1		PDVCJET	SERVICE KIT, Valve
	4147 352	1		H,K	Consists of: 1 ----- Valve Assy.
	4147 421	1		PDVCJET	4 ----- Valve Rings SERVICE KIT, Seal, Pinion & Shaft Consists of: 1 ----- Seal, Input Shaft 1 ----- Seal, Upper Pinion 1 ----- Ring, Retaining 4 ----- Rings, Valve
	3815 878	1		PDVCJET	SERVICE KIT, Rack Seal Consists of: 1 ----- Seal, Rack 1 ----- Seal, Rack 1 ----- "O"Ring 1 ----- "O"Ring 1 ----- Ring, Piston
	4147 356	2		PDVCJET	SERVICE KIT, Tie Rod, Inner Consists of:

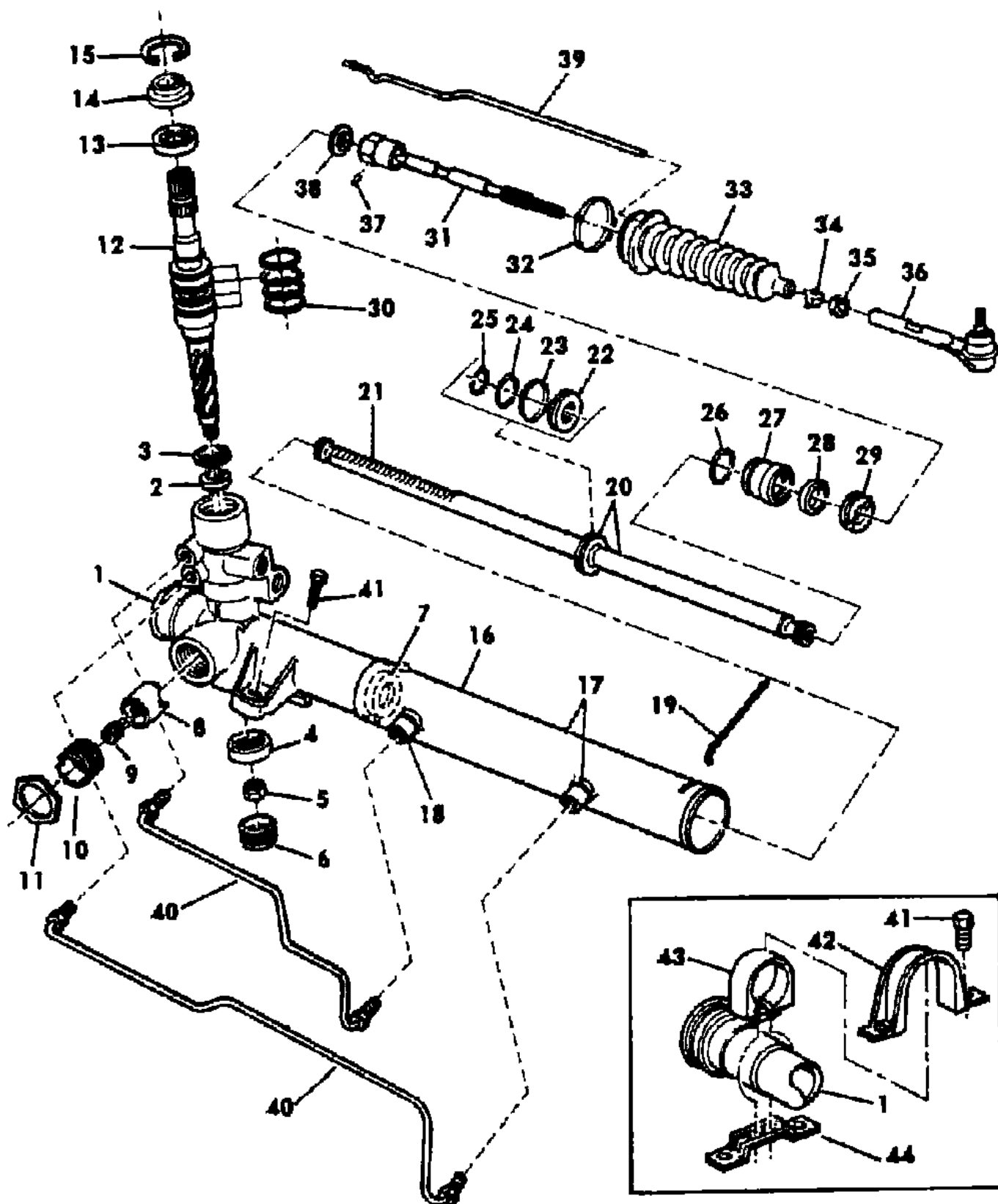
MODEL CODES
 B = GRAN FURY
 C = LE BARON/TOWN & COUNTRY/LIMO
 C24 = LASER
 C44 = LE BARON/GTS
 D = ARIES
 D44 = LANCER
 E = 600
 F = FIFTH AVENUE/NEWPORT
 G = DIPLOMAT
 H = VOYAGER
 J = CARAVELLE
 K = MINI VAN/CARAVAN/ROYAL
 M = HORIZON/TURISMO
 P = RELIANT
 T = NEW YORKER
 V = 600
 V24 = DAYTONA
 Z = OMNI/CHARGER

BODY STYLES
 21 = 2-DOOR SEDAN
 22 = 2-DOOR SPECIAL COUPE
 24 = 2-DOOR HATCHBACK
 27 = 2-DOOR CONVERTIBLE
 35 = FWD VAN
 36 = FWD WAGON
 41 = 4-DOOR SEDAN
 44 = 4-DOOR HATCHBACK
 45 = 4-DOOR STATION WAGON
 49 = LIMOUSINE

AR = Use as Required - = Non Illustrated Part P.A.R. = Paint as Required

GEAR, RACK & PINION, POWER (TRW) AND ATTACHING PARTS P,D,V,C,J,E,T,H,K
Figure 19-1500

5119 1500



ITEM	PART NUMBER	QTY	BODY	MODEL	DESCRIPTION
					1 ----- Horizontal Socket, Assy.
	4147 303	2		PDVCJET	1- 3815885 Pin, Spring SERVICE KIT, Boot (Tapered Boot) 1- 4147301 Clamp, Inboard (After Kit)
	3815 881	1		PDVCJET	1 ----- Bellows SERVICE KIT, Bushing Rack Consists of: 1 ----- Bushing 1 ----- "O"Ring
	4147 420	1		PDVCJET	1 ----- Seal SERVICE KIT, Pinion Shaft Bearing Consists of: 1 ----- Bearing
					1 ----- Bushing 1 ----- Seal 1 ----- Seal
---		1		PDVCJET	GEAR ASSY., Pwr. Strg. (Serv. # 4293164 PKG.)
---	4147 323	1		H,K	GEAR ASSY., Pwr. Strg. Rack & Pinion
1	4147 307	1		PDVCJET	HOUSING, Pwr. Strg. Rack & Pinion
	4147 285	1		H,K	
2	4147 420	1		PDVCJET	BUSHING, Pinion
3	4147 420	1		PDVCJET	SEAL
4	3815 868	1		PDVCJET	BEARING Assy., Pinion (Also Serviced in Hsg.)
5	3815 869	1		PDVCJET	LOCKNUT, Pinion
6	4147 306	1		PDVCJET	PLUG, Pinion
7		1		PDVCJET	SEAL (Serviced in 3815878 Kit)
8		1		PDVCJET	BEARING YOKE (Serviced in 3815865)
9		1		PDVCJET	SPRING (Serviced in 3815865)
10		1		PDVCJET	PLUG (Serviced in 3815866)
11		1		PDVCJET	LOCKNUT (Serviced in 3815866)
12		1		PDVCJET	VALVE ASSY. (Serv. in Kit)
13		1		PDVCJET	BEARING (Serviced in Kit)
14	3815 877	1		PDVCJET	SEAL, Shaft (Also Serviced in Kits)
15	3815 886	1		PDVCJET	RETAINING RING (Also Serviced in Kit)
16		1		PDVCJET	TUBE ASSY. (Serviced in Housing)
17		1		PDVCJET	TUBE RACK (Serviced in Housing)

MODEL CODES

B = GRAN FURY	E = 600	M = HORIZON/TURISMO
C = LE BARON/TOWN & COUNTRY/LIMO	F = FIFTH AVENUE/NEWPORT	P = RELIANT
C24 = LASER	G = DIPLOMAT	T = NEW YORKER
C44 = LE BARON/GTS	H = VOYAGER	V = 600
D = ARIES	J = CARAVELLE	V24 = DAYTONA
D44 = LANCER	K = MINI VAN/CARAVAN/ROYAL	Z = OMNI/CHARGER

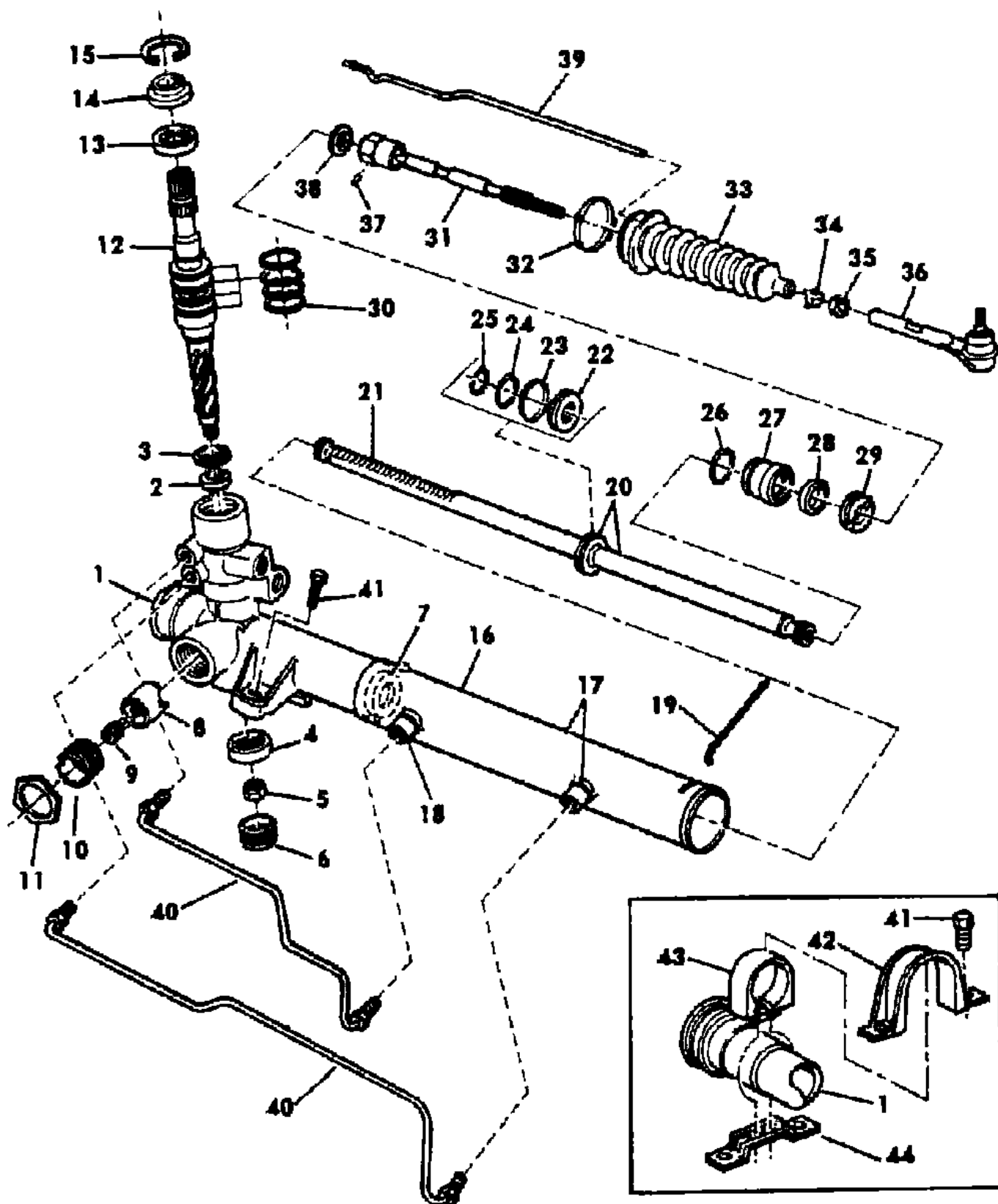
BODY STYLES

21 = 2-DOOR SEDAN	35 = FWD VAN	44 = 4-DOOR HATCHBACK
22 = 2-DOOR SPECIAL COUPE	36 = FWD WAGON	45 = 4-DOOR STATION WAGON
24 = 2-DOOR HATCHBACK	41 = 4-DOOR SEDAN	49 = LIMOUSINE
27 = 2-DOOR CONVERTIBLE		

AR = Use as Required - = Non Illustrated Part P.A.R. = Paint as Required

GEAR, RACK & PINION, POWER (TRW) AND ATTACHING PARTS P,D,V,C,J,E,T,H,K
Figure 19-1500

5119 1500



ITEM	PART NUMBER	QTY	BODY	MODEL	DESCRIPTION
18		1		PDVCJET	WELD STUD (Serviced in Housing)
19	3815 884	1		PDVCJET	RETAINING WIRE, Lock Ring
20	3815 861	1		PDVCJET	RACK ASSY. Pwr. Strg.
	4147 330	1	H,K		Pwr. Strg.
21		1		PDVCJET	RACK (Serviced in Rack Assy.)
22		1		PDVCJET	PISTON (Serviced in Rack Assy.)
23		1		PDVCJET	PISTON RING (Serviced in 3815878 Kit)
24		1		PDVCJET	"O"RING (Serviced in 3815878 Kit)
25		1		PDVCJET	RETAINING RING (Serviced in Rack Assy.)
26		1		PDVCJET	"O"RING, Bushing (Serviced in 3815878 Kit)
27		1		PDVCJET	BUSHING, Rack (Serviced in 3815881)
28		1		PDVCJET	SEAL (Serviced in 3815878, 3815881)
29	3815 883	1		PDVCJET	LOCK RING, Bushing
30		4		PDVCJET	VALVE RINGS (Serviced in Kit)
31	4147 356	1		PDVCJET	HORIZONTAL SOCKET ASSY.
32	4147 301	2		PDVCJET	INBOARD CLAMP (Also Serviced in Kit)
33	4147 303	1		PDVCJET	BELLOWS, Tapered
34	4147 424	2		PDVCJET	OUTBOARD CLAMP
35	3815 867	2		PDVCJET	LOCK NUT
36		2		PDVCJET	VERTICAL SOCKET ASSY. (Serviced in 4106180 Tie Rod Outer Pkg.)
37	3815 885	2		PDVCJET	SPRING PIN, Inner Tie Rod (Also Serviced in Kits)
38		2		PDVCJET	SHOCK DAMPER (Serviced in 3815874 Kit)
39	3815 871	1		PDVCJET	BREATHING TUBE, Rack
	4147 342	1	H,K		
40	3815 872	1		PDVCJET	LINE ASSY., Cylinder, Left (Left Side Short, Right Side Long) ***
	4147 346	1	H,K		Left
	3815 873	1		PDVCJET	Right
	4147 351	1	H,K		Right
41	6100 576	2		PDVCJET	BOLT, Rack and Pinion Power Strg. Gear Mounting, Rt.
	6101 265	2		PDVCJET	Lt.
42	3643 470	1		PDVCJET	BRACKET, Rack and Pinion Power Strg. Gear Mounting, Outer Rt.
43	3643 471	1		PDVCJET	BUSHING, Rack and Pinion Power Strg. Gear Mounting
44	3643 469	1		PDVCJET	BRACKET, Rack and Pinion Power Strg. Gear Mounting, Inner RT.

MODEL CODES

B = GRAN FURY	E = 600	M = HORIZON/TURISMO
C = LE BARON/TOWN & COUNTRY/LIMO	F = FIFTH AVENUE/NEWPORT	P = RELIANT
C24 = LASER	G = DIPLOMAT	T = NEW YORKER
C44 = LE BARON/GTS	H = VOYAGER	V = 600
D = ARIES	J = CARAVELLE	V24 = DAYTONA
D44 = LANCER	K = MINI VAN/CARAVAN/ROYAL	Z = OMNI/CHARGER

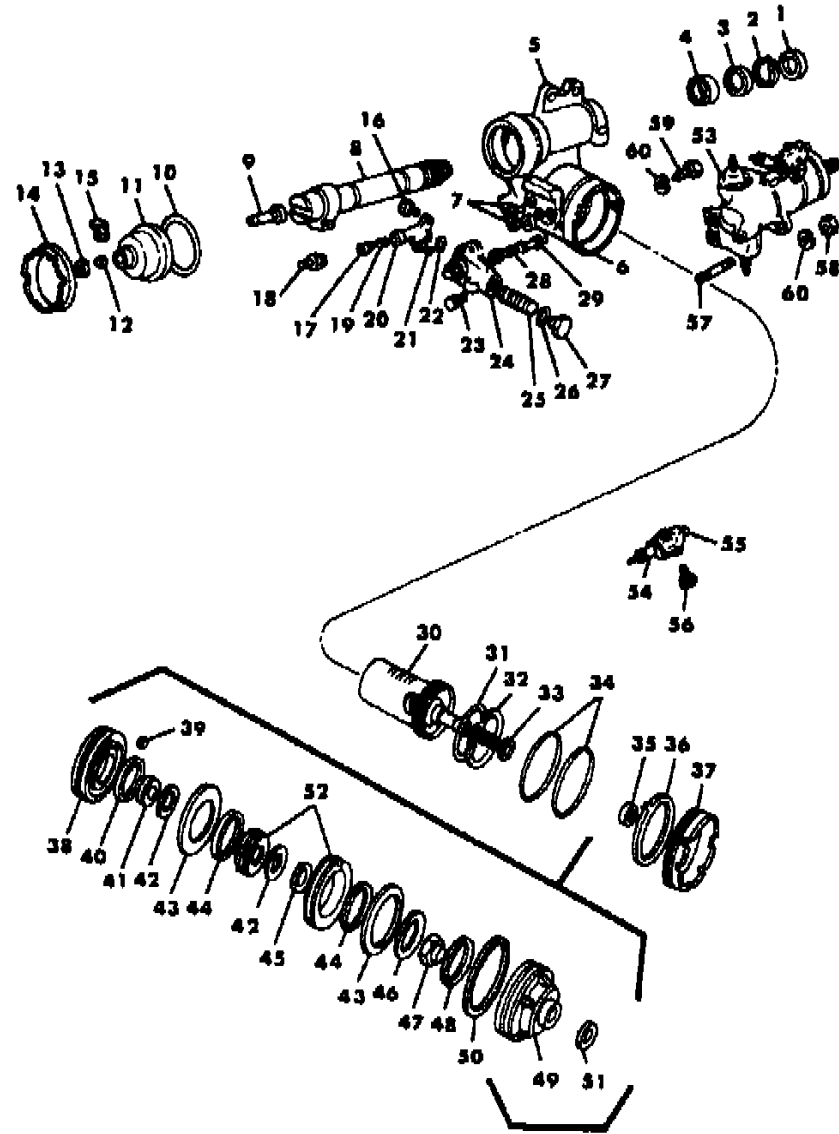
BODY STYLES

21 = 2-DOOR SEDAN	35 = FWD VAN	44 = 4-DOOR HATCHBACK
22 = 2-DOOR SPECIAL COUPE	36 = FWD WAGON	45 = 4-DOOR STATION WAGON
24 = 2-DOOR HATCHBACK	41 = 4-DOOR SEDAN	49 = LIMOUSINE
27 = 2-DOOR CONVERTIBLE		

AR = Use as Required - = Non Illustrated Part P.A.R. = Paint as Required

GEAR, POWER STEERING B,F,G
Figure 19-1600

5119 1600



ITEM	PART NUMBER	QTY	BODY	MODEL	DESCRIPTION
	3879 921	1			PACKAGE, Strg. Gear Lower Sector Seal Consists of: 1 - ----- Seal, Strg. Gear Shaft Oil 1 - ----- Seal, Strg. Gear Shaft Dust
	3879 920	1			PACKAGE, Strg. Gear Sector Cover Seal Consists of: 1 - ----- "O" Ring, Gear Shaft Cvr. 1 - ----- "O" Ring, Gear Shaft Cvr. 1 - ----- "O" Ring, Gear Shaft Cvr.
	4057 085	1			1 - ----- Seal, Adj. Screw 1 - ----- Gasket, Gear Shaft Adjusting Nut PACKAGE, Valve and "O" Ring, Strg. Gear Consists of: 1 - 3643281 Valve, Gear Pressure 1 - 6030655 "O" Ring, Gear Valve Hsg. 1 - 6030656 "O" Ring, Gear Pressure Control Valve 1 - ----- Sleeve, Hose Return
	3879 919	1			PACKAGE, Strg. Valve Body Seal Consists of: 1 - 6030655 "O" Ring, Gear Valve Hsg. 1 - 6030656 "O" Ring, Gear Press. Control Valve
	3879 924	1			2 - 6030657 "O" Ring, Gear Hsg. Port 1 - 6030658 "O" Ring, Hsg. to Valve PACKAGE, Strg. Gear Power Train Consists of: 1 - ----- Ring, Strg. Gear Ferrule 2 - ----- "O" Ring, Strg. Gear Cyl. Head 1 - ----- Seal, Strg. Gear Reaction Upper 1 - 1733602 "O" Ring, Strg. Gear Hsg. Head 1 - ----- Seal, Worm Sleeve 1 - ----- Ring, Worm Seal 1 - ----- Ring, Gear Reaction Lwr. 1 - ----- "O" Ring, Gear Piston Ring
	4057 088	1			1 - ----- Ring, Gear Piston 1 - ----- Washer, Gear Hsg. Head Nut PACKAGE, Strg. Gear Valve Housing and Seal Consists of:

MODEL CODES

B = GRAN FURY	E = 600	M = HORIZON/TURISMO
C = LE BARON/TOWN & COUNTRY/LIMO	F = FIFTH AVENUE/NEWPORT	P = RELIANT
C24 = LASER	G = DIPLOMAT	T = NEW YORKER
C44 = LE BARON/GTS	H = VOYAGER	V = 600
D = ARIES	J = CARAVELLE	V24 = DAYTONA
D44 = LANCER	K = MINI VAN/CARAVAN/ROYAL	Z = OMNI/CHARGER

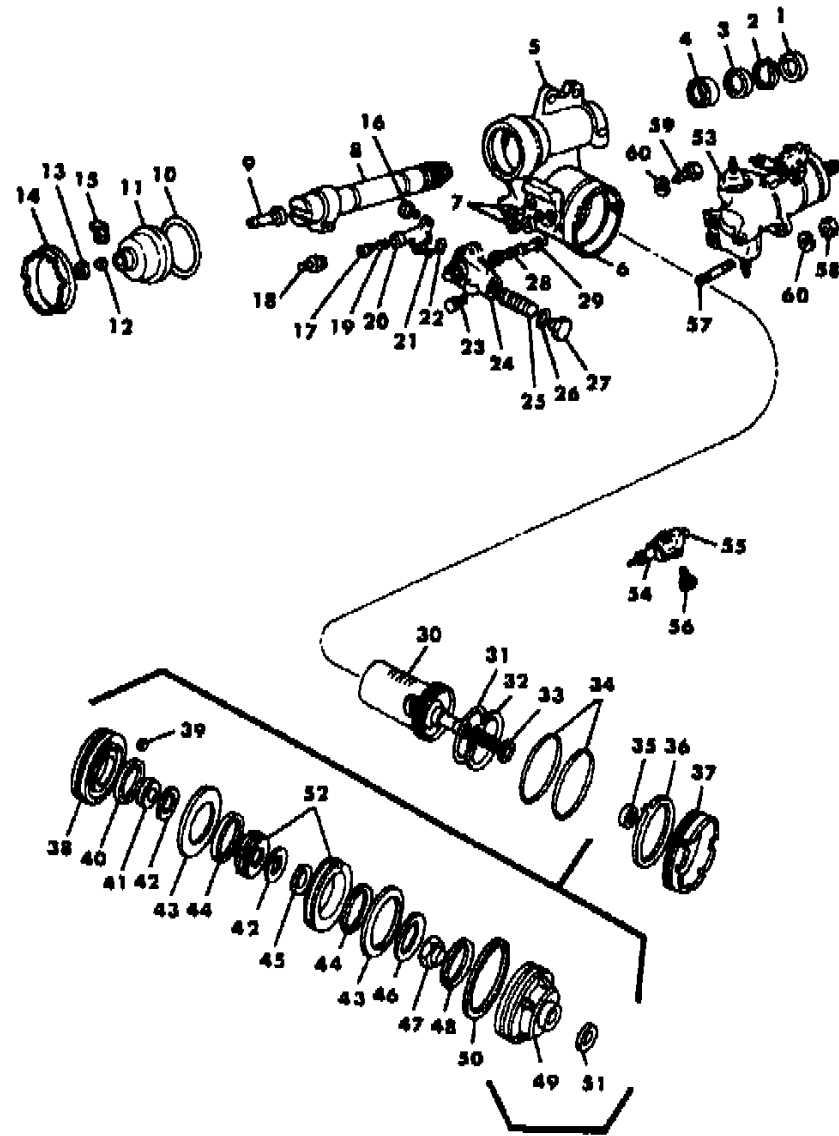
BODY STYLES

21 = 2-DOOR SEDAN	35 = FWD VAN	44 = 4-DOOR HATCHBACK
22 = 2-DOOR SPECIAL COUPE	36 = FWD WAGON	45 = 4-DOOR STATION WAGON
24 = 2-DOOR HATCHBACK	41 = 4-DOOR SEDAN	49 = LIMOUSINE
27 = 2-DOOR CONVERTIBLE		

AR = Use as Required - = Non Illustrated Part P.A.R. = Paint as Required

GEAR, POWER STEERING B,F,G
Figure 19-1600

5119 1600



ITEM	PART NUMBER	QTY	BODY	MODEL	DESCRIPTION
					1 - ----- Housing, Strg. Gear Valve Assy.
					1 - 3879919 Package, Strg. Gear Valve Seal
1		1			DUST SEAL, Strg. Gear Shaft (Serviced in Pkg. 3879921)
2	2127 049	1			SNAP RING, Strg. Gear Shaft Dust Seal
3	1670 356	1			RETAINER, Strg. Gear Shaft Seal
4		1			OIL SEAL, Strg. Gear Shaft (Serviced in Pkg. 3879921)
5	3643 317	1			HOUSING, Strg. Gear
6	6030 658	1			"O" RING, Gear Housing to Valve (also serviced in 3879919)
7	6030 657	2			"O" RING, Gear Housing Port (also Serviced in 3879919)
8	3643 302	1			SHAFT, Strg. Gear
9	2948 857	1			SCREW, Gear Shaft Adjusting
10		1			"O" RING, Strg. Gear Shaft Cover (Serviced in Pkg.3879920)
11	3643 301	1			COVER, Strg. Gear Shaft
12		1			BUTTON, Strg. Gear Identification Tester (Not Serv.)
13	6028 983	1			Nut, Strg. Gear Shaft Adjusting Screw
14	1733 627	1			Nut, Strg. Gear Shaft Cover
15		1			GASKET, Strg. Shaft Adj. Screw Nut (Serviced in Pkg. 3879920)
16	9408 948	2			SCREW, Pressure Control Valve Att.
17		1			PISTON, Pressure Control Valve (Serviced in 4057085 Valve)
18		1			ADAPTER, Strg. Gear Return Hose (Serviced in Pkg. 4057085)
19		1			SPRING, Pressure Control Valve (Serviced in Pkg. 4057085)
20		1			BODY, Pressure Control Valve (Serviced in Pkg. 4057085)
21	6030 656	1			"O" RING, Strg. Gear Pressure Control Valve (also serviced in Pkg. 3879919)
22	6030 655	1			"O" RING, Strg. Gear Valve Housing (also serviced in Pkg. 3879919)
23		1			PLUG, Strg. Gear Valve (Serviced in Housing and Seal Pkg. 3643280)
24		1			HOUSING, Strg. Gear Valve (Serviced in Housing and Seal Pkg. 3643280)
25		1			PISTON, Strg. Gear Valve (Serviced in Housing and Seal Pkg. 3643280)
26	1733 724	1			GASKET, Strg. Gear Valve Plug
27		1			PLUG, Strg. Gear Valve (Serviced in Valve 3643280)
28	1823 151	1			SPRING, Strg. Gear Valve
29	1822 380	1			LEVER, Strg. Gear Valve
30	2948 855	1			WORM w/PISTON, Strg. Gear

MODEL CODES

B = GRAN FURY	E = 600	M = HORIZON/TURISMO
C = LE BARON/TOWN & COUNTRY/LIMO	F = FIFTH AVENUE/NEWPORT	P = RELIANT
C24 = LASER	G = DIPLOMAT	T = NEW YORKER
C44 = LE BARON/GTS	H = VOYAGER	V = 600
D = ARIES	J = CARAVELLE	V24 = DAYTONA
D44 = LANCER	K = MINI VAN/CARAVAN/ROYAL	Z = OMNI/CHARGER

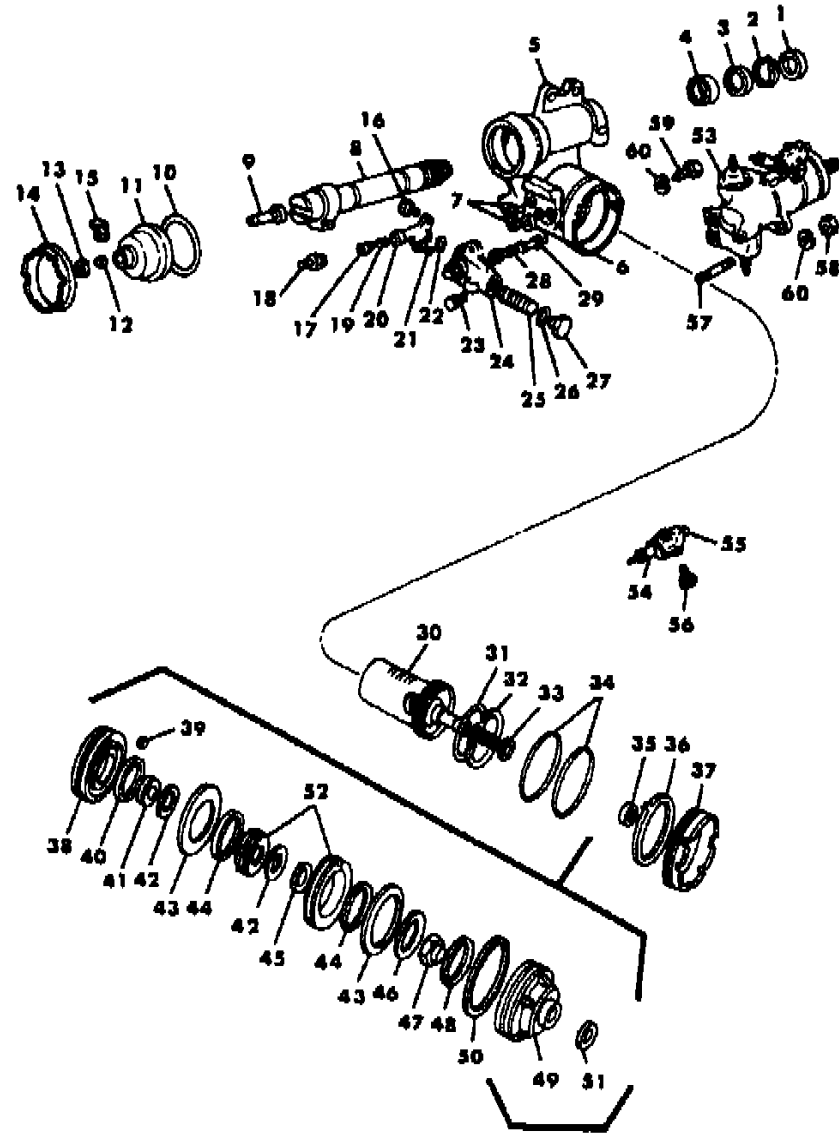
BODY STYLES

21 = 2-DOOR SEDAN	35 = FWD VAN	44 = 4-DOOR HATCHBACK
22 = 2-DOOR SPECIAL COUPE	36 = FWD WAGON	45 = 4-DOOR STATION WAGON
24 = 2-DOOR HATCHBACK	41 = 4-DOOR SEDAN	49 = LIMOUSINE
27 = 2-DOOR CONVERTIBLE		

AR = Use as Required - = Non Illustrated Part P.A.R. = Paint as Required

GEAR, POWER STEERING B,F,G
Figure 19-1600

5119 1600



ITEM	PART NUMBER	QTY	BODY	MODEL	DESCRIPTION
31		1			RING, Strg. Gear Piston (Serviced in Pkg. 3879924)
32		1			RING, Strg. Gear Piston Sealing (Serviced in Pkg. 3879924)
33	1822 406	1			RING, Strg. Gear Worm Seal
34		2			"O" RING, Strg. Gear Cyl. Head (Serviced in Pkg. 3879924)
35	2537 796	1			BEARING, Strg. Gear Worm
36		1			WASHER, Strg. Gear Hsg. Head Nut (Serviced in Pkg. 3879924)
37	1733 625	1			NUT, Strg. Gear Hsg. Head
38	3643 173	1			HEAD, Strg. Gear Cylinder
39		1			"O" RING, Strg. Gear Ferruel (Serv. In Pkg. 3879924)
40		1			"O" RING, Strg. Gear Reaction (Serviced in Pkg. 3879924)
41	1856 292	1			RACE, Strg. Gear Thrust Brg., Inner
42	1822 158	2			BEARING, Strg. Gear Thrust
43	3643 129	2			SPRING, Strg. Gear Reaction (Exc. Police Cars)
	3643 169	2			(Police Cars)
44	1822 150	2			RING, Strg. Gear Reaction
45	1822 156	1			RACE, Strg. Gear Thrust Bearing, Outer
46	1733 790	1			WASHER, Strg. Gear Reaction
47	1822 157	1			NUT, Strg. Gear Thrust Bearing
48	1822 151	1			SEAL, Strg. Gear Reaction Upper
49	3643 315	1			HEAD, Strg. Gear Housing
50	1733 602	1			"O" RING, Strg. Gear Hsg. Head
51	3643 321	1			SEAL, Strg. Gear Worm Shaft
52	1822 390	1			SPACER, w/Center Race, Strg. Gear
53	4026 481	1			CHUCK, Power Strg. Gear, Exc. Police Cars (Remanufactured Part)
	3643 334	1			(Police Cars)
54	4057 085	1			VALVE and "O"Ring PKg., Strg. Gear
55	3643 280	1			VALVE, Strg. Gear Assy. (Includes Valve 3643281)
56	0220 800	2			SCREW, Strg. Gear Valve Mounting
57	6030 443	1			STUD, Strg. Gear Mounting
58	0219 467	1			Nut
59	6031 732	2			BOLT, Strg. Gear Mounting
60	6027 224	AR			WASHER, Strg. Gear Mounting
-	1822 321	1			SNAP RING, Strg. Gear Cyl. Head
-	1822 320	1			SLEEVE, Strg. Gear Worm
-	1822 151	1			SEAL, Strg. Gear Reaction, Upper
-		1			PLUG, Strg. Gear Recirculating Ball Guide (Not Serv.)

MODEL CODES

B = GRAN FURY	E = 600	M = HORIZON/TURISMO
C = LE BARON/TOWN & COUNTRY/LIMO	F = FIFTH AVENUE/NEWPORT	P = RELIANT
C24 = LASER	G = DIPLOMAT	T = NEW YORKER
C44 = LE BARON/GTS	H = VOYAGER	V = 600
D = ARIES	J = CARAVELLE	V24 = DAYTONA
D44 = LANCER	K = MINI VAN/CARAVAN/ROYAL	Z = OMNI/CHARGER

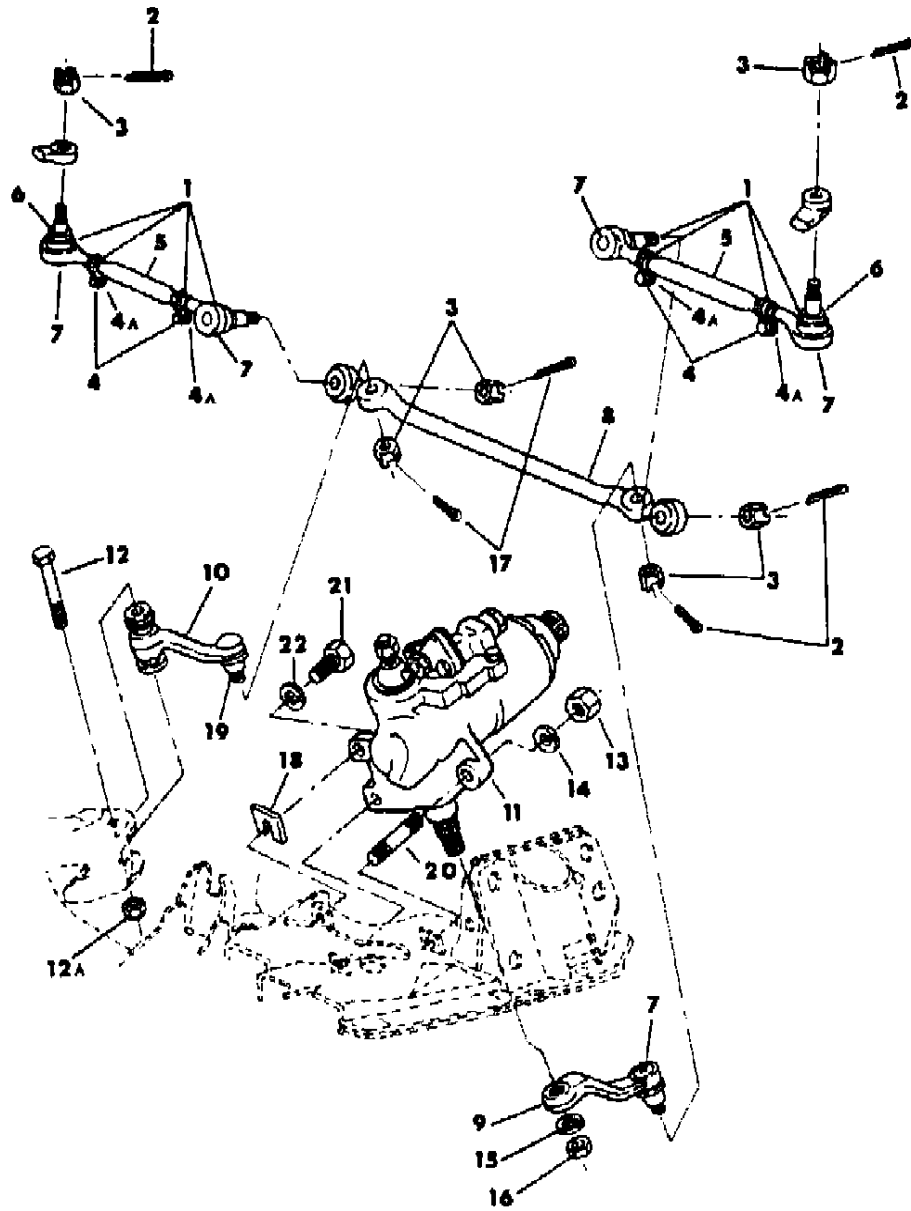
BODY STYLES

21 = 2-DOOR SEDAN	35 = FWD VAN	44 = 4-DOOR HATCHBACK
22 = 2-DOOR SPECIAL COUPE	36 = FWD WAGON	45 = 4-DOOR STATION WAGON
24 = 2-DOOR HATCHBACK	41 = 4-DOOR SEDAN	49 = LIMOUSINE
27 = 2-DOOR CONVERTIBLE		

AR = Use as Required - = Non Illustrated Part P.A.R. = Paint as Required

TIE RODS, STEERING GEAR AND LINKAGE B,F,G
Figure 19-1700

5119 1700



ITEM	PART NUMBER	QTY	BODY	MODEL	DESCRIPTION
1	3420 155	2		All	END PACKAGE, Tie Rod Inner, L.H. THD. (9/16-18 Thd.) Consists of: 1 - 6028556 Bolt 1 - ---- --- Clamp 1 - ---- --- Clamp 1 - ---- --- End 1 -9425132 Nut, Stud 1 - 152363 Nut, Clamp Bolt
	3420 154	2		All	END PACKAGE, Tie Rod Outer, R.H. THD. (9/16-18 Thd.) Consists of: 1 - 6028 556 Bolt 1 - ---- --- Clamp 1 - ---- --- C/Pin 1 - ---- --- End 1 - 9425 132 Nut,Stud 1 - 152 363 Nut,Clamp Bolt
2		AR		All	C/PIN (Not Serv.)
3	9425 132	AR		All	NUT
4	0153 283	4		All	BOLT, Strg. Link Tie Rod Tube Clamp
4A	6030 607	4		All	NUT,Tube Clamp Bolt
5	4014 085	2		All	TUBE, Steering Link Tie Rod, (9/16-18 Thd.) w/Green Paint Stripe
6	2835 896	5		All	SEAL,Tie Rod Dust and Strg. Gear Arm
7	6030 099	5		All	FITTING, Tie Rod End and Strg. Gear Arm
8	3815 727	1		All	LINK, Steering Center
9	3815 777	1		All	ARM, Steering Link Gear, w/Power Strg.
10	4014 089	1		All	ARM, Steering Link Idler
11					CHUCK, Steering Gear (See Group 19-1600
12	0182 809	1		All	BOLT, Strg. Link Idler Arm Pivot Bushing
12A	6030 585	1		All	NUT, Pivot Bushing Bolt
13	0219 467	1		All	BOLT
14	6028 087	1		All	WASHER
15	6028 088	1		All	WASHER
16	6029 964	1		All	NUT
17		AR		All	C/PIN (Not Serv.)
18	6027 224	AR		All	WASHER
19	2835 895	1		All	SEAL, Steering Link Idler Arm
20	6030 443	1		All	STUD, Strg. Gear Mounting

MODEL CODES

B = GRAN FURY	E = 600	M = HORIZON/TURISMO
C = LE BARON/TOWN & COUNTRY/LIMO	F = FIFTH AVENUE/NEWPORT	P = RELIANT
C24 = LASER	G = DIPLOMAT	T = NEW YORKER
C44 = LE BARON/GTS	H = VOYAGER	V = 600
D = ARIES	J = CARAVELLE	V24 = DAYTONA
D44 = LANCER	K = MINI VAN/CARAVAN/ROYAL	Z = OMNI/CHARGER

BODY STYLES

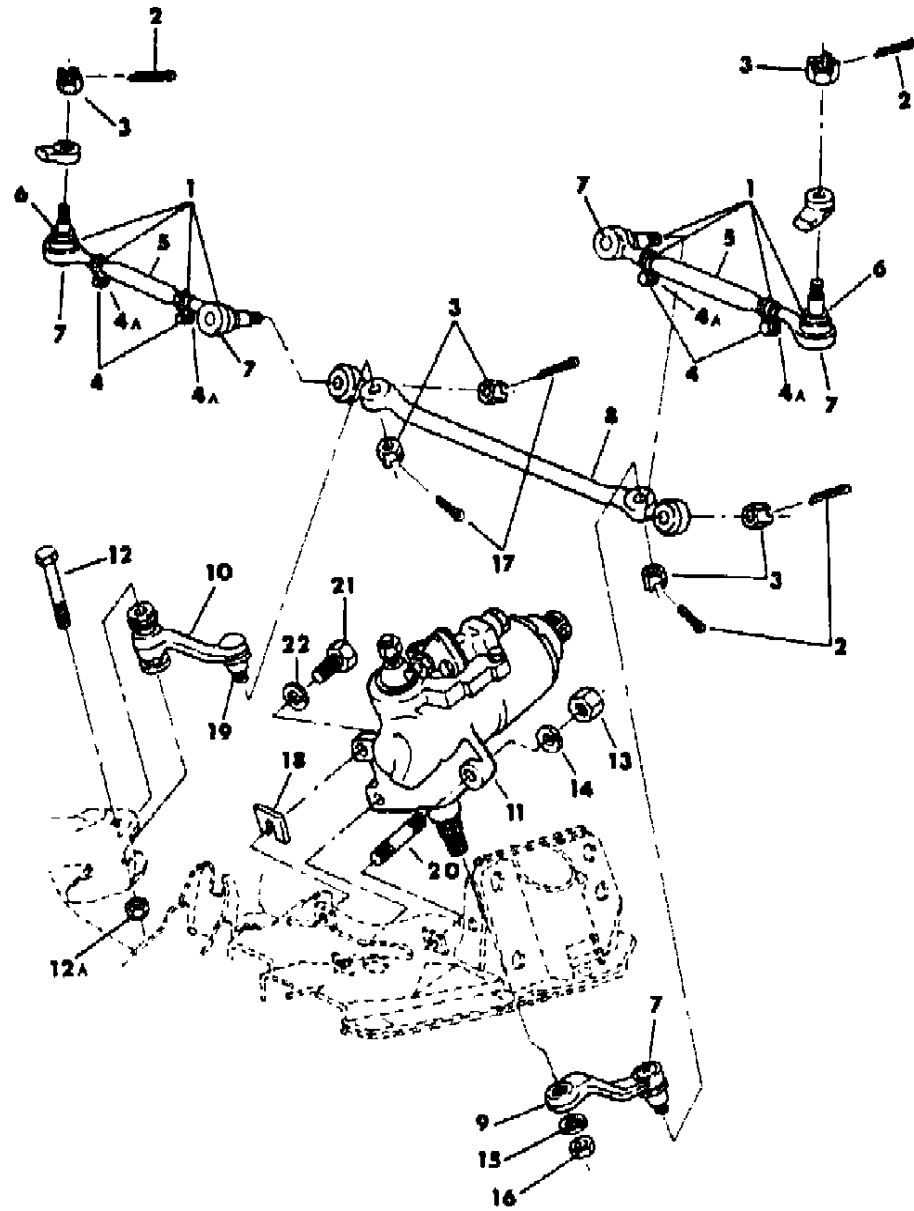
21 = 2-DOOR SEDAN	35 = FWD VAN	44 = 4-DOOR HATCHBACK
22 = 2-DOOR SPECIAL COUPE	36 = FWD WAGON	45 = 4-DOOR STATION WAGON
24 = 2-DOOR HATCHBACK	41 = 4-DOOR SEDAN	49 = LIMOUSINE
27 = 2-DOOR CONVERTIBLE		

AR = Use as Required - = Non Illustrated Part P.A.R. = Paint as Required

TIE RODS, STEERING GEAR AND LINKAGE B,F,G
Figure 19-1700

ITEM	PART NUMBER	QTY	BODY	MODEL	DESCRIPTION
21	6031 732	2		All	BOLT, Strg. Gear Mounting
22	6028 087	AR		All	WASHER, Strg. Gear Housing to Frame

5119 1700



MODEL CODES

B = GRAN FURY	E = 600	M = HORIZON/TURISMO
C = LE BARON/TOWN & COUNTRY/LIMO	F = FIFTH AVENUE/NEWPORT	P = RELIANT
C24 = LASER	G = DIPLOMAT	T = NEW YORKER
C44 = LE BARON/GTS	H = VOYAGER	V = 600
D = ARIES	J = CARAVELLE	V24 = DAYTONA
D44 = LANCER	K = MINI VAN/CARAVAN/ROYAL	Z = OMNI/CHARGER

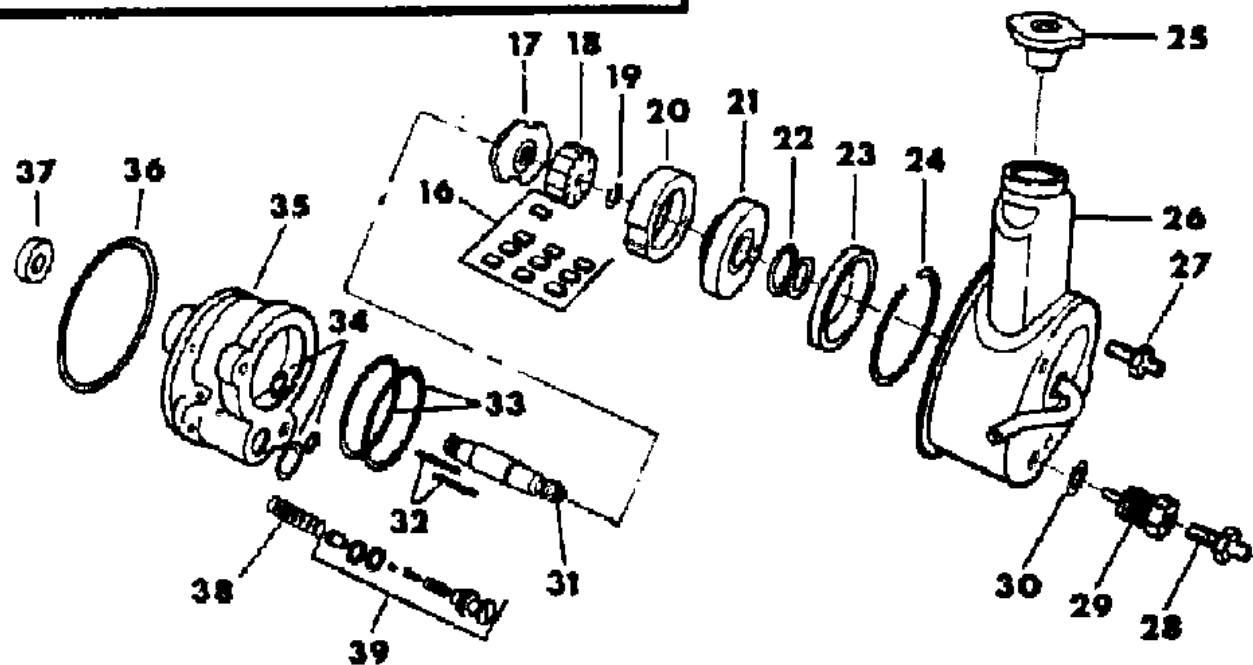
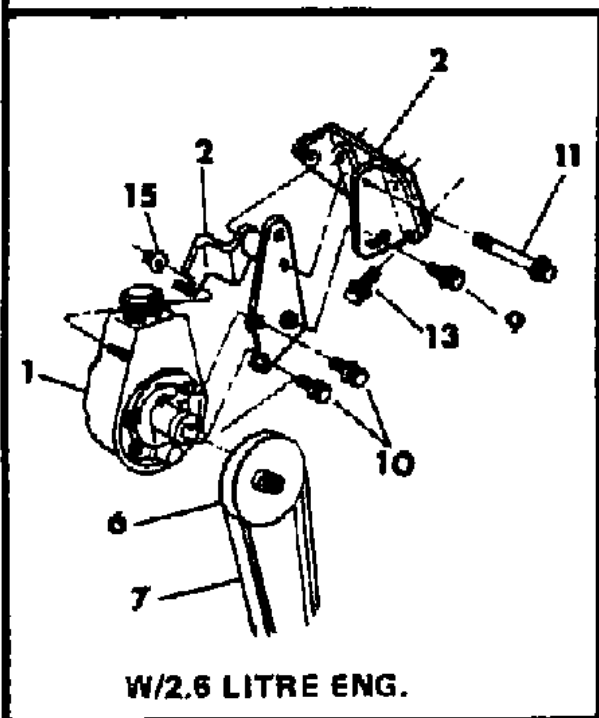
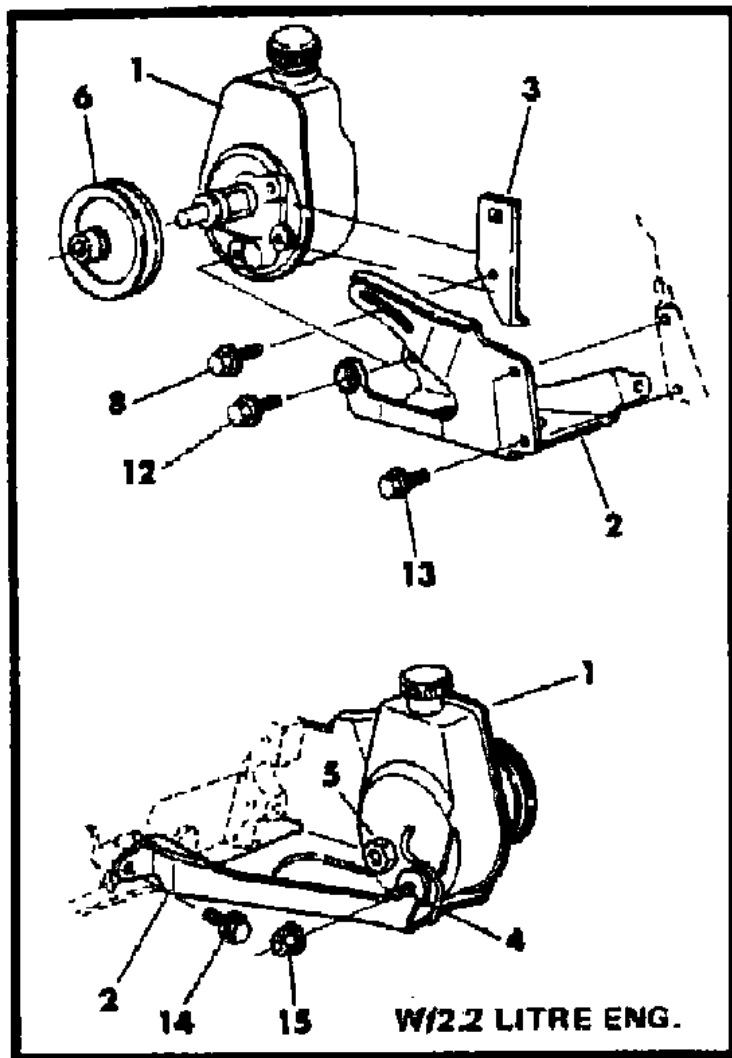
BODY STYLES

21 = 2-DOOR SEDAN	35 = FWD VAN	44 = 4-DOOR HATCHBACK
22 = 2-DOOR SPECIAL COUPE	36 = FWD WAGON	45 = 4-DOOR STATION WAGON
24 = 2-DOOR HATCHBACK	41 = 4-DOOR SEDAN	49 = LIMOUSINE
27 = 2-DOOR CONVERTIBLE		

AR = Use as Required - = Non Illustrated Part P.A.R. = Paint as Required

PUMP, POWER STEERING AND ATTACHING PARTS, W/2.2, & 2.6 ENG. M,Z,P,D,V,C,J,E,T,H,K
Figure 19-1800

5119 1800



ITEM	PART NUMBER	QTY	BODY	MODEL	DESCRIPTION
	2537 838	1			SERVICE KIT, Seal Consists of: 1 ----- Magnet 1 ----- Seal, Drive Shaft 1 ----- Seal, "O"Ring
					2 ----- Seal, "O"Ring 1 ----- Seal, "O"Ring 2 ----- Seal, "O"Ring 1 ----- Seal, "O"Ring
	3815 961	1			SERVICE KIT, Retaining Ring and Drive Shaft Consists of: 1 ----- Ring, Shaft Retaining 1 ----- Shaft, Drive
	3815 960				SERVICE KIT, Ring Retaining
	3815 964	1			SERVICE KIT, Rotor, Vane and Ring Consists of: 1 ----- Ring, Pump 1 ----- Ring, Shaft Retaining 1 ----- Rotor, Pump 10 ----- Vane, Pump
	3643 453	1			SERVICE KIT, Pump Reservoir Consists of: 1 ----- Reservoir 1 ----- Seal, "O"Ring 1 ----- Seal, "O"Ring 2 ----- Seal, "O"Ring
1	3815 956	1	M,Z		PUMP, Power Strg. (Except Shelby & Perf. Pkg.)
	4188 832	1	Z-S24,Z		w/Shelby & Perf. Pkg.
	3815 956	1	PDVCJET		w/Std. Or H.D. Susp.(Except V,C24 & D,C44)
	4188 832	1	PDVCJET		w/Firm Feel Or Extra Duty Susp.
2	5214 491	1	ALL		BRACKET, Power Strg. Pump Mounting,(w/2.2L Eng.)
	4105 054	1	PDVCJET		BRACKET, Power Strg. Mounting, Pump Side, w/2.6L Eng.)
	4173 238	1	PDVCJET		BRACKET, Power Strg. Mounting, Eng. Side, (w/2.6L Eng.)
3	5203 743	1	ALL		BRACKET, Power Strg. Pump Adjusting, (w/2.2L Eng.)
4	3815 915	2			STUD, Power Strg. Pump Mounting
5	5205 269				STUD, Power Strg. Pump Mounting
6	5214 734	1			PULLEY, Power Strg. Pump, (w/2.2L Eng.)

MODEL CODES

B = GRAN FURY	E = 600	M = HORIZON/TURISMO
C = LE BARON/TOWN & COUNTRY/LIMO	F = FIFTH AVENUE/NEWPORT	P = RELIANT
C24 = LASER	G = DIPLOMAT	T = NEW YORKER
C44 = LE BARON/GTS	H = VOYAGER	V = 600
D = ARIES	J = CARAVELLE	V24 = DAYTONA
D44 = LANCER	K = MINI VAN/CARAVAN/ROYAL	Z = OMNI/CHARGER

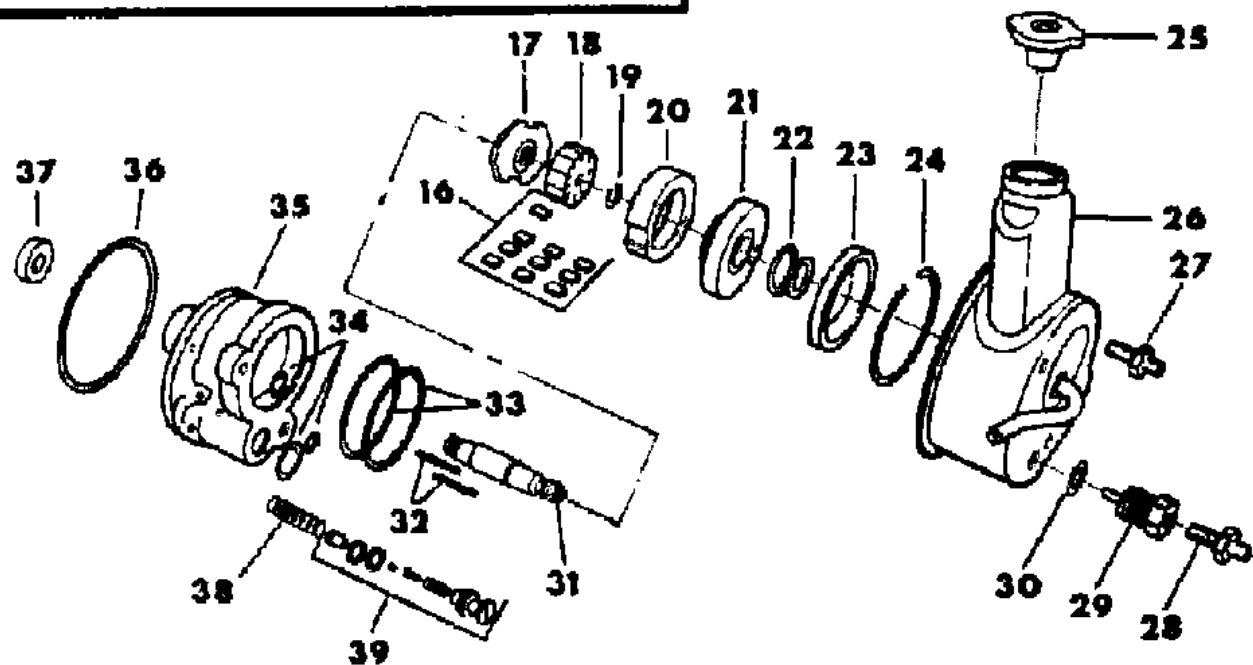
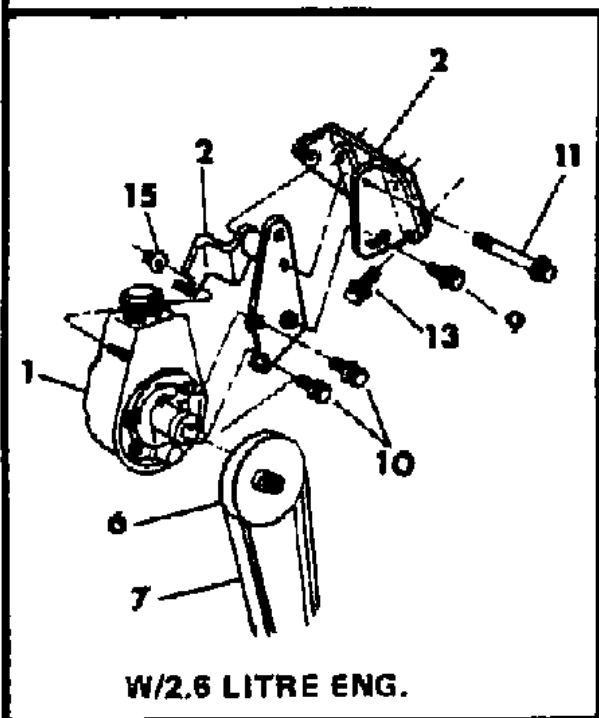
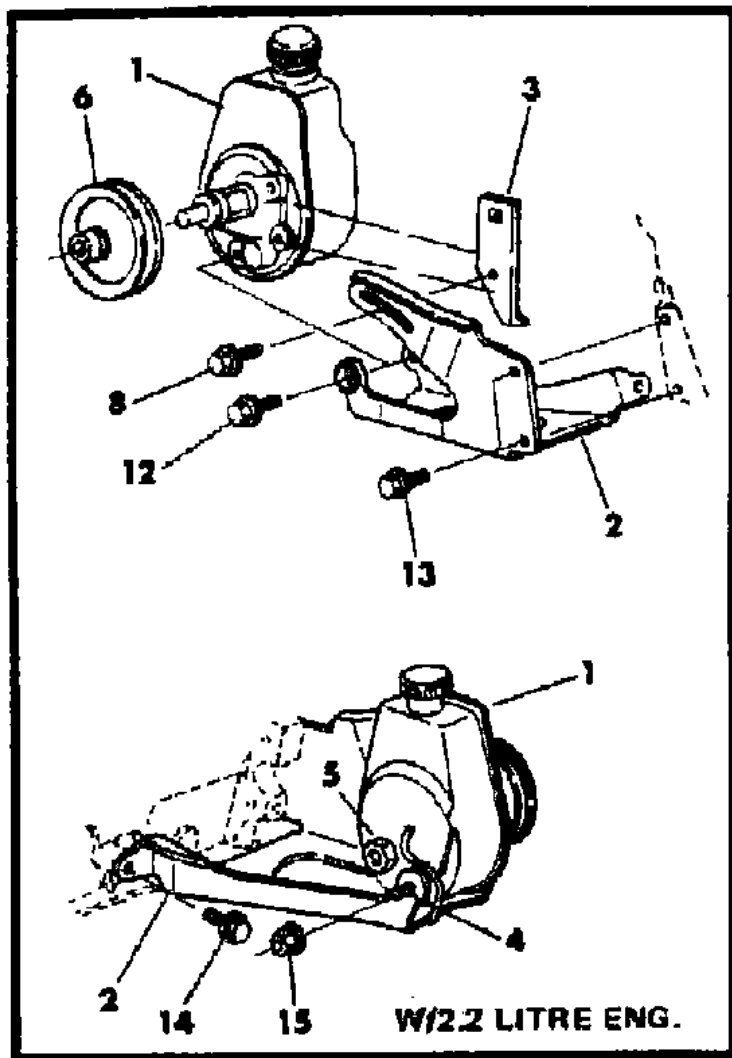
BODY STYLES

21 = 2-DOOR SEDAN	35 = FWD VAN	44 = 4-DOOR HATCHBACK
22 = 2-DOOR SPECIAL COUPE	36 = FWD WAGON	45 = 4-DOOR STATION WAGON
24 = 2-DOOR HATCHBACK	41 = 4-DOOR SEDAN	49 = LIMOUSINE
27 = 2-DOOR CONVERTIBLE		

AR = Use as Required - = Non Illustrated Part P.A.R. = Paint as Required

PUMP, POWER STEERING AND ATTACHING PARTS, W/2.2, & 2.6 ENG. M,Z,P,D,V,C,J,E,T,H,K
Figure 19-1800

5119 1800



ITEM	PART NUMBER	QTY	BODY	MODEL	DESCRIPTION
	4173 230	1		PDVCJET	(w/2.6L Eng.)
7		1			BELT, Power Strg. Pump, Drive (Refer To Group 7)
8	6500 416	1			SCREW, w/Washer, Mounting Bracket To Cylinder Block
9	6500 157	AR			SCREW, w/Washer, Power Strg. Pump Adjusting Slot
10	6500 267	AR		PDVCETH	SCREW, w/Washer, Engine Side Bracket To Pump (w/2.6L Eng.)
11	6500 438	AR		PDVCETH	SCREW, w/Washer, Pump Pivot (w/2.6L Eng.)
11	6500 399	AR			w/2.2L Eng.
12	6500 399	1			SCREW,w/Washer, Power Strg. Pump Mounting Bracket To Power Strg. Pump
13	6500 399	1			SCREW,w/Washer, Power Strg. Bracket To Block (w/2.2L Eng.)
	6500 399	4		PDVCETH	SCREW,w/Washer, Power Strg. Bracket To Cyl. Head (w/2.6L Eng.)
14	6500 399	1			SCREW,w/Washer, Power Strg. Pump Mounting Bracket To Block
15	6100 518	1			NUT, Power Strg. Pump Mounting Stud
16		10			VANE, (Serviced in 4031303 Repair Kit)
17	3815 914	1			PLATE, Pump Thrust
18		1			ROTOR, Pump (Serviced in 3815964 Repair Kit)
19	2891 166	1			RING, Pump Drive Shaft Retaining
20		1			RING, Pump (Serviced in 4031303 Repair Kit)
21	3815 967	1			PLATE, Pump Pressure
22	3815 966	1			SPRING, Pump Pressure Plate
23	2537 820	1			PLATE, Pump End
24	2537 823	1			RING, End Plate Retaining
25	4219 036	1			CAP, Oil Pump Reservoir
26	3643 453	1			SERVICE KIT, Reservoir
27	3815 915	1			STUD, Pump Mounting
28	3815 915	1			STUD, Pump Mounting
29	5205 267	1		PDVCJET	FITTING, Union Assy. Std. Susp. (Exc. V,C24 & D,C44)
	5205 267	1		M,Z	Std. Susp. (Exc. Shelby & Perf. Pkg.)
	3815 983	1		PDVCJET	w/Firm Feel & Extra Duty Susp.
	3815 983	1		Z-S24,Z	w/Shelby & Perf. Pkg.
30	2537 838	1			SERVICE Kit, Seal
31	3815 961	1			SERVICE Kit, Pump Drive Shaft and Retaining Ring
	3815 960	1			SERVICE Kit, Ring Retaining
32	2537 819	2			PIN, Pump Ring Dowel
33	2537 838	1			SERVICE KIT, Seal
34	2537 838	1			SERVICE KIT, Seal

MODEL CODES

B = GRAN FURY	E = 600	M = HORIZON/TURISMO
C = LE BARON/TOWN & COUNTRY/LIMO	F = FIFTH AVENUE/NEWPORT	P = RELIANT
C24 = LASER	G = DIPLOMAT	T = NEW YORKER
C44 = LE BARON/GTS	H = VOYAGER	V = 600
D = ARIES	J = CARAVELLE	V24 = DAYTONA
D44 = LANCER	K = MINI VAN/CARAVAN/ROYAL	Z = OMNI/CHARGER

BODY STYLES

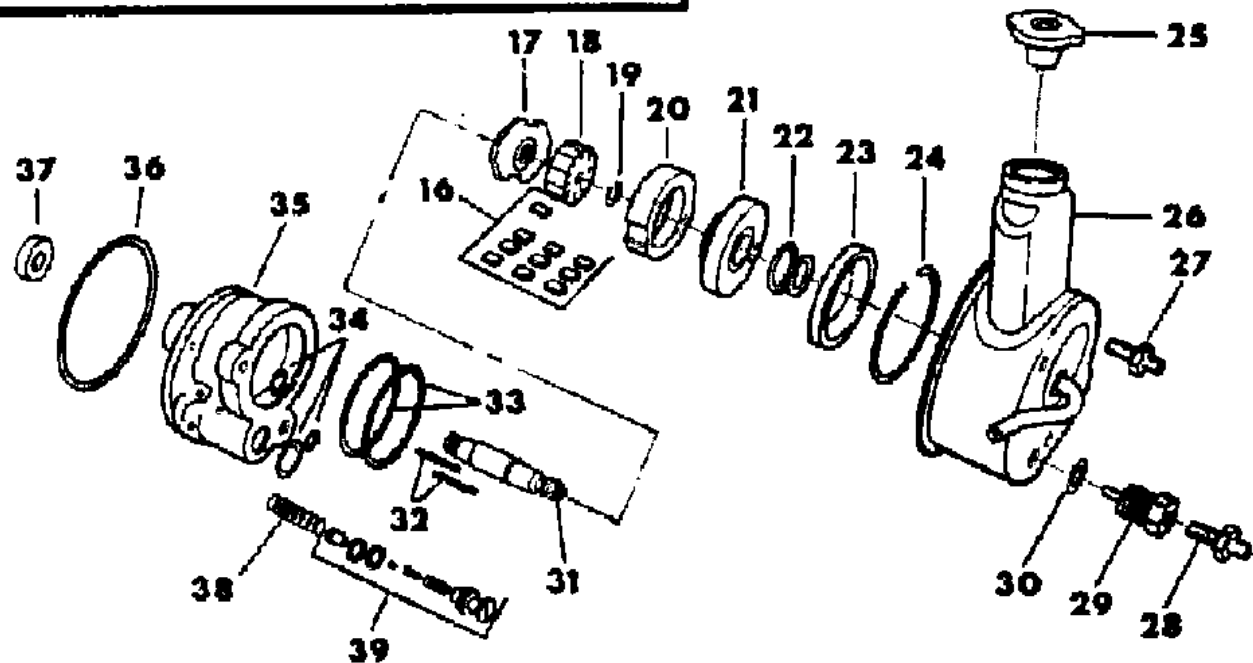
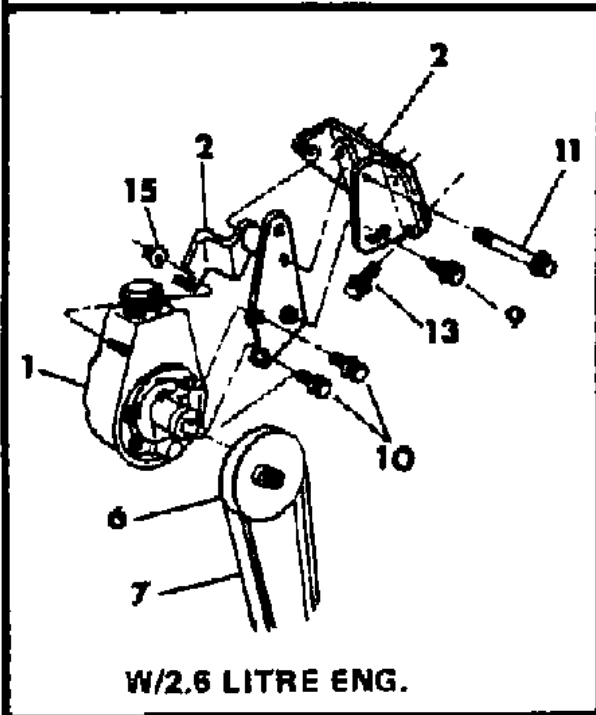
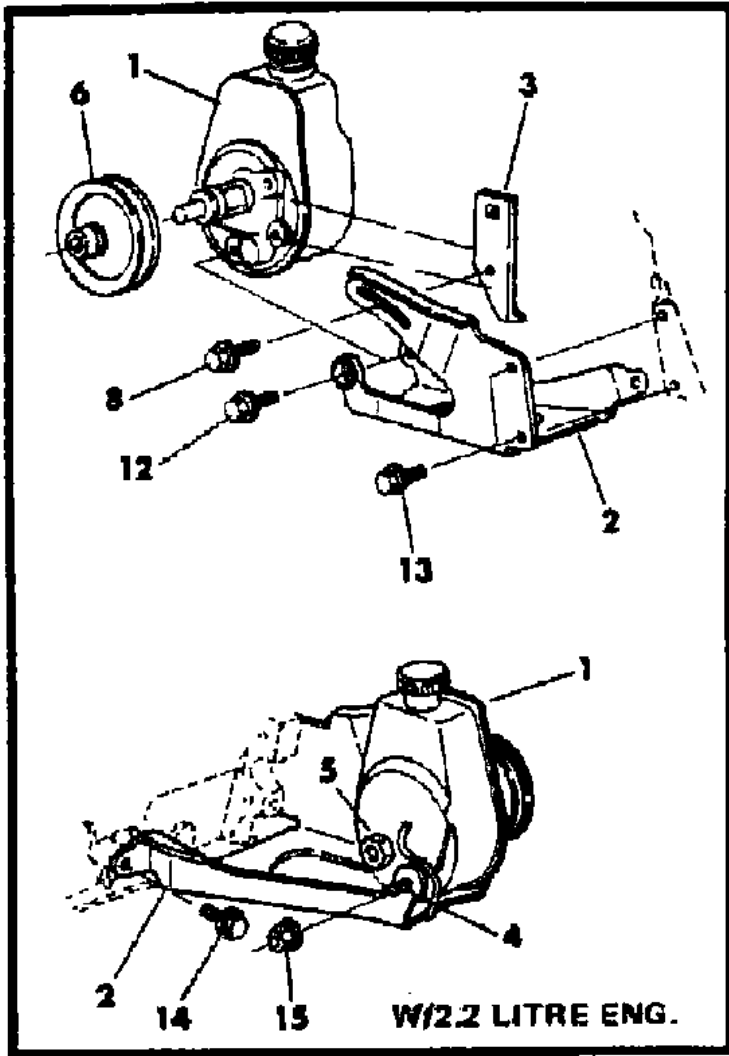
21 = 2-DOOR SEDAN	35 = FWD VAN	44 = 4-DOOR HATCHBACK
22 = 2-DOOR SPECIAL COUPE	36 = FWD WAGON	45 = 4-DOOR STATION WAGON
24 = 2-DOOR HATCHBACK	41 = 4-DOOR SEDAN	49 = LIMOUSINE
27 = 2-DOOR CONVERTIBLE		

AR = Use as Required - = Non Illustrated Part P.A.R. = Paint as Required

PUMP, POWER STEERING AND ATTACHING PARTS, W/2.2, & 2.6 ENG. M,Z,P,D,V,C,J,E,T,H,K

Figure 19-1800

5119 1800



ITEM	PART NUMBER	QTY	BODY	MODEL	DESCRIPTION
35		1			HOUSING, Assy. Pump (Serviced in Pump Assy.)
36	2537 828	1			SEAL, Pump Reservoir "O"Ring
	2537 838	1			SEAL, Pump Reservoir "O"Ring
37	2537 899	1			SEAL, Pump Drive Shaft
38	2537 833	1			SPRING, Pump Flow Control
39	3815 965	1		PDVCJET	VALVE, Pump Flow Control, Std. Susp. (Exc. V,C24 & D,C44)
	3815 965	1		M,Z	Std. Susp. (Exc. Shelby & Perf. Pkg.)
	2891 695	1		PDVCJET	w/Firm Feel Susp. & Extra Duty
	2891 695	1		Z-S24,Z	w/Shelby & Perf. Pkg.

MODEL CODES

B = GRAN FURY	E = 600	M = HORIZON/TURISMO
C = LE BARON/TOWN & COUNTRY/LIMO	F = FIFTH AVENUE/NEWPORT	P = RELIANT
C24 = LASER	G = DIPLOMAT	T = NEW YORKER
C44 = LE BARON/GTS	H = VOYAGER	V = 600
D = ARIES	J = CARAVELLE	V24 = DAYTONA
D44 = LANCER	K = MINI VAN/CARAVAN/ROYAL	Z = OMNI/CHARGER

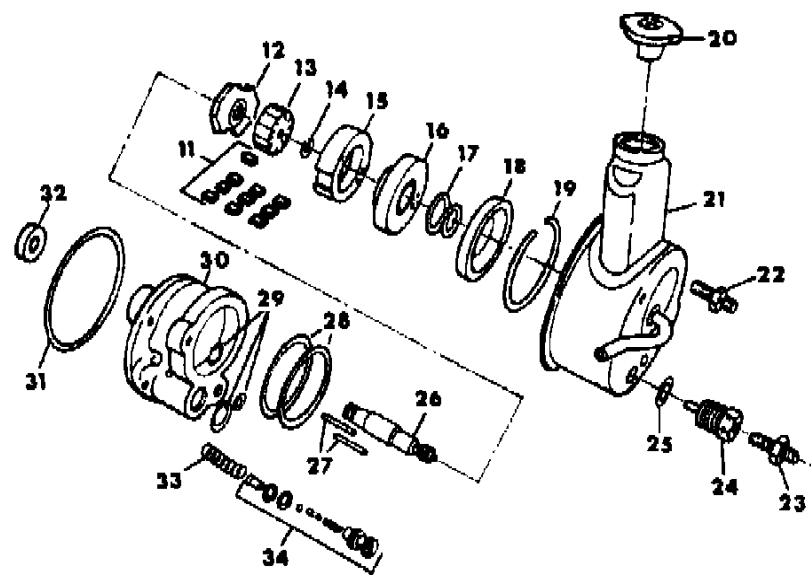
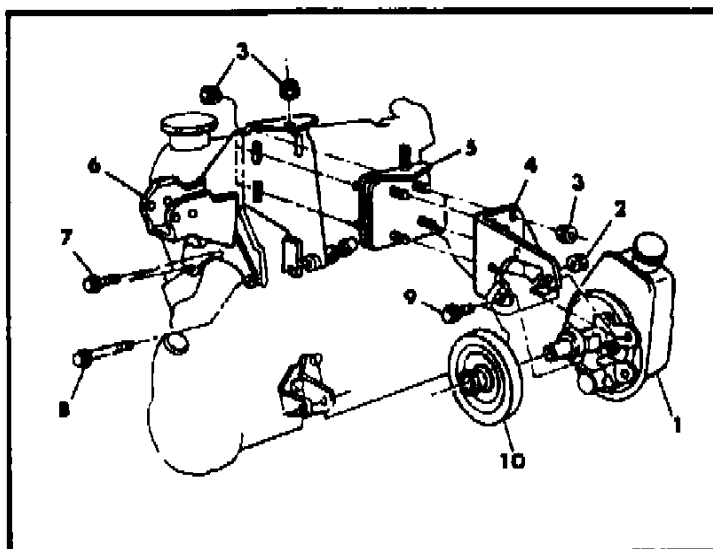
BODY STYLES

21 = 2-DOOR SEDAN	35 = FWD VAN	44 = 4-DOOR HATCHBACK
22 = 2-DOOR SPECIAL COUPE	36 = FWD WAGON	45 = 4-DOOR STATION WAGON
24 = 2-DOOR HATCHBACK	41 = 4-DOOR SEDAN	49 = LIMOUSINE
27 = 2-DOOR CONVERTIBLE		

AR = Use as Required - = Non Illustrated Part P.A.R. = Paint as Required

PUMP, POWER STEERING AND ATTACHING PARTS, W/1.6 ENG. M,Z
Figure 19-1900

5119 1900



ITEM	PART NUMBER	QTY	BODY	MODEL	DESCRIPTION
	2537 838	1			SERVICE KIT, Seal Consists of: 1 ----- Magnet 1 ----- Seal, "O"Ring 2 ----- Seal, "O"Ring
	3815 961	1			1 ----- Seal, "O"Ring 2 ----- Seal, "O"Ring 1 ----- Seal, "O"Ring SERVICE KIT, Retaining Ring and Drive Shaft Consists of: 1 ----- Ring, Shaft Retaining 1 ----- Shaft, Drive
	3815 960				SERVICE KIT, Ring Retaining
	3815 964	1			SERVICE KIT, Rotor, Vane and Ring Consists of: 1 ----- Ring, Pump 1 ----- Ring, Shaft Retaining 1 ----- Rotor, Pump 10 ----- Vane, Pump
	2891 741	1			SERVICE KIT, Pump Reservoir Consists of: 1 ----- Reservoir 1 ----- Seal, "O"Ring 1 ----- Seal, "O"Ring 2 ----- Seal, "O"Ring
1	3815 982	1			PUMP, Power Strg., Assy.
2	6500 259	1			NUT, Lock
3	6500 363	9			NUT, Lock
4	4273 141	1			BRACKET, p/Strg. Pump Mtg.
5	4273 140	1			ISOLATOR, p/Strg. Pump
6	4273 018	1			BRACKET, Eng. Mtg. Rt. & p/Strg. Pump Mtg.
7	6500 192	2			SCREW & WASHER
8		1			SCREW & WASHER (Not Serv.)
9	6500 399	2			SCREW & WASHER
10	4273 071	1			PULLEY, p/Strg. Pump
11		10			VANE, (Serviced in 3815964 Repair Kit)
12	3815 914	1			PLATE, Pump Thrust

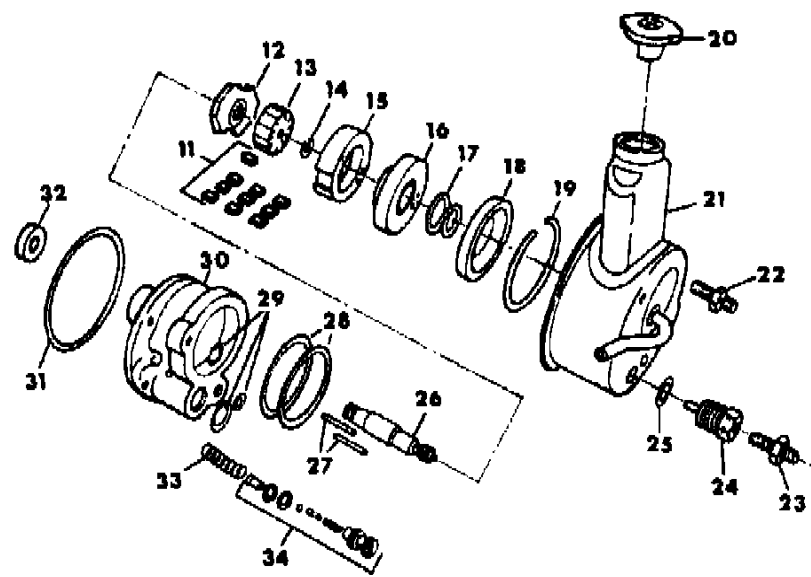
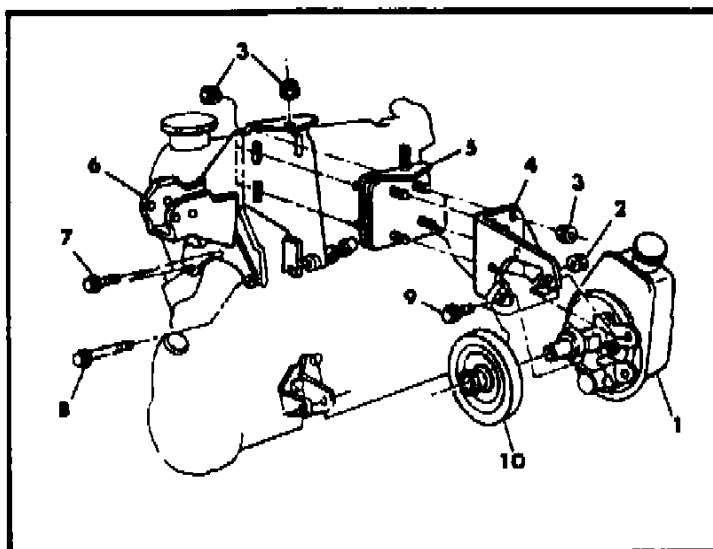
MODEL CODES
 B = GRAN FURY
 C = LE BARON/TOWN & COUNTRY/LIMO
 C24 = LASER
 C44 = LE BARON/GTS
 D = ARIES
 D44 = LANCER
 E = 600
 F = FIFTH AVENUE/NEWPORT
 G = DIPLOMAT
 H = VOYAGER
 J = CARAVELLE
 K = MINI VAN/CARAVAN/ROYAL
 M = HORIZON/TURISMO
 P = RELIANT
 T = NEW YORKER
 V = 600
 V24 = DAYTONA
 Z = OMNI/CHARGER

BODY STYLES
 21 = 2-DOOR SEDAN
 22 = 2-DOOR SPECIAL COUPE
 24 = 2-DOOR HATCHBACK
 27 = 2-DOOR CONVERTIBLE
 35 = FWD VAN
 36 = FWD WAGON
 41 = 4-DOOR SEDAN
 44 = 4-DOOR HATCHBACK
 45 = 4-DOOR STATION WAGON
 49 = LIMOUSINE

AR = Use as Required - = Non Illustrated Part P.A.R. = Paint as Required

PUMP, POWER STEERING AND ATTACHING PARTS, W/1.6 ENG. M,Z
Figure 19-1900

5119 1900



ITEM	PART NUMBER	QTY	BODY	MODEL	DESCRIPTION
13		1			ROTOR, Pump (Serviced in 3815964 Repair Kit)
14	2891 166	1			RING, Pump Drive Shaft Retaining (Serv. In 3815960 Kit)
15		1			RING, Pump (Serviced in 3815964 Repair Kit)
16	3815 967	1			PLATE, Pump Pressure
17	3815 966	1			SPRING, Pump Pressure Plate
18	2537 820	1			PLATE, Pump End
19	2537 823	1			RING, End Plate Retaining
20	4219 036	1			CAP, Oil Pump Reservoir
21	2891 741	1			SERVICE KIT, Reservoir
22	3815 915	1			STUD, Pump Mounting
23	3815 915	1			STUD, Pump Mounting
24	5205 267	1			FITTING, Union Assy.
	3815 983	1			FITTING, Union Assy., w/Firm Feel & H.D Susp.
25	2537 838	1			SERVICE Kit, Seal
26	3815 961	1			SERVICE Kit, Pump Drive Shaft and Retaining Ring
	3815 960	1			SERVICE Kit, Ring Retaining
27	2537 819	2			PIN, Pump Ring Dowel
28	2537 838	1			SERVICE KIT, Seal
29	2537 838	1			SERVICE KIT, Seal
30		1			HOUSING, Assy. Pump (Serviced in Pump Assy.)
31	2537 828	1			SEAL, Pump Reservoir "O"Ring
	2537 838	1			SEAL, Pump Reservoir "O"Ring
32	2537 899	1			SEAL, Pump Drive Shaft
33	2537 833	1			SPRING, Pump Flow Control
34	3815 965	1			VALVE, Pump Flow Control, Assy.

MODEL CODES

B = GRAN FURY	E = 600	M = HORIZON/TURISMO
C = LE BARON/TOWN & COUNTRY/LIMO	F = FIFTH AVENUE/NEWPORT	P = RELIANT
C24 = LASER	G = DIPLOMAT	T = NEW YORKER
C44 = LE BARON/GTS	H = VOYAGER	V = 600
D = ARIES	J = CARAVELLE	V24 = DAYTONA
D44 = LANCER	K = MINI VAN/CARAVAN/ROYAL	Z = OMNI/CHARGER

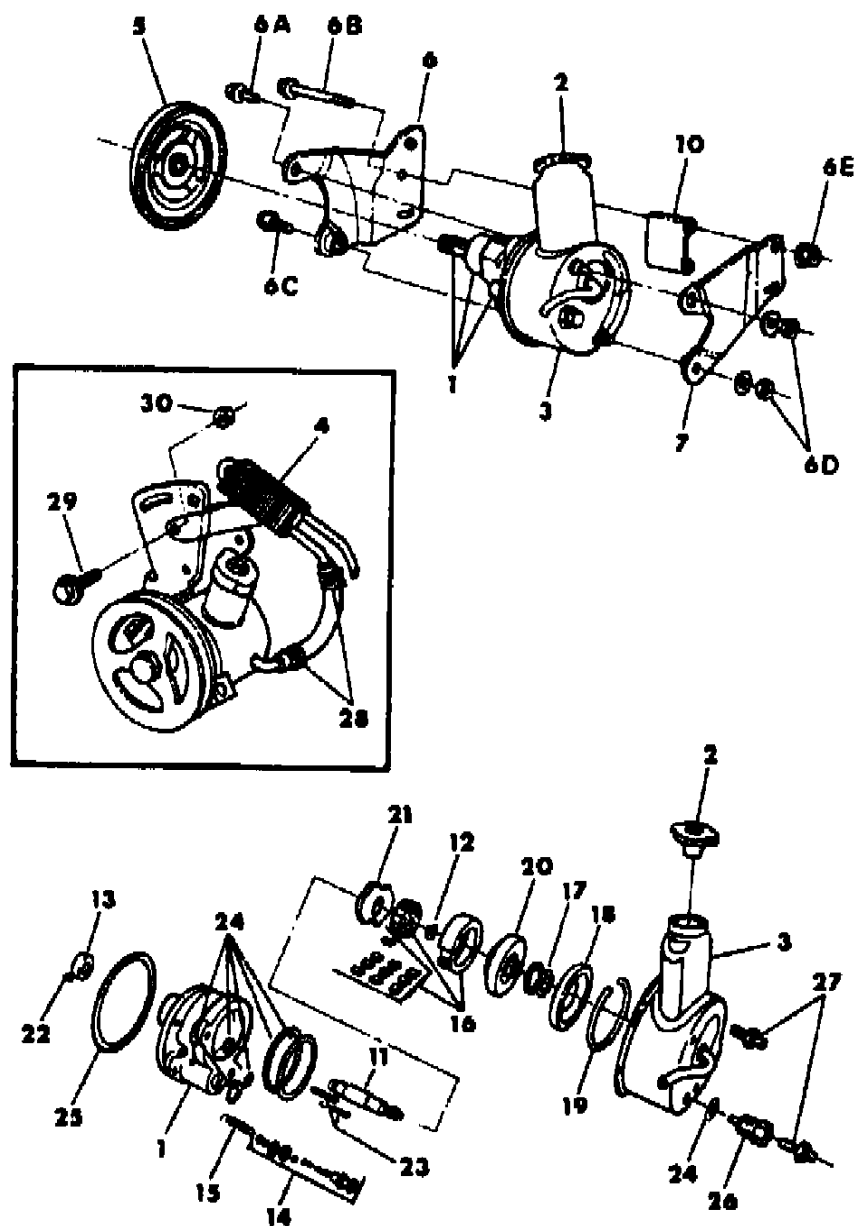
BODY STYLES

21 = 2-DOOR SEDAN	35 = FWD VAN	44 = 4-DOOR HATCHBACK
22 = 2-DOOR SPECIAL COUPE	36 = FWD WAGON	45 = 4-DOOR STATION WAGON
24 = 2-DOOR HATCHBACK	41 = 4-DOOR SEDAN	49 = LIMOUSINE
27 = 2-DOOR CONVERTIBLE		

AR = Use as Required - = Non Illustrated Part P.A.R. = Paint as Required

PUMP, POWER STEERING PULLEY, BRACKETS, OIL COOLER B,F,G
Figure 19-2000

51192000



ITEM	PART NUMBER	QTY	BODY	MODEL	DESCRIPTION
1	3815 971	1			OIL PUMP, Power Strg.
2	4219 036	1			CAP, Oil Pump Reservoir
3	2891 741	1			RESERVOIR, Power Strg. Oil Pump
4	3643 482	1			COOLER, Power Strg. Pump Oil
NOTE: Steering pump pulleys can be identified by the Part No. stamped on the Pulley, the last 2 digits are twice the size of the first 5 digits. e rear of the carburetor throttle body. A mirror is required to read the no. when the carburetor is					
5	3870 089	1			PULLEY, Strg. Pump w/318 Eng. (See Note)
6	4179 736	1			BRACKET, Power Strg. Pump, Front, w/318 Eng.
6A	6500 374	1			BOLT, Pump Mounting Bracket
6B	6500 399	1			BOLT, Pump Mounting Bracket Spacer
6C	0433 105	1			BOLT, Pump Mounting Bracket, w/318 Eng.
6D	6100 525	2			NUT, Bolt Mounting Bracket
7	4179 738	1			BRACKET, Power Strg. Pump Rear, w/318 Eng.
10	6029 507	1			SPACER, Pump Mounting Bracket, w/318 Eng.
11	3815 961	1			SHAFT and Retaining RING PACKAGE, Pump
	3815 960	1			SERVICE KIT, Ring Retaining
12	2891 166	1			RING, Pump Dr. Shaft Retaining (Serv. in 3815960 Kit)
13	2537 899	1			SEAL, Pump Drive Shaft
14	2891 460	1			VALVE, Pump Flow Control Pressure Relief
15	2537 833	1			SPRING, Pump Flow Control
16	3815 962	1			REPAIR KIT, Pump Ring and Rotor Vane
17	3815 966	1			SPRING, Pump Pressure Plate
18	2537 820	1			PLATE, Pump End
19	2537 823	1			RING, Pump End Plate Retainer
20	3815 967	1			PLATE, Pump Pressure
21	3815 914	1			PLATE, Pump Thrust
22	2537 818	1			KEY, Pump Drive Shaft
23	2537 819	2			PIN, Pump Ring Dowel
24	2537 838	1			SEAL Kit, Pump
25	2537 828	1			SEAL, Oil Pump Reservoir
	2537 838	1			O RING, Oil Pump Reservoir
26	3643 493	1			FITTING, Pump Discharge
27	3643 466	2			STUD, Pump Mounting
28		AR			CLAMP, Oil Cooler Hose (Not Serviced)
29		1			BOLT, Oil Cooler Mounting (Not Serviced)
30	6025 020	1			NUT, Oil Cooler Mounting
-	5205 254	1			O RING, Power Strg. Pressure Hose (Pump End) ***

MODEL CODES

B = GRAN FURY	E = 600	M = HORIZON/TURISMO
C = LE BARON/TOWN & COUNTRY/LIMO	F = FIFTH AVENUE/NEWPORT	P = RELIANT
C24 = LASER	G = DIPLOMAT	T = NEW YORKER
C44 = LE BARON/GTS	H = VOYAGER	V = 600
D = ARIES	J = CARAVELLE	V24 = DAYTONA
D44 = LANCER	K = MINI VAN/CARAVAN/ROYAL	Z = OMNI/CHARGER

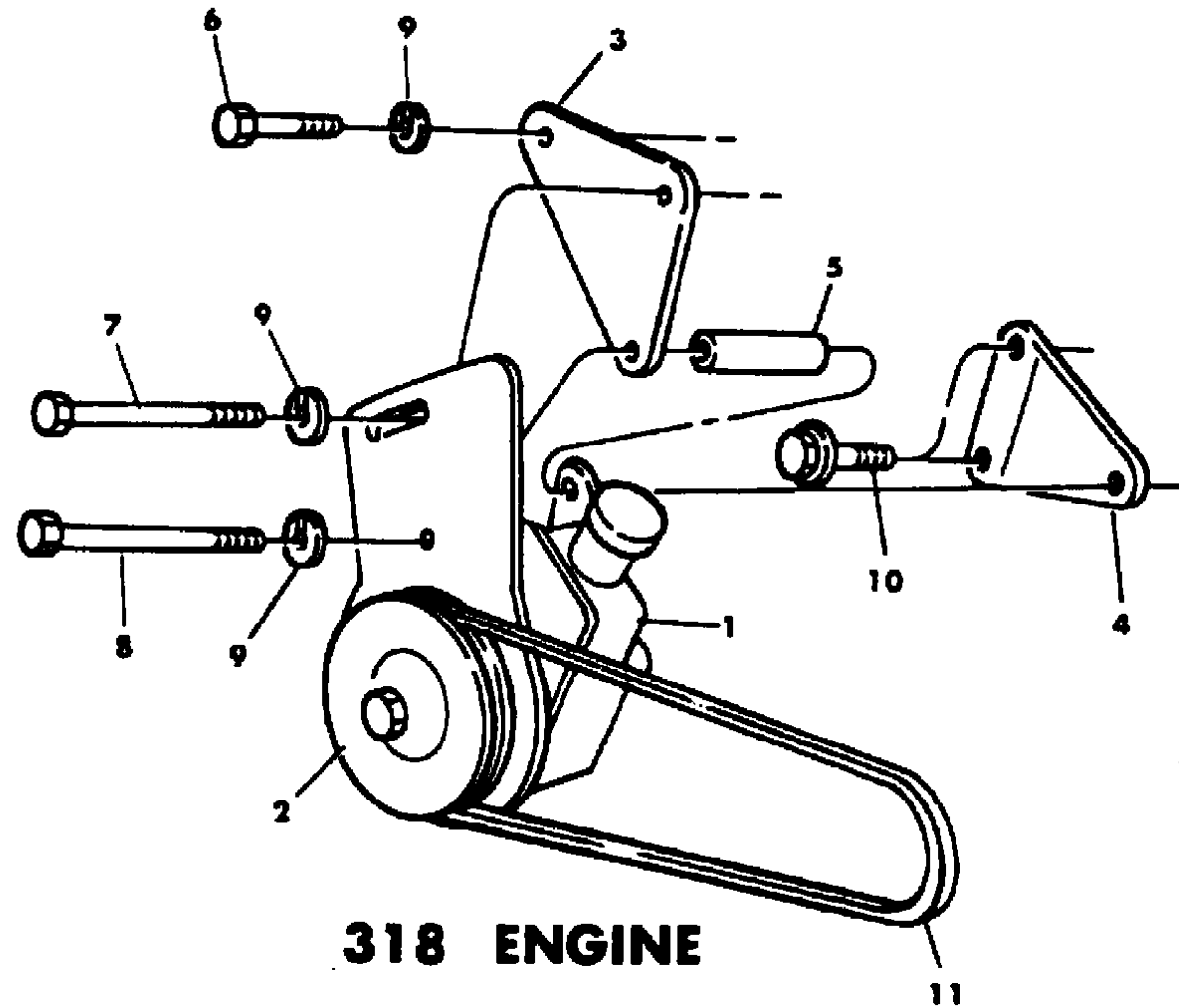
BODY STYLES

21 = 2-DOOR SEDAN	35 = FWD VAN	44 = 4-DOOR HATCHBACK
22 = 2-DOOR SPECIAL COUPE	36 = FWD WAGON	45 = 4-DOOR STATION WAGON
24 = 2-DOOR HATCHBACK	41 = 4-DOOR SEDAN	49 = LIMOUSINE
27 = 2-DOOR CONVERTIBLE		

AR = Use as Required - = Non Illustrated Part P.A.R. = Paint as Required

PUMP, POWER STEERING ENGINE BRACKETS B,F,G
Figure 19-2100

5119 2100



ITEM	PART NUMBER	QTY	BODY	MODEL	DESCRIPTION
1	3815 971	1			OIL PUMP, Power Strg.
2	3870 089	1			PULLEY, Power Strg. Pump
3	2951 747	1			BRACKET, Power Strg. Pump Engine, Front
4	2951 852	1			BRACKET, Pump Engine, Rear
5	6029 507	1			SPACER, Power Strg. Pump Mounting Bracket
6	9420 892	1			BOLT, Water Pump
7	6028 166	1			BOLT, Water Pump
8	0433 105	1			BOLT, Power Strg. Pump Mountung Bracket .
9		3			WASHER (Not Serviced)
10	0181 112	1			SCREW, Rear Bracket,
11	4027 321	1			BELT, Power Strg. Pump Drive

MODEL CODES

B = GRAN FURY	E = 600	M = HORIZON/TURISMO
C = LE BARON/TOWN & COUNTRY/LIMO	F = FIFTH AVENUE/NEWPORT	P = RELIANT
C24 = LASER	G = DIPLOMAT	T = NEW YORKER
C44 = LE BARON/GTS	H = VOYAGER	V = 600
D = ARIES	J = CARAVELLE	V24 = DAYTONA
D44 = LANCER	K = MINI VAN/CARAVAN/ROYAL	Z = OMNI/CHARGER

BODY STYLES

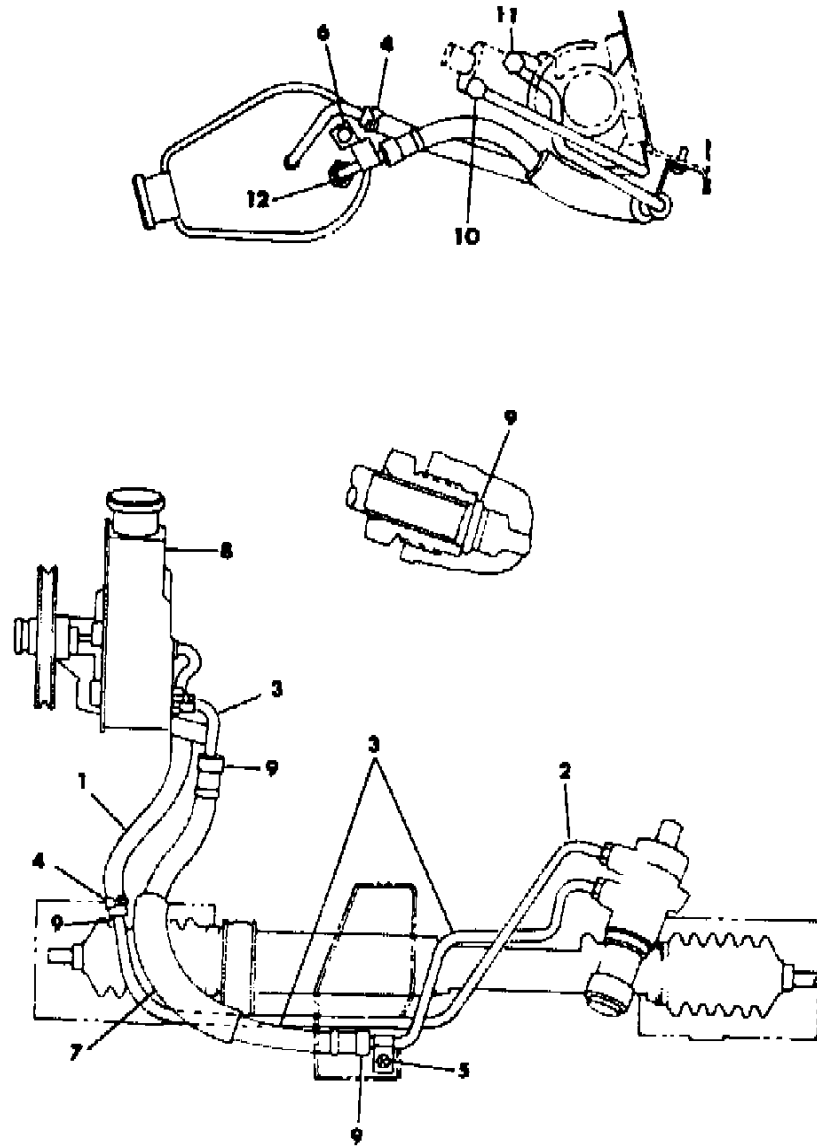
21 = 2-DOOR SEDAN	35 = FWD VAN	44 = 4-DOOR HATCHBACK
22 = 2-DOOR SPECIAL COUPE	36 = FWD WAGON	45 = 4-DOOR STATION WAGON
24 = 2-DOOR HATCHBACK	41 = 4-DOOR SEDAN	49 = LIMOUSINE
27 = 2-DOOR CONVERTIBLE		

AR = Use as Required - = Non Illustrated Part P.A.R. = Paint as Required

HOSE CHART, POWER STRG. PUMP M,Z,P,D,V,C,J,E,T,H,K

Figure 19-2200

5119 2200



ITEM	PART NUMBER	QTY	BODY	MODEL	DESCRIPTION
NOTE 1: Part No. 3879925 Consists of a 50' Foot Roll use as required e rear of the carburetor throttle body. A mirror is required to read the no. when the carburator is					
1		1		ALL	HOSE, Return, Power Strg. Pump (Cut to 11" From Part No. 3879925 See Note 1)
2	3815 979	1	M,Z		TUBE w/Nut, Power Strg. Pump Return Hose, w/(1.6 Litre Eng.)
	3815 846	1	M,Z		w/(2.2 Litre Eng.)
	4147 015	1	H,K		TUBE w/Nut, Power Strg. Pump Return Hose
	4147 281	1	PDVCJET		w/(2.2 and 2.6 Litre Eng's), W/(T.R.W Strg, Gear)
	4147 282	1	PDVCJET		w/(2.2 and 2.6 Litre Eng's), W/(Saginaw Strg. Gear)
3	3815 980	1	M,Z		HOSE, Pressure, Strg. Pump, w/(1.6 Litre Eng.)
	3815 987	1	M,Z		w/(2.2 Litre Eng.)
	4147 280	1	PDVCJET		w/(2.2 and 2.6 Litre Eng's)
	4147 023	1	H,K		w/(2.2 and 2.6 Litre Eng's)
	3815 846	1	M,Z		TUBE & NUT ASSY., P/Strg. Pump Pressure Hose Pump End
4		2			CLAMP, Power Strg. Pump Return Hose (Not Serviced)
5	6500 151	1	M,Z		SCREW, Power Strg. Pump Pressure Hose Clamp To Frame
6	0118 615	1			NUT, Pressure Hose Clamp To Power Strg. Pump
7		1			SLEEVE, Power Strg. Pump Pressure Hose (Service in Pressure Hose)
8		1			PUMP, Power Strg. (See 19-1600)
9	5205 254	3			"O"Ring, Power Strg. Hose
10		1			NUT, Power Strg. Pump Return Hose Strg. Gear End (Serviced in Tube Assy.)
11		1			NUT, Power Strg. Pump Pressure Hose, Strg. Gear End (Serviced in Pressure Hose)
12		1			NUT, Power Strg. Pump Pressure Hose, Pump End (Serviced in Pressure Hose)

MODEL CODES

B = GRAN FURY	E = 600	M = HORIZON/TURISMO
C = LE BARON/TOWN & COUNTRY/LIMO	F = FIFTH AVENUE/NEWPORT	P = RELIANT
C24 = LASER	G = DIPLOMAT	T = NEW YORKER
C44 = LE BARON/GTS	H = VOYAGER	V = 600
D = ARIES	J = CARAVELLE	V24 = DAYTONA
D44 = LANCER	K = MINI VAN/CARAVAN/ROYAL	Z = OMNI/CHARGER

BODY STYLES

21 = 2-DOOR SEDAN	35 = FWD VAN	44 = 4-DOOR HATCHBACK
22 = 2-DOOR SPECIAL COUPE	36 = FWD WAGON	45 = 4-DOOR STATION WAGON
24 = 2-DOOR HATCHBACK	41 = 4-DOOR SEDAN	49 = LIMOUSINE
27 = 2-DOOR CONVERTIBLE		

AR = Use as Required - = Non Illustrated Part P.A.R. = Paint as Required

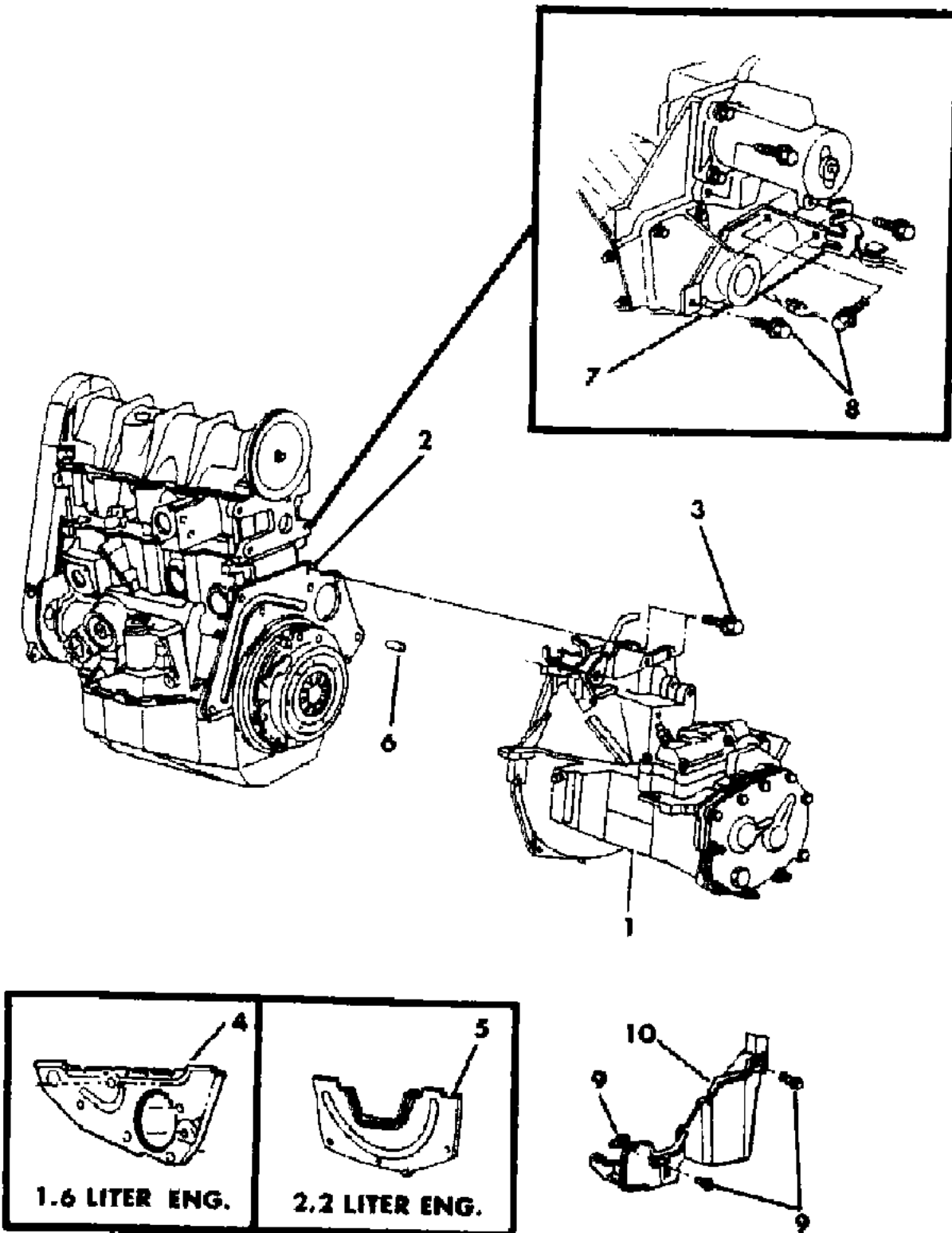
GROUP 21M - TRANSMISSION, MANUAL

ILLUSTRATION TITLE	GROUP-FIG. NO.
TRANSAXLE ASSEMBLIES, AND MOUNTING MANUAL CHRYSLER, A460,A525 4,5-SPEED	Fig. 21M-50
CASE, TRANSAXLE AND RELATED PARTS MANUAL TRANSAXLE, A460 4-SPEED	Fig. 21M-100
GEAR TRAIN MANUAL TRANSAXLE, A460 4-SPEED	Fig. 21M-200
CONTROLS, INTERNAL MANUAL TRANSAXLE, A460 4-SPEED	Fig. 21M-300
DIFFERENTIAL MANUAL TRANSAXLE, A460 4-SPEED	Fig. 21M-400
CASE, TRANSAXLE AND RELATED PARTS MANUAL TRANSAXLE, A525 5-SPEED	Fig. 21M-500
GEAR TRAIN MANUAL TRANSAXLE, A525 5-SPEED	Fig. 21M-600
CONTROLS, INTERNAL MANUAL TRANSAXLE, A525 5-SPEED	Fig. 21M-700
DIFFERENTIAL MANUAL TRANSAXLE, A525 5-SPEED	Fig. 21M-800
CONTROLS, GEARSHIFT MANUAL TRANSAXLE, A460,A525 M,Z	Fig. 21M-900
CONTROLS, GEARSHIFT, BENCH SEAT MANUAL TRANSAXLE, A460 P,D	Fig. 21M-1000
CONTROLS, GEARSHIFT, BUCKET SEATS MANUAL TRANSAXLE, A525 P,D,V,C-D,C-44 (Except V,C-24) .	Fig. 21M-1100
CONTROLS, GEARSHIFT MANUAL TRANSAXLE, A525 V,C-24	Fig. 21M-1200
CONTROLS, GEARSHIFT MANUAL TRANSAXLE, A460,A525 H,K	Fig. 21M-1300
CABLE, SPEEDOMETER MANUAL TRANSAXLE	Fig. 21M-1400
PINION, SPEEDOMETER CABLE DRIVE MANUAL TRANSAXLE	Fig. 21M-1500

ILLUSTRATION NOT AVAILABLE AT TIME OF PUBLICATION

TRANSAXLE ASSEMBLIES, AND MOUNTING MANUAL CHRYSLER, A460,A525 4,5-SPEED
Figure 21M-50

5721 50



ITEM	PART NUMBER	QTY	BODY	MODEL	DESCRIPTION
NOTE: The Transaxle Part No. is Stamped on a Tag That is Attached to an End Cover e rear of the carburetor throttle body. A mirror is required to read the no. when the carburetor is					
1					TRANSAXLE, 4-SPEED
	4295 753	1		M,Z	w/1.6 Liter Engine, w/2.69 Overall Ratio, Up To 4-17-85
	4329 611	1		M,Z	After 4-17-85
	4295 751	1		P,D	w/2.2 Liter Engine, w/2.69 Overall Ratio, Up To 6-5-85
	4329 612	1		P,D	After 6-5-85
	4295 752	1		H,K	w/2.2 Liter Engine, w/3.13 Overall Ratio, Up To 5-31-85
	4329 617	1		H,K	After 5-31-85
					TRANSAXLE, 5-SPEED
	4295 755	1		M,Z,P,D	w/2.2 Liter Eng., w/2.20 Overall Ratio, A525, Up To Refer To Dates Listed Below
	4329 613	1		M,Z	w/2.2 Liter Eng., w/2.20 Overall Ratio, A525, After 4-25-85
					BELVEDERE Assy.
	4329 613	1		P,D,-41	After 5-3-85 NEWARK Assy.
	4329 613	1		M,Z,P,D	After 4-23-85 ST. LOUIS Assy.
	4329 151	1		M,Z,P,D	w/2.2 Liter Eng., w/2.57 Overall Ratio, A525, Up To Refer To Dates Listed Below
	4329 151	1		V,C-24,	w/2.2 E.F.I. Eng., w/2.57 Overall Ratio, A525, Up To Refer To Dates Listed Below
	4329 616	1		M,Z	w/2.2 E.F.I. Eng., w/2.57 Overall Ratio, A525, After 4-25-85
					BELVEDERE Assy.
	4329 616	1		P,D-41,	After 5-3-85 NEWARK Assy.
	4329 616	1		P,D-21	After 4-26-85 ST. LOUIS Assy.
	4329 616	1		V,C-22-	After 4-26-85 ST. LOUIS Assy.
	4329 616	1		D,C-44	After 5-1-85 STERLING Assy.
	4329 521	1		M,Z-P-2	w/2.2 HI-PERF., w/2.78 Overall Ratio, A525, Up To Refer To Dates Listed Below
	4329 521	1		Z-E-44	w/2.2 HI-PERF., w/2.78 Overall Ratio, A525, Up To Refer To Dates Listed Below
	4412 020	1		M,Z-P-2	2.2 HI-PERF., w/2.77 Overall Ratio, A525, After 4-12-85
	4412 020	1		Z-E-44	2.2 HI-PERF., w/2.77 Overall Ratio, A525, After 4-12-85
					BELVEDERE Assy.
	4295 754	1		H,K	w/2.2 Liter Eng., w/2.57 Overall Ratio, A525, Up To, 3-26-85
	4329 618	1		H,K	2.2 Liter Eng., w/2.76 Overall Ratio, A525, After 3-26-85 WINDSOR Assy.

MODEL CODES

B = GRAN FURY	E = 600	M = HORIZON/TURISMO
C = LE BARON/TOWN & COUNTRY/LIMO	F = FIFTH AVENUE/NEWPORT	P = RELIANT
C24 = LASER	G = DIPLOMAT	T = NEW YORKER
C44 = LE BARON/GTS	H = VOYAGER	V = 600
D = ARIES	J = CARAVELLE	V24 = DAYTONA
D44 = LANCER	K = MINI VAN/CARAVAN/ROYAL	Z = OMNI/CHARGER

BODY STYLES

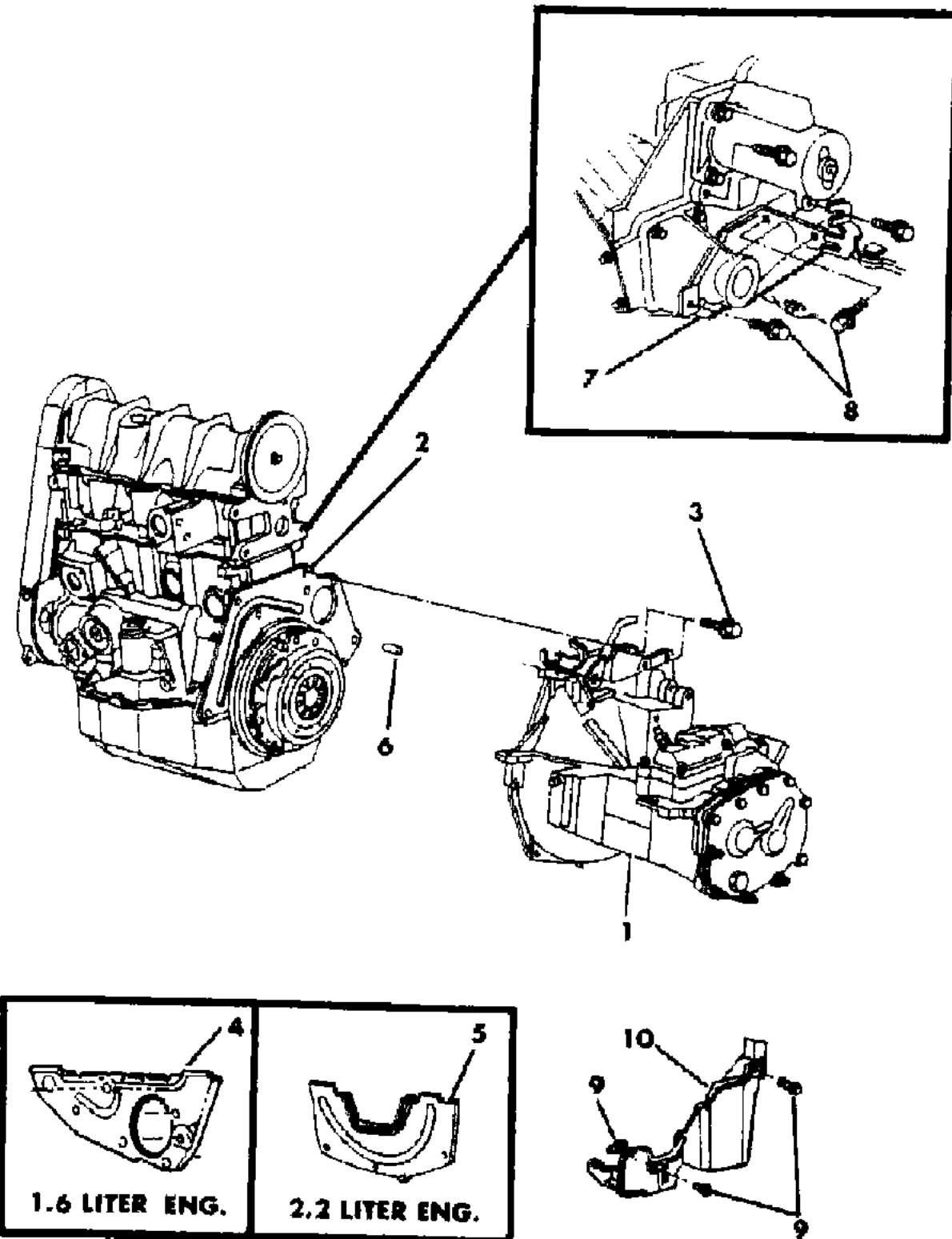
21 = 2-DOOR SEDAN	35 = FWD VAN	44 = 4-DOOR HATCHBACK
22 = 2-DOOR SPECIAL COUPE	36 = FWD WAGON	45 = 4-DOOR STATION WAGON
24 = 2-DOOR HATCHBACK	41 = 4-DOOR SEDAN	49 = LIMOUSINE
27 = 2-DOOR CONVERTIBLE		

AR = Use as Required - = Non Illustrated Part P.A.R. = Paint as Required

TRANSAXLE ASSEMBLIES, AND MOUNTING MANUAL CHRYSLER, A460,A525 4,5-SPEED

Figure 21M-50

5121 50



ITEM	PART NUMBER	QTY	BODY	MODEL	DESCRIPTION
	4295 754	1		Z-E-44,	w/2.2 TURBO-CHARGED, w/2.57 Overall Ratio, A525, Up To Refer To Dates Listed Below
	4295 754	1		V,C-24,	w/2.2 TURBO-CHARGED, w/2.57 Overall Ratio, A525, Up To Refer To Dates Listed Below
	4329 614	1		Z-E-44,	w/2.2 TURBO-CHARGED, w/2.57 Overall Ratio, A525, After 4-25-85 BELVEDERE Assy.
	4329 614	1		V,C-24	After 4-26-85 St. LOUIS Assy.
	4329 614	1		D,C-44	After 4-30-85 STERLING Assy.
2	4202 931	1		M,Z	COVER, Case Upper, w/1.6 Liter Eng.
	4329 819	1			w/2.2 Liter Eng.
3	6500 817	AR			SCREW, Trans to Cyl Block, M10x1.25x45
	6500 768	AR			M10x1.25x55
	6500 527	AR			M10x1.25x60
	6501 164	AR			M12x1.75x50
	6100 989	AR			M12x1.75x60
4	4202 932	1		M,Z	COVER, Case Lower, w/1.6 Liter Eng.
5	5222 453	1			COVER, Case Lower, w/2.2 Liter Eng.
	6100 149	AR			SCREW, Case Cover, M6x1x10
	6500 136	AR			M6x1x14
	6500 137	AR			M6x1x16
	6500 440	AR			M8x1.25x22
	6500 770	1		M,Z	M10x1.25x14, w/1.6 Liter Eng.
6	5240 849	2			DOWEL, Cyl. Block To Cluch Hsg.
7	5224 214	1			STRUT, Trans to Cyl. Block
8	6501 163	1			SCREW, Strut To Case, M12x1.75x30
	6100 350	1			Right, M12x1.75x35
	6100 344	1			w/Turbo, M12x1.75x40
9					SCREW, (Not Serviced)
10					SHIELD, Trans. Appearance
	4296 142	1		M,Z	
	4296 107	1		P,D,V,C	
	4296 107	1		D,C-44	
	4296 932	1		H,K	

MODEL CODES

B = GRAN FURY	E = 600	M = HORIZON/TURISMO
C = LE BARON/TOWN & COUNTRY/LIMO	F = FIFTH AVENUE/NEWPORT	P = RELIANT
C24 = LASER	G = DIPLOMAT	T = NEW YORKER
C44 = LE BARON/GTS	H = VOYAGER	V = 600
D = ARIES	J = CARAVELLE	V24 = DAYTONA
D44 = LANCER	K = MINI VAN/CARAVAN/ROYAL	Z = OMNI/CHARGER

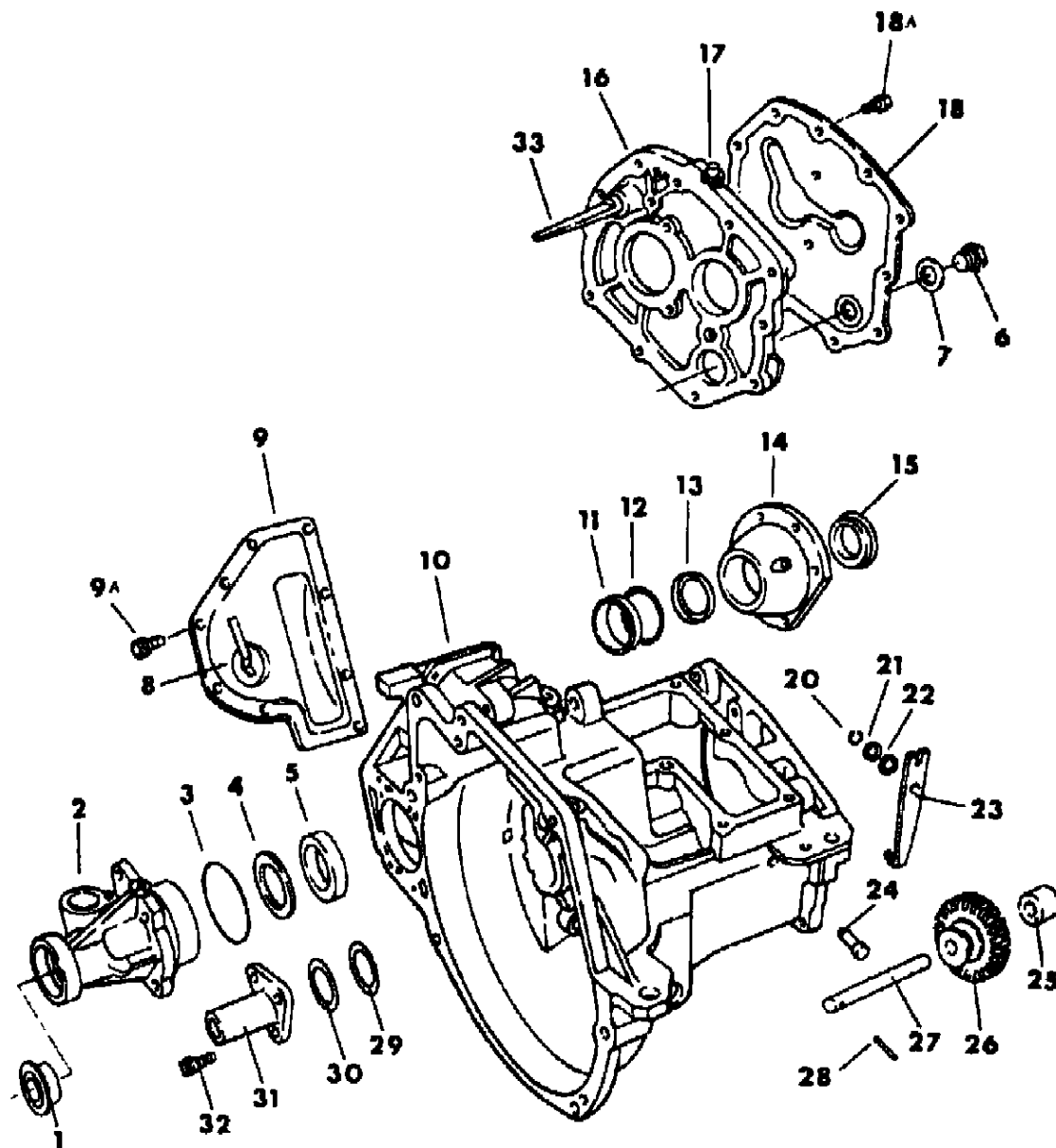
BODY STYLES

21 = 2-DOOR SEDAN	35 = FWD VAN	44 = 4-DOOR HATCHBACK
22 = 2-DOOR SPECIAL COUPE	36 = FWD WAGON	45 = 4-DOOR STATION WAGON
24 = 2-DOOR HATCHBACK	41 = 4-DOOR SEDAN	49 = LIMOUSINE
27 = 2-DOOR CONVERTIBLE		

AR = Use as Required - = Non Illustrated Part P.A.R. = Paint as Required

CASE, TRANSAXLE AND RELATED PARTS MANUAL TRANSAXLE, A460 4-SPEED
Figure 21M-100

5121 100



ITEM	PART NUMBER	QTY	BODY	MODEL	DESCRIPTION
1	4295 904	1			SEAL, Trans Extension
2	4269 961	1			EXTENSION, w/Bushing, Transaxle
	6500 511	4			SCREW, Ext. to Case, M8x1.25x33
3	6500 111	1			O-RING, Trans. Extension
4	5222 255	1			RETAINER, Trans Extension Oil
5	4269 676	1			CUP, Trans Retainer Diff.
6	4202 535	2			PLUG, Drain and Fill
7	2070 122	2			GASKET, Drain and Fill Plug
8	3681 601	1			MAGNET, Trans Chip Collector
9	4329 464	1			PAN, Trans Diff. Oil
9A	6500 739	8			SCREW, Oil Pan To Case, M8x1.25x16
	6500 921	3			STUD, Oil Pan To Case, M8x1.25x44
	6500 470	3			NUT, Oil Pan To Case Stud
10	4295 666	1			CASE, Transaxle, w/4295753,4329611 Trans.
	4295 664	1			w/4295751 Trans.
	4329 545	1			w/4295752,4329612,617 Trans.
11	4269 676	1			CUP, Diff Retainer Bearing
12					SPACER, Trans Final Drive
	4207 134	1			0.50mm (.020")
	4207 135	1			0.55mm (.022")
	4207 136	1			0.60mm (.024")
	4207 137	1			0.65mm (.026")
	4207 138	1			0.70mm (.027")
	4207 139	1			0.75mm (.029")
	4207 140	1			0.80mm (.031")
	4207 141	1			0.85mm (.033")
	4207 142	1			0.90mm (.035")
	4207 143	1			0.95mm (.037")
	4207 144	1			1.00mm (.039")
	4207 145	1			1.05mm (.041")
13	5222 256	1			BAFFLE, Oil Feed
14	5222 781	1			RETAINER, Diff Bearing, 5 Bolt Hole
	4329 549	1			8 Bolt Hole
	6500 368	5			SCREW, Diff. Brg. Retainer, M8x1.25x23, 5 Bolt Hole
	6501 371	8			M10x1.50x30, 8 Bolt Hole
15	4295 904	1			SEAL, Bearing Retainer
16	4329 580	1			PLATE, Trans Bearing Retainer, Except 4329611,612,617 Trans.

MODEL CODES

B = GRAN FURY	E = 600	M = HORIZON/TURISMO
C = LE BARON/TOWN & COUNTRY/LIMO	F = FIFTH AVENUE/NEWPORT	P = RELIANT
C24 = LASER	G = DIPLOMAT	T = NEW YORKER
C44 = LE BARON/GTS	H = VOYAGER	V = 600
D = ARIES	J = CARAVELLE	V24 = DAYTONA
D44 = LANCER	K = MINI VAN/CARAVAN/ROYAL	Z = OMNI/CHARGER

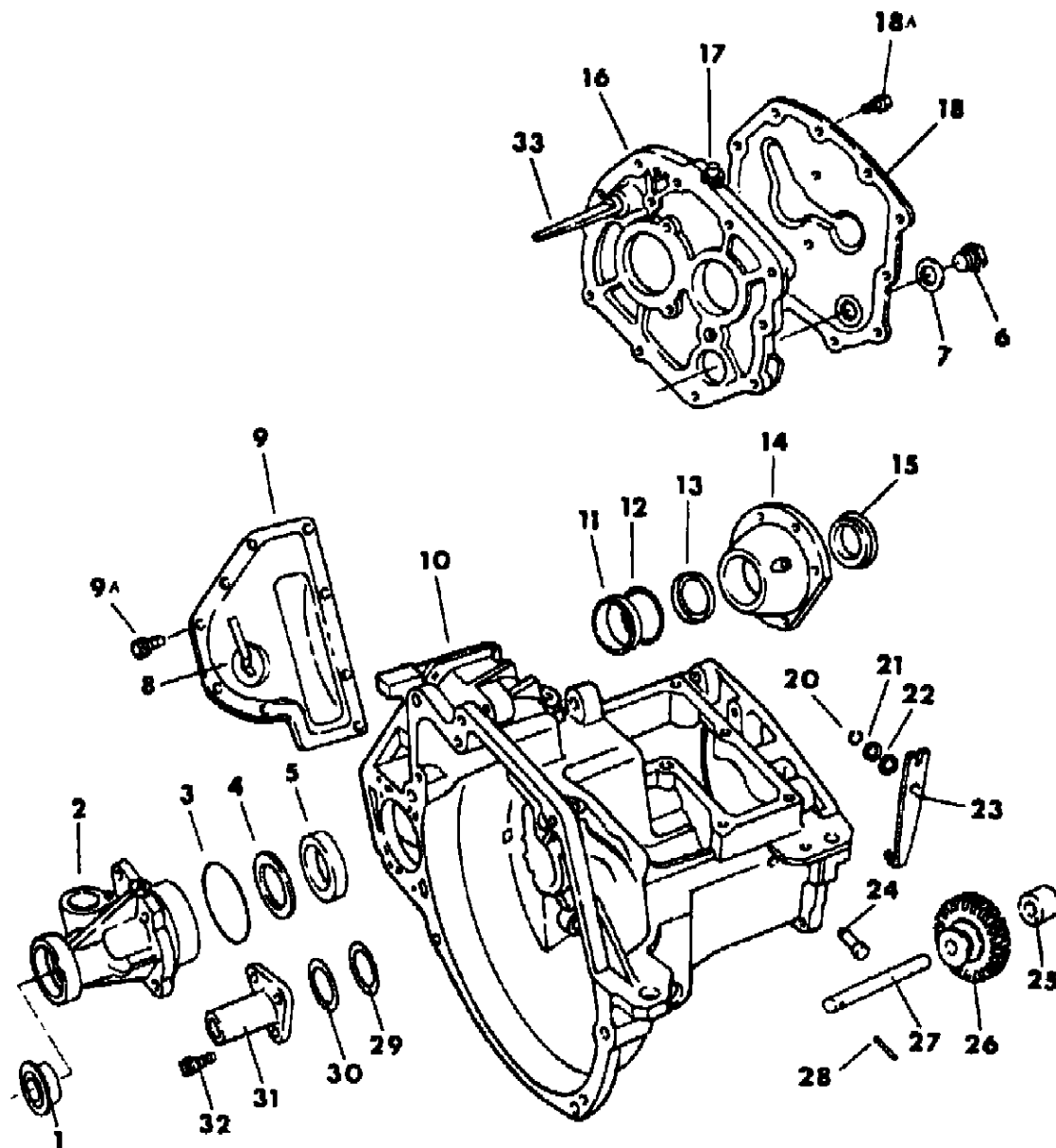
BODY STYLES

21 = 2-DOOR SEDAN	35 = FWD VAN	44 = 4-DOOR HATCHBACK
22 = 2-DOOR SPECIAL COUPE	36 = FWD WAGON	45 = 4-DOOR STATION WAGON
24 = 2-DOOR HATCHBACK	41 = 4-DOOR SEDAN	49 = LIMOUSINE
27 = 2-DOOR CONVERTIBLE		

AR = Use as Required - = Non Illustrated Part P.A.R. = Paint as Required

CASE, TRANSAXLE AND RELATED PARTS MANUAL TRANSAXLE, A460 4-SPEED
Figure 21M-100

5121 100



ITEM	PART NUMBER	QTY	BODY	MODEL	DESCRIPTION
	4340 091	1			w/4329611,612,617 Trans.
17	2124 715	1			VENT, Trans
18	4269 258	1			COVER, Rear
18A	6101 235	10			SCREW, Cover, M8x1.25x40
	6500 440	2			M8x1.25x22
20	6026 125	1			E-CLIP, Reverse Lever Pivot
21	0391 888	1			WASHER, Spring Wave
22	5205 609	1			WASHER, Reverse Lever Pivot
23	5222 656	1			LEVER, Gearshift Reverse
24	5205 625	1			PIN, Reverse Lever Clevis
25	4202 367	1			SPACER, Reverse Idler
26	5222 651	1			GEAR, Reverse Idler
27	5222 654	1			SHAFT, Reverse Idler
28	6100 234	1			PIN, Reverse Idler, Slotted Spring, 4.20x14
29					SPACER, Input Shaft
	4202 751	1			0.62mm (.024")
	4202 301	1			0.66mm (.026")
	4202 302	1			0.70mm (.028")
	4202 303	1			0.74mm (.029")
	4202 304	1			0.78mm (.031")
	4202 305	1			0.82mm (.032")
	4202 306	1			0.86mm (.034")
	4202 307	1			0.90mm (.035")
	4202 308	1			0.94mm (.037")
	4202 309	1			0.98mm (.039")
	4202 310	1			1.02mm (.040")
	4202 311	1			1.06mm (.042")
	4202 312	1			1.10mm (.043")
	4202 313	1			1.14mm (.045")
	4202 314	1			1.18mm (.046")
	4202 315	1			1.22mm (.048")
	4202 316	1			1.26mm (.050")
	4202 317	1			1.30mm (.051")
	4202 318	1			1.34mm (.053")
	4202 319	1			1.38mm (.054")
	4202 320	1			1.42mm (.056")
	4202 321	1			1.46mm (.057")

MODEL CODES

B = GRAN FURY	E = 600	M = HORIZON/TURISMO
C = LE BARON/TOWN & COUNTRY/LIMO	F = FIFTH AVENUE/NEWPORT	P = RELIANT
C24 = LASER	G = DIPLOMAT	T = NEW YORKER
C44 = LE BARON/GTS	H = VOYAGER	V = 600
D = ARIES	J = CARAVELLE	V24 = DAYTONA
D44 = LANCER	K = MINI VAN/CARAVAN/ROYAL	Z = OMNI/CHARGER

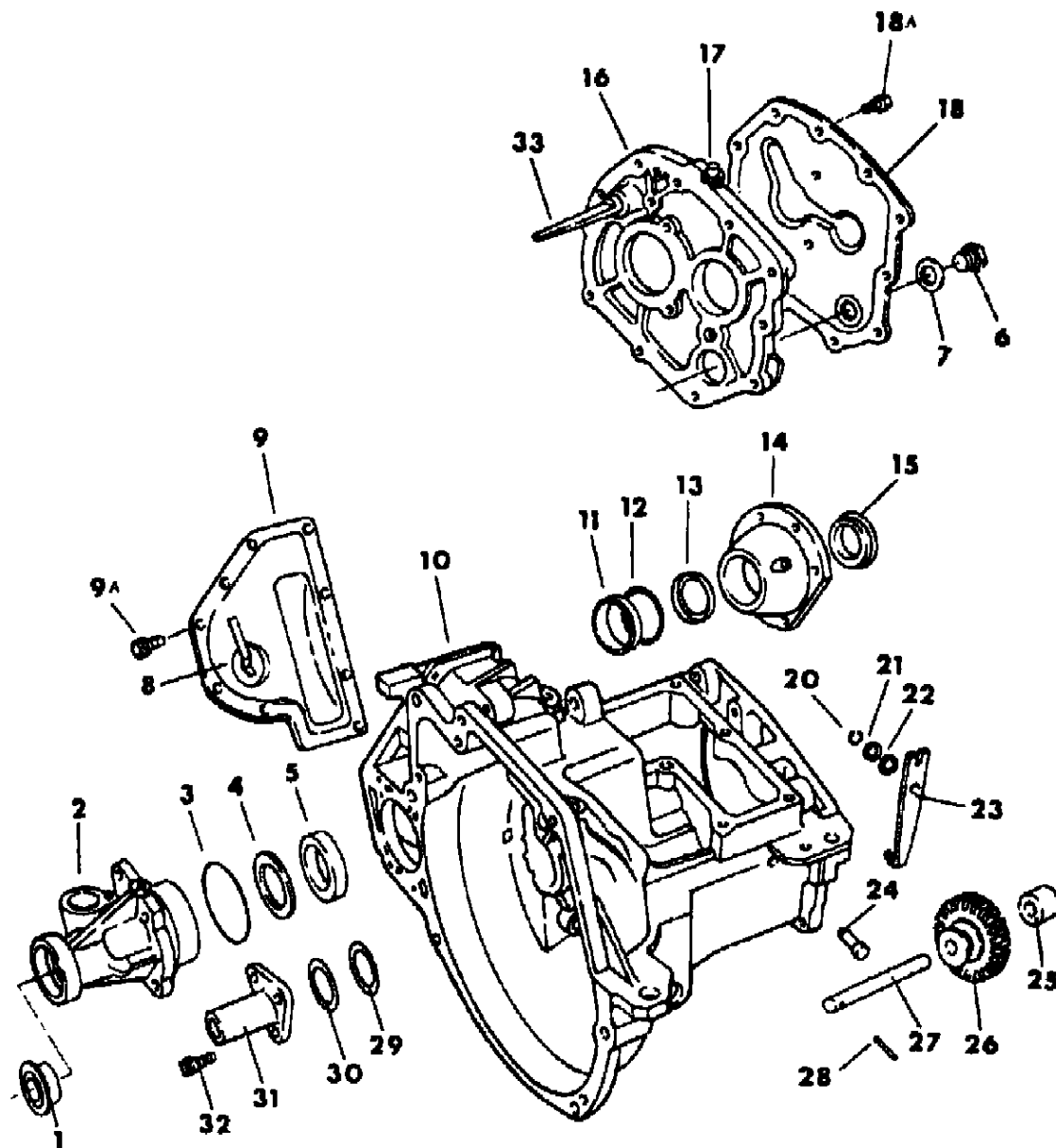
BODY STYLES

21 = 2-DOOR SEDAN	35 = FWD VAN	44 = 4-DOOR HATCHBACK
22 = 2-DOOR SPECIAL COUPE	36 = FWD WAGON	45 = 4-DOOR STATION WAGON
24 = 2-DOOR HATCHBACK	41 = 4-DOOR SEDAN	49 = LIMOUSINE
27 = 2-DOOR CONVERTIBLE		

AR = Use as Required - = Non Illustrated Part P.A.R. = Paint as Required

CASE, TRANSAXLE AND RELATED PARTS MANUAL TRANSAXLE, A460 4-SPEED
Figure 21M-100

5121 100



ITEM	PART NUMBER	QTY	BODY	MODEL	DESCRIPTION
	4202 322	1			1.50mm (.059")
	4202 323	1			1.54mm (.061")
	4202 324	1			1.58mm (.062")
	4202 325	1			1.62mm (.064")
	4202 326	1			1.66mm (.065")
	4202 752	1			1.70mm (.067")
	4202 753	1			1.74mm (.069")
	4202 754	1			1.78mm (.070")
30	5222 721	1			SEAL, Trans Input Shaft
31	4295 175	1			RETAINER, Trans Bearing Pilot and Seal
	4202 093	1			STRAP, Trans. Bearing Retainer
	6500 138	2			SCREW, Bearing Retainer Strap
32	6500 318	3			BOLT, Retainer to Case, M8x1.25x25
33	4329 581	1			OIL SCOOP, Trans Bearing Rear
	5222 723	1			COVER, Timing Window
	5222 757	2			DOWEL, Case to Bearing Retainer

MODEL CODES

B = GRAN FURY	E = 600	M = HORIZON/TURISMO
C = LE BARON/TOWN & COUNTRY/LIMO	F = FIFTH AVENUE/NEWPORT	P = RELIANT
C24 = LASER	G = DIPLOMAT	T = NEW YORKER
C44 = LE BARON/GTS	H = VOYAGER	V = 600
D = ARIES	J = CARAVELLE	V24 = DAYTONA
D44 = LANCER	K = MINI VAN/CARAVAN/ROYAL	Z = OMNI/CHARGER

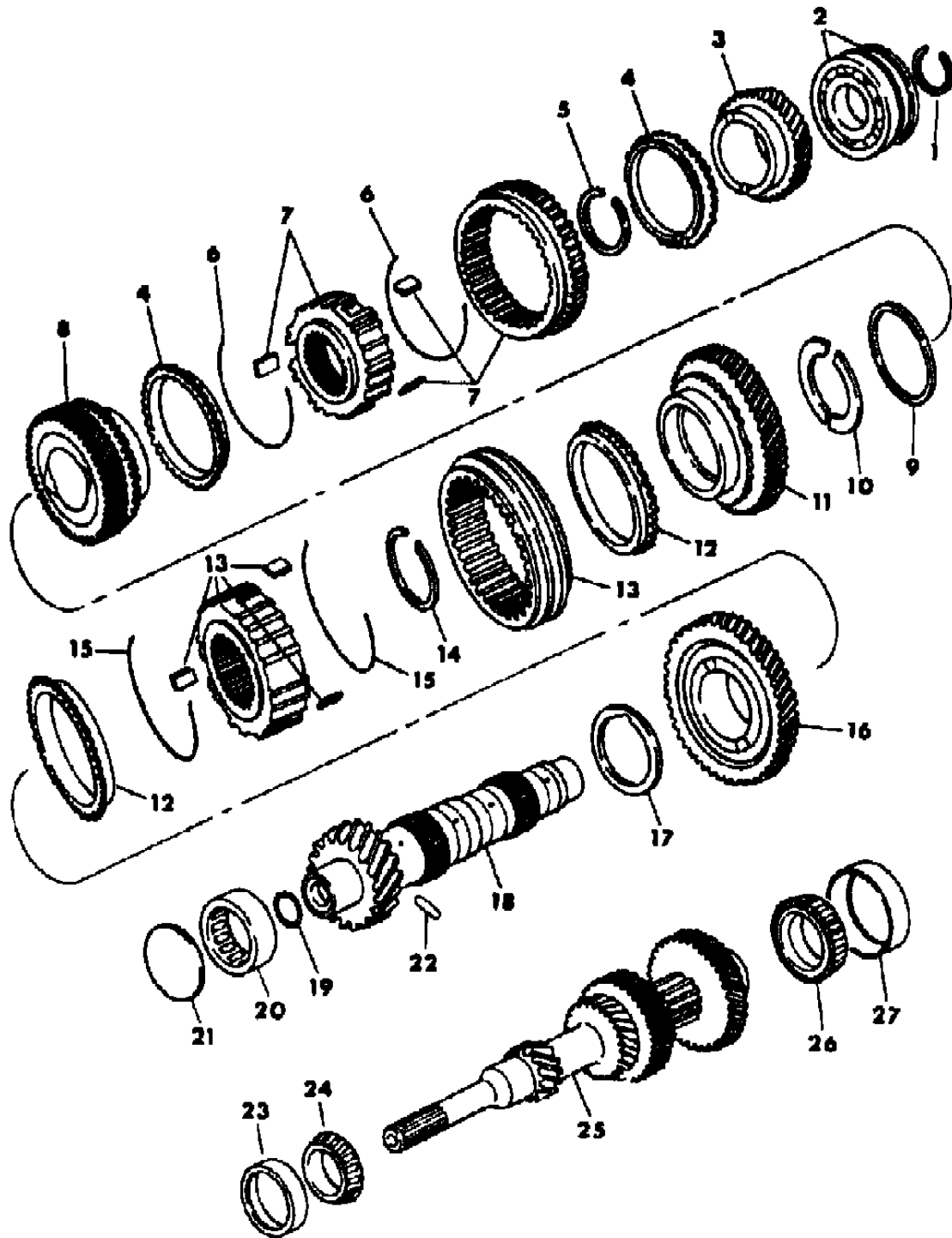
BODY STYLES

21 = 2-DOOR SEDAN	35 = FWD VAN	44 = 4-DOOR HATCHBACK
22 = 2-DOOR SPECIAL COUPE	36 = FWD WAGON	45 = 4-DOOR STATION WAGON
24 = 2-DOOR HATCHBACK	41 = 4-DOOR SEDAN	49 = LIMOUSINE
27 = 2-DOOR CONVERTIBLE		

AR = Use as Required - = Non Illustrated Part P.A.R. = Paint as Required

GEAR TRAIN MANUAL TRANSAXLE, A460 4-SPEED
Figure 21M-200

5121 200



ITEM	PART NUMBER	QTY	BODY	MODEL	DESCRIPTION
1	6500 315	1			SNAP RING, Inter Shaft Inner
2	4202 524	1			BEARING, Inter Shaft Rear
3	4269 066	1			GEAR, Fourth Speed, 34-44T
4	4295 799	2			RING, Third and Fourth Synchronizer Stop
5	6500 316	1			SNAP RING, Third and Fourth Gear, Inner
6	4202 124	2			SPRING, Third and Fourth Gear Synchroizer
7	4269 388	1			SYCHRONIZER, Third and Fourth Gear, Except 4329611,612,617 Trans. w/4329611,612,617 Trans.
8	4269 065	1			GEAR, Third Speed, 36-51T
9	5222 749	1			RING, Washer Retaining
10	4202 533	2			WASHER, Split Thrust
11	4295 728	1			GEAR, Second Speed, 39-53T
12	4329 142	2			RING, First and Second Synchronizer Stop
13	4295 725	1			SYNCHRONIZER, First and Second Speed
14	6024 131	1			SNAP RING, First and Second Speed Gear, Inner
15	4269 350	2			SPRING, First and Second Speed Gear Synchrozier
16	4295 714	1			GEAR, First Speed, 39-46T
17	4202 534	1			WASHER, Low Gear Thrust
18	4202 110	1			SHAFT, Intermediate, w/2.69 Overall Ratio w/3.13 Overall Ratio
19	5222 959	1			RING, Inter Shaft Oil Retaining
20	4202 590	1			BEARING, Inter Shaft Roller
21	5222 957	1			FEEDER, Inter Shaft Inner Oil
22	5222 738	1			PIN, First Gear Thrust Plate Driving
23	5205 564	1			CUP, Input Shaft Bearing, Front
24	5205 565	1			BEARING, Input Shaft, Front Cone
25	4269 349	1			SHAFT, Input
26	5205 568	1			BEARING, Input Shaft, Rear Cone
27	5205 567	1			CUP, Input Shaft Rear Bearing

MODEL CODES

B = GRAN FURY	E = 600	M = HORIZON/TURISMO
C = LE BARON/TOWN & COUNTRY/LIMO	F = FIFTH AVENUE/NEWPORT	P = RELIANT
C24 = LASER	G = DIPLOMAT	T = NEW YORKER
C44 = LE BARON/GTS	H = VOYAGER	V = 600
D = ARIES	J = CARAVELLE	V24 = DAYTONA
D44 = LANCER	K = MINI VAN/CARAVAN/ROYAL	Z = OMNI/CHARGER

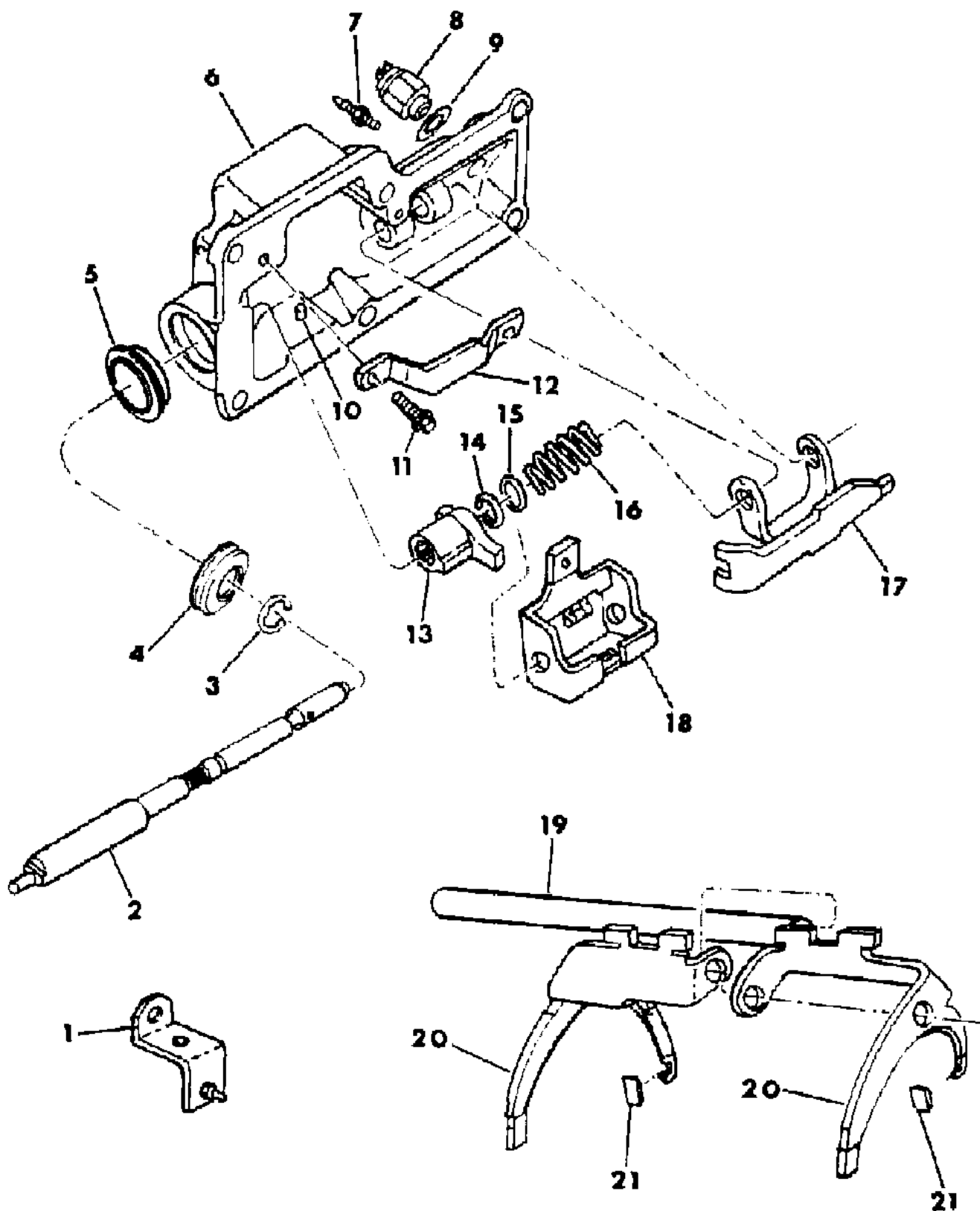
BODY STYLES

21 = 2-DOOR SEDAN	35 = FWD VAN	44 = 4-DOOR HATCHBACK
22 = 2-DOOR SPECIAL COUPE	36 = FWD WAGON	45 = 4-DOOR STATION WAGON
24 = 2-DOOR HATCHBACK	41 = 4-DOOR SEDAN	49 = LIMOUSINE
27 = 2-DOOR CONVERTIBLE		

AR = Use as Required - = Non Illustrated Part P.A.R. = Paint as Required

CONTROLS, INTERNAL MANUAL TRANSAXLE, A460 4-SPEED
Figure 21M-300

5121 300



ITEM	PART NUMBER	QTY	BODY	MODEL	DESCRIPTION
1	4329 147	1			LEVER, w/Ball Stud, G/Shift Operating
	6500 568	1			NUT, Hex Flange Lock (Not Illustrated)
2	4269 100	1			SHAFT, Gearshift Selector
3	6030 595	1			SNAP RING
4	4202 486	1			BOOT
5	4295 197	1			SEAL, Trans Gearshift Housing
6	4269 164	1			HOUSING, Gearshift
7	5222 638	1			PLUG, First And Second Shift Adjusting
8	4221 587	1			SWITCH, Back-Up Light
9	1302 807	1			WASHER, Back-Up Light Switch
10	4130 888	1			PIN, Selector Stop
11	6500 417	2			BOLT, Stop Plate, M6x1.00x22
12	4205 856	1			PLATE, Gearshift Fork Stop
13	4269 262	1			SELECTOR, Gearshift Detent
14	6500 328	1			E-CLIP, Gearshift
15	4202 471	1			WASHER, Crossover Spring
16	4295 731	1			SPRING, Crossover
17	4205 856	1			LEVER, Reverse Shift
18	4329 440	1			BLOCKER, Gearshift
19	4269 219	1			RAIL, Trans G/Shift
20	4411 961	1			FORK, w/Inserts and Lug Pkg., Third and Fourth Shift
	4411 960	1			FORK, w/Inserts and Lug Pkg., First and Second Shift
21	2514 621	2			INSERT, Gearshift Fork, Third and Fourth, Except 4329611,612, 617 Trans.
	4295 519	2			w/4329611,612,617 Trans.
	4295 519	2			First and Second
	6100 929	2			BOLT, G/Shift Housing to Case, M8x1.25x45
	6500 313	2			M8x1.25x28
	6500 318	2			M8x1.25x25

MODEL CODES
 B = GRAN FURY
 C = LE BARON/TOWN & COUNTRY/LIMO
 C24 = LASER
 C44 = LE BARON/GTS
 D = ARIES
 D44 = LANCER
 E = 600
 F = FIFTH AVENUE/NEWPORT
 G = DIPLOMAT
 H = VOYAGER
 J = CARAVELLE
 K = MINI VAN/CARAVAN/ROYAL
 M = HORIZON/TURISMO
 P = RELIANT
 T = NEW YORKER
 V = 600
 V24 = DAYTONA
 Z = OMNI/CHARGER

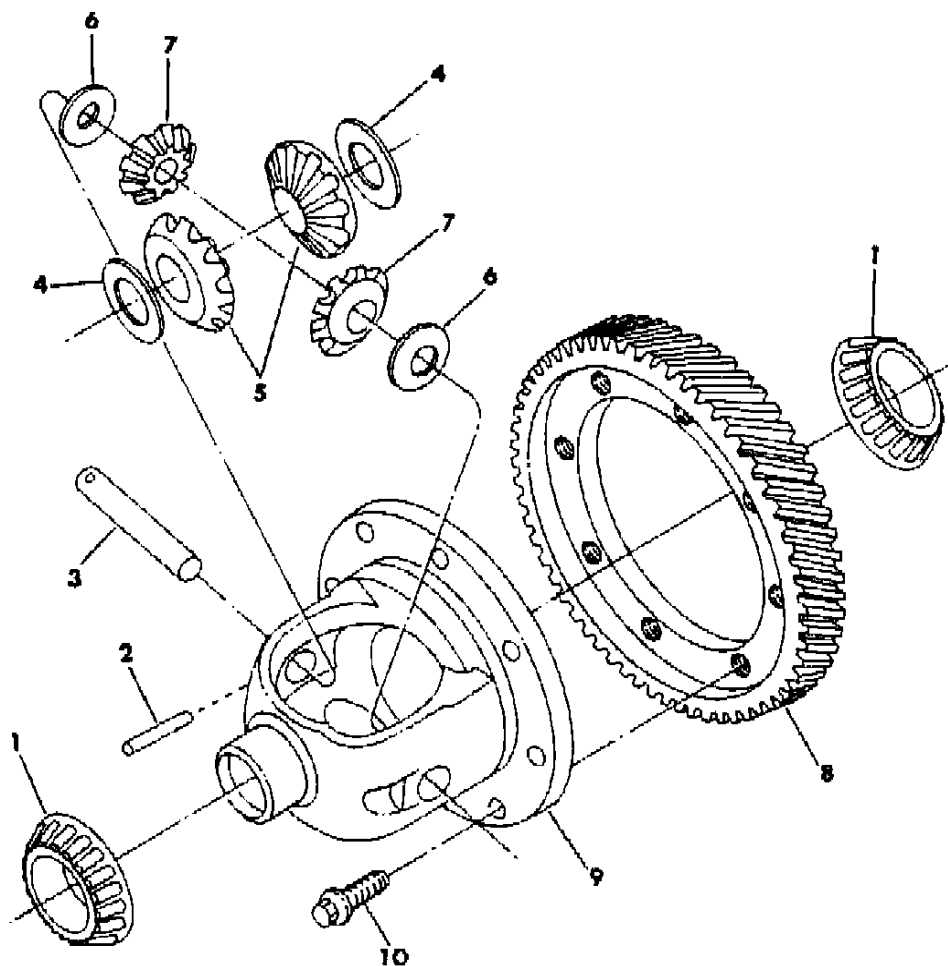
BODY STYLES
 21 = 2-DOOR SEDAN
 22 = 2-DOOR SPECIAL COUPE
 24 = 2-DOOR HATCHBACK
 27 = 2-DOOR CONVERTIBLE
 35 = FWD VAN
 36 = FWD WAGON
 41 = 4-DOOR SEDAN
 44 = 4-DOOR HATCHBACK
 45 = 4-DOOR STATION WAGON
 49 = LIMOUSINE

AR = Use as Required - = Non Illustrated Part P.A.R. = Paint as Required

**DIFFERENTIAL MANUAL TRANSAXLE, A460 4-SPEED
Figure 21M-400**

5121 400

ITEM	PART NUMBER	QTY	BODY	MODEL	DESCRIPTION
1	4269 677	2			BEARING, Differential Coned
2	6101 284	1			PIN, Differential Roll
3	4207 073	1			SHAFT, Differential
4	5212 212	2			WASHER, Differential Side Gear
5	4295 415	2			GEAR, Differential Side
6	5212 211	2			WASHER, Pinion
7	4295 416	2			PINION, Differential
8	5222 772	1			GEAR, Final Drive, 7-1/2" Dia., 58T, Except 4295752,4329617 Trans.
	4295 417	1			57T, w/4295752,4329617 Trans.
9	5222 775	1			CASE, Differential
10	6501 032	8			BOLT, Drive Gear to Case, M10x1.5x25



MODEL CODES

B = GRAN FURY	E = 600	M = HORIZON/TURISMO
C = LE BARON/TOWN & COUNTRY/LIMO	F = FIFTH AVENUE/NEWPORT	P = RELIANT
C24 = LASER	G = DIPLOMAT	T = NEW YORKER
C44 = LE BARON/GTS	H = VOYAGER	V = 600
D = ARIES	J = CARAVELLE	V24 = DAYTONA
D44 = LANCER	K = MINI VAN/CARAVAN/ROYAL	Z = OMNI/CHARGER

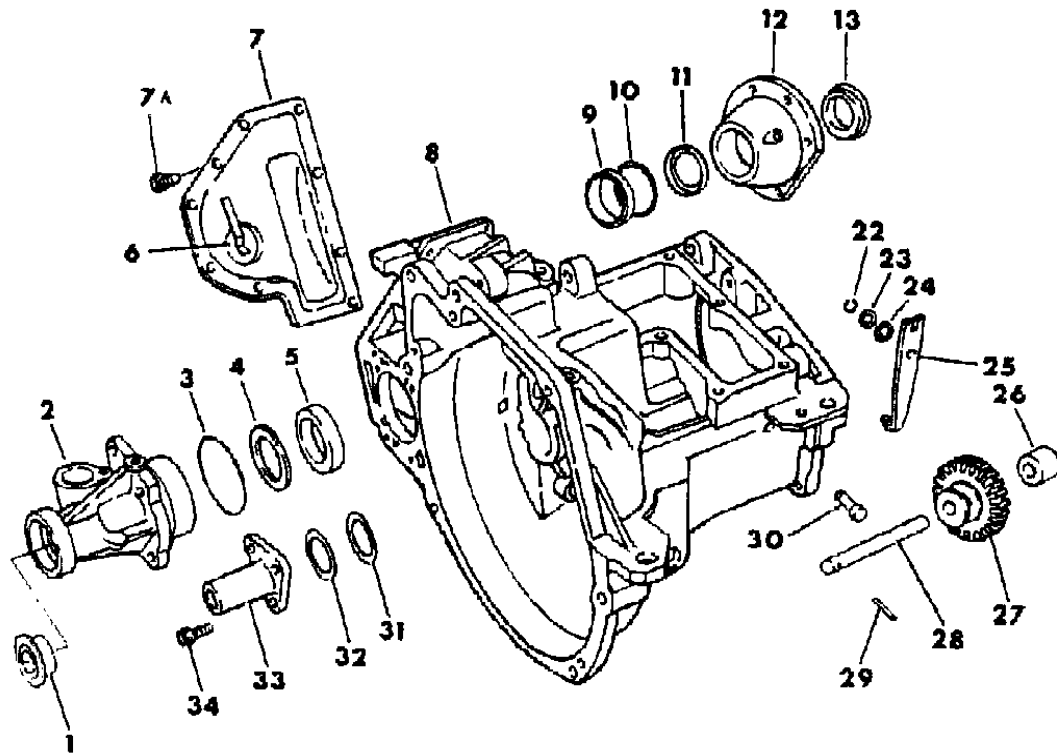
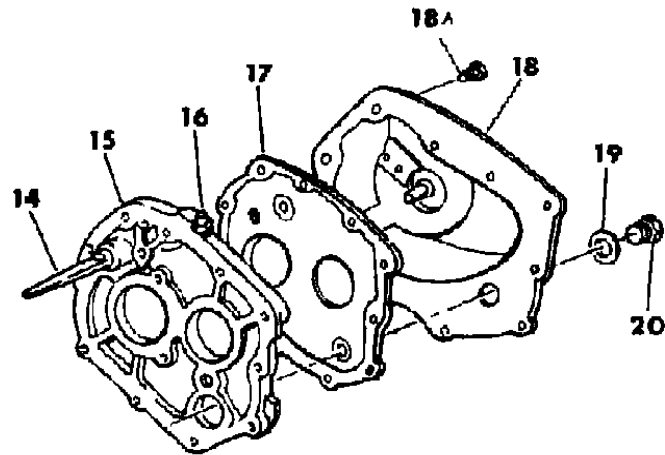
BODY STYLES

21 = 2-DOOR SEDAN	35 = FWD VAN	44 = 4-DOOR HATCHBACK
22 = 2-DOOR SPECIAL COUPE	36 = FWD WAGON	45 = 4-DOOR STATION WAGON
24 = 2-DOOR HATCHBACK	41 = 4-DOOR SEDAN	49 = LIMOUSINE
27 = 2-DOOR CONVERTIBLE		

AR = Use as Required - = Non Illustrated Part P.A.R. = Paint as Required

CASE, TRANSAXLE AND RELATED PARTS MANUAL TRANSAXLE, A525 5-SPEED
Figure 21M-500

5121 500



ITEM	PART NUMBER	QTY	BODY	MODEL	DESCRIPTION
1	4295 904	1			SEAL, Trans. Extension
2	4269 961	1			EXTENSION, w/Bushing, Transaxle
	6500 511	4			SCREW, Ext. to Case, M8x1.25x33
3	6500 111	1			O-RING, Trans. Extension
4	5222 255	1			RETAINER, Trans. Extension Oil
5	4269 676	1			CUP, Trans. Retainer Diff.
6	3681 601	1			MAGNET, Trans. Chip Collector
7	4329 464	1			PAN, Trans. Diff. Oil
7A	6500 739	5			SCREW, M8x1.25x16
	6500 921	3			STUD, Oil Pan To Case, M8x1.25x44
	6500 559	2			STUD, Oil Pan To Case, M8x1.25x40
	6500 470	3			NUT, Oil Pan To Case Stud, M8
8	4295 664	1			CASE, Transaxle, w/4295755,4329151,521 Trans.
	4329 545	1			w/4295754,4329613,616,4412020 Trans.
	4377 641	1			w/4329614,618 Trans.
9	4269 676	1			CUP, Diff. Retainer Bearing
10					SPACER, Trans. Final Drive
	4207 134	1			0.50mm (.020")
	4207 135	1			0.55mm (.022")
	4207 136	1			0.60mm (.024")
	4207 137	1			0.65mm (.026")
	4207 138	1			0.70mm (.027")
	4207 139	1			0.75mm (.029")
	4207 140	1			0.80mm (.031")
	4207 141	1			0.85mm (.033")
	4207 142	1			0.90mm (.035")
	4207 143	1			0.95mm (.037")
	4207 144	1			1.00mm (.039")
	4207 145	1			1.05mm (.041")
11	5222 256	1			BAFFLE, Oil Feed
12	5222 781	1			RETAINER, Diff. Bearing, 5 Bolt Hole
	4329 549	1			8 Bolt Hole
	6500 368	5			SCREW, Diff. Brg. Retainer, M8x1.25x23, 5 Bolt Hole
	6501 371	8			M10x1.50x30, 8 Bolt Hole
13	4295 904	1			SEAL, Bearing Retainer
14	4329 583	1			OIL SCOOP, Trans. Bearing Rear

MODEL CODES

B = GRAN FURY	E = 600	M = HORIZON/TURISMO
C = LE BARON/TOWN & COUNTRY/LIMO	F = FIFTH AVENUE/NEWPORT	P = RELIANT
C24 = LASER	G = DIPLOMAT	T = NEW YORKER
C44 = LE BARON/GTS	H = VOYAGER	V = 600
D = ARIES	J = CARAVELLE	V24 = DAYTONA
D44 = LANCER	K = MINI VAN/CARAVAN/ROYAL	Z = OMNI/CHARGER

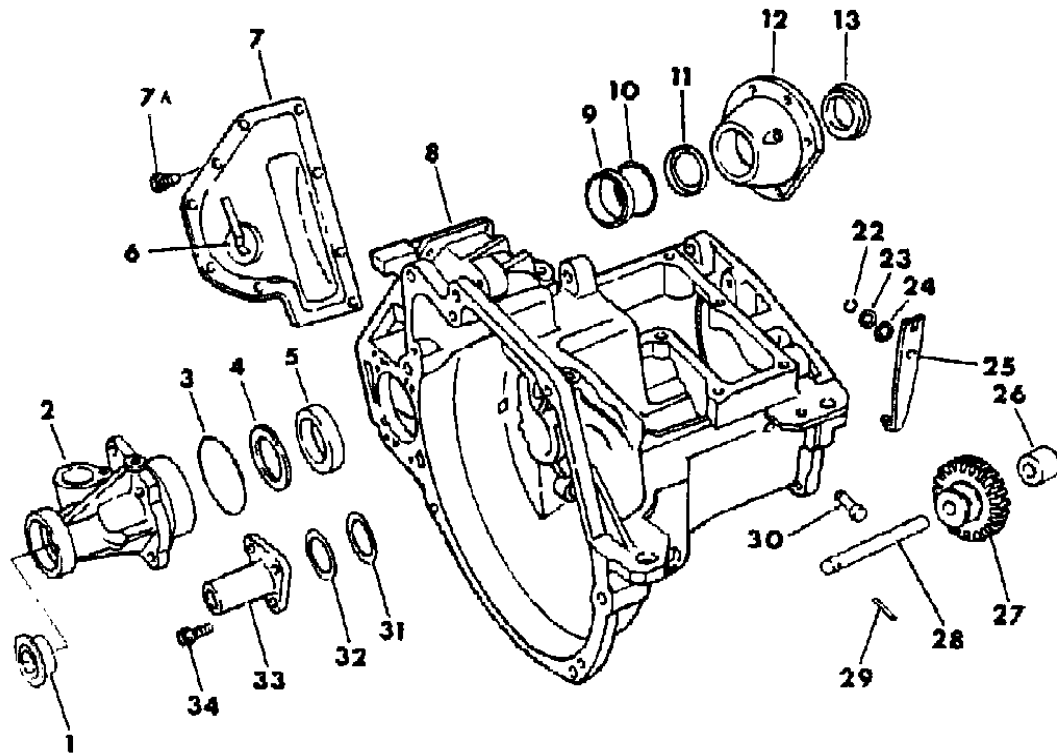
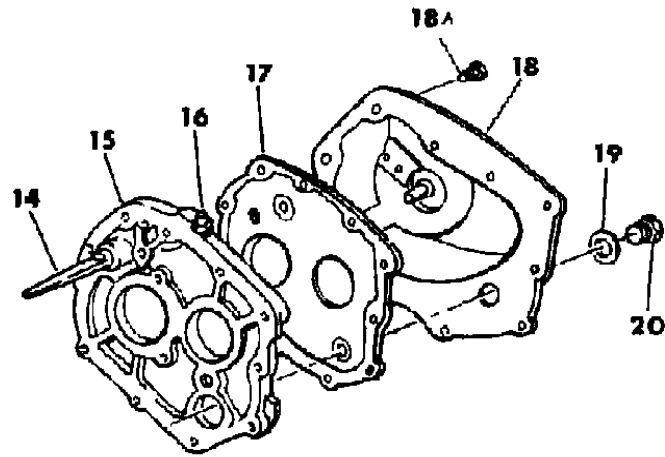
BODY STYLES

21 = 2-DOOR SEDAN	35 = FWD VAN	44 = 4-DOOR HATCHBACK
22 = 2-DOOR SPECIAL COUPE	36 = FWD WAGON	45 = 4-DOOR STATION WAGON
24 = 2-DOOR HATCHBACK	41 = 4-DOOR SEDAN	49 = LIMOUSINE
27 = 2-DOOR CONVERTIBLE		

AR = Use as Required - = Non Illustrated Part P.A.R. = Paint as Required

CASE, TRANSAXLE AND RELATED PARTS MANUAL TRANSAXLE, A525 5-SPEED
Figure 21M-500

5121 500



ITEM	PART NUMBER	QTY	BODY	MODEL	DESCRIPTION
15	4329 582	1			PLATE, Trans. Bearing Retainer, Except 4329613,614,616,618, 4412020 Trans.
	4340 091	1			w/4329613,614,616,618,4412020 Trans.
16	2124 715	1			VENT, Trans.
17	5222 758	1			PLATE, Trans. Bearing Back-Up, Except 4329613,614,616,618, 4412020 Trans.
	4340 095	1			w/4329613,614,616,618,4412020 Trans.
18	4202 860	1			COVER, Trans. Oil Feed
18A	6101 235	10			SCREW, Cover, M8x1.25x40
	6500 440	2			M8x1.25x22
19	2070 122	1			GASKET, Drain and Fill Plug
20	4202 535	1			PLUG, Drain and Fill
22	6026 125	1			E-CLIP, Reverse Lever Pivot
23	0391 888	1			WASHER, Spring Wave
24	5205 609	1			WASHER, Reverse Lever Pivot
25	5222 656	1			LEVER, Gearshift Reverse
26	4202 367	1			SPACER, Reverse Idler
27	5222 651	1			GEAR, Reverse Idler
28	5222 654	1			SHAFT, Reverse Idler
29	6100 234	1			PIN, Reverse Idler Roll, 4.20x14
30	5205 625	1			PIN, Reverse Lever Clevis
31					SPACER, Input Shaft
	4202 751	1			0.62mm (.024")
	4202 301	1			0.66mm (.026")
	4202 302	1			0.70mm (.028")
	4202 303	1			0.74mm (.029")
	4202 304	1			0.78mm (.031")
	4202 305	1			0.82mm (.032")
	4202 306	1			0.86mm (.034")
	4202 307	1			0.90mm (.035")
	4202 308	1			0.94mm (.037")
	4202 309	1			0.98mm (.039")
	4202 310	1			1.02mm (.040")
	4202 311	1			1.06mm (.042")
	4202 312	1			1.10mm (.043")
	4202 313	1			1.14mm (.045")
	4202 314	1			1.18mm (.046")

MODEL CODES

B = GRAN FURY	E = 600	M = HORIZON/TURISMO
C = LE BARON/TOWN & COUNTRY/LIMO	F = FIFTH AVENUE/NEWPORT	P = RELIANT
C24 = LASER	G = DIPLOMAT	T = NEW YORKER
C44 = LE BARON/GTS	H = VOYAGER	V = 600
D = ARIES	J = CARAVELLE	V24 = DAYTONA
D44 = LANCER	K = MINI VAN/CARAVAN/ROYAL	Z = OMNI/CHARGER

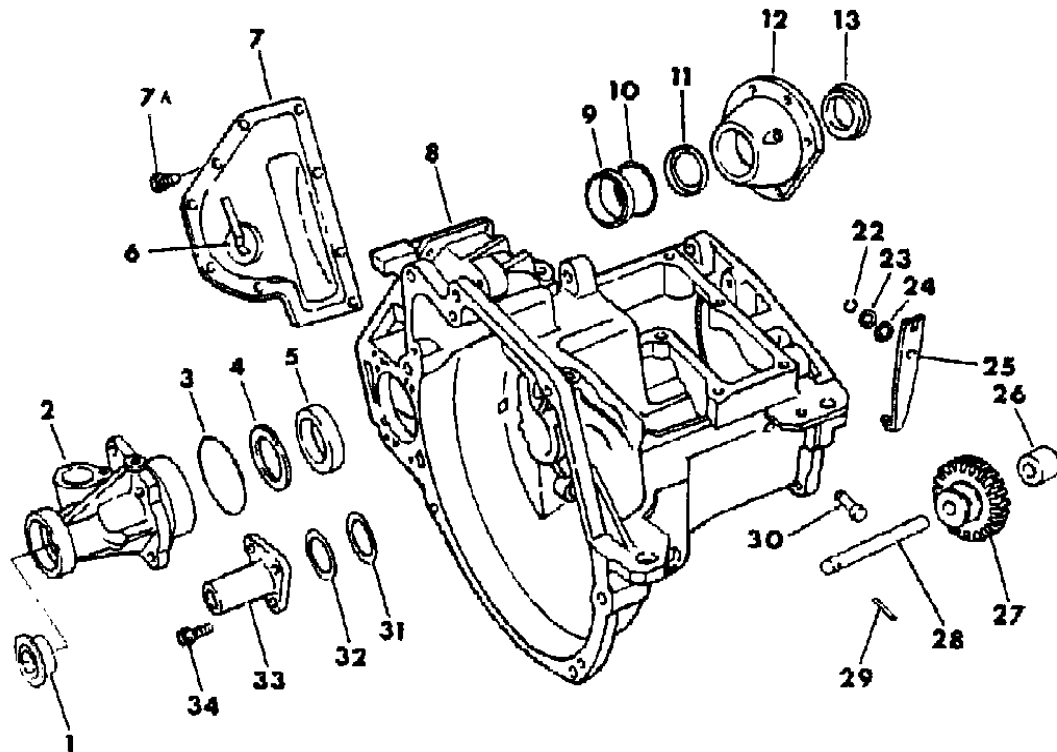
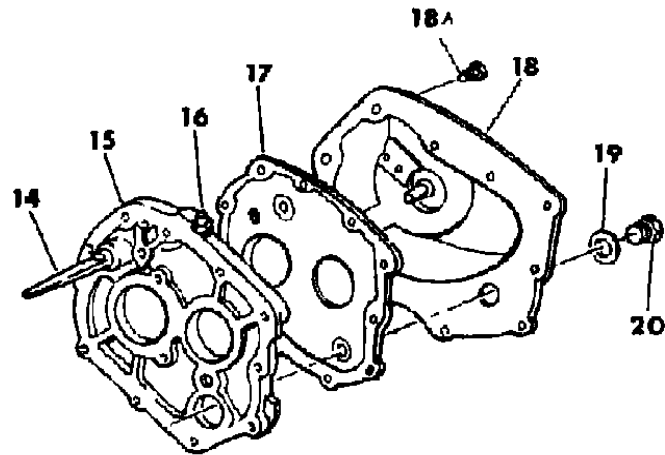
BODY STYLES

21 = 2-DOOR SEDAN	35 = FWD VAN	44 = 4-DOOR HATCHBACK
22 = 2-DOOR SPECIAL COUPE	36 = FWD WAGON	45 = 4-DOOR STATION WAGON
24 = 2-DOOR HATCHBACK	41 = 4-DOOR SEDAN	49 = LIMOUSINE
27 = 2-DOOR CONVERTIBLE		

AR = Use as Required - = Non Illustrated Part P.A.R. = Paint as Required

CASE, TRANSAXLE AND RELATED PARTS MANUAL TRANSAXLE, A525 5-SPEED
Figure 21M-500

5121 500



ITEM	PART NUMBER	QTY	BODY	MODEL	DESCRIPTION
	4202 315	1			1.22mm (.048")
	4202 316	1			1.26mm (.050")
	4202 317	1			1.30mm (.051")
	4202 318	1			1.34mm (.053")
	4202 319	1			1.38mm (.054")
	4202 320	1			1.42mm (.056")
	4202 321	1			1.46mm (.057")
	4202 322	1			1.50mm (.059")
	4202 323	1			1.54mm (.061")
	4202 324	1			1.58mm (.062")
	4202 325	1			1.62mm (.064")
	4202 326	1			1.66mm (.065")
	4202 752	1			1.70mm (.067")
	4202 753	1			1.74mm (.069")
	4202 754	1			1.78mm (.070")
32	5222 721	1			SEAL, Trans. Input Shaft
33	4295 175	1			RETAINER, Trans. Bearing Pilot and Seal
	4202 093	1			STRAP, Trans. Bearing Retainer
34	6500 318	3			BOLT, Retainer to Case, M8x1.25x25
	5222 723	1			COVER, Timing Window
	5222 757	2			DOWEL, Case to Bearing Retainer

MODEL CODES

B = GRAN FURY	E = 600	M = HORIZON/TURISMO
C = LE BARON/TOWN & COUNTRY/LIMO	F = FIFTH AVENUE/NEWPORT	P = RELIANT
C24 = LASER	G = DIPLOMAT	T = NEW YORKER
C44 = LE BARON/GTS	H = VOYAGER	V = 600
D = ARIES	J = CARAVELLE	V24 = DAYTONA
D44 = LANCER	K = MINI VAN/CARAVAN/ROYAL	Z = OMNI/CHARGER

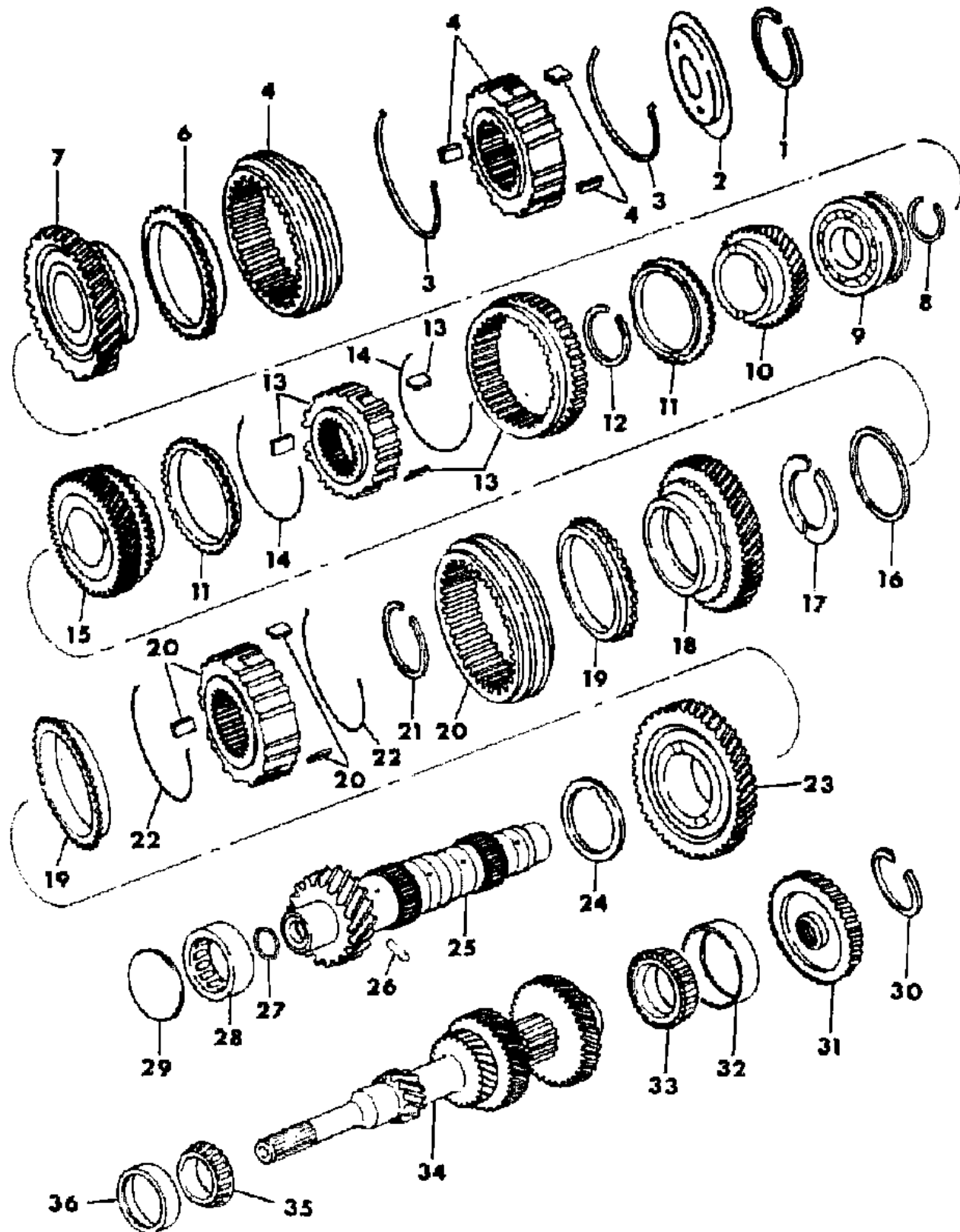
BODY STYLES

21 = 2-DOOR SEDAN	35 = FWD VAN	44 = 4-DOOR HATCHBACK
22 = 2-DOOR SPECIAL COUPE	36 = FWD WAGON	45 = 4-DOOR STATION WAGON
24 = 2-DOOR HATCHBACK	41 = 4-DOOR SEDAN	49 = LIMOUSINE
27 = 2-DOOR CONVERTIBLE		

AR = Use as Required - = Non Illustrated Part P.A.R. = Paint as Required

GEAR TRAIN MANUAL TRANSAXLE, A525 5-SPEED
Figure 21M-600

5121 600



ITEM	PART NUMBER	QTY	BODY	MODEL	DESCRIPTION
1	6500 980	1			SNAP RING, Inter Shaft Fifth Speed
2	5222 762	1			PLATE, Fifth Speed Synchronizer Retainer
3	4202 124	2			SPRING, Fifth Speed Synchronizer
4	5222 760	1			SYNCHRONIZER, Fifth Speed, Except 4329613,614,616,618, 4412020 Trans.
	4411 967	1			w/4329613,614,616,618,4412020,4443196 Trans.
6	4295 799	1			RING, Fifth Speed Synchronizer Stop
7					GEAR, Fifth Speed
	4269 138	1			w/4295755,4329151 Trans., 36-42T, 2-Oil Grooves
	4329 370	1			w/4329613,616 Trans., 36-38T, 2-Oil Grooves
	4329 355	1			w/4295754,4329521 Trans., 36-42T, 3-Oil Grooves
	4329 372	1			w/4329614,618,4412020,4443196 Trans., 36-38T, 3 Oil Grooves
8	6500 315	1			SNAP RING, Inter Shaft Inner
9	4269 136	1			BEARING, Inter Shaft Rear
10	4295 660	1			GEAR, Fourth Speed, 34-48T
11	4295 799	2			RING, Fourth Speed Synchronizer Stop
12	6500 316	1			SNAP RING, Third and Fourth Gear, Inner
13	4269 388	1			SYNCHRONIZER, Third and Fourth Gear, Except 4329613,614, 616,618,4412020 Trans.
	4411 968	1			w/4329613,614,616,618,4412020,4443196 Trans.
14	4202 124	2			SPRING, Third and Fourth Gear Synchroizer
15	4295 659	1			GEAR, Third Speed, 36-55T
16	5222 749	1			RING, Washer Retaining, Except 4443196 Trans.
	6033 348	1			SNAP RING, Use w/4443196 Trans.
17	4202 533	2			WASHER, Split Thrust, Except 4443196 Trans.
	4412 082	2			w/4443196 Trans.
	6032 705	1			PIN, Split Washer, Use w/4443196 Trans.
18					GEAR, Second Speed
	4295 721	1			w/4295754,4329614,4443196 Trans., 39-54T, 3 Oil Grooves
	4295 719	1			w/4329151,521,613,616,618,4295755,4412020 Trans., 39-54T 2 Oil Grooves
	4295 719	1		H,K	w/4295754 Trans., Except Turbo Eng.
19	4329 142	2			RING, First and Second Synchronizer Stop
20	4295 725	1			SYNCHRONIZER, First and Second Speed
21	6024 131	1			SNAP RING, First and Second Speed Gear, Inner
22	4269 350	2			SPRING, First and Second Speed Gear Synchronizer

MODEL CODES

B = GRAN FURY	E = 600	M = HORIZON/TURISMO
C = LE BARON/TOWN & COUNTRY/LIMO	F = FIFTH AVENUE/NEWPORT	P = RELIANT
C24 = LASER	G = DIPLOMAT	T = NEW YORKER
C44 = LE BARON/GTS	H = VOYAGER	V = 600
D = ARIES	J = CARAVELLE	V24 = DAYTONA
D44 = LANCER	K = MINI VAN/CARAVAN/ROYAL	Z = OMNI/CHARGER

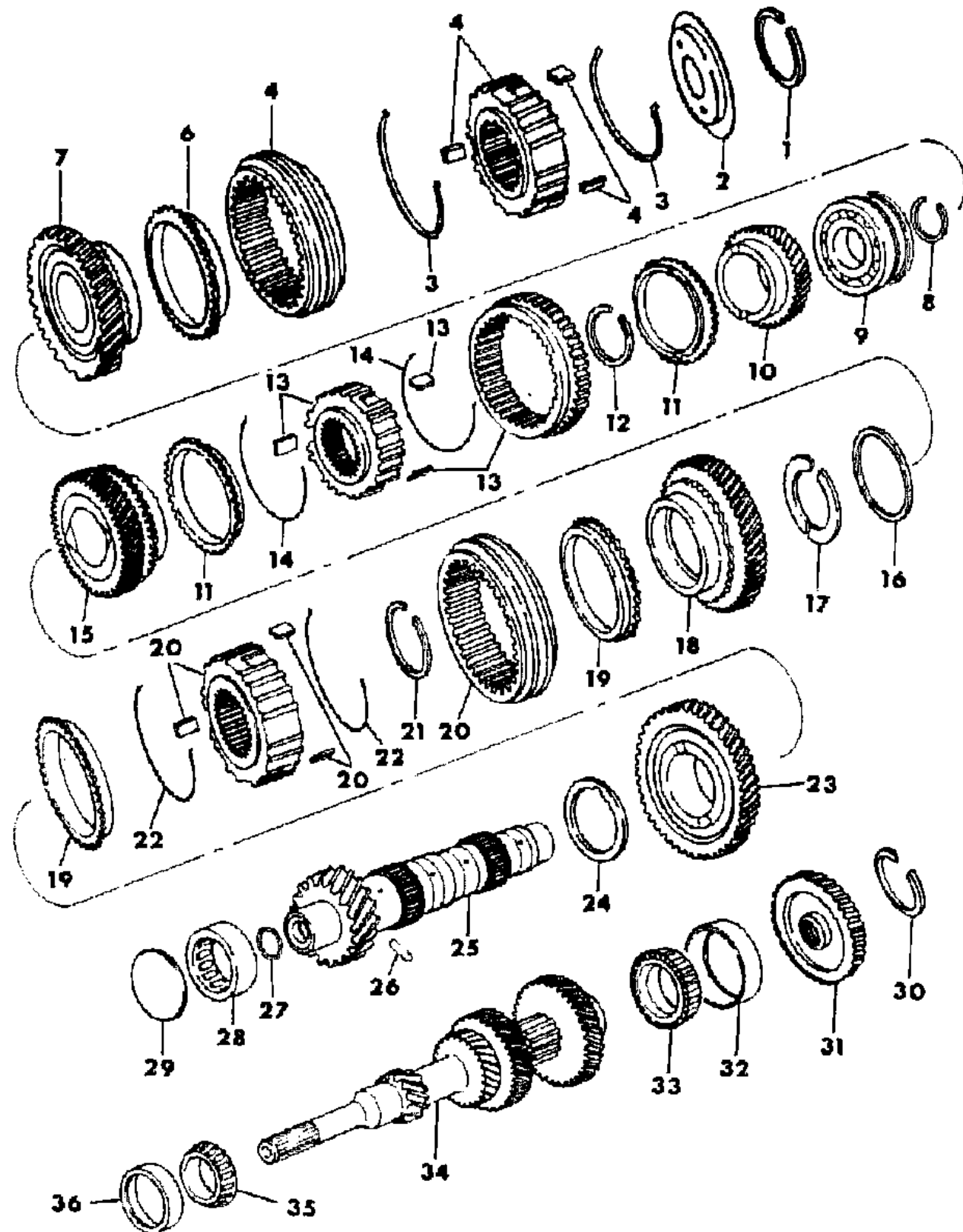
BODY STYLES

21 = 2-DOOR SEDAN	35 = FWD VAN	44 = 4-DOOR HATCHBACK
22 = 2-DOOR SPECIAL COUPE	36 = FWD WAGON	45 = 4-DOOR STATION WAGON
24 = 2-DOOR HATCHBACK	41 = 4-DOOR SEDAN	49 = LIMOUSINE
27 = 2-DOOR CONVERTIBLE		

AR = Use as Required - = Non Illustrated Part P.A.R. = Paint as Required

GEAR TRAIN MANUAL TRANSAXLE, A525 5-SPEED
Figure 21M-600

5121 600



ITEM	PART NUMBER	QTY	BODY	MODEL	DESCRIPTION
23					GEAR, First Speed
	4295 714	1			w/4329151,521,613,616,618,4295755,4412020 Trans., 39-46T, 2-Oil Grooves
	4295 714	1	H,K		w/4295754 Trans., Except Turbo Eng.
	4295 716	1			w/4295754,4329614,4443196 Trans., 39-46T, 3 Oil Grooves
24	4202 534	1			WASHER, Low Gear Thrust
25					SHAFT, Intermediate
	5222 753	1			w/4295755,4329613 Trans. 19T
	5222 755	1			w/4329151,4329616 Trans. 16T
	5222 755	1	H,K		w/4295754 Trans. 16T, Except Turbo Eng.
	4295 420	1			w/4295754,4329614 Trans. 16T
	4412 968	1			w/4443196 Trans.
	4295 525	1			w/4329521,4412020 Trans. 15T
	4377 510	1			w/4329618 Trans.
26	5222 738	1			PIN, First Gear Thrust Plate Driving
27	5222 959	1			RING, Inner Shaft Oil Retaining
28	4202 590	1			BEARING, Inter Shaft Roller
29	5222 957	1			FEEDER, Inter Shaft Inner Oil
30	6500 980	1			SNAP RING, Fifth Speed Gear Input Shaft
31	4295 548	1			GEAR, Fifth Speed Input Shaft, Except 4329613,614,616,618, 4412020 Trans.
	4329 367	1			w/4329613,614,616,618,4412020,4443196 Trans.
32	5205 567	1			CUP, Input Shaft Rear Bearing
33	5205 568	1			BEARING, Input Shaft Rear Cone
34					SHAFT, Input
	4295 657	1			w/4295754,4329614,4443196 Trans.
	4295 683	1			w/4295755,4329151,521,613,616,618,4412020 Trans.
	4295 683	1	H,K		w/4295754 Trans., Except Turbo Eng.
35	5205 565	1			BEARING, Input Shaft Front Cone
36	5205 564	1			CUP, Input Shaft Bearing Front

MODEL CODES

B = GRAN FURY	E = 600	M = HORIZON/TURISMO
C = LE BARON/TOWN & COUNTRY/LIMO	F = FIFTH AVENUE/NEWPORT	P = RELIANT
C24 = LASER	G = DIPLOMAT	T = NEW YORKER
C44 = LE BARON/GTS	H = VOYAGER	V = 600
D = ARIES	J = CARAVELLE	V24 = DAYTONA
D44 = LANCER	K = MINI VAN/CARAVAN/ROYAL	Z = OMNI/CHARGER

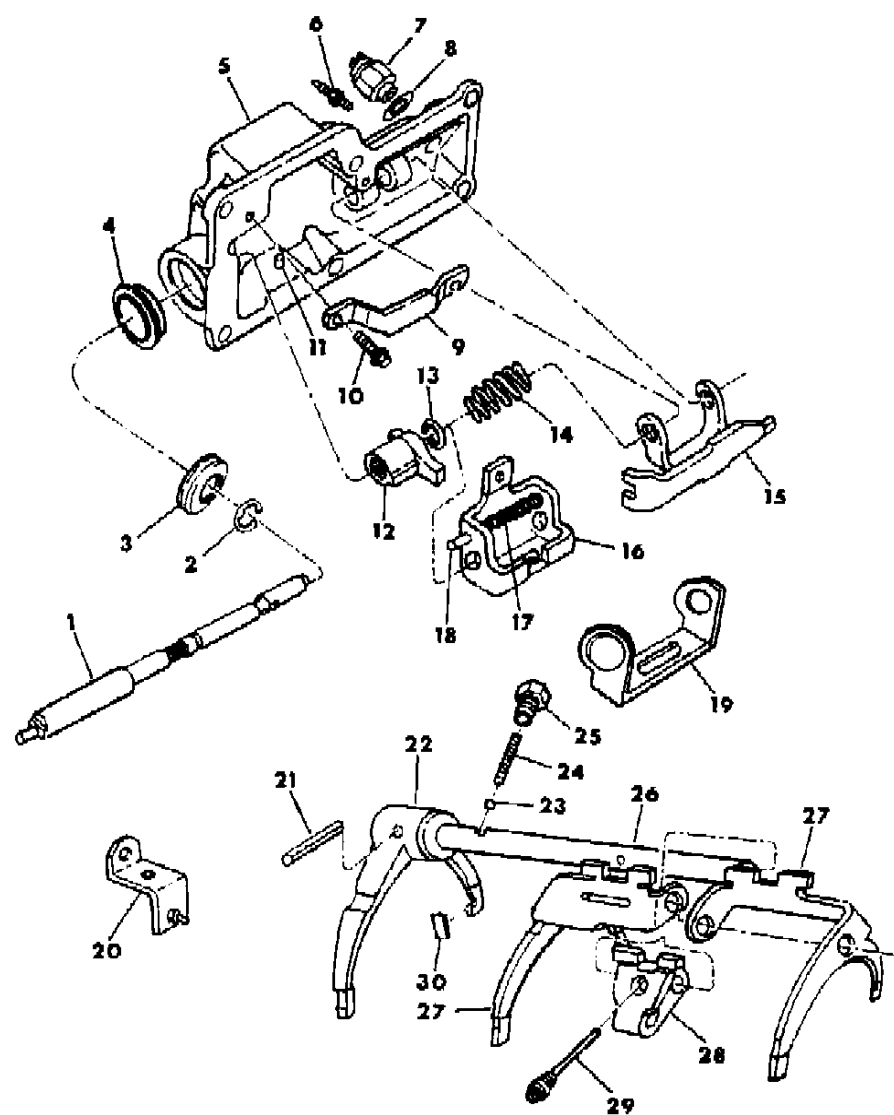
BODY STYLES

21 = 2-DOOR SEDAN	35 = FWD VAN	44 = 4-DOOR HATCHBACK
22 = 2-DOOR SPECIAL COUPE	36 = FWD WAGON	45 = 4-DOOR STATION WAGON
24 = 2-DOOR HATCHBACK	41 = 4-DOOR SEDAN	49 = LIMOUSINE
27 = 2-DOOR CONVERTIBLE		

AR = Use as Required - = Non Illustrated Part P.A.R. = Paint as Required

CONTROLS, INTERNAL MANUAL TRANSAXLE, A525 5-SPEED
Figure 21M-700

5121 700



ITEM	PART NUMBER	QTY	BODY	MODEL	DESCRIPTION
1	4269 100	1			SHAFT, Gearshift Selector
2	6030 595	1			SNAP RING
3	4202 486	1			BOOT
4	4295 197	1			SEAL, Trans. Gearshift Housing
5	4269 164	1			HOUSING, Gearshift
6	5222 638	1			PLUG, First And Second Shift Adjusting
7	4221 587	1			SWITCH, Back-Up Light
8	1302 807	1			GASKET, Back-Up Light Switch
9	4205 856	1			PLATE, And Lever, G/Shift Fork Stop
10	6500 417	2			BOLT, Stop Plate, M6x1.00x22
11	4130 888	1			PIN, Selector Stop
12	4269 262	1			SELECTOR, Gearshift Detent
13	6500 328	1			E-CLIP, Gearshift
14	4295 731	1			SPRING, Crossover
15	4205 856	1			LEVER, And Plate, Reverse Shift
16	4329 437	1			BLOCKER, Gearshift
17	4295 046	1			SPRING, Fifth Speed Shift Load
18	4295 028	1			PIN, Fifth Speed Shift Load Spring
19	4269 355	1			PLATE, Spring Stop
20	4329 147	1			LEVER, Gearshift Operating
21		1			PIN, Slotted Spring, Not Serviced
22	4269 086	1			FORK, w/Inserts Fifth Speed, Except 4329613,614,616,618, 4412020 Trans.
	4340 084	1			w/4329613,614,616,618,4412020 Trans.
	6501 092	1			SET SCREW, 5TH Fork To Rail, w/4329613,614,616,618, 4412020 Trans., Not Shown
	4340 072	1			RAIL, Gearshift Fifth Speed, w/4329613,614,616,618,4412020 Trans., Not Shown
23	0104 918	1			BALL, Fifth Speed Detent
24	4295 296	1			SPRING, Rail Detent
25	6500 619	1			SCREW, Detent Spring
26	4269 137	1			RAIL, Trans. Gearshift, Except 4329613,614,616,618,4412020 Trans.
	4340 098	1			w/4329613,614,616,618,4412020 Trans.
27	4411 960	1			FORK, w/Inserts & Lug Pkg., 1ST & 2ND Shift Except 4329613, 614,616,618,4412020 Trans.

MODEL CODES

B = GRAN FURY	E = 600	M = HORIZON/TURISMO
C = LE BARON/TOWN & COUNTRY/LIMO	F = FIFTH AVENUE/NEWPORT	P = RELIANT
C24 = LASER	G = DIPLOMAT	T = NEW YORKER
C44 = LE BARON/GTS	H = VOYAGER	V = 600
D = ARIES	J = CARAVELLE	V24 = DAYTONA
D44 = LANCER	K = MINI VAN/CARAVAN/ROYAL	Z = OMNI/CHARGER

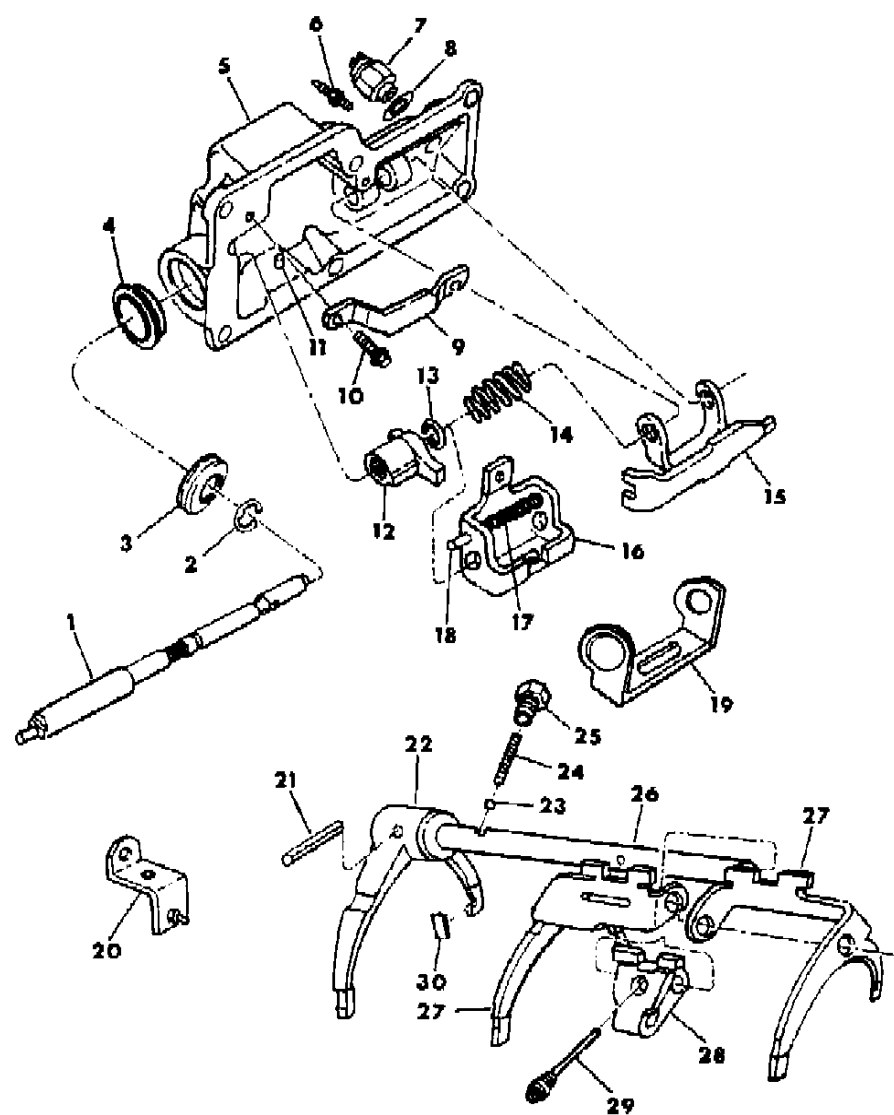
BODY STYLES

21 = 2-DOOR SEDAN	35 = FWD VAN	44 = 4-DOOR HATCHBACK
22 = 2-DOOR SPECIAL COUPE	36 = FWD WAGON	45 = 4-DOOR STATION WAGON
24 = 2-DOOR HATCHBACK	41 = 4-DOOR SEDAN	49 = LIMOUSINE
27 = 2-DOOR CONVERTIBLE		

AR = Use as Required - = Non Illustrated Part P.A.R. = Paint as Required

CONTROLS, INTERNAL MANUAL TRANSAXLE, A525 5-SPEED
Figure 21M-700

5121 700



ITEM	PART NUMBER	QTY	BODY	MODEL	DESCRIPTION
	4348 239	1			FORK, Gearshift, 1ST & 2ND, w/4329613,614,616,618,4412020 Trans.
	4411 961	1			FORK, w/Inserts & Lug Pkg., 3RD & 4TH Shift Except 4329613,614,616,618,4412020 Trans.
	4377 463	1			FORK, Gearshift, 3RD & 4TH, w/4329613,614,616,618, 4412020 Trans.
	6501 143	1			PIN, 1ST & 2ND Fork, w/4329613,614,616,618,4412020 Trans., Not Shown
28	4269 089	1			SHIFTER, Fifth Speed, Except 4329613,614,616,618,4412020 Trans.
	4340 076	1			w/4329613,614,616,618,4412020 Trans.
	6100 656	1			PIN, 5TH Shifter To Rail, w/4329613,614,616,618,4412020 Trans., Not Shown
29	4202 883	1			PIN, Shifter Guide, Except 4329613,614,616,618,4412020 Trans.
	6501 142	1			w/4329613,614,616,618,4412020 Trans.
30	4295 519	2			INSERT, Gearshift Fork, 1ST & 2ND
	2514 621	4			3RD & 4TH, and 5TH, Except 4329613,614,616,618,4412020 Trans.
	4295 519	4			w/4329613,614,616,618,4412020 Trans.
	6100 929	2			BOLT, G/Shift Housing to Case, M8x1.25x45
	6500 313	2			M8x1.25x28
	6500 318	2			M8x1.25x25

MODEL CODES
 B = GRAN FURY
 C = LE BARON/TOWN & COUNTRY/LIMO
 C24 = LASER
 C44 = LE BARON/GTS
 D = ARIES
 D44 = LANCER
 E = 600
 F = FIFTH AVENUE/NEWPORT
 G = DIPLOMAT
 H = VOYAGER
 J = CARAVELLE
 K = MINI VAN/CARAVAN/ROYAL
 M = HORIZON/TURISMO
 P = RELIANT
 T = NEW YORKER
 V = 600
 V24 = DAYTONA
 Z = OMNI/CHARGER

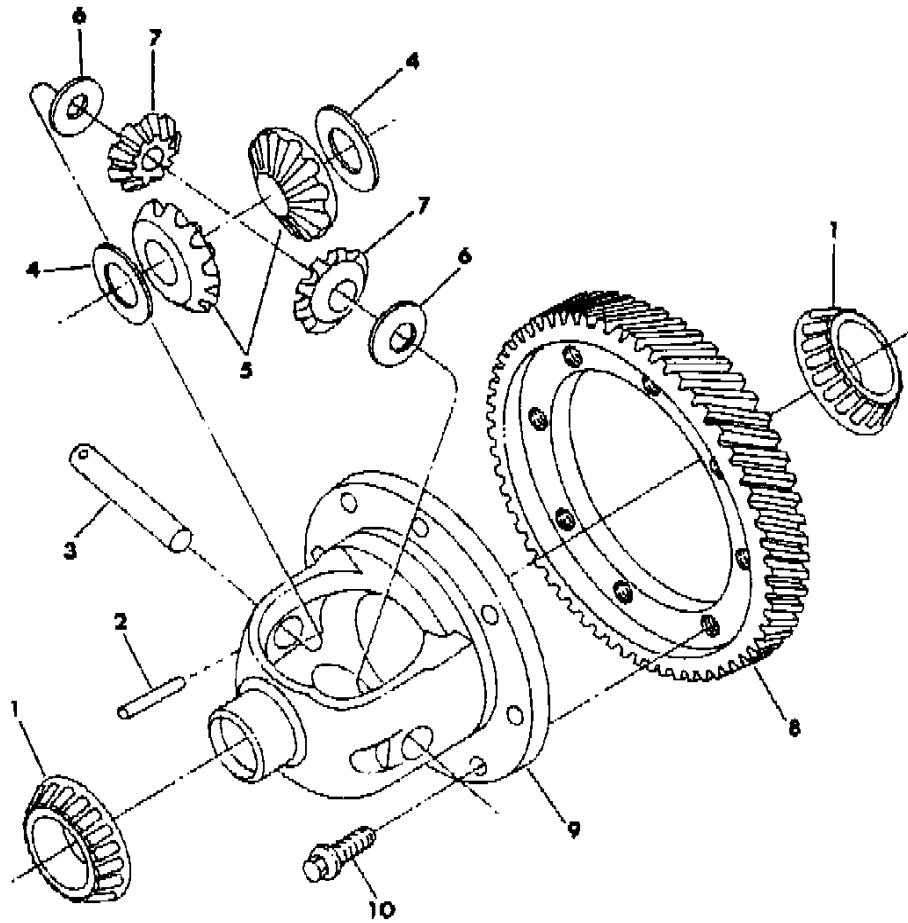
BODY STYLES
 21 = 2-DOOR SEDAN
 22 = 2-DOOR SPECIAL COUPE
 24 = 2-DOOR HATCHBACK
 27 = 2-DOOR CONVERTIBLE
 35 = FWD VAN
 36 = FWD WAGON
 41 = 4-DOOR SEDAN
 44 = 4-DOOR HATCHBACK
 45 = 4-DOOR STATION WAGON
 49 = LIMOUSINE

AR = Use as Required - = Non Illustrated Part P.A.R. = Paint as Required

DIFFERENTIAL MANUAL TRANSAXLE, A525 5-SPEED
Figure 21M-800

5121 800

ITEM	PART NUMBER	QTY	BODY	MODEL	DESCRIPTION
1	4269 677	2			BEARING, Differential, Cone
2	6101 284	1			PIN, Differential Roll
3	4207 073	1			SHAFT, Differential
4	5212 212	2			WASHER, Differential Side Gear, Flat
5	4295 415	2			GEAR, Differential Side
6	5212 211	2			WASHER, Pinion, Spherical
7	4295 416	2			PINION, Differential
8					GEAR, Final Drive
	5222 772	1			w/4295755,4329613 Trans., 7-1/2" Dia., 58T
	5222 774	1			w/4329151,616 Trans., 7-3/4" Dia., 57T
	4295 523	1			w/4329521,4412020 Trans., 58T
	4377 507	1			w/4329618 Trans.
	4295 417	1			w/4295754,4329614 Trans., 57T
9	5222 775	1			CASE, Differential
10	6501 032	8			BOLT, Drive Gear to Case, M10x1.5x25



MODEL CODES

B = GRAN FURY	E = 600	M = HORIZON/TURISMO
C = LE BARON/TOWN & COUNTRY/LIMO	F = FIFTH AVENUE/NEWPORT	P = RELIANT
C24 = LASER	G = DIPLOMAT	T = NEW YORKER
C44 = LE BARON/GTS	H = VOYAGER	V = 600
D = ARIES	J = CARAVELLE	V24 = DAYTONA
D44 = LANCER	K = MINI VAN/CARAVAN/ROYAL	Z = OMNI/CHARGER

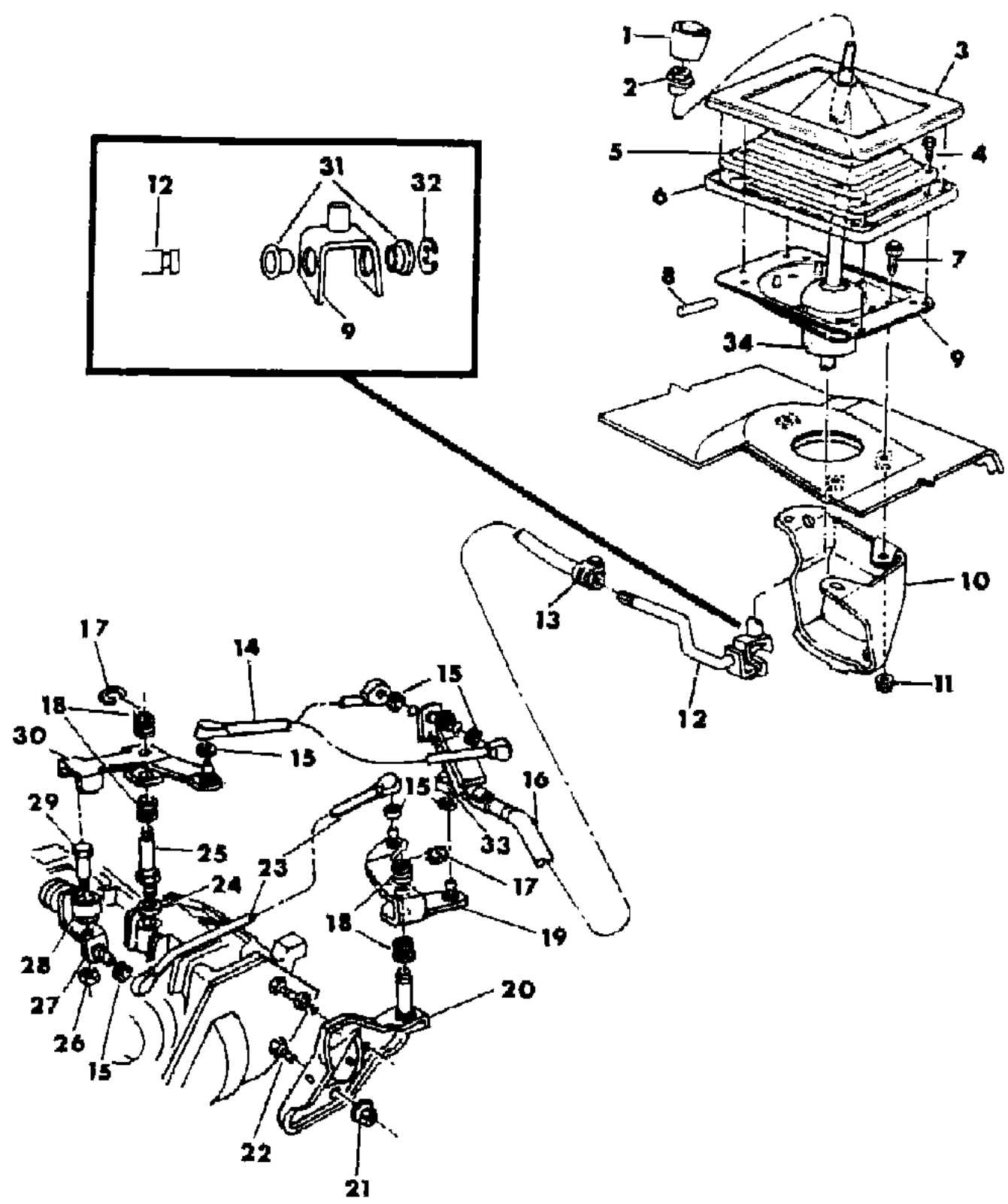
BODY STYLES

21 = 2-DOOR SEDAN	35 = FWD VAN	44 = 4-DOOR HATCHBACK
22 = 2-DOOR SPECIAL COUPE	36 = FWD WAGON	45 = 4-DOOR STATION WAGON
24 = 2-DOOR HATCHBACK	41 = 4-DOOR SEDAN	49 = LIMOUSINE
27 = 2-DOOR CONVERTIBLE		

AR = Use as Required - = Non Illustrated Part P.A.R. = Paint as Required

CONTROLS, GEARSHIFT MANUAL TRANSAXLE, A460,A525 M,Z
Figure 21M-900

5121 900



ITEM	PART NUMBER	QTY	BODY	MODEL	DESCRIPTION
	4340 126	1			w/Turbo Eng.
31	5206 161	2			BEARING, G/Shift Lever
32	6500 328	1			E-RING, G/Shift Lever
33	4348 401	1			BALL JOINT, Tube Clevis
	6100 525	1			NUT, Ball Joint Clevis, M10x1.50
34	5206 154	1			BOOT, G/Shift Mech., Lower

MODEL CODES

B = GRAN FURY	E = 600	M = HORIZON/TURISMO
C = LE BARON/TOWN & COUNTRY/LIMO	F = FIFTH AVENUE/NEWPORT	P = RELIANT
C24 = LASER	G = DIPLOMAT	T = NEW YORKER
C44 = LE BARON/GTS	H = VOYAGER	V = 600
D = ARIES	J = CARAVELLE	V24 = DAYTONA
D44 = LANCER	K = MINI VAN/CARAVAN/ROYAL	Z = OMNI/CHARGER

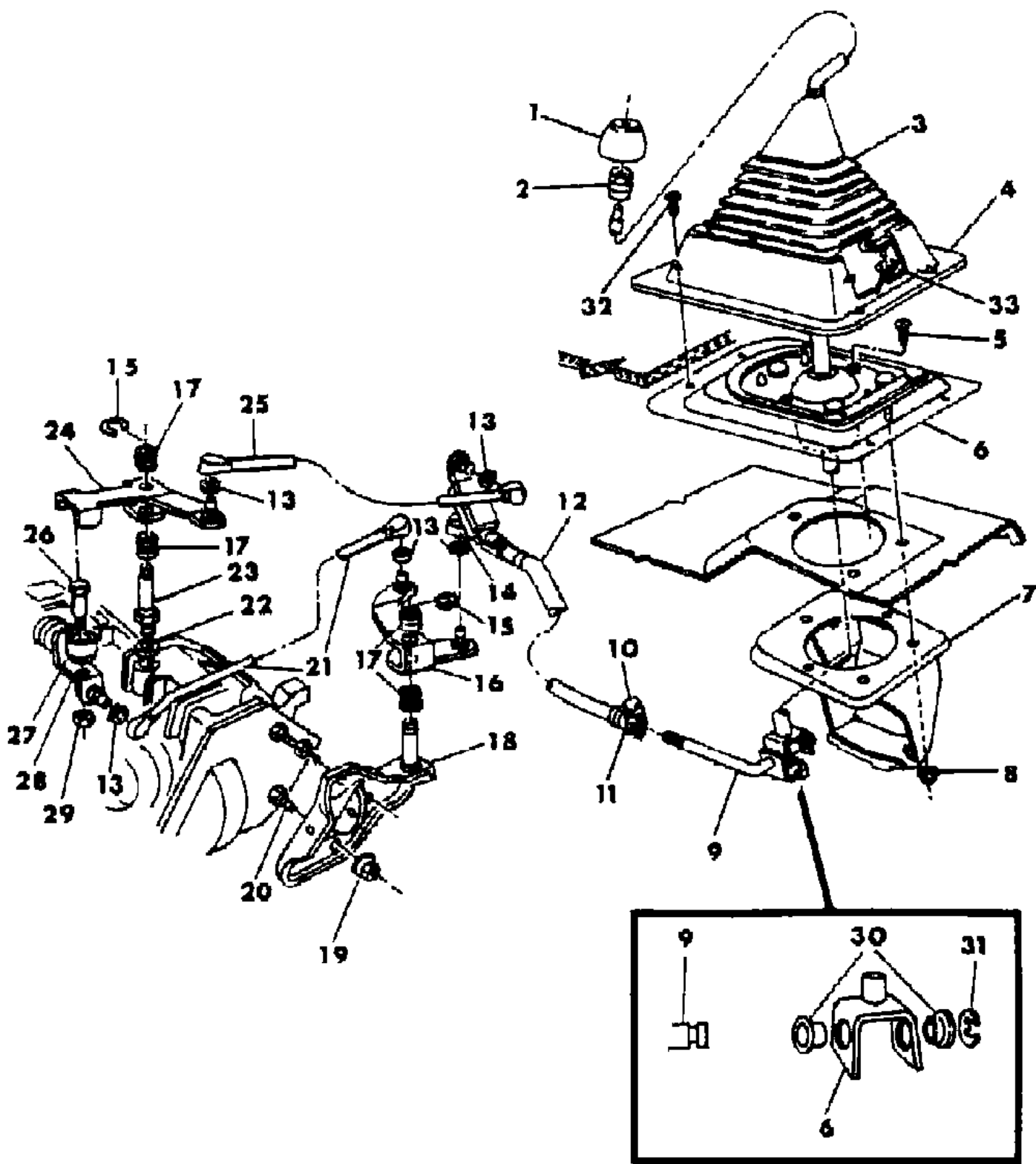
BODY STYLES

21 = 2-DOOR SEDAN	35 = FWD VAN	44 = 4-DOOR HATCHBACK
22 = 2-DOOR SPECIAL COUPE	36 = FWD WAGON	45 = 4-DOOR STATION WAGON
24 = 2-DOOR HATCHBACK	41 = 4-DOOR SEDAN	49 = LIMOUSINE
27 = 2-DOOR CONVERTIBLE		

AR = Use as Required - = Non Illustrated Part P.A.R. = Paint as Required

CONTROLS, GEARSHIFT, BENCH SEAT MANUAL TRANSAXLE, A460 P,D
Figure 21M-1000

5121 1000



ITEM	PART NUMBER	QTY	BODY	MODEL	DESCRIPTION
1	4295 375	1			KNOB, w/Retainer, G/Shift Lever
2	4295 374	1			NUT, G/Shift Lever Knob
3	4188 418	1			BOOT, G/Shift Mech.
4	F236 CX9	1			BASE, G/Shift Mech. Boot
5	0153 638	1			SCREW, (Assembly Aid)
6	4364 767	1			MECHANISM, w/Reverse Lock-Out Brkt., G/Shift
	0455 277	1			PIN, Selector Mechanism Lever
7	4348 430	1			BRACKET, Reverse Lock-Out
8	6100 050	3			NUT, Bracket Mtg., M8x1.25
9	4348 423	1			CONNECTOR, Tube To Mech.
10	6500 247	1			BOLT, Tube Connector Clamp
	6500 246	1			NUT, Tube Connector Clamp Bolt
11	4329 090	1			CLAMP, Tube To Connector
12	4348 428	1			TUBE, Selector
13	4340 107	5			SILENCER, Tube or Rod to Ball Joint, Up To 5-13-85
	4377 239	5			After 5-13-85
14	4348 401	1			BALL JOINT, Tube Clevis
	6100 525	1			NUT, Ball Joint Clevis, M10x1.50
15	6500 328	2			E-RING, Pivot Stud Clevis
16	4348 433	1			CLEVIS, Crossmember Lever
17	5206 161	4			BEARING, Lever Clevis
18	4329 088	1			BRACKET, Pivot & Eng. Roll Strut Mtg.
19	6100 517	3			NUT, Bracket Stud, Lock, M8x1.25
20	6500 921	3			STUD, Pivot Bracket To Case
21	4329 033	1			ROD, Control Selector, Gold
22	6100 132	1			WASHER, Pivot Stud, Coned, M12
23	4329 051	1			STUD, Pivot
24	4348 431	1			LEVER, Trans. Crossover
25	4348 403	1			ROD, Crossover
26	6500 562	1			SCREW, Shoulder
27	4188 456	1			BALL, Selector Crossover Lever
28	4329 147	1			LEVER, w/Ball Stud, G/Shift Operating
29	6100 499	1			NUT, Lock, M8x1.25
30	5206 161	2			BEARING, G/Shift Lever
31	6500 328	1			E-RING, G/Shift Lever
32		4			SCREW, (Not Serviced)
33	6100 839	4			NUT, Boot To Base, Push On

MODEL CODES
 B = GRAN FURY
 C = LE BARON/TOWN & COUNTRY/LIMO
 C24 = LASER
 C44 = LE BARON/GTS
 D = ARIES
 D44 = LANCER
 E = 600
 F = FIFTH AVENUE/NEWPORT
 G = DIPLOMAT
 H = VOYAGER
 J = CARAVELLE
 K = MINI VAN/CARAVAN/ROYAL
 M = HORIZON/TURISMO
 P = RELIANT
 T = NEW YORKER
 V = 600
 V24 = DAYTONA
 Z = OMNI/CHARGER

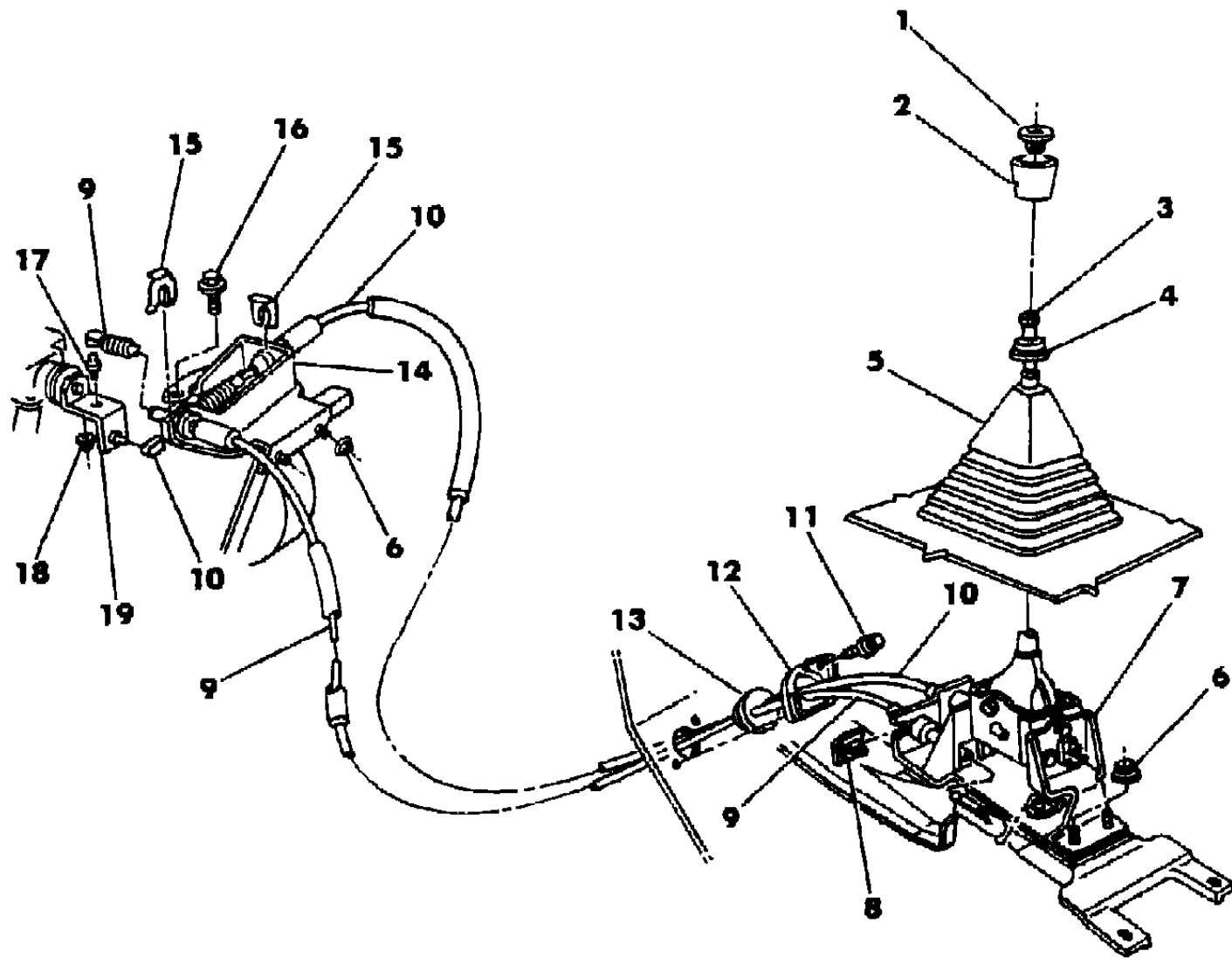
BODY STYLES
 21 = 2-DOOR SEDAN
 22 = 2-DOOR SPECIAL COUPE
 24 = 2-DOOR HATCHBACK
 27 = 2-DOOR CONVERTIBLE
 35 = FWD VAN
 36 = FWD WAGON
 41 = 4-DOOR SEDAN
 44 = 4-DOOR HATCHBACK
 45 = 4-DOOR STATION WAGON
 49 = LIMOUSINE

AR = Use as Required - = Non Illustrated Part P.A.R. = Paint as Required

CONTROLS, GEARSHIFT, BUCKET SEATS MANUAL TRANSAXLE, A525 P,D,V,C-D,C-44 (Except V,C-24)

Figure 21M-1100

5121 1100



ITEM	PART NUMBER	QTY	BODY	MODEL	DESCRIPTION
1	4269 817	1			RETAINER, w/Decal, Shift Knob
	4269 819	1			DECAL, Knob Retainer
2	4329 068	1			KNOB, G/Shift Lever
3	6500 780	1			NUT, G/Shift Lever Knob
4	4269 859	1			RING, Pull-Up
5	4269 408	1			BOOT, G/Shift Lever
	4283 340	1			BEZEL, G/Shift Opening Boot
6	6100 050	6			NUT, M8x1.25
7	4342 724	1			MECHANISM, Gearshift
8	4269 831	2			CLIP, Rear
9	4269 853	1			CABLE, Crossover, 47.32" Lg. (Except D,C-44)
	4340 173	1			48.90" Lg. (With D,C-44)
10	#4377 253	1			CABLE, Selector, 49.80" Lg. (Except D,C-44)
	4340 172	1			52.04" Lg. (With D,C-44)
11	6032 238	2			SCREW, Grommet Retainer
12	4329 013	1			PLATE, Dash Grommet
13	4295 366	1			GROMMET, Dash Cable Retainer
14	4329 011	1			BRACKET, Cable Mtg. Front
15	4269 830	2			CLIP, Front
16	6100 341	1			SCREW, Brkt. Retaining, M12x1.75x25
17	4269 461	1			STUD, Crossover Cable
18	6100 499	1			NUT, Lock, M8x1.25
19	4329 147	1			LEVER, w/Ball Stud, G/Shift Operating
	4340 107	2			SILENCER, Cable to Ball Joint, Up To 5-1-85
	4377 239	2			After 5-1-85

MODEL CODES

B = GRAN FURY	E = 600	M = HORIZON/TURISMO
C = LE BARON/TOWN & COUNTRY/LIMO	F = FIFTH AVENUE/NEWPORT	P = RELIANT
C24 = LASER	G = DIPLOMAT	T = NEW YORKER
C44 = LE BARON/GTS	H = VOYAGER	V = 600
D = ARIES	J = CARAVELLE	V24 = DAYTONA
D44 = LANCER	K = MINI VAN/CARAVAN/ROYAL	Z = OMNI/CHARGER

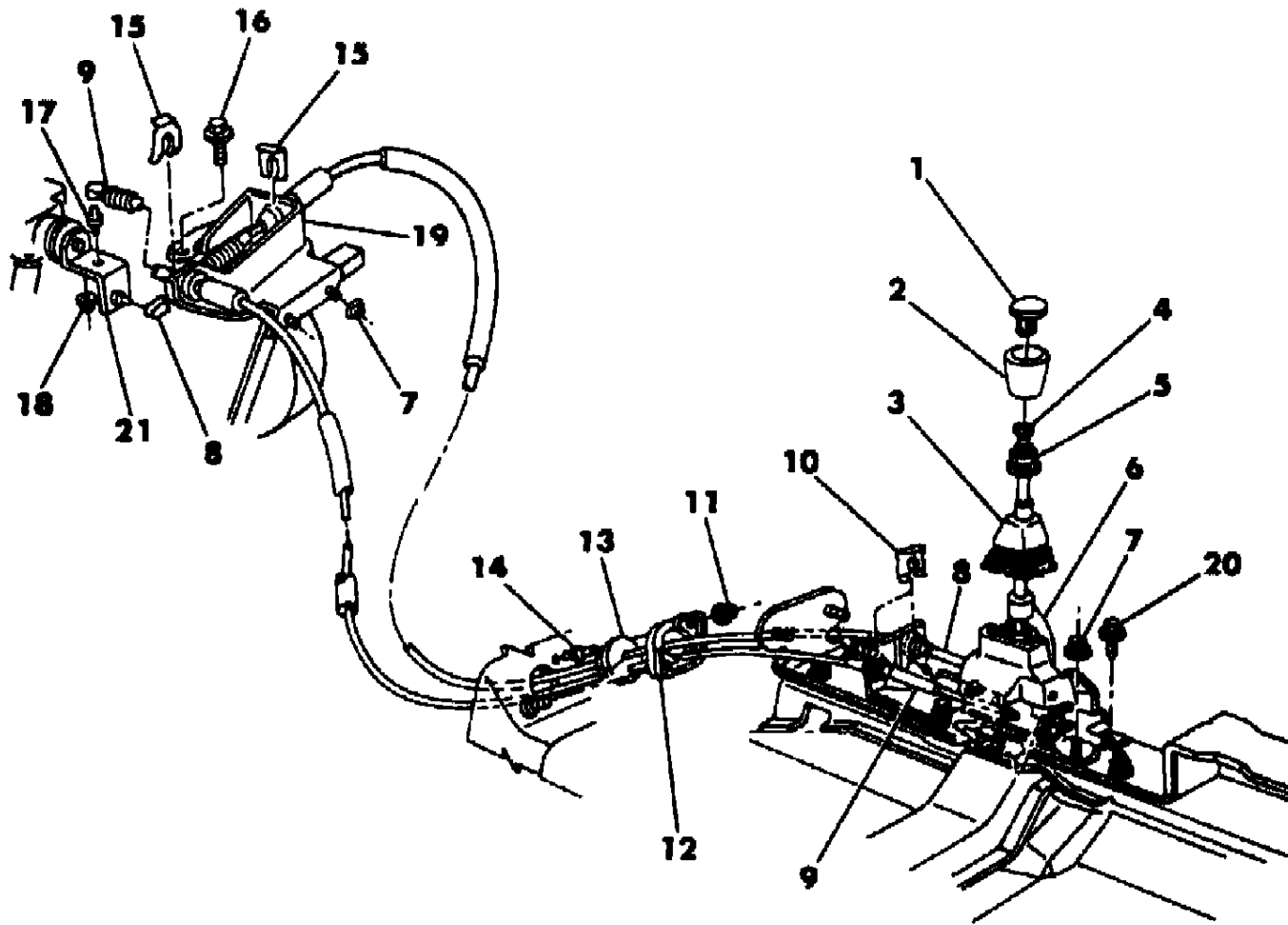
BODY STYLES

21 = 2-DOOR SEDAN	35 = FWD VAN	44 = 4-DOOR HATCHBACK
22 = 2-DOOR SPECIAL COUPE	36 = FWD WAGON	45 = 4-DOOR STATION WAGON
24 = 2-DOOR HATCHBACK	41 = 4-DOOR SEDAN	49 = LIMOUSINE
27 = 2-DOOR CONVERTIBLE		

AR = Use as Required - = Non Illustrated Part P.A.R. = Paint as Required

CONTROLS, GEARSHIFT MANUAL TRANSAXLE, A525 V,C-24
Figure 21M-1200

5121 1200



ITEM	PART NUMBER	QTY	BODY	MODEL	DESCRIPTION
1	4295 345	1			RETAINER, w/Decal, Shift Knob
2	4329 068	1			KNOB, G/Shift Lever
3	4295 350	1			BOOT, G/Shift Lever
4	6500 780	1			NUT, G/Shift Lever Knob
5	4269 859	1			RING, Pull-Up
6	4342 723	1			MECHANISM, Gearshift
7	6100 050	4			NUT, M8x1.25
8	4329 074	1			CABLE, Selector, 53.94" Lg.
9	4269 892	1			CABLE, Crossover, 50.78" Lg.
10	4269 831	2			CLIP, Rear
11	6025 002	2			NUT
12	4329 013	1			PLATE, Cable Grommet
13	4295 366	1			GROMMET, Cable Retaining
14	6032 482	2			STUD, Grommet Retaining
15	4269 830	2			CLIP, Front
16	6100 341	1			SCREW, Bracket Mtg., M12x1.75x25
17	4269 461	1			STUD, Crossover Cable
18	6100 499	1			NUT, Lock, M8x1.25
19	4329 011	1			BRACKET, Cable Mtg. Front
20		2			SCREW, (Not Serviced)
21	4329 147	1			LEVER, G/Shift Operating
	4340 107	2			SILENCER, Cable to Ball Joint, Up To 4-19-85
	4377 239	2			After 4-19-85

MODEL CODES

B = GRAN FURY	E = 600	M = HORIZON/TURISMO
C = LE BARON/TOWN & COUNTRY/LIMO	F = FIFTH AVENUE/NEWPORT	P = RELIANT
C24 = LASER	G = DIPLOMAT	T = NEW YORKER
C44 = LE BARON/GTS	H = VOYAGER	V = 600
D = ARIES	J = CARAVELLE	V24 = DAYTONA
D44 = LANCER	K = MINI VAN/CARAVAN/ROYAL	Z = OMNI/CHARGER

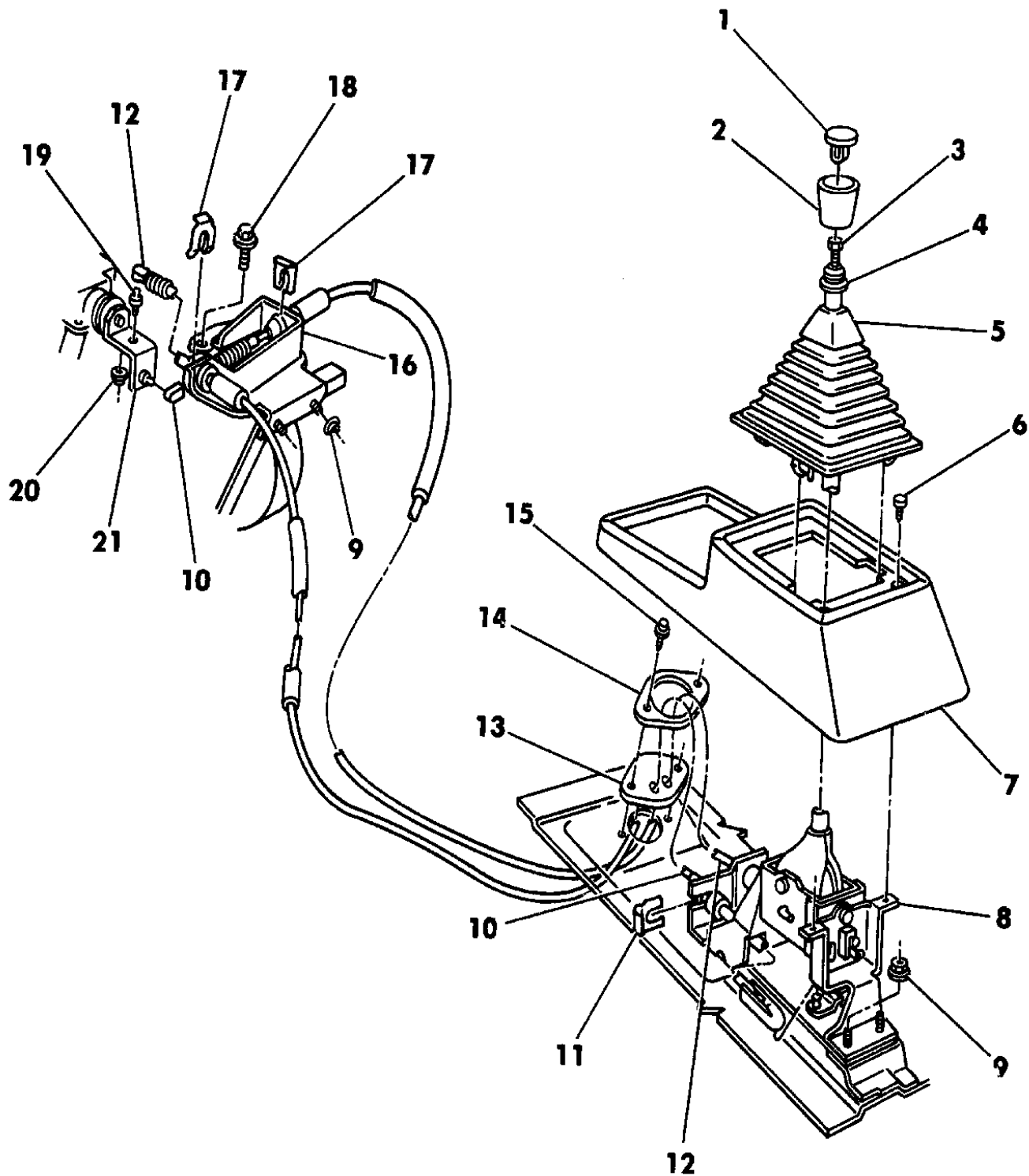
BODY STYLES

21 = 2-DOOR SEDAN	35 = FWD VAN	44 = 4-DOOR HATCHBACK
22 = 2-DOOR SPECIAL COUPE	36 = FWD WAGON	45 = 4-DOOR STATION WAGON
24 = 2-DOOR HATCHBACK	41 = 4-DOOR SEDAN	49 = LIMOUSINE
27 = 2-DOOR CONVERTIBLE		

AR = Use as Required - = Non Illustrated Part P.A.R. = Paint as Required

CONTROLS, GEARSHIFT MANUAL TRANSAXLE, A460,A525 H,K
Figure 21M-1300

5121 1300A



ITEM	PART NUMBER	QTY	BODY	MODEL	DESCRIPTION
1	4269 816	1			RETAINER, w/Decal G/Shift Knob, w/4 Speed
	4269 817	1			w/5 Speed
	4269 818	1			DECAL, Knob Retainer w/4 Speed
	4269 819	1			w/5 Speed
2	4329 068	1			KNOB, G/Shift Lever
3	6500 780	1			NUT, G/Shift Lever Knob
4	4269 859	1			RING, Pull-Up
5	4269 442	1			BOOT, G/Shift Lever
6		2			SCREW
7	F239 CT8	1			BASE, G/Shift Mechanism, Brown
	F239 DT5	1			Tan
	F239 CS8	1			Charcoal
	F239 CM6	1			Red
	F239 CB5	1			Blue Medium
8	4342 725	1			MECHANISM, G/Shift
9	6100 050	6			NUT, M8x1.25
10	4340 104	1			CABLE, G/Shift Selector, 51.18" Lg.
11	4269 831	2			CLIP, Cable, Rear
12	4340 103	1			CABLE, G/Shift Crossover, 46.85" Lg.
13	4340 144	1			GROMMET
14	4295 319	1			PLATE, Cable Grommet
15	6032 817	2			SCREW, Plate
16	4329 014	1			BRACKET, Cable Mtg.
17	4269 830	2			CLIP, Cable Mtg., Front
18	6100 341	1			SCREW, Bracket Mtg., M12x1.75x25
19	4269 461	1			STUD, Crossover Cable
20	6100 499	1			NUT, Lever Stud Lock, M8x1.25
21	4329 147	1			LEVER, G/Shift Operating
	4340 107	2			SILENCER, Cable to Ball Joint, Up To 4-24-85
	4377 239	2			After 4-24-85

MODEL CODES

B = GRAN FURY	E = 600	M = HORIZON/TURISMO
C = LE BARON/TOWN & COUNTRY/LIMO	F = FIFTH AVENUE/NEWPORT	P = RELIANT
C24 = LASER	G = DIPLOMAT	T = NEW YORKER
C44 = LE BARON/GTS	H = VOYAGER	V = 600
D = ARIES	J = CARAVELLE	V24 = DAYTONA
D44 = LANCER	K = MINI VAN/CARAVAN/ROYAL	Z = OMNI/CHARGER

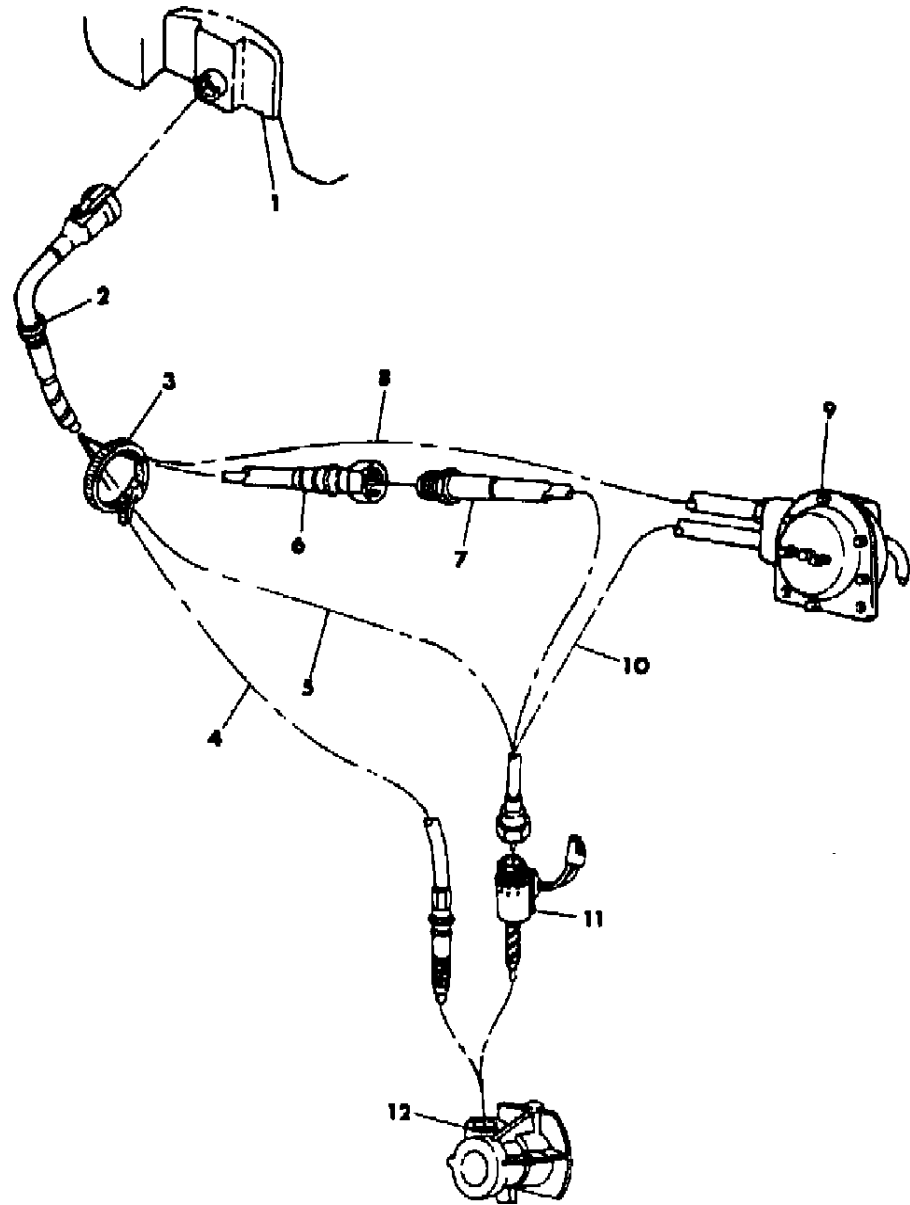
BODY STYLES

21 = 2-DOOR SEDAN	35 = FWD VAN	44 = 4-DOOR HATCHBACK
22 = 2-DOOR SPECIAL COUPE	36 = FWD WAGON	45 = 4-DOOR STATION WAGON
24 = 2-DOOR HATCHBACK	41 = 4-DOOR SEDAN	49 = LIMOUSINE
27 = 2-DOOR CONVERTIBLE		

AR = Use as Required - = Non Illustrated Part P.A.R. = Paint as Required

CABLE, SPEEDOMETER MANUAL TRANSAXLE
Figure 21M-1400

51211400



ITEM	PART NUMBER	QTY	BODY	MODEL	DESCRIPTION
1					SPEEDOMETER, (Ref.)
2	3593 446	1			GROMMET, Speedo. Cable Dash
3	6015 756	1			CLIP, Speedo. Cable To Heater Hose
4					CABLE, Speedometer to Transmission
5	4312 819	1		H,K	41" Long, 1/2" Clip-On Upper, 5/8" Female Lower
6	4312 328	1		M,Z	40" Long, UPPER, 1/2" Clip-On, 5/8" Female
	4312 332	1		P,D,V,C	44" Long, UPPER, 1/2" Clip-On, 5/8" Female
	4312 332	1		V,C-24,	44" Long, UPPER, 1/2" Clip-On, 5/8" Female
7	4312 816	1		ALL	22" Long, LOWER, 5/8" Male, 5/8" Female
8					CABLE, Speedometer to Speed Control (Refer To Group 14)
9					SPEED CONTROL, (Ref.)
10					CABLE, Speed Control to Transmission (Refer To Group 14)
11	4312 032	1			SENSOR, Distance
12					TRANSMISSION, (Ref.)
					SHAFT, Cable Drive, Universal Drive Type (Not Illustrated)
	2448 294	1			80" Long
	2448 295	1			113" Long

MODEL CODES

B = GRAN FURY	E = 600	M = HORIZON/TURISMO
C = LE BARON/TOWN & COUNTRY/LIMO	F = FIFTH AVENUE/NEWPORT	P = RELIANT
C24 = LASER	G = DIPLOMAT	T = NEW YORKER
C44 = LE BARON/GTS	H = VOYAGER	V = 600
D = ARIES	J = CARAVELLE	V24 = DAYTONA
D44 = LANCER	K = MINI VAN/CARAVAN/ROYAL	Z = OMNI/CHARGER

BODY STYLES

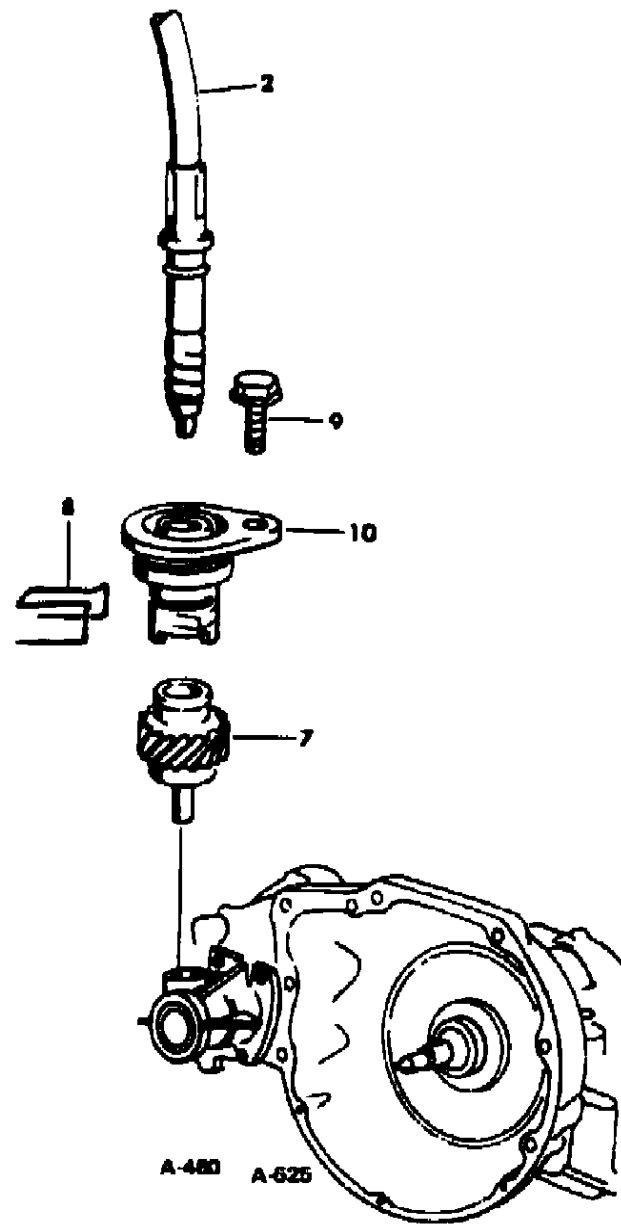
21 = 2-DOOR SEDAN	35 = FWD VAN	44 = 4-DOOR HATCHBACK
22 = 2-DOOR SPECIAL COUPE	36 = FWD WAGON	45 = 4-DOOR STATION WAGON
24 = 2-DOOR HATCHBACK	41 = 4-DOOR SEDAN	49 = LIMOUSINE
27 = 2-DOOR CONVERTIBLE		

AR = Use as Required - = Non Illustrated Part P.A.R. = Paint as Required

PINION, SPEEDOMETER CABLE DRIVE MANUAL TRANSAXLE

Figure 21M-1500

51211500



ITEM	PART NUMBER	QTY	BODY	MODEL	DESCRIPTION
2					CABLE, w/Housing (Refer to Illus. 1400)
7					PINION, Speedo Drive
	4269 950	1			19 Teeth, w/P185/75 R14 P/S WSW Misch. Tire
	5222 390	1			20 Teeth, w/13" And 14" Tire
	5222 388	1			21 Teeth, w/15" Tire
8	5222 006	1			RETAINER, Speedo Cable
9	6500 716	1			SCREW, Pinion Adapter, M6x1.00x16
10	4295 857	1			ADAPTER, Speedo Drive Pinion
	5212 152	1			O-RING, Pinion Adapter

MODEL CODES

B = GRAN FURY	E = 600	M = HORIZON/TURISMO
C = LE BARON/TOWN & COUNTRY/LIMO	F = FIFTH AVENUE/NEWPORT	P = RELIANT
C24 = LASER	G = DIPLOMAT	T = NEW YORKER
C44 = LE BARON/GTS	H = VOYAGER	V = 600
D = ARIES	J = CARAVELLE	V24 = DAYTONA
D44 = LANCER	K = MINI VAN/CARAVAN/ROYAL	Z = OMNI/CHARGER

BODY STYLES

21 = 2-DOOR SEDAN	35 = FWD VAN	44 = 4-DOOR HATCHBACK
22 = 2-DOOR SPECIAL COUPE	36 = FWD WAGON	45 = 4-DOOR STATION WAGON
24 = 2-DOOR HATCHBACK	41 = 4-DOOR SEDAN	49 = LIMOUSINE
27 = 2-DOOR CONVERTIBLE		

AR = Use as Required - = Non Illustrated Part P.A.R. = Paint as Required

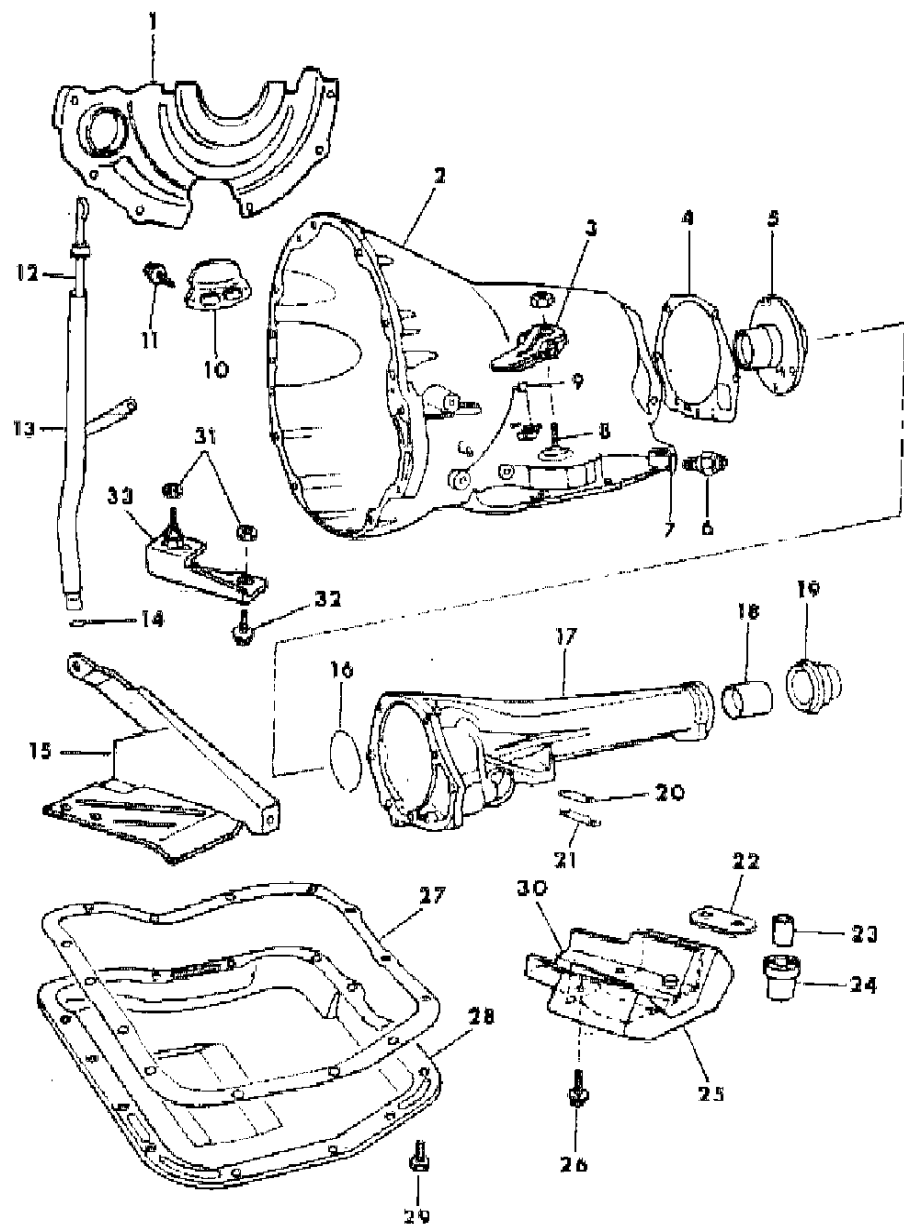
GROUP 21A - TRANSMISSION, AUTO.

ILLUSTRATION TITLE	GROUP-FIG. NO.
TRANSMISSION, w/CASE AND EXTENSION AUTOMATIC, A904	Fig. 21A-100
PUMP, OIL w/REACTION SHAFT AUTOMATIC TRANSMISSION, A904	Fig. 21A-150
GOVERNOR AND PARKING SPRAG AUTOMATIC TRANSMISSION, A904	Fig. 21A-200
SERVOS, ACCUMULATOR, PISTONS AND SPRINGS AUTOMATIC TRANSMISSION, A904	Fig. 21A-300
BANDS, REVERSE AND KICKDOWN, w/LINKAGE AUTOMATIC TRANSMISSION, A904	Fig. 21A-400
VALVE BODY AUTOMATIC TRANSMISSION, A904	Fig. 21A-500
CLUTCH, FRONT AND REAR, w/GEAR TRAIN AUTOMATIC TRANSMISSION, A904	Fig. 21A-700
GEAR TRAIN AND OUTPUT SHAFT AUTOMATIC TRANSMISSION, A904	Fig. 21A-900
TRANSAXLE ASSEMBLIES AND MOUNTING AUTOMATIC CHRYSLER, A413,A470	Fig. 21A-1400
CASE, EXTENSION AND RETAINER AUTOMATIC TRANSAXLE, A413,A470	Fig. 21A-1500
PUMP, OIL, w/REACTION SHAFT AUTOMATIC TRANSAXLE, A413,A470	Fig. 21A-1600
GOVERNOR AUTOMATIC TRANSAXLE, A413,A470	Fig. 21A-1700
SERVOS, ACCUMULATOR PISTON AND SPRINGS AUTOMATIC TRANSAXLE, A413,A470	Fig. 21A-1800
BANDS, REVERSE AND KICKDOWN, w/PARKING SPRAG AUTOMATIC TRANSAXLE, A413,A470	Fig. 21A-1900
VALVE BODY AUTOMATIC TRANSAXLE, A413,A470	Fig. 21A-2000
SHAFT, TRANSFER AUTOMATIC TRANSAXLE, A413,A470	Fig. 21A-2100
CLUTCH, FRONT AUTOMATIC TRANSAXLE, A413,A470	Fig. 21A-2200
CLUTCH, REAR AND INPUT SHAFT AUTOMATIC TRANSAXLE, A413,A470	Fig. 21A-2300
GEARS, FRONT ANNULUS AND SUN AUTOMATIC TRANSAXLE, A413,A470	Fig. 21A-2400
SHAFT, OUTPUT w/REAR CARRIER, REVERSE DRUM, AND OVERRUNING CLUTCH AUTOMATIC TRANSAXLE, A413,A470	Fig. 21A-2500
DIFFERENTIAL AUTOMATIC TRANSAXLE, A413,A470	Fig. 21A-2600
CONTROLS, GEARSHIFT, FLOOR SHIFT AUTOMATIC TRANSAXLE M,Z	Fig. 21A-2700
CONTROLS, GEARSHIFT, FLOOR SHIFT AUTOMATIC TRANSAXLE V,C-27 CONV.	Fig. 21A-2800
CONTROLS, GEARSHIFT, COLUMN SHIFT AUTOMATIC TRANSAXLE P,D,V,C,J,E,T,D,C-44,H,K EXCEPT V,C-24	Fig. 21A-2900
CONTROLS, GEARSHIFT, FLOOR SHIFT AUTOMATIC TRANSAXLE P,D,V,C-24,D,C-44 EXCEPT V,C-27 ..	Fig. 21A-3000
CONTROLS, GEARSHIFT, LOWER w/COLUMN SHIFT AUTOMATIC TRANSMISSION, A904 B,F,G	Fig. 21A-3100
LEVER, COLUMN SHIFT, AND INDICATOR AUTOMATIC TRANSMISSION	Fig. 21A-3200
CABLES, SPEEDOMETER AUTOMATIC TRANSMISSION	Fig. 21A-3300
PINION AND ADAPTER, SPEEDOMETER CABLE DRIVE AUTOMATIC TRANSAXLE	Fig. 21A-3400
PINION AND ADAPTER, SPEEDOMETER CABLE DRIVE AUTOMATIC TRANSMISSION, B,F,G	Fig. 21A-3500

ILLUSTRATION NOT AVAILABLE AT TIME OF PUBLICATION

TRANSMISSION, w/CASE AND EXTENSION AUTOMATIC, A904
Figure 21A-100

5151 100



ITEM	PART NUMBER	QTY	BODY	MODEL	DESCRIPTION
NOTE: The Seven Digit Transmission Assembly Part Number is Stamped on the Left Side of the Transmisson Oil Pan Rail. e rear o the carburetor throttle body. A mirror is required to read the no. when the carburator is					
TRANSMISSION CROSS REFERENCE CHART					
PROD. SERV.					
ASSY. ASSY.					
The following are for Model A904:					
4058398 4058398					
4329436 4329436					
4295887 4295887					
	4186 862	1			SEAL and GASKET PACKAGE, Complete Trans.
	4295 887	1	B,F,G		TRANSMISSIONS ASSEMBLY, A904
	4329 436	1	B,F,G		w/318 Eng., w/(SC ELA) 2.24 Axle Ratio w/LU
	4058 398	1	B,F,G		w/318 Eng., w/(SC ELD H.D.) 2.6 Axle Ratio w/LU
1	4295 849	1			w/318 Eng., w/(SC ELE) 2.94 Axle Ratio w/LU Police
2	4130 977	1			SHIELD, Case Torque Converter
	3681 601	1			CASE, Transmission
	0118 749	2			MAGNET, Case Chip Collector
	6024 863	AR			CONNECTOR, Oil Cooler Tube Trans. End
	6027 891	2			SCREW, Cyl. Block to Trans. Case, 7/16"-14 x 2-1/8"
	6024 473	AR			7/16"-14 x 2"
	6024 864	AR			7/16"-14 X 1-7/8"
	6027 865	4			3/8"-16 X 1-7/8"
	6027 252	3			Case to Cyl. Block, 3/8"-16 x 1-3/8"
3	4071 980	1			3/8"-16 x 2-5/8"ck, 3/8"-16 x 1-3/8"
	2538 064	1			LEVER, Throttle Control, w/o Bolt and Nut,w/3 Holes, Straight
	2466 954	1			Type, 2.40" Lgh. Center to Center of Large Holes
4	2466 954	1			Manual Control, w/Console w/1/4" Hole at Rod End
5	2466 881	1			GASKET, Trans. Extension
	0179 818	4			SUPPORT, Output Shaft
6	4057 750	1			SCREW, Support, 5/16"-18 x 1"
7	2408 143	1			SWITCH, Trans. Neutral Starter and Back-Up Light, w/3 Prongs
8	3878 447	1			WASHER, Switch Mounting
9	1942 477	1			SEAL, Manual Valve Shaft
		1			SCREW, Kickdown Band Adjusting
10	2464 551	1			NUT, Lock, 1/2"-20 (Not Serviced)
11	6023 092	3			COVER, Torque Converter Drain
					SCREW, w/Washer

MODEL CODES

B = GRAN FURY	E = 600	M = HORIZON/TURISMO
C = LE BARON/TOWN & COUNTRY/LIMO	F = FIFTH AVENUE/NEWPORT	P = RELIANT
C24 = LASER	G = DIPLOMAT	T = NEW YORKER
C44 = LE BARON/GTS	H = VOYAGER	V = 600
D = ARIES	J = CARAVELLE	V24 = DAYTONA
D44 = LANCER	K = MINI VAN/CARAVAN/ROYAL	Z = OMNI/CHARGER

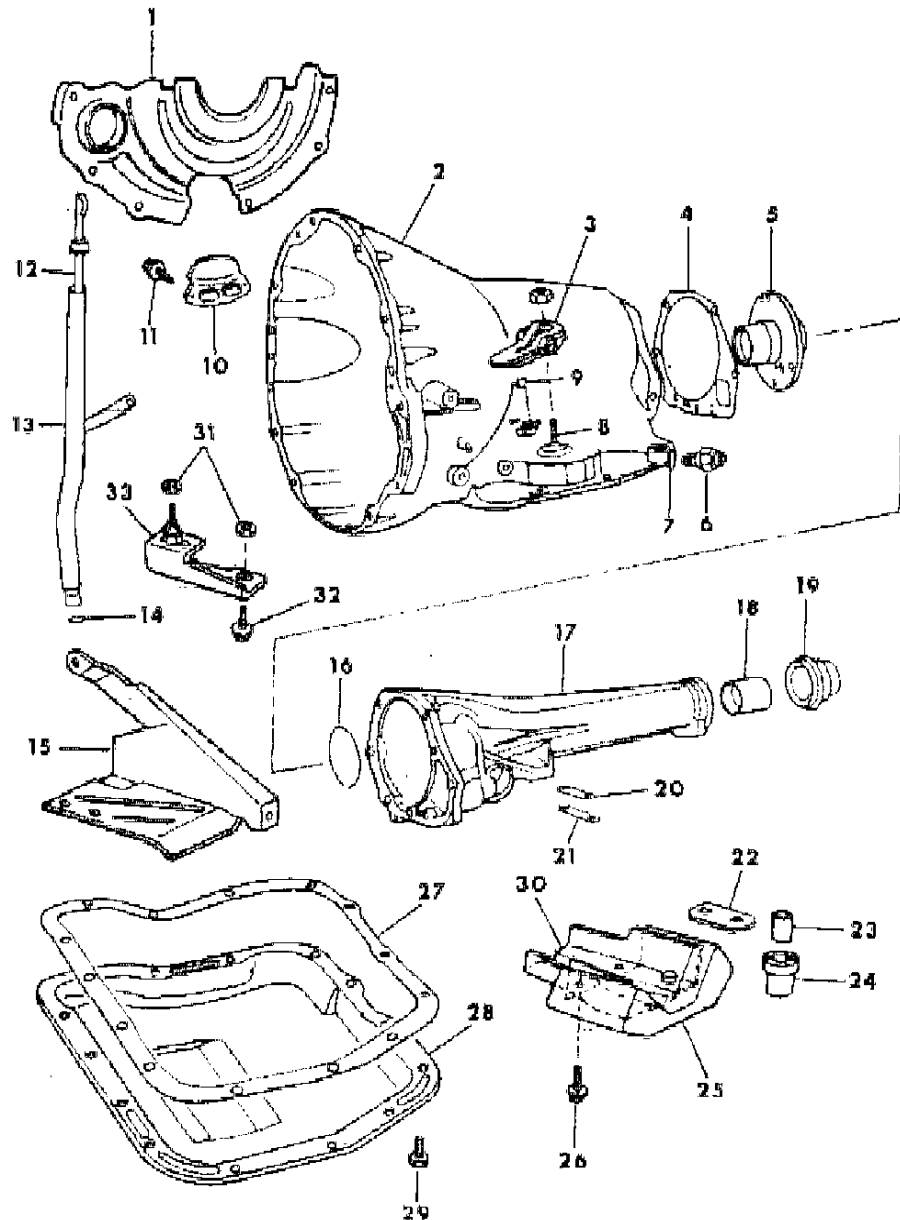
BODY STYLES

21 = 2-DOOR SEDAN	35 = FWD VAN	44 = 4-DOOR HATCHBACK
22 = 2-DOOR SPECIAL COUPE	36 = FWD WAGON	45 = 4-DOOR STATION WAGON
24 = 2-DOOR HATCHBACK	41 = 4-DOOR SEDAN	49 = LIMOUSINE
27 = 2-DOOR CONVERTIBLE		

AR = Use as Required - = Non Illustrated Part P.A.R. = Paint as Required

TRANSMISSION, w/CASE AND EXTENSION AUTOMATIC, A904
Figure 21A-100

5151 100



ITEM	PART NUMBER	QTY	BODY	MODEL	DESCRIPTION
12	4202 953	1			INDICATOR, Oil Level
13	4028 181	1			TUBE, Oil Pan Oil Filler
14	1316 815	1			SEAL, Oil Filler Tube
15	4071 089	1			STRUT, Trans. to Cyl. Block, Lt.
	4130 693	1			Trans. to Cyl. Block, Rt.
	6023 143	2			SCREW, Strut to Cyl. Block, 7/16"-14 x 1-1/8"
	0181 112	2			3/8"-16 x 1"
	6024 473	1			Strut to Case, LT., 7/16"-14 x 2"
	6023 143	AR			Strut to Case, 7/16"-14 x 1-1/8"
16	2400 185	1			SNAP RING, Output Shaft Brg., Outer
17	3780 230	1			EXTENSION, w/Bushing, Trans. Case
	6027 150	4			SCREW, 1-1/8" Lgh.
	6031 229	2			STUD
18	2801 726	1			BUSHING, Trans. Extension
19	4058 047	1			SEAL, Extension Yoke Oil
20	2801 398	1			GASKET, Output Shaft Brg., Inspection Cover
21	2466 957	1			COVER, Output Shaft Brg., Inspection
	6028 022	2			SCREW, 1/4"-20 x 5/8"
22	3681 614	1			PLATE, Damper Weight
23	3681 189	2			SPACER, Damper Weight
24	3681 514	2			INSULATOR, Damper Weight, Yellow
25	4028 383	1			WEIGHT, w/Spacers and Insulators
26	6032 047	2			BOLT, Damper Weight, 5/16"-18 x 1-1/2"
	6032 046	2			WASHER, Damper Weight Bolt
27	4295 875	1			GASKET, Trans. Oil Pan
28	4202 005	1			PAN, w/Plug, Trans. Oil
29	6023 355	14			SCREW, 5/16"-18 x 5/8"
30		1			SUPPORT, Damper Weight (Not Serviced)
31		2			SPACER, (Not Serviced)
32	0181 088	2			SCREW, 5/16"-18 x 1"
33	4028 635	1			BRACKET, Trans. Manual Low Blockout

MODEL CODES

B = GRAN FURY	E = 600	M = HORIZON/TURISMO
C = LE BARON/TOWN & COUNTRY/LIMO	F = FIFTH AVENUE/NEWPORT	P = RELIANT
C24 = LASER	G = DIPLOMAT	T = NEW YORKER
C44 = LE BARON/GTS	H = VOYAGER	V = 600
D = ARIES	J = CARAVELLE	V24 = DAYTONA
D44 = LANCER	K = MINI VAN/CARAVAN/ROYAL	Z = OMNI/CHARGER

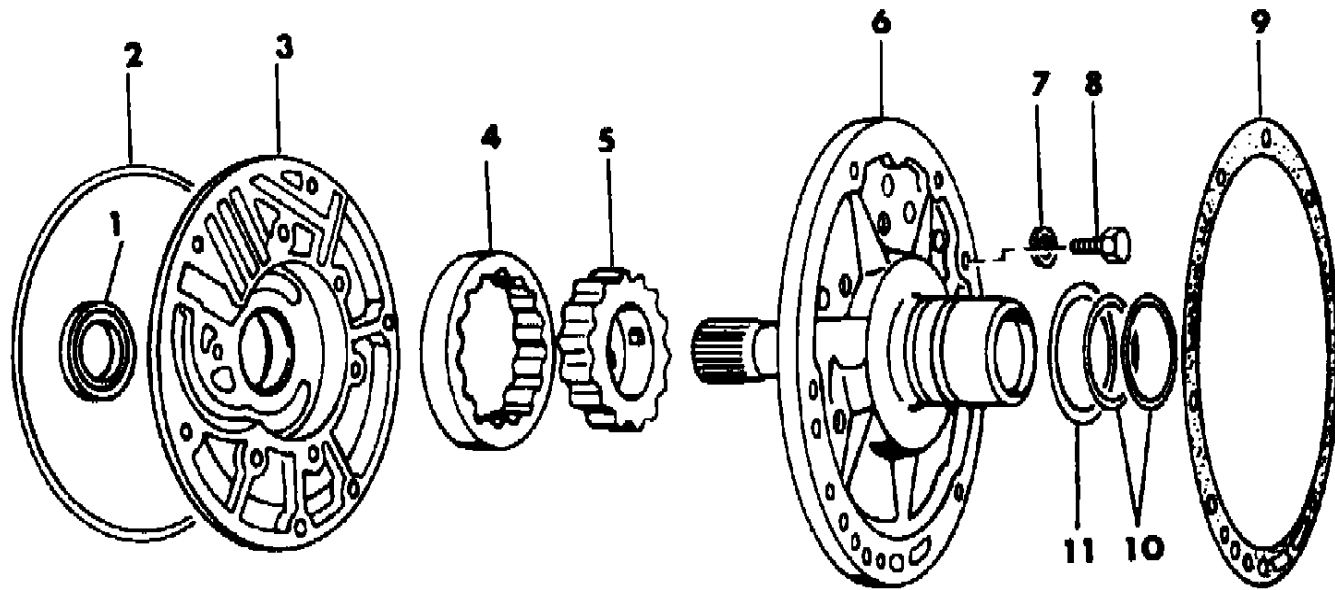
BODY STYLES

21 = 2-DOOR SEDAN	35 = FWD VAN	44 = 4-DOOR HATCHBACK
22 = 2-DOOR SPECIAL COUPE	36 = FWD WAGON	45 = 4-DOOR STATION WAGON
24 = 2-DOOR HATCHBACK	41 = 4-DOOR SEDAN	49 = LIMOUSINE
27 = 2-DOOR CONVERTIBLE		

AR = Use as Required - = Non Illustrated Part P.A.R. = Paint as Required

PUMP, OIL w/REACTION SHAFT AUTOMATIC TRANSMISSION, A904
Figure 21A-150

5151 150



Oil Pump and Reaction Shaft Support Disassembled

ITEM	PART NUMBER	QTY	BODY	MODEL	DESCRIPTION
	4131 042	1			SEAL and GASKET PACKAGE, Front Pump
					Consists of:
					1 - ----- SEAL, T/C Impeller Hub
					1 - ----- SEAL, Oil Pump
					1 - ----- GASKET, T/C Reaction Shaft Support
					2 - ----- RING SEAL, Reaction Shaft Support
					1 - ----- RING SEAL, Input Shaft, Frt.
					1 - ----- RING SEAL, Rr. Clutch Retainer
					1 - ----- RING SEAL, Rr. Clutch Retainer
					1 - ----- Sheet, Instruction
1	2466 796	1			BUSHING, Frt. Pump Housing
	4269 057	1			SEAL, T/C Impeller Hub
2	2204 709	1			SEAL, Frt. Pump Housing, 8-17/64" O.D.
3	4130 192	1			HOUSING, w/Bushing, and Rotors, Frt. Pump
	4202 089	1			HOUSING, w/Suppt. and Reaction Shaft
	6023 943	6			SCREW, Oil Pump Housing
4		1			ROTOR, (Serviced in Hsg. Assy.)
5		1			ROTOR, (Serviced in Hsg. Assy.)
6	4058 413	1			SHAFT, w/Support, Reaction
	4058 635	1			BUSHING, Reaction Shaft
	0104 918	AR			BALL, 1/4" Dia.
7		AR			LOCK WASHER, (Not Serviced)
8	0179 815	6			SCREW, w/Washer
9	4028 364	1			GASKET, Reaction Shaft Support
10	1942 389	2			RING, Reaction Shaft Support Seal, 2-1/16" I.D.
11	3410 572	1			WASHER, Clutch Thrust, 2.60" O.D.

MODEL CODES

B = GRAN FURY	E = 600	M = HORIZON/TURISMO
C = LE BARON/TOWN & COUNTRY/LIMO	F = FIFTH AVENUE/NEWPORT	P = RELIANT
C24 = LASER	G = DIPLOMAT	T = NEW YORKER
C44 = LE BARON/GTS	H = VOYAGER	V = 600
D = ARIES	J = CARAVELLE	V24 = DAYTONA
D44 = LANCER	K = MINI VAN/CARAVAN/ROYAL	Z = OMNI/CHARGER

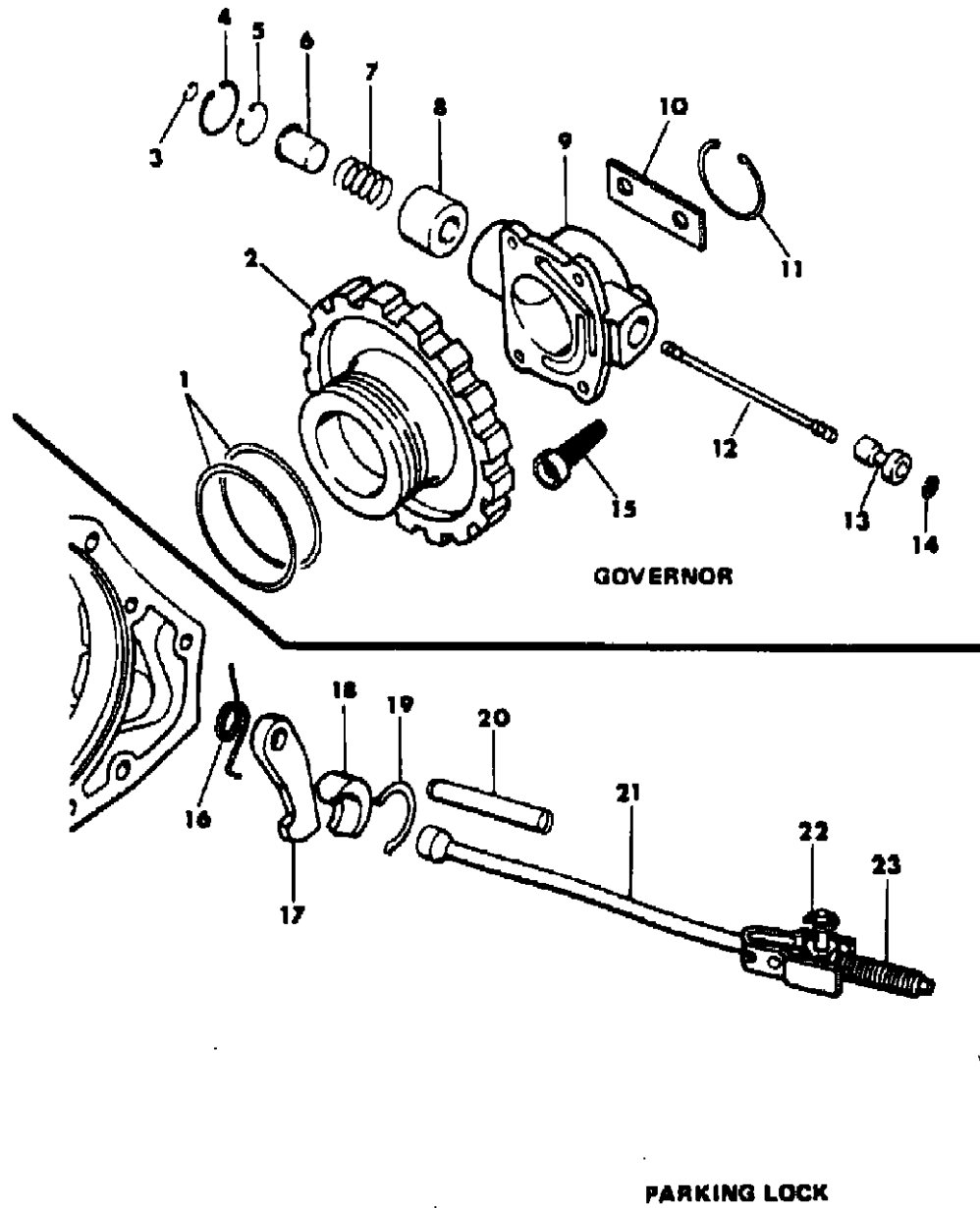
BODY STYLES

21 = 2-DOOR SEDAN	35 = FWD VAN	44 = 4-DOOR HATCHBACK
22 = 2-DOOR SPECIAL COUPE	36 = FWD WAGON	45 = 4-DOOR STATION WAGON
24 = 2-DOOR HATCHBACK	41 = 4-DOOR SEDAN	49 = LIMOUSINE
27 = 2-DOOR CONVERTIBLE		

AR = Use as Required - = Non Illustrated Part P.A.R. = Paint as Required

GOVERNOR AND PARKING SPRAG AUTOMATIC TRANSMISSION, A904
Figure 21A-200

5151 200



ITEM	PART NUMBER	QTY	BODY	MODEL	DESCRIPTION
	4106 556	1			SEAL, GASKET and FILTER PACKAGE, Governor Consists of: 1 - ----- Speedo. Pinion Small Parts Pkg. 1 - ----- FILTER, Governor 1 - ----- SEAL, Yoke (Small) 1 - ----- GASKET, Extension 1 - ----- GASKET, Output Shaft Brg. Cover 1 - ----- SEAL, Oil Filler Tube 2 - ----- RING SEAL, Governor Support
	4202 658	1			WEIGHT PACKAGE, Governor Consists of: 1- ----- WEIGHT, Inner 1- ----- WEIGHT, Outer 1- ----- SPRING
1	1942 109	2			RING, Gov. Support Seal, Frt. and Rr.
2	3743 518	1			SUPPORT, Governor .
3	1638 461	2			SNAP RING, Gov. Valve Shaft
4	6025 031	1			SNAP RING, Gov. Weight, Outer
5	1636 464	1			SNAP RING, Gov. Weight, Inner
6					WEIGHT, Gov., Inner (Serv. in Wt. Pkg. 4202658)
7					SPRING, Gov. Weight (Serv. in Wt. Pkg. 4202658)
8					WEIGHT, Trans. Gov., Outer (Serv. in Wt. Pkg. 4202658)
9	4186 874	1			BODY PACKAGE, Governor
	6031 613	4			BOLT, Trans. Governor Body
10	3743 520	2			LOCK, Gov. Body Bolt, Off-Set Type
11	6027 271	1			SNAP RING, Gov. Body
12	1556 082	1			SHAFT, Gov. Valve
13	3515 479	1			VALVE, Governor
14	1638 461	2			SNAP RING, Gov. Valve Shaft
15	3743 519	1			FILTER, Trans. Governor
16	2466 909	1			SPRING, Trans. Parking Sprag, Blue
17	2801 157	1			SPRAG, Trans. Parking
18	2538 042	1			PLUG, Parking, Sprag Reaction
	9417 504	1			PIN, Parking Sprag Reaction Plug
19	2538 034	1			SNAP RING, Parking Sprag Reaction Plug
20	2466 892	1			SHAFT, Trans. Parking Sprag
21	2466 906	1			ROD ASSEMBLY, Parking Sprag

MODEL CODES

B = GRAN FURY	E = 600	M = HORIZON/TURISMO
C = LE BARON/TOWN & COUNTRY/LIMO	F = FIFTH AVENUE/NEWPORT	P = RELIANT
C24 = LASER	G = DIPLOMAT	T = NEW YORKER
C44 = LE BARON/GTS	H = VOYAGER	V = 600
D = ARIES	J = CARAVELLE	V24 = DAYTONA
D44 = LANCER	K = MINI VAN/CARAVAN/ROYAL	Z = OMNI/CHARGER

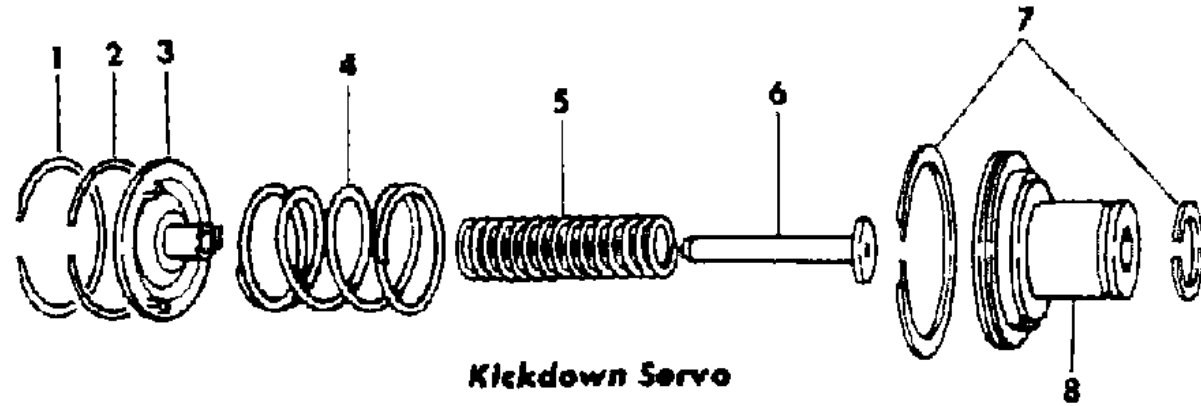
BODY STYLES

21 = 2-DOOR SEDAN	35 = FWD VAN	44 = 4-DOOR HATCHBACK
22 = 2-DOOR SPECIAL COUPE	36 = FWD WAGON	45 = 4-DOOR STATION WAGON
24 = 2-DOOR HATCHBACK	41 = 4-DOOR SEDAN	49 = LIMOUSINE
27 = 2-DOOR CONVERTIBLE		

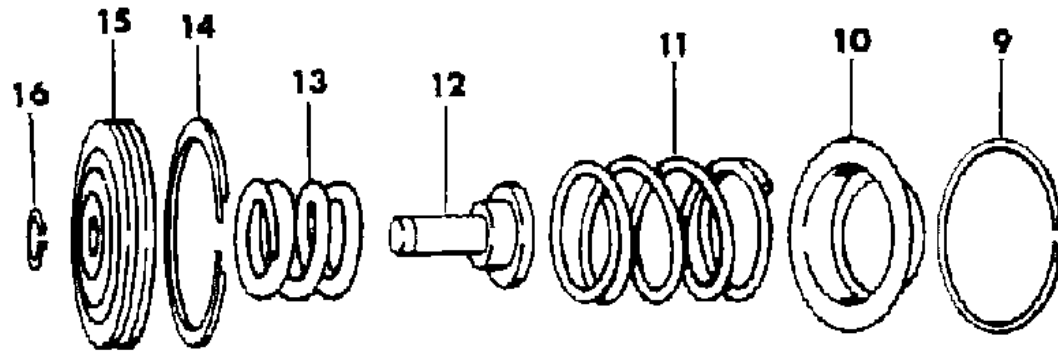
AR = Use as Required - = Non Illustrated Part P.A.R. = Paint as Required

SERVOS, ACCUMULATOR, PISTONS AND SPRINGS AUTOMATIC TRANSMISSION, A904
Figure 21A-300

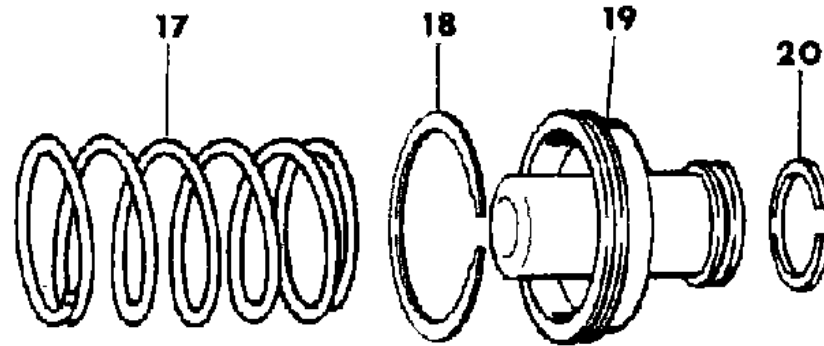
5151 300



Kickdown Servo



Low and Reverse Servo



Accumulator Piston and Spring

ITEM	PART NUMBER	QTY	BODY	MODEL	DESCRIPTION
1	6028 863	1			SNAP RING, Kickdown Servo Guide, 2-3/8" I.D.
2	3410 372	1			RING, Kickdown Servo Guide Seal, 2-3/8" O.D.
3	3410 332	1			GUIDE, Kickdown Servo
4	4058 885	1			SPRING, Kickdown Servo Piston, Outer, 4.5 Coils, 1-3/4" O.D.
6	4058 780	1			ROD, Kickdown Servo Piston
7	3410 374	1			RING, Kickdown Servo Piston Seal, Small, 1" O.D.
	3410 372	1			Large, 2-3/8" O.D.
8	4058 777	1			PISTON, Inner w/Rod and Seal, Kickdown Servo
	6028 864	1			SEAL, Inner, 15/16"
	6024 336	1			SNAP RING, Inner, 1-1/8" I.D.
9	2464 464	1			SNAP RING, Reverse Servo Piston Spring Retainer
10	2464 463	1			RETAINER, Reverse Servo Piston
11	2801 274	1			SPRING, Reverse Servo Piston
12	3743 353	1			PLUG, Reverse Servo Piston
13	4130 824	1			SPRING, Reverse Servo Cushion, Orange
14	4202 864	1			SEAL, Reverse Servo Piston
15	2801 271	1			PISTON, Reverse Servo
16	6027 153	1			RING, Reverse Servo Piston Plug, 7/16" I.D.
17	3515 079	1			SPRING, Accumulator, Lower
18	3743 013	1			RING, Accumulator Piston Seal, Large
19	3410 908	1			PISTON, Trans. Accumulator
20	3743 010	1			RING, Accumulator Piston Seal, Small

MODEL CODES

B = GRAN FURY	E = 600	M = HORIZON/TURISMO
C = LE BARON/TOWN & COUNTRY/LIMO	F = FIFTH AVENUE/NEWPORT	P = RELIANT
C24 = LASER	G = DIPLOMAT	T = NEW YORKER
C44 = LE BARON/GTS	H = VOYAGER	V = 600
D = ARIES	J = CARAVELLE	V24 = DAYTONA
D44 = LANCER	K = MINI VAN/CARAVAN/ROYAL	Z = OMNI/CHARGER

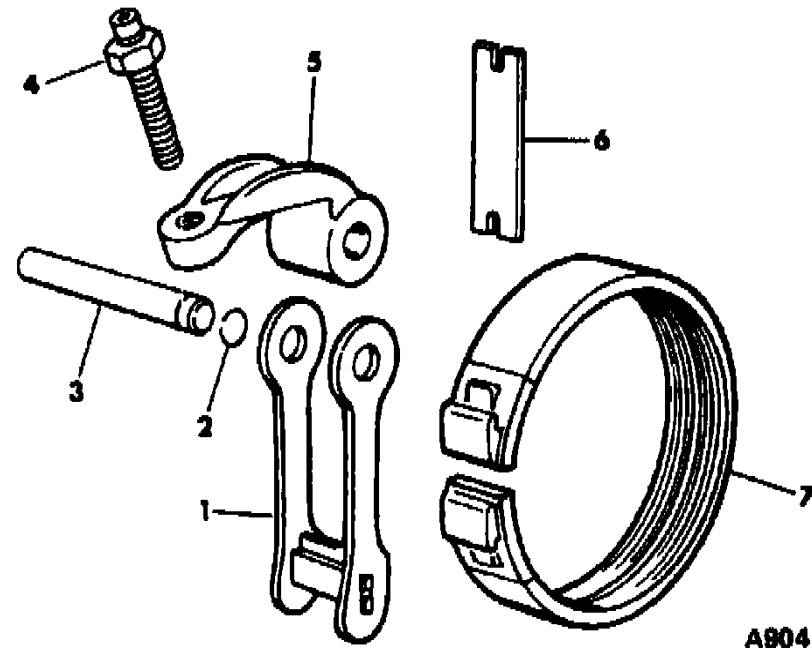
BODY STYLES

21 = 2-DOOR SEDAN	35 = FWD VAN	44 = 4-DOOR HATCHBACK
22 = 2-DOOR SPECIAL COUPE	36 = FWD WAGON	45 = 4-DOOR STATION WAGON
24 = 2-DOOR HATCHBACK	41 = 4-DOOR SEDAN	49 = LIMOUSINE
27 = 2-DOOR CONVERTIBLE		

AR = Use as Required - = Non Illustrated Part P.A.R. = Paint as Required

BANDS, REVERSE AND KICKDOWN, w/LINKAGE AUTOMATIC TRANSMISSION, A904
Figure 21A-400

5151 400



ITEM	PART NUMBER	QTY	BODY	MODEL	DESCRIPTION
1	2464 439	1			LINK, w/Anchor, Reverse Band
2	6030 657	1			SEAL, Reverse Band Shaft
	6030 657	1			Reverse Band Reaction Shaft
3	3410 102	1			SHAFT, Reverse Band Lever
	3410 102	1			Reverse Band Reaction
	1942 132	1			Kickdown
4	2538 472	1			SCREW, Reverse Band Adj., 3/8"-24
	1942 477	1			Kickdown Band Adj.
	0120 369	1			NUT, Reverse Band Adj. Screw Lock, 3/8"-24
5	2801 815	1			LEVER, w/Stem, Reverse Band
6	3515 084	1			STRUT, Kickdown Band
7	4058 863	1			BAND, Trans. Kickdown
	4130 981	1			Reverse
	2124 666	1			LEVER, Kickdown Band,(3.2 Ratio stamped on part) w/4295887 Trans. (Not Shown)
	2125 067	1			(3.8 Ratio stamped on part) Except 4295887 Trans. (Not Shown)

MODEL CODES

B = GRAN FURY	E = 600	M = HORIZON/TURISMO
C = LE BARON/TOWN & COUNTRY/LIMO	F = FIFTH AVENUE/NEWPORT	P = RELIANT
C24 = LASER	G = DIPLOMAT	T = NEW YORKER
C44 = LE BARON/GTS	H = VOYAGER	V = 600
D = ARIES	J = CARAVELLE	V24 = DAYTONA
D44 = LANCER	K = MINI VAN/CARAVAN/ROYAL	Z = OMNI/CHARGER

BODY STYLES

21 = 2-DOOR SEDAN	35 = FWD VAN	44 = 4-DOOR HATCHBACK
22 = 2-DOOR SPECIAL COUPE	36 = FWD WAGON	45 = 4-DOOR STATION WAGON
24 = 2-DOOR HATCHBACK	41 = 4-DOOR SEDAN	49 = LIMOUSINE
27 = 2-DOOR CONVERTIBLE		

AR = Use as Required - = Non Illustrated Part P.A.R. = Paint as Required

VALVE BODY AUTOMATIC TRANSMISSION, A904
Figure 21A-500

ITEM	PART NUMBER	QTY	BODY	MODEL	DESCRIPTION
	4205 872	1			SEAL and GASKET PACKAGE, Valve Body and Servo Consists of: 1 - ----- SCREEN, Reg. Valve 1 - ----- SEAL, Manual Valve Shaft 1 - ----- SEAL, Reverse Band Lever Shaft 1 - ----- SEAL, Reverse Servo Piston 1 - ----- SEAL, Throttle Lever Shaft 1 - ----- GASKET, Oil Pan 1 - ----- RING SEAL, Kickdown Servo Piston, Small 1 - ----- RING SEAL, Kickdown Servo Piston, Small 2 - ----- RING SEAL, Kickdown Servo Piston, Large 2 - ----- RING SEAL, Kickdown Servo Piston, Large 1 - ----- RING SEAL, Accumulator, Small 1 - ----- RING SEAL, Accumulator, Large 1 - ----- FILTER, Oil
1	4202 634	1			VALVE BODY ASSEMBLY, w/Transfer Plate w/4058398 Trans., Olive
	4295 888	1			w/4295887,4329436 Trans., Blue
2	6030 888	2			SCREW, L/U Valve Body Cover, 10-24 x 7/16"
	6030 889	AR			10-24 x 1"
3					COVER, (Serv. in Valve Body)
4	4202 642	1			SPRING, Trans. L/U Valve
5	4202 209	1			BODY, L/U Valve
6	4202 474	1			VALVE, Trans. Switch
	6030 366	2			SCREW, L/U Valve Body to T/Plate, 10-24 x 1-1/2"
7	0147 488	1			BALL, Manual Lever Detent, 11/32"
8	6025 857	1			E-RING, Throttle Valve Lever Shaft
9	2538 062	1			WASHER, Throttle Valve Lever Shaft
10	2466 548	1			SEAL, Throttle Valve Lever Shaft
11	3410 484	1			LEVER, w/Insulator, Manual Valve
12	3878 447	1			SEAL, Manual Valve Shaft
13	3681 227	1			LEVER, Throttle Valve
14	3878 313	1			SCREEN, Regulator Valve
15	3515 996	1			FILTER, Trans. Oil
16	6030 895	AR			SCREW, Oil Filter
17	4130 492	1			SPRING, L/U Switch Valve
18	3743 840	1			BRACKET, Throttle Pressure Adj. Screw

MODEL CODES

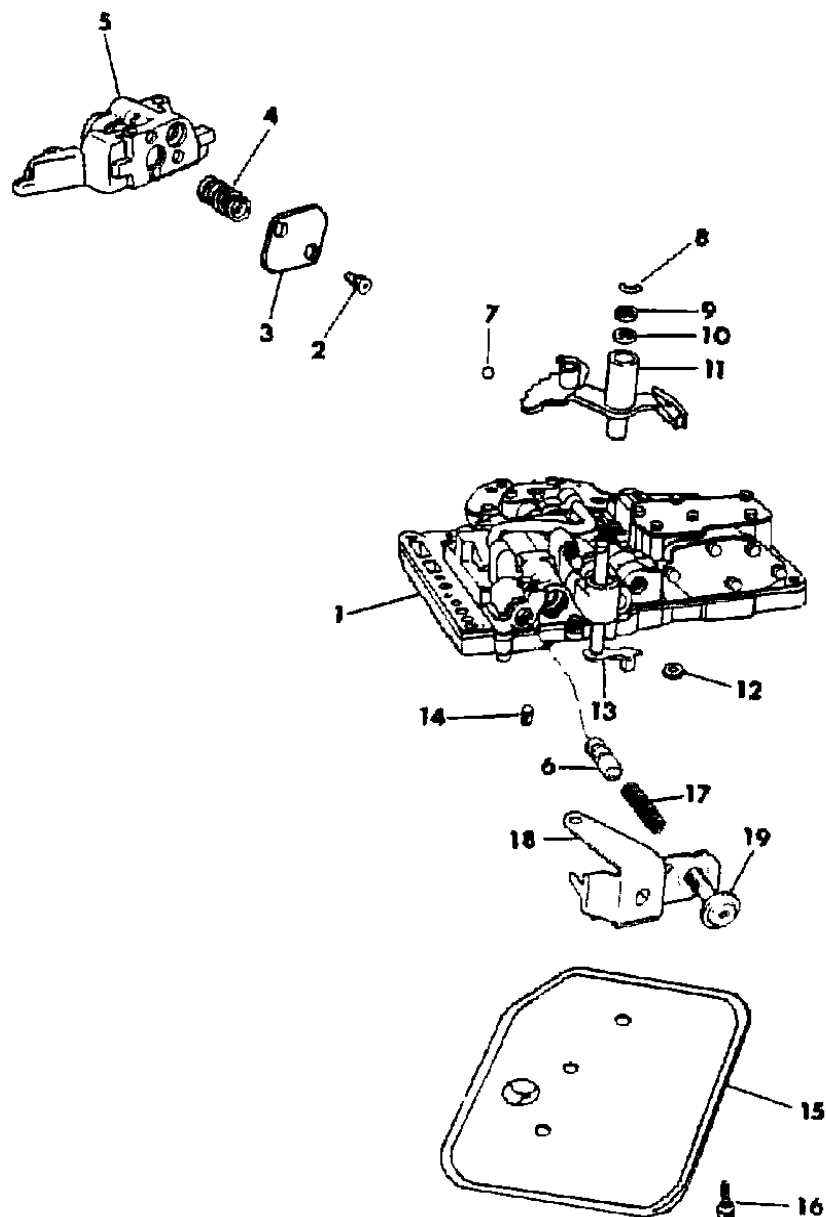
B = GRAN FURY	E = 600	M = HORIZON/TURISMO
C = LE BARON/TOWN & COUNTRY/LIMO	F = FIFTH AVENUE/NEWPORT	P = RELIANT
C24 = LASER	G = DIPLOMAT	T = NEW YORKER
C44 = LE BARON/GTS	H = VOYAGER	V = 600
D = ARIES	J = CARAVELLE	V24 = DAYTONA
D44 = LANCER	K = MINI VAN/CARAVAN/ROYAL	Z = OMNI/CHARGER

BODY STYLES

21 = 2-DOOR SEDAN	35 = FWD VAN	44 = 4-DOOR HATCHBACK
22 = 2-DOOR SPECIAL COUPE	36 = FWD WAGON	45 = 4-DOOR STATION WAGON
24 = 2-DOOR HATCHBACK	41 = 4-DOOR SEDAN	49 = LIMOUSINE
27 = 2-DOOR CONVERTIBLE		

AR = Use as Required - = Non Illustrated Part P.A.R. = Paint as Required

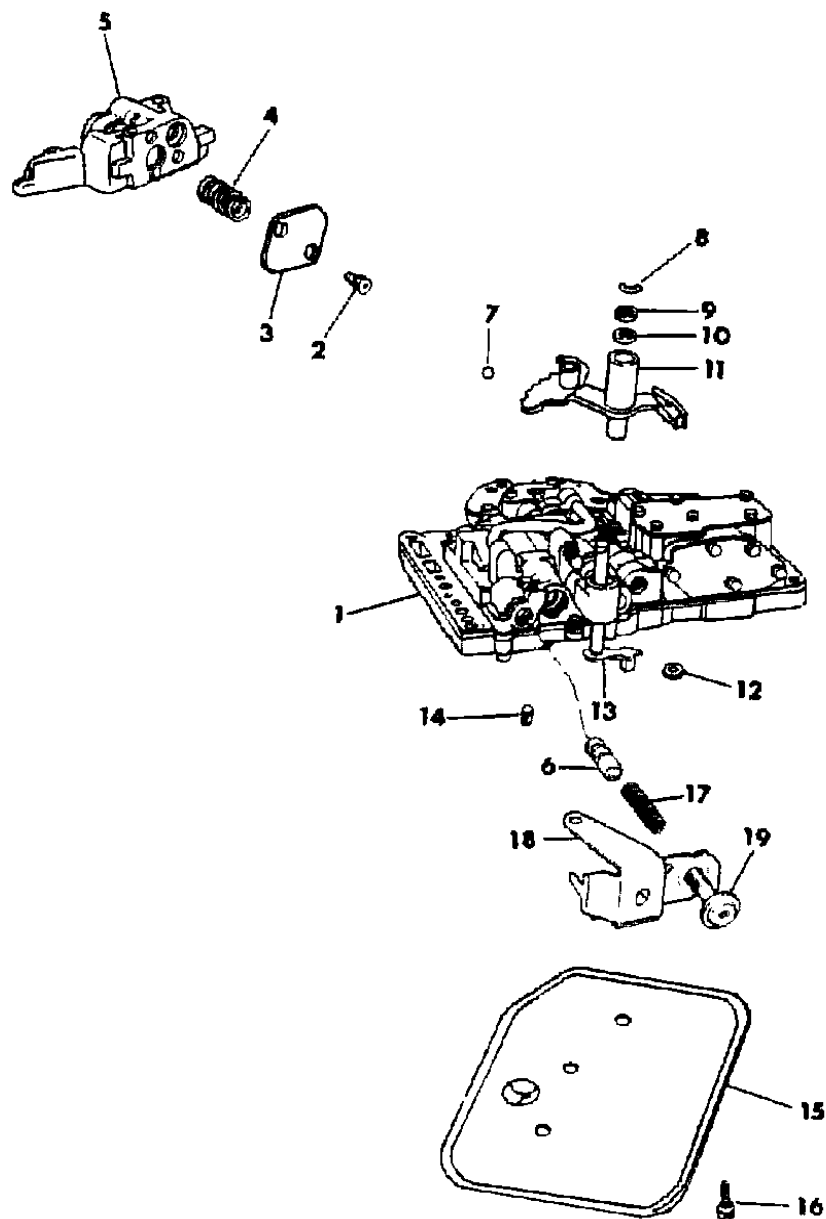
5151 500 A



VALVE BODY AUTOMATIC TRANSMISSION, A904
Figure 21A-500

ITEM	PART NUMBER	QTY	BODY	MODEL	DESCRIPTION
19	6030 609	1			SCREW, Throttle Pressure Adjusting

5151 500 A



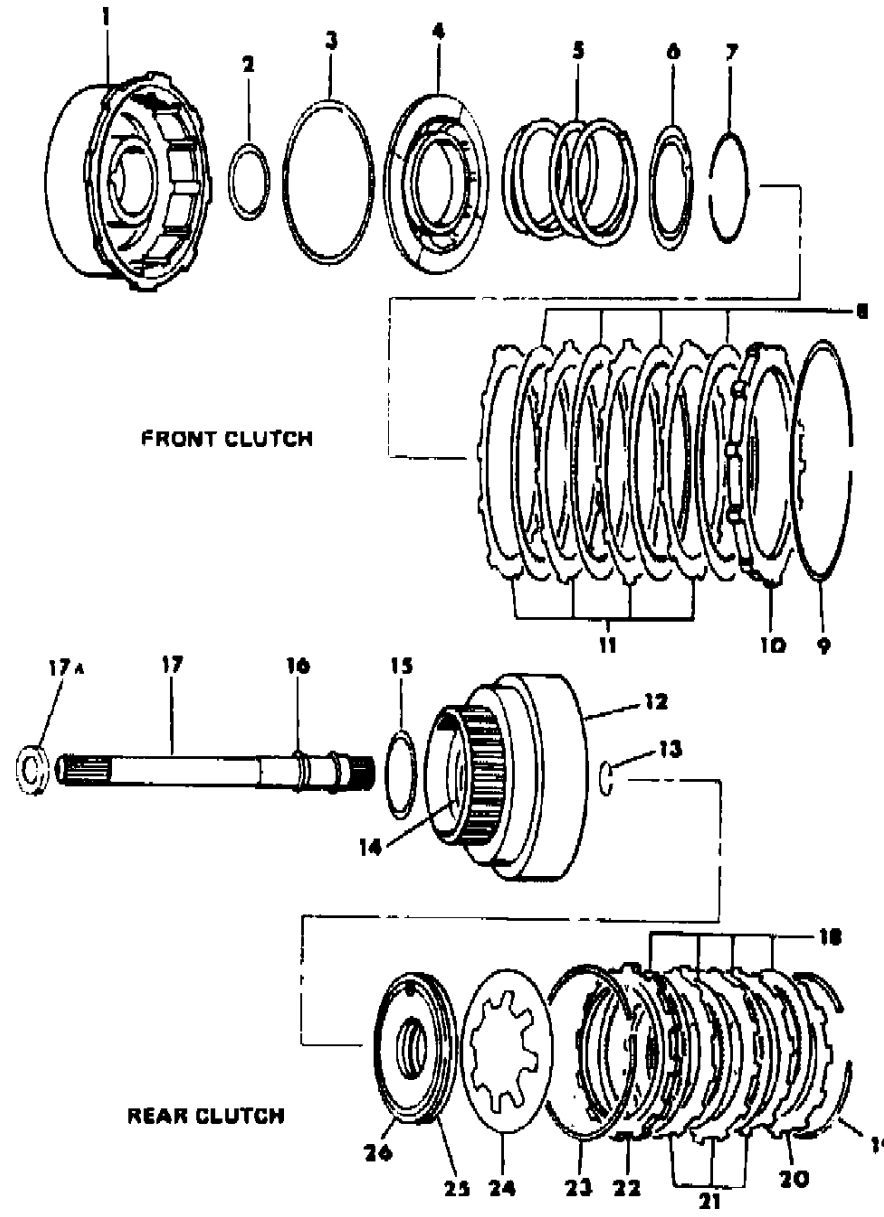
MODEL CODES
 B = GRAN FURY
 C = LE BARON/TOWN & COUNTRY/LIMO
 C24 = LASER
 C44 = LE BARON/GTS
 D = ARIES
 D44 = LANCER
 E = 600
 F = FIFTH AVENUE/NEWPORT
 G = DIPLOMAT
 H = VOYAGER
 J = CARAVELLE
 K = MINI VAN/CARAVAN/ROYAL
 M = HORIZON/TURISMO
 P = RELIANT
 T = NEW YORKER
 V = 600
 V24 = DAYTONA
 Z = OMNI/CHARGER

BODY STYLES
 21 = 2-DOOR SEDAN
 22 = 2-DOOR SPECIAL COUPE
 24 = 2-DOOR HATCHBACK
 27 = 2-DOOR CONVERTIBLE
 35 = FWD VAN
 36 = FWD WAGON
 41 = 4-DOOR SEDAN
 44 = 4-DOOR HATCHBACK
 45 = 4-DOOR STATION WAGON
 49 = LIMOUSINE

AR = Use as Required - = Non Illustrated Part P.A.R. = Paint as Required

CLUTCH, FRONT AND REAR, w/GEAR TRAIN AUTOMATIC TRANSMISSION, A904
Figure 21A-700

5151 700



ITEM	PART NUMBER	QTY	BODY	MODEL	DESCRIPTION
	4186 058				SEAL and WASHER PACKAGE, Frt. and Rr. Clutch
					Consists of:
					1 - ----- SEAL, Frt. Clutch Piston, Inner
					1 - ----- SEAL, Frt. Clutch Piston, Outer
					1 - ----- SEAL, Rear Clutch Piston, Inner
					1 - ----- SEAL, Rear Clutch Piston, Outer
					AR- ----- WASHER, Output Shaft Thrust
					AR- ----- WASHER, Output Shaft Thrust Flat and Notched
1	3743 382	1			RETAINER, w/Bushing, Frt. Clutch
	2801 727	1			BUSHING, Frt. Clutch Retainer
2	3515 176	1			SEAL, Frt. Clutch Piston, Rubber, Inner
3	4058 487	1			SEAL, Frt. Clutch Piston, Outer
4	3743 384	1			PISTON, Frt. Clutch
	0147 483	1			BALL, 3/16" Dia.
5	3515 054	1			SPRING, Frt. Clutch Piston, 3.25 Coils, 3.38" O.D., 273" Wire, Yellow
6	1942 399	1			RETAINER, Frt. Clutch Piston Spring
	0147 483	1			BALL, Check Valve, 3/16" Dia.
7	1942 400	1			SNAP RING, Frt. Cl., 2-7/16" O.D., .060" Thk., Inner
8	4329 805	5			DISC, Frt. Clutch
9	3410 571	1			SNAP RING, Frt. Clutch, Outer
10	2801 969	1			PLATE, Clutch Pressure
11	1942 403	5			PLATE, Frt. Clutch
12	4186 879	1			RETAINER, Rr. Clutch
	0147 483	1			BALL, Check Valve, 3/16" Dia.
13	6022 859	1			SNAP RING, Input Shaft, 57/64, .059" Thk.
14	4028 333	1			SEAL, Rr. Cl. Ret. Ring, 1-1/2" O.D., .09" Thk.
15	3410 572	2			WASHER, Frt. Clutch Thrust, 2-5/8".O.D.
16	1401 221	2			RING, Input Shaft Seal
17	4130 194	1			SHAFT, Input
17A	4058 982	1			PLATE, Input Shaft Thrust, 1" O.D.
18	3780 285	4			DISC, Rr. Clutch
19	4130 761	AR			SNAP RING, Rr. Clutch Retainer, 5-11/32" O.D., .060" Thk.
	4130 762	AR			.076" Thk.
	4130 763	AR			.098" Thk.
20	2801 969	1			PLATE, Rr. Clutch Pressure, Rear
21	1942 403	3			PLATE, Rr. Clutch

MODEL CODES

B = GRAN FURY	E = 600	M = HORIZON/TURISMO
C = LE BARON/TOWN & COUNTRY/LIMO	F = FIFTH AVENUE/NEWPORT	P = RELIANT
C24 = LASER	G = DIPLOMAT	T = NEW YORKER
C44 = LE BARON/GTS	H = VOYAGER	V = 600
D = ARIES	J = CARAVELLE	V24 = DAYTONA
D44 = LANCER	K = MINI VAN/CARAVAN/ROYAL	Z = OMNI/CHARGER

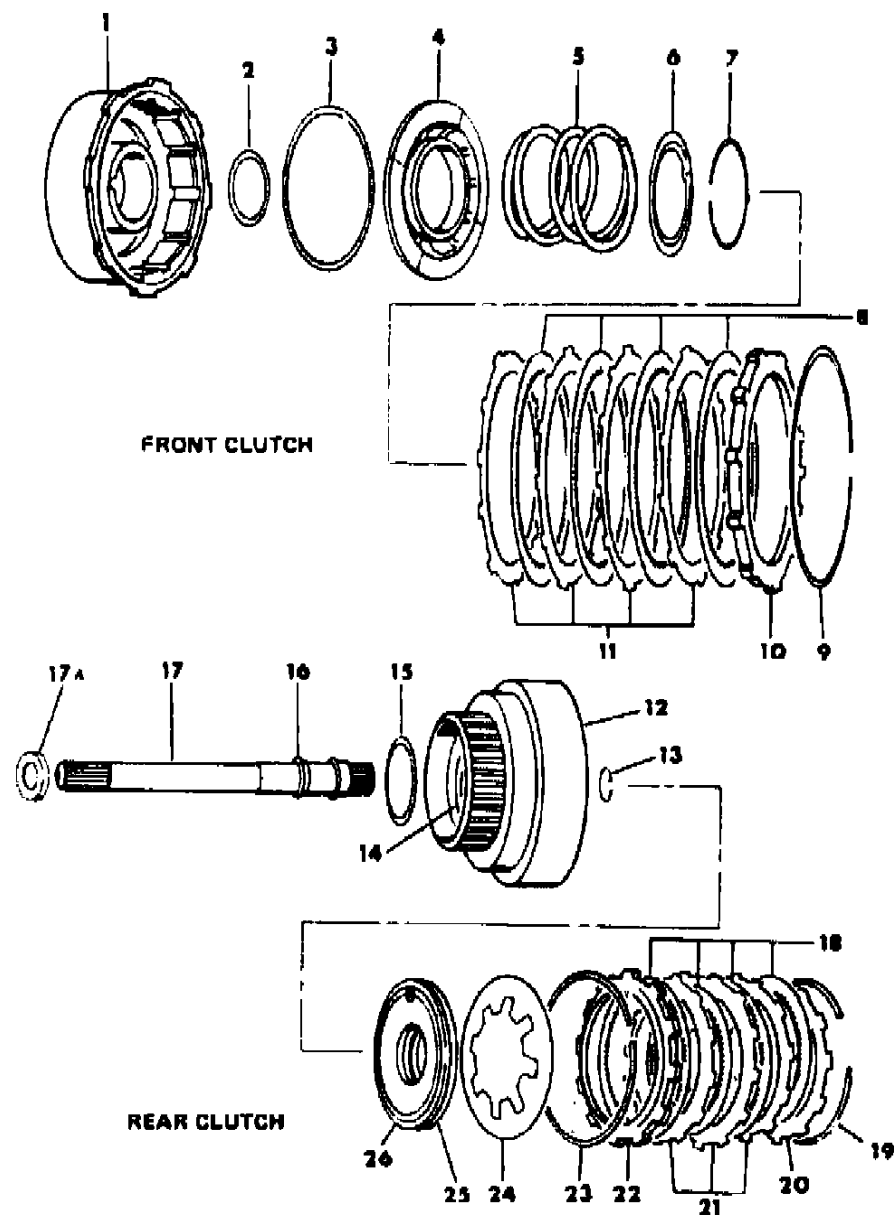
BODY STYLES

21 = 2-DOOR SEDAN	35 = FWD VAN	44 = 4-DOOR HATCHBACK
22 = 2-DOOR SPECIAL COUPE	36 = FWD WAGON	45 = 4-DOOR STATION WAGON
24 = 2-DOOR HATCHBACK	41 = 4-DOOR SEDAN	49 = LIMOUSINE
27 = 2-DOOR CONVERTIBLE		

AR = Use as Required - = Non Illustrated Part P.A.R. = Paint as Required

CLUTCH, FRONT AND REAR, w/GEAR TRAIN AUTOMATIC TRANSMISSION, A904
Figure 21A-700

5151 700



ITEM	PART NUMBER	QTY	BODY	MODEL	DESCRIPTION
22	2466 281	1			PLATE, Rr. Clutch Pressure, Frt.
23	2466 283	1			SPRING, Rr. Clutch Wave
24	1942 414	1			SPRING, Rr. Clutch Piston
25	2538 695	1			SEAL, Rr. Clutch Piston, Rubber, Outer
	2538 510	1			Rear Clutch Piston Rubber, Inner
26	3515 716	1			PISTON, Rr. Clutch
	0147 483	1			BALL, Check Valve, 3/16" Dia.

MODEL CODES

B = GRAN FURY	E = 600	M = HORIZON/TURISMO
C = LE BARON/TOWN & COUNTRY/LIMO	F = FIFTH AVENUE/NEWPORT	P = RELIANT
C24 = LASER	G = DIPLOMAT	T = NEW YORKER
C44 = LE BARON/GTS	H = VOYAGER	V = 600
D = ARIES	J = CARAVELLE	V24 = DAYTONA
D44 = LANCER	K = MINI VAN/CARAVAN/ROYAL	Z = OMNI/CHARGER

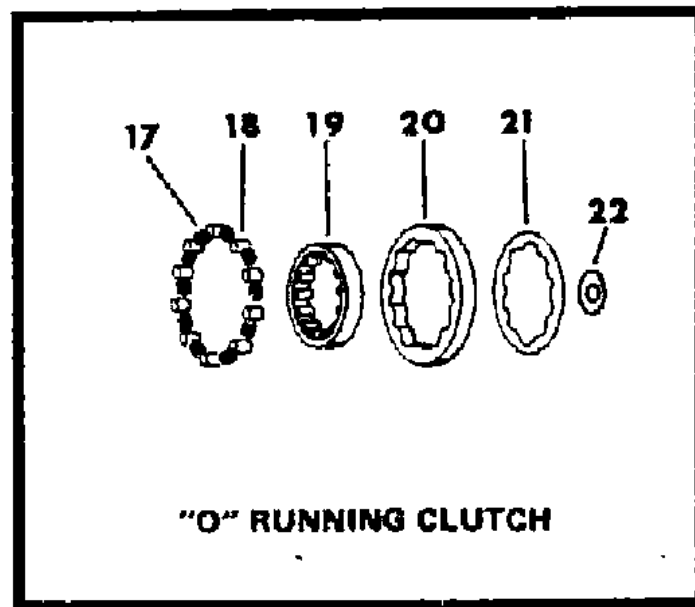
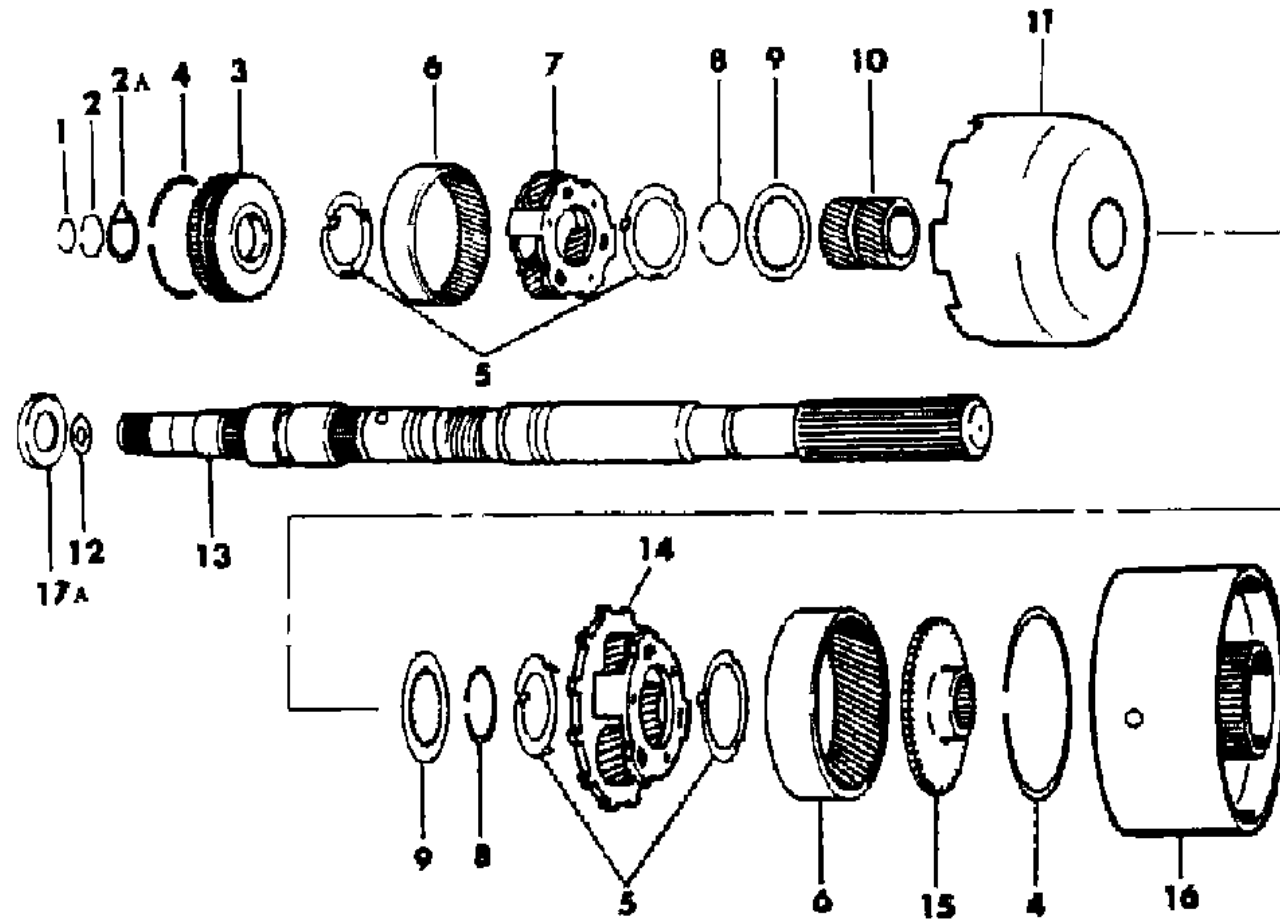
BODY STYLES

21 = 2-DOOR SEDAN	35 = FWD VAN	44 = 4-DOOR HATCHBACK
22 = 2-DOOR SPECIAL COUPE	36 = FWD WAGON	45 = 4-DOOR STATION WAGON
24 = 2-DOOR HATCHBACK	41 = 4-DOOR SEDAN	49 = LIMOUSINE
27 = 2-DOOR CONVERTIBLE		

AR = Use as Required - = Non Illustrated Part P.A.R. = Paint as Required

**GEAR TRAIN AND OUTPUT SHAFT AUTOMATIC TRANSMISSION, A904
Figure 21A-900**

5151 900



ITEM	PART NUMBER	QTY	BODY	MODEL	DESCRIPTION
	3420 023	1			RACE, Roller and Spring Package, "O" Running Clutch Consists of: 1 - ----- RACE 10 - ----- ROLLER 10 - ----- SPRING
	3780 221	1			CAM, Retainer, Screw and Washer Package, "O" Running Clutch Consists of: 1 - ----- RETAINER, "O" Running Clutch Spring 1 - ----- CAM, "O" Running Clutch 7 - ----- SCREW, "O" Running Clutch Cam 7 - ----- WASHER, "O" Running Clutch Screw
1	6026 289	AR			SNAP RING, Output Shaft, .946" I.D., .040" Thk.
	6030 938	AR			.910" I.D., .062" Thk., Green
	6030 404	AR			.906" I.D., .084" Thk., White
2	6030 576	1			SNAP RING, Frt. Annulus Gear Support
2A	3681 969	1			WASHER, Frt. Annulus Gear Support Thrust w/Lip, Steel Backed Bronze, 2-1/8" O.D.
3	4130 510	1			SUPPORT, w/Bushing, Frt. Annulus Gear
4	4130 513	1			SNAP RING, Annulus Gear Front
	1942 444	1			Rear
5	4130 518	2			WASHER, Planet Pinion Carrier Thrust, Front
	3681 935	2			Rear
	3681 949	8			RING, Planet Pinion Roller Thrust, Front
	3681 949	8			Rear
6	4130 512	1			GEAR, Annulus, Front
	3743 184	1			Rear
7	4130 514	1			CARRIER ASSEMBLY, Front Planet Pinion
8	1942 439	AR			RING, Sun Driving Shell Lock, Steel, 1-41/64" O.D.
9	4130 600	2			PLATE, Sun Gear Driving Shell
10	4130 685	1			GEAR, w/Bushing Sun
	4130 736	1			SPACER, Sun Gear
11	4130 509	1			SHELL, Sun Gear Driving
12	4269 196	AR			WASHER, Output Shaft Thrust, 7/8" O.D., .052" Thk., Steel Backed Bronze
	4269 197	AR			.068" Thk.

MODEL CODES

B = GRAN FURY	E = 600	M = HORIZON/TURISMO
C = LE BARON/TOWN & COUNTRY/LIMO	F = FIFTH AVENUE/NEWPORT	P = RELIANT
C24 = LASER	G = DIPLOMAT	T = NEW YORKER
C44 = LE BARON/GTS	H = VOYAGER	V = 600
D = ARIES	J = CARAVELLE	V24 = DAYTONA
D44 = LANCER	K = MINI VAN/CARAVAN/ROYAL	Z = OMNI/CHARGER

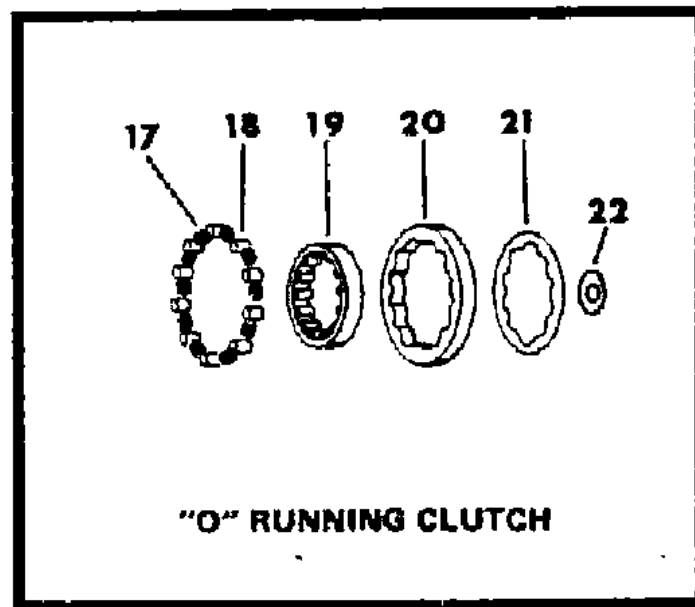
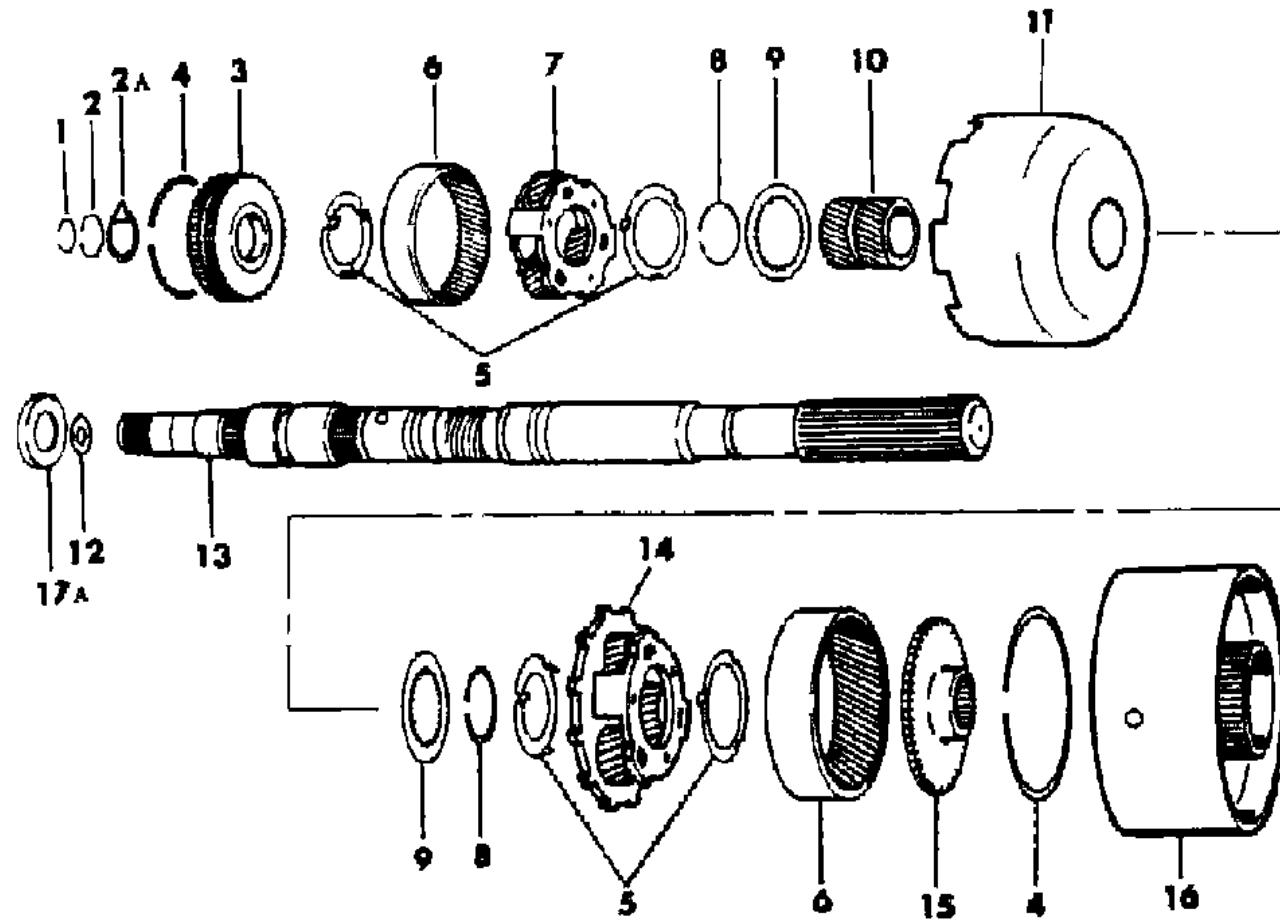
BODY STYLES

21 = 2-DOOR SEDAN	35 = FWD VAN	44 = 4-DOOR HATCHBACK
22 = 2-DOOR SPECIAL COUPE	36 = FWD WAGON	45 = 4-DOOR STATION WAGON
24 = 2-DOOR HATCHBACK	41 = 4-DOOR SEDAN	49 = LIMOUSINE
27 = 2-DOOR CONVERTIBLE		

AR = Use as Required - = Non Illustrated Part P.A.R. = Paint as Required

GEAR TRAIN AND OUTPUT SHAFT AUTOMATIC TRANSMISSION, A904
Figure 21A-900

5151 900



ITEM	PART NUMBER	QTY	BODY	MODEL	DESCRIPTION
	4269 198	AR			.083" Thk.
13	4186 093	1			SHAFT, w/Plug, Output
	2466 881	1			SUPPORT, O/P Shaft (Not Shown)(See Fig. 21A-100)
	3410 465	1			BEARING, Output Shaft
	6029 675	1			SNAP RING, Brg., 1-37/64" O.D.
14	3681 988	1			CARRIER ASSEMBLY, Rear Planet Pinion
15	3515 501	1			SUPPORT, Rr. Annulus Gear, 62T., 28T., 4" O.D.
16	4130 867	1			DRUM, Reverse
17	2464 446	10			SPRING, "O" Running Clutch Roller
17A	4058 982	1			PLATE, Input Shaft Thrust
18	2464 888	10			ROLLER, "O" Running Clutch
19	3420 023	1			RACE, Roller and Spring Package, "O" Running Cl., 24T
20	3780 221	1			CAM, Retainer, Screw and Washer Package, "O" Running Clutch
21		1			RETAINER, "O" Running Cl. Spring (Serv. in Item No. 20)
22	1559 489	7			WASHER, "O" Running Clutch Cam Screw, 7/16" O.D.

MODEL CODES

B = GRAN FURY	E = 600	M = HORIZON/TURISMO
C = LE BARON/TOWN & COUNTRY/LIMO	F = FIFTH AVENUE/NEWPORT	P = RELIANT
C24 = LASER	G = DIPLOMAT	T = NEW YORKER
C44 = LE BARON/GTS	H = VOYAGER	V = 600
D = ARIES	J = CARAVELLE	V24 = DAYTONA
D44 = LANCER	K = MINI VAN/CARAVAN/ROYAL	Z = OMNI/CHARGER

BODY STYLES

21 = 2-DOOR SEDAN	35 = FWD VAN	44 = 4-DOOR HATCHBACK
22 = 2-DOOR SPECIAL COUPE	36 = FWD WAGON	45 = 4-DOOR STATION WAGON
24 = 2-DOOR HATCHBACK	41 = 4-DOOR SEDAN	49 = LIMOUSINE
27 = 2-DOOR CONVERTIBLE		

AR = Use as Required - = Non Illustrated Part P.A.R. = Paint as Required

TRANSAXLE ASSEMBLIES AND MOUNTING AUTOMATIC CHRYSLER, A413,A470
Figure 21A-1400

5151 1400 A

ITEM	PART NUMBER	QTY	BODY	MODEL	DESCRIPTION
------	-------------	-----	------	-------	-------------

NOTE: The Transaxle Assembly Part Number is stamped on the Oil Pan Rail. e rear of the carburetor throttle body. A mirror is required to read the no. when the carburetor is

1					TRANSAXLE ASSEMBLY
	4207 905	1		M,Z,P,D	w/2.2,2.2 EFI Liter Eng., w/2.78 Overall Ratio
	4329 506	1		M,Z,PD,	w/2.2,2.2 EFI Liter Eng., w/3.02 Overall Ratio
	4329 506	1		V,C-24,	w/2.2,2.2 EFI Liter Eng., w/3.02 Overall Ratio
	4329 538	1		V,C,V,C	w/2.2 EFI-TURBO CHARGED Eng., w/3.02 Overall Ratio
	4329 538	1		D,C-44,	w/2.2 EFI-TURBO CHARGED Eng., w/3.02 Overall Ratio
	4329 538	1		P,D-41,	w/2.2 Eng., w/3.02 Overall Ratio, Police & Taxi
	4329 546	1		H,K	w/2.2 Liter Eng., w/3.22 Overall Ratio
	4329 547	1		P,D-21	w/2.6 Liter Eng., w/3.02 Overall Ratio
	4329 547	1		V,C-22,	w/2.6 Liter Eng., w/3.02 Overall Ratio
	4329 564	1		P,D,C-4	w/2.6 Liter Eng., w/3.02 Overall Ratio, Police & Taxi
	4329 565	1		P,D	w/2.6 Liter Eng., w/3.22 Overall Ratio, Police
	4329 565	1		H,K,C-4	w/2.6 Liter Eng., w/3.22 Overall Ratio
	4293 083	1			GASKET, SEAL, BUSHING and SCREEN, LESS FILTERS REPAIR PACKAGE, Transaxle
2	4329 819	1			COVER, Case Upper, w/2.2 Liter Eng.
3	5224 266	1			LEVER, Manual Control
	5240 826				Throttle Control
	6100 279	1			BOLT, w/Nut
	5212 384	1			NUT, Lever Bolt
4	4269 530	1			BRACKET, Low Gear Blockout
5	6500 672	1			BOLT, Brkt. Adjusting
6	6100 218	1			NUT, Brkt. Adjusting Bolt
7					SCREW, (Refer To Item No. 8)
8	6500 527	AR			SCREW, Case To Block, M10x1.25x60
	6101 238	AR			M10 x 1.50 x 35
	6101 377	AR			M12 x 1.75 x 40
	6501 164	AR			M12 x 1.75 x 50
	6100 989	AR			M12 x 1.75 x 65
9					SCREW, (Refer To Item No. 8)
10	6501 163	1			SCREW, Strut To Cyl. Block, M12x1.75x30
11	5224 214	1			STRUT, Trans. Hsg. To Cyl. Block RR.
12	4296 107	1		P,D,V,C	SHIELD, Trans. Appearance, Left
	4296 142	1		M,Z	
	4296 932	1		H,K	

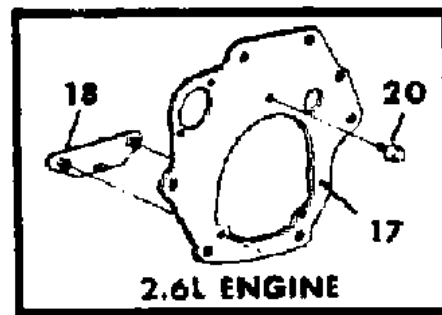
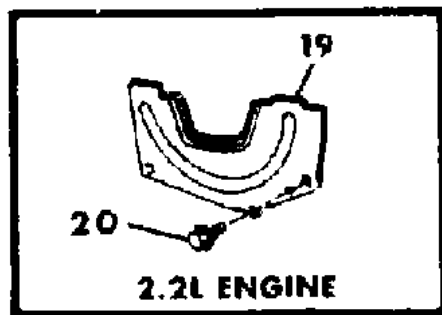
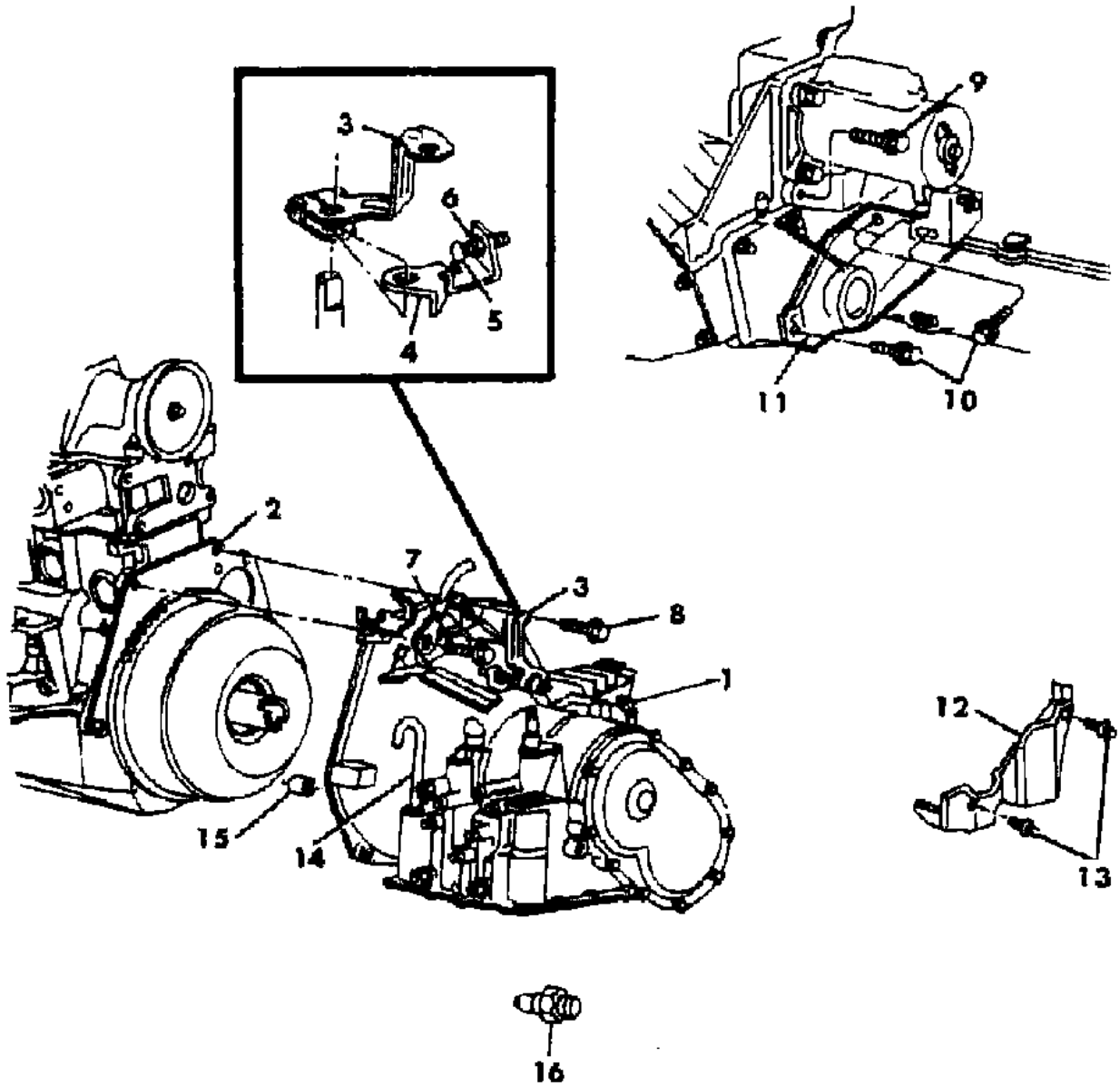
MODEL CODES

B = GRAN FURY	E = 600	M = HORIZON/TURISMO
C = LE BARON/TOWN & COUNTRY/LIMO	F = FIFTH AVENUE/NEWPORT	P = RELIANT
C24 = LASER	G = DIPLOMAT	T = NEW YORKER
C44 = LE BARON/GTS	H = VOYAGER	V = 600
D = ARIES	J = CARAVELLE	V24 = DAYTONA
D44 = LANCER	K = MINI VAN/CARAVAN/ROYAL	Z = OMNI/CHARGER

BODY STYLES

21 = 2-DOOR SEDAN	35 = FWD VAN	44 = 4-DOOR HATCHBACK
22 = 2-DOOR SPECIAL COUPE	36 = FWD WAGON	45 = 4-DOOR STATION WAGON
24 = 2-DOOR HATCHBACK	41 = 4-DOOR SEDAN	49 = LIMOUSINE
27 = 2-DOOR CONVERTIBLE		

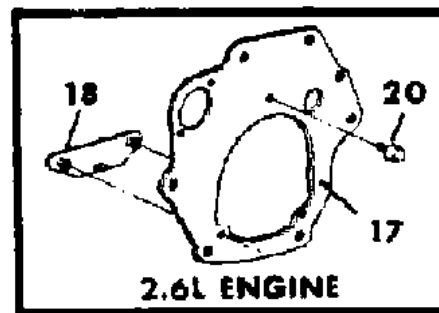
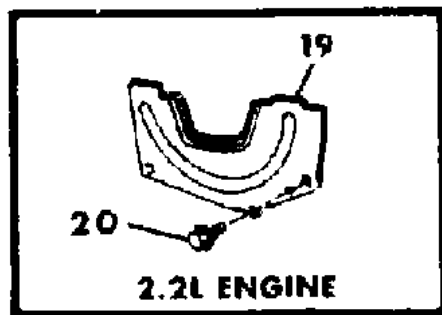
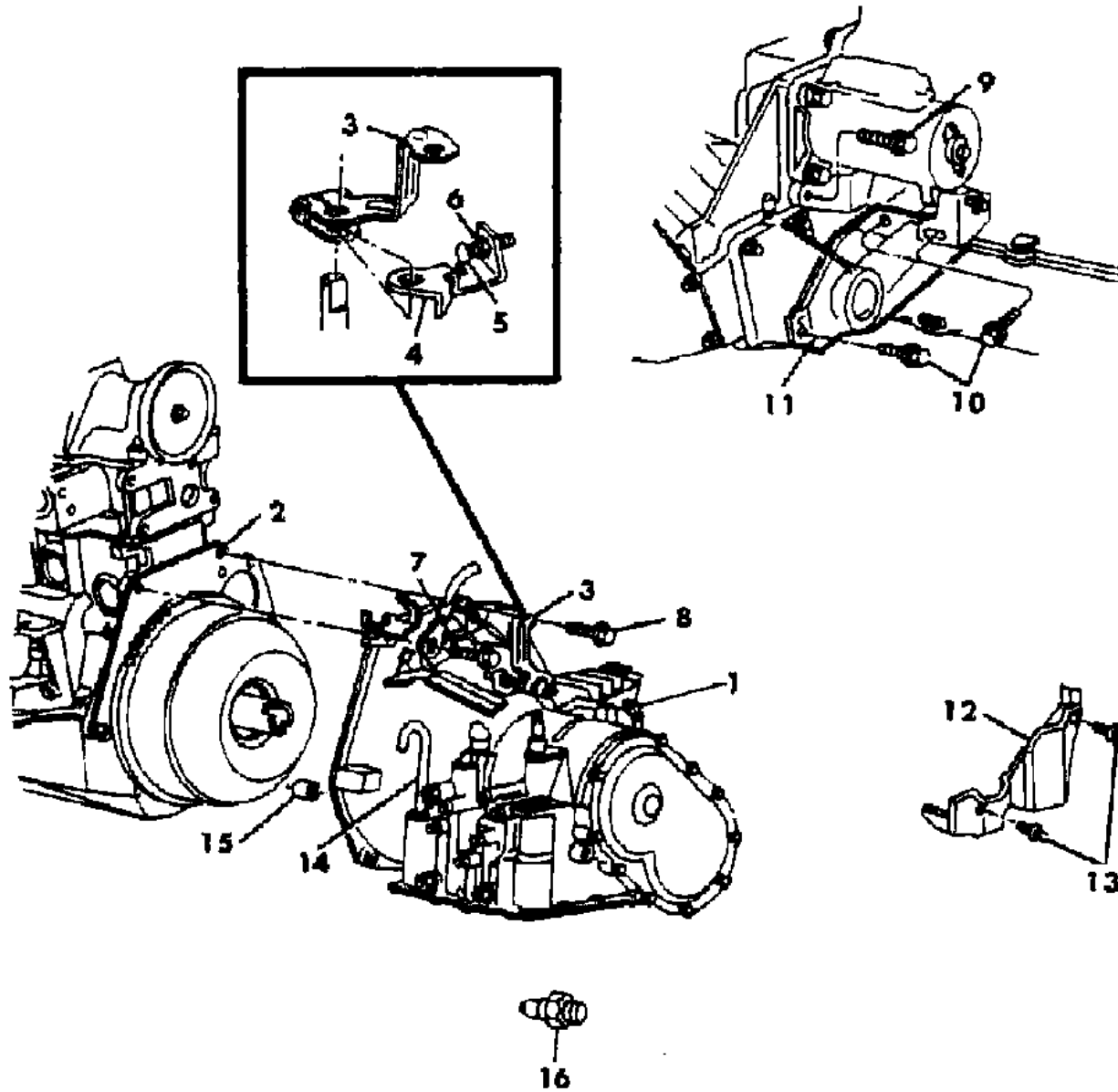
AR = Use as Required - = Non Illustrated Part P.A.R. = Paint as Required



TRANSAXLE ASSEMBLIES AND MOUNTING AUTOMATIC CHRYSLER, A413,A470
Figure 21A-1400

5151 1400 A

ITEM	PART NUMBER	QTY	BODY	MODEL	DESCRIPTION
13					SCREW, (Not Serviced)
14	4329 818	1			INDICATOR, Trans. Fluid
15	5240 849	2			DOWEL, Trans. To Eng. Alignment
16	4057 750	1			SWITCH, Neutral Starter and Back-Up Light
	2408 143	1			WASHER, Neutral Starter and Back-Up Light Switch
17	5224 388	1			SPACER, Trans. Plate w/2.6 Liter Eng.
18	5224 393	1			COVER, T/C Access, w/2.6 Liter Eng.
19	5222 453	1			COVER, Case Cover, Lower, w/2.2 Liter Eng.
20	6500 136	1			SCREW, Case Cover, Lower, M6x1x14
	6500 137	AR			M6x1x16
	4221 346	1			SWITCH, Oil Pressure, w/Electronic Message Center
	6032 269	1			ADAPTER, Switch, Elbow, 1/8x27 Fem. - 1/16x27 Male Thd. (Not Shown)



MODEL CODES

B = GRAN FURY	E = 600	M = HORIZON/TURISMO
C = LE BARON/TOWN & COUNTRY/LIMO	F = FIFTH AVENUE/NEWPORT	P = RELIANT
C24 = LASER	G = DIPLOMAT	T = NEW YORKER
C44 = LE BARON/GTS	H = VOYAGER	V = 600
D = ARIES	J = CARAVELLE	V24 = DAYTONA
D44 = LANCER	K = MINI VAN/CARAVAN/ROYAL	Z = OMNI/CHARGER

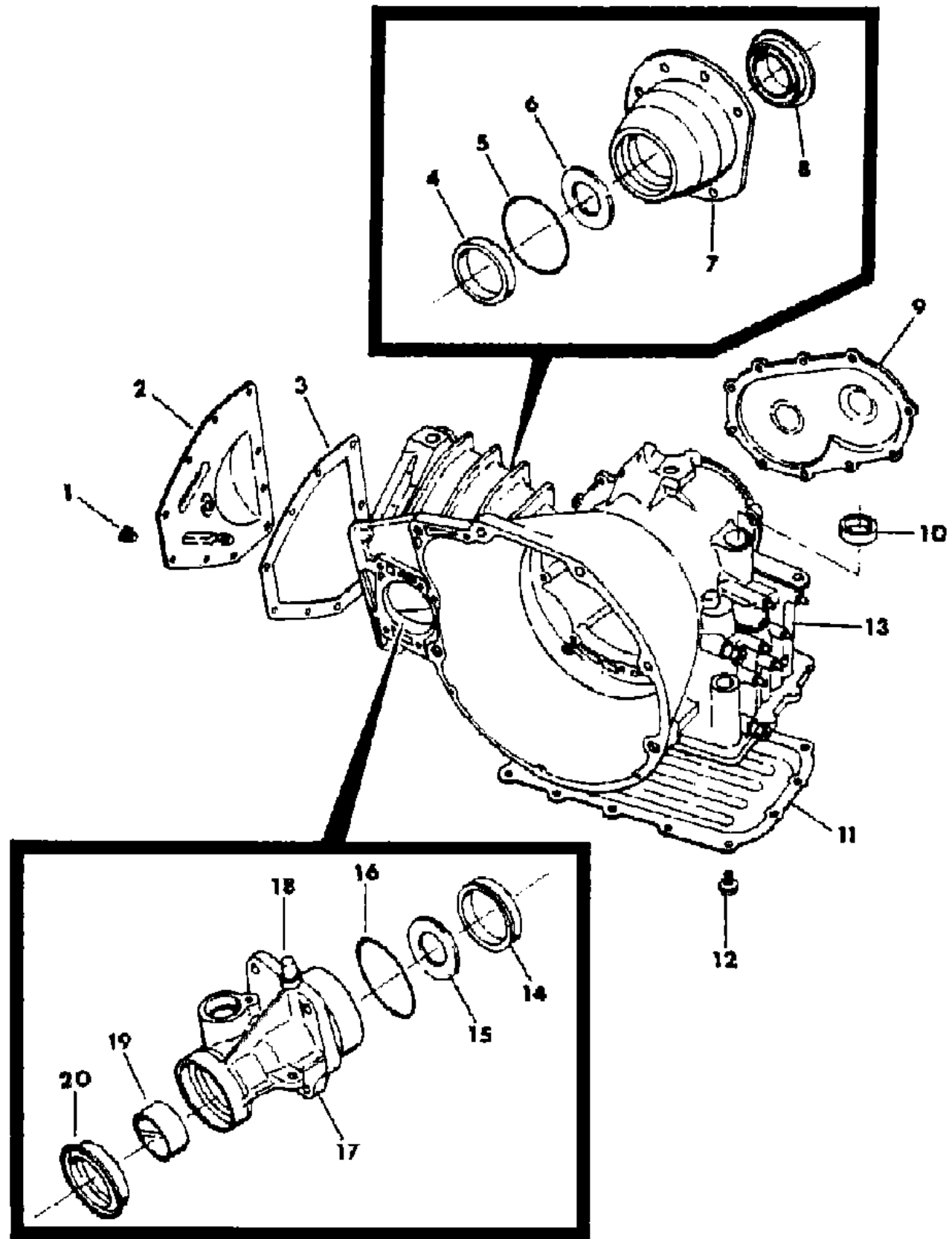
BODY STYLES

21 = 2-DOOR SEDAN	35 = FWD VAN	44 = 4-DOOR HATCHBACK
22 = 2-DOOR SPECIAL COUPE	36 = FWD WAGON	45 = 4-DOOR STATION WAGON
24 = 2-DOOR HATCHBACK	41 = 4-DOOR SEDAN	49 = LIMOUSINE
27 = 2-DOOR CONVERTIBLE		

AR = Use as Required - = Non Illustrated Part P.A.R. = Paint as Required

CASE, EXTENSION AND RETAINER AUTOMATIC TRANSAXLE, A413,A470
Figure 21A-1500

5151 1500



ITEM	PART NUMBER	QTY	BODY	MODEL	DESCRIPTION
NOTE: The Transaxle Assembly Part Number is stamped on the Oil Pan Rail. e rear of the carburetor throttle body. A mirror is required to read the no. when the carburator is					
1	6500 739	10			SCREW, w/Washer, Diff. Pan to Case, M8x1.25x16
2	4269 657	1			PAN, Transaxle Diff. Oil
3		1			GASKET, Trans. Diff. Oil Pan (Use Silicone Adhesive)
4	4269 676	1			CUP, Differential
5					SPACER, Trans. Final Drive
	4207 134	AR			0.50mm(.020")
	4207 135	AR			0.55mm(.022")
	4207 136	AR			0.60mm(.024")
	4207 137	AR			0.65mm(.026")
	4207 138	AR			0.70mm(.027")
	4207 139	AR			0.75mm(.029")
	4207 140	AR			0.80mm(.031")
	4207 141	AR			0.85mm(.033")
	4207 142	AR			0.90mm(.035")
	4207 143	AR			0.95mm(.037")
	4207 144	AR			1.00mm(.039")
	4207 145	AR			1.05mm(.041")
6	4269 787	1			RETAINER, Trans. Diff. Oil
7	4205 855	1			RETAINER, Trans. Diff. Bearing
	6500 368	6			SCREW, Diff. Brg. Retainer, M8x1.25x23
8	4295 904	1			SEAL, Trans. Diff. Brg. Retainer, Rubber and Metal
9	4295 929	1			COVER, Trans. End, Rr. Gasket (Use Silicone Adhesive)
	6500 739	10			SCREW, w/Washer, End Cover, M8x1.25x16
10	#3878 447	1			SEAL, Manual Valve Lever Shaft
11	4269 674	1			PAN, Transaxle Oil
	4052 679	1		P,D	SHIELD, Oil Pan (Not Shown)
	3681 601	1			MAGNET, Case Chip Collector GASKET, (Use Silicone Adhesive)
12	6500 739	12			SCREW, w/Washer, Oil Pan to Case, M8x1.25x16
13					CASE ASSEMBLY, Transaxle
	4269 720	1			w/2.2 Liter Eng.
	4269 721	1			w/2.6 Liter Eng.
	6100 994	1			PIN, Dowel
	6030 035	AR			PLUG

MODEL CODES

B = GRAN FURY	E = 600	M = HORIZON/TURISMO
C = LE BARON/TOWN & COUNTRY/LIMO	F = FIFTH AVENUE/NEWPORT	P = RELIANT
C24 = LASER	G = DIPLOMAT	T = NEW YORKER
C44 = LE BARON/GTS	H = VOYAGER	V = 600
D = ARIES	J = CARAVELLE	V24 = DAYTONA
D44 = LANCER	K = MINI VAN/CARAVAN/ROYAL	Z = OMNI/CHARGER

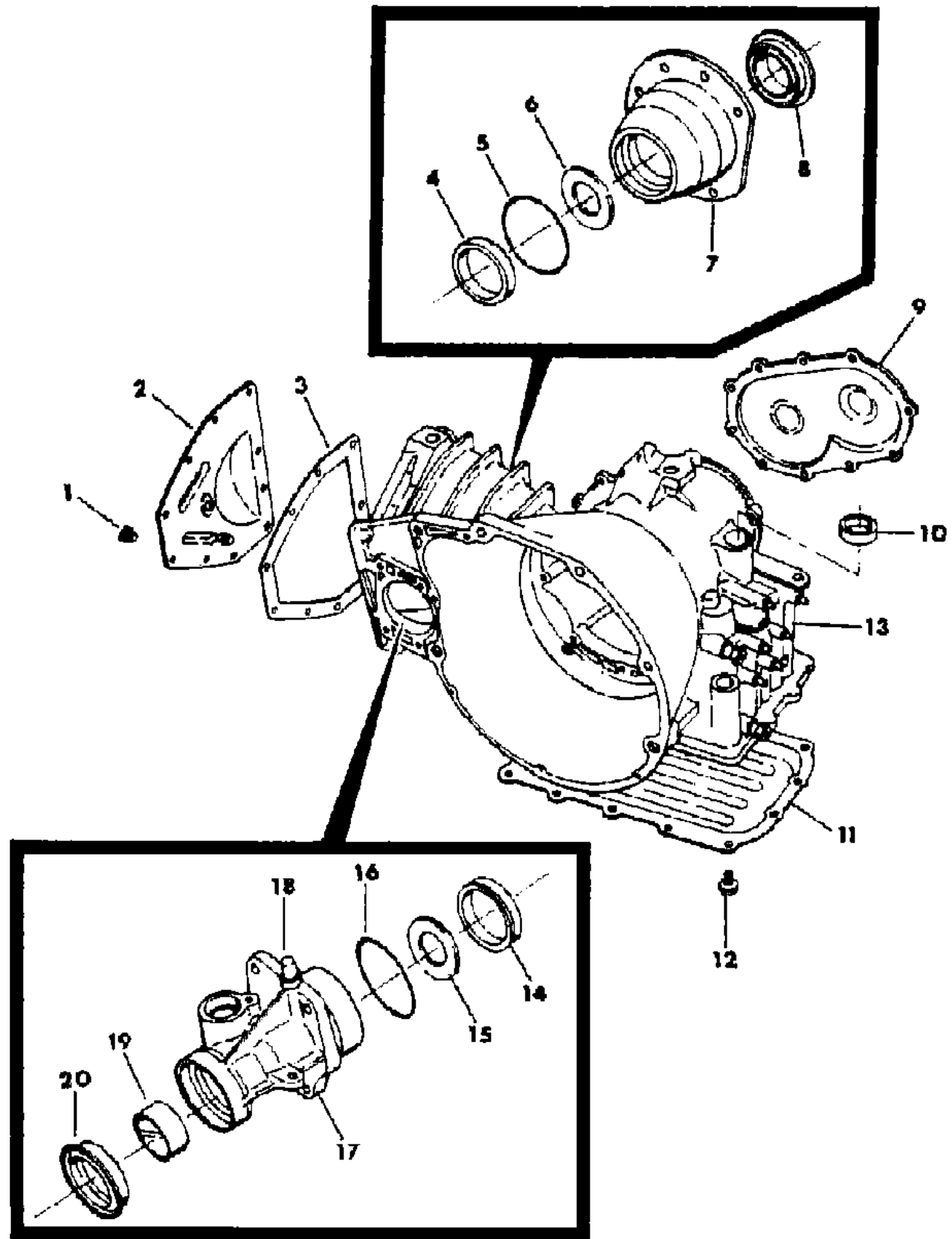
BODY STYLES

21 = 2-DOOR SEDAN	35 = FWD VAN	44 = 4-DOOR HATCHBACK
22 = 2-DOOR SPECIAL COUPE	36 = FWD WAGON	45 = 4-DOOR STATION WAGON
24 = 2-DOOR HATCHBACK	41 = 4-DOOR SEDAN	49 = LIMOUSINE
27 = 2-DOOR CONVERTIBLE		

AR = Use as Required - = Non Illustrated Part P.A.R. = Paint as Required

CASE, EXTENSION AND RETAINER AUTOMATIC TRANSAXLE, A413,A470
Figure 21A-1500

5151 1500



ITEM	PART NUMBER	QTY	BODY	MODEL	DESCRIPTION
	4269 775	2			FITTING, Trans. Oil Cooler Line
14	4269 676	1			CUP, Extension
15	5222 255	1			RETAINER, Trans. Extension Oil
16	6500 111	1			O-RING, Trans. Extension
17	4549 219	1			EXTENSION PACKAGE, Transaxle (Bushing Not Required) ***
	6500 511	4			SCREW, Ext. to Case, M8x1.25x33
18	2124 715	1			VENT, Trans. Extension
19		1			BUSHING, Trans. Extension (Not Required)
20	4295 904	1			SEAL, Trans. Extension, Rubber and Metal

MODEL CODES

B = GRAN FURY	E = 600	M = HORIZON/TURISMO
C = LE BARON/TOWN & COUNTRY/LIMO	F = FIFTH AVENUE/NEWPORT	P = RELIANT
C24 = LASER	G = DIPLOMAT	T = NEW YORKER
C44 = LE BARON/GTS	H = VOYAGER	V = 600
D = ARIES	J = CARAVELLE	V24 = DAYTONA
D44 = LANCER	K = MINI VAN/CARAVAN/ROYAL	Z = OMNI/CHARGER

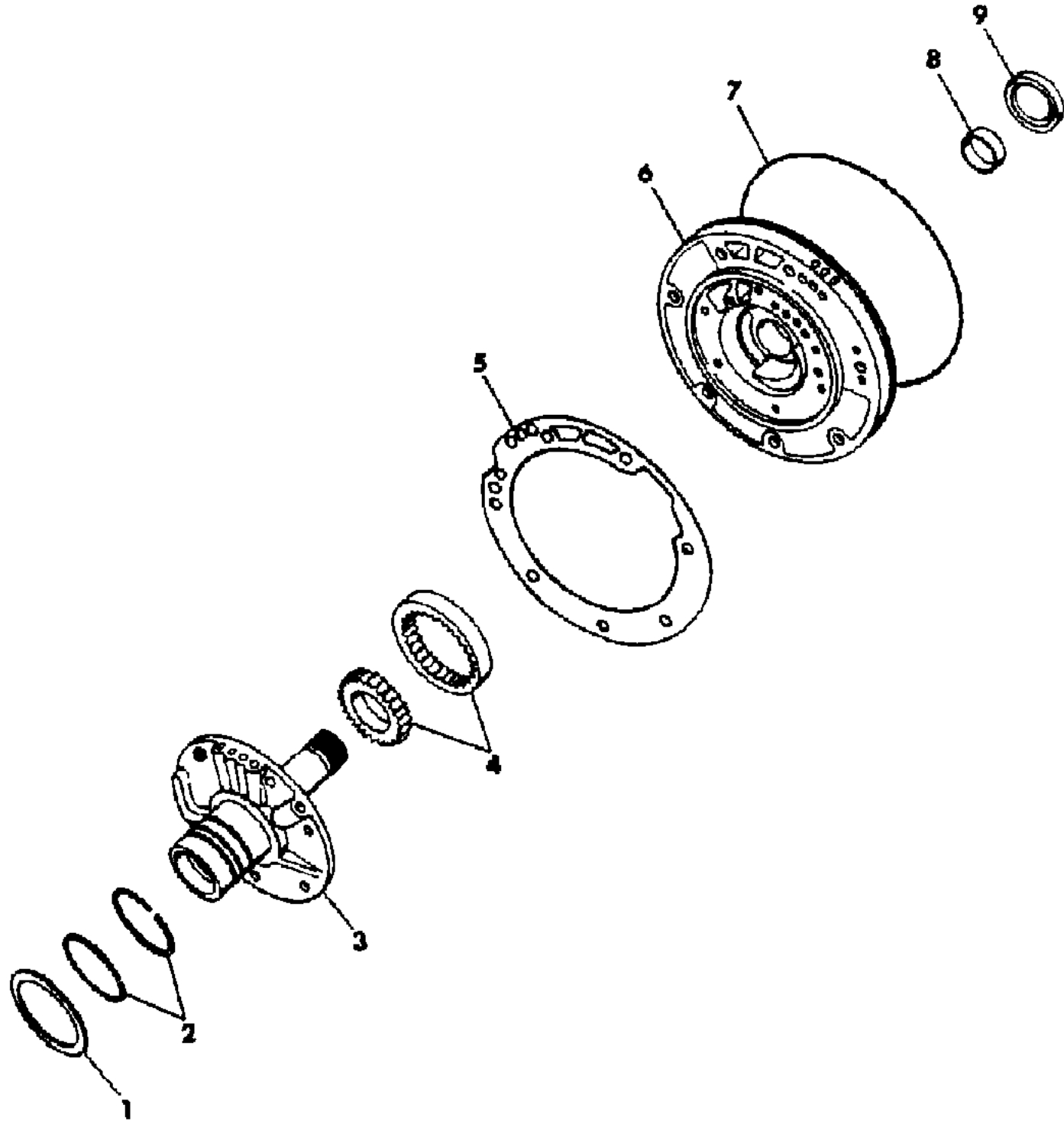
BODY STYLES

21 = 2-DOOR SEDAN	35 = FWD VAN	44 = 4-DOOR HATCHBACK
22 = 2-DOOR SPECIAL COUPE	36 = FWD WAGON	45 = 4-DOOR STATION WAGON
24 = 2-DOOR HATCHBACK	41 = 4-DOOR SEDAN	49 = LIMOUSINE
27 = 2-DOOR CONVERTIBLE		

AR = Use as Required - = Non Illustrated Part P.A.R. = Paint as Required

PUMP, OIL, w/REACTION SHAFT AUTOMATIC TRANSAXLE, A413,A470
Figure 21A-1600

5151 1600



ITEM	PART NUMBER	QTY	BODY	MODEL	DESCRIPTION
------	-------------	-----	------	-------	-------------

NOTE: There is no SEAL and GASKET PACKAGE for the FRONT PUMP, Order individual Parts. e rear of the carburetor throttle body. A mirror is required to read the no. when the carburetor is

1	5205 679	1			WASHER, Frt. Clutch Thrust, Frt., Plastic, 71.5 O.D.
2	5212 305	2			SEAL, Trans. Reaction Shaft Support Ring
3	5222 412	1			SHAFT, w/Suppt., Trans. Reaction
	2801 728	1			BUSHING, Reaction Shaft
	6500 211	6			BOLT
	0104 919	6			BALL
	0104 918	2			BALL
4		1			ROTOR, Oil Pump (Serviced in Hsg.)
5	4269 661	1			GASKET, Transaxle Oil Pump Housing
6	4207 217	1			HOUSING, w/Bushing and Rotor, Trans. Oil Pump
	5212 263	7			SCREW, w/Washer, Oil Pump to Case
7	5205 660	1			SEAL, Trans. Oil Pump Housing, Rubber
8		1			BUSHING, Trans. Oil Pump Housing (Serv. in Hsg.)
9	4269 057	1			SEAL, Torque Converter Impeller Hub

MODEL CODES

B = GRAN FURY	E = 600	M = HORIZON/TURISMO
C = LE BARON/TOWN & COUNTRY/LIMO	F = FIFTH AVENUE/NEWPORT	P = RELIANT
C24 = LASER	G = DIPLOMAT	T = NEW YORKER
C44 = LE BARON/GTS	H = VOYAGER	V = 600
D = ARIES	J = CARAVELLE	V24 = DAYTONA
D44 = LANCER	K = MINI VAN/CARAVAN/ROYAL	Z = OMNI/CHARGER

BODY STYLES

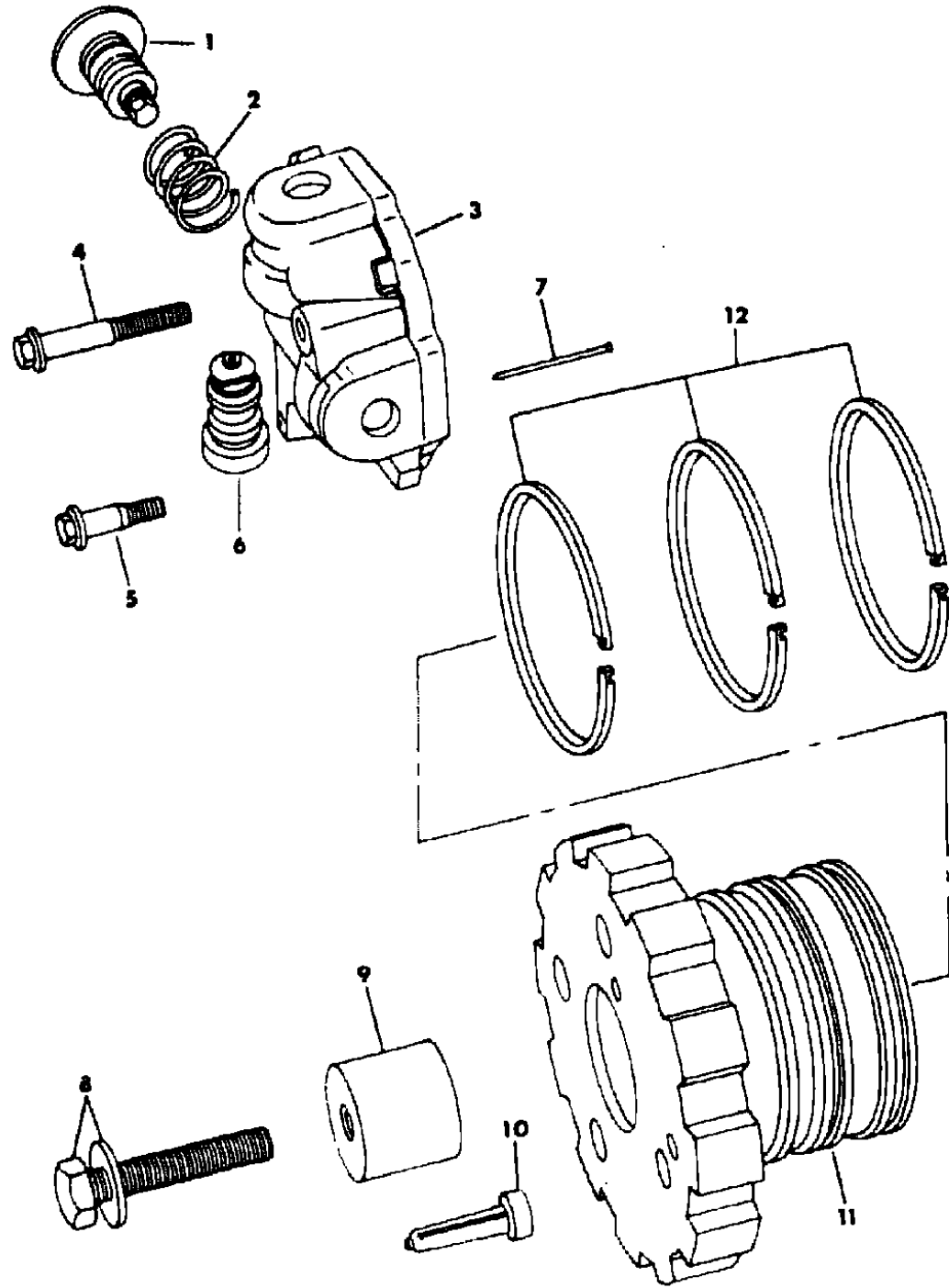
21 = 2-DOOR SEDAN	35 = FWD VAN	44 = 4-DOOR HATCHBACK
22 = 2-DOOR SPECIAL COUPE	36 = FWD WAGON	45 = 4-DOOR STATION WAGON
24 = 2-DOOR HATCHBACK	41 = 4-DOOR SEDAN	49 = LIMOUSINE
27 = 2-DOOR CONVERTIBLE		

AR = Use as Required - = Non Illustrated Part P.A.R. = Paint as Required

GOVERNOR AUTOMATIC TRANSAXLE, A413,A470

Figure 21A-1700

515: 1700



ITEM	PART NUMBER	QTY	BODY	MODEL	DESCRIPTION
1					VALVE, Gov. Secondary
	4207 185	1			w/4207905 Trans.
	4207 183	1			w/4329538 Trans.
	4295 956	1			w/4329506,546,547,564,565 Trans.
2					SPRING, Gov. Valve
	4207 193	1			Except, w/4329538 Trans., Blue
	4207 194	1			w/4329538 Trans., Orange
3	4207 055	1			BODY, Governor
4	6500 209	1			SCREW, Gov. Body, M5x0.8x37
5	6500 208	1			SCREW, Gov. Body, M5x0.8x20
6					Valve, Gov. Primary
	4207 186	1			w/4207905 Trans.
	4269 641	1			w/4329538 Trans.
	4295 955	1			w/4329506,546,547,564,565 Trans.
7		1			PIN, Gov. Weight Retaining, 3D Finishing Nail 1-1/4" Lg. (Not Serviced)
8	6100 306	1			SCREW, Counterweight to Gov. Support
9	5212 265	1			COUNTERWEIGHT, Gov.
10	5205 839	1			FILTER, Transaxle Governor
11	5212 249	1			SUPPORT, Gov.
12	5212 092	3			RING, Gov. Support Seal

MODEL CODES

B = GRAN FURY	E = 600	M = HORIZON/TURISMO
C = LE BARON/TOWN & COUNTRY/LIMO	F = FIFTH AVENUE/NEWPORT	P = RELIANT
C24 = LASER	G = DIPLOMAT	T = NEW YORKER
C44 = LE BARON/GTS	H = VOYAGER	V = 600
D = ARIES	J = CARAVELLE	V24 = DAYTONA
D44 = LANCER	K = MINI VAN/CARAVAN/ROYAL	Z = OMNI/CHARGER

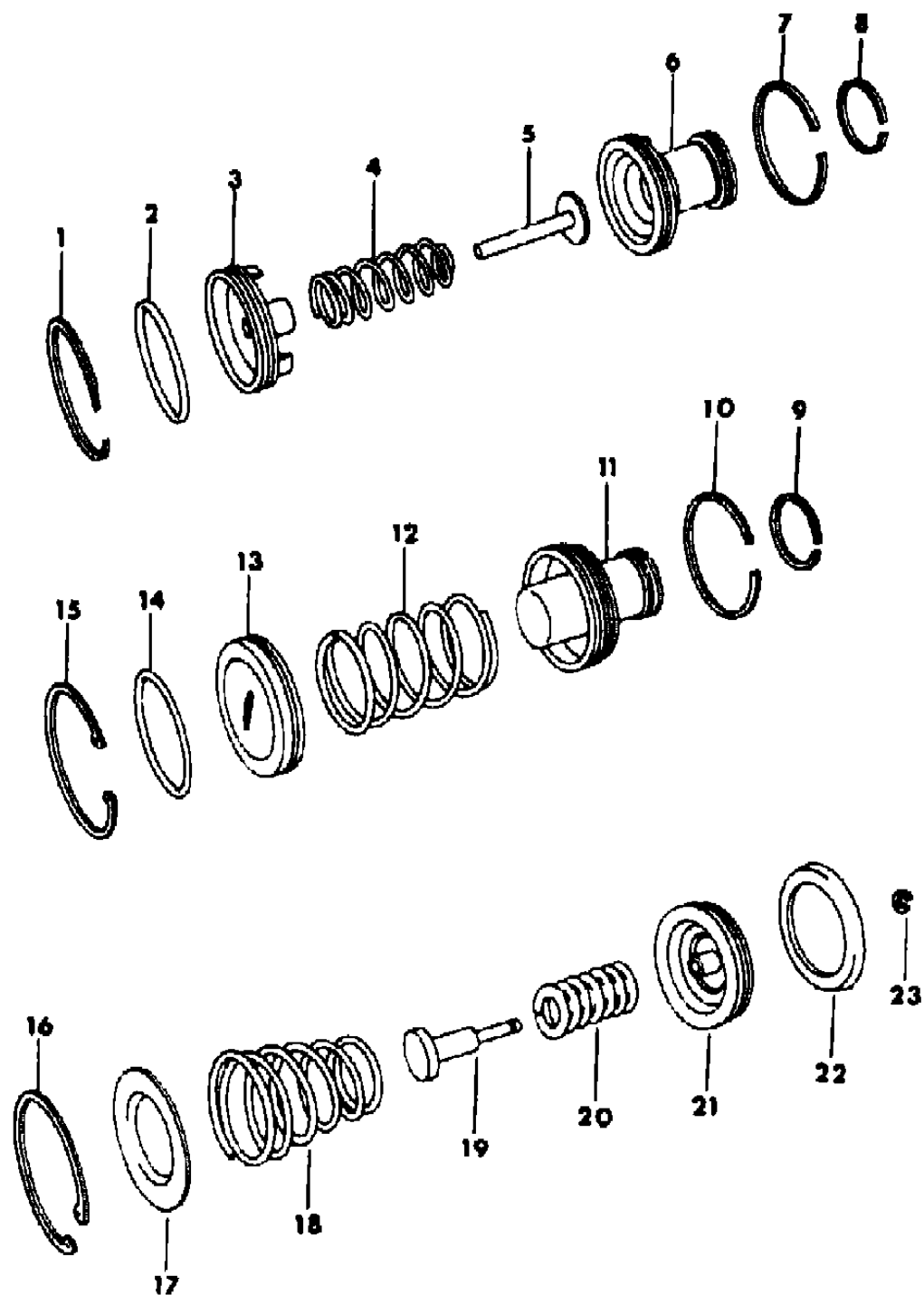
BODY STYLES

21 = 2-DOOR SEDAN	35 = FWD VAN	44 = 4-DOOR HATCHBACK
22 = 2-DOOR SPECIAL COUPE	36 = FWD WAGON	45 = 4-DOOR STATION WAGON
24 = 2-DOOR HATCHBACK	41 = 4-DOOR SEDAN	49 = LIMOUSINE
27 = 2-DOOR CONVERTIBLE		

AR = Use as Required - = Non Illustrated Part P.A.R. = Paint as Required

SERVOS, ACCUMULATOR PISTON AND SPRINGS AUTOMATIC TRANSAXLE, A413,A470
Figure 21A-1800

515: 1800



ITEM	PART NUMBER	QTY	BODY	MODEL	DESCRIPTION
1	6031 765	1			SNAP RING, Kickdown Servo
2	6031 545	1			RING, Kickdown Servo Guide
3	5224 344	1			GUIDE, Kickdown Servo
4	4207 229	1			SPRING, Kickdown Servo Piston, Except 4329538 Trans., White
	4207 205	1			w/4329538 Trans., Green
5	4058 943	1			ROD, Kickdown Servo Piston
6	4269 524	1			PISTON, Transaxle Kickdown Servo
	6025 031	1			SNAP RING, Inner
	6031 410	1			SEAL, Kickdown Servo Inner Piston
7	3743 014	1			RING, Kickdown Servo Piston, Large
8	3743 033	1			RING, Kickdown Servo Piston, Seal, Small
9	3743 010	1			SEAL, Accumulator Piston Ring, Small
10	3743 013	1			SEAL, Accumulator Piston Ring, Large
11	3410 908	1			PISTON, Accumulator
12	4207 211	1			SPRING, Accumulator, Except 4329538 Trans., Blue
	4329 807	1			w/4329538 Trans., Tan
13	4205 857	1			PLATE, Accumulator
14	6031 545	1			SEAL, Accumulator Plate Ring
15	5212 252	1			SNAP RING, Accumulator
	4205 854	1			REVERSE SERVO PKG.,(Consists of Items 16,17,18,19,20,22, 23)
16	6031 909	1			SNAP RING, Reverse Servo Piston Spring Retainer
17		1			RETAINER, Reverse Servo Piston Spring (Serv. in Pkg.)
18	3681 434	1			SPRING, Reverse Servo Piston
19	4269 707	1			PLUG, Reverse Servo Piston
20		1			SPRING, Reverse Servo Cushion (Serv. in Pkg.)
21	3743 898	1			PISTON, Reverse Servo
22	4269 736	1			SEAL, Reverse Servo Piston, Rubber
23	1638 461	1			RING, Reverse Servo Plug

MODEL CODES

B = GRAN FURY	E = 600	M = HORIZON/TURISMO
C = LE BARON/TOWN & COUNTRY/LIMO	F = FIFTH AVENUE/NEWPORT	P = RELIANT
C24 = LASER	G = DIPLOMAT	T = NEW YORKER
C44 = LE BARON/GTS	H = VOYAGER	V = 600
D = ARIES	J = CARAVELLE	V24 = DAYTONA
D44 = LANCER	K = MINI VAN/CARAVAN/ROYAL	Z = OMNI/CHARGER

BODY STYLES

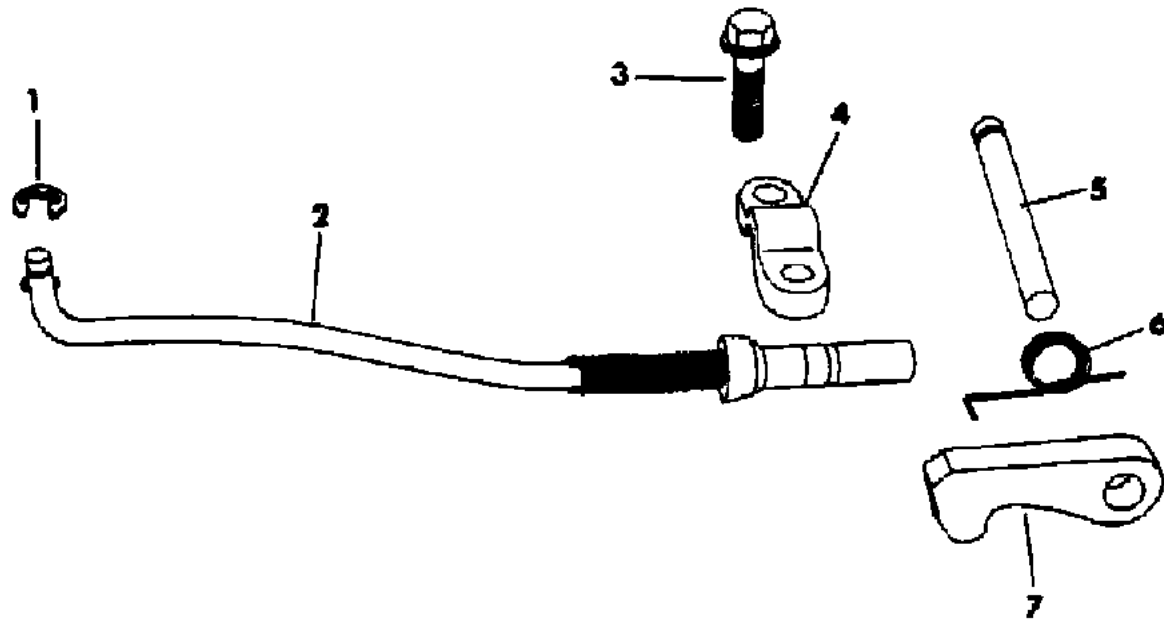
21 = 2-DOOR SEDAN	35 = FWD VAN	44 = 4-DOOR HATCHBACK
22 = 2-DOOR SPECIAL COUPE	36 = FWD WAGON	45 = 4-DOOR STATION WAGON
24 = 2-DOOR HATCHBACK	41 = 4-DOOR SEDAN	49 = LIMOUSINE
27 = 2-DOOR CONVERTIBLE		

AR = Use as Required - = Non Illustrated Part P.A.R. = Paint as Required

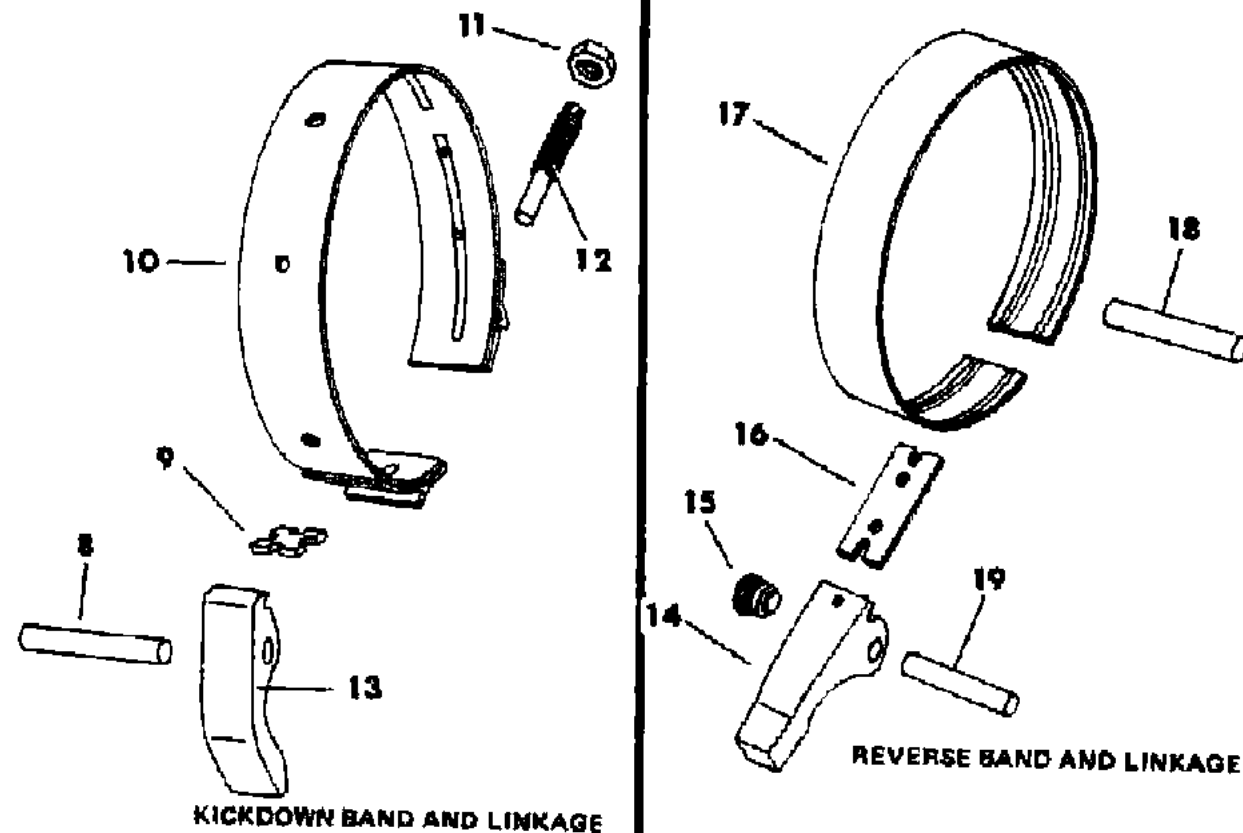
BANDS, REVERSE AND KICKDOWN, w/PARKING SPRAG AUTOMATIC TRANSAXLE, A413,A470

Figure 21A-1900

515: 1900



PARKING SPRAG



KICKDOWN BAND AND LINKAGE

REVERSE BAND AND LINKAGE

ITEM	PART NUMBER	QTY	BODY	MODEL	DESCRIPTION
1	1626 749	1			E-RING, Parking Sprag Rod Retainer
2	4207 130	1			ROD, w/Spring, Sleeve and End, Parking Sprag
3	6500 368	2			BOLT, Parking Sprag Support Attaching
4	5212 296	1			SUPPORT, Parking Sprag Rod
5	5212 010	1			SHAFT, Parking Sprag
6	5222 244	1			SPRING, Parking Sprag Pawl
7	5224 468	1			PAWL, Parking Sprag
8	5212 047	1			SHAFT, Kickdown Band Lever
9	5212 343	1			STRUT, Kickdown Band
10	4269 663	1			BAND, Transaxle Kickdown
11	5212 206	1			NUT, Kickdown Band Adj. Screw Lock
12	5212 255	1			SCREW, Kickdown Band Adjusting
13	4207 009	1			LEVER, w/Pin, Kickdown Band
14	5224 203	1			LEVER, w/Pin and Stem, Reverse Band, Short
	4207 182	1			Intergal
15		1			PLUG, Trans. Pipe 1/4"-18 (Not Serviced)
16	5224 264	1			STRUT, Reverse Band
17	5205 765	1			BAND, Transaxle Reverse
	5224 140	1			SCREW, Reverse Band Adjusting
18	5212 344	1			ANCHOR, Reverse Band
19	5222 090	1			SHAFT, Reverse Band Lever

MODEL CODES

B = GRAN FURY	E = 600	M = HORIZON/TURISMO
C = LE BARON/TOWN & COUNTRY/LIMO	F = FIFTH AVENUE/NEWPORT	P = RELIANT
C24 = LASER	G = DIPLOMAT	T = NEW YORKER
C44 = LE BARON/GTS	H = VOYAGER	V = 600
D = ARIES	J = CARAVELLE	V24 = DAYTONA
D44 = LANCER	K = MINI VAN/CARAVAN/ROYAL	Z = OMNI/CHARGER

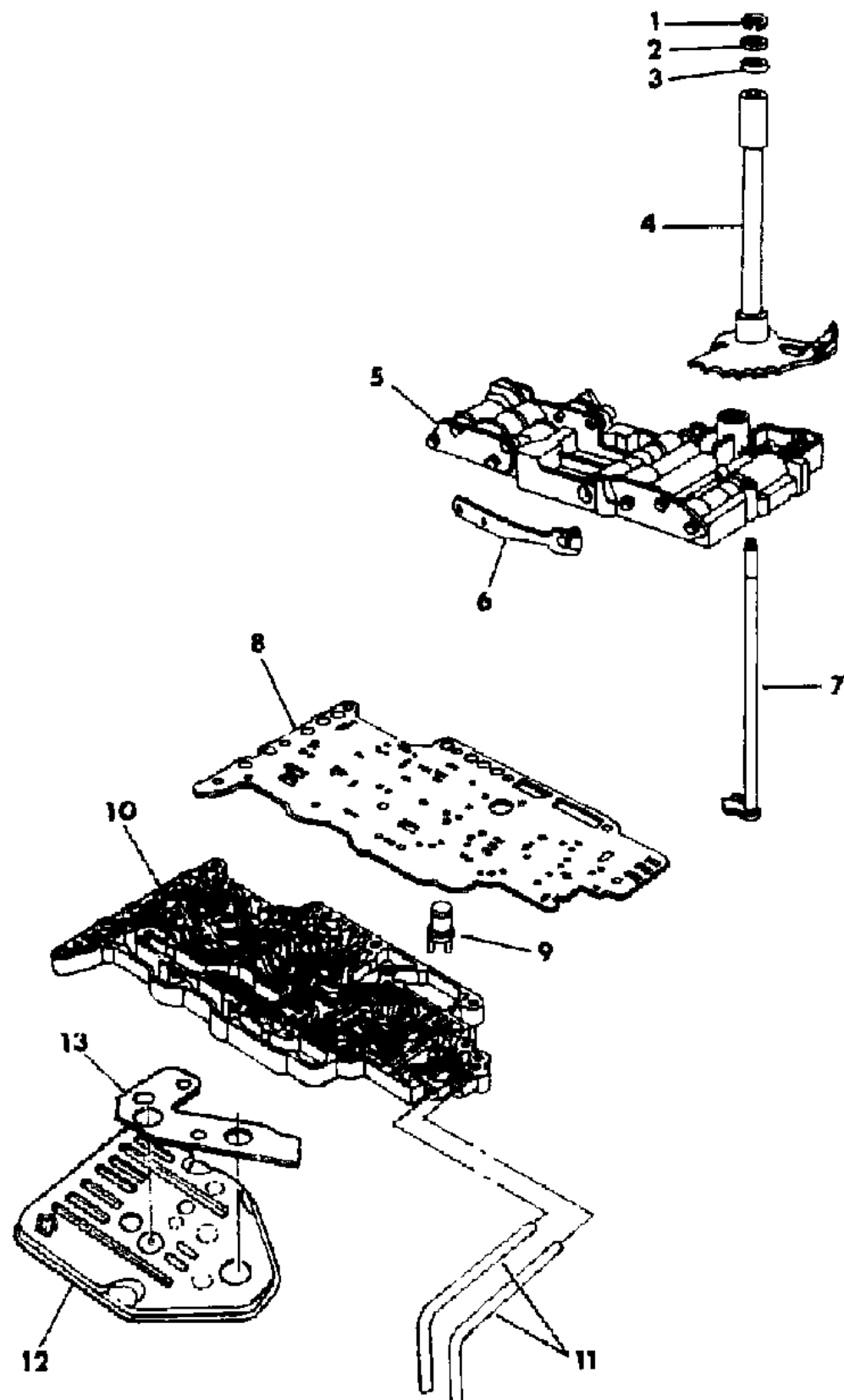
BODY STYLES

21 = 2-DOOR SEDAN	35 = FWD VAN	44 = 4-DOOR HATCHBACK
22 = 2-DOOR SPECIAL COUPE	36 = FWD WAGON	45 = 4-DOOR STATION WAGON
24 = 2-DOOR HATCHBACK	41 = 4-DOOR SEDAN	49 = LIMOUSINE
27 = 2-DOOR CONVERTIBLE		

AR = Use as Required - = Non Illustrated Part P.A.R. = Paint as Required

VALVE BODY AUTOMATIC TRANSAXLE, A413,A470
Figure 21A-2000

5151 2000



ITEM	PART NUMBER	QTY	BODY	MODEL	DESCRIPTION
1	6025 857	1			SNAP RING, Throttle Valve Lever Shaft
2	2538 062	1			WASHER, Throttle Valve Lever Shaft
3	2466 548	1			SEAL, Throttle Shaft
4	6500 207	1			SCREW, Throttle Pressure Adj.
	4207 093	1			LEVER, w/Insulator, Manual Valve
5	4269 716	1			RIVET, (Not Serviced)
	4269 929	1			VALVE BODY ASSEMBLY, w/Transfer Plate, Except 4329538 Trans.
	6100 994	1			w/4329538 Trans.
	4207 230	1			PIN, Valve Body to Case Dowel
6	4269 584	1			VALVE, Valve Body Throttle (Not Shown)
7	5212 244	1			DETENT ASSEMBLY, Manual Valve Lever
8	6500 214	AR			SHAFT ASSEMBLY, Throttle Valve Lever
	6500 215	15			PLATE, Valve Body (Serviced in Valve Body)
9	3878 313	1			SCREW, M5x0.8x11
10	6100 155	7			SCREW, Valve Body to Transfer Plate, M5x0.8x25
	5222 020	2			SCREEN, Regulator Valve
11	5222 020	2			PLATE, Transfer (Serviced in Valve Body)
12	4269 649	1			SCREW, Transfer Plate to Case
	6500 216	2			TUBE, Governor Oil
13	4269 671	1			FILTER, Transaxle Oil
					SCREW, Oil Filter to Valve Body, M5x0.8x30
					GASKET, Oil Filter

MODEL CODES

B = GRAN FURY	E = 600	M = HORIZON/TURISMO
C = LE BARON/TOWN & COUNTRY/LIMO	F = FIFTH AVENUE/NEWPORT	P = RELIANT
C24 = LASER	G = DIPLOMAT	T = NEW YORKER
C44 = LE BARON/GTS	H = VOYAGER	V = 600
D = ARIES	J = CARAVELLE	V24 = DAYTONA
D44 = LANCER	K = MINI VAN/CARAVAN/ROYAL	Z = OMNI/CHARGER

BODY STYLES

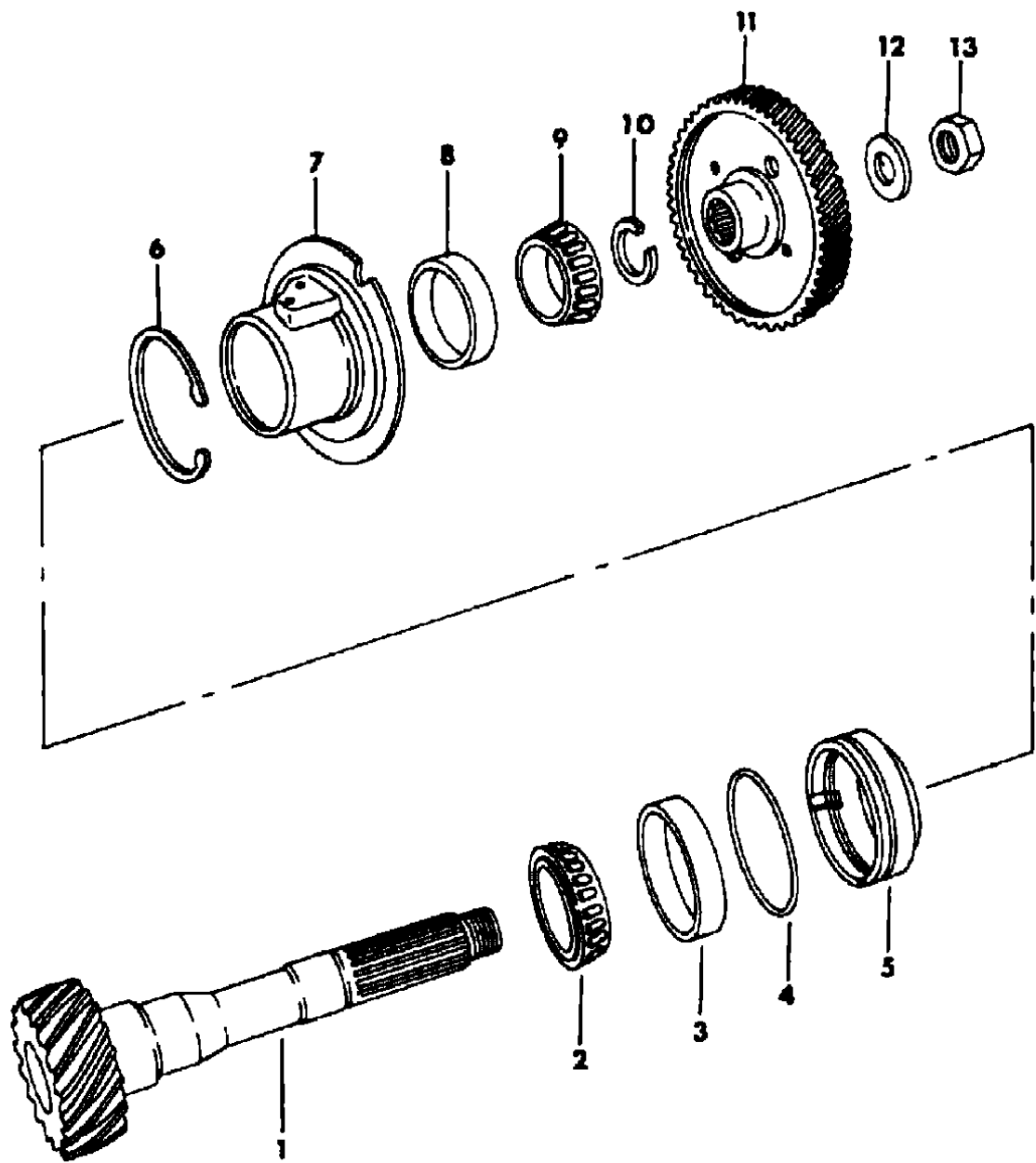
21 = 2-DOOR SEDAN	35 = FWD VAN	44 = 4-DOOR HATCHBACK
22 = 2-DOOR SPECIAL COUPE	36 = FWD WAGON	45 = 4-DOOR STATION WAGON
24 = 2-DOOR HATCHBACK	41 = 4-DOOR SEDAN	49 = LIMOUSINE
27 = 2-DOOR CONVERTIBLE		

AR = Use as Required - = Non Illustrated Part P.A.R. = Paint as Required

SHAFT, TRANSFER AUTOMATIC TRANSAXLE, A413,A470

Figure 21A-2100

5151 2100



ITEM	PART NUMBER	QTY	BODY	MODEL	DESCRIPTION
1					TRANSFER SHAFT, Transaxle
	5224 209	1			w/4329506,547 Trans., 21T
	5224 211	1			w/4207905 Trans., 20T
	4295 842	1			w/4329538,564 Trans., 21T
	4269 172	1			w/4329546,565 Trans., 20T
2	4269 677	1			CONE, Transfer Shaft
3	4269 676	1			CUP, Transfer Shaft
4	6500 169	1			O-RING, Transfer Shaft Brg. Retainer
5	4269 688	1			RETAINER PACKAGE, Transfer Shaft Bearing
6	5212 353	1			SNAP RING, Transfer Shaft Brg. Retainer
7	5212 371	1			RETAINER, Trans. Governor Support
8	4269 676	1			CUP, Transfer Shaft Gear
9	4269 677	1			CONE, Transfer Shaft Gear
10					SPACER, Transfer Shaft Brg.
	4207 166	AR			0.94mm(.037")
	4207 167	AR			0.99mm(.039")
	4207 168	AR			1.04mm(.041")
	4207 169	AR			1.09mm(.043")
	4207 170	AR			1.14mm(.045")
	4207 171	AR			1.19mm(.047")
	4207 172	AR			1.24mm(.051")
	4207 173	AR			1.29mm
	4207 174	AR			1.34mm(.053")
	4207 175	AR			1.39mm(.055")
	4207 176	AR			1.84mm(.072")
	4207 177	AR			2.29mm(.090")
11	4205 871	1			GEAR SET, Transfer Shaft and Output Shaft, Except 4207905 Trans., 56T-53T
	4186 871	1			w/4207905 Trans., 52T-57T
12	5222 010	1			WASHER, Transfer Shaft Nut
13	5222 009	1			NUT, Transfer Shaft Gear M20x1.5

MODEL CODES

B = GRAN FURY	E = 600	M = HORIZON/TURISMO
C = LE BARON/TOWN & COUNTRY/LIMO	F = FIFTH AVENUE/NEWPORT	P = RELIANT
C24 = LASER	G = DIPLOMAT	T = NEW YORKER
C44 = LE BARON/GTS	H = VOYAGER	V = 600
D = ARIES	J = CARAVELLE	V24 = DAYTONA
D44 = LANCER	K = MINI VAN/CARAVAN/ROYAL	Z = OMNI/CHARGER

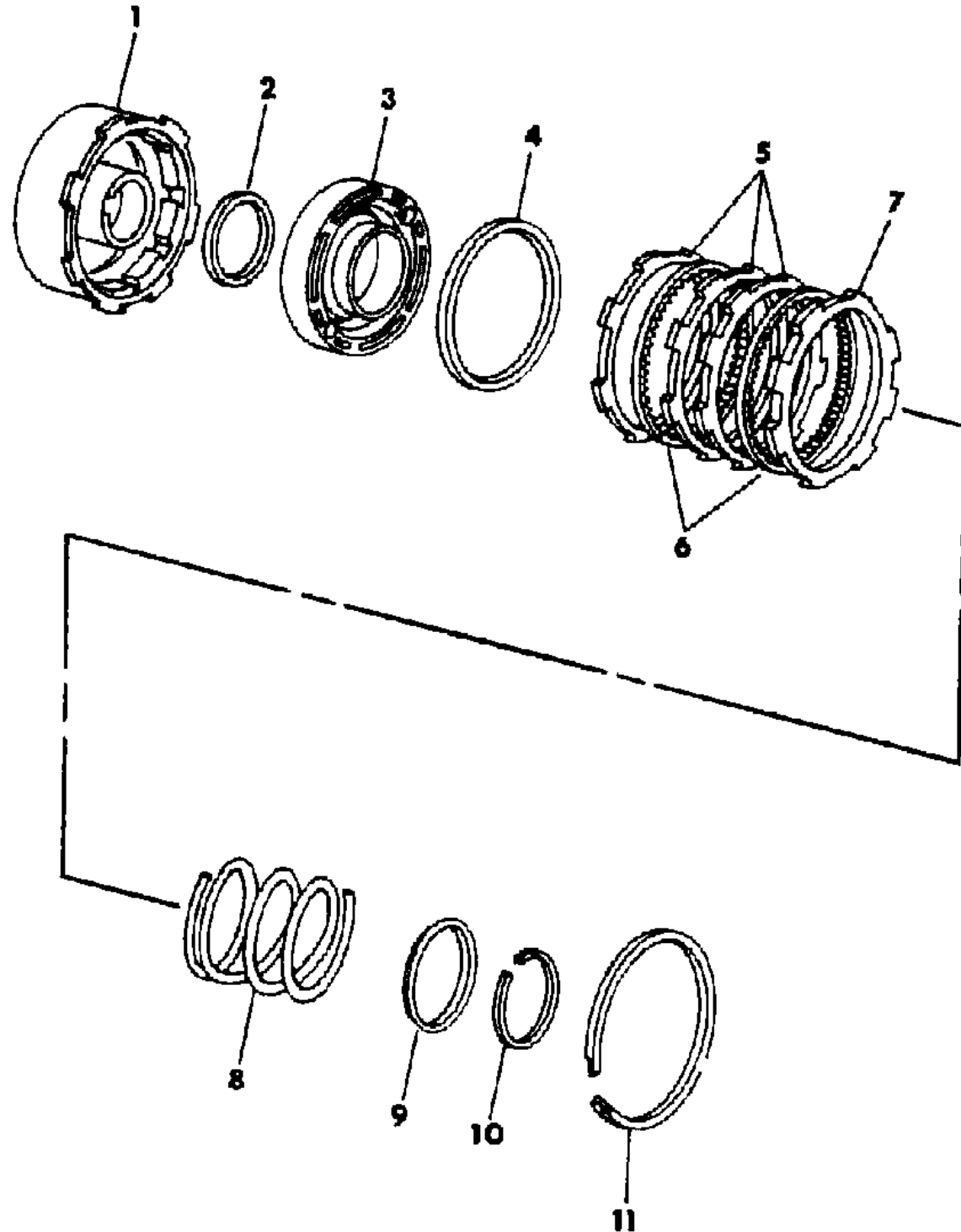
BODY STYLES

21 = 2-DOOR SEDAN	35 = FWD VAN	44 = 4-DOOR HATCHBACK
22 = 2-DOOR SPECIAL COUPE	36 = FWD WAGON	45 = 4-DOOR STATION WAGON
24 = 2-DOOR HATCHBACK	41 = 4-DOOR SEDAN	49 = LIMOUSINE
27 = 2-DOOR CONVERTIBLE		

AR = Use as Required - = Non Illustrated Part P.A.R. = Paint as Required

CLUTCH, FRONT AUTOMATIC TRANSAXLE, A413,A470
Figure 21A-2200

5151 2200



ITEM	PART NUMBER	QTY	BODY	MODEL	DESCRIPTION
1	5224 316	1			RETAINER, w/Bushings, Front Clutch
	0147 483	1			BALL, Frt. Clutch Ret. Check Valve, 3/16" Dia.
2	5205 670	1			SEAL, Frt. Clutch Piston, Inner
3	5224 171	1			PISTON, Frt. Clutch
4	4058 487	1			SEAL, Frt. Clutch Piston, Outer
5	4207 208	3			PLATE, Frt. Clutch, 1/10" Thk.
6	5205 675	3			DISC, Transaxle Frt. Clutch
7	4207 209	1			PLATE, Frt. Clutch Reaction, 1/5" Thk.
8	5224 144	1			SPRING, Frt. Clutch Piston, Except 4329538 Trans.
	4207 227	1			w/4329538 Trans., Red
9	5205 673	1			RETAINER, Frt. Clutch Spring
10	5205 674	1			SNAP RING, Frt. Clutch, Inner
11	5212 096	1			SNAP RING, Frt. Clutch, Outer, Steel

MODEL CODES

B = GRAN FURY	E = 600	M = HORIZON/TURISMO
C = LE BARON/TOWN & COUNTRY/LIMO	F = FIFTH AVENUE/NEWPORT	P = RELIANT
C24 = LASER	G = DIPLOMAT	T = NEW YORKER
C44 = LE BARON/GTS	H = VOYAGER	V = 600
D = ARIES	J = CARAVELLE	V24 = DAYTONA
D44 = LANCER	K = MINI VAN/CARAVAN/ROYAL	Z = OMNI/CHARGER

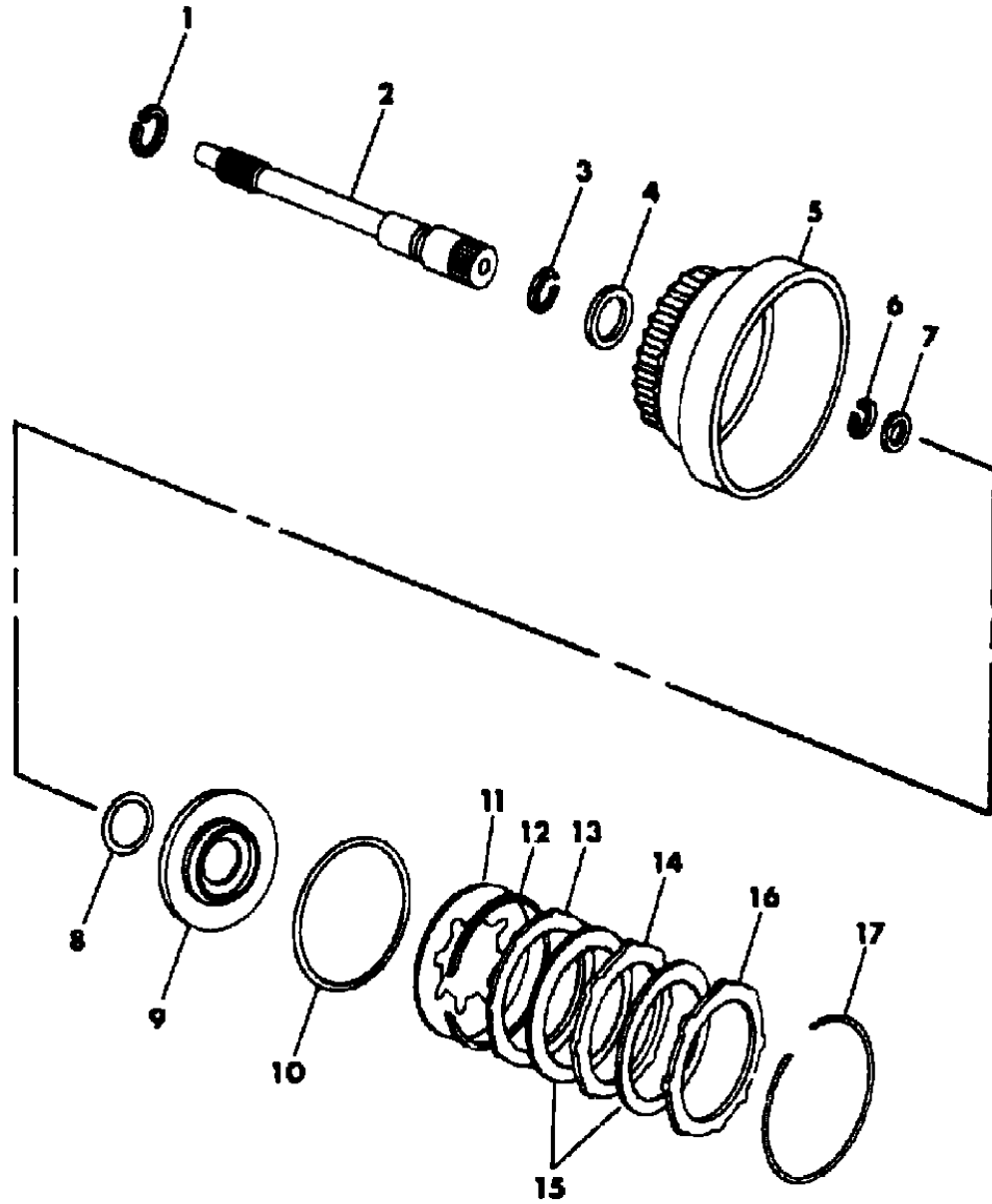
BODY STYLES

21 = 2-DOOR SEDAN	35 = FWD VAN	44 = 4-DOOR HATCHBACK
22 = 2-DOOR SPECIAL COUPE	36 = FWD WAGON	45 = 4-DOOR STATION WAGON
24 = 2-DOOR HATCHBACK	41 = 4-DOOR SEDAN	49 = LIMOUSINE
27 = 2-DOOR CONVERTIBLE		

AR = Use as Required - = Non Illustrated Part P.A.R. = Paint as Required

CLUTCH, REAR AND INPUT SHAFT AUTOMATIC TRANSAXLE, A413,A470
Figure 21A-2300

5151 2300



ITEM	PART NUMBER	QTY	BODY	MODEL	DESCRIPTION
1	1401 221	1			RING, Input Shaft Seal
2	5222 400	1			SHAFT, Input
3	5205 697	1			RING, Rr. Clutch Retainer Seal
4	5205 680	1			WASHER, Frt. Cl. Thrust, Rr.,Plastic, 63.5 O.D.
5					RETAINER, Rear Clutch
	4269 624	1			w/4207905,4329506,547 Trans.
	4269 616	1			w/4329538,546,564,565 Trans.
6	5205 691	1			SNAP RING, Input Shaft
7	5224 039	1			WASHER, Output Shaft Thrust 1.98-2.03
	5224 040	1			2.16-2.21
	5224 041	1			2.34-2.39
8	5212 373	1			SEAL, Rr. Cl. Piston, Inner, Rubber
9	4207 202	1			PISTON, Rr. Clutch
	0147 483	1			BALL, Rr. Clutch Piston Check Valve, 3/16" Dia.
10	5205 701	1			SEAL, Rr. Cl. Piston, Outer, Rubber
11					SPRING, Rr. Clutch Piston
	4207 246	1			w/4207905,4329506,547 Trans.
	4269 623	1			w/4329538,546,564,565 Trans.
12	4207 265	1			SPRING, Rr. Clutch Wave
13	4269 618	1			PLATE, Rr. Clutch Pressure w/Lip, 3/8" Thk.
14					PLATE, Rear Clutch Plate, 1/16" Thk.
	5224 073	2			w/4207905,4329506,547 Trans.
	5224 073	3			w/4329538,546,564,565 Trans.
15					DISC, Rear Clutch
	5224 084	3			w/4207905,4329506,547 Trans.
	5224 084	4			w/4329538,546,564,565 Trans.
16	4269 619	1			PLATE, Rr. Clutch Reaction, 1/5" Thk.
17					SNAP RING, Rr. Clutch Retainer
	4269 670	AR			.048 - .050" Thk.
	1942 421	AR			.060 - .062" Thk.
	4130 774	AR			.074 - .076" Thk.
	4130 775	AR			.087 - .089" Thk.

MODEL CODES

B = GRAN FURY	E = 600	M = HORIZON/TURISMO
C = LE BARON/TOWN & COUNTRY/LIMO	F = FIFTH AVENUE/NEWPORT	P = RELIANT
C24 = LASER	G = DIPLOMAT	T = NEW YORKER
C44 = LE BARON/GTS	H = VOYAGER	V = 600
D = ARIES	J = CARAVELLE	V24 = DAYTONA
D44 = LANCER	K = MINI VAN/CARAVAN/ROYAL	Z = OMNI/CHARGER

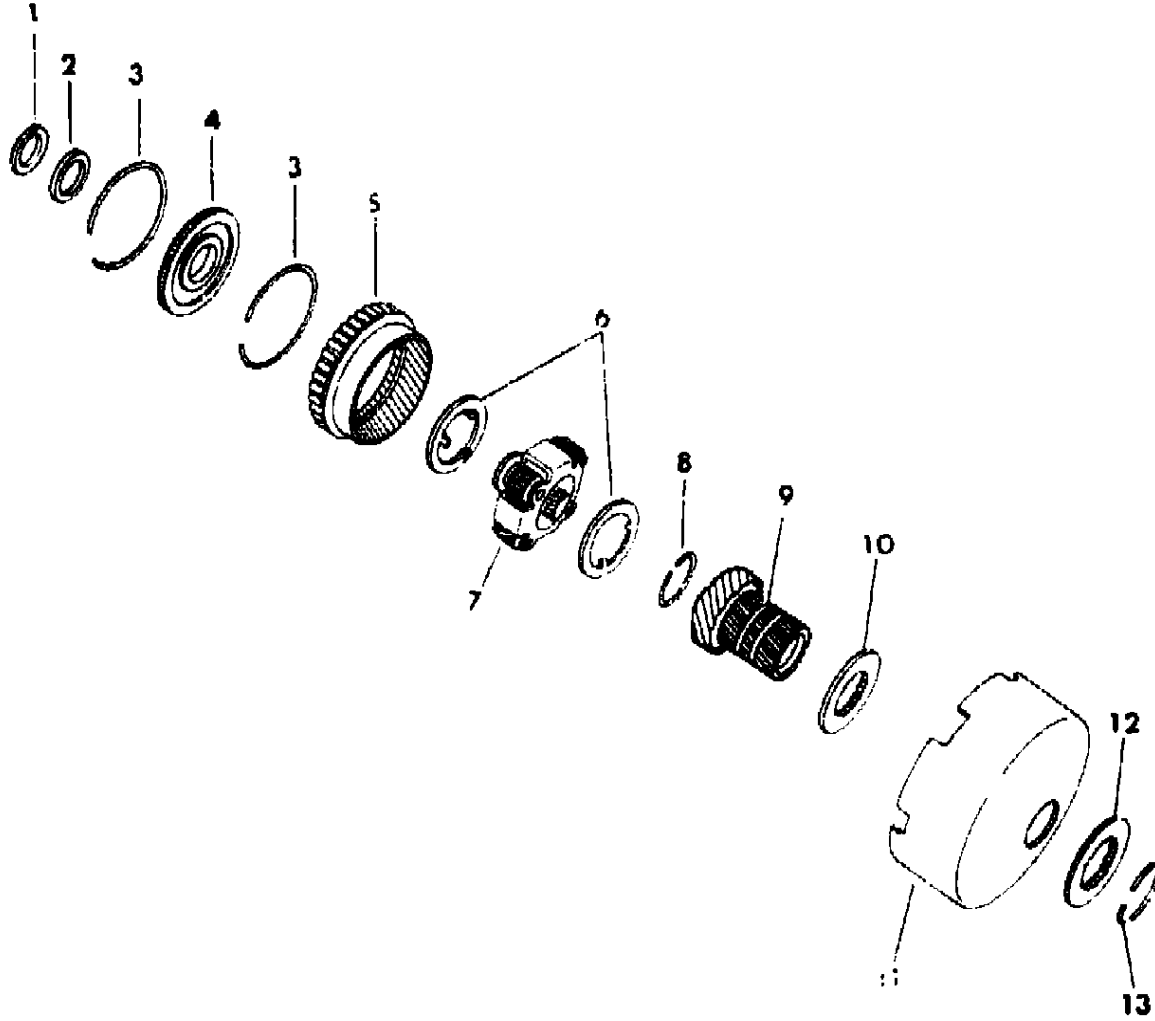
BODY STYLES

21 = 2-DOOR SEDAN	35 = FWD VAN	44 = 4-DOOR HATCHBACK
22 = 2-DOOR SPECIAL COUPE	36 = FWD WAGON	45 = 4-DOOR STATION WAGON
24 = 2-DOOR HATCHBACK	41 = 4-DOOR SEDAN	49 = LIMOUSINE
27 = 2-DOOR CONVERTIBLE		

AR = Use as Required - = Non Illustrated Part P.A.R. = Paint as Required

GEARS, FRONT ANNULUS AND SUN AUTOMATIC TRANSAXLE, A413,A470
Figure 21A-2400

51512400 A



ITEM	PART NUMBER	QTY	BODY	MODEL	DESCRIPTION
1	5222 022	1			SNAP RING, Frt. Annulus, Inner 1-1/8" I.D.
2	5222 493	1			WASHER, Frt. Annulus Gear Thrust
3	5224 079	2			SNAP RING, Frt. Annulus, Outer
4	5224 070	1			SUPPORT, w/Bushing, Frt. Annulus Gear
5	4269 620	1			GEAR, Transaxle Frt. Annulus
6	5224 066	2			WASHER, Frt. Planet Pinion Carrier Thrust
7	4269 941	1			CARRIER ASSEMBLY, Front Planet Pinion
8	5205 739	1			RING, Sun Gear Driving Shell Lock
9	5224 192	1			GEAR, w/Bushing, Sun
10	5224 236	1			SPACER, Sun Gear Plate
11	4207 195	1			SHELL, Sun Gear Driving
12	5205 737	1			PLATE, Sun Gear Driving Shell Thrust
13	5205 739	1			RING, Sun Gear Driving Shell Lock

MODEL CODES

B = GRAN FURY	E = 600	M = HORIZON/TURISMO
C = LE BARON/TOWN & COUNTRY/LIMO	F = FIFTH AVENUE/NEWPORT	P = RELIANT
C24 = LASER	G = DIPLOMAT	T = NEW YORKER
C44 = LE BARON/GTS	H = VOYAGER	V = 600
D = ARIES	J = CARAVELLE	V24 = DAYTONA
D44 = LANCER	K = MINI VAN/CARAVAN/ROYAL	Z = OMNI/CHARGER

BODY STYLES

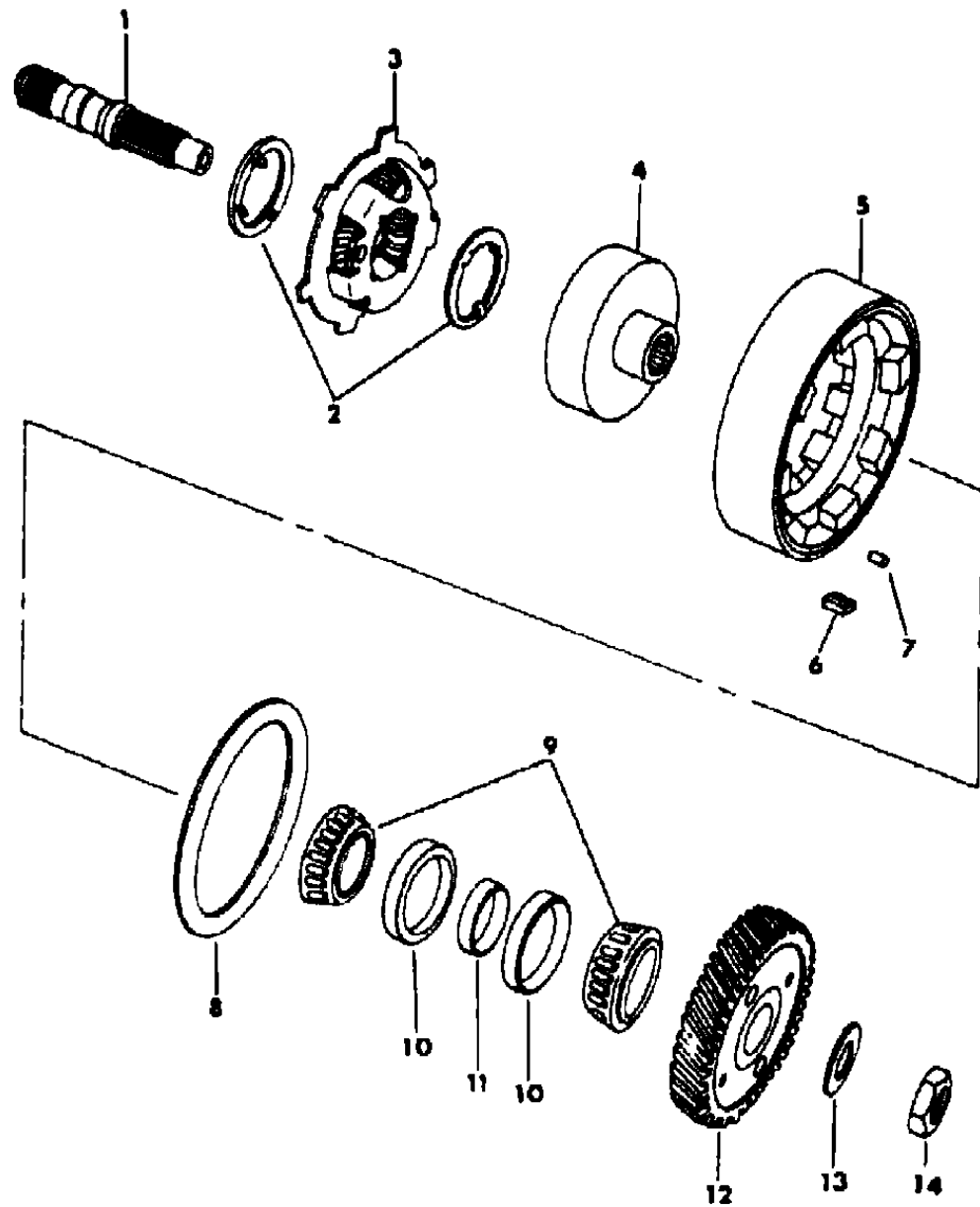
21 = 2-DOOR SEDAN	35 = FWD VAN	44 = 4-DOOR HATCHBACK
22 = 2-DOOR SPECIAL COUPE	36 = FWD WAGON	45 = 4-DOOR STATION WAGON
24 = 2-DOOR HATCHBACK	41 = 4-DOOR SEDAN	49 = LIMOUSINE
27 = 2-DOOR CONVERTIBLE		

AR = Use as Required - = Non Illustrated Part P.A.R. = Paint as Required

SHAFT, OUTPUT w/REAR CARRIER, REVERSE DRUM, AND OVERRUNNING CLUTCH AUTOMATIC TRANSAXLE, A413,A470

Figure 21A-2500

5151 2500



ITEM	PART NUMBER	QTY	BODY	MODEL	DESCRIPTION
1	4329 822	1			SHAFT, Transaxle Output
	5205 691	1			SNAP RING, Output Shaft
2	5205 724	2			WASHER, Rr. Planet Pinion Carrier
3	4269 942	1			CARRIER ASSEMBLY, Rear Planet Pinion
	4269 937	64			ROLLER, Planet Pinion Carrier, Rear (Not Shown)
	4269 938	4			PINION, Planet Pinion Carrier, Rear (Not Shown)
	4269 940	8			WASHER, Planet Pinion Carrier Roller Thrust, Rear Steel (Not Shown)
	4269 921	8			WASHER, Planet Pinion Carrier Roller Thrust, Rear Bronze (Not Shown)
		4			PINS, Planet Pinion Carrier, Rear, Welded (Not Shown) (Serv. in Carrier Assy.)
4	5222 047	1			GEAR, Rr. Annulus
5	4207 117	1			DRUM, w/Cam, Low and Reverse
	5222 137	1			BUSHING, Low and Reverse Drum
6	4186 886	1			SPRING and ROLLER PACKAGE, "O" Running Clutch
	5212 355	8			SPRING, "O" Running Clutch Roller
7					ROLLER, "O" Running Clutch (Serv. in Spring and Roller Pkg.)
8	5205 772	1			WASHER, "O" Running Clutch Cam Thrust
9	5224 300	2			CONE, Transaxle Output Shaft
10	5224 299	2			CUP PACKAGE
11					SPACER, Output Shaft Brg.
	4207 162	AR			12.65
	4207 163	AR			13.15
	4207 164	AR			13.65
	5224 152	AR			14.99, w/4207905,4329547 Trans.
12	4205 871	1			GEAR SET, Output Shaft and Transfer Shaft, Except 4207905 Trans., 53T-56T
	4186 871	1			w/4207905 Trans., 57T-52T
13	5222 010	1			WASHER, Output Shaft Gear Nut
14	5222 009	1			NUT, Output Shaft Gear M20x1.5

MODEL CODES

B = GRAN FURY	E = 600	M = HORIZON/TURISMO
C = LE BARON/TOWN & COUNTRY/LIMO	F = FIFTH AVENUE/NEWPORT	P = RELIANT
C24 = LASER	G = DIPLOMAT	T = NEW YORKER
C44 = LE BARON/GTS	H = VOYAGER	V = 600
D = ARIES	J = CARAVELLE	V24 = DAYTONA
D44 = LANCER	K = MINI VAN/CARAVAN/ROYAL	Z = OMNI/CHARGER

BODY STYLES

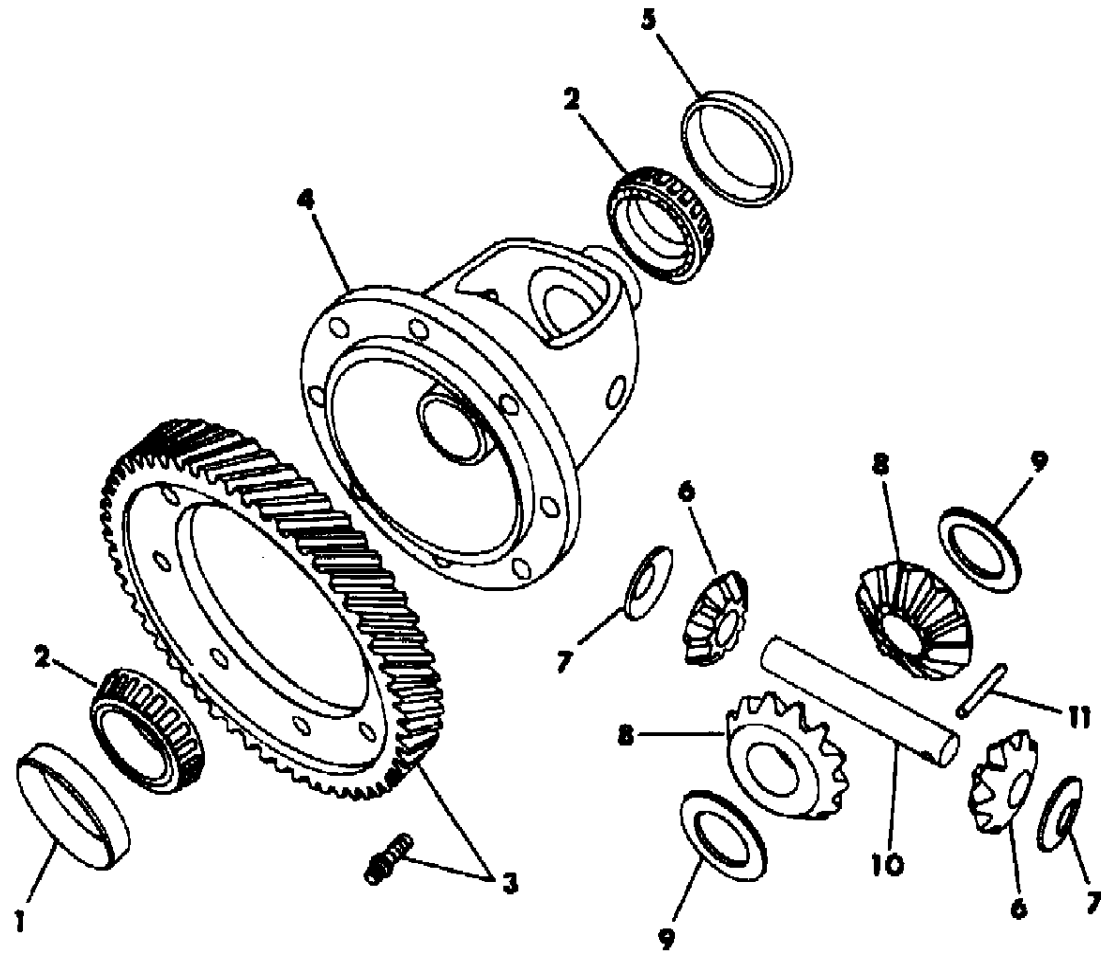
21 = 2-DOOR SEDAN	35 = FWD VAN	44 = 4-DOOR HATCHBACK
22 = 2-DOOR SPECIAL COUPE	36 = FWD WAGON	45 = 4-DOOR STATION WAGON
24 = 2-DOOR HATCHBACK	41 = 4-DOOR SEDAN	49 = LIMOUSINE
27 = 2-DOOR CONVERTIBLE		

AR = Use as Required - = Non Illustrated Part P.A.R. = Paint as Required

DIFFERENTIAL AUTOMATIC TRANSAXLE, A413,A470

Figure 21A-2600

5151 2600



ITEM	PART NUMBER	QTY	BODY	MODEL	DESCRIPTION
1	4269 676	1			CUP, Transaxle Extension
2	4269 677	2			CONE, Transaxle Differential
3					GEAR, Final Drive
	5224 210	1			w/4329506,547 Trans., 60T
	4269 171	1			w/4207905 Trans., 61T
	4269 171	1			w/4329546,565 Trans., 61T
	4295 841	1			w/4329538,564 Trans., 60T
	6501 032	8			SCREW, Diff. Ring Gear to Diff., M10x1.5x25
4	4269 768	1			CASE, Transaxle Differential
5	4269 676	1			CUP, Differential
6	4295 416	2			PINION, Differential
7	4269 755	2			WASHER, Diff. Pinion Thrust, Spherical w/Tab
8	4295 415	2			GEAR, Differential, Side
9	4269 754	2			WASHER, Diff. Side Gear Thrust, Flat w/Tab
10	4207 073	1			SHAFT, Differential
11	6101 284	1			PIN, Diff. Roll

MODEL CODES

B = GRAN FURY	E = 600	M = HORIZON/TURISMO
C = LE BARON/TOWN & COUNTRY/LIMO	F = FIFTH AVENUE/NEWPORT	P = RELIANT
C24 = LASER	G = DIPLOMAT	T = NEW YORKER
C44 = LE BARON/GTS	H = VOYAGER	V = 600
D = ARIES	J = CARAVELLE	V24 = DAYTONA
D44 = LANCER	K = MINI VAN/CARAVAN/ROYAL	Z = OMNI/CHARGER

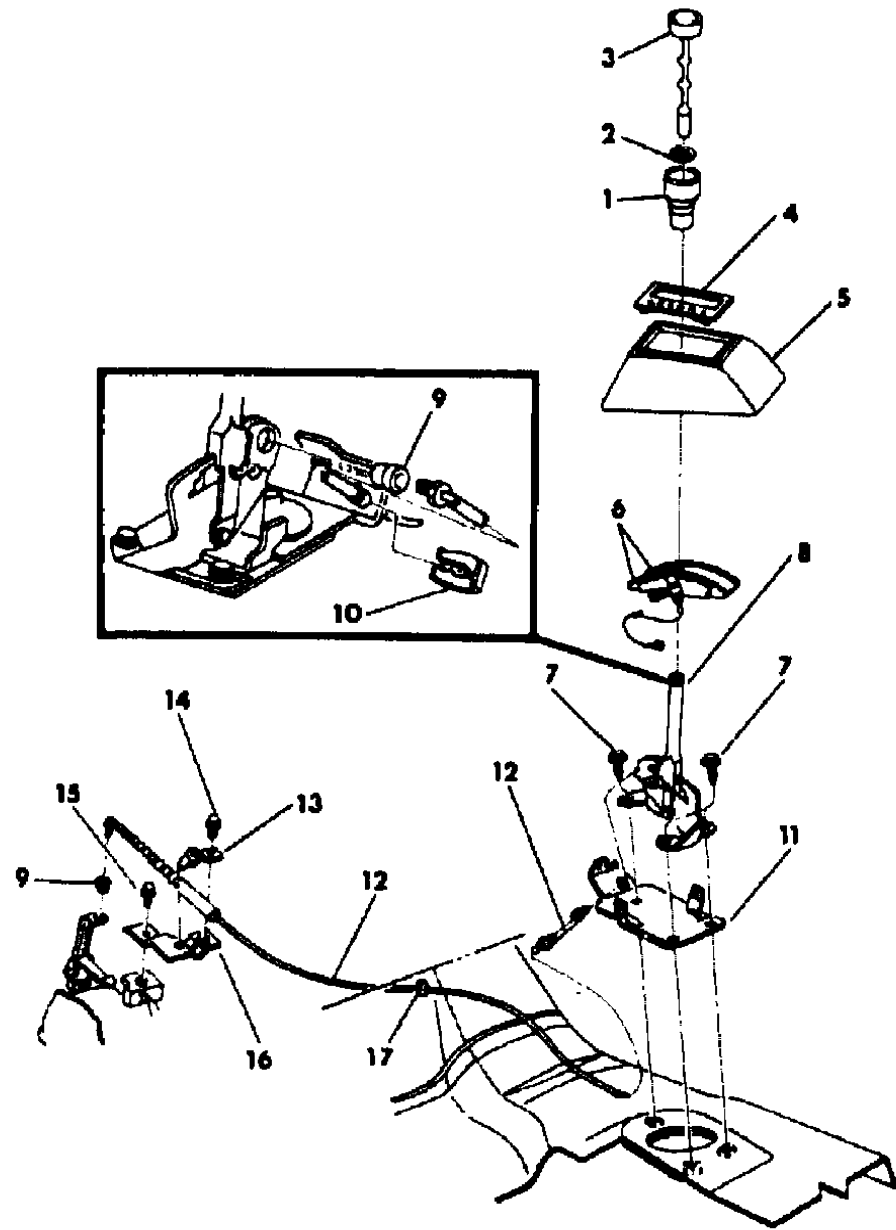
BODY STYLES

21 = 2-DOOR SEDAN	35 = FWD VAN	44 = 4-DOOR HATCHBACK
22 = 2-DOOR SPECIAL COUPE	36 = FWD WAGON	45 = 4-DOOR STATION WAGON
24 = 2-DOOR HATCHBACK	41 = 4-DOOR SEDAN	49 = LIMOUSINE
27 = 2-DOOR CONVERTIBLE		

AR = Use as Required - = Non Illustrated Part P.A.R. = Paint as Required

CONTROLS, GEARSHIFT, FLOOR SHIFT AUTOMATIC TRANSAXLE M,Z
Figure 21A-2700

515: 2700



ITEM	PART NUMBER	QTY	BODY	MODEL	DESCRIPTION
1	5206 117	1			KNOB, Gearshift
2	5211 832	1			CLIP, Gearshift Knob
3	4019 991	1			BUTTON, Gearshift Knob
4	5209 966	1			LENS, Console Gear Selector Indicator
5					CONSOLE, Mini, (Refer to Group 8A)
6	4221 479	1			BRACKET, w/Slide, Lamp and Clip, Console G/Shift Selector Indicator
7	6100 577	3			SCREW, M8x1.25x35
8	5211 920	1			ACTUATOR, Gearshift Control
9	3575 333	2			GROMMET
10	4295 369	1			CLIP, Gearshift Control Cable
11	5211 875	1			BRACKET, Gearshift Control Mounting
12	4340 179	1			CABLE, Gearshift Control, 52.26" Lg.
13	5211 887	1			CLAMP, Gearshift Control
14	6100 560	1			BOLT, Cable Mounting Front, M6x1.00x35
15	6100 315	1			SCREW, Bracket Mounting Front, M8x1.25x35
16	5211 885	1			BRACKET, Gearshift Control Cable Mounting Front
17	3593 446	1			GROMMET, G/Shift Cable to Dash Panel

MODEL CODES

B = GRAN FURY	E = 600	M = HORIZON/TURISMO
C = LE BARON/TOWN & COUNTRY/LIMO	F = FIFTH AVENUE/NEWPORT	P = RELIANT
C24 = LASER	G = DIPLOMAT	T = NEW YORKER
C44 = LE BARON/GTS	H = VOYAGER	V = 600
D = ARIES	J = CARAVELLE	V24 = DAYTONA
D44 = LANCER	K = MINI VAN/CARAVAN/ROYAL	Z = OMNI/CHARGER

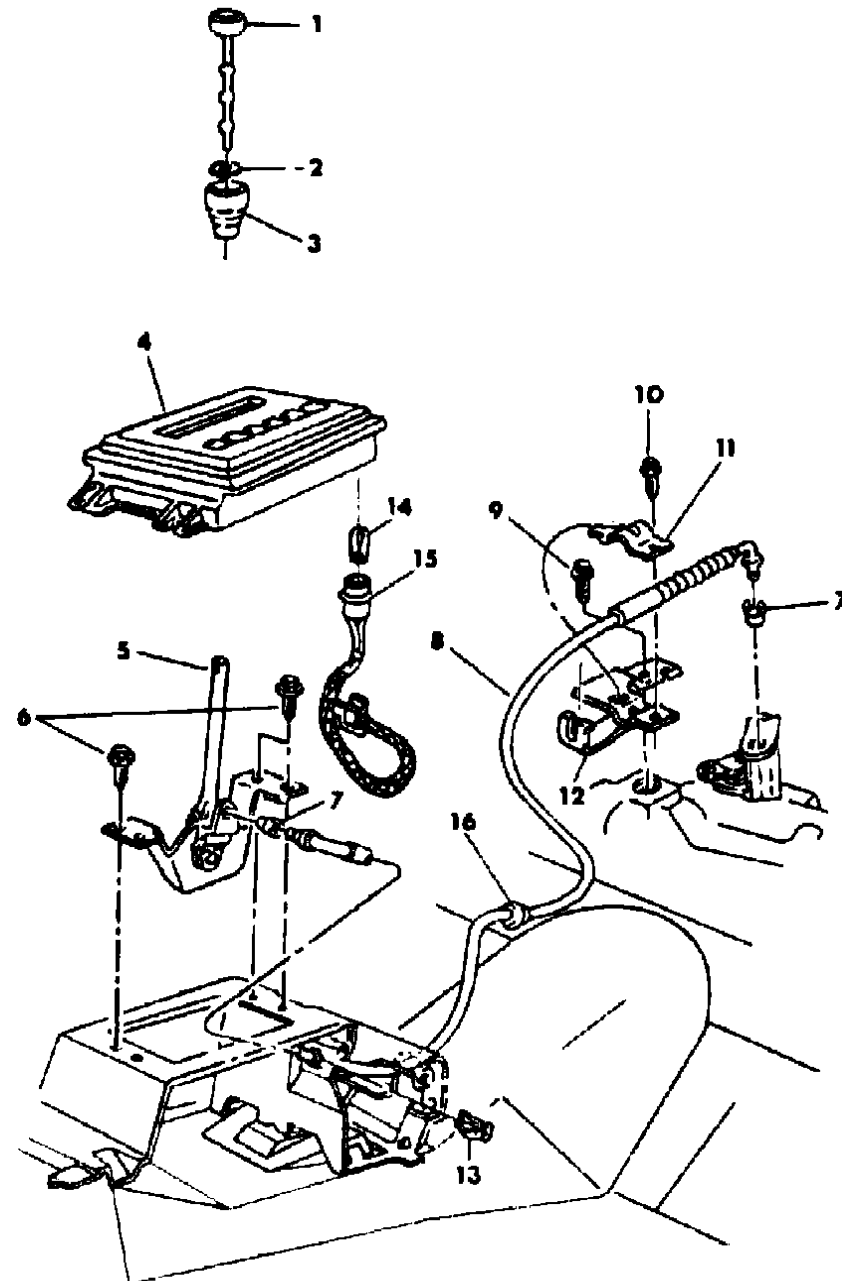
BODY STYLES

21 = 2-DOOR SEDAN	35 = FWD VAN	44 = 4-DOOR HATCHBACK
22 = 2-DOOR SPECIAL COUPE	36 = FWD WAGON	45 = 4-DOOR STATION WAGON
24 = 2-DOOR HATCHBACK	41 = 4-DOOR SEDAN	49 = LIMOUSINE
27 = 2-DOOR CONVERTIBLE		

AR = Use as Required - = Non Illustrated Part P.A.R. = Paint as Required

CONTROLS, GEARSHIFT, FLOOR SHIFT AUTOMATIC TRANSAXLE V,C-27 CONV.
Figure 21A-2800

5151 2800



ITEM	PART NUMBER	QTY	BODY	MODEL	DESCRIPTION
1	4019 991	1			BUTTON, w/Decal, G/Shift Control Knob
2	5211 832	1			CLIP, Gearshift Knob
3	5206 117	1			KNOB, Gearshift
4	3747 856	1			INDICATOR, Console Gear Selector
5	4269 893	1			ACTUATOR, Gearshift
6	6100 539	3			SCREW, G/Shift Actuator, M5x0.80x20
7	3575 333	2			GROMMET
8	4340 180	1			CABLE, Gearshift, 52.26" Lg.
	4295 314	1			GROMMET, Gearshift Control Cable
9	6100 315	1			SCREW, M8x1.25x35
10	6100 560	1			BOLT, M6x1.00x35
11	5211 887	1			CLAMP
12	4329 050	1			BRACKET, Gearshift Cable Mtg., Front
13	4295 369	1			CLIP, Cable Mounting
14	9415 969	1			BULB, Console Lamp
15					SOCKET, Bulb (Serviced in Body Wiring Harness)
16	3593 446	1			GROMMET, G/Shift Cable to Dash Panel

MODEL CODES

B = GRAN FURY	E = 600	M = HORIZON/TURISMO
C = LE BARON/TOWN & COUNTRY/LIMO	F = FIFTH AVENUE/NEWPORT	P = RELIANT
C24 = LASER	G = DIPLOMAT	T = NEW YORKER
C44 = LE BARON/GTS	H = VOYAGER	V = 600
D = ARIES	J = CARAVELLE	V24 = DAYTONA
D44 = LANCER	K = MINI VAN/CARAVAN/ROYAL	Z = OMNI/CHARGER

BODY STYLES

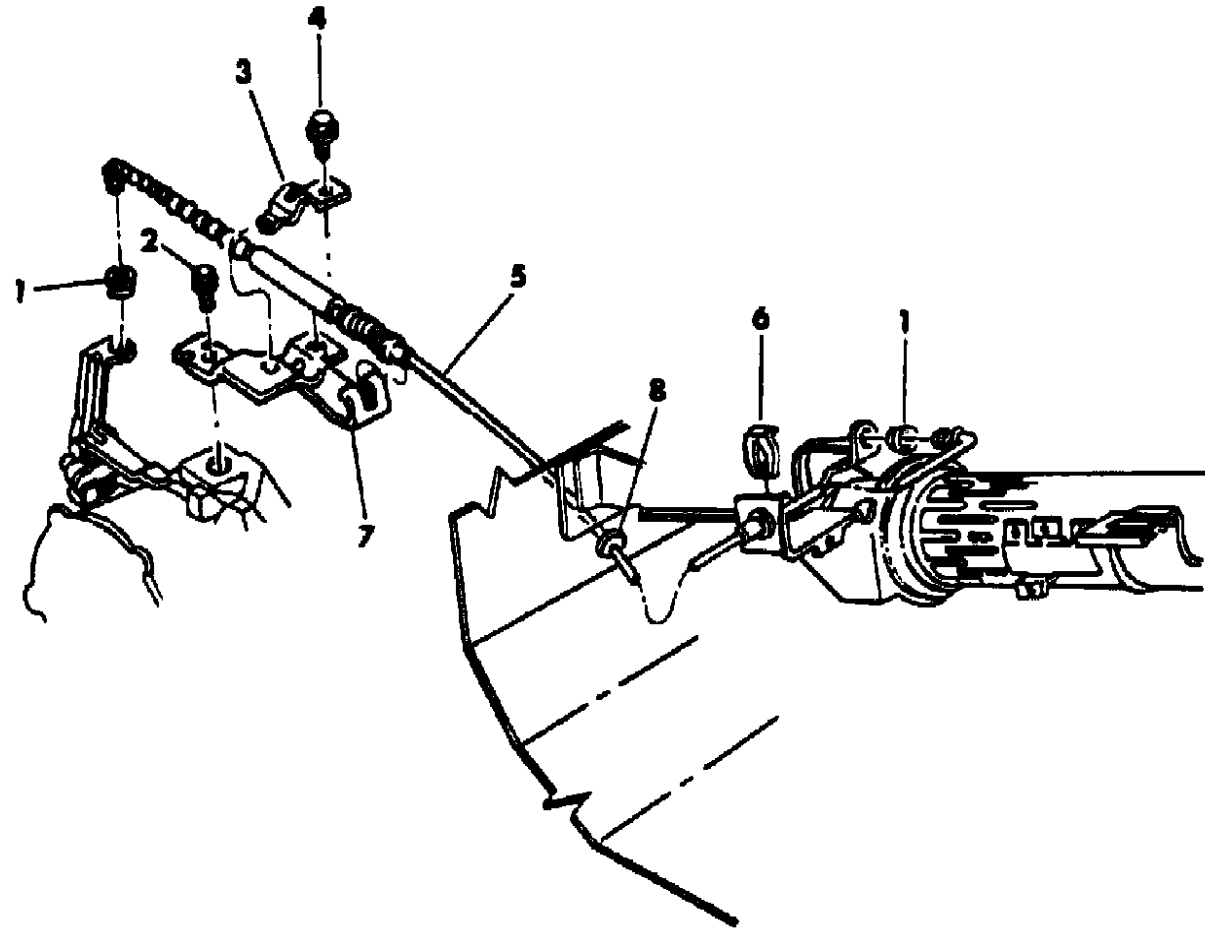
21 = 2-DOOR SEDAN	35 = FWD VAN	44 = 4-DOOR HATCHBACK
22 = 2-DOOR SPECIAL COUPE	36 = FWD WAGON	45 = 4-DOOR STATION WAGON
24 = 2-DOOR HATCHBACK	41 = 4-DOOR SEDAN	49 = LIMOUSINE
27 = 2-DOOR CONVERTIBLE		

AR = Use as Required - = Non Illustrated Part P.A.R. = Paint as Required

CONTROLS, GEARSHIFT, COLUMN SHIFT AUTOMATIC TRANSAXLE P,D,V,C,J,E,T,D,C-44,H,K EXCEPT V,C-24

Figure 21A-2900

5151 2900



ITEM	PART NUMBER	QTY	BODY	MODEL	DESCRIPTION
1	3575 333	2			GROMMET
2	6100 315	1			SCREW, Bracket Mtg. Front, M8x1.25x35
3	5211 887	1			CLAMP, Control Cable Mounting Front
4	6100 560	1			BOLT, Cable Mounting Clamp, M6x1.00x35
5					CABLE, Gearshift Control
	4340 184	1		P,D,V,C	42.13" Lg.
	4340 184	1		J,E,T,D	42.13" Lg.
	4348 451	1		H,K	42.13" Lg.
6	4295 369	1			CLIP, G/Shift Control Cable
7	4329 050	1			BRACKET, Cable Mounting, Front
8	3593 446	1			GROMMET, G/Shift Cable to Dash Panel

MODEL CODES

B = GRAN FURY	E = 600	M = HORIZON/TURISMO
C = LE BARON/TOWN & COUNTRY/LIMO	F = FIFTH AVENUE/NEWPORT	P = RELIANT
C24 = LASER	G = DIPLOMAT	T = NEW YORKER
C44 = LE BARON/GTS	H = VOYAGER	V = 600
D = ARIES	J = CARAVELLE	V24 = DAYTONA
D44 = LANCER	K = MINI VAN/CARAVAN/ROYAL	Z = OMNI/CHARGER

BODY STYLES

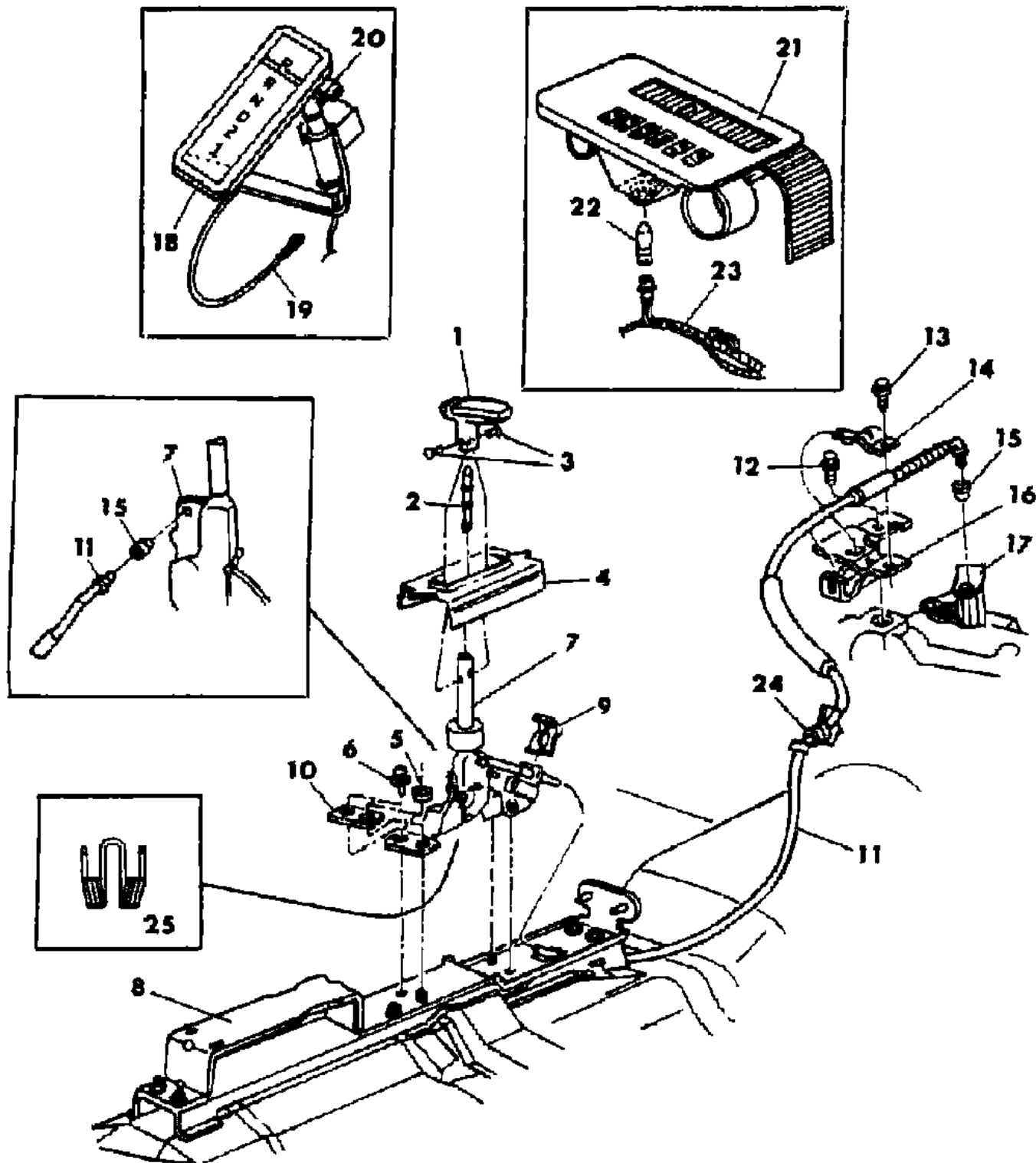
21 = 2-DOOR SEDAN	35 = FWD VAN	44 = 4-DOOR HATCHBACK
22 = 2-DOOR SPECIAL COUPE	36 = FWD WAGON	45 = 4-DOOR STATION WAGON
24 = 2-DOOR HATCHBACK	41 = 4-DOOR SEDAN	49 = LIMOUSINE
27 = 2-DOOR CONVERTIBLE		

AR = Use as Required - = Non Illustrated Part P.A.R. = Paint as Required

CONTROLS, GEARSHIFT, FLOOR SHIFT AUTOMATIC TRANSAXLE P,D,V,C-24,D,C-44 EXCEPT V,C-27

Figure 21A-3000

5151 3000 A



ITEM	PART NUMBER	QTY	BODY	MODEL	DESCRIPTION
1	4340 146	1			HANDLE, Gearshift Control Selector Lever, T
2	4295 334	1			ROD, Gearshift Control Selector Lever
3	6500 870	2			SCREW, Gearshift Knob To Selector Lever
4		1			CONSOLE, (Refer to Group 8A)
5	6100 050	2			NUT, Actuator Mtg., M8x1.25
6		2			SCREW, Actuator Mtg.
7	4348 466	1			ACTUATOR, Gearshift Control
8		1			BRACKET, Rr. Floor Console (Refer to Group 8A)
9	4295 369	1			CLIP, Cable Mounting
10	4329 069	2	P,D,V,C		PLATE, Gearshift Control Actuator
	4377 221	2	V,C-24,		
11	4348 471	1			CABLE, Gearshift Control, Except V,C-24
	4340 181	1			w/V,C-24, 61.02" Lg.
12	6100 315	1			SCREW, M8x1.25x35
13	6100 560	1			SCREW, M6x1.00x35
14	5211 887	1			CLAMP, Cable Mtg.
15	3575 333	2			GROMMET, Cable End
16	4329 050	1			BRACKET, Cable Mtg., Front
17	5224 266	1			LEVER, Manual Control
18	4221 802	1	V,C-24		LAMP ASSEMBLY, Console G/Shift Selector Indicator
	4221 588	1	D,C-44		
19	4221 192	1	V,C-24,		CABLE, Console Selector Indicator Lamp
20	4221 194	1	V,C-24		LAMP, Acc. SW Nomenclature
21	4221 583	1	P,D,V,C		BEZEL, Console G/Shift Selector Indicator
22	9415 969	1	P,D,V,C		BULB, Console Lamp
23		1			WIRING, Console G/Shift Indicator (Refer to Body Wiring)
24	3593 446	1			GROMMET, G/Shift Control Cable To Dash Panel
25	4377 238	1			SPRING, G/Shift Lever

MODEL CODES

B = GRAN FURY	E = 600	M = HORIZON/TURISMO
C = LE BARON/TOWN & COUNTRY/LIMO	F = FIFTH AVENUE/NEWPORT	P = RELIANT
C24 = LASER	G = DIPLOMAT	T = NEW YORKER
C44 = LE BARON/GTS	H = VOYAGER	V = 600
D = ARIES	J = CARAVELLE	V24 = DAYTONA
D44 = LANCER	K = MINI VAN/CARAVAN/ROYAL	Z = OMNI/CHARGER

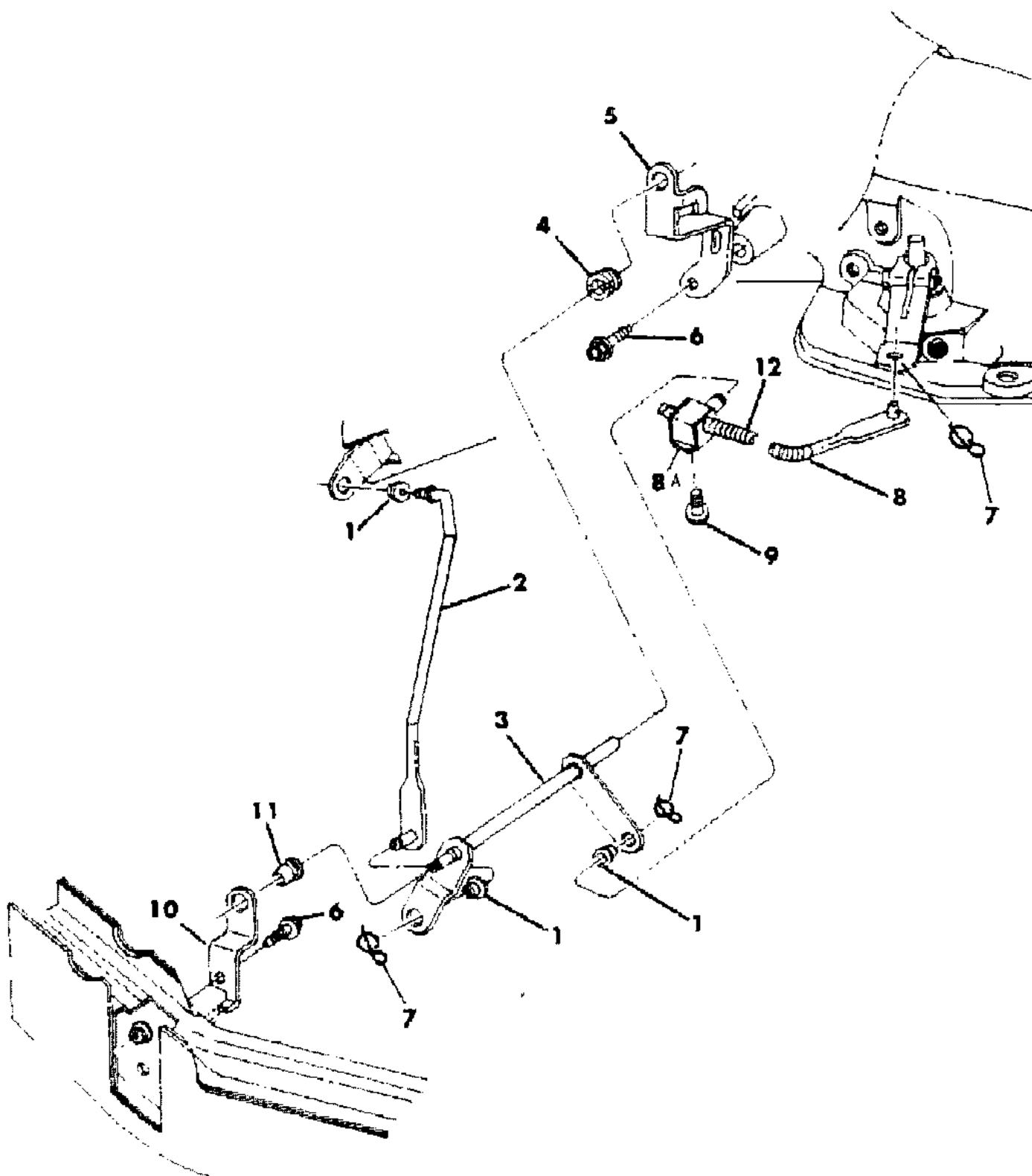
BODY STYLES

21 = 2-DOOR SEDAN	35 = FWD VAN	44 = 4-DOOR HATCHBACK
22 = 2-DOOR SPECIAL COUPE	36 = FWD WAGON	45 = 4-DOOR STATION WAGON
24 = 2-DOOR HATCHBACK	41 = 4-DOOR SEDAN	49 = LIMOUSINE
27 = 2-DOOR CONVERTIBLE		

AR = Use as Required - = Non Illustrated Part P.A.R. = Paint as Required

CONTROLS, GEARSHIFT, LOWER w/COLUMN SHIFT AUTOMATIC TRANSMISSION, A904 B,F,G
Figure 21A-3100

5151 3100



ITEM	PART NUMBER	QTY	BODY	MODEL	DESCRIPTION
1	3575 333	3			GROMMET
2	4188 469	1			ROD, G/Shift Control Front
3	4188 446	1			SHAFT, Torque
4	3575 434	1			BUSHING, Torque Shaft Bracket
5	4019 234	1			BRACKET, Torque Shaft
6	0181 088	2			SCREW, 5/16"-18 x 1"
7	6500 596	AR			S-CLIP, Rod Frt. and Rear
8	4188 429	1			ROD, G/Shift, Rear
8A	4188 437	1			SWIVEL, G/Shift Rod (Not Shown)
9	0181 082	1			SCREW, Swivel Rod Holding, 5/16"-18 x 1-1/2"
10	4019 233	1			BRACKET, Torque Shaft Frame
11	5211 845	1			GROMMET, Torque Shaft Frame Bracket
12	3575 354	1			SPRING, Control Rod Adjusting

MODEL CODES

B = GRAN FURY	E = 600	M = HORIZON/TURISMO
C = LE BARON/TOWN & COUNTRY/LIMO	F = FIFTH AVENUE/NEWPORT	P = RELIANT
C24 = LASER	G = DIPLOMAT	T = NEW YORKER
C44 = LE BARON/GTS	H = VOYAGER	V = 600
D = ARIES	J = CARAVELLE	V24 = DAYTONA
D44 = LANCER	K = MINI VAN/CARAVAN/ROYAL	Z = OMNI/CHARGER

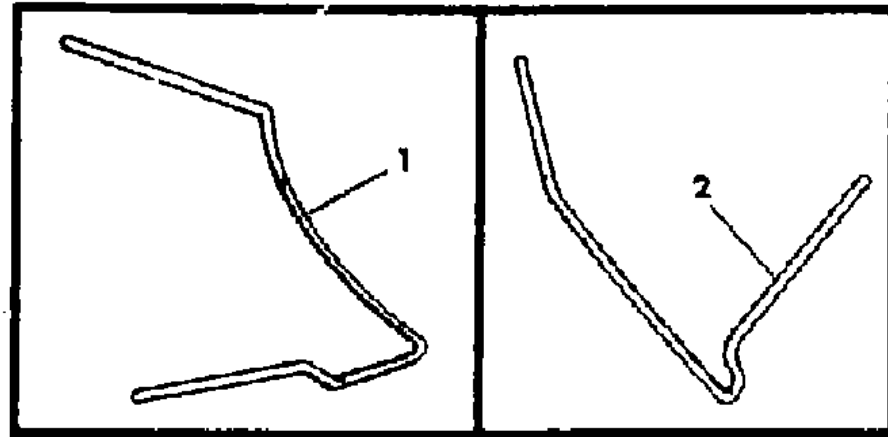
BODY STYLES

21 = 2-DOOR SEDAN	35 = FWD VAN	44 = 4-DOOR HATCHBACK
22 = 2-DOOR SPECIAL COUPE	36 = FWD WAGON	45 = 4-DOOR STATION WAGON
24 = 2-DOOR HATCHBACK	41 = 4-DOOR SEDAN	49 = LIMOUSINE
27 = 2-DOOR CONVERTIBLE		

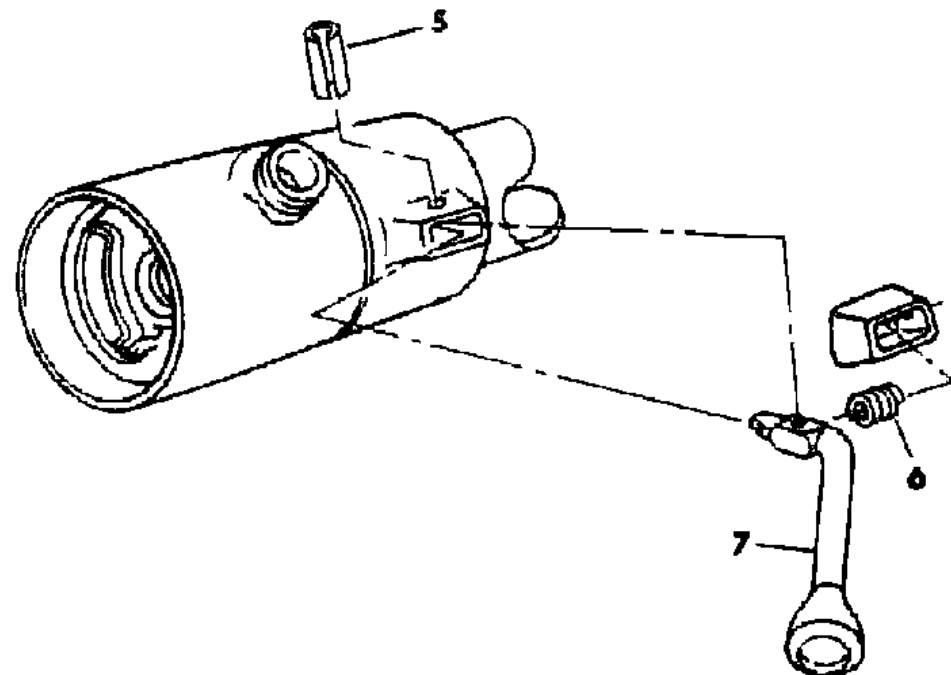
AR = Use as Required - = Non Illustrated Part P.A.R. = Paint as Required

LEVER, COLUMN SHIFT, AND INDICATOR AUTOMATIC TRANSMISSION
Figure 21A-3200

5151 3200



ITEM	PART NUMBER	QTY	BODY	MODEL	DESCRIPTION
1					POINTER, Gearshift Indicator
	4047 964	1		P,D,C,V	w/o Tilt
	4047 965	1		P,D,C,V	w/Tilt
2					POINTER, Gearshit Indicator
	3591 595	1		B,F,G	w/o Tilt
	4047 722	1		B,F,G	w/Tilt
				H,K	INDICATOR, w/Cable (See Group 8A)
5	9412 281	1			PIN, G/Shift Lever, Roll Spring, 1/4" x 1"
6					SPRING
	2996 786	1			w/o TiIT
	2880 284	1			w/TiIT
7					LEVER, w/Knob, Column Gearshift
	4147 324	1			w/o Tilt
	4147 375	1			w/Tilt, Black Knob
	4147 321	1		F-S-41	w/Tilt, Bright Finish Knob



MODEL CODES

B = GRAN FURY	E = 600	M = HORIZON/TURISMO
C = LE BARON/TOWN & COUNTRY/LIMO	F = FIFTH AVENUE/NEWPORT	P = RELIANT
C24 = LASER	G = DIPLOMAT	T = NEW YORKER
C44 = LE BARON/GTS	H = VOYAGER	V = 600
D = ARIES	J = CARAVELLE	V24 = DAYTONA
D44 = LANCER	K = MINI VAN/CARAVAN/ROYAL	Z = OMNI/CHARGER

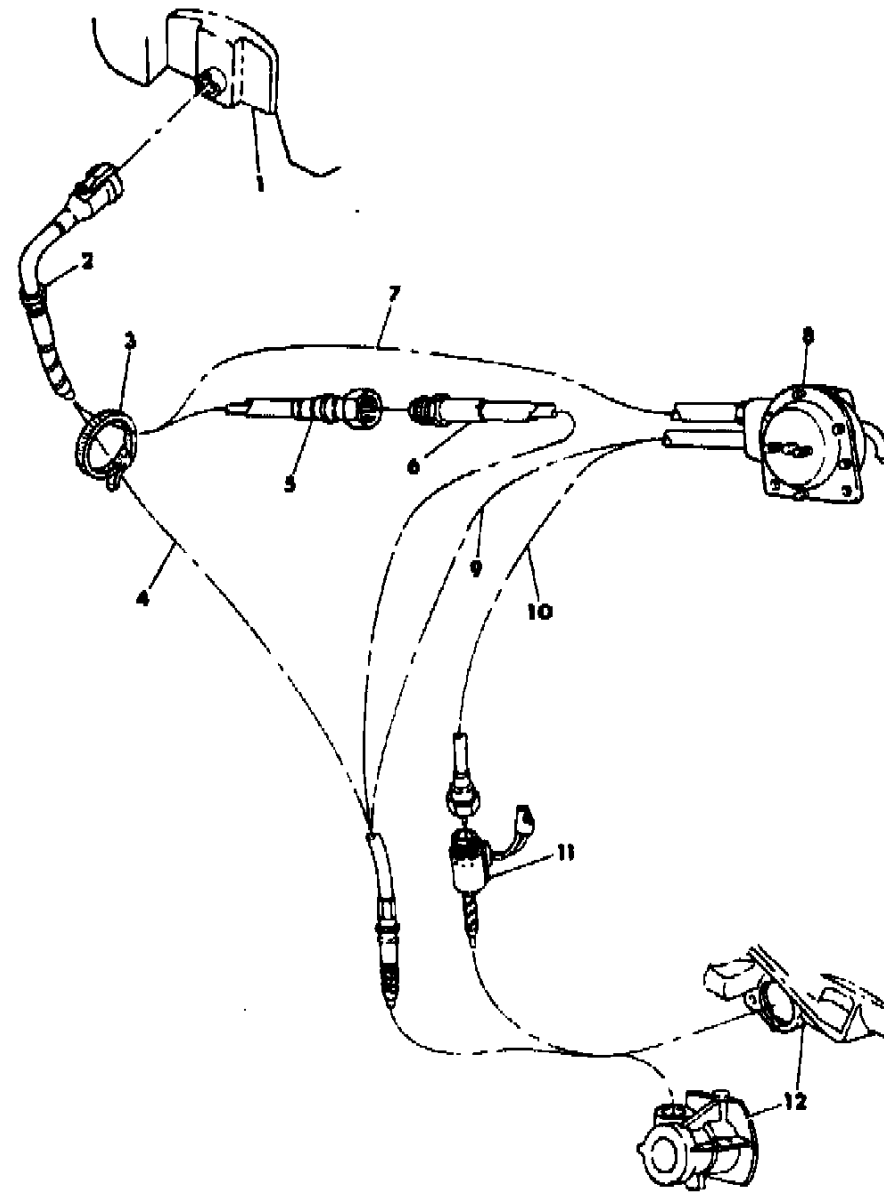
BODY STYLES

21 = 2-DOOR SEDAN	35 = FWD VAN	44 = 4-DOOR HATCHBACK
22 = 2-DOOR SPECIAL COUPE	36 = FWD WAGON	45 = 4-DOOR STATION WAGON
24 = 2-DOOR HATCHBACK	41 = 4-DOOR SEDAN	49 = LIMOUSINE
27 = 2-DOOR CONVERTIBLE		

AR = Use as Required - = Non Illustrated Part P.A.R. = Paint as Required

CABLES, SPEEDOMETER AUTOMATIC TRANSMISSION
Figure 21A-3300

5151 3300



ITEM	PART NUMBER	QTY	BODY	MODEL	DESCRIPTION
1					SPEEDOMETER, (Reference)
2	3593 446	1			GROMMET, Speedo. Cable Dash
	3445 939	1		C,E,T	PLUG, Speedo Cable Dash Hole, w/Electronic Inst. Panel
3	6015 756	AR			CLIP, Speedo. Cable to Heater Hose
4					CABLE, Speedometer to Transmission
	4312 327	1		M,Z	37" Long, 1/2" Clip-On Upper, 1/2" Push-On Lower
	4312 331	1		P,D,V,C	56" Long, 1/2" Clip-On Upper, 1/2" Push-On Lower
	4312 331	1		V,C-24,	56" Long, 1/2" Clip-On Upper, 1/2" Push-On Lower
	4312 336	1		H,K	43" Long, 1/2" Clip-On Upper, 1/2" Push-On Lower
	3591 189	1		B,F,G	59" Long, 1/2" Clip-On Upper, 1/2" Push-On Lower
5	4312 332	1		P,D,V,C	44" Long, UPPER, 1/2" Clip-On Upper, 5/8" Female
	4312 332	1		V,C-24,	44" Long, UPPER, 1/2" Clip-On Upper, 5/8" Female
6	4312 816	1			22" Long, LOWER, 5/8" Male, 5/8" Female Lower
	4196 607	1		P,D	Three Piece (FLEET CARS)
	4196 136	1		B,G	Two Piece, 10" Long, 1/2" Clip-On Upper, 5/8" Female, And Connector (FLEET CARS)
	4196 137	1		B,G	47" Long, 5/8" Female, 1/2" Push-On Lower (FLEET CARS)
7					CABLE, Speedometer to Speed Control (Refer To Group 14)
8					SPEED CONTROL, (Reference)
9-10					CABLE, Speed Control to Transmission (Refer To Group 14)
11	4312 032	1			SENSOR, Switch
12					TRANSMISSION, (Reference)
					SHAFT, Cable Drive, Universal Drive Type (Not Illustrated)
	2448 294	1			80" Long
	2448 295	1			113" Long

MODEL CODES

B = GRAN FURY	E = 600	M = HORIZON/TURISMO
C = LE BARON/TOWN & COUNTRY/LIMO	F = FIFTH AVENUE/NEWPORT	P = RELIANT
C24 = LASER	G = DIPLOMAT	T = NEW YORKER
C44 = LE BARON/GTS	H = VOYAGER	V = 600
D = ARIES	J = CARAVELLE	V24 = DAYTONA
D44 = LANCER	K = MINI VAN/CARAVAN/ROYAL	Z = OMNI/CHARGER

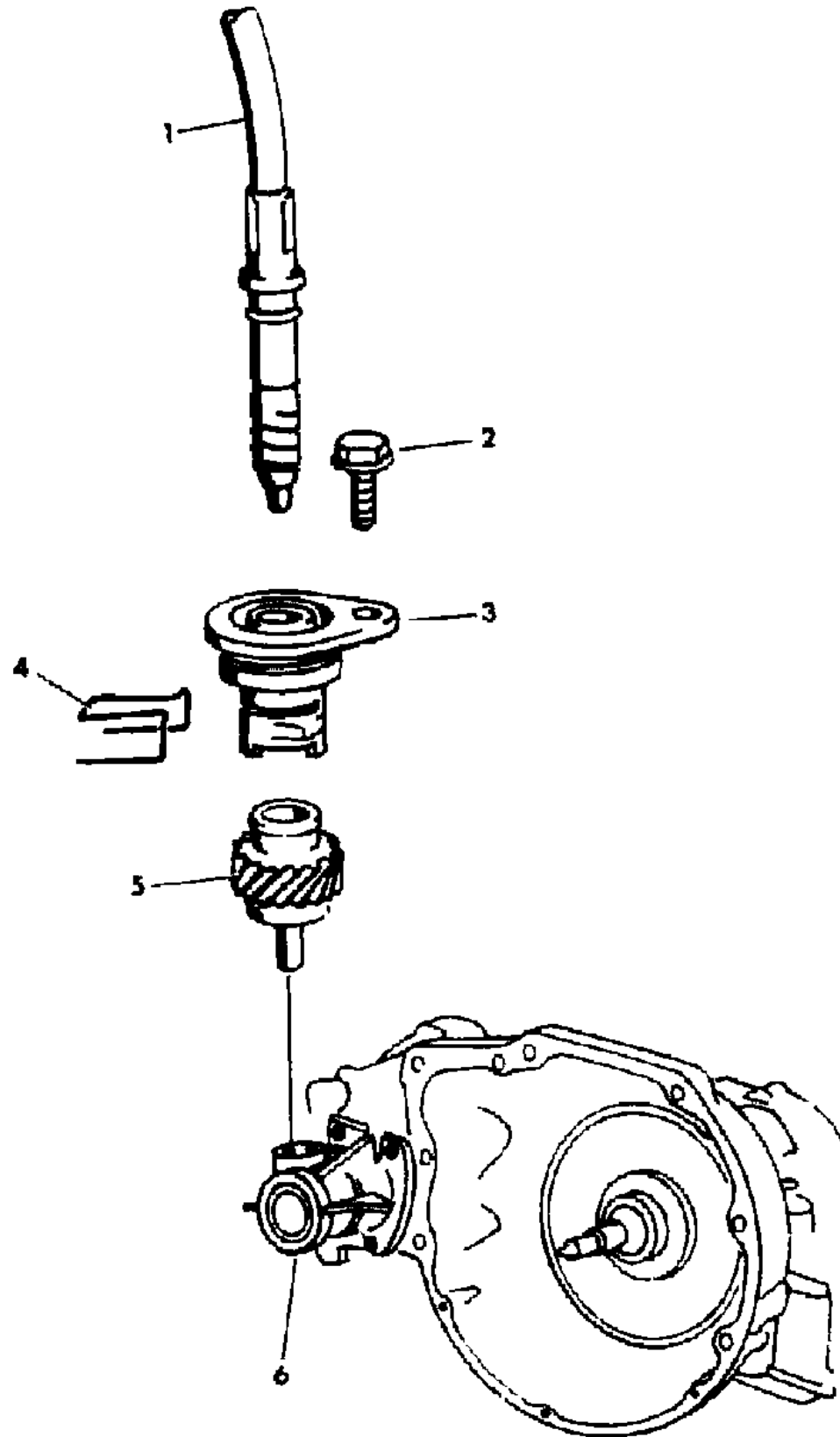
BODY STYLES

21 = 2-DOOR SEDAN	35 = FWD VAN	44 = 4-DOOR HATCHBACK
22 = 2-DOOR SPECIAL COUPE	36 = FWD WAGON	45 = 4-DOOR STATION WAGON
24 = 2-DOOR HATCHBACK	41 = 4-DOOR SEDAN	49 = LIMOUSINE
27 = 2-DOOR CONVERTIBLE		

AR = Use as Required - = Non Illustrated Part P.A.R. = Paint as Required

PINION AND ADAPTER, SPEEDOMETER CABLE DRIVE AUTOMATIC TRANSAXLE
Figure 21A-3400

5151 3400



ITEM	PART NUMBER	QTY	BODY	MODEL	DESCRIPTION
1					CABLE, w/Housing, (Refer To Illus. 3300)
2	6500 137	1			SCREW, Speedo. Pinion Adapter, M6x1.00x16
3	4295 857	1			ADAPTER, Speedo. Drive Pinion
	5212 152	1			O-RING, Adapter, Rubber, 26.49-26.80" I.D.
4	5222 006	1			RETAINER, Speedo.
5					PINION, Trans. Speedo. Drive
	4269 950	1			19 Teeth w/P185/75 R14 P/S W.S.W. Michelin
	5222 390	1			20 Teeth, w/13" & 14" Tire
	5222 388	1			21 Teeth, w/15" Tire
	4186 884	1			SEAL PACKAGE, Pinion Adapter, Steel, 29/64" O.D.
6		1			EXTENSION, Trans. (Refer To Illus. 1500)

MODEL CODES

B = GRAN FURY	E = 600	M = HORIZON/TURISMO
C = LE BARON/TOWN & COUNTRY/LIMO	F = FIFTH AVENUE/NEWPORT	P = RELIANT
C24 = LASER	G = DIPLOMAT	T = NEW YORKER
C44 = LE BARON/GTS	H = VOYAGER	V = 600
D = ARIES	J = CARAVELLE	V24 = DAYTONA
D44 = LANCER	K = MINI VAN/CARAVAN/ROYAL	Z = OMNI/CHARGER

BODY STYLES

21 = 2-DOOR SEDAN	35 = FWD VAN	44 = 4-DOOR HATCHBACK
22 = 2-DOOR SPECIAL COUPE	36 = FWD WAGON	45 = 4-DOOR STATION WAGON
24 = 2-DOOR HATCHBACK	41 = 4-DOOR SEDAN	49 = LIMOUSINE
27 = 2-DOOR CONVERTIBLE		

AR = Use as Required - = Non Illustrated Part P.A.R. = Paint as Required

PINION AND ADAPTER, SPEEDOMETER CABLE DRIVE AUTOMATIC TRANSMISSION, B,F,G
Figure 21A-3500

5151 3500

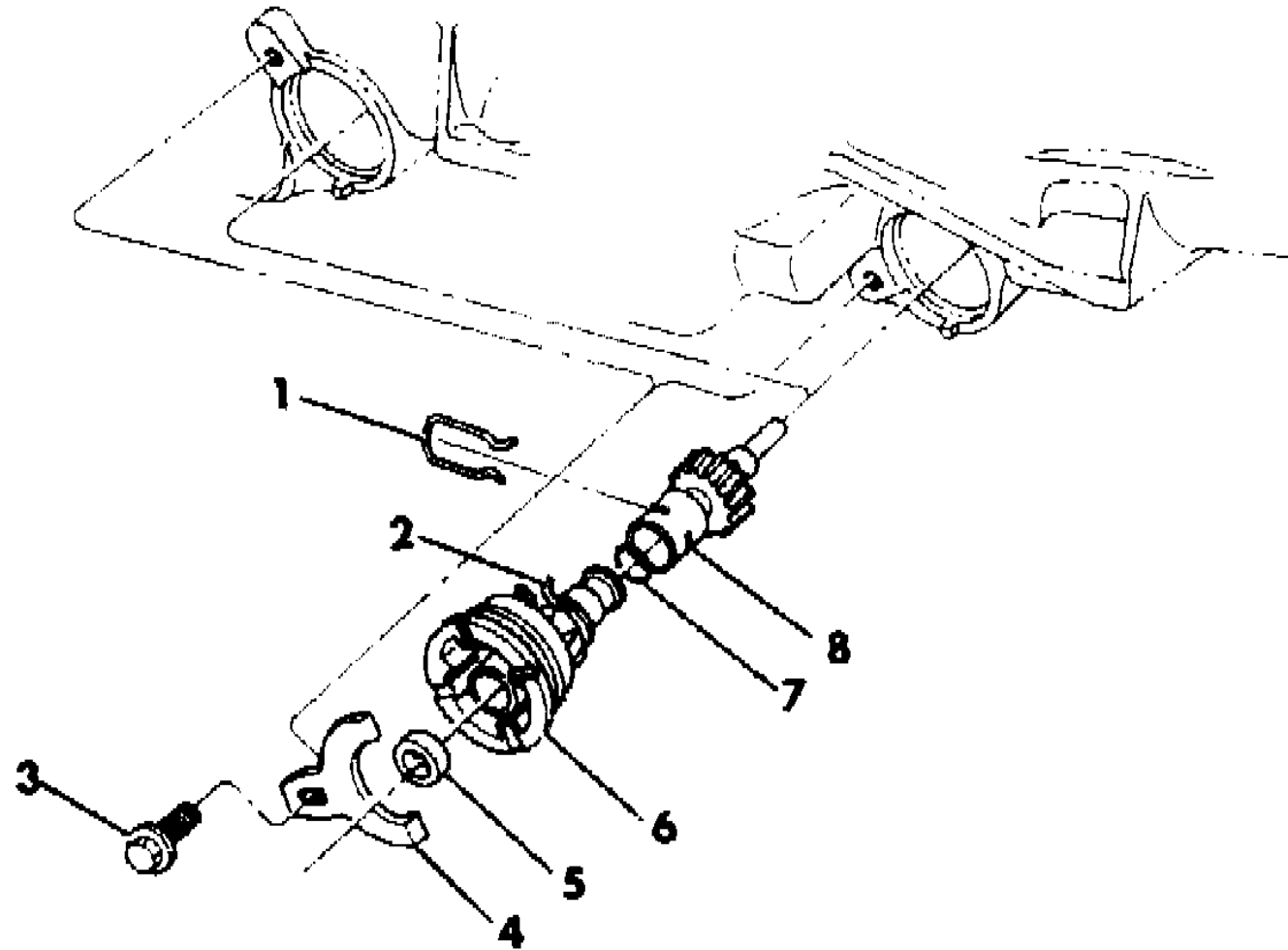
ITEM	PART NUMBER	QTY	BODY	MODEL	DESCRIPTION
------	-------------	-----	------	-------	-------------

NOTE: Items 1 thru 7 are common to all Rear Axles e rear of the carburetor throttle body. A mirror is required to read the no. when the carburator is

COLOR OF PINIONS: G = Green; R = Red; Y = Yellow; BL = Black e rear of the carburetor throttle body. A mirror is required to read the no. when the carburator is

NOTE: PG = Glass, PS = Steel, PR = Rayon e rear of the carburetor throttle body. A mirror is required to read the no. when the carburator is

1					RETAINER, Speedo Drive Pinion (Prod. only-Not required for service) N N N N
2					RETAINER, Speedo Cable N4058156 N N N
3					SCREW, Clamp, 5/16"-18 x 3/4" N181086 N N N
4					CLAMP N2892399 N N N
5					SEAL and RETAINER PACKAGE, Speedometer Pinion N4057046 N N N
6					ADAPTER, Speedo Drive Pinion N N N N
	4202 923				22-25 Teeth Pinion Y4202923 N N N
	4202 924				26-33 Teeth Pinion Y4202924 N N N
7					O-RING, Adapter N4130829 N N N
8					PINION, Drive N N N N
					P195/75xR15-PG N4058123/23R N4058130/30Y N N
					P205/75xR15-PS N4058122/22G N4058129/29BLN N
					P215/70xR15-PR N4058123/23R N4058129/29BLN N
					P215/70xR15-PS N4058123/23R N4058129/29BLN N
					P215/75xR15-PR N N4058129/29BLN N
					P215/75xR15-PS N N4058129/29BLN N



MODEL CODES

B = GRAN FURY	E = 600	M = HORIZON/TURISMO
C = LE BARON/TOWN & COUNTRY/LIMO	F = FIFTH AVENUE/NEWPORT	P = RELIANT
C24 = LASER	G = DIPLOMAT	T = NEW YORKER
C44 = LE BARON/GTS	H = VOYAGER	V = 600
D = ARIES	J = CARAVELLE	V24 = DAYTONA
D44 = LANCER	K = MINI VAN/CARAVAN/ROYAL	Z = OMNI/CHARGER

BODY STYLES

21 = 2-DOOR SEDAN	35 = FWD VAN	44 = 4-DOOR HATCHBACK
22 = 2-DOOR SPECIAL COUPE	36 = FWD WAGON	45 = 4-DOOR STATION WAGON
24 = 2-DOOR HATCHBACK	41 = 4-DOOR SEDAN	49 = LIMOUSINE
27 = 2-DOOR CONVERTIBLE		

AR = Use as Required - = Non Illustrated Part P.A.R. = Paint as Required

GROUP 22 - WHEELS

ILLUSTRATION TITLE	GROUP-FIG. NO.
WHEELS AND COVERS M,Z	Fig. 22-100
WHEELS AND COVERS P,D	Fig. 22-200
WHEELS AND COVERS C,V,J,E,T	Fig. 22-300
WHEELS AND COVERS C,V-24	Fig. 22-400
WHEELS AND COVERS D,C-44	Fig. 22-500
WHEELS AND COVERS H,K-35,36	Fig. 22-600
WHEELS AND COVERS F,G,B-41	Fig. 22-700
JACK And SPARE TIRE STOWAGE M,Z	Fig. 22-800
JACK And SPARE TIRE STOWAGE P,D,C,V,J,E,T Exc. 45	Fig. 22-900
JACK And SPARE TIRE STOWAGE P,D,C-45	Fig. 22-1000
JACK And SPARE TIRE STOWAGE C,V-24	Fig. 22-1100
JACK AND SPARE TIRE STOWAGE D,C-44	Fig. 22-1150
JACK AND SPARE TIRE STOWAGE C,V-27	Fig. 22-1175
JACK STOWAGE H,K-35,36	Fig. 22-1200
SPARE TIRE STOWAGE H,K-35,36	Fig. 22-1300
JACK And SPARE TIRE STOWAGE F,G,B-41	Fig. 22-1400
WHEEL MISCELLANEOUS	Fig. 22-1500

ILLUSTRATION NOT AVAILABLE AT TIME OF PUBLICATION

WHEELS AND COVERS M,Z

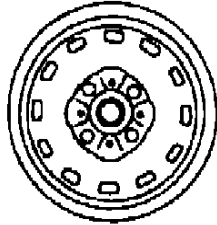
Figure 22-100

5/22/00

WHEELS AND COVERS M,Z TURISMO AND HORIZON CHARGER AND OMNI

(1) ROAD WHEEL - 13"

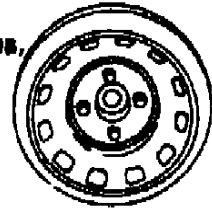
BRIGHT CENTER HUB, LUG NUTS AND TRIM RINGS STANDARD-BASE OMNI STANDARD-BASE HORIZON



SALES CODE - WMB

(2) RALLYE WHEEL - 13"

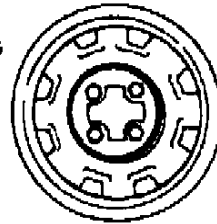
BRIGHT RALLYE HUB, LUG NUTS AND TRIM RINGS INCLUDED IN ATA, ATM, AGG PACKAGES



SALES CODE - WGA

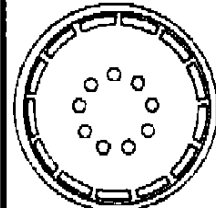
(3) RALLYE WHEEL - 14"

BRIGHT HUB, LUG NUTS AND TRIM RING STANDARD-CHARGER 2.2 STANDARD-TURISMO 2.2

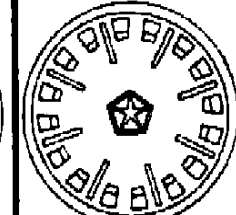


SALES CODE - WHA

(4) WHEEL COVER - 13"



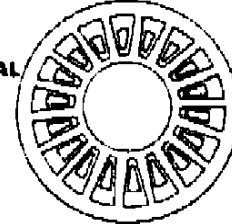
STANDARD-OMNI SE AND BASE CHARGER
SALES CODE - W3B



STANDARD-HORIZON SE AND BASE TURISMO W3A

(5) ROAD WHEEL - 14"

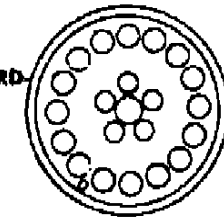
EIGHTEEN-SPOKE CAST ALUMINUM (4 STUD) OPTIONAL-CHARGER AND CHARGER 2.2 OPTIONAL-TURISMO AND TURISMO 2.2



SALES CODE - WHB

(6) ROAD WHEEL - 15"

CAST ALUMINUM (5-STUD) STANDARD-SHELBY CHARGER AND OMNI GLH AGG PACKAGE



SALES CODE - WJA

(7) SPARE WHEEL

(8) WHEEL NUTS

ITEM	PART NUMBER	QTY	BODY	MODEL	DESCRIPTION
1	4284 170	4			WHEEL, 13X5.0 (WMB)
	4126 981	4			RING, Trim
	5204 447	4			CAP
2	4284 170	4			WHEEL, 13X5.0 (WGA)
	4126 981	4			RING, Trim
	5204 013	4			CAP
3	5204 012	4			DOME
	4284 030	4			WHEEL, 14X5.5 (WHA)
	4126 767	4			RING, Trim
4	4284 079	4			DOME
	4205 863	4			DECAL
	6029 190	4			SCREW
5	4284 117	4			COVER, (W3B)
	4284 061	4			COVER, (W3A)
	4284 056	4			WHEEL, u/w (W3A,W3B)
6	4284 295	4			WHEEL, 14X5.5 (WHB)
	4284 255	4			CAP, (Black)
	4284 256	4			CAP, (Silver)
7	4284 427	4			WHEEL, 15X6.0 (WJA)
	4284 004	4			CAP
	4284 056	4			WHEEL, Spare w/WMB,WGA,WJA,W3A+ Emerg. Spare
8	4284 030	4			WHEEL, Spare w/WHA,WHB+Emerg. Spare
	4284 373	4			WHEEL, Spare w/WJA
	6500 526	AR			NUT, Std.
	6500 294	AR			NUT, Chrome

MODEL CODES

B = GRAN FURY	E = 600	M = HORIZON/TURISMO
C = LE BARON/TOWN & COUNTRY/LIMO	F = FIFTH AVENUE/NEWPORT	P = RELIANT
C24 = LASER	G = DIPLOMAT	T = NEW YORKER
C44 = LE BARON/GTS	H = VOYAGER	V = 600
D = ARIES	J = CARAVELLE	V24 = DAYTONA
D44 = LANCER	K = MINI VAN/CARAVAN/ROYAL	Z = OMNI/CHARGER

BODY STYLES

21 = 2-DOOR SEDAN	35 = FWD VAN	44 = 4-DOOR HATCHBACK
22 = 2-DOOR SPECIAL COUPE	36 = FWD WAGON	45 = 4-DOOR STATION WAGON
24 = 2-DOOR HATCHBACK	41 = 4-DOOR SEDAN	49 = LIMOUSINE
27 = 2-DOOR CONVERTIBLE		

AR = Use as Required - = Non Illustrated Part P.A.R. = Paint as Required

WHEELS AND COVERS P,D

Figure 22-200

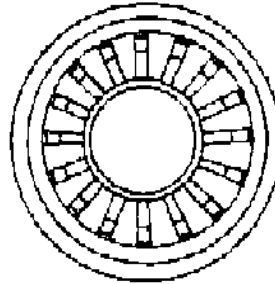
5122 200

WHEELS AND COVERS P,D

RELIANT AIRES

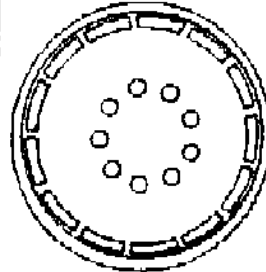
(1) WHEEL W/HUB CAP - 13"

STANDARD 13"
WHEEL WITH
HUBCAP
STANDARD-BASE
ARIES
STANDARD-BASE
RELIANT



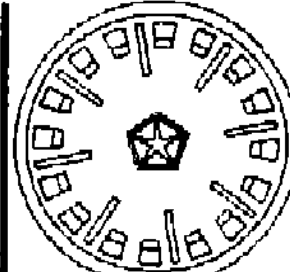
SALES CODE - WMA

(2) WHEEL COVERS - 13"



STANDARD-
ARIES SE
OPTIONAL-
BASE ARIES

SALES CODE - W3B



STANDARD-
RELIANT SE
OPTIONAL-
BASE RELIANT

W3A

(3) WHEEL COVER - 13"

LUXURY WHEEL
COVER-13"
STANDARD-LE
SEDANS, SE AND
LE WAGONS
OPTIONAL-BASE
AND SE SEDANS



SALES CODE - WBC

(4) WHEEL COVER - 14"

DELUXE WHEEL
COVER-14"
INCLUDED WITH
14" TIRES ON ALL
SE AND LE MODELS.
NA ON BASE
MODELS



SALES CODE - W4C

(5) ROAD WHEEL - 13"

STEEL WITH BRIGHT
STYLED CENTER,
LUG NUTS AND
TRIM RING
OPTIONAL-ALL



SALES CODE - WGA

(6) ROAD WHEEL - 14"

EIGHTEEN-SPOKE
CAST ALUMINUM
(4-STUD)
OPTIONAL-ALL
MODELS EXCEPT
NA BASE SEDANS



SALES CODE - WHB

(7) SPARE WHEEL

(8) WHEEL NUTS

ITEM	PART NUMBER	QTY	BODY	MODEL	DESCRIPTION
1	4126 685	4			WHEEL, 13X5.0 (WMA)
	4126 766	4			HUB CAP
2	4284 117	4			COVER, (W3B)
	4284 061	4			COVER, (W3A)
	4284 029	4			WHEEL, u/w (W3A,W3B) 13X5.0
3	4284 025	4			COVER, (W3C)
	4284 029	4			WHEEL, u/w (W3C) 13X5.0
4	4284 064	4			COVER, (W4C)
	4284 272	4			WHEEL, u/w (W4C) 14X5.5
5	4126 685	4			WHEEL, 13X5.0 (WGA)
	4126 981	4			RING, Trim
	4126 792	4			DOMES
6	4284 295	4			WHEEL, 14X5.5 (WHB)
	4284 255	4			CAP, (Black)
	4284 256	4			CAP, (Silver)
7					CONVENTIONAL SPARE
	4126 685	1			WHEEL, w/WMA,WGA 13X5.0
	4284 029	1			WHEEL, w/W3A,W3B 13X5.0
	4284 272	1			WHEEL, w/W4C,WHB 14X5.5
					COMPACT SPARE
	4284 066	1			WHEEL, w/All 14X4.0
8	6500 526	AR			NUT, Std.
	6500 294	AR			NUT, Chrome

MODEL CODES

B = GRAN FURY

C = LE BARON/TOWN & COUNTRY/LIMO

C24 = LASER

C44 = LE BARON/GTS

D = ARIES

D44 = LANCER

E = 600

F = FIFTH AVENUE/NEWPORT

G = DIPLOMAT

H = VOYAGER

J = CARAVELLE

K = MINI VAN/CARAVAN/ROYAL

M = HORIZON/TURISMO

P = RELIANT

T = NEW YORKER

V = 600

V24 = DAYTONA

Z = OMNI/CHARGER

BODY STYLES

21 = 2-DOOR SEDAN

22 = 2-DOOR SPECIAL COUPE

24 = 2-DOOR HATCHBACK

27 = 2-DOOR CONVERTIBLE

35 = FWD VAN

36 = FWD WAGON

41 = 4-DOOR SEDAN

44 = 4-DOOR HATCHBACK

45 = 4-DOOR STATION WAGON

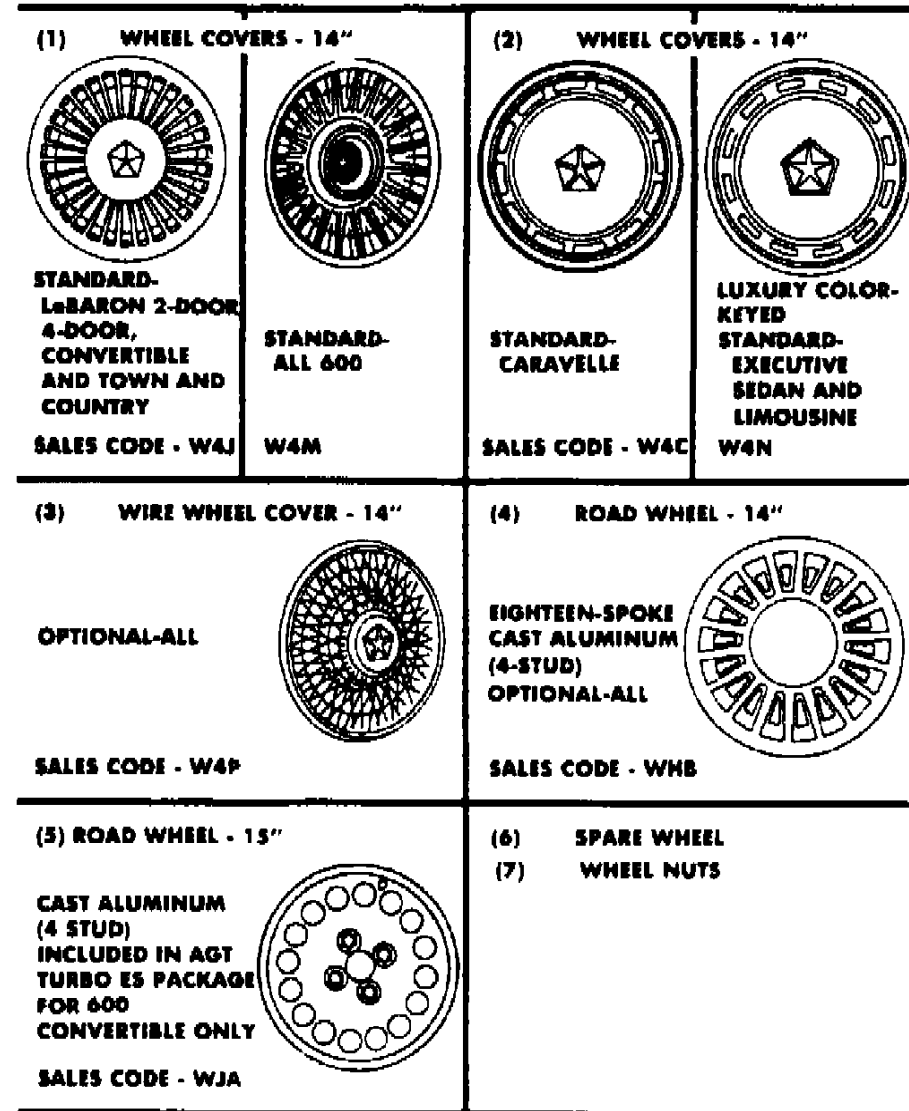
49 = LIMOUSINE

AR = Use as Required - = Non Illustrated Part P.A.R. = Paint as Required

WHEELS AND COVERS C,V,J,E,T
Figure 22-300

5122 300

WHEELS AND COVERS C,V,J,E,T
LEBARON, CARAVELLE, NEW YORKER
AND EXECUTIVE SEDAN/LIMOUSINE
DODGE 600



ITEM	PART NUMBER	QTY	BODY	MODEL	DESCRIPTION
1	4284 086	4			COVER, (W4J)
	4284 067	4			COVER, (W4M)
	4284 272	4			WHEEL, u/w W4J,W4M 14X5.5
2	4284 064	4			COVER, (W4C)
	X318 AX9	4			COVER, (W4N)
3	4284 272	4			WHEEL, u/w W4C,W4N 14X5.5
	4284 101	4			COVER, (W4P)
	4126 954	4			CAP
	4284 038	4			RETAINER
4	6029 190	16			SCREW
	4284 052	AR			SPOKE
	4284 272	4			WHEEL, u/w W4P
	4284 295	4			WHEEL, 14X5.5 (WHB)
	4284 255	4			CAP, (Black)
5	4284 256	4			CAP, (Silver)
	4284 111	4			WHEEL, 15X6.0 (WJA)
	4284 004	4			CAP
6	4284 272	1			CONVENTIONAL SPARE WHEEL, w/All 14X5.5
	4284 066	1			COMPACT SPARE WHEEL, w/All
7	6500 526	AR			NUT, Std.
	6500 294	AR			NUT, Chrome

MODEL CODES

B = GRAN FURY	E = 600	M = HORIZON/TURISMO
C = LE BARON/TOWN & COUNTRY/LIMO	F = FIFTH AVENUE/NEWPORT	P = RELIANT
C24 = LASER	G = DIPLOMAT	T = NEW YORKER
C44 = LE BARON/GTS	H = VOYAGER	V = 600
D = ARIES	J = CARAVELLE	V24 = DAYTONA
D44 = LANCER	K = MINI VAN/CARAVAN/ROYAL	Z = OMNI/CHARGER

BODY STYLES

21 = 2-DOOR SEDAN	35 = FWD VAN	44 = 4-DOOR HATCHBACK
22 = 2-DOOR SPECIAL COUPE	36 = FWD WAGON	45 = 4-DOOR STATION WAGON
24 = 2-DOOR HATCHBACK	41 = 4-DOOR SEDAN	49 = LIMOUSINE
27 = 2-DOOR CONVERTIBLE		

AR = Use as Required - = Non Illustrated Part P.A.R. = Paint as Required

WHEELS AND COVERS C,V-24
Figure 22-400

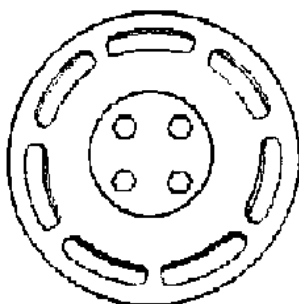
5122-400 A

WHEELS AND COVERS C,V-24

LASER DAYTONA

(1) WHEEL COVER - 14"

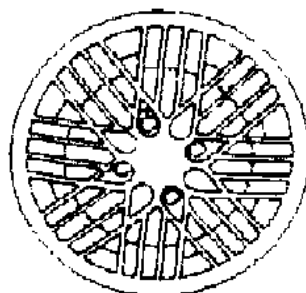
STANDARD-DAYTONA



SALES CODE - W4K

(2) WHEEL COVER - 14"

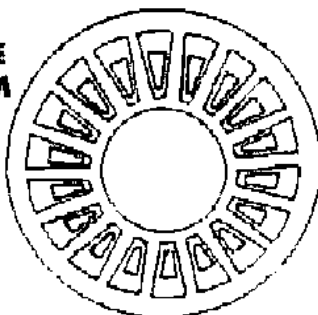
STANDARD-BASE LASER



SALES CODE - W4L

(3) ROAD WHEEL - 14"

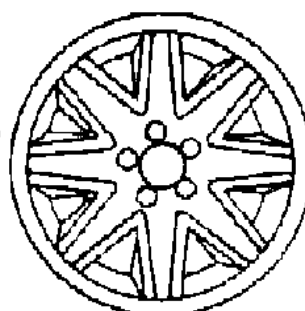
**EIGHTEEN-SPOKE
CAST ALUMINUM
(5 STUD)
OPTIONAL-DAYTONA
OPTIONAL-BASE LASER**



SALES CODE - WHB

(4) ROAD WHEEL - 15"

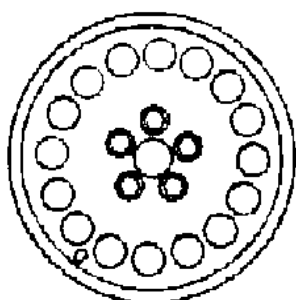
**EIGHT-SPOKE
CAST ALUMINUM
(5 STUD)
STANDARD-LASER XE**



SALES CODE - WJB

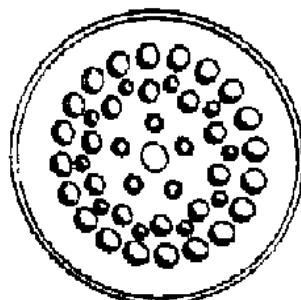
(5) ROAD WHEEL - 15"

**CAST ALUMINUM
(5 STUD)
STANDARD-TURBO
AND TURBO Z**



SALES CODE - WJA

(6) OPT. — LASER XE



SALES CODE - WJC

(7) SPARE WHEEL

(8) WHEEL NUTS

ITEM	PART NUMBER	QTY	BODY	MODEL	DESCRIPTION
1	4284 085	4			COVER, (W4K) up to 4-15-85
1	4284 085	4			COVER, (W4K) After 4-15-85
	4284 390	4			WHEEL, u/w W4K 14X5.5
2	4284 123	4			COVER, (W4L)
	4284 390	4			WHEEL, u/w W4L 14X5.5
3	4284 348	4			WHEEL, 14X5.5 (WHB)
	4284 255	4			CAP, (Black)
	4284 256	4			CAP, (Silver)
4	4284 364	4			WHEEL, 15X6.0 (WJB)
	4284 351	4			CAP
5	4284 427	4			WHEEL, 15X6.0 (WJA)
	4284 004	4			CAP
6	4284 401	4			WHEEL, 15X6.0 (WJC)
	4284 004	4			CAP
7					CONVENTIONAL SPARE
	4284 390	1			WHEEL, w/All 14X5.5
					COMPACT SPARE
	4284 373	1			WHEEL, w/All 14X4.0
8	6500 526	AR			NUT, Std.
	6500 294	AR			NUT, Chrome

MODEL CODES

B = GRAN FURY	E = 600	M = HORIZON/TURISMO
C = LE BARON/TOWN & COUNTRY/LIMO	F = FIFTH AVENUE/NEWPORT	P = RELIANT
C24 = LASER	G = DIPLOMAT	T = NEW YORKER
C44 = LE BARON/GTS	H = VOYAGER	V = 600
D = ARIES	J = CARAVELLE	V24 = DAYTONA
D44 = LANCER	K = MINI VAN/CARAVAN/ROYAL	Z = OMNI/CHARGER

BODY STYLES

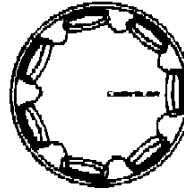
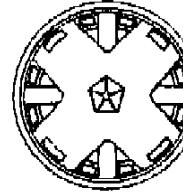
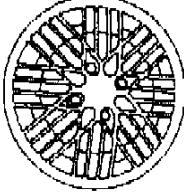
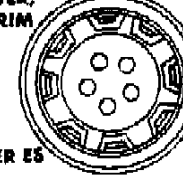
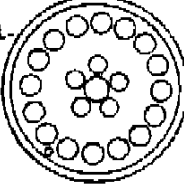
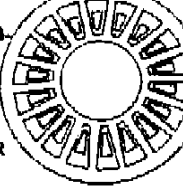
21 = 2-DOOR SEDAN	35 = FWD VAN	44 = 4-DOOR HATCHBACK
22 = 2-DOOR SPECIAL COUPE	36 = FWD WAGON	45 = 4-DOOR STATION WAGON
24 = 2-DOOR HATCHBACK	41 = 4-DOOR SEDAN	49 = LIMOUSINE
27 = 2-DOOR CONVERTIBLE		

AR = Use as Required - = Non Illustrated Part P.A.R. = Paint as Required

WHEELS AND COVERS D,C-44
Figure 22-500

5122 500

WHEELS AND COVERS D,C-44
LeBARON GTS
LANCER

<p>(1) WHEEL COVER - 14"</p>  <p>STANDARD- LeBARON GTS HIGH LINE</p> <p>SALES CODE - W4B</p>	<p>(2) WHEEL COVER - 14"</p>  <p>STANDARD- BASE LANCER</p> <p>SALES CODE - W4A</p>
<p>(3) WHEEL COVER - 14"</p>  <p>STANDARD- LeBARON GTS PREMIUM</p> <p>SALES CODE - W4L</p>	<p>(4) ROAD WHEEL - 14"</p> <p>BRIGHT HUB CENTER, LUG NUTS AND TRIM RING-14"</p> <p>OPTIONAL- LeBARON GTS HIGH LINE AND PREMIUM STANDARD-LANCER ES OPTIONAL-BASE LANCER</p>  <p>SALES CODE - WHA</p>
<p>(5) ROAD WHEELS - 15"</p>  <p>CAST ALUMINUM (5-STUD) OPTIONAL- LeBARON GTS HIGH LINE AND PREMIUM OPTIONAL- LANCER AND LANCER ES</p> <p>SALES CODE - WJA</p>	<p>(6) ROAD WHEEL - 14"</p>  <p>CAST ALUMINUM (5 STUD) EIGHTEEN- SPOKE OPTIONAL- LeBARON GTS HIGH LINE AND PREMIUM OPTIONAL-LANCER AND LANCER ES</p> <p>SALES CODE - WHB</p>
<p>(7) SPARE WHEEL</p>	<p>(8) WHEEL NUTS</p>

ITEM	PART NUMBER	QTY	BODY	MODEL	DESCRIPTION
1	4284 120	4			COVER, (W4B)
	4284 390	4			WHEEL, u/w W4B
2	4284 119	4			COVER, (W4A)
	4284 390	4			WHEEL, u/w W4A
3	4284 123	4			COVER, (W4L)
	4284 390	4			WHEEL, u/w W4L
4	4284 376	4			WHEEL, 14X5.5 (WHA)
	4284 116	4			DOME
	4126 767	4			RING, Trim
	6029 190	16			SCREW
5	4284 427	4			WHEEL, 15X6.0 (WJA)
	4284 004	4			CAP
6	4284 348	4			WHEEL, 14X5.5 (WHB)
	4284 255	4			CAP, (Black)
	4284 256	4			CAP, (Silver)
7					CONVENTIONAL SPARE
	4284 390	1			WHEEL, w/All 14X5.5
					COMPACT SPARE
	4284 373	1			WHEEL, w/All 14X4.0
8	6500 526	AR			NUT, Std.
	6500 294	AR			NUT, Chrome

MODEL CODES

B = GRAN FURY	E = 600	M = HORIZON/TURISMO
C = LE BARON/TOWN & COUNTRY/LIMO	F = FIFTH AVENUE/NEWPORT	P = RELIANT
C24 = LASER	G = DIPLOMAT	T = NEW YORKER
C44 = LE BARON/GTS	H = VOYAGER	V = 600
D = ARIES	J = CARAVELLE	V24 = DAYTONA
D44 = LANCER	K = MINI VAN/CARAVAN/ROYAL	Z = OMNI/CHARGER

BODY STYLES

21 = 2-DOOR SEDAN	35 = FWD VAN	44 = 4-DOOR HATCHBACK
22 = 2-DOOR SPECIAL COUPE	36 = FWD WAGON	45 = 4-DOOR STATION WAGON
24 = 2-DOOR HATCHBACK	41 = 4-DOOR SEDAN	49 = LIMOUSINE
27 = 2-DOOR CONVERTIBLE		


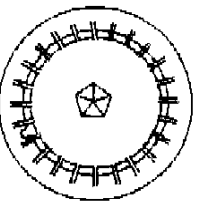
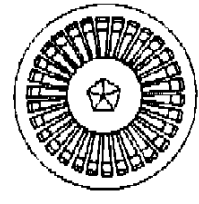
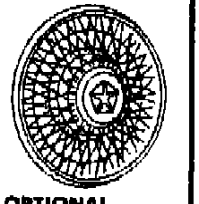
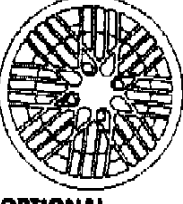
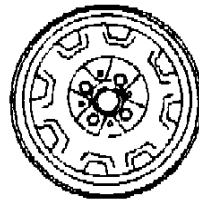

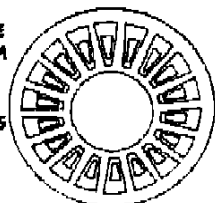
AR = Use as Required - = Non Illustrated Part P.A.R. = Paint as Required

WHEELS AND COVERS H,K-35,36

Figure 22-600

5122 600

WHEELS AND COVERS H,K VOYAGER CARAVAN

<p>(1) WHEEL COVER - 14"</p> <p>STANDARD-BASE VOYAGER STANDARD-CARAVAN</p>  <p>SALES CODE - W4C</p>	<p>(2) WHEEL COVER - 14"</p> <p>NO COST OPTION ON CARAVAN SE AND LE OPTIONAL -BASE MINI RAM VAN</p>  <p>SALES CODE - W4H</p>
<p>(3) WHEEL COVER - 14"</p> <p>STANDARD-VOYAGER SE AND LE</p>  <p>SALES CODE - W4J</p>	<p>(4) WHEEL COVER - 14"</p> <div style="display: flex; justify-content: space-around;"> <div style="text-align: center;">  <p>OPTIONAL-SE AND LE</p> <p>SALES CODE - W4D</p> </div> <div style="text-align: center;">  <p>OPTIONAL-SE AND LE</p> <p>SALES CODE - W4L</p> </div> </div>
<p>(5) ROAD WHEEL - 14"</p> <div style="display: flex; justify-content: space-around;"> <div style="text-align: center;">  <p>STANDARD-MINI RAM VAN</p> <p>SALES CODE - WMB</p> </div> <div style="text-align: center;">  <p>OPTIONAL-ON ALL MODELS</p> <p>WHA</p> </div> </div>	<p>(6) ROAD WHEEL - 14"</p> <p>EIGHTEEN-SPOKE CAST ALUMINUM (4-STUD) WHEEL PACKAGE AYA-FOR ALL MODELS</p>  <p>SALES CODE - W4B</p>
<p>(7) SPARE WHEEL</p>	<p>(8) WHEEL NUTS</p>

ITEM	PART NUMBER	QTY	BODY	MODEL	DESCRIPTION
1	4284 064	4			COVER, (WNC)
	4284 272	4			WHEEL, u/w W4C 14X5.5
2	4284 081	4			COVER, (W4H)
	4284 272	4			WHEEL, u/w W4H
3	4284 086	4			COVER, (W4J)
	4284 272	4			WHEEL, u/w W4J
4	4284 101	4			COVER, (W4P)
	4284 123	4			COVER, (W4L)
	4126 954	4			CAP, (W4P)
	4284 038	4			RETIANER, (W4P)
	6029 190	16			SCREW (W4P)
	4284 052	AR			SPOKE (W4P)
	4284 272	4			WHEEL, u/w W4P,W4L 14X5.5
5	4284 030	4			WHEEL,(WMB,WHA) 14X5.5
	4126 767	4			RING, Trim (WHA)
	4284 079	4			DOME, (WHA)
	4205 863	4			DECAL, (WHA)
	6029 190	16			SCREW, (WHA)
	5204 447	4			CAP, (WMB)
6	4284 295	4			WHEEL, (WHB) 14X5.5
	4284 255	4			CAP, (Black)
	4284 256	4			CAP, (Silver)
7					CONVENTIONAL SPARE
	4284 272	1			WHEEL,w/W4C,W4H,W4J,W4P,W4L,WHB
	4284 030	1			WHEEL,w/WHA,WMB
					COMPACT SPARE
	4284 051	1			WHEEL, 15x4, 4 Studs
8	6500 092	AR			NUT, Std.
	5204 250	AR			CAP
	6500 294	AR			NUT, Chrome

MODEL CODES

B = GRAN FURY	E = 600	M = HORIZON/TURISMO
C = LE BARON/TOWN & COUNTRY/LIMO	F = FIFTH AVENUE/NEWPORT	P = RELIANT
C24 = LASER	G = DIPLOMAT	T = NEW YORKER
C44 = LE BARON/GTS	H = VOYAGER	V = 600
D = ARIES	J = CARAVELLE	V24 = DAYTONA
D44 = LANCER	K = MINI VAN/CARAVAN/ROYAL	Z = OMNI/CHARGER

BODY STYLES

21 = 2-DOOR SEDAN	35 = FWD VAN	44 = 4-DOOR HATCHBACK
22 = 2-DOOR SPECIAL COUPE	36 = FWD WAGON	45 = 4-DOOR STATION WAGON
24 = 2-DOOR HATCHBACK	41 = 4-DOOR SEDAN	49 = LIMOUSINE
27 = 2-DOOR CONVERTIBLE		

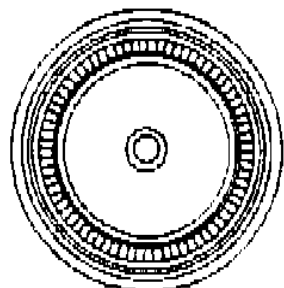
AR = Use as Required - = Non Illustrated Part P.A.R. = Paint as Required

WHEELS AND COVERS F,G,B-41
Figure 22-700

5122 700 A

**WHEELS AND COVERS
F, G**

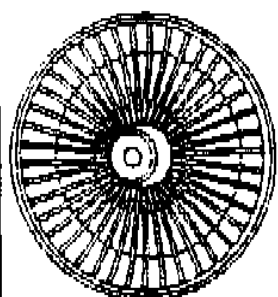
(1) WHEEL COVER — 15"



STD. --Gran Fury
STD. --Diplomat Salon

SALES CODE — W5B

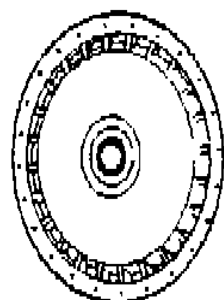
(2) WHEEL COVER — 15"



STD. --Fifth Ave.
OPT. --Gran Fury
OPT. --Diplomat Salon

SALES CODE — W5H

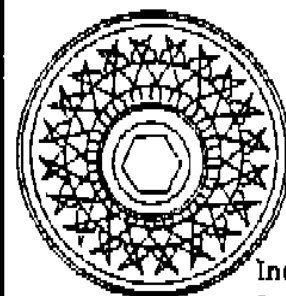
(3) WHEEL COVER — 15"



STD. --Diplomat SE

SALES CODE — W5J

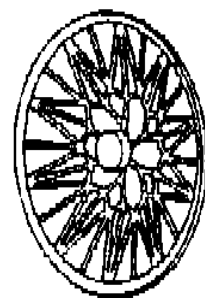
(4) WHEEL COVER-WIRE — 15"



Included in Optional AFF
Luxury Equip. Pkg. on
Gran Fury
OPT. --Fifth Avenue
OPT. --Diplomat SE

SALES CODE — W5P

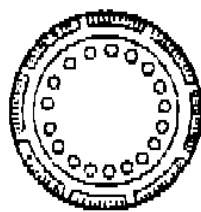
(5) ROAD WHEEL — 15"



Cast Aluminum
OPT. --Fifth Avenue
OPT. --SE only

SALES CODE — W5C

(5A)



(6) SPARE WHEEL

(7) WHEEL NUTS

ITEM	PART NUMBER	QTY	BODY	MODEL	DESCRIPTION
1	3880 966	4			COVER,(W5B)
	4126 519	4			DECAL
	4126 675	4			WHEEL, u/w W5B 15X7.0
	3766 077	4			WHEEL, u/w W5B 15X7.0 H.D.
2	4126 697	4			COVER, (W5H)
	4126 519	4			DECAL
	4126 675	4			WHEEL, u/w W5H
3	4126 626	4			COVER, (W5J)
	4126 946	4			DECAL
	4126 675	4			WHEEL, u/w W5J
4	4284 306	4			COVER, (W5P)
	4126 536	4			CAP
	4126 541	4			RETIANER
	4238 500	12			CLIP, Cap Hold
	4126 692	4			ADAPTER, Lock Bolt
	4284 027	AR			SPOKE
	4126 675	4			WHEEL, u/w (W5P)
5	4126 694	4			WHEEL, (WJC)
	4284 320	4			CAP
5A	3699 152	4			CAP, Hub with Holes (WHA)
6					CONVENTIONAL SPARE
	4126 675	1			WHEEL, w/All 15X7.0
					COMPACT SPARE
	3880 940	1			WHEEL, w/All 15X4.0
7	2409 826	AR			NUT, Std.
	6031 535	AR			NUT, Chrome

MODEL CODES

B = GRAN FURY	E = 600	M = HORIZON/TURISMO
C = LE BARON/TOWN & COUNTRY/LIMO	F = FIFTH AVENUE/NEWPORT	P = RELIANT
C24 = LASER	G = DIPLOMAT	T = NEW YORKER
C44 = LE BARON/GTS	H = VOYAGER	V = 600
D = ARIES	J = CARAVELLE	V24 = DAYTONA
D44 = LANCER	K = MINI VAN/CARAVAN/ROYAL	Z = OMNI/CHARGER

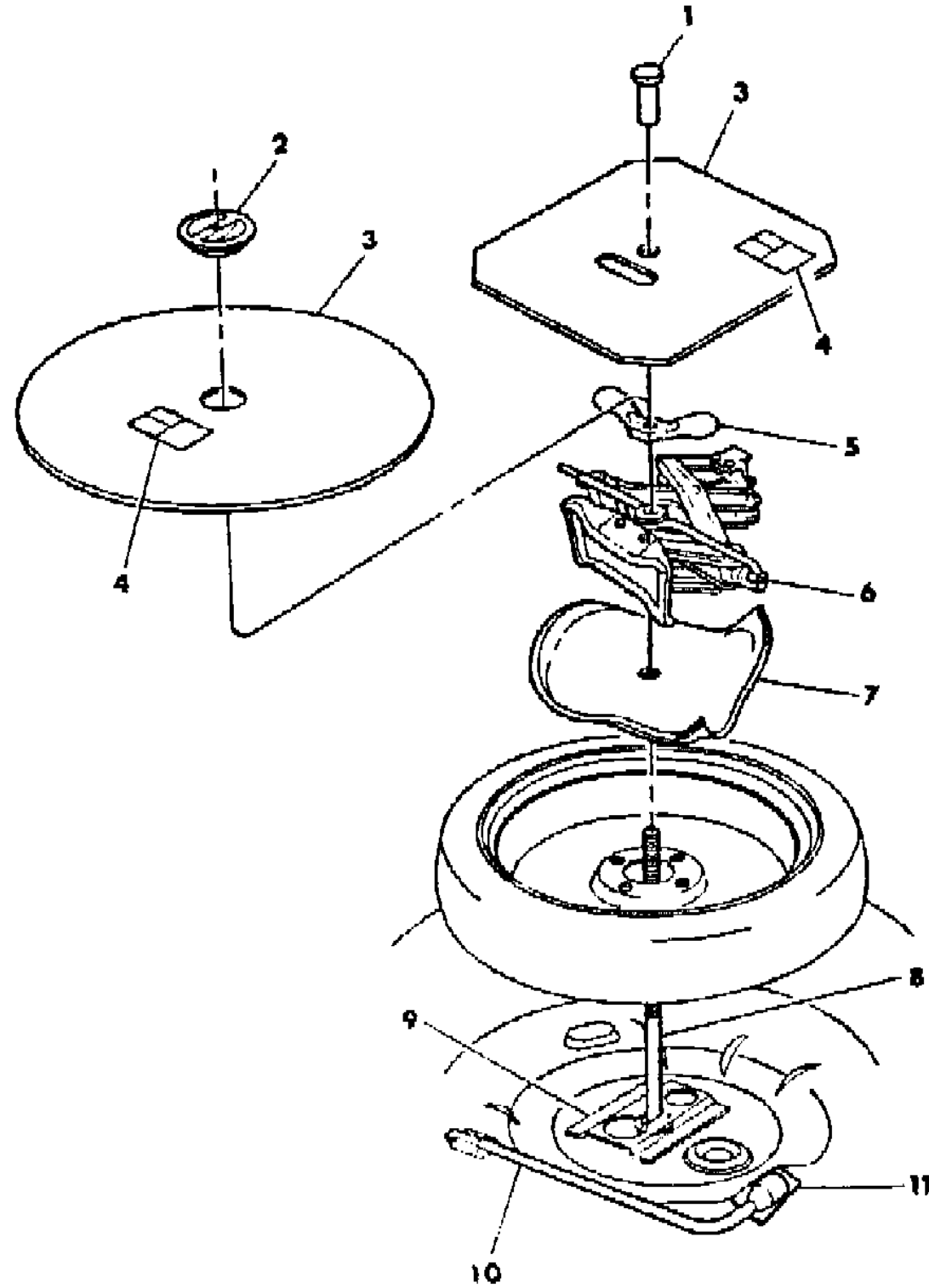
BODY STYLES

21 = 2-DOOR SEDAN	35 = FWD VAN	44 = 4-DOOR HATCHBACK
22 = 2-DOOR SPECIAL COUPE	36 = FWD WAGON	45 = 4-DOOR STATION WAGON
24 = 2-DOOR HATCHBACK	41 = 4-DOOR SEDAN	49 = LIMOUSINE
27 = 2-DOOR CONVERTIBLE		

AR = Use as Required - = Non Illustrated Part P.A.R. = Paint as Required

JACK And SPARE TIRE STOWAGE M,Z
Figure 22-800

5122 800 A



ITEM	PART NUMBER	QTY	BODY	MODEL	DESCRIPTION
1	4371 128	1			CAP
2	4337 734	1			PLATE
3	4337 716	1			COVER
4	4371 125	1		Z,S-24	COVER
4	4341 397	1			LABLE
5	6032 619	1			WING-NUT
6	4341 310	1			JACK
6	4341 312	1		Z,S-24	JACK
7	4337 523	1			PAD
8	6032 744	1			BOLT
9	3791 040	1			BRACKET
10	4341 716	1			LUG WRENCH
11	4337 798	1			PAD

MODEL CODES

B = GRAN FURY	E = 600	M = HORIZON/TURISMO
C = LE BARON/TOWN & COUNTRY/LIMO	F = FIFTH AVENUE/NEWPORT	P = RELIANT
C24 = LASER	G = DIPLOMAT	T = NEW YORKER
C44 = LE BARON/GTS	H = VOYAGER	V = 600
D = ARIES	J = CARAVELLE	V24 = DAYTONA
D44 = LANCER	K = MINI VAN/CARAVAN/ROYAL	Z = OMNI/CHARGER

BODY STYLES

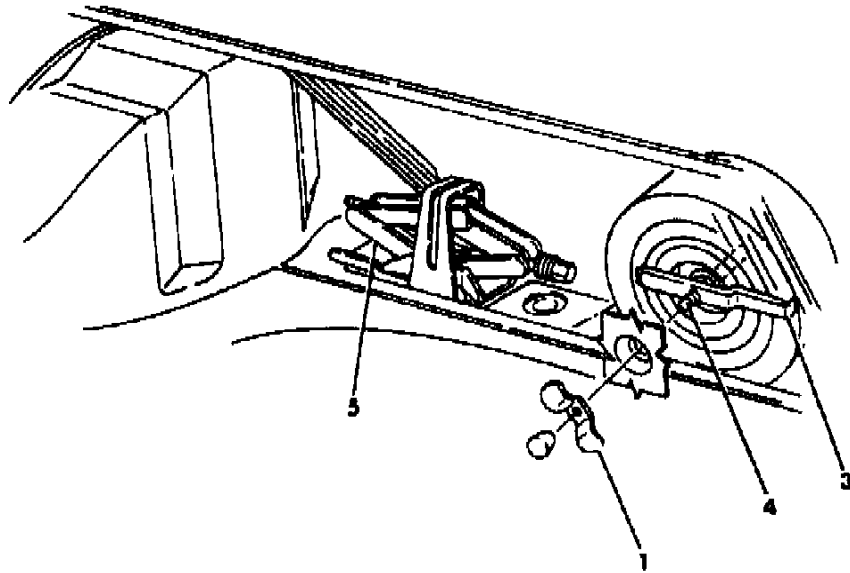
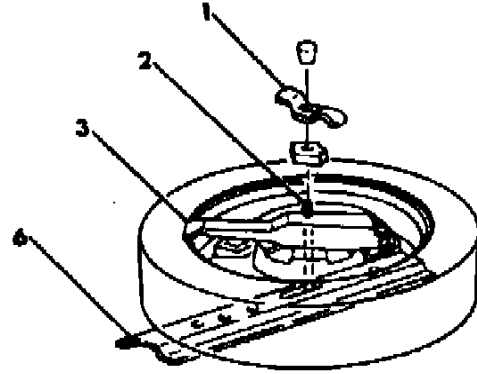
21 = 2-DOOR SEDAN	35 = FWD VAN	44 = 4-DOOR HATCHBACK
22 = 2-DOOR SPECIAL COUPE	36 = FWD WAGON	45 = 4-DOOR STATION WAGON
24 = 2-DOOR HATCHBACK	41 = 4-DOOR SEDAN	49 = LIMOUSINE
27 = 2-DOOR CONVERTIBLE		

AR = Use as Required - = Non Illustrated Part P.A.R. = Paint as Required

JACK And SPARE TIRE STOWAGE P,D,C,V,J,E,T Exc. 45
Figure 22-900

ITEM	PART NUMBER	QTY	BODY	MODEL	DESCRIPTION
1	6032 619	1			WING NUT
2	6031 994	1			BOLT
3	5216 018	1			HANDLE Jack
4	6033 016	1			BOLT
5	4342 463	1			JACK, Scissors
6	4206 247	1			BRACKET, Tire Stowage
	4297 903	1			BRACKET, Reinf. Tire Storage (not shown)
	4206 628	1			BRACKET, Jack Mtg. (not shown)
	4223 730	1			COVER, Conventional Spare (not shown)
	4296 078	1			LABEL, Jack, Tire w/Trunk Dress up (not shown)
	4304 152	1		E,J	LABEL, Jack, Tire w/Trunk Dress up (not shown)
	4304 152	1			w/o Trunk Dress up (not shown)
	4206 628	1			BRACKET, Jack Mtg.
	4247 900	1		E,J	COVER, Jack Stowage

5122 900



MODEL CODES

B = GRAN FURY	E = 600	M = HORIZON/TURISMO
C = LE BARON/TOWN & COUNTRY/LIMO	F = FIFTH AVENUE/NEWPORT	P = RELIANT
C24 = LASER	G = DIPLOMAT	T = NEW YORKER
C44 = LE BARON/GTS	H = VOYAGER	V = 600
D = ARIES	J = CARAVELLE	V24 = DAYTONA
D44 = LANCER	K = MINI VAN/CARAVAN/ROYAL	Z = OMNI/CHARGER

BODY STYLES

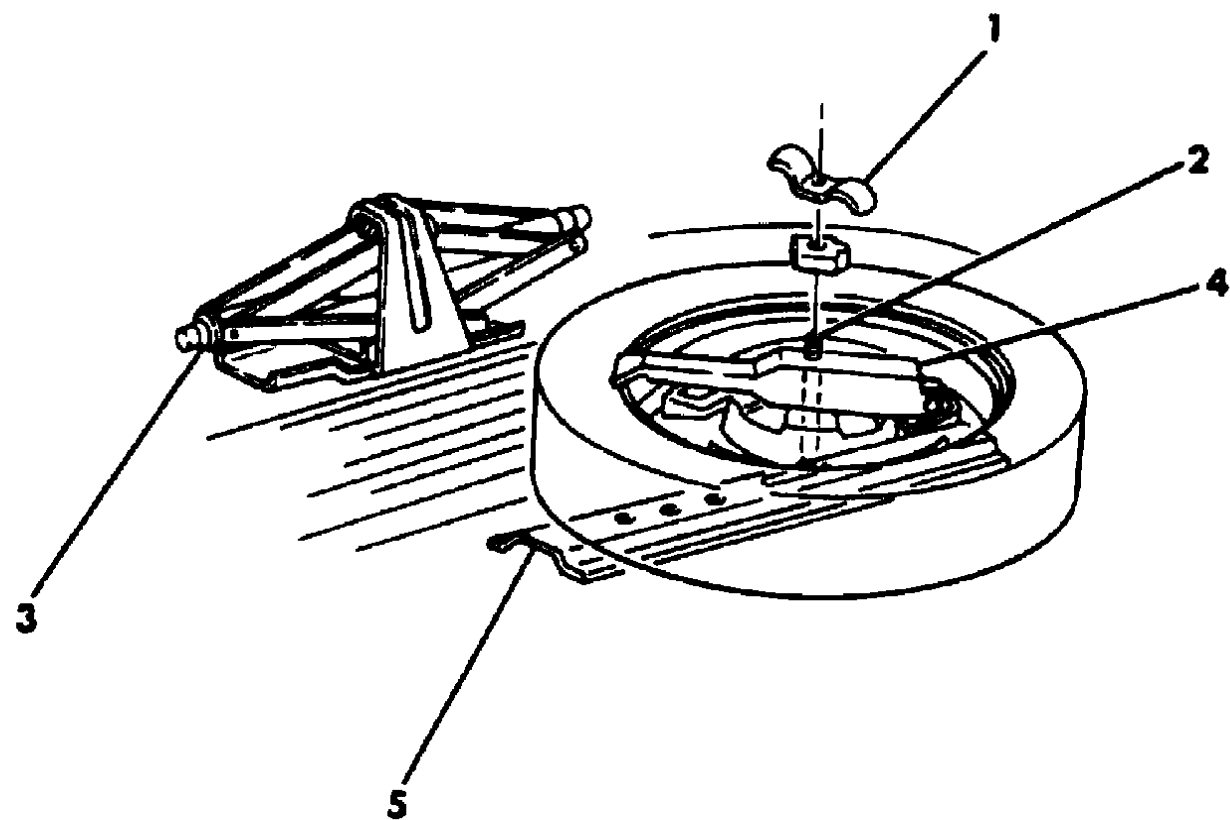
21 = 2-DOOR SEDAN	35 = FWD VAN	44 = 4-DOOR HATCHBACK
22 = 2-DOOR SPECIAL COUPE	36 = FWD WAGON	45 = 4-DOOR STATION WAGON
24 = 2-DOOR HATCHBACK	41 = 4-DOOR SEDAN	49 = LIMOUSINE
27 = 2-DOOR CONVERTIBLE		

AR = Use as Required - = Non Illustrated Part P.A.R. = Paint as Required

JACK And SPARE TIRE STOWAGE P,D,C-45
Figure 22-1000

5122 1000

ITEM	PART NUMBER	QTY	BODY	MODEL	DESCRIPTION
1	6032 619	1			WING NUT
2	6031 994	1			BOLT
3	4342 463	1			JACK, Scissors
4	5216 018	1			HANDLE, Jack
5	4206 247	1			BRACKET, Tire Stowage
	4304 152	1			LABEL, Jack, Tire (not shown)
	4206 629	1			BRACKET, Jack Mtg.(not shown)



MODEL CODES

B = GRAN FURY	E = 600	M = HORIZON/TURISMO
C = LE BARON/TOWN & COUNTRY/LIMO	F = FIFTH AVENUE/NEWPORT	P = RELIANT
C24 = LASER	G = DIPLOMAT	T = NEW YORKER
C44 = LE BARON/GTS	H = VOYAGER	V = 600
D = ARIES	J = CARAVELLE	V24 = DAYTONA
D44 = LANCER	K = MINI VAN/CARAVAN/ROYAL	Z = OMNI/CHARGER

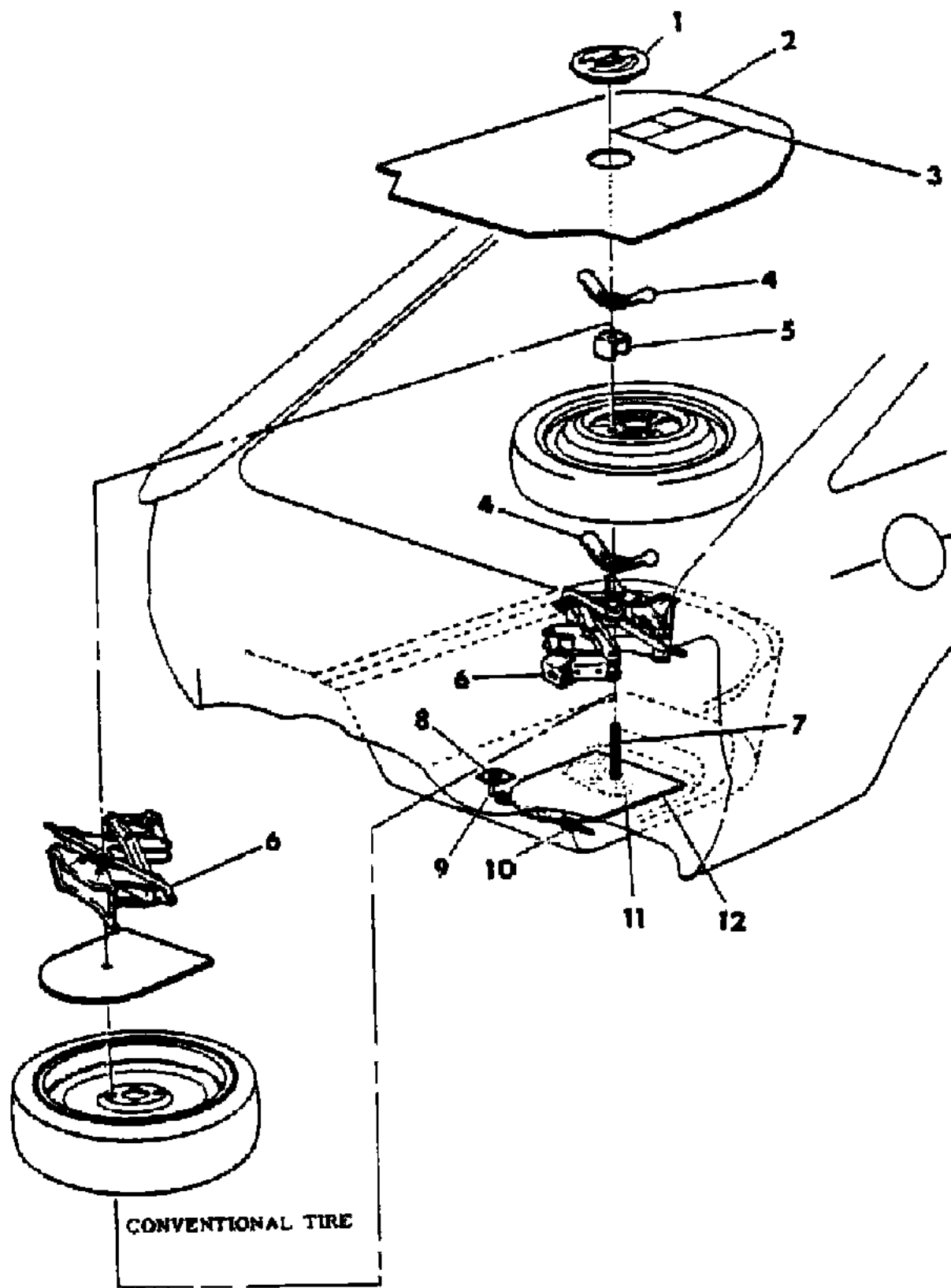
BODY STYLES

21 = 2-DOOR SEDAN	35 = FWD VAN	44 = 4-DOOR HATCHBACK
22 = 2-DOOR SPECIAL COUPE	36 = FWD WAGON	45 = 4-DOOR STATION WAGON
24 = 2-DOOR HATCHBACK	41 = 4-DOOR SEDAN	49 = LIMOUSINE
27 = 2-DOOR CONVERTIBLE		

AR = Use as Required - = Non Illustrated Part P.A.R. = Paint as Required

JACK And SPARE TIRE STOWAGE C,V-24
Figure 22-1100

5122 1100 A



ITEM	PART NUMBER	QTY	BODY	MODEL	DESCRIPTION
1	4337 734	1			PLATE
2	4248 912	1			COVER
3	4341 548	1			LABEL
4	6032 619	1			WING NUT
5	4337 984	1			SPACER
6	4341 311	1			JACK
7	6032 790	1			BOLT
8	4337 798	1			PAD
9	4341 716	1			LUG WRENCH
10	4337 940	1			CLIP
11		1			BRACKET, (Service in 23C)
12	4337 523	1			PAD

MODEL CODES
 B = GRAN FURY
 C = LE BARON/TOWN & COUNTRY/LIMO
 C24 = LASER
 C44 = LE BARON/GTS
 D = ARIES
 D44 = LANCER
 E = 600
 F = FIFTH AVENUE/NEWPORT
 G = DIPLOMAT
 H = VOYAGER
 J = CARAVELLE
 K = MINI VAN/CARAVAN/ROYAL
 M = HORIZON/TURISMO
 P = RELIANT
 T = NEW YORKER
 V = 600
 V24 = DAYTONA
 Z = OMNI/CHARGER

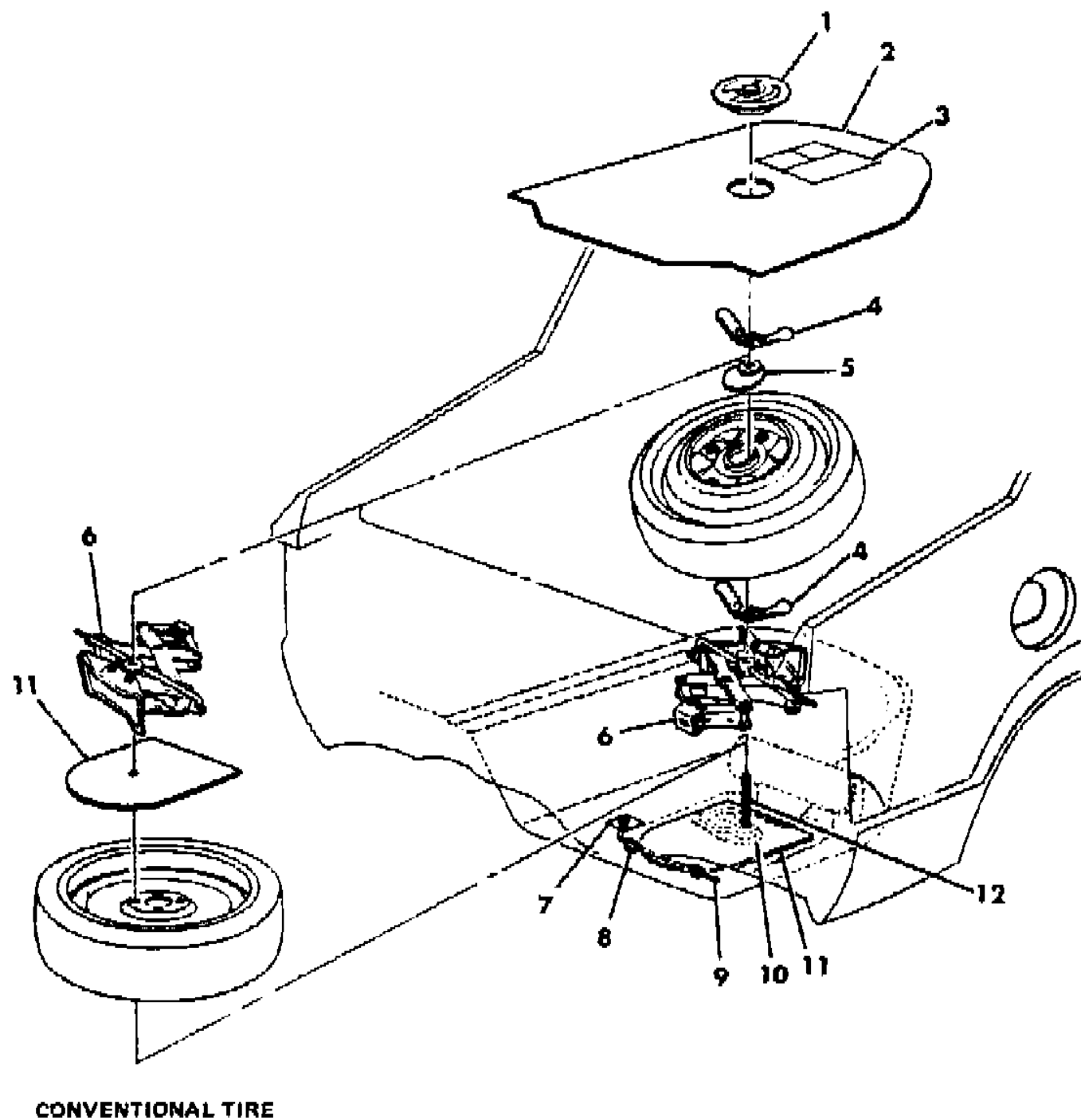
BODY STYLES
 21 = 2-DOOR SEDAN
 22 = 2-DOOR SPECIAL COUPE
 24 = 2-DOOR HATCHBACK
 27 = 2-DOOR CONVERTIBLE
 35 = FWD VAN
 36 = FWD WAGON
 41 = 4-DOOR SEDAN
 44 = 4-DOOR HATCHBACK
 45 = 4-DOOR STATION WAGON
 49 = LIMOUSINE

AR = Use as Required - = Non Illustrated Part P.A.R. = Paint as Required

JACK AND SPARE TIRE STOWAGE D,C-44

Figure 22-1150

5122 1150



ITEM	PART NUMBER	QTY	BODY	MODEL	DESCRIPTION
1	4337 734	1			PLATE
2	4248 912	1			COVER
3	4341 578	1			LABEL
4	6032 619	2			WING NUT
5	4314 899	1			PLATE
6	4341 311	1			JACK
7	4337 798	1			PAD
8	4337 940	2			CLIP
9	4341 716	1			LUG WRENCH
10		1			BRACKET (Service in 23C)
11	4337 523	1			PAD
12	6032 790	1			BOLT

MODEL CODES

B = GRAN FURY	E = 600	M = HORIZON/TURISMO
C = LE BARON/TOWN & COUNTRY/LIMO	F = FIFTH AVENUE/NEWPORT	P = RELIANT
C24 = LASER	G = DIPLOMAT	T = NEW YORKER
C44 = LE BARON/GTS	H = VOYAGER	V = 600
D = ARIES	J = CARAVELLE	V24 = DAYTONA
D44 = LANCER	K = MINI VAN/CARAVAN/ROYAL	Z = OMNI/CHARGER

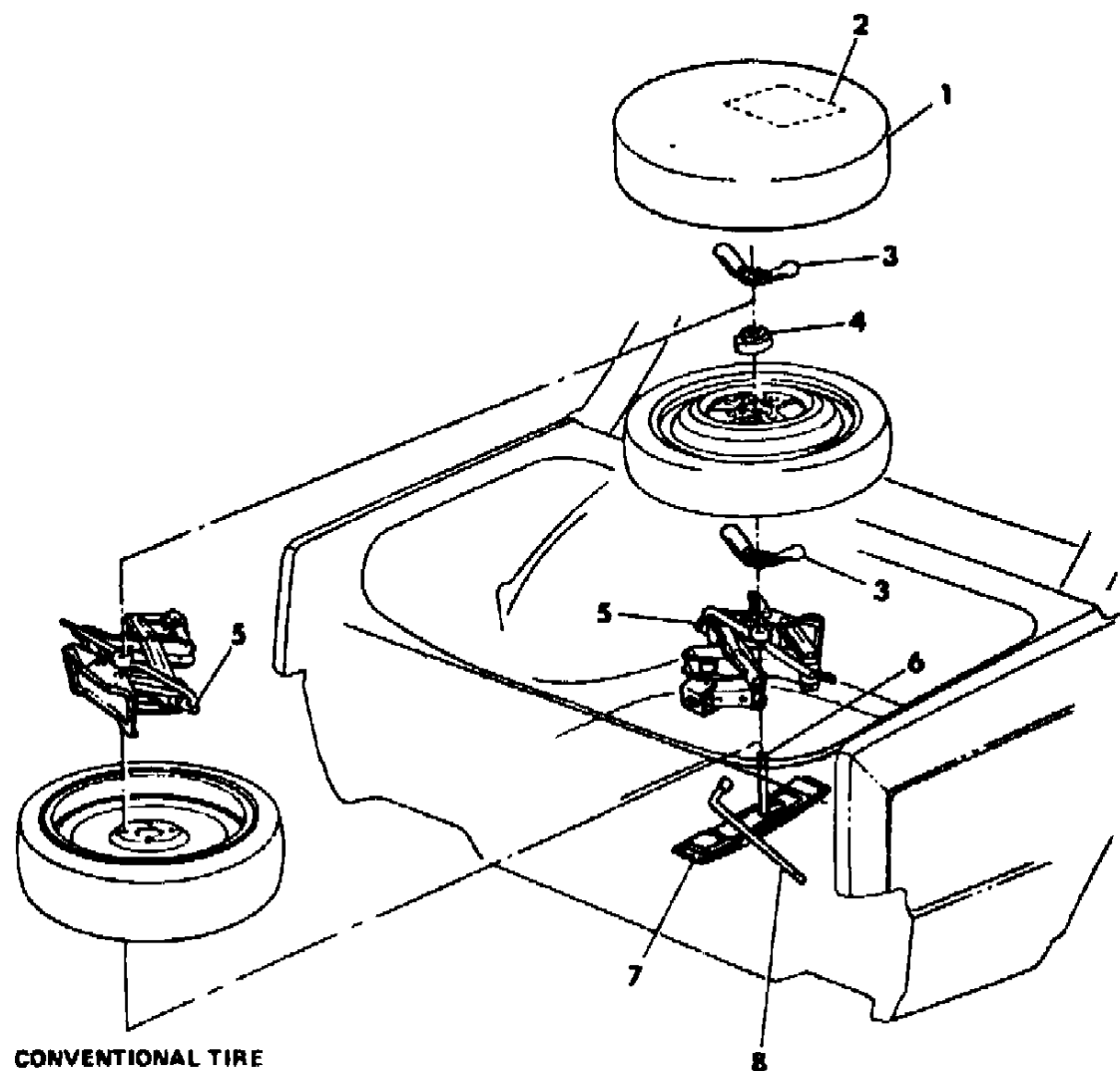
BODY STYLES

21 = 2-DOOR SEDAN	35 = FWD VAN	44 = 4-DOOR HATCHBACK
22 = 2-DOOR SPECIAL COUPE	36 = FWD WAGON	45 = 4-DOOR STATION WAGON
24 = 2-DOOR HATCHBACK	41 = 4-DOOR SEDAN	49 = LIMOUSINE
27 = 2-DOOR CONVERTIBLE		

AR = Use as Required - = Non Illustrated Part P.A.R. = Paint as Required

JACK AND SPARE TIRE STOWAGE C,V-27
Figure 22-1175

5122 1175



ITEM	PART NUMBER	QTY	BODY	MODEL	DESCRIPTION
1	4282 555	1			COVER
2	4341 830	1			LABEL
3	6032 619	1			WING NUT
4	4314 899	1			PLATE
5	4341 311	1			JACK
6	6032 790	1			BOLT
7		1			BRACKET (Service in 23C)
8	4341 716	1			LUG WRENCH

CONVENTIONAL TIRE

MODEL CODES

B = GRAN FURY	E = 600	M = HORIZON/TURISMO
C = LE BARON/TOWN & COUNTRY/LIMO	F = FIFTH AVENUE/NEWPORT	P = RELIANT
C24 = LASER	G = DIPLOMAT	T = NEW YORKER
C44 = LE BARON/GTS	H = VOYAGER	V = 600
D = ARIES	J = CARAVELLE	V24 = DAYTONA
D44 = LANCER	K = MINI VAN/CARAVAN/ROYAL	Z = OMNI/CHARGER

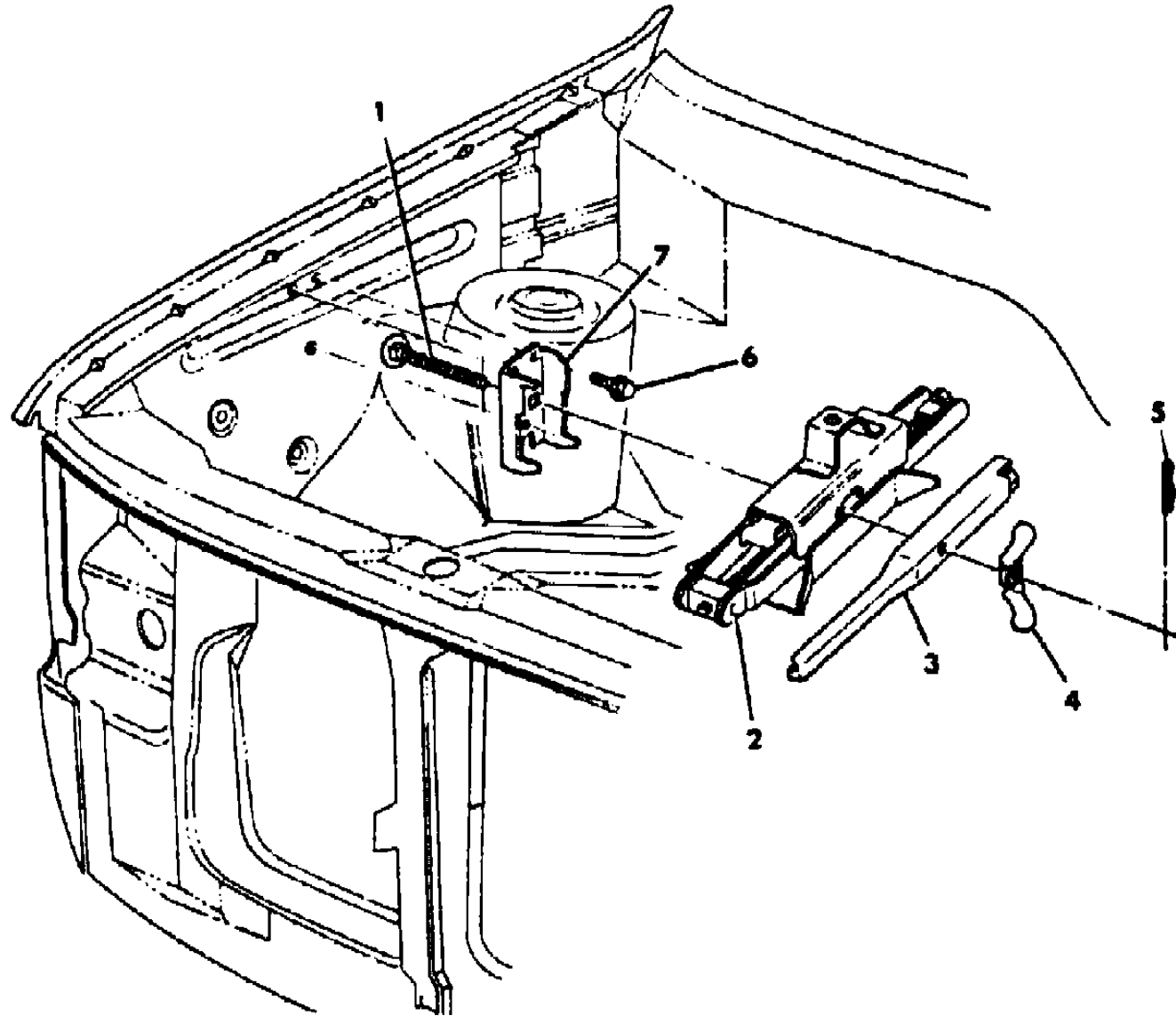
BODY STYLES

21 = 2-DOOR SEDAN	35 = FWD VAN	44 = 4-DOOR HATCHBACK
22 = 2-DOOR SPECIAL COUPE	36 = FWD WAGON	45 = 4-DOOR STATION WAGON
24 = 2-DOOR HATCHBACK	41 = 4-DOOR SEDAN	49 = LIMOUSINE
27 = 2-DOOR CONVERTIBLE		

AR = Use as Required - = Non Illustrated Part P.A.R. = Paint as Required

JACK STOWAGE H,K-35,36
Figure 22-1200

5122 1200 A



ITEM	PART NUMBER	QTY	BODY	MODEL	DESCRIPTION
1	6032 651	1			BOLT
2	4270 334	1			JACK
3	4341 383	1			HANDLE
4	6032 619	1			WING NUT
5		1			CLIP, (Not Serv.)
6	6500 716	3			SCREW, w/Washer
7	4341 078	1			BRACKET

MODEL CODES

B = GRAN FURY	E = 600	M = HORIZON/TURISMO
C = LE BARON/TOWN & COUNTRY/LIMO	F = FIFTH AVENUE/NEWPORT	P = RELIANT
C24 = LASER	G = DIPLOMAT	T = NEW YORKER
C44 = LE BARON/GTS	H = VOYAGER	V = 600
D = ARIES	J = CARAVELLE	V24 = DAYTONA
D44 = LANCER	K = MINI VAN/CARAVAN/ROYAL	Z = OMNI/CHARGER

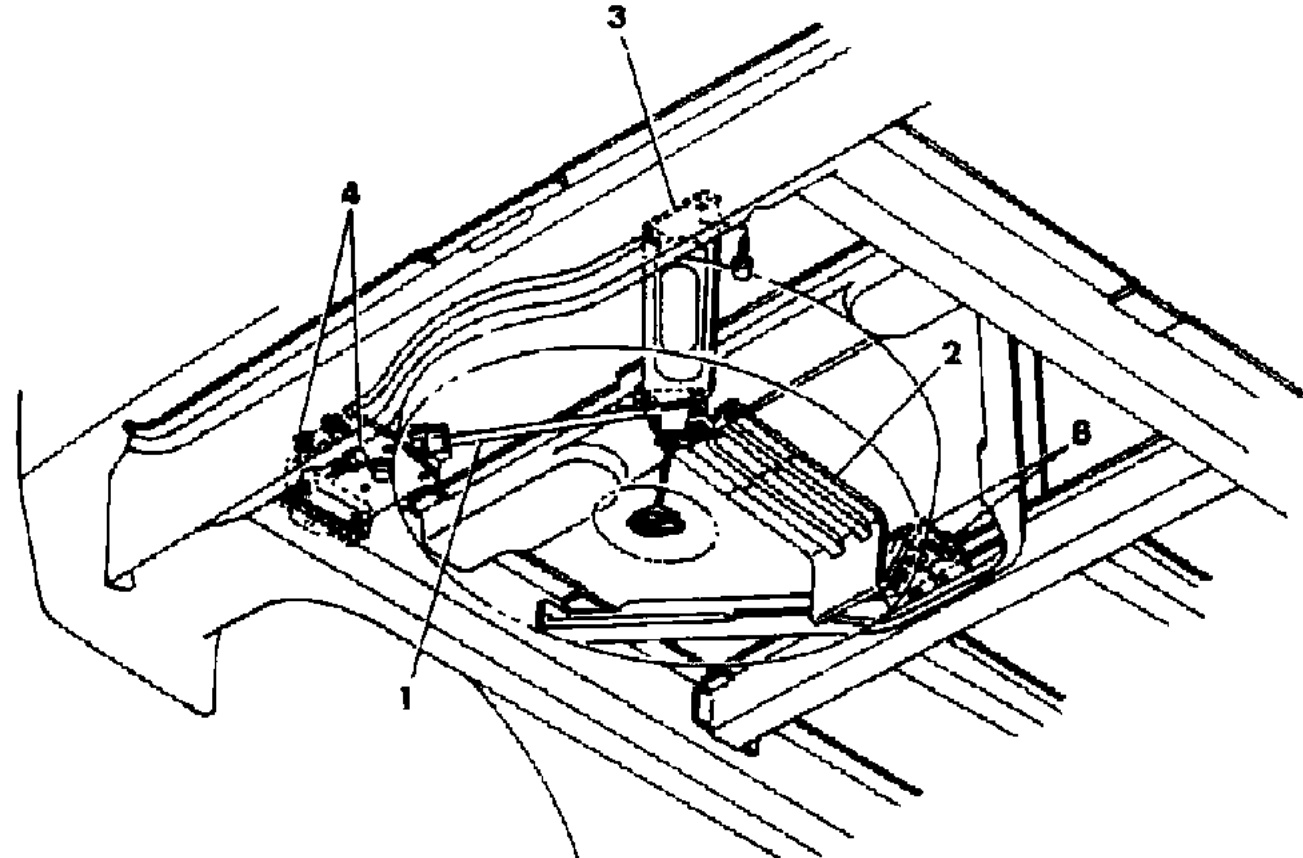
BODY STYLES

21 = 2-DOOR SEDAN	35 = FWD VAN	44 = 4-DOOR HATCHBACK
22 = 2-DOOR SPECIAL COUPE	36 = FWD WAGON	45 = 4-DOOR STATION WAGON
24 = 2-DOOR HATCHBACK	41 = 4-DOOR SEDAN	49 = LIMOUSINE
27 = 2-DOOR CONVERTIBLE		

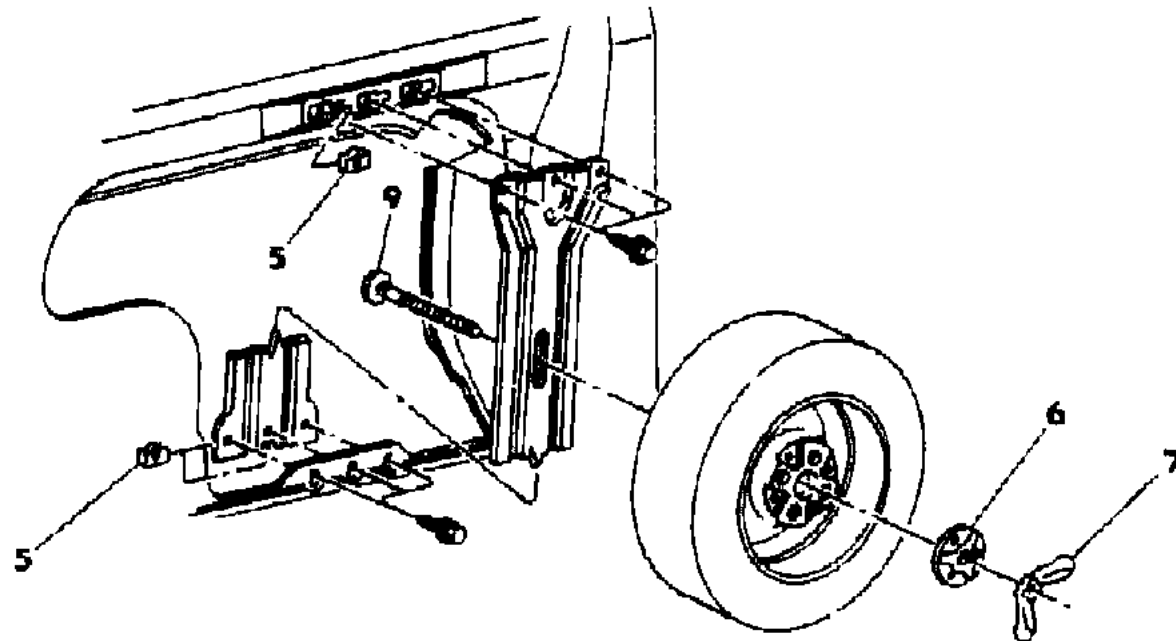
AR = Use as Required - = Non Illustrated Part P.A.R. = Paint as Required

SPARE TIRE STOWAGE H,K-35,36
Figure 22-1300

5122 1300



WAGON INSTALLATION UNDER REAR



VAN INSTALLATION LT. SIDE

ITEM	PART NUMBER	QTY	BODY	MODEL	DESCRIPTION
1	4314 728	1			WINCH
2	4314 828	1			DEFLECTER
3	4314 892	1			SUPPORT
4	6101 393	10			SCREW And WASHER
5	6100 041	6			U-NUT
6	4314 852	1			RETAINER
7	6032 619	1			WING NUT

MODEL CODES

B = GRAN FURY	E = 600	M = HORIZON/TURISMO
C = LE BARON/TOWN & COUNTRY/LIMO	F = FIFTH AVENUE/NEWPORT	P = RELIANT
C24 = LASER	G = DIPLOMAT	T = NEW YORKER
C44 = LE BARON/GTS	H = VOYAGER	V = 600
D = ARIES	J = CARAVELLE	V24 = DAYTONA
D44 = LANCER	K = MINI VAN/CARAVAN/ROYAL	Z = OMNI/CHARGER

BODY STYLES

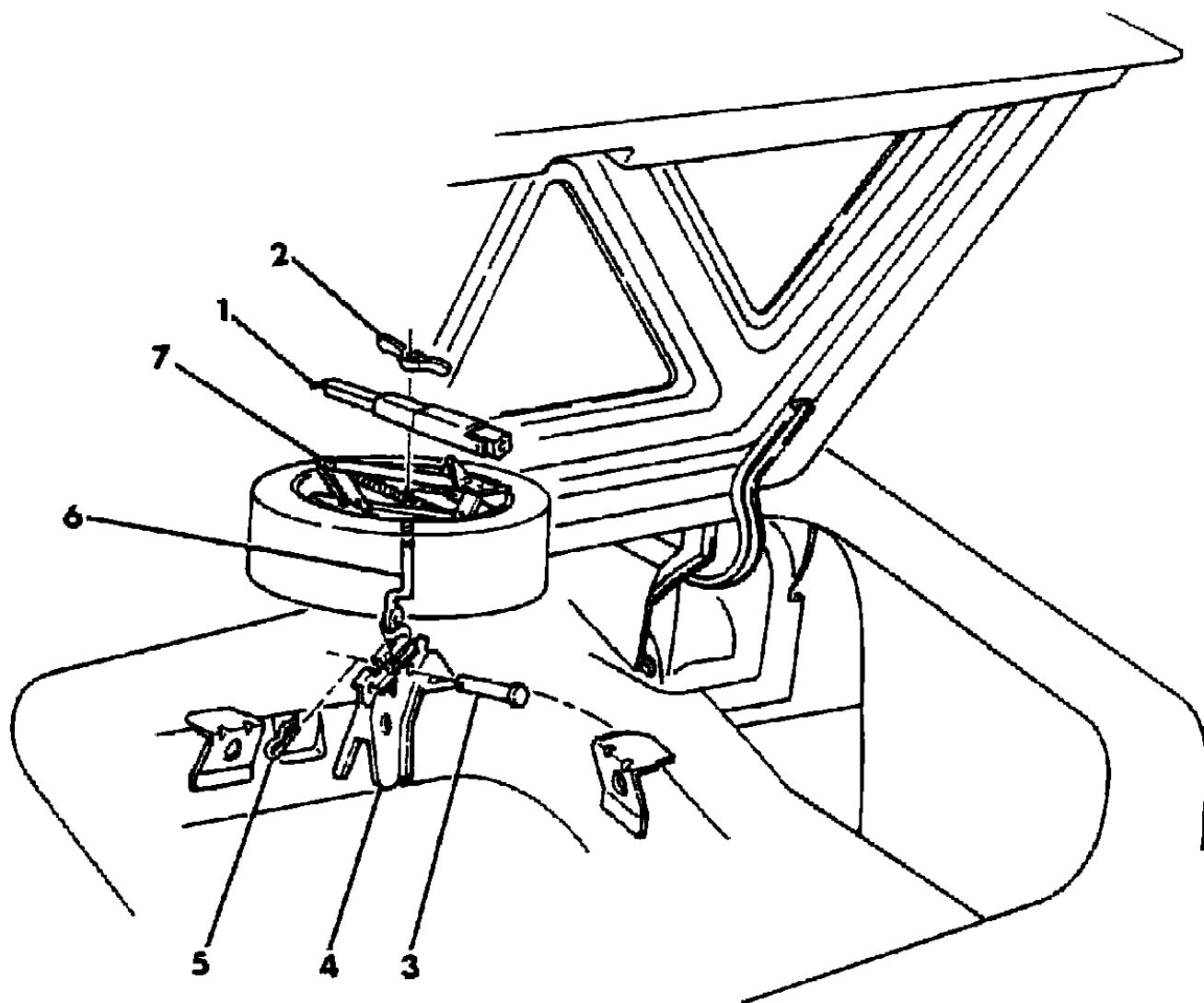
21 = 2-DOOR SEDAN	35 = FWD VAN	44 = 4-DOOR HATCHBACK
22 = 2-DOOR SPECIAL COUPE	36 = FWD WAGON	45 = 4-DOOR STATION WAGON
24 = 2-DOOR HATCHBACK	41 = 4-DOOR SEDAN	49 = LIMOUSINE
27 = 2-DOOR CONVERTIBLE		

AR = Use as Required - = Non Illustrated Part P.A.R. = Paint as Required

JACK And SPARE TIRE STOWAGE F,G,B-41
Figure 22-1400

5122 1400

ITEM	PART NUMBER	QTY	BODY	MODEL	DESCRIPTION
1	5216 018	1		All	HANDLE
2	6032 619	1		All	WING Nut
3					PIN (not serviced)
4	4134 408	1		All	BRACKET Anchor Bolt
5	6027 983	1		All	CLIP
6	4134 409	1		All	ROD
7	4110 232	1		All	JACK
	4304 012	1		All	LABEL, Jack, Tire



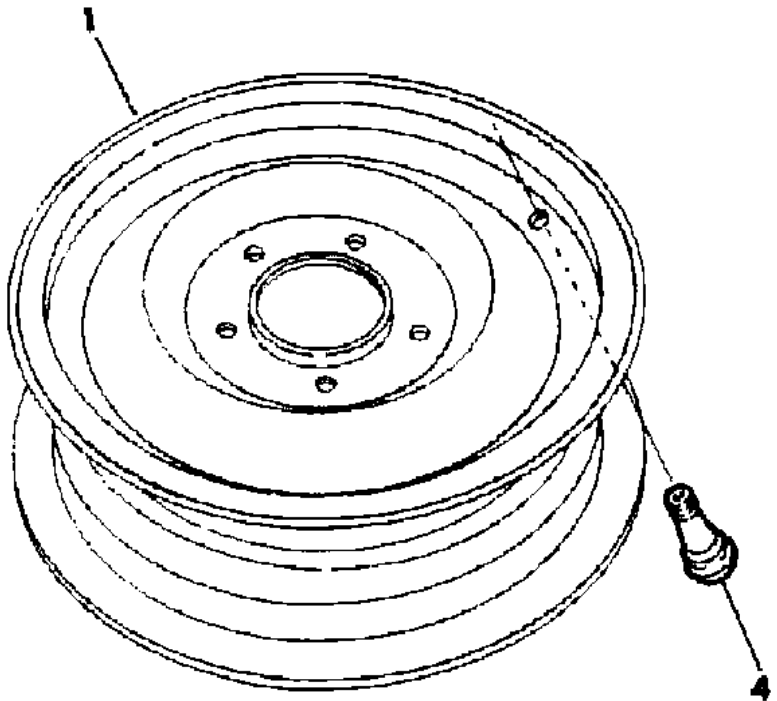
MODEL CODES
 B = GRAN FURY
 C = LE BARON/TOWN & COUNTRY/LIMO
 C24 = LASER
 C44 = LE BARON/GTS
 D = ARIES
 D44 = LANCER
 E = 600
 F = FIFTH AVENUE/NEWPORT
 G = DIPLOMAT
 H = VOYAGER
 J = CARAVELLE
 K = MINI VAN/CARAVAN/ROYAL
 M = HORIZON/TURISMO
 P = RELIANT
 T = NEW YORKER
 V = 600
 V24 = DAYTONA
 Z = OMNI/CHARGER

BODY STYLES
 21 = 2-DOOR SEDAN
 22 = 2-DOOR SPECIAL COUPE
 24 = 2-DOOR HATCHBACK
 27 = 2-DOOR CONVERTIBLE
 35 = FWD VAN
 36 = FWD WAGON
 41 = 4-DOOR SEDAN
 44 = 4-DOOR HATCHBACK
 45 = 4-DOOR STATION WAGON
 49 = LIMOUSINE

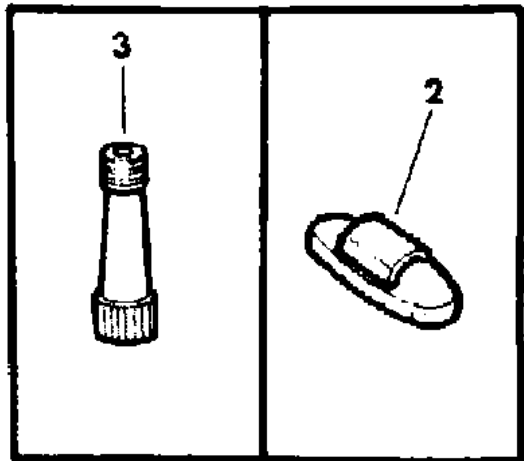
AR = Use as Required - = Non Illustrated Part P.A.R. = Paint as Required

WHEEL MISCELLANEOUS
Figure 22-1500

5122 1500



ITEM	PART NUMBER	QTY	BODY	MODEL	DESCRIPTION
1					WHEEL, (See wheels and covers)
2	1615 349	AR			WEIGHT, 1/2 oz.
	1615 350	AR			1 oz.
	1615 351	AR			1-1/2 oz.
	1615 352	AR			2 oz.
	1615 353	AR			2-1/2 oz.
	1615 354	AR			3 oz.
3	2660 315	1			EXTENSION PKG., 1/2"
	2401 840	1			3/4"
	3461 079	1			1"
4	2073 355	5			VALVE STEM, 1-1/4 Lgh.



MODEL CODES		
B = GRAN FURY	E = 600	M = HORIZON/TURISMO
C = LE BARON/TOWN & COUNTRY/LIMO	F = FIFTH AVENUE/NEWPORT	P = RELIANT
C24 = LASER	G = DIPLOMAT	T = NEW YORKER
C44 = LE BARON/GTS	H = VOYAGER	V = 600
D = ARIES	J = CARAVELLE	V24 = DAYTONA
D44 = LANCER	K = MINI VAN/CARAVAN/ROYAL	Z = OMNI/CHARGER

BODY STYLES		
21 = 2-DOOR SEDAN	35 = FWD VAN	44 = 4-DOOR HATCHBACK
22 = 2-DOOR SPECIAL COUPE	36 = FWD WAGON	45 = 4-DOOR STATION WAGON
24 = 2-DOOR HATCHBACK	41 = 4-DOOR SEDAN	49 = LIMOUSINE
27 = 2-DOOR CONVERTIBLE		

AR = Use as Required - = Non Illustrated Part P.A.R. = Paint as Required

GROUP 23 - BODY - EXTERIOR ORNAMENTATION

ILLUSTRATION TITLE **GROUP-FIG. NO.**

L BODY M,Z

MOULDINGS, WINDSHIELD OUTSIDE M,Z Fig. 23-100

MOULDINGS and ORNAMENTATION - EXTERIOR VIEW PLYMOUTH TURISMO, TURISMO 2.2 Fig. 23-200

GROUND EFFECTS PACKAGE - EXTERIOR VIEW PLYMOUTH TURISMO Fig. 23-300

MOULDINGS and ORNAMENTATION - EXTERIOR VIEW PLYMOUTH HORIZON - 4 DOOR HATCHBACK .. Fig. 23-400

TAPE STRIPES and DECALS - EXTERIOR VIEW PLYMOUTH TURISMO and TURISMO 2.2 Fig. 23-500

MOULDINGS and ORNAMENTATIONS - EXTERIOR VIEW DODGE CHARGER, CHARGER 2.2 Fig. 23-800

MOULDINGS and ORNAMENTATION - EXTERIOR VIEW DODGE OMNI - 4 DOOR HATCHBACK Fig. 23-1100

GROUND EFFECTS PACKAGE - EXTERIOR VIEW DODGE OMNI - 4 DOOR HATCHBACK (GLH) Fig. 23-1150

TAPE STRIPES and DECALS - EXTERIOR VIEW DODGE CHARGER and CHARGER 2.2 Fig. 23-1200

GROUND EFFECTS PACKAGE - EXTERIOR VIEW DODGE SHELBY CHARGER Fig. 23-1250

TAPE STRIPES and DECALS - EXTERIOR VIEW DODGE SHELBY CHARGER Fig. 23-1300

TAPE STRIPES and DECALS - EXTERIOR VIEW DODGE OMNI Fig. 23-1400

K BODY P,D,V,C

MOULDINGS, WINDSHIELD AND REAR WINDOW OUTSIDE P,D,V,C Fig. 23-1500

MOULDINGS and ORNAMENTATION - EXTERIOR VIEW PLYMOUTH RELIANT 2 DOOR Fig. 23-1600

MOULDINGS and ORNAMENTATION - EXTERIOR VIEW PLYMOUTH RELIANT 4 DOOR Fig. 23-1700

MOULDINGS and ORNAMENTATION - EXTERIOR VIEW PLYMOUTH RELIANT SUBURBAN Fig. 23-1800

TAPE STRIPES and DECALS - EXTERIOR VIEW PLYMOUTH RELIANT 2 DOOR - 4 DOOR - SUBURBAN .. Fig. 23-1900

MOULDINGS and ORNAMENTATION - EXTERIOR VIEW DODGE ARIES - 2 DOOR Fig. 23-2000

MOULDINGS and ORNAMENTATION - EXTERIOR VIEW DODGE ARIES - 4 DOOR Fig. 23-2100

MOULDINGS and ORNAMENTATION - EXTERIOR VIEW DODGE ARIES - SUBURBAN Fig. 23-2200

TAPE STRIPES and DECALS - EXTERIOR VIEW DODGE ARIES - 2 DOOR - 4 DOOR - SUBURBAN Fig. 23-2300

COVER, ROOF - EXTERIOR VIEW DODGE 600 - 22 Fig. 23-2350

MOULDINGS and ORNAMENTATION - EXTERIOR VIEW DODGE 600 - 22,27 Fig. 23-2400

TAPE STRIPES and DECALS - EXTERIOR VIEW DODGE 600 - 22,27 Fig. 23-2500

COVER, ROOF - EXTERIOR VIEW CHRYSLER LEBARON - 22 Fig. 23-2550

MOULDINGS and ORNAMENTATION - EXTERIOR VIEW CHRYSLER LEBARON - 22,27 Fig. 23-2600

COVER, ROOF - EXTERIOR VIEW CHRYSLER LEBARON - 4 DOOR Fig. 23-2650

MOULDINGS and ORNAMENTATION - EXTERIOR VIEW CHRYSLER LEBARON 4 DOOR Fig. 23-2700

MOULDINGS and ORNAMENTATION - EXTERIOR VIEW CHRYSLER TOWN AND COUNTRY Fig. 23-2800

TAPE STRIPES and DECALS - EXTERIOR VIEW CHRYSLER LEBARON Fig. 23-2900

MOULDINGS and ORNAMENTATION - EXTERIOR VIEW LIMOUSINE Fig. 23-3200

MOULDINGS and ORNAMENTATION - EXTERIOR VIEW LIMOUSINE Fig. 23-3300

TAPE STRIPES and DECALS - EXTERIOR VIEW LIMOUSINE Fig. 23-3400

ILLUSTRATION NOT AVAILABLE AT TIME OF PUBLICATION

GROUP 23 - BODY - EXTERIOR ORNAMENTATION

GROUP 23 - BODY - EXTERIOR ORNAMENTATION

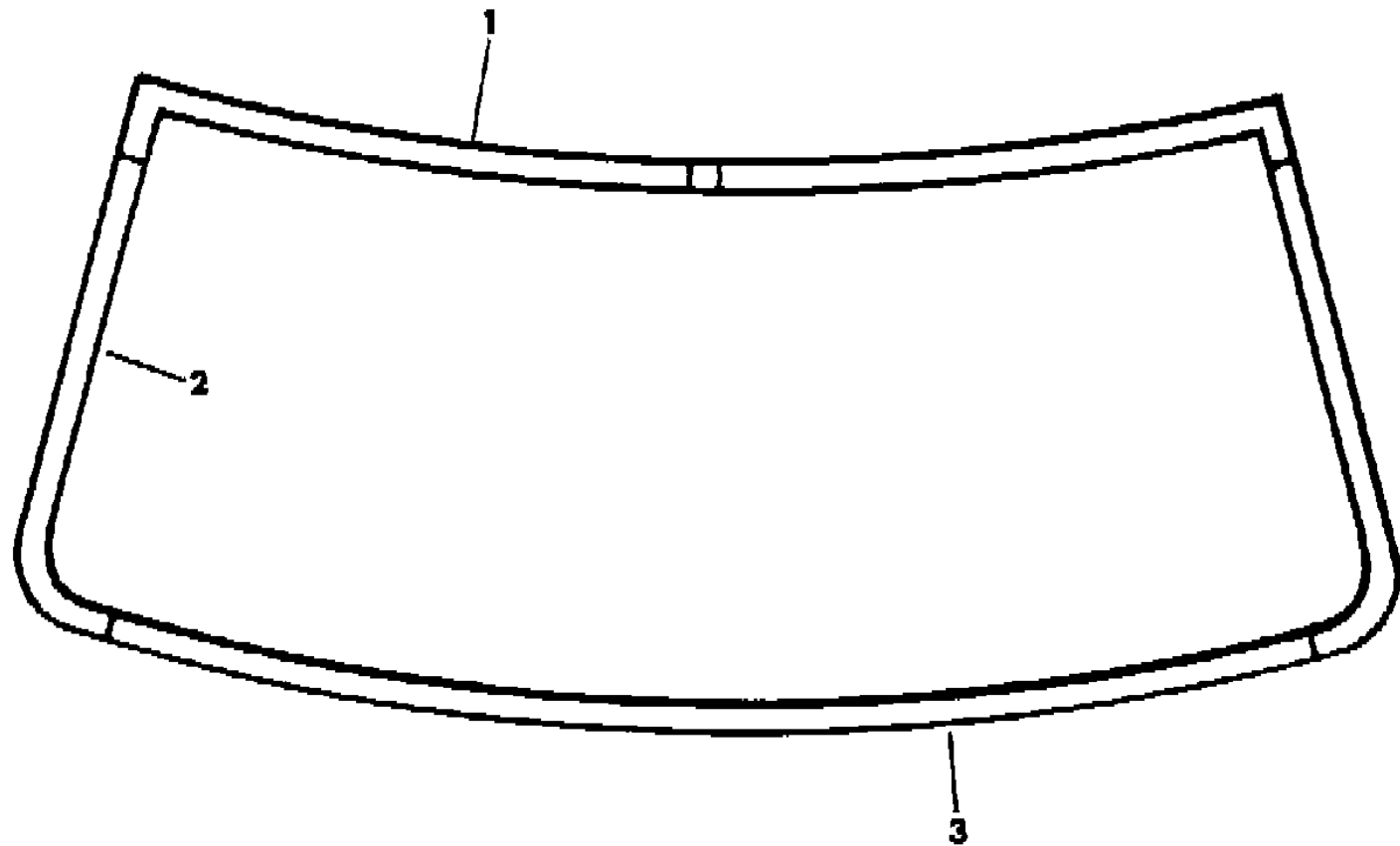
ILLUSTRATION TITLE	GROUP-FIG. NO.
G BODY V,C	
MOULDINGS, WINDSHIELD OUTSIDE DAYTONA,LASER	Fig. 23-3500
MOULDINGS AND ORNAMENTATION - EXTERIOR VIEW DODGE DAYTONA AND DAYTONA TURBO	Fig. 23-3600
GROUND EFFECTS PACKAGE - EXTERIOR VIEW DODGE DAYTONA TURBO Z	Fig. 23-3650
TAPE STRIPES and DECALS - EXTERIOR VIEW DODGE DAYTONA and TURBO Z	Fig. 23-3700
MOULDINGS AND ORNAMENTATION - EXTERIOR VIEW CHRYSLER LASER AND LASER XE	Fig. 23-3800
GROUND EFFECTS PACKAGE - EXTERIOR VIEW CHRYSLER LASER XT	Fig. 23-3850
TAPE STRIPES and DECALS - EXTERIOR VIEW CHRYSLER LASER and LASER XE	Fig. 23-3900
E BODY J,E,T	
MOULDINGS, WINDSHIELD AND REAR WINDOW OUTSIDE J-M, J-H, E-M, E-H, T-P	Fig. 23-4000
MOULDINGS and ORNAMENTATION - EXTERIOR VIEW PLYMOUTH CARAVELLE - J-M, J-H	Fig. 23-4100
TAPE STRIPES and DECALS - EXTERIOR VIEW PLYMOUTH CARAVELLE - J-M, J-H	Fig. 23-4200
MOULDINGS and ORNAMENTATION - EXTERIOR VIEW DODGE 600 - E-M, E-H	Fig. 23-4300
TAPE STRIPES and DECALS - EXTERIOR VIEW DODGE 600 - E-M, E-H	Fig. 23-4400
MOULDINGS and ORNAMENTATION - EXTERIOR VIEW CHRYSLER NEW YORKER - T-P	Fig. 23-4500
MOULDINGS and ORNAMENTATION - EXTERIOR VIEW CHRYSLER NEW YORKER - PADDED LANDAU ROOF - T-P	Fig. 23-4600
TAPE STRIPES and DECALS - EXTERIOR VIEW CHRYSLER NEW YORKER - T-P	Fig. 23-4700
H BODY D,C	
MOULDINGS, WINDSHIELD OUTSIDE DODGE LANCER, CHRYSLER LEBARON, GTS	Fig. 23-4800
MOULDINGS and ORNAMENTATION - EXTERIOR VIEW DODGE LANCER,LANCER ES	Fig. 23-4900
TAPE STRIPES and DECALS - EXTERIOR VIEW DODGE LANCER,LANCER ES	Fig. 23-5000
MOULDINGS and ORNAMENTATION - EXTERIOR VIEW CHRYSLER LEBARON,GTS	Fig. 23-5100
TAPE STRIPES and DECALS - EXTERIOR VIEW CHRYSLER LEBARON,GTS	Fig. 23-5200
S BODY H,K	
MOULDINGS and ORNAMENTATION - EXTERIOR VIEW PLYMOUTH VOYAGER WAGON	Fig. 23-5300
TAPE STRIPES and DECALS - EXTERIOR VIEW PLYMOUTH VOYAGER WAGON	Fig. 23-5400
MOULDINGS and ORNAMENTATION - EXTERIOR VIEW DODGE MINI RAM VAN and ROYAL	Fig. 23-5500
MOULDINGS and ORNAMENTATION - EXTERIOR VIEW DODGE CARAVAN WAGON	Fig. 23-5600
TAPE STRIPES and DECALS - EXTERIOR VIEW DODGE CARAVAN WAGON	Fig. 23-5700
M BODY B,G,F	
MOULDINGS, WINDSHIELD AND REAR WINDOW OUTSIDE B,G,F	Fig. 23-5800
COVER, ROOF - EXTERIOR VIEW PLYMOUTH FURY-DODGE DIPLOMAT- CHRYSLER FIFTH AVE.	Fig. 23-5850
MOULDINGS and ORNAMENTATION - EXTERIOR VIEW PLYMOUTH GRAN FURY SALON	Fig. 23-5900

ILLUSTRATION TITLE	GROUP-FIG. NO.
M BODY B,G,F (Continued)	
MOULDINGS and ORNAMENTATION - EXTERIOR VIEW PLYMOUTH GRAN FURY SALON	Fig. 23-5900
TAPE STRIPES and DECALS - EXTERIOR VIEW PLYMOUTH GRAN FURY SALON	Fig. 23-6000
MOULDINGS and ORNAMENTATION - EXTERIOR VIEW DODGE DIPLOMAT	Fig. 23-6100
TAPE STRIPES and DECALS - EXTERIOR VIEW DODGE DIPLOMAT	Fig. 23-6200
MOULDINGS and ORNAMENTATION - EXTERIOR VIEW CHRYSLER NEWPORT	Fig. 23-6300
TAPE STRIPES and DECALS - EXTERIOR VIEW CHRYSLER NEWPORT	Fig. 23-6400
MOULDINGS and ORNAMENTATION - EXTERIOR VIEW CHRYSLER FIFTH AVENUE	Fig. 23-6500
TAPE STRIPES and DECALS - EXTERIOR VIEW CHRYSLER FIFTH AVENUE	Fig. 23-6600

MOULDINGS, WINDSHIELD OUTSIDE M,Z
Figure 23-100

5168 100

ITEM	PART NUMBER	QTY	BODY	MODEL	DESCRIPTION
1	5230 806-7	1		24	MOULDING, W/Shield, Upr., Black
	6003 878	AR		24	RETAINER
	6003 879	AR		24	RETAINER and SCREW
	5209 362-3	1		44	MOULDING, W/Shield, Upr., Black
	6003 878	AR		44	RETAINER
2	6003 304	AR		44	RETAINER and SCREW
	5230 808-9	1		24	MOULDING, W/Shield, Side, Black
	6003 878	AR		24	RETAINER
	6003 879	AR		24	RETAINER and SCREW
	5209 364-5	1		44	MOULDING, W/Shield, Side, Black
3	6003 878	AR		44	RETAINER
	6003 304	AR		44	RETAINER and SCREW
	5230 805	1		24	MOULDING, W/Shield, Lwr., Black
	6003 878	AR		24	RETAINER
	6003 879	AR		24	RETAINER and SCREW
	5209 339	1		44	MOULDING, W/Shield, Lwr., Black
	6003 878	AR		44	RETAINER
	6003 304	AR		44	RETAINER and SCREW



MODEL CODES

B = GRAN FURY	E = 600	M = HORIZON/TURISMO
C = LE BARON/TOWN & COUNTRY/LIMO	F = FIFTH AVENUE/NEWPORT	P = RELIANT
C24 = LASER	G = DIPLOMAT	T = NEW YORKER
C44 = LE BARON/GTS	H = VOYAGER	V = 600
D = ARIES	J = CARAVELLE	V24 = DAYTONA
D44 = LANCER	K = MINI VAN/CARAVAN/ROYAL	Z = OMNI/CHARGER

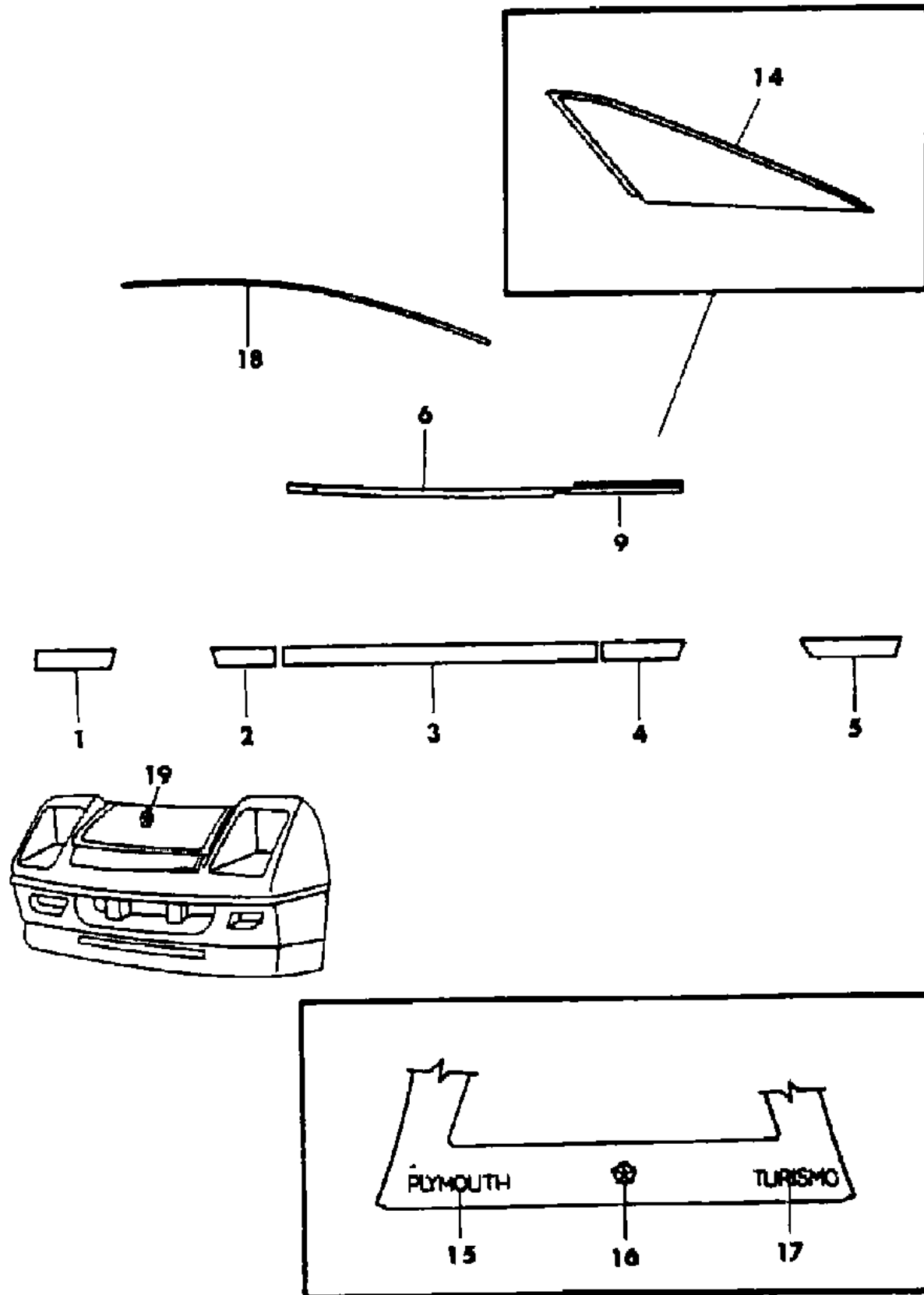
BODY STYLES

21 = 2-DOOR SEDAN	35 = FWD VAN	44 = 4-DOOR HATCHBACK
22 = 2-DOOR SPECIAL COUPE	36 = FWD WAGON	45 = 4-DOOR STATION WAGON
24 = 2-DOOR HATCHBACK	41 = 4-DOOR SEDAN	49 = LIMOUSINE
27 = 2-DOOR CONVERTIBLE		

AR = Use as Required - = Non Illustrated Part P.A.R. = Paint as Required

MOULDINGS and ORNAMENTATION - EXTERIOR VIEW PLYMOUTH TURISMO, TURISMO 2.2
Figure 23-200

3:53 200 A



ITEM	PART NUMBER	QTY	BODY	MODEL	DESCRIPTION
1	5230 728-9	1			MOULDING, Fndr., Frt.
2	5230 730-1	1			MOULDING, Fndr., Rear
3	5230 732-3	1			MOULDING, Door
4	5230 734-5	1			MOULDING, Qtr., Frt.
5	5230 736-7	1			MOULDING, Qtr., Rear
6	5230 846	1			MOULDING, Door Belt Rt., Black, Use w/Mirror
	5230 847	1			MOULDING, Door Belt, Lt., Black
	5230 850	1			MOULDING, Door Belt, Rt., Black, Use w/o Mirror
9	5230 726-7	1			MOULDING, Qtr. Wdo. Belt, Black
14					APPLIQUE, Qtr. Wdo.
	X604-5 BA1	1			Silver Met.
	X604-5 BB6	1			Santa Fe Blue
	X604-5 DB1	1			Ice Blue Met.
	X604-5 DT3	1			Cream
	X604-5 DT4	1			Gold Dust Met.
	X604-5 DW2	1			White
	X604-5 DK7	1			Spice Met.
	X604-5 CR6	1			Garnet
	X604-5 DR5	1			Graphic Red
	X604-5 DX8	1			Black
	X604-5 DA5	1			Charcoal Gray
	5230 661	AR			RETAINER SCREW, (Not Serv.)
	6025 002	AR			NUT
15	4319 779	1			NAMEPLATE, L/Gate, "PLYMOUTH"
16	4319 496	1	M-P		MEDALLION, L/Gate Pentastar, Black
	4319 497	1	M-H		MEDALLION, L/Gate Pentastar
17	5230 876	1	M-H		NAMEPLATE, L/Gate, "TURISMO"
18	5230 654-5	1			MOULDING, Roof Side Drain Trough
19	4270 517	1			PENTASTAR, Fascia, Chrome
	4103 380	1			PENTASTAR, Fascia, Painted

MODEL CODES

B = GRAN FURY	E = 600	M = HORIZON/TURISMO
C = LE BARON/TOWN & COUNTRY/LIMO	F = FIFTH AVENUE/NEWPORT	P = RELIANT
C24 = LASER	G = DIPLOMAT	T = NEW YORKER
C44 = LE BARON/GTS	H = VOYAGER	V = 600
D = ARIES	J = CARAVELLE	V24 = DAYTONA
D44 = LANCER	K = MINI VAN/CARAVAN/ROYAL	Z = OMNI/CHARGER

BODY STYLES

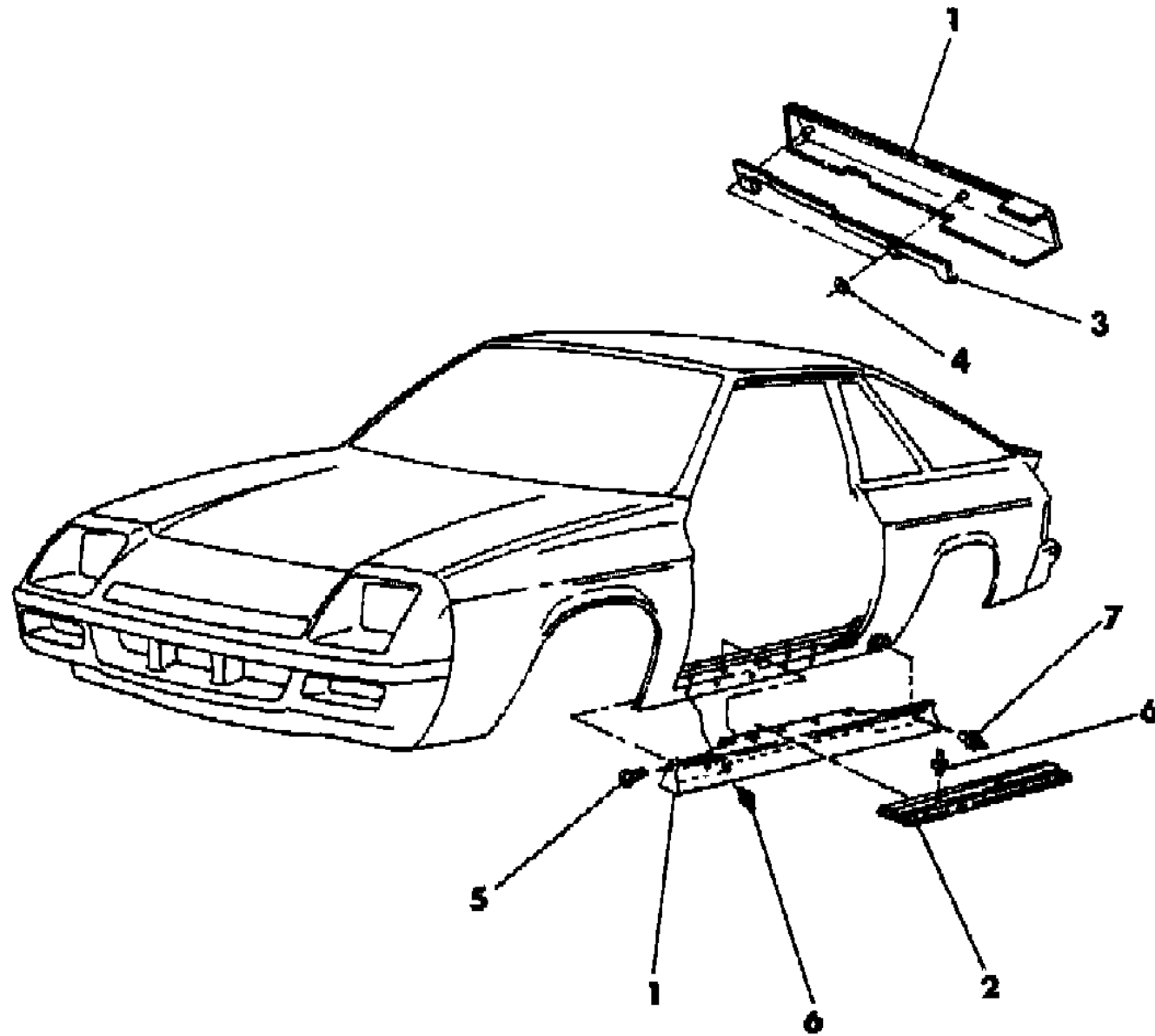
21 = 2-DOOR SEDAN	35 = FWD VAN	44 = 4-DOOR HATCHBACK
22 = 2-DOOR SPECIAL COUPE	36 = FWD WAGON	45 = 4-DOOR STATION WAGON
24 = 2-DOOR HATCHBACK	41 = 4-DOOR SEDAN	49 = LIMOUSINE
27 = 2-DOOR CONVERTIBLE		

AR = Use as Required - = Non Illustrated Part P.A.R. = Paint as Required

GROUND EFFECTS PACKAGE - EXTERIOR VIEW PLYMOUTH TURISMO
Figure 23-300

5168 300

ITEM	PART NUMBER	QTY	BODY	MODEL	DESCRIPTION
1	X906-7 BA1	1			COVER, Body Side Sill, Silver
	X906-7 DX9	1			Black
	X906-7 DT4	1			Gold
2	4319 998-9	1			PLATE, Sill Cover
3	4334 058-9	1			SPRING, Side Sill Cover
4	6026 430	AR			PUSH NUT
5	6031 694	AR			SCREW and WASHER
6		AR			RIVET (Not Serv.)
7	#X915 DA1	2			FASTENER, Push Pin, Silver
	X915 DT4	2			Gold
	X915 DX9	2			Black



MODEL CODES

B = GRAN FURY	E = 600	M = HORIZON/TURISMO
C = LE BARON/TOWN & COUNTRY/LIMO	F = FIFTH AVENUE/NEWPORT	P = RELIANT
C24 = LASER	G = DIPLOMAT	T = NEW YORKER
C44 = LE BARON/GTS	H = VOYAGER	V = 600
D = ARIES	J = CARAVELLE	V24 = DAYTONA
D44 = LANCER	K = MINI VAN/CARAVAN/ROYAL	Z = OMNI/CHARGER

BODY STYLES

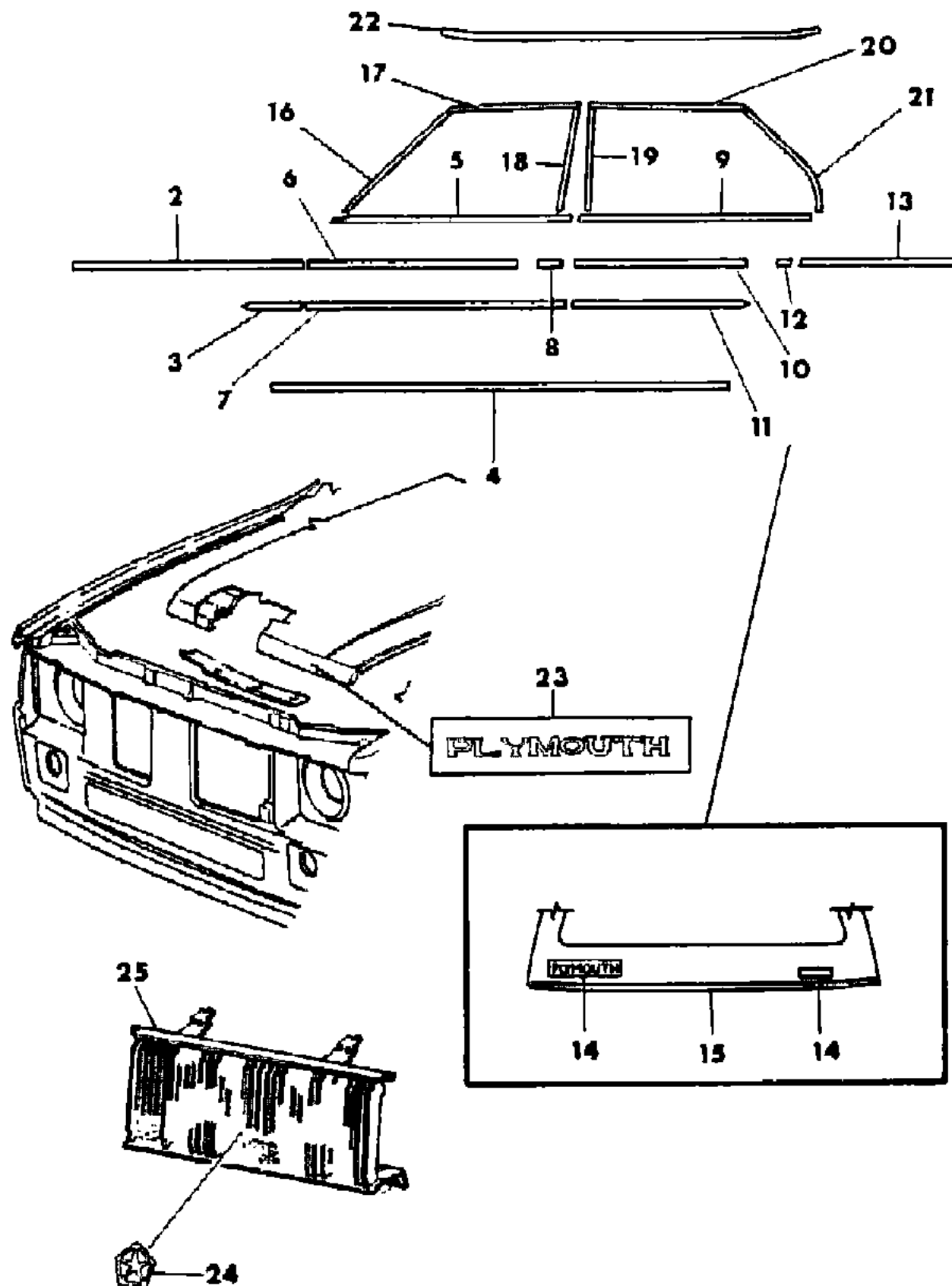
21 = 2-DOOR SEDAN	35 = FWD VAN	44 = 4-DOOR HATCHBACK
22 = 2-DOOR SPECIAL COUPE	36 = FWD WAGON	45 = 4-DOOR STATION WAGON
24 = 2-DOOR HATCHBACK	41 = 4-DOOR SEDAN	49 = LIMOUSINE
27 = 2-DOOR CONVERTIBLE		

AR = Use as Required - = Non Illustrated Part P.A.R. = Paint as Required

MOULDINGS and ORNAMENTATION - EXTERIOR VIEW PLYMOUTH HORIZON - 4 DOOR HATCHBACK

Figure 23-400

5168 430 A



ITEM	PART NUMBER	QTY	BODY	MODEL	DESCRIPTION
2	5209 280-1	1			MOULDING, Fndr., Black Vinyl (Tape Applied)
	4339 062-3	1		M-H	MOULDING PACKAGE, Fndr., Bright and Black
	6003 679	AR			RETAINER
	6003 644	AR			RETAINER
	4057 555	AR			RETAINER PACKAGE
3	4293 616	AR			SCREW PACKAGE, (Repair)
	5230 909	2			MOULDING, Fndr., w/Black Insert
	4293 619	2	M-H		MOULDING, Body Side Sill
4	4293 624	AR			RETAINER and STUD PACKAGE
	6003 627	AR			RETAINER, Push on Type
5	5209 232-3	1		M-H	MOULDING, Frt. Door Belt
	4280 878-9	1		M-E	MOULDING and WEATHERSTRIP, Frt. Door Belt, Outer, Black
6	5209 284-5	1			MOULDING, Frt. Door Frt., Black Vinyl (Tape Applied)
	4339 064-5	1		M-H	MOULDING PACKAGE, Frt. Door Frt., Bright and Black
	6003 644	AR			RETAINER
	4293 616	AR			SCREW PACKAGE, (Repair)
	4057 555	AR			RETAINER PACKAGE
7	5230 910	2			MOULDING, Frt. Door, w/Black Insert
	5209 288	2			MOULDING, Frt. Door Rear, Black Vinyl (Tape Applied)
8	4339 019	2		M-H	MOULDING, Frt. Door Rear, Bright and Black
	6003 644	AR			RETAINER
	6002 818	AR			RETAINER
	6026 523	AR			NUT
	4293 616	AR			SCREW PACKAGE, (Repair)
9	5209 234-5	1		M-H	MOULDING, Rear Door Belt
	4280 882-3	1		M-E	MOULDING and WEATHERSTRIP, Rear Door Belt, Outer, Black
10	5209 292	2			MOULDING, Rear Door Frt., Black Vinyl (Tape Applied)
	4339 066-7	1		M-H	MOULDING PACKAGE, Rear Door Frt., Bright and Black
	6003 644	AR			RETAINER
	4293 616	AR			SCREW PACKAGE, (Repair)
	4057 555	AR			RETAINER PACKAGE
11	5230 911	2			MOULDING, Rear Door, w/Black Insert
12	5209 296-7	1			MOULDING, Rear Door Rear, Black Vinyl (Tape Applied)
	5209 156-7	1		M-H	MOULDING PACKAGE, Rear Door Rear, Bright and Black
	3780 453	AR			RETAINER PACKAGE
13	5209 300-1	1			MOULDING, Qtr., Black Vinyl (Tape Applied)

MODEL CODES

B = GRAN FURY	E = 600	M = HORIZON/TURISMO
C = LE BARON/TOWN & COUNTRY/LIMO	F = FIFTH AVENUE/NEWPORT	P = RELIANT
C24 = LASER	G = DIPLOMAT	T = NEW YORKER
C44 = LE BARON/GTS	H = VOYAGER	V = 600
D = ARIES	J = CARAVELLE	V24 = DAYTONA
D44 = LANCER	K = MINI VAN/CARAVAN/ROYAL	Z = OMNI/CHARGER

BODY STYLES

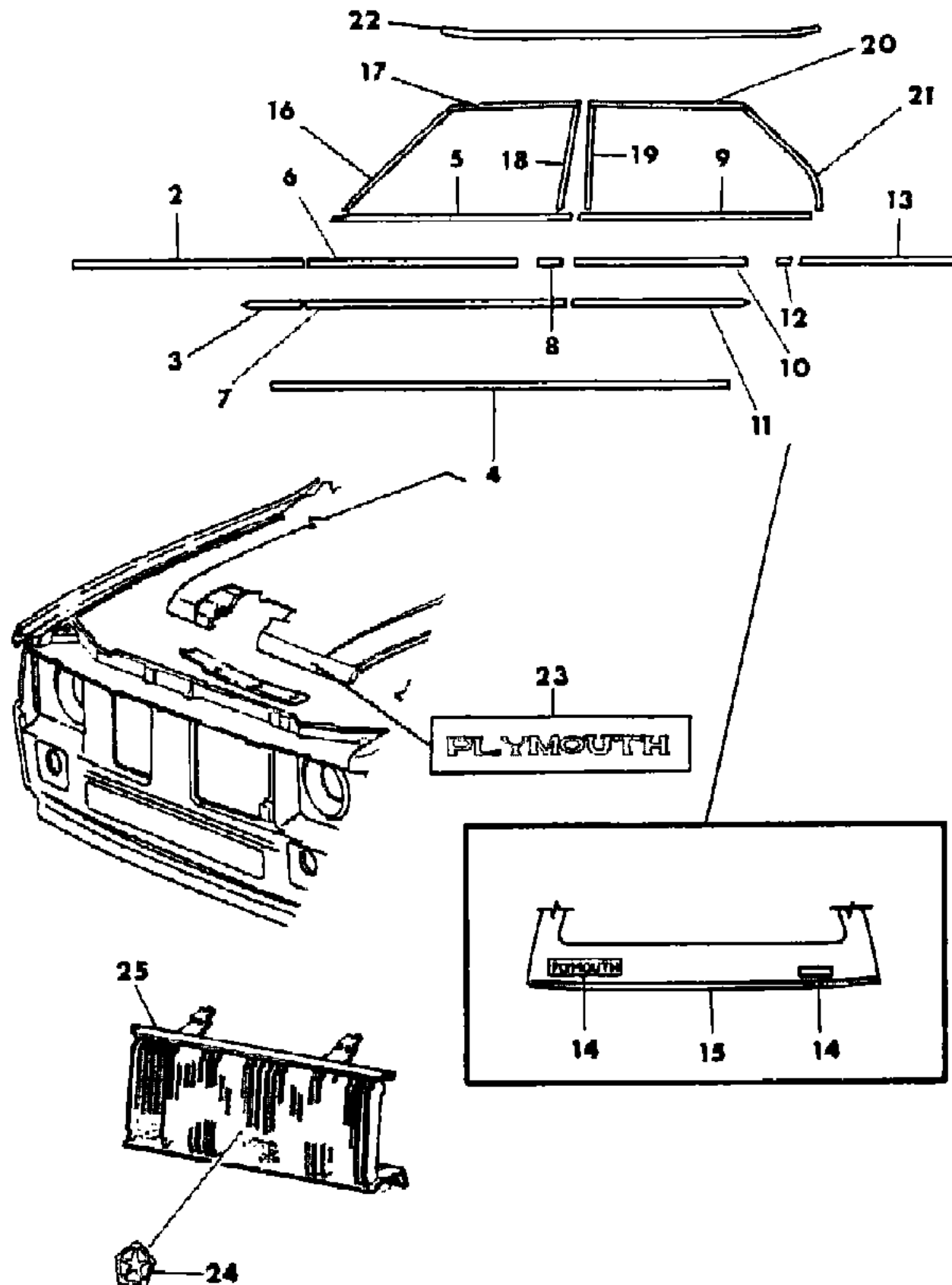
21 = 2-DOOR SEDAN	35 = FWD VAN	44 = 4-DOOR HATCHBACK
22 = 2-DOOR SPECIAL COUPE	36 = FWD WAGON	45 = 4-DOOR STATION WAGON
24 = 2-DOOR HATCHBACK	41 = 4-DOOR SEDAN	49 = LIMOUSINE
27 = 2-DOOR CONVERTIBLE		

AR = Use as Required - = Non Illustrated Part P.A.R. = Paint as Required

MOULDINGS and ORNAMENTATION - EXTERIOR VIEW PLYMOUTH HORIZON - 4 DOOR HATCHBACK

Figure 23-400

5168 430 A



ITEM	PART NUMBER	QTY	BODY	MODEL	DESCRIPTION
	4339 068-9	1		M-H	MOULDING PACKAGE, Qtr., Bright and Black
	6002 818	AR			RETAINER
	6003 644	AR			RETAINER
	6026 523	AR			NUT
14	5209 430	1			NAMEPLATE, L/Gate, "HORIZON"
	4319 779	1			NAMEPLATE, L/Gate, "PLYMOUTH"
15	5209 303	1			MOULDING, L/Gate, Black Vinyl (Tape Applied)
	4319 000	1		M-H	MOULDING PACKAGE, L/Gate, Bright and Black
	6002 818	AR			RETAINER
	6003 644	AR			RETAINER
	6026 523	AR			NUT
16	5209 340-1	1		M-H	MOULDING, Frt. Door Wdo. Opng. Frame, Frt.
17	5209 346-7	1		M-H	MOULDING, Frt. Door Wdo. Opng. Frame, Upr.
18	5209 414-5	1		M-H	MOULDING, Frt. Door Wdo. Opng. Frame, Rear
19	5209 418-9	1		M-H	MOULDING, Rear Door Wdo. Opng. Frame, Frt.
20	5209 356-7	1		M-H	MOULDING, Rear Door Wdo. Opng. Frame, Upr.
21	5209 358-9	1		M-H	MOULDING, Rear Door Wdo. Opng. Frame, Rear
22	5209 036	2		M-H	MOULDING, Roof Side Drain Trough, Repair, Bright
	5209 222	2		M-H	MOULDING, Roof Side Drain Trough, Repair, Black
23	3444 927	1			NAMEPLATE, Hood, "PLYMOUTH"
24	4270 608	1			PENTASTAR, Grille Ornament
25					GRILLE, Radiator (See Illus. in Group 7)

MODEL CODES

B = GRAN FURY	E = 600	M = HORIZON/TURISMO
C = LE BARON/TOWN & COUNTRY/LIMO	F = FIFTH AVENUE/NEWPORT	P = RELIANT
C24 = LASER	G = DIPLOMAT	T = NEW YORKER
C44 = LE BARON/GTS	H = VOYAGER	V = 600
D = ARIES	J = CARAVELLE	V24 = DAYTONA
D44 = LANCER	K = MINI VAN/CARAVAN/ROYAL	Z = OMNI/CHARGER

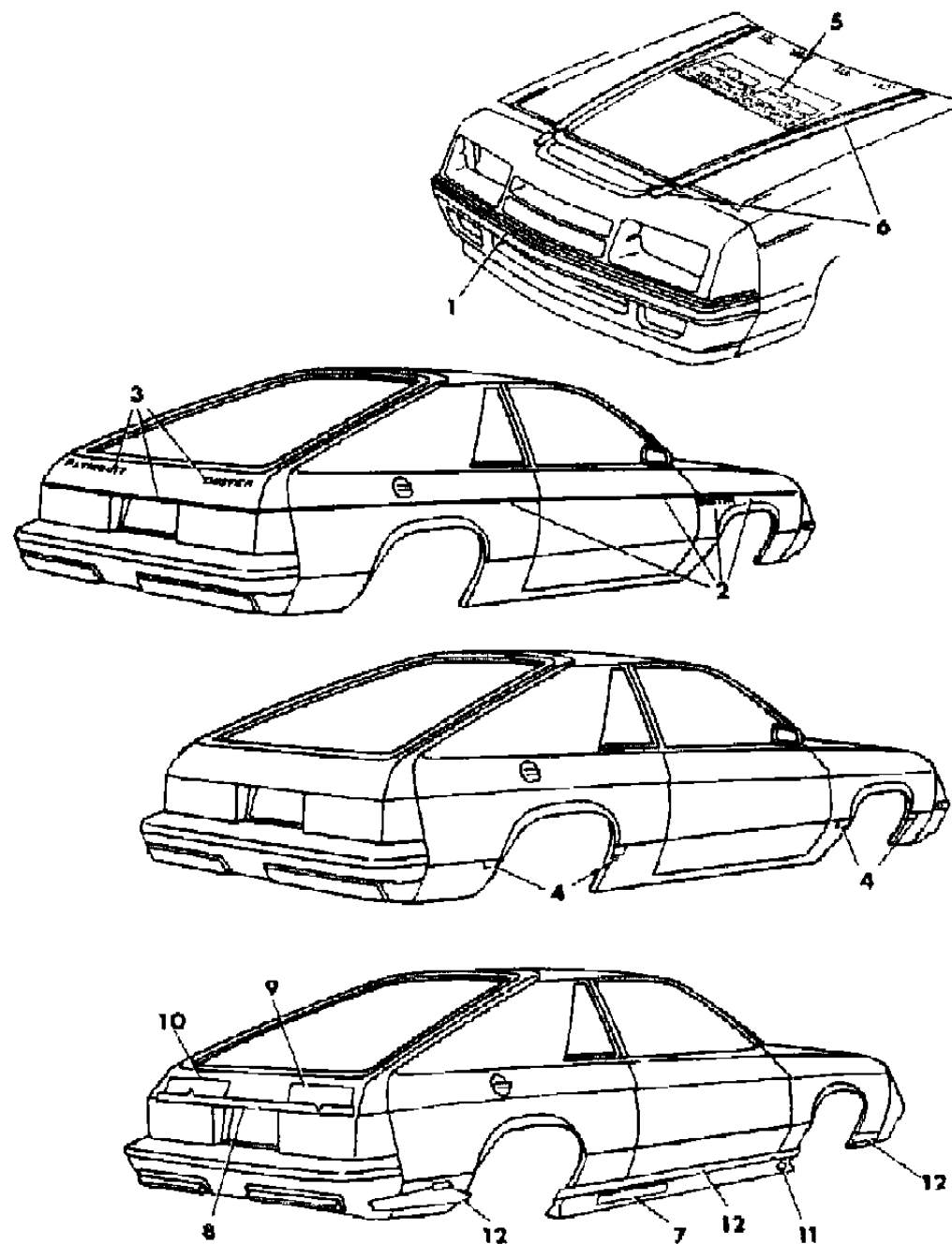
BODY STYLES

21 = 2-DOOR SEDAN	35 = FWD VAN	44 = 4-DOOR HATCHBACK
22 = 2-DOOR SPECIAL COUPE	36 = FWD WAGON	45 = 4-DOOR STATION WAGON
24 = 2-DOOR HATCHBACK	41 = 4-DOOR SEDAN	49 = LIMOUSINE
27 = 2-DOOR CONVERTIBLE		

AR = Use as Required - = Non Illustrated Part P.A.R. = Paint as Required

TAPE STRIPES and DECALS - EXTERIOR VIEW PLYMOUTH TURISMO and TURISMO 2.2
Figure 23-500

5163 500 B



ITEM	PART NUMBER	QTY	BODY	MODEL	DESCRIPTION
1	4339 023	1		M-H,M-P	TAPE, Frt. Fascia
2	4342 986-7	1		M-H	TAPE PACKAGE, Fndr., Door, Qtr., Silver
	4342 988-9	1		M-H	Charcoal
	4364 078-9	1		M-H	Carmel
	T580 CA1	2		M-H	DECAL, Fndr., "DUSTER", Silver
	T580 CA5	2		M-H	Charcoal
3	T580 DU3	2		M-H	Carmel
	4342 990	1		M-H	TAPE PACKAGE, L/Gate, Silver
	4342 991	1		M-H	Charcoal
	4339 195	1		M-H	Carmel
	T582 CA1	1		M-H	DECAL, L/Gate, "DUSTER", Silver
4	T582 CA5	1		M-H	Charcoal
	T582 DU3	1		M-H	Carmel
	T583 CA1	1		M-H	DECAL, L/Gate, "PLYMOUTH", Silver
	T583 CA5	1		M-H	Charcoal
	T583 DU3	1		M-H	Carmel
5	4339 300	1		M-H	TAPE PACKAGE, Fndr. Frt., Rear, Qtr. Frt., Rear, Use on Two Tone Paint, Charcoal (Paint Sales Code PA1 QA5)
	4342 503	1		M-H	Black (Paint Sales Code PR6 QX8)
	4343 000	1		M-H	Cream (Paint Sales Code PT4 QT3)
	T870 CR6	1			Red
	T870 CX9	1			Black
6	T662 DCR	1		M-P	DECAL, Hood, "TURISMO 2.2", Bright Red, Orange
	T662 DCS	1		M-P	Tan, Cream
	T662 DCT	1		M-P	Med. Gray, Light Gray
7	T740-1 DAD	1		M-P	TAPE, Hood, Red, Orange (Paint Sales Code PR6)
	T740-1 DAE	1		M-P	Tan, Cream (Paint Sales Code PK7) (PT4)
	T740-1 DAG	1		M-P	Med. Gray, Light Gray (Paint Sales Code PX8) (PA5)
8	T560 DCD	2		M-P	DECAL, Body Side Sill Cover, "TURISMO 2.2", Red, Black
	T560 DCE	2		M-P	Cream, Black
	T560 DCF	2		M-P	Light Gray, Black
9	T640 DAD	1		M-P	TAPE, L/Gate, Orange, Red (Paint Sales Code PR6)
	T640 DAE	1		M-P	Cream, Tan (Paint Sales Code PK7) (PT4)
	T640 DAG	1		M-P	Light Gray, Med. Gray (Paint Sales Code PX8) (PA5)
10	T664 DCR	1		M-P	DECAL, L/Gate, "TURISMO 2.2", Bright Red, Orange
	T664 DCS	1		M-P	Tan, Cream
	T664 DCT	1		M-P	Med. Gray, Light Gray

MODEL CODES

B = GRAN FURY	E = 600	M = HORIZON/TURISMO
C = LE BARON/TOWN & COUNTRY/LIMO	F = FIFTH AVENUE/NEWPORT	P = RELIANT
C24 = LASER	G = DIPLOMAT	T = NEW YORKER
C44 = LE BARON/GTS	H = VOYAGER	V = 600
D = ARIES	J = CARAVELLE	V24 = DAYTONA
D44 = LANCER	K = MINI VAN/CARAVAN/ROYAL	Z = OMNI/CHARGER

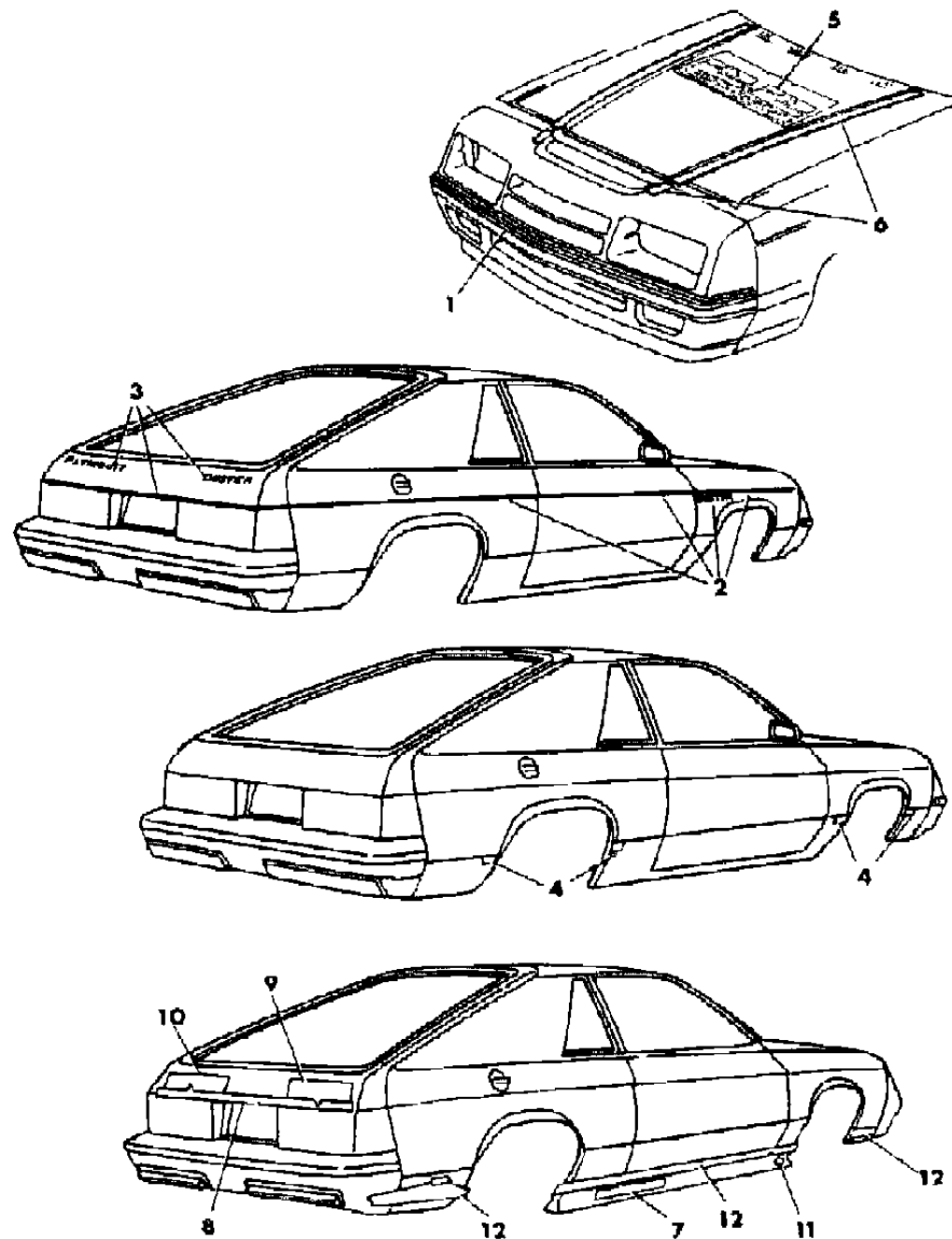
BODY STYLES

21 = 2-DOOR SEDAN	35 = FWD VAN	44 = 4-DOOR HATCHBACK
22 = 2-DOOR SPECIAL COUPE	36 = FWD WAGON	45 = 4-DOOR STATION WAGON
24 = 2-DOOR HATCHBACK	41 = 4-DOOR SEDAN	49 = LIMOUSINE
27 = 2-DOOR CONVERTIBLE		

AR = Use as Required - = Non Illustrated Part P.A.R. = Paint as Required

TAPE STRIPES and DECALS - EXTERIOR VIEW PLYMOUTH TURISMO and TURISMO 2.2
Figure 23-500

5163 500 B



ITEM	PART NUMBER	QTY	BODY	MODEL	DESCRIPTION
10	T665 DA2	1		M-P	DECAL, L/Gate, "PLYMOUTH", Light Gray
	T665 DT2	1		M-P	Cream
	T665 DV5	1		M-P	Orange
11	4270 395	2		M-P	DECAL, Pentastar Cover Body Sill
12	4342 638-9	1		M-P	TAPE PACKAGE, Fndr. Rear, Door, Qtr., Orange, Red (Paint Sales Code PR6) (PA1)
	4342 640-1	1		M-P	Light Gray, Med. Gray (Paint Sales Code PX8) (PA5) (PA1) (PW2)
	4342 642-3	1		M-P	Cream, Tan (Paint Sales Code PK7) (PT4)
	T710-1 DAD	1		M-P	TAPE, Fndr. Frt., Orange, Red (Paint Sales Code PR6) (PA1)
	T710-1 DAG	1		M-P	Light Gray, Med. Gray (Paint Sales Code PX8) (PA5) (PA1) (PW2)
	T710-1 DAE	1		M-P	Cream, Tan (Paint Sales Code PK7) (PT4)

MODEL CODES

B = GRAN FURY	E = 600	M = HORIZON/TURISMO
C = LE BARON/TOWN & COUNTRY/LIMO	F = FIFTH AVENUE/NEWPORT	P = RELIANT
C24 = LASER	G = DIPLOMAT	T = NEW YORKER
C44 = LE BARON/GTS	H = VOYAGER	V = 600
D = ARIES	J = CARAVELLE	V24 = DAYTONA
D44 = LANCER	K = MINI VAN/CARAVAN/ROYAL	Z = OMNI/CHARGER

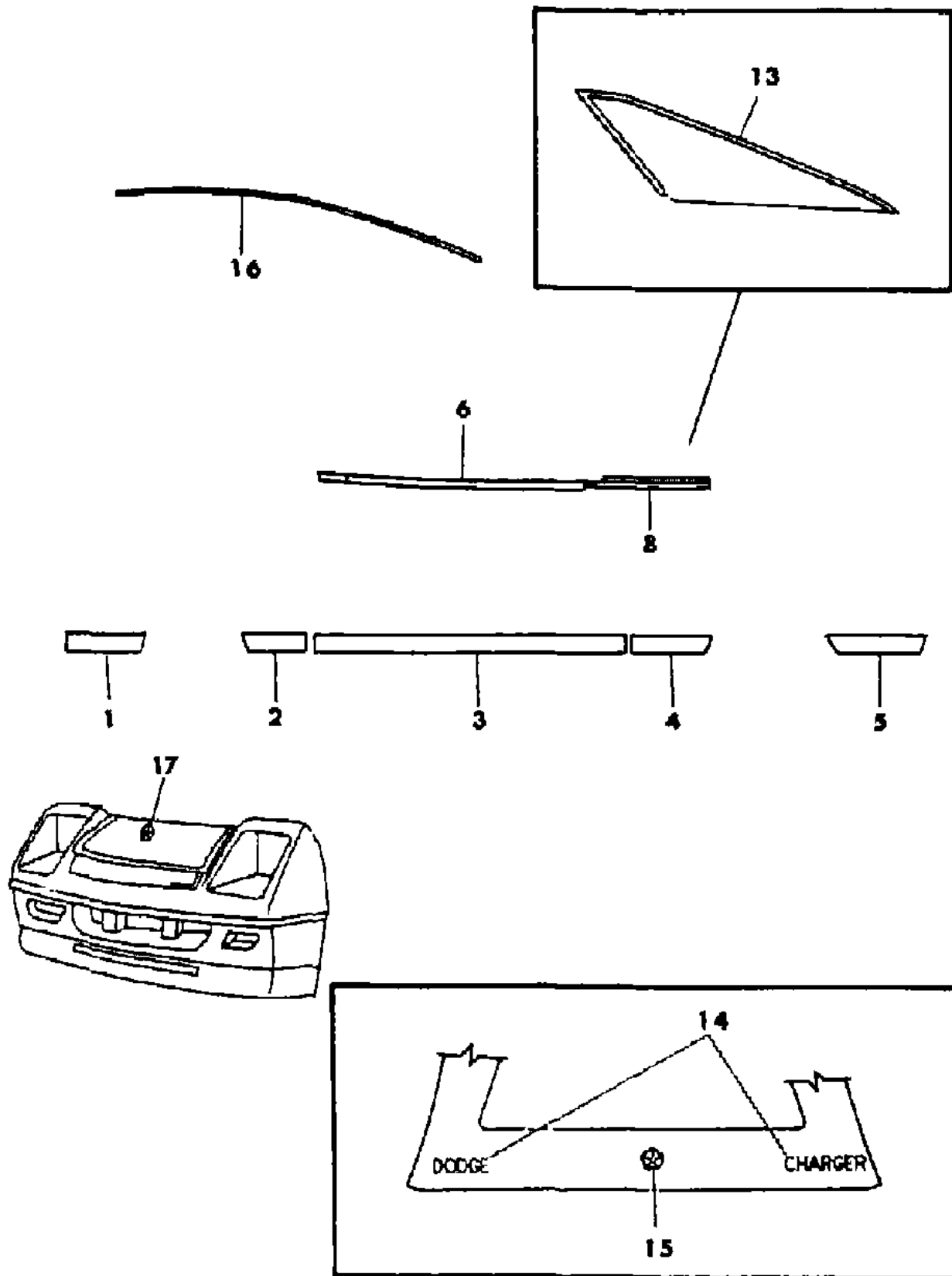
BODY STYLES

21 = 2-DOOR SEDAN	35 = FWD VAN	44 = 4-DOOR HATCHBACK
22 = 2-DOOR SPECIAL COUPE	36 = FWD WAGON	45 = 4-DOOR STATION WAGON
24 = 2-DOOR HATCHBACK	41 = 4-DOOR SEDAN	49 = LIMOUSINE
27 = 2-DOOR CONVERTIBLE		

AR = Use as Required - = Non Illustrated Part P.A.R. = Paint as Required

MOULDINGS and ORNAMENTATIONS - EXTERIOR VIEW DODGE CHARGER, CHARGER 2.2
Figure 23-800

5968 B00 A



ITEM	PART NUMBER	QTY	BODY	MODEL	DESCRIPTION
1	5230 728-9	1			MOULDING, Fndr., Frt.
2	5230 730-1	1			MOULDING, Fndr., Rear
3	5230 732-3	1			MOULDING, Door
4	5230 734-5	1			MOULDING, Qtr., Frt.
5	5230 736-7	1			MOULDING, Qtr., Rear
6	5230 850	1			MOULDING, Door Belt, Rt., Black, Use w/o Mirror
	5230 846	1			MOULDING, Door Belt, Rt., Black, Use w/Mirror
	5230 847	1			MOULDING, Door Belt, Lt., Black
8	5230 726-7	1			MOULDING, Qtr. Wdo. Belt, Black
13					APPLIQUE, Qtr. Wdo.
	X604-5 BA1	1			Silver Met.
	X604-5 DB1	1			Ice Blue Met.
	X604-5 DT3	1			Cream
	X604-5 BB6	1			Santa Fe Blue (Shelby Charger)
	X604-5 DW2	1			White
	X604-5 DX8	1			Black
	X604-5 DK7	1			Spice Met.
	X604-5 CR6	1			Garnet
	X604-5 DR5	1			Graphic Red
	X604-5 DA5	1			Charcoal
	X604-5 DT4	1			Gold Dust Met.
	5230 661	AR			RETAINER SCREW, (Not Serv.)
	6025 002	AR			NUT
14	4319 769	1		Z-H,Z-S	NAME PLATE, L/Gate, "DODGE"
	5230 875	1		Z-H,Z-S	"Charger"
15	4319 496	1		Z-P,Z-S	MEDALLION, L/Gate Pentastar, Black
	4319 497	1		Z-H	MEDALLION, L/Gate Pentastar
16	5230 654-5	1			MOULDING, Roof Side Drain Trough
17	4270 517	1			PENTASTAR, Fascia, Chrome
	4103 380	1			PENTASTAR, Fascia, Painted

MODEL CODES

B = GRAN FURY	E = 600	M = HORIZON/TURISMO
C = LE BARON/TOWN & COUNTRY/LIMO	F = FIFTH AVENUE/NEWPORT	P = RELIANT
C24 = LASER	G = DIPLOMAT	T = NEW YORKER
C44 = LE BARON/GTS	H = VOYAGER	V = 600
D = ARIES	J = CARAVELLE	V24 = DAYTONA
D44 = LANCER	K = MINI VAN/CARAVAN/ROYAL	Z = OMNI/CHARGER

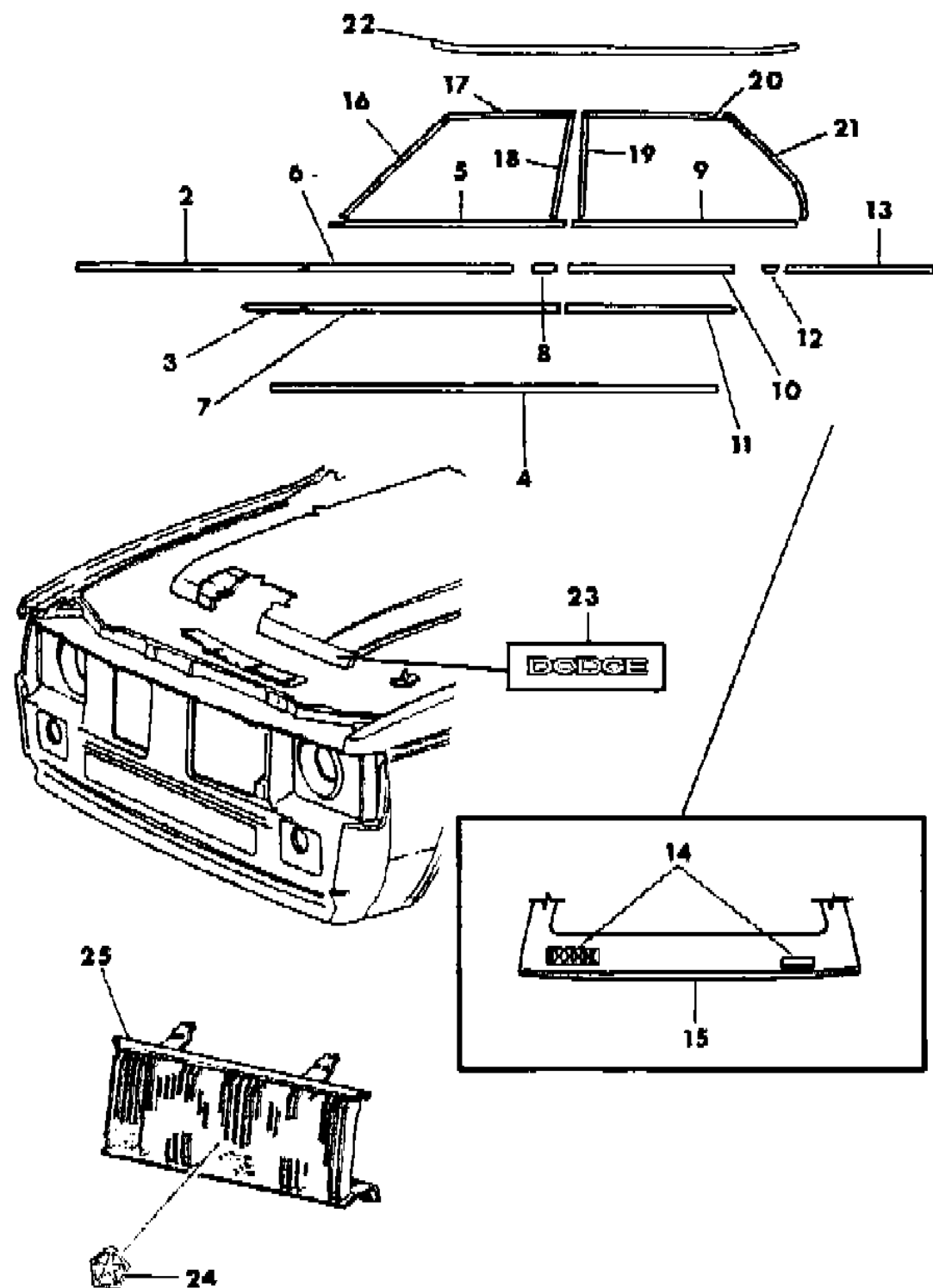
BODY STYLES

21 = 2-DOOR SEDAN	35 = FWD VAN	44 = 4-DOOR HATCHBACK
22 = 2-DOOR SPECIAL COUPE	36 = FWD WAGON	45 = 4-DOOR STATION WAGON
24 = 2-DOOR HATCHBACK	41 = 4-DOOR SEDAN	49 = LIMOUSINE
27 = 2-DOOR CONVERTIBLE		

AR = Use as Required - = Non Illustrated Part P.A.R. = Paint as Required

MOULDINGS and ORNAMENTATION - EXTERIOR VIEW DODGE OMNI - 4 DOOR HATCHBACK
Figure 23-1100

5158 1100 A



ITEM	PART NUMBER	QTY	BODY	MODEL	DESCRIPTION
2	5209 280-1	1			MOULDING, Fndr., Black Vinyl (Tape Applied)
	4339 062-3	1		Z-H	MOULDING PACKAGE, Fndr., Bright and Black
	6003 679	AR			RETAINER
	6003 644	AR			RETAINER
	4057 555	AR			RETAINER PACKAGE
3	4293 616	AR			SCREW PACKAGE, (Repair)
	5230 909	2			MOULDING, Fndr., w/Black Insert
4	4293 619	2		Z-H	MOULDING, Body Side Sill
	4293 624	AR			RETAINER and STUD PACKAGE
5	6003 627	AR			RETAINER, Push on Type
	5209 232-3	1		Z-H	MOULDING, Frt. Door Belt
6	4280 878-9	1		Z-E	MOULDING and WEATHERSTRIP, Frt. Door Belt, Outer, Black
	5209 284-5	1			MOULDING, Frt. Door Frt., Black Vinyl (Tape Applied)
7	4339 064-5	1		Z-H	MOULDING PACKAGE, Frt. Door Frt., Bright and Black
	6003 644	AR			RETAINER
	4293 616	AR			SCREW PACKAGE, (Repair)
	4057 555	AR			RETAINER PACKAGE
8	5230 910	2			MOULDING, Frt. Door, w/Black Insert
9	5209 288	2			MOULDING, Frt. Door Rear, Black Vinyl (Tape Applied)
	4339 019	2		Z-H	MOULDING, Frt. Door Rear, Bright and Black
	6003 644	AR			RETAINER
	6002 818	AR			RETAINER
10	6026 523	AR			NUT
	4293 616	AR			SCREW PACKAGE, (Repair)
	5209 234-5	1		Z-H	MOULDING, Rear Door Belt
11	4280 882-3	1		Z-E	MOULDING and WEATHERSTRIP, Rear Door Belt, Outer, Black
	5209 292	2			MOULDING, Rear Door Frt., Black Vinyl (Tape Applied)
12	4339 066-7	1		Z-H	MOULDING PACKAGE, Rear Door Frt., Bright and Black
	6003 644	AR			RETAINER
	4293 616	AR			SCREW PACKAGE, (Repair)
	4057 555	AR			RETAINER PACKAGE
13	5230 911	2			MOULDING, Rear Door, w/Black Insert
	5209 296-7	1			MOULDING, Rear Door Rear, Black Vinyl (Tape Applied)
14	5209 156-7	1		Z-H	MOULDING PACKAGE, Rear Door Rear, Bright and Black
	3780 453	AR			RETAINER PACKAGE
	4293 616	AR			SCREW PACKAGE, (Repair)
	4293 616	AR			SCREW PACKAGE, (Repair)

MODEL CODES

B = GRAN FURY	E = 600	M = HORIZON/TURISMO
C = LE BARON/TOWN & COUNTRY/LIMO	F = FIFTH AVENUE/NEWPORT	P = RELIANT
C24 = LASER	G = DIPLOMAT	T = NEW YORKER
C44 = LE BARON/GTS	H = VOYAGER	V = 600
D = ARIES	J = CARAVELLE	V24 = DAYTONA
D44 = LANCER	K = MINI VAN/CARAVAN/ROYAL	Z = OMNI/CHARGER

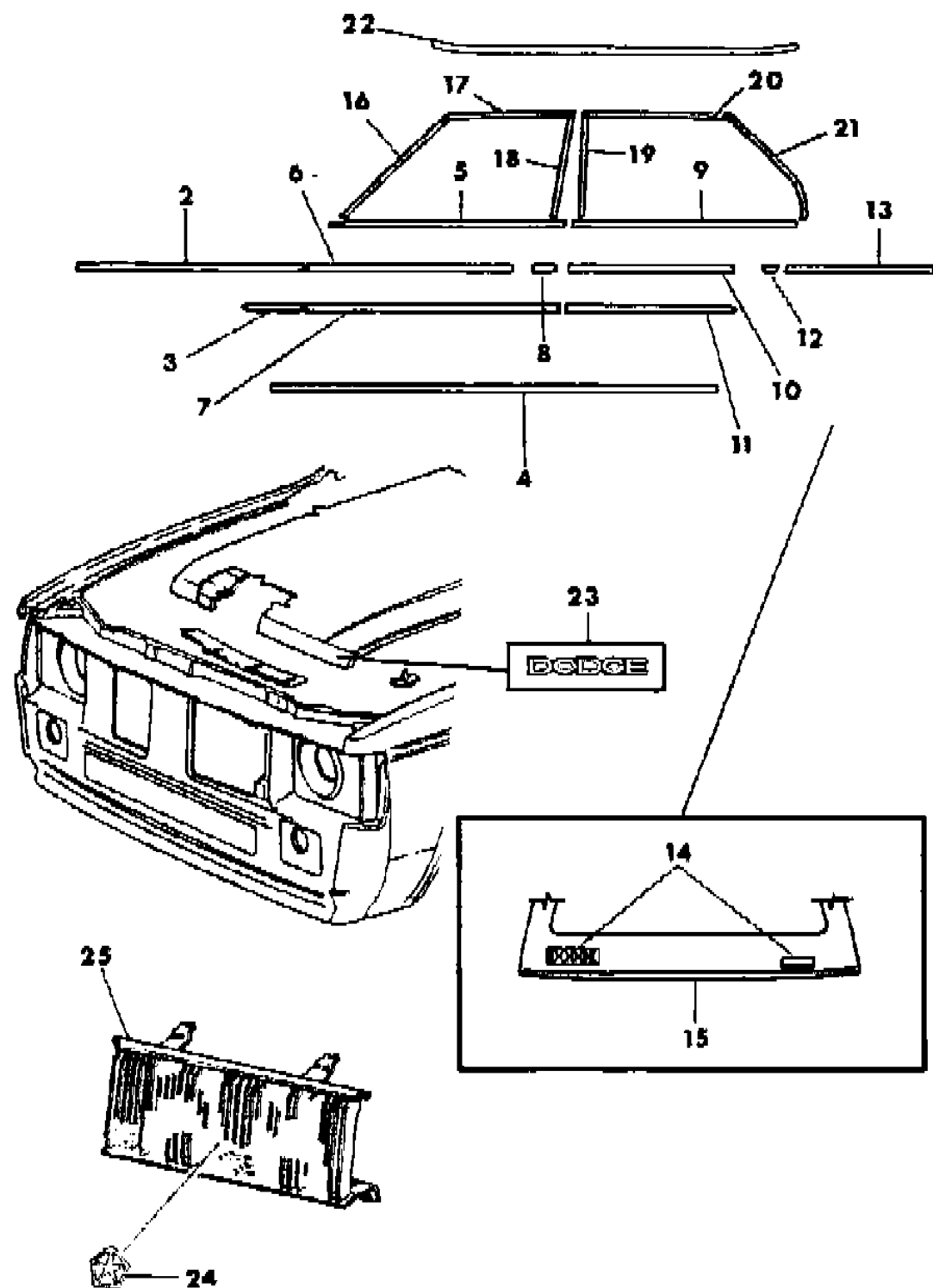
BODY STYLES

21 = 2-DOOR SEDAN	35 = FWD VAN	44 = 4-DOOR HATCHBACK
22 = 2-DOOR SPECIAL COUPE	36 = FWD WAGON	45 = 4-DOOR STATION WAGON
24 = 2-DOOR HATCHBACK	41 = 4-DOOR SEDAN	49 = LIMOUSINE
27 = 2-DOOR CONVERTIBLE		

AR = Use as Required - = Non Illustrated Part P.A.R. = Paint as Required

MOULDINGS and ORNAMENTATION - EXTERIOR VIEW DODGE OMNI - 4 DOOR HATCHBACK
Figure 23-1100

5158 1100 A



ITEM	PART NUMBER	QTY	BODY	MODEL	DESCRIPTION
13	5209 300-1	1			MOULDING, Qtr., Black Vinyl (Tape Applied)
	4339 068-9	1		Z-H	MOULDING PACKAGE, Qtr., Bright and Black
	6003 644	AR			RETAINER
	6002 818	AR			RETAINER
	6026 523	AR			NUT
14	4319 769	1			NAMEPLATE, L/Gate, "DODGE"
	5209 099	1			NAMEPLATE, L/Gate, "OMNI"
15	5209 303	1			MOULDING, L/Gate, Black Vinyl (Tape Applied)
	4319 000	1		Z-H	MOULDING PACKAGE, L/Gate, Bright and Black
	6002 818	AR			RETAINER
	6003 644	AR			RETAINER
	6026 523	AR			NUT
16	5209 340-1	1		Z-H	MOULDING, Frt. Door Wdo. Opng. Frame, Frt.
17	5209 346-7	1		Z-H	MOULDING, Frt. Door Wdo. Opng. Frame, Upr.
18	5209 414-5	1		Z-H	MOULDING, Frt. Door Wdo. Opng. Frame, Rear
19	5209 418-9	1		Z-H	MOULDING, Rear Door Wdo. Opng. Frame, Frt.
20	5209 356-7	1		Z-H	MOULDING, Rear Door Wdo. Opng. Frame, Upr.
21	5209 358-9	1		Z-H	MOULDING, Rear Door Wdo. Opng. Frame, Rear
22	5209 036	2		Z-H	MOULDING, Roof Side Drain Trough, Repair, Bright
	5209 222	2		Z-H	MOULDING, Roof Side Drain Trough, Repair, Black
23	5209 376	1			NAMEPLATE, Hood, "DODGE"
24	4270 608	1			PENTASTAR, Grille Ornament, w/o Performance Pkg.
	4103 304	1			PENTASTAR, Grille Ornament, w/Performance Pkg.
25					GRILLE, Radiator (See Illus. in Group 7)

MODEL CODES

B = GRAN FURY	E = 600	M = HORIZON/TURISMO
C = LE BARON/TOWN & COUNTRY/LIMO	F = FIFTH AVENUE/NEWPORT	P = RELIANT
C24 = LASER	G = DIPLOMAT	T = NEW YORKER
C44 = LE BARON/GTS	H = VOYAGER	V = 600
D = ARIES	J = CARAVELLE	V24 = DAYTONA
D44 = LANCER	K = MINI VAN/CARAVAN/ROYAL	Z = OMNI/CHARGER

BODY STYLES

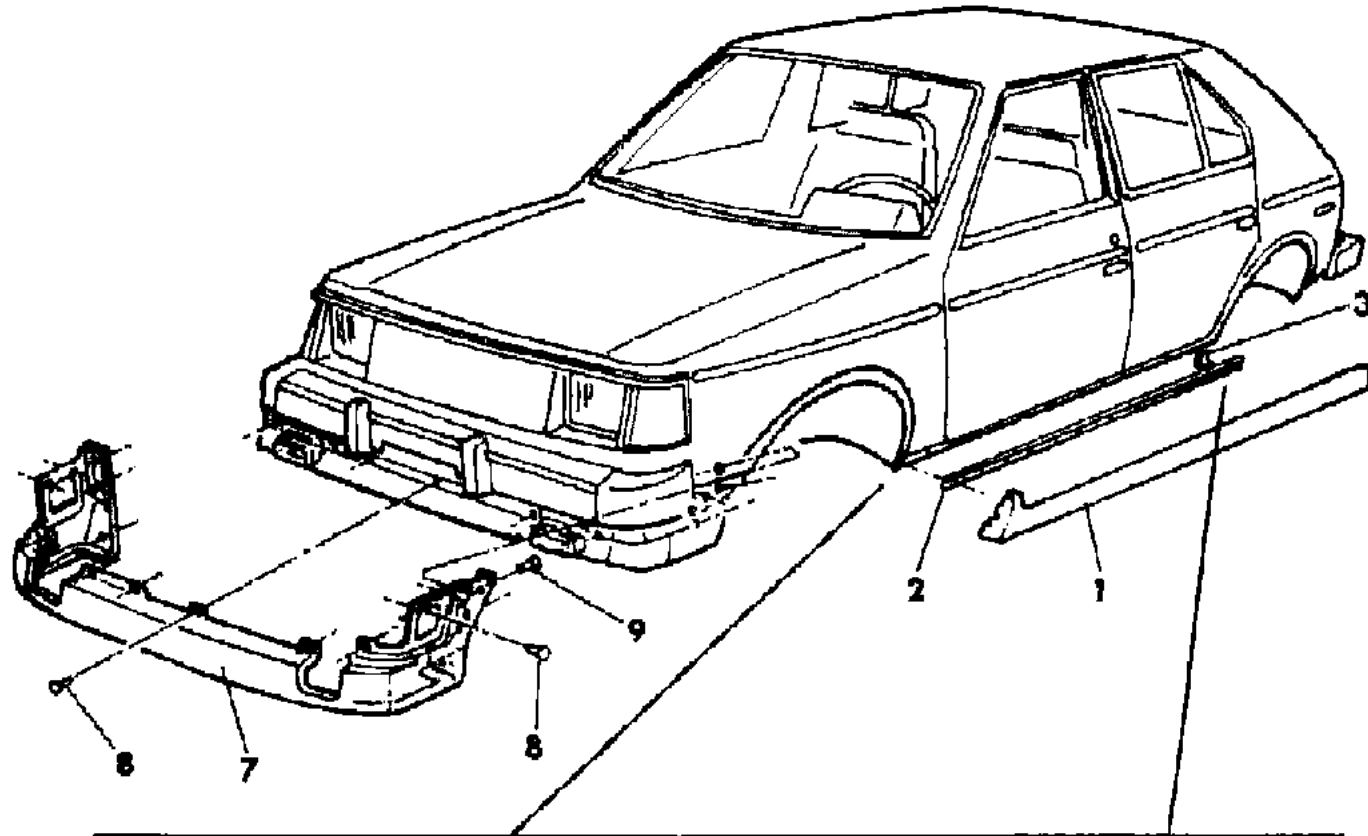
21 = 2-DOOR SEDAN	35 = FWD VAN	44 = 4-DOOR HATCHBACK
22 = 2-DOOR SPECIAL COUPE	36 = FWD WAGON	45 = 4-DOOR STATION WAGON
24 = 2-DOOR HATCHBACK	41 = 4-DOOR SEDAN	49 = LIMOUSINE
27 = 2-DOOR CONVERTIBLE		

AR = Use as Required - = Non Illustrated Part P.A.R. = Paint as Required

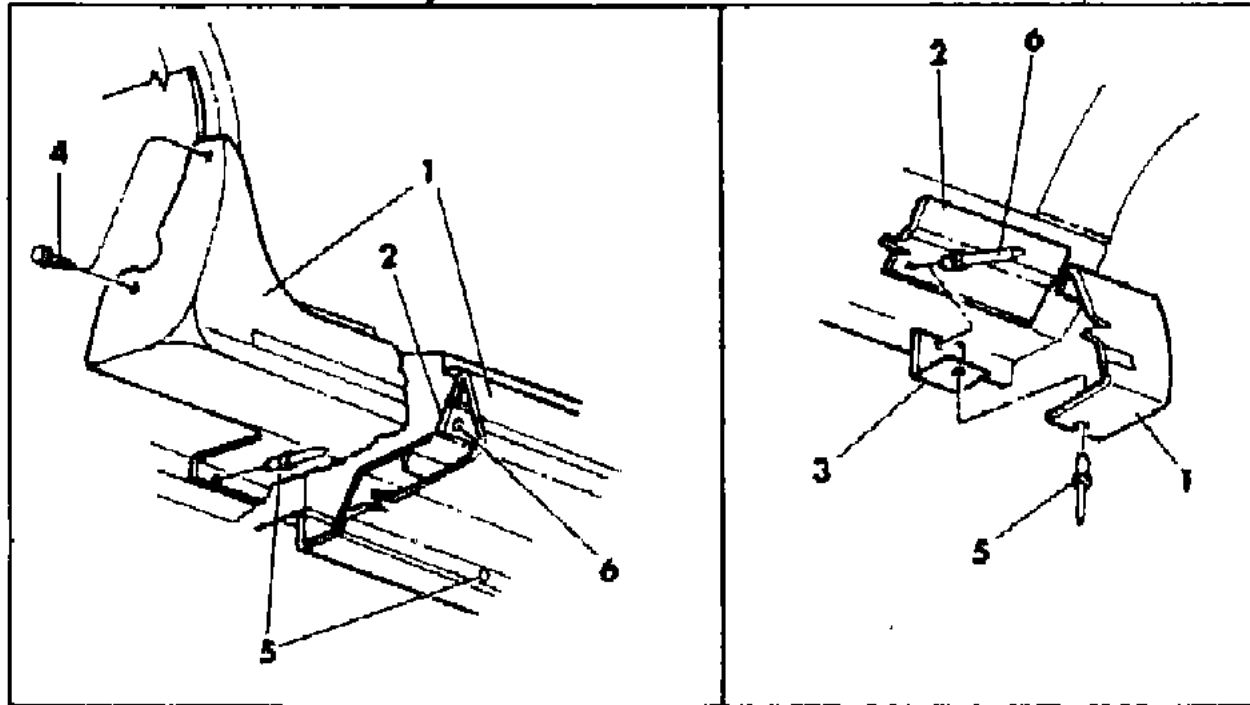
GROUND EFFECTS PACKAGE - EXTERIOR VIEW DODGE OMNI - 4 DOOR HATCHBACK (GLH)

Figure 23-1150

5168 1150



ITEM	PART NUMBER	QTY	BODY	MODEL	DESCRIPTION
1	5209 440-1	1			MOULDING, Side Sill Spoiler
2	5209 434	2			RETAINER, Body Side Sill Spoiler
3	5209 439	2			BRACKET, Body Side Sill Spoiler, Rear
4		AR			SCREW, (Not Serv.)
5		AR			RIVET, (Not Serv.)
6		AR			RIVET, (Not Serv.)
7	4334 294	1			AIR DAM, Frt.
8	6031 976	10			RETAINER
9		AR			SCREW, (Not Serv.)



MODEL CODES

B = GRAN FURY	E = 600	M = HORIZON/TURISMO
C = LE BARON/TOWN & COUNTRY/LIMO	F = FIFTH AVENUE/NEWPORT	P = RELIANT
C24 = LASER	G = DIPLOMAT	T = NEW YORKER
C44 = LE BARON/GTS	H = VOYAGER	V = 600
D = ARIES	J = CARAVELLE	V24 = DAYTONA
D44 = LANCER	K = MINI VAN/CARAVAN/ROYAL	Z = OMNI/CHARGER

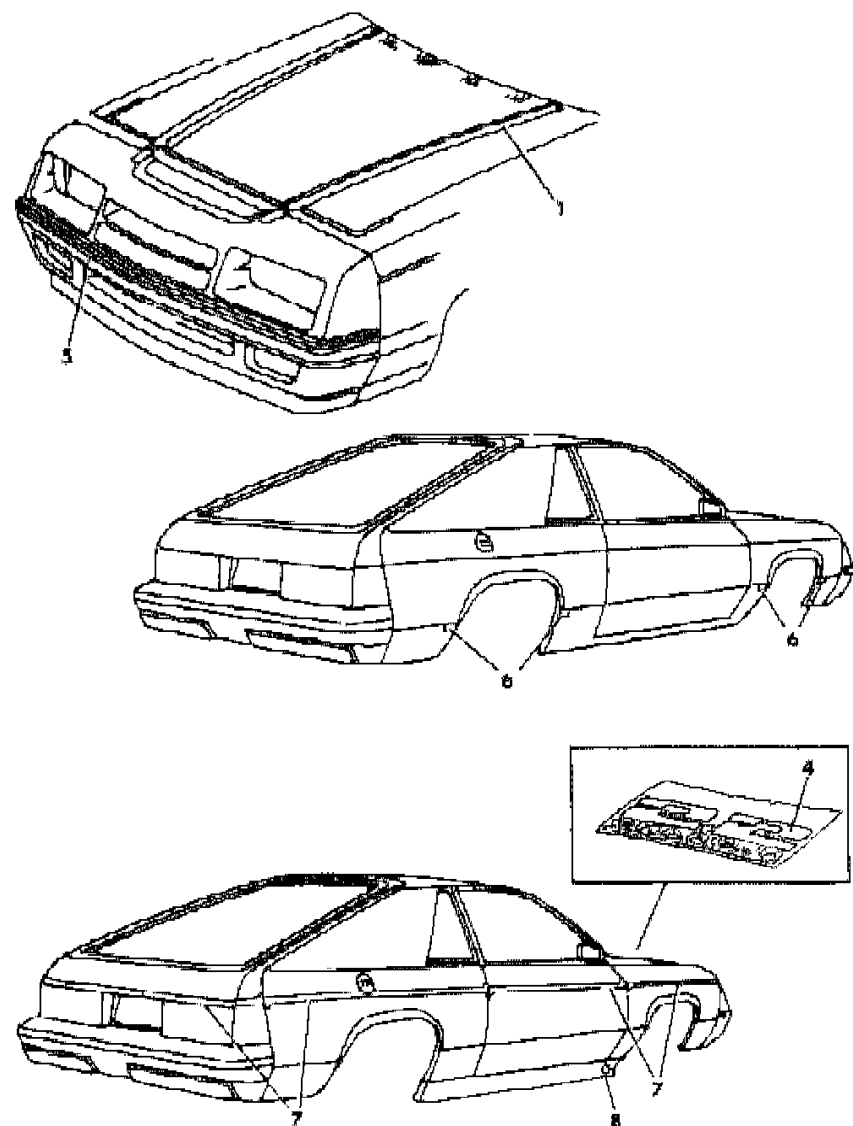
BODY STYLES

21 = 2-DOOR SEDAN	35 = FWD VAN	44 = 4-DOOR HATCHBACK
22 = 2-DOOR SPECIAL COUPE	36 = FWD WAGON	45 = 4-DOOR STATION WAGON
24 = 2-DOOR HATCHBACK	41 = 4-DOOR SEDAN	49 = LIMOUSINE
27 = 2-DOOR CONVERTIBLE		

AR = Use as Required - = Non Illustrated Part P.A.R. = Paint as Required

TAPE STRIPES and DECALS - EXTERIOR VIEW DODGE CHARGER and CHARGER 2.2
Figure 23-1200

5168 1200



ITEM	PART NUMBER	QTY	BODY	MODEL	DESCRIPTION	
1	T740-1 DCK	1		Z-P	TAPE, Hood, Bright Red, Black	
	T740-1 DCL	1		Z-P	Tan, Black	
	T740-1 DCM	1		Z-P	Med. Gray, Black	
4	T958 DCK	1		Z-P	DECAL, Hood, "CHARGER 2.2", Bright Red, Black	
	T958 DCL	1		Z-P	Tan, Black	
	T958 DCM	1		Z-P	Med. Gray, Black	
5	4339 023	1		Z	TAPE, Frt. Fascia	
6	4339 300	1		Z-H	TAPE PACKAGE, Fndr. Frt., Rear, Qtr. Frt.,Rear, Use on Two Tone Paint, Charcoal (Paint Sales Code PA1 QA5)	
	4342 503	1		Z-H	Black (Paint Sales Code PR6 QX8)	
	4343 000	1		Z-H	Cream (Paint Sales Code PT4 QT3)	
	7	4364 030-1	1		Z-P	TAPE PACKAGE, Fndr., Door, Qtr., Med. Gray
		4364 032-3	1		Z-P	Black
		T286 DX1	1		Z-P	TAPE, L/Gate, Black, Use Up to 2-12-85
		T224 DX1	1		Z-P	TAPE, L/Gate, Black, Use After 2-12-85
	T286 DA9	1		Z-P	Med. Gray, Use Up to 2-5-85	
	T224 DA9	1		Z-P	Med. Gray, Use After 2-5-85	
8	4270 395	2		Z-P	DECAL, Pentastar Cover Body Sill	

MODEL CODES

B = GRAN FURY	E = 600	M = HORIZON/TURISMO
C = LE BARON/TOWN & COUNTRY/LIMO	F = FIFTH AVENUE/NEWPORT	P = RELIANT
C24 = LASER	G = DIPLOMAT	T = NEW YORKER
C44 = LE BARON/GTS	H = VOYAGER	V = 600
D = ARIES	J = CARAVELLE	V24 = DAYTONA
D44 = LANCER	K = MINI VAN/CARAVAN/ROYAL	Z = OMNI/CHARGER

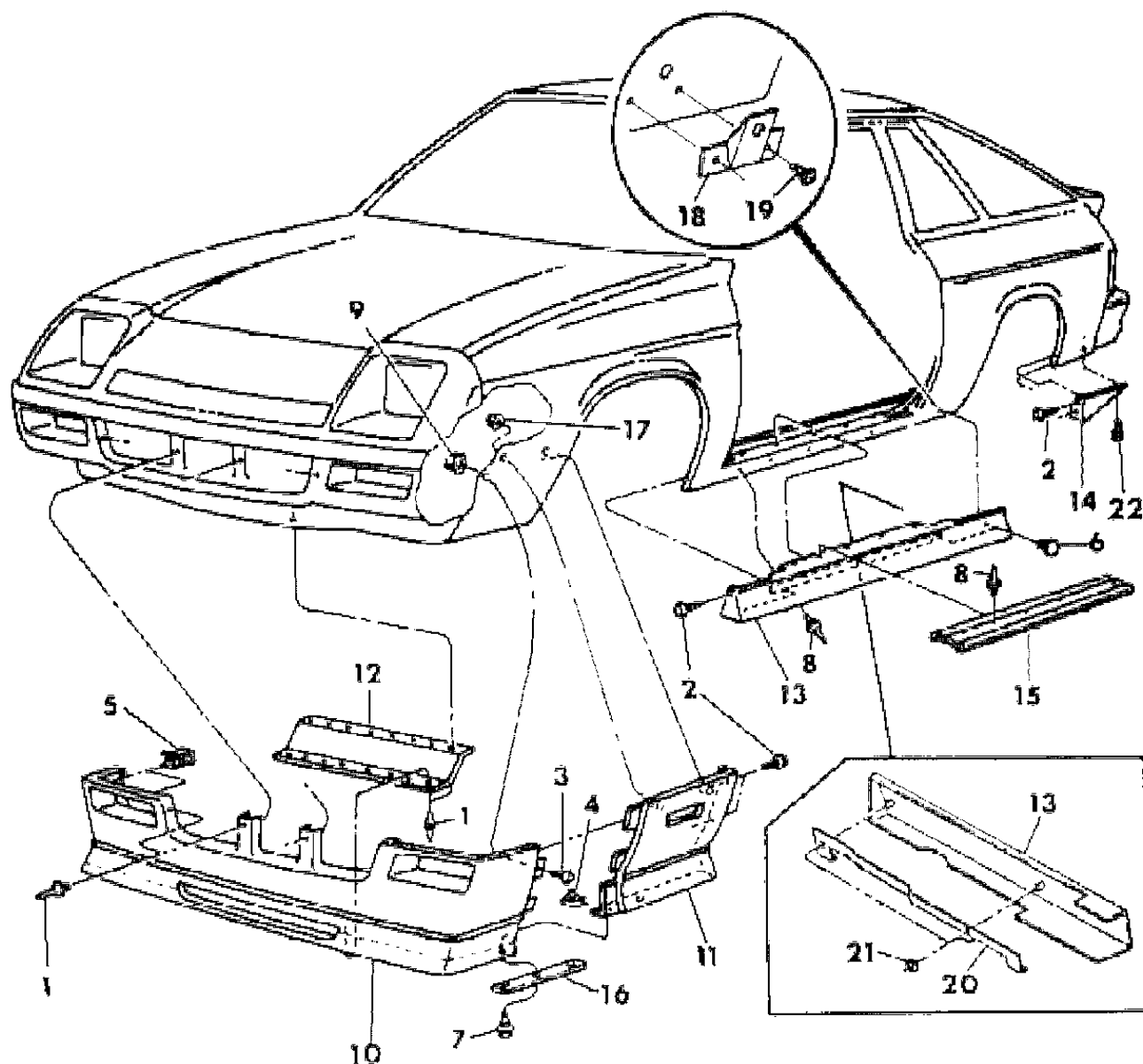
BODY STYLES

21 = 2-DOOR SEDAN	35 = FWD VAN	44 = 4-DOOR HATCHBACK
22 = 2-DOOR SPECIAL COUPE	36 = FWD WAGON	45 = 4-DOOR STATION WAGON
24 = 2-DOOR HATCHBACK	41 = 4-DOOR SEDAN	49 = LIMOUSINE
27 = 2-DOOR CONVERTIBLE		

AR = Use as Required - = Non Illustrated Part P.A.R. = Paint as Required

GROUND EFFECTS PACKAGE - EXTERIOR VIEW DODGE SHELBY CHARGER
Figure 23-1250

5168 1250 A



ITEM	PART NUMBER	QTY	BODY	MODEL	DESCRIPTION
1	6500 898	AR			RIVET
2	6031 694	AR			SCREW and WASHER
3	6023 531	AR			BOLT and WASHER
4	6500 284	AR			NUT and WASHER
5	6500 897	4			C/CLIP
6	X910 BA1	2			FASTENER, Push Pin, Silver
	X910 BB6	2			Blue
	X910 DT4	2			Gold
	X910 DX9	2			Black
7	6100 286	AR			SCREW and WASHER
8		AR			RIVET, (Not Serv.)
9	6025 010	2			NUT and WASHER
10	X901 BAB	1			AIR DAM, Frt. Fascia, Blue w/Silver Paint and Tape
	X901 BBA	1			Silver w/Blue Paint and Tape
	X901 CAR	1			Red w/Silver Paint abd Tape
	X901 DAX	1			Black w/Silver Paint and Tape
11	X904-5 BAB	1			SKIRT, Fndr., Blue w/Silver Paint and Tape
	X904-5 BBA	1			Silver w/Blue Paint and Tape
	X904-5 CAR	1			Red w/Silver Paint and Tape
	X904-5 DAX	1			Black w/Silver Paint and Tape
12					PANEL, Air Dam Mounting (Serv. in Item 10)
13	X906-7 BA1	1			COVER, Body Sill, Silver
	X906-7 BB6	1			Blue
	X906-7 DT4	1			Gold
	X906-7 DX9	1			Black
14	X908-9 BA1	1			SKIRT, Rear Aperture, Silver
	X908-9 BB6	1			Blue
15	4319 998-9	1			PLATE, Sill Cover
16	4270 472	2			STRAP, Air Dam to Fndr. Skirt
17	6026 430	4			NUT, Fndr. Skirt to Fndr.
18	4270 473	2			BRACKET, Aperture to Body Sill Cover
19		AR			SCREW, (Not Serv.)
20	4334 058-9	1			SPRING, Body Sill Cover
21	6026 430	AR			RETAINER
22		AR			SCREW, (Not Serv.)

MODEL CODES

B = GRAN FURY	E = 600	M = HORIZON/TURISMO
C = LE BARON/TOWN & COUNTRY/LIMO	F = FIFTH AVENUE/NEWPORT	P = RELIANT
C24 = LASER	G = DIPLOMAT	T = NEW YORKER
C44 = LE BARON/GTS	H = VOYAGER	V = 600
D = ARIES	J = CARAVELLE	V24 = DAYTONA
D44 = LANCER	K = MINI VAN/CARAVAN/ROYAL	Z = OMNI/CHARGER

BODY STYLES

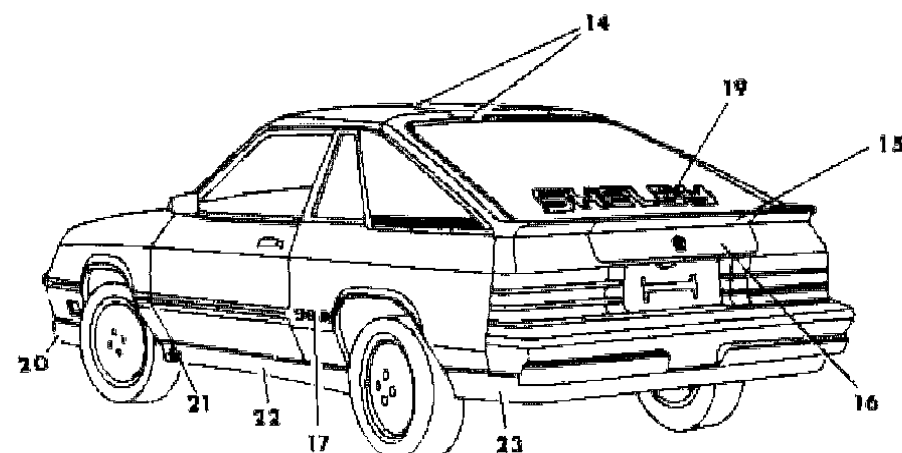
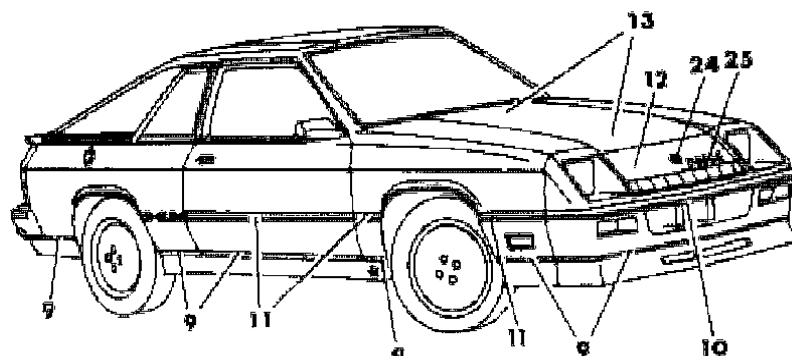
21 = 2-DOOR SEDAN	35 = FWD VAN	44 = 4-DOOR HATCHBACK
22 = 2-DOOR SPECIAL COUPE	36 = FWD WAGON	45 = 4-DOOR STATION WAGON
24 = 2-DOOR HATCHBACK	41 = 4-DOOR SEDAN	49 = LIMOUSINE
27 = 2-DOOR CONVERTIBLE		

AR = Use as Required - = Non Illustrated Part P.A.R. = Paint as Required

TAPE STRIPES and DECALS - EXTERIOR VIEW DODGE SHELBY CHARGER
Figure 23-1300

TAPES & DECALS - EXT. SHELBY CHARGER
 85 PAGES (23)

23-1300



ITEM	PART NUMBER	QTY	BODY	MODEL	DESCRIPTION
9	4293 604	1			TAPE, Body Side, Silver, 25' Roll
	4293 605	1			Blue
10	T870 BA1	1			TAPE, Frt. Fascia Nerf, Silver
	T870 BB6	1			Blue
	T870 CR6	1			Red
11	T870 CX9	1			Black
	4293 600-1	1			TAPE PACKAGE, Body Side Upr., Silver
12	4293 602-3	1			Blue
	T390 BBJ	1			TAPE, Fascia Upr., Frt., Blue, Silver, Approx. 3/8" Wide
	T390 BBK	1			Silver, Blue
	T390 CJA	1			Red, Silver
13	T390 CJB	1			Black, Silver
	T392 BBJ	AR			TAPE, Hood and Cowl, Blue, Silver, Approx. 3/8" Wide, Use Up to 6-1-85
	T534 DBJ	AR			TAPE, Hood and Cowl, Blue, Silver, Approx. 3/8" Wide, Use After 6-1-85
	T392 BBK	AR			Silver, Blue, Use Up to 4-5-85
	T534 DBK	AR			Silver, Blue, Use After 4-5-85
	T392 CJA	AR			Red, Silver, Use Up to 4-10-85
	T534 DJA	AR			Red, Silver, Use After 4-10-85
	T392 CJB	AR			Black, Silver, Use Up to 4-5-85
	T534 DJB	AR			Black, Silver, Use After 4-5-85
	T535 DBJ	AR			TAPE, Cowl, Blue, Silver, Use After 6-1-85
14	T535 DBK	AR			Silver, Blue, Use After 4-5-85
	T535 DJA	AR			Red, Silver, Use After 4-10-85
	T535 DJB	AR			Black, Silver, Use After 4-5-85
	T786-7 DA1	1			DECAL, Hood, "TURBO", Silver
	T786-7 DB6	1			Blue
	T786-7 DR6	1			Red
15	T786-7 DX9	1			Black
	T394 BBJ	1			TAPE, Roof and L/Gate Upr., Blue, Silver, Approx. 3/8" Wide
	T394 BBK	1			Silver, Blue
	T394 CJA	1			Red, Silver
16	T394 CJB	1			Black, Silver
	T396 BBJ	1			TAPE, L/Gate Air Spoiler Upr., Blue, Silver, Approx. 3/8" Wide
	T396 BBK	1			Silver, Blue
	T396 CJA	1			Red, Silver

MODEL CODES

B = GRAN FURY	E = 600	M = HORIZON/TURISMO
C = LE BARON/TOWN & COUNTRY/LIMO	F = FIFTH AVENUE/NEWPORT	P = RELIANT
C24 = LASER	G = DIPLOMAT	T = NEW YORKER
C44 = LE BARON/GTS	H = VOYAGER	V = 600
D = ARIES	J = CARAVELLE	V24 = DAYTONA
D44 = LANCER	K = MINI VAN/CARAVAN/ROYAL	Z = OMNI/CHARGER

BODY STYLES

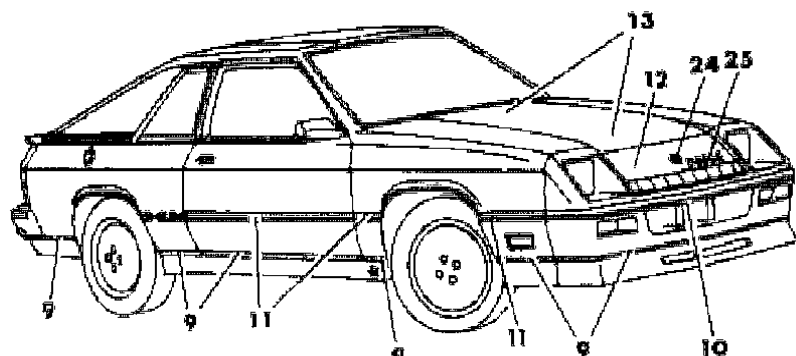
21 = 2-DOOR SEDAN	35 = FWD VAN	44 = 4-DOOR HATCHBACK
22 = 2-DOOR SPECIAL COUPE	36 = FWD WAGON	45 = 4-DOOR STATION WAGON
24 = 2-DOOR HATCHBACK	41 = 4-DOOR SEDAN	49 = LIMOUSINE
27 = 2-DOOR CONVERTIBLE		

AR = Use as Required - = Non Illustrated Part P.A.R. = Paint as Required

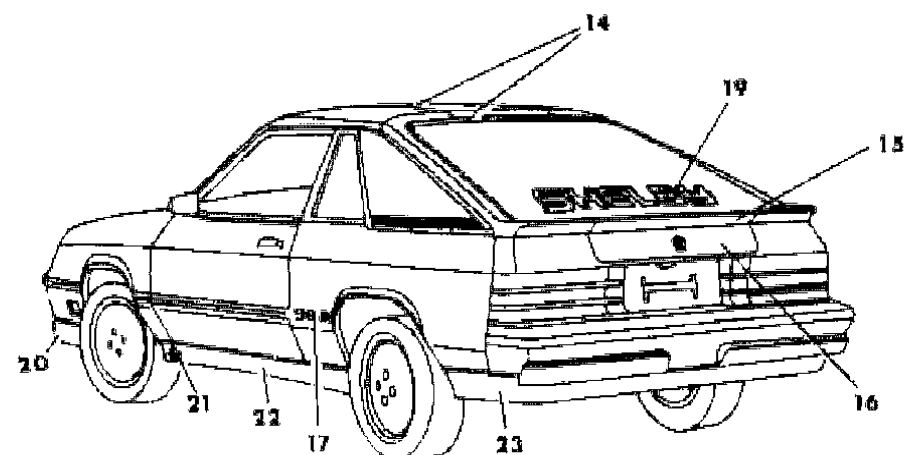
TAPE STRIPES and DECALS - EXTERIOR VIEW DODGE SHELBY CHARGER
Figure 23-1300

TAPE & DECALS - EXT. SHELBY CHARGER
 85 PAGES (23)

23-1300



ITEM	PART NUMBER	QTY	BODY	MODEL	DESCRIPTION
	T396 CJB	1			Black, Silver
16	T391 BBJ	1			TAPE, L/Gate Lwr., Blue, Silver, Approx. 3/8" Wide
	T391 BBK	1			Silver, Blue
	T391 CJA	1			Red, Silver
	T391 CJB	1			Black, Silver
17	T445 BA1	1			DECAL, Qtr. Pnl., "SHELBY", Silver
	T445 BB6	1			Blue
19	T446 BB6	1			DECAL, L/Gate Glass, "SHELBY", Blue
	T446 CA5	1			Silver
20					SKIRT, Frt. Fndr. (See Illus. 1250, Item 11)
21	4270 395	2			DECAL, Pentastar Cover Body Sill
22					COVER, Sill Spoiler (See Illus. 1250, Item 13)
23					SKIRT, Rear Aperture (See Illus. 1250, Item 14)
24	4270 369	1			PENTASTAR, Frt. Bumper Fascia
25	T444 BA1	1			DECAL, "DODGE", Silver
	T444 BB6	1			Blue
	T444 CR6	1			Red
	T444 CX9	1			Black



MODEL CODES

B = GRAN FURY	E = 600	M = HORIZON/TURISMO
C = LE BARON/TOWN & COUNTRY/LIMO	F = FIFTH AVENUE/NEWPORT	P = RELIANT
C24 = LASER	G = DIPLOMAT	T = NEW YORKER
C44 = LE BARON/GTS	H = VOYAGER	V = 600
D = ARIES	J = CARAVELLE	V24 = DAYTONA
D44 = LANCER	K = MINI VAN/CARAVAN/ROYAL	Z = OMNI/CHARGER

BODY STYLES

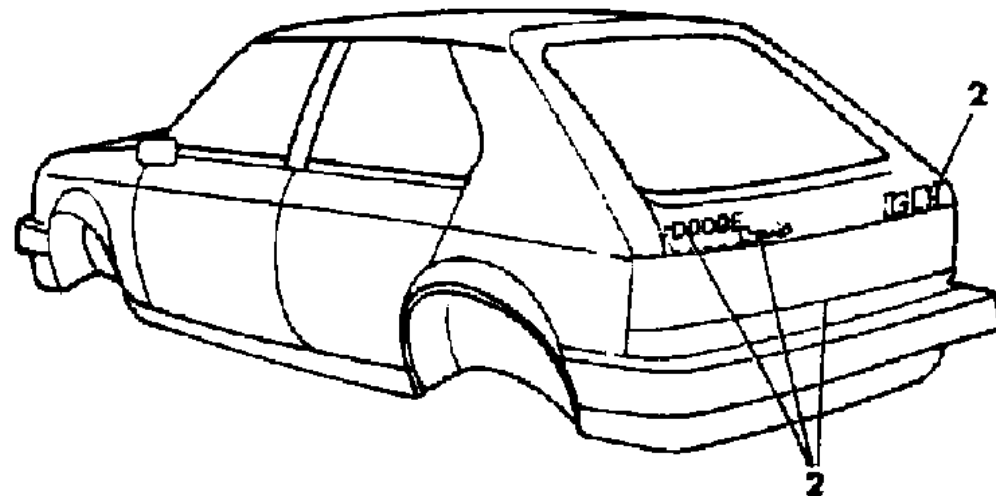
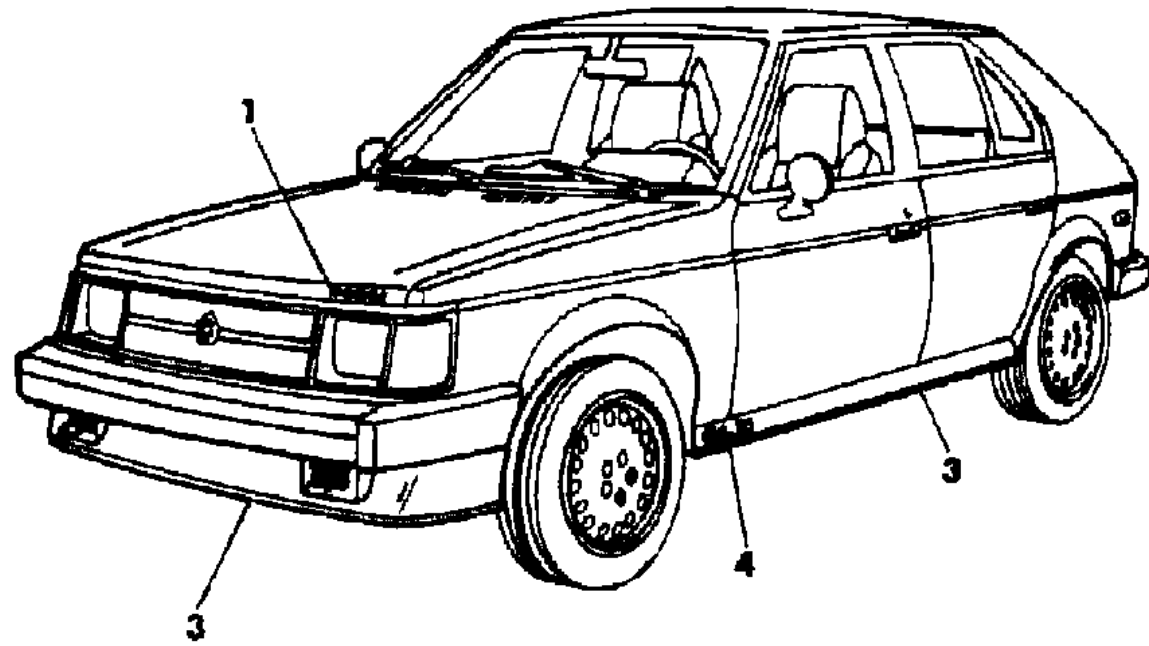
21 = 2-DOOR SEDAN	35 = FWD VAN	44 = 4-DOOR HATCHBACK
22 = 2-DOOR SPECIAL COUPE	36 = FWD WAGON	45 = 4-DOOR STATION WAGON
24 = 2-DOOR HATCHBACK	41 = 4-DOOR SEDAN	49 = LIMOUSINE
27 = 2-DOOR CONVERTIBLE		

AR = Use as Required - = Non Illustrated Part P.A.R. = Paint as Required

TAPE STRIPES and DECALS - EXTERIOR VIEW DODGE OMNI
Figure 23-1400

5168 1400

ITEM	PART NUMBER	QTY	BODY	MODEL	DESCRIPTION
1	5209 437	1		Z-E	DECAL, Hood, "DODGE"
2	5209 435	1		Z-E	DECAL, L/Gate, "GLH"
	5209 443	1		Z-E	DECAL, L/Gate, "GLH TURBO"
	5209 436	1		Z-E	DECAL, L/Gate, "DODGE OMNI"
	5209 438	1		Z-E	TAPE, L/Gate Opng. Lwr. Pnl.
3	4339 184	AR		Z-E	TAPE, Sill Spoiler Mldg., Frt. Air Dam
4	5209 435	2		Z-E	DECAL, Sill Spoiler Mldg., "GLH"
	5209 443	2		Z-E	DECAL, Sill Spoiler Mldg., "GLH TURBO"



MODEL CODES

B = GRAN FURY	E = 600	M = HORIZON/TURISMO
C = LE BARON/TOWN & COUNTRY/LIMO	F = FIFTH AVENUE/NEWPORT	P = RELIANT
C24 = LASER	G = DIPLOMAT	T = NEW YORKER
C44 = LE BARON/GTS	H = VOYAGER	V = 600
D = ARIES	J = CARAVELLE	V24 = DAYTONA
D44 = LANCER	K = MINI VAN/CARAVAN/ROYAL	Z = OMNI/CHARGER

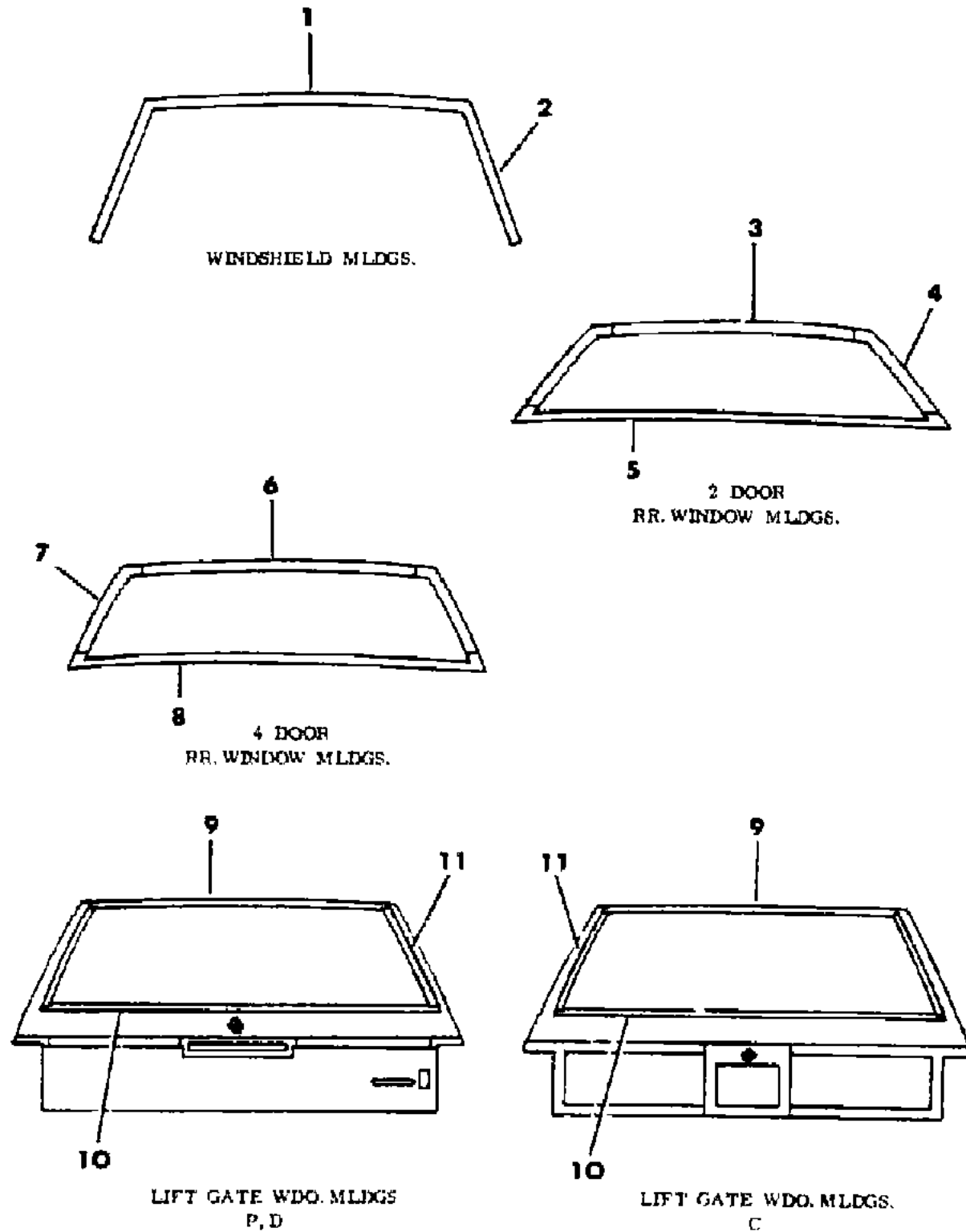
BODY STYLES

21 = 2-DOOR SEDAN	35 = FWD VAN	44 = 4-DOOR HATCHBACK
22 = 2-DOOR SPECIAL COUPE	36 = FWD WAGON	45 = 4-DOOR STATION WAGON
24 = 2-DOOR HATCHBACK	41 = 4-DOOR SEDAN	49 = LIMOUSINE
27 = 2-DOOR CONVERTIBLE		

AR = Use as Required - = Non Illustrated Part P.A.R. = Paint as Required

MOULDINGS, WINDSHIELD AND REAR WINDOW OUTSIDE P,D,V,C
Figure 23-1500

5158 1500



ITEM	PART NUMBER	QTY	BODY	MODEL	DESCRIPTION
1	4319 638	1		P,D	MOULDING, W/Shield, Upr., Bright
	4319 638	1		C,V,22,	MOULDING, W/Shield, Upr., Bright
	4319 638	1		C,41	MOULDING, W/Shield, Upr., Bright
	4328 615	1		27	MOULDING, W/Shield, Upr., Bright
	4328 858	1		27	MOULDING, W/Shield, Upr., Black
	4319 639	1		V,27 Tu	MOULDING, W/Shield, Upr., Gloss Black
			AR	27	SCREW, (Not Serv.)
	4305 123	AR	27	WELT, W/Shield Outside Mldg., Rubber, 8' Length	
	6003 878	AR	Except	RETAINER, W/Shield, Upr., Mldg.	
2	4319 318-9	1		P,D	MOULDING, W/Shield, Side, Bright
	4319 318-9	1		C,V,22,	MOULDING, W/Shield, Side, Bright
	4319 318-9	1		C,41	MOULDING, W/Shield, Side, Bright
	4328 616-7	1		27	MOULDING, W/Shield, Side, Bright
	4328 860-1	1		27	MOULDING, W/Shield, Side, Black
	4319 320-1	1		V,27 Tu	MOULDING, W/Shield, Side, Gloss Black
		6003 878	AR	Except	RETAINER, W/Shield, Side, Mldg.
	6003 879	AR	Except	RETAINER, W/Shield, Side, Mldg.	
3	4319 631	1		P,D,21	MOULDING, Rear Wdo., Upr., Bright
4	4319 308-9	1		P,D,21	MOULDING, Rear Wdo., Side, Bright
	4276 636	2		P,D,21	SPACER, Rear Wdo., Side, Mldg.
	6003 878	AR		P,D,21	RETAINER, Rear Wdo., Side
	6003 879	AR		P,D,21	RETAINER, Rear Wdo., Side
5	4319 306-7	1		P,D,21	MOULDING, Rear Wdo., Lwr., Bright
6	4319 633	1		41	MOULDING, Rear Wdo., Upr., Bright
7	4319 316-7	1		41	MOULDING, Rear Wdo. w/Spacer, Side, Bright
	4276 631	2		41	SPACER, Rear Wdo., Side
	6003 878	AR		41	RETAINER, Rear Wdo., Side
	8	4319 314-5	1		41
9	4319 322	1		P,D,C	MOULDING, L/Gate, Upr.
10	4319 323	1		P,D,C	MOULDING, L/Gate, Lwr.
11	4319 324-5	1		P,D,C	MOULDING, L/Gate, Side

MODEL CODES

B = GRAN FURY	E = 600	M = HORIZON/TURISMO
C = LE BARON/TOWN & COUNTRY/LIMO	F = FIFTH AVENUE/NEWPORT	P = RELIANT
C24 = LASER	G = DIPLOMAT	T = NEW YORKER
C44 = LE BARON/GTS	H = VOYAGER	V = 600
D = ARIES	J = CARAVELLE	V24 = DAYTONA
D44 = LANCER	K = MINI VAN/CARAVAN/ROYAL	Z = OMNI/CHARGER

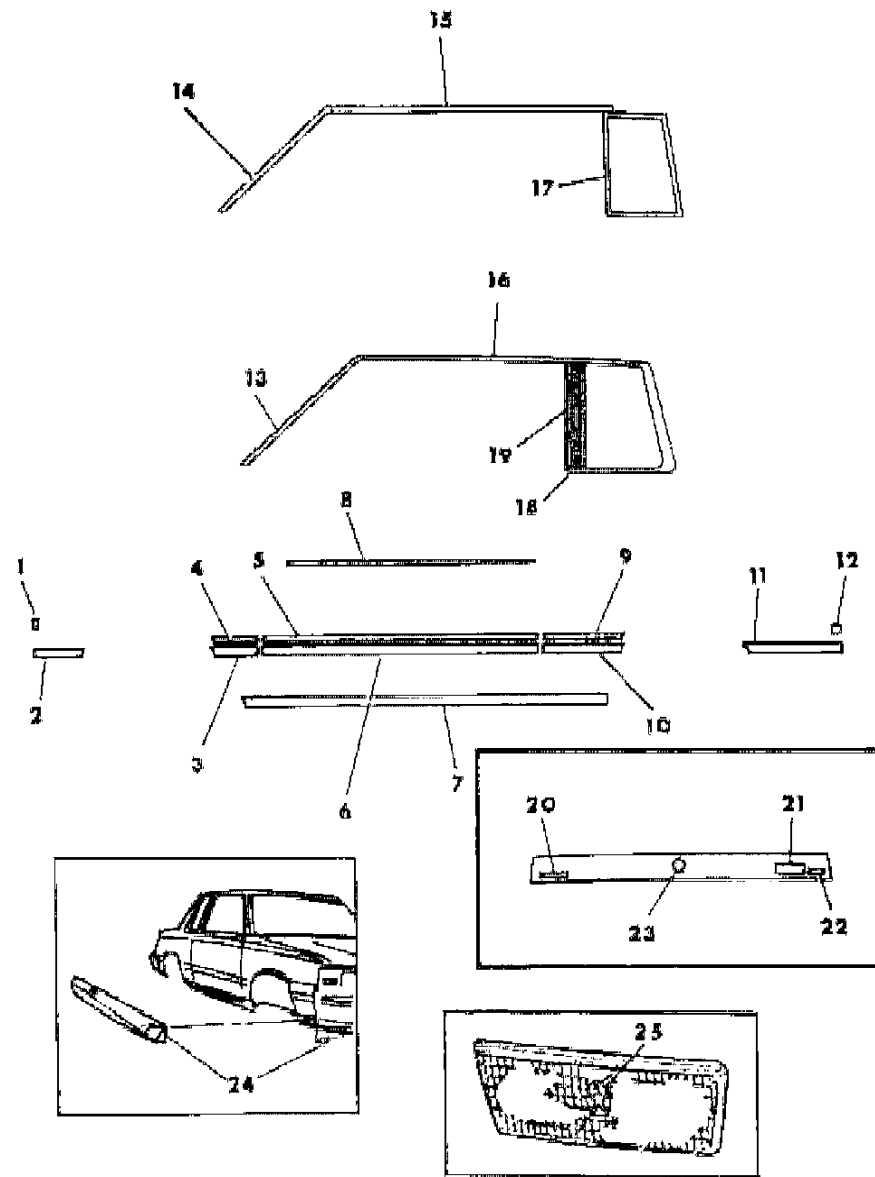
BODY STYLES

21 = 2-DOOR SEDAN	35 = FWD VAN	44 = 4-DOOR HATCHBACK
22 = 2-DOOR SPECIAL COUPE	36 = FWD WAGON	45 = 4-DOOR STATION WAGON
24 = 2-DOOR HATCHBACK	41 = 4-DOOR SEDAN	49 = LIMOUSINE
27 = 2-DOOR CONVERTIBLE		

AR = Use as Required - = Non Illustrated Part P.A.R. = Paint as Required

MOULDINGS and ORNAMENTATION - EXTERIOR VIEW PLYMOUTH RELIANT 2 DOOR
Figure 23-1600

51621600 B



ITEM	PART NUMBER	QTY	BODY	MODEL	DESCRIPTION
1	4339 274-5	1		P-L	MOULDING PACKAGE, Fndr. Frt. End Cap
2	4339 212-3	1		P-M,P-H	MOULDING PACKAGE, Fndr. Side Frt. NUT, (Not Serv.)
3	4328 222-3	1		P-M, P-	MOULDING, Fndr, Side Rear
4	4319 112-3	1		P-L,P-M	MOULDING, Fndr. Side Rear, Black
5	4328 496	2		P-L,P-M	MOULDING, Door, Black
6	4328 224-5	1		P-M, P-	MOULDING, Door
7	4411 688-9	1			MOULDING PACKAGE, Body Side Sill
	6003 777	AR			RETAINER
	4293 616	AR			RETAINER PACKAGE
8	4339 254	1		P-M,P-H	MOULDING PACKAGE, Door Belt, Rt., w/Mirror
	4339 255	1		P-M,P-H	MOULDING PACKAGE, Door Belt, Lt.
	4339 262	1		P-M,P-H	MOULDING PACKAGE, Door Belt, Rt., w/o Mirror
	6003 627	AR			RETAINER
9	4328 502-3	1		P-L,P-M	MOULDING, Qtr. Frt., Black
10	4328 230-1	1		P-M, P-	MOULDING, Qtr. Frt.
11	4339 224-5	1		P-M,P-H	MOULDING PACKAGE, Qtr. Rear NUT, (Not Serv.)
12	4339 276-7	1		P-L	MOULDING PACKAGE, Qtr. Rear End Cap NUT, (Not Serv.)
13	4328 386-7	1		P-M,P-H	MOULDING, Body Frt. Pillar Drain Trough, Black
14	4328 572-3	1		P-L	MOULDING and SEAL, Body Frt. Pillar Drain Trough, Use Up to 5-17-85
	4398 192-3	1		P-L	MOULDING and SEAL, Body Frt. Pillar Drain Trough, Use After 5-17-85
	4229 764-5	1			SEAL, Body Frt. Pillar Drain Trough Mldg., Inner
15	4319 378-9	1		P-L	MOULDING, Roof Side Drain Trough
16	4328 396-7	1		P-M,P-H	MOULDING, Roof Side Drain Trough, Black, Use Up to 3-5-85
	4366 692-3	1		P-M,P-H	MOULDING, Roof Side Drain Trough, Black, Use After 3-5-85
17	4328 484-5	1		P-L	MOULDING, Qtr. Wdo.
18	4366 002-3	1		P-M,P-H	MOULDING, Qtr. Wdo.
	4328 870-1	1		P-M,P-H	SEAL, Qtr. Wdo. Mldg.
19	4328 086-7	1		P-M,P-H	APPLIQUE, Qtr. Wdo. Frt.
20	4328 876	1			NAMEPLATE, Deck Lid, "PLYMOUTH"
21	4328 877	1			NAMEPLATE, Deck Lid, "RELIANT"
22	4328 919	1		P-M	NAMEPLATE, Deck Lid, "SE"

MODEL CODES

B = GRAN FURY	E = 600	M = HORIZON/TURISMO
C = LE BARON/TOWN & COUNTRY/LIMO	F = FIFTH AVENUE/NEWPORT	P = RELIANT
C24 = LASER	G = DIPLOMAT	T = NEW YORKER
C44 = LE BARON/GTS	H = VOYAGER	V = 600
D = ARIES	J = CARAVELLE	V24 = DAYTONA
D44 = LANCER	K = MINI VAN/CARAVAN/ROYAL	Z = OMNI/CHARGER

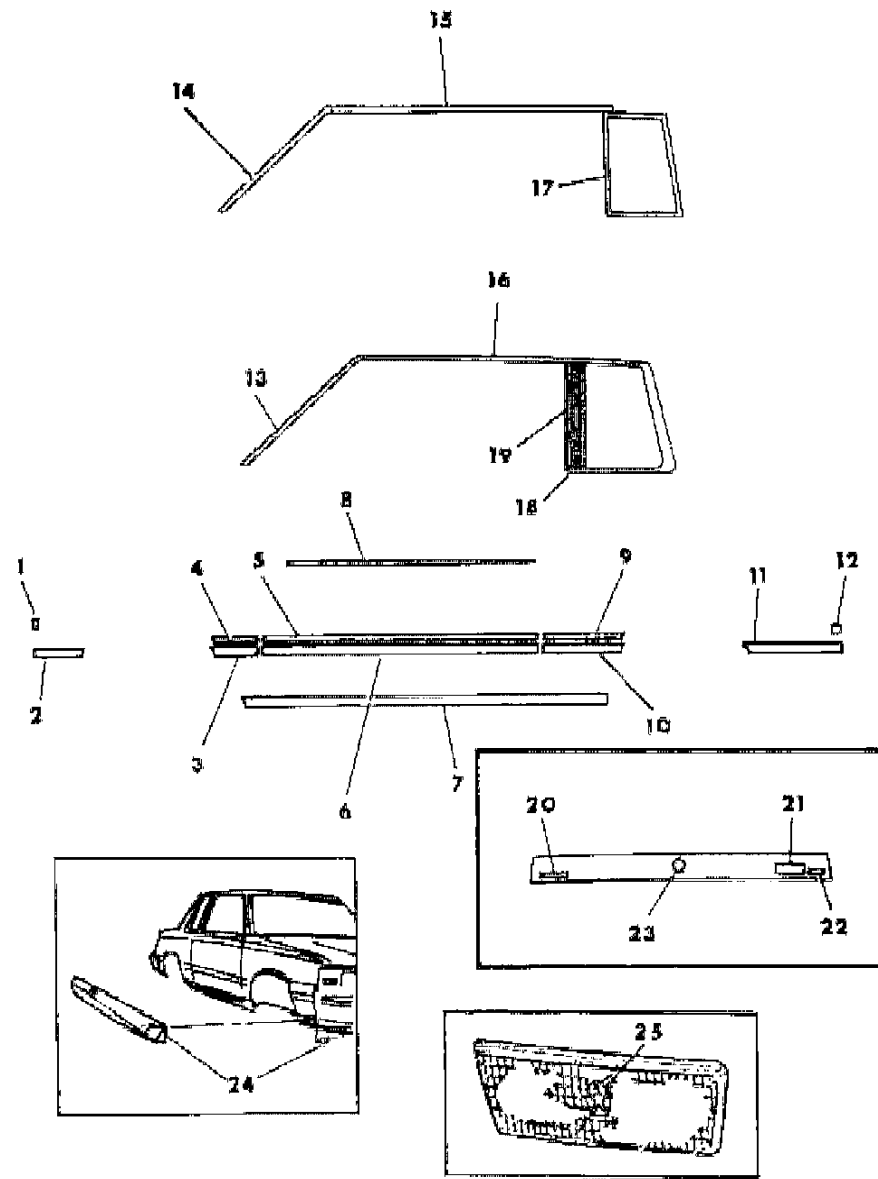
BODY STYLES

21 = 2-DOOR SEDAN	35 = FWD VAN	44 = 4-DOOR HATCHBACK
22 = 2-DOOR SPECIAL COUPE	36 = FWD WAGON	45 = 4-DOOR STATION WAGON
24 = 2-DOOR HATCHBACK	41 = 4-DOOR SEDAN	49 = LIMOUSINE
27 = 2-DOOR CONVERTIBLE		

AR = Use as Required - = Non Illustrated Part P.A.R. = Paint as Required

MOULDINGS and ORNAMENTATION - EXTERIOR VIEW PLYMOUTH RELIANT 2 DOOR
Figure 23-1600

51621600 B



ITEM	PART NUMBER	QTY	BODY	MODEL	DESCRIPTION
	4328 920	1		P-H	NAMEPLATE, Deck Lid, "LE"
23	X216 DA6	1			MEDALLION, Deck Lid Lock Cyl., Charcoal, Use Up to 3-1-85
	X216 EA9	1			MEDALLION, Deck Lid Lock Cyl., Charcoal, Use After 3-1-85
24	X622-3 DW3	1			RIVET, (Not Serv.)
					EXTENSION, Fndr., Mldg., Fascia
25	6029 471	AR			NUT, Sealing
	4334 198	1			ORNAMENT, Radiator Grille, "PENTASTAR"

MODEL CODES

B = GRAN FURY	E = 600	M = HORIZON/TURISMO
C = LE BARON/TOWN & COUNTRY/LIMO	F = FIFTH AVENUE/NEWPORT	P = RELIANT
C24 = LASER	G = DIPLOMAT	T = NEW YORKER
C44 = LE BARON/GTS	H = VOYAGER	V = 600
D = ARIES	J = CARAVELLE	V24 = DAYTONA
D44 = LANCER	K = MINI VAN/CARAVAN/ROYAL	Z = OMNI/CHARGER

BODY STYLES

21 = 2-DOOR SEDAN	35 = FWD VAN	44 = 4-DOOR HATCHBACK
22 = 2-DOOR SPECIAL COUPE	36 = FWD WAGON	45 = 4-DOOR STATION WAGON
24 = 2-DOOR HATCHBACK	41 = 4-DOOR SEDAN	49 = LIMOUSINE
27 = 2-DOOR CONVERTIBLE		

AR = Use as Required - = Non Illustrated Part P.A.R. = Paint as Required

MOULDINGS and ORNAMENTATION - EXTERIOR VIEW PLYMOUTH RELIANT 4 DOOR Figure 23-1700

3133 1700 D

ITEM	PART NUMBER	QTY	BODY	MODEL	DESCRIPTION
1	4339 274-5	1		P-L	MOULDING PACKAGE, Fndr. Frt. End Cap
					NUT, (Not Serv.)
2	4339 212-3	1		P-M,P-H	MOULDING PACKAGE, Fndr. Side Frt.
					NUT, (Not Serv.)
3	4328 222-3	1		P-M, P-	MOULDING, Fndr. Side Rear
4	4319 112-3	1		P-L,P-M	MOULDING, Fndr. Side Rear, Black
5	4319 114	2		P-L,P-M	MOULDING, Frt. Door, Black
6	4328 226-7	1		P-M, P-	MOULDING, Frt. Door
7	4411 688-9	1			MOULDING PACKAGE, Body Side Sill
	6003 777	AR			RETAINER
	4293 616	AR			RETAINER PACKAGE
8	4339 256	1		P-M,P-H	MOULDING PACKAGE, Frt. Door Belt, Rt., w/Mirror
	4339 257	1		P-M,P-H	MOULDING PACKAGE, Frt. Door Belt, Lt.
	4339 260	1		P-M,P-H	MOULDING PACKAGE, Frt. Door Belt, Rt., w/o Mirror
	6003 627	AR			RETAINER
9	4339 258-9	1		P-M,P-H	MOULDING PACKAGE, Rear Door Belt
	6003 627	AR			RETAINER
10	4328 500-1	1		P-L,P-M	MOULDING, Rear Door, Black
11	4328 228-9	1		P-M, P-	MOULDING, Rear Door
12	4339 224-5	1		P-M,P-H	MOULDING PACKAGE, Qtr. Rear
					NUT, (Not Serv.)
13	4339 276-7	1		P-L	MOULDING PACKAGE, Qtr. Rear End Cap
					NUT, (Not Serv.)
14	4328 386-7	1		P-M,P-H	MOULDING, Body Frt. Pillar Drain Trough, Black
15	4328 572-3	1		P-L	MOULDING and SEAL, Body Frt. Pillar Drain Trough, Use Up to 5-17-85
	4398 192-3	1		P-L	MOULDING and SEAL, Body Frt. Pillar Drain Trough, Use After 5-17-85
	4229 764-5	1			SEAL, Body Frt. Pillar Drain Trough Mldg., Inner
16	4319 372-3	1		P-L	MOULDING, Roof Side Drain Trough
17	4328 390-1	1		P-M,P-H	MOULDING, Roof Side Drain Trough Frt., Black, Use Up to 2-27-85
	4366 698-9	1		P-M,P-H	MOULDING, Roof Side Drain Trough, Black, Use After 2-27-85
18	4328 392-3	1		P-M,P-H	MOULDING, Roof Side Drain Trough Rear, Black
19	4175 592-3	1		P-L	MOULDING, Roof Side Drain Trough Rear
20	4205 654	1			MOULDING PACKAGE, Deck Opng. Upr. Pnl., Rt., Use w/Two Tone Paint

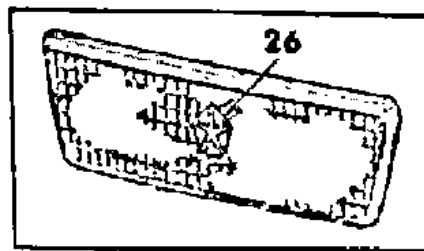
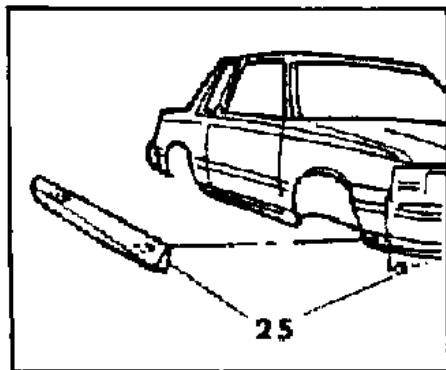
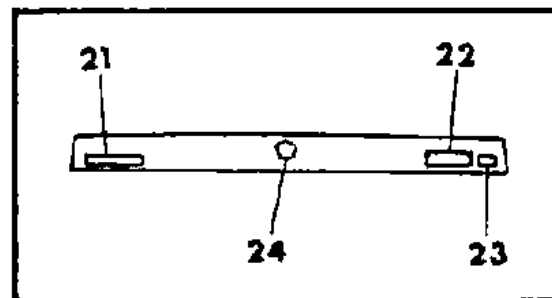
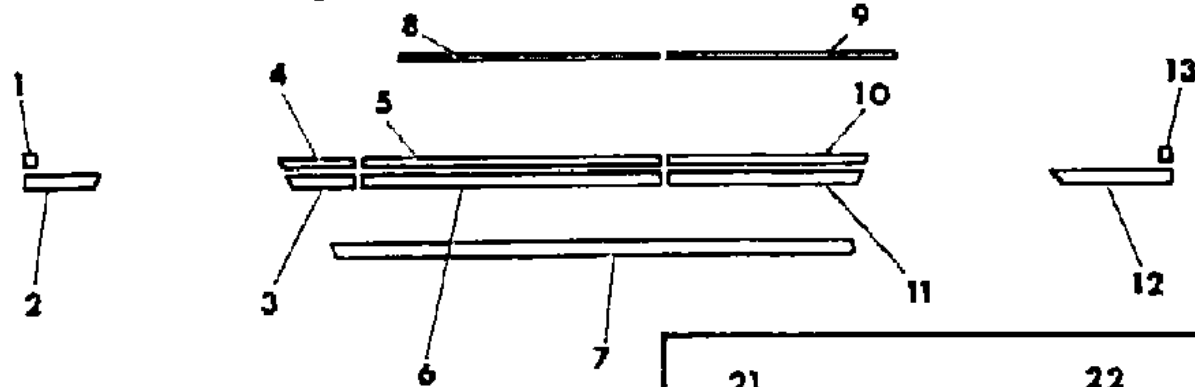
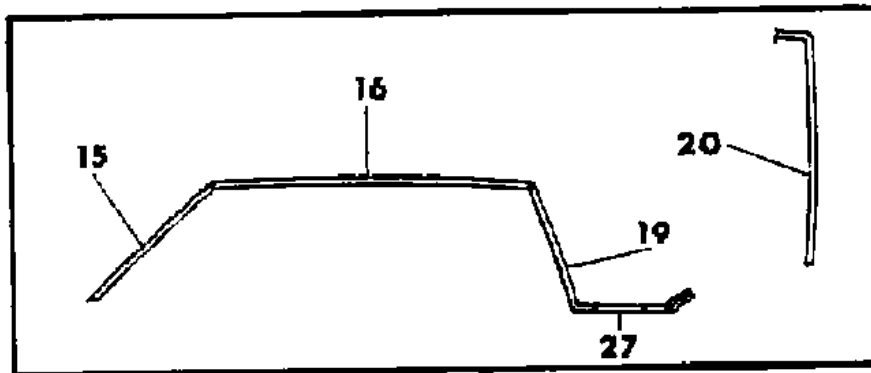
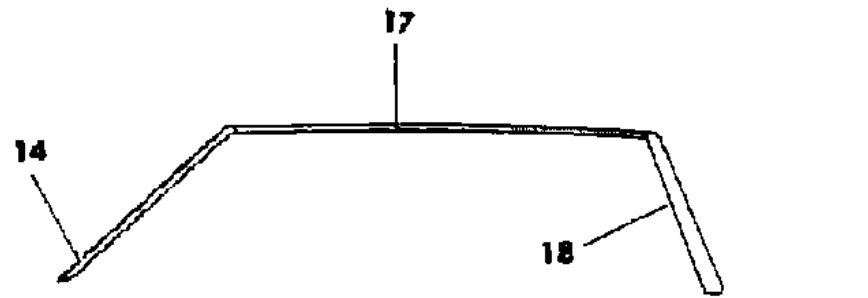
MODEL CODES

B = GRAN FURY	E = 600	M = HORIZON/TURISMO
C = LE BARON/TOWN & COUNTRY/LIMO	F = FIFTH AVENUE/NEWPORT	P = RELIANT
C24 = LASER	G = DIPLOMAT	T = NEW YORKER
C44 = LE BARON/GTS	H = VOYAGER	V = 600
D = ARIES	J = CARAVELLE	V24 = DAYTONA
D44 = LANCER	K = MINI VAN/CARAVAN/ROYAL	Z = OMNI/CHARGER

BODY STYLES

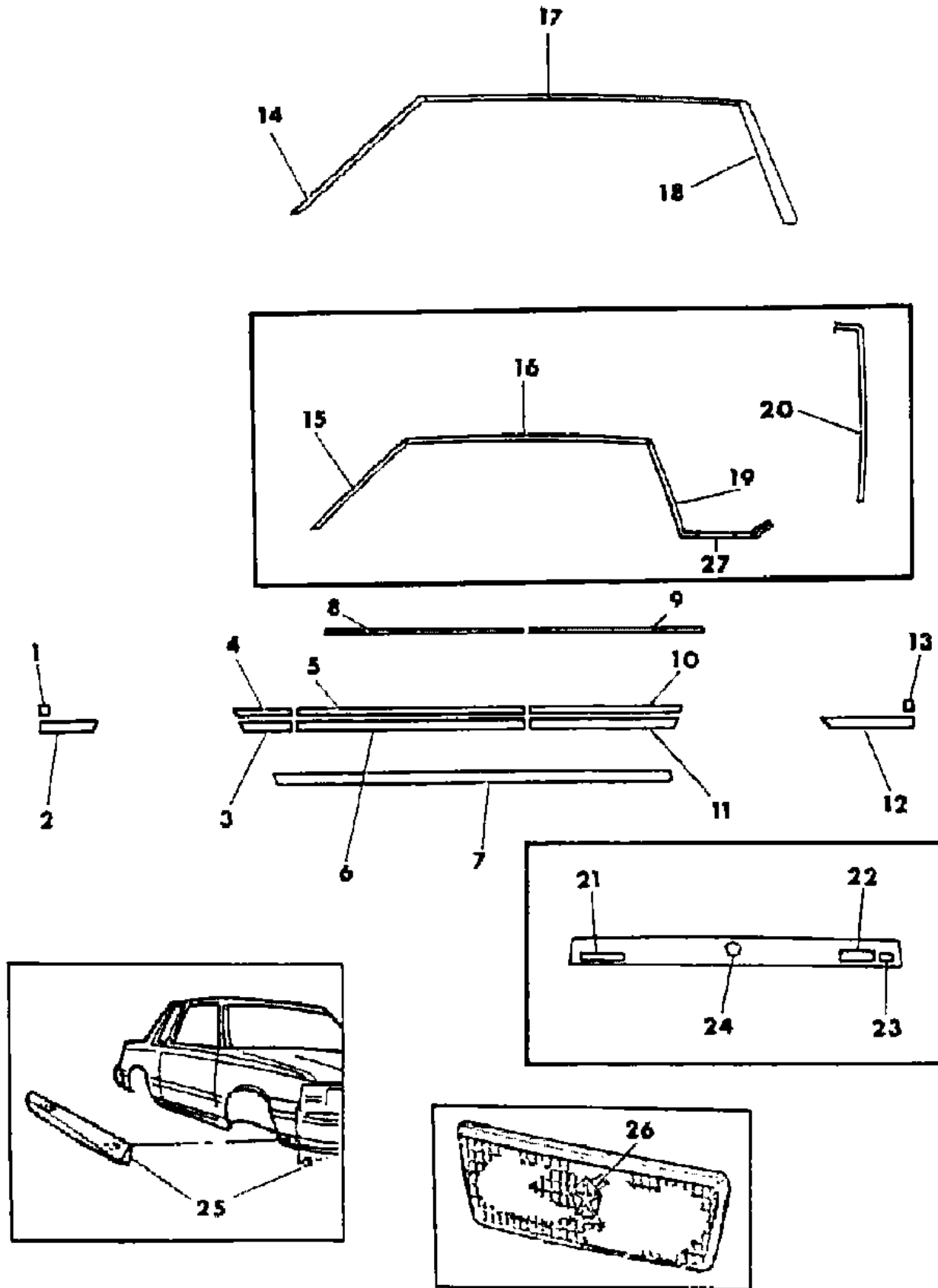
21 = 2-DOOR SEDAN	35 = FWD VAN	44 = 4-DOOR HATCHBACK
22 = 2-DOOR SPECIAL COUPE	36 = FWD WAGON	45 = 4-DOOR STATION WAGON
24 = 2-DOOR HATCHBACK	41 = 4-DOOR SEDAN	49 = LIMOUSINE
27 = 2-DOOR CONVERTIBLE		

AR = Use as Required - = Non Illustrated Part P.A.R. = Paint as Required



MOULDINGS and ORNAMENTATION - EXTERIOR VIEW PLYMOUTH RELIANT 4 DOOR
Figure 23-1700

3133 1700 D



ITEM	PART NUMBER	QTY	BODY	MODEL	DESCRIPTION
	4293 615	1			MOULDING PACKAGE, Deck Opng. Upr. Pnl., Lt., Use w/Two Tone Paint
21	4328 876	1			NAMEPLATE, Deck Lid, "PLYMOUTH"
22	4328 877	1			NAMEPLATE, Deck Lid, "RELIANT"
23	4328 919	1		P-M	NAMEPLATE, Deck Lid, "SE"
	4328 920	1		P-H	NAMEPLATE, Deck Lid, "LE"
24	X216 DA6	1			MEDALLION, Deck Lid Lock Cyl., Charcoal, Use Up to 3-1-85
	X216 EA9	1			MEDALLION, Deck Lid Lock Cyl., Charcoal, Use After 3-1-85
					RIVET, (Not Serv.)
25	X622-3 DW3	1			EXTENSION, Fndr. Mldg., Fascia
	6029 471	AR			NUT, Sealing
26	4334 198	1			ORNAMENT, Radiator Grille, "PENTASTAR"
27	4293 630-1	1			MOULDING, Qtr. Belt, Use w/ Two Tone Paint

MODEL CODES

B = GRAN FURY	E = 600	M = HORIZON/TURISMO
C = LE BARON/TOWN & COUNTRY/LIMO	F = FIFTH AVENUE/NEWPORT	P = RELIANT
C24 = LASER	G = DIPLOMAT	T = NEW YORKER
C44 = LE BARON/GTS	H = VOYAGER	V = 600
D = ARIES	J = CARAVELLE	V24 = DAYTONA
D44 = LANCER	K = MINI VAN/CARAVAN/ROYAL	Z = OMNI/CHARGER

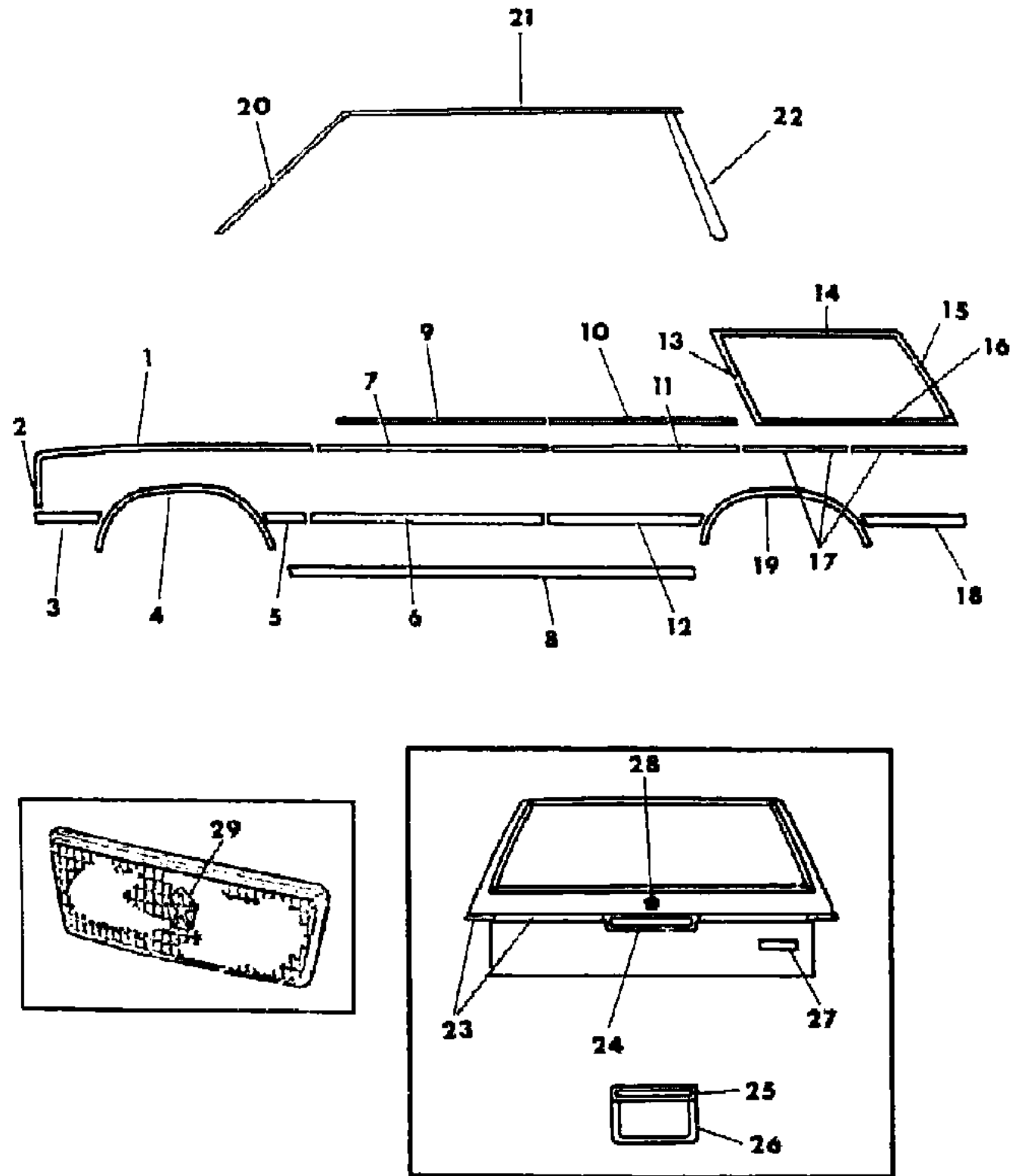
BODY STYLES

21 = 2-DOOR SEDAN	35 = FWD VAN	44 = 4-DOOR HATCHBACK
22 = 2-DOOR SPECIAL COUPE	36 = FWD WAGON	45 = 4-DOOR STATION WAGON
24 = 2-DOOR HATCHBACK	41 = 4-DOOR SEDAN	49 = LIMOUSINE
27 = 2-DOOR CONVERTIBLE		

AR = Use as Required - = Non Illustrated Part P.A.R. = Paint as Required

MOULDINGS and ORNAMENTATION - EXTERIOR VIEW PLYMOUTH RELIANT SUBURBAN
Figure 23-1800

51831800 B



ITEM	PART NUMBER	QTY	BODY	MODEL	DESCRIPTION
1	4339 226-7	1		P-P	MOULDING PACKAGE, Fndr. Up., Bright w/Black Edges
2	4339 236-7	1		P-P	MOULDING PACKAGE, Fndr. Frt., Bright w/Black Edges
	4057 555	AR			RETAINER PACKAGE
3	4339 212-3	1		P-H,P-P	MOULDING PACKAGE, Fndr. Side Frt.
					NUT, (Not Serv.)
4	4366 454-5	1		P-P	MOULDING, Fndr. Wheel Opng.
					SCREW (Not Serv.)
5	4328 222-3	1		P-H,P-P	MOULDING, Fndr. Side Rear
6	4328 226-7	1		P-H,P-P	MOULDING, Frt. Door
7	4339 228-9	1		P-P	MOULDING PACKAGE, Frt. Door Up., Bright w/Black Edges
8	4339 210-1	1		P-H,P-P	MOULDING PACKAGE, Body Side Sill
	6003 777	AR			RETAINER
	4293 616	AR			RETAINER PACKAGE
9	4339 256	1		P-H,P-P	MOULDING PACKAGE, Frt. Door Belt, Rt., w/Mirror
	4339 257	1		P-H,P-P	MOULDING PACKAGE, Frt. Door Belt, Rt.
	4339 260	1		P-H,P-P	MOULDING PACKAGE, Frt. Door Belt, Rt., w/o Mirror
	6003 627	AR			RETAINER
10	4339 258-9	1		P-H,P-P	MOULDING PACKAGE, Rear Door Belt
	6003 627	AR			RETAINER
11	4339 230-1	1		P-P	MOULDING PACKAGE, Rear Door Up., Bright w/Black Edges, Use Up to 7-1-85
	4411 572-3	1		P-P	MOULDING PACKAGE, Rear Door Up., Bright w/Black Edges, Use After 7-1-85
12	4328 228-9	1		P-H,P-P	MOULDING, Rear Door
13	4319 326-7	1		P-H,P-P	MOULDING, Qtr. Wdo. Frt.
	6003 731	AR			RETAINER
14	4319 328	2		P-H,P-P	MOULDING, Qtr. Wdo. Up.
	6003 916	AR			RETAINER
15	4319 330-1	1		P-H,P-P	MOULDING, Qtr. Wdo. Rear
					SCREW, (Not Serv.)
16	4319 332-3	1		P-H,P-P	MOULDING, Qtr. Wdo. Up.
	6003 916	AR			RETAINER
17	4339 238	1		P-P	MOULDING PACKAGE, Qtr. Up. Frt., Rt., Bright w/Black Edges
	4339 209	1		P-P	MOULDING PACKAGE, Qtr. Up., Lt., Bright w/Black Edges
	4339 242	1		P-P	MOULDING PACKAGE, Qtr. Up. Rear, Rt., Bright w/Black Edges

MODEL CODES

B = GRAN FURY	E = 600	M = HORIZON/TURISMO
C = LE BARON/TOWN & COUNTRY/LIMO	F = FIFTH AVENUE/NEWPORT	P = RELIANT
C24 = LASER	G = DIPLOMAT	T = NEW YORKER
C44 = LE BARON/GTS	H = VOYAGER	V = 600
D = ARIES	J = CARAVELLE	V24 = DAYTONA
D44 = LANCER	K = MINI VAN/CARAVAN/ROYAL	Z = OMNI/CHARGER

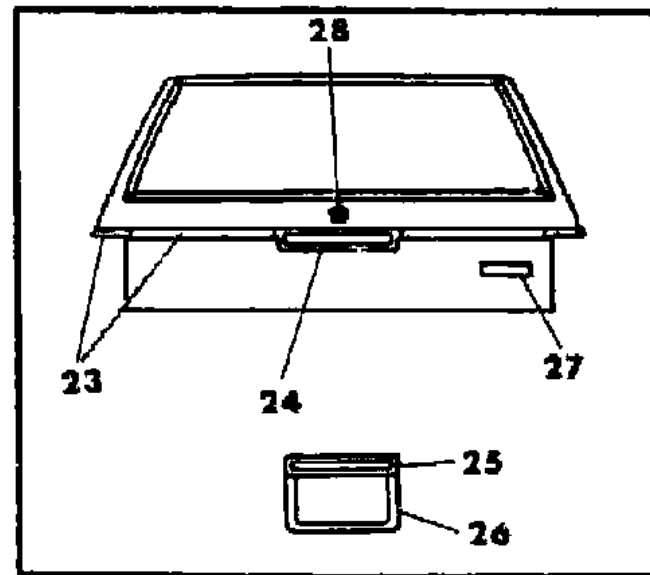
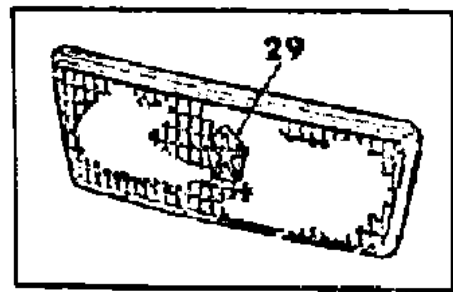
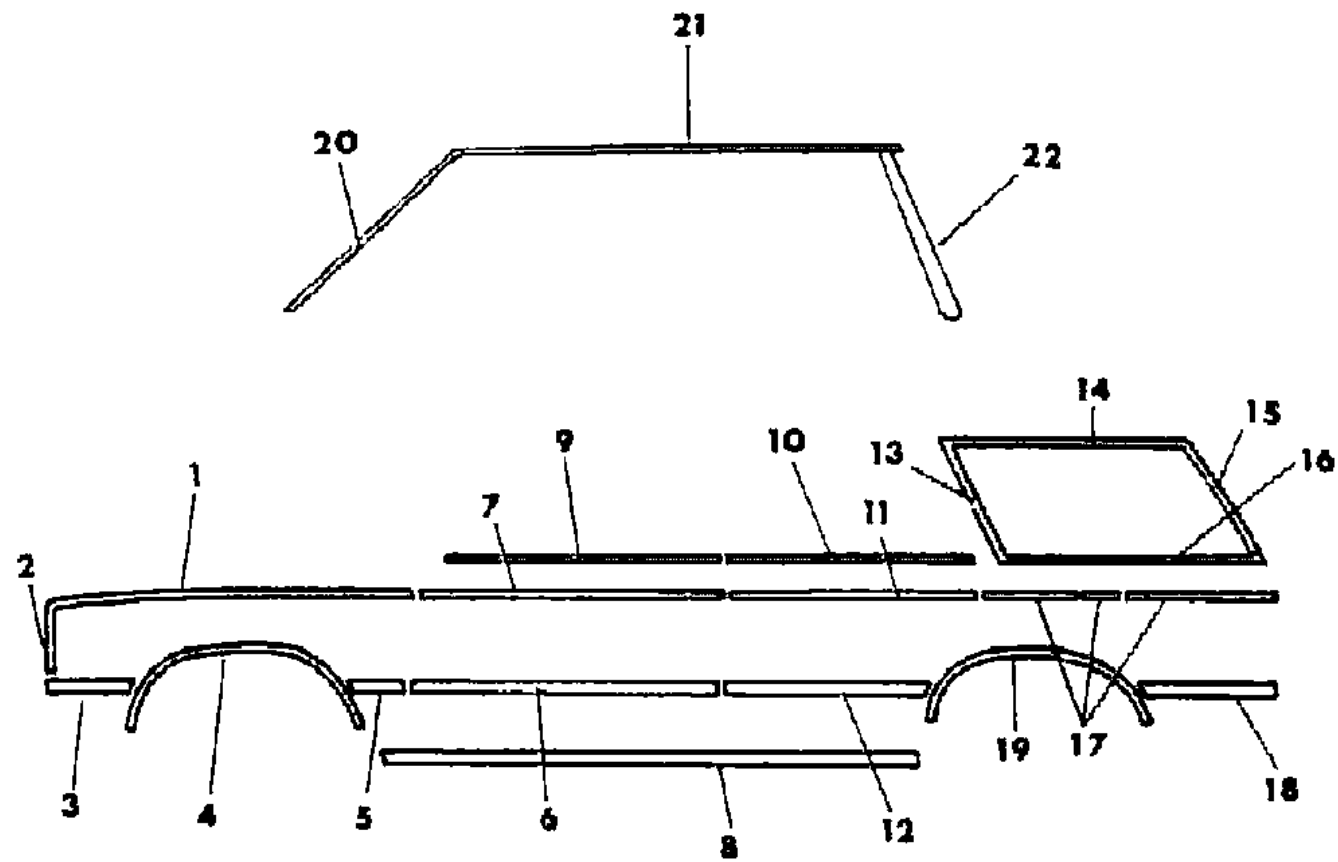
BODY STYLES

21 = 2-DOOR SEDAN	35 = FWD VAN	44 = 4-DOOR HATCHBACK
22 = 2-DOOR SPECIAL COUPE	36 = FWD WAGON	45 = 4-DOOR STATION WAGON
24 = 2-DOOR HATCHBACK	41 = 4-DOOR SEDAN	49 = LIMOUSINE
27 = 2-DOOR CONVERTIBLE		

AR = Use as Required - = Non Illustrated Part P.A.R. = Paint as Required

MOULDINGS and ORNAMENTATION - EXTERIOR VIEW PLYMOUTH RELIANT SUBURBAN
Figure 23-1800

51831900 B



ITEM	PART NUMBER	QTY	BODY	MODEL	DESCRIPTION
	4339 240	1		P-P	MOULDING PACKAGE, Qtr. Fuel Filler Door, Bright w/Black Edges
18	4339 272-3	1		P-H,P-P	MOULDING PACKAGE, Qtr. Rear, Use Up to 6-3-85
	4411 554-5	1		P-H,P-P	MOULDING PACKAGE, Qtr. Rear, Use After 6-3-85
19	4319 030-1	1		P-H,P-P	MOULDING, Qtr. Wheel Opng.
					SCREW, (Not Serv.)
20	4328 386-7	1		P-H,P-P	MOULDING, Body Frt. Pillar Drain Trough, Black
	4229 764-5	1		P-H,P-P	SEAL, Frt. Pillar Drain Trough Mldg., Inner
21	4328 398-9	1		P-H,P-P	MOULDING, Roof Side Drain Trough Frt., Black, Use Up to 3-1-85
	4366 704-5	1		P-H,P-P	MOULDING, Roof Side Drain Trough, Black, Use After 3-1-85
22	4328 400-1	1		P-H,P-P	MOULDING, Roof Side Drain Trough Rear, Black
23	4339 232-3	1		P-P	MOULDING PACKAGE, L/Gate End, Bright w/Black Edges
					SCREW, (Not Serv.)
24	4339 205	1		P-P	MOULDING and HANDLE, L/Gate Plymouth, Bright w/Black Edges
	0116 000	AR			NUT and WASHER
25	4319 793	1		P-H	HANDLE and GASKET, L/Gate
	0116 000	AR			NUT and WASHER
26	4175 749	1		P-H	MOULDING, L/Gate Lic. Plate Periphery
					SCREW, (Not Serv.)
27	4328 877	1		P-H,P-P	NAMEPLATE, L/Gate, "RELIANT"
28	X562 CA2	1		P-H,P-P	MEDALLION, L/Gate, Silver
	X562 DB1	1		P-H,P-P	Ice Blue Met.
	X562 DM6	1		P-H,P-P	Crimson Red
	X562 DT3	1		P-H,P-P	Cream
	X562 CT6	1		P-H,P-P	Mink Brown
	X562 DT4	1		P-H,P-P	Gold Dust Met.
	X562 DW2	1		P-H,P-P	White
	X562 DX8	1		P-H,P-P	Black
	X562 DC6	1		P-H,P-P	Gunmetal Blue
29	4334 198	1			ORNAMENT, Radiator, "PENTASTAR"

MODEL CODES

B = GRAN FURY	E = 600	M = HORIZON/TURISMO
C = LE BARON/TOWN & COUNTRY/LIMO	F = FIFTH AVENUE/NEWPORT	P = RELIANT
C24 = LASER	G = DIPLOMAT	T = NEW YORKER
C44 = LE BARON/GTS	H = VOYAGER	V = 600
D = ARIES	J = CARAVELLE	V24 = DAYTONA
D44 = LANCER	K = MINI VAN/CARAVAN/ROYAL	Z = OMNI/CHARGER

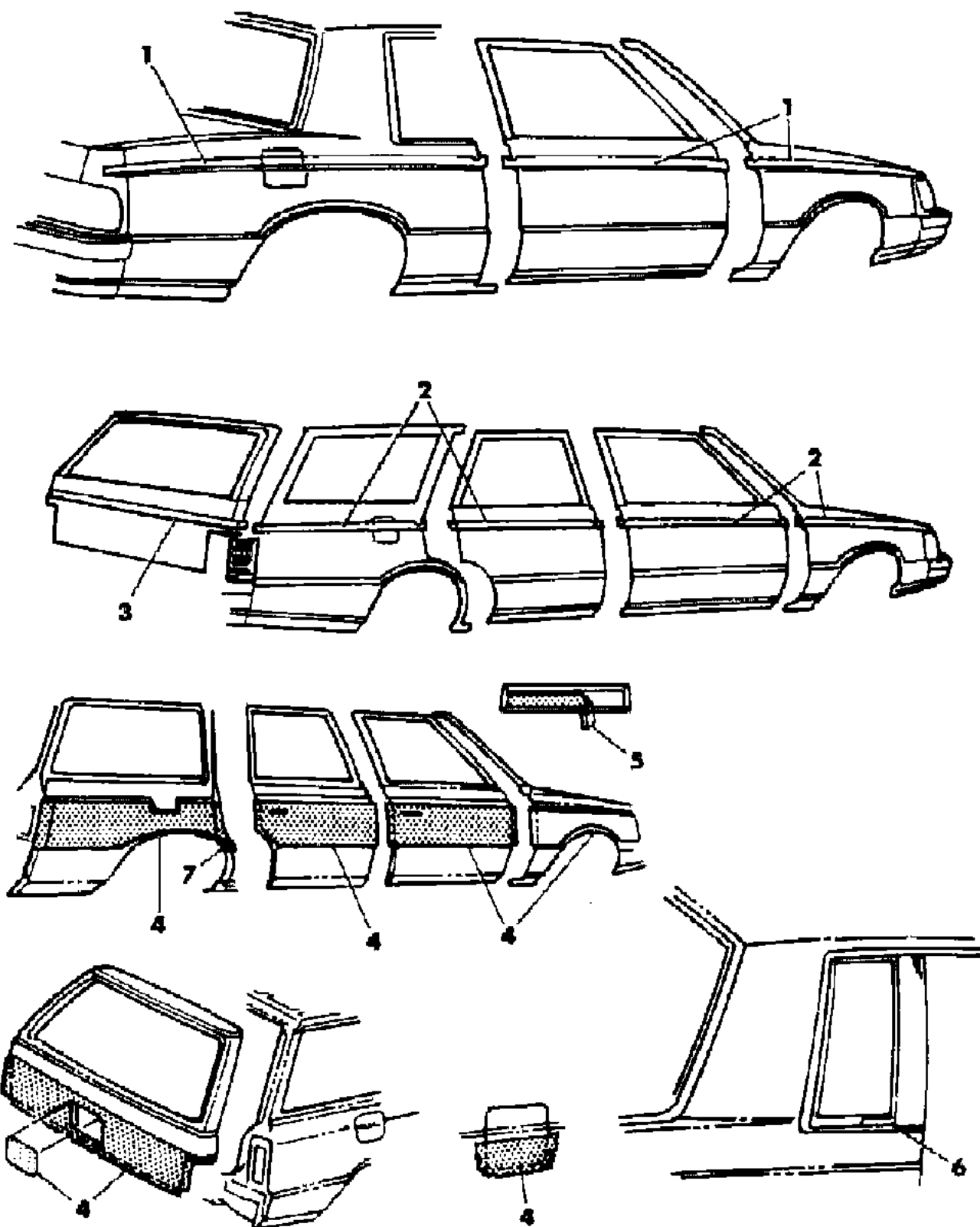
BODY STYLES

21 = 2-DOOR SEDAN	35 = FWD VAN	44 = 4-DOOR HATCHBACK
22 = 2-DOOR SPECIAL COUPE	36 = FWD WAGON	45 = 4-DOOR STATION WAGON
24 = 2-DOOR HATCHBACK	41 = 4-DOOR SEDAN	49 = LIMOUSINE
27 = 2-DOOR CONVERTIBLE		

AR = Use as Required - = Non Illustrated Part P.A.R. = Paint as Required

TAPE STRIPES and DECALS - EXTERIOR VIEW PLYMOUTH RELIANT 2 DOOR - 4 DOOR - SUBURBAN
Figure 23-1900

5168 1900



ITEM	PART NUMBER	QTY	BODY	MODEL	DESCRIPTION
1	4342 664-5	1		21	TAPE PACKAGE, Fndr., Door, Qtr., Silver
	4342 666-7	1		21	Blue
	4342 668-9	1		21	Red
	4342 670-1	1		21	Cream
	4342 672-3	1		21	Palomino Tan
2	4342 654-5	1		41	TAPE PACKAGE, Fndr., Door, Qtr., Silver
	4342 656-7	1		41	Blue
	4342 658-9	1		41	Red
	4342 660-1	1		41	Cream
	4342 662-3	1		41	Palomino Tan
3	4342 644-5	1		45	TAPE PACKAGE, Fndr., Door, Qtr., Silver
	4342 646-7	1		45	Blue
	4342 648-9	1		45	Red
	4342 650-1	1		45	Cream
	4342 652-3	1		45	Palomino Tan
4	T992-3 DA1	1		45	TAPE, L/Gate, Silver
	T992-3 DB7	1		45	Blue
	T992-3 DR4	1		45	Red
	T992-3 DT2	1		45	Cream
	T992-3 DT3	1		45	Palomino Tan
5	4319 013	AR		P-P,45	OVERLAY, Doors, Fuel Filler Door, L/Gate, Lic. Plate Depr.
	4319 013	1		P-P,45	OVERLAY, Fndr. Side
	4319 013	1		P-P,45	OVERLAY, Qtr. Pnl.
6	T752 BX9	AR		P-H	TAPE, Door Handle, Black
	4328 686	AR		P-P,45	OVERLAY, Door Handle, Woodgrain
7	4366 010	2		P-M	DECAL, Qtr. Wdo. Glass Bezel, "RELIANT SE"
	4366 011	2		P-H	DECAL, Qtr. Wdo. Glass Bezel, "RELIANT LE"
-	4328 688-9	1		45	TAPE, Qtr. Frt., Blackout
-	4342 951	AR		21,41,4	TAPE PACKAGE, Frt. Bumper Fascia, Fndr. Frt.,Qtr. Rear, Rolled Stock

MODEL CODES

B = GRAN FURY	E = 600	M = HORIZON/TURISMO
C = LE BARON/TOWN & COUNTRY/LIMO	F = FIFTH AVENUE/NEWPORT	P = RELIANT
C24 = LASER	G = DIPLOMAT	T = NEW YORKER
C44 = LE BARON/GTS	H = VOYAGER	V = 600
D = ARIES	J = CARAVELLE	V24 = DAYTONA
D44 = LANCER	K = MINI VAN/CARAVAN/ROYAL	Z = OMNI/CHARGER

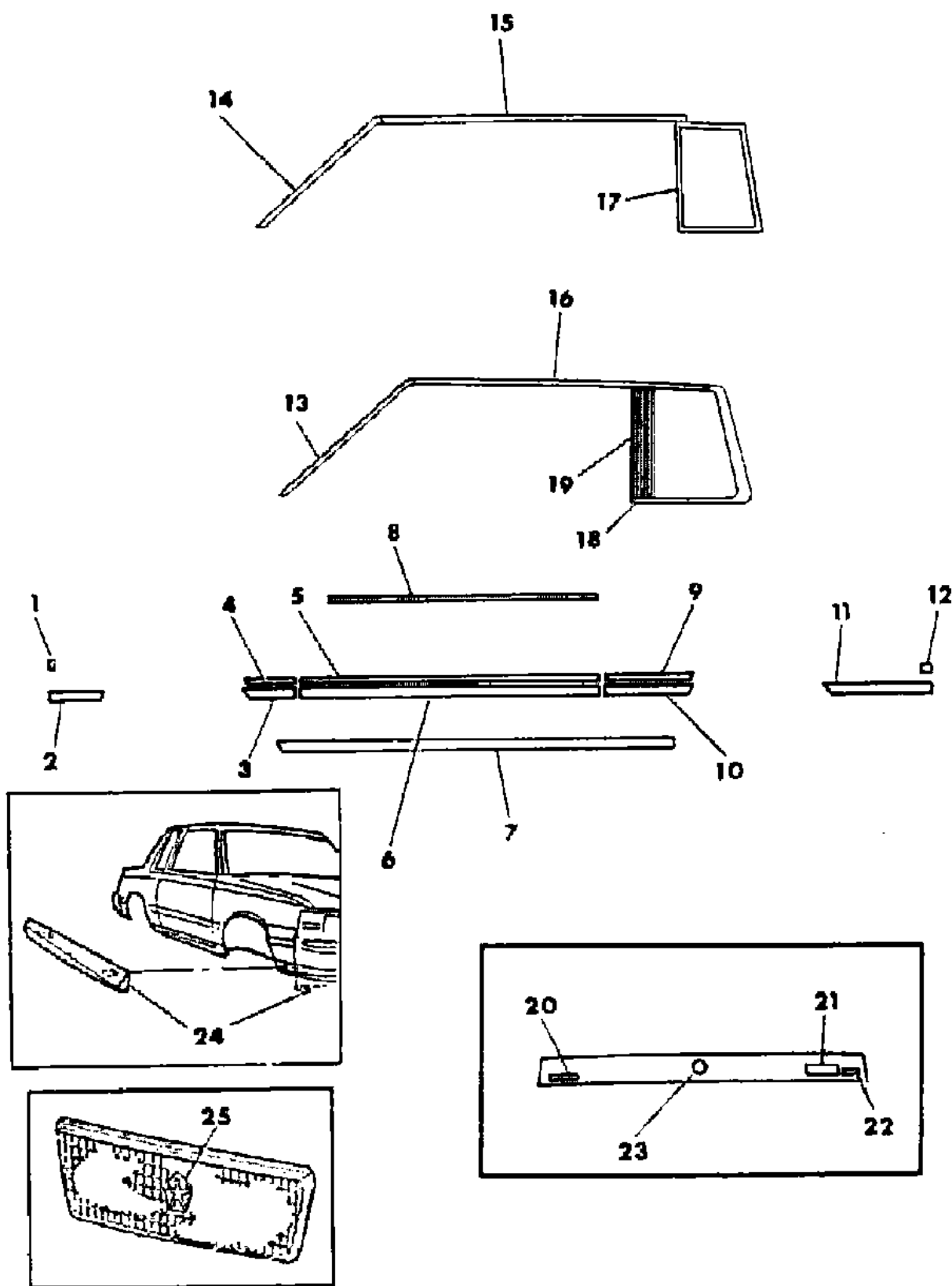
BODY STYLES

21 = 2-DOOR SEDAN	35 = FWD VAN	44 = 4-DOOR HATCHBACK
22 = 2-DOOR SPECIAL COUPE	36 = FWD WAGON	45 = 4-DOOR STATION WAGON
24 = 2-DOOR HATCHBACK	41 = 4-DOOR SEDAN	49 = LIMOUSINE
27 = 2-DOOR CONVERTIBLE		

AR = Use as Required - = Non Illustrated Part P.A.R. = Paint as Required

MOULDINGS and ORNAMENTATION - EXTERIOR VIEW DODGE ARIES - 2 DOOR
Figure 23-2000

5168 2000 B



ITEM	PART NUMBER	QTY	BODY	MODEL	DESCRIPTION
1	4339 274-5	1		D-L	MOULDING PACKAGE, Fndr. Frt. End Cap
2	4339 212-3	1		D-M,D-H	NUT, (Not Serv.) MOULDING PACKAGE, Fndr. Side Frt.
3	4328 222-3	1		D-M, D-	NUT, (Not Serv.) MOULDING, Fndr. Side Rear
4	4319 112-3	1		D-L,D-M	MOULDING, Fndr. Side Rear, Black
5	4328 496	2		D-L,D-M	MOULDING, Door, Black
6	4328 224-5	1		D-M, D-	MOULDING, Door
7	4411 688-9	1			MOULDING PACKAGE, Body Side Sill
	6003 777	AR			RETAINER
	4293 616	AR			RETAINER PACKAGE
8	4339 254	1		D-M,D-H	MOULDING PACKAGE, Door Belt, Rt., w/Mirror
	4339 255	1		D-M,D-H	MOULDING PACKAGE, Door Belt, Lt.
	4339 262	1		D-M,D-H	MOULDING PACKAGE, Door Belt, Rt., w/o Mirror
	6003 627	AR			RETAINER
9	4328 502-3	1		D-L,D-M	MOULDING, Qtr. Frt., Black
10	4328 230-1	1		D-M, D-	MOULDING, Qtr. Frt.
11	4339 224-5	1		D-M,D-H	MOULDING PACKAGE, Qtr. Rear
					NUT, (Not Serv.)
12	4339 276-7	1		D-L	MOULDING PACKAGE, Qtr. Rear End Cap
					NUT, (Not Serv.)
13	4328 386-7	1		D-M,D-H	MOULDING, Body Frt. Pillar Drain Trough, Black
14	4328 572-3	1		D-L	MOULDING and SEAL, Body Frt. Pillar Drain Trough, Use Up to 5-17-85
	4398 192-3	1		D-L	MOULDING and SEAL, Body Frt. Pillar Drain Trough, Use After 5-17-85
	4229 764-5	1			SEAL, Body Frt. Pillar Drain Trough Mldg., Inner
15	4319 378-9	1		D-L	MOULDING, Roof Side Drain Trough
16	4328 396-7	1		D-M,D-H	MOULDING, Roof Side Drain Trough, Black, Use Up to 3-5-85
	4366 692-3	1		D-M,D-H	MOULDING, Roof Side Drain Trough, Black, Use After 3-5-85
17	4328 484-5	1		D-L	MOULDING, Qtr. Wdo.
18	4366 002-3	1		D-M,D-H	MOULDING, Qtr. Wdo.
	4328 870-1	1		D-M,D-H	SEAL, Qtr. Wdo. Mldg.
19	4328 086-7	1		D-M,D-H	APPLIQUE, Qtr. Wdo. Frt.
20	4328 878	1			NAMEPLATE, Deck Lid, "DODGE"
21	4328 879	1			NAMEPLATE, Deck Lid, "ARIES"
22	4328 919	1		D-M	NAMEPLATE, Deck Lid, "SE"

MODEL CODES

B = GRAN FURY	E = 600	M = HORIZON/TURISMO
C = LE BARON/TOWN & COUNTRY/LIMO	F = FIFTH AVENUE/NEWPORT	P = RELIANT
C24 = LASER	G = DIPLOMAT	T = NEW YORKER
C44 = LE BARON/GTS	H = VOYAGER	V = 600
D = ARIES	J = CARAVELLE	V24 = DAYTONA
D44 = LANCER	K = MINI VAN/CARAVAN/ROYAL	Z = OMNI/CHARGER

BODY STYLES

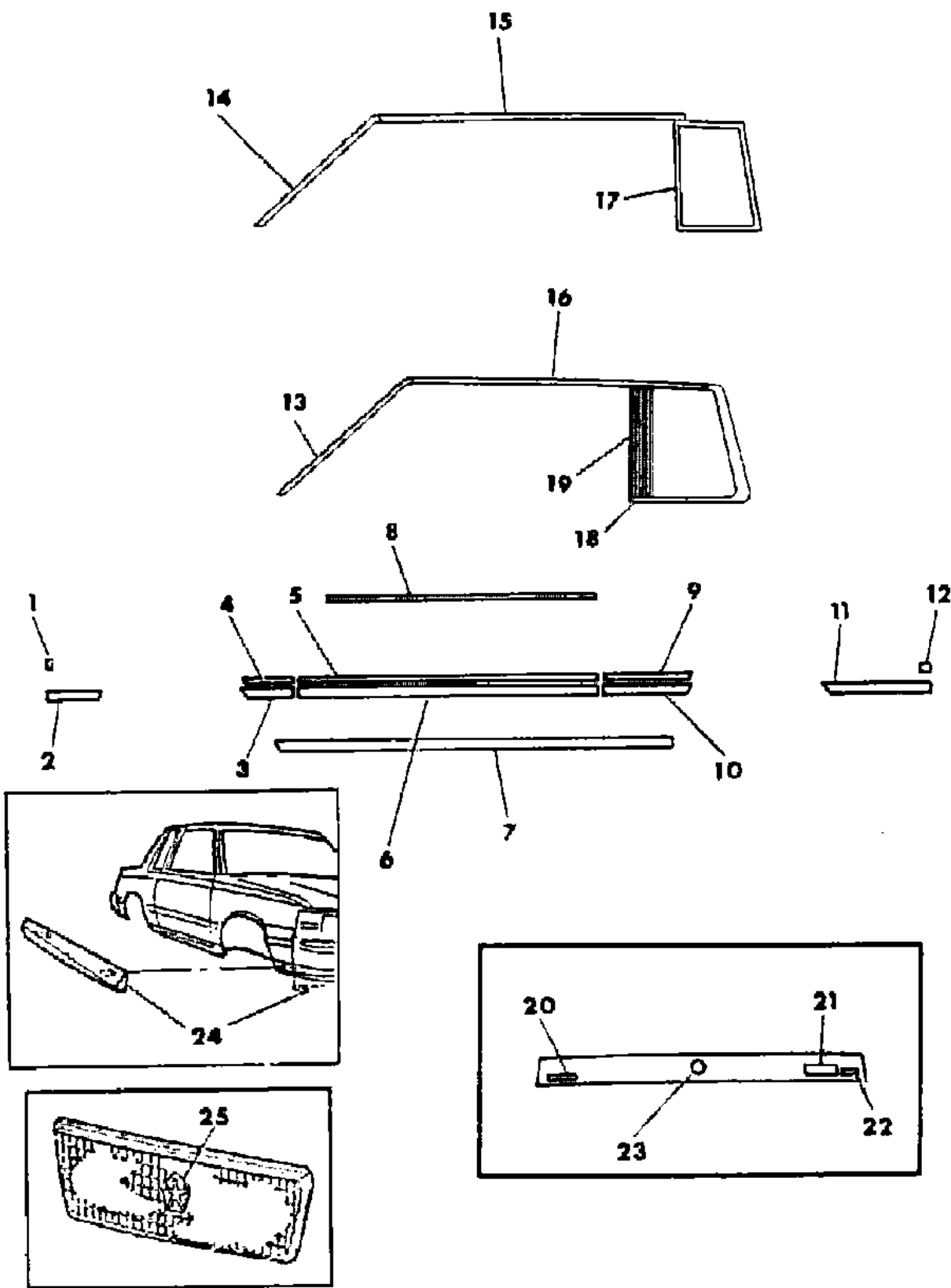
21 = 2-DOOR SEDAN	35 = FWD VAN	44 = 4-DOOR HATCHBACK
22 = 2-DOOR SPECIAL COUPE	36 = FWD WAGON	45 = 4-DOOR STATION WAGON
24 = 2-DOOR HATCHBACK	41 = 4-DOOR SEDAN	49 = LIMOUSINE
27 = 2-DOOR CONVERTIBLE		

AR = Use as Required - = Non Illustrated Part P.A.R. = Paint as Required

MOULDINGS and ORNAMENTATION - EXTERIOR VIEW DODGE ARIES - 2 DOOR
Figure 23-2000

3168 2000 B

ITEM	PART NUMBER	QTY	BODY	MODEL	DESCRIPTION
	4328 920	1		D-H	NAMEPLATE, Deck Lid, "LE"
23	X216 DA6	1			MEDALLION, Deck Lid Lock Cyl., Charcoal, Use Up to 3-1-85
	X216 EA9	1			MEDALLION, Deck Lid Lock Cyl., Charcoal, Use After 3-1-85
24	X622-3 DW3	1			RIVET
					EXTENSION, Fndr. Mldg., Fascia
25	6029 471	AR			NUT, Sealing
	4334 016	1			ORNAMENT, Radiator, "PENTASTAR"



MODEL CODES
 B = GRAN FURY
 C = LE BARON/TOWN & COUNTRY/LIMO
 C24 = LASER
 C44 = LE BARON/GTS
 D = ARIES
 D44 = LANCER
 E = 600
 F = FIFTH AVENUE/NEWPORT
 G = DIPLOMAT
 H = VOYAGER
 J = CARAVELLE
 K = MINI VAN/CARAVAN/ROYAL
 M = HORIZON/TURISMO
 P = RELIANT
 T = NEW YORKER
 V = 600
 V24 = DAYTONA
 Z = OMNI/CHARGER

BODY STYLES
 21 = 2-DOOR SEDAN
 22 = 2-DOOR SPECIAL COUPE
 24 = 2-DOOR HATCHBACK
 27 = 2-DOOR CONVERTIBLE
 35 = FWD VAN
 36 = FWD WAGON
 41 = 4-DOOR SEDAN
 44 = 4-DOOR HATCHBACK
 45 = 4-DOOR STATION WAGON
 49 = LIMOUSINE

AR = Use as Required - = Non Illustrated Part P.A.R. = Paint as Required

MOULDINGS and ORNAMENTATION - EXTERIOR VIEW DODGE ARIES - 4 DOOR
Figure 23-2100

3168 2100 D

ITEM	PART NUMBER	QTY	BODY	MODEL	DESCRIPTION
1	4339 274-5	1		D-L	MOULDING PACKAGE, Fndr. Frt. End Cap
					NUT, (Not Serv.)
2	4339 212-3	1		D-M,D-H	MOULDING PACKAGE, Fndr. Side Frt.
					NUT, (Not Serv.)
3	4328 222-3	1		D-M, D-	MOULDING, Fndr. Side Rear
4	4319 112-3	1		D-L,D-M	MOULDING, Fndr. Side Rear, Black
5	4319 114	2		D-L,D-M	MOULDING, Frt. Door, Black
6	4328 226-7	1		D-M, D-	MOULDING, Frt. Door
7	4411 688-9	1			MOULDING PACKAGE, Body Side Sill
	6003 777	AR			RETAINER
	4293 616	AR			RETAINER PACKAGE
8	4339 256	1		D-M,D-H	MOULDING PACKAGE, Frt. Door Belt, Rt., w/Mirror
	4339 257	1		D-M,D-H	MOULDING PACKAGE, Frt. Door Belt, Lt.
	4339 260	1		D-M,D-H	MOULDING PACKAGE, Frt. Door Belt, Rt., w/o Mirror
	6003 627	AR			RETAINER
9	4339 258-9	1		D-M,D-H	MOULDING PACKAGE, Rear Door Belt
	6003 627	AR			RETAINER
10	4328 500-1	1		D-L,D-M	MOULDING, Rear Door, Black
11	4328 228-9	1		D-M, D-	MOULDING, Rear Door
12	4339 224-5	1		D-M,D-H	MOULDING PACKAGE, Qtr. Rear
13	4339 276-7	1		D-L	MOULDING PACKAGE, Qtr. Rear End Cap
					NUT, (Not Serv.)
14	4328 386-7	1		D-M,D-H	MOULDING, Body Frt. Pillar Drain Trough, Black
15	4328 572-3	1		D-L	MOULDING and SEAL, Body Frt. Pillar Drain Trough, Use Up to 5-17-85
	4398 192-3	1		D-L	MOULDING and SEAL, Body Frt. Pillar Drain Trough, Use After 5-17-85
	4229 764-5	1			SEAL, Body Frt. Pillar Drain Trpugh Mldg., Inner
16	4319 372-3	1		D-L	MOULDING, Roof Side Drain Trough
17	4328 390-1	1		D-M,D-H	MOULDING, Roof Side Drain Trough Frt., Black, Use Up to 2-27-85
	4366 698-9	1		D-M,D-H	MOULDING, Roof Side Drain Trough, Black, Use After 2-27-85
18	4328 392-3	1		D-M,D-H	MOULDING, Roof Side Drain Trough Rear, Black
19	4175 592-3	1		D-L	MOULDING, Roof Side Drain Trough Rear
20	4205 654	1			MOULDING PACKAGE, Deck Opng. Upr. Pnl., Rt., Use w/Two Tone Paint

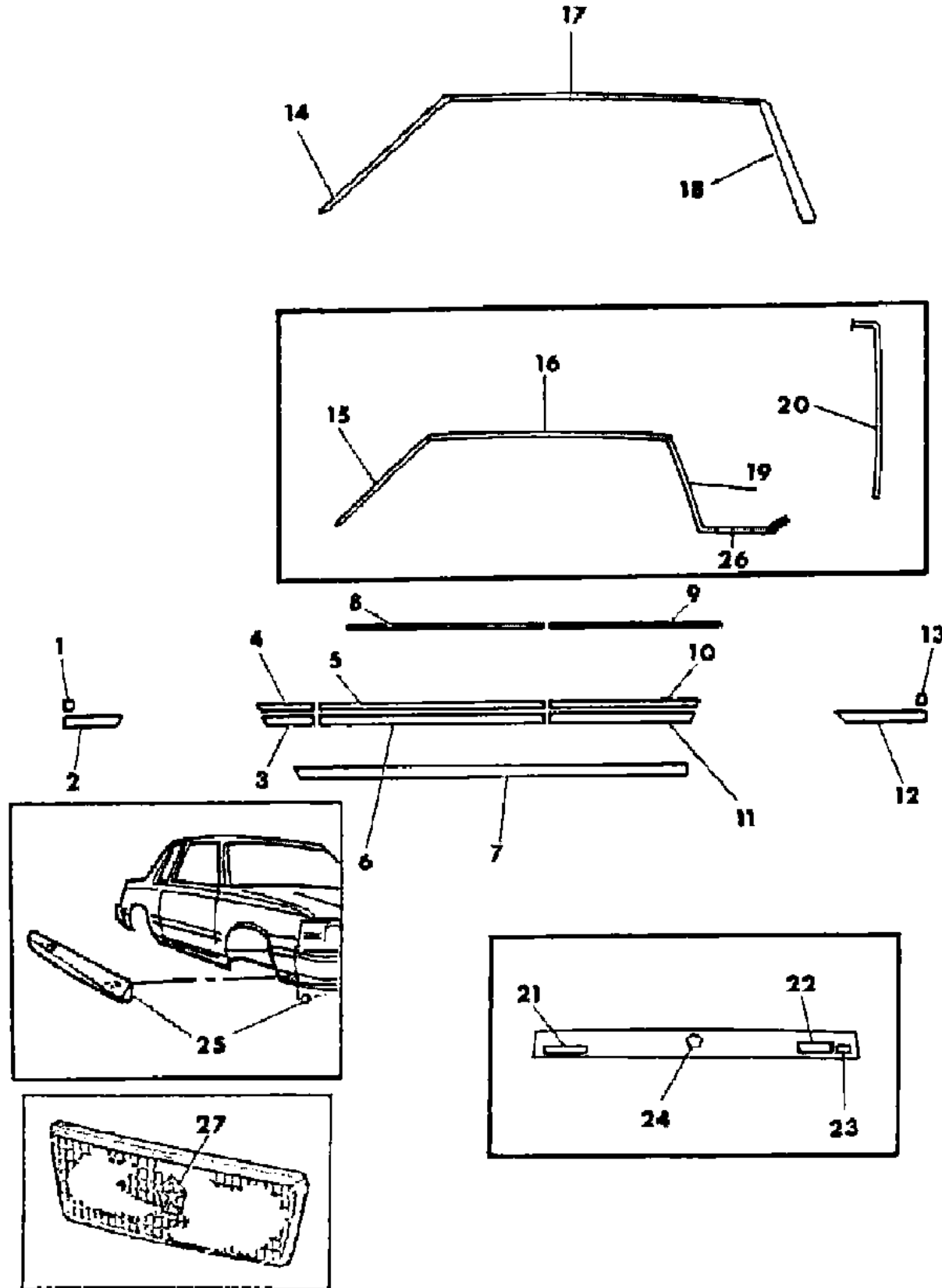
MODEL CODES

B = GRAN FURY	E = 600	M = HORIZON/TURISMO
C = LE BARON/TOWN & COUNTRY/LIMO	F = FIFTH AVENUE/NEWPORT	P = RELIANT
C24 = LASER	G = DIPLOMAT	T = NEW YORKER
C44 = LE BARON/GTS	H = VOYAGER	V = 600
D = ARIES	J = CARAVELLE	V24 = DAYTONA
D44 = LANCER	K = MINI VAN/CARAVAN/ROYAL	Z = OMNI/CHARGER

BODY STYLES

21 = 2-DOOR SEDAN	35 = FWD VAN	44 = 4-DOOR HATCHBACK
22 = 2-DOOR SPECIAL COUPE	36 = FWD WAGON	45 = 4-DOOR STATION WAGON
24 = 2-DOOR HATCHBACK	41 = 4-DOOR SEDAN	49 = LIMOUSINE
27 = 2-DOOR CONVERTIBLE		

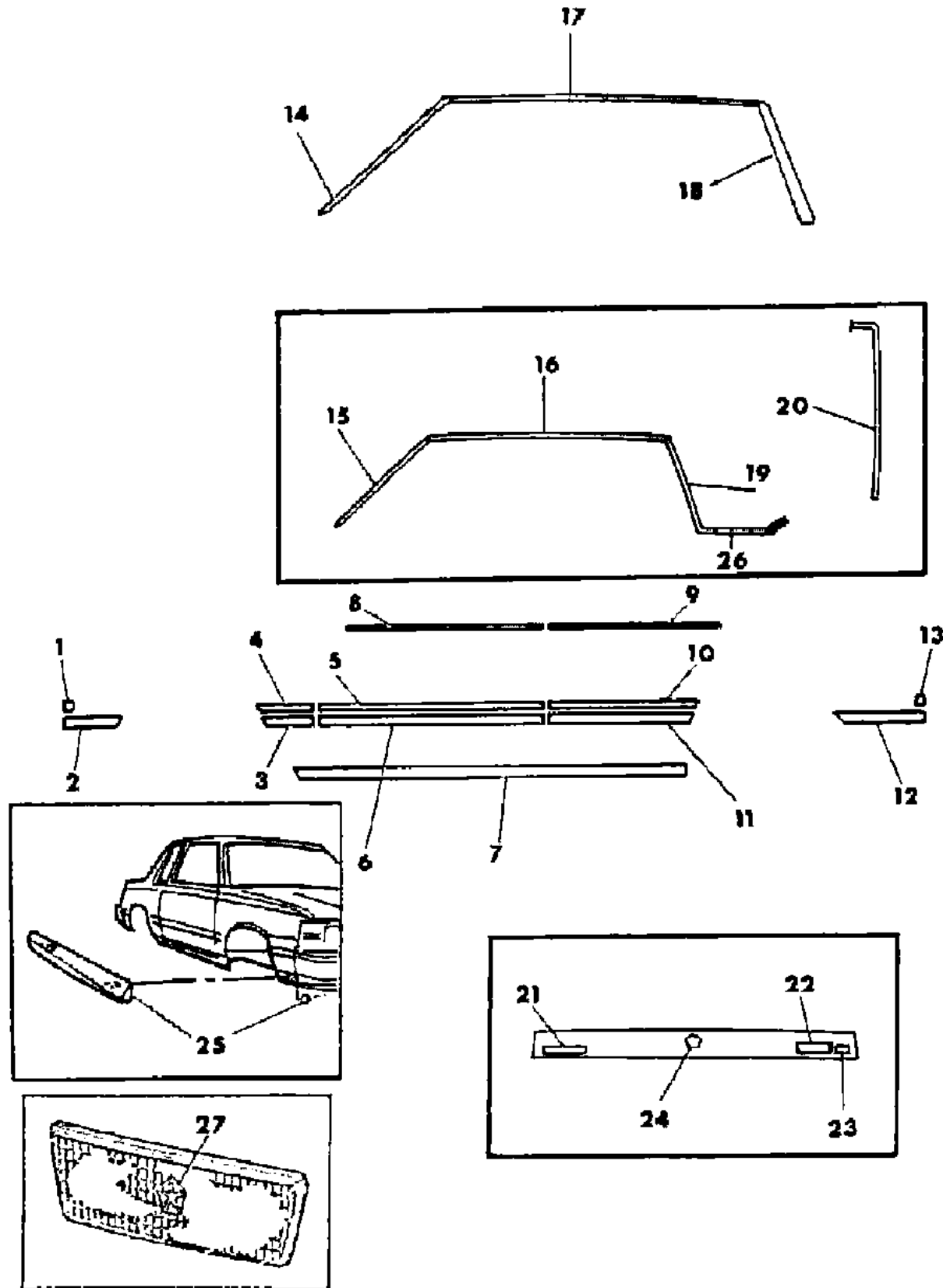
AR = Use as Required - = Non Illustrated Part P.A.R. = Paint as Required



MOULDINGS and ORNAMENTATION - EXTERIOR VIEW DODGE ARIES - 4 DOOR
Figure 23-2100

3168 2100 D

ITEM	PART NUMBER	QTY	BODY	MODEL	DESCRIPTION
	4293 615	1			MOULDING PACKAGE, Deck Opng. Upr. Pnl., Lt., Use w/Two Tone Paint
21	4328 878	1			NAMEPLATE, Deck Lid, "DODGE"
22	4328 879	1			NAMEPLATE, Deck Lid, "ARIES"
23	4328 919	1		D-M	NAMEPLATE, Deck Lid, "SE"
	4328 920	1		D-H	NAMEPLATE, Deck Lid, "LE"
24	X216 DA6	1			MEDALLION, Deck Lid Lock Cyl., Charcoal, Use Up to 3-1-85
	X216 EA9	1			MEDALLION, Deck Lid Lock Cyl., Charcoal, Use After 3-1-85
25	X622-3 DW3	1			EXTENSION, Fndr. Mldg., Fascia
	6029 471	AR			NUT, Sealing
26	4293 630-1	1			MOULDING, Qtr. Belt, Use w/Two Tone Paint
27	4334 016	1			ORNAMENT, Radiator, "PENTASTAR"



MODEL CODES

B = GRAN FURY	E = 600	M = HORIZON/TURISMO
C = LE BARON/TOWN & COUNTRY/LIMO	F = FIFTH AVENUE/NEWPORT	P = RELIANT
C24 = LASER	G = DIPLOMAT	T = NEW YORKER
C44 = LE BARON/GTS	H = VOYAGER	V = 600
D = ARIES	J = CARAVELLE	V24 = DAYTONA
D44 = LANCER	K = MINI VAN/CARAVAN/ROYAL	Z = OMNI/CHARGER

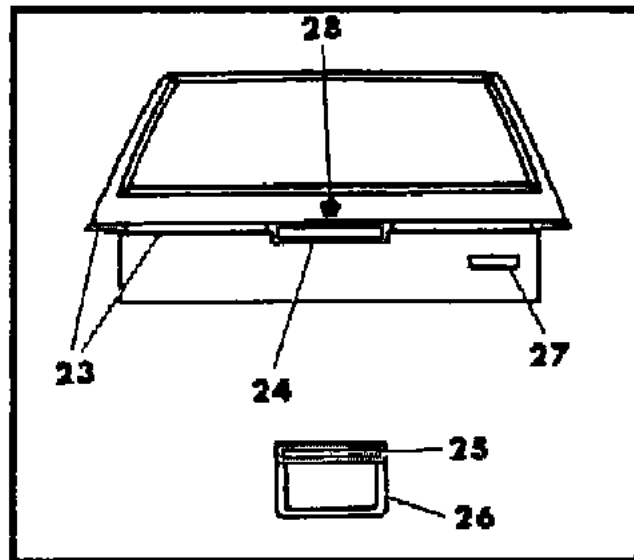
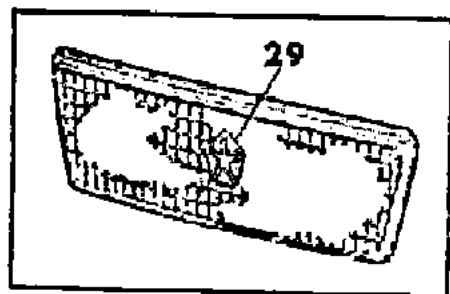
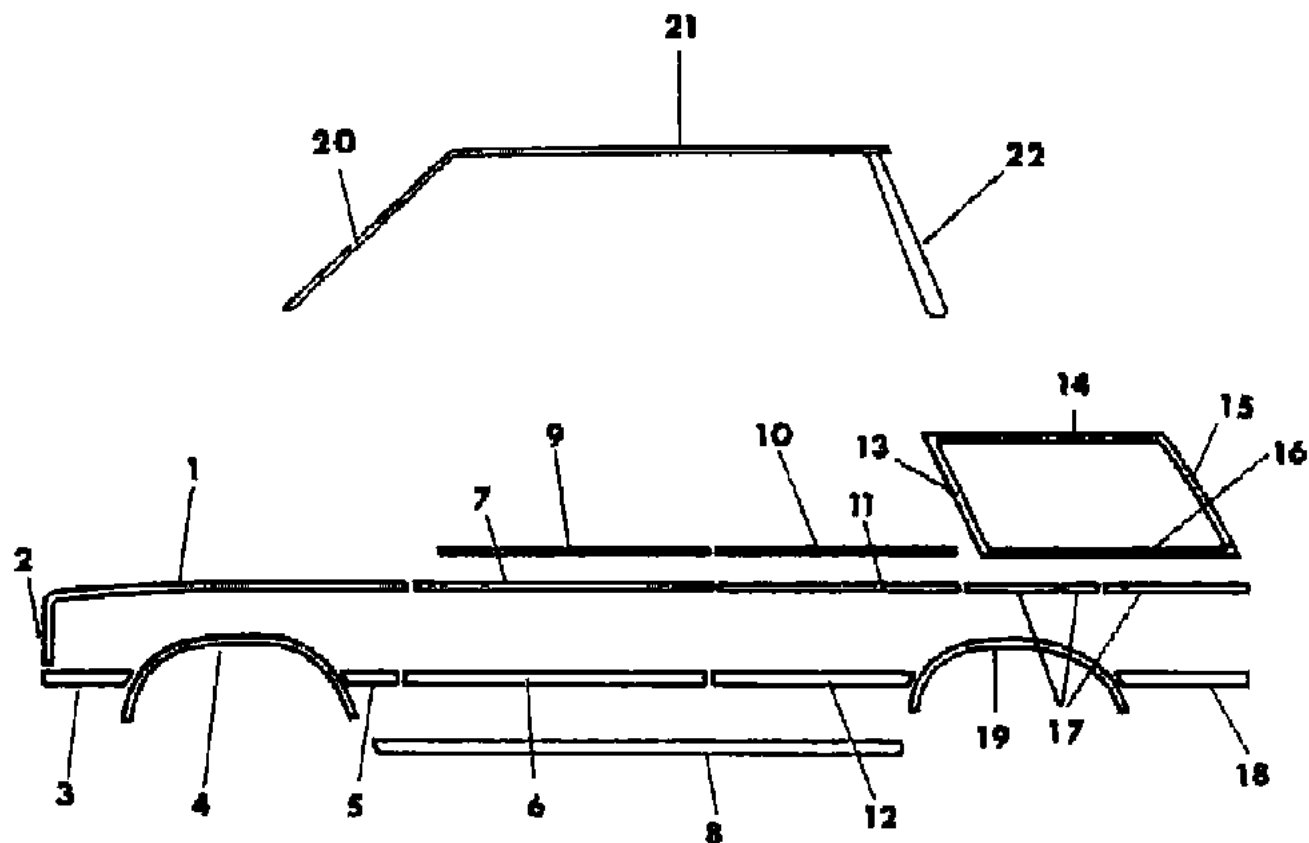
BODY STYLES

21 = 2-DOOR SEDAN	35 = FWD VAN	44 = 4-DOOR HATCHBACK
22 = 2-DOOR SPECIAL COUPE	36 = FWD WAGON	45 = 4-DOOR STATION WAGON
24 = 2-DOOR HATCHBACK	41 = 4-DOOR SEDAN	49 = LIMOUSINE
27 = 2-DOOR CONVERTIBLE		

AR = Use as Required - = Non Illustrated Part P.A.R. = Paint as Required

MOULDINGS and ORNAMENTATION - EXTERIOR VIEW DODGE ARIES - SUBURBAN
Figure 23-2200

5168 2200 B



ITEM	PART NUMBER	QTY	BODY	MODEL	DESCRIPTION
1	4339 226-7	1		D-P	MOULDING PACKAGE, Fndr. Upr., Bright w/Black Edges
2	4339 236-7	1		D-P	MOULDING PACKAGE, Fndr. Frt., Bright w/Black Edges
	4057 555	AR			RETAINER PACKAGE
3	4339 212-3	1		D-H,D-P	MOULDING PACKAGE, Fndr. Side Frt.
					NUT, (Not Serv.)
4	4366 454-5	1		D-P	MOULDING, Fndr. Wheel Opng.
					SCREW, (Not Serv.)
5	4328 222-3	1		D-H,D-P	MOULDING, Fndr. Side Rear
6	4328 226-7	1		D-H,D-P	MOULDING, Frt. Door
7	4339 228-9	1		D-P	MOULDING PACKAGE, Frt. Door Upr., Bright w/Black Edges
8	4339 210-1	1		D-H,D-P	MOULDING PACKAGE, Body Side Sill
	6003 777	AR			RETAINER
	4293 616	AR			RETAINER PACKAGE
9	4339 256	1		D-H,D-P	MOULDING PACKAGE, Frt. Door Belt, Rt., w/Mirror
	4339 257	1		D-H,D-P	MOULDING PACKAGE, Frt. Door Belt, Lt.
	4339 260	1		D-H,D-P	MOULDING PACKAGE, Frt. Door Belt, Rt., w/o Mirror
	6003 627	AR			RETAINER
10	4339 258-9	1		D-H,D-P	MOULDING PACKAGE, Rear Door Belt
	6003 627	AR			RETAINER
11	4339 230-1	1		D-P	MOULDING PACKAGE, Rear Door Upr., Bright w/Black Edges, Use Up to 7-1-85
	4411 572-3	1		D-P	MOULDING PACKAGE, Rear Door Upr., Bright w/Black Edges, Use After 7-1-85
12	4328 228-9	1		D-H,D-P	MOULDING, Rear Door
13	4319 326-7	1		D-H,D-P	MOULDING, Qtr. Wdo. Frt.
	6003 731	AR			RETAINER
14	4319 328	2		D-H,D-P	MOULDING, Qtr. Wdo. Upr.
	6003 916	AR			RETAINER
15	4319 330-1	1		D-H,D-P	MOULDING, Qtr. Wdo. Rear
					SCREW, (Not Serv.)
16	4319 332-3	1		D-H,D-P	MOULDING, Qtr. Wdo. Lwr.
	6003 916	AR			RETAINER
17	4339 238	1		D-P	MOULDING PACKAGE, Qtr. Upr. Frt., Rt., Bright w/Black Edges
	4339 209	1		D-P	MOULDING PACKAGE, Qtr. Upr., Lt., Bright w/Black Edges
	4339 242	1		D-P	MOULDING PACKAGE, Qtr. Upr. Rear, Rt., Bright w/Black Edges

MODEL CODES

B = GRAN FURY	E = 600	M = HORIZON/TURISMO
C = LE BARON/TOWN & COUNTRY/LIMO	F = FIFTH AVENUE/NEWPORT	P = RELIANT
C24 = LASER	G = DIPLOMAT	T = NEW YORKER
C44 = LE BARON/GTS	H = VOYAGER	V = 600
D = ARIES	J = CARAVELLE	V24 = DAYTONA
D44 = LANCER	K = MINI VAN/CARAVAN/ROYAL	Z = OMNI/CHARGER

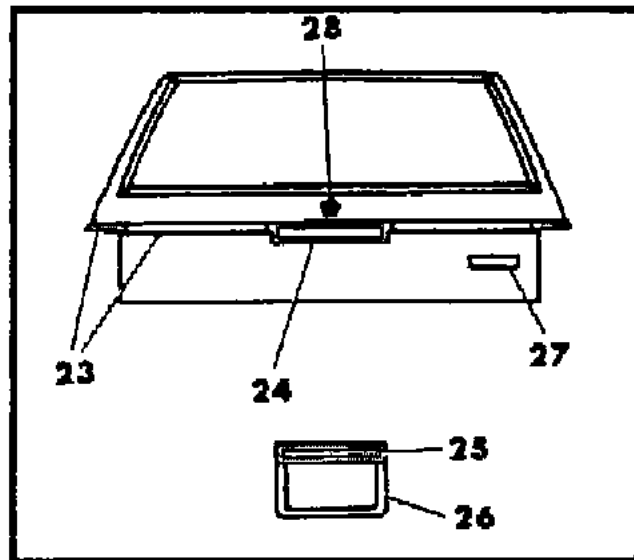
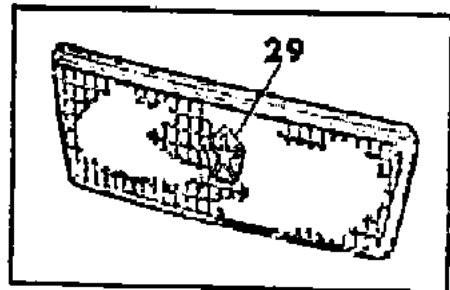
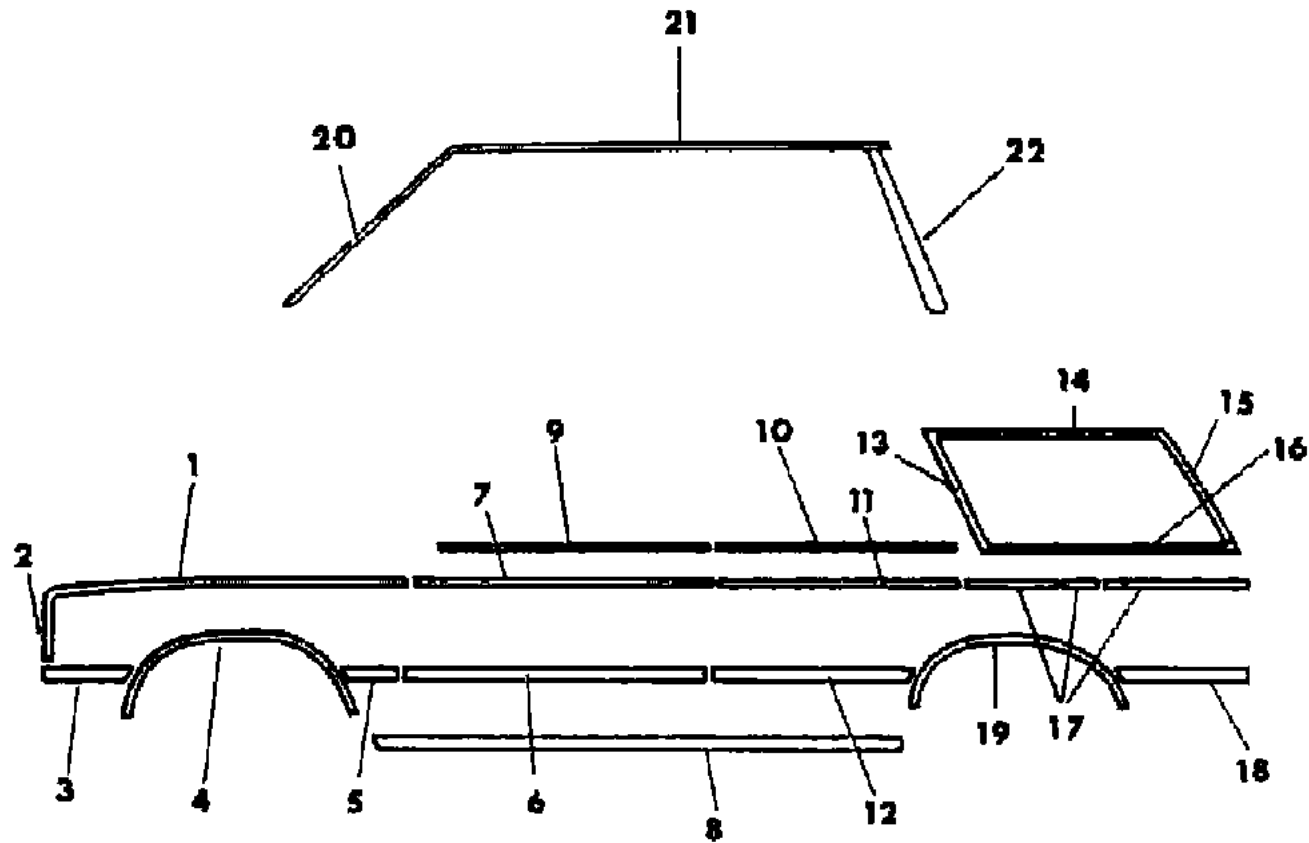
BODY STYLES

21 = 2-DOOR SEDAN	35 = FWD VAN	44 = 4-DOOR HATCHBACK
22 = 2-DOOR SPECIAL COUPE	36 = FWD WAGON	45 = 4-DOOR STATION WAGON
24 = 2-DOOR HATCHBACK	41 = 4-DOOR SEDAN	49 = LIMOUSINE
27 = 2-DOOR CONVERTIBLE		

AR = Use as Required - = Non Illustrated Part P.A.R. = Paint as Required

MOULDINGS and ORNAMENTATION - EXTERIOR VIEW DODGE ARIES - SUBURBAN
Figure 23-2200

5168 2200 8



ITEM	PART NUMBER	QTY	BODY	MODEL	DESCRIPTION
	4339 240	1		D-P	MOULDING PACKAGE, Qtr. Fuel Filler Door, Bright w/Black Edges
18	4339 272-3	1		D-H,D-P	MOULDING PACKAGE, Qtr. Rear, Use Up to 6-3-85
	4411 554-5	1		D-H,D-P	MOULDING PACKAGE, Qtr. Rear, Use After 6-3-85
19	4319 030-1	1		D-H,D-P	MOULDING, Qtr. Wheel Opng.
					SCREW, (Not Serv.)
20	4328 386-7	1		D-H,D-P	MOULDING, Body Frt. Pillar Drain Trough, Black
	4229 764-5	1		D-H,D-P	SEAL, Frt. Pillar Drain Trough Mldg., Inner
21	4328 398-9	1		D-H,D-P	MOULDING, Roof Side Drain Trough Frt., Black, Use Up to 3-1-85
	4366 704-5	1		D-H,D-P	MOULDING, Roof Side Drain Trough, Black, Use After 3-1-85
22	4328 400-1	1		D-H,D-P	MOULDING, Roof Side Drain Trough Rear, Black
23	4339 232-3	1		D-P	MOULDING PACKAGE, L/Gate End, Bright w/Black Edges
					SCREW, (Not Serv.)
24	4339 207	1		D-P	MOULDING and HANDLE, L/Gate, Dodge, Bright w/Black Edges
	0116 000	AR			NUT and WASHER
25	4319 794	1		D-H	HANDLE and GASKET, L/Gate
	0116 000	AR			NUT and WASHER
26	4175 749	1		D-H	MOULDING, L/Gate Lic. Plate Periphery
					SCREW, (Not Serv.)
27	4328 879	1		D-H,D-P	NAMEPLATE, L/Gate, "ARIES"
28	X562 CA2	1		D-H,D-P	MEDALLION, L/Gate, Silver
	X562 DB1	1		D-H,D-P	Ice Blue Met.
	X562 DM6	1		D-H,D-P	Crimson Red
	X562 DT3	1		D-H,D-P	Cream
	X562 CT6	1		D-H,D-P	Mink Brown
	X562 DT4	1		D-H,D-P	Gold Dust Met.
	X562 DW2	1		D-H,D-P	White
	X562 DC6	1		D-H,D-P	Gunmetal Blue
	X562 DX8	1		D-H,D-P	Black
29	4334 016	1			ORNAMENT, Radiator, "PENTASTAR"

MODEL CODES

B = GRAN FURY	E = 600	M = HORIZON/TURISMO
C = LE BARON/TOWN & COUNTRY/LIMO	F = FIFTH AVENUE/NEWPORT	P = RELIANT
C24 = LASER	G = DIPLOMAT	T = NEW YORKER
C44 = LE BARON/GTS	H = VOYAGER	V = 600
D = ARIES	J = CARAVELLE	V24 = DAYTONA
D44 = LANCER	K = MINI VAN/CARAVAN/ROYAL	Z = OMNI/CHARGER

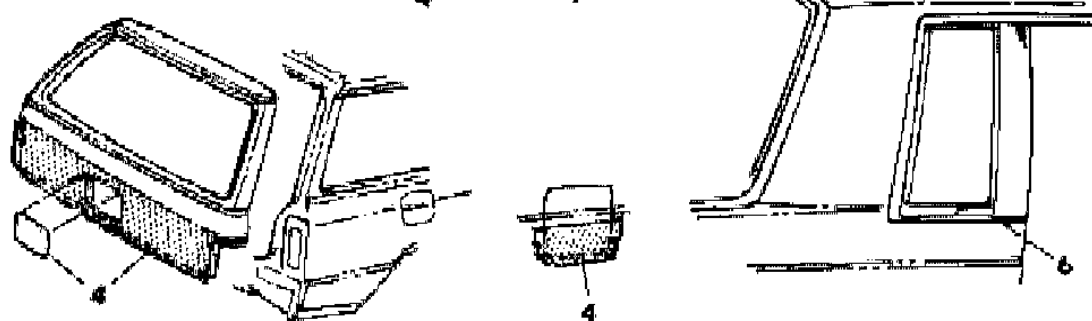
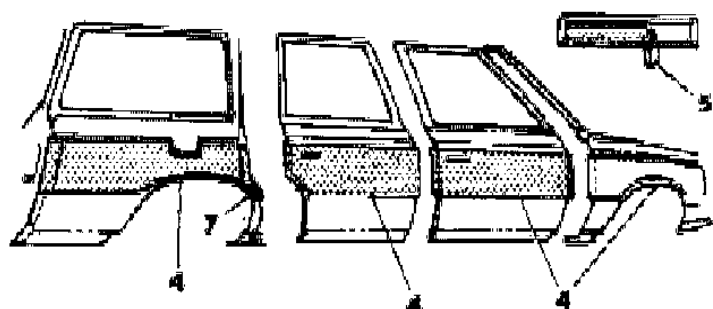
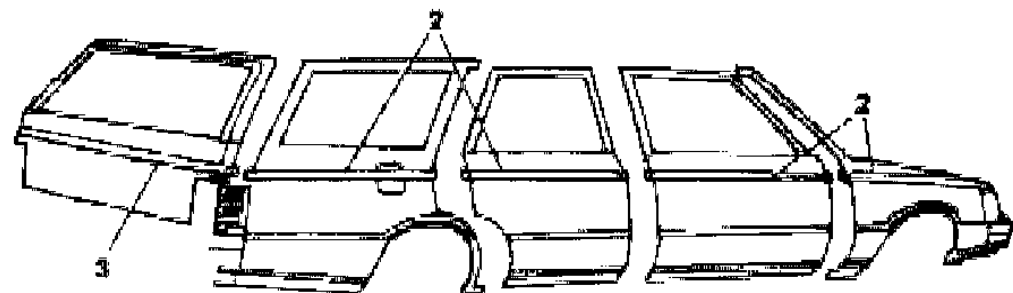
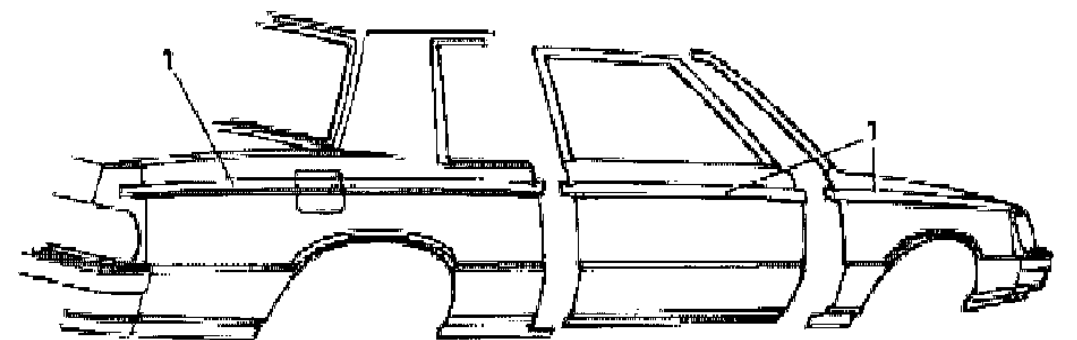
BODY STYLES

21 = 2-DOOR SEDAN	35 = FWD VAN	44 = 4-DOOR HATCHBACK
22 = 2-DOOR SPECIAL COUPE	36 = FWD WAGON	45 = 4-DOOR STATION WAGON
24 = 2-DOOR HATCHBACK	41 = 4-DOOR SEDAN	49 = LIMOUSINE
27 = 2-DOOR CONVERTIBLE		

AR = Use as Required - = Non Illustrated Part P.A.R. = Paint as Required

TAPE STRIPES and DECALS - EXTERIOR VIEW DODGE ARIES - 2 DOOR - 4 DOOR - SUBURBAN
Figure 23-2300

5168 2300



ITEM	PART NUMBER	QTY	BODY	MODEL	DESCRIPTION
1	4342 664-5	1		21	TAPE PACKAGE, Fndr., Door Qtr., Silver
	4342 666-7	1		21	Blue
	4342 668-9	1		21	Red
	4342 670-1	1		21	Cream
	4342 672-3	1		21	Palomino Tan
2	4342 654-5	1		41	TAPE PACKAGE, Fndr., Door, Qtr., Silver
	4342 656-7	1		41	Blue
	4342 658-9	1		41	Red
	4342 660-1	1		41	Cream
	4342 662-3	1		41	Palomino Tan
3	4342 644-5	1		45	TAPE PACKAGE, Fndr., Door, Qtr., Silver
	4342 646-7	1		45	Blue
	4342 648-9	1		45	Red
	4342 650-1	1		45	Cream
	4342 652-3	1		45	Palomino Tan
4	T992-3 DA1	1		45	TAPE, L/Gate, Silver
	T992-3 DB7	1		45	Blue
	T992-3 DR4	1		45	Red
	T992-3 DT2	1		45	Cream
	T992-3 DT3	1		45	Palomino Tan
5	4319 013	AR		D-P,45	OVERLAY, Doors, Fuel Filler Door, L/Gate, Lic. Plate Depr.
	4319 013	1		D-P,45	OVERLAY, Fndr. Side
	4319 013	1		P-P,45	OVERLAY, Qtr. Pnl.
6	T752 BX9	AR		D-H	TAPE, Door Handle, Black
	4328 686	AR		D-P,45	OVERLAY, Door Handle, Woodgrain
7	4366 008	2		D-M	DECAL, Qtr. Wdo. Glass Bezel, "ARIES SE"
	4366 009	2		D-H	DECAL, Qtr. Wdo. Glass Bezel, "ARIES LE"
-	4328 688-9	1		45	TAPE, Qtr. Frt., Blackout
-	4342 951	AR		21,41,4	TAPE PACKAGE, Frt. Bumper Fascia, Fndr. Frt., Qtr. Rear, Rolled Stock

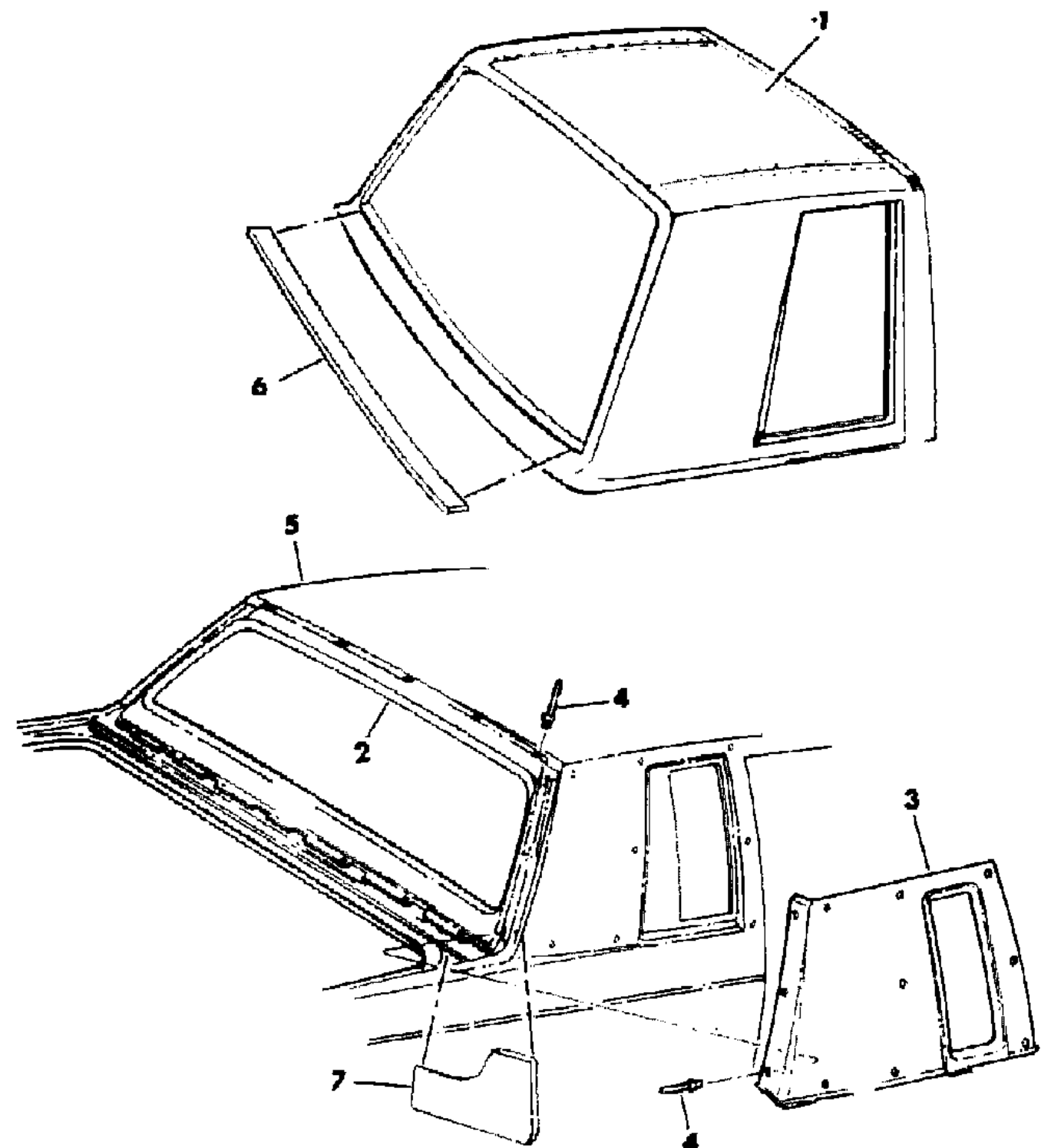
MODEL CODES
 B = GRAN FURY
 C = LE BARON/TOWN & COUNTRY/LIMO
 C24 = LASER
 C44 = LE BARON/GTS
 D = ARIES
 D44 = LANCER
 E = 600
 F = FIFTH AVENUE/NEWPORT
 G = DIPLOMAT
 H = VOYAGER
 J = CARAVELLE
 K = MINI VAN/CARAVAN/ROYAL
 M = HORIZON/TURISMO
 P = RELIANT
 T = NEW YORKER
 V = 600
 V24 = DAYTONA
 Z = OMNI/CHARGER

BODY STYLES
 21 = 2-DOOR SEDAN
 22 = 2-DOOR SPECIAL COUPE
 24 = 2-DOOR HATCHBACK
 27 = 2-DOOR CONVERTIBLE
 35 = FWD VAN
 36 = FWD WAGON
 41 = 4-DOOR SEDAN
 44 = 4-DOOR HATCHBACK
 45 = 4-DOOR STATION WAGON
 49 = LIMOUSINE

AR = Use as Required - = Non Illustrated Part P.A.R. = Paint as Required

COVER, ROOF - EXTERIOR VIEW DODGE 600 - 22
Figure 23-2350

5168 2350



ITEM	PART NUMBER	QTY	BODY	MODEL	DESCRIPTION
1	T931 BA2	1			COVER, Padded Landau, Silver, (Trim Code VCA)
	T931 DB1	1			Ice Blue (Trim Code VCD)
	T931 CC6	1			Gunmetal Blue (Trim Code VCB)
	T931 CM6	1			Crimson Red (Trim Code VCM)
	T931 CT6	1			Mink Brown (Trim Code VCT)
	T931 DT4	1			Gold Dust (Trim Code VCU)
	T931 AW3	1			White (Trim Code VCW)
	T931 AX9	1			Black (Trim Code VCX)
	T931 DT2	1			Cream (Trim Code VCY)
2	4229 503	1			FOUNDATION, Roof Back Lite
3	4229 558-9	1			FOUNDATION, Roof Qtr. Wdo.
4		AR			RIVET, (Not Serv.)
5	4229 975	1			PAD, Roof
6	4229 778	1			PAD, Rear Wdo. Opng., Lwr.
7	4276 202	3			FILLER STRIP, Rear Wdo. Lwr. Corner

MODEL CODES
 B = GRAN FURY
 C = LE BARON/TOWN & COUNTRY/LIMO
 C24 = LASER
 C44 = LE BARON/GTS
 D = ARIES
 D44 = LANCER
 E = 600
 F = FIFTH AVENUE/NEWPORT
 G = DIPLOMAT
 H = VOYAGER
 J = CARAVELLE
 K = MINI VAN/CARAVAN/ROYAL
 M = HORIZON/TURISMO
 P = RELIANT
 T = NEW YORKER
 V = 600
 V24 = DAYTONA
 Z = OMNI/CHARGER

BODY STYLES
 21 = 2-DOOR SEDAN
 22 = 2-DOOR SPECIAL COUPE
 24 = 2-DOOR HATCHBACK
 27 = 2-DOOR CONVERTIBLE
 35 = FWD VAN
 36 = FWD WAGON
 41 = 4-DOOR SEDAN
 44 = 4-DOOR HATCHBACK
 45 = 4-DOOR STATION WAGON
 49 = LIMOUSINE

AR = Use as Required - = Non Illustrated Part P.A.R. = Paint as Required

MOULDINGS and ORNAMENTATION - EXTERIOR VIEW DODGE 600 - 22,27
Figure 23-2400

5158 2400 A

ITEM	PART NUMBER	QTY	BODY	MODEL	DESCRIPTION	
1	4328 572-3	1		22	MOULDING and SEAL, Body Frt. Pillar Drain Trough	
	4229 764-5	1		22	SEAL, Body Frt. Pillar Drain Trough Mldg., Inner SCREW, (Not Serv.)	
3	4319 024-5	1		22,27	MOULDING, Fndr. Wheel Opng.	
4	4319 030-1	1		22,27	MOULDING, Qtr. Wheel Opng.	
5	4293 638-9	1		22,27	MOULDING PACKAGE, Body Side Sill	
6	4276 610	1		22,27	MOULDING, Deck Lid Lwr.	
	6003 861	AR			RETAINER	
	4293 616	AR			SCREW PACKAGE, (Repair)	
7	X298-9 AC9	1		22	MOULDING, Qtr. Wdo., Use w/Padded Landau, Blue (Paint as Req.)	
9	4293 634-5	1		22,27	MOULDING PACKAGE, Door Belt, Use Up to 11-1-84	
	4364 538-9	1		22,27	MOULDING PACKAGE, Door Belt, Use After 11-1-84	
10	4319 378-9	1		22	MOULDING, Roof Side Drain Trough ADHESIVE, (Not Serv.)	
11	4319 769	1		22,27	NAMEPLATE, Deck Lid, "DODGE"	
12	4276 399	1		22,27	NAMEPLATE, Deck Lid, "600"	
	4276 488	1		27 Turb	NAMEPLATE, Deck Lid, "600 ES"	
13	4276 062-3	1		22	MOULDING, Frt. Door Wdo. Opng. Frame, Frt., w/Mirror	
14	4319 224-5	1		22	MOULDING, Frt. Door Wdo. Opng. Frame, Upr., Bright	
15	4319 230-1	1		22	MOULDING, Frt. Door Wdo. Opng. Frame, Rear, Bright	
17	4339 280-1	1		22,27	MOULDING and SEAL PACKAGE, Fndr. Frt.	
	4293 660-1	1		27 Turb	MOULDING and SEAL PACKAGE, Fndr. Frt., Black	
	6003 790	AR		22,27	RETAINER	
	18	X234-5 BA2	1		22,27	MOULDING, Fndr. Rear, Silver
		X234-5 CT6	1		22,27	Mink Brown
		X234-5 DT2	1		22,27	Cream
X234-5 BW3		1		22,27	White	
X234-5 BX9	1		22,27	Black		
X234-5 BC9	1		22,27	Night Watch Blue		
X234-5 DB1	1		22,27	Ice Blue Met.		
X234-5 CC6	1		22,27	Gunmetal Blue		
X234-5 BM5	1		22,27	Red		
X234-5 DT4	1		22,27	Gold Dust Met.		
19	4319 112-3	1		27 Turb	MOULDING, Fndr. Rear, Black	
	X240 CA2	2		22,27	MOULDING, Door, Silver	
	X240 CC6	2		22,27	Gunmetal Blue	

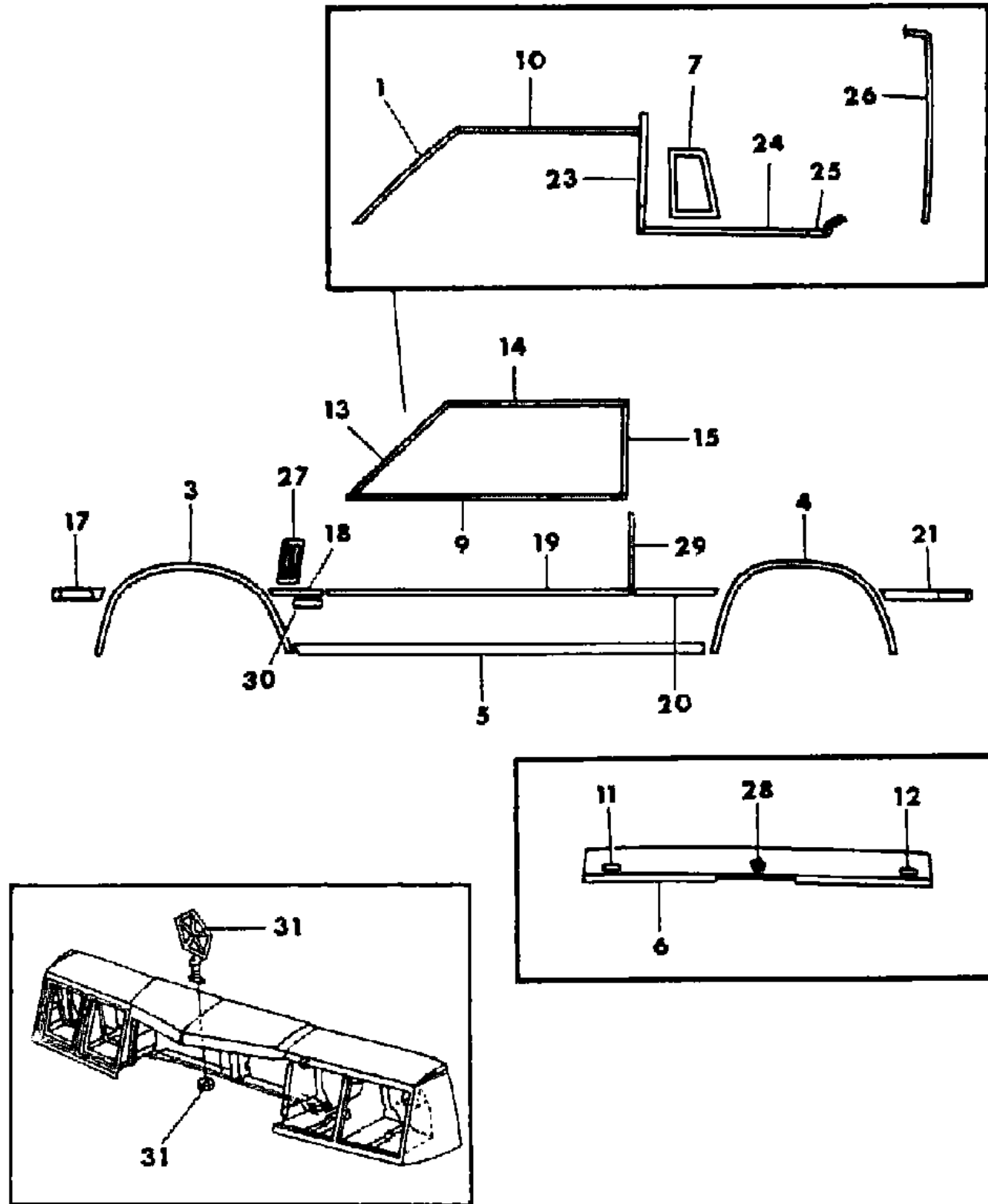
MODEL CODES

B = GRAN FURY	E = 600	M = HORIZON/TURISMO
C = LE BARON/TOWN & COUNTRY/LIMO	F = FIFTH AVENUE/NEWPORT	P = RELIANT
C24 = LASER	G = DIPLOMAT	T = NEW YORKER
C44 = LE BARON/GTS	H = VOYAGER	V = 600
D = ARIES	J = CARAVELLE	V24 = DAYTONA
D44 = LANCER	K = MINI VAN/CARAVAN/ROYAL	Z = OMNI/CHARGER

BODY STYLES

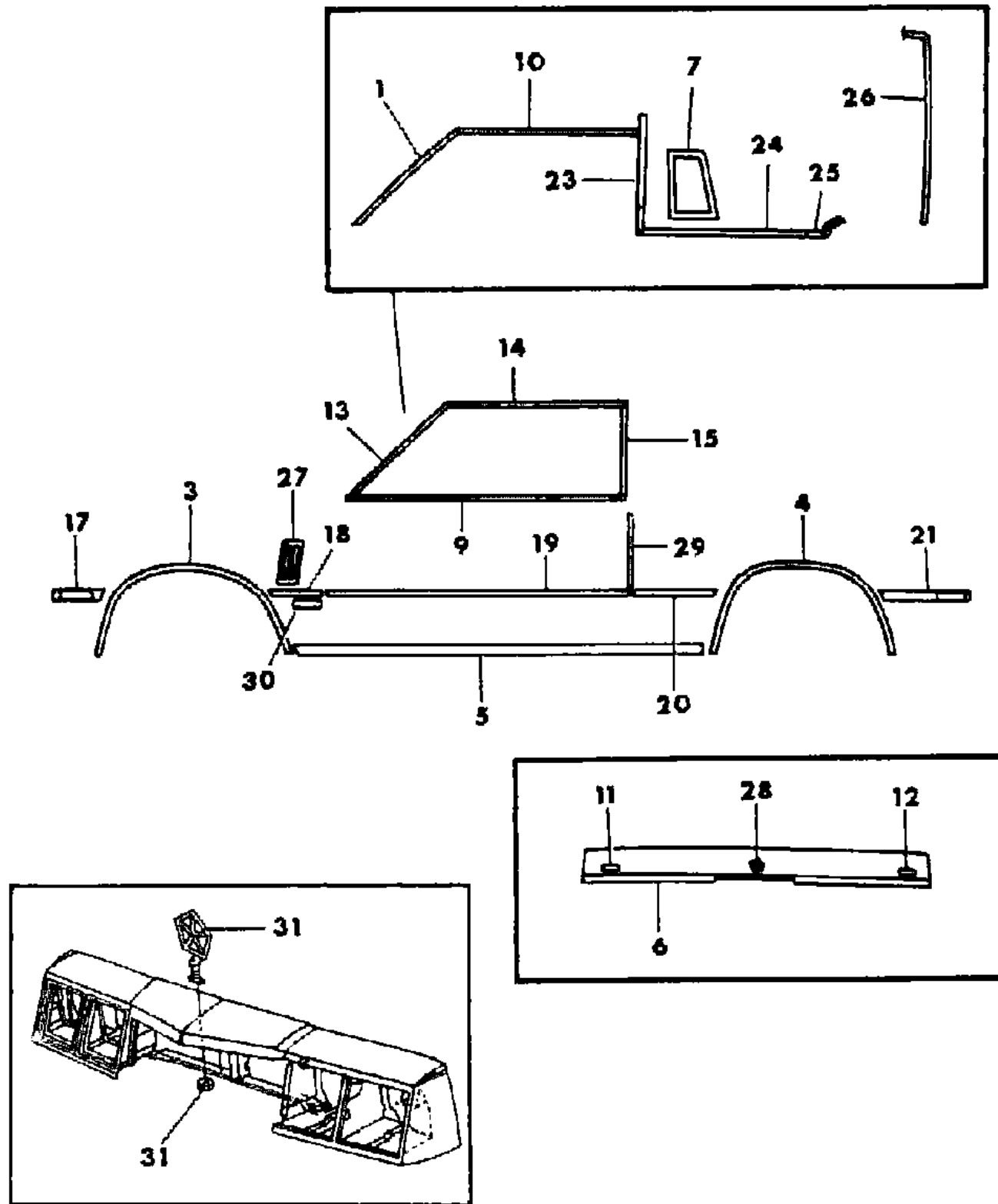
21 = 2-DOOR SEDAN	35 = FWD VAN	44 = 4-DOOR HATCHBACK
22 = 2-DOOR SPECIAL COUPE	36 = FWD WAGON	45 = 4-DOOR STATION WAGON
24 = 2-DOOR HATCHBACK	41 = 4-DOOR SEDAN	49 = LIMOUSINE
27 = 2-DOOR CONVERTIBLE		

AR = Use as Required - = Non Illustrated Part P.A.R. = Paint as Required



MOULDINGS and ORNAMENTATION - EXTERIOR VIEW DODGE 600 - 22,27
Figure 23-2400

5158 2400 A



ITEM	PART NUMBER	QTY	BODY	MODEL	DESCRIPTION
	X240 CW3	2		22,27	White
	X240 CX9	2		22,27	Black
	X240 DB1	2		22,27	Ice Blue Met.
	X240 CT6	2		22,27	Mink Brown
	X240 DT2	2		22,27	Cream
	X240 CM5	2		22,27	Red
	X240 DT4	2		22,27	Gold Dust Met.
	4328 496	2	27 Turb		MOULDING, Door, Black
20	X244-5 CA2	1		22,27	MOULDING, Qtr. Frt., Silver
	X244-5 CC6	1		22,27	Gunmetal Blue
	X244-5 CW3	1		22,27	White
	X244-5 CX9	1		22,27	Black
	X244-5 DB1	1		22,27	Ice Blue Met.
	X244-5 CT6	1		22,27	Mink Brown
	X244-5 DT2	1		22,27	Cream
	X244-5 CM5	1		22,27	Red
	X244-5 DT4	1		22,27	Gold Dust Met.
	4328 502-3	1	27 Turb		MOULDING, Qtr. Frt., Black
21	4339 282-3	1		22,27	MOULDING and SEAL PACKAGE, Qtr. Rear
	4339 290-1	1	27 Turb		MOULDING and SEAL PACKAGE, Qtr. Rear, Black
	6003 790	AR		22,27	RETAINER
23	X280 CA2	1		22	MOULDING, Roof Transverse, Rt., Use w/Padded Landau, Silver
	X331 BA2	1		22	MOULDING, Roof Transverse, Lt., Use w/Padded Landau, Silver
	X330-1 DB1	1		22	Ice Blue Met.
	X330-1 CT6	1		22	Mink Brown
	X330-1 DT2	1		22	Cream
	X280-1 CM5	1		22	Red
	X330-1 CC6	1		22	Gunmetal Blue
	X330-1 AW3	1		22	White
	X330-1 AX9	1		22	Black
	X330-1 DT4	1		22	Gold Dust Met.
	4293 617	AR			RETAINER PACKAGE
	6003 627	AR			RETAINER
	6003 821	AR			RETAINER
					WELD STUD, (Not Serv.)

MODEL CODES

B = GRAN FURY	E = 600	M = HORIZON/TURISMO
C = LE BARON/TOWN & COUNTRY/LIMO	F = FIFTH AVENUE/NEWPORT	P = RELIANT
C24 = LASER	G = DIPLOMAT	T = NEW YORKER
C44 = LE BARON/GTS	H = VOYAGER	V = 600
D = ARIES	J = CARAVELLE	V24 = DAYTONA
D44 = LANCER	K = MINI VAN/CARAVAN/ROYAL	Z = OMNI/CHARGER

BODY STYLES

21 = 2-DOOR SEDAN	35 = FWD VAN	44 = 4-DOOR HATCHBACK
22 = 2-DOOR SPECIAL COUPE	36 = FWD WAGON	45 = 4-DOOR STATION WAGON
24 = 2-DOOR HATCHBACK	41 = 4-DOOR SEDAN	49 = LIMOUSINE
27 = 2-DOOR CONVERTIBLE		

AR = Use as Required - = Non Illustrated Part P.A.R. = Paint as Required

MOULDINGS and ORNAMENTATION - EXTERIOR VIEW DODGE 600 - 22,27
Figure 23-2400

5158 2400 A

ITEM	PART NUMBER	QTY	BODY	MODEL	DESCRIPTION
24	4318 990-1	1		22	MOULDING PACKAGE, Qtr. Frt. and Belt, Use w/Padded Landau, Silver
	4342 686-7	1		22	Ice Blue Met.
	4318 984-5	1		22	Mink Brown
	4342 690-1	1		22	Cream
	4318 982-3	1		22	Red
	4342 688-9	1		22	Gold Dust Met.
	4318 978-9	1		22	Gunmetal Blue
	4318 986-7	1		22	White
	4318 988-9	1		22	Black
	6003 627	AR			RETAINER
	4293 617	AR			RETAINER PACKAGE
	4328 996-7	1		27	MOULDING, Qtr. Belt
	4364 664-5	1		27	CAP PACKAGE, Qtr. Belt Mldg., End WELD STUD, (Not Serv.)
25	X390-1 CA2	1		22	MOULDING, Qtr. Belt Rear Corner, Silver
	X390-1 DB1	1		22	Ice Blue Met.
	X390-1 CT6	1		22	Mink Brown
	X390-1 DT2	1		22	Cream
	X390-1 CM5	1		22	Red
	X390-1 DT4	1		22	Gold Dust Met.
	X390-1 CC6	1		22	Gunmetal Blue
	X390-1 CW3	1		22	White
	X390-1 CX9	1		22	Black
	4366 050-1	1		27	MOULDING, Qtr. Belt Corner
	4328 048	2		27	ISOLATOR, Qtr. Belt Corner Mldg.
26	#4293 496	1		22	MOULDING PACKAGE, Deck Opng. Upr. Pnl., Rt., Use w/Padded Landau, Silver
	4293 497	1		22	MOULDING PACKAGE, Deck Opng. Upr. Pnl., Lt., Use w/Padded Landau, Silver
	4342 680	1		22	Ice Blue Met., Rt.
	4342 681	1		22	Ice Blue Met., Lt.
	4342 684	1		22	Cream, Rt.
	4342 685	1		22	Cream, Lt.
	4342 682	1		22	Gold Dust Met., Rt.
	4342 683	1		22	Gold Dust Met., Lt.
	4339 014	1		22	Mink Brown, Rt.

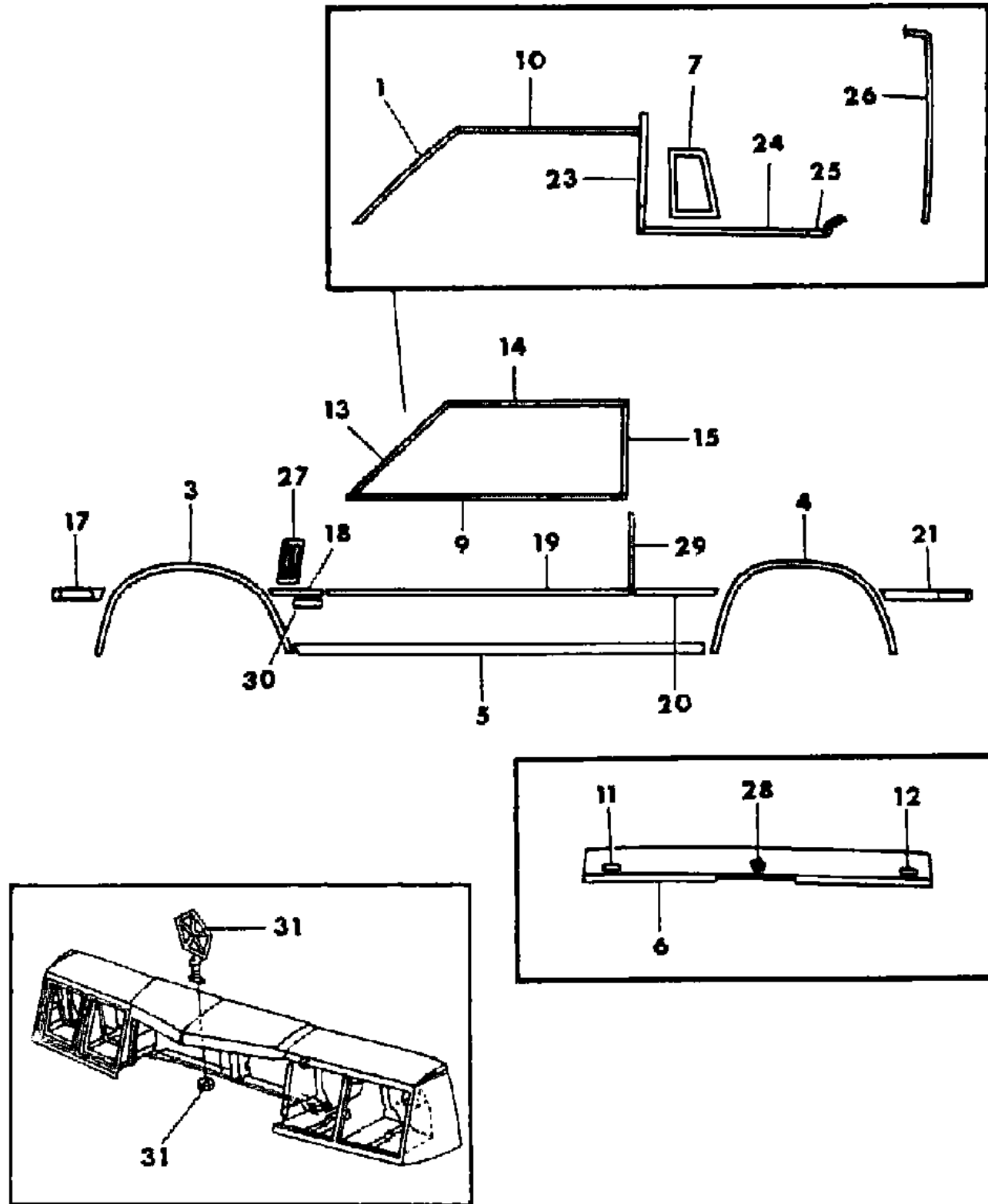
MODEL CODES

B = GRAN FURY	E = 600	M = HORIZON/TURISMO
C = LE BARON/TOWN & COUNTRY/LIMO	F = FIFTH AVENUE/NEWPORT	P = RELIANT
C24 = LASER	G = DIPLOMAT	T = NEW YORKER
C44 = LE BARON/GTS	H = VOYAGER	V = 600
D = ARIES	J = CARAVELLE	V24 = DAYTONA
D44 = LANCER	K = MINI VAN/CARAVAN/ROYAL	Z = OMNI/CHARGER

BODY STYLES

21 = 2-DOOR SEDAN	35 = FWD VAN	44 = 4-DOOR HATCHBACK
22 = 2-DOOR SPECIAL COUPE	36 = FWD WAGON	45 = 4-DOOR STATION WAGON
24 = 2-DOOR HATCHBACK	41 = 4-DOOR SEDAN	49 = LIMOUSINE
27 = 2-DOOR CONVERTIBLE		

AR = Use as Required - = Non Illustrated Part P.A.R. = Paint as Required



MOULDINGS and ORNAMENTATION - EXTERIOR VIEW DODGE 600 - 22,27
Figure 23-2400

5158 2400 A

ITEM	PART NUMBER	QTY	BODY	MODEL	DESCRIPTION
	4339 011	1		22	Mink Brown, Lt.
	4293 352	1		22	Red, Rt.
	4293 353	1		22	Red, Lt.
	4339 008	1		22	Gunmetal Blue, Rt.
	4339 009	1		22	Gunmetal Blue, Lt.
	4267 972	1		22	White, Rt.
	4267 973	1		22	White, Lt.
	4267 974	1		22	Black, Rt.
	4267 975	1		22	Black, Lt.
	3744 671	AR			RETAINER PACKAGE SCREW, (Not Serv.)
	4328 218-9	1		27	MOULDING, Deck Opng. Upr. Pnl.
	6003 875	AR		27	RETAINER
27	X282-3 CA1	1		22,27	LOUVER, Fndr., Silver
	X282-3 DB1	1		22,27	Ice Blue Met.
	X282-3 CC6	1		22,27	Gunmetal Blue
	X282-3 CR6	1		22,27	Red
	X282-3 DT4	1		22,27	Gold Dust Met.
	X282-3 CT6	1		22,27	Mink Brown SCREW, (Not Serv.)
28	X269 CA2	1		22,27	MEDALLION, Deck Lid Lock Cyl., Silver, Use Up to 6-1-85
	X269 EA1	1		22,27	MEDALLION, Deck Lid Lock Cyl., Silver, Use After 6-1-85
	X269 CC6	1		22,27	Gunmetal Blue
	X269 DB1	1		22,27	Ice Blue Met.
	X269 DM6	1		22,27	Red
	X269 DT3	1		22,27	Cream
	X269 CT6	1		22,27	Mink Brown
	X269 DT4	1		22,27	Gold Dust Met.
	X269 DW2	1		22,27	White
	X269 DX8	1		22,27	Black RIVET, (Not Serv.)
29	4097 774	2		27	MOULDING, Door Edge
30	4319 147	2			NAMEPLATE, Fndr. Side, "TURBO EFI"
31	4270 560	1		22,27	ORNAMENT, Radiator Grille, Complete
	4270 561	1		22,27	ORNAMENT, Pentastar
		AR		22,27	SPRING, Radiator Grille Ornament (Serv. In Assy.)

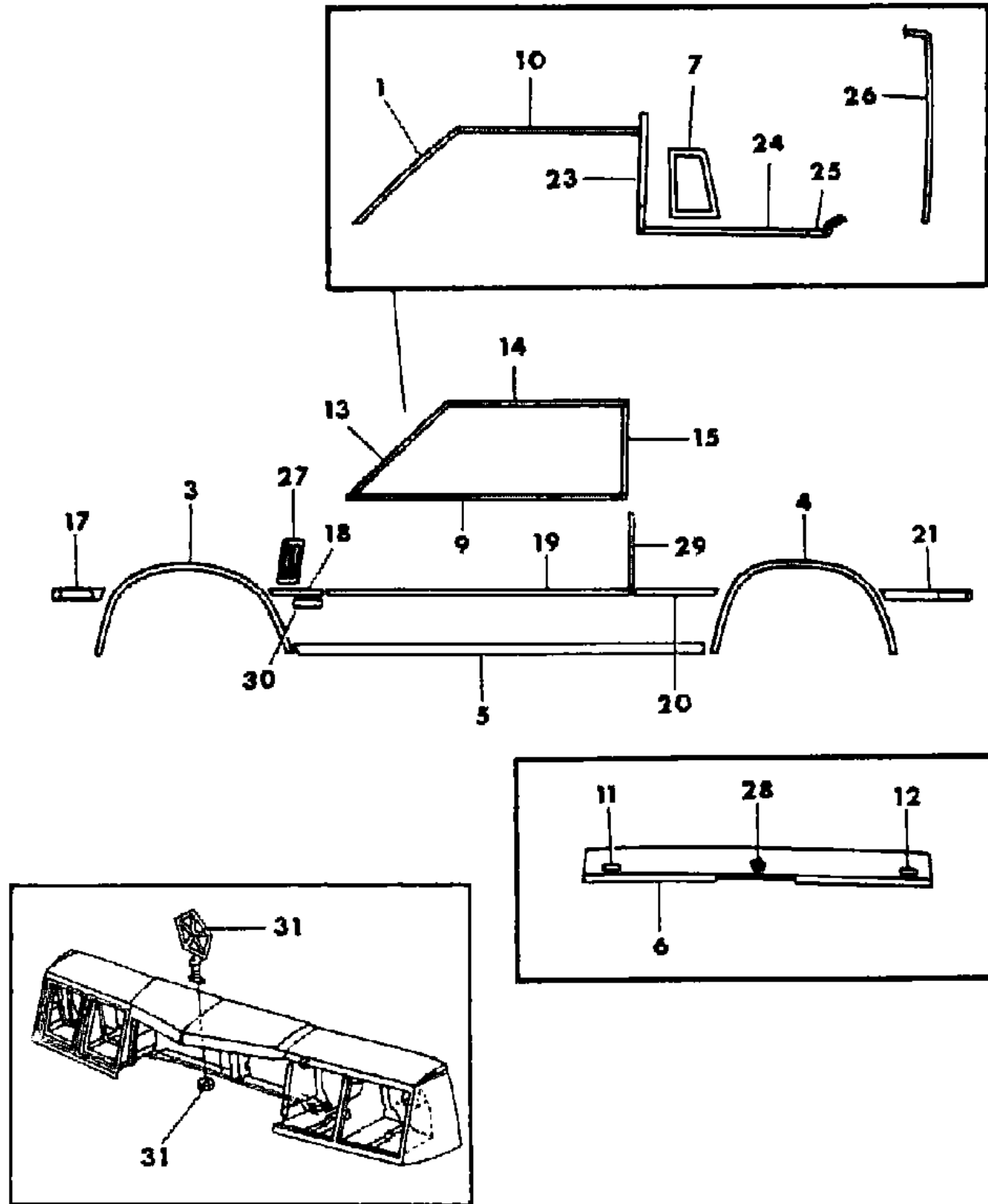
MODEL CODES

B = GRAN FURY	E = 600	M = HORIZON/TURISMO
C = LE BARON/TOWN & COUNTRY/LIMO	F = FIFTH AVENUE/NEWPORT	P = RELIANT
C24 = LASER	G = DIPLOMAT	T = NEW YORKER
C44 = LE BARON/GTS	H = VOYAGER	V = 600
D = ARIES	J = CARAVELLE	V24 = DAYTONA
D44 = LANCER	K = MINI VAN/CARAVAN/ROYAL	Z = OMNI/CHARGER

BODY STYLES

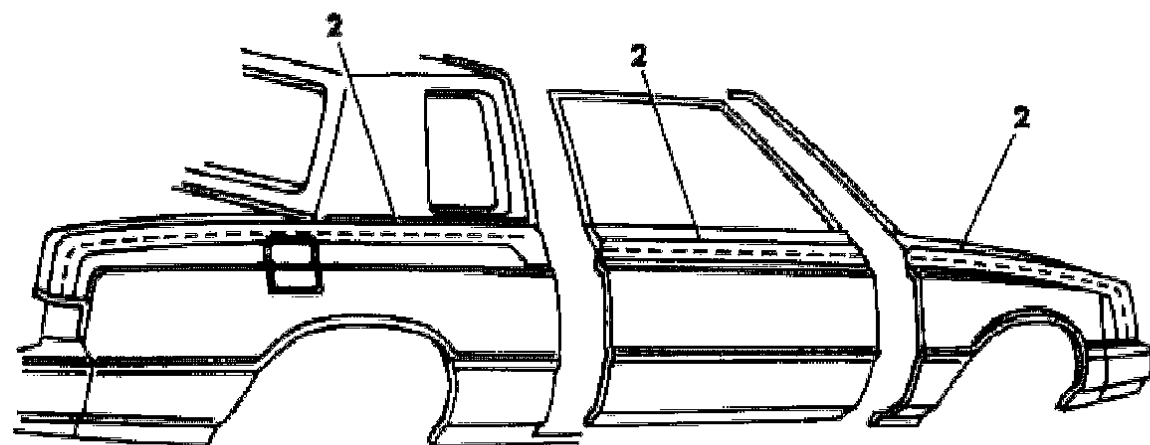
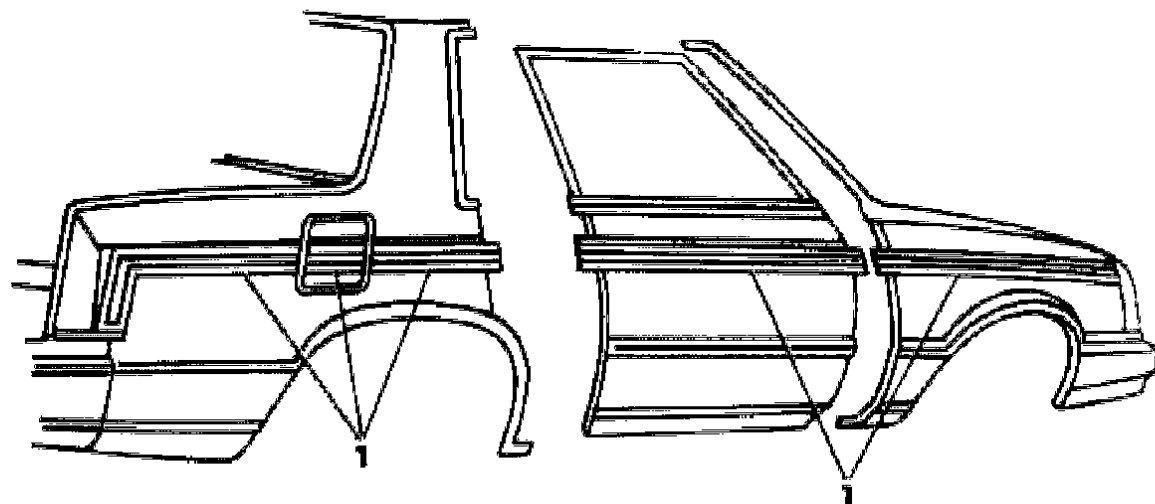
21 = 2-DOOR SEDAN	35 = FWD VAN	44 = 4-DOOR HATCHBACK
22 = 2-DOOR SPECIAL COUPE	36 = FWD WAGON	45 = 4-DOOR STATION WAGON
24 = 2-DOOR HATCHBACK	41 = 4-DOOR SEDAN	49 = LIMOUSINE
27 = 2-DOOR CONVERTIBLE		

AR = Use as Required - = Non Illustrated Part P.A.R. = Paint as Required



TAPE STRIPES and DECALS - EXTERIOR VIEW DODGE 600 - 22,27
Figure 23-2500

5168 2500



ITEM	PART NUMBER	QTY	BODY	MODEL	DESCRIPTION
1	4364 004-5	1		22,27	TAPE PACKAGE, Fndr., Door, Qtr., Silver
	4318 672-3	1		22,27	Radiant Silver
	4342 504-5	1		22,27	Bright Blue
	4342 506-7	1		22,27	Cream
	4342 508-9	1		22,27	Palomino Tan
	4271 610-1	1		22,27	Orange
	4271 614-5	1		22,27	White
	4318 676-7	1		22,27	Saddle Brown
	4318 678-9	1		22,27	Red
	4339 296-7	1		22,27	Black
2	4342 582-3	1		22	TAPE PACKAGE, Fndr., Door, Qtr., Gold Tan, Cream, Spice (Paint Sales Code PT4 QT3)
	4342 992-3	1		22	Gunmetal Blue, Silver, Blue Gray (Paint Sales Code PC6 QA1)

MODEL CODES

B = GRAN FURY	E = 600	M = HORIZON/TURISMO
C = LE BARON/TOWN & COUNTRY/LIMO	F = FIFTH AVENUE/NEWPORT	P = RELIANT
C24 = LASER	G = DIPLOMAT	T = NEW YORKER
C44 = LE BARON/GTS	H = VOYAGER	V = 600
D = ARIES	J = CARAVELLE	V24 = DAYTONA
D44 = LANCER	K = MINI VAN/CARAVAN/ROYAL	Z = OMNI/CHARGER

BODY STYLES

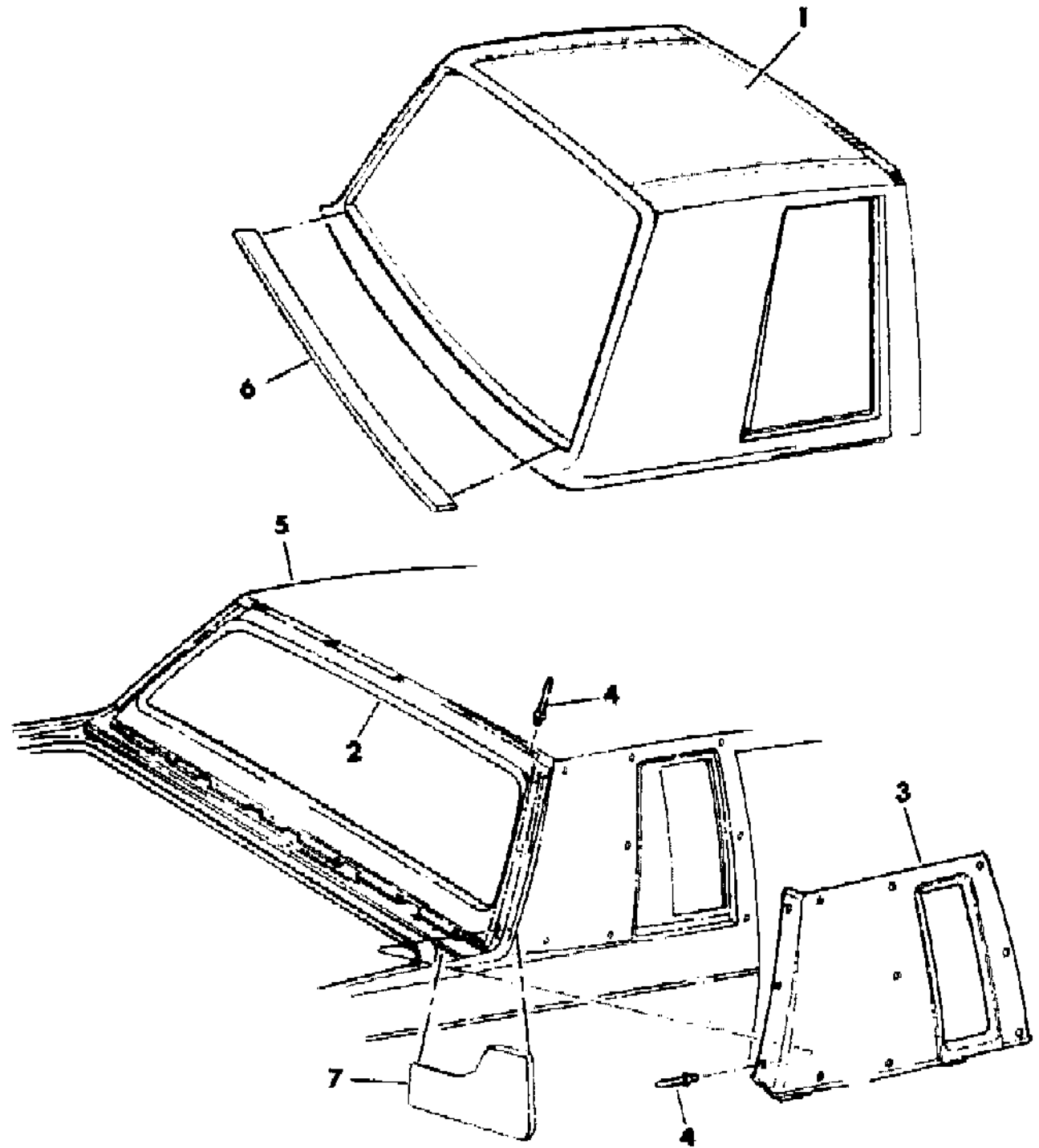
21 = 2-DOOR SEDAN	35 = FWD VAN	44 = 4-DOOR HATCHBACK
22 = 2-DOOR SPECIAL COUPE	36 = FWD WAGON	45 = 4-DOOR STATION WAGON
24 = 2-DOOR HATCHBACK	41 = 4-DOOR SEDAN	49 = LIMOUSINE
27 = 2-DOOR CONVERTIBLE		

AR = Use as Required - = Non Illustrated Part P.A.R. = Paint as Required

COVER, ROOF - EXTERIOR VIEW CHRYSLER LEBARON - 22
Figure 23-2550

5168 2550

ITEM	PART NUMBER	QTY	BODY	MODEL	DESCRIPTION
1	T931 BA2	1			COVER, Padded Landau, Silver (Trim Code VCA)
	T931 DB1	1			Ice Blue (Trim Code VCD)
	T931 CC6	1			Gunmetal Blue (Trim Code VCB)
	T931 CM6	1			Crimson Red (Trim Code VCM)
	T931 CT6	1			Mink Brown (Trim Code VCT)
	T931 DT4	1			Gold Dust (Trim Code VCU)
	T931 AW3	1			White (Trim Code VCW)
	T931 AX9	1			Black (Trim Code VCX)
	T931 DT2	1			Cream (Trim Code VCY)
2	4229 503	1			FOUNDATION, Roof Back Lite
3	4229 558-9	1			FOUNDATION, Roof Qtr. Wdo.
4		AR			RIVET, (Not Serv.)
5	4229 975	1			PAD, Roof
6	4229 778	1			PAD, Rear Wdo. Opng., Lwr.
7	4276 202	3			FILLER STRIP, Rear Wdo. Lwr. Corner



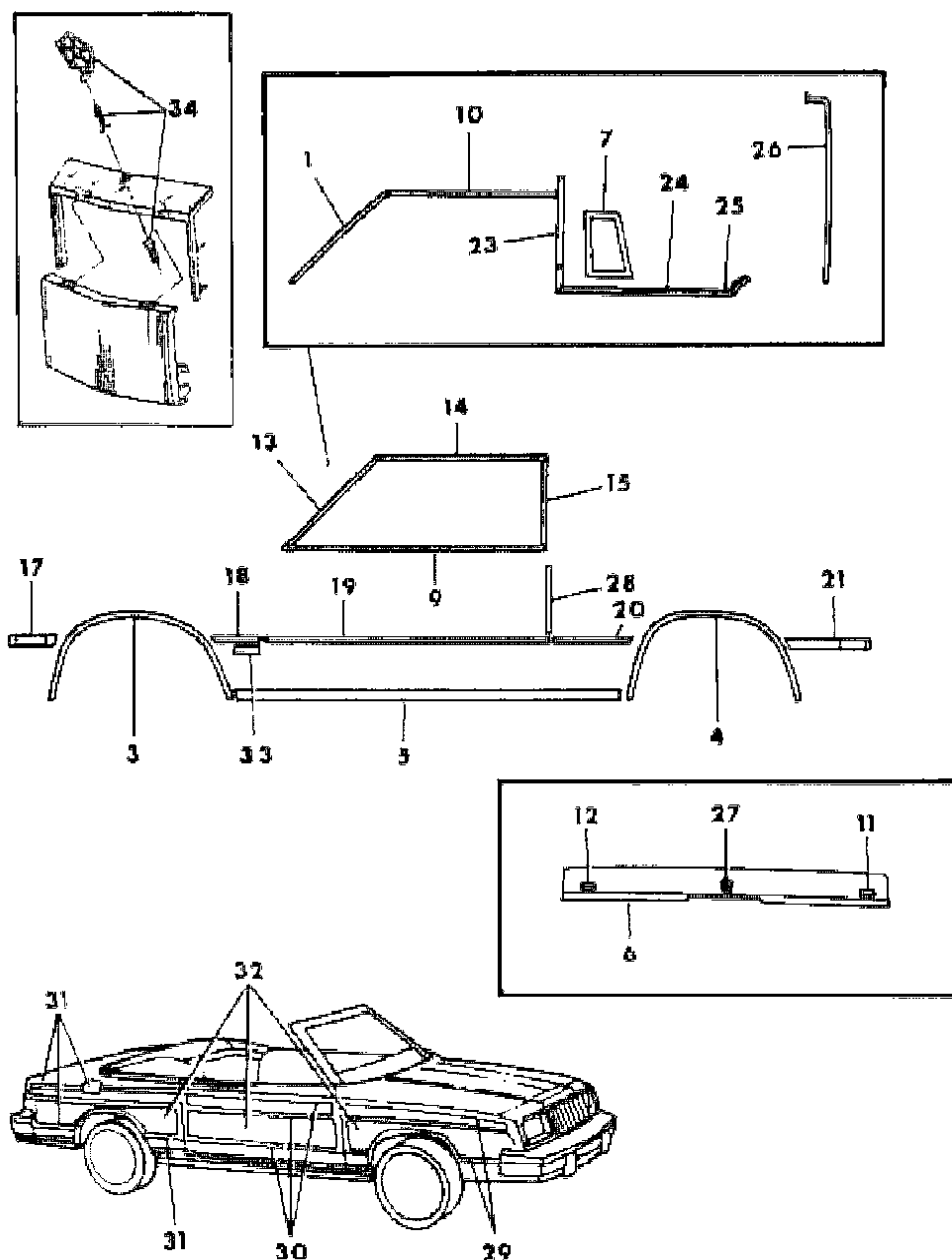
MODEL CODES
 B = GRAN FURY
 C = LE BARON/TOWN & COUNTRY/LIMO
 C24 = LASER
 C44 = LE BARON/GTS
 D = ARIES
 D44 = LANCER
 E = 600
 F = FIFTH AVENUE/NEWPORT
 G = DIPLOMAT
 H = VOYAGER
 J = CARAVELLE
 K = MINI VAN/CARAVAN/ROYAL
 M = HORIZON/TURISMO
 P = RELIANT
 T = NEW YORKER
 V = 600
 V24 = DAYTONA
 Z = OMNI/CHARGER

BODY STYLES
 21 = 2-DOOR SEDAN
 22 = 2-DOOR SPECIAL COUPE
 24 = 2-DOOR HATCHBACK
 27 = 2-DOOR CONVERTIBLE
 35 = FWD VAN
 36 = FWD WAGON
 41 = 4-DOOR SEDAN
 44 = 4-DOOR HATCHBACK
 45 = 4-DOOR STATION WAGON
 49 = LIMOUSINE

AR = Use as Required - = Non Illustrated Part P.A.R. = Paint as Required

MOULDINGS and ORNAMENTATION - EXTERIOR VIEW CHRYSLER LEBARON - 22,27
Figure 23-2600

6155 2600 A



ITEM	PART NUMBER	QTY	BODY	MODEL	DESCRIPTION
1	4328 572-3	1		22	MOULDING and SEAL, Body Frt. Pillar Drain Trough
	4229 764-5	1		22	SEAL, Body Frt. Pillar Drain Trough Mldg., Inner SCREW, (Not Serv.)
3	4319 024-5	1		22,27	MOULDING, Fndr. Wheel Opng.
4	4319 030-1	1		22,27	MOULDING, Qtr. Wheel Opng.
5	4293 638-9	1		22,27	MOULDING PACKAGE, Body Side Sill
6	4276 610	1		22,27	MOULDING, Deck Lid Lwr.
	6003 861	AR			RETAINER
	4293 616	AR			SCREW PACKAGE, (Repair)
7	X298-9 AC9	1		22	MOULDING, Qtr. Wdo., Use w/Padded Landau, Blue (Paint to Color)
9	4293 634-5	1		22,27	MOULDING PACKAGE, Door Belt, Use Up to 11-1-84
	4364 538-9	1		22,27	MOULDING PACKAGE, Door Belt, Use After 11-1-84
10	4319 378-9	1		22	MOULDING, Roof Side Drain Trough
					ADHESIVE, (Not Serv.)
11	4319 770	1		22,27	NAMEPLATE, Deck Lid, "LEBARON"
12	4319 771	1		22,27	NAMEPLATE, Deck Lid, "CHRYSLER"
13	4276 062-3	1		22	MOULDING, Frt. Door Wdo. Opng. Frame, Frt.
14	4319 224-5	1		22	MOULDING, Frt. Door Wdo. Opng. Frame, Upr., Bright
15	4319 230-1	1		22	MOULDING, Frt. Door Wdo. Opng. Frame, Rear, Bright
17	4339 280-1	1		22,27	MOULDING and SEAL PACKAGE, Fndr. Frt.
	6003 790	AR		22,27	RETAINER
18	X234-5 BA2	1		22,27	MOULDING, Fndr. Rear, Silver
	X234-5 CT6	1		22,27	Mink Brown
	X234-5 DT2	1		22,27	Cream
	X234-5 BW3	1		22,27	White
	X234-5 BX9	1		22,27	Black
	X234-5 BC9	1		22,27	Night Watch Blue
	X234-5 DB1	1		22,27	Ice Blue Met.
	X234-5 CC6	1		22,27	Gunmetal Blue
	X234-5 DT4	1		22,27	Gold Dust Met.
	X234-5 BM5	1		22,27	Red
19	X240 CA2	2		22,27	MOULDING, Door, Silver
	X240 CC6	2		22,27	Gunmetal Blue
	X240 CW3	2		22,27	White
	X240 CX9	2		22,27	Black
	X240 DB1	2		22,27	Ice Blue Met.

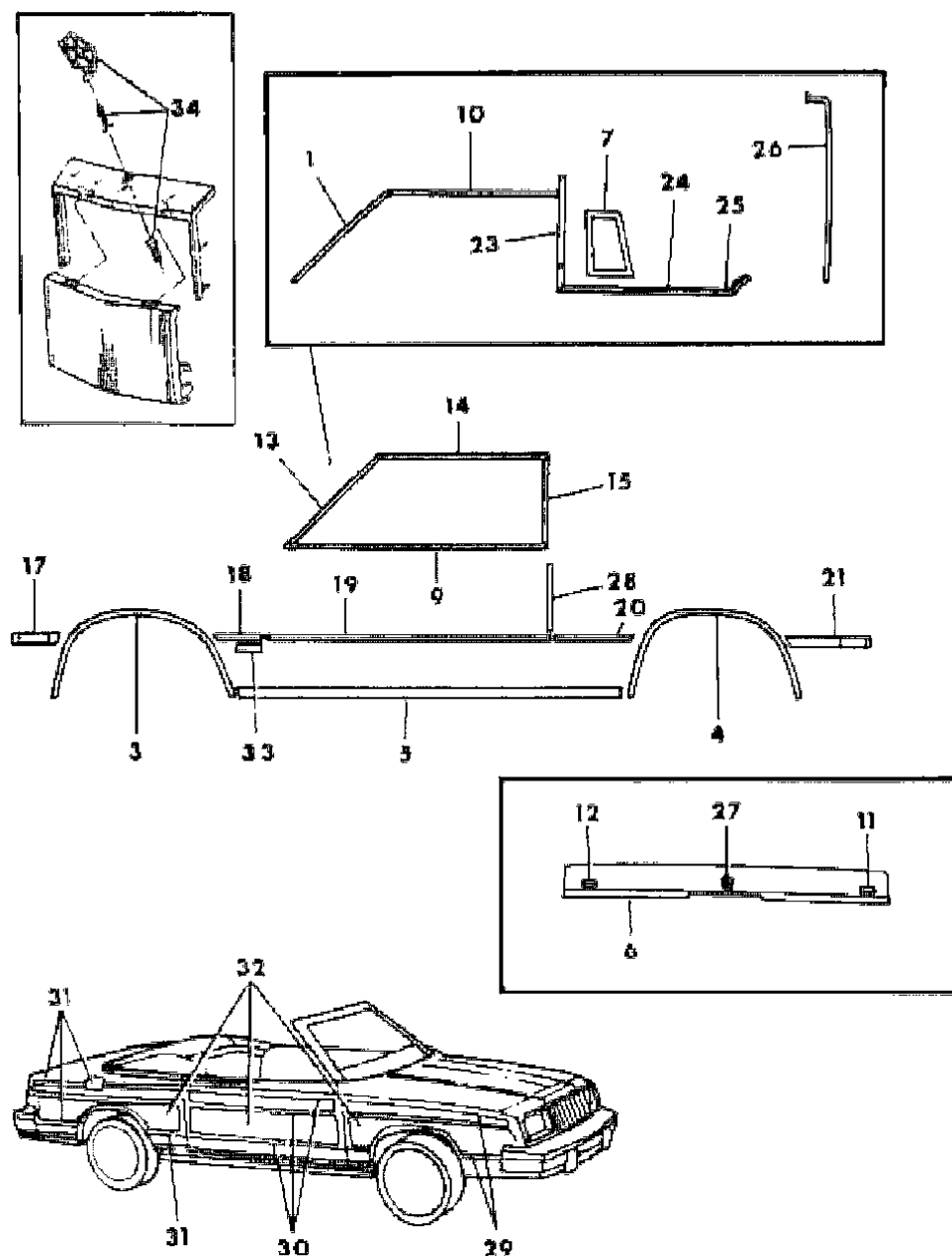
MODEL CODES
 B = GRAN FURY
 C = LE BARON/TOWN & COUNTRY/LIMO
 C24 = LASER
 C44 = LE BARON/GTS
 D = ARIES
 D44 = LANCER
 E = 600
 F = FIFTH AVENUE/NEWPORT
 G = DIPLOMAT
 H = VOYAGER
 J = CARAVELLE
 K = MINI VAN/CARAVAN/ROYAL
 M = HORIZON/TURISMO
 P = RELIANT
 T = NEW YORKER
 V = 600
 V24 = DAYTONA
 Z = OMNI/CHARGER

BODY STYLES
 21 = 2-DOOR SEDAN
 22 = 2-DOOR SPECIAL COUPE
 24 = 2-DOOR HATCHBACK
 27 = 2-DOOR CONVERTIBLE
 35 = FWD VAN
 36 = FWD WAGON
 41 = 4-DOOR SEDAN
 44 = 4-DOOR HATCHBACK
 45 = 4-DOOR STATION WAGON
 49 = LIMOUSINE

AR = Use as Required - = Non Illustrated Part P.A.R. = Paint as Required

MOULDINGS and ORNAMENTATION - EXTERIOR VIEW CHRYSLER LEBARON - 22,27
Figure 23-2600

6155 2600 A



ITEM	PART NUMBER	QTY	BODY	MODEL	DESCRIPTION
	X240 CT6	2		22,27	Mink Brown
	X240 DT2	2		22,27	Cream
	X240 CM5	2		22,27	Red
	X240 DT4	2		22,27	Gold Dust Met.
20	X244-5 CA2	1		22,27	MOULDING, Qtr. Frt., Silver
	X244-5 CC6	1		22,27	Gunmetal Blue
	X244-5 CW3	1		22,27	White
	X244-5 CX9	1		22,27	Black
	X244-5 DB1	1		22,27	Ice Blue Met.
	X244-5 CT6	1		22,27	Mink Brown
	X244-5 DT2	1		22,27	Cream
	X244-5 CM5	1		22,27	Red
	X244-5 DT4	1		22,27	Gold Dust Met.
21	4339 282-3	1		22,27	MOULDING and SEAL PACKAGE, Qtr. Rear
	6003 790	AR		22,27	RETAINER
23	X280 CA2	1		22	MOULDING, Roof Transverse, Rt., Use w/Padded Landau, Silver
	X331 BA2	1		22	MOULDING, Roof Transverse, Lt., Use w/Padded Landau, Silver
	X330-1 DB1	1		22	Ice Blue Met.
	X330-1 CT6	1		22	Mink Brown
	X330-1 DT2	1		22	Cream
	X280-1 CM5	1		22	Red
	X330-1 CC6	1		22	Gunmetal Blue
	X330-1 AW3	1		22	White
	X330-1 AX9	1		22	Black
	X330-1 DT4	1		22	Gold Dust Met.
	4293 617	AR			RETAINER PACKAGE
	6003 627	AR			RETAINER
	6003 821	AR			RETAINER
					WELD STUD, (Not Serv.)
24	4318 990-1	1		22	MOULDING PACKAGE, Qtr. Frt. and Belt, Use w/Padded Landau, Silver
	4342 686-7	1		22	Ice Blue Met.
	4318 984-5	1		22	Mink Brown
	4342 690-1	1		22	Cream
	4318 982-3	1		22	Red
	4342 688-9	1		22	Gold Dust Met.

MODEL CODES

B = GRAN FURY	E = 600	M = HORIZON/TURISMO
C = LE BARON/TOWN & COUNTRY/LIMO	F = FIFTH AVENUE/NEWPORT	P = RELIANT
C24 = LASER	G = DIPLOMAT	T = NEW YORKER
C44 = LE BARON/GTS	H = VOYAGER	V = 600
D = ARIES	J = CARAVELLE	V24 = DAYTONA
D44 = LANCER	K = MINI VAN/CARAVAN/ROYAL	Z = OMNI/CHARGER

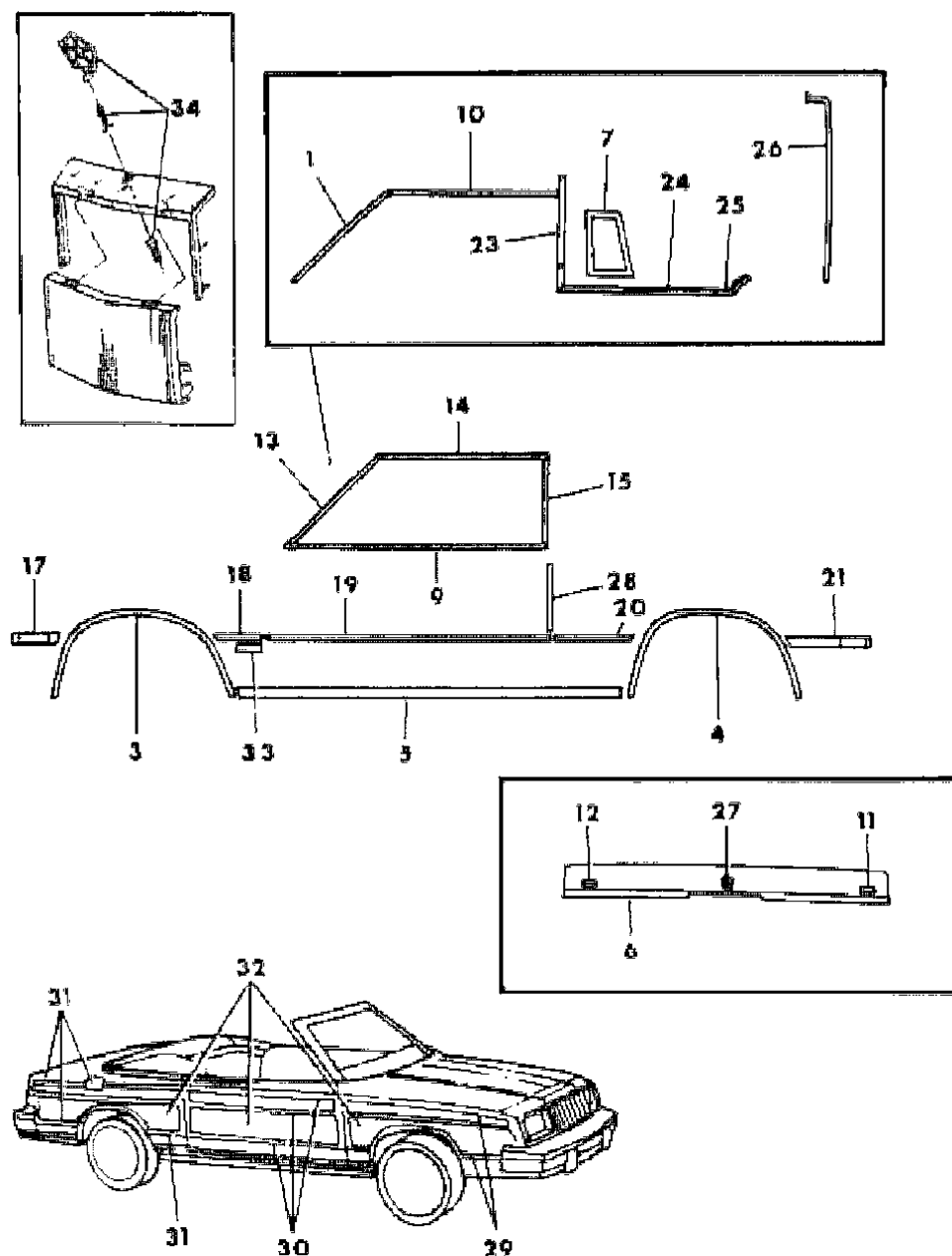
BODY STYLES

21 = 2-DOOR SEDAN	35 = FWD VAN	44 = 4-DOOR HATCHBACK
22 = 2-DOOR SPECIAL COUPE	36 = FWD WAGON	45 = 4-DOOR STATION WAGON
24 = 2-DOOR HATCHBACK	41 = 4-DOOR SEDAN	49 = LIMOUSINE
27 = 2-DOOR CONVERTIBLE		

AR = Use as Required - = Non Illustrated Part P.A.R. = Paint as Required

MOULDINGS and ORNAMENTATION - EXTERIOR VIEW CHRYSLER LEBARON - 22,27
Figure 23-2600

6155 2600 A



ITEM	PART NUMBER	QTY	BODY	MODEL	DESCRIPTION
	4318 978-9	1		22	Gunmetal Blue
	4318 986-7	1		22	White
	4318 988-9	1		22	Black
	6003 627	AR			RETAINER
	4293 617	AR			RETAINER PACKAGE
					WELD STUD, (Not Serv.)
	4328 996-7	1		27	MOULDING, Qtr. Belt
	4364 664-5	1		27	CAP PACKAGE, Qtr. Belt Mldg., End
25	X390-1 CA2	1		22	MOULDING, Qtr. Belt Rear Corner, Silver
	X390-1 DB1	1		22	Ice Blue Met.
	X390-1 CT6	1		22	Mink Brown
	X390-1 DT2	1		22	Cream
	X390-1 CM5	1		22	Red
	X390-1 DT4	1		22	Gold Dust Met.
	X390-1 CC6	1		22	Gunmetal Blue
	X390-1 CW3	1		22	White
	X390-1 CX9	1		22	Black
	4366 050-1	1		27	MOULDING, Qtr. Belt Corner
	4328 048	2		27	ISOLATOR, Qtr. Belt Corner Mldg.
26	#4293 496	1		22	MOULDING PACKAGE, Deck Opng. Upr Pnl., Rt., Use w/Padded Landau, Silver
	4293 497	1		22	MOULDING PACKAGE, Deck Opng. Upr. Pnl. Lt., Use w/Padded Landau, Silver
	4342 680	1		22	Ice Blue Met., Rt.
	4342 681	1		22	Ice Blue Met., Lt.
	4339 014	1		22	Mink Brown, Rt.
	4339 011	1		22	Mink Brown, Lt.
	4293 352	1		22	Red, Rt.
	4293 353	1		22	Red, Lt.
	4339 008	1		22	Gunmetal Blue, Rt.
	4339 009	1		22	Gunmetal Blue, Lt.
	4267 972	1		22	White, Rt.
	4267 973	1		22	White, Lt.
	4267 974	1		22	Black, Rt.
	4267 975	1		22	Black, Lt.
	4342 684	1		22	Cream, Rt.
	4342 685	1		22	Cream, Lt.

MODEL CODES

B = GRAN FURY	E = 600	M = HORIZON/TURISMO
C = LE BARON/TOWN & COUNTRY/LIMO	F = FIFTH AVENUE/NEWPORT	P = RELIANT
C24 = LASER	G = DIPLOMAT	T = NEW YORKER
C44 = LE BARON/GTS	H = VOYAGER	V = 600
D = ARIES	J = CARAVELLE	V24 = DAYTONA
D44 = LANCER	K = MINI VAN/CARAVAN/ROYAL	Z = OMNI/CHARGER

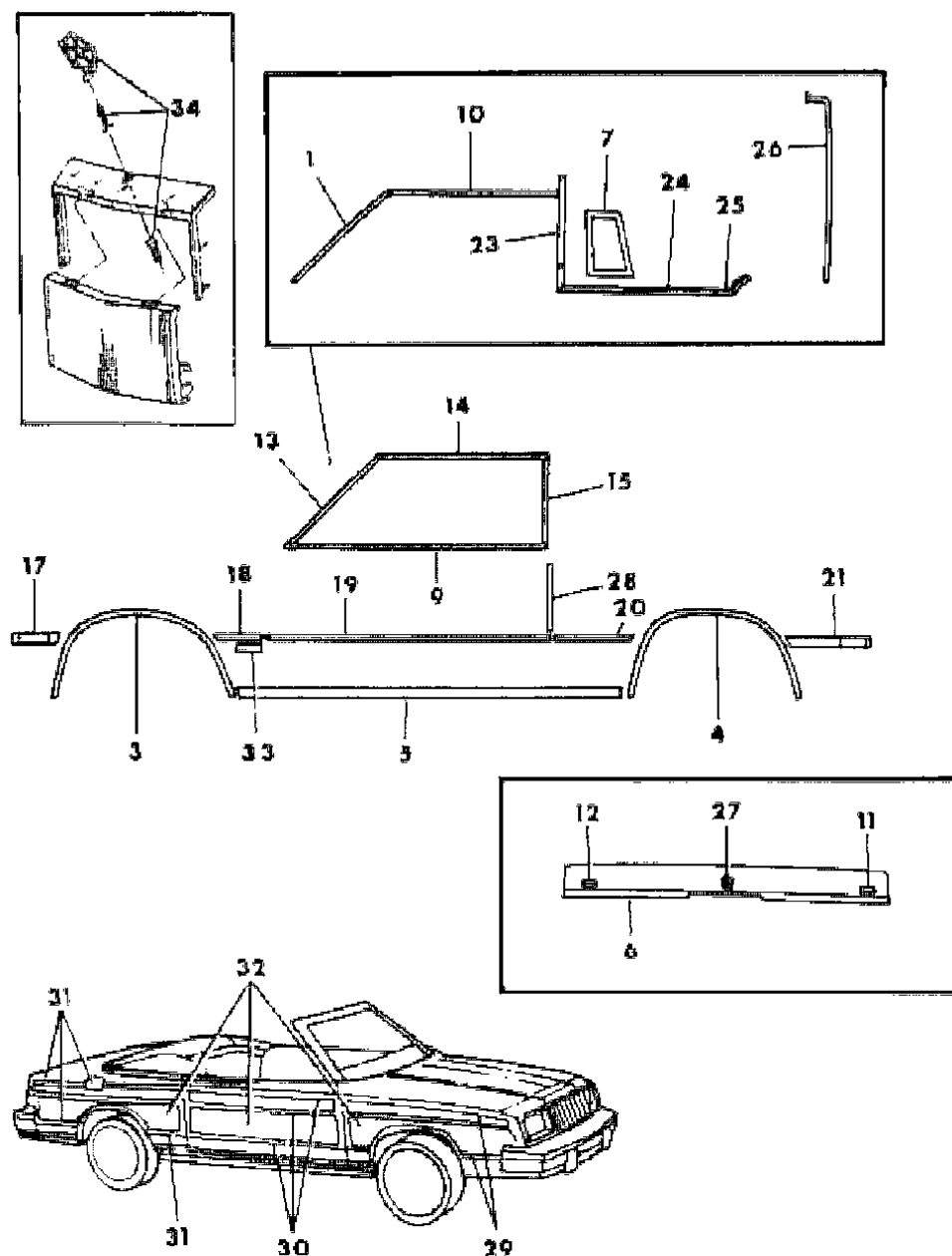
BODY STYLES

21 = 2-DOOR SEDAN	35 = FWD VAN	44 = 4-DOOR HATCHBACK
22 = 2-DOOR SPECIAL COUPE	36 = FWD WAGON	45 = 4-DOOR STATION WAGON
24 = 2-DOOR HATCHBACK	41 = 4-DOOR SEDAN	49 = LIMOUSINE
27 = 2-DOOR CONVERTIBLE		

AR = Use as Required - = Non Illustrated Part P.A.R. = Paint as Required

MOULDINGS and ORNAMENTATION - EXTERIOR VIEW CHRYSLER LEBARON - 22,27
Figure 23-2600

6155 2600 A



ITEM	PART NUMBER	QTY	BODY	MODEL	DESCRIPTION
	4342 682	1		22	Gold Dust Met., Rt.
	4342 683	1		22	Gold Dust Met., Lt.
	3744 671	AR			RETAINER PACKAGE SCREW, (Not Serv.)
	4328 218-9	1		27	MOULDING, Deck Opng. Upr. Pnl.
	6003 875	AR		27	RETAINER
27	X269 CA2	1		22,27	MEDALLION, Deck Lid Lock Cyl., Silver, Use Up to 6-1-85
	X269 EA1	1		22,27	MEDALLION, Deck Lid Lock Cyl., Silver, Use After 6-1-85
	X269 CC6	1		22,27	Gunmetal Blue
	X269 DB1	1		22,27	Ice Blue Met.
	X269 DM6	1		22,27	Red
	X269 DT3	1		22,27	Cream
	X269 CT6	1		22,27	Mink Brown
	X269 DT4	1		22,27	Gold Dust Met.
	X269 DW2	1		22,27	White
	X269 DX8	1		22,27	Black
					RIVET, (Not Serv.)
28	4097 774	2		27	MOULDING, Door Edge
29	4276 012-3	1		27	MOULDING, Fndr. (Woody)
	4017 657	AR			COVER
	4022 878	AR			COVER
					SCREW, (Not Serv.)
30	4328 120-1	1		27	MOULDING, Door (Woody)
	4017 657	AR			COVER
	4022 878	AR			COVER
					SCREW, (Not Serv.)
31	4328 122-3	1		27	MOULDING PACKAGE, Qtr. Pnl. (Woody)
	4017 657	AR			COVER
	4022 878	AR			COVER
					SCREW, (Not Serv.)
	4276 028	1		27	MOULDING, Qtr. Pnl. Fuel Filler Door, Rt. (Woody)
32	4319 887	AR		27	OVERLAY, Body Side (Woody)
33	4319 147	2			NAMEPLATE, Fndr. Side, "TURBO EFI"
34	4270 563	1		22,27	ORNAMENT, Radiator Grille
	3672 672	1		22,27	SPRING, Ornament
	3672 780	1		22,27	RETAINER

MODEL CODES

B = GRAN FURY	E = 600	M = HORIZON/TURISMO
C = LE BARON/TOWN & COUNTRY/LIMO	F = FIFTH AVENUE/NEWPORT	P = RELIANT
C24 = LASER	G = DIPLOMAT	T = NEW YORKER
C44 = LE BARON/GTS	H = VOYAGER	V = 600
D = ARIES	J = CARAVELLE	V24 = DAYTONA
D44 = LANCER	K = MINI VAN/CARAVAN/ROYAL	Z = OMNI/CHARGER

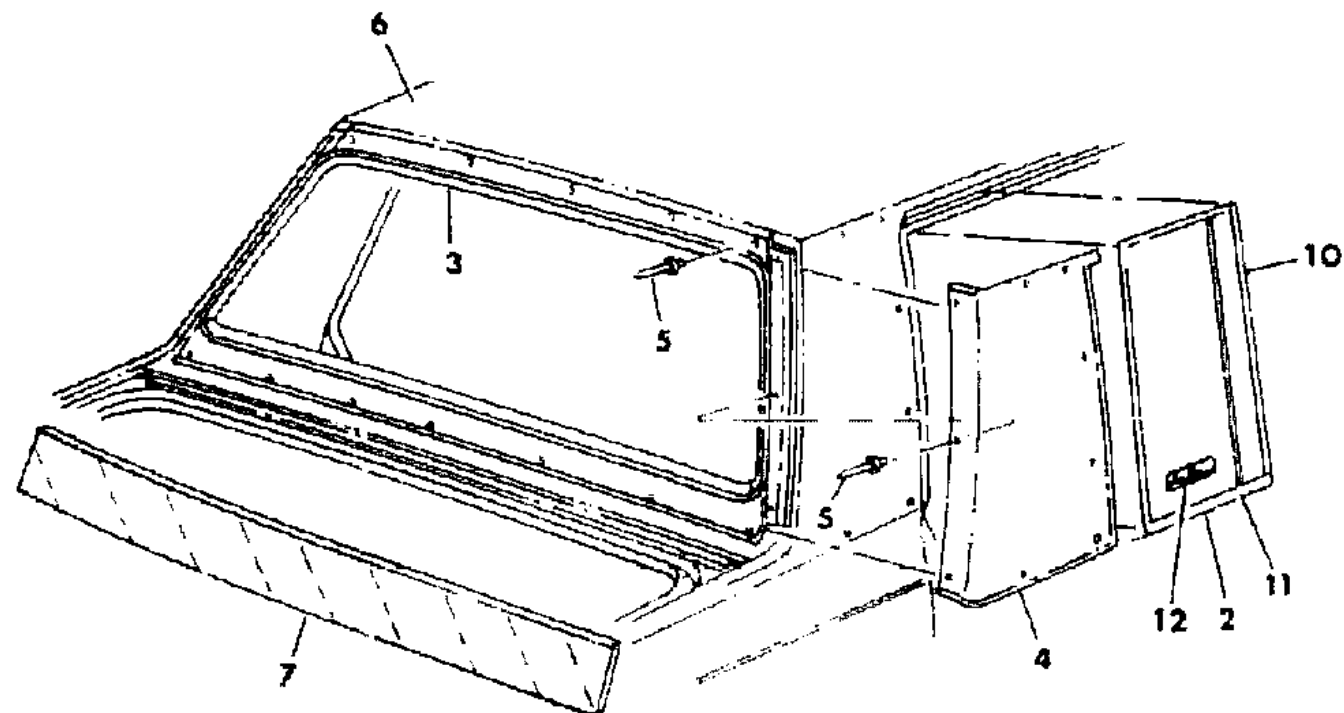
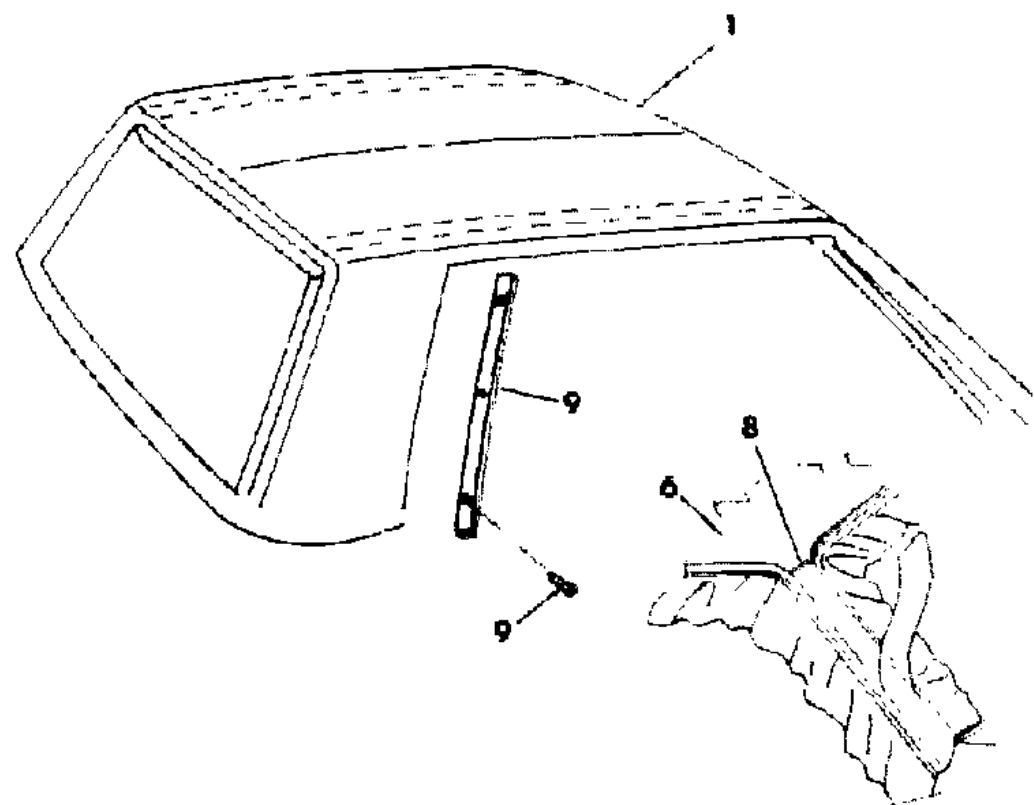
BODY STYLES

21 = 2-DOOR SEDAN	35 = FWD VAN	44 = 4-DOOR HATCHBACK
22 = 2-DOOR SPECIAL COUPE	36 = FWD WAGON	45 = 4-DOOR STATION WAGON
24 = 2-DOOR HATCHBACK	41 = 4-DOOR SEDAN	49 = LIMOUSINE
27 = 2-DOOR CONVERTIBLE		

AR = Use as Required - = Non Illustrated Part P.A.R. = Paint as Required

COVER, ROOF - EXTERIOR VIEW CHRYSLER LEBARON - 4 DOOR
Figure 23-2650

5168 2650



ITEM	PART NUMBER	QTY	BODY	MODEL	DESCRIPTION
1	T932 BA2	1			COVER, Full Padded, Silver (Trim Code VEA)
	T932 CC6	1			Gunmetal Blue (Trim Code VEB)
	T932 DB1	1			Ice Blue (Trim Code VED)
	T932 CM6	1			Crimson Red (Trim Code VEM)
	T932 CT6	1			Mink Brown (Trim Code VET)
	T932 DT4	1			Gold Dust (Trim Code VEU)
	T932 AW3	1			White (Trim Code VEW)
	T932 AX9	1			Black (Trim Code VEX)
	T932 DT2	1			Cream (Trim Code VEY)
2	X542-3 BA2	1			COVER, w/Nameplate and Mldg., Rear Door Rear Outer Silver (Trim Code VEA)
	X542-3 CC6	1			Gunmetal Blue (Trim Code VEB)
	X542-3 DB1	1			Ice Blue (Trim Code VED)
	X542-3 CM6	1			Crimson Red (Trim Code VEM)
	X542-3 CT6	1			Mink Brown (Trim Code VET)
	X542-3 DT4	1			Gold Dust (Trim Code VEU)
	X542-3 AW3	1			White (Trim Code VEW)
	X542-3 AX9	1			Black (Trim Code VEX)
	X542-3 DT2	1			Cream (Trim Code VEY)
3	4229 716	1			FOUNDATION
4	4229 718-9	1			FOUNDATION, Qtr.
5		AR			RIVET, (Not Serv.)
6	4229 977	1			PAD, Roof
7	4229 979	1			PAD, Rear Wdo., Lwr.
8	4229 978	2			PAD, Frt. Pillar
9	X324 AW3	3			RETAINER, Rear Door Opng., Vinyl Roof
	6032 508	AR			SCREW
10	4198 958-9	1			MOULDING, Frt.
11	4198 960-1	1			MOULDING, Lwr.
12	4017 688	2			NAMEPLATE, "LeBaron"

MODEL CODES

B = GRAN FURY	E = 600	M = HORIZON/TURISMO
C = LE BARON/TOWN & COUNTRY/LIMO	F = FIFTH AVENUE/NEWPORT	P = RELIANT
C24 = LASER	G = DIPLOMAT	T = NEW YORKER
C44 = LE BARON/GTS	H = VOYAGER	V = 600
D = ARIES	J = CARAVELLE	V24 = DAYTONA
D44 = LANCER	K = MINI VAN/CARAVAN/ROYAL	Z = OMNI/CHARGER

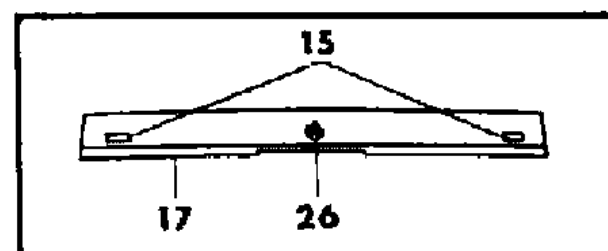
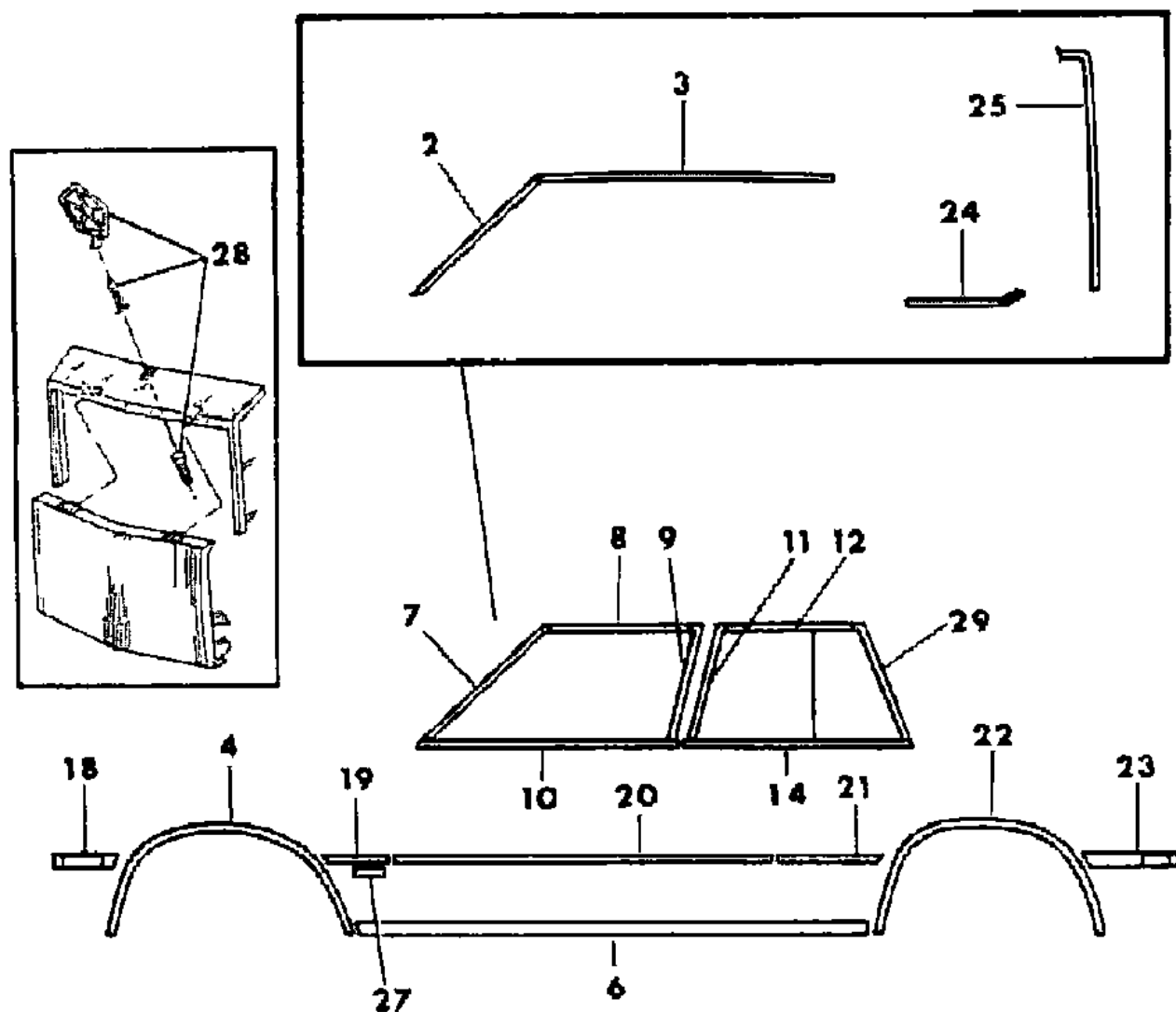
BODY STYLES

21 = 2-DOOR SEDAN	35 = FWD VAN	44 = 4-DOOR HATCHBACK
22 = 2-DOOR SPECIAL COUPE	36 = FWD WAGON	45 = 4-DOOR STATION WAGON
24 = 2-DOOR HATCHBACK	41 = 4-DOOR SEDAN	49 = LIMOUSINE
27 = 2-DOOR CONVERTIBLE		

AR = Use as Required - = Non Illustrated Part P.A.R. = Paint as Required

MOULDINGS and ORNAMENTATION - EXTERIOR VIEW CHRYSLER LEBARON 4 DOOR
Figure 23-2700

5168 2700 C



ITEM	PART NUMBER	QTY	BODY	MODEL	DESCRIPTION
2	4328 572-3	1			MOULDING and SEAL, Body Frt. Pillar Drain Trough
	4229 764-5	1			SEAL, Body Frt. Pillar Drain Trough Mldg., Inner SCREW, (Not Serv.)
3	X322-3 AW3	1			MOULDING, Roof Side Drain Trough, Use w/Full Padded Vinyl Roof (Paint as Req.)
	4319 372-3	1			MOULDING, Roof Side Drain Trough, Use w/o Full Padded Vinyl Roof, Use After 2-15-85 ADHESIVE, (Not Serv.)
4	4319 024-5	1			MOULDING, Fndr. Wheel Opng.
6	4293 638-9	1			MOULDING PACKAGE, Body Side Sill
7	4276 062-3	1			MOULDING, Frt. Door Wdo. Opng. Frame, Frt., Bright
8	4319 222-3	1			MOULDING, Frt. Door Wdo. Opng. Frame, Upr., Bright
9	4328 304-5	1			MOULDING, Frt. Door Wdo. Opng. Frame, Rear, Bright
10	4293 628-9	1			MOULDING PACKAGE, Frt. Door Belt
	6003 627	AR			RETAINER
11	4328 308-9	1			MOULDING, Rear Door Wdo. Opng. Frame, Frt.
12	4319 242-3	1			MOULDING, Rear Door Wdo. Opng. Frame, Upr., Use w/Full Padded Roof
	4319 240-1	1			MOULDING, Rear Door Wdo. Opng. Frame, Upr., Use w/o Full Padded Vinyl Roof, Use After 2-15-85
14	4293 642-3	1			MOULDING PACKAGE, Rear Door Belt, Use w/Full Padded Roof
	4364 540-1	1			MOULDING PACKAGE, Rear Door Belt, Use w/o Full Padded Vinyl Roof, Use After 2-15-85
15	6003 627	AR			RETAINER
	4319 770	1			NAMEPLATE, Deck Lid, "LEBARON"
17	4319 771	1			NAMEPLATE, Deck Lid, "CHRYSLER"
	4276 610	1			MOULDING, Deck Lid Lwr.
	6003 861	AR			RETAINER
	4293 616	AR			SCREW PACKAGE, (Repair)
18	4339 280-1	1			MOULDING and SEAL PACKAGE, Fndr. Frt.
	6003 790	AR			RETAINER
19	X234-5 BA2	1			MOULDING, Fndr. Rear, Silver
	X234-5 CC6	1			Gunmetal Blue
	X234-5 DB1	1			Ice Blue Met.
	X234-5 BW3	1			White
	X234-5 BX9	1			Black
	X234-5 BC9	1			Night Watch Blue

MODEL CODES

B = GRAN FURY	E = 600	M = HORIZON/TURISMO
C = LE BARON/TOWN & COUNTRY/LIMO	F = FIFTH AVENUE/NEWPORT	P = RELIANT
C24 = LASER	G = DIPLOMAT	T = NEW YORKER
C44 = LE BARON/GTS	H = VOYAGER	V = 600
D = ARIES	J = CARAVELLE	V24 = DAYTONA
D44 = LANCER	K = MINI VAN/CARAVAN/ROYAL	Z = OMNI/CHARGER

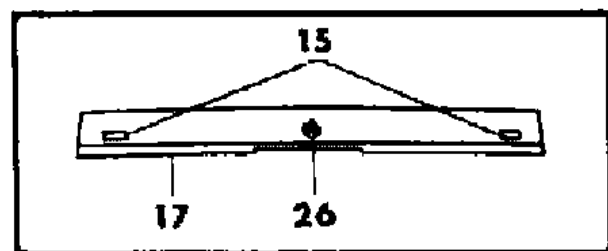
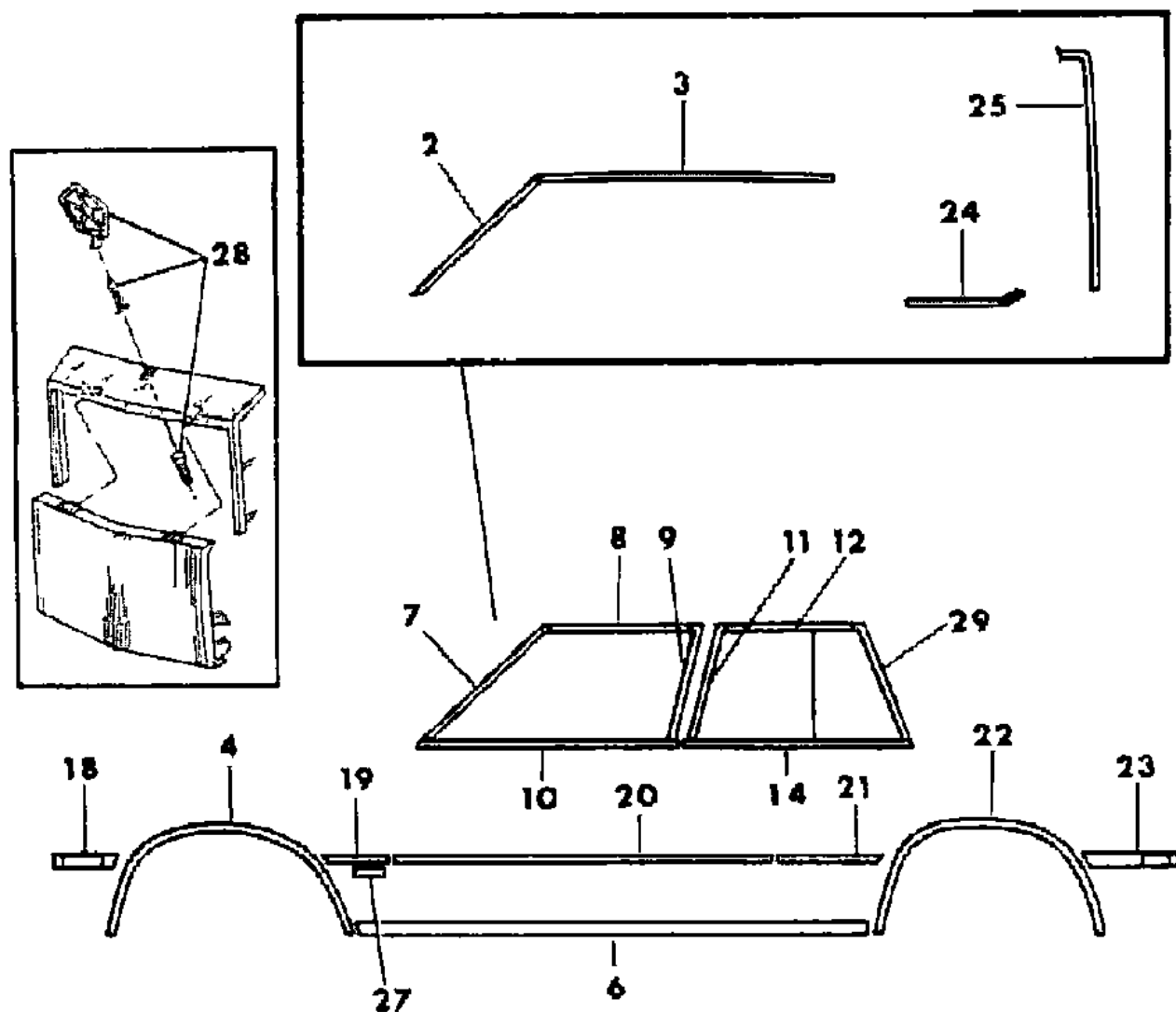
BODY STYLES

21 = 2-DOOR SEDAN	35 = FWD VAN	44 = 4-DOOR HATCHBACK
22 = 2-DOOR SPECIAL COUPE	36 = FWD WAGON	45 = 4-DOOR STATION WAGON
24 = 2-DOOR HATCHBACK	41 = 4-DOOR SEDAN	49 = LIMOUSINE
27 = 2-DOOR CONVERTIBLE		

AR = Use as Required - = Non Illustrated Part P.A.R. = Paint as Required

MOULDINGS and ORNAMENTATION - EXTERIOR VIEW CHRYSLER LEBARON 4 DOOR
Figure 23-2700

5168 2700 C



ITEM	PART NUMBER	QTY	BODY	MODEL	DESCRIPTION
	X234-5 CT6	1			Mink Brown
	X234-5 DT2	1			Cream
	X234-5 BM5	1			Red
	X234-5 DT4	1			Gold Dust Met.
20	X236 BA2	2			MOULDING, Frt. Door, Silver
	X236 CT6	2			Mink Brown
	X236 DT2	2			Cream
	X236 BW3	2			White
	X236 BX9	2			Black
	X236 DB1	2			Ice Blue Met.
	X236 CC6	2			Gunmetal Blue
	X236 DT4	2			Gold Dust Met.
	X236 BM5	2			Red
21	X246-7 CA2	1			MOULDING, Rear Door, Silver
	X246-7 CC6	1			Gunmetal Blue
	X246-7 CW3	1			White
	X246-7 CX9	1			Black
	X246-7 DB1	1			Ice Blue Met.
	X246-7 CT6	1			Mink Brown
	X246-7 DT2	1			Cream
	X246-7 CM5	1			Red
	X246-7 DT4	1			Gold Dust Met.
22	4319 030-1	1			MOULDING, Qtr. Wheel Opng.
23	4339 282-3	1			MOULDING and SEAL PACKAGE, Qtr. Rear
	6003 790	AR			RETAINER
24	4318 992-3	1			MOULDING, Qtr. Belt, White, Use on Padded Vinyl Roof (Paint as Req.)
					WELD STUD, (Not Serv.)
	4293 589	AR			RETAINER PACKAGE
25	4267 978-9	1			MOULDING, Deck Opng. Upr. Pnl., White, Use on Padded Vinyl Roof (Paint as Req.)
					RETAINER, (Not Serv.)
					SCREW, (Not Serv.)
26	X269 CA2	1			MEDALLION, Deck Lid Lock Cyl., Silver, Use Up to 6-1-85
	X269 EA1	1			MEDALLION, Deck Lid Lock Cyl., Silver, Use After 6-1-85
	X269 CC6	1			Gunmetal Blue
	X269 DB1	1			Ice Blue Met.

MODEL CODES

B = GRAN FURY	E = 600	M = HORIZON/TURISMO
C = LE BARON/TOWN & COUNTRY/LIMO	F = FIFTH AVENUE/NEWPORT	P = RELIANT
C24 = LASER	G = DIPLOMAT	T = NEW YORKER
C44 = LE BARON/GTS	H = VOYAGER	V = 600
D = ARIES	J = CARAVELLE	V24 = DAYTONA
D44 = LANCER	K = MINI VAN/CARAVAN/ROYAL	Z = OMNI/CHARGER

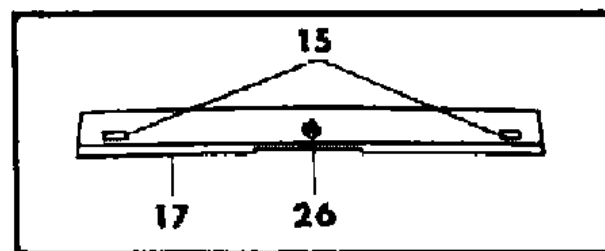
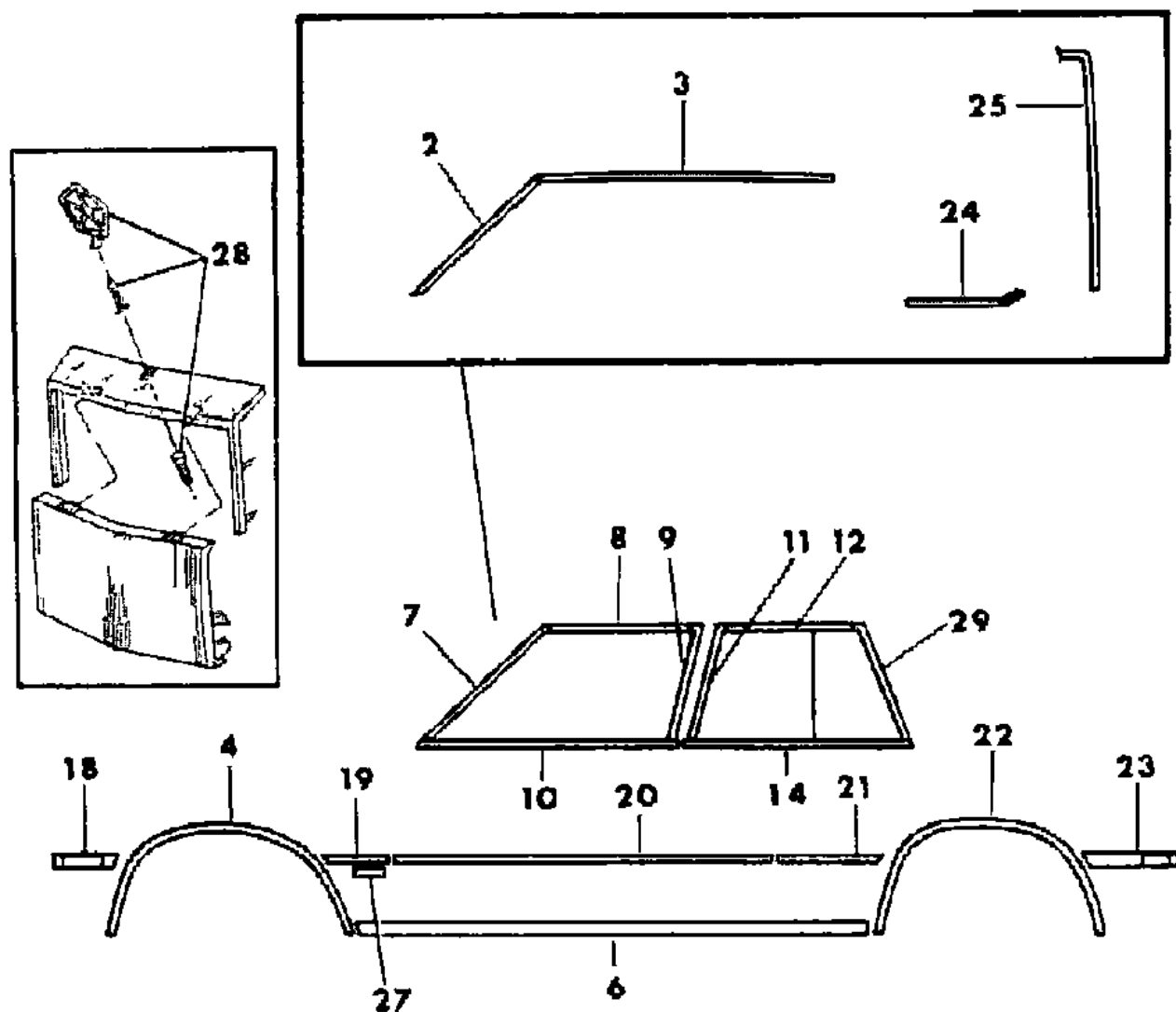
BODY STYLES

21 = 2-DOOR SEDAN	35 = FWD VAN	44 = 4-DOOR HATCHBACK
22 = 2-DOOR SPECIAL COUPE	36 = FWD WAGON	45 = 4-DOOR STATION WAGON
24 = 2-DOOR HATCHBACK	41 = 4-DOOR SEDAN	49 = LIMOUSINE
27 = 2-DOOR CONVERTIBLE		

AR = Use as Required - = Non Illustrated Part P.A.R. = Paint as Required

MOULDINGS and ORNAMENTATION - EXTERIOR VIEW CHRYSLER LEBARON 4 DOOR
Figure 23-2700

5168 2700 C



ITEM	PART NUMBER	QTY	BODY	MODEL	DESCRIPTION
	X269 DM6	1			Red
	X269 DT3	1			Cream
	X269 CT6	1			Mink Brown
	X269 DT4	1			Gold Dust Met.
	X269 DW2	1			White
	X269 DX8	1			Black
					RIVET, (Not Serv.)
27	4319 147	2			NAMEPLATE, Fndr. Side, "TURBO EFI"
28	4270 563	1			ORNAMENT, Radiator Grille
	3672 672	1			SPRING, Ornament
	3672 780	1			RETAINER
29	4319 250-1	1			MOULDING, Rear Door Wdo. Opng. Frame, Rear, Use w/o Full Padded Vinyl Roof, Use After 2-15-85

MODEL CODES

B = GRAN FURY	E = 600	M = HORIZON/TURISMO
C = LE BARON/TOWN & COUNTRY/LIMO	F = FIFTH AVENUE/NEWPORT	P = RELIANT
C24 = LASER	G = DIPLOMAT	T = NEW YORKER
C44 = LE BARON/GTS	H = VOYAGER	V = 600
D = ARIES	J = CARAVELLE	V24 = DAYTONA
D44 = LANCER	K = MINI VAN/CARAVAN/ROYAL	Z = OMNI/CHARGER

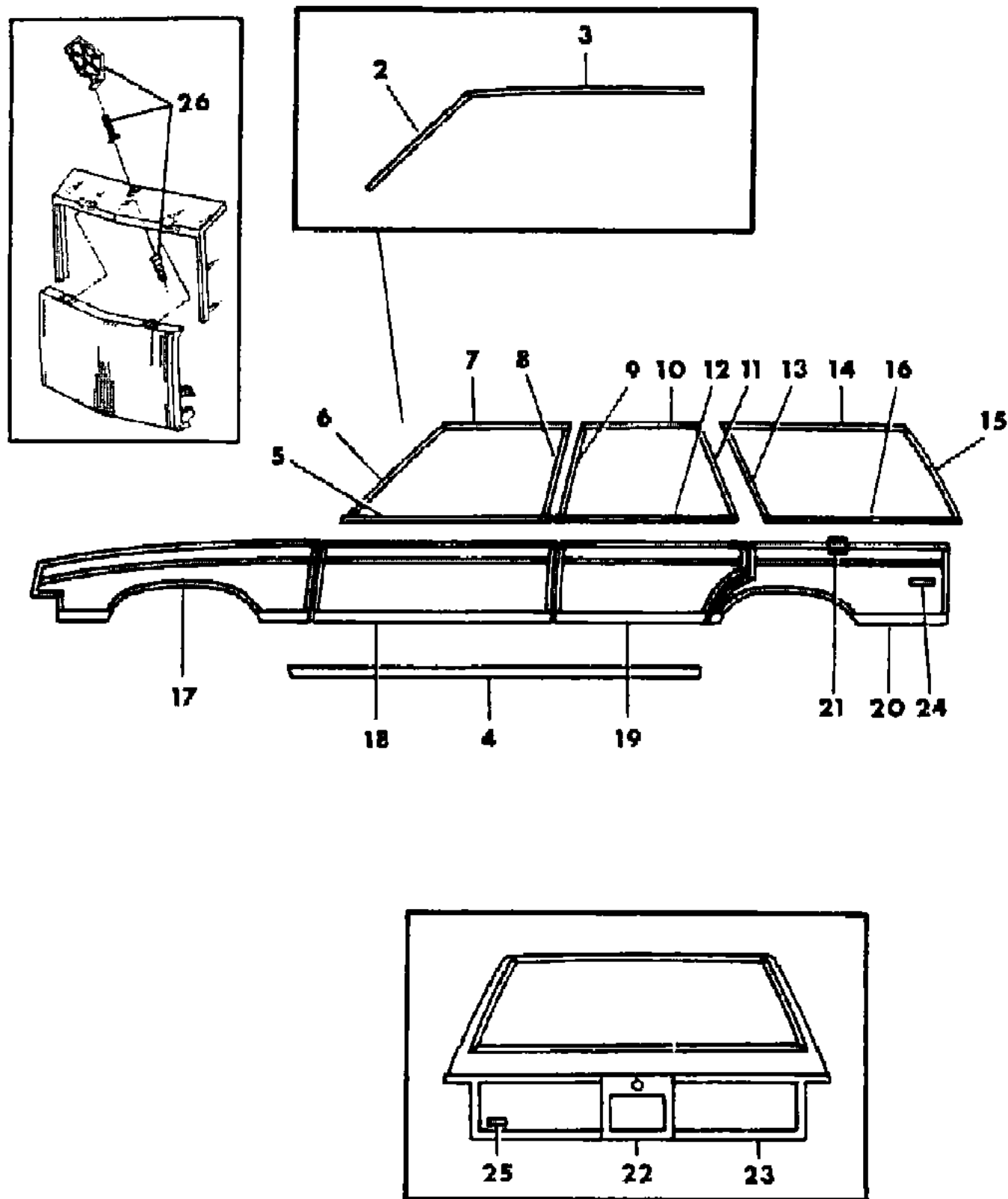
BODY STYLES

21 = 2-DOOR SEDAN	35 = FWD VAN	44 = 4-DOOR HATCHBACK
22 = 2-DOOR SPECIAL COUPE	36 = FWD WAGON	45 = 4-DOOR STATION WAGON
24 = 2-DOOR HATCHBACK	41 = 4-DOOR SEDAN	49 = LIMOUSINE
27 = 2-DOOR CONVERTIBLE		

AR = Use as Required - = Non Illustrated Part P.A.R. = Paint as Required

MOULDINGS and ORNAMENTATION - EXTERIOR VIEW CHRYSLER TOWN AND COUNTRY
Figure 23-2800

5168 2800 A



ITEM	PART NUMBER	QTY	BODY	MODEL	DESCRIPTION
2	4328 572-3	1			MOULDING and SEAL, Body Frt. Pillar Drain Trough
	4229 764-5	1			SEAL, Body Frt. Pillar Drain Trough Mldg., Inner SCREW, (Not Serv.)
3	4319 374-5	1			MOULDING, Roof Side Drain Trough
4	4293 638-9	1			MOULDING PACKAGE, Body Side Sill
	6003 777	AR			RETAINER
					SCREW, (Not Serv.) WELD STUD, (Not Serv.)
5	4293 628	1			MOULDING PACKAGE, Frt. Door Belt, Rt., w/Mirror
	4293 629	1			MOULDING PACKAGE, Frt. Door Belt, Lt.
	6003 627	AR			RETAINER
6	4276 062-3	1			MOULDING, Frt. Door Wdo. Opng. Frame, Frt.
7	4319 222-3	1			MOULDING, Frt. Door Wdo. Opng. Frame, Upr.
8	4328 304-5	1			MOULDING, Frt. Door Wdo. Opng. Frame, Rear
9	4328 308-9	1			MOULDING, Rear Door Wdo. Opng. Frame, Frt.
10	4319 244-5	1			MOULDING, Rear Door Wdo. Opng. Frame, Upr.
11	4319 248-9	1			MOULDING, Rear Door Wdo. Opng. Frame, Rear
12	4293 640-1	1			MOULDING PACKAGE, Rear Door Belt, Use Up to 1-3-85
	4364 540-1	1			MOULDING PACKAGE, Rear Door Belt, Use After 1-3-85
	6003 627	AR			RETAINER
13	4319 326-7	1			MOULDING, Qtr. Wdo. Frt.
	6003 731	AR			RETAINER
14	4319 328	2			MOULDING, Qtr. Wdo. Upr.
	6003 878	AR			RETAINER
	6003 879	AR			RETAINER
15	4319 330-1	1			MOULDING, Qtr. Wdo. Rear
					SCREW, (Not Serv.)
16	4319 332-3	1			MOULDING, Qtr. Wdo. Lwr.
	6003 878	AR			RETAINER
	6003 879	AR			WELD STUD
17	4276 012-3	1			MOULDING, Fndr. Side, Woodgrain
	4017 657	AR			COVER, Fndr. Side Mldg., Attach.
	4022 878	AR			COVER, Fndr. Side Mldg., Attach.
18	4276 016-7	1			MOULDING, Frt. Door, Woodgrain
	4017 657	AR			COVER, Frt. Door Mldg., Attach.
	4022 878	AR			COVER, Frt. Door Mldg., Attach.
19	4276 020-1	1			MOULDING, Rear Door, Woodgrain

MODEL CODES

B = GRAN FURY	E = 600	M = HORIZON/TURISMO
C = LE BARON/TOWN & COUNTRY/LIMO	F = FIFTH AVENUE/NEWPORT	P = RELIANT
C24 = LASER	G = DIPLOMAT	T = NEW YORKER
C44 = LE BARON/GTS	H = VOYAGER	V = 600
D = ARIES	J = CARAVELLE	V24 = DAYTONA
D44 = LANCER	K = MINI VAN/CARAVAN/ROYAL	Z = OMNI/CHARGER

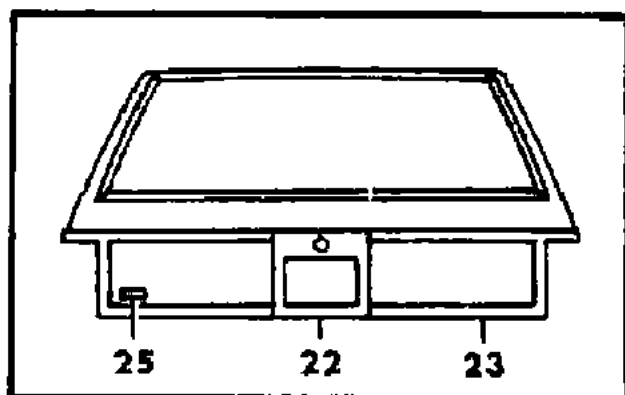
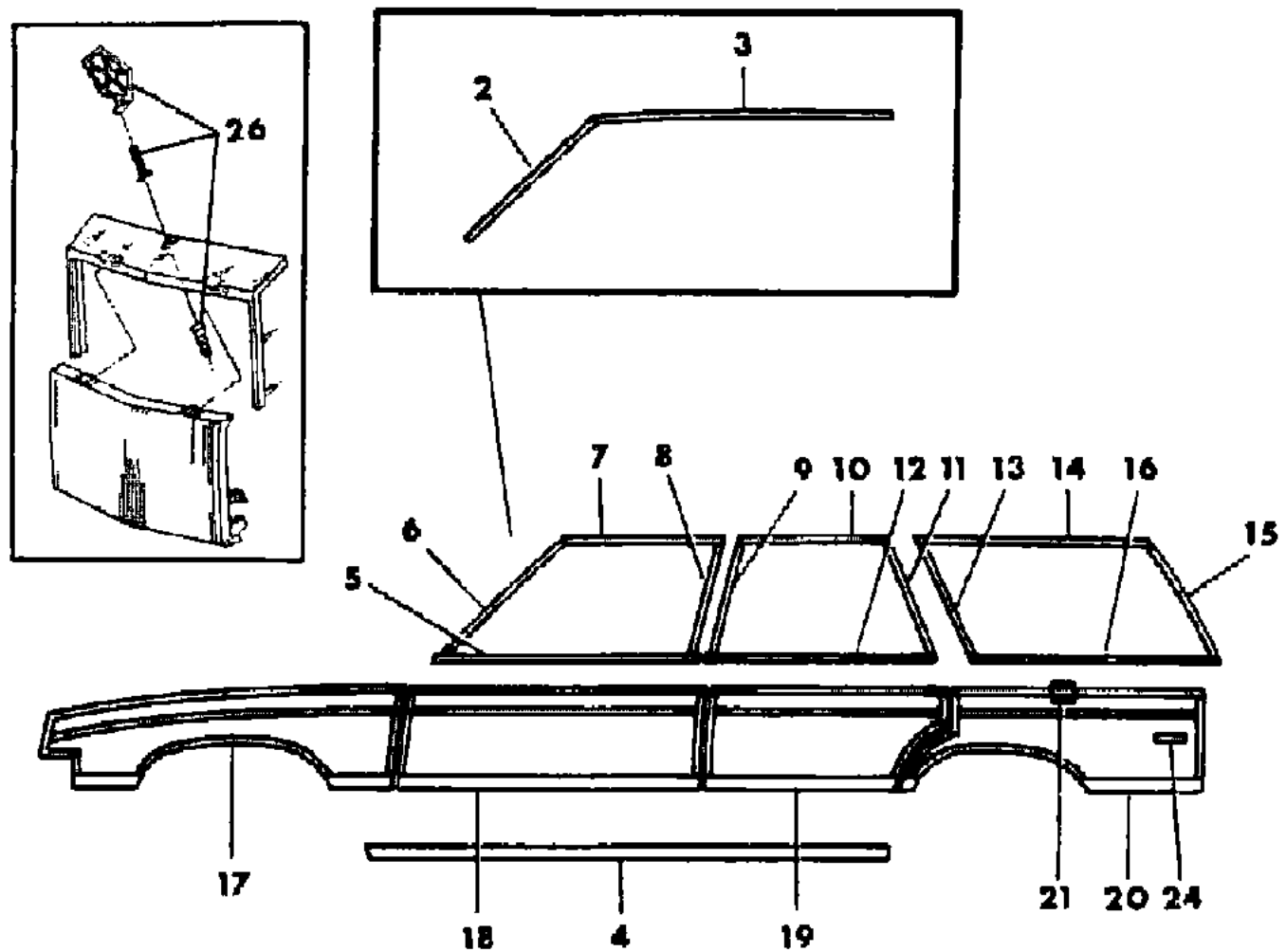
BODY STYLES

21 = 2-DOOR SEDAN	35 = FWD VAN	44 = 4-DOOR HATCHBACK
22 = 2-DOOR SPECIAL COUPE	36 = FWD WAGON	45 = 4-DOOR STATION WAGON
24 = 2-DOOR HATCHBACK	41 = 4-DOOR SEDAN	49 = LIMOUSINE
27 = 2-DOOR CONVERTIBLE		

AR = Use as Required - = Non Illustrated Part P.A.R. = Paint as Required

MOULDINGS and ORNAMENTATION - EXTERIOR VIEW CHRYSLER TOWN AND COUNTRY
Figure 23-2800

5168 2800 A



ITEM	PART NUMBER	QTY	BODY	MODEL	DESCRIPTION
	4017 657	AR			COVER, Rear Door Mldg., Attach.
	4022 878	AR			COVER, Rear Door Mldg., Attach.
20	4276 024-5	1			MOULDING, Qtr., Woodgrain
	4017 657	AR			COVER, Qtr. Mldg., Attach.
	4022 878	AR			COVER, Qtr. Mldg., Attach.
21	4276 028	1			MOULDING, Qtr. Fuel Filler Door, Woodgrain
	4017 657	AR			COVER, Qtr. Fuel Filler Door Mldg.
					WELD STUD, (Not Serv.)
22	4319 790	1			MOULDING, L/Gate Center, Woodgrain
	4017 657	AR			COVER, L/Gate Center Mldg., Attach.
	4022 878	AR			COVER, L/Gate Center Mldg., Attach.
23	4276 004-5	1			MOULDING, L/Gate Side, Woodgrain
	4017 657	AR			COVER, L/Gate Side Mldg., Attach.
24	4319 753	2			NAMEPLATE, Qtr., "TOWN and COUNTRY"
25	4319 771	1			NAMEPLATE, L/Gate, "CHRYSLER"
26	4270 563	1			ORNAMENT, Radiator Grille
	3672 672	1			SPRING, Ornament
	3672 780	1			RETAINER

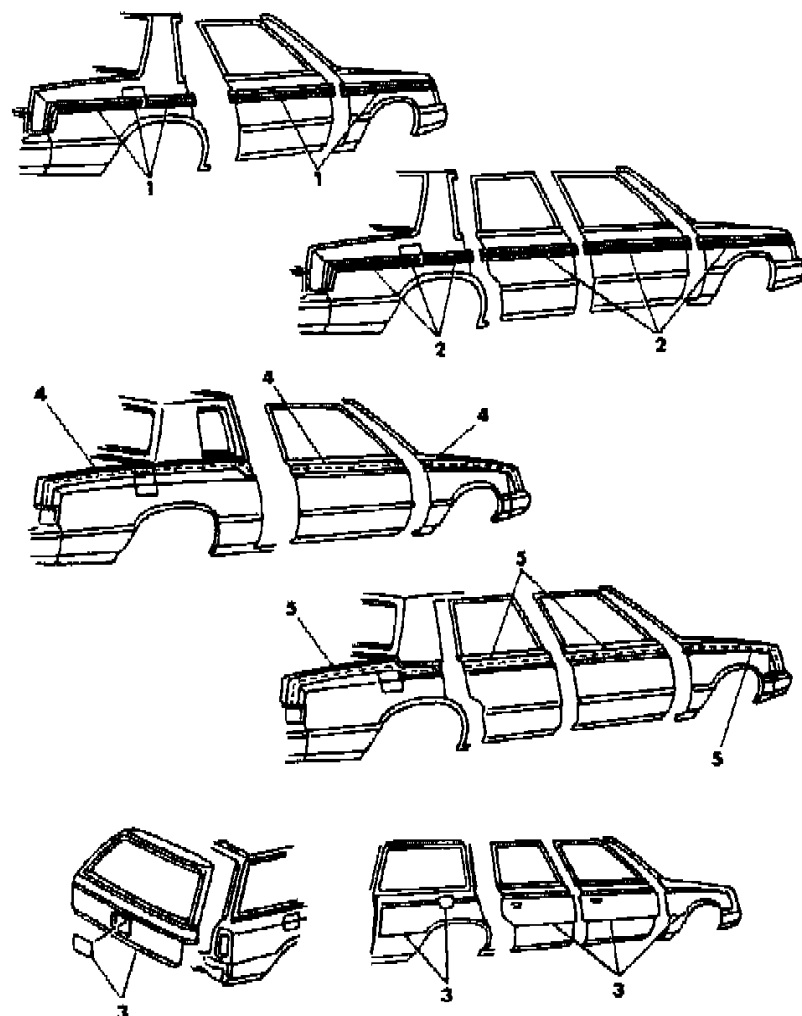
MODEL CODES
 B = GRAN FURY
 C = LE BARON/TOWN & COUNTRY/LIMO
 C24 = LASER
 C44 = LE BARON/GTS
 D = ARIES
 D44 = LANCER
 E = 600
 F = FIFTH AVENUE/NEWPORT
 G = DIPLOMAT
 H = VOYAGER
 J = CARAVELLE
 K = MINI VAN/CARAVAN/ROYAL
 M = HORIZON/TURISMO
 P = RELIANT
 T = NEW YORKER
 V = 600
 V24 = DAYTONA
 Z = OMNI/CHARGER

BODY STYLES
 21 = 2-DOOR SEDAN
 22 = 2-DOOR SPECIAL COUPE
 24 = 2-DOOR HATCHBACK
 27 = 2-DOOR CONVERTIBLE
 35 = FWD VAN
 36 = FWD WAGON
 41 = 4-DOOR SEDAN
 44 = 4-DOOR HATCHBACK
 45 = 4-DOOR STATION WAGON
 49 = LIMOUSINE

AR = Use as Required - = Non Illustrated Part P.A.R. = Paint as Required

TAPE STRIPES and DECALS - EXTERIOR VIEW CHRYSLER LEBARON
Figure 23-2900

5168 2900



ITEM	PART NUMBER	QTY	BODY	MODEL	DESCRIPTION	
1	4364 004-5	1		22,27	TAPE PACKAGE, Fndr., Door, Qtr., Silver	
	4318 672-3	1		22,27	Radiant Silver	
	4342 504-5	1		22,27	Bright Blue	
	4342 506-7	1		22,27	Cream	
	4342 508-9	1		22,27	Palomino Tan	
	4271 610-1	1		22,27	Orange	
	4271 614-5	1		22,27	White	
	4318 676-7	1		22,27	Saddle Brown	
	4339 296-7	1		22,27	Black	
	4318 678-9	1		22,27	Red	
2	4342 514-5	1	41		TAPE PACKAGE, Fndr., Door, Qtr., Palomino Tan	
	4342 512-3	1	41		Cream	
	4318 684-5	1	41		Saddle Brown	
	4342 510-1	1	41		Blue	
	4318 686-7	1	41		Red	
	4271 594-5	1	41		Orange	
	4364 002-3	1	41		Med. Silver	
	4318 680-1	1	41		Radiant Silver	
	3	4276 103	AR	45		OVERLAY, Fndr., Door, Qtr., Filler Door, L/Gate, Lic. Plate Depr.
		4342 582-3	1	22		TAPE PACKAGE, Fndr., Door, Qtr., Gold Tan, Cream, Spice (Paint Sales Code PT4 QT3)
4	4342 992-3	1	22		Gunmetal Blue, Silver, Blue Gray (Paint Sales Code PC6 QA1)	
	4342 584-5	1	41		TAPE PACKAGE, Fndr., Door, Qtr., Gold Tan, Cream, Spice (Paint Sales Code PT4 QT3)	
	4342 994-5	1	41		Gunmetal Blue, Silver, Blue Gray (Paint Sales Code PC6 QA1)	

MODEL CODES

B = GRAN FURY	E = 600	M = HORIZON/TURISMO
C = LE BARON/TOWN & COUNTRY/LIMO	F = FIFTH AVENUE/NEWPORT	P = RELIANT
C24 = LASER	G = DIPLOMAT	T = NEW YORKER
C44 = LE BARON/GTS	H = VOYAGER	V = 600
D = ARIES	J = CARAVELLE	V24 = DAYTONA
D44 = LANCER	K = MINI VAN/CARAVAN/ROYAL	Z = OMNI/CHARGER

BODY STYLES

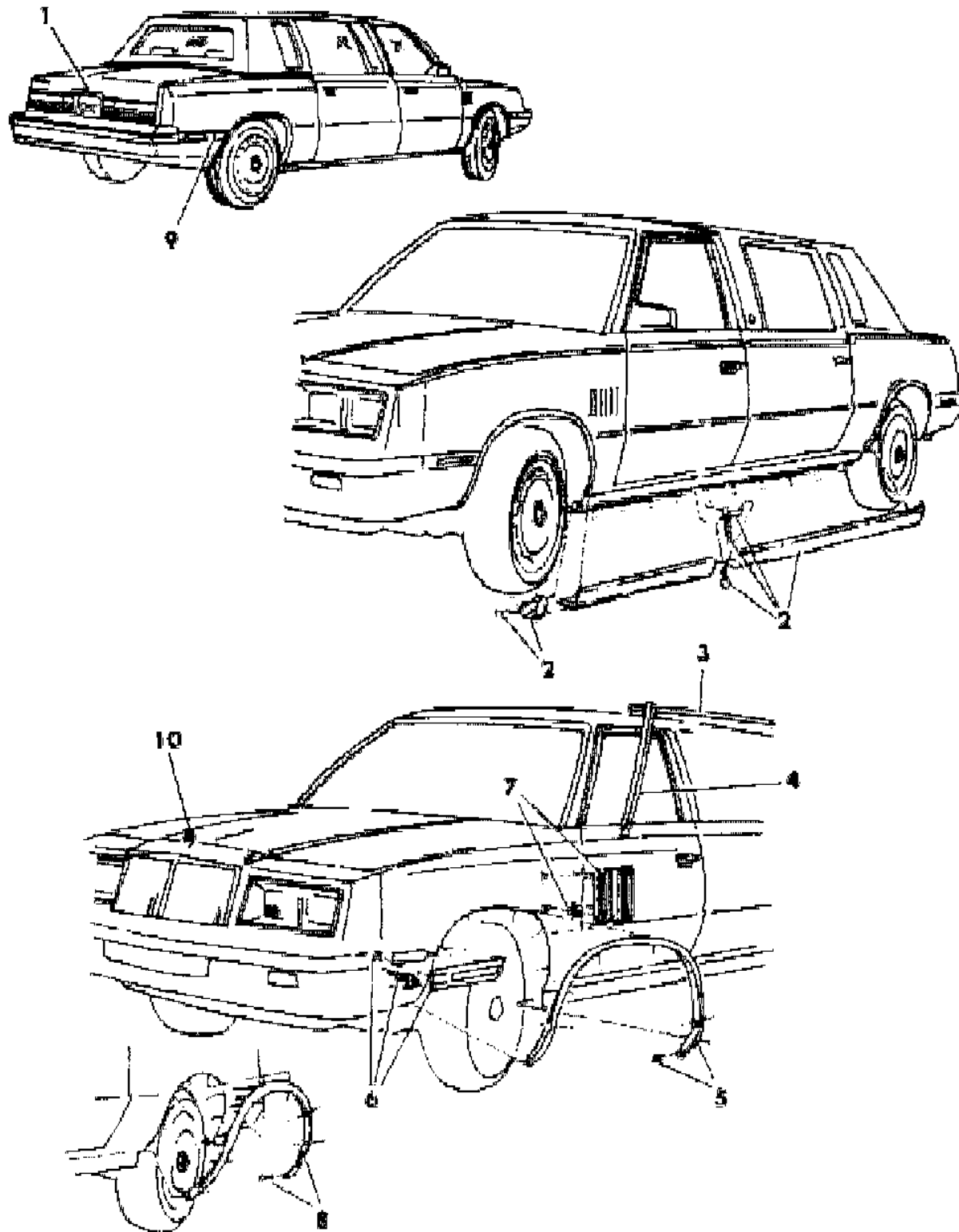
21 = 2-DOOR SEDAN	35 = FWD VAN	44 = 4-DOOR HATCHBACK
22 = 2-DOOR SPECIAL COUPE	36 = FWD WAGON	45 = 4-DOOR STATION WAGON
24 = 2-DOOR HATCHBACK	41 = 4-DOOR SEDAN	49 = LIMOUSINE
27 = 2-DOOR CONVERTIBLE		

AR = Use as Required - = Non Illustrated Part P.A.R. = Paint as Required

MOULDINGS and ORNAMENTATION - EXTERIOR VIEW LIMOUSINE

Figure 23-3200

5169 3200 A



ITEM	PART NUMBER	QTY	BODY	MODEL	DESCRIPTION
1					MEDALLION, Deck Lid (See Illus. 23-4500 Item 26 for Colors)
2	4339 966-7	1			MOULDING, Body Side Sill
	4339 640-1	1			CAP ASSEMBLY, Body Side Sill Mldg., End
	4339 784	AR			CLIP
		AR			RIVET
		AR			SCREW and WAX SEALER
		AR			SCREW, (Not Serv.)
3	4339 968-9	1			MOULDING, Drip Rail, Frt.
4	4328 572-3	1			MOULDING, "A" Pillar
5	4339 720-1	1			MOULDING, Fndr. Wheel Opng.
		AR			SCREW, (Not Serv.)
6	4293 658-9	1			MOULDING PACKAGE, Fndr. Side Frt.
	6003 790	AR			RETAINER and SEAL
		AR			NUT, (Not Serv.)
7					LOUVER, Fndr. Side (See Illus. 23-4500 Item 27 for Colors)
8	4339 722-3	1			MOULDING, Qtr. Wheel Opng.
		AR			SCREW, (Not Serv.)
9	4339 736-7	1			MOULDING PACKAGE, Qtr. Rear
	6003 790	AR			RETAINER
10	4270 563	1			ORNAMENT, Radiator Grille
	3672 672	1			SPRING, Ornament
	3672 780	1			RETAINER

MODEL CODES

B = GRAN FURY	E = 600	M = HORIZON/TURISMO
C = LE BARON/TOWN & COUNTRY/LIMO	F = FIFTH AVENUE/NEWPORT	P = RELIANT
C24 = LASER	G = DIPLOMAT	T = NEW YORKER
C44 = LE BARON/GTS	H = VOYAGER	V = 600
D = ARIES	J = CARAVELLE	V24 = DAYTONA
D44 = LANCER	K = MINI VAN/CARAVAN/ROYAL	Z = OMNI/CHARGER

BODY STYLES

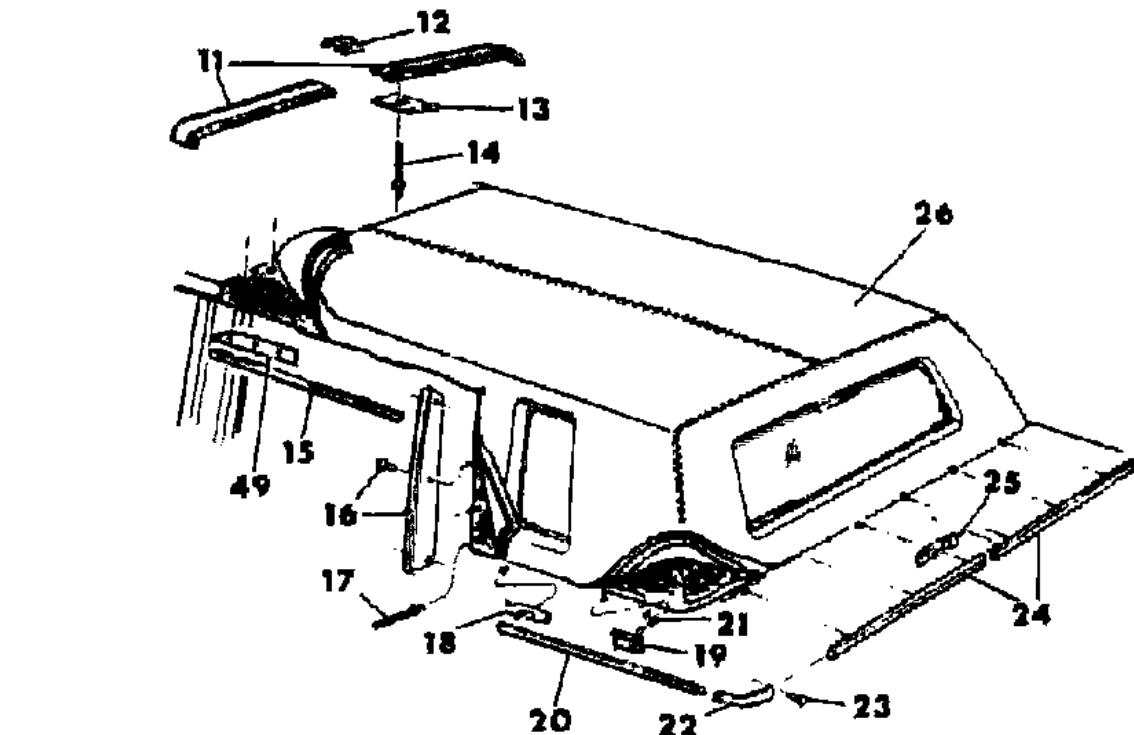
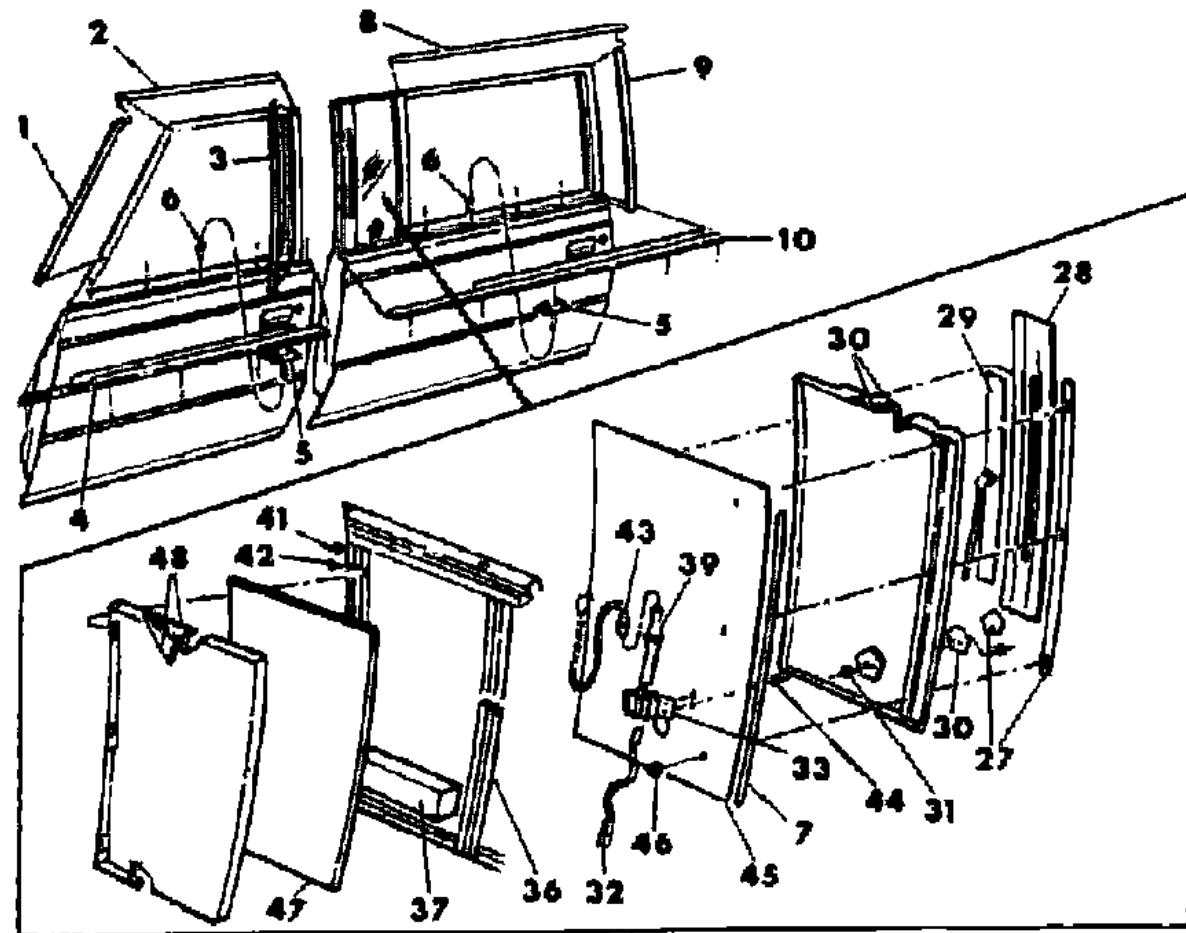
21 = 2-DOOR SEDAN	35 = FWD VAN	44 = 4-DOOR HATCHBACK
22 = 2-DOOR SPECIAL COUPE	36 = FWD WAGON	45 = 4-DOOR STATION WAGON
24 = 2-DOOR HATCHBACK	41 = 4-DOOR SEDAN	49 = LIMOUSINE
27 = 2-DOOR CONVERTIBLE		

AR = Use as Required - = Non Illustrated Part P.A.R. = Paint as Required

MOULDINGS and ORNAMENTATION - EXTERIOR VIEW LIMOUSINE

Figure 23-3200

5168 3300 A



ITEM	PART NUMBER	QTY	BODY	MODEL	DESCRIPTION
1	4276 062-3	1			MOULDING, Frt. Door Wdo. Opng. Frame, Frt.
2	4319 222-3	1			MOULDING, Frt. Door Wdo. Opng. Frame, Upr.
3	4328 304-5	1			MOULDING, Frt. Door Wdo. Opng. Frame, Rear
4	4293 628-9	1			MOULDING, Frt. Door Belt
5	4205 634	AR			CLIP PACKAGE
6	6003 627	AR			BARREL NUT
7	4328 308-9	1			MOULDING, Rear Door Frame, Frt.
8	4339 974	2			MOULDING, Rear Door Frame, Upr.
9	4319 230-1	1			MOULDING, Rear Door Frame, Rear
10	4342 002-3	1			MOULDING PACKAGE, Rear Door Belt
	4205 634	AR			CLIP PACKAGE
	6003 627	AR			BARREL NUT
	4339 962-3	1			WEATHERSTRIP, Rear Door Belt Outer
11	4339 980-1	1			MOULDING PACKAGE, Top Band w/Retainer
	4339 982	1			WELT ASSEMBLY, Top Band Mldg., Silver
	4364 339	1			Steel Blue
	4339 983	1			Dark Blue
	4339 984	1			Black
	4342 164	1			White
12	4276 296	1			CLIP, Center Top Band Insert
13		AR			RETAINER
14		AR			PIN, Retainer
15	4339 970-1	1			MOULDING, Drip Rail, Rear
16	4339 726-7	1			MOULDING, Center Pillar, Frt.
	4339 811	AR			CLIP, Center Pillar Mldg.
		AR			SCREW, (Not Serv.)
17		AR			RIVET
18	3744 671	AR			RETAINER PACKAGE
19	4293 589	AR			RETAINER PACKAGE
20	4339 764-5	1			MOULDING PACKAGE, Qtr. Roof, Silver
	4364 296-7	1			Steel Blue
	4339 766-7	1			Dark Blue
	4339 770-1	1			Black
	4342 114-5	1			White
21		AR			BARREL NUT
22	4339 772-3	1			MOULDING PACKAGE, Qtr. Roof Corner, Silver
	4364 298-9	1			Steel Blue

MODEL CODES

B = GRAN FURY	E = 600	M = HORIZON/TURISMO
C = LE BARON/TOWN & COUNTRY/LIMO	F = FIFTH AVENUE/NEWPORT	P = RELIANT
C24 = LASER	G = DIPLOMAT	T = NEW YORKER
C44 = LE BARON/GTS	H = VOYAGER	V = 600
D = ARIES	J = CARAVELLE	V24 = DAYTONA
D44 = LANCER	K = MINI VAN/CARAVAN/ROYAL	Z = OMNI/CHARGER

BODY STYLES

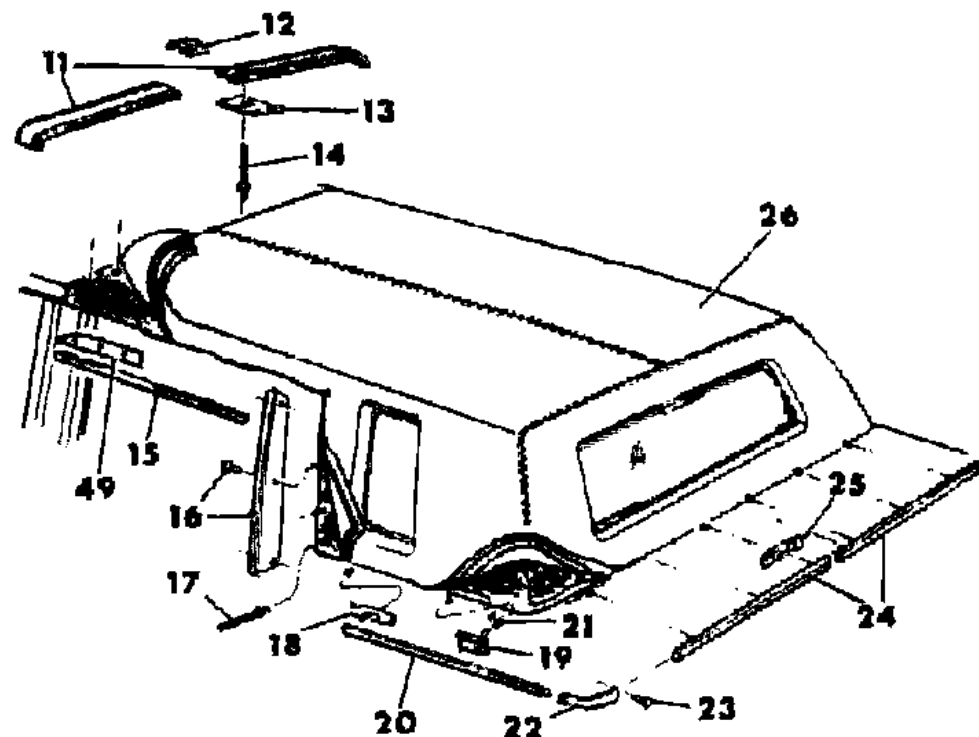
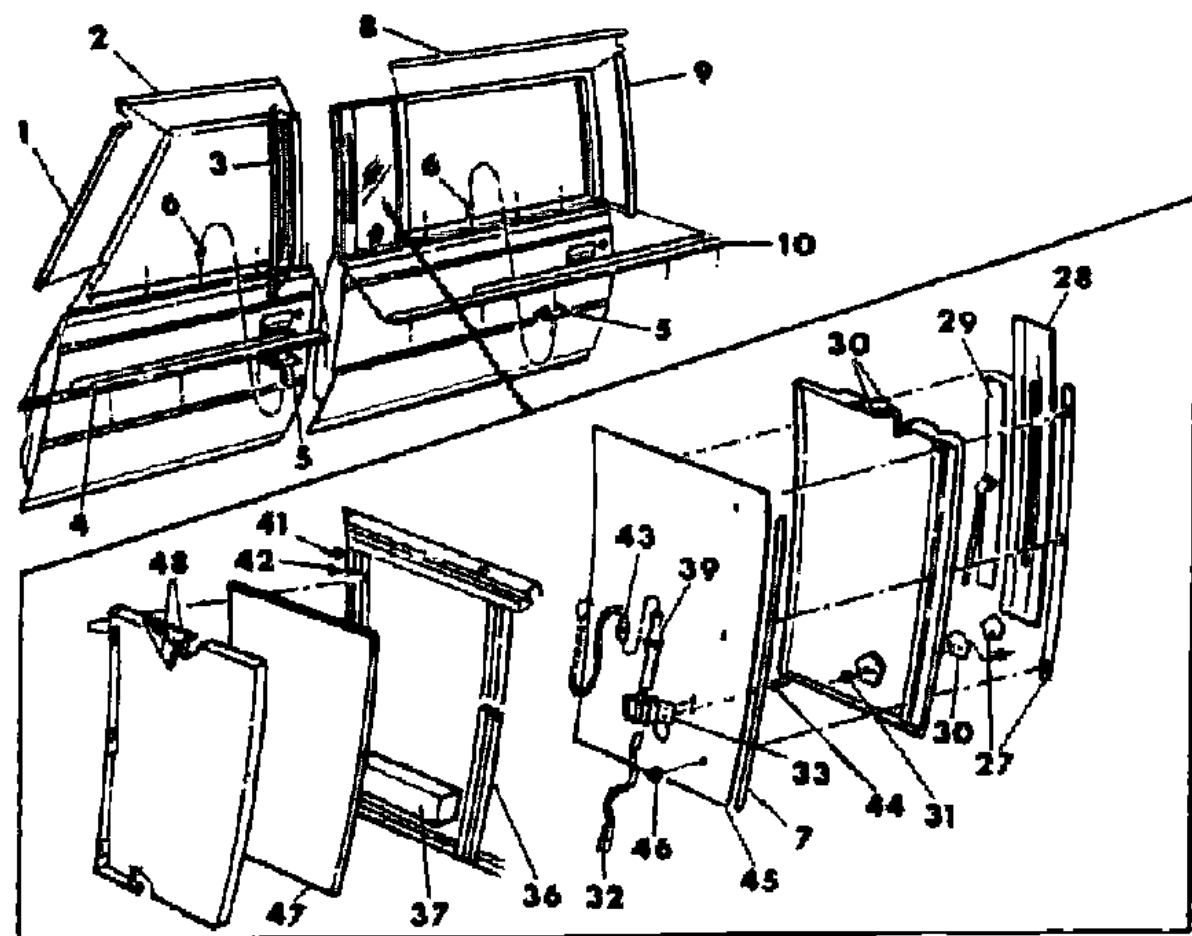
21 = 2-DOOR SEDAN	35 = FWD VAN	44 = 4-DOOR HATCHBACK
22 = 2-DOOR SPECIAL COUPE	36 = FWD WAGON	45 = 4-DOOR STATION WAGON
24 = 2-DOOR HATCHBACK	41 = 4-DOOR SEDAN	49 = LIMOUSINE
27 = 2-DOOR CONVERTIBLE		

AR = Use as Required - = Non Illustrated Part P.A.R. = Paint as Required

MOULDINGS and ORNAMENTATION - EXTERIOR VIEW LIMOUSINE

Figure 23-3200

5168 3300 A



ITEM	PART NUMBER	QTY	BODY	MODEL	DESCRIPTION
	4339 774-5	1			Dark Blue
	4339 778-9	1			Black
	4342 116-7	1			White
23		AR			SCREW, (Not Serv.)
24	4267 978-9	1			MOULDING PACKAGE, Roof Rear (Paint to Color)
25	6003 801	AR			RETAINER
26	4339 976	1			CAP ASSEMBLY, Roof Top
	4339 977	1			COVER and PAD PACKAGE, Roof, Silver
	4364 338	1			Slate Blue
	4339 978	1			Dark Blue
	4339 979	1			Black
	4342 200	1			White
27	4342 056-7	1			MOULDING, Rear Door Applique, Frt.
	4342 015	2			ORNAMENT, Rear Door Frt., "PENTASTAR"
28	4342 064-5	1			MOULDING, Rear Door Side Band Ext.
29	4229 160-1	1			LENS ASSY.
30	4364 228-9	1			PANEL, Door Outer Applique, Complete, Silver
	4364 232-3	1			Black
	4364 244-5	1			White
	4364 310-1	1			Steel Blue
	4364 230-1	1			Dark Blue
NOTE: The Above Assy's Contain The Following Items, 27, 33, 44, 45, 46, as well as Covers Assy's listed below e rear of the carburetor throttle body. A mirror is required to read the no. when the carburetor is					
	4364 234-5	1			COVER, Rear Door Frt. w/Pentastar Base, Silver
	4364 238-9	1			Black
	4364 312-3	1			Steel Blue
	4364 236-7	1			Dark Blue
31		AR			WASHER, (Not Serv.)
32					WIRE ASSY., (12 Volts)
33	4229 291	AR			RETAINER, Inverter Assy.
36		2			DIVISION BAR, Rear Door (Refer to 23C)
37		2			SEAL, (Not Serv.)
39	4229 162	2			INVERTER ASSY., Lens
41		AR			RIVET, (Not Serv.)
42		AR			SCREW, (Not Serv.)
43					WIRE ASSY., (110 Volts)
44					RIVET

MODEL CODES

B = GRAN FURY	E = 600	M = HORIZON/TURISMO
C = LE BARON/TOWN & COUNTRY/LIMO	F = FIFTH AVENUE/NEWPORT	P = RELIANT
C24 = LASER	G = DIPLOMAT	T = NEW YORKER
C44 = LE BARON/GTS	H = VOYAGER	V = 600
D = ARIES	J = CARAVELLE	V24 = DAYTONA
D44 = LANCER	K = MINI VAN/CARAVAN/ROYAL	Z = OMNI/CHARGER

BODY STYLES

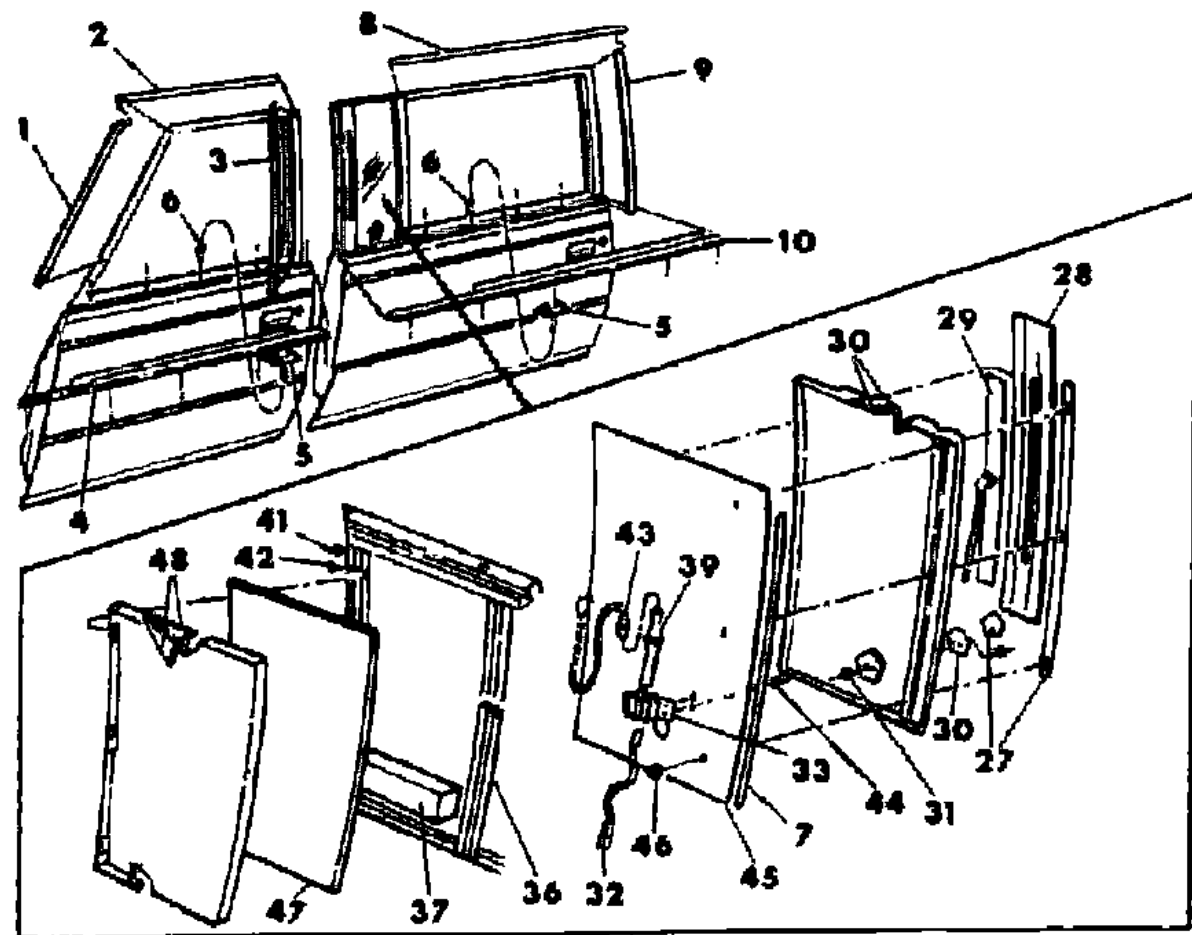
21 = 2-DOOR SEDAN	35 = FWD VAN	44 = 4-DOOR HATCHBACK
22 = 2-DOOR SPECIAL COUPE	36 = FWD WAGON	45 = 4-DOOR STATION WAGON
24 = 2-DOOR HATCHBACK	41 = 4-DOOR SEDAN	49 = LIMOUSINE
27 = 2-DOOR CONVERTIBLE		

AR = Use as Required - = Non Illustrated Part P.A.R. = Paint as Required

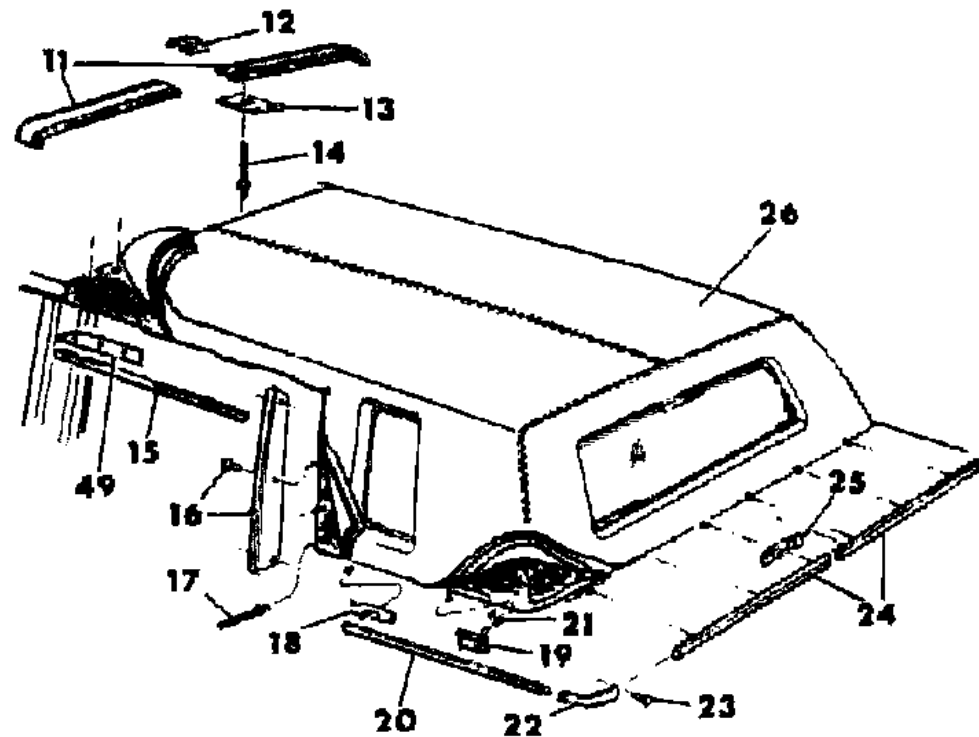
MOULDINGS and ORNAMENTATION - EXTERIOR VIEW LIMOUSINE

Figure 23-3200

5168 3300 A



ITEM	PART NUMBER	QTY	BODY	MODEL	DESCRIPTION
45					PANEL, Reinforcement
46					NUT
47					PAD, Door Insulator, Inner
48	4364 240-1	1			PANEL, Rear Door Applique, Inner, Silver
	4364 242-3	1			Blue
	4364 252-3	1			White
49	4364 270-1	1			PANEL, Vinyl Top Close Out, Black



MODEL CODES

B = GRAN FURY	E = 600	M = HORIZON/TURISMO
C = LE BARON/TOWN & COUNTRY/LIMO	F = FIFTH AVENUE/NEWPORT	P = RELIANT
C24 = LASER	G = DIPLOMAT	T = NEW YORKER
C44 = LE BARON/GTS	H = VOYAGER	V = 600
D = ARIES	J = CARAVELLE	V24 = DAYTONA
D44 = LANCER	K = MINI VAN/CARAVAN/ROYAL	Z = OMNI/CHARGER

BODY STYLES

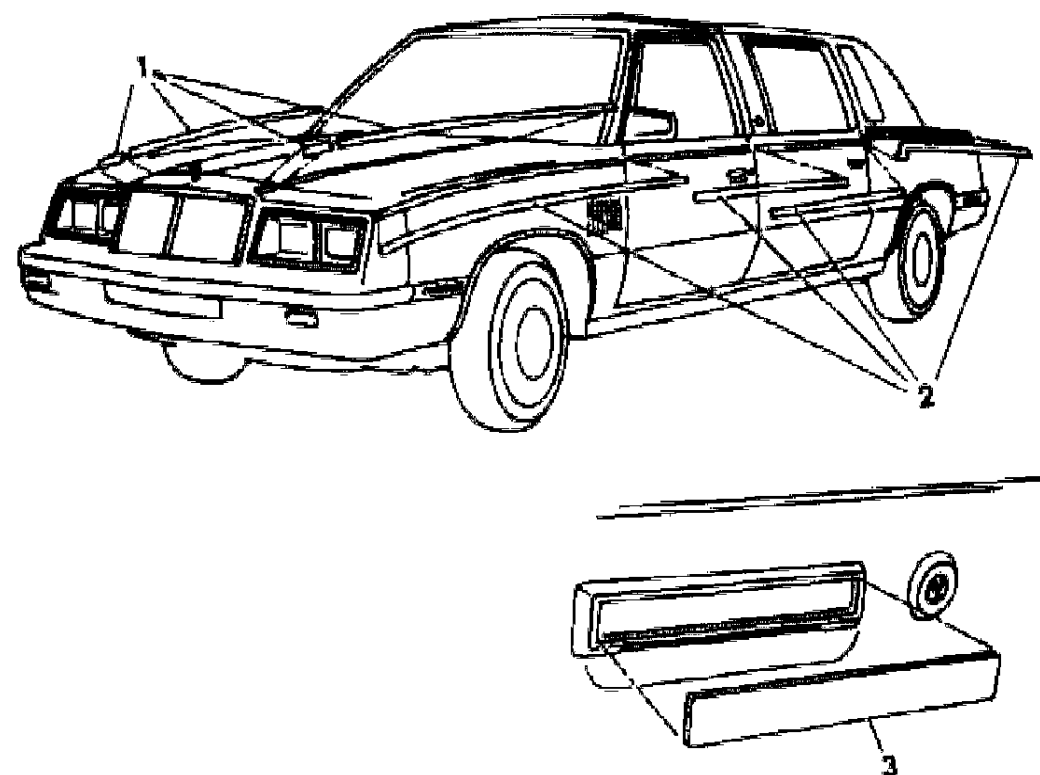
21 = 2-DOOR SEDAN	35 = FWD VAN	44 = 4-DOOR HATCHBACK
22 = 2-DOOR SPECIAL COUPE	36 = FWD WAGON	45 = 4-DOOR STATION WAGON
24 = 2-DOOR HATCHBACK	41 = 4-DOOR SEDAN	49 = LIMOUSINE
27 = 2-DOOR CONVERTIBLE		

AR = Use as Required - = Non Illustrated Part P.A.R. = Paint as Required

TAPE STRIPES and DECALS - EXTERIOR VIEW LIMOUSINE
Figure 23-3400

5168 3400 A

ITEM	PART NUMBER	QTY	BODY	MODEL	DESCRIPTION
1	4339 678	1			TAPE PACKAGE, Hood and Closure Pnl., Silver
	4342 078	1			Gold
	4342 079	1			Charcoal
2	4339 674-5	1			TAPE PACKAGE, Body Side, Silver
	4342 074-5	1			Gold
	4342 076-7	1			Charcoal
3					DECAL, Door Handle (See Illus. 23-4700, Item 3 for Colors)



MODEL CODES
 B = GRAN FURY
 C = LE BARON/TOWN & COUNTRY/LIMO
 C24 = LASER
 C44 = LE BARON/GTS
 D = ARIES
 D44 = LANCER
 E = 600
 F = FIFTH AVENUE/NEWPORT
 G = DIPLOMAT
 H = VOYAGER
 J = CARAVELLE
 K = MINI VAN/CARAVAN/ROYAL
 M = HORIZON/TURISMO
 P = RELIANT
 T = NEW YORKER
 V = 600
 V24 = DAYTONA
 Z = OMNI/CHARGER

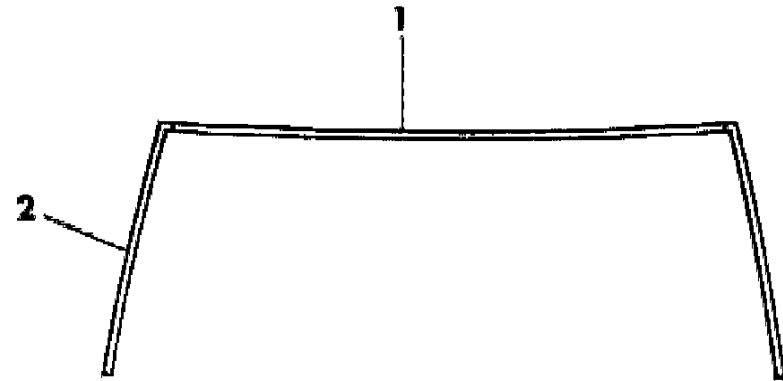
BODY STYLES
 21 = 2-DOOR SEDAN
 22 = 2-DOOR SPECIAL COUPE
 24 = 2-DOOR HATCHBACK
 27 = 2-DOOR CONVERTIBLE
 35 = FWD VAN
 36 = FWD WAGON
 41 = 4-DOOR SEDAN
 44 = 4-DOOR HATCHBACK
 45 = 4-DOOR STATION WAGON
 49 = LIMOUSINE

AR = Use as Required - = Non Illustrated Part P.A.R. = Paint as Required

MOULDINGS, WINDSHIELD OUTSIDE DAYTONA, LASER
Figure 23-3500

5168 3500

ITEM	PART NUMBER	QTY	BODY	MODEL	DESCRIPTION
1	4276 318	1			MOULDING, Windshield, Upr., Use w/o T/Bar Roof
	6003 827	AR			RETAINER, Use w/o T/Bar Roof
2	4276 320-1	1			MOULDING and SEAL, Windshield, Side, Use w/o T/Bar Roof SCREW, (Not Serv.)
-	4397 116	1			SEAL, W/Shield Reveal, Use on T Bar Roof, Sales Code GWC (See Illus. 3600, 3800)



MODEL CODES

B = GRAN FURY	E = 600	M = HORIZON/TURISMO
C = LE BARON/TOWN & COUNTRY/LIMO	F = FIFTH AVENUE/NEWPORT	P = RELIANT
C24 = LASER	G = DIPLOMAT	T = NEW YORKER
C44 = LE BARON/GTS	H = VOYAGER	V = 600
D = ARIES	J = CARAVELLE	V24 = DAYTONA
D44 = LANCER	K = MINI VAN/CARAVAN/ROYAL	Z = OMNI/CHARGER

BODY STYLES

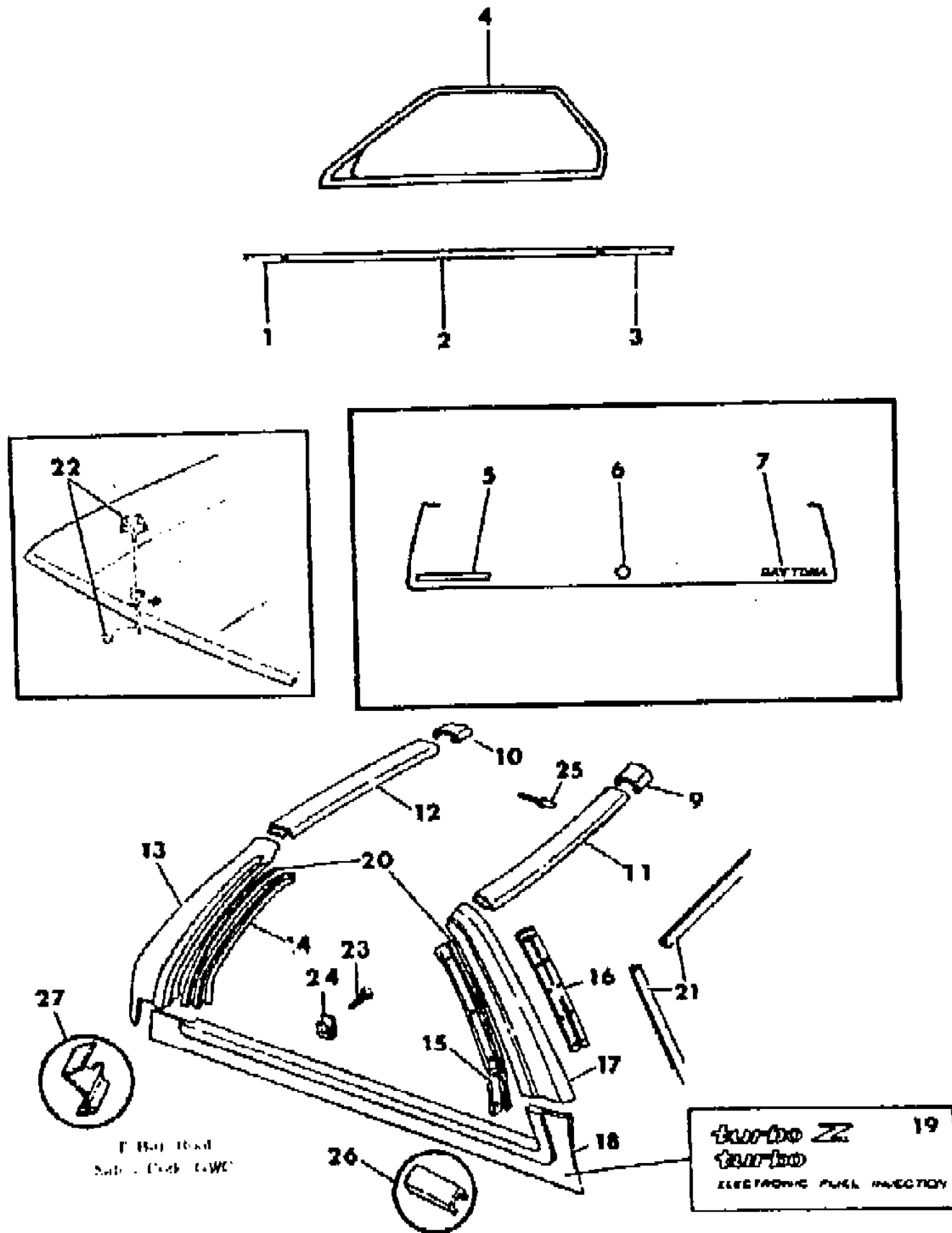
21 = 2-DOOR SEDAN	35 = FWD VAN	44 = 4-DOOR HATCHBACK
22 = 2-DOOR SPECIAL COUPE	36 = FWD WAGON	45 = 4-DOOR STATION WAGON
24 = 2-DOOR HATCHBACK	41 = 4-DOOR SEDAN	49 = LIMOUSINE
27 = 2-DOOR CONVERTIBLE		

AR = Use as Required - = Non Illustrated Part P.A.R. = Paint as Required

MOULDINGS AND ORNAMENTATION - EXTERIOR VIEW DODGE DAYTONA AND DAYTONA TURBO

Figure 23-3600

3188 3600 F



ITEM	PART NUMBER	QTY	BODY	MODEL	DESCRIPTION
1	4276 162-3	1		V-H	MOULDING, Fndr., Matte Finish
	4398 186-7	1		V-H	MOULDING, Fndr., High Gloss Finish
	X470-1 CRA	1		V-S Tur	MOULDING, Fndr., Black, Red, Silver, Use Up to 4-15-85
	X734-5 DRA	1		V-S Tur	MOULDING, Fndr., Black, Red, Silver, Use After 4-15-85
	X470-1 CRX	1		V-S Tur	Black, Red, Black, Use Up to 4-15-85
2	X734-5 DRX	1		V-S Tur	Black, Red, Black, Use After 4-15-85
	4276 164-5	1		V-H	MOULDING, Door, Matte Finish
	4398 188-9	1		V-H	MOULDING, Door, High Gloss Finish
	X472-3 CRA	1		V-S Tur	MOULDING, Door, Black, Red, Silver, Use Up to 4-15-85
	X736-7 DRA	1		V-S Tur	MOULDING, Door, Black, Red, Silver, Use After 4-15-85
3	X472-3 CRX	1		V-S Tur	Black, Red, Black, Use Up to 4-15-85
	X736-7 DRX	1		V-S Tur	Black, Red, Black, Use After 4-15-85
	4276 166-7	1		V-H	MOULDING, Qtr., Matte Finish
	4398 190-1	1		V-H	MOULDING, Qtr., High Gloss Finish
	X474-5 CRA	1		V-S Tur	MOULDING, Qtr., Black, Red, Silver, Use Up to 4-15-85
4	X738-9 DRA	1		V-S Tur	MOULDING, Qtr., Black, Red, Silver, Use After 4-15-85
	X474-5 CRX	1		V-S Tur	Black, Red, Black, Use Up to 4-15-85
	X738-9 DRX	1		V-S Tur	Black, Red, Black, Use After 4-15-85
	4280 148-9	1		V-S	MOULDING and CLIP, Door Wdo. Opng. Surround, Black, Use w/o T/Bar Roof
	4198 993	16			CLIP, Door Wdo. Opng., Outer Mldg., Upr., Use w/o T/Bar Roof
5	X814 CA4	1			NAMEPLATE, L/Gate, "DODGE", Silver
	X814 CR4	1			Red
	X814 DY6	1			Gold
6	4319 496	1			MEDALLION, L/Gate Pentastar, Black
7	X815 CA4	1			NAMEPLATE, L/Gate, "DAYTONA", Silver
	X815 CR4	1			Red
	X815 DY6	1			Gold
9	4397 046	1			CAP, Roof Frt. Outer Mldg.
10	4397 047	1			CAP, Roof Rear Outer Mldg.
11	4397 070-1	1			MOULDING, Roof Outer Frt., Black
12	4397 076-7	1			MOULDING, Roof Outer Rear, Black
13	4397 074-5	1			MOULDING, "B" Pillar Reveal, Black
14	4397 082-3	1			RETAINER, "B" Pillar Seal
	4397 092-3	1			SEAL and WEATHERSTRIP ASSY., Roof and Door (See Illus. in Group 23A)
15	4397 080-1	1			RETAINER, "A" Pillar Seal

MODEL CODES

B = GRAN FURY	E = 600	M = HORIZON/TURISMO
C = LE BARON/TOWN & COUNTRY/LIMO	F = FIFTH AVENUE/NEWPORT	P = RELIANT
C24 = LASER	G = DIPLOMAT	T = NEW YORKER
C44 = LE BARON/GTS	H = VOYAGER	V = 600
D = ARIES	J = CARAVELLE	V24 = DAYTONA
D44 = LANCER	K = MINI VAN/CARAVAN/ROYAL	Z = OMNI/CHARGER

BODY STYLES

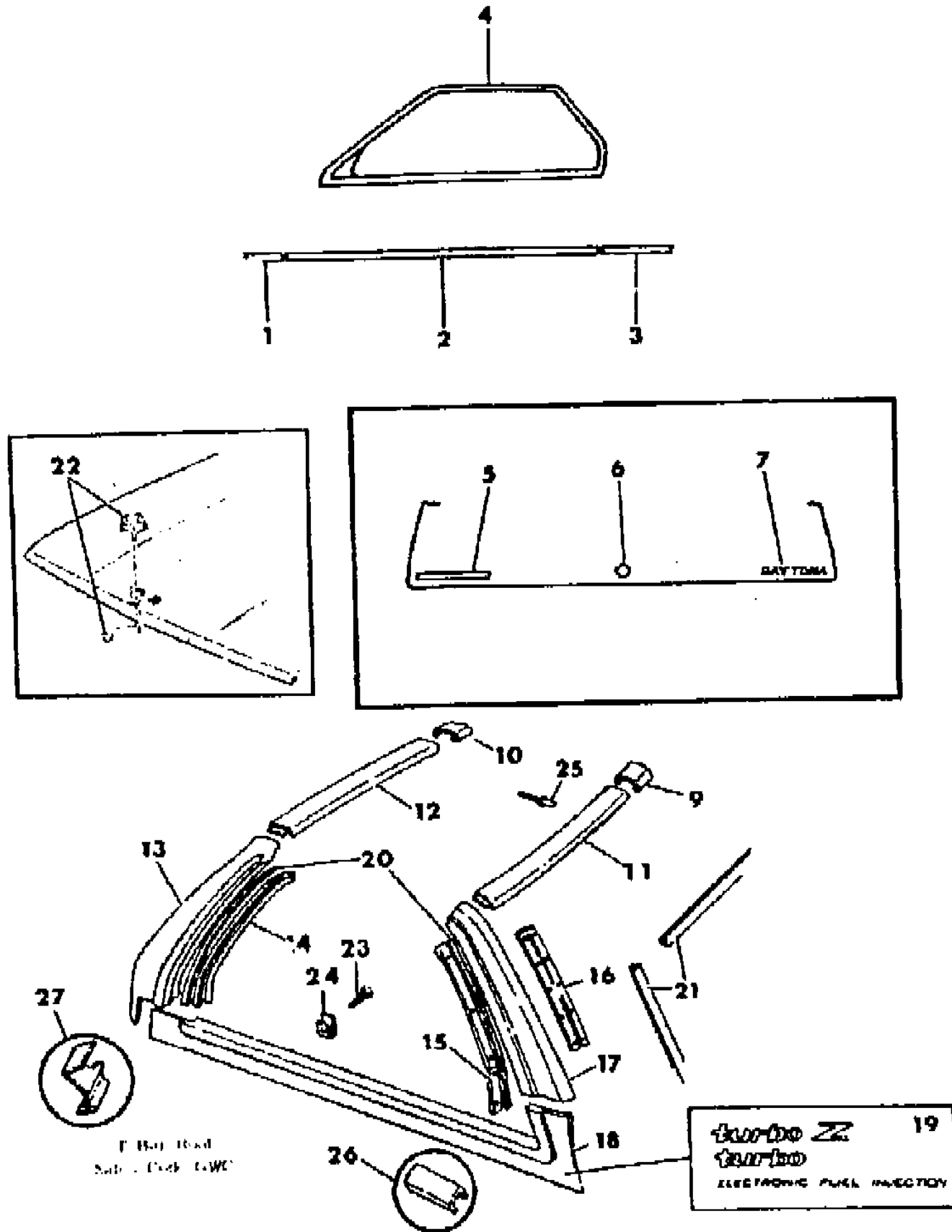
21 = 2-DOOR SEDAN	35 = FWD VAN	44 = 4-DOOR HATCHBACK
22 = 2-DOOR SPECIAL COUPE	36 = FWD WAGON	45 = 4-DOOR STATION WAGON
24 = 2-DOOR HATCHBACK	41 = 4-DOOR SEDAN	49 = LIMOUSINE
27 = 2-DOOR CONVERTIBLE		

AR = Use as Required - = Non Illustrated Part P.A.R. = Paint as Required

MOULDINGS AND ORNAMENTATION - EXTERIOR VIEW DODGE DAYTONA AND DAYTONA TURBO

Figure 23-3600

3188 3600 F



ITEM	PART NUMBER	QTY	BODY	MODEL	DESCRIPTION
16	4397 100-1	1			RETAINER, "A" Pillar Mldg.
17	4397 072-3	1			MOULDING, "A" Pillar Outer, Black
18	4397 078-9	1			MOULDING, Door Outer, Black
19	4397 119	1			DECAL PACKAGE, Door, "TURBO"
	4397 130	1			DECAL PACKAGE, Door, "TURBO Z", Red
	4397 131	1			DECAL PACKAGE, "FUEL INJECTION", Red
20	4397 117	AR			SEAL, Weatherstrip Retainer (12 Feet)
21	4397 116	1			SEAL, Windshield Reveal
22	4328 635	1			MEDALLION, Hood, Bright
	4328 634	1			MEDALLION, Hood, Black
		1			NUT, (Not Serv.)
23	6032 456	AR			SCREW
24	#4397 167	AR			CLIP
	4397 166	AR			RETAINER
25	4397 136	AR			RIVET PACKAGE
26	4397 132-3	1			SIGHT SHIELD, "A" Pillar
27	4397 134-5	1			SIGHT SHIELD, "B" Pillar

MODEL CODES

B = GRAN FURY	E = 600	M = HORIZON/TURISMO
C = LE BARON/TOWN & COUNTRY/LIMO	F = FIFTH AVENUE/NEWPORT	P = RELIANT
C24 = LASER	G = DIPLOMAT	T = NEW YORKER
C44 = LE BARON/GTS	H = VOYAGER	V = 600
D = ARIES	J = CARAVELLE	V24 = DAYTONA
D44 = LANCER	K = MINI VAN/CARAVAN/ROYAL	Z = OMNI/CHARGER

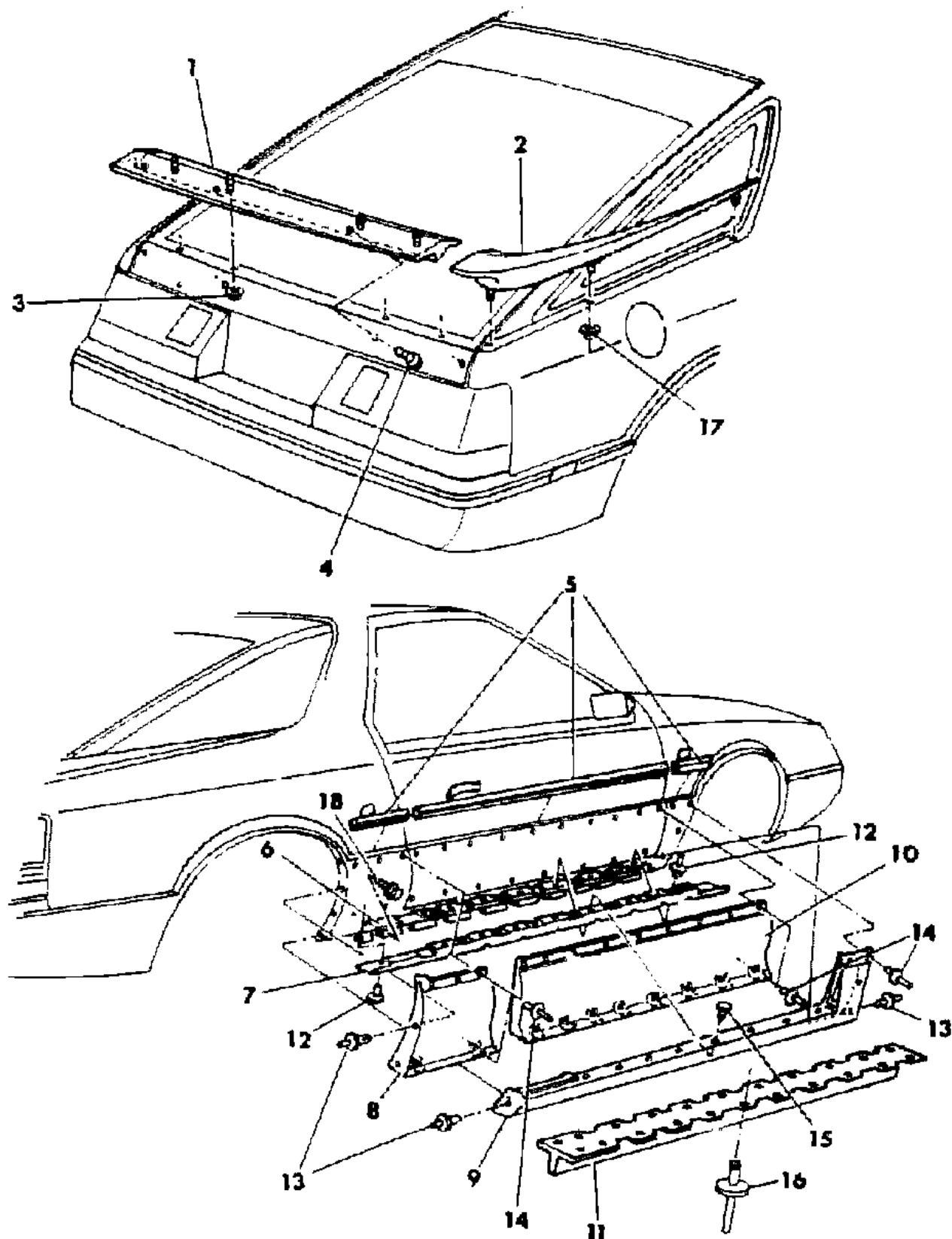
BODY STYLES

21 = 2-DOOR SEDAN	35 = FWD VAN	44 = 4-DOOR HATCHBACK
22 = 2-DOOR SPECIAL COUPE	36 = FWD WAGON	45 = 4-DOOR STATION WAGON
24 = 2-DOOR HATCHBACK	41 = 4-DOOR SEDAN	49 = LIMOUSINE
27 = 2-DOOR CONVERTIBLE		

AR = Use as Required - = Non Illustrated Part P.A.R. = Paint as Required

GROUND EFFECTS PACKAGE - EXTERIOR VIEW DODGE DAYTONA TURBO Z
Figure 23-3650

5159 3650



ITEM	PART NUMBER	QTY	BODY	MODEL	DESCRIPTION
1	4310 742	1			SPOILER, Liftgate
2	X362-3 DA1	1			SPOILER, Body Side, Rear
3	6028 172	4			NUT
4		AR			SCREW and WASHER, (Not Serv.)
5					MOULDING, Body Side (See Exterior Illus. 3600)
6	4270 534-5	1			REINFORCEMENT, Side Sill Extension, Inner
7	4270 484-5	1			REINFORCEMENT, Side Sill Extension, Outer
8	4270 678-9	1			SKIRT, Aperture Pnl., Use Up to 3-10-85
	4388 064-5	1			SKIRT, Aperture Pnl., Use After 3-10-85
9	4270 498-9	1			FASCIA and PLUG, Side Sill Extension, Use Up to 1-27-85
	4388 054-5	1			FASCIA and PLUG, Side Sill Extension, Use After 1-27-85
10	4270 676-7	1			SKIRT, Door Lwr.
11	4270 536	2			FENCE, Side Sill Extension, Air
12		AR			RIVET, (Not Serv.)
13	6031 390	AR			RETAINER
14		AR			RIVET, (Not Serv.)
15	6501 086	AR			RETAINER
16		AR			RIVET, (Not Serv.)
17	6028 172	6			NUT
18		AR			SCREW, (Not Serv.)

MODEL CODES

B = GRAN FURY	E = 600	M = HORIZON/TURISMO
C = LE BARON/TOWN & COUNTRY/LIMO	F = FIFTH AVENUE/NEWPORT	P = RELIANT
C24 = LASER	G = DIPLOMAT	T = NEW YORKER
C44 = LE BARON/GTS	H = VOYAGER	V = 600
D = ARIES	J = CARAVELLE	V24 = DAYTONA
D44 = LANCER	K = MINI VAN/CARAVAN/ROYAL	Z = OMNI/CHARGER

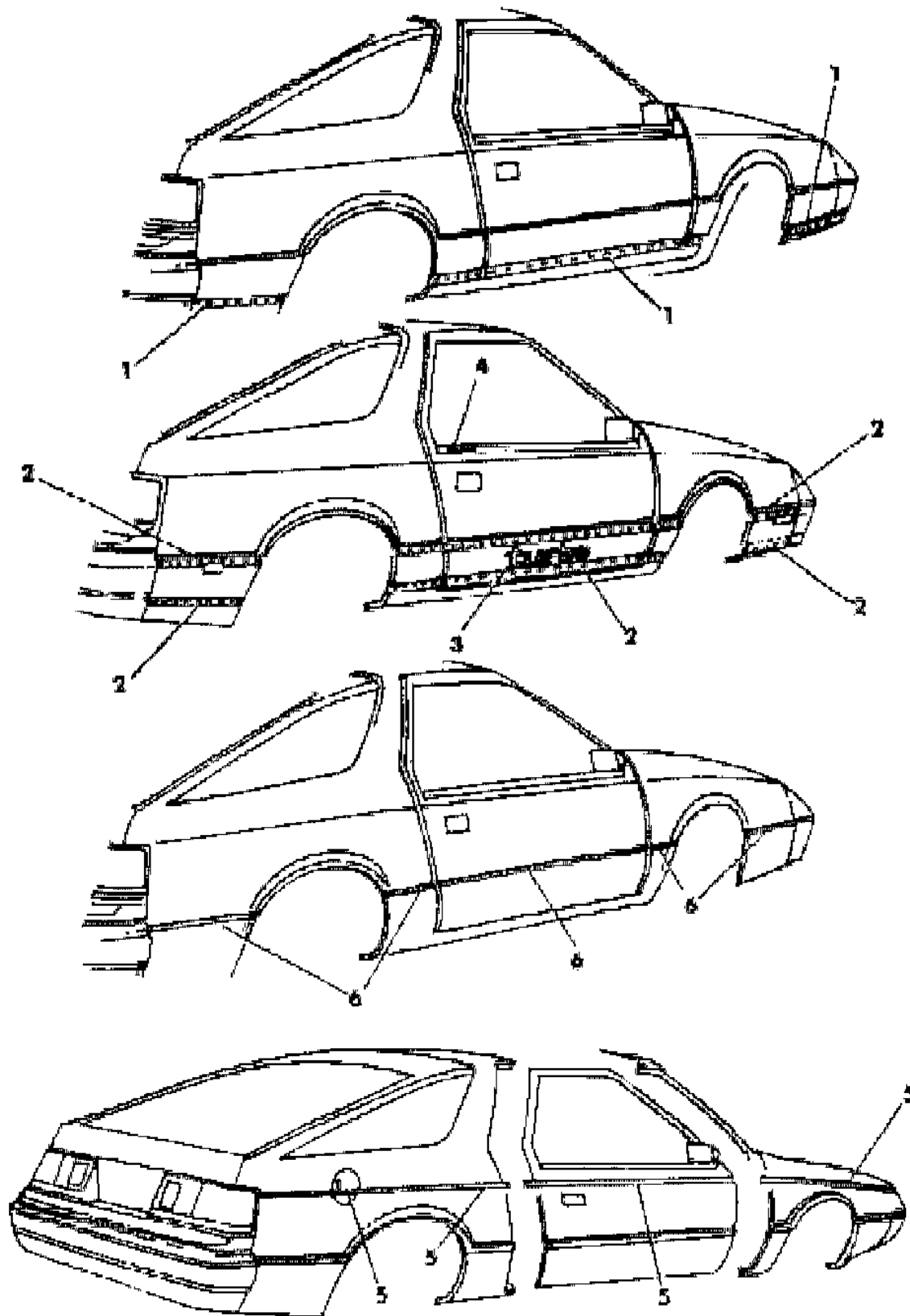
BODY STYLES

21 = 2-DOOR SEDAN	35 = FWD VAN	44 = 4-DOOR HATCHBACK
22 = 2-DOOR SPECIAL COUPE	36 = FWD WAGON	45 = 4-DOOR STATION WAGON
24 = 2-DOOR HATCHBACK	41 = 4-DOOR SEDAN	49 = LIMOUSINE
27 = 2-DOOR CONVERTIBLE		

AR = Use as Required - = Non Illustrated Part P.A.R. = Paint as Required

TAPE STRIPES and DECALS - EXTERIOR VIEW DODGE DAYTONA and TURBO Z
Figure 23-3700

5168 3700 A



ITEM	PART NUMBER	QTY	BODY	MODEL	DESCRIPTION
1	4342 548-9	1		V-H	TAPE PACKAGE, Fndr., Door, Qtr., Spice, Dark Brown, Black (Paint Sales Code PT4 QX8)
	4342 550-1	1		V-H	Dark Beige, Beige, Black (Paint Sales Code PT6 QX8)
	4318 628-9	1		V-H	Bright Red, Orange, Black (Paint Sales Code PR6 QX8)
	4364 006-7	1		V-H	Light Gray, Blue Gray, Black (Paint Sales Code PC6 QX8)
	4364 008-9	1		V-H	Light Gray, Med. Gray, Black (Paint Sales Code PW2 QX8) (PA1 QX8)
	T975 CBE	1		V-H	TAPE STRIPE, Fascia Frt. Bumper, Bright Red, Orange
	T975 DAK	1		V-H	Dark Beige, Beige
	T975 DAL	1		V-H	Spice, Dark Brown
	T975 DCG	1		V-H	Light Gray, Blue Gray
	T975 DCR	1		V-H	Light Gray, Med. Gray
2					TAPE PACKAGE, Fndr., Door, Qtr., Upr., Pale Blue, Med. Blue, Gunmetal Blue
	4342 520-1	1		V-S	Lwr., Blue Gray, Med. Gray, Pale Blue (Paint Sales Code PA1 QC6) Upr., Cream, Tan, Black
	4342 522-3	1		V-S	Lwr., Spice, Tan, Cream (Paint Sales Code PT4 QX8) Upr., Orange, Red, Black
	4318 620-1	1		V-S	Lwr., Garnet Red, Bright Red, Orange (Paint Sales Code PR6 QX8) Upr., Orange, Orange, Black
	4342 524-5	1		V-S	Lwr., Russet, Orange, Orange (Paint Sales Code PE5 QX8) Upr., Light Gray, Med. Gray, Black
	4364 564-5	1		V-S	Lwr., Dark Gray, Med. Gray, Light Gray (Paint Sales Code PW2 QX8)
	4342 606	1		V-S	TAPE STRIPE, Fascia Frt. and Rear Upr., Cream
	4342 607	1		V-S	Blue
	4339 126	1		V-S	Bright Orange
	4339 127	1		V-S	Dark Orange
	T976 DA2	1		V-S	Light Gray
	T977 CBP	1		V-S	TAPE STRIPE, Fascia Frt. Bumper, Lwr., Garnet Red, Bright Red, Orange
	T977 DAM	1		V-S	Russet, Orange, Orange
	T977 DAP	1		V-S	Spice, Tan, Cream
	T977 DAT	1		V-S	Blue Gray, Med. Blue, Pale Blue
	T977 DDF	1		V-S	Dark Gray, Med. Gray, Light Gray

MODEL CODES

B = GRAN FURY	E = 600	M = HORIZON/TURISMO
C = LE BARON/TOWN & COUNTRY/LIMO	F = FIFTH AVENUE/NEWPORT	P = RELIANT
C24 = LASER	G = DIPLOMAT	T = NEW YORKER
C44 = LE BARON/GTS	H = VOYAGER	V = 600
D = ARIES	J = CARAVELLE	V24 = DAYTONA
D44 = LANCER	K = MINI VAN/CARAVAN/ROYAL	Z = OMNI/CHARGER

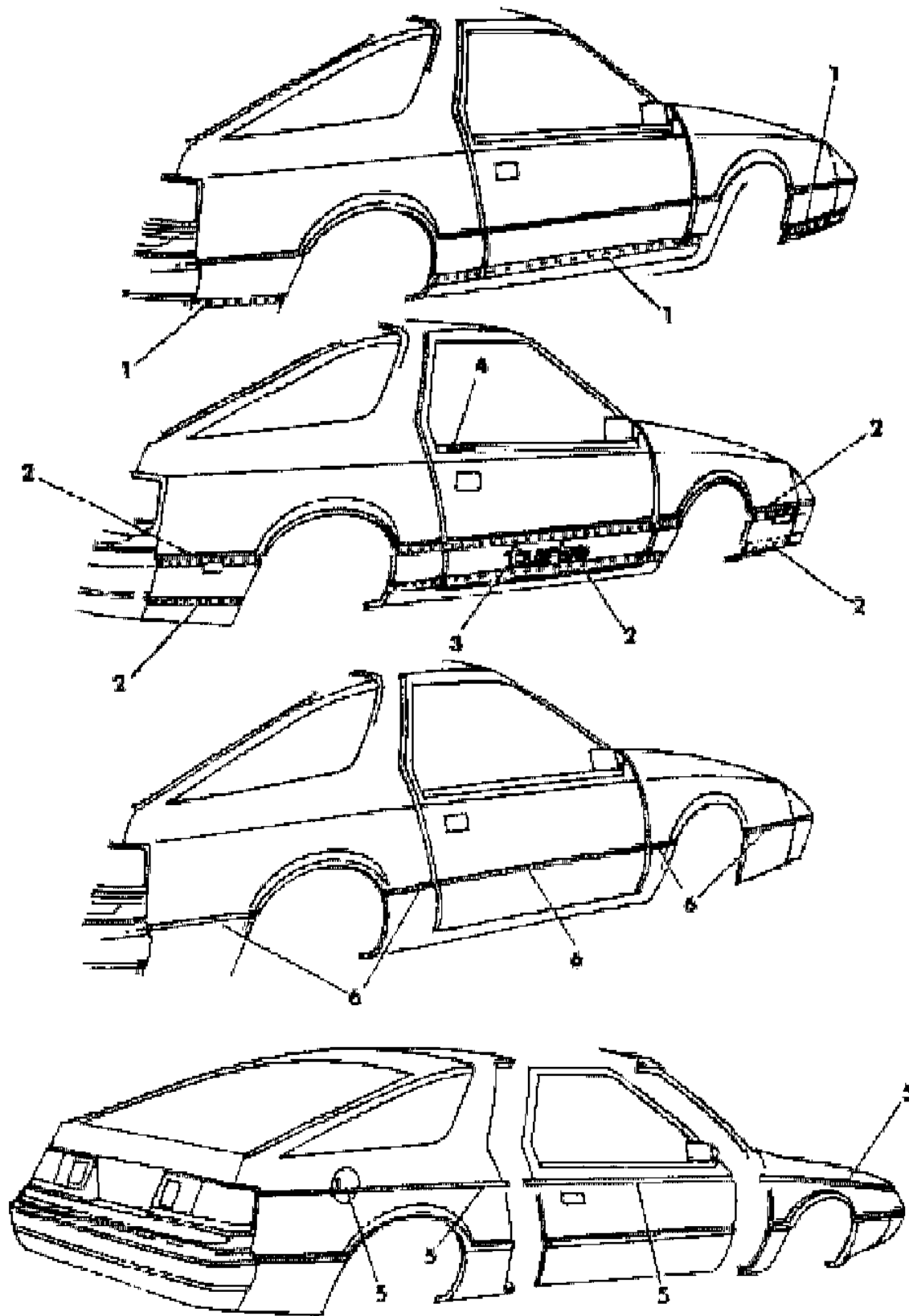
BODY STYLES

21 = 2-DOOR SEDAN	35 = FWD VAN	44 = 4-DOOR HATCHBACK
22 = 2-DOOR SPECIAL COUPE	36 = FWD WAGON	45 = 4-DOOR STATION WAGON
24 = 2-DOOR HATCHBACK	41 = 4-DOOR SEDAN	49 = LIMOUSINE
27 = 2-DOOR CONVERTIBLE		

AR = Use as Required - = Non Illustrated Part P.A.R. = Paint as Required

TAPE STRIPES and DECALS - EXTERIOR VIEW DODGE DAYTONA and TURBO Z
Figure 23-3700

5168 3700 A



ITEM	PART NUMBER	QTY	BODY	MODEL	DESCRIPTION
	T979 CBP	1		V-S	TAPE STRIPE, Fascia Rear Bumper Lwr., Garnet Red, Bright Red, Orange
	T979 DAM	1		V-S	Russet, Orange, Orange
	T979 DAP	1		V-S	Spice, Tan, Cream
	T979 DAT	1		V-S	Blue Gray, Med. Blue, Pale Blue
	T979 DDF	1		V-S	Dark Gray, Med. Gray, Light Gray
3	T670 CEF	2		V-S	DECAL, Door, "TURBO", Orange Edge and Red Center
	T670 DAN	2		V-S	Orange Edge and Copper Red Center
	T670 DAS	2		V-S	Cream Edge and Gold Tan Center
	T670 DAU	2		V-S	Pale Blue Edge and Silver Center
	T670 DDG	2		V-S	Light Gray Edge and White Center
4	T668 CR1	2		V-S	DECAL, Door Belt Mldg., "TURBO Z", Red
	4328 814	2		V	DECAL, Door Belt Mldg., "Elec. Fuel Inj."
	4328 815	2		V-H	DECAL, Door Belt Mldg., "TURBO"
5	4342 564-5	1		V-H	TAPE PACKAGE, Fndr., Door, Qtr., Fuel Filler Door, Light Gray (Paint Sales Code PC6 QX8) (Use on Black Monotone Car PX8, Light Gray)
	4364 010-1	1		V-H	Med. Gray (Paint Sales Code PA1 QX8) (PW2 QX8)
	4364 012-3	1		V-H	Spice (Paint Sales Code PT4 QX8)
	4318 608-9	1		V-H	Bright Red (Paint Sales Code (PR6 QX8) (Use on Black Monotone Car PX8, Bright Red)
	4364 014-5	1		V-H	Palimino Tan (Paint Sales Code PX8, Use on Black Monotone Car)
	4342 562-3	1		V-H	Beige (Paint Sales Code PT6 QX8)
6	4339 189	AR		V-S Tur	TAPE PACKAGE, Fascia, Body Side, Rear Bumper, Red
-	#4388 056-7	1		V-S Tur	TAPE, Fascia, Side Sill Ext., Frt., Black, Use After 3-19-85
-	#4388 066-7	1		V-S Tur	TAPE, Aperture Pnl. Skirt, Black, Use After 3-19-85

MODEL CODES

B = GRAN FURY	E = 600	M = HORIZON/TURISMO
C = LE BARON/TOWN & COUNTRY/LIMO	F = FIFTH AVENUE/NEWPORT	P = RELIANT
C24 = LASER	G = DIPLOMAT	T = NEW YORKER
C44 = LE BARON/GTS	H = VOYAGER	V = 600
D = ARIES	J = CARAVELLE	V24 = DAYTONA
D44 = LANCER	K = MINI VAN/CARAVAN/ROYAL	Z = OMNI/CHARGER

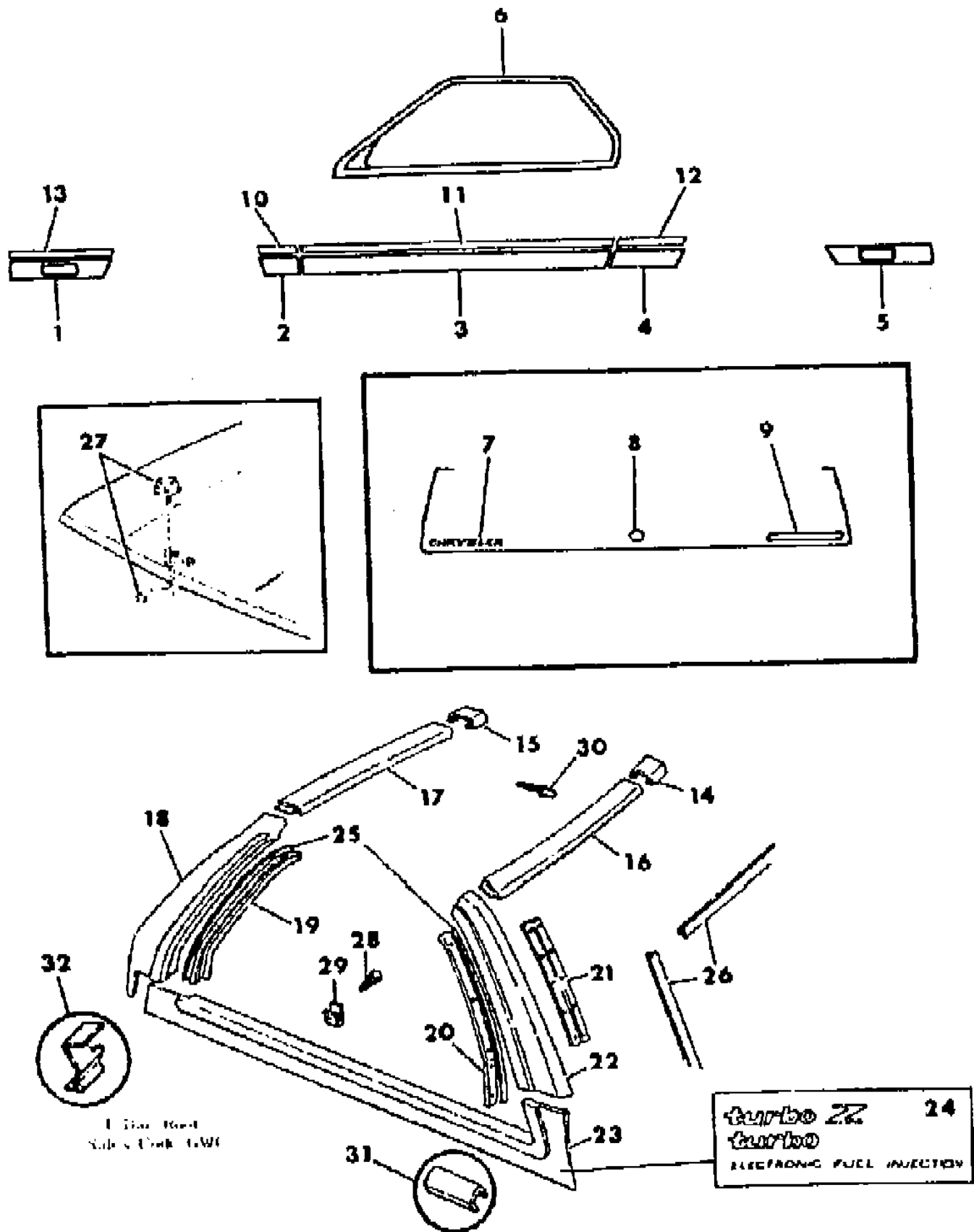
BODY STYLES

21 = 2-DOOR SEDAN	35 = FWD VAN	44 = 4-DOOR HATCHBACK
22 = 2-DOOR SPECIAL COUPE	36 = FWD WAGON	45 = 4-DOOR STATION WAGON
24 = 2-DOOR HATCHBACK	41 = 4-DOOR SEDAN	49 = LIMOUSINE
27 = 2-DOOR CONVERTIBLE		

AR = Use as Required - = Non Illustrated Part P.A.R. = Paint as Required

MOULDINGS AND ORNAMENTATION - EXTERIOR VIEW CHRYSLER LASER AND LASER XE
Figure 23-3800

3158 3800 G



ITEM	PART NUMBER	QTY	BODY	MODEL	DESCRIPTION	
1	4364 506-7	1			MOULDING PACKAGE, Fndr. Frt., Mink Brown	
	4364 148-9	1			Silver	
	4364 516-7	1			Gunmetal Blue	
	4364 504-5	1			Garnet Red	
	4364 510-1	1			Desert Bronze	
	4364 512-3	1			Gold Dust	
	4364 514-5	1			Black	
	4364 560-1	1			White	
					NUT, (Not Serv.)	
	2	X114-5 CA1	1			MOULDING, Fndr. Rear, Silver
X114-5 CC6		1			Gunmetal Blue	
X114-5 DE5		1			Desert Bronze	
X114-5 CR6		1			Garnet Red	
X114-5 DT4		1			Gold Dust	
X114-5 CT6		1			Mink Brown	
X114-5 CX9		1			Black	
X114-5 DW2		1			White	
3		X116-7 CA1	1			MOULDING, Door, Silver
		X116-7 CC6	1			Gunmetal Blue
	X116-7 DE5	1			Desert Bronze	
	X116-7 CR6	1			Garnet Red	
	X116-7 DT4	1			Gold Dust	
	X116-7 CT6	1			Mink Brown	
	X116-7 DW2	1			White	
	X116-7 CX9	1			Black	
4	X118-9 CA1	1			MOULDING, Qtr. Frt., Silver	
	X118-9 CC6	1			Gunmetal Blue	
	X118-9 DE5	1			Desert Bronze	
	X118-9 CR6	1			Garnet Red	
	X118-9 DT4	1			Gold Dust	
	X118-9 CT6	1			Mink Brown	
	X118-9 CX9	1			Black	
	X118-9 DW2	1			White	
5	4364 518-9	1			MOULDING PACKAGE, Qtr. Rear, Silver	
	4364 520-1	1			Gunmetal Blue	
	4364 524-5	1			Garnet Red	
	4364 526-7	1			Mink Brown	

MODEL CODES

B = GRAN FURY	E = 600	M = HORIZON/TURISMO
C = LE BARON/TOWN & COUNTRY/LIMO	F = FIFTH AVENUE/NEWPORT	P = RELIANT
C24 = LASER	G = DIPLOMAT	T = NEW YORKER
C44 = LE BARON/GTS	H = VOYAGER	V = 600
D = ARIES	J = CARAVELLE	V24 = DAYTONA
D44 = LANCER	K = MINI VAN/CARAVAN/ROYAL	Z = OMNI/CHARGER

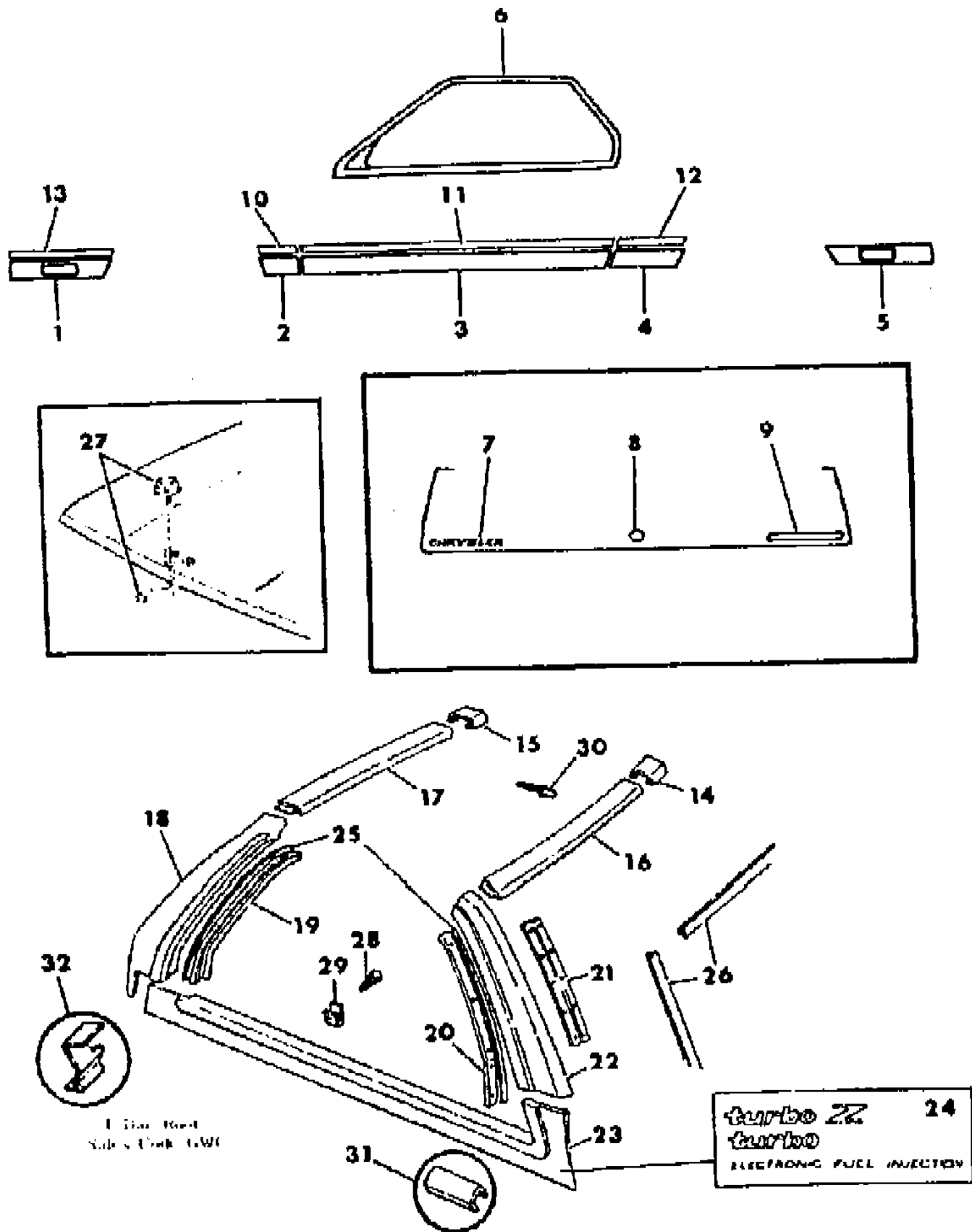
BODY STYLES

21 = 2-DOOR SEDAN	35 = FWD VAN	44 = 4-DOOR HATCHBACK
22 = 2-DOOR SPECIAL COUPE	36 = FWD WAGON	45 = 4-DOOR STATION WAGON
24 = 2-DOOR HATCHBACK	41 = 4-DOOR SEDAN	49 = LIMOUSINE
27 = 2-DOOR CONVERTIBLE		

AR = Use as Required - = Non Illustrated Part P.A.R. = Paint as Required

MOULDINGS AND ORNAMENTATION - EXTERIOR VIEW CHRYSLER LASER AND LASER XE
Figure 23-3800

3158 3800 G



ITEM	PART NUMBER	QTY	BODY	MODEL	DESCRIPTION
	4364 534-5	1			Black
	4364 530-1	1			Desert Bronze
	4364 532-3	1			Gold Dust
	4364 562-3	1			White
					NUT, (Not Serv.)
6	4280 148-9	1			MOULDING and CLIP, Door Wdo. Opng. Surround, Black, Use w/o T/Bar Roof
	4198 993	16			CLIP, Door Wdo. Opng., Outer Mldg., Upr., Use w/o T/Bar Roof
7	4319 860	1			NAMEPLATE, L/Gate, "CHRYSLER"
8	4319 497	1			MEDALLION, L/Gate Pentastar
9	4319 989	1		C-H	NAMEPLATE, L/Gate, "LASER"
	4319 991	1		C-P	NAMEPLATE, L/Gate, "LASER XE"
	4366 366	1		C-P	NAMEPLATE, L/Gate, "XT"
10	X470-1 CRA	1		C-P	MOULDING, Fndr. Side Rear, Black, Red, Silver, Laser XT, Use Up to 4-15-85
	X734-5 DRA	1		C-P	MOULDING, Fndr. Side Rear, Black, Red, Silver, Laser XT, Use After 4-15-85
	X470-1 DRR	1		C-P	Black, Red, Red, Laser XT, Use Up to 4-15-85
	X734-5 DRR	1		C-P	Black, Red, Red, Laser XT, Use After 4-15-85
11	X472-3 CRA	1		C-P	MOULDING, Door, Black, Red, Silver, Laser XT, Use Up to 4-15-85
	X736-7 DRA	1		C-P	MOULDING, Door, Black, Red, Silver, Laser XT, Use After 4-15-85
	X472-3 DRR	1		C-P	Black, Red, Red, Laser XT, Use Up to 4-15-85
	X736-7 DRR	1		C-P	Black, Red, Red, Laser XT, Use After 4-15-85
12	X474-5 CRA	1		C-P	MOULDING, Qtr. Frt., Black, Red, Silver, Laser XT, Use Up to 4-15-85
	X738-9 DRA	1		C-P	MOULDING, Qtr. Frt., Black, Red, Silver, Laser XT, Use After 4-15-85
	X474-5 DRR	1		C-P	Black, Red, Red, Laser XT, Use Up to 4-15-85
	X738-9 DRR	1		C-P	Black, Red, Red, Laser XT, Use After 4-15-85
13	4364 556-7	1		C-P	MOULDING PACKAGE, Frt. Fascia Nerf Ext., Black, Red, Silver, Laser XT
	4364 558-9	1		C-P	Black, Red, Red, Laser XT
14	4397 046	1			CAP, Roof Frt. Outer Mldg.
15	4397 047	1			CAP, Roof Rear Outer Mldg.
16	4397 070-1	1			MOULDING, Roof Outer Frt., Black

MODEL CODES

B = GRAN FURY	E = 600	M = HORIZON/TURISMO
C = LE BARON/TOWN & COUNTRY/LIMO	F = FIFTH AVENUE/NEWPORT	P = RELIANT
C24 = LASER	G = DIPLOMAT	T = NEW YORKER
C44 = LE BARON/GTS	H = VOYAGER	V = 600
D = ARIES	J = CARAVELLE	V24 = DAYTONA
D44 = LANCER	K = MINI VAN/CARAVAN/ROYAL	Z = OMNI/CHARGER

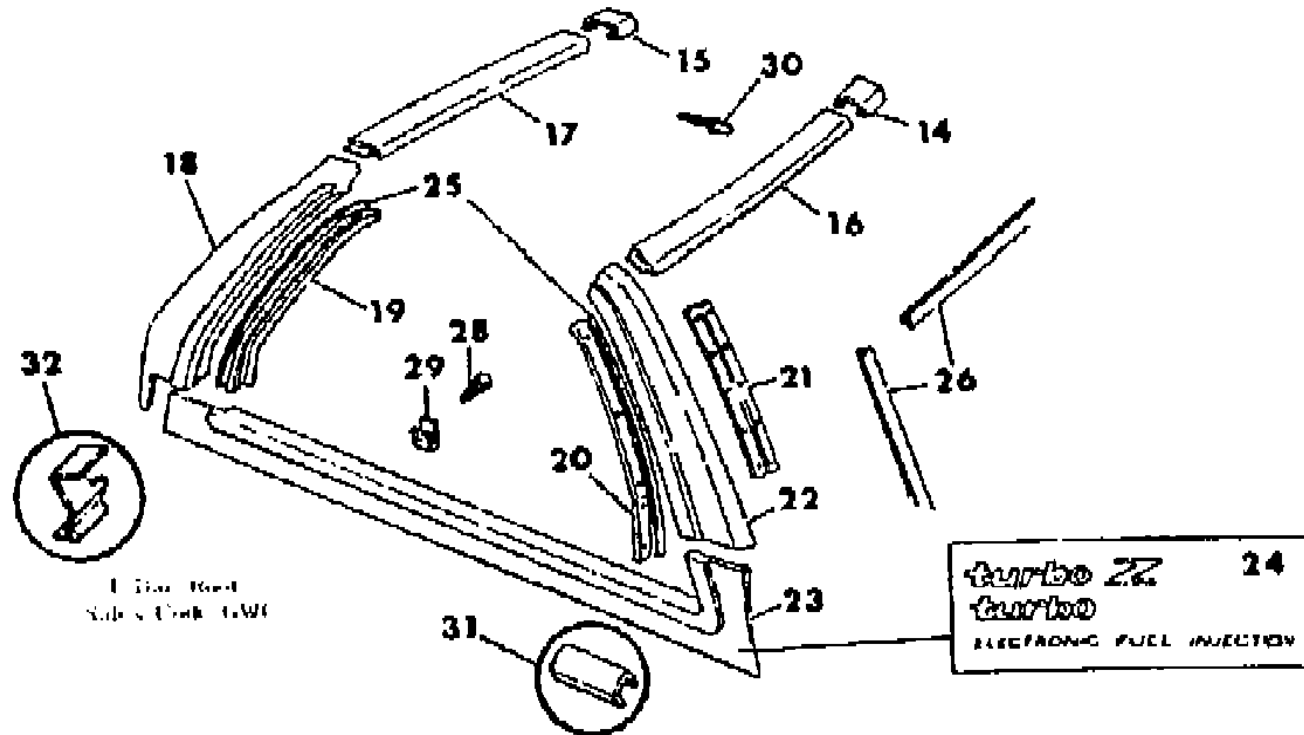
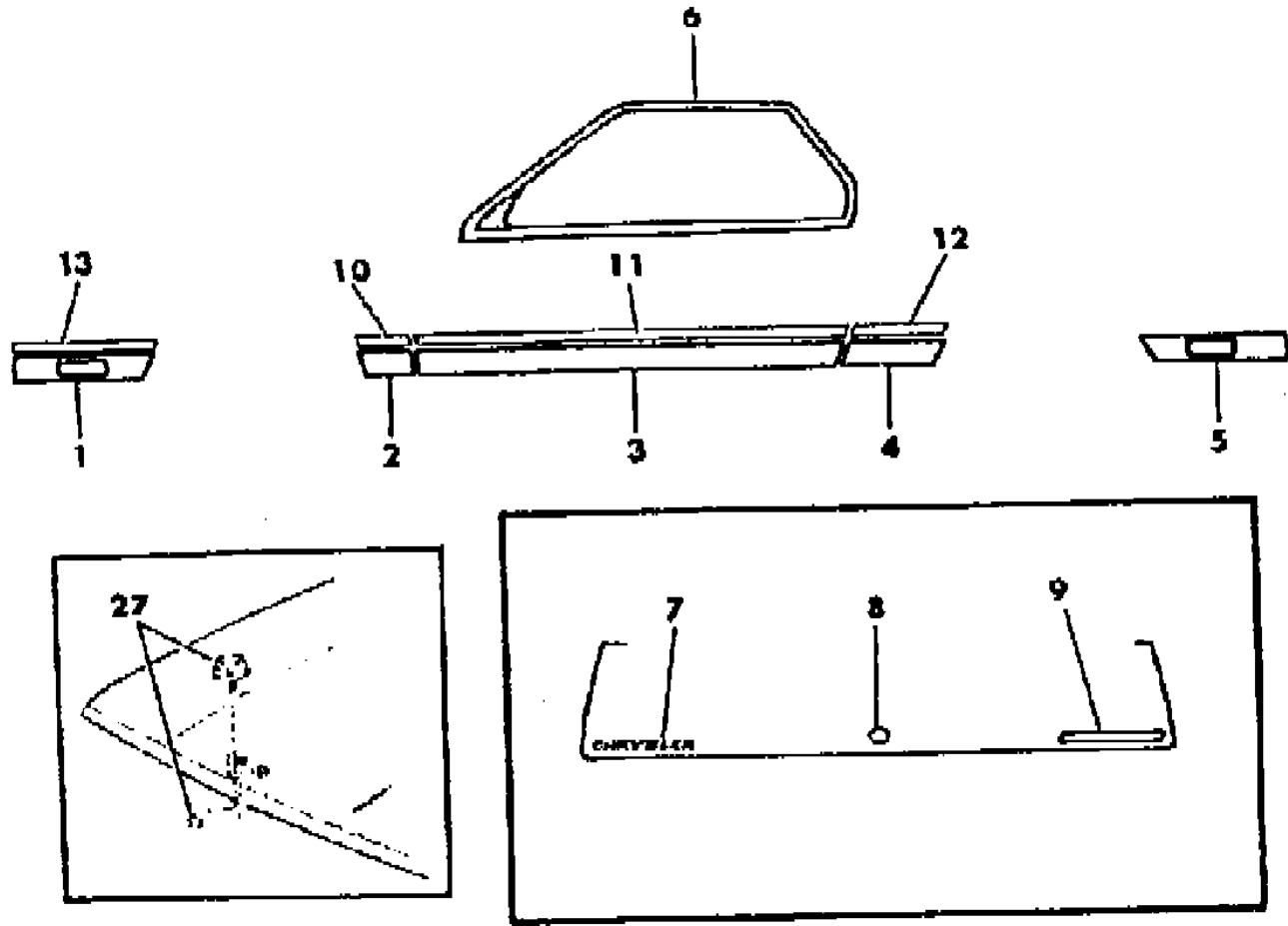
BODY STYLES

21 = 2-DOOR SEDAN	35 = FWD VAN	44 = 4-DOOR HATCHBACK
22 = 2-DOOR SPECIAL COUPE	36 = FWD WAGON	45 = 4-DOOR STATION WAGON
24 = 2-DOOR HATCHBACK	41 = 4-DOOR SEDAN	49 = LIMOUSINE
27 = 2-DOOR CONVERTIBLE		

AR = Use as Required - = Non Illustrated Part P.A.R. = Paint as Required

MOULDINGS AND ORNAMENTATION - EXTERIOR VIEW CHRYSLER LASER AND LASER XE
Figure 23-3800

3158 3800 G



ITEM	PART NUMBER	QTY	BODY	MODEL	DESCRIPTION
17	4397 076-7	1			MOULDING, Roof Outer Rear, Black
18	4397 074-5	1			MOULDING, "B" Pillar Reveal, Black
19	4397 082-3	1			RETAINER, "B" Pillar Seal
	4397 092-3	1			SEAL and WEATHERSTRIP, Roof and Door (See Illus. in Group 23A)
20	4397 080-1	1			RETAINER, "A" Pillar Seal
21	4397 100-1	1			RETAINER, "A" Pillar Mldg.
22	4397 072-3	1			MOULDING, "A" Pillar Outer, Black
23	4397 078-9	1			MOULDING, Door Outer, Black
24	4397 119	1			DECAL PACKAGE, Door, "TURBO", Red
	4397 130	1			DECAL PACKAGE, Door, "TURBO Z", Red
	4397 131	1			DECAL PACKAGE, Door, "FUEL INJECTION", Red
25	4397 117	AR			SEAL, Weatherstrip Retainer (12 Feet)
26	4397 116	1			SEAL, Windshield Reveal
27	4328 635	1			MEDALLION, Hood, Bright
	4328 634	1			MEDALLION, Hood, Black
		1			NUT, (Not Serv.)
28	6032 456	AR			SCREW
29	#4397 167	AR			CLIP
	4397 166	AR			RETAINER
30	4397 136	AR			RIVET PACKAGE
31	4397 132-3	1			SIGHT SHIELD, "A" Pillar
32	4397 134-5	1			SIGHT SHIELD, "B" Pillar

MODEL CODES

B = GRAN FURY	E = 600	M = HORIZON/TURISMO
C = LE BARON/TOWN & COUNTRY/LIMO	F = FIFTH AVENUE/NEWPORT	P = RELIANT
C24 = LASER	G = DIPLOMAT	T = NEW YORKER
C44 = LE BARON/GTS	H = VOYAGER	V = 600
D = ARIES	J = CARAVELLE	V24 = DAYTONA
D44 = LANCER	K = MINI VAN/CARAVAN/ROYAL	Z = OMNI/CHARGER

BODY STYLES

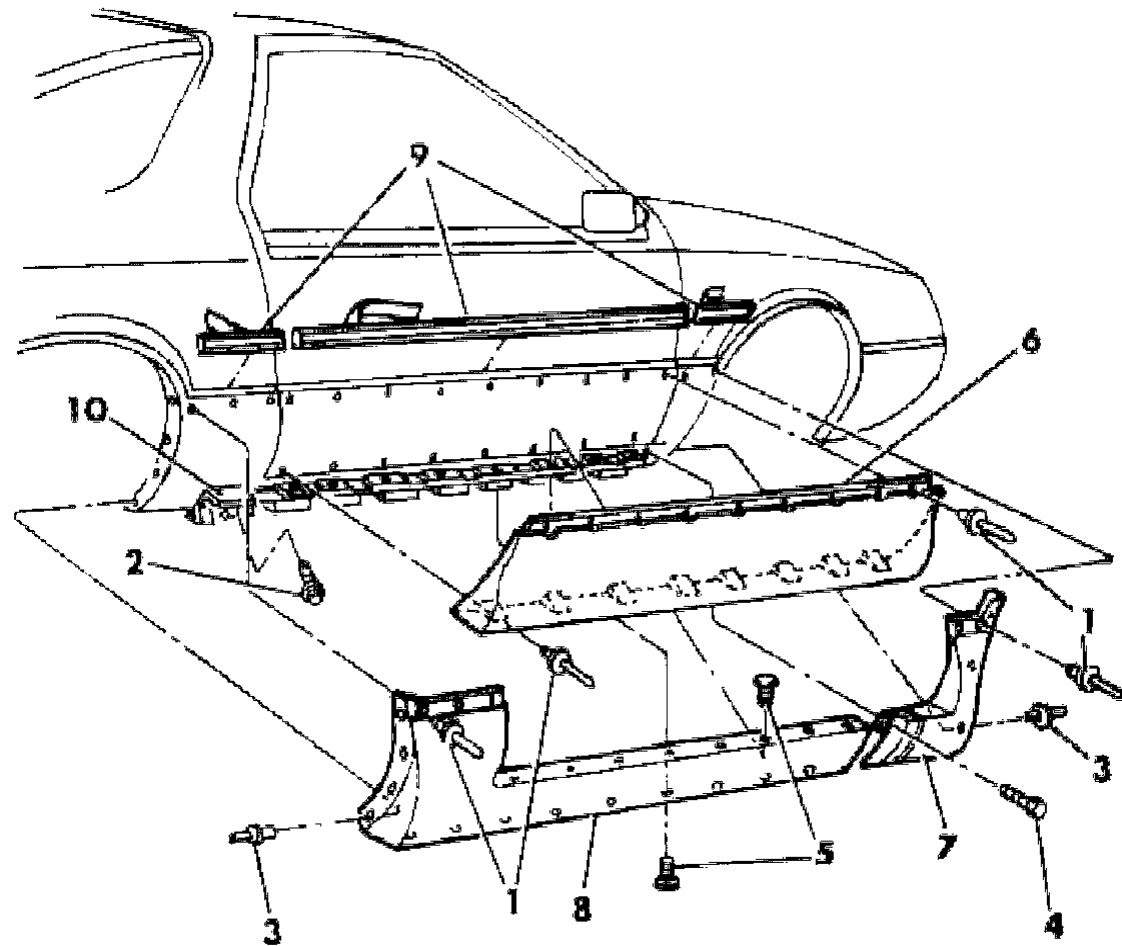
21 = 2-DOOR SEDAN	35 = FWD VAN	44 = 4-DOOR HATCHBACK
22 = 2-DOOR SPECIAL COUPE	36 = FWD WAGON	45 = 4-DOOR STATION WAGON
24 = 2-DOOR HATCHBACK	41 = 4-DOOR SEDAN	49 = LIMOUSINE
27 = 2-DOOR CONVERTIBLE		

AR = Use as Required - = Non Illustrated Part P.A.R. = Paint as Required

GROUND EFFECTS PACKAGE - EXTERIOR VIEW CHRYSLER LASER XT
Figure 23-3850

5168 3850

ITEM	PART NUMBER	QTY	BODY	MODEL	DESCRIPTION
1		AR			RIVET, (Not Serv.)
2		AR			SCREW, (Not Serv.)
3	6031 390	14			RETAINER
4		AR			SCREW, (Not Serv.)
5	6501 086	34			FASTENER
6	4334 488-9	1			SKIRT, Door Lwr.
7	4334 494-5	1			SKIRT, Fndr.
8	4334 486-7	1			FASCIA, Side Sill Extension, Inner
9					MOULDING, Body Side (See Exterior Illus. 3800)
10	4270 534-5	1			REINFORCEMENT, Side Sill Extension, Inner



MODEL CODES

B = GRAN FURY	E = 600	M = HORIZON/TURISMO
C = LE BARON/TOWN & COUNTRY/LIMO	F = FIFTH AVENUE/NEWPORT	P = RELIANT
C24 = LASER	G = DIPLOMAT	T = NEW YORKER
C44 = LE BARON/GTS	H = VOYAGER	V = 600
D = ARIES	J = CARAVELLE	V24 = DAYTONA
D44 = LANCER	K = MINI VAN/CARAVAN/ROYAL	Z = OMNI/CHARGER

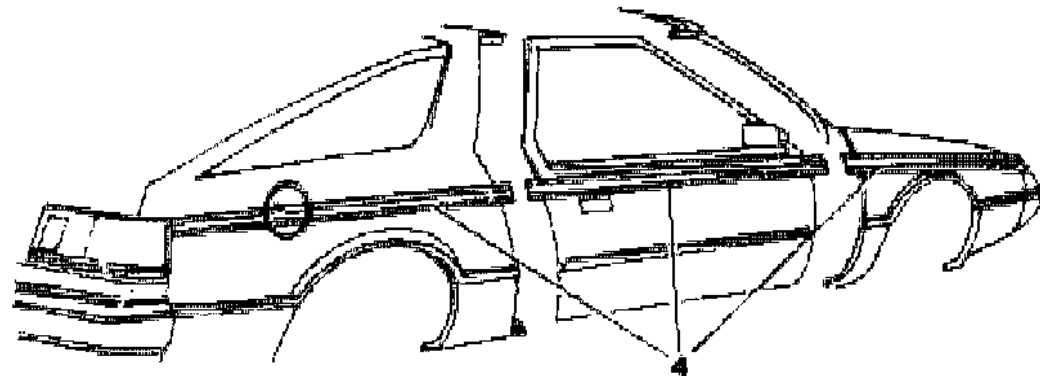
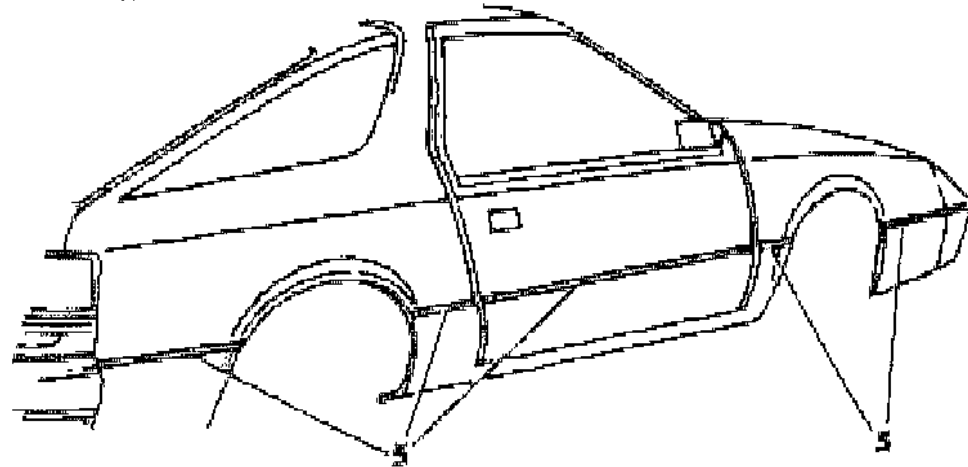
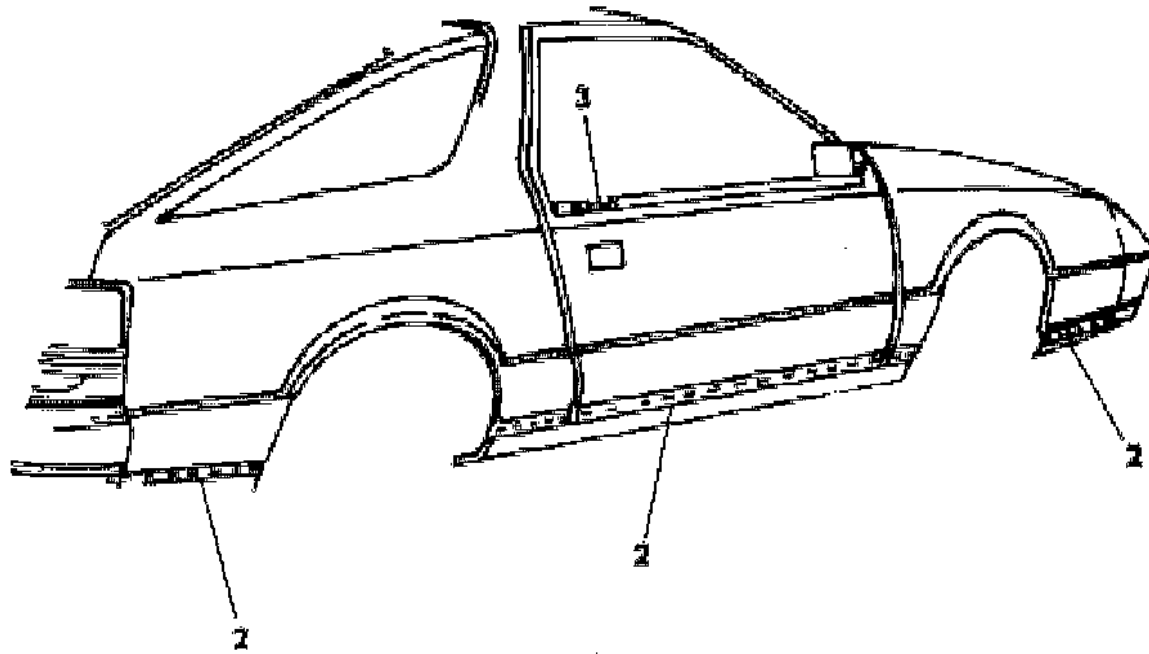
BODY STYLES

21 = 2-DOOR SEDAN	35 = FWD VAN	44 = 4-DOOR HATCHBACK
22 = 2-DOOR SPECIAL COUPE	36 = FWD WAGON	45 = 4-DOOR STATION WAGON
24 = 2-DOOR HATCHBACK	41 = 4-DOOR SEDAN	49 = LIMOUSINE
27 = 2-DOOR CONVERTIBLE		

AR = Use as Required - = Non Illustrated Part P.A.R. = Paint as Required

TAPE STRIPES and DECALS - EXTERIOR VIEW CHRYSLER LASER and LASER XE
Figure 23-3900

5156 3900 A



ITEM	PART NUMBER	QTY	BODY	MODEL	DESCRIPTION
2	4318 634-5	1		C-P	TAPE PACKAGE, Fndr., Door, Qtr., Gunmetal Blue, Silver (Paint Sales Code PA1 QC6)
	4318 636-7	1		C-P	Silver, Gunmetal Blue (Paint Sales Code PC6 QA1)
	4342 526-7	1		C-P	Black, Copper Red (Paint Sales Code PE5 QX8)
	4318 640-1	1		C-P	Silver, Garnet Red (Paint Sales Code PR6 QA1)
	4342 528-9	1		C-P	Cream, Golden Tan (Paint Sales Code PT4 QT3)
	4364 076-7	1		C-P	Silver, Black (Paint Sales Code PX8 QA1)
	4411 570-1	1		C-P	Black, White, Black (Paint Sales Code PW2 QX8)
	T978 CCA	1		C-P	TAPE STRIPE, Fascia Frt. Bumper, Silver, Red, Silver
	T978 DAV	1		C-P	Black, Copper Red, Black
	T978 DAW	1		C-P	Cream, Gold Tan, Cream
	T978 CGS	1		C-P	Silver, Gunmetal Blue, Silver
	T978 CCH	1		C-P	Gunmetal Blue, Silver, Gunmetal Blue
	T978 DDE	1		C-P	Silver, Black, Silver
	T978 DDH	1		C-P	White, Black, White, Use Up to 2-15-85
	T978 DEA	1		C-P	Black, White, Black, Use After 2-15-85
3	4328 815	2		C	DECAL, Door Belt Mldg., "TURBO"
	4328 814	2		C	DECAL, Door Belt Mldg., "Elec. Fuel Inj."
4	4364 548-9	1		C-H,C-P	TAPE PACKAGE, Fndr., Door, Qtr., Silver
	4364 550-1	1		C-H,C-P	Gunmetal Blue
	4342 544-5	1		C-H,C-P	Cream
	4364 552-3	1		C-H,C-P	Red
	4364 554-5	1		C-H,C-P	Black
	4342 546-7	1		C-H,C-P	Palimino Tan
5	4339 189	AR		C-P	TAPE PACKAGE, Fascia, Body Side, Rear Bumper, Red, Laser XT

MODEL CODES

B = GRAN FURY	E = 600	M = HORIZON/TURISMO
C = LE BARON/TOWN & COUNTRY/LIMO	F = FIFTH AVENUE/NEWPORT	P = RELIANT
C24 = LASER	G = DIPLOMAT	T = NEW YORKER
C44 = LE BARON/GTS	H = VOYAGER	V = 600
D = ARIES	J = CARAVELLE	V24 = DAYTONA
D44 = LANCER	K = MINI VAN/CARAVAN/ROYAL	Z = OMNI/CHARGER

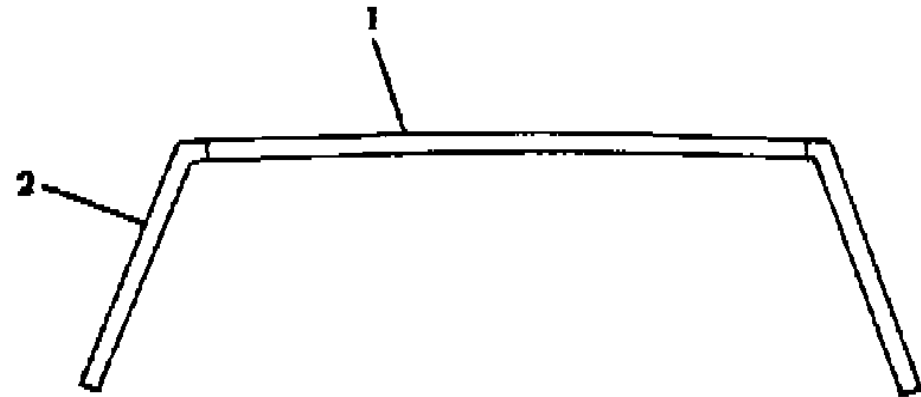
BODY STYLES

21 = 2-DOOR SEDAN	35 = FWD VAN	44 = 4-DOOR HATCHBACK
22 = 2-DOOR SPECIAL COUPE	36 = FWD WAGON	45 = 4-DOOR STATION WAGON
24 = 2-DOOR HATCHBACK	41 = 4-DOOR SEDAN	49 = LIMOUSINE
27 = 2-DOOR CONVERTIBLE		

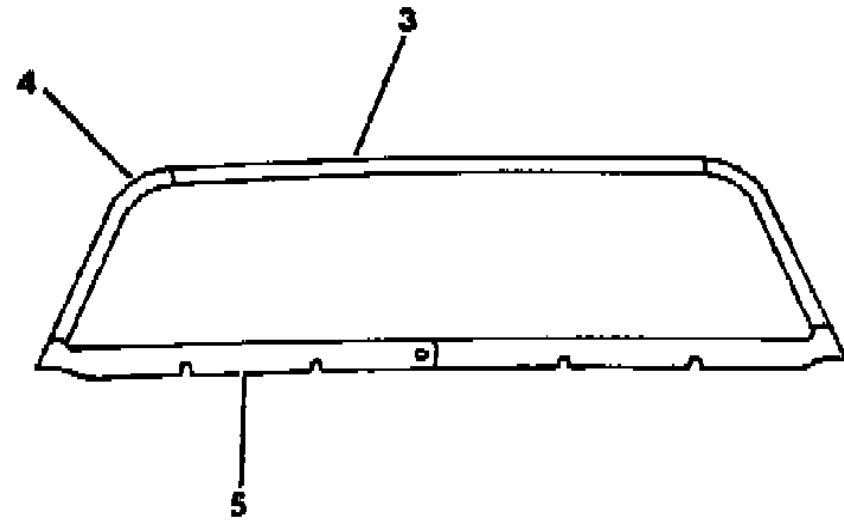
AR = Use as Required - = Non Illustrated Part P.A.R. = Paint as Required

**MOULDINGS, WINDSHIELD AND REAR WINDOW OUTSIDE J-M, J-H, E-M, E-H, T-P
Figure 23-4000**

5158 4000



W/SHLD MLDGS



RR WDO MLDGS

ITEM	PART NUMBER	QTY	BODY	MODEL	DESCRIPTION
1	4319 638	1			MOULDING, W/Shield, Upr., Bright
	6003 916	AR			RETAINER
	6003 879	AR			RETAINER
2	4319 318-9	1			MOULDING, W/Shield, Side, Bright
	6003 916	AR			RETAINER
	6003 879	AR			RETAINER
3	4319 334	1		J-H,E-H	MOULDING, Rear Wdo., Upr., Bright
	6003 916	AR			RETAINER
	6003 879	AR			RETAINER
4	4319 336-7	1		J-H,E-H	MOULDING, Rear Wdo., Side, Bright
	6003 916	AR			RETAINER
	6003 879	AR			RETAINER
5	4319 340-1	1		J-H,E-H	MOULDING, Rear Wdo., Lwr., Bright

MODEL CODES

B = GRAN FURY	E = 600	M = HORIZON/TURISMO
C = LE BARON/TOWN & COUNTRY/LIMO	F = FIFTH AVENUE/NEWPORT	P = RELIANT
C24 = LASER	G = DIPLOMAT	T = NEW YORKER
C44 = LE BARON/GTS	H = VOYAGER	V = 600
D = ARIES	J = CARAVELLE	V24 = DAYTONA
D44 = LANCER	K = MINI VAN/CARAVAN/ROYAL	Z = OMNI/CHARGER

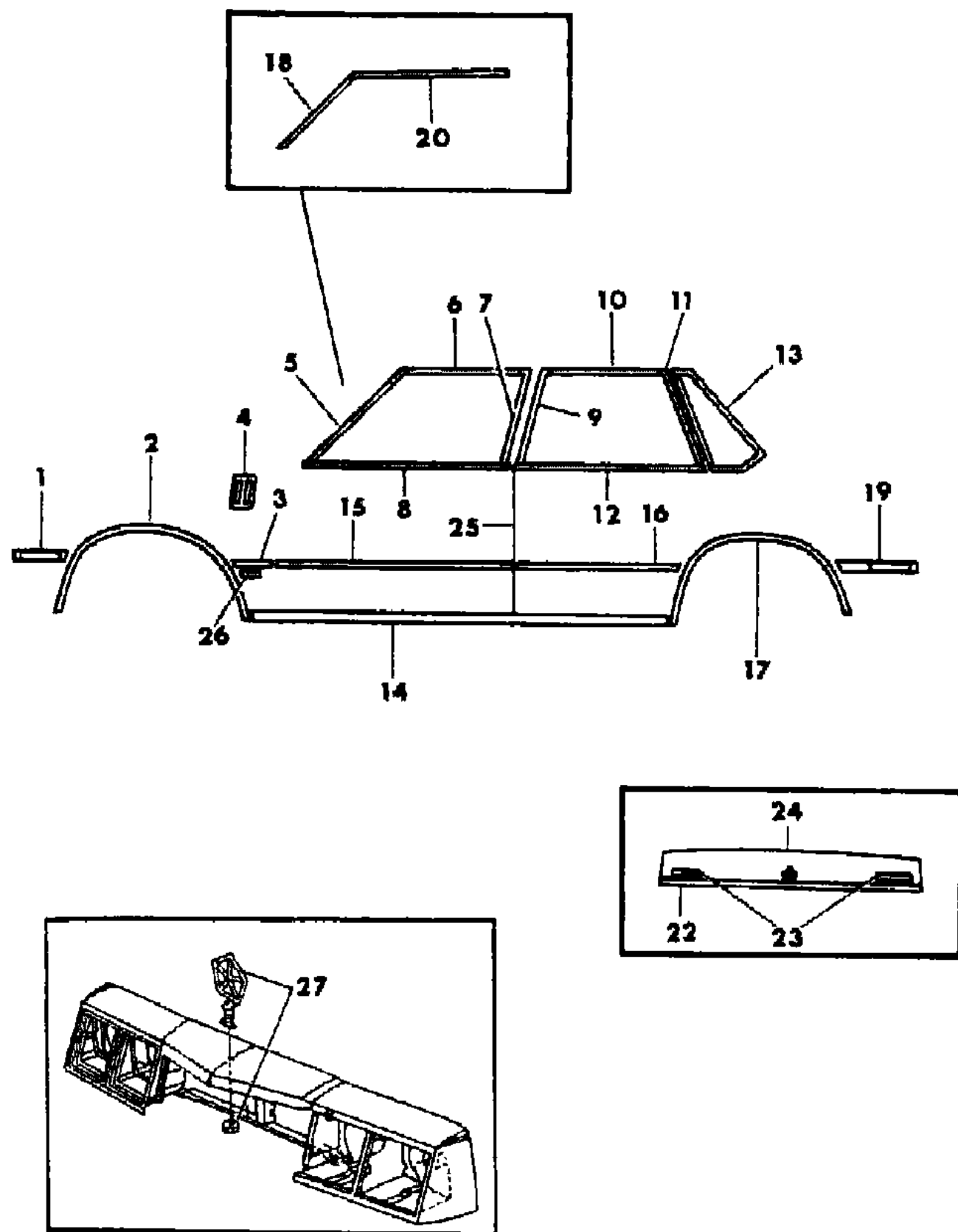
BODY STYLES

21 = 2-DOOR SEDAN	35 = FWD VAN	44 = 4-DOOR HATCHBACK
22 = 2-DOOR SPECIAL COUPE	36 = FWD WAGON	45 = 4-DOOR STATION WAGON
24 = 2-DOOR HATCHBACK	41 = 4-DOOR SEDAN	49 = LIMOUSINE
27 = 2-DOOR CONVERTIBLE		

AR = Use as Required - = Non Illustrated Part P.A.R. = Paint as Required

MOULDINGS and ORNAMENTATION - EXTERIOR VIEW PLYMOUTH CARAVELLE - J-M, J-H
Figure 23-4100

51684100 A



ITEM	PART NUMBER	QTY	BODY	MODEL	DESCRIPTION
1	4339 280-1	1			MOULDING and SEAL PACKAGE, Fndr. Side, Frt.
	6003 790	AR			RETAINER
2	4319 024-5	1			MOULDING, Fndr. W/Opng. SCREW, (Not Serv.)
3	X234-5 BW3	1			MOULDING, Fndr. Rear, White
	X234-5 BX9	1			Black
	X234-5 BC9	1			Night Watch Blue
	X234-5 DB1	1			Ice Blue Met.
	X234-5 CC6	1			Gunmetal Blue
	X234-5 BA2	1			Silver
	X234-5 BL4	1			Beige
	X234-5 DT2	1			Cream
	X234-5 BM5	1			Red
	X234-5 CT6	1			Mink Brown
	X234-5 DT4	1			Gold Dust Met.
4	X282-3 CA1	1			LOUVER, Fndr. Side, Silver
	X282-3 DB1	1			Ice Blue Met.
	X282-3 CC6	1			Gunmetal Blue
	X282-3 DB9	1			Night Watch Blue
	X282-3 DT4	1			Gold Dust Met.
	X282-3 DT3	1			Cream
	X282-3 CR6	1			Garnet
	X282-3 CT6	1			Mink Brown
	X282-3 DW2	1			White
	X282-3 DX8	1			Black
					NUT, (Not Serv.)
5	4276 062-3	1			MOULDING, Frt. Door Wdo. Opng. Frame, Frt.
6	4319 222-3	1			MOULDING, Frt. Door Wdo. Opng. Frame, Upr.
7	4328 304-5	1			MOULDING, Frt. Door Wdo. Opng. Frame, Rear
8	4293 628-9	1			MOULDING PACKAGE, Frt. Door Belt
	6003 627	AR			RETAINER
9	4328 308-9	1			MOULDING, Rear Door Wdo. Opng. Frame, Frt.
10	4319 246-7	1			MOULDING, Rear Door Wdo. Opng. Frame, Upr.
11	4319 252-3	1			MOULDING, Rear Door Wdo. Opng. Frame, Rear
12	4293 644-5	1			MOULDING PACKAGE, Rear Door Belt
	6003 627	AR			RETAINER
13	4319 360-1	1			MOULDING, Qtr. Wdo.

MODEL CODES

B = GRAN FURY	E = 600	M = HORIZON/TURISMO
C = LE BARON/TOWN & COUNTRY/LIMO	F = FIFTH AVENUE/NEWPORT	P = RELIANT
C24 = LASER	G = DIPLOMAT	T = NEW YORKER
C44 = LE BARON/GTS	H = VOYAGER	V = 600
D = ARIES	J = CARAVELLE	V24 = DAYTONA
D44 = LANCER	K = MINI VAN/CARAVAN/ROYAL	Z = OMNI/CHARGER

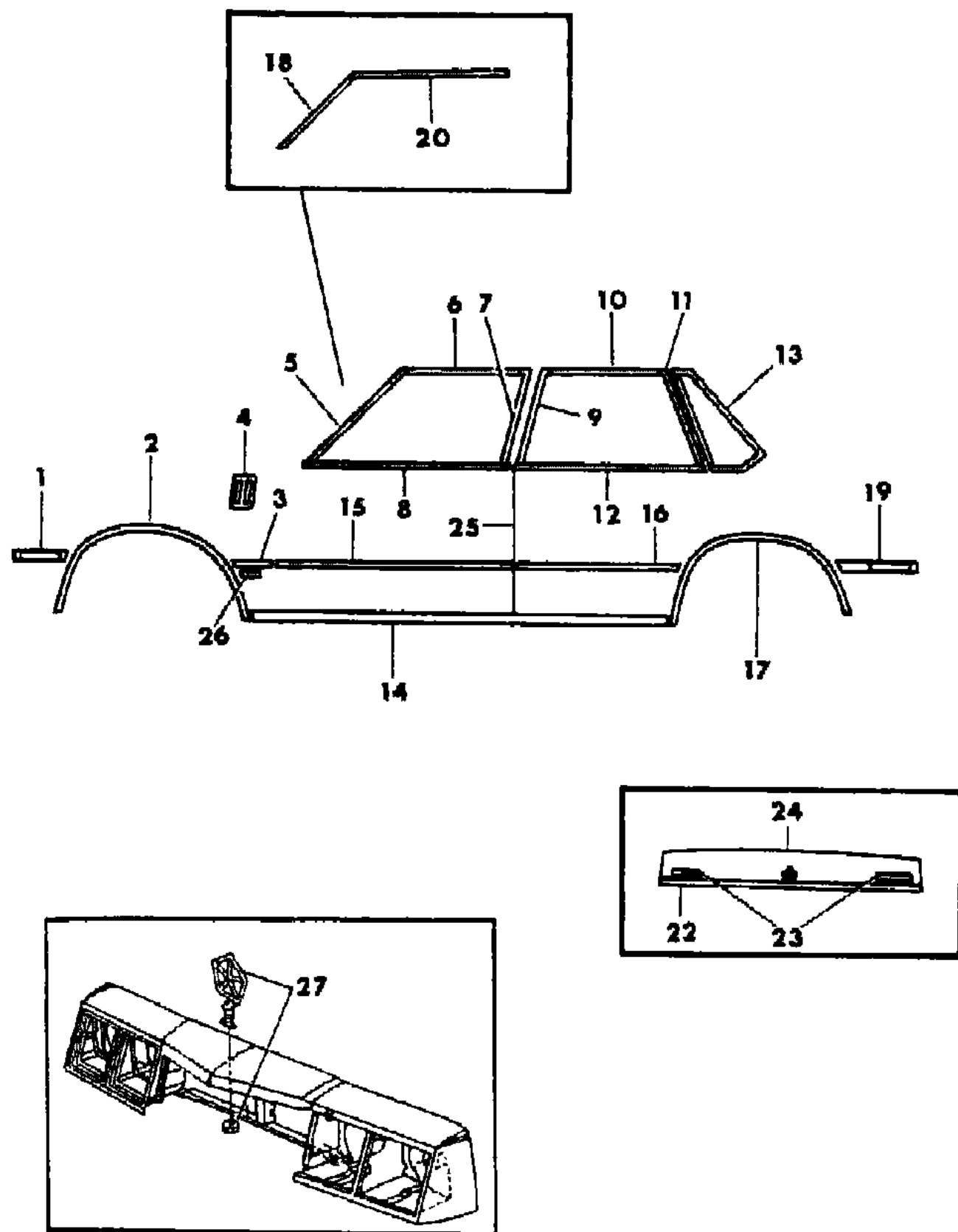
BODY STYLES

21 = 2-DOOR SEDAN	35 = FWD VAN	44 = 4-DOOR HATCHBACK
22 = 2-DOOR SPECIAL COUPE	36 = FWD WAGON	45 = 4-DOOR STATION WAGON
24 = 2-DOOR HATCHBACK	41 = 4-DOOR SEDAN	49 = LIMOUSINE
27 = 2-DOOR CONVERTIBLE		

AR = Use as Required - = Non Illustrated Part P.A.R. = Paint as Required

MOULDINGS and ORNAMENTATION - EXTERIOR VIEW PLYMOUTH CARAVELLE - J-M, J-H
Figure 23-4100

51684100 A



ITEM	PART NUMBER	QTY	BODY	MODEL	DESCRIPTION
14	4293 664-5	1			MOULDING PACKAGE, Body Side Sill
	6003 777	AR			RETAINER CLIP
					WELD STUD, (Not Serv.) SCREW, (Not Serv.)
15	X236 BW3	2			MOULDING, Frt. Door, White
	X236 BX9	2			Black
	X236 BC9	2			Night Watch Blue
	X236 DB1	2			Ice Blue Met.
	X236 CC6	2			Gunmetal Blue
	X236 BA2	2			Silver
	X236 BL4	2			Beige
	X236 DT2	2			Cream
	X236 BM5	2			Red
	X236 CT6	2			Mink Brown
	X236 DT4	2			Gold Dust Met.
16	X232-3 BA2	1			MOULDING, Rear Door, Silver
	X232-3 BC9	1			Night Watch Blue
	X232-3 CC6	1			Gunmetal Blue
	X232-3 DB1	1			Ice Blue Met.
	X232-3 BL4	1			Beige
	X232-3 DT2	1			Cream
	X232-3 BM5	1			Red
	X232-3 CT6	1			Mink Brown
	X232-3 DT4	1			Gold Dust Met.
	X232-3 BX9	1			Black
17	X232-3 BW3	1			White
	4319 030-1	1			MOULDING, Qtr. W/Opng.
	18	4328 572-3	1		
4229 764-5		1			SEAL, Body Frt. Pillar Drain Trough Mldg., Inner
19	4339 278-9	1			MOULDING and SEAL PACKAGE, Qtr. Rear
	6003 790	AR			RETAINER
	20	4276 890-1	1		
22		4276 617	1		MOULDING, Deck Lid Lwr.
		6003 858	AR		
23	4328 876	1			NAMEPLATE, Deck Lid, "PLYMOUTH"
	4328 619	1			NAMEPLATE, Deck Lid, "CARAVELLE"

MODEL CODES

B = GRAN FURY	E = 600	M = HORIZON/TURISMO
C = LE BARON/TOWN & COUNTRY/LIMO	F = FIFTH AVENUE/NEWPORT	P = RELIANT
C24 = LASER	G = DIPLOMAT	T = NEW YORKER
C44 = LE BARON/GTS	H = VOYAGER	V = 600
D = ARIES	J = CARAVELLE	V24 = DAYTONA
D44 = LANCER	K = MINI VAN/CARAVAN/ROYAL	Z = OMNI/CHARGER

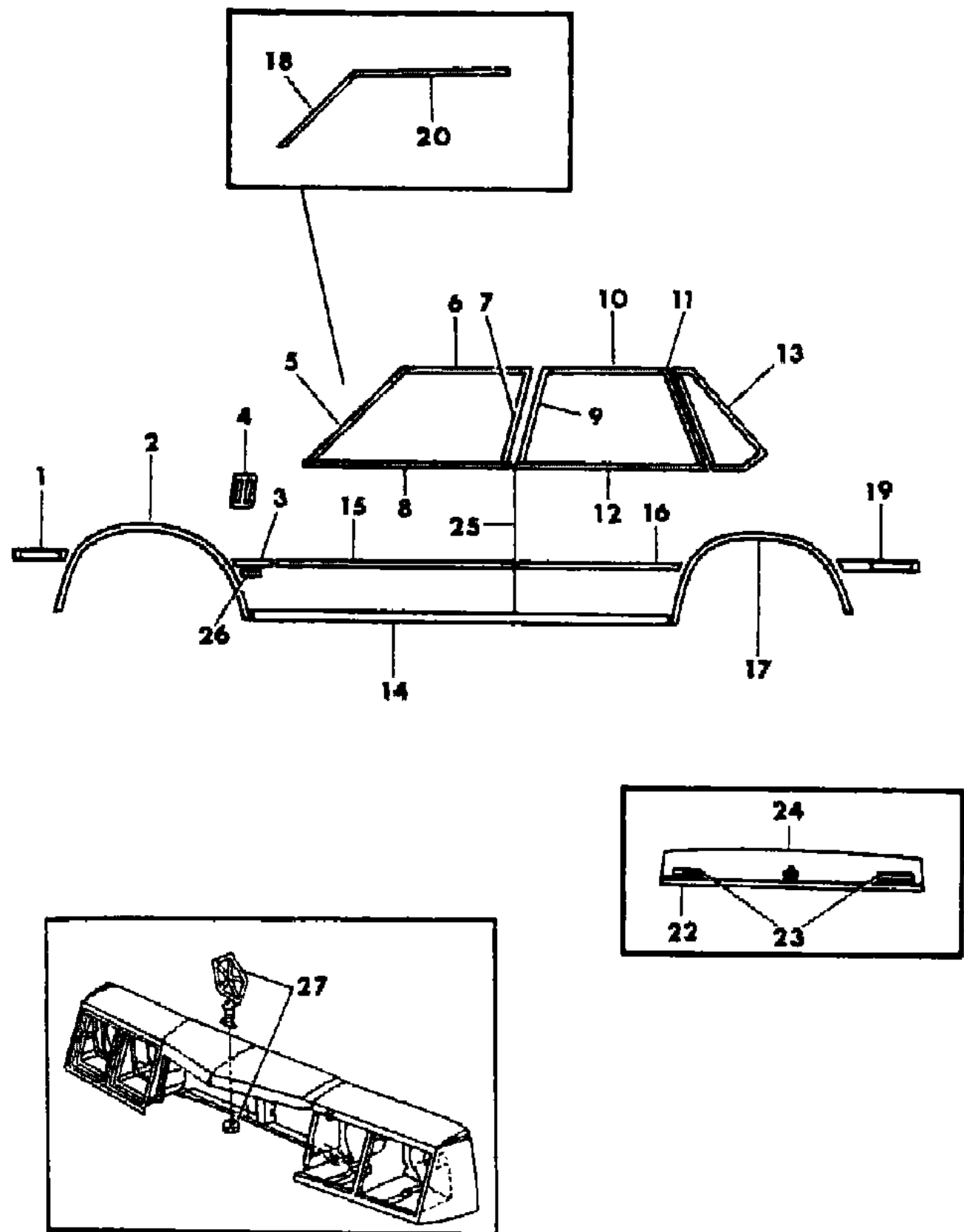
BODY STYLES

21 = 2-DOOR SEDAN	35 = FWD VAN	44 = 4-DOOR HATCHBACK
22 = 2-DOOR SPECIAL COUPE	36 = FWD WAGON	45 = 4-DOOR STATION WAGON
24 = 2-DOOR HATCHBACK	41 = 4-DOOR SEDAN	49 = LIMOUSINE
27 = 2-DOOR CONVERTIBLE		

AR = Use as Required - = Non Illustrated Part P.A.R. = Paint as Required

MOULDINGS and ORNAMENTATION - EXTERIOR VIEW PLYMOUTH CARAVELLE - J-M, J-H
Figure 23-4100

51684100 A



ITEM	PART NUMBER	QTY	BODY	MODEL	DESCRIPTION
24	X269 CA2	1			MEDALLION, Deck Lid Lock Cyl., Silver, Use Up to 6-1-85
	X269 EA1	1			MEDALLION, Deck Lid Lock Cyl., Silver, Use After 6-1-85
	X269 CC6	1			Gunmetal Blue
	X269 DM6	1			Red
	X269 DW2	1			White
	X269 DX8	1			Black
	X269 DT3	1			Cream
	X269 DT4	1			Gold Dust Met.
	X269 CT6	1			Mink Brown
	X269 DB1	1			Ice Blue Met.
25	4276 786	AR			RIVET, (Not Serv.)
26	4319 147	2			STRIP PACKAGE, Door Edge Protector
27	4270 560	1			NAMEPLATE, Fndr. Side, "TURBO EFI"
	4270 561	1			ORNAMENT, Radiator Grille, Complete
	6030 435	1			ORNAMENT, Pentastar
					NUT

MODEL CODES
 B = GRAN FURY
 C = LE BARON/TOWN & COUNTRY/LIMO
 C24 = LASER
 C44 = LE BARON/GTS
 D = ARIES
 D44 = LANCER
 E = 600
 F = FIFTH AVENUE/NEWPORT
 G = DIPLOMAT
 H = VOYAGER
 J = CARAVELLE
 K = MINI VAN/CARAVAN/ROYAL
 M = HORIZON/TURISMO
 P = RELIANT
 T = NEW YORKER
 V = 600
 V24 = DAYTONA
 Z = OMNI/CHARGER

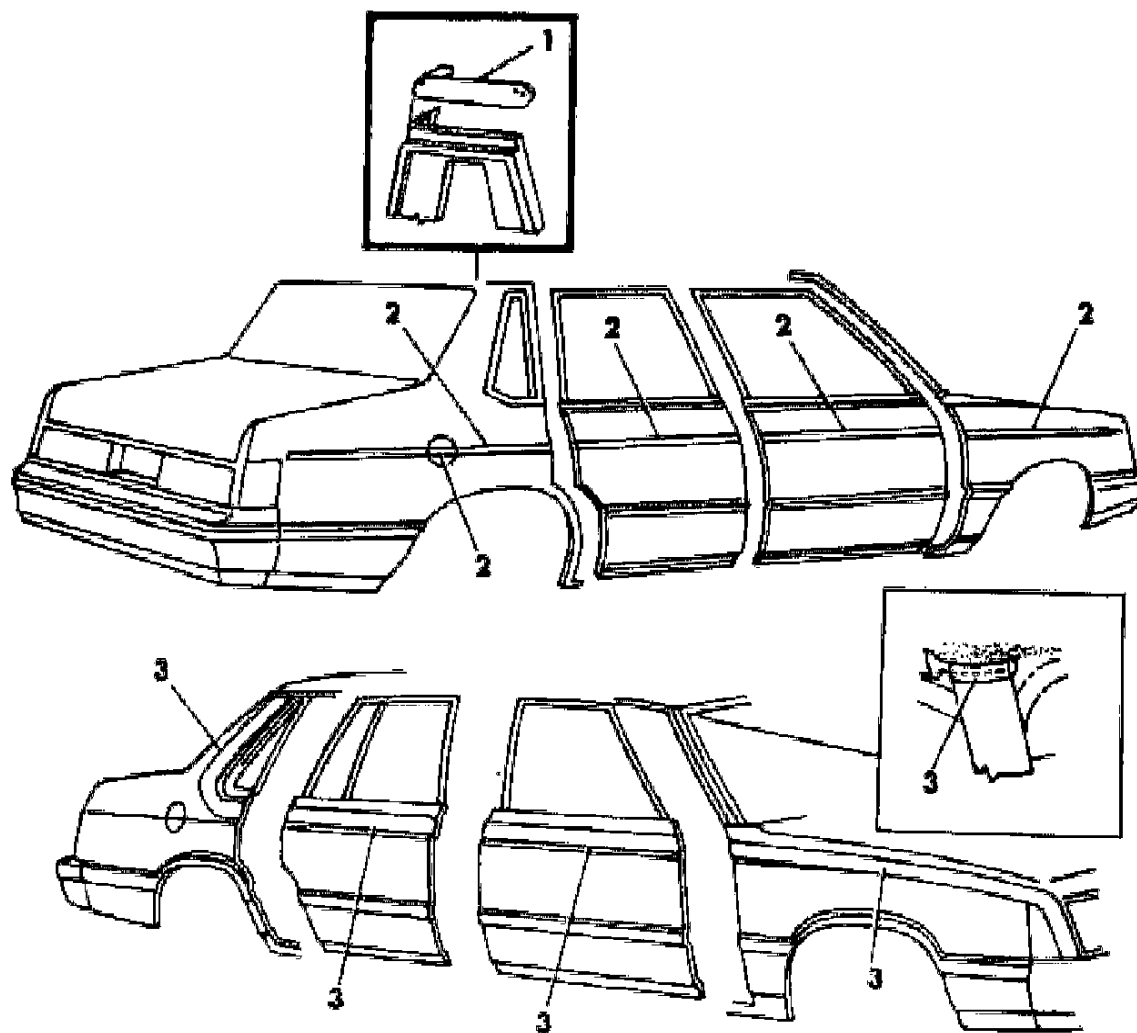
BODY STYLES
 21 = 2-DOOR SEDAN
 22 = 2-DOOR SPECIAL COUPE
 24 = 2-DOOR HATCHBACK
 27 = 2-DOOR CONVERTIBLE
 35 = FWD VAN
 36 = FWD WAGON
 41 = 4-DOOR SEDAN
 44 = 4-DOOR HATCHBACK
 45 = 4-DOOR STATION WAGON
 49 = LIMOUSINE

AR = Use as Required - = Non Illustrated Part P.A.R. = Paint as Required

TAPE STRIPES and DECALS - EXTERIOR VIEW PLYMOUTH CARAVELLE - J-M, J-H
Figure 23-4200

ITEM	PART NUMBER	QTY	BODY	MODEL	DESCRIPTION
1	T024-5 CA1	1			TAPE, Qtr. Wdo. Mldg., Silver
	T024-5 DB1	1			Ice Blue Met.
	T024-5 CC6	1			Gunmetal Blue
	T024-5 BC9	1			Night Watch Blue
	T024-5 DT2	1			Cream
	T024-5 DT4	1			Gold Dust Met.
	T024-5 CR6	1			Garnet Red
	T024-5 CT6	1			Mink Brown
	T024-5 BW3	1			White
	T024-5 BX9	1			Black
2	4342 614-5	1			TAPE PACKAGE, Fndr., Door, Qtr., Gray
	4342 616-7	1			Cream
	4342 618-9	1			Palomino Tan
	4318 918-9	1			Red
	4318 920-1	1			Blue
	T525 DA2	1			TAPE, Qtr. Pnl Fuel Filler Door, Repair, Gray
	T525 CB7	1			Blue
	T525 DT2	1			Cream
	T525 DT3	1			Palomino Tan
	T525 CR4	1			Red
3	4342 586-7	1			TAPE PACKAGE, Fndr., Door, Qtr., Gold Tan, Cream, Spice (Paint Sales Code PT4 QT3)
	4342 996-7	1			Gunmetal Blue, Silver, Blue Gray (Paint Sales Code PC6 QA1)
	T426 CC6	2			TAPE, Frt. Pillar, Gunmetal Blue
	T426 DT4	2			Gold Dust Met.

5158 4200



MODEL CODES

B = GRAN FURY	E = 600	M = HORIZON/TURISMO
C = LE BARON/TOWN & COUNTRY/LIMO	F = FIFTH AVENUE/NEWPORT	P = RELIANT
C24 = LASER	G = DIPLOMAT	T = NEW YORKER
C44 = LE BARON/GTS	H = VOYAGER	V = 600
D = ARIES	J = CARAVELLE	V24 = DAYTONA
D44 = LANCER	K = MINI VAN/CARAVAN/ROYAL	Z = OMNI/CHARGER

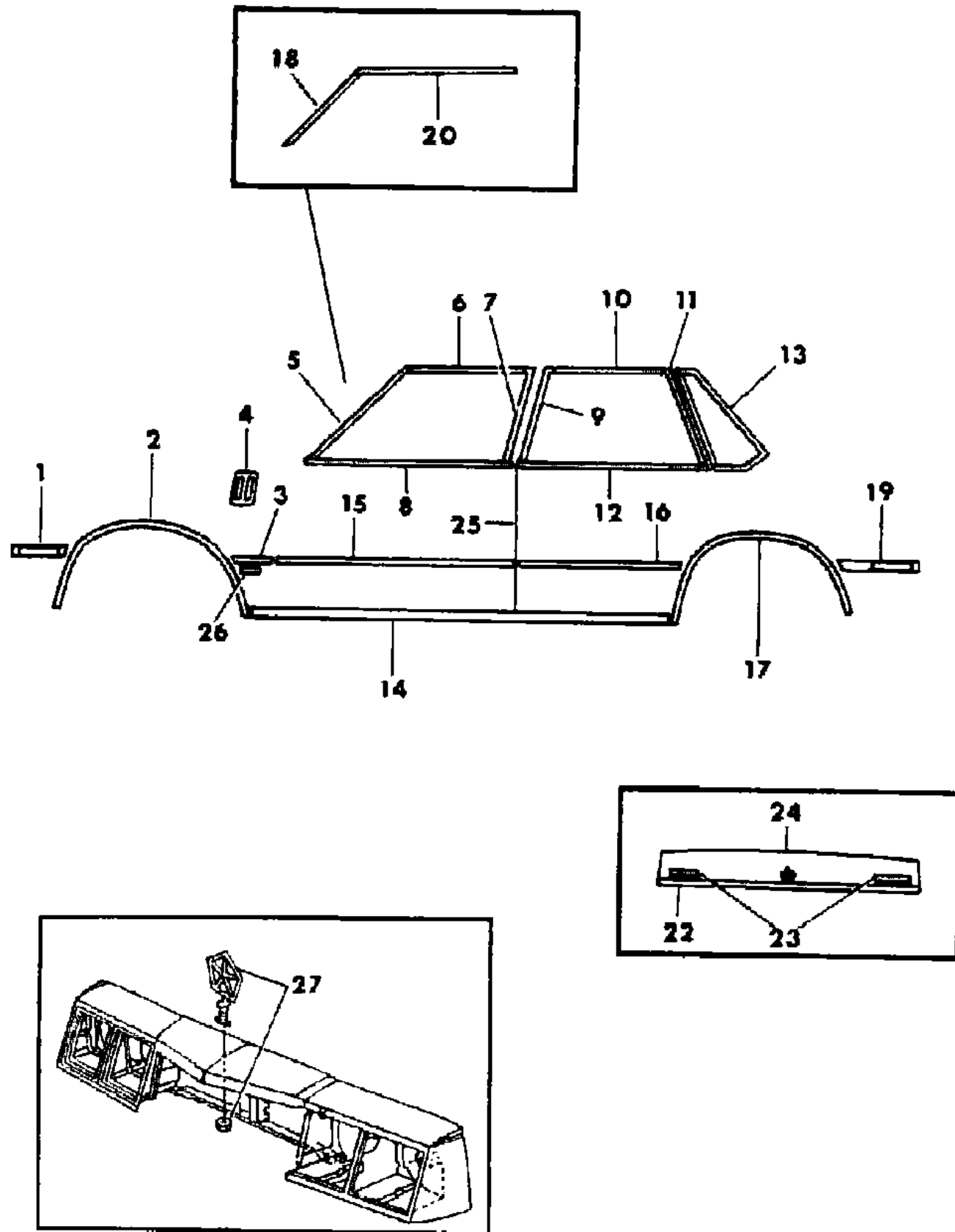
BODY STYLES

21 = 2-DOOR SEDAN	35 = FWD VAN	44 = 4-DOOR HATCHBACK
22 = 2-DOOR SPECIAL COUPE	36 = FWD WAGON	45 = 4-DOOR STATION WAGON
24 = 2-DOOR HATCHBACK	41 = 4-DOOR SEDAN	49 = LIMOUSINE
27 = 2-DOOR CONVERTIBLE		

AR = Use as Required - = Non Illustrated Part P.A.R. = Paint as Required

MOULDINGS and ORNAMENTATION - EXTERIOR VIEW DODGE 600 - E-M, E-H
Figure 23-4300

5166 4300 A



ITEM	PART NUMBER	QTY	BODY	MODEL	DESCRIPTION	
1	4339 280-1	1			MOULDING and SEAL PACKAGE, Fndr. Frt.	
	6003 790	AR			RETAINER NUT, (Not Serv.)	
2	4319 024-5	1			MOULDING, Fndr. W/Opng.	
					SCREW, (Not Serv.)	
3	X234-5 BW3	1			MOULDING, Fndr. Rear, White	
	X234-5 BX9	1			Black	
	X234-5 BC9	1			Night Watch Blue	
	X234-5 DB1	1			Ice Blue Met.	
	X234-5 CC6	1			Gunmetal Blue	
	X234-5 BA2	1			Silver	
	X234-5 BL4	1			Beige Met.	
	X234-5 DT2	1			Cream	
	X234-5 BM5	1			Red	
	X234-5 CT6	1			Mink Brown	
	X234-5 DT4	1			Gold Dust Met.	
	4	X282-3 CA1	1			LOUVER, Fndr. Side, White
		X282-3 DB1	1			Ice Blue Met.
X282-3 CC6		1			Gunmetal Blue	
X282-3 DB9		1			Night Watch Blue	
X282-3 DT4		1			Gold Dust Met.	
X282-3 DT3		1			Cream	
X282-3 CR6		1			Garnet	
X282-3 CT6		1			Mink Brown	
X282-3 DW2		1			White	
X282-3 DX8		1			Black	
					NUT, (Not Serv.)	
5		4276 062-3	1			MOULDING, Frt. Door Wdo. Opng. Frame, Frt.
6		4319 222-3	1			MOULDING, Frt. Door Wdo. Opng. Frame, Upr.
7	4328 304-5	1			MOULDING, Frt. Door Wdo. Opng. Frame, Rear	
8	4293 628-9	1			MOULDING PACKAGE, Frt. Door Belt	
	6003 627	AR			RETAINER	
9	4328 308-9	1			MOULDING, Rear Door Wdo. Opng. Frame, Frt.	
10	4319 246-7	1			MOULDING, Rear Door Wdo. Opng. Frame, Upr.	
11	4319 252-3	1			MOULDING, Rear Door Wdo. Opng. Frame, Rear	
12	4293 644-5	1			MOULDING, Rear Door Belt	
	6003 627	AR			RETAINER	

MODEL CODES

B = GRAN FURY	E = 600	M = HORIZON/TURISMO
C = LE BARON/TOWN & COUNTRY/LIMO	F = FIFTH AVENUE/NEWPORT	P = RELIANT
C24 = LASER	G = DIPLOMAT	T = NEW YORKER
C44 = LE BARON/GTS	H = VOYAGER	V = 600
D = ARIES	J = CARAVELLE	V24 = DAYTONA
D44 = LANCER	K = MINI VAN/CARAVAN/ROYAL	Z = OMNI/CHARGER

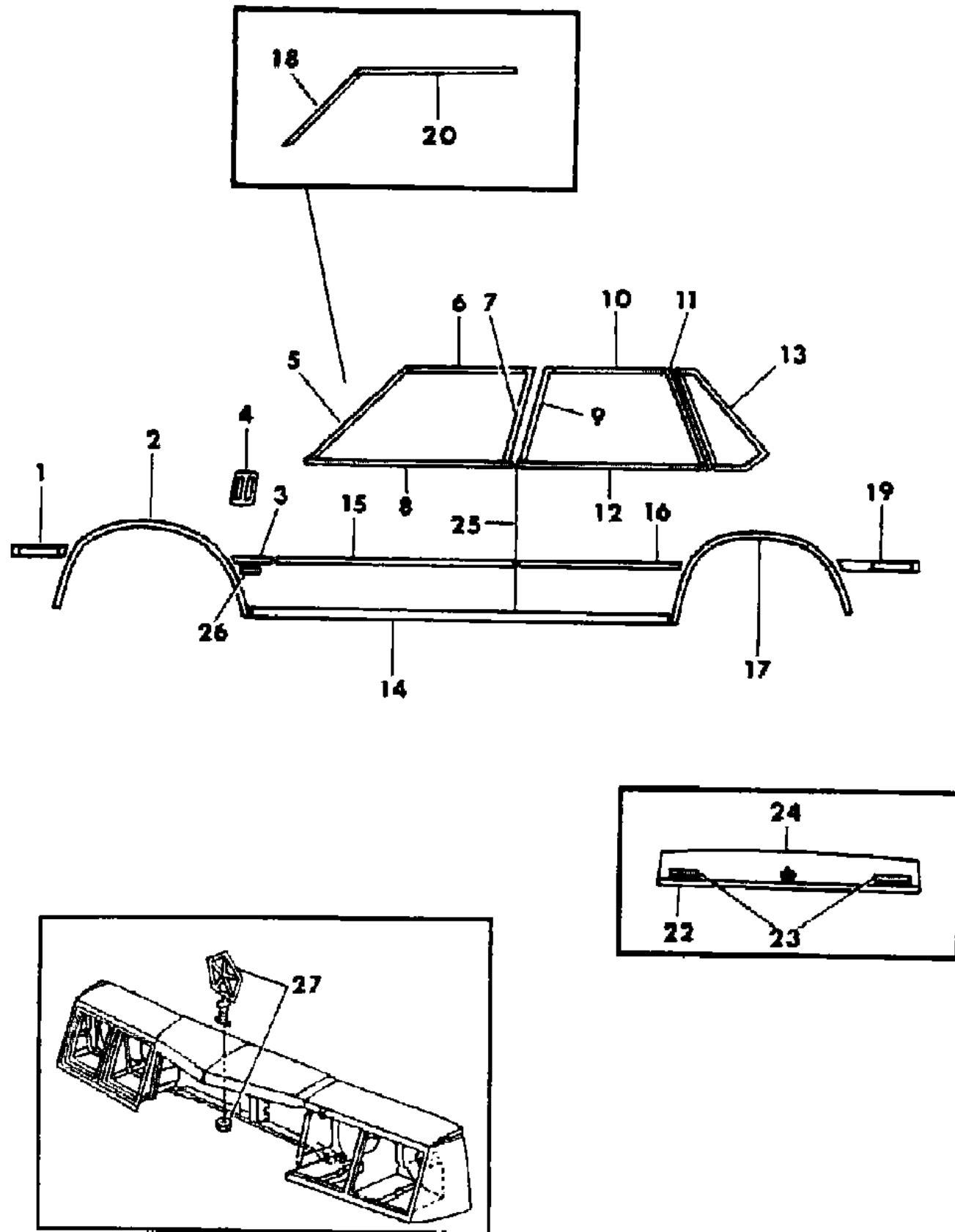
BODY STYLES

21 = 2-DOOR SEDAN	35 = FWD VAN	44 = 4-DOOR HATCHBACK
22 = 2-DOOR SPECIAL COUPE	36 = FWD WAGON	45 = 4-DOOR STATION WAGON
24 = 2-DOOR HATCHBACK	41 = 4-DOOR SEDAN	49 = LIMOUSINE
27 = 2-DOOR CONVERTIBLE		

AR = Use as Required - = Non Illustrated Part P.A.R. = Paint as Required

MOULDINGS and ORNAMENTATION - EXTERIOR VIEW DODGE 600 - E-M, E-H
Figure 23-4300

5166 4300 A



ITEM	PART NUMBER	QTY	BODY	MODEL	DESCRIPTION
13	4319 360-1	1			MOULDING, Qtr. Wdo.
14	4293 664-5	1			MOULDING PACKAGE, Body Side Sill
	6003 777	AR			RETAINER CLIP WELD STUD, (Not Serv.) SCREW, (Not Serv.)
15	X236 BW3	2			MOULDING, Frt. Door, White
	X236 BX9	2			Black
	X236 BC9	2			Night Watch Blue
	X236 DB1	2			Ice Blue Met.
	X236 CC6	2			Gunmetal Blue
	X236 BA2	2			Silver
	X236 BL4	2			Beige Met.
	X236 DT2	2			Cream
	X236 BM5	2			Red
	X236 CT6	2			Mink Brown
	X236 DT4	2			Gold Dust Met.
16	X232-3 BA2	1			MOULDING, Rear Door, Silver
	X232-3 BC9	1			Night Watch Blue
	X232-3 CC6	1			Gunmetal Blue
	X232-3 DB1	1			Ice Blue Met.
	X232-3 BL4	1			Beige Met.
	X232-3 DT2	1			Cream
	X232-3 BM5	1			Red
	X232-3 CT6	1			Mink Brown
	X232-3 DT4	1			Gold Dust Met.
	X232-3 BX9	1			Black
	X232-3 BW3	1			White
17	4319 030-1	1			MOULDING, Qtr. W/Opng.
18	4328 572-3	1			MOULDING and SEAL, Body Frt. Pillar Drain Trough
	4229 764-5	1			SEAL, Bodt Frt. Pillar Drain Trough Mldg., Inner SCREW, (Not Serv.)
19	4339 278-9	1			MOULDING and SEAL PACKAGE, Qtr. Rear
	6003 790	AR			RETAINER NUT, (Not Serv.)
20	4276 890-1	1			MOULDING, Roof Side Drain Trough
22	4276 617	1			MOULDING, Deck Lid Lwr.
	6003 858	AR			RETAINER

MODEL CODES

B = GRAN FURY	E = 600	M = HORIZON/TURISMO
C = LE BARON/TOWN & COUNTRY/LIMO	F = FIFTH AVENUE/NEWPORT	P = RELIANT
C24 = LASER	G = DIPLOMAT	T = NEW YORKER
C44 = LE BARON/GTS	H = VOYAGER	V = 600
D = ARIES	J = CARAVELLE	V24 = DAYTONA
D44 = LANCER	K = MINI VAN/CARAVAN/ROYAL	Z = OMNI/CHARGER

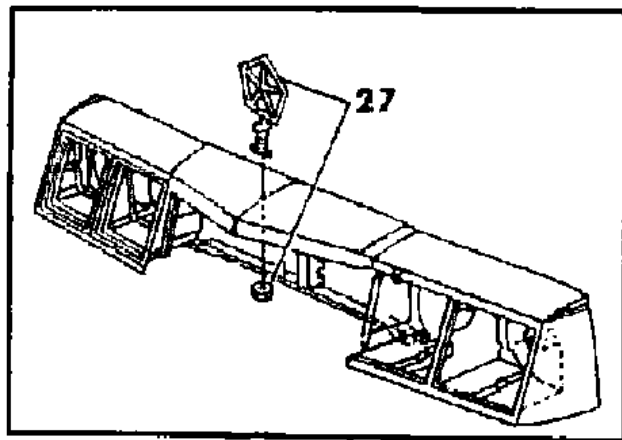
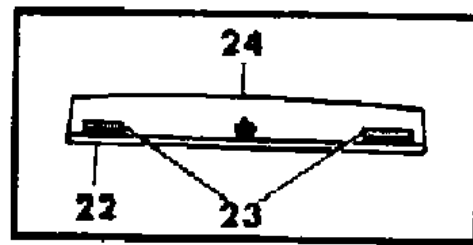
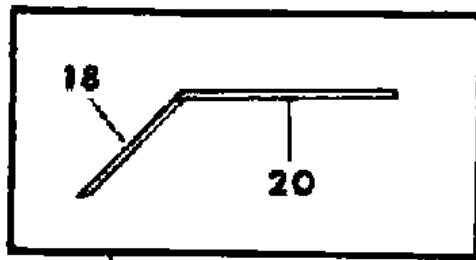
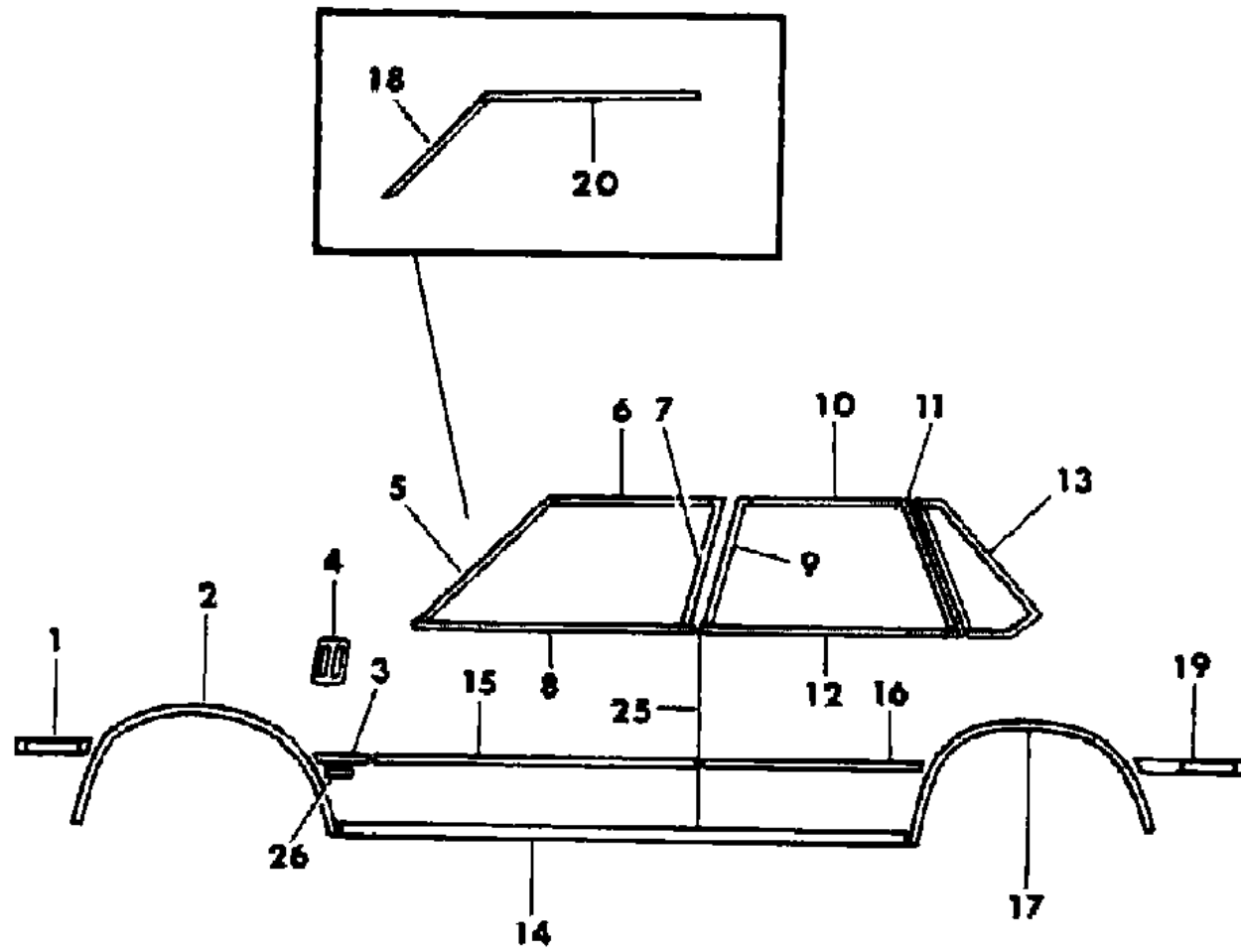
BODY STYLES

21 = 2-DOOR SEDAN	35 = FWD VAN	44 = 4-DOOR HATCHBACK
22 = 2-DOOR SPECIAL COUPE	36 = FWD WAGON	45 = 4-DOOR STATION WAGON
24 = 2-DOOR HATCHBACK	41 = 4-DOOR SEDAN	49 = LIMOUSINE
27 = 2-DOOR CONVERTIBLE		

AR = Use as Required - = Non Illustrated Part P.A.R. = Paint as Required

MOULDINGS and ORNAMENTATION - EXTERIOR VIEW DODGE 600 - E-M, E-H
Figure 23-4300

5166 4300 A



ITEM	PART NUMBER	QTY	BODY	MODEL	DESCRIPTION
23	4319 769	1			NAMEPLATE, Deck Lid, "DODGE"
	4276 399	1			NAMEPLATE, Deck Lid, "600"
24	X269 CA2	1			MEDALLION, Deck Lid Lock Cyl., Silver, Use Up to 6-1-85
	X269 EA1	1			MEDALLION, Deck Lid Lock Cyl., Silver, Use After 6-1-85
	X269 CC6	1			Gunmetal Blue
	X269 DM6	1			Red
	X269 DW2	1			White
	X269 DX8	1			Black
	X269 DT3	1			Cream
	X269 DT4	1			Gold Dust Met.
	X269 CT6	1			Mink Brown
	X269 DB1	1			Ice Blue Met.
					RIVET, (Not Serv.)
25	4276 786	AR			STRIP PACKAGE, Door Edge Protector
26	4319 147	2			NAMEPLATE, Fndr Side, "TURBO EFI"
27	4270 560	1			ORNAMENT, Radiator Grille, Complete
	4270 561	1			ORNAMENT, Pentastar
	6030 435	1			NUT

MODEL CODES

B = GRAN FURY	E = 600	M = HORIZON/TURISMO
C = LE BARON/TOWN & COUNTRY/LIMO	F = FIFTH AVENUE/NEWPORT	P = RELIANT
C24 = LASER	G = DIPLOMAT	T = NEW YORKER
C44 = LE BARON/GTS	H = VOYAGER	V = 600
D = ARIES	J = CARAVELLE	V24 = DAYTONA
D44 = LANCER	K = MINI VAN/CARAVAN/ROYAL	Z = OMNI/CHARGER

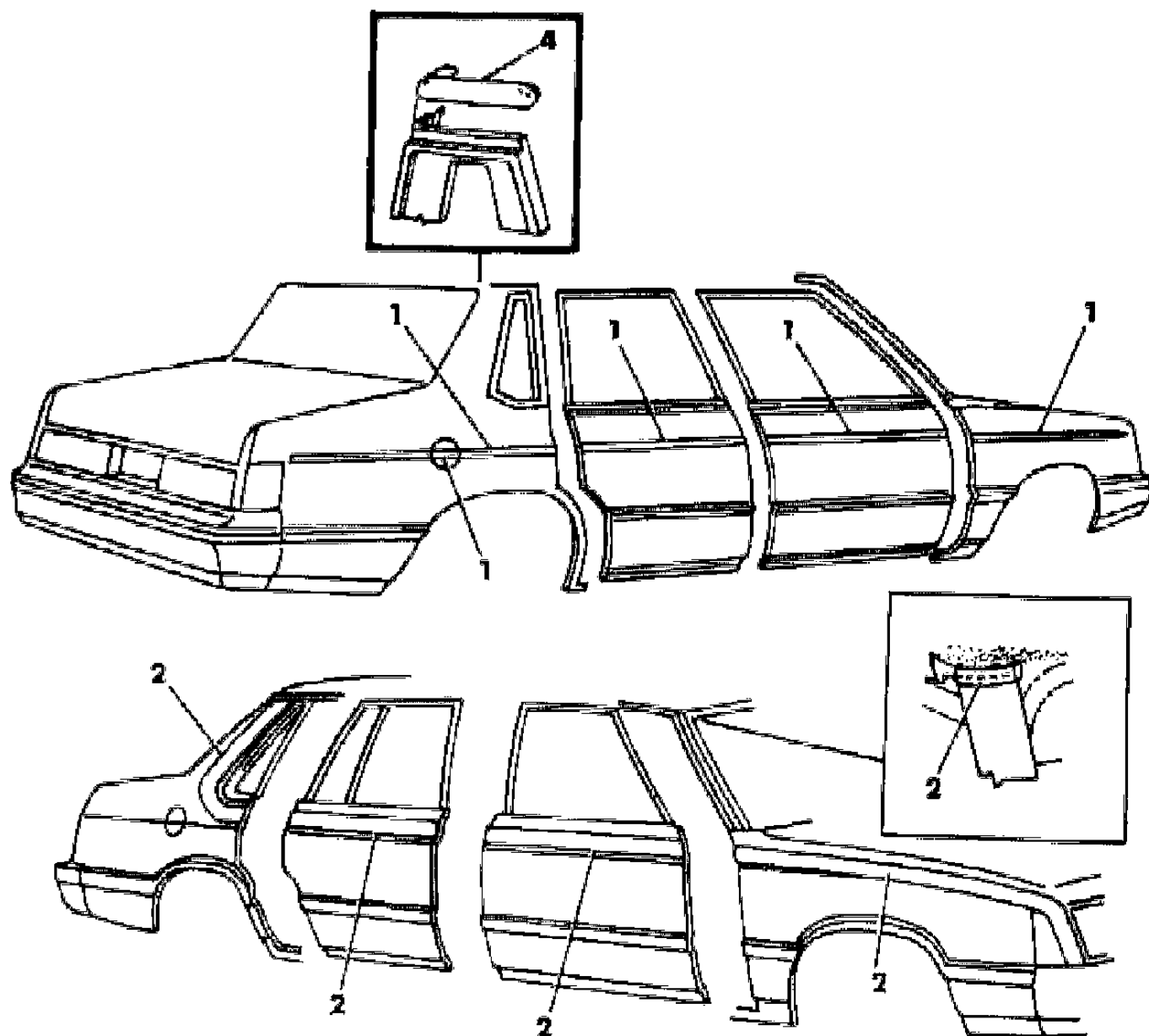
BODY STYLES

21 = 2-DOOR SEDAN	35 = FWD VAN	44 = 4-DOOR HATCHBACK
22 = 2-DOOR SPECIAL COUPE	36 = FWD WAGON	45 = 4-DOOR STATION WAGON
24 = 2-DOOR HATCHBACK	41 = 4-DOOR SEDAN	49 = LIMOUSINE
27 = 2-DOOR CONVERTIBLE		

AR = Use as Required - = Non Illustrated Part P.A.R. = Paint as Required

TAPE STRIPES and DECALS - EXTERIOR VIEW DODGE 600 - E-M, E-H
Figure 23-4400

5168 4400



ITEM	PART NUMBER	QTY	BODY	MODEL	DESCRIPTION	
1	4342 614-5	1			TAPE PACKAGE, Fndr., Door, Qtr., Gray	
	4342 616-7	1			Cream	
	4318 918-9	1			Red	
	4318 920-1	1			Blue	
	4342 618-9	1			Palomino Tan	
	T525 DA2	1			TAPE, Qtr. Pnl. Fuel Filler Door, Repair, Gray	
	T525 CB7	1			Blue	
	T525 DT2	1			Cream	
2	T525 DT3	1			Palomino Tan	
	T525 CR4	1			Red	
	4342 586-7	1			TAPE PACKAGE, Fndr., Door, Qtr., Gold Tan, Cream, Spice (Paint Sales Code PT4 QT3)	
	4342 996-7	1			Gunmetal Blue, Silver, Blue Gray (Paint Sales Code PC6 QA1)	
	T426 CC6	2			TAPE, Frt. Pillar, Gunmetal Blue	
	T426 DT4	2			Gold Dust Met.	
	4	T024-5 CA1	1			TAPE, Qtr. Wdo. Mldg., Silver
		T024-5 DB1	1			Ice Blue Met.
T024-5 CC6		1			Gunmetal Blue	
T024-5 BC9		1			Night Watch Blue	
T024-5 DT2		1			Cream	
T024-5 DT4		1			Gold Dust Met.	
T024-5 CR6		1			Garnet	
T024 CT6		1			Mink Brown	
T024-5 BW3		1			White	
T024-5 BX9		1			Black	

MODEL CODES

B = GRAN FURY	E = 600	M = HORIZON/TURISMO
C = LE BARON/TOWN & COUNTRY/LIMO	F = FIFTH AVENUE/NEWPORT	P = RELIANT
C24 = LASER	G = DIPLOMAT	T = NEW YORKER
C44 = LE BARON/GTS	H = VOYAGER	V = 600
D = ARIES	J = CARAVELLE	V24 = DAYTONA
D44 = LANCER	K = MINI VAN/CARAVAN/ROYAL	Z = OMNI/CHARGER

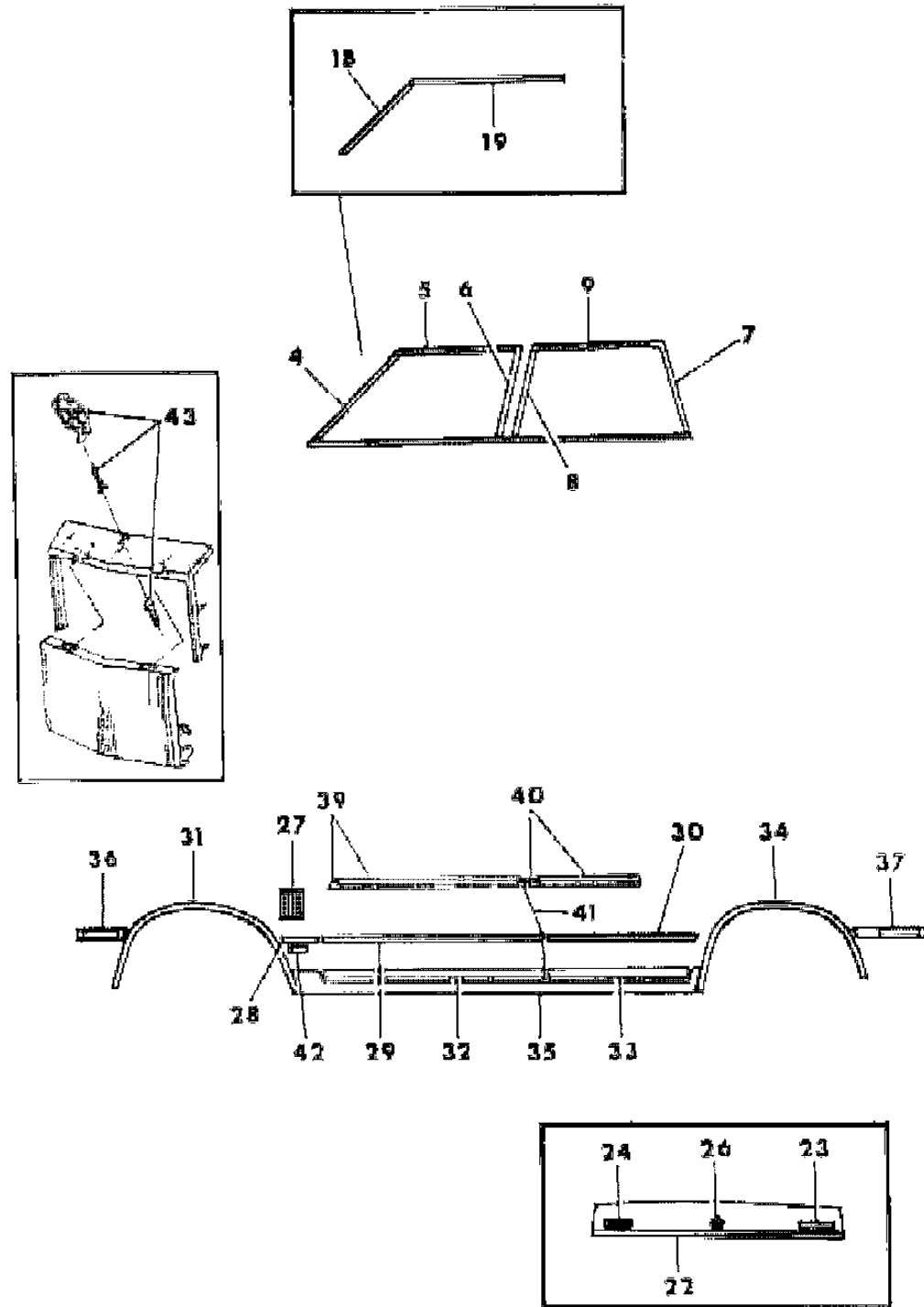
BODY STYLES

21 = 2-DOOR SEDAN	35 = FWD VAN	44 = 4-DOOR HATCHBACK
22 = 2-DOOR SPECIAL COUPE	36 = FWD WAGON	45 = 4-DOOR STATION WAGON
24 = 2-DOOR HATCHBACK	41 = 4-DOOR SEDAN	49 = LIMOUSINE
27 = 2-DOOR CONVERTIBLE		

AR = Use as Required - = Non Illustrated Part P.A.R. = Paint as Required

MOULDINGS and ORNAMENTATION - EXTERIOR VIEW CHRYSLER NEW YORKER - T-P
Figure 23-4500

5168 4500 B



ITEM	PART NUMBER	QTY	BODY	MODEL	DESCRIPTION
4	4276 062-3	1			MOULDING, Frt. Door Wdo. Opng. Frame, Frt.
5	4319 222-3	1			MOULDING, Frt. Door Wdo. Opng. Frame, Upr.
6	4328 304-5	1			MOULDING, Frt. Door Wdo. Opng. Frame, Rear
7	4366 982-3	1			MOULDING, Rear Door Wdo. Opng. Frame, Rear, Use After 5-14-85
8	4328 308-9	1			MOULDING, Rear Door Wdo. Opng. Frame, Frt.
9	4319 246-7	1			MOULDING, Rear Door Wdo. Opng. Frame, Upr.
18	4328 572-3	1			MOULDING and SEAL, Body Frt. Pillar Drain Trough, Use Up to 5-17-85
	4398 192-3	1			MOULDING and SEAL, Body Frt. Pillar Drain Trough, Use After 5-17-85
	4229 764-5	1			SEAL, Body Frt. Pillar Drain Trough Mldg., Inner SCREW, (Not Serv.)
19	4319 204-5	1			MOULDING, Roof Side Drain Trough
22	4276 617	1			MOULDING, Deck Lid Lwr.
	6003 858	AR			RETAINER
23	4276 398	1			NAMEPLATE, Deck Lid, "NEW YORKER"
24	4319 771	1			NAMEPLATE, Deck Lid, "CHRYSLER"
26	X269 CA2	1			MEDALLION, Deck Lid Lock Cyl., Silver, Use Up to 6-1-85
	X269 EA1	1			MEDALLION, Deck Lid Lock Cyl., Silver, Use After 6-1-85
	X269 CC6	1			Gunmetal Blue
	X269 DM6	1			Red
	X269 DW2	1			White
	X269 DX8	1			Black
	X269 DT3	1			Cream
	X269 DT4	1			Gold Dust Met.
	X269 CT6	1			Mink Brown
	X269 DB1	1			Ice Blue Met. Rivet, (Not Serv.)
27	X560 DB1	2			LOUVER, Fndr. Side, Ice Blue Met.
	X560 CA1	2			Silver
	X560 DB9	2			Night Watch Blue
	X560 CC6	2			Gunmetal Blue
	X560 DT4	2			Gold Dust Met.
	X560 DT3	2			Cream
	X560 CT6	2			Mink Brown
	X560 CR6	2			Garnet

MODEL CODES

B = GRAN FURY	E = 600	M = HORIZON/TURISMO
C = LE BARON/TOWN & COUNTRY/LIMO	F = FIFTH AVENUE/NEWPORT	P = RELIANT
C24 = LASER	G = DIPLOMAT	T = NEW YORKER
C44 = LE BARON/GTS	H = VOYAGER	V = 600
D = ARIES	J = CARAVELLE	V24 = DAYTONA
D44 = LANCER	K = MINI VAN/CARAVAN/ROYAL	Z = OMNI/CHARGER

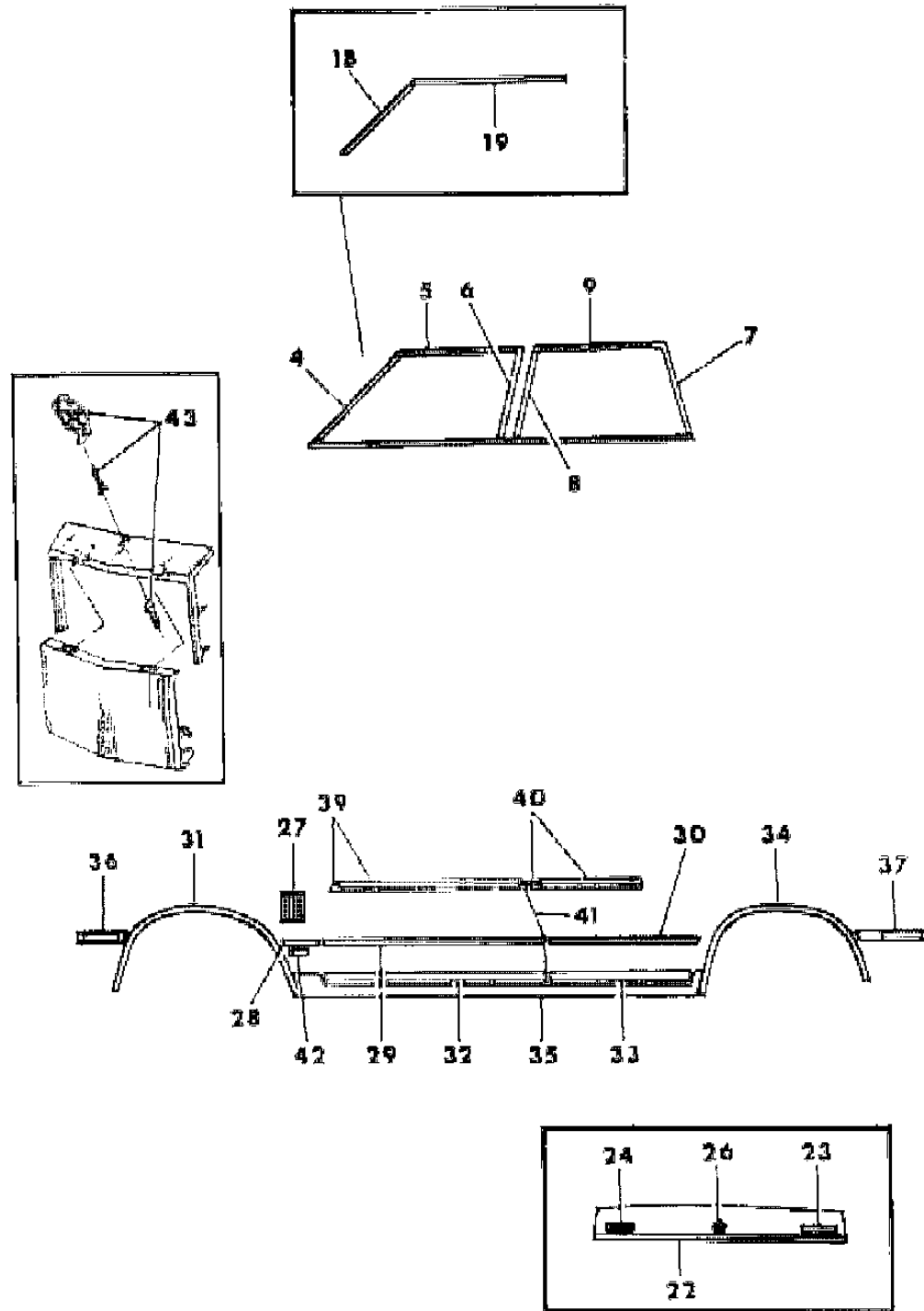
BODY STYLES

21 = 2-DOOR SEDAN	35 = FWD VAN	44 = 4-DOOR HATCHBACK
22 = 2-DOOR SPECIAL COUPE	36 = FWD WAGON	45 = 4-DOOR STATION WAGON
24 = 2-DOOR HATCHBACK	41 = 4-DOOR SEDAN	49 = LIMOUSINE
27 = 2-DOOR CONVERTIBLE		

AR = Use as Required - = Non Illustrated Part P.A.R. = Paint as Required

MOULDINGS and ORNAMENTATION - EXTERIOR VIEW CHRYSLER NEW YORKER - T-P
Figure 23-4500

5168 4500 B



ITEM	PART NUMBER	QTY	BODY	MODEL	DESCRIPTION
	X560 DX8	2			Black
	X560 DW2	2			White
28	X234-5 BA2	1			NUT, (Not Serv.) MOULDING, Fndr. Rear, Silver
	X234-5 BC9	1			Night Watch Blue
	X234-5 CC6	1			Gunmetal Blue
	X234-5 DB1	1			Ice Blue Met.
	X234-5 BL4	1			Beige Met.
	X234-5 DT2	1			Cream
	X234-5 BM5	1			Red
	X234-5 CT6	1			Mink Brown
	X234-5 DT4	1			Gold Dust Met.
	X234-5 BW3	1			White
29	X234-5 BX9	1			Black
	X236 BA2	2			MOULDING, Frt. Door, Silver
	X236 BC9	2			Night Watch Blue
	X236 CC6	2			Gunmetal Blue
	X236 DB1	2			Ice Blue Met.
	X236 BL4	2			Beige Met.
	X236 DT2	2			Cream
	X236 BM5	2			Red
	X236 CT6	2			Mink Brown
	X236 DT4	2			Gold Dust Met.
30	X236 BW3	2			White
	X236 BX9	2			Black
	X232-3 BA2	1			MOULDING, Rear Door, Silver
	X232-3 BC9	1			Night Watch Blue
	X232-3 CC6	1			Gunmetal Blue
	X232-3 DB1	1			Ice Blue Met.
	X232-3 BL4	1			Beige Met.
	X232-3 DT2	1			Cream
	X232-3 BM5	1			Red
	X232-3 CT6	1			Mink Brown
31	X232-3 DT4	1			Gold Dust Met.
	X232-3 BW3	1			White
	X232-3 BX9	1			Black
	4328 138-9	1			MOULDING, Fndr. W/Opng.

MODEL CODES

B = GRAN FURY	E = 600	M = HORIZON/TURISMO
C = LE BARON/TOWN & COUNTRY/LIMO	F = FIFTH AVENUE/NEWPORT	P = RELIANT
C24 = LASER	G = DIPLOMAT	T = NEW YORKER
C44 = LE BARON/GTS	H = VOYAGER	V = 600
D = ARIES	J = CARAVELLE	V24 = DAYTONA
D44 = LANCER	K = MINI VAN/CARAVAN/ROYAL	Z = OMNI/CHARGER

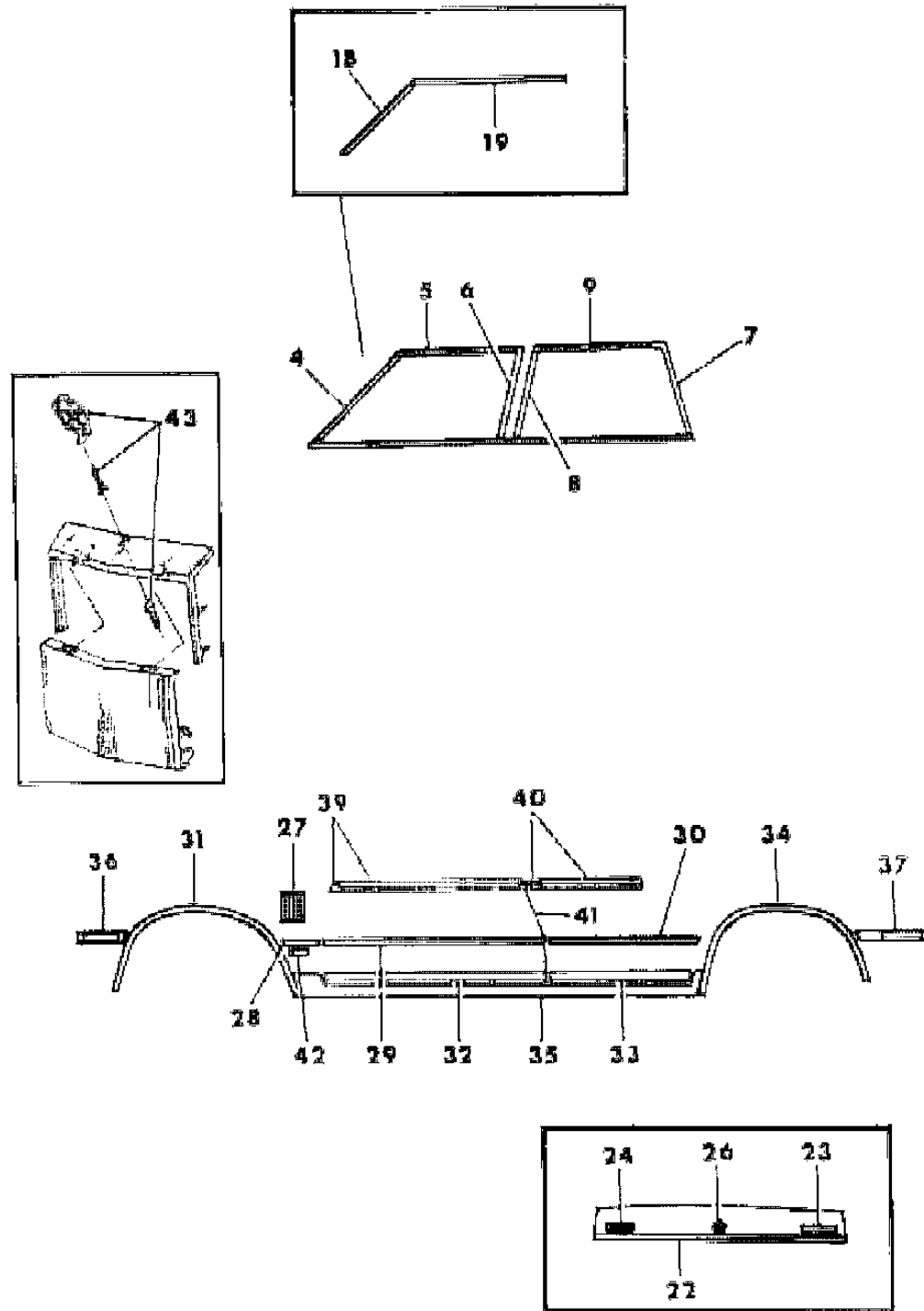
BODY STYLES

21 = 2-DOOR SEDAN	35 = FWD VAN	44 = 4-DOOR HATCHBACK
22 = 2-DOOR SPECIAL COUPE	36 = FWD WAGON	45 = 4-DOOR STATION WAGON
24 = 2-DOOR HATCHBACK	41 = 4-DOOR SEDAN	49 = LIMOUSINE
27 = 2-DOOR CONVERTIBLE		

AR = Use as Required - = Non Illustrated Part P.A.R. = Paint as Required

MOULDINGS and ORNAMENTATION - EXTERIOR VIEW CHRYSLER NEW YORKER - T-P
Figure 23-4500

5168 4500 B



ITEM	PART NUMBER	QTY	BODY	MODEL	DESCRIPTION
32	4293 654-5	1			MOULDING PACKAGE, Frt. Door Lwr.
	6003 842	AR			RETAINER
33	4293 656-7	1			MOULDING, Rear Door Lwr.
	6003 842	AR			RETAINER
34	4328 142-3	1			MOULDING, Qtr. W/Opng.
35	4293 652-3	1			MOULDING PACKAGE, Body Side Sill
	6003 843	AR			RETAINER
	6003 844	AR			RETAINER
36	4293 658-9	1			MOULDING PACKAGE, Fndr. Side
	6003 790	AR			RETAINER
37	4293 650-1	1			MOULDING PACKAGE, Qtr. Pnl.
	6003 790	AR			RETAINER
39	4319 096-7	1			MOULDING, Frt. Door Belt
	6003 627	AR			RETAINER
	4293 590-1	1			INSERT PACKAGE, Frt. Door Belt Mldg.
	4057 555	AR			RETAINER PACKAGE
	6003 866	AR			RETAINER
					SCREW, (Not Serv.)
40	4319 102-3	1			MOULDING, Rear Door Belt
	6003 627	AR			RETAINER
	4293 592-3	1			INSERT PACKAGE, Rear Door Belt Mldg.
	4057 555	AR			RETAINER PACKAGE
	6003 866	AR			RETAINER
					SCREW, (Not Serv.)
41	4328 173	AR			STRIP PACKAGE, Door Edge Protector
42	4319 147	2			NAMEPLATE, Fndr. Side, "TURBO EFI"
43	4270 563	1			ORNAMENT, Radiator Grille
	3672 672	1			SPRING, Ornament
	3672 780	1			RETAINER

NOTE: See Illus. 4600 for New Yorker Padded Ladau Roof, T-P e rear of the carburetor throttle body. A mirror is required to read the no. when the carburetor is

MODEL CODES

B = GRAN FURY	E = 600	M = HORIZON/TURISMO
C = LE BARON/TOWN & COUNTRY/LIMO	F = FIFTH AVENUE/NEWPORT	P = RELIANT
C24 = LASER	G = DIPLOMAT	T = NEW YORKER
C44 = LE BARON/GTS	H = VOYAGER	V = 600
D = ARIES	J = CARAVELLE	V24 = DAYTONA
D44 = LANCER	K = MINI VAN/CARAVAN/ROYAL	Z = OMNI/CHARGER

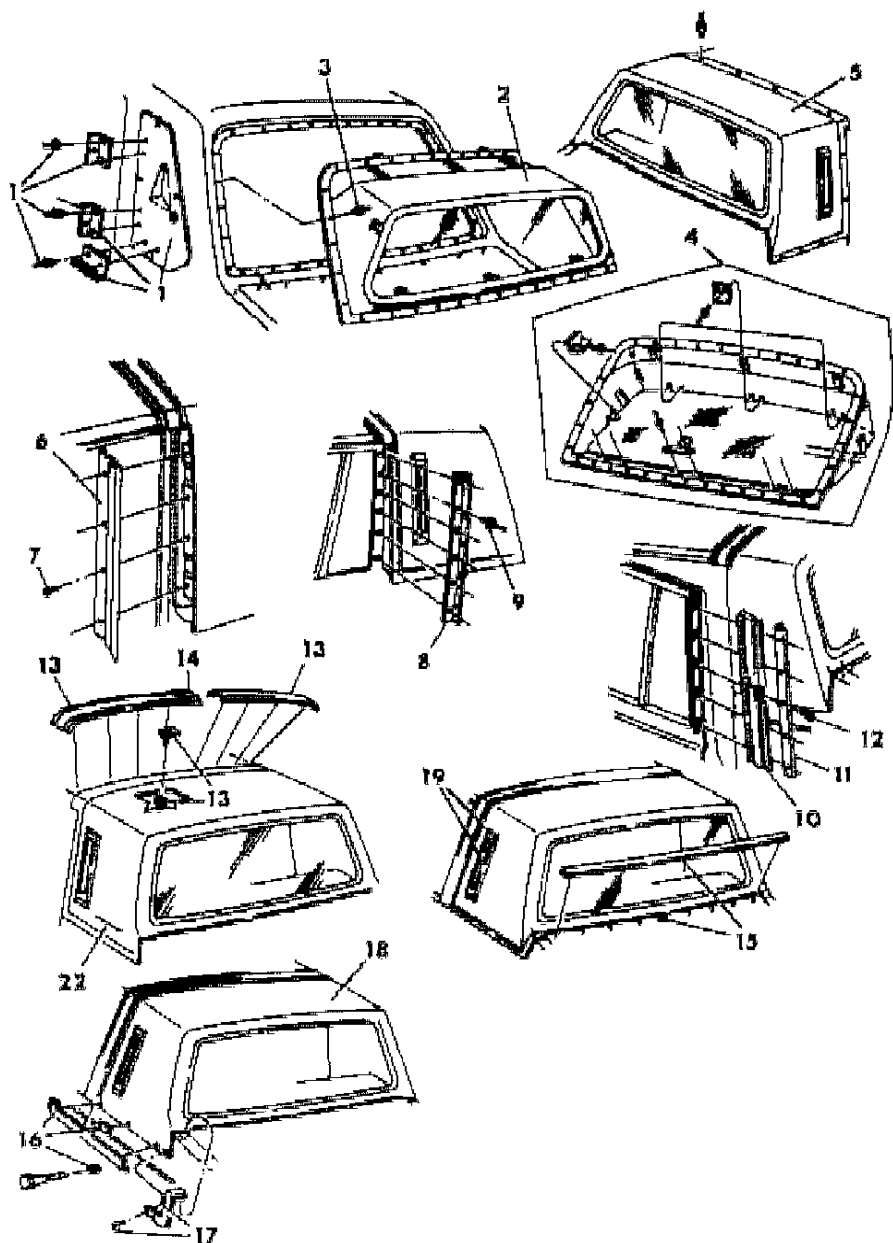
BODY STYLES

21 = 2-DOOR SEDAN	35 = FWD VAN	44 = 4-DOOR HATCHBACK
22 = 2-DOOR SPECIAL COUPE	36 = FWD WAGON	45 = 4-DOOR STATION WAGON
24 = 2-DOOR HATCHBACK	41 = 4-DOOR SEDAN	49 = LIMOUSINE
27 = 2-DOOR CONVERTIBLE		

AR = Use as Required - = Non Illustrated Part P.A.R. = Paint as Required

MOULDINGS and ORNAMENTATION - EXTERIOR VIEW CHRYSLER NEW YORKER - PADDED LANDAU ROOF - T-P
Figure 23-4600

5188 4600



ITEM	PART NUMBER	QTY	BODY	MODEL	DESCRIPTION
1	4318 206-7	1			FILLER PACKAGE, Qtr. Wdo. Consist of: 1-4296380-1 Closure Pnl. 2-4276995 Bracket, Center 2-4276994 Bracket, Upper 2-4276996 Bracket, Lower
2	4296 489	1			FRAME, Rear Wdo. Opng.
3		AR			RIVET, (Not Serv.)
4	4318 201	1			RETAINER PACKAGE, Rear Wdo. Frame, Attach. Consist of: 2-4296382 Retainer, Side 3-4296384 Retainer, Upr. 3-4296492 Retainer, Lwr.
5	4318 204	1			CAP PACKAGE, Roof Consist of: 1-4319161 Cap 2-4319166 Bracket 2-4319164 Retainer 2-4319666 Plate 4276 855 1 4276 996 2 RETAINER, Roof Cap Rear, Lwr. BRACKET, Roof Cap Attach., Lwr.
6	4328 052-3	1			COVER, Rear Door Opng., C Pillar, Black
7					SCREW, (Not Serv.)
8	4319 180-1	1			BRACKET, Rear Door Frame
9					RIVET, (Not Serv.)
10	5230 944-5	1			MOULDING, Rear Door Wdo. Frame, Rear, Use Up to 5-14-85
	4366 982-3	1			MOULDING, Rear Door Wdo. Frame, Rear, Use After 5-14-85
11	4328 198-9	1			COVER, Rear Door Wdo. Frame Rear Mldg., Black
12					SCREW, (Not Serv.)
13	4318 226-7	1			MOULDING PACKAGE, Roof Transverse
	6003 881	AR			RETAINER
	6003 642	AR			RETAINER
					NUT, (Not Serv.)
14	4319 199	1			CAP, Roof Transverse Mldg.
15	4318 258	1			MOULDING PACKAGE, Deck Lid Upr., Silver Met.
	4339 204	1			Ice Blue Met.
	4318 259	1			Night Watch Blue

MODEL CODES

B = GRAN FURY	E = 600	M = HORIZON/TURISMO
C = LE BARON/TOWN & COUNTRY/LIMO	F = FIFTH AVENUE/NEWPORT	P = RELIANT
C24 = LASER	G = DIPLOMAT	T = NEW YORKER
C44 = LE BARON/GTS	H = VOYAGER	V = 600
D = ARIES	J = CARAVELLE	V24 = DAYTONA
D44 = LANCER	K = MINI VAN/CARAVAN/ROYAL	Z = OMNI/CHARGER

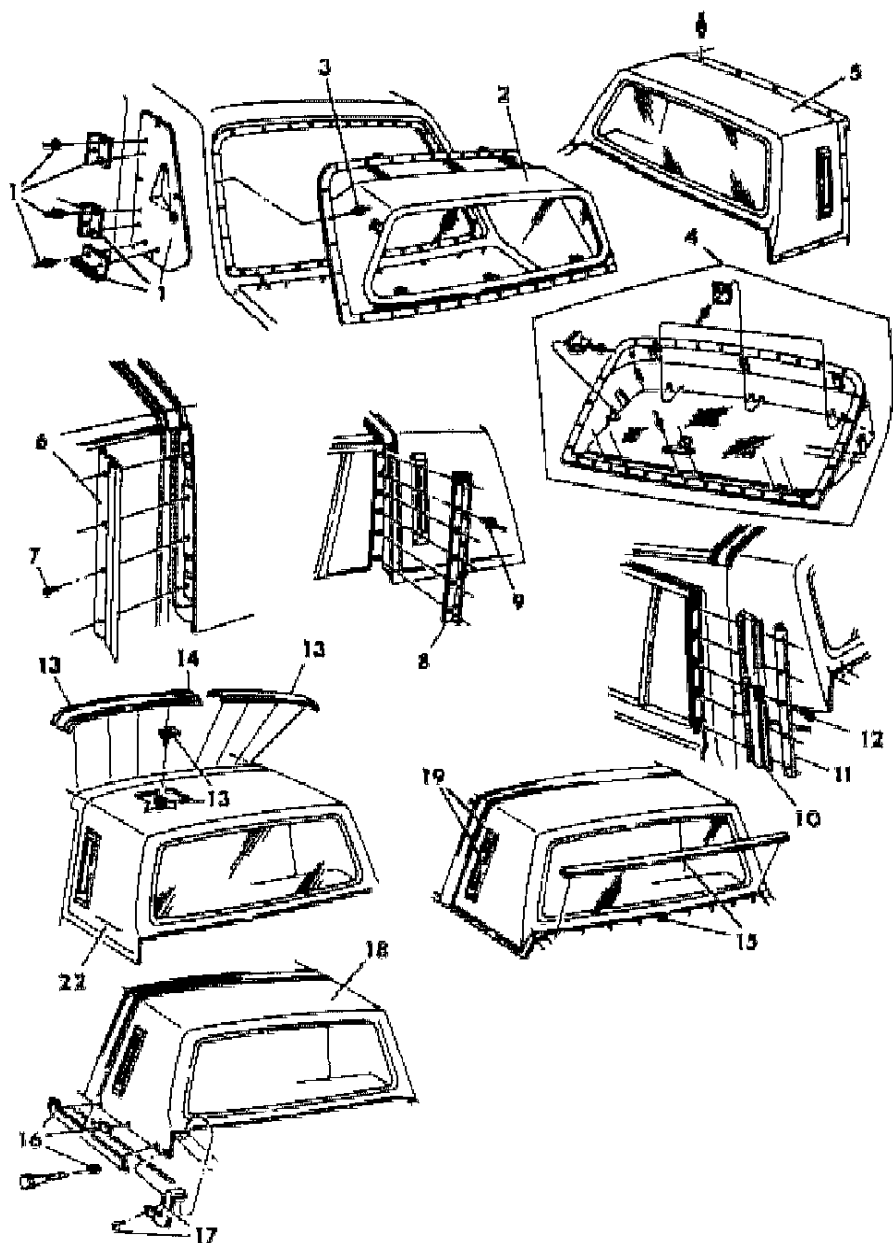
BODY STYLES

21 = 2-DOOR SEDAN	35 = FWD VAN	44 = 4-DOOR HATCHBACK
22 = 2-DOOR SPECIAL COUPE	36 = FWD WAGON	45 = 4-DOOR STATION WAGON
24 = 2-DOOR HATCHBACK	41 = 4-DOOR SEDAN	49 = LIMOUSINE
27 = 2-DOOR CONVERTIBLE		

AR = Use as Required - = Non Illustrated Part P.A.R. = Paint as Required

MOULDINGS and ORNAMENTATION - EXTERIOR VIEW CHRYSLER NEW YORKER - PADDED LANDAU ROOF - T-P
Figure 23-4600

5188 4600



ITEM	PART NUMBER	QTY	BODY	MODEL	DESCRIPTION
	4339 082	1			Gunmetal Blue
	4339 206	1			Cream
	4318 261	1			Red
	4339 083	1			Mink Brown
	4339 208	1			Gold Dust Met.
	4318 263	1			White
	4318 264	1			Black
	6003 863	AR			RETAINER
16	4318 228-9	1			MOULDING PACKAGE, Qtr. Belt Frt., Silver Met.
	4342 674-5	1			Ice Blue Met.
	4318 230-1	1			Night Watch Blue
	4339 070-1	1			Gunmetal Blue
	4342 678-9	1			Gold Dust Met.
	4318 234-5	1			Red
	4339 072-3	1			Mink Brown
	4318 238-9	1			White
	4318 240-1	1			Black
	4342 676-7	1			Cream
					RETAINER, (Serv. in Assy.)
	4057 555	AR			BARREL NUT PACKAGE
17	4318 244-5	1			MOULDING PACKAGE, Qtr. Belt Rear, Silver Met.
	4339 198-9	1			Ice Blue Met.
	4318 246-7	1			Night Watch Blue
	4339 076-7	1			Gunmetal Blue
	4339 200-1	1			Cream
	4318 250-1	1			Red
	4339 078-9	1			Mink Brown
	4339 202-3	1			Gold Dust Met.
	4318 254-5	1			White
	4318 256-7	1			Black
					RETAINER, (Serv. in Assy.)
	4057 555	AR			BARREL NUT PACKAGE
18	4318 208	1			COVER and PAD PACKAGE, Roof, Silver
	4318 434	1			Ice Blue Met.
	4318 209	1			Night Watch Blue
	4271 070	1			Gunmetal Blue
	4318 435	1			Cream

MODEL CODES

B = GRAN FURY	E = 600	M = HORIZON/TURISMO
C = LE BARON/TOWN & COUNTRY/LIMO	F = FIFTH AVENUE/NEWPORT	P = RELIANT
C24 = LASER	G = DIPLOMAT	T = NEW YORKER
C44 = LE BARON/GTS	H = VOYAGER	V = 600
D = ARIES	J = CARAVELLE	V24 = DAYTONA
D44 = LANCER	K = MINI VAN/CARAVAN/ROYAL	Z = OMNI/CHARGER

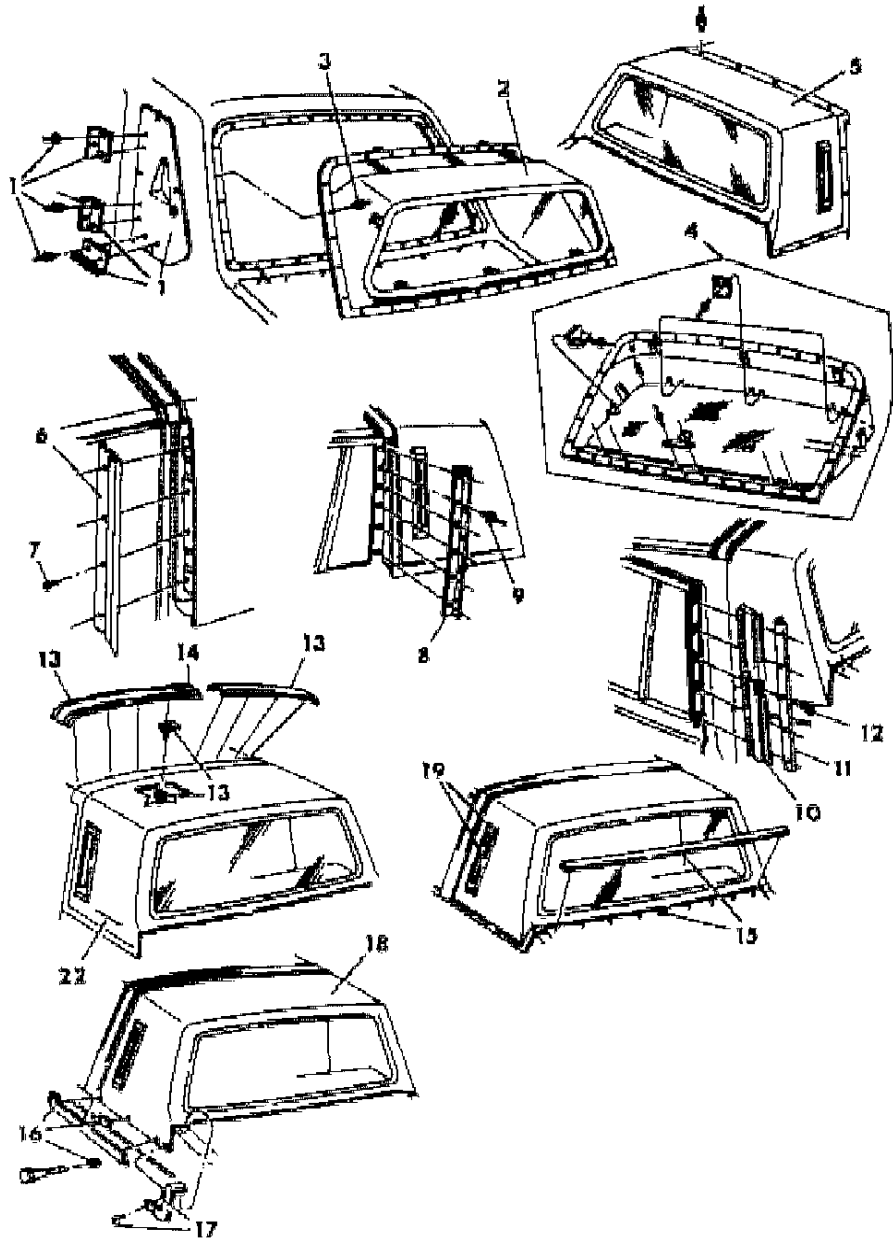
BODY STYLES

21 = 2-DOOR SEDAN	35 = FWD VAN	44 = 4-DOOR HATCHBACK
22 = 2-DOOR SPECIAL COUPE	36 = FWD WAGON	45 = 4-DOOR STATION WAGON
24 = 2-DOOR HATCHBACK	41 = 4-DOOR SEDAN	49 = LIMOUSINE
27 = 2-DOOR CONVERTIBLE		

AR = Use as Required - = Non Illustrated Part P.A.R. = Paint as Required

MOULDINGS and ORNAMENTATION - EXTERIOR VIEW CHRYSLER NEW YORKER - PADDED LANDAU ROOF - T-P
Figure 23-4600

5188 4600



ITEM	PART NUMBER	QTY	BODY	MODEL	DESCRIPTION
	4318 436	1			Gold Dust Met.
	4271 072	1			Red
	4271 071	1			Mink Brown
	4318 213	1			White
	4318 214	1			Black
19					LENS ASSEMBLY (See Illus. in Group 8) BEZEL, Opera Lamp (See Illus. in Group 8)
22	3569 954	2			NAMEPLATE, Roof Cap, "New Yorker"
	4057 555	4			RETAINER, Roof Cap Nameplate

MODEL CODES

B = GRAN FURY	E = 600	M = HORIZON/TURISMO
C = LE BARON/TOWN & COUNTRY/LIMO	F = FIFTH AVENUE/NEWPORT	P = RELIANT
C24 = LASER	G = DIPLOMAT	T = NEW YORKER
C44 = LE BARON/GTS	H = VOYAGER	V = 600
D = ARIES	J = CARAVELLE	V24 = DAYTONA
D44 = LANCER	K = MINI VAN/CARAVAN/ROYAL	Z = OMNI/CHARGER

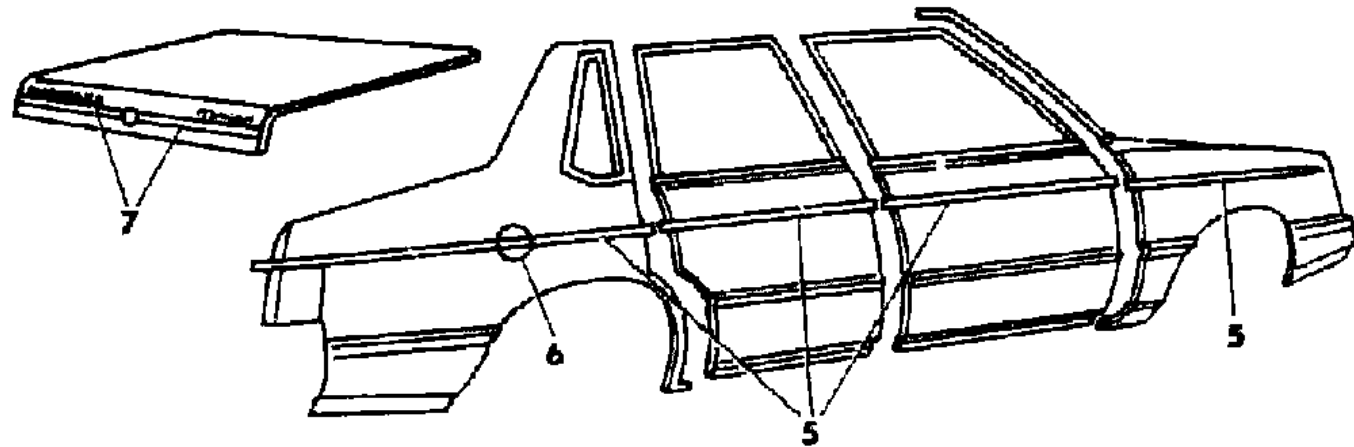
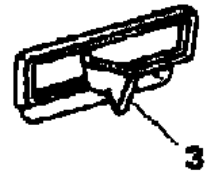
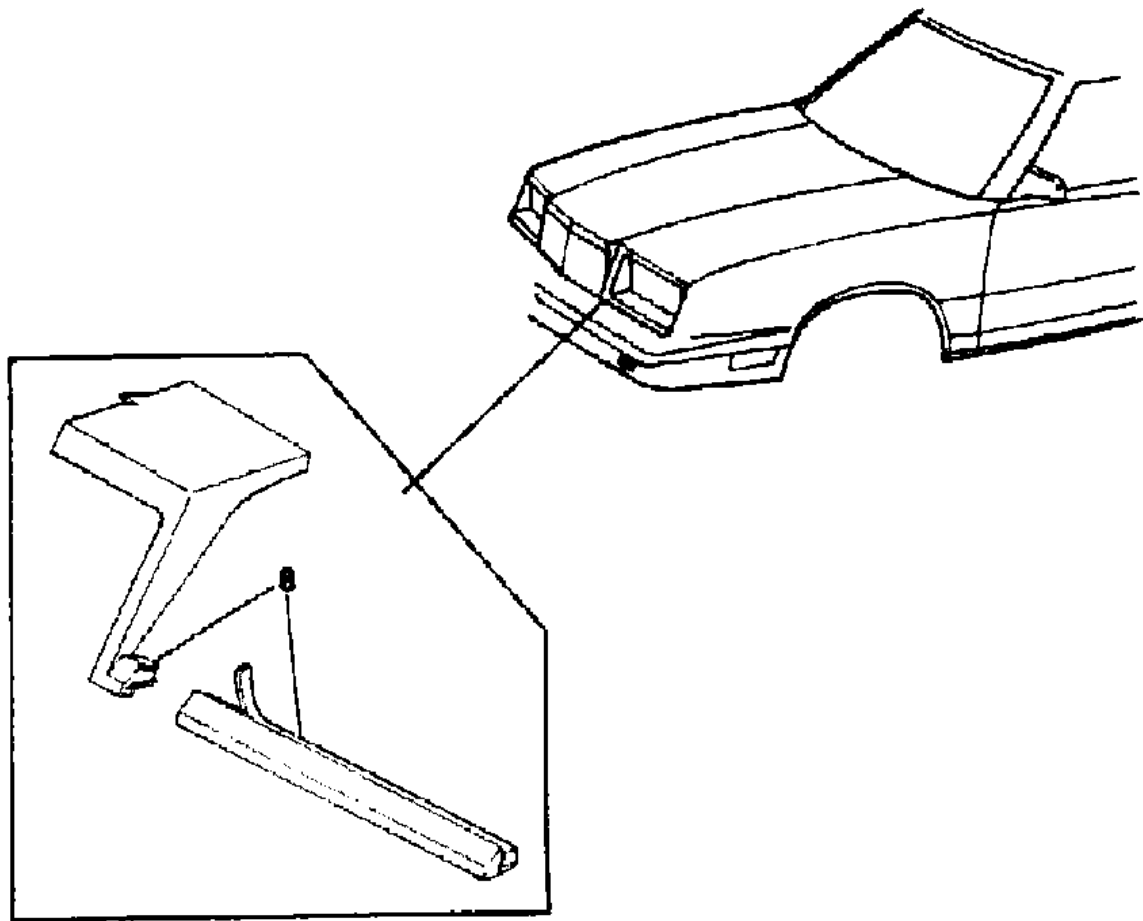
BODY STYLES

21 = 2-DOOR SEDAN	35 = FWD VAN	44 = 4-DOOR HATCHBACK
22 = 2-DOOR SPECIAL COUPE	36 = FWD WAGON	45 = 4-DOOR STATION WAGON
24 = 2-DOOR HATCHBACK	41 = 4-DOOR SEDAN	49 = LIMOUSINE
27 = 2-DOOR CONVERTIBLE		

AR = Use as Required - = Non Illustrated Part P.A.R. = Paint as Required

TAPE STRIPES and DECALS - EXTERIOR VIEW CHRYSLER NEW YORKER - T-P
Figure 23-4700

5168 4700



ITEM	PART NUMBER	QTY	BODY	MODEL	DESCRIPTION
3	T752 CA1	2			TAPE, Frt. and Rear Door Handle, Silver
	T752 DB1	2			Ice Blue Met.
	T752 CC6	2			Gunmetal Blue
	T752 BC9	2			Night Watch Blue
	T752 DT2	2			Cream
	T752 DT4	2			Gold Dust Met.
	T752 CT6	2			Mink Brown
	T752 BW3	2			White
	T752 BX9	2			Black
5	T752 CR6	2			Garnet Red
	4318 584-5	1			TAPE PACKAGE, Fndr., Door, Qtr., Silver
	4342 608-9	1			Charcoal
	4318 588-9	1			Santa Fe Blue
	4318 592-3	1			Graphic Red
	4318 590-1	1			Saddle Brown
	4342 612-3	1			Gold
	4342 610-1	1			Cream
6	T389 CA1	1			TAPE, Qtr. Pnl. Fuel Filler Door, Repair, Silver
	T389 CB6	1			Santa Fe Blue
	T389 DA9	1			Charcoal
	T389 CR4	1			Graphic Red
	T389 CK5	1			Saddle Brown
	T389 DY1	1			Gold
	T389 DT2	1			Cream
	7	T388 CA1	1		
T388 CB6		1			Santa Fe Blue
T388 DA9		1			Charcoal
T388 CR4		1			Graphic Red
T388 CK5		1			Saddle Brown
T388 DY1		1			Gold
T388 DT2		1			Cream
8		4339 086-7	1		
	4342 620-1	1			Ice Blue Met.
	4339 090-1	1			Gunmetal Blue
	4339 092-3	1			Night Watch Blue
	4342 622-3	1			Cream
	4342 624-5	1			Gold Dust Met.

MODEL CODES

B = GRAN FURY	E = 600	M = HORIZON/TURISMO
C = LE BARON/TOWN & COUNTRY/LIMO	F = FIFTH AVENUE/NEWPORT	P = RELIANT
C24 = LASER	G = DIPLOMAT	T = NEW YORKER
C44 = LE BARON/GTS	H = VOYAGER	V = 600
D = ARIES	J = CARAVELLE	V24 = DAYTONA
D44 = LANCER	K = MINI VAN/CARAVAN/ROYAL	Z = OMNI/CHARGER

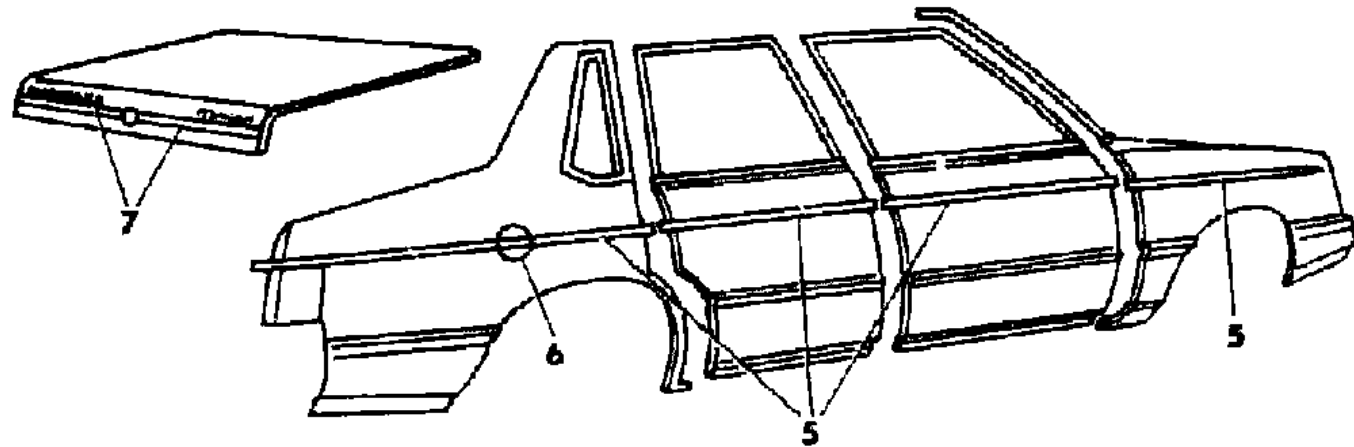
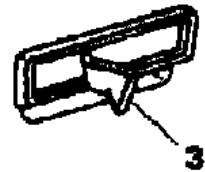
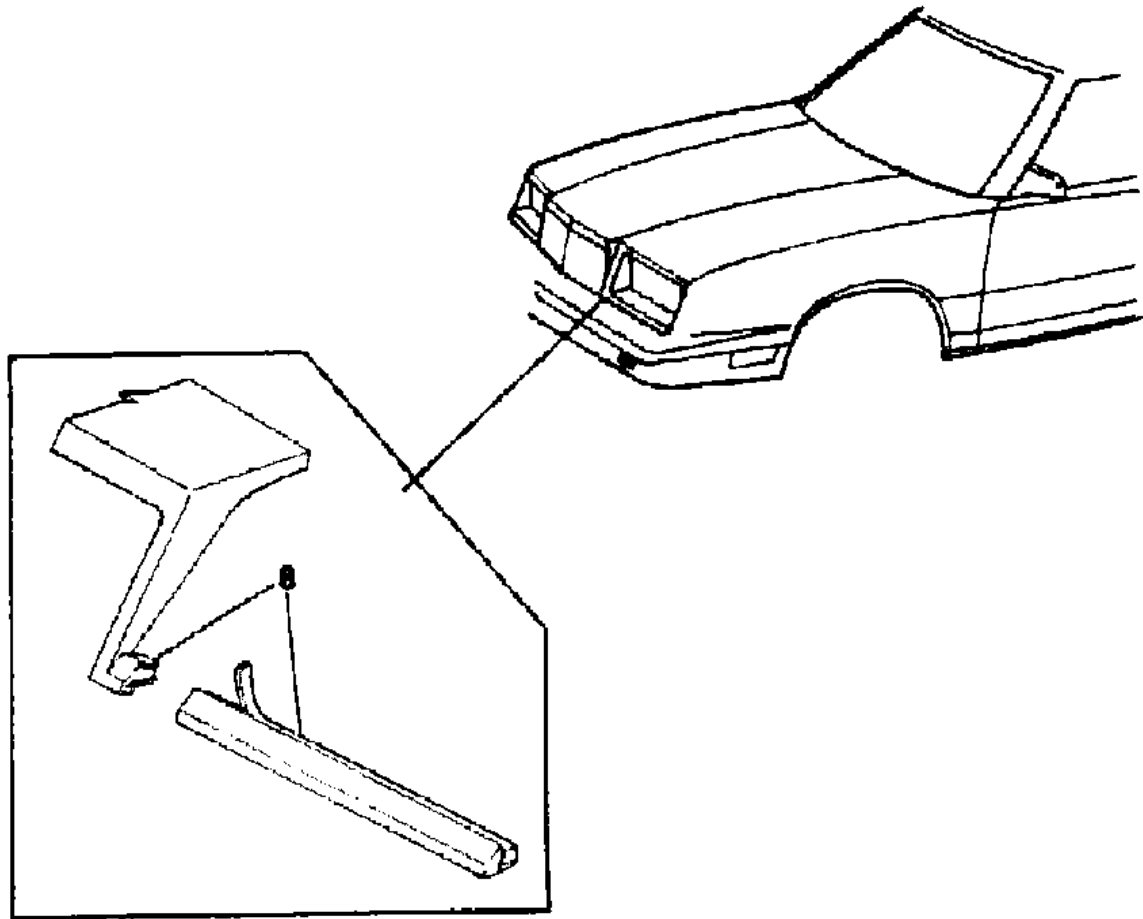
BODY STYLES

21 = 2-DOOR SEDAN	35 = FWD VAN	44 = 4-DOOR HATCHBACK
22 = 2-DOOR SPECIAL COUPE	36 = FWD WAGON	45 = 4-DOOR STATION WAGON
24 = 2-DOOR HATCHBACK	41 = 4-DOOR SEDAN	49 = LIMOUSINE
27 = 2-DOOR CONVERTIBLE		

AR = Use as Required - = Non Illustrated Part P.A.R. = Paint as Required

TAPE STRIPES and DECALS - EXTERIOR VIEW CHRYSLER NEW YORKER - T-P
Figure 23-4700

5168 4700



ITEM	PART NUMBER	QTY	BODY	MODEL	DESCRIPTION
	4339 098-9	1			Garnet
	4339 100-1	1			Mink Brown
	4339 102-3	1			White
	4339 104-5	1			Black

MODEL CODES

B = GRAN FURY	E = 600	M = HORIZON/TURISMO
C = LE BARON/TOWN & COUNTRY/LIMO	F = FIFTH AVENUE/NEWPORT	P = RELIANT
C24 = LASER	G = DIPLOMAT	T = NEW YORKER
C44 = LE BARON/GTS	H = VOYAGER	V = 600
D = ARIES	J = CARAVELLE	V24 = DAYTONA
D44 = LANCER	K = MINI VAN/CARAVAN/ROYAL	Z = OMNI/CHARGER

BODY STYLES

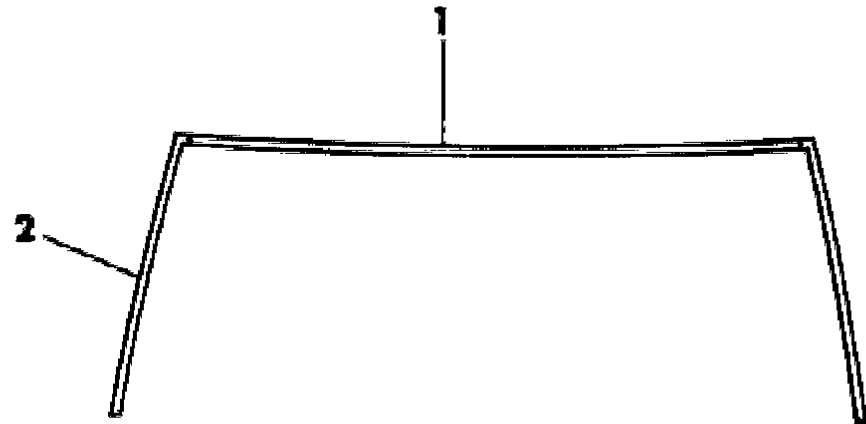
21 = 2-DOOR SEDAN	35 = FWD VAN	44 = 4-DOOR HATCHBACK
22 = 2-DOOR SPECIAL COUPE	36 = FWD WAGON	45 = 4-DOOR STATION WAGON
24 = 2-DOOR HATCHBACK	41 = 4-DOOR SEDAN	49 = LIMOUSINE
27 = 2-DOOR CONVERTIBLE		

AR = Use as Required - = Non Illustrated Part P.A.R. = Paint as Required

MOULDINGS, WINDSHIELD OUTSIDE DODGE LANCER, CHRYSLER LEBARON, GTS
Figure 23-4800

ITEM	PART NUMBER	QTY	BODY	MODEL	DESCRIPTION
1	4319 500	1		C-H,C-P	MOULDING, W/Shield Upr., Bright (Metal Mldg., Up to Condition)
	4319 501	1		D-H,D-S	MOULDING, W/Shield Upr., Black (Metal Mldg., Up To Condition)
	4398 391	1		D,C	MOULDING, W/Shield Upr., (Black Vinyl Push in Mldg., After Condition)
2	4319 502-3	1		C-H,C-P	MOULDING, W/Shield Side, Bright
	4319 504-5	1		D-H,D-S	MOULDING, W/Shield Side, Black

5168 4800



MODEL CODES

B = GRAN FURY	E = 600	M = HORIZON/TURISMO
C = LE BARON/TOWN & COUNTRY/LIMO	F = FIFTH AVENUE/NEWPORT	P = RELIANT
C24 = LASER	G = DIPLOMAT	T = NEW YORKER
C44 = LE BARON/GTS	H = VOYAGER	V = 600
D = ARIES	J = CARAVELLE	V24 = DAYTONA
D44 = LANCER	K = MINI VAN/CARAVAN/ROYAL	Z = OMNI/CHARGER

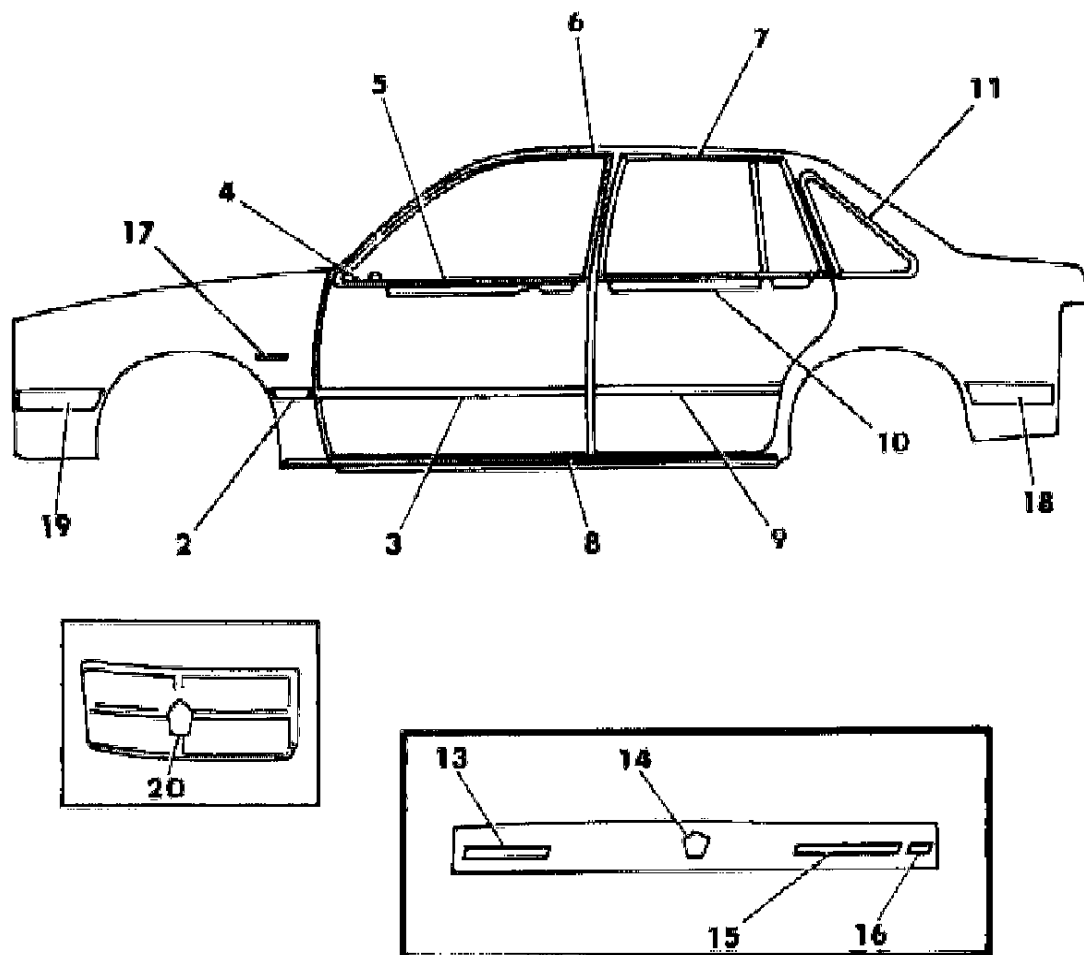
BODY STYLES

21 = 2-DOOR SEDAN	35 = FWD VAN	44 = 4-DOOR HATCHBACK
22 = 2-DOOR SPECIAL COUPE	36 = FWD WAGON	45 = 4-DOOR STATION WAGON
24 = 2-DOOR HATCHBACK	41 = 4-DOOR SEDAN	49 = LIMOUSINE
27 = 2-DOOR CONVERTIBLE		

AR = Use as Required - = Non Illustrated Part P.A.R. = Paint as Required

MOULDINGS and ORNAMENTATION - EXTERIOR VIEW DODGE LANCER, LANCER ES
Figure 23-4900

5158 4900 B



ITEM	PART NUMBER	QTY	BODY	MODEL	DESCRIPTION
2	4319 740-1	1			MOULDING, Fndr. Side Rear, Black Vinyl
3	4319 742-3	1			MOULDING, Frt. Door, Black Vinyl
4	4339 264-5	1			MOULDING PACKAGE, Frt. Door Belt, Frt., Use Up to 4-26-85
	4398 348-9	1			MOULDING, Frt. Door Belt, Frt., Use After 4-26-85
	4342 976-7	1		D-S	MOULDING PACKAGE, Frt. Door Belt Frt., Black, Use Up to 6-10-85
	4398 306-7	1		D-S	MOULDING, Frt. Door Belt Frt., Black, Use After 6-10-85
	6032 456	AR			SCREW SCREW, (Not Serv.)
5	4339 266-7	1			MOULDING PACKAGE, Frt. Door Belt and W/Strip
	4342 974-5	1		D-S	MOULDING PACKAGE, Frt. Door Belt and W/Strip, Black
	6032 456	AR			SCREW
6	4319 506-7	1			MOULDING, Frt. Door Wdo. Opng. Frame, Bright
	4319 514-5	1		D-S	MOULDING, Frt. Door Wdo. Opng. Frame, Black
7	4319 522-3	1			MOULDING, Rear Door Wdo. Opng. Frame, Bright
	4319 534-5	1		D-S	MOULDING, Rear Door Wdo. Opng. Frame, Black
8	4339 261	2		D-S	MOULDING PACKAGE, Body Side Sill
	6003 896	AR			RETAINER SCREW, (Not Serv.)
9	4319 744-5	1			MOULDING, Rear Door, Black Vinyl
10	4339 268-9	1			MOULDING PACKAGE, Rear Door Belt and W/Strip
	4342 978-9	1		D-S	MOULDING PACKAGE, Rear Door Belt and W/Strip, Black
11	4319 570-1	1			FRAME and MOULDING, Qtr. Wdo., Bright
	4319 584-5	1		D-S	FRAME and MOULDING, Qtr. Wdo., Black
	4057 555	AR			RETAINER PACKAGE
13	4328 866	1			NAMEPLATE, L/Gate, "DODGE"
14	4328 828	1			MEDALLION, L/Gate, Pentastar
15	4328 702	1			NAMEPLATE, L/Gate, "LANCER"
16	4328 845	1			NAMEPLATE, L/Gate, "ES"
17	4319 147	2			NAMEPLATE, Fndr., "TURBO EFI"
18	4364 128-9	1			MOULDING PACKAGE, Qtr. Nerf Ext., Black
19					LAMP ASSY., Frt. Bumper Nerf Ext. Reflex and Side Marker (See Group 8)
	6029 471	AR			NUT
20	4334 464	1			PENTASTAR, Radiator Grille

MODEL CODES

B = GRAN FURY	E = 600	M = HORIZON/TURISMO
C = LE BARON/TOWN & COUNTRY/LIMO	F = FIFTH AVENUE/NEWPORT	P = RELIANT
C24 = LASER	G = DIPLOMAT	T = NEW YORKER
C44 = LE BARON/GTS	H = VOYAGER	V = 600
D = ARIES	J = CARAVELLE	V24 = DAYTONA
D44 = LANCER	K = MINI VAN/CARAVAN/ROYAL	Z = OMNI/CHARGER

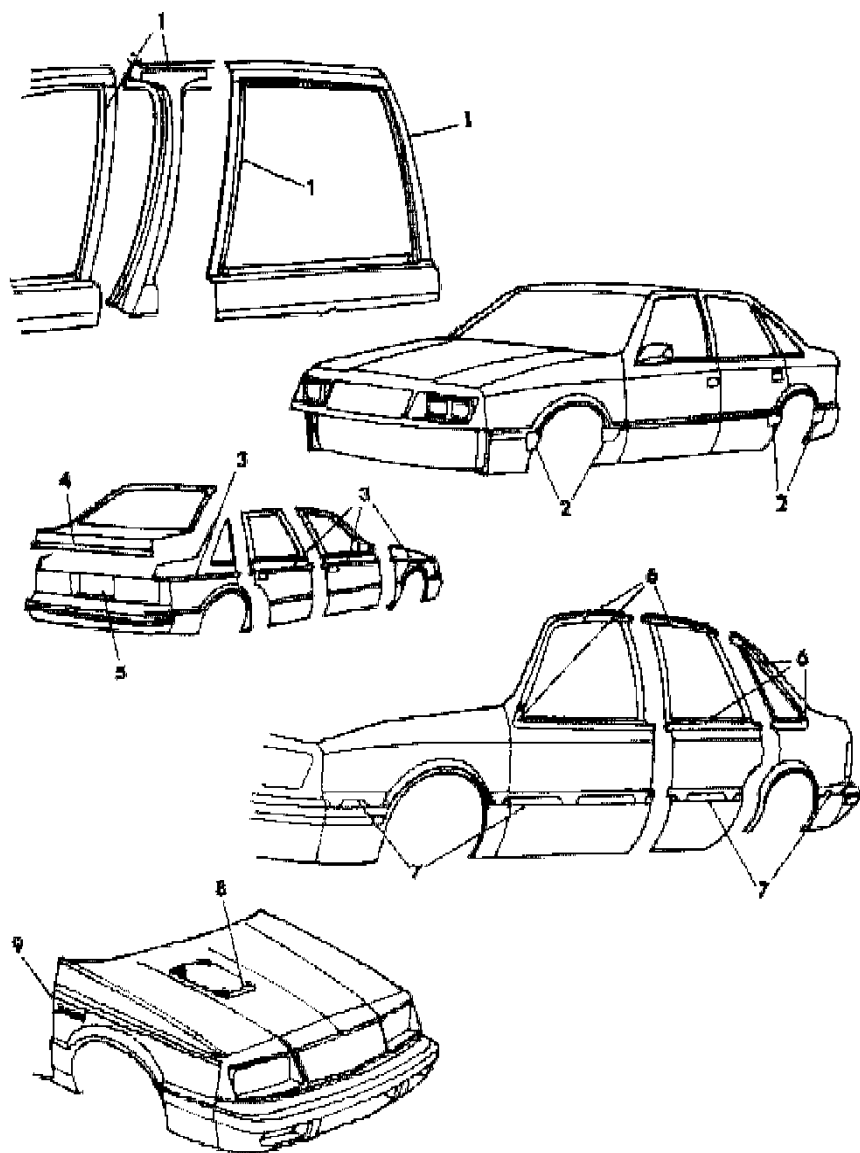
BODY STYLES

21 = 2-DOOR SEDAN	35 = FWD VAN	44 = 4-DOOR HATCHBACK
22 = 2-DOOR SPECIAL COUPE	36 = FWD WAGON	45 = 4-DOOR STATION WAGON
24 = 2-DOOR HATCHBACK	41 = 4-DOOR SEDAN	49 = LIMOUSINE
27 = 2-DOOR CONVERTIBLE		

AR = Use as Required - = Non Illustrated Part P.A.R. = Paint as Required

TAPE STRIPES and DECALS - EXTERIOR VIEW DODGE LANCER, LANCER ES
Figure 23-5000

5168 5000



ITEM	PART NUMBER	QTY	BODY	MODEL	DESCRIPTION
1	4342 604-5	1		D-S	TAPE, Frt. and Rear Door Wdo. Opng. Frame and B Pillar
2	4342 594-5	1			TAPE PACKAGE, Fndr. Frt., Rear, Qtr. Frt., Rear, Gunmetal Blue (Paint Sales Code PA1 QC6)
	4342 600-1	1			Mink Brown (Paint Sales Code PT4 QT6)
	4342 602-3	1			Black (Paint Sales Code PE5 QX8)
3	4342 954-5	1		D-H	TAPE PACKAGE, Fndr., Door, Qtr., Gray
	4342 956-7	1		D-H	Black
	4342 958-9	1		D-H	Red
	4342 960-1	1		D-H	Cream
	4342 962-3	1		D-H	Palomino Tan
	4342 692-3	1		D-S	TAPE PACKAGE, Fndr., Door Qtr., Gray
	4342 696-7	1		D-S	Red
	4342 698-9	1		D-S	Cream
	4342 952-3	1		D-S	Palomino Tan
	4342 694-5	1		D-S	Black
4	T378 DA2	1		D-S	TAPE, Deck Lid, Gray
	T378 DR4	1		D-S	Red
	T378 DT2	1		D-S	Cream
	T378 DT3	1		D-S	Palomino Tan
	T378 DX9	1		D-S	Black
5	4366 887	1			TAPE, L/Gate Opng. Lwr. Pnl.
6	4364 142-3	1		D-S	TAPE PACKAGE, Frt. Door Wdo. Upr., Lwr., Rear Door Wdo. Upr., Lwr., Qtr. Wdo. Upr., Lwr., Red
	4364 144-5	1		D-S	Orange
	4364 146-7	1		D-S	Cream
7	4342 632-3	1		D-S	TAPE PACKAGE, Fndr., Door, Qtr., Red
	4342 634-5	1		D-S	Orange
	4342 636-7	1		D-S	Cream
8	T783 DR4	1		D-S	DECAL, Hood, "TURBO", Red
	T783 DT2	1		D-S	Cream
	T783 DV2	1		D-S	Orange
9	T774-5 DR4	1		D-S	DECAL, Fndr. Side, "TURBO", Red
	T774-5 DT2	1		D-S	Cream
	T774-5 DV2	1		D-S	Orange

MODEL CODES

B = GRAN FURY	E = 600	M = HORIZON/TURISMO
C = LE BARON/TOWN & COUNTRY/LIMO	F = FIFTH AVENUE/NEWPORT	P = RELIANT
C24 = LASER	G = DIPLOMAT	T = NEW YORKER
C44 = LE BARON/GTS	H = VOYAGER	V = 600
D = ARIES	J = CARAVELLE	V24 = DAYTONA
D44 = LANCER	K = MINI VAN/CARAVAN/ROYAL	Z = OMNI/CHARGER

BODY STYLES

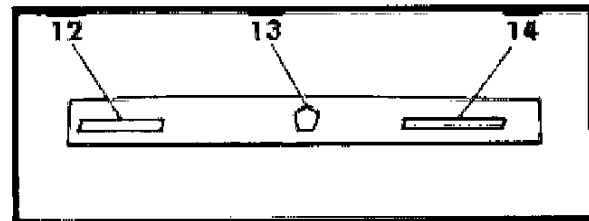
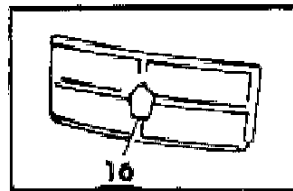
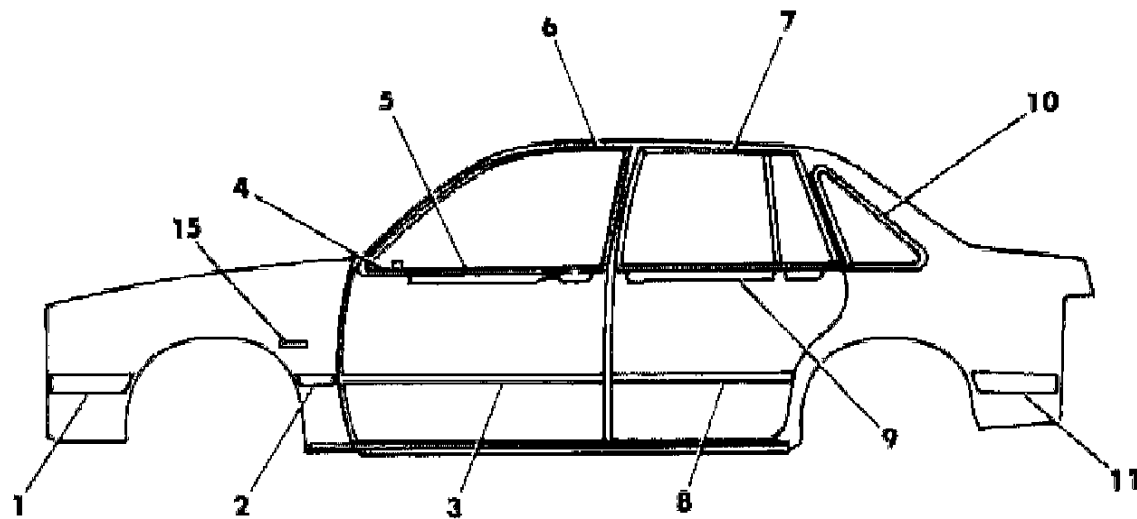
21 = 2-DOOR SEDAN	35 = FWD VAN	44 = 4-DOOR HATCHBACK
22 = 2-DOOR SPECIAL COUPE	36 = FWD WAGON	45 = 4-DOOR STATION WAGON
24 = 2-DOOR HATCHBACK	41 = 4-DOOR SEDAN	49 = LIMOUSINE
27 = 2-DOOR CONVERTIBLE		

AR = Use as Required - = Non Illustrated Part P.A.R. = Paint as Required

MOULDINGS and ORNAMENTATION - EXTERIOR VIEW CHRYSLER LEBARON,GTS
Figure 23-5100

ITEM	PART NUMBER	QTY	BODY	MODEL	DESCRIPTION
1					LAMP ASSEMBLY, Frt. Bumper Nerf Ext. Reflex and Side Marker (See Illus in Group 8)
	6029 471	AR			NUT
2	4319 740-1	1		C-H	MOULDING, Fndr. Side Rear, Black Vinyl
	X674-5 DAA	1		C-P	MOULDING, Fndr. Side Rear, Charcoal
	X674-5 DX9	1		C-P	Black
3	4319 742-3	1		C-H	MOULDING, Frt. Door, Black Vinyl
	X676-7 DAA	1		C-P	MOULDING, Frt. Door, Charcoal
	X676-7 DX9	1		C-P	Black
4	4339 264-5	1		C-H,C-P	MOULDING PACKAGE, Frt. Door Belt Frt., Use Up to 4-26-85
	4398 348-9	1		C-H,C-P	MOULDING, Frt. Door Belt Frt., Use After 4-26-85
	6032 456	AR			SCREW, (Not Serv.)
5	4339 266-7	1		C-H,C-P	MOULDING PACKAGE, Frt. Door Belt and W/Strip
	6032 456	AR			SCREW
6	4319 506-7	1		C-H,C-P	MOULDING, Frt. Door Wdo. Opng Frame, Bright
7	4319 522-3	1		C-H,C-P	MOULDING, Rear Door Wdo. Opng. Frame, Bright
8	4319 744-5	1		C-H	MOULDING, Rear Door, Black Vinyl
	X678-9 DAA	1		C-P	MOULDING, Rear Door, Charcoal
	X678-9 DX9	1		C-P	Black
9	4339 268-9	1		C-H,C-P	MOULDING PACKAGE, Rear Door Belt and W/Strip
	6032 456	AR			SCREW
10	4319 570-1	1		C-H,C-P	FRAME and MOULDING, Qtr. Wdo., Bright
	4057 555	AR			RETAINER PACKAGE
11	4364 126-7	1		C-P	MOULDING PACKAGE, Qtr. Nerf Ext., Charcoal
	4364 128-9	1		C-H,C-P	Black
12	4328 867	1			NAMEPLATE, L/Gate, "CHRYSLER"
13	4328 828	1			MEDALLION, L/Gate, Pentastar
14	4366 456	1			NAMEPLATE, L/Gate, "LEBARON GTS"
15	4319 147	2			NAMEPLATE, Fndr., "TURBO EFI"
16	4270 611	1			PENTASTAR, Radiator Grille

5168 5100 B



MODEL CODES

B = GRAN FURY	E = 600	M = HORIZON/TURISMO
C = LE BARON/TOWN & COUNTRY/LIMO	F = FIFTH AVENUE/NEWPORT	P = RELIANT
C24 = LASER	G = DIPLOMAT	T = NEW YORKER
C44 = LE BARON/GTS	H = VOYAGER	V = 600
D = ARIES	J = CARAVELLE	V24 = DAYTONA
D44 = LANCER	K = MINI VAN/CARAVAN/ROYAL	Z = OMNI/CHARGER

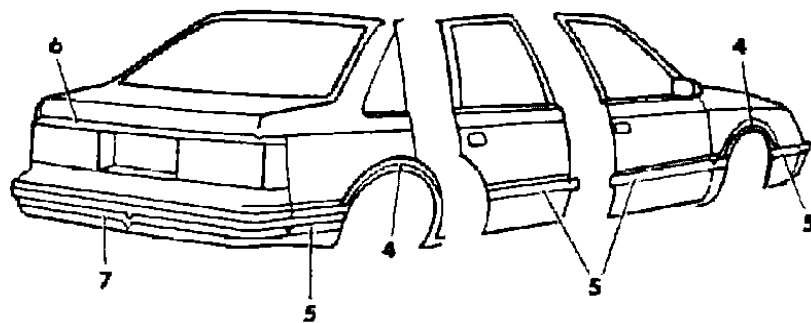
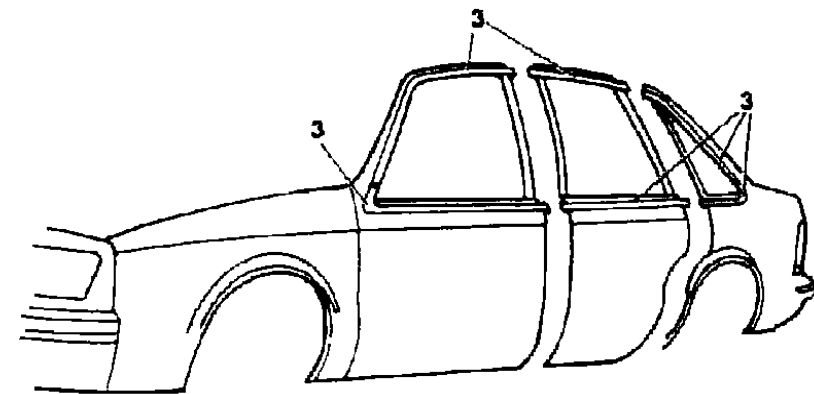
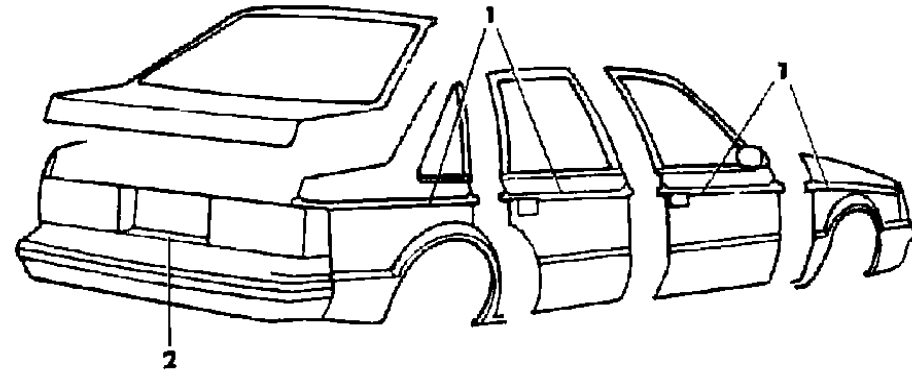
BODY STYLES

21 = 2-DOOR SEDAN	35 = FWD VAN	44 = 4-DOOR HATCHBACK
22 = 2-DOOR SPECIAL COUPE	36 = FWD WAGON	45 = 4-DOOR STATION WAGON
24 = 2-DOOR HATCHBACK	41 = 4-DOOR SEDAN	49 = LIMOUSINE
27 = 2-DOOR CONVERTIBLE		

AR = Use as Required - = Non Illustrated Part P.A.R. = Paint as Required

TAPE STRIPES and DECALS - EXTERIOR VIEW CHRYSLER LEBARON,GTS
Figure 23-5200

S158 5200 A



ITEM	PART NUMBER	QTY	BODY	MODEL	DESCRIPTION	
1	4342 954-5	1		C-H	TAPE PACKAGE, Fndr., Door, Qtr., Gray	
	4342 956-7	1		C-H	Black	
	4342 958-9	1		C-H	Red	
	4342 960-1	1		C-H	Cream	
	4342 962-3	1		C-H	Palomino Tan	
2	4366 887	1		C-H	TAPE, L/Gate Opng. Lwr. Pnl.	
3	4364 114-5	1		C-P	TAPE PACKAGE, Frt. Door Wdo. Uprr., Lwr., Rear Door Wdo. Uprr., Lwr., Qtr. Wdo. Uprr., Lwr., Red	
	4364 116-7	1		C-P	Palomino Tan	
	4364 118-9	1		C-P	White	
	4364 120-1	1		C-P	Black	
	4364 122-3	1		C-P	Black,Gold	
	4	4364 104-5	1		C-P	TAPE PACKAGE, Fndr. W/Opng., Qtr. W/Opng., Red (Paint Sales Code PA1)
		4364 106-7	1		C-P	Palomino Tan (Paint Sales Code PR6)(PE5)(PT6)(PB9)
		4364 108-9	1		C-P	White (Paint Sales Code PC6)
		4364 110-1	1		C-P	Black (Paint Sales Code PT4)(PB1)
		4364 112-3	1		C-P	Black,Gold (Paint Sales Code PX8)
5	4364 130-1	1		C-P	TAPE PACKAGE, Fndr., Door, Qtr., Red (Paint Sales Code PA1)	
	4364 132-3	1		C-P	Palomino Tan (Paint Sales Code PR6)(PE5)(PT6)(PB9)	
	4364 134-5	1		C-P	White (Paint Sales Code PC6)	
	4364 136-7	1		C-P	Black (Paint Sales Code PT4)(PB1)	
6	4364 138-9	1		C-P	Black,Gold (Paint Sales Code PX8)	
	T263 DR5	1		C-P	TAPE, L/Gate, Red (Paint Sales Code PA1)	
	T263 DT3	1		C-P	Palomino Tan (Paint Sales Code PR6)(PE5)(PT6)(PB9)	
	T263 DW3	1		C-P	White (Paint Sales Code PC6)	
	T263 DX9	1		C-P	Black (Paint Sales Code PT4)(PB1)	
7	T263 DDA	1		C-P	Black,Gold (Paint Sales Code PX8)	
	T301 DR5	1		C-P	TAPE, Rear Fascia, Red (Paint Sales Code PA1)	
	T301 DT3	1		C-P	Palomino Tan (Paint Sales Code PR6)(PE5)(PT6)(PB9)	
	T301 DW3	1		C-P	White (Paint Sales Code PC6)	
	T301 DX9	1		C-P	Black (Paint Sales Code PT4)(PB1)	
	T301 DDA	1		C-P	Black,Gold (Paint Sales Code (PX8)	

MODEL CODES

B = GRAN FURY	E = 600	M = HORIZON/TURISMO
C = LE BARON/TOWN & COUNTRY/LIMO	F = FIFTH AVENUE/NEWPORT	P = RELIANT
C24 = LASER	G = DIPLOMAT	T = NEW YORKER
C44 = LE BARON/GTS	H = VOYAGER	V = 600
D = ARIES	J = CARAVELLE	V24 = DAYTONA
D44 = LANCER	K = MINI VAN/CARAVAN/ROYAL	Z = OMNI/CHARGER

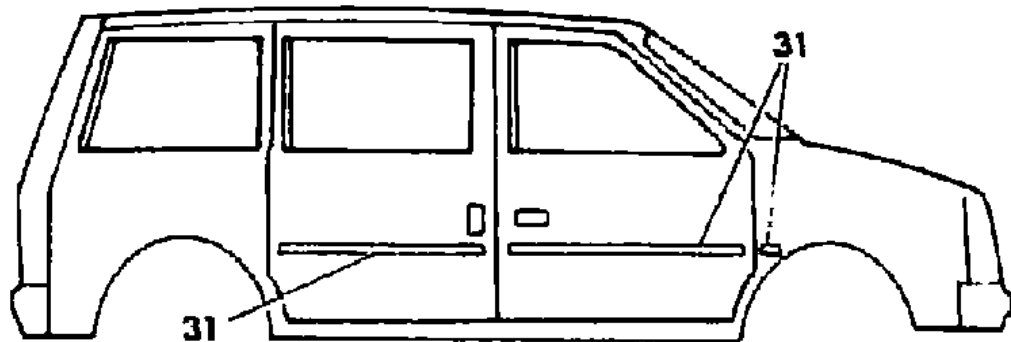
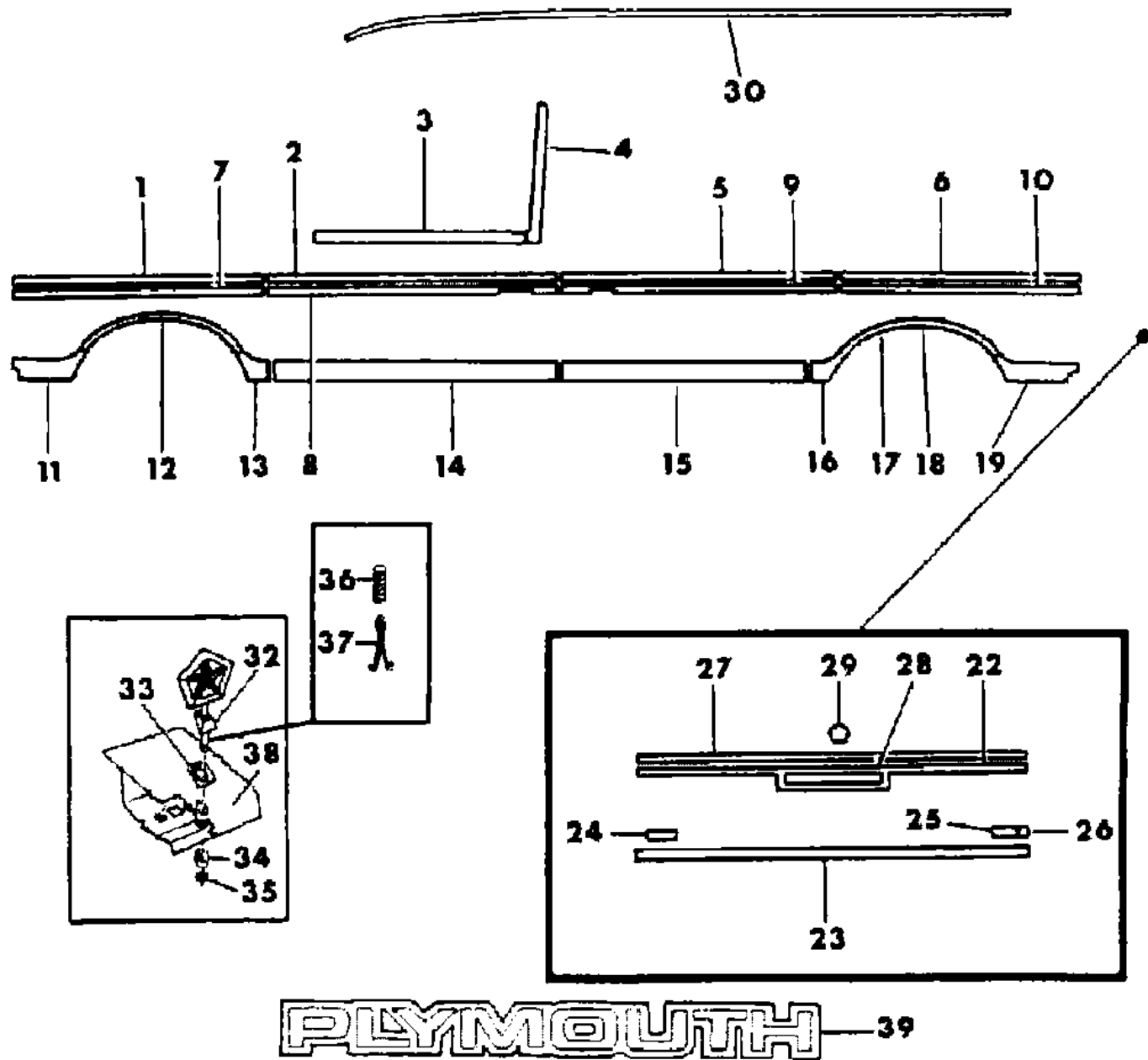
BODY STYLES

21 = 2-DOOR SEDAN	35 = FWD VAN	44 = 4-DOOR HATCHBACK
22 = 2-DOOR SPECIAL COUPE	36 = FWD WAGON	45 = 4-DOOR STATION WAGON
24 = 2-DOOR HATCHBACK	41 = 4-DOOR SEDAN	49 = LIMOUSINE
27 = 2-DOOR CONVERTIBLE		

AR = Use as Required - = Non Illustrated Part P.A.R. = Paint as Required

MOULDINGS and ORNAMENTATION - EXTERIOR VIEW PLYMOUTH VOYAGER WAGON
Figure 23-5300

5168 5300 A



ITEM	PART NUMBER	QTY	BODY	MODEL	DESCRIPTION
1	4293 694-5	1		H-H	MOULDING PACKAGE, Fndr. Side
	4293 606	AR			RETAINER PACKAGE
	4057 555	AR			RETAINER PACKAGE
2	4293 696-7	1		H-H	MOULDING PACKAGE, Frt. Door
	6003 873	AR			RETAINER
	6003 627	AR			RETAINER
3	4319 148-9	1			WEATHERSTRIP, Frt. Door Belt
	6032 456	AR			SCREW
	4319 152-3	1			MOULDING, Frt. Door Wdo. Opng. Frame, Rear
4	4057 555	AR			RETAINER PACKAGE
	4293 698	1		H-H	MOULDING PACKAGE, Sliding Door, Use Up to 9-17-84
	4364 102	1		H-H	MOULDING PACKAGE, Sliding Door, Use After 9-17-84
5	6003 873	AR			RETAINER
	6003 627	AR			RETAINER
	6003 873	AR			RETAINER
6	4318 502	1		H-H	MOULDING PACKAGE, Qtr., Rt.
	4318 503	1		H-H	MOULDING PACKAGE, Qtr., Lt.
	6003 873	AR			RETAINER
7	6003 627	AR			RETAINER
	4293 572-3	1		H-H,P	MOULDING PACKAGE, Fndr. Side Upr., Woodgrain
	4293 606	AR			RETAINER PACKAGE
8	4057 555	AR			RETAINER PACKAGE
	4293 574-5	1		H-H,P	MOULDING PACKAGE, Frt. Door Upr., Woodgrain
	6003 873	AR			RETAINER
9	6003 627	AR			RETAINER
	4293 607	1		H-H,P	MOULDING PACKAGE, Sliding Door Upr., Woodgrain, Use Up to 10-1-84
	4364 103	1		H-H,P	MOULDING PACKAGE, Sliding Door Upr., Woodgrain, Use After 10-1-84
10	4293 606	AR			RETAINER PACKAGE
	4057 555	AR			RETAINER PACKAGE
	4293 608	1		H-H,P	MOULDING PACKAGE, Qtr. Upr., Rt., Woodgrain
11	4293 609	1		H-H,P	MOULDING PACKAGE, Qtr., Upr., Lt., Woodgrain
	4293 606	AR			RETAINER PACKAGE
	4057 555	AR			RETAINER PACKAGE
11	4276 724-5	1		H-H,P	MOULDING, Fndr. Frt., Lwr., Woodgrain
	6003 874	AR			RETAINER
					SCREW, (Not Serv.)

MODEL CODES

B = GRAN FURY	E = 600	M = HORIZON/TURISMO
C = LE BARON/TOWN & COUNTRY/LIMO	F = FIFTH AVENUE/NEWPORT	P = RELIANT
C24 = LASER	G = DIPLOMAT	T = NEW YORKER
C44 = LE BARON/GTS	H = VOYAGER	V = 600
D = ARIES	J = CARAVELLE	V24 = DAYTONA
D44 = LANCER	K = MINI VAN/CARAVAN/ROYAL	Z = OMNI/CHARGER

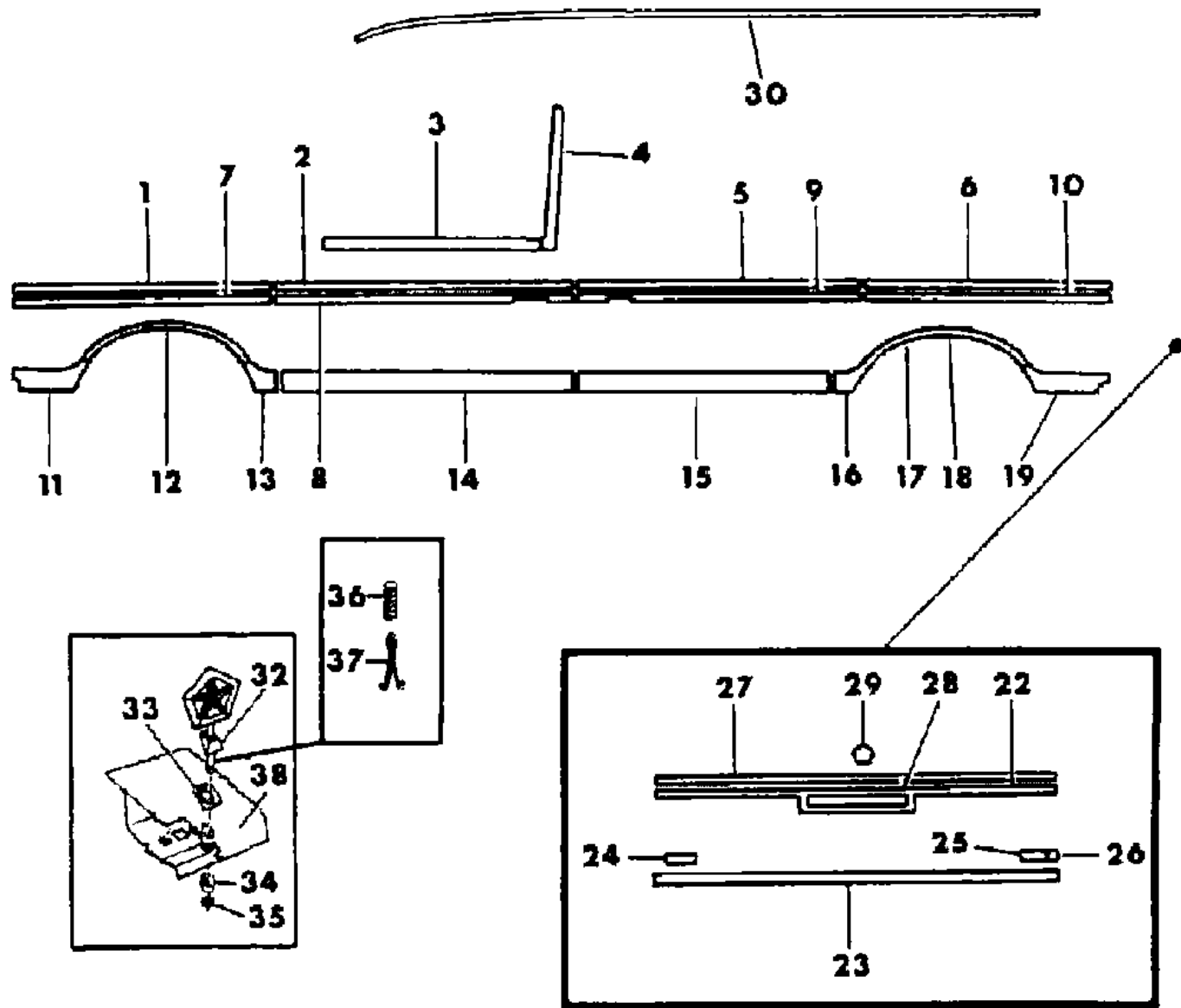
BODY STYLES

21 = 2-DOOR SEDAN	35 = FWD VAN	44 = 4-DOOR HATCHBACK
22 = 2-DOOR SPECIAL COUPE	36 = FWD WAGON	45 = 4-DOOR STATION WAGON
24 = 2-DOOR HATCHBACK	41 = 4-DOOR SEDAN	49 = LIMOUSINE
27 = 2-DOOR CONVERTIBLE		

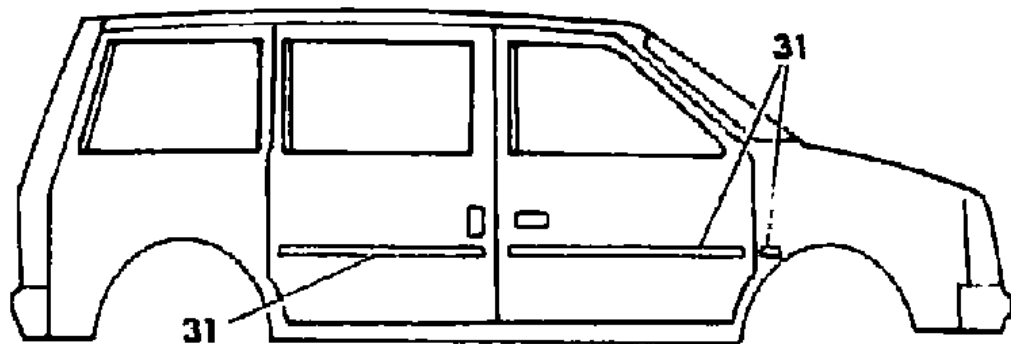
AR = Use as Required - = Non Illustrated Part P.A.R. = Paint as Required

MOULDINGS and ORNAMENTATION - EXTERIOR VIEW PLYMOUTH VOYAGER WAGON
Figure 23-5300

5168 5300 A



PLYMOUTH — 39



ITEM	PART NUMBER	QTY	BODY	MODEL	DESCRIPTION
12	4276 726-7	1		H-H,P	MOULDING, Fndr. Wheel Opng., Woodgrain SCREW, (Not Serv.)
13	4319 600-1 4057 555 6003 882	1 AR AR		H-H,P	MOULDING, Fndr. Lwr. Rear, Woodgrain RETAINER PACKAGE RETAINER
14	4276 730-1 6003 855	1 AR		H-H,P	END CAP, (Serv. in Mldg. Assy.) SCREW, (Not Serv.) MOULDING, Frt. Door Lwr., Woodgrain RETAINER
15	4276 734 4366 328 6003 855	1 1 AR		H-H,P H-H,P	MOULDING, Sliding Door Lwr., Woodgrain, Use Up to 8-20-84 MOULDING, Sliding Door Lwr., Woodgrain, Use After 8-20-84 RETAINER
16	4276 739 6003 855	1 AR		H-H,P	MOULDING, Qtr. Lwr. Frt., Lt., Woodgrain RETAINER SCREW, (Not Serv.)
17	4276 743	1		H-H,P	MOULDING, Qtr. Wheel Opng., Lt., Woodgrain SCREW, (Not Serv.)
18	4319 610	1		H-H,P	MOULDING, Qtr. Lwr. Frt. and Wheel Opng., Rt., Woodgrain SCREW, (Not Serv.)
19	4276 744-5 6003 874	1 AR		H-H,P	MOULDING, Qtr. Lwr. Rear, Woodgrain RETAINER SCREW, (Not Serv.)
22	4293 586-7 4293 606	1 AR		H-H,P	MOULDING PACKAGE, L/Gate Up. Outer, Woodgrain RETAINER PACKAGE
23	4293 588 6003 849	1 AR		H-H,P	MOULDING, L/Gate Lwr., Woodgrain RETAINER
24	4328 117	1			NAMEPLATE, L/Gate, "PLYMOUTH"
25	4319 995	1			NAMEPLATE, L/Gate, "VOYAGER"
26	4328 383 4328 384	1 1	H-H H-P		NAMEPLATE, L/Gate, "SE" NAMEPLATE, L/Gate, "LE"
27	4318 504-5 6003 873 6026 523	1 AR AR	H-H		MOULDING PACKAGE, L/Gate RETAINER NUT
28	4328 156 0152 284 4328 159 0152 284	1 AR 1 AR		H-H,P	HANDLE ASSY., L/Gate NUT HANDLE and MOULDING, L/Gate, Woodgrain NUT

MODEL CODES

B = GRAN FURY	E = 600	M = HORIZON/TURISMO
C = LE BARON/TOWN & COUNTRY/LIMO	F = FIFTH AVENUE/NEWPORT	P = RELIANT
C24 = LASER	G = DIPLOMAT	T = NEW YORKER
C44 = LE BARON/GTS	H = VOYAGER	V = 600
D = ARIES	J = CARAVELLE	V24 = DAYTONA
D44 = LANCER	K = MINI VAN/CARAVAN/ROYAL	Z = OMNI/CHARGER

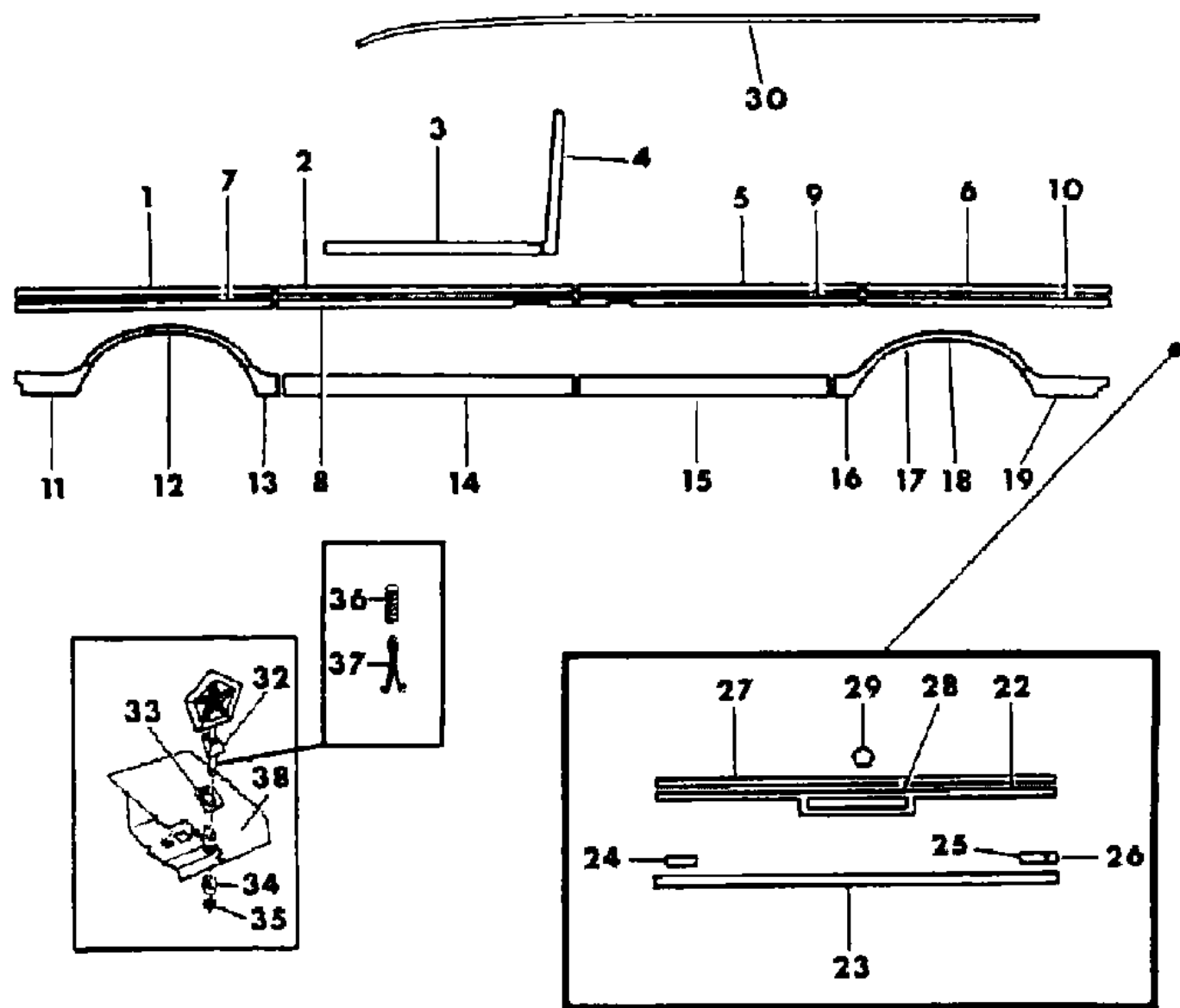
BODY STYLES

21 = 2-DOOR SEDAN	35 = FWD VAN	44 = 4-DOOR HATCHBACK
22 = 2-DOOR SPECIAL COUPE	36 = FWD WAGON	45 = 4-DOOR STATION WAGON
24 = 2-DOOR HATCHBACK	41 = 4-DOOR SEDAN	49 = LIMOUSINE
27 = 2-DOOR CONVERTIBLE		

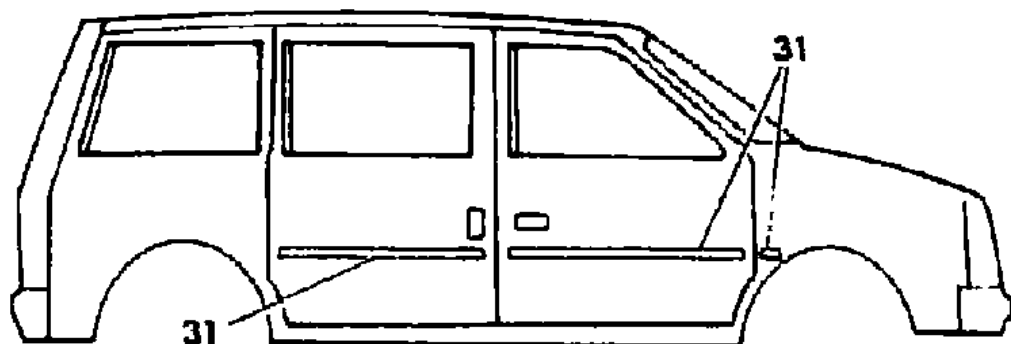
AR = Use as Required - = Non Illustrated Part P.A.R. = Paint as Required

MOULDINGS and ORNAMENTATION - EXTERIOR VIEW PLYMOUTH VOYAGER WAGON
Figure 23-5300

5168 5300 A



PLYMOUTH — 39



ITEM	PART NUMBER	QTY	BODY	MODEL	DESCRIPTION
29	4319 497	1			MEDALLION, L/Gate Pentastar
30	4328 338-9	1			MOULDING, Roof Side Drain Trough, Repair
31	X126-7 DA2	1			MOULDING, Fndr. Rear, Silver
	X126-7 CC4	1			Blue
	X126-7 DT4	1			Gold Dust Met.
	X126-7 CW3	1			White
	X126-7 CX9	1			Black
	X129 DA2	2			MOULDING, Frt. Door, Silver
	X129 CC4	2			Blue
	X129 DT4	2			Gold Dust Met.
	X129 CW3	2			White
	X129 CX9	2			Black
	X309 DA2	1			MOULDING, Sliding Door, Rt., Silver
	X309 CC4	1			Blue
	X309 DT4	1			Gold Dust Met.
	X309 CW3	1			White
	X309 CX9	1			Black
	X131 DA2	1			MOULDING, Qtr. Pnl., Lt., Silver
	X131 CC4	1			Blue
	X131 DT4	1			Gold Dust Met.
	X131 CW3	1			White
	X131 CX9	1			Black
32	4339 013	1			ORNAMENT, Hood (Includes Items 33, 34, 35, 36, 37)
33		1			GASKET, Hood Ornament
34		1			SPACER, Hood Ornament
35		1			NUT
36	3672 672	1			SPRING, Hood Ornament
37	3672 780	1			RETAINER, Hood Ornament
38		1			HOOD, (See Illus. in Group 23A)
39	4270 952	1			NAMEPLATE, "Plymouth"

MODEL CODES

B = GRAN FURY	E = 600	M = HORIZON/TURISMO
C = LE BARON/TOWN & COUNTRY/LIMO	F = FIFTH AVENUE/NEWPORT	P = RELIANT
C24 = LASER	G = DIPLOMAT	T = NEW YORKER
C44 = LE BARON/GTS	H = VOYAGER	V = 600
D = ARIES	J = CARAVELLE	V24 = DAYTONA
D44 = LANCER	K = MINI VAN/CARAVAN/ROYAL	Z = OMNI/CHARGER

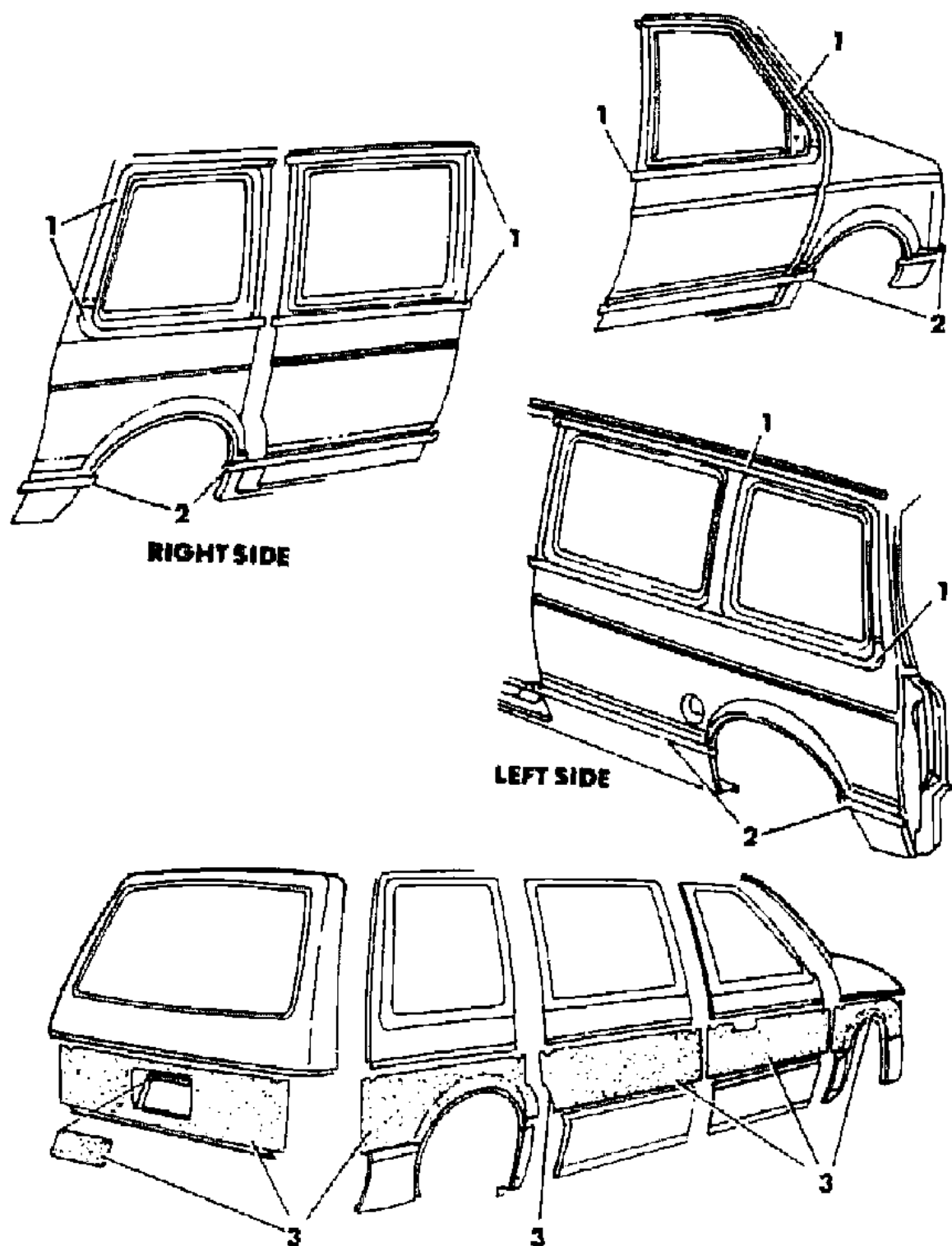
BODY STYLES

21 = 2-DOOR SEDAN	35 = FWD VAN	44 = 4-DOOR HATCHBACK
22 = 2-DOOR SPECIAL COUPE	36 = FWD WAGON	45 = 4-DOOR STATION WAGON
24 = 2-DOOR HATCHBACK	41 = 4-DOOR SEDAN	49 = LIMOUSINE
27 = 2-DOOR CONVERTIBLE		

AR = Use as Required - = Non Illustrated Part P.A.R. = Paint as Required

TAPE STRIPES and DECALS - EXTERIOR VIEW PLYMOUTH VOYAGER WAGON
Figure 23-5400

5169 5400



ITEM	PART NUMBER	QTY	BODY	MODEL	DESCRIPTION
1	4342 568-9	1			TAPE PACKAGE, Frt. Door Wdo. Upr. Lwr., Qtr. Wdo. Upr. Lwr., Tan, Spice, Tan (Sales Code PW2 QT4) (PT3 QT4)
	4342 566-7	1			Light Blue, Dark Blue, Light Blue (Paint Sales Code PA1 QC6)
	4318 972-3	1			Brown, Russet, Brown (Paint Sales Code PT6 QX8)
	4342 570-1	1			Dark Blue, Dark Red, Dark Blue (Paint Sales Code PC4 QX8)
	4342 572-3	1			Dark Red, Bright Red, Dark Red (Paint Sales Code PR6 QX8)
	4342 568	1			TAPE PACKAGE, Sliding Door Wdo. Upr. and Lwr., Tan, Spice, Tan (Paint Sales Code PW2 QT4) (PT3 QT4)
	4342 566	1			Light Blue, Dark Blue, Light Blue (Paint Sales Code PA1 QC6)
	4318 972	1			Brown, Russet, Brown (Paint Sales Code PT6 QX8)
	4342 570	1			Dark Blue, Dark Red, Dark Blue (Paint Sales Code PC4 QX8)
	4342 572	1			Dark Red, Bright Red, Dark Red (Paint Sales Code PR6 QX8)
2	4342 576-7	1			TAPE PACKAGE, Fndr. Lwr., Door Lwr., Sliding Door and Qtr. Lwr., Tan, Spice, Tan (Paint Sales Code PW2 QT4) (PT3 QT4)
	4342 574-5	1			Light Blue, Dark Blue, Light Blue (Paint Sales Code PA1 QC6)
	4318 956-7	1			Brown, Russet, Brown (Paint Sales Code PT6 QX8)
	4342 578-9	1			Dark Blue, Dark Red, Dark Blue (Paint Sales Code PC4 QX8)
	4342 580-1	1			Dark Red, Bright Red, Dark Red (Paint Sales Code PR6 QX8)
3	4276 763	AR			OVERLAY, Fndr. Frt., Door, Sliding Door, Qtr., L/Gate, Lic. Plate Depr., 12.2" Wide, 78.7" Long

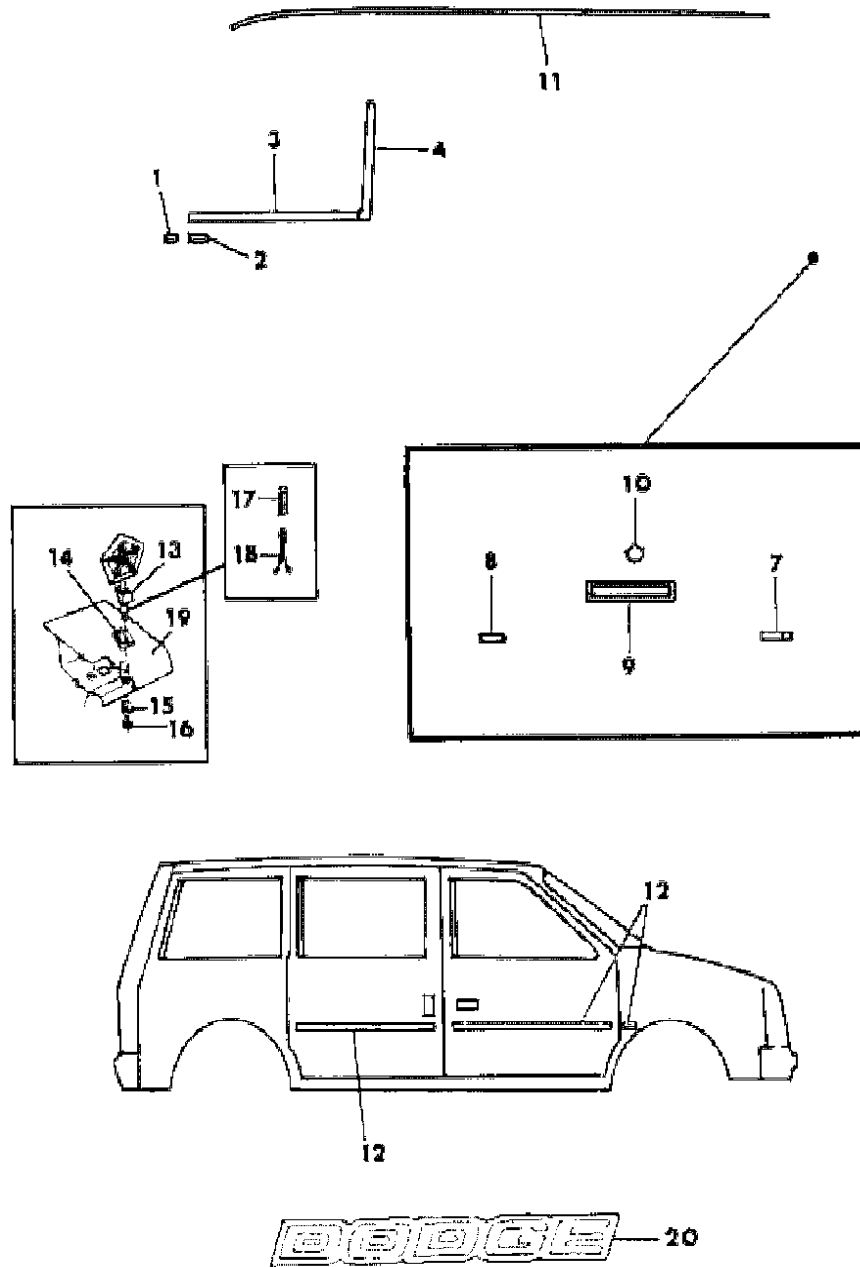
MODEL CODES
 B = GRAN FURY
 C = LE BARON/TOWN & COUNTRY/LIMO
 C24 = LASER
 C44 = LE BARON/GTS
 D = ARIES
 D44 = LANCER
 E = 600
 F = FIFTH AVENUE/NEWPORT
 G = DIPLOMAT
 H = VOYAGER
 J = CARAVELLE
 K = MINI VAN/CARAVAN/ROYAL
 M = HORIZON/TURISMO
 P = RELIANT
 T = NEW YORKER
 V = 600
 V24 = DAYTONA
 Z = OMNI/CHARGER

BODY STYLES
 21 = 2-DOOR SEDAN
 22 = 2-DOOR SPECIAL COUPE
 24 = 2-DOOR HATCHBACK
 27 = 2-DOOR CONVERTIBLE
 35 = FWD VAN
 36 = FWD WAGON
 41 = 4-DOOR SEDAN
 44 = 4-DOOR HATCHBACK
 45 = 4-DOOR STATION WAGON
 49 = LIMOUSINE

AR = Use as Required - = Non Illustrated Part P.A.R. = Paint as Required

MOULDINGS and ORNAMENTATION - EXTERIOR VIEW DODGE MINI RAM VAN and ROYAL
Figure 23-5500

5168 5500 A



ITEM	PART NUMBER	QTY	BODY	MODEL	DESCRIPTION
1	4328 544-5	1		K-S	MEDALLION, Frt. Door, ROYAL
2	4328 382	2			NAMEPLATE, Frt. Door, "RAM"
3	4319 148-9	1			WEATHERSTRIP, Frt. Door Belt
4	6032 456	AR			SCREW
	4319 152-3	1			MOULDING, Frt. Door Wdo. Opng. Frame, Rear
	4057 555	AR			RETAINER PACKAGE
7	4319 994	1			NAMEPLATE, L/Gate, "RAM VAN"
8	4328 118	1			NAMEPLATE, L/Gate, "DODGE"
9	4328 156	1			HANDLE ASSY., L/Gate
	0152 284	AR			NUT
10	4319 497	1			MEDALLION, L/Gate Pentastar
11	4328 338-9	1			MOULDING, Roof Side Drain Trough, Repair
12	X126-7 DA2	1			MOULDING, Fndr. Rear, Silver
	X126-7 CC4	1			Blue
	X126-7 DT4	1			Gold Dust Met.
	X126-7 CW3	1			White
	X126-7 CX9	1			Black
	X129 DA2	2			MOULDING, Frt. Door, Silver
	X129 CC4	2			Blue
	X129 DT4	2			Gold Dust Met.
	X129 CW3	2			White
	X129 CX9	2			Black
	X309 DA2	1			MOULDING, Sliding Door, Rt., Silver
	X309 CC4	1			Blue
	X309 DT4	1			Gold Dust Met.
	X309 CW3	1			White
	X309 CX9	1			Black
	X131 DA2	1			MOULDING, Qtr. Pnl., Lt., Silver
	X131 CC4	1			Blue
	X131 DT4	1			Gold Dust Met.
	X131 CW3	1			White
	X131 CX9	1			Black
13	4339 013	1			ORNAMENT, Hood (Includes Items 14, 15, 16, 17)
14		1			GASKET, Hood Ornament
15		1			SPACER, Hood Ornament
16	6030 435	1			NUT
17	3672 672	1			SPRING, Hood Ornament

MODEL CODES

B = GRAN FURY	E = 600	M = HORIZON/TURISMO
C = LE BARON/TOWN & COUNTRY/LIMO	F = FIFTH AVENUE/NEWPORT	P = RELIANT
C24 = LASER	G = DIPLOMAT	T = NEW YORKER
C44 = LE BARON/GTS	H = VOYAGER	V = 600
D = ARIES	J = CARAVELLE	V24 = DAYTONA
D44 = LANCER	K = MINI VAN/CARAVAN/ROYAL	Z = OMNI/CHARGER

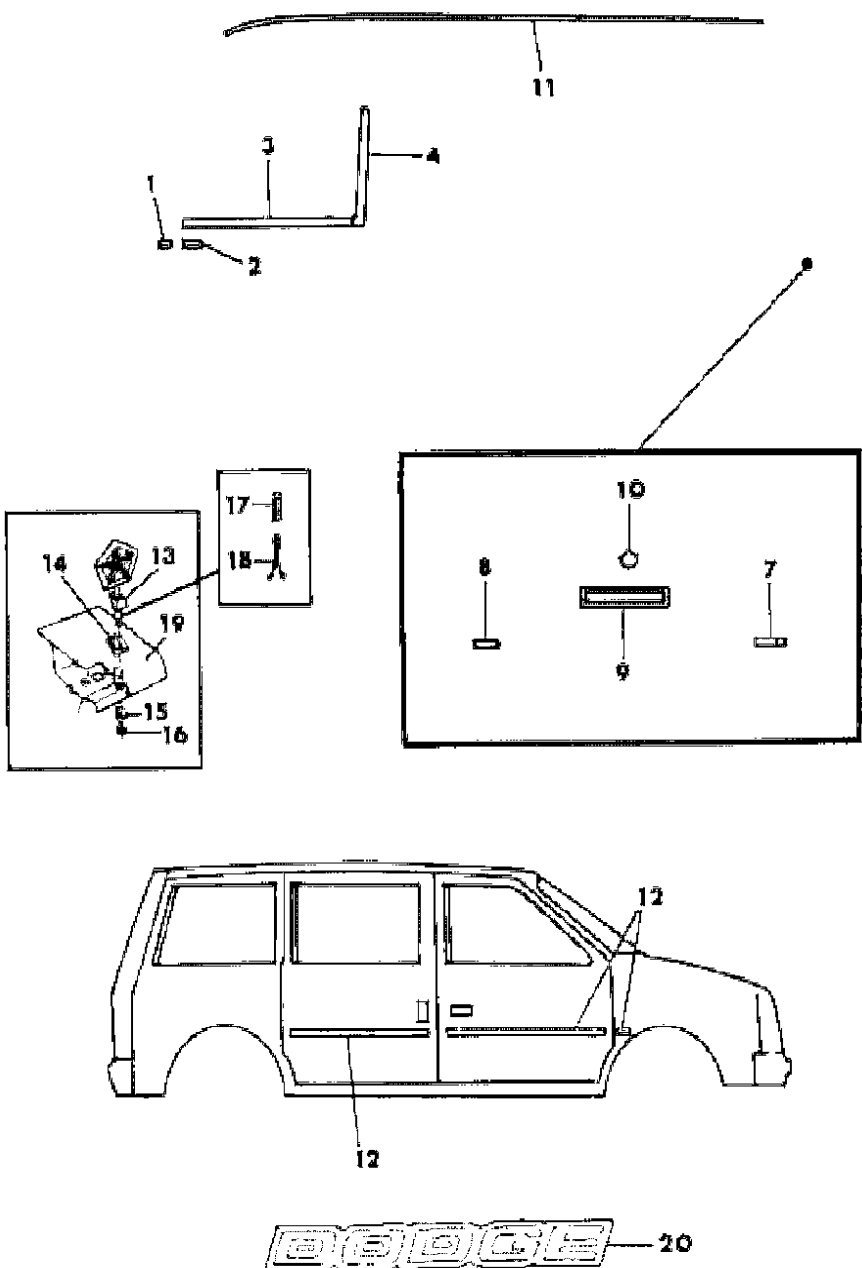
BODY STYLES

21 = 2-DOOR SEDAN	35 = FWD VAN	44 = 4-DOOR HATCHBACK
22 = 2-DOOR SPECIAL COUPE	36 = FWD WAGON	45 = 4-DOOR STATION WAGON
24 = 2-DOOR HATCHBACK	41 = 4-DOOR SEDAN	49 = LIMOUSINE
27 = 2-DOOR CONVERTIBLE		

AR = Use as Required - = Non Illustrated Part P.A.R. = Paint as Required

MOULDINGS and ORNAMENTATION - EXTERIOR VIEW DODGE MINI RAM VAN and ROYAL
Figure 23-5500

5168 5500 A



ITEM	PART NUMBER	QTY	BODY	MODEL	DESCRIPTION
18	3672 780	1			RETAINER, Hood Ornament
19		1			HOOD, (See Illus. in Group 23A)
20	4339 085	1			NAMEPLATE, "DODGE"

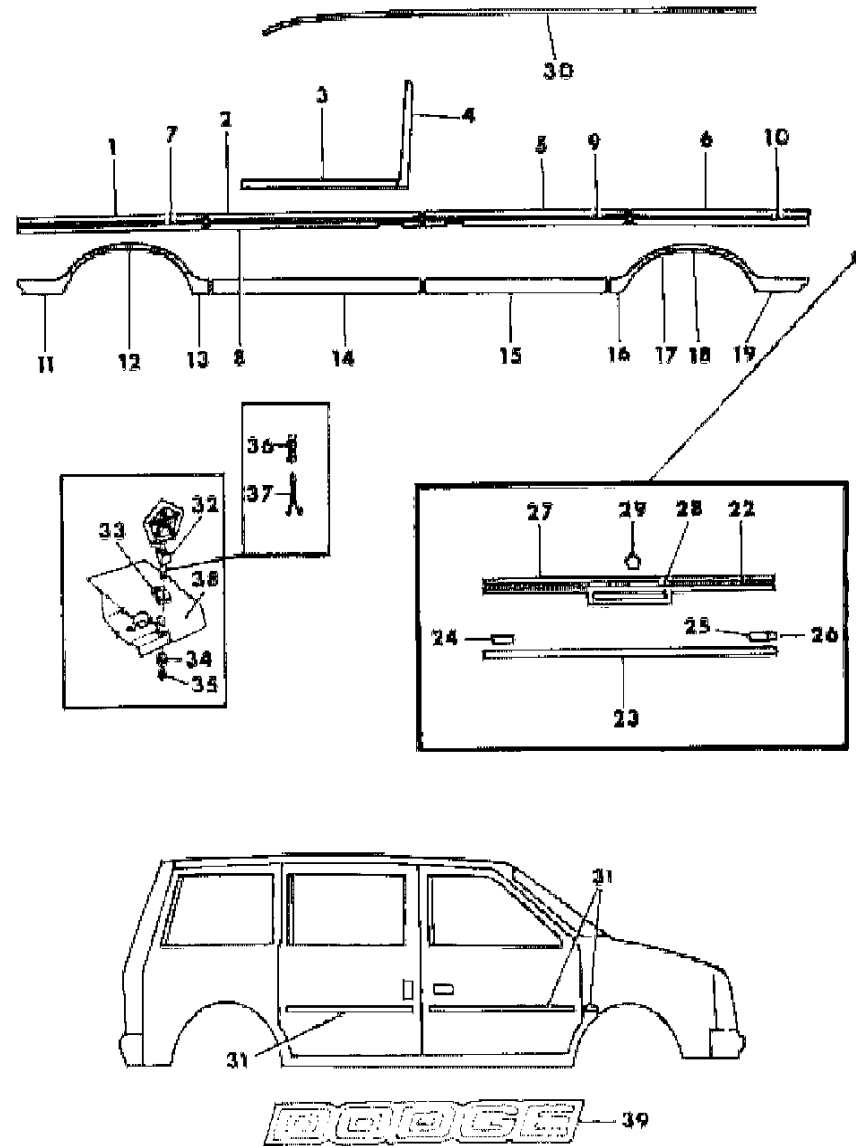
MODEL CODES
 B = GRAN FURY
 C = LE BARON/TOWN & COUNTRY/LIMO
 C24 = LASER
 C44 = LE BARON/GTS
 D = ARIES
 D44 = LANCER
 E = 600
 F = FIFTH AVENUE/NEWPORT
 G = DIPLOMAT
 H = VOYAGER
 J = CARAVELLE
 K = MINI VAN/CARAVAN/ROYAL
 M = HORIZON/TURISMO
 P = RELIANT
 T = NEW YORKER
 V = 600
 V24 = DAYTONA
 Z = OMNI/CHARGER

BODY STYLES
 21 = 2-DOOR SEDAN
 22 = 2-DOOR SPECIAL COUPE
 24 = 2-DOOR HATCHBACK
 27 = 2-DOOR CONVERTIBLE
 35 = FWD VAN
 36 = FWD WAGON
 41 = 4-DOOR SEDAN
 44 = 4-DOOR HATCHBACK
 45 = 4-DOOR STATION WAGON
 49 = LIMOUSINE

AR = Use as Required - = Non Illustrated Part P.A.R. = Paint as Required

MOULDINGS and ORNAMENTATION - EXTERIOR VIEW DODGE CARAVAN WAGON
Figure 23-5600

5169 5520 A



ITEM	PART NUMBER	QTY	BODY	MODEL	DESCRIPTION
1	4293 694-5	1		K-H	MOULDING PACKAGE, Fndr. Side
	4293 606	AR			RETAINER PACKAGE
	4057 555	AR			RETAINER PACKAGE
2	4293 696-7	1		K-H	MOULDING PACKAGE, Frt. Door
	6003 873	AR			RETAINER
	6003 627	AR			RETAINER
3	4319 148-9	1			WEATHERSTRIP, Frt. Door Belt
	6032 456	AR			SCREW
	4319 152-3	1			MOULDING, Frt. Door Wdo. Opng. Frame, Rear
4	4057 555	AR			RETAINER PACKAGE
	4293 698	1		K-H	MOULDING PACKAGE, Sliding Door, Use Up to 9-17-84
	4364 102	1		K-H	MOULDING PACKAGE, Sliding Door, Use After 9-17-84
5	6003 873	AR			RETAINER
	6003 627	AR			RETAINER
	4318 502	1		K-H	MOULDING PACKAGE, Qtr., Rt.
6	4318 503	1		K-H	MOULDING PACKAGE, Qtr., Lt.
	6003 873	AR			RETAINER
	6003 627	AR			RETAINER
7	4293 572-3	1		K-H,P	MOULDING PACKAGE, Fndr. Side Upr., Woodgrain
	4293 606	AR			RETAINER PACKAGE
	4057 555	AR			RETAINER PACKAGE
8	4293 574-5	1		K-H,P	MOULDING PACKAGE, Frt. Door Upr., Woodgrain
	6003 873	AR			RETAINER
	6003 627	AR			RETAINER
9	4293 607	1		K-H,P	MOULDING PACKAGE, Sliding Door Upr., Woodgrain, Use Up to 10-1-84
	4364 103	1		K-H,P	MOULDING PACKAGE, Sliding Door Upr., Wodgrain, Use After 10-1-84
	4293 606	AR			RETAINER PACKAGE
10	4057 555	AR			RETAINER PACKAGE
	4293 608	1		K-H,P	MOULDING PACKAGE, Qtr. Upr., Rt., Woodgrain
	4293 609	1		K-H,P	MOULDING PACKAGE, Qtr. Upr., Lt., Woodgrain
11	4293 606	AR			RETAINER PACKAGE
	4057 555	AR			RETAINER PACKAGE
	4276 724-5	1		K-H,P	MOULDING, Fndr. Frt. Lwr., Woodgrain
	6003 874	AR			RETAINER
					SCREW, (Not Serv.)

MODEL CODES

B = GRAN FURY	E = 600	M = HORIZON/TURISMO
C = LE BARON/TOWN & COUNTRY/LIMO	F = FIFTH AVENUE/NEWPORT	P = RELIANT
C24 = LASER	G = DIPLOMAT	T = NEW YORKER
C44 = LE BARON/GTS	H = VOYAGER	V = 600
D = ARIES	J = CARAVELLE	V24 = DAYTONA
D44 = LANCER	K = MINI VAN/CARAVAN/ROYAL	Z = OMNI/CHARGER

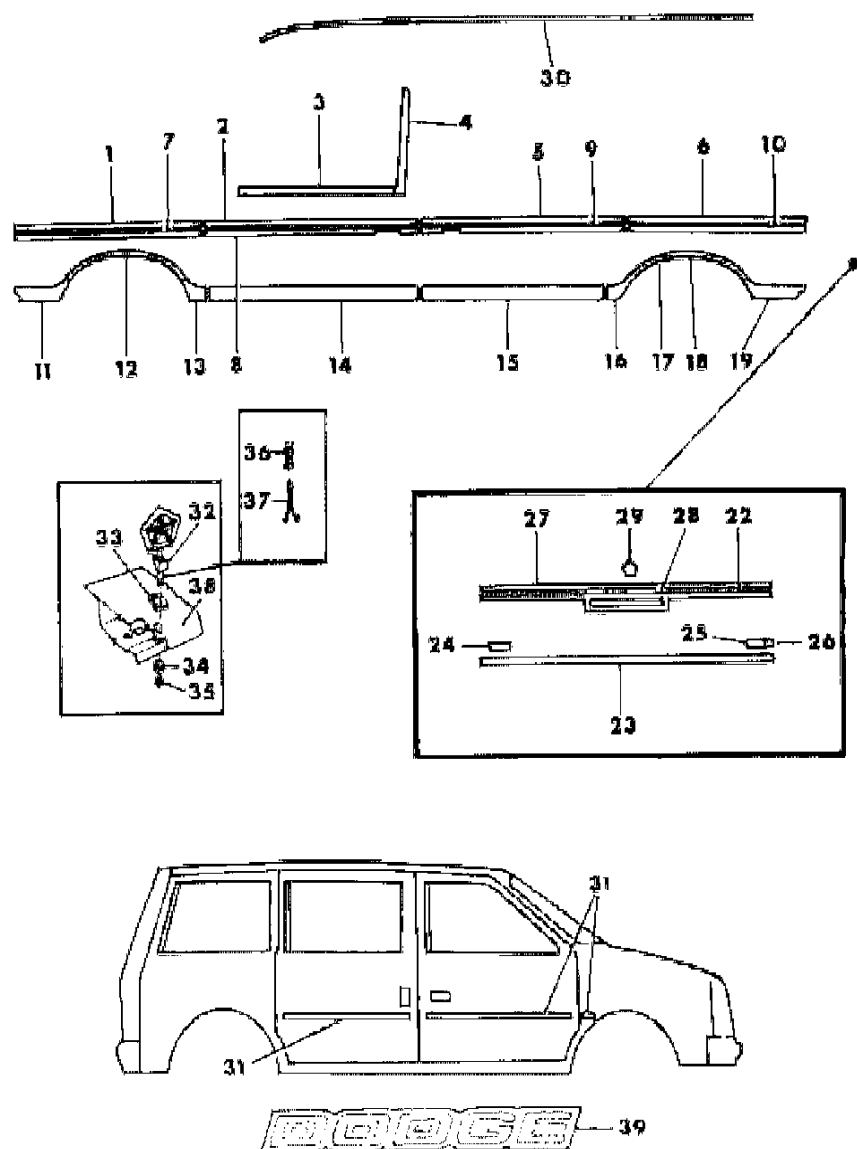
BODY STYLES

21 = 2-DOOR SEDAN	35 = FWD VAN	44 = 4-DOOR HATCHBACK
22 = 2-DOOR SPECIAL COUPE	36 = FWD WAGON	45 = 4-DOOR STATION WAGON
24 = 2-DOOR HATCHBACK	41 = 4-DOOR SEDAN	49 = LIMOUSINE
27 = 2-DOOR CONVERTIBLE		

AR = Use as Required - = Non Illustrated Part P.A.R. = Paint as Required

MOULDINGS and ORNAMENTATION - EXTERIOR VIEW DODGE CARAVAN WAGON
Figure 23-5600

5169 5520 A



ITEM	PART NUMBER	QTY	BODY	MODEL	DESCRIPTION
12	4276 726-7	1		K-H,P	MOULDING, Fndr. Wheel Opng., Woodgrain SCREW, (Not Serv.)
13	4319 600-1 4057 555 6003 882	1 AR AR		K-H,P	MOULDING, Fndr. Lwr. Rear, Woodgrain RETAINER PACKAGE RETAINER
14	4276 730-1 6003 855	1 AR		K-H,P	MOULDING, Frt. Door Lwr., Woodgrain RETAINER
15	4276 734 4366 328 6003 855	1 1 AR		K-H,P K-H,P	MOULDING, Sliding Door Lwr., Woodgrain, Use Up to 8-20-84 MOULDING, Sliding Door Lwr., Woodgrain, Use After 8-20-84 RETAINER
16	4276 739 6003 855	1 AR		K-H,P	MOULDING, Qtr. Lwr. Frt. Lt., Woodgrain SCREW, (Not Serv.) RETAINER
17	4276 743	1		K-H,P	MOULDING, Qtr. Wheel Opng., Woodgrain SCREW, (Not Serv.)
18	4319 610	1		K-H,P	MOULDING, Qtr. Lwr. Frt. and Wheel Opng., Rt., Woodgrain SCREW, (Not Serv.)
19	4276 744-5 6003 874	1 AR		K-H,P	MOULDING, Qtr. Lwr. Rear, Woodgrain RETAINER
22	4293 586-7 4293 606	1 AR		K-H,P	SCREW, (Not Serv.) MOULDING PACKAGE, L/Gate Uptr. Outer, Woodgrain RETAINER PACKAGE
23	4293 588 6003 849	1 AR		K-H,P	MOULDING, L/Gate Lwr., Woodgrain RETAINER
24	4328 118	1			NAMEPLATE, L/Gate, "DODGE"
25	4319 993	1			NAMEPLATE, L/Gate, "CARAVAN"
26	4328 383 4328 384	1 1	K-H K-P		NAMEPLATE, L/Gate, "SE" NAMEPLATE, L/Gate, "LE"
27	4318 504-5 6003 873 6026 523	1 AR AR	K-H		MOULDING PACKAGE, L/Gate RETAINER NUT
28	4328 156 0152 284 4328 159 0152 284	1 AR 1 AR		K-H,P	HANDLE ASSY., L/Gate NUT HANDLE and MOULDING., L/Gate, Woodgrain NUT

MODEL CODES

B = GRAN FURY	E = 600	M = HORIZON/TURISMO
C = LE BARON/TOWN & COUNTRY/LIMO	F = FIFTH AVENUE/NEWPORT	P = RELIANT
C24 = LASER	G = DIPLOMAT	T = NEW YORKER
C44 = LE BARON/GTS	H = VOYAGER	V = 600
D = ARIES	J = CARAVELLE	V24 = DAYTONA
D44 = LANCER	K = MINI VAN/CARAVAN/ROYAL	Z = OMNI/CHARGER

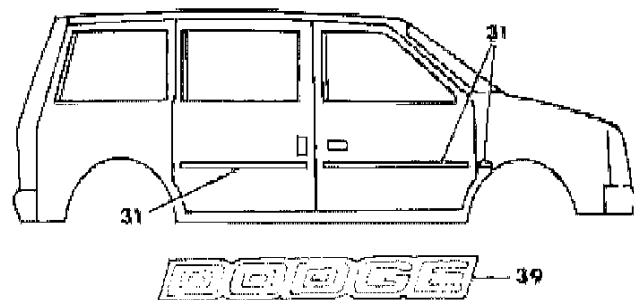
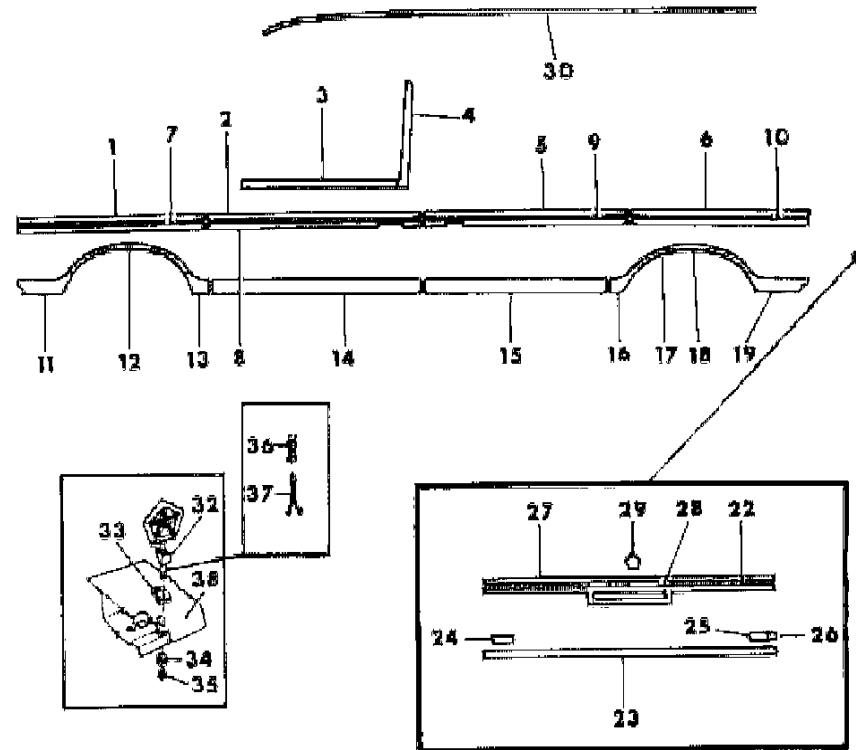
BODY STYLES

21 = 2-DOOR SEDAN	35 = FWD VAN	44 = 4-DOOR HATCHBACK
22 = 2-DOOR SPECIAL COUPE	36 = FWD WAGON	45 = 4-DOOR STATION WAGON
24 = 2-DOOR HATCHBACK	41 = 4-DOOR SEDAN	49 = LIMOUSINE
27 = 2-DOOR CONVERTIBLE		

AR = Use as Required - = Non Illustrated Part P.A.R. = Paint as Required

MOULDINGS and ORNAMENTATION - EXTERIOR VIEW DODGE CARAVAN WAGON
Figure 23-5600

5169 5600 A



ITEM	PART NUMBER	QTY	BODY	MODEL	DESCRIPTION
29	4319 497	1			MEDALLION, L/Gate Pentastar
30	4328 338-9	1			MOULDING, Roof Side Drain Trough, Repair
31	X126-7 DA2	1			MOULDING, Fndr. Rear, Silver
	X126-7 CC4	1			Blue
	X126-7 DT4	1			Gold Dust Met.
	X126-7 CW3	1			White
	X126-7 CX9	1			Black
	X129 DA2	2			MOULDING, Frt. Door, Silver
	X129 CC4	2			Blue
	X129 DT4	2			Gold Dust Met.
	X129 CW3	2			White
	X129 CX9	2			Black
	X309 DA2	1			MOULDING, Sliding Door, Rt., Silver
	X309 CC4	1			Blue
	X309 DT4	1			Gold Dust Met.
	X309 CW3	1			White
	X309 CX9	1			Black
	X131 DA2	1			MOULDING, Qtr. Pnl., Lt., Silver
	X131 CC4	1			Blue
	X131 DT4	1			Gold Dust Met.
	X131 CW3	1			White
	X131 CX9	1			Black
32	4339 013	1			ORNAMENT, Hood (Includes Items 33, 34, 35, 36, 37)
33		1			GASKET, Hood Ornament
34		1			SPACER, Hood Ornament
35	6030 435	1			NUT
36	3672 672	1			SPRING, Hood Ornament
37	3672 780	1			RETAINER, Hood Ornament
38		1			HOOD, (See Illus. in Group 23A)
39	4339 085	1			NAMEPLATE, "DODGE"

MODEL CODES

B = GRAN FURY	E = 600	M = HORIZON/TURISMO
C = LE BARON/TOWN & COUNTRY/LIMO	F = FIFTH AVENUE/NEWPORT	P = RELIANT
C24 = LASER	G = DIPLOMAT	T = NEW YORKER
C44 = LE BARON/GTS	H = VOYAGER	V = 600
D = ARIES	J = CARAVELLE	V24 = DAYTONA
D44 = LANCER	K = MINI VAN/CARAVAN/ROYAL	Z = OMNI/CHARGER

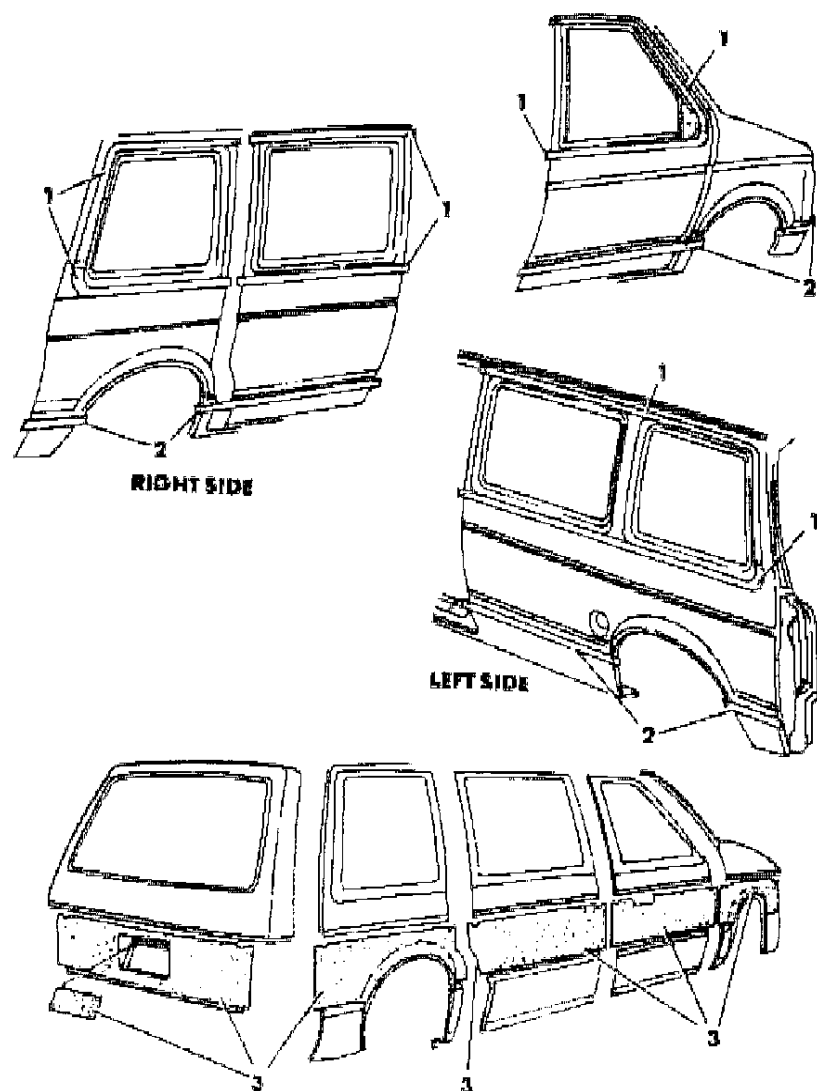
BODY STYLES

21 = 2-DOOR SEDAN	35 = FWD VAN	44 = 4-DOOR HATCHBACK
22 = 2-DOOR SPECIAL COUPE	36 = FWD WAGON	45 = 4-DOOR STATION WAGON
24 = 2-DOOR HATCHBACK	41 = 4-DOOR SEDAN	49 = LIMOUSINE
27 = 2-DOOR CONVERTIBLE		

AR = Use as Required - = Non Illustrated Part P.A.R. = Paint as Required

TAPE STRIPES and DECALS - EXTERIOR VIEW DODGE CARAVAN WAGON
Figure 23-5700

5168 5720



ITEM	PART NUMBER	QTY	BODY	MODEL	DESCRIPTION
1	4342 568-9	1			TAPE PACKAGE, Frt. Door Wdo. Upr. Lwr., Qtr. Wdo. Upr. Lwr. Rear, Tan, Spice, Tan (Sales Code PW2 QT4) (PT3 QT4)
	4342 566-7	1			Light Blue, Dark Blue, Light Blue (Paint Sales Code PA1 QC6)
	4318 972-3	1			Brown, Russet, Brown (Paint Sales Code PT6 QX8)
	4342 570-1	1			Dark Blue, Dark Red, Dark Blue (Paint Sales Code PC4 QX8)
	4342 572-3	1			Dark Red, Bright Red, Dark Red (Paint Sales Code PR6 QX8)
	4342 568	1			TAPE PACKAGE, Sliding Door Wdo. Upr. and Lwr., Tan, Spice, Tan (Sales Code PW2 QT4) (PT3 QT4)
	4342 566	1			Light Blue, Dark Blue, Light Blue (Paint Sales Code PA1 QC6)
	4318 972	1			Brown, Russet, Brown (Paint Sales Code PT6 QX8)
	4342 570	1			Dark Blue, Dark Red, Dark Blue (Paint Sales Code PC4 QX8)
	4342 572	1			Dark Red, Bright Red, Dark Red (Paint Sales Code PR6 QX8)
2	4342 576-7	1			TAPE PACKAGE, Fndr. Lwr., Door Lwr., Sliding Door and Qtr. Lwr., Tan, Spice, Tan (Sales Code PW2 Qt4) (PT3 QT4)
	4342 574-5	1			Light Blue, Dark Blue, Light Blue (Paint Sales Code PA1 QC6)
	4318 956-7	1			Brown, Russet, Brown (Paint Sales Code PT6 QX8)
	4342 578-9	1			Dark Blue, Dark Red, Dark Blue (Paint Sales Code PC4 QX8)
	4342 580-1	1			Dark Red, Bright Red, Dark Red (Paint Sales Code PR6 QX8)
3	4276 763	AR			OVERLAY, Fndr., Frt. Door, Sliding Door, Qtr., L/Gate, Lic. Plate Depr., Approx. 12.2" Wide, 78.7" Long

MODEL CODES

B = GRAN FURY	E = 600	M = HORIZON/TURISMO
C = LE BARON/TOWN & COUNTRY/LIMO	F = FIFTH AVENUE/NEWPORT	P = RELIANT
C24 = LASER	G = DIPLOMAT	T = NEW YORKER
C44 = LE BARON/GTS	H = VOYAGER	V = 600
D = ARIES	J = CARAVELLE	V24 = DAYTONA
D44 = LANCER	K = MINI VAN/CARAVAN/ROYAL	Z = OMNI/CHARGER

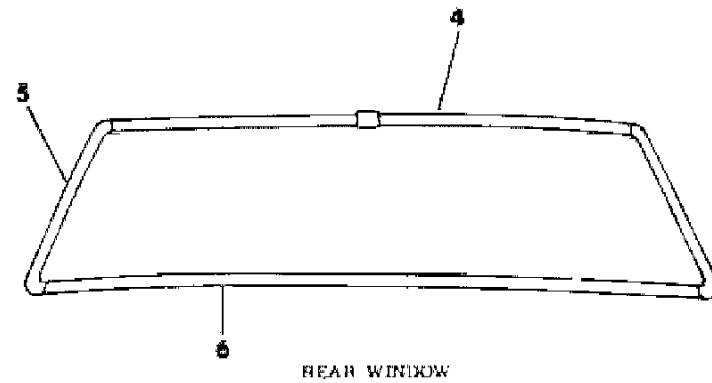
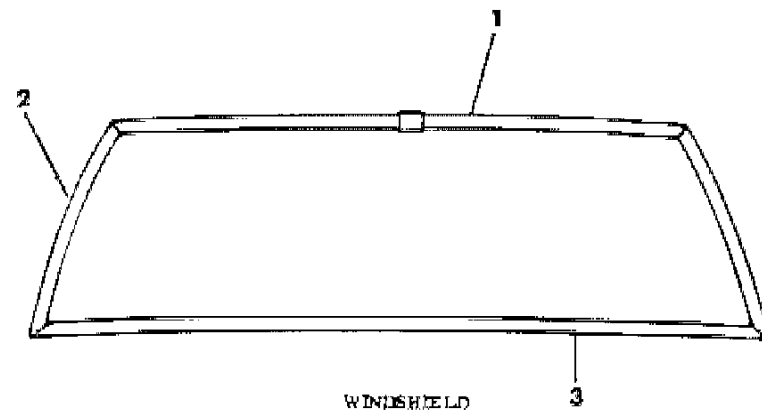
BODY STYLES

21 = 2-DOOR SEDAN	35 = FWD VAN	44 = 4-DOOR HATCHBACK
22 = 2-DOOR SPECIAL COUPE	36 = FWD WAGON	45 = 4-DOOR STATION WAGON
24 = 2-DOOR HATCHBACK	41 = 4-DOOR SEDAN	49 = LIMOUSINE
27 = 2-DOOR CONVERTIBLE		

AR = Use as Required - = Non Illustrated Part P.A.R. = Paint as Required

MOULDINGS, WINDSHIELD AND REAR WINDOW OUTSIDE B,G,F
Figure 23-5800

5128 5800



ITEM	PART NUMBER	QTY	BODY	MODEL	DESCRIPTION
1	4022 712-3	1			MOULDING, W/Shield, Upr.
	6003 878	AR			RETAINER, Upr.
	6003 753	AR			RETAINER, Upr.
					WELD NUT, (Not Serv.)
2	4022 714-5	1			MOULDING, W/Shield, Side
	6003 878	AR			RETAINER, Side
	6003 753	AR			RETAINER
					WELD STUD, (Not Serv.)
3	4022 707	1			MOULDING, W/Shield, Lwr.
	4022 706	AR			SPACER, Lwr.
	6003 753	AR			RETAINER
4	4175 054-5	1		B,G	MOULDING, Rear Wdo., Upr., Bright
	6003 753	AR			RETAINER
	6003 878	AR			RETAINER
5	4175 052-3	1		B,G	MOULDING, Rear Wdo., Side, Bright
	6003 753	AR			RETAINER
	6003 878	AR			RETAINER
					RETAINER
6	4175 050	1		B,G	MOULDING, Rear Wdo., Lwr., Bright
	6003 753	AR			RETAINER
	6003 878	AR			RETAINER
					RETAINER

MODEL CODES

B = GRAN FURY	E = 600	M = HORIZON/TURISMO
C = LE BARON/TOWN & COUNTRY/LIMO	F = FIFTH AVENUE/NEWPORT	P = RELIANT
C24 = LASER	G = DIPLOMAT	T = NEW YORKER
C44 = LE BARON/GTS	H = VOYAGER	V = 600
D = ARIES	J = CARAVELLE	V24 = DAYTONA
D44 = LANCER	K = MINI VAN/CARAVAN/ROYAL	Z = OMNI/CHARGER

BODY STYLES

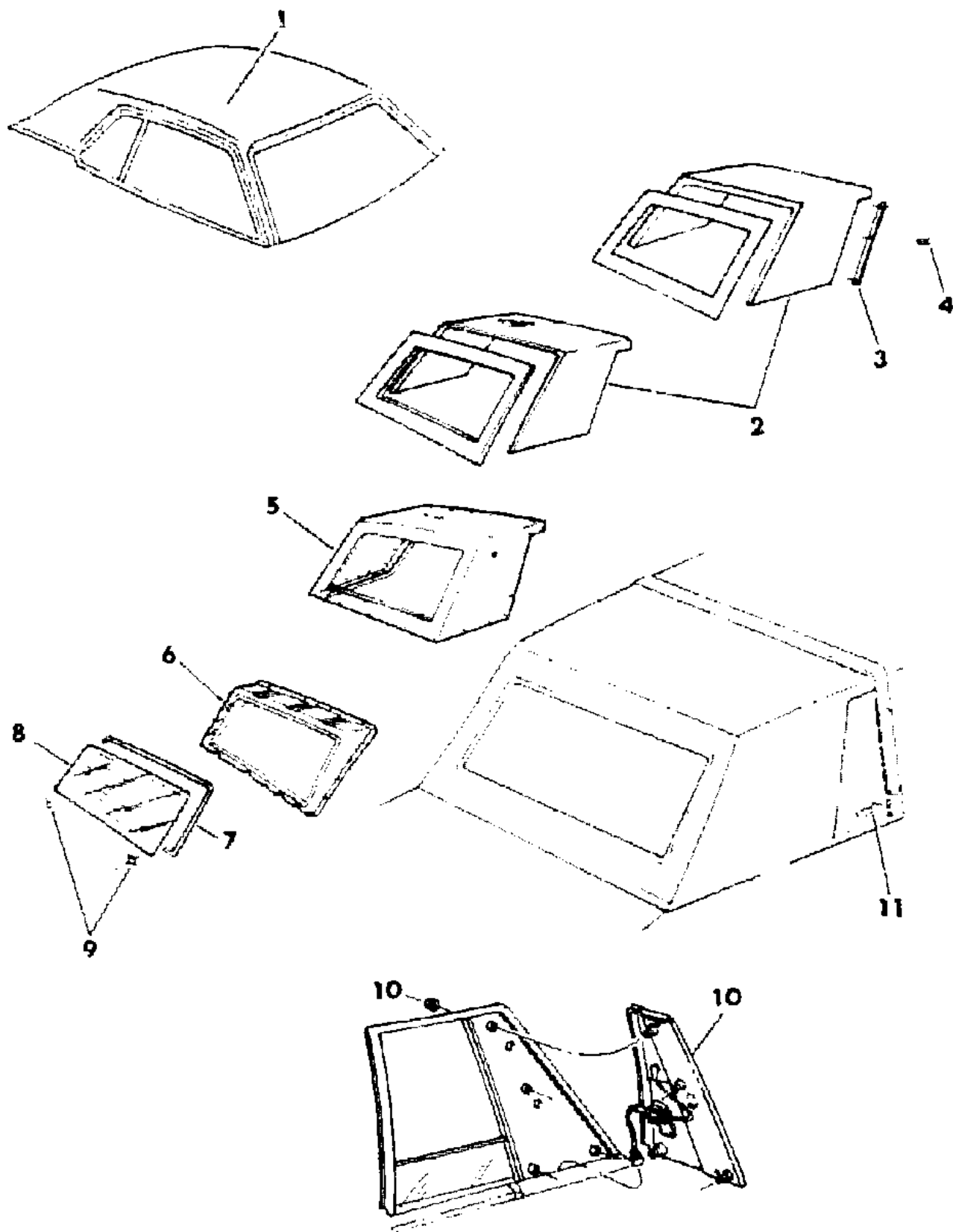
21 = 2-DOOR SEDAN	35 = FWD VAN	44 = 4-DOOR HATCHBACK
22 = 2-DOOR SPECIAL COUPE	36 = FWD WAGON	45 = 4-DOOR STATION WAGON
24 = 2-DOOR HATCHBACK	41 = 4-DOOR SEDAN	49 = LIMOUSINE
27 = 2-DOOR CONVERTIBLE		

AR = Use as Required - = Non Illustrated Part P.A.R. = Paint as Required

COVER, ROOF - EXTERIOR VIEW PLYMOUTH FURY-DODGE DIPLOMAT- CHRYSLER FIFTH AVE.

Figure 23-5850

516E 5850 A



ITEM	PART NUMBER	QTY	BODY	MODEL	DESCRIPTION
1	T914 BA2	1		B,G	COVER, Roof, Silver (Trim Code VAA)
	T914 TC9	1		B,G	Blue (Trim Code VAC)
	T914 CM6	1		B,G	Red (Trim Code VAM)
	T914 DT5	1		B,G	Tan (Trim Code VAK)
2	T944 BA2	1		F	COVER, Roof, Silver (Trim Code VFA)
	T944 DC6	1		F	Gunmetal Blue (Trim Code VFB)
	T944 BC9	1		F	Night Watch Blue (Trim Code VFC)
	T944 CM6	1		F	Red (Trim Code VFM)
	T944 DT4	1		F	Gold Dust (Sales Code VFU)
	T944 DT6	1		F	Mink Brown (Sales Code VFT)
	T944 BX9	1		F	Black (Sales Code VFX)
	T944 BW3	1		F	White (Sales Code VFW)
	4419 236	1		F	COVER, Roof, Blue, Use on Two Tone Paint Car (Sales Code VGB)
	4419 237	1		F	Black (Sales Code VGX)
3	4419 238	1		F	Red (Sales Code VGM)
	4229 804-5	1		F	RETAINER, Qtr. Wdo. Upr., Vinyl, Use on Monotone or Two Tone Paint Car
4	0153 341	AR		F	SCREW
5	4229 802	1		F	CAP, Roof Bonnet, Use on Monotone Paint Car
	4366 197	1		F	CAP, Roof Bonnet, Use on Two Tone Paint Car
6	4229 998	1		F	EXTENSION and SUPPORT, Rear Wdo. Mtg.
7		AR		F	TAPE, Butyl, 5/16" Thick
8	4229 801	1		F	GLASS ASSEMBLY, Rear Wdo. Heated
9		AR		F	RETAINER, (Not Serv.)
10	X372-3 BA2	1		F	FRAME, Complete, Rear Door Qtr. Wdo., w/o Lamp, Use on Monotone Paint Car, w/o Luxury Equip. Pkg AFF, Silver, Trim Code VFA
	X372-3 DC6	1		F	Gunmetal Blue (Trim Code VFB)
	X372-3 BC9	1		F	Night Watch Blue (Trim Code VFC)
	X372-3 CM6	1		F	Red (Trim Code VFM)
	X372-3 DT4	1		F	Gold Dust (Trim Code VFU)
	X372-3 DT6	1		F	Mink Brown (Trim Code VFT)
	X372-3 BW3	1		F	White (Trim Code VFW)
	X372-3 BX9	1		F	Black (Trim Code VFX)
	X386-7 BA2	1		F	Use on Monotone Paint Car, w/Lamp, w/Luxury Equip. Pkg. AFF, Silver (Trim Code VFA)

MODEL CODES

B = GRAN FURY	E = 600	M = HORIZON/TURISMO
C = LE BARON/TOWN & COUNTRY/LIMO	F = FIFTH AVENUE/NEWPORT	P = RELIANT
C24 = LASER	G = DIPLOMAT	T = NEW YORKER
C44 = LE BARON/GTS	H = VOYAGER	V = 600
D = ARIES	J = CARAVELLE	V24 = DAYTONA
D44 = LANCER	K = MINI VAN/CARAVAN/ROYAL	Z = OMNI/CHARGER

BODY STYLES

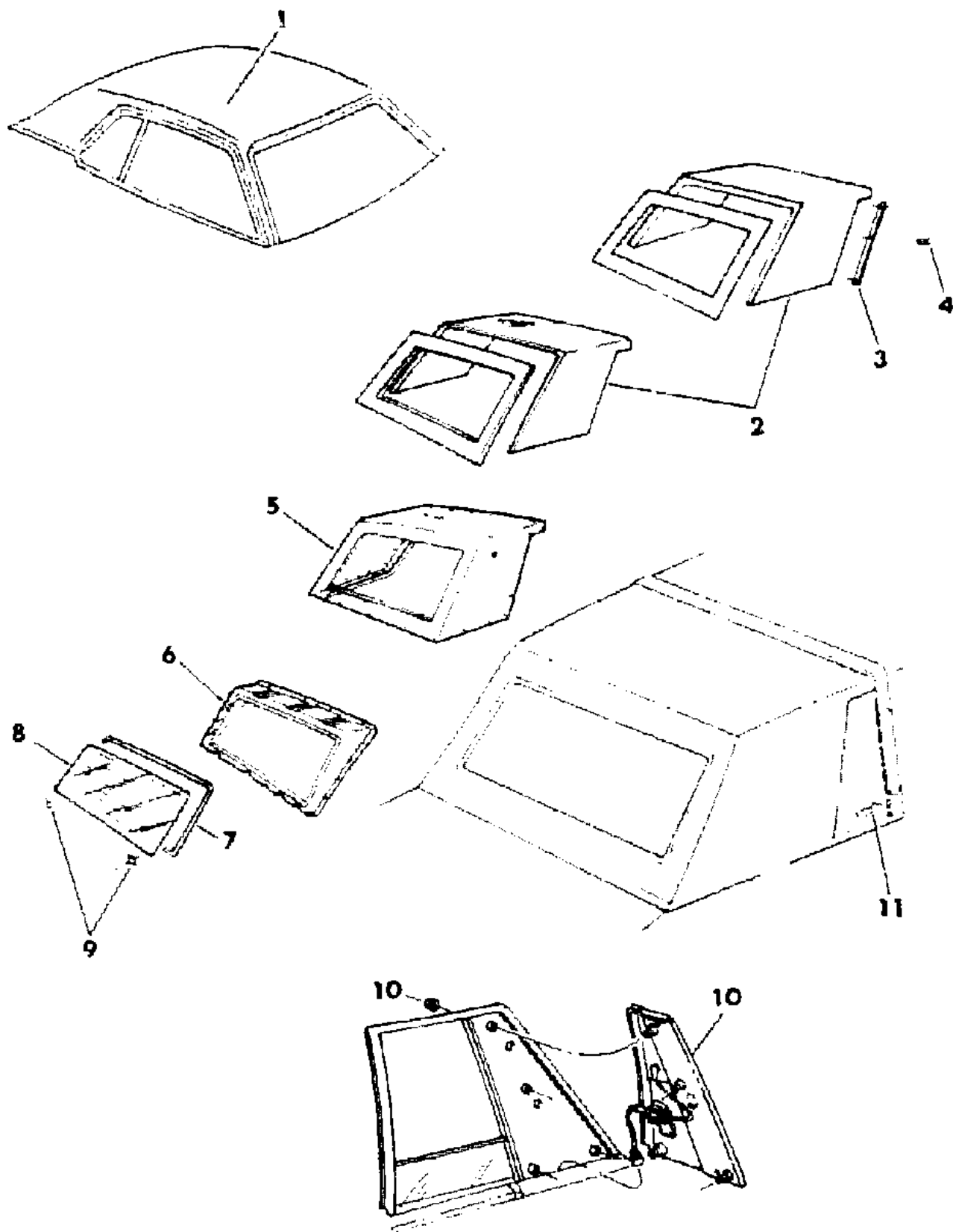
21 = 2-DOOR SEDAN	35 = FWD VAN	44 = 4-DOOR HATCHBACK
22 = 2-DOOR SPECIAL COUPE	36 = FWD WAGON	45 = 4-DOOR STATION WAGON
24 = 2-DOOR HATCHBACK	41 = 4-DOOR SEDAN	49 = LIMOUSINE
27 = 2-DOOR CONVERTIBLE		

AR = Use as Required - = Non Illustrated Part P.A.R. = Paint as Required

COVER, ROOF - EXTERIOR VIEW PLYMOUTH FURY-DODGE DIPLOMAT- CHRYSLER FIFTH AVE.

Figure 23-5850

5168 5850 A



ITEM	PART NUMBER	QTY	BODY	MODEL	DESCRIPTION
	X386-7 DC6	1		F	Gunmetal Blue (Trim Code VFB)
	X386-7 BC9	1		F	Night Watch Blue (Trim Code VFC)
	X386-7 CM6	1		F	Red (Trim Code VFM)
	X386-7 DT4	1		F	Gold Dust (Trim Code VFU)
	X386-7 DT6	1		F	Mink Brown (Trim Code VFT)
	X386-7 BW3	1		F	White (Trim Code VFW)
	X386-7 BX9	1		F	Black (Trim Code VFX)
	T916-7 DC6	1		F	FRAME, Complete, Rear Door Qtr. Wdo., w/Lamp, Use on Two Tone Paint Car, Gunmetal Blue
	T916-7 DM6	1		F	Red
	T916-7 DX9	1		F	Black
	4419 240-1	1		F	BEZEL, Rear Door Qtr. Wdo., Use on Two Tone Paint Car, Silver, Blue
	4419 242-3	1		F	Silver, Black
	4419 244-5	1		F	Silver, Red
		AR		F	NUT (Not Serv.)
	4366 122-3	1		F	SUPPORT, Rear Door Qtr. Wdo. Frame, Use on Monotone or Two Tone Paint Car
11	X308 BA2	2		F	NAMEPLATE, Fifth Avenue, Silver
	X308 DC6	2		F	Gunmetal Blue
	X308 BC9	2		F	Night Watch Blue
	X308 BM5	2		F	Red
	X308 DT4	2		F	Gold Dust
	X308 DT6	2		F	Mink Brown
	X308 BW3	2		F	White
	X308 BX9	2		F	Black
	4276 471	6		F	Filler, Rear Door Opng. Vinyl Roof, Use on Monotone Paint Car

NOTE: The Following Parts Are Not Illustrated e rear of the carburetor throttle body. A mirror is required to read the no. when the carburator is

MODEL CODES

B = GRAN FURY	E = 600	M = HORIZON/TURISMO
C = LE BARON/TOWN & COUNTRY/LIMO	F = FIFTH AVENUE/NEWPORT	P = RELIANT
C24 = LASER	G = DIPLOMAT	T = NEW YORKER
C44 = LE BARON/GTS	H = VOYAGER	V = 600
D = ARIES	J = CARAVELLE	V24 = DAYTONA
D44 = LANCER	K = MINI VAN/CARAVAN/ROYAL	Z = OMNI/CHARGER

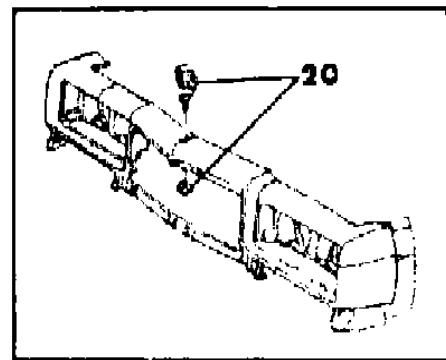
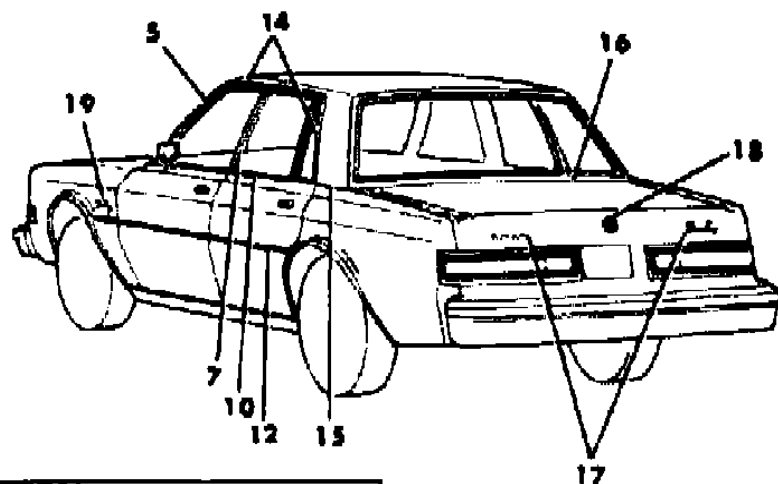
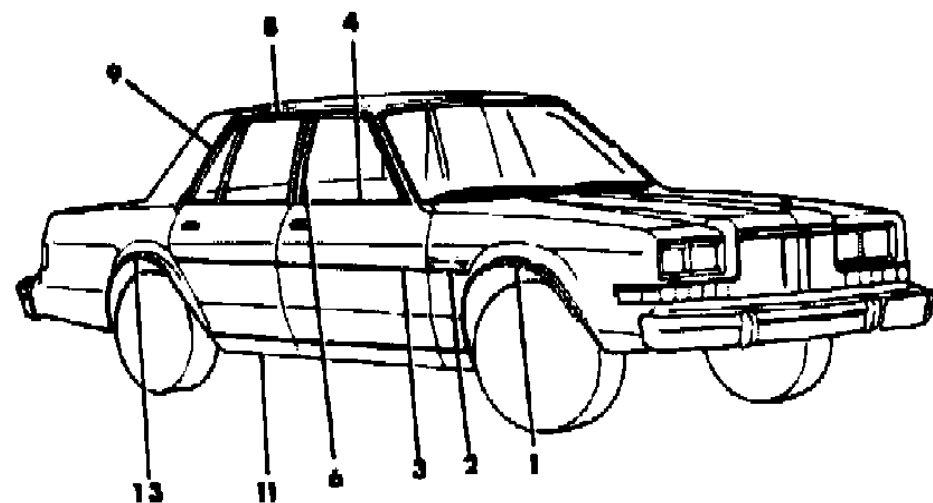
BODY STYLES

21 = 2-DOOR SEDAN	35 = FWD VAN	44 = 4-DOOR HATCHBACK
22 = 2-DOOR SPECIAL COUPE	36 = FWD WAGON	45 = 4-DOOR STATION WAGON
24 = 2-DOOR HATCHBACK	41 = 4-DOOR SEDAN	49 = LIMOUSINE
27 = 2-DOOR CONVERTIBLE		

AR = Use as Required - = Non Illustrated Part P.A.R. = Paint as Required

MOULDINGS and ORNAMENTATION - EXTERIOR VIEW PLYMOUTH GRAN FURY SALON
Figure 23-5900

5168 5900 A



ITEM	PART NUMBER	QTY	BODY	MODEL	DESCRIPTION
1	4175 286-7	1			MOULDING, Fndr. Wheel Opng. SCREW, (Not Serv.)
2	X202-3 DW3	1			MOULDING, Fndr. Side, White, Paint to Color
3	X204-5 DW3	1			MOULDING, Frt. Door, White, Paint to Color
4	3811 794-5	1			MOULDING, Frt. Door Belt
5	4022 052-3	1			MOULDING, Frt. Door Wdo. Opng. Frame, Frt., Bright
6	4022 056-7	1			MOULDING, Frt. Door Wdo. Opng. Frame, Rear, Bright
7	4022 056	1			MOULDING, Rear Door Wdo. Opng. Frame, Frt., Lt., Bright
	4022 057	1			MOULDING, Rear Door Wdo. Opng. Frame, Frt., Rt., Bright
8	4175 100-1	1			MOULDING, Rear Door Wdo. Opng. Frame, Upr., Bright
9	4175 102-3	1			MOULDING, Rear Door Wdo. Opng. Frame, Rear, Bright
10	3811 796-7	1			MOULDING, Rear Door Belt
	3780 999	AR			RETAINER and SEAL PACKAGE
	3780 434	AR			RETAINER and SEAL PACKAGE
11	4175 312-3	1			MOULDING, Body Side Sill
	6003 718	AR			RETAINER
	6028 674	AR			SCREW
12	X208-9 DW3	1			MOULDING, Rear Door, White, Paint to Color
13	4175 290-1	1			MOULDING, Qtr. Wheel Opng. SCREW, (Not Serv.)
14	4229 984-5	1			MOULDING, Roof Side Drain Trough, Frt.
	4175 086-7	1			MOULDING, Roof Side Drain Trough, Rear SCREW, (Not Serv.)
	4017 830-1	1			SEAL, Roof Side Drain Trough Mldg.
15	4240 996-7	1			MOULDING PACKAGE, Qtr. Belt
	3744 367	AR			RETAINER PACKAGE
	4057 555	AR			RETAINER PACKAGE
	3744 671	AR			RETAINER PACKAGE
16	4186 533	1			MOULDING, Deck Opng. Upr. Pnl.
	3744 671	AR			RETAINER PACKAGE
17	4319 779	1			NAMEPLATE, Deck Lid, "PLYMOUTH"
	4319 757	1			NAMEPLATE, Deck Lid, "GRAN FURY"
18	X561 CA2	1			MEDALLION, Deck Lid Lock Cyl., Silver Met., Use Up to 5-1-85
	X561 DA1	1			MEDALLION, Deck Lid Lock Cyl., Silver Met., Use After 5-1-85
	X561 DC6	1			Gunmetal Blue
	X561 DB1	1			Ice Blue Met.
	X561 DB9	1			Night Watch Blue

MODEL CODES

B = GRAN FURY	E = 600	M = HORIZON/TURISMO
C = LE BARON/TOWN & COUNTRY/LIMO	F = FIFTH AVENUE/NEWPORT	P = RELIANT
C24 = LASER	G = DIPLOMAT	T = NEW YORKER
C44 = LE BARON/GTS	H = VOYAGER	V = 600
D = ARIES	J = CARAVELLE	V24 = DAYTONA
D44 = LANCER	K = MINI VAN/CARAVAN/ROYAL	Z = OMNI/CHARGER

BODY STYLES

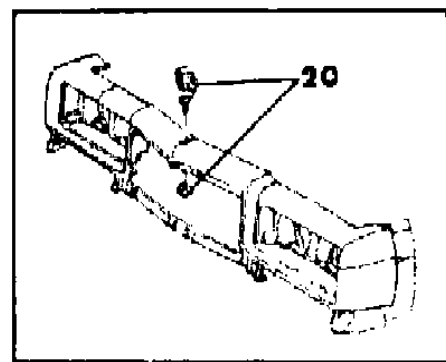
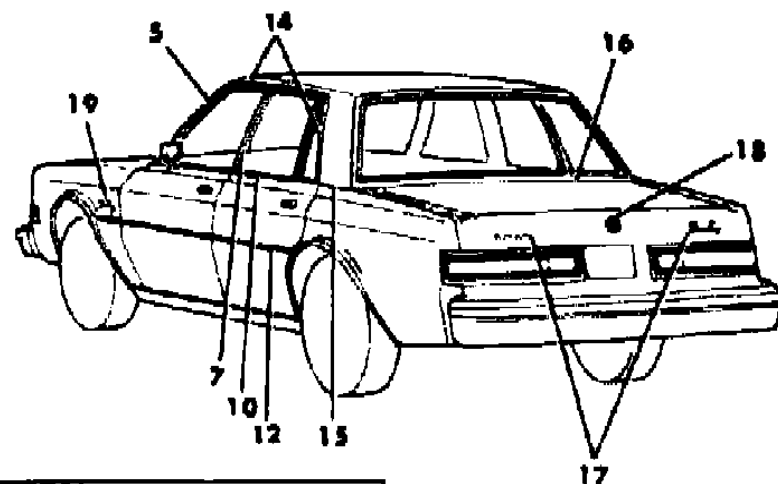
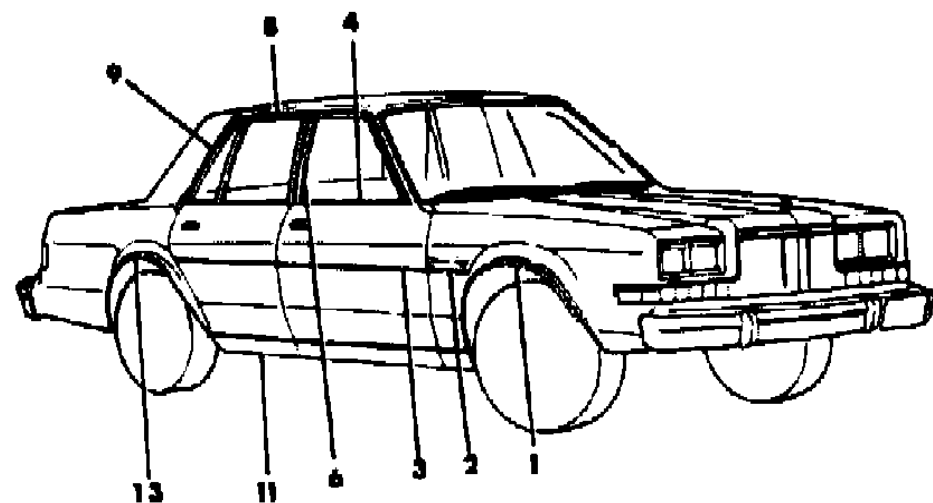
21 = 2-DOOR SEDAN	35 = FWD VAN	44 = 4-DOOR HATCHBACK
22 = 2-DOOR SPECIAL COUPE	36 = FWD WAGON	45 = 4-DOOR STATION WAGON
24 = 2-DOOR HATCHBACK	41 = 4-DOOR SEDAN	49 = LIMOUSINE
27 = 2-DOOR CONVERTIBLE		

AR = Use as Required - = Non Illustrated Part P.A.R. = Paint as Required

MOULDINGS and ORNAMENTATION - EXTERIOR VIEW PLYMOUTH GRAN FURY SALON
Figure 23-5900

5168 5900 A

ITEM	PART NUMBER	QTY	BODY	MODEL	DESCRIPTION
	X561 DM6	1			Red
	X561 DT4	1			Gold Dust Met.
	X561 DT6	1			Mink Brown
	X561 DW2	1			White
	X561 DX8	1			Black
19	4319 757	2			NAMEPLATE, Fndr. Side, "GRAN FURY"
20	4103 313	1			ORNAMENT
	6030 435	1			NUT



MODEL CODES

B = GRAN FURY	E = 600	M = HORIZON/TURISMO
C = LE BARON/TOWN & COUNTRY/LIMO	F = FIFTH AVENUE/NEWPORT	P = RELIANT
C24 = LASER	G = DIPLOMAT	T = NEW YORKER
C44 = LE BARON/GTS	H = VOYAGER	V = 600
D = ARIES	J = CARAVELLE	V24 = DAYTONA
D44 = LANCER	K = MINI VAN/CARAVAN/ROYAL	Z = OMNI/CHARGER

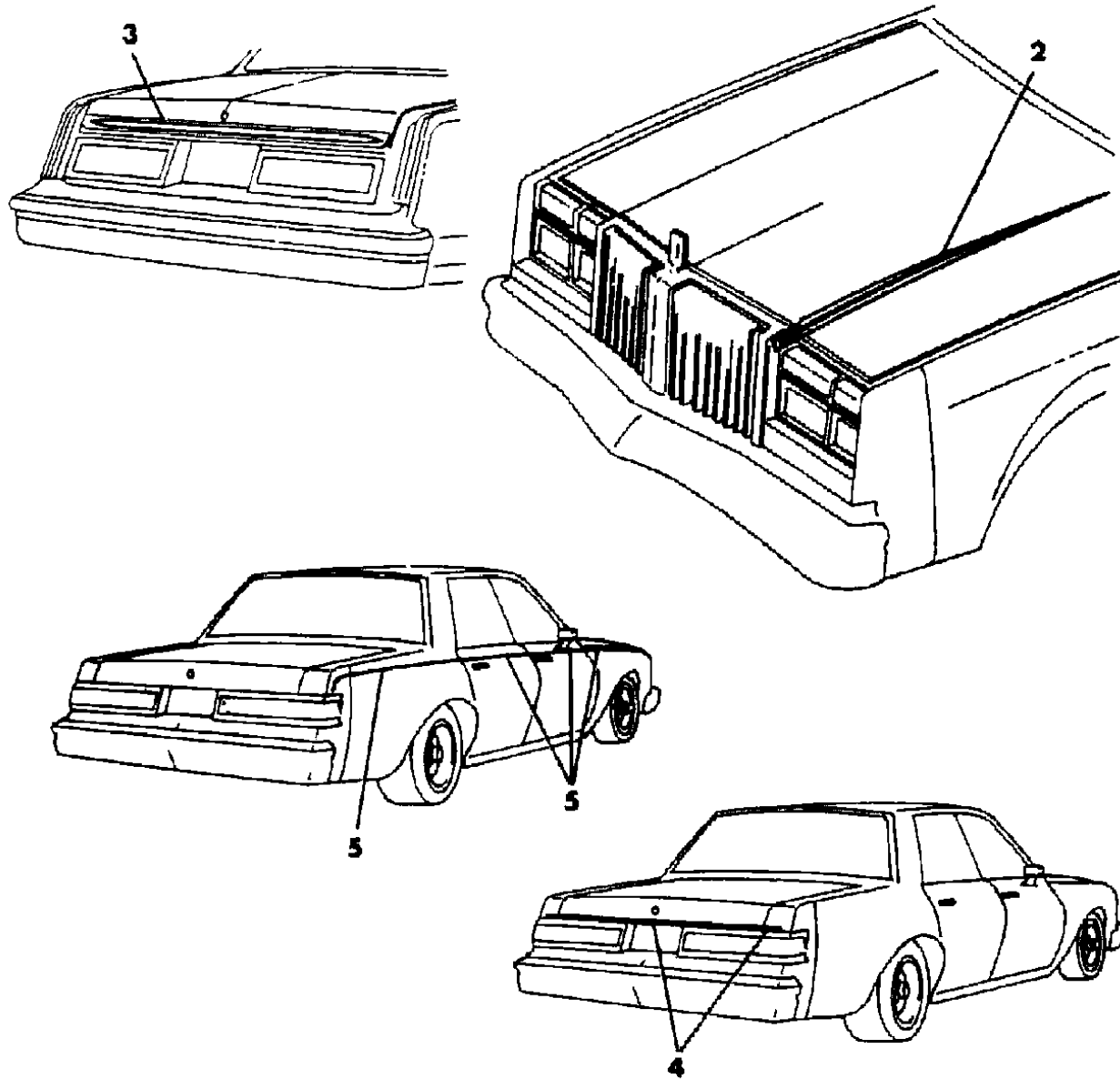
BODY STYLES

21 = 2-DOOR SEDAN	35 = FWD VAN	44 = 4-DOOR HATCHBACK
22 = 2-DOOR SPECIAL COUPE	36 = FWD WAGON	45 = 4-DOOR STATION WAGON
24 = 2-DOOR HATCHBACK	41 = 4-DOOR SEDAN	49 = LIMOUSINE
27 = 2-DOOR CONVERTIBLE		

AR = Use as Required - = Non Illustrated Part P.A.R. = Paint as Required

TAPE STRIPES and DECALS - EXTERIOR VIEW PLYMOUTH GRAN FURY SALON
Figure 23-6000

5158 6000 A



ITEM	PART NUMBER	QTY	BODY	MODEL	DESCRIPTION
2	T039 DB7	1			TAPE, Hood, Blue
	T039 DR4	1			Red
	T039 DT2	1			Cream
	T039 DA1	1			Silver
	T039 DT3	1			Palomino Tan
3	T591 DB7	1			TAPE, Deck Lid, Blue
	T591 DR4	1			Red
	T591 DT2	1			Cream
	T591 DA1	1			Silver
	T591 DT3	1			Palomino Tan
4	T086 DR4	1			TAPE, Deck Lid and Qtr. End Ext., Red, Use on AFF Sales Code Luxury Equip. Pkg.
	T086 DT2	1			Cream
	T086 DY1	1			Gold
	T086 DB6	1			Blue
	T086 DA1	1			Silver
5	4342 552-3	1			TAPE, Fndr., Doors, Qtr., Silver, Use on AFF Sales Code, Luxury Equip. Pkg.
	4342 560-1	1			Gold
	4342 556-7	1			Red
	4342 558-9	1			Cream
	4342 554-5	1			Blue

MODEL CODES

B = GRAN FURY	E = 600	M = HORIZON/TURISMO
C = LE BARON/TOWN & COUNTRY/LIMO	F = FIFTH AVENUE/NEWPORT	P = RELIANT
C24 = LASER	G = DIPLOMAT	T = NEW YORKER
C44 = LE BARON/GTS	H = VOYAGER	V = 600
D = ARIES	J = CARAVELLE	V24 = DAYTONA
D44 = LANCER	K = MINI VAN/CARAVAN/ROYAL	Z = OMNI/CHARGER

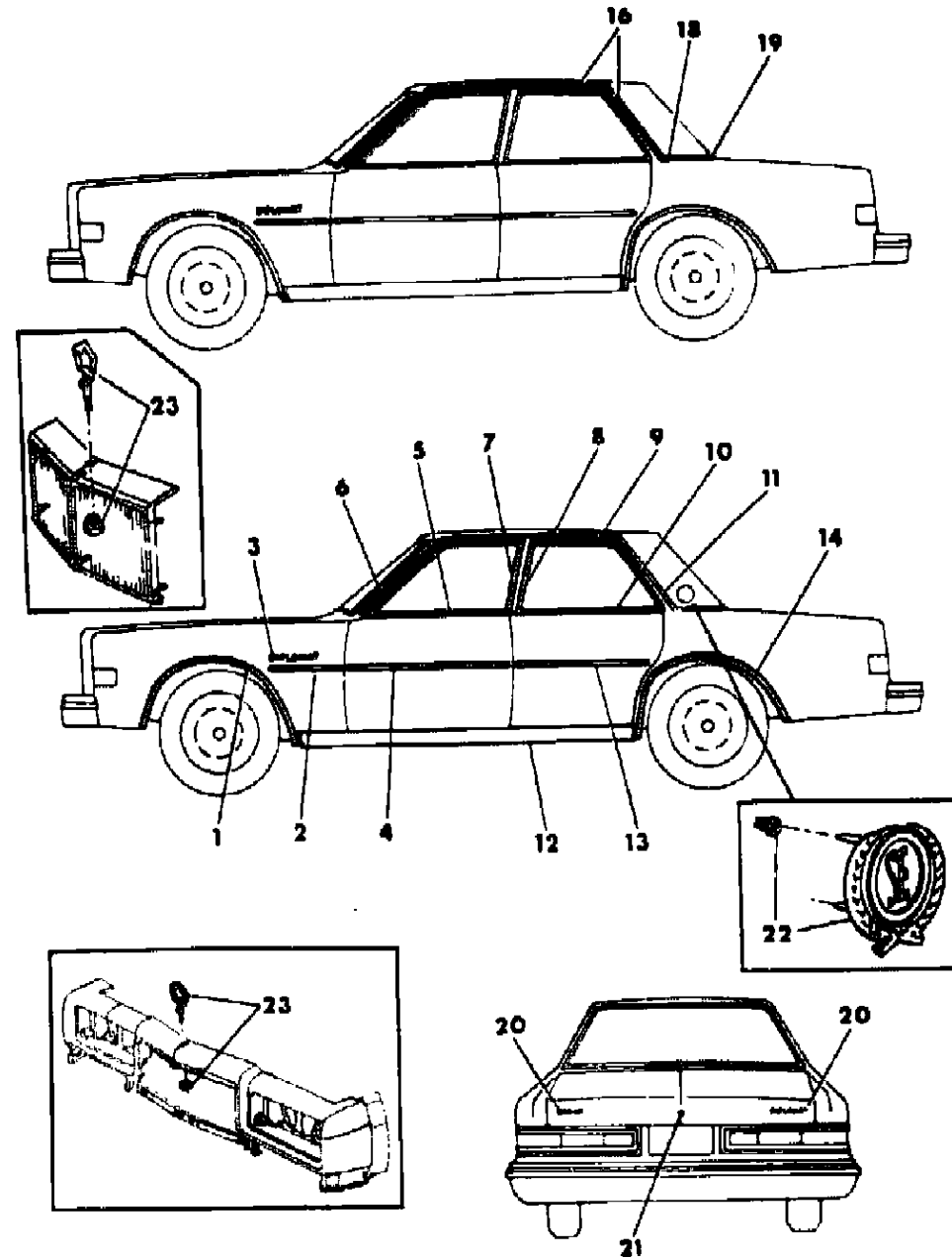
BODY STYLES

21 = 2-DOOR SEDAN	35 = FWD VAN	44 = 4-DOOR HATCHBACK
22 = 2-DOOR SPECIAL COUPE	36 = FWD WAGON	45 = 4-DOOR STATION WAGON
24 = 2-DOOR HATCHBACK	41 = 4-DOOR SEDAN	49 = LIMOUSINE
27 = 2-DOOR CONVERTIBLE		

AR = Use as Required - = Non Illustrated Part P.A.R. = Paint as Required

MOULDINGS and ORNAMENTATION - EXTERIOR VIEW DODGE DIPLOMAT
Figure 23-6100

5158 6100 A



ITEM	PART NUMBER	QTY	BODY	MODEL	DESCRIPTION
1	4175 286-7	1			MOULDING, Fndr. Wheel Opng. SCREW, (Not Serv.)
2	X202-3 DW3	1			MOULDING, Fndr. Side, White, Paint to Color
3	4319 776	2			NAMEPLATE, Fndr. Side. "DIPLOMAT"
	4319 770	2			"Le Baron" (Export)
4	X204-5 DW3	1			MOULDING, Frt. Door, White, Paint to Color
5	3811 794-5	1			MOULDING, Frt. Door Belt
	3780 434	AR			RETAINER and SEAL PACKAGE
	3780 999	AR			RETAINER and SEAL PACKAGE
6	4022 052-3	1			MOULDING, Frt. Door Wdo Opng. Frame, Frt., Bright
7	4022 056-7	1			MOULDING, Frt. Door Wdo. Opng. Frame, Rear, Bright
8	4022 056	1			MOULDING, Rear Door Wdo. Opng. Frame, Frt., Lt., Bright
	4022 057	1			Rt., Bright
9	4175 100-1	1			MOULDING, Rear Door Wdo. Opng. Frame, Upr., Bright
10	3811 796-7	1			MOULDING, Rear Door Belt
	3780 999	AR			RETAINER and SEAL PACKAGE
	3780 434	AR			RETAINER and SEAL PACKAGE
11	4175 102-3	1			MOULDING, Rear Door Wdo. Opng. Frame, Rear, Bright
12	4175 312-3	1			MOULDING, Body Side Sill
	6028 674	AR			SCREW
13	X208-9 DW3	1			MOULDING, Rear Door, White, Paint to Color
14	4175 290-1	1			MOULDING, Qtr. Pnl. Wheel Opng. SCREW, (Not Serv.)
16	4229 984-5	1			MOULDING, Roof Side Drain Trough, Frt. SCREW, (Not Serv.)
	4175 086-7	1			MOULDING, Roof Side Drain Trough, Rear
	4017 830-1	1			SEAL, Roof Side Drain Trough Mldg.
18	4240 996-7	1			MOULDING PACKAGE, Qtr. Belt
	3744 367	AR			RETAINER PACKAGE
	4057 555	AR			RETAINER PACKAGE
	3744 671	AR			RETAINER PACKAGE
19	4186 533	1			MOULDING PACKAGE, Deck Opng. Upr. Pnl.
	3744 671	AR			RETAINER PACKAGE
20	4319 769	1			NAMEPLATE, Deck Lid, "DODGE"
	4319 776	1		G-L	"DIPLOMAT"
	4328 561	1		G-P	"DIPLOMAT"
	4319 770	1			"LeBaron" (Export)

MODEL CODES

B = GRAN FURY	E = 600	M = HORIZON/TURISMO
C = LE BARON/TOWN & COUNTRY/LIMO	F = FIFTH AVENUE/NEWPORT	P = RELIANT
C24 = LASER	G = DIPLOMAT	T = NEW YORKER
C44 = LE BARON/GTS	H = VOYAGER	V = 600
D = ARIES	J = CARAVELLE	V24 = DAYTONA
D44 = LANCER	K = MINI VAN/CARAVAN/ROYAL	Z = OMNI/CHARGER

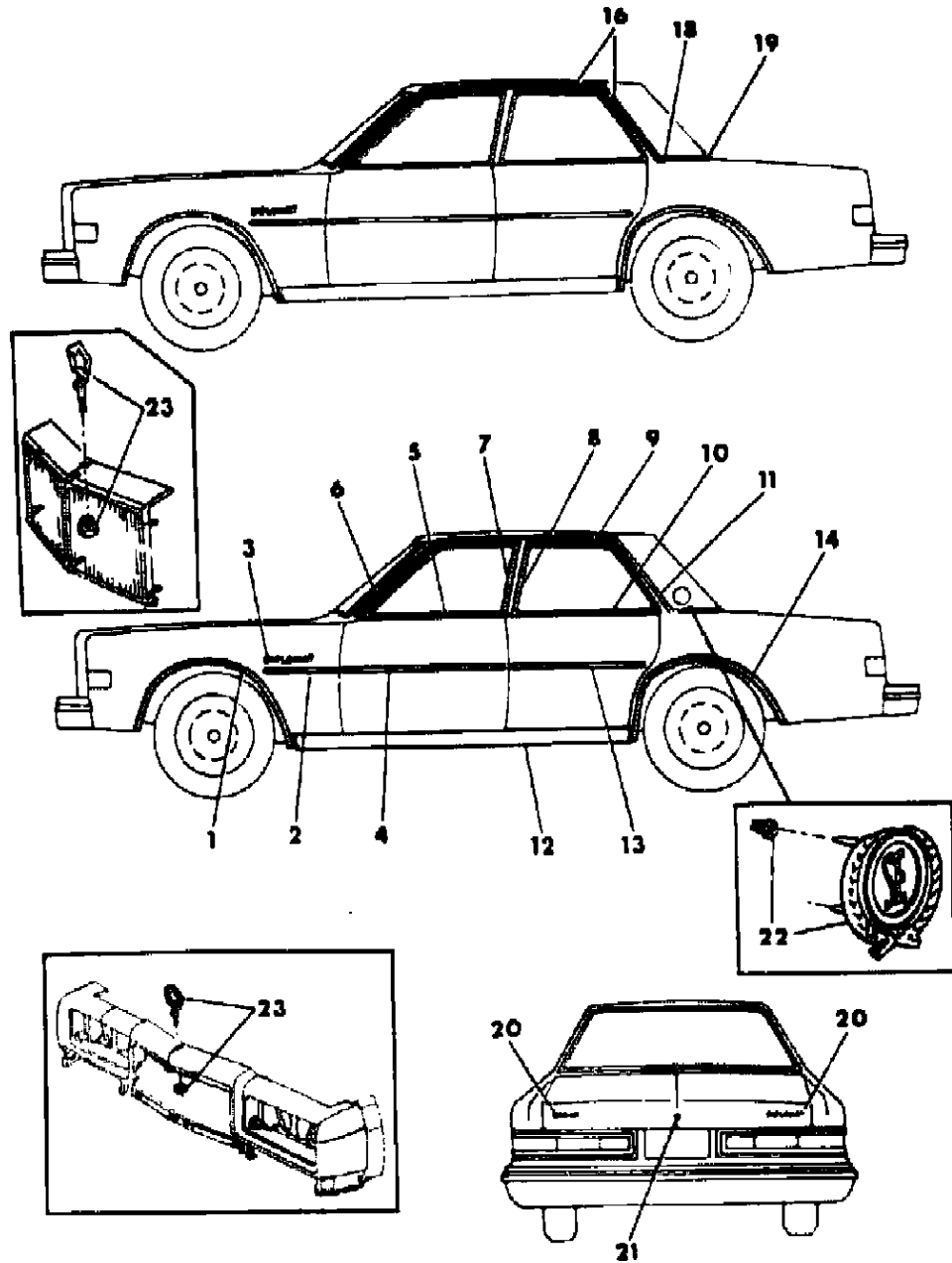
BODY STYLES

21 = 2-DOOR SEDAN	35 = FWD VAN	44 = 4-DOOR HATCHBACK
22 = 2-DOOR SPECIAL COUPE	36 = FWD WAGON	45 = 4-DOOR STATION WAGON
24 = 2-DOOR HATCHBACK	41 = 4-DOOR SEDAN	49 = LIMOUSINE
27 = 2-DOOR CONVERTIBLE		

AR = Use as Required - = Non Illustrated Part P.A.R. = Paint as Required

MOULDINGS and ORNAMENTATION - EXTERIOR VIEW DODGE DIPLOMAT
Figure 23-6100

5158 6100 A



ITEM	PART NUMBER	QTY	BODY	MODEL	DESCRIPTION
21	X561 CA2	1			MEDALLION, Deck Lid Lock Cyl., Silver Met., Use Up to 5-1-85
	X561 DA1	1			MEDALLION, Deck Lid Lock Cyl., Silver Met., Use After 5-1-85
	X561 DC6	1			Gunmetal Blue
	X561 DB1	1			Ice Blue Met.
	X561 DB9	1			Night Watch Blue
	X561 DM6	1			Red
	X561 DT4	1			Gold Dust Met.
	X561 DT6	1			Mink Brown
	X561 DW2	1			White
X561 DX8	1			Black	
22	4319 752	2		G-P	MEDALLION, Qtr., "SE"
	6003 627	4		G-P	RETAINER, Qtr. Medallion
23	4270 561	1		G-P	ORNAMENT, Pentastar
	4103 313	1		G-L	ORNAMENT, Pentastar
	6030 435	1			NUT

MODEL CODES

B = GRAN FURY	E = 600	M = HORIZON/TURISMO
C = LE BARON/TOWN & COUNTRY/LIMO	F = FIFTH AVENUE/NEWPORT	P = RELIANT
C24 = LASER	G = DIPLOMAT	T = NEW YORKER
C44 = LE BARON/GTS	H = VOYAGER	V = 600
D = ARIES	J = CARAVELLE	V24 = DAYTONA
D44 = LANCER	K = MINI VAN/CARAVAN/ROYAL	Z = OMNI/CHARGER

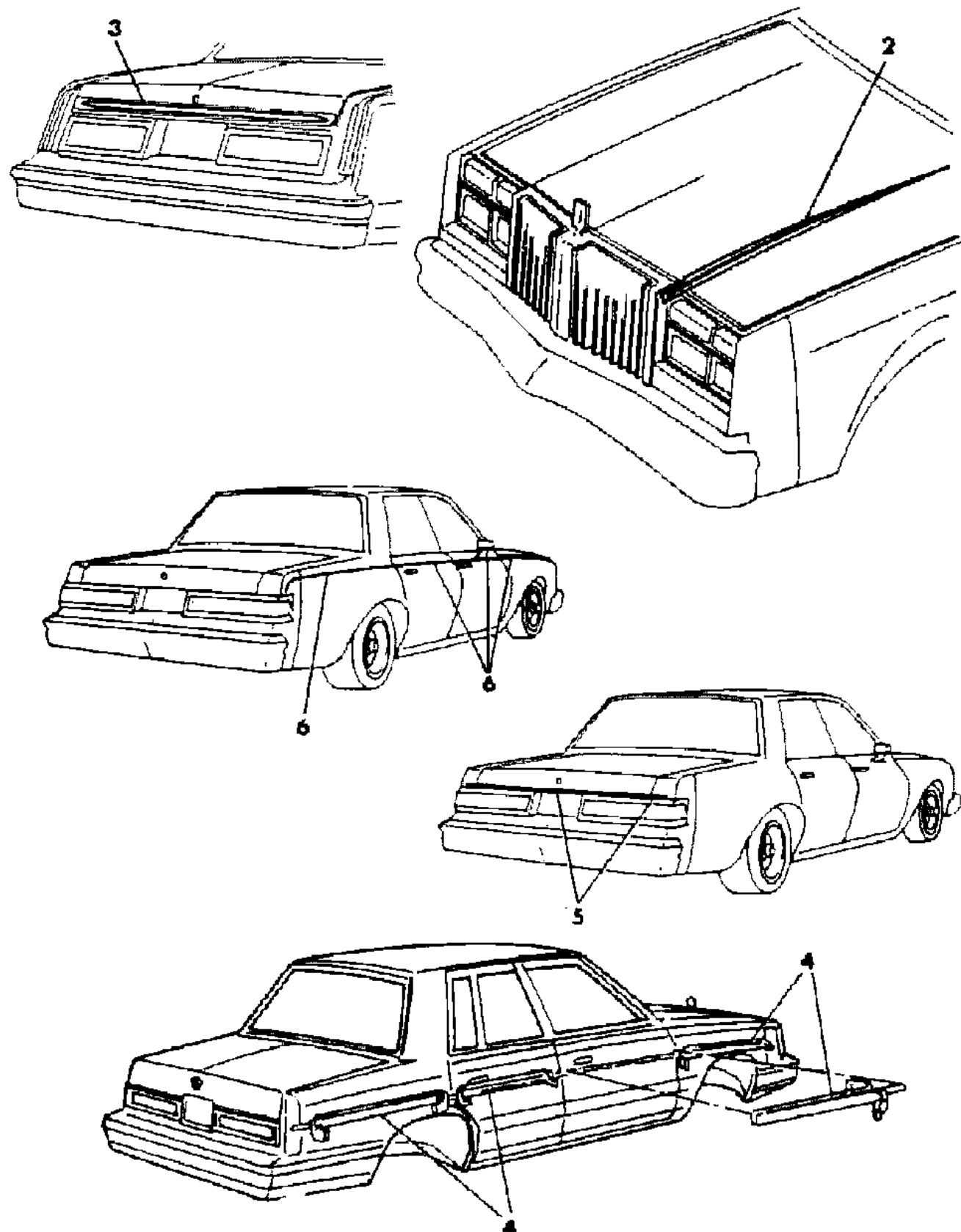
BODY STYLES

21 = 2-DOOR SEDAN	35 = FWD VAN	44 = 4-DOOR HATCHBACK
22 = 2-DOOR SPECIAL COUPE	36 = FWD WAGON	45 = 4-DOOR STATION WAGON
24 = 2-DOOR HATCHBACK	41 = 4-DOOR SEDAN	49 = LIMOUSINE
27 = 2-DOOR CONVERTIBLE		

AR = Use as Required - = Non Illustrated Part P.A.R. = Paint as Required

TAPE STRIPES and DECALS - EXTERIOR VIEW DODGE DIPLOMAT
Figure 23-6200

5159 6200 A



ITEM	PART NUMBER	QTY	BODY	MODEL	DESCRIPTION
2	T039 DB7	1		G-L	TAPE, Hood, Blue
	T039 DR4	1		G-L	Red
	T039 DT2	1		G-L	Cream
	T039 DA1	1		G-L	Silver
	T039 DT3	1		G-L	Palomino Tan
3	T591 DB7	1		G-L	TAPE, Deck Lid, Blue
	T591 DR4	1		G-L	Red
	T591 DT2	1		G-L	Cream
	T591 DA1	1		G-L	Silver
	T591 DT3	1		G-L	Palomino Tan
4	4342 998-9	1		G-P	TAPE PACKAGE, Fndr., Door, Qtr., Silver
	4342 532-3	1		G-P	Red
	4342 534-5	1		G-P	Cream
	4342 530-1	1		G-P	Blue
	4342 536-7	1		G-P	Palomino Tan
5	T086 DR4	1		G-L	TAPE, Deck Lid and Qtr. Ext., Red, Use on AFF Sales Code, Luxury Equip. Pkg.
	T086 DT2	1		G-L	Cream
	T086 DY1	1		G-L	Gold
	T086 DB6	1		G-L	Blue
	T086 DA1	1		G-L	Silver
6	4342 552-3	1		G-L	TAPE PACKAGE, Fndr., Door Qtr., Silver, Use on AFF Sales Code, Luxury Equip. Pkg.
	4342 560-1	1		G-L	Gold
	4342 556-7	1		G-L	Red
	4342 558-9	1		G-L	Cream
	4342 554-5	1		G-L	Blue

MODEL CODES

B = GRAN FURY	E = 600	M = HORIZON/TURISMO
C = LE BARON/TOWN & COUNTRY/LIMO	F = FIFTH AVENUE/NEWPORT	P = RELIANT
C24 = LASER	G = DIPLOMAT	T = NEW YORKER
C44 = LE BARON/GTS	H = VOYAGER	V = 600
D = ARIES	J = CARAVELLE	V24 = DAYTONA
D44 = LANCER	K = MINI VAN/CARAVAN/ROYAL	Z = OMNI/CHARGER

BODY STYLES

21 = 2-DOOR SEDAN	35 = FWD VAN	44 = 4-DOOR HATCHBACK
22 = 2-DOOR SPECIAL COUPE	36 = FWD WAGON	45 = 4-DOOR STATION WAGON
24 = 2-DOOR HATCHBACK	41 = 4-DOOR SEDAN	49 = LIMOUSINE
27 = 2-DOOR CONVERTIBLE		

AR = Use as Required - = Non Illustrated Part P.A.R. = Paint as Required

MOULDINGS and ORNAMENTATION - EXTERIOR VIEW CHRYSLER NEWPORT
Figure 23-6300

ILLUSTRATION NOT AVAILABLE AT TIME OF PUBLICATION

ITEM	PART NUMBER	QTY	BODY	MODEL	DESCRIPTION
-	4175 286-7	1			MOULDING, Fndr. Wheel Opng.
-	X202-3 DW3	1			MOULDING, Fndr. Side, White, Paint to Color
-	X204-5 DW3	1			MOULDING, Frt. Door, White, Paint to Color
-	3811 794-5	1			MOULDING, Frt. Door Belt
-	4022 052-3	1			MOULDING, Frt. Door Wdo. Opng. Frame, Frt., Bright
-	4022 056-7	1			MOULDING, Frt. Door Wdo. Opng. Frame, Rear, Bright
-	4022 056	1			MOULDING, Rear Door Wdo. Opng. Frame, Frt., Lt., Bright
-	4022 057	1			MOULDING, Rear Door Wdo. Opng. Frame, Frt., Rt., Bright
-	4175 100-1	1			MOULDING, Rear Door Wdo. Opng. Frame, Upr., Bright
-	3811 796-7	1			MOULDING, Rear Door Belt
-	4175 102-3	1			MOULDING, Rear Door Wdo. Opng. Frame, Rear, Bright
-	4175 312-3	1			MOULDING, Body Side Sill
-	X208-9 DW3	1			MOULDING, Rear Door, White, Paint to Color
-	4175 290-1	1			MOULDING, Qtr. Pnl. Wheel Opng.
-	4229 984-5	1			MOULDING, Roof Side Drain Trough, Frt.
	4175 086-7	1			MOULDING, Roof Side Drain Trough, Rear
	4017 830-1	1			SEAL, Roof Side Drain Trough Mldg.
-	4240 996-7	1			MOULDING PACKAGE, Qtr. Belt
-	4186 533	1			MOULDING PACKAGE, Deck Opng. Upr. Pnl.
-	X561 CA2	1			MEDALLION, Deck Lid Lock Cyl., Silver, Use Up to 5-1-85
	X561 DA1	1			MEDALLION, Deck Lid Lock Cyl., Silver, Use After 5-1-85
	X561 DB1	1			Ice Blue Met.
	X561 DC6	1			Gunmetal Blue
	X561 DT4	1			Gold Dust Met.
	X561 DT6	1			Mink Brown
	X561 DB9	1			Night Watch Blue
	X561 DM6	1			Red
	X561 DW2	1			White
	X561 CX9	1			Black
-	4319 771	1			NAMEPLATE, Deck Lid, "CHRYSLER"
-	4328 560	1			NAMEPLATE, Deck Lid, "NEWPORT"
-	4229 653	1			APPLIQUE, Deck Opng. Lwr. Pnl.
-	4328 578	1			INSERT, Deck Opng. Lwr. Pnl. Applique

MODEL CODES

B = GRAN FURY	E = 600	M = HORIZON/TURISMO
C = LE BARON/TOWN & COUNTRY/LIMO	F = FIFTH AVENUE/NEWPORT	P = RELIANT
C24 = LASER	G = DIPLOMAT	T = NEW YORKER
C44 = LE BARON/GTS	H = VOYAGER	V = 600
D = ARIES	J = CARAVELLE	V24 = DAYTONA
D44 = LANCER	K = MINI VAN/CARAVAN/ROYAL	Z = OMNI/CHARGER

BODY STYLES

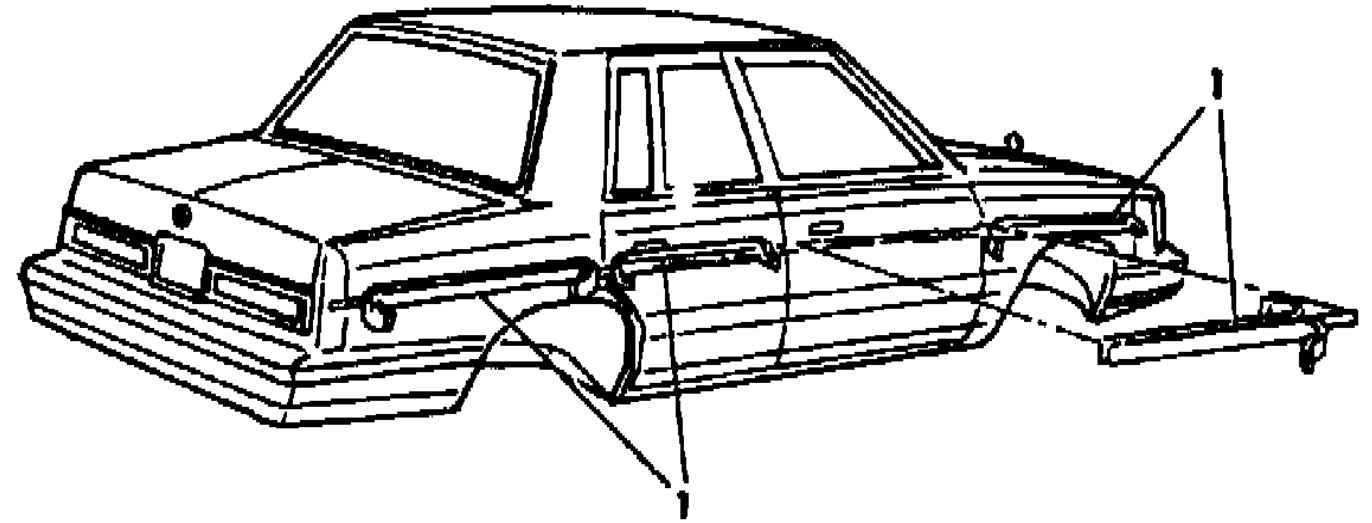
21 = 2-DOOR SEDAN	35 = FWD VAN	44 = 4-DOOR HATCHBACK
22 = 2-DOOR SPECIAL COUPE	36 = FWD WAGON	45 = 4-DOOR STATION WAGON
24 = 2-DOOR HATCHBACK	41 = 4-DOOR SEDAN	49 = LIMOUSINE
27 = 2-DOOR CONVERTIBLE		

AR = Use as Required - = Non Illustrated Part P.A.R. = Paint as Required

TAPE STRIPES and DECALS - EXTERIOR VIEW CHRYSLER NEWPORT
Figure 23-6400

5168 6400

ITEM	PART NUMBER	QTY	BODY	MODEL	DESCRIPTION
1	4342 998-9	1			TAPE PACKAGE, Fndr., Door, Qtr., Silver
	4342 532-3	1			Red
	4342 534-5	1			Cream
	4342 530-1	1			Blue
	4342 536-7	1			Palomino Tan



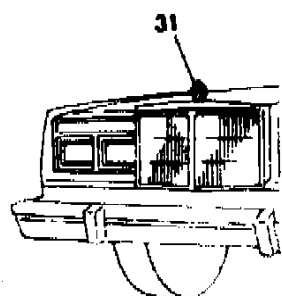
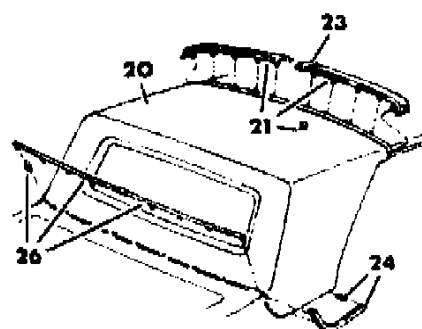
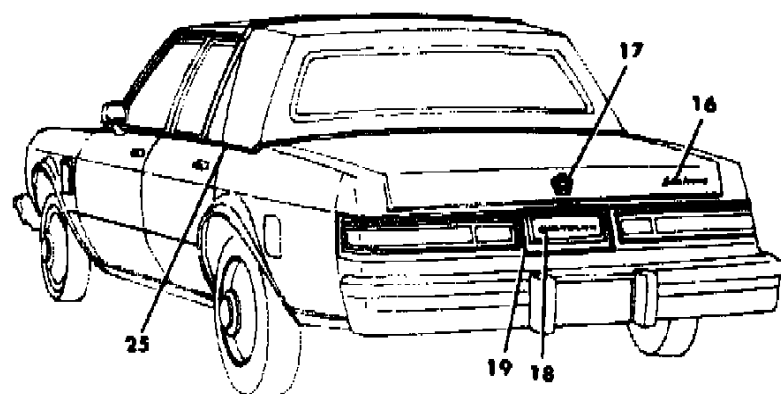
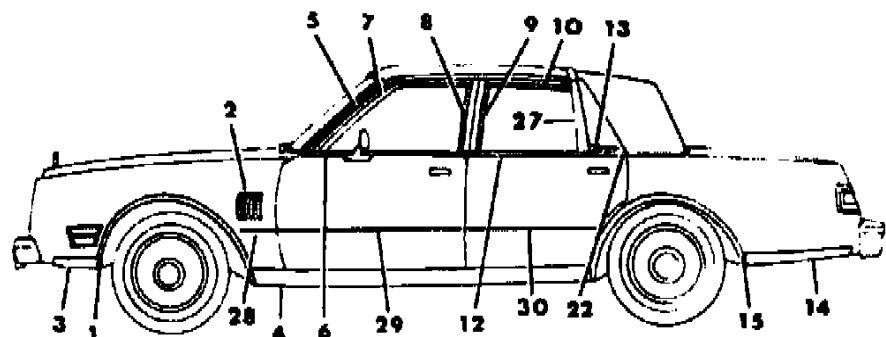
MODEL CODES
 B = GRAN FURY
 C = LE BARON/TOWN & COUNTRY/LIMO
 C24 = LASER
 C44 = LE BARON/GTS
 D = ARIES
 D44 = LANCER
 E = 600
 F = FIFTH AVENUE/NEWPORT
 G = DIPLOMAT
 H = VOYAGER
 J = CARAVELLE
 K = MINI VAN/CARAVAN/ROYAL
 M = HORIZON/TURISMO
 P = RELIANT
 T = NEW YORKER
 V = 600
 V24 = DAYTONA
 Z = OMNI/CHARGER

BODY STYLES
 21 = 2-DOOR SEDAN
 22 = 2-DOOR SPECIAL COUPE
 24 = 2-DOOR HATCHBACK
 27 = 2-DOOR CONVERTIBLE
 35 = FWD VAN
 36 = FWD WAGON
 41 = 4-DOOR SEDAN
 44 = 4-DOOR HATCHBACK
 45 = 4-DOOR STATION WAGON
 49 = LIMOUSINE

AR = Use as Required - = Non Illustrated Part P.A.R. = Paint as Required

MOULDINGS and ORNAMENTATION - EXTERIOR VIEW CHRYSLER FIFTH AVENUE
Figure 23-6500

5162 6500 B



ITEM	PART NUMBER	QTY	BODY	MODEL	DESCRIPTION
1	4175 286-7	1			MOULDING, Fndr. Wheel Opng. SCREW, (Not Serv.)
2	X560 CA1	2			LOUVER, Fndr. Side, Silver Met.
	X560 CC6	2			Gunmetal Blue
	X560 DM6	2			Crimson Red
	X560 CT6	2			Mink Brown
	X560 DT4	2			Gold Dust Met.
	X560 DB9	2			Night Watch Blue
	X560 DX8	2			Black
	X560 DW2	2			White
3	4175 314-5	1			NUT, (Not Serv.) MOULDING, Fndr. Side
	6003 673	AR			RETAINER and STUD
	6003 726	AR			RETAINER
	9420 867	AR			NUT
4	4175 451	2			PLATE, Fndr. Side Mldg., Attach.
	4175 312-3	1			MOULDING, Body Side Sill
	6003 718	AR			RETAINER
	6028 674	AR			SCREW STUD, (Not Serv.)
5	4276 154-5	1			MOULDING, Roof Side Drain Trough, Frt. SCREW, (Not Serv.)
	4017 830-1	1			SEAL, Roof Side Drain Trough Mldg.
6	4328 540-1	1			MOULDING, Frt. Door Belt
	4229 468-9	1			INSERT, Frt. Door Belt Mldg.
7	4022 052-3	1			MOULDING, Frt. Door Wdo. Opng. Frame, Frt.
8	4022 056-7	1			MOULDING, Frt. Door Wdo. Opng. Frame, Rear
9	4022 056	1			MOULDING, Rear Door Wdo. Opng. Frame, Frt., Lt.
	4022 057	1			MOULDING, Rear Door Wdo. Opng. Frame, Frt., Rt.
10	4175 100-1	1			MOULDING, Rear Door Wdo. Opng. Frame, Upr.
12	4366 182-3	1			MOULDING, Rear Door Belt
	4366 184-5	1			INSERT, Rear Door Belt Mldg.
	4366 186-7	1			CAP, Rear Door Belt Mldg. End
13					NAMEPLATE, Rear Door Qtr. Wdo. Frame (See Illus. 5850, Item 11)
14	4175 316-7	1			MOULDING, Qtr. Pnl.
	6003 725	AR			RETAINER

MODEL CODES

B = GRAN FURY	E = 600	M = HORIZON/TURISMO
C = LE BARON/TOWN & COUNTRY/LIMO	F = FIFTH AVENUE/NEWPORT	P = RELIANT
C24 = LASER	G = DIPLOMAT	T = NEW YORKER
C44 = LE BARON/GTS	H = VOYAGER	V = 600
D = ARIES	J = CARAVELLE	V24 = DAYTONA
D44 = LANCER	K = MINI VAN/CARAVAN/ROYAL	Z = OMNI/CHARGER

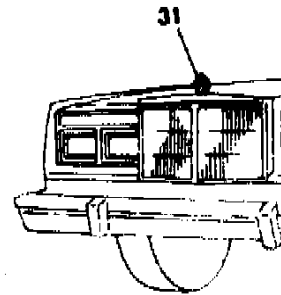
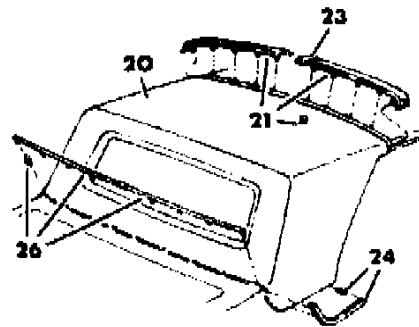
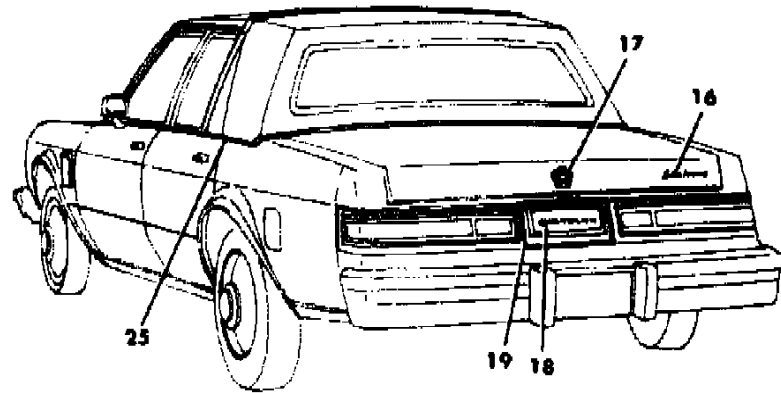
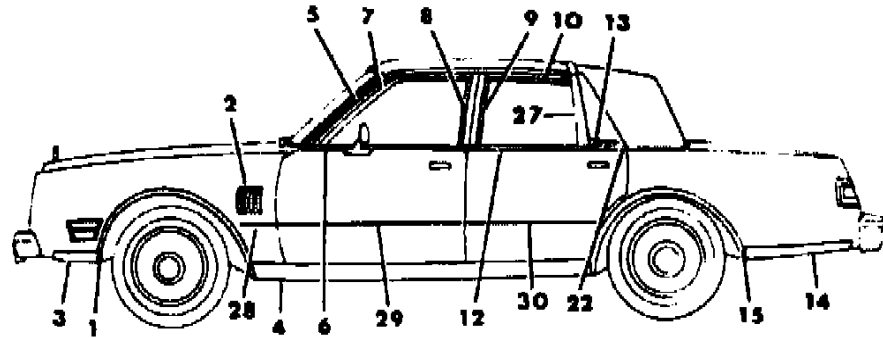
BODY STYLES

21 = 2-DOOR SEDAN	35 = FWD VAN	44 = 4-DOOR HATCHBACK
22 = 2-DOOR SPECIAL COUPE	36 = FWD WAGON	45 = 4-DOOR STATION WAGON
24 = 2-DOOR HATCHBACK	41 = 4-DOOR SEDAN	49 = LIMOUSINE
27 = 2-DOOR CONVERTIBLE		

AR = Use as Required - = Non Illustrated Part P.A.R. = Paint as Required

MOULDINGS and ORNAMENTATION - EXTERIOR VIEW CHRYSLER FIFTH AVENUE
Figure 23-6500

5162 6500 B



ITEM	PART NUMBER	QTY	BODY	MODEL	DESCRIPTION
	6003 719	AR			RETAINER
	6003 720	AR			RETAINER
	4175 450	2			PLATE, Qtr. Pnl. Mldg., Attach.
	9420 867	AR			NUT
	6001 927	AR			RETAINER and SEAL
					WELD STUD, (Not Serv.)
15	4175 290-1	1			MOULDING, Qtr. Wheel Opng. SCREW, (Not Serv.)
16	4276 400	1			NAMEPLATE, Deck Lid, "Fifth Avenue"
17	X561 CA2	1			MEDALLION, Deck Lid Lock Cyl., Silver Met., Use Up to 5-1-85
	X561 DA1	1			MEDALLION, Deck Lid Lock Cyl., Silver Met., Use After 5-1-85
	X561 DC6	1			Gunmetal Blue
	X561 DB1	1			Ice Blue Met.
	X561 DB9	1			Night Watch Blue
	X561 DM6	1			Red
	X561 DT4	1			Gold Dust Met.
	X561 DT6	1			Mink Brown
	X561 DW2	1			White
	X561 DX8	1			Black
					RIVET, (Not Serv.)
18	4339 140	1			INSERT PACKAGE, Deck Opng. Lwr. Pnl. Applique
19	4229 653	1			APPLIQUE, Deck Opng. Lwr. Pnl.
	4229 652	1			SUPPORT, Deck Opng. Lwr. Pnl. Applique
	6006 293	8			NUT
20					CAP, Roof Bonnet (See Illus. 5850, Item 5)
21	4276 814-5	1			MOULDING PACKAGE, Roof Transverse, Complete w/CAP and Attaching Parts, Use on Monotone Paint Car
	X686-7 DC6	1			MOULDING, Roof Transverse, Use on Two Tone Paint Car, Gunmetal Blue
	X686-7 DM5	1			Red
	X686-7 DX9	1			Black
		6			RETAINER and STUD, (Not Serv.)
	4229 755	2			RETAINER and STUD
	4276 119	2			SPACER, Roof Transverse Mldg.
		AR			NUT, Roof Transverse Mldg., Use on Monotone or Two Tone Paint Car (Not Serv.)

MODEL CODES

B = GRAN FURY	E = 600	M = HORIZON/TURISMO
C = LE BARON/TOWN & COUNTRY/LIMO	F = FIFTH AVENUE/NEWPORT	P = RELIANT
C24 = LASER	G = DIPLOMAT	T = NEW YORKER
C44 = LE BARON/GTS	H = VOYAGER	V = 600
D = ARIES	J = CARAVELLE	V24 = DAYTONA
D44 = LANCER	K = MINI VAN/CARAVAN/ROYAL	Z = OMNI/CHARGER

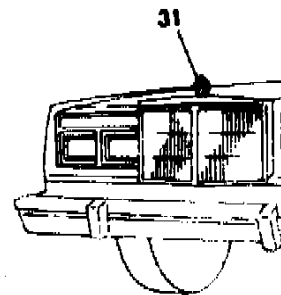
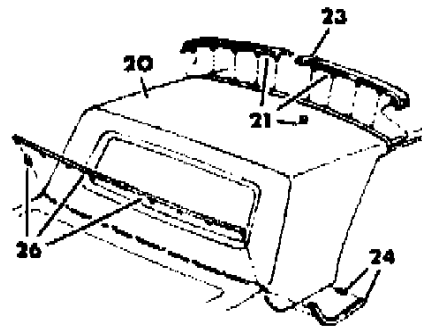
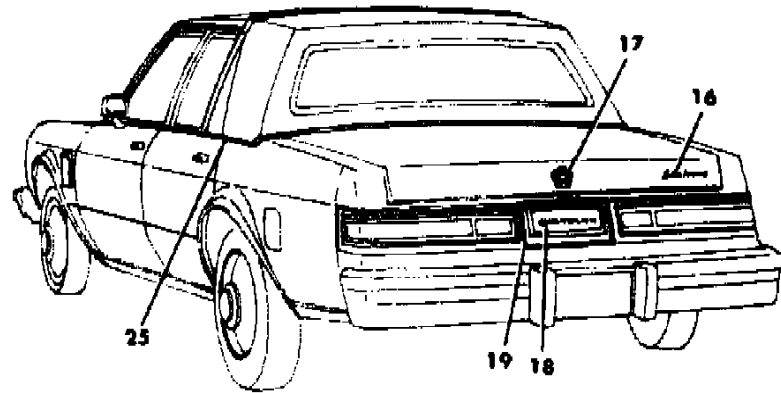
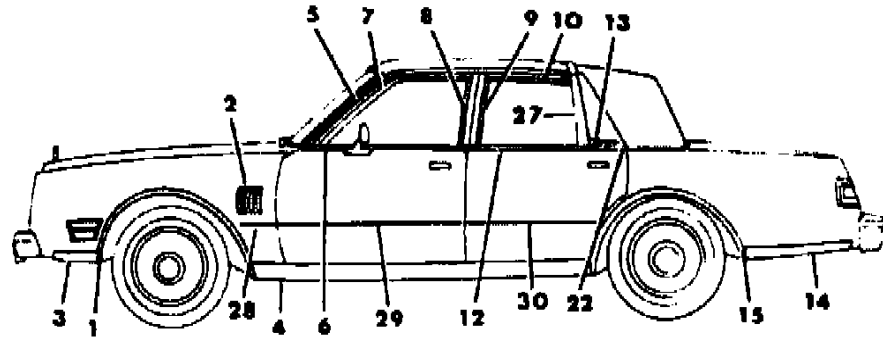
BODY STYLES

21 = 2-DOOR SEDAN	35 = FWD VAN	44 = 4-DOOR HATCHBACK
22 = 2-DOOR SPECIAL COUPE	36 = FWD WAGON	45 = 4-DOOR STATION WAGON
24 = 2-DOOR HATCHBACK	41 = 4-DOOR SEDAN	49 = LIMOUSINE
27 = 2-DOOR CONVERTIBLE		

AR = Use as Required - = Non Illustrated Part P.A.R. = Paint as Required

MOULDINGS and ORNAMENTATION - EXTERIOR VIEW CHRYSLER FIFTH AVENUE
Figure 23-6500

5162 6500 B



ITEM	PART NUMBER	QTY	BODY	MODEL	DESCRIPTION
	6003 642	AR			RETAINER, Roof Transverse Mldg., Use on Monotone or Two Tone Paint Car
22	4276 316	2			MOULDING PACKAGE, Rear Door Belt, Rear, Use on Monotone Paint Car
	X476 DC6	2			MOULDING, Rear Door Belt, Rear, Use on Two Tone Paint Car, Gunmetal Blue
	X476 DM5	2			Red
	X476 DX9	2			Black
	4057 555	AR			RETAINER PACKAGE, Use on Monotone Paint Car
	4229 803	AR			RETAINER, Rear Door Belt, Rear, Use on Monotone or Two Tone Paint Car
23	4276 296	1			CAP, Roof Transverse Mldg. (Also Serv. in Mldg. Pkg. 4276814-5) Use on Monotone Paint Car
	X688 DC6	1			MOULDING, Roof Transverse Center Cap, Use on Two Tone Paint Car, Gunmetal Blue
	X688 DM5	1			Red
	X688 DX9	1			Black
24	4229 816	2			MOULDING, Qtr. Belt, Use on Monotone Paint Car
	X478-9 DC6	1			MOULDING, Qtr. Belt, Use on Two Tone Paint Car, Gunmetal Blue
	X478-9 DM5	1			Red
	X478-9 DX9	1			Black
	4229 803	AR			RETAINER, Qtr. Belt, Use on Monotone or Two Tone Paint Car
	4328 064-5	1			MOULDING PACKAGE, Qtr. Belt and Corner Mldg., Use on Monotone Paint Car
	4057 555	AR			RETAINER PACKAGE
25	4328 580-1	1			CAP, Qtr. Belt Mldg., Frt., Use on Monotone Paint Car
26	4276 310-1	1			MOULDING PACKAGE, Deck Opng. Upr. Pnl. (NOTE: A CAP comes With the Rt. Side Mldg. Pkg. only) Use on Monotone Paint Car
	4229 787	1			MOULDING, Deck Opng. Upr. Pnl., Lt., Use on Monotone Paint Car
	X482-3 DC6	1			MOULDING, Deck Opng. Upr. Pnl., Use on Two Tone Paint Car, Gunmetal Blue
	X482-3 DM5	1			Red
	X482-3 DX9	1			Black

MODEL CODES

B = GRAN FURY	E = 600	M = HORIZON/TURISMO
C = LE BARON/TOWN & COUNTRY/LIMO	F = FIFTH AVENUE/NEWPORT	P = RELIANT
C24 = LASER	G = DIPLOMAT	T = NEW YORKER
C44 = LE BARON/GTS	H = VOYAGER	V = 600
D = ARIES	J = CARAVELLE	V24 = DAYTONA
D44 = LANCER	K = MINI VAN/CARAVAN/ROYAL	Z = OMNI/CHARGER

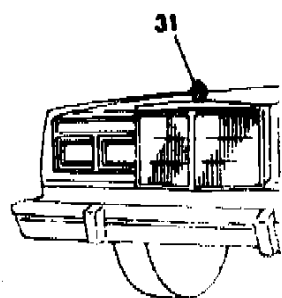
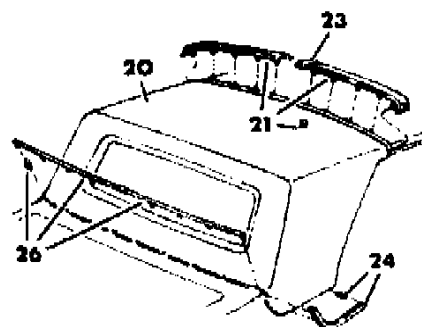
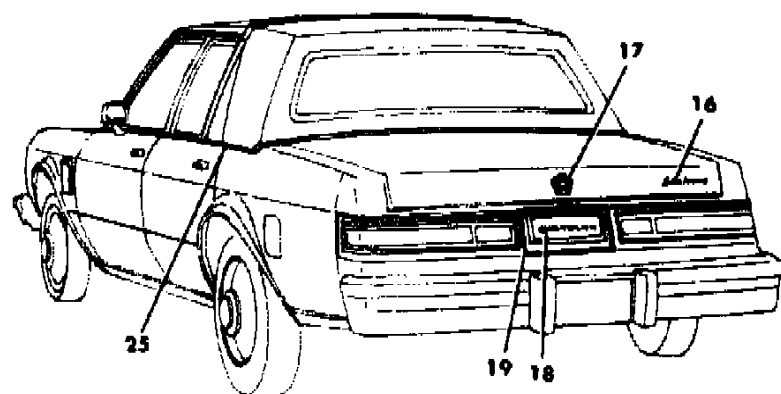
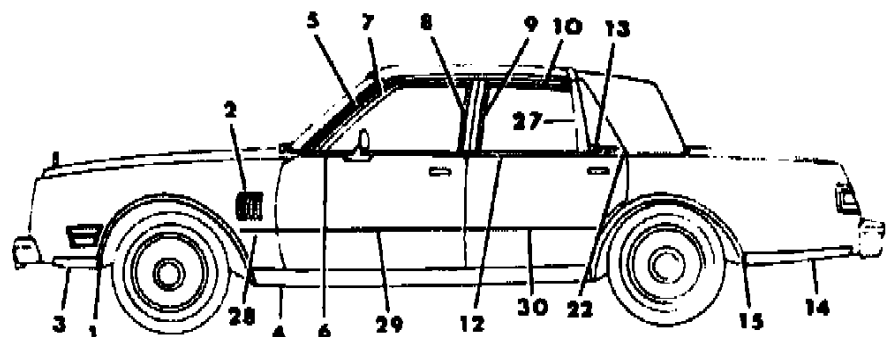
BODY STYLES

21 = 2-DOOR SEDAN	35 = FWD VAN	44 = 4-DOOR HATCHBACK
22 = 2-DOOR SPECIAL COUPE	36 = FWD WAGON	45 = 4-DOOR STATION WAGON
24 = 2-DOOR HATCHBACK	41 = 4-DOOR SEDAN	49 = LIMOUSINE
27 = 2-DOOR CONVERTIBLE		

AR = Use as Required - = Non Illustrated Part P.A.R. = Paint as Required

MOULDINGS and ORNAMENTATION - EXTERIOR VIEW CHRYSLER FIFTH AVENUE
Figure 23-6500

5162 6500 B



ITEM	PART NUMBER	QTY	BODY	MODEL	DESCRIPTION
	4057 555	AR			RETAINER PACKAGE, Use on Monotone or Two Tone Paint Car
	4229 803	AR			RETAINER, Deck Opng., Upr. Pnl., Use on Monotone or Two Tone Paint Car
27	4276 462-3	1			MOULDING, Rear Door Qtr. Wdo. Frame
					NUT, (Not Serv.)
28	X202-3 DW3	1			MOULDING, Fndr. Side, White, Paint to Color
29	X204-5 DW3	1			MOULDING, Frt. Door, White, Paint to Color
30	X208-9 DW3	1			MOULDING, Rear Door, White, Paint to Color
31	4270 563	1			ORNAMENT, Pentastar
	6030 435	1			NUT
-	3792 367	AR			TAPE, Backlite Plug Ext. to Glass

MODEL CODES

B = GRAN FURY	E = 600	M = HORIZON/TURISMO
C = LE BARON/TOWN & COUNTRY/LIMO	F = FIFTH AVENUE/NEWPORT	P = RELIANT
C24 = LASER	G = DIPLOMAT	T = NEW YORKER
C44 = LE BARON/GTS	H = VOYAGER	V = 600
D = ARIES	J = CARAVELLE	V24 = DAYTONA
D44 = LANCER	K = MINI VAN/CARAVAN/ROYAL	Z = OMNI/CHARGER

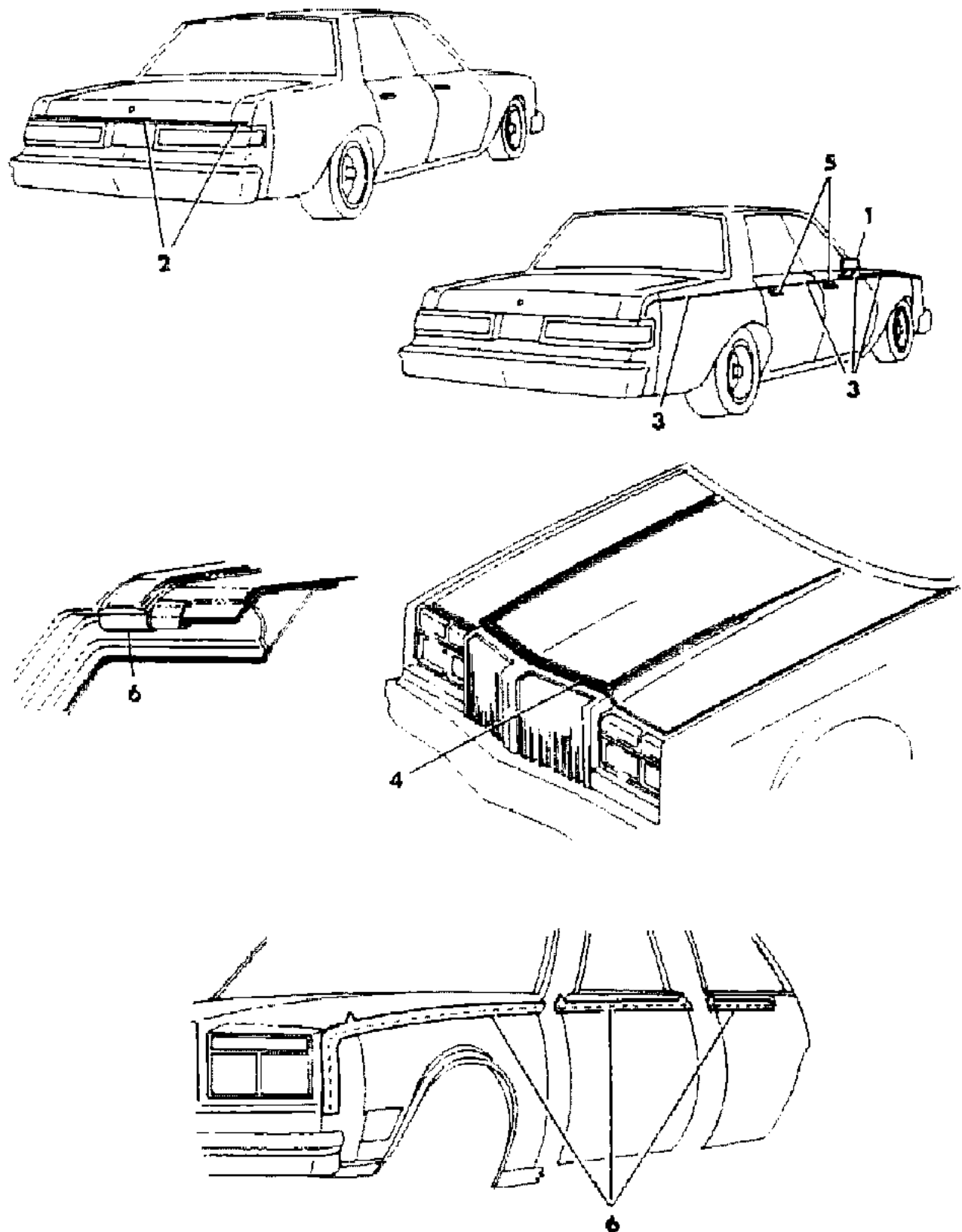
BODY STYLES

21 = 2-DOOR SEDAN	35 = FWD VAN	44 = 4-DOOR HATCHBACK
22 = 2-DOOR SPECIAL COUPE	36 = FWD WAGON	45 = 4-DOOR STATION WAGON
24 = 2-DOOR HATCHBACK	41 = 4-DOOR SEDAN	49 = LIMOUSINE
27 = 2-DOOR CONVERTIBLE		

AR = Use as Required - = Non Illustrated Part P.A.R. = Paint as Required

TAPE STRIPES and DECALS - EXTERIOR VIEW CHRYSLER FIFTH AVENUE
Figure 23-6600

5168 6600 8



ITEM	PART NUMBER	QTY	BODY	MODEL	DESCRIPTION
1	E324-5 CA1	1			TAPE, Door Mirror, Silver Met.
	E324-5 DC6	1			Gunmetal Blue
	E324-5 BM5	1			Red
	E324-5 DT6	1			Mink Brown
	E324-5 AC9	1			Night Watch Blue
	E324-5 DT4	1			Gold Dust Met.
2	E324-5 AX9	1			Black
	E324-5 AW3	1			White
	T086 DR4	1			TAPE, Deck Lid and Qtr. End Ext., Red
	T086 DT2	1			Cream
	T086 DY1	1			Gold
	T086 DB6	1			Blue
3	T086 DA1	1			Silver
	4342 552-3	1			TAPE PACKAGE, Fndr., Door, Qtr., Silver
	4342 560-1	1			Gold
	4342 556-7	1			Red
	4342 558-9	1			Cream
4	4342 554-5	1			Blue
	T088 DY1	1			TAPE, Hood, Gold
	T088 DR4	1			Red
5	T088 DB6	1			Blue
	T088 DT2	1			Cream
	T088 DA1	1			Silver
	T360 CA1	AR			TAPE, Door Handle, Silver Met.
	T360 DC6	AR			Gunmetal Blue
	T360 AC9	AR			Blue
	T360 DT4	AR			Gold Dust Met.
	T360 BM5	AR			Red
6	T360 DT6	AR			Mink Brown
	T360 AX9	AR			Black
	T360 AW3	AR			White
	4364 018-9	1		F	TAPE PACKAGE, Fndr., Doors, Silver, Red, Use on Two Tone Paint Car
	4364 020-1	1		F	Silver, Gunmetal Blue, Use on Two Tone Paint Car
	4364 022-3	1		F	Silver, Black, Use on Two Tone Paint Car
	4366 759	2		F	TAPE, Roof Side Drain Trough Mldg. Rear, Use on Two Tone Paint Car

MODEL CODES
 B = GRAN FURY
 C = LE BARON/TOWN & COUNTRY/LIMO
 C24 = LASER
 C44 = LE BARON/GTS
 D = ARIES
 D44 = LANCER
 E = 600
 F = FIFTH AVENUE/NEWPORT
 G = DIPLOMAT
 H = VOYAGER
 J = CARAVELLE
 K = MINI VAN/CARAVAN/ROYAL
 M = HORIZON/TURISMO
 P = RELIANT
 T = NEW YORKER
 V = 600
 V24 = DAYTONA
 Z = OMNI/CHARGER

BODY STYLES
 21 = 2-DOOR SEDAN
 22 = 2-DOOR SPECIAL COUPE
 24 = 2-DOOR HATCHBACK
 27 = 2-DOOR CONVERTIBLE
 35 = FWD VAN
 36 = FWD WAGON
 41 = 4-DOOR SEDAN
 44 = 4-DOOR HATCHBACK
 45 = 4-DOOR STATION WAGON
 49 = LIMOUSINE

AR = Use as Required - = Non Illustrated Part P.A.R. = Paint as Required

GROUP 23A - BODY - SHEET METAL EXCEPT DOORS

ILLUSTRATION TITLE **GROUP-FIG. NO.**

L BODY M,Z

FLOOR PAN FRONT M,Z Fig. 23A-100

FLOOR PAN REAR M,Z Fig. 23A-200

FENDER M,Z Fig. 23A-300

HOOD M,Z Fig. 23A-400

COWL AND DASH PANEL M,Z Fig. 23A-500

GLASS WINDSHIELD M,Z Fig. 23A-600

APERTURE PANEL M,Z Fig. 23A-700

BODY FRONT PILLAR M,Z Fig. 23A-800

BODY REAR QUARTER M,Z 24 Fig. 23A-900

BODY REAR QUARTER M,Z 44 Fig. 23A-1000

LIFTGATE OPENING M,Z 24 Fig. 23A-1100

LIFTGATE OPENING M,Z 44 Fig. 23A-1200

GLASS QUARTER WINDOW M,Z 24 Fig. 23A-1300

ROOF PANEL M,Z Fig. 23A-1400

SUN ROOF M,Z 24 Fig. 23A-1500

LIFTGATE M,Z 24 Fig. 23A-1600

LIFTGATE M,Z 44 Fig. 23A-1700

GLASS LIFTGATE M,Z Fig. 23A-1800

K,E BODY P,D,V,C,J,E,T

FLOOR PAN P,D,V,C,J,E,T Fig. 23A-1900

CONVERTIBLE FLOOR PAN REINFORCEMENTS V,C 27 Fig. 23A-2000

PLUGS FLOOR PAN P,D,V,C,J,E,T Fig. 23A-2100

FENDER P,D,V,C,J,E,T Fig. 23A-2200

BUMPERS PLUGS FENDER HOOD P,D,V,C,J,E,T Fig. 23A-2300

HOOD P,D,V,C,J,E,T Fig. 23A-2400

HOOD RELEASE REMOTE CONTROL P,D,V,C,J,E,T Fig. 23A-2500

COWL AND DASH PANEL P,D,V,C,J,E,T Fig. 23A-2600

PLUGS COWL AND DASH P,D,V,C,J,E,T Fig. 23A-2700

GLASS WINDSHIELD P,D,V,C,J,E,T Fig. 23A-2800

BODY FRONT PILLAR P,D,V,C,J,E,T Fig. 23A-2900

APERTURE PANEL P,D,V,C,J,E,T Fig. 23A-3000

PLUGS BODY SIDE P,D,V,C,J,E,T Fig. 23A-3100

BODY SIDE P,D,V,C 21,22,27,48,49 Fig. 23A-3200

BODY SIDE P,D,C 41 Fig. 23A-3300

BODY SIDE J,E,T Fig. 23A-3400

ILLUSTRATION NOT AVAILABLE AT TIME OF PUBLICATION

GROUP 23A - BODY - SHEET METAL EXCEPT DOORS

GROUP 23A - BODY - SHEET METAL EXCEPT DOORS

ILLUSTRATION TITLE

GROUP-FIG. NO.

ILLUSTRATION TITLE

GROUP-FIG. NO.

K,E BODY P,D,V,C,J,E,T (Continued)

BODY SIDE J,E,T
 BODY SIDE P,D,C 45
 BODY EXTENSIONS REINFORCEMENTS C 49
 SIDE SILL AND CENTER PILLAR P,D,V,C,J,E,T
 QUARTER INSIDE AND WHEELHOUSE OUTER PANEL P,D,V,C 21,22,27,49
 CONVERTIBLE QUARTER INNER AND DECK OPENING UPPER V,C 27
 QUARTER INSIDE AND WHEELHOUSE OUTER PANEL P,D,C 41
 QUARTER INSIDE AND WHEELHOUSE OUTER PANEL J,E,T
 QUARTER INSIDE AND WHEELHOUSE OUTER PANEL P,D,C 45
 FUEL FILLER AND DECK LID REMOTE RELEASE J,E,T
 GLASS QUARTER WINDOW P,D,V,C 21,22,49
 GLASS QUARTER WINDOW V,C 27
 GLASS QUARTER WINDOW J,E,T
 GLASS QUARTER WINDOW P,D,C 45
 ROOF PANEL P,D,V,C,J,E,T
 CONVERTIBLE FOLDING TOP V,C 27
 CONVERTIBLE WINDSHIELD HEADER V,C 27
 ROOF LUGGAGE RACK P,D,C 45
 GLASS REAR WINDOW P,D,V,C 21,22,41,49
 GLASS REAR WINDOW J,E,T
 DECK OPENING P,D,V,C
 DECK OPENING J,E,T
 LIFTGATE OPENING P,D,C 45
 DECK LID P,D,V,C
 DECK LID J,E,T
 BUMPERS PLUGS DECK LID P,D,V,C,J,E,T
 DECK LID ELECTRIC P,D,V,C
 LIFTGATE P,D,C 45
 PLUGS LIFTGATE P,D,C 45

G BODY C,V

FLOOR PAN FRONT C,V 24
 FLOOR PAN REAR V,C 24
 FENDER V,C 24
 HOOD C,V 24
 COWL AND DASH PANEL C,V 24

Fig. 23A-3400
 Fig. 23A-3500
 Fig. 23A-3600
 Fig. 23A-3700
 Fig. 23A-3800
 Fig. 23A-3900
 Fig. 23A-4000
 Fig. 23A-4100
 Fig. 23A-4200
 Fig. 23A-4300
 Fig. 23A-4400
 Fig. 23A-4500
 Fig. 23A-4600
 Fig. 23A-4700
 Fig. 23A-4800
 Fig. 23A-4900
 Fig. 23A-5000
 Fig. 23A-5100
 Fig. 23A-5200
 Fig. 23A-5300
 Fig. 23A-5400
 Fig. 23A-5500
 Fig. 23A-5600
 Fig. 23A-5700
 Fig. 23A-5800
 Fig. 23A-5900
 Fig. 23A-6000
 Fig. 23A-6100
 Fig. 23A-6200

Fig. 23A-6300
 Fig. 23A-6400
 Fig. 23A-6500
 Fig. 23A-6600
 Fig. 23A-6700

G BODY C,V (Continued)

COWL AND DASH PANEL C,V 24
 GLASS WINDSHIELD C,V 24
 APERTURE PANEL C,V 24
 BODY FRONT PILLAR C,V 24
 BODY REAR QUARTER C,V 24
 FUEL FILLER AND LIFTGATE REMOTE RELEASE C,V 24
 LIFTGATE OPENING C,V 24
 GLASS QUARTER WINDOW C,V 24
 ROOF PANEL C,V 24
 SUN ROOF C,V 24
 T-BAR ROOF C,V 24
 LIFTGATE C,V 24
 GLASS LIFTGATE C,V 24
H BODY D,C 44
 FLOOR PAN FRONT D,C 44
 FLOOR PAN REAR D,C 44
 FENDER D,C 44
 HOOD AND HOOD RELEASE D,C 44
 COWL AND DASH PANEL D,C 44
 GLASS WINDSHIELD D,C 44
 APERTURE PANEL D,C 44
 BODY FRONT PILLAR D,C 44
 BODY REAR QUARTER D,C 44
 FUEL FILLER AND LIFTGATE REMOTE RELEASE D,C 44
 LIFTGATE OPENING D,C 44
 GLASS QUARTER WINDOW D,C 44
 ROOF PANEL D,C 44
 SUN ROOF D,C 44
 LIFTGATE D,C 44
 GLASS LIFTGATE D,C 44

S BODY H,K

FLOOR PAN H,K
 FENDER H,K
 HOOD H,K

Fig. 23A-6700
 Fig. 23A-6800
 Fig. 23A-6900
 Fig. 23A-7000
 Fig. 23A-7100
 Fig. 23A-7200
 Fig. 23A-7300
 Fig. 23A-7400
 Fig. 23A-7500
 Fig. 23A-7600
 Fig. 23A-7700
 Fig. 23A-7800
 Fig. 23A-7900
 Fig. 23A-8000
 Fig. 23A-8100
 Fig. 23A-8200
 Fig. 23A-8300
 Fig. 23A-8400
 Fig. 23A-8500
 Fig. 23A-8600
 Fig. 23A-8700
 Fig. 23A-8800
 Fig. 23A-8900
 Fig. 23A-9000
 Fig. 23A-9100
 Fig. 23A-9200
 Fig. 23A-9300
 Fig. 23A-9400
 Fig. 23A-9500
 Fig. 23A-9600
 Fig. 23A-9700
 Fig. 23A-9800

GROUP 23A - BODY - SHEET METAL EXCEPT DOORS

ILLUSTRATION TITLE

GROUP-FIG. NO.

S BODY H,K (Continued)

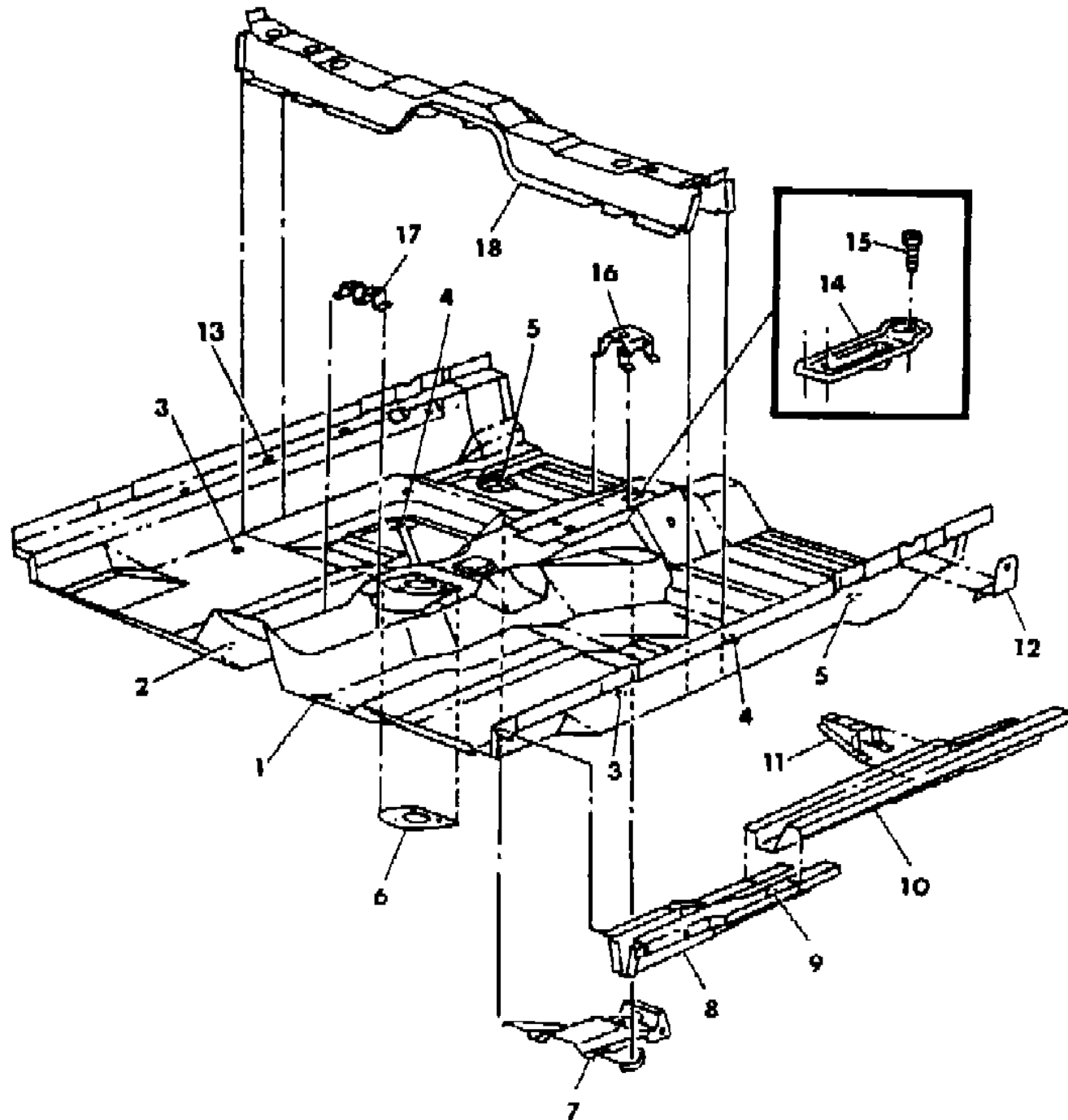
HOOD H,K	Fig. 23A-9800
COWL AND DASH PANEL H,K	Fig. 23A-9900
GLASS WINDSHIELD H,K	Fig. 23A-10000
BODY FRONT PILLAR H,K	Fig. 23A-10100
BODY REAR QUARTER RIGHT H,K	Fig. 23A-10200
BODY REAR QUARTER LEFT H,K	Fig. 23A-10300
FUEL FILLER REMOTE RELEASE H,K	Fig. 23A-10400
LIFTGATE OPENING H,K	Fig. 23A-10500
GLASS QUARTER WINDOW H,K	Fig. 23A-10600
ROOF PANEL H,K	Fig. 23A-10700
ROOF LUGGAGE RACK H,K	Fig. 23A-10800
LIFTGATE H,K	Fig. 23A-10900
GLASS LIFTGATE H,K	Fig. 23A-11000

M BODY B,F,G

FLOOR PAN B,F,G	Fig. 23A-11100
PLUGS FLOOR PAN B,F,G	Fig. 23A-11200
FENDER B,F,G	Fig. 23A-11300
BUMPERS PLUGS FENDER HOOD B,F,G	Fig. 23A-11400
HOOD B,F,G	Fig. 23A-11500
HOOD RELEASE REMOTE CONTROL B,F,G	Fig. 23A-11600
COWL AND DASH PANEL B,F,G	Fig. 23A-11700
PLUGS COWL AND DASH B,F,G	Fig. 23A-11800
GLASS WINDSHIELD B,F,G	Fig. 23A-11900
SIDE SILL AND CENTER PILLAR B,F,G	Fig. 23A-12000
PLUGS BODY SIDE B,F,G	Fig. 23A-12100
QUARTER PANEL B,F,G	Fig. 23A-12200
ROOF PANEL B,F,G	Fig. 23A-12300
SUN ROOF B,F,G	Fig. 23A-12400
SUN ROOF B,F,G	Fig. 23A-12500
GLASS REAR WINDOW B,F,G	Fig. 23A-12600
DECK OPENING B,F,G	Fig. 23A-12700
DECK LID B,F,G	Fig. 23A-12800
BUMPERS PLUGS DECK LID B,F,G	Fig. 23A-12900
DECK LID ELECTRIC B,F,G	Fig. 23A-13000

FLOOR PAN FRONT M,Z
Figure 23A-100

5159 100



ITEM	PART NUMBER	QTY	BODY	MODEL	DESCRIPTION
1	4371 414	1		24	PAN, Front Floor
	4371 417	1		44	
2	2424 864	1		24,44	PLUG, 1.75" Dia./44.5 mm
3	2480 957	2		24,44	PLUG, 1.00" Dia./25.4 mm
4	4073 485	2		24,44	PLUG, 1.50" Dia./38 mm
5	5200 456	2		24,44	PLUG, 2.75" Dia./70 mm
6	4371 415	1		24,44	REINFORCEMENT, Gearshift Mounting
7	5230 421	1		24,44	REINFORCEMENT, w/Nut Handbrake & Front Seat Inner Track Rear, Mounting
8	5200 004-5	1		24,44	EXTENSION, Lower Side Sill, Front
9	1774 076	10		24,44	PLUG, .630" Dia./16 mm
10	5230 076-7	1		24	PANEL, Lower Sill 28 3/8"
	5200 006-7	1		44	30 7/8"
	4050 466-7	1		44	PANEL, w/Reinforcement Lower Sill Includes Item 11
11	5200 176	2		24,44	REINFORCEMENT, Front Seat Outer Track Rear, Mounting
12	5230 006	2		24	REINFORCEMENT, Front Seat Belt Outer
	5200 205	2		44	
13	2094 631	6		24,44	PLUG, .875" Dia./22.2 mm
14	5200 384	1		24,44	SEAL, Handbrake Cable
15		3		24,44	SCREW, #10-16 x .375" (Not Serviced)
16	4314 178	1		24,44	BRACKET, Console Rear Armrest
17	4314 177	1		24,44	BRACKET, Console Front
18	5230 314	1		24,44	CROSSMEMBER, Front Seat Track Front, Mounting

MODEL CODES

B = GRAN FURY	E = 600	M = HORIZON/TURISMO
C = LE BARON/TOWN & COUNTRY/LIMO	F = FIFTH AVENUE/NEWPORT	P = RELIANT
C24 = LASER	G = DIPLOMAT	T = NEW YORKER
C44 = LE BARON/GTS	H = VOYAGER	V = 600
D = ARIES	J = CARAVELLE	V24 = DAYTONA
D44 = LANCER	K = MINI VAN/CARAVAN/ROYAL	Z = OMNI/CHARGER

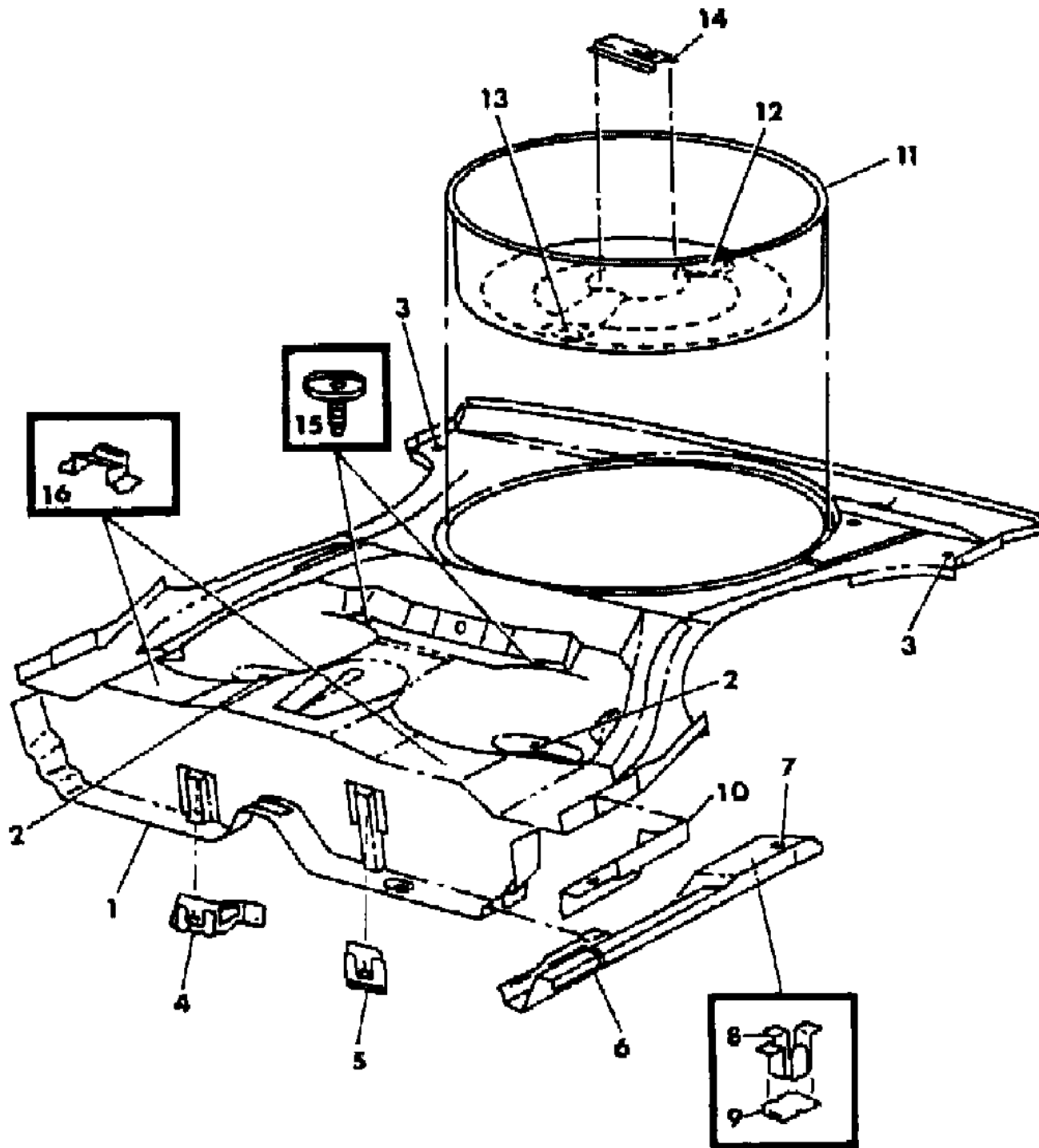
BODY STYLES

21 = 2-DOOR SEDAN	35 = FWD VAN	44 = 4-DOOR HATCHBACK
22 = 2-DOOR SPECIAL COUPE	36 = FWD WAGON	45 = 4-DOOR STATION WAGON
24 = 2-DOOR HATCHBACK	41 = 4-DOOR SEDAN	49 = LIMOUSINE
27 = 2-DOOR CONVERTIBLE		

AR = Use as Required - = Non Illustrated Part P.A.R. = Paint as Required

FLOOR PAN REAR M,Z
Figure 23A-200

5169 200



ITEM	PART NUMBER	QTY	BODY	MODEL	DESCRIPTION
1	4337 416	1		24	PAN, Rear Floor
	4314 878	1		44	
2	5200 474	2		24,44	PLUG, .838" Dia./21.3 mm
3	2480 957	2		24,44	PLUG, 1.00" Dia./25.4 mm
4	5218 306	1		24,44	PLATE, Fuel Tank Strap & Exhaust Hanger
	6101 283	1		24,44	U-NUT
5	5200 266	1		24,44	PLATE, Fuel Tank Strap Hanger
6	5200 162-3	1		24,44	EXTENSION, Lower Side Sill, Rear
7	1774 076	2		24,44	PLUG, .630" Dia./16 mm
8	5200 312	2		24,44	BRACKET, Jacking, Rear
9		2		24,44	PLATE, Jacking Bracket (5200313 Not Serviced)
10	5200 034-5	1		24,44	PANEL, Inner Sill, Rear
11	4337 584	1		24,44	PANEL, Tire Stowage
12	2424 864	1		24,44	PLUG, 1.75" Dia./44.5 mm
13	5200 456	1		24,44	PLUG, 2.75" Dia./70 mm
14	3791 040	1		24,44	BRACKET, Tire Stowage
15	4314 256	2		24,44	REINFORCEMENT, w/Bolt Fuel Tank Strap Rear
16	5200 388	2		24,44	RETAINER, Rear Seat Cushion

MODEL CODES

B = GRAN FURY	E = 600	M = HORIZON/TURISMO
C = LE BARON/TOWN & COUNTRY/LIMO	F = FIFTH AVENUE/NEWPORT	P = RELIANT
C24 = LASER	G = DIPLOMAT	T = NEW YORKER
C44 = LE BARON/GTS	H = VOYAGER	V = 600
D = ARIES	J = CARAVELLE	V24 = DAYTONA
D44 = LANCER	K = MINI VAN/CARAVAN/ROYAL	Z = OMNI/CHARGER

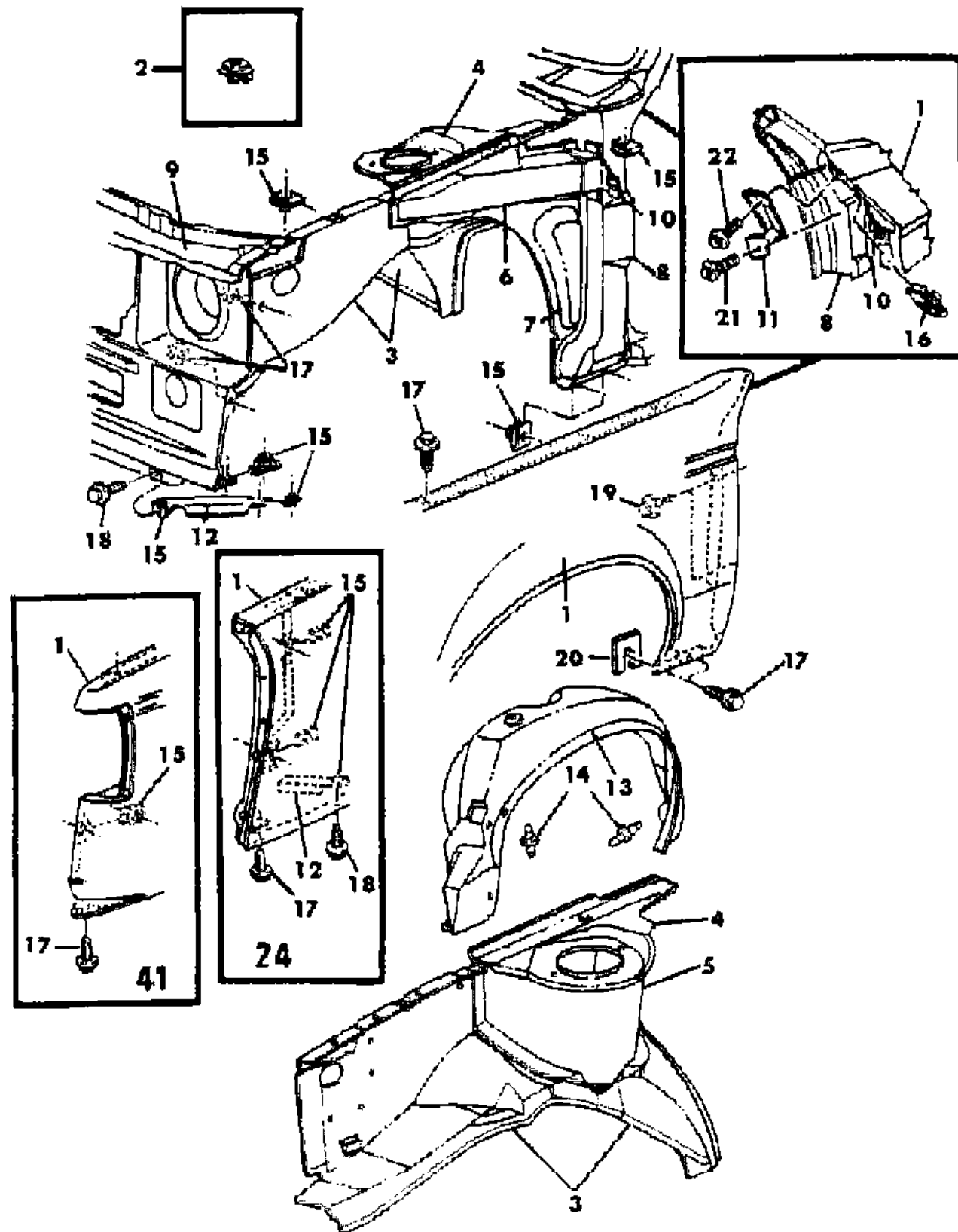
BODY STYLES

21 = 2-DOOR SEDAN	35 = FWD VAN	44 = 4-DOOR HATCHBACK
22 = 2-DOOR SPECIAL COUPE	36 = FWD WAGON	45 = 4-DOOR STATION WAGON
24 = 2-DOOR HATCHBACK	41 = 4-DOOR SEDAN	49 = LIMOUSINE
27 = 2-DOOR CONVERTIBLE		

AR = Use as Required - = Non Illustrated Part P.A.R. = Paint as Required

FENDER M,Z
Figure 23A-300

5169 300



ITEM	PART NUMBER	QTY	BODY	MODEL	DESCRIPTION
1	4318 310-1	1		24	PANEL, Fender
	4296 858-9	1		44	
2	4222 731	1		24,44	PLUG, Fender Antenna Hole
3	4296 908	1		24,44	PANEL, Fender Shield, Right
	4296 861	1		24,44	Left
4	4296 730-1	1		24,44	REINFORCEMENT, Front Suspension Iso-Strut, Mounting Tower
5	4296 080-1	1		24,44	TOWER, Front Suspension Iso-Strut, Mounting
6	5200 804-5	1		24,44	SUPPORT, Cowl Side Panel to Iso-Strut Mounting Tower
7				24,44	PANEL, Cowl Side (See Cowl & Dash Panel Illustration)
8				24,44	PILLAR, Front Hinge (See Body, Front Pillar Illustration)
9				24,44	PANEL, Fender Closure & Headlamp Mounting (See Group 7 Illustration)
10	5231 324-5	1		24	BRACKET, Front Hinge Pillar to Iso-Strut Tower Support
	5231 084-5	1		44	
11	4103 438-9	1		24	BRACKET, Fender Rear to Windshield Opening Frame
12	4103 230-1	1		24	BRACE, Fender Closure & Headlamp Mounting Panel
13	5201 336-7	1		24	SHIELD, Fender Splash
	4296 130-1	1		44	
14	6031 390	AR		24,44	RETAINER, Drive Pin Type
15	6100 041	AR		24,44	U-NUT
16	6100 040	AR		24	U-NUT
17	6100 568	AR		24,44	SCREW and WASHER
18	6100 567	AR		24	SCREW and WASHER
19	6100 302	AR		24,44	SCREW and WASHER
20	6010 031	AR		24,44	SHIM
21		2		24	SCREW, #10-16 x .75" (Not Serviced)
22	6100 534	2		24	SCREW and WASHER

MODEL CODES

B = GRAN FURY	E = 600	M = HORIZON/TURISMO
C = LE BARON/TOWN & COUNTRY/LIMO	F = FIFTH AVENUE/NEWPORT	P = RELIANT
C24 = LASER	G = DIPLOMAT	T = NEW YORKER
C44 = LE BARON/GTS	H = VOYAGER	V = 600
D = ARIES	J = CARAVELLE	V24 = DAYTONA
D44 = LANCER	K = MINI VAN/CARAVAN/ROYAL	Z = OMNI/CHARGER

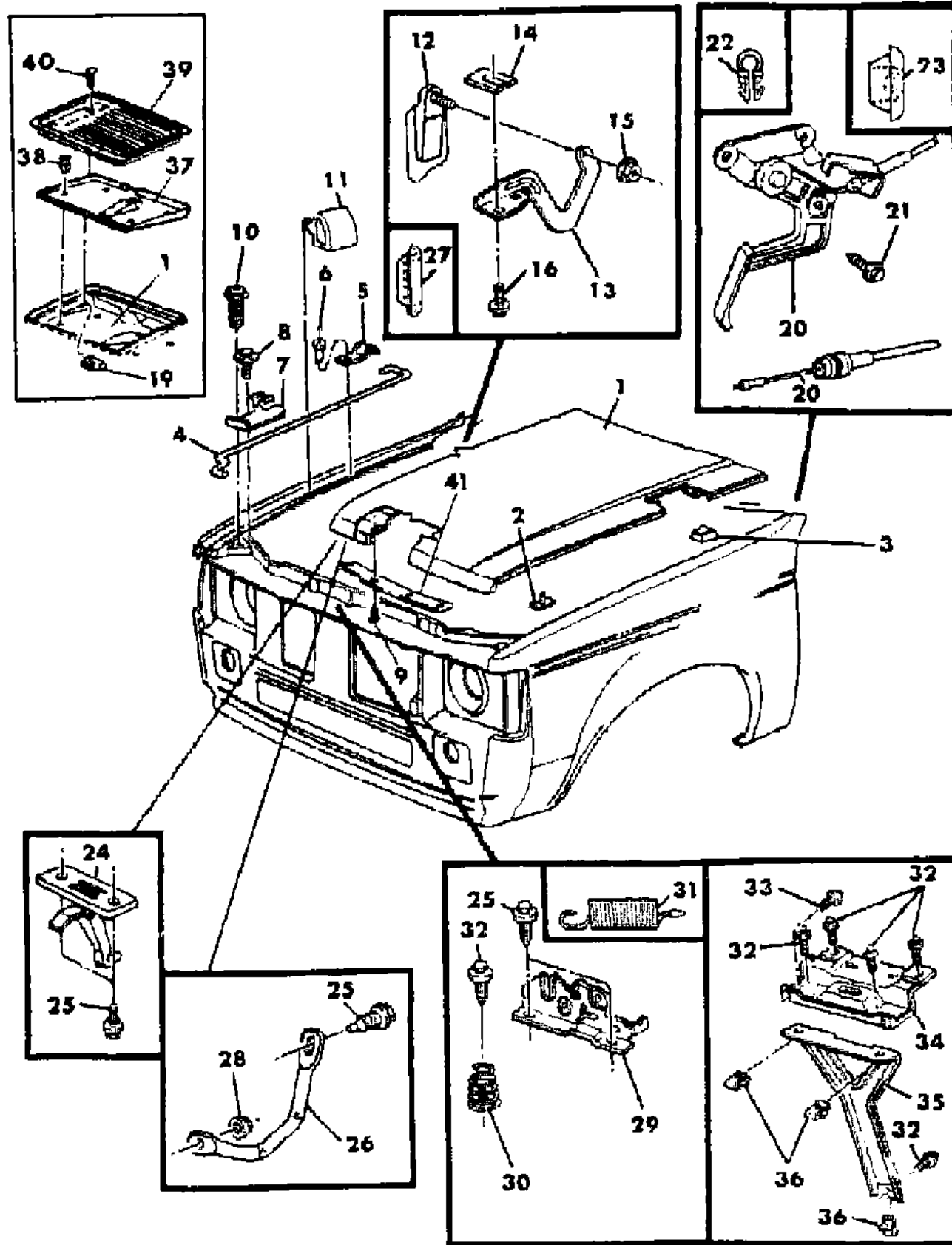
BODY STYLES

21 = 2-DOOR SEDAN	35 = FWD VAN	44 = 4-DOOR HATCHBACK
22 = 2-DOOR SPECIAL COUPE	36 = FWD WAGON	45 = 4-DOOR STATION WAGON
24 = 2-DOOR HATCHBACK	41 = 4-DOOR SEDAN	49 = LIMOUSINE
27 = 2-DOOR CONVERTIBLE		

AR = Use as Required - = Non Illustrated Part P.A.R. = Paint as Required

HOOD M,Z Figure 23A-400

5169 400



ITEM	PART NUMBER	QTY	BODY	MODEL	DESCRIPTION
1	5218 366	1		24	PANEL, Hood, w/o Turbo
	4341 308	1		24	w/Turbo
					w/o Turbo
	5218 471	1		44	Up To 10-4-84
2	4341 910	1		44	After 10-4-84
	4341 810	1		44	w/Turbo
	6003 351	AR		24,44	FASTENER, Hood Panel Silencer
	4049 601	AR		24,44	SILENCER MATERIAL, Hood Panel, Cut to Fit, 36" x 72"
3	5201 342	2		24	SEAL, Hood Panel to Fender Ledge
	5201 146	2		44	
4	5201 270	1		ALL Ex.	ROD, Hood Panel Prop
	4386 359	1		Z-S 24	ROD w/BRACKET, Hood Prop
	4103 280	1		Z-S 24	SLEEVE, Hood Prop Rod Anti-Rattle
5	4386 361	1		Z-S 24	PLATE, Hood Prop Rod Stowage
	5201 370	1		ALL Ex.	BRACKET, Hood Panel Prop Rod, Anchor
6	6031 115	1		24,44	RIVET
7	5201 356	1		ALL Ex.	CLIP, Hood Panel Prop Rod, Stowage
8	6100 568	1		24,44	SCREW and WASHER
	9				RETAINER
		6030 441	8		24,44
	6501 067	8		24,44	After 3-18-84
10	4103 165	2		24,44	BUMPER, Hood Panel, Front
11	5201 343	2		24	BUMPER, Hood Panel to Fender Ledge
	5201 051	2		44	
12	5231 228-9	1		24,44	HINGE, Hood Panel Body Half
13	5201 084-5	1		24,44	HINGE, Hood Panel, Hood Half
14	6010 031	AR		24,44	SHIM
15	6500 201	2		24,44	NUT and WASHER
16	6100 567	4		24,44	SCREW and WASHER
19	0445 432	4		24,44	U-NUT
20	5207 049	1		24,44	RELEASE ASSEMBLY, Inside Hood Latch
	6022 149	1		24,44	NUT
21	9421 073	3		24,44	SCREW
22		2		24,44	CLIP, Not Serviced
23	5207 294	1		24,44	GROMMET, Inside Hood Latch, Release Cable
24	4296 208	1		24	CATCH, Hood Safety (exc. Z-S 24)
	5207 417	1		Z-S 24	

MODEL CODES

B = GRAN FURY	E = 600	M = HORIZON/TURISMO
C = LE BARON/TOWN & COUNTRY/LIMO	F = FIFTH AVENUE/NEWPORT	P = RELIANT
C24 = LASER	G = DIPLOMAT	T = NEW YORKER
C44 = LE BARON/GTS	H = VOYAGER	V = 600
D = ARIES	J = CARAVELLE	V24 = DAYTONA
D44 = LANCER	K = MINI VAN/CARAVAN/ROYAL	Z = OMNI/CHARGER

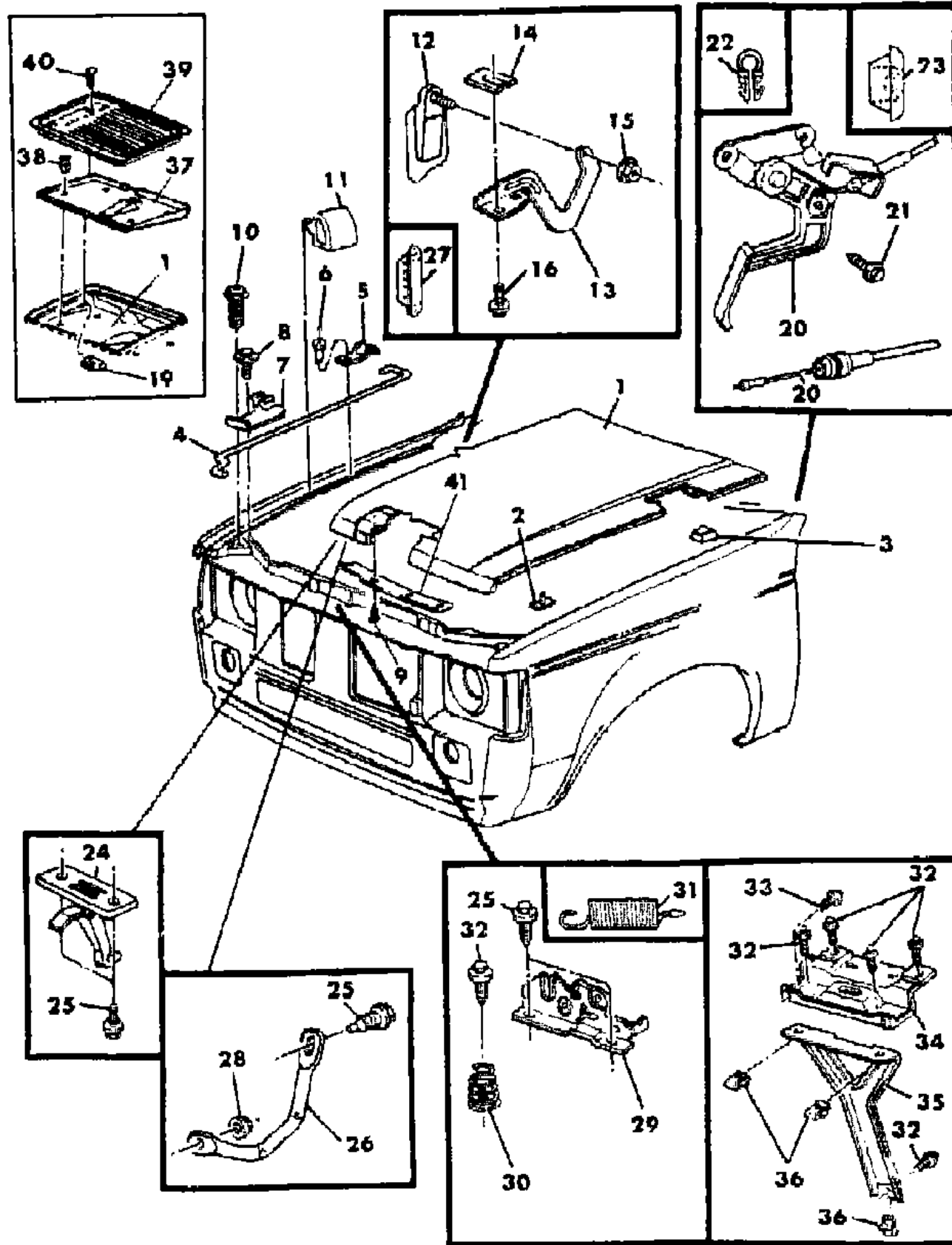
BODY STYLES

21 = 2-DOOR SEDAN	35 = FWD VAN	44 = 4-DOOR HATCHBACK
22 = 2-DOOR SPECIAL COUPE	36 = FWD WAGON	45 = 4-DOOR STATION WAGON
24 = 2-DOOR HATCHBACK	41 = 4-DOOR SEDAN	49 = LIMOUSINE
27 = 2-DOOR CONVERTIBLE		

AR = Use as Required - = Non Illustrated Part P.A.R. = Paint as Required

HOOD M,Z Figure 23A-400

5169 400



ITEM	PART NUMBER	QTY	BODY	MODEL	DESCRIPTION
	5207 417	1		44	
25	6101 339	AR		24,44	SCREW, w/Washer
26	5207 038	1		24,44	STRIKER, Hood Latch
	5201 265	1		24,44	REINFORCEMENT, Hood Lock Striker Serviced In Assy.
27	2860 332	AR		44	PLUG, Hood Hinge Hole Repair
28	6100 047	1		24,44	NUT and WASHER
29	5232 057	1		24	LATCH, Hood Inside Release
	5207 088	1		44	
30	4240 535	1		24	SPRING, Hood Panel Pop-Up
	4240 536	1		44	
31	5207 447	1		24,44	SPRING, Hood Panel Latch Lever
32	6100 566	AR		24,44	SCREW and WASHER
33		AR		24	SCREW, w/Washer #10-16 x .75" (Not Serviced)
34	5201 326	1		24	PLATE, Hood Lock Support
35	4103 221	1		24	SUPPORT, Hood Vertical Lock
36	6100 041	3		24	U-NUT
37	4341 410	1		24,44	INSERT, Turbo Hood Louver Water Tray
38		4		24,44	FASTENER, Water Tray (6032832 Not Serviced)
39	X666 DA1	1		24,44	LOUVER, Turbo Hood, Silver
	X666 DB6	1		24,44	Blue
	X666 DX9	1		44	Black
40		4		24,44	SCREW, #8-18 x .500" (Not Serviced)
41	5201 375	1		24,44	SEAL, Turbo Hood to Radiator Yoke Crossmember

MODEL CODES

B = GRAN FURY	E = 600	M = HORIZON/TURISMO
C = LE BARON/TOWN & COUNTRY/LIMO	F = FIFTH AVENUE/NEWPORT	P = RELIANT
C24 = LASER	G = DIPLOMAT	T = NEW YORKER
C44 = LE BARON/GTS	H = VOYAGER	V = 600
D = ARIES	J = CARAVELLE	V24 = DAYTONA
D44 = LANCER	K = MINI VAN/CARAVAN/ROYAL	Z = OMNI/CHARGER

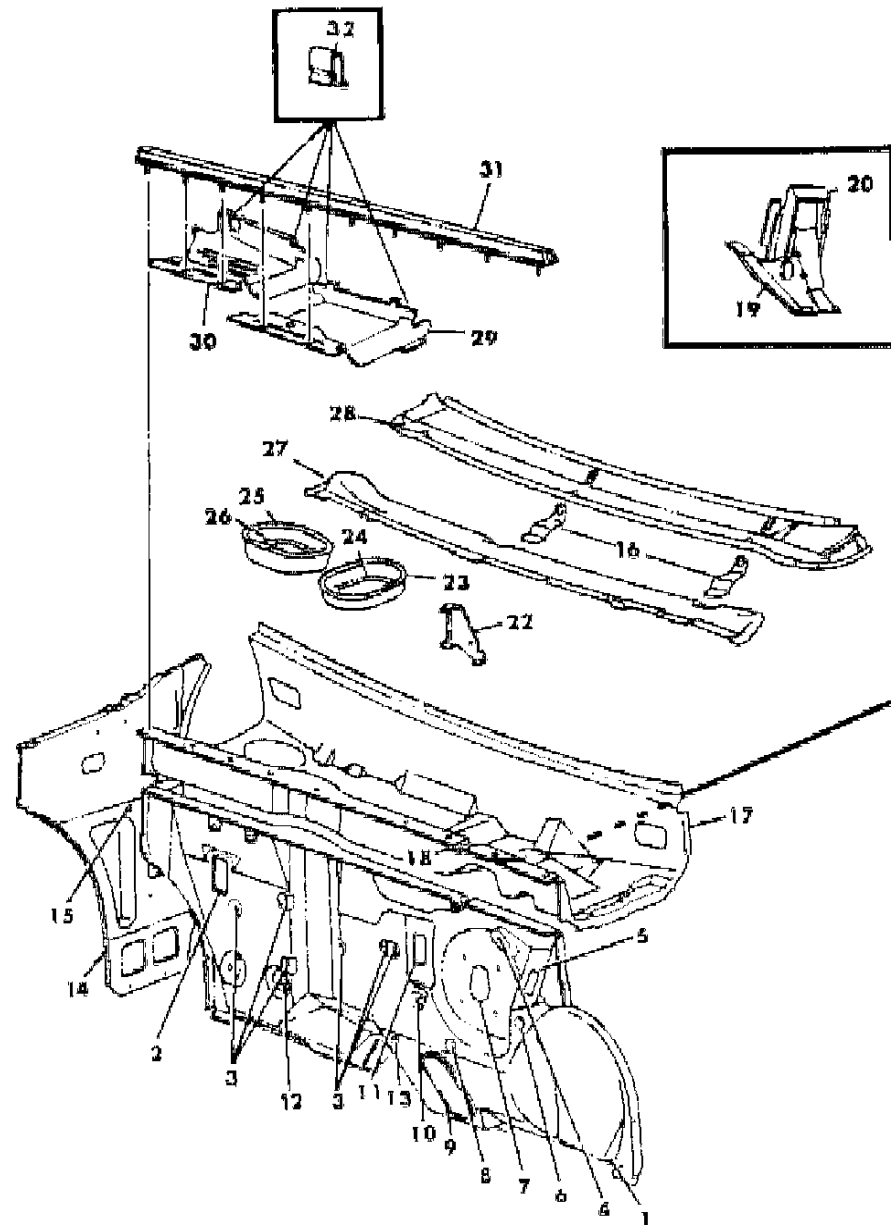
BODY STYLES

21 = 2-DOOR SEDAN	35 = FWD VAN	44 = 4-DOOR HATCHBACK
22 = 2-DOOR SPECIAL COUPE	36 = FWD WAGON	45 = 4-DOOR STATION WAGON
24 = 2-DOOR HATCHBACK	41 = 4-DOOR SEDAN	49 = LIMOUSINE
27 = 2-DOOR CONVERTIBLE		

AR = Use as Required - = Non Illustrated Part P.A.R. = Paint as Required

COWL AND DASH PANEL M,Z
Figure 23A-500

5169 500



ITEM	PART NUMBER	QTY	BODY	MODEL	DESCRIPTION
1	4337 655	1		24,44	PANEL, Dash, w/A/C
	4337 654	1		24,44	w/o A/C
2		1		24,44	SEAL, A/C Unit Coil to Dash (Not Serviced)
3		AR		24,44	SEAL, Heater or A/C Unit Mounting Stud (Not Serviced)
4	3593 446	1		24,44	GROMMET, Clutch Cable
	3445 939	1		24,44	PLUG, Clutch Cable Hole, w/Auto Trans
5		1		24,44	SEAL, Bulkhead Connector (Not Serviced)
6	5207 294	1		24,44	GROMMET, Inside Hood Latch, Release Cable
7	5204 061	1		24,44	GASKET, Power Brake Booster
8	3593 446	1		24,44	GROMMET, Speedometer Cable
9	5206 041	1		24,44	SEAL ASSEMBLY, Dash
10	5214 416	1		24,44	GROMMET, Throttle Cable
11	5210 109	1		24,44	SEAL, Heater Core to Dash
12		1		24,44	SEAL, A/C Unit Drain (Not Serviced)
13	3445 939	1		24,44	PLUG, .906" Dia./23 mm
14	4337 658	1		24,44	PANEL and NUT, Cowl Side, Right
	5231 777	1		24,44	Left
15	2860 332	1		24,44	PLUG, Cowl Side, Antenna Hole
16		2		24,44	BRACKET, Cowl Top Wiper Pivot Mounting (Serviced in Item #28)
17	4314 989	1		24,44	PANEL, Cowl Plenum, w/o A/C
	4314 988	1		24,44	w/A/C
18		1		24,44	GROMMET, Windshield Wiper Wiring (Not Serviced)
19	4278 124	1		24,44	SUPPORT, Cowl Plenum, Steering Column Bracket
		2		24,44	U-NUT, Not Serviced
20	5231 746	1		24,44	BRACKET, Steering Column Support to Cowl Plenum
22	4314 990	1		24,44	SUPPORT, Cowl Plenum to Cowl Top Panel
23		1		24,44	DEFLECTOR, Cowl Plenum Water, w/o A/C (Serviced in Item #17)
24	5210 147	1		24,44	COVER, Heater Unit To Plenum
25		1		24,44	DEFLECTOR, Cowl Plenum Water, w/A/C (Serviced in Item #17)
26	3848 933	1		24,44	SEAL, A/C Unit to Plenum
27		1		24,44	REINFORCEMENT, Cowl Plenum to Cowl Top Panel (5200514 Not Serviced)
28	5218 481	1		24	PANEL, Cowl Top (Includes Item #16)
	5218 480	1		44	
29	5231 168	1		24,44	COVER, Cowl Plenum Water Deflector, w/o A/C

MODEL CODES

B = GRAN FURY	E = 600	M = HORIZON/TURISMO
C = LE BARON/TOWN & COUNTRY/LIMO	F = FIFTH AVENUE/NEWPORT	P = RELIANT
C24 = LASER	G = DIPLOMAT	T = NEW YORKER
C44 = LE BARON/GTS	H = VOYAGER	V = 600
D = ARIES	J = CARAVELLE	V24 = DAYTONA
D44 = LANCER	K = MINI VAN/CARAVAN/ROYAL	Z = OMNI/CHARGER

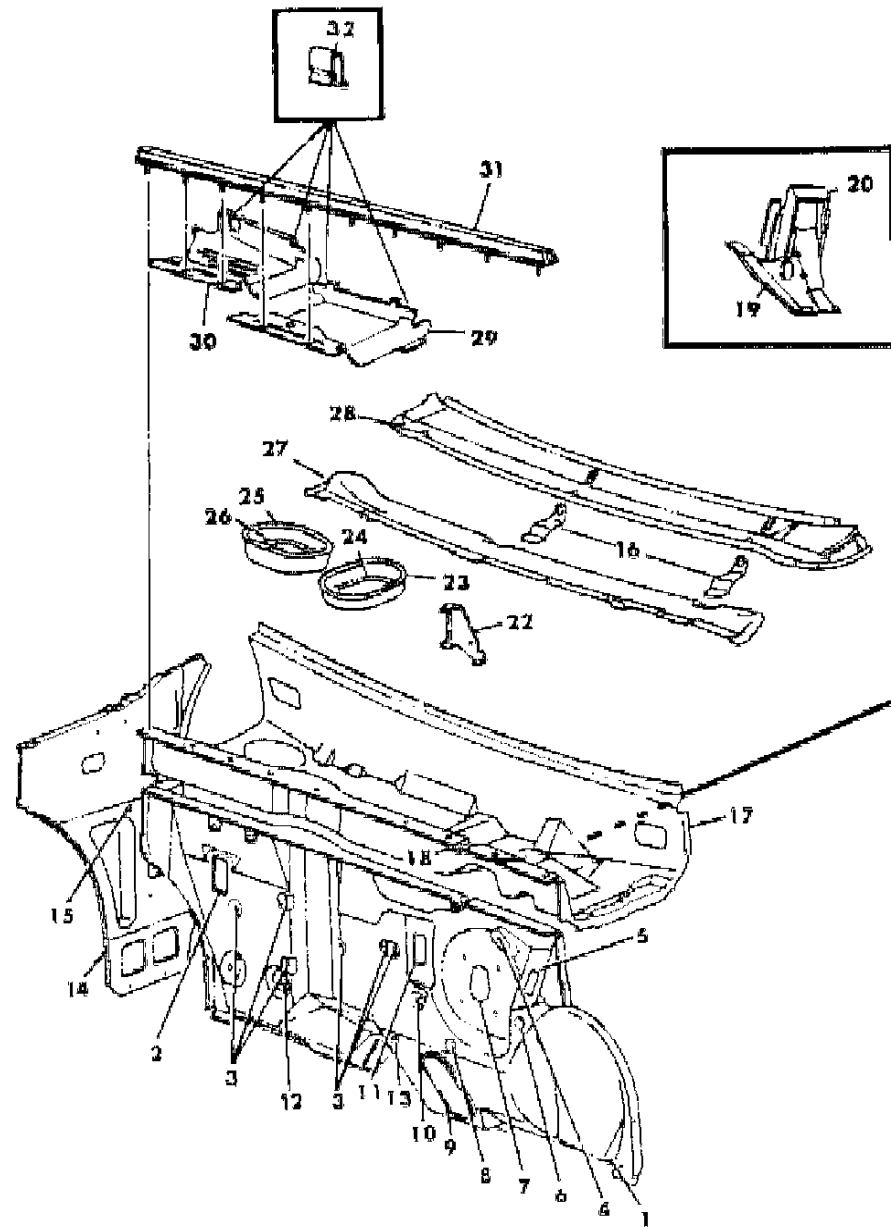
BODY STYLES

21 = 2-DOOR SEDAN	35 = FWD VAN	44 = 4-DOOR HATCHBACK
22 = 2-DOOR SPECIAL COUPE	36 = FWD WAGON	45 = 4-DOOR STATION WAGON
24 = 2-DOOR HATCHBACK	41 = 4-DOOR SEDAN	49 = LIMOUSINE
27 = 2-DOOR CONVERTIBLE		

AR = Use as Required - = Non Illustrated Part P.A.R. = Paint as Required

COWL AND DASH PANEL M,Z
Figure 23A-500

5169 500



ITEM	PART NUMBER	QTY	BODY	MODEL	DESCRIPTION
30	5200 988	1		24,44	COVER, Cowl Plenum Water Deflector, w/A/C
31	5230 419	1		24,44	SEAL, Plenum to Hood
	3759 944	10		24,44	RETAINER, Cowl Plenum to Hood Seal
32	5231 620	2		24,44	RETAINER, Cowl Plenum Water Deflector Cover

MODEL CODES

B = GRAN FURY	E = 600	M = HORIZON/TURISMO
C = LE BARON/TOWN & COUNTRY/LIMO	F = FIFTH AVENUE/NEWPORT	P = RELIANT
C24 = LASER	G = DIPLOMAT	T = NEW YORKER
C44 = LE BARON/GTS	H = VOYAGER	V = 600
D = ARIES	J = CARAVELLE	V24 = DAYTONA
D44 = LANCER	K = MINI VAN/CARAVAN/ROYAL	Z = OMNI/CHARGER

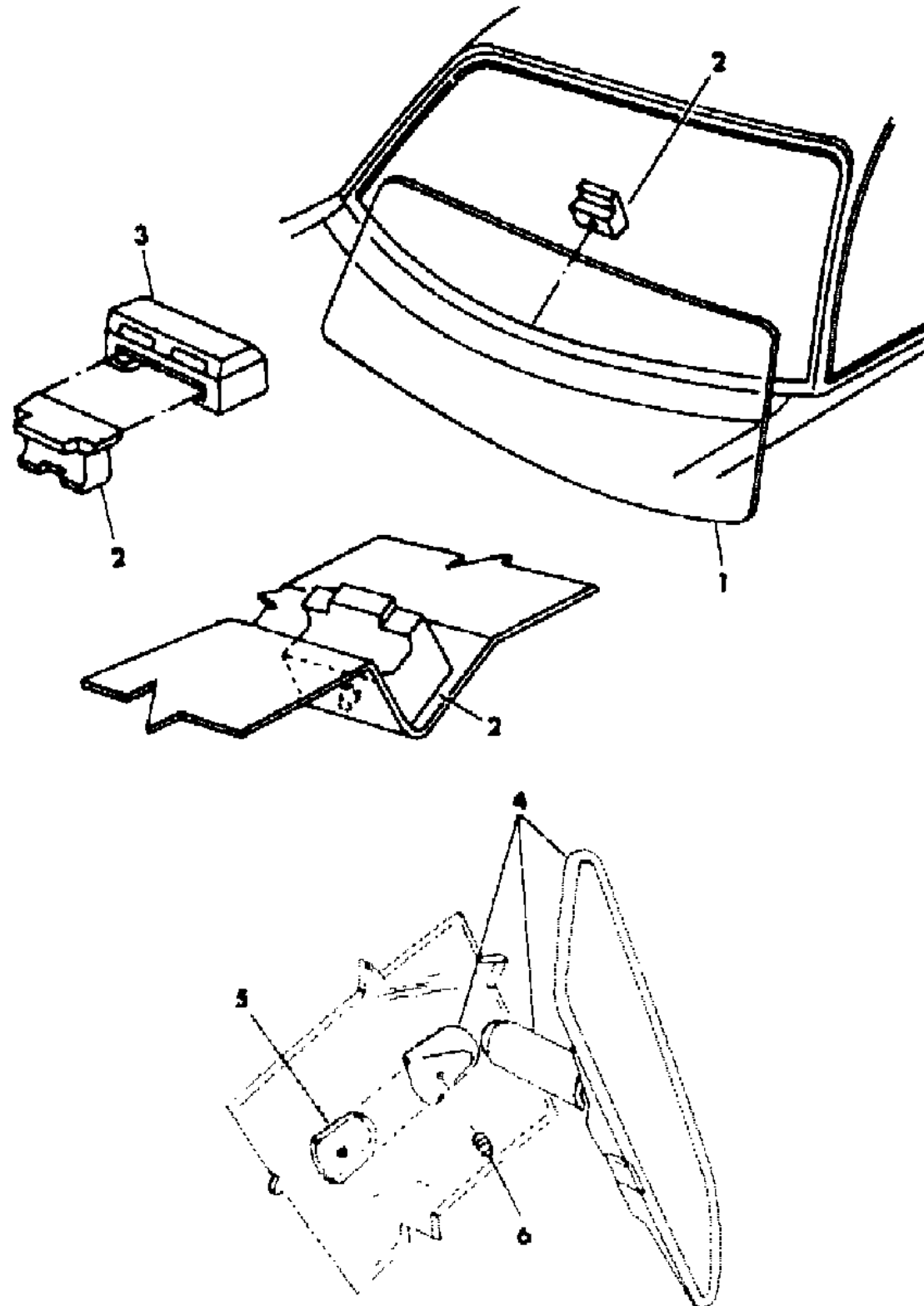
BODY STYLES

21 = 2-DOOR SEDAN	35 = FWD VAN	44 = 4-DOOR HATCHBACK
22 = 2-DOOR SPECIAL COUPE	36 = FWD WAGON	45 = 4-DOOR STATION WAGON
24 = 2-DOOR HATCHBACK	41 = 4-DOOR SEDAN	49 = LIMOUSINE
27 = 2-DOOR CONVERTIBLE		

AR = Use as Required - = Non Illustrated Part P.A.R. = Paint as Required

GLASS WINDSHIELD M,Z
Figure 23A-600

5188 600



ITEM	PART NUMBER	QTY	BODY	MODEL	DESCRIPTION
------	-------------	-----	------	-------	-------------

NOTE: GLASS, WINDSHIELD - ORDER FROM YOUR LOCAL "MOPAR" GLASS DISTRIBUTOR e rear of the carburetor throttle body. A mirror is required to read the no. when the carburator is

1	4314 788	1	24		GLASS, Windshield, Tinted
	4337 861	1	44		Tinted
2	3794 035	AR	24,44		SPACER, Windshield Glass, Lower (.39")
	4314 777	AR	24,44		(.31")
3	3767 767	AR	24,44		SHIM, Windshield Glass Spacer (.07")
4	5207 117	1	24,44		MIRROR, Inside Rear View, Up To 10/1/84
	4299 321	1	24,44		After 10/1/84
5	4054 066	1	24,44		BUTTON, Inside Rear View Mirror Mounting
	4293 039	1	24,44		ADHESIVE PACKAGE, Rear View Mirror Button Mounting (Includes Adhesive & Instructions)
6	6031 094	1	24,44		SCREW

NOTE: The following items are not shown on illustration. e rear of the carburetor throttle body. A mirror is required to read the no. when the carburator is

	4057 957	1	24,44		FIXED GLASS REPAIR PACKAGE, Windshield (Butyl)
CONSISTS OF:					
					1- ----- Tape,Butyl (171")
					1- ----- Primer,Glass (1 oz.)
					1- ----- Primer,Fence (2 oz.)
					2- 3674698 Spacer,Rubber (.2")
					2- 3793290 Spacer,Rubber (.3")
					2- 3767767 Shim (.07")
					2- ----- Sponges,Disposable

MODEL CODES

B = GRAN FURY	E = 600	M = HORIZON/TURISMO
C = LE BARON/TOWN & COUNTRY/LIMO	F = FIFTH AVENUE/NEWPORT	P = RELIANT
C24 = LASER	G = DIPLOMAT	T = NEW YORKER
C44 = LE BARON/GTS	H = VOYAGER	V = 600
D = ARIES	J = CARAVELLE	V24 = DAYTONA
D44 = LANCER	K = MINI VAN/CARAVAN/ROYAL	Z = OMNI/CHARGER

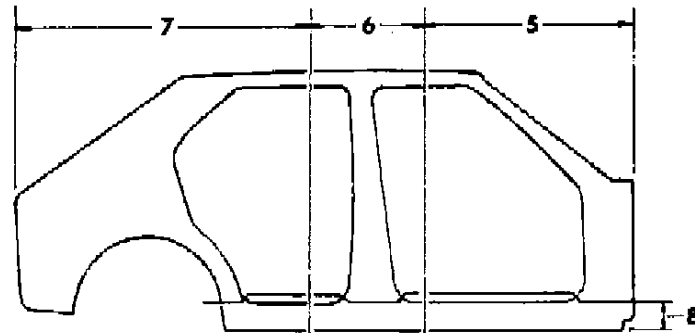
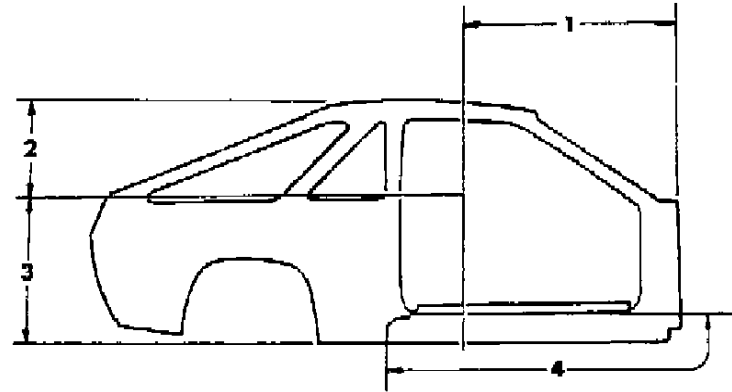
BODY STYLES

21 = 2-DOOR SEDAN	35 = FWD VAN	44 = 4-DOOR HATCHBACK
22 = 2-DOOR SPECIAL COUPE	36 = FWD WAGON	45 = 4-DOOR STATION WAGON
24 = 2-DOOR HATCHBACK	41 = 4-DOOR SEDAN	49 = LIMOUSINE
27 = 2-DOOR CONVERTIBLE		

AR = Use as Required - = Non Illustrated Part P.A.R. = Paint as Required

APERTURE PANEL M,Z
Figure 23A-700

5169 700



ITEM	PART NUMBER	QTY	BODY	MODEL	DESCRIPTION
1	4314 630-1	1		24	PANEL, Body Side Aperture, Front
2	4314 154-5	1		24	PANEL, Body Side Aperture, Rear Upper
3	4337 502-3	1		24	PANEL, Body Side Aperture, Rear Lower
4	4337 530-1	1		24	PANEL, Body Side Aperture, Sill Outer
5	4314 836-7	1		44	PANEL, Body Side Aperture, Front
6	4314 834-5	1		44	PANEL, Body Side Aperture, Center
7	4337 414-5	1		44	PANEL, Body Side Aperture, Rear
8	4337 528-9	1		44	PANEL, Body Side Aperture, Sill Outer

NOTE: The Body Side Aperture Panel as used in production is a one piece stamping. These stampings are cut into several sections for service convenience. This illustration is intended to give the user an approximate location of where these stampings are cut, and their relationship to other body side components can be found on the "Body, Front Pillar" and "Body, Rear Quarter" illustrations elsewhere in this group.

MODEL CODES

B = GRAN FURY	E = 600	M = HORIZON/TURISMO
C = LE BARON/TOWN & COUNTRY/LIMO	F = FIFTH AVENUE/NEWPORT	P = RELIANT
C24 = LASER	G = DIPLOMAT	T = NEW YORKER
C44 = LE BARON/GTS	H = VOYAGER	V = 600
D = ARIES	J = CARAVELLE	V24 = DAYTONA
D44 = LANCER	K = MINI VAN/CARAVAN/ROYAL	Z = OMNI/CHARGER

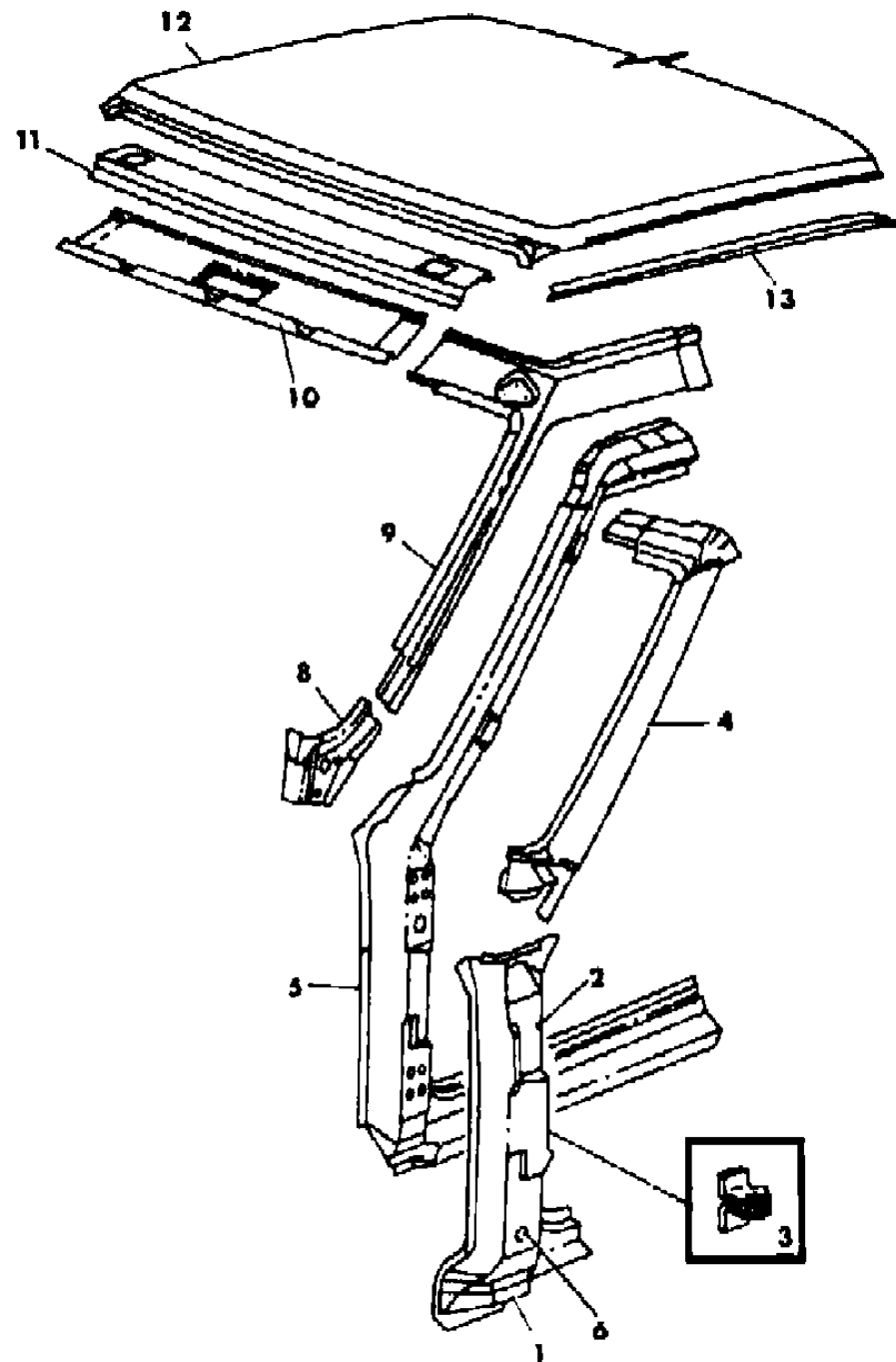
BODY STYLES

21 = 2-DOOR SEDAN	35 = FWD VAN	44 = 4-DOOR HATCHBACK
22 = 2-DOOR SPECIAL COUPE	36 = FWD WAGON	45 = 4-DOOR STATION WAGON
24 = 2-DOOR HATCHBACK	41 = 4-DOOR SEDAN	49 = LIMOUSINE
27 = 2-DOOR CONVERTIBLE		

AR = Use as Required - = Non Illustrated Part P.A.R. = Paint as Required

BODY FRONT PILLAR M,Z
Figure 23A-800

5169 800



ITEM	PART NUMBER	QTY	BODY	MODEL	DESCRIPTION
1	5218 462-3	1		24	PILLAR and PIVOT, Front Hinge Includes Item 3
	5218 452-3	1		44	
2	2860 332	2		24,44	PLUG, .500" Dia./13 mm
3	5231 576	2		24,44	PIVOT, Front Door Check Strap
4	4314 782-3	1		24	FRAME, Windshield Opening Side, Outer
	4314 780-1	1		44	
5	4314 630-1	1		24	PANEL, Body Side Aperture, Front
	4314 836-7	1		44	
6	2860 332	2		24,44	PLUG, .500" Dia./13 mm
8	5231 006-7	1		24	EXTENSION, Windshield Opening Side Inner Frame, Lower
	5200 902-3	1		44	
9	5231 004-5	1		24	FRAME, Windshield Opening Side, Inner
	5200 900-1	1		44	
10	4050 977	1		24	FRAME, w/Reinforcement Windshield Opening, Upper Includes Item 11
	4050 529	1		44	
11		1		24,44	REINFORCEMENT, Windshield Opening, Upper (Serviced in Item #10)
12	4341 325	1		24	PANEL and TROUGH, w/Sunroof
	4341 323	1		24	PANEL, Roof w/o Sunroof
	5200 922	1		44	
13	5230 496-7	1		24	TROUGH, Roof Side Drain
	5230 498-9	1		44	
NOTE: The following Items Are Not Shown On Illustration. s group.					
	4337 528-9	1		44	PANEL, Body Side Sill, Outer
	4337 530-1	1		24,44	PANEL, Body Side Sill, Outer

MODEL CODES

B = GRAN FURY	E = 600	M = HORIZON/TURISMO
C = LE BARON/TOWN & COUNTRY/LIMO	F = FIFTH AVENUE/NEWPORT	P = RELIANT
C24 = LASER	G = DIPLOMAT	T = NEW YORKER
C44 = LE BARON/GTS	H = VOYAGER	V = 600
D = ARIES	J = CARAVELLE	V24 = DAYTONA
D44 = LANCER	K = MINI VAN/CARAVAN/ROYAL	Z = OMNI/CHARGER

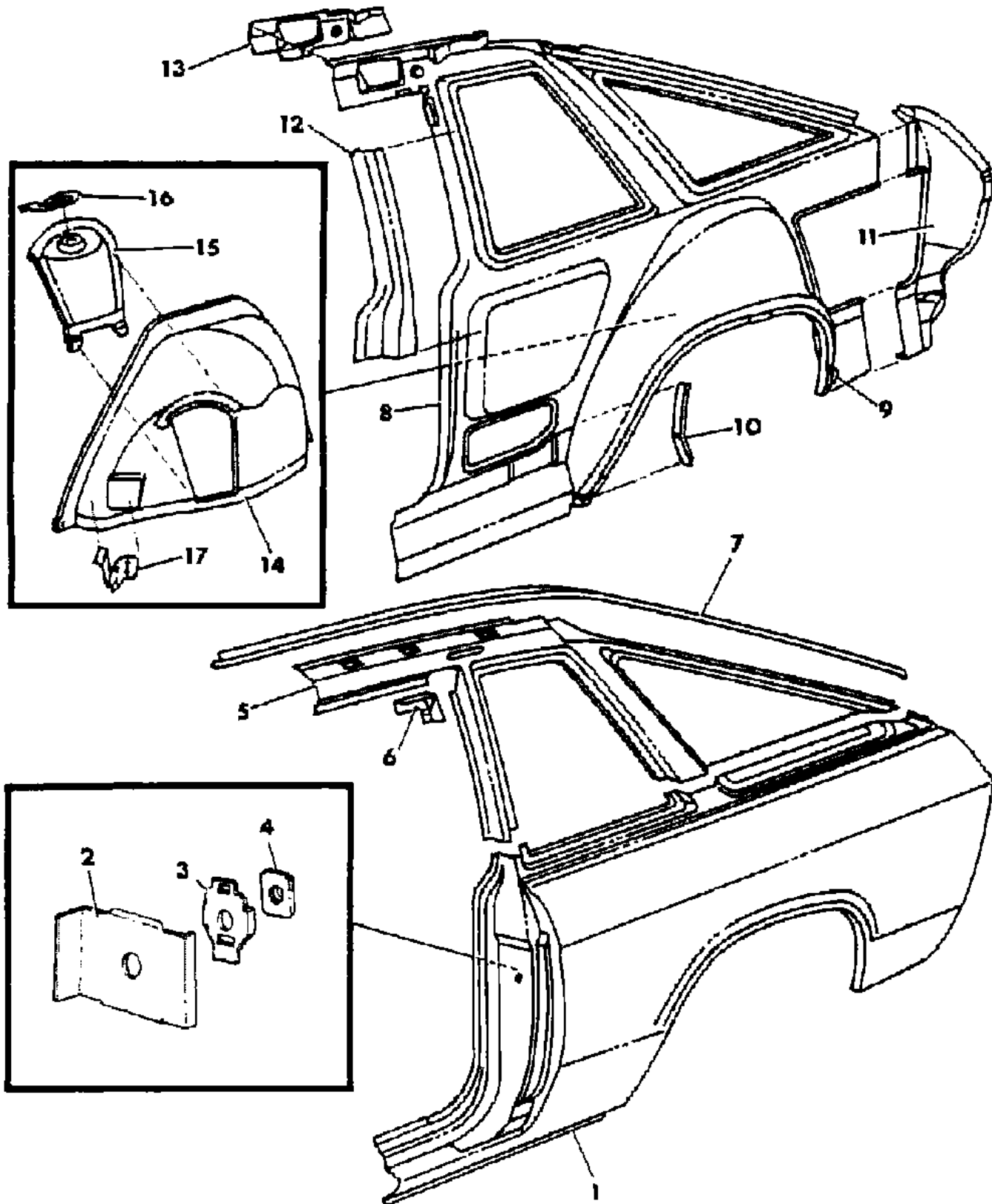
BODY STYLES

21 = 2-DOOR SEDAN	35 = FWD VAN	44 = 4-DOOR HATCHBACK
22 = 2-DOOR SPECIAL COUPE	36 = FWD WAGON	45 = 4-DOOR STATION WAGON
24 = 2-DOOR HATCHBACK	41 = 4-DOOR SEDAN	49 = LIMOUSINE
27 = 2-DOOR CONVERTIBLE		

AR = Use as Required - = Non Illustrated Part P.A.R. = Paint as Required

BODY REAR QUARTER M,Z 24
Figure 23A-900

5169 900



ITEM	PART NUMBER	QTY	BODY	MODEL	DESCRIPTION
1	4337 502-3	1		24	PANEL, Body Side Aperture, Rear Lower
	5230 288	2		24	BRACKET, Qtr. Panel To Aperture Panel Stab.
2	5230 472	2		24	REINFORCEMENT, Door Latch Striker
3	4134 972	2		24	RETAINER, Door Latch Striker Nut
4	6500 483	2		24	NUT, Door Latch Striker
5	4314 154-5	1		24	PANEL, Body Side Aperture, Rear Upper
6	4337 260-1	1		24	FILLER, Door Opening, Rear Upper
7	5230 496-7	1		24	TROUGH, Roof Side Drain
8	4341 364-5	1		24	PANEL, Quarter Inner & Wheelhouse Outer
9	4073 485	2		24	PLUG, 1.50" Dia./38 mm
10	5230 128-9	1		24	CAP, Quarter Inner to Sill Lower Rear
11	5230 468-9	1		24	EXTENSION, Quarter Inner Panel, Rear
12	5230 270-1	1		24	REINFORCEMENT, Quarter Inner Panel, Belt
13	5231 614-5	1		24	EXTENSION, Windshield Opening Side Inner Frame, Upper
14	5230 180-1	1		24	PANEL, Wheelhouse Inner
15	5200 058-9	1		24	REINFORCEMENT, Shock Absorber Mounting
16	5218 032-3	1		24	BRACKET, w/Reinforcement Shock Absorber Mounting Includes Item 15
17	5230 344-5	1		24	BRACKET, Rear Seat Back Hinge Pivot

MODEL CODES

B = GRAN FURY	E = 600	M = HORIZON/TURISMO
C = LE BARON/TOWN & COUNTRY/LIMO	F = FIFTH AVENUE/NEWPORT	P = RELIANT
C24 = LASER	G = DIPLOMAT	T = NEW YORKER
C44 = LE BARON/GTS	H = VOYAGER	V = 600
D = ARIES	J = CARAVELLE	V24 = DAYTONA
D44 = LANCER	K = MINI VAN/CARAVAN/ROYAL	Z = OMNI/CHARGER

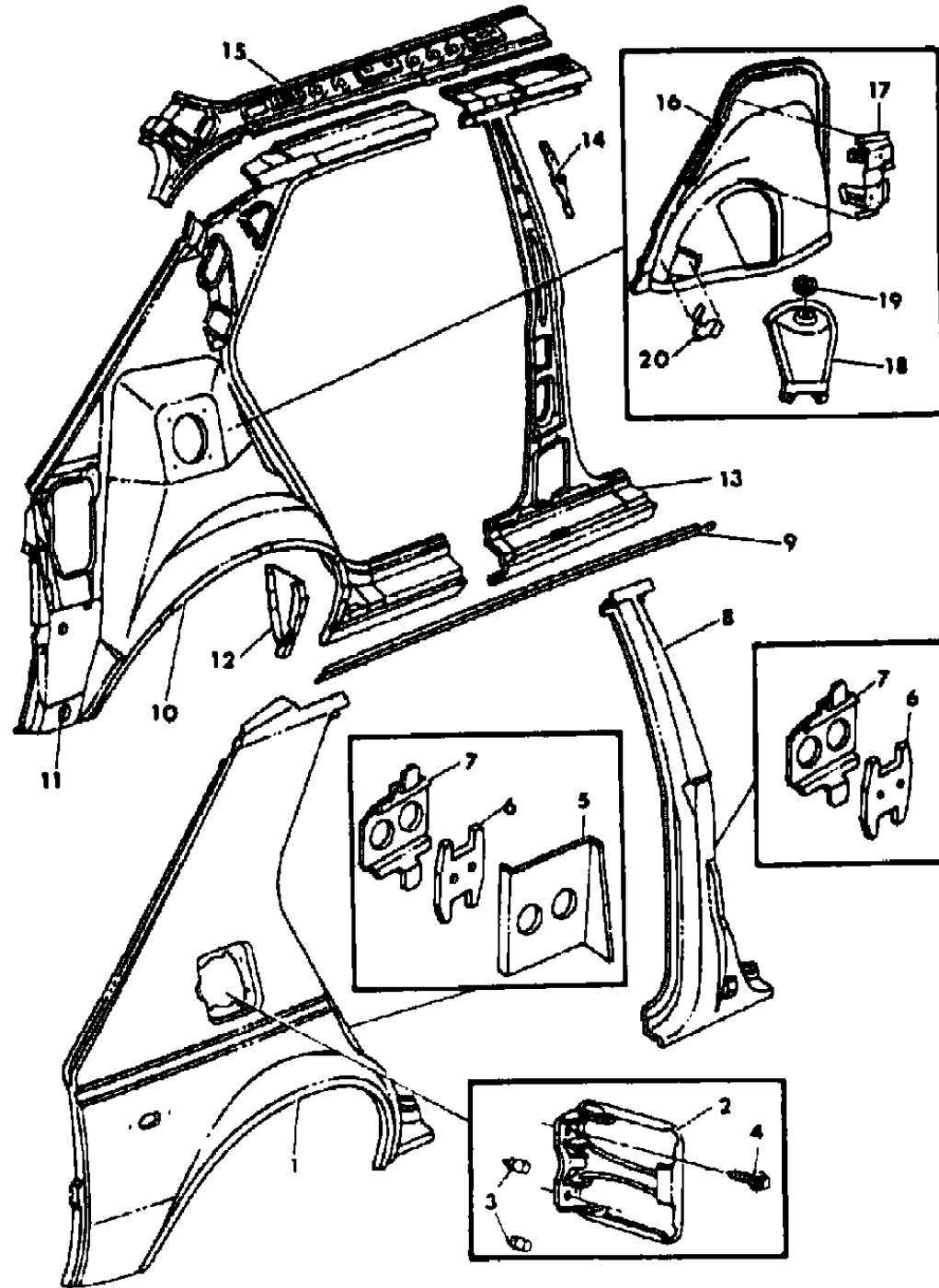
BODY STYLES

21 = 2-DOOR SEDAN	35 = FWD VAN	44 = 4-DOOR HATCHBACK
22 = 2-DOOR SPECIAL COUPE	36 = FWD WAGON	45 = 4-DOOR STATION WAGON
24 = 2-DOOR HATCHBACK	41 = 4-DOOR SEDAN	49 = LIMOUSINE
27 = 2-DOOR CONVERTIBLE		

AR = Use as Required - = Non Illustrated Part P.A.R. = Paint as Required

BODY REAR QUARTER M,Z 44
Figure 23A-1000

5159 1000



ITEM	PART NUMBER	QTY	BODY	MODEL	DESCRIPTION
1	4341 520-1	1	44		PANEL, Quarter Outside
2	5215 891	1	44		DOOR, w/Hinge Fuel Filler
3	4337 838	2	44		BUMPER, Fuel Filler Door
4		2	44		SCREW, #10-16 x .50" (Not Serviced)
5	5215 294-5	1	44		REINFORCEMENT, Rear Door Latch Striker
6	5200 368	4	44		T-PLATE, Door Latch Striker
7	5200 366	4	44		RETAINER, Door Latch Striker T/Plate
8	5218 450-1	1	44		PILLAR, Center
9	5230 498-9	1	44		TROUGH, Roof Side Drain
10	4337 414-5	1	44		PANEL, Body Side Aperture, Rear
11	4073 485	2	44		PLUG, 1.50" Dia./38 mm
12	5200 838-9	1	44		CAP, Body Side to Lower Sill Rear Extension
13	4314 834-5	1	44		PANEL, Body Side Aperture, Center
14	5231 102	2	44		REINFORCEMENT, Seat Belt Anchor
15	5231 086-7	1	44		RAIL, Roof Side Inner
16	5200 056-7	1	44		PANEL, Wheelhouse Inner
17	5200 298-9	1	44		SUPPORT, Quarter Trim & Seat Back Latch
18	5200 058-9	1	44		REINFORCEMENT, Shock Absorber Mounting
19	4050 648-9	1	44		CUP, w/Reinforcement Shock Absorber Mounting Includes Item 18
20	5230 344-5	1	44		BRACKET, Wheelhouse Rear Seat Back Hinge Pivot

MODEL CODES

B = GRAN FURY	E = 600	M = HORIZON/TURISMO
C = LE BARON/TOWN & COUNTRY/LIMO	F = FIFTH AVENUE/NEWPORT	P = RELIANT
C24 = LASER	G = DIPLOMAT	T = NEW YORKER
C44 = LE BARON/GTS	H = VOYAGER	V = 600
D = ARIES	J = CARAVELLE	V24 = DAYTONA
D44 = LANCER	K = MINI VAN/CARAVAN/ROYAL	Z = OMNI/CHARGER

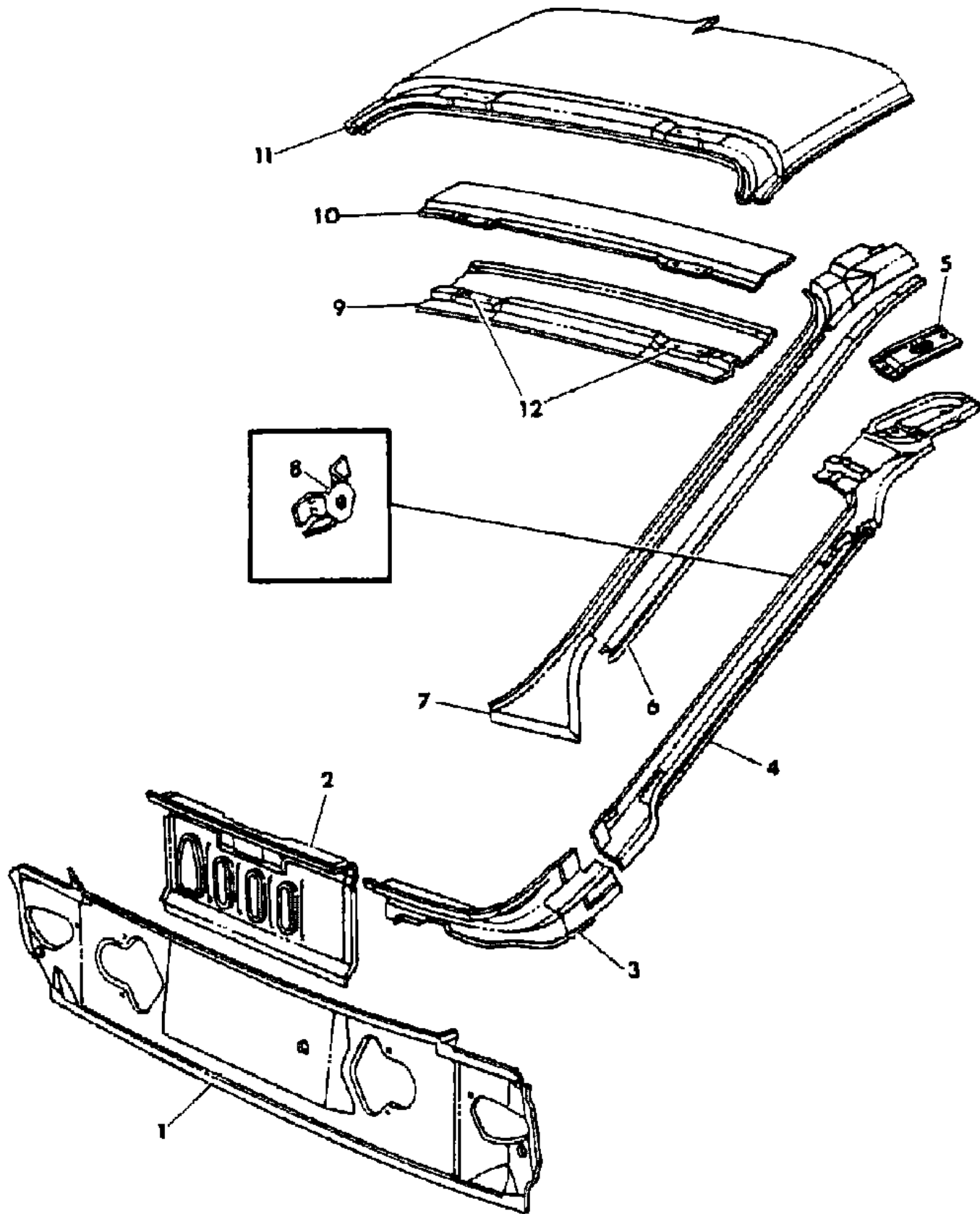
BODY STYLES

21 = 2-DOOR SEDAN	35 = FWD VAN	44 = 4-DOOR HATCHBACK
22 = 2-DOOR SPECIAL COUPE	36 = FWD WAGON	45 = 4-DOOR STATION WAGON
24 = 2-DOOR HATCHBACK	41 = 4-DOOR SEDAN	49 = LIMOUSINE
27 = 2-DOOR CONVERTIBLE		

AR = Use as Required - = Non Illustrated Part P.A.R. = Paint as Required

LIFTGATE OPENING M,Z 24
Figure 23A-1100

5169 1100



ITEM	PART NUMBER	QTY	BODY	MODEL	DESCRIPTION
1	4296 998	1		24	PANEL, Liftgate Opening Lower
2	5230 424	1		24	REINFORCEMENT, Liftgate Opening Lower Panel
3	5230 026-7	1		24	EXTENSION, Quarter Inner to Liftgate Opening Lower Panel Reinforcement
4	5230 070-1	1		24	REINFORCEMENT, Quarter Inner Panel Liftgate Opening Pillar
5		2		24	PLATE and SCREW, Shoulder Belt Retractor Mounting (Not Serviced)
6	5230 496-7	1		24	TROUGH, Roof Side Drain
7	5230 078-9	1		24	TROUGH, Quarter Liftgate Side Drain
8	5230 164	2		24	BRACKET and NUT, Liftgate Prop Mounting
9	5218 009	1		24	FRAME, w/Reinforcement Roof Liftgate Opening
10		1		24	REINFORCEMENT, Roof Liftgate Opening (Serviced in Item #9)
11	4341 323	1		24	PANEL, Roof Outer, w/o Sunroof
	4341 325	1		24	PANEL and TROUGH, w/Sunroof
12		2		24	REINFORCEMENT, Liftgate Opening Hinge Mounting (Serviced in Item #9)

MODEL CODES

B = GRAN FURY	E = 600	M = HORIZON/TURISMO
C = LE BARON/TOWN & COUNTRY/LIMO	F = FIFTH AVENUE/NEWPORT	P = RELIANT
C24 = LASER	G = DIPLOMAT	T = NEW YORKER
C44 = LE BARON/GTS	H = VOYAGER	V = 600
D = ARIES	J = CARAVELLE	V24 = DAYTONA
D44 = LANCER	K = MINI VAN/CARAVAN/ROYAL	Z = OMNI/CHARGER

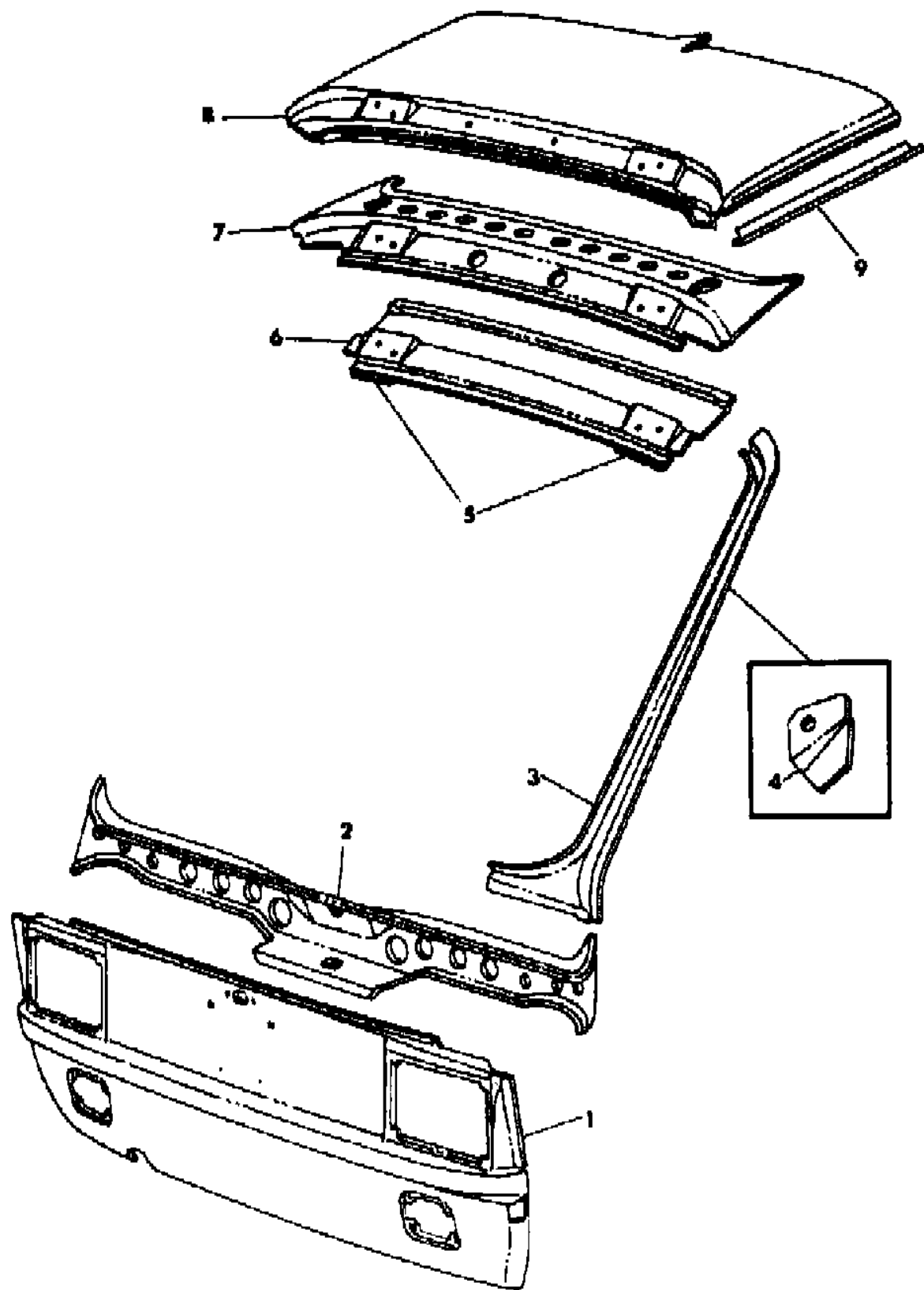
BODY STYLES

21 = 2-DOOR SEDAN	35 = FWD VAN	44 = 4-DOOR HATCHBACK
22 = 2-DOOR SPECIAL COUPE	36 = FWD WAGON	45 = 4-DOOR STATION WAGON
24 = 2-DOOR HATCHBACK	41 = 4-DOOR SEDAN	49 = LIMOUSINE
27 = 2-DOOR CONVERTIBLE		

AR = Use as Required - = Non Illustrated Part P.A.R. = Paint as Required

LIFTGATE OPENING M,Z 44
Figure 23A-1200

5169 1200



ITEM	PART NUMBER	QTY	BODY	MODEL	DESCRIPTION
1	4296 997	1		44	PANEL, Liftgate Opening Lower
2	5230 450	1		44	REINFORCEMENT, Liftgate Opening Lower Panel
3	4341 104-5	1		44	TROUGH, Quarter Liftgate Side Drain
4	5200 380-1	1		44	REINFORCEMENT, Liftgate Prop to Trough Mounting
5		2		44	SUPPORT, Liftgate Hinge Mounting (Serviced in Item #6)
6	4050 586	1		44	FRAME, w/Reinforcement Liftgate Opening Upper
7		1		44	REINFORCEMENT, Liftgate Opening Frame (Serviced in Item #6)
8	5200 922	1		44	PANEL, Roof Outer
9	5230 498-9	1		44	TROUGH, Roof Side Drain

MODEL CODES

B = GRAN FURY	E = 600	M = HORIZON/TURISMO
C = LE BARON/TOWN & COUNTRY/LIMO	F = FIFTH AVENUE/NEWPORT	P = RELIANT
C24 = LASER	G = DIPLOMAT	T = NEW YORKER
C44 = LE BARON/GTS	H = VOYAGER	V = 600
D = ARIES	J = CARAVELLE	V24 = DAYTONA
D44 = LANCER	K = MINI VAN/CARAVAN/ROYAL	Z = OMNI/CHARGER

BODY STYLES

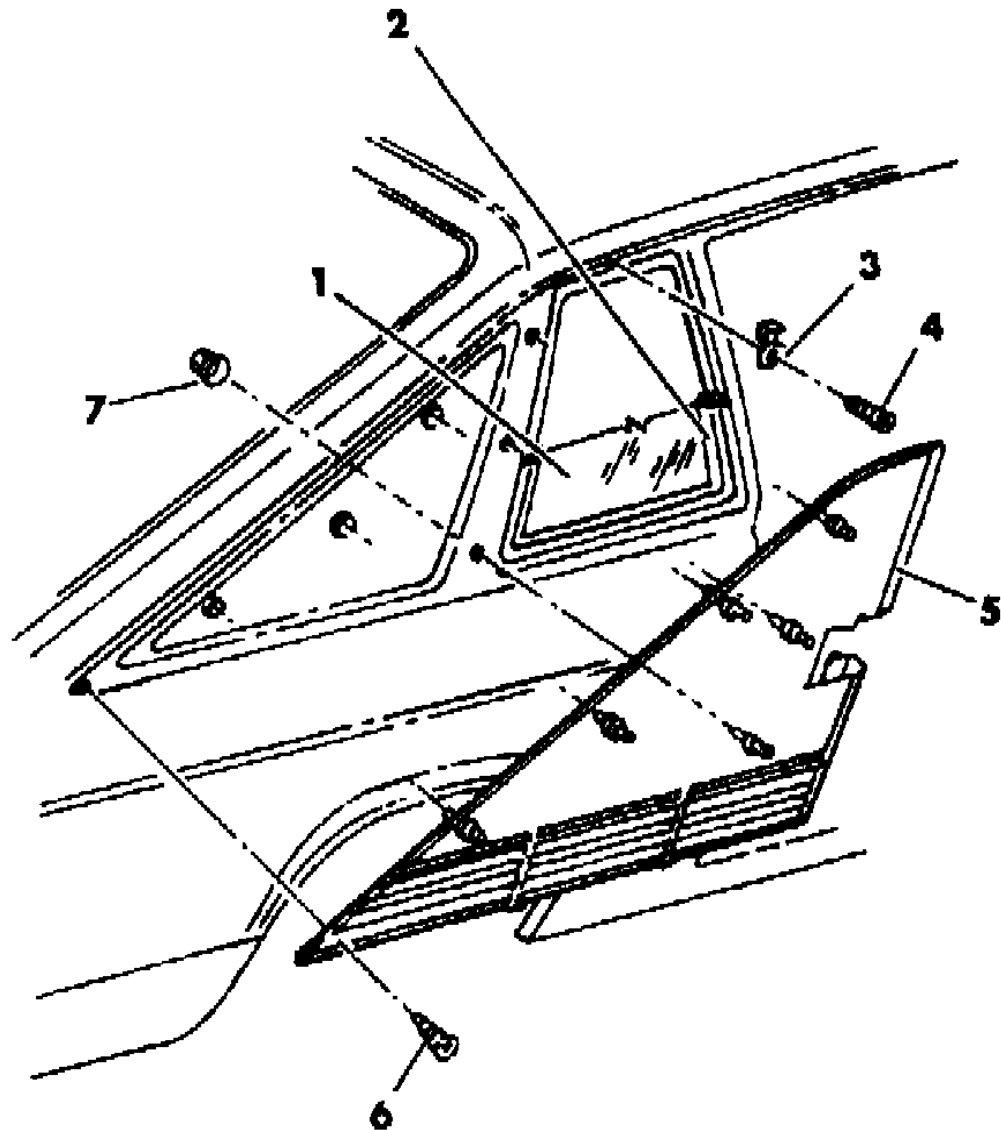
21 = 2-DOOR SEDAN	35 = FWD VAN	44 = 4-DOOR HATCHBACK
22 = 2-DOOR SPECIAL COUPE	36 = FWD WAGON	45 = 4-DOOR STATION WAGON
24 = 2-DOOR HATCHBACK	41 = 4-DOOR SEDAN	49 = LIMOUSINE
27 = 2-DOOR CONVERTIBLE		

AR = Use as Required - = Non Illustrated Part P.A.R. = Paint as Required

GLASS QUARTER WINDOW M,Z 24
Figure 23A-1300

5159 1300

ITEM	PART NUMBER	QTY	BODY	MODEL	DESCRIPTION
1	5230 404-5	1		24	GLASS, Quarter Window, Front
2	5230 150-1	1		24	WEATHERSTRIP, Quarter Window, Front
3	5230 661	2		24	RETAINER, Quarter Window Frame or Applique
4		2		24	SCREW, #8-18 x .50" (Not Serviced)
5				24	APPLIQUE, Rear Quarter Window (See Exterior Ornamentation)
6		2		24	SCREW, #8-18 x .75" (Not Serviced)
7	6025 002	12		24	NUT



MODEL CODES

B = GRAN FURY	E = 600	M = HORIZON/TURISMO
C = LE BARON/TOWN & COUNTRY/LIMO	F = FIFTH AVENUE/NEWPORT	P = RELIANT
C24 = LASER	G = DIPLOMAT	T = NEW YORKER
C44 = LE BARON/GTS	H = VOYAGER	V = 600
D = ARIES	J = CARAVELLE	V24 = DAYTONA
D44 = LANCER	K = MINI VAN/CARAVAN/ROYAL	Z = OMNI/CHARGER

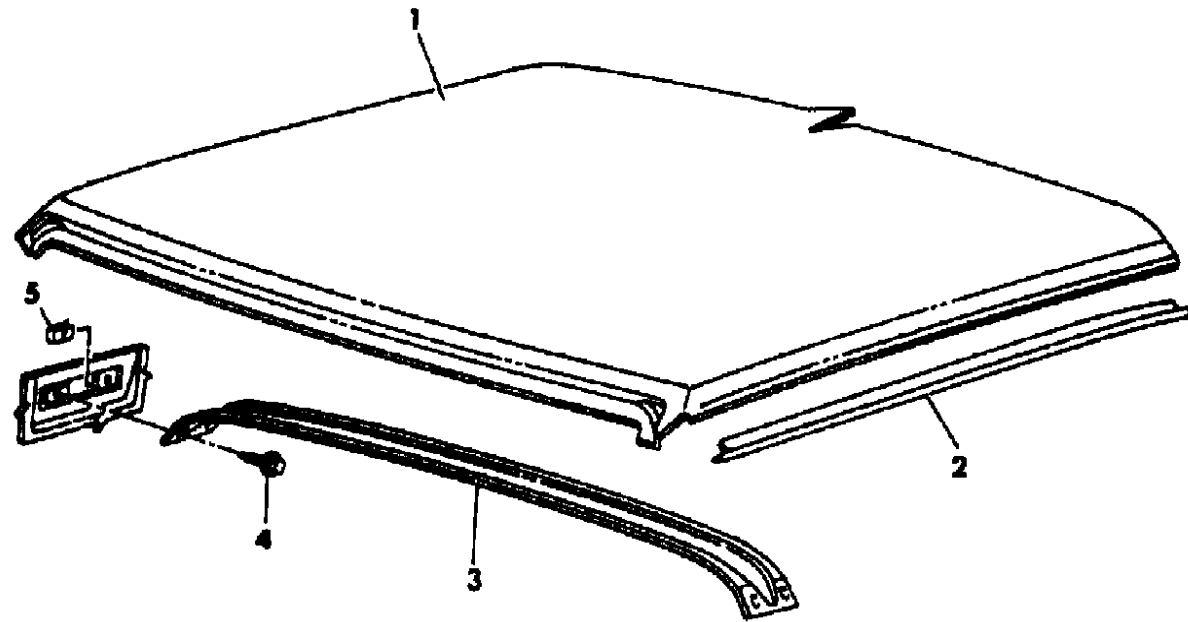
BODY STYLES

21 = 2-DOOR SEDAN	35 = FWD VAN	44 = 4-DOOR HATCHBACK
22 = 2-DOOR SPECIAL COUPE	36 = FWD WAGON	45 = 4-DOOR STATION WAGON
24 = 2-DOOR HATCHBACK	41 = 4-DOOR SEDAN	49 = LIMOUSINE
27 = 2-DOOR CONVERTIBLE		

AR = Use as Required - = Non Illustrated Part P.A.R. = Paint as Required

ROOF PANEL M,Z
Figure 23A-1400

5169 1400



ITEM	PART NUMBER	QTY	BODY	MODEL	DESCRIPTION
1	4341 323	1		24	PANEL, Roof Outer, w/o Sunroof
	5200 922	1		44	
	4341 325	1		24	PANEL and TROUGH, w/Sunroof
2	5230 496-7	1		24	TROUGH, Roof Side Drain
	5230 498-9	1		44	
3	5231 029	1		24	BOW, Roof
	5200 521	1		44	
4	6100 565	4		24,44	SCREW and WASHER
5	6100 041	4		44	U-NUT

MODEL CODES

B = GRAN FURY	E = 600	M = HORIZON/TURISMO
C = LE BARON/TOWN & COUNTRY/LIMO	F = FIFTH AVENUE/NEWPORT	P = RELIANT
C24 = LASER	G = DIPLOMAT	T = NEW YORKER
C44 = LE BARON/GTS	H = VOYAGER	V = 600
D = ARIES	J = CARAVELLE	V24 = DAYTONA
D44 = LANCER	K = MINI VAN/CARAVAN/ROYAL	Z = OMNI/CHARGER

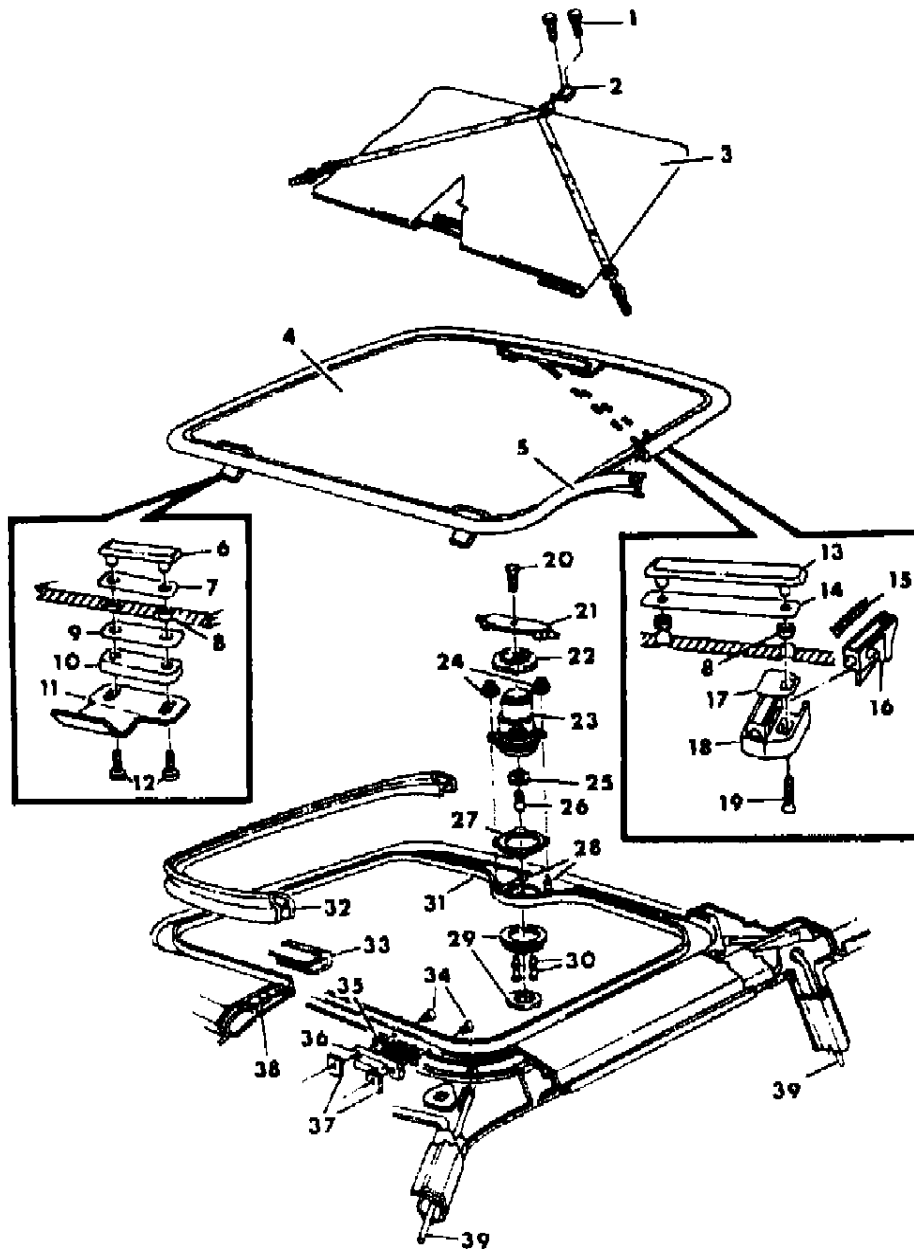
BODY STYLES

21 = 2-DOOR SEDAN	35 = FWD VAN	44 = 4-DOOR HATCHBACK
22 = 2-DOOR SPECIAL COUPE	36 = FWD WAGON	45 = 4-DOOR STATION WAGON
24 = 2-DOOR HATCHBACK	41 = 4-DOOR SEDAN	49 = LIMOUSINE
27 = 2-DOOR CONVERTIBLE		

AR = Use as Required - = Non Illustrated Part P.A.R. = Paint as Required

SUN ROOF M,Z 24
Figure 23A-1500

5185 1500



ITEM	PART NUMBER	QTY	BODY	MODEL	DESCRIPTION
1	9436 676	6		24	SCREW
2	5216 587	3		24	BRACKET, Stowage Bag D-Ring Retainer
3	E858 BX7	1		24	BAG, Stowage (Black) w/Hold Down Straps
4	5232 068	1		24	PANEL, Glass w/Frame (Bonded)
	5207 474	2		24	PIN, Glass Frame Connecting
5	5232 046	1		24	SEAL, Sun Roof (Secondary)
6		2		24	T-PLATE, Serviced In Package #4106874
7		2		24	GASKET, Serviced In Package #4106874
8		6		24	GROMMET, Serviced In Package #4106874
9		2		24	GASKET, Serviced In Package #4106874
10		2		24	SPACER, Serviced In Package #4106874
11		2		24	HINGE, Serviced In Package #4106874
12		4		24	SCREW, Serviced In Package #4106874
13	5207 322	1		24	T-PLATE, Latch
14	5207 368	1		24	GASKET, Latch T/Plate
15		2		24	SPRING, Serviced In Package #4106872-3
16		2		24	LATCH, Serviced In Package #4106872-3
17		2		24	GASKET, Serviced In Package #4106872-3
18		2		24	HOUSING, Serviced In Package #4106872-3
19		2		24	SCREW, Serviced In Package #4106872-3
20		1		24	SCREW, #10-16 x .75" (Not Serviced)
21	5207 327	1		24	STRIKER, Latch
22	4341 037	1		24	GASKET, w/Retainer Adjuster
23	4341 035	1		24	ADJUSTER, Latch (Includes Items #20-23 & 25,26)
24	6501 140	4		24	NUT
25	5232 094	1		24	WASHER, Latch Striker Stop
26		1		24	SCREW, #8-18 x .75" (Not Serviced)
27	5232 052	1		24	GASKET, Latch Adjuster to Trough
28		4		24	SCREW, Weld, M5 x 15mm (Serviced in Item #31)
29	H808 BX9	1		24	HANDLE, Latch Adjuster (Complete)
30	#6031 171	4		24	SCREW
31	4341 325	1		24	PANEL and TROUGH, Includes Item #28
32	5207 319	1		24	SEAL, Sun Roof (Primary)
33	H611 BA2	1		24	WELT, Headliner Opening, Silver
	H611 BB5	1		24	Blue
	H611 BM6	1		24	Red
	H611 CS8	1		24	Charcoal

MODEL CODES

B = GRAN FURY	E = 600	M = HORIZON/TURISMO
C = LE BARON/TOWN & COUNTRY/LIMO	F = FIFTH AVENUE/NEWPORT	P = RELIANT
C24 = LASER	G = DIPLOMAT	T = NEW YORKER
C44 = LE BARON/GTS	H = VOYAGER	V = 600
D = ARIES	J = CARAVELLE	V24 = DAYTONA
D44 = LANCER	K = MINI VAN/CARAVAN/ROYAL	Z = OMNI/CHARGER

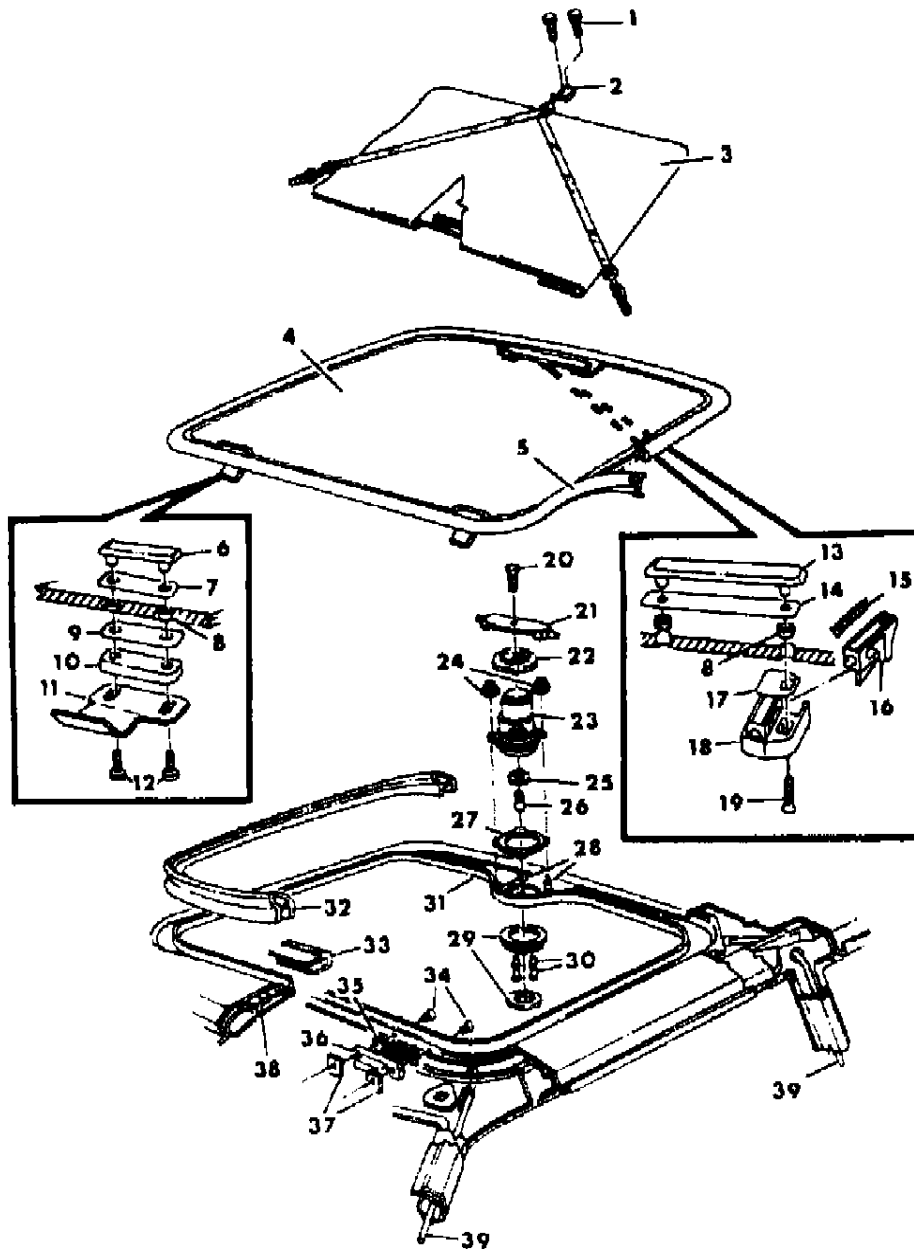
BODY STYLES

21 = 2-DOOR SEDAN	35 = FWD VAN	44 = 4-DOOR HATCHBACK
22 = 2-DOOR SPECIAL COUPE	36 = FWD WAGON	45 = 4-DOOR STATION WAGON
24 = 2-DOOR HATCHBACK	41 = 4-DOOR SEDAN	49 = LIMOUSINE
27 = 2-DOOR CONVERTIBLE		

AR = Use as Required - = Non Illustrated Part P.A.R. = Paint as Required

SUN ROOF M,Z 24
Figure 23A-1500

5185 1500



ITEM	PART NUMBER	QTY	BODY	MODEL	DESCRIPTION
	H611 DT3	1		24	Tan
34	6101 127	4		24	SCREW
35	5232 050-1	1		24	GASKET, Hinge Receiver
36	5207 374-5	1		24	RECEIVER, Hinge (Includes Items #35 & 37)
37	5207 378	4		24	PLATE, Hinge Received
38		1		24	HEADLINER, See Group 23-Interior Illustrations
39	4026 151	AR		24	HOSE, Drain (3/8 I.D. x 50' Roll Stock)
NOTE: The Following Items Are Not Shown On Illustration. s group.					
	4106 872-3	1		24	HOUSING and LATCH, Includes Items 15-19
	4106 874	2		24	HINGE and T-PLATE, Includes Items #6-12

MODEL CODES

B = GRAN FURY	E = 600	M = HORIZON/TURISMO
C = LE BARON/TOWN & COUNTRY/LIMO	F = FIFTH AVENUE/NEWPORT	P = RELIANT
C24 = LASER	G = DIPLOMAT	T = NEW YORKER
C44 = LE BARON/GTS	H = VOYAGER	V = 600
D = ARIES	J = CARAVELLE	V24 = DAYTONA
D44 = LANCER	K = MINI VAN/CARAVAN/ROYAL	Z = OMNI/CHARGER

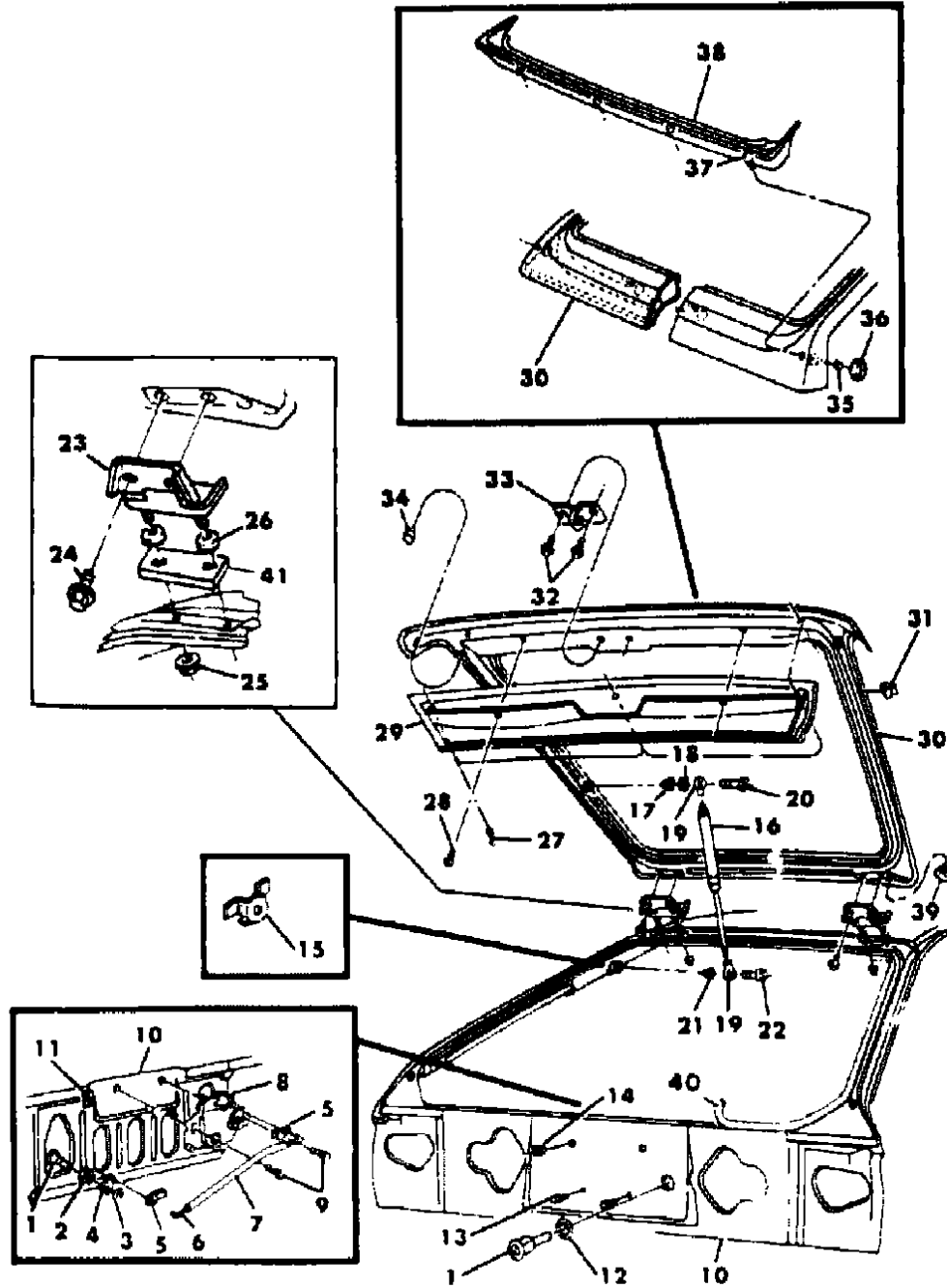
BODY STYLES

21 = 2-DOOR SEDAN	35 = FWD VAN	44 = 4-DOOR HATCHBACK
22 = 2-DOOR SPECIAL COUPE	36 = FWD WAGON	45 = 4-DOOR STATION WAGON
24 = 2-DOOR HATCHBACK	41 = 4-DOOR SEDAN	49 = LIMOUSINE
27 = 2-DOOR CONVERTIBLE		

AR = Use as Required - = Non Illustrated Part P.A.R. = Paint as Required

LIFTGATE M,Z 24
Figure 23A-1600

5169 1600



ITEM	PART NUMBER	QTY	BODY	MODEL	DESCRIPTION
1		1		24	CYLINDER, Lock (See Group 23D Illustrations)
2	4054 202	1		24	NUT, Lock Cylinder
3	6032 107	1		24	CLIP, Lock Cylinder Lever
4		1		24	LEVER, Lock Cylinder (Serviced in Item #6)
5	3454 221	2		24	CLIP, Link Attaching
6	4246 648	1		24	LINK, Latch Release (Includes Items #4-7)
7		1		24	SLEEVE, Link (Serviced in Item #6)
8	4246 675	1		24	LATCH, Electric
	6032 107	1		24	RETAINER, Latch Lever
	6028 976	2		24	PUSHNUT, Latch Spring (Electric)
9	6101 255	2		24	SCREW and WASHER
10				24	PANEL, Liftgate Opening (Reference Only)
11		1		24	BUMPER, Latch Link (Not Serviced) 2" Foam Tape
12	3695 321	1		24	GASKET, Lock Cylinder
13	5200 365	2		24	BUMPER, License Plate
14	6500 229	2		24	NUT, License Plate
15	5230 164	2		24	BRACKET, Prop to Pillar
16		2		24	PROP, Liftgate, w/o Spoiler (Serviced in Package #4318331)
		2		24	w/Spoiler (Serviced in Package #4318330)
17		2		24	NUT, w/Washer Tube End Serviced In Item 19
18		2		24	WASHER, Tube End (Serviced in Item #19)
19	4172 829	2		24	CLEVIS, Prop, Rod End (Includes Items #21 & 22)
	4172 830	2		24	Tube End (Includes Items #17,18 & 20)
20	6500 457	2		24	SCREW, Tube End
21	6500 159	2		24	NUT and WASHER, Rod End
22	6500 183	2		24	SCREW, Rod End
23	4246 776	2		24	HINGE, Liftgate
24	6100 275	4		24	SCREW and WASHER
25	6500 991	4		24	NUT and WASHER
26	5231 207	4		24	SEALING WASHER
27		3		24	SCREW, #8-18 x 1.25" (Not Serviced)
28		2		24	SCREW, #8-18 x 1.75" (Not Serviced)
29	H429 AA3	1		24	COVER, Liftgate, Silver
	H429 BB5	1		24	Blue
	H429 CS8	1		24	Charcoal
	H429 TM6	1		24	Red
	H429 DT3	1		24	Tan

MODEL CODES

B = GRAN FURY	E = 600	M = HORIZON/TURISMO
C = LE BARON/TOWN & COUNTRY/LIMO	F = FIFTH AVENUE/NEWPORT	P = RELIANT
C24 = LASER	G = DIPLOMAT	T = NEW YORKER
C44 = LE BARON/GTS	H = VOYAGER	V = 600
D = ARIES	J = CARAVELLE	V24 = DAYTONA
D44 = LANCER	K = MINI VAN/CARAVAN/ROYAL	Z = OMNI/CHARGER

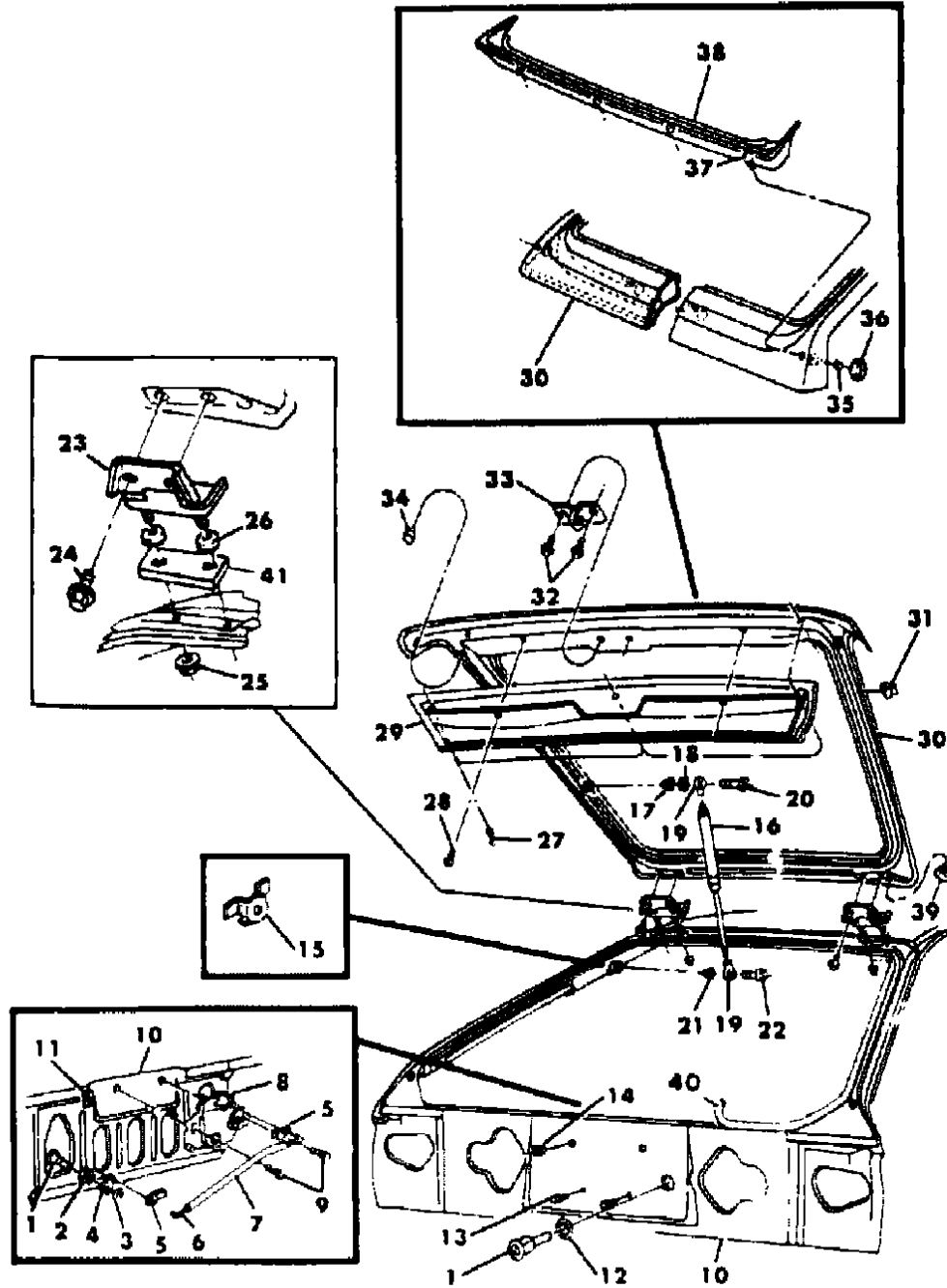
BODY STYLES

21 = 2-DOOR SEDAN	35 = FWD VAN	44 = 4-DOOR HATCHBACK
22 = 2-DOOR SPECIAL COUPE	36 = FWD WAGON	45 = 4-DOOR STATION WAGON
24 = 2-DOOR HATCHBACK	41 = 4-DOOR SEDAN	49 = LIMOUSINE
27 = 2-DOOR CONVERTIBLE		

AR = Use as Required - = Non Illustrated Part P.A.R. = Paint as Required

LIFTGATE M,Z 24
Figure 23A-1600

5169 1600



ITEM	PART NUMBER	QTY	BODY	MODEL	DESCRIPTION
30	5218 420	1		24	LIFTGATE, Primed
31	5207 475	2		24	BUMPER, Anti-Shuffle
32	6101 255	2		24	SCREW and WASHER
33	5207 389	1		24	STRIKER, Latch
34	5230 376	2		24	BUMPER, Inner Panel
35	6027 422	6		24	NUT and SEAL
36	1963 755	4		24	PLUG, Spoiler Access Hole
37		6		24	STUD, Serviced In Item 38
38	4280 546	1		24	SPOILER, Liftgate
39	6029 939	2		24	PLUG, .500" Dia./13mm
40	5231 926	1		24	WEATHERSTRIP, Liftgate Opening
41	4336 555	2		24	GASKET, Liftgate Hinge to Body

NOTE: The following items are not shown on illustration. s group.

4318 331	2	24	PROP PACKAGE, w/o Spoiler (Includes Items #16-22)
4318 330	2	24	PROP PACKAGE, w/Spoiler (Includes Items #16-22)
PACKAGES CONSIST OF:			
1- ----- Prop, Complete			
1- 4124957 Wiring, Heated Glass			
1- 3513544 Terminal			
1- 3588781 Insulator			
1- ----- Instruction Sheet			

MODEL CODES

B = GRAN FURY	E = 600	M = HORIZON/TURISMO
C = LE BARON/TOWN & COUNTRY/LIMO	F = FIFTH AVENUE/NEWPORT	P = RELIANT
C24 = LASER	G = DIPLOMAT	T = NEW YORKER
C44 = LE BARON/GTS	H = VOYAGER	V = 600
D = ARIES	J = CARAVELLE	V24 = DAYTONA
D44 = LANCER	K = MINI VAN/CARAVAN/ROYAL	Z = OMNI/CHARGER

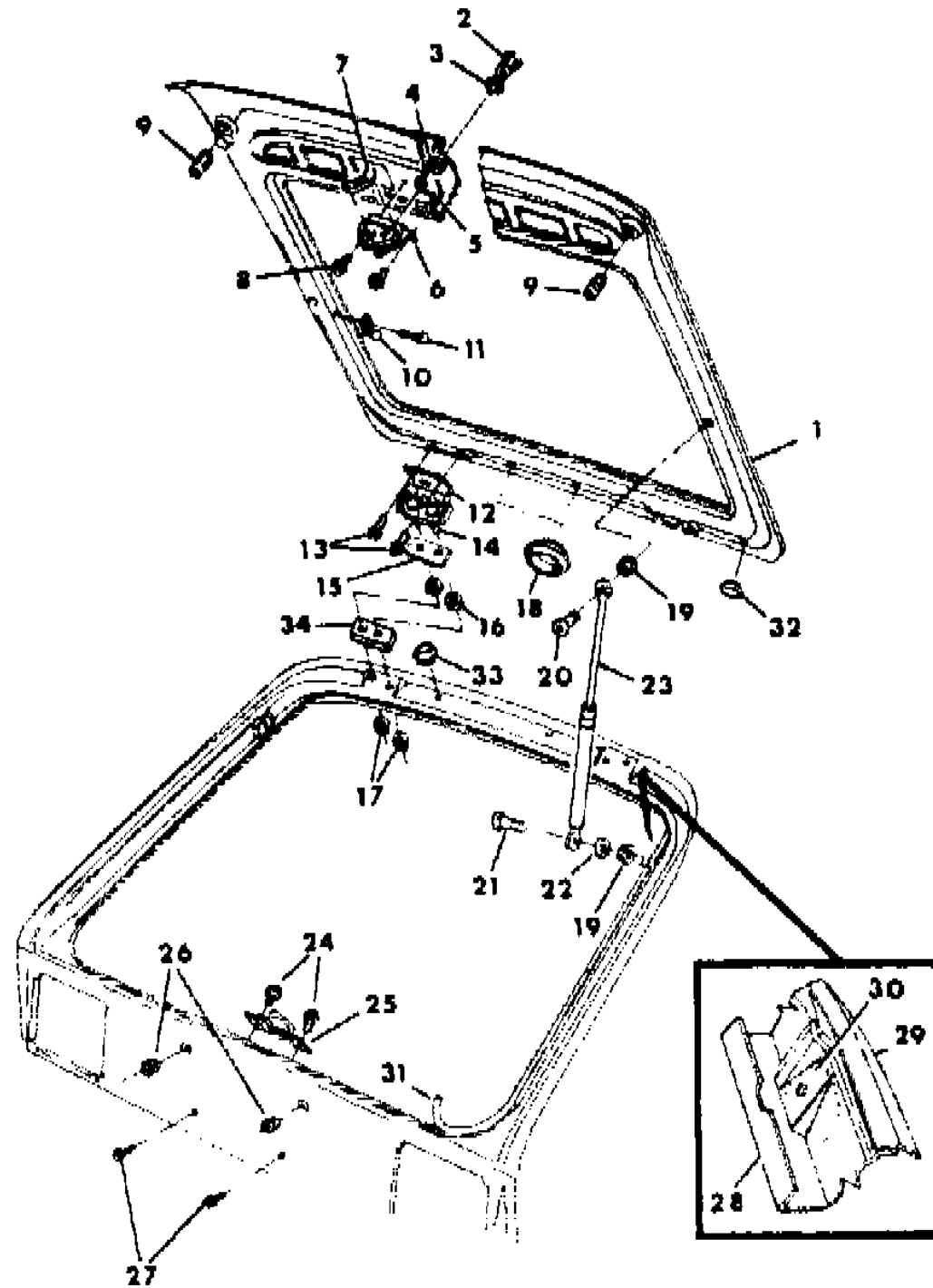
BODY STYLES

21 = 2-DOOR SEDAN	35 = FWD VAN	44 = 4-DOOR HATCHBACK
22 = 2-DOOR SPECIAL COUPE	36 = FWD WAGON	45 = 4-DOOR STATION WAGON
24 = 2-DOOR HATCHBACK	41 = 4-DOOR SEDAN	49 = LIMOUSINE
27 = 2-DOOR CONVERTIBLE		

AR = Use as Required - = Non Illustrated Part P.A.R. = Paint as Required

LIFTGATE M,Z 44
Figure 23A-1700

5168 1700



ITEM	PART NUMBER	QTY	BODY	MODEL	DESCRIPTION
1	5218 373	1		44	LIFTGATE, Primed
2		1		44	CYLINDER, Lock (See Group 23D Illustrations)
3	3695 321	1		44	GASKET, Lock Cylinder
4	4054 202	1		44	NUT, Lock Cylinder
5	5207 246	1		44	SHIELD, Water
6	5207 383	1		44	LATCH, Liftgate
	6030 592	1		44	NUT, Latch Cam Retaining
7	5207 244	1		44	BUMPER, Latch
8	6101 255	2		44	SCREW and WASHER
9	5230 376	2		44	BUMPER, Liftgate
10	5200 311	2		44	BRACKET, Shelf Strap
11		2		44	RIVET, Pop, 3/16" Dia. x 1/8-1/4" Grip Range (Not Serviced)
12	4246 774-5	1		44	HINGE, Liftgate (Includes Item #14)
13	6100 275	4		44	SCREW, w/Washer Gate Half
14		4		44	BOLT, Body Half (Serviced in Item #12)
15		AR		44	SHIM, Not Serviced
16	5231 207	4		44	WASHER, Sealing
17	6500 991	4		44	NUT and WASHER
18	2574 792	2		44	PLUG, .75" Dia./19.5mm
19	6500 159	4		44	NUT and WASHER
20	6500 142	2		44	SCREW, Rod End
21	6500 183	2		44	SCREW, Tube End
22		2		44	WASHER, Tube End (Serviced in Item #23)
23	G000 4618	2		44	PROP, Liftgate (Includes Items #19-22)
24	6101 255	2		44	SCREW and WASHER
25	5207 184	1		44	STRIKER, Latch
26	6500 229	4		44	NUT, License Plate
27	5200 365	2		44	BUMPER, License Plate
28		1		44	TROUGH, Liftgate Opening (Reference Only)
29		1		44	PANEL, Quarter (Reference Only)
30	5200 380-1	1		44	REINFORCEMENT, Prop Mounting
31	5231 926	1		44	WEATHERSTRIP, Liftgate Opening
32	6029 939	2		44	PLUG, .500" Dia./13mm
33	2574 792	1		44	PLUG, .75" Dia./19.5mm
34	4336 566-7	1		44	GASKET, Liftgate Hinge to Body

MODEL CODES

B = GRAN FURY	E = 600	M = HORIZON/TURISMO
C = LE BARON/TOWN & COUNTRY/LIMO	F = FIFTH AVENUE/NEWPORT	P = RELIANT
C24 = LASER	G = DIPLOMAT	T = NEW YORKER
C44 = LE BARON/GTS	H = VOYAGER	V = 600
D = ARIES	J = CARAVELLE	V24 = DAYTONA
D44 = LANCER	K = MINI VAN/CARAVAN/ROYAL	Z = OMNI/CHARGER

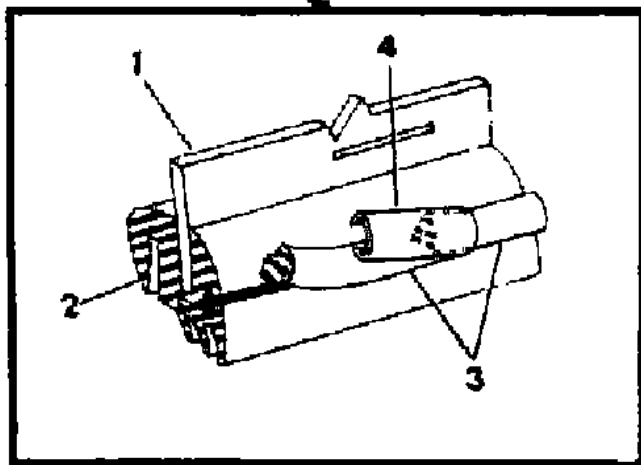
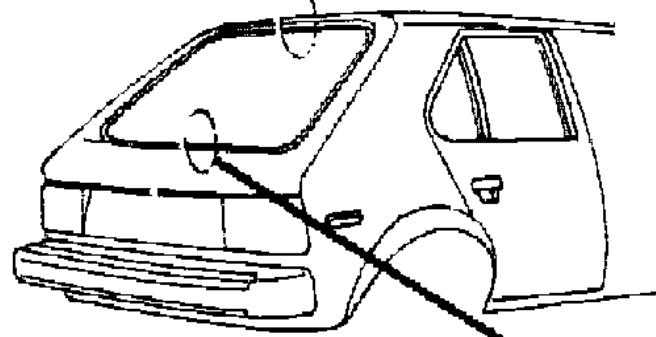
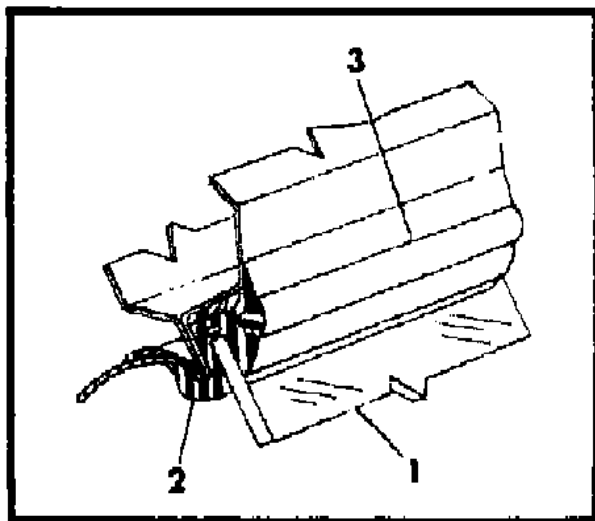
BODY STYLES

21 = 2-DOOR SEDAN	35 = FWD VAN	44 = 4-DOOR HATCHBACK
22 = 2-DOOR SPECIAL COUPE	36 = FWD WAGON	45 = 4-DOOR STATION WAGON
24 = 2-DOOR HATCHBACK	41 = 4-DOOR SEDAN	49 = LIMOUSINE
27 = 2-DOOR CONVERTIBLE		

AR = Use as Required - = Non Illustrated Part P.A.R. = Paint as Required

GLASS LIFTGATE M,Z
Figure 23A-1800

5169 1800



ITEM	PART NUMBER	QTY	BODY	MODEL	DESCRIPTION
1	5230 047	1	24		GLASS, Liftgate, Tinted
	4198 980	1	24		Tinted, Electric Heated
	5231 924	1	44		Tinted
	4198 982	1	44		Tinted, Electric Heated
2	4310 953	1	24		WEATHERSTRIP, Liftgate Glass, Black
	5208 558	1	44		Use w/Bright Lockstrip
	4310 952	1	44		Use w/o Bright Lockstrip
3	5208 602	1	44		LOCKSTRIP, Liftgate Glass Weatherstrip, Bright
4	5208 603	1	44		CAP, Lockstrip, Bright

NOTE: The following items are not shown on illustration. s group.

4267 922	1	24,44		ELECTRIC GRID REPAIR PACKAGE CONSISTS OF: 1- ----- Cement, Cho-Bond, 1/2 oz. 1- ----- Instruction Sheet
----------	---	-------	--	--

MODEL CODES

B = GRAN FURY	E = 600	M = HORIZON/TURISMO
C = LE BARON/TOWN & COUNTRY/LIMO	F = FIFTH AVENUE/NEWPORT	P = RELIANT
C24 = LASER	G = DIPLOMAT	T = NEW YORKER
C44 = LE BARON/GTS	H = VOYAGER	V = 600
D = ARIES	J = CARAVELLE	V24 = DAYTONA
D44 = LANCER	K = MINI VAN/CARAVAN/ROYAL	Z = OMNI/CHARGER

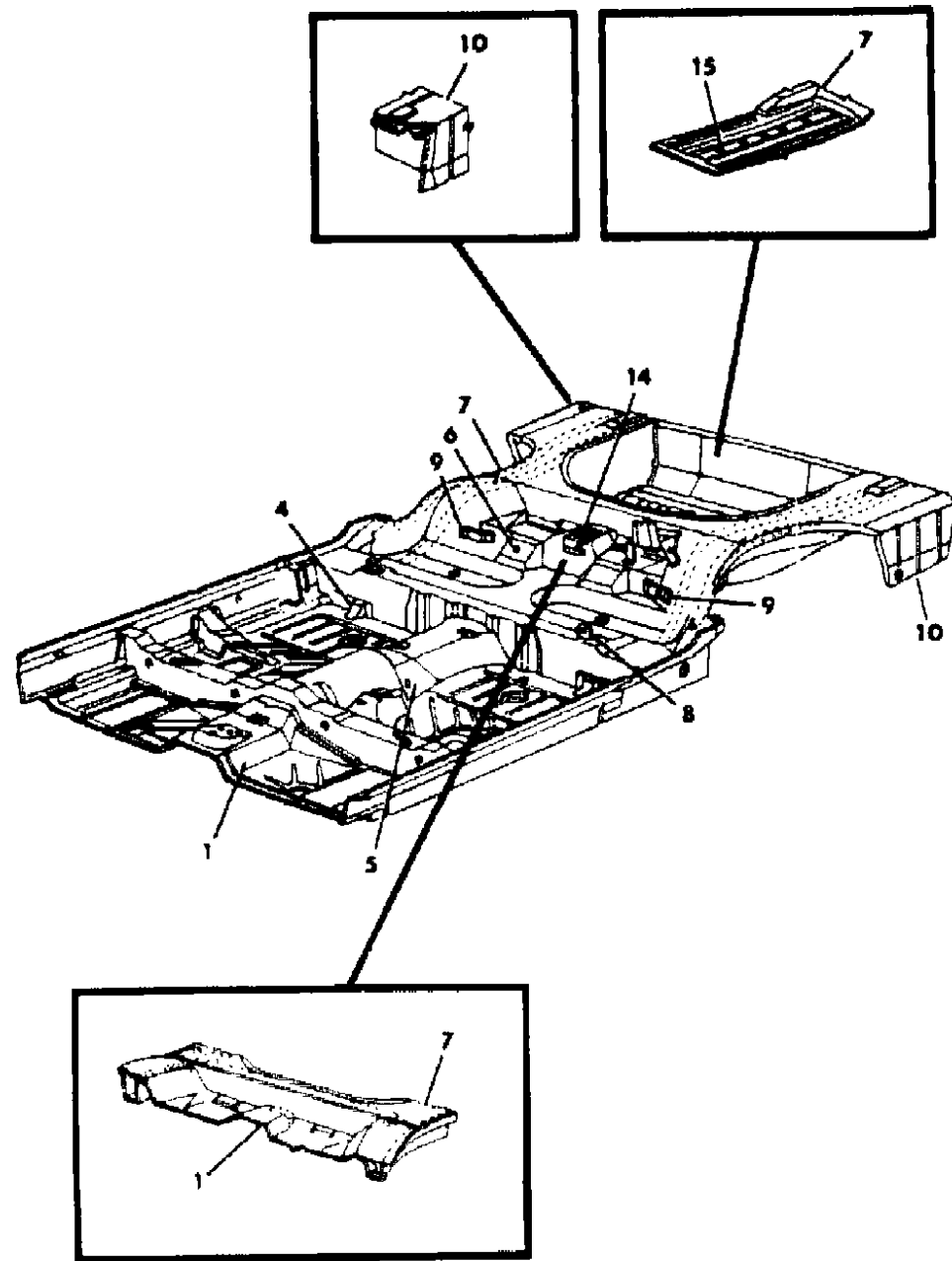
BODY STYLES

21 = 2-DOOR SEDAN	35 = FWD VAN	44 = 4-DOOR HATCHBACK
22 = 2-DOOR SPECIAL COUPE	36 = FWD WAGON	45 = 4-DOOR STATION WAGON
24 = 2-DOOR HATCHBACK	41 = 4-DOOR SEDAN	49 = LIMOUSINE
27 = 2-DOOR CONVERTIBLE		

AR = Use as Required - = Non Illustrated Part P.A.R. = Paint as Required

FLOOR PAN P,D,V,C,J,E,T
Figure 23A-1900

5169 1900



ITEM	PART NUMBER	QTY	BODY	MODEL	DESCRIPTION
1	4314 773	1		P,D,V,C	PAN, Front Floor (See Note "1")
	4337 918	1		J,E,T	
4	4314 318-9	1	All		BRACKET, Front Floor Pan Lift Hoisting
5	4314 259	2	All		REINFORCEMENT, Front Floor Pan Front Seat Belt Inner Mounting
6	4314 260	2	All		REINFORCEMENT, Front Floor Pan Rear Seat Belt Inner Mounting
7	4314 934	1		P,D,V,C	PAN, Rear Floor
	4314 936	1		J,E,T	
8	4134 647	2		P,D,V,C	RETAINER, Front Floor Pan Rear Seat Cushion
	4206 904	2		J,E,T	
9	4134 938-9	1		21,22,4	BRACKET, Front Floor Pan Rear Seat Back Mounting
10	4134 674-5	1		P,D,V,C	EXTENSION, Rear Floor Pan Side
	4206 988-9	1		J,E,T	
12	4206 628	1		exc. 45	BRACKET, Front Floor Pan Jack Stowage
14	4206 216	1		45	SUPPORT, Front Floor Pan Seat Back Center
15	4206 247	1		All	BRACKET, Spare Wheel Anchor Bolt
NOTE: The following items are not shown on illustration. s group.					
	4325 526	1		All	CROSSMEMBER, Floor Pan Seat Track Mounting
	4314 326	2		All	REINFORCEMENT, Front Seat Belt Outer Anchor
		1		All	PLATE, Front Floor Pan Fuel Tank Strap Front Hanger (4314257 Not Serviced)
	4206 629	1		45	BRACKET, Rear Floor Pan Jack Stowage
	4314 494-5	1		All	REINFORCEMENT, Front Floor Pan Front Seat Rear Outer Attaching
	4314 502-3	1		All	REINFORCEMENT, Front Floor Pan Front Seat Rear Inner Attaching, w/Reclining Seats
	4206 072-3	1		A11	REINFORCEMENT, Front Floor Pan Rear Seat Belt Anchor Outer
	4278 574	2		All	PLATE, Front Floor Pan Front Seat Rear Outer Attaching Reinforcement (w/Heavy Service Pkg.)
	4337 480	2		All	REINFORCEMENT, Front Floor Pan Seat Track Mounting Crossmember (w/Heavy Service Pkg.)
	4314 754	1		All	REINFORCEMENT, Rear Floor Pan Tire Well (w/Heavy Service Package)
	4337 549	1		exc. 27	BRACKET, Console Mounting
	6100 098	2		exc. 27	SCREW, Console Mounting Bracket

MODEL CODES

B = GRAN FURY	E = 600	M = HORIZON/TURISMO
C = LE BARON/TOWN & COUNTRY/LIMO	F = FIFTH AVENUE/NEWPORT	P = RELIANT
C24 = LASER	G = DIPLOMAT	T = NEW YORKER
C44 = LE BARON/GTS	H = VOYAGER	V = 600
D = ARIES	J = CARAVELLE	V24 = DAYTONA
D44 = LANCER	K = MINI VAN/CARAVAN/ROYAL	Z = OMNI/CHARGER

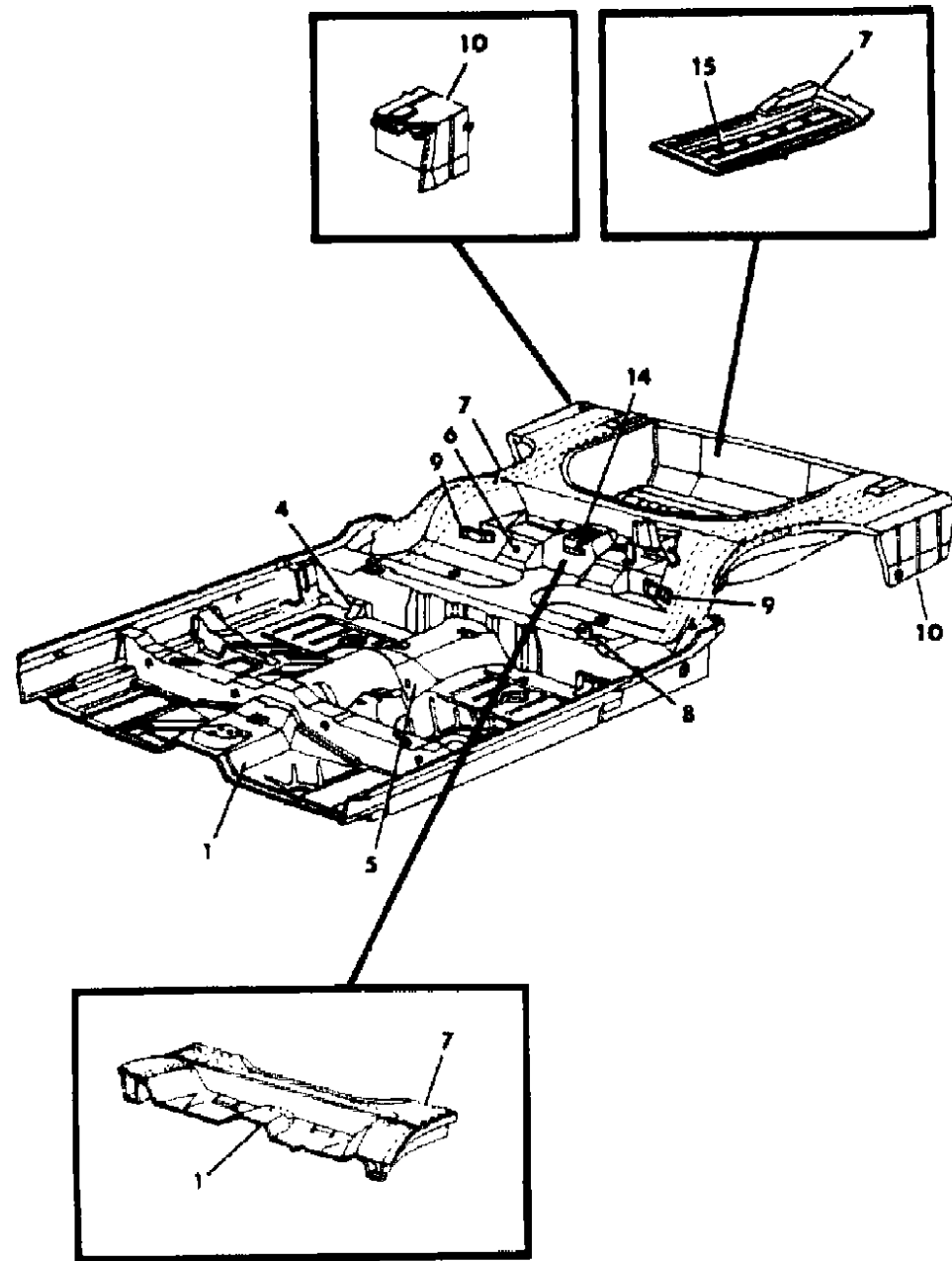
BODY STYLES

21 = 2-DOOR SEDAN	35 = FWD VAN	44 = 4-DOOR HATCHBACK
22 = 2-DOOR SPECIAL COUPE	36 = FWD WAGON	45 = 4-DOOR STATION WAGON
24 = 2-DOOR HATCHBACK	41 = 4-DOOR SEDAN	49 = LIMOUSINE
27 = 2-DOOR CONVERTIBLE		

AR = Use as Required - = Non Illustrated Part P.A.R. = Paint as Required

FLOOR PAN P,D,V,C,J,E,T
Figure 23A-1900

5169 1900



ITEM	PART NUMBER	QTY	BODY	MODEL	DESCRIPTION
------	-------------	-----	------	-------	-------------

		1		All	BRACKET, Front Floor Pan Park Brake Cable (4314263 Not Serviced)
--	--	---	--	-----	--

	4297 892	1		All	CROSSMEMBER, Rear Floor Pan Rear
--	----------	---	--	-----	----------------------------------

NOTE "1": These parts may require modification for 27 & 49 body styles. s group.

MODEL CODES

B = GRAN FURY	E = 600	M = HORIZON/TURISMO
C = LE BARON/TOWN & COUNTRY/LIMO	F = FIFTH AVENUE/NEWPORT	P = RELIANT
C24 = LASER	G = DIPLOMAT	T = NEW YORKER
C44 = LE BARON/GTS	H = VOYAGER	V = 600
D = ARIES	J = CARAVELLE	V24 = DAYTONA
D44 = LANCER	K = MINI VAN/CARAVAN/ROYAL	Z = OMNI/CHARGER

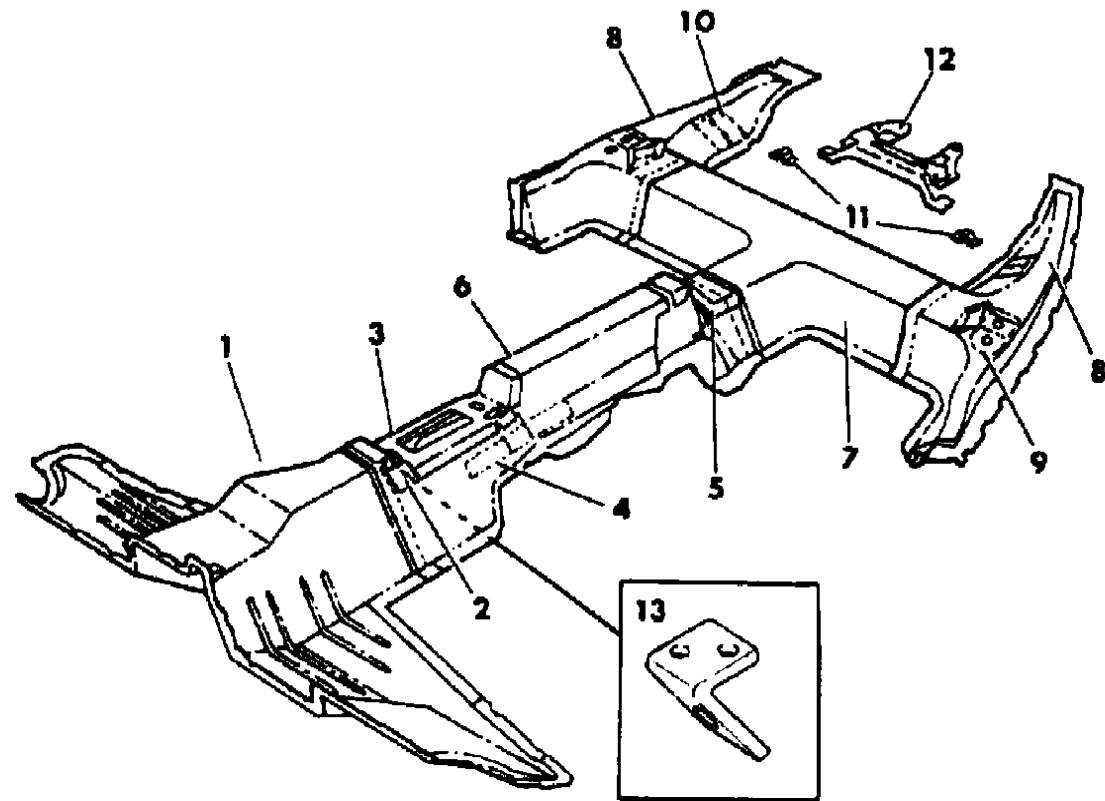
BODY STYLES

21 = 2-DOOR SEDAN	35 = FWD VAN	44 = 4-DOOR HATCHBACK
22 = 2-DOOR SPECIAL COUPE	36 = FWD WAGON	45 = 4-DOOR STATION WAGON
24 = 2-DOOR HATCHBACK	41 = 4-DOOR SEDAN	49 = LIMOUSINE
27 = 2-DOOR CONVERTIBLE		

AR = Use as Required - = Non Illustrated Part P.A.R. = Paint as Required

CONVERTIBLE FLOOR PAN REINFORCEMENTS V,C 27
Figure 23A-2000

5169 2000



ITEM	PART NUMBER	QTY	BODY	MODEL	DESCRIPTION
1	4305 040	1		27	REINFORCEMENT, Front Floor Pan Tunnel, Front
2		2		27	PAD, Center Tunnel Reinforcement Console Mounting Bracket (Serviced in Item #6)
3		1		27	BRACKET and NUT, Center Tunnel Reinforcement Console Mounting Serviced In Item 6
4		1		27	REINFORCEMENT, Front Floor Pan Center Tunnel Reinforcement Side (Serviced in Item #6)
5		1		27	REINFORCEMENT, Front Floor Pan Center Tunnel Reinforcement Rear (Serviced in Item #6)
6	4325 025	1		27	TUNNEL and BRACKET, Front Floor Pan Console Includes Item 2-5
7	4314 392	1		27	REINFORCEMENT, Front Floor Pan Tunnel Rear
8	4325 020-1	1		27	REINFORCEMENT, Front Floor Pan Outer Rear (Includes Items #9 & 10)
9		2		27	REINFORCEMENT, Front Floor Pan Brace & Shoulder Belt Attaching (Serviced in Item #8)
10		2		27	REINFORCEMENT, Front Floor Pan Outer Rear Seat Belt Attaching Serviced in Item 8
11	4314 603	2		27	BRACKET, Front Floor Pan Rear Seat Back Center Panel
12	4314 393	1		27	BRACKET, Folding Top Motor & Pump Mounting
13		1		27	BRACKET and NUT, Center Tunnel Reinforcement Gear Shift Cable Serviced In Item 6

MODEL CODES

B = GRAN FURY	E = 600	M = HORIZON/TURISMO
C = LE BARON/TOWN & COUNTRY/LIMO	F = FIFTH AVENUE/NEWPORT	P = RELIANT
C24 = LASER	G = DIPLOMAT	T = NEW YORKER
C44 = LE BARON/GTS	H = VOYAGER	V = 600
D = ARIES	J = CARAVELLE	V24 = DAYTONA
D44 = LANCER	K = MINI VAN/CARAVAN/ROYAL	Z = OMNI/CHARGER

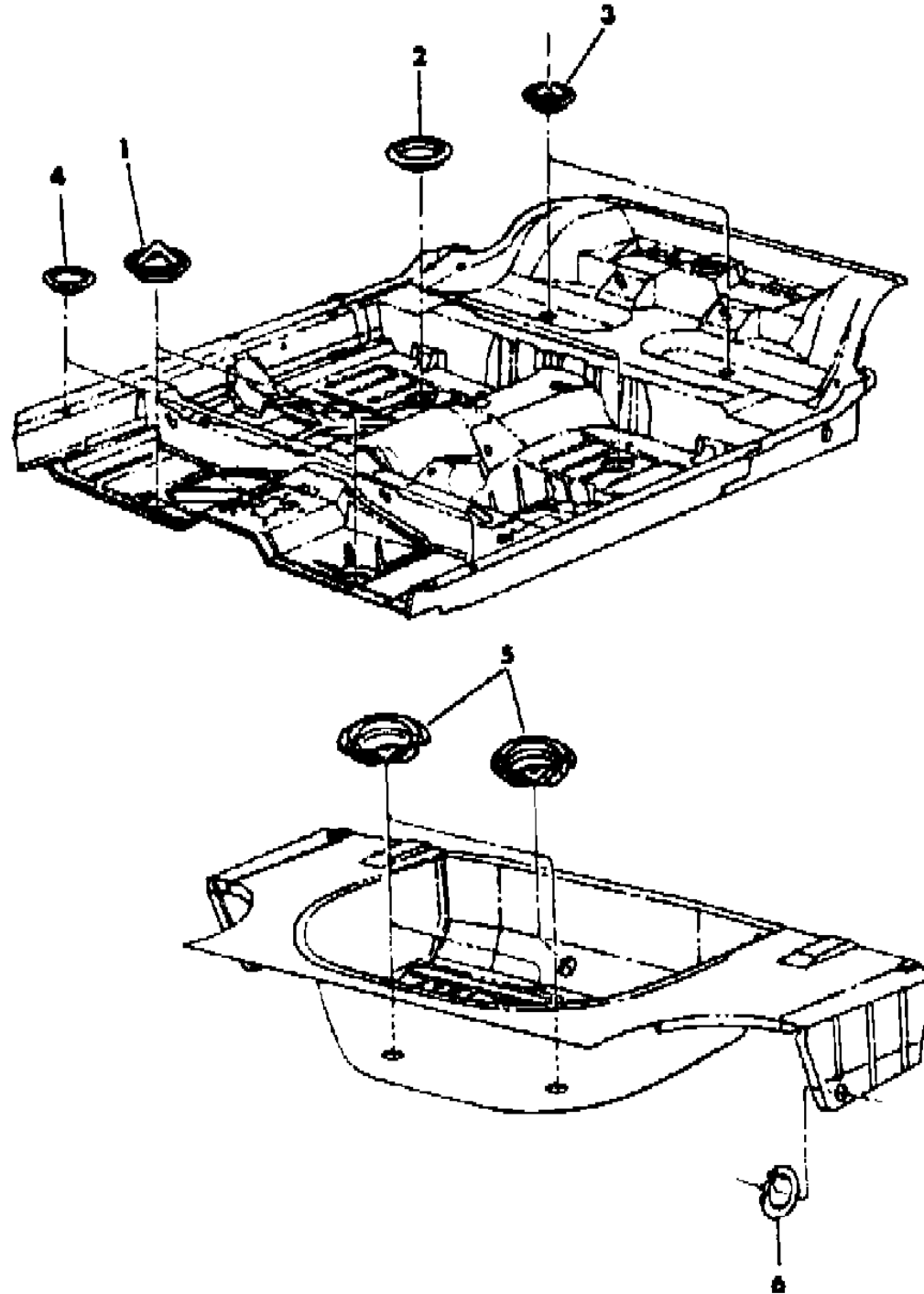
BODY STYLES

21 = 2-DOOR SEDAN	35 = FWD VAN	44 = 4-DOOR HATCHBACK
22 = 2-DOOR SPECIAL COUPE	36 = FWD WAGON	45 = 4-DOOR STATION WAGON
24 = 2-DOOR HATCHBACK	41 = 4-DOOR SEDAN	49 = LIMOUSINE
27 = 2-DOOR CONVERTIBLE		

AR = Use as Required - = Non Illustrated Part P.A.R. = Paint as Required

PLUGS FLOOR PAN P,D,V,C,J,E,T
Figure 23A-2100

5163 2100



ITEM	PART NUMBER	QTY	BODY	MODEL	DESCRIPTION
1	5200 456	2			PLUG
2	2424 864	2			PLUG
3	4073 475	2			PLUG
4	2574 792	2			PLUG
5	6030 773	4			PLUG
6	4073 485	2			PLUG
NOTE: The following items are not shown on illustration. s group.					
	5200 384	1			SEAL, Front Floor Pan, Park Brake Cable
	9414 722	3			SCREW, Park Brake Cable Seal

MODEL CODES

B = GRAN FURY	E = 600	M = HORIZON/TURISMO
C = LE BARON/TOWN & COUNTRY/LIMO	F = FIFTH AVENUE/NEWPORT	P = RELIANT
C24 = LASER	G = DIPLOMAT	T = NEW YORKER
C44 = LE BARON/GTS	H = VOYAGER	V = 600
D = ARIES	J = CARAVELLE	V24 = DAYTONA
D44 = LANCER	K = MINI VAN/CARAVAN/ROYAL	Z = OMNI/CHARGER

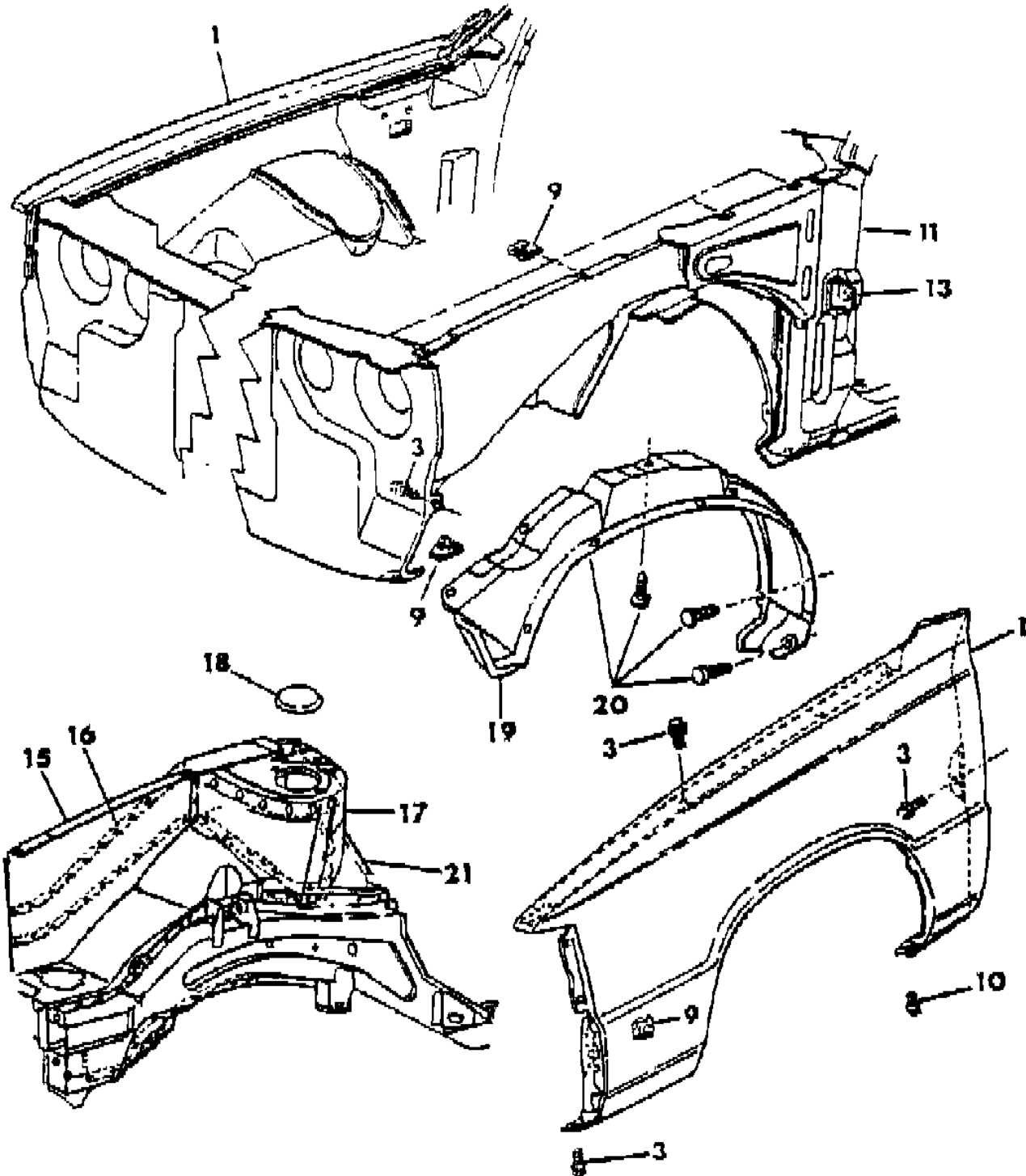
BODY STYLES

21 = 2-DOOR SEDAN	35 = FWD VAN	44 = 4-DOOR HATCHBACK
22 = 2-DOOR SPECIAL COUPE	36 = FWD WAGON	45 = 4-DOOR STATION WAGON
24 = 2-DOOR HATCHBACK	41 = 4-DOOR SEDAN	49 = LIMOUSINE
27 = 2-DOOR CONVERTIBLE		

AR = Use as Required - = Non Illustrated Part P.A.R. = Paint as Required

FENDER P,D,V,C,J,E,T
Figure 23A-2200

3139 2200 4



ITEM	PART NUMBER	QTY	BODY	MODEL	DESCRIPTION
1	4342 476-7	1		P,D	PANEL, Fender
	4318 326-7	1		V,E	w/o Cornering Lamp
	4318 328-9	1		V,E	w/Cornering Lamp
	4318 314-5	1		C,J,T	w/o Cornering Lamp
	4318 312-3	1		C,J,T	w/Cornering Lamp
3	6100 568	AR			SCREW and WASHER
9	6100 041	AR			U-NUT
10		AR			SCREW, w/Washer Not Serviced
11	4314 183	1			EXTENSION, Strut Tower to Body Front Hinge Pillar, Left
	4297 956	1			EXTENSION, w/Reinforcement Strut Tower to Body Front Hinge Pillar, Right
13	4206 553	2			SUPPORT, Body Front Hinge Pillar to Fender
15	4341 570-1	1			PANEL and NUT, Front Fender Shield
16	4296 326-7	1			BEAM, Front Fender Shield Upper Load Path
17	4296 796-7	1			TOWER, Suspension Iso-Strut
18	4341 714	2		E,K	CAP, Frt. Susp. Isolator, Strut Mounting Tower
19	4103 308-9	1		P,D	SHIELD, Fender Wheelhouse Splash
	4296 276-7	1		V,C,J,E	Up To 2-12-85
	4341 814-5	1		V,C,J,E	After 2-12-85
20	6030 441	AR			RETAINER
21	4296 808-9	1			EXTENSION, Iso-Strut Tower Dash Panel

NOTE: The following items are not shown on illustration. s group.

4296 538	2				STABILIZER, Fender to Hood
6010 031	AR				SHIM, Front Fender to Fender Shield

MODEL CODES

B = GRAN FURY	E = 600	M = HORIZON/TURISMO
C = LE BARON/TOWN & COUNTRY/LIMO	F = FIFTH AVENUE/NEWPORT	P = RELIANT
C24 = LASER	G = DIPLOMAT	T = NEW YORKER
C44 = LE BARON/GTS	H = VOYAGER	V = 600
D = ARIES	J = CARAVELLE	V24 = DAYTONA
D44 = LANCER	K = MINI VAN/CARAVAN/ROYAL	Z = OMNI/CHARGER

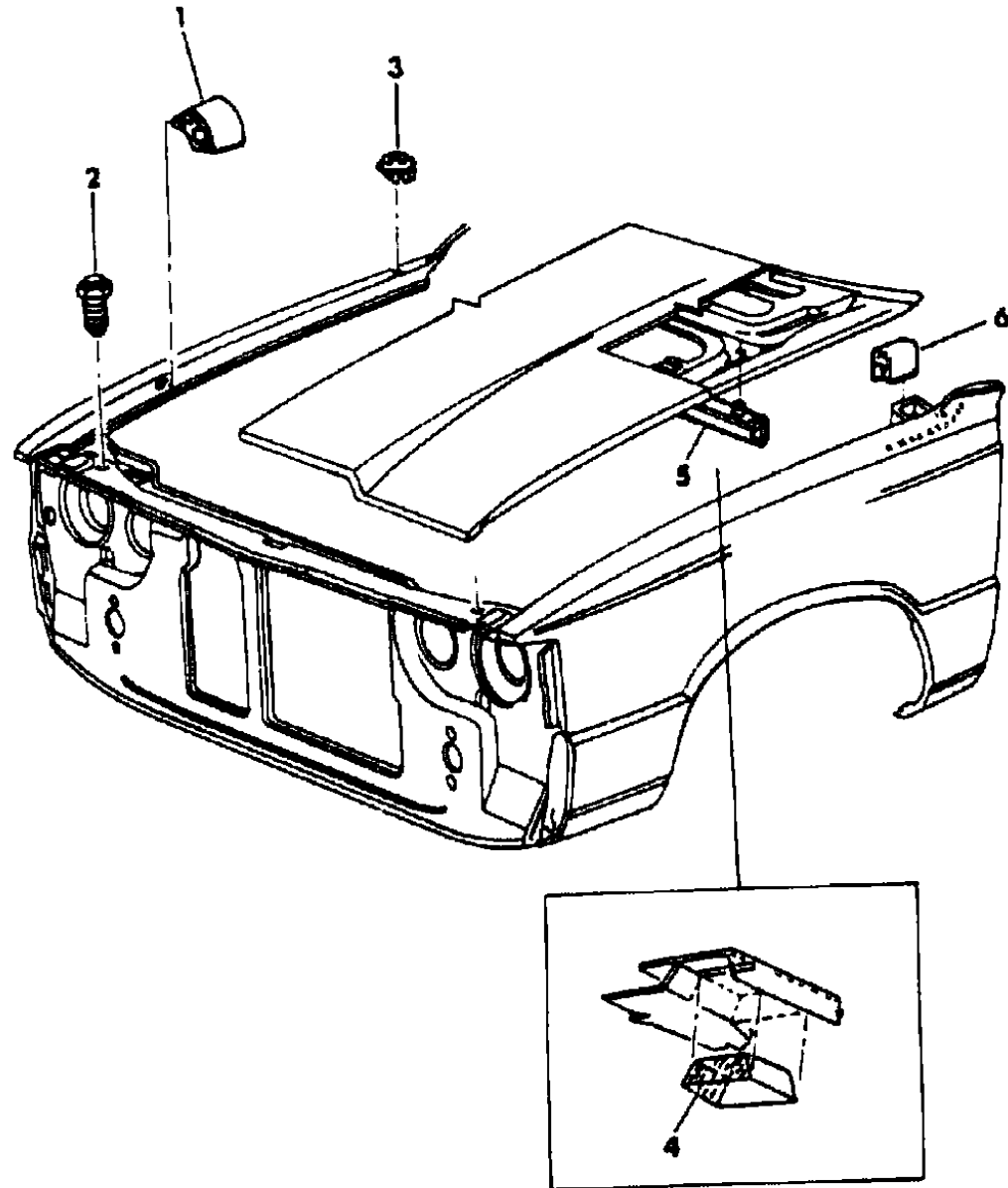
BODY STYLES

21 = 2-DOOR SEDAN	35 = FWD VAN	44 = 4-DOOR HATCHBACK
22 = 2-DOOR SPECIAL COUPE	36 = FWD WAGON	45 = 4-DOOR STATION WAGON
24 = 2-DOOR HATCHBACK	41 = 4-DOOR SEDAN	49 = LIMOUSINE
27 = 2-DOOR CONVERTIBLE		

AR = Use as Required - = Non Illustrated Part P.A.R. = Paint as Required

BUMPERS PLUGS FENDER HOOD P,D,V,C,J,E,T
Figure 23A-2300

5159 2300



ITEM	PART NUMBER	QTY	BODY	MODEL	DESCRIPTION
1	5201 343	2			BUMPER, Fender Hood Side
2	4103 165	2			BUMPER, Crossmember to Hood
3	4222 731	1			PLUG, Fender Antenna Hole
4	4103 134	2			SEAL, Hood to Cowl
5					SEAL, Dash Panel to Hood
	4314 070	1			Up To 4-1-85
	4341 925	1			After 4-1-85
6		2			BUMPER, Not Serviced
NOTE: The following items are not shown on illustration. s group.					
	4341 376	1			PLUG, Front Fender Side Shield, Left
	6031 044	2			CAP, Frt. Susp. Iso-Strut Mounting Tower
	4341 587	1		V,C,J,E	DEFLECTOR, Hood Turbo Louvre Water Tray
	2895 126	4			PLUG, Hood Inner Panel Sealing
	3759 944	1			RETAINER, Dash Panel to Hood Seal

MODEL CODES

B = GRAN FURY	E = 600	M = HORIZON/TURISMO
C = LE BARON/TOWN & COUNTRY/LIMO	F = FIFTH AVENUE/NEWPORT	P = RELIANT
C24 = LASER	G = DIPLOMAT	T = NEW YORKER
C44 = LE BARON/GTS	H = VOYAGER	V = 600
D = ARIES	J = CARAVELLE	V24 = DAYTONA
D44 = LANCER	K = MINI VAN/CARAVAN/ROYAL	Z = OMNI/CHARGER

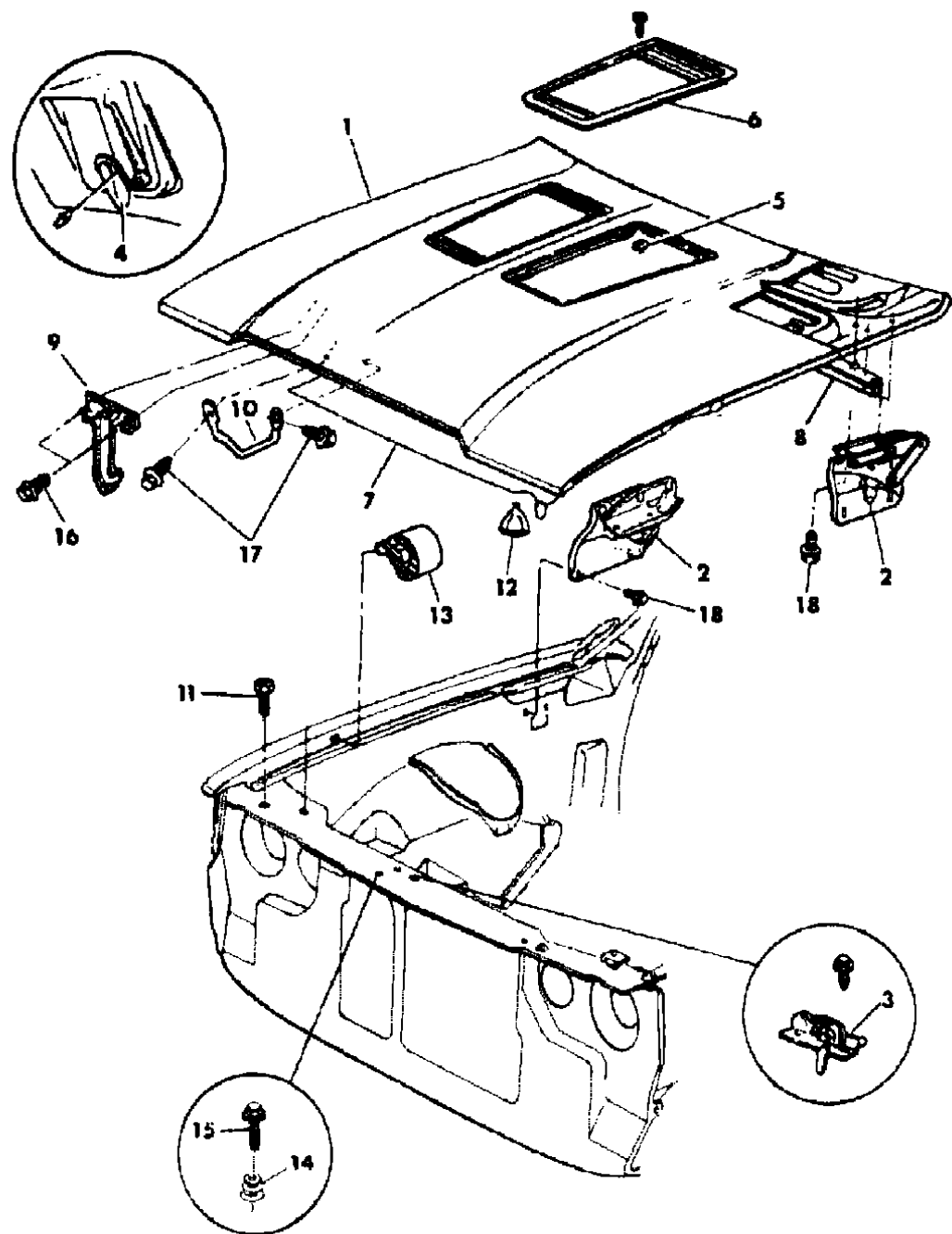
BODY STYLES

21 = 2-DOOR SEDAN	35 = FWD VAN	44 = 4-DOOR HATCHBACK
22 = 2-DOOR SPECIAL COUPE	36 = FWD WAGON	45 = 4-DOOR STATION WAGON
24 = 2-DOOR HATCHBACK	41 = 4-DOOR SEDAN	49 = LIMOUSINE
27 = 2-DOOR CONVERTIBLE		

AR = Use as Required - = Non Illustrated Part P.A.R. = Paint as Required

HOOD P,D,V,C,J,E,T
Figure 23A-2400

5:59 2400



ITEM	PART NUMBER	QTY	BODY	MODEL	DESCRIPTION
1					PANEL, Hood
	4341 903	1		P,D	Up To 10-8-84
	4386 114	1		P,D	After 10-8-84
	4341 881	1		V,C,J,E	w/o Turbo
	4341 883	1		V,C,J,E	w/Turbo
	4341 250	1		V,C,J,E	PLATE, Hood Outer Panel Shield
2	4103 760-1	1			HINGE, Hood
	4270 152	2			SPRING, Hood Hinge
3	5232 057	1			LATCH, Hood Inside Release
4	4341 587	1			DEFLECTOR, Hood Turbo Louver Water Tray
5	0445 432	8		V,C,J,E	U-NUT, Hood Turbo Louver Mounting
6	X580-1 CA1	1		V,C,J,E	LOUVER, Hood Turbo, Radiant Silver
	X580-1 DB1	1		V,C,J,E	Ice Blue
	X580-1 DB9	1		V,C,J,E	Nightwatch Blue
	X580-1 CC6	1		V,C,J,E	Gunmetal Blue
	X580-1 CC9	1		V,C,J,E	Nightwatch Blue
	X580-1 CR6	1		V,C,J,E	Garnet Red
	X580-1 DT2	1		V,C,J,E	Cream
	X580-1 DT3	1		V,C,J,E	Cream
	X580-1 DT4	1		V,C,J,E	Gold Dust
	X580-1 CT6	1		V,C,J,E	Mink Brown
	X580-1 DW2	1		V,C,J,E	White
	X580-1 CW2	1		V,C,J,E	White
	X580-1 CX9	1		V,C,J,E	Black
	X580-1 DX8	1		V,C,J,E	Black
7	4049 601	1			SILENCER, Hood Inner Panel, Cut to Fit, 36" x 72"
	3882 767	4			SPACER, Fastener to Hood Silencer
8					SEAL, Dash Panel to Hood
	4314 070	1			Up To 4-1--85
	4341 925	1			After 4-1--85
	4103 134	2			SEAL, Hood to Fender Ledge
	4198 305	2			SEAL, Cowl Side to Cowl Plenum Panel
9	4103 194	1			CATCH, Hood Safety
10	4296 046	1			STRIKER, Hood Latch
11	4103 165	2			BUMPER, Crossmember to Hood Adjustable
12	6003 351	AR			FASTENER, Hood Inner Panel Silencer (w/Metal Hood)
	4341 060	AR			FASTENER, Hood Inner Panel Silencer (w/Plastic Hood)

MODEL CODES

B = GRAN FURY	E = 600	M = HORIZON/TURISMO
C = LE BARON/TOWN & COUNTRY/LIMO	F = FIFTH AVENUE/NEWPORT	P = RELIANT
C24 = LASER	G = DIPLOMAT	T = NEW YORKER
C44 = LE BARON/GTS	H = VOYAGER	V = 600
D = ARIES	J = CARAVELLE	V24 = DAYTONA
D44 = LANCER	K = MINI VAN/CARAVAN/ROYAL	Z = OMNI/CHARGER

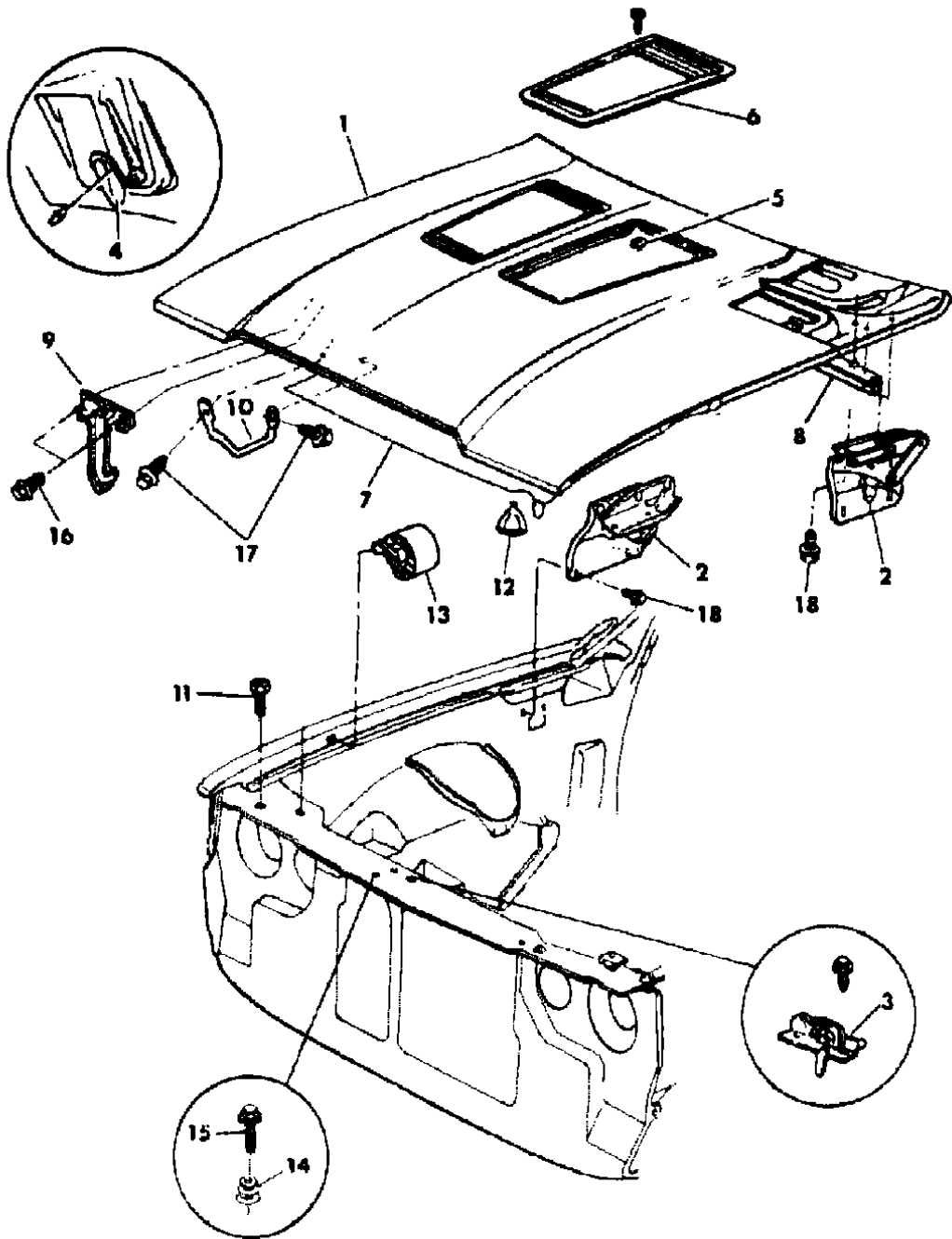
BODY STYLES

21 = 2-DOOR SEDAN	35 = FWD VAN	44 = 4-DOOR HATCHBACK
22 = 2-DOOR SPECIAL COUPE	36 = FWD WAGON	45 = 4-DOOR STATION WAGON
24 = 2-DOOR HATCHBACK	41 = 4-DOOR SEDAN	49 = LIMOUSINE
27 = 2-DOOR CONVERTIBLE		

AR = Use as Required - = Non Illustrated Part P.A.R. = Paint as Required

HOOD P,D,V,C,J,E,T
Figure 23A-2400

5:59 2400



ITEM	PART NUMBER	QTY	BODY	MODEL	DESCRIPTION
	6003 423	AR			FASTENER, Hood Silencer To Shield
13	5201 343	2			BUMPER, Fender Hood Side
14	4103 288	1			SPRING, Hood Pop-Up
16		AR			SCREW, w/Washer Not Serviced
15	6500 191	AR			SCREW and WASHER
17		AR			SCREW, w/Washer Not Serviced
18		AR			SCREW, w/Washer Not Serviced
	3759 944	11			FASTENER, Dash Panel to Hood Seal
	6003 423	4			FASTENER, Hood Silencer to Shield
	4341 250	2			PLATE, Hood Outer Panel Shield

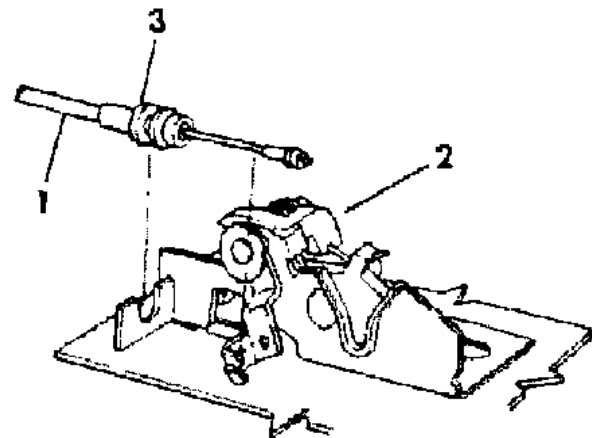
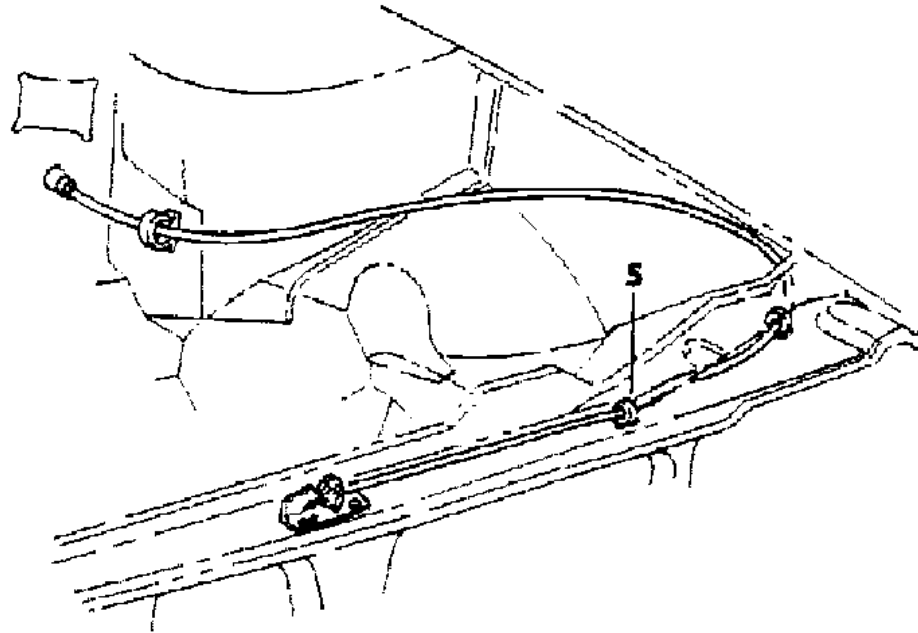
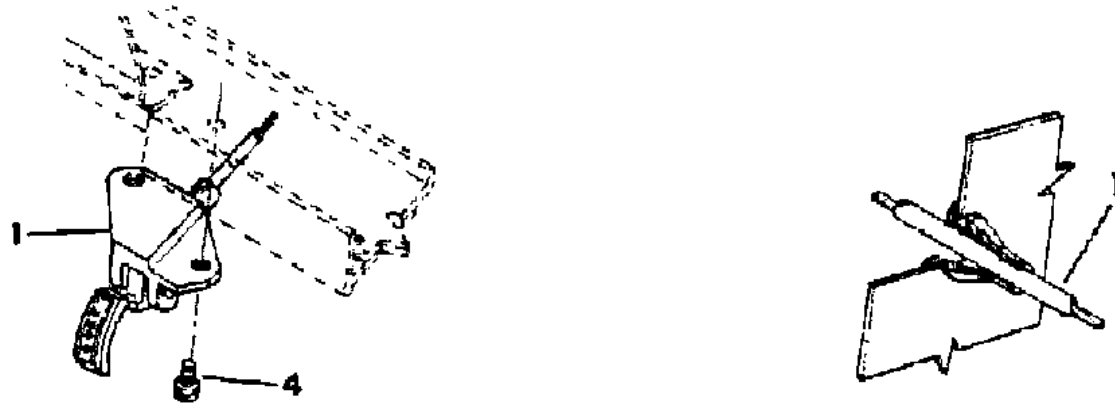
MODEL CODES
 B = GRAN FURY
 C = LE BARON/TOWN & COUNTRY/LIMO
 C24 = LASER
 C44 = LE BARON/GTS
 D = ARIES
 D44 = LANCER
 E = 600
 F = FIFTH AVENUE/NEWPORT
 G = DIPLOMAT
 H = VOYAGER
 J = CARAVELLE
 K = MINI VAN/CARAVAN/ROYAL
 M = HORIZON/TURISMO
 P = RELIANT
 T = NEW YORKER
 V = 600
 V24 = DAYTONA
 Z = OMNI/CHARGER

BODY STYLES
 21 = 2-DOOR SEDAN
 22 = 2-DOOR SPECIAL COUPE
 24 = 2-DOOR HATCHBACK
 27 = 2-DOOR CONVERTIBLE
 35 = FWD VAN
 36 = FWD WAGON
 41 = 4-DOOR SEDAN
 44 = 4-DOOR HATCHBACK
 45 = 4-DOOR STATION WAGON
 49 = LIMOUSINE

AR = Use as Required - = Non Illustrated Part P.A.R. = Paint as Required

HOOD RELEASE REMOTE CONTROL P,D,V,C,J,E,T
Figure 23A-2500

5169 2500



ITEM	PART NUMBER	QTY	BODY	MODEL	DESCRIPTION
1	4172 527	1			RELEASE, Inside Hood Latch
2	5232 057	1			LATCH, Hood Inside Release
	5207 447	1			SPRING, Hood Latch Inside Release Lever
3	5207 294	1			GROMMET, Instrument Panel Hood Latch Release Cable
4					SCREW, Not Serviced
5		2			CLIP, Not Serviced

MODEL CODES

B = GRAN FURY	E = 600	M = HORIZON/TURISMO
C = LE BARON/TOWN & COUNTRY/LIMO	F = FIFTH AVENUE/NEWPORT	P = RELIANT
C24 = LASER	G = DIPLOMAT	T = NEW YORKER
C44 = LE BARON/GTS	H = VOYAGER	V = 600
D = ARIES	J = CARAVELLE	V24 = DAYTONA
D44 = LANCER	K = MINI VAN/CARAVAN/ROYAL	Z = OMNI/CHARGER

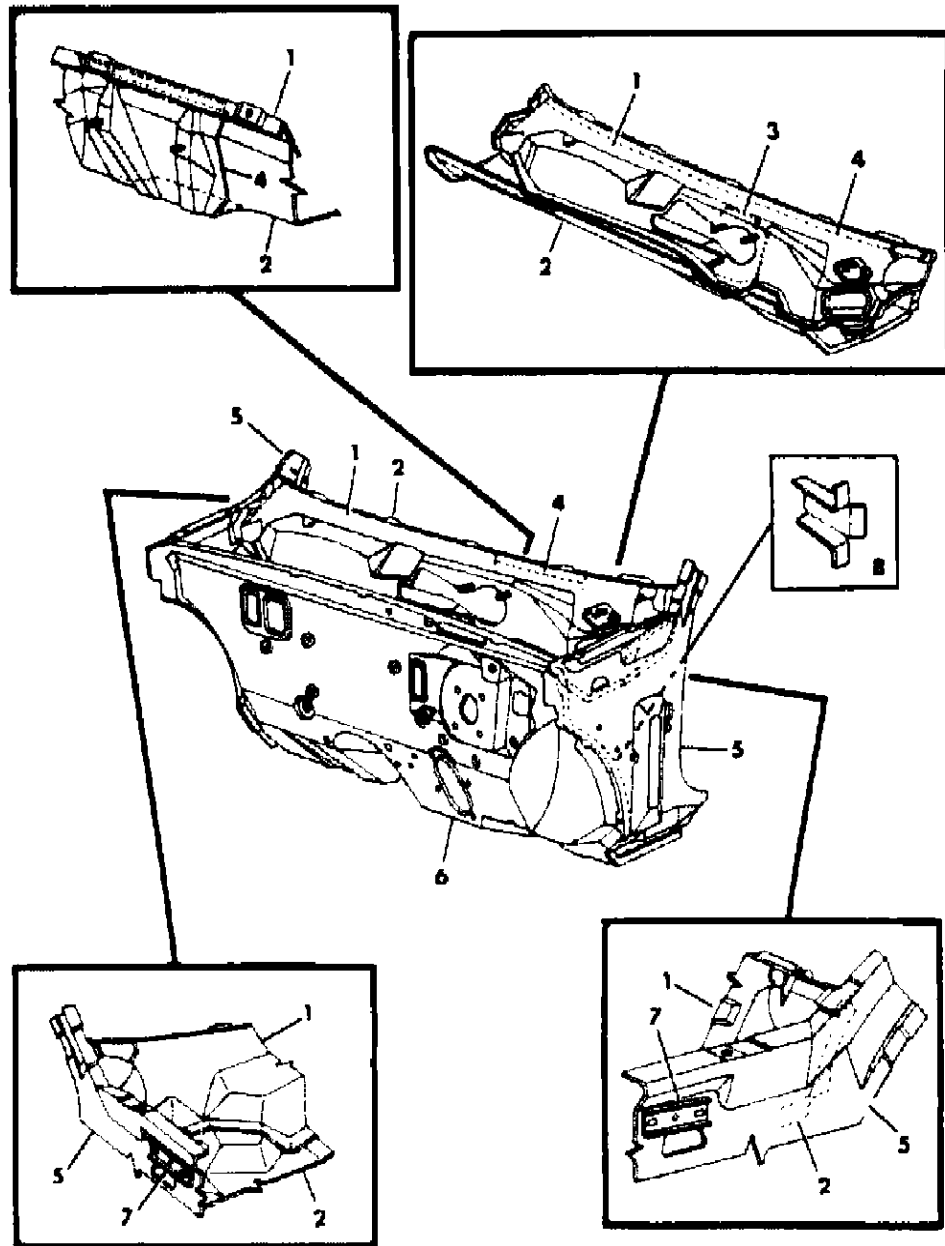
BODY STYLES

21 = 2-DOOR SEDAN	35 = FWD VAN	44 = 4-DOOR HATCHBACK
22 = 2-DOOR SPECIAL COUPE	36 = FWD WAGON	45 = 4-DOOR STATION WAGON
24 = 2-DOOR HATCHBACK	41 = 4-DOOR SEDAN	49 = LIMOUSINE
27 = 2-DOOR CONVERTIBLE		

AR = Use as Required - = Non Illustrated Part P.A.R. = Paint as Required

COWL AND DASH PANEL P,D,V,C,J,E,T
Figure 23A-2600

5169 2600



ITEM	PART NUMBER	QTY	BODY	MODEL	DESCRIPTION
1	4337 292	1			PANEL, Cowl Top, Up To 4-16-85
	4371 428	1			After 4-16-85
2	4337 346	1			PANEL, Cowl Plenum
3	4337 358	1			REINFORCEMENT, Cowl Top Wiper Motor Up To 12-6-84
	4371 696	1			After 12-6-84
4	4278 589	1			SUPPORT and SCREW, Cowl Plenum Steering Column Bracket
	4341 714	AR			CAP
5	4371 100-1	1			PANEL and NUT, Cowl Side
6	4337 386	1			PANEL, Dash w/o A.C.
	4337 387	1			w/A.C.
7	4103 122	2	All		REINFORCEMENT, Hood Hinge
8	4206 641	1			BRACKET, Dash Panel to Plenum Panel Brace Mounting, Left
NOTE: The following items are not shown on illustration. s group.					
	4314 879	1			BRACE, Dash To Plenum Panel, Left
	4198 378	1			SCREEN, Cowl Plenum
	4337 274	1			PLATE, Dash Panel Accelerator Reinforcement (w/Heavy Service Pkg.)
	4314 618	1			SCREEN, Cowl Top, Right
	4314 477	1			Left
	6100 098	1			SCREW, Dash to Plenum Panel Brace Mounting Bracket Left
	4337 341	1			SEAL and RETAINER, Plenum to Cowl Side, Left
	4337 342	1			SEAL and RETAINER, Plenum to Cowl Side, Right
	3759 944	6			RETAINER, Cowl Plenum to Cowl Side Seal
	4198 305	2			SEAL, Cowl Side to Cowl Plenum Panel
	6500 532	2			NUT, w/Washer Dash Panel to Plenum Panel Brace Mounting, Left
	2483 571	1			PLUG, 2.5" Dia., w/o Turbo

MODEL CODES

B = GRAN FURY	E = 600	M = HORIZON/TURISMO
C = LE BARON/TOWN & COUNTRY/LIMO	F = FIFTH AVENUE/NEWPORT	P = RELIANT
C24 = LASER	G = DIPLOMAT	T = NEW YORKER
C44 = LE BARON/GTS	H = VOYAGER	V = 600
D = ARIES	J = CARAVELLE	V24 = DAYTONA
D44 = LANCER	K = MINI VAN/CARAVAN/ROYAL	Z = OMNI/CHARGER

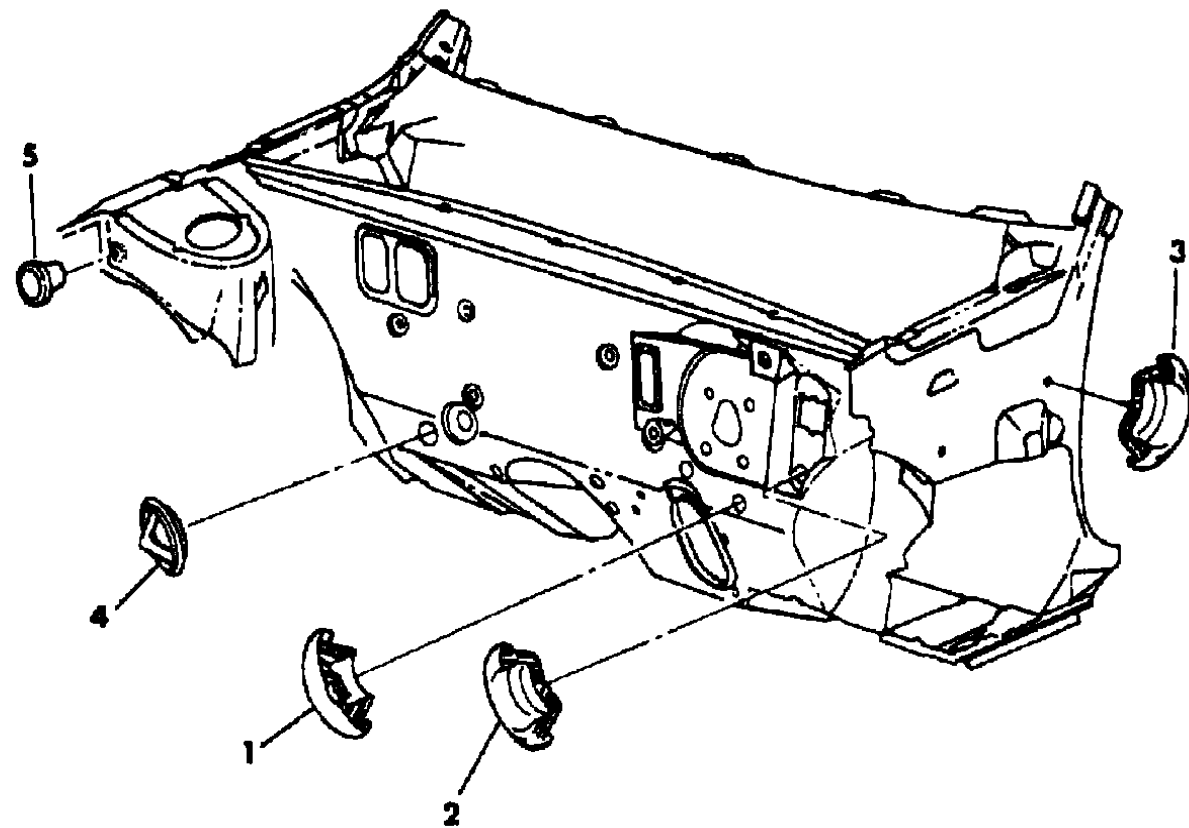
BODY STYLES

21 = 2-DOOR SEDAN	35 = FWD VAN	44 = 4-DOOR HATCHBACK
22 = 2-DOOR SPECIAL COUPE	36 = FWD WAGON	45 = 4-DOOR STATION WAGON
24 = 2-DOOR HATCHBACK	41 = 4-DOOR SEDAN	49 = LIMOUSINE
27 = 2-DOOR CONVERTIBLE		

AR = Use as Required - = Non Illustrated Part P.A.R. = Paint as Required

PLUGS COWL AND DASH P,D,V,C,J,E,T
Figure 23A-2700

5169 2700



ITEM	PART NUMBER	QTY	BODY	MODEL	DESCRIPTION
1	3445 939	1			PLUG, .906 Dia./23 mm
2	2860 332	1			PLUG, Hood Release Cable
3	2860 332	1			PLUG, Antenna Hole
4	5200 456	1			PLUG, Drain Hole
5	2423 737	1			PLUG, Strut Mounting Tower, Left

NOTE: The following items are not shown on illustration. s group.

4206 515	1				PLUG, Dash Panel Wiper Support Attaching Hole
----------	---	--	--	--	---

MODEL CODES

B = GRAN FURY	E = 600	M = HORIZON/TURISMO
C = LE BARON/TOWN & COUNTRY/LIMO	F = FIFTH AVENUE/NEWPORT	P = RELIANT
C24 = LASER	G = DIPLOMAT	T = NEW YORKER
C44 = LE BARON/GTS	H = VOYAGER	V = 600
D = ARIES	J = CARAVELLE	V24 = DAYTONA
D44 = LANCER	K = MINI VAN/CARAVAN/ROYAL	Z = OMNI/CHARGER

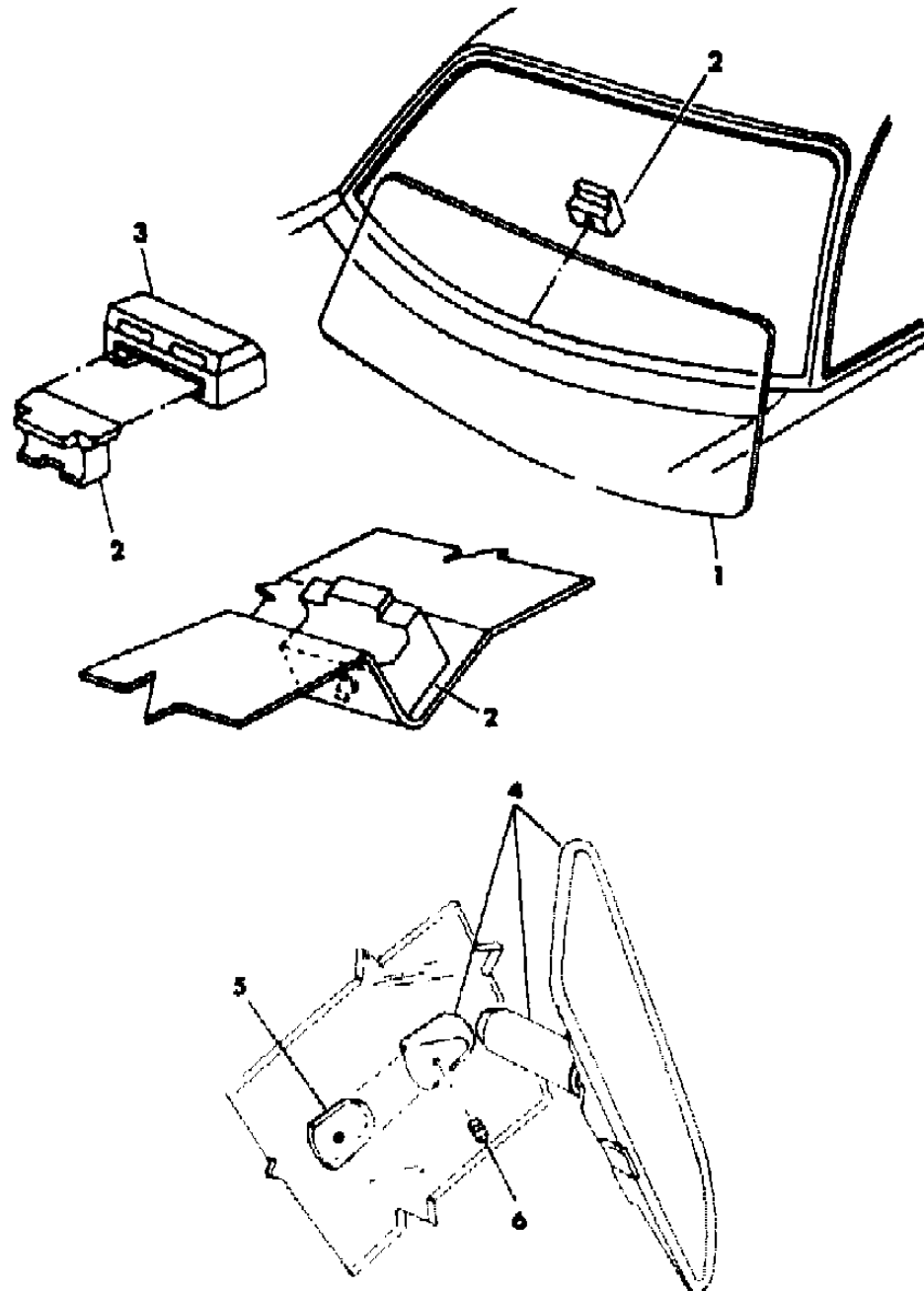
BODY STYLES

21 = 2-DOOR SEDAN	35 = FWD VAN	44 = 4-DOOR HATCHBACK
22 = 2-DOOR SPECIAL COUPE	36 = FWD WAGON	45 = 4-DOOR STATION WAGON
24 = 2-DOOR HATCHBACK	41 = 4-DOOR SEDAN	49 = LIMOUSINE
27 = 2-DOOR CONVERTIBLE		

AR = Use as Required - = Non Illustrated Part P.A.R. = Paint as Required

GLASS WINDSHIELD P,D,V,C,J,E,T
Figure 23A-2800

5169 2800



ITEM	PART NUMBER	QTY	BODY	MODEL	DESCRIPTION
------	-------------	-----	------	-------	-------------

NOTE: GLASS, WINDSHIELD - ORDER FROM YOUR LOCAL "MOPAR" GLASS DISTRIBUTOR s group.

1	4337 471	1		exc. 27	GLASS, Windshield, Clear
	4337 474	1		exc. 27	Tinted
	4337 489	1		27	Tinted
2	4206 543	2			SPACER, Windshield Glass Lower
3	3767 767	AR			SHIM, Windshield Glass Spacer, Lower (.218" Thick)
	3767 196	AR			(.106" Thick)
4	4082 199	1			MIRROR, Rear View
5	4054 066	1			BUTTON, Rear View Mirror Mounting
	4293 039	1			ADHESIVE PACKAGE, Rear View Mirror Button Mounting (Includes Adhesive & Instructions)
6	6031 094	1			SCREW, Rear View Mirror Mounting

NOTE: The following items are not shown on illustration. s group.

	4336 513	3		21,22,2	SPACER, Windshield Support
	4267 906	1			REPAIR PACKAGE, W/Shield Glass (Not Shown)
					CONSISTS OF:
					1- ----- Polyurethane, 11.5 Oz.
					1- ----- Primer, Fence, 1 Oz.
					1- ----- Primer, Wipe Off, 1 Oz.
					1- ----- Primer, Blackout 1 Oz.
					3- ----- Dabbers
					1- ----- Nozzle
					1- ----- Instruction Sheet
	4057 957	1			FIXED GLASS REPAIR PACKAGE, W/Shield Glass (Not Shown)
					CONSISTS OF:
					1- ----- Tape, Butyl, 171.00"
					1- ----- Primer, Glass
					1- ----- Primer, Fence
					2- 3674698 Spacer 0.2"
					2- 3793290 Spacer 0.3"
					2- 3667767 Shim 0.07"
					2- ----- Sponges Disposable
					1- ----- Instruction Sheet

MODEL CODES

B = GRAN FURY	E = 600	M = HORIZON/TURISMO
C = LE BARON/TOWN & COUNTRY/LIMO	F = FIFTH AVENUE/NEWPORT	P = RELIANT
C24 = LASER	G = DIPLOMAT	T = NEW YORKER
C44 = LE BARON/GTS	H = VOYAGER	V = 600
D = ARIES	J = CARAVELLE	V24 = DAYTONA
D44 = LANCER	K = MINI VAN/CARAVAN/ROYAL	Z = OMNI/CHARGER

BODY STYLES

21 = 2-DOOR SEDAN	35 = FWD VAN	44 = 4-DOOR HATCHBACK
22 = 2-DOOR SPECIAL COUPE	36 = FWD WAGON	45 = 4-DOOR STATION WAGON
24 = 2-DOOR HATCHBACK	41 = 4-DOOR SEDAN	49 = LIMOUSINE
27 = 2-DOOR CONVERTIBLE		

AR = Use as Required - = Non Illustrated Part P.A.R. = Paint as Required

BODY FRONT PILLAR P,D,V,C,J,E,T
Figure 23A-2900

5169 2900

ITEM	PART NUMBER	QTY	BODY	MODEL	DESCRIPTION
1	4314 272-3	1			PILLAR, Body Front Hinge
2	4297 956	1			EXTENSION, Strut Tower to Body Front Hinge Pillar, Right
	4314 183	1			Left
3	4198 175	1			REINFORCEMENT, Pillar to Cowl Side Parking Brake Bracket, Left
4	4206 553	2			SUPPORT, Body Front Hinge Pillar to Fender
5		2			HINGE, See Door Illustration
NOTE: The following items are not shown on illustration. s group.					
	4206 410-1	1			REINFORCEMENT, Body Front Pillar Spotlight (w/Police Package)

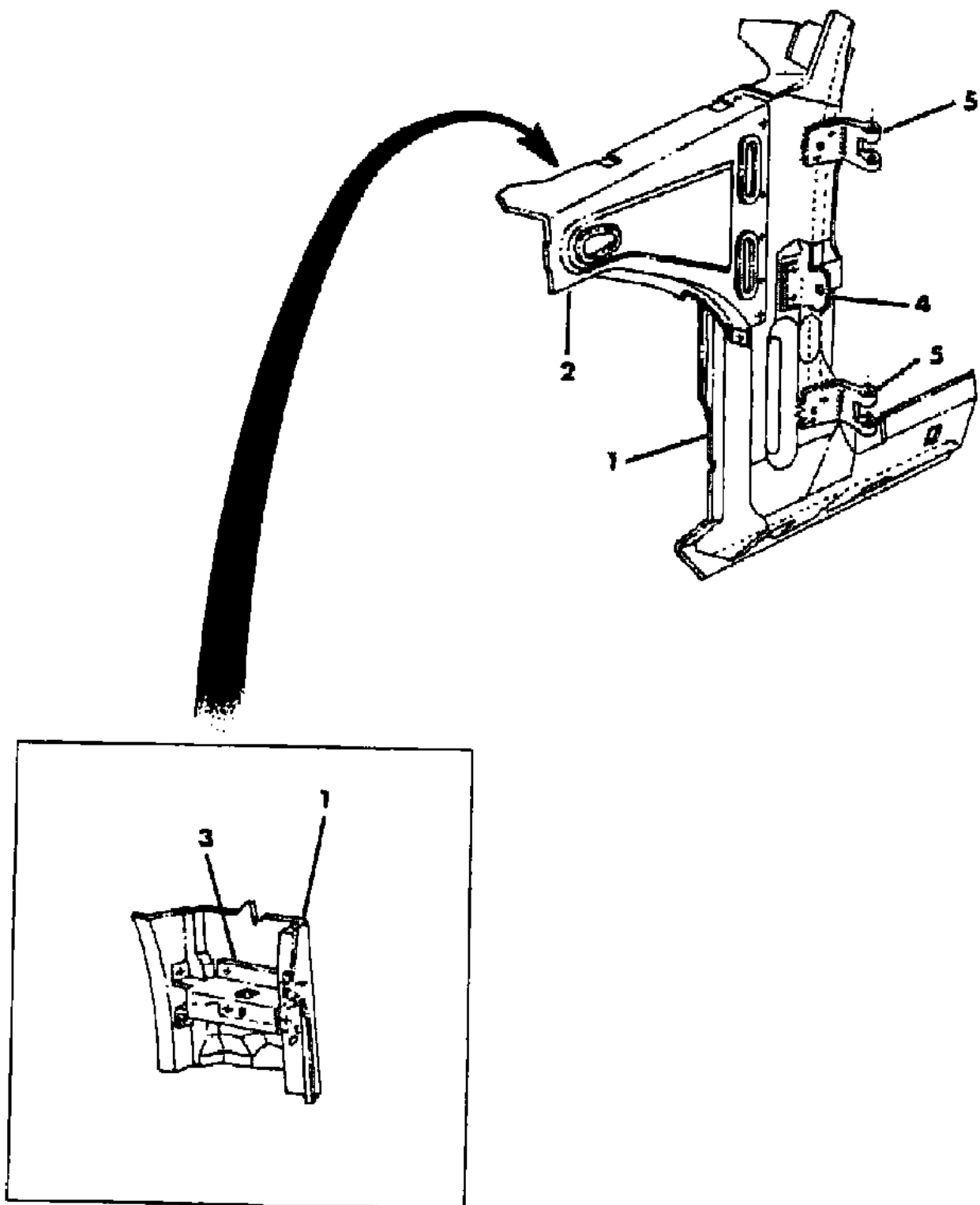
MODEL CODES

B = GRAN FURY	E = 600	M = HORIZON/TURISMO
C = LE BARON/TOWN & COUNTRY/LIMO	F = FIFTH AVENUE/NEWPORT	P = RELIANT
C24 = LASER	G = DIPLOMAT	T = NEW YORKER
C44 = LE BARON/GTS	H = VOYAGER	V = 600
D = ARIES	J = CARAVELLE	V24 = DAYTONA
D44 = LANCER	K = MINI VAN/CARAVAN/ROYAL	Z = OMNI/CHARGER

BODY STYLES

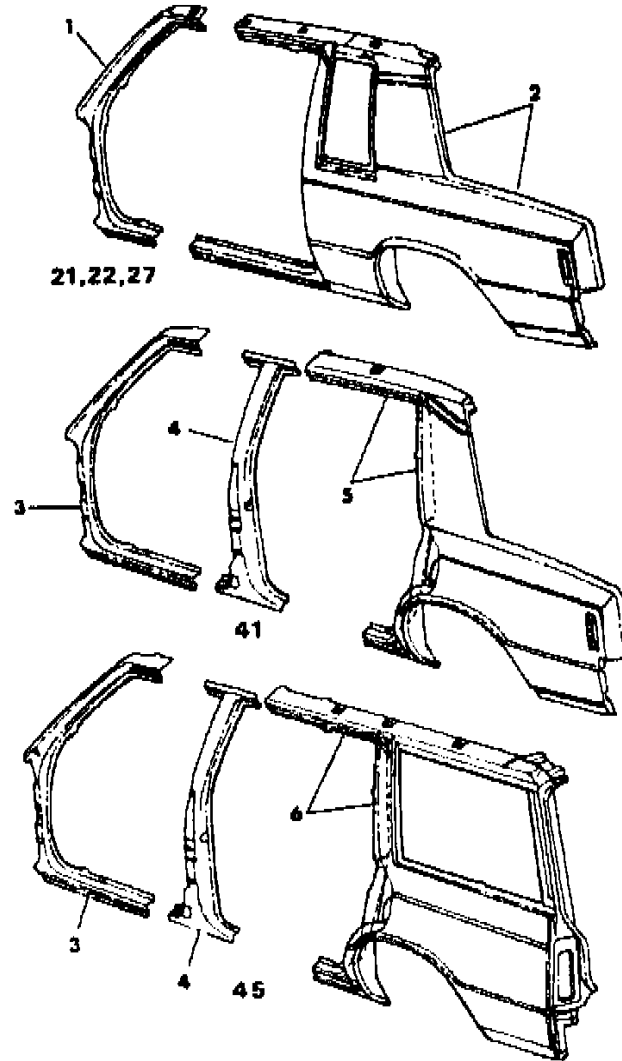
21 = 2-DOOR SEDAN	35 = FWD VAN	44 = 4-DOOR HATCHBACK
22 = 2-DOOR SPECIAL COUPE	36 = FWD WAGON	45 = 4-DOOR STATION WAGON
24 = 2-DOOR HATCHBACK	41 = 4-DOOR SEDAN	49 = LIMOUSINE
27 = 2-DOOR CONVERTIBLE		

AR = Use as Required - = Non Illustrated Part P.A.R. = Paint as Required



APERTURE PANEL P,D,V,C,J,E,T
Figure 23A-3000

5169 3000



ITEM	PART NUMBER	QTY	BODY	MODEL	DESCRIPTION
1	4314 446-7	1		21,22,2	PANEL, Body Side Aperture, Front (See Note "1")
2	4337 222-3	1		21	PANEL, Body Side Aperture, Rear
	4337 224-5	1		22,27,4	Rear (See Note "1")
3	4314 438-9	1		41,45	PANEL, Body Side Aperture, Front
4	4337 088-9	1		P,D,C	PANEL, Body Side Aperture, Center
	4314 444-5	1		J,E,T	Center
5	4314 954-5	1		P,D-41	PANEL, Body Side Aperture, Rear
	4314 436-7	1		C-41	Rear
	4314 452-3	1		J,E,T	Rear
6	4314 440-1	1		P,D,C-4	PANEL, Body Side Aperture, Rear
NOTE: The following items are not shown on illustration. s group.					
	4337 540-1	1		21,22,2	PANEL, Body Side Aperture, Sill Outer (See Note "1")
	4337 526-7	1		41,45	PANEL, Body Side Aperture, Sill Outer

NOTE "1": These parts may require modification for 27 & 49 body styles. s group.

MODEL CODES

B = GRAN FURY	E = 600	M = HORIZON/TURISMO
C = LE BARON/TOWN & COUNTRY/LIMO	F = FIFTH AVENUE/NEWPORT	P = RELIANT
C24 = LASER	G = DIPLOMAT	T = NEW YORKER
C44 = LE BARON/GTS	H = VOYAGER	V = 600
D = ARIES	J = CARAVELLE	V24 = DAYTONA
D44 = LANCER	K = MINI VAN/CARAVAN/ROYAL	Z = OMNI/CHARGER

BODY STYLES

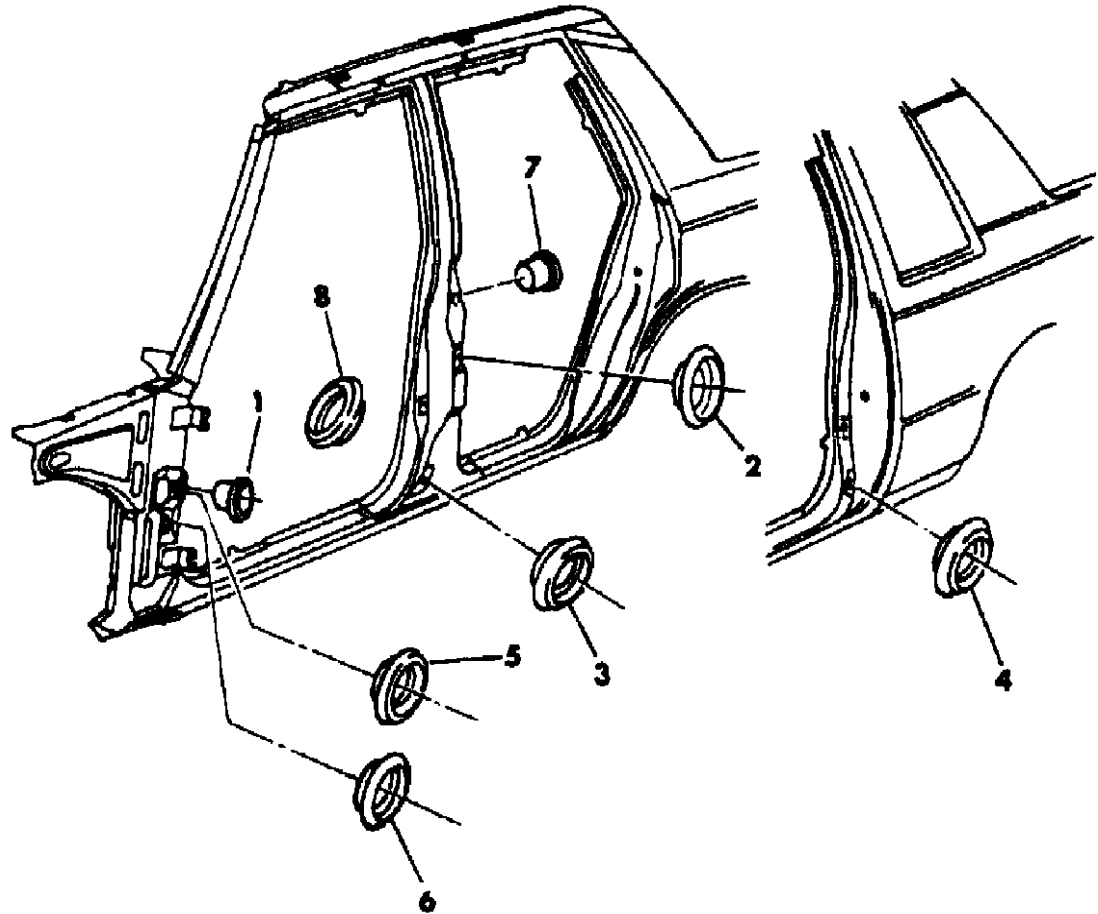
21 = 2-DOOR SEDAN	35 = FWD VAN	44 = 4-DOOR HATCHBACK
22 = 2-DOOR SPECIAL COUPE	36 = FWD WAGON	45 = 4-DOOR STATION WAGON
24 = 2-DOOR HATCHBACK	41 = 4-DOOR SEDAN	49 = LIMOUSINE
27 = 2-DOOR CONVERTIBLE		

AR = Use as Required - = Non Illustrated Part P.A.R. = Paint as Required

PLUGS BODY SIDE P,D,V,C,J,E,T
Figure 23A-3100

5169 3100

ITEM	PART NUMBER	QTY	BODY	MODEL	DESCRIPTION
1	6025 871	1			PLUG
2	2480 957	2			PLUG
3	4172 862	2			PLUG
4	4172 862	2			PLUG
5	2860 332	1			PLUG
6		2			PLUG, Not Serviced
7	6025 871	2			PLUG
8	2574 792	2			PLUG
NOTE: The following items are not shown on illustration. s group.					
	4336 390	2			PLUG, Front or Rear Door Hinge Pillar Wiring Hole
	4337 950	2		P,D	PLUG, Front Door Ajar Indicator Lamp Switch Hole



MODEL CODES

B = GRAN FURY	E = 600	M = HORIZON/TURISMO
C = LE BARON/TOWN & COUNTRY/LIMO	F = FIFTH AVENUE/NEWPORT	P = RELIANT
C24 = LASER	G = DIPLOMAT	T = NEW YORKER
C44 = LE BARON/GTS	H = VOYAGER	V = 600
D = ARIES	J = CARAVELLE	V24 = DAYTONA
D44 = LANCER	K = MINI VAN/CARAVAN/ROYAL	Z = OMNI/CHARGER

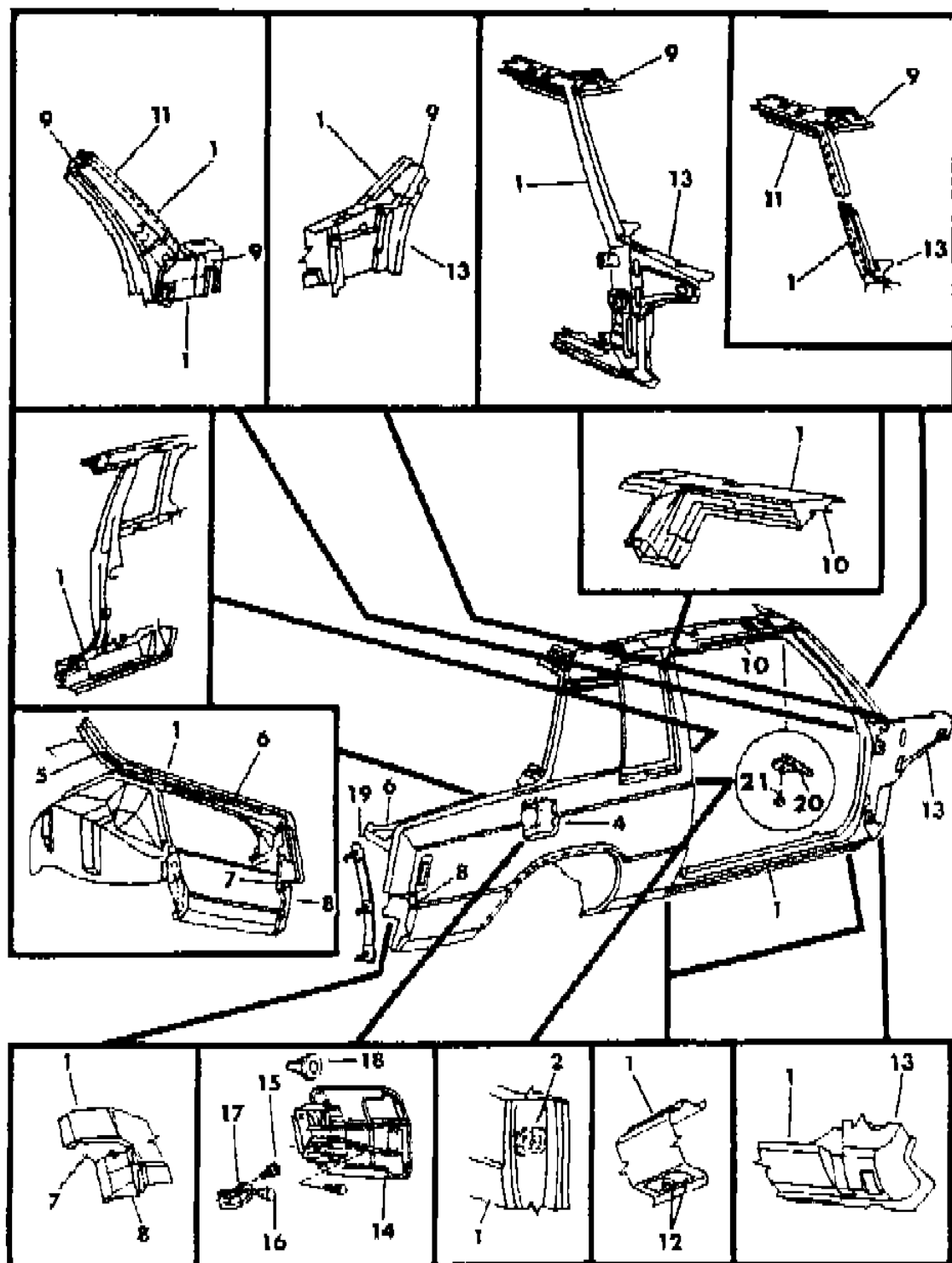
BODY STYLES

21 = 2-DOOR SEDAN	35 = FWD VAN	44 = 4-DOOR HATCHBACK
22 = 2-DOOR SPECIAL COUPE	36 = FWD WAGON	45 = 4-DOOR STATION WAGON
24 = 2-DOOR HATCHBACK	41 = 4-DOOR SEDAN	49 = LIMOUSINE
27 = 2-DOOR CONVERTIBLE		

AR = Use as Required - = Non Illustrated Part P.A.R. = Paint as Required

BODY SIDE P,D,V,C 21,22,27,48,49
Figure 23A-3200

5159 3200



ITEM	PART NUMBER	QTY	BODY	MODEL	DESCRIPTION
1	4314 446-7	1		21,22,2	PANEL, Body Side Aperture, Front (See Note "1")
	4337 222-3	1		P,D-21	Rear
	4337 224-5	1		V,C-22,	Rear (See Note "1")
2	4200 774-5	1			REINFORCEMENT, Body Side Aperture Door Latch Striker
	4134 972	2			RETAINER, Body Side Aperture Door Latch Striker Nut
4	6500 483	2			NUT, Striker
	4314 298	1			REINFORCEMENT, Body Side Aperture Fuel Filler Door Opening
5	4134 852-3	1		21,22	REINFORCEMENT, Aperture Panel Lower Corner Back Lite Opening to Quarter Inside Panel
6	4296 834-5	1		P,D	TROUGH, Body Side Aperture Side Drain
	4337 030-1	1		V,C	(See Note "1")
7	4296 836-7	1		P,D	EXTENSION, Deck Opening Lower Panel Side Drain Trough
	4296 396-7	1		V,C	Upper
8	4296 402-3	1		V,C	EXTENSION, Deck Opening Lower Panel Side Drain Trough, Lower
9	4314 778-9	1			FRAME, W/Shield Opening Side Inner (See Note "1")
10					TROUGH, Roof Panel Aperture Side Drain (See Note "1")
	4136 944-5	1		21,22,4	Up To 7-1-85
	4296 992-3	1		21,22,4	After 7-1-85
11	4136 952-3	1			REINFORCEMENT, Windshield Opening Side Inner Frame Lower (See Note "1")
12	4314 277	4			PLATE, Body Side Aperture Jack Locator
13					PILLAR, See Body Front Hinge Pillar Illustration
14	4337 818	1			DOOR, w/Hinge Body Side Aperture Fuel Filler
	4206 746	1			BAND, Fuel Filler Door Hinge Spring Pin Noise Dampener
15		4			SCREW, Not Serviced
16	5200 365	2			BUTTON, Body Side Aperture Fuel Filler Door Stop Bumper
17	4314 302	1			BRACKET, Body Side Aperture Fuel Filler Door Stop
18		2			NUT, Body Side Aperture Fuel Filler Door Attaching (Not Serviced)
19	4206 955	2			RETAINER, w/Studs Quarter Outside Panel Rear Bumper Fascia
20	4337 136-7	1			FILLER, w/Tape Drain Trough Front End To "A" Pillar
21	6032 650	2			SCREW, w/Washer Drain Trough To "A" Pillar Filler Mounting
NOTE: The following Items are not shown on illustration. s group.					
	4206 958	1			SEAL, Body Side Aperture Fuel Filler Door Reinforcement
	4206 237	2			SEAL, Quarter Outside Aperture Panel to Back Lite Lower Corner Reinforcement

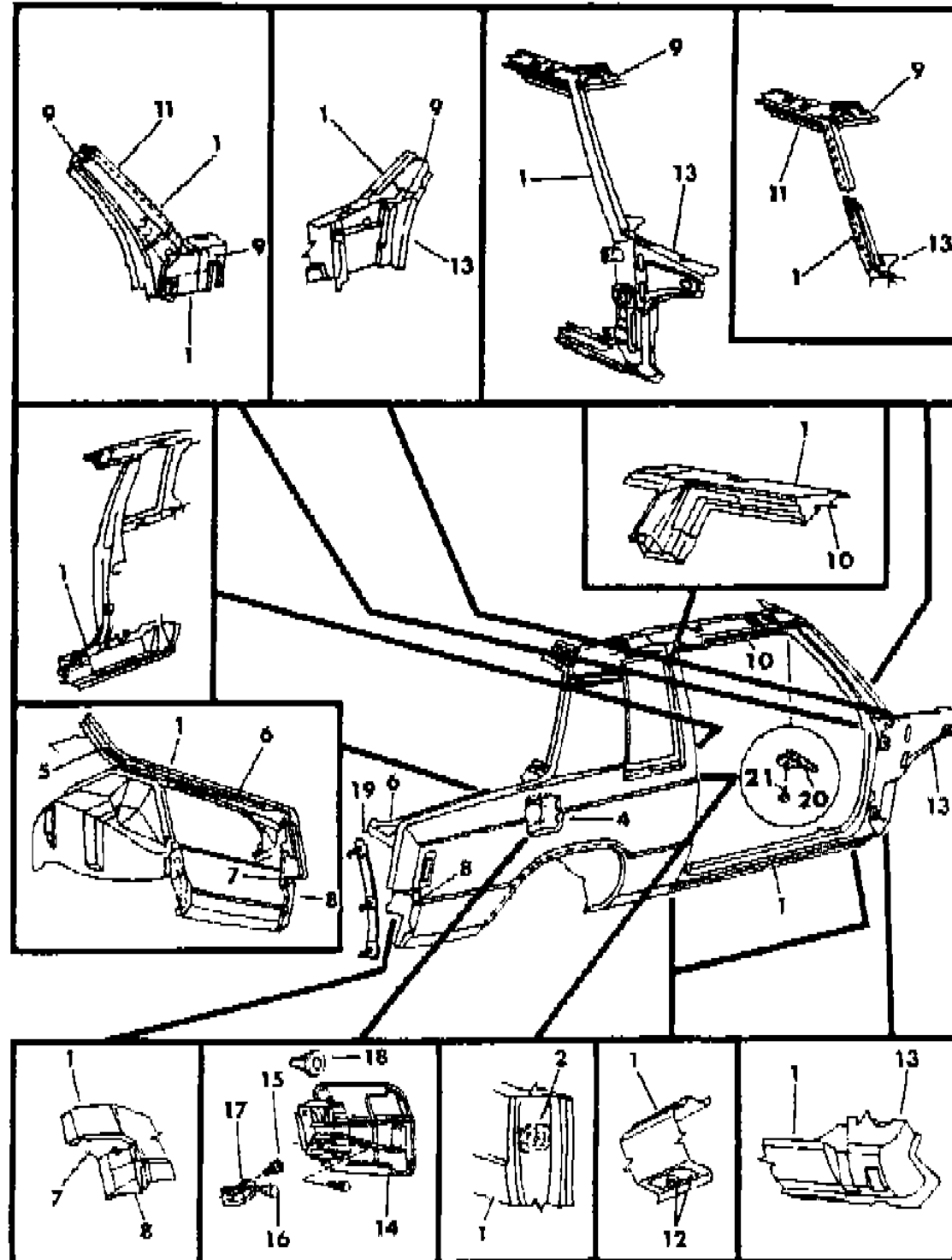
MODEL CODES
 B = GRAN FURY
 C = LE BARON/TOWN & COUNTRY/LIMO
 C24 = LASER
 C44 = LE BARON/GTS
 D = ARIES
 D44 = LANCER
 E = 600
 F = FIFTH AVENUE/NEWPORT
 G = DIPLOMAT
 H = VOYAGER
 J = CARAVELLE
 K = MINI VAN/CARAVAN/ROYAL
 M = HORIZON/TURISMO
 P = RELIANT
 T = NEW YORKER
 V = 600
 V24 = DAYTONA
 Z = OMNI/CHARGER

BODY STYLES
 21 = 2-DOOR SEDAN
 22 = 2-DOOR SPECIAL COUPE
 24 = 2-DOOR HATCHBACK
 27 = 2-DOOR CONVERTIBLE
 35 = FWD VAN
 36 = FWD WAGON
 41 = 4-DOOR SEDAN
 44 = 4-DOOR HATCHBACK
 45 = 4-DOOR STATION WAGON
 49 = LIMOUSINE

AR = Use as Required - = Non Illustrated Part P.A.R. = Paint as Required

BODY SIDE P,D,V,C 21,22,27,48,49
Figure 23A-3200

5153 3200



ITEM	PART NUMBER	QTY	BODY	MODEL	DESCRIPTION
	4206 486	2			SEAL, Body Side Aperture to Lower Front Pillar
	4206 690-1	1			REINFORCEMENT, Body Side Aperture Panel (See Note "1")
	5200 365	1			BUTTON, Fuel Filler Door Hinge Bumper
	4314 299	1		V,C 27	BEZEL, Quarter Outside Fuel Filler Opening (Town & Country)
	4337 395	1		21,22,2	ADHESIVE, w/Fastener Quater Panel to Fuel Filler Reinforcement
	4371 534-5	1		P,D	EXTENSION, w/Stud Body Side Aperture Panel Quarter End
	6031 107	6		P,D	STUD, Body Side Aperture Panel QuarterEnd Extensi on

NOTE "1": These parts may require modification for 27 & 49 body styles. s group.

MODEL CODES

B = GRAN FURY	E = 600	M = HORIZON/TURISMO
C = LE BARON/TOWN & COUNTRY/LIMO	F = FIFTH AVENUE/NEWPORT	P = RELIANT
C24 = LASER	G = DIPLOMAT	T = NEW YORKER
C44 = LE BARON/GTS	H = VOYAGER	V = 600
D = ARIES	J = CARAVELLE	V24 = DAYTONA
D44 = LANCER	K = MINI VAN/CARAVAN/ROYAL	Z = OMNI/CHARGER

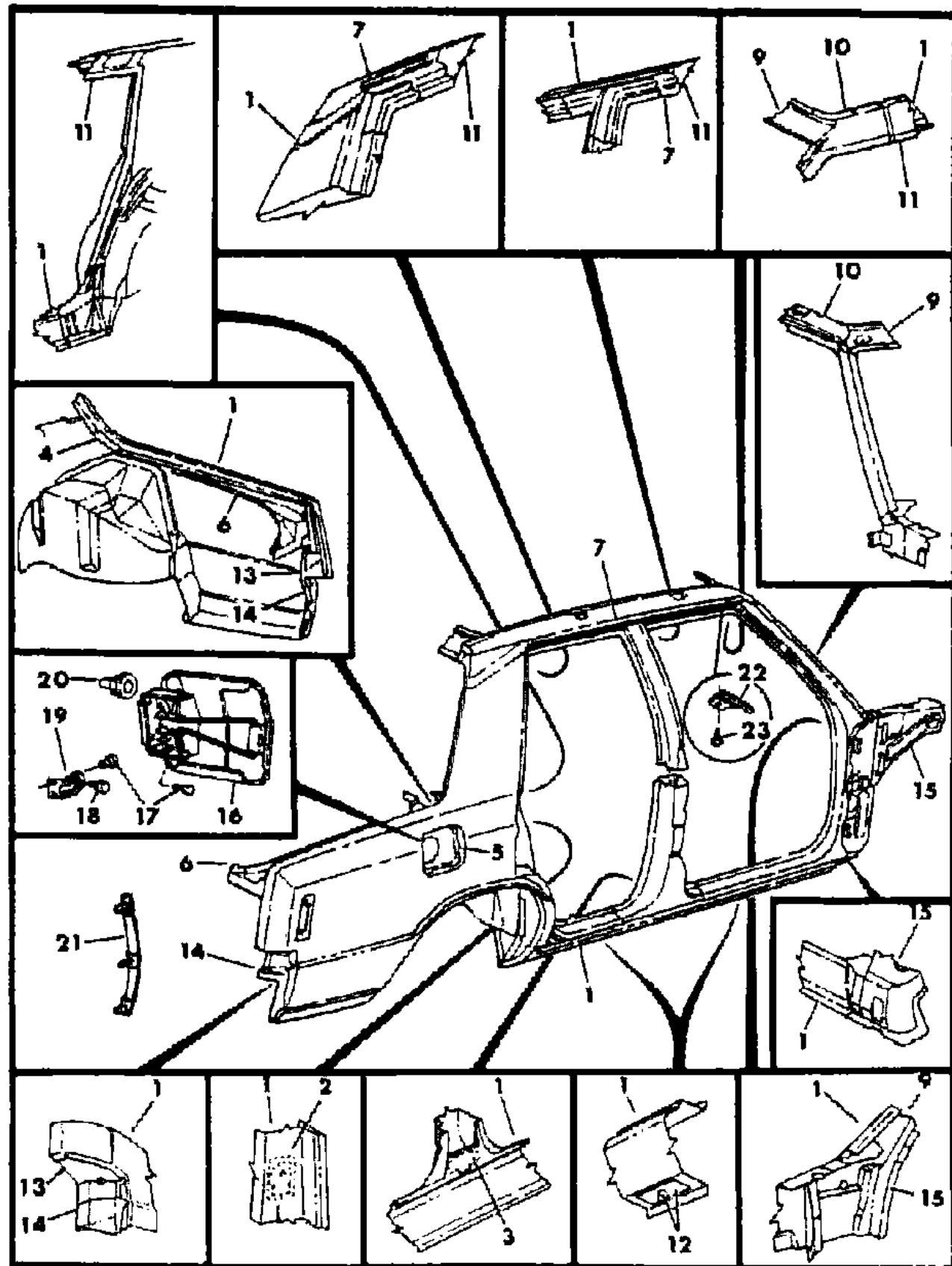
BODY STYLES

21 = 2-DOOR SEDAN	35 = FWD VAN	44 = 4-DOOR HATCHBACK
22 = 2-DOOR SPECIAL COUPE	36 = FWD WAGON	45 = 4-DOOR STATION WAGON
24 = 2-DOOR HATCHBACK	41 = 4-DOOR SEDAN	49 = LIMOUSINE
27 = 2-DOOR CONVERTIBLE		

AR = Use as Required - = Non Illustrated Part P.A.R. = Paint as Required

BODY SIDE P,D,C 41
Figure 23A-3300

5169 3300



ITEM	PART NUMBER	QTY	BODY	MODEL	DESCRIPTION
1	4314 438-9	1			PANEL, Body Side Aperture, Front
	4337 088-9	1			Center
	4314 954-5	1		P,D	Rear
	4314 436-7	1		C	Rear
2	4297 188-9	1			REINFORCEMENT, Body Side Aperture Door Latch Striker
	4134 972	2			RETAINER, Body Side Aperture Door Latch Striker Nut
	6500 483	2			NUT, Striker
	4337 226	2			REINFORCEMENT, Body Side Aperture Seat Belt Anchor, Lower
3	4206 198-9	1			Upper
	4134 830-1	1			REINFORCEMENT, Aperture Panel Lower Corner Back Lite to Quarter Inside Panel
4	4314 298	1			REINFORCEMENT, Body Side Aperture Fuel Filler Door Opening
	4206 410-1	1			REINFORCEMENT, Body Front Pillar (Spot Light) w/Police Pkg.
5	4296 834-5	1		P,D	TROUGH, Body Side Aperture Side Drain
	4337 030-1	1		C	
6	4136 946-7	1			TROUGH, Aperture Panel Roof Side Drain, Up To 10/1/84
	4296 986-7	1			After 10/1/84
7	4314 738-9	1			FRAME, Windshield Opening Side Inner
	4337 272-3	1			REINFORCEMENT, Windshield Opening Side Aperture Upper
8	4296 718-9	1			Up to 10/9/84
	4341 630-1	1			After 10/9/84
9	4314 277	4			PLATE, Body Side Aperture Jack Locator
	4296 836-7	1		P,D	EXTENSION, Deck Opening Lower Panel Side Drain Trough
10	4296 396-7	1		C	Upper
	4296 402-3	1		C	EXTENSION, Deck Opening Lower Panel Side Drain Trough, Lower
11	4314 486	1			PILLAR, See Body Front Hinge Pillar Illustration
	4206 746	1			DOOR, w/Hinge Body Side Aperture Fuel Filler
12	4206 365	4			BAND, Fuel Filler Door Hinge Spring Pin Noise Dampener
	5200 365	2			SCREW, Not Serviced
13	4314 302	1			BUTTON, Body Side Aperture Fuel Filler Door Stop Bumper
	4314 302	1			BRACKET, Body Side Aperture Fuel Filler Door Stop
14	4314 302	1			NUT, Body Side Aperture Fuel Filler Door Attaching (Not Serviced)
	4206 955	1			RETAINER, w/Studs, Qtr., Outside Rear Panel Fascia
15					

MODEL CODES

B = GRAN FURY	E = 600	M = HORIZON/TURISMO
C = LE BARON/TOWN & COUNTRY/LIMO	F = FIFTH AVENUE/NEWPORT	P = RELIANT
C24 = LASER	G = DIPLOMAT	T = NEW YORKER
C44 = LE BARON/GTS	H = VOYAGER	V = 600
D = ARIES	J = CARAVELLE	V24 = DAYTONA
D44 = LANCER	K = MINI VAN/CARAVAN/ROYAL	Z = OMNI/CHARGER

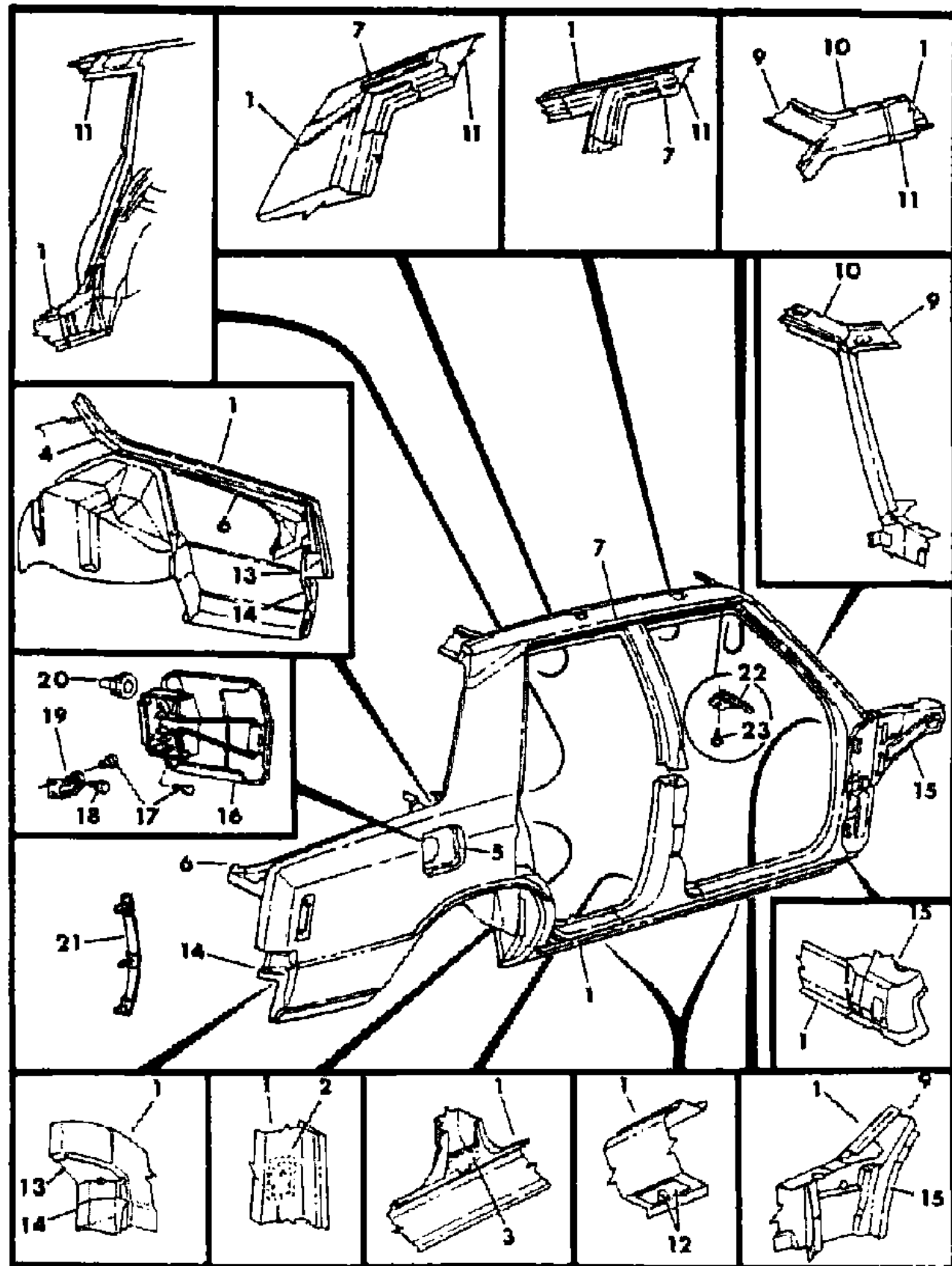
BODY STYLES

21 = 2-DOOR SEDAN	35 = FWD VAN	44 = 4-DOOR HATCHBACK
22 = 2-DOOR SPECIAL COUPE	36 = FWD WAGON	45 = 4-DOOR STATION WAGON
24 = 2-DOOR HATCHBACK	41 = 4-DOOR SEDAN	49 = LIMOUSINE
27 = 2-DOOR CONVERTIBLE		

AR = Use as Required - = Non Illustrated Part P.A.R. = Paint as Required

BODY SIDE P,D,C 41
Figure 23A-3300

5169 3300



ITEM	PART NUMBER	QTY	BODY	MODEL	DESCRIPTION
22	4337 136-7	1			FILLER, w/Tape Drain Trough Front End To "A" Pillar
23	6032 650	2			SCREW, w/Washer Drain Trough To "A" Pillar Filler Mounting
NOTE: The following Items are not shown on illustration. s group.					
	4206 958	1			SEAL, Body Side Aperture Fuel Filler Door Reinforcement
	4206 237	2			SEAL, Quarter Outside Aperture panel to Back Lite Lower Corner Reinforcement
	4206 486	2			SEAL, Body Side Aperture to Lower Front Pillar
	4206 487	2			SEAL, Center Pillar to Drain Trough
	4278 536-7	1			REINFORCEMENT, Body Side Aperture Panel Door Latch Striker (w/Heavy Service Pkg.)
	5200 365	1			BUTTON, Fuel Filler Door Hinge Bumper
	4337 395	1			ADHESIVE, w/Fastener Quarter Inner Panel to Fuel Filler Opening Reinforcement
	4371 536-7	1		P,D	EXTENSION, w/Stud Body Side Aperture Panel Quarter End
	6031 107	6		P,D	STUD, Body Side Aperture Panel QuarterEnd Extensi on

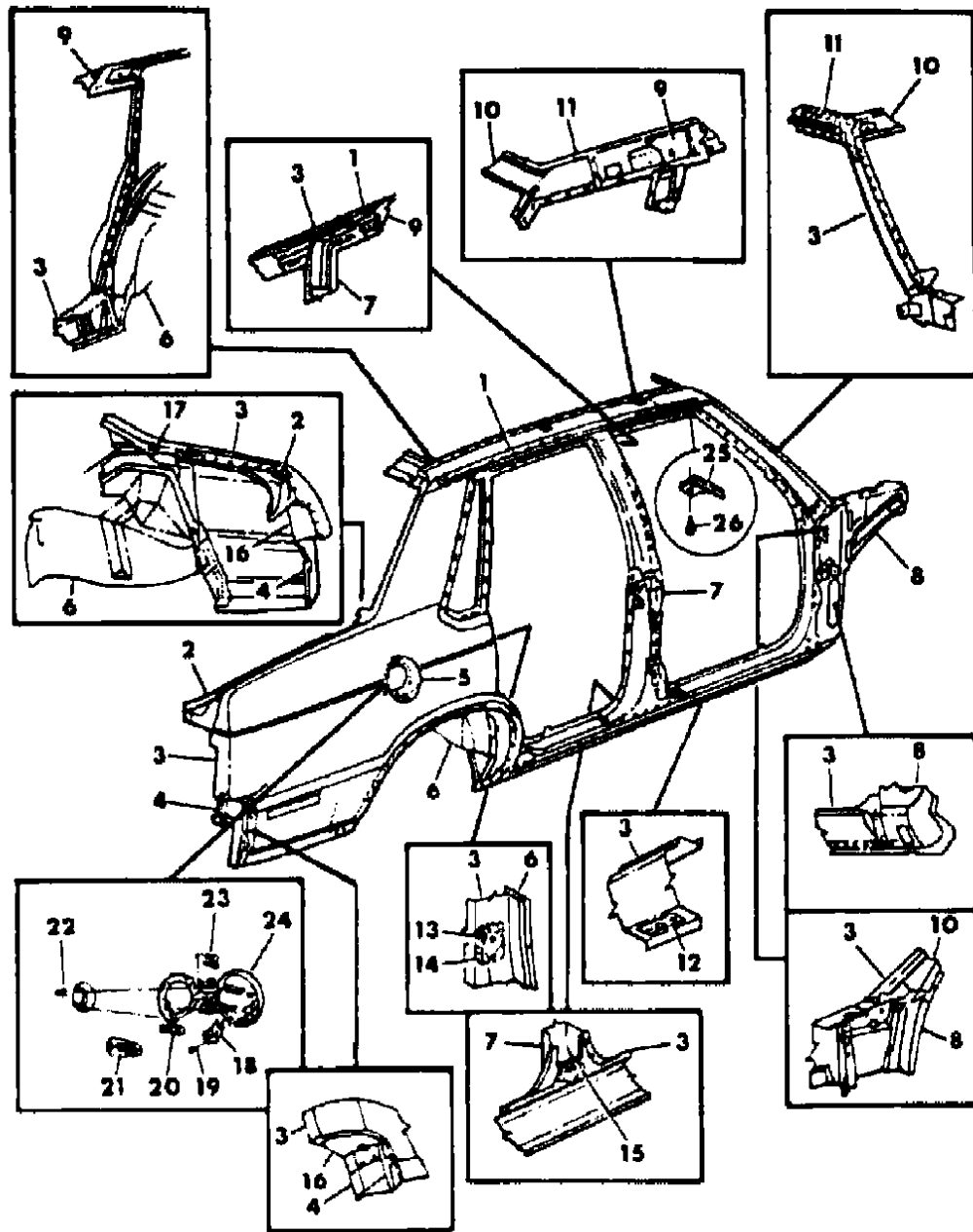
MODEL CODES
 B = GRAN FURY
 C = LE BARON/TOWN & COUNTRY/LIMO
 C24 = LASER
 C44 = LE BARON/GTS
 D = ARIES
 D44 = LANCER
 E = 600
 F = FIFTH AVENUE/NEWPORT
 G = DIPLOMAT
 H = VOYAGER
 J = CARAVELLE
 K = MINI VAN/CARAVAN/ROYAL
 M = HORIZON/TURISMO
 P = RELIANT
 T = NEW YORKER
 V = 600
 V24 = DAYTONA
 Z = OMNI/CHARGER

BODY STYLES
 21 = 2-DOOR SEDAN
 22 = 2-DOOR SPECIAL COUPE
 24 = 2-DOOR HATCHBACK
 27 = 2-DOOR CONVERTIBLE
 35 = FWD VAN
 36 = FWD WAGON
 41 = 4-DOOR SEDAN
 44 = 4-DOOR HATCHBACK
 45 = 4-DOOR STATION WAGON
 49 = LIMOUSINE

AR = Use as Required - = Non Illustrated Part P.A.R. = Paint as Required

BODY SIDE J,E,T
Figure 23A-3400

5169 3400



ITEM	PART NUMBER	QTY	BODY	MODEL	DESCRIPTION
1	4206 810-1	1			TROUGH, Roof Side Drain, Up To 9/5/84
	4296 988-9	1			After 9/5/84
2	4206 934-5	1			TROUGH, Body Side Aperture Drain
3	4314 438-9	1			PANEL, Body Side Aperture, Front
	4314 444-5	1			Center
	4314 452-3	1			Rear
4	4341 090-1	1			EXTENSION, Deck Opening Lower Panel Side Drain Trough, Upper
5	4337 205	1			REINFORCEMENT, Body Side Aperture Fuel Filler Door Opening
6					PANEL, See Qtr. Inside and Wheelhouse Outer Illustration
7					PILLAR, See Side Sill and Center Pillar Illustration
8					PILLAR, See Body Front Hinge Pillar Illustration
9	4341 604-5	1			RAIL, Roof Side Inner
10	4314 738-9	1			FRAME, Windshield Opening Side Inner
11	4337 272-3	1			REINFORCEMENT, Windshield Opening Side Aperture, Upper
12	4314 277	4			PLATE, Body Side Aperture Jack Locator
13	4134 972	2			RETAINER, Body Side Aperture Panel Door Lock Striker Nut
14	4297 188-9	1			REINFORCEMENT, Body Side Aperture Door Latch Striker
15	4337 226	2			REINFORCEMENT, Body Side Aperture Seat Belt Anchor, Lower
	4206 198-9	1			Upper
16	4341 090-1	1			EXTENSION, Deck Opening Lower Panel Side Drain Trough, Upper
					Lower
	4296 402-3	1			REINFORCEMENT, Body Side Aperture Lower Corner Back Lite
17	4206 942-3	1			LATCH, Fuel Filler Door
18	4337 194	1			
19		2			SCREW, Not Serviced
20		AR			SCREW, Not Serviced
21	4314 923	1			BUMPER, Body Side Aperture Fuel Filler Door, Remote
22	6032 641	2			NUT
23	4337 147	1			PLATE, w/Screw Fuel Filler Door & Hinge Mounting
24	4337 200	1			DOOR, w/Hinge Body Side Aperture Fuel Filler
25	4337 136-7	1			FILLER, w/Tape Drain Trough Front End To "A" Pillar
26	6032 650	2			SCREW, w/Washer Drain Trough To "A" Pillar Filler Mounting
NOTE: The following items are not shown on illustration. s group.					
	4206 970	1			TROUGH, Deck Opening Upper Drain
	4206 958	1			SEAL, Body Side Aperture Fuel Filler Door Reinforcement
	4206 486	2			SEAL, Body Side Aperture to Lower Front Pillar

MODEL CODES

B = GRAN FURY	E = 600	M = HORIZON/TURISMO
C = LE BARON/TOWN & COUNTRY/LIMO	F = FIFTH AVENUE/NEWPORT	P = RELIANT
C24 = LASER	G = DIPLOMAT	T = NEW YORKER
C44 = LE BARON/GTS	H = VOYAGER	V = 600
D = ARIES	J = CARAVELLE	V24 = DAYTONA
D44 = LANCER	K = MINI VAN/CARAVAN/ROYAL	Z = OMNI/CHARGER

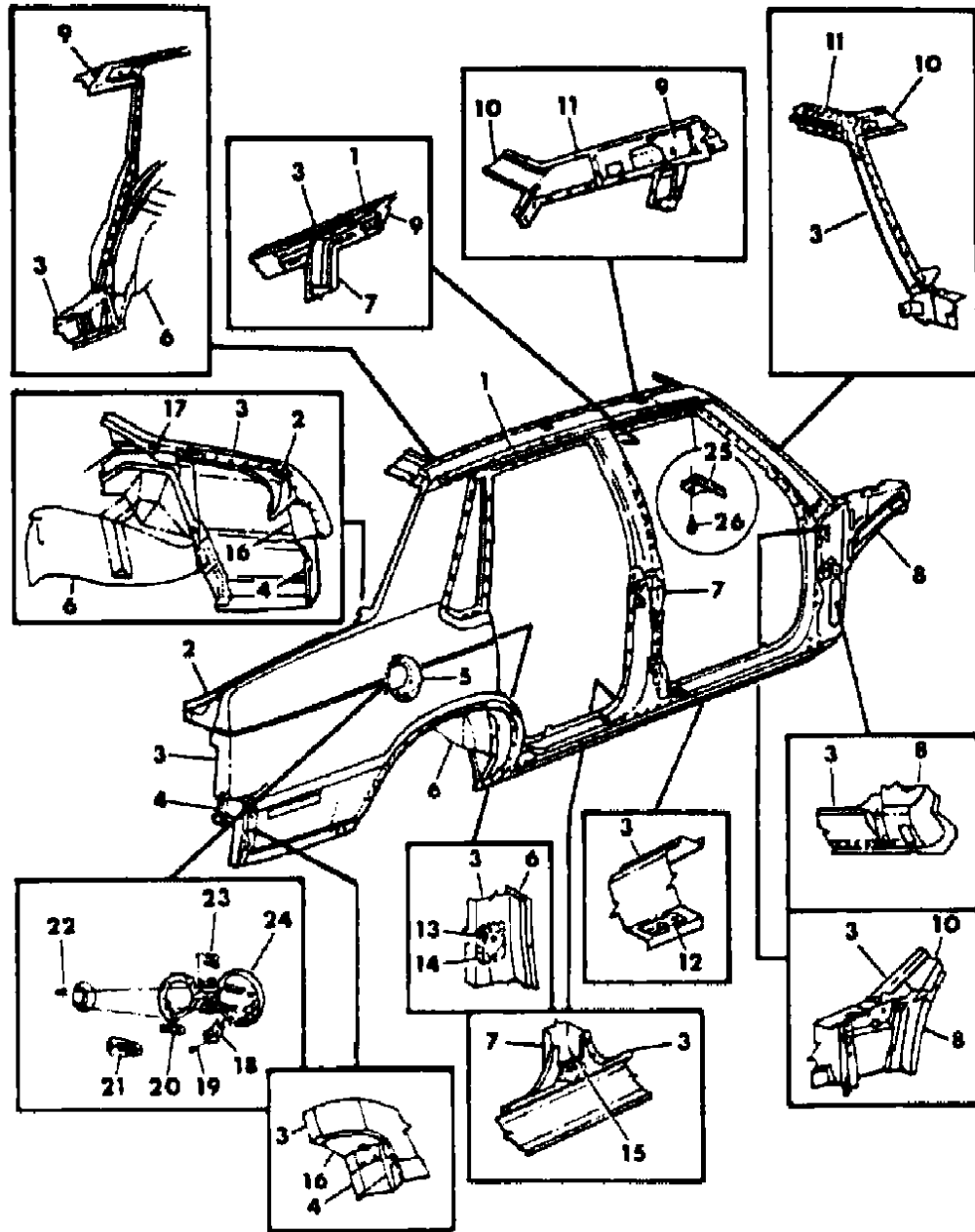
BODY STYLES

21 = 2-DOOR SEDAN	35 = FWD VAN	44 = 4-DOOR HATCHBACK
22 = 2-DOOR SPECIAL COUPE	36 = FWD WAGON	45 = 4-DOOR STATION WAGON
24 = 2-DOOR HATCHBACK	41 = 4-DOOR SEDAN	49 = LIMOUSINE
27 = 2-DOOR CONVERTIBLE		

AR = Use as Required - = Non Illustrated Part P.A.R. = Paint as Required

BODY SIDE J,E,T
Figure 23A-3400

5169 3400



ITEM	PART NUMBER	QTY	BODY	MODEL	DESCRIPTION
	4206 487	2			SEAL, Center Pillar to Drain Trough
	4206 955	2			RETAINER, w/Studs Qtr. Pnl. Rr. Bumper Fascia
	6500 483	2			NUT, Door Latch Striker
	4337 395	1			ADHESIVE, w/Fastener Quarter Inner Panel to Fuel Filler Opening Reinforcement

MODEL CODES

B = GRAN FURY	E = 600	M = HORIZON/TURISMO
C = LE BARON/TOWN & COUNTRY/LIMO	F = FIFTH AVENUE/NEWPORT	P = RELIANT
C24 = LASER	G = DIPLOMAT	T = NEW YORKER
C44 = LE BARON/GTS	H = VOYAGER	V = 600
D = ARIES	J = CARAVELLE	V24 = DAYTONA
D44 = LANCER	K = MINI VAN/CARAVAN/ROYAL	Z = OMNI/CHARGER

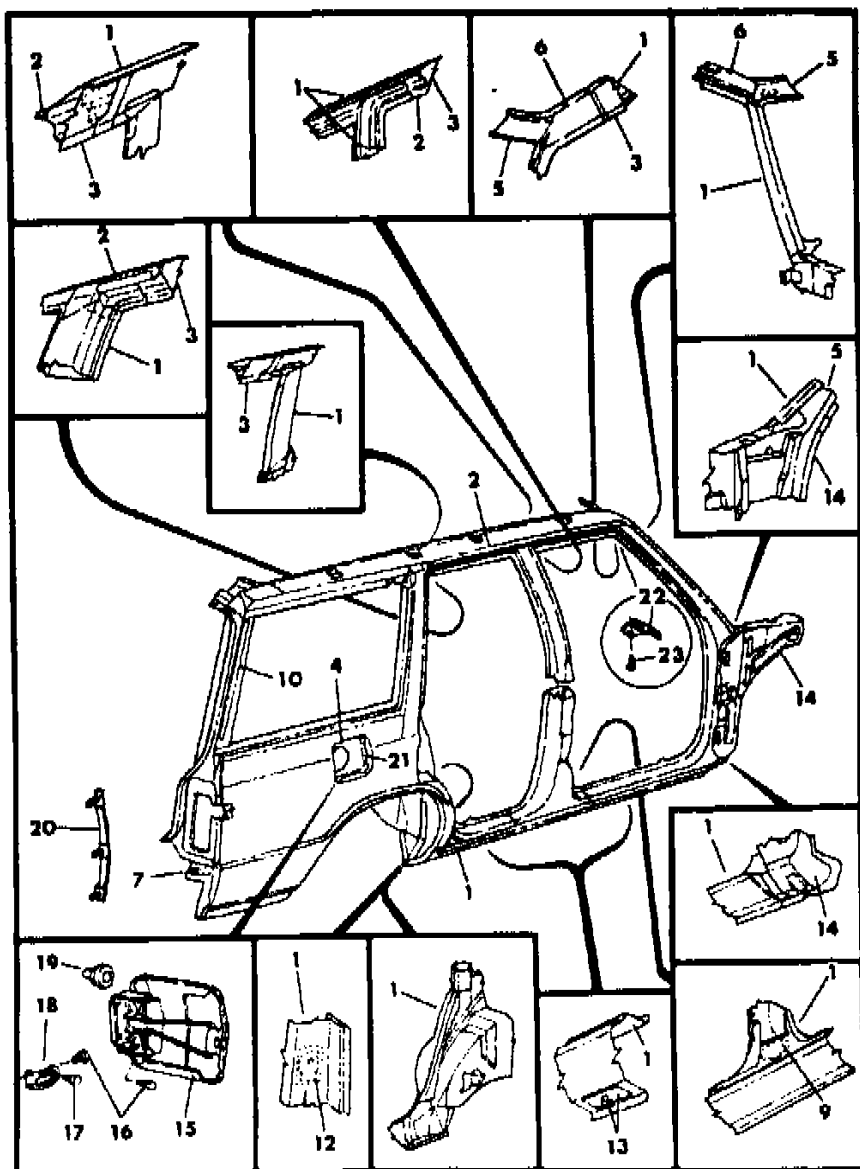
BODY STYLES

21 = 2-DOOR SEDAN	35 = FWD VAN	44 = 4-DOOR HATCHBACK
22 = 2-DOOR SPECIAL COUPE	36 = FWD WAGON	45 = 4-DOOR STATION WAGON
24 = 2-DOOR HATCHBACK	41 = 4-DOOR SEDAN	49 = LIMOUSINE
27 = 2-DOOR CONVERTIBLE		

AR = Use as Required - = Non Illustrated Part P.A.R. = Paint as Required

BODY SIDE P,D,C 45
Figure 23A-3500

5169 3500



ITEM	PART NUMBER	QTY	BODY	MODEL	DESCRIPTION
1	4314 438-9	1			PANEL, Body Side Aperture, Front
	4337 088-9	1			Center
	4314 440-1	1			Rear
2	4296 990-1	1			TROUGH, Aperture Panel Roof Side Drain
	4296 716-7	1			Up To 3-15-85
3	4341 738-9	1			After 3-15-85
	4314 298	1			REINFORCEMENT, Body Side Aperture Fuel Filler Door Opening
4	4314 738-9	1			FRAME, Windshield Opening Side Inner
	4337 272-3	1			REINFORCEMENT, Windshield Opening Side Aperture, Upper
5	4206 130-1	1			EXTENSION, Body Side Aperture Panel Lower Rear
6	4337 226	2			REINFORCEMENT, Body Side Aperture Panel Seat Belt Anchor, Lower
	4206 198-9	1			Upper
7	4278 643	2			SUPPORT, Aperture Panel Quarter Window Rear Moulding
8	4297 188-9	1			REINFORCEMENT, Body Side Aperture Panel Door Latch Striker
	4134 972	2			RETAINER, Body Side Aperture Panel Door Latch Striker Nut
9	6500 483	2			NUT, Striker
	4314 277	4			PLATE, Body Side Aperture Jack Locator
10	4314 488	1			PILLAR, See Body Front Hinge Pillar Illustration
	4206 746	1			DOOR, w/Hinge Body Side Aperture Fuel Filler
11	4206 956	1			BAND, Fuel Filler Door Hinge Spring Pin Noise Dampener
	5200 365	4			SCREW, Not Serviced
12	4314 302	2			BUTTON, Body Side Aperture Fuel Filler Door Stop Bumper
	4314 302	1			BRACKET, Body Side Aperture Fuel Filler Door Stop
13	4206 956	2			NUT, (Not Serviced)
	4337 001	2			RETAINER, w/Studs Quarter Outside Panel Rear Bumper Fascia
14	4337 136-7	1			BEZEL, Fuel Filler Door Opening
	6032 650	1			FILLER, w/Tape Drain Trough Front End To "A" Pillar
15	4206 958	2			SCREW, w/Washer Drain Trough To "A" Pillar Filler Mounting
	4206 958	1			SEAL, Body Side Aperture Fuel Filler Door Reinforcement
16	4206 486	2			SEAL, Body Side Aperture to Lower Front Pillar
	4206 487	2			SEAL, Center Pillar to Drain Trough
17	5200 365	1			BUTTON, Fuel Filler Door Hinge Bumper
	4337 395	1			ADHESIVE, w/Fastener Quarter Inner Panel to Fuel Filler Opening Reinforcement

NOTE: The following items are not shown on illustration. s group.

MODEL CODES

B = GRAN FURY	E = 600	M = HORIZON/TURISMO
C = LE BARON/TOWN & COUNTRY/LIMO	F = FIFTH AVENUE/NEWPORT	P = RELIANT
C24 = LASER	G = DIPLOMAT	T = NEW YORKER
C44 = LE BARON/GTS	H = VOYAGER	V = 600
D = ARIES	J = CARAVELLE	V24 = DAYTONA
D44 = LANCER	K = MINI VAN/CARAVAN/ROYAL	Z = OMNI/CHARGER

BODY STYLES

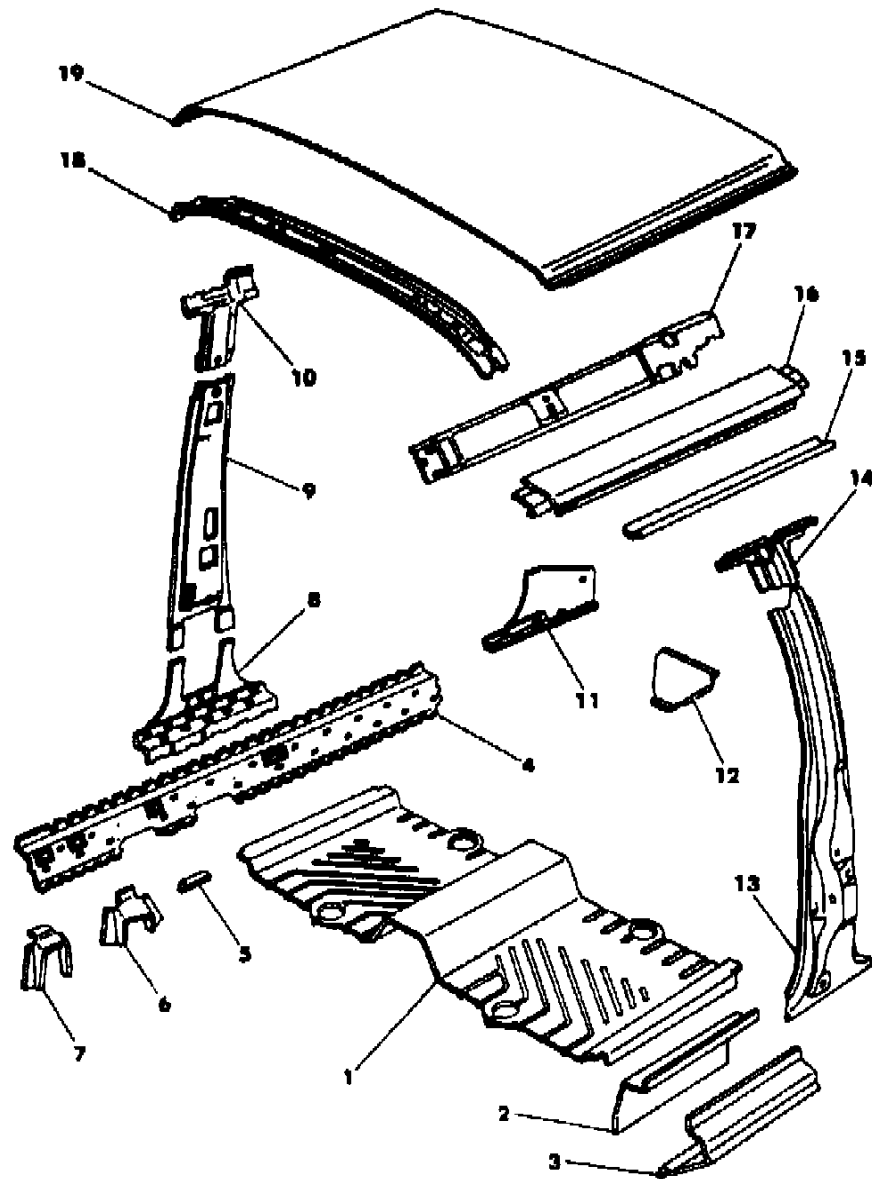
21 = 2-DOOR SEDAN	35 = FWD VAN	44 = 4-DOOR HATCHBACK
22 = 2-DOOR SPECIAL COUPE	36 = FWD WAGON	45 = 4-DOOR STATION WAGON
24 = 2-DOOR HATCHBACK	41 = 4-DOOR SEDAN	49 = LIMOUSINE
27 = 2-DOOR CONVERTIBLE		

AR = Use as Required - = Non Illustrated Part P.A.R. = Paint as Required

BODY EXTENSIONS REINFORCEMENTS C 49

Figure 23A-3600

5169 3600



ITEM	PART NUMBER	QTY	BODY	MODEL	DESCRIPTION
------	-------------	-----	------	-------	-------------

NOTE: This illustration covers peculiar sheet metal for the 131.3" W.B. Limousine (C 49 Model). This model is derived from the 100.1" W.B. LeBaron (C 22 Model). Sheet metal parts for the C 49 not found on this illustration should be specified from the C 22

1	4339 851	1	49		EXTENSION, Floor Pan
2	4339 856	2	49		EXTENSION, Body Sill, Inner
3	4339 852-3	1	49		EXTENSION, Body Sill, Outer
4	4339 854-5	1	49		REINFORCEMENT, Sill Inner
5	4339 751	4	49		BRACKET, Angle, Floor Pan Stabilizer
6	4339 504-5	1	49		GUSSET, Front Seat Rear Outer Attaching Reinforcement
7	4339 502-3	1	49		GUSSET, Front Seat Track Crossmember
8	4339 520-1	1	49		PILLAR, Center, Lower Inner
9	4339 516-7	1	49		PILLAR, Center, Inner
10	4339 518-9	1	49		PILLAR, Center, Upper Inner
11	4339 512-3	1	49		REINFORCEMENT, Sill Inner, Rear
12	4339 509	1	49		REINFORCEMENT, Tunnel, Rear
13	4364 176-7	1	49		PILLAR, Center, Outer (Includes Item #14)
14		1	49		PILLAR, Center, Upper Outer (Serviced in Item #13)
15	4339 866-7	1	49		EXTENSION, Drain Trough
16	4339 864-5	1	49		EXTENSION, Side Rail, Outer
17	4339 868-9	1	49		REINFORCEMENT, Side Rail, Inner
18	4136 853	1	49		BOW, Roof Extension
19	4339 857	1	49		EXTENSION, Roof Panel

NOTE: The Following Items Are Not Shown On Illustration. 22 Model). Sheet metal parts for the C 49 not found on this illustration should be specified from the C 22 Models, as found elsewhere in this group.

	4339 870	1	49		SUPPORT, Roof To Divider
	4339 871	1	49		CROSSMEMBER ASSEMBLY, Divider
	4339 872	1	49		SUPPORT, Crossmember To Floor
	4296 396-7	1	49		EXTENSION, Deck Opening Lower Panel Side Sill Drain Trough, Upper
	4278 596-7	1			REINFORCEMENT, Qtr. Inner Panel Sill

MODEL CODES

B = GRAN FURY	E = 600	M = HORIZON/TURISMO
C = LE BARON/TOWN & COUNTRY/LIMO	F = FIFTH AVENUE/NEWPORT	P = RELIANT
C24 = LASER	G = DIPLOMAT	T = NEW YORKER
C44 = LE BARON/GTS	H = VOYAGER	V = 600
D = ARIES	J = CARAVELLE	V24 = DAYTONA
D44 = LANCER	K = MINI VAN/CARAVAN/ROYAL	Z = OMNI/CHARGER

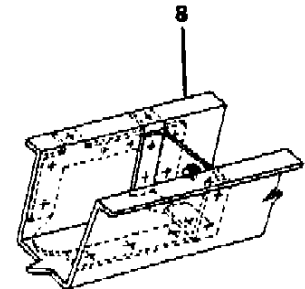
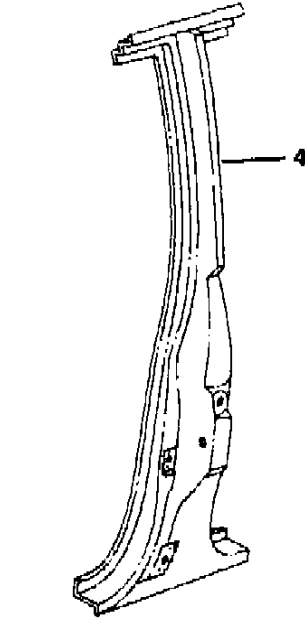
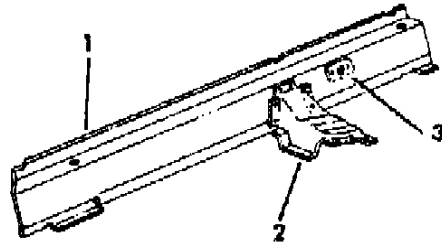
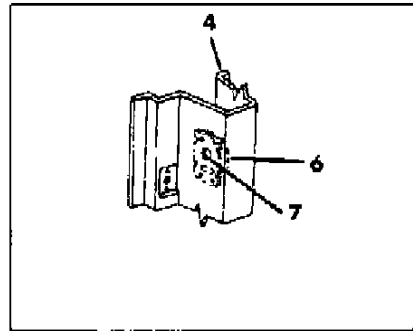
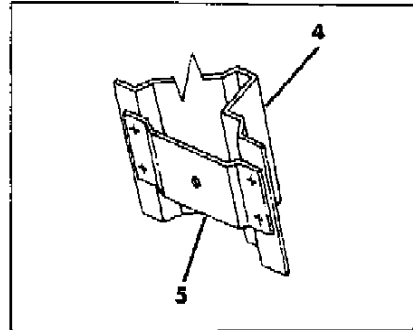
BODY STYLES

21 = 2-DOOR SEDAN	35 = FWD VAN	44 = 4-DOOR HATCHBACK
22 = 2-DOOR SPECIAL COUPE	36 = FWD WAGON	45 = 4-DOOR STATION WAGON
24 = 2-DOOR HATCHBACK	41 = 4-DOOR SEDAN	49 = LIMOUSINE
27 = 2-DOOR CONVERTIBLE		

AR = Use as Required - = Non Illustrated Part P.A.R. = Paint as Required

SIDE SILL AND CENTER PILLAR P,D,V,C,J,E,T
Figure 23A-3700

5169 3700



ITEM	PART NUMBER	QTY	BODY	MODEL	DESCRIPTION
1	4337 078-9	1		P,D,V,C	PANEL, Body Side Sill Inner (See Note "1")
	4337 916-7	1		J,E,T	
2	4314 494-5	1			REINFORCEMENT, Front Floor Pan Front Seat Rear Outer Attaching
3	4314 326	2			REINFORCEMENT, Floor Pan Side Sill Inner, Front Seat Belt
4	4314 300-1	1		41,45	PILLAR, Body Center Outer, Up To 10-1-85
	4371 788-9	1		41,45	After 10-1-85
5	4206 198-9	1		41,45	REINFORCEMENT, Body Side Aperture Seat Belt Anchor Upper
6	4134 972	2			RETAINER, Body Side Aperture Panel Door Lock Striker Nut
7	6500 483	2			NUT, Body Side Aperture Panel Door Lock Striker
8	4337 484-5	1			EXTENSION, Sill Inner Rear (See Note "1")

NOTE: The following items are not shown on illustration. 22 Model). Sheet metal parts for the C 49 not found on this illustration should be specified from the C 22 Models, as found elsewhere in this group.

3794 032	2		27		SEAL, Side Sill Inner Panel Drain Hole
----------	---	--	----	--	--

NOTE "1": These parts may require modification for 27 or 49 body styles. 22 Model). Sheet metal parts for the C 49 not found on this illustration should be specified from the C 22 Models, as found elsewhere in this group.

MODEL CODES

B = GRAN FURY	E = 600	M = HORIZON/TURISMO
C = LE BARON/TOWN & COUNTRY/LIMO	F = FIFTH AVENUE/NEWPORT	P = RELIANT
C24 = LASER	G = DIPLOMAT	T = NEW YORKER
C44 = LE BARON/GTS	H = VOYAGER	V = 600
D = ARIES	J = CARAVELLE	V24 = DAYTONA
D44 = LANCER	K = MINI VAN/CARAVAN/ROYAL	Z = OMNI/CHARGER

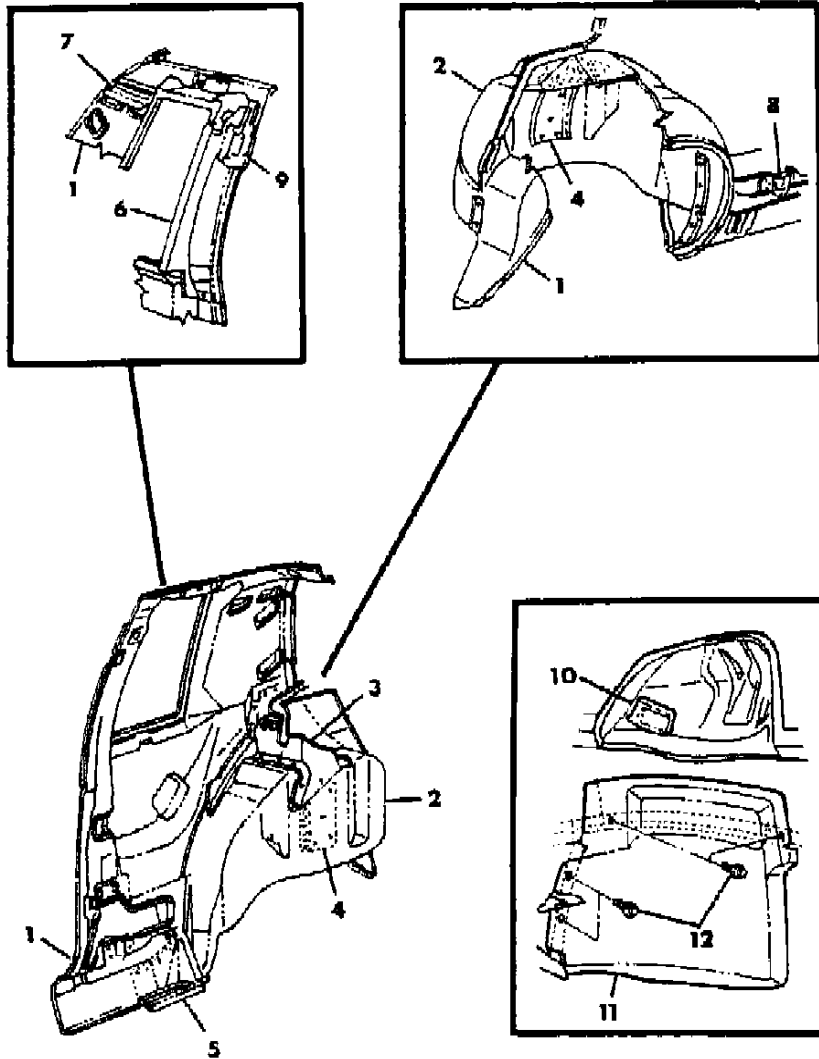
BODY STYLES

21 = 2-DOOR SEDAN	35 = FWD VAN	44 = 4-DOOR HATCHBACK
22 = 2-DOOR SPECIAL COUPE	36 = FWD WAGON	45 = 4-DOOR STATION WAGON
24 = 2-DOOR HATCHBACK	41 = 4-DOOR SEDAN	49 = LIMOUSINE
27 = 2-DOOR CONVERTIBLE		

AR = Use as Required - = Non Illustrated Part P.A.R. = Paint as Required

QUARTER INSIDE AND WHEELHOUSE OUTER PANEL P,D,V,C 21,22,27,49
Figure 23A-3800

5169 3800



ITEM	PART NUMBER	QTY	BODY	MODEL	DESCRIPTION
1	4341 052-3	1		21	PANEL, Quarter Inside & Wheelhouse Outer
	4341 268-9	1		22,27,4	(See Note "1")
2	4278 436-7	1			PANEL, Rear Wheelhouse Inner
	4386 150-1	1			Up To 11/8/84
		1			After 11/8/84
3		1			EXTENSION, Shelf Panel (Not Serviced)(See Note "1")
4	4134 686-7	1			REINFORCEMENT, W/House Inner Panel Shock Absorber Mounting
5	4206 156-7	1			REINFORCEMENT, Quarter Inner Panel Sill Jacking
6	4325 258-9	1			REINFORCEMENT, Quarter Inside Panel to Body Side Aperture Panel, Front
7	4341 086-7	1		21,22,4	SUPPORT, Quarter Inside and Wheelhouse Outer to Side Aperture Panel
8	4341 097	2		21,22,4	REINFORCEMENT, Qtr. Inside Wheelhouse Qtr. Panel Seat Belt Retractor
9	4314 326	2			REINFORCEMENT, Quarter Inside Panel Upper Shoulder Belt Anchor
10					SHIELD, W/House Inner Panel Fuel Filler Tube, Rt.
	4206 734	1		P,D	Up To 4-1-85
	4371 494	1		P,D	After 4-1-85
11	4314 188-9	1		V,C	SHIELD, Rear W/House Inner Panel Appearance
12		AR			SCREW, Not Serviced
NOTE: The following Items are not shown on illustration. 22 Model). Sheet metal parts for the C 49 not found on this illustration should be specified from the C 22 Models, as found elsewhere in this group.					
	4206 218	2		22,27,4	SEAL, Quarter Outside Panel to Deck Lower Panel Extension
	4278 463	1			PIN, W/House Inner to Deck Lid Hinge Restraint Cable, Rt. Attaching
	4073 281	2			CAPLUG, Rear Wheelhouse Inner Panel to Shock Absorber Reinforcement Screw (w/Heavy Service Pkg.)
	0120 375	2			NUT, w/Washer Rear Wheelhouse Inner Panel to Shock Mounting Reinforcement (w/Heavy Service Pkg.)
NOTE "1": These parts may require modification for 27 & 49 body styles. 22 Model). Sheet metal parts for the C 49 not found on this illustration should be specified from the C 22 Models, as found elsewhere in this group.					

MODEL CODES

B = GRAN FURY	E = 600	M = HORIZON/TURISMO
C = LE BARON/TOWN & COUNTRY/LIMO	F = FIFTH AVENUE/NEWPORT	P = RELIANT
C24 = LASER	G = DIPLOMAT	T = NEW YORKER
C44 = LE BARON/GTS	H = VOYAGER	V = 600
D = ARIES	J = CARAVELLE	V24 = DAYTONA
D44 = LANCER	K = MINI VAN/CARAVAN/ROYAL	Z = OMNI/CHARGER

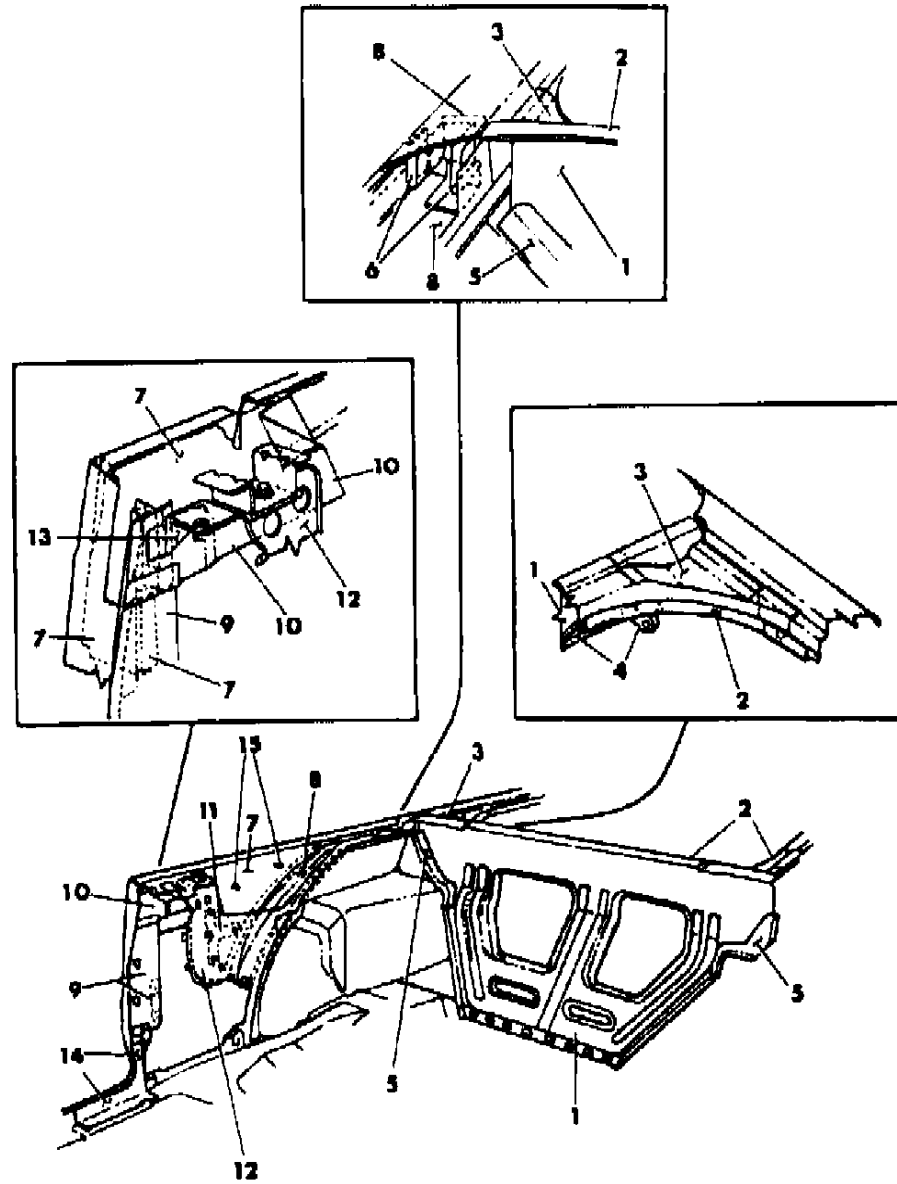
BODY STYLES

21 = 2-DOOR SEDAN	35 = FWD VAN	44 = 4-DOOR HATCHBACK
22 = 2-DOOR SPECIAL COUPE	36 = FWD WAGON	45 = 4-DOOR STATION WAGON
24 = 2-DOOR HATCHBACK	41 = 4-DOOR SEDAN	49 = LIMOUSINE
27 = 2-DOOR CONVERTIBLE		

AR = Use as Required - = Non Illustrated Part P.A.R. = Paint as Required

CONVERTIBLE QUARTER INNER AND DECK OPENING UPPER V,C 27
Figure 23A-3900

5169 3900



ITEM	PART NUMBER	QTY	BODY	MODEL	DESCRIPTION
1		1		27	PANEL and NUT, Deck Opening Upper to Floor Closure 4341412 Not Serviced
2	4341 328	1		27	TROUGH, Deck Opening Upper Drain
3	4341 326-7	1		27	REINFORCEMENT, Deck Opening Upper Drain Trough
4	4296 539	1		27	BRACE, Deck Opening Upper Drain Trough
5	4296 468-9	1		27	BRACKET, Deck Opening Upper Closure to Wheelhouse Inner Panel
6		1		27	BRACKET, w/Seal Body Side Aperture Belt Bar Reinforcement Serviced in Item 7
7	4314 584-5	1		27	REINFORCEMENT ASSEMBLY, Body Side Aperture Belt Bar (Includes Items #6,8,10-13,15)
8		1		27	REINFORCEMENT, Body Side Aperture Belt Bar Lower (Serviced in Item #7)
9	4314 588-9	1		27	EXTENSION, w/Plate Body Side Aperture Panel Brace Mounting
10		1		27	BRACE, Body Side Aperture Belt Bar Reinforcement (Serviced in Item #7)
11		2		27	PLATE and NUT, Body Side Aperture Belt Bar Reinforcement to Wheelhouse Extension (Serviced in Items #7 & 12)
12	4314 586-7	1		27	EXTENSION, w/Plate Body Side Aperture Belt Bar to Wheelhouse Includes Item 11
13		2		27	REINFORCEMENT, Body Side Aperture Belt Bar Reinforcement Brace Serviced In Item 7
14	4337 396-7	1		27	REINFORCEMENT, Quarter Inner Panel to Door Opening Sill Rear
15	6100 098	8		27	SCREW, Body Side Aperture Belt Bar Upper

MODEL CODES

B = GRAN FURY	E = 600	M = HORIZON/TURISMO
C = LE BARON/TOWN & COUNTRY/LIMO	F = FIFTH AVENUE/NEWPORT	P = RELIANT
C24 = LASER	G = DIPLOMAT	T = NEW YORKER
C44 = LE BARON/GTS	H = VOYAGER	V = 600
D = ARIES	J = CARAVELLE	V24 = DAYTONA
D44 = LANCER	K = MINI VAN/CARAVAN/ROYAL	Z = OMNI/CHARGER

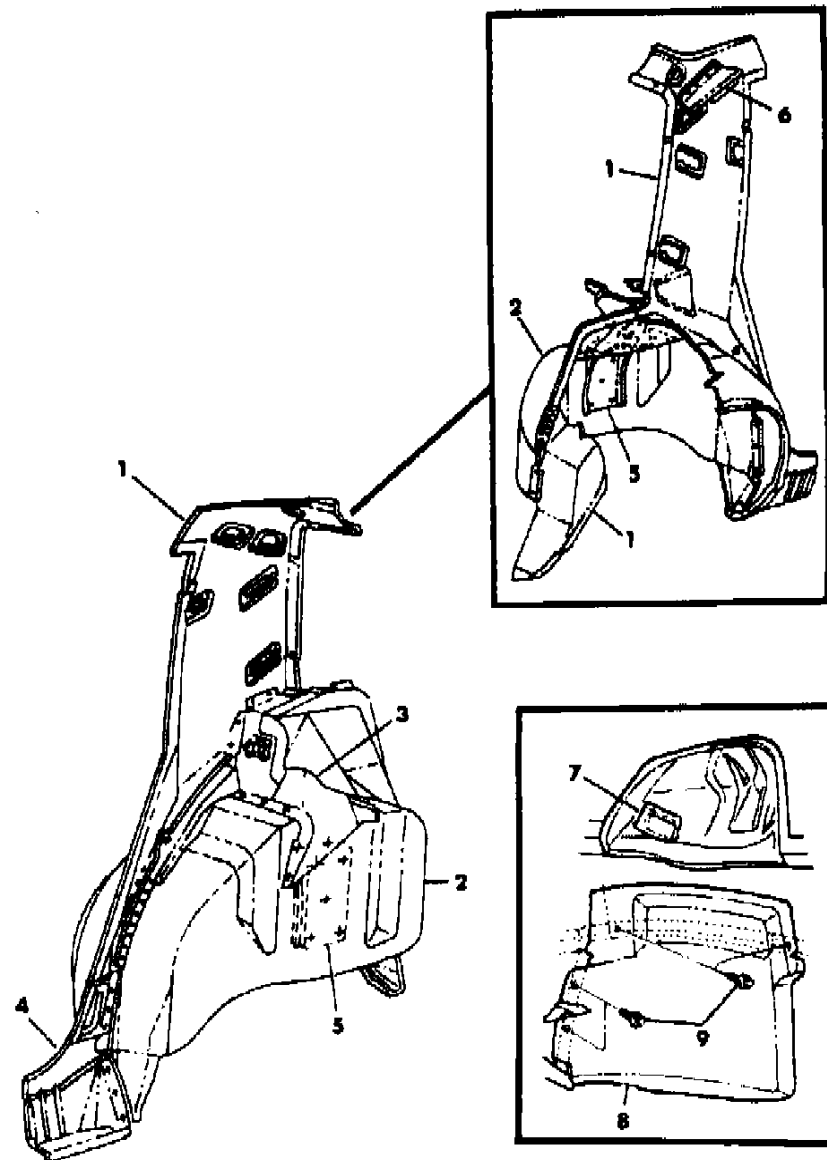
BODY STYLES

21 = 2-DOOR SEDAN	35 = FWD VAN	44 = 4-DOOR HATCHBACK
22 = 2-DOOR SPECIAL COUPE	36 = FWD WAGON	45 = 4-DOOR STATION WAGON
24 = 2-DOOR HATCHBACK	41 = 4-DOOR SEDAN	49 = LIMOUSINE
27 = 2-DOOR CONVERTIBLE		

AR = Use as Required - = Non Illustrated Part P.A.R. = Paint as Required

QUARTER INSIDE AND WHEELHOUSE OUTER PANEL P,D,C 41
Figure 23A-4000

5169 4000



ITEM	PART NUMBER	QTY	BODY	MODEL	DESCRIPTION
1	4296 414-5	1			PANEL, Quarter Inside and Wheelhouse Outer
2	4278 436-7	1			PANEL,Rear Wheelhouse Inner Up To 11/8/84
	4386 150-1	1			After 11/8/84
3		1			EXTENSION, Shelf Panel (not serviced)
4	4206 074-5	1			REINFORCEMENT, Quarter Inner Panel Sill Jacking
5	4134 686-7	1			REINFORCEMENT, W/House Inner Panel Shock Absorber Mounting
6	4341 088-9	1			SUPPORT, Quarter Inside and Wheelhouse Outer to Side Aperture Panel
7	4206 734	1		P,D	SHIELD, W/House Inner Panel Fuel Filler Tube, Rt. Up to 4-1-85
	4371 494	1		P,D	After 4-1-85
8	4314 188-9	1		C	SHIELD, Rear W/House Inner Panel Appearance
9		AR			SCREW, Not Serviced
NOTE: The following items are not shown on illustration. 22 Model). Sheet metal parts for the C 49 not found on this illustration should be specified from the C 22 Models, as found elsewhere in this group.					
	4206 218	2		C	SEAL, Quarter Outside Panel to Deck Lower Panel Extension
	4278 463	1			PIN, W/House Inner to Deck Lid Hinge Restrainer Cable, Rt. Attaching
	4073 281	2			CAPLUG, Rear Wheelhouse Inner Panel to Shock Absorber Reinforcement Screw (w/Heavy Service Pkg.)
	0120 375	2			NUT, w/Washer Rear Wheelhouse Inner Panel Shock Mounting Reinforcement (w/Heavy Service Pkg.)

MODEL CODES

B = GRAN FURY	E = 600	M = HORIZON/TURISMO
C = LE BARON/TOWN & COUNTRY/LIMO	F = FIFTH AVENUE/NEWPORT	P = RELIANT
C24 = LASER	G = DIPLOMAT	T = NEW YORKER
C44 = LE BARON/GTS	H = VOYAGER	V = 600
D = ARIES	J = CARAVELLE	V24 = DAYTONA
D44 = LANCER	K = MINI VAN/CARAVAN/ROYAL	Z = OMNI/CHARGER

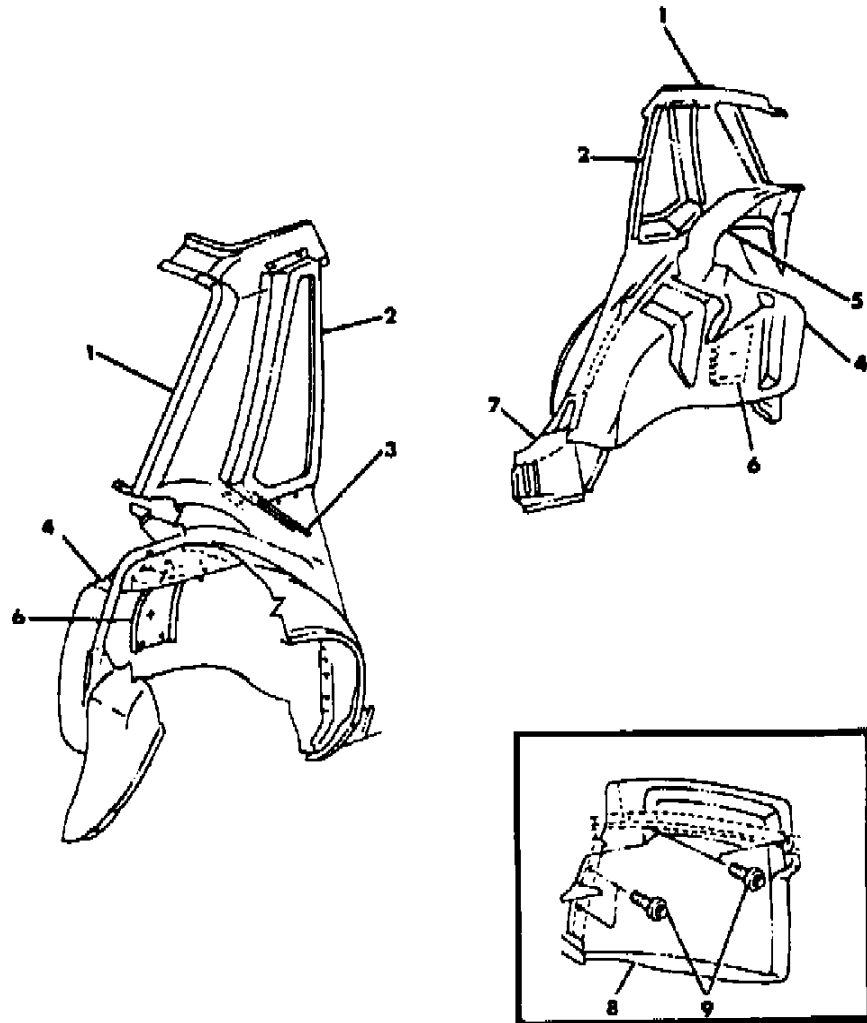
BODY STYLES

21 = 2-DOOR SEDAN	35 = FWD VAN	44 = 4-DOOR HATCHBACK
22 = 2-DOOR SPECIAL COUPE	36 = FWD WAGON	45 = 4-DOOR STATION WAGON
24 = 2-DOOR HATCHBACK	41 = 4-DOOR SEDAN	49 = LIMOUSINE
27 = 2-DOOR CONVERTIBLE		

AR = Use as Required - = Non Illustrated Part P.A.R. = Paint as Required

QUARTER INSIDE AND WHEELHOUSE OUTER PANEL J,E,T
Figure 23A-4100

5179 4100



ITEM	PART NUMBER	QTY	BODY	MODEL	DESCRIPTION
1	4341 708-9	1			PANEL, Quarter Inside & Wheelhouse Outer
2	4314 252-3	1			REINFORCEMENT, Body Side Aperture to Quarter Inside
3	4296 288-9	1			TROUGH, Quarter Inside Panel Wdo. Reinforcement Drain
4	4278 436-7	1			PANEL, Rear WheelHouse Inner Up To 11/8/84
	4386 150-1	1			After 11/8/84
5		1			EXTENSION, Shelf Panel (Not Serviced)
6	4134 686-7	1			REINFORCEMENT, Wheelhouse Inner Panel Shock Absorber Mounting
7	4206 074-5	1			REINFORCEMENT, Quarter Inner Panel Sill Jacking
8	4314 188-9	1			SHIELD, Rear Wheelhouse Inner Panel Appearance
9		AR			SCREW, (Not Serviced)
NOTE: The following items are not shown on illustration. 22 Model). Sheet metal parts for the C 49 not found on this illustration should be specified from the C 22 Models, as found elsewhere in this group.					
	4073 281	2			CAPLUG, Rear Wheelhouse Inner Panel to Shock Absorber Reinforcement Screw (w/Heavy Service Pkg.)
	0120 375	2			NUT, w/Washer Rear Wheelhouse Inner Panel to Shock Mounting Reinforcement (w/Heavy Service Pkg.)

MODEL CODES

B = GRAN FURY	E = 600	M = HORIZON/TURISMO
C = LE BARON/TOWN & COUNTRY/LIMO	F = FIFTH AVENUE/NEWPORT	P = RELIANT
C24 = LASER	G = DIPLOMAT	T = NEW YORKER
C44 = LE BARON/GTS	H = VOYAGER	V = 600
D = ARIES	J = CARAVELLE	V24 = DAYTONA
D44 = LANCER	K = MINI VAN/CARAVAN/ROYAL	Z = OMNI/CHARGER

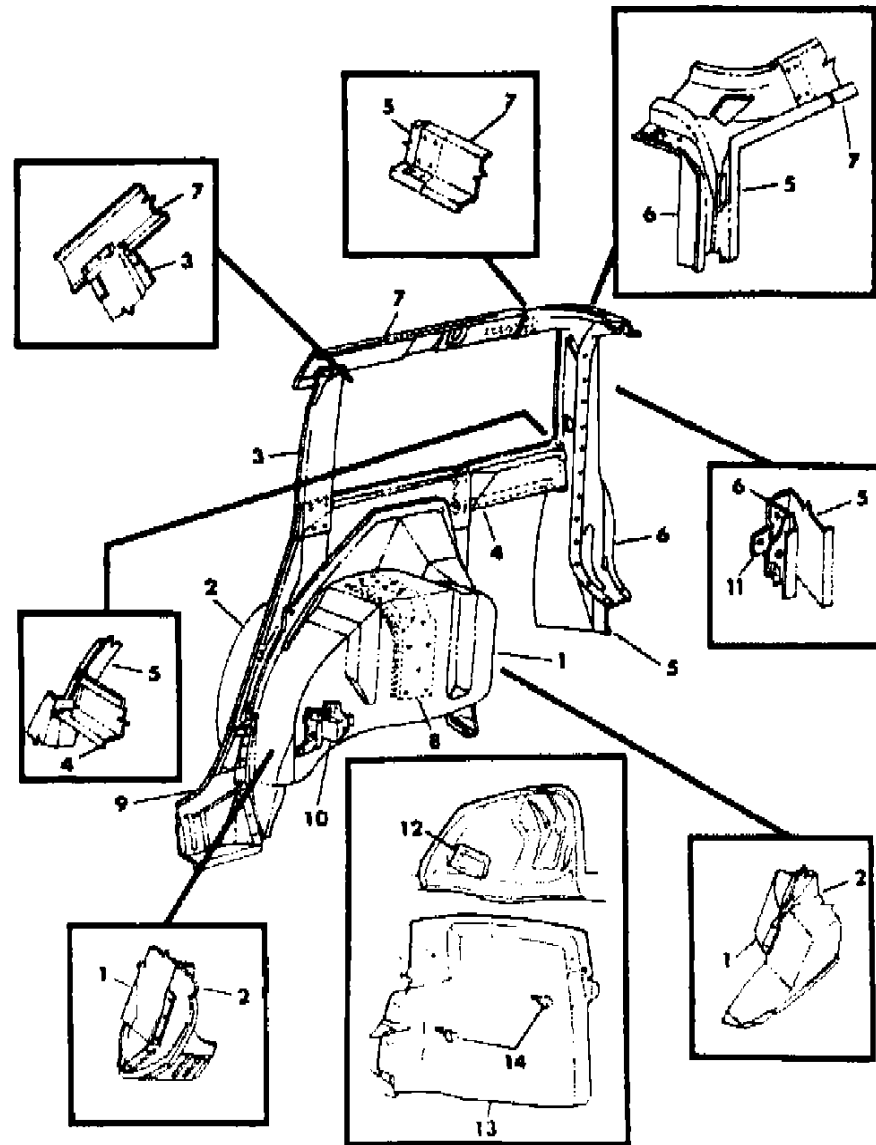
BODY STYLES

21 = 2-DOOR SEDAN	35 = FWD VAN	44 = 4-DOOR HATCHBACK
22 = 2-DOOR SPECIAL COUPE	36 = FWD WAGON	45 = 4-DOOR STATION WAGON
24 = 2-DOOR HATCHBACK	41 = 4-DOOR SEDAN	49 = LIMOUSINE
27 = 2-DOOR CONVERTIBLE		

AR = Use as Required - = Non Illustrated Part P.A.R. = Paint as Required

QUARTER INSIDE AND WHEELHOUSE OUTER PANEL P,D,C 45
Figure 23A-4200

5169 4200



ITEM	PART NUMBER	QTY	BODY	MODEL	DESCRIPTION
1					PANEL, Rear Wheelhouse Inner
	4278 436-7	1			Up To 11/8/84
	4386 150-1	1			After 11/8/84
2	4296 412-3	1			PANEL, Quarter Inside and Wheelhouse Outer
3	4134 814-5	1			PANEL, Body Rear Lock Pillar Upper, Inner
4	4134 822-3	1			REINFORCEMENT, Quarter Panel Belt
5	4134 824-5	1			PILLAR, Quarter Outside Panel Lift Gate Opening, Front
6	4134 826-7	1			PILLAR, Quarter Outside Panel Lift Gate Opening, Rear
7	4206 150-1	1			RAIL, Roof Side Inner, Rear
8	4134 686-7	1			REINFORCEMENT, W/House Inner Panel Shock Absorber Mounting
9	4206 074-5	1			REINFORCEMENT, Quarter Inner Panel Sill Jacking
10	4206 220-1	1			BRACKET, Wheelhouse Inner Panel Rear, Folding Seat Back
11	4296 404	2			Hinge Mounting
12					BRACKET, Lift Gate Opening Pillar Prop Attaching
	4206 734	1		P,D	SHIELD, W/House Inner Panel Fuel Filler Tube, Rt. Up To 4-1-85 .
	4371 494	1		P,D	After 4-1-85 .
13	4314 188-9	1		C	SHIELD, Rear W/House Inner Panel Appearance
14		AR			SCREW, Not Serviced
NOTE: The following items are not shown on illustration. 22 Model). Sheet metal parts for the C 49 not found on this illustration should be specified from the C 22 Models, as found elsewhere in this group.					
	4073 281	2			CAPLUG, Rear Wheelhouse Inner Panel to Shock Absorber Mounting Reinforcement (w/Heavy Service Pkg.)
	0120 375	2			NUT, w/Washer Rear Wheelhouse Inner Panel Shock Mounting Reinforcement (w/Heavy Service Pkg.)

MODEL CODES

B = GRAN FURY	E = 600	M = HORIZON/TURISMO
C = LE BARON/TOWN & COUNTRY/LIMO	F = FIFTH AVENUE/NEWPORT	P = RELIANT
C24 = LASER	G = DIPLOMAT	T = NEW YORKER
C44 = LE BARON/GTS	H = VOYAGER	V = 600
D = ARIES	J = CARAVELLE	V24 = DAYTONA
D44 = LANCER	K = MINI VAN/CARAVAN/ROYAL	Z = OMNI/CHARGER

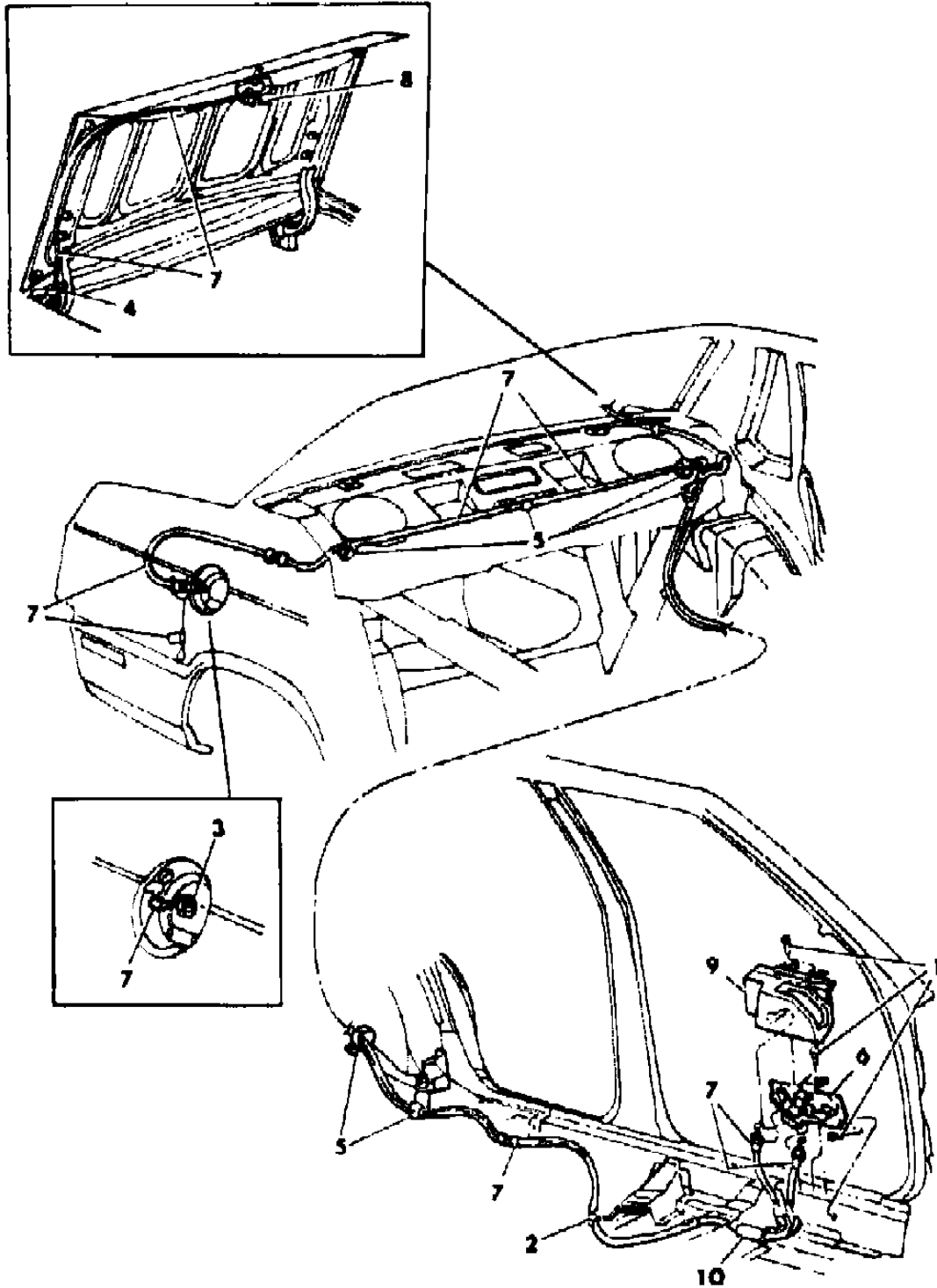
BODY STYLES

21 = 2-DOOR SEDAN	35 = FWD VAN	44 = 4-DOOR HATCHBACK
22 = 2-DOOR SPECIAL COUPE	36 = FWD WAGON	45 = 4-DOOR STATION WAGON
24 = 2-DOOR HATCHBACK	41 = 4-DOOR SEDAN	49 = LIMOUSINE
27 = 2-DOOR CONVERTIBLE		

AR = Use as Required - = Non Illustrated Part P.A.R. = Paint as Required

FUEL FILLER AND DECK LID REMOTE RELEASE J,E,T
Figure 23A-4300

5189 4300



ITEM	PART NUMBER	QTY	BODY	MODEL	DESCRIPTION
1	6032 456	5		41	SCREW
2		1		41	CLIP and SCREW, Not Serviced
3		1		41	NUT, M12 x 1.75" (Not Serviced)
4	6016 059	1		41	CLIP
5		AR		41	CLIP, Not Serviced
6					HANDLE, Fuel Filler & Deck Lid Remote Release
	4037 195	1		41	Up to 12-3-84
	4371 488	1		41	After 12-3-84
7	4337 383	1			CABLE, Fuel Filler & Deck Lid Remote Release
	4371 430	1			CABLE, Body Aperture Fuel Filler Door
8	4378 053	1			LATCH, Deck Lid
9	S990 DC7	1			COVER, Fuel Filler, Deck Lid Remote Release Handle, Dark Blue
	S990 DM6	1			Red
	S990 DS8	1			Charcoal
	S990 DT5	1			Tan
	S990 DT8	1			Brown
10	4371 202	1			CONDUIT, Fuel Filler & Deck Lid Remote Release Cable

MODEL CODES

B = GRAN FURY	E = 600	M = HORIZON/TURISMO
C = LE BARON/TOWN & COUNTRY/LIMO	F = FIFTH AVENUE/NEWPORT	P = RELIANT
C24 = LASER	G = DIPLOMAT	T = NEW YORKER
C44 = LE BARON/GTS	H = VOYAGER	V = 600
D = ARIES	J = CARAVELLE	V24 = DAYTONA
D44 = LANCER	K = MINI VAN/CARAVAN/ROYAL	Z = OMNI/CHARGER

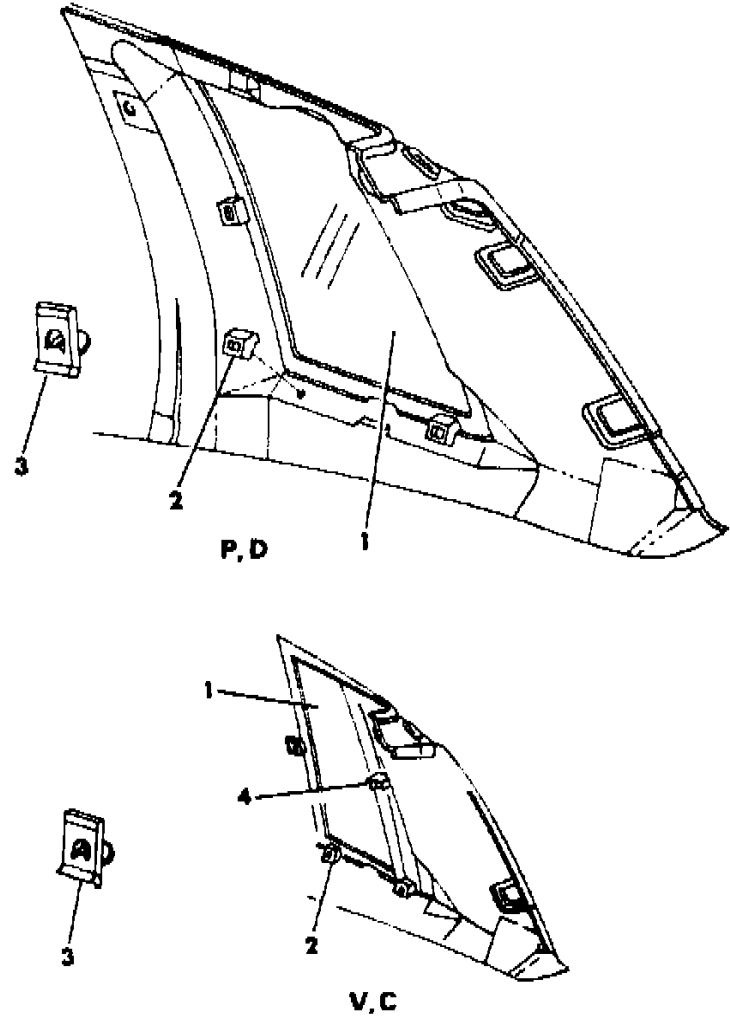
BODY STYLES

21 = 2-DOOR SEDAN	35 = FWD VAN	44 = 4-DOOR HATCHBACK
22 = 2-DOOR SPECIAL COUPE	36 = FWD WAGON	45 = 4-DOOR STATION WAGON
24 = 2-DOOR HATCHBACK	41 = 4-DOOR SEDAN	49 = LIMOUSINE
27 = 2-DOOR CONVERTIBLE		

AR = Use as Required - = Non Illustrated Part P.A.R. = Paint as Required

GLASS QUARTER WINDOW P,D,V,C 21,22,49
Figure 23A-4400

51R9 4400



ITEM	PART NUMBER	QTY	BODY	MODEL	DESCRIPTION
1	4337 116-7	1		P,D-M,H	GLASS and Frame, Quarter Window Tinted
	4337 190-1	1		P,D-L	GLASS, Quarter Window, Tinted
	4337 052-3	1		V	Tinted (Includes "Dodge 600" Decal)
	4278 670-1	1		C 22	Tinted (Includes Etched "LeBaron" Logo)
	4364 152-3	1		C 49	Tinted
2	4206 362	AR	All		SPACER, Qtr. Wdo. Glass
3	4206 852	2	All		RETAINER, Qtr. Wdo. Glass (Upper)
	4206 852	2	All		(Lower)
4	4278 162	AR	V,C		SPACER, Qtr. Window Glass

NOTE: The following items are not shown on illustration. 22 Model). Sheet metal parts for the C 49 not found on this illustration should be specified from the C 22 Models, as found elsewhere in this group.

4057 957	1	All		FIXED GLASS REPAIR PACKAGE, Qtr. Wdo.
CONSISTS OF:				
				1- ----- Tape, Butyl, 171.00"
				1- ----- Primer, Glass
				1- ----- PRIMER, Fence
				2- 3674698 Spacer, Rubber, 0.2"
				2- 3793290 Spacer, Rubber, 0.3"
				2- 3767767 Shim, 0.07"
				2- ----- Sponges Disposable

MODEL CODES

B = GRAN FURY	E = 600	M = HORIZON/TURISMO
C = LE BARON/TOWN & COUNTRY/LIMO	F = FIFTH AVENUE/NEWPORT	P = RELIANT
C24 = LASER	G = DIPLOMAT	T = NEW YORKER
C44 = LE BARON/GTS	H = VOYAGER	V = 600
D = ARIES	J = CARAVELLE	V24 = DAYTONA
D44 = LANCER	K = MINI VAN/CARAVAN/ROYAL	Z = OMNI/CHARGER

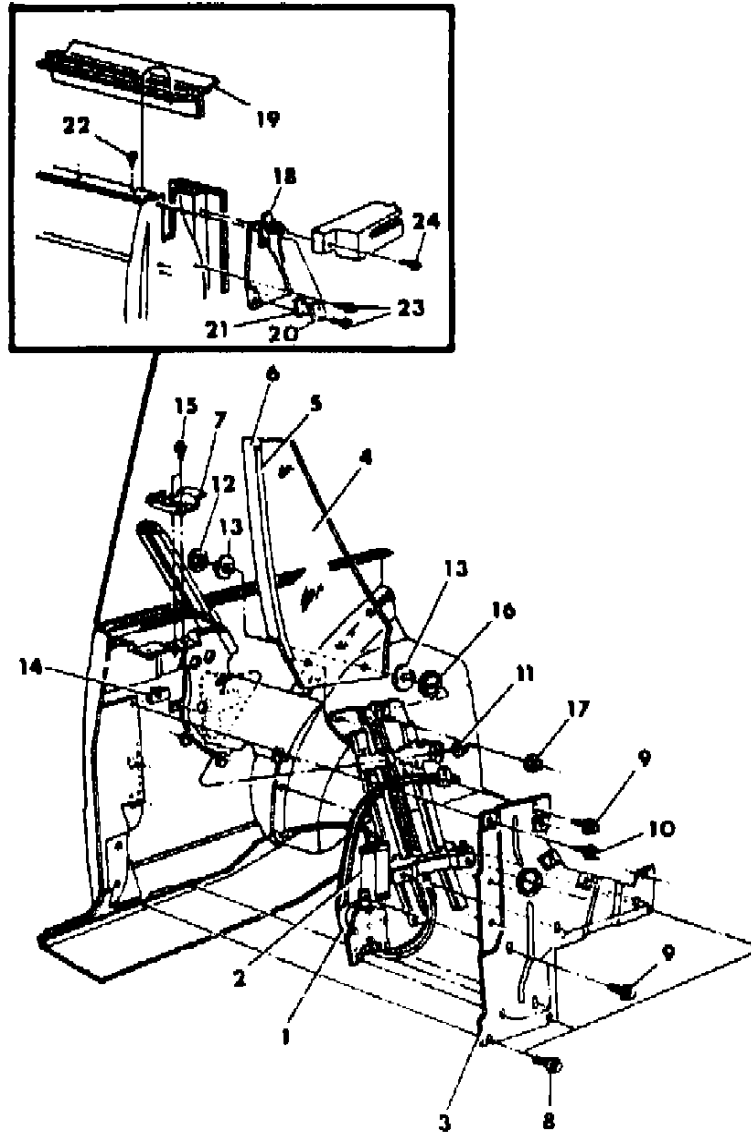
BODY STYLES

21 = 2-DOOR SEDAN	35 = FWD VAN	44 = 4-DOOR HATCHBACK
22 = 2-DOOR SPECIAL COUPE	36 = FWD WAGON	45 = 4-DOOR STATION WAGON
24 = 2-DOOR HATCHBACK	41 = 4-DOOR SEDAN	49 = LIMOUSINE
27 = 2-DOOR CONVERTIBLE		

AR = Use as Required - = Non Illustrated Part P.A.R. = Paint as Required

GLASS QUARTER WINDOW V,C 27
Figure 23A-4500

5189 4500



ITEM	PART NUMBER	QTY	BODY	MODEL	DESCRIPTION
1	4336 010-1	1		27	REGULATOR, Quarter Window
2	4336 008-9	1		27	MOTOR and GEARBOX, Quarter Window
3	4296 458-9	1		27	EXTENSION, Quarter Inner Panel
4	4314 482-3	1		27	GLASS, Quarter Window, Tinted
5	4314 786-7	1		27	RETAINER, Quarter Window Glass Front Weatherstrip
6	4371 328-9	1		27	WEATHERSTRIP, Quarter Window Front
7	4314 568	2		27	STABILIZER, Quarter Window Glass Upper
8	6032 451	6		27	SCREW
9	6100 566	12		27	SCREW and WASHER
10	6100 276	14		27	SCREW and WASHER
11	6100 047	2		27	NUT and WASHER
12	6029 998	4		27	STUD and WASHER
13	5231 769	8		27	GASKET
14	6100 041	14		27	U-NUT
15	6100 275	4		27	SCREW and WASHER
16	6028 587	4		27	T-NUT
17		4		27	NUT, 1/4"-20 (Not Serviced)
18	4310 260-1	1		27	SEAL, Quarter Lock Pillar at Belt
19	4310 708-9	1		27	WEATHERSTRIP, w/Bracket Quarter Belt Outer
20	4310 752-3	1		27	WEDGE, Door Adjusting (Body Half)
21		AR		27	SHIM, Door Adjusting Wedge (Not Serviced)
22	6032 603	4		27	RIVET
23	9414 722	8		27	SCREW
24		2		27	SCREW, #8-18 x .625" (Not Serviced)

MODEL CODES

B = GRAN FURY	E = 600	M = HORIZON/TURISMO
C = LE BARON/TOWN & COUNTRY/LIMO	F = FIFTH AVENUE/NEWPORT	P = RELIANT
C24 = LASER	G = DIPLOMAT	T = NEW YORKER
C44 = LE BARON/GTS	H = VOYAGER	V = 600
D = ARIES	J = CARAVELLE	V24 = DAYTONA
D44 = LANCER	K = MINI VAN/CARAVAN/ROYAL	Z = OMNI/CHARGER

BODY STYLES

21 = 2-DOOR SEDAN	35 = FWD VAN	44 = 4-DOOR HATCHBACK
22 = 2-DOOR SPECIAL COUPE	36 = FWD WAGON	45 = 4-DOOR STATION WAGON
24 = 2-DOOR HATCHBACK	41 = 4-DOOR SEDAN	49 = LIMOUSINE
27 = 2-DOOR CONVERTIBLE		

AR = Use as Required - = Non Illustrated Part P.A.R. = Paint as Required

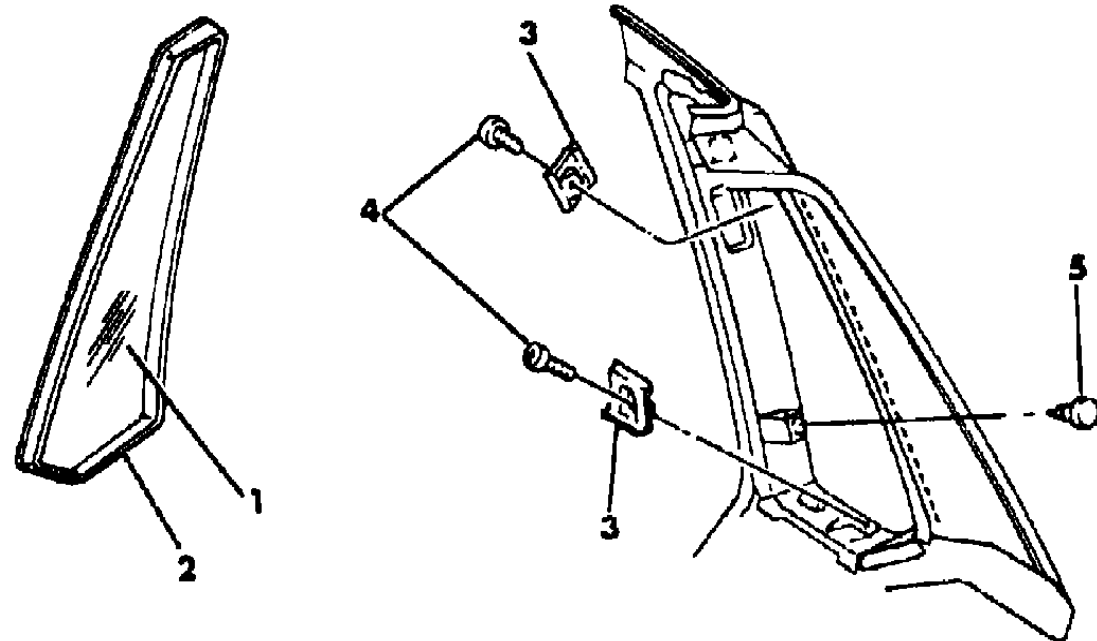
GLASS QUARTER WINDOW J,E,T
Figure 23A-4600

5169 4600

ITEM	PART NUMBER	QTY	BODY	MODEL	DESCRIPTION
1	4206 888-9	1		exc. T-	GLASS, Qtr. Wdo., Clear
	4206 890-1	1		exc. T-	Tinted
2	4206 323	AR			SEAL, Qtr. Wdo. Glass Frame
3	4206 852	2			RETAINER, Qtr. Wdo. Glass, Upper
	4206 852	2			Lower
4		4			SCREW, Not Serviced
5	4278 856	10			SPACER, Qtr. Wdo. Glass

NOTE: The following items are not shown on illustration. 22 Model). Sheet metal parts for the C 49 not found on this illustration should be specified from the C 22 Models, as found elsewhere in this group.

4057 957	1				FIXED GLASS REPAIR PACKAGE, Qtr. Wdo. CONSISTS OF: 1- ----- Tape, Butyl, 171.00" 1- ----- Primer, Glass 1- ----- Primer, Fence 2- 3674698 Spacer, Rubber, 0.2" 2- 3793290 Spacer, Rubber, 0.3" 2- 3767767 Shim, 0.07" 2- ----- Sponges Disposable
----------	---	--	--	--	---



MODEL CODES		
B = GRAN FURY	E = 600	M = HORIZON/TURISMO
C = LE BARON/TOWN & COUNTRY/LIMO	F = FIFTH AVENUE/NEWPORT	P = RELIANT
C24 = LASER	G = DIPLOMAT	T = NEW YORKER
C44 = LE BARON/GTS	H = VOYAGER	V = 600
D = ARIES	J = CARAVELLE	V24 = DAYTONA
D44 = LANCER	K = MINI VAN/CARAVAN/ROYAL	Z = OMNI/CHARGER

BODY STYLES		
21 = 2-DOOR SEDAN	35 = FWD VAN	44 = 4-DOOR HATCHBACK
22 = 2-DOOR SPECIAL COUPE	36 = FWD WAGON	45 = 4-DOOR STATION WAGON
24 = 2-DOOR HATCHBACK	41 = 4-DOOR SEDAN	49 = LIMOUSINE
27 = 2-DOOR CONVERTIBLE		

AR = Use as Required - = Non Illustrated Part P.A.R. = Paint as Required

GLASS QUARTER WINDOW P,D,C 45
Figure 23A-4700

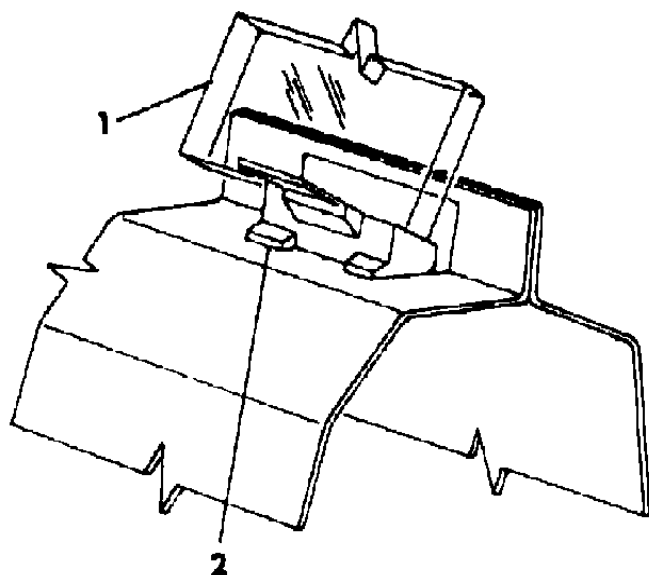
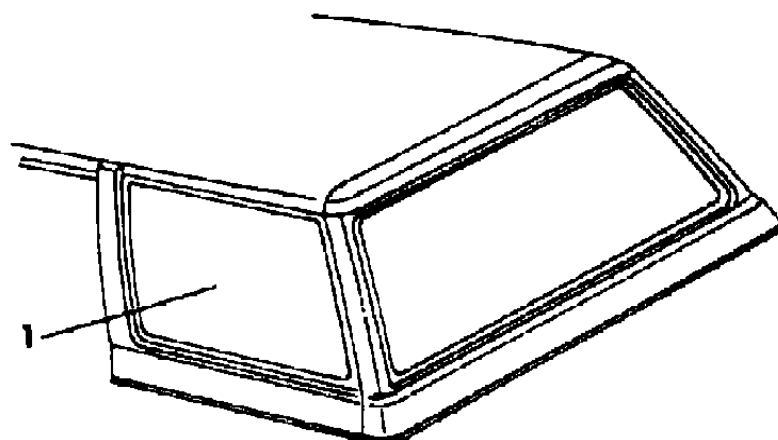
5169 4700

ITEM	PART NUMBER	QTY	BODY	MODEL	DESCRIPTION
------	-------------	-----	------	-------	-------------

1	4206 170-1	1			GLASS, Qtr. Wdo., Clear
	4206 172-3	1			Tinted
2	4206 693	2			SPACER, Qtr. Wdo. Glass, Rear
	4206 517	4			Lower (Plastic)

NOTE: The following items are not shown on illustration. 22 Model). Sheet metal parts for the C 49 not found on this illustration should be specified from the C 22 Models, as found elsewhere in this group.

	4057 957	1			FIXED GLASS REPAIR PACKAGE, Qtr. Wdo. CONSISTS OF: 1- ----- Tape, Butyl, 171.00" 1- ----- Primer, Glass 1- ----- Primer, Fence 2- 3674698 Spacer, Rubber, 0.2" 2- 3793290 Spacer, Rubber, 0.3" 2- 3767767 Shim, 0.07" 2- ----- Sponges Disposable
--	----------	---	--	--	---



MODEL CODES

B = GRAN FURY	E = 600	M = HORIZON/TURISMO
C = LE BARON/TOWN & COUNTRY/LIMO	F = FIFTH AVENUE/NEWPORT	P = RELIANT
C24 = LASER	G = DIPLOMAT	T = NEW YORKER
C44 = LE BARON/GTS	H = VOYAGER	V = 600
D = ARIES	J = CARAVELLE	V24 = DAYTONA
D44 = LANCER	K = MINI VAN/CARAVAN/ROYAL	Z = OMNI/CHARGER

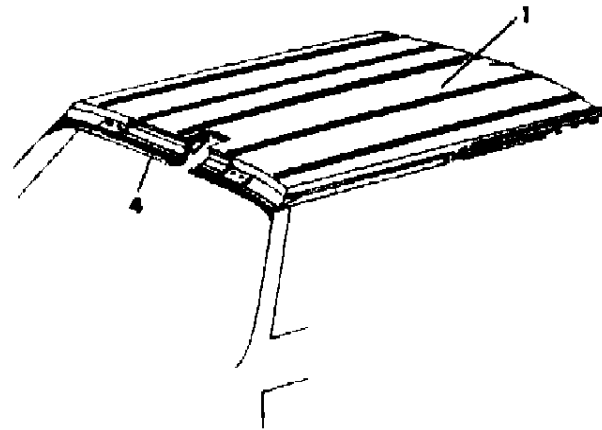
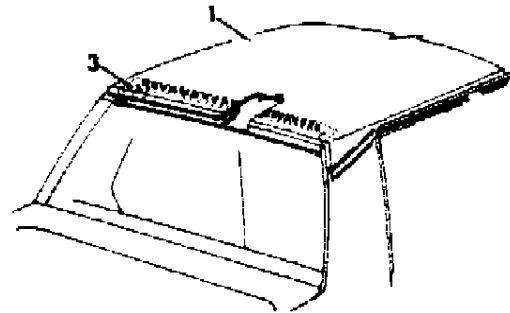
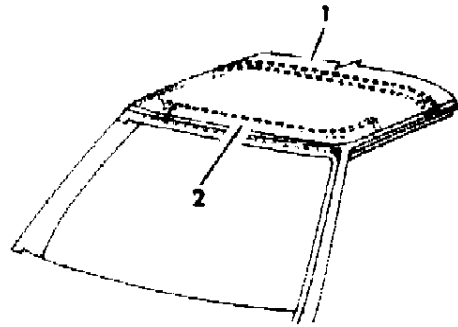
BODY STYLES

21 = 2-DOOR SEDAN	35 = FWD VAN	44 = 4-DOOR HATCHBACK
22 = 2-DOOR SPECIAL COUPE	36 = FWD WAGON	45 = 4-DOOR STATION WAGON
24 = 2-DOOR HATCHBACK	41 = 4-DOOR SEDAN	49 = LIMOUSINE
27 = 2-DOOR CONVERTIBLE		

AR = Use as Required - = Non Illustrated Part P.A.R. = Paint as Required

ROOF PANEL P,D,V,C,J,E,T
Figure 23A-4800

5169 4800



ITEM	PART NUMBER	QTY	BODY	MODEL	DESCRIPTION
1	4136 800	1		21,22,4	PANEL, Roof (See Note "1")
	4136 801	1		P,D,V,C	
	4206 806	1		J,E,T	
	4206 950	1		45	
2	4371 256	1		21,22,4	FRAME, W/Shield Opening Upper
	4371 257	1		41,45	
3	4136 912	1		21,22,4	FRAME, Rear Wdo. Opening Upper
	4136 950	1		P,D,V,C	
	4206 854	1		J,E,T	
4	4129 748	1		45	FRAME, w/Reinforcement Liftgate Opening Upper
NOTE: The following items are not shown on illustration. 22 Model). Sheet metal parts for the C 49 not found on this illustration should be specified from the C 22 Models, as found elsewhere in this group.					
	4278 835	1			SUPPORT, Roof Panel Outside Flasher Light or Siren
	6003 423	AR			FASTENER, W/Shield Upper Frame to W/Shield Side Frame
	4341 399	2		21,22,4	BOW, Roof Panel
	4341 401	3		45	
	6100 582	AR			SCREW, w/Washer Roof Panel Bow Attaching

NOTE "1": These parts may require modification for 27 & 48 body styles. 22 Model). Sheet metal parts for the C 49 not found on this illustration should be specified from the C 22 Models, as found elsewhere in this group.

MODEL CODES

B = GRAN FURY	E = 600	M = HORIZON/TURISMO
C = LE BARON/TOWN & COUNTRY/LIMO	F = FIFTH AVENUE/NEWPORT	P = RELIANT
C24 = LASER	G = DIPLOMAT	T = NEW YORKER
C44 = LE BARON/GTS	H = VOYAGER	V = 600
D = ARIES	J = CARAVELLE	V24 = DAYTONA
D44 = LANCER	K = MINI VAN/CARAVAN/ROYAL	Z = OMNI/CHARGER

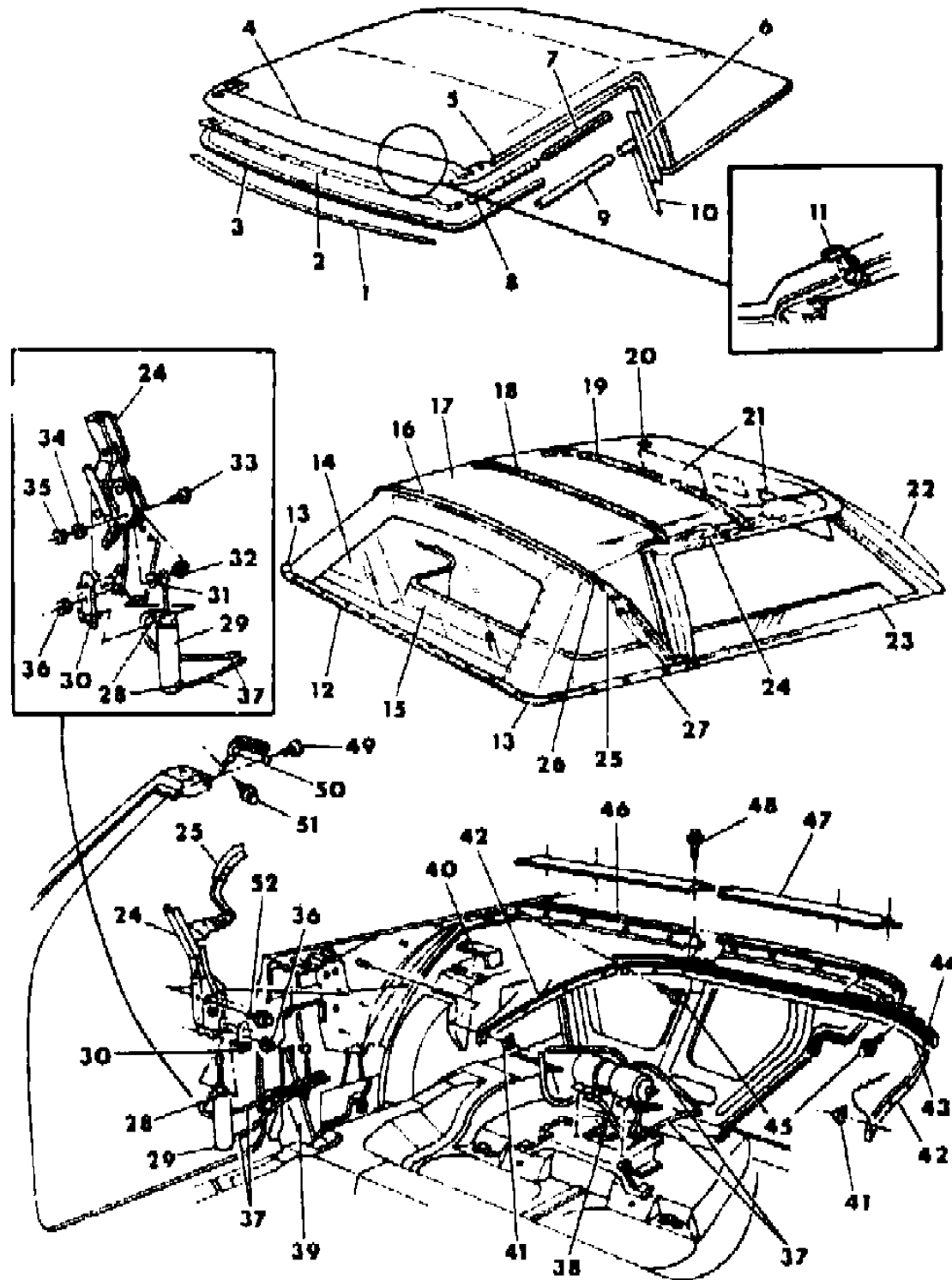
BODY STYLES

21 = 2-DOOR SEDAN	35 = FWD VAN	44 = 4-DOOR HATCHBACK
22 = 2-DOOR SPECIAL COUPE	36 = FWD WAGON	45 = 4-DOOR STATION WAGON
24 = 2-DOOR HATCHBACK	41 = 4-DOOR SEDAN	49 = LIMOUSINE
27 = 2-DOOR CONVERTIBLE		

AR = Use as Required - = Non Illustrated Part P.A.R. = Paint as Required

CONVERTIBLE FOLDING TOP V,C 27
Figure 23A-4900

5169 4900



ITEM	PART NUMBER	QTY	BODY	MODEL	DESCRIPTION
1					WELT, Header
	X368 DT3	1		27	Palamino Tan, Up To 9-4-84
	X368 DK1	1		27	Almond, After 9-4-84
	X368 AW3	1		27	White
	X368 AX9	1		27	Black
2	4305 122	AR		27	PINCHWELD, Header (54" Length)
	4097 652	1		27	RETAINER, Front Header Weatherstrip
	4186 470	AR		27	SEAL, Retainer to Front Header (70" Length)
		8		27	SCREW, #10-16 x .500" (Not Serviced)
3	4336 890	1		27	WEATHERSTRIP, Header & Side Rail Front
	3759 944	2		27	RETAINER
4	4341 243	1		27	HEADER and LATCH, Folding Top Front Includes Item # 11
5	4319 704	2		27	CABLE, Folding Top Tension
	4305 067	2		27	GROMMET, Folding Top Side Rail Tension Cable
	4305 011	2		27	SPRING, Folding Top Tension Cable
6	4336 290-1	1		27	RETAINER, Side Rail Rear Weatherstrip
	4336 254-5	1		27	RETAINER, w/Seal Side Rail Rear Weatherstrip
	4186 470	AR		27	SEAL, Retainer to Rear Side Rail (70" Length)
		4		27	SCREW, #10-16 x .500" (Not Serviced)
		2		27	SCREW, #10-24 x .500" (Not Serviced)
7	4310 248-9	1		27	RETAINER, Side Rail Center Weatherstrip
	4186 470	AR		27	SEAL, Retainer to Center Side Rail (70" Length)
		6		27	SCREW, #10-16 x .500" (Not Serviced)
8	4336 882-3	1		27	RETAINER, Side Rail Front Weatherstrip
	4186 470	AR		27	SEAL, Retainer to Front Side Rail (70" Length)
		4		27	SCREW, #10-16 x .500" (Not Serviced)
	0153 687	8		27	CAP, Folding Top W/Strip Ret. Screw Protector
9	4310 238-9	1		27	WEATHERSTRIP, Side Rail Center
10	4336 436-7	1		27	WEATHERSTRIP, Side Rail Rear
11	4341 318-9	1		27	LATCH and BASE, Folding Top Header
	4341 706	2		27	HOOK, Folding Top Header Latch
	4341 707	2		27	PIN, Folding Top Header Alignment Dowel
12		1		27	MOULDING, Deck Opening Upper Belt (See Group 23-Exterior Illustrations)
13		1		27	MOULDING, Belt Rear Corner (See Group 23-Exterior Illustrations)
14					BACKLITE, w/Surround Folding Top, w/o Electric Heated

MODEL CODES

B = GRAN FURY	E = 600	M = HORIZON/TURISMO
C = LE BARON/TOWN & COUNTRY/LIMO	F = FIFTH AVENUE/NEWPORT	P = RELIANT
C24 = LASER	G = DIPLOMAT	T = NEW YORKER
C44 = LE BARON/GTS	H = VOYAGER	V = 600
D = ARIES	J = CARAVELLE	V24 = DAYTONA
D44 = LANCER	K = MINI VAN/CARAVAN/ROYAL	Z = OMNI/CHARGER

BODY STYLES

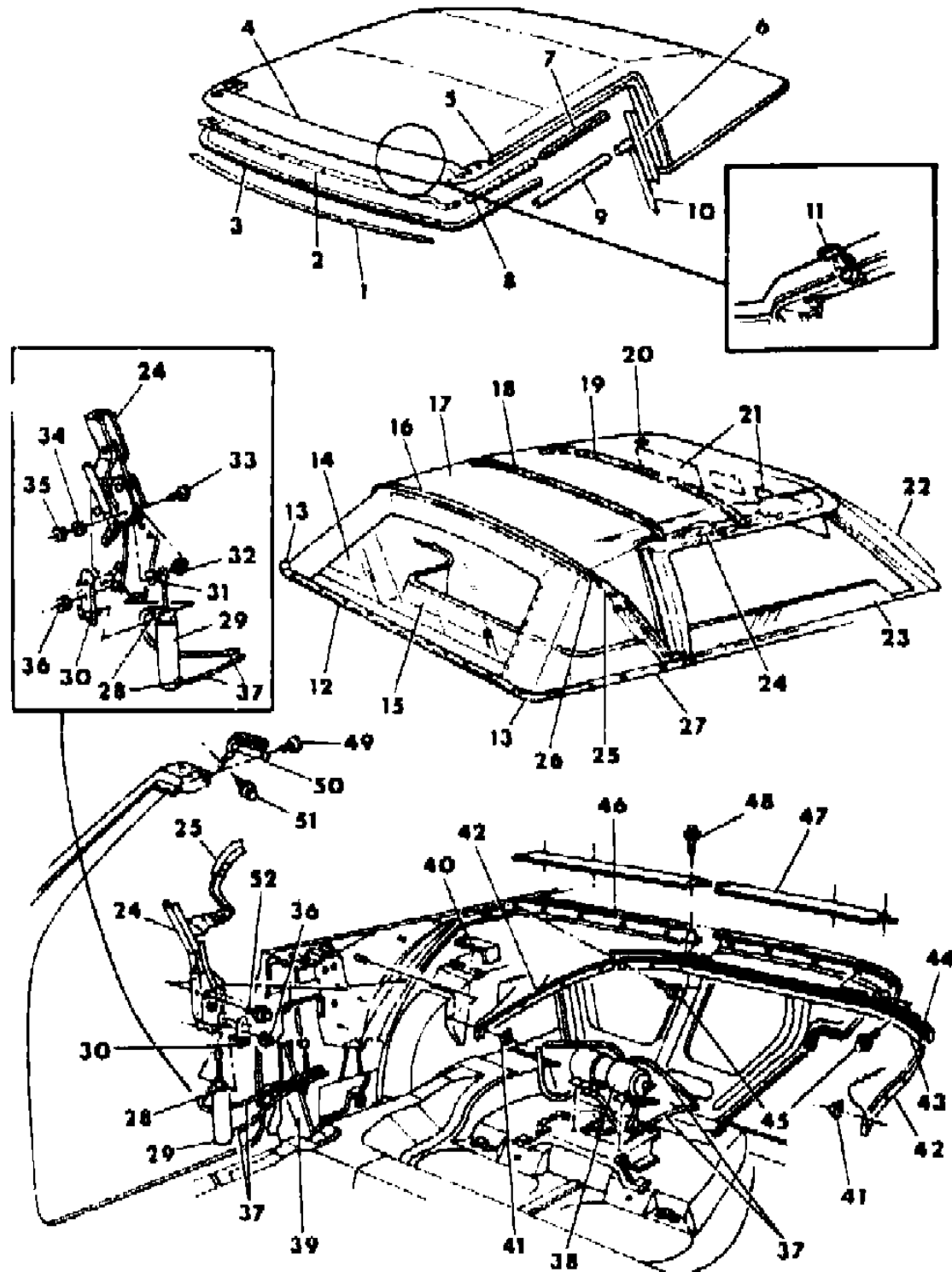
21 = 2-DOOR SEDAN	35 = FWD VAN	44 = 4-DOOR HATCHBACK
22 = 2-DOOR SPECIAL COUPE	36 = FWD WAGON	45 = 4-DOOR STATION WAGON
24 = 2-DOOR HATCHBACK	41 = 4-DOOR SEDAN	49 = LIMOUSINE
27 = 2-DOOR CONVERTIBLE		

AR = Use as Required - = Non Illustrated Part P.A.R. = Paint as Required

CONVERTIBLE FOLDING TOP V,C 27

Figure 23A-4900

5169 4900



ITEM	PART NUMBER	QTY	BODY	MODEL	DESCRIPTION
	T930 DT3	1		27	Palamino Tan, Up To 9-4-84
	T930 DK1	1		27	Almond, After 9-4-84
	T930 CW3	1		27	White
	T930 CX9	1		27	Black
15	4366 170	1		27	SLING, Folding Top Well, Black
	4366 284	2		27	RETAINER, Folding Top Slingwell Outer
	4305 101	1		27	SNAP PACKAGE, Folding Top Well Sling (Male)
	4305 102	1		27	SNAP PACKAGE, Folding Top Well Sling (Female)
	4328 747	1		27	RETAINER, Folding Top Slingwell to Rear Seat Back,Up To 6/6/85
16	4398 146	1		27	After 6/6/85 MOULDING, #3 Bow Feature Strip
	T899 DT3	1		27	Palamino Tan, Up To 9-4-84
	T899 DK1	1		27	Almond, After 9-4-84
	T899 CW3	1		27	White
	T899 CX9	1		27	Black
17					COVER, Folding Top
	T929 DT3	1		27	Palamino Tan, Up To 9-4-84
	T929 DK1	1		27	Almond, After 9-4-84
	T929 CW3	1		27	White
	T929 CX9	1		27	Black
	4319 706-7	1		27	PAD, Side Stay
	4319 718	2		27	WEB, Quarter Stay
18	4341 247	1		27	BOW, Folding Top #2
	4097 794	1		27	RETAINER, Folding Top Listing
		3		27	SCREW, Listing Retainer, #6-32 x .375" (Not Serviced)
19	4341 246	1		27	BOW, Folding Top #1
	4097 794	1		27	RETAINER, Folding Top Listing
		3		27	SCREW, Listing Retainer, #6-32 x .375" (Not Serviced)
20		1		27	BRACKET, Sun Visor (See Group 23-Interior Illustrations)
21		1		27	VISOR, Sun (See Group 23-Interior Illustrations)
22		1		27	GLASS, Windshield (See Glass, Windshield-Illustration)
23		1		27	GLASS, Front Door (See Group 23C-Illustrations)
24	4341 320-1	1		27	RAIL and LINKAGE, Folding Top Side
25	4341 248	1		27	BOW, Folding Top #3
	6032 862	2		27	SCREW
26	4097 591	2		27	CAP, #3 Bow Feature Strip Moulding End

MODEL CODES

B = GRAN FURY	E = 600	M = HORIZON/TURISMO
C = LE BARON/TOWN & COUNTRY/LIMO	F = FIFTH AVENUE/NEWPORT	P = RELIANT
C24 = LASER	G = DIPLOMAT	T = NEW YORKER
C44 = LE BARON/GTS	H = VOYAGER	V = 600
D = ARIES	J = CARAVELLE	V24 = DAYTONA
D44 = LANCER	K = MINI VAN/CARAVAN/ROYAL	Z = OMNI/CHARGER

BODY STYLES

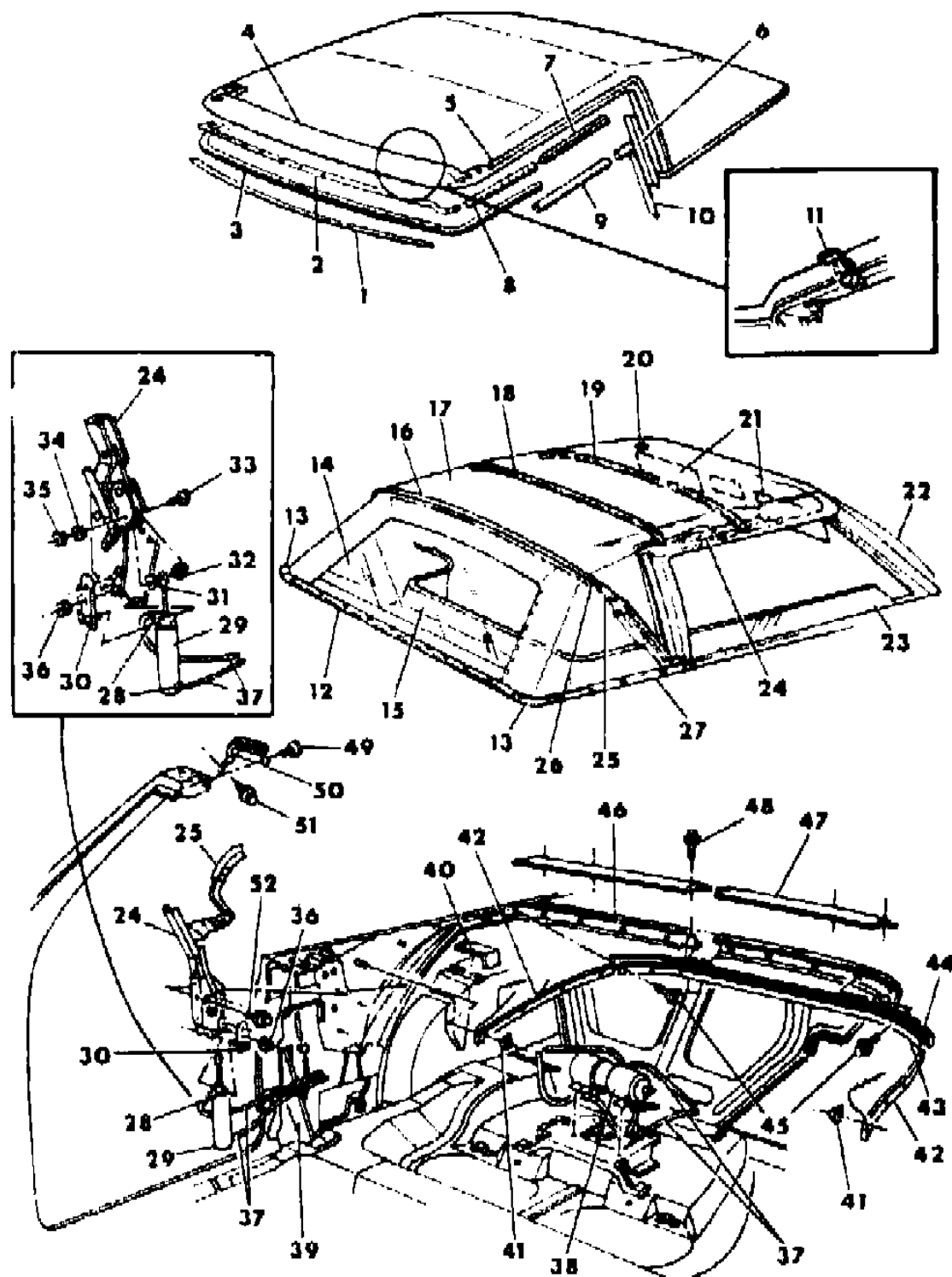
21 = 2-DOOR SEDAN	35 = FWD VAN	44 = 4-DOOR HATCHBACK
22 = 2-DOOR SPECIAL COUPE	36 = FWD WAGON	45 = 4-DOOR STATION WAGON
24 = 2-DOOR HATCHBACK	41 = 4-DOOR SEDAN	49 = LIMOUSINE
27 = 2-DOOR CONVERTIBLE		

AR = Use as Required - = Non Illustrated Part P.A.R. = Paint as Required

CONVERTIBLE FOLDING TOP V,C 27

Figure 23A-4900

5169 4900



ITEM	PART NUMBER	QTY	BODY	MODEL	DESCRIPTION
27		1		27	MOULDING, Quarter Belt (See Group 23-Exterior Illustrations)
28	4097 663	4		27	SEAL, Folding Top Hydraulic Cylinder Tube Connector
29	4097 640	2		27	CYLINDER, Folding Top Hydraulic Lift
30	4097 613	2		27	BRACKET, Hydraulic Cylinder to Linkage
31		2		27	WASHER, Serviced In Item 24
32		2		27	BUSHING, Serviced In Item 24
33		2		27	BOLT, Serviced In Item 24
34		2		27	WASHER, Serviced In Item 24
35		2		27	NUT, Serviced In Item 24
36		2		27	NUT and WASHER, Serviced In Item 24
37	4097 743	2		27	TUBE, Folding Top Hydraulic Cylinder
38	4097 653	1		27	MOTOR and PUMP, Folding Top Hydraulic Lift
	4097 654	1		27	SEAL, Folding Top Hydraulic Lift Motor & Pump
	4221 691	1		27	RELAY, Folding Top Hydraulic Lift Motor & Pump
	6032 114	1		27	SCREW, Folding Top Motor Ground Strap
39	4317 822-3	1		27	BRACE, Quarter Inner Extension to Floor Rear Outer Reinforcement
	6100 276	4		27	SCREW, w/Washer Brace to Quarter Inner
	6031 218	4		27	BOLT, Brace to Floor Reinforcement
40		2		27	PAD, Rear Wheelhouse Inner Upper (Not Serviced)
41	6100 051	8		27	NUT and WASHER
42	4328 054-5	1		27	STRIP, Belt Rear Corner Tacking
43	4319 709	1		27	STRIP, Belt Rear Tacking
44	4319 701	2		27	SPACER, Belt Rear Tacking Strip to Trough
45	6100 577	11		27	BOLT and WASHER
46	4296 788	1		27	TROUGH, Deck Opening Upper Closure Panel Drain
47	4296 463	1		27	PANEL, Deck Opening Upper
48		11		27	SCREW, #10-16 x .500" (Not Serviced)
49		4		27	SCREW, Not Serviced
50	4337 240-1	1		27	STRIKER, Windshield Header Folding Top Latch
51	6032 177	2		27	SCREW
52		AR		27	SCREW, Not Serviced
NOTE: The following items are not shown on illustration. 22 Model). Sheet metal parts for the C 49 not found on this illustration should be specified from the C 22 Models, as found elsewhere in this group.					
	T919 CA2	1		27	BOOT, Folding Top Cover, Silver
	T919 DT3	1		27	PALAMINO TAN
	T919 CM6	1		27	Red

MODEL CODES

B = GRAN FURY	E = 600	M = HORIZON/TURISMO
C = LE BARON/TOWN & COUNTRY/LIMO	F = FIFTH AVENUE/NEWPORT	P = RELIANT
C24 = LASER	G = DIPLOMAT	T = NEW YORKER
C44 = LE BARON/GTS	H = VOYAGER	V = 600
D = ARIES	J = CARAVELLE	V24 = DAYTONA
D44 = LANCER	K = MINI VAN/CARAVAN/ROYAL	Z = OMNI/CHARGER

BODY STYLES

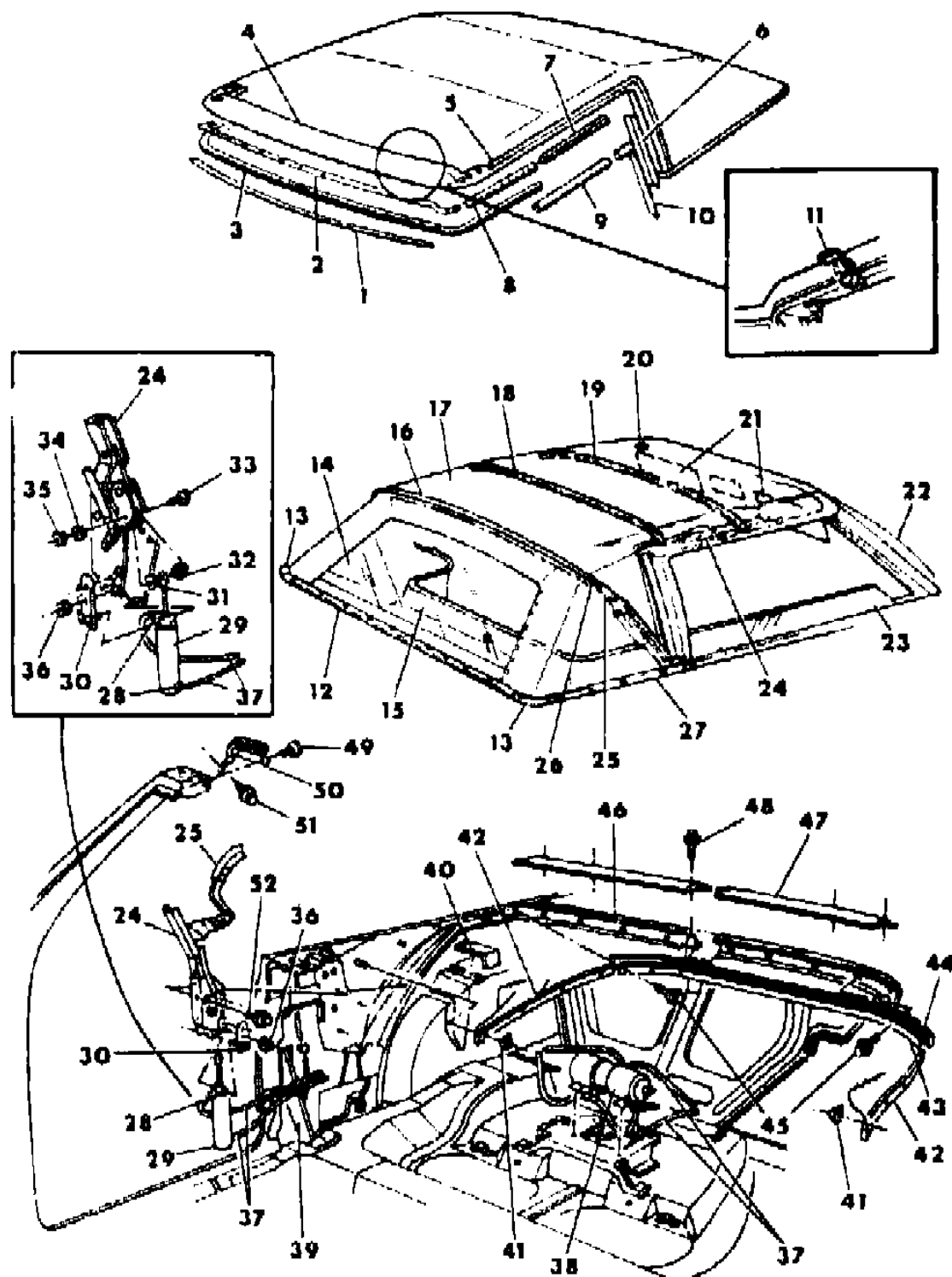
21 = 2-DOOR SEDAN	35 = FWD VAN	44 = 4-DOOR HATCHBACK
22 = 2-DOOR SPECIAL COUPE	36 = FWD WAGON	45 = 4-DOOR STATION WAGON
24 = 2-DOOR HATCHBACK	41 = 4-DOOR SEDAN	49 = LIMOUSINE
27 = 2-DOOR CONVERTIBLE		

AR = Use as Required - = Non Illustrated Part P.A.R. = Paint as Required

CONVERTIBLE FOLDING TOP V,C 27

Figure 23A-4900

5169 4900



ITEM	PART NUMBER	QTY	BODY	MODEL	DESCRIPTION
	T919 CW1	1		27	White
	4328 880	6		27	FASTENER, Folding Top Boot to Belt Moulding
	4305 101	1		27	SNAP PACKAGE, Folding Top Boot (Male)
	4305 102	1		27	SNAP PACKAGE, Folding Top Boot (Female)

MODEL CODES

B = GRAN FURY	E = 600	M = HORIZON/TURISMO
C = LE BARON/TOWN & COUNTRY/LIMO	F = FIFTH AVENUE/NEWPORT	P = RELIANT
C24 = LASER	G = DIPLOMAT	T = NEW YORKER
C44 = LE BARON/GTS	H = VOYAGER	V = 600
D = ARIES	J = CARAVELLE	V24 = DAYTONA
D44 = LANCER	K = MINI VAN/CARAVAN/ROYAL	Z = OMNI/CHARGER

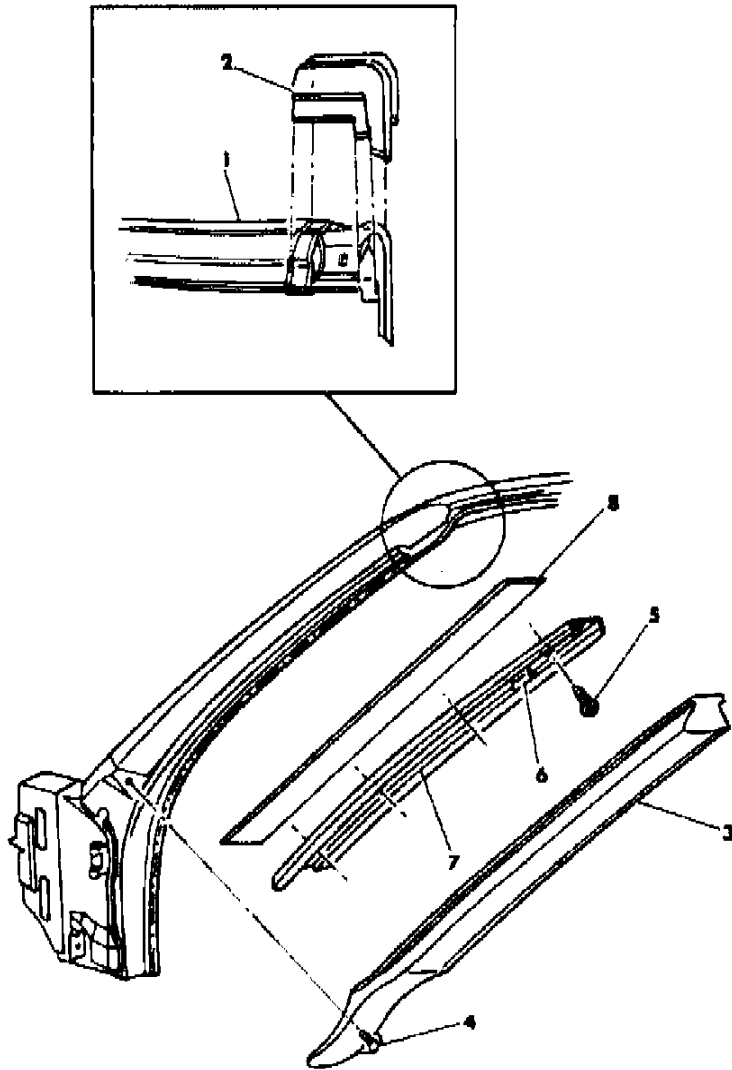
BODY STYLES

21 = 2-DOOR SEDAN	35 = FWD VAN	44 = 4-DOOR HATCHBACK
22 = 2-DOOR SPECIAL COUPE	36 = FWD WAGON	45 = 4-DOOR STATION WAGON
24 = 2-DOOR HATCHBACK	41 = 4-DOOR SEDAN	49 = LIMOUSINE
27 = 2-DOOR CONVERTIBLE		

AR = Use as Required - = Non Illustrated Part P.A.R. = Paint as Required

CONVERTIBLE WINDSHIELD HEADER V,C 27
Figure 23A-5000

5169 5000



ITEM	PART NUMBER	QTY	BODY	MODEL	DESCRIPTION
1	4337 239	1		27	FRAME, Windshield Header
2	4337 236-7	1		27	FRAME, Windshield Upper Outer Corner
3	4097 602-3	1		27	WEATHERSTRIP, Body Front Pillar
4	3759 944	2		27	FASTENER
5		8		27	SCREW, #10-16 x .500" (Not Serviced)
6	4305 019	2		27	CLIP, Front Door Glass Anti-Blow Off Retainer
7	4097 642-3	1		27	RETAINER, Body Front Pillar Weatherstrip
8	4186 470	AR		27	SEAL, Body Front Pillar Weatherstrip Retainer (70" Length)

MODEL CODES

B = GRAN FURY	E = 600	M = HORIZON/TURISMO
C = LE BARON/TOWN & COUNTRY/LIMO	F = FIFTH AVENUE/NEWPORT	P = RELIANT
C24 = LASER	G = DIPLOMAT	T = NEW YORKER
C44 = LE BARON/GTS	H = VOYAGER	V = 600
D = ARIES	J = CARAVELLE	V24 = DAYTONA
D44 = LANCER	K = MINI VAN/CARAVAN/ROYAL	Z = OMNI/CHARGER

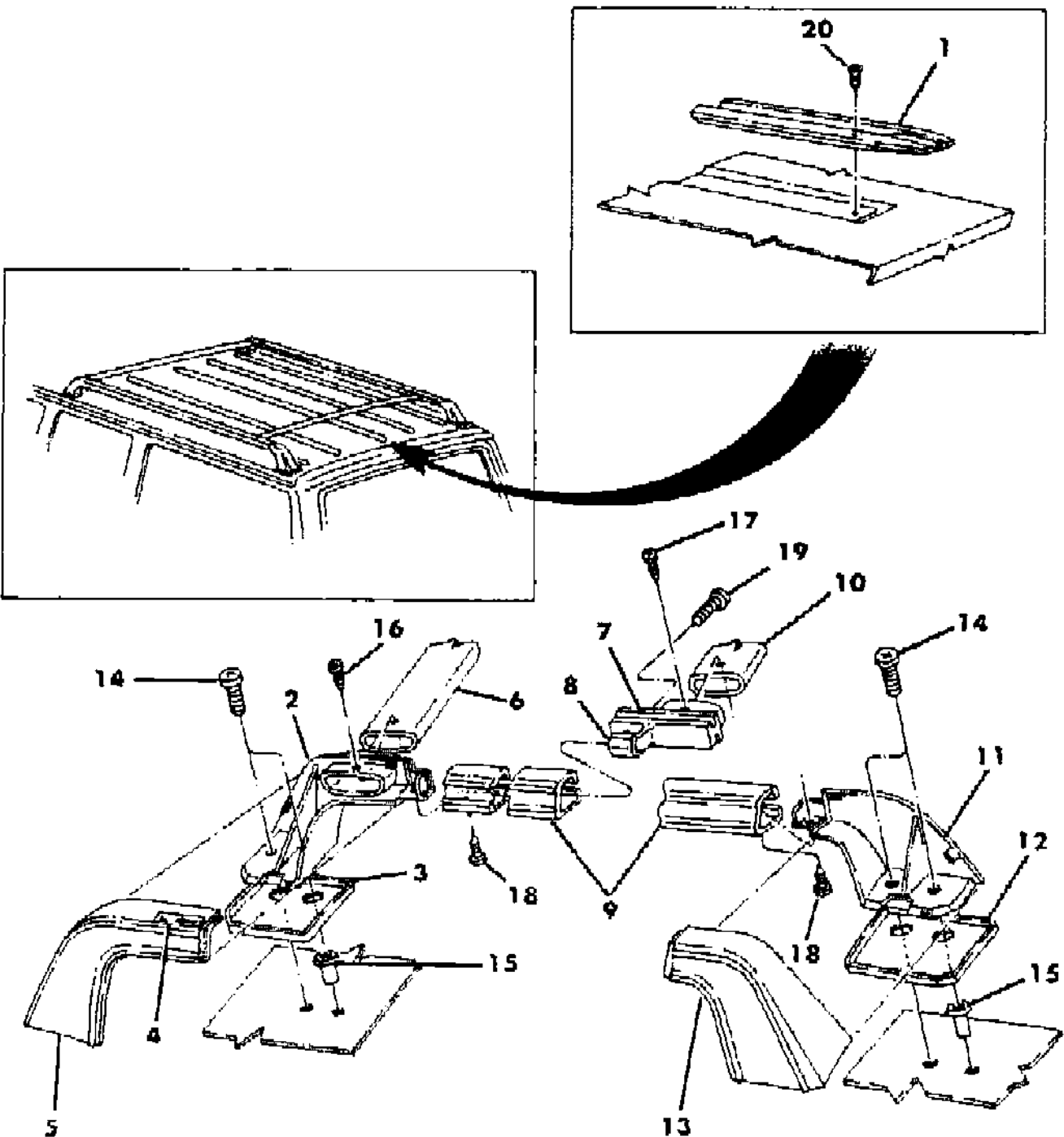
BODY STYLES

21 = 2-DOOR SEDAN	35 = FWD VAN	44 = 4-DOOR HATCHBACK
22 = 2-DOOR SPECIAL COUPE	36 = FWD WAGON	45 = 4-DOOR STATION WAGON
24 = 2-DOOR HATCHBACK	41 = 4-DOOR SEDAN	49 = LIMOUSINE
27 = 2-DOOR CONVERTIBLE		

AR = Use as Required - = Non Illustrated Part P.A.R. = Paint as Required

ROOF LUGGAGE RACK P,D,C 45
Figure 23A-5100

5159 5100



ITEM	PART NUMBER	QTY	BODY	MODEL	DESCRIPTION
	4319 795	1			LUGGAGE RACK PACKAGE, Roof (Field Installed)
					CONSISTS OF:
					2- 4229034 Rail w/Overlay
					1- 4319786-7 Support, Side Rail, Front
					1- 4319780-1 Support, Side Rail, Rear
					1- 4229052 Cross Bar, Front
					1- 4229053 Cross Bar, Rear
					1- 4229036-7 Bracket, Cross Bar
					2- 4229038 Retainer, Side Rail Bracket
					1- 4319784-5 Cover Cap, Side Rail Support, Rear
					1- 4229044-5 Spacer, Side Rail Support, Front
					1- 4229046-7 Spacer, Side Rail Support, Rear
					2- ----- Screw, Rear Cross Bar (Not Serviced)
					2- 9414722 Screw, Front Cross Bar
					8- 2094869 Blind Nut, Side Rail to Roof Panel
					8- 6031910 Screw, Side Rail to Roof Panel
					4- ----- Screw, Side Rail Support to Cap (Not Serviced)
					5- 4229054 Skid Strip
1	4267 920	5			SKID STRIP and PAD
2	4319 786-7	1			SUPPORT, Side Rail, Front
3	4229 044-5	1			SPACER, Side Rail Support, Front
4		2			LABEL, Not Serviced
5	4319 788-9	1			COVER CAP, Side Rail Support, Front Chrome
6	4229 052	1			CROSS BAR, Front
7	4229 036-7	1			BRACKET, Cross Bar, Front
8	4229 038	2			RETAINER, Side Rail Bracket
9	4229 034	2			RAIL and OVERLAY, Side
10	4229 053	1			CROSS BAR, Rear
11	4319 780-1	1			SUPPORT, Side Rail, Rear
12	4229 046-7	1			SPACER, Side Rail Support, Rear
13	4319 784-5	1			COVER CAP, Side Rail Support, Rear Chrome
14	6032 500	8			SCREW
15	2094 869	8			NUT, Side Rail to Roof Panel
16	9414 722	2			SCREW, Cross Bar Front
17		2			SCREW, Not Serviced
18		4			SCREW, Not Serviced
19	6031 911	2			SCREW

MODEL CODES

B = GRAN FURY	E = 600	M = HORIZON/TURISMO
C = LE BARON/TOWN & COUNTRY/LIMO	F = FIFTH AVENUE/NEWPORT	P = RELIANT
C24 = LASER	G = DIPLOMAT	T = NEW YORKER
C44 = LE BARON/GTS	H = VOYAGER	V = 600
D = ARIES	J = CARAVELLE	V24 = DAYTONA
D44 = LANCER	K = MINI VAN/CARAVAN/ROYAL	Z = OMNI/CHARGER

BODY STYLES

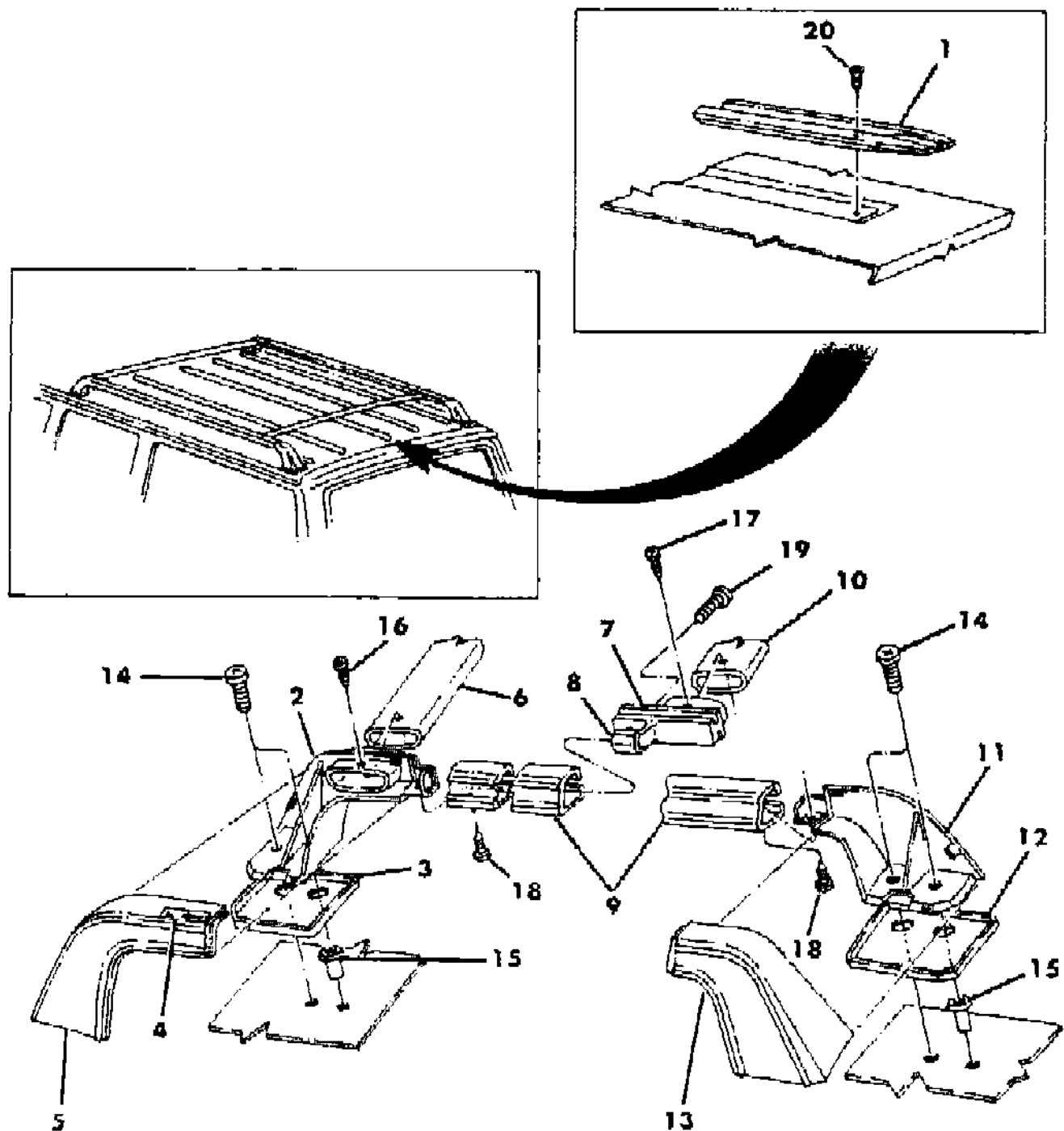
21 = 2-DOOR SEDAN	35 = FWD VAN	44 = 4-DOOR HATCHBACK
22 = 2-DOOR SPECIAL COUPE	36 = FWD WAGON	45 = 4-DOOR STATION WAGON
24 = 2-DOOR HATCHBACK	41 = 4-DOOR SEDAN	49 = LIMOUSINE
27 = 2-DOOR CONVERTIBLE		

AR = Use as Required - = Non Illustrated Part P.A.R. = Paint as Required

ROOF LUGGAGE RACK P,D,C 45
Figure 23A-5100

5159 5100

ITEM	PART NUMBER	QTY	BODY	MODEL	DESCRIPTION
20		15			SCREW, #8-18 x .625" (Not Serviced)



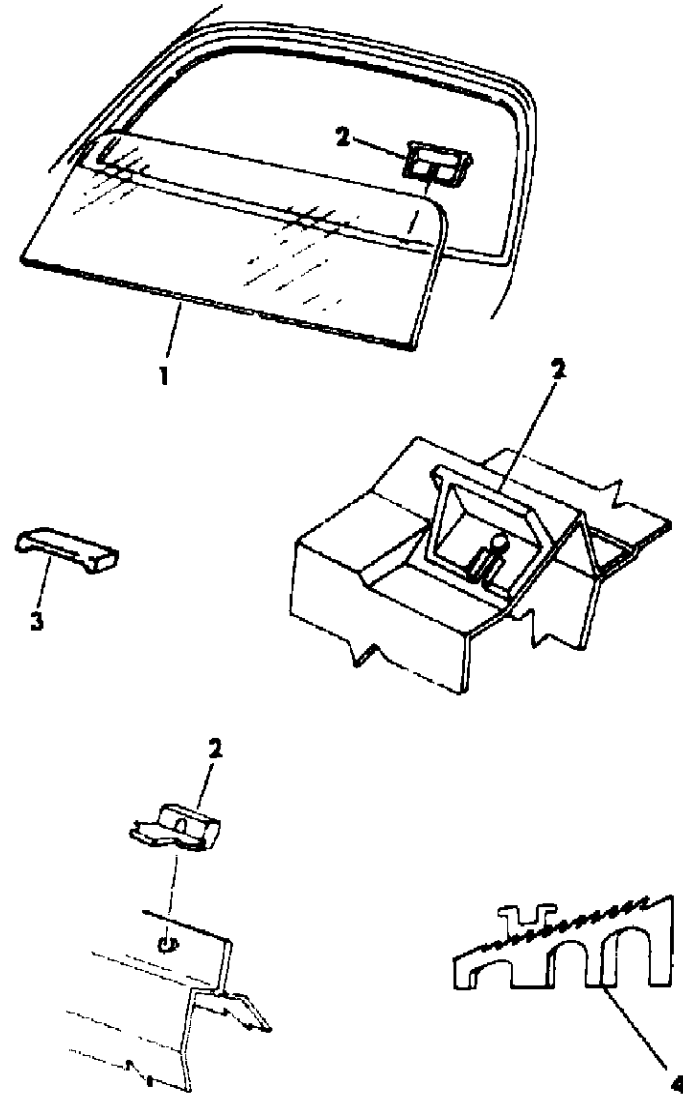
- MODEL CODES
- | | | |
|----------------------------------|----------------------------|---------------------|
| B = GRAN FURY | E = 600 | M = HORIZON/TURISMO |
| C = LE BARON/TOWN & COUNTRY/LIMO | F = FIFTH AVENUE/NEWPORT | P = RELIANT |
| C24 = LASER | G = DIPLOMAT | T = NEW YORKER |
| C44 = LE BARON/GTS | H = VOYAGER | V = 600 |
| D = ARIES | J = CARAVELLE | V24 = DAYTONA |
| D44 = LANCER | K = MINI VAN/CARAVAN/ROYAL | Z = OMNI/CHARGER |

- BODY STYLES
- | | | |
|---------------------------|-------------------|---------------------------|
| 21 = 2-DOOR SEDAN | 35 = FWD VAN | 44 = 4-DOOR HATCHBACK |
| 22 = 2-DOOR SPECIAL COUPE | 36 = FWD WAGON | 45 = 4-DOOR STATION WAGON |
| 24 = 2-DOOR HATCHBACK | 41 = 4-DOOR SEDAN | 49 = LIMOUSINE |
| 27 = 2-DOOR CONVERTIBLE | | |

AR = Use as Required - = Non Illustrated Part P.A.R. = Paint as Required

GLASS REAR WINDOW P,D,V,C 21,22,41,49
Figure 23A-5200

5159 5200



ITEM	PART NUMBER	QTY	BODY	MODEL	DESCRIPTION
------	-------------	-----	------	-------	-------------

NOTE: GLASS, REAR WINDOW - ORDER FROM YOUR LOCAL "MOPAR" GLASS DISTRIBUTOR (22 Model). Sheet metal parts for the C 49 not found on this illustration should be specified from the C 22 Models, as found elsewhere in this group.

1					GLASS, Rear Window
	4136 934	1		P,D,21	Clear
	4136 935	1		P,D,21	Tinted
	4278 210	1		P,D,21	Tinted (Electric Heated)
	4136 954	1		P,D,41	Clear
	4136 955	1		P,D,41	Tinted
	4278 216	1		P,D,41	Tinted (Electric Heated)
	4278 211	1		V,C,22	Clear
	4278 212	1		V,C,22	Tinted
	4278 214	1		V,C-22,	Tinted (Electric Heated)
	4278 217	1		C 41	Clear
	4278 218	1		C 41	Tinted
	4278 220	1		C 41	Tinted (Electric Heated)
2					SPACER, Rear Wdo. Glass, Lower
	4136 335	2		All	w/o Vinyl Roof
	4206 514	2		All	w/Vinyl Roof
3					SHIM, Rear Wdo. Lower Spacer
	3767 767	AR		All	Approximately .218" Thick
	3767 196	AR		All	Approximately .106" Thick
	4278 511	AR		21,41	Approximately .2875" Thick
	4278 077	AR		21,41	Approximately .2187" Thick
4	4278 755	AR		V,C-22,	SPACER, Rear Wdo. Adjustable w/Padded Landau Vinyl Roof Pkg.

NOTE: The following items are not shown on illustration. (22 Model). Sheet metal parts for the C 49 not found on this illustration should be specified from the C 22 Models, as found elsewhere in this group.

	4267 906	1		All	REPAIR PACKAGE, Rear Wdo. Glass (Not Shown)
					CONSISTS OF:
					1- ----- Polyurethane, 11.5 Oz.
					1- ----- Primer, Fence, 1 Oz. .
					1- ----- Primer, Wipe Off, 1 Oz.
					1- ----- Primer, Blackout 1 Oz.
					3- ----- Dabbers
					1- ----- Nozzle
					1- ----- Instruction Sheet
	4057 957	1		All	FIXED GLASS REPAIR PACKAGE,Rear Wdo. (Not Shown)

MODEL CODES

B = GRAN FURY	E = 600	M = HORIZON/TURISMO
C = LE BARON/TOWN & COUNTRY/LIMO	F = FIFTH AVENUE/NEWPORT	P = RELIANT
C24 = LASER	G = DIPLOMAT	T = NEW YORKER
C44 = LE BARON/GTS	H = VOYAGER	V = 600
D = ARIES	J = CARAVELLE	V24 = DAYTONA
D44 = LANCER	K = MINI VAN/CARAVAN/ROYAL	Z = OMNI/CHARGER

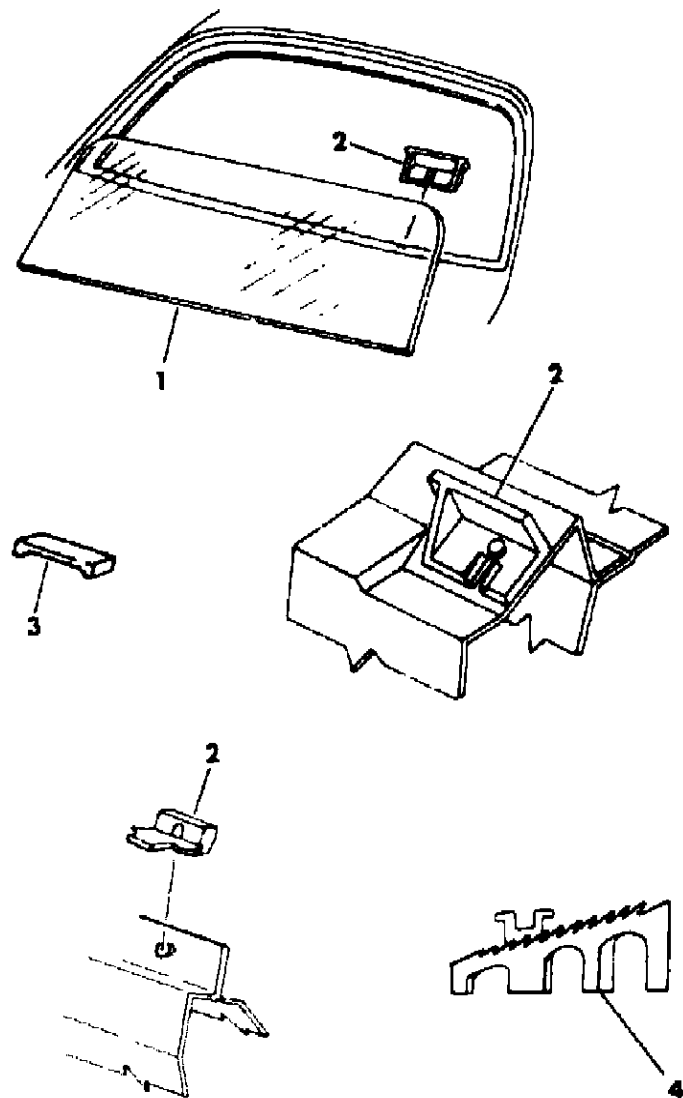
BODY STYLES

21 = 2-DOOR SEDAN	35 = FWD VAN	44 = 4-DOOR HATCHBACK
22 = 2-DOOR SPECIAL COUPE	36 = FWD WAGON	45 = 4-DOOR STATION WAGON
24 = 2-DOOR HATCHBACK	41 = 4-DOOR SEDAN	49 = LIMOUSINE
27 = 2-DOOR CONVERTIBLE		

AR = Use as Required - = Non Illustrated Part P.A.R. = Paint as Required

GLASS REAR WINDOW P,D,V,C 21,22,41,49
Figure 23A-5200

5159 5200



ITEM	PART NUMBER	QTY	BODY	MODEL	DESCRIPTION
					CONSISTS OF:
					1- ----- Tape, Butyl, 171.00"
					1- ----- Primer, Glass
					1- ----- Primer, Fence
					2- 3674698 Spacer, Rubber, 0.2"
					2- 3793290 Spacer, Rubber, 0.3"
					2- 3767767 Shim, 0.07"
					2- ----- Sponges, Disposable
4267 922		1		All	ELECTRIC GRID REPAIR PACKAGE

MODEL CODES

B = GRAN FURY	E = 600	M = HORIZON/TURISMO
C = LE BARON/TOWN & COUNTRY/LIMO	F = FIFTH AVENUE/NEWPORT	P = RELIANT
C24 = LASER	G = DIPLOMAT	T = NEW YORKER
C44 = LE BARON/GTS	H = VOYAGER	V = 600
D = ARIES	J = CARAVELLE	V24 = DAYTONA
D44 = LANCER	K = MINI VAN/CARAVAN/ROYAL	Z = OMNI/CHARGER

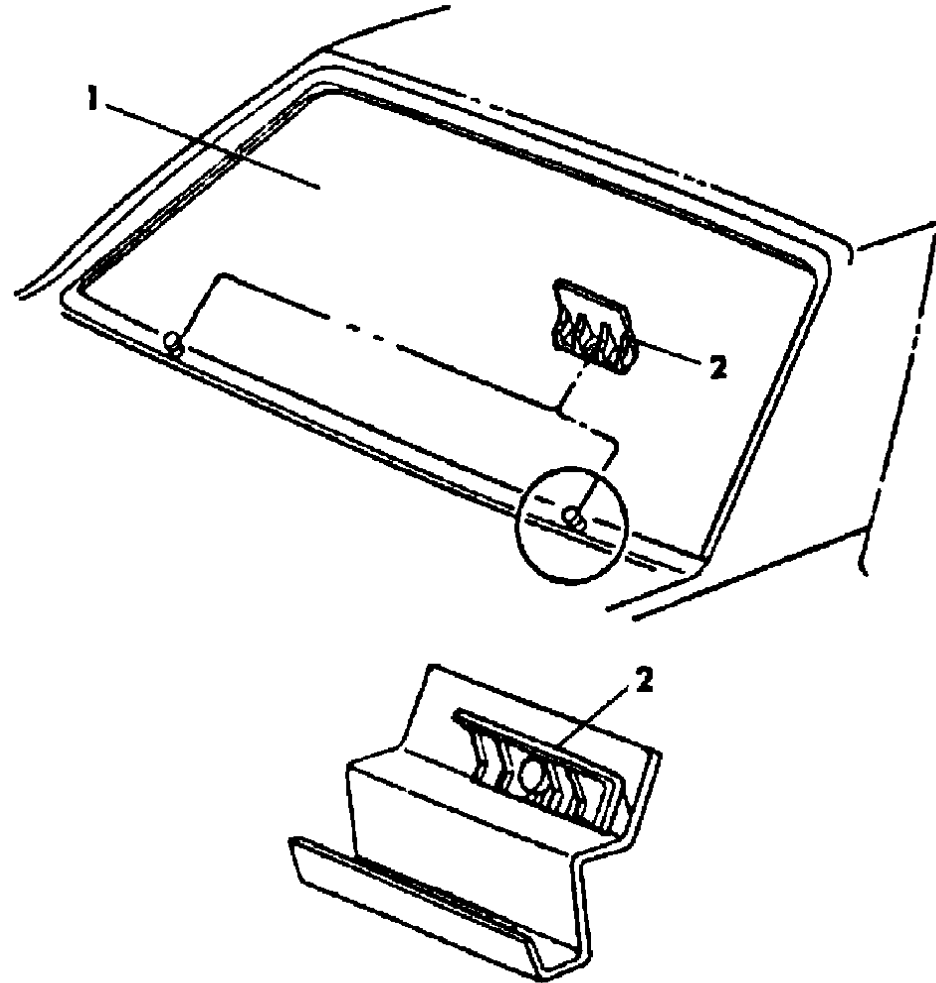
BODY STYLES

21 = 2-DOOR SEDAN	35 = FWD VAN	44 = 4-DOOR HATCHBACK
22 = 2-DOOR SPECIAL COUPE	36 = FWD WAGON	45 = 4-DOOR STATION WAGON
24 = 2-DOOR HATCHBACK	41 = 4-DOOR SEDAN	49 = LIMOUSINE
27 = 2-DOOR CONVERTIBLE		

AR = Use as Required - = Non Illustrated Part P.A.R. = Paint as Required

GLASS REAR WINDOW J,E,T
Figure 23A-5300

5169 5300



ITEM	PART NUMBER	QTY	BODY	MODEL	DESCRIPTION
------	-------------	-----	------	-------	-------------

NOTE: GLASS, REAR WINDOW - ORDER FROM YOUR LOCAL "MOPAR" GLASS DISTRIBUTOR (22 Model). Sheet metal parts for the C 49 not found on this illustration should be specified from the C 22 Models, as found elsewhere in this group.

1					GLASS, Rear Window
	4206 892	1		exc. T-	Tinted
	4337 729	1		T-P	Tinted
	4206 893	1		exc. T-	Tinted (Electric Heated)
	4337 730	1		T-P	Tinted (Electric Heated)
2	4206 543	2		exc. T-	SPACER, Rear Wdo. Glass, Lower

NOTE: The following items are not shown on illustration. (22 Model). Sheet metal parts for the C 49 not found on this illustration should be specified from the C 22 Models, as found elsewhere in this group.

	4267 906	1			REPAIR PACKAGE, Rear Wdo. Glass (Not Shown) CONSISTS OF: 1- ----- Polyurethane, 11.5 Oz. 1- ----- Primer, Fence, 1 Oz. 1- ----- Primer, Wipe Off, 1 Oz. 1- ----- Primer, Blackout 1 Oz. 3- ----- Dabbers 1- ----- Nozzle 1- ----- Instruction Sheet
	4057 957	1			FIXED GLASS REPAIR PACKAGE, Rear Wdo. (Not Shown) CONSISTS OF: 1- ----- Tape, Butyl, 171.00" 1- ----- Primer, Glass 1- ----- Primer, Fence 2- 3674698 Spacer, Rubber, 0.2" 2- 3793290 Spacer, Rubber, 0.3" 2- 3767767 Shim. 0.07" 2- ----- Sponges, Disposable
	4267 922	1			ELECTRIC GRID REPAIR PACKAGE

MODEL CODES

B = GRAN FURY	E = 600	M = HORIZON/TURISMO
C = LE BARON/TOWN & COUNTRY/LIMO	F = FIFTH AVENUE/NEWPORT	P = RELIANT
C24 = LASER	G = DIPLOMAT	T = NEW YORKER
C44 = LE BARON/GTS	H = VOYAGER	V = 600
D = ARIES	J = CARAVELLE	V24 = DAYTONA
D44 = LANCER	K = MINI VAN/CARAVAN/ROYAL	Z = OMNI/CHARGER

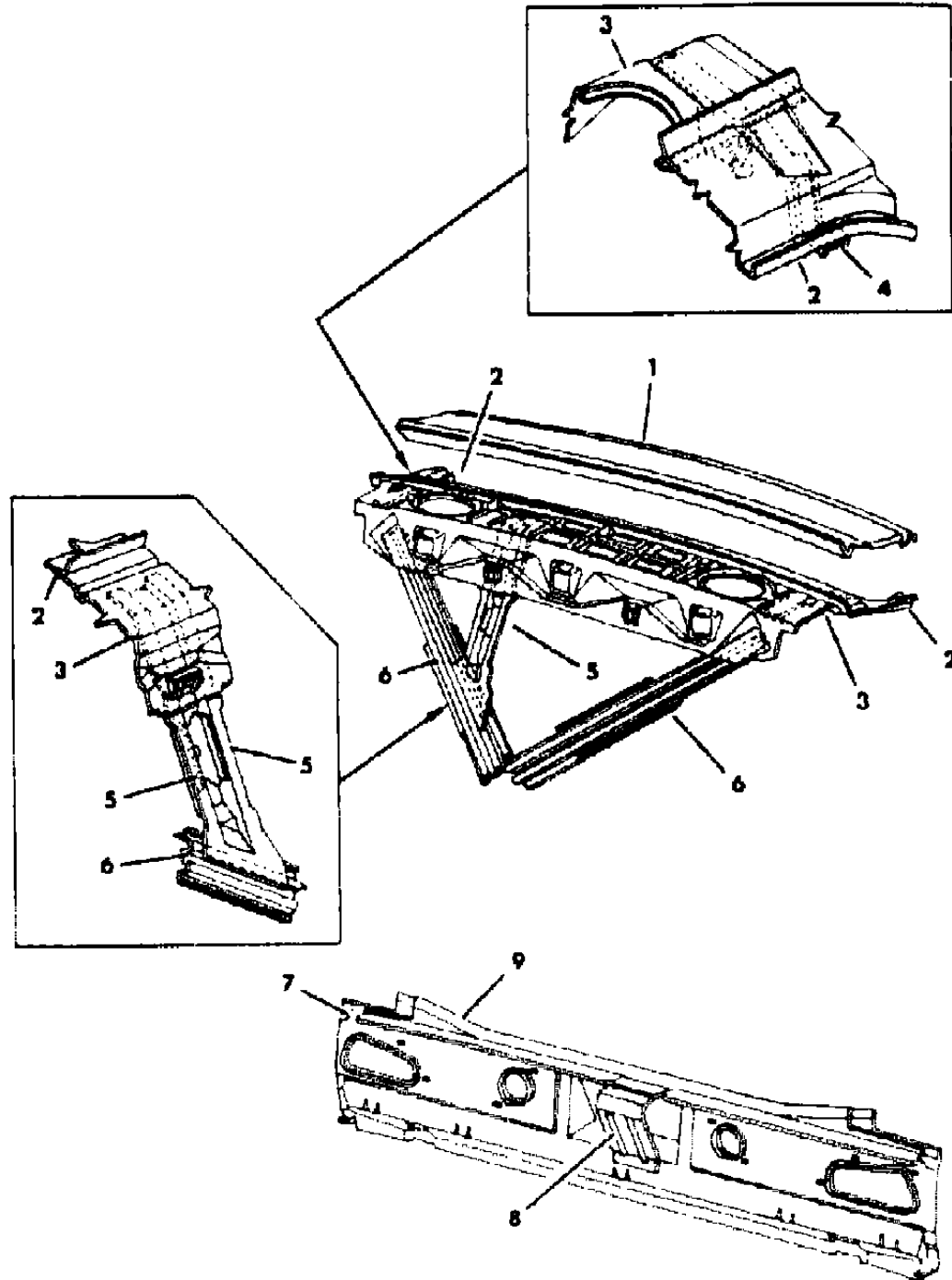
BODY STYLES

21 = 2-DOOR SEDAN	35 = FWD VAN	44 = 4-DOOR HATCHBACK
22 = 2-DOOR SPECIAL COUPE	36 = FWD WAGON	45 = 4-DOOR STATION WAGON
24 = 2-DOOR HATCHBACK	41 = 4-DOOR SEDAN	49 = LIMOUSINE
27 = 2-DOOR CONVERTIBLE		

AR = Use as Required - = Non Illustrated Part P.A.R. = Paint as Required

DECK OPENING P,D,V,C
Figure 23A-5400

5169 5400



ITEM	PART NUMBER	QTY	BODY	MODEL	DESCRIPTION
1	4134 801	1			PANEL, Deck Opening Upper
2	4278 250	1		exc. 27	TROUGH, Deck Opening Upper Drain
3		1			PANEL, Shelf (Not Serviced)
4	4206 326-7	1			SUPPORT, Deck Opening Upper Trough Hinge
5	4297 903	1			BRACKET, w/Reinforcement Shelf Panel Spare Tire Stowage
6		2			BRACE, Shelf Panel to Floor Pan Diagonal (Not Serviced)
7	4296 838	1		P,D	PANEL, Deck Opening Lower
	4296 913	1		V,C	
8	4341 122	1		P,D	SUPPORT, Deck Opening Lower Panel
	4206 357	1		V,C	SUPPORT, Deck Opening Lower Panel Striker
9	4296 839	1		P,D	REINFORCEMENT, Deck Opening Lower Panel
	4278 570	1		V,C	
NOTE: The following items are not shown on illustration. 22 Model). Sheet metal parts for the C 49 not found on this illustration should be specified from the C 22 Models, as found elsewhere in this group.					
	4278 578	1			REINFORCEMENT, Shelf Panel to Floor Pan Diagonal Brace Lower (w/Heavy Service Pkg.)
	4341 075	1		V,C	BRACKET, License Plate Mounting Rear
	3679 333	1		V,C	RIVET, License Plate Mounting Bracket to Deck Opening Lower Panel
	4341 214	1		P,D	PANEL, Deck Opening Lower License Plate Mounting Adapter

MODEL CODES

B = GRAN FURY	E = 600	M = HORIZON/TURISMO
C = LE BARON/TOWN & COUNTRY/LIMO	F = FIFTH AVENUE/NEWPORT	P = RELIANT
C24 = LASER	G = DIPLOMAT	T = NEW YORKER
C44 = LE BARON/GTS	H = VOYAGER	V = 600
D = ARIES	J = CARAVELLE	V24 = DAYTONA
D44 = LANCER	K = MINI VAN/CARAVAN/ROYAL	Z = OMNI/CHARGER

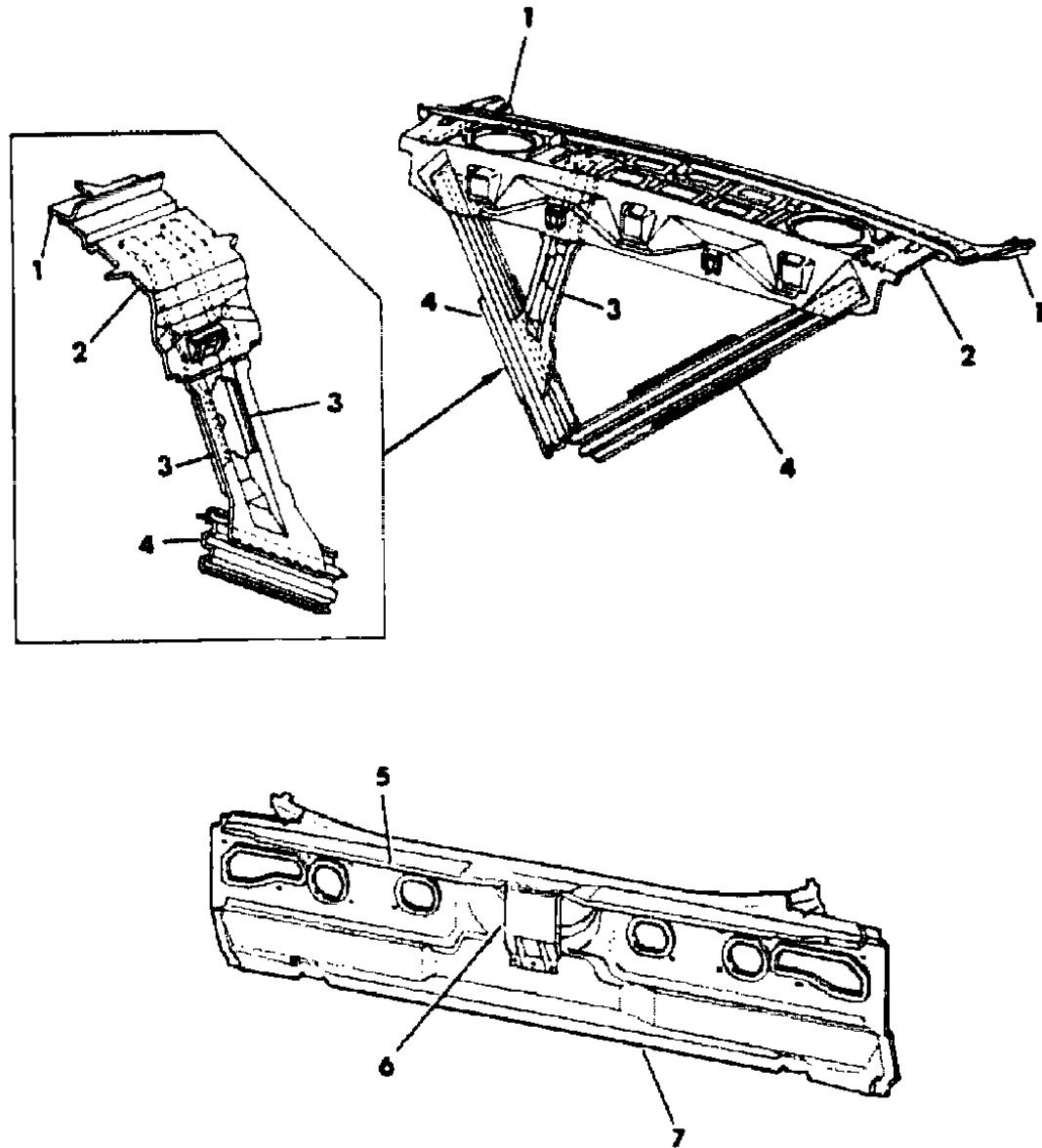
BODY STYLES

21 = 2-DOOR SEDAN	35 = FWD VAN	44 = 4-DOOR HATCHBACK
22 = 2-DOOR SPECIAL COUPE	36 = FWD WAGON	45 = 4-DOOR STATION WAGON
24 = 2-DOOR HATCHBACK	41 = 4-DOOR SEDAN	49 = LIMOUSINE
27 = 2-DOOR CONVERTIBLE		

AR = Use as Required - = Non Illustrated Part P.A.R. = Paint as Required

DECK OPENING J,E,T
Figure 23A-5500

5169 5500



ITEM	PART NUMBER	QTY	BODY	MODEL	DESCRIPTION
1	4206 970	1			TROUGH, Deck Opening Upper Drain
2		1			PANEL, Shelf (Not Serviced)
3	4297 903	1			BRACKET, w/Reinforcement Shelf Panel Spare Tire Stowage
4		2			BRACE, Shelf Panel to Floor Pan Diagonal (Not Serviced)
5	4278 570	1			REINFORCEMENT, Deck Opening Lower Panel
6	4206 357	1			SUPPORT, Deck Opening Lower Panel Striker
7	4341 107	1			PANEL, Deck Opening Lower

NOTE: The following items are not shown on illustration. 22 Model). Sheet metal parts for the C 49 not found on this illustration should be specified from the C 22 Models, as found elsewhere in this group.

	4341 090-1	1			EXTENSION, Deck Opening Lower Panel Side Drain Trough, Upper
	4296 402-3	1			Lower
	4206 487	AR			SEAL, Deck Opening Lower Drain Trough Extension
	4341 075	1			BRACKET, License Plate Mounting Rear
	3679 333	1			RIVET, License Plate Mounting Bracket to Deck Opening Lower Panel
	4278 578	1			REINFORCEMENT, Shelf Panel to Floor Pan Diagonal Brace (w/Heavy Service Pkg.)
	4321 707	1			SUPPORT, Lower Deck Opening Panel

MODEL CODES

B = GRAN FURY	E = 600	M = HORIZON/TURISMO
C = LE BARON/TOWN & COUNTRY/LIMO	F = FIFTH AVENUE/NEWPORT	P = RELIANT
C24 = LASER	G = DIPLOMAT	T = NEW YORKER
C44 = LE BARON/GTS	H = VOYAGER	V = 600
D = ARIES	J = CARAVELLE	V24 = DAYTONA
D44 = LANCER	K = MINI VAN/CARAVAN/ROYAL	Z = OMNI/CHARGER

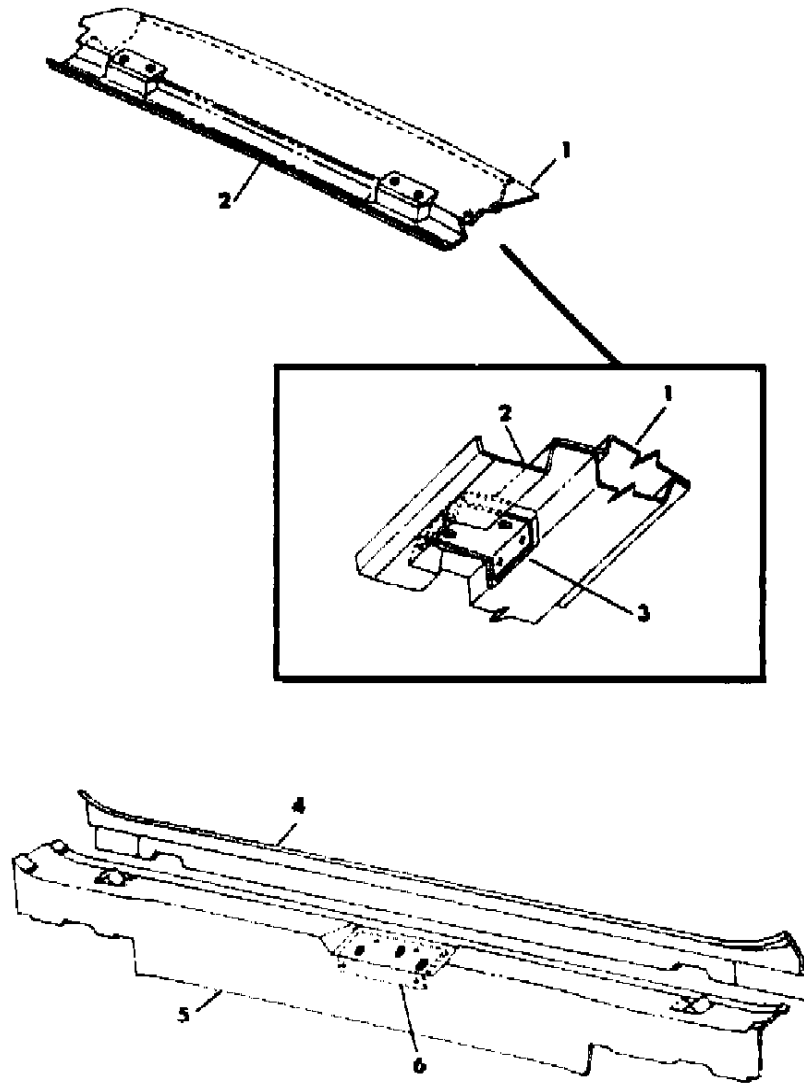
BODY STYLES

21 = 2-DOOR SEDAN	35 = FWD VAN	44 = 4-DOOR HATCHBACK
22 = 2-DOOR SPECIAL COUPE	36 = FWD WAGON	45 = 4-DOOR STATION WAGON
24 = 2-DOOR HATCHBACK	41 = 4-DOOR SEDAN	49 = LIMOUSINE
27 = 2-DOOR CONVERTIBLE		

AR = Use as Required - = Non Illustrated Part P.A.R. = Paint as Required

LIFTGATE OPENING P,D,C 45
Figure 23A-5600

5169 5600



ITEM	PART NUMBER	QTY	BODY	MODEL	DESCRIPTION
1	4134 832	1			REINFORCEMENT, Liftgate Opening Upper Frame
2	4129 748	1			FRAME, w/Reinforcement Liftgate Opening Upper Hinge (Body Half)
3					REINFORCEMENT, Serviced In Item 2
4	4134 835	1			PANEL, Liftgate Opening Lower
5	4206 965	1			REINFORCEMENT, Liftgate Opening Lower Panel
6	4206 209	1			REINFORCEMENT, Liftgate Latch Striker

MODEL CODES

B = GRAN FURY	E = 600	M = HORIZON/TURISMO
C = LE BARON/TOWN & COUNTRY/LIMO	F = FIFTH AVENUE/NEWPORT	P = RELIANT
C24 = LASER	G = DIPLOMAT	T = NEW YORKER
C44 = LE BARON/GTS	H = VOYAGER	V = 600
D = ARIES	J = CARAVELLE	V24 = DAYTONA
D44 = LANCER	K = MINI VAN/CARAVAN/ROYAL	Z = OMNI/CHARGER

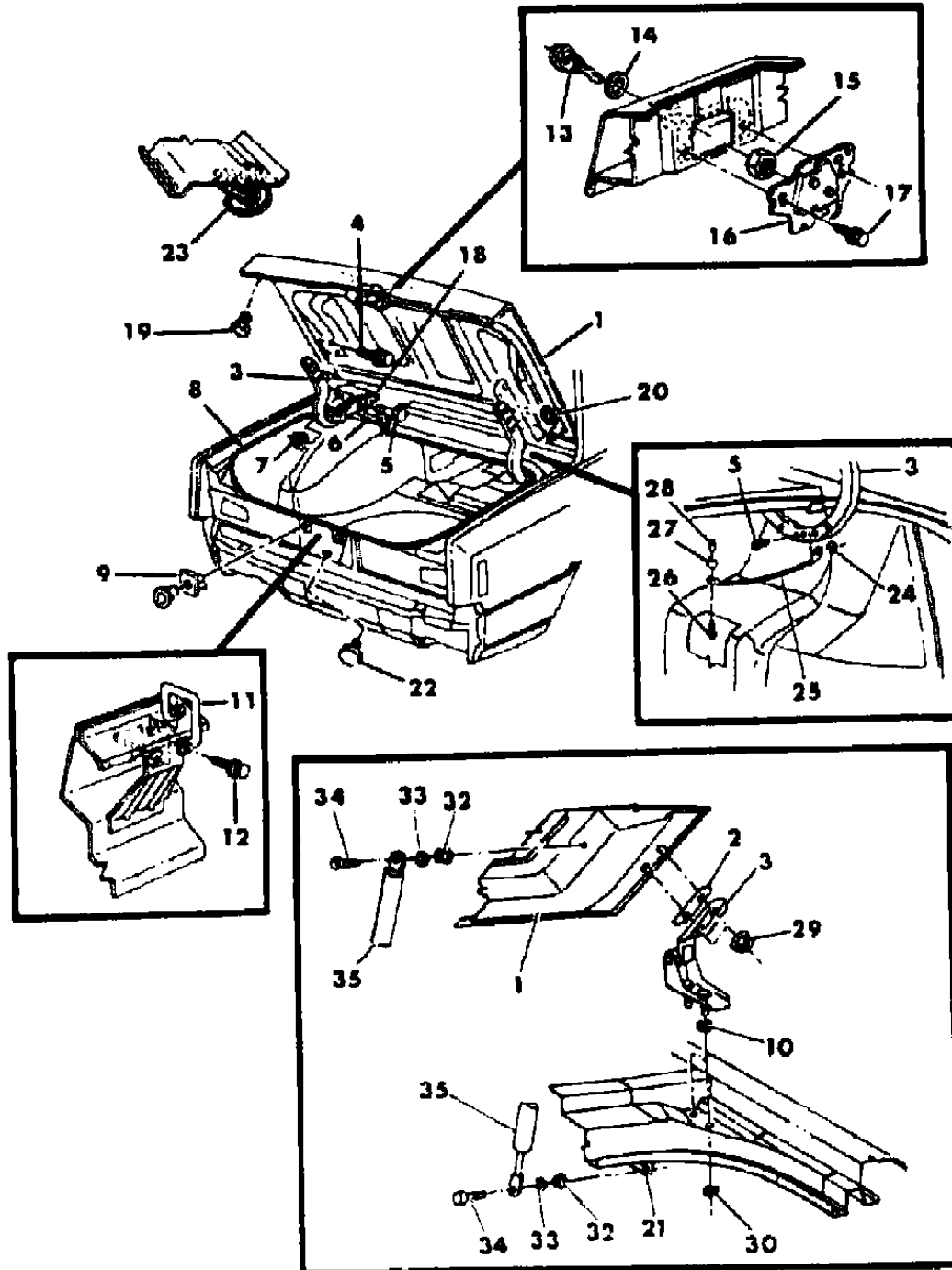
BODY STYLES

21 = 2-DOOR SEDAN	35 = FWD VAN	44 = 4-DOOR HATCHBACK
22 = 2-DOOR SPECIAL COUPE	36 = FWD WAGON	45 = 4-DOOR STATION WAGON
24 = 2-DOOR HATCHBACK	41 = 4-DOOR SEDAN	49 = LIMOUSINE
27 = 2-DOOR CONVERTIBLE		

AR = Use as Required - = Non Illustrated Part P.A.R. = Paint as Required

DECK LID P,D,V,C
Figure 23A-5700

5169 5700



ITEM	PART NUMBER	QTY	BODY	MODEL	DESCRIPTION
1	4337 491	1		P,D-21,	LID, Deck
	4337 492	1		V,C-27	
	4371 451	1		V,C-22,	
2		AR		27	SHIM, Deck Lid Hinge (Not Serviced)
3	4271 438-9	1		21,22,4	HINGE, Deck Lid
	4337 002-3	1		27	
4		4		21,22,4	SCREW and WASHER, Not Serviced
5	4278 463	2		21,22,4	PIN, Deck Lid Hinge Pivot
6	4134 808-9	1		21,22,4	BAR, Deck Lid Hinge Torsion
	4206 796	2		21,22,4	SLEEVE, Deck Lid Hinge Torsion Bar
7	6022 149	2		21,22,4	NUT, Deck Lid Hinge Pivot Pin
8					WEATHERSTRIP, Deck Lid Opening
	4337 275	1		P,D	Up to 10-4-84
	4278 176	1		P,D	After 10-4-84
	4237 275	1		V,C	
9	6500 524	4		All	NUT, License Plate Mounting
10	4337 900	4		27	WASHER
11	4172 986	1		All	STRIKER, Deck Lid Latch
12	6101 339	2		All	SCREW and WASHER
13		1		All	CYLINDER, Deck Lid Lock (See Group 23D-Illustrations)
14	3695 321	1		All	GASKET, Deck Lid Lock Cylinder
15	4054 202	1		All	NUT, Deck Lid Lock Cylinder
16	4054 825	1		All	LATCH, Deck Lid, Manual
	4054 962	1		All	Electric
17	6025 346	2		All	SCREW and WASHER
18	4206 326-7	1		21,22,4	SUPPORT, Deck Opening Upper Trough Hinge
19	5230 376	2		All	BUMPER, Deck Lid Inside Adjustable
20	6029 939	AR		All	PLUG, .500" Dia./13mm
21	4296 539	1		27	BRACE and NUT, Deck Opening Upper Drain Trough
23		1		21,22,4	RETAINER, Deck Lid Hinge Torsion Bar (Not Serviced)
24	6022 149	1		21,22,4	NUT
25	4206 751	1		21,22,4	CABLE, Wheelhouse Inner to Deck Lid Hinge Restrainer
26	6032 214	1		21,22,4	SCREW
27	6032 057	1		21,22,4	NUT
28	4073 281	1		21,22,4	CAP, Deck Lid Restrainer Cable Screw
29	6500 284	4		27	NUT and WASHER
30	6501 016	4		27	NUT, w/Sealer

MODEL CODES

B = GRAN FURY	E = 600	M = HORIZON/TURISMO
C = LE BARON/TOWN & COUNTRY/LIMO	F = FIFTH AVENUE/NEWPORT	P = RELIANT
C24 = LASER	G = DIPLOMAT	T = NEW YORKER
C44 = LE BARON/GTS	H = VOYAGER	V = 600
D = ARIES	J = CARAVELLE	V24 = DAYTONA
D44 = LANCER	K = MINI VAN/CARAVAN/ROYAL	Z = OMNI/CHARGER

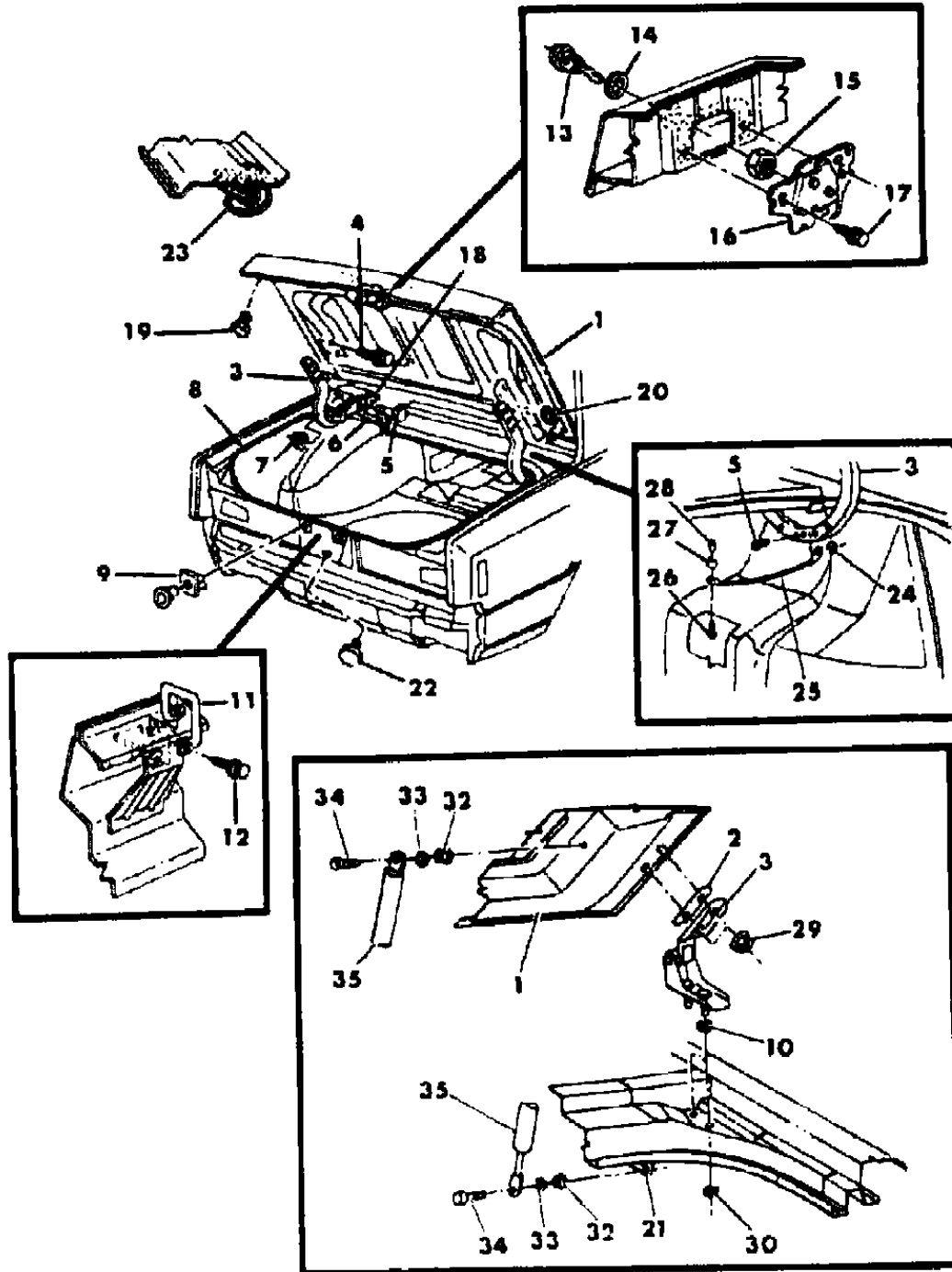
BODY STYLES

21 = 2-DOOR SEDAN	35 = FWD VAN	44 = 4-DOOR HATCHBACK
22 = 2-DOOR SPECIAL COUPE	36 = FWD WAGON	45 = 4-DOOR STATION WAGON
24 = 2-DOOR HATCHBACK	41 = 4-DOOR SEDAN	49 = LIMOUSINE
27 = 2-DOOR CONVERTIBLE		

AR = Use as Required - = Non Illustrated Part P.A.R. = Paint as Required

DECK LID P,D,V,C
Figure 23A-5700

5169 5700



ITEM	PART NUMBER	QTY	BODY	MODEL	DESCRIPTION
32		4		27	NUT and WASHER, Serviced In Item 35
33		4		27	WASHER, Serviced In Item 35
34	6500 457	4		27	SCREW, Serviced In Item 35
35	4314 332	2		27	PROP, Deck Lid Gas (Includes Items #32-34)
NOTE: The following items are not shown on illustration. 22 Model). Sheet metal parts for the C 49 not found on this illustration should be specified from the C 22 Models, as found elsewhere in this group.					
	4276 442	1		27	LUGGAGE RACK PACKAGE, Deck Lid
CONSISTS OF:					
2- 4276434 Skid Strip, Outer					
2- 4276435 Skid Strip, Inner					
4- 4276985 Insert, Skid Strip Inner & Outer					
1- 4276430 Cross Bar					
8- 2094869 Nut, Skid Strip					
6- 6031567 Screw, Skid Strip					
2- ----- Nut, Cross Bar Support (Not Serviced)					
2- 6032887 Screw, Cross Bar Support					
4- 4276629 Cap, Skid Strip Front					

MODEL CODES

B = GRAN FURY	E = 600	M = HORIZON/TURISMO
C = LE BARON/TOWN & COUNTRY/LIMO	F = FIFTH AVENUE/NEWPORT	P = RELIANT
C24 = LASER	G = DIPLOMAT	T = NEW YORKER
C44 = LE BARON/GTS	H = VOYAGER	V = 600
D = ARIES	J = CARAVELLE	V24 = DAYTONA
D44 = LANCER	K = MINI VAN/CARAVAN/ROYAL	Z = OMNI/CHARGER

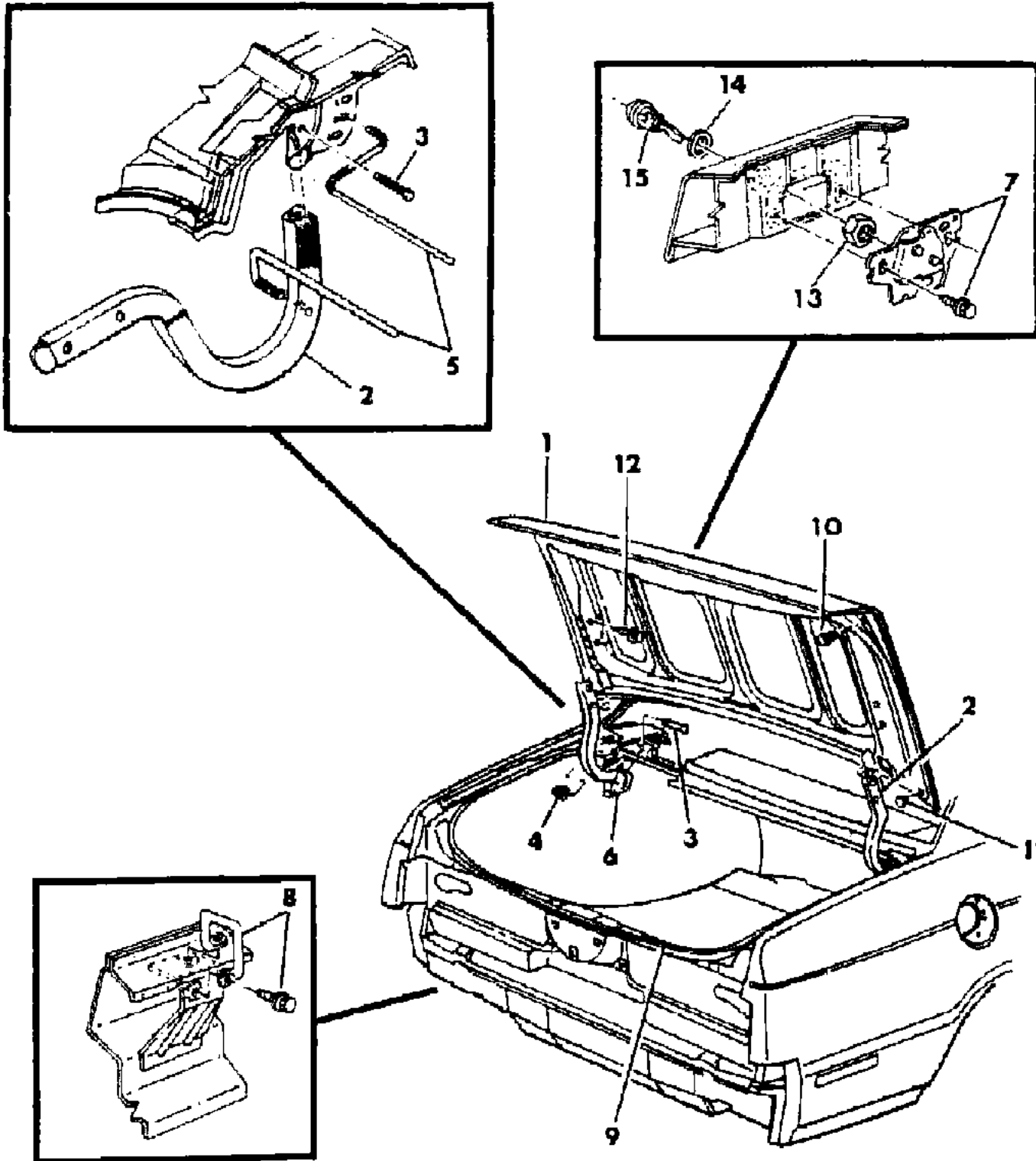
BODY STYLES

21 = 2-DOOR SEDAN	35 = FWD VAN	44 = 4-DOOR HATCHBACK
22 = 2-DOOR SPECIAL COUPE	36 = FWD WAGON	45 = 4-DOOR STATION WAGON
24 = 2-DOOR HATCHBACK	41 = 4-DOOR SEDAN	49 = LIMOUSINE
27 = 2-DOOR CONVERTIBLE		

AR = Use as Required - = Non Illustrated Part P.A.R. = Paint as Required

DECK LID J,E,T
Figure 23A-5800

5169 5800



ITEM	PART NUMBER	QTY	BODY	MODEL	DESCRIPTION
1	4371 452	1			LID, Deck
2	4337 402-3	1			HINGE, Deck Lid
3	4278 463	2			PIN, Deck Lid Hinge Pivot
4	4278 463	2			PIN, Deck Lid Hinge to Torsion Bar Link
5	6022 149	2			NUT, Deck Lid Hinge Pivot
6	6022 149	2			NUT, Deck Lid Hinge Torsion Bar Link Pin
7	4314 196-7	1			BAR, Deck Lid Hinge Torsion
8	4314 198	2			LINK, Deck Lid Hinge Torsion Bar
9	4378 053	1			LATCH, Deck Lid (Cable Release)
10	6025 346	2			SCREW and WASHER, Deck Lid Latch
11	4172 986	1			STRIKER, Deck Lid Latch
12	6101 339	2			SCREW, w/Washer Deck Lid Latch Striker
13	4278 776	1			WEATHERSTRIP, Deck Lid Opening (Closed Loop)
14	5230 376	2			BUMPER, Deck Lid Inside (Adjustable)
15	6029 939	2			PLUG, Deck Lid Inner Panel Drain Hole
16	6025 002	2			NUT
17					NUT, See Cylinder and Key Illustration
18					GASKET, (See Cylinder and Key Illustration)
19					CYLINDER, (See Cylinder and Key Illustration)

NOTE: The following items are not shown on illustration. 22 Model). Sheet metal parts for the C 49 not found on this illustration should be specified from the C 22 Models, as found elsewhere in this group.

20	4314 192	2			BUMPER, Deck Lid Hinge Support Slam
21	4296 282	2			SUPPORT, Deck Lid Hinge to Shelf Panel
22	4206 796	2			SLEEVE, Deck Lid Hinge Torsion Bar

MODEL CODES

B = GRAN FURY	E = 600	M = HORIZON/TURISMO
C = LE BARON/TOWN & COUNTRY/LIMO	F = FIFTH AVENUE/NEWPORT	P = RELIANT
C24 = LASER	G = DIPLOMAT	T = NEW YORKER
C44 = LE BARON/GTS	H = VOYAGER	V = 600
D = ARIES	J = CARAVELLE	V24 = DAYTONA
D44 = LANCER	K = MINI VAN/CARAVAN/ROYAL	Z = OMNI/CHARGER

BODY STYLES

21 = 2-DOOR SEDAN	35 = FWD VAN	44 = 4-DOOR HATCHBACK
22 = 2-DOOR SPECIAL COUPE	36 = FWD WAGON	45 = 4-DOOR STATION WAGON
24 = 2-DOOR HATCHBACK	41 = 4-DOOR SEDAN	49 = LIMOUSINE
27 = 2-DOOR CONVERTIBLE		

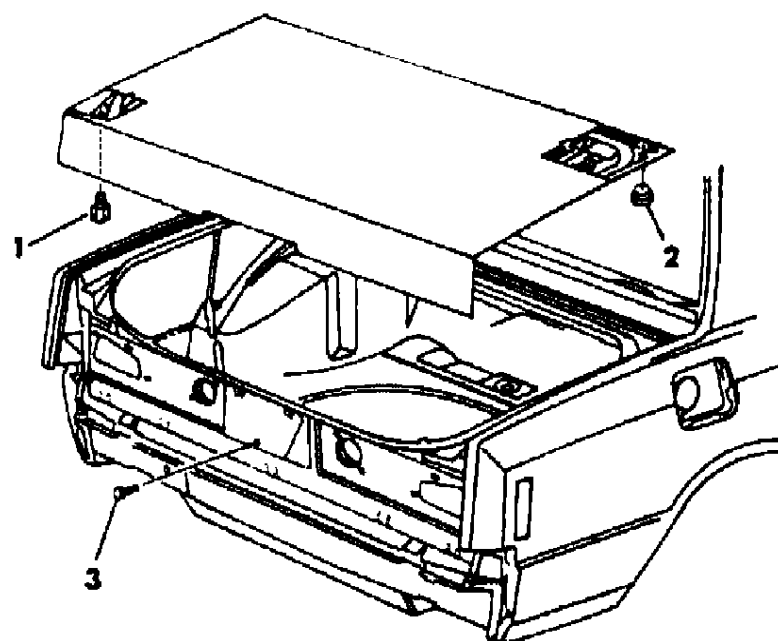
AR = Use as Required - = Non Illustrated Part P.A.R. = Paint as Required

BUMPERS PLUGS DECK LID P,D,V,C,J,E,T
Figure 23A-5900

5169 5900

ITEM	PART NUMBER	QTY	BODY	MODEL	DESCRIPTION
------	-------------	-----	------	-------	-------------

1	5230 376	2			BUMPER
2	6029 939	AR			PLUG
3	5200 365	1			BUTTON



MODEL CODES

B = GRAN FURY	E = 600	M = HORIZON/TURISMO
C = LE BARON/TOWN & COUNTRY/LIMO	F = FIFTH AVENUE/NEWPORT	P = RELIANT
C24 = LASER	G = DIPLOMAT	T = NEW YORKER
C44 = LE BARON/GTS	H = VOYAGER	V = 600
D = ARIES	J = CARAVELLE	V24 = DAYTONA
D44 = LANCER	K = MINI VAN/CARAVAN/ROYAL	Z = OMNI/CHARGER

BODY STYLES

21 = 2-DOOR SEDAN	35 = FWD VAN	44 = 4-DOOR HATCHBACK
22 = 2-DOOR SPECIAL COUPE	36 = FWD WAGON	45 = 4-DOOR STATION WAGON
24 = 2-DOOR HATCHBACK	41 = 4-DOOR SEDAN	49 = LIMOUSINE
27 = 2-DOOR CONVERTIBLE		

AR = Use as Required - = Non Illustrated Part P.A.R. = Paint as Required

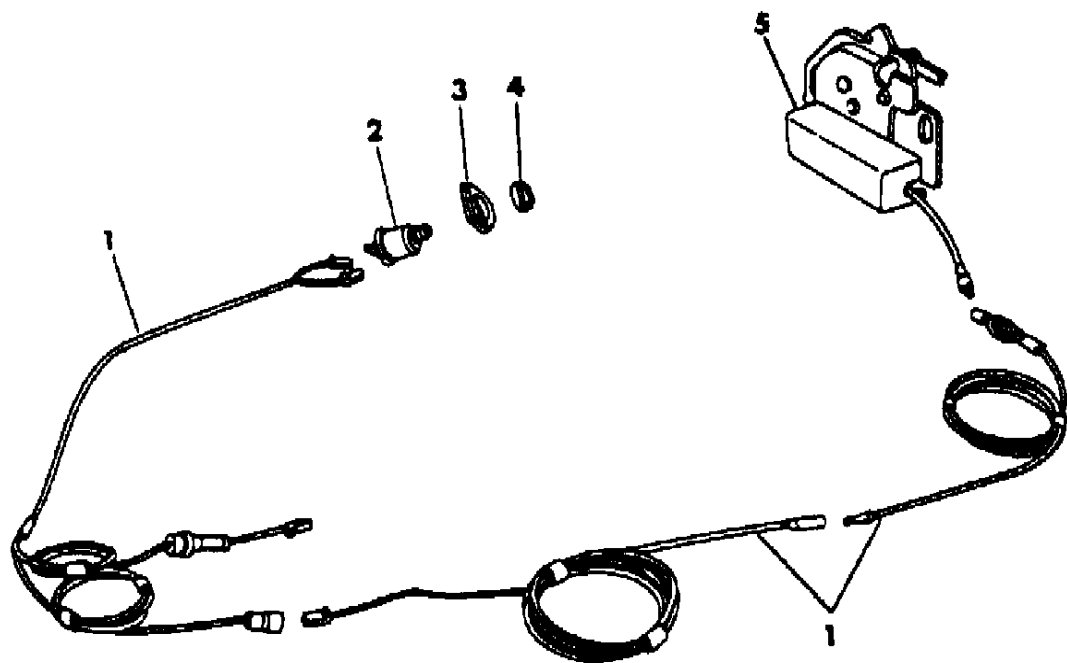
DECK LID ELECTRIC P,D,V,C
Figure 23A-6000

5168 6000

ITEM	PART NUMBER	QTY	BODY	MODEL	DESCRIPTION
1					WIRING, See Group 8 Body Wiring
2	3747 154	1			SWITCH, Remote Deck Lid Release or Instrument Panel Mtg.
3	3747 875	1			BEZEL, Electric Release Switch
4	6028 824	1			NUT, Electric Release Swich Mtg.
5	4054 962	1			LATCH, Electric Deck Lid
	4131 515	1			LATCH PACKAGE, Electric
NOTE: The following items are not shown on illustration. 22 Model). Sheet metal parts for the C 49 not found on this illustration should be specified from the C 22 Models, as found elsewhere in this group.					
	6028 976	1			PUSHNUT, Electric Deck Lid Latch Spring

NOTE: The following items are not shown on illustration. 22 Model). Sheet metal parts for the C 49 not found on this illustration should be specified from the C 22 Models, as found elsewhere in this group.

	6028 976	1			PUSHNUT, Electric Deck Lid Latch Spring
--	----------	---	--	--	---



MODEL CODES

B = GRAN FURY	E = 600	M = HORIZON/TURISMO
C = LE BARON/TOWN & COUNTRY/LIMO	F = FIFTH AVENUE/NEWPORT	P = RELIANT
C24 = LASER	G = DIPLOMAT	T = NEW YORKER
C44 = LE BARON/GTS	H = VOYAGER	V = 600
D = ARIES	J = CARAVELLE	V24 = DAYTONA
D44 = LANCER	K = MINI VAN/CARAVAN/ROYAL	Z = OMNI/CHARGER

BODY STYLES

21 = 2-DOOR SEDAN	35 = FWD VAN	44 = 4-DOOR HATCHBACK
22 = 2-DOOR SPECIAL COUPE	36 = FWD WAGON	45 = 4-DOOR STATION WAGON
24 = 2-DOOR HATCHBACK	41 = 4-DOOR SEDAN	49 = LIMOUSINE
27 = 2-DOOR CONVERTIBLE		

AR = Use as Required - = Non Illustrated Part P.A.R. = Paint as Required

LIFTGATE P,D,C 45
Figure 23A-6100

ITEM	PART NUMBER	QTY	BODY	MODEL	DESCRIPTION
1	4246 837	2			HINGE, Liftgate
2	6100 275	4			SCREW and WASHER
3	4246 359	AR			SHIM, Liftgate Hinge (Body Half)
4	6100 049	4			NUT and WASHER
5	G000 4442	2			PROP, Liftgate Hold-Open
6	6025 346	2			SCREW and WASHER
7	5231 926	1			WEATHERSTRIP, Liftgate Opening
8	4246 310	1			STRIKER, Liftgate Latch
9	6500 524	2			NUT
11	4198 837	1			GLASS, Liftgate, Clear
	4198 838	1			Tinted
	4198 955	1			Tinted, (Electric Heated)
	4078 959	AR			WELT, Liftgate Trim
12	4365 760	1			PANEL, Liftgate
13	4246 123	4			PIN, Liftgate Prop Mounting
14	6032 029	4			CLIP, Liftgate Prop Mounting Pin
15	4172 595	1			LINK, Liftgate Latch Release
16	4246 597	1			LATCH, Liftgate (Includes Cargo Lamp Switch) Manual
	4246 596	1			Electric
17	3454 220	2			CLIP, Latch Release Link Attaching
18	6025 346	2			SCREW and WASHER
19		1			CYLINDER, See Cylinder and Key Illustration
20		1			GASKET, See Cylinder and Key Illustration
21	4054 202	1			NUT
23	4246 243	2			BUMPER, w/Washer Liftgate Prop Anti-Rattle
26	4246 321	1			BUMPER, Lift Gate Latch Striker
NOTE: The following items are not shown on illustration. 22 Model). Sheet metal parts for the C 49 not found on this illustration should be specified from the C 22 Models, as found elsewhere in this group.					
	4267 922	1			ELECTRIC GRID REPAIR PACKAGE
	4296 404	2			BRACKET, Liftgate Opening Pillar Prop Attaching
	6028 976	1			PUSHNUT, Liftgate Latch Spring
	4198 396	2			SPACER, Liftgate Glass Lower
	5230 376	2			BUMPER, Liftgate Inner Panel (Adjustable)
	5200 365	2			BUTTON, Liftgate Outer Panel License Plate Mtg. Bumper
	2860 332	1			PLUG, Liftgate Inner Washer Hose Hole
	2094 631	1			PLUG, Liftgate Inner
	5231 207	4			SEALING WASHER, Liftgate Hinge (Body Half)

MODEL CODES

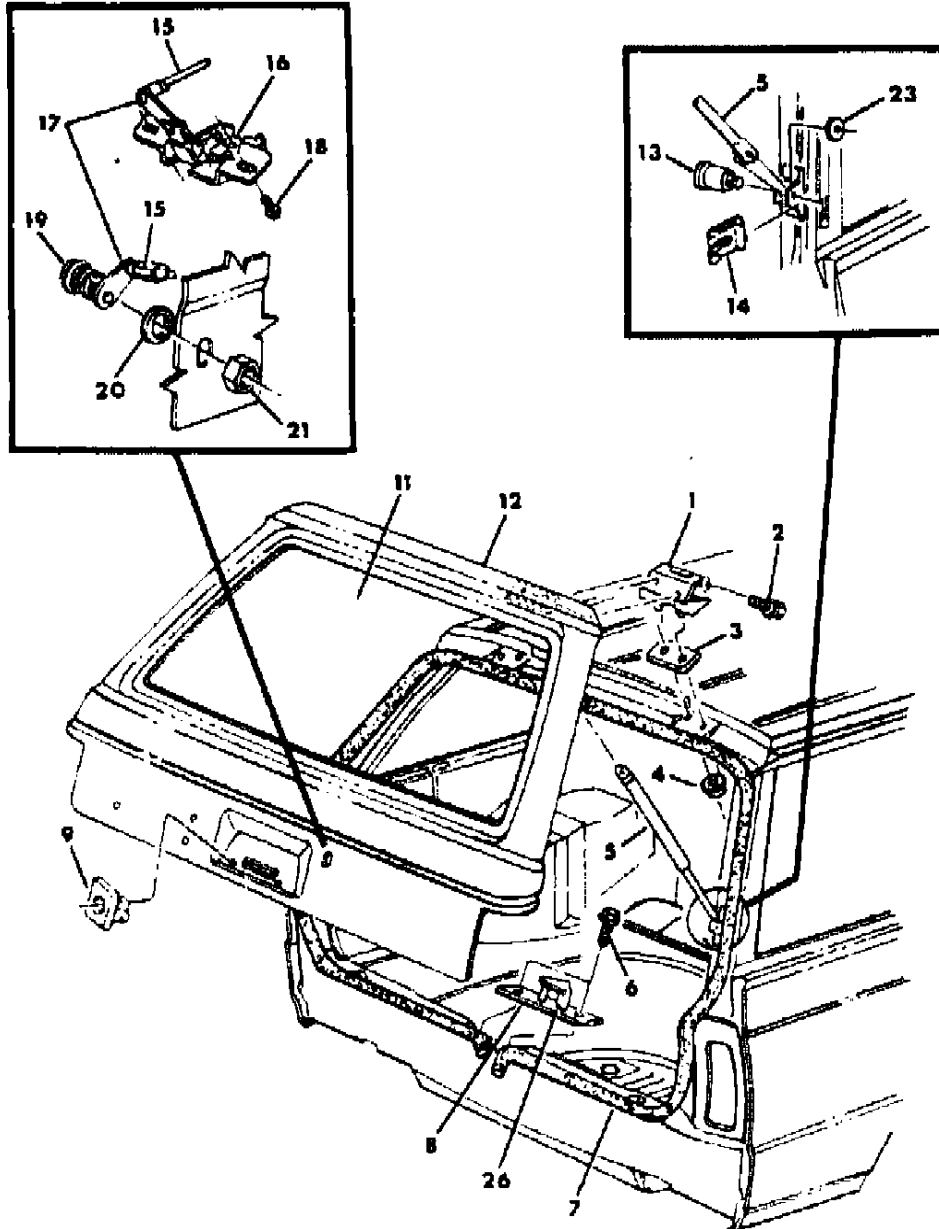
B = GRAN FURY	E = 600	M = HORIZON/TURISMO
C = LE BARON/TOWN & COUNTRY/LIMO	F = FIFTH AVENUE/NEWPORT	P = RELIANT
C24 = LASER	G = DIPLOMAT	T = NEW YORKER
C44 = LE BARON/GTS	H = VOYAGER	V = 600
D = ARIES	J = CARAVELLE	V24 = DAYTONA
D44 = LANCER	K = MINI VAN/CARAVAN/ROYAL	Z = OMNI/CHARGER

BODY STYLES

21 = 2-DOOR SEDAN	35 = FWD VAN	44 = 4-DOOR HATCHBACK
22 = 2-DOOR SPECIAL COUPE	36 = FWD WAGON	45 = 4-DOOR STATION WAGON
24 = 2-DOOR HATCHBACK	41 = 4-DOOR SEDAN	49 = LIMOUSINE
27 = 2-DOOR CONVERTIBLE		

AR = Use as Required - = Non Illustrated Part P.A.R. = Paint as Required

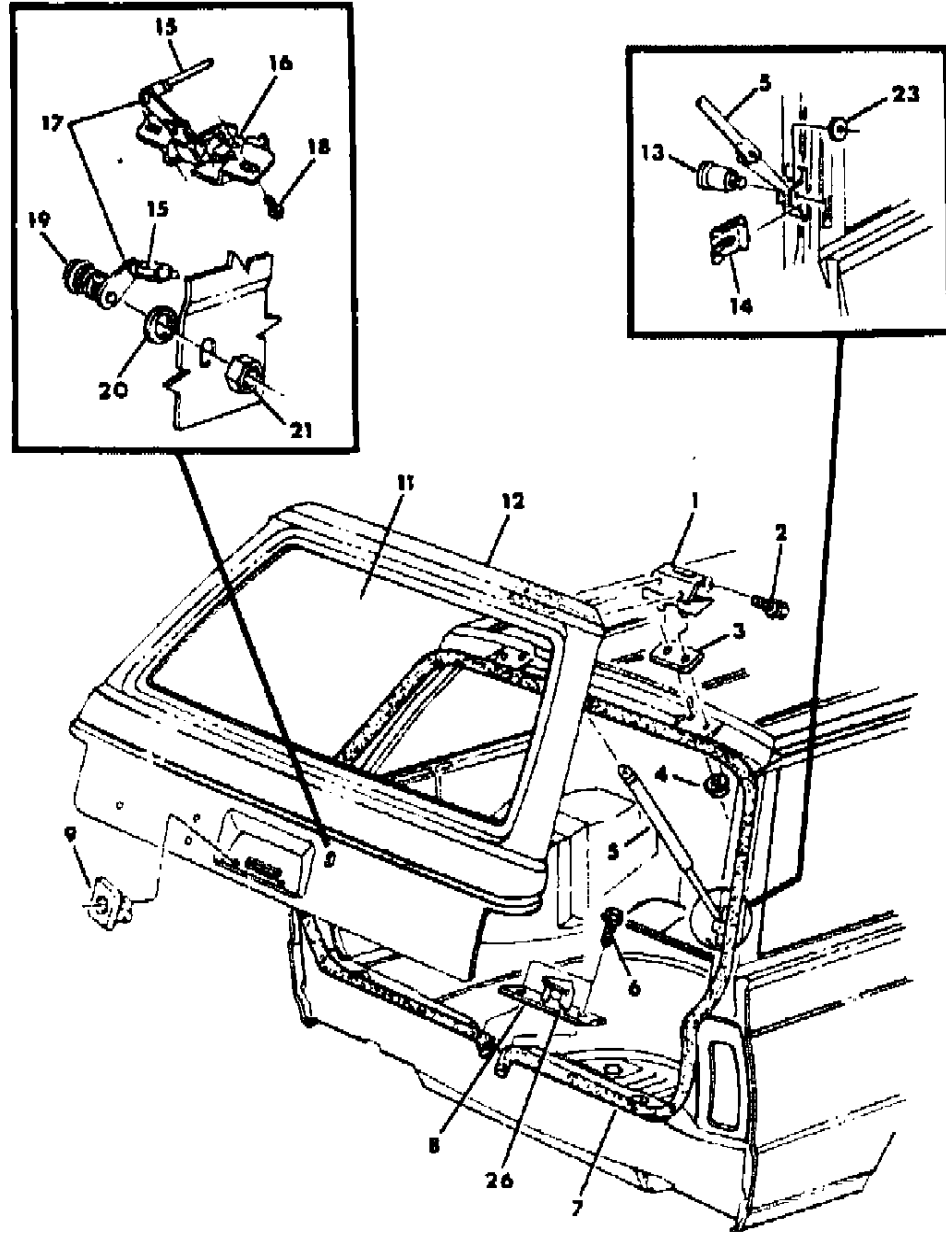
5168 6100



LIFTGATE P,D,C 45
Figure 23A-6100

ITEM	PART NUMBER	QTY	BODY	MODEL	DESCRIPTION
	6031 044	4			CAP, Liftgate Inner Panel Hole
	6032 107	1			CLIP, Liftgate Lock Cylinder Retainer
	6016 122	1			CLIP, Liftgate Latch Wire Mounting

5169 6100



MODEL CODES

- | | | |
|----------------------------------|----------------------------|---------------------|
| B = GRAN FURY | E = 600 | M = HORIZON/TURISMO |
| C = LE BARON/TOWN & COUNTRY/LIMO | F = FIFTH AVENUE/NEWPORT | P = RELIANT |
| C24 = LASER | G = DIPLOMAT | T = NEW YORKER |
| C44 = LE BARON/GTS | H = VOYAGER | V = 600 |
| D = ARIES | J = CARAVELLE | V24 = DAYTONA |
| D44 = LANCER | K = MINI VAN/CARAVAN/ROYAL | Z = OMNI/CHARGER |

BODY STYLES

- | | | |
|---------------------------|-------------------|---------------------------|
| 21 = 2-DOOR SEDAN | 35 = FWD VAN | 44 = 4-DOOR HATCHBACK |
| 22 = 2-DOOR SPECIAL COUPE | 36 = FWD WAGON | 45 = 4-DOOR STATION WAGON |
| 24 = 2-DOOR HATCHBACK | 41 = 4-DOOR SEDAN | 49 = LIMOUSINE |
| 27 = 2-DOOR CONVERTIBLE | | |

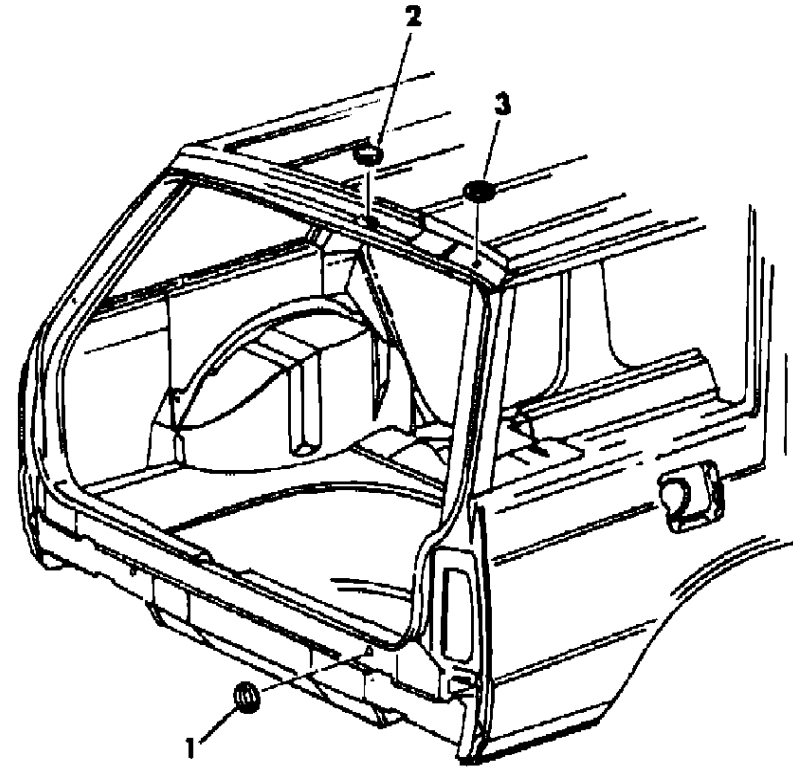
AR = Use as Required - = Non Illustrated Part P.A.R. = Paint as Required

PLUGS LIFTGATE P,D,C 45
Figure 23A-6200

5169 6200

ITEM	PART NUMBER	QTY	BODY	MODEL	DESCRIPTION
------	-------------	-----	------	-------	-------------

1	1774 076	1			PLUG
2	1774 076	1			PLUG
3	2574 792	1			PLUG



MODEL CODES

B = GRAN FURY	E = 600	M = HORIZON/TURISMO
C = LE BARON/TOWN & COUNTRY/LIMO	F = FIFTH AVENUE/NEWPORT	P = RELIANT
C24 = LASER	G = DIPLOMAT	T = NEW YORKER
C44 = LE BARON/GTS	H = VOYAGER	V = 600
D = ARIES	J = CARAVELLE	V24 = DAYTONA
D44 = LANCER	K = MINI VAN/CARAVAN/ROYAL	Z = OMNI/CHARGER

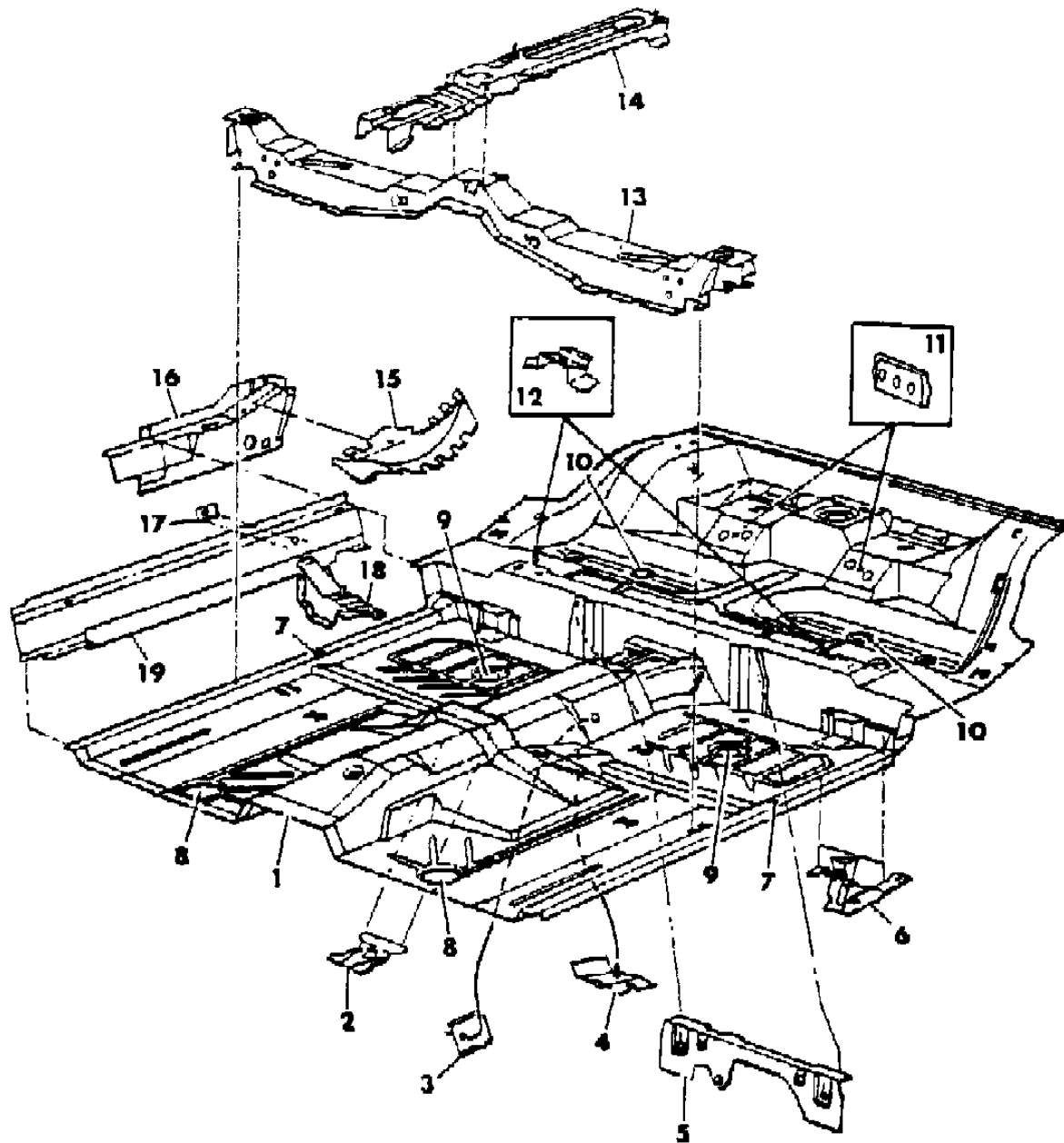
BODY STYLES

21 = 2-DOOR SEDAN	35 = FWD VAN	44 = 4-DOOR HATCHBACK
22 = 2-DOOR SPECIAL COUPE	36 = FWD WAGON	45 = 4-DOOR STATION WAGON
24 = 2-DOOR HATCHBACK	41 = 4-DOOR SEDAN	49 = LIMOUSINE
27 = 2-DOOR CONVERTIBLE		

AR = Use as Required - = Non Illustrated Part P.A.R. = Paint as Required

FLOOR PAN FRONT C,V 24
Figure 23A-6300

5169 6300



ITEM	PART NUMBER	QTY	BODY	MODEL	DESCRIPTION
1	4337 909	1		24	PAN, Front Floor
2	4278 600	1		24	BRACKET, Front Floor Pan Park Brake Cable Guide
3	4314 259	2		24	REINFORCEMENT, Front Floor Pan Front Seat Belt Inner Mounting
4	4278 498-9	1		24	REINFORCEMENT, Front Floor Pan Front Seat Rear Inner
5		1		24	PLATE and NUT, Front Floor Pan Fuel Tank Strap & Exhaust Hanger (Not Serviced)
6	4314 318-9	1		24	BRACKET, Front Floor Pan Lift Hoisting
7	2574 792	2		24	PLUG, .75" Dia./19.5 mm
8	5200 456	2		24	PLUG, 2.75" Dia./70 mm
9	2424 864	2		24	PLUG, 1.75" Dia./44.5 mm
10	4073 475	2		24	PLUG, 1.50" Dia./38 mm
11	4314 260	2		24	REINFORCEMENT, Front Floor Pan Rear Seat & Seat Belt Inner Mounting
12	5200 388	2		24	RETAINER, Front Floor Pan Rear Seat Cushion
13	4325 531	1		24	CROSSMEMBER, w/Reinforcement Front Floor Pan Front Seat Track Mounting
14	4278 926	1		24	BRACKET and SCREW, Console Gear Selector to Floor Pan Mounting
15	4314 866-7	1		24	REINFORCEMENT, Front Floor Pan Rear Seat Belt Outer
16	4337 484-5	1		24	EXTENSION, Side Sill Inner Rear
17	4314 326	2		24	REINFORCEMENT, Front Seat Belt Outer
18	4206 928-9	1		24	REINFORCEMENT, Front Floor Pan Front Seat Rear Outer
19	4337 914-5	1		24	PANEL, Body Side Sill Inner

MODEL CODES

B = GRAN FURY	E = 600	M = HORIZON/TURISMO
C = LE BARON/TOWN & COUNTRY/LIMO	F = FIFTH AVENUE/NEWPORT	P = RELIANT
C24 = LASER	G = DIPLOMAT	T = NEW YORKER
C44 = LE BARON/GTS	H = VOYAGER	V = 600
D = ARIES	J = CARAVELLE	V24 = DAYTONA
D44 = LANCER	K = MINI VAN/CARAVAN/ROYAL	Z = OMNI/CHARGER

BODY STYLES

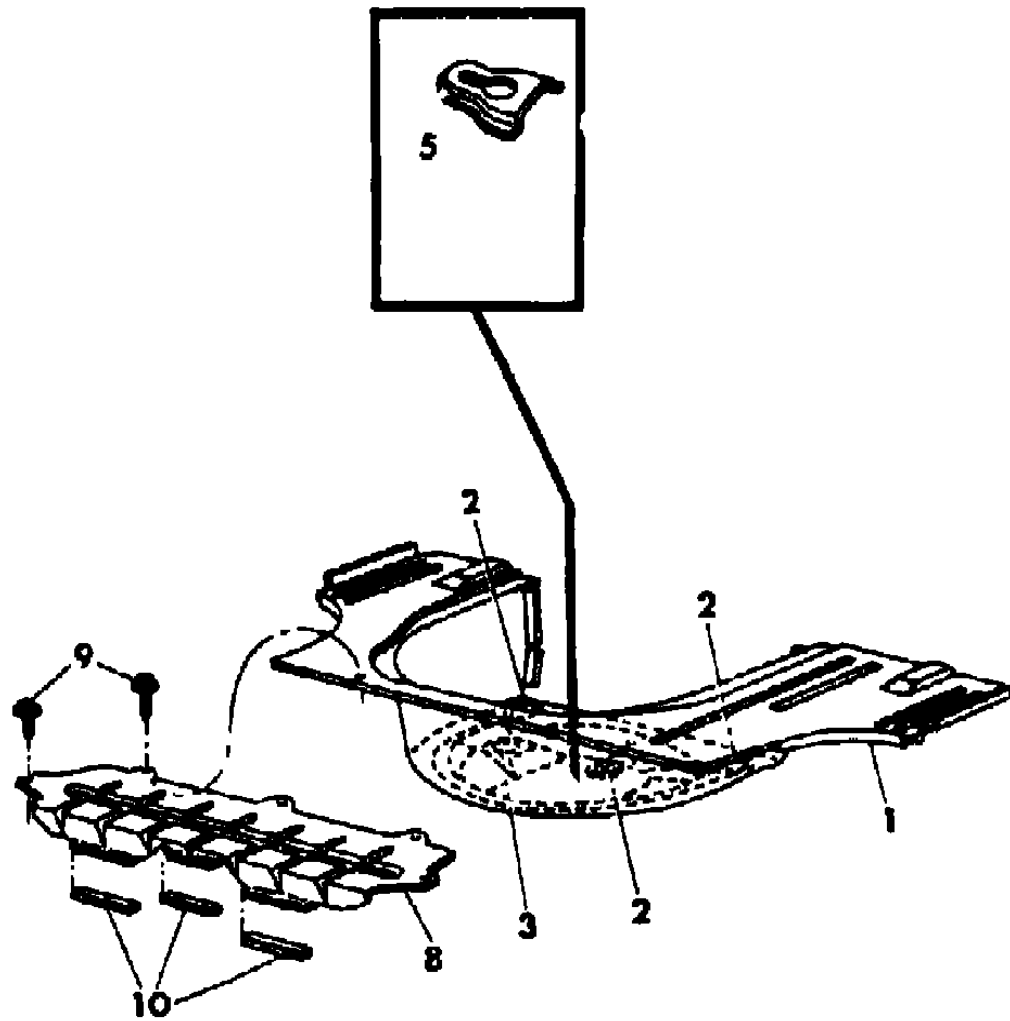
21 = 2-DOOR SEDAN	35 = FWD VAN	44 = 4-DOOR HATCHBACK
22 = 2-DOOR SPECIAL COUPE	36 = FWD WAGON	45 = 4-DOOR STATION WAGON
24 = 2-DOOR HATCHBACK	41 = 4-DOOR SEDAN	49 = LIMOUSINE
27 = 2-DOOR CONVERTIBLE		

AR = Use as Required - = Non Illustrated Part P.A.R. = Paint as Required

FLOOR PAN REAR V,C 24
Figure 23A-6400

5169 6400

ITEM	PART NUMBER	QTY	BODY	MODEL	DESCRIPTION
1	4337 737	1		24	PAN, Rear Floor
2	2424 864	3		24	PLUG, 1.75" Dia./44.5 mm
3	6030 773	1		24	PLUG, 2.25" Dia./57 mm
5	4206 922	1		24	BRACKET, Rear Floor Pan Spare Tire Anchor Bolt
8	4314 058	1		24	PANEL, Rear Seat to Floor Pan Filler
9		5		24	SCREW, #8-18 x .50" (Not Serviced)
10		3		24	TAPE, Floor Pan Filler Anti-Squeak (Not Serviced)



MODEL CODES

B = GRAN FURY	E = 600	M = HORIZON/TURISMO
C = LE BARON/TOWN & COUNTRY/LIMO	F = FIFTH AVENUE/NEWPORT	P = RELIANT
C24 = LASER	G = DIPLOMAT	T = NEW YORKER
C44 = LE BARON/GTS	H = VOYAGER	V = 600
D = ARIES	J = CARAVELLE	V24 = DAYTONA
D44 = LANCER	K = MINI VAN/CARAVAN/ROYAL	Z = OMNI/CHARGER

BODY STYLES

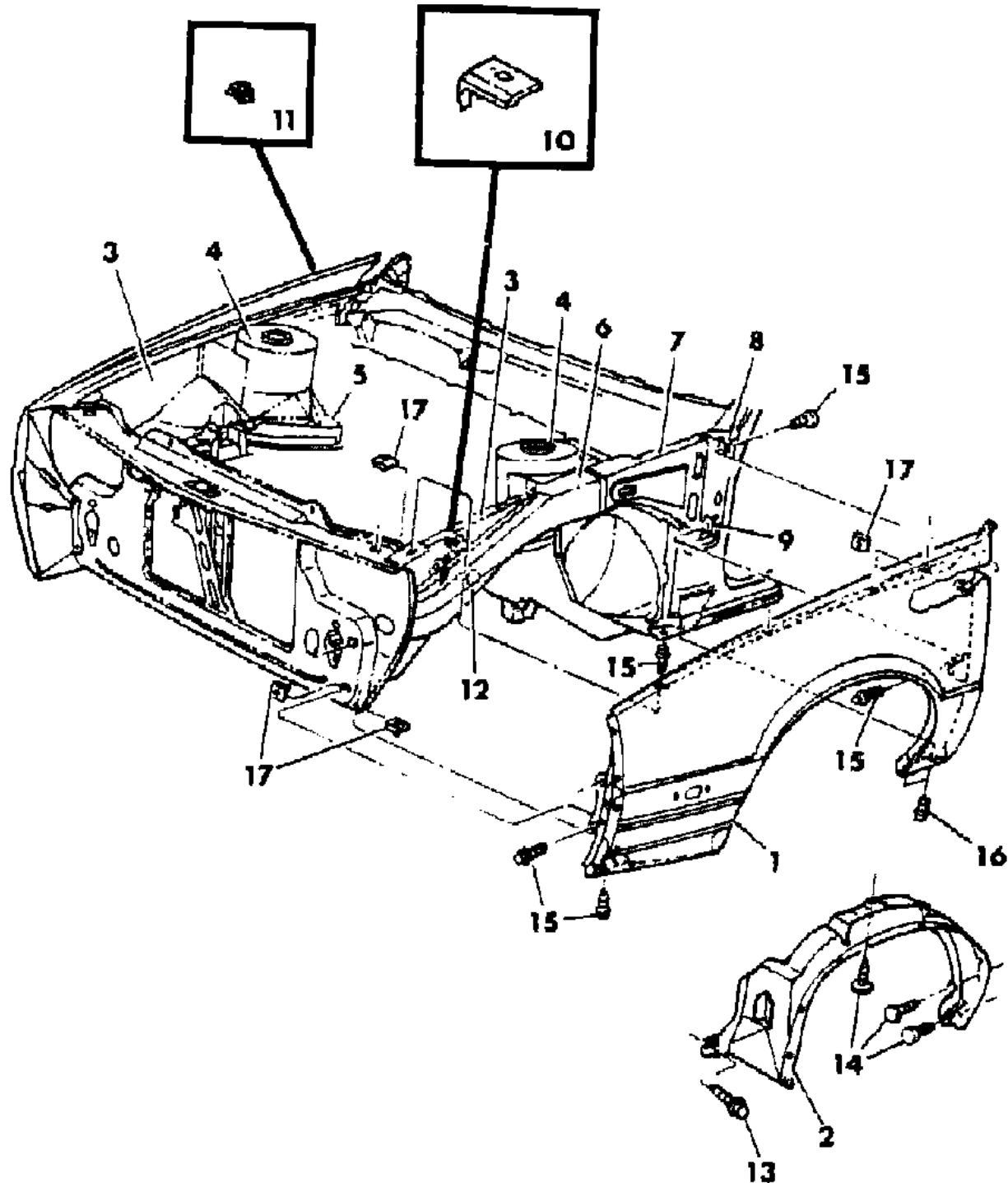
21 = 2-DOOR SEDAN	35 = FWD VAN	44 = 4-DOOR HATCHBACK
22 = 2-DOOR SPECIAL COUPE	36 = FWD WAGON	45 = 4-DOOR STATION WAGON
24 = 2-DOOR HATCHBACK	41 = 4-DOOR SEDAN	49 = LIMOUSINE
27 = 2-DOOR CONVERTIBLE		

AR = Use as Required - = Non Illustrated Part P.A.R. = Paint as Required

FENDER V,C 24
Figure 23A-6500

5169 6500

ITEM	PART NUMBER	QTY	BODY	MODEL	DESCRIPTION
1	4293 230-1	1		24	PANEL, Fender
2	4103 962-3	1		24	SHIELD, Fender Wheelhouse Splash
3	4341 528-9	1		24	PANEL and NUT, Front Fender Shield
4	4296 796-7	1		24	TOWER, Front Suspension Iso-Strut Mounting
5	4296 808-9	1		24	EXTENSION, Iso-Strut Tower to Dash Panel
6	4296 326-7	1		24	BEAM, Front Fender Upper Load Path Front
7	4297 956	1		24	EXTENSION, w/Reinforcement Body Front Hinge Pillar to Strut Tower, Right
	4314 183	1		24	EXTENSION, Body Front Hinge Pillar to Strut Tower, Left
8				24	TAB, Front Fender Upper Rear Mounting (Serviced in Panel, Body Side Aperture Front - See "Body, Front Pillar" Illustration)
9	4206 553	2		24	SUPPORT, Body Front Hinge Pillar to Fender
10		1		24	REINFORCEMENT, Front Fender Shield Battery Tray (Serviced in Item #3)
11	4222 731	1		24	PLUG, Fender Antenna Hole
12	4341 376	1		24	PLUG, 1.50" Dia./38 mm
13		2		24	SCREW, 1/4-14 x .875" (Not Serviced)
14	6030 441	25		24	RETAINER, Fender Splash Shield Mounting
15	6100 568	18		24	SCREW and WASHER
16		4		24	SCREW, w/Washer 1/4-14 x .875" (Not Serviced)
17	6100 041	18		24	U-NUT



MODEL CODES

B = GRAN FURY	E = 600	M = HORIZON/TURISMO
C = LE BARON/TOWN & COUNTRY/LIMO	F = FIFTH AVENUE/NEWPORT	P = RELIANT
C24 = LASER	G = DIPLOMAT	T = NEW YORKER
C44 = LE BARON/GTS	H = VOYAGER	V = 600
D = ARIES	J = CARAVELLE	V24 = DAYTONA
D44 = LANCER	K = MINI VAN/CARAVAN/ROYAL	Z = OMNI/CHARGER

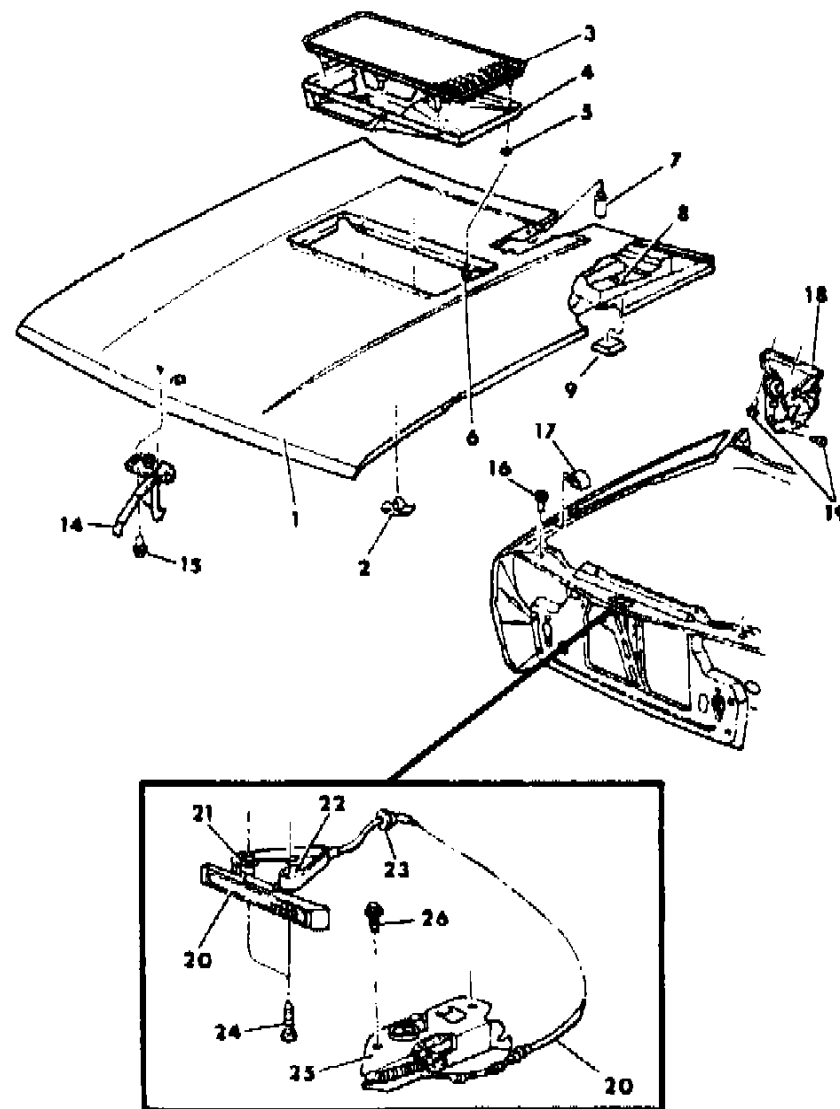
BODY STYLES

21 = 2-DOOR SEDAN	35 = FWD VAN	44 = 4-DOOR HATCHBACK
22 = 2-DOOR SPECIAL COUPE	36 = FWD WAGON	45 = 4-DOOR STATION WAGON
24 = 2-DOOR HATCHBACK	41 = 4-DOOR SEDAN	49 = LIMOUSINE
27 = 2-DOOR CONVERTIBLE		

AR = Use as Required - = Non Illustrated Part P.A.R. = Paint as Required

HOOD C,V 24
Figure 23A-6600

5163 6600



ITEM	PART NUMBER	QTY	BODY	MODEL	DESCRIPTION
1	4341 885	1		24	PANEL, Hood, w/o Turbo
	4341 886	1		24	w/Turbo
2	6003 351	15		24	FASTENER, Hood Panel Silencer
	4049 601	AR		24	SILENCER MATERIAL, Hood Panel, Cut to Fit, 36" x 72"
3	#4296 279				LOUVER, Hood Turbo
	6500 808				STUD, Hood Turbo
4					TRAY and DEFLECTOR, Hood Louver
	4296 596	1		24	Up To 3-1-85
	4341 589	1		24	After 3-1-85
5	6100 839	6		24	PUSHNUT
6		6		24	NUT and WASHER, Not Serviced
7		1		24	SPACER, Hood Rear to Cowl Top (4296096 Not Serviced)
8	2895 126	2		24	PLUG, Hood Inner Panel Sealing
9	4341 611	2		24	SEAL, Hood to Fender Ledge
14	4270 084	1		24	STRIKER, Hood Latch
15					SCREW and WASHER
	6100 557	4		24	Up To 2-1-85
	6501 373	4		24	After 2-1-85
16	4103 165	2		24	BUMPER, Crossmember to Hood Adjustable
17	4296 227	2		24	BUMPER, Fender Hood Side
18	4296 976-7	1		24	HINGE, Hood
19		8		24	SCREW, w/Washer M6 x 1.00" (Not Serviced)
20	4296 013	1		24	RELEASE, Inside Hood (Includes Items #21-23)
21	6024 203	1		24	NUT, Inside Hood Release Handle to Bracket
22	6031 147	1		24	NUT, Inside Hood Release Cable to Handle
23	5207 294	1		24	GROMMET, Dash Panel Hood Release Cable
24		2		24	SCREW, #10-16 x 1.50" (Not Serviced)
25	4296 593	1		24	LATCH, Hood
	4296 761	1		24	PLATE, w/Locator Hood Latch & Safety Catch
26	6101 289	AR		24	NUT, Hood Latch Body Half Screw Repair
					SCREW and WASHER
	6100 557	4		24	Up To 2-1-85
	6501 373	4		24	After 2-1-85

MODEL CODES

B = GRAN FURY	E = 600	M = HORIZON/TURISMO
C = LE BARON/TOWN & COUNTRY/LIMO	F = FIFTH AVENUE/NEWPORT	P = RELIANT
C24 = LASER	G = DIPLOMAT	T = NEW YORKER
C44 = LE BARON/GTS	H = VOYAGER	V = 600
D = ARIES	J = CARAVELLE	V24 = DAYTONA
D44 = LANCER	K = MINI VAN/CARAVAN/ROYAL	Z = OMNI/CHARGER

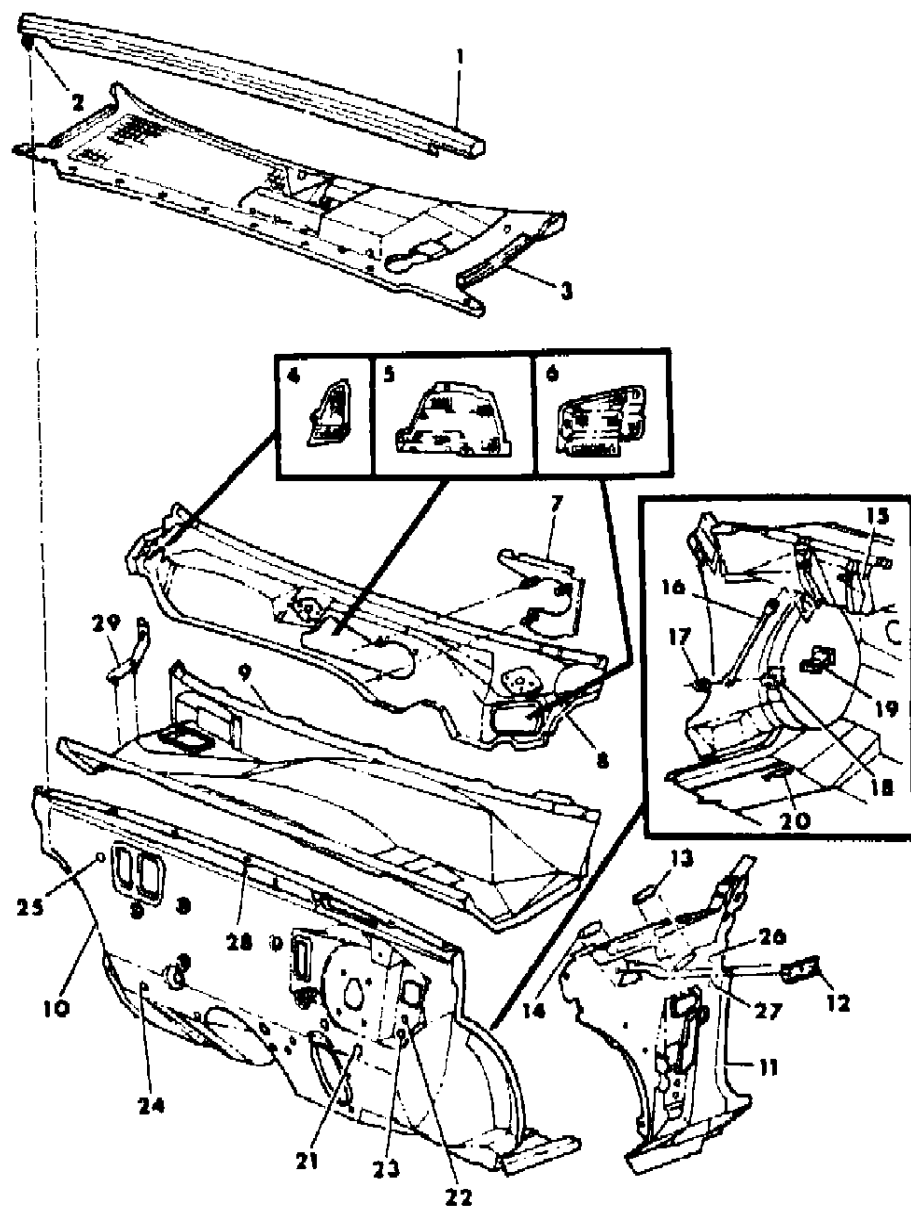
BODY STYLES

21 = 2-DOOR SEDAN	35 = FWD VAN	44 = 4-DOOR HATCHBACK
22 = 2-DOOR SPECIAL COUPE	36 = FWD WAGON	45 = 4-DOOR STATION WAGON
24 = 2-DOOR HATCHBACK	41 = 4-DOOR SEDAN	49 = LIMOUSINE
27 = 2-DOOR CONVERTIBLE		

AR = Use as Required - = Non Illustrated Part P.A.R. = Paint as Required

COWL AND DASH PANEL C,V 24
Figure 23A-6700

5169 6700



ITEM	PART NUMBER	QTY	BODY	MODEL	DESCRIPTION
1					SEAL, Dash Panel to Hood (Includes Item #2)
	4314 070	1		24	Up To 4-1-85
	4341 925	1		24	After 4-1-85
2	3759 944	11		24	RETAINER, Dash Panel to Hood Seal
3	4337 132	1		24	SCREEN, Cowl Plenum Water Deflector
4	4314 476	1		24	SCREEN, Cowl Plenum, Right
5	4314 475	1		24	SCREEN, Cowl Plenum, Center
6	4314 477	1		24	SCREEN, Cowl Plenum, Left
7					REINFORCEMENT, Cowl Top Wiper Motor
	4337 358	1		24	Up To 12-6-84
	4371 696	1		24	After 12-6-84
8	4337 359	1		24	PANEL, Cowl Top
9	4337 346	1		24	PANEL, Cowl Plenum
10					PANEL, Dash
	4337 386	1		24	w/o A.C.
	4337 387	1		24	w/A.C.
11	4371 096-7	1		24	PANEL, Cowl Side
12	4103 122	2		24	REINFORCEMENT, Cowl Side Hood Hinge
13	4198 305	2		24	SEAL, Cowl Side to Cowl Plenum
14		2		24	SEAL, Cowl Plenum Lower Drain Hole (Not Serviced)
15	4278 589	1		24	SUPPORT, Cowl Plenum Steering Column Bracket
16	4314 879	1		24	BRACE, Dash to Plenum Panel, Left
17	6500 532	2		24	NUT and WASHER
18	4206 641	1		24	BRACKET, Dash to Plenum Panel Brace Mounting
19	4248 703	1		24	BRACKET, Dash Panel Footrest Mounting Upper
20	5200 384	1		24	SEAL, Dash Panel Park Brake Cable
		3		24	SCREW, Seal Mounting, #10-16 x .375" (Not Serviced)
21	3445 939	1		24	PLUG, .906" Dia./23 mm
22	3445 939	1		24	PLUG, .906" Dia./23 mm
23	2860 332	1		24	PLUG, .500" Dia./13 mm
24	5200 456	1		24	PLUG, 2.75" Dia./70 mm
25	2483 571	1		24	PLUG, 2.50" Dia./63 mm
26		2		24	PLUG, 1.62" Dia./41 mm (Not Serviced)
27	2860 332	1		24	PLUG, Right Side Only, .500" Dia./13 mm
28	4206 515	1		24	PLUG, Dash Panel Wiper Support Mounting Hole
29	4337 341	1		24	SEAL, Plenum to Cowl Side, Left
	4337 342	1		24	SEAL, Plenum to Cowl Side, Right

MODEL CODES

B = GRAN FURY	E = 600	M = HORIZON/TURISMO
C = LE BARON/TOWN & COUNTRY/LIMO	F = FIFTH AVENUE/NEWPORT	P = RELIANT
C24 = LASER	G = DIPLOMAT	T = NEW YORKER
C44 = LE BARON/GTS	H = VOYAGER	V = 600
D = ARIES	J = CARAVELLE	V24 = DAYTONA
D44 = LANCER	K = MINI VAN/CARAVAN/ROYAL	Z = OMNI/CHARGER

BODY STYLES

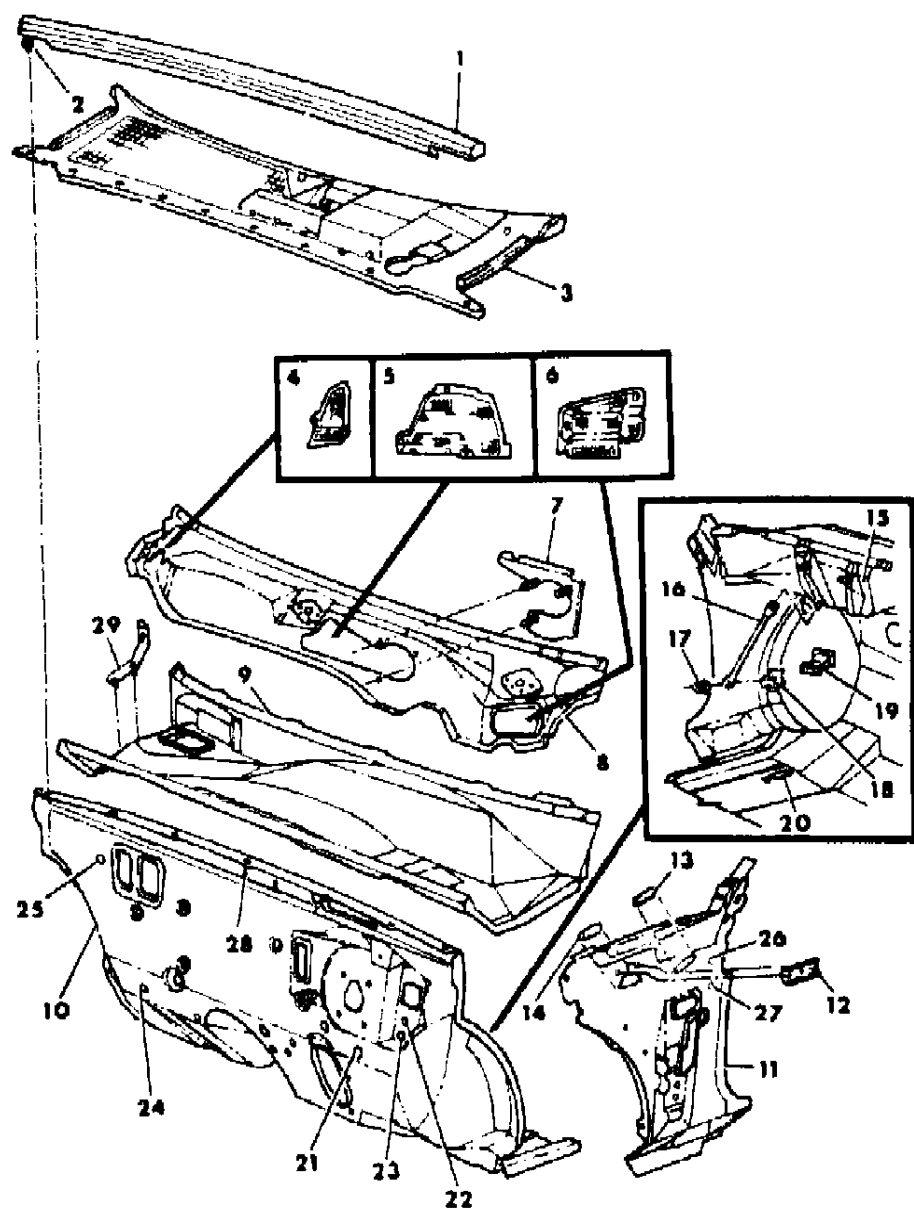
21 = 2-DOOR SEDAN	35 = FWD VAN	44 = 4-DOOR HATCHBACK
22 = 2-DOOR SPECIAL COUPE	36 = FWD WAGON	45 = 4-DOOR STATION WAGON
24 = 2-DOOR HATCHBACK	41 = 4-DOOR SEDAN	49 = LIMOUSINE
27 = 2-DOOR CONVERTIBLE		

AR = Use as Required - = Non Illustrated Part P.A.R. = Paint as Required

COWL AND DASH PANEL C,V 24
Figure 23A-6700

ITEM	PART NUMBER	QTY	BODY	MODEL	DESCRIPTION
	3759 944	6		24	RETAINER, Cowl Plenum to Cowl Side Seal

5169 6700



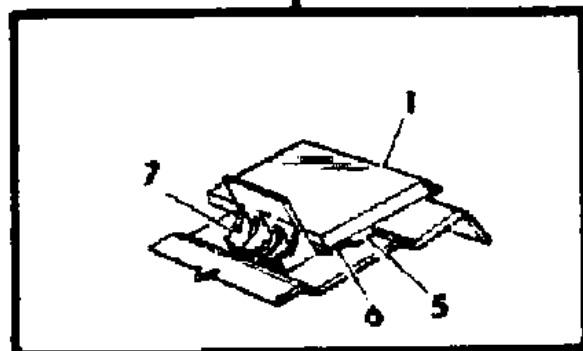
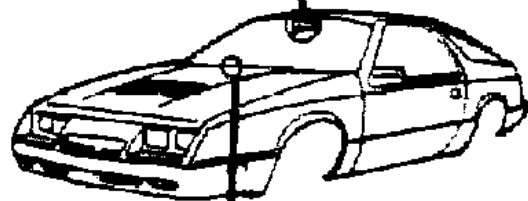
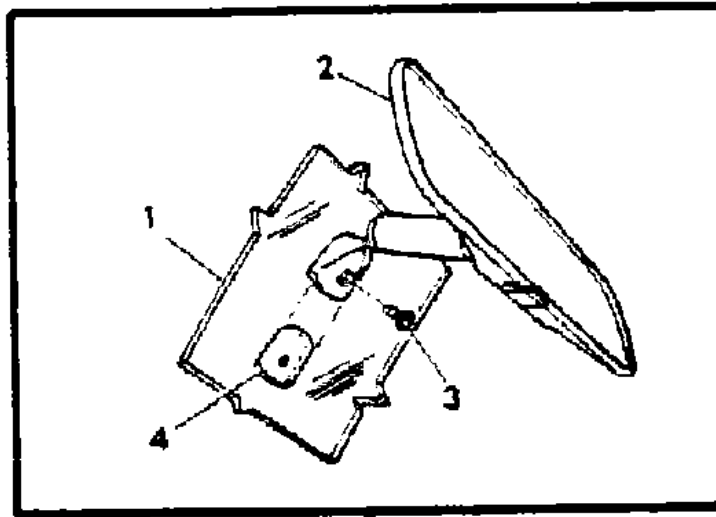
MODEL CODES
 B = GRAN FURY
 C = LE BARON/TOWN & COUNTRY/LIMO
 C24 = LASER
 C44 = LE BARON/GTS
 D = ARIES
 D44 = LANCER
 E = 600
 F = FIFTH AVENUE/NEWPORT
 G = DIPLOMAT
 H = VOYAGER
 J = CARAVELLE
 K = MINI VAN/CARAVAN/ROYAL
 M = HORIZON/TURISMO
 P = RELIANT
 T = NEW YORKER
 V = 600
 V24 = DAYTONA
 Z = OMNI/CHARGER

BODY STYLES
 21 = 2-DOOR SEDAN
 22 = 2-DOOR SPECIAL COUPE
 24 = 2-DOOR HATCHBACK
 27 = 2-DOOR CONVERTIBLE
 35 = FWD VAN
 36 = FWD WAGON
 41 = 4-DOOR SEDAN
 44 = 4-DOOR HATCHBACK
 45 = 4-DOOR STATION WAGON
 49 = LIMOUSINE

AR = Use as Required - = Non Illustrated Part P.A.R. = Paint as Required

GLASS WINDSHIELD C,V 24
Figure 23A-6800

5169 6800



ITEM	PART NUMBER	QTY	BODY	MODEL	DESCRIPTION
------	-------------	-----	------	-------	-------------

NOTE: GLASS, WINDSHIELD - ORDER FROM YOUR LOCAL "MOPAR" GLASS DISTRIBUTOR (22 Model). Sheet metal parts for the C 49 not found on this illustration should be specified from the C 22 Models, as found elsewhere in this group.

1	4206 881	1	24		GLASS, Windshield, Clear
	4206 882	1	24		Tinted
2					MIRROR, Inside Rear View
	5207 117	1	24		Up To 10/1/84
	4299 321	1	24		After 10/1/84
3	6031 094	1	24		SCREW, Inside Rear View Mirror Mounting
4	4054 066	1	24		BUTTON, Rear View Mirror Mounting
	4293 039	1	24		ADHESIVE PACKAGE, Rear View Mirror Button Mounting (Includes Adhesive & Instructions)
5		AR	24		POLYURETHANE, Windshield (Serviced in Package #4267906)
6		10	24		SPACER, Windshield Glass Support (Not Serviced)
7	4206 543	2	24		SPACER, Windshield Glass Lower
	4278 076	AR	24		SHIM, Windshield Lower Spacer (.156")
	4278 077	AR	24		(.250")

NOTE: The following items are not shown on illustration. (22 Model). Sheet metal parts for the C 49 not found on this illustration should be specified from the C 22 Models, as found elsewhere in this group.

	4267 906	1	24		FIXED GLASS REPAIR PACKAGE, Polyurethane CONSISTS OF:
					1- ----- Polyurethane, 11.5 oz.
					1- ----- Fence Primer, 1 oz.
					1- ----- Glass Wipe-Off Primer, 1 oz.
					1- ----- Glass Black-Out Primer, 1 oz.
					3- ----- Dabbers
					1- ----- Nozzle

MODEL CODES

B = GRAN FURY	E = 600	M = HORIZON/TURISMO
C = LE BARON/TOWN & COUNTRY/LIMO	F = FIFTH AVENUE/NEWPORT	P = RELIANT
C24 = LASER	G = DIPLOMAT	T = NEW YORKER
C44 = LE BARON/GTS	H = VOYAGER	V = 600
D = ARIES	J = CARAVELLE	V24 = DAYTONA
D44 = LANCER	K = MINI VAN/CARAVAN/ROYAL	Z = OMNI/CHARGER

BODY STYLES

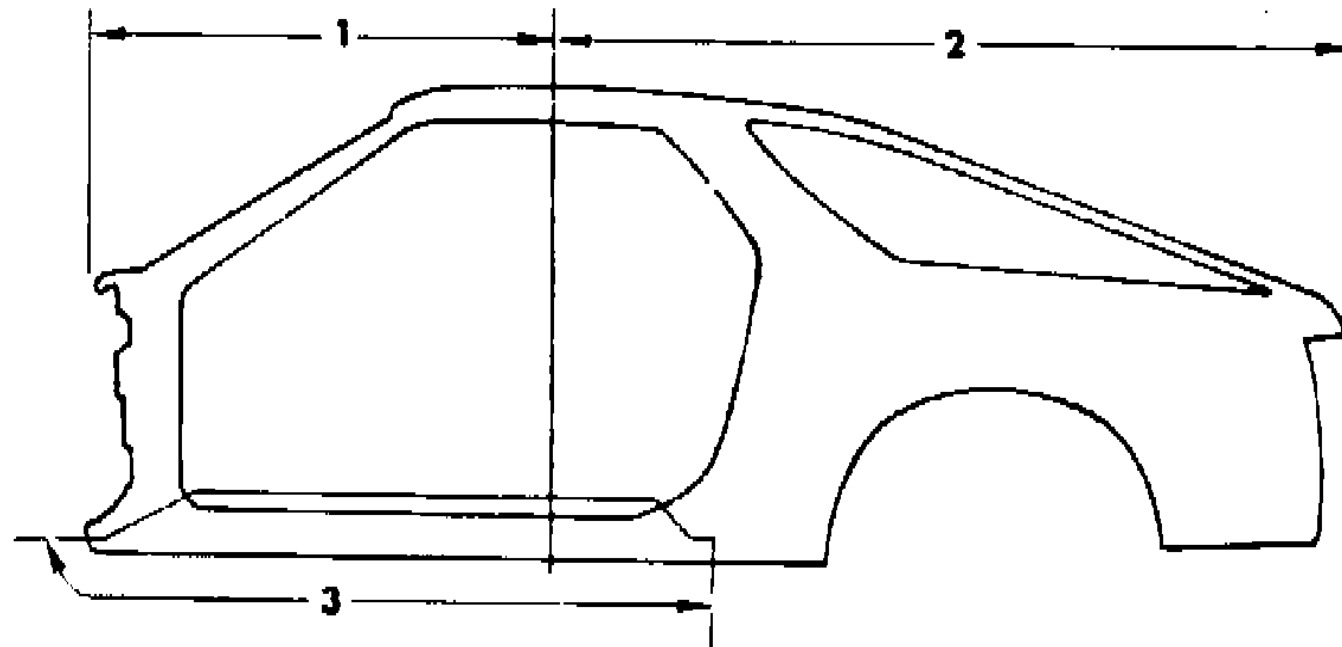
21 = 2-DOOR SEDAN	35 = FWD VAN	44 = 4-DOOR HATCHBACK
22 = 2-DOOR SPECIAL COUPE	36 = FWD WAGON	45 = 4-DOOR STATION WAGON
24 = 2-DOOR HATCHBACK	41 = 4-DOOR SEDAN	49 = LIMOUSINE
27 = 2-DOOR CONVERTIBLE		

AR = Use as Required - = Non Illustrated Part P.A.R. = Paint as Required

APERATURE PANEL C,V 24
Figure 23A-6900

5169 6900

ITEM	PART NUMBER	QTY	BODY	MODEL	DESCRIPTION
1	4278 914-5	1		24	PANEL, Body Side Aperture, Front
2	4337 506-7	1		24	PANEL, Body Side Aperture, Rear
3	4337 532-3	1		24	PANEL, Body Side Aperture, Sill Outer



MODEL CODES

B = GRAN FURY	E = 600	M = HORIZON/TURISMO
C = LE BARON/TOWN & COUNTRY/LIMO	F = FIFTH AVENUE/NEWPORT	P = RELIANT
C24 = LASER	G = DIPLOMAT	T = NEW YORKER
C44 = LE BARON/GTS	H = VOYAGER	V = 600
D = ARIES	J = CARAVELLE	V24 = DAYTONA
D44 = LANCER	K = MINI VAN/CARAVAN/ROYAL	Z = OMNI/CHARGER

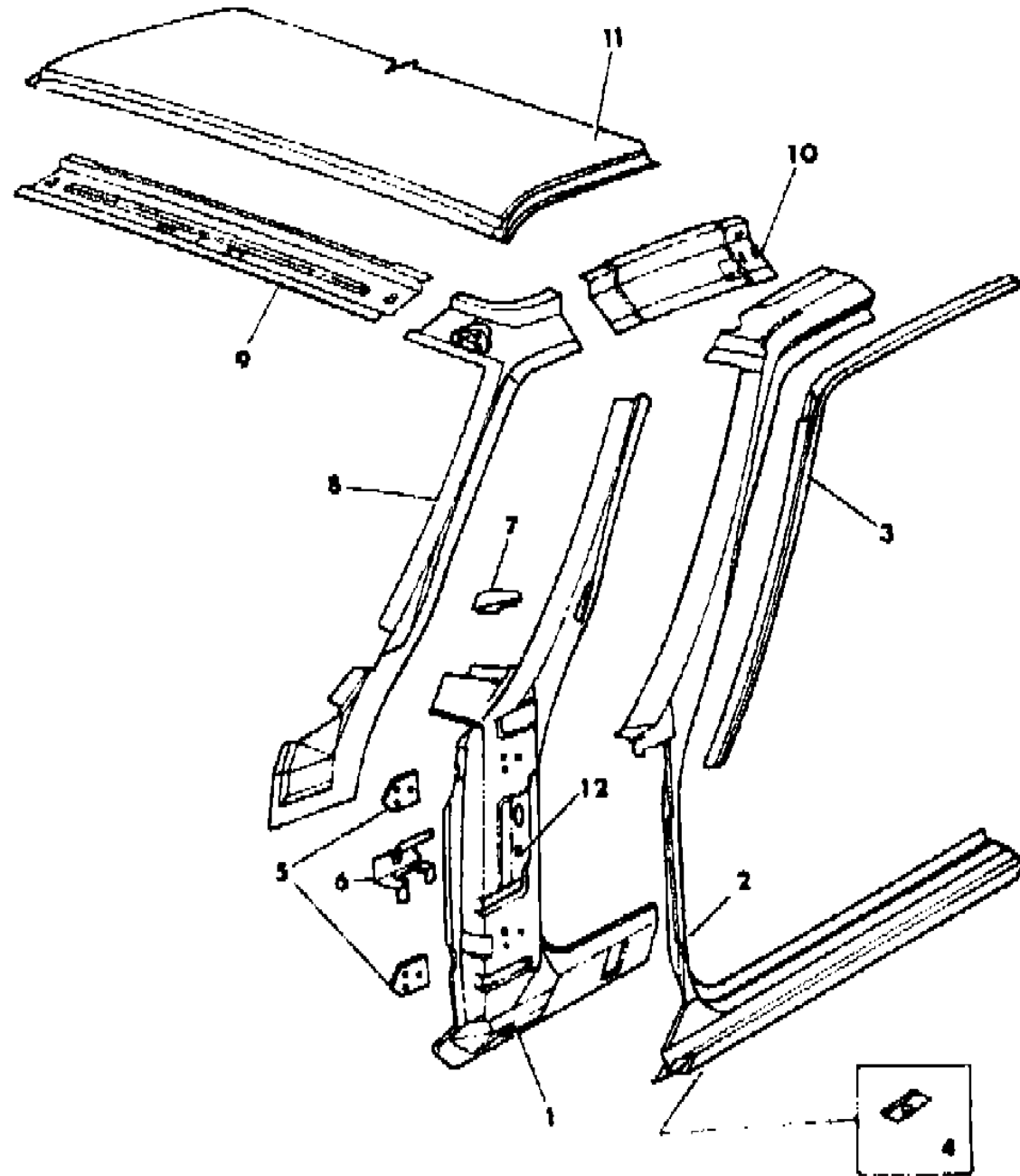
BODY STYLES

21 = 2-DOOR SEDAN	35 = FWD VAN	44 = 4-DOOR HATCHBACK
22 = 2-DOOR SPECIAL COUPE	36 = FWD WAGON	45 = 4-DOOR STATION WAGON
24 = 2-DOOR HATCHBACK	41 = 4-DOOR SEDAN	49 = LIMOUSINE
27 = 2-DOOR CONVERTIBLE		

AR = Use as Required - = Non Illustrated Part P.A.R. = Paint as Required

BODY FRONT PILLAR C,V 24
Figure 23A-7000

5163 7000



ITEM	PART NUMBER	QTY	BODY	MODEL	DESCRIPTION
1	4206 868-9	1		24	PILLAR, Body Front Hinge
2	4278 914-5	1		24	PANEL, Body Side Aperture, Front
3	4206 824-5	1		24	RETAINER, Body Side Aperture Secondary Seal
4	4314 277	2		24	PLATE, Body Side Aperture Jack Locator
5	4314 086	4		24	PLATE, Body Front Hinge Pillar Door Hinge Tapping
6	4206 876	1		24	REINFORCEMENT, Hinge Pillar to Windshield Frame, Right
	4278 599	1		24	REINFORCEMENT, Hinge Pillar to Windshield Frame Left
7		1		24	SEAL, Body Front Hinge Pillar to Windshield Opening Side Inner Frame (Not Serviced)
8	4371 068-9	1		24	FRAME, Windshield Opening Side Inner
9				24	FRAME, Windshield Opening Upper
	4371 067	1		24	Up To 9/5/84
	4371 364	1		24	After 9/5/84
10	4341 758-9	1		24	RAIL, Roof Side Inner
11	4206 821	1		24	PANEL, Roof Outer, w/o Sunroof
	4341 728	1		24	PANEL and TROUGH, Outer, w/Sunroof
12	2860 332	1		24	PLUG, Body Front Hinge Pillar Antenna Hole, Right Side Only
NOTE: The following items are not shown on illustration. 22 Model). Sheet metal parts for the C 49 not found on this illustration should be specified from the C 22 Models, as found elsewhere in this group.					
	4337 532-3	1		24	PANEL, Body Side Aperture, Sill Outer

MODEL CODES

B = GRAN FURY	E = 600	M = HORIZON/TURISMO
C = LE BARON/TOWN & COUNTRY/LIMO	F = FIFTH AVENUE/NEWPORT	P = RELIANT
C24 = LASER	G = DIPLOMAT	T = NEW YORKER
C44 = LE BARON/GTS	H = VOYAGER	V = 600
D = ARIES	J = CARAVELLE	V24 = DAYTONA
D44 = LANCER	K = MINI VAN/CARAVAN/ROYAL	Z = OMNI/CHARGER

BODY STYLES

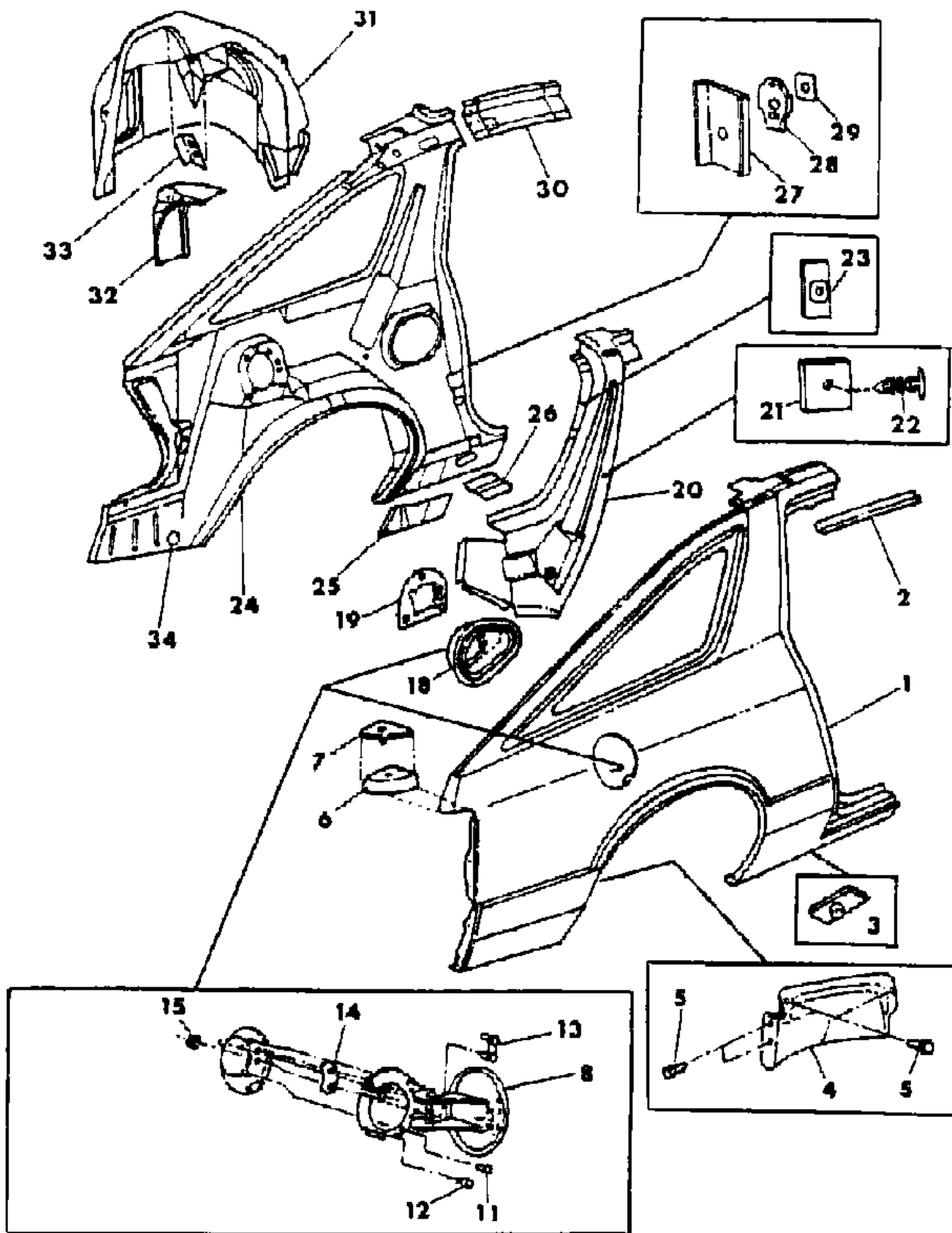
21 = 2-DOOR SEDAN	35 = FWD VAN	44 = 4-DOOR HATCHBACK
22 = 2-DOOR SPECIAL COUPE	36 = FWD WAGON	45 = 4-DOOR STATION WAGON
24 = 2-DOOR HATCHBACK	41 = 4-DOOR SEDAN	49 = LIMOUSINE
27 = 2-DOOR CONVERTIBLE		

AR = Use as Required - = Non Illustrated Part P.A.R. = Paint as Required

BODY REAR QUARTER C,V 24

Figure 23A-7100

5159 7100



ITEM	PART NUMBER	QTY	BODY	MODEL	DESCRIPTION
1	4337 506-7	1	24		PANEL, Body Side Aperture, Rear
2	4206 824-5	1	24		RETAINER, Body Side Aperture Secondary Seal
3	4314 277	2	24		PLATE, Body Side Aperture Jack Locator
4	4314 104-5	1	24		SHIELD, Rear Wheelhouse Inner Panel Appearance
5		8	24		SCREW, #10-16 x .50" (Not Serviced)
6	4206 974-5	1	24		EXTENSION, Liftgate Opening Lower Panel, Upper
7	4314 121	2	24		SEAL, Liftgate Opening Lower Panel Upper Extension
8	4337 214	1	24		DOOR, w/Hinge Body Side Aperture Fuel Filler
	4364 448	1	24		DOOR and SUPPORT, Body Side Aperture Fuel Filler Door
11	6032 280	3	24		SCREW, #10-16 x 1.00" (Not Serviced)
		1	24		SCREW, Shoulder, Gas Cap Tether Mounting
12	#4015 682	2	24		BUMPER
13	4337 147	1	24		PLATE, w/Screw Fuel Filler Door Mounting
14	4314 601	AR	24		SHIM
15	6032 641	2	24		NUT
18	4337 219	1	24		REINFORCEMENT, Body Side Aperture Fuel Filler Door Opening
19	4337 398	1	24		GASKET, w/Retainer Quarter Inner to Fuel Filler Door Opening
					Reinforcement, Adhesive
20	4296 900-1	1	24		SUPPORT, Quarter Inner & Wheelhouse Outer to Aperture
21		2	24		SPACER, Quarter Inner Panel Support to Aperture (Not Serviced)
22	5208 743	2	24		RETAINER
23	4314 326	2	24		REINFORCEMENT, Quarter Inner Panel Upper Shoulder Harness
24	4341 366-7	1	24		PANEL, Quarter Inner & Wheelhouse Outer
25	4278 596-7	1	24		REINFORCEMENT, Quarter Inner Panel Sill Jacking
26	4278 573	2	24		REINFORCEMENT, Aperture to Quarter Inner & Wheelhouse
					Outer Panel
27	4325 188	2	24		REINFORCEMENT, w/Retainer Aperture Door Lock Striker
					Includes Item 28
28	4134 972	2	24		RETAINER, Aperture Door Lock Striker T/Plate
29	4314 743	2	24		T-PLATE, Aperture Door Lock Striker
30	4341 758-9	1	24		RAIL, Roof Side Inner
31	4206 832-3	1	24		PANEL, Rear Wheelhouse Inner
32	4134 686-7	1	24		REINFORCEMENT, Rear Wheelhouse Inner Panel Shock
					Absorber Mounting
33	4278 630	2	24		REINFORCEMENT, Wheelhouse Rear Seat Back Latch
34	4073 485	2	24		PLUG, 1.50" Dia./38 mm

MODEL CODES

B = GRAN FURY
C = LE BARON/TOWN & COUNTRY/LIMO
C24 = LASER
C44 = LE BARON/GTS
D = ARIES
D44 = LANCER

E = 600
F = FIFTH AVENUE/NEWPORT
G = DIPLOMAT
H = VOYAGER
J = CARAVELLE
K = MINI VAN/CARAVAN/ROYAL

M = HORIZON/TURISMO
P = RELIANT
T = NEW YORKER
V = 600
V24 = DAYTONA
Z = OMNI/CHARGER

BODY STYLES

21 = 2-DOOR SEDAN
22 = 2-DOOR SPECIAL COUPE
24 = 2-DOOR HATCHBACK
27 = 2-DOOR CONVERTIBLE

35 = FWD VAN
36 = FWD WAGON
41 = 4-DOOR SEDAN

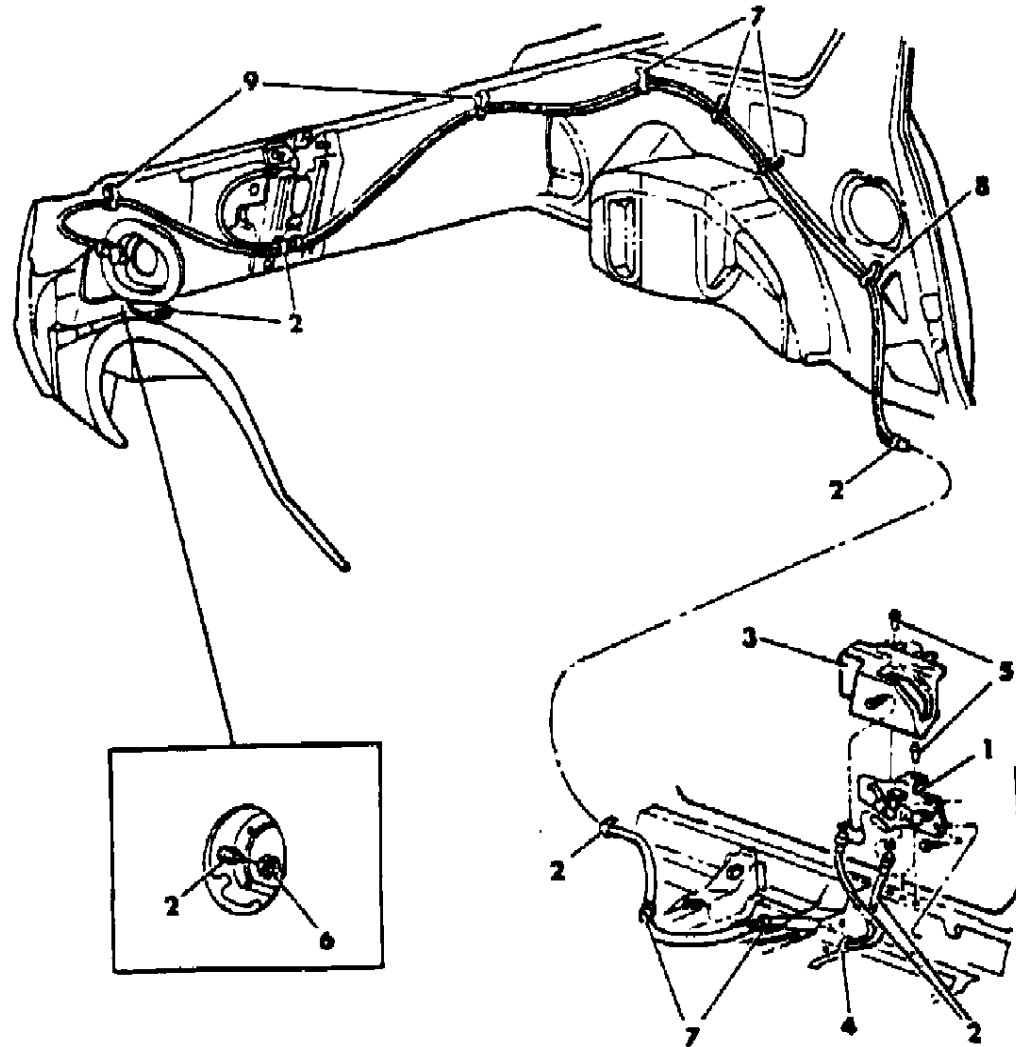
44 = 4-DOOR HATCHBACK
45 = 4-DOOR STATION WAGON
49 = LIMOUSINE

AR = Use as Required - = Non Illustrated Part P.A.R. = Paint as Required

FUEL FILLER AND LIFTGATE REMOTE RELEASE C,V 24
Figure 23A-7200

ITEM	PART NUMBER	QTY	BODY	MODEL	DESCRIPTION
1					HANDLE, Body Side Aperture Fuel Filler & Liftgate Remote Release
	4337 195	1		24	Up to 12-3-84
	4371 488	1		24	After 12-3-84
2	4337 385	1		24	CABLE, Body Side Aperture Fuel Filler & Liftgate Remote Release (Includes Auxilliary Cable)
3	S990 DM6	1		24	COVER, Remote Release Handle, Red
	S990 DS8	1		24	Charcoal
	S990 DT5	1		24	Tan
	S990 DX9	1		24	Black
4	4371 202	1		24	CONDUIT, Body Side Aperture Fuel Filler & Liftgate Remote Release Cable
5	6032 456	4		24	SCREW, Remote Release Cover & Handle to Sill
6		AR		24	NUT, Fuel Door Remote Release (6500993 Not Serviced)
7		AR		24	CLIP, 6015237 Not Serviced
8		AR		24	CLIP, Wiring (Not Serviced)
9		AR		24	CLIP, Wiring (Not Serviced)
	4337 194	1		24	LATCH, Body Side Aperture Fuel Filler Door (Not Ill.)
	S990 DX9	1		24	Black

5169 7200



MODEL CODES

B = GRAN FURY	E = 600	M = HORIZON/TURISMO
C = LE BARON/TOWN & COUNTRY/LIMO	F = FIFTH AVENUE/NEWPORT	P = RELIANT
C24 = LASER	G = DIPLOMAT	T = NEW YORKER
C44 = LE BARON/GTS	H = VOYAGER	V = 600
D = ARIES	J = CARAVELLE	V24 = DAYTONA
D44 = LANCER	K = MINI VAN/CARAVAN/ROYAL	Z = OMNI/CHARGER

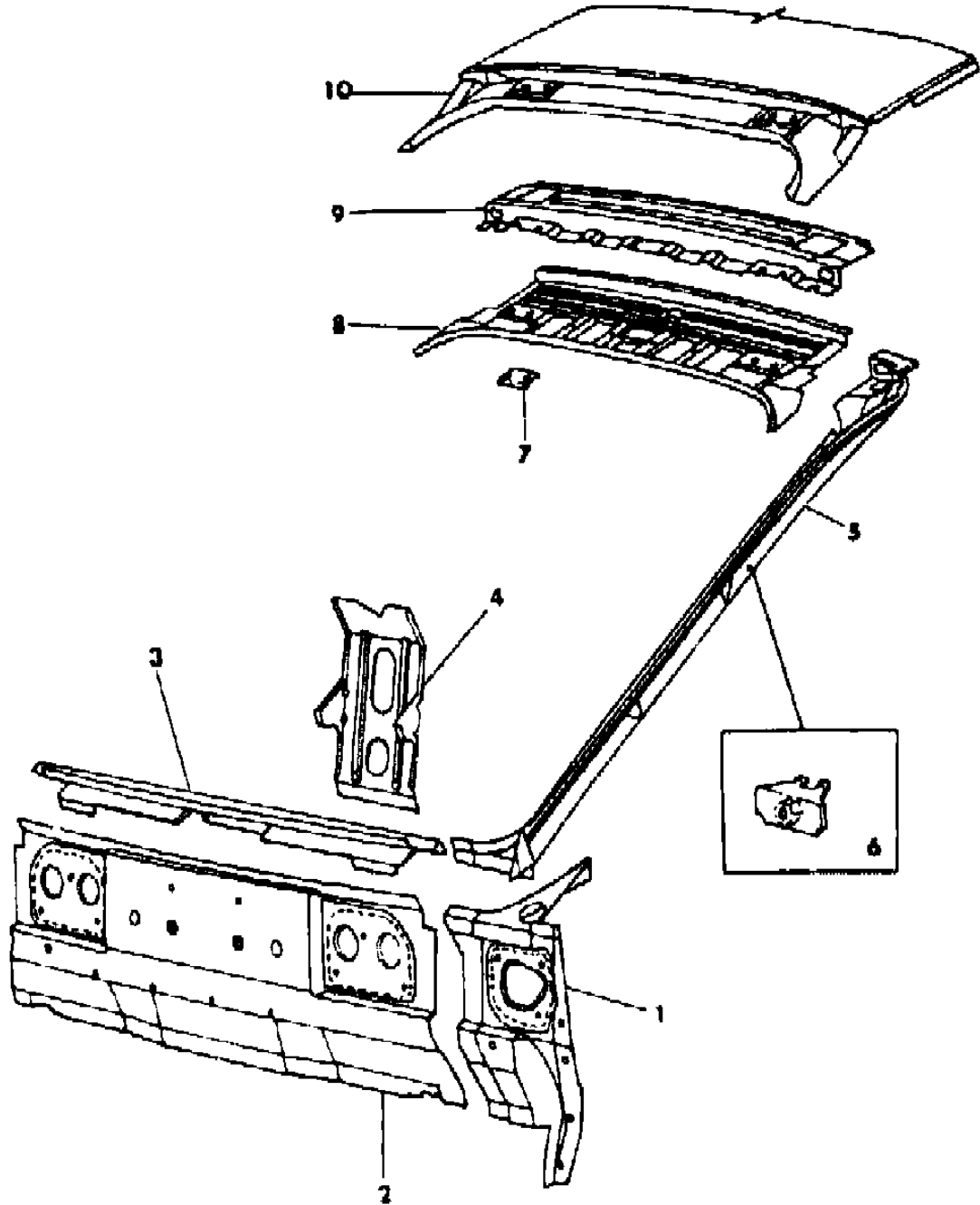
BODY STYLES

21 = 2-DOOR SEDAN	35 = FWD VAN	44 = 4-DOOR HATCHBACK
22 = 2-DOOR SPECIAL COUPE	36 = FWD WAGON	45 = 4-DOOR STATION WAGON
24 = 2-DOOR HATCHBACK	41 = 4-DOOR SEDAN	49 = LIMOUSINE
27 = 2-DOOR CONVERTIBLE		

AR = Use as Required - = Non Illustrated Part P.A.R. = Paint as Required

LIFTGATE OPENING C,V 24
Figure 23A-7300

5169 7300



ITEM	PART NUMBER	QTY	BODY	MODEL	DESCRIPTION
1	4206 918-9	1		24	EXTENSION, Liftgate Opening Lower Panel, Lower
2	4296 918	1		24	PANEL, Liftgate Opening Lower
3	9436 676	3		24	SCREW, Liftgate Opening Lower Panel
4	4341 392	1		24	REINFORCEMENT, Liftgate Opening Lower Panel
5	4341 393	1		24	SUPPORT, Liftgate Opening Lower Panel Latch Striker
6	4278 074-5	1		24	TROUGH, Liftgate Opening Side Drain
7	4336 398	2		24	REINFORCEMENT, Liftgate Opening Trough Prop Mounting
8	4206 976	2		24	REINFORCEMENT, Liftgate Opening Upper Frame Hinge Mounting
9	4206 879	1		24	FRAME, Liftgate Opening Upper
10	4206 917	1		24	REINFORCEMENT, Liftgate Opening Upper Frame
	4206 821	1		24	PANEL, Roof Outer, w/o Sunroof
	4341 728	1		24	PANEL and TROUGH, Outer, w/Sunroof

MODEL CODES

B = GRAN FURY	E = 600	M = HORIZON/TURISMO
C = LE BARON/TOWN & COUNTRY/LIMO	F = FIFTH AVENUE/NEWPORT	P = RELIANT
C24 = LASER	G = DIPLOMAT	T = NEW YORKER
C44 = LE BARON/GTS	H = VOYAGER	V = 600
D = ARIES	J = CARAVELLE	V24 = DAYTONA
D44 = LANCER	K = MINI VAN/CARAVAN/ROYAL	Z = OMNI/CHARGER

BODY STYLES

21 = 2-DOOR SEDAN	35 = FWD VAN	44 = 4-DOOR HATCHBACK
22 = 2-DOOR SPECIAL COUPE	36 = FWD WAGON	45 = 4-DOOR STATION WAGON
24 = 2-DOOR HATCHBACK	41 = 4-DOOR SEDAN	49 = LIMOUSINE
27 = 2-DOOR CONVERTIBLE		

AR = Use as Required - = Non Illustrated Part P.A.R. = Paint as Required

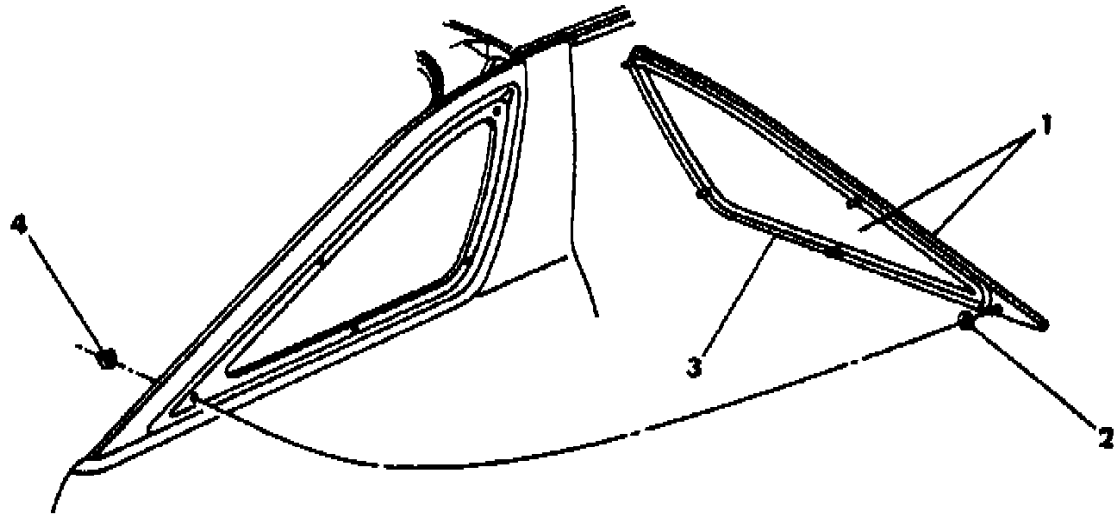
GLASS QUARTER WINDOW C,V 24
Figure 23A-7400

ITEM	PART NUMBER	QTY	BODY	MODEL	DESCRIPTION
1	4278 164-5	1		24	FRAME and GLASS, Qtr. Window Clear
	4278 166-7	1		24	Tinted
2		2		24	SEALING WASHER, Quarter Window Mounting Stud (Not Serviced)
3	4206 323	AR		24	SEAL, Quarter Window, Butyl Tape (187")
4	6100 775	8		24	NUT and WASHER

NOTE: The following items are not shown on illustration. 22 Model). Sheet metal parts for the C 49 not found on this illustration should be specified from the C 22 Models, as found elsewhere in this group.

4057 957	1		24	FIXED GLASS REPAIR PACKAGE, Quarter Window (Butyl)
CONSISTS OF:				
1- ----- Tape,Butyl (171")				
1- ----- Primer,Glass (1 oz.)				
1- ----- Primer,Fence (2 oz.)				
2- 3674698 Spacer,Rubber (.2")				
2- 3793290 Spacer,Rubber (.3")				
2- 3767767 Shim (.07")				
2- ----- Sponges,Disposable				

5169 7400



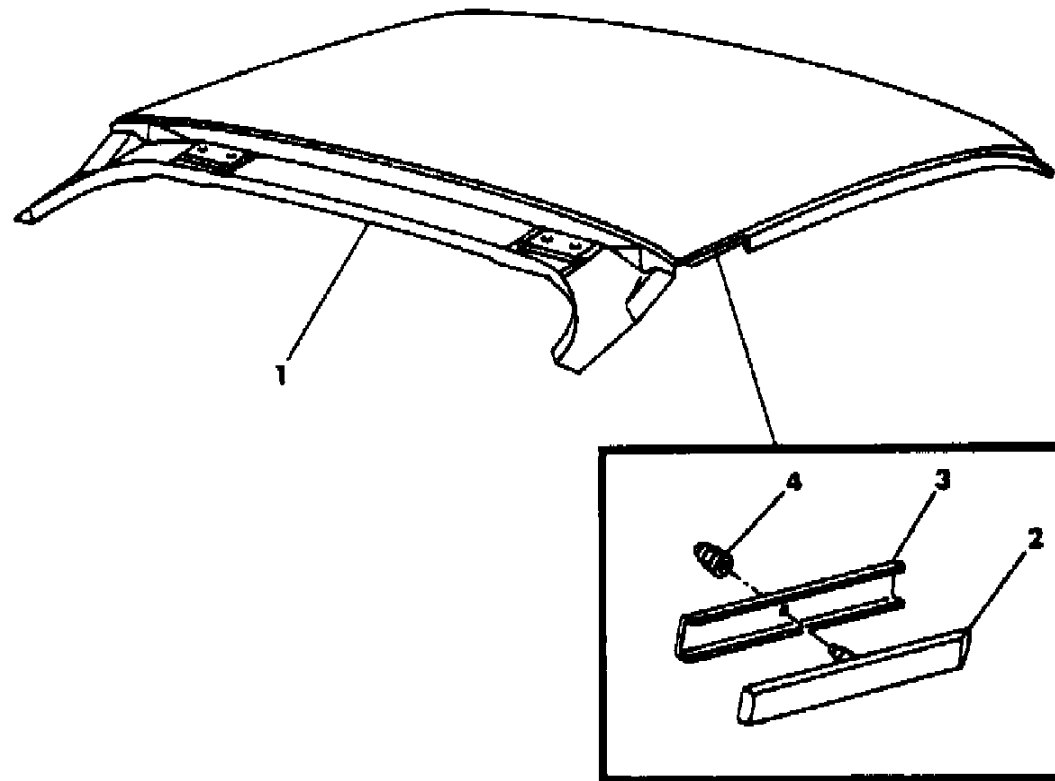
MODEL CODES		
B = GRAN FURY	E = 600	M = HORIZON/TURISMO
C = LE BARON/TOWN & COUNTRY/LIMO	F = FIFTH AVENUE/NEWPORT	P = RELIANT
C24 = LASER	G = DIPLOMAT	T = NEW YORKER
C44 = LE BARON/GTS	H = VOYAGER	V = 600
D = ARIES	J = CARAVELLE	V24 = DAYTONA
D44 = LANCER	K = MINI VAN/CARAVAN/ROYAL	Z = OMNI/CHARGER

BODY STYLES		
21 = 2-DOOR SEDAN	35 = FWD VAN	44 = 4-DOOR HATCHBACK
22 = 2-DOOR SPECIAL COUPE	36 = FWD WAGON	45 = 4-DOOR STATION WAGON
24 = 2-DOOR HATCHBACK	41 = 4-DOOR SEDAN	49 = LIMOUSINE
27 = 2-DOOR CONVERTIBLE		

AR = Use as Required - = Non Illustrated Part P.A.R. = Paint as Required

ROOF PANEL C,V 24
Figure 23A-7500

5169 7500



ITEM	PART NUMBER	QTY	BODY	MODEL	DESCRIPTION
1	4206 821	1		24	PANEL, Roof Outer, w/o Sunroof
	4341 728	1		24	PANEL and TROUGH, Outer, w/Sunroof
2	4364 016-7	1		24	MOULDING, w/Gasket Roof Panel to Body Side Aperture Joint Includes Items 3-4
3		2		24	GASKET, Roof Panel to Aperture Joint Moulding (Serviced in Item #2)
4					NUT and SEAL, Included In Item 2
	6032 741	2		24	Up to 9-1-84
	6032 929	2		24	After 9-1-84

MODEL CODES

B = GRAN FURY	E = 600	M = HORIZON/TURISMO
C = LE BARON/TOWN & COUNTRY/LIMO	F = FIFTH AVENUE/NEWPORT	P = RELIANT
C24 = LASER	G = DIPLOMAT	T = NEW YORKER
C44 = LE BARON/GTS	H = VOYAGER	V = 600
D = ARIES	J = CARAVELLE	V24 = DAYTONA
D44 = LANCER	K = MINI VAN/CARAVAN/ROYAL	Z = OMNI/CHARGER

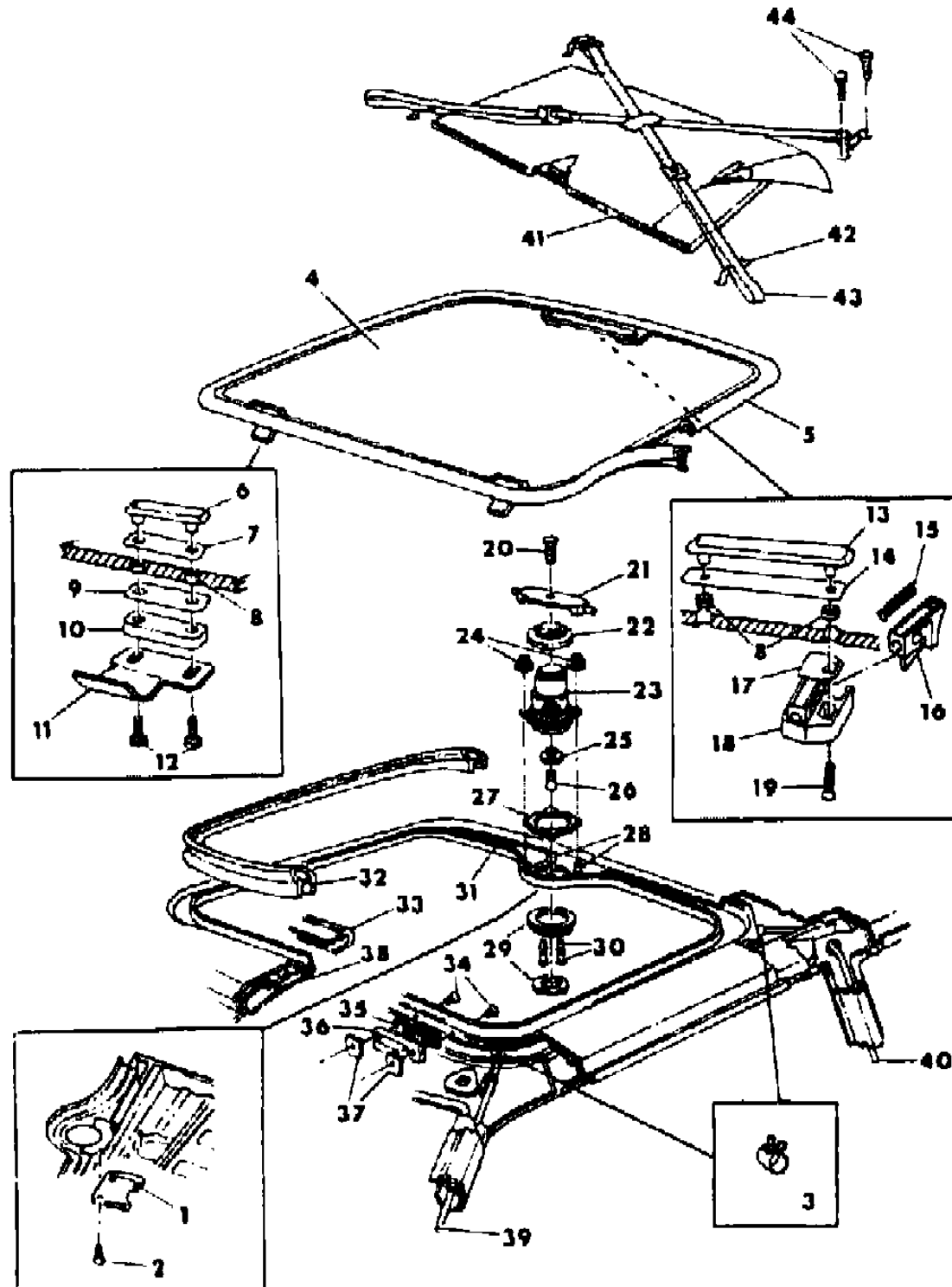
BODY STYLES

21 = 2-DOOR SEDAN	35 = FWD VAN	44 = 4-DOOR HATCHBACK
22 = 2-DOOR SPECIAL COUPE	36 = FWD WAGON	45 = 4-DOOR STATION WAGON
24 = 2-DOOR HATCHBACK	41 = 4-DOOR SEDAN	49 = LIMOUSINE
27 = 2-DOOR CONVERTIBLE		

AR = Use as Required - = Non Illustrated Part P.A.R. = Paint as Required

SUN ROOF C,V 24
Figure 23A-7600

5155 7600



ITEM	PART NUMBER	QTY	BODY	MODEL	DESCRIPTION
1	4278 794	1		24	SUPPORT, Sun Roof Opening Drain Trough
2	9421 073	4		24	SCREW
3	2448 761	4		24	CLAMP, Drain Hose to Trough
4	4296 034	1		24	PANEL, Sun Roof Glass w/Frame (Bonded)
	5207 474	2		24	PIN, Glass Frame Connecting
5	4296 084	1		24	SEAL, Sun Roof (Secondary)
6		2		24	T-PLATE, Serviced In Package #4106874
7		2		24	GASKET, Serviced In Package #4106874
8		6		24	GROMMET, Serviced In Package #4106874
9		2		24	GASKET, Serviced In Package #4106874
10		2		24	SPACER, Serviced In Package #4106874
11		2		24	HINGE, Serviced In Package #4106874
12		4		24	SCREW, Serviced In Package #4106874
13	5207 322	1		24	T-PLATE, Latch
14	5207 368	1		24	GASKET, Latch T/Plate
15		2		24	SPRING, Serviced In Package #4106872-3
16		2		24	LATCH, Serviced In Package #4106872-3
17		2		24	GASKET, Serviced In Package #4106872-3
18		2		24	HOUSING, Serviced in Package #4106872-3
19		2		24	SCREW, Serviced In Package #4106872-3
20		1		24	SCREW, #10-16 x .75" (Not Serviced)
21	5207 327	1		24	STRIKER, Latch
22	4341 037	1		24	GASKET, w/Retainer Adjuster
23	4341 035	1		24	ADJUSTER, Latch (Includes Items #20-23 & 25,26)
24	6100 515	4		24	NUT, Up To 4/2/84
	6501 140	4		24	After 4/2/84
25	5232 094	1		24	WASHER, Latch Striker Stop
26		1		24	SCREW, #8-18 x .75" (Not Serviced)
27	5232 052	1		24	GASKET, Latch Adjuster to Trough
28		4		24	SCREW, Weld, M5 x 15mm (Serviced in Item #31)
29	H808 CA3	1		24	HANDLE, Latch Adjuster, Silver
	H808 CM6	1		24	Red
	H808 DT3	1		24	Tan
	H808 BX9	1		24	Black
30	#6031 171	4		24	SCREW
31	4341 728	1		24	PANEL and TROUGH, Outer, w/Sun Roof (Includes Item 28)
32	4278 800	1		24	SEAL, Sun Roof (Primary)

MODEL CODES

B = GRAN FURY	E = 600	M = HORIZON/TURISMO
C = LE BARON/TOWN & COUNTRY/LIMO	F = FIFTH AVENUE/NEWPORT	P = RELIANT
C24 = LASER	G = DIPLOMAT	T = NEW YORKER
C44 = LE BARON/GTS	H = VOYAGER	V = 600
D = ARIES	J = CARAVELLE	V24 = DAYTONA
D44 = LANCER	K = MINI VAN/CARAVAN/ROYAL	Z = OMNI/CHARGER

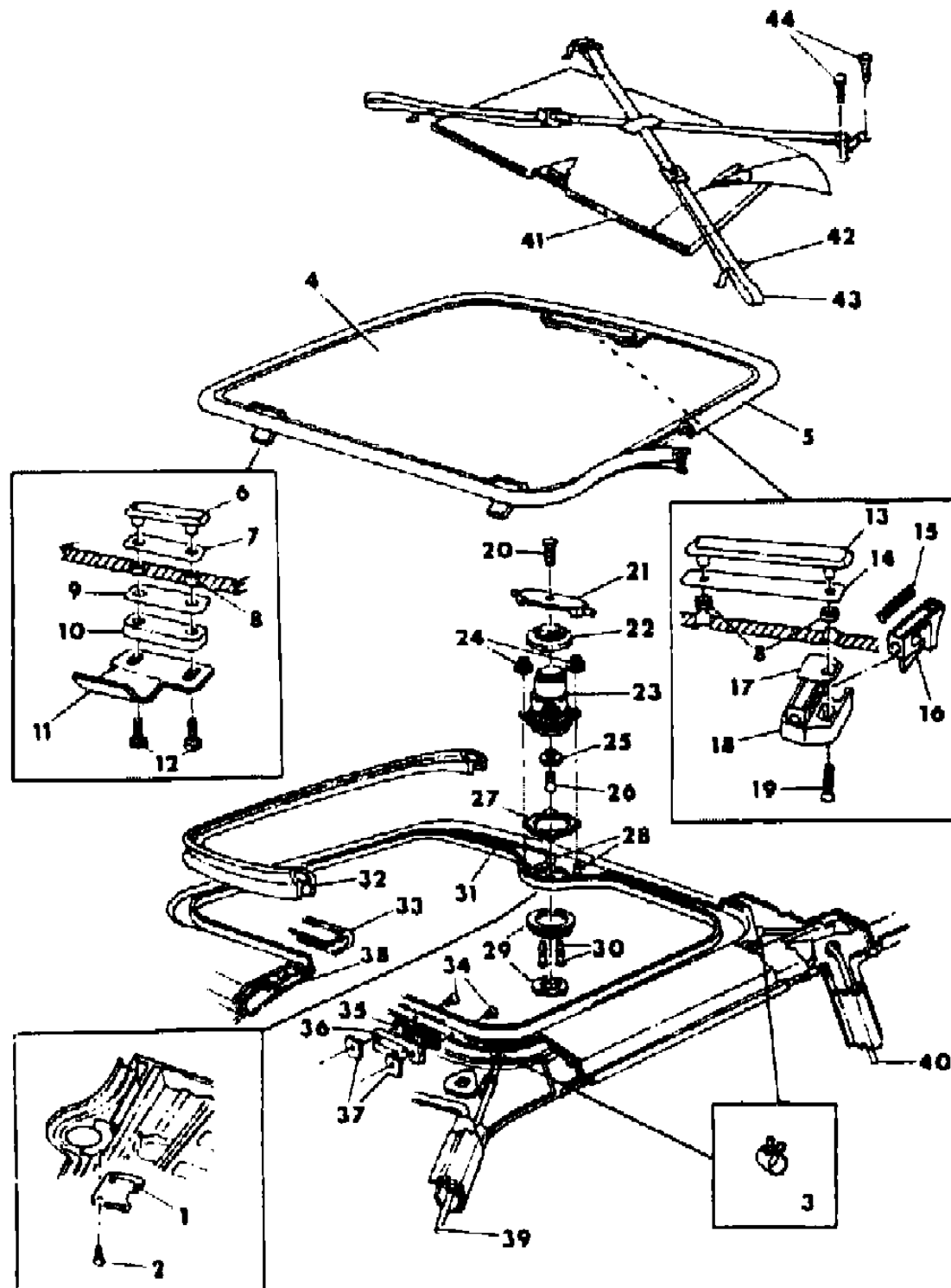
BODY STYLES

21 = 2-DOOR SEDAN	35 = FWD VAN	44 = 4-DOOR HATCHBACK
22 = 2-DOOR SPECIAL COUPE	36 = FWD WAGON	45 = 4-DOOR STATION WAGON
24 = 2-DOOR HATCHBACK	41 = 4-DOOR SEDAN	49 = LIMOUSINE
27 = 2-DOOR CONVERTIBLE		

AR = Use as Required - = Non Illustrated Part P.A.R. = Paint as Required

SUN ROOF C,V 24
Figure 23A-7600

5:55 7600



ITEM	PART NUMBER	QTY	BODY	MODEL	DESCRIPTION
33	H812 CA2	1		24	WELT, Sun Roof Headliner Opening, Silver
	H812 CM6	1		24	Red
	H812 DT3	1		24	Tan
	H812 CX9	1		24	Black
34	6101 127	4		24	SCREW
35	5232 050-1	1		24	GASKET, Hinge Receiver
36	4172 966-7	1		24	RECEIVER, Hinge (Includes Items #35 & 37)
37	5207 378	4		24	PLATE, Hinge Receiver
38		1		24	HEADLINER, See Group 23-Interior Trim Illustrations
39	4278 798	2		24	HOSE, Sun Roof Drain Trough, Front
40	4278 799	2		24	HOSE, Sun Roof Drain Trough, Rear
					CLIP, Rear Drain Hose Routing (Not Serviced)
41	H608 CX7	1		24	BAG, Sun Roof Stowage, Black
42	4248 818	4		24	ANCHOR, Tie-Down Strap to Floor Pan
43	H349 CX9	1		24	STRAP, Sun Roof Stowage Tie-Down, Black
44		8		24	SCREW, #8-18 x .75" (Not Serviced)

NOTE: The following items are not shown on illustration. 22 Model). Sheet metal parts for the C 49 not found on this illustration should be specified from the C 22 Models, as found elsewhere in this group.

4106 872-3	1	24	HOUSING and LATCH, Sun Roof Includes Items #15-19
4106 874	2	24	HINGE and T-PLATE, Sun Roof Includes Items #6-12

MODEL CODES

B = GRAN FURY	E = 600	M = HORIZON/TURISMO
C = LE BARON/TOWN & COUNTRY/LIMO	F = FIFTH AVENUE/NEWPORT	P = RELIANT
C24 = LASER	G = DIPLOMAT	T = NEW YORKER
C44 = LE BARON/GTS	H = VOYAGER	V = 600
D = ARIES	J = CARAVELLE	V24 = DAYTONA
D44 = LANCER	K = MINI VAN/CARAVAN/ROYAL	Z = OMNI/CHARGER

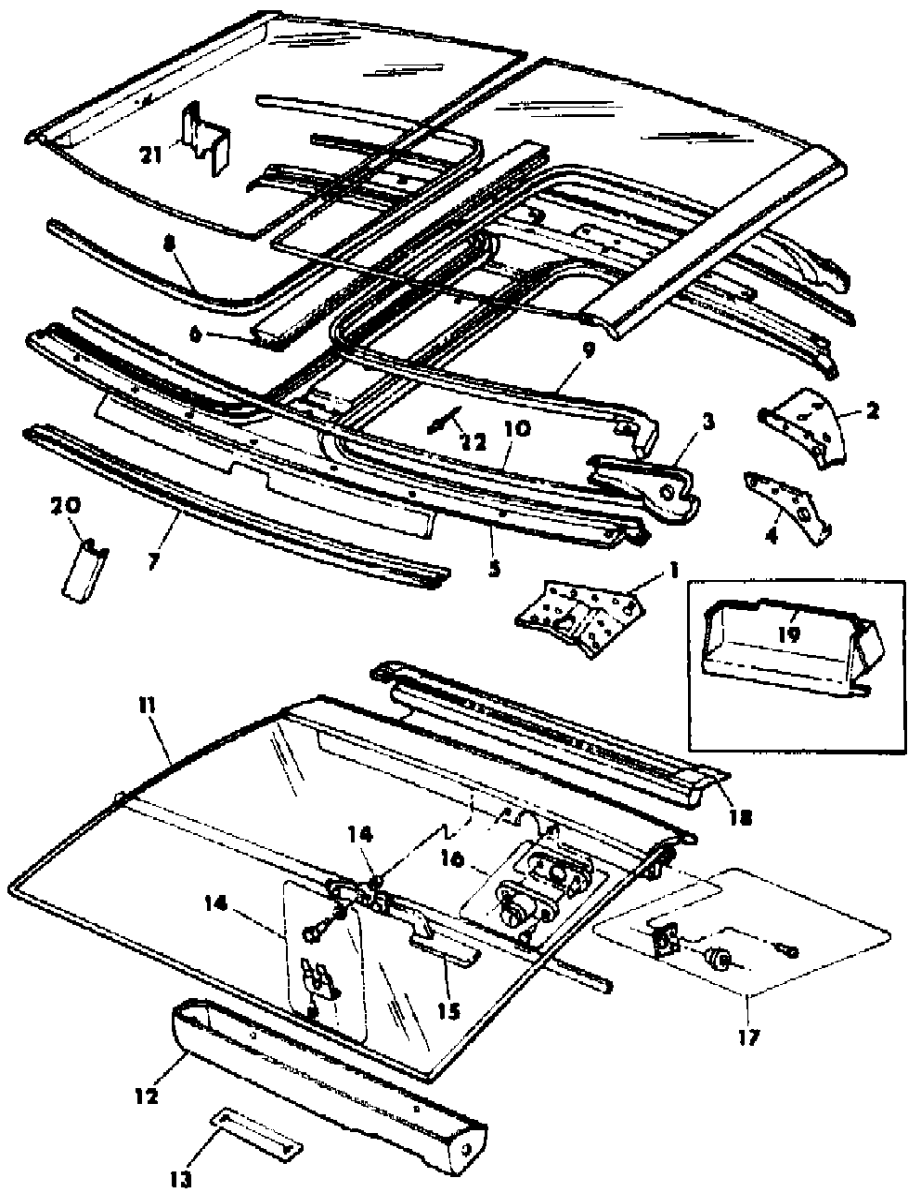
BODY STYLES

21 = 2-DOOR SEDAN	35 = FWD VAN	44 = 4-DOOR HATCHBACK
22 = 2-DOOR SPECIAL COUPE	36 = FWD WAGON	45 = 4-DOOR STATION WAGON
24 = 2-DOOR HATCHBACK	41 = 4-DOOR SEDAN	49 = LIMOUSINE
27 = 2-DOOR CONVERTIBLE		

AR = Use as Required - = Non Illustrated Part P.A.R. = Paint as Required

T-BAR ROOF C,V 24
Figure 23A-7700

5168 7700



ITEM	PART NUMBER	QTY	BODY	MODEL	DESCRIPTION
1	4397 014-5	1			BRACKET,"A" Pillar Cap
2	4397 016-7	1			BRACKET,"B" Pillar Cap
3					CAP, "A" Pillar
	4397 022-3	1			Silver, Charcoal
	4397 024-5	1			Black
	4397 026-7	1			Red
4					CAP, "B" Pillar
	4397 030-1	1			Silver, Charcoal
	4397 032-3	1			Black
	4397 034-5	1			Red
5	4397 045	1			FRAME, Roof Insert
6	4397 054	1			MOULDING, Center Frame Glass Panel (Black)
7	4397 055	1			REINFORCEMENT, Header
8	4397 060	1			MOULDING, Headliner Locking, Black
9					WEATHERSTRIP, Door & Glass Panel Complete
	4397 092-3	1			Up A Pillar Down B Pillar Cross Top
10	4397 098	1			SEAL, Roof Mldg. "P" Section
11	4397 002-3	1			PANEL ASSEMBLY, Glass T-Bar
12					COVER, Latch Glass Panel
	4397 038-9	1			Silver, Charcoal
	4397 040-1	1			Black
	4397 042-3	1			Red
13	4397 044	1			COVER, Latch Shield
14	4397 061	1			SHOULDER BOLT, Latch Handle
15	4397 086-7	1			LATCH ASSEMBLY, T/Bar Roof Panel
16	4397 088	1			LOCK ASSEMBLY, T/Bar Roof Panel
17	4397 089	1			BUSHING, w/Plate Latch Rod Guide
18	4397 090-1	1			SEAL, Side Rail
19	4397 122-3	1			REINFORCEMENT, "B" Pillar To Wheel Housing
20	4397 132-3	1			SIGHT SHIELD, "A" Pillar (Also See Exterior Ornmentation)
21	4397 134-5	1			SIGHT SHIELD, "B" Pillar (Also See Exterior Ornmentation)
22	4397 136	1			RIVET PACKAGE, Moulding Attachment (Black)

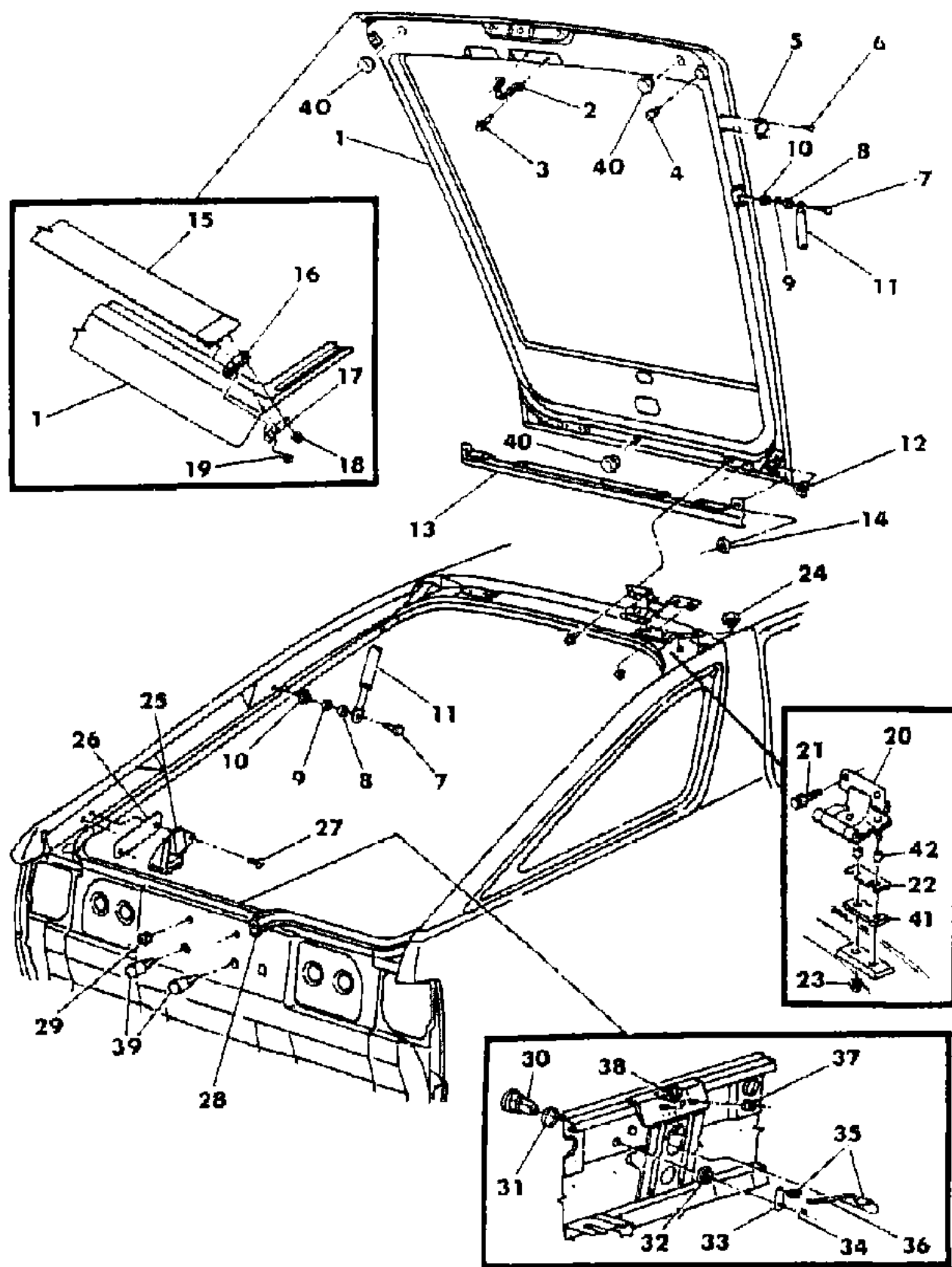
MODEL CODES
 B = GRAN FURY
 C = LE BARON/TOWN & COUNTRY/LIMO
 C24 = LASER
 C44 = LE BARON/GTS
 D = ARIES
 D44 = LANCER
 E = 600
 F = FIFTH AVENUE/NEWPORT
 G = DIPLOMAT
 H = VOYAGER
 J = CARAVELLE
 K = MINI VAN/CARAVAN/ROYAL
 M = HORIZON/TURISMO
 P = RELIANT
 T = NEW YORKER
 V = 600
 V24 = DAYTONA
 Z = OMNI/CHARGER

BODY STYLES
 21 = 2-DOOR SEDAN
 22 = 2-DOOR SPECIAL COUPE
 24 = 2-DOOR HATCHBACK
 27 = 2-DOOR CONVERTIBLE
 35 = FWD VAN
 36 = FWD WAGON
 41 = 4-DOOR SEDAN
 44 = 4-DOOR HATCHBACK
 45 = 4-DOOR STATION WAGON
 49 = LIMOUSINE

AR = Use as Required - = Non Illustrated Part P.A.R. = Paint as Required

LIFTGATE C,V 24
Figure 23A-7800

5169 7800



ITEM	PART NUMBER	QTY	BODY	MODEL	DESCRIPTION
1					PANEL, Liftgate
	4365 591	1			Up to 10-22-84
	4365 609	1			After 10-20-84
2	#4378 046	1	24		STRIKER, Liftgate Latch
3	6100 592	2	24		SCREW, w/Washer
4	4336 014	2	24		BUMPER, Liftgate Inside Panel Corner
5	4246 773	2	24		STRIKER, Liftgate Stabilizer
6		4	24		SCREW, #10-16 x .75" (Not Serviced)
7		4	24		SCREW, M8 x 1.25" (Serviced in Item #11)
8	4246 676	4	24		BUMPER, Liftgate Prop Clevis
9		4	24		WASHER, Coned (Serviced in Item #11)
10	6500 159	4	24		NUT and WASHER
11	4246 673	2	24		PROP, Liftgate (Includes Items #7-10)
12	2574 792	1	24		PLUG, .75" Dia./19.5 mm
13	4280 831	1	24		WEATHERSTRIP, Liftgate Secondary
14	6025 160	7	24		RETAINER
15	4280 808	1	24		SPOILER, Liftgate (Except V-S 24 - See Note "A")
16	4310 718-9	1	24		GASKET, Liftgate Spoiler Mounting (Up To 12/3/84)
	4365 530	2	24		(After 12/3/84)
17	4310 717	2	24		REINFORCEMENT, Liftgate Spoiler Mounting
18	6032 538	4	24		NUT, Acorn
19	6032 806	2	24		SCREW
20	4246 782	2	24		HINGE, Liftgate
21	6100 275	4	24		SCREW and WASHER
22	4246 832	AR	24		SHIM, Liftgate Hinge
23	6100 051	4	24		NUT and WASHER
24	1774 076	1	24		PLUG, .630" Dia./16 mm
25	4246 341	2	24		WEDGE, Liftgate Opening Stabilizer
26	4246 833	AR	24		SHIM, Liftgate Opening Stabilizer Wedge
27		4	24		SCREW, #10-16 x .50" (Not Serviced)
28	4198 930	1	24		WEATHERSTRIP, Liftgate Opening
29	6500 524	4	24		NUT, License Plate Mounting
30		1	24		CYLINDER, Lock (See Group 23D Illustrations)
31	3695 321	1	24		GASKET, Lock Cylinder Mounting
32	4054 202	1	24		NUT, Lock Cylinder Mounting
33	4378 015	1	24		LEVER, Liftgate Lock Cylinder
34	6032 107	1	24		RETAINER, Lock Cylinder Lever

MODEL CODES

B = GRAN FURY

C = LE BARON/TOWN & COUNTRY/LIMO

C24 = LASER

C44 = LE BARON/GTS

D = ARIES

D44 = LANCER

E = 600

F = FIFTH AVENUE/NEWPORT

G = DIPLOMAT

H = VOYAGER

J = CARAVELLE

K = MINI VAN/CARAVAN/ROYAL

M = HORIZON/TURISMO

P = RELIANT

T = NEW YORKER

V = 600

V24 = DAYTONA

Z = OMNI/CHARGER

BODY STYLES

21 = 2-DOOR SEDAN

22 = 2-DOOR SPECIAL COUPE

24 = 2-DOOR HATCHBACK

27 = 2-DOOR CONVERTIBLE

35 = FWD VAN

36 = FWD WAGON

41 = 4-DOOR SEDAN

44 = 4-DOOR HATCHBACK

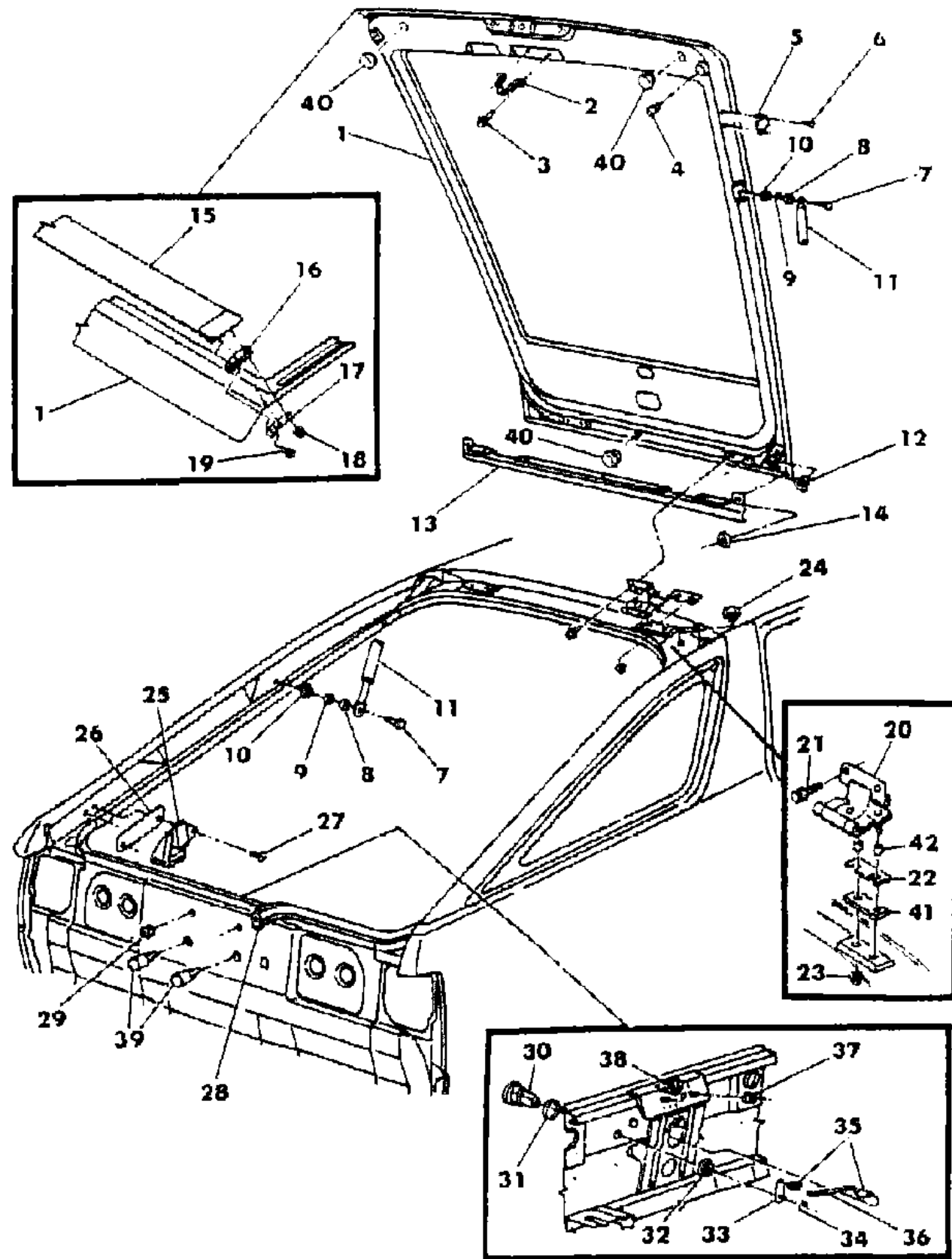
45 = 4-DOOR STATION WAGON

49 = LIMOUSINE

AR = Use as Required - = Non Illustrated Part P.A.R. = Paint as Required

LIFTGATE C,V 24
Figure 23A-7800

5169 7800



ITEM	PART NUMBER	QTY	BODY	MODEL	DESCRIPTION
35	3454 220	2		24	CLIP, Lock to Latch Link
36	4378 016	1		24	LINK, Lock Cylinder to Latch
	4246 812	1		24	LINK, Lift Gate Latch Release
37	6100 051	2		24	NUT and WASHER
38	4246 827	1		24	LATCH, Liftgate (Cable Release)
39	5200 365	2		24	BUMPER, Liftgate Opening Lower Panel License Plate
40	6029 939	3		24	PLUG, Liftgate Inner Panel Hole
41	4365 698	2		24	GASKET, Liftgate Hinge to Body
	6100 273	2		24	SCREW, w/Washer Liftgate Hinge Center Link
42	5231 207	4		24	WASHER, Liftgate Hinge to Body Sealing

NOTE "A": Liftgate Spoiler for V-S Daytona Turbo Z is shown on "Ground Effects Package" Illustration elsewhere in this group. 22 Model). Sheet metal parts for the C 49 not found on this illustration should be specified from the C 22 Models, as found elsewhere.

MODEL CODES

B = GRAN FURY	E = 600	M = HORIZON/TURISMO
C = LE BARON/TOWN & COUNTRY/LIMO	F = FIFTH AVENUE/NEWPORT	P = RELIANT
C24 = LASER	G = DIPLOMAT	T = NEW YORKER
C44 = LE BARON/GTS	H = VOYAGER	V = 600
D = ARIES	J = CARAVELLE	V24 = DAYTONA
D44 = LANCER	K = MINI VAN/CARAVAN/ROYAL	Z = OMNI/CHARGER

BODY STYLES

21 = 2-DOOR SEDAN	35 = FWD VAN	44 = 4-DOOR HATCHBACK
22 = 2-DOOR SPECIAL COUPE	36 = FWD WAGON	45 = 4-DOOR STATION WAGON
24 = 2-DOOR HATCHBACK	41 = 4-DOOR SEDAN	49 = LIMOUSINE
27 = 2-DOOR CONVERTIBLE		

AR = Use as Required - = Non Illustrated Part P.A.R. = Paint as Required

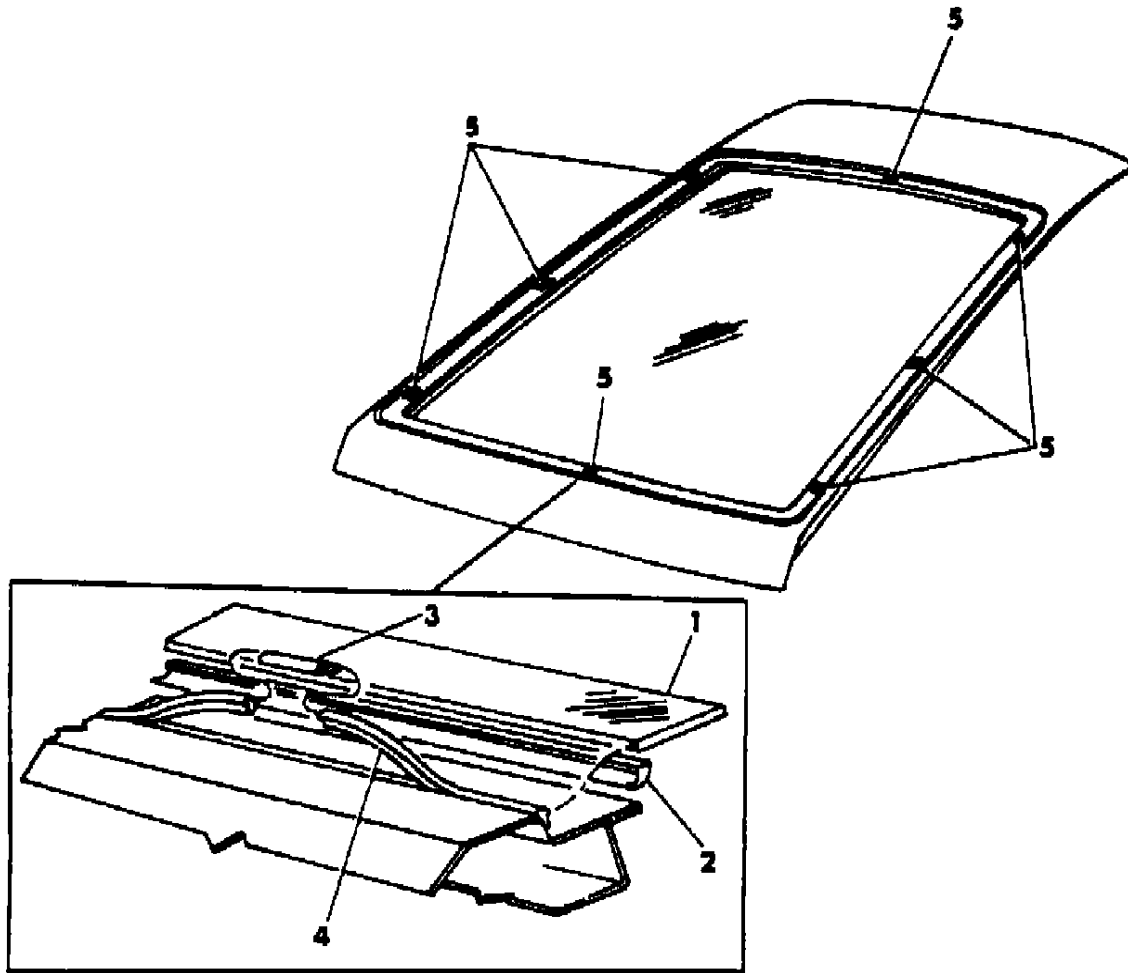
GLASS LIFTGATE C,V 24
Figure 23A-7900

5169 7900

ITEM	PART NUMBER	QTY	BODY	MODEL	DESCRIPTION
1	4198 723	1		24	GLASS, Liftgate, Tinted, w/o Liftgate Wiper w/o Electric Heated
	4198 721	1		24	Tinted, w/o Liftgate Wiper w/Electric Heated
	4280 189	1		24	Tinted, w/Liftgate Wiper w/Electric Heated
2	4206 848	1		24	DAM, Glass Adhesive (119")
3	4198 929	1		24	CAP, Liftgate Glass Lockstrip, End
4	4365 563	1		24	MOULDING, Liftgate Glass Installation (178")
5	4365 854	8		24	SPACER, Liftgate Glass Support
	4336 631	1		24	LOCKSTRIP, Liftgate Glass Repair

NOTE: The following items are not shown on illustration. 22 Model). Sheet metal parts for the C 49 not found on this illustration should be specified from the C 22 Models, as found elsewhere in this group.

4267 906	1		24	FIXED GLASS REPAIR PACKAGE, Polyurethane CONSISTS OF: 1- ----- Polyurethane, 11.5 oz. 1- ----- Fence Primer, 1 oz. 1- ----- Glass Wipe-Off Primer, 1 oz. 1- ----- Glass Black-Out Primer, 1 oz. 3- ----- Dabbers 1- ----- Nozzle
4267 922	1		24	ELECTRIC GRID REPAIR PACKAGE CONSISTS OF: 1- ----- Cement, Cho-Bond, 1/2 oz. 1- ----- Instruction Sheet



MODEL CODES

B = GRAN FURY	E = 600	M = HORIZON/TURISMO
C = LE BARON/TOWN & COUNTRY/LIMO	F = FIFTH AVENUE/NEWPORT	P = RELIANT
C24 = LASER	G = DIPLOMAT	T = NEW YORKER
C44 = LE BARON/GTS	H = VOYAGER	V = 600
D = ARIES	J = CARAVELLE	V24 = DAYTONA
D44 = LANCER	K = MINI VAN/CARAVAN/ROYAL	Z = OMNI/CHARGER

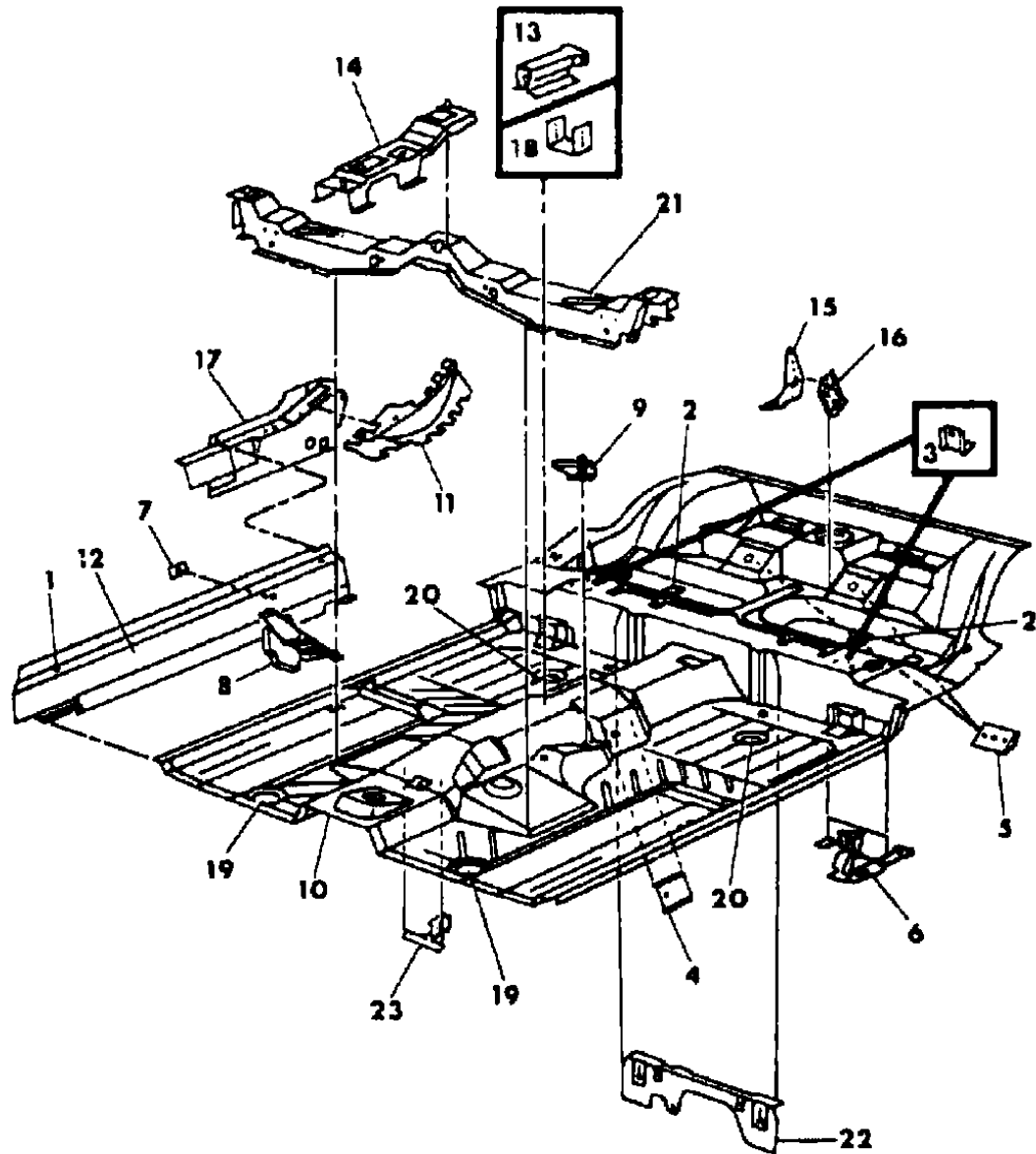
BODY STYLES

21 = 2-DOOR SEDAN	35 = FWD VAN	44 = 4-DOOR HATCHBACK
22 = 2-DOOR SPECIAL COUPE	36 = FWD WAGON	45 = 4-DOOR STATION WAGON
24 = 2-DOOR HATCHBACK	41 = 4-DOOR SEDAN	49 = LIMOUSINE
27 = 2-DOOR CONVERTIBLE		

AR = Use as Required - = Non Illustrated Part P.A.R. = Paint as Required

FLOOR PAN FRONT D,C 44
Figure 23A-8000

5169 8000



ITEM	PART NUMBER	QTY	BODY	MODEL	DESCRIPTION
1	2574 792	2	44		PLUG, .75" Dia./19.5 mm
2	4073 475	2	44		PLUG, 1.50" Dia./38.1 mm
3	4206 904	2	44		RETAINER, Front Floor Pan Rear Seat Cushion
4	4314 259	2	44		REINFORCEMENT, Front Floor Pan Front Seat Belt Inner Mounting
5	4314 260	2	44		REINFORCEMENT, Front Floor Pan Rear Seat Belt Inner Mounting
6	4314 318-9	1	44		BRACKET, Front Floor Pan Lift Hoisting
7	4314 326	2	44		REINFORCEMENT, Front Seat Belt Outer
8	4314 494-5	1	44		REINFORCEMENT, Front Floor Pan Front Seat Rear Outer
9	4314 502-3	1	44		REINFORCEMENT, Front Floor Pan Front Seat Rear Inner
10	4337 918	1	44		PAN, Front Floor
11	4314 866-7	1	44		REINFORCEMENT, Front Floor Pan Rear Seat Belt Outer
12	4337 916-7	1	44		PANEL, Body Side Sill Inner
13	4337 945	1	44		BRACKET, Rear Console to Floor Pan Mounting
14	4314 937	1	44		BRACKET, Front Console to Front Floor Pan Mounting
15	4337 106	1	44		BRACKET, Front Floor Pan Rear Seat Back Center Pivot Mounting, Right
16	4337 161	1	44		BRACKET, Front Floor Pan Rear Seat Back Center Pivot Mounting, Left
17	4337 484-5	1	44		EXTENSION, Sill Inner Rear
18	4337 948	1	44		BRACKET, Front Floor Pan Center Seat Mounting
19	5200 456	2	44		PLUG, 2.75" Dia./69.9 mm
20	2424 864	2	44		PLUG, 1.75" Dia./44.5 mm
21	4325 526	1	44		CROSSMEMBER, Front Floor Pan Seat Track Mounting
22		1	44		PLATE, Front Floor Fuel Tank Strap Front Hanger (4314257 Not Serviced)
23		1	44		BRACKET, Front Floor Pan Park Brake Cable (4314263 Not Serviced)

NOTE: The following items are not shown on illustration. 22 Model). Sheet metal parts for the C 49 not found on this illustration should be specified from the C 22 Models, as found elsewhere in this group.

3794 032	2	44	SEAL, Side Sill Inner Panel Drain Hole
----------	---	----	--

MODEL CODES

B = GRAN FURY	E = 600	M = HORIZON/TURISMO
C = LE BARON/TOWN & COUNTRY/LIMO	F = FIFTH AVENUE/NEWPORT	P = RELIANT
C24 = LASER	G = DIPLOMAT	T = NEW YORKER
C44 = LE BARON/GTS	H = VOYAGER	V = 600
D = ARIES	J = CARAVELLE	V24 = DAYTONA
D44 = LANCER	K = MINI VAN/CARAVAN/ROYAL	Z = OMNI/CHARGER

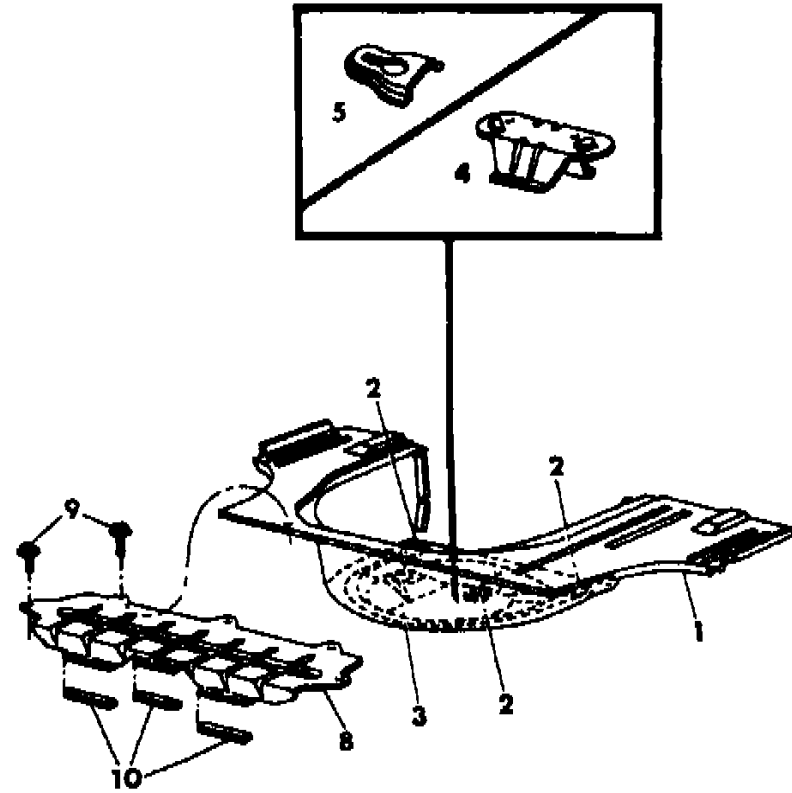
BODY STYLES

21 = 2-DOOR SEDAN	35 = FWD VAN	44 = 4-DOOR HATCHBACK
22 = 2-DOOR SPECIAL COUPE	36 = FWD WAGON	45 = 4-DOOR STATION WAGON
24 = 2-DOOR HATCHBACK	41 = 4-DOOR SEDAN	49 = LIMOUSINE
27 = 2-DOOR CONVERTIBLE		

AR = Use as Required - = Non Illustrated Part P.A.R. = Paint as Required

FLOOR PAN REAR D,C 44
Figure 23A-8100

5169 8100



ITEM	PART NUMBER	QTY	BODY	MODEL	DESCRIPTION
1	4337 737	1		44	PAN, Rear Floor
2	2424 864	3		44	PLUG, 1.75" Dia./44.5 mm
3	6030 773	1		44	PLUG, 2.25" Dia./57 mm
4	4337 550	1		44	SUPPORT, Rear Floor Pan Spare Tire Mounting
5	4206 922	1		44	BRACKET, Rear Floor Pan Spare Tire Anchor Bolt
8	4337 166	1		44	PANEL, Rear Seat to Floor Pan Filler
9		5		44	SCREW, #8-18 x .500" (Not Serviced)
10		3		44	TAPE, Floor Pan Filler Anti-Squeak (Not Serviced)

MODEL CODES

B = GRAN FURY	E = 600	M = HORIZON/TURISMO
C = LE BARON/TOWN & COUNTRY/LIMO	F = FIFTH AVENUE/NEWPORT	P = RELIANT
C24 = LASER	G = DIPLOMAT	T = NEW YORKER
C44 = LE BARON/GTS	H = VOYAGER	V = 600
D = ARIES	J = CARAVELLE	V24 = DAYTONA
D44 = LANCER	K = MINI VAN/CARAVAN/ROYAL	Z = OMNI/CHARGER

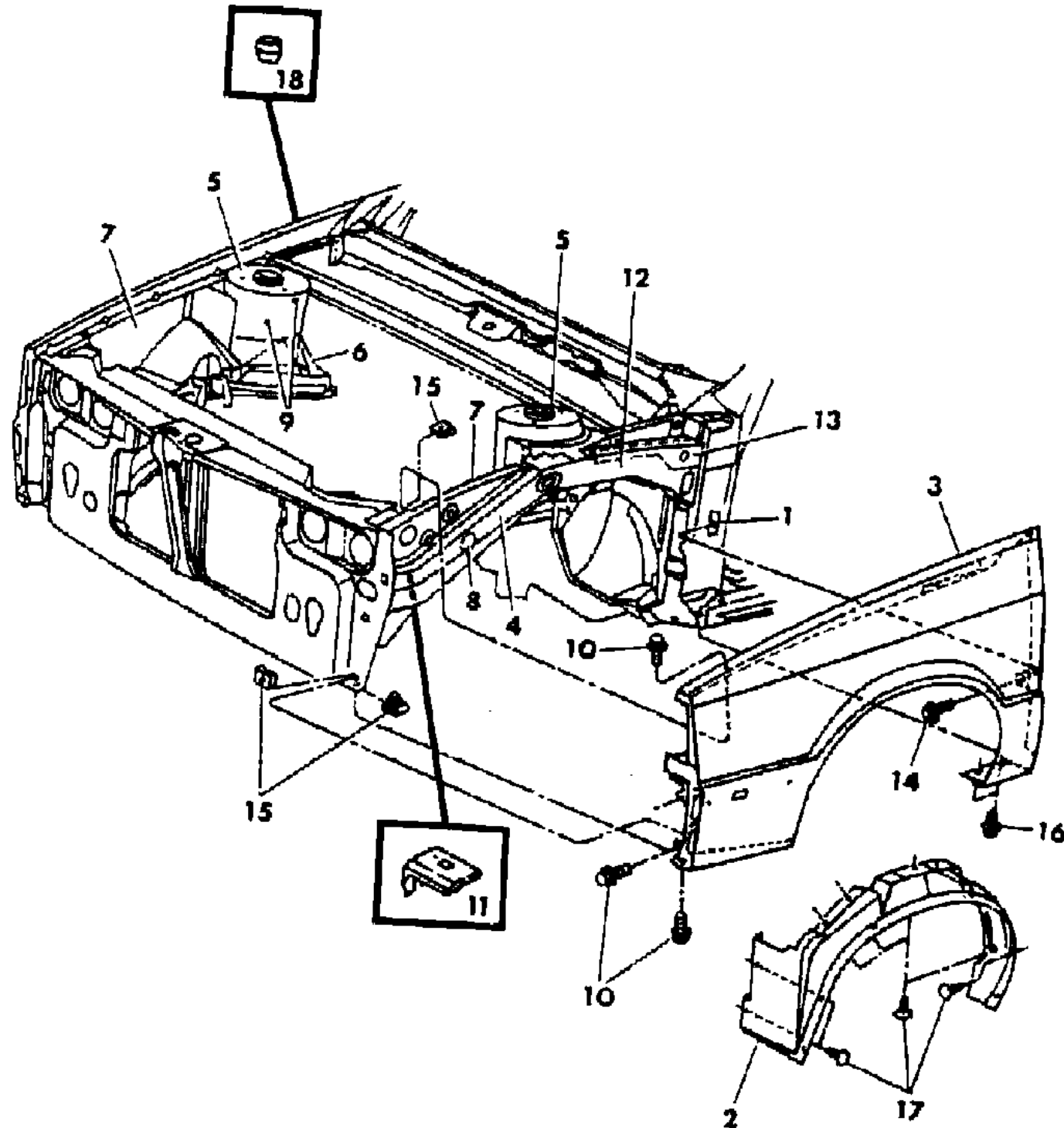
BODY STYLES

21 = 2-DOOR SEDAN	35 = FWD VAN	44 = 4-DOOR HATCHBACK
22 = 2-DOOR SPECIAL COUPE	36 = FWD WAGON	45 = 4-DOOR STATION WAGON
24 = 2-DOOR HATCHBACK	41 = 4-DOOR SEDAN	49 = LIMOUSINE
27 = 2-DOOR CONVERTIBLE		

AR = Use as Required - = Non Illustrated Part P.A.R. = Paint as Required

FENDER D,C 44
Figure 23A-8200

5163 8200



ITEM	PART NUMBER	QTY	BODY	MODEL	DESCRIPTION
1	4206 553	2	44		SUPPORT, Front Hinge Pillar to Fender
2	4296 176-7	1	44		SHIELD, Fender Wheelhouse Splash
3	4342 478-9	1	44		PANEL, Fender
4	4296 878-9	1	44		BEAM, Front Fender Shield to Front Hinge Pillar Load
5	4296 796-7	1	44		TOWER, Front Suspension Iso-Strut Mounting
6	4296 808-9	1	44		EXTENSION, Iso-Strut Tower to Dash Panel
7	4341 528-9	1	44		PANEL and NUT, Front Fender Shield
8	4341 376	1	44		PLUG, Front Fender Side Shield, Left
9	6031 044	2	44		PLUG, Front Suspension Iso-Strut Tower Sealer
10	6100 568	AR	44		SCREW and WASHER
11		1	44		REINFORCEMENT, Fender Shield Panel Battery Tray (Serviced in Item #7)
12	#4386 170-1	1	44		EXTENSION, Front Fender Shield Load Beam Rear
13	#4296 926-7	1	44		REINFORCEMENT, Front Fender Shield Load Beam Rear Extension
14		2	44		SCREW, w/Washer M6 x 1.00" (Not Serviced)
15	6100 041	AR	44		U-NUT
16		4	44		SCREW, w/Washer 1/4"-14 x .875" (Not Serviced)
17	6030 441	AR	44		RETAINER
18	4222 739	1	44		PLUG, Fender Antenna Hole

MODEL CODES

B = GRAN FURY	E = 600	M = HORIZON/TURISMO
C = LE BARON/TOWN & COUNTRY/LIMO	F = FIFTH AVENUE/NEWPORT	P = RELIANT
C24 = LASER	G = DIPLOMAT	T = NEW YORKER
C44 = LE BARON/GTS	H = VOYAGER	V = 600
D = ARIES	J = CARAVELLE	V24 = DAYTONA
D44 = LANCER	K = MINI VAN/CARAVAN/ROYAL	Z = OMNI/CHARGER

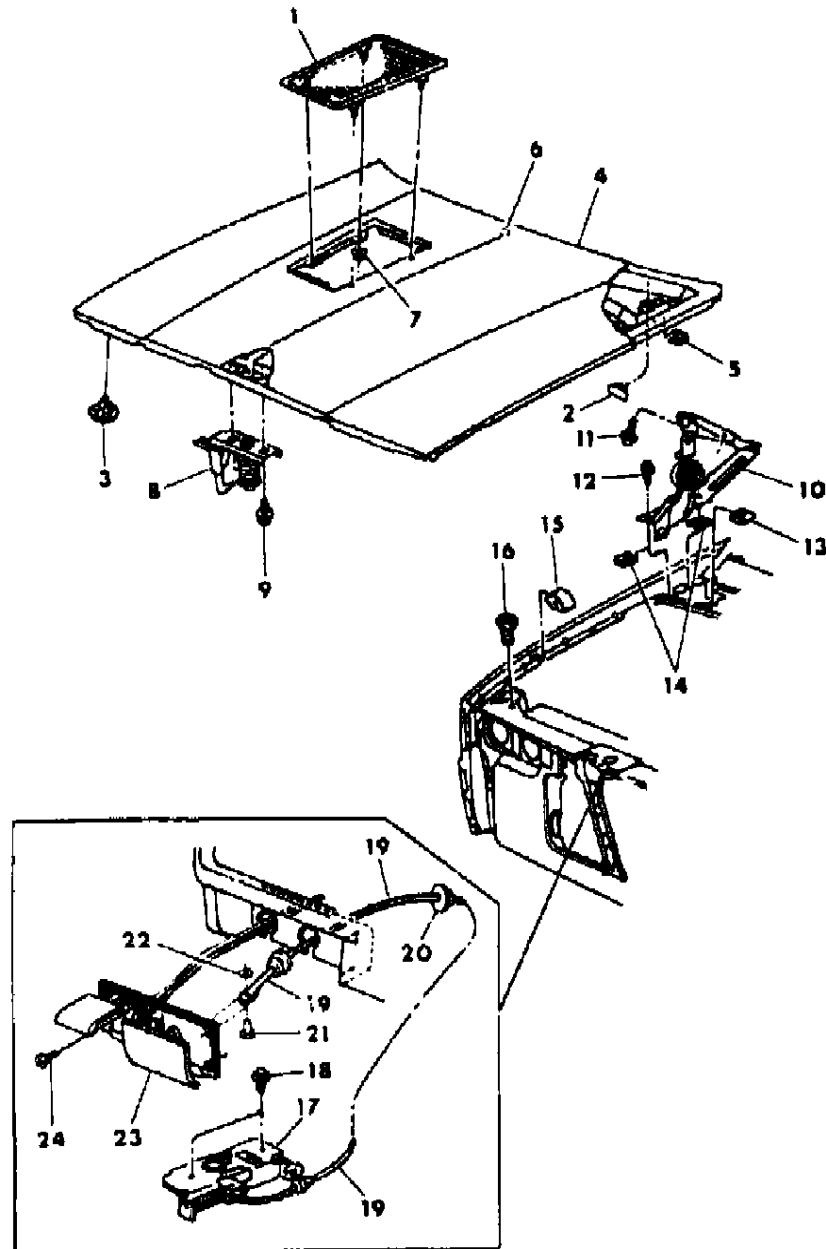
BODY STYLES

21 = 2-DOOR SEDAN	35 = FWD VAN	44 = 4-DOOR HATCHBACK
22 = 2-DOOR SPECIAL COUPE	36 = FWD WAGON	45 = 4-DOOR STATION WAGON
24 = 2-DOOR HATCHBACK	41 = 4-DOOR SEDAN	49 = LIMOUSINE
27 = 2-DOOR CONVERTIBLE		

AR = Use as Required - = Non Illustrated Part P.A.R. = Paint as Required

HOOD AND HOOD RELEASE D,C 44
Figure 23A-8300

5169 8300



ITEM	PART NUMBER	QTY	BODY	MODEL	DESCRIPTION
1	X570 DA1	1		44	LOUVER, Turbo Hood Panel
2	2895 126	2		44	PLUG, Hood Inner Panel Sealing
3	4341 060	16		44	FASTENER, Hood Panel Silencer
4	4049 601	AR		44	SILENCER MATERIAL, Hood Panel, Cut to Fit, 36" x 72"
	4341 808	1		44	PANEL, Hood, w/o Turbo
5	4341 809	1		44	w/Turbo
	4341 675	2		44	SEAL, Hood to Fender Ledge
6	4206 515	1		44	PLUG, Hood Inner Panel Drain Hole
7		4		44	NUT and WASHER, Not Serviced
8	4341 896	1		44	STRIKER and SAFETY CATCH, Hood
9	6100 566	2		44	SCREW and WASHER
10	4296 170-1	1		44	HINGE, Hood
11		4		44	SCREW, w/Washer M6 x 25 mm (Not Serviced)
12		4		44	SCREW, w/Washer M6 x 30 mm (Not Serviced)
13	6100 041	4		44	U-NUT
14	4341 468	AR		44	SHIM, Hood Hinge to Body
15	4103 968	2		44	BUMPER, Fender Hood Side
16	4103 165	2		44	BUMPER, Crossmember to Hood
17	4296 593	1		44	LATCH ASSEMBLY, w/Plate & Locator
		1		44	REINFORCEMENT, Crossmember Rad. Closure Panel Latch (See Group 7)
18	6100 566	2		44	SCREW and WASHER
	6501 152	10		44	PLUG
	6501 387	2		44	RETAINER
19	4296 712	1		44	CABLE, Hood Latch Release Handle
20	5207 294	1		44	GROMMET, Hood Latch Release Cable
21	4054 965	1		44	PIN, Hood Latch Release Cable Handle Retaining
22	6031 147	1		44	NUT, Push
23	P400 DX9	1		44	HANDLE, Park Brake & Hood Latch Release, Black
	P400 DM6	1		44	Red
	P400 DS8	1		44	Charcoal
	P400 DT5	1		44	Tan
24		4		44	SCREW, #8-15 x .625" (Not Serviced)

NOTE: The Following Items Are Not Shown On Illustration. 22 Model). Sheet metal parts for the C 49 not found on this illustration should be specified from the C 22 Models, as found elsewhere in this group.

4341 587	1	44	DEFLECTOR, Hood Turbo Louver Water Tray
----------	---	----	---

MODEL CODES

B = GRAN FURY	E = 600	M = HORIZON/TURISMO
C = LE BARON/TOWN & COUNTRY/LIMO	F = FIFTH AVENUE/NEWPORT	P = RELIANT
C24 = LASER	G = DIPLOMAT	T = NEW YORKER
C44 = LE BARON/GTS	H = VOYAGER	V = 600
D = ARIES	J = CARAVELLE	V24 = DAYTONA
D44 = LANCER	K = MINI VAN/CARAVAN/ROYAL	Z = OMNI/CHARGER

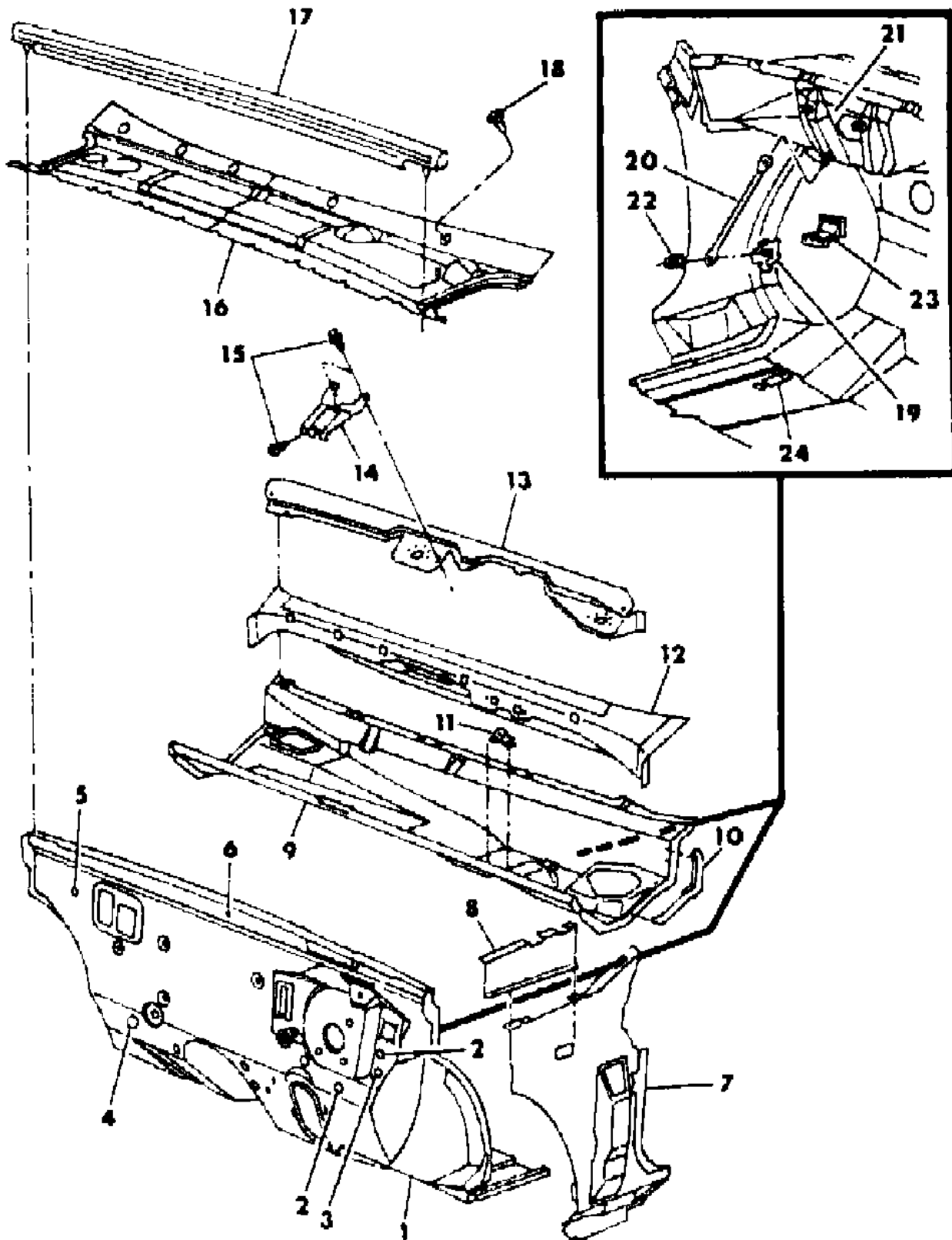
BODY STYLES

21 = 2-DOOR SEDAN	35 = FWD VAN	44 = 4-DOOR HATCHBACK
22 = 2-DOOR SPECIAL COUPE	36 = FWD WAGON	45 = 4-DOOR STATION WAGON
24 = 2-DOOR HATCHBACK	41 = 4-DOOR SEDAN	49 = LIMOUSINE
27 = 2-DOOR CONVERTIBLE		

AR = Use as Required - = Non Illustrated Part P.A.R. = Paint as Required

COWL AND DASH PANEL D,C 44
Figure 23A-8400

5169 8400



ITEM	PART NUMBER	QTY	BODY	MODEL	DESCRIPTION
1					PANEL, Dash
	4337 387	1	44		w/A.C.
	4337 386	1	44		w/o A.C.
2	3445 939	2	44		PLUG, .906" Dia./23 mm
3	2860 332	1	44		PLUG, .500" Dia./13 mm
4	5200 456	1	44		PLUG, 2.75" Dia./70 mm
5	2483 571	1	44		PLUG, 2.50" Dia./63 mm
6	4206 515	1	44		PLUG, .430" Dia./11 mm
7	4371 104-5	1	44		PANEL, Cowl Side
8	4314 546-7	1	44		REINFORCEMENT, Cowl Side Panel Hood Hinge
9	4337 124	1	44		PANEL and SCREW, Cowl Plenum
10					SEAL and RETAINER, Plenum to Cowl Side
	4371 365	1	44		Left
	4371 366	1	44		Right
	3759 944	6	44		RETAINER, Cowl Plenum to Cowl Side Seal
11	4337 249	1	44		BRACKET, Cowl Plenum Panel Lower Wiper Motor Mounting
12	4337 004	1	44		REINFORCEMENT, Cowl Plenum Panel
13	4337 379	1	44		SUPPORT, Cowl Top Screen Mounting
14	4337 370	1	44		SUPPORT, Cowl Top Support to Dash Panel Wiper Pivot
15		3	44		SCREW, w/Washer M6 x 20 mm (Not Serviced)
16	4337 855	1	44		SCREEN, Cowl Top
17	4337 248	1	44		SEAL, Dash Panel to Hood
	3759 944	11	44		RETAINER
18		5	44		SCREW, #8-18 x .500" (Not Serviced)
	6501 152	5	44		PLUG, Cowl Top Screen
	6501 387	AR			RETAINER, Cowl Top Screen
19	4206 641	1	44		BRACKET, Dash to Plenum Panel Brace Mounting, Left
20	4314 879	1	44		BRACE, Dash to Plenum Panel, Left
21	4278 979	1	44		SUPPORT, Cowl Plenum Steering Column Bracket
22	6500 532	2	44		NUT and WASHER
23	4248 703	1	44		BRACKET, Floor Panel Footrest Mounting Upper
24	5200 384	1	44		SEAL, Park Brake Cable
		3	44		SCREW, Seal Mounting, #10-16 x .375" (Not Serviced)

MODEL CODES

B = GRAN FURY	E = 600	M = HORIZON/TURISMO
C = LE BARON/TOWN & COUNTRY/LIMO	F = FIFTH AVENUE/NEWPORT	P = RELIANT
C24 = LASER	G = DIPLOMAT	T = NEW YORKER
C44 = LE BARON/GTS	H = VOYAGER	V = 600
D = ARIES	J = CARAVELLE	V24 = DAYTONA
D44 = LANCER	K = MINI VAN/CARAVAN/ROYAL	Z = OMNI/CHARGER

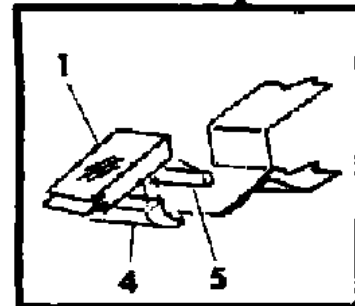
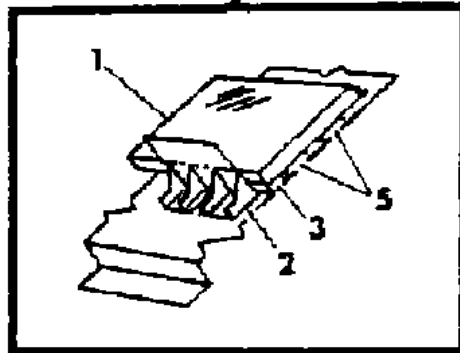
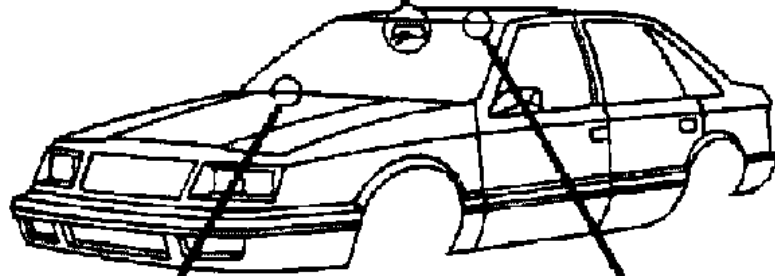
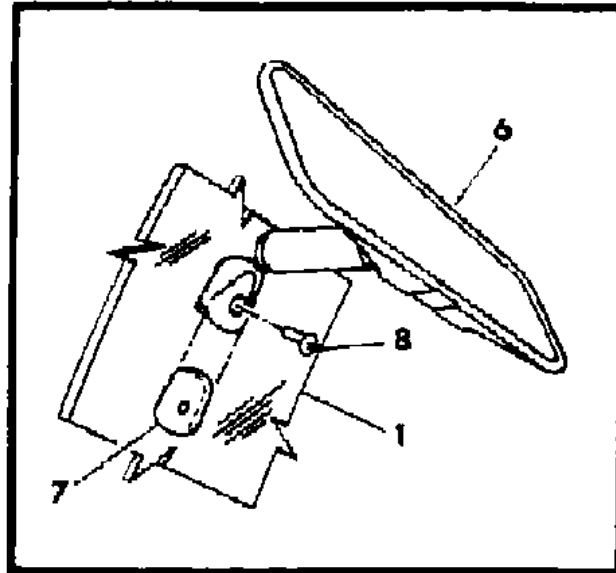
BODY STYLES

21 = 2-DOOR SEDAN	35 = FWD VAN	44 = 4-DOOR HATCHBACK
22 = 2-DOOR SPECIAL COUPE	36 = FWD WAGON	45 = 4-DOOR STATION WAGON
24 = 2-DOOR HATCHBACK	41 = 4-DOOR SEDAN	49 = LIMOUSINE
27 = 2-DOOR CONVERTIBLE		

AR = Use as Required - = Non Illustrated Part P.A.R. = Paint as Required

GLASS WINDSHIELD D,C 44
Figure 23A-8500

5169 8500



ITEM	PART NUMBER	QTY	BODY	MODEL	DESCRIPTION
------	-------------	-----	------	-------	-------------

NOTE: GLASS, WINDSHIELD - ORDER FROM YOUR LOCAL "MOPAR" GLASS DISTRIBUTOR (22 Model). Sheet metal parts for the C 49 not found on this illustration should be specified from the C 22 Models, as found elsewhere in this group.

1	4278 901	1	44		GLASS, Windshield, Clear
	4278 986	1	44		Tinted
2	4206 543	2	44		SPACER, Windshield Glass Lower
	3767 767	AR	44		SHIM, Windshield Glass Spacer, Lower (.07")
3		6	44		SPACER, Windshield Glass Support (Not Serviced)
4	4206 848	AR	44		DAM, Windshield Glass Adhesive (119")
5		AR	44		POLYURETHANE, Windshield (Serviced in Package #4267906)
6					MIRROR, Inside Rear View
	5207 117	1	44		Up To 10/1/84
	4299 321	1	44		After 10/1/84
7	4054 066	1	44		BUTTON, Inside Rear View Mirror Mounting
	4293 039	AR	44		ADHESIVE PACKAGE, Inside Rear View Mirror Button (Includes Adhesive & Instructions)
8	6031 094	1	44		SCREW

NOTE: The following items are not shown on illustration. 22 Model). Sheet metal parts for the C 49 not found on this illustration should be specified from the C 22 Models, as found elsewhere in this group.

	4267 906	1	44		FIXED GLASS REPAIR PACKAGE, Polyurethane
CONSISTS OF:					
					1- ----- Polyurethane, 11.5 oz.
					1- ----- Fence Primer, 1 oz.
					1- ----- Glass Wipe-Off Primer, 1 oz.
					1- ----- Glass Black-Out Primer, 1 oz.
					3- ----- Dabbers
					1- ----- Nozzle

MODEL CODES

B = GRAN FURY	E = 600	M = HORIZON/TURISMO
C = LE BARON/TOWN & COUNTRY/LIMO	F = FIFTH AVENUE/NEWPORT	P = RELIANT
C24 = LASER	G = DIPLOMAT	T = NEW YORKER
C44 = LE BARON/GTS	H = VOYAGER	V = 600
D = ARIES	J = CARAVELLE	V24 = DAYTONA
D44 = LANCER	K = MINI VAN/CARAVAN/ROYAL	Z = OMNI/CHARGER

BODY STYLES

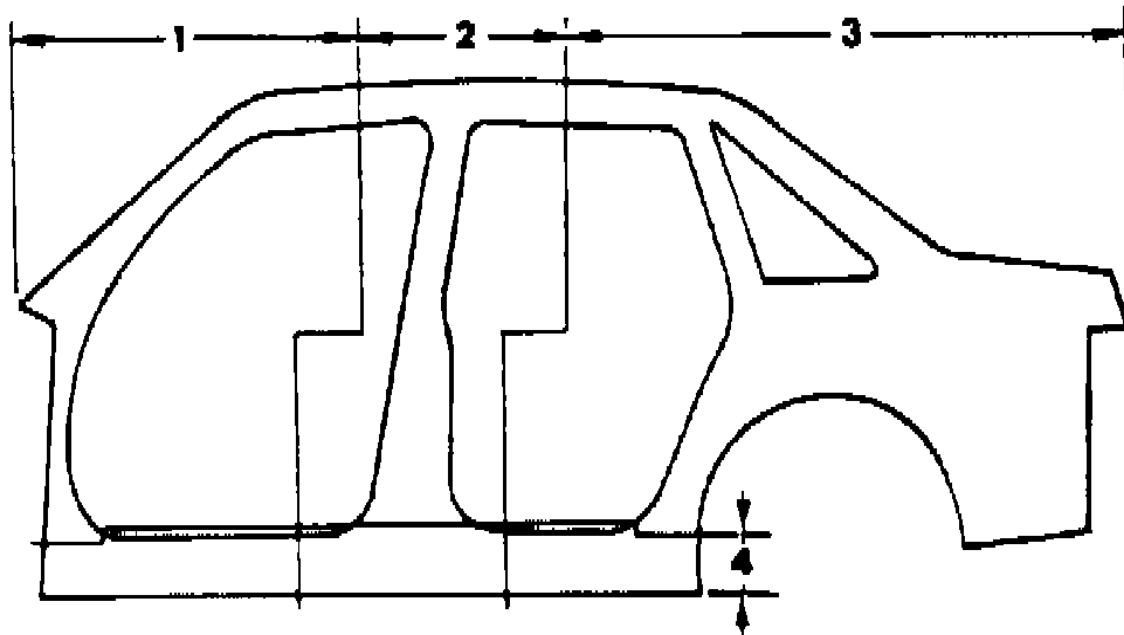
21 = 2-DOOR SEDAN	35 = FWD VAN	44 = 4-DOOR HATCHBACK
22 = 2-DOOR SPECIAL COUPE	36 = FWD WAGON	45 = 4-DOOR STATION WAGON
24 = 2-DOOR HATCHBACK	41 = 4-DOOR SEDAN	49 = LIMOUSINE
27 = 2-DOOR CONVERTIBLE		

AR = Use as Required - = Non Illustrated Part P.A.R. = Paint as Required

APERTURE PANEL D,C 44
Figure 23A-8600

5169 8600

ITEM	PART NUMBER	QTY	BODY	MODEL	DESCRIPTION
1	4278 982-3	1		44	PANEL, Body Side Aperture, Frt.
2	4278 984-5	1		44	PANEL, Body Side Aperture, Ctr.
3	4278 980-1	1		44	PANEL, Body Side Aperture, Rear
4	4337 536-7	1		44	PANEL, Body Side Aperture, Sill Outer



MODEL CODES

B = GRAN FURY	E = 600	M = HORIZON/TURISMO
C = LE BARON/TOWN & COUNTRY/LIMO	F = FIFTH AVENUE/NEWPORT	P = RELIANT
C24 = LASER	G = DIPLOMAT	T = NEW YORKER
C44 = LE BARON/GTS	H = VOYAGER	V = 600
D = ARIES	J = CARAVELLE	V24 = DAYTONA
D44 = LANCER	K = MINI VAN/CARAVAN/ROYAL	Z = OMNI/CHARGER

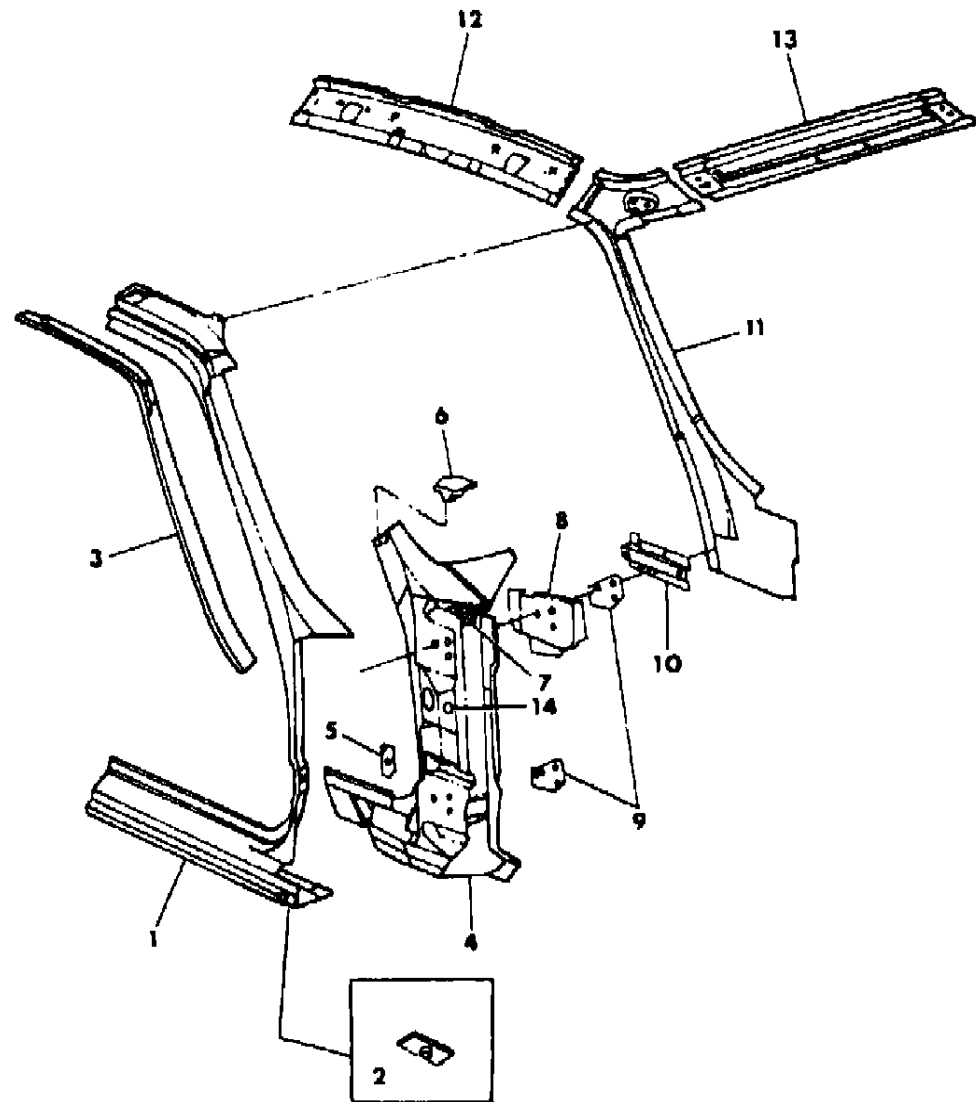
BODY STYLES

21 = 2-DOOR SEDAN	35 = FWD VAN	44 = 4-DOOR HATCHBACK
22 = 2-DOOR SPECIAL COUPE	36 = FWD WAGON	45 = 4-DOOR STATION WAGON
24 = 2-DOOR HATCHBACK	41 = 4-DOOR SEDAN	49 = LIMOUSINE
27 = 2-DOOR CONVERTIBLE		

AR = Use as Required - = Non Illustrated Part P.A.R. = Paint as Required

BODY FRONT PILLAR D,C 44
Figure 23A-8700

5169 8700



ITEM	PART NUMBER	QTY	BODY	MODEL	DESCRIPTION
1	4278 982-3	1		44	PANEL, Body Side Aperture, Front
2	4314 277	2		44	PLATE, Body Side Aperture Jack Locator
3	4278 906-7	1		44	TROUGH, Roof Side Drain
4		1		44	PILLAR, Body Front Hinge (4278904-5 Not Serviced)
5	4206 553	2		44	SUPPORT, Front Hinge Pillar to Fender Mounting
6	4337 018-9	1		44	SEAL, Body Front Hinge Pillar to Windshield Opening Side Frame
7	4337 856	2		44	SEAL, Body Front Hinge Pillar to Iso-Strut Tower Extension
8		1		44	REINFORCEMENT, Body Front Hinge Pillar Upper, Right (4314894 Not Serviced)
	4314 967	1		44	REINFORCEMENT, Body Front Hinge Pillar Upper Left
9	4314 558-9	2		44	PLATE, Body Front Hinge Pillar Hinge
10	#4337 026-7	1		44	REINFORCEMENT, Windshield Opening Side Frame
11	4278 888-9	1		44	FRAME, Windshield Side Inner
12	4314 008-9	1		44	RAIL, Roof Side Inner
13	4314 203	1		44	FRAME, Windshield Opening Upper Outer
14	2860 332	1		44	PLUG, Body Front Hinge Pillar Antenna Hole
NOTE: The following items are not shown on illustration. 22 Model). Sheet metal parts for the C 49 not found on this illustration should be specified from the C 22 Models, as found elsewhere in this group.					
	5200 456	2		44	PLUG, Body Front Hinge Pillar Wiring Hole

MODEL CODES

B = GRAN FURY	E = 600	M = HORIZON/TURISMO
C = LE BARON/TOWN & COUNTRY/LIMO	F = FIFTH AVENUE/NEWPORT	P = RELIANT
C24 = LASER	G = DIPLOMAT	T = NEW YORKER
C44 = LE BARON/GTS	H = VOYAGER	V = 600
D = ARIES	J = CARAVELLE	V24 = DAYTONA
D44 = LANCER	K = MINI VAN/CARAVAN/ROYAL	Z = OMNI/CHARGER

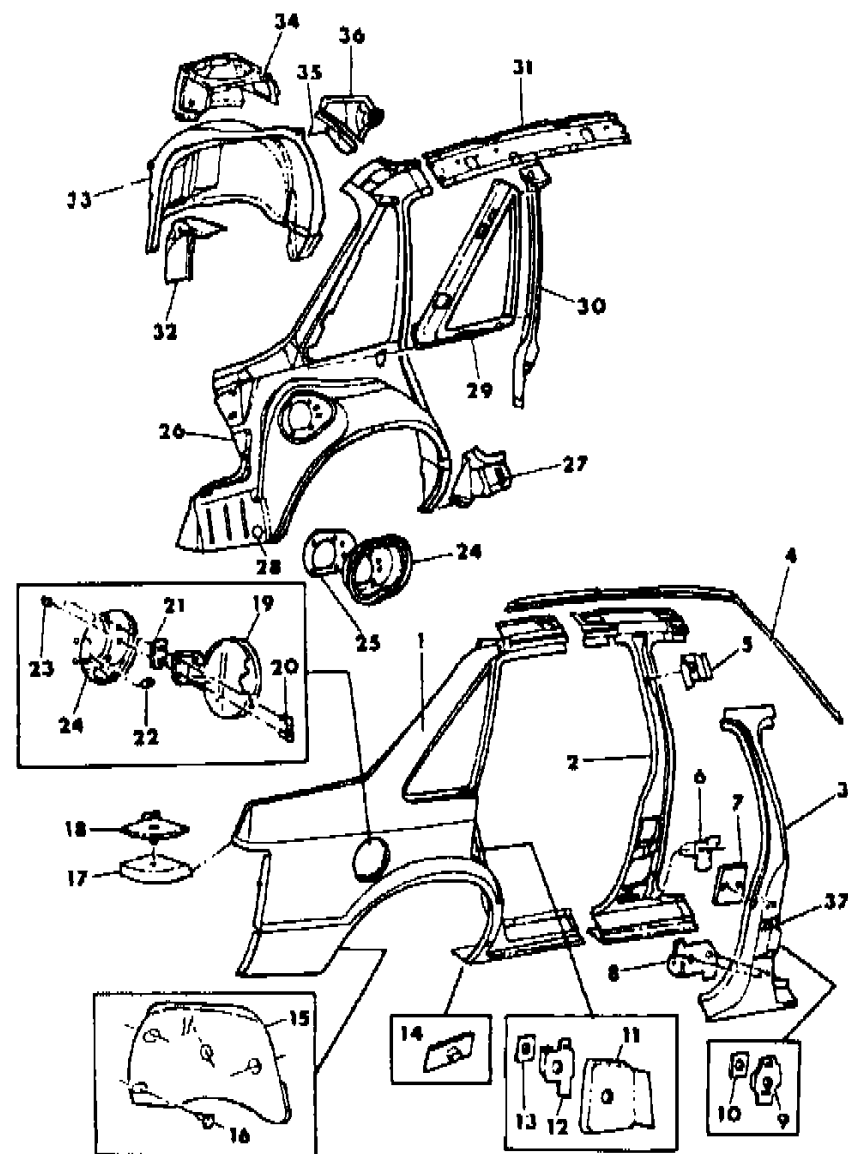
BODY STYLES

21 = 2-DOOR SEDAN	35 = FWD VAN	44 = 4-DOOR HATCHBACK
22 = 2-DOOR SPECIAL COUPE	36 = FWD WAGON	45 = 4-DOOR STATION WAGON
24 = 2-DOOR HATCHBACK	41 = 4-DOOR SEDAN	49 = LIMOUSINE
27 = 2-DOOR CONVERTIBLE		

AR = Use as Required - = Non Illustrated Part P.A.R. = Paint as Required

BODY REAR QUARTER D,C 44
Figure 23A-8800

5189 8800



ITEM	PART NUMBER	QTY	BODY	MODEL	DESCRIPTION
1	4278 980-1	1		44	PANEL, Body Side Aperture, Rear
2	4278 984-5	1		44	PANEL, Body Side Aperture, Center
3	4280 692-3	1		44	PILLAR, Body Center Outer
4	4278 906-7	1		44	TROUGH, Roof Side Drain
5	4314 815	2		44	REINFORCEMENT, Body Side Aperture Front Shoulder Belt Mounting
6	4314 814	2		44	REINFORCEMENT, Body Side Aperture Seat Belt Anchor Lower
7	4314 762	2		44	T-PLATE, Rear Door Upper Hinge
8	4371 119	2		44	T-PLATE, Rear Door Lower Hinge
9	4134 972	2		44	RETAINER, Body Center Outer Pillar Door Latch Striker T/Plate
10	4314 743	2		44	T-PLATE, Front Door Latch Striker
11	4337 744-5	1		44	REINFORCEMENT, Body Side Aperture Rear Door Latch Striker Includes Item 12
12		2		44	RETAINER, Body Side Aperture Rear Door Latch Striker T/Plate (Serviced in Item #11)
13	4314 743	2		44	T-PLATE, Rear Door Latch Striker
14	4314 277	2		44	PLATE, Body Side Aperture Jack Locator
15	4337 036-7	1		44	SHIELD, Rear Wheelhouse Front Appearance
16		8		44	SCREW, #10-16 x .500" (Not Serviced)
17	4314 020-1	1		44	EXTENSION, Liftgate Opening Lower Panel Upper
18	4371 196-7	1		44	SEAL and SHIELD, Liftgate Opening Lower Panel Upper
19	3759 944	2		44	RETAINER
20	4371 081	1		44	DOOR, Body Side Aperture Fuel Filler
21	1626 749	1		44	RETAINER, Fuel Filler Door Hinge
22	4337 155	1		44	PLATE, w/Screw Fuel Filler Door Hinge Mounting
23	4337 145	AR		44	SHIM, Body Side Aperture Fuel Filler Door
24	4337 144	2		44	BUMPER, Body Side Aperture Fuel Filler Door
25	6032 641	2		44	NUT and WASHER
26	4341 818-9	1		44	REINFORCEMENT, Body Side Aperture Fuel Filler Door Mounting Up To 10/10/84
27	4371 124	1		44	REINFORCEMENT, Body Side Aperture Fuel Filler Door Mounting After 10/10/84
28		1			ADHESIVE, w/Fastener Quarter Inner Reinforcement Gasket 4337029 Not Serviced
29	4341 818-9	1		44	PANEL, Quarter Inner & Wheelhouse Outer
30		1		44	REINFORCEMENT, Quarter Inner Panel Sill Jacking (4296726-7 Not Serviced)

MODEL CODES

B = GRAN FURY	E = 600	M = HORIZON/TURISMO
C = LE BARON/TOWN & COUNTRY/LIMO	F = FIFTH AVENUE/NEWPORT	P = RELIANT
C24 = LASER	G = DIPLOMAT	T = NEW YORKER
C44 = LE BARON/GTS	H = VOYAGER	V = 600
D = ARIES	J = CARAVELLE	V24 = DAYTONA
D44 = LANCER	K = MINI VAN/CARAVAN/ROYAL	Z = OMNI/CHARGER

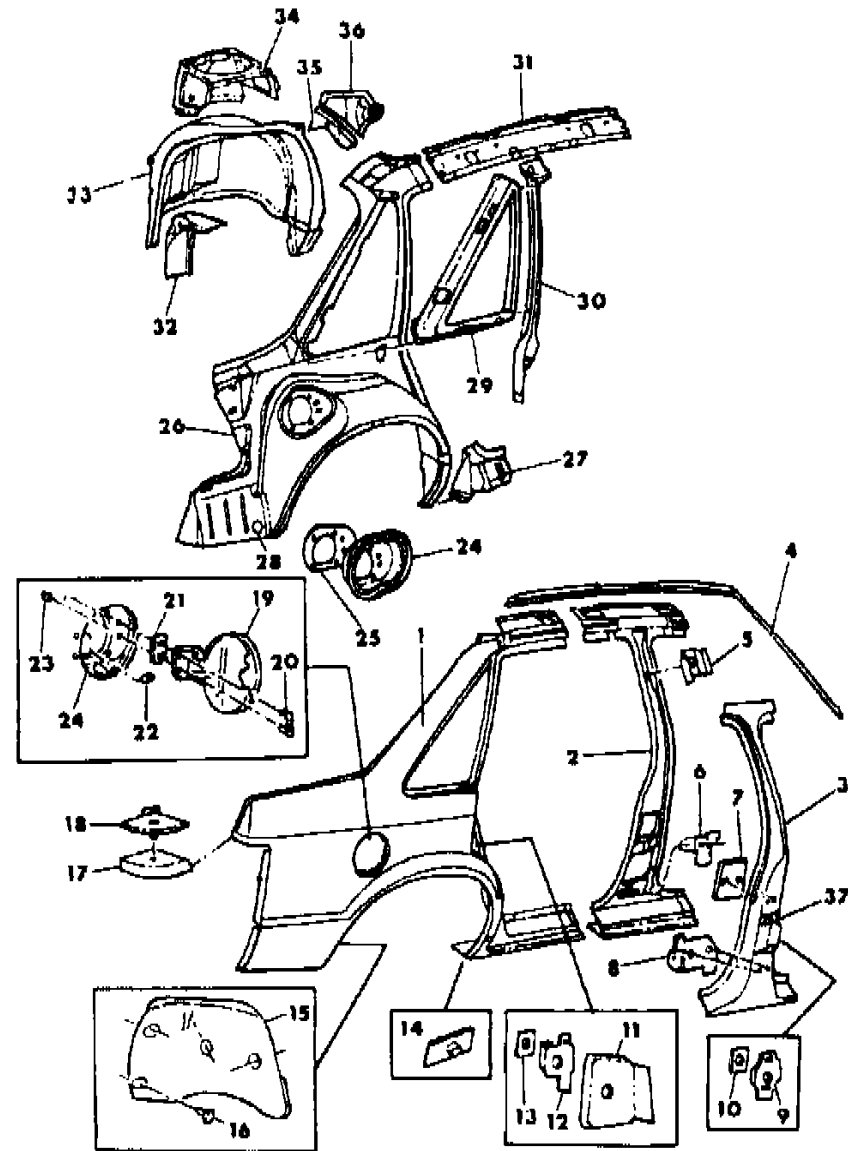
BODY STYLES

21 = 2-DOOR SEDAN	35 = FWD VAN	44 = 4-DOOR HATCHBACK
22 = 2-DOOR SPECIAL COUPE	36 = FWD WAGON	45 = 4-DOOR STATION WAGON
24 = 2-DOOR HATCHBACK	41 = 4-DOOR SEDAN	49 = LIMOUSINE
27 = 2-DOOR CONVERTIBLE		

AR = Use as Required - = Non Illustrated Part P.A.R. = Paint as Required

BODY REAR QUARTER D,C 44
Figure 23A-8800

5189 8800



ITEM	PART NUMBER	QTY	BODY	MODEL	DESCRIPTION
28	4073 485	2		44	PLUG, 1.50" Dia./38mm
29	4314 190-1	1		44	REINFORCEMENT, Quarter Inner Panel Quarter Window
30	4314 026-7	1		44	SUPPORT, Quarter Inner Panel to Body Side Aperture
31	4314 008-9	1		44	RAIL, Roof Side Inner
32	4134 686-7	1		44	REINFORCEMENT, Wheelhouse Inner Panel Shock Absorber Mounting
33	4278 894-5	1		44	PANEL, Rear Wheelhouse Inner
34	4296 910-1	1		44	EXTENSION, Shelf Panel
35	4296 754-5	1		44	GUSSET, Rear Wheelhouse Inner to Rear Seat Back Pivot Lower
36	4341 028-9	1		44	GUSSET, Rear Wheelhouse Inner to Rear Seat Back Pivot Upper
37	2480 957	2		44	PLUG, 1.00" Dia./25.4mm

MODEL CODES

B = GRAN FURY	E = 600	M = HORIZON/TURISMO
C = LE BARON/TOWN & COUNTRY/LIMO	F = FIFTH AVENUE/NEWPORT	P = RELIANT
C24 = LASER	G = DIPLOMAT	T = NEW YORKER
C44 = LE BARON/GTS	H = VOYAGER	V = 600
D = ARIES	J = CARAVELLE	V24 = DAYTONA
D44 = LANCER	K = MINI VAN/CARAVAN/ROYAL	Z = OMNI/CHARGER

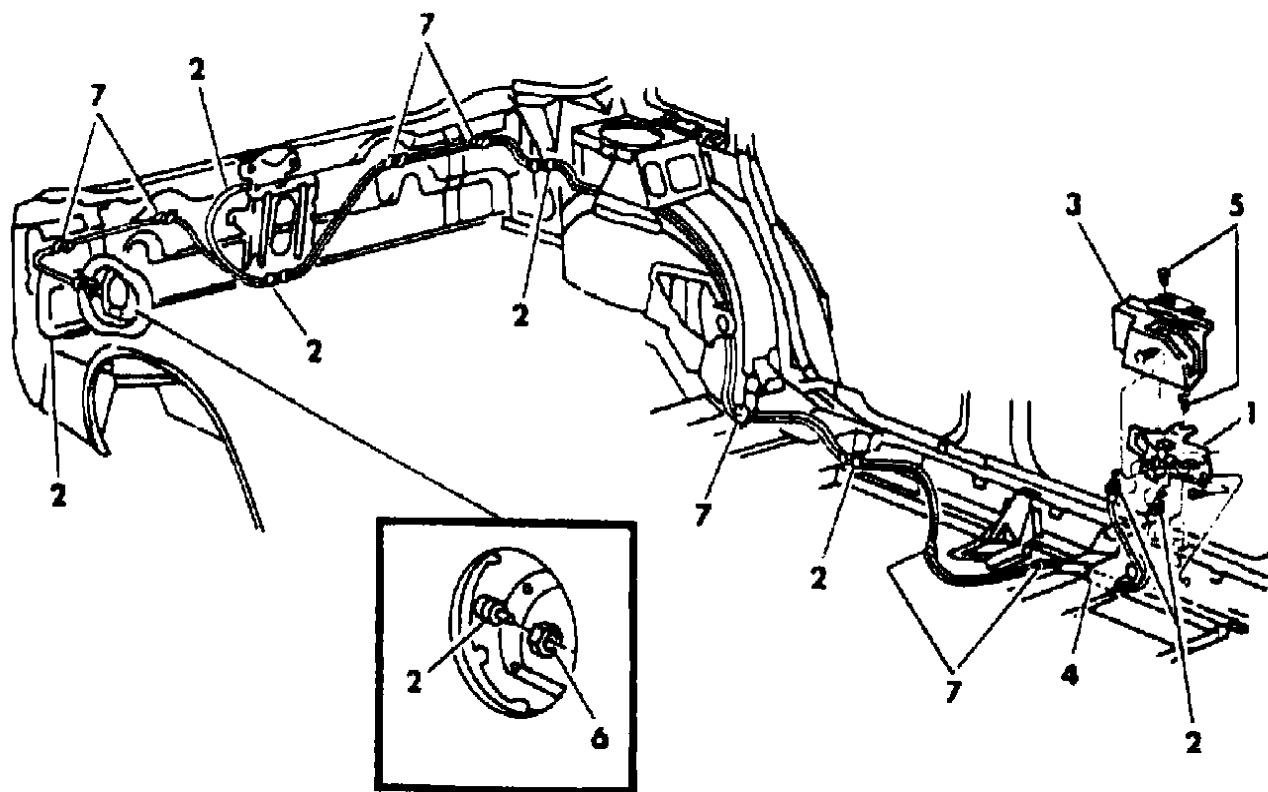
BODY STYLES

21 = 2-DOOR SEDAN	35 = FWD VAN	44 = 4-DOOR HATCHBACK
22 = 2-DOOR SPECIAL COUPE	36 = FWD WAGON	45 = 4-DOOR STATION WAGON
24 = 2-DOOR HATCHBACK	41 = 4-DOOR SEDAN	49 = LIMOUSINE
27 = 2-DOOR CONVERTIBLE		

AR = Use as Required - = Non Illustrated Part P.A.R. = Paint as Required

FUEL FILLER AND LIFTGATE REMOTE RELEASE D,C 44
Figure 23A-8900

5169 8900



ITEM	PART NUMBER	QTY	BODY	MODEL	DESCRIPTION
1					HANDLE, Fuel Filler & Liftgate Remote Release
	4337 195	1	44		Up to 12-3-84
	4371 488	1	44		After 12-3-84
2	4337 384	1	44		CABLE, Fuel Filler & Liftgate Remote Release (Includes Auxilliary Release Cable)
3	S990 DM6	1	44		COVER, Fuel Filler & Liftgate Remote Release Handle, Red
	S990 DS8	1	44		Charcoal
	S990 DT5	1	44		Tan
	S990 DX9	1	44		Black
4	4371 202	1	44		CONDUIT, Fuel Filler & Liftgate Remote Release Cable
5	6032 456	5	44		SCREW
6		1	44		NUT, M12 x 1.75" (Not Serviced)
7		AR	44		CLIPS, Not Serviced

MODEL CODES

B = GRAN FURY	E = 600	M = HORIZON/TURISMO
C = LE BARON/TOWN & COUNTRY/LIMO	F = FIFTH AVENUE/NEWPORT	P = RELIANT
C24 = LASER	G = DIPLOMAT	T = NEW YORKER
C44 = LE BARON/GTS	H = VOYAGER	V = 600
D = ARIES	J = CARAVELLE	V24 = DAYTONA
D44 = LANCER	K = MINI VAN/CARAVAN/ROYAL	Z = OMNI/CHARGER

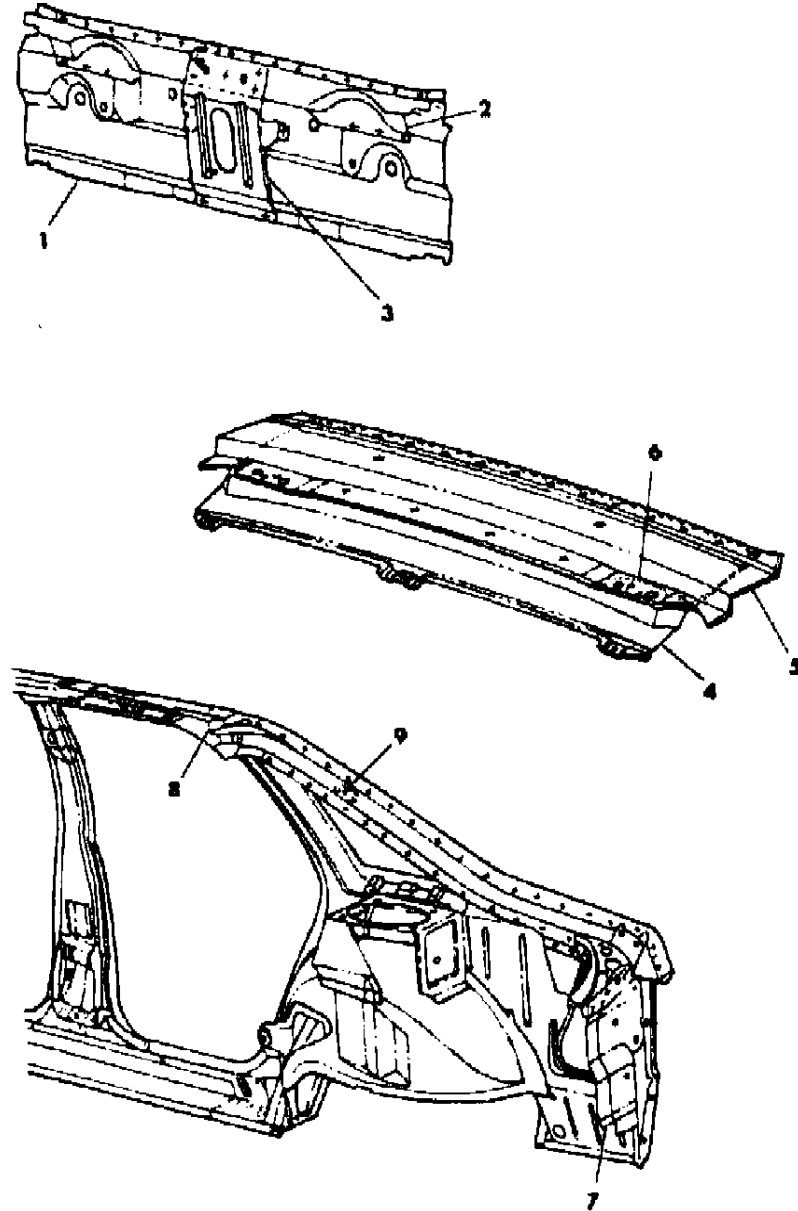
BODY STYLES

21 = 2-DOOR SEDAN	35 = FWD VAN	44 = 4-DOOR HATCHBACK
22 = 2-DOOR SPECIAL COUPE	36 = FWD WAGON	45 = 4-DOOR STATION WAGON
24 = 2-DOOR HATCHBACK	41 = 4-DOOR SEDAN	49 = LIMOUSINE
27 = 2-DOOR CONVERTIBLE		

AR = Use as Required - = Non Illustrated Part P.A.R. = Paint as Required

LIFTGATE OPENING D,C 44
Figure 23A-9000

5163 9000



ITEM	PART NUMBER	QTY	BODY	MODEL	DESCRIPTION
1	4278 896	1		44	PANEL, Liftgate Opening Lower
2	4278 897	1		44	REINFORCEMENT, Liftgate Opening Lower Panel
3	4314 024	1		44	SUPPORT, Liftgate Opening Lower Panel Latch
4	4314 004	1		44	FRAME, Liftgate Opening Upper
5	4314 005	1		44	REINFORCEMENT, Liftgate Opening Upper Frame
6	4314 002	2		44	REINFORCEMENT, Liftgate Opening Upper Frame Hinge Mounting
7	4314 018-9	1		44	EXTENSION, Liftgate Opening Lower Panel Lower
8	4371 120-1	1		44	TROUGH, Body Side Aperture Liftgate Drain
9	4336 398	2		44	REINFORCEMENT, L/Gate Trough Prop Attach.

MODEL CODES

B = GRAN FURY	E = 600	M = HORIZON/TURISMO
C = LE BARON/TOWN & COUNTRY/LIMO	F = FIFTH AVENUE/NEWPORT	P = RELIANT
C24 = LASER	G = DIPLOMAT	T = NEW YORKER
C44 = LE BARON/GTS	H = VOYAGER	V = 600
D = ARIES	J = CARAVELLE	V24 = DAYTONA
D44 = LANCER	K = MINI VAN/CARAVAN/ROYAL	Z = OMNI/CHARGER

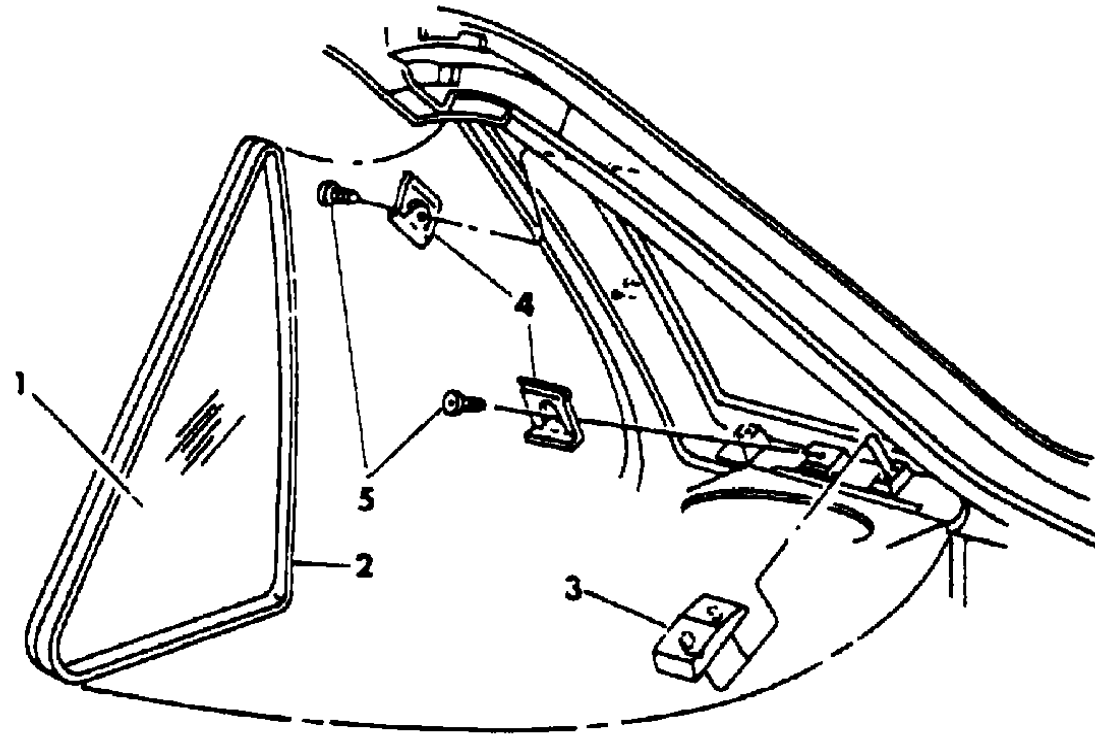
BODY STYLES

21 = 2-DOOR SEDAN	35 = FWD VAN	44 = 4-DOOR HATCHBACK
22 = 2-DOOR SPECIAL COUPE	36 = FWD WAGON	45 = 4-DOOR STATION WAGON
24 = 2-DOOR HATCHBACK	41 = 4-DOOR SEDAN	49 = LIMOUSINE
27 = 2-DOOR CONVERTIBLE		

AR = Use as Required - = Non Illustrated Part P.A.R. = Paint as Required

GLASS QUARTER WINDOW D,C 44
Figure 23A-9100

5169 9100



ITEM	PART NUMBER	QTY	BODY	MODEL	DESCRIPTION
1	4278 998-9	1		44	GLASS, Quarter Window, Tinted
2	4206 323	AR		44	SEAL, Butyl, Quarter Window Glass Bonding (187")
3	4337 011	8		44	SPACER, Quarter Window Glass
4	4206 852	4		44	RETAINER, Quarter Window Glass
5		4		44	SCREW, #8-18 x .625" (Not Serviced)

NOTE: The following items are not shown on illustration. 22 Model). Sheet metal parts for the C 49 not found on this illustration should be specified from the C 22 Models, as found elsewhere in this group.

4057 957	1		44	FIXED GLASS REPAIR PACKAGE, Quarter Window (Butyl) CONSISTS OF:
				1- ----- Tape,Butyl (171")
				1- ----- Primer,Glass (1 oz.)
				1- ----- Primer,Fence (2 oz.)
				2- 3674698 Spacer,Rubber (.2")
				2- 3793290 Spacer,Rubber (.3")
				2- 3767767 Shim (.07")
				2- ----- Sponges,Disposable

MODEL CODES

B = GRAN FURY	E = 600	M = HORIZON/TURISMO
C = LE BARON/TOWN & COUNTRY/LIMO	F = FIFTH AVENUE/NEWPORT	P = RELIANT
C24 = LASER	G = DIPLOMAT	T = NEW YORKER
C44 = LE BARON/GTS	H = VOYAGER	V = 600
D = ARIES	J = CARAVELLE	V24 = DAYTONA
D44 = LANCER	K = MINI VAN/CARAVAN/ROYAL	Z = OMNI/CHARGER

BODY STYLES

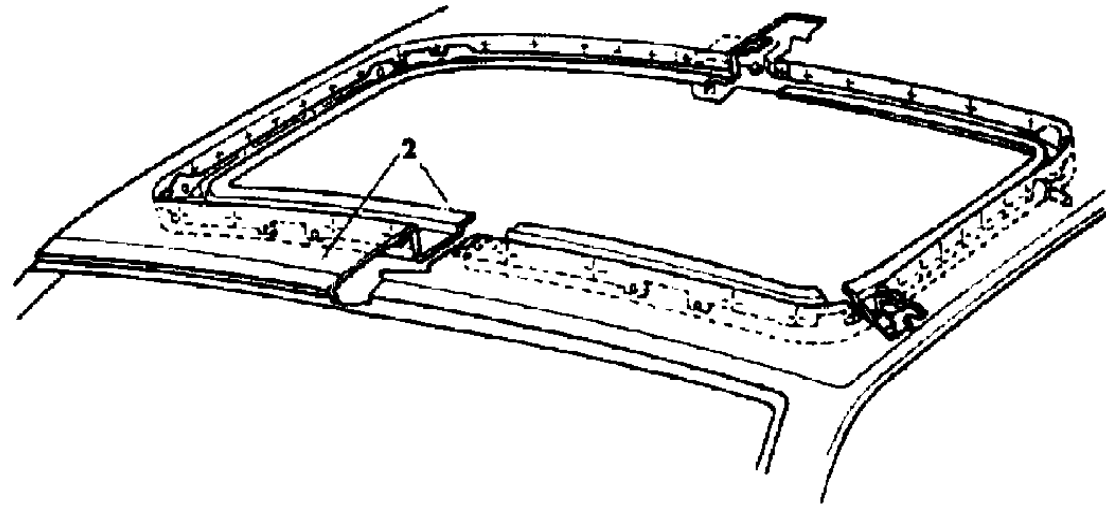
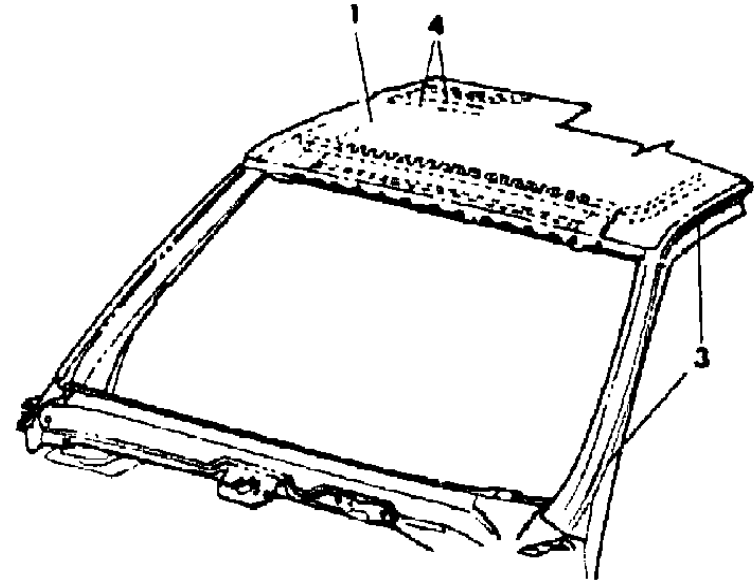
21 = 2-DOOR SEDAN	35 = FWD VAN	44 = 4-DOOR HATCHBACK
22 = 2-DOOR SPECIAL COUPE	36 = FWD WAGON	45 = 4-DOOR STATION WAGON
24 = 2-DOOR HATCHBACK	41 = 4-DOOR SEDAN	49 = LIMOUSINE
27 = 2-DOOR CONVERTIBLE		

AR = Use as Required - = Non Illustrated Part P.A.R. = Paint as Required

ROOF PANEL D,C 44
Figure 23A-9200

5169 9200

ITEM	PART NUMBER	QTY	BODY	MODEL	DESCRIPTION
1	4278 887	1		44	PANEL, Roof Outer, w/o Sunroof
2	4341 544	1		44	PANEL and TROUGH, Outer, w/Sunroof
3	4278 906-7	1		44	TROUGH, Roof Side Drain
4	4314 006	2		44	BOW, Roof



MODEL CODES

B = GRAN FURY	E = 600	M = HORIZON/TURISMO
C = LE BARON/TOWN & COUNTRY/LIMO	F = FIFTH AVENUE/NEWPORT	P = RELIANT
C24 = LASER	G = DIPLOMAT	T = NEW YORKER
C44 = LE BARON/GTS	H = VOYAGER	V = 600
D = ARIES	J = CARAVELLE	V24 = DAYTONA
D44 = LANCER	K = MINI VAN/CARAVAN/ROYAL	Z = OMNI/CHARGER

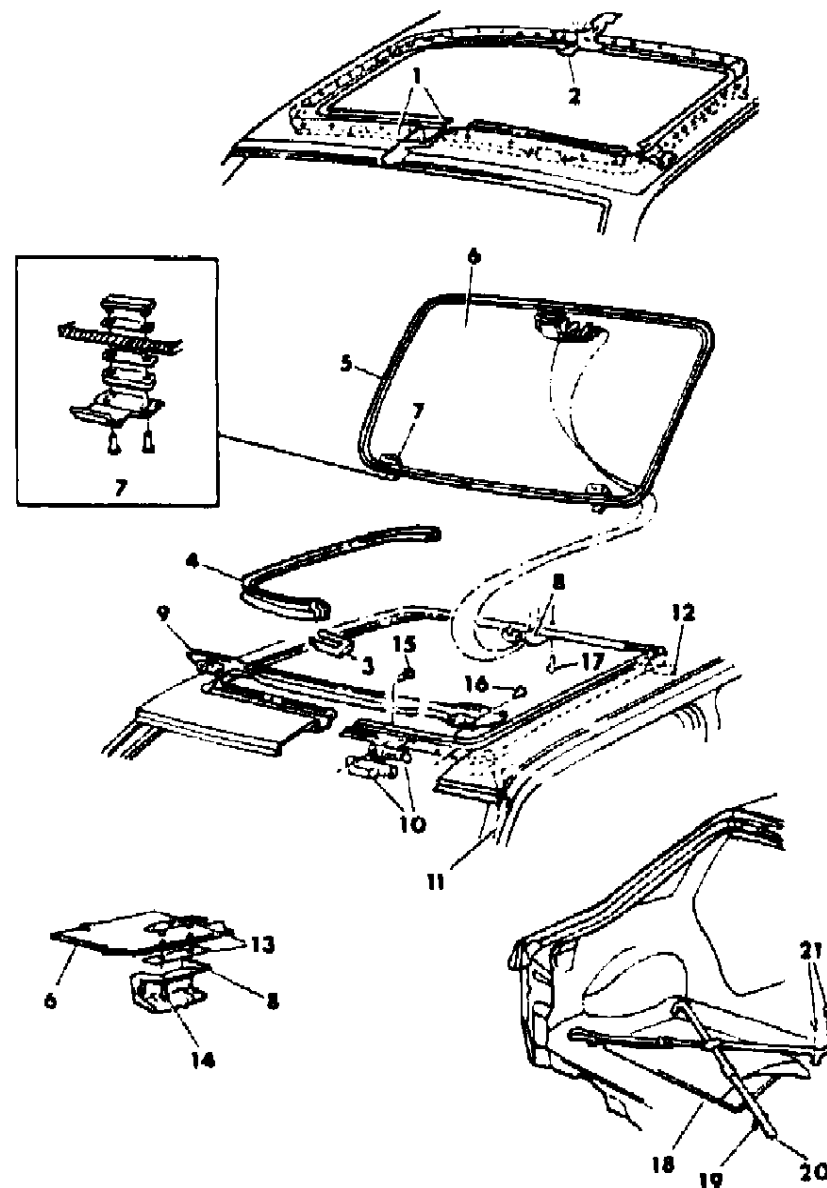
BODY STYLES

21 = 2-DOOR SEDAN	35 = FWD VAN	44 = 4-DOOR HATCHBACK
22 = 2-DOOR SPECIAL COUPE	36 = FWD WAGON	45 = 4-DOOR STATION WAGON
24 = 2-DOOR HATCHBACK	41 = 4-DOOR SEDAN	49 = LIMOUSINE
27 = 2-DOOR CONVERTIBLE		

AR = Use as Required - = Non Illustrated Part P.A.R. = Paint as Required

SUN ROOF D,C 44
Figure 23A-9300

5169 9300



ITEM	PART NUMBER	QTY	BODY	MODEL	DESCRIPTION
1	4341 544	1		44	PANEL and TROUGH, Outer w/Sunroof
2	4341 816	1		44	SUPPORT, Sunroof Drain Trough Reinforcement to Roof Bow
3	H516 DA3	1		44	WELT, Headliner Panel Sunroof Opening, Silver
	H516 DM6	1		44	Red
	H516 DT3	1		44	Tan
	H516 DX9	1		44	Black
4	4341 960	1		44	SEAL, Sunroof Primary (On Trough)
5	4172 849	1		44	SEAL, Sunroof Secondary (On Glass Panel)
6	4341 610	1		44	PANEL and FRAME, Sunroof Glass
	5207 474	1		44	PIN, Sunroof Glass Frame Connector
		AR		44	SEALER, Glass to Frame (Not Serv.)
7	4318 444	2		44	HINGE and T-PLATE, Sunroof (On Glass Panel)
	4341 340-1	1		44	SPACER, Sunroof Hinge T/Plate
		4		44	SCREW, Serviced In 4318444 Pkg.
		4		44	GROMMET, Serviced in 4318444 Pkg.
		4		44	GASKET, Serviced In 4318444 Pkg.
		2		44	HINGE, Serviced In 4318444 Pkg.
		2		44	PLATE, Serviced In 4318444 Pkg.
8	4341 532	1		44	HANDLE and BASE, Sunroof Latch
9	4341 295	1		44	DEFLECTOR, Sunroof Air
	4341 298	2		44	SCREW, Sunroof Air Deflector to Hinge
	4341 299	2		44	NUT, Sunroof Air Deflector to Hinge
	4341 530-1	1		44	HINGE, Sunroof Air Deflector
	6501 111	2		44	PIN, Sunroof Air Deflector Hinge
10	4341 402-3	1		44	RETAINER, Sunroof Panel Hinge (On Trough)
	5207 378	4		44	NUT and PLATE, Roof Sunroof Panel Retainer
11	4278 798	2		44	HOSE, Sunroof Drain, Front
12	4026 151	AR		44	HOSE, Sunroof Drain, Rear, 3/8" I.D. x 50' Roll Stock
13	4341 418	1		44	T-PLATE and GASKET, Sunroof Latch Handle
14		2		44	SCREW, Not Serviced
15		4		44	SCREW, Not Serviced
16		4		44	SCREW, Not Serviced
17		3		44	SCREW, Not Serviced
18	H609 DX7	1		44	BAG, Sunroof Stowage
19	4248 818	4		44	ANCHOR, Tie-Down Strap to Floor Pan
20	H349 CX9	1		44	STRAP, Sunroof Pnl. Stowage Tie Down
21		8		44	SCREW, Not Serviced

MODEL CODES

B = GRAN FURY	E = 600	M = HORIZON/TURISMO
C = LE BARON/TOWN & COUNTRY/LIMO	F = FIFTH AVENUE/NEWPORT	P = RELIANT
C24 = LASER	G = DIPLOMAT	T = NEW YORKER
C44 = LE BARON/GTS	H = VOYAGER	V = 600
D = ARIES	J = CARAVELLE	V24 = DAYTONA
D44 = LANCER	K = MINI VAN/CARAVAN/ROYAL	Z = OMNI/CHARGER

BODY STYLES

21 = 2-DOOR SEDAN	35 = FWD VAN	44 = 4-DOOR HATCHBACK
22 = 2-DOOR SPECIAL COUPE	36 = FWD WAGON	45 = 4-DOOR STATION WAGON
24 = 2-DOOR HATCHBACK	41 = 4-DOOR SEDAN	49 = LIMOUSINE
27 = 2-DOOR CONVERTIBLE		

AR = Use as Required - = Non Illustrated Part P.A.R. = Paint as Required

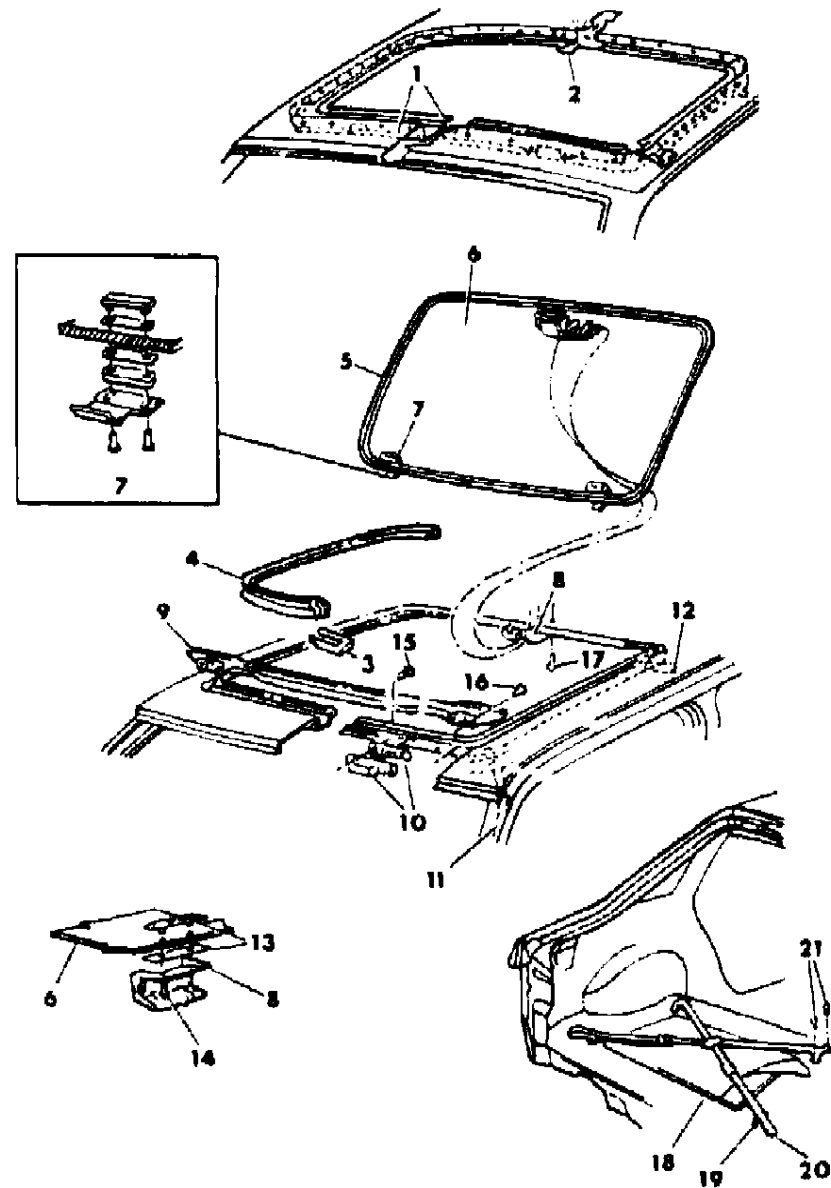
SUN ROOF D,C 44
Figure 23A-9300

ITEM	PART NUMBER	QTY	BODY	MODEL	DESCRIPTION
------	-------------	-----	------	-------	-------------

NOTE: The Following Items Are Not Shown On Illustration. 22 Model). Sheet metal parts for the C 49 not found on this illustration should be specified from the C 22 Models, as found elsewhere in this group.

6016	165	2	44		CLIP, Center Pillar Lower Door Hinge T/Plate Sun Roof Drain Hose
------	-----	---	----	--	--

5169 9300



MODEL CODES

B = GRAN FURY	E = 600	M = HORIZON/TURISMO
C = LE BARON/TOWN & COUNTRY/LIMO	F = FIFTH AVENUE/NEWPORT	P = RELIANT
C24 = LASER	G = DIPLOMAT	T = NEW YORKER
C44 = LE BARON/GTS	H = VOYAGER	V = 600
D = ARIES	J = CARAVELLE	V24 = DAYTONA
D44 = LANCER	K = MINI VAN/CARAVAN/ROYAL	Z = OMNI/CHARGER

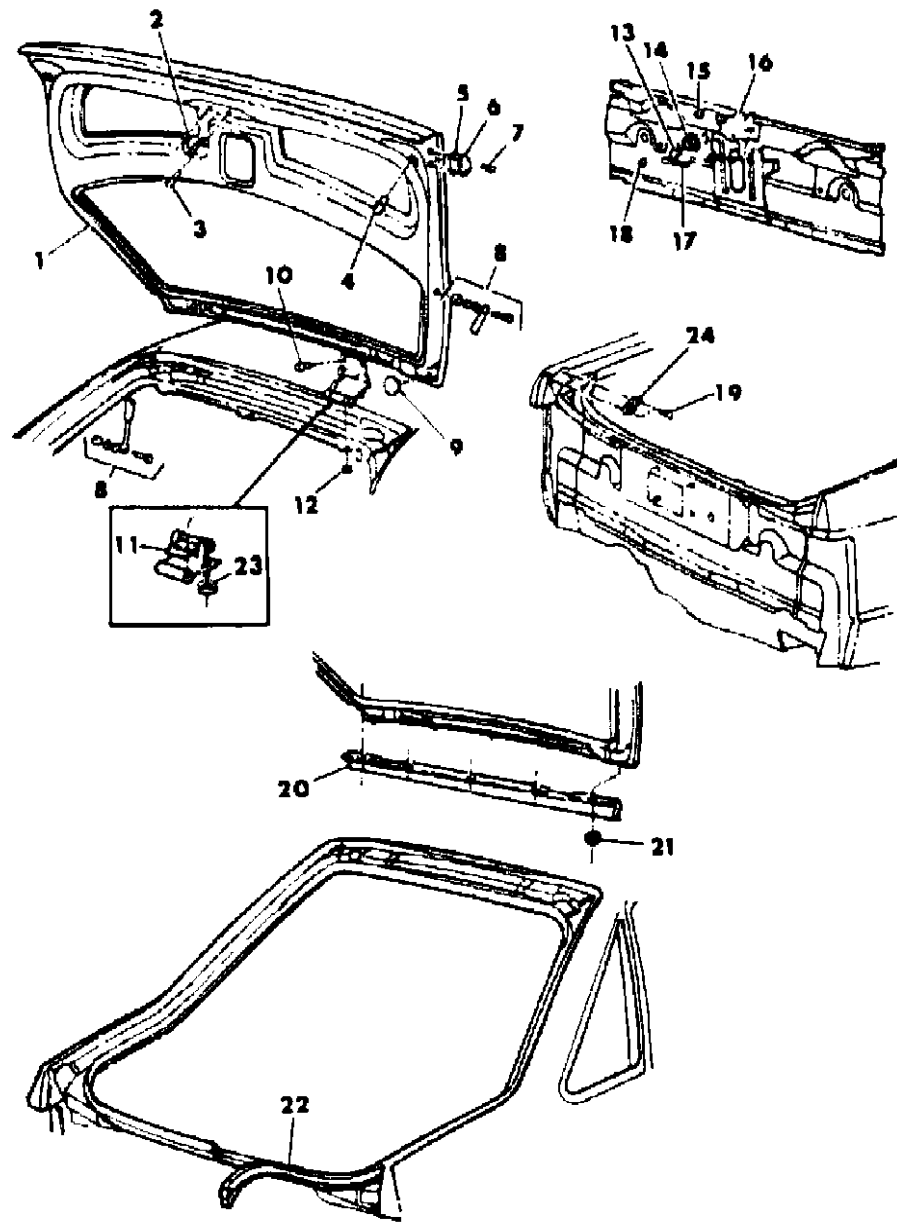
BODY STYLES

21 = 2-DOOR SEDAN	35 = FWD VAN	44 = 4-DOOR HATCHBACK
22 = 2-DOOR SPECIAL COUPE	36 = FWD WAGON	45 = 4-DOOR STATION WAGON
24 = 2-DOOR HATCHBACK	41 = 4-DOOR SEDAN	49 = LIMOUSINE
27 = 2-DOOR CONVERTIBLE		

AR = Use as Required - = Non Illustrated Part P.A.R. = Paint as Required

LIFTGATE D,C 44
Figure 23A-9400

5169 9400



ITEM	PART NUMBER	QTY	BODY	MODEL	DESCRIPTION
1	4325 035	1		44	PANEL, Liftgate
2	4246 550	1		44	STRIKER, Liftgate Latch
3	6100 592	2		44	SCREW, w/Washer Liftgate Latch Striker Mounting
4	4336 014	2		44	BUMPER, Liftgate Inner Panel Adjustable
5	4246 753	AR		44	SPACER, Liftgate Opening Stabilizer Wedge
6	#4317 017	2		44	WEDGE, Liftgate Opening Stabilizer
7		4		44	SCREW, Not Serviced
8	4378 019	2		44	PROP, Liftgate
	0120 394	4		44	WASHER, Liftgate Prop Clevis, Bumper Support
	4246 676	4		44	WASHER, Liftgate Prop Clevis
	6500 183	4		44	SCREW, Liftgate Prop Mounting
9	1774 076	2		44	PLUG, Liftgate Inner Panel Drain Hole
	1774 076	1		44	PLUG, Liftgate Drain Trough, Rt.
10	6100 275	4		44	SCREW, w/Washer Liftgate Hinge to Liftgate
11	4317 030-1	1		44	HINGE, Liftgate
	4378 077	AR		44	SPACER, Liftgate Hinge (Body-Half)
	4365 796-7	1		44	GASKET, Liftgate Hinge To Body
12	6100 049	4		44	NUT and WASHER, Liftgate Hinge To Body
13	4246 835	1		44	LEVER, Liftgate Lock Cylinder
14	4054 202	1		44	NUT, Liftgate Lock Cylinder Mounting
15	6100 051	2		44	NUT and WASHER, Liftgate Latch
16	4317 001	1		44	LATCH, Liftgate
	2945 109	1		44	CLIP, Liftgate Latch Link, Up To 5-16-85
	4378 033	1		44	After 5-16-85
	4172 592	1		44	SPRING, Liftgate Latch Pawl Attaching
	4378 011	1		44	COVER, Liftgate Latch Non-Override Lever (Plastic)
17	4246 758	1		44	LINK, Liftgate Lock Cylinder to Latch
18	6032 107	1		44	CLIP, Liftgate Lock Cylinder to Latch Link
19		4		44	SCREW, Not Serviced
20	4310 172	1		44	WEATHERSTRIP, Liftgate Upper to Roof, Secondary
21	6025 160	5		44	RETAINER, Liftgate Secondary Weatherstrip
22	4310 470	1		44	WEATHERSTRIP, Liftgate Opening
23	4337 900	4		44	WASHER, Liftgate Hinge to Body Sealing
24	4317 007	2		44	STRIKER, Liftgate Opening Stabilizer Wedge

MODEL CODES

B = GRAN FURY	E = 600	M = HORIZON/TURISMO
C = LE BARON/TOWN & COUNTRY/LIMO	F = FIFTH AVENUE/NEWPORT	P = RELIANT
C24 = LASER	G = DIPLOMAT	T = NEW YORKER
C44 = LE BARON/GTS	H = VOYAGER	V = 600
D = ARIES	J = CARAVELLE	V24 = DAYTONA
D44 = LANCER	K = MINI VAN/CARAVAN/ROYAL	Z = OMNI/CHARGER

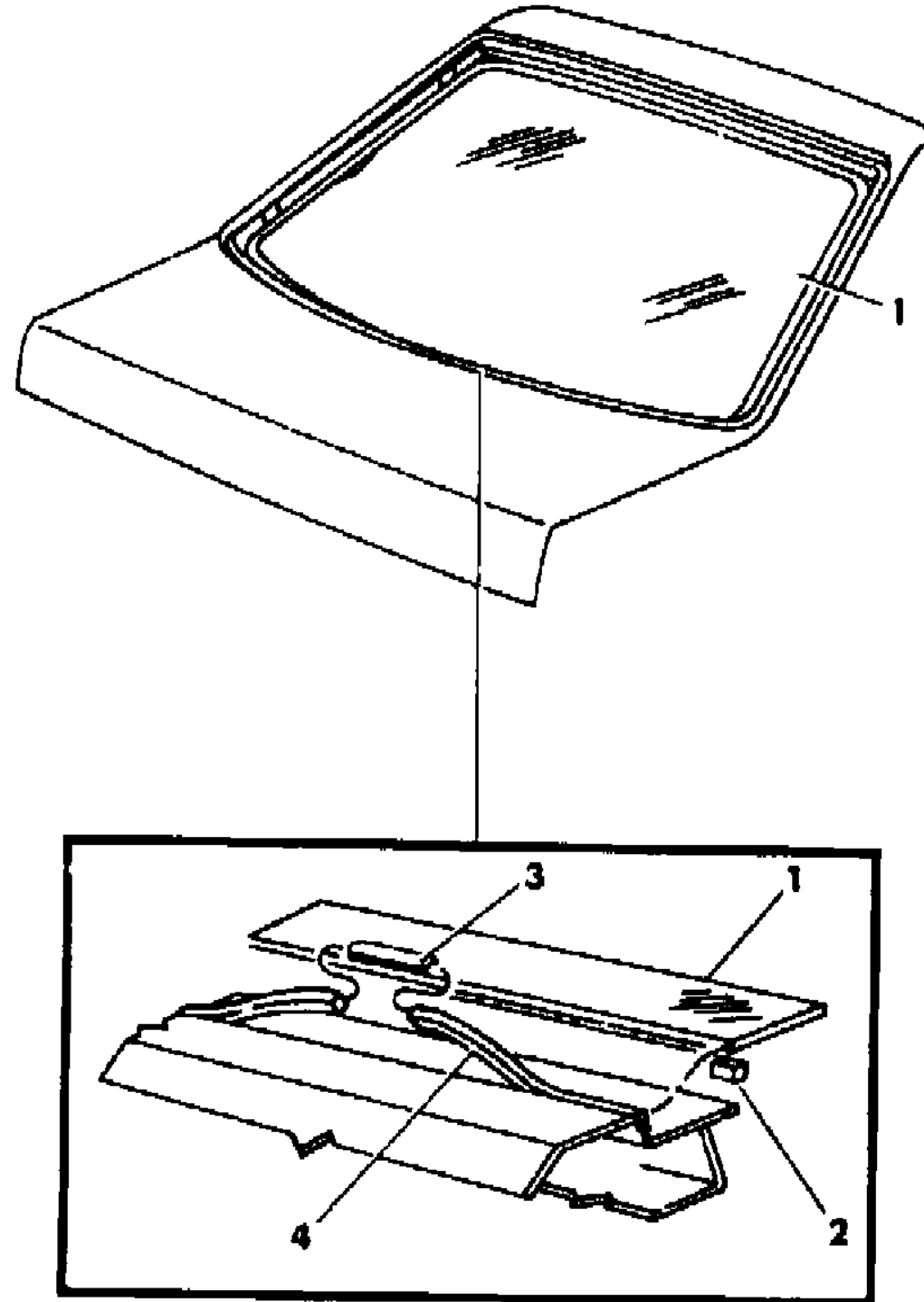
BODY STYLES

21 = 2-DOOR SEDAN	35 = FWD VAN	44 = 4-DOOR HATCHBACK
22 = 2-DOOR SPECIAL COUPE	36 = FWD WAGON	45 = 4-DOOR STATION WAGON
24 = 2-DOOR HATCHBACK	41 = 4-DOOR SEDAN	49 = LIMOUSINE
27 = 2-DOOR CONVERTIBLE		

AR = Use as Required - = Non Illustrated Part P.A.R. = Paint as Required

GLASS LIFTGATE D,C 44
Figure 23A-9500

5169 9500



ITEM	PART NUMBER	QTY	BODY	MODEL	DESCRIPTION
1	4280 689	1		44	GLASS, Liftgate, Tinted
	4310 178	1		44	Tinted & Heated
2		13		44	SPACER, Liftgate Glass Support (Not Serviced)
3	4198 929	1		44	CAP, Liftgate Glass Moulding
4	4365 732	1		44	MOULDING, Liftgate Glass

NOTE: The following items are not shown on illustration. 22 Model). Sheet metal parts for the C 49 not found on this illustration should be specified from the C 22 Models, as found elsewhere in this group.

4267 906 1 44 FIXED GLASS REPAIR PACKAGE, Polyurethane
CONSISTS OF:

- 1- ----- Polyurethane, 11.5 oz.
- 1- ----- Fence Primer, 1 oz.
- 1- ----- Glass Wipe-Off Primer, 1 oz.
- 1- ----- Glass Black-Out Primer, 1 oz.
- 3- ----- Dabbers
- 1- ----- Nozzle

MODEL CODES

B = GRAN FURY	E = 600	M = HORIZON/TURISMO
C = LE BARON/TOWN & COUNTRY/LIMO	F = FIFTH AVENUE/NEWPORT	P = RELIANT
C24 = LASER	G = DIPLOMAT	T = NEW YORKER
C44 = LE BARON/GTS	H = VOYAGER	V = 600
D = ARIES	J = CARAVELLE	V24 = DAYTONA
D44 = LANCER	K = MINI VAN/CARAVAN/ROYAL	Z = OMNI/CHARGER

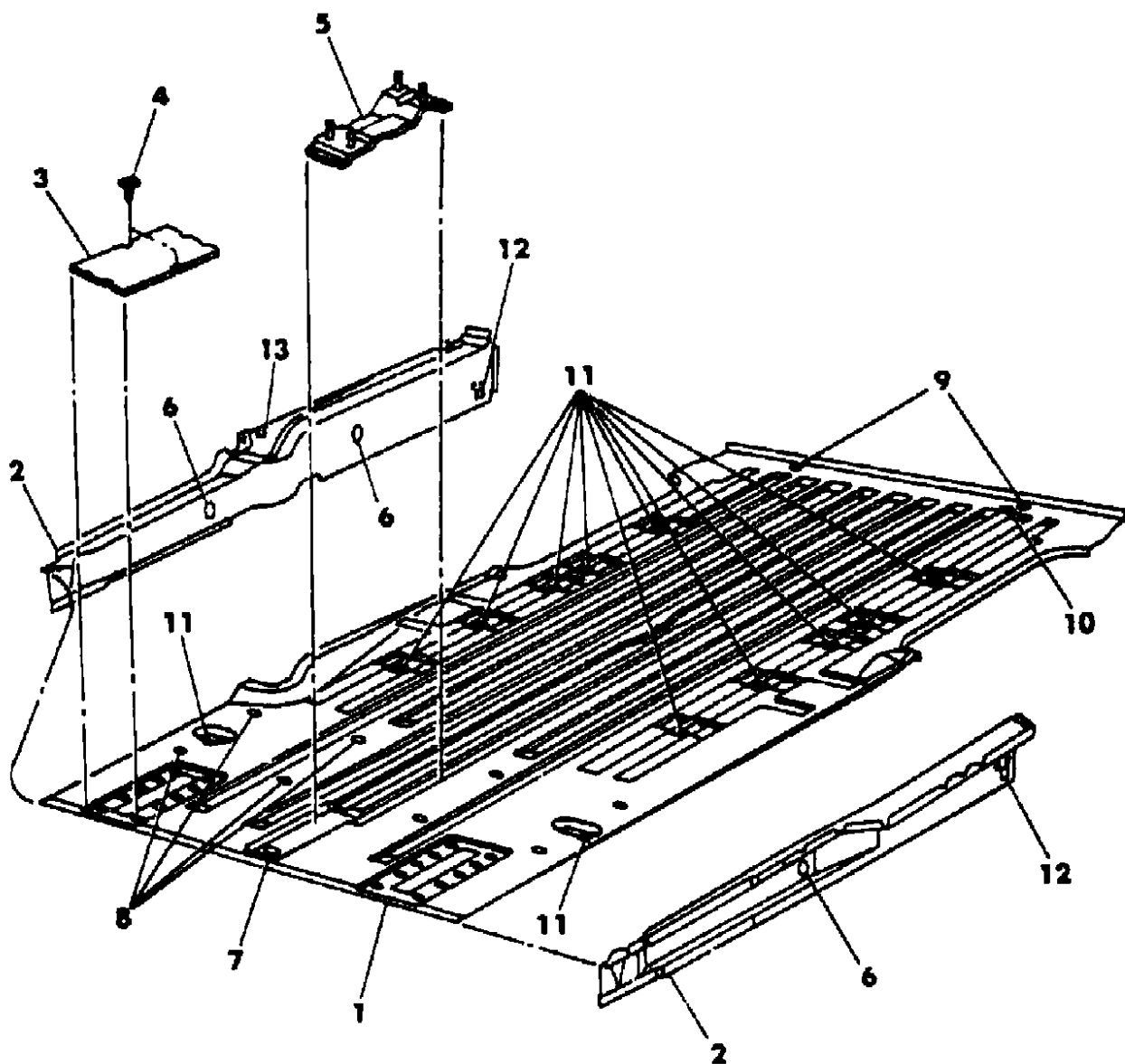
BODY STYLES

21 = 2-DOOR SEDAN	35 = FWD VAN	44 = 4-DOOR HATCHBACK
22 = 2-DOOR SPECIAL COUPE	36 = FWD WAGON	45 = 4-DOOR STATION WAGON
24 = 2-DOOR HATCHBACK	41 = 4-DOOR SEDAN	49 = LIMOUSINE
27 = 2-DOOR CONVERTIBLE		

AR = Use as Required - = Non Illustrated Part P.A.R. = Paint as Required

FLOOR PAN H,K
Figure 23A-9600

5163 9600



ITEM	PART NUMBER	QTY	BODY	MODEL	DESCRIPTION
1	4278 028	1		35	PAN, Floor
	4278 549	1		36	
2	4337 256	1	35,36		PANEL, Body Side Sill Inner, Right
	4278 033	1	35,36		Left
3		2	35,36		COVER, Floor Pan Side Rail Weld Access (Not Serviced)
4		4	35,36		SCREW, #10 x .625" (Not Serviced)
5	4314 176	1	35,36		BRACKET, Floor Pan Shifter Mounting
6	4073 485	3	35,36		PLUG, 1.50" Dia./38mm
7	4073 475	1	35,36		PLUG, 1.50" Dia./38mm
8	1774 076	4	35		PLUG, .630" Dia./16mm
9	2860 332	2	35,36		PLUG, .500" Dia./13mm, Up To 5/7/84
	3726 319	2	35,36		After 5/7/84
10	4073 475	1	35		PLUG, 1.50" Dia./38mm
11		2	35		PLUG, .250" Dia./6mm (Not Serviced)
		14	36		
12	3794 032	2	35,36		SEAL, Body Side Sill Inner Panel
13	1950 477	1	35,36		PLUG, Body Side Sill Inner, Right

MODEL CODES

B = GRAN FURY	E = 600	M = HORIZON/TURISMO
C = LE BARON/TOWN & COUNTRY/LIMO	F = FIFTH AVENUE/NEWPORT	P = RELIANT
C24 = LASER	G = DIPLOMAT	T = NEW YORKER
C44 = LE BARON/GTS	H = VOYAGER	V = 600
D = ARIES	J = CARAVELLE	V24 = DAYTONA
D44 = LANCER	K = MINI VAN/CARAVAN/ROYAL	Z = OMNI/CHARGER

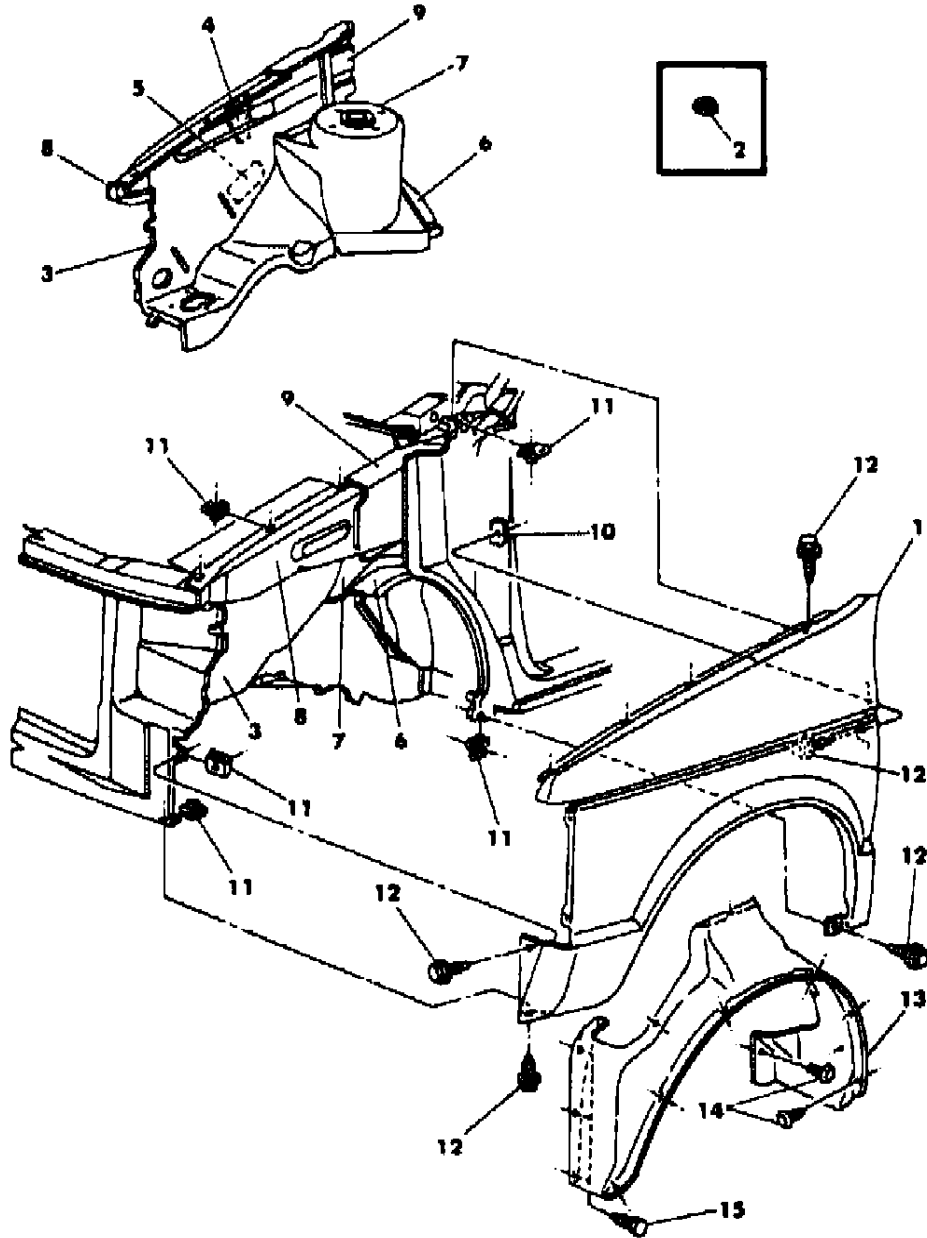
BODY STYLES

21 = 2-DOOR SEDAN	35 = FWD VAN	44 = 4-DOOR HATCHBACK
22 = 2-DOOR SPECIAL COUPE	36 = FWD WAGON	45 = 4-DOOR STATION WAGON
24 = 2-DOOR HATCHBACK	41 = 4-DOOR SEDAN	49 = LIMOUSINE
27 = 2-DOOR CONVERTIBLE		

AR = Use as Required - = Non Illustrated Part P.A.R. = Paint as Required

FENDER H,K
Figure 23A-9700

5169 9700



ITEM	PART NUMBER	QTY	BODY	MODEL	DESCRIPTION
1	4296 930-1	1		35,36	PANEL, Fender
2	4222 739	1		35,36	PLUG, Fender Antenna Hole
3	4341 552	1		35,36	PANEL and NUT, Front Fender Shield, Right
	4341 551	1		35,36	PANEL, Front Fender Shield, Left
4	4341 023	1		35,36	BRACKET, Jack Stowage Mount Reinforcement
5	4220 849	1		35,36	PLATE, Horn Mounting
6	4296 812-3	1		35,36	EXTENSION, Iso-Strut Tower to Dash Panel
7	4296 118-9	1		35,36	TOWER, Iso-Strut Mounting
8	4270 074-5	1		35,36	BEAM, Front Fender Shield
9					EXTENSION, Body Side Aperture to Front Fender Shield Beam
	4278 052-3	1		35,36	Up To 2-12-85
	4386 162-3	1		35,36	After 2-12-85
10	4314 093	2		35,36	BRACKET and NUT, Body Side Aperture to Fender Center Mounting
11	6100 041	14		35,36	U-NUT
12	6100 567	16		35,36	SCREW and WASHER
13	4296 218-9	1		35,36	SHIELD, Fender Wheelhouse Splash
14	6030 441	22		35,36	RETAINER
15		6		35,36	SCREW, 1/4"-14 x .875" (Not Serviced)

MODEL CODES

B = GRAN FURY	E = 600	M = HORIZON/TURISMO
C = LE BARON/TOWN & COUNTRY/LIMO	F = FIFTH AVENUE/NEWPORT	P = RELIANT
C24 = LASER	G = DIPLOMAT	T = NEW YORKER
C44 = LE BARON/GTS	H = VOYAGER	V = 600
D = ARIES	J = CARAVELLE	V24 = DAYTONA
D44 = LANCER	K = MINI VAN/CARAVAN/ROYAL	Z = OMNI/CHARGER

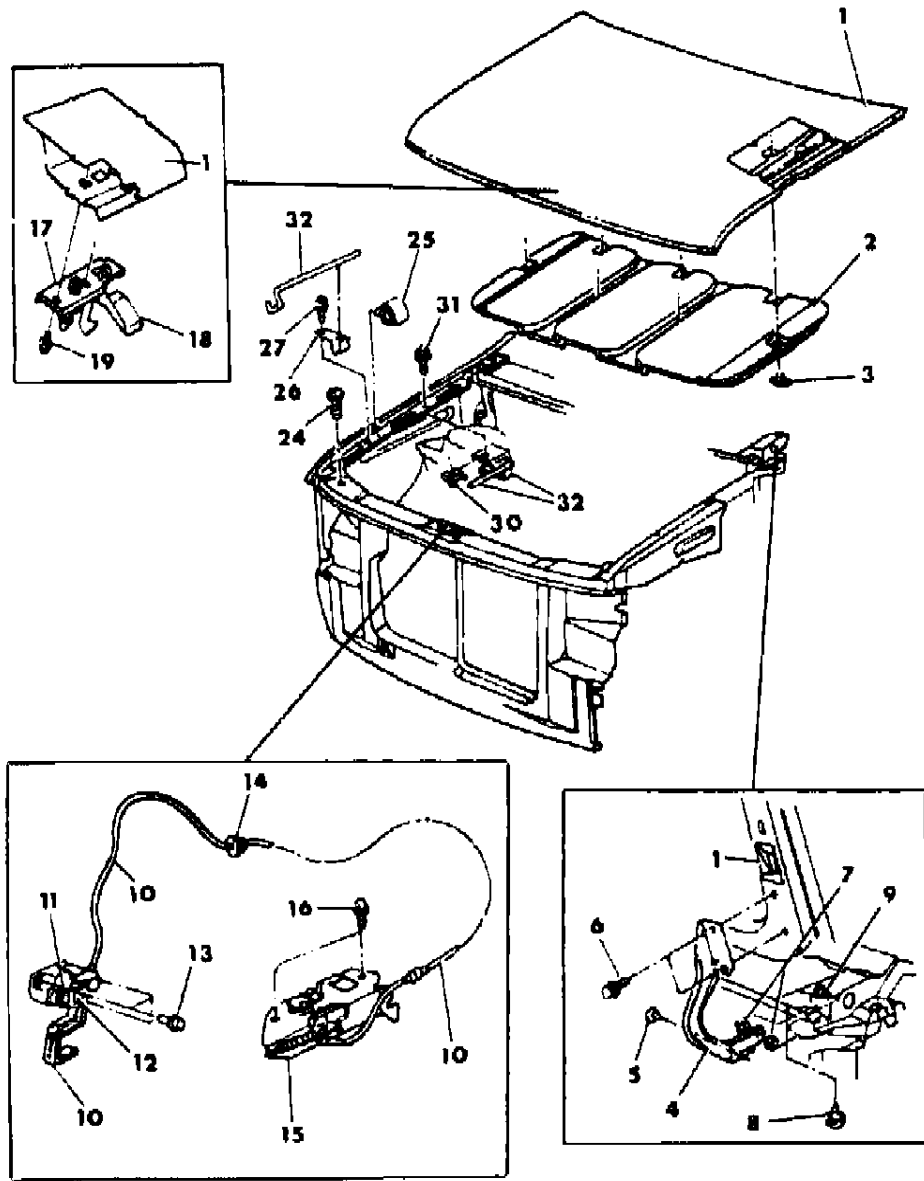
BODY STYLES

21 = 2-DOOR SEDAN	35 = FWD VAN	44 = 4-DOOR HATCHBACK
22 = 2-DOOR SPECIAL COUPE	36 = FWD WAGON	45 = 4-DOOR STATION WAGON
24 = 2-DOOR HATCHBACK	41 = 4-DOOR SEDAN	49 = LIMOUSINE
27 = 2-DOOR CONVERTIBLE		

AR = Use as Required - = Non Illustrated Part P.A.R. = Paint as Required

HOOD H,K Figure 23A-9800

5164 9800



ITEM	PART NUMBER	QTY	BODY	MODEL	DESCRIPTION
1	4325 179	1		35,36	PANEL, Hood
2	4049 601	AR		35,36	SILENCER MATERIAL, Hood Panel, Cut to Fit, 36" x 72" (w/ Metal Hood)
3	4341 384	1		36	SILENCER, Hood Panel (w/Plastic Hood)
	6003 351	7		35,36	FASTENER, Hood Panel Silencer (w/Metal Hood)
	4341 060	17		36	FASTENER, Hood Panel Silencer (w/Plastic Hood)
4	4341 726-7	1		35,36	ARM and BUSHING, Hood Hinge
6	6500 515	4		35,36	SCREW and WASHER
7	6030 592	2		35,36	NUT, Spring
8	4270 218	1		35,36	BUMPER, Hood Hinge Up Stop (Right Side Only)
9	4341 381	2		35,36	REINFORCEMENT, w/Pin Cowl Plenum Side Inner Hood Hinge Mounting
10	4270 039	1		35,36	RELEASE, Inside Hood Latch (Includes Items #11,12 & 14)
11	6022 149	1		35,36	NUT, Inside Hood Release Handle to Bracket
12	6031 147	1		35,36	NUT, Inside Hood Release Cable to Handle
13	9421 073	3		35,36	SCREW
14	5207 294	1		35,36	GROMMET, Inside Hood Release Cable to Dash Panel
15	4296 593	1		35,36	LATCH, Hood (Body Half)
	4296 761	1		35,36	PLATE, w/Locator Hood Latch & Safety Catch
	6101 289	AR		35,36	NUT, Hood Latch Body Half Screw Repair
16					SCREW and WASHER
	6100 557	4		35,36	Up To 2-1-85
	6501 373	4		35,36	After 2-1-85
17	4270 084	1		35,36	STRIKER, Hood Latch
18	4296 823	1		35,36	LATCH and CATCH, Hood Half - Includes Item 17
19					SCREW and WASHER
	6100 557	4		35,36	Up To 2-1-85
	6501 373	4		35,36	After 2-1-85
24	4103 165	2		35,36	BUMPER, Crossmember to Hood Adjustable
25	4296 227	2		35,36	BUMPER, Fender to Hood Side
26	4296 437	1		35,36	CLIP, Hood Prop Rod Stowage
27		1		35,36	SCREW, #10-16 x .500" (Not Serviced)
30	6100 041	1		35,36	U-NUT
31	6100 567	1		35,36	SCREW and WASHER
32	4296 737	1		35,36	ROD and BRACKET, Hood Prop

NOTE: The Following Items Are Not Shown On Illustration. 22 Model). Sheet metal parts for the C 49 not found on this illustration should be specified from the C 22 Models, as found elsewhere in this group.

MODEL CODES

B = GRAN FURY	E = 600	M = HORIZON/TURISMO
C = LE BARON/TOWN & COUNTRY/LIMO	F = FIFTH AVENUE/NEWPORT	P = RELIANT
C24 = LASER	G = DIPLOMAT	T = NEW YORKER
C44 = LE BARON/GTS	H = VOYAGER	V = 600
D = ARIES	J = CARAVELLE	V24 = DAYTONA
D44 = LANCER	K = MINI VAN/CARAVAN/ROYAL	Z = OMNI/CHARGER

BODY STYLES

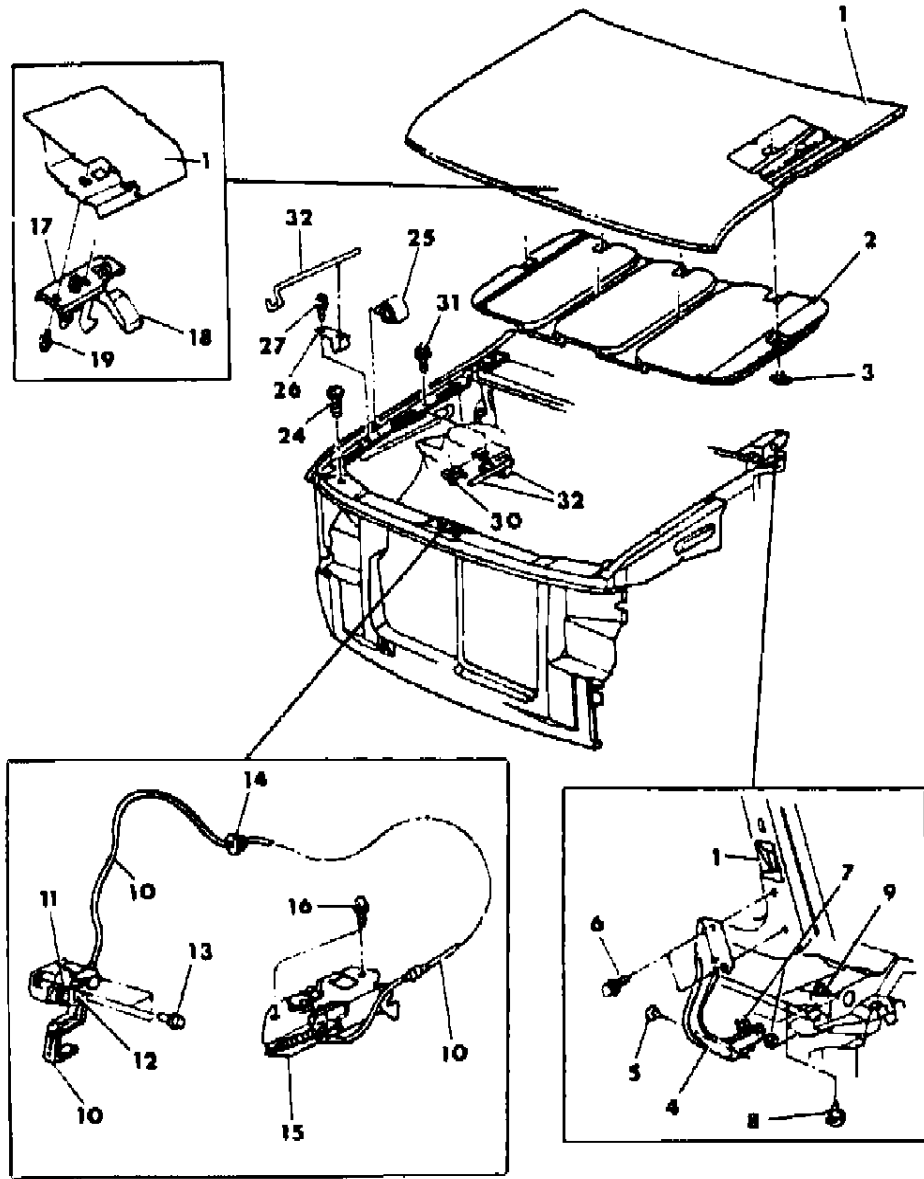
21 = 2-DOOR SEDAN	35 = FWD VAN	44 = 4-DOOR HATCHBACK
22 = 2-DOOR SPECIAL COUPE	36 = FWD WAGON	45 = 4-DOOR STATION WAGON
24 = 2-DOOR HATCHBACK	41 = 4-DOOR SEDAN	49 = LIMOUSINE
27 = 2-DOOR CONVERTIBLE		

AR = Use as Required - = Non Illustrated Part P.A.R. = Paint as Required

HOOD H,K
Figure 23A-9800

5164 9800

ITEM	PART NUMBER	QTY	BODY	MODEL	DESCRIPTION
------	-------------	-----	------	-------	-------------



	4341 871	1		35,36	REINFORCEMENT, Crossmember Radiator Closure Panel Hood Latch
--	----------	---	--	-------	---

MODEL CODES

B = GRAN FURY	E = 600	M = HORIZON/TURISMO
C = LE BARON/TOWN & COUNTRY/LIMO	F = FIFTH AVENUE/NEWPORT	P = RELIANT
C24 = LASER	G = DIPLOMAT	T = NEW YORKER
C44 = LE BARON/GTS	H = VOYAGER	V = 600
D = ARIES	J = CARAVELLE	V24 = DAYTONA
D44 = LANCER	K = MINI VAN/CARAVAN/ROYAL	Z = OMNI/CHARGER

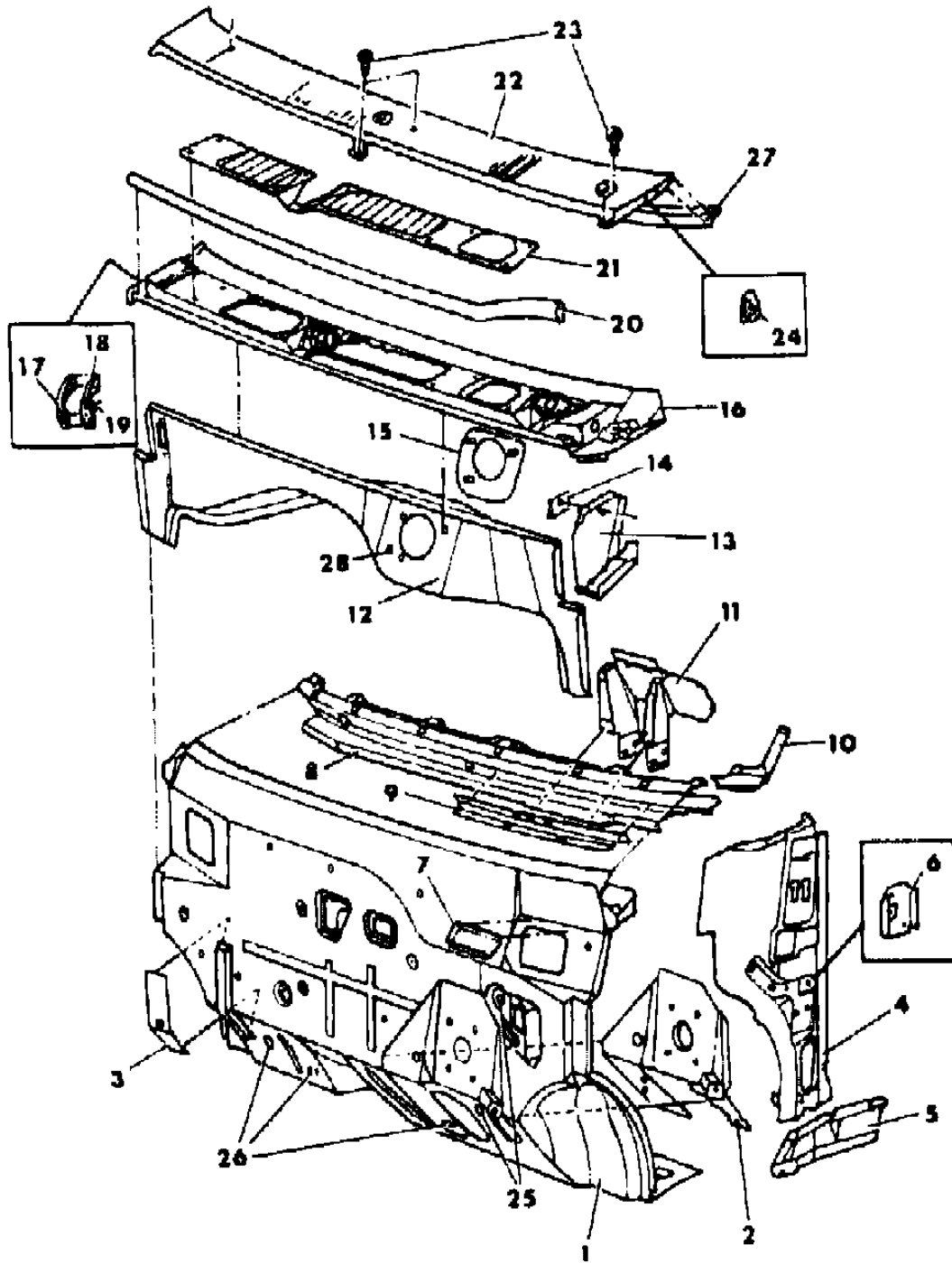
BODY STYLES

21 = 2-DOOR SEDAN	35 = FWD VAN	44 = 4-DOOR HATCHBACK
22 = 2-DOOR SPECIAL COUPE	36 = FWD WAGON	45 = 4-DOOR STATION WAGON
24 = 2-DOOR HATCHBACK	41 = 4-DOOR SEDAN	49 = LIMOUSINE
27 = 2-DOOR CONVERTIBLE		

AR = Use as Required - = Non Illustrated Part P.A.R. = Paint as Required

COWL AND DASH PANEL H,K
Figure 23A-9900

5169 9900



ITEM	PART NUMBER	QTY	BODY	MODEL	DESCRIPTION
1	4337 360	1		35,36	PANEL, Dash
2	4337 329	1		35,36	REINFORCEMENT, Dash Panel Accelerator & Brake Pedal
3	4337 276	1		35,36	REINFORCEMENT, Dash Panel to Front Side Rail Upper, Right
4	4278 968-9	1		35,36	PANEL, Cowl Side
5	4278 046-7	1		35,36	EXTENSION, Body Side Sill Inner Panel
6	4278 733	1		35,36	REINFORCEMENT, Cowl Side Park Brake Mounting Bracket
7	4278 415	1		35,36	BRACKET, Cowl Plenum Water Deflector, Left
8	4278 051	1		35,36	REINFORCEMENT, Dash Panel Belt
9	4278 675	1		35,36	SUPPORT, Dash Panel Belt Reinforcement Steering Column Mounting
10	4278 386-7	1		35,36	REINFORCEMENT, Dash Panel Belt to Windshield Frame Inner
11	4314 210	1		35,36	BRACKET, Dash Panel Steering Column Mounting Support
12					PANEL, Cowl Plenum Lower
	4337 470	1		35,36	Up To 10-24-84
	4371 697	1		35,36	After 10-24-84
13	4278 148-9	1		35,36	PANEL, Cowl Plenum Side Inner
14	4341 381	2		35,36	REINFORCEMENT, w/Pin Cowl Plenum Side Inner Hood Hinge
15					REINFORCEMENT, Cowl Lower Plenum Windshield Wiper Motor
	4337 478	1		35,36	Up To 3-15-85
	4371 698	1		35,36	After 3-15-85
16	4278 056	1		35,36	PANEL, Cowl Plenum Upper
17		2		35,36	SEAL, Cowl Top to Body Side Aperture Panel (Not Serviced)
18	4314 806-7	1		35,36	RETAINER, w/Fastener Cowl Top to Body Side Aperture Panel Seal (Includes Item #19)
19	6003 808	2		35,36	FASTENER
20	4278 411	1		35,36	SEAL, Cowl Plenum to Hood
21	4314 059	1		35,36	SCREEN, w/Seal Cowl Plenum Upper
22	4278 057	1		35,36	PANEL, Cowl Plenum Grille
23		6		35,36	SCREW, #8-18 x .625" (Not Serviced)
24	6032 281	2		35,36	CLIP, Cowl Plenum Grille Mounting
25	3445 939	1		35,36	PLUG, .906" Dia./23 mm
26	5200 456	3		35,36	PLUG, 2.75" Dia./70 mm
27		1		35,36	SEAL, Cowl Plenum Grille Panel to Windshield (Not Serviced)
28	6030 441	1		35,36	RETAINER, Cowl Plenum Lower Windshield Wiper Motor Mounting P/Nut

MODEL CODES

B = GRAN FURY	E = 600	M = HORIZON/TURISMO
C = LE BARON/TOWN & COUNTRY/LIMO	F = FIFTH AVENUE/NEWPORT	P = RELIANT
C24 = LASER	G = DIPLOMAT	T = NEW YORKER
C44 = LE BARON/GTS	H = VOYAGER	V = 600
D = ARIES	J = CARAVELLE	V24 = DAYTONA
D44 = LANCER	K = MINI VAN/CARAVAN/ROYAL	Z = OMNI/CHARGER

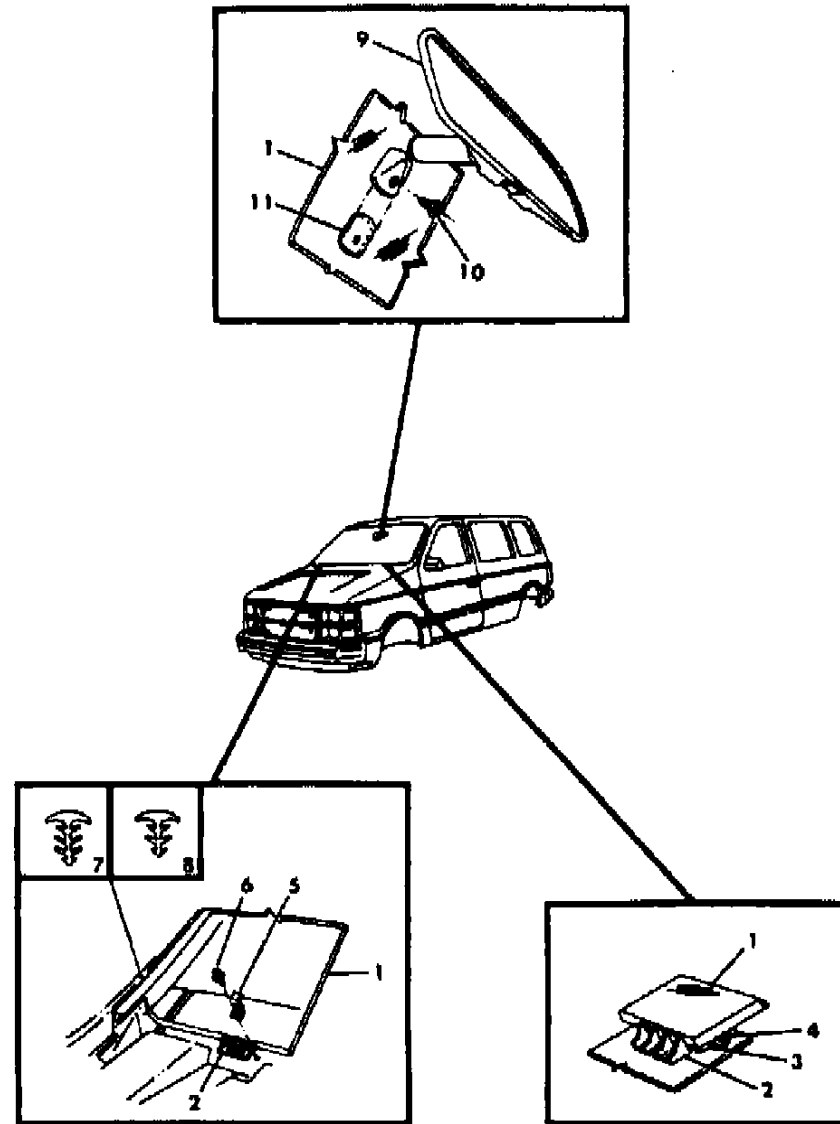
BODY STYLES

21 = 2-DOOR SEDAN	35 = FWD VAN	44 = 4-DOOR HATCHBACK
22 = 2-DOOR SPECIAL COUPE	36 = FWD WAGON	45 = 4-DOOR STATION WAGON
24 = 2-DOOR HATCHBACK	41 = 4-DOOR SEDAN	49 = LIMOUSINE
27 = 2-DOOR CONVERTIBLE		

AR = Use as Required - = Non Illustrated Part P.A.R. = Paint as Required

GLASS WINDSHIELD H,K
Figure 23A-1000

5169 10.000



ITEM	PART NUMBER	QTY	BODY	MODEL	DESCRIPTION
------	-------------	-----	------	-------	-------------

NOTE: GLASS, WINDSHIELD - ORDER FROM YOUR LOCAL "MOPAR" GLASS DISTRIBUTOR 22 Model). Sheet metal parts for the C 49 not found on this illustration should be specified from the C 22 Models, as found elsewhere in this group.

1	4278 865	1		35,36	GLASS, Windshield, Tinted (E-Marked)
2	4206 543	2		35,36	SPACER, Windshield Lower
	3767 767	AR		35,36	SHIM, Windshield Lower Spacer (.07")
	3767 196	AR		35,36	SHIM, Windshield Lower Spacer (.106")
3		AR		35,36	ADHESIVE, Windshield Polyurethane (Serviced in Package #4267906)
4	4206 848	AR		35,36	DAM, Windshield Glass Adhesive (119")
5	4337 032	2		35,36	CLIP, Windshield Hold-Down
6		2		35,36	SCREW, #8-18 x .375" (Not Serviced)
7	4339 185	AR		35,36	MOULDING, Windshield Glass Installation (178")
8	4314 873	AR		35,36	MOULDING, Windshield Glass Repair (114")
9	4082 199	1		35,36	MIRROR, Inside Rear View
10	6031 094	1		35,36	SCREW
11	4054 066	1		35,36	BUTTON, Inside Rear View Mirror Mounting
	4293 039	1		35,36	ADHESIVE PACKAGE, Rear View Mirror Button Mounting (Includes Adhesive & Instructions)

NOTE: The following items are not shown on illustration. 22 Model). Sheet metal parts for the C 49 not found on this illustration should be specified from the C 22 Models, as found elsewhere in this group.

4267 906	1		35,36	FIXED GLASS REPAIR PACKAGE, Polyurethane
CONSISTS OF:				
1- ----- Polyurethane, 11.5 oz.				
1- ----- Fence Primer, 1 oz.				
1- ----- Glass Wipe-Off Primer, 1 oz.				
1- ----- Glass Black-Out Primer, 1 oz.				
3- ----- Dabbers				
1- ----- Nozzle				

MODEL CODES

B = GRAN FURY	E = 600	M = HORIZON/TURISMO
C = LE BARON/TOWN & COUNTRY/LIMO	F = FIFTH AVENUE/NEWPORT	P = RELIANT
C24 = LASER	G = DIPLOMAT	T = NEW YORKER
C44 = LE BARON/GTS	H = VOYAGER	V = 600
D = ARIES	J = CARAVELLE	V24 = DAYTONA
D44 = LANCER	K = MINI VAN/CARAVAN/ROYAL	Z = OMNI/CHARGER

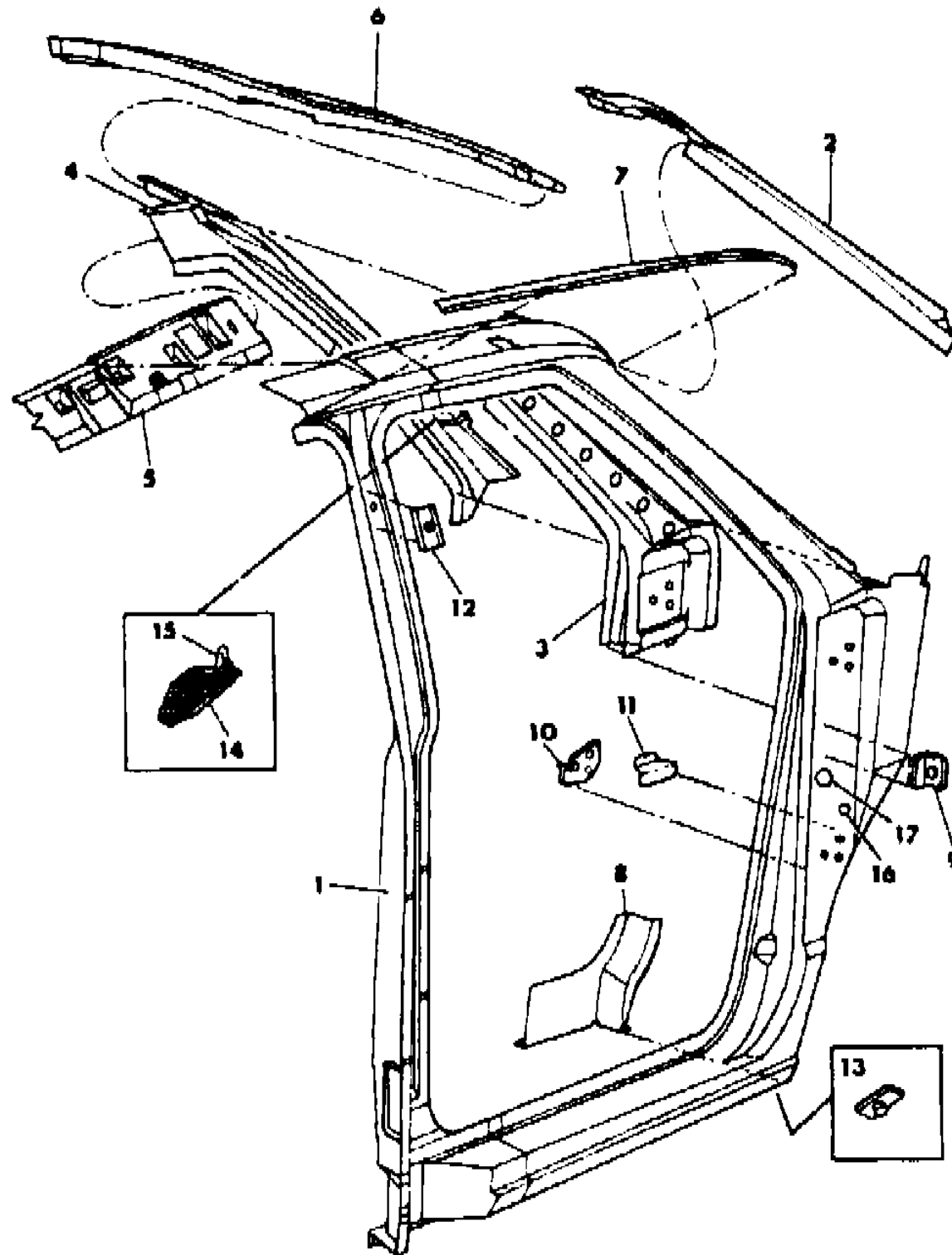
BODY STYLES

21 = 2-DOOR SEDAN	35 = FWD VAN	44 = 4-DOOR HATCHBACK
22 = 2-DOOR SPECIAL COUPE	36 = FWD WAGON	45 = 4-DOOR STATION WAGON
24 = 2-DOOR HATCHBACK	41 = 4-DOOR SEDAN	49 = LIMOUSINE
27 = 2-DOOR CONVERTIBLE		

AR = Use as Required - = Non Illustrated Part P.A.R. = Paint as Required

BODY FRONT PILLAR H,K
Figure 23A-1010

5169 10100



ITEM	PART NUMBER	QTY	BODY	MODEL	DESCRIPTION
1	4337 800-1	1		35,36	PANEL, Body Side Aperture, Front
2	4314 850-1	1		35,36	PANEL, Windshield Opening Side
3	4278 058-9	1		35,36	FRAME, Windshield Side Outer
4	4278 010-1	1		35,36	FRAME, Windshield Side Inner
5	4278 032	1		35,36	RAIL, Roof Side Inner, Right
	4278 009	1		35,36	Left
6	4337 845	1		35,36	FRAME, Windshield Opening Upper
7	4278 006-7	1		35,36	TROUGH, Roof Side Drain
8	4278 612-3	1		35,36	REINFORCEMENT, Jacking Pad Locator, Front
9	4314 093	2		35,36	BRACKET, Body Side Aperture Front to Fender Center
10	4314 558-9	2		35,36	PLATE, Body Front Pillar Hinge Tapping
11	4278 408-9	1		35,36	REINFORCEMENT, Body Side Aperture Front Door Lower Hinge Mounting
12	4337 394	1		35,36	REINFORCEMENT, Body Side Aperture Front Shoulder Belt Mounting, Right
13	4314 277	2		35,36	PLATE, Body Side Aperture Jack Locator
14	4337 388-9	1		36	SEAL, Windshield Side Frame Outer to Inner (Includes Item #15)
15	4114 785	2		36	FASTENER, Windshield Side Frame Outer to Inner Seal Mounting
16	2860 332	1		35,36	PLUG, .500" Dia./13mm
17	6030 773	2		35,36	PLUG, 2.25" Dia./57mm
	4337 950	2		35,36	PLUG, Front Door Ajar Indicator Lamp Switch Hole

MODEL CODES

B = GRAN FURY	E = 600	M = HORIZON/TURISMO
C = LE BARON/TOWN & COUNTRY/LIMO	F = FIFTH AVENUE/NEWPORT	P = RELIANT
C24 = LASER	G = DIPLOMAT	T = NEW YORKER
C44 = LE BARON/GTS	H = VOYAGER	V = 600
D = ARIES	J = CARAVELLE	V24 = DAYTONA
D44 = LANCER	K = MINI VAN/CARAVAN/ROYAL	Z = OMNI/CHARGER

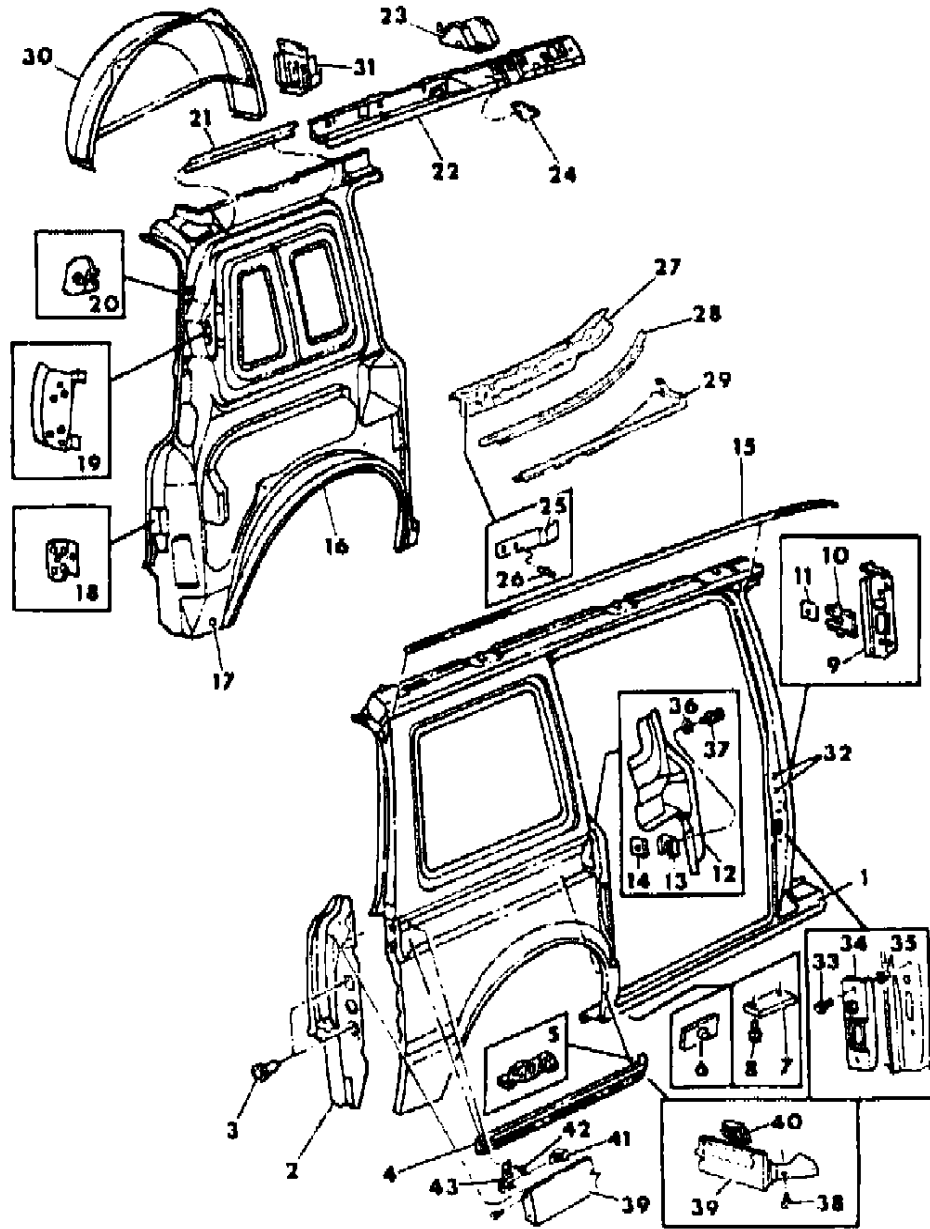
BODY STYLES

21 = 2-DOOR SEDAN	35 = FWD VAN	44 = 4-DOOR HATCHBACK
22 = 2-DOOR SPECIAL COUPE	36 = FWD WAGON	45 = 4-DOOR STATION WAGON
24 = 2-DOOR HATCHBACK	41 = 4-DOOR SEDAN	49 = LIMOUSINE
27 = 2-DOOR CONVERTIBLE		

AR = Use as Required - = Non Illustrated Part P.A.R. = Paint as Required

BODY REAR QUARTER RIGHT H,K
Figure 23A-1020

5125 10200



ITEM	PART NUMBER	QTY	BODY	MODEL	DESCRIPTION
1					PANEL, Body Side Aperture, Rear
	4314 552	1		35	Up To 4-18-85
	4371 192	1		35	After 4-18-85
	4314 550	1		36	Up To 4-2-85
	4371 194	1		36	After 4-2-85
2	4337 910	1		35,36	PANEL, Body Side Aperture Rear Extension
3	4314 044	2		35,36	CUP, w/Seal Body Side Aperture Rear Extension
4	4341 162	1		35,36	TRACK and BRACKET, Sliding Door Center Includes Item 5
	4198 151	1		35,36	SEAL, Sliding Door Track to Body Side Aperture
5	4314 609	1		35,36	BRACKET, Sliding Door Center Track Cover, Front
6	4314 277	1		35,36	PLATE, Body Side Aperture Jack Locator
7	4385 108	AR		35,36	PAD, Body Side Aperture Rear Hoisting
	4337 950	2		35,36	PLUG, Front Door Ajar Indicator Lamp Switch Hole
8		2		35,36	SCREW, w/Washer 1/4"-14 x .875" (Not Serviced)
9	4278 066	1		35,36	REINFORCEMENT, Body Side Aperture Front Door Latch Striker
10	4314 092	1		35,36	RETAINER, Body Side Aperture Front Door Latch Striker T/Plate
11	4314 743	1		35,36	T-PLATE, Body Side Aperture Front Door Latch Striker
12	4314 542	1		35,36	REINFORCEMENT, Body Side Aperture Sliding Door Latch Striker
13	4337 153	1		35,36	RETAINER, Body Side Aperture Sliding Door Latch Striker T/Plate
14	4337 152	1		35,36	T-PLATE, Body Side Aperture Sliding Door Latch Striker
15	4278 006	1		35,36	TROUGH, Roof Side Drain
16	4341 594	1		35	PANEL, Quarter Inner & Wheelhouse Outer
	4341 596	1		36	
17	4073 485	1		35,36	PLUG, 1.50" Dia./38 mm
18	4314 049	1		35,36	REINFORCEMENT, Quarter Inner Panel Liftgate Stabilizer
19	4341 062	1		36	T-PLATE, Rear Quarter Window Latch
20	4336 398	1		35,36	REINFORCEMENT and NUT, Quarter Inner Panel Liftgate Prop Mounting
21	4337 110	1		35	REINFORCEMENT, Body Side Aperture to Quarter Inner Panel
22	4278 032	1		35,36	RAIL, Roof Side Inner
23	4296 301	1		35,36	SUPPORT, Roof Side Rail Inner to Sliding Door Upper Track
24	4314 508	1		35,36	SEAL, Body Side Aperture to Roof Side Rail Inner
25	4280 966	1		35,36	SPRING, Sliding Door Lower Stop Hold-Open
26		2		35,36	RIVET, 1/8" Dia. x 3/16" Grip Range (Not Serviced)
27	4337 254	1		35,36	REINFORCEMENT, Sliding Door Lower Track

MODEL CODES

B = GRAN FURY	E = 600	M = HORIZON/TURISMO
C = LE BARON/TOWN & COUNTRY/LIMO	F = FIFTH AVENUE/NEWPORT	P = RELIANT
C24 = LASER	G = DIPLOMAT	T = NEW YORKER
C44 = LE BARON/GTS	H = VOYAGER	V = 600
D = ARIES	J = CARAVELLE	V24 = DAYTONA
D44 = LANCER	K = MINI VAN/CARAVAN/ROYAL	Z = OMNI/CHARGER

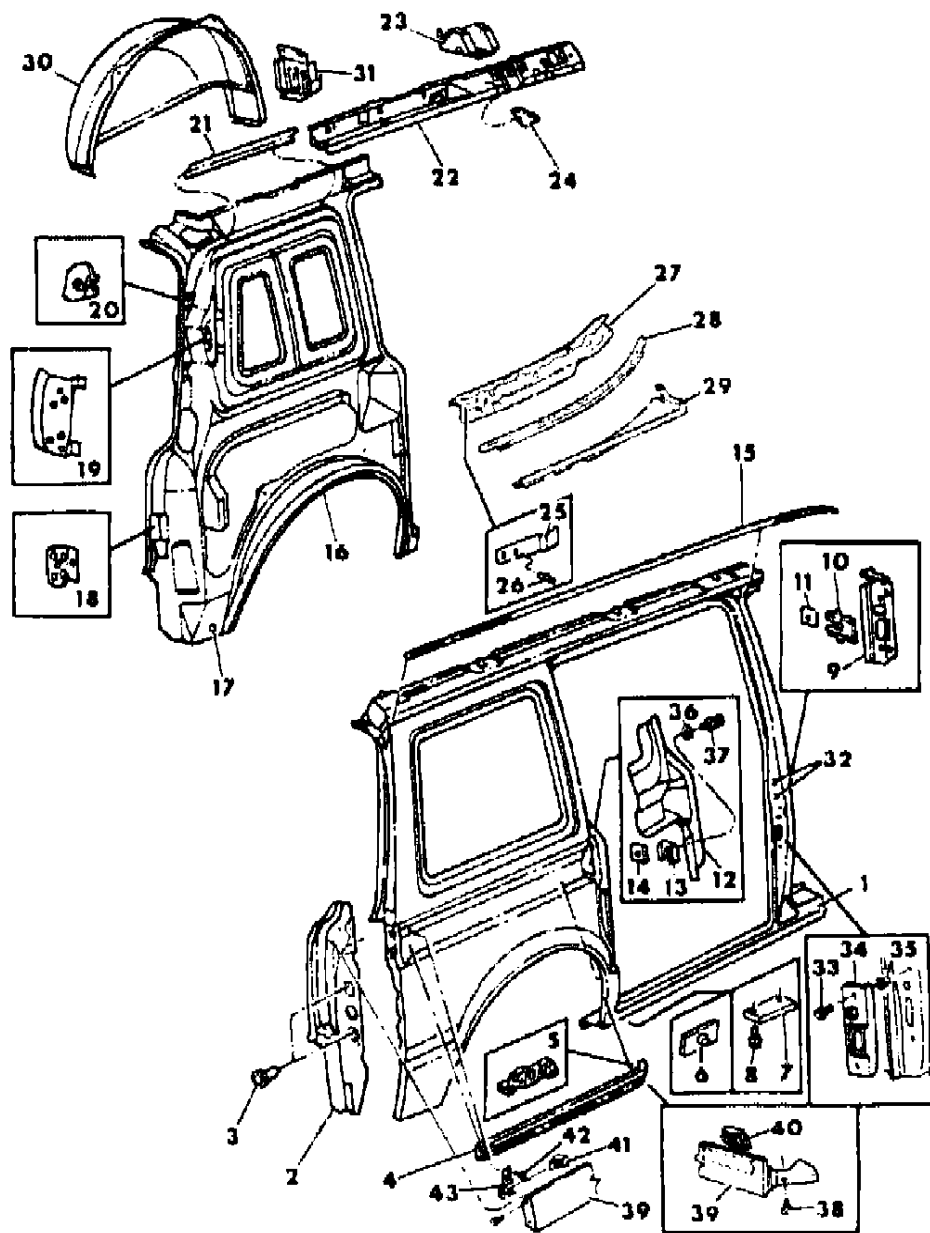
BODY STYLES

21 = 2-DOOR SEDAN	35 = FWD VAN	44 = 4-DOOR HATCHBACK
22 = 2-DOOR SPECIAL COUPE	36 = FWD WAGON	45 = 4-DOOR STATION WAGON
24 = 2-DOOR HATCHBACK	41 = 4-DOOR SEDAN	49 = LIMOUSINE
27 = 2-DOOR CONVERTIBLE		

AR = Use as Required - = Non Illustrated Part P.A.R. = Paint as Required

BODY REAR QUARTER RIGHT H,K
Figure 23A-1020

5125 10200



ITEM	PART NUMBER	QTY	BODY	MODEL	DESCRIPTION
28	4296 286	1		35,36	TRACK, Sliding Door Lower
29	4341 428	1		35,36	SUPPORT, Sliding Door Lower Track
30	4296 544	1		35,36	PANEL, Wheelhouse Inner
31	4278 556	1		35,36	REINFORCEMENT, Wheelhouse Inner to Sill Inner
32	6025 871	2		35,36	PLUG, Body Side Aperture Sliding Door Dome Lamp & Door Ajar Switch Holes
33	6500 827	2			SCREW and WASHER
34	4280 768	1			GUIDE, Stabilizer
	4280 781	1			SEAL, Guide Bracket
35		1			RIVET, Nut (DNS)
36	4184 105	AR			SPACER, Striker
37	4336 826	1			STRIKER, Door
38		4			SCREW, Track Cover (DNS)
39	4371 322	1			PANEL, & WELT, Stud Assy. Body Side Aperture Sliding Door Track Cover
	4278 390	1			PANEL, Body Side Aperture Sliding Door Track Covering Door Track Cover (w/o Studs)
40	6501 071	4			RETAINER, Track Cover
	4337 041	1			BRACKET, Sliding Door Center Track
41	4337 050	1			BUMPER, Over Travel Stop Bracket, Up To 11/4/85
	4365 225	1			After 11/4/85
42		1			SCREW, (DNS)
43	4336 569	1			BRACKET, Over Travel Stop

MODEL CODES

B = GRAN FURY	E = 600	M = HORIZON/TURISMO
C = LE BARON/TOWN & COUNTRY/LIMO	F = FIFTH AVENUE/NEWPORT	P = RELIANT
C24 = LASER	G = DIPLOMAT	T = NEW YORKER
C44 = LE BARON/GTS	H = VOYAGER	V = 600
D = ARIES	J = CARAVELLE	V24 = DAYTONA
D44 = LANCER	K = MINI VAN/CARAVAN/ROYAL	Z = OMNI/CHARGER

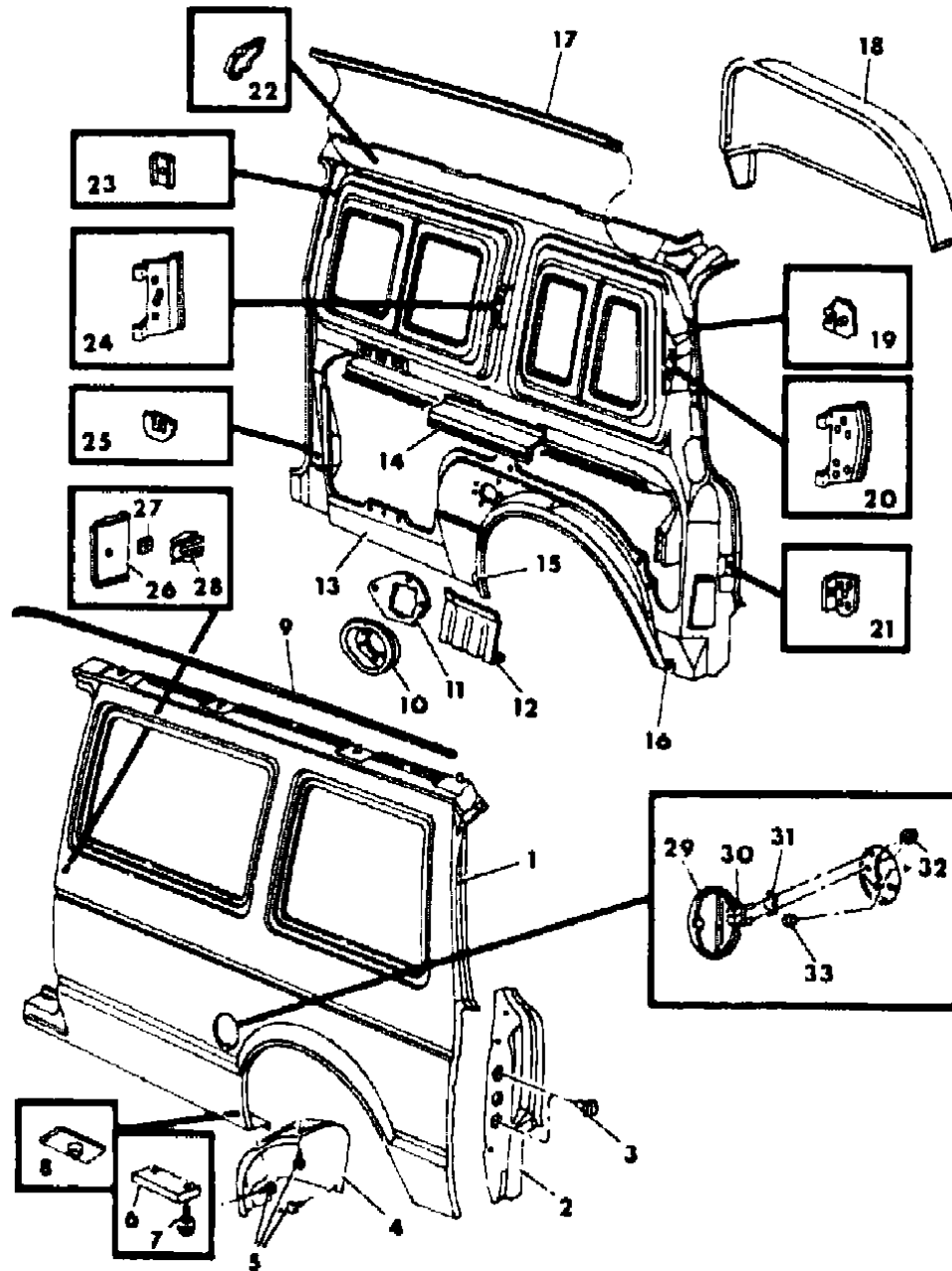
BODY STYLES

21 = 2-DOOR SEDAN	35 = FWD VAN	44 = 4-DOOR HATCHBACK
22 = 2-DOOR SPECIAL COUPE	36 = FWD WAGON	45 = 4-DOOR STATION WAGON
24 = 2-DOOR HATCHBACK	41 = 4-DOOR SEDAN	49 = LIMOUSINE
27 = 2-DOOR CONVERTIBLE		

AR = Use as Required - = Non Illustrated Part P.A.R. = Paint as Required

BODY REAR QUARTER LEFT H,K
Figure 23A-1030

5155 10300



ITEM	PART NUMBER	QTY	BODY	MODEL	DESCRIPTION
1					PANEL, Body Side Aperture, Rear
	4337 125	1	35		Up To 5-1-85
	4371 193	1	35		After 5-1-85
	4337 107	1	36		
2	4337 911	1	35,36		PANEL, Body Side Aperture Rear Extension
3	4314 044	2	35,36		CUP, w/Seal Body Side Aperture Rear Extension
4	4314 541	1	35,36		SHIELD, Rear Wheelhouse Front
5		4	35,36		SCREW, 1/4"-14 x .875" (Not Serviced)
6	4385 108	AR	35,36		PAD, Body Side Aperture Rear Hoisting
7		2	35,36		SCREW, w/Washer 1/4"-14 x .875" (Not Serviced)
8	4314 277	1	35,36		PLATE, Body Side Aperture Jack Locator
9	4278 007	1	35,36		TROUGH, Roof Side Drain
10	4278 389	1	35,36		REINFORCEMENT, Body Side Aperture Fuel Filler Door Opening
	3760 482	1	35,36		PLUG, Body Side Aperture Fuel Filler Opening Reinforcement, Manual Type
11	4337 399	1	35,36		ADHESIVE, w/Fastener Quarter Inner to Fuel Filler Opening Reinforcement Gasket
	6032 294	3	35,36		FASTENER, Adhesive Gasket
12	4278 553	1	35,36		REINFORCEMENT, Body Side Aperture Jacking Bracket
13	4341 595	1	35		PANEL, Quarter Inner & Wheelhouse Outer
	4341 597	1	36		
14	4341 559	1	35,36		REINFORCEMENT, Quarter Inner & Wheelhouse Outer
15	4073 485	1	35,36		PLUG, 1.50" Dia./38mm
16	4073 485	1	35,36		PLUG, 1.50" Dia./38mm
17	4337 109	1	35		REINFORCEMENT, Body Side Aperture Rear to Quarter Inner Panel
18	4296 545	1	35,36		PANEL, Wheelhouse Inner
19	4336 398	1	35,36		REINFORCEMENT and NUT, Quarter Inner Panel Liftgate Prop Mounting
20	4341 063	1	36		T-PLATE, Rear Quarter Window Latch
21	4314 049	1	35,36		REINFORCEMENT, Quarter Inner Panel Liftgate Stabilizer
22	4337 111	1	36		SEAL, Body Side Aperture to Quarter Inner Panel
23	4337 394	1	35,36		REINFORCEMENT, Body Side Aperture Front Shoulder Belt Mounting
24	4341 061	1	36		T-PLATE, Front Quarter Window Latch
25	4337 267	1	35,36		REINFORCEMENT, Body Side Aperture Front Shoulder Belt Retractor Mounting

MODEL CODES

B = GRAN FURY	E = 600	M = HORIZON/TURISMO
C = LE BARON/TOWN & COUNTRY/LIMO	F = FIFTH AVENUE/NEWPORT	P = RELIANT
C24 = LASER	G = DIPLOMAT	T = NEW YORKER
C44 = LE BARON/GTS	H = VOYAGER	V = 600
D = ARIES	J = CARAVELLE	V24 = DAYTONA
D44 = LANCER	K = MINI VAN/CARAVAN/ROYAL	Z = OMNI/CHARGER

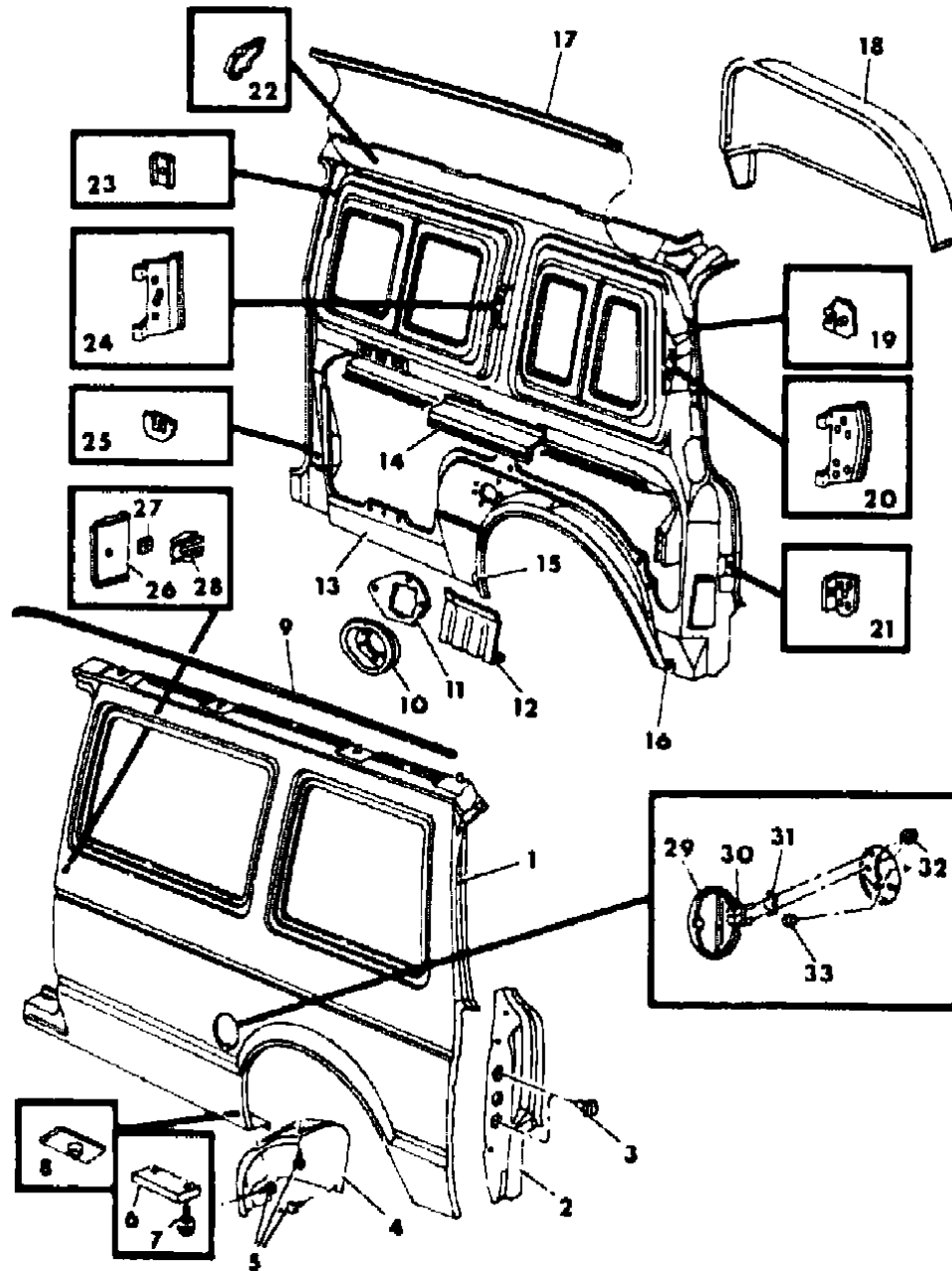
BODY STYLES

21 = 2-DOOR SEDAN	35 = FWD VAN	44 = 4-DOOR HATCHBACK
22 = 2-DOOR SPECIAL COUPE	36 = FWD WAGON	45 = 4-DOOR STATION WAGON
24 = 2-DOOR HATCHBACK	41 = 4-DOOR SEDAN	49 = LIMOUSINE
27 = 2-DOOR CONVERTIBLE		

AR = Use as Required - = Non Illustrated Part P.A.R. = Paint as Required

BODY REAR QUARTER LEFT H,K
Figure 23A-1030

5155 10300



ITEM	PART NUMBER	QTY	BODY	MODEL	DESCRIPTION
26	4278 067	1		35,36	REINFORCEMENT, Body Side Aperture Front Door Striker
27	4314 743	1		35,36	T-PLATE, Body Side Aperture Front Door Striker
28	4314 092	1		35,36	RETAINER, Body Side Aperture Front Door Striker T/Plate
29	4314 496	1		35,36	DOOR, w/Hinge Body Side Aperture Fuel Filler, Manual, Up To 1/7/85
	4371 182	1		35,36	After 1/7/85
	4314 491	1		35,36	Remote, Up To 1/7/85
	4371 082	1		35,36	After 1/7/85
	1626 749	1		35,36	E-RING, Side Aperture Fuel Filler Door Hinge
30	4337 155	1		35,36	PLATE, w/Screw Body Side Aperture Fuel Filler Door Mounting
31		AR		35,36	SHIM, Body Side Aperture Fuel Filler Door (Not Serviced)
32	6032 641	2		35,36	NUT and WASHER
33	4314 923	1		35,36	BUMPER, Body Side Aperture Fuel Filler Door, Remote
		1		35,36	Manual (Not Serviced)

MODEL CODES

B = GRAN FURY	E = 600	M = HORIZON/TURISMO
C = LE BARON/TOWN & COUNTRY/LIMO	F = FIFTH AVENUE/NEWPORT	P = RELIANT
C24 = LASER	G = DIPLOMAT	T = NEW YORKER
C44 = LE BARON/GTS	H = VOYAGER	V = 600
D = ARIES	J = CARAVELLE	V24 = DAYTONA
D44 = LANCER	K = MINI VAN/CARAVAN/ROYAL	Z = OMNI/CHARGER

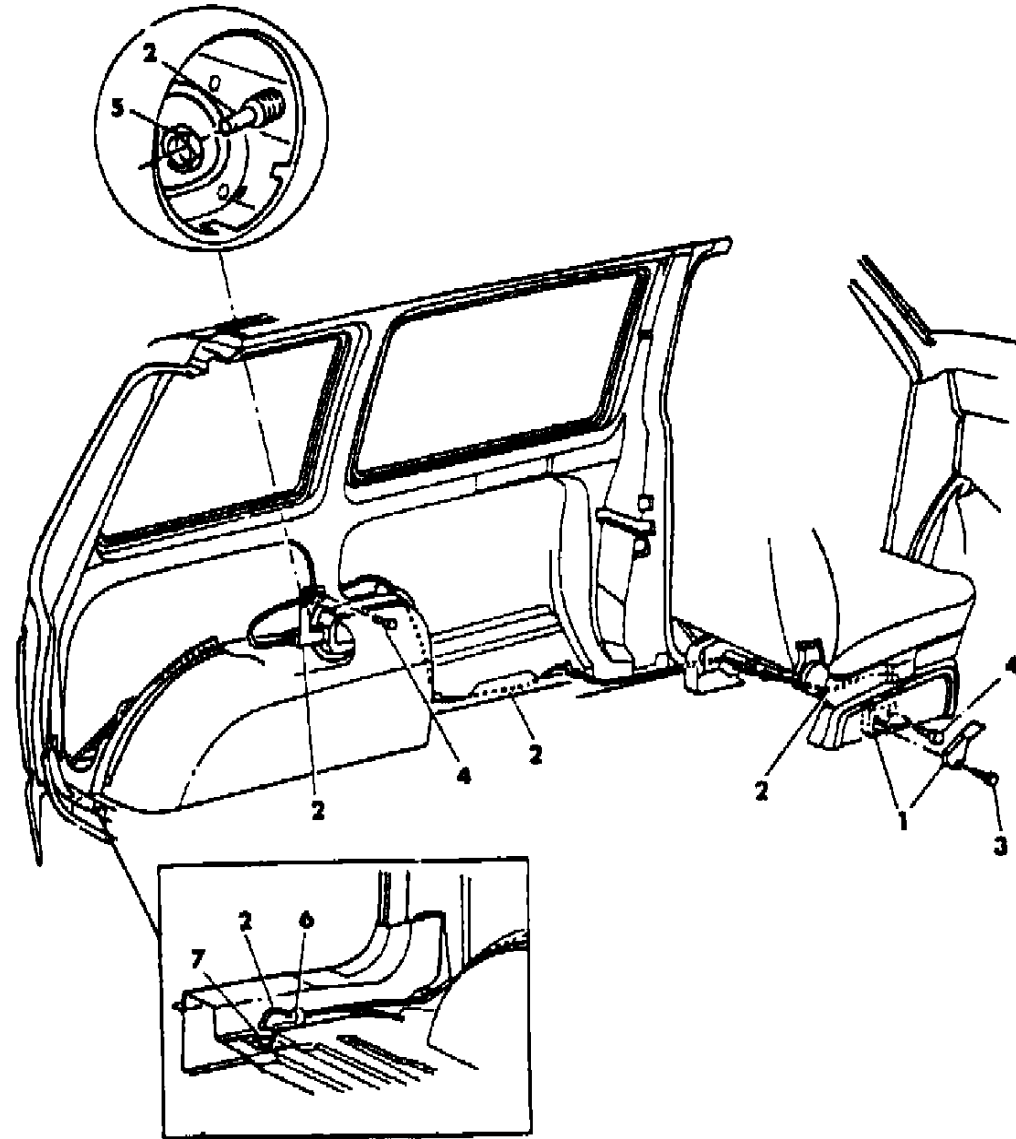
BODY STYLES

21 = 2-DOOR SEDAN	35 = FWD VAN	44 = 4-DOOR HATCHBACK
22 = 2-DOOR SPECIAL COUPE	36 = FWD WAGON	45 = 4-DOOR STATION WAGON
24 = 2-DOOR HATCHBACK	41 = 4-DOOR SEDAN	49 = LIMOUSINE
27 = 2-DOOR CONVERTIBLE		

AR = Use as Required - = Non Illustrated Part P.A.R. = Paint as Required

FUEL FILLER REMOTE RELEASE H,K
Figure 23A-1040

5169 10400



ITEM	PART NUMBER	QTY	BODY	MODEL	DESCRIPTION
1	4314 969	1		35,36	HANDLE, w/Bracket Body Side Aperture Remote Fuel Filler Door Release
2	4314 498	1		35,36	CABLE, w/Bracket Body Side Aperture Remote Fuel Filler Door Release (Includes Auxilliary Release Cable)
3	6500 981	1		35,36	SCREW
4	6032 196	2		35,36	SCREW
5		1		35,36	NUT, M12 x 1.75" (Not Serviced)
6		1		35,36	CLIP, Not Serviced
7		1		35,36	BOLT, Spare Tire Winch (See Group 22-Illustrations)

MODEL CODES

B = GRAN FURY	E = 600	M = HORIZON/TURISMO
C = LE BARON/TOWN & COUNTRY/LIMO	F = FIFTH AVENUE/NEWPORT	P = RELIANT
C24 = LASER	G = DIPLOMAT	T = NEW YORKER
C44 = LE BARON/GTS	H = VOYAGER	V = 600
D = ARIES	J = CARAVELLE	V24 = DAYTONA
D44 = LANCER	K = MINI VAN/CARAVAN/ROYAL	Z = OMNI/CHARGER

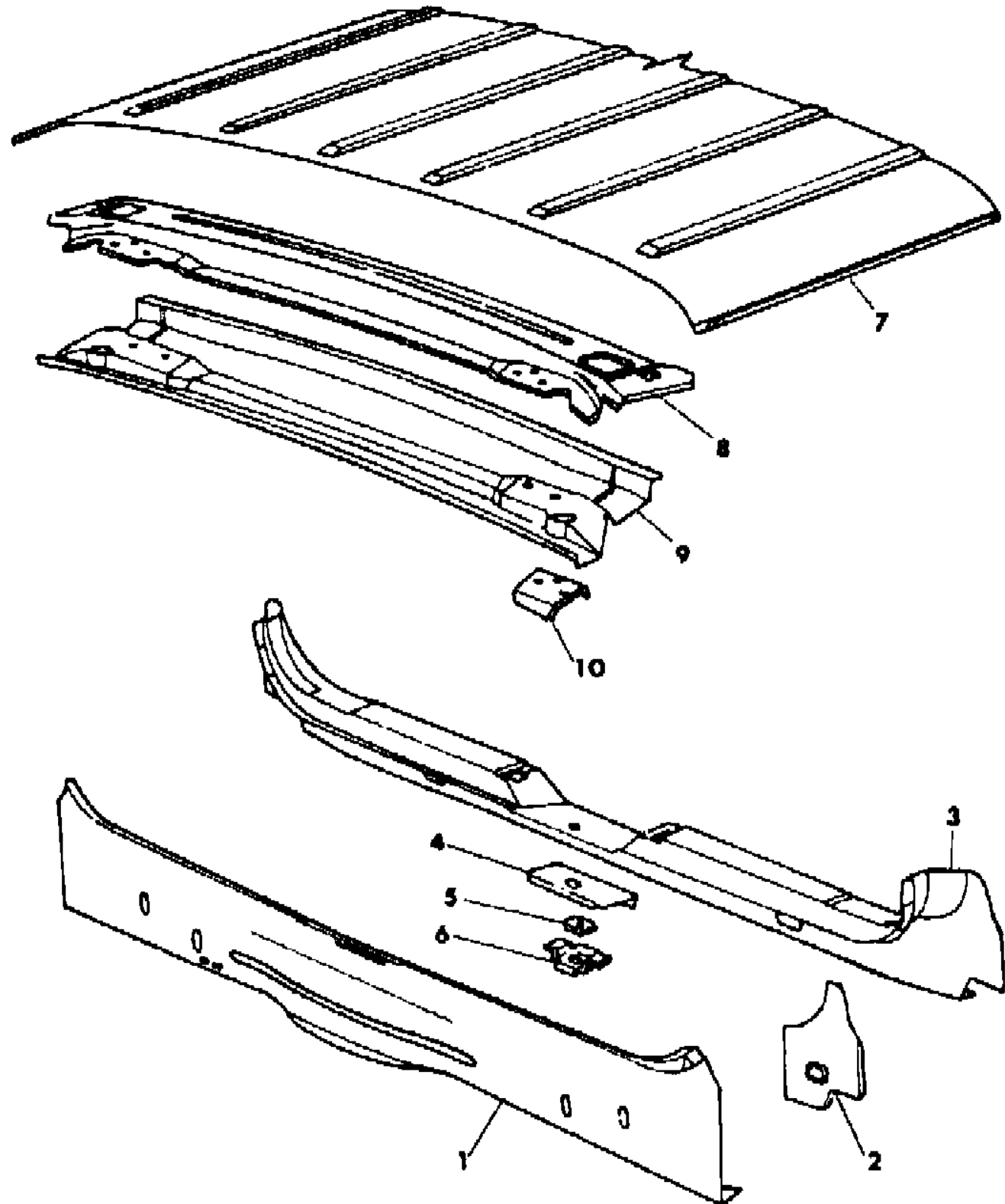
BODY STYLES

21 = 2-DOOR SEDAN	35 = FWD VAN	44 = 4-DOOR HATCHBACK
22 = 2-DOOR SPECIAL COUPE	36 = FWD WAGON	45 = 4-DOOR STATION WAGON
24 = 2-DOOR HATCHBACK	41 = 4-DOOR SEDAN	49 = LIMOUSINE
27 = 2-DOOR CONVERTIBLE		

AR = Use as Required - = Non Illustrated Part P.A.R. = Paint as Required

LIFTGATE OPENING H,K
Figure 23A-1050

5169 10500



ITEM	PART NUMBER	QTY	BODY	MODEL	DESCRIPTION
1	4296 698	1		35,36	PANEL, Liftgate Opening Lower
2	4337 012-3	1		35,36	SUPPORT, Liftgate Opening Lower Reinforcement (NPN)
3	4337 025	1		35,36	REINFORCEMENT, Liftgate Opening Lower Panel
4	4278 187	1		35,36	REINFORCEMENT, Liftgate Opening Lower Panel Latch Striker
5		1		35,36	T-PLATE, Liftgate Latch Striker (6500791 Not Serviced)
6	4278 557	1		35,36	RETAINER, Liftgate Latch Striker T/Plate
7	4278 061	1		35,36	PANEL, Roof Outer
8	4278 064	1		35,36	REINFORCEMENT, Liftgate Opening Upper Frame
9	4278 063	1		35,36	FRAME, Liftgate Opening Upper
10	4134 845	2		35,36	REINFORCEMENT, Liftgate Opening Upper Frame Hinge

MODEL CODES

B = GRAN FURY	E = 600	M = HORIZON/TURISMO
C = LE BARON/TOWN & COUNTRY/LIMO	F = FIFTH AVENUE/NEWPORT	P = RELIANT
C24 = LASER	G = DIPLOMAT	T = NEW YORKER
C44 = LE BARON/GTS	H = VOYAGER	V = 600
D = ARIES	J = CARAVELLE	V24 = DAYTONA
D44 = LANCER	K = MINI VAN/CARAVAN/ROYAL	Z = OMNI/CHARGER

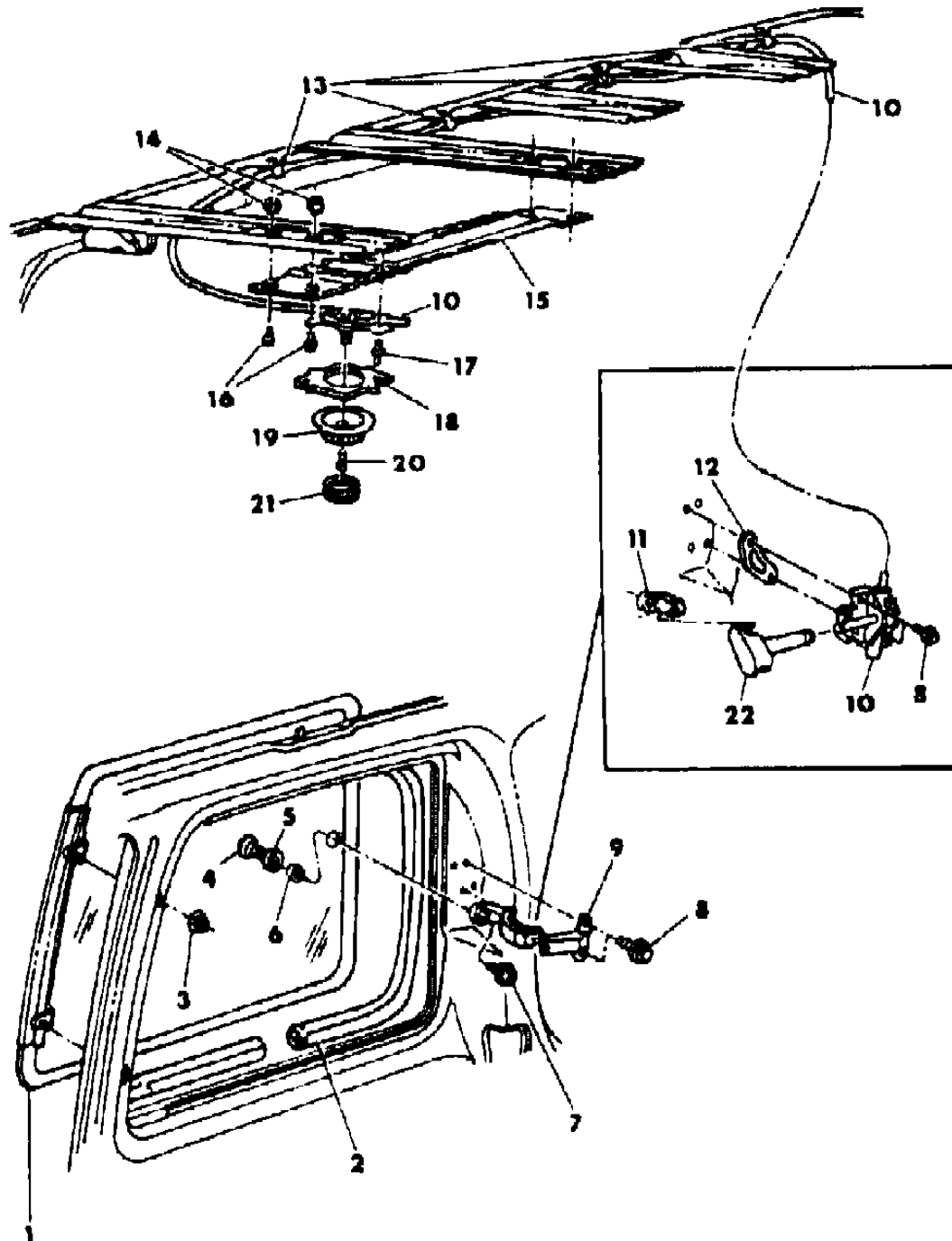
BODY STYLES

21 = 2-DOOR SEDAN	35 = FWD VAN	44 = 4-DOOR HATCHBACK
22 = 2-DOOR SPECIAL COUPE	36 = FWD WAGON	45 = 4-DOOR STATION WAGON
24 = 2-DOOR HATCHBACK	41 = 4-DOOR SEDAN	49 = LIMOUSINE
27 = 2-DOOR CONVERTIBLE		

AR = Use as Required - = Non Illustrated Part P.A.R. = Paint as Required

GLASS QUARTER WINDOW H,K
Figure 23A-1060

3159 10 600



ITEM	PART NUMBER	QTY	BODY	MODEL	DESCRIPTION
1	4337 438-9	1		36	QUARTER WINDOW ASSEMBLY, Tinted
	4337 430-1	1		36	Sunscreen
	4336 405	1		36	Left Front Quarter Window, Tinted
	4336 407	1		36	Sunscreen
2	4314 344-5	1		36	WEATHERSTRIP, Rear Quarter Window
	4336 475	1		36	Left Front Quarter Window
3	6501 038	6		36	NUT and WASHER
4		3		36	RETAINER, Quarter Window Glass (Serviced in Package #4318279)
5		3		36	GASKET, Quarter Window Glass Retainer (Serviced in Package #4318279)
6		3		36	SPACER, Quarter Window Glass Retainer (Serviced in Package #4318279)
7		3		36	SCREW, 1/4"-20 x .375" (Serviced in Package #4318279)
8	6501 037	6		36	SCREW and WASHER
9					LATCH, Rear Quarter Window, Manual
	4336 922	2		36	Up To 1/10/85
	4365 418	2		36	After 1/10/85
	4280 204	1		36	Left Front Quarter Window
10	4336 022-3	1		36	LATCH and ACTUATOR, Quarter Window, Remote Includes Item 22
11					BRACKET, Rear Quarter Window Remote Latch to Glass
	4310 280	2		36	Up To 10/24/84
	4365 746	2		36	After 10/24/84
12	4337 227	2		36	SPACER, Rear Quarter Window Remote Latch to Body
13	3766 495	8		36	CLIP, Rear Quarter Window Remote Cable Routing
14	6032 304	8		36	FASTENER
15	4278 966	2		36	BRACKET, Rear Quarter Window Remote Actuator to Roof Bow
16	9414 711	8		36	SCREW, (DNS)
17	6031 115	4		36	RIVET
18		1		36	HEADLINER, Roof Inside (See Group 23IT - Headliner Illustration)
19	H305 CA3	2		36	HANDLE, Rear Quarter Window Remote Actuator, Silver
	H305 CB5	2		36	Blue
	H305 DT3	2		36	Tan
	H305 CM6	2		36	Red
20	6500 846	2		36	SCREW

MODEL CODES

B = GRAN FURY	E = 600	M = HORIZON/TURISMO
C = LE BARON/TOWN & COUNTRY/LIMO	F = FIFTH AVENUE/NEWPORT	P = RELIANT
C24 = LASER	G = DIPLOMAT	T = NEW YORKER
C44 = LE BARON/GTS	H = VOYAGER	V = 600
D = ARIES	J = CARAVELLE	V24 = DAYTONA
D44 = LANCER	K = MINI VAN/CARAVAN/ROYAL	Z = OMNI/CHARGER

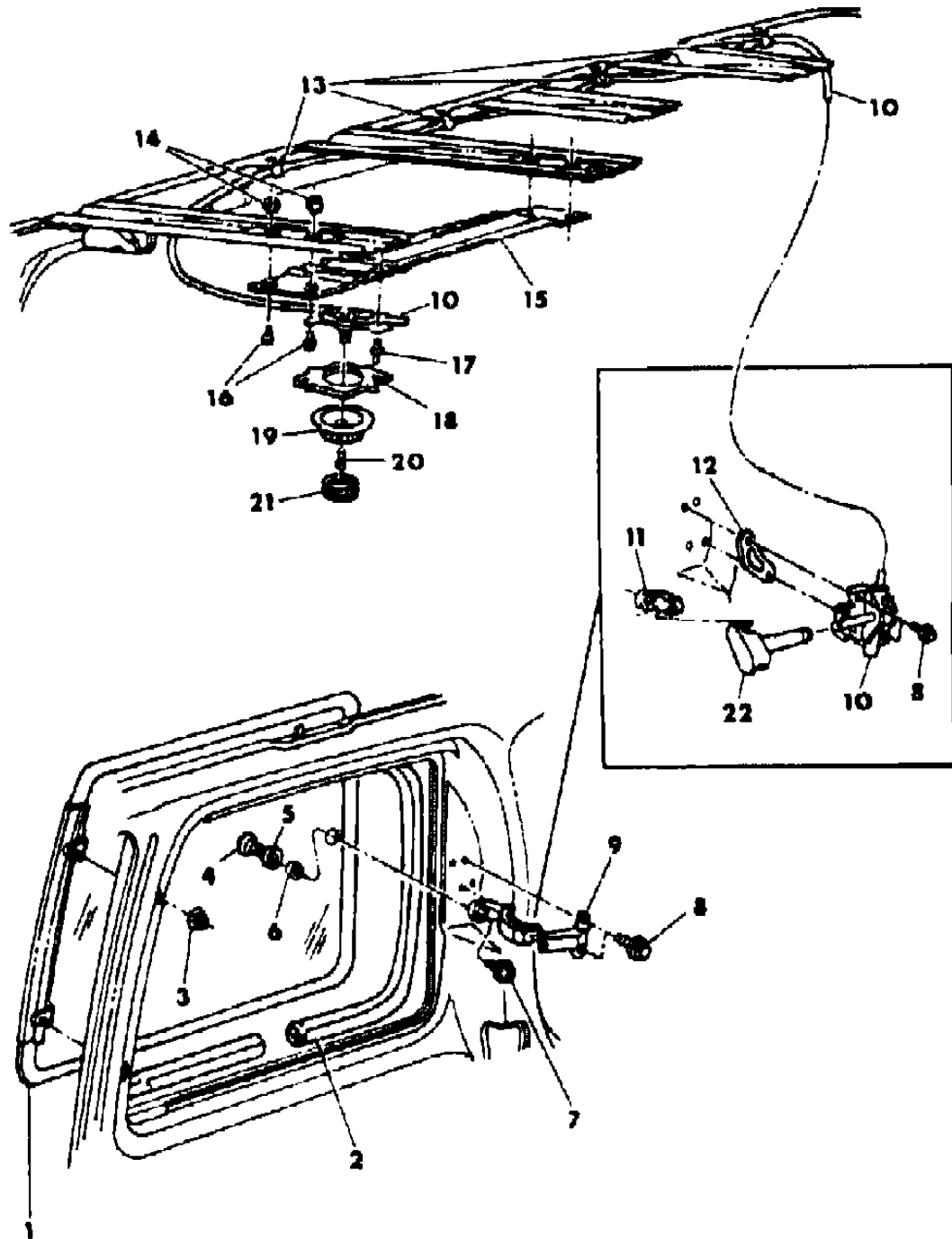
BODY STYLES

21 = 2-DOOR SEDAN	35 = FWD VAN	44 = 4-DOOR HATCHBACK
22 = 2-DOOR SPECIAL COUPE	36 = FWD WAGON	45 = 4-DOOR STATION WAGON
24 = 2-DOOR HATCHBACK	41 = 4-DOOR SEDAN	49 = LIMOUSINE
27 = 2-DOOR CONVERTIBLE		

AR = Use as Required - = Non Illustrated Part P.A.R. = Paint as Required

GLASS QUARTER WINDOW H,K
Figure 23A-1060

3159 10 600



ITEM	PART NUMBER	QTY	BODY	MODEL	DESCRIPTION
21	H296 CA3	2		36	COVER, Rear Quarter Window Remote Handle, Silver
	H296 CB5	2		36	Blue
	H296 DT3	2		36	Tan
	H296 CM6	2		36	Red
22	4310 970-1	1		36	LEVER, Rear Quarter Window Remote Latch (Included in Item #10)

NOTE: The following items are not shown on illustration. 22 Model). Sheet metal parts for the C 49 not found on this illustration should be specified from the C 22 Models, as found elsewhere in this group.

	4318 279	3		36	RETAINER PACKAGE, Quarter Window Glass to Latch (Includes Items #4-7) Up To 9/17/84
	4339 313	3		36	After 9/17/84
	0455 106	6		36	SPRING PIN, Quarter Manual Vent Window Latch Link
	9414 469	2		36	SPRING PIN, Quarter Vent Window Actuator Handle to Link

MODEL CODES

B = GRAN FURY	E = 600	M = HORIZON/TURISMO
C = LE BARON/TOWN & COUNTRY/LIMO	F = FIFTH AVENUE/NEWPORT	P = RELIANT
C24 = LASER	G = DIPLOMAT	T = NEW YORKER
C44 = LE BARON/GTS	H = VOYAGER	V = 600
D = ARIES	J = CARAVELLE	V24 = DAYTONA
D44 = LANCER	K = MINI VAN/CARAVAN/ROYAL	Z = OMNI/CHARGER

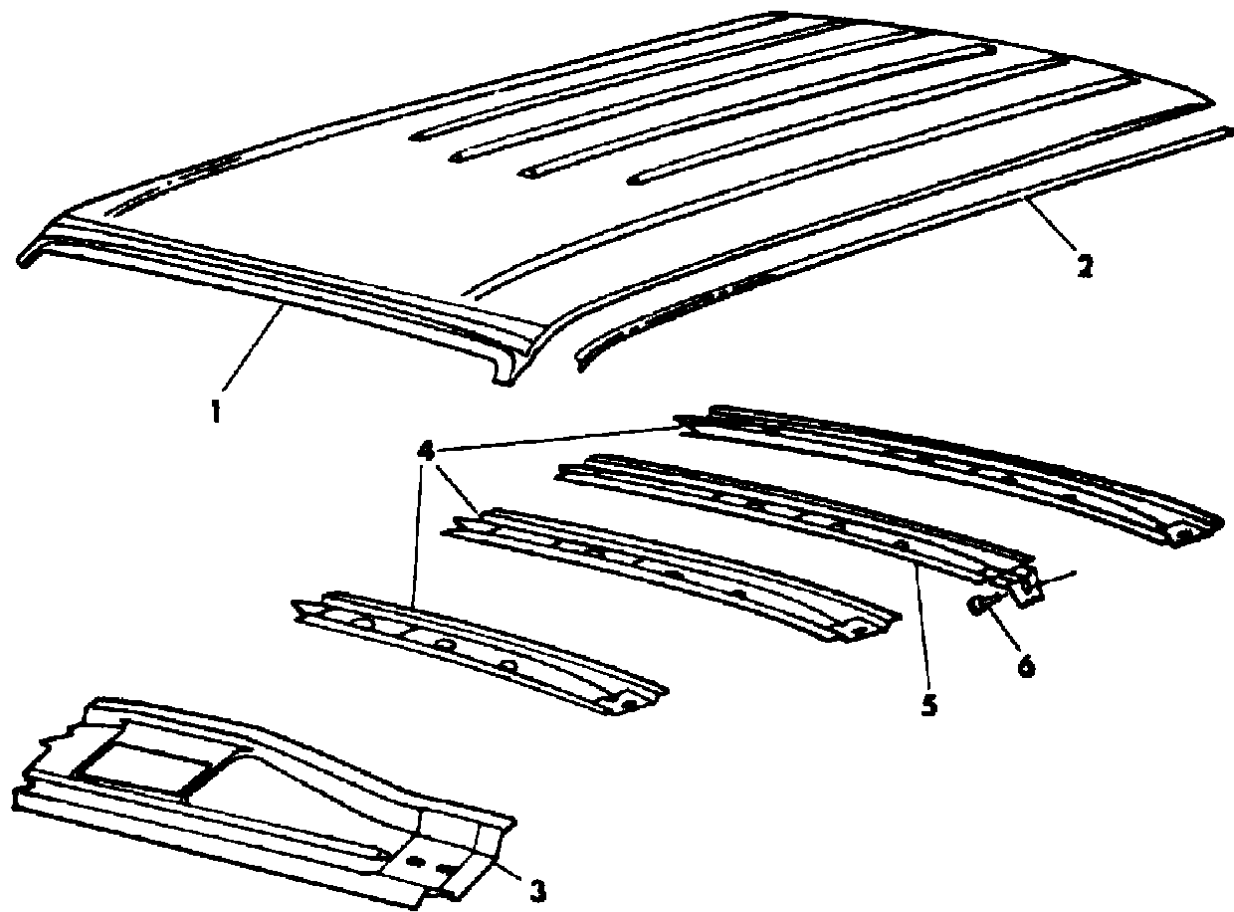
BODY STYLES

21 = 2-DOOR SEDAN	35 = FWD VAN	44 = 4-DOOR HATCHBACK
22 = 2-DOOR SPECIAL COUPE	36 = FWD WAGON	45 = 4-DOOR STATION WAGON
24 = 2-DOOR HATCHBACK	41 = 4-DOOR SEDAN	49 = LIMOUSINE
27 = 2-DOOR CONVERTIBLE		

AR = Use as Required - = Non Illustrated Part P.A.R. = Paint as Required

ROOF PANEL H,K
Figure 23A-1070

5159 10700



ITEM	PART NUMBER	QTY	BODY	MODEL	DESCRIPTION
1	4278 061	1		35,36	PANEL, Roof Outer
2	4278 006-7	1		35,36	TROUGH, Roof Side Drain
3	4337 845	1		35,36	FRAME, Windshield Opening Upper
4	4341 623	3		35,36	BOW, Roof #1,2, & 4
5	4278 779	1		35,36	BOW, Roof #3
6		2		35,36	SCREW, #10-16 x .625" (Not Serviced)

MODEL CODES

B = GRAN FURY	E = 600	M = HORIZON/TURISMO
C = LE BARON/TOWN & COUNTRY/LIMO	F = FIFTH AVENUE/NEWPORT	P = RELIANT
C24 = LASER	G = DIPLOMAT	T = NEW YORKER
C44 = LE BARON/GTS	H = VOYAGER	V = 600
D = ARIES	J = CARAVELLE	V24 = DAYTONA
D44 = LANCER	K = MINI VAN/CARAVAN/ROYAL	Z = OMNI/CHARGER

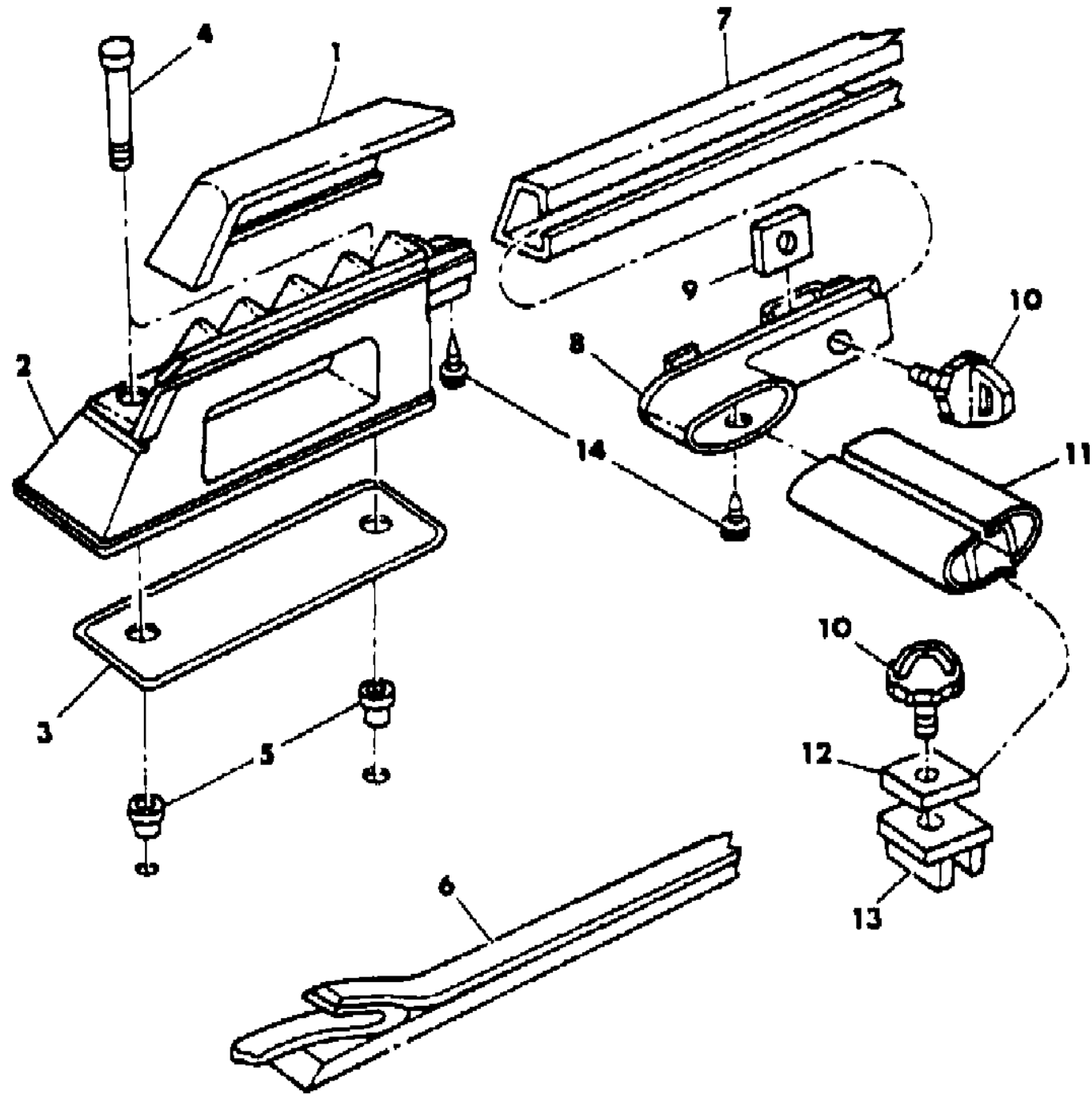
BODY STYLES

21 = 2-DOOR SEDAN	35 = FWD VAN	44 = 4-DOOR HATCHBACK
22 = 2-DOOR SPECIAL COUPE	36 = FWD WAGON	45 = 4-DOOR STATION WAGON
24 = 2-DOOR HATCHBACK	41 = 4-DOOR SEDAN	49 = LIMOUSINE
27 = 2-DOOR CONVERTIBLE		

AR = Use as Required - = Non Illustrated Part P.A.R. = Paint as Required

ROOF LUGGAGE RACK H,K
Figure 23A-1080

5165 10800



ITEM	PART NUMBER	QTY	BODY	MODEL	DESCRIPTION
1		2		35,36	COVER, Roof Luggage Rack Side Rail Support
	4318 810	2			Left Front and Right Rear
	4319 811	2			Right Front and Left Rear
2	4319 850-1	2		35,36	SUPPORT, Roof Luggage Rack Side Rail
3		4		35,36	PAD, Roof Luggage Rack Side Rail Support (Serviced in Item #2)
4		8		35,36	SCREW, 1/4"-20 x 2.125" (Not Serviced)
5	2094 869	8		35,36	NUT, Blind
6	4319 815	6		35,36	STRIP, Roof Luggage Rack Skid
7	4319 802	2		35,36	RAIL, Roof Luggage Rack Side
8				35,36	BRACKET, Roof Luggage Rack Cross Bar
	4319 804	2			Rt. Front, Lt. Rear
	4319 805	2			Lt. Front, Rt. Rear
9	4229 321	4		35,36	T-PLATE, Roof Luggage Rack Side Rail Loop
10	4229 334	8		35,36	LOOP, Roof Luggage Rack Tie-Down
11	4319 803	2		35,36	BAR, Roof Luggage Rack Cross
12	4229 321	4		35,36	T-PLATE, Roof Luggage Rack Cross Bar Loop
13	4229 322	4		35,36	RETAINER, Roof Luggage Rack Cross Bar Loop T/Plate
14		4		35,36	SCREW, #10-16 x .500" (Not Serviced)
NOTE: The following items are not shown on illustration. 22 Model). Sheet metal parts for the C 22 not found on this illustration should be specified from the C 22 Models, as found elsewhere in this group.					
	4319 816	1		35,36	LUGGAGE RACK PACKAGE, Roof (Field Installed)
	4366 544	2		35,36	LABEL, Roof Luggage Rack Side Rail Overload Caution

MODEL CODES

B = GRAN FURY	E = 600	M = HORIZON/TURISMO
C = LE BARON/TOWN & COUNTRY/LIMO	F = FIFTH AVENUE/NEWPORT	P = RELIANT
C24 = LASER	G = DIPLOMAT	T = NEW YORKER
C44 = LE BARON/GTS	H = VOYAGER	V = 600
D = ARIES	J = CARAVELLE	V24 = DAYTONA
D44 = LANCER	K = MINI VAN/CARAVAN/ROYAL	Z = OMNI/CHARGER

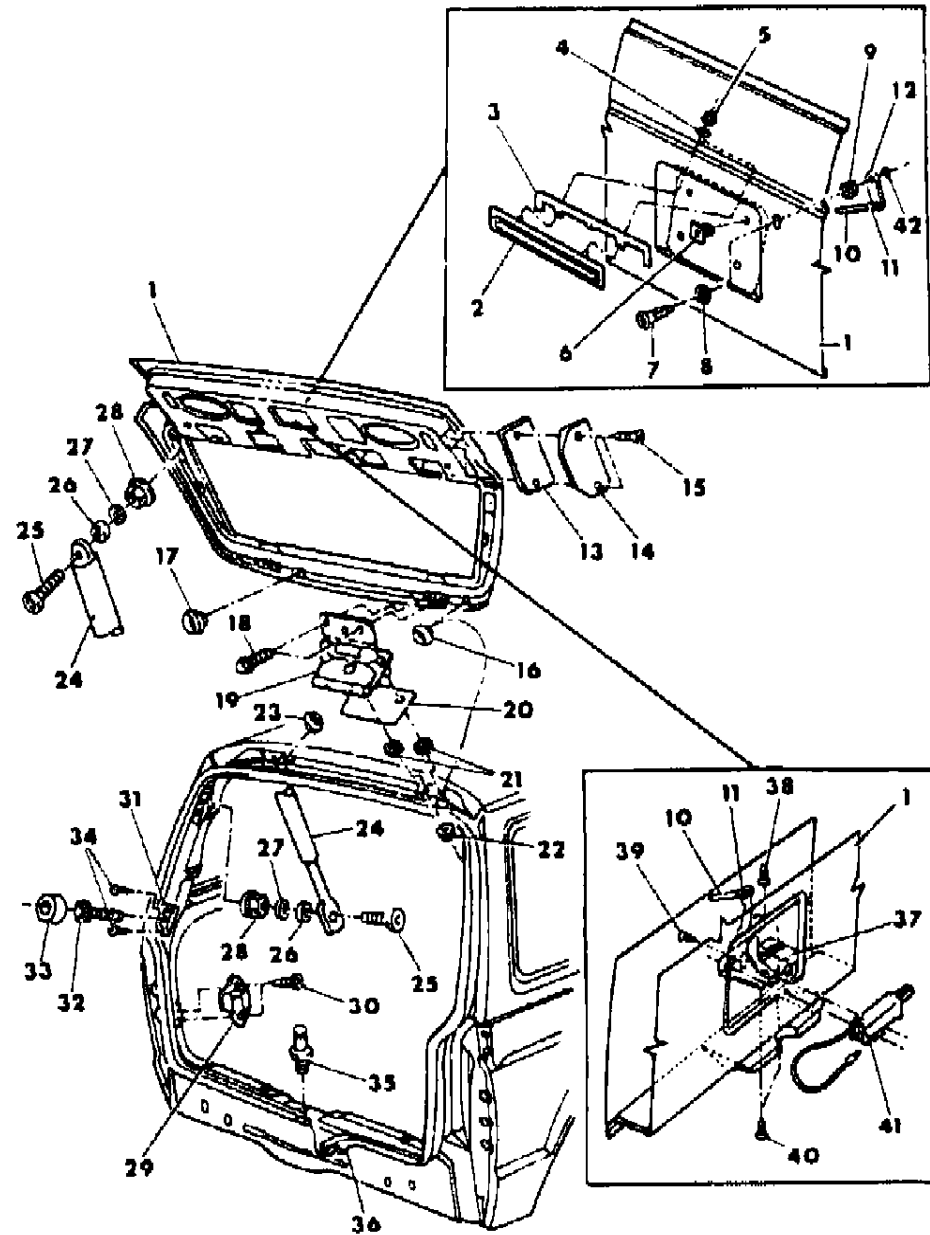
BODY STYLES

21 = 2-DOOR SEDAN	35 = FWD VAN	44 = 4-DOOR HATCHBACK
22 = 2-DOOR SPECIAL COUPE	36 = FWD WAGON	45 = 4-DOOR STATION WAGON
24 = 2-DOOR HATCHBACK	41 = 4-DOOR SEDAN	49 = LIMOUSINE
27 = 2-DOOR CONVERTIBLE		

AR = Use as Required - = Non Illustrated Part P.A.R. = Paint as Required

LIFTGATE H,K
Figure 23A-1090

5168 10900



ITEM	PART NUMBER	QTY	BODY	MODEL	DESCRIPTION
1					PANEL, Liftgate
	4325 284	1		35,36	Up To 5-20-85
	4336 635	1		35,36	After 5-20-85
2	4328 156	1		35,36	HANDLE, Liftgate
	4328 159	1		35,36	HANDLE and MOULDING, Liftgate
3		1		35,36	GASKET, Serviced In Item 2
4		2		35,36	GASKET, Serviced In Item 2
5	0116 000	2		35,36	NUT
6	6500 524	4		35,36	NUT, License Plate Mounting
7		1		35,36	CYLINDER, Liftgate Lock (See Group 23D-Illustrations)
8	3695 321	1		35,36	GASKET, Liftgate Lock Cylinder
9	4054 202	1		35,36	NUT, Liftgate Lock Cylinder
10	4246 539	1		35,36	LINK, Liftgate Lock Cylinder to Latch
11	3454 220	2		35,36	CLIP, Liftgate Lock Cylinder to Latch Link
12	4246 815	1		35,36	LEVER, Liftgate Lock Cylinder
13	4246 751	AR		35,36	SHIM, Liftgate Stabilizer Striker (1.52mm)
	4246 752	AR		35,36	(.76mm)
14	4246 848	2		35,36	STRIKER, Liftgate Stabilizer
15		4		35,36	SCREW, #10-16 x .75" (Not Serviced)
16	2094 631	2		35,36	PLUG, .875" Dia./22.2mm
17	2574 792	1		35,36	PLUG, .75" Dia./19.5mm
18	6100 275	4		35,36	SCREW and WASHER
19	4246 837	2		35,36	HINGE, Liftgate
20	4246 359	AR		35,36	SHIM, Liftgate Hinge to Body
21	5231 207	4		35,36	WASHER, Liftgate Hinge to Body Sealing
22	6100 049	4		35,36	NUT and WASHER
23	1774 076	1		35,36	PLUG, .630" Dia./16mm
24	G000 4775	2		35	PROP, Liftgate, w/o Wiper w/o Stereo or, w/o Wiper w/Stereo or, w/Wiper w/o Stereo (Includes Items #25-28)
	G000 4775	2		35	w/Wiper w/Stereo
	G000 4775	2		36	w/o Wiper w/o Stereo
	4246 672	2		36	w/Wiper and/or w/Stereo
25	6500 142	4		35,36	SCREW
26		4		35,36	BUMPER, Serviced In Item 24
27		4		35,36	WASHER, Serviced In Item 24
28	6500 159	4		35,36	NUT and WASHER
29	4246 601	2		35,36	WEDGE, Liftgate Opening Stabilizer

MODEL CODES

B = GRAN FURY	E = 600	M = HORIZON/TURISMO
C = LE BARON/TOWN & COUNTRY/LIMO	F = FIFTH AVENUE/NEWPORT	P = RELIANT
C24 = LASER	G = DIPLOMAT	T = NEW YORKER
C44 = LE BARON/GTS	H = VOYAGER	V = 600
D = ARIES	J = CARAVELLE	V24 = DAYTONA
D44 = LANCER	K = MINI VAN/CARAVAN/ROYAL	Z = OMNI/CHARGER

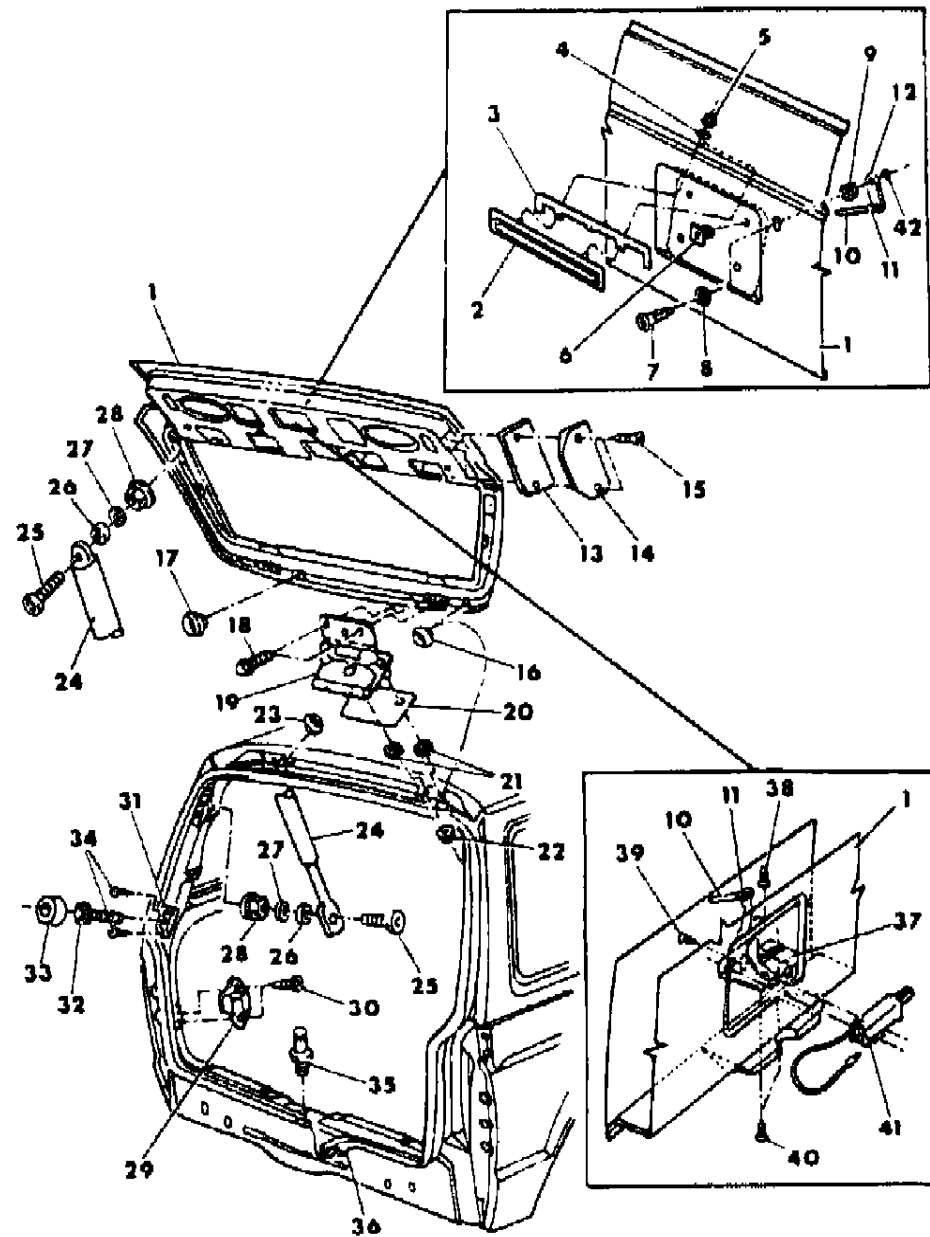
BODY STYLES

21 = 2-DOOR SEDAN	35 = FWD VAN	44 = 4-DOOR HATCHBACK
22 = 2-DOOR SPECIAL COUPE	36 = FWD WAGON	45 = 4-DOOR STATION WAGON
24 = 2-DOOR HATCHBACK	41 = 4-DOOR SEDAN	49 = LIMOUSINE
27 = 2-DOOR CONVERTIBLE		

AR = Use as Required - = Non Illustrated Part P.A.R. = Paint as Required

LIFTGATE H,K Figure 23A-1090

5168 10900



ITEM	PART NUMBER	QTY	BODY	MODEL	DESCRIPTION
30		4		35,36	SCREW, #10-16 x .75" (Not Serviced)
31	4341 426-7	1		35,36	BRACKET, Liftgate Overslam Bumper
32	6023 531	2		35,36	SCREW, Liftgate Overslam Bumper
33	4336 077	2		35,36	BUMPER, Liftgate Overslam
34		4		35,36	SCREW, #10-16 x .675" (Not Serviced)
35	4246 586	1		35,36	STRIKER, Liftgate Latch
36	4280 063	1		35,36	WEATHERSTRIP, Liftgate Opening
37	4246 540	1		35,36	LATCH, Liftgate
38	4246 668	1		35,36	SLEEVE, Electric Liftgate Latch Release Pawl
39	9421 073	2		35,36	SCREW, .190-16x.500
40	6501 563	2		35,36	SCREW, M6.3x1.41x 15.9mm
41	4246 587	1		35,36	SOLENOID, w/Bracket Electric Liftgate Release
42	6032 107	1		35,36	CLIP, Liftgate Lock Cylinder Lever Retainer

MODEL CODES

B = GRAN FURY	E = 600	M = HORIZON/TURISMO
C = LE BARON/TOWN & COUNTRY/LIMO	F = FIFTH AVENUE/NEWPORT	P = RELIANT
C24 = LASER	G = DIPLOMAT	T = NEW YORKER
C44 = LE BARON/GTS	H = VOYAGER	V = 600
D = ARIES	J = CARAVELLE	V24 = DAYTONA
D44 = LANCER	K = MINI VAN/CARAVAN/ROYAL	Z = OMNI/CHARGER

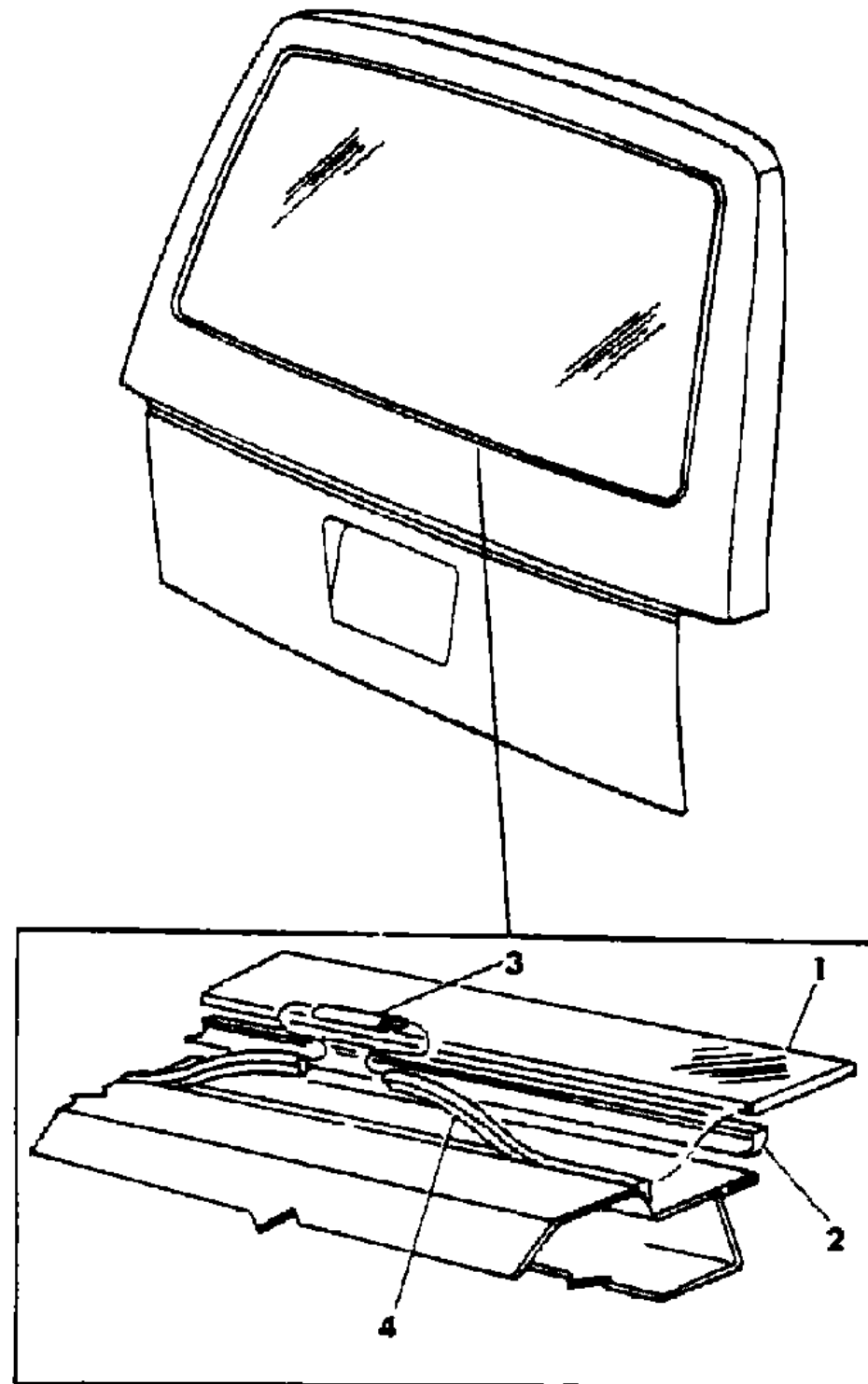
BODY STYLES

21 = 2-DOOR SEDAN	35 = FWD VAN	44 = 4-DOOR HATCHBACK
22 = 2-DOOR SPECIAL COUPE	36 = FWD WAGON	45 = 4-DOOR STATION WAGON
24 = 2-DOOR HATCHBACK	41 = 4-DOOR SEDAN	49 = LIMOUSINE
27 = 2-DOOR CONVERTIBLE		

AR = Use as Required - = Non Illustrated Part P.A.R. = Paint as Required

GLASS LIFTGATE H,K
Figure 23A-1100

5155 11000



ITEM	PART NUMBER	QTY	BODY	MODEL	DESCRIPTION
1	4280 070	1		35,36	GLASS, Liftgate, Tinted
	4280 071	1		35,36	Sunscreen
	4280 610	1		35,36	Tinted, Electric Heated
	4280 611	1		35,36	Sunscreen, Electric Heated
2	4206 848	AR		35,36	DAM, Glass Adhesive (119")
3	4198 929	1		35,36	CAP, Liftgate Glass Lock Strip
4	4365 614				LOCKSTRIP, Liftgate Glass Installation & Repair 178"

NOTE: The following items are not shown on illustration. 22 Model). Sheet metal parts for the C 49 not found on this illustration should be specified from the C 22 Models, as found elsewhere in this group.

	4267 906	1		35,36	FIXED GLASS REPAIR PACKAGE, Polyurethane CONSISTS OF: 1- ----- Polyurethane, 11.5 oz. 1- ----- Fence Primer, 1 oz. 1- ----- Glass Wipe-Off Primer, 1 oz. 1- ----- Glass Black-Out Primer, 1 oz. 3- ----- Dabbers 1- ----- Nozzle
	4267 922	1		35,36	ELECTRIC GRID REPAIR PACKAGE CONSISTS OF: 1- ----- Cement, Cho-Bond, 1/2 oz. 1- ----- Instruction Sheet

MODEL CODES

B = GRAN FURY	E = 600	M = HORIZON/TURISMO
C = LE BARON/TOWN & COUNTRY/LIMO	F = FIFTH AVENUE/NEWPORT	P = RELIANT
C24 = LASER	G = DIPLOMAT	T = NEW YORKER
C44 = LE BARON/GTS	H = VOYAGER	V = 600
D = ARIES	J = CARAVELLE	V24 = DAYTONA
D44 = LANCER	K = MINI VAN/CARAVAN/ROYAL	Z = OMNI/CHARGER

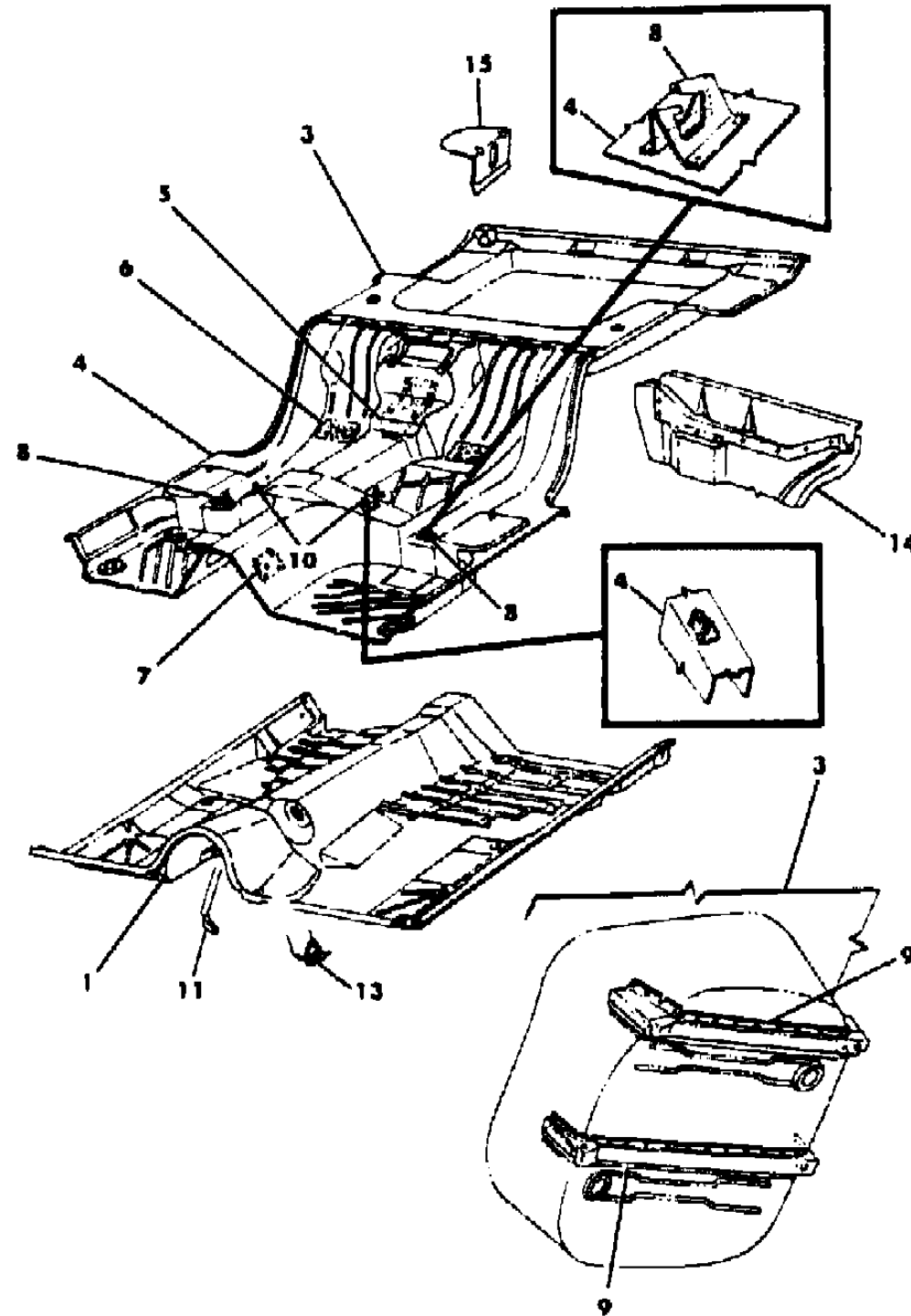
BODY STYLES

21 = 2-DOOR SEDAN	35 = FWD VAN	44 = 4-DOOR HATCHBACK
22 = 2-DOOR SPECIAL COUPE	36 = FWD WAGON	45 = 4-DOOR STATION WAGON
24 = 2-DOOR HATCHBACK	41 = 4-DOOR SEDAN	49 = LIMOUSINE
27 = 2-DOOR CONVERTIBLE		

AR = Use as Required - = Non Illustrated Part P.A.R. = Paint as Required

FLOOR PAN B,F,G
Figure 23A-1110

5169 11100



ITEM	PART NUMBER	QTY	BODY	MODEL	DESCRIPTION
1	4314 619	1			PAN, Front Floor
3	4314 668	1			PAN, Rear Floor
4	4314 669	1			PAN, Center Floor
5	4314 670	1			REINFORCEMENT, Center Floor Pan Pinion Carrier Bumper
6	4314 260	2			REINFORCEMENT, Center Floor Pan Rear Seat Belt Inner
7	4314 259	2			REINFORCEMENT, Center Floor Pan Front Seat Belt Inner
8	3446 302	2			RETAINER, Center Floor Pan Rear Seat Cushion (w/o Heavy Duty Rear Seat Springs)
9	4325 156	1			STRAINER, Fuel Tank Front and Rear Rt.
	4325 155	1			Lt.
10	4134 377	2			BRACKET, Center Floor Pan Rear Seat Cushion (w/Heavy Duty Rear Seat Springs)
11	4314 642-3	1			REINFORCEMENT, Seat Guide Front Outer
13	4314 644-5	1			REINFORCEMENT, Seat Guide Outer Rear
14	4337 268-9	1			EXTENSION, Rear Floor Pan Side
15	4134 424	1			SUPPORT, Rear Floor Pan Spare Wheel Side or Center
	4200 001	1			CROSSMEMBER, w/Reinforcement Front Floor Pan Anti-Seat Shake, w/60/40 Split Bench

MODEL CODES

B = GRAN FURY	E = 600	M = HORIZON/TURISMO
C = LE BARON/TOWN & COUNTRY/LIMO	F = FIFTH AVENUE/NEWPORT	P = RELIANT
C24 = LASER	G = DIPLOMAT	T = NEW YORKER
C44 = LE BARON/GTS	H = VOYAGER	V = 600
D = ARIES	J = CARAVELLE	V24 = DAYTONA
D44 = LANCER	K = MINI VAN/CARAVAN/ROYAL	Z = OMNI/CHARGER

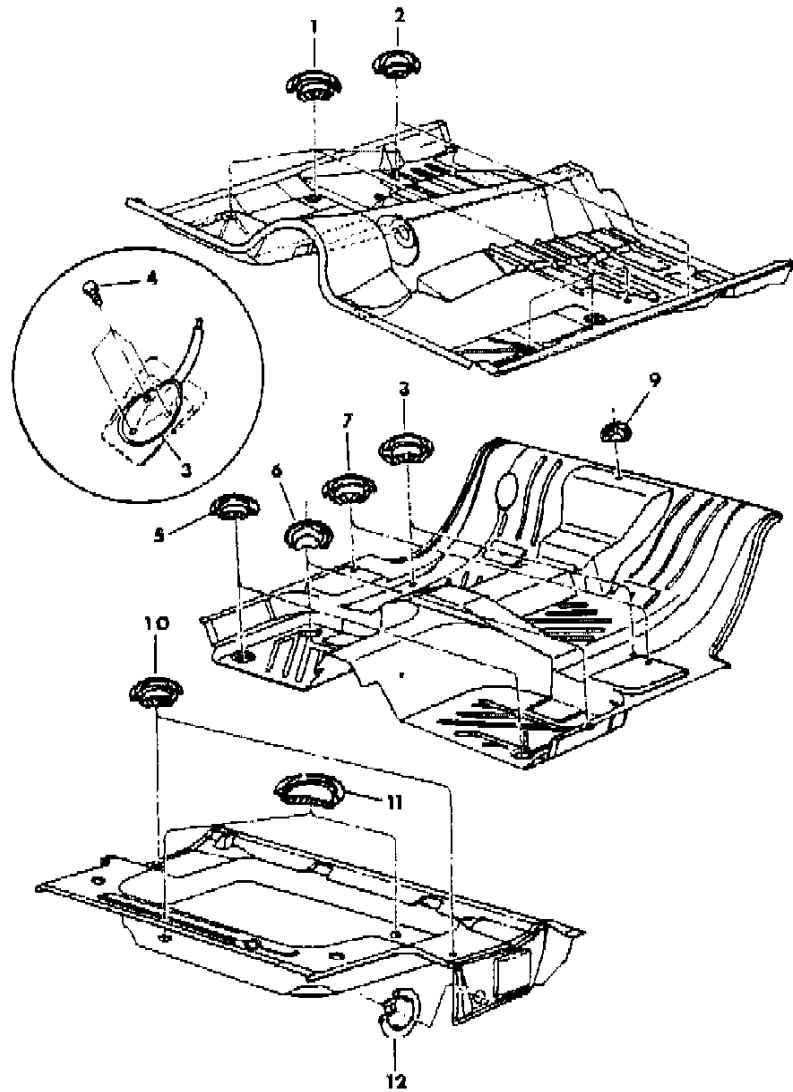
BODY STYLES

21 = 2-DOOR SEDAN	35 = FWD VAN	44 = 4-DOOR HATCHBACK
22 = 2-DOOR SPECIAL COUPE	36 = FWD WAGON	45 = 4-DOOR STATION WAGON
24 = 2-DOOR HATCHBACK	41 = 4-DOOR SEDAN	49 = LIMOUSINE
27 = 2-DOOR CONVERTIBLE		

AR = Use as Required - = Non Illustrated Part P.A.R. = Paint as Required

PLUGS FLOOR PAN B,F,G
Figure 23A-1120

5169 11200



ITEM	PART NUMBER	QTY	BODY	MODEL	DESCRIPTION
1	2480 957	6			PLUG
2	1774 076	2			PLUG
3	2259 118	1			SEAL, Parking Brake Cable
4		3			SCREW, Not Serviced
5	6030 773	2			PLUG
6	4073 475	2			PLUG
7	2480 957	2			PLUG
8	2480 957	2			PLUG
9	4073 474	1			PLUG
10	2480 957	2			PLUG
11	6030 773	2			PLUG
12	4073 485	2			PLUG

NOTE: The following items are not shown on illustration. 22 Model). Sheet metal parts for the C 49 not found on this illustration should be specified from the C 22 Models, as found elsewhere in this group.

1774 076 4 PLUG, Front Floor Pan Seat Track Holes w/Split Back Bench w/Center Arm Rest

MODEL CODES

B = GRAN FURY	E = 600	M = HORIZON/TURISMO
C = LE BARON/TOWN & COUNTRY/LIMO	F = FIFTH AVENUE/NEWPORT	P = RELIANT
C24 = LASER	G = DIPLOMAT	T = NEW YORKER
C44 = LE BARON/GTS	H = VOYAGER	V = 600
D = ARIES	J = CARAVELLE	V24 = DAYTONA
D44 = LANCER	K = MINI VAN/CARAVAN/ROYAL	Z = OMNI/CHARGER

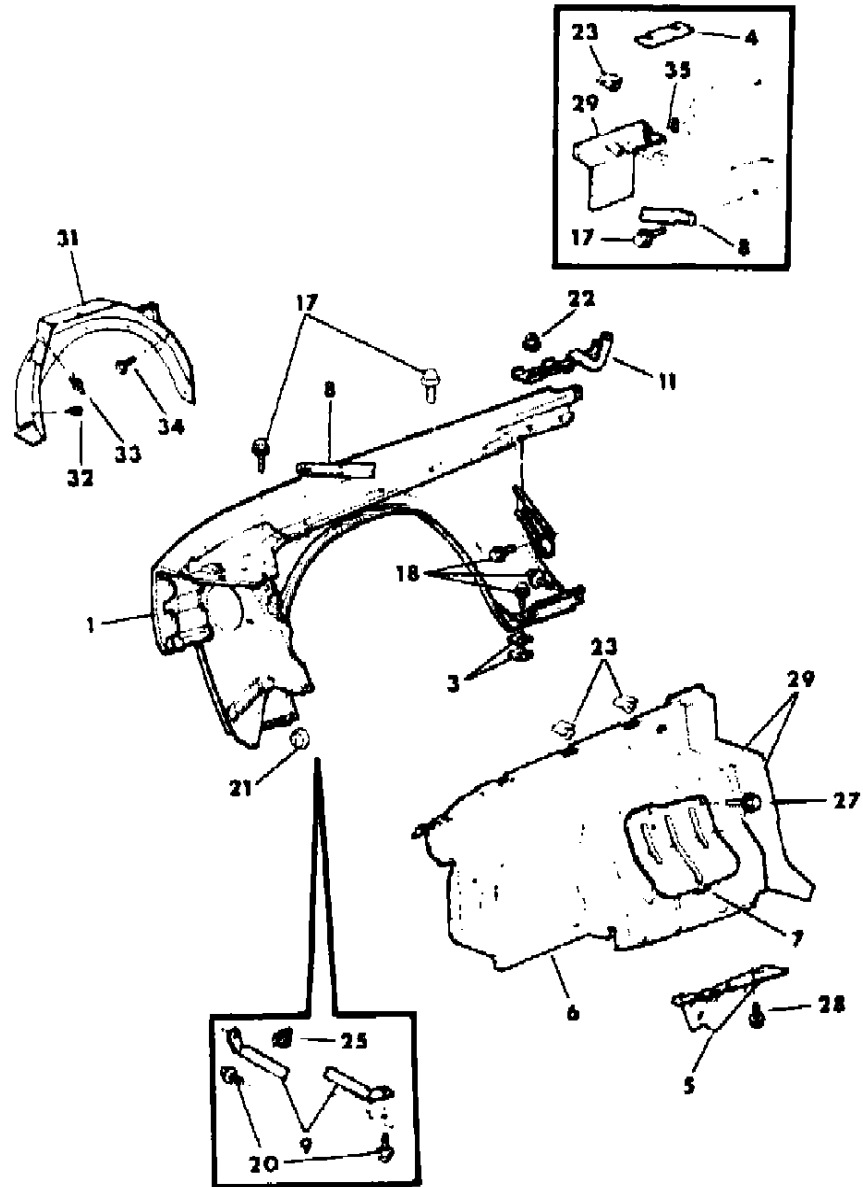
BODY STYLES

21 = 2-DOOR SEDAN	35 = FWD VAN	44 = 4-DOOR HATCHBACK
22 = 2-DOOR SPECIAL COUPE	36 = FWD WAGON	45 = 4-DOOR STATION WAGON
24 = 2-DOOR HATCHBACK	41 = 4-DOOR SEDAN	49 = LIMOUSINE
27 = 2-DOOR CONVERTIBLE		

AR = Use as Required - = Non Illustrated Part P.A.R. = Paint as Required

FENDER B,F,G
Figure 23A-1130

5:55 11300



ITEM	PART NUMBER	QTY	BODY	MODEL	DESCRIPTION
1	4318 324-5	1		B,F,G	PANEL, Fender
3	6010 031	AR			SHIM
4	6010 031	AR			SHIM, Fender to Cowl Side
5	4005 081	1			SHIELD, Frt. Side Rail Lwr. Splash, Lt.
6	4296 894	1			PANEL, Fender Shield, Right
	4296 897	1			Left
7	4005 108	2			COVER, Fndr. Shield Pnl. Upr. Control Arm, Alum.
8	3868 634	1			STRUT, Fndr. Cowl Top, Rt., w/o Heavy Service Pkg.
	3868 979	1			STRUT, Fndr. Cowl Top, Lt., w/o Heavy Service Pkg.
	4103 066-7	1			w/Heavy Service Pkg.
9	3868 966-7	1			BRACE, Fndr. Lwr. Flange
11		1			HINGE and PROP, Hood Complete (See Hood Illus.)
17	9425 118	AR			SCREW and WASHER
18					SCREW and WASHER, Not Serviced
20					SCREW and WASHER, Not Serviced
21	0118 614	AR			NUT and WASHER
22	0118 614	AR			NUT and WASHER
23	0153 294	AR			U-NUT
25	0152 454	AR			U-NUT
27					SCREW, Not Serviced
28					SCREW and WASHER, Not Serviced
29					SUPPORT, Dash Pnl. to Fndr. S/Shield Upr.(See Cowl Illus.)
31	3868 968-9	1			SHIELD, W/House Splash
32		AR			SCREW and WASHER, Not Serviced
33	6031 390	AR			RETAINER
34					SCREW and WASHER, Not Serviced
35	4136 191	2			REINFORCEMENT, Dash Pnl. Hood Hge.
NOTE: The following items are not shown on illustration. 22 Model). Sheet metal parts for the C 49 not found on this illustration should be specified from the C 22 Models, as found elsewhere in this group.					
	4005 182	1			STRUT, Battery Hold-Down To Fender
	6030 441	AR			RETAINER, Fender Splash Shield to Front Side Shield Panel
	4005 185	1			SLEEVE, Battery Hold-Down To Fender Strut w/Heavy Service Package

MODEL CODES

B = GRAN FURY	E = 600	M = HORIZON/TURISMO
C = LE BARON/TOWN & COUNTRY/LIMO	F = FIFTH AVENUE/NEWPORT	P = RELIANT
C24 = LASER	G = DIPLOMAT	T = NEW YORKER
C44 = LE BARON/GTS	H = VOYAGER	V = 600
D = ARIES	J = CARAVELLE	V24 = DAYTONA
D44 = LANCER	K = MINI VAN/CARAVAN/ROYAL	Z = OMNI/CHARGER

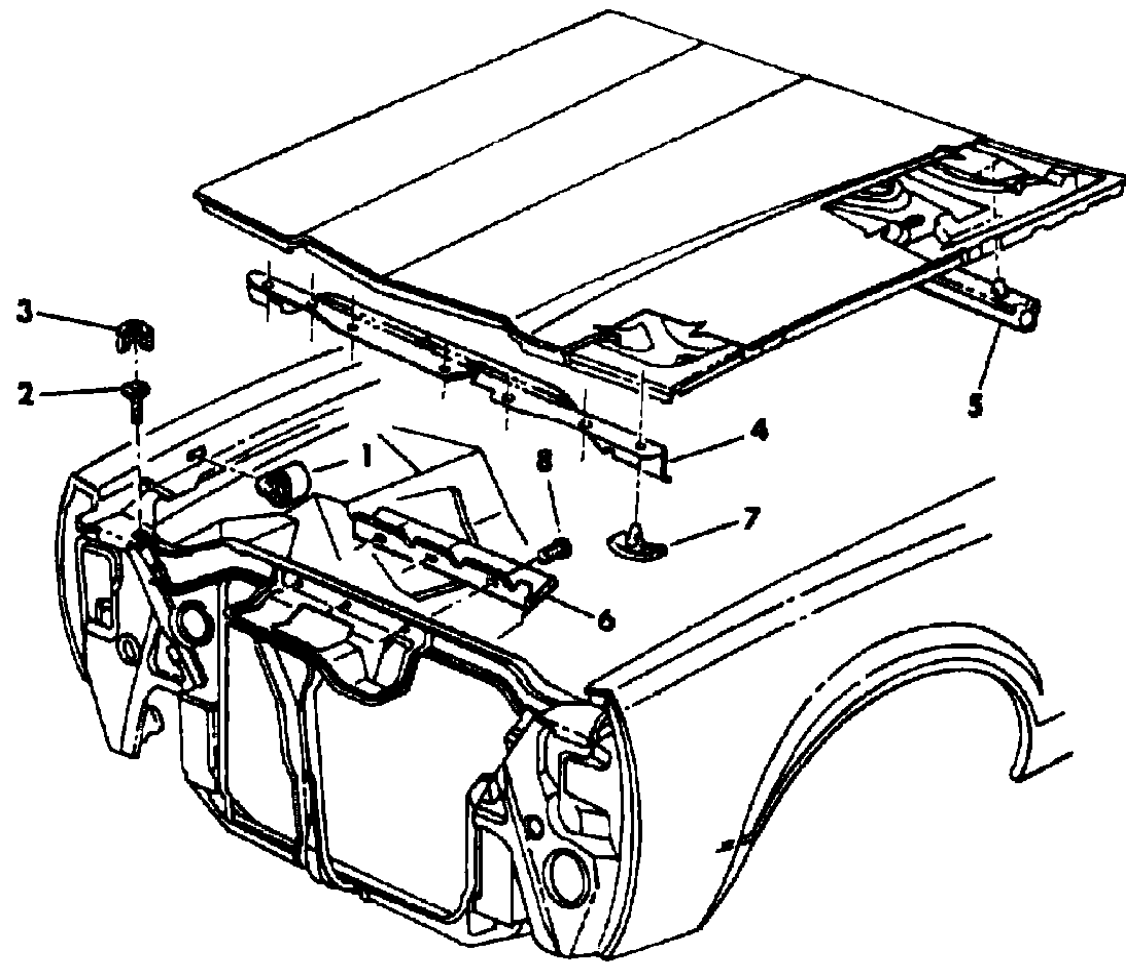
BODY STYLES

21 = 2-DOOR SEDAN	35 = FWD VAN	44 = 4-DOOR HATCHBACK
22 = 2-DOOR SPECIAL COUPE	36 = FWD WAGON	45 = 4-DOOR STATION WAGON
24 = 2-DOOR HATCHBACK	41 = 4-DOOR SEDAN	49 = LIMOUSINE
27 = 2-DOOR CONVERTIBLE		

AR = Use as Required - = Non Illustrated Part P.A.R. = Paint as Required

BUMPERS PLUGS FENDER HOOD B,F,G
Figure 23A-1140

5169 11400



ITEM	PART NUMBER	QTY	BODY	MODEL	DESCRIPTION
1	3443 894	2			BUMPER, Fender, Hood
2	6023 531	2			SCREW
3	3788 362	2			BUMPER, Hood
4	4074 857	1			SEAL, Hood Yoke
5	3868 603	1			SEAL, Hood to Cowl
6	4103 056	1			SEAL, Radiator Yoke
7	6003 351	7			FASTENER
8	6030 538	3			RETAINER

MODEL CODES

B = GRAN FURY	E = 600	M = HORIZON/TURISMO
C = LE BARON/TOWN & COUNTRY/LIMO	F = FIFTH AVENUE/NEWPORT	P = RELIANT
C24 = LASER	G = DIPLOMAT	T = NEW YORKER
C44 = LE BARON/GTS	H = VOYAGER	V = 600
D = ARIES	J = CARAVELLE	V24 = DAYTONA
D44 = LANCER	K = MINI VAN/CARAVAN/ROYAL	Z = OMNI/CHARGER

BODY STYLES

21 = 2-DOOR SEDAN	35 = FWD VAN	44 = 4-DOOR HATCHBACK
22 = 2-DOOR SPECIAL COUPE	36 = FWD WAGON	45 = 4-DOOR STATION WAGON
24 = 2-DOOR HATCHBACK	41 = 4-DOOR SEDAN	49 = LIMOUSINE
27 = 2-DOOR CONVERTIBLE		

AR = Use as Required - = Non Illustrated Part P.A.R. = Paint as Required

HOOD B,F,G
Figure 23A-1150

5155 11500

ITEM	PART NUMBER	QTY	BODY	MODEL	DESCRIPTION
1	4325 200	1			PANEL, Hood
3	3443 894	2			BUMPER, Fndr. Hood Side
4	3788 362	2			BUMPER, Fndr. Yoke Brkt. Hood Adj.
5	6023 531	AR			SCREW, Flange Hood Adj. Bumper
6	3861 819	1			LATCH, Hood
10	4296 934	1			CATCH
11	4074 810	1			SUPPORT
12	4103 490	1			PLATE
13	#4054 003	1			STRIKER, Safety Catch
	4054 003	1			STRIKER, Latch
14	4103 428-9	1			HINGE and PROP, Hood
	4074 898-9	1			HINGE, Hood Partial
16	3868 603	1			SEAL, Hood Cowl
	6003 568	14			FASTENER
17	6003 351	7			FASTENER, Seal Hood To Yoke Seal
18	4074 857	1			SEAL, Hood Inner Pnl. To Yoke
21	0181 063	AR			SCREW and WASHER
22		AR			SCREW, Not Serviced
24	0181 063	AR			SCREW and WASHER
25	9425 118	AR			SCREW and WASHER
26	0118 614	AR			NUT and WASHER
27	4240 535	1			SPRING, Hood Pop-Up, Eyelet Type

NOTE: The following items are not shown on illustration. 22 Model). Sheet metal parts for the C 49 not found on this illustration should be specified from the C 22 Models, as found elsewhere in this group.

3875 949	2				SEAL, Cowl Pnl. to W/Shield Outer Frame
4049 601	1				SILENCER, Hood Inner Pnl.
6003 351	13				FASTENER, Hood Inner Pnl. Silencer
4296 933	1				SPRING, Hood Safety Catch Anti-Vibration

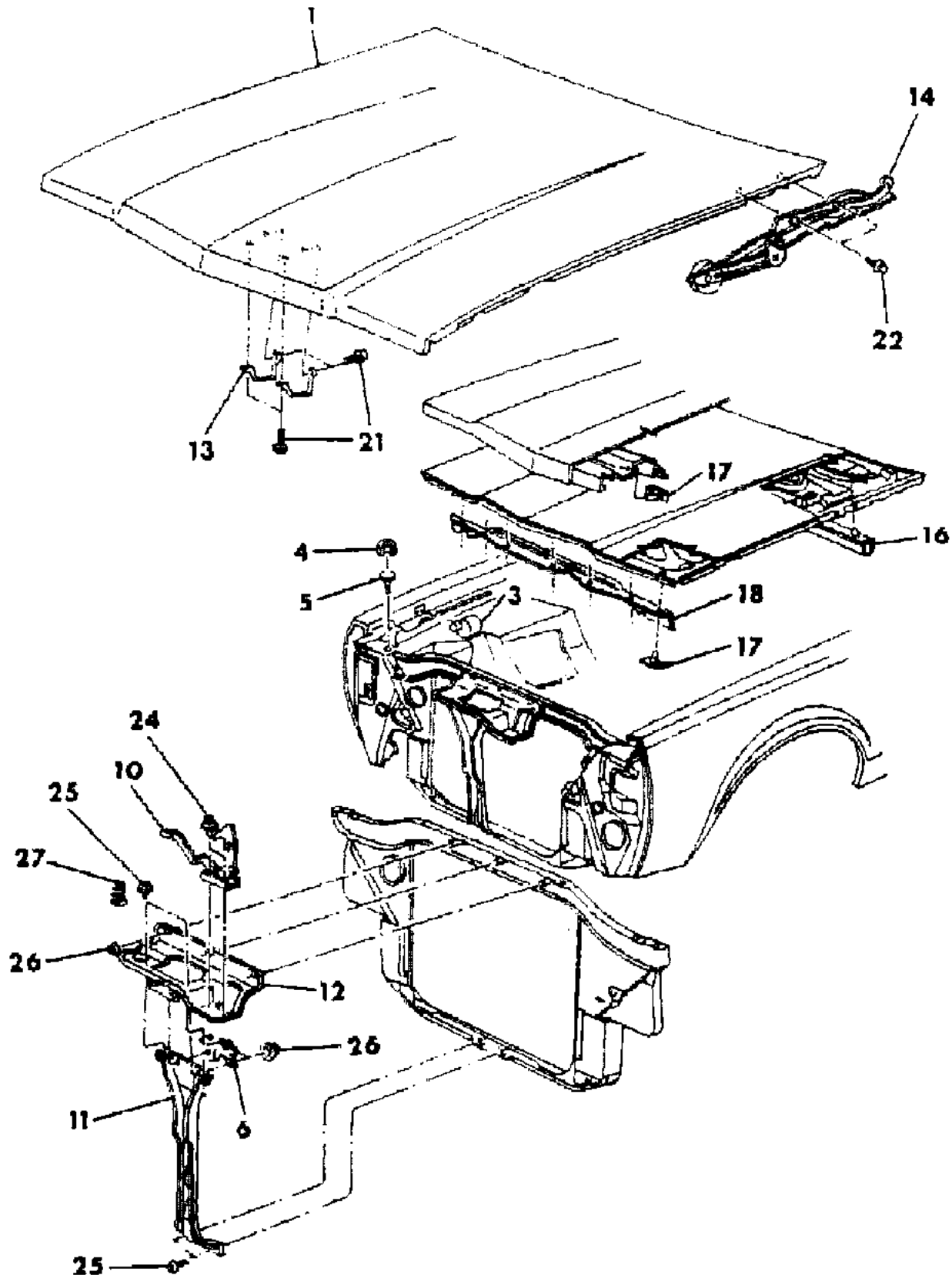
MODEL CODES

B = GRAN FURY	E = 600	M = HORIZON/TURISMO
C = LE BARON/TOWN & COUNTRY/LIMO	F = FIFTH AVENUE/NEWPORT	P = RELIANT
C24 = LASER	G = DIPLOMAT	T = NEW YORKER
C44 = LE BARON/GTS	H = VOYAGER	V = 600
D = ARIES	J = CARAVELLE	V24 = DAYTONA
D44 = LANCER	K = MINI VAN/CARAVAN/ROYAL	Z = OMNI/CHARGER

BODY STYLES

21 = 2-DOOR SEDAN	35 = FWD VAN	44 = 4-DOOR HATCHBACK
22 = 2-DOOR SPECIAL COUPE	36 = FWD WAGON	45 = 4-DOOR STATION WAGON
24 = 2-DOOR HATCHBACK	41 = 4-DOOR SEDAN	49 = LIMOUSINE
27 = 2-DOOR CONVERTIBLE		

AR = Use as Required - = Non Illustrated Part P.A.R. = Paint as Required



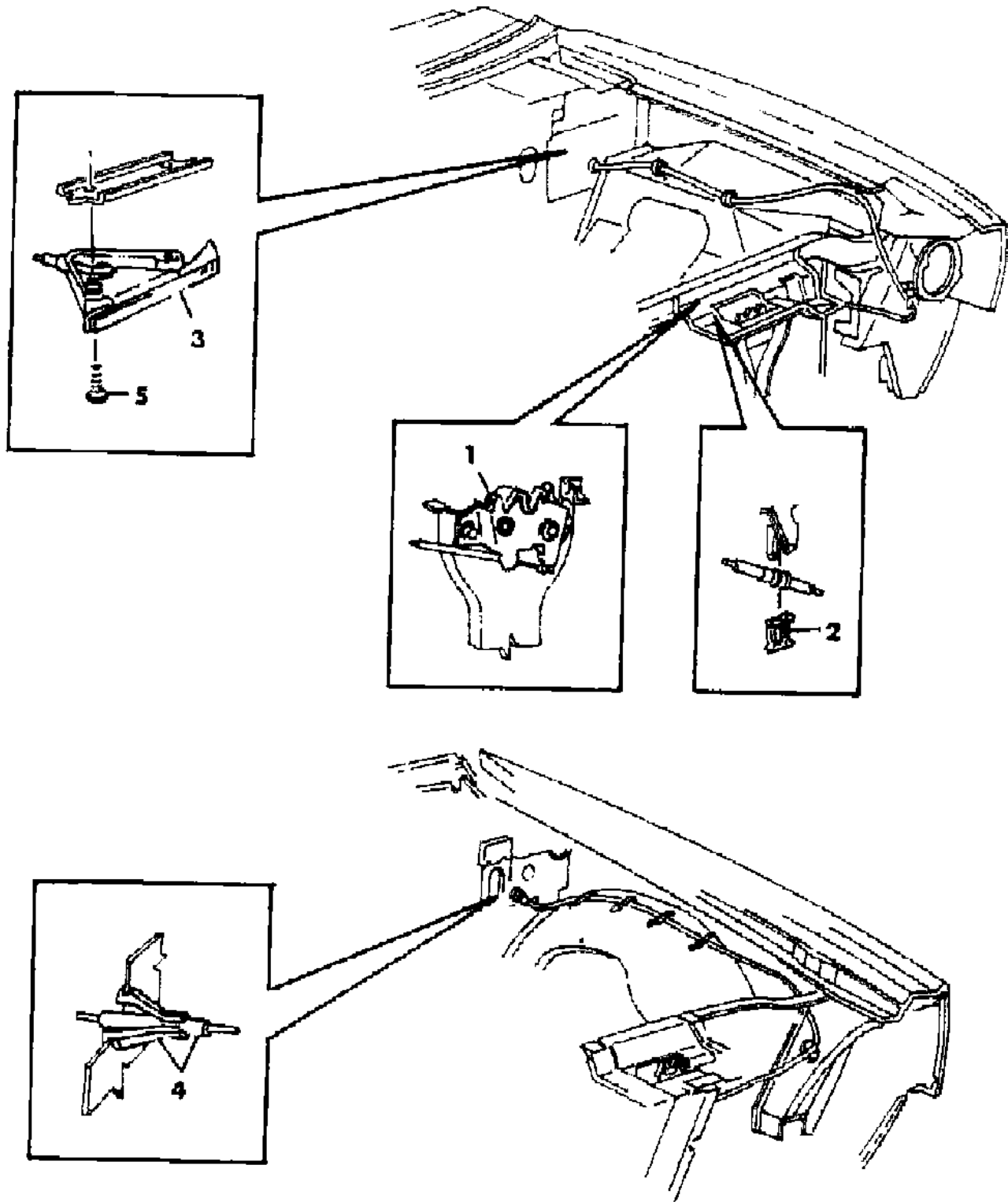
HOOD RELEASE REMOTE CONTROL B,F,G
Figure 23A-1160

5169 11600

ITEM	PART NUMBER	QTY	BODY	MODEL	DESCRIPTION
1	3861 819	1			LATCH, Hood
2	3861 231	1			CLIP, Hood Latch Rel. Cable Ret.
3	3882 085	1			RELEASE, Inst. Pnl. Hood Latch
4	3695 100	1			GROMMET, Hood Latch Rel. Handle Cable
5					SCREW, Not Serviced

NOTE: The following items are not shown on illustration. 22 Model). Sheet metal parts for the C 49 not found on this illustration should be specified from the C 22 Models, as found elsewhere in this group.

6024 203	1				NUT, Inst. Pnl. Hood Latch Rel. Handle Bracket To Handle
6031 147	1				NUT, Inst Pnl. Hood Latch Rel. Handle to Cable
1774 076	1				PLUG, Hood Release Cable



MODEL CODES

B = GRAN FURY	E = 600	M = HORIZON/TURISMO
C = LE BARON/TOWN & COUNTRY/LIMO	F = FIFTH AVENUE/NEWPORT	P = RELIANT
C24 = LASER	G = DIPLOMAT	T = NEW YORKER
C44 = LE BARON/GTS	H = VOYAGER	V = 600
D = ARIES	J = CARAVELLE	V24 = DAYTONA
D44 = LANCER	K = MINI VAN/CARAVAN/ROYAL	Z = OMNI/CHARGER

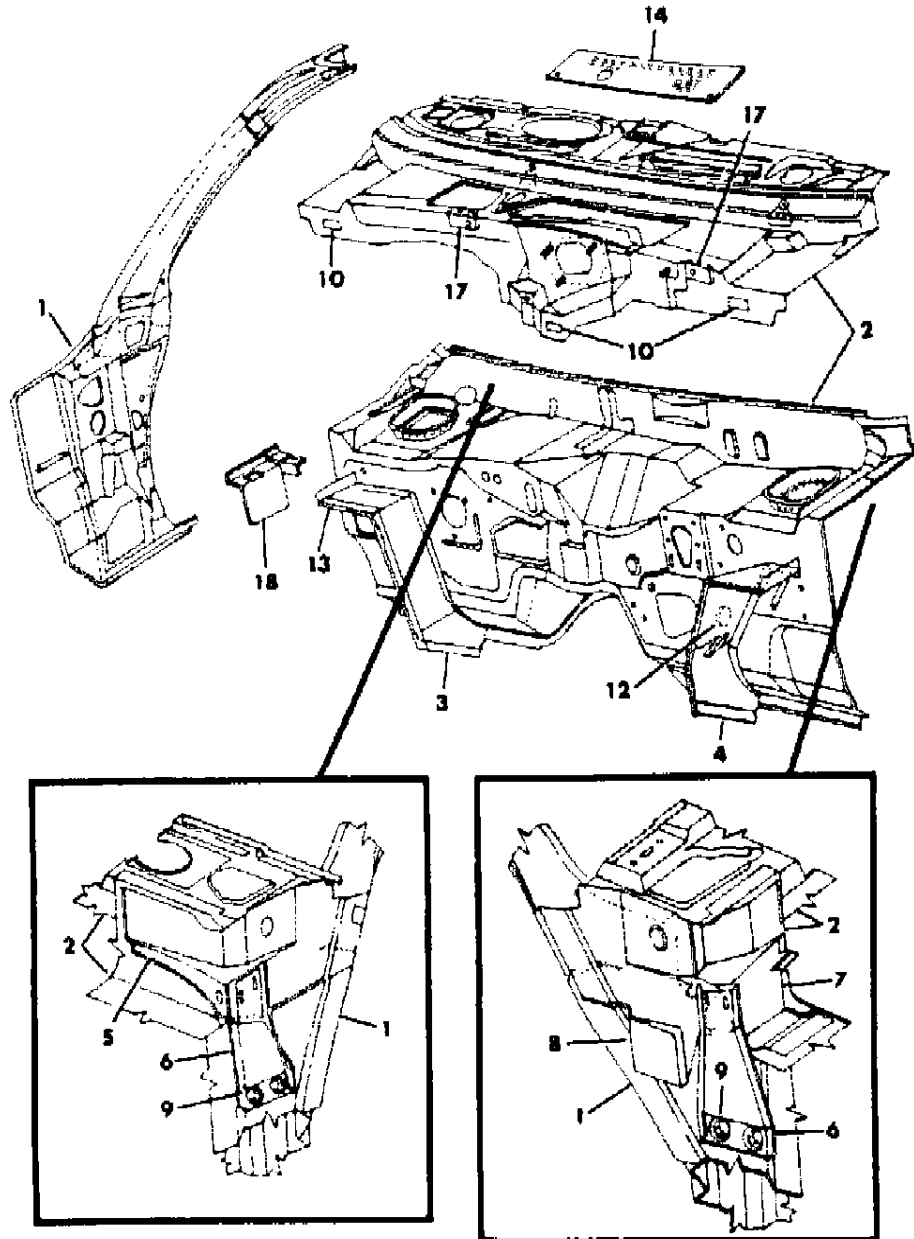
BODY STYLES

21 = 2-DOOR SEDAN	35 = FWD VAN	44 = 4-DOOR HATCHBACK
22 = 2-DOOR SPECIAL COUPE	36 = FWD WAGON	45 = 4-DOOR STATION WAGON
24 = 2-DOOR HATCHBACK	41 = 4-DOOR SEDAN	49 = LIMOUSINE
27 = 2-DOOR CONVERTIBLE		

AR = Use as Required - = Non Illustrated Part P.A.R. = Paint as Required

COWL AND DASH PANEL B,F,G
Figure 23A-1170

5163 11700



ITEM	PART NUMBER	QTY	BODY	MODEL	DESCRIPTION
1	4325 186-7	1			PANEL, Cowl Side
2	4337 567	1			PANEL, Cowl Top & Dash, w/o A/C
	4337 566	1			w/A/C
3	4198 190	1			SUPPORT, Dash Pnl. To Fender Side Shield Lower Rt.
4	4198 191	1			SUPPORT, Dash Pnl. To Fender Side Shield Lower Lt.
5	4136 542	1			REINFORCEMENT, Dash Pnl. To Cowl Side Rt.
6	3793 882	1			BRACKET, Cowl Side To WindShield Lower Corner Rt.
	4040 697	1			GUSSET, Lt.
7	3793 421	1			BRACKET, Dash Pnl. To Steering Column Lower Corner Gusset Lt.
8	4136 543	1			GUSSET, Windshield Lower Corner Lt.
9	0181 086	4			BOLT
10	3794 032	3			SEAL, Cowl Top Drain Hole
12	2811 825	1			PLUG, Clutch Rod Hole
13	4198 188-9	1			BRACKET, Dash Pnl. To Fender Side Shield to Rail Support, w/ Heavy Service Package
14	3794 196	1			SCREEN
17	4040 880-1	1			BRACKET, Cowl Top Pnl. To Fender Strut, w/Heavy Service Package
18	4136 186-7	1			SUPPORT, Dash Pnl. To Fender Side Shield Upper
NOTE: The following items are not shown on illustration. 22 Model). Sheet metal parts for the C 49 not found on this illustration should be specified from the C 22 Models, as found elsewhere in this group.					
	6015 951	4			CLIP, Cowl Side Wiring
	4136 041	1			REINFORCEMENT, Dash Pnl. Accelerator Pedal Mounting, w/ Heavy Service Package
	4136 191	2			REINFORCEMENT, Dash Pnl. Hood Hinge
	0153 294	2			U-NUT, Dash Pnl. to Fndr. S/Shield Up. Supt.
	0219 462	AR			NUT, Cowl Top Pnl. Anti-Squeak

MODEL CODES

B = GRAN FURY	E = 600	M = HORIZON/TURISMO
C = LE BARON/TOWN & COUNTRY/LIMO	F = FIFTH AVENUE/NEWPORT	P = RELIANT
C24 = LASER	G = DIPLOMAT	T = NEW YORKER
C44 = LE BARON/GTS	H = VOYAGER	V = 600
D = ARIES	J = CARAVELLE	V24 = DAYTONA
D44 = LANCER	K = MINI VAN/CARAVAN/ROYAL	Z = OMNI/CHARGER

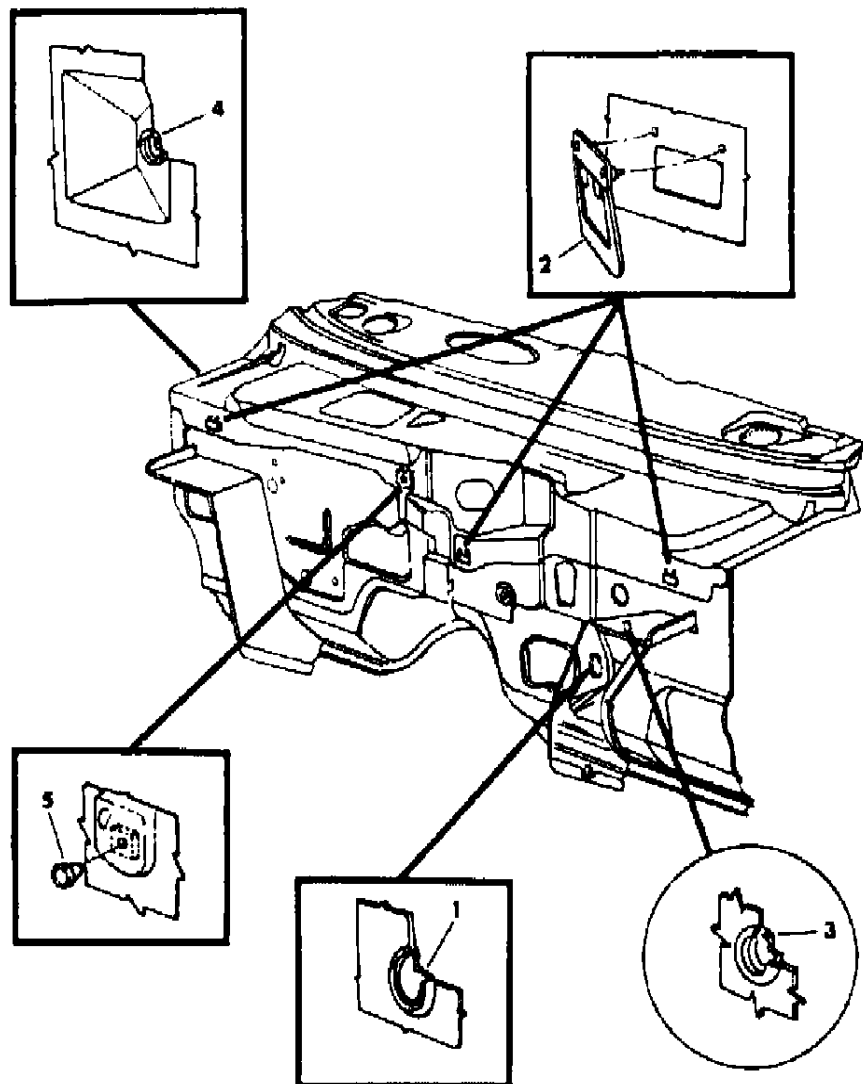
BODY STYLES

21 = 2-DOOR SEDAN	35 = FWD VAN	44 = 4-DOOR HATCHBACK
22 = 2-DOOR SPECIAL COUPE	36 = FWD WAGON	45 = 4-DOOR STATION WAGON
24 = 2-DOOR HATCHBACK	41 = 4-DOOR SEDAN	49 = LIMOUSINE
27 = 2-DOOR CONVERTIBLE		

AR = Use as Required - = Non Illustrated Part P.A.R. = Paint as Required

PLUGS COWL AND DASH B,F,G
Figure 23A-1180

5165 11800



ITEM	PART NUMBER	QTY	BODY	MODEL	DESCRIPTION
1		1			PLUG, Not Serviced
2	3794 032	3			SEAL, Cowl Top
3	1774 076	1			PLUG, Hood Release Cable
4	2860 332	1			PLUG, Antenna Hole
5	2423 737	1			PLUG, Cowl Top
NOTE: The following items are not shown on illustration. 22 Model). Sheet metal parts for the C 49 not found on this illustration should be specified from the C 22 Models, as found elsewhere in this group.					
	2423 737	1			PLUG, Ballast Resistor Mounting Hole w/318 Eng.
	2423 737	2			PLUG, E.C.U. Mounting Hole w/318 Eng.
	2423 737	2			PLUG, Electronic Throttle Control Mounting Hole w/318 Eng.
	6030 773	AR			PLUG, Cowl Top Panel Repair

MODEL CODES

B = GRAN FURY	E = 600	M = HORIZON/TURISMO
C = LE BARON/TOWN & COUNTRY/LIMO	F = FIFTH AVENUE/NEWPORT	P = RELIANT
C24 = LASER	G = DIPLOMAT	T = NEW YORKER
C44 = LE BARON/GTS	H = VOYAGER	V = 600
D = ARIES	J = CARAVELLE	V24 = DAYTONA
D44 = LANCER	K = MINI VAN/CARAVAN/ROYAL	Z = OMNI/CHARGER

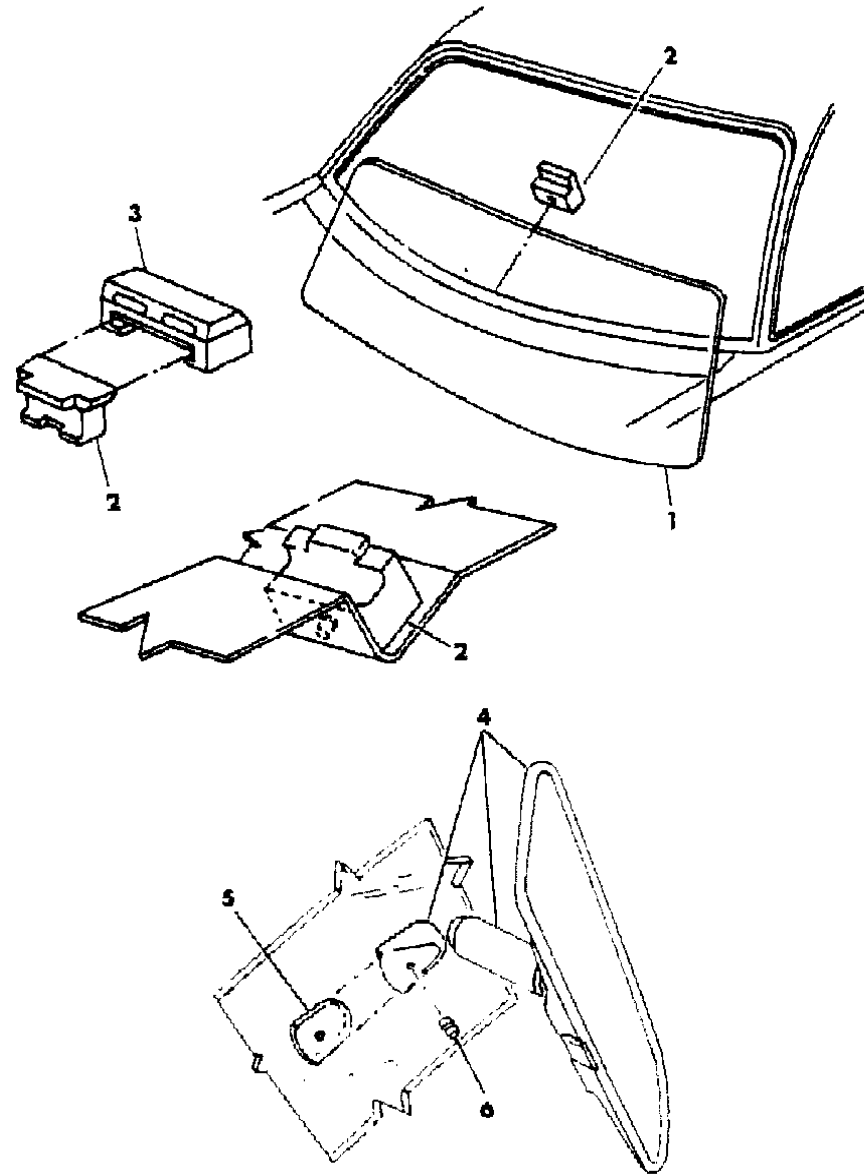
BODY STYLES

21 = 2-DOOR SEDAN	35 = FWD VAN	44 = 4-DOOR HATCHBACK
22 = 2-DOOR SPECIAL COUPE	36 = FWD WAGON	45 = 4-DOOR STATION WAGON
24 = 2-DOOR HATCHBACK	41 = 4-DOOR SEDAN	49 = LIMOUSINE
27 = 2-DOOR CONVERTIBLE		

AR = Use as Required - = Non Illustrated Part P.A.R. = Paint as Required

GLASS WINDSHIELD B,F,G
Figure 23A-1190

5169 11900



ITEM	PART NUMBER	QTY	BODY	MODEL	DESCRIPTION
------	-------------	-----	------	-------	-------------

NOTE: GLASS, WINDSHIELD - ORDER FROM YOUR LOCAL "MOPAR" GLASS DISTRIBUTOR (22 Model). Sheet metal parts for the C 49 not found on this illustration should be specified from the C 22 Models, as found elsewhere in this group.

1	3795 695	1			GLASS, Windshield, Tinted
2	4314 872	2			SPACER, Windshield Glass Lower, Approximately .230" Thick
	3767 820	AR			Approximately .150" Thick
3	3767 767	AR			SHIM, Windshield Glass Spacer Lower, Approximately .218" Thick
4	4082 199	1			MIRROR, Rear View
5	4054 066	1			BUTTON, Rear View Mirror Mounting
	4293 039	1			ADHESIVE PACKAGE, Rear View Mirror Button Mounting (Includes Adhesive & Instructions)
6	6031 094	1			SCREW, Rear View Mirror Mounting

NOTE: The following items are not shown on illustration. (22 Model). Sheet metal parts for the C 49 not found on this illustration should be specified from the C 22 Models, as found elsewhere in this group.

	4057 957	1			FIXED GLASS REPAIR PACKAGE, W/Shield (Not Shown) CONSISTS OF:
					1- ----- Tape, Butyl, 171.00"
					1- ----- Primer, Glass
					1- ----- Primer, Fence
					2- 3674698 Spacer, Rubber, 0.2"
					2- 3793290 Spacer, Rubber, 0.3"
					2- 3767767 Shim, 0.07"
					2- ----- Sponges, Disposable

MODEL CODES

B = GRAN FURY	E = 600	M = HORIZON/TURISMO
C = LE BARON/TOWN & COUNTRY/LIMO	F = FIFTH AVENUE/NEWPORT	P = RELIANT
C24 = LASER	G = DIPLOMAT	T = NEW YORKER
C44 = LE BARON/GTS	H = VOYAGER	V = 600
D = ARIES	J = CARAVELLE	V24 = DAYTONA
D44 = LANCER	K = MINI VAN/CARAVAN/ROYAL	Z = OMNI/CHARGER

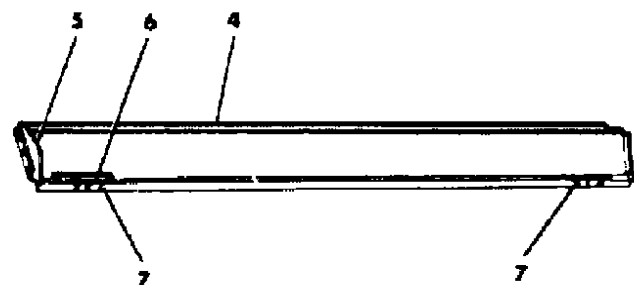
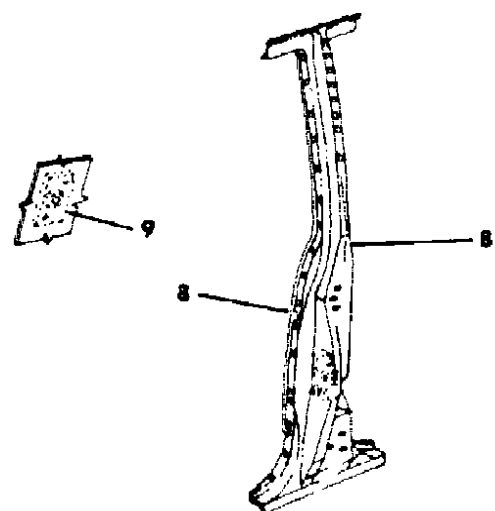
BODY STYLES

21 = 2-DOOR SEDAN	35 = FWD VAN	44 = 4-DOOR HATCHBACK
22 = 2-DOOR SPECIAL COUPE	36 = FWD WAGON	45 = 4-DOOR STATION WAGON
24 = 2-DOOR HATCHBACK	41 = 4-DOOR SEDAN	49 = LIMOUSINE
27 = 2-DOOR CONVERTIBLE		

AR = Use as Required - = Non Illustrated Part P.A.R. = Paint as Required

SIDE SILL AND CENTER PILLAR B,F,G
Figure 23A-1200

5159 12000



ITEM	PART NUMBER	QTY	BODY	MODEL	DESCRIPTION
1					PANEL, Side Sill Inner Front
	4206 704-5	1		I	Up To 11-5-84
	4371 228-9	1		I	After 11-5-84
2	4314 642-3	1			REINFORCEMENT, Front Floor Pan Seat Guide Front Outer
3	4314 644-5	1			REINFORCEMENT, Front Floor Pan Seat Guide Rear Outer
4	#4015 558-9	1			PANEL, Side Sill Outer
5	3791 060-1	1			CAP, Side Sill Panel Front
6	4134 534	2			REINFORCEMENT, side Sill Outer Jacking Front
7	4134 416	4			BRACKET, Outer Sill Jack Locator
8	4325 166-7	1			PILLAR, Body Center
9	3767 433	4			REINFORCEMENT, Body Center Pillar Seat Shoulder Beat Hanger
10	3791 018-9	1			PANEL, Side Sill Inner Rear

NOTE: The following items are not shown on illustration. 22 Model). Sheet metal parts for the C 49 not found on this illustration should be specified from the C 22 Models, as found elsewhere in this group.

	3445 952	2			TAPPING PLATE, Body Lock Pillar Lock Striker
	3752 366	2			REINFORCEMENT, w/T/Plate Body Center Pillar And Retainer

MODEL CODES

B = GRAN FURY	E = 600	M = HORIZON/TURISMO
C = LE BARON/TOWN & COUNTRY/LIMO	F = FIFTH AVENUE/NEWPORT	P = RELIANT
C24 = LASER	G = DIPLOMAT	T = NEW YORKER
C44 = LE BARON/GTS	H = VOYAGER	V = 600
D = ARIES	J = CARAVELLE	V24 = DAYTONA
D44 = LANCER	K = MINI VAN/CARAVAN/ROYAL	Z = OMNI/CHARGER

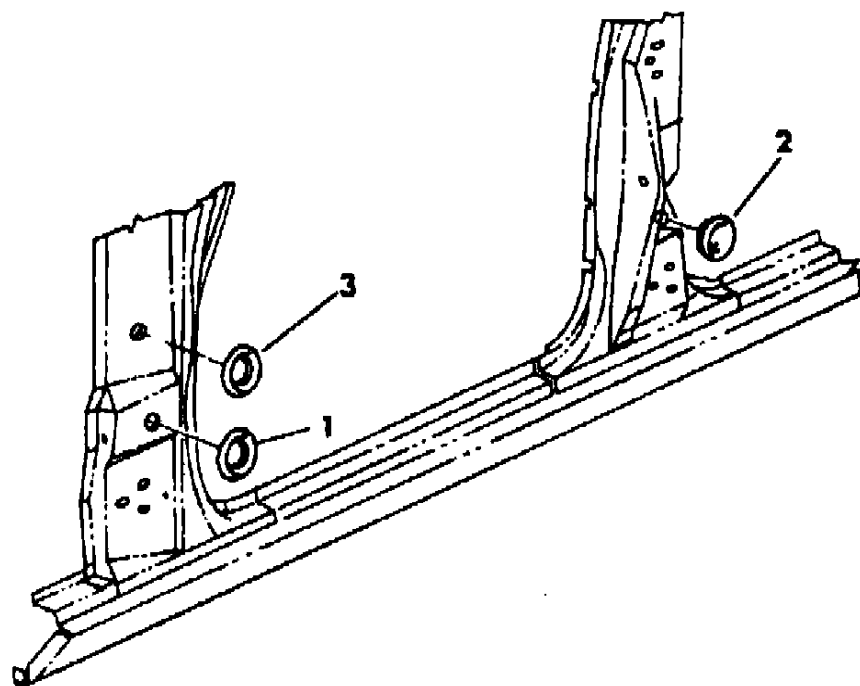
BODY STYLES

21 = 2-DOOR SEDAN	35 = FWD VAN	44 = 4-DOOR HATCHBACK
22 = 2-DOOR SPECIAL COUPE	36 = FWD WAGON	45 = 4-DOOR STATION WAGON
24 = 2-DOOR HATCHBACK	41 = 4-DOOR SEDAN	49 = LIMOUSINE
27 = 2-DOOR CONVERTIBLE		

AR = Use as Required - = Non Illustrated Part P.A.R. = Paint as Required

PLUGS BODY SIDE B,F,G
Figure 23A-1210

5169 12100



ITEM	PART NUMBER	QTY	BODY	MODEL	DESCRIPTION
1	6030 773	2			PLUG
2	2480 957	2			PLUG
3	2860 332	1			PLUG
NOTE: The following items are not shown on illustration. 22 Model). Sheet metal parts for the C 49 not found on this illustration should be specified from the C 22 Models, as found elsewhere in this group.					
	4336 390	2			PLUG, Front Door Hinge Pillar Wiring Hole

MODEL CODES

B = GRAN FURY	E = 600	M = HORIZON/TURISMO
C = LE BARON/TOWN & COUNTRY/LIMO	F = FIFTH AVENUE/NEWPORT	P = RELIANT
C24 = LASER	G = DIPLOMAT	T = NEW YORKER
C44 = LE BARON/GTS	H = VOYAGER	V = 600
D = ARIES	J = CARAVELLE	V24 = DAYTONA
D44 = LANCER	K = MINI VAN/CARAVAN/ROYAL	Z = OMNI/CHARGER

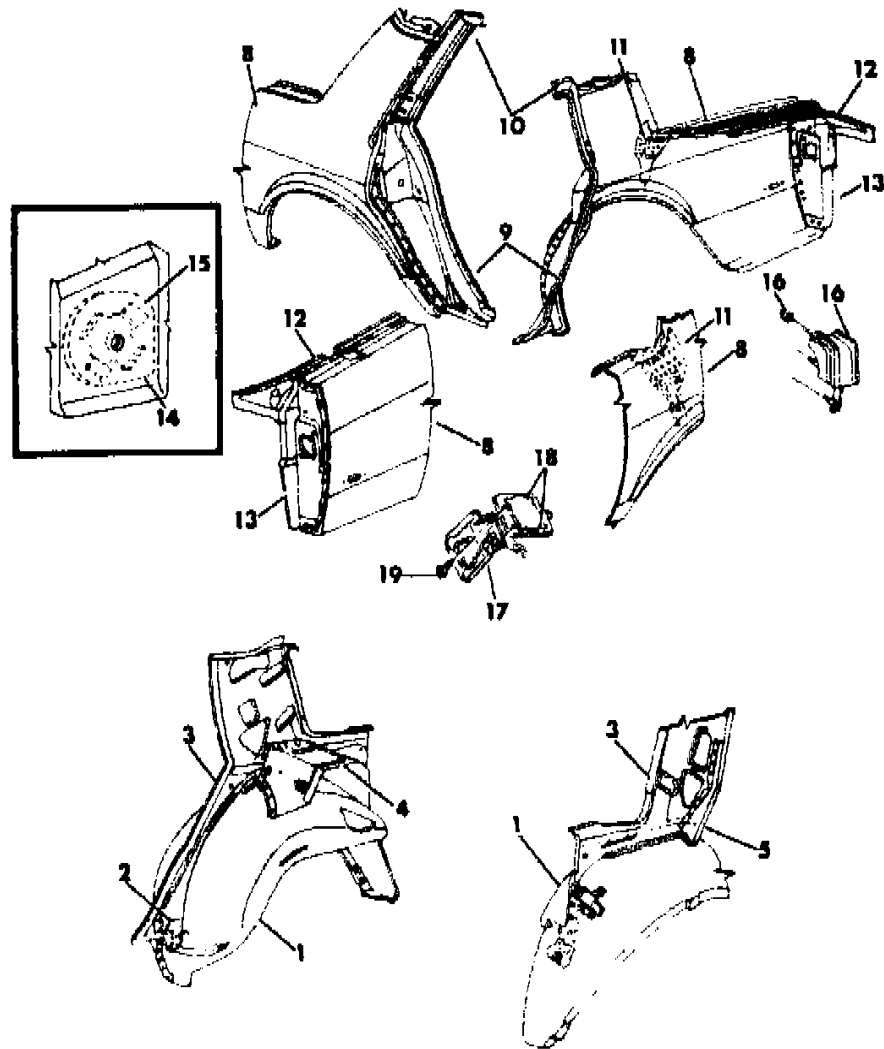
BODY STYLES

21 = 2-DOOR SEDAN	35 = FWD VAN	44 = 4-DOOR HATCHBACK
22 = 2-DOOR SPECIAL COUPE	36 = FWD WAGON	45 = 4-DOOR STATION WAGON
24 = 2-DOOR HATCHBACK	41 = 4-DOOR SEDAN	49 = LIMOUSINE
27 = 2-DOOR CONVERTIBLE		

AR = Use as Required - = Non Illustrated Part P.A.R. = Paint as Required

QUARTER PANEL B,F,G
Figure 23A-1220

5169 12200



ITEM	PART NUMBER	QTY	BODY	MODEL	DESCRIPTION
1	4134 064-5	1			PANEL, Qtr. W/House Inner
2	4206 262-3	1			REINFORCEMENT, W/House Inner Panel Rear Seat Belt
3	4134 182-3	1			PANEL, Qtr. Inside and W/House Outer
4		1			EXTENSION, Shelf Panel (Not Serviced)
5	4134 420-1	1			SUPPORT, Body Lock Pillar to W/House
8	4337 458-9	1			PANEL, Quarter Outside
9	4296 630-1	1			PILLAR, Body Lock
10	4134 290-1	1			PILLAR, Qtr. Panel Body Lock Upper
11	4278 832-3	1			FILLER, Qtr. Outside Panel Rear Wdo, Lower Corner
12	4134 130-1	1			TROUGH, Qtr. Side Drain
13	4341 540-1	1			REINFORCEMENT, Qtr. Outside Panel End
14	3791 078	2			REINFORCEMENT, Body Lock Pillar Lock Striker
15		2			RETAINER, Not Serviced
16	4134 260-1	1			EXTENSION, Qtr. Outside Panel End
		8			NUT, Not Serviced
17	4278 911	1			DOOR, Qtr. Outside Panel Fuel Filler
18	5220 250	2			BUMPER, Qtr. Outside Panel Fuel Filler Door
19		2			SCREW, Not Serviced
NOTE: The following items are not shown on illustration. 22 Model). Sheet metal parts for the C 49 not found on this illustration should be specified from the C 22 Models, as found elsewhere in this group.					
	4206 302-3	1			REINFORCEMENT, Qtr. Outside Panel Towing
	3445 952	2			T-PLATE, Body Lock Pillar Lock Striker

MODEL CODES

B = GRAN FURY	E = 600	M = HORIZON/TURISMO
C = LE BARON/TOWN & COUNTRY/LIMO	F = FIFTH AVENUE/NEWPORT	P = RELIANT
C24 = LASER	G = DIPLOMAT	T = NEW YORKER
C44 = LE BARON/GTS	H = VOYAGER	V = 600
D = ARIES	J = CARAVELLE	V24 = DAYTONA
D44 = LANCER	K = MINI VAN/CARAVAN/ROYAL	Z = OMNI/CHARGER

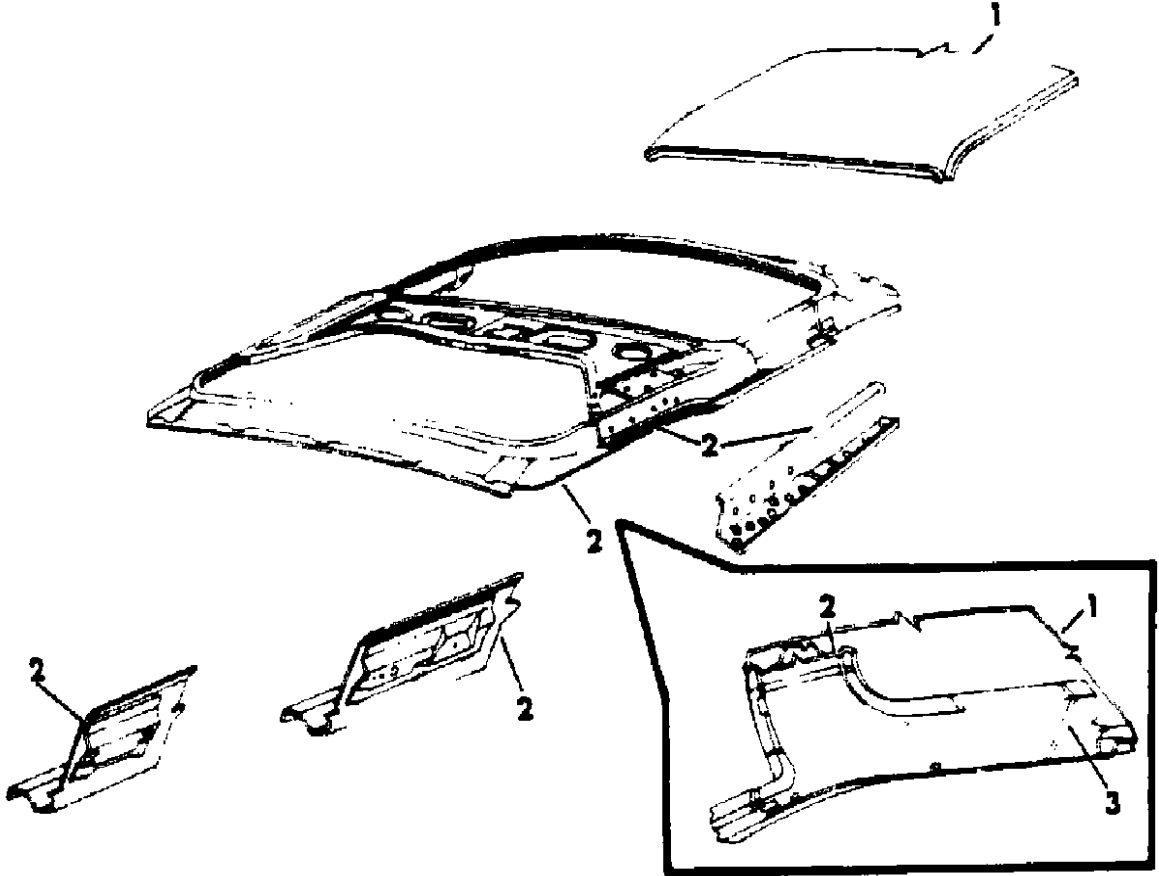
BODY STYLES

21 = 2-DOOR SEDAN	35 = FWD VAN	44 = 4-DOOR HATCHBACK
22 = 2-DOOR SPECIAL COUPE	36 = FWD WAGON	45 = 4-DOOR STATION WAGON
24 = 2-DOOR HATCHBACK	41 = 4-DOOR SEDAN	49 = LIMOUSINE
27 = 2-DOOR CONVERTIBLE		

AR = Use as Required - = Non Illustrated Part P.A.R. = Paint as Required

ROOF PANEL B,F,G
Figure 23A-1230

5169 12300



ITEM	PART NUMBER	QTY	BODY	MODEL	DESCRIPTION
1	4136 087	1			PANEL, Roof Outer
2	4136 082	1			PANEL, Roof Inner
3	3795 832-3	1			EXTENSION, W/Shield Opening Side Frame Upper Corner
NOTE: The following items are not shown on illustration. 22 Model). Sheet metal parts for the C 49 not found on this illustration should be specified from the C 22 Models, as found elsewhere in this group.					
	4040 875	2		F-S	REINFORCEMENT, Roof Inner Panel Assist Strap, Front
	4136 296-7	1		F-S	REINFORCEMENT, Roof Inner Panel Assist Strap, Rear
	6031 160	AR		F-S	U-NUT, Roof Inner Panel Assist Strap Reinforcement Front or Rear
	4206 716	1			SUPPORT, Roof Panel Outside Flasher Light Or Siren

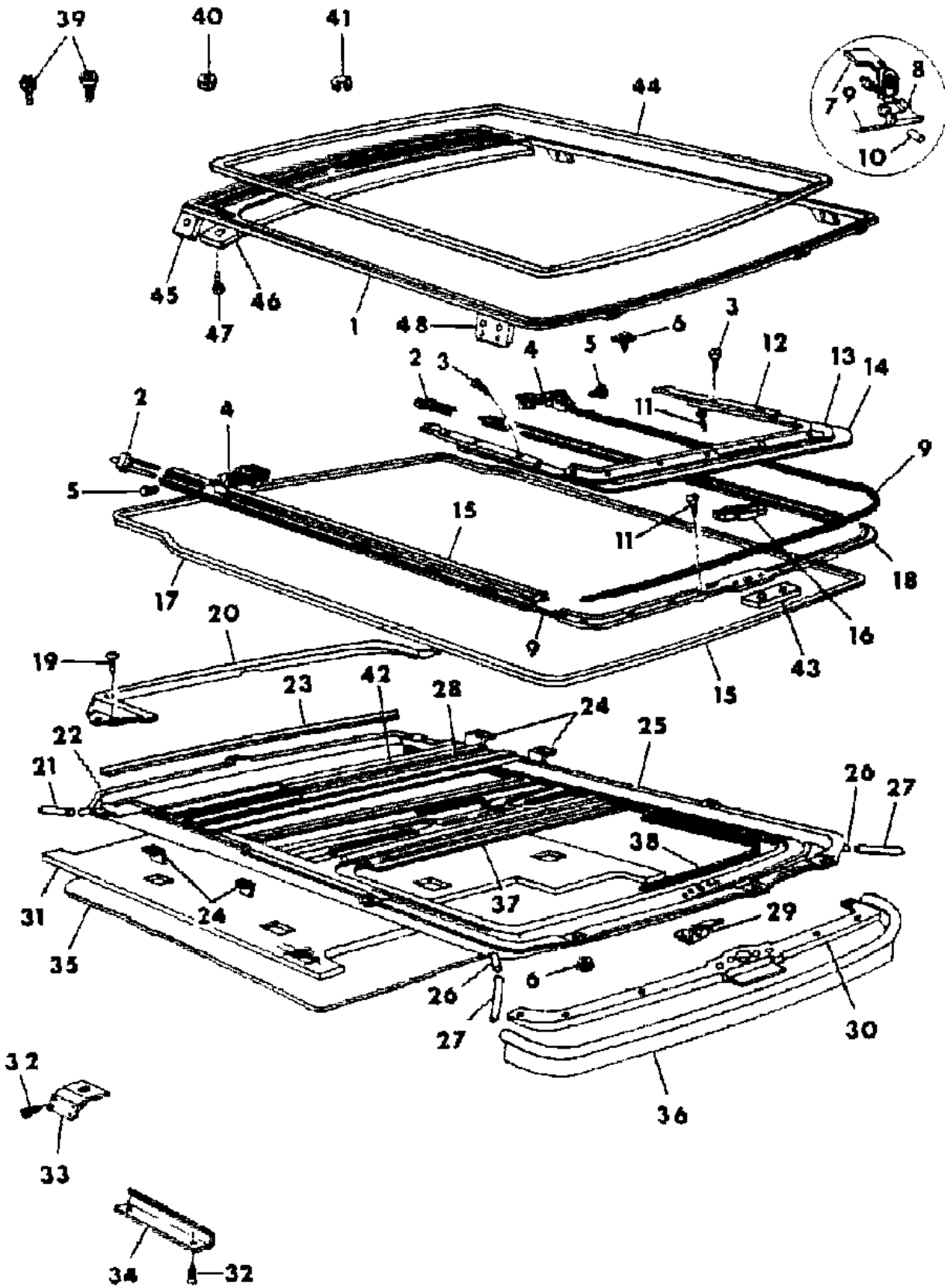
MODEL CODES
 B = GRAN FURY
 C = LE BARON/TOWN & COUNTRY/LIMO
 C24 = LASER
 C44 = LE BARON/GTS
 D = ARIES
 D44 = LANCER
 E = 600
 F = FIFTH AVENUE/NEWPORT
 G = DIPLOMAT
 H = VOYAGER
 J = CARAVELLE
 K = MINI VAN/CARAVAN/ROYAL
 M = HORIZON/TURISMO
 P = RELIANT
 T = NEW YORKER
 V = 600
 V24 = DAYTONA
 Z = OMNI/CHARGER

BODY STYLES
 21 = 2-DOOR SEDAN
 22 = 2-DOOR SPECIAL COUPE
 24 = 2-DOOR HATCHBACK
 27 = 2-DOOR CONVERTIBLE
 35 = FWD VAN
 36 = FWD WAGON
 41 = 4-DOOR SEDAN
 44 = 4-DOOR HATCHBACK
 45 = 4-DOOR STATION WAGON
 49 = LIMOUSINE

AR = Use as Required - = Non Illustrated Part P.A.R. = Paint as Required

SUN ROOF B,F,G
Figure 23A-1240

5189 12400



ITEM	PART NUMBER	QTY	BODY	MODEL	DESCRIPTION
1		1			REINFORCEMENT, Roof Panel Opening (not serviced)
2	4172 893	1			RETAINER, Track
3		AR			SCREW, 8-18x.50 Oval Not Serviced
4	4172 896-7	1			GUIDE ASSEMBLY, Rear
5		AR			SCREW, Not Serviced
6		AR			NUT, 1/4-20 Not Serviced
7		1			ADJUSTER, Not Serviced
8		1			HOUSING, Rear Rt. and Lt. Not Serviced
9		1			CABLE, Flocked Serviced In Item 4
10		AR			PIN, Not Serviced
11		AR			SCREW, Not Serviced
12	4246 023	1			CABLE SIDE COVER, Paint As Required
13	4172 899	1			COVER, Front (paint as required)
14		AR			TAPE, Foam (.25x.38 not serviced)
15	4172 894-5	1			TRACK, Rt. and Lt.(paint as required)
16	4246 414	1			RETAINER, Cable Guide Lower
17		AR			TAPE, Foam (.40x.5 not serviced)
18	4246 412-3	1			GUIDE, Cable Front Lower
19		AR			SCREW, 8-18x.38 Not Serviced
20		AR			SPACER, Roof Sliding Panel Housing (not serviced)
21		AR			HOSE, Drain Rear (50" long not serviced)
22		AR			TUBE, Rear Drain (serviced in item 25)
23		AR			BRACKET, Track Retainer (serviced in item 25)
24		AR			BRACKET, Housing Mounting (serviced in item 25)
25	4246 432	1			HOUSING ASSEMBLY
26		1			TUBE, Front Drain (serviced in item 25)
27		1			HOSE, Drain Front (not serviced)
28	4172 903	1			REINFORCEMENT, Roof Upper
29		1			BRACKET, Switch Mounting (serviced in item 25)
30	4172 902	1			PAD, Front Safety
31		1			SILENCER, Housing (not serviced)
32		AR			SCREW, 10-16x50 Not Serviced
33	4172 905	AR			BRACKET, Housing to Side Rail
34		AR			RETAINER, Headliner Center Pillar Upper (not serviced)
35					HEADLINER
	4419 004	1			Tan
	4246 467	1			Dark Blue

MODEL CODES

B = GRAN FURY	E = 600	M = HORIZON/TURISMO
C = LE BARON/TOWN & COUNTRY/LIMO	F = FIFTH AVENUE/NEWPORT	P = RELIANT
C24 = LASER	G = DIPLOMAT	T = NEW YORKER
C44 = LE BARON/GTS	H = VOYAGER	V = 600
D = ARIES	J = CARAVELLE	V24 = DAYTONA
D44 = LANCER	K = MINI VAN/CARAVAN/ROYAL	Z = OMNI/CHARGER

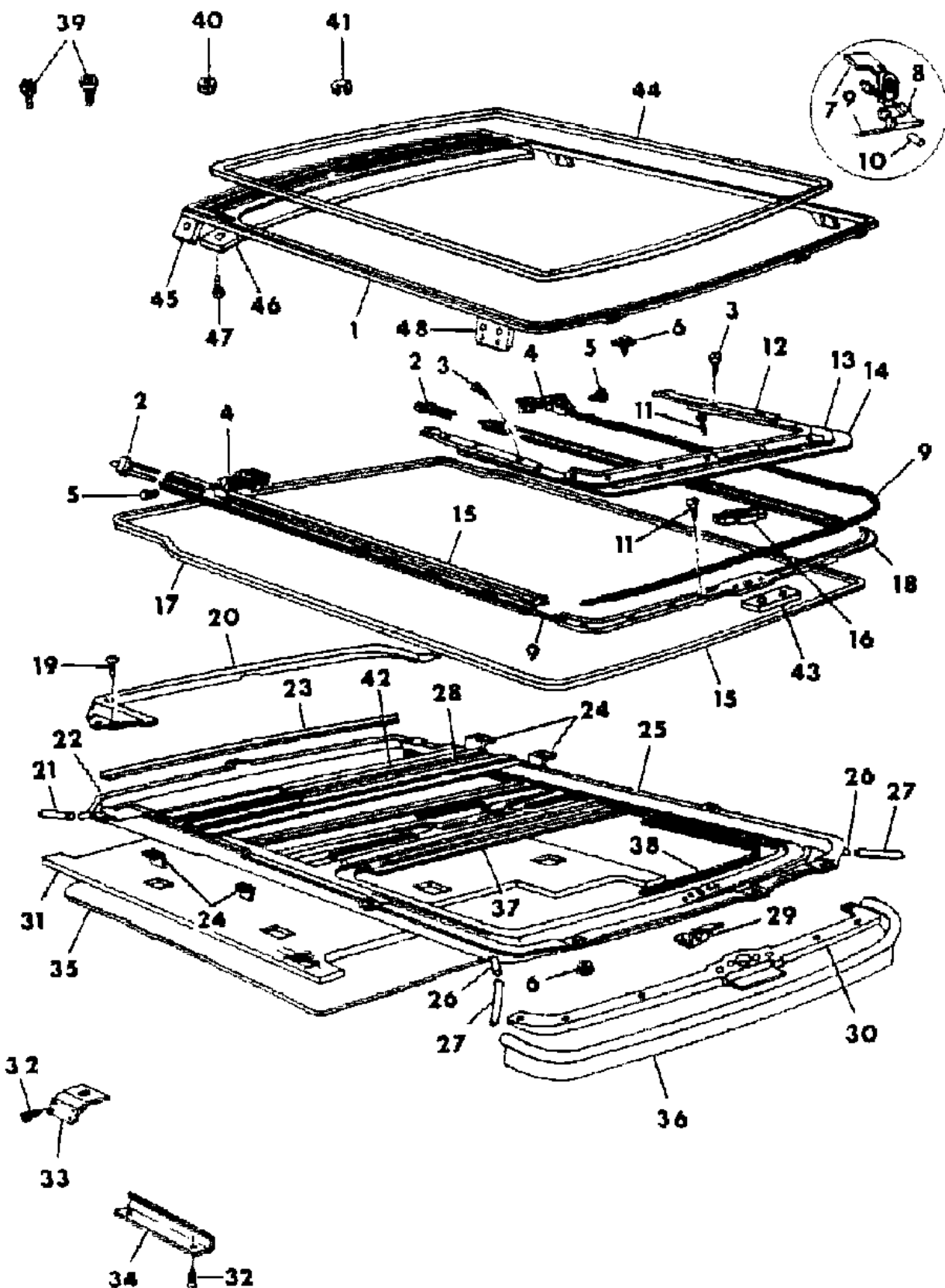
BODY STYLES

21 = 2-DOOR SEDAN	35 = FWD VAN	44 = 4-DOOR HATCHBACK
22 = 2-DOOR SPECIAL COUPE	36 = FWD WAGON	45 = 4-DOOR STATION WAGON
24 = 2-DOOR HATCHBACK	41 = 4-DOOR SEDAN	49 = LIMOUSINE
27 = 2-DOOR CONVERTIBLE		

AR = Use as Required - = Non Illustrated Part P.A.R. = Paint as Required

SUN ROOF B,F,G
Figure 23A-1240

5189 12400



ITEM	PART NUMBER	QTY	BODY	MODEL	DESCRIPTION
	4246 468	1			Dark Red
	4246 469	1			Light Cashmere
	4296 058	1			Silver
	4296 059	1			Mahogany
	4296 496	1			Beige
36					SEAL
	4054 484	AR			SEAL, Roof Glass Sliding Panel (4.5 mm)
	4246 416	AR			SEAL, Roof Glass Sliding Panel, Front 6.8 mm)
	4296 104	AR			SEAL, Panel, Rear (6.8 mm)
37		1			REINFORCEMENT, Housing Opening Lower (serviced in item 25)
38					WELT, Headlining Opening
	4246 424	1			Blue
	4246 423	1			Dark Red
	4246 425	1			Light Cashmere
	4296 063	1			Silver
	4296 064	1			Mahogany
	4296 498	1			Beige
	4339 362	1			Black
39	4172 801	AR			SCREW, Motor Clutch
40	3788 436	AR			GEAR, Drive Assy. Pinion
41	3788 435	AR			RETAINER, Drive Assy. Pinion
42		AR			TAPE, .25x1.00 Not Serviced
43	4246 415	1			COVER, Lower Cable Guide Retaining
44	4296 100	1			MOULDING, Roof Opening Reveal
45	4296 103	1			BRACKET, Reinforcement to Rail
46	4296 101	1			SHIM, Rear Plate To Ring
47		AR			RIVET, Not Serviced
48	4296 102	1			BRACKET, Housing to Header Mounting

NOTE: For other parts see Illustration 23A 8500. 22 Model). Sheet metal parts for the C 49 not found on this illustration should be specified from the C 22 Models, as found elsewhere in this group.

MODEL CODES

B = GRAN FURY	E = 600	M = HORIZON/TURISMO
C = LE BARON/TOWN & COUNTRY/LIMO	F = FIFTH AVENUE/NEWPORT	P = RELIANT
C24 = LASER	G = DIPLOMAT	T = NEW YORKER
C44 = LE BARON/GTS	H = VOYAGER	V = 600
D = ARIES	J = CARAVELLE	V24 = DAYTONA
D44 = LANCER	K = MINI VAN/CARAVAN/ROYAL	Z = OMNI/CHARGER

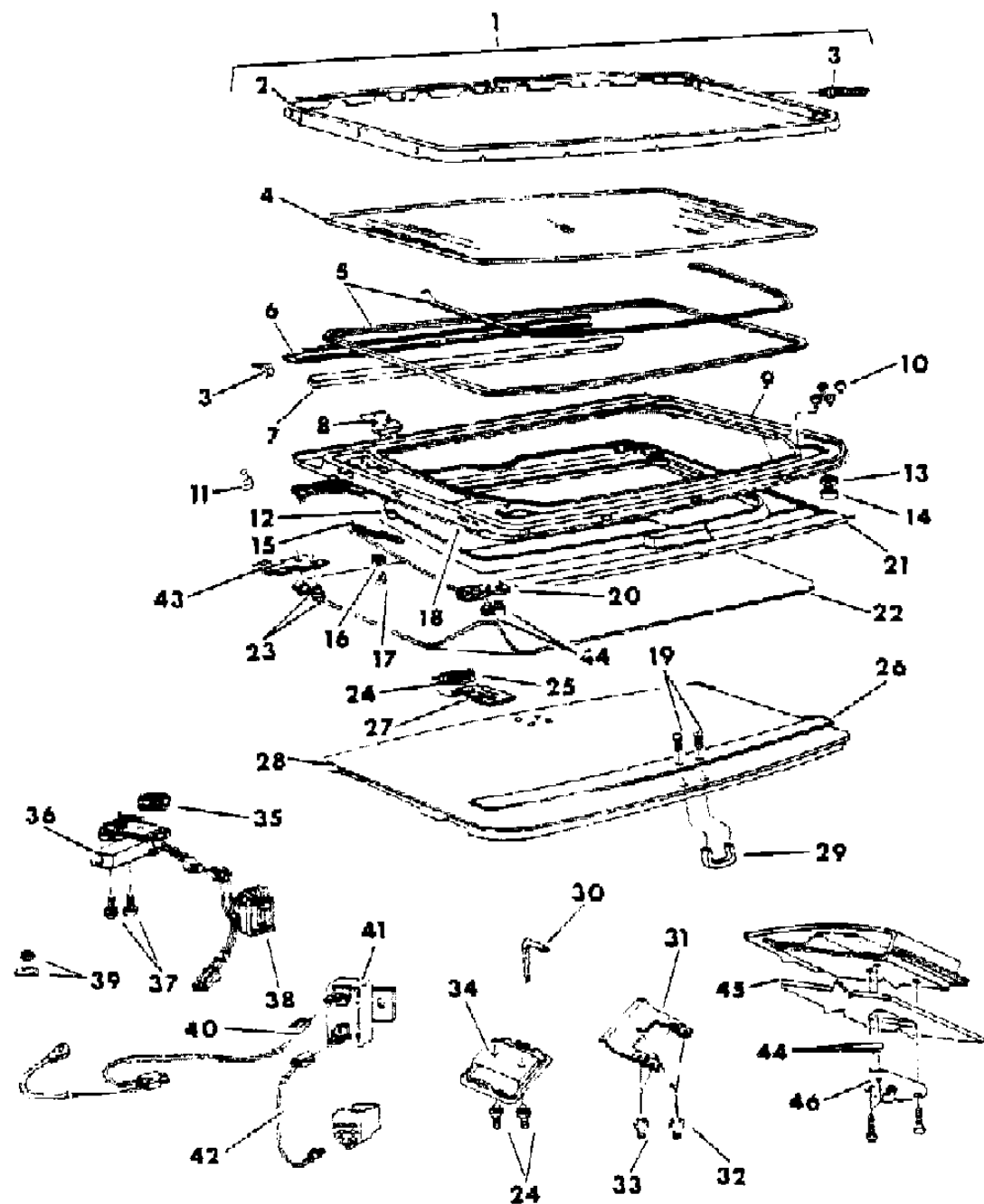
BODY STYLES

21 = 2-DOOR SEDAN	35 = FWD VAN	44 = 4-DOOR HATCHBACK
22 = 2-DOOR SPECIAL COUPE	36 = FWD WAGON	45 = 4-DOOR STATION WAGON
24 = 2-DOOR HATCHBACK	41 = 4-DOOR SEDAN	49 = LIMOUSINE
27 = 2-DOOR CONVERTIBLE		

AR = Use as Required - = Non Illustrated Part P.A.R. = Paint as Required

SUN ROOF B,F,G
Figure 23A-1240

5159 12500



ITEM	PART NUMBER	QTY	BODY	MODEL	DESCRIPTION
1	4172 907	1			PANEL, Glass, Silver
2		1			MOULDING, Periphery (serviced in item 1)
3		AR			RIVET, 1/8x.445 Serviced In Item 1
4		1			GLASS, Roof Sliding Panel (serviced in item 1)
5		AR			SEALER, Butyl Tape (serviced in item 1)
6	4054 457	1			WEATHERSTRIP, Rear
7	4054 484	AR			SEAL, Panel Front (4.5 mm)
	4246 416	AR			SEAL, Panel Rear (6.8 mm)
8		1			PLATE, Rear Guide (serviced in item 1)
9		1			ARMATURE, Serviced In Item 1
10		AR			RIVET, 1/8x3/8 Flat Head Serviced In Item 1
11	3759 648	1			BUTTON, Slide
12		1			COVER, Opening Side Tab (not serviced)
13		AR			STUD, Front Adjuster (serviced in item 1)
14		AR			NUT, Front Adjuster (serviced in item 1)
15		AR			SPRING, Rear (serviced in item 1)
16		AR			WASHERS, 8 Flat, Serviced In Item 1
17		AR			RIVET, 11/64 x5/16 Tub, Serviced In Item 1
18		1			STIFFENER, Not Serviced
19		AR			SCREW, 8-32x562, Serviced In Item 28
20	3795 595	1			GUIDE ASSEMBLY, Front
21	4172 908	1			HALO, Paint As Required
22		1			LINING, Sun Screen (serviced in item 28)
23		AR			SCREW, w/Washer 8-32x.38 Not Serviced
24		AR			RIVET, 1/8x5/16 Not Serviced
25	4054 467	1			CATCH, Sun Screen Magnet
26		1			REINFORCEMENT, Serviced In Item 28
27	4172 877	1			BRACKET, Sun Screen Catch
28					SUN SCREEN ASSEMBLY
	4419 005	1			Tan
	4246 471	1			Dark Blue
	4246 472	1			Dark Red
	4246 473	1			Light Cashmere
	4296 061	1			Silver
	4296 062	1			Mahogany
	4296 497	1			Beige
29	4172 909	1			HANDLE, Sun Screen

MODEL CODES

B = GRAN FURY	E = 600	M = HORIZON/TURISMO
C = LE BARON/TOWN & COUNTRY/LIMO	F = FIFTH AVENUE/NEWPORT	P = RELIANT
C24 = LASER	G = DIPLOMAT	T = NEW YORKER
C44 = LE BARON/GTS	H = VOYAGER	V = 600
D = ARIES	J = CARAVELLE	V24 = DAYTONA
D44 = LANCER	K = MINI VAN/CARAVAN/ROYAL	Z = OMNI/CHARGER

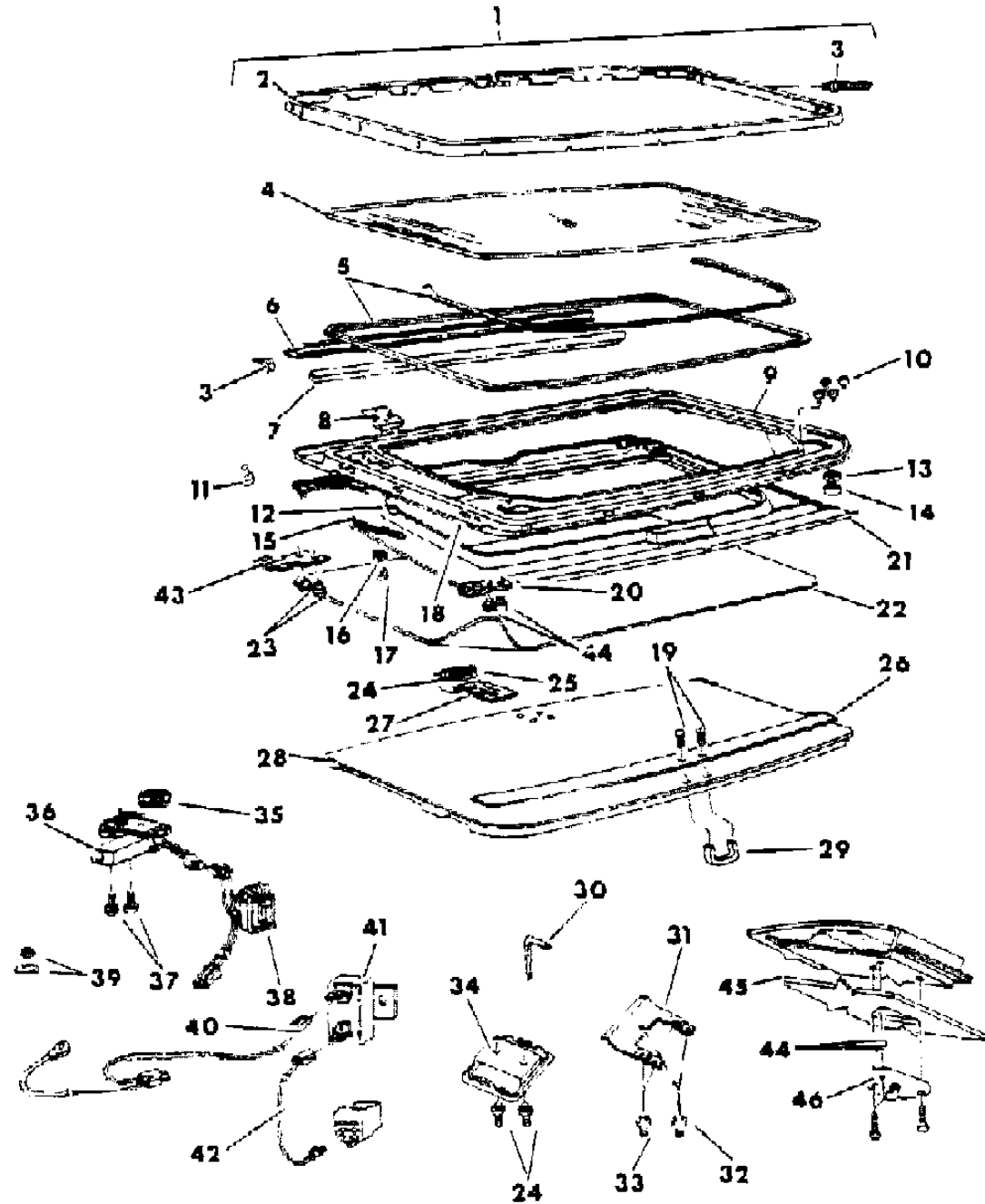
BODY STYLES

21 = 2-DOOR SEDAN	35 = FWD VAN	44 = 4-DOOR HATCHBACK
22 = 2-DOOR SPECIAL COUPE	36 = FWD WAGON	45 = 4-DOOR STATION WAGON
24 = 2-DOOR HATCHBACK	41 = 4-DOOR SEDAN	49 = LIMOUSINE
27 = 2-DOOR CONVERTIBLE		

AR = Use as Required - = Non Illustrated Part P.A.R. = Paint as Required

SUN ROOF B,F,G
Figure 23A-1240

5159 12500



ITEM	PART NUMBER	QTY	BODY	MODEL	DESCRIPTION
30	3788 431	1			HANDLE
31	4296 493	1			BRACKET, Dome Lamp Mounting
32		AR			RIVET, 1/8x.40 Not Serviced
33		AR			RIVET, 3/16x64 Not Serviced
34	4172 268	1			BRACKET, Dome Lamp Mounting
35	4172 243	1			SPACER, Drive Assy. to Housing
36	3795 592	1			DRIVE ASSEMBLY
37		AR			SCREW, w/Washer 10-24x1.38 Not Serviced
38	3795 589	1			SWITCH ASSEMBLY
39	4054 445	1			BUTTON and COVER
40		1			WIRING ASSEMBLY, Not Serviced
41	3674 933	1			CIRCUIT BREAKER, 15 amp
42		1			WIRING ASSEMBLY, Not Serviced
43		AR			RETAINER, Rear Guide Plate (not serviced)
44		AR			WASHER, Flat (.125 thick not serviced)
45					HEADLINER, Ref.
46					BRACKET, Visor Arm

NOTE: For other parts see Illustration 23A 8400. 22 Model). Sheet metal parts for the C 49 not found on this illustration should be specified from the C 22 Models, as found elsewhere in this group.

MODEL CODES

B = GRAN FURY	E = 600	M = HORIZON/TURISMO
C = LE BARON/TOWN & COUNTRY/LIMO	F = FIFTH AVENUE/NEWPORT	P = RELIANT
C24 = LASER	G = DIPLOMAT	T = NEW YORKER
C44 = LE BARON/GTS	H = VOYAGER	V = 600
D = ARIES	J = CARAVELLE	V24 = DAYTONA
D44 = LANCER	K = MINI VAN/CARAVAN/ROYAL	Z = OMNI/CHARGER

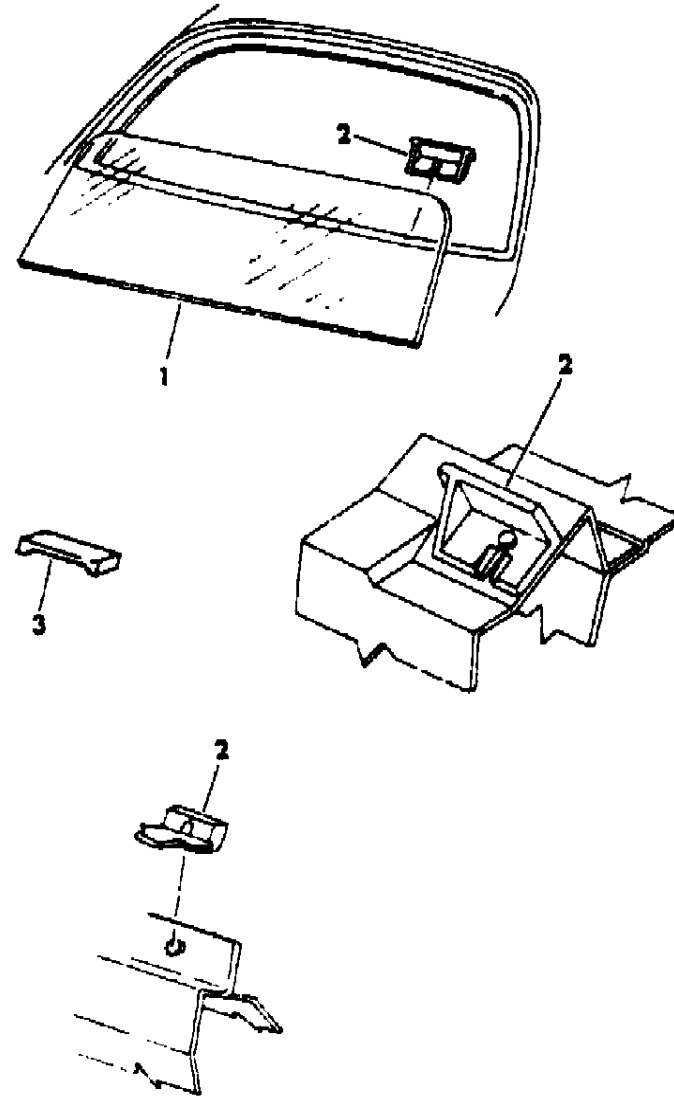
BODY STYLES

21 = 2-DOOR SEDAN	35 = FWD VAN	44 = 4-DOOR HATCHBACK
22 = 2-DOOR SPECIAL COUPE	36 = FWD WAGON	45 = 4-DOOR STATION WAGON
24 = 2-DOOR HATCHBACK	41 = 4-DOOR SEDAN	49 = LIMOUSINE
27 = 2-DOOR CONVERTIBLE		

AR = Use as Required - = Non Illustrated Part P.A.R. = Paint as Required

GLASS REAR WINDOW B,F,G
Figure 23A-1260

5165 12600



ITEM	PART NUMBER	QTY	BODY	MODEL	DESCRIPTION
------	-------------	-----	------	-------	-------------

NOTE: GLASS, REAR WINDOW - ORDER FROM YOUR LOCAL "MOPAR" GLASS DISTRIBUTOR (22 Model). Sheet metal parts for the C 49 not found on this illustration should be specified from the C 22 Models, as found elsewhere in this group.

1	4136 303	1		B,G,F-H	GLASS, Rear Window, Tinted
	4136 304	1		B,G,F-H	Tinted (Electric Heated)
	4229 801	1		F-S	Tinted (Electric Heated) w/Padded Landau Vinyl Roof w/Qtr.

2	4136 335	2		All	SPACER, Rear Wdo, Glass, Lower
3	3767 196	AR		All	SHIM, Rear Wdo Lower Spacer

NOTE: The following items are not shown on illustration. (22 Model). Sheet metal parts for the C 49 not found on this illustration should be specified from the C 22 Models, as found elsewhere in this group.

	4057 957	1		All	FIXED GLASS REPAIR PACKAGE, Rear Wdo. (Not Shown)
CONSISTS OF:					
1- ----- Tape, Butyl, 171.00"					
1- ----- Primer, Glass					
1- ----- Primer, Fence					
2- 3674698 Spacer, Rubber, 0.2"					
2- 3793290 Spacer, Rubber, 0.3"					
2- 3767767 Shim, 0.07"					
2- ----- Sponges, Disposable					
	4267 922	1		All	ELECTRIC GRID REPAIR PACKAGE

MODEL CODES

B = GRAN FURY	E = 600	M = HORIZON/TURISMO
C = LE BARON/TOWN & COUNTRY/LIMO	F = FIFTH AVENUE/NEWPORT	P = RELIANT
C24 = LASER	G = DIPLOMAT	T = NEW YORKER
C44 = LE BARON/GTS	H = VOYAGER	V = 600
D = ARIES	J = CARAVELLE	V24 = DAYTONA
D44 = LANCER	K = MINI VAN/CARAVAN/ROYAL	Z = OMNI/CHARGER

BODY STYLES

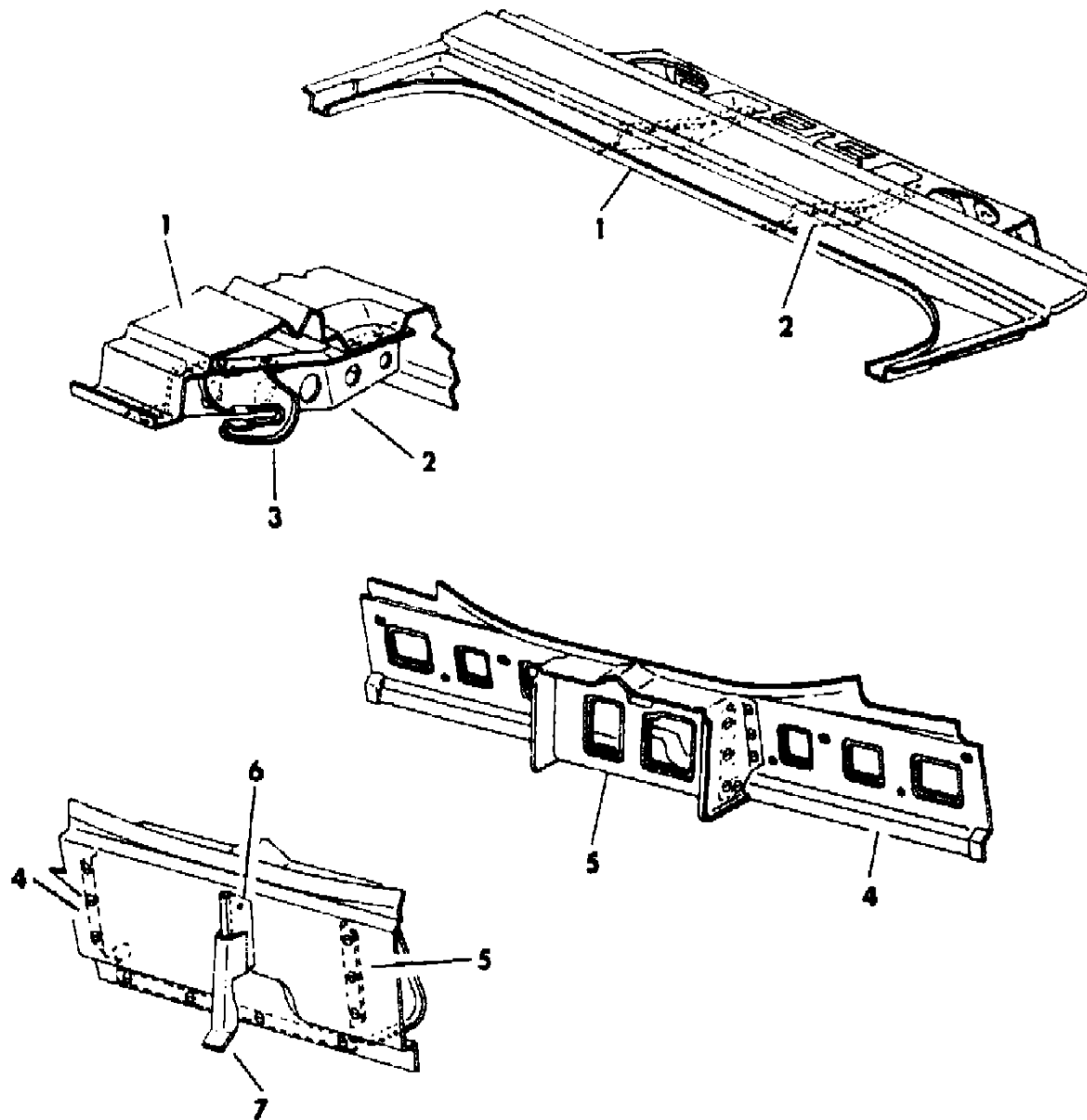
21 = 2-DOOR SEDAN	35 = FWD VAN	44 = 4-DOOR HATCHBACK
22 = 2-DOOR SPECIAL COUPE	36 = FWD WAGON	45 = 4-DOOR STATION WAGON
24 = 2-DOOR HATCHBACK	41 = 4-DOOR SEDAN	49 = LIMOUSINE
27 = 2-DOOR CONVERTIBLE		

AR = Use as Required - = Non Illustrated Part P.A.R. = Paint as Required

DECK OPENING B,F,G
Figure 23A-1270

5169 12700

ITEM	PART NUMBER	QTY	BODY	MODEL	DESCRIPTION
1	4134 463	1			PANEL, Deck Opening Upper Drain Trough And Shelf
2		2			SUPPORT, Not Serviced
3		1			RETAINER, Not Serviced
4	4206 020	1			REINFORCEMENT, Deck Opening Lower Panel
5	4206 737	1			PANEL,Deck Opening lower Panel License Plate Mounting
6	4206 119	1			EXTENSION, Deck Lid Latch Striker Support
7	4134 166	1			SUPPORT, Deck Lid Latch Striker
NOTE: The following items are not shown on illustration. 22 Model). Sheet metal parts for the C 49 not found on this illustration should be specified from the C 22 Models, as found elsewhere in this group.					
	3798 253	AR			TAPE, Deck Opening Lower Pnl.(Butyl)
	0432 396	2		F-S	PLUG, Deck Opening Lower Pnl. License Plate Mounting Panel Button



MODEL CODES

B = GRAN FURY	E = 600	M = HORIZON/TURISMO
C = LE BARON/TOWN & COUNTRY/LIMO	F = FIFTH AVENUE/NEWPORT	P = RELIANT
C24 = LASER	G = DIPLOMAT	T = NEW YORKER
C44 = LE BARON/GTS	H = VOYAGER	V = 600
D = ARIES	J = CARAVELLE	V24 = DAYTONA
D44 = LANCER	K = MINI VAN/CARAVAN/ROYAL	Z = OMNI/CHARGER

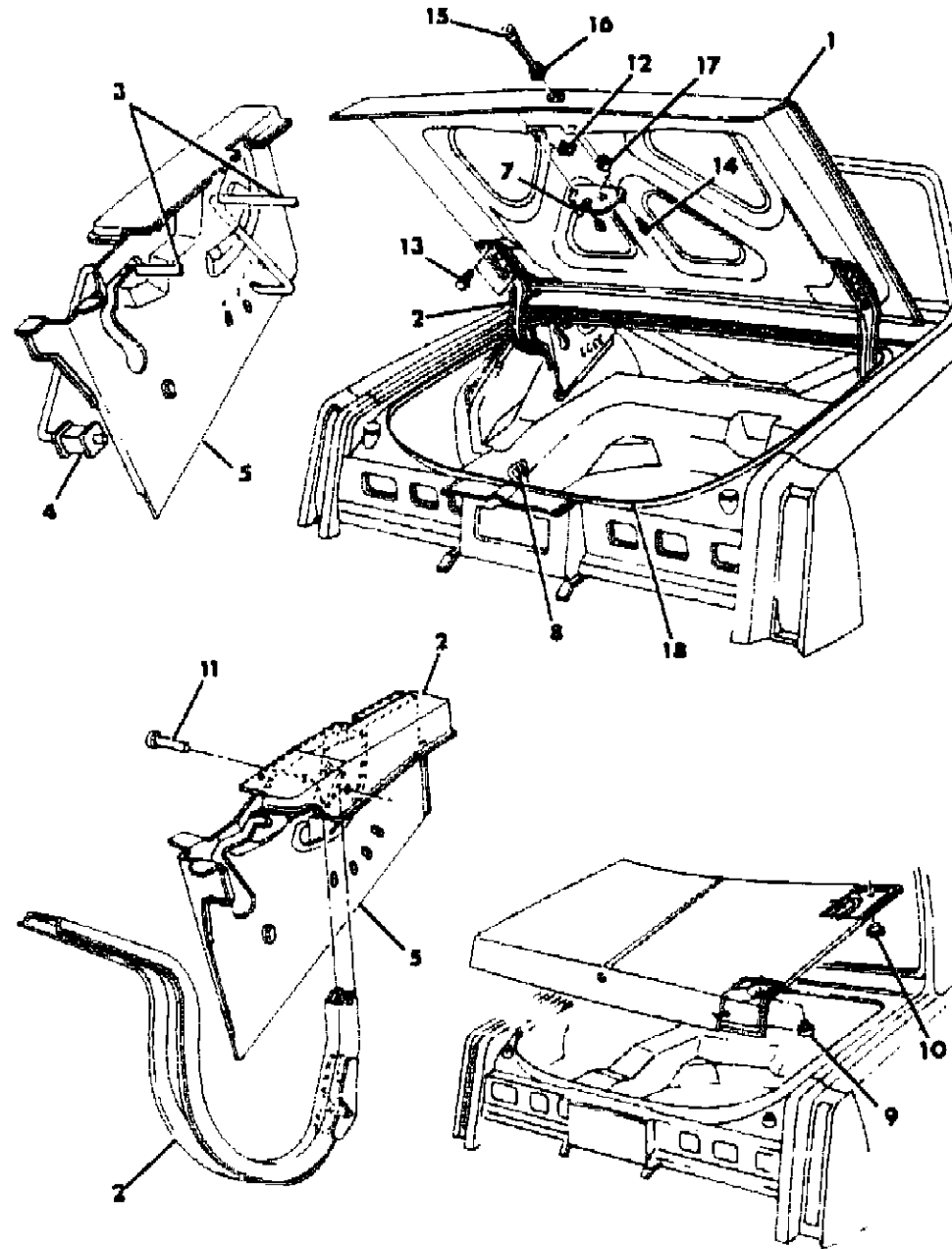
BODY STYLES

21 = 2-DOOR SEDAN	35 = FWD VAN	44 = 4-DOOR HATCHBACK
22 = 2-DOOR SPECIAL COUPE	36 = FWD WAGON	45 = 4-DOOR STATION WAGON
24 = 2-DOOR HATCHBACK	41 = 4-DOOR SEDAN	49 = LIMOUSINE
27 = 2-DOOR CONVERTIBLE		

AR = Use as Required - = Non Illustrated Part P.A.R. = Paint as Required

DECK LID B,F,G
Figure 23A-1280

5169 12800



ITEM	PART NUMBER	QTY	BODY	MODEL	DESCRIPTION
1	4297 073	1			LID, Deck Complete
2	4134 518-9	1			HINGE, Deck Lid
	4129 804-5	1			HINGE ASSEMBLY, Deck Lid Upper Pivot
3	4134 520-1	1			BAR, Deck Lid Hinge Torsion
4	2480 230	2			SLIDE, Deck Lid Hinge Torsion Bar
5	4134 514	1			SUPPORT, Deck Lid Hinge Upper
	4134 516-7	1			Lower
7	4054 825	1			LATCH, Deck Lid Manual
	4054 962	1			Electric
8	4172 676	1			STRIKER, Deck Lid Latch
	0181 063	2			SCREW and WASHER
9	5230 376	2			BUMPER, Deck Lid Inside Panel
10	6029 939	2			PLUG, Deck Lid Inner Pnl. Drain Hole
11		AR			RIVET, Deck Lid Hinge Pivot (Not Serviced)
12		AR			U-NUT, Not Serviced
13	0181 088	4			BOLT
14	0181 088	2			BOLT
15					CYLINDER, Deck Lid (Cylinder and Key Illustration)
16					GASKET, Deck Lid (Cylinder and Key Illustration)
17					NUT, Lock (Cylinder and Key Illustration)
18					WEATHERSTRIP, Deck Lid
	4278 176	1			Up to 10-4-84
	4354 073	1			After 10-4-84
NOTE: The following items are not shown on illustration. 22 Model). Sheet metal parts for the C 49 not found on this illustration should be specified from the C 22 Models, as found elsewhere in this group.					
	4206 399	2			BUMPER, Deck Lid Hinge Noise Dampener

MODEL CODES

B = GRAN FURY	E = 600	M = HORIZON/TURISMO
C = LE BARON/TOWN & COUNTRY/LIMO	F = FIFTH AVENUE/NEWPORT	P = RELIANT
C24 = LASER	G = DIPLOMAT	T = NEW YORKER
C44 = LE BARON/GTS	H = VOYAGER	V = 600
D = ARIES	J = CARAVELLE	V24 = DAYTONA
D44 = LANCER	K = MINI VAN/CARAVAN/ROYAL	Z = OMNI/CHARGER

BODY STYLES

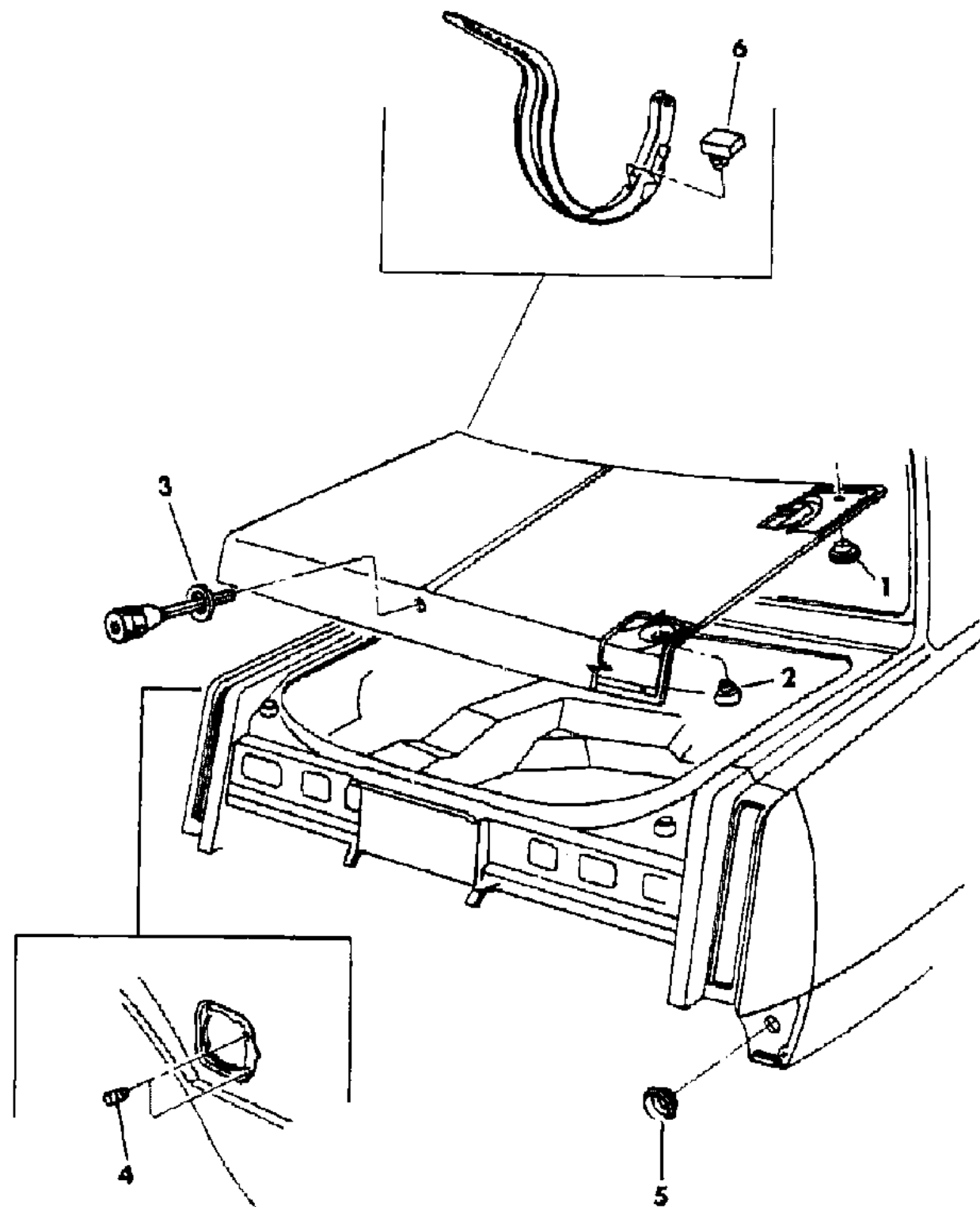
21 = 2-DOOR SEDAN	35 = FWD VAN	44 = 4-DOOR HATCHBACK
22 = 2-DOOR SPECIAL COUPE	36 = FWD WAGON	45 = 4-DOOR STATION WAGON
24 = 2-DOOR HATCHBACK	41 = 4-DOOR SEDAN	49 = LIMOUSINE
27 = 2-DOOR CONVERTIBLE		

AR = Use as Required - = Non Illustrated Part P.A.R. = Paint as Required

BUMPERS PLUGS DECK LID B,F,G
Figure 23A-1290

5169 12900

ITEM	PART NUMBER	QTY	BODY	MODEL	DESCRIPTION
1	6029 939	2			PLUG
2	5230 376	2			BUMPER
3	3695 321	1			GASKET
4	5220 250	2			BUMPER
5	1774 076	2			PLUG
6	4206 399	2			BUMPER



MODEL CODES

B = GRAN FURY	E = 600	M = HORIZON/TURISMO
C = LE BARON/TOWN & COUNTRY/LIMO	F = FIFTH AVENUE/NEWPORT	P = RELIANT
C24 = LASER	G = DIPLOMAT	T = NEW YORKER
C44 = LE BARON/GTS	H = VOYAGER	V = 600
D = ARIES	J = CARAVELLE	V24 = DAYTONA
D44 = LANCER	K = MINI VAN/CARAVAN/ROYAL	Z = OMNI/CHARGER

BODY STYLES

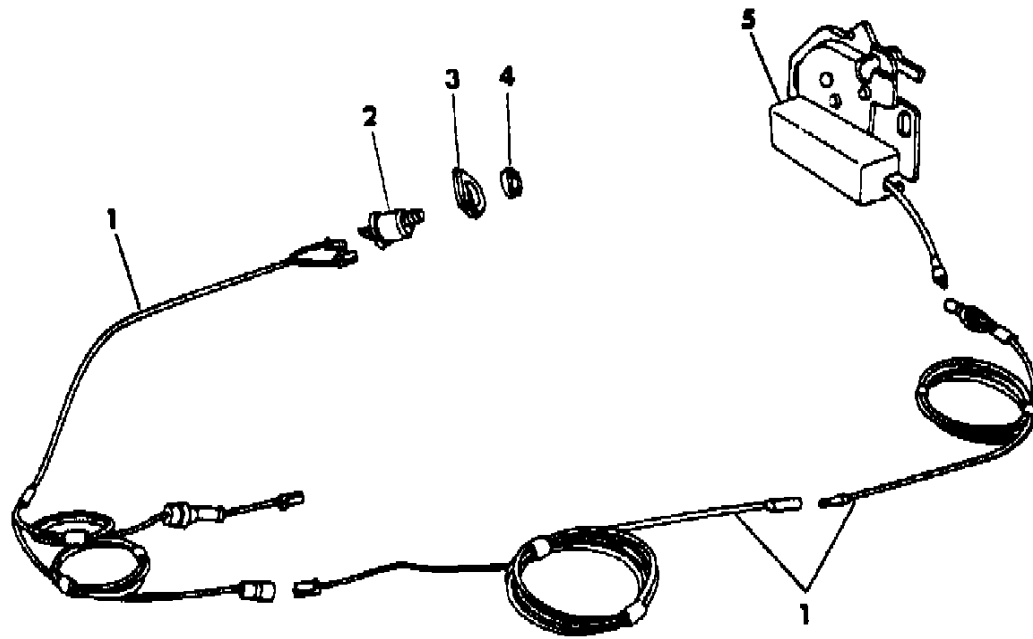
21 = 2-DOOR SEDAN	35 = FWD VAN	44 = 4-DOOR HATCHBACK
22 = 2-DOOR SPECIAL COUPE	36 = FWD WAGON	45 = 4-DOOR STATION WAGON
24 = 2-DOOR HATCHBACK	41 = 4-DOOR SEDAN	49 = LIMOUSINE
27 = 2-DOOR CONVERTIBLE		

AR = Use as Required - = Non Illustrated Part P.A.R. = Paint as Required

DECK LID ELECTRIC B,F,G
Figure 23A-1300

5169 13000

ITEM	PART NUMBER	QTY	BODY	MODEL	DESCRIPTION
1		1			WIRING, See Group 8 Body Wiring
2	3747 154	1			SWITCH, Remote Deck Lid Release or Instrument Panel Mounting
3	3747 390	1			BEZEL, Electric Release Switch
4	6028 824	1			NUT, Electric Release Switch Mounting
5	4054 962	1			LATCH, Electric Deck Lid
	4131 515	1			LATCH PACKAGE, Electric
	6028 976	1			PUSHNUT, Electric Deck Lid Latch Spring



MODEL CODES

B = GRAN FURY	E = 600	M = HORIZON/TURISMO
C = LE BARON/TOWN & COUNTRY/LIMO	F = FIFTH AVENUE/NEWPORT	P = RELIANT
C24 = LASER	G = DIPLOMAT	T = NEW YORKER
C44 = LE BARON/GTS	H = VOYAGER	V = 600
D = ARIES	J = CARAVELLE	V24 = DAYTONA
D44 = LANCER	K = MINI VAN/CARAVAN/ROYAL	Z = OMNI/CHARGER

BODY STYLES

21 = 2-DOOR SEDAN	35 = FWD VAN	44 = 4-DOOR HATCHBACK
22 = 2-DOOR SPECIAL COUPE	36 = FWD WAGON	45 = 4-DOOR STATION WAGON
24 = 2-DOOR HATCHBACK	41 = 4-DOOR SEDAN	49 = LIMOUSINE
27 = 2-DOOR CONVERTIBLE		

AR = Use as Required - = Non Illustrated Part P.A.R. = Paint as Required

GROUP 23C - BODY - DOORS AND RELATED PARTS

ILLUSTRATION TITLE	GROUP-FIG. NO.
L BODY M,Z	
DOOR, FRONT SHELL, HANDLES AND CONTROLS M,Z 24	Fig. 23C-100
DOOR, FRONT GLASS AND REGULATORS M,Z 24	Fig. 23C-200
DOOR, FRONT SIDE RAIL AND DOOR WEATHERSTRIPS M,Z 24	Fig. 23C-300
MIRRORS, EXTERIOR M,Z 24	Fig. 23C-400
DOOR, FRONT SHELL, REGULATORS, CONTROLS AND LOCKS M,Z 44	Fig. 23C-500
DOOR, FRONT GLASS, HANDLES AND HADRWARE M,Z 44	Fig. 23C-600
DOOR, REAR SHELL, REGULATORS AND CONTROLS M,Z 44	Fig. 23C-700
DOOR, REAR GLASS, HANDLES AND LOCKS M,Z 44	Fig. 23C-800
DOOR, FRONT AND REAR WEATHERSTRIPS AND RUNS M,Z 44	Fig. 23C-900
MIRRORS, EXTERIOR M,Z 44	Fig. 23C-1000
K & E BODY P,D,C,V,J,E,T	
DOOR, FRONT SHELL, HANDLES AND CONTROLS P,D,C,V 21,22	Fig. 23C-1100
DOOR, FRONT SHELL, HANDLES AND CONTROLS C,V 27	Fig. 23C-1200
DOOR, FRONT GLASS AND REGULATOR P,D,C,V 21,22	Fig. 23C-1300
DOOR, FRONT GLASS AND REGULATORS C,V 27	Fig. 23C-1400
DOOR, FRONT SHELL, CONTROLS AND HARDWARE P,D,C,J,E,T 41,45,49	Fig. 23C-1500
DOOR, FRONT GLASS AND REGULATORS P,D,C,J,E,T 41,41,49	Fig. 23C-1600
DOOR, REAR SHELL, HANDLES AND CONTROLS P,D,C,J,E,T 41,45,49	Fig. 23C-1700
DOOR, REAR GLASS AND REGULATORS P,D,C,J,E,T 41,45,49	Fig. 23C-1800
DOOR, FRONT AND REAR WEATHERSTRIPS AND RUNS P,D,C,J,E,T 21,22,41,45,49	Fig. 23C-1900
DOOR, FRONT WEATHERSTRIPS C,V 27	Fig. 23C-2000
MIRRORS, EXTERIOR P,D,C,J,E,T (EXCEPT V,C 24 AND D,C 44)	Fig. 23C-2100
G BODY C,V 24	
DOOR, FRONT COMPLETE LESS WEATHERSTRIPS AND RUNS C,V 24	Fig. 23C-2200
DOOR, FRONT WITH T BAR ROOF C,V 24	Fig. 23C-2300
DOOR, FRONT WEATHERSTRIPS AND RUNS C,V 24	Fig. 23C-2400
MIRRORS, EXTERIOR C,V 24	Fig. 23C-2500
H BODY D,C 44	
DOOR, FRONT SHELL, HANDLES AND CONTROLS D,C 44	Fig. 23C-2600
DOOR, FRONT HANDLES AND REGULATORS D,C 44	Fig. 23C-2700
DOOR, REAR SHELL, HANDLES, GLASS AND CONTROLS D,C 44	Fig. 23C-2800
DOOR, FRONT AND REAR WEATHERSTRIPS AND RUNS D,C 44	Fig. 23C-2900
MIRRORS, EXTERIOR D,C 44	Fig. 23C-3000

ILLUSTRATION NOT AVAILABLE AT TIME OF PUBLICATION

GROUP 23C - BODY - DOORS AND RELATED PARTS

ILLUSTRATION TITLE

GROUP-FIG. NO.

H BODY D,C 44 (Continued)

MIRRORS, EXTERIOR D,C 44 Fig. 23C-3000

S BODY H,K

DOOR, FRONT COMPLETE LESS WEATHERSTRIPS AND RUNS H,K Fig. 23C-3100

DOOR, SLIDING SHELL, GLASS AND CONTROLS H,K Fig. 23C-3200

DOOR, SLIDING HANDLES, CONTROLS AND LOCKS H,K Fig. 23C-3300

DOOR, SLIDING TRACK H,K Fig. 23C-3400

DOOR, FRONT AND SIDE WEATHERSTRIPS AND RUNS H,K Fig. 23C-3500

MIRRORS, EXTERIOR H,K Fig. 23C-3600

M BODY B,F,G

DOOR, FRONT SHELL, HANDLES, LOCKS AND CONTROLS B,F,G Fig. 23C-3700

DOOR, FRONT GLASS AND REGULATORS B,F,G Fig. 23C-3800

DOOR, REAR SHELL, HANDLES AND CONTROLS B,F,G Fig. 23C-3900

DOOR, REAR GLASS AND REGULATORS B,F,G Fig. 23C-4000

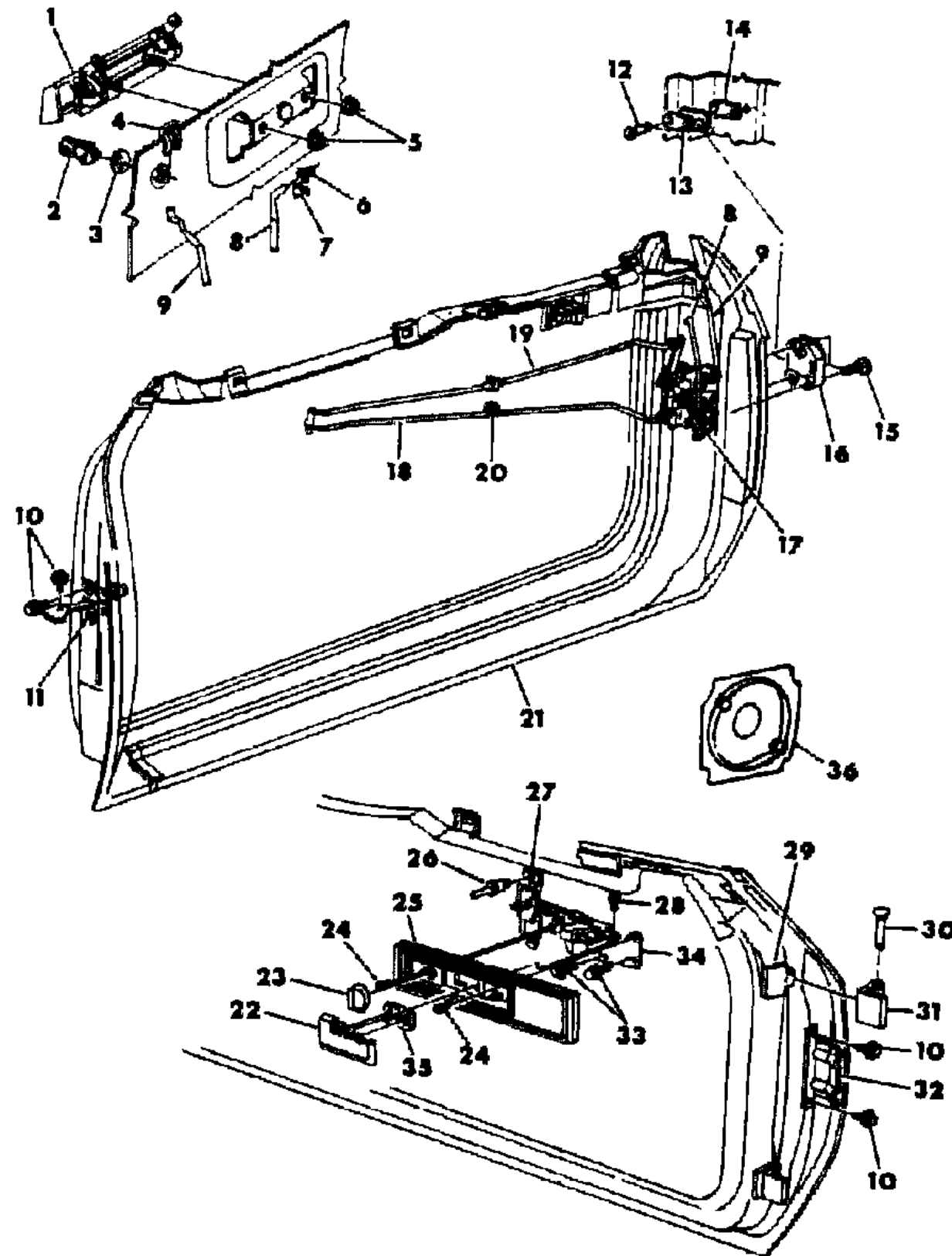
DOOR, REAR WEATHERSTRIPS AND GLASS B,F,G Fig. 23C-4100

DOOR, REAR WEATHERSTRIPS AND RUNS B,F,G Fig. 23C-4200

MIRRORS, EXTERIOR B,F,G Fig. 23C-4300

DOOR, FRONT SHELL, HANDLES AND CONTROLS M,Z 24
Figure 23C-100

5171 100



ITEM	PART NUMBER	QTY	BODY	MODEL	DESCRIPTION
1	4310 010	2			HANDLE, Front Door Exterior
2					CYLINDER, Door (Refer to 23D)
3					GASKET, Door Cylinder (Refer to 23D)
4					RETAINER, Door Cylinder (Refer to 23D)
5	6500 274	AR			NUT w/WASHER
6	3882 762	AR			CLIP
7	2862 758	AR			CLIP
8	5231 466-7	1			LINK, Exterior Handle to Latch
9	4184 760-1	1			LINK, Door Lock Key Cylinder to Latch
10		AR			SCREW w/WASHER (DNS)
11	4310 096	2			ARM, Door Check
12	6500 295	AR			SCREW
13	4184 756	2			STRIKER, Door Latch
14	4184 105	AR			SPACER, Latch Stricker
15	6100 866	AR			SCREW
16	4184 776-7	1			LATCH, Door Outside
17					LATCH, Door Inside
	4184 747	1			Left, Override
	4184 748	1			Right, Non Override
18	4184 762-3	1			LINK w/SLEEVE
19	4184 764-5	1			LINK w/SLEEVE
20	3882 620	4			CLIP, Anti Rattle
21	4297 862-3	1			DOOR SHELL, Front
	4297 860-1	1			PANEL, Repair
	4184 754	2			DEFLECTOR, Inside Drain Hole (Plastic)
22	5200 878-9	1			HANDLE, Remote Control
23	4336 574-5	1			KNOB, Locking Control
24	6100 903	AR			SCREW
25					BEZEL, Remote Control Handle
	D476-7 CB5	1			Blue
	D476-7 CM6	1			Red
	D476-7 CS8	1			Charcoal
	D476-7 DT3	1			Brown
26	6031 115	AR			RIVET
27	5231 313	2			SUPPORT, Arm Rest
28	6031 318	AR			SCREW
29	5231 595	4			LEAF, Hinge Door Half

MODEL CODES

B = GRAN FURY	E = 600	M = HORIZON/TURISMO
C = LE BARON/TOWN & COUNTRY/LIMO	F = FIFTH AVENUE/NEWPORT	P = RELIANT
C24 = LASER	G = DIPLOMAT	T = NEW YORKER
C44 = LE BARON/GTS	H = VOYAGER	V = 600
D = ARIES	J = CARAVELLE	V24 = DAYTONA
D44 = LANCER	K = MINI VAN/CARAVAN/ROYAL	Z = OMNI/CHARGER

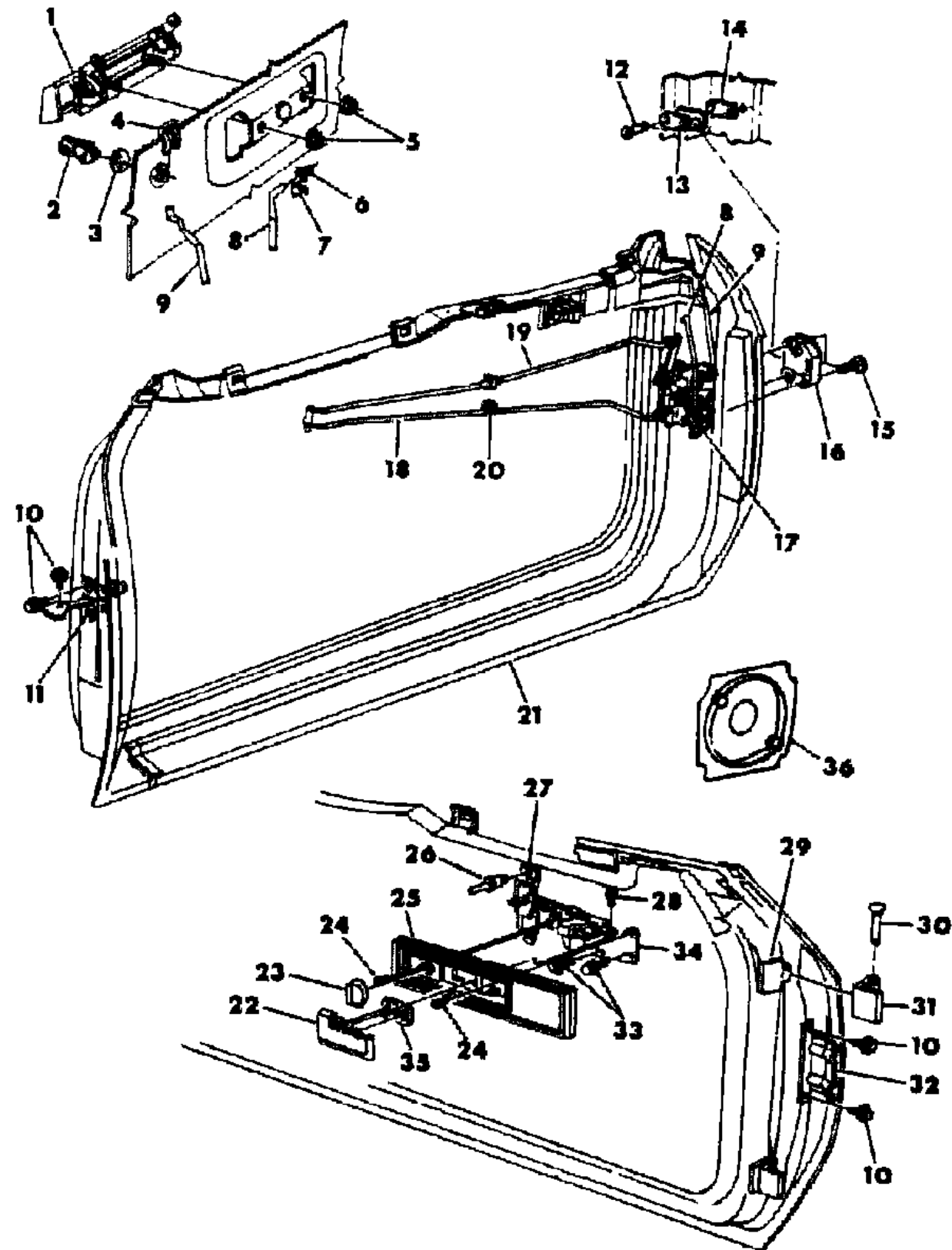
BODY STYLES

21 = 2-DOOR SEDAN	35 = FWD VAN	44 = 4-DOOR HATCHBACK
22 = 2-DOOR SPECIAL COUPE	36 = FWD WAGON	45 = 4-DOOR STATION WAGON
24 = 2-DOOR HATCHBACK	41 = 4-DOOR SEDAN	49 = LIMOUSINE
27 = 2-DOOR CONVERTIBLE		

AR = Use as Required - = Non Illustrated Part P.A.R. = Paint as Required

DOOR, FRONT SHELL, HANDLES AND CONTROLS M,Z 24
Figure 23C-100

5171 100



ITEM	PART NUMBER	QTY	BODY	MODEL	DESCRIPTION
30	6500 361	4			PIN, Hinge
	6500 803	AR			CLIP, Pin
31	5231 594	4			LEAF, Hinge Body Half
32	5231 368	2			STOP, Door
33		AR			SCREW w/WASHER (DNS)
34	5231 314-5	1			CONTROL, Remote Door
35	5231 135	2			GASKET, Inside Handle
36	4222 776	2			SPEAKER, Front Door
	4222 575	2			ADAPTER, Front Door Speaker
	D460 BT8	2			GRILLE, Front Door Speaker
	5211 717	2			WIRING, Front Door Speaker

MODEL CODES

B = GRAN FURY	E = 600	M = HORIZON/TURISMO
C = LE BARON/TOWN & COUNTRY/LIMO	F = FIFTH AVENUE/NEWPORT	P = RELIANT
C24 = LASER	G = DIPLOMAT	T = NEW YORKER
C44 = LE BARON/GTS	H = VOYAGER	V = 600
D = ARIES	J = CARAVELLE	V24 = DAYTONA
D44 = LANCER	K = MINI VAN/CARAVAN/ROYAL	Z = OMNI/CHARGER

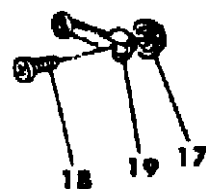
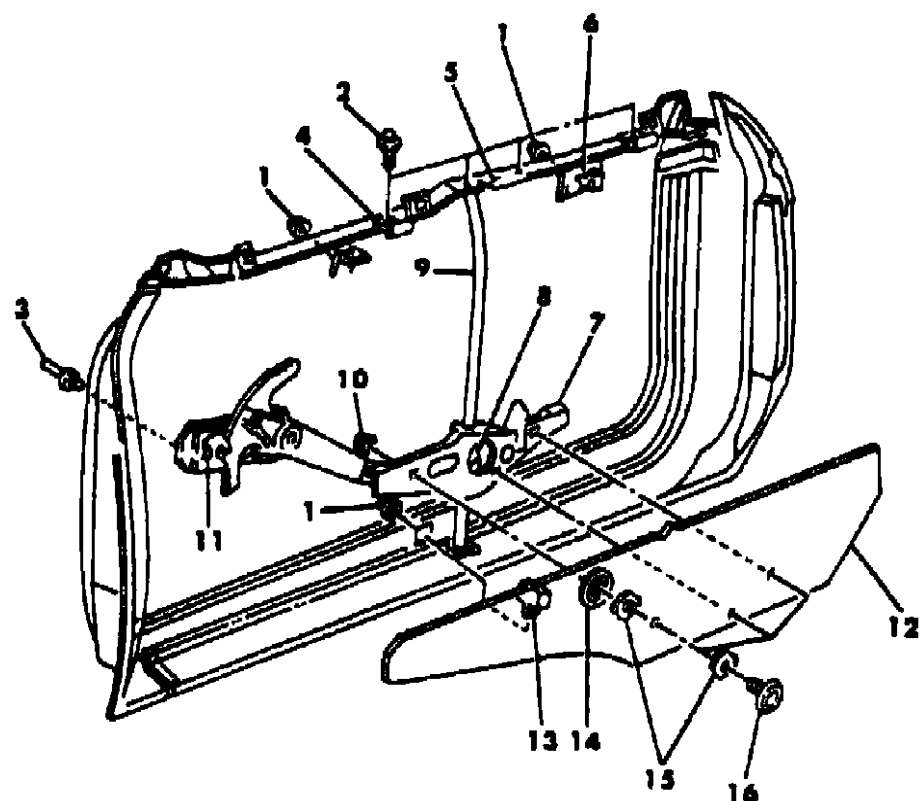
BODY STYLES

21 = 2-DOOR SEDAN	35 = FWD VAN	44 = 4-DOOR HATCHBACK
22 = 2-DOOR SPECIAL COUPE	36 = FWD WAGON	45 = 4-DOOR STATION WAGON
24 = 2-DOOR HATCHBACK	41 = 4-DOOR SEDAN	49 = LIMOUSINE
27 = 2-DOOR CONVERTIBLE		

AR = Use as Required - = Non Illustrated Part P.A.R. = Paint as Required

DOOR, FRONT GLASS AND REGULATORS M,Z 24
Figure 23C-200

5171 200



ITEM	PART NUMBER	QTY	BODY	MODEL	DESCRIPTION
1	6100 047	AR			NUT w/WASHER
2		AR			SCREW w/WASHER (DNS)
3	6031 115	AR			RIVET
4	4040 294	4			STABILIZER, Door Glass
5	5231 424	2			BRACKET w/LINER, Door Glass Guide
6	5231 423	4			UPSTOP, Door Glass
7	4310 334-5	1			PLATE w/CHANNEL, Glass Lift
	3696 433	4			GUIDE, Upper Glass
	3788 273	2			Lower
8	3788 080	2			SLEEVE, Glass Track
9	4310 340-1	1			TRACK, Glass Guide
10					NUT (DNS)
11	5231 046-7	1			REGULATOR, Manual Window
	4339 301	2			SLIDE PACKAGE, Manual Regulator
	3760 506	2			SPRING, Regulator Assist
12	5231 072-3	1			GLASS, Front Door
	4365 683	1			DECAL, Seat Belt Safety
13	5231 058	2			BUMPER, Glass Downstop
14	6028 587	AR			NUT
15	5231 769	AR			GASKET
16	6029 998	AR			WASHER w/STUD
17	3882 767	2			SPACER, Window Regulator Handle
18	6031 644	AR			SCREW, Handle Attach
19	4310 824	2			HANDLE, Window Manual Regulator

MODEL CODES

B = GRAN FURY	E = 600	M = HORIZON/TURISMO
C = LE BARON/TOWN & COUNTRY/LIMO	F = FIFTH AVENUE/NEWPORT	P = RELIANT
C24 = LASER	G = DIPLOMAT	T = NEW YORKER
C44 = LE BARON/GTS	H = VOYAGER	V = 600
D = ARIES	J = CARAVELLE	V24 = DAYTONA
D44 = LANCER	K = MINI VAN/CARAVAN/ROYAL	Z = OMNI/CHARGER

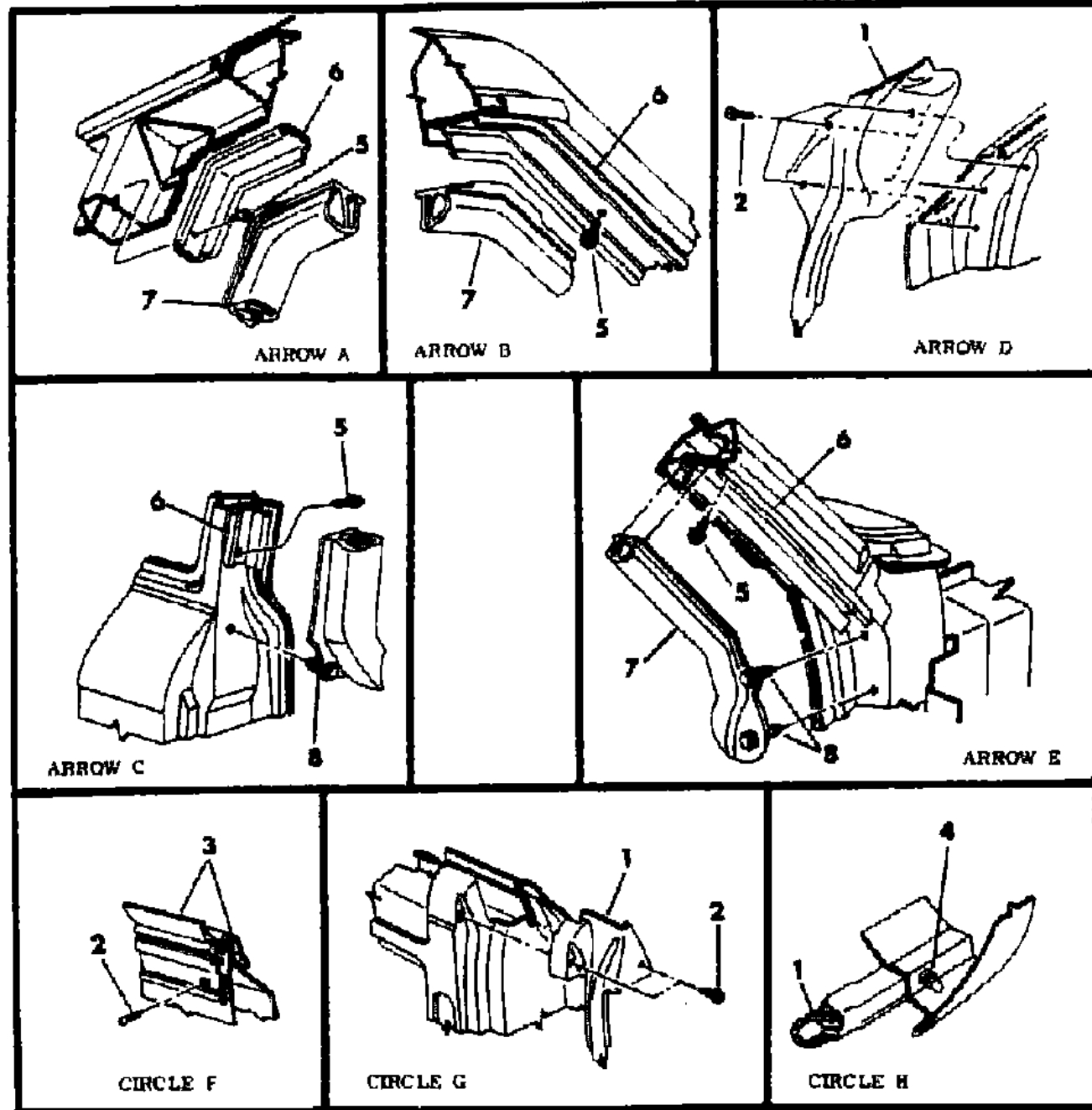
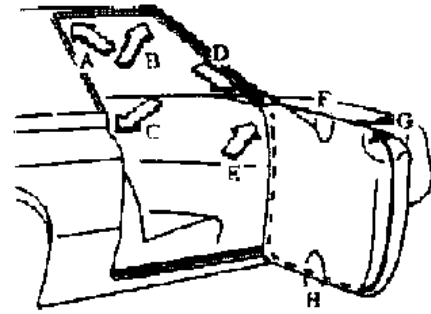
BODY STYLES

21 = 2-DOOR SEDAN	35 = FWD VAN	44 = 4-DOOR HATCHBACK
22 = 2-DOOR SPECIAL COUPE	36 = FWD WAGON	45 = 4-DOOR STATION WAGON
24 = 2-DOOR HATCHBACK	41 = 4-DOOR SEDAN	49 = LIMOUSINE
27 = 2-DOOR CONVERTIBLE		

AR = Use as Required - = Non Illustrated Part P.A.R. = Paint as Required

DOOR, FRONT SIDE RAIL AND DOOR WEATHERSTRIPS M,Z 24
Figure 23C-300

5171 300



ITEM	PART NUMBER	QTY	BODY	MODEL	DESCRIPTION
1	5231 284-5	1			WEATHERSTRIP, On Front Door
2		AR			SCREW (DNS)
3					WEATHERSTRIP, Front Door Wdo. Belt
	5208 832-3	1			Inner
	5231 060	1			Outer Right, w/Remote Mirror
	4198 618	1			Outer Right, w/o Remote Mirror
	4198 579	1			Outer Left
4	4040 732	AR			FASTENER, Door Weatherstrip
5		AR			SCREW (DNS)
6	5231 260-1	1			RETAINER, Roof Side Rail Weatherstrip
7	5231 274-5	1			WEATHERSTRIP, Roof Side Rail
8	3759 944	6			RETAINER, Roof Side Rail Weatherstrip Att.

MODEL CODES

B = GRAN FURY	E = 600	M = HORIZON/TURISMO
C = LE BARON/TOWN & COUNTRY/LIMO	F = FIFTH AVENUE/NEWPORT	P = RELIANT
C24 = LASER	G = DIPLOMAT	T = NEW YORKER
C44 = LE BARON/GTS	H = VOYAGER	V = 600
D = ARIES	J = CARAVELLE	V24 = DAYTONA
D44 = LANCER	K = MINI VAN/CARAVAN/ROYAL	Z = OMNI/CHARGER

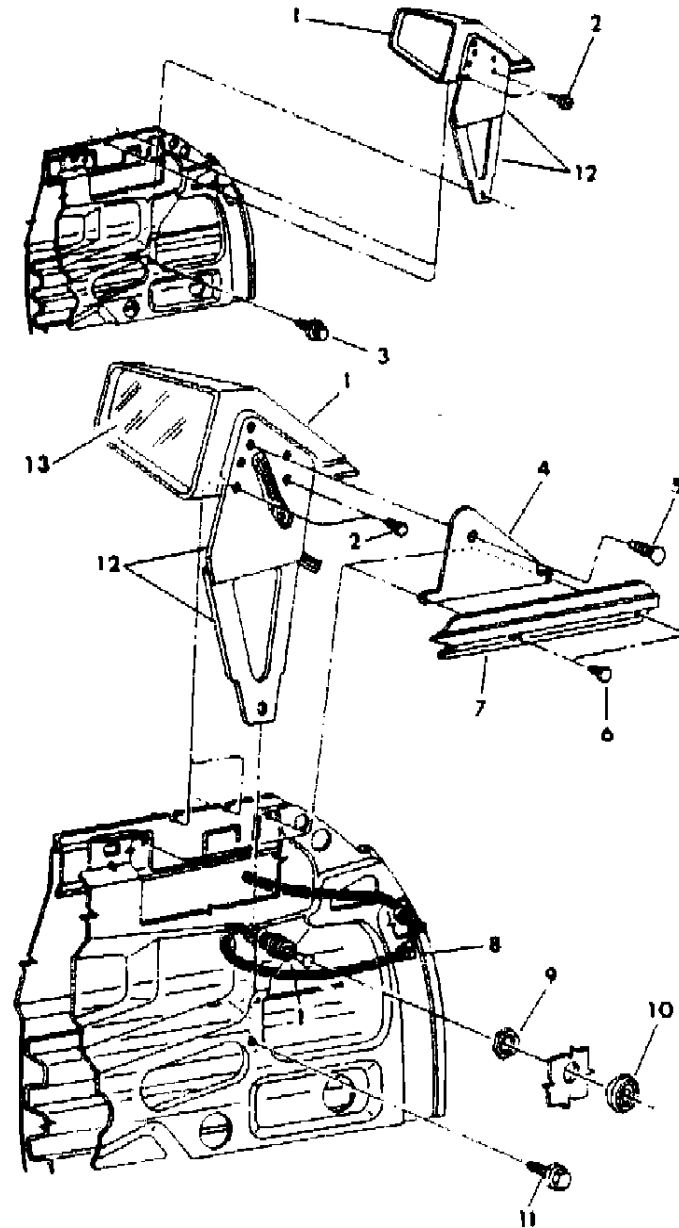
BODY STYLES

21 = 2-DOOR SEDAN	35 = FWD VAN	44 = 4-DOOR HATCHBACK
22 = 2-DOOR SPECIAL COUPE	36 = FWD WAGON	45 = 4-DOOR STATION WAGON
24 = 2-DOOR HATCHBACK	41 = 4-DOOR SEDAN	49 = LIMOUSINE
27 = 2-DOOR CONVERTIBLE		

AR = Use as Required - = Non Illustrated Part P.A.R. = Paint as Required

MIRRORS, EXTERIOR M,Z 24
Figure 23C-400

3171-400



ITEM	PART NUMBER	QTY	BODY	MODEL	DESCRIPTION
1					MIRROR PACKAGE, Remote Control
	4299 222	1			Racing (Painted Convex) Right
	4299 223	1			Racing (Painted) Left
	6031 869	1			GROMMET, Reinforcement
2		AR			SCREW (DNS)
3		AR			SCREW (DNS)
4	5207 356-7	1			COVER, Remote Control Mtg. Bracket, Exterior
5	3759 944	2			RETAINER, Plastic
6					SCREW (DNS)
7					WEATHERSTRIP, Refer to Door Weatherstrip Illus.
8					CLIP (DNS)
9	6030 356	2			NUT, Control Index
10	5207 280	2			NUT, Remote Control Mirror Control Att.
11					SCREW (DNS)
12					BRACKET w/SUPPORT
	5207 362	1			Remote Control Mirror, Right
	5207 363	1			Manual or Remote Control Mirror, Left
13	4267 868-9	1			GLASS REPLACEMENT PACKAGE

MODEL CODES

B = GRAN FURY	E = 600	M = HORIZON/TURISMO
C = LE BARON/TOWN & COUNTRY/LIMO	F = FIFTH AVENUE/NEWPORT	P = RELIANT
C24 = LASER	G = DIPLOMAT	T = NEW YORKER
C44 = LE BARON/GTS	H = VOYAGER	V = 600
D = ARIES	J = CARAVELLE	V24 = DAYTONA
D44 = LANCER	K = MINI VAN/CARAVAN/ROYAL	Z = OMNI/CHARGER

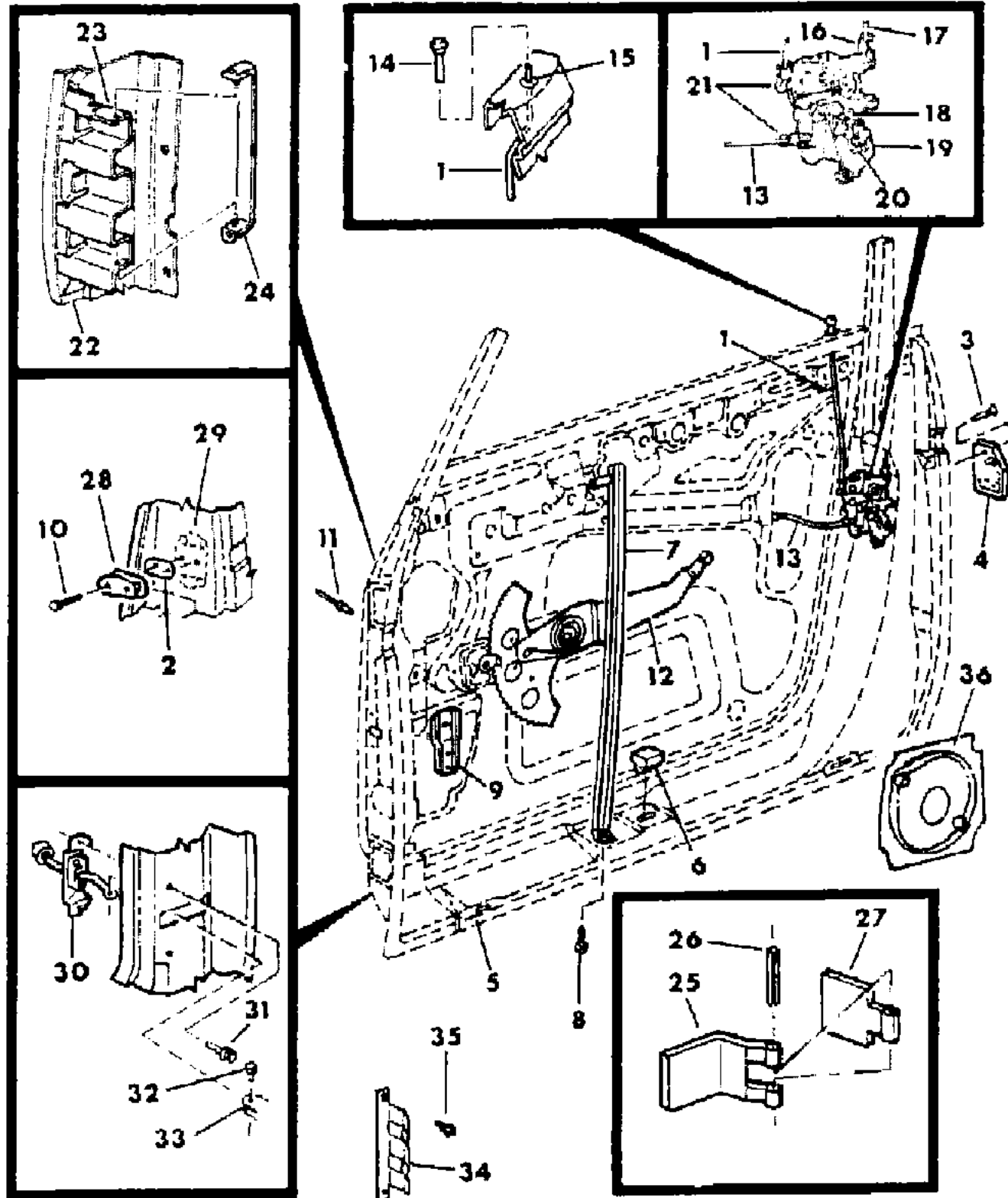
BODY STYLES

21 = 2-DOOR SEDAN	35 = FWD VAN	44 = 4-DOOR HATCHBACK
22 = 2-DOOR SPECIAL COUPE	36 = FWD WAGON	45 = 4-DOOR STATION WAGON
24 = 2-DOOR HATCHBACK	41 = 4-DOOR SEDAN	49 = LIMOUSINE
27 = 2-DOOR CONVERTIBLE		

AR = Use as Required - = Non Illustrated Part P.A.R. = Paint as Required

DOOR, FRONT SHELL, REGULATORS, CONTROLS AND LOCKS M,Z 44
Figure 23C-500

5171 500



ITEM	PART NUMBER	QTY	BODY	MODEL	DESCRIPTION
1	5200 970	2			ROD, Door Latch Locking Control Push
2	5231 368	2			STOP, Door
3	6100 866	AR			SCREW
4	4184 776-7	1			LATCH, Front Door Exterior
5	4297 856-7	1			DOOR SHELL, Front
6	4310 022-3	1			PANEL, Repair
7	3759 910	2			BUMPER, Glass Down Stop
8	4280 580-1	1			CHANNEL w/BRACKET, Door Glass
9	6500 191	AR			SCREW
10	6500 295	AR			BRACKET, Mirror Control Mtg. (See Mirror Illus.)
11	6031 115	AR			SCREW
12	6031 115	AR			RIVET
13	5231 742-3	1			REGULATOR, Front Door Window
14	4339 301	2			SLIDE PACKAGE, Manual Regulator
15	3508 121	2			SPRING, Manual Window Regulator Assist
16	5231 220-1	1			LINK w/SLEEVE, Door Latch Remote Control to Latch
17	4049 609	AR			KNOB PACKAGE, Locking Control
18	3510 447	2			GROMMET, Trim Panel Lock Knob
19	3760 130-1	AR			CLIP
20	5231 480-1	1			LINK, Door Lock Key Cylinder to Latch
21	4336 294-5	1			LINK, Exterior Handle to Latch
22	4184 750	1			LATCH, Front Door Inside
23	4184 753	1			Right, Non Override
24	2945 108-9	AR			Left, Override
25	2945 108-9	AR			CLIP
26	3454 220-1	AR			CLIP
27					PILLAR, Serviced in Door
28					REINFORCEMENT, Serviced in Door
29	5231 294	2			BUMPER w/RETAINER, Door Impact Bar
30	5231 594	4			LEAF, Front Door Fixed Hinge, Body Half
31	6500 361	4			PIN, Door Hinge
32	6500 803	4			CLIP, Pin
33	5231 595	4			LEAF, Front Door Moving Hinge, Door Half
34	5200 875	2			STRIKER, Front Door Latch
35	5231 564	AR			SPACER, Door Latch Striker
36	5200 368	2			T/PLATE, Body Center Pillar Outer Latch Striker
37	4293 244	2			ARM, Front Door Check

MODEL CODES

B = GRAN FURY	E = 600	M = HORIZON/TURISMO
C = LE BARON/TOWN & COUNTRY/LIMO	F = FIFTH AVENUE/NEWPORT	P = RELIANT
C24 = LASER	G = DIPLOMAT	T = NEW YORKER
C44 = LE BARON/GTS	H = VOYAGER	V = 600
D = ARIES	J = CARAVELLE	V24 = DAYTONA
D44 = LANCER	K = MINI VAN/CARAVAN/ROYAL	Z = OMNI/CHARGER

BODY STYLES

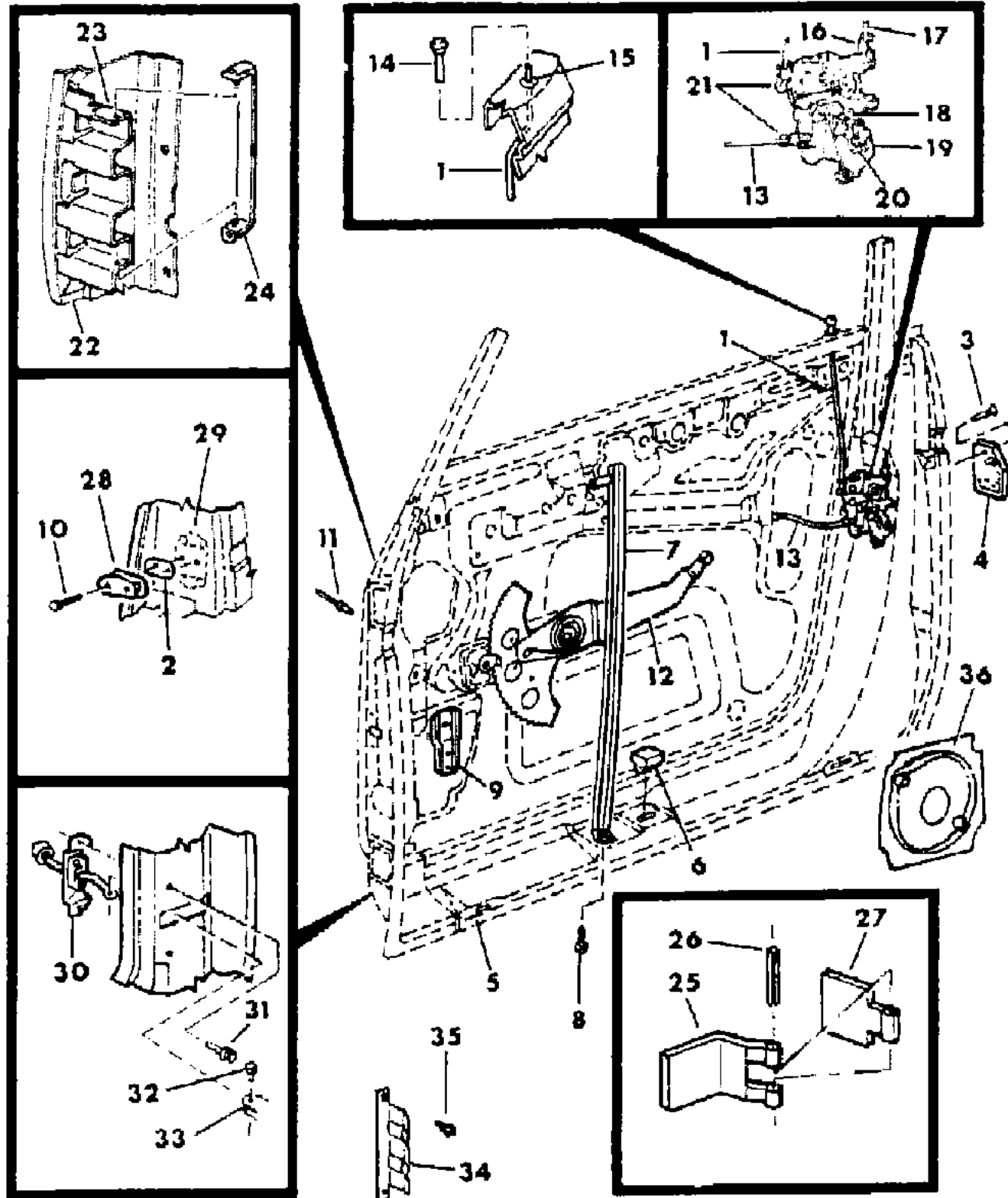
21 = 2-DOOR SEDAN	35 = FWD VAN	44 = 4-DOOR HATCHBACK
22 = 2-DOOR SPECIAL COUPE	36 = FWD WAGON	45 = 4-DOOR STATION WAGON
24 = 2-DOOR HATCHBACK	41 = 4-DOOR SEDAN	49 = LIMOUSINE
27 = 2-DOOR CONVERTIBLE		

AR = Use as Required - = Non Illustrated Part P.A.R. = Paint as Required

DOOR, FRONT SHELL, REGULATORS, CONTROLS AND LOCKS M,Z 44

Figure 23C-500

5171 500



ITEM	PART NUMBER	QTY	BODY	MODEL	DESCRIPTION
31		AR			SCREW w/WASHER (DNS)
32					RIVET (DNS)
33					BRACKET, Check Arm (Serviced in Pillar)
34	5231 368	2			STOP, Front Door
35		4			SCREW (DNS)
36	4222 776	2			SPEAKER, Front Door
	4222 575	2			ADAPTER, Front Door Speaker
	D460 BT8	2			GRILLE, Front Door Speaker
	5211 717	2			WIRING, Front Door Speaker

MODEL CODES

B = GRAN FURY	E = 600	M = HORIZON/TURISMO
C = LE BARON/TOWN & COUNTRY/LIMO	F = FIFTH AVENUE/NEWPORT	P = RELIANT
C24 = LASER	G = DIPLOMAT	T = NEW YORKER
C44 = LE BARON/GTS	H = VOYAGER	V = 600
D = ARIES	J = CARAVELLE	V24 = DAYTONA
D44 = LANCER	K = MINI VAN/CARAVAN/ROYAL	Z = OMNI/CHARGER

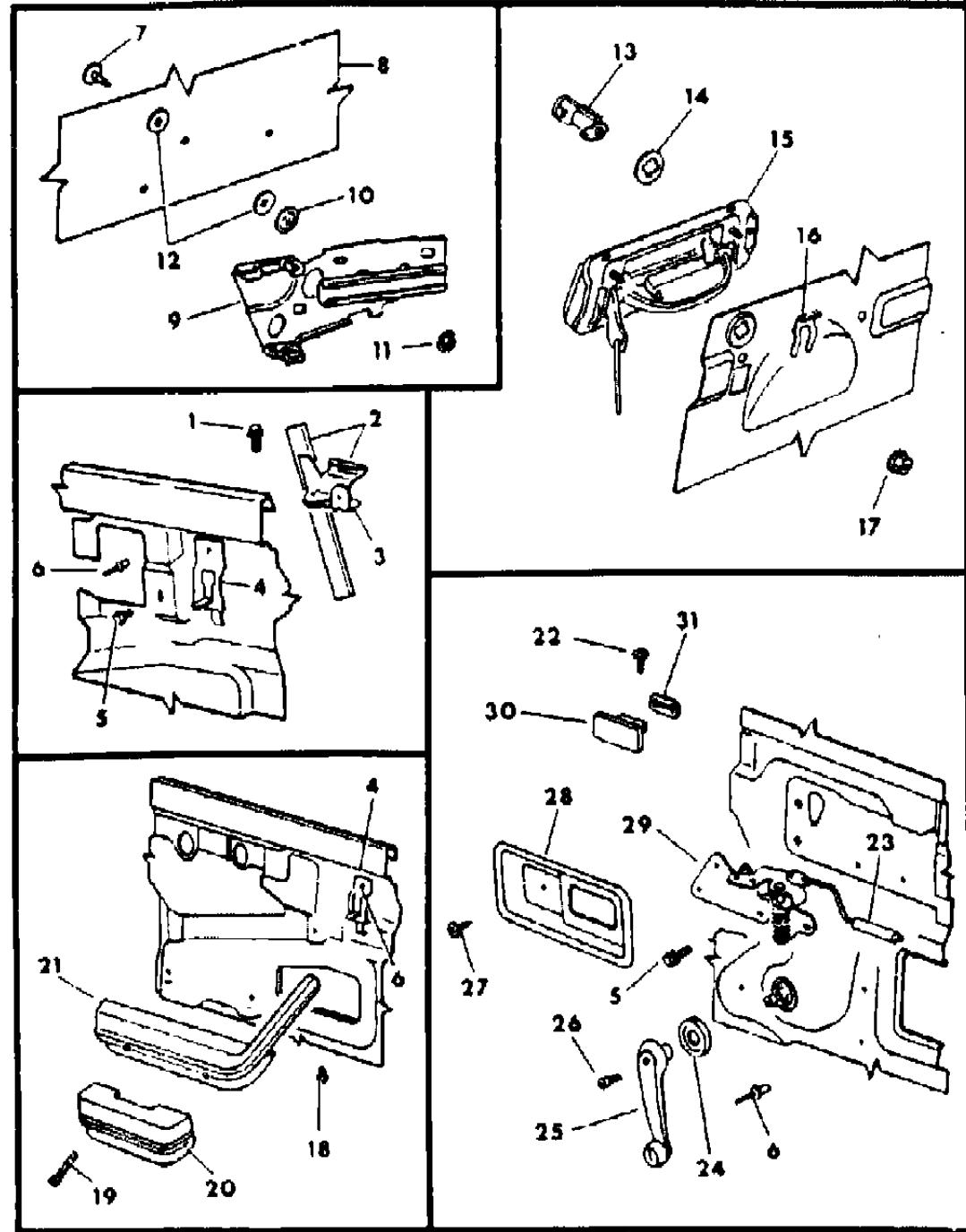
BODY STYLES

21 = 2-DOOR SEDAN	35 = FWD VAN	44 = 4-DOOR HATCHBACK
22 = 2-DOOR SPECIAL COUPE	36 = FWD WAGON	45 = 4-DOOR STATION WAGON
24 = 2-DOOR HATCHBACK	41 = 4-DOOR SEDAN	49 = LIMOUSINE
27 = 2-DOOR CONVERTIBLE		

AR = Use as Required - = Non Illustrated Part P.A.R. = Paint as Required

DOOR, FRONT GLASS, HANDLES AND HADRWARE M,Z 44
Figure 23C-600

5171 600



ITEM	PART NUMBER	QTY	BODY	MODEL	DESCRIPTION
1	6500 191	AR			SCREW w/WASHER
2	4280 580-1	1			CHANNEL w/BRACKET, Door Glass
3		1			BRACKET w/NUT, Glass Track Channel (Serviced in Item #2)
4	5231 114	2			SUPPORT, Door Inside Panel Arm Rest
5		AR			SCREW w/WASHER
6	6031 115	AR			RIVET
7	6029 998	AR			STUD w/WASHER
8	5200 780-1	1			GLASS, Front Door
	4365 683	1			DECAL, Seat Belt Safety
	4040 294	2			STABILIZER, Door Glass
9	4336 508-9	1			PLATE w/CHANNEL, Door Glass Track, w/Upper and Lower Guide
10		AR			NUT (DNS)
11					NUT (DNS)
12	5231 769	AR			GASKET, Door Glass
13					CYLINDER (Refer to 23D)
14					GASKET (Refer to 23D)
15	4310 010	2			HANDLE, Front Door Exterior
16					RETAINER (Refer to 23D)
17	6500 274	AR			NUT w/WASHER
18	6500 141	AR			SCREW
19		AR			SCREW (DNS)
20					ARM REST (Refer to IT Section)
21					ARM REST, Long (Refer to IT Section)
22	6031 318	AR			SCREW
23	5231 220-1	1			LINK w/SLEEVE, Door Latch Remote Control to Latch
24	3882 768	AR			SPACER, Manual Window Regulator Handle
25	4310 824	2			HANDLE, Front Door Window Regulator
26		2			SCREW (DNS)
27	6100 903	2			SCREW
28					BEZEL, Front Door Latch Remote Control Handle
	D459 AA3	2			Silver
	D459 BB5	2			Blue
	D459 VM6	2			Red
	D459 DT3	2			Brown
29	5231 930-1	1			REMOTE CONTROL, Front Door Latch
30	5200 878-9	1			HANDLE, Front Door Latch Remote Control

MODEL CODES

B = GRAN FURY	E = 600	M = HORIZON/TURISMO
C = LE BARON/TOWN & COUNTRY/LIMO	F = FIFTH AVENUE/NEWPORT	P = RELIANT
C24 = LASER	G = DIPLOMAT	T = NEW YORKER
C44 = LE BARON/GTS	H = VOYAGER	V = 600
D = ARIES	J = CARAVELLE	V24 = DAYTONA
D44 = LANCER	K = MINI VAN/CARAVAN/ROYAL	Z = OMNI/CHARGER

BODY STYLES

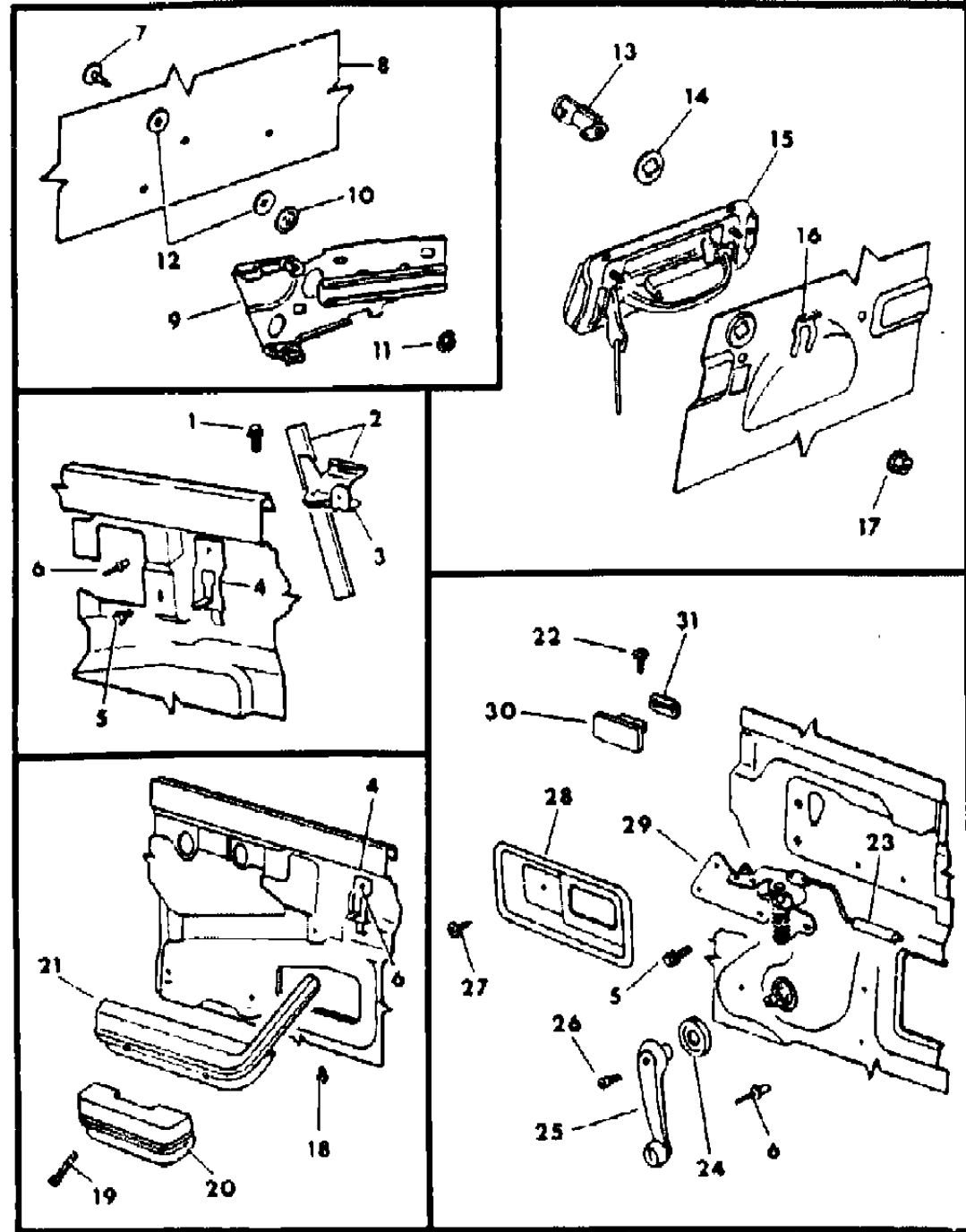
21 = 2-DOOR SEDAN	35 = FWD VAN	44 = 4-DOOR HATCHBACK
22 = 2-DOOR SPECIAL COUPE	36 = FWD WAGON	45 = 4-DOOR STATION WAGON
24 = 2-DOOR HATCHBACK	41 = 4-DOOR SEDAN	49 = LIMOUSINE
27 = 2-DOOR CONVERTIBLE		

AR = Use as Required - = Non Illustrated Part P.A.R. = Paint as Required

DOOR, FRONT GLASS, HANDLES AND HADRWARE M,Z 44
Figure 23C-600

5171 600

ITEM	PART NUMBER	QTY	BODY	MODEL	DESCRIPTION
31	5231 135	2			SEAL, Door Latch Remote Control Handle



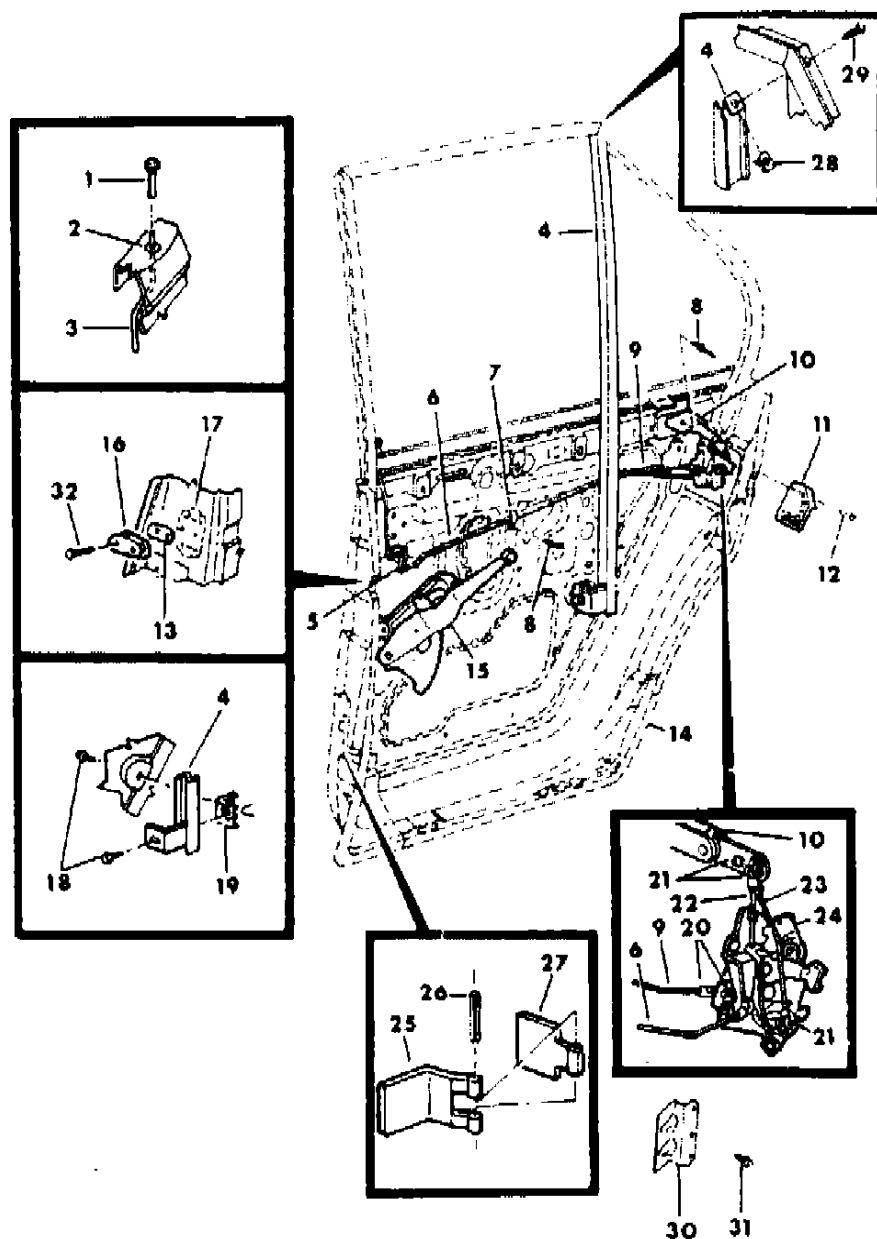
MODEL CODES
 B = GRAN FURY
 C = LE BARON/TOWN & COUNTRY/LIMO
 C24 = LASER
 C44 = LE BARON/GTS
 D = ARIES
 D44 = LANCER
 E = 600
 F = FIFTH AVENUE/NEWPORT
 G = DIPLOMAT
 H = VOYAGER
 J = CARAVELLE
 K = MINI VAN/CARAVAN/ROYAL
 M = HORIZON/TURISMO
 P = RELIANT
 T = NEW YORKER
 V = 600
 V24 = DAYTONA
 Z = OMNI/CHARGER

BODY STYLES
 21 = 2-DOOR SEDAN
 22 = 2-DOOR SPECIAL COUPE
 24 = 2-DOOR HATCHBACK
 27 = 2-DOOR CONVERTIBLE
 35 = FWD VAN
 36 = FWD WAGON
 41 = 4-DOOR SEDAN
 44 = 4-DOOR HATCHBACK
 45 = 4-DOOR STATION WAGON
 49 = LIMOUSINE

AR = Use as Required - = Non Illustrated Part P.A.R. = Paint as Required

DOOR, REAR SHELL, REGULATORS AND CONTROLS M,Z 44
Figure 23C-700

5171 730



ITEM	PART NUMBER	QTY	BODY	MODEL	DESCRIPTION
1	4049 609	2			KNOB PACKAGE, Locking Control
2	3510 447	2			GROMMET, Trim Panel Lock Knob
3	5200 909	2			ROD, Latch Locking Control Push
4	4310 282-3	1			CHANNEL w/BRACKET and RUN, Glass
5	3871 044	2			LEVER, Door Latch Locking Control
6	5231 563	2			LINK w/SLEEVE, Latch Locking Control to Latch
7	3882 620	AR			CLIP, Anti Rattle
8	6031 115	AR			RIVET
9	5231 222-3	1			LINK w/SLEEVE, Latch Remote Control to Latch
10	4336 613	2			BRACKET w/LEVER, Door Latch Actg.
11	4184 776-7	1			LATCH, Rear Door Outside
12	6100 866	AR			SCREW
13	5231 564	AR			SPACER, Door Striker
14	4297 850-1	1			DOOR SHELL, Rear
	4310 024-5	1			PANEL, Repair
15	5200 722-3	1			REGULATOR, Rear Door Window
	4339 301	2			SLIDE PACKAGE, Manual Regulator
	4082 028	2			PLATE, Manual Window Regulator
16	5200 875	2			STRIKER, Door Latch
	5231 564	AR			SPACER, Door Latch Striker
17	5200 368	2			T/PLATE, Latch Striker
18		AR			SCREW w/WASHER (DNS)
19	5231 136	2			BRACKET, Fixed Vent Window Division Channel Att.
20	3454 220-1	AR			CLIP
21	2945 108-9	AR			CLIP
22	4310 892-3	1			LINK, Exterior Handle to Actg. Lever
23	5231 523	2			LINK, Door Latch to Actg. Lever
24	5231 650-1	1			LATCH, Rear Door Inside
25	5231 594	4			LEAF, Rear Door Fixed Hinge, Body Half
26	6500 361	4			PIN, Hinge
27	5231 595	4			LEAF, Rear Door Moving Hinge, Door Half
28		2			NUT (DNS)
29					SCREW (DNS)
30	5231 369	2			STOP, Rear Door
31		4			SCREW (DNS)
32	6500 295	AR			SCREW

MODEL CODES

B = GRAN FURY	E = 600	M = HORIZON/TURISMO
C = LE BARON/TOWN & COUNTRY/LIMO	F = FIFTH AVENUE/NEWPORT	P = RELIANT
C24 = LASER	G = DIPLOMAT	T = NEW YORKER
C44 = LE BARON/GTS	H = VOYAGER	V = 600
D = ARIES	J = CARAVELLE	V24 = DAYTONA
D44 = LANCER	K = MINI VAN/CARAVAN/ROYAL	Z = OMNI/CHARGER

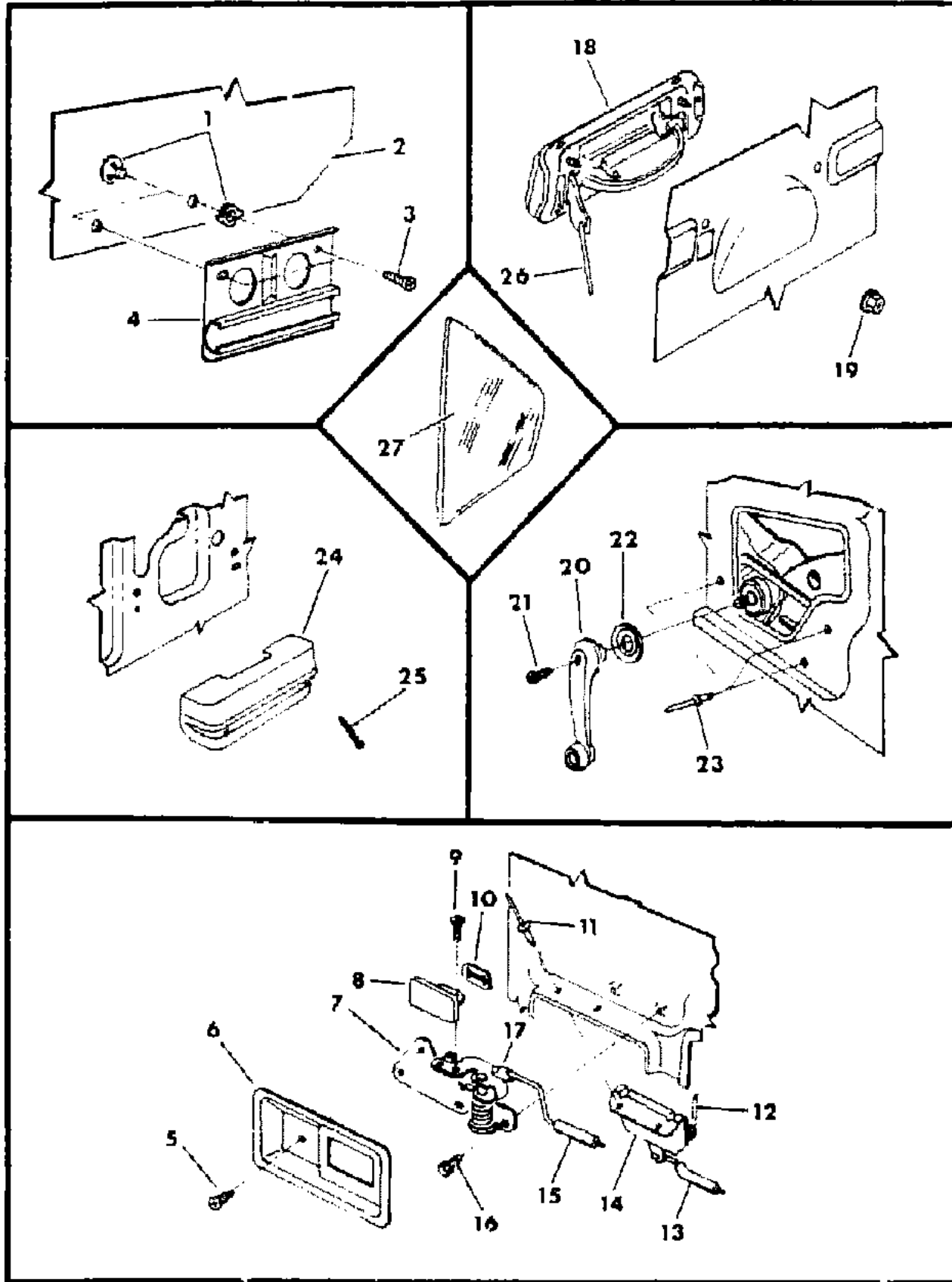
BODY STYLES

21 = 2-DOOR SEDAN	35 = FWD VAN	44 = 4-DOOR HATCHBACK
22 = 2-DOOR SPECIAL COUPE	36 = FWD WAGON	45 = 4-DOOR STATION WAGON
24 = 2-DOOR HATCHBACK	41 = 4-DOOR SEDAN	49 = LIMOUSINE
27 = 2-DOOR CONVERTIBLE		

AR = Use as Required - = Non Illustrated Part P.A.R. = Paint as Required

DOOR, REAR GLASS, HANDLES AND LOCKS M,Z 44
Figure 23C-800

5171 800



ITEM	PART NUMBER	QTY	BODY	MODEL	DESCRIPTION
1	3744 734	AR			BUSHING and FASTENER PACKAGE, Glass Lift
2	5231 732-3	1			GLASS, Rear Door, Movable
3	6030 182	AR			SCREW
4	5215 364	2			CHANNEL, Door Glass Track
5	6100 903	AR			SCREW
6					BEZEL, Rear Door Latch Remote Control Handle
	D459 AA3	2			Silver
	D459 BB5	2			Blue
	D459 VM6	2			Red
	D459 DT3	2			Brown
7	5231 930-1	1			REMOTE CONTROL, Rear Door Latch
8	5200 878-9	1			HANDLE, Rear Door Latch Remote Control
9	6031 318	AR			SCREW
10	5231 135	2			SEAL, Door Latch Remote Control Handle
11	6031 115	AR			RIVET
12	5200 909	2			ROD, Door Latch Locking Control Push
13	5231 563	2			LINK w/SLEEVE, Latch Locking Control to Latch
14	5215 338-9	1			SUPPORT, Door Latch Locking Control Lever
15	5231 222-3	1			LINK w/SLEEVE, Latch Remote Control to Latch
16		AR			SCREW w/WASHER (DNS)
17	2945 108-9	AR			CLIP
18	4310 010	2			HANDLE, Rear Door Exterior
19	6500 274	4			NUT w/Washer
20	4310 824	2			HANDLE, Rear Door Window Regulator
21	6031 644	2			SCREW
22	3882 768	2			SPACER, Manual Window Regulator Handle
23	6031 115	AR			RIVET
24					ARM REST (Refer to IT Section)
25		AR			SCREW (DNS)
26	5231 523	2			LINK, Exterior Handle to Actg. Lever
27					GLASS, Rear Door Stationary
	5231 896-7	1			Tinted
	5231 894-5	1			Clear

MODEL CODES

B = GRAN FURY	E = 600	M = HORIZON/TURISMO
C = LE BARON/TOWN & COUNTRY/LIMO	F = FIFTH AVENUE/NEWPORT	P = RELIANT
C24 = LASER	G = DIPLOMAT	T = NEW YORKER
C44 = LE BARON/GTS	H = VOYAGER	V = 600
D = ARIES	J = CARAVELLE	V24 = DAYTONA
D44 = LANCER	K = MINI VAN/CARAVAN/ROYAL	Z = OMNI/CHARGER

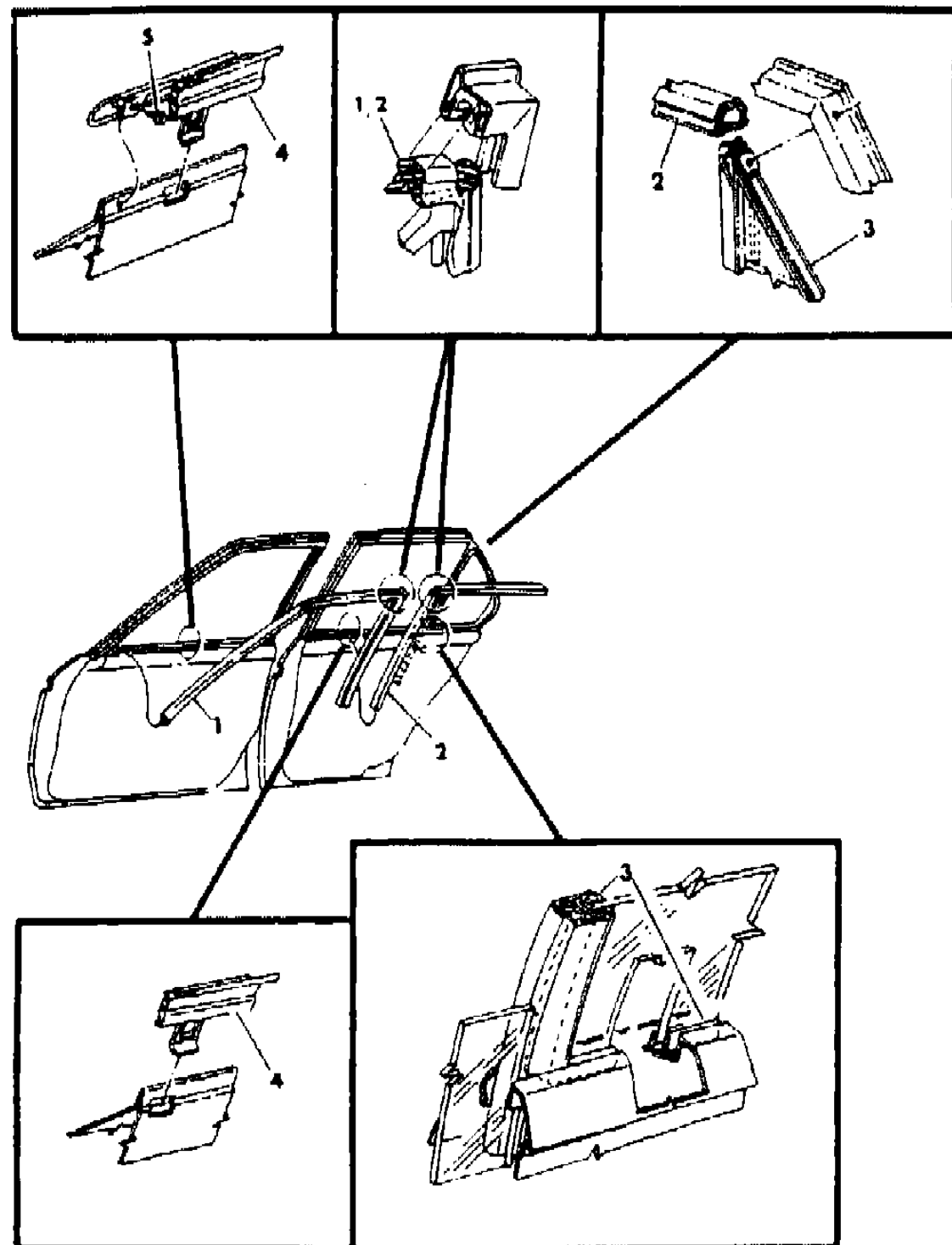
BODY STYLES

21 = 2-DOOR SEDAN	35 = FWD VAN	44 = 4-DOOR HATCHBACK
22 = 2-DOOR SPECIAL COUPE	36 = FWD WAGON	45 = 4-DOOR STATION WAGON
24 = 2-DOOR HATCHBACK	41 = 4-DOOR SEDAN	49 = LIMOUSINE
27 = 2-DOOR CONVERTIBLE		

AR = Use as Required - = Non Illustrated Part P.A.R. = Paint as Required

DOOR, FRONT AND REAR WEATHERSTRIPS AND RUNS M,Z 44
Figure 23C-900

5171 500



ITEM	PART NUMBER	QTY	BODY	MODEL	DESCRIPTION
1	4310 058	2			RUN w/CLIP, Front Door Glass
2	5231 367	2			RUN, Rear Door Glass
3	5200 770	2			WEATHERSTRIP, Rear Door Fixed Vent Window
4					WEATHERSTRIP w/CLIPS, Window Belt Front Door
	5209 232-3	1			Outer, Belt
	5231 886-7	1			Inner Rear Door
	5209 234-5	1			Outer, Belt
	5208 624-5	1			Inner
	5208 891	2			CLIP, Rear Door Opening Weatherstrip
5		AR			SCREW (DNS)

MODEL CODES

B = GRAN FURY	E = 600	M = HORIZON/TURISMO
C = LE BARON/TOWN & COUNTRY/LIMO	F = FIFTH AVENUE/NEWPORT	P = RELIANT
C24 = LASER	G = DIPLOMAT	T = NEW YORKER
C44 = LE BARON/GTS	H = VOYAGER	V = 600
D = ARIES	J = CARAVELLE	V24 = DAYTONA
D44 = LANCER	K = MINI VAN/CARAVAN/ROYAL	Z = OMNI/CHARGER

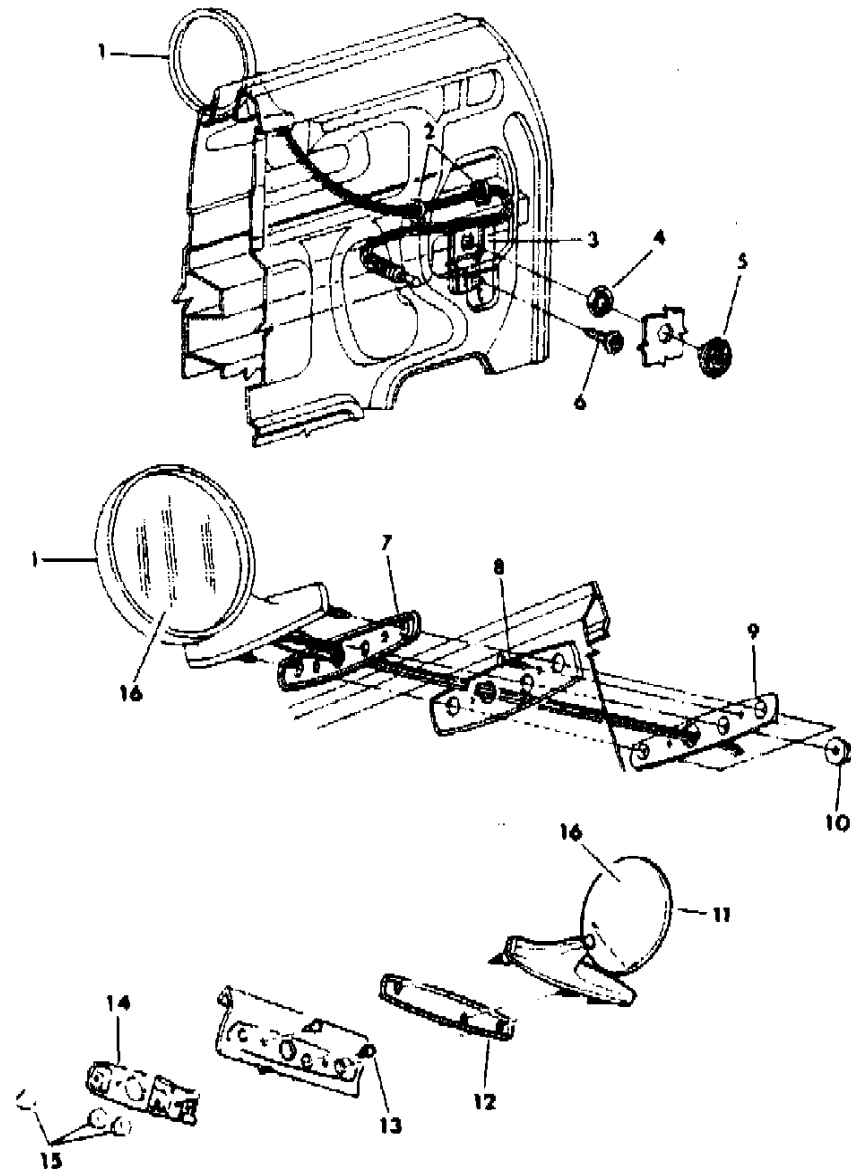
BODY STYLES

21 = 2-DOOR SEDAN	35 = FWD VAN	44 = 4-DOOR HATCHBACK
22 = 2-DOOR SPECIAL COUPE	36 = FWD WAGON	45 = 4-DOOR STATION WAGON
24 = 2-DOOR HATCHBACK	41 = 4-DOOR SEDAN	49 = LIMOUSINE
27 = 2-DOOR CONVERTIBLE		

AR = Use as Required - = Non Illustrated Part P.A.R. = Paint as Required

MIRRORS, EXTERIOR M,Z 44
Figure 23C-1000

5971-1000



ITEM	PART NUMBER	QTY	BODY	MODEL	DESCRIPTION
1					MIRROR PACKAGE, Remote Control
	4299 224-5	1			Round, Chrome
	5232 182-3	1			Round, Black
2					CLIP, Serviced in Mirror Package
3	5207 214	2			BRACKET, Remote Control Mtg.
4	6030 356	AR			NUT, Control Index
5	2999 001	1			BEZEL, Remote Control Mirror Control Att.
6		AR			SCREW (DNS)
7	#4054 132	1			GASKET, Remote Control, Right
8		AR			RETAINER (DNS)
9					REINFORCEMENT, Mirror
	3861 804	1			Right
	4299 127	1			Left
10	6025 001	AR			NUT
11					MIRROR PACKAGE, Round Manual, Chrome
	3882 071	1			Left
	4267 927	1			Right
12					GASKET, Serviced in Package
13	3759 944	AR			RETAINER CLIP, Mirror Mounting Reinforcement
14	3861 805	1			REINFORCEMENT, Mirror
15	6025 001	AR			NUT w/WASHER
16					PACKAGE, Replacement Glass
	4267 870-1	1			Remote Control
	4267 884	1			Manual Glass

NOTE: Front and Rear Door Opening Weatherstrip. Refer to IT Section, Pinchweld Weatherstrip Body Mounted 22 Model). Sheet metal parts for the C 49 not found on this illustration should be specified from the C 22 Models, as found elsewhere in this group.

MODEL CODES

B = GRAN FURY	E = 600	M = HORIZON/TURISMO
C = LE BARON/TOWN & COUNTRY/LIMO	F = FIFTH AVENUE/NEWPORT	P = RELIANT
C24 = LASER	G = DIPLOMAT	T = NEW YORKER
C44 = LE BARON/GTS	H = VOYAGER	V = 600
D = ARIES	J = CARAVELLE	V24 = DAYTONA
D44 = LANCER	K = MINI VAN/CARAVAN/ROYAL	Z = OMNI/CHARGER

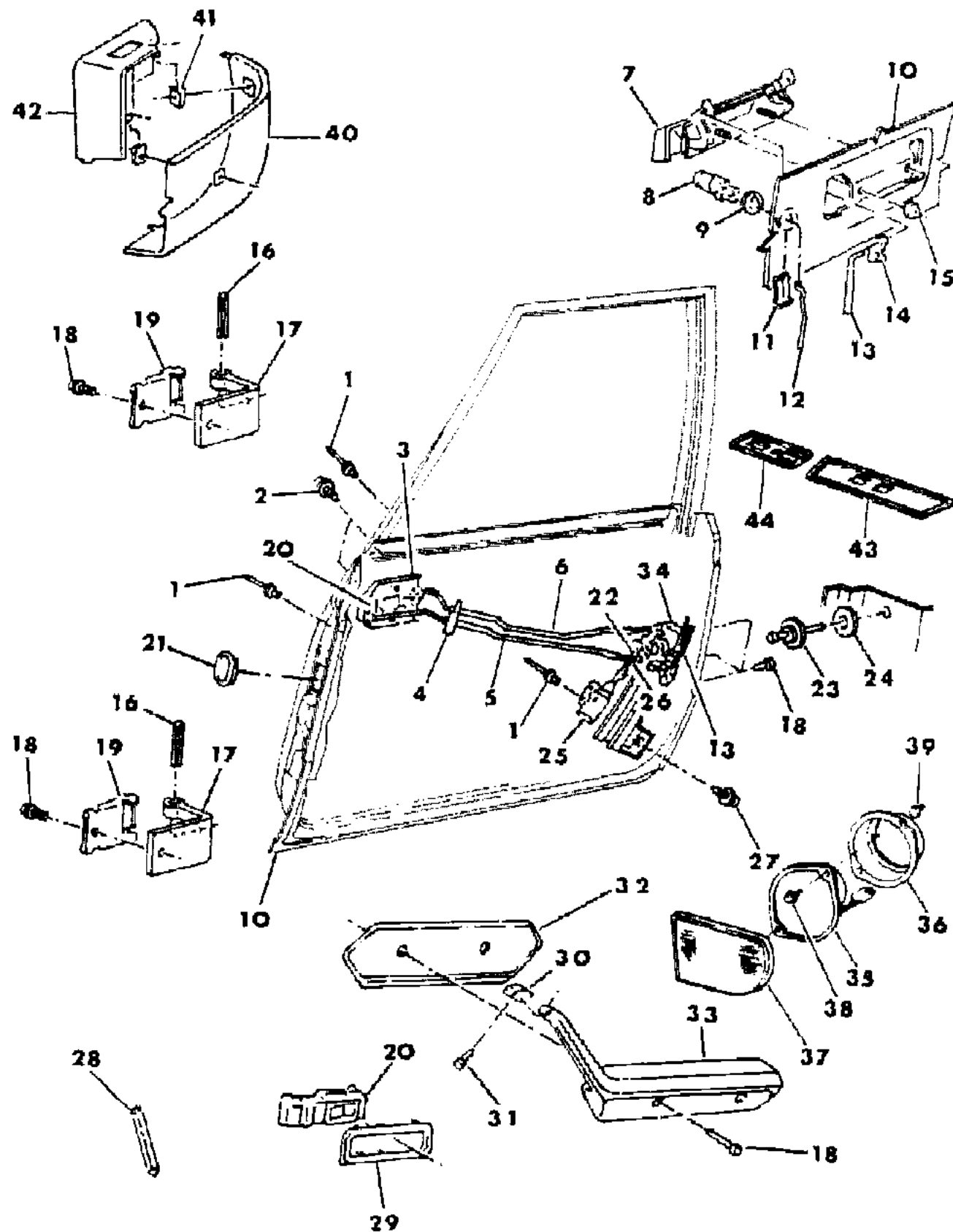
BODY STYLES

21 = 2-DOOR SEDAN	35 = FWD VAN	44 = 4-DOOR HATCHBACK
22 = 2-DOOR SPECIAL COUPE	36 = FWD WAGON	45 = 4-DOOR STATION WAGON
24 = 2-DOOR HATCHBACK	41 = 4-DOOR SEDAN	49 = LIMOUSINE
27 = 2-DOOR CONVERTIBLE		

AR = Use as Required - = Non Illustrated Part P.A.R. = Paint as Required

DOOR, FRONT SHELL, HANDLES AND CONTROLS P,D,C,V 21,22
Figure 23C-1100

5177 1100



ITEM	PART NUMBER	QTY	BODY	MODEL	DESCRIPTION
1	6031 115	AR			RIVET
2	6100 274	4			SCREW
3	4184 252	2			PLATE, Door Latch Remote Control
4	4184 281	4			CLIP, Anti Rattle
5	4184 702-3	1			LINK w/SLEEVE
6	4184 272-3	1			LINK w/SLEEVE
7	4184 228	2			HANDLE, Exterior Door
	6028 674	4			SCREW, Handle
8					CYLINDER, Lock (Refer to 23D)
9					GASKET, Cylinder (refer to 23D)
10	4342 466-7	1			DOOR SHELL, Front
	4310 060-1				PANEL, Repair
11					RETAINER, Cylinder (refer to 23D)
12	4184 016-7	1			LINK, Cylinder to Latch
13	4184 024-5	1			LINK, Exterior Handle to Latch
14	2945 108-9	1			CLIP
15	6025 004	4			NUT
16	6500 804	2			PIN, Hinge
	4336 115	2			BUSHING, Hinge
	6500 803	4			CLIP, Hinge Pin
17	4318 350	4			HINGE, Door Body Half
	4318 301	4			Door Half
18		4			SCREW (DNS)
19	4184 117	4			CHECK SPRING, Body Half
20	4336 328-9	1			HANDLE w/DOOR LOCK, Black w/Chrome Handle (Push & Locked)
21	#4336 390	2			PLUG
22	4184 244-5	1			CLIP
23	4310 543	2			STRICKER, Door
	6500 483	2			NUT, Striker
24	4184 105	AR			SPACER, Door
25	4184 156	2			SOLENOID, Door Lock
	4184 172	2			CLIP, Solenoid
26	4184 072	2			LINK, Electric Motor to Latch
27	6100 565	2			SCREW w/WASHER
28	5231 294	2			BUMPER w/RETAINER
29	D405 CX9	2		PL,DL,P	BEZEL, Door Lock Handle

MODEL CODES

B = GRAN FURY	E = 600	M = HORIZON/TURISMO
C = LE BARON/TOWN & COUNTRY/LIMO	F = FIFTH AVENUE/NEWPORT	P = RELIANT
C24 = LASER	G = DIPLOMAT	T = NEW YORKER
C44 = LE BARON/GTS	H = VOYAGER	V = 600
D = ARIES	J = CARAVELLE	V24 = DAYTONA
D44 = LANCER	K = MINI VAN/CARAVAN/ROYAL	Z = OMNI/CHARGER

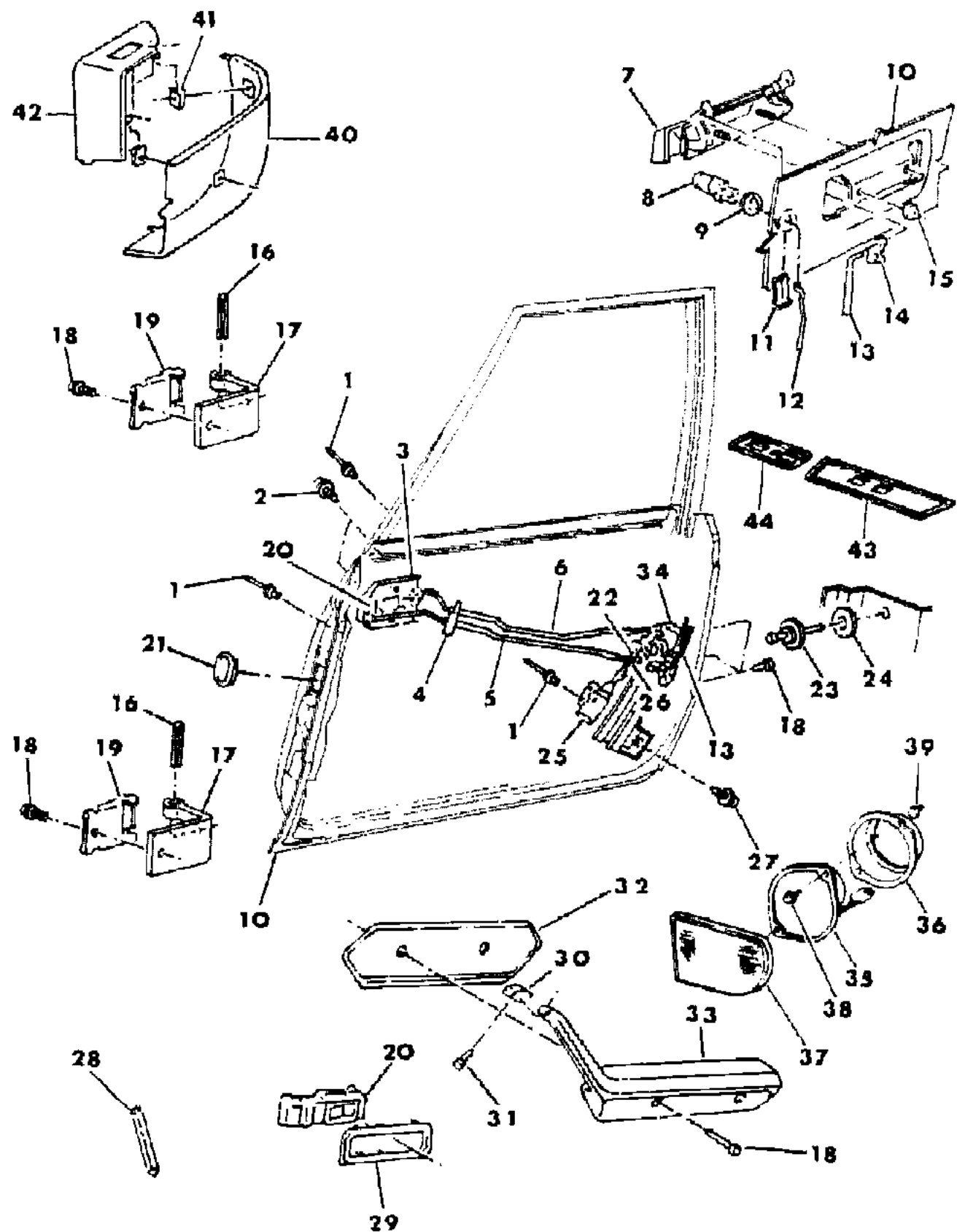
BODY STYLES

21 = 2-DOOR SEDAN	35 = FWD VAN	44 = 4-DOOR HATCHBACK
22 = 2-DOOR SPECIAL COUPE	36 = FWD WAGON	45 = 4-DOOR STATION WAGON
24 = 2-DOOR HATCHBACK	41 = 4-DOOR SEDAN	49 = LIMOUSINE
27 = 2-DOOR CONVERTIBLE		

AR = Use as Required - = Non Illustrated Part P.A.R. = Paint as Required

DOOR, FRONT SHELL, HANDLES AND CONTROLS P,D,C,V 21,22
Figure 23C-1100

5177 1100



ITEM	PART NUMBER	QTY	BODY	MODEL	DESCRIPTION
	4184 723	2		PH,PP,D	
	4310 656-7	1		C,V	Chrome w/Finish Plate
	4310 652	2		C,V	APPLIQUE, Remote Control Bezel
30				P,D	BEZEL (Refer to IT Section)
31				P,D	SCREW (Refer to IT Section)
32	4077 894-5	1		P,D	PLATE, Arm Rest Back
33		1			ARM REST (Refer to IT Section)
34					LATCH, Door
	4336 377	1			Left, Override
	4336 378	1			Right, Non Override
35	4311 491	2			SPEAKERS, Door
36	4312 106-7	1		C,V	ADAPTOR, Speaker
37				C,V	GRILLE, Speaker
	D500-1 CA3	1			Silver
	D500-1 CC7	1			Blue
	D500-1 CM6	1			Red
	D500-1 CS8	1			Charcoal
	D500-1 DT3	1			Light Brown
	D500-1 DT5	1			Dark Brown
38		4			SCREW (DNS)
39	6032 527	4			NUT
40				P,D	PANEL, Front Door Pocket (Refer to IT Section)
41	0152 490	4		P,D	U/NUT, Pocket Panel
42				P,D	BEZEL w/FINISH PLATE, Door Switch
	4282 978	1		P,D	Single Switch, Right
	4282 979	1		P,D	Double Switch, Left
43	4223 648-9	1		C,V	BEZEL, Electric Window
44				C,V	BEZEL, Armrest
	4247 403	1			w/Door Locks, Electric Mirror, Left
	4247 409	1			w/o Door Locks, Electric Mirror, Left
	4247 414	2			w/Door Locks

MODEL CODES

B = GRAN FURY	E = 600	M = HORIZON/TURISMO
C = LE BARON/TOWN & COUNTRY/LIMO	F = FIFTH AVENUE/NEWPORT	P = RELIANT
C24 = LASER	G = DIPLOMAT	T = NEW YORKER
C44 = LE BARON/GTS	H = VOYAGER	V = 600
D = ARIES	J = CARAVELLE	V24 = DAYTONA
D44 = LANCER	K = MINI VAN/CARAVAN/ROYAL	Z = OMNI/CHARGER

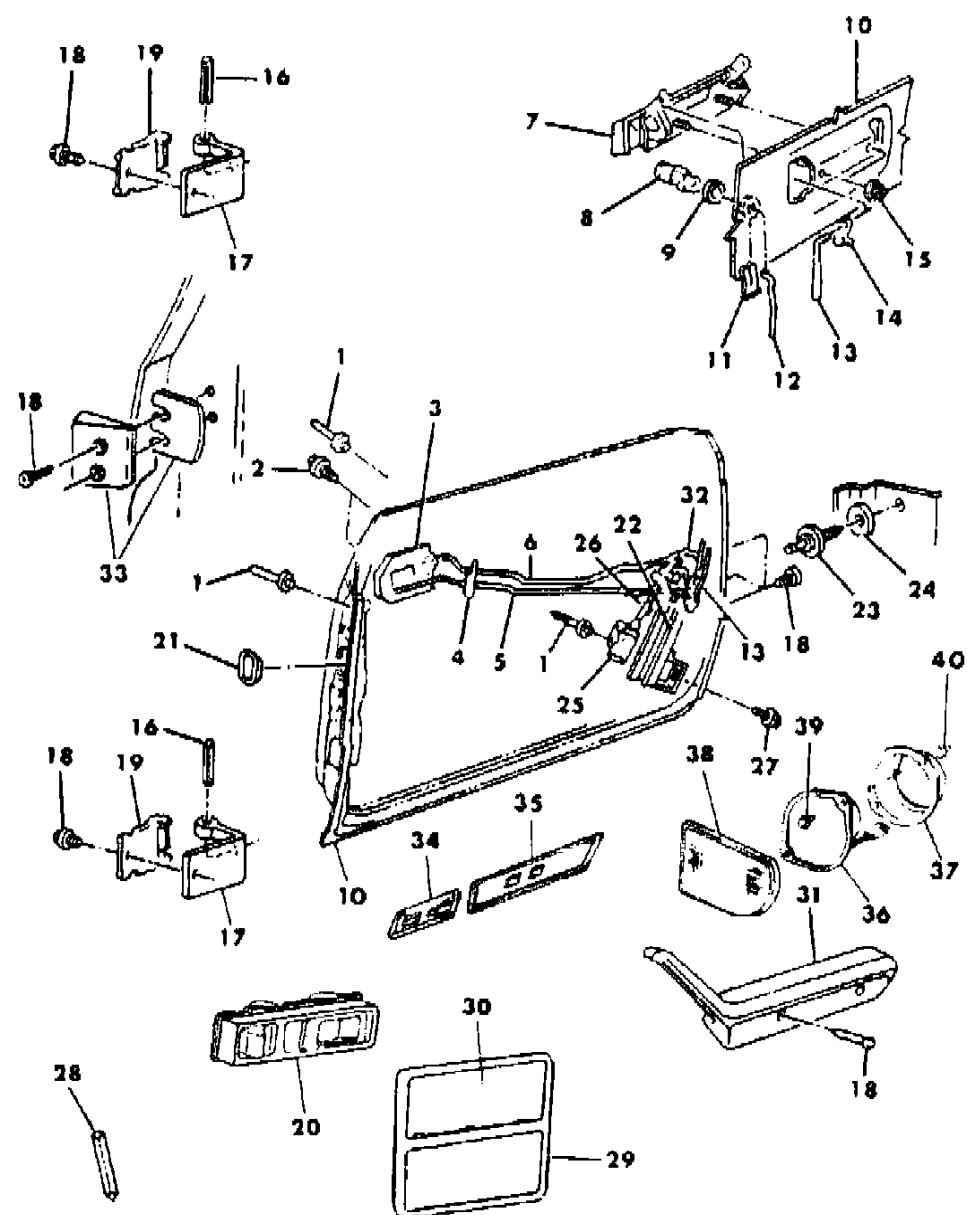
BODY STYLES

21 = 2-DOOR SEDAN	35 = FWD VAN	44 = 4-DOOR HATCHBACK
22 = 2-DOOR SPECIAL COUPE	36 = FWD WAGON	45 = 4-DOOR STATION WAGON
24 = 2-DOOR HATCHBACK	41 = 4-DOOR SEDAN	49 = LIMOUSINE
27 = 2-DOOR CONVERTIBLE		

AR = Use as Required - = Non Illustrated Part P.A.R. = Paint as Required

DOOR, FRONT SHELL, HANDLES AND CONTROLS C,V 27
Figure 23C-1200

5:71 1200



ITEM	PART NUMBER	QTY	BODY	MODEL	DESCRIPTION
1	6031 115	AR			RIVET
2	6100 274	4			SCREW
3	4184 252	2			PLATE, Door Latch Remote Control
4	4184 281	4			CLIP, Anti Rattle
5	4184 702-3	1			LINK w/SLEEVE
6	4184 272-3	1			LINK w/SLEEVE
7	4184 228	2			HANDLE, Exterior Door
	4336 368	2		V,27 Tu	
	6028 674	4			SCREW, Handle
8					CYLINDER, Lock (Refer to 23D)
9					GASKET, Cylinder(Refer to 23D)
10	4364 428-9	1			DOOR SHELL, Front
	4310 060-1	1			PANEL, Repair
	4336 450-1	1			REINFORCEMENT, Lockface at Belt
11					RETAINER, Cylinder(Refer to 23D)
12	4184 016-7	1			LINK, Cylinder to Latch
13	4184 024-5	1			LINK, Exterior Handle to Latch
14	2945 108-9	1			CLIP
15	6025 004	4			NUT
16	6500 804	4			PIN, Hinge
	6500 803	4			CLIP, Hinge Pin
17	4318 350	4			HINGE, Door Body Half
	4318 301	4			Door Half
	4336 115	2			BUSHING, Hinge
18		4			SCREW (DNS)
19	4184 117	4			CHECK SPRING, Body Half
20	4336 328-9	1			HANDLE, Door Remote Control, w/Lock
21	#4336 390	2			PLUG
22	4184 244-5	1			CLIP
23	4310 543	2			STRICKER, Door
	6500 483	2			NUT, Striker
24	4184 105	AR			SPACER, Door
25	4184 156	2			SOLENOID, Door Lock
	4184 172	2			CLIP, Solenoid
26	4184 072	2			LINK, Electric Motor to Latch
27	6100 565	2			SCREW w/WASHER
28	4198 460	2			BUMPER w/RETAINER

MODEL CODES

B = GRAN FURY	E = 600	M = HORIZON/TURISMO
C = LE BARON/TOWN & COUNTRY/LIMO	F = FIFTH AVENUE/NEWPORT	P = RELIANT
C24 = LASER	G = DIPLOMAT	T = NEW YORKER
C44 = LE BARON/GTS	H = VOYAGER	V = 600
D = ARIES	J = CARAVELLE	V24 = DAYTONA
D44 = LANCER	K = MINI VAN/CARAVAN/ROYAL	Z = OMNI/CHARGER

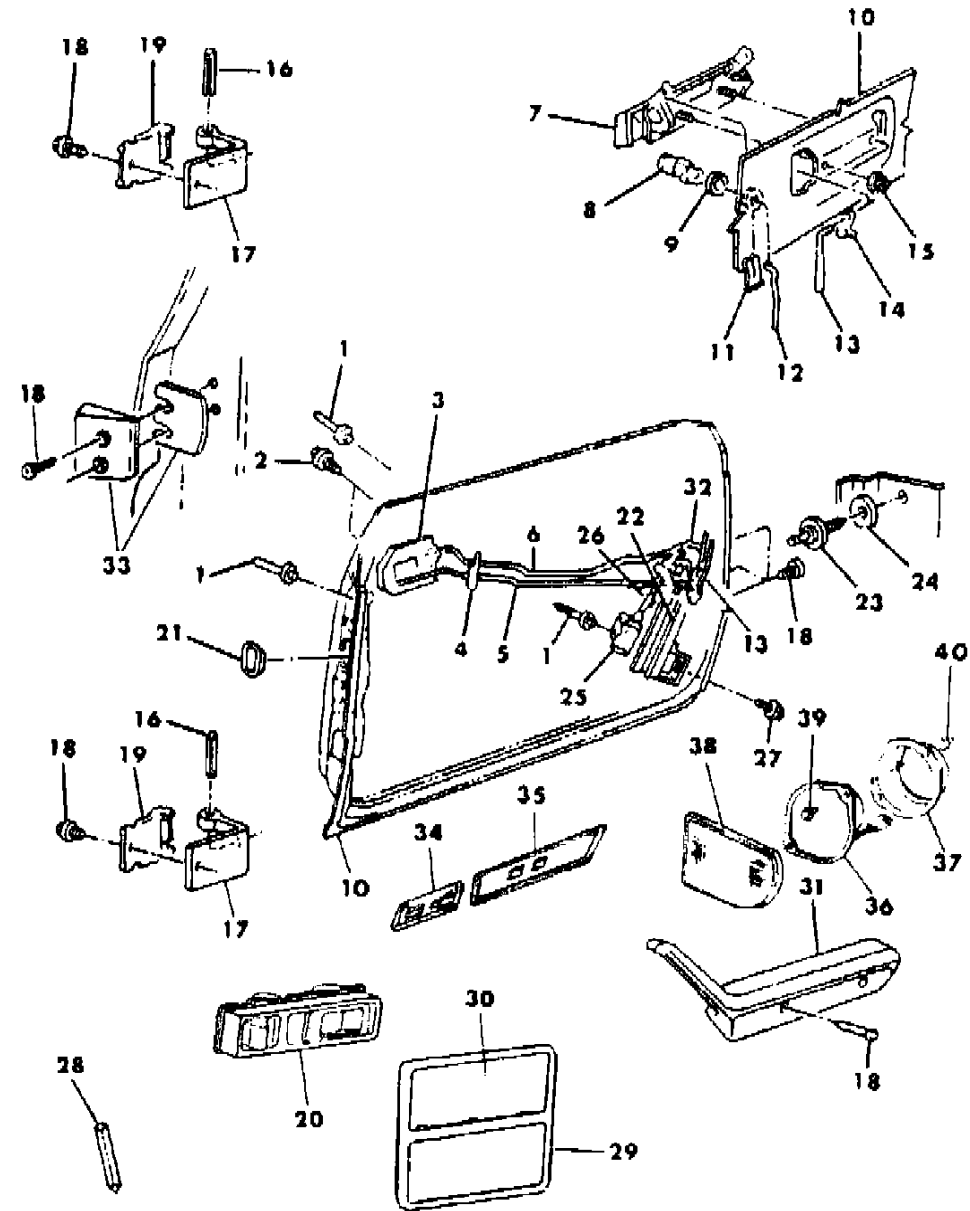
BODY STYLES

21 = 2-DOOR SEDAN	35 = FWD VAN	44 = 4-DOOR HATCHBACK
22 = 2-DOOR SPECIAL COUPE	36 = FWD WAGON	45 = 4-DOOR STATION WAGON
24 = 2-DOOR HATCHBACK	41 = 4-DOOR SEDAN	49 = LIMOUSINE
27 = 2-DOOR CONVERTIBLE		

AR = Use as Required - = Non Illustrated Part P.A.R. = Paint as Required

DOOR, FRONT SHELL, HANDLES AND CONTROLS C,V 27
Figure 23C-1200

5:71 1200



ITEM	PART NUMBER	QTY	BODY	MODEL	DESCRIPTION
29	4310 656-7	1			BEZEL w/FINISH PLATE, Door Handle
30	4310 652	2			APPLIQUE, Remote Control, Woodgrain
31					ARM REST (Refer to IT Section)
32					LATCH, Door
	4336 377	1			Left, Override
	4336 378	1			Right, Non Override
33	4310 754-5	2			WEDGE, Door Half
	4310 752-3	2			Body Half
		AR			SHIM, Body Half(DNS)
34					BEZEL, Door Armrest
	4247 403	1			w/Door Locks, Electric Mirrors, Left
	4247 409	1			w/o Door Locks, Electric Mirrors, Left
	4247 414	1			w/Door Locks
35					BEZEL, Electric Window
	4223 648	1			Right
	4223 927	1			Left
36	4311 491	2			SPEAKER, Door
37	4312 106-7	1			ADAPTOR, Speaker
38					GRILLE, Speaker
	D500-1 CA3	1			Silver
	D500-1 CC7	1			Blue
	D500-1 CM6	1			Red
	D500-1 CS8	1			Charcoal
	D500-1 DT3	1			Light Brown
	D500-1 DT5	1			Dark Brown
39		4			SCREW (DNS)
40	6032 527	4			NUT

MODEL CODES

B = GRAN FURY	E = 600	M = HORIZON/TURISMO
C = LE BARON/TOWN & COUNTRY/LIMO	F = FIFTH AVENUE/NEWPORT	P = RELIANT
C24 = LASER	G = DIPLOMAT	T = NEW YORKER
C44 = LE BARON/GTS	H = VOYAGER	V = 600
D = ARIES	J = CARAVELLE	V24 = DAYTONA
D44 = LANCER	K = MINI VAN/CARAVAN/ROYAL	Z = OMNI/CHARGER

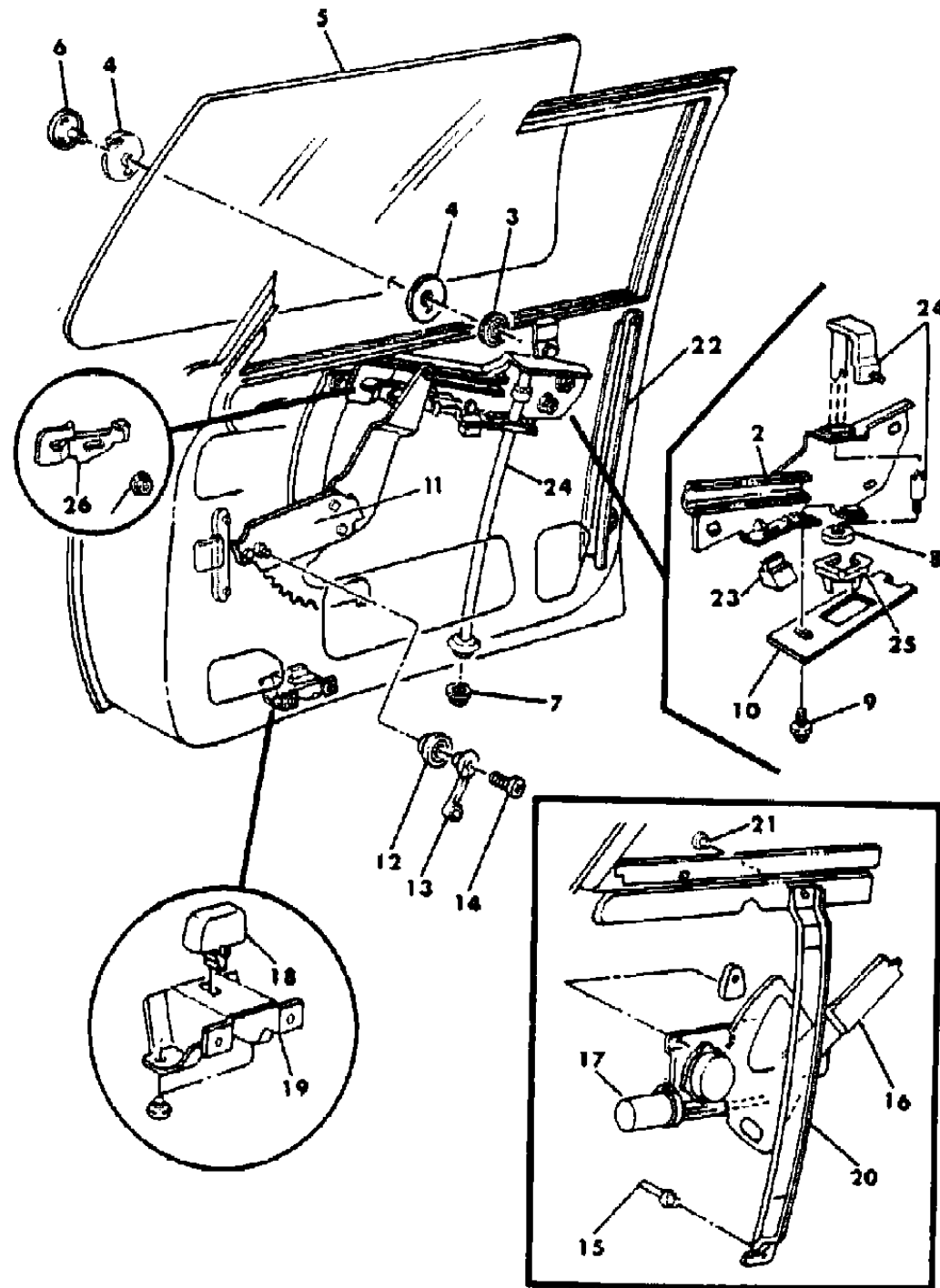
BODY STYLES

21 = 2-DOOR SEDAN	35 = FWD VAN	44 = 4-DOOR HATCHBACK
22 = 2-DOOR SPECIAL COUPE	36 = FWD WAGON	45 = 4-DOOR STATION WAGON
24 = 2-DOOR HATCHBACK	41 = 4-DOOR SEDAN	49 = LIMOUSINE
27 = 2-DOOR CONVERTIBLE		

AR = Use as Required - = Non Illustrated Part P.A.R. = Paint as Required

DOOR, FRONT GLASS AND REGULATOR P,D,C,V 21,22
Figure 23C-1300

5171 1300



ITEM	PART NUMBER	QTY	BODY	MODEL	DESCRIPTION
1		6			NUT w/WASHER (DNS)
2	4310 368-9	1			PLATE w/CHANNEL, Glass Lift
3	6028 587	6			T/NUT
4	5231 769	AR			GASKET, Glass Isolator
5					GLASS, Door
	4136 918	1		P,D	Clear Right
	4198 401	1		P,D,C,V	Clear Left
	4136 920	1		P,D	Tinted Right
	4198 403	1		P,D,C,V	Tinted Left
	4198 400	1		P,D,C,V	Clear Right w/Mirror
	4198 402	1		P,D,C,V	Tinted Right w/Mirror
	4365 683	1			DECAL, Seat Belt Safety
6	6029 998	6			WASHER w/STUD
7	6100 049	4			NUT w/WASHER
8	3788 079	2			SLEEVE, Glass Track Lower
9		4			SCREW w/WASHER (DNS)
10	4310 922-3	2			RETAINER
11	4184 018-9	1			REGULATOR, Manual Window
	3760 506	2			SPRING, Manual Regulator Assist
	4339 301	2			SLIDE PACKAGE, Manual Regulator
12	3882 767	AR			SPACER, Regulator Handle
13	4310 824	2			HANDLE, Window Regulator
14	6027 221	2			SCREW
15		AR			RIVET (DNS)
16	4336 602-3	1			REGULATOR, Electric Window
	2999 467	2			SPACER, Electric Regulator
	4339 301	2			SLIDE PACKAGE, Electric Regulator Driving Arm
17	4184 316-7	1			MOTOR w/MECHANISM, Electric Window
	1316 863	2			O/RING, Electric Window Regulator Mechanism
18	3875 997	AR			BUMPER, Glass Downstop Electric
19	4310 378	2			BRACKET, Electric Window Downstop Bumper
	4310 965	2			w/o Electric Windows
20	4310 380	2			SUPPORT, Electric Regulator Mounting
21	6100 566	AR			SCREW w/WASHER
22	4310 384-5	1			CHANNEL w/BRACKET, Glass Run Rear
23	3759 566	2			BUMPER, Downstop
	6100 144	2			SCREW w/WASHER

MODEL CODES

B = GRAN FURY	E = 600	M = HORIZON/TURISMO
C = LE BARON/TOWN & COUNTRY/LIMO	F = FIFTH AVENUE/NEWPORT	P = RELIANT
C24 = LASER	G = DIPLOMAT	T = NEW YORKER
C44 = LE BARON/GTS	H = VOYAGER	V = 600
D = ARIES	J = CARAVELLE	V24 = DAYTONA
D44 = LANCER	K = MINI VAN/CARAVAN/ROYAL	Z = OMNI/CHARGER

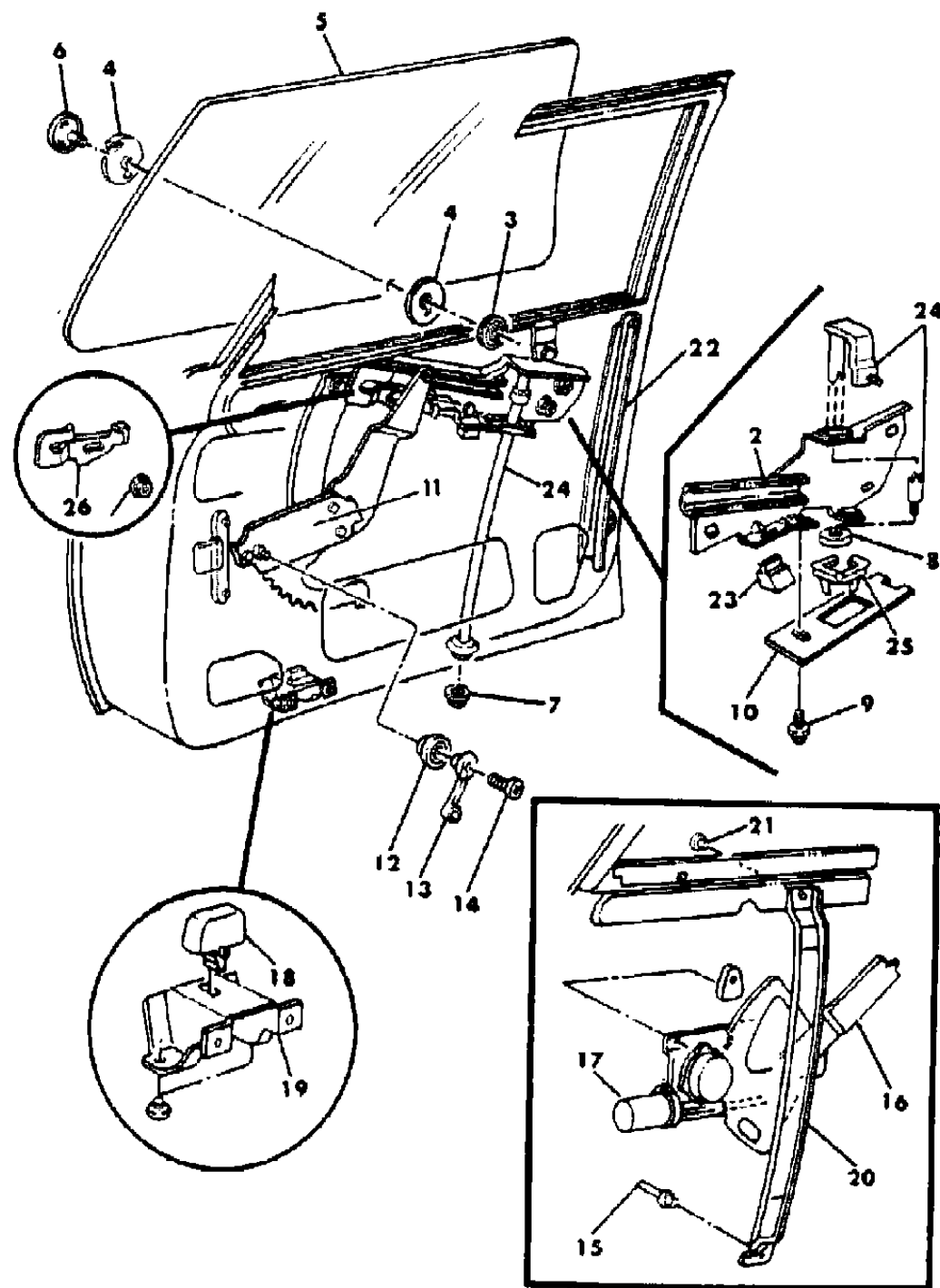
BODY STYLES

21 = 2-DOOR SEDAN	35 = FWD VAN	44 = 4-DOOR HATCHBACK
22 = 2-DOOR SPECIAL COUPE	36 = FWD WAGON	45 = 4-DOOR STATION WAGON
24 = 2-DOOR HATCHBACK	41 = 4-DOOR SEDAN	49 = LIMOUSINE
27 = 2-DOOR CONVERTIBLE		

AR = Use as Required - = Non Illustrated Part P.A.R. = Paint as Required

DOOR, FRONT GLASS AND REGULATOR P,D,C,V 21,22
Figure 23C-1300

5171 1300



ITEM	PART NUMBER	QTY	BODY	MODEL	DESCRIPTION
24	4310 381	2			TRACK w/BRACKET, Glass
25	4136 914	2			GUIDE, Front Door Glass
26	4310 376-7	1			BRACKET, Electric Window Upstop
	0137 204	2			COTTER PIN, Electric Window Upstop

MODEL CODES

B = GRAN FURY	E = 600	M = HORIZON/TURISMO
C = LE BARON/TOWN & COUNTRY/LIMO	F = FIFTH AVENUE/NEWPORT	P = RELIANT
C24 = LASER	G = DIPLOMAT	T = NEW YORKER
C44 = LE BARON/GTS	H = VOYAGER	V = 600
D = ARIES	J = CARAVELLE	V24 = DAYTONA
D44 = LANCER	K = MINI VAN/CARAVAN/ROYAL	Z = OMNI/CHARGER

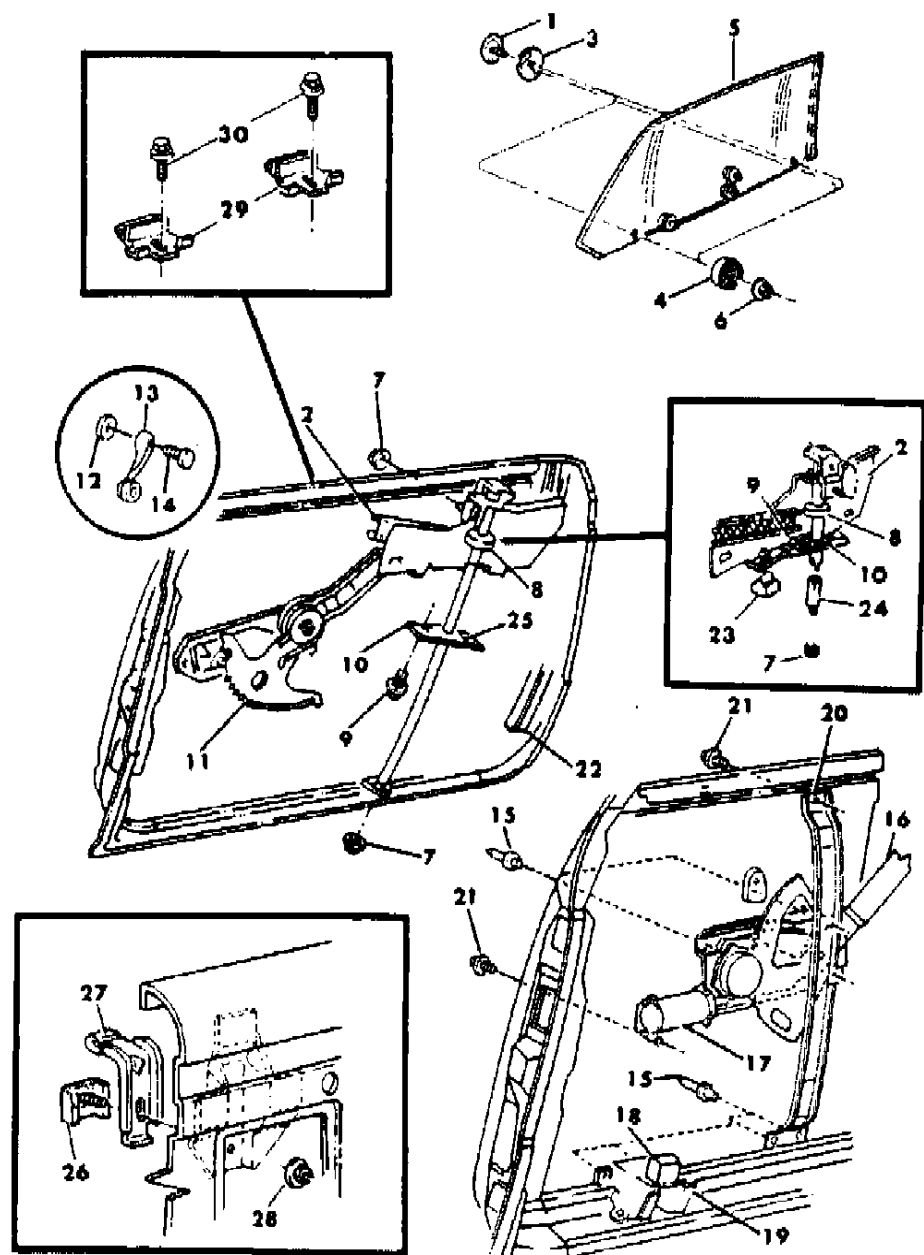
BODY STYLES

21 = 2-DOOR SEDAN	35 = FWD VAN	44 = 4-DOOR HATCHBACK
22 = 2-DOOR SPECIAL COUPE	36 = FWD WAGON	45 = 4-DOOR STATION WAGON
24 = 2-DOOR HATCHBACK	41 = 4-DOOR SEDAN	49 = LIMOUSINE
27 = 2-DOOR CONVERTIBLE		

AR = Use as Required - = Non Illustrated Part P.A.R. = Paint as Required

DOOR, FRONT GLASS AND REGULATORS C,V 27
Figure 23C-1400

5171400



ITEM	PART NUMBER	QTY	BODY	MODEL	DESCRIPTION
1	6029 998	4			STUD w/WASHER, Glass Upstop
2	4336 438-9	1			PLATE w/CHANNEL, Glass Lift
	4310 454-5	1			BRACKET, Glass Run Channel Upper Bracket to Inside Panel
3	5231 769	2			GASKET, Glass Upstop
4					STOP, Glass Upstop
	4310 964	2			Trombone Type
	4336 289	2			Block w/Set Screw
	4336 289	2			(Block w/Set Screw)
5	4310 496-7	1			GLASS, Door
	4365 683	1			DECAL, Seat Belt Safety
6	6025 004	4			NUT, Glass Upstop
7	6100 049	4			NUT w/WASHER
8	3788 079	2			SLEEVE, Glass Track, Lower
9		4			SCREW w/WASHER (DNS)
10	4198 029	2			RETAINER
11					REGULATOR, Manual Window
	4184 018-9	1			Up to 5-1-85
	4336 578-9	1			After 5-1-85
	3760 506	2			SPRING, Manual Regulator Assist
	4339 301	2			SLIDE PACKAGE, Manual Regulator
12	3882 768	AR			SPACER, Regulator Handle
13	4310 824	2			HANDLE, Window Regulator
14	6027 221	2			SCREW
15		AR			RIVET (DNS)
16	4365 200-1	1			REGULATOR w/UPSTOP BRACKET, Electric Window
	2999 467	AR			SPACER, Electric Regulator
	4339 301	2			SLIDE PACKAGE, Electric Regulator Driving Arm
	0137 204	2			COTTER PIN, Electric Window Upstop
17	4184 316-7	1			MOTOR w/MECHANISM, Electric Window
18	3759 910	AR			BUMPER, Glass Downstop Electric
19	4310 378	2			BRACKET, Electric Window Downstop Bumper
	4310 965	2			w/o Electric Windows
20	4310 380	2			SUPPORT w/NUT
21	6100 566	2			SCREW w/WASHER
22					CHANNEL w/WEATHERSTRIP, Glass Run, Rear
	4310 894-5	1			Up to 10-20-84
	4365 408-9	1			After 10-20-84

MODEL CODES

B = GRAN FURY	E = 600	M = HORIZON/TURISMO
C = LE BARON/TOWN & COUNTRY/LIMO	F = FIFTH AVENUE/NEWPORT	P = RELIANT
C24 = LASER	G = DIPLOMAT	T = NEW YORKER
C44 = LE BARON/GTS	H = VOYAGER	V = 600
D = ARIES	J = CARAVELLE	V24 = DAYTONA
D44 = LANCER	K = MINI VAN/CARAVAN/ROYAL	Z = OMNI/CHARGER

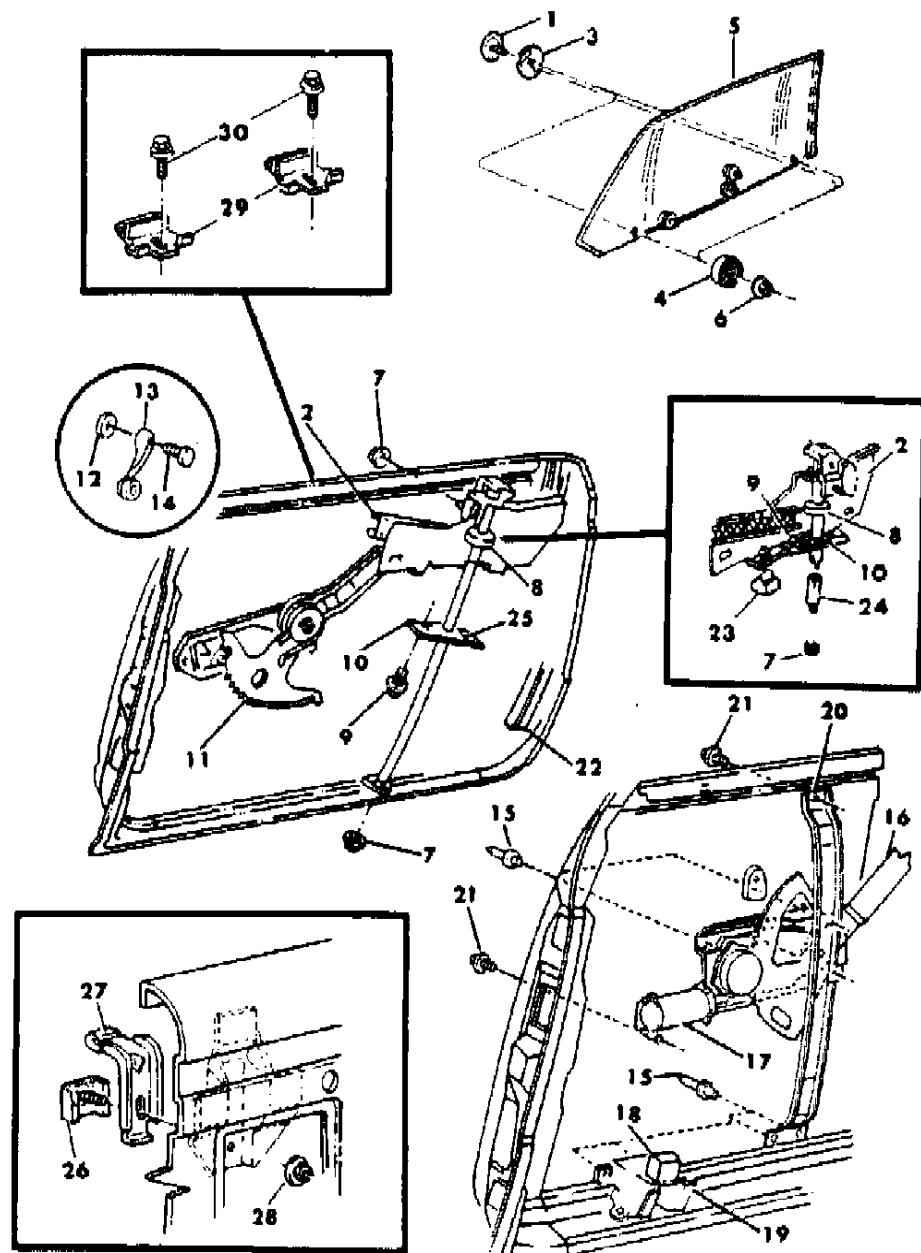
BODY STYLES

21 = 2-DOOR SEDAN	35 = FWD VAN	44 = 4-DOOR HATCHBACK
22 = 2-DOOR SPECIAL COUPE	36 = FWD WAGON	45 = 4-DOOR STATION WAGON
24 = 2-DOOR HATCHBACK	41 = 4-DOOR SEDAN	49 = LIMOUSINE
27 = 2-DOOR CONVERTIBLE		

AR = Use as Required - = Non Illustrated Part P.A.R. = Paint as Required

DOOR, FRONT GLASS AND REGULATORS C,V 27
Figure 23C-1400

5171400



ITEM	PART NUMBER	QTY	BODY	MODEL	DESCRIPTION
23	3759 566	2			BUMPER, Downstop
	6100 144	2			SCREW w/WASHER
24	4310 381	2			TRACK w/BRACKET, Glass
25	4136 914	2			GUIDE, Door Glass
26	4310 934	2			PLATE w/STUD, Glass Upstop, Rear
27	4310 906	2			BRACKET, Glass Upstop, Rear
	4310 965	2			BRACKET, Glass Downstop
	4310 376-7	1			BRACKET, Electric Window Upstop
	4310 904	2			BRACKET, Inside Panel Upstop Rear(Mate with Item #27)
28	6500 284	2			NUT w/WASHER, Upstop Bracket, Rear
29	4310 908	4			STABILIZER, Glass
30	6101 276	4			SCREW w/WASHER, Stabilizer

MODEL CODES

B = GRAN FURY	E = 600	M = HORIZON/TURISMO
C = LE BARON/TOWN & COUNTRY/LIMO	F = FIFTH AVENUE/NEWPORT	P = RELIANT
C24 = LASER	G = DIPLOMAT	T = NEW YORKER
C44 = LE BARON/GTS	H = VOYAGER	V = 600
D = ARIES	J = CARAVELLE	V24 = DAYTONA
D44 = LANCER	K = MINI VAN/CARAVAN/ROYAL	Z = OMNI/CHARGER

BODY STYLES

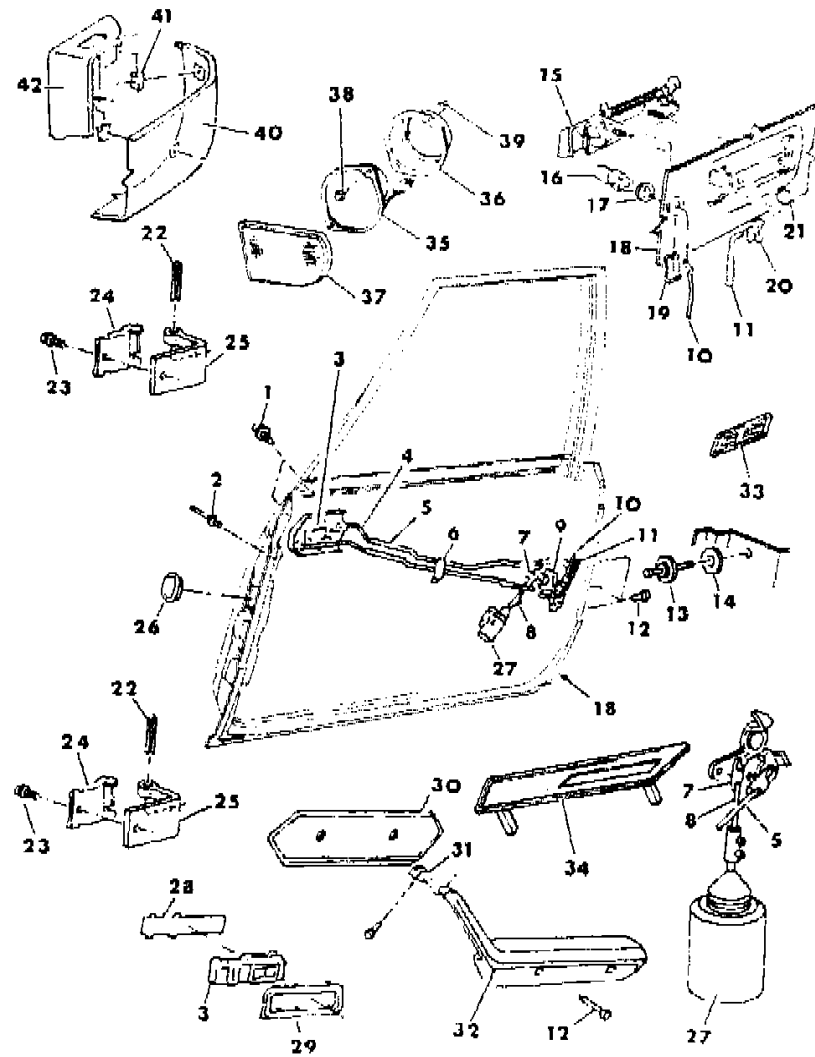
21 = 2-DOOR SEDAN	35 = FWD VAN	44 = 4-DOOR HATCHBACK
22 = 2-DOOR SPECIAL COUPE	36 = FWD WAGON	45 = 4-DOOR STATION WAGON
24 = 2-DOOR HATCHBACK	41 = 4-DOOR SEDAN	49 = LIMOUSINE
27 = 2-DOOR CONVERTIBLE		

AR = Use as Required - = Non Illustrated Part P.A.R. = Paint as Required

DOOR, FRONT SHELL, CONTROLS AND HARDWARE P,D,C,J,E,T 41,45,49

Figure 23C-1500

5171 1500



ITEM	PART NUMBER	QTY	BODY	MODEL	DESCRIPTION
1		2			SCREW w/WASHER (DNS)
2	6031 115	AR			RIVET
3					HOUSING, Remote Control
4	4336 328-9	1			Black w/Chrome Handle
5	4184 268-9	1			LINK w/ANTI RATTLE
6	4184 274-5	1			LINK w/SLEEVE
7	4184 280	AR			CLIP, Anti Rattle
8	4184 244-5	1			CLIP, w/Electric Locks
9	3454 220-1	1			w/o Electric Locks
10	4184 072	1			LINK, Motor to Latch
11					LATCH, Front Door
12	4336 377	1			Left Override
13	4336 378	1			Right Non override
14	4184 016-7	1			LINK, Cylinder to Latch
15	4184 024-5	1			LINK, Handle
16		AR			SCREW (DNS)
17	4310 543	2			STRIKER, Door
18	4339 523	2	Limo		
19	6500 483	2			NUT, Striker
20	4184 105	AR			SPACER, Door
21	4184 228	2			HANDLE, Exterior
22	6028 674	4			SCREW, Handle
23					CYLINDER (Refer to 23D)
24					GASKET (Refer to 23D)
25	4342 468-9	1			DOOR SHELL, Front
26	4339 848-9	1	Limo		
27	4310 062-3	1			PANEL, Repair
28					RETAINER (Refer to 23D)
29	2945 108-9	1			CLIP
30	6025 004	2			NUT
31	6500 804	4			PIN, Hinge
32	6500 803	4			CLIP, Hinge Pin
33	6100 275	4			SCREW w/WASHER
34	4184 117	4			CHECK SPRING, Body Half
35	4318 350	4			HINGE, Body Half, Door
36	4318 301	4			Door Half
37	4336 115	2			BUSHING, Hinge

MODEL CODES

B = GRAN FURY	E = 600	M = HORIZON/TURISMO
C = LE BARON/TOWN & COUNTRY/LIMO	F = FIFTH AVENUE/NEWPORT	P = RELIANT
C24 = LASER	G = DIPLOMAT	T = NEW YORKER
C44 = LE BARON/GTS	H = VOYAGER	V = 600
D = ARIES	J = CARAVELLE	V24 = DAYTONA
D44 = LANCER	K = MINI VAN/CARAVAN/ROYAL	Z = OMNI/CHARGER

BODY STYLES

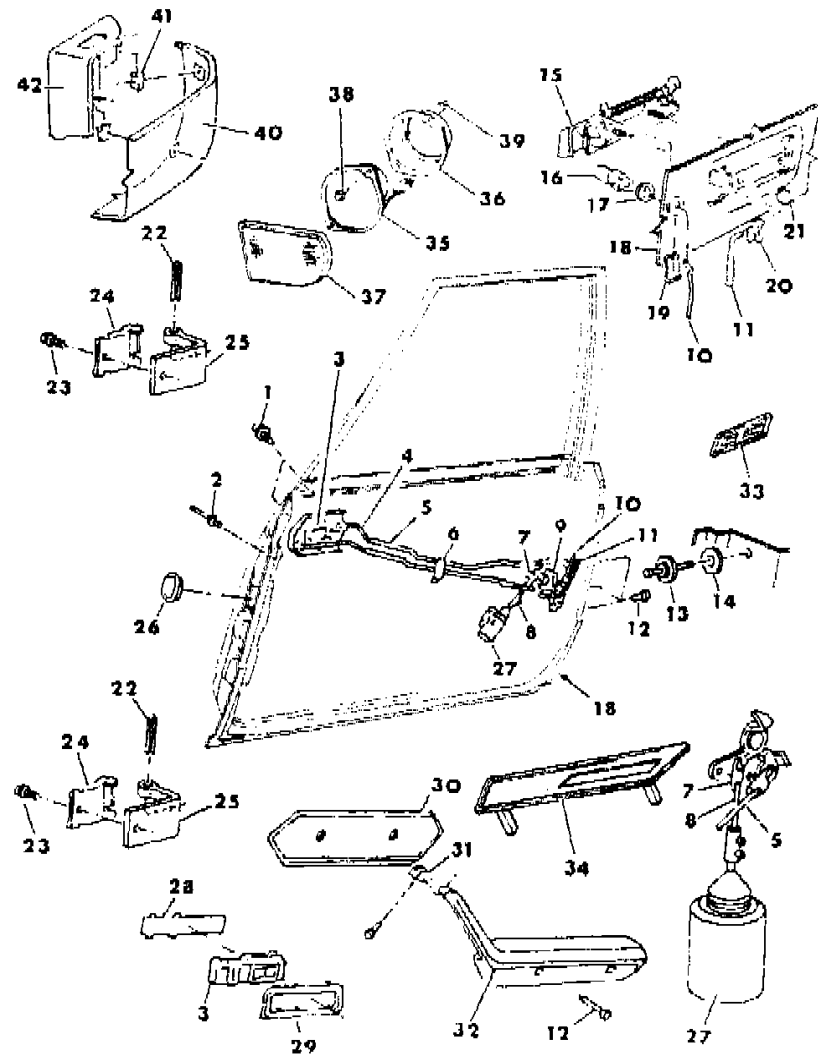
21 = 2-DOOR SEDAN	35 = FWD VAN	44 = 4-DOOR HATCHBACK
22 = 2-DOOR SPECIAL COUPE	36 = FWD WAGON	45 = 4-DOOR STATION WAGON
24 = 2-DOOR HATCHBACK	41 = 4-DOOR SEDAN	49 = LIMOUSINE
27 = 2-DOOR CONVERTIBLE		

AR = Use as Required - = Non Illustrated Part P.A.R. = Paint as Required

DOOR, FRONT SHELL, CONTROLS AND HARDWARE P,D,C,J,E,T 41,45,49

Figure 23C-1500

5171 1500



ITEM	PART NUMBER	QTY	BODY	MODEL	DESCRIPTION
26	#4336 390	2			PLUG
27	4184 156	2			SOLENOID, Door Lock
	4184 172	2			CLIP, Solenoid
28	4184 252	2			PLATE, Door Latch
	4280 840	2		E,T	SEAL, Door Latch
29					BEZEL, Remote Control Latch
	D405 CX9	1		PL,DL,P	
	4310 654-5	1		C,E,T	Chrome w/Finish Plate
	4310 654-5	1		Limo	
				C,E,T	APPLIQUE, Remote Control Bezel (woodgrain)
	4310 648	1			Left
	4310 649	1			Right
				Limo	
	4310 648	1			Left
	4310 649	1			Right
	4184 723	2		PH,PP,D	
30	4077 894-5	1		P,D	PLATE, Arm Rest Back
31					BEZEL (Refer to IT Section)
32					ARM REST (Refer to IT Section)
33					BEZEL, Armrest
	4247 403	2			w/Door Locks, w/Electric Mirrors
	4247 409	2			w/o Door Locks, w/Electric Mirrors
	4247 414	2			w/Door Locks
	4342 136	2		Limo	
34					BEZEL w/FINISH PLATE
	4223 648	1			w/Electric Windows, Right
	4223 927	1			w/Electric Windows, Left
	4342 134-5	1		Limo	
35	4311 491	2			SPEAKERS, Door
36	4312 106-7	1			ADAPTOR, Speaker
37					GRILLE, Speaker
	D500-1 CA3	1			Silver
	4339 696-7	1		Limo	Silver
	D500-1 CC7	1			Blue
	4339 698-9	1		Limo	Blue
	D500-1 CM6	1			Red
	D500-1 CS8	1			Charcoal

MODEL CODES

B = GRAN FURY	E = 600	M = HORIZON/TURISMO
C = LE BARON/TOWN & COUNTRY/LIMO	F = FIFTH AVENUE/NEWPORT	P = RELIANT
C24 = LASER	G = DIPLOMAT	T = NEW YORKER
C44 = LE BARON/GTS	H = VOYAGER	V = 600
D = ARIES	J = CARAVELLE	V24 = DAYTONA
D44 = LANCER	K = MINI VAN/CARAVAN/ROYAL	Z = OMNI/CHARGER

BODY STYLES

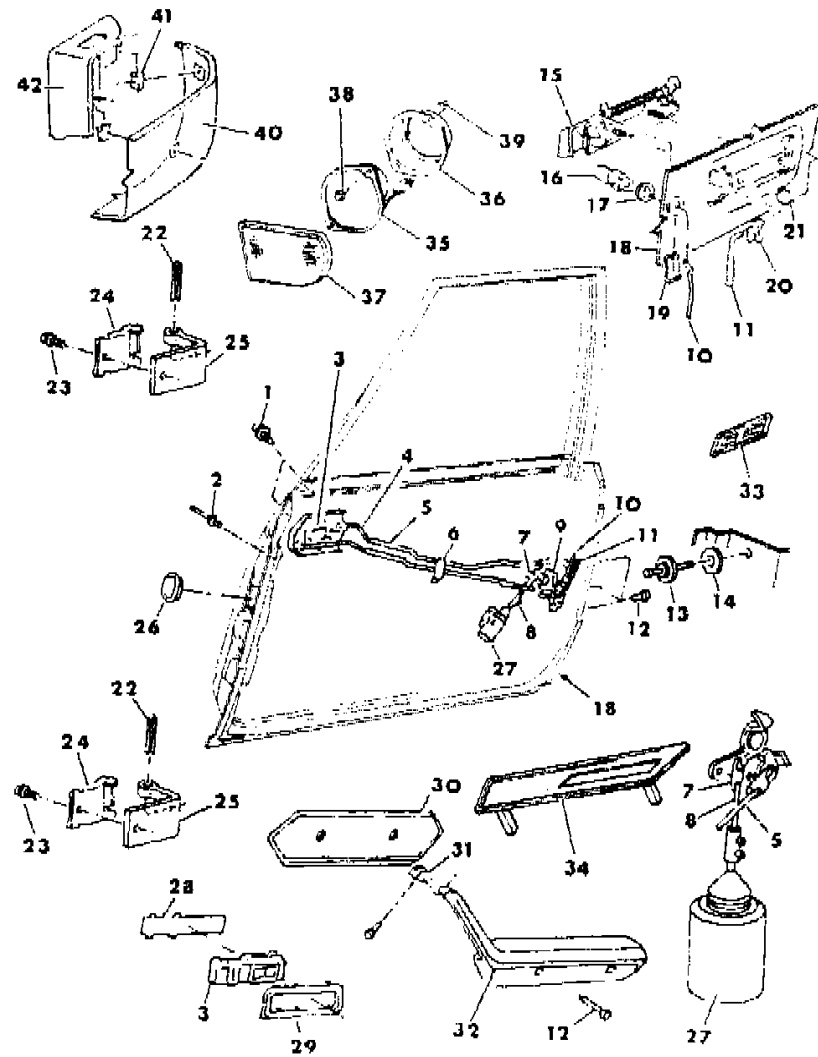
21 = 2-DOOR SEDAN	35 = FWD VAN	44 = 4-DOOR HATCHBACK
22 = 2-DOOR SPECIAL COUPE	36 = FWD WAGON	45 = 4-DOOR STATION WAGON
24 = 2-DOOR HATCHBACK	41 = 4-DOOR SEDAN	49 = LIMOUSINE
27 = 2-DOOR CONVERTIBLE		

AR = Use as Required - = Non Illustrated Part P.A.R. = Paint as Required

DOOR, FRONT SHELL, CONTROLS AND HARDWARE P,D,C,J,E,T 41,45,49

Figure 23C-1500

5171 1500



ITEM	PART NUMBER	QTY	BODY	MODEL	DESCRIPTION
	D500-1 DT3	1			Light Brown
	D500-1 DT5	1			Med. Brown
	D500-1 CT8	1			Dark Brown
38		4			SCREW (DNS)
39	6032 527	4			NUT
40				P,D	PANEL, Door Pocket (Refer to IT Section)
41	0152 490	4		P,D	U/NUT
42				P,D	BEZEL w/FINISH PLATE, Switch
	4282 978	1			Single Switch, Right
	4282 979	1			Double Switch, Left
	4282 977	1			Five Gang, Left

MODEL CODES

B = GRAN FURY	E = 600	M = HORIZON/TURISMO
C = LE BARON/TOWN & COUNTRY/LIMO	F = FIFTH AVENUE/NEWPORT	P = RELIANT
C24 = LASER	G = DIPLOMAT	T = NEW YORKER
C44 = LE BARON/GTS	H = VOYAGER	V = 600
D = ARIES	J = CARAVELLE	V24 = DAYTONA
D44 = LANCER	K = MINI VAN/CARAVAN/ROYAL	Z = OMNI/CHARGER

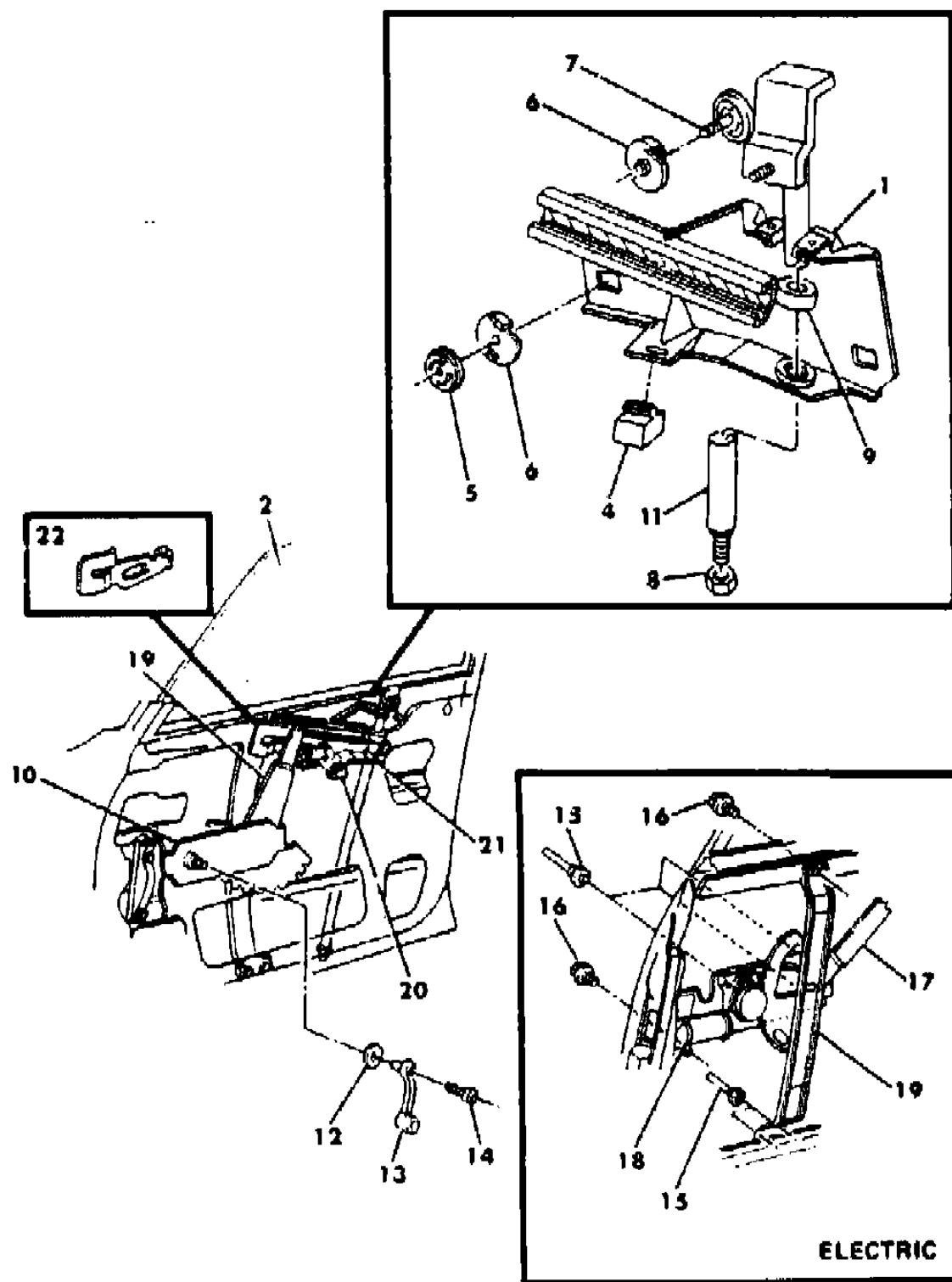
BODY STYLES

21 = 2-DOOR SEDAN	35 = FWD VAN	44 = 4-DOOR HATCHBACK
22 = 2-DOOR SPECIAL COUPE	36 = FWD WAGON	45 = 4-DOOR STATION WAGON
24 = 2-DOOR HATCHBACK	41 = 4-DOOR SEDAN	49 = LIMOUSINE
27 = 2-DOOR CONVERTIBLE		

AR = Use as Required - = Non Illustrated Part P.A.R. = Paint as Required

DOOR, FRONT GLASS AND REGULATORS P,D,C,J,E,T 41,41,49
Figure 23C-1600

5171 1600



ITEM	PART NUMBER	QTY	BODY	MODEL	DESCRIPTION
1	4310 374-5	1			PLATE w/CHANNEL, Glass Lift
2					GLASS, Door
	4280 562	1			Clear Right w/o Mirror
	4280 566	1			Clear Right w/Mirror
	4280 567	1			Clear Left
	4280 564	1			Tinted Right w/o Mirror
	4280 568	1			Tinted Right w/Mirror
	4280 569	1			Tinted Left
	4365 683	1			DECAL, Seat Belt Safety
4	3759 566	AR			BUMPER, Glass Downstop
5	6028 587	6			T/NUT
6	5231 769	AR			GASKET, Glass Isolator
7	6029 998	6			WASHER w/STUD
8	6100 049	4			NUT w/WASHER
9	3788 079	2			SLEEVE, Track Lower (felt)
10	4184 060-1	1			REGULATOR, Window, Manual
	3508 121	2			SPRING, Manual Regulator Assist
	4339 301	2			SLIDE PACKAGE, Manual Regulator
11	4310 382	2			TRACK w/BRACKET
12	3882 767	AR			SPACER, Regulator Handle
13	4310 824	2			HANDLE, Front Door Window Regulator
14	6027 221	2			SCREW
15	6031 115	AR			RIVET
16	6100 566	2			SCREW
17	4336 604-5	1			REGULATOR, Window, Electric
	1316 863	2			O/RING, Electric Window Regulator Mtg.
	2999 467	2			SPACER, Electric Regulator
	4339 301	2			SLIDE PACKAGE, Electric Regulator Driving Arm
18	4184 316-7	1			MOTOR w/MECHANISM, Electric Window
19	4310 380	2			SUPPORT w/NUT
20	4280 711	4			PAD, Glass Guide Plate
21	4136 914	2			GUIDE, Door Glass
22	4280 696-7	1			BRACKET, Electric Window Upstop

MODEL CODES

B = GRAN FURY	E = 600	M = HORIZON/TURISMO
C = LE BARON/TOWN & COUNTRY/LIMO	F = FIFTH AVENUE/NEWPORT	P = RELIANT
C24 = LASER	G = DIPLOMAT	T = NEW YORKER
C44 = LE BARON/GTS	H = VOYAGER	V = 600
D = ARIES	J = CARAVELLE	V24 = DAYTONA
D44 = LANCER	K = MINI VAN/CARAVAN/ROYAL	Z = OMNI/CHARGER

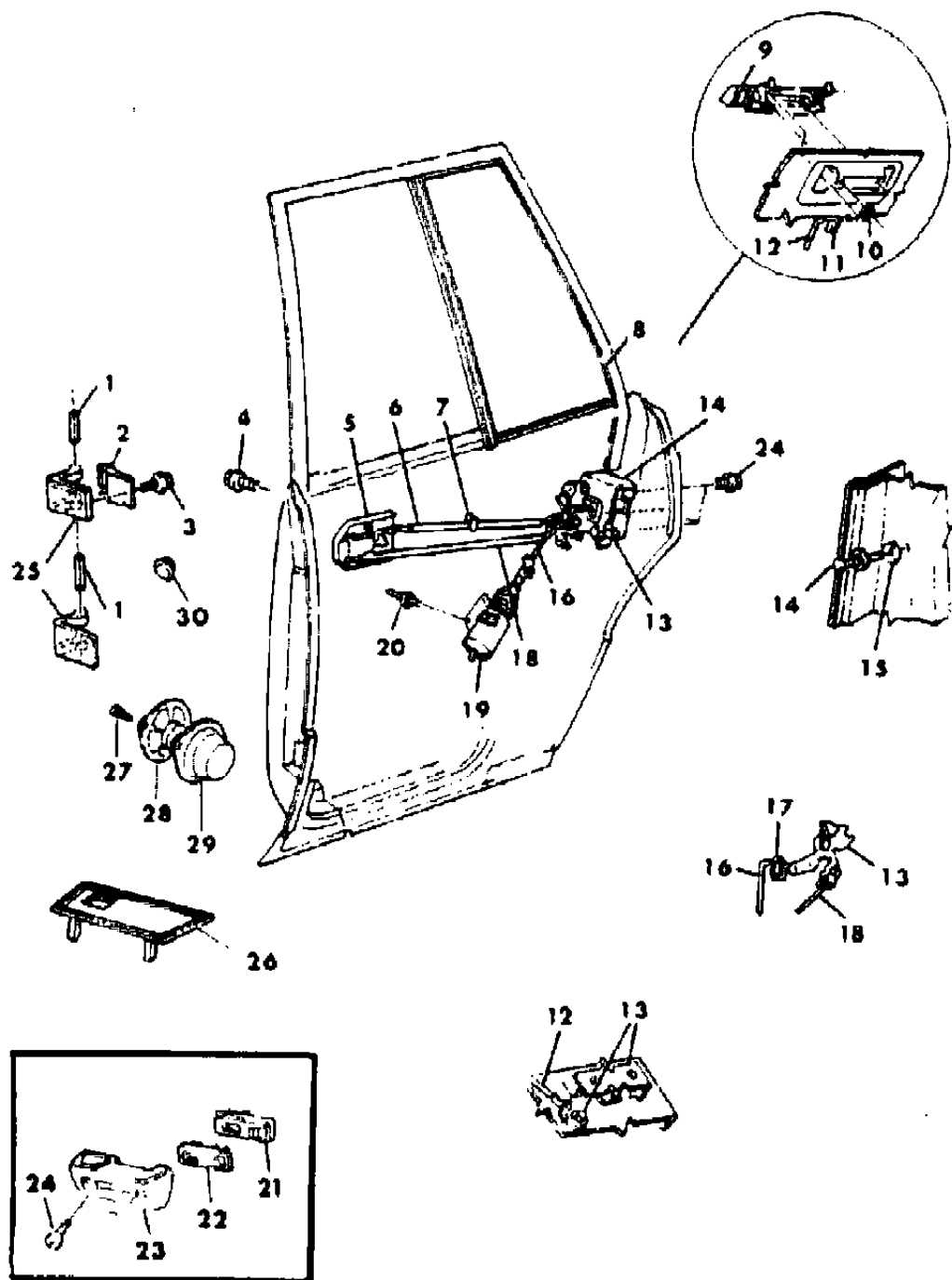
BODY STYLES

21 = 2-DOOR SEDAN	35 = FWD VAN	44 = 4-DOOR HATCHBACK
22 = 2-DOOR SPECIAL COUPE	36 = FWD WAGON	45 = 4-DOOR STATION WAGON
24 = 2-DOOR HATCHBACK	41 = 4-DOOR SEDAN	49 = LIMOUSINE
27 = 2-DOOR CONVERTIBLE		

AR = Use as Required - = Non Illustrated Part P.A.R. = Paint as Required

DOOR, REAR SHELL, HANDLES AND CONTROLS P,D,C,J,E,T 41,45,49
Figure 23C-1700

5771 1700



ITEM	PART NUMBER	QTY	BODY	MODEL	DESCRIPTION
1	6500 804	2			PIN, Hinge
1	4336 115	2			BUSHING, Hinge
	6500 803	2			CLIP, Hinge Pin
2	4184 117	1			CHECK SPRING
3	6100 557	2			SCREW w/WASHER
4	6100 274	2			SCREW
5	4184 252	2			PLATE w/NUT, Mounting
6	4184 270-1	1		P,D,C	LINK w/SLEEVE
	4184 530-1	1		J,E,T	
7	3882 620	2			CLIP, Anti Rattle
8	4397 472-3	1		P,D,C,4	DOOR SHELL, Rear
	4342 464-5	1		J,E,T 4	
	4397 474-5	1		P,D,C 4	
	4364 276-7	1		Limo	PANEL, Repair
	4310 064-5	1		PDC 41,	
	4310 066-7	1		J,E,T 4	
	4342 126-7	1		Limo	
9	4184 228	2			
	6028 674	4			SCREW, Handle
10	6025 004	2			NUT
11	3882 762	2			CLIP, Link to Handle
12	4184 118	2		P,D,C	LINK, Outside Handle to Latch
	4184 598	2		J,E,T	
13	4336 380-1	1			LATCH
14	4310 543	2			STRIKER
	6500 483	2			NUT, Striker
15	4184 105	AR			SPACER
16	4184 286	2		P,D,C	LINK, Electric Latch to Motor
	4184 742-3	2		J,E,T	
17	4184 244-5	1			CLIP, Latch to Electric Motor Link
	3454 220-1	1		P,D,C	w/o Electric Locks
18	4184 698-9	1		P,D,C	LINK w/SLEEVE
	4184 540-1	1		J,E,T	
	4339 607	2		Limo	LINK, Inside Latch
	4339 608-9	1		Limo	BELLCRANK, Release
	4339 610-1	1		Limo	LINK, Inside Release
	4339 612-3	1		Limo	LINK, Inside Lock

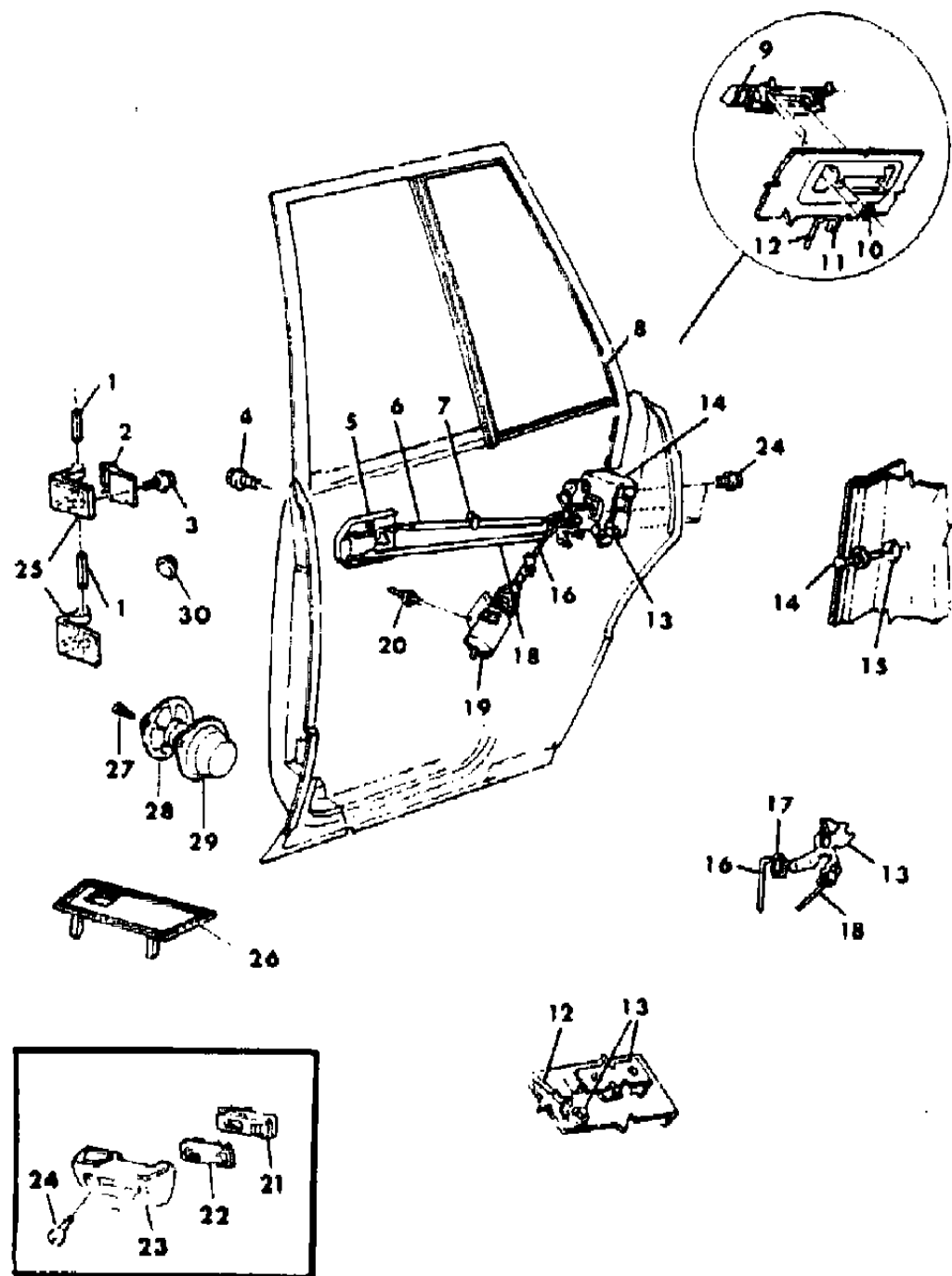
MODEL CODES
 B = GRAN FURY
 C = LE BARON/TOWN & COUNTRY/LIMO
 C24 = LASER
 C44 = LE BARON/GTS
 D = ARIES
 D44 = LANCER
 E = 600
 F = FIFTH AVENUE/NEWPORT
 G = DIPLOMAT
 H = VOYAGER
 J = CARAVELLE
 K = MINI VAN/CARAVAN/ROYAL
 M = HORIZON/TURISMO
 P = RELIANT
 T = NEW YORKER
 V = 600
 V24 = DAYTONA
 Z = OMNI/CHARGER

BODY STYLES
 21 = 2-DOOR SEDAN
 22 = 2-DOOR SPECIAL COUPE
 24 = 2-DOOR HATCHBACK
 27 = 2-DOOR CONVERTIBLE
 35 = FWD VAN
 36 = FWD WAGON
 41 = 4-DOOR SEDAN
 44 = 4-DOOR HATCHBACK
 45 = 4-DOOR STATION WAGON
 49 = LIMOUSINE

AR = Use as Required - = Non Illustrated Part P.A.R. = Paint as Required

DOOR, REAR SHELL, HANDLES AND CONTROLS P,D,C,J,E,T 41,45,49
Figure 23C-1700

5171 1700



ITEM	PART NUMBER	QTY	BODY	MODEL	DESCRIPTION
	4339 614-5	1		Limo	LINK, Outside Lock
	4339 616	2		Limo	LINK, Latch Bellcrank
	4339 617	2		Limo	LINK, Latch, w/Power Locks
	4339 618-9	1		Limo	LINK, Bellcrank
19	4184 156	2			SOLENOID, Door Lock
	4184 172	2			CLIP, Solenoid
20	6031 115	AR			Rivet
21	4336 328-9	1			HOUSING, Remote Control Black, w/Chrome Handle
	4280 842	2		J,E,T	SEAL, Door Latch
22	D405 CX9	2		PL,DL	BEZEL, Remote Control Housing
	4184 723	2		PH,PP,D	
	4342 132-3	1		Limo	
	4310 656-7	1		C,J,E,T	Chrome, w/Finish Plate
	4310 652	1		C,J,E,T	APPLIQUE, Remote Control Bezel
23					ARM REST (Refer to IT Section)
	4077 896	2		P,D 41,	PLATE, Armrest Backing
24		AR			SCREW (DNS)
25	4318 350	4			HINGE, Body Half
	4318 301	4			Door Half
	X144-5 BT8	1		C,V,E,T	COVER, Hinge Upper
	X146-7 BT8	1		J,E,T	Lower
26	4223 932-3	1			BEZEL w/FINISH PLATE, Door
27		4		Limo	BOLT, Speaker Mtg. (DNS)
	6032 527	4		Limo	NUT, Speaker Mtg.
28	4222 776	2		Limo	SPEAKER
29	4312 106-7	1		Limo	ADAPTOR, Speaker
30	6031 488	2			PLUG, Wiring Hole

MODEL CODES

B = GRAN FURY	E = 600	M = HORIZON/TURISMO
C = LE BARON/TOWN & COUNTRY/LIMO	F = FIFTH AVENUE/NEWPORT	P = RELIANT
C24 = LASER	G = DIPLOMAT	T = NEW YORKER
C44 = LE BARON/GTS	H = VOYAGER	V = 600
D = ARIES	J = CARAVELLE	V24 = DAYTONA
D44 = LANCER	K = MINI VAN/CARAVAN/ROYAL	Z = OMNI/CHARGER

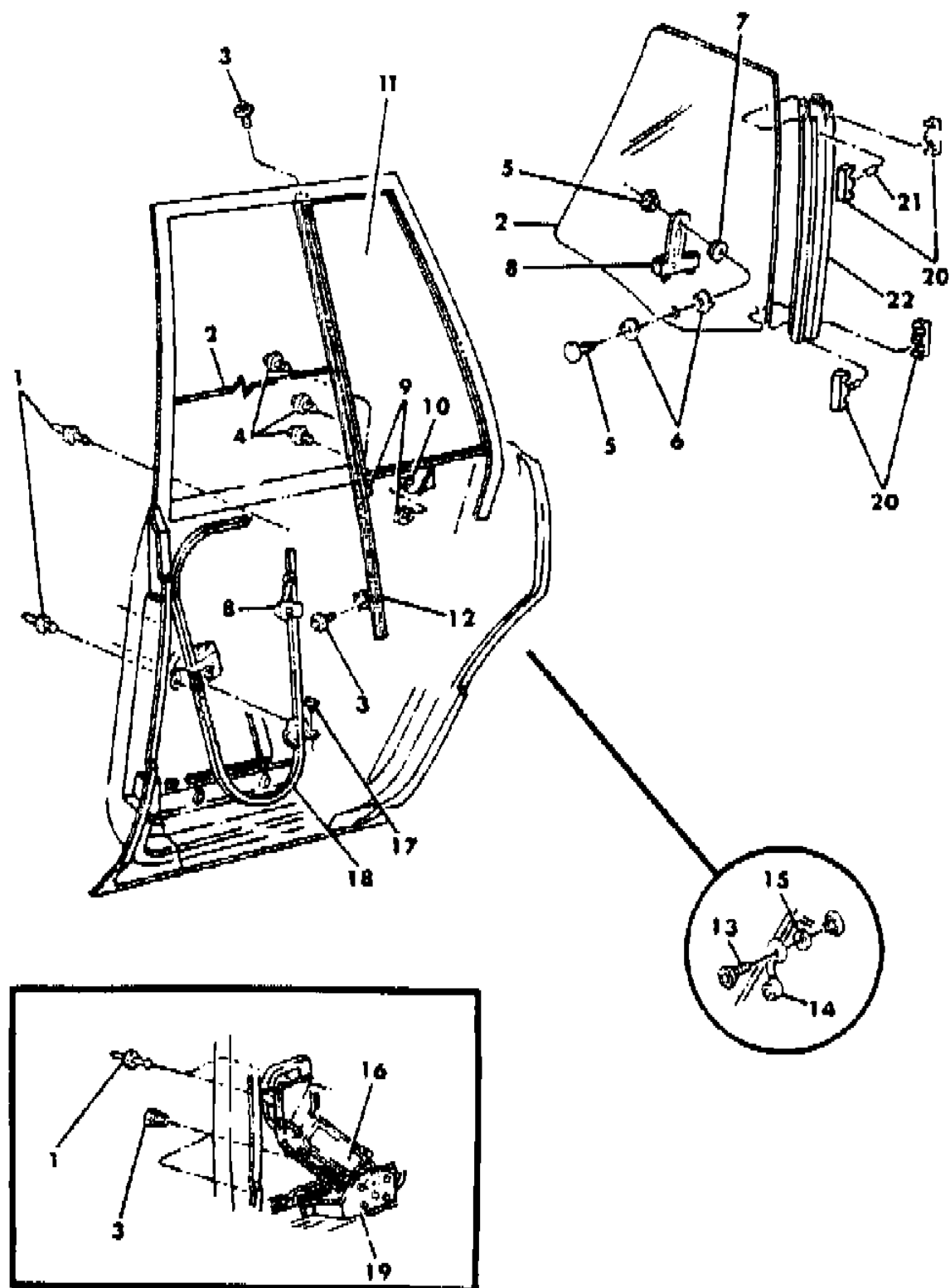
BODY STYLES

21 = 2-DOOR SEDAN	35 = FWD VAN	44 = 4-DOOR HATCHBACK
22 = 2-DOOR SPECIAL COUPE	36 = FWD WAGON	45 = 4-DOOR STATION WAGON
24 = 2-DOOR HATCHBACK	41 = 4-DOOR SEDAN	49 = LIMOUSINE
27 = 2-DOOR CONVERTIBLE		

AR = Use as Required - = Non Illustrated Part P.A.R. = Paint as Required

DOOR, REAR GLASS AND REGULATORS P,D,C,J,E,T 41,45,49
Figure 23C-1800

5177 1800



ITEM	PART NUMBER	QTY	BODY	MODEL	DESCRIPTION
1	6031 115	AR			RIVET
2	4198 756-7	1		P,D,C	GLASS Clear
	4198 866-7	1		J,E,T	Clear
	4198 758-9	1		P,D,C	Tinted
	4198 868-9	1		J,E,T	Tinted
	4339 954-5	1		Limo	
3					SCREW (DNS)
4	6100 274	AR			SCREW
5-7	4267 907	AR			HARDWARE PACKAGE
6	5231 769	AR			GASKET
7	6028 587	AR			TEENUT
8	4336 532-3	1			ARM w/NUT, Regulator Drive
9	6100 041	AR			U/NUT
10	4198 639	2			BRACKET, Vent Window Support
11					GLASS, Stationary
	4198 854-5	1		P,D,C 4	
	4198 642-3	1		P,D,C 4	
	4198 728-9	1		J,E,T 4	w/o Padded Landau Roof
	4280 870-1	1		T-P 41	w/Padded Landau Roof
12					CHANNEL, Divisional Glass
	4198 732-3	1		P,D,C	
	4198 858-9	1		J,E,T	
	4198 732-3	1		Limo	
	4198 744-5	1			BRACKET w/NUT, Channel Lower
	4339 801	2		Limo	BRACKET, Division Bar Mtg., Lower
	4339 863	2		Limo	Upper
13	6100 566	AR		J,E,T	SCREW
	6100 567	AR		P,D,C	
14	4310 824	2			HANDLE, Manual Window Regulator
15	3882 767	AR			SPACER
16					MOTOR and MECHANISM, Electric Window
	4310 938-9	1			
	4339 704-5	1		Limo	
17	4184 575	AR			BUMPER, Downstop
18					REGULATOR, Window
	4310 688-9	1			Manual

MODEL CODES

B = GRAN FURY	E = 600	M = HORIZON/TURISMO
C = LE BARON/TOWN & COUNTRY/LIMO	F = FIFTH AVENUE/NEWPORT	P = RELIANT
C24 = LASER	G = DIPLOMAT	T = NEW YORKER
C44 = LE BARON/GTS	H = VOYAGER	V = 600
D = ARIES	J = CARAVELLE	V24 = DAYTONA
D44 = LANCER	K = MINI VAN/CARAVAN/ROYAL	Z = OMNI/CHARGER

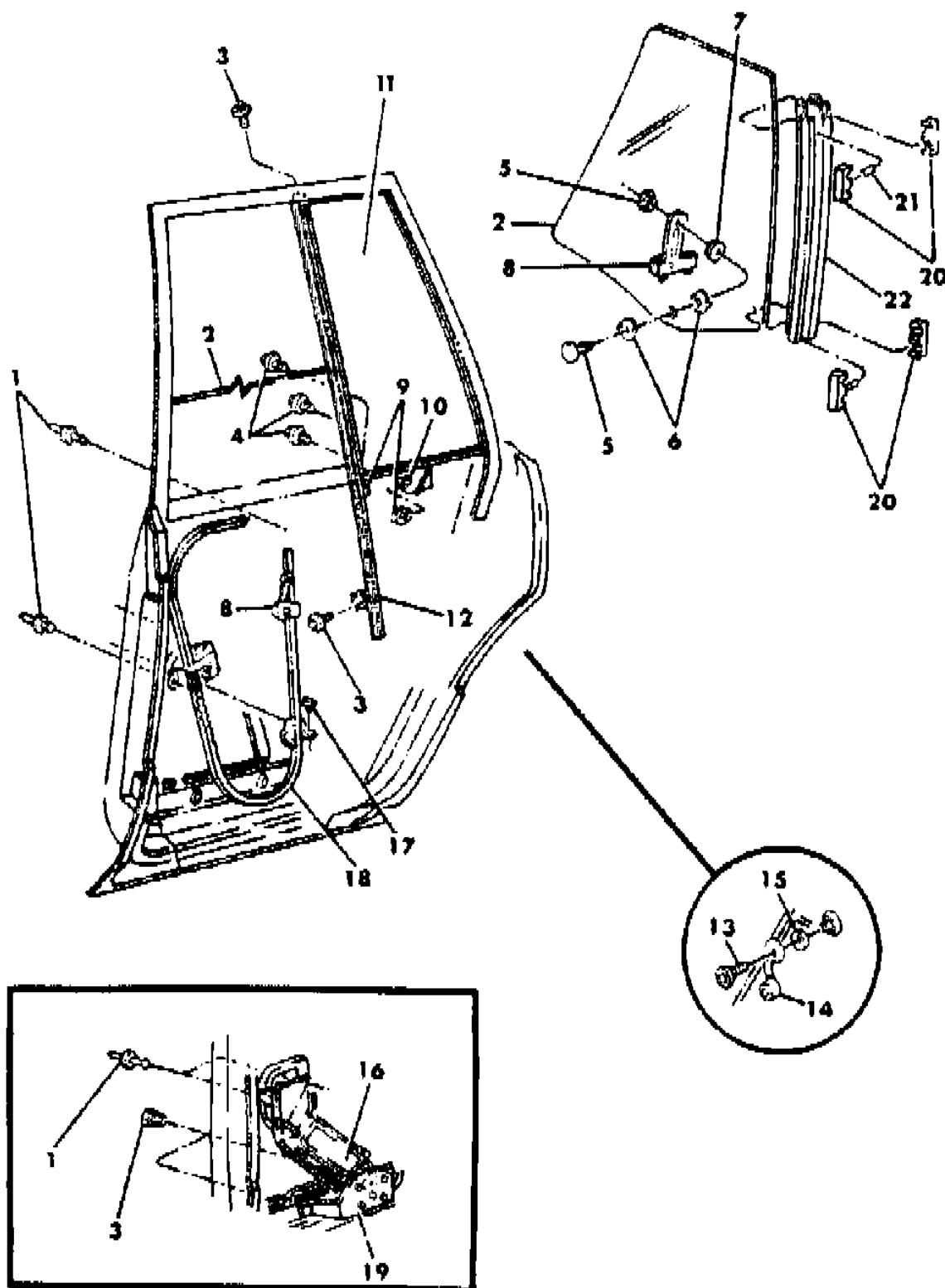
BODY STYLES

21 = 2-DOOR SEDAN	35 = FWD VAN	44 = 4-DOOR HATCHBACK
22 = 2-DOOR SPECIAL COUPE	36 = FWD WAGON	45 = 4-DOOR STATION WAGON
24 = 2-DOOR HATCHBACK	41 = 4-DOOR SEDAN	49 = LIMOUSINE
27 = 2-DOOR CONVERTIBLE		

AR = Use as Required - = Non Illustrated Part P.A.R. = Paint as Required

DOOR, REAR GLASS AND REGULATORS P,D,C,J,E,T 41,45,49
Figure 23C-1800

5177 1800



ITEM	PART NUMBER	QTY	BODY	MODEL	DESCRIPTION
	4336 544-5	1			Electric
	4339 626-7	1		Limo	
19	4336 338-9	1			BRACKET, Motor Mtg.
20	4198 752	AR			RETAINER, Divisional Glass Weatherstrip
21	2861 744	AR			PIN, Glass Edge Slide
22	4198 750-1	1			WEATHERSTRIP, Divisional Glass Channel

MODEL CODES

B = GRAN FURY	E = 600	M = HORIZON/TURISMO
C = LE BARON/TOWN & COUNTRY/LIMO	F = FIFTH AVENUE/NEWPORT	P = RELIANT
C24 = LASER	G = DIPLOMAT	T = NEW YORKER
C44 = LE BARON/GTS	H = VOYAGER	V = 600
D = ARIES	J = CARAVELLE	V24 = DAYTONA
D44 = LANCER	K = MINI VAN/CARAVAN/ROYAL	Z = OMNI/CHARGER

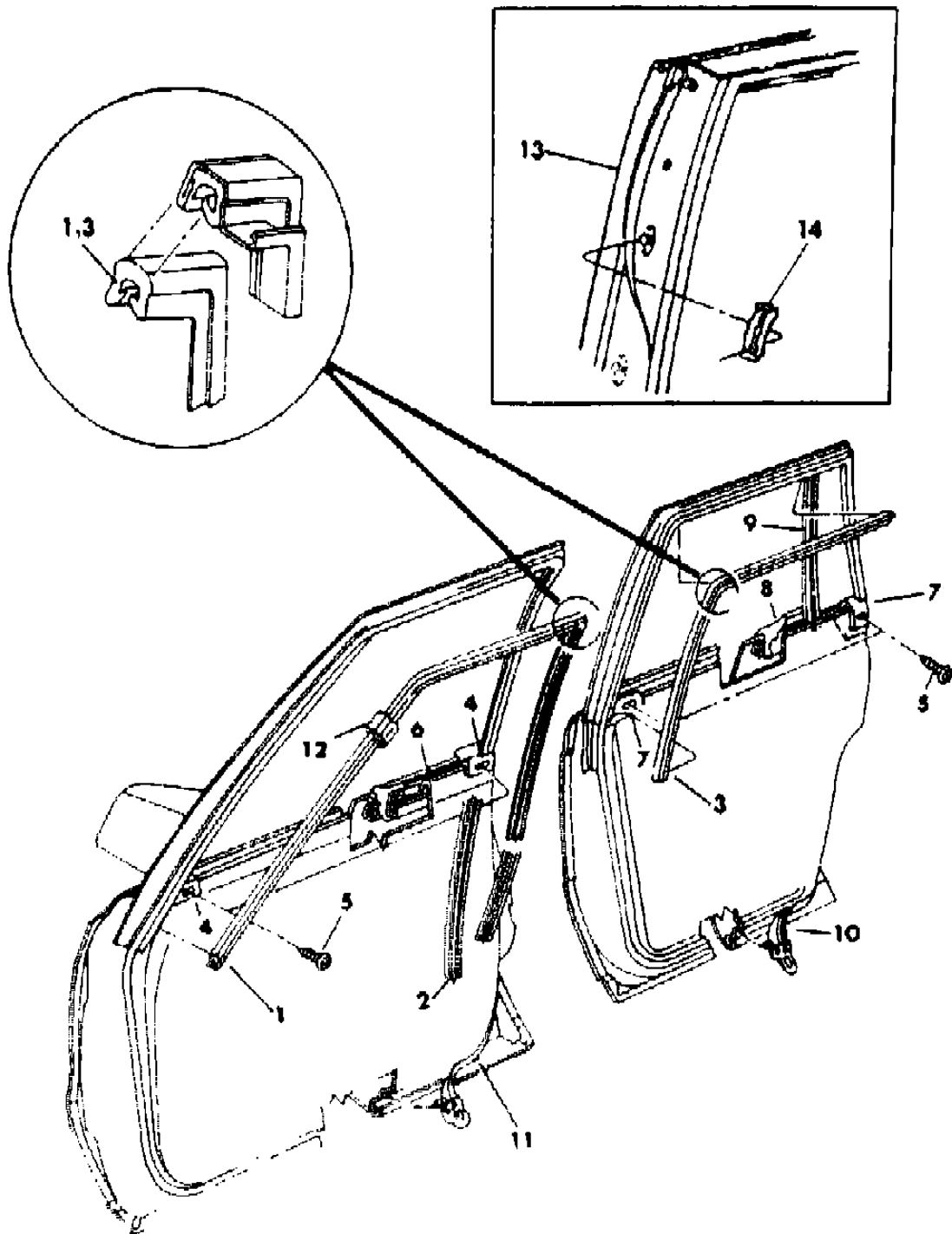
BODY STYLES

21 = 2-DOOR SEDAN	35 = FWD VAN	44 = 4-DOOR HATCHBACK
22 = 2-DOOR SPECIAL COUPE	36 = FWD WAGON	45 = 4-DOOR STATION WAGON
24 = 2-DOOR HATCHBACK	41 = 4-DOOR SEDAN	49 = LIMOUSINE
27 = 2-DOOR CONVERTIBLE		

AR = Use as Required - = Non Illustrated Part P.A.R. = Paint as Required

DOOR, FRONT AND REAR WEATHERSTRIPS AND RUNS P,D,C,J,E,T 21,22,41,45,49
Figure 23C-1900

51711900



ITEM	PART NUMBER	QTY	BODY	MODEL	DESCRIPTION
1					RUN, Front Door Glass
	4310 764	1		21,22	Right w/o Mirror
	4310 762-3	1		21,22	w/Mirror
	4310 766	1		41,45	Right w/o Mirror
	4310 760-1	1		41,45,4	w/Mirror, Up to 4-30-85
	4365 480-1	1		41,45,4	w/Mirror, After 4-30-85
2	4310 384-5	1		21,22	CHANNEL, Front Door, Rear
3					RUN, Rear Door Glass
	4280 856-7	1		J,E,T 4	
	4198 898-9	1		P,D,C 4	
	4339 964-5	1		Limo	
4	4198 382-3	1			SEAL, Front Door Belt, Front
	4198 384-5	1		P,D,C,V	Rear
	4310 632-3	1		PDC41,4	Rear
5		2			SCREW (DNS)
6					WEATHERSTRIP, Front Door Belt, Outer
	4198 512-3	1		21,22	
	4198 514-5	1		41,45,4	
		1			Inner (Serviced on Door Trim Panel)
7	4280 134-5	1		41,45,4	SEAL, Rear Door Belt, Front
	4198 388-9	1		41,45,4	Rear
8	4198 754-5	1		J,E,T	WEATHERSTRIP, Rear Door Belt, Outer
	4198 914-5	1		P,D,C 4	
	4339 962-3	1		Limo	
9					WEATHERSTRIP, Rear Door Glass, Stationary
	4198 730-1	1		J,E,T	
	4198 856-7	1		P,D,C 4	
	4198 644-5	1		P,D,C 4	
	4280 458-9	1		41,45,4	SEAL, Rear Door Sound
10					WEATHERSTRIP, Rear Door
	4198 020-1	1		P,D,C	
	4198 896-7	1		J,E,T	
	4364 278-9	1		Limo	
11					WEATHERSTRIP, Front Door
	4280 172-3	1		21,22	
	4280 412-3	1		41,45,4	
	2217 508	AR			CLIP, Outer Weatherstrip Att.

MODEL CODES

B = GRAN FURY	E = 600	M = HORIZON/TURISMO
C = LE BARON/TOWN & COUNTRY/LIMO	F = FIFTH AVENUE/NEWPORT	P = RELIANT
C24 = LASER	G = DIPLOMAT	T = NEW YORKER
C44 = LE BARON/GTS	H = VOYAGER	V = 600
D = ARIES	J = CARAVELLE	V24 = DAYTONA
D44 = LANCER	K = MINI VAN/CARAVAN/ROYAL	Z = OMNI/CHARGER

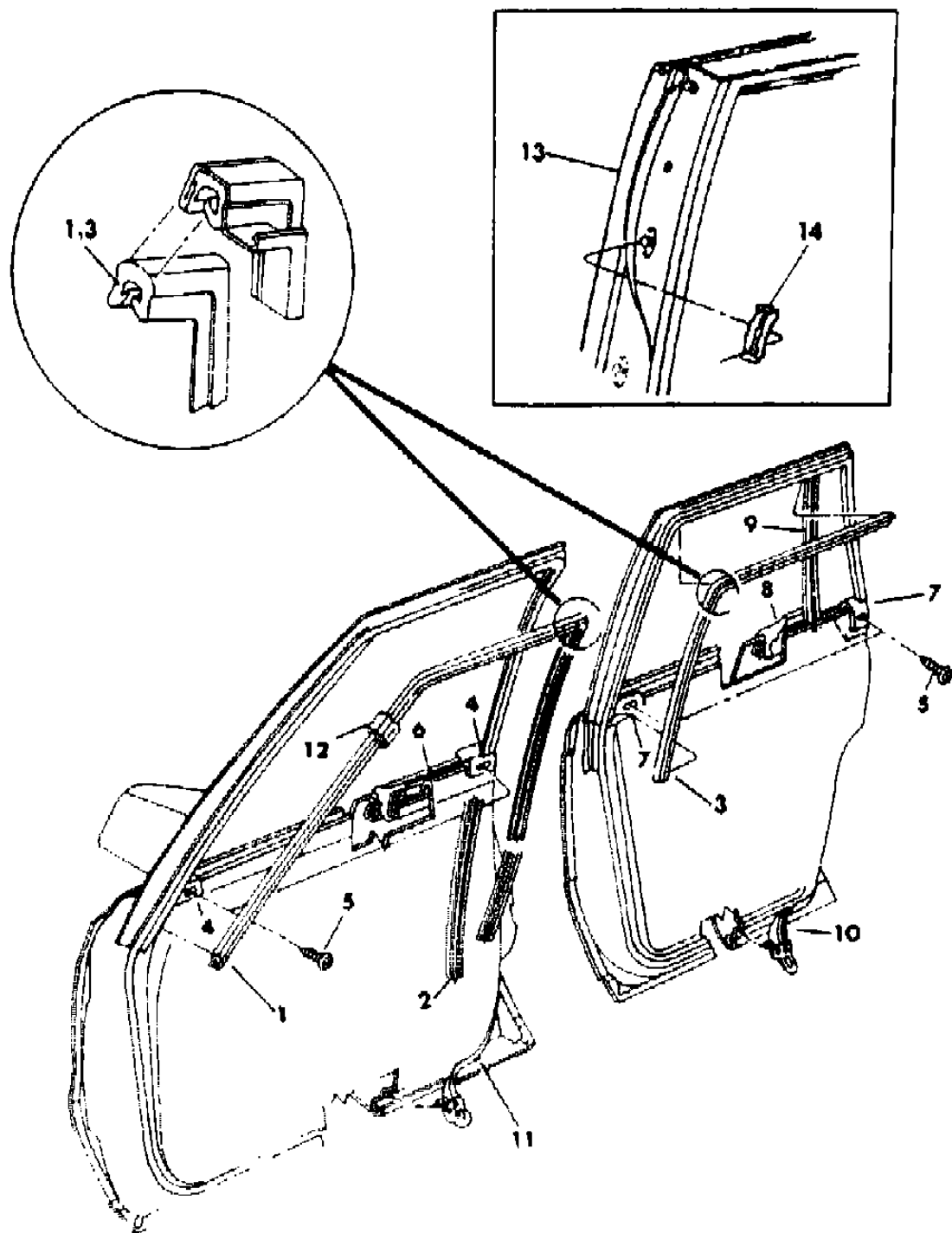
BODY STYLES

21 = 2-DOOR SEDAN	35 = FWD VAN	44 = 4-DOOR HATCHBACK
22 = 2-DOOR SPECIAL COUPE	36 = FWD WAGON	45 = 4-DOOR STATION WAGON
24 = 2-DOOR HATCHBACK	41 = 4-DOOR SEDAN	49 = LIMOUSINE
27 = 2-DOOR CONVERTIBLE		

AR = Use as Required - = Non Illustrated Part P.A.R. = Paint as Required

DOOR, FRONT AND REAR WEATHERSTRIPS AND RUNS P,D,C,J,E,T 21,22,41,45,49
Figure 23C-1900

51711900



ITEM	PART NUMBER	QTY	BODY	MODEL	DESCRIPTION
	4040 732	AR			RETAINER, Door Opening Weatherstrip Att.
12	4310 059	2			CLIP, Glass Run Roll-off
13	4280 863	4		Exc.P,D	SEAL, Front and Rear Door Frame, Secondary Up to 12-1-84
	4365 541	4			After 12-1-84
	4339 960	2		Limo	Rear Door Sill, Secondary
14	6003 303	AR			CLIP, Seal Att.
	6032 502	AR			RIVET, Seal Repair

MODEL CODES

B = GRAN FURY	E = 600	M = HORIZON/TURISMO
C = LE BARON/TOWN & COUNTRY/LIMO	F = FIFTH AVENUE/NEWPORT	P = RELIANT
C24 = LASER	G = DIPLOMAT	T = NEW YORKER
C44 = LE BARON/GTS	H = VOYAGER	V = 600
D = ARIES	J = CARAVELLE	V24 = DAYTONA
D44 = LANCER	K = MINI VAN/CARAVAN/ROYAL	Z = OMNI/CHARGER

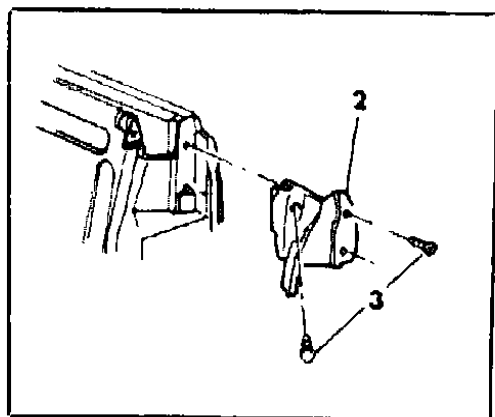
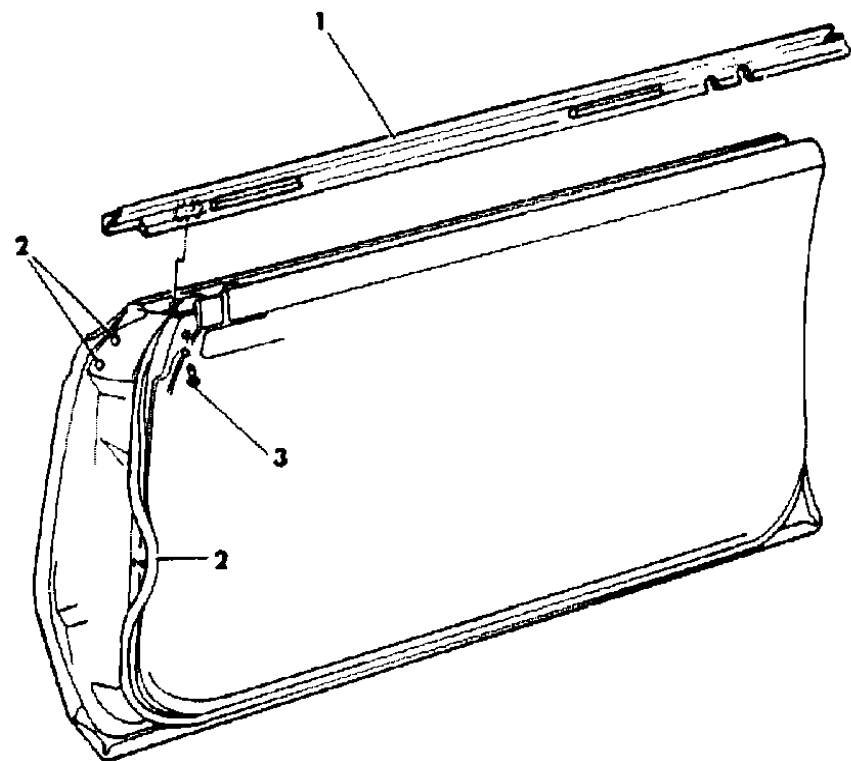
BODY STYLES

21 = 2-DOOR SEDAN	35 = FWD VAN	44 = 4-DOOR HATCHBACK
22 = 2-DOOR SPECIAL COUPE	36 = FWD WAGON	45 = 4-DOOR STATION WAGON
24 = 2-DOOR HATCHBACK	41 = 4-DOOR SEDAN	49 = LIMOUSINE
27 = 2-DOOR CONVERTIBLE		

AR = Use as Required - = Non Illustrated Part P.A.R. = Paint as Required

DOOR, FRONT WEATHERSTRIPS C,V 27
Figure 23C-2000

5171 2000



ITEM	PART NUMBER	QTY	BODY	MODEL	DESCRIPTION
1	4310 270-1	1			WEATHERSTRIP, Belt Outer
2	4310 254-5	1			WEATHERSTRIP, Door Opening
3		AR			SCREW, Seal Att. (DNS)
	2217 508	AR			CLIP, Outer Weatherstrip Att.
	4040 732	AR			RETAINER, Door Opening Weatherstrip Att.

MODEL CODES

B = GRAN FURY	E = 600	M = HORIZON/TURISMO
C = LE BARON/TOWN & COUNTRY/LIMO	F = FIFTH AVENUE/NEWPORT	P = RELIANT
C24 = LASER	G = DIPLOMAT	T = NEW YORKER
C44 = LE BARON/GTS	H = VOYAGER	V = 600
D = ARIES	J = CARAVELLE	V24 = DAYTONA
D44 = LANCER	K = MINI VAN/CARAVAN/ROYAL	Z = OMNI/CHARGER

BODY STYLES

21 = 2-DOOR SEDAN	35 = FWD VAN	44 = 4-DOOR HATCHBACK
22 = 2-DOOR SPECIAL COUPE	36 = FWD WAGON	45 = 4-DOOR STATION WAGON
24 = 2-DOOR HATCHBACK	41 = 4-DOOR SEDAN	49 = LIMOUSINE
27 = 2-DOOR CONVERTIBLE		

AR = Use as Required - = Non Illustrated Part P.A.R. = Paint as Required

MIRRORS, EXTERIOR P,D,C,J,E,T (EXCEPT V,C 24 AND D,C 44)
Figure 23C-2100

5171 2100

ITEM	PART NUMBER	QTY	BODY	MODEL	DESCRIPTION
------	-------------	-----	------	-------	-------------

NOTE: Right Mirror is for Replacement of Factory Installed Original Equipment Only. 22 Model). Sheet metal parts for the C 49 not found on this illustration should be specified from the C 22 Models, as found elsewhere in this group.

1	4318 280-1	1			MIRROR PACKAGE, Rectangular Remote Control Chrome
	4318 438-9	1			Black, Aerodynamic
	4339 302	1			MIRROR PACKAGE, Manual Left, Paint as Req.
	4339 340	1			Black
	4318 282-3	1			Chrome
2	4318 284-5	1			MIRROR PACKAGE, Electric Chrome
3	4299 056-7	1			BEZEL, Remote Control Mirror, Inside
4	4299 054-5	1			BEZEL, w/Manual and Electric Mirror, Inside
	4342 131	2		Limo	w/Electric Mirrors
5	4097 632-3	1		27	MIRROR PACKAGE, Remote Control
	6015 640	2		27	CLIP, Remote Control Cable Retention
	4299 052-3	1			SEAL, Bezel to Support
	4246 204-5	1			SEAL, Mirror Bracket Inner Bezel
6	5207 356-7	1		27	COVER, Mirror
7		AR			SCREW (DNS)
	3759 944	2		27	RETAINER
8	6032 121	AR			SCREW
9				27	BEZEL, Remote Control Mirror
	4097 761	1			Left
	4097 701	1			Right
10	4299 352-3	1			SUPPORT PACKAGE, Mirror Attaching
	4299 058	2			SPACER, Mirror Support to Door Lower Attaching
11	0273 229	1		27	SCREW
12	0120 392	1		27	WASHER
13				27	NUT w/WASHER (DNS)
14	4097 792	2		27	PLATE, Mirror Control
15					SEAL, Serviced in Item 10
16	4267 872-3	1		Exc. 27	GLASS REPLACEMENT PACKAGE
	4267 868-9	1		27	

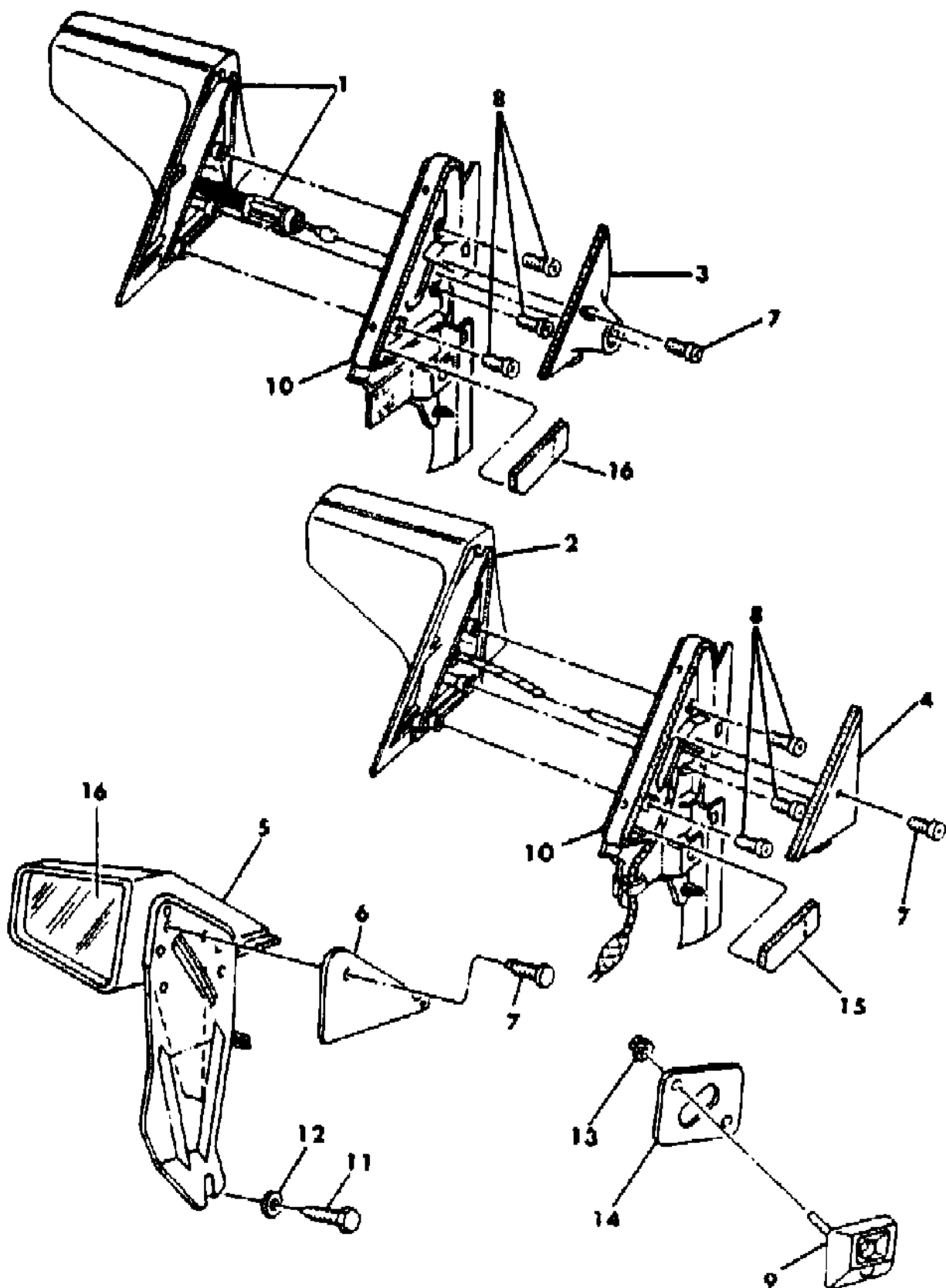
MODEL CODES

B = GRAN FURY	E = 600	M = HORIZON/TURISMO
C = LE BARON/TOWN & COUNTRY/LIMO	F = FIFTH AVENUE/NEWPORT	P = RELIANT
C24 = LASER	G = DIPLOMAT	T = NEW YORKER
C44 = LE BARON/GTS	H = VOYAGER	V = 600
D = ARIES	J = CARAVELLE	V24 = DAYTONA
D44 = LANCER	K = MINI VAN/CARAVAN/ROYAL	Z = OMNI/CHARGER

BODY STYLES

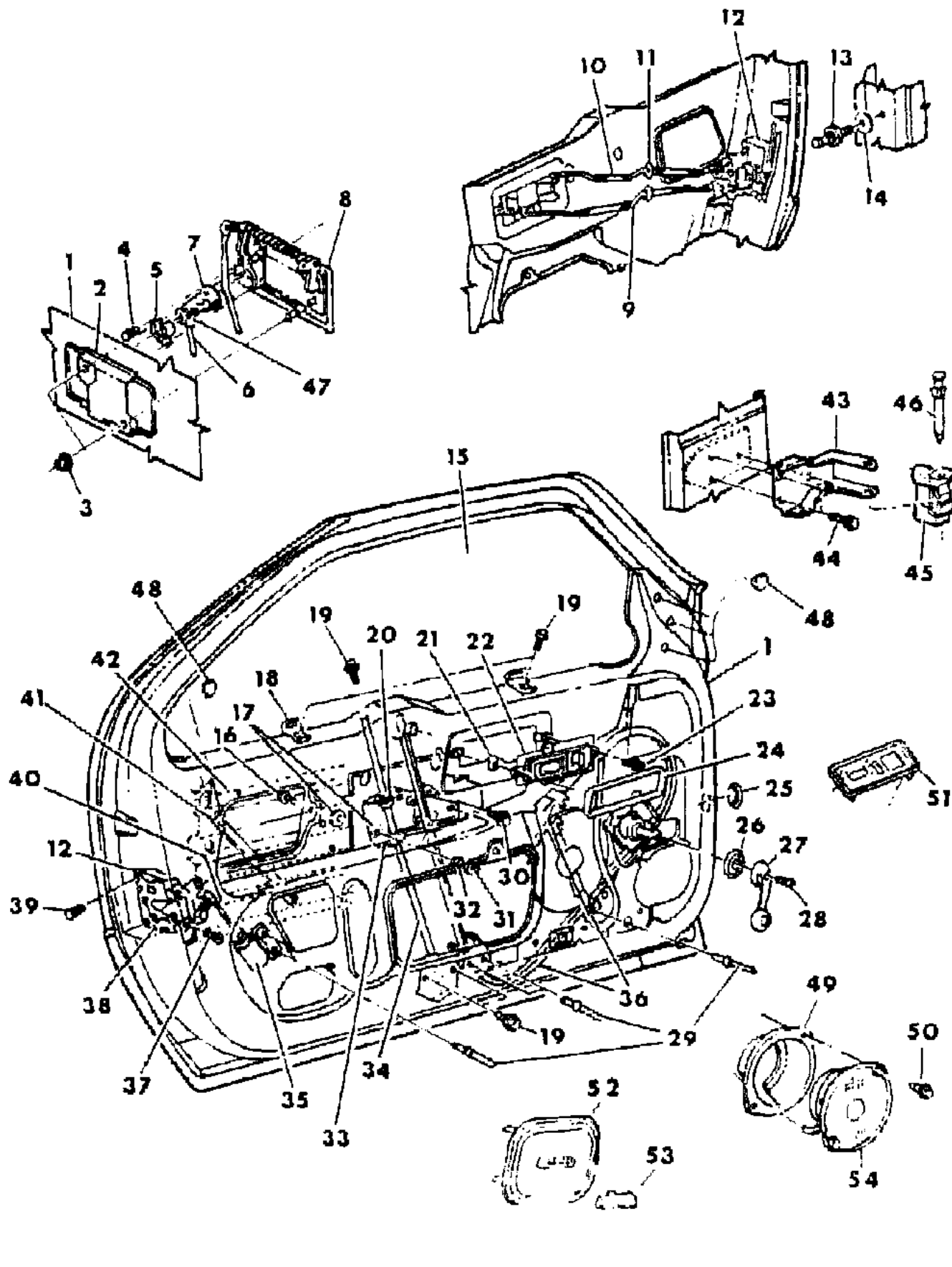
21 = 2-DOOR SEDAN	35 = FWD VAN	44 = 4-DOOR HATCHBACK
22 = 2-DOOR SPECIAL COUPE	36 = FWD WAGON	45 = 4-DOOR STATION WAGON
24 = 2-DOOR HATCHBACK	41 = 4-DOOR SEDAN	49 = LIMOUSINE
27 = 2-DOOR CONVERTIBLE		

AR = Use as Required - = Non Illustrated Part P.A.R. = Paint as Required



DOOR, FRONT COMPLETE LESS WEATHERSTRIPS AND RUNS C,V 24
Figure 23C-2200

5171 2200



ITEM	PART NUMBER	QTY	BODY	MODEL	DESCRIPTION
1	4365 370-1	1			DOOR SHELL
	4198 602-3	1			PANEL, Repair
2	4336 200-1	1			BRACKET w/INSULATOR, Exterior Handle
3	6031 029	2			NUT w/WASHER, Exterior Handle Att.
4		2			SCREW (DNS)
5		1			RETAINER, Lock Cylinder(Refer to 23D)
6	4184 690-1	1			LINK, Lock Cylinder to Latch
7		1			CYLINDER w/KEY (Refer to 23D)
8					HANDLE, Exterior
	4336 192-3	1			w/Illuminated Entry
	4336 196-7	1			w/o Illuminated Entry
	4336 222	1			STRAP, Exterior Handle Housing
9	4336 166-7	1			LINK w/SLEEVE, Latch Locking
10	4336 168-9	1			LINK w/SLEEVE, Remote Control Latch
11	3882 620	2			CLIP, Anti Rattle
12					LATCH, Door
	4336 377	1			Override, Left
	4336 378	1			Non Override, Right
13	4310 543	2			STRIKER, Lock Pillar
14	4184 105	AR			SPACER, Striker
15					GLASS, Door
	4198 680-1	1			Clear
	4198 682-3	1			Tinted
	4365 683	1			DECAL, Seat Belt Safety
16	6029 998	3			WASHER w/STUD
17	5231 769	2			GASKET
18	4040 294	4			STABILZER, Glass
19		AR			SCREW w/WASHER (DNS)
20	3788 080	2			SLEEVE, Glass Track Tube
21		6			NUT (DNS)
22	4336 330-1	1			HOUSING, Remote Control
23		6			SCREW (DNS)
24	4336 412-3	1			BEZEL, Remote Control Handle
25	6031 488	2			PLUG, Hinge Pillar
26	4184 405	2			SPACER, Window Regulator Handle
27	4310 825	2			HANDLE, Window Regulator
28	6031 644	2			SCREW

MODEL CODES

B = GRAN FURY	E = 600	M = HORIZON/TURISMO
C = LE BARON/TOWN & COUNTRY/LIMO	F = FIFTH AVENUE/NEWPORT	P = RELIANT
C24 = LASER	G = DIPLOMAT	T = NEW YORKER
C44 = LE BARON/GTS	H = VOYAGER	V = 600
D = ARIES	J = CARAVELLE	V24 = DAYTONA
D44 = LANCER	K = MINI VAN/CARAVAN/ROYAL	Z = OMNI/CHARGER

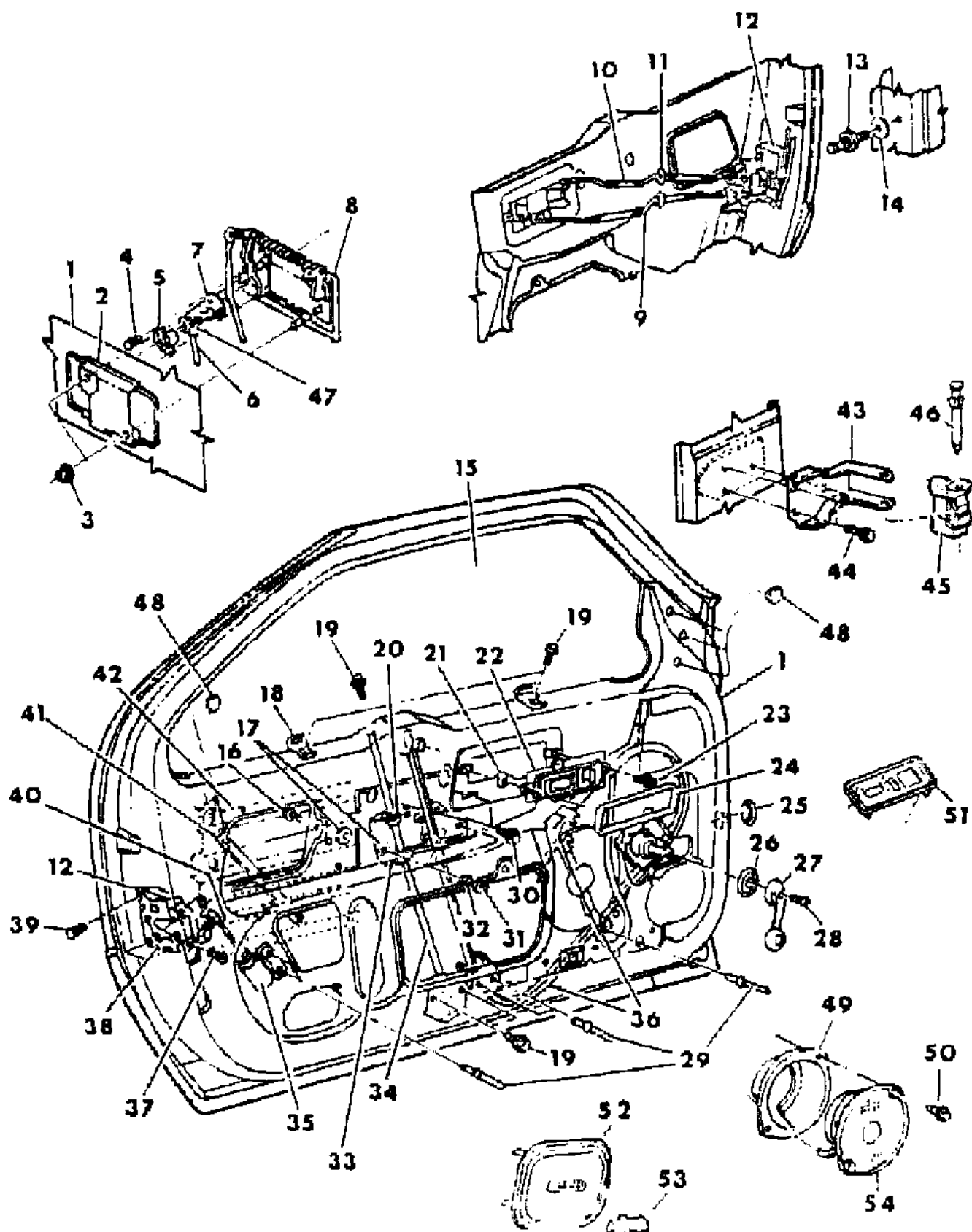
BODY STYLES

21 = 2-DOOR SEDAN	35 = FWD VAN	44 = 4-DOOR HATCHBACK
22 = 2-DOOR SPECIAL COUPE	36 = FWD WAGON	45 = 4-DOOR STATION WAGON
24 = 2-DOOR HATCHBACK	41 = 4-DOOR SEDAN	49 = LIMOUSINE
27 = 2-DOOR CONVERTIBLE		

AR = Use as Required - = Non Illustrated Part P.A.R. = Paint as Required

DOOR, FRONT COMPLETE LESS WEATHERSTRIPS AND RUNS C,V 24
Figure 23C-2200

5171 2200



ITEM	PART NUMBER	QTY	BODY	MODEL	DESCRIPTION
29	6031 115	AR			RIVET
30	6500 912	2			SCREW
31		6			NUT w/WASHER (DNS)
32	6028 587	6			TEE NUT
33	4198 676-7	1			PLATE, Glass Lift
	4280 711	2			PAD, Plate
34	4198 688-9	1			TRACK, Glass Guide
35	4184 156	2			SOLENOID, Power Door Lock
	4184 172	2			CLIP, Solenoid
36					REGULATOR, Window
	4336 394-5	1			Manual
	4336 444-5	1			Electric
	4310 940-1	1			MOTOR w/MECHANISM, Electric Regulator
	4184 410	2			BRACKET, Motor Mtg.
	4184 575	4			BUMPER, Regulator Downstop
	4310 805	2			SPRING, Manual Regulator Assist
37	6032 079	2			SCREW, Filler
38	4184 378-9	1			FILLER, Latch to Inner Panel
39		3			SCREW (DNS)
40	4184 609	2			LINK, Solenoid to Latch
41	5231 294	2			BUMPER w/RETAINER, Impact Bar
42		2			REINFORCEMENT, Impact Bar(Serviced in Item #1)
43					HINGE, Body Half
	4280 731	2			Upper
	4280 723	2			Lower
44	6500 300	AR			SCREW, Hinge
	4336 288	AR			SHIM, Hinge
45	4280 730	2			HINGE, Door Half, Upper
	4280 732	2			Lower
46	4280 727	4			PIN, Hinge
47	3760 131	1			CLIP, Door Latch Locking Lever to Key Cylinder Link, Right
	3760 130	1			Left
48	4184 688	AR			PLUG
49	4222 784	2			ADAPTOR PLATE, Speaker
50		4			SCREW (DNS)
51					BEZEL, Armrest Switch
	4247 668	2			w/Door Locks

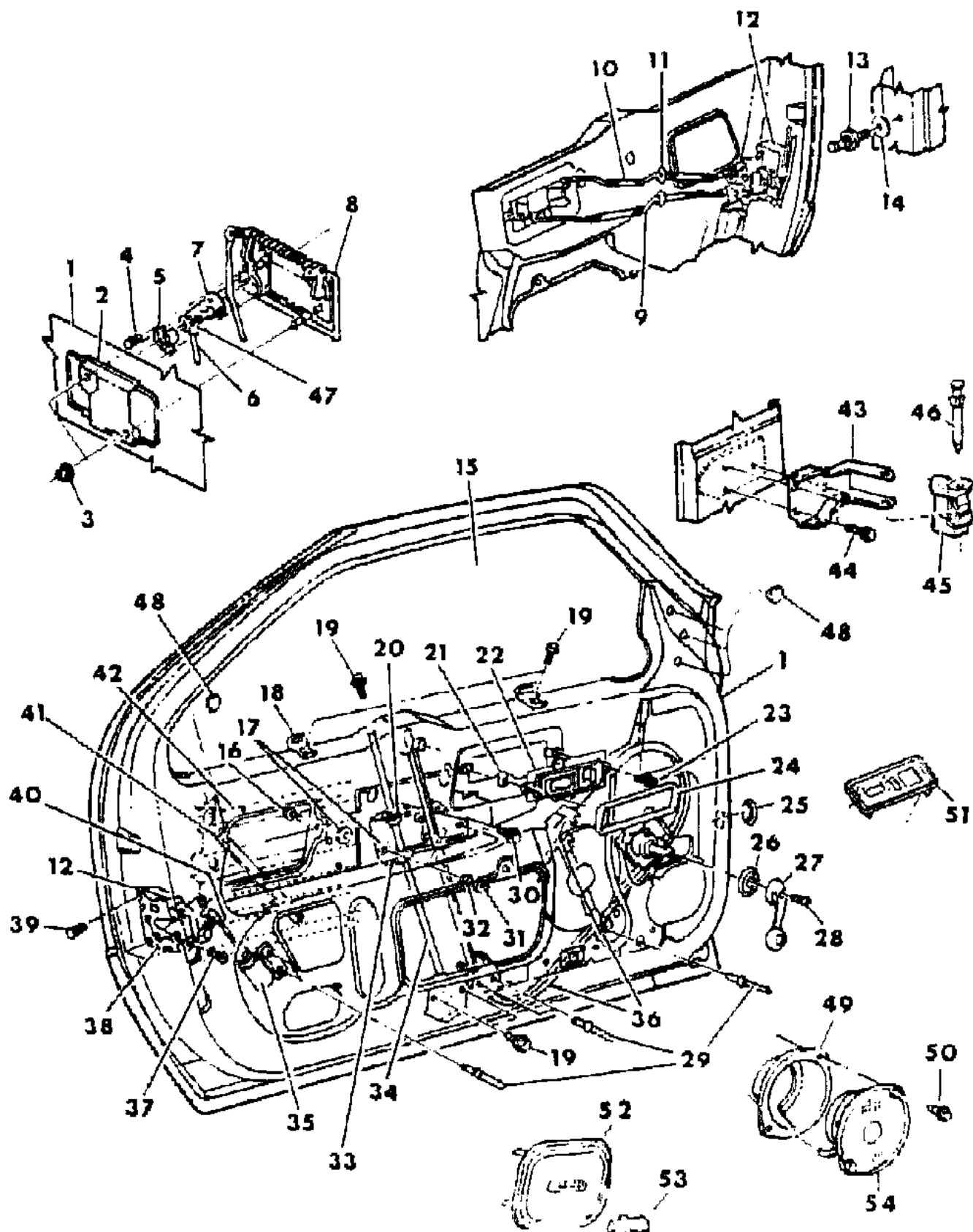
MODEL CODES
 B = GRAN FURY
 C = LE BARON/TOWN & COUNTRY/LIMO
 C24 = LASER
 C44 = LE BARON/GTS
 D = ARIES
 D44 = LANCER
 E = 600
 F = FIFTH AVENUE/NEWPORT
 G = DIPLOMAT
 H = VOYAGER
 J = CARAVELLE
 K = MINI VAN/CARAVAN/ROYAL
 M = HORIZON/TURISMO
 P = RELIANT
 T = NEW YORKER
 V = 600
 V24 = DAYTONA
 Z = OMNI/CHARGER

BODY STYLES
 21 = 2-DOOR SEDAN
 22 = 2-DOOR SPECIAL COUPE
 24 = 2-DOOR HATCHBACK
 27 = 2-DOOR CONVERTIBLE
 35 = FWD VAN
 36 = FWD WAGON
 41 = 4-DOOR SEDAN
 44 = 4-DOOR HATCHBACK
 45 = 4-DOOR STATION WAGON
 49 = LIMOUSINE

AR = Use as Required - = Non Illustrated Part P.A.R. = Paint as Required

DOOR, FRONT COMPLETE LESS WEATHERSTRIPS AND RUNS C,V 24
Figure 23C-2200

5171 2200



ITEM	PART NUMBER	QTY	BODY	MODEL	DESCRIPTION
	4247 669	1			Left, w/Door Locks and Electric Mirrors
	4247 711	1			Left, w/Electric Mirrors
	4247 710	2			w/Door Locks and Manual Remote Control Mirror
	4247 709	2			w/Manual Remote Control Mirrors
	4247 708	2			w/o Openings
	4247 211	4			RETAINER, Armrest Switch Bezel
52					GRILLE, Speaker
	D510 DM6	2			Red
	D510 DX9	2			Black
	D510 DT5	2			Brown
	D510 DS8	2			Charcoal
53	4222 961	2			ESCUTCHEON, Speaker Grille
54	4311 492	2			SPEAKER, Door

MODEL CODES

B = GRAN FURY	E = 600	M = HORIZON/TURISMO
C = LE BARON/TOWN & COUNTRY/LIMO	F = FIFTH AVENUE/NEWPORT	P = RELIANT
C24 = LASER	G = DIPLOMAT	T = NEW YORKER
C44 = LE BARON/GTS	H = VOYAGER	V = 600
D = ARIES	J = CARAVELLE	V24 = DAYTONA
D44 = LANCER	K = MINI VAN/CARAVAN/ROYAL	Z = OMNI/CHARGER

BODY STYLES

21 = 2-DOOR SEDAN	35 = FWD VAN	44 = 4-DOOR HATCHBACK
22 = 2-DOOR SPECIAL COUPE	36 = FWD WAGON	45 = 4-DOOR STATION WAGON
24 = 2-DOOR HATCHBACK	41 = 4-DOOR SEDAN	49 = LIMOUSINE
27 = 2-DOOR CONVERTIBLE		

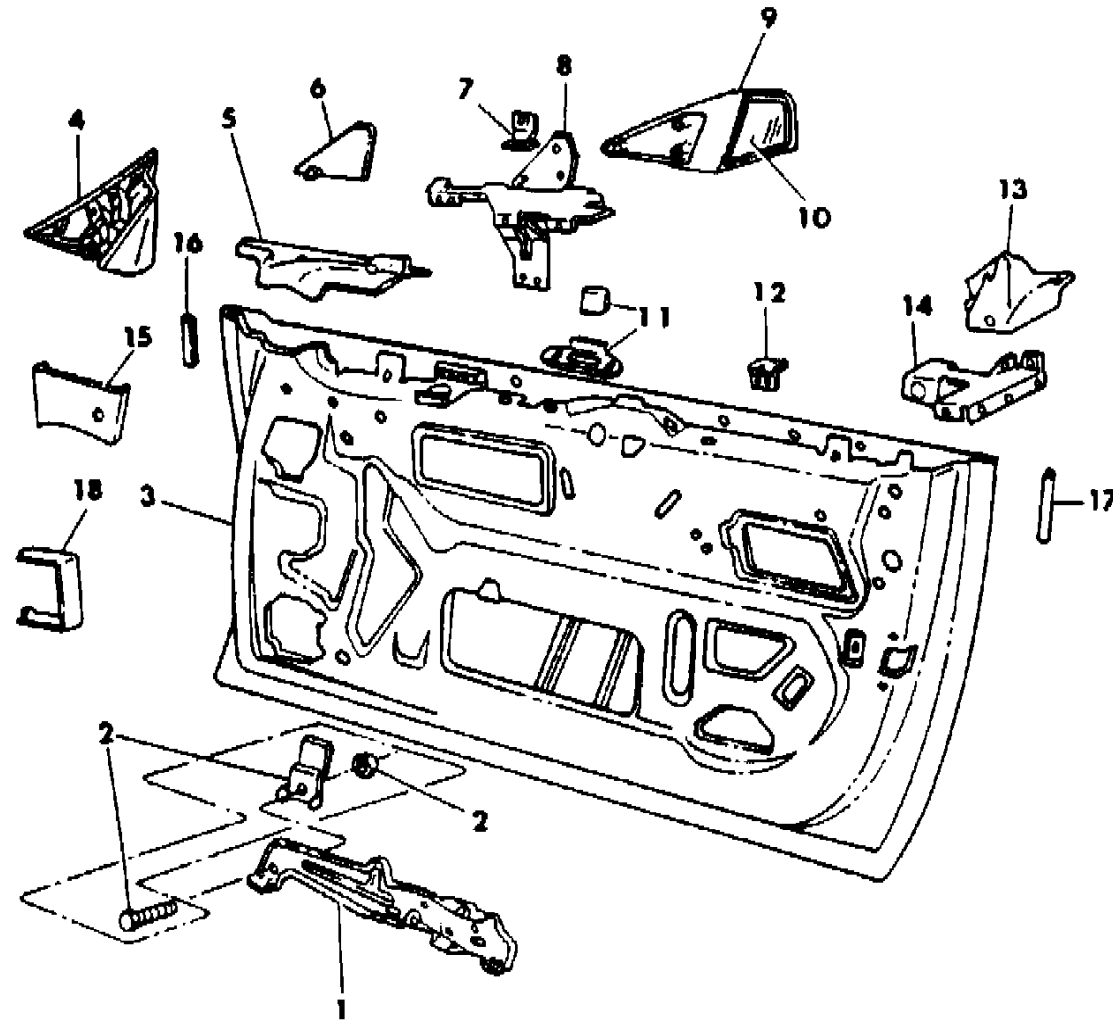
AR = Use as Required - = Non Illustrated Part P.A.R. = Paint as Required

DOOR, FRONT WITH T BAR ROOF C,V 24

Figure 23C-2300

51712300

ITEM	PART NUMBER	QTY	BODY	MODEL	DESCRIPTION
1	4397 106-7	1			STOP ASSEMBLY
2	4397 104	1			STABILIZER PACKAGE, Window Liftplate
3	4397 110-1	1			DOOR SHELL
	4397 112-3	1			PANEL PACKAGE, Repair
4	4397 084-5	1			PANEL, "A" Pillar Lower Seal
5	4397 094-5	1			SEAL, Door Frame, Front
6	4397 066-7	1			BEZEL, Mirror
7	4397 018-9	1			REINFORCEMENT, Belt Moulding, Front
8	4397 068-9	1			BRACKET, Mirror Mtg.
9					MIRROR, Refer to Mirror Illus.
10					GLASS, Refer to Mirror Illus.
11	4397 099	2			BRACKET, Adjusting
12	4397 105	2			BRACKET, Window Upstop
13	4397 096-7	1			SEAL, Door Frame, Rear
14	4397 102-3	1			REINFORCEMENT, Belt, Rear
15	4397 114-5	1			COVER, Inner Belt Moulding
16	4397 126-7	1			TAPE, Blackout, Belt Front
17	4397 128-9	1			TAPE, Blackout, Belt Rear
18	4397 124-5	1			REINFORCEMENT, Hinge



MODEL CODES

B = GRAN FURY	E = 600	M = HORIZON/TURISMO
C = LE BARON/TOWN & COUNTRY/LIMO	F = FIFTH AVENUE/NEWPORT	P = RELIANT
C24 = LASER	G = DIPLOMAT	T = NEW YORKER
C44 = LE BARON/GTS	H = VOYAGER	V = 600
D = ARIES	J = CARAVELLE	V24 = DAYTONA
D44 = LANCER	K = MINI VAN/CARAVAN/ROYAL	Z = OMNI/CHARGER

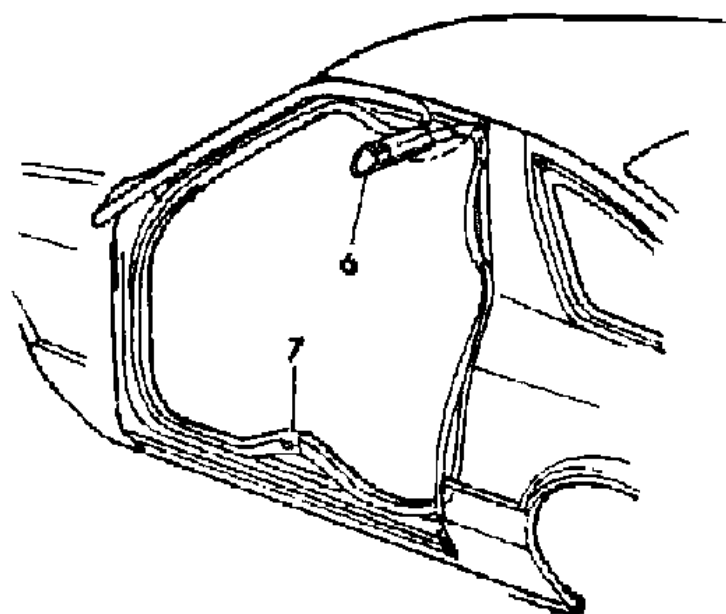
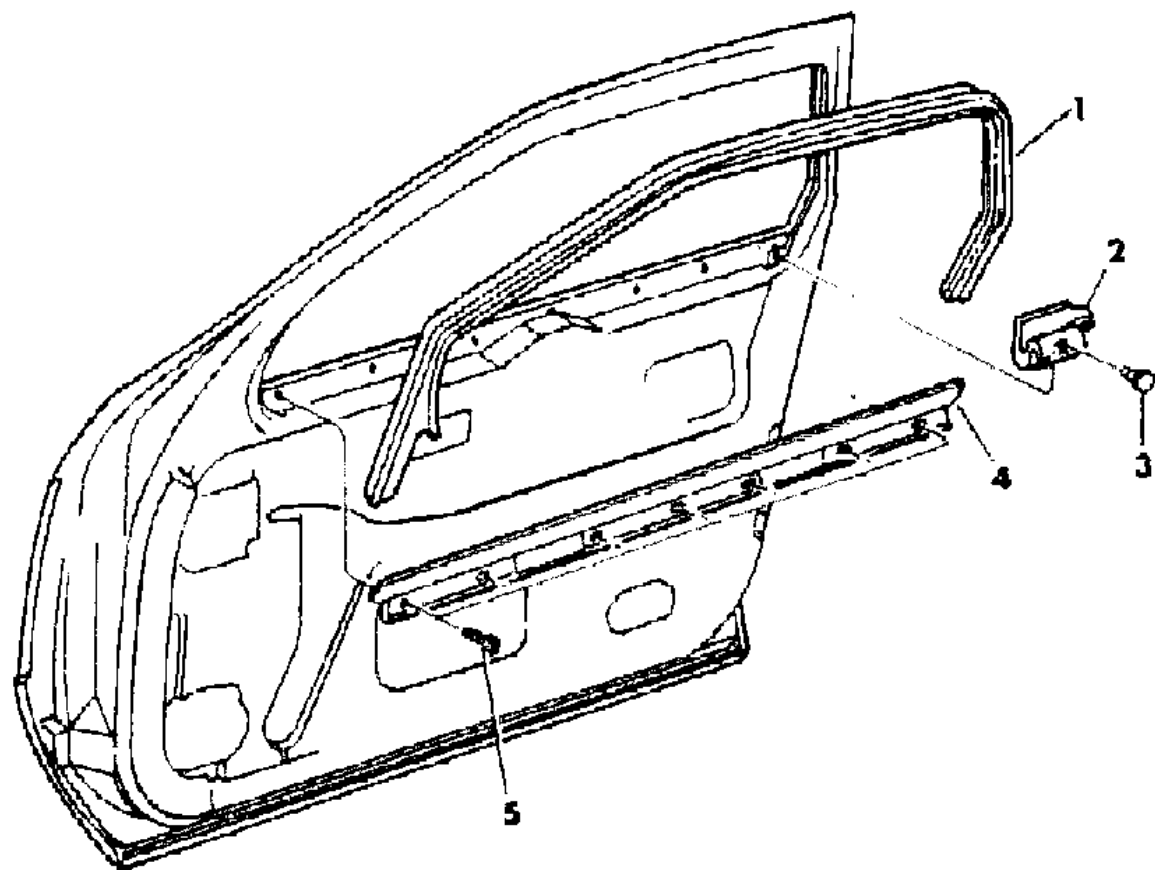
BODY STYLES

21 = 2-DOOR SEDAN	35 = FWD VAN	44 = 4-DOOR HATCHBACK
22 = 2-DOOR SPECIAL COUPE	36 = FWD WAGON	45 = 4-DOOR STATION WAGON
24 = 2-DOOR HATCHBACK	41 = 4-DOOR SEDAN	49 = LIMOUSINE
27 = 2-DOOR CONVERTIBLE		

AR = Use as Required - = Non Illustrated Part P.A.R. = Paint as Required

DOOR, FRONT WEATHERSTRIPS AND RUNS C,V 24
Figure 23C-2400

5171 2400



ITEM	PART NUMBER	QTY	BODY	MODEL	DESCRIPTION
1	4198 664-5	1			RUN, Door Glass
2	4198 910-1	1			SEAL, Belt Weatherstrip, Rear
3	4280 811	2			RETAINER, Seal
4	4198 670-1	1			WEATHERSTRIP, Belt Outer
	4248 492-3	1			Inner, w/Muppet
	4280 142-3	1			BRACKET, Weatherstrip Retainer, Lower Rear
	4280 152-3	1			RETAINER, Weatherstrip
5	6032 456	14			SCREW, Belt Weatherstrip
6	4365 040-1	1			WEATHERSTRIP, Door Opening Drip Up to 2-11-85
	4396 060	2			After 2-11-85
7	4198 662-3	1			WEATHERSTRIP, Door Opening

MODEL CODES

B = GRAN FURY	E = 600	M = HORIZON/TURISMO
C = LE BARON/TOWN & COUNTRY/LIMO	F = FIFTH AVENUE/NEWPORT	P = RELIANT
C24 = LASER	G = DIPLOMAT	T = NEW YORKER
C44 = LE BARON/GTS	H = VOYAGER	V = 600
D = ARIES	J = CARAVELLE	V24 = DAYTONA
D44 = LANCER	K = MINI VAN/CARAVAN/ROYAL	Z = OMNI/CHARGER

BODY STYLES

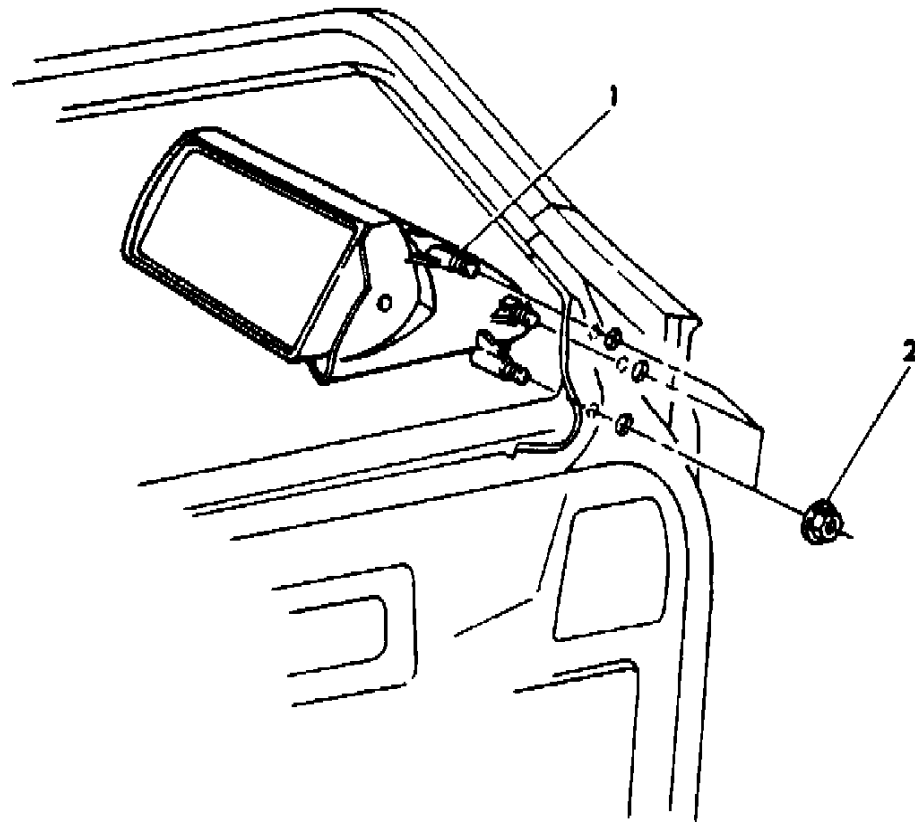
21 = 2-DOOR SEDAN	35 = FWD VAN	44 = 4-DOOR HATCHBACK
22 = 2-DOOR SPECIAL COUPE	36 = FWD WAGON	45 = 4-DOOR STATION WAGON
24 = 2-DOOR HATCHBACK	41 = 4-DOOR SEDAN	49 = LIMOUSINE
27 = 2-DOOR CONVERTIBLE		

AR = Use as Required - = Non Illustrated Part P.A.R. = Paint as Required

MIRRORS, EXTERIOR C,V 24
Figure 23C-2500

5171 2500

ITEM	PART NUMBER	QTY	BODY	MODEL	DESCRIPTION
1					MIRROR PACKAGE
	4318 266-7	1			Prime, Remote Control
	4318 268	1			Prime, Electric, Right
	4299 075	1			Prime, Electric, Left
	4397 062-3	1			w/T Bar Roof
	4318 288-9	1			GLASS, Heated Mirror
2	6100 044	AR			NUT, Mirror Att.
	4299 028	2			NUT, Remote Control Knob



MODEL CODES

B = GRAN FURY	E = 600	M = HORIZON/TURISMO
C = LE BARON/TOWN & COUNTRY/LIMO	F = FIFTH AVENUE/NEWPORT	P = RELIANT
C24 = LASER	G = DIPLOMAT	T = NEW YORKER
C44 = LE BARON/GTS	H = VOYAGER	V = 600
D = ARIES	J = CARAVELLE	V24 = DAYTONA
D44 = LANCER	K = MINI VAN/CARAVAN/ROYAL	Z = OMNI/CHARGER

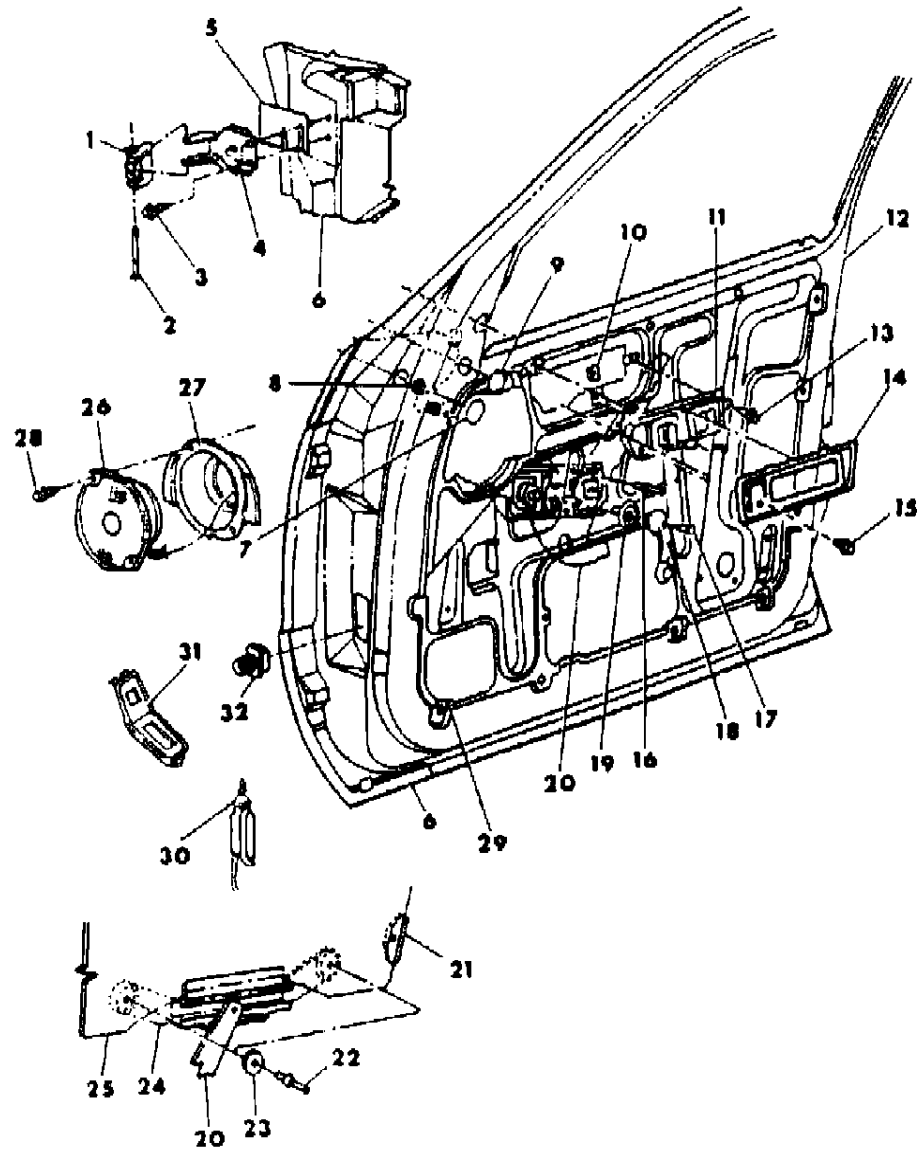
BODY STYLES

21 = 2-DOOR SEDAN	35 = FWD VAN	44 = 4-DOOR HATCHBACK
22 = 2-DOOR SPECIAL COUPE	36 = FWD WAGON	45 = 4-DOOR STATION WAGON
24 = 2-DOOR HATCHBACK	41 = 4-DOOR SEDAN	49 = LIMOUSINE
27 = 2-DOOR CONVERTIBLE		

AR = Use as Required - = Non Illustrated Part P.A.R. = Paint as Required

DOOR, FRONT SHELL, HANDLES AND CONTROLS D,C 44
Figure 23C-2600

5171 2600



ITEM	PART NUMBER	QTY	BODY	MODEL	DESCRIPTION
1	4365 028	2			HINGE, Door Half, Upper
	4365 026	2			Lower
2	4280 727	2			PIN, Hinge
3	6500 354	6			SCREW, Hinge Att.
4	4280 731	2			HINGE, Body Half, Upper
	4280 723	2			Lower
5	4336 288	AR			SHIM, Hinge
6					PILLAR, Hinge(Refer to 23A)
7	4299 334	2			PLUG, Trim Panel, Front
8		AR			NUT (DNS)
9	2860 332	2			PLUG
10		3			NUT (DNS)
11	4280 910-1	1			HOUSING, Remote Control
12					DOOR SHELL
	4397 488-9	1			Up to 3-28-85
	4411 958-9	1			After 3-28-85
	4280 670-1	1			PANEL, Repair
13		3			SCREW w/WASHER (DNS)
14	4310 486-7	1			BEZEL, Remote Control
					APPLIQUE, Remote Control Bezel
	4336 093	1			Left, w/Electric Mirror
	4310 492	1			Right, w/Electric Mirror or w/o Mirror
	4310 490	2			w/Dual Remote Control Mirrors
15		2			SCREW, Bezel Att.(DNS)
16	6031 115	14			RIVET
17	6027 221	2			SCREW, Window Regulator Handle
18	4310 824	2			HANDLE, Window Regulator
19	3882 768	2			SPACER, Window Regulator Handle
20					REGULATOR, Window
	4310 200-1	1			Manual
	4336 540-1	1			Electric
	4310 574	2			SLIDE, Electric Window Regulator
	6032 029	2			CLIP, Slide Retaining
	3508 121	2			SPRING, Manual Regulator Assist
21	4310 146	2			SLIDE, Glass, Rear Edge
22-23	4365 679	2			GLASS ATTACHING PACKAGE
22		2			RIVET, Serviced in Package

MODEL CODES

B = GRAN FURY	E = 600	M = HORIZON/TURISMO
C = LE BARON/TOWN & COUNTRY/LIMO	F = FIFTH AVENUE/NEWPORT	P = RELIANT
C24 = LASER	G = DIPLOMAT	T = NEW YORKER
C44 = LE BARON/GTS	H = VOYAGER	V = 600
D = ARIES	J = CARAVELLE	V24 = DAYTONA
D44 = LANCER	K = MINI VAN/CARAVAN/ROYAL	Z = OMNI/CHARGER

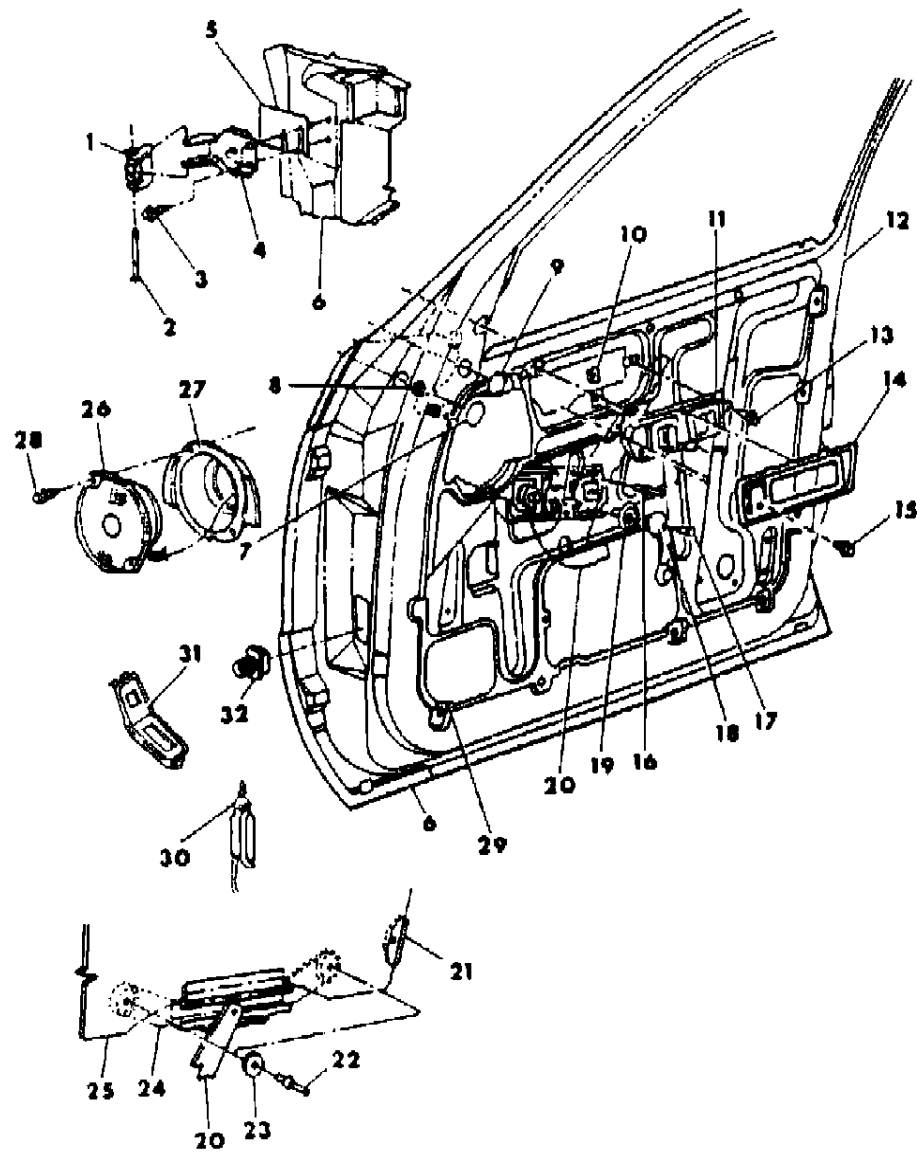
BODY STYLES

21 = 2-DOOR SEDAN	35 = FWD VAN	44 = 4-DOOR HATCHBACK
22 = 2-DOOR SPECIAL COUPE	36 = FWD WAGON	45 = 4-DOOR STATION WAGON
24 = 2-DOOR HATCHBACK	41 = 4-DOOR SEDAN	49 = LIMOUSINE
27 = 2-DOOR CONVERTIBLE		

AR = Use as Required - = Non Illustrated Part P.A.R. = Paint as Required

DOOR, FRONT SHELL, HANDLES AND CONTROLS D,C 44
Figure 23C-2600

5171 2600



ITEM	PART NUMBER	QTY	BODY	MODEL	DESCRIPTION
23	4310 149	2			GASKET, Glass
24	4310 147	2			CHANNEL w/WASHER, Glass Lift
25					GLASS, Front Door
	4310 784-5	1			Clear
	4310 786-7	1			Tinted
	4365 683	1			DECAL, Seat Belt Safety
26					SPEAKER, Door
	4311 833	2			w/Four Speaker System
	4311 640	2			w/Six Speaker System
27	4311 950-1	1			ADAPTOR, Speaker
	4311 952-3	1			w/o Speaker
28		4			SCREW, Speaker Att. (DNS)
29	4331 726	2			CUP, Wiring
30	4310 739	2			SOLENOID, Power Door Lock
31					BEZEL w/FINISH PLATE, Pocket Panel
	4283 385	1			w/Electric Windows and Door Locks, Left
	4283 386	1			w/Electric Windows and Door Locks, Right
	4283 389	1			w/Electric Windows, w/o Door Locks, Left
	4283 390	1			w/Electric Windows, w/o Door Locks, Right
	4282 102-3	1			BEZEL w/FINISH PLATE, Arm Rest Door Lock Switch
	4247 211	2			RETAINER, Bezel
32	4331 751	2			TUBE, Wiring Hole Flex

MODEL CODES

B = GRAN FURY	E = 600	M = HORIZON/TURISMO
C = LE BARON/TOWN & COUNTRY/LIMO	F = FIFTH AVENUE/NEWPORT	P = RELIANT
C24 = LASER	G = DIPLOMAT	T = NEW YORKER
C44 = LE BARON/GTS	H = VOYAGER	V = 600
D = ARIES	J = CARAVELLE	V24 = DAYTONA
D44 = LANCER	K = MINI VAN/CARAVAN/ROYAL	Z = OMNI/CHARGER

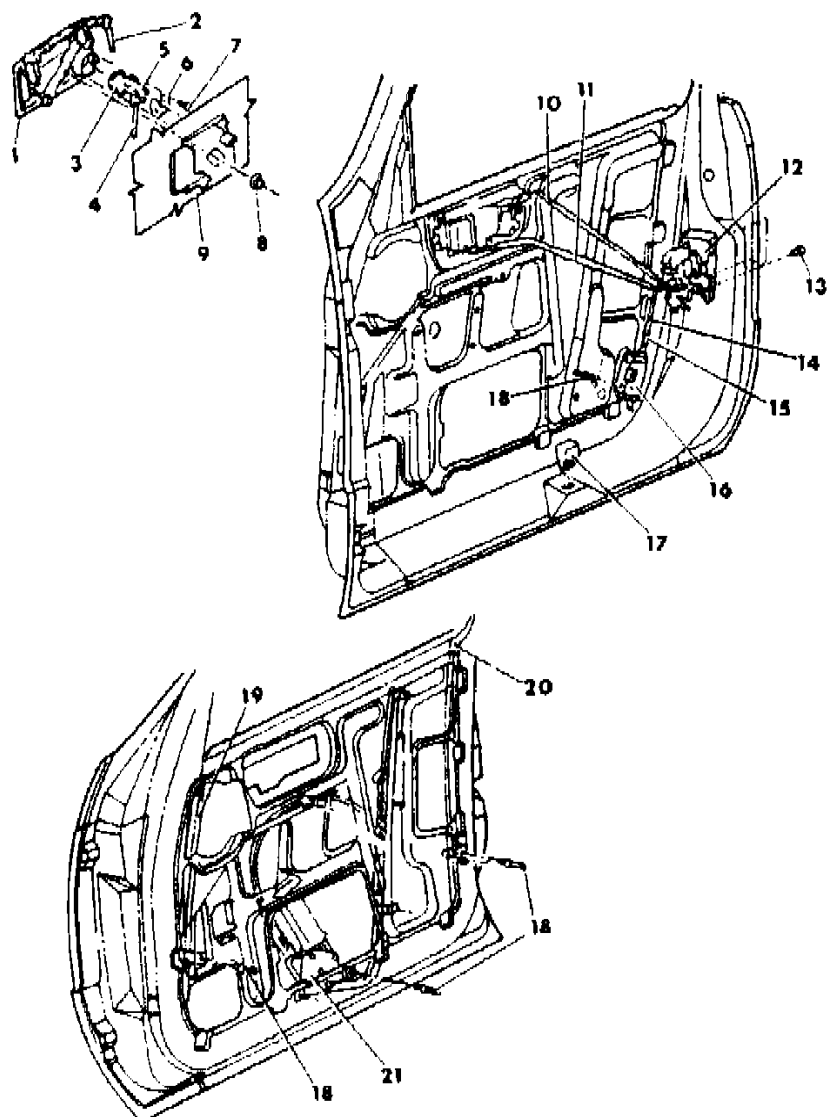
BODY STYLES

21 = 2-DOOR SEDAN	35 = FWD VAN	44 = 4-DOOR HATCHBACK
22 = 2-DOOR SPECIAL COUPE	36 = FWD WAGON	45 = 4-DOOR STATION WAGON
24 = 2-DOOR HATCHBACK	41 = 4-DOOR SEDAN	49 = LIMOUSINE
27 = 2-DOOR CONVERTIBLE		

AR = Use as Required - = Non Illustrated Part P.A.R. = Paint as Required

DOOR, FRONT HANDLES AND REGULATORS D,C 44
Figure 23C-2700

371 230



ITEM	PART NUMBER	QTY	BODY	MODEL	DESCRIPTION
1	#4419 008-9	1			HANDLE and BRACKET, Exterior
	6031 029	4			NUT w/WASHER, Handle Att.
2	4280 890-1	1			LINK, Handle to Latch
3					CYLINDER w/KEY (Refer to 23D)
4	4280 894-5	1			LINK, Cylinder to Latch
5					Lever, Cylinder to Latch (Serv. in Item #3)
6		1			RETAINER, Lock Cylinder (Refer to 23D)
7		2			SCREW (DNS)
8	6031 029	2			NUT w/WASHER
9	4336 200-1	1			BRACKET w/INSULATOR, Exterior Handle
10	4280 904-5	1			LINK w/SLEEVE, Latch Locking
11	4280 908-9	1			LINK w/SLEEVE, Latch Locking
12					LATCH, Front Door
	4336 378	1			Right
	4336 377	1			Left
	4310 543	2			STRIKER, Latch
13		AR			SCREW (DNS)
14	4280 924	2			LINK, Power Locking
15	4184 244	2			CLIP
16	4310 739	2			SOLENOID, Door Lock
17					BUMPER, Glass Downstop
	3759 566	2			Up to 6-10-85
	4396 189	2			After 6-10-85
18	6031 115	AR			RIVET
19	4310 150-1	1			CHANNEL w/BRACKET, Glass Run, Front
20	4365 036-7	1			RETAINER w/BRACKET, Glass Run Lower Rear
	4310 768-9	1			RETAINER, Glass Run Upper Rear
	4206 246	2			BUMPER, Glass Run Rear Retainer Lower Support
21	4310 576-7	1			MOTOR w/MECHANISM, Electric Window
	4310 572-3	1			BRACKET, Motor Mtg.

MODEL CODES

B = GRAN FURY	E = 600	M = HORIZON/TURISMO
C = LE BARON/TOWN & COUNTRY/LIMO	F = FIFTH AVENUE/NEWPORT	P = RELIANT
C24 = LASER	G = DIPLOMAT	T = NEW YORKER
C44 = LE BARON/GTS	H = VOYAGER	V = 600
D = ARIES	J = CARAVELLE	V24 = DAYTONA
D44 = LANCER	K = MINI VAN/CARAVAN/ROYAL	Z = OMNI/CHARGER

BODY STYLES

21 = 2-DOOR SEDAN	35 = FWD VAN	44 = 4-DOOR HATCHBACK
22 = 2-DOOR SPECIAL COUPE	36 = FWD WAGON	45 = 4-DOOR STATION WAGON
24 = 2-DOOR HATCHBACK	41 = 4-DOOR SEDAN	49 = LIMOUSINE
27 = 2-DOOR CONVERTIBLE		

AR = Use as Required - = Non Illustrated Part P.A.R. = Paint as Required

DOOR, REAR SHELL, HANDLES, GLASS AND CONTROLS D,C 44
Figure 23C-2800

ITEM	PART NUMBER	QTY	BODY	MODEL	DESCRIPTION
1	4280 900-1	1			LINK, Exterior Handle Latch
2	4419 010-1	1			HANDLE and BRACKET, Exterior
3	4339 368-9	1			BRACKET w/INSULATOR, Exterior Handle
4	6500 284	4			NUT w/WASHER, Exterior Handle Mtg.
5		2			SCREW (DNS)
6					CHANNEL ASSEMBLY, Division
	4310 214-5	1			Clear
	4310 746-7	1			Tinted
7	6100 566	2			SCREW
8	4310 798-9	1			HOUSING, Remote Control
9	4310 800	2			BEZEL, Remote Control
10	6031 115	AR			RIVET
11	3882 768	2			SPACER, Window Regulator Handle
12	6027 221	2			SCREW
13	4310 824	2			HANDLE, Window Regulator
14					REGULATOR, Window
	4310 206	2			Manual
	4336 542-3	1			Electric
	4419 025	AR			FLEX RACK, Electric Regulator
	4310 954-5	1			ARM, Electric Window Regulator
	4310 642-3	1			MOTOR w/MECHANISM, Electric Window Regulator
	4310 646-7	1			BRACKET, Motor and Track Mtg.
15	4310 588-9	1			BRACKET, Glass Downstop
16	4184 575	2			BUMPER, Glass Regulator Stop
17	6100 566	2			SCREW
18	4310 670-1	1			BRACKET, Division Bar Lower
19	6100 041	2			U/NUT
20	6501 013	2			SCREW
21	4184 105	AR			SPACER, Striker
22	4310 543	2			STRIKER, Latch
23	4280 727	2			PIN, Hinge
24	4310 182	2			HINGE, Body Half, Lower
	4310 933	2			Upper
25	4310 181	2			HINGE, Door Half, Upper
	4310 188	2			Lower
26	6500 354	2			SCREW, Hinge
27	4310 739	2			SOLENOID, Door Lock

MODEL CODES

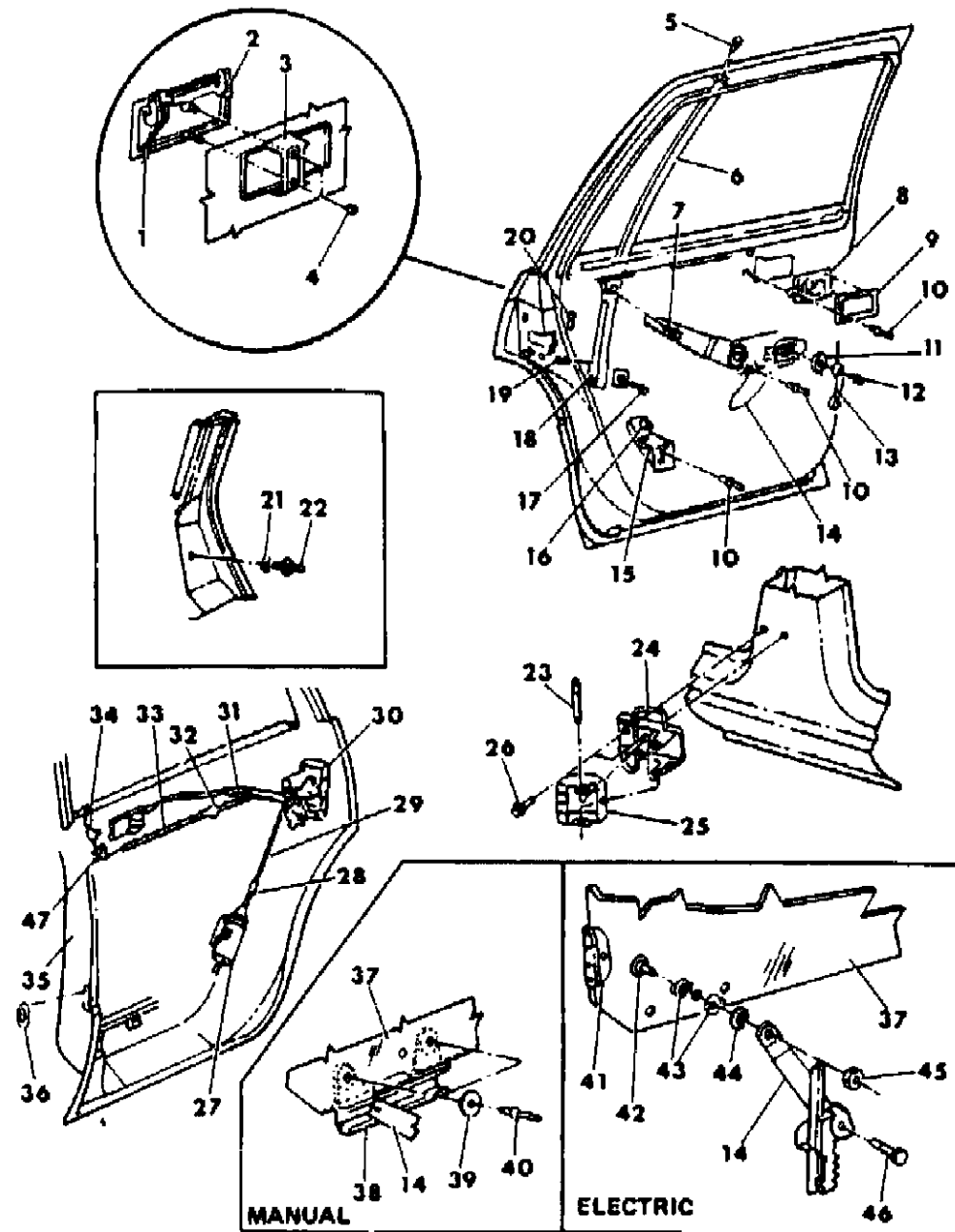
B = GRAN FURY	E = 600	M = HORIZON/TURISMO
C = LE BARON/TOWN & COUNTRY/LIMO	F = FIFTH AVENUE/NEWPORT	P = RELIANT
C24 = LASER	G = DIPLOMAT	T = NEW YORKER
C44 = LE BARON/GTS	H = VOYAGER	V = 600
D = ARIES	J = CARAVELLE	V24 = DAYTONA
D44 = LANCER	K = MINI VAN/CARAVAN/ROYAL	Z = OMNI/CHARGER

BODY STYLES

21 = 2-DOOR SEDAN	35 = FWD VAN	44 = 4-DOOR HATCHBACK
22 = 2-DOOR SPECIAL COUPE	36 = FWD WAGON	45 = 4-DOOR STATION WAGON
24 = 2-DOOR HATCHBACK	41 = 4-DOOR SEDAN	49 = LIMOUSINE
27 = 2-DOOR CONVERTIBLE		

AR = Use as Required - = Non Illustrated Part P.A.R. = Paint as Required

5171 2600



DOOR, REAR SHELL, HANDLES, GLASS AND CONTROLS D,C 44
Figure 23C-2800

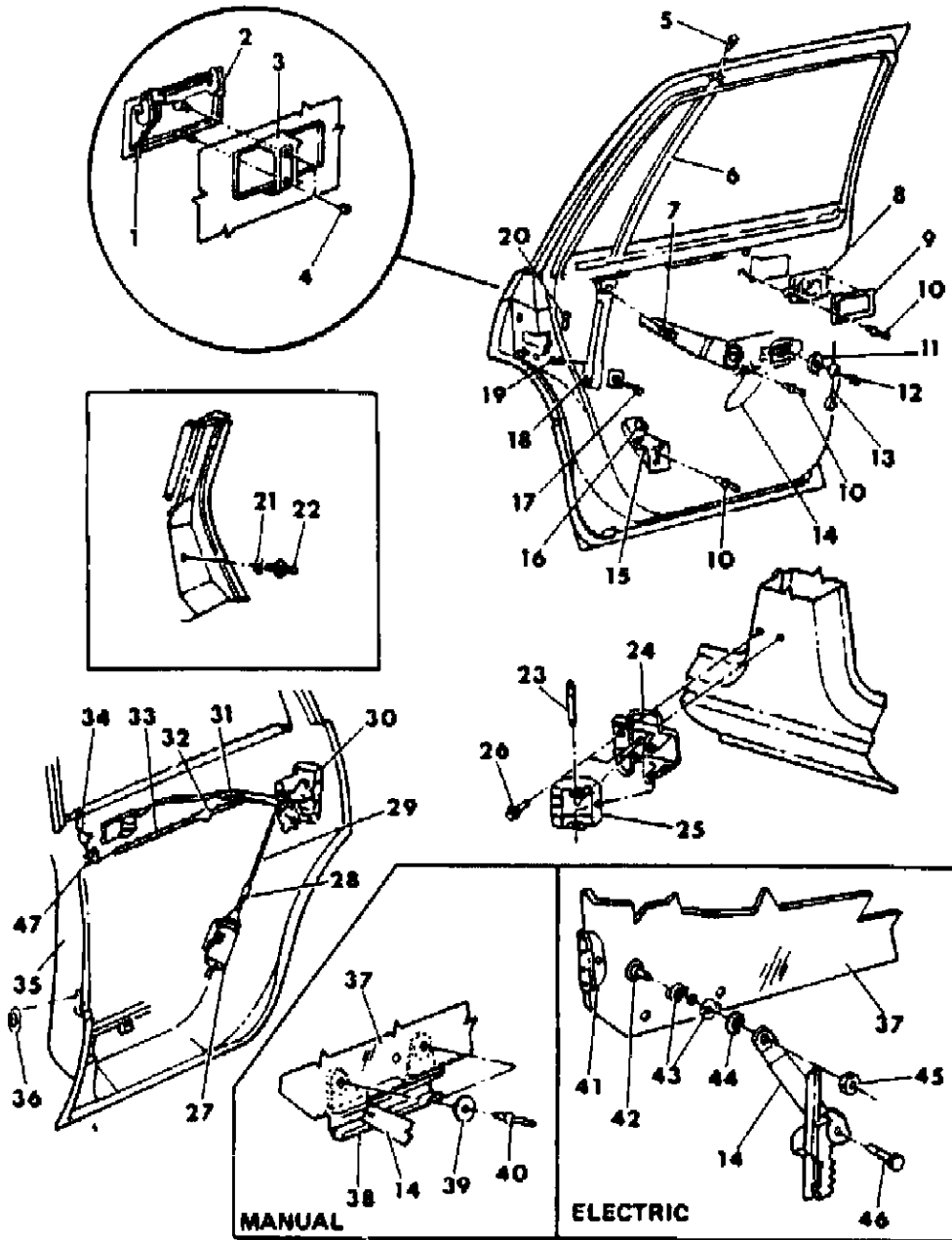
ITEM	PART NUMBER	QTY	BODY	MODEL	DESCRIPTION
28	4184 172	2			CLIP
29	4280 926	2			LINK, Electric Locking
30	4336 380-1	1			LATCH, Door
31	4280 916-7	1			LINK w/SLEEVE, Remote Control Latch
32	4365 384-5	1			LINK w/SLEEVE, Latch Locking
33	3882 620	2			CLIP, Anti Rattle
34					KNOB, Locking
	D439 DA3	2			Silver
	D439 DM6	2			Red
	D439 DT3	2			Brown
	D439 DX9	2			Black
					BEZEL, Locking Knob
	D444 DA3	2			Silver
	D444 DM6	2			Red
	D444 DT3	2			Brown
	D444 DX9	2			Black
35	4336 548-9	1			DOOR SHELL
	4280 674-5	1			PANEL, Repair
36	6031 488	2			PLUG
37					GLASS, Movable
	4280 684-5	1			Clear
	4280 686-7	1			Tinted
38	4310 216	2			CHANNEL, Glass Lift
39-40	4365 679	2			GLASS ATTACHING PACKAGE
39	4310 149	2			GASKET
40		2			RIVET, Serviced in Package
41	4310 146	2			SLIDE, Glass, Rear Edge
42	4267 907	2			WASHER w/STUD
43	5231 769	2			GASKET, Glass Insulator
44	6028 587	2			TEE NUT
45	6032 125	1			NUT, Sleeve
46	6500 617	1			BOLT
47	4336 824-5	1			LEVER, Latch Locking

MODEL CODES
 B = GRAN FURY
 C = LE BARON/TOWN & COUNTRY/LIMO
 C24 = LASER
 C44 = LE BARON/GTS
 D = ARIES
 D44 = LANCER
 E = 600
 F = FIFTH AVENUE/NEWPORT
 G = DIPLOMAT
 H = VOYAGER
 J = CARAVELLE
 K = MINI VAN/CARAVAN/ROYAL
 M = HORIZON/TURISMO
 P = RELIANT
 T = NEW YORKER
 V = 600
 V24 = DAYTONA
 Z = OMNI/CHARGER

BODY STYLES
 21 = 2-DOOR SEDAN
 22 = 2-DOOR SPECIAL COUPE
 24 = 2-DOOR HATCHBACK
 27 = 2-DOOR CONVERTIBLE
 35 = FWD VAN
 36 = FWD WAGON
 41 = 4-DOOR SEDAN
 44 = 4-DOOR HATCHBACK
 45 = 4-DOOR STATION WAGON
 49 = LIMOUSINE

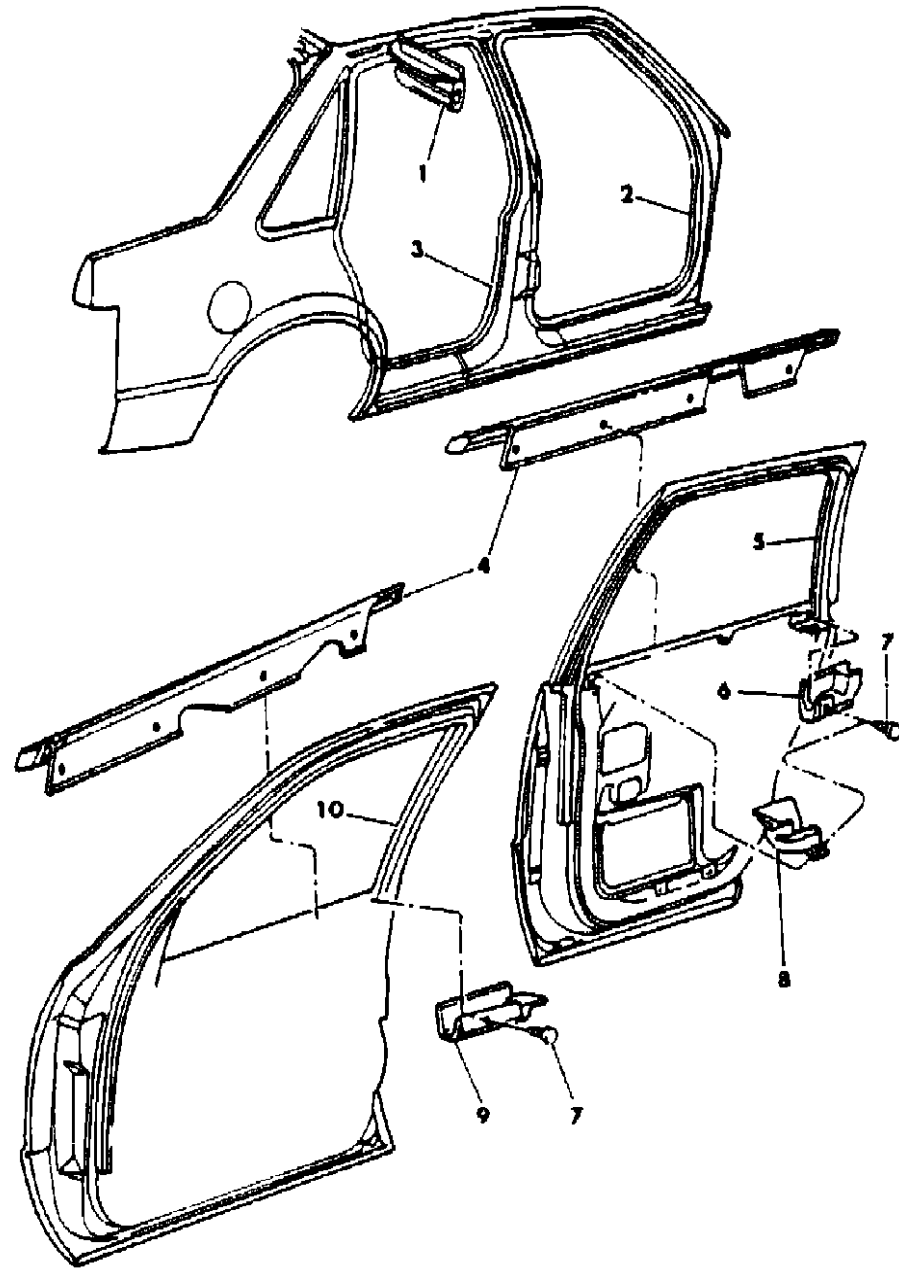
AR = Use as Required - = Non Illustrated Part P.A.R. = Paint as Required

5171 2600



DOOR, FRONT AND REAR WEATHERSTRIPS AND RUNS D,C 44
Figure 23C-2900

5171 2900



ITEM	PART NUMBER	QTY	BODY	MODEL	DESCRIPTION
1	4310 118-9	1			WEATHERSTRIP, Front and Rear Door Opening, Drip
2	4310 924-5	1			WEATHERSTRIP, Front Door Opening
3	4310 926-7	1			WEATHERSTRIP, Rear Door Opening
4					MOULDING, Refer to 23 Ext.
5	4310 134-5	1			RUN, Rear Door Glass
6	4310 142-3	1			SEAL, Rear Door Belt, Rear End
7	4280 811	4			RETAINER
8	4310 140-1	1			SEAL, Rear Door Belt, Front End
9	4310 126-7	1			SEAL, Front Door Belt, Rear End
	4310 124-5	1			SEAL, Front Door Belt, Front End
10	4310 108-9	1			RUN, Front Door Glass

MODEL CODES

B = GRAN FURY	E = 600	M = HORIZON/TURISMO
C = LE BARON/TOWN & COUNTRY/LIMO	F = FIFTH AVENUE/NEWPORT	P = RELIANT
C24 = LASER	G = DIPLOMAT	T = NEW YORKER
C44 = LE BARON/GTS	H = VOYAGER	V = 600
D = ARIES	J = CARAVELLE	V24 = DAYTONA
D44 = LANCER	K = MINI VAN/CARAVAN/ROYAL	Z = OMNI/CHARGER

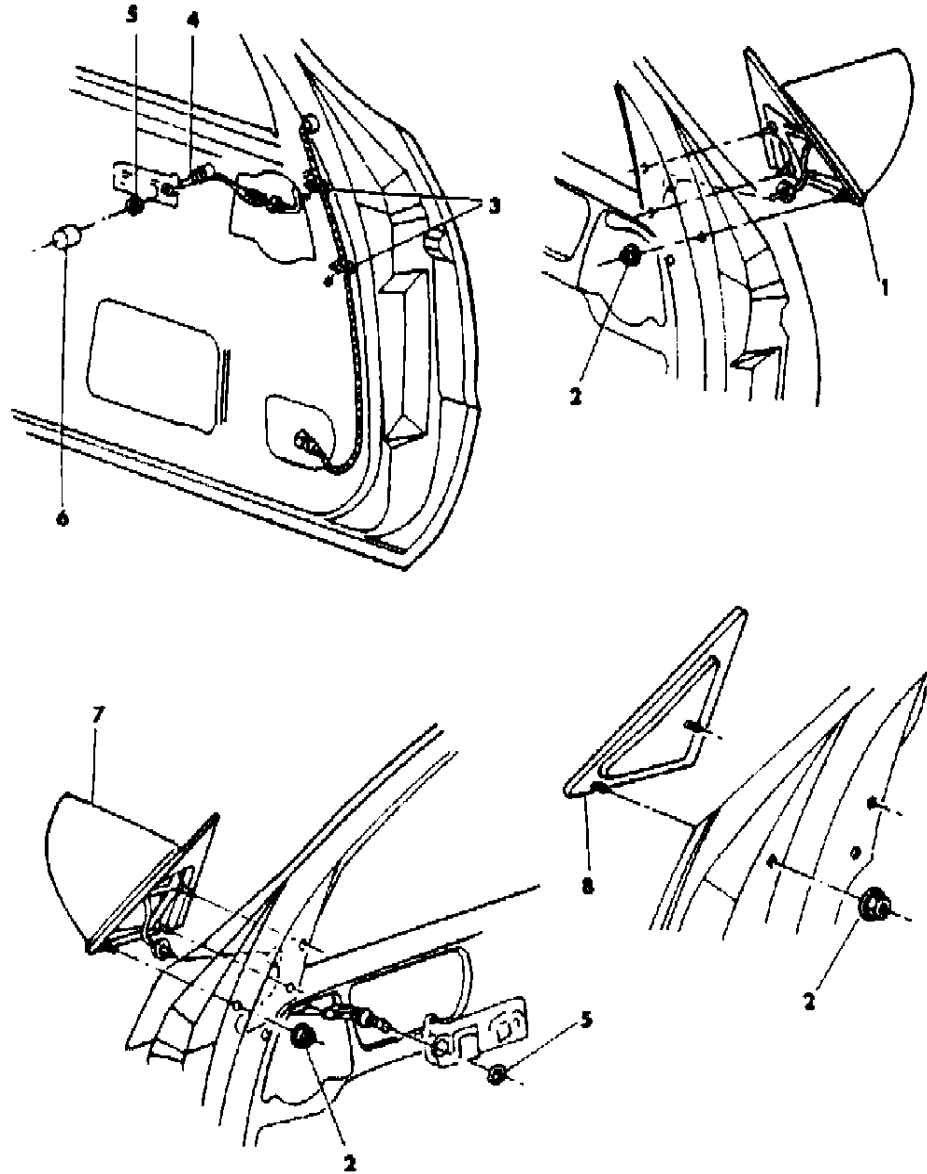
BODY STYLES

21 = 2-DOOR SEDAN	35 = FWD VAN	44 = 4-DOOR HATCHBACK
22 = 2-DOOR SPECIAL COUPE	36 = FWD WAGON	45 = 4-DOOR STATION WAGON
24 = 2-DOOR HATCHBACK	41 = 4-DOOR SEDAN	49 = LIMOUSINE
27 = 2-DOOR CONVERTIBLE		

AR = Use as Required - = Non Illustrated Part P.A.R. = Paint as Required

MIRRORS, EXTERIOR D,C 44
Figure 23C-3000

5771 3000



ITEM	PART NUMBER	QTY	BODY	MODEL	DESCRIPTION
1	4339 314-5	1			MIRROR PACKAGE, Electric
2	6100 044	AR			NUT w/WASHER, Mirror Att.
3	6016 123	4			CLIP, Electric Mirror Att.
4		1			SWITCH, Electric Mirror Control (Refer to Group 8)
5	4299 281	1			NUT
6	4221 622	1			KNOB, Electric Mirror Control
7	4339 316-7	1			MIRROR PACKAGE, Remote Control
8	4299 260	1			BEZEL, Mirror, Right
	4299 370	1			SEAL, Bezel, Right
	4339 320-1	1			GLASS REPLACEMENT PACKAGE

MODEL CODES

B = GRAN FURY	E = 600	M = HORIZON/TURISMO
C = LE BARON/TOWN & COUNTRY/LIMO	F = FIFTH AVENUE/NEWPORT	P = RELIANT
C24 = LASER	G = DIPLOMAT	T = NEW YORKER
C44 = LE BARON/GTS	H = VOYAGER	V = 600
D = ARIES	J = CARAVELLE	V24 = DAYTONA
D44 = LANCER	K = MINI VAN/CARAVAN/ROYAL	Z = OMNI/CHARGER

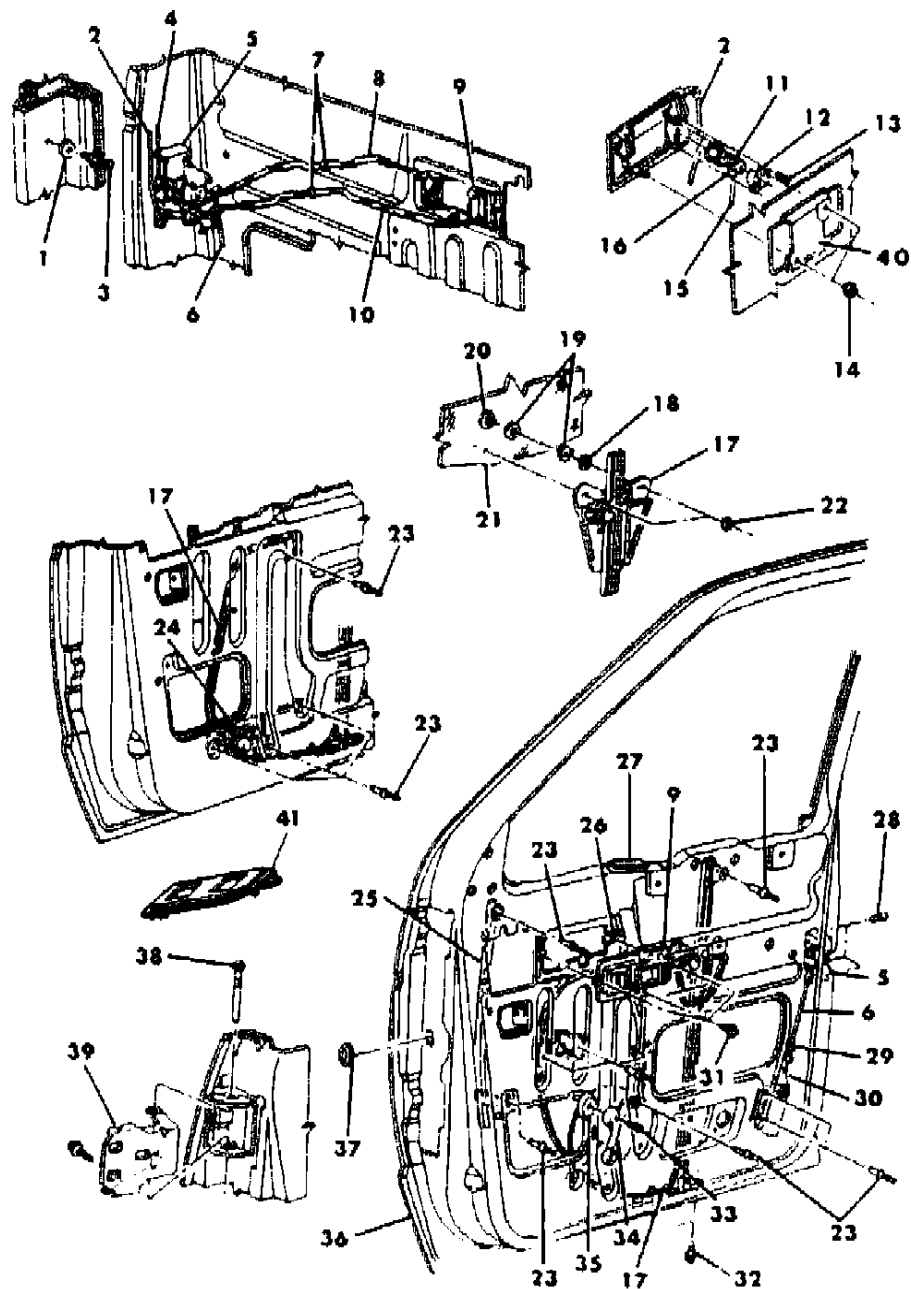
BODY STYLES

21 = 2-DOOR SEDAN	35 = FWD VAN	44 = 4-DOOR HATCHBACK
22 = 2-DOOR SPECIAL COUPE	36 = FWD WAGON	45 = 4-DOOR STATION WAGON
24 = 2-DOOR HATCHBACK	41 = 4-DOOR SEDAN	49 = LIMOUSINE
27 = 2-DOOR CONVERTIBLE		

AR = Use as Required - = Non Illustrated Part P.A.R. = Paint as Required

DOOR, FRONT COMPLETE LESS WEATHERSTRIPS AND RUNS H,K
Figure 23C-3100

51713100



ITEM	PART NUMBER	QTY	BODY	MODEL	DESCRIPTION
1	4184 105	AR			SPACER, Striker
2	4336 236-7	1			HANDLE, Exterior Door
	4336 222	2			STRAP, Exterior Handle Housing
	4280 506-7	1			LINK, Handle to Latch
3	4310 543	2			STRIKER, Latch
4	4280 508-9	1			LINK, Key Cylinder to Latch
	4336 378	1			LATCH, Door Non Override, Right
	4336 377	1			Override, Left
6	4280 332	2			LINK, Solenoid to Latch
	3882 620	4			CLIP, Anti Rattle
8	4280 322-3	1			LINK w/SLEEVE, Remote Control to Latch Up to 9-10-84
	4365 388-9	1			After 9-10-84
9	4336 332-3	1			HOUSING, Remote Control
	4184 790	2			BEZEL, Remote Control
10	4280 326-7	1			LINK w/SLEEVE, Latch Locking Up to 9-10-84
	4365 392-3	1			After 9-10-84
		2			CYLINDER w/KEY, Refer to 23D
12		2			RETAINER, Cylinder (Refer to 23D)
13		4			SCREW (DNS)
14	6031 029	4			NUT w/WASHER
15	4280 508-9	1			LINK, Cylinder to Latch
16	3760 130-1	1			CLIP, Cylinder to Link
17	4280 280-1	1			REGULATOR, Window Manual, w/Lift Plate
	4310 444-5	1			Electric
	4280 524-5	1			LIFT PLATE, Window Regulator
	4310 804	2			SPRING, Manual Window Regulator
18	6028 587	4			TEENUT
19	5231 769	8			GASKET
20		4			WASHER w/STUD (DNS)
21	4280 046-7	1			GLASS, Door
	4365 683	1			DECAL, Seat Belt Safety
	4310 996-7	1			UPSTOP, Glass
	3759 944	6			RETAINER, Upstop

MODEL CODES

B = GRAN FURY	E = 600	M = HORIZON/TURISMO
C = LE BARON/TOWN & COUNTRY/LIMO	F = FIFTH AVENUE/NEWPORT	P = RELIANT
C24 = LASER	G = DIPLOMAT	T = NEW YORKER
C44 = LE BARON/GTS	H = VOYAGER	V = 600
D = ARIES	J = CARAVELLE	V24 = DAYTONA
D44 = LANCER	K = MINI VAN/CARAVAN/ROYAL	Z = OMNI/CHARGER

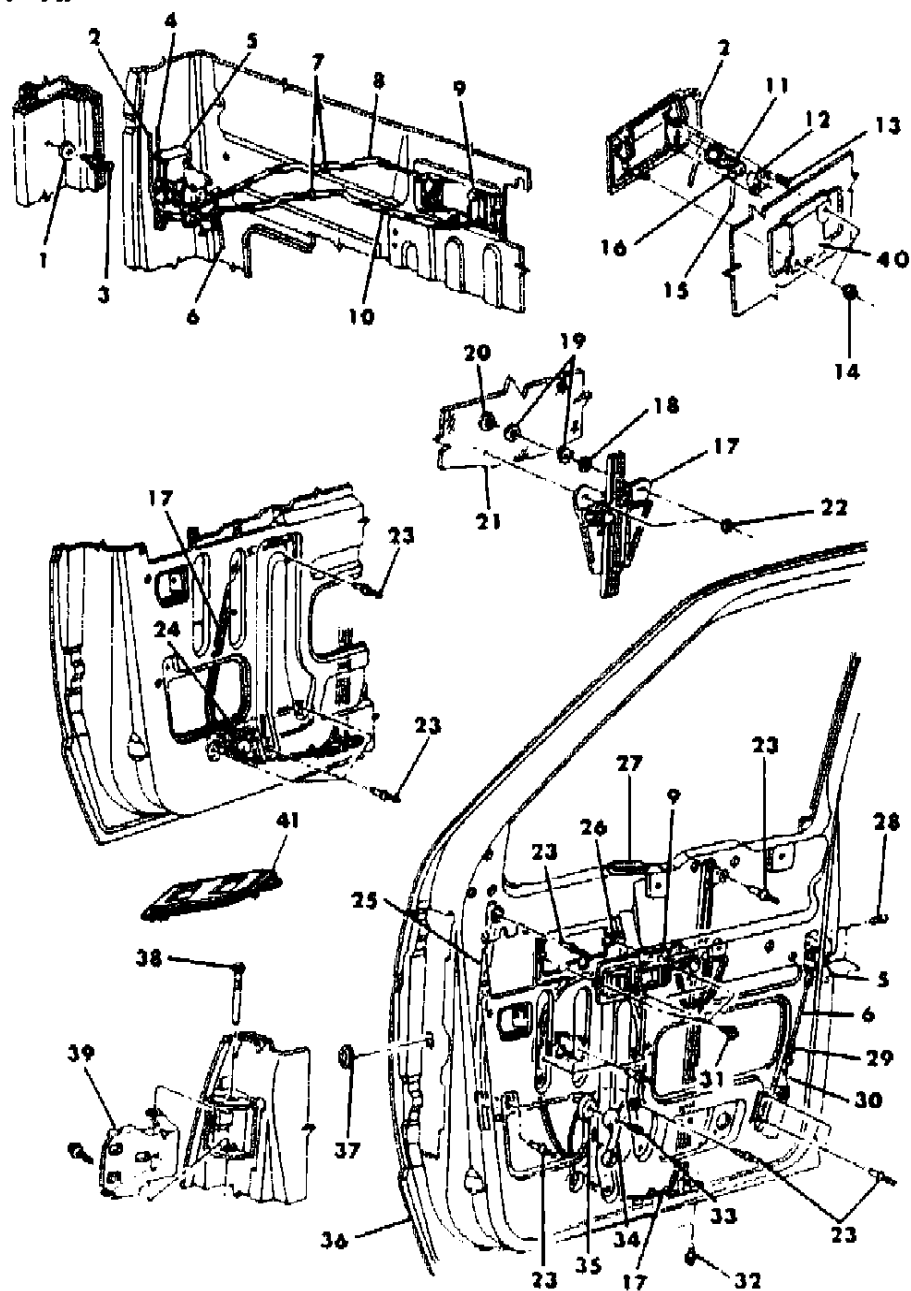
BODY STYLES

21 = 2-DOOR SEDAN	35 = FWD VAN	44 = 4-DOOR HATCHBACK
22 = 2-DOOR SPECIAL COUPE	36 = FWD WAGON	45 = 4-DOOR STATION WAGON
24 = 2-DOOR HATCHBACK	41 = 4-DOOR SEDAN	49 = LIMOUSINE
27 = 2-DOOR CONVERTIBLE		

AR = Use as Required - = Non Illustrated Part P.A.R. = Paint as Required

DOOR, FRONT COMPLETE LESS WEATHERSTRIPS AND RUNS H,K
Figure 23C-3100

51713100



ITEM	PART NUMBER	QTY	BODY	MODEL	DESCRIPTION
22		4			NUT w/WASHER (DNS)
23	6031 115	AR			RIVET
24	4310 942-3	1			MOTOR w/MECHANISM, Electric Window Regulator
25	4512 992-3	1			CHANNEL, w/Bracket
	6501 350	AR			SCREW, Channel Att.
26		6			NUT (DNS)
27	4336 076	2			BUMPER, Glass Anti Rattle
28		6			SCREW (DNS)
29	4184 244-5	1			CLIP, Electric Locking Link Att.
30	4310 740	2			SOLENOID, Power Door Lock
31		3			SCREW w/WASHER (DNS)
32	6100 566	4			SCREW w/WASHER
33	6031 644	2			SCREW, Window Regulator Handle
34	4310 824	2			HANDLE, Window Regulator
35					SPACER, Window Regulator Handle
	3882 767	2			w/Carpeted Panel
	3882 768	2			w/o Carpeted Panel
36	4397 490-1	1			DOOR SHELL
	4310 986-7	1			PANEL, Repair
37	6031 488	2			PLUG
38	4280 727	4			PIN, Hinge
39					HINGE, Body Half
	4280 731	2			Upper
	4280 723	2			Lower
					HINGE, Door Half
	4280 730	2			Upper
	4280 720	2			Lower
	4336 288	AR			SHIM, Hinge
40	4336 536-7	1			BRACKET w/INSULATOR, Exterior Handle
41	4248 192-3	1			BEZEL, Window Lift and Door Lock Switch
	4248 194-5	1			Door Lock
	4247 211	4			RETAINER, Armrest Switch Bezel

MODEL CODES

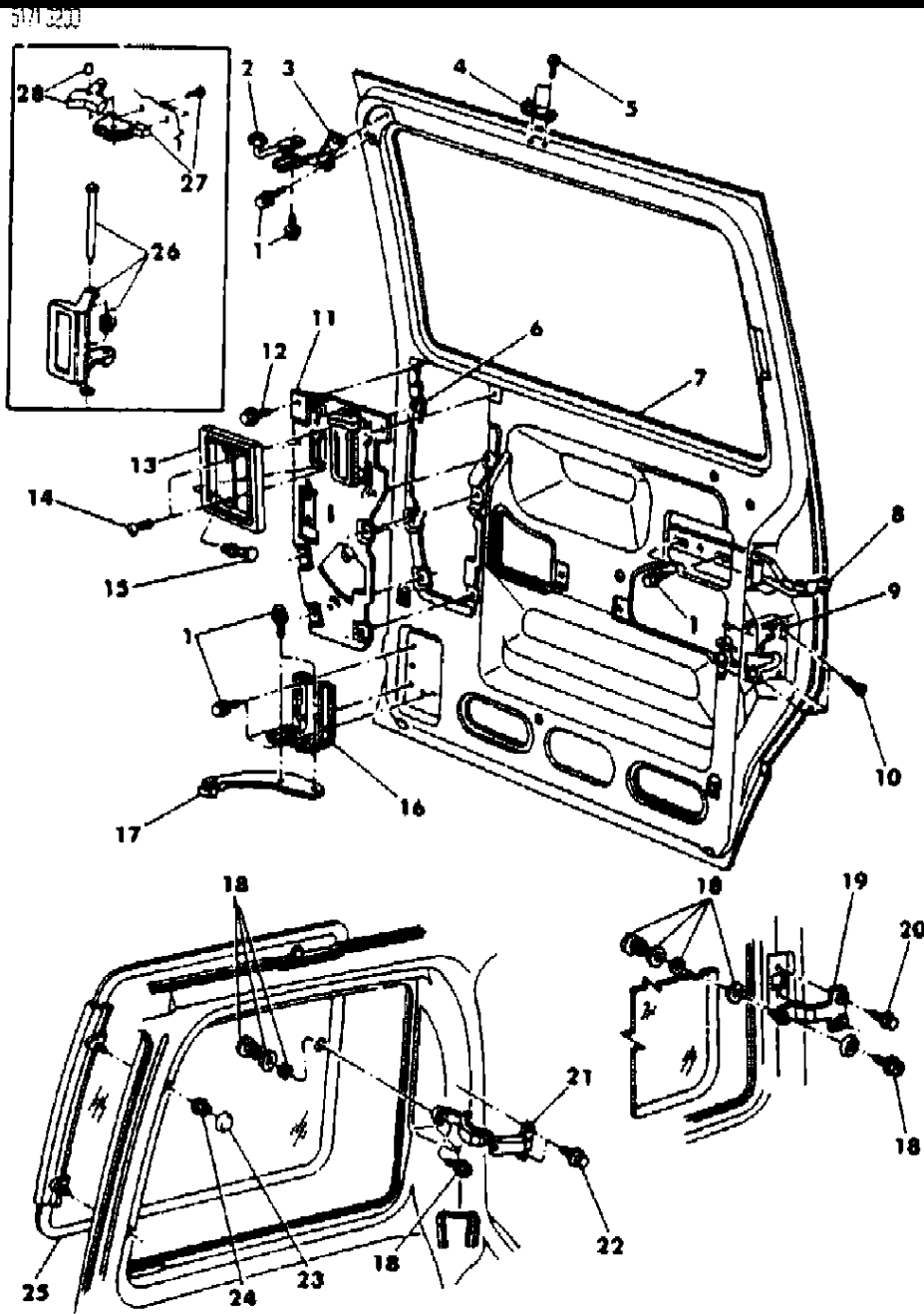
B = GRAN FURY	E = 600	M = HORIZON/TURISMO
C = LE BARON/TOWN & COUNTRY/LIMO	F = FIFTH AVENUE/NEWPORT	P = RELIANT
C24 = LASER	G = DIPLOMAT	T = NEW YORKER
C44 = LE BARON/GTS	H = VOYAGER	V = 600
D = ARIES	J = CARAVELLE	V24 = DAYTONA
D44 = LANCER	K = MINI VAN/CARAVAN/ROYAL	Z = OMNI/CHARGER

BODY STYLES

21 = 2-DOOR SEDAN	35 = FWD VAN	44 = 4-DOOR HATCHBACK
22 = 2-DOOR SPECIAL COUPE	36 = FWD WAGON	45 = 4-DOOR STATION WAGON
24 = 2-DOOR HATCHBACK	41 = 4-DOOR SEDAN	49 = LIMOUSINE
27 = 2-DOOR CONVERTIBLE		

AR = Use as Required - = Non Illustrated Part P.A.R. = Paint as Required

DOOR, SLIDING SHELL, GLASS AND CONTROLS H,K
Figure 23C-3200



ITEM	PART NUMBER	QTY	BODY	MODEL	DESCRIPTION
1		AR			SCREW w/WASHER (DNS)
2	4336 608	1			ROLLER, Hinge, Upper
3	4280 476	1			BRACKET, Upper Hinge
4	4310 735	1			WEDGE, Stabilizer
5		2			SCREW (DNS)
6	6101 308	8			U/NUT
7					DOOR SHELL
	4365 354	1			w/o Window
	4325 292	1			w/Window, Up to 8-1-84
	4365 352	1			w/Window, After 8-1-84
	4365 362	1			PANEL, Repair, w/o Window
	4365 360	1			w/Window
	4396 061	1			STRIP, Door Edge Protector
8	4336 607	1			HINGE, Center
					BUSHING, Center Hinge (Serviced in Item #8)
	6028 993	1			PIN, Center Hinge
	6028 674	4			SCREW, Handle
9	4336 402	1			LATCH, Remote Control
					LINK, Latch Locking Control Lever to Adjusting Lever
	4310 947	1			Up to 11-1-84
	4365 270	1			After 11-1-84
10		3			SCREW (DNS)
11					CONTROL, Remote and Locking
	4336 073	1			Up to 11-1-84
	4365 701	1			After 11-1-84
	6026 625	4			SCREW, Adjusting
12	6100 276	8			SCREW w/WASHER
13	4280 631	1		L, Van	BEZEL, Remote Control
	4280 632	1		L, Wagon	
	4280 633	1		H, P	
14	0152 748	2			SCREW
15	F155 CX9	1			FASTENER, Remote Control Bezel
16	4280 482	1			SUPPORT, Door to Hinge Mtg.
17					HINGE, Body Half, Lower
	4336 126	1			Up to 11-19-84
	4336 611	1			After 11-19-84
18					ATTACHING PACKAGE, Vent and Stationary Glass

MODEL CODES

B = GRAN FURY	E = 600	M = HORIZON/TURISMO
C = LE BARON/TOWN & COUNTRY/LIMO	F = FIFTH AVENUE/NEWPORT	P = RELIANT
C24 = LASER	G = DIPLOMAT	T = NEW YORKER
C44 = LE BARON/GTS	H = VOYAGER	V = 600
D = ARIES	J = CARAVELLE	V24 = DAYTONA
D44 = LANCER	K = MINI VAN/CARAVAN/ROYAL	Z = OMNI/CHARGER

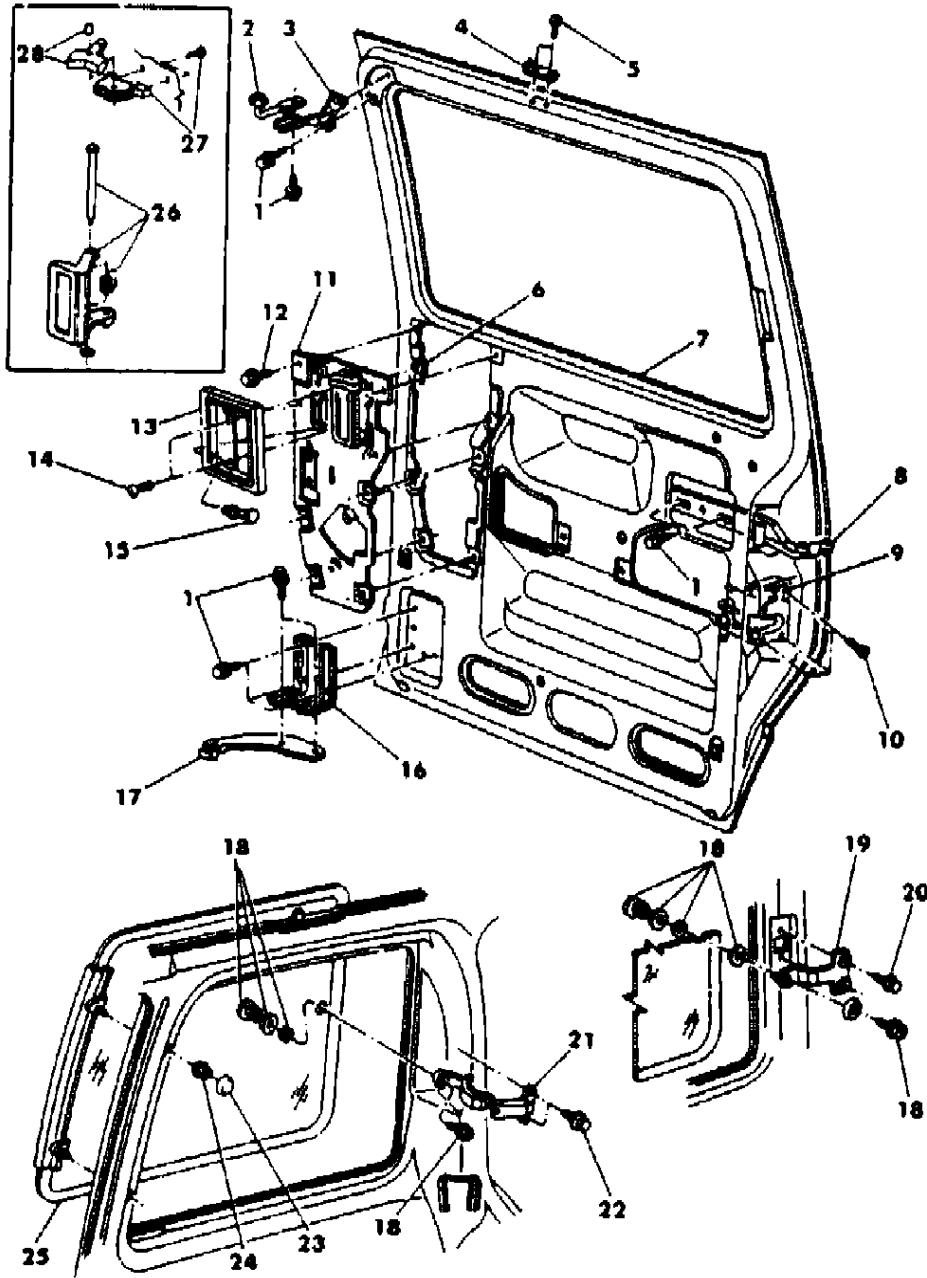
BODY STYLES

21 = 2-DOOR SEDAN	35 = FWD VAN	44 = 4-DOOR HATCHBACK
22 = 2-DOOR SPECIAL COUPE	36 = FWD WAGON	45 = 4-DOOR STATION WAGON
24 = 2-DOOR HATCHBACK	41 = 4-DOOR SEDAN	49 = LIMOUSINE
27 = 2-DOOR CONVERTIBLE		

AR = Use as Required - = Non Illustrated Part P.A.R. = Paint as Required

DOOR, SLIDING SHELL, GLASS AND CONTROLS H,K
Figure 23C-3200

5/7/82



ITEM	PART NUMBER	QTY	BODY	MODEL	DESCRIPTION
	4318 279	1			Up to 9-17-84
	4339 313	1			After 9-17-84
19	4336 305	1			STRAP, Stationary Glass Retention
20	6501 037	2			SCREW w/WASHER
21	4365 799	1			LATCH, Vent Window
	4365 801	1			GASKET, Vent Window Latch
22		2			SCREW w/WASHER (DNS)
23	4184 688	2			PLUG
24	6501 038	2			NUT w/WASHER
25					GLASS, Hinge and Frame
	4336 404	1			Tinted
	4336 406	1			Sunscreen
	4280 961	2			REINFORCEMENT, Hinge and Frame
	4336 474	1			WEATHERSTRIP, Glass
26	4267 929	1			HANDLE PACKAGE, Inside
27	4267 930	1			BLOCK and SCREW PACKAGE, Locking Knob Mtg.
28	4267 928	1			KNOB PACKAGE, Locking
	4280 345	1			LINK, Remote Control Handle to Actuating Lever
	4280 348	1			LINK, Locking Control Lever to Adj. Lever
	4184 244	1			CLIP, Stabilizer Adjusting Lever (Orange)
	4310 737	1			TAPPING PLATE, Wedge

MODEL CODES

B = GRAN FURY	E = 600	M = HORIZON/TURISMO
C = LE BARON/TOWN & COUNTRY/LIMO	F = FIFTH AVENUE/NEWPORT	P = RELIANT
C24 = LASER	G = DIPLOMAT	T = NEW YORKER
C44 = LE BARON/GTS	H = VOYAGER	V = 600
D = ARIES	J = CARAVELLE	V24 = DAYTONA
D44 = LANCER	K = MINI VAN/CARAVAN/ROYAL	Z = OMNI/CHARGER

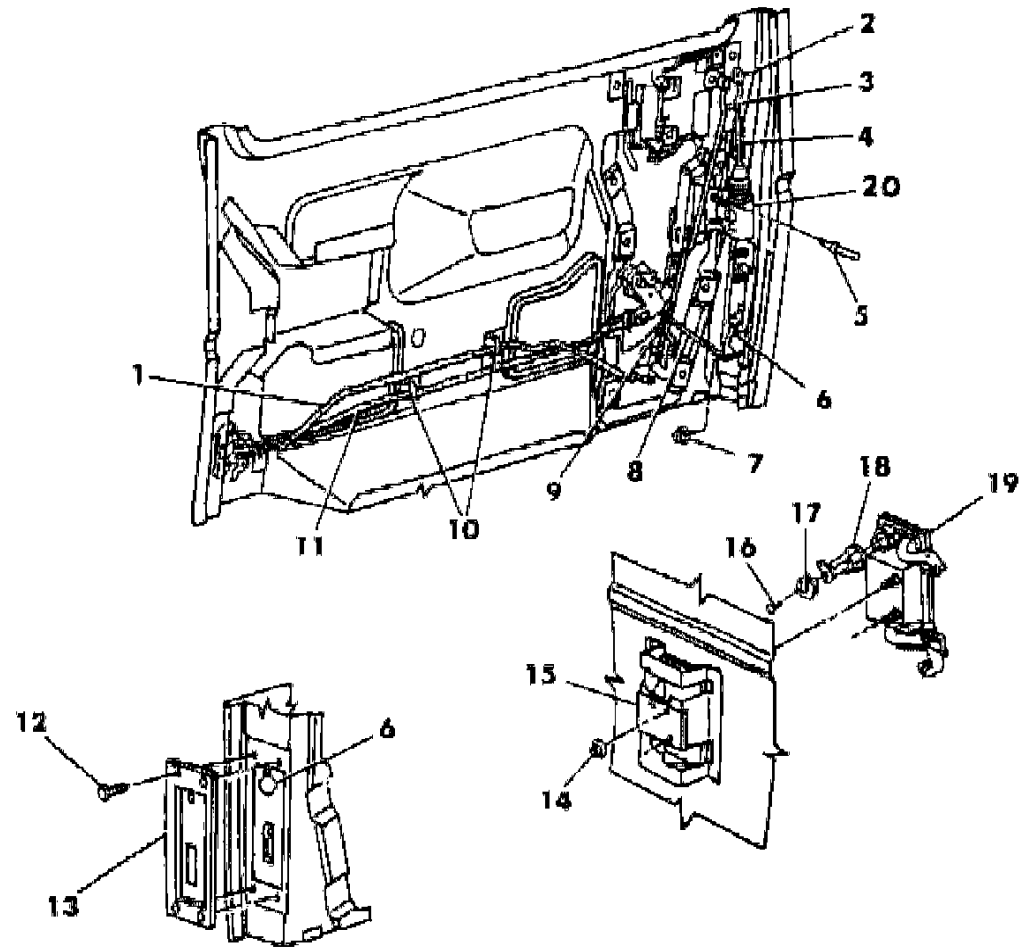
BODY STYLES

21 = 2-DOOR SEDAN	35 = FWD VAN	44 = 4-DOOR HATCHBACK
22 = 2-DOOR SPECIAL COUPE	36 = FWD WAGON	45 = 4-DOOR STATION WAGON
24 = 2-DOOR HATCHBACK	41 = 4-DOOR SEDAN	49 = LIMOUSINE
27 = 2-DOOR CONVERTIBLE		

AR = Use as Required - = Non Illustrated Part P.A.R. = Paint as Required

DOOR, SLIDING HANDLES, CONTROLS AND LOCKS H,K
Figure 23C-3300

5171 3300



ITEM	PART NUMBER	QTY	BODY	MODEL	DESCRIPTION
1					LINK w/SLEEVE, Latch Locking
	4280 765	1			Up to 11-26-84
	4365 616	1			After 11-26-84
2	2945 108	1			CLIP
3	4310 948	1			LINK, Solenoid to Latch Locking Lever
4		1			CLIP, Serviced in Item #5
5	6031 115	1			RIVET
6	4280 769	1			STABILIZER ASSEMBLY
					NUT w/WASHER, Stabilizer Att.
	6100 051	2			Up to 12-3-84
	6501 291	2			After 12-3-84
	4280 593	1			BUMPER, Stabilizer Bracket
7	6100 051	2			NUT
8	4336 798	1			LINK, Stabilizer
9					LINK, Actuator to Lock Cylinder
	4310 969	1			Up to 11-26-84
	4365 267	1			After 11-26-84
10	3882 620	2			CLIP, Anti Rattle
11	4280 352	1			LINK w/SLEEVE, Latch Release
12		4			RETAINER, Serviced in Item #14
13	4280 782	1			SEAL, Stabilizer
	4310 631	4			RETAINER, Stabilizer Seal Att.
14	6500 284	2			NUT
15	4280 661	1			PLATE, Exterior Handle
16		2			SCREW (DNS)
17		1			RETAINER, Lock Cylinder (Refer to 23D)
18		1			CYLINDER w/KEY, Refer to 23D
19					HANDLE, Exterior
	4280 646	1			w/o Key Cylinder
	4280 353	1			w/Key Cylinder
	4280 653	1			GASKET, Exterior Handle
	4280 660	1			BRACKET, Exterior Handle
20	4310 739	1			SOLENOID, Door Lock

MODEL CODES

B = GRAN FURY	E = 600	M = HORIZON/TURISMO
C = LE BARON/TOWN & COUNTRY/LIMO	F = FIFTH AVENUE/NEWPORT	P = RELIANT
C24 = LASER	G = DIPLOMAT	T = NEW YORKER
C44 = LE BARON/GTS	H = VOYAGER	V = 600
D = ARIES	J = CARAVELLE	V24 = DAYTONA
D44 = LANCER	K = MINI VAN/CARAVAN/ROYAL	Z = OMNI/CHARGER

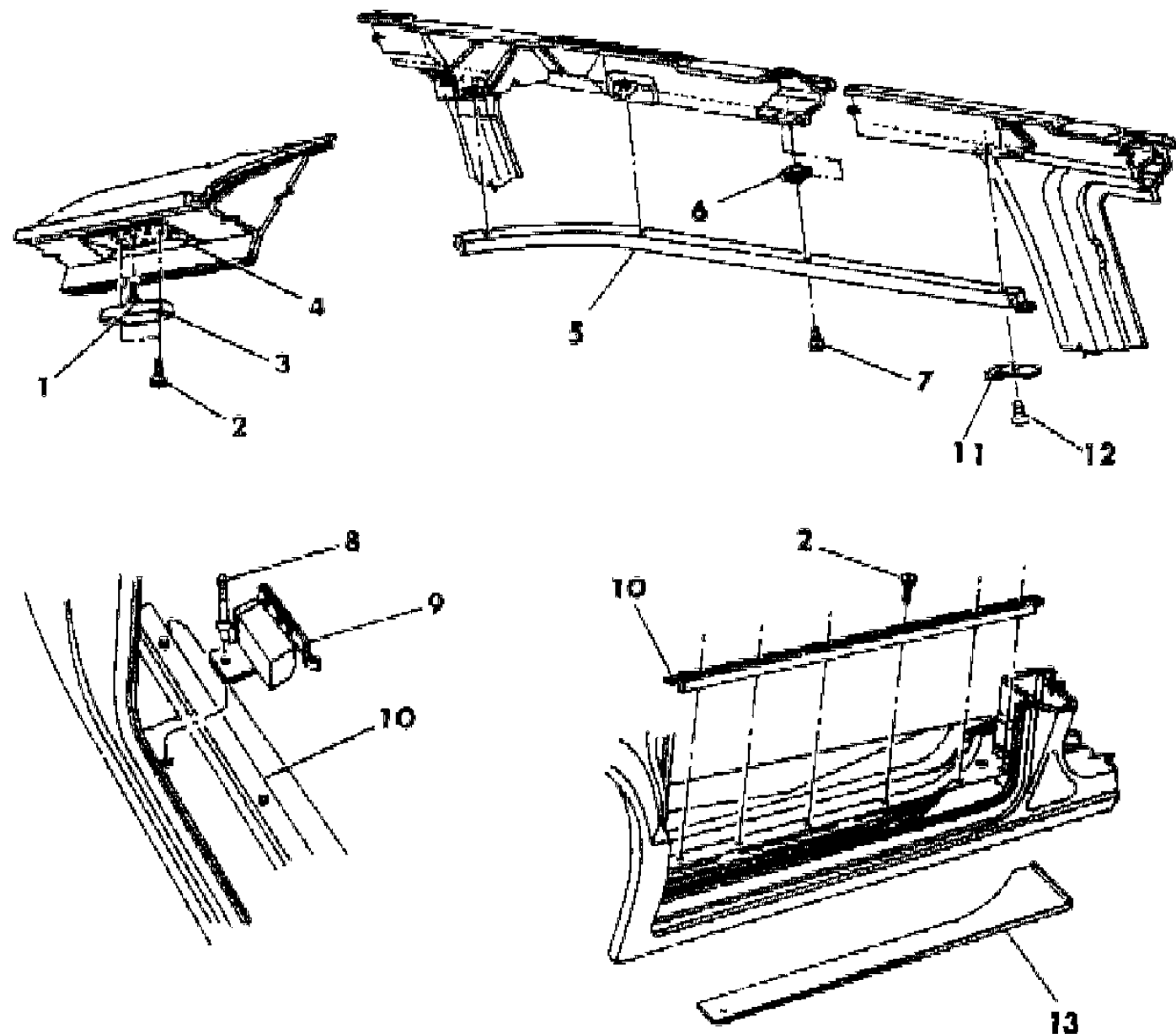
BODY STYLES

21 = 2-DOOR SEDAN	35 = FWD VAN	44 = 4-DOOR HATCHBACK
22 = 2-DOOR SPECIAL COUPE	36 = FWD WAGON	45 = 4-DOOR STATION WAGON
24 = 2-DOOR HATCHBACK	41 = 4-DOOR SEDAN	49 = LIMOUSINE
27 = 2-DOOR CONVERTIBLE		

AR = Use as Required - = Non Illustrated Part P.A.R. = Paint as Required

DOOR, SLIDING TRACK H,K
Figure 23C-3400

5171 3400



ITEM	PART NUMBER	QTY	BODY	MODEL	DESCRIPTION
1	4310 631	1			RETAINER
2		2			SCREW (DNS)
3	4365 836	1			STRIKER, Stabilizer
4	4310 738	1			T/PLATE, Stabilizer Striker
5	4278 070	1			TRACK, Upper
6	6100 041	4			U/NUT
7		4			SCREW (DNS)
8		1			RIVET (DNS)
9	4280 964	1			STOP, Lower Hinge Arm
10	4278 762	1			REINFORCEMENT, Inner Panel
11	4336 568	1			BUMPER, Upper Hinge
12		1			SCREW, Bumper (DNS)
13	4336 250	1			HINGE MAT

MODEL CODES

B = GRAN FURY	E = 600	M = HORIZON/TURISMO
C = LE BARON/TOWN & COUNTRY/LIMO	F = FIFTH AVENUE/NEWPORT	P = RELIANT
C24 = LASER	G = DIPLOMAT	T = NEW YORKER
C44 = LE BARON/GTS	H = VOYAGER	V = 600
D = ARIES	J = CARAVELLE	V24 = DAYTONA
D44 = LANCER	K = MINI VAN/CARAVAN/ROYAL	Z = OMNI/CHARGER

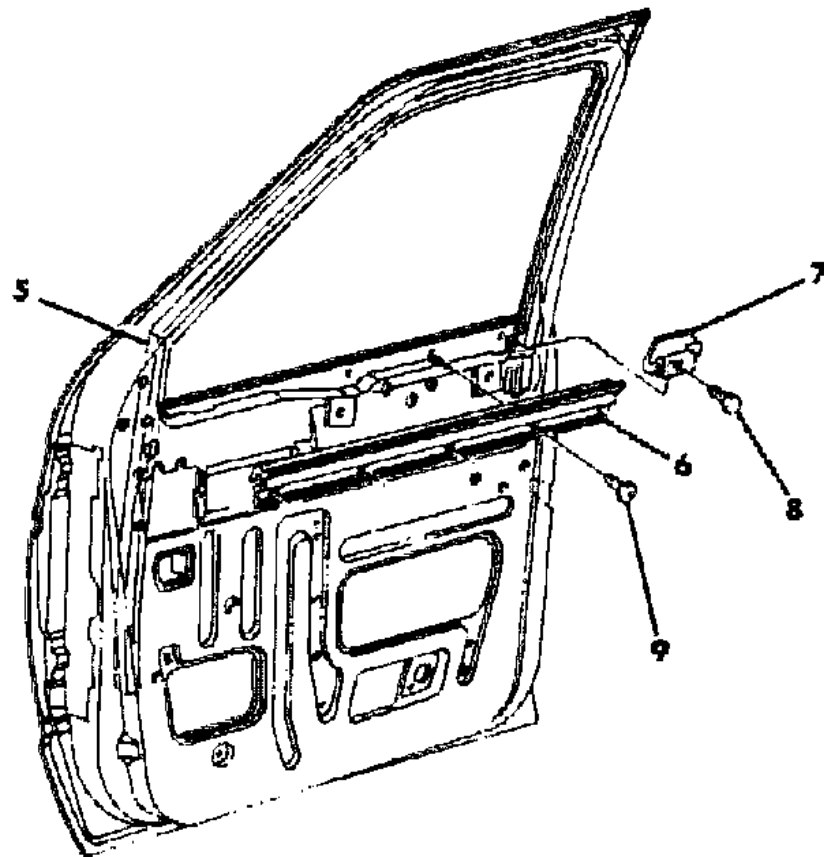
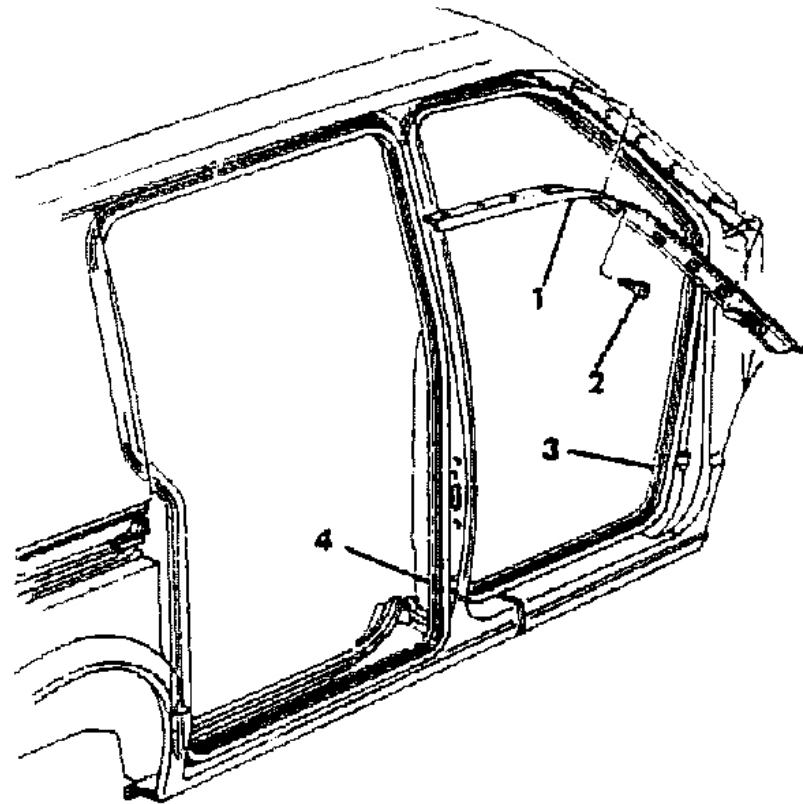
BODY STYLES

21 = 2-DOOR SEDAN	35 = FWD VAN	44 = 4-DOOR HATCHBACK
22 = 2-DOOR SPECIAL COUPE	36 = FWD WAGON	45 = 4-DOOR STATION WAGON
24 = 2-DOOR HATCHBACK	41 = 4-DOOR SEDAN	49 = LIMOUSINE
27 = 2-DOOR CONVERTIBLE		

AR = Use as Required - = Non Illustrated Part P.A.R. = Paint as Required

DOOR, FRONT AND SIDE WEATHERSTRIPS AND RUNS H,K
Figure 23C-3500

5171 3500



ITEM	PART NUMBER	QTY	BODY	MODEL	DESCRIPTION
1	4336 596-7	1			WEATHERSTRIP, Front Pillar to Front Door
2		AR			SCREW (DNS)
3	4336 470-1	1			WEATHERSTRIP, Front Door Opening
4	4336 468	1			WEATHERSTRIP, Sliding Door Opening Up to 8-20-84
	4365 831	1			After 8-20-84
5	4280 036-7	1			RUN, Front Door Glass
6	4319 148-9	1			WEATHERSTRIP, Front Door Exterior Belt
7	4198 910-1	1			SEAL, Front Door Belt, Rear
8	4280 811	2			RETAINER
9		10			SCREW, Belt Weatherstrip (DNS)

MODEL CODES

B = GRAN FURY	E = 600	M = HORIZON/TURISMO
C = LE BARON/TOWN & COUNTRY/LIMO	F = FIFTH AVENUE/NEWPORT	P = RELIANT
C24 = LASER	G = DIPLOMAT	T = NEW YORKER
C44 = LE BARON/GTS	H = VOYAGER	V = 600
D = ARIES	J = CARAVELLE	V24 = DAYTONA
D44 = LANCER	K = MINI VAN/CARAVAN/ROYAL	Z = OMNI/CHARGER

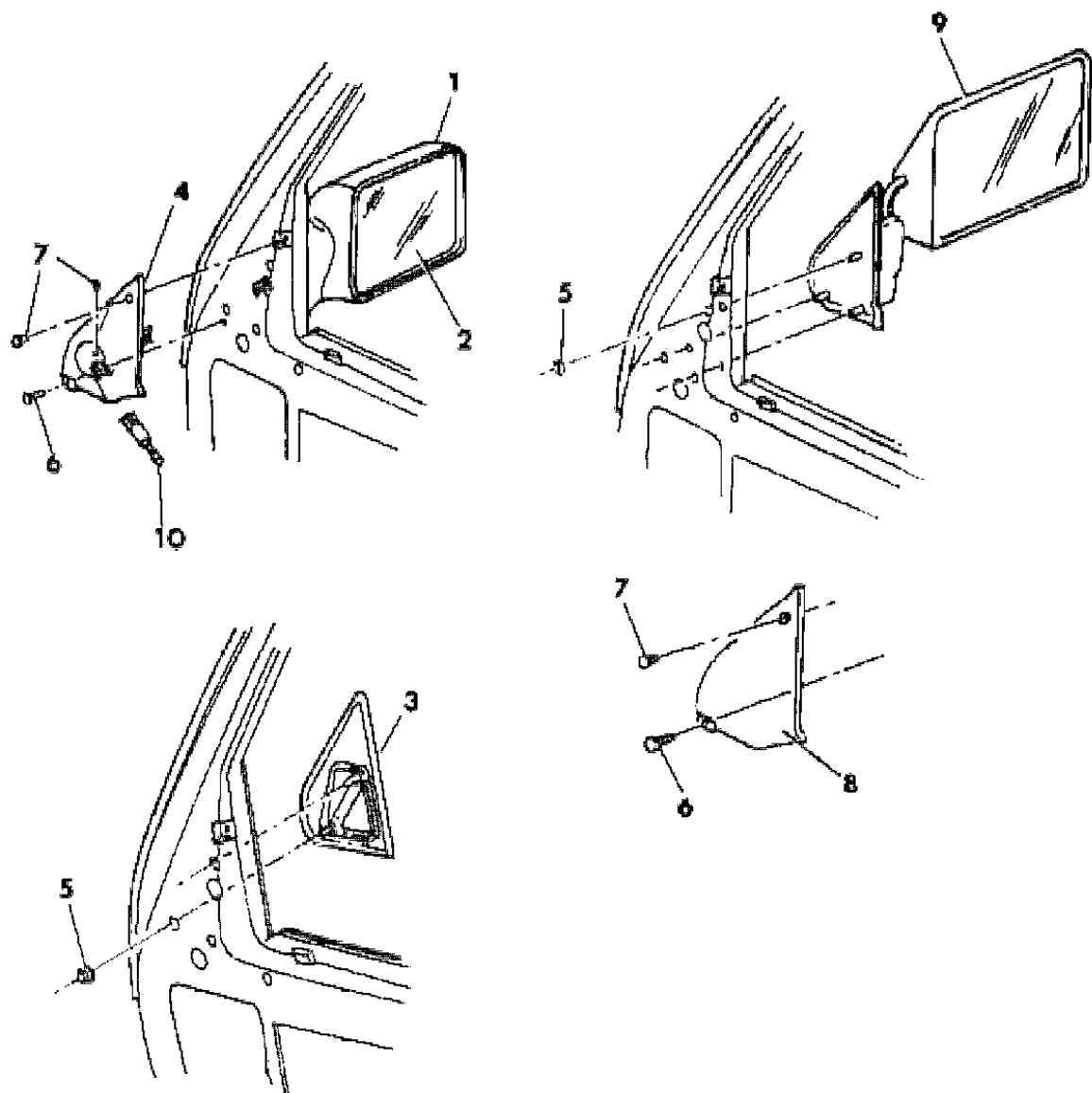
BODY STYLES

21 = 2-DOOR SEDAN	35 = FWD VAN	44 = 4-DOOR HATCHBACK
22 = 2-DOOR SPECIAL COUPE	36 = FWD WAGON	45 = 4-DOOR STATION WAGON
24 = 2-DOOR HATCHBACK	41 = 4-DOOR SEDAN	49 = LIMOUSINE
27 = 2-DOOR CONVERTIBLE		

AR = Use as Required - = Non Illustrated Part P.A.R. = Paint as Required

MIRRORS, EXTERIOR H,K
Figure 23C-3600

5171 3600



ITEM	PART NUMBER	QTY	BODY	MODEL	DESCRIPTION
1					MIRROR PACKAGE
	4318 274-5	1			Remote Control
	4339 318-9	1			Electric
	4299 016-7	1			SEAL, Mirror Flag to Door
2					GLASS, Replacement, Remote Mirror
	4267 932	1			Right
	4267 931	1			Left
3	4299 164	1			BEZEL, Outer Opening, w/o Mirror, Right
4	4299 158-9	1			BEZEL, Inside w/Remote Control Mirror
	4299 159	1			w/Electric Mirrors, Left
	4299 160	1			w/Electric Mirrors, Right
5	6100 044	1			NUT, Mirror Att.
6		AR			SCREW (DNS)
7	F245 CA3	AR			PLUG
8	4299 160-1	1			BEZEL, Inside w/6x9 Mirrors
	4299 160	1			Inside, w/o Right Mirror
9	4318 292-3	1			MIRROR PACKAGE, 6x9 Foldaway, Black
					HEAD, w/6x9 Mirror
	4299 248	1			Left
	4299 767	1			Right
	4339 307	1			GLASS REPLACEMENT PACKAGE, w/6x9 Mirror
	4299 246-7	1			COVER, Outside w/6x9 Mirror
10	4221 623	1			KNOB, w/Electric Mirror

MODEL CODES

B = GRAN FURY	E = 600	M = HORIZON/TURISMO
C = LE BARON/TOWN & COUNTRY/LIMO	F = FIFTH AVENUE/NEWPORT	P = RELIANT
C24 = LASER	G = DIPLOMAT	T = NEW YORKER
C44 = LE BARON/GTS	H = VOYAGER	V = 600
D = ARIES	J = CARAVELLE	V24 = DAYTONA
D44 = LANCER	K = MINI VAN/CARAVAN/ROYAL	Z = OMNI/CHARGER

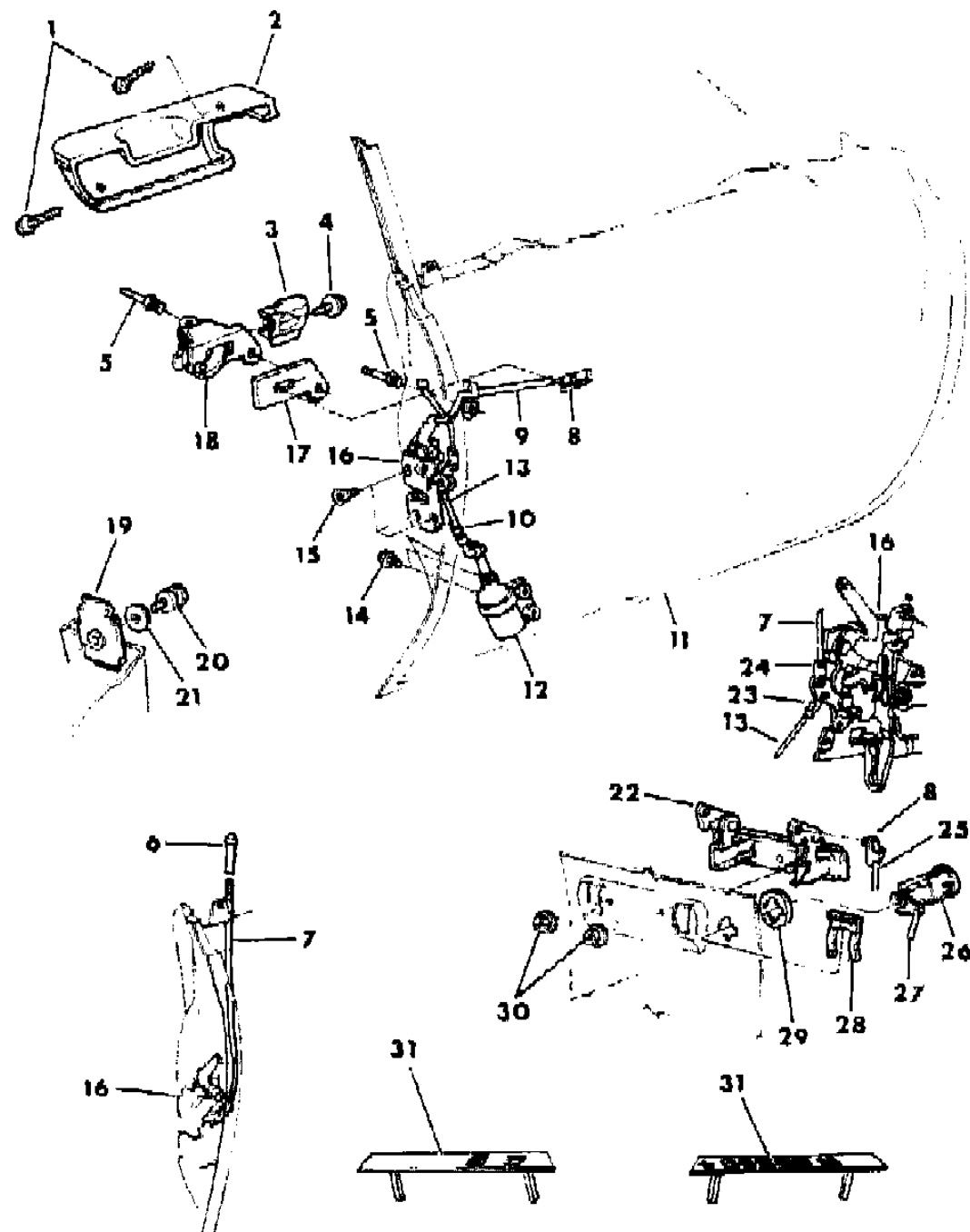
BODY STYLES

21 = 2-DOOR SEDAN	35 = FWD VAN	44 = 4-DOOR HATCHBACK
22 = 2-DOOR SPECIAL COUPE	36 = FWD WAGON	45 = 4-DOOR STATION WAGON
24 = 2-DOOR HATCHBACK	41 = 4-DOOR SEDAN	49 = LIMOUSINE
27 = 2-DOOR CONVERTIBLE		

AR = Use as Required - = Non Illustrated Part P.A.R. = Paint as Required

DOOR, FRONT SHELL, HANDLES, LOCKS AND CONTROLS B,F,G
Figure 23C-3700

5171 3700



ITEM	PART NUMBER	QTY	BODY	MODEL	DESCRIPTION
1		AR			SCREW (DNS)
2					ARM REST, Refer to IT Section
3	4184 140-1	1			HANDLE, Remote Control
4	0181 063	AR			NUT w/WASHER
5	6031 115	AR			RIVET
6	4049 609	2			KNOB, Latch Locking Control
	3510 447	2			GROMMET, Lock Knob
7	3882 414-5	1			ROD, Door Latch Locking Push
8					CLIP, Exterior Handle to Latch
	2945 109	AR			Right
	2945 108	AR			Left
9	3871 038-9	1			LINK w/SLEEVE, Remote Control to Latch
10					CLIP, Solenoid Link
	0629 792	AR			Right
	0612 492	AR			Left
11	4325 260-1	1			DOOR SHELL
	3875 010-1	1			PANEL, Repair
12	4336 414	2			SOLENOID, Door Lock
	4184 172	2			CLIP, Locking Solenoid
13	4184 161	2			LINK, Door Lock Latch to Solenoid
14		AR			SCREW w/WASHER (DNS)
15	0166 412	AR			SCREW
16					LATCH, Door
	4310 526	1			Right, Non Override
	4310 529	1			Left, Override
	3882 816-7	1			SHIELD, Latch
17	3871 322-3	1			SEAL, Remote Control Inside Panel
	4336 074-5	1			SEAL, Inner Remote Control Handle
18	3871 274-5	1			REMOTE CONTROL, Door Latch
	3871 282-3	1			SPRING, Remote Control Door Latch
19	3752 366	2			REINFORCEMENT w/Plate, Center Pillar Retainer
20	4184 222	2			STRIKER, Door
21	6026 361	AR			WASHER, Door Striker
22	3882 621	2			HANDLE, Exterior
	3454 572	4			GASKET, Exterior Handle
23	4184 244-5	1			CLIP, Lock Solenoid Link to Latch
24	4184 244	1			CLIP, Locking Push Rod to Latch

MODEL CODES
B = GRAN FURY E = 600 M = HORIZON/TURISMO
C = LE BARON/TOWN & COUNTRY/LIMO F = FIFTH AVENUE/NEWPORT P = RELIANT
C24 = LASER G = DIPLOMAT T = NEW YORKER
C44 = LE BARON/GTS H = VOYAGER V = 600
D = ARIES J = CARAVELLE V24 = DAYTONA
D44 = LANCER K = MINI VAN/CARAVAN/ROYAL Z = OMNI/CHARGER

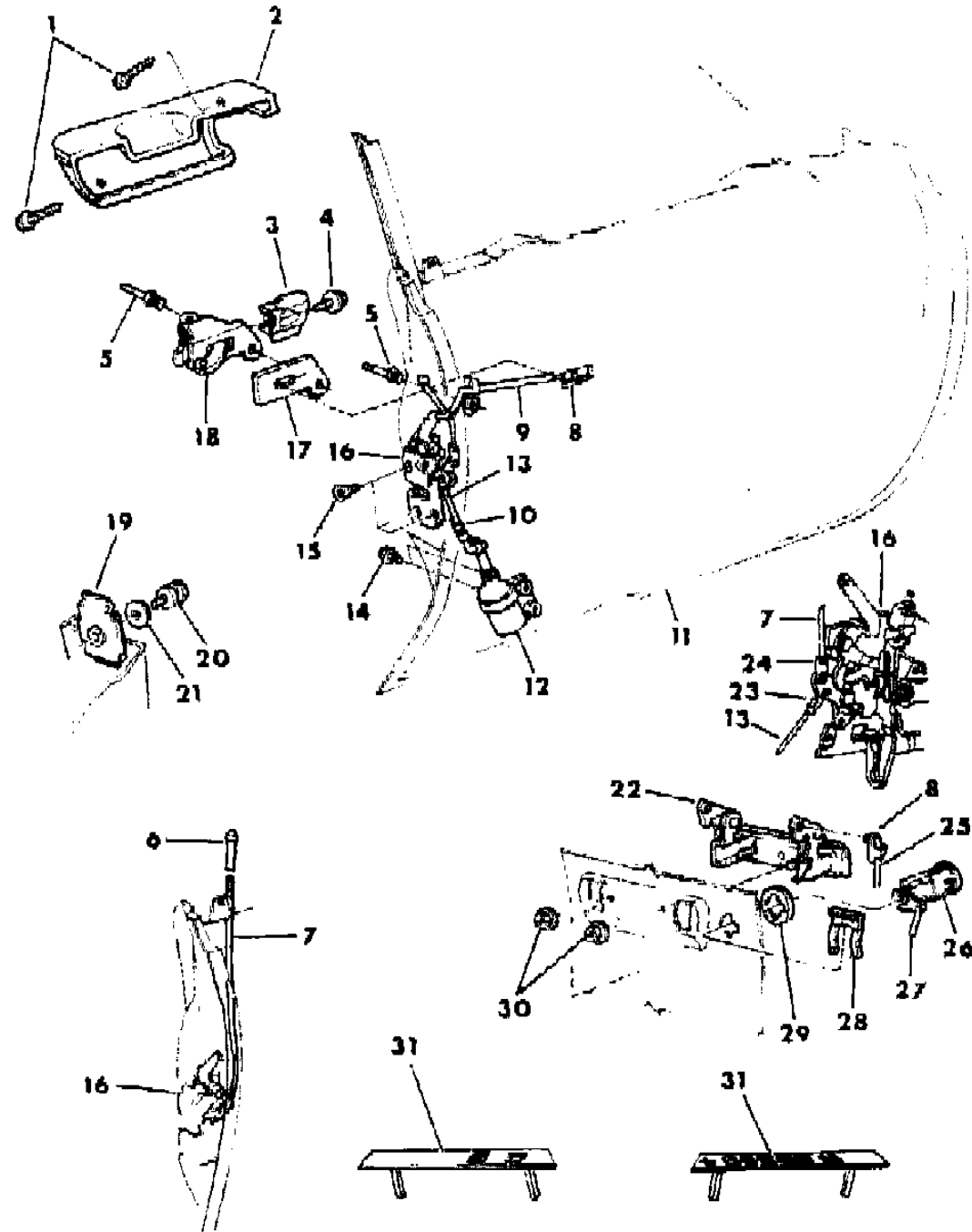
BODY STYLES
21 = 2-DOOR SEDAN 35 = FWD VAN 44 = 4-DOOR HATCHBACK
22 = 2-DOOR SPECIAL COUPE 36 = FWD WAGON 45 = 4-DOOR STATION WAGON
24 = 2-DOOR HATCHBACK 41 = 4-DOOR SEDAN 49 = LIMOUSINE
27 = 2-DOOR CONVERTIBLE

AR = Use as Required - = Non Illustrated Part P.A.R. = Paint as Required

DOOR, FRONT SHELL, HANDLES, LOCKS AND CONTROLS B,F,G

Figure 23C-3700

5171 3700



ITEM	PART NUMBER	QTY	BODY	MODEL	DESCRIPTION
25	3871 140-1	1			LINK, Exterior Handle to Latch
26					CYLINDER, Door (Refer to 23D)
27	3871 030-1	1			LINK, Lock Cylinder
28					RETAINER, Lock Cylinder (Refer to 23D)
29					GASKET, Lock Cylinder (Refer to 23D)
30	6025 004	AR			NUT w/WASHER
31					BEZEL w/FINISH PLATE, Armrest
	4078 346-7	1			w/o Electric Windows and Door Locks
	4078 352	1			w/Door Locks, Right
	4078 339	1			w/Remote Mirror, Left
	4078 348	1			w/Electric Windows, w/o Door Locks, Right
	4078 350	1			w/Electric Windows and Door Locks, Right
	4223 416	1		F-S	w/Electric Windows and Door Locks, Right (Woodgrain)
	4223 417	1		F-S	w/Electric Windows, Door Locks, Remote Mirror, Left (Woodgrain)
	4078 327	1			w/Remote Mirror and Door Locks, Left
	4078 329	1			w/Remote Mirror, Electric Windows and Door Locks, Left
	4078 325	1			w/Remote Mirror and Electric Windows, Left

MODEL CODES

B = GRAN FURY	E = 600	M = HORIZON/TURISMO
C = LE BARON/TOWN & COUNTRY/LIMO	F = FIFTH AVENUE/NEWPORT	P = RELIANT
C24 = LASER	G = DIPLOMAT	T = NEW YORKER
C44 = LE BARON/GTS	H = VOYAGER	V = 600
D = ARIES	J = CARAVELLE	V24 = DAYTONA
D44 = LANCER	K = MINI VAN/CARAVAN/ROYAL	Z = OMNI/CHARGER

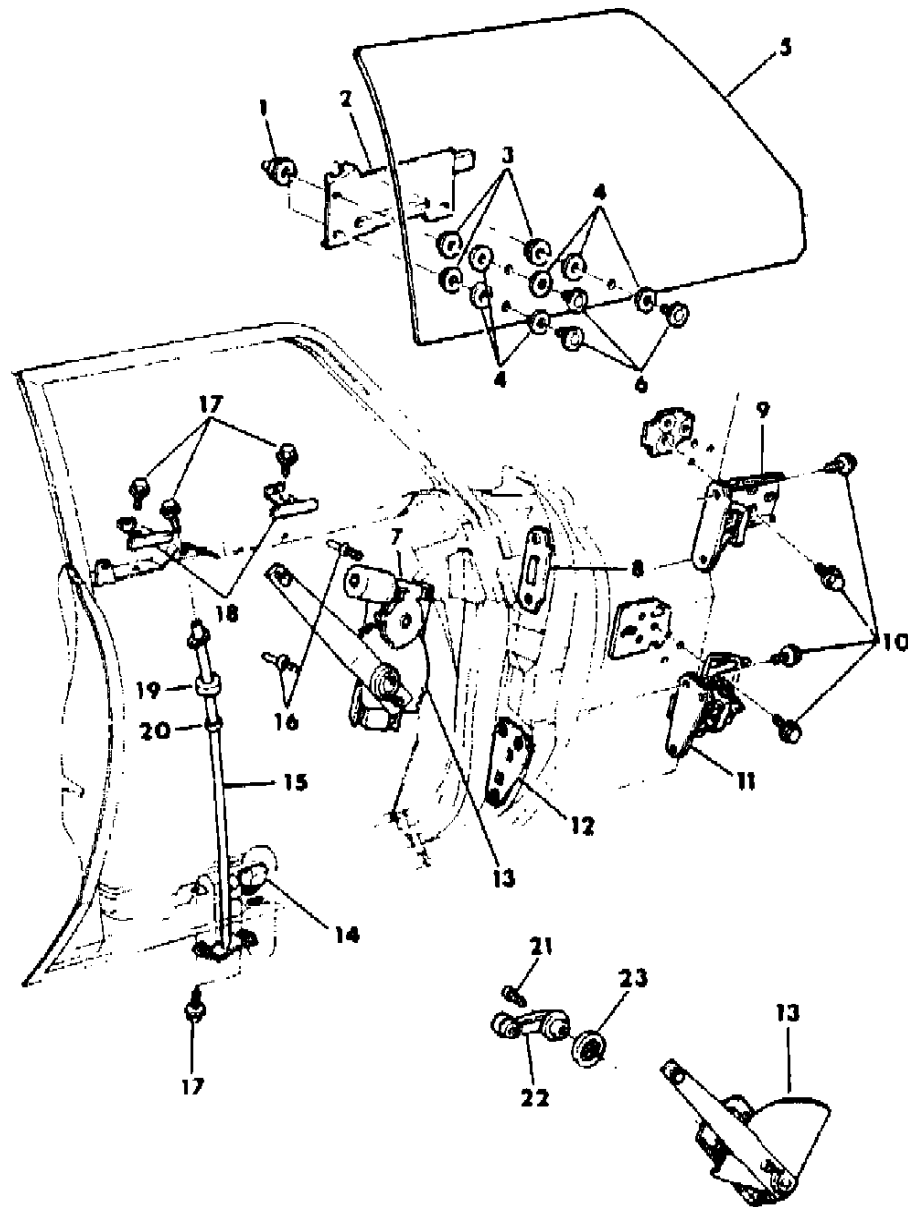
BODY STYLES

21 = 2-DOOR SEDAN	35 = FWD VAN	44 = 4-DOOR HATCHBACK
22 = 2-DOOR SPECIAL COUPE	36 = FWD WAGON	45 = 4-DOOR STATION WAGON
24 = 2-DOOR HATCHBACK	41 = 4-DOOR SEDAN	49 = LIMOUSINE
27 = 2-DOOR CONVERTIBLE		

AR = Use as Required - = Non Illustrated Part P.A.R. = Paint as Required

DOOR, FRONT GLASS AND REGULATORS B,F,G
Figure 23C-3800

517: 3800



ITEM	PART NUMBER	QTY	BODY	MODEL	DESCRIPTION
1	6031 115	AR			RIVET
2	4310 430-1	1			PLATE w/CHANNEL, Glass Guide
	4280 711	4			PAD, Glass Guide Plate
3	6028 587	AR			TEENUT
4	5231 769	AR			GASKET, Glass Guide Bracket to Glass
5	4136 434-5	1			GLASS, Door
	4365 683	1			DECAL, Seat Belt Safety
6	6029 998	AR			WASHER w/STUD
7					MOTOR w/MECHANISM, Electric Window Lift
	4240 519	1			Right
	4240 520	1			Left
	4240 474	AR			GEAR and SEAL PACKAGE
8					T/PLATE, Serviced in Door Shell
9	4336 636-7	1			HINGE, Upper
10	6031 069	AR			SCREW w/WASHER
11	4336 640-1	1			HINGE, Lower w/Check Arm
	3875 350-1	1			BAR, Lower Hinge Torsion
12					T/PLATE, Serviced in Door Shell
13					REGULATOR, Window
	3882 274-5	1			Manual
	3882 350-1	1			Electric
		2			SCREW, Electric Window Regulator Mechanism Housing (DNS)
	9416 992	2			LOCKNUT, Electric Window Regulator Mechanism Set Screw
	4339 301	2			SLIDE PACKAGE, Regulator
	1316 863	2			O/RING, Electric Window Regulator Mechanism
	2999 467	2			SPACER, Electric Window Regulator Mechanism Locking
	3875 678	2			SPRING, Manual Regulator Assist
14	3875 974	2			BUMPER, Glass Downstop
15	4310 436-7	1			TRACK, Glass Guide Tube
16	6031 115	AR			RIVET
17	6030 649	AR			SCREW w/WASHER
18	4040 663	4			STABILIZER, Glass
19	3788 080	2			SLEEVE, Glass Track Tube
20	3788 273	2			GUIDE, Glass Lift, Lower
21	6027 221	AR			SCREW
22	4310 824	2			HANDLE, Window Regulator
23	3882 768	2			SPACER, Window Regulator Handle

MODEL CODES

B = GRAN FURY	E = 600	M = HORIZON/TURISMO
C = LE BARON/TOWN & COUNTRY/LIMO	F = FIFTH AVENUE/NEWPORT	P = RELIANT
C24 = LASER	G = DIPLOMAT	T = NEW YORKER
C44 = LE BARON/GTS	H = VOYAGER	V = 600
D = ARIES	J = CARAVELLE	V24 = DAYTONA
D44 = LANCER	K = MINI VAN/CARAVAN/ROYAL	Z = OMNI/CHARGER

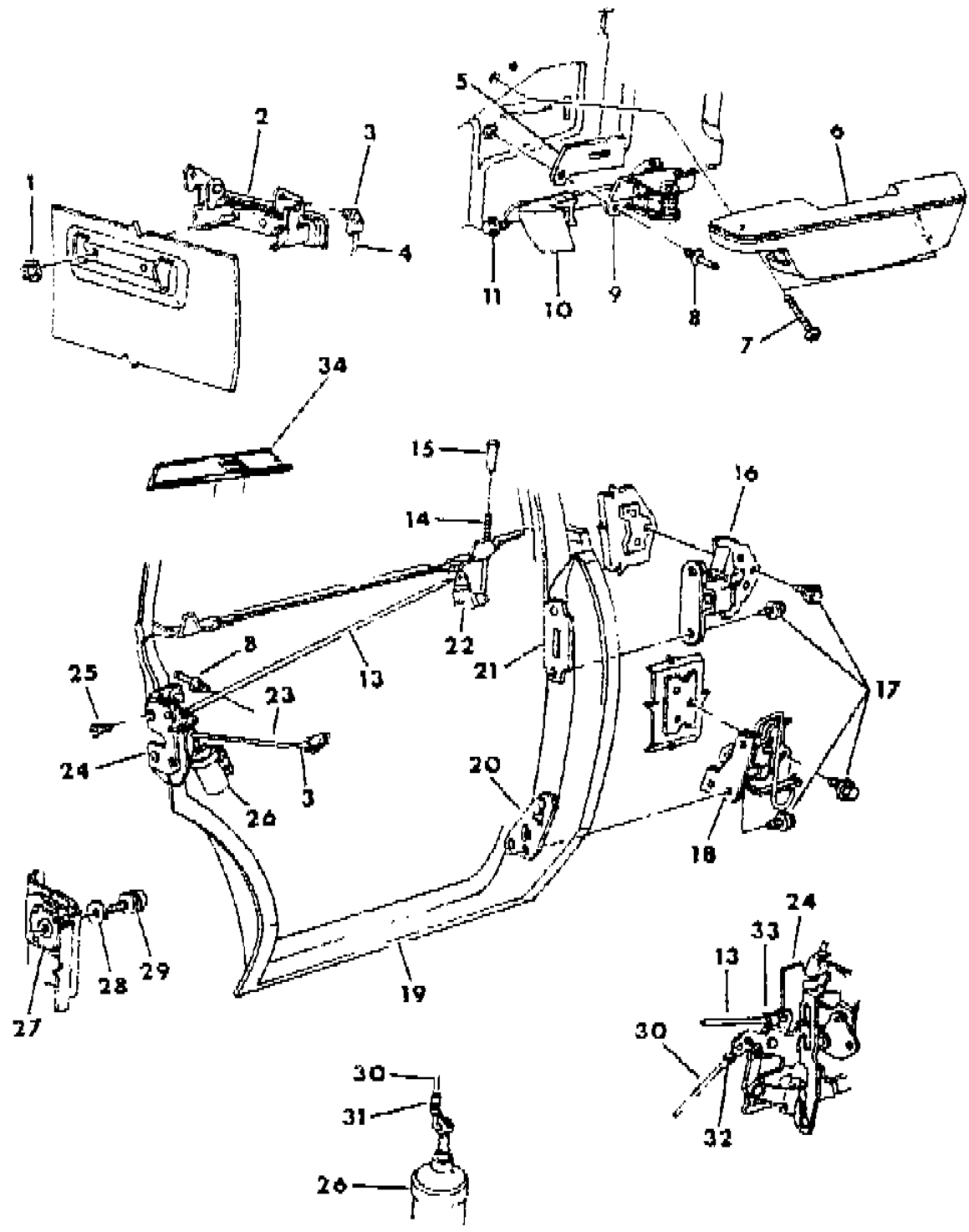
BODY STYLES

21 = 2-DOOR SEDAN	35 = FWD VAN	44 = 4-DOOR HATCHBACK
22 = 2-DOOR SPECIAL COUPE	36 = FWD WAGON	45 = 4-DOOR STATION WAGON
24 = 2-DOOR HATCHBACK	41 = 4-DOOR SEDAN	49 = LIMOUSINE
27 = 2-DOOR CONVERTIBLE		

AR = Use as Required - = Non Illustrated Part P.A.R. = Paint as Required

DOOR, REAR SHELL, HANDLES AND CONTROLS B,F,G
Figure 23C-3900

5171 2900



ITEM	PART NUMBER	QTY	BODY	MODEL	DESCRIPTION
1	6025 004	AR			Nut w/WASHER
2	3882 621	2			HANDLE, Exterior
	3454 572	2			GASKET, Exterior Handle Base
3	2945 108-9	AR			CLIP, Remote Control Lever
4	3882 418-9	1			LINK, Latch to Exterior Handle
5	3871 322-3	1			SEAL, Remote Control Inside Panel
6					ARM REST, Refer to IT Section
7		AR			SCREW (DNS)
8	6031 115	AR			RIVET
9	3871 274-5	1			REMOTE CONTROL
	3871 282-3	1			SPRING, Remote Control
10	4184 140-1	1			HANDLE, Remote Control
11	0181 063	AR			SCREW w/WASHER
13	3871 188	2			LINK w/SLEEVE, Latch Locking Control
14	3882 301	2			ROD, Latch Locking Control Push
15	4049 609	AR			KNOB PACKAGE, Latch Locking
	3510 447	2			GROMMET, Trim Panel Lock Knob
16	4336 638-9	1			HINGE, Upper
17	6031 069	AR			SCREW w/WASHER
18	4336 642-3	1			HINGE, Lower
	3875 344-5	1			BAR, Lower Hinge Torsion
19	4297 942-3	1			DOOR SHELL
	3875 044-5	1			PANEL, Repair
20					T/Plate, Serviced in Door Shell
21					T/Plate (Serviced In Door)
22	3871 044	2			LEVER, Latch Locking Control
23	3871 060-1	1			LINK w/SLEEVE, Latch Remote Control
24					LATCH, Door
	4310 530-1	1			w/o Door Locks
	4310 532-3	1			w/Door Locks
	3454 220-1	1			CLIP, Inside Release Lever Latch
25	0166 412	AR			SCREW
26	4184 156-7	1			SOLENOID, Door Lock
	4184 172	2			CLIP, Lock Solenoid
27	3445 952	2			T/PLATE, Body Lock Pillar Lock Striker
28	6026 361	AR			WASHER, Latch Striker
29	4184 222	2			STRIKER, Door Latch

MODEL CODES

B = GRAN FURY	E = 600	M = HORIZON/TURISMO
C = LE BARON/TOWN & COUNTRY/LIMO	F = FIFTH AVENUE/NEWPORT	P = RELIANT
C24 = LASER	G = DIPLOMAT	T = NEW YORKER
C44 = LE BARON/GTS	H = VOYAGER	V = 600
D = ARIES	J = CARAVELLE	V24 = DAYTONA
D44 = LANCER	K = MINI VAN/CARAVAN/ROYAL	Z = OMNI/CHARGER

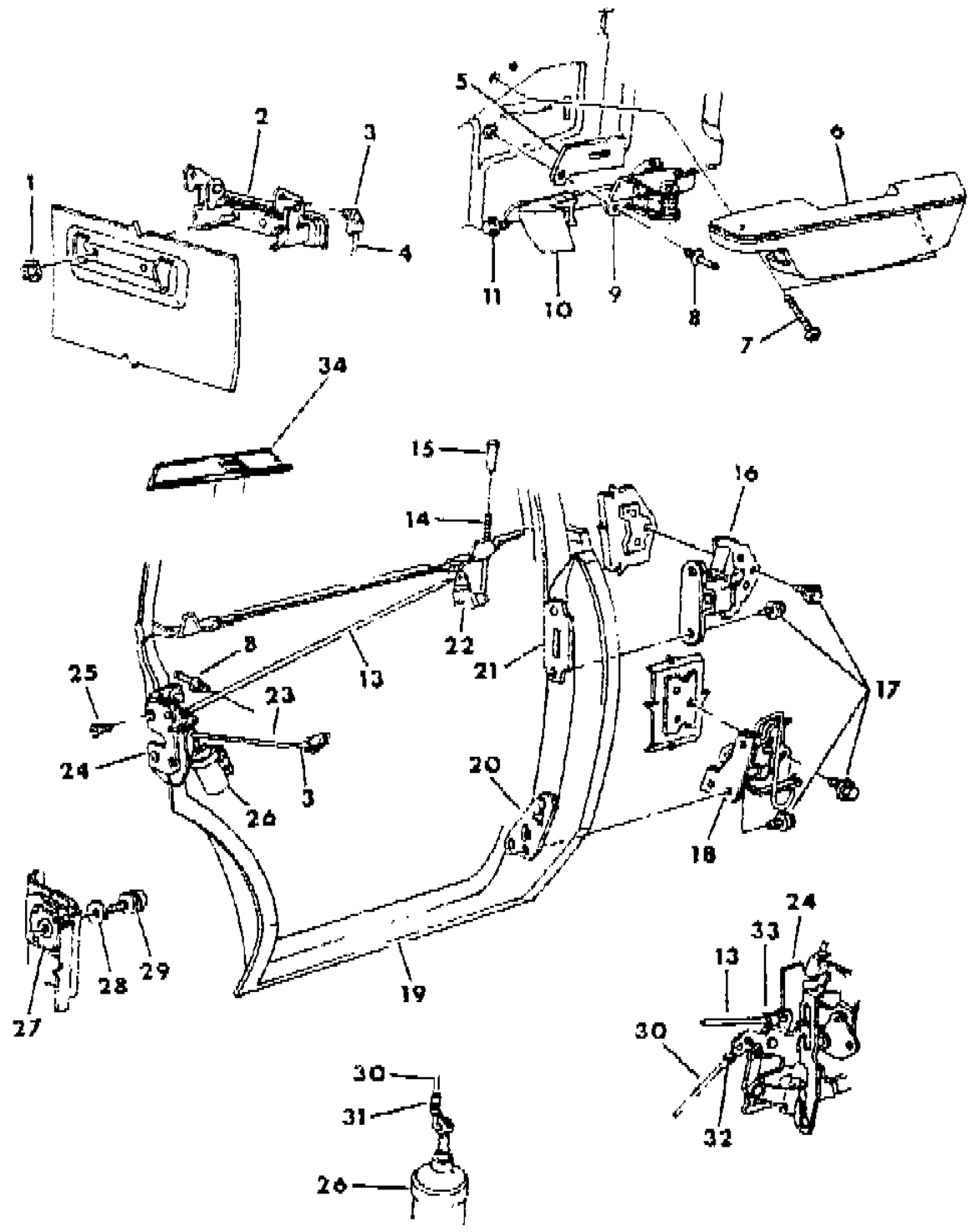
BODY STYLES

21 = 2-DOOR SEDAN	35 = FWD VAN	44 = 4-DOOR HATCHBACK
22 = 2-DOOR SPECIAL COUPE	36 = FWD WAGON	45 = 4-DOOR STATION WAGON
24 = 2-DOOR HATCHBACK	41 = 4-DOOR SEDAN	49 = LIMOUSINE
27 = 2-DOOR CONVERTIBLE		

AR = Use as Required - = Non Illustrated Part P.A.R. = Paint as Required

DOOR, REAR SHELL, HANDLES AND CONTROLS B,F,G
Figure 23C-3900

5171 2900



ITEM	PART NUMBER	QTY	BODY	MODEL	DESCRIPTION
30	4184 712	2			LINK, Solenoid to Latch
31	4184 172	2			CLIP, Locking Solenoid
32	4184 244-5	1			CLIP, Lock Solenoid to Latch
33	4184 244	1			CLIP, Locking Link To Latch
34					BEZEL w/FINISH PLATE, Armrest
	4078 382-3	1			w/o Electric Windows
	4078 384-5	1		B,G	w/Electric Windows
	4223 426-7	1		F-S	w/Electric Windows

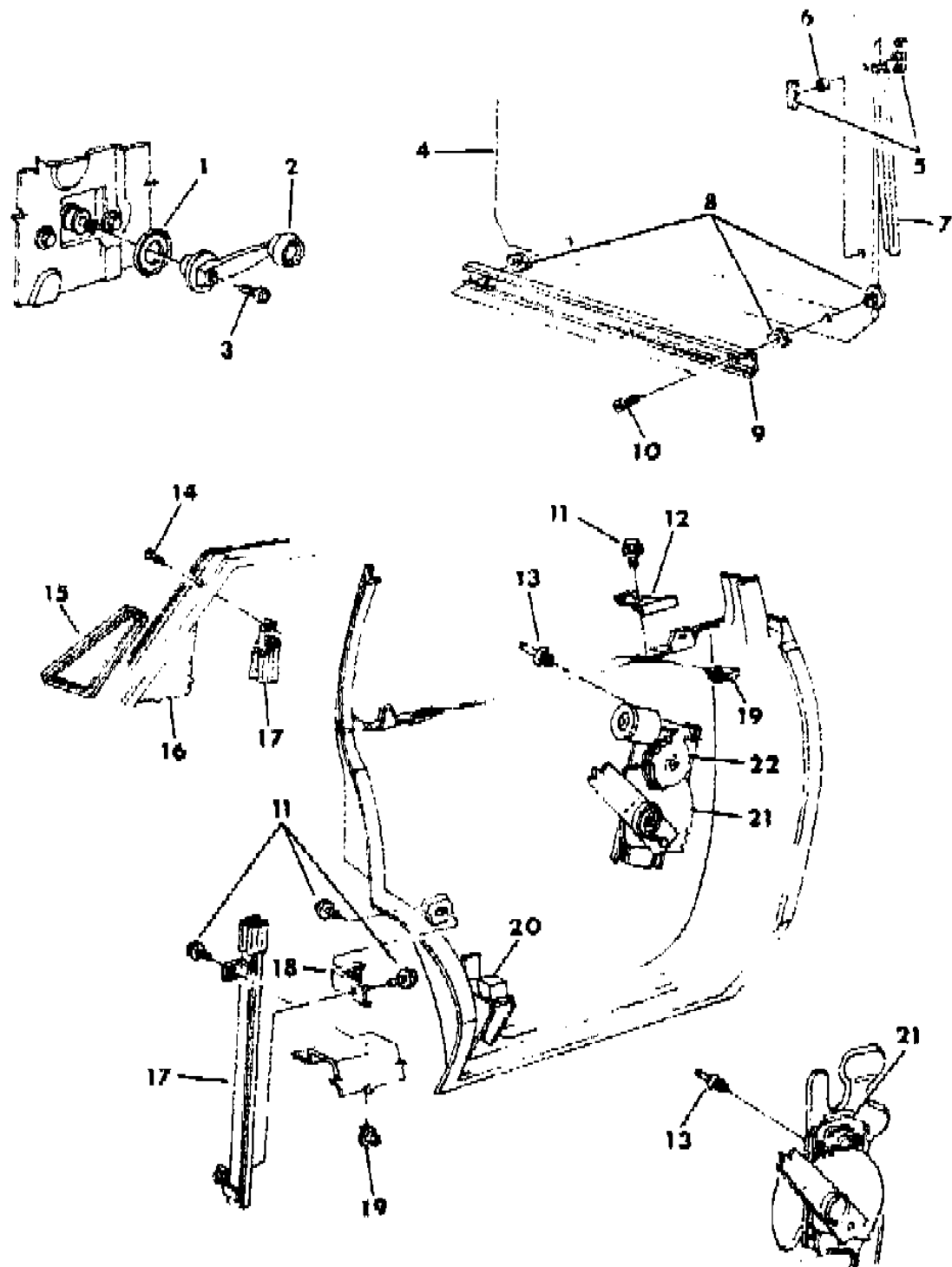
MODEL CODES
 B = GRAN FURY
 C = LE BARON/TOWN & COUNTRY/LIMO
 C24 = LASER
 C44 = LE BARON/GTS
 D = ARIES
 D44 = LANCER
 E = 600
 F = FIFTH AVENUE/NEWPORT
 G = DIPLOMAT
 H = VOYAGER
 J = CARAVELLE
 K = MINI VAN/CARAVAN/ROYAL
 M = HORIZON/TURISMO
 P = RELIANT
 T = NEW YORKER
 V = 600
 V24 = DAYTONA
 Z = OMNI/CHARGER

BODY STYLES
 21 = 2-DOOR SEDAN
 22 = 2-DOOR SPECIAL COUPE
 24 = 2-DOOR HATCHBACK
 27 = 2-DOOR CONVERTIBLE
 35 = FWD VAN
 36 = FWD WAGON
 41 = 4-DOOR SEDAN
 44 = 4-DOOR HATCHBACK
 45 = 4-DOOR STATION WAGON
 49 = LIMOUSINE

AR = Use as Required - = Non Illustrated Part P.A.R. = Paint as Required

DOOR, REAR GLASS AND REGULATORS B,F,G
Figure 23C-4000

5171 4000



ITEM	PART NUMBER	QTY	BODY	MODEL	DESCRIPTION
1	3882 768	2			SPACER, Window Regulator Handle
2	4310 824	2			HANDLE, Window Regulator
3	6027 221	AR			SCREW
4	4136 332-3	1			GLASS, Door
5	3582 315	8			RETAINER, Glass Rear Edge
6	2861 744	4			PIN, Glass Rear Edge Slide
7	4136 166	1			WEATHERSTRIP PACKAGE, On Rear Edge Of Glass
8	3744 734	1			BUSHING and FASTENER PACKAGE, Glass Lift Consists of: 3696 693 Bushing 3759 193 Fastener
9	3875 083	2			CHANNEL, Window Glass Lift
10	6030 182	AR			SCREW
11	6030 649	AR			SCREW w/WASHER
12	4040 663	2			STABILIZER, Glass
13	6031 115	AR			RIVET
14	0181 063	2			SCREW
15	4136 160-1	1			WEATHERSTRIP, Stationary Glass
16					GLASS, Stationary Tinted
17	4136 180-1	1			CHANNEL, Glass Division
	4198 848-9	1		F-S	
18	4310 896	2			BRACKET, Inside Panel to Division Channel
19	0152 454	AR			U/NUT
20	3440 270	2			BUMPER, Glass Downstop
21					REGULATOR, Window Manual Electric
	3882 290-1	1			
	3882 350-1	1			
	2999 467	AR			SPACER, Electric Window Regulator Mechanism Locking
	4339 301	2			SLIDE PACKAGE, Regulator
	1316 863	2			O/RING, Electric Window Regulator Mechanism
22					MOTOR w/MECHANISM, Window Lift Right Left
	4240 519	1			
	4240 520	1			
	4240 474	AR			GEAR and SEAL PACKAGE

MODEL CODES

B = GRAN FURY	E = 600	M = HORIZON/TURISMO
C = LE BARON/TOWN & COUNTRY/LIMO	F = FIFTH AVENUE/NEWPORT	P = RELIANT
C24 = LASER	G = DIPLOMAT	T = NEW YORKER
C44 = LE BARON/GTS	H = VOYAGER	V = 600
D = ARIES	J = CARAVELLE	V24 = DAYTONA
D44 = LANCER	K = MINI VAN/CARAVAN/ROYAL	Z = OMNI/CHARGER

BODY STYLES

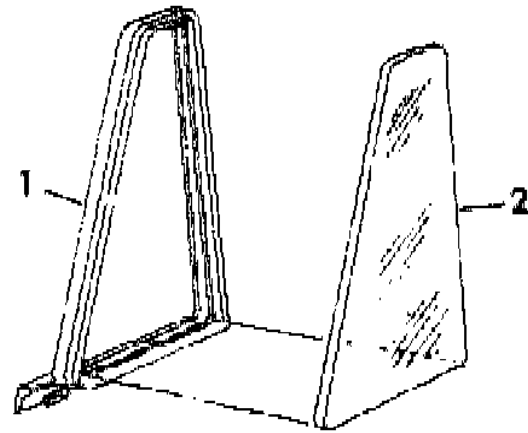
21 = 2-DOOR SEDAN	35 = FWD VAN	44 = 4-DOOR HATCHBACK
22 = 2-DOOR SPECIAL COUPE	36 = FWD WAGON	45 = 4-DOOR STATION WAGON
24 = 2-DOOR HATCHBACK	41 = 4-DOOR SEDAN	49 = LIMOUSINE
27 = 2-DOOR CONVERTIBLE		

AR = Use as Required - = Non Illustrated Part P.A.R. = Paint as Required

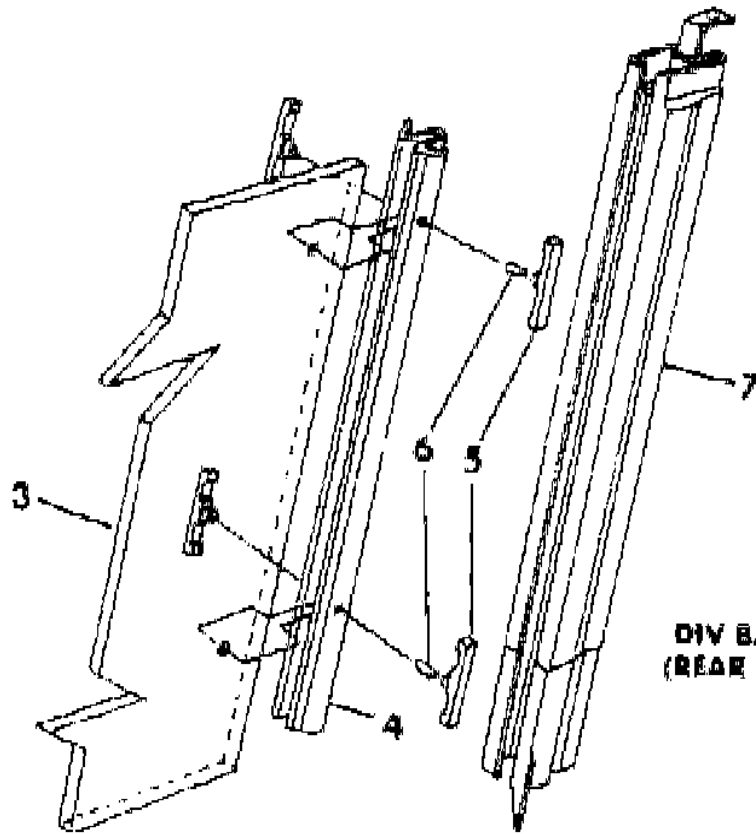
DOOR, REAR WEATHERSTRIPS AND GLASS B,F,G
Figure 23C-4100

5171 4100

ITEM	PART NUMBER	QTY	BODY	MODEL	DESCRIPTION
1	4136 160-1	1			WEATHERSTRIP, Stationary Glass
2	4136 180-1	1			GLASS, Stationary
3	4136 332-3	1			GLASS, Window
4-6	4136 166	2			WEATHERSTRIP PACKAGE, On Rear Edge Of Glass
5	3582 315	8			RETAINER, Glass Rear Edge
6	2861 744	4			PIN, Glass Rear Edge Slide
7	4136 170-1	1			CHANNEL, Division



**WEATHERSTRIP & GLASS
 REAR DOOR (STATIONARY)**



**DIV BAR & GLASS
 (REAR DOOR WDO)**

MODEL CODES

B = GRAN FURY	E = 600	M = HORIZON/TURISMO
C = LE BARON/TOWN & COUNTRY/LIMO	F = FIFTH AVENUE/NEWPORT	P = RELIANT
C24 = LASER	G = DIPLOMAT	T = NEW YORKER
C44 = LE BARON/GTS	H = VOYAGER	V = 600
D = ARIES	J = CARAVELLE	V24 = DAYTONA
D44 = LANCER	K = MINI VAN/CARAVAN/ROYAL	Z = OMNI/CHARGER

BODY STYLES

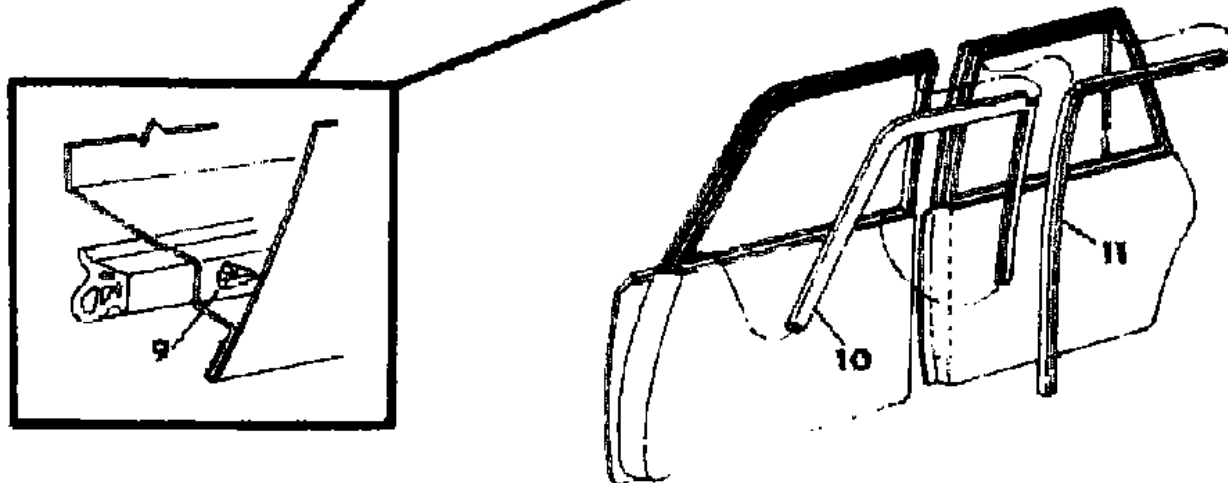
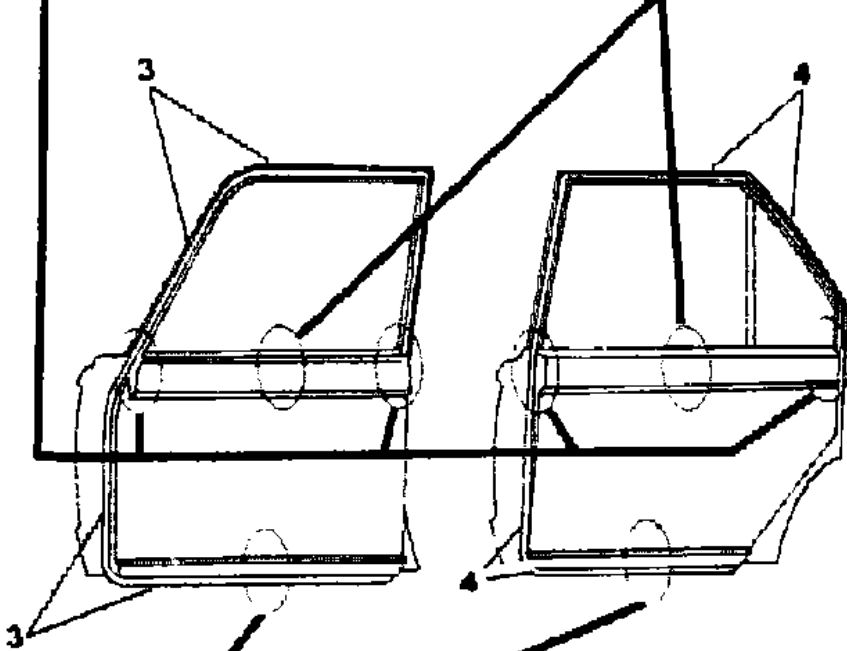
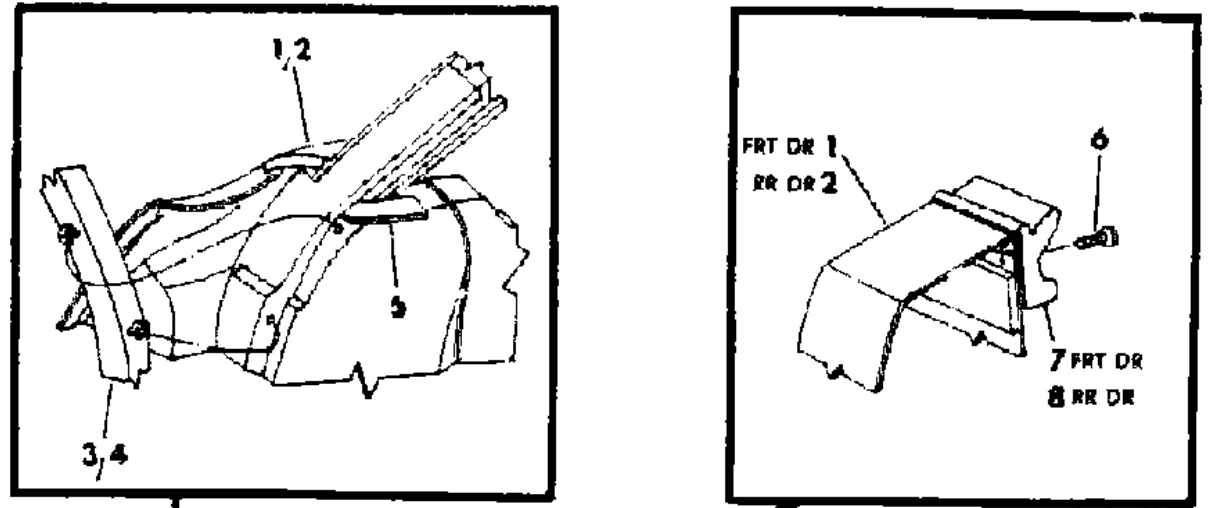
21 = 2-DOOR SEDAN	35 = FWD VAN	44 = 4-DOOR HATCHBACK
22 = 2-DOOR SPECIAL COUPE	36 = FWD WAGON	45 = 4-DOOR STATION WAGON
24 = 2-DOOR HATCHBACK	41 = 4-DOOR SEDAN	49 = LIMOUSINE
27 = 2-DOOR CONVERTIBLE		

AR = Use as Required - = Non Illustrated Part P.A.R. = Paint as Required

DOOR, REAR WEATHERSTRIPS AND RUNS B,F,G
Figure 23C-4200

5171 4200

ITEM	PART NUMBER	QTY	BODY	MODEL	DESCRIPTION
1					DOOR SHELL, Front (Refer to Door Illus.)
2					DOOR SHELL, Rear (Refer to Door Illus.)
3	3875 392-3	1			WEATHERSTRIP, On Front Door
4	4136 290-1	1			WEATHERSTRIP, On Rear Door
5					SEAL, Window Frame to Inner Panel, Front and Rear (DNS)
6					SCREW (DNS)
7					WEATHERSTRIP, Front Door Window Belt
	4310 712-3	1			Outer
	3831 284	2			Inner, Cut to Length
8					WEATHERSTRIP, Rear Door Window Belt
	3875 422-3	1			Outer
	3831 284	2			Inner (Cut to Length)
9	4040 732	AR			FASTENER, Door to Inside Panel
10	4198 637	2			RUN, Front Door Glass
11	4198 638	2			RUN, Rear Door Glass



MODEL CODES

B = GRAN FURY	E = 600	M = HORIZON/TURISMO
C = LE BARON/TOWN & COUNTRY/LIMO	F = FIFTH AVENUE/NEWPORT	P = RELIANT
C24 = LASER	G = DIPLOMAT	T = NEW YORKER
C44 = LE BARON/GTS	H = VOYAGER	V = 600
D = ARIES	J = CARAVELLE	V24 = DAYTONA
D44 = LANCER	K = MINI VAN/CARAVAN/ROYAL	Z = OMNI/CHARGER

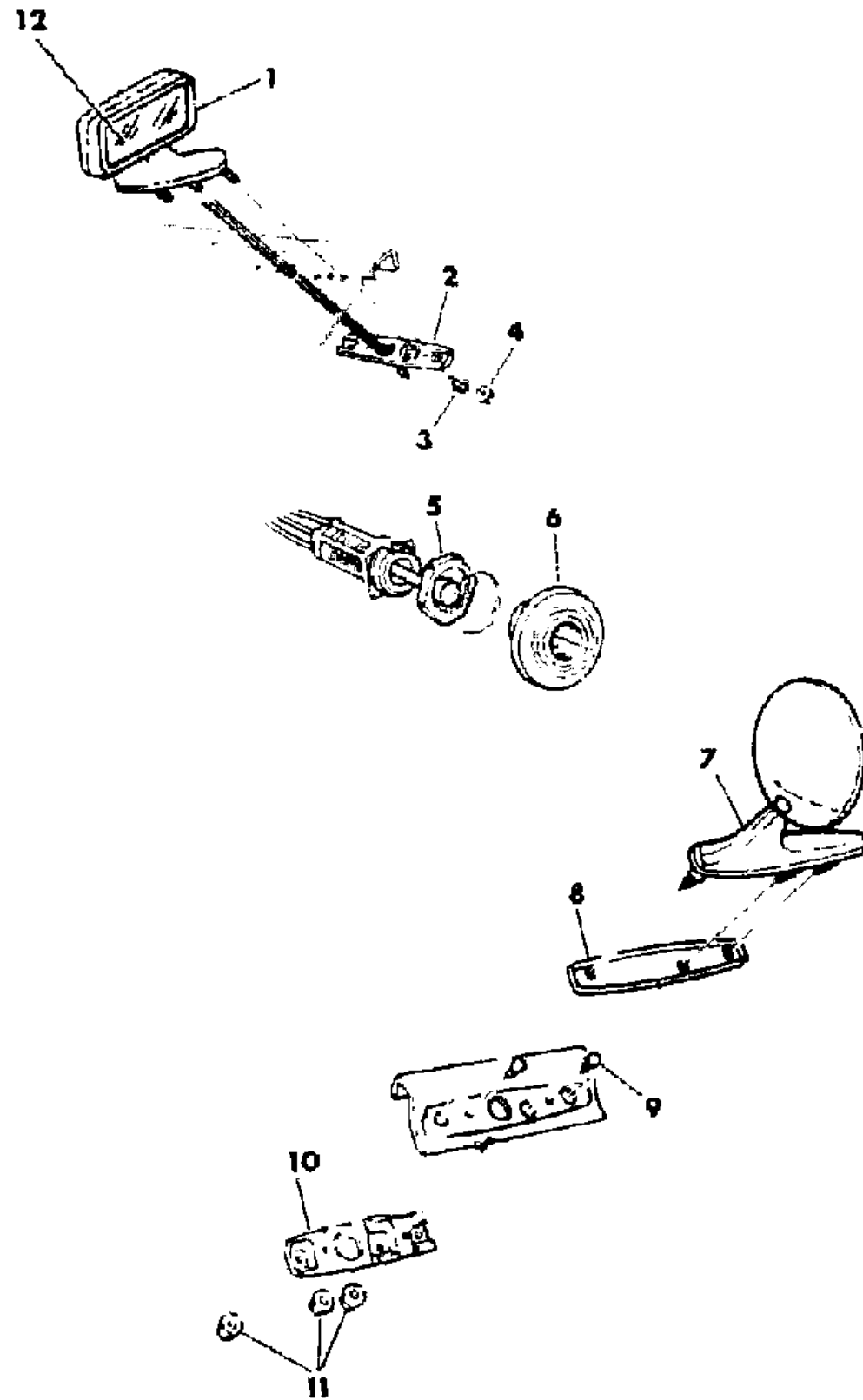
BODY STYLES

21 = 2-DOOR SEDAN	35 = FWD VAN	44 = 4-DOOR HATCHBACK
22 = 2-DOOR SPECIAL COUPE	36 = FWD WAGON	45 = 4-DOOR STATION WAGON
24 = 2-DOOR HATCHBACK	41 = 4-DOOR SEDAN	49 = LIMOUSINE
27 = 2-DOOR CONVERTIBLE		

AR = Use as Required - = Non Illustrated Part P.A.R. = Paint as Required

MIRRORS, EXTERIOR B,F,G
Figure 23C-4300

5171 4300



ITEM	PART NUMBER	QTY	BODY	MODEL	DESCRIPTION
1	4299 234-5	1			MIRROR PKG., Remote Control
2	3861 804-5	1			REINFORCEMENT, Remote Control Mirror
3	3759 944	2			CLIP, Mirror Mtg. Reinforcement
4	6025 001	AR			NUT w/WASHER
5	6030 356	2			NUT, Remote Control Mirror Index
6	3760 795	1			NUT, Remote Control Mirror, Left
	P631 MX9	1			BEZEL, Remote Control Mirror, Right
					NUT (DNS)
7	4299 237	1			MIRROR PACKAGE, Manual Chrome, Left
8					GASKET, Mirror (Serviced in Mirror Pkg.)
	4054 149	1			GASKET, Remote Control Mirror, Right
9	3759 944	AR			CLIP, Mirror Mounting Reinforcement
10	3861 805	1			REINFORCEMENT, Mirror
11	6025 001	AR			NUT w/WASHER
12					GLASS REPLACEMENT PACKAGE
	4267 874-5	1			Remote Control
	4267 883	1			Manual, Left

MODEL CODES

B = GRAN FURY	E = 600	M = HORIZON/TURISMO
C = LE BARON/TOWN & COUNTRY/LIMO	F = FIFTH AVENUE/NEWPORT	P = RELIANT
C24 = LASER	G = DIPLOMAT	T = NEW YORKER
C44 = LE BARON/GTS	H = VOYAGER	V = 600
D = ARIES	J = CARAVELLE	V24 = DAYTONA
D44 = LANCER	K = MINI VAN/CARAVAN/ROYAL	Z = OMNI/CHARGER

BODY STYLES

21 = 2-DOOR SEDAN	35 = FWD VAN	44 = 4-DOOR HATCHBACK
22 = 2-DOOR SPECIAL COUPE	36 = FWD WAGON	45 = 4-DOOR STATION WAGON
24 = 2-DOOR HATCHBACK	41 = 4-DOOR SEDAN	49 = LIMOUSINE
27 = 2-DOOR CONVERTIBLE		

AR = Use as Required - = Non Illustrated Part P.A.R. = Paint as Required

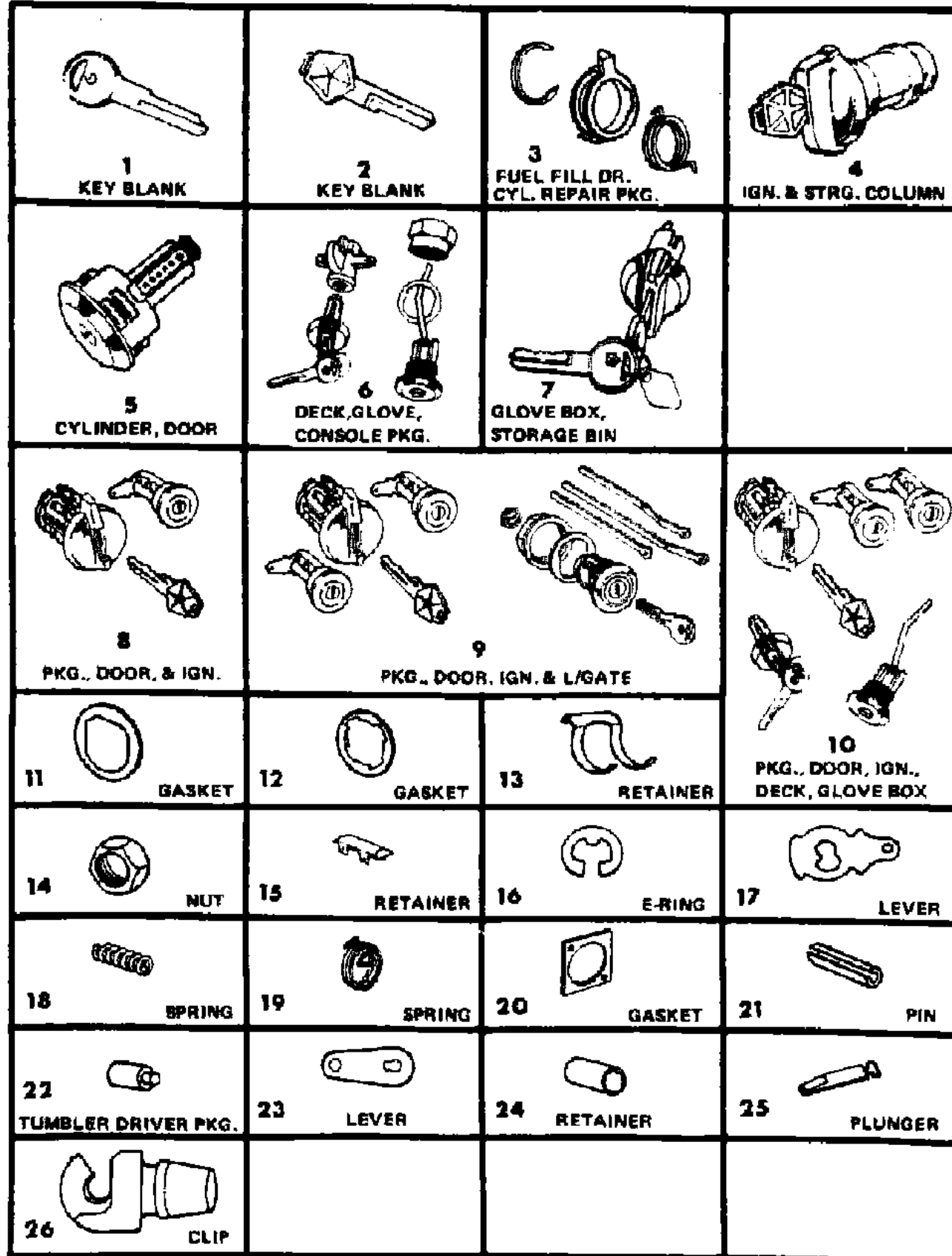
GROUP 23D - WIPER & WASHER AND CYLINDER & KEYS

ILLUSTRATION TITLE	GROUP-FIG. NO.
ALL MODELS	
LOCK CYLINDERS AND KEYS	Fig. 23D-100
L BODY M,Z	
WINDSHIELD WIPER SYSTEM M,Z	Fig. 23D-200
WINDSHIELD WASHER SYSTEM M,Z	Fig. 23D-300
LIFTGATE WIPER AND WASHER SYSTEM M,Z	Fig. 23D-400
K & E BODY P,D,C,V,J,E,T	
WINDSHIELD WIPER SYSTEM P,D,V,C,J,E,T	Fig. 23D-500
WINDSHIELD WASHER SYSTEM P,D,V,C,J,E,T	Fig. 23D-600
LIFTGATE WIPER AND WASHER SYSTEM P,D,C	Fig. 23D-700
G BODY V,C 24	
WINDSHIELD WIPER SYSTEM V,C 24	Fig. 23D-800
WINDSHIELD WASHER SYSTEM V,C 24	Fig. 23D-900
LIFTGATE WIPER AND WASHER V,C 24	Fig. 23D-1000
H BODY D,C 44	
WINDSHIELD WIPER SYSTEM D,C 44	Fig. 23D-1100
WINDSHIELD WASHER SYSTEM D,C 44	Fig. 23D-1200
LIFTGATE WIPER AND WASHER SYSTEM D,C 44	Fig. 23D-1300
S BODY H,K	
WINDSHIELD WIPER SYSTEM H,K	Fig. 23D-1400
WINDSHIELD WASHER SYSTEM H,K	Fig. 23D-1500
LIFTGATE WIPER AND WASHER SYSTEM H,K	Fig. 23D-1600
M BODY B,F,G	
WINDSHIELD WIPER SYSTEM B,F,G	Fig. 23D-1700
WINDSHIELD WASHER SYSTEM B,F,G	Fig. 23D-1800

ILLUSTRATION NOT AVAILABLE AT TIME OF PUBLICATION

LOCK CYLINDERS AND KEYS
Figure 23D-100

5172 100 A



ITEM	PART NUMBER	QTY	BODY	MODEL	DESCRIPTION
	4419 007	1			SERVICE AND REPAIR PACKAGE, Lock Cylinder
1	2999 041	1			KEY, Deck Lid, Liftgate and Glove Box
2	4318 784	1	TP		Instrument Panel Console Glove Box (Cut)
	3454 493	1	B,F,G		KEY,Door and Ign.Lock Cyl.Single and Univ.Key
	3454 493	3	PD 21,4		Door and Ign.Lock Cyl.,Single and Univ.Single Key
	3454 327	2			Door Cylinder
3	4378 035	1	C,V 24		FUEL FILLER LATCH REPAIR PACKAGE
	4378 034	1	J,E,T		
4	3861 793	1	PDVCETB		CYLINDER w/KEY, Ign. and Strg. Column Lock Cylinder, w/Tilt Strg.
5	4172 674	2	B,F,G		CYLINDER,Door Lock,Illuminated,Uncoded
	4106 738	1	CVETBFG		CYLINDER w/KEY, Door Lock, Coded w/Illuminated Entry
	4106 399	1			Door Lock Cylinder
6	4267 850	1	B,F,G		CYLINDER w/KEY, Deck Lid and Glove Box
	4246 654	1	VC21224		Deck Lid and Glove Box
	4246 984	1	J,E,T		Deck Lid and Glove Box
	4246 793	1	PD 21,4		Deck Lid and Glove Box
	4246 660	1	PL,DL 2		Deck Lid Lock Cylinder
	4246 646	1	M,Z 44		L/Gate and Glove Box
	4311 387	1	TP		Console Glove Box
7	4246 645	1	M,Z 24		CYLINDER w/KEY, Glove Box
	4246 645	1	C,V 24		Glove Box Lock Cylinder
	4246 892	1	D,C 44		L/Gate and Glove Box
	4054 081	1	H,K		Pass. Seat Compartment, Also Order 3508886 Latch
	4054 081	1			Glove Box and Storage Bin
8	5207 203	1	M,Z		CYLINDER w/KEY, Door and Ignition
9	4054 805	1	PDC2122		CYLINDER w/KEY, Door and Ignition, w/o Tilt Strg.
	4054 805	1	J,E,T		Door and Ignition, w/o Tilt Strg.
	4246 630	1	M,Z 24		Door,Ignition and L/Gate
			H,K		Door, Ignition, L/Gate and Cargo Door, w/o Tilt
	4246 764	1			Up to 11-26-84
	4246 923	1			After 11-26-84
			H,K		Ignition, Cargo Door and L/Gate, w/Universal Single Key, w/o Tilt
	4246 777	1			Up to 11-26-84
	4246 927	1			After 11-26-84
			H,K		Door, Ignition, Cargo Door and L/Gate, w/Tilt

MODEL CODES

B = GRAN FURY	E = 600	M = HORIZON/TURISMO
C = LE BARON/TOWN & COUNTRY/LIMO	F = FIFTH AVENUE/NEWPORT	P = RELIANT
C24 = LASER	G = DIPLOMAT	T = NEW YORKER
C44 = LE BARON/GTS	H = VOYAGER	V = 600
D = ARIES	J = CARAVELLE	V24 = DAYTONA
D44 = LANCER	K = MINI VAN/CARAVAN/ROYAL	Z = OMNI/CHARGER

BODY STYLES

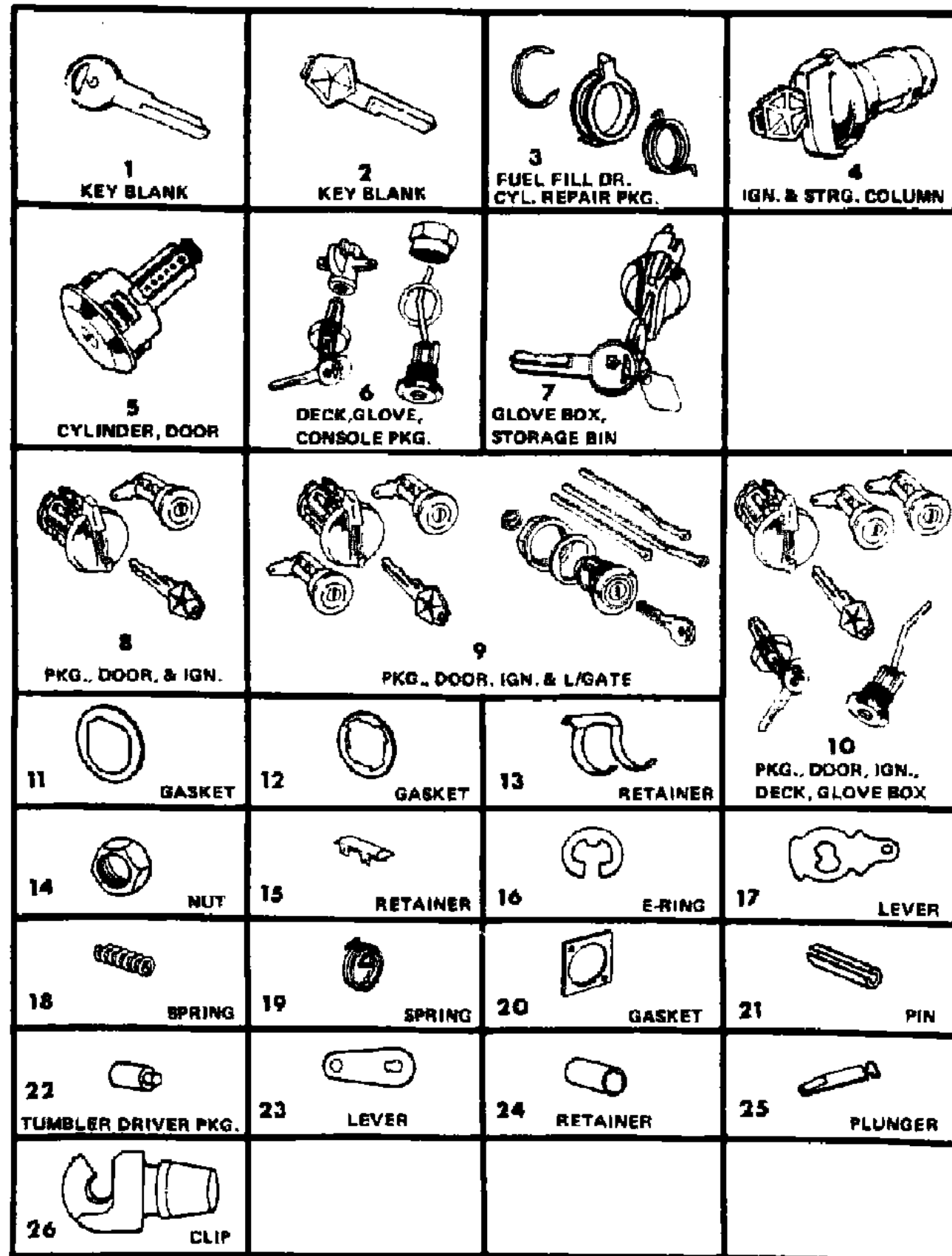
21 = 2-DOOR SEDAN	35 = FWD VAN	44 = 4-DOOR HATCHBACK
22 = 2-DOOR SPECIAL COUPE	36 = FWD WAGON	45 = 4-DOOR STATION WAGON
24 = 2-DOOR HATCHBACK	41 = 4-DOOR SEDAN	49 = LIMOUSINE
27 = 2-DOOR CONVERTIBLE		

AR = Use as Required - = Non Illustrated Part P.A.R. = Paint as Required

LOCK CYLINDERS AND KEYS

Figure 23D-100

5172 100 A



ITEM	PART NUMBER	QTY	BODY	MODEL	DESCRIPTION
	4246 765	1			Up to 11-26-84
	4246 924	1		H,K	After 11-26-84
	4246 778	1			Ignition, Cargo Door and L/Gate, w/Universal Single Key, w/Tilt Strg.
	4246 928	1			Up to 11-26-84
	4246 795	1		H,K	After 11-26-84
	4246 926	1			L/Gate and Seat Compartment
	4246 856	1			Up to 11-26-84
	4246 929	1		H,K	After 11-26-84
	4246 766	1			Seat Compartment, Console, L/Gate and Cargo Door
	4246 925	1			Up to 11-26-84
	4246 855	1		H,K	After 11-26-84
	3548 955	1		PDCVBF	Seat Compartment and Console
	3548 955	1		J,E,T	Door and Ignition, w/Tilt, w/o Illuminated Entry
	4172 348	1		B,F,G	Door and Ignition, w/Illuminated Entry, w/o Tilt
	4172 305	1		B,F,G	Door and Ignition, w/Illuminated Entry, w/Tilt
	4246 628	1		CV 22,2	Door and Ignition, w/Illuminated Entry, w/o Tilt
	4246 627	1		CV 22,2	Door and Ignition, w/Illuminated Entry, w/Tilt
	4246 627	1		J,E,T	Door and Ignition, w/Illuminated Entry, w/Tilt
	4246 628	1		J,E,T	Door and Ignition, w/Illuminated Entry, w/o Tilt
	4246 891	1		D,C 44	Door and Ignition, w/Illuminated Entry, w/Tilt
	4246 889	1		D,C 44	Door and Ignition, w/Illuminated Entry, w/o Tilt
	4246 824	1		D,C 44	Door and Ignition, w/o Illuminated Entry, w/Tilt
	4378 009	1			Up to 10-22-84
	4246 825	1		D,C 44	After 10-22-84
	4246 825	1		V 27,Tu	Door and Ignition, w/o Illuminated Entry, w/o Tilt
	4246 824	1			Door and Ignition, w/Tilt
	4378 001	1			Up to 10-22-84
	4246 825	1		V 27,Tu	After 10-22-84
	4246 798	1		C,V 24	Door and Ignition, w/o Tilt
	4378 052	1			Door, Ignition, L/Gate, w/Illuminated Entry and Tilt Strg.
					Up to 12-3-84
					After 12-3-84

MODEL CODES

B = GRAN FURY	E = 600	M = HORIZON/TURISMO
C = LE BARON/TOWN & COUNTRY/LIMO	F = FIFTH AVENUE/NEWPORT	P = RELIANT
C24 = LASER	G = DIPLOMAT	T = NEW YORKER
C44 = LE BARON/GTS	H = VOYAGER	V = 600
D = ARIES	J = CARAVELLE	V24 = DAYTONA
D44 = LANCER	K = MINI VAN/CARAVAN/ROYAL	Z = OMNI/CHARGER

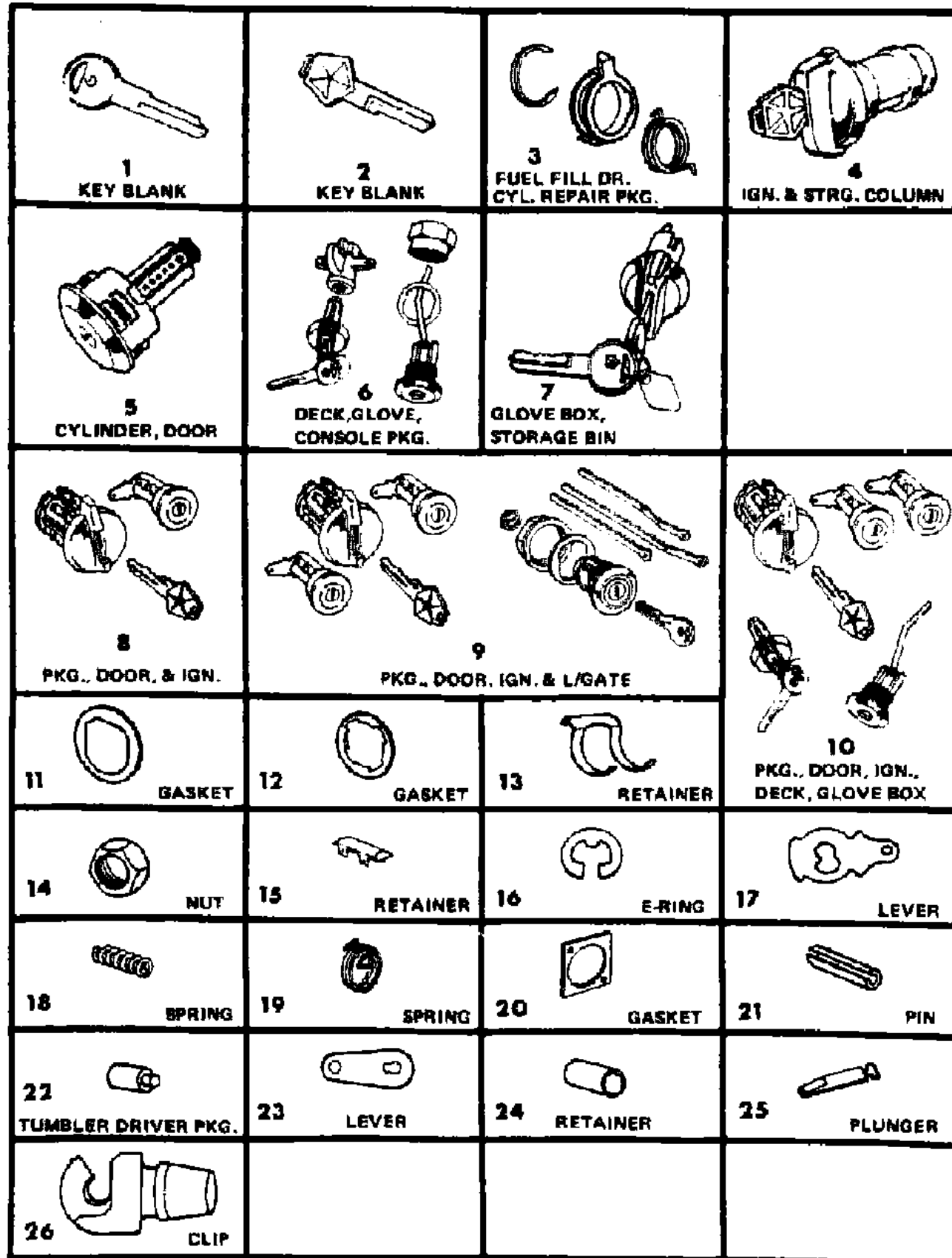
BODY STYLES

21 = 2-DOOR SEDAN	35 = FWD VAN	44 = 4-DOOR HATCHBACK
22 = 2-DOOR SPECIAL COUPE	36 = FWD WAGON	45 = 4-DOOR STATION WAGON
24 = 2-DOOR HATCHBACK	41 = 4-DOOR SEDAN	49 = LIMOUSINE
27 = 2-DOOR CONVERTIBLE		

AR = Use as Required - = Non Illustrated Part P.A.R. = Paint as Required

LOCK CYLINDERS AND KEYS Figure 23D-100

5172 100 A



ITEM	PART NUMBER	QTY	BODY	MODEL	DESCRIPTION
				C,V 24	Door, Ignition, L/Gate, w/Illuminated Entry, w/o Tilt
	4246 799	1			Up to 12-3-84
	4378 051	1			After 12-3-84
				C,V 24	Door, Ignition, L/Gate, w/o Illuminated Entry, w/Tilt
	4246 800	1			Up to 12-3-84
	4378 050	1			After 12-3-84
				C,V 24	Door, Ignition, L/Gate, w/o Illuminated Entry, w/o Tilt
	4246 801	1			Up to 12-3-84
	4378 049	1			After 12-3-84
	4246 816	1	Sedan,L		Door, Ignition, w/Illuminated Entry, w/Tilt
	5207 386	1	PDC 45		L/Gate Lock Cylinder
10	4172 957	1	B,F,G		CYLINDER w/KEY, Door, Deck Lid, Glove Box, w/Single Key, w/o Tilt, Police and Taxi
	4246 655	1	PD 21,4		Ignition, Door, Deck Lid, Glove Box, w/Single Key, w/o Tilt, Police and Taxi
			B,F,G		Ignition, Door, Deck Lid, Glove Box, w/Universal Sinle Key, w/o Tilt, Police and Taxi
	4246 763	1			Up to 1-2-85
	4378 030	1			After 1-2-85
	4196 943	1	B,F,G		Ignition, Door, Deck Lid, Glove Box, w/Universal Key, w/Tilt, Police and Taxi
	4196 760	1	PD 21,4		Ignition, Door, Deck Lid, Glove Box, w/Single Key, w/Tilt, Police and Taxi
	4196 942	1	PD 21,4		Ignition, Door, Deck Lid, Glove Box, w/Single Key,w/Tilt
	4196 944	1	PD 21,4		Ignition, Door, Deck Lid, Glove Box, w/Universal Key, w/Tilt
11	3695 321	1	PDVCETB		GASKET, Deck Lid Lock Cylinder
	3695 321	1			L/Gate Lock Cylinder
12	2583 860	2			GASKET, Door Lock Cylinder
13	2583 377	2	MZPDCV		RETAINER, Door Lock Cylinder
	2583 377	2	JETBFG		Door Lock Cylinder
	4184 686-7	1	CV 24 D		w/Illuminated Entry
	4184 684-5	1	CV24DC4		w/o Illuminated Entry
14	4054 202	1			NUT, Deck Lid Lock Cylinder Retainer
	4054 202	1			L/Gate Lock Cylinder Retainer
15	2765 069	2			RETAINER, Door Lock Cylinder Tumbler
16	6026 125	2			RETAINER, Lock Cylinder Lever
	6026 125	2			Reverse Lever Pivot

MODEL CODES

B = GRAN FURY	E = 600	M = HORIZON/TURISMO
C = LE BARON/TOWN & COUNTRY/LIMO	F = FIFTH AVENUE/NEWPORT	P = RELIANT
C24 = LASER	G = DIPLOMAT	T = NEW YORKER
C44 = LE BARON/GTS	H = VOYAGER	V = 600
D = ARIES	J = CARAVELLE	V24 = DAYTONA
D44 = LANCER	K = MINI VAN/CARAVAN/ROYAL	Z = OMNI/CHARGER

BODY STYLES

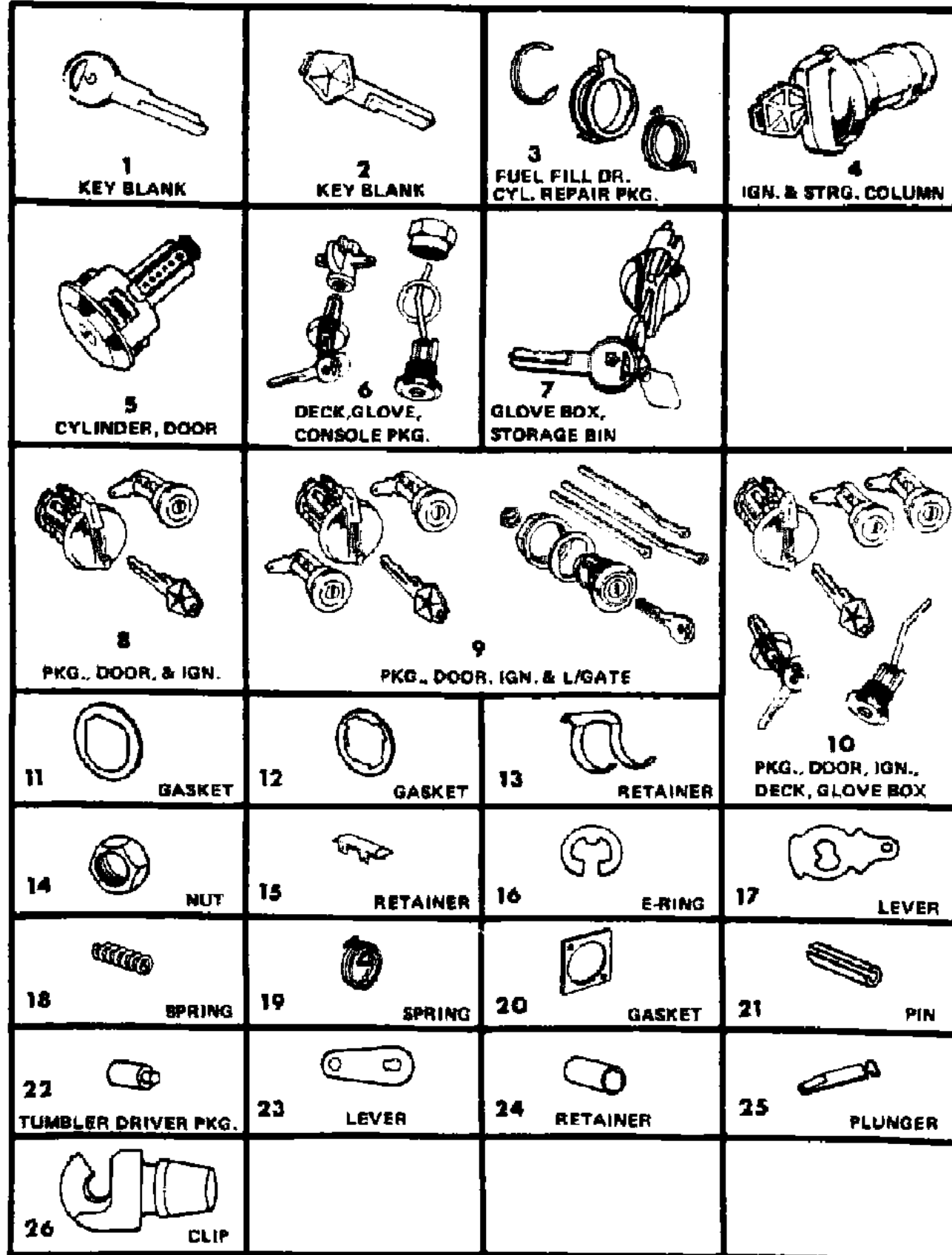
21 = 2-DOOR SEDAN	35 = FWD VAN	44 = 4-DOOR HATCHBACK
22 = 2-DOOR SPECIAL COUPE	36 = FWD WAGON	45 = 4-DOOR STATION WAGON
24 = 2-DOOR HATCHBACK	41 = 4-DOOR SEDAN	49 = LIMOUSINE
27 = 2-DOOR CONVERTIBLE		

AR = Use as Required - = Non Illustrated Part P.A.R. = Paint as Required

LOCK CYLINDERS AND KEYS

Figure 23D-100

5172 100 A



ITEM	PART NUMBER	QTY	BODY	MODEL	DESCRIPTION
	6026 125	1		H,K	Sliding Door Outside Handle Key Lever
	6026 125	1			Front Door Lock Cylinder Lever
	4280 659	1		H,K	Sliding Door Outside Handle Cylinder
	6026 125	1		M,Z 24	Electric L/Gate Latch Cam
	6032 107	1		M,Z 24	CLIP, L/Gate Lock Cylinder Lever
	6032 107	1		PDC 45	L/Gate Lock Cylinder Lever Retainer
	3454 221	1		H,K	
17	2802 124	2			LEVER, Door Lock Cylinder
	2802 124	2		B,F,G	Illuminated Door Lock Cylinder
18	2765 073	AR			SPRING, Door, Deck Lid, L/Gate Lock Cylinder Tumbler
19	3861 746	1		B,F,G	SPRING, Deck Lid Lock Cylinder Shaft Retaining
20	4276 999	1			GASKET, Deck Lid Lock Cylinder Medallion
21	9431 636	1			PIN, Ignition and Strg. Column Lock Cylinder Buzzer Switch
					Actuating Arm
	9431 637	1			Ignition and Strg. Column Lock Cylinder to Driver
22					TUMBLER DRIVER PACKAGE, Lock Cylinder
	4094 448	1			Code 1
	4094 449	1			Code 2
	4106 348	1			Code 3
	4106 349	1			Code 4
	4106 350	1			Code 5
	4106 351	1			Code 6
23	4246 496	1		P,D,C 4	LEVER, L/Gate Lock Cylinder
	4378 015	1		C,V 24	
	4246 815	1		H,K	
	4246 835	1		D,C 44	
24	3454 517	1			RETAINER, Ignition and Strg. Column Lock Cylinder Actuating Arm Spring
25	4019 548	1		PDCVETB	PLUNGER, Lock Cylinder Retainer, w/o Tilt
26	3760 130-1	1		CV 24 M	CLIP, Door Lock Cylinder Link Retainer

MODEL CODES

B = GRAN FURY	E = 600	M = HORIZON/TURISMO
C = LE BARON/TOWN & COUNTRY/LIMO	F = FIFTH AVENUE/NEWPORT	P = RELIANT
C24 = LASER	G = DIPLOMAT	T = NEW YORKER
C44 = LE BARON/GTS	H = VOYAGER	V = 600
D = ARIES	J = CARAVELLE	V24 = DAYTONA
D44 = LANCER	K = MINI VAN/CARAVAN/ROYAL	Z = OMNI/CHARGER

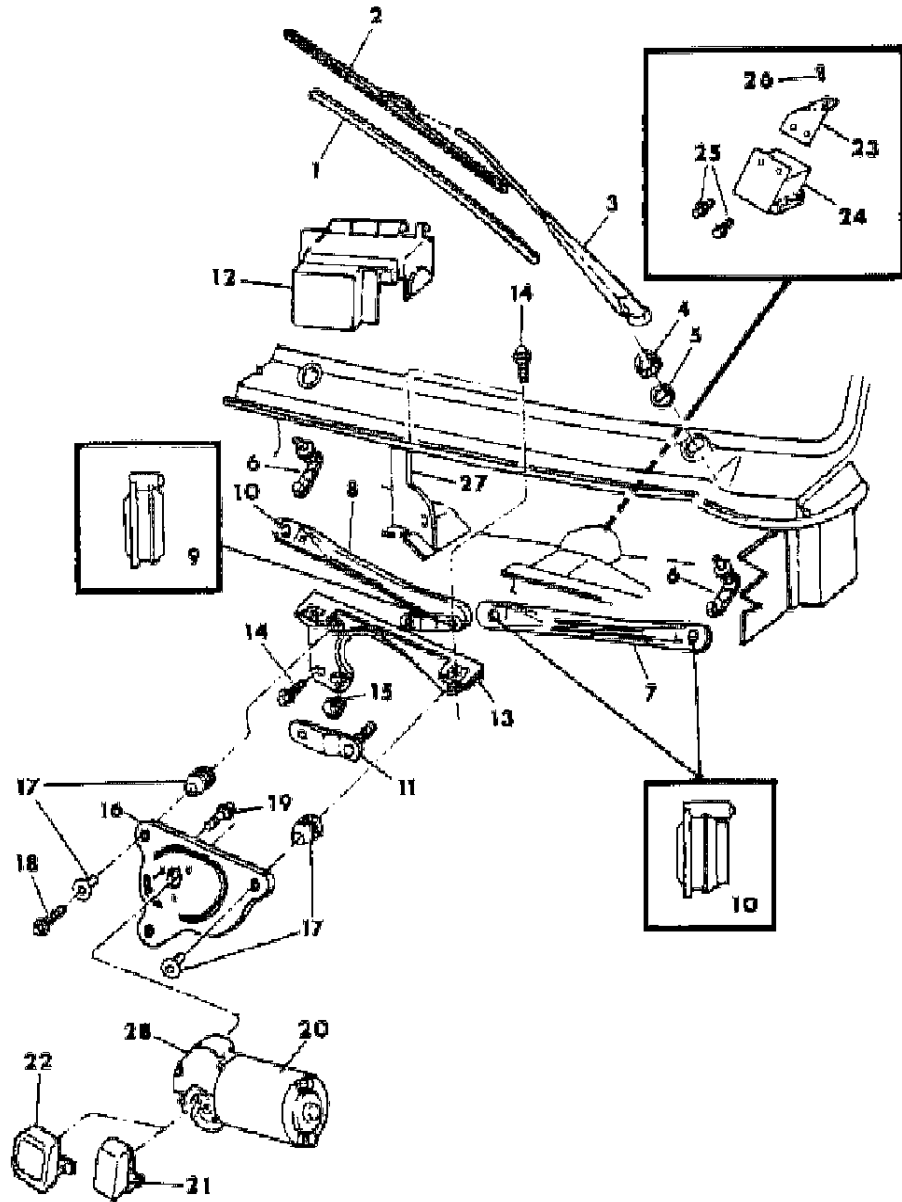
BODY STYLES

21 = 2-DOOR SEDAN	35 = FWD VAN	44 = 4-DOOR HATCHBACK
22 = 2-DOOR SPECIAL COUPE	36 = FWD WAGON	45 = 4-DOOR STATION WAGON
24 = 2-DOOR HATCHBACK	41 = 4-DOOR SEDAN	49 = LIMOUSINE
27 = 2-DOOR CONVERTIBLE		

AR = Use as Required - = Non Illustrated Part P.A.R. = Paint as Required

WINDSHIELD WIPER SYSTEM M,Z
Figure 23D-200

5172 200



ITEM	PART NUMBER	QTY	BODY	MODEL	DESCRIPTION
1					REFILL, Wiper Blade
	5211 129	2			Anco
	5211 132	2			Trico
2					BLADE w/REFILL, Wiper
	5211 128	2			Anco
	5211 127	2			Trico
3	3799 861	2			ARM, Wiper
4	5211 098	2			NUT, Wiper Pivot Mtg.
5	5211 099	2			WASHER, Pivot Mtg.
6	5211 008-9	1			PIVOT, Wiper
7	5211 003	1			LINK w/BUSHINGS, Wiper Drive, Left
8	5211 004	1			LINK and CRANK w/BUSHINGS, Wiper Drive, Right
9	5211 015	1			BUSHING, Drive Link Crank
10	3799 089	3			BUSHING, Drive Link
11					CRANK, Wiper Drive, Serviced in Item #8
12	3799 867	1			COVER, Wiper Motor
13	4270 987	1			BRACKET w/NUTS, Motor Mtg.
14	6500 254	3			SCREW w/WASHER
15	6031 096	1			NUT w/WASHER, Motor Crank Mtg.
16	4339 445	1			BRACKET, Motor Mtg.
17	4339 452	1			GROMMET and SPACER PACKAGE, Motor Mtg.
18	6501 154	3			SCREW w/WASHER
19		3			SCREW w/WASHER (DNS)
20	4339 449	1			MOTOR, Wiper
21	4270 869	1			COVER, Motor Terminal
22	4342 226	1			SUPPRESSOR, Motor Radio Noise
23	4222 794	1			BRACKET, Intermittent Wipe Control
24	4222 060	1			CONTROL, Intermittent Wipe
25		2			SCREW (DNS)
26		1			SCREW (DNS)
27	4314 990	1			SUPPORT w/NUT, Cowl Plenum to Cowl Top Panel
28	4270 813	1			COVER, Wiper Motor Gearbox

MODEL CODES

B = GRAN FURY	E = 600	M = HORIZON/TURISMO
C = LE BARON/TOWN & COUNTRY/LIMO	F = FIFTH AVENUE/NEWPORT	P = RELIANT
C24 = LASER	G = DIPLOMAT	T = NEW YORKER
C44 = LE BARON/GTS	H = VOYAGER	V = 600
D = ARIES	J = CARAVELLE	V24 = DAYTONA
D44 = LANCER	K = MINI VAN/CARAVAN/ROYAL	Z = OMNI/CHARGER

BODY STYLES

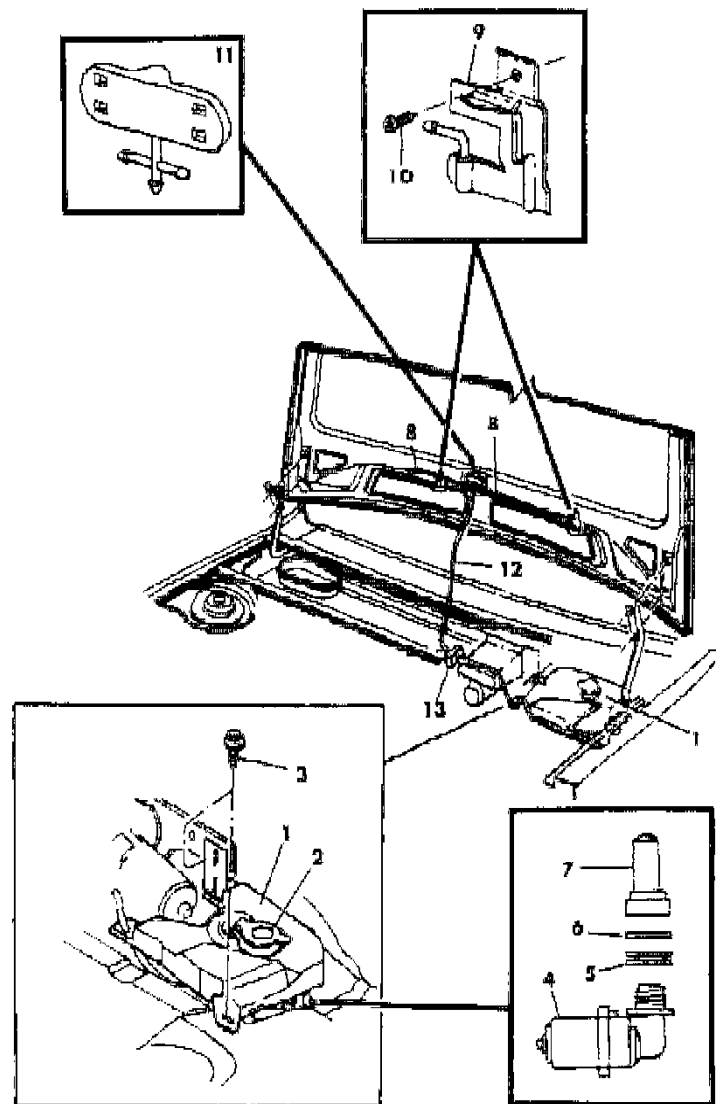
21 = 2-DOOR SEDAN	35 = FWD VAN	44 = 4-DOOR HATCHBACK
22 = 2-DOOR SPECIAL COUPE	36 = FWD WAGON	45 = 4-DOOR STATION WAGON
24 = 2-DOOR HATCHBACK	41 = 4-DOOR SEDAN	49 = LIMOUSINE
27 = 2-DOOR CONVERTIBLE		

AR = Use as Required - = Non Illustrated Part P.A.R. = Paint as Required

WINDSHIELD WASHER SYSTEM M,Z

Figure 23D-300

5172 300



ITEM	PART NUMBER	QTY	BODY	MODEL	DESCRIPTION
1	4334 190	1			RESERVOIR w/CAP, Washer
2	3799 789	1			CAP, Reservoir
3	6031 951	2			SCREW
4	3799 090	1			PUMP w/SEAL, Washer
5		1			SEAL, Pump to Reservoir, Serviced in Items #1,4
6		1			WASHER (DNS)
7	3799 324	1			FILTER w/NUT, Pump
8	3837 036	AR			HOSE, Washer
	4334 799	1			CONNECTOR, Hose to Elbow
9	4176 769	2			NOZZLE, Waaher
10		2			SCREW (DNS)
11	3799 790	1			TEE, Hose Connector
12	4203 421	AR			HOSE, Washer
13	6015 412	1			CLIP, Hose Routing

MODEL CODES

B = GRAN FURY	E = 600	M = HORIZON/TURISMO
C = LE BARON/TOWN & COUNTRY/LIMO	F = FIFTH AVENUE/NEWPORT	P = RELIANT
C24 = LASER	G = DIPLOMAT	T = NEW YORKER
C44 = LE BARON/GTS	H = VOYAGER	V = 600
D = ARIES	J = CARAVELLE	V24 = DAYTONA
D44 = LANCER	K = MINI VAN/CARAVAN/ROYAL	Z = OMNI/CHARGER

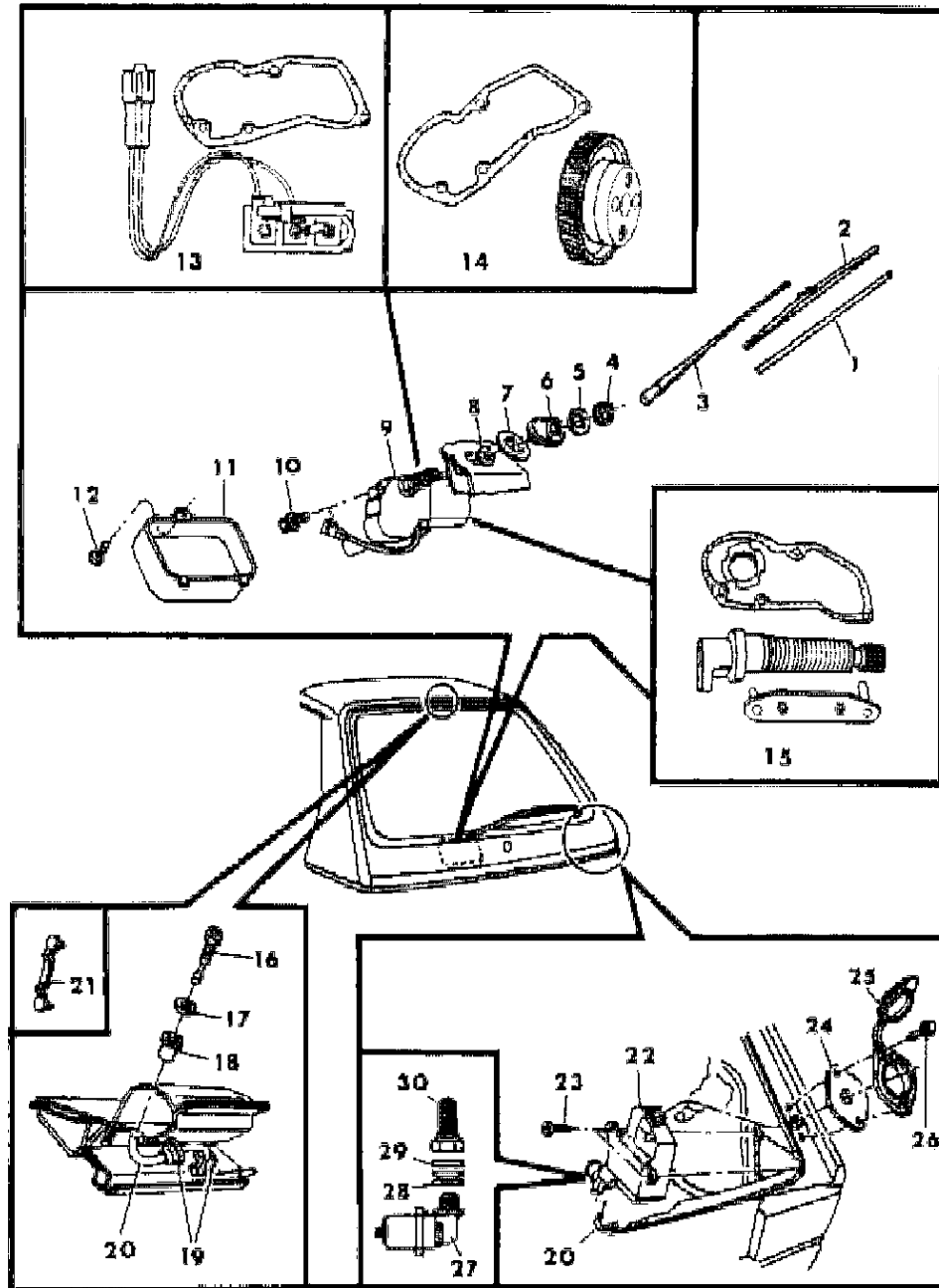
BODY STYLES

21 = 2-DOOR SEDAN	35 = FWD VAN	44 = 4-DOOR HATCHBACK
22 = 2-DOOR SPECIAL COUPE	36 = FWD WAGON	45 = 4-DOOR STATION WAGON
24 = 2-DOOR HATCHBACK	41 = 4-DOOR SEDAN	49 = LIMOUSINE
27 = 2-DOOR CONVERTIBLE		

AR = Use as Required - = Non Illustrated Part P.A.R. = Paint as Required

LIFTGATE WIPER AND WASHER SYSTEM M,Z
Figure 23D-400

5172 400



ITEM	PART NUMBER	QTY	BODY	MODEL	DESCRIPTION
1					REFILL, Wiper Blade
	3799 654	1			Anco
	3799 685	1			Trico
2	4169 537	1			BLADE w/REFILL, Wiper
3	3799 864	1			ARM, Wiper
4	5211 098	1			NUT, Pivot Mtg.
5	5211 099	1			WASHER, Pivot Mtg.
6	3799 739	1			ESCUTCHEON, Pivot
7	3799 757	1			ESCUTCHEON w/SEAL, Pivot
8	6031 538	1			WASHER, Driveshaft Sealing
9	4240 492	1			MOTOR, Wiper
10		2			SCREW (DNS)
11	5208 536	1			COVER, Motor
12		1			SCREW (DNS)
13	4240 491	1			SWITCH PLATE PACKAGE, Motor
14	4131 386	1			GEAR and DRIVE PLATE PACKAGE, Motor
15	4131 387	1			DRIVESHAFT and LINK PACKAGE, Motor
16	3799 740	1			NOZZLE, Washer
17	6032 097	1			WASHER, Nozzle
18	6028 008	1			NUT, Nozzle
19	5211 041	2			GROMMET, Washer Hose
20	4026 137	AR			HOSE, Washer
21	6015 544	1			STRAP, Hose to Header
22	5211 087	1			RESERVOIR, Washer
23	6031 951	2			SCREW w/WASHER
24		1			GASKET, Reservoir Cap, Serviced in Item #25
25	5211 105	1			CAP, Reservoir
26		2			SCREW (DNS)
27	4762 319	1			PUMP and SEAL PACKAGE, Washer
28		1			SEAL, Pump to Reservoir, Serviced in Item #22,27
29		1			WASHER, Pump (DNS)
30	3799 324	1			FILTER w/NUT, Washer Pump

MODEL CODES

B = GRAN FURY	E = 600	M = HORIZON/TURISMO
C = LE BARON/TOWN & COUNTRY/LIMO	F = FIFTH AVENUE/NEWPORT	P = RELIANT
C24 = LASER	G = DIPLOMAT	T = NEW YORKER
C44 = LE BARON/GTS	H = VOYAGER	V = 600
D = ARIES	J = CARAVELLE	V24 = DAYTONA
D44 = LANCER	K = MINI VAN/CARAVAN/ROYAL	Z = OMNI/CHARGER

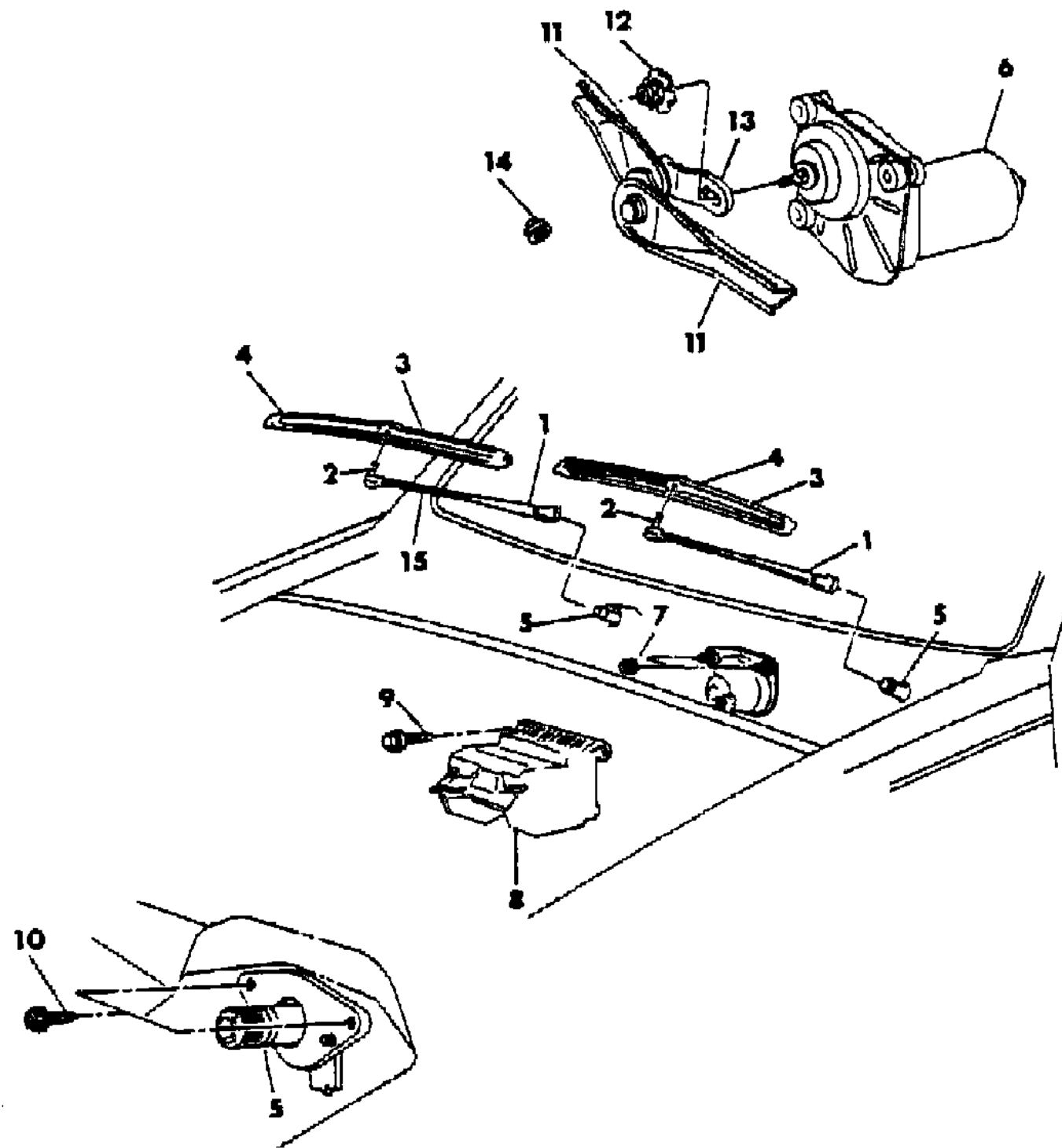
BODY STYLES

21 = 2-DOOR SEDAN	35 = FWD VAN	44 = 4-DOOR HATCHBACK
22 = 2-DOOR SPECIAL COUPE	36 = FWD WAGON	45 = 4-DOOR STATION WAGON
24 = 2-DOOR HATCHBACK	41 = 4-DOOR SEDAN	49 = LIMOUSINE
27 = 2-DOOR CONVERTIBLE		

AR = Use as Required - = Non Illustrated Part P.A.R. = Paint as Required

WINDSHIELD WIPER SYSTEM P,D,V,C,J,E,T
Figure 23D-500

5172 500



ITEM	PART NUMBER	QTY	BODY	MODEL	DESCRIPTION
1					ARM, Wiper
	3799 865	2			w/o Nozzle
	3799 694	2			w/Nozzle
2	3799 695	2			NOZZLE, Wiper Arm
3	4334 773	2			BLADE w/REFILL, Wiper
4	4334 774	2			REFILL, Wiper Blade
5					PIVOT, Wiper
	4240 511	1			Right
	4240 512	1			Left
6	4339 449	1			MOTOR w/SEAL, Wiper
	4270 869	1			COVER, Motor Terminal
	4270 813	1			COVER, Motor Gearbox
	4339 452	1			GROMMET and SPACER PACKAGE, Motor Mtg.
	4339 448	1			BRACKET, Motor Mtg.
	4312 002	1			CONTROL, Intermittent Wipe
	4342 226	1			SUPPRESSOR, Motor Radio Noise
7	6500 502	2			NUT
	6501 154	1			SCREW
8	3799 859	1			COVER w/SEAL, Motor
9	6031 951	2			SCREW
10	6031 754	4			SCREW
11					LINK w/BUSHING, Wiper
	3799 595	1			Right
	3799 600	1			Left
12	6031 096	1			NUT
13	3799 597	1			CRANK w/PIN, Wiper Drive
14	3799 089	3			BUSHING, Wiper Linkage
15	3799 697	2			GUARD, Wiper Arm Washer Hose

MODEL CODES

B = GRAN FURY	E = 600	M = HORIZON/TURISMO
C = LE BARON/TOWN & COUNTRY/LIMO	F = FIFTH AVENUE/NEWPORT	P = RELIANT
C24 = LASER	G = DIPLOMAT	T = NEW YORKER
C44 = LE BARON/GTS	H = VOYAGER	V = 600
D = ARIES	J = CARAVELLE	V24 = DAYTONA
D44 = LANCER	K = MINI VAN/CARAVAN/ROYAL	Z = OMNI/CHARGER

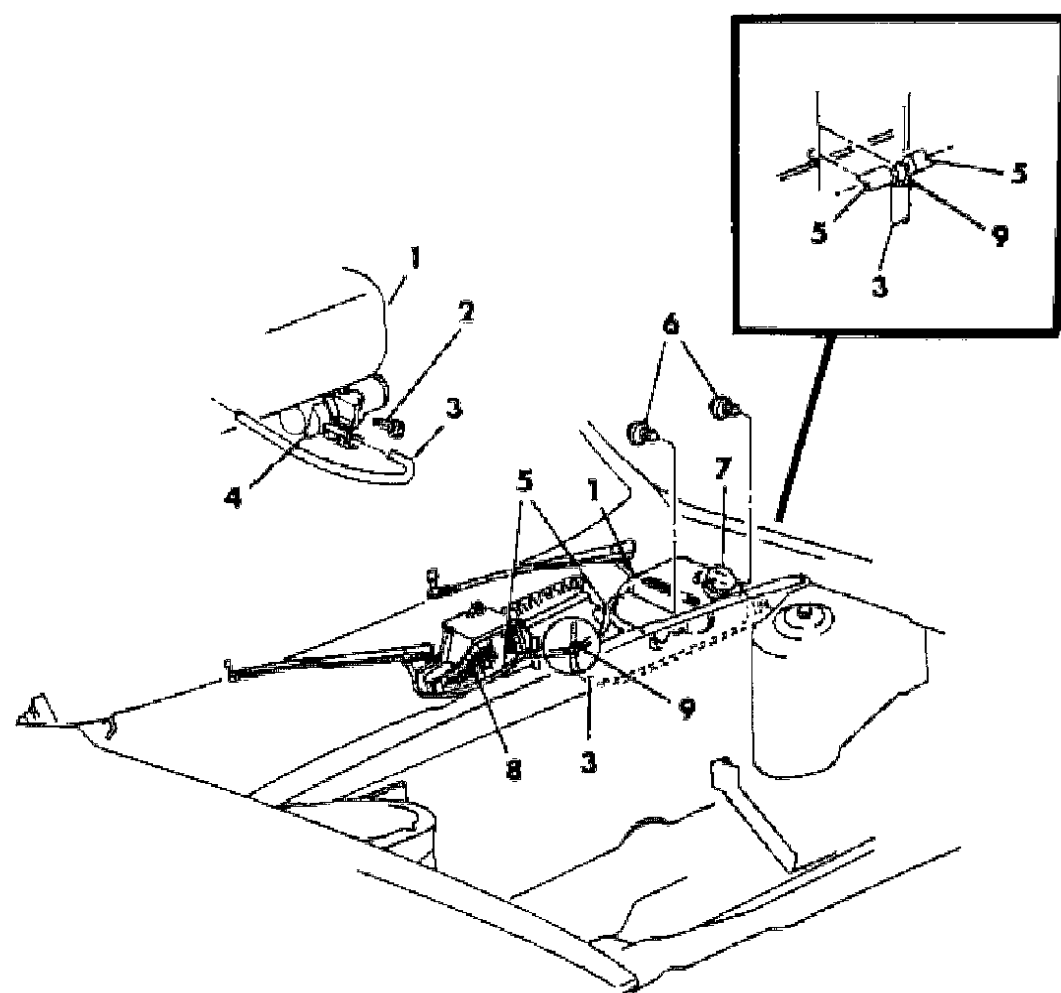
BODY STYLES

21 = 2-DOOR SEDAN	35 = FWD VAN	44 = 4-DOOR HATCHBACK
22 = 2-DOOR SPECIAL COUPE	36 = FWD WAGON	45 = 4-DOOR STATION WAGON
24 = 2-DOOR HATCHBACK	41 = 4-DOOR SEDAN	49 = LIMOUSINE
27 = 2-DOOR CONVERTIBLE		

AR = Use as Required - = Non Illustrated Part P.A.R. = Paint as Required

WINDSHIELD WASHER SYSTEM P,D,V,C,J,E,T
Figure 23D-600

5172 600



ITEM	PART NUMBER	QTY	BODY	MODEL	DESCRIPTION
1	3799 858	1			RESERVOIR w/CAP, Washer
	3799 814	1			SENSOR, Fluid Level
2	3799 324	1			FILTER, Washer Pump
3	3780 798	AR			HOSE, Washer
4	3799 090	1			PUMP and SEAL PACKAGE, Washer
5	4026 130	1			HOSE, Nozzle
6	6031 951	2			SCREW
7	3799 174	1			CAP, Reservoir
8	4198 378	1			SCREEN, Cowl Plenum
9	3799 721	1			CONNECTOR, Hose Tee

MODEL CODES
 B = GRAN FURY
 C = LE BARON/TOWN & COUNTRY/LIMO
 C24 = LASER
 C44 = LE BARON/GTS
 D = ARIES
 D44 = LANCER
 E = 600
 F = FIFTH AVENUE/NEWPORT
 G = DIPLOMAT
 H = VOYAGER
 J = CARAVELLE
 K = MINI VAN/CARAVAN/ROYAL
 M = HORIZON/TURISMO
 P = RELIANT
 T = NEW YORKER
 V = 600
 V24 = DAYTONA
 Z = OMNI/CHARGER

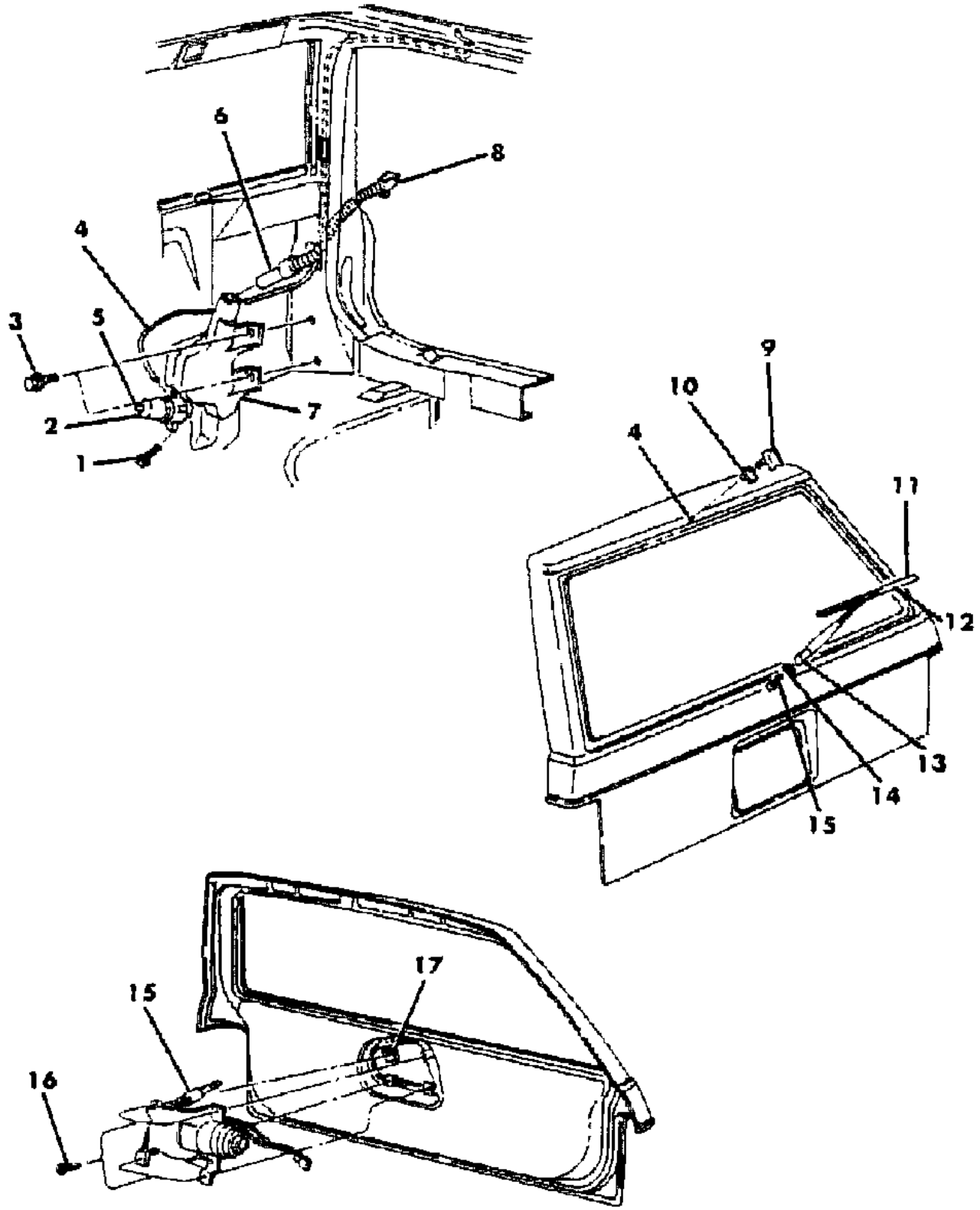
BODY STYLES
 21 = 2-DOOR SEDAN
 22 = 2-DOOR SPECIAL COUPE
 24 = 2-DOOR HATCHBACK
 27 = 2-DOOR CONVERTIBLE
 35 = FWD VAN
 36 = FWD WAGON
 41 = 4-DOOR SEDAN
 44 = 4-DOOR HATCHBACK
 45 = 4-DOOR STATION WAGON
 49 = LIMOUSINE

AR = Use as Required - = Non Illustrated Part P.A.R. = Paint as Required

LIFTGATE WIPER AND WASHER SYSTEM P,D,C
Figure 23D-700

5172 700

ITEM	PART NUMBER	QTY	BODY	MODEL	DESCRIPTION
1	3799 324	1			FILTER w/NUT, Pump
2	3799 090	1			PUMP and SEAL PACKAGE, Reservoir
3	6031 951	2			SCREW
4	3780 798	AR			HOSE, Reservoir to Nozzle
5	5211 041	2			GROMMET, Hose to Nozzle
	3799 520	1			Hose to Reservoir
6	3799 679	1			TUBE, Reservoir Filler
7	3799 684	1			RESERVOIR, Washer
8	3799 726	1			CAP, Reservoir
9	3799 682	1			NOZZLE, Washer
10	3799 683	1			GROMMET, Nozzle
11	3799 792	1			BLADE w/REFILL, Wiper
12	3799 794	1			REFILL, Wiper Blade
13	3799 866	1			ARM, Wiper
14	3799 675	1			ESCUTCHEON, Pivot
15	4240 484	1			MOTOR w/BRACKET, Wiper
	W661 CA3	1			COVER, Motor
	3799 673	1			SEAL, Motor
16		4			SCREW (DNS)
17		4			NUT (DNS)



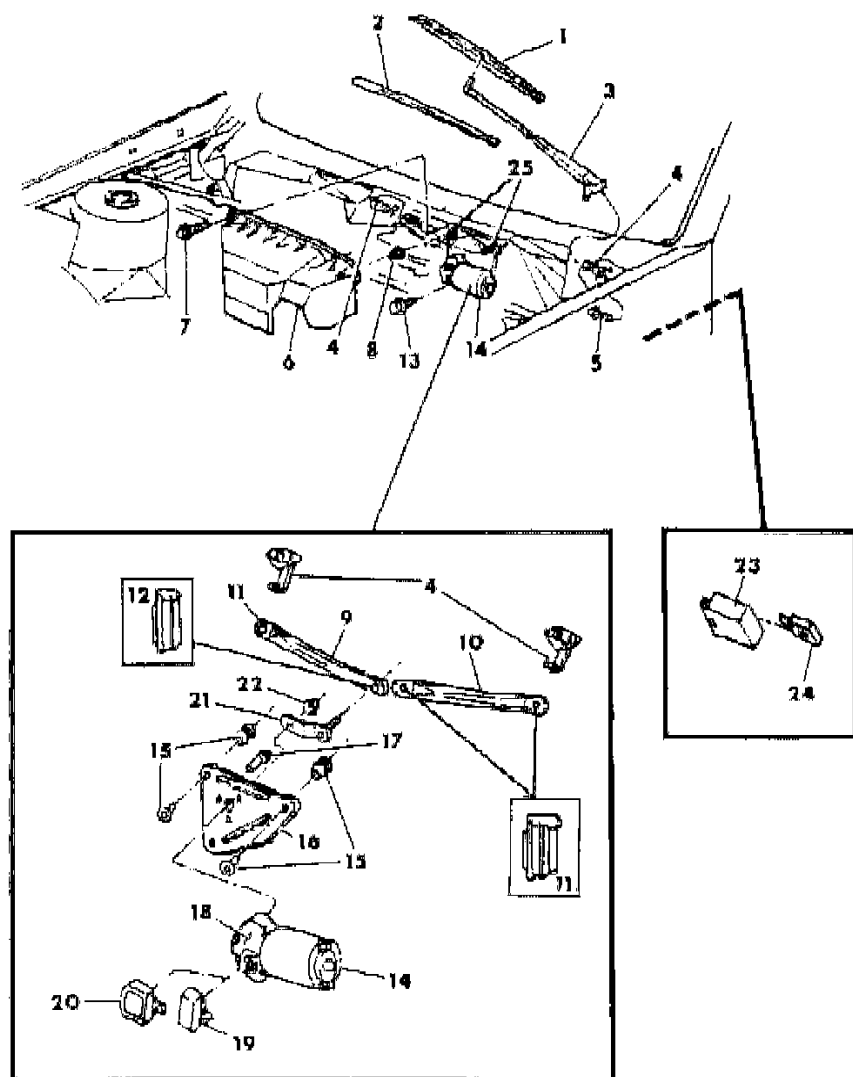
MODEL CODES
 B = GRAN FURY
 C = LE BARON/TOWN & COUNTRY/LIMO
 C24 = LASER
 C44 = LE BARON/GTS
 D = ARIES
 D44 = LANCER
 E = 600
 F = FIFTH AVENUE/NEWPORT
 G = DIPLOMAT
 H = VOYAGER
 J = CARAVELLE
 K = MINI VAN/CARAVAN/ROYAL
 M = HORIZON/TURISMO
 P = RELIANT
 T = NEW YORKER
 V = 600
 V24 = DAYTONA
 Z = OMNI/CHARGER

BODY STYLES
 21 = 2-DOOR SEDAN
 22 = 2-DOOR SPECIAL COUPE
 24 = 2-DOOR HATCHBACK
 27 = 2-DOOR CONVERTIBLE
 35 = FWD VAN
 36 = FWD WAGON
 41 = 4-DOOR SEDAN
 44 = 4-DOOR HATCHBACK
 45 = 4-DOOR STATION WAGON
 49 = LIMOUSINE

AR = Use as Required - = Non Illustrated Part P.A.R. = Paint as Required

WINDSHIELD WIPER SYSTEM V,C 24
Figure 23D-800

5172 800



ITEM	PART NUMBER	QTY	BODY	MODEL	DESCRIPTION
1	3799 850	2			BLADE w/REFILL, Wiper
2	3799 335	2			REFILL, Wiper Blade
3	3799 831	2			ARM, Wiper w/o Nozzle
	3799 759	2			w/Nozzle
4	4240 511	1			PIVOT, Wiper Right
	4240 512	1			Left
5	6031 754	4			SCREW
6	3799 859	1			COVER w/SEAL, Motor
7	6031 951	2			SCREW w/WASHER
8	6500 502	2			NUT
	6501 154	1			SCREW
9	3799 595	1			LINK w/BUSHING, Wiper, Right
10	3799 600	1			LINK w/BUSHING, Wiper, Left
11	3799 089	3			BUSHING, Wiper Link
12	5211 015	1			BUSHING, Wiper Link
13	6501 154	1			SCREW
14	4339 449	1			MOTOR w/SEAL, Wiper
15	4339 452	1			GROMMET and SPACER PACKAGE, Motor
16	4339 448	1			BRACKET, Motor Mtg.
17		AR			BOLT (DNS)
18	4270 813	1			COVER, Wiper Motor Gearbox
19	4270 869	1			COVER, Wiper Motor Terminal
20	4342 226	1			SUPPRESSOR, Wiper Radio Noise
21	3799 597	1			CRANK w/PIN, Wiper Drive
22	6031 096	1			NUT, Wiper Drive Crank
23	4312 002	1			CONTROL, Intermittent Wipe
24	4312 004	1			BRACKET, Intermittent Wipe Control
25	4337 358	1			REINFORCEMENT, Cowl Top Wiper Motor Mtg. Up to 12-6-84
	4371 696	1			After 12-6-84

MODEL CODES

B = GRAN FURY	E = 600	M = HORIZON/TURISMO
C = LE BARON/TOWN & COUNTRY/LIMO	F = FIFTH AVENUE/NEWPORT	P = RELIANT
C24 = LASER	G = DIPLOMAT	T = NEW YORKER
C44 = LE BARON/GTS	H = VOYAGER	V = 600
D = ARIES	J = CARAVELLE	V24 = DAYTONA
D44 = LANCER	K = MINI VAN/CARAVAN/ROYAL	Z = OMNI/CHARGER

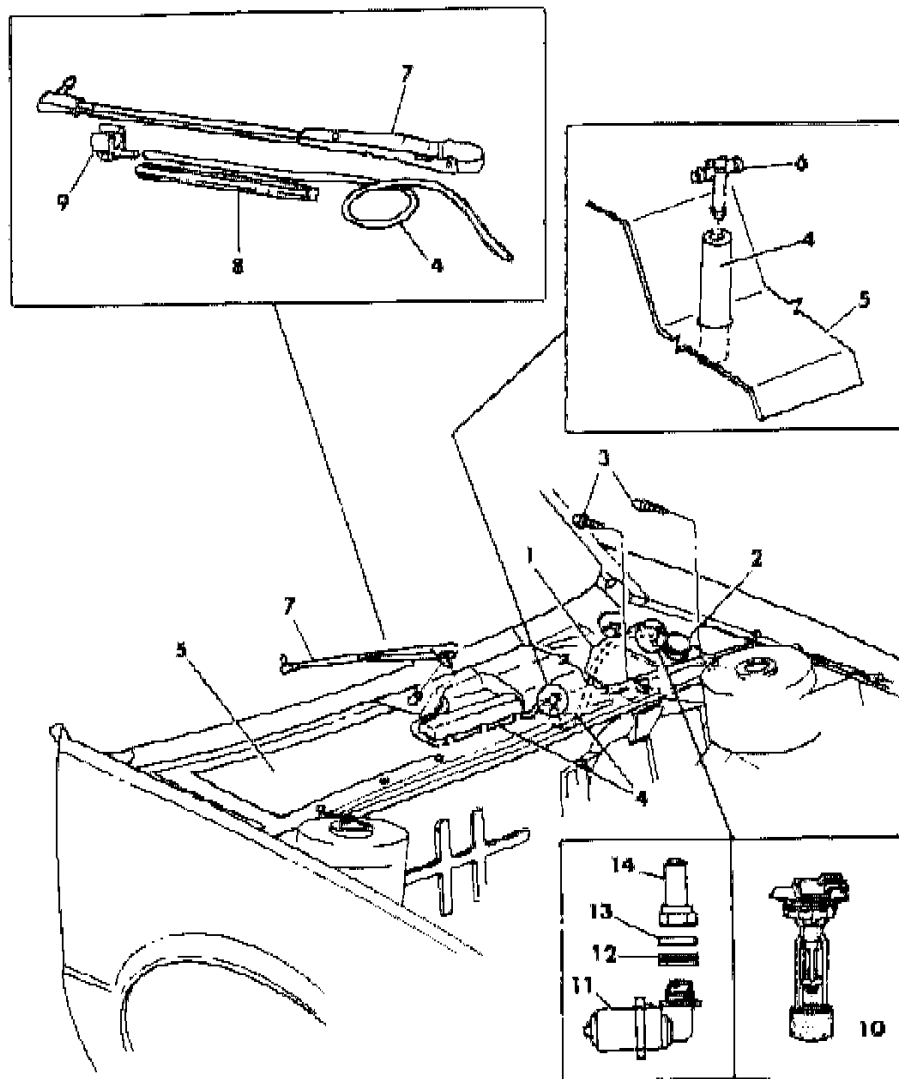
BODY STYLES

21 = 2-DOOR SEDAN	35 = FWD VAN	44 = 4-DOOR HATCHBACK
22 = 2-DOOR SPECIAL COUPE	36 = FWD WAGON	45 = 4-DOOR STATION WAGON
24 = 2-DOOR HATCHBACK	41 = 4-DOOR SEDAN	49 = LIMOUSINE
27 = 2-DOOR CONVERTIBLE		

AR = Use as Required - = Non Illustrated Part P.A.R. = Paint as Required

WINDSHIELD WASHER SYSTEM V,C 24
Figure 23D-900

5172 900



ITEM	PART NUMBER	QTY	BODY	MODEL	DESCRIPTION
1	3799 858	1			RESERVOIR w/CAP, Washer
2	3799 174	1			CAP, Reservoir
3	6031 951	2			SCREW
4	4026 130	AR			HOSE, Washer 3/32" I.D.
	3780 798	AR			5/32" I.D.
5	4337 132	1			SCREEN, Plenum Water Deflector
6	3799 721	1			CONNECTOR, Hose Tee
7					ARM, Wiper
	3799 831	2			w/o Nozzle
	3799 759	2			w/Nozzle
8	3799 833	2			GUARD, Wiper Arm Washer Hose
9	3431 868	2			NOZZLE, Washer
10	3799 814	1			SENSOR, Fluid Level
11	3799 090	1			PUMP w/SEAL, Washer
12		1			SEAL, Pump, Serviced in Item #11
13		1			WASHER (DNS)
14	3799 324	1			FILTER w/NUT, Pump

MODEL CODES

B = GRAN FURY	E = 600	M = HORIZON/TURISMO
C = LE BARON/TOWN & COUNTRY/LIMO	F = FIFTH AVENUE/NEWPORT	P = RELIANT
C24 = LASER	G = DIPLOMAT	T = NEW YORKER
C44 = LE BARON/GTS	H = VOYAGER	V = 600
D = ARIES	J = CARAVELLE	V24 = DAYTONA
D44 = LANCER	K = MINI VAN/CARAVAN/ROYAL	Z = OMNI/CHARGER

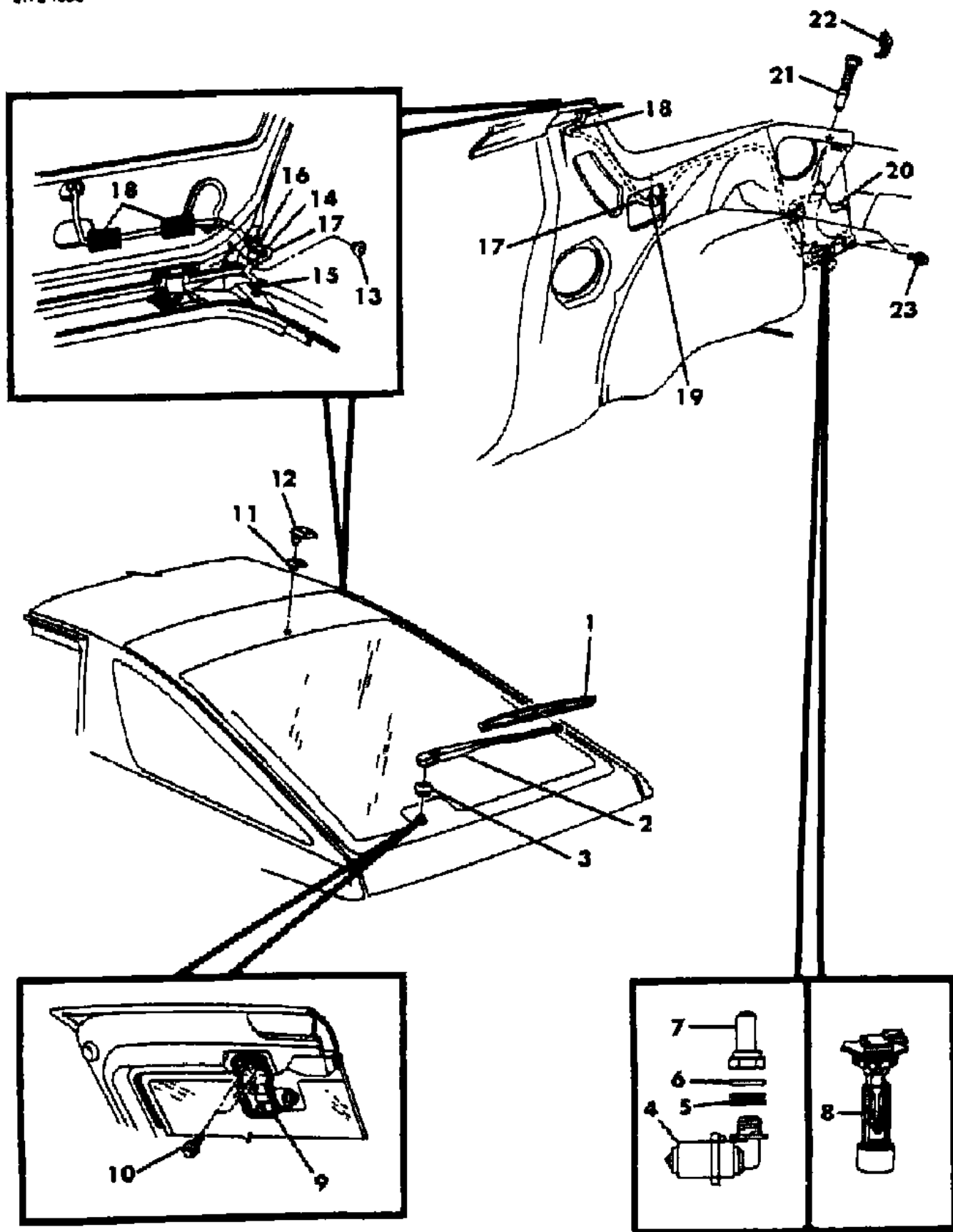
BODY STYLES

21 = 2-DOOR SEDAN	35 = FWD VAN	44 = 4-DOOR HATCHBACK
22 = 2-DOOR SPECIAL COUPE	36 = FWD WAGON	45 = 4-DOOR STATION WAGON
24 = 2-DOOR HATCHBACK	41 = 4-DOOR SEDAN	49 = LIMOUSINE
27 = 2-DOOR CONVERTIBLE		

AR = Use as Required - = Non Illustrated Part P.A.R. = Paint as Required

LIFTGATE WIPER AND WASHER V,C 24
Figure 23D-1000

5172 1000



ITEM	PART NUMBER	QTY	BODY	MODEL	DESCRIPTION
1	3799 850	1			BLADE w/REFILL, Wiper
	3799 335	1			REFILL, Wiper Blade
2	3799 766	1			ARM, Wiper
3	3799 824	1			GROMMET, Driveshaft to Glass
4	4762 319	1			PUMP w/SEAL, Washer ***
5		1			SEAL, Pump, Serviced in Item #4
6		1			WASHER, Pump (DNS)
7	3799 324	1			FILTER w/NUT, Pump
8	3746 813	1			SENSOR, Fluid Level
9	3799 837	1			MOTOR w/BRACKET, Wiper
10		2			SCREW w/WASHER (DNS)
11	3799 772	1			GROMMET, Nozzle
12	3799 682	1			NOZZLE, Washer
13	6031 044	1			PLUG
14		1			CLIP, Washer Hose Routing (DNS)
15	3799 520	1			GROMMET, Hose to Body
16	5211 041	1			GROMMET, Hose to Liftgate
17	3780 798	AR			HOSE, Washer
18		AR			TAPE (DNS)
19	6015 776	1			CLIP
20	3799 795	1			RESERVOIR, Washer
21	3799 679	1			TUBE, Reservoir Filler
22	3799 822	1			CAP, Reservoir Filler Tube
23	6031 951	2			SCREW w/WASHER

MODEL CODES

B = GRAN FURY	E = 600	M = HORIZON/TURISMO
C = LE BARON/TOWN & COUNTRY/LIMO	F = FIFTH AVENUE/NEWPORT	P = RELIANT
C24 = LASER	G = DIPLOMAT	T = NEW YORKER
C44 = LE BARON/GTS	H = VOYAGER	V = 600
D = ARIES	J = CARAVELLE	V24 = DAYTONA
D44 = LANCER	K = MINI VAN/CARAVAN/ROYAL	Z = OMNI/CHARGER

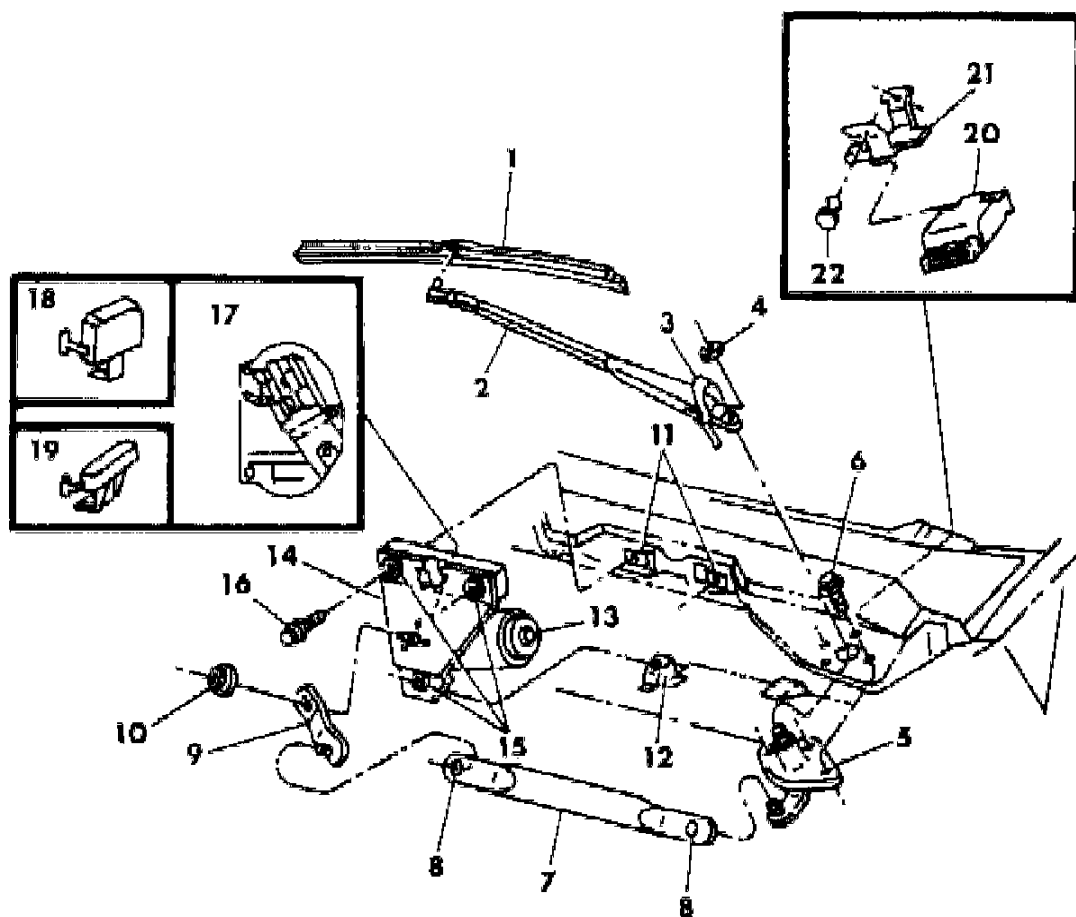
BODY STYLES

21 = 2-DOOR SEDAN	35 = FWD VAN	44 = 4-DOOR HATCHBACK
22 = 2-DOOR SPECIAL COUPE	36 = FWD WAGON	45 = 4-DOOR STATION WAGON
24 = 2-DOOR HATCHBACK	41 = 4-DOOR SEDAN	49 = LIMOUSINE
27 = 2-DOOR CONVERTIBLE		

AR = Use as Required - = Non Illustrated Part P.A.R. = Paint as Required

WINDSHIELD WIPER SYSTEM D,C 44
Figure 23D-1100

5172 1100



ITEM	PART NUMBER	QTY	BODY	MODEL	DESCRIPTION
1	4334 667	2			BLADE w/REFILL, Wiper
	4334 803	2			REFILL, Wiper Blade
2	4334 110	2			ARM, Wiper w/o Nozzle
	4334 108	2			w/Nozzle
	4334 111	2			COVER, Wiper Arm Head
4	6501 002	2			NUT
5					PIVOT, Wiper
	4334 131	1			Left
	4334 132	1			Right
6	6031 754	6			SCREW
7					LINK w/BUSHINGS, Wiper
	4270 976	1			Left
	4270 980	1			Right
8	3799 089	3			BUSHING, Wiper Link
9	4270 978	1			CRANK w/PIN, Wiper Drive
10	6031 096	1			NUT
11	6101 283	2			NUT
12	#4334 249	1			BRACKET, Plenum Panel Lower Motor Mtg.
13	4339 450	1			MOTOR w/SEAL, Wiper
14	4339 444	1			BRACKET, Motor Mtg.
15	4339 452	1			GROMMET and SPACER PKG., Motor Mtg.
16	6501 160	3			SCREW
17	4270 813	1			COVER, Motor
18	4342 226	1			SUPPRESSOR, Motor Radio Noise
19	4270 869	1			COVER, Motor Terminal
20	4312 002	1			CONTROL, Intermittent Wipe
21	4147 361	1			BRACKET, Intermittent Wipe Control
22	6032 681	2			RETAINER

MODEL CODES

B = GRAN FURY	E = 600	M = HORIZON/TURISMO
C = LE BARON/TOWN & COUNTRY/LIMO	F = FIFTH AVENUE/NEWPORT	P = RELIANT
C24 = LASER	G = DIPLOMAT	T = NEW YORKER
C44 = LE BARON/GTS	H = VOYAGER	V = 600
D = ARIES	J = CARAVELLE	V24 = DAYTONA
D44 = LANCER	K = MINI VAN/CARAVAN/ROYAL	Z = OMNI/CHARGER

BODY STYLES

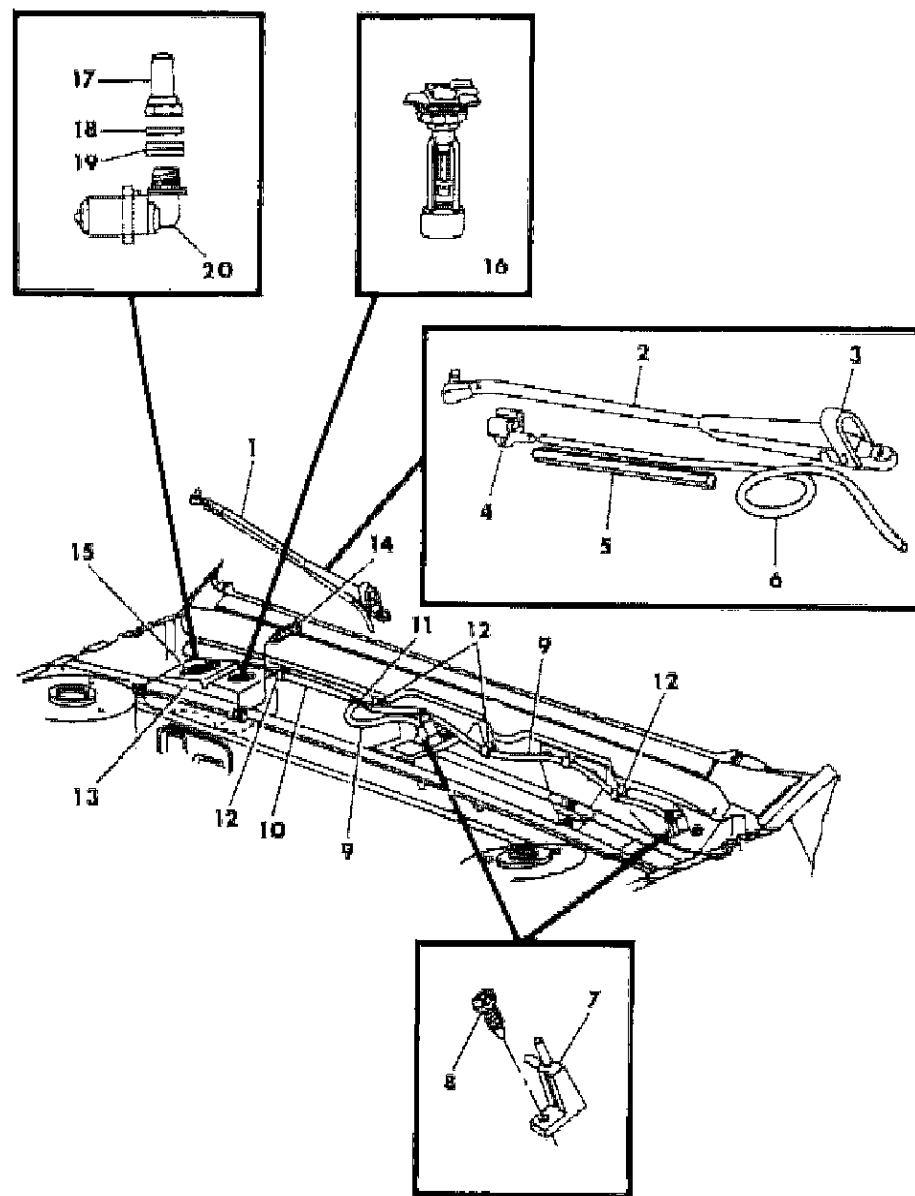
21 = 2-DOOR SEDAN	35 = FWD VAN	44 = 4-DOOR HATCHBACK
22 = 2-DOOR SPECIAL COUPE	36 = FWD WAGON	45 = 4-DOOR STATION WAGON
24 = 2-DOOR HATCHBACK	41 = 4-DOOR SEDAN	49 = LIMOUSINE
27 = 2-DOOR CONVERTIBLE		

AR = Use as Required - = Non Illustrated Part P.A.R. = Paint as Required

WINDSHIELD WASHER SYSTEM D,C 44

Figure 23D-1200

5172 1200



ITEM	PART NUMBER	QTY	BODY	MODEL	DESCRIPTION
1	4334 108	2			ARM w/NOZZLE, Wiper
2	4334 110	2			ARM w/o NOZZLE, Wiper
3	4334 111	2			COVER, Wiper Arm Head
4	4103 995	2			NOZZLE, Washer
5	4334 958	2			GUARD, Wiper Arm Washer Hose
6	4026 130	AR			HOSE, Washer
7	4334 113	2			CONNECTOR, Elbow
8		2			SCREW (DNS)
9	3837 036	AR			HOSE, Washer
10	3780 798	AR			HOSE, Washer
11	4334 112	1			CONNECTOR, Tee
12	6015 776	4			CLIP, Hose
13	4270 997	1			RESERVOIR, Washer
14	6031 951	2			SCREW
15	3799 789	1			CAP, Reservoir
16	4270 609	1			SENSOR, Fluid Level
17	3799 324	1			FILTER, Pump
18		1			WASHER, Pump (DNS)
19		1			SEAL, Pump, Serviced in #20
20	4762 319	1			PUMP, Washer

MODEL CODES

B = GRAN FURY	E = 600	M = HORIZON/TURISMO
C = LE BARON/TOWN & COUNTRY/LIMO	F = FIFTH AVENUE/NEWPORT	P = RELIANT
C24 = LASER	G = DIPLOMAT	T = NEW YORKER
C44 = LE BARON/GTS	H = VOYAGER	V = 600
D = ARIES	J = CARAVELLE	V24 = DAYTONA
D44 = LANCER	K = MINI VAN/CARAVAN/ROYAL	Z = OMNI/CHARGER

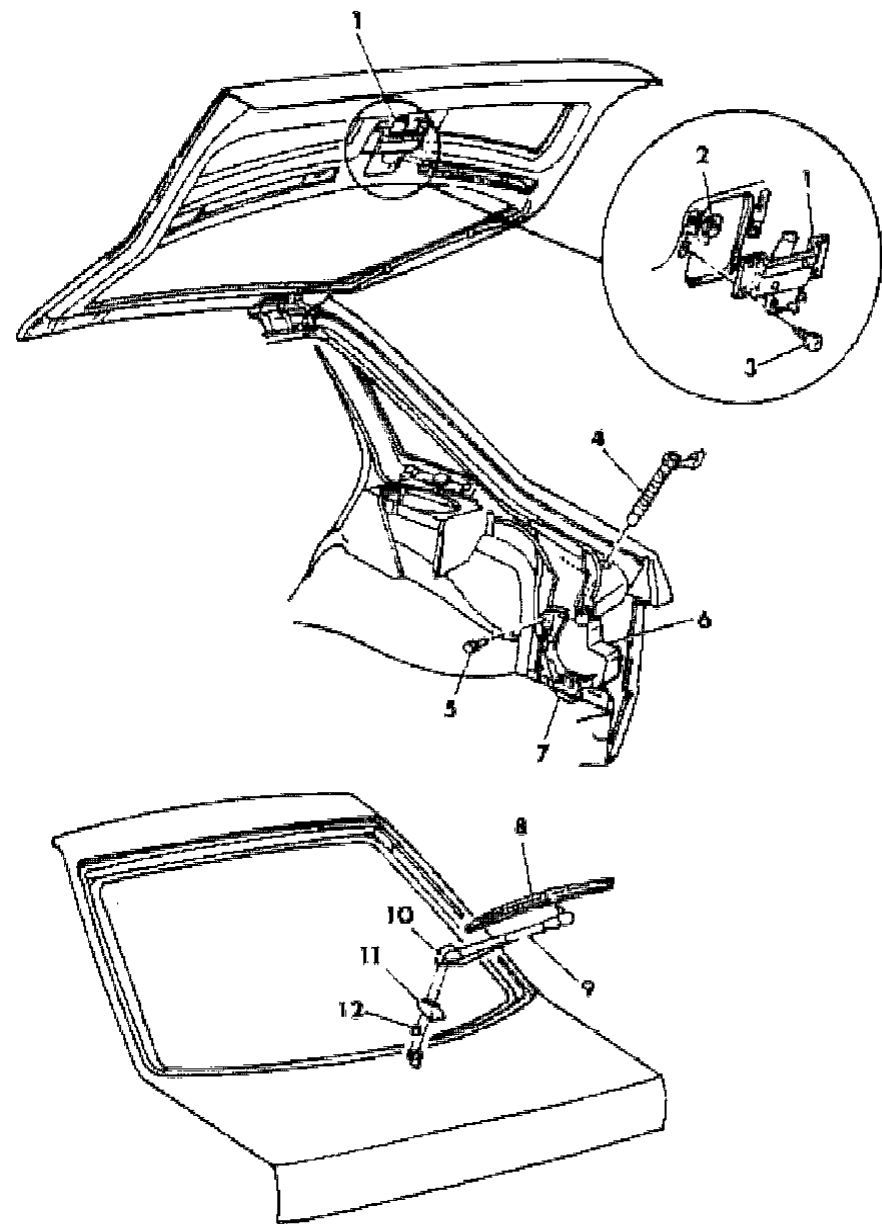
BODY STYLES

21 = 2-DOOR SEDAN	35 = FWD VAN	44 = 4-DOOR HATCHBACK
22 = 2-DOOR SPECIAL COUPE	36 = FWD WAGON	45 = 4-DOOR STATION WAGON
24 = 2-DOOR HATCHBACK	41 = 4-DOOR SEDAN	49 = LIMOUSINE
27 = 2-DOOR CONVERTIBLE		

AR = Use as Required - = Non Illustrated Part P.A.R. = Paint as Required

LIFTGATE WIPER AND WASHER SYSTEM D,C 44
Figure 23D-1300

5172 1300



ITEM	PART NUMBER	QTY	BODY	MODEL	DESCRIPTION
1	4270 773	1			MOTOR w/BRACKET, Wiper
	4339 484	1			CONNECTOR REPAIR PKG., Wiper
	4339 482	1			WASHER, Washer Connector
2	6032 711	4			NUT, Motor Mtg.
		4			SCREW (DNS)
4	3799 679	1			TUBE, Reservoir Filler
	3799 822	1			CAP, Reservoir
	6031 951	2			SCREW, Reservoir Mtg.
6	3799 795	1			RESERVOIR, Washer
	4762 319	1			PUMP w/SEAL, Washer ***
7	3799 324	1			FILTER w/NUT, Pump
	3780 798	AR			HOSE, Washer
	5211 041	1			GROMMET, Hose to Liftgate
8	3799 520	1			GROMMET, Hose to Body
	4334 667	1			BLADE w/REFILL, Wiper
	4334 803	1			REFILL, Wiper
9	4334 576	1			ARM w/NOZZLE, Wiper
	4103 995	1			NOZZLE, Washer
	4270 466	1			GUARD, Wiper Arm Washer Hose
10	4026 130	AR			HOSE, Washer
	4169 571	1			GUARD, Washer Hose Wiper Arm to Liftgate
	4270 992	1			ESCUTCHEON, Wiper Motor
12	4270 998	1			GROMMET, Wiper Motor Sleeve

MODEL CODES

B = GRAN FURY	E = 600	M = HORIZON/TURISMO
C = LE BARON/TOWN & COUNTRY/LIMO	F = FIFTH AVENUE/NEWPORT	P = RELIANT
C24 = LASER	G = DIPLOMAT	T = NEW YORKER
C44 = LE BARON/GTS	H = VOYAGER	V = 600
D = ARIES	J = CARAVELLE	V24 = DAYTONA
D44 = LANCER	K = MINI VAN/CARAVAN/ROYAL	Z = OMNI/CHARGER

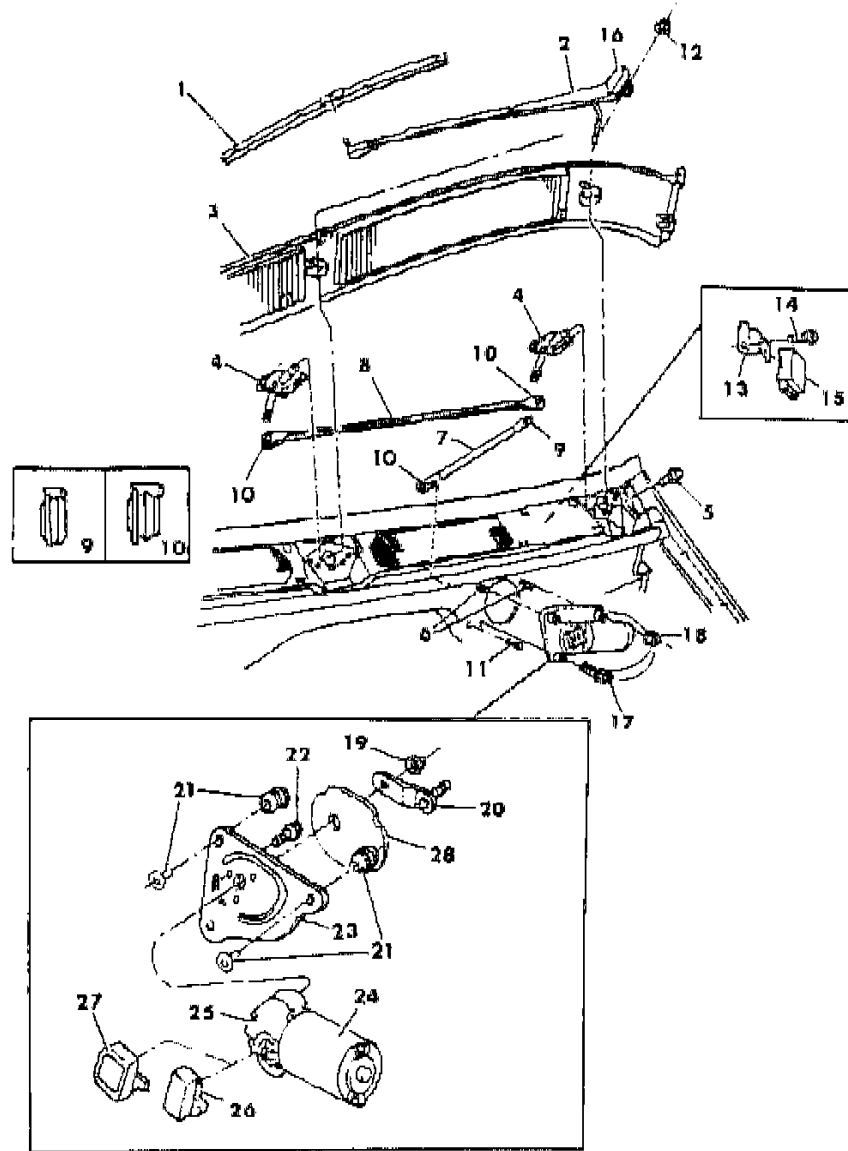
BODY STYLES

21 = 2-DOOR SEDAN	35 = FWD VAN	44 = 4-DOOR HATCHBACK
22 = 2-DOOR SPECIAL COUPE	36 = FWD WAGON	45 = 4-DOOR STATION WAGON
24 = 2-DOOR HATCHBACK	41 = 4-DOOR SEDAN	49 = LIMOUSINE
27 = 2-DOOR CONVERTIBLE		

AR = Use as Required - = Non Illustrated Part P.A.R. = Paint as Required

WINDSHIELD WIPER SYSTEM H,K
Figure 23D-1400

5172 1400



ITEM	PART NUMBER	QTY	BODY	MODEL	DESCRIPTION
1	3799 875	2			BLADE w/REFILL, Wiper
	3799 876	2			REFILL, Wiper Blade
2	4334 184	2			ARM, Wiper, w/o Nozzle
2	3799 847	2			ARM, Wiper, w/Nozzle
	4334 954	2			Up to 12-14-84
					After 12-14-84
3		1			PANEL, Plenum Grille, See Group 23A
4					PIVOT, Wiper
	3799 845	1			Left
	3799 841	1			Right
5	6031 754	6			SCREW
6					REINFORCEMENT, Lower Plenum Motor Mtg.
	4337 478	1			Up to 3-15-85
	4371 698	1			After 3-15-85
7	4270 445	1			LINK w/BUSHING, Wiper Drive
8	4270 414	1			LINK w/BUSHING, Wiper Connecting
9	5211 015	1			BUSHING, Wiper Link
10	3799 089	3			BUSHING, Wiper Link
11	6030 441	1			PLUG, Cowl Plenum Lower Motor Mtg. Push Nut
12	6501 002	2			NUT, Wiper Arm to Pivot
13	4312 005	1			BRACKET, Intermittent Wipe Control
14		1			SCREW (DNS)
15	4312 002	1			CONTROL, Intermittent Wipe
16	4334 111	2			COVER, Wiper Arm Head
17	6501 154	1			SCREW
18	6500 502	2			NUT
19	6031 096	1			NUT w/WASHER
20	4270 418	1			CRANK w/PIN, Motor Drive
21	4339 452	1			GROMMET w/SPACER, Motor Mtg.
22		3			SCREW (DNS)
23	4339 446	1			BRACKET, Motor Mtg.
24	4339 449	1			MOTOR w/SEAL, Wiper
25	4270 813	1			COVER, Motor Gearbox
26	4270 869	1			COVER, Motor Terminal
27	4342 226	1			SUPPRESSOR, Motor Radio Noise
28	4270 855	1			SEAL, Motor Bracket to Body

MODEL CODES

B = GRAN FURY	E = 600	M = HORIZON/TURISMO
C = LE BARON/TOWN & COUNTRY/LIMO	F = FIFTH AVENUE/NEWPORT	P = RELIANT
C24 = LASER	G = DIPLOMAT	T = NEW YORKER
C44 = LE BARON/GTS	H = VOYAGER	V = 600
D = ARIES	J = CARAVELLE	V24 = DAYTONA
D44 = LANCER	K = MINI VAN/CARAVAN/ROYAL	Z = OMNI/CHARGER

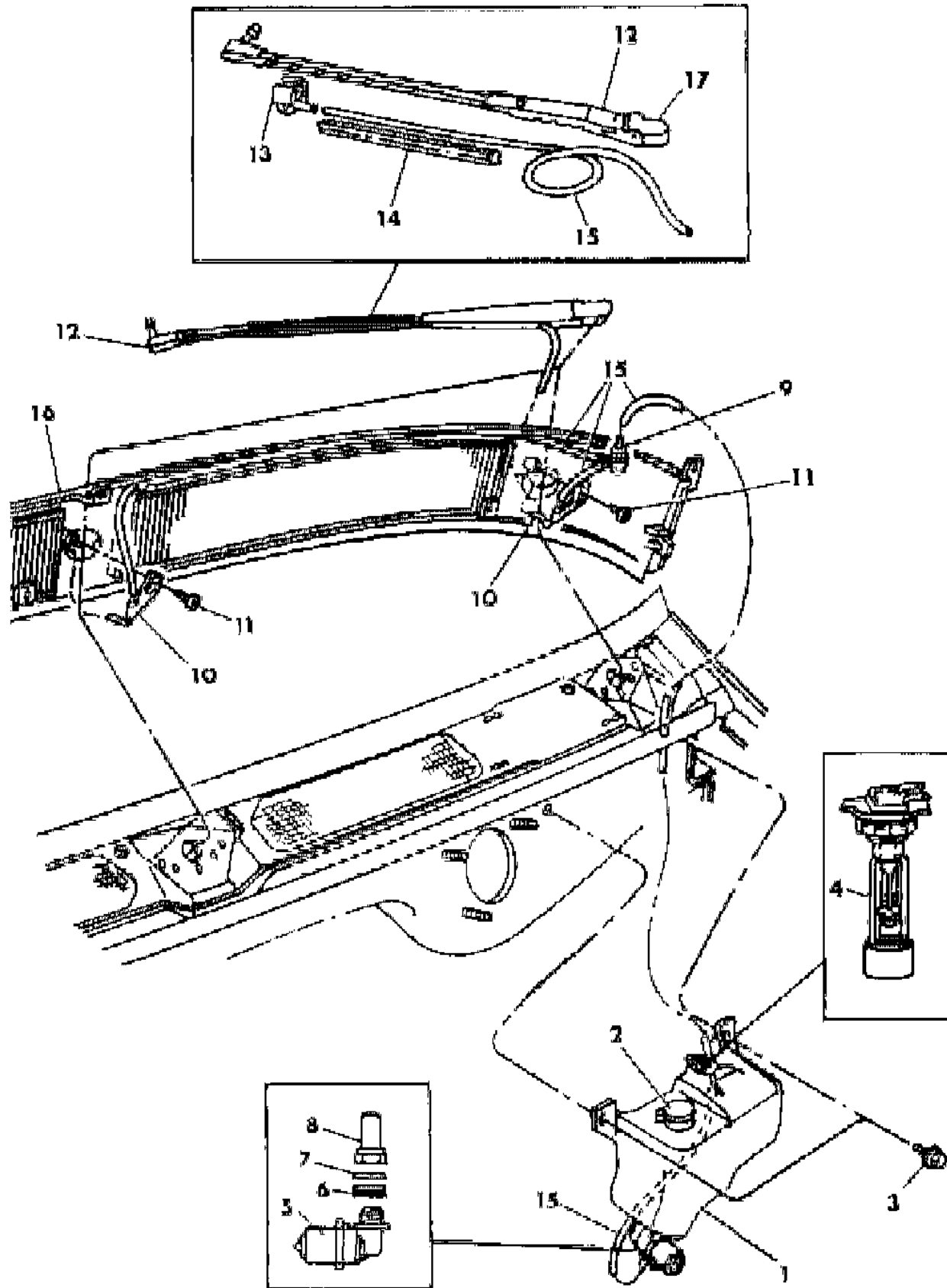
BODY STYLES

21 = 2-DOOR SEDAN	35 = FWD VAN	44 = 4-DOOR HATCHBACK
22 = 2-DOOR SPECIAL COUPE	36 = FWD WAGON	45 = 4-DOOR STATION WAGON
24 = 2-DOOR HATCHBACK	41 = 4-DOOR SEDAN	49 = LIMOUSINE
27 = 2-DOOR CONVERTIBLE		

AR = Use as Required - = Non Illustrated Part P.A.R. = Paint as Required

WINDSHIELD WASHER SYSTEM H,K
Figure 23D-1500

5172 1500



ITEM	PART NUMBER	QTY	BODY	MODEL	DESCRIPTION
1					RESERVOIR, Washer
	4270 435	1			w/o Sensor
	4270 434	1			w/Sensor
2	3799 174	1			CAP, Reservoir
3	6032 473	2			SCREW
4	3746 813	1			SENSOR, Fluid Level
5	4762 319	1			PUMP w/SEAL, Washer ***
6		1			SEAL, Pump, Serviced in Item #5
7		1			WASHER, Pump (DNS)
8	3799 324	1			FILTER w/NUT, Pump
9	4270 456	1			CONNECTOR, Turret
10	4270 455	2			CONNECTOR, Cowl Grille
11		2			SCREW (DNS)
12					ARM w/NOZZLE, Washer
	3799 847	2			Up to 12-14-84
	4334 954	2			After 12-14-84
	4334 184	2			ARM, w/o Nozzle
13	4103 995	2			NOZZLE, Washer
14	4270 466	2			GUARD, Wiper Arm Hose
15					HOSE, Washer
	4026 130	AR			3/32" I.D.
	3837 036	AR			1/8" I.D.
	3780 798	AR			5/32" I.D.
16	4278 057	1			PANEL, Plenum Grille
17	4334 111	2			COVER, Wiper Arm Head

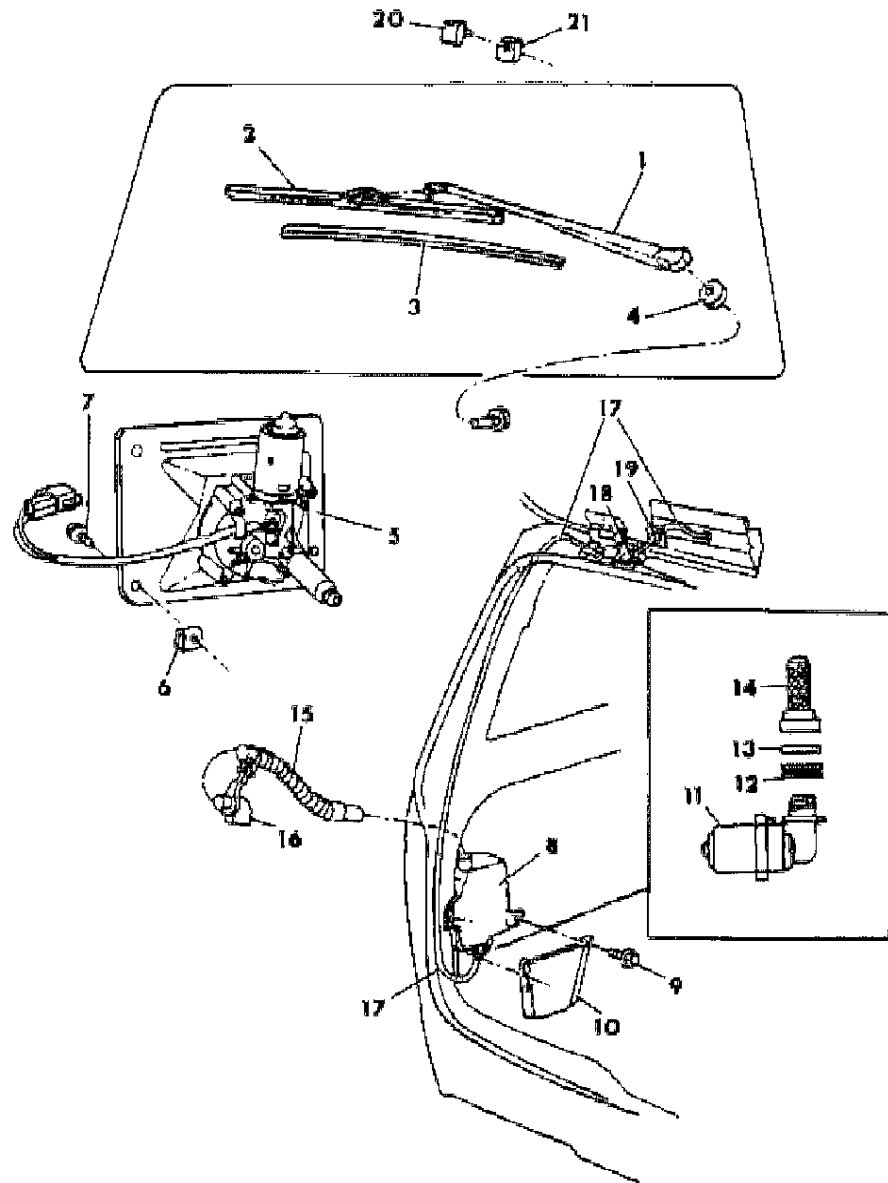
MODEL CODES
 B = GRAN FURY
 C = LE BARON/TOWN & COUNTRY/LIMO
 C24 = LASER
 C44 = LE BARON/GTS
 D = ARIES
 D44 = LANCER
 E = 600
 F = FIFTH AVENUE/NEWPORT
 G = DIPLOMAT
 H = VOYAGER
 J = CARAVELLE
 K = MINI VAN/CARAVAN/ROYAL
 M = HORIZON/TURISMO
 P = RELIANT
 T = NEW YORKER
 V = 600
 V24 = DAYTONA
 Z = OMNI/CHARGER

BODY STYLES
 21 = 2-DOOR SEDAN
 22 = 2-DOOR SPECIAL COUPE
 24 = 2-DOOR HATCHBACK
 27 = 2-DOOR CONVERTIBLE
 35 = FWD VAN
 36 = FWD WAGON
 41 = 4-DOOR SEDAN
 44 = 4-DOOR HATCHBACK
 45 = 4-DOOR STATION WAGON
 49 = LIMOUSINE

AR = Use as Required - = Non Illustrated Part P.A.R. = Paint as Required

LIFTGATE WIPER AND WASHER SYSTEM H,K
Figure 23D-1600

5172 1800



ITEM	PART NUMBER	QTY	BODY	MODEL	DESCRIPTION
1	4270 441	1			ARM, Wiper
2	4270 468	1			BLADE w/REFILL, Wiper
3	4270 471	1			REFILL, Wiper Blade
4	4270 459	1			GROMMET, Wiper Drive
5	4270 437	1			MOTOR w/BRACKET, Wiper
6		4			NUT (DNS)
7		4			SCREW (DNS)
8	4270 448	1			RESERVOIR, Washer
9	6031 951	3			SCREW
10	4270 799	1			COVER, Reservoir Pump
11	4762 319	1			PUMP w/SEAL, Washer ***
12		1			SEAL, Pump, Serviced in Item #11
13		1			WASHER (DNS)
14	3799 324	1			FILTER w/NUT, Pump
15	3799 679	1			TUBE, Reservoir Filler
16	3799 726	1			CAP, Reservoir Filler
17	3780 798	AR			HOSE, Washer
18	3799 520	1			GROMMET, Washer Hose to Body
19	5211 041	1			GROMMET, Washer Hose to Liftgate
20	3799 682	1			NOZZLE, Washer
21	4270 428	1			GROMMET, Nozzle

MODEL CODES

B = GRAN FURY	E = 600	M = HORIZON/TURISMO
C = LE BARON/TOWN & COUNTRY/LIMO	F = FIFTH AVENUE/NEWPORT	P = RELIANT
C24 = LASER	G = DIPLOMAT	T = NEW YORKER
C44 = LE BARON/GTS	H = VOYAGER	V = 600
D = ARIES	J = CARAVELLE	V24 = DAYTONA
D44 = LANCER	K = MINI VAN/CARAVAN/ROYAL	Z = OMNI/CHARGER

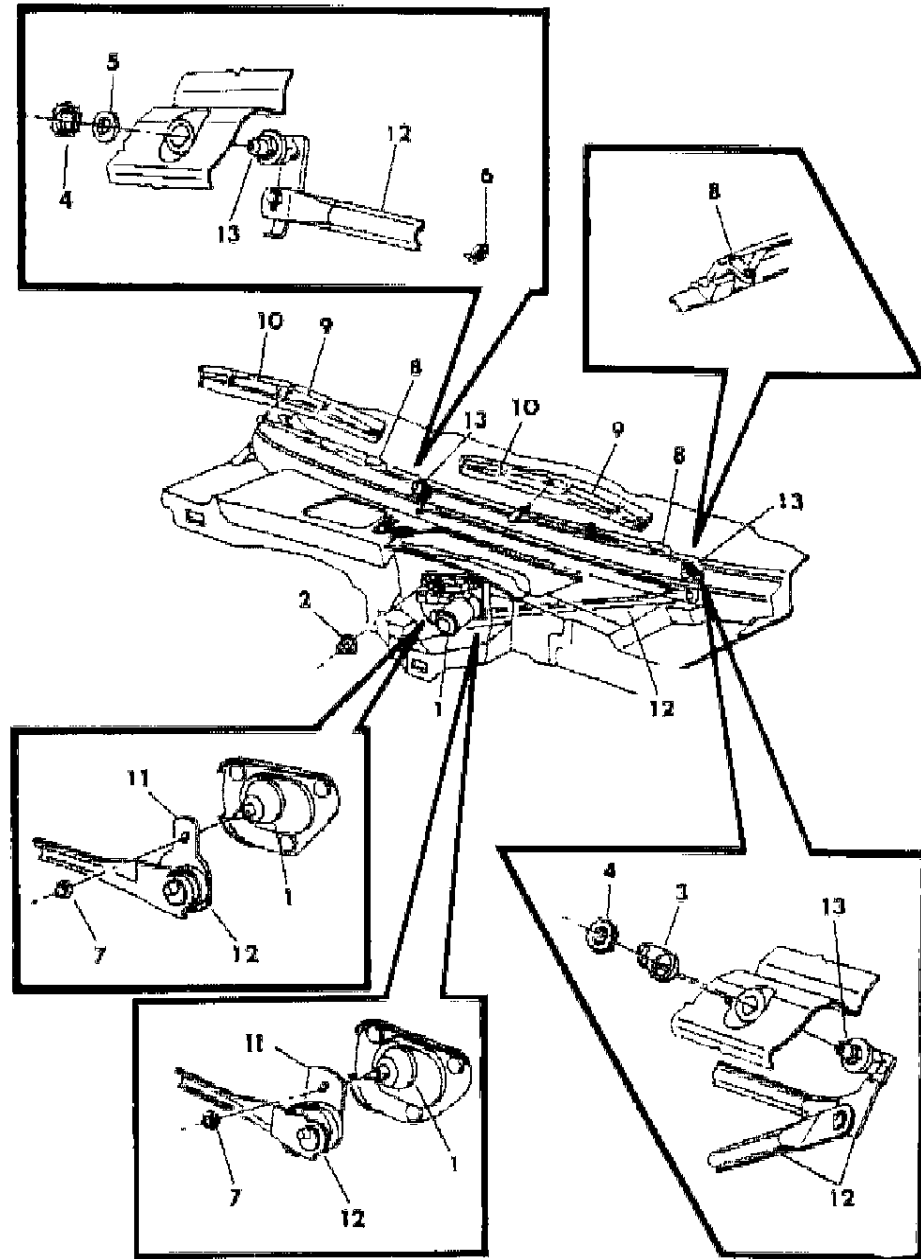
BODY STYLES

21 = 2-DOOR SEDAN	35 = FWD VAN	44 = 4-DOOR HATCHBACK
22 = 2-DOOR SPECIAL COUPE	36 = FWD WAGON	45 = 4-DOOR STATION WAGON
24 = 2-DOOR HATCHBACK	41 = 4-DOOR SEDAN	49 = LIMOUSINE
27 = 2-DOOR CONVERTIBLE		

AR = Use as Required - = Non Illustrated Part P.A.R. = Paint as Required

WINDSHIELD WIPER SYSTEM B,F,G
Figure 23D-1700

5172 1700



ITEM	PART NUMBER	QTY	BODY	MODEL	DESCRIPTION	
1	4339 449	1			MOTOR w/SEAL, Wiper	
	4270 869	1			COVER, Motor Terminal	
	4270 813	1			COVER, Motor Gearbox	
	4342 226	1			SUPPRESSOR, Motor Radio Noise	
	4222 060	1			CONTROL, Intermittent Wipe	
	4048 579	1			BRACKET, Intermittent Wipe Control	
	4270 855	1			SEAL, Motor Mtg.	
	4339 452	1			GROMMET and SPACER PKG., Motor Mtg.	
	4339 447	1			BRACKET, Motor Mtg.	
	2	6025 413	3			NUT, Motor Mtg.
	3	3799 827	1			PLATE, Pivot Mtg., Left
	4	5211 098	2			NUT, Pivot Mtg.
	5	5211 099	1			WASHER, Pivot Mtg.
6	3799 089	4			BUSHING, Wiper Linkage	
7	6031 096	1			NUT, Crank Arm	
8	3799 862-3	1			ARM, Wiper w/o Blade	
9	3799 828	2			BLADE w/REFILL, Wiper	
10	3799 685	2			REFILL, Wiper Blade	
11	3799 105	1			CRANK w/PIN, Wiper Drive	
12	3799 101	1			LINK w/BUSHING, Pivot Connecting Drive	
13					PIVOT, Wiper	
	4026 046	1			Right	
	3799 479	1			Left	

MODEL CODES

B = GRAN FURY	E = 600	M = HORIZON/TURISMO
C = LE BARON/TOWN & COUNTRY/LIMO	F = FIFTH AVENUE/NEWPORT	P = RELIANT
C24 = LASER	G = DIPLOMAT	T = NEW YORKER
C44 = LE BARON/GTS	H = VOYAGER	V = 600
D = ARIES	J = CARAVELLE	V24 = DAYTONA
D44 = LANCER	K = MINI VAN/CARAVAN/ROYAL	Z = OMNI/CHARGER

BODY STYLES

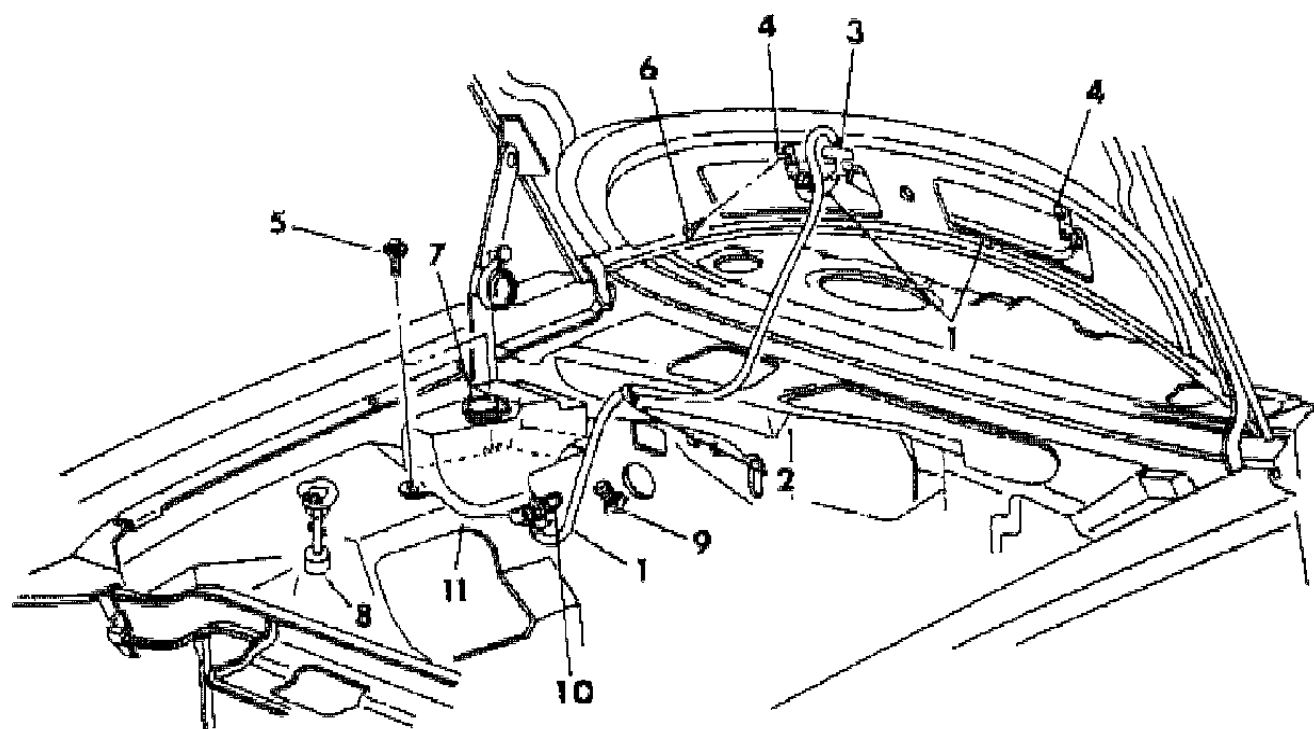
21 = 2-DOOR SEDAN	35 = FWD VAN	44 = 4-DOOR HATCHBACK
22 = 2-DOOR SPECIAL COUPE	36 = FWD WAGON	45 = 4-DOOR STATION WAGON
24 = 2-DOOR HATCHBACK	41 = 4-DOOR SEDAN	49 = LIMOUSINE
27 = 2-DOOR CONVERTIBLE		

AR = Use as Required - = Non Illustrated Part P.A.R. = Paint as Required

WINDSHIELD WASHER SYSTEM B,F,G
Figure 23D-1800

5172 1800

ITEM	PART NUMBER	QTY	BODY	MODEL	DESCRIPTION
1	3780 798	AR			HOSE, Washer 5/32" I.D.
	3837 036	AR			1/8" I.D.
	4026 129	AR			1/4" I.D.
2	6015 776	1			CLIP
3	5211 126	1			CONNECTOR, Hose
4	3799 133	2			NOZZLE, Washer
5	6031 951	2			SCREW
6		2			SCREW (DNS)
7	2497 500	1			CAP, Reservoir
8	3746 813	1			SENSOR, Fluid Level
9	3799 324	1			FILTER, Washer
10	4762 319	1			PUMP and SEAL PACKAGE, Washer
11	3799 542	1			RESERVOIR, Washer



MODEL CODES

B = GRAN FURY	E = 600	M = HORIZON/TURISMO
C = LE BARON/TOWN & COUNTRY/LIMO	F = FIFTH AVENUE/NEWPORT	P = RELIANT
C24 = LASER	G = DIPLOMAT	T = NEW YORKER
C44 = LE BARON/GTS	H = VOYAGER	V = 600
D = ARIES	J = CARAVELLE	V24 = DAYTONA
D44 = LANCER	K = MINI VAN/CARAVAN/ROYAL	Z = OMNI/CHARGER

BODY STYLES

21 = 2-DOOR SEDAN	35 = FWD VAN	44 = 4-DOOR HATCHBACK
22 = 2-DOOR SPECIAL COUPE	36 = FWD WAGON	45 = 4-DOOR STATION WAGON
24 = 2-DOOR HATCHBACK	41 = 4-DOOR SEDAN	49 = LIMOUSINE
27 = 2-DOOR CONVERTIBLE		

AR = Use as Required - = Non Illustrated Part P.A.R. = Paint as Required

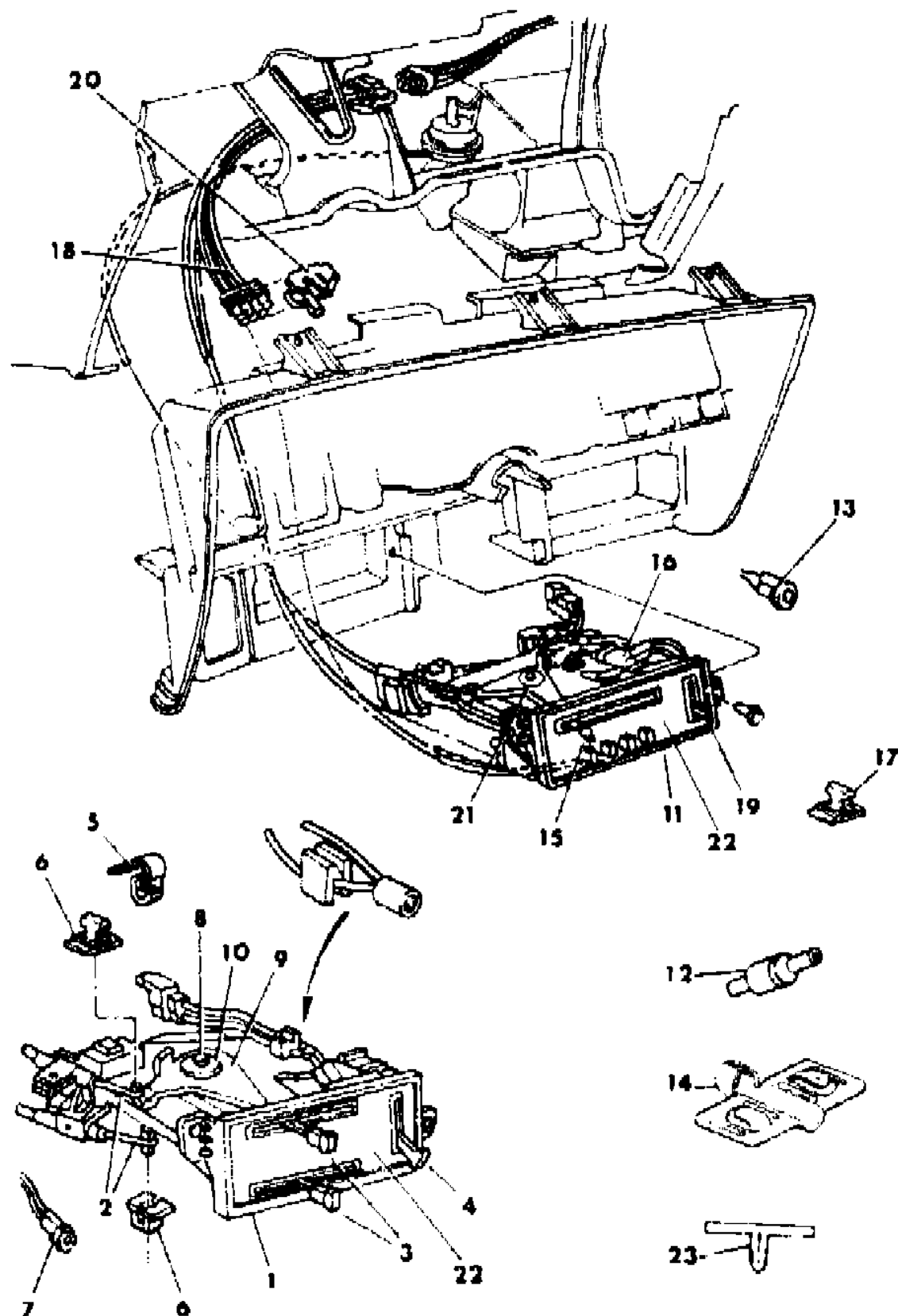
GROUP 24 - HEATER AND AIR CONDITIONING

ILLUSTRATION TITLE	GROUP-FIG. NO.
CONTROLS, HEATER M,Z,H,K,B,G,F	Fig. 24-100
CONTROLS, HEATER P,D,V,C, V,C-24,J,E,T, D,C-44	Fig. 24-200
HEATER UNIT M,Z	Fig. 24-300
HEATER UNIT P,D,V,C,J,E,T,- C,V 24	Fig. 24-400
HEATER UNIT D,C-44	Fig. 24-500
HEATER UNIT H,K	Fig. 24-600
HEATER UNIT B,G	Fig. 24-700
PLUMBING, HEATER M,Z	Fig. 24-800
PLUMBING, HEATER P,D,V,C,J,E,T, C,V-24	Fig. 24-900
PLUMBING, HEATER D,C	Fig. 24-1000
PLUMBING, HEATER H,K	Fig. 24-1100
PLUMBING, HEATER B,G	Fig. 24-1200
CONTROLS, AIR CONDITIONER AMD HEATER M,Z,H,K,B,F,G	Fig. 24-1300
CONTROLS, AIR CONDITIONER AND HEATER P,D,V,C, V,C-24,J,E,T, D,C-44	Fig. 24-1400
AIR CONDITIONER AND HEATER UNIT M,Z	Fig. 24-1500
AIR CONDITIONER AND HEATER UNIT P,D,V,C,J,E,T, C,V-24	Fig. 24-1600
AIR CONDITIONER AND HEATER UNIT D,C-44	Fig. 24-1700
AIR CONDITIONER AND HEATER UNIT H,K	Fig. 24-1800
AIR CONDITIONER AND HEATER UNIT B,F,G	Fig. 24-1900
PLUMBING, AIR CONDITIONER AND HEATER M,Z,P,D,V,C,J,E,T, C,V-24	Fig. 24-2000
PLUMBING, AIR CONDITIONER AND HEATER D,C-44	Fig. 24-2100
PLUMBING, AIR CONDITIONER AND HEATER H,K, 2.2 Liter ENGINE	Fig. 24-2200
PLUMBING, AIR CONDITIONER AND HEATER H,K, 2.6 LITER ENGINE	Fig. 24-2300
PLUMBING, AIR CONDITIONER AND HEATER B,F,G	Fig. 24-2400
COMPRESSOR, AIR CONDITIONER	Fig. 24-2500
MOUNTING, AIR CONDITIONER COMPRESSOR M,Z,P,D,V,C J,E,T, C,V-24, H,K, D,C-44	Fig. 24-2600
AIR CONDITIONER COMPRESSOR AND SUPPORTS 318 ENGINE	Fig. 24-2700
AIR DUCTS AND OUTLETS M,Z	Fig. 24-2800
AIR DUCTS AND OUTLETS P,D,V,C,J,E,T	Fig. 24-2900
AIR DUCTS AND OUTLETS C,V-24	Fig. 24-3000
DEMISTER SYSTEM C,V-24	Fig. 24-3100
AIR DUCTS AND OUTLETS D,C-44	Fig. 24-3200
DEMISTER SYSTEM D,C-44	Fig. 24-3300
AIR DUCTS AND OUTLETS H,K	Fig. 24-3400
DEMISTER SYSTEM H,K	Fig. 24-3500
AIR DUCTS AND OUTLETS B,F,G	Fig. 24-3600

ILLUSTRATION NOT AVAILABLE AT TIME OF PUBLICATION

CONTROLS, HEATER M,Z,H,K,B,G,F
Figure 24-100

5124 100



ITEM	PART NUMBER	QTY	BODY	MODEL	DESCRIPTION
1	3848 001	1		M,Z	CONTROLS, HEATER
2	5210 362	1		M,Z	CABLE, Heater Control Mode
	3847 432	1		B,G	CABLE, Heater Control Temperature
	5210 360	1		M,Z	CABLE, Heater Control Temp., w/o Upr. Level Vent.
	3848 319	1		H,K	CABLE, Heater Control Temperature
3	3847 447	1		Exc. H,	KNOB, Heater Temperature Control & Mode
	3847 445	1		H,K	KNOB, Heater Temperature Control & Mode
4	3847 940	1		Exc. H,	SWITCH, Heater Control Blower
	3848 645	1		H,K	SWITCH, Heater Control Blower
5	6031 132	1		All	CLIP, Heater Control Cable
6	6029 889	1		All	NUT
7	4131 388	1		All	SOCKET, Heater Control Lamp Cable
8	3503 326	1		M,Z	PIN, Heater Control Lever Pivot
	3503 317	1		H,K,B,G	PIN, Heater Control Lever Pivot
	3848 232	1		M,Z	LEVER, Heater Control Temperature
	3848 316	1		H,K	LEVER, Heater Control Temperature
9	3847 014	1		B,G	LEVER, Heater Control Temperature
	3848 233	1		M,Z	LEVER, Heater Control Mode
	2820 453	1		H,K	CLIP, Heater Lever Return
	3849 122	1		Exc. H,	CLIP, Heater Lever Return
10	3848 002	1		B,G	CONTROL, Base Htr. Bi-Level (Use 3847658 Decal)
	3848 002	1		H,K	CONTROL, Base Htr.
	3847 432	1		B,G	CABLE, Heater Control Temperature
11	3441 609	1		B,G	CHECK VALVE, Htr. Vac. Hose, w/Upr. Level Vent.
	3441 609	1		H,K	CHECK VALVE, Heater Vacuum Hose
12	4131 388	1		All	SOCKET & BULB, Package Heater Control Lamp
13	6031 132	1		All	CLIP, Heater Control Temperature Adjustment
14	3847 447	1		Exc. H,	KNOB, Heater Control Temperature Mode
	3847 445	1		H,K	KNOB, Heater Control Temperature Mode
15	3846 895	1		B,G	SWITCH, Heater Control Vacuum, w/Upr. Level Vent.
16	6029 889	1		All	NUT, Heater Control Temperature Cable Return
17	3847 629	1		B,G	HOSE, Heater Control Vacuum Extension
18	3847 510	1		B,G	SWITCH, Htr. Control 4 P/Button (H-Lo) w/Upr. Level Vent
	6006 041	2		H,K	SCREW, Htr. Control P/Button Switch Mtg.
	3848 910	1		H,K	SWITCH, Heater Control 4 P/Button Bi-Level
19		1		B,G	CLIP, Htr. Cont. Hi/Lo Vac. Hose Conn Ret. (Not Serviced)
20	2820 453	1		All	CLIP, Lever Return
21		1		All	CLIP, Lever Return

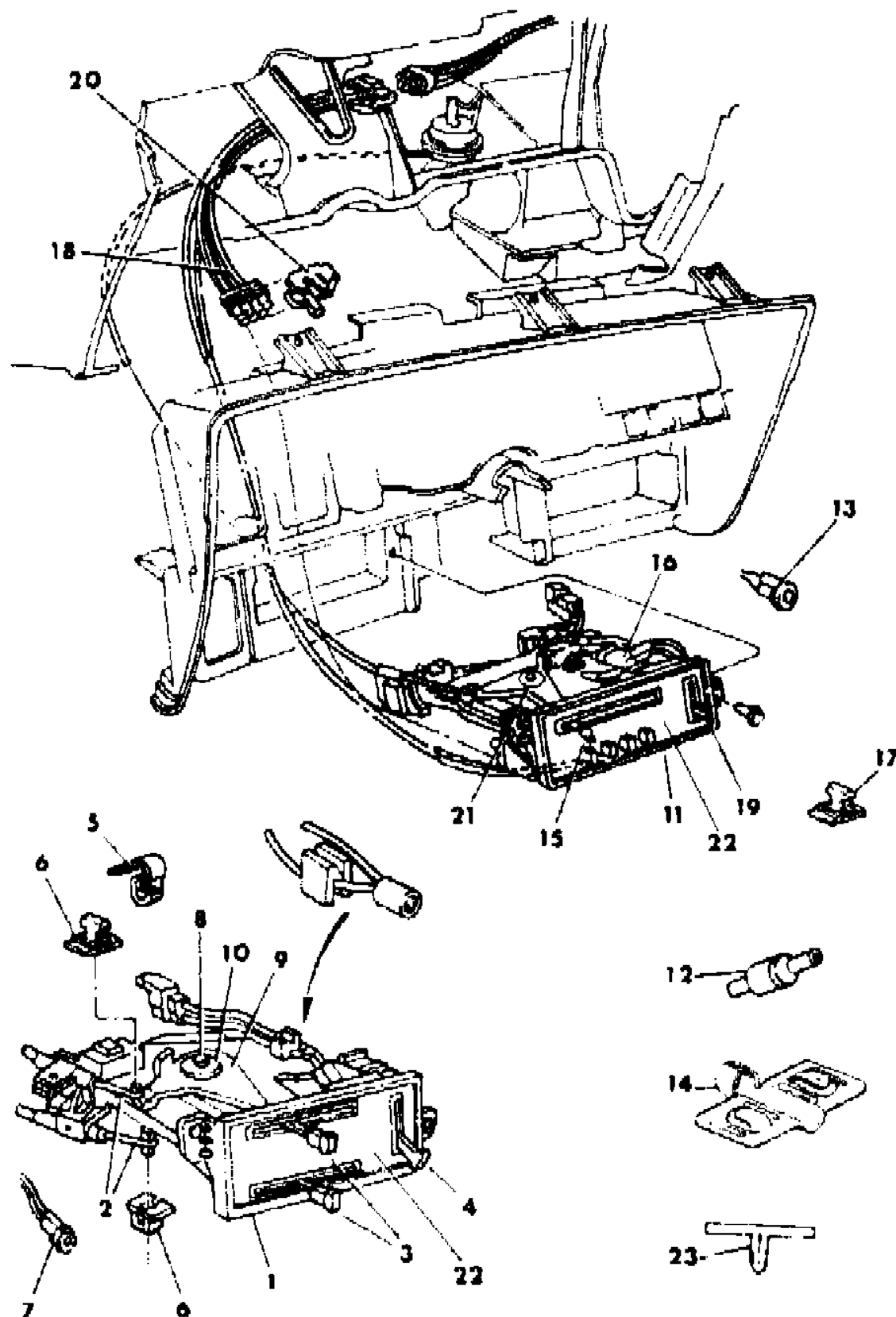
MODEL CODES
 B = GRAN FURY
 C = LE BARON/TOWN & COUNTRY/LIMO
 C24 = LASER
 C44 = LE BARON/GTS
 D = ARIES
 D44 = LANCER
 E = 600
 F = FIFTH AVENUE/NEWPORT
 G = DIPLOMAT
 H = VOYAGER
 J = CARAVELLE
 K = MINI VAN/CARAVAN/ROYAL
 M = HORIZON/TURISMO
 P = RELIANT
 T = NEW YORKER
 V = 600
 V24 = DAYTONA
 Z = OMNI/CHARGER

BODY STYLES
 21 = 2-DOOR SEDAN
 22 = 2-DOOR SPECIAL COUPE
 24 = 2-DOOR HATCHBACK
 27 = 2-DOOR CONVERTIBLE
 35 = FWD VAN
 36 = FWD WAGON
 41 = 4-DOOR SEDAN
 44 = 4-DOOR HATCHBACK
 45 = 4-DOOR STATION WAGON
 49 = LIMOUSINE

AR = Use as Required - = Non Illustrated Part P.A.R. = Paint as Required

CONTROLS, HEATER M,Z,H,K,B,G,F
Figure 24-100

5124 100



ITEM	PART NUMBER	QTY	BODY	MODEL	DESCRIPTION
	3780 794	1	All		HOSE, Heater Control Vacuum (Roll Stock)
	3848 924	1	H,K		HOSE, Heater Vacuum
	3847 622	1	All		HOSE, Heater Control Bi-Level, Vacuum Extension
22	3848 635	1	M,Z		DECAL, Heater Control Lens
	3848 909	1	H,K		DECAL, Heater Control Lens
	3848 636	1	B,G		DECAL, Heater Control Bi-Level
23	6015 778	1	H,K		CLIP, Heater Vacuum Hose Retaining

MODEL CODES

B = GRAN FURY	E = 600	M = HORIZON/TURISMO
C = LE BARON/TOWN & COUNTRY/LIMO	F = FIFTH AVENUE/NEWPORT	P = RELIANT
C24 = LASER	G = DIPLOMAT	T = NEW YORKER
C44 = LE BARON/GTS	H = VOYAGER	V = 600
D = ARIES	J = CARAVELLE	V24 = DAYTONA
D44 = LANCER	K = MINI VAN/CARAVAN/ROYAL	Z = OMNI/CHARGER

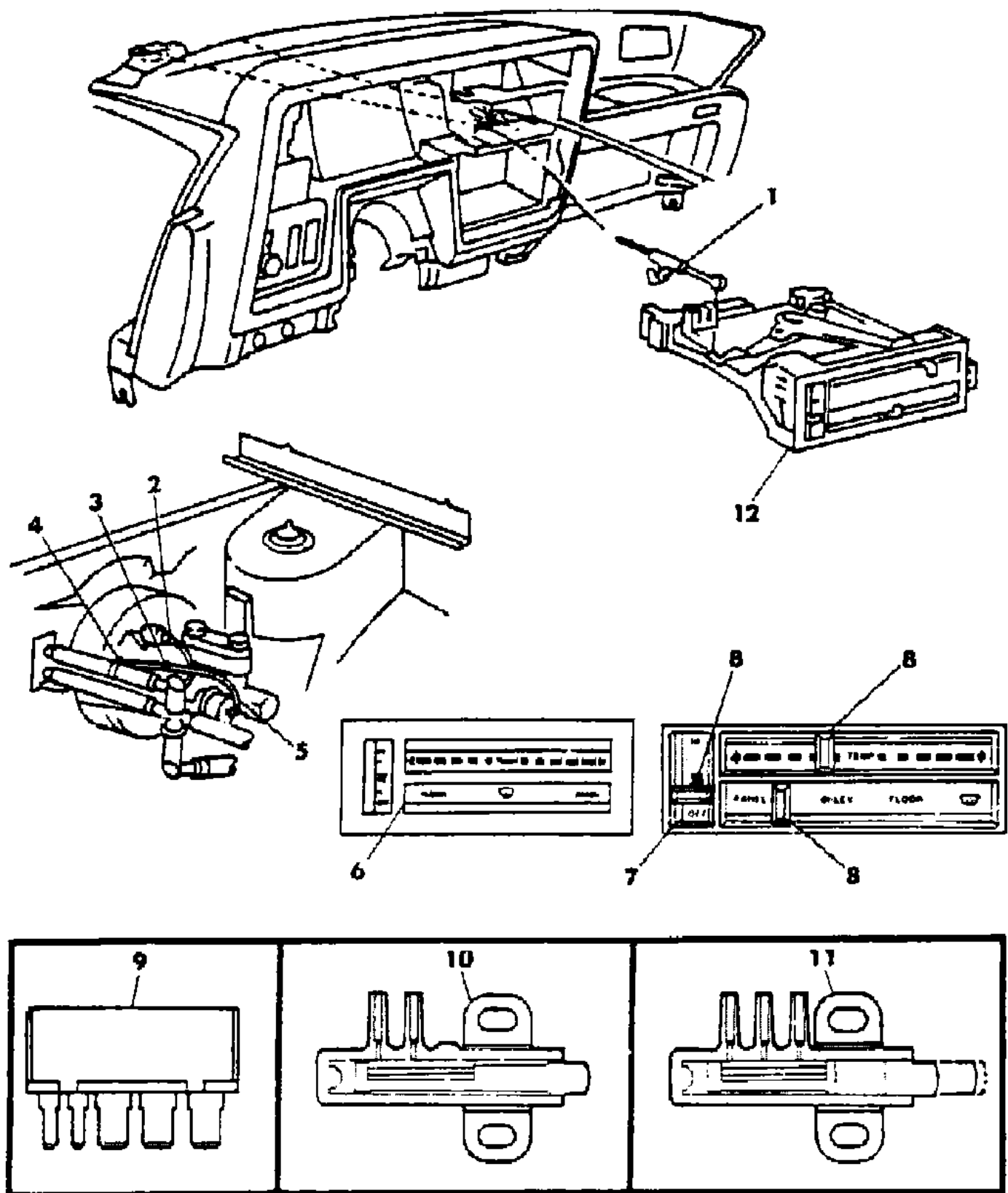
BODY STYLES

21 = 2-DOOR SEDAN	35 = FWD VAN	44 = 4-DOOR HATCHBACK
22 = 2-DOOR SPECIAL COUPE	36 = FWD WAGON	45 = 4-DOOR STATION WAGON
24 = 2-DOOR HATCHBACK	41 = 4-DOOR SEDAN	49 = LIMOUSINE
27 = 2-DOOR CONVERTIBLE		

AR = Use as Required - = Non Illustrated Part P.A.R. = Paint as Required

CONTROLS, HEATER P,D,V,C, V,C-24,J,E,T, D,C-44
Figure 24-200

5124 200



ITEM	PART NUMBER	QTY	BODY	MODEL	DESCRIPTION
1	3849 214	1			CABLE, Heater Control Temperature
	3848 738	1		PDVCJET	CABLE, Heater Control Mode
	3848 239	1			CABLE, w/Clip Heater Vent Control
	3848 189	1		C,V-24	CABLE, Heater Control Mode
	6031 132	1			CLIP, Heater Control Cable (Adj.)
2	3847 935	1			CONNECTOR, Heater Vacuum Hose to Booster P/Brake
3	2837 876	1			CONNECTOR, Vacuum Line Extension to Water Valve
4	6015 945	1			CLIP, Strap
5	3780 508	AR			HOSE, Htr. Vac. Line Ext. Water Val (Serv. in Roll)
6	3849 165	1		P,D, V,	FACE PLATE & DECAL, Heater Control (Black)
	3849 167	1		V,C,J,E	FACE PLATE & DECAL, Heater Control (Bright)
7	3849 164	1		D,C-44	FACE PLATE & DECAL, Htr. Cont. Bi-Level (Black)
8	3849 148	AR		D,P, V,	KNOB, Heater Control (Black)
	3849 148	AR		D,C-44	KNOB, Heater Control (Black)
	3849 156	AR		V,C,J,E	KNOB, Heater Control (Bright)
9	3849 160	1			SWITCH, Heater Control Fan
10	3849 161	1			SWITCH, Heater Control Vacuum (2 Port)
11	3849 162	1			SWITCH, Heater Control Vacuum (3 Port)
	4364 859	1		D,C-44	VACUUM, Harness Assy., Heater Control
12	3849 158	1		D,C-44	HOUSING & Lever, Heater Control
	3849 159	1		Exc. D,	HOUSING & Lever, Heater Control
	3849 163	1			LAMP SOCKET, Heater Control

MODEL CODES

B = GRAN FURY	E = 600	M = HORIZON/TURISMO
C = LE BARON/TOWN & COUNTRY/LIMO	F = FIFTH AVENUE/NEWPORT	P = RELIANT
C24 = LASER	G = DIPLOMAT	T = NEW YORKER
C44 = LE BARON/GTS	H = VOYAGER	V = 600
D = ARIES	J = CARAVELLE	V24 = DAYTONA
D44 = LANCER	K = MINI VAN/CARAVAN/ROYAL	Z = OMNI/CHARGER

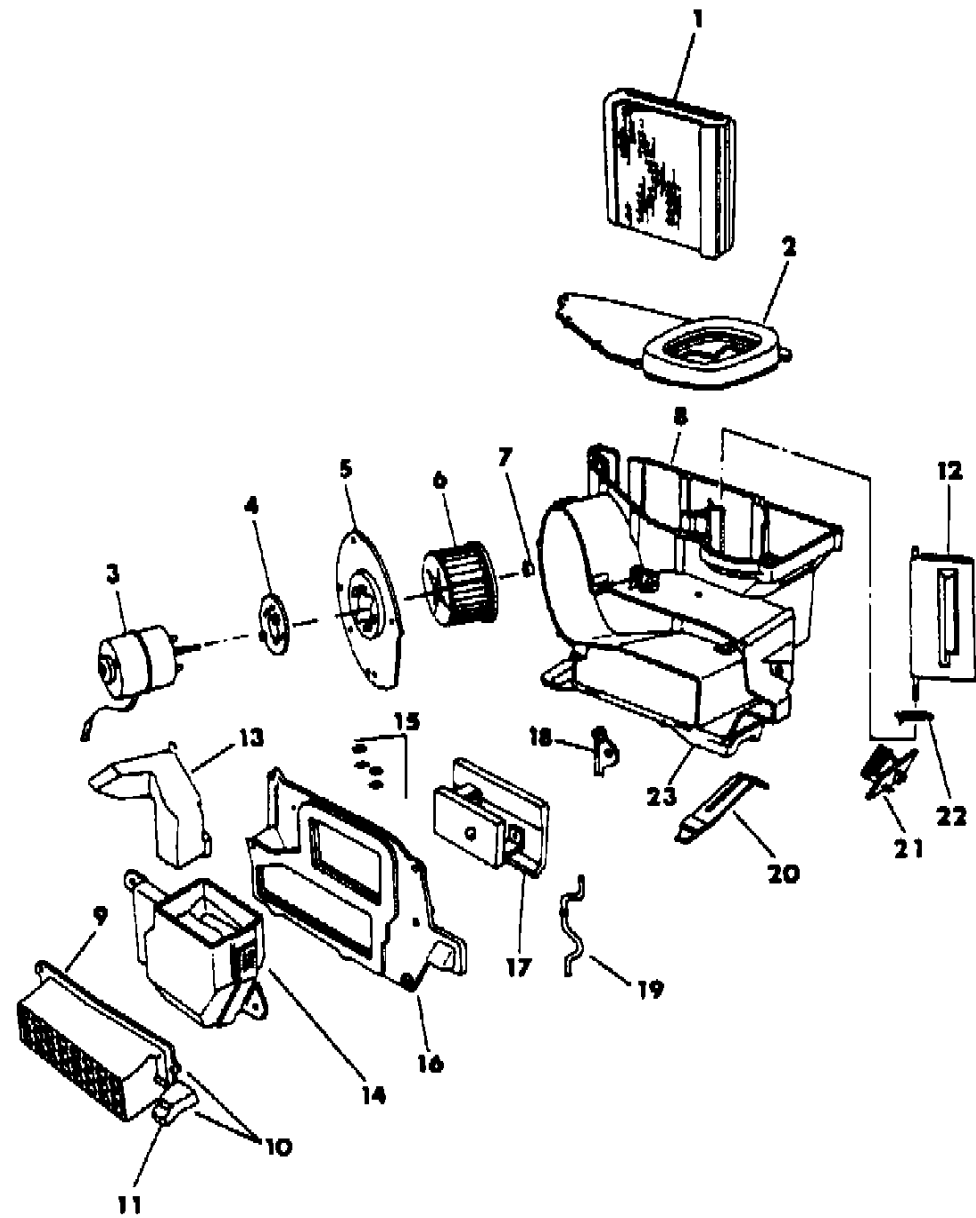
BODY STYLES

21 = 2-DOOR SEDAN	35 = FWD VAN	44 = 4-DOOR HATCHBACK
22 = 2-DOOR SPECIAL COUPE	36 = FWD WAGON	45 = 4-DOOR STATION WAGON
24 = 2-DOOR HATCHBACK	41 = 4-DOOR SEDAN	49 = LIMOUSINE
27 = 2-DOOR CONVERTIBLE		

AR = Use as Required - = Non Illustrated Part P.A.R. = Paint as Required

HEATER UNIT M,Z
Figure 24-300

5124 300



ITEM	PART NUMBER	QTY	BODY	MODEL	DESCRIPTION
1	4240 448	1		All	CORE and SEAL PACKAGE, Heater
2	5210 147	1		All	COVER, Heater Top
3	4057 933	1		All	MOTOR, Heater Blower
	4274 936	1		All	INSULATOR, Heater Motor
4	2485 429	1		All	GASKET, Heater Blower Motor Mounting
5	5210 152	1		All	PLATE, Back Heater Motor
6	5210 001	1		All	WHEEL, Heater Blower Motor
7	2837 680	1		All	CLAMP, Heater Blower Motor Wheel
8	5210 136	1		All	HOUSING, Heater
9	5210 169	1		All	DUCT, Heater Air Handling
10	5210 168	1		All	DUCT, Knob & Door, Heater Air Handling
11	5210 188	1		All	KNOB, Heater Door Vent Control
12	5210 140	1		All	DOOR & SEAL, Heater Temperature
13	5210 251	1		All	DUCT, Heater Outlet Left
14	5210 040	1		All	ADAPTER, Heater Defroster Duct
15	6006 065	4		All	WASHER, Heater Blower Motor Mounting
16	5210 190	1		All	COVER, Heater Rear
17	5210 215	1		All	DOOR & SEAL, Heater Mode
	0118 140	2		All	RIVET, Heater Door Vane Mounting
18	5210 316	1		All	CLAMP, Heater Mode Door
19		1		All	SHAFT, Heater Mode Door (Not Serviced)
20	5210 135	1		All	STRAP, Heater Support
21	5210 365	1		All	RESISTOR, Heater Blower Motor
22	5210 176	1		All	CRANK, Heater Temperature Door
23	5210 193	1		All	DUCT, Heater Distribution

MODEL CODES

B = GRAN FURY	E = 600	M = HORIZON/TURISMO
C = LE BARON/TOWN & COUNTRY/LIMO	F = FIFTH AVENUE/NEWPORT	P = RELIANT
C24 = LASER	G = DIPLOMAT	T = NEW YORKER
C44 = LE BARON/GTS	H = VOYAGER	V = 600
D = ARIES	J = CARAVELLE	V24 = DAYTONA
D44 = LANCER	K = MINI VAN/CARAVAN/ROYAL	Z = OMNI/CHARGER

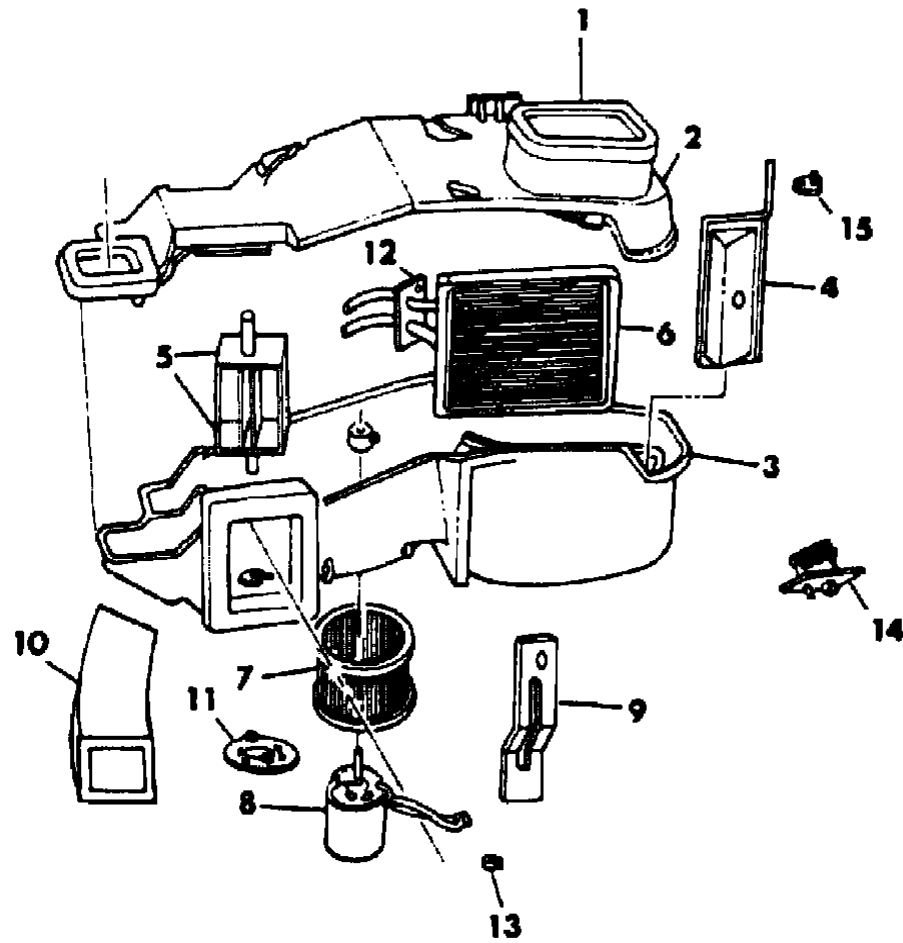
BODY STYLES

21 = 2-DOOR SEDAN	35 = FWD VAN	44 = 4-DOOR HATCHBACK
22 = 2-DOOR SPECIAL COUPE	36 = FWD WAGON	45 = 4-DOOR STATION WAGON
24 = 2-DOOR HATCHBACK	41 = 4-DOOR SEDAN	49 = LIMOUSINE
27 = 2-DOOR CONVERTIBLE		

AR = Use as Required - = Non Illustrated Part P.A.R. = Paint as Required

HEATER UNIT P,D,V,C,J,E,T,- C,V 24
Figure 24-400

5124 400



ITEM	PART NUMBER	QTY	BODY	MODEL	DESCRIPTION
1	3847 549	1			SEAL, Heater Cover to Plenum
2	3848 209	1		Exc. C,	COVER, Heater Housing
	3848 325	1		C,V 24	COVER, Heater Housing
3	3848 065	1			HOUSING, Heater
	3847 679	1			SEAL, Heater Housing to Cover Rear
	3847 721	1			SEAL, Heater Housing Cover Mtg., Left
	3847 722	1			SEAL, A/C Evap. Hsg. Cover Mtg., Right
4	3847 633	1			DOOR, Heater Temperature Complete
5	3848 242	1			DOOR, Heater Mode
	3848 014	1			SEAL, Heater Mode Door to Cover
6	4205 838	1			CORE & SEAL, Heater
	3848 093	1			SEAL, Heater Core
	3847 681	1			SEAL, Heater Core End
7	3847 687	1			WHEEL, Heater Blower
8	4339 432	1			MOTOR, Heater Blower
	3848 216	1			COVER, Heater Blower
	4274 936	1			INSULATOR, Heater Blower Motor
9	3848 238	1			BRACE, Heater Support
10	3848 130	1			DUCT, Heater Distribution
11	2485 429	1			GASKET, Heater Blower Motor Mounting
12	3847 548	1			SEAL, Heater Core Tube to Dash
13	2837 680	1			CLAMP, Heater Blower Mounting Wheel
14	3849 075	1			RESISTOR, Heater Blower Mounting
15	3847 301	1			LEVER, w/Pin Heater Temperature Door

MODEL CODES

B = GRAN FURY	E = 600	M = HORIZON/TURISMO
C = LE BARON/TOWN & COUNTRY/LIMO	F = FIFTH AVENUE/NEWPORT	P = RELIANT
C24 = LASER	G = DIPLOMAT	T = NEW YORKER
C44 = LE BARON/GTS	H = VOYAGER	V = 600
D = ARIES	J = CARAVELLE	V24 = DAYTONA
D44 = LANCER	K = MINI VAN/CARAVAN/ROYAL	Z = OMNI/CHARGER

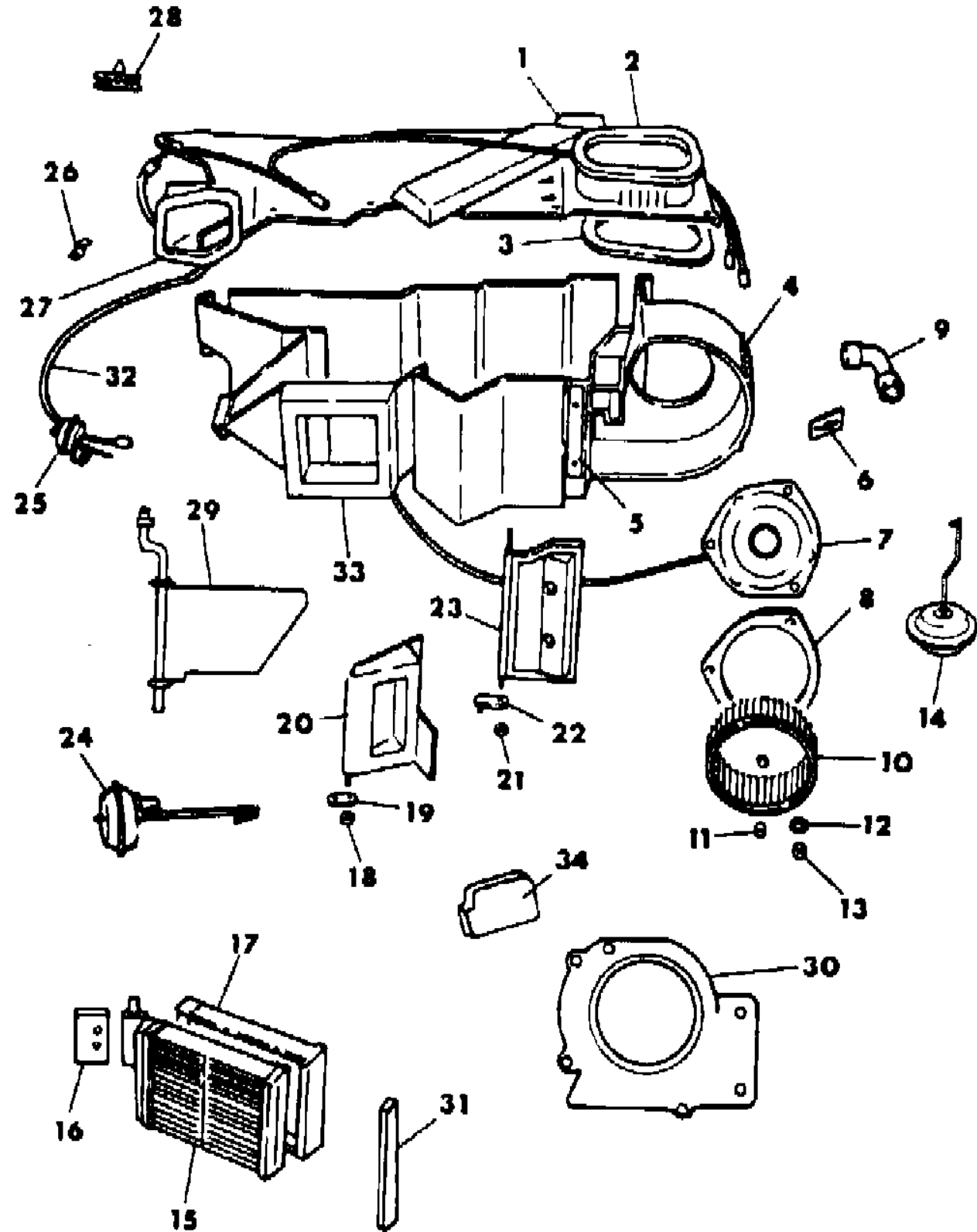
BODY STYLES

21 = 2-DOOR SEDAN	35 = FWD VAN	44 = 4-DOOR HATCHBACK
22 = 2-DOOR SPECIAL COUPE	36 = FWD WAGON	45 = 4-DOOR STATION WAGON
24 = 2-DOOR HATCHBACK	41 = 4-DOOR SEDAN	49 = LIMOUSINE
27 = 2-DOOR CONVERTIBLE		

AR = Use as Required - = Non Illustrated Part P.A.R. = Paint as Required

HEATER UNIT D,C-44
Figure 24-500

5124 500



ITEM	PART NUMBER	QTY	BODY	MODEL	DESCRIPTION
1	3848 870	1			COVER, Heater Evaporator Housing
	3847 721-2	1			SEAL, Heater Housing Cover
2	3847 605	1			SEAL, A/C Heater Evaporator Cover to Plenum
3	3847 720	1			SEAL, Heater Evaporator Housing Mounting Center
4	3848 418	1			HOUSING, w/Stud Package Heater Evaporator Scroll
5	3848 238	1			BRACE, Heater Unit Mounting to Plenum Support
6	3849 075	1			RESISTOR, Heater Blower Motor, Up to 9-17-84
	3849 235	1			After 9-17-84
7	3849 032	1			MOTOR, Heater Blower
8	3847 476	1			SEAL, Heater Blower Motor Mounting to Scroll
9	5210 066	1			TUBE, Heater Blower Motor
10	5210 234	1			WHEEL, Heater Blower Motor
11	2837 680	1			CLAMP, Heater Blower Wheel Motor Mounting
12	6500 376	1			NUT, Heater Blower Motor J Type
13	6031 694	1			SCREW, w/Washer Heater Blower Motor Mounting
14	5210 111	1			ACTUATOR, Heater Recirculate & Fresh Air Door
15	3847 943	1			CORE, Heater
16	5210 109	1			SEAL, Heater Unit to Dash at Core Tubes
17	3848 093	1			SEAL, Heater Core
18	0219 462	1			NUT, Door Shaft Lever
19	3847 858	1			LEVER, Mode Door Shaft
20	3847 848	1			DOOR, w/Seal Heater Mode
21	0219 462	1			NUT, Door Shaft Lever
22	5210 113	1			LEVER, Heater Blend Air Door
23	5210 395	1			DOOR, Heater Blend Door
24	3847 849	1			ACTUATOR, Heater Mode Door
25	5210 068	1			ACTUATOR, Heater Defroster Door
	6031 147	1			NUT, Defroster Actuator Rod Retaining
26	2521 336	2			CLIP, Heater Evaporator Housing Cover Mounting
27	3847 606	1			SEAL, Heater Unit to Defroster Duct
28	6015 778	2			CLIP, Heater Vacuum Hose Retaining
29	5210 093	1			DOOR & SHAFT, Heater Defroster
30	3848 991	1			HOUSING, Heater Inlet
31	3847 681	1			SEAL, Heater Core End
32	3849 127	1			VACUUM HARNESS, Heater
	3441 609	1			CHECK VALVE, Heater Vacuum Hose
33	5210 336	1			SEAL, Heater Center Air Distribution Duct

MODEL CODES

B = GRAN FURY	E = 600	M = HORIZON/TURISMO
C = LE BARON/TOWN & COUNTRY/LIMO	F = FIFTH AVENUE/NEWPORT	P = RELIANT
C24 = LASER	G = DIPLOMAT	T = NEW YORKER
C44 = LE BARON/GTS	H = VOYAGER	V = 600
D = ARIES	J = CARAVELLE	V24 = DAYTONA
D44 = LANCER	K = MINI VAN/CARAVAN/ROYAL	Z = OMNI/CHARGER

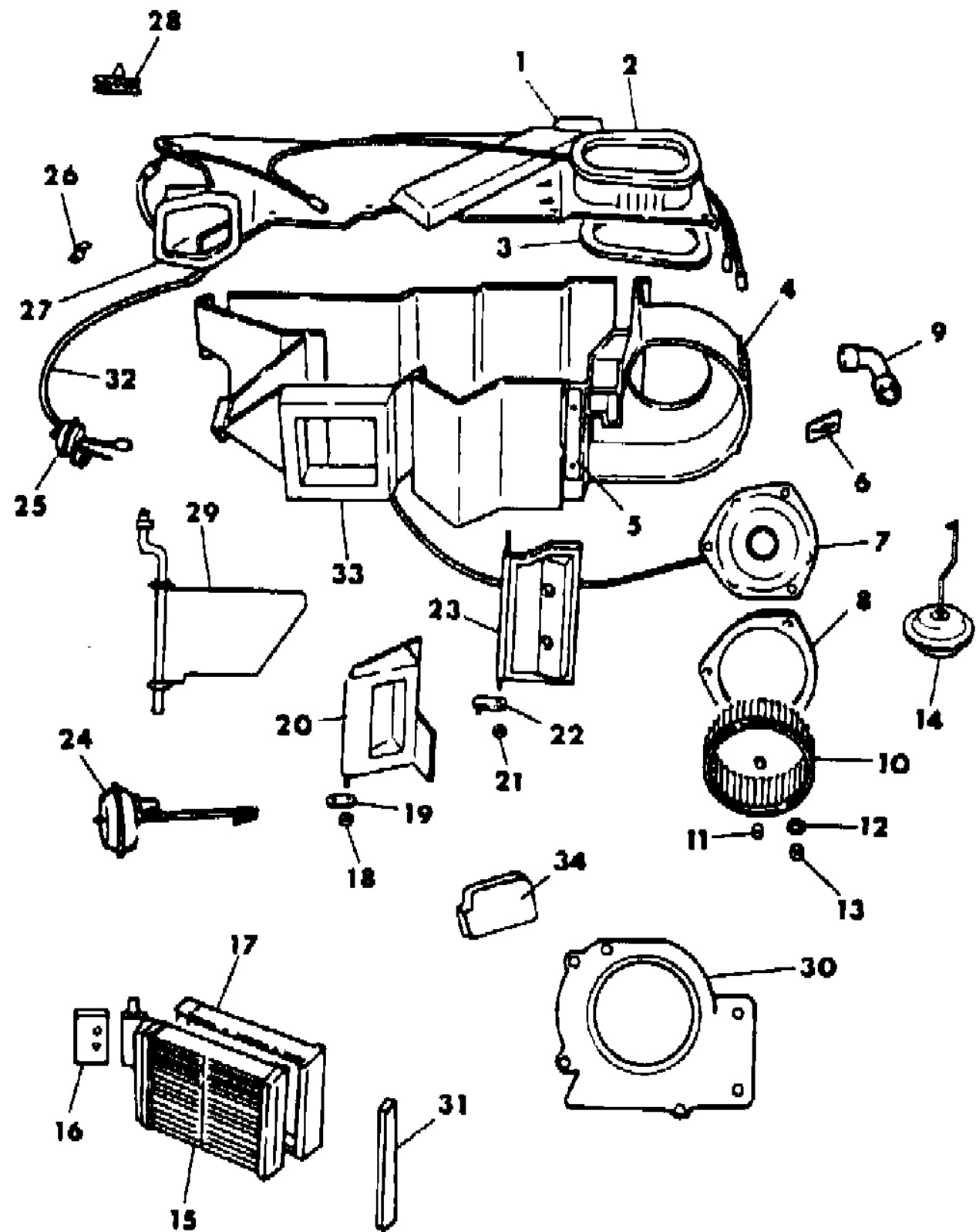
BODY STYLES

21 = 2-DOOR SEDAN	35 = FWD VAN	44 = 4-DOOR HATCHBACK
22 = 2-DOOR SPECIAL COUPE	36 = FWD WAGON	45 = 4-DOOR STATION WAGON
24 = 2-DOOR HATCHBACK	41 = 4-DOOR SEDAN	49 = LIMOUSINE
27 = 2-DOOR CONVERTIBLE		

AR = Use as Required - = Non Illustrated Part P.A.R. = Paint as Required

HEATER UNIT D,C-44
Figure 24-500

5124 500



ITEM	PART NUMBER	QTY	BODY	MODEL	DESCRIPTION
34	3848 880	1			SEAL, Heater to Dash (Evap Hole)

MODEL CODES

B = GRAN FURY	E = 600	M = HORIZON/TURISMO
C = LE BARON/TOWN & COUNTRY/LIMO	F = FIFTH AVENUE/NEWPORT	P = RELIANT
C24 = LASER	G = DIPLOMAT	T = NEW YORKER
C44 = LE BARON/GTS	H = VOYAGER	V = 600
D = ARIES	J = CARAVELLE	V24 = DAYTONA
D44 = LANCER	K = MINI VAN/CARAVAN/ROYAL	Z = OMNI/CHARGER

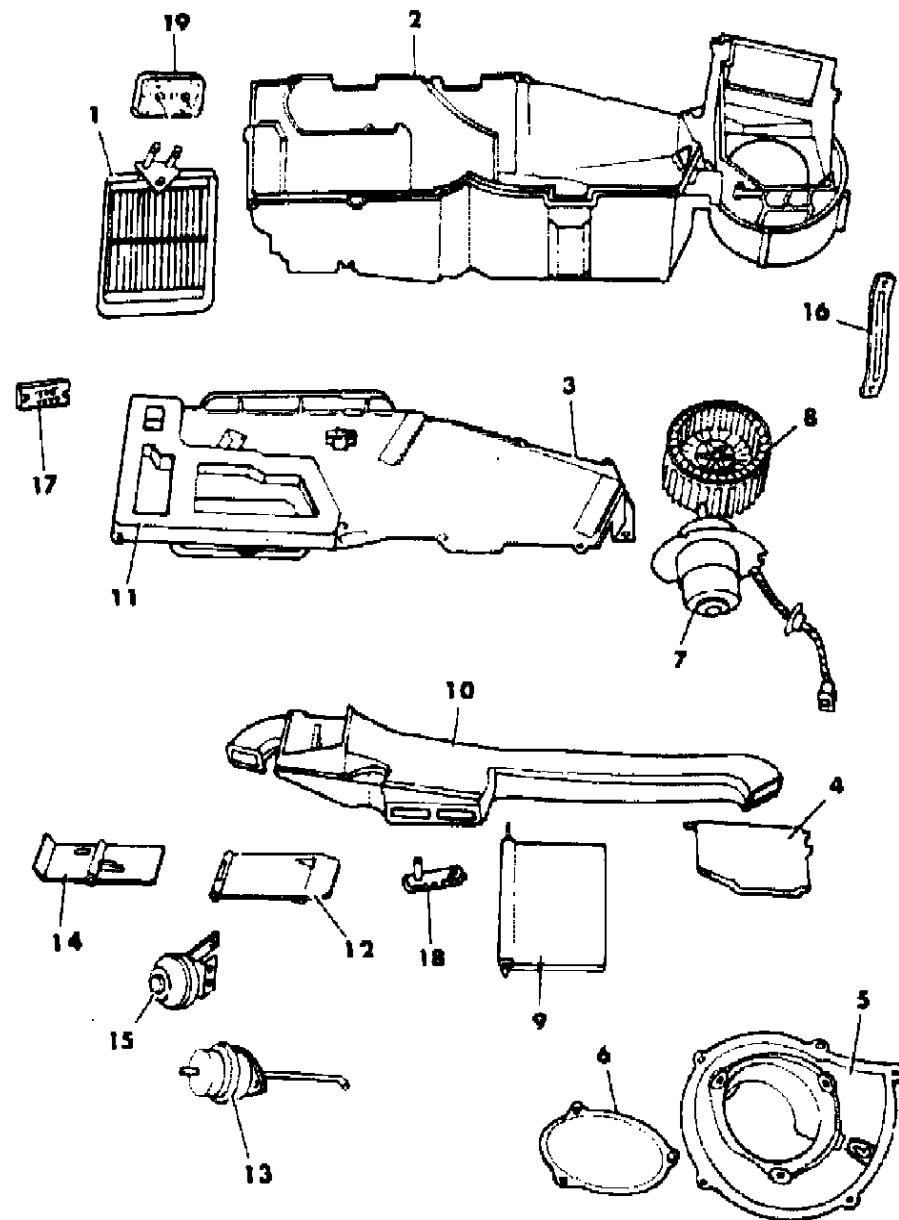
BODY STYLES

21 = 2-DOOR SEDAN	35 = FWD VAN	44 = 4-DOOR HATCHBACK
22 = 2-DOOR SPECIAL COUPE	36 = FWD WAGON	45 = 4-DOOR STATION WAGON
24 = 2-DOOR HATCHBACK	41 = 4-DOOR SEDAN	49 = LIMOUSINE
27 = 2-DOOR CONVERTIBLE		

AR = Use as Required - = Non Illustrated Part P.A.R. = Paint as Required

HEATER UNIT H,K Figure 24-600

5124 600



ITEM	PART NUMBER	QTY	BODY	MODEL	DESCRIPTION
1	3848 300	1			CORE, Heater
2	3848 261	1			HOUSING, Heater
3	3848 263	1			COVER, Heater Assy.
4	3848 432	1			COVER, Heater Recirculate
5	3848 272	1			COVER, Assy. Heater Motor
	3848 273	1			COVER, Heater Motor
6	3847 476	1			SEAL, Heater Blower Motor
7	4318 116	1			MOTOR, Heater Blower
	4274 936	1			INSULATOR, Heater Blower Motor
	6031 694	1			SCREW, w/Washer Heater Blower Motor Mounting
8	3503 859	1			WHEEL, Heater Motor
9	3848 873	1			DOOR, w/Seal Heater Temperature
10	3848 257	1			DUCT, Heater Temperature Distribution
11	3848 266	1			SEAL, Heater Cover to Ducts
12	3848 226	1			DOOR, Heater Mode
	6031 147	1			RETAINER, Heater Defroster Mode Door Shaft
	3848 809	1			DOOR, Assy. Heater Mode
13	3848 259	1			ACTUATOR, Mode Door
14	3848 227	1			DOOR, Heater Defroster
	4163 735	1			SHAFT, Heater Mode
	4163 735	1			SHAFT, Bi-Level Heater Defroster Door
	9420 262	1			NUT, Heater Mode, Defroster Door Lever Motor
15	3848 260	1			ACTUATOR, Defroster Door
16	3848 251	1			BRACE, Unit Heater
17	3848 515	1			RESISTOR, Heater Blower
18	3848 878	1			LEVER, Heater Temperature Door
19	3848 254	1			SEAL, Heater Core Tubes to Dash

MODEL CODES

B = GRAN FURY	E = 600	M = HORIZON/TURISMO
C = LE BARON/TOWN & COUNTRY/LIMO	F = FIFTH AVENUE/NEWPORT	P = RELIANT
C24 = LASER	G = DIPLOMAT	T = NEW YORKER
C44 = LE BARON/GTS	H = VOYAGER	V = 600
D = ARIES	J = CARAVELLE	V24 = DAYTONA
D44 = LANCER	K = MINI VAN/CARAVAN/ROYAL	Z = OMNI/CHARGER

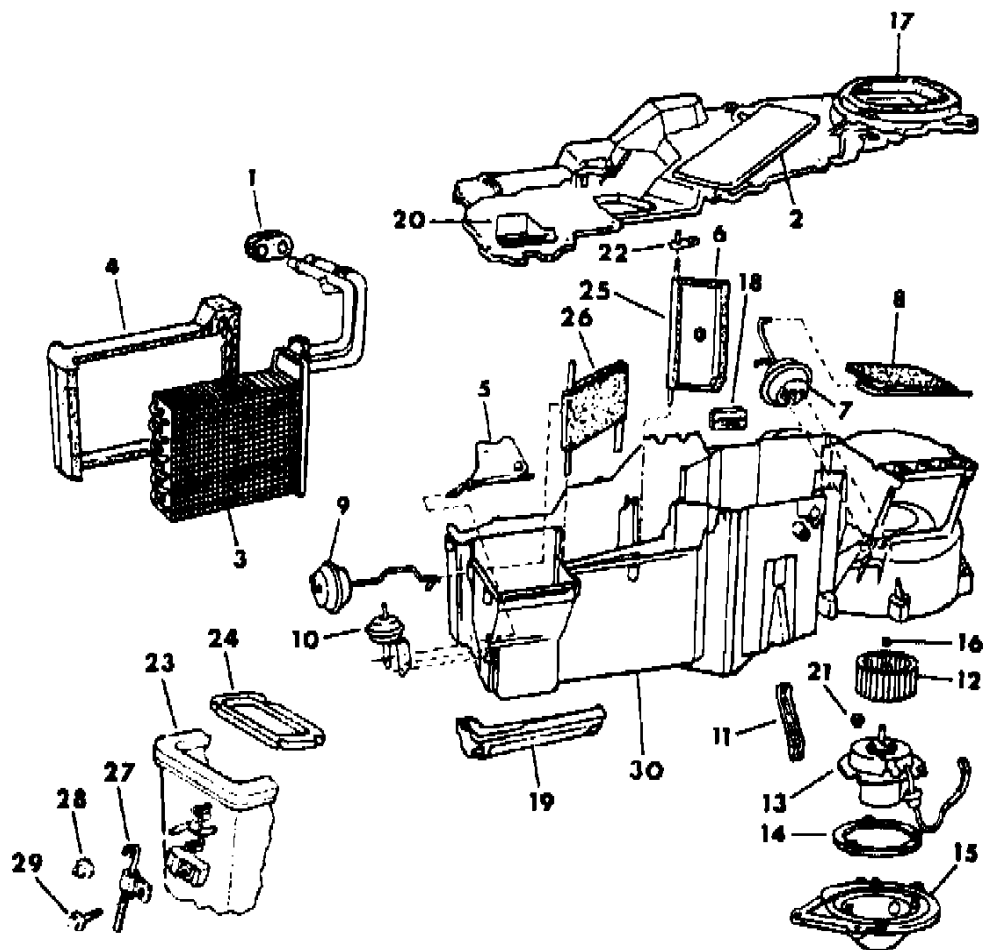
BODY STYLES

21 = 2-DOOR SEDAN	35 = FWD VAN	44 = 4-DOOR HATCHBACK
22 = 2-DOOR SPECIAL COUPE	36 = FWD WAGON	45 = 4-DOOR STATION WAGON
24 = 2-DOOR HATCHBACK	41 = 4-DOOR SEDAN	49 = LIMOUSINE
27 = 2-DOOR CONVERTIBLE		

AR = Use as Required - = Non Illustrated Part P.A.R. = Paint as Required

HEATER UNIT B,G
Figure 24-700

5124 700



ITEM	PART NUMBER	QTY	BODY	MODEL	DESCRIPTION
1	3846 740	1			SEAL, Heater to Dash at Heater Core Tubes
2	3849 097	1			COVER, Heater Housing
3	4339 438	1			CORE ASSY., Heater Complete
	4240 440	1			TANK, Heater Core
4	3846 773	1			SEAL, Heater Core to Housing
5	3847 478	1			DOOR, Heater Defroster Door Complete
	1279 332	1			BUMPER, Heater Defroster Door
6	3847 223	1			DOOR, Heater Temperature Complete
7	3847 216	1			ACTUATOR, Heater Shut Off Door
8	3847 217	1			DOOR, Heater Shut Off Complete
9	3847 230	1			ACTUATOR, Heater Mode Door, Upper
10	3847 211	1			ACTUATOR, Heater Defroster
11	3847 202	1			BRACE, Heater Mounting Left (To Plenum)
12	3503 037	1			WHEEL, Heater Blower Motor Mounting
13	4240 425	1			MOTOR, Heater Blower
14	3847 476	1			SEAL, Heater Blower Motor (To Scroll)
15	3847 207	1			COVER, Heater Blower Scroll
	3773 192	1			SEAL, Heater Blower Scroll Cover to Housing
	3847 205	1			SEAL, Heater Cover to Scroll
16	2837 680	1			CLAMP, Heater Blower Motor Wheel
17	3847 243	1			SEAL, Heater Unit to Plenum
18	3848 996	1			RESISTOR, Heater Blower Motor
19	3847 297	1			DUCT, Heater Distribution
20	3503 999	1			SEAL, Heater Cover to Defroster Duct
21	6031 694	AR			SCREW and WASHER, Heater Blower Door Mounting
22	3847 301	1			LEVER w/PIN, Heater Temperature Control
23	3846 462	1			HOUSING, Vent Left Complete
24	3846 465	1			SEAL, Vent Housing Mounting Left
25	3847 225	1			DEFLECTOR, Heater Temperature Door
26	3847 420	1			DOOR, Heater Mode Complete
27	3846 071	1			CABLE, Left Vent Control to Heater
28	2076 405	1			RETAINER, Vent Housing Door Left
29					SCREW (Not Serv.)
30	3849 095	1			HOUSING and STUD, Heater
	6015 778	1			CLIP, Heater Vacuum Harness Mounting

MODEL CODES

B = GRAN FURY	E = 600	M = HORIZON/TURISMO
C = LE BARON/TOWN & COUNTRY/LIMO	F = FIFTH AVENUE/NEWPORT	P = RELIANT
C24 = LASER	G = DIPLOMAT	T = NEW YORKER
C44 = LE BARON/GTS	H = VOYAGER	V = 600
D = ARIES	J = CARAVELLE	V24 = DAYTONA
D44 = LANCER	K = MINI VAN/CARAVAN/ROYAL	Z = OMNI/CHARGER

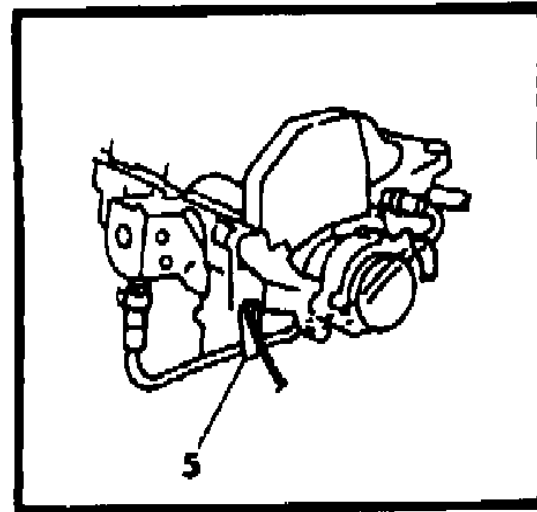
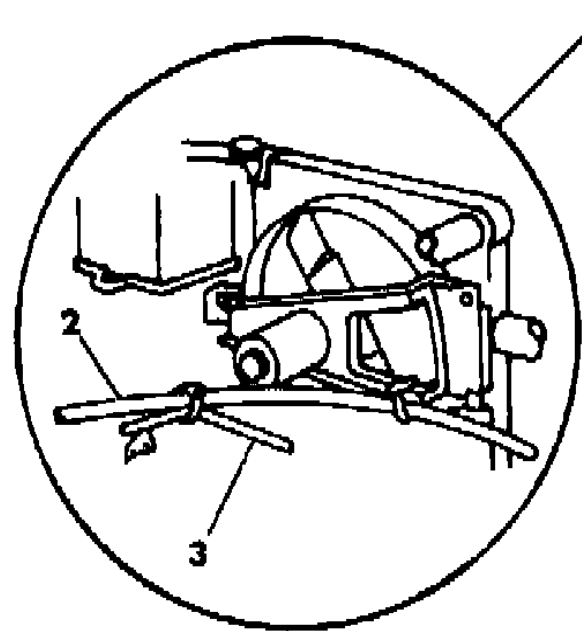
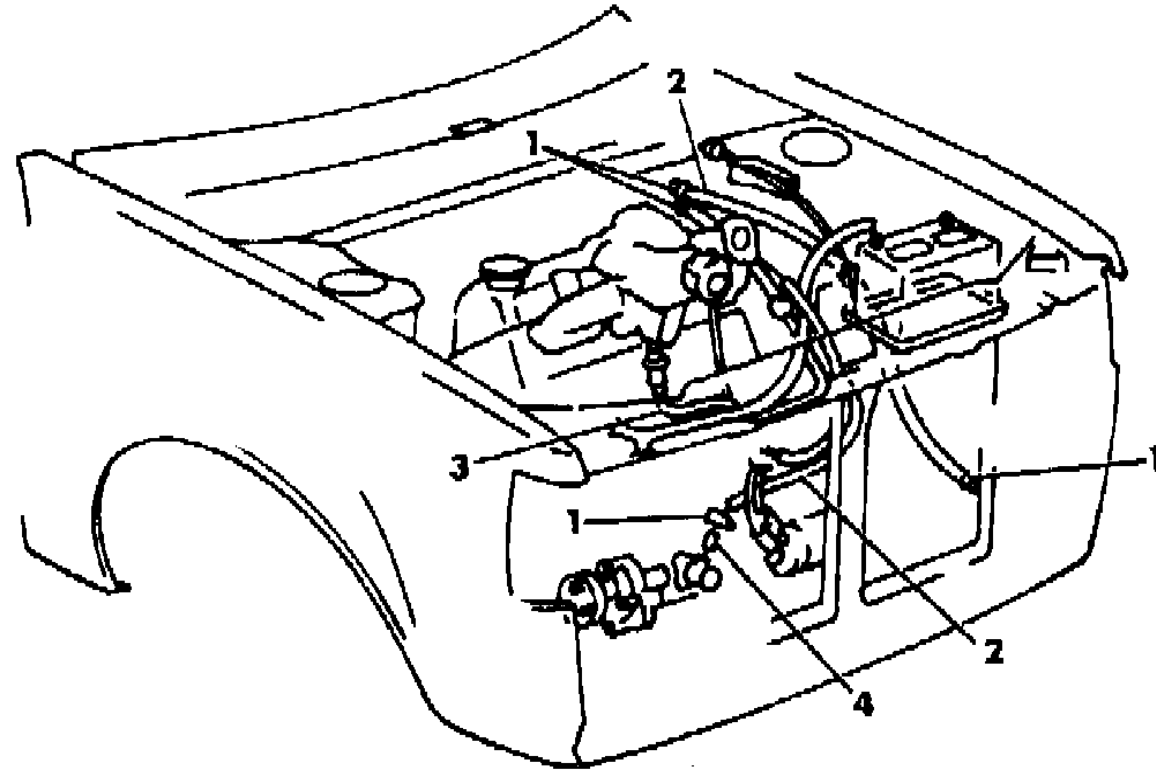
BODY STYLES

21 = 2-DOOR SEDAN	35 = FWD VAN	44 = 4-DOOR HATCHBACK
22 = 2-DOOR SPECIAL COUPE	36 = FWD WAGON	45 = 4-DOOR STATION WAGON
24 = 2-DOOR HATCHBACK	41 = 4-DOOR SEDAN	49 = LIMOUSINE
27 = 2-DOOR CONVERTIBLE		

AR = Use as Required - = Non Illustrated Part P.A.R. = Paint as Required

PLUMBING, HEATER M,Z
Figure 24-800

5124 800



ITEM	PART NUMBER	QTY	BODY	MODEL	DESCRIPTION
1	2448 770	AR			CLAMP, Heater Hose
	0153 640	AR			CLAMP, Heater Hose w/1.6 Engine
2	1315 466	AR			HOSE, Heater Core to Radiator 5/8" I.D.
	1315 466	AR			HOSE, Heater Core to Pump 5/8" I.D.
	4273 488	1			HOSE, Heater Engine to Tube
	4273 486	1			HOSE, Thermo, Water By-Pass
	3847 998	1			HOSE, Heater Engine to Core, w/2.2 Engine
	3849 048	1			HOSE & TUBE, Htr. Eng. Core 2.2 w/TC Up to 10-22-84
	3849 048	1		24	HOSE & TUBE, Htr. Eng. Core 2.2 w/TC After 10-22-84
	3849 170	1		44	HOSE & TUBE, Htr. Eng. Core 2.2 w/TC After 10-22-84
3	3848 865	1			TUBE, Heater, w/1.6 Engine
4	1779 258	1			NIPPLE, Heater Water Return to Pump
5	4273 487	1			BRACKET, Water By-Pass Tube

MODEL CODES

B = GRAN FURY	E = 600	M = HORIZON/TURISMO
C = LE BARON/TOWN & COUNTRY/LIMO	F = FIFTH AVENUE/NEWPORT	P = RELIANT
C24 = LASER	G = DIPLOMAT	T = NEW YORKER
C44 = LE BARON/GTS	H = VOYAGER	V = 600
D = ARIES	J = CARAVELLE	V24 = DAYTONA
D44 = LANCER	K = MINI VAN/CARAVAN/ROYAL	Z = OMNI/CHARGER

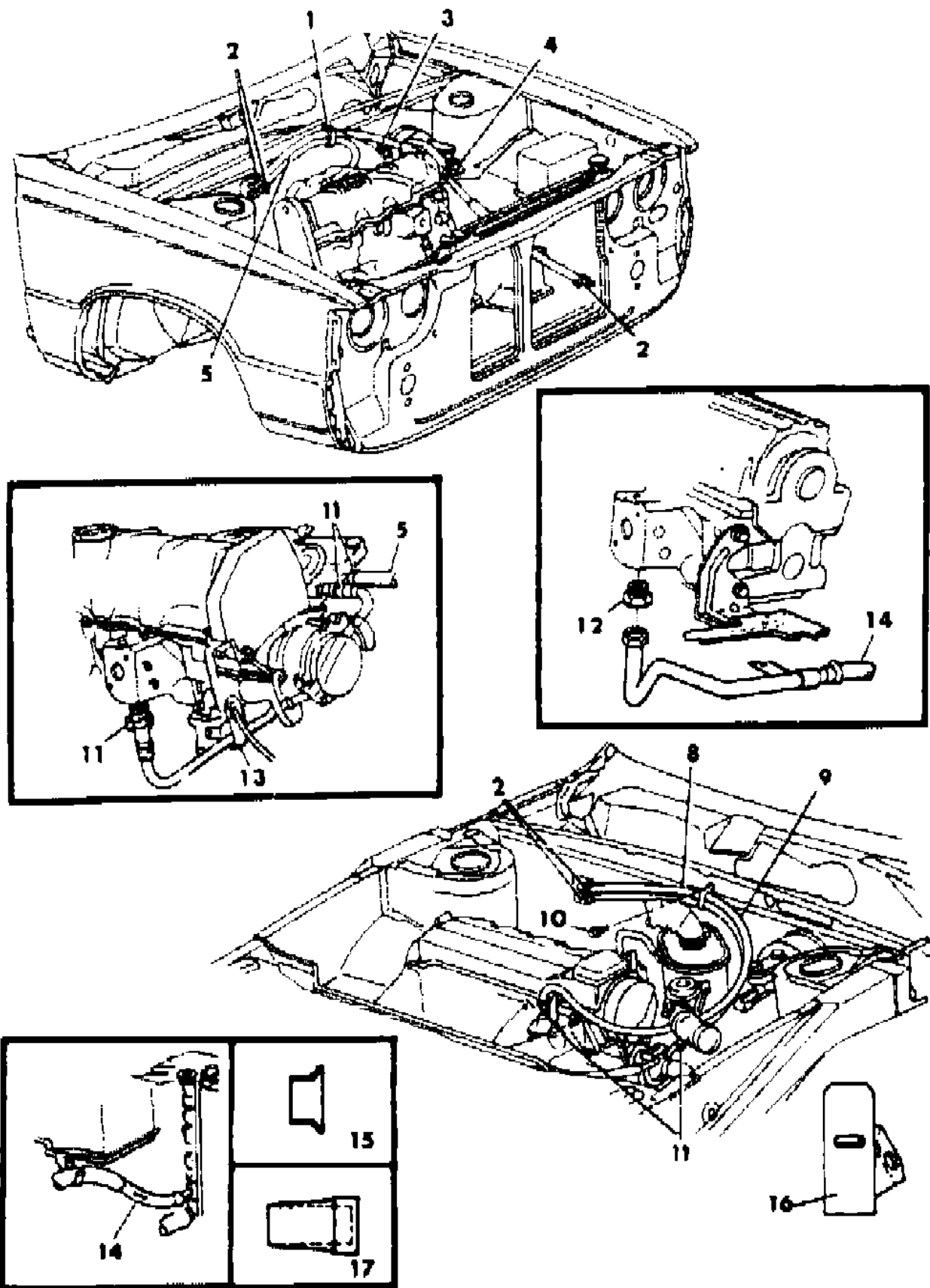
BODY STYLES

21 = 2-DOOR SEDAN	35 = FWD VAN	44 = 4-DOOR HATCHBACK
22 = 2-DOOR SPECIAL COUPE	36 = FWD WAGON	45 = 4-DOOR STATION WAGON
24 = 2-DOOR HATCHBACK	41 = 4-DOOR SEDAN	49 = LIMOUSINE
27 = 2-DOOR CONVERTIBLE		

AR = Use as Required - = Non Illustrated Part P.A.R. = Paint as Required

PLUMBING, HEATER P,D,V,C,J,E,T, C,V-24
Figure 24-900

5124 900



ITEM	PART NUMBER	QTY	BODY	MODEL	DESCRIPTION
1					CLIP, Heater Hose Mounting (Not Serviced)
2	2448 770	3			CLAMP, Heater Hose
3					SCREW (Not Serviced)
4					STRAP, Heater Hose to Master Cyl. (Not Serviced)
5	3847 828	1			HOSE, Heater Engine to Core, w/2.2 Engine
6	2448 770	3			CLAMP, Heater Hose
7	4273 486	1			HOSE, Thermostat By-Pass
	4273 488	1			HOSE, Water By-Pass Tube
8	3848 791	1			HOSE, Heater Engine, w/2.2 Engine
	1315 466	AR			HOSE, Heater Tube to Pump, w/2.2 Engine w/T.C.
9	3847 831	1			HOSE, Heater Core to Pump w/2.6 Engine
	1315 466	1			HOSE, Heater Core to Radiator, w/2.2 Engine
10					SCREW, Heater Clip Mounting (Not Serviced)
11	0153 640	2			CLAMP, Heater Hose
12	6032 290	1			CONNECTOR, Thermostat Water By-Pass w/T.C.
13	4273 487	1			BRACKET, Water By-Pass Tube w/T.B.I.
14	3848 848	1			HOSE, w/Tube Heater, w/2.2 Engine w/T.C.
	3848 847	1			HOSE, w/Tube Heater, w/2.2 Engine w/E.F.I. Up to 1-2-85
	3849 223	1			After 1-2-85
	3848 888	1			HOSE, Htr. Eng. Tube, w/2.2 Engine w/T.C.
	3848 864	1			TUBE, Heater w/2.2 Engine, w/E.F.I.
	3848 853	1			TUBE, Heater w/2.2 Engine w/T.C.
	1315 466	AR			HOSE, Heater Tube to Tee
	3848 333	1			HOSE, Htr. Eng. to Tube 2.2 Eng. w/E.F.I. Up to 1-2-85
	3849 202	1			After 1-2-85
	3849 048	1			HOSE & TUBE, Htr. Eng. Core 2.2 w/T.C., Up to 10-22-84
	3849 170	1			HOSE & TUBE, Htr. Eng. Core 2.2 w/T.C., After 10-22-84
	3848 461	1			HOSE & TUBE, A/C Htr. Eng. to Valve 2.2 w/T.C.
	1315 466	AR			HOSE, Htr. Core to Tee 2.2 Eng. (Serviced in Roll)
15	3848 948	1			WASHER, Heater Tube Flare
16	3848 405	1			CLIP, Heater Hose Mounting Booster
17	4222 799	1			CAP, Heater Clip Mounting Screw

MODEL CODES

B = GRAN FURY	E = 600	M = HORIZON/TURISMO
C = LE BARON/TOWN & COUNTRY/LIMO	F = FIFTH AVENUE/NEWPORT	P = RELIANT
C24 = LASER	G = DIPLOMAT	T = NEW YORKER
C44 = LE BARON/GTS	H = VOYAGER	V = 600
D = ARIES	J = CARAVELLE	V24 = DAYTONA
D44 = LANCER	K = MINI VAN/CARAVAN/ROYAL	Z = OMNI/CHARGER

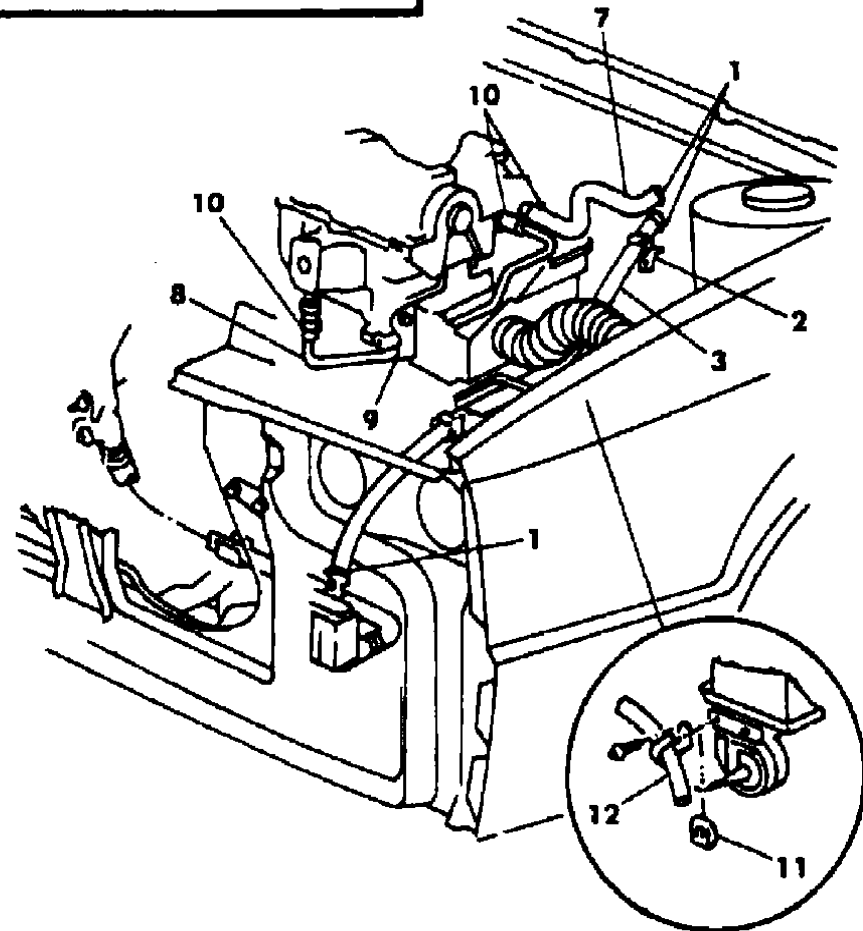
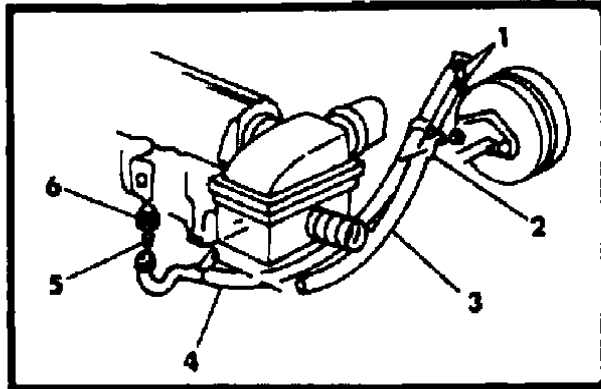
BODY STYLES

21 = 2-DOOR SEDAN	35 = FWD VAN	44 = 4-DOOR HATCHBACK
22 = 2-DOOR SPECIAL COUPE	36 = FWD WAGON	45 = 4-DOOR STATION WAGON
24 = 2-DOOR HATCHBACK	41 = 4-DOOR SEDAN	49 = LIMOUSINE
27 = 2-DOOR CONVERTIBLE		

AR = Use as Required - = Non Illustrated Part P.A.R. = Paint as Required

PLUMBING, HEATER D,C
Figure 24-1000

5124 1000



ITEM	PART NUMBER	QTY	BODY	MODEL	DESCRIPTION
1	2448 770	3			CLAMP, Heater Hose 15/16" I.D.
2	3848 405	1			CLIP, Heater Hose Mounting (Tandem Booster)
3	1315 466	AR			HOSE, Sleeve Heater Core to Tee
	3849 042	1			HOSE, w/Tube Heater Core to Tee
4	3849 065	1			HOSE, w/Tube Heater Engin to Core
5	3848 948	1			WASHER, Heater Tube Flare
6	6032 290	1			CONNECTOR, Inverted Flare Tube
7	3849 068	1			HOSE, Heater Engine to Core, Up to 1-2-85
	3849 225	1			After 1-2-85
	3849 049	1			HOSE, w/Tube A/C. Heater Engine to Valve
	1315 466	AR			HOSE, Htr. Core to Pump 2.2 Eng. w/T.C., w/E.F.I.
8	4273 488	1			HOSE, Water By-Pass to Tube
9	4273 487	1			BRACKET, Water By-Pass Att.
10	0153 640	1			CLAMP, Thermo Hose By-Pass
11	6500 681	1			NUT, J, Heater Hose Clip Mounting
12	6100 288	1			SCREW, w/Washer Heater Hose Clip Mounting

MODEL CODES

B = GRAN FURY	E = 600	M = HORIZON/TURISMO
C = LE BARON/TOWN & COUNTRY/LIMO	F = FIFTH AVENUE/NEWPORT	P = RELIANT
C24 = LASER	G = DIPLOMAT	T = NEW YORKER
C44 = LE BARON/GTS	H = VOYAGER	V = 600
D = ARIES	J = CARAVELLE	V24 = DAYTONA
D44 = LANCER	K = MINI VAN/CARAVAN/ROYAL	Z = OMNI/CHARGER

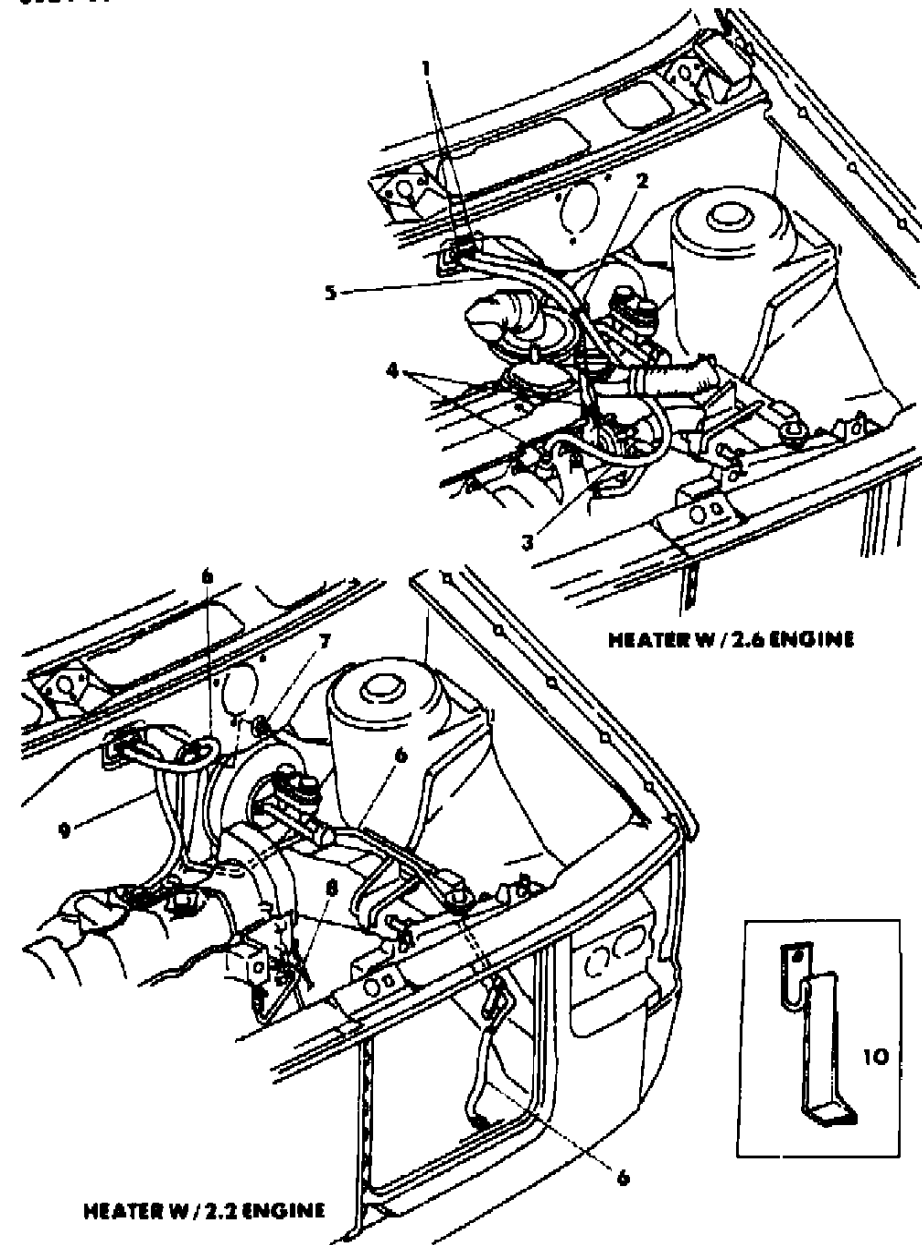
BODY STYLES

21 = 2-DOOR SEDAN	35 = FWD VAN	44 = 4-DOOR HATCHBACK
22 = 2-DOOR SPECIAL COUPE	36 = FWD WAGON	45 = 4-DOOR STATION WAGON
24 = 2-DOOR HATCHBACK	41 = 4-DOOR SEDAN	49 = LIMOUSINE
27 = 2-DOOR CONVERTIBLE		

AR = Use as Required - = Non Illustrated Part P.A.R. = Paint as Required

PLUMBING, HEATER H,K
Figure 24-1100

5124 1100



ITEM	PART NUMBER	QTY	BODY	MODEL	DESCRIPTION
1	2448 770	AR			CLAMP, Heater Hose
2	6015 756	1			STRAP, Heater Hose Support
3	3848 728	1			HOSE, Heater Engine to Core, with 2.6 Engine
	1315 466	AR			HOSE, Heater Tube to Tee, w/2.2 Engine
	1315 466	AR			HOSE, Heater Engine to Valve
	3848 726	1			HOSE, Heater Core to Engine, w/2.6 Engine
	4273 486	1			TUBE, Thermostat By-Pass, w/2.2 Engine
4	0153 640	AR			CLAMP, Heater Hose
5	3848 726	1			HOSE, A/C., Heater Core to Pump, with 2.6 Engine
6	3849 042	1			HOSE, w/Tube, Heater Core to Tee, with 2.2 Engine
7	0219 462	1			NUT
8	4273 487	1			BRACKET, Water By-Pass Tube, with 2.2 Engine
9	3849 076	1			HOSE, Heater Engine to Core, with 2.2 Engine
10	3849 134	1			BRACKET, Heater Hose Support, with 2.2 Engine

MODEL CODES

B = GRAN FURY	E = 600	M = HORIZON/TURISMO
C = LE BARON/TOWN & COUNTRY/LIMO	F = FIFTH AVENUE/NEWPORT	P = RELIANT
C24 = LASER	G = DIPLOMAT	T = NEW YORKER
C44 = LE BARON/GTS	H = VOYAGER	V = 600
D = ARIES	J = CARAVELLE	V24 = DAYTONA
D44 = LANCER	K = MINI VAN/CARAVAN/ROYAL	Z = OMNI/CHARGER

BODY STYLES

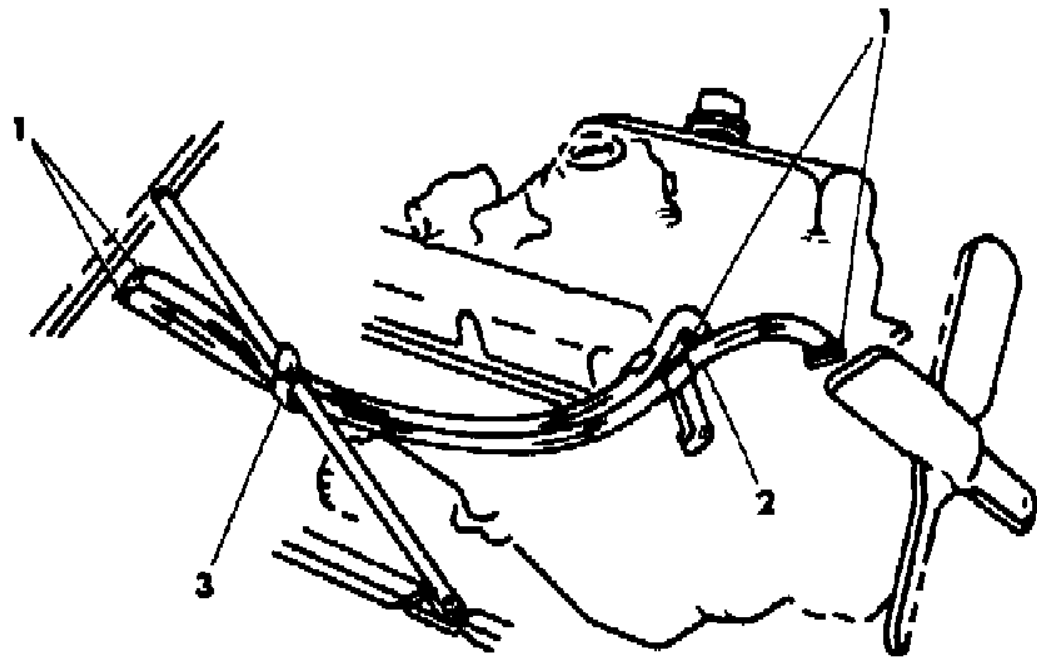
21 = 2-DOOR SEDAN	35 = FWD VAN	44 = 4-DOOR HATCHBACK
22 = 2-DOOR SPECIAL COUPE	36 = FWD WAGON	45 = 4-DOOR STATION WAGON
24 = 2-DOOR HATCHBACK	41 = 4-DOOR SEDAN	49 = LIMOUSINE
27 = 2-DOOR CONVERTIBLE		

AR = Use as Required - = Non Illustrated Part P.A.R. = Paint as Required

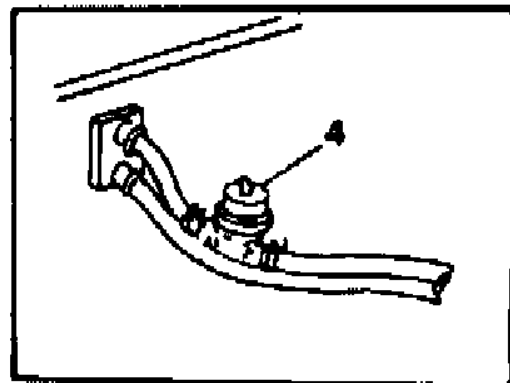
PLUMBING, HEATER B,G
Figure 24-1200

5124 1200

ITEM	PART NUMBER	QTY	BODY	MODEL	DESCRIPTION
1	2448 770	AR			CLAMP, Heater Hose 15/16" I.D.
	4041 604	AR			CLAMP, S/Steel Screw Type
2	1779 258	1			NIPPLE, Htr. Hose to Eng., 2" Lgh. 3/8 Thd.
3	6015 756	1			STRAP, Heater Vacuum Hose Support
4	3847 475	1			VALVE, Heater Water w/Upr. Level Vent.



8 CYLINDER



MODEL CODES

B = GRAN FURY	E = 600	M = HORIZON/TURISMO
C = LE BARON/TOWN & COUNTRY/LIMO	F = FIFTH AVENUE/NEWPORT	P = RELIANT
C24 = LASER	G = DIPLOMAT	T = NEW YORKER
C44 = LE BARON/GTS	H = VOYAGER	V = 600
D = ARIES	J = CARAVELLE	V24 = DAYTONA
D44 = LANCER	K = MINI VAN/CARAVAN/ROYAL	Z = OMNI/CHARGER

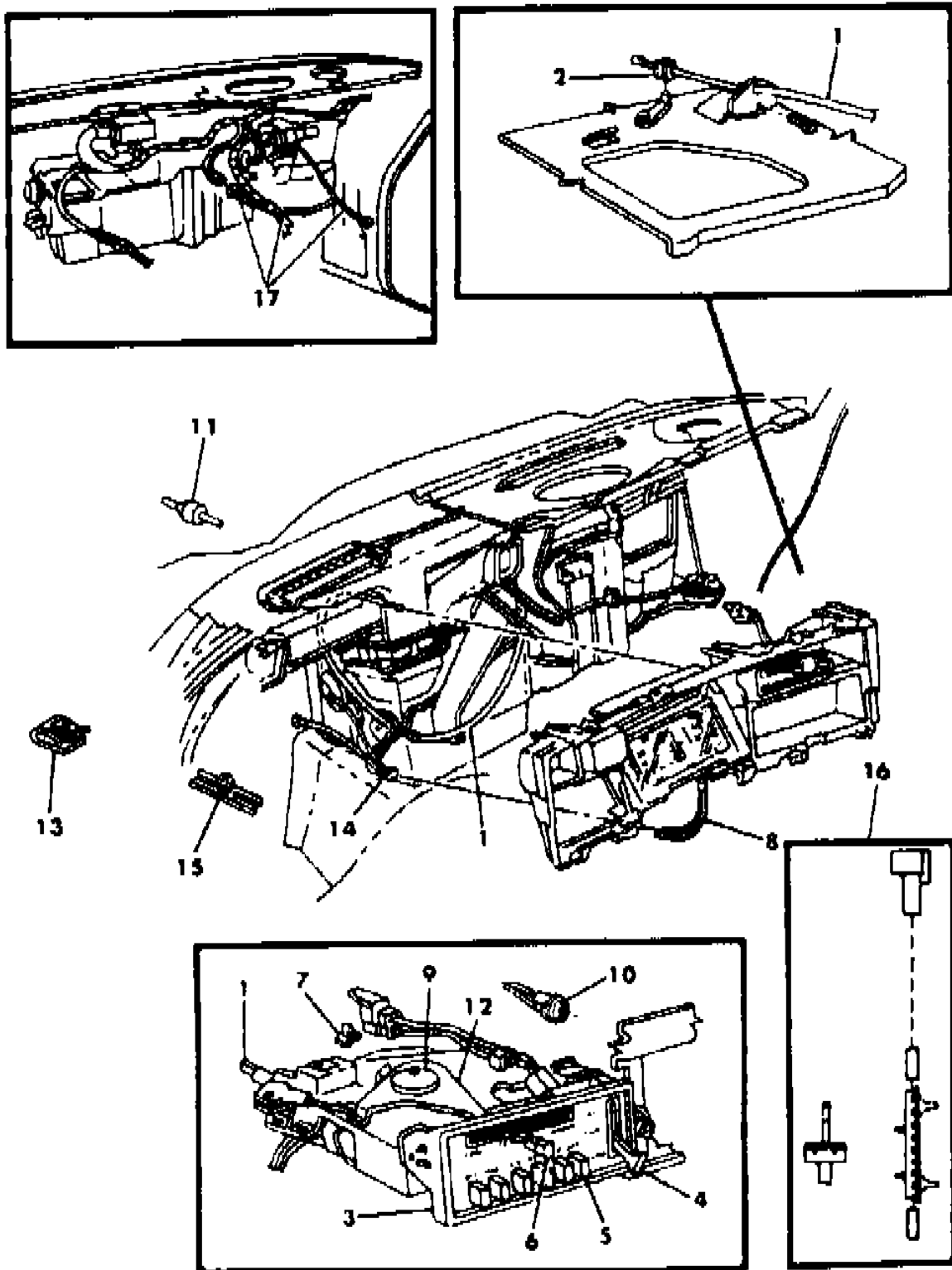
BODY STYLES

21 = 2-DOOR SEDAN	35 = FWD VAN	44 = 4-DOOR HATCHBACK
22 = 2-DOOR SPECIAL COUPE	36 = FWD WAGON	45 = 4-DOOR STATION WAGON
24 = 2-DOOR HATCHBACK	41 = 4-DOOR SEDAN	49 = LIMOUSINE
27 = 2-DOOR CONVERTIBLE		

AR = Use as Required - = Non Illustrated Part P.A.R. = Paint as Required

CONTROLS, AIR CONDITIONER AND HEATER M,Z,H,K,B,F,G
Figure 24-1300

5124 1300



ITEM	PART NUMBER	QTY	BODY	MODEL	DESCRIPTION
1	5210 360	1		M,Z	CABLE, A/C Temp. Control
	3848 319	1		H,K	CABLE, A/C Temp. Control
2	6031 132	1		All	CLIP, A/C Temp. Control Cable Adjusting
3	3848 002	1		M,Z,H,K	BASE, A/C Temp. Control
	3848 637	1		H,K	DECAL, A/C Control Bi-Level
4	3848 002	1		B,F,G	BASE, A/C Temp. Control Bi-Level
	3848 002	1		B,F,G	w/A.T.C.
	3848 634	1		B,G	DECAL, A/C Control Bi-Level, A.T.C.
	3848 630	1		F-S	DECAL, A.T.C. Control Bi-Level
5	3848 633	1		M,Z	DECAL, A/C Control
	3847 940	1		Exc. H,	SWITCH, A/C Blower Control
6	3848 645	1		H,K	
	3847 512	1		M,Z	SWITCH, A/C Control Vacuum 6 P/Button
7	3847 742	1		B,F,G	SWITCH, A/C Control Vacuum 6 P/Button
	3848 654	1		H,K	SWITCH, A/C Control Vacuum 6 P/Button
8	3847 447	1		Exc. H,	KNOB, A/C Temp. Control Lever
	3847 445	1		H,K	Chrome
9	6029 889	1		Exc. H,	NUT, A/C Control Cable Retaining
	3847 622	1		All	HOSE, A/C Vacuum Extension
10	3780 794	1		All	HOSE, A/C Control Vacuum, .073/.081 I.D. 50 Ft. Roll
	2820 453	1		Exc. H,	CLIP, A/C Temp. Lever Retaining
11	3849 122	1		H,K	
	3503 317	1		All	PIN, A/C Control Lever Pivot
12	4131 388	1		All	SOCKET & BULB PKG., A/C, Heater Control Lamp
	3441 609	1		All	VALVE, Two Port Check Vacuum Hose
13	2837 876	1		M,Z	CONNECTOR, A/C Vac. Hose (In Line)
	3848 232	1		M,Z	LEVER, A/C Temp. Control
14	3848 316	1		H,K	LEVER, A/C Temp. Control
	3847 434	1		B,F,G	w/A.T.C.
15	6025 147	1		B,F,G	NUT, A/C Control Cable Mtg.
	3848 311	1		M,Z	HOSE & CONNECTOR, A/C Vacuum
16	3847 627	1		B,F,G	
	6015 778	AR		All	CLIP, A/C Vacuum Hose Retaining
17	3847 435	1		B,F,G	RHEOSTAT, A.T.C. (Hi-Lo) Sliding Diode
	4124 747	1		B,F,G	WIRING, A.T.C. Unit

MODEL CODES

B = GRAN FURY	E = 600	M = HORIZON/TURISMO
C = LE BARON/TOWN & COUNTRY/LIMO	F = FIFTH AVENUE/NEWPORT	P = RELIANT
C24 = LASER	G = DIPLOMAT	T = NEW YORKER
C44 = LE BARON/GTS	H = VOYAGER	V = 600
D = ARIES	J = CARAVELLE	V24 = DAYTONA
D44 = LANCER	K = MINI VAN/CARAVAN/ROYAL	Z = OMNI/CHARGER

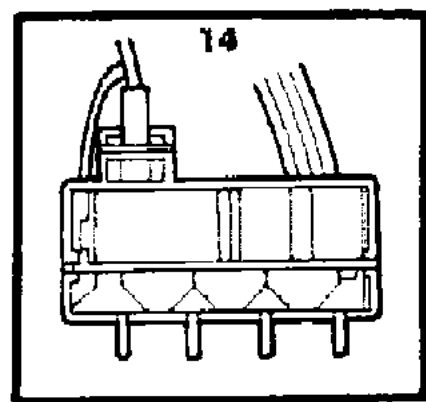
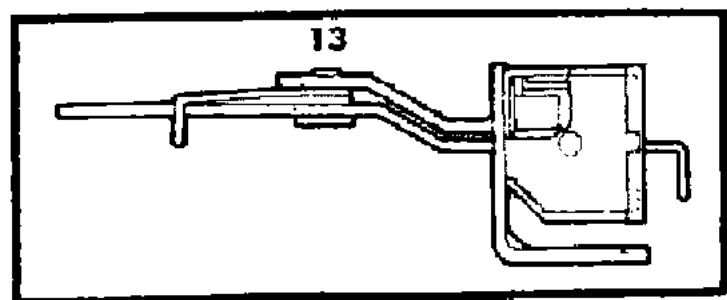
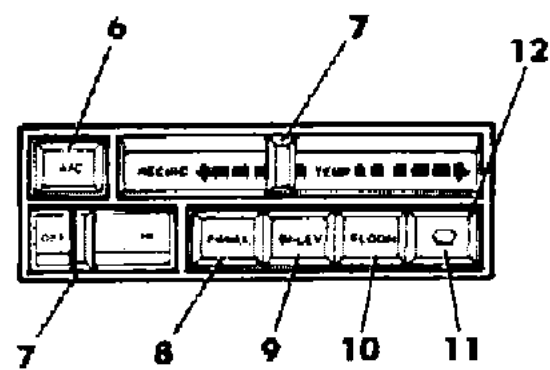
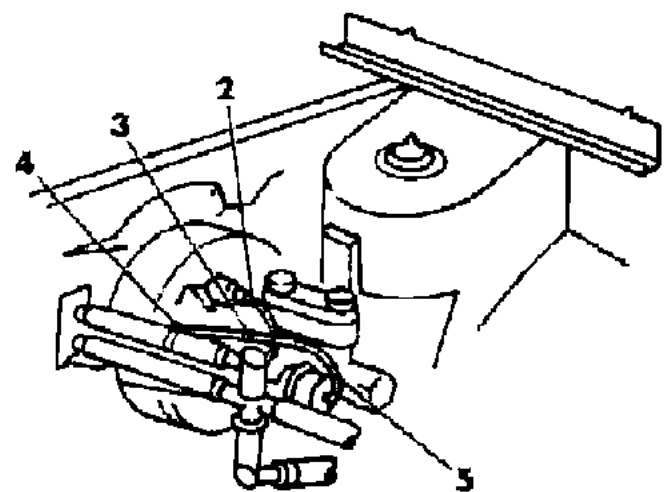
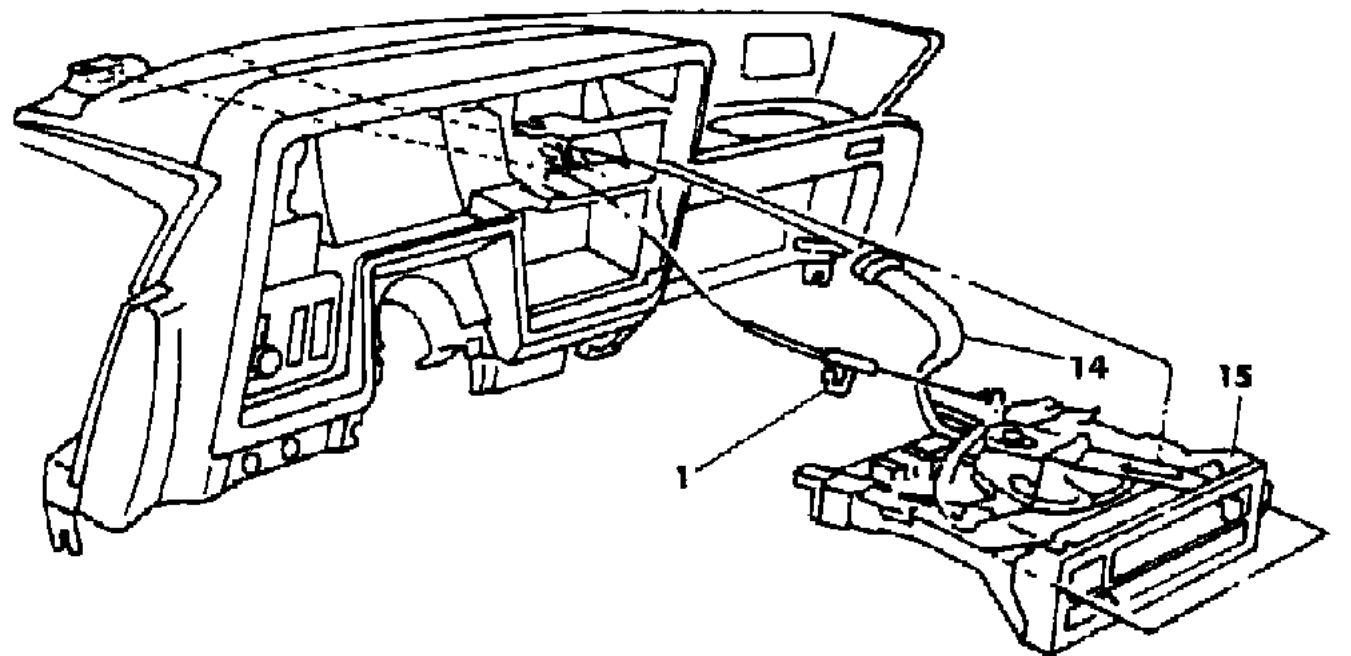
BODY STYLES

21 = 2-DOOR SEDAN	35 = FWD VAN	44 = 4-DOOR HATCHBACK
22 = 2-DOOR SPECIAL COUPE	36 = FWD WAGON	45 = 4-DOOR STATION WAGON
24 = 2-DOOR HATCHBACK	41 = 4-DOOR SEDAN	49 = LIMOUSINE
27 = 2-DOOR CONVERTIBLE		

AR = Use as Required - = Non Illustrated Part P.A.R. = Paint as Required

CONTROLS, AIR CONDITIONER AND HEATER P,D,V,C, V,C-24,J,E,T, D,C-44
Figure 24-1400

5124 1400



ITEM	PART NUMBER	QTY	BODY	MODEL	DESCRIPTION
1	3849 214	1		D,C-44	CABLE, A/C Temp. Control
	3848 799	1		Exc. D,	CABLE, A/C Temp. Control
	6031 132	1			CLIP, A/C Temp. Control Cable Adjusting
2	3847 935	1			CONNECTOR, A/C Vac. Hose to Booster P/Brake
3	2837 876	1			CONNECTOR, Vacuum Hose, In Line
4	6015 945	1			CLIP, Strap
5	3780 508	AR			HOSE, Vacuum Ext. (Serv. in Roll Stock)
6	3849 150	AR		C,V,J,E	SWITCH, A/C Control (Bright)
	3849 142	1		P,D,V,C	SWITCH, A/C Control (Black)
	3849 142	1		D,C-44	(Black)
7	3849 156	1		C,V,J,E	KNOB, A/C Control (Bright)
	3849 148	1		P,D,V,C	KNOB, A/C Control (Black)
	3849 148	1		D,C-44	(Black)
8	3849 152	1		C,V,J,E	PUSH BUTTON, A/C Control Panel (Bright)
	3849 144	1		P,D,V,C	PUSH BUTTON, A/C Control Panel (Black)
	3849 144	1		D,C-44	PUSH BUTTON, A/C Control Panel (Black)
9	3849 153	1		C,V,J,E	PUSH BUTTON, A/C Control Bi-Level (Bright)
	3849 145	1		P,D,V,C	PUSH BUTTON, A/C Control Bi-Level (Black)
	3849 145	1		D,C-44	(Black)
10	3849 154	1		C,V,J,E	PUSH BUTTON, A/C Control Floor (Bright)
	3849 146	1		P,D,V,C	PUSH BUTTON, A/C Control Floor (Black)
	3849 146	1		D,C-44	(Black)
11	3849 155	1		C,V,J,E	PUSH BUTTON, A/C Control Defroster (Bright)
	3849 147	1		P,D,V,C	PUSH BUTTON, A/C Control Defroster (Black)
	3849 147	1		D,C-44	(Black)
12	3849 151	1		C,V,J,E	FACE PLATE & DECAL, A/C Control (Bright)
	3849 143	1		P,D,V,C	FACE PLATE & DECAL, A/C Control (Black)
	3849 143	1		D,C-44	(Black)
13	3849 139	1			SWITCH, Control Fan
14	3849 140	1			SWITCH, Control w/Vacuum Hose
15	3849 138	1			HOUSING & LEVER
	3849 141	1			LAMP, Socket, A/C Control (Not Shown)

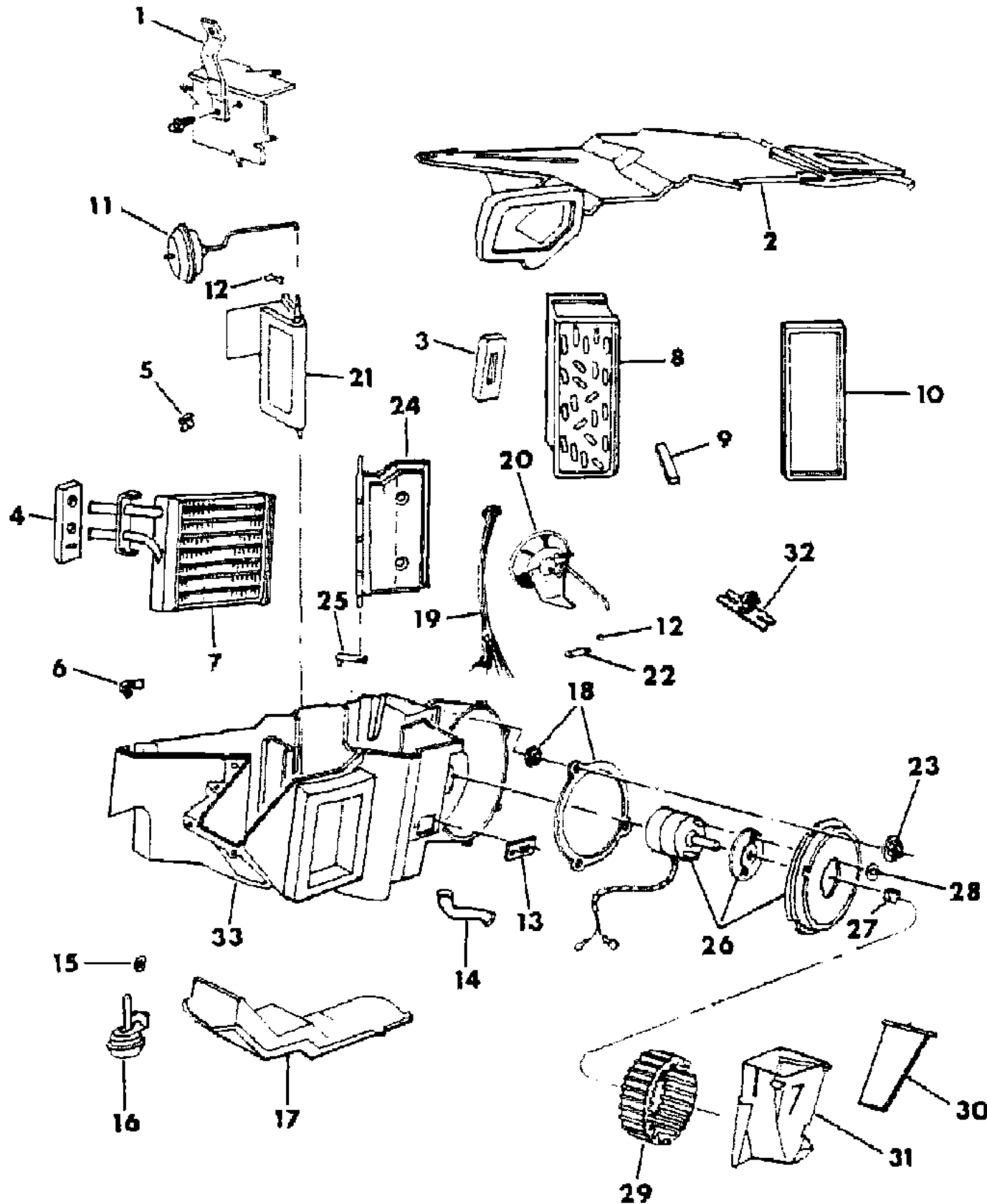
MODEL CODES
 B = GRAN FURY
 C = LE BARON/TOWN & COUNTRY/LIMO
 C24 = LASER
 C44 = LE BARON/GTS
 D = ARIES
 D44 = LANCER
 E = 600
 F = FIFTH AVENUE/NEWPORT
 G = DIPLOMAT
 H = VOYAGER
 J = CARAVELLE
 K = MINI VAN/CARAVAN/ROYAL
 M = HORIZON/TURISMO
 P = RELIANT
 T = NEW YORKER
 V = 600
 V24 = DAYTONA
 Z = OMNI/CHARGER

BODY STYLES
 21 = 2-DOOR SEDAN
 22 = 2-DOOR SPECIAL COUPE
 24 = 2-DOOR HATCHBACK
 27 = 2-DOOR CONVERTIBLE
 35 = FWD VAN
 36 = FWD WAGON
 41 = 4-DOOR SEDAN
 44 = 4-DOOR HATCHBACK
 45 = 4-DOOR STATION WAGON
 49 = LIMOUSINE

AR = Use as Required - = Non Illustrated Part P.A.R. = Paint as Required

AIR CONDITIONER AND HEATER UNIT M,Z
Figure 24-1500

5124 1500



ITEM	PART NUMBER	QTY	BODY	MODEL	DESCRIPTION
1	5210 051	1	All		BRACE, A/C Unit Mounting to Plenum
2	5210 428	1	All		COVER, A/C Evaporator Recirc. Housing
	3847 721	1	All		SEAL, A/C Evaporator Housing Cover Mtg., Left
	3847 722	1	All		SEAL, A/C Evap. Hsg. Cover Mtg., Right
	3848 933	1	All		SEAL, A/C Unit to Plenum F/Air Inlet
3	3849 068	1	All		SEAL, A/C Unit to Dash at Coil Header
4	5210 109	1	All		SEAL, A/C Unit to Dash at Core Tubes
5	2521 336	1	All		CLIP, A/C Evaporator Housing Cover Mounting
6	3848 827	1	All		TUBE, A/C Unit Drain
7	3847 943	1	All		CORE, A/C, Heater
	3848 093	1	All		SEAL, A/C Heater Core to Housing
	3847 943	1	All		SEAL, A/C Heater Core End
8	3848 854	1	All		COIL, A/C Evaporator Complete
9	5210 073	1	All		SEAL, A/C Evaporator Coil to Housing Bottom
10	3847 116	1	All		SEAL, A/C Evaporator Coil Header End
11	5210 111	1	All		ACTUATOR, A/C Recirc. & Fresh Air Door
12	6008 145	1	All		CLIP, A/C Act. Shaft Return Fresh Air Door
13	3848 995	1	All		RESISTOR, A/C Blower Motor
14	5210 066	1	All		TUBE, A/C Blower Motor Cooling
15	6031 147	1	All		RETAINER, A/C Defroster Door Vacuum Actuator
16	5210 068	1	All		ACTUATOR, A/C Heater Defroster
17	5210 055	1	All		DUCT, A/C Heater Distribution
18	3847 476	1	All		SEAL, A/C Blower Motor to Scroll
19	3848 311	1	All		HOSE & CONN., A/C Vacuum
	3780 508	1	All		HOSE, A/C Vacuum (Serviced in Roll)
20	5210 110	1	All		ACTUATOR, A/C Mode Door
21	5210 099	1	All		DOOR, w/Seal, A/C Mode
22	5210 112	1	All		LEVER, A/C Mode Door
23	6006 065	6	All		WASHER, A/C Motor Mounting
24	5210 395	1	All		DOOR, A/C Blend Air
25	5210 113	1	All		LEVER, A/C Blend Air Door
26	4240 426	1	All		MOTOR, A/C Blower
	4222 912	1	All		CAPACITOR, A/C Blower Motor
27	6031 694	1	All		SCREW, w/Washer A/C Blower Motor Mounting
	2837 680	1	All		CLAMP, A/C Blower Wheel Motor Mounting
28	6500 376	1	All		NUT, A/C Blower Motor U-Type
29	5210 234	1	All		WHEEL, A/C Blower Motor

MODEL CODES

B = GRAN FURY	E = 600	M = HORIZON/TURISMO
C = LE BARON/TOWN & COUNTRY/LIMO	F = FIFTH AVENUE/NEWPORT	P = RELIANT
C24 = LASER	G = DIPLOMAT	T = NEW YORKER
C44 = LE BARON/GTS	H = VOYAGER	V = 600
D = ARIES	J = CARAVELLE	V24 = DAYTONA
D44 = LANCER	K = MINI VAN/CARAVAN/ROYAL	Z = OMNI/CHARGER

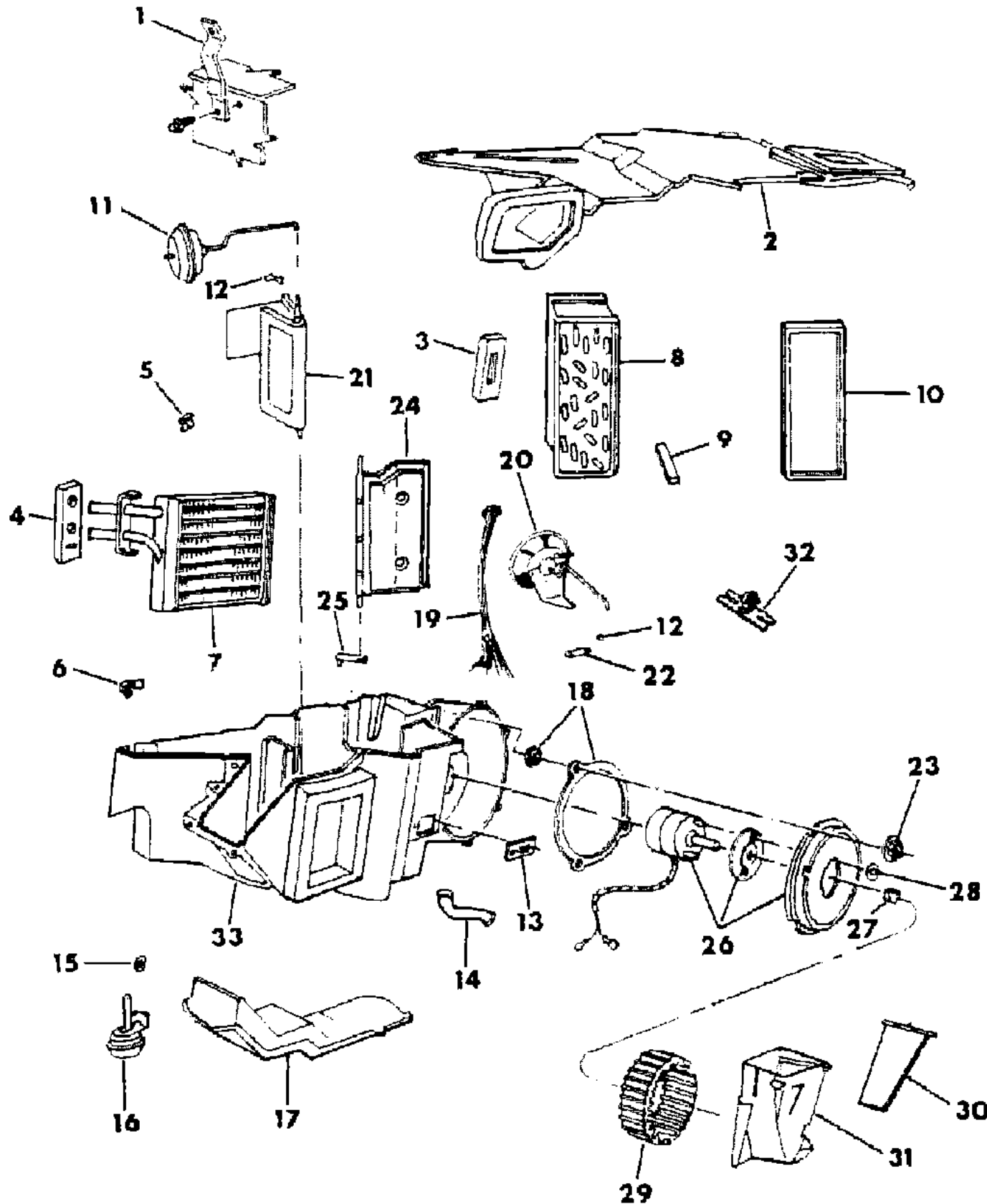
BODY STYLES

21 = 2-DOOR SEDAN	35 = FWD VAN	44 = 4-DOOR HATCHBACK
22 = 2-DOOR SPECIAL COUPE	36 = FWD WAGON	45 = 4-DOOR STATION WAGON
24 = 2-DOOR HATCHBACK	41 = 4-DOOR SEDAN	49 = LIMOUSINE
27 = 2-DOOR CONVERTIBLE		

AR = Use as Required - = Non Illustrated Part P.A.R. = Paint as Required

AIR CONDITIONER AND HEATER UNIT M,Z
Figure 24-1500

5124 1500



ITEM	PART NUMBER	QTY	BODY	MODEL	DESCRIPTION
30	5210 056	1	All		DOOR, w/Seal A/C Recirc., Fresh Air
31	5210 070	1	All		HOUSING, A/C Recirc.
32	6015 778	1	All		CLIP, A/C Vacuum Hose Retaining
33	3848 418	1	All		HOUSING w/STUD, A/C Evaporator w/Scroll

MODEL CODES

B = GRAN FURY	E = 600	M = HORIZON/TURISMO
C = LE BARON/TOWN & COUNTRY/LIMO	F = FIFTH AVENUE/NEWPORT	P = RELIANT
C24 = LASER	G = DIPLOMAT	T = NEW YORKER
C44 = LE BARON/GTS	H = VOYAGER	V = 600
D = ARIES	J = CARAVELLE	V24 = DAYTONA
D44 = LANCER	K = MINI VAN/CARAVAN/ROYAL	Z = OMNI/CHARGER

BODY STYLES

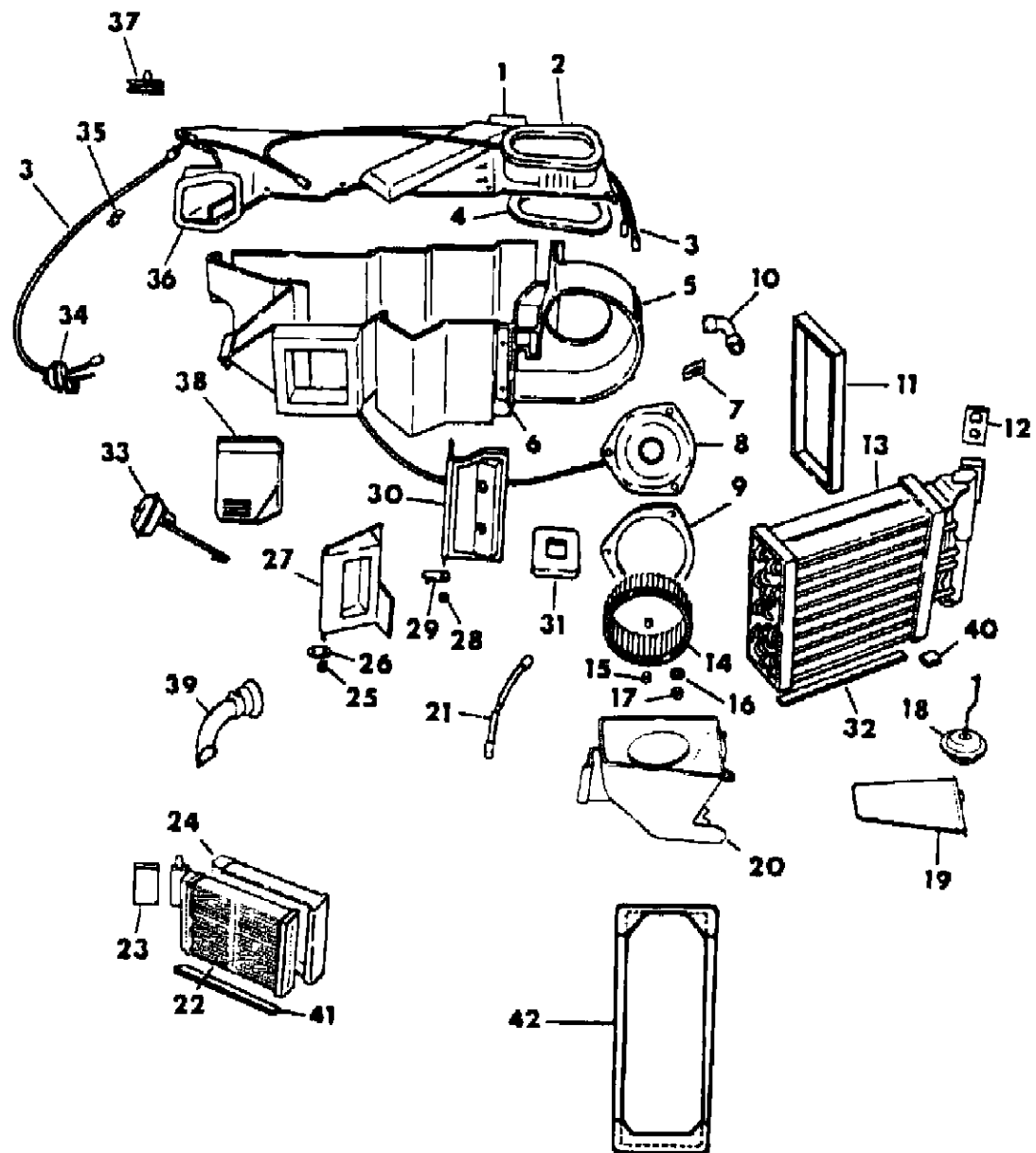
21 = 2-DOOR SEDAN	35 = FWD VAN	44 = 4-DOOR HATCHBACK
22 = 2-DOOR SPECIAL COUPE	36 = FWD WAGON	45 = 4-DOOR STATION WAGON
24 = 2-DOOR HATCHBACK	41 = 4-DOOR SEDAN	49 = LIMOUSINE
27 = 2-DOOR CONVERTIBLE		

AR = Use as Required - = Non Illustrated Part P.A.R. = Paint as Required

AIR CONDITIONER AND HEATER UNIT P,D,V,C,J,E,T, C,V-24

Figure 24-1600

5124 1600



ITEM	PART NUMBER	QTY	BODY	MODEL	DESCRIPTION
1	3848 869	1		PDVCJET	COVER, A/C Evaporator Recirc. Housing
	3848 870	1		C,V-24	COVER, A/C Evaporator Recirc. Housing
	3847 721	1		All	SEAL, A/C Evaporator Housing Cover Mtg., Left
2	3847 605	1		All	SEAL, A/C Unit to Plenum
3	3849 126	1		All	HOSE, w/Connector, A/C Vacuum
	3780 508	1		All	HOSE, Vacuum Extension (Serviced in Roll)
	3441 609	1		All	VALVE, A/C Two Port Check (Vacuum Hose)
4	3847 722	1		All	SEAL, A/C Recirc. Housing Cover to Housing, Right
	3847 720	1		All	SEAL, A/C Evap. Housing Cover to Housing
5	3848 418	1		All	HOUSING w/STUD PACKAGE, A/C Evaporator Scroll
6	3848 238	1		All	BRACE, A/C Unit Mounting to Plenum Support
7	3849 075	1		All	RESISTOR, A/C Blower Motor
8	3849 032	1		All	MOTOR, A/C Blower
	4274 936	1		All	INSULATOR, A/C Blower
9	3847 476	1		All	SEAL, A/C Blower Motor Mounting to Scroll
	4311 881	1		All	CAPACITOR, A/C Blower Motor
10	5210 066	1		All	TUBE, A/C Blower Motor Cooling
11	3847 116	1		All	SEAL, A/C Evaporator Coil Header End
	3848 200	1		All	SEAL, A/C Evaporator Coil Header Tubes to Housing
12	3846 836	1		All	GASKET, A/C Evaporator Valve Mounting
13	4339 423	1		All	COIL, A/C Evaporator Complete
14	5210 234	1		All	WHEEL, A/C Blower Motor
15	2837 680	1		All	CLAMP, A/C Blower Wheel Motor Mounting
16	6500 376	1		All	NUT, A/C Blower Motor U-Type
17	6031 694	3		All	SCREW w/Washer, A/C Blower Motor Mounting
18	5210 111	1		All	ACTUATOR, A/C Recirc. w/Fresh Air Door
19	5210 056	1		All	DOOR w/Seal, A/C Recirc. w/Fresh Air
20	5210 070	1		All	HOUSING, A/C Recirc. Blower Wheel
21	3847 622	1		All	HOSE w/Connector, A/C Vacuum Extension
22	3847 943	1		All	CORE, A/C, Heater
23	5210 109	1		All	SEAL, A/C Unit to Dash at Core Tubes
24	3848 093	1		All	SEAL, A/C Heater Core to Housing
	6031 132	1		All	CLIP, A/C Temperature Control Cable Adjustment
25				All	NUT, Door Shaft Lever (Do Not Serv.)
26	3847 858	1		All	LEVER, Mode Door Shaft
27	3847 848	1		All	DOOR w/SEAL, A/C Mode
28	0219 462	1		All	NUT, Door Shaft Lever

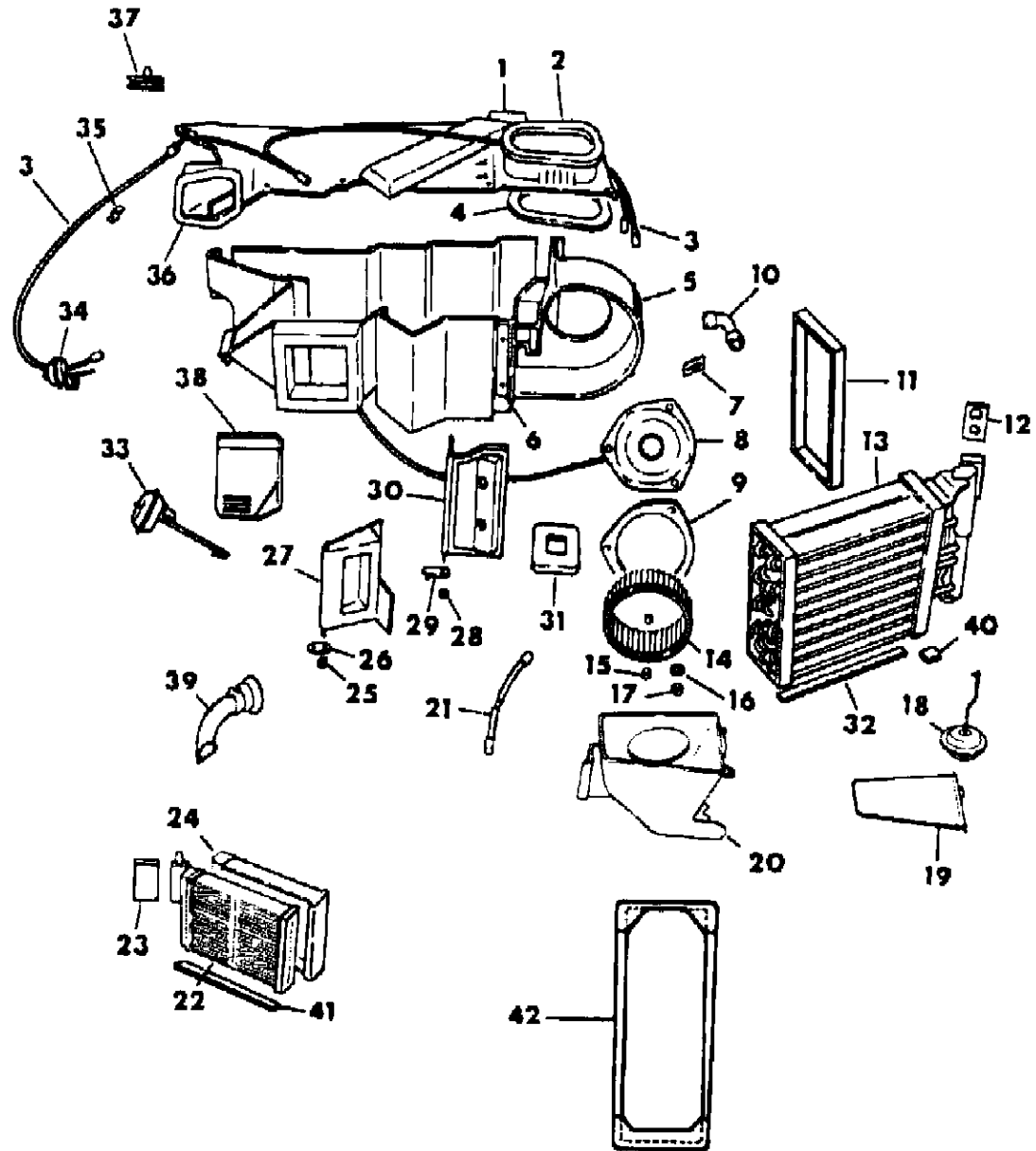
MODEL CODES
 B = GRAN FURY
 C = LE BARON/TOWN & COUNTRY/LIMO
 C24 = LASER
 C44 = LE BARON/GTS
 D = ARIES
 D44 = LANCER
 E = 600
 F = FIFTH AVENUE/NEWPORT
 G = DIPLOMAT
 H = VOYAGER
 J = CARAVELLE
 K = MINI VAN/CARAVAN/ROYAL
 M = HORIZON/TURISMO
 P = RELIANT
 T = NEW YORKER
 V = 600
 V24 = DAYTONA
 Z = OMNI/CHARGER

BODY STYLES
 21 = 2-DOOR SEDAN
 22 = 2-DOOR SPECIAL COUPE
 24 = 2-DOOR HATCHBACK
 27 = 2-DOOR CONVERTIBLE
 35 = FWD VAN
 36 = FWD WAGON
 41 = 4-DOOR SEDAN
 44 = 4-DOOR HATCHBACK
 45 = 4-DOOR STATION WAGON
 49 = LIMOUSINE

AR = Use as Required - = Non Illustrated Part P.A.R. = Paint as Required

AIR CONDITIONER AND HEATER UNIT P,D,V,C,J,E,T, C,V-24
Figure 24-1600

5124 1600



ITEM	PART NUMBER	QTY	BODY	MODEL	DESCRIPTION
29	5210 113	1	All		LEVER, A/C Blend Air Door
30	5210 395	1	All		DOOR, A/C Blend Air
31	3847 602	1	All		SEAL, A/C Unit to Dash at Scroll Header
32	5210 073	2	All		SEAL, A/C Evaporator Coil to Housing Bottom
33	3847 849	1	All		ACTUATOR, A/C Mode Door
34	5210 068	1	All		ACTUATOR, A/C Heater Defroster Door
	6031 805	1	All		NUT, A/C Defroster Actuator Rod
35	2521 336	2	All		CLIP, A/C Evaporator Housing Cover Mounting
36	3847 606	1	All		SEAL, A/C Unit to Defroster Duct
37	6015 778	1	All		CLIP, A/C Vacuum Hose Retaining
38	5210 093	1	All		DOOR w/Shaft, A/C, Defroster
39	3848 827	1	All		TUBE, A/C Unit Drain
	3847 853	1	All		SPRING, A/C Mode Door
	6031 886	1	All		RETAINER, A/C Drain Tube
40	4192 019	1	All		BUMPER, A/C, Defroster Door
	3780 508	1	All		HOSE, A/C Vacuum (Service in Roll)
41	3847 681	1	All		SEAL, A/C Heater Core End
42	3848 841	1	All		SEAL, A/C Evap. Coil to Hose Hair Pin End

MODEL CODES

B = GRAN FURY	E = 600	M = HORIZON/TURISMO
C = LE BARON/TOWN & COUNTRY/LIMO	F = FIFTH AVENUE/NEWPORT	P = RELIANT
C24 = LASER	G = DIPLOMAT	T = NEW YORKER
C44 = LE BARON/GTS	H = VOYAGER	V = 600
D = ARIES	J = CARAVELLE	V24 = DAYTONA
D44 = LANCER	K = MINI VAN/CARAVAN/ROYAL	Z = OMNI/CHARGER

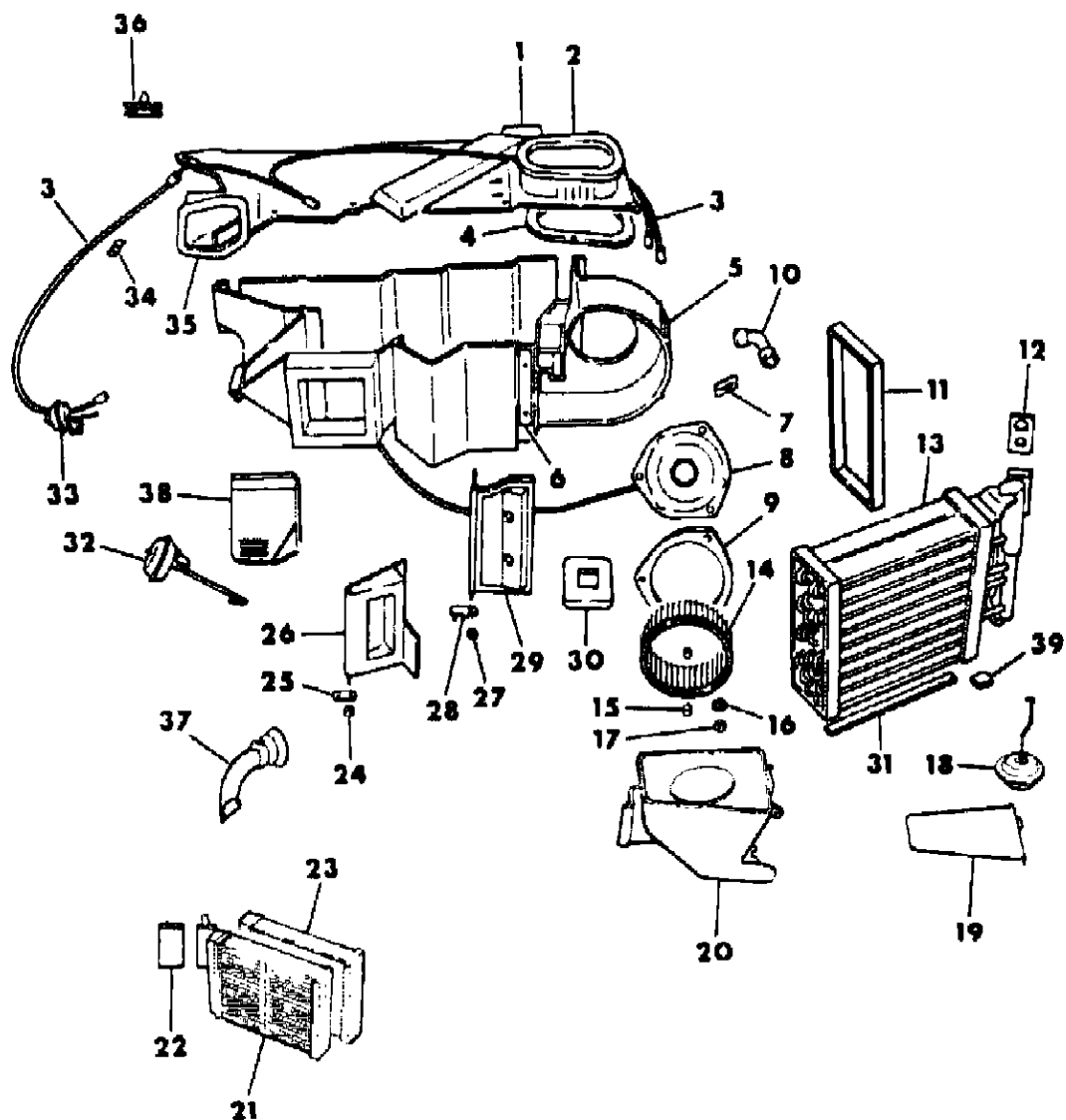
BODY STYLES

21 = 2-DOOR SEDAN	35 = FWD VAN	44 = 4-DOOR HATCHBACK
22 = 2-DOOR SPECIAL COUPE	36 = FWD WAGON	45 = 4-DOOR STATION WAGON
24 = 2-DOOR HATCHBACK	41 = 4-DOOR SEDAN	49 = LIMOUSINE
27 = 2-DOOR CONVERTIBLE		

AR = Use as Required - = Non Illustrated Part P.A.R. = Paint as Required

AIR CONDITIONER AND HEATER UNIT D,C-44
Figure 24-1700

5124 1700



ITEM	PART NUMBER	QTY	BODY	MODEL	DESCRIPTION
1	3848 870	1			COVER, A/C Evap. Housing
2	3847 605	1			SEAL, A/C Evap. Hsg. Cvr. (To Plenum)
3	3849 126	1			HOSE & Conn., A/C Vacuum
	3780 508	AR			HOSE, Vac. Ext. (Serviced in Roll)
	3441 609	1			VALVE, A/C Two Port Check (Vac. Hose)
	2837 876	1			CONNECTOR, Vac. Hose
4	3847 722	1			SEAL, A/C Evap. Hsg. Cvr. Mtg. Rt.
	3847 720	1			SEAL, A/C Evap. Hsg. Mtg. Ctr.
	3848 841	1			SEAL, A/C Evap. Coil to Hsg. Hair Pin End
5	3848 418	1			HOUSING, w/Stud Pkg. A/C Evap. Scroll
6	3848 238	1			BRACE, A/C Unit Mtg. to Plenum Support
7	3849 075	1			RESISTOR, A/C Blower Motor, Up to 9-17-84
	3849 235	1			After 9-17-84
8	3849 032	1			MOTOR, A/C Blower
	4274 936	1			INSULATOR, A/C Blower
9	3847 476	1			SEAL, A/C Blower Motor Mtg. to Scroll
10	5210 066	1			TUBE, A/C Blower Motor
11	3847 116	1			SEAL, A/C Evap. Coil Header End
12	3846 836	1			GASKET, A/C Evap. Valve Mtg.
13	4339 423	1			COIL, A/C Evap. Complete
14	5210 234	1			WHEEL, A/C Blower Motor
15	2837 680	1			CLAMP, A/C Blower Wheel Motor Mounting
16	6500 376	1			NUT, A/C Blower Mtr. J Type
17	6031 694	1			SCREW, Washer, A/C Blower Motor Mounting
18	5210 111	1			ACTUATOR, A/C Recirc. & Fresh Air Door
19	5210 056	1			DOOR, w/Seal A/C Recirc. & Fresh Air
20	5210 070	1			HOUSING, A/C Recirc.
21	3847 943	1			CORE, A/C, Heater
22	5210 109	1			SEAL, A/C Unit to Dash at Core Tubes
	3847 681	1			SEAL, A/C, Htr. Core End
23	3848 093	1			SEAL, A/C, Htr. Core
24	0219 462	1			NUT, Door Shaft Lever
25	3847 858	1			LEVER, Mode Door Shaft
26	3847 848	1			DOOR, w/Seal A/C Mode
27	0219 462	1			NUT, Door Shaft Lever
28	5210 113	1			LEVER, A/C Blend Air Door
29	5210 395	1			DOOR, A/C Blend Air

MODEL CODES

B = GRAN FURY	E = 600	M = HORIZON/TURISMO
C = LE BARON/TOWN & COUNTRY/LIMO	F = FIFTH AVENUE/NEWPORT	P = RELIANT
C24 = LASER	G = DIPLOMAT	T = NEW YORKER
C44 = LE BARON/GTS	H = VOYAGER	V = 600
D = ARIES	J = CARAVELLE	V24 = DAYTONA
D44 = LANCER	K = MINI VAN/CARAVAN/ROYAL	Z = OMNI/CHARGER

BODY STYLES

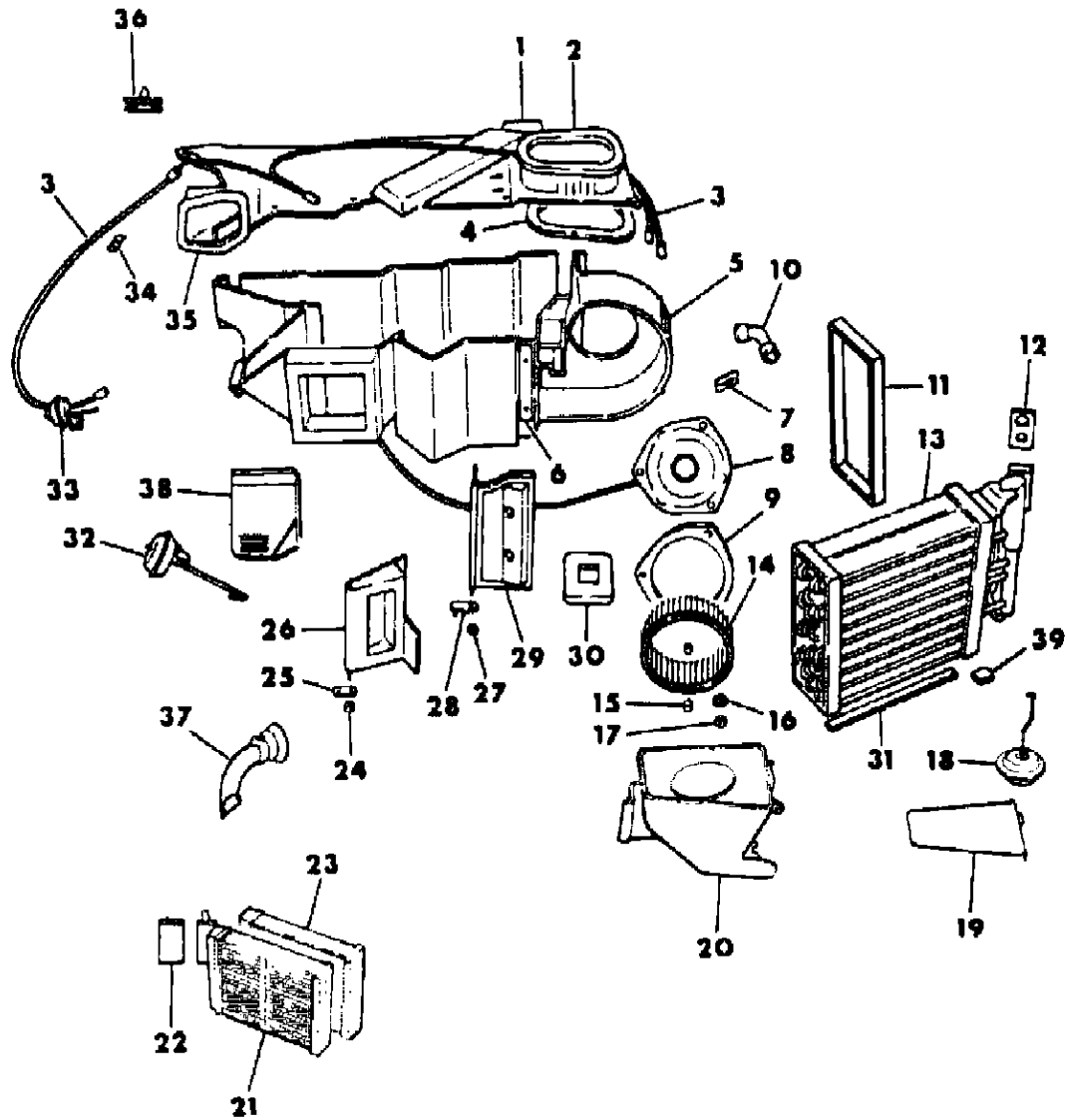
21 = 2-DOOR SEDAN	35 = FWD VAN	44 = 4-DOOR HATCHBACK
22 = 2-DOOR SPECIAL COUPE	36 = FWD WAGON	45 = 4-DOOR STATION WAGON
24 = 2-DOOR HATCHBACK	41 = 4-DOOR SEDAN	49 = LIMOUSINE
27 = 2-DOOR CONVERTIBLE		

AR = Use as Required - = Non Illustrated Part P.A.R. = Paint as Required

AIR CONDITIONER AND HEATER UNIT D,C-44

Figure 24-1700

5124 1700



ITEM	PART NUMBER	QTY	BODY	MODEL	DESCRIPTION
30	3847 602	1			SEAL, A/C Unit to Dash at Coil Header
31	5210 073	1			SEAL, A/C Evap. Coil to Hsg. Bottom
32	3847 849	1			ACTUATOR, A/C Mode Door
33	5210 068	1			ACTUATOR, A/C Htr. & Defroster Door
	6031 147	1			NUT, A/C Defr. Actr. Rod Rtnng.
34	2521 336	1			CLIP, A/C Evap. Hsg. Cover Mtg.
35	3847 606	1			SEAL, A/C Unit to Defr. Duct
36	6015 778	1			CLIP, A/C Vac. Hose Retaining
37	3848 827	1			TUBE, A/C Unit Drain
38	5210 093	1			DOOR & SHAFT, A/C Htr. Defroster
39	4192 019	1			BUMPER, A/C Condenser

MODEL CODES

B = GRAN FURY	E = 600	M = HORIZON/TURISMO
C = LE BARON/TOWN & COUNTRY/LIMO	F = FIFTH AVENUE/NEWPORT	P = RELIANT
C24 = LASER	G = DIPLOMAT	T = NEW YORKER
C44 = LE BARON/GTS	H = VOYAGER	V = 600
D = ARIES	J = CARAVELLE	V24 = DAYTONA
D44 = LANCER	K = MINI VAN/CARAVAN/ROYAL	Z = OMNI/CHARGER

BODY STYLES

21 = 2-DOOR SEDAN	35 = FWD VAN	44 = 4-DOOR HATCHBACK
22 = 2-DOOR SPECIAL COUPE	36 = FWD WAGON	45 = 4-DOOR STATION WAGON
24 = 2-DOOR HATCHBACK	41 = 4-DOOR SEDAN	49 = LIMOUSINE
27 = 2-DOOR CONVERTIBLE		

AR = Use as Required - = Non Illustrated Part P.A.R. = Paint as Required

AIR CONDITIONER AND HEATER UNIT H,K
Figure 24-1800

5124 1800

ITEM	PART NUMBER	QTY	BODY	MODEL	DESCRIPTION
1	3848 360	1			COIL, A/C Evap. Coil Complete
2	3848 827	1			TUBE, A/C Drain
3	3848 300	1			HEATER, Core
4	3848 261	1			HOUSING, Stud A/C Unit Evap.
5	3503 859	1			WHEEL, A/C Motor
	6031 694	AR			SCREW w/WA., A/C Blower Mtr. Mtg.
6	3848 432	1			COVER, Heater
7	3848 267	1			COVER, A/C Recirc.
8	3848 272	1			COVER ASSY., A/C Motor
	3848 273	1			COVER, A/C Motor
9	3847 476	1			SEAL, A/C Blower Motor to Cover
10	3848 258	1			ACTUATOR, A/C F/Air Door
	0116 000	2			NUT, F/Air Door Actr. Mtg.
11	3848 370	1			DOOR, A/C F/Air w/o Seals
12	4318 116	1			MOTOR, A/C Blower
13	3848 263	1			COVER, A/C Evap.
14	3848 873	1			DOOR, A/C Temp. w/Seal
15	3848 257	1			DUCT, A/C Heat Distr.
16	3848 266	1			SEAL, A/C Evap. Cover to Ducts
17	3848 226	1			DOOR, A/C Mode
	3848 809	1			DOOR ASSY., A/C Mode
	4163 735	1			SHAFT, A/C Defr. Mode Door
	6031 147	1			RETAINER, A/C Mode Defr. Door Shaft
18	3848 259	1			ACTUATOR, A/C Mode Door
19	3848 260	1			ACTUATOR, A/C Defr. Door
20	3848 227	1			DOOR, Heater Defroster
21	3846 756	1			SEAL, A/C Evap. Coil Hsg. (Bottom)
22	3848 838	1			SEAL, A/C Evap. Coil to Hdr. Tubes to Hsg.
23	3848 151	1			SEAL, A/C Evap. Coil to Hsg. Hair Pin End
24	3848 878	1			LEVER, A/C Temp. Door
25	3847 116	1			SEAL, Evap. Coil Header End
26	3848 997	1			RESISTOR, A/C Blower Motor
27	3848 254	1			SEAL, A/C Core Tubes to Dash
28	3848 255	1			SEAL, A/C Header (To Dash)
29	3848 251	1			BRACE, A/C Unit Support
30	3848 737	1			HOSE, A/C Vacuum
	3780 508	AR			HOSE, A/C Vac. Ext. (Serviced in Roll) (Not Shown)

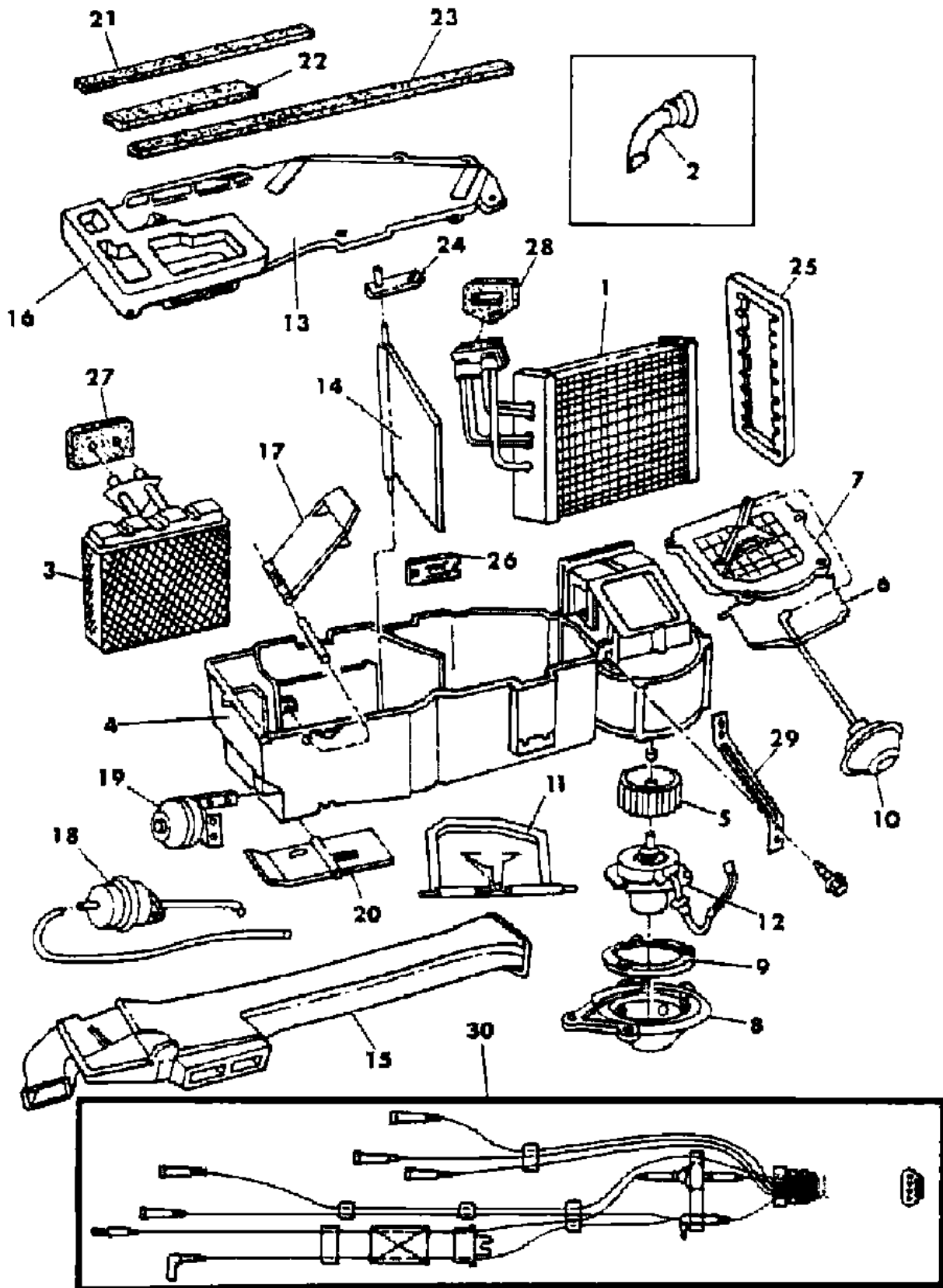
MODEL CODES

B = GRAN FURY	E = 600	M = HORIZON/TURISMO
C = LE BARON/TOWN & COUNTRY/LIMO	F = FIFTH AVENUE/NEWPORT	P = RELIANT
C24 = LASER	G = DIPLOMAT	T = NEW YORKER
C44 = LE BARON/GTS	H = VOYAGER	V = 600
D = ARIES	J = CARAVELLE	V24 = DAYTONA
D44 = LANCER	K = MINI VAN/CARAVAN/ROYAL	Z = OMNI/CHARGER

BODY STYLES

21 = 2-DOOR SEDAN	35 = FWD VAN	44 = 4-DOOR HATCHBACK
22 = 2-DOOR SPECIAL COUPE	36 = FWD WAGON	45 = 4-DOOR STATION WAGON
24 = 2-DOOR HATCHBACK	41 = 4-DOOR SEDAN	49 = LIMOUSINE
27 = 2-DOOR CONVERTIBLE		

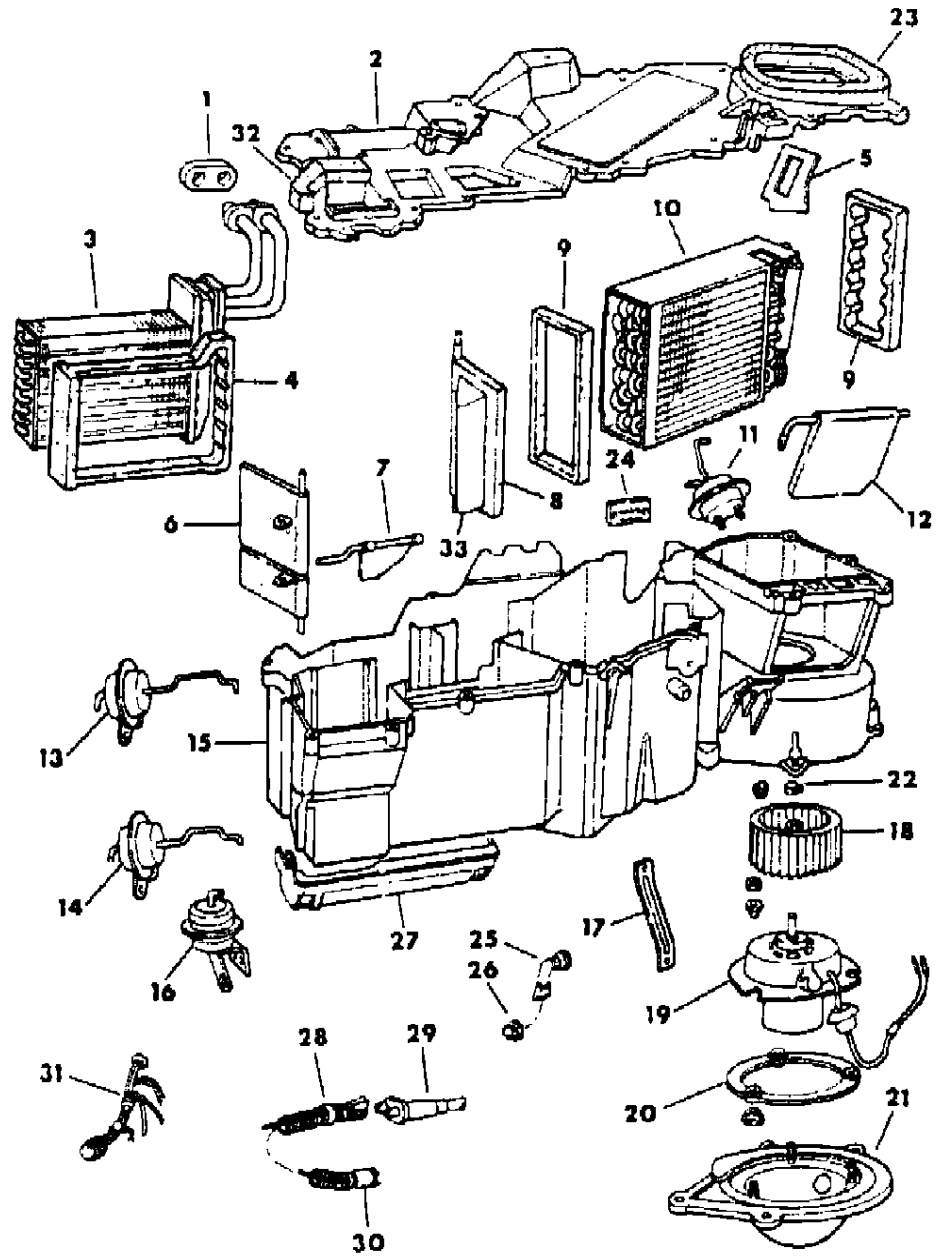
AR = Use as Required - = Non Illustrated Part P.A.R. = Paint as Required



AIR CONDITIONER AND HEATER UNIT B,F,G

Figure 24-1900

5124 1900



ITEM	PART NUMBER	QTY	BODY	MODEL	DESCRIPTION
1	3846 740	1			SEAL, A/C Heater Tubes to Dash
2	3849 097	1			COVER ASSY., A/C Housing
3	4339 438	1			CORE ASSY., A/C, Heater Complete
4	4240 440	1			TANK, A/C Htr. Core or Heater
5	3849 100	1			SEAL, A/C Core to Housing Mounting
6	3847 304	1			SEAL, A/C Unit to Dash at Coil
7	3847 231	1			DOOR & SEAL, A/C Mode Complete
8	3847 478	1			DOOR, A/C Defroster Complete
9	3847 945	1			DOOR & SEAL, A/C Blend Air Complete
	3847 913	1			PAD, A/C Blend Air Door Servo Silencer w/A.T.C.
	3847 296	1			SERVO, A/C Blend Air Door w/A.T.C.
10	3847 116	1			SEAL, A/C Evap. Coil Heater End
	3847 790	1			SEAL, A/C Evap. Coil Bottom 11.14" Lg.
11	3847 256	1			COIL & SEAL, A/C Evap. Complete
12	3847 216	1			ACTUATOR, A/C Fresh Air Door
13	3847 217	1			DOOR & SEAL, A/C Fresh Air
14	3847 230	1			ACTUATOR, A/C Mode Door, Upper
15	3847 229	1			ACTUATOR, A/C Mode Door, Lower
16	3849 092	1			HOUSING & STUD, A/C Evap. & Recirc.
17	3847 211	1			ACTUATOR, A/C Defroster Door
18	3847 202	1			BRACE, A/C Unit to Plenum Mtg.
19	3503 037	1			WHEEL, A/C Blower Motor
20	4240 425	1			MOTOR, A/C Blower
	4222 712	1			CAPACITOR, A/C Blower Motor
21	3847 476	1			SEAL, A/C Blower Motor Mtg. Scroll
22	3847 207	1			COVER & STUD, A/C Blower Scroll
	3847 205	1			SEAL, A/C Cover to Scroll
	3773 192	1			SEAL, A/C Blower Scroll Cover to Hsg.
23	2837 680	1			CLAMP, A/C Blower Mtr. Wheel Mtr. Mtg.
24	3847 243	1			SEAL, A/C Unit to Plenum
25	3848 996	1			RESISTOR, A/C Blower Motor
26	3848 827	1			TUBE, A/C Drain
27	6031 886	1			RETAINER, A/C Drain Tube
28	3847 297	1			DUCT, A/C Heat Distribution
29	3847 294	1			HOSE, A/C Sensor to Aspirator w/A.T.C.
	4005 185	1			HOSE, A/C Aspirator to Evaporator Hsg.
	3847 766	1			ASPERATOR ASSY., A/C w/A.T.C.

MODEL CODES

B = GRAN FURY	E = 600	M = HORIZON/TURISMO
C = LE BARON/TOWN & COUNTRY/LIMO	F = FIFTH AVENUE/NEWPORT	P = RELIANT
C24 = LASER	G = DIPLOMAT	T = NEW YORKER
C44 = LE BARON/GTS	H = VOYAGER	V = 600
D = ARIES	J = CARAVELLE	V24 = DAYTONA
D44 = LANCER	K = MINI VAN/CARAVAN/ROYAL	Z = OMNI/CHARGER

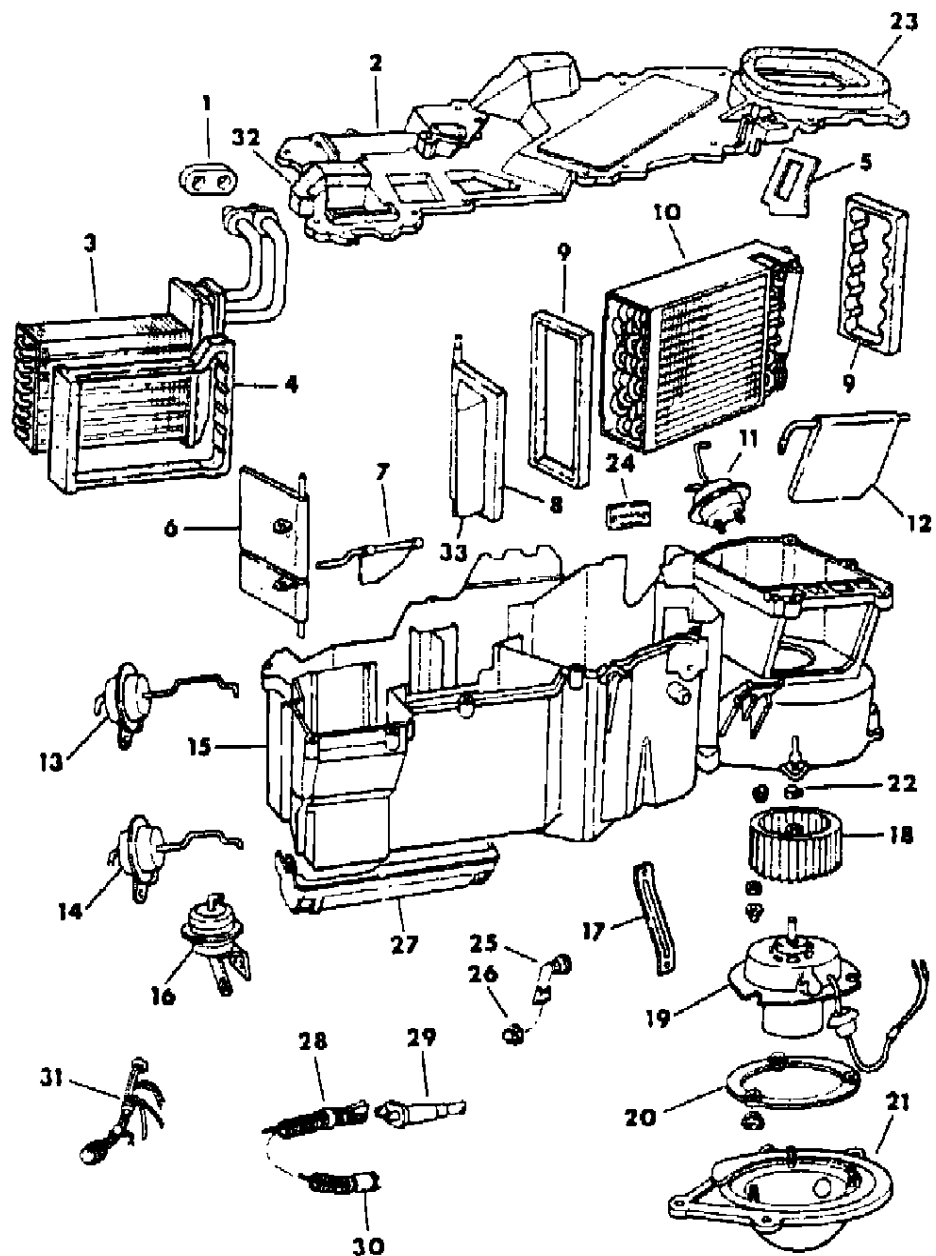
BODY STYLES

21 = 2-DOOR SEDAN	35 = FWD VAN	44 = 4-DOOR HATCHBACK
22 = 2-DOOR SPECIAL COUPE	36 = FWD WAGON	45 = 4-DOOR STATION WAGON
24 = 2-DOOR HATCHBACK	41 = 4-DOOR SEDAN	49 = LIMOUSINE
27 = 2-DOOR CONVERTIBLE		

AR = Use as Required - = Non Illustrated Part P.A.R. = Paint as Required

AIR CONDITIONER AND HEATER UNIT B,F,G
Figure 24-1900

5124 1900



ITEM	PART NUMBER	QTY	BODY	MODEL	DESCRIPTION
30	3847 291	1			SENSOR ASSY., w/A.T.C
	3843 601	1			TERMINAL, A.T.C. In Car Sensor
	3847 589	1			SENSOR, Ambient w/A.T.C.
31	3847 627	1			HOSE & CONNECTOR, A/C Vacuum
	6015 778	1			CLIP, A/C Vacuum Hose Retaining
32	3503 999	1			SEAL, A/C Cover to Defroster Duct
33	3847 225	1			DEFLECTOR, A/C Blend Air Door

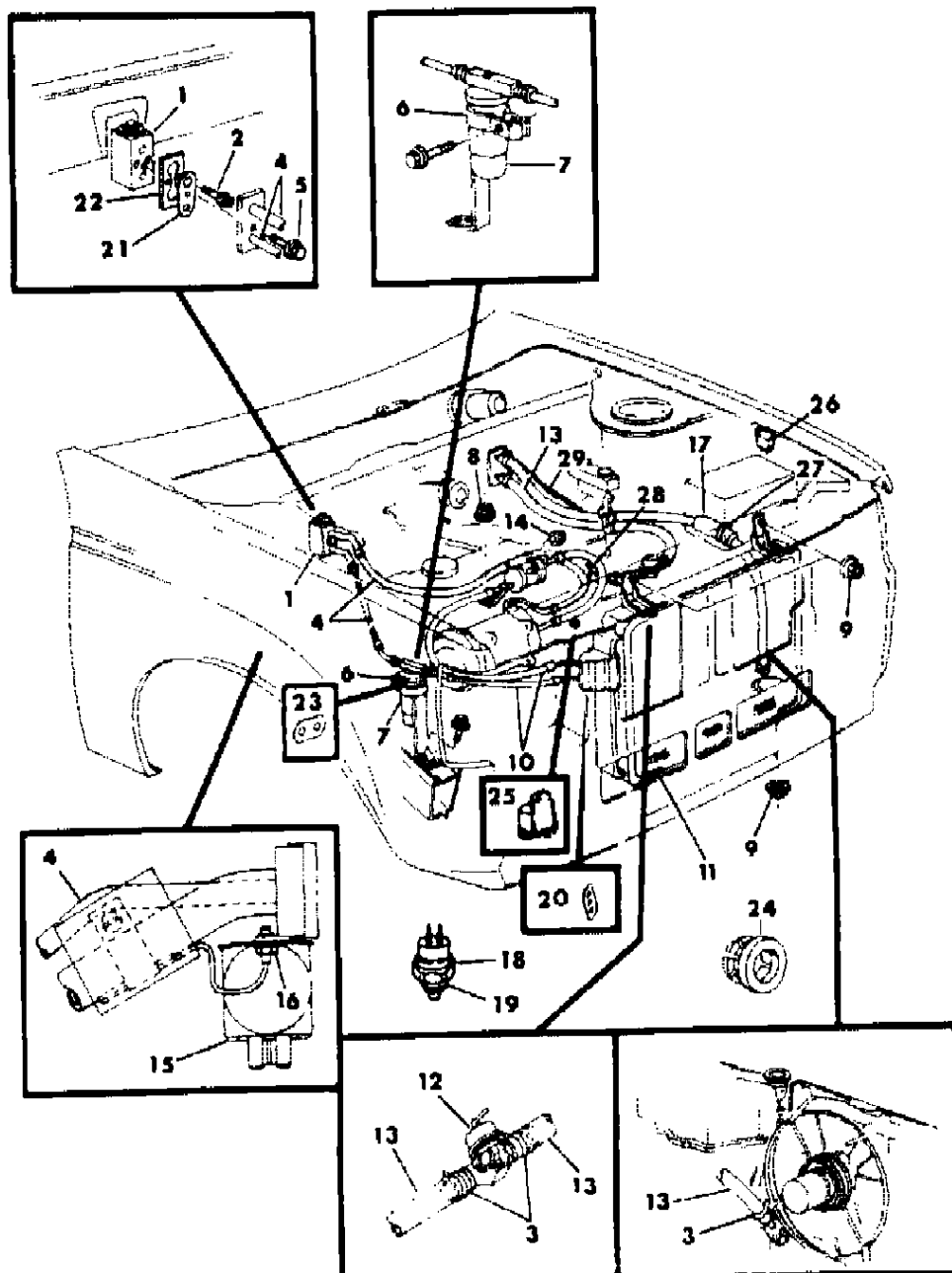
MODEL CODES
 B = GRAN FURY
 C = LE BARON/TOWN & COUNTRY/LIMO
 C24 = LASER
 C44 = LE BARON/GTS
 D = ARIES
 D44 = LANCER
 E = 600
 F = FIFTH AVENUE/NEWPORT
 G = DIPLOMAT
 H = VOYAGER
 J = CARAVELLE
 K = MINI VAN/CARAVAN/ROYAL
 M = HORIZON/TURISMO
 P = RELIANT
 T = NEW YORKER
 V = 600
 V24 = DAYTONA
 Z = OMNI/CHARGER

BODY STYLES
 21 = 2-DOOR SEDAN
 22 = 2-DOOR SPECIAL COUPE
 24 = 2-DOOR HATCHBACK
 27 = 2-DOOR CONVERTIBLE
 35 = FWD VAN
 36 = FWD WAGON
 41 = 4-DOOR SEDAN
 44 = 4-DOOR HATCHBACK
 45 = 4-DOOR STATION WAGON
 49 = LIMOUSINE

AR = Use as Required - = Non Illustrated Part P.A.R. = Paint as Required

PLUMBING, AIR CONDITIONER AND HEATER M,Z,P,D,V,C,J,E,T, C,V-24
Figure 24-2000

5124 2000



ITEM	PART NUMBER	QTY	BODY	MODEL	DESCRIPTION
1	4176 999	1		All	VALVE, A/C Expansion, H-Type
2	6032 572	2		All	SCREW, A/C Expansion Valve Mtg.
3	2448 770	6		All	CLAMP, A/C Hose
4	3848 940	1		M,Z	LINE, A/C Suction & Liquid
	3848 943	1		Exc. M,	w/2.2 Engine
	3849 014	1		PDVCJET	w/2.6 Engine
	3848 522	1		Exc. M,	CLIP, A/C Suction & Discharge
	3847 576	1		All	VALVE, A/C Suction & Discharge Check Line
	3848 785	1		Exc. M,	BRACKET, A/C Suction Line Support
5	6500 827	1		All	SCREW, A/C Suction & Liquid Line Mtg.
	6100 314	1		All	A/C Disch. & Liquid Line Mtg. to Condenser
6	5210 409	1		M,Z	BRACKET, A/C Filter Drier Mtg.
7	5210 438	1		M,Z	FILLER DRIER, A/C
	3848 217	1		Exc. M,	FILLER DRIER, w/Brkt. A/C
	3848 784	1		Exc. M,	FILLER DRIER, w/Brkt. A/C Complete
8	6100 047	1		All	NUT w/WASHER
9	6500 284	1		All	NUT w/WASHER
10	3848 941	1		M,Z	LINE, A/C Discharge & Liquid w/2.2 Eng.
	3848 944	1		Exc. M,	w/2.2 Engine
	3848 677	1		PDVCJET	w/2.6 Engine
11	5210 420	1		M,Z	CONDENSER, A/C
	3848 530	1		Exc. M,	
12	3848 136	1		M,Z	VALVE, A/C Water
	3849 086	1		M,Z	VALVE, A/C Water (4 Port) w/Turbo Eng., Up to 10-22-84
	3848 114	1		M,Z	After 10-22-84
	3848 307	1		Exc. M,	VALVE, A/C Water Htr. (4 Port) w/2.2 Eng., Up to 1-28-85
	3849 199	1		Exc. M,	After 1-28-85
	3848 460	1		Exc. M,	VALVE, A/C Water Htr. (4 Port) w/2.2 L Turbo Eng.
	4240 422	1		PDVCJET	w/2.6L Eng.
	3848 136	1		M,Z	VALVE, A/C Water (4 Port) w/2.2L Eng.
13	1315 466	1		All	HOSE, A/C, Heater, 5/8" I.D. 50 Ft. Roll
	3847 825	1		PDVCJET	HOSE, A/C Heater Core to Pump
	3848 356	1		P,D	HOSE, A/C Heater Core to Pump (Silicon H.D) 2.6L Eng.
	3848 467	1		M,Z	HOSE, A/C Heater Eng. to Valve, w/2.2L Eng. Hi-Perfr.
	3849 047	1		M,Z	HOSE & TUBE, A/C, Htr. Eng. to Valve w/2.2L Turbo Eng., Up to 10-22-84
	3849 047	1		24	w/2.2L Turbo Eng., After 10-22-84

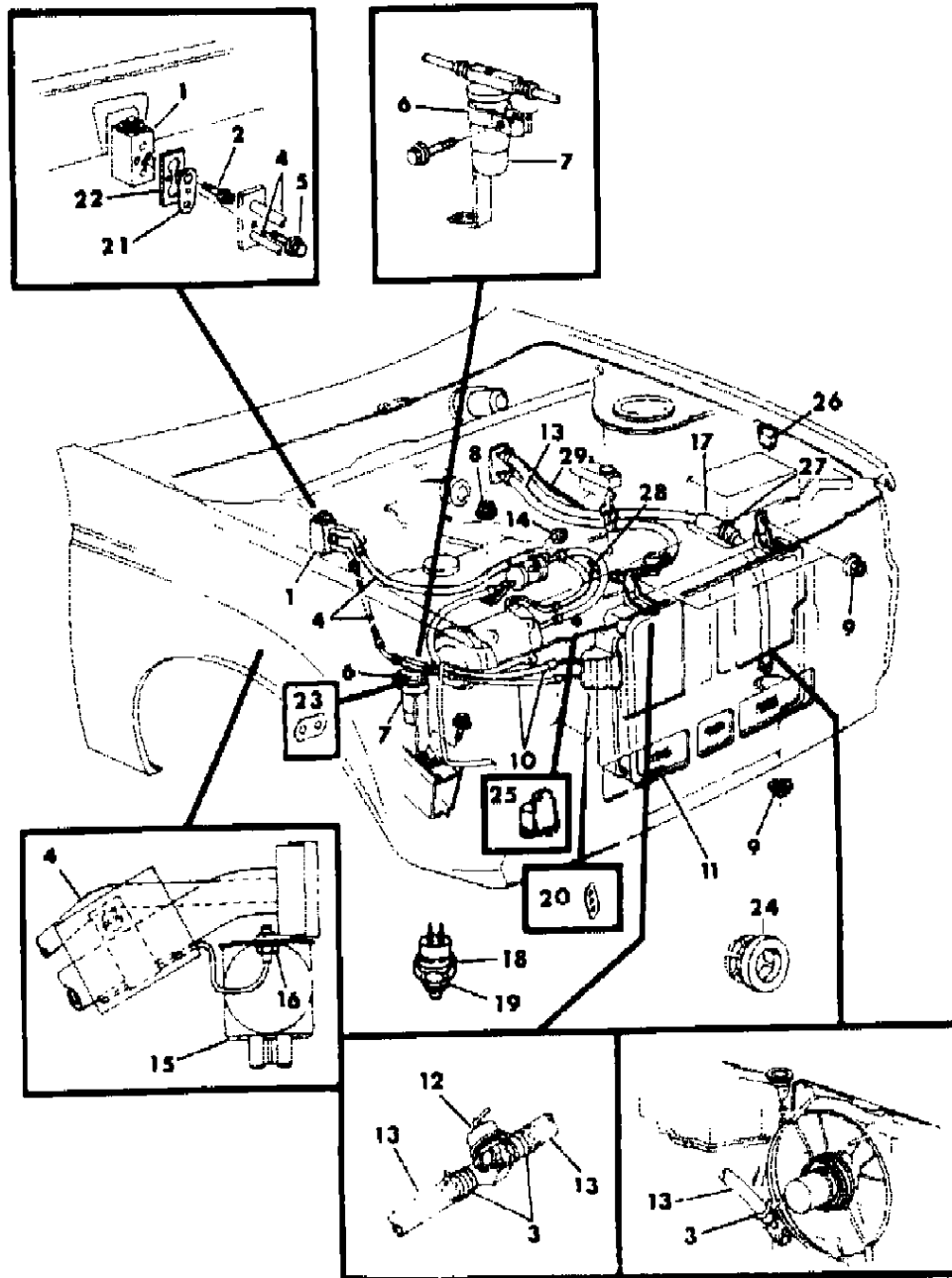
MODEL CODES
 B = GRAN FURY
 C = LE BARON/TOWN & COUNTRY/LIMO
 C24 = LASER
 C44 = LE BARON/GTS
 D = ARIES
 D44 = LANCER
 E = 600
 F = FIFTH AVENUE/NEWPORT
 G = DIPLOMAT
 H = VOYAGER
 J = CARAVELLE
 K = MINI VAN/CARAVAN/ROYAL
 M = HORIZON/TURISMO
 P = RELIANT
 T = NEW YORKER
 V = 600
 V24 = DAYTONA
 Z = OMNI/CHARGER

BODY STYLES
 21 = 2-DOOR SEDAN
 22 = 2-DOOR SPECIAL COUPE
 24 = 2-DOOR HATCHBACK
 27 = 2-DOOR CONVERTIBLE
 35 = FWD VAN
 36 = FWD WAGON
 41 = 4-DOOR SEDAN
 44 = 4-DOOR HATCHBACK
 45 = 4-DOOR STATION WAGON
 49 = LIMOUSINE

AR = Use as Required - = Non Illustrated Part P.A.R. = Paint as Required

PLUMBING, AIR CONDITIONER AND HEATER M,Z,P,D,V,C,J,E,T, C,V-24
Figure 24-2000

5124 2000



ITEM	PART NUMBER	QTY	BODY	MODEL	DESCRIPTION
	3849 169	1		44	w/2.2L Turbo Eng., After 10-22-84
	3848 333	1	Exc. M,		HOSE, A/C, Heater Eng. to Valve w/2.2L Eng., Up to 1-2-85
	3849 202	1	Exc. M,		After 1-2-85
	3848 461	1	All		HOSE & TUBE, A/C, Heater Eng. to Valve w/2.2L Turbo Eng.
	3848 355	1	P,D		HOSE, A/C, Htr. Valve to Core w/2.2L Eng. (Silicone H.D.)
	1315 466	1	M,Z		HOSE, A/C, Htr. Valve to Core w/1.6L Eng.
	3847 924	1	PDVCJET		HOSE, A/C, Htr. Eng. to Valve w/2.2L Eng.
	3848 357	1	P,D		HOSE, A/C, Htr. Eng. to Valve w/2.6L Eng. (Silicone H.D.)
	3780 794	AR	All		HOSE, Control Vacuum .073/.081 I.D. 50 Ft. Roll
	3849 069	1	All		CLIP, A/C, Htr. Hose Mtg. w/Tandem Booster
	3849 069	1	All		CLIP, A/C, Htr. Hose Mtg. w/Single Booster
14	3848 585	1	All		CAP, A/C Discharge & Liquid Line Check Valve
	3848 021	1	PDVCJET		CAP, A/C Suction Liquid Line Check Valve
15	4339 411	1	All		SWITCH & LUBE PKG., A/C Suction Line Temp. Sensing or Cycling
16		2	All		SCREW (Not Serviced)
17	5210 322	1	M,Z		SLEEVE, A/C, Heater Hose
18	5210 377	1	All		SWITCH, A/C Low Pressure Cut-Off
	3848 674	1	All		SWITCH, A/C High Pressure Cut-Off
	4304 721	1	All		WIRING ASSY., A/C High Pressure Cut Out Switch Jumper, w/ 2.6L Eng.
19	3441 105	1	All		SEAL, A/C Receiver Drier Low Pressure Cut-Off
20	3846 835	1	All		GASKET, A/C Discharge & Liquid Line Plate to Condenser
21	3846 834	1	All		GASKET, A/C Suction & Liquid Line to H-Valve
22	3846 836	1	All		GASKET, A/C Evaporator Valve Mtg. Alumn.
23	3847 083	1	All		GASKET, A/C Suction & Liquid Line Mtg. to Drier
24	3847 147	1	All		PILOT, A/C Suction Line Mtg. Plastic
	3848 356	1	P,D		HOSE, A/C, Htr. Core to Pump (Silicone H.D.) 2.6L Eng.
	3848 461	1	All		HOSE & TUBE, A/C, Htr. Eng. to Valve w/2.2 Turbo Eng.
25	4221 656	1	M,Z		RELAY, A/C Clutch Cut-Out
26	4221 576	1	PDVCJET		RELAY, A/C Clutch Cut-Out
27	6015 945	1	PDVCJET		STRAP, A/C Suction & Liquid Mtg. to Filter Drier
28	3848 948	1	All		WASHER, A/C, Htr. Tube Flare w/2.2L Turbo Eng.
29	2837 876	1	All		CONNECTOR, Vacuum Hose In-Line

MODEL CODES

B = GRAN FURY	E = 600	M = HORIZON/TURISMO
C = LE BARON/TOWN & COUNTRY/LIMO	F = FIFTH AVENUE/NEWPORT	P = RELIANT
C24 = LASER	G = DIPLOMAT	T = NEW YORKER
C44 = LE BARON/GTS	H = VOYAGER	V = 600
D = ARIES	J = CARAVELLE	V24 = DAYTONA
D44 = LANCER	K = MINI VAN/CARAVAN/ROYAL	Z = OMNI/CHARGER

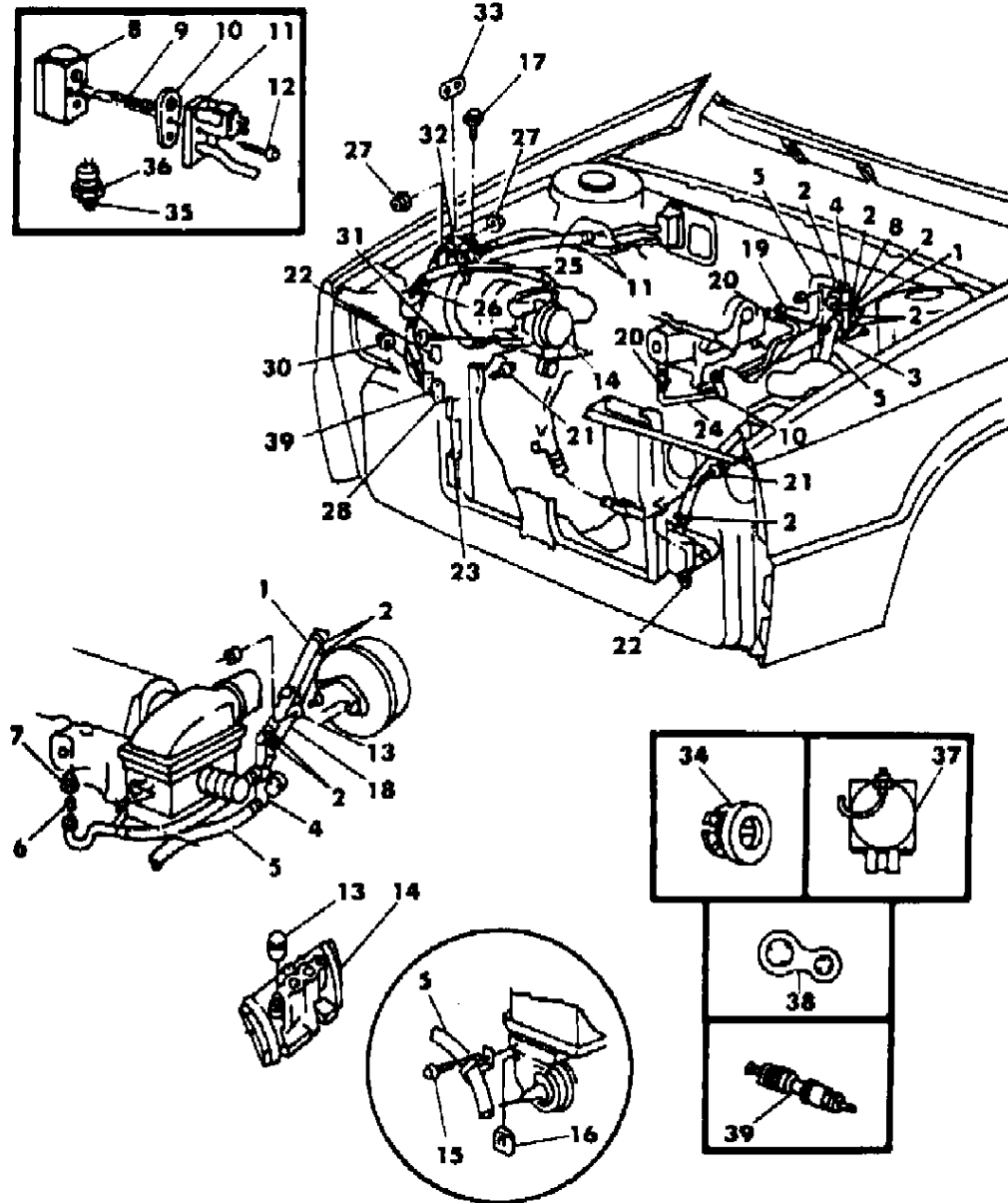
BODY STYLES

21 = 2-DOOR SEDAN	35 = FWD VAN	44 = 4-DOOR HATCHBACK
22 = 2-DOOR SPECIAL COUPE	36 = FWD WAGON	45 = 4-DOOR STATION WAGON
24 = 2-DOOR HATCHBACK	41 = 4-DOOR SEDAN	49 = LIMOUSINE
27 = 2-DOOR CONVERTIBLE		

AR = Use as Required - = Non Illustrated Part P.A.R. = Paint as Required

PLUMBING, AIR CONDITIONER AND HEATER D,C-44
Figure 24-2100

5124 2100



ITEM	PART NUMBER	QTY	BODY	MODEL	DESCRIPTION
1	1315 466	AR			HOSE, A/C Valve to Core
2	2448 770	AR			CLAMP, A/C Heater Hose
3	3848 405	1			CLIP, A/C Heater Hose Mtg. (Tandem Booster)
	3849 069	1			CLIP, A/C Heater Hose Mtg. (Single Booster)
4	3848 307	1			VALVE, A/C Heater Water, Up to 1-28-85
	3849 199	1			After 1-28-85
	3848 460	1			VALVE, A/C Heater Water w/2.2L Turbo Eng.
5	1315 466	1			HOSE w/SLEEVE, A/C Heater Valve to Tee
	3848 333	1			HOSE, A/C Heater to Eng. to Valve, Up to 1-2-85
	3849 202	1			After 1-2-85
6	3848 948	1			WASHER, A/C Heater Tube Flare
7	6032 290	1			CONNECTOR, Inverted Flare Tube
8	4176 999	1			VALVE, A/C Expansion, H-Type
9	6032 572	1			SCREW, Expansion Valve Mtg.
10	3846 834	1			GASKET, A/C Suction & Liquid Line Mtg. to H-Valve
11	3848 943	1			SUCTION & LIQUID LINE, A/C
	3848 785	1			BRACKET, A/C Suction Line Support
12	6500 827	1			SCREW, Suction Line Mtg.
13	3848 021	1			CAP, Compressor
14		1			COMPRESSOR
15	6100 288	1			SCREW w/WA., A/C Heater Clip Mtg.
16	6500 681	1			U-NUT, A/C Heater Hose Clip Mtg.
17	9423 951	1			SCREW, A/C Suction Line Mtg.
18	1315 466	AR			HOSE, A/C Core to Valve
19	0153 640	AR			CLAMP, Heater Hose at Eng.
20	0153 640	AR			CLAMP, Thermo Hose By-Pass
21	6100 288	AR			SCREW w/WA., Condenser Mtg.
22	6100 041	AR			U-NUT, Condenser Mtg.
23	3848 530	1			CONDENSER, A/C
	4140 427	1			INSULATOR, A/C Bottom Mtg.
	4192 019	1			BUMPER, A/C Condenser
24	4273 488	1			HOSE, Water By-Pass Tube
	4273 487	1			BRACKET, Water By-Pass Tube
	0153 640	AR			CLAMP, Heater Hose
25	3848 522	1			CLIP, A/C Suction & Discharge Line
26	3848 021	1			CAP, Discharge & Suction Line Check Valve
27	0118 614	2			NUT w/WA., Liquid Line Mtg. to Drier

MODEL CODES

B = GRAN FURY	E = 600	M = HORIZON/TURISMO
C = LE BARON/TOWN & COUNTRY/LIMO	F = FIFTH AVENUE/NEWPORT	P = RELIANT
C24 = LASER	G = DIPLOMAT	T = NEW YORKER
C44 = LE BARON/GTS	H = VOYAGER	V = 600
D = ARIES	J = CARAVELLE	V24 = DAYTONA
D44 = LANCER	K = MINI VAN/CARAVAN/ROYAL	Z = OMNI/CHARGER

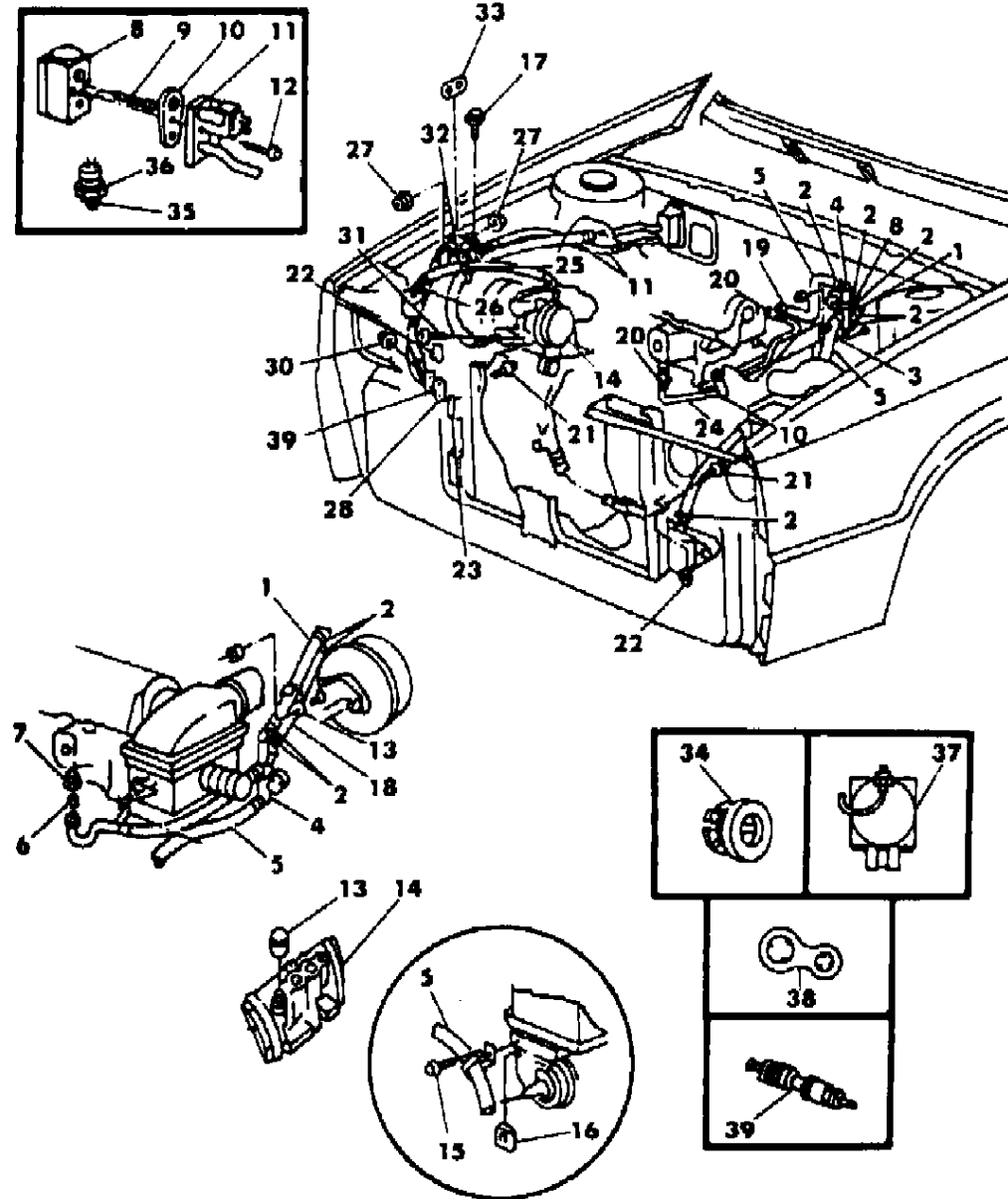
BODY STYLES

21 = 2-DOOR SEDAN	35 = FWD VAN	44 = 4-DOOR HATCHBACK
22 = 2-DOOR SPECIAL COUPE	36 = FWD WAGON	45 = 4-DOOR STATION WAGON
24 = 2-DOOR HATCHBACK	41 = 4-DOOR SEDAN	49 = LIMOUSINE
27 = 2-DOOR CONVERTIBLE		

AR = Use as Required - = Non Illustrated Part P.A.R. = Paint as Required

PLUMBING, AIR CONDITIONER AND HEATER D,C-44
Figure 24-2100

5124 2100



ITEM	PART NUMBER	QTY	BODY	MODEL	DESCRIPTION
28	3846 835	1			GASKET, A/C Discharge & Liquid Line Mtg. to Condenser
29	3848 944	1			DISCHARGE & LIQUID LINE, A/C
	3848 585	1			CAP, A/C Discharge & Liquid Line Check Valve
	3847 576	1			VALVE, A/C Discharge & Suction Line Check
30	6100 051	1			NUT, Discharge & Liquid Line Mtg. to Condenser
31	6500 517	1			SCREW
32	3848 784	1			FILTER DRIER w/BRKT., Complete A/C
	3848 217	1			FILTER DRIER w/BRKT., A/C
33	3847 083	1			GASKET, A/C Suction & Liquid Line to Drier Mtg.
34	3847 147	1			PILOT, A/C or A.T.C. Suction Line Mtg.
35	3441 105	1			SEAL, Cut-Off Low Pressure
36	5210 377	1			SWITCH, Low Pressure Cut-Off, H-Type
37	4339 411	1			SWITCH, Temp. Sensing Suction Line
38	3846 836	1			GASKET, A/C Evaporator Coil Expansion Valve Mtg.
	3846 836	1			GASKET, A/C Expansion Valve Mtg. to Unit
39	3847 576	1			VALVE, A/C Discharge & Suction Line Check
-	3849 010	1			CLIP, Htr. Hose Retaining

MODEL CODES

B = GRAN FURY	E = 600	M = HORIZON/TURISMO
C = LE BARON/TOWN & COUNTRY/LIMO	F = FIFTH AVENUE/NEWPORT	P = RELIANT
C24 = LASER	G = DIPLOMAT	T = NEW YORKER
C44 = LE BARON/GTS	H = VOYAGER	V = 600
D = ARIES	J = CARAVELLE	V24 = DAYTONA
D44 = LANCER	K = MINI VAN/CARAVAN/ROYAL	Z = OMNI/CHARGER

BODY STYLES

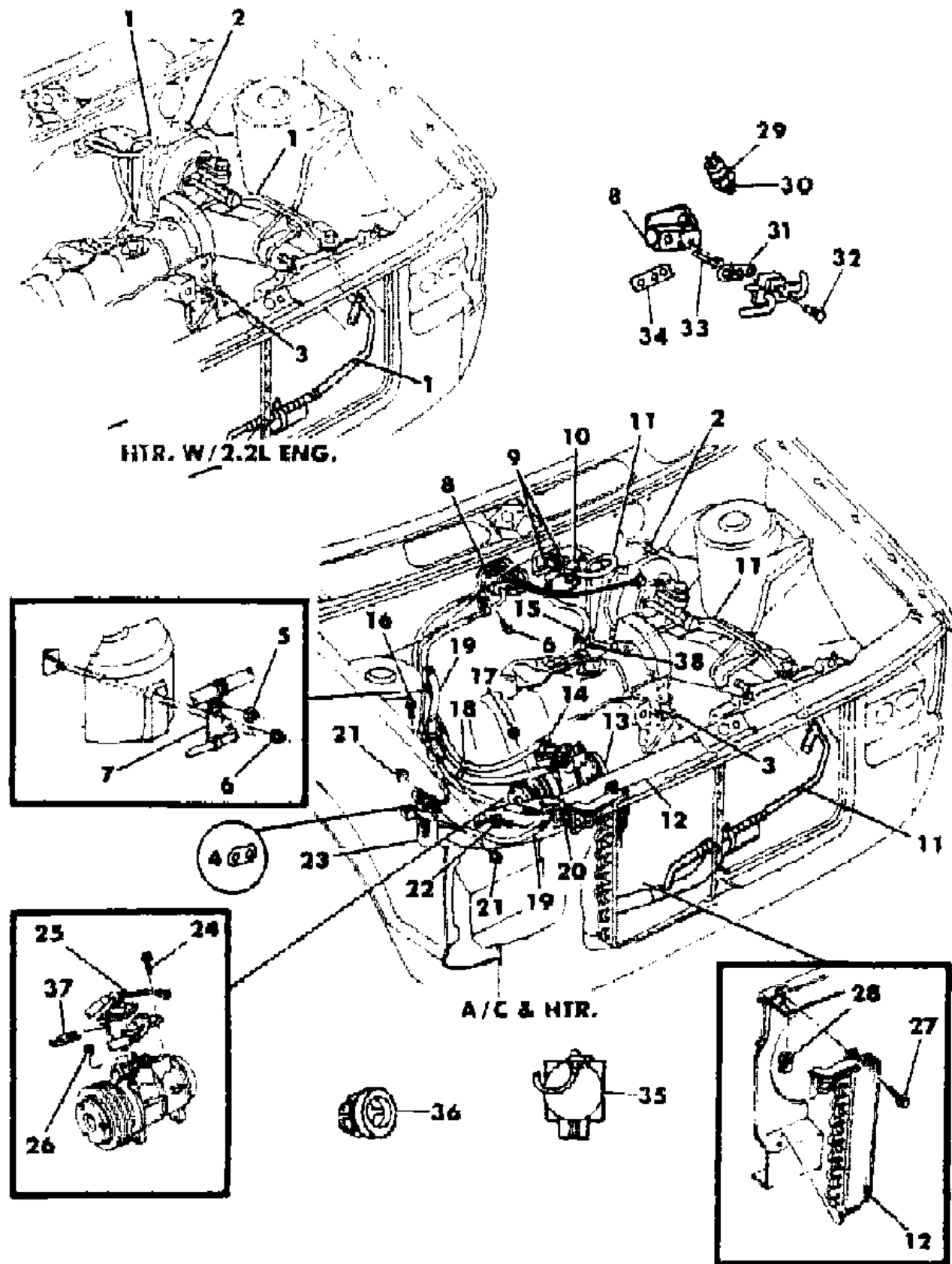
21 = 2-DOOR SEDAN	35 = FWD VAN	44 = 4-DOOR HATCHBACK
22 = 2-DOOR SPECIAL COUPE	36 = FWD WAGON	45 = 4-DOOR STATION WAGON
24 = 2-DOOR HATCHBACK	41 = 4-DOOR SEDAN	49 = LIMOUSINE
27 = 2-DOOR CONVERTIBLE		

AR = Use as Required - = Non Illustrated Part P.A.R. = Paint as Required

PLUMBING, AIR CONDITIONER AND HEATER H,K, 2.2 Liter ENGINE

Figure 24-2200

5124 2200



ITEM	PART NUMBER	QTY	BODY	MODEL	DESCRIPTION
1	3848 929	1			HOSE & TUBE, A/C, Heater Core to Tee
2	0219 462	1			NUT
3	4273 487	1			BRACKET, Water By-Pass Tube Attaching
4	3847 083	1			GASKET, A/C Disch. Liquid to Drier
5	6100 049	1			NUT w/WA., Suction Hose Mtg.
6	6100 050	1			NUT w/WA., Suction & Liquid Brkt. Mtg.
7	3849 016	1			BRACKET, Suction & Liquid Support
	3780 794	AR			HOSE, Vacuum .073/.081 I.D. Ft. Roll
	1315 466	AR			HOSE, A/C, Heater Tube to Tee
8	4176 999	1			VALVE, A/C Expansion
9	1315 466	AR			HOSE, Valve to Core
10	3848 729	1			VALVE, A/C Water Heater
11	3849 042	1			HOSE & TUBE, A/C, Heater Valve to Tee
12	3848 374	1			CONDENSER
13					CONDENSER
14	3848 947	1			DISCHARGE, Line Liquid
15	3848 456	1			HOSE, A/C, Heater Eng. to Valve
16	9423 951	1			SCREW, Disch. Line Support Bracket
17	3848 585	1			CAP, Discharge & Liquid Check Valve
18	3848 522	1			CLIP, Suction Discharge
19	3848 946	1			SUCTION, Line Liquid
20	3846 835	1			GASKET, Disch. & Liquid Mtg. to Condenser
21	0118 614	1			NUT w/WA., Liquid Mtg. to Drier
22	6500 827	1			SCREW w/WA., Suction & Liquid Mtg. H-Valve
	6500 827	1			SCREW w/WA., Discharge & Liquid to Condenser
23	3848 217	1			FILTER, Drier w/Bracket
24	6500 517	4			SCREW
25	6015 945	1			STRAP, Clutch, Wire
26	3848 585	1			CAP
27	6100 288	1			SCREW w/WA., A/C Condenser Mtg.
28	6100 041	2			U-NUT, A/C Condenser Mtg.
29	5210 377	1			SWITCH, Low Pressure Cut-Off
30	3441 105	1			SEAL, A/C Low Pressure Cut-Off
31	3846 834	1			GASKET, Suction & Liquid Mtg. to H-Valve
32	6500 827	1			SCREW w/WA., Suction & Liquid Mtg. to H-Valve
33	6032 572	1			SCREW, Expansion Valve Mtg.
34	3846 836	1			GASKET, Expansion Valve Mtg.

MODEL CODES

B = GRAN FURY	E = 600	M = HORIZON/TURISMO
C = LE BARON/TOWN & COUNTRY/LIMO	F = FIFTH AVENUE/NEWPORT	P = RELIANT
C24 = LASER	G = DIPLOMAT	T = NEW YORKER
C44 = LE BARON/GTS	H = VOYAGER	V = 600
D = ARIES	J = CARAVELLE	V24 = DAYTONA
D44 = LANCER	K = MINI VAN/CARAVAN/ROYAL	Z = OMNI/CHARGER

BODY STYLES

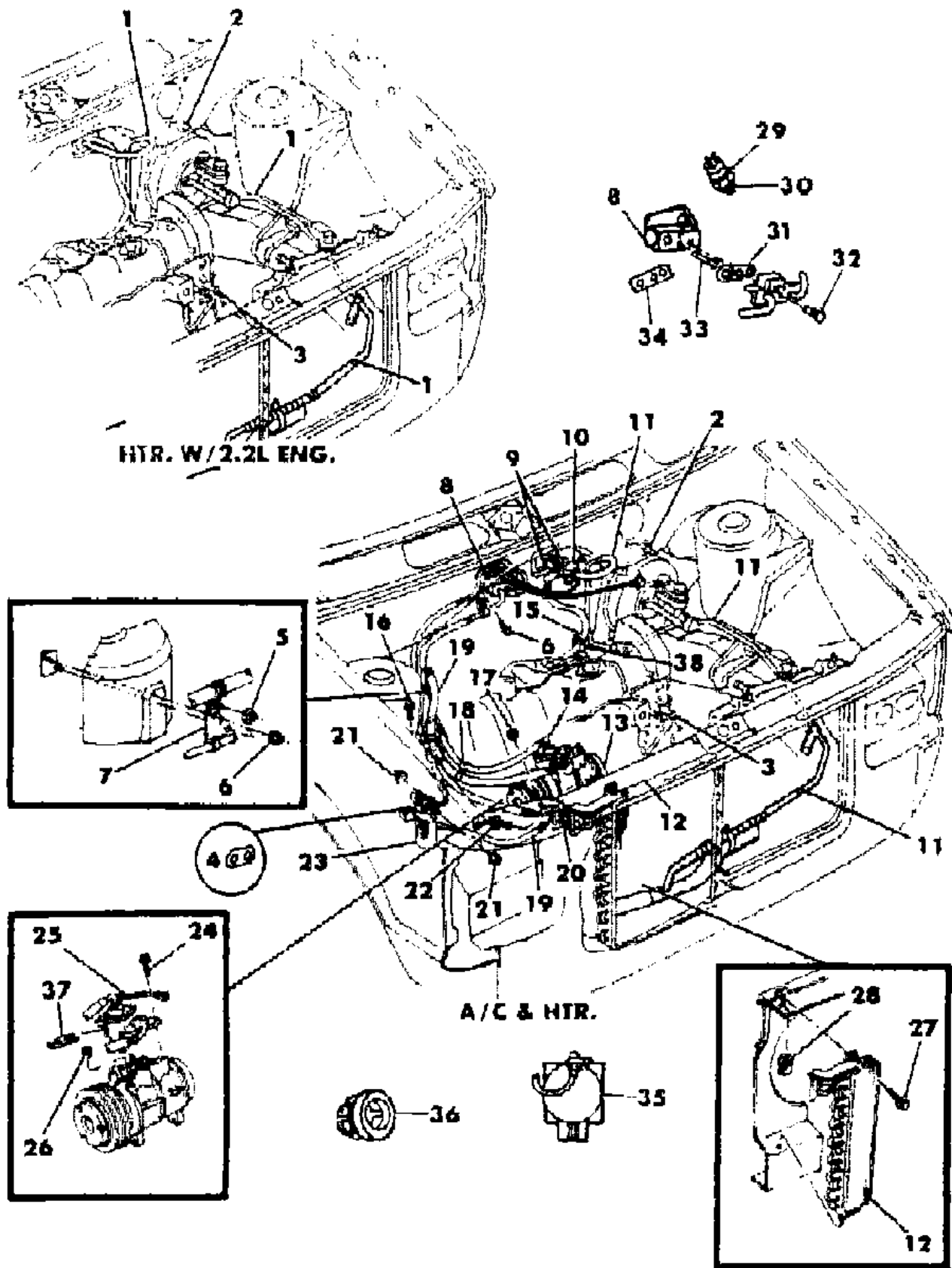
21 = 2-DOOR SEDAN	35 = FWD VAN	44 = 4-DOOR HATCHBACK
22 = 2-DOOR SPECIAL COUPE	36 = FWD WAGON	45 = 4-DOOR STATION WAGON
24 = 2-DOOR HATCHBACK	41 = 4-DOOR SEDAN	49 = LIMOUSINE
27 = 2-DOOR CONVERTIBLE		

AR = Use as Required - = Non Illustrated Part P.A.R. = Paint as Required

PLUMBING, AIR CONDITIONER AND HEATER H,K, 2.2 Liter ENGINE

Figure 24-2200

5124 2200



ITEM	PART NUMBER	QTY	BODY	MODEL	DESCRIPTION
35	#4339 463	1			SWITCH, A/C Suction Line Temp. Sensing
36	3847 147	1			PILOT, A/C Suction & Liquid Mtg.
37	3847 081	1			GASKET, A/C Disch. Fitting to Compressor
38	3849 134	1			BRACKET, A/C, Heater Hose Supp. After 9-17-84

MODEL CODES

- | | | |
|----------------------------------|----------------------------|---------------------|
| B = GRAN FURY | E = 600 | M = HORIZON/TURISMO |
| C = LE BARON/TOWN & COUNTRY/LIMO | F = FIFTH AVENUE/NEWPORT | P = RELIANT |
| C24 = LASER | G = DIPLOMAT | T = NEW YORKER |
| C44 = LE BARON/GTS | H = VOYAGER | V = 600 |
| D = ARIES | J = CARAVELLE | V24 = DAYTONA |
| D44 = LANCER | K = MINI VAN/CARAVAN/ROYAL | Z = OMNI/CHARGER |

BODY STYLES

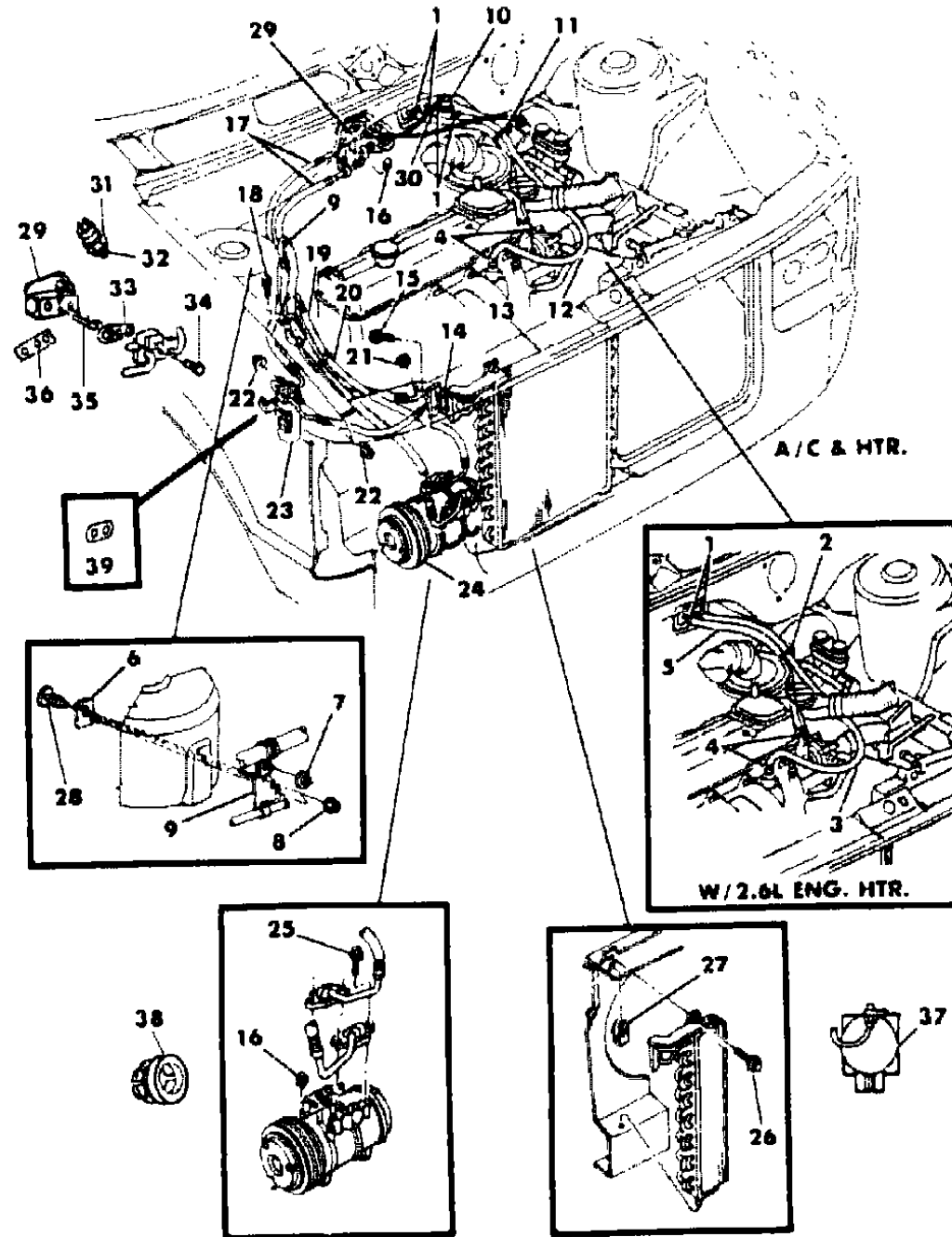
- | | | |
|---------------------------|-------------------|---------------------------|
| 21 = 2-DOOR SEDAN | 35 = FWD VAN | 44 = 4-DOOR HATCHBACK |
| 22 = 2-DOOR SPECIAL COUPE | 36 = FWD WAGON | 45 = 4-DOOR STATION WAGON |
| 24 = 2-DOOR HATCHBACK | 41 = 4-DOOR SEDAN | 49 = LIMOUSINE |
| 27 = 2-DOOR CONVERTIBLE | | |

AR = Use as Required - = Non Illustrated Part P.A.R. = Paint as Required

PLUMBING, AIR CONDITIONER AND HEATER H,K, 2.6 LITER ENGINE

Figure 24-2300

5124 2300



ITEM	PART NUMBER	QTY	BODY	MODEL	DESCRIPTION
1	2448 770	AR			CLAMP, A/C, Heater Hose
2	6015 756	1			STRAP, Heater Hose Support
3	3848 728	1			HOSE, Heater Engine to Core
4	0153 640	AR			CLAMP, Heater Hose
5	3848 726	1			HOSE w/SLEEVE, A/C, Heater Core to Pump
6	4188 101	1			PLATE, Suction & Liquid Line Bracket Mtg.
7	6100 049	1			NUT w/WA., Suction Hose Clamp Mtg.
8	6100 050	1			NUT w/WA., Suction & Liquid Bracket Mtg.
9	3849 016	1			BRACKET, Suction & Liquid Line Support
10	4240 422	1			VALVE, A/C, Heater Water
11	6015 756	2			STRAP, Heater Hose Support
12	3848 724	1			HOSE w/SLEEVE, A/C, Heater Eng. to Valve
13	3848 374	1			CONDENSER
14	3846 835	1			GASKET, Disch. & Liquid Mtg. to Condenser
15	6500 827	1			SCREW w/WA., Disch. & Liquid Mtg. to Condenser
16	3848 021	1			CAP
17	3848 400	1			SUCTION, Liquid Line
	5211 210	1			STRAP, Ground Switch A/C Suct. & Liquid
18	9423 951	AR			SCREW, Discharge Support Bracket
19	3848 401	1			DISCHARGE, Liquid Line
	3847 576	1			VALVE, A/C Disch. Line Check
	3847 081	1			GASKET, A/C Disch. Ftg. to Compressor
20	3848 522	1			CLIP, Suction Discharge
21	3848 585	1			CAP, Discharge & Liquid Check Valve
22	0118 614	2			NUT w/WA., Liquid Mtg. to Drier
	3780 794	AR			HOSE, Vacuum
23	3848 217	1			FILTER, Drier w/Bracket
24					COMPRESSOR
25	6500 517	4			SCREW
26	6100 288	2			SCREW w/WA., A/C Condenser Mtg.
27	6100 041	2			U-NUT, A/C Condenser Mtg.
28	3759 944	1			RETAINER, Suction Line Plate Mtg.
29	4176 999	1			VALVE, A/C Expansion
30	3848 728	1			HOSE, A/C, Heater Valve to Core
31	5210 377	1			SWITCH, Low Pressure Cut-Off, H-Type Valve
32	3441 105	1			SEAL, A/C Low Pressure Cut-Off
33	3846 834	1			GASKET, Suction & Liquid Mtg. to H-Valve

MODEL CODES

B = GRAN FURY	E = 600	M = HORIZON/TURISMO
C = LE BARON/TOWN & COUNTRY/LIMO	F = FIFTH AVENUE/NEWPORT	P = RELIANT
C24 = LASER	G = DIPLOMAT	T = NEW YORKER
C44 = LE BARON/GTS	H = VOYAGER	V = 600
D = ARIES	J = CARAVELLE	V24 = DAYTONA
D44 = LANCER	K = MINI VAN/CARAVAN/ROYAL	Z = OMNI/CHARGER

BODY STYLES

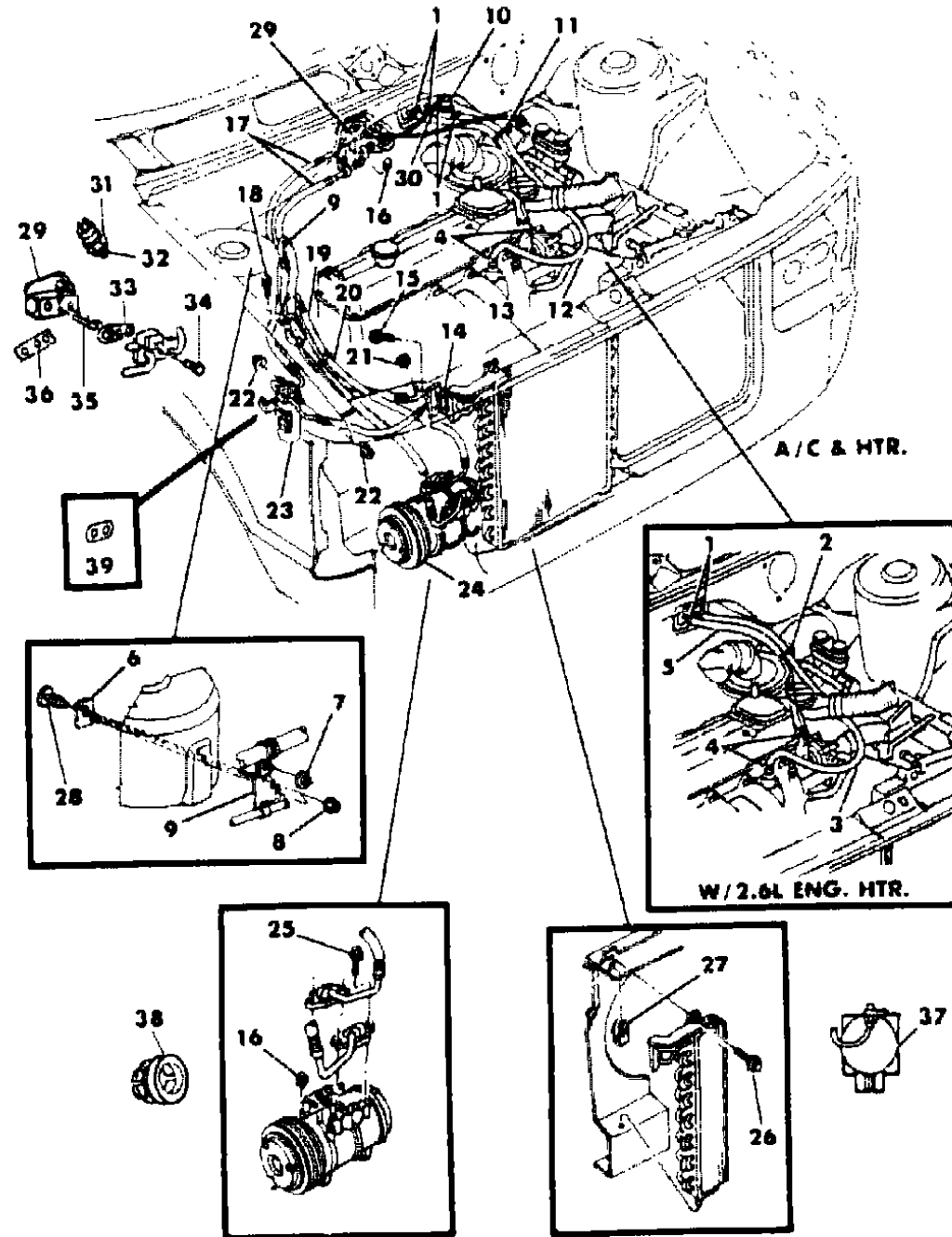
21 = 2-DOOR SEDAN	35 = FWD VAN	44 = 4-DOOR HATCHBACK
22 = 2-DOOR SPECIAL COUPE	36 = FWD WAGON	45 = 4-DOOR STATION WAGON
24 = 2-DOOR HATCHBACK	41 = 4-DOOR SEDAN	49 = LIMOUSINE
27 = 2-DOOR CONVERTIBLE		

AR = Use as Required - = Non Illustrated Part P.A.R. = Paint as Required

PLUMBING, AIR CONDITIONER AND HEATER H,K, 2.6 LITER ENGINE

Figure 24-2300

5124 2300



ITEM	PART NUMBER	QTY	BODY	MODEL	DESCRIPTION
34	6500 827	1			SCREW w/WA., Discharge Liquid Mtg. to H-Valve
35	6032 572	1			SCREW, Expansion Valve Mtg.
36	3846 836	1			GASKET, Expansion Valve Mtg.
37	#4339 463	1			SWITCH, A/C Suction Line Temp. Sensing
38	3847 147	1			PILOT, A/C Suction & Disch. Liquid Mtg.
39	3847 083	1			GASKET, A/C Discharge & Liquid Mtg. to Drier
	5226 467	1			VACUUM SOLENOID, Valve Idle Speed, Up Control #1

MODEL CODES

B = GRAN FURY	E = 600	M = HORIZON/TURISMO
C = LE BARON/TOWN & COUNTRY/LIMO	F = FIFTH AVENUE/NEWPORT	P = RELIANT
C24 = LASER	G = DIPLOMAT	T = NEW YORKER
C44 = LE BARON/GTS	H = VOYAGER	V = 600
D = ARIES	J = CARAVELLE	V24 = DAYTONA
D44 = LANCER	K = MINI VAN/CARAVAN/ROYAL	Z = OMNI/CHARGER

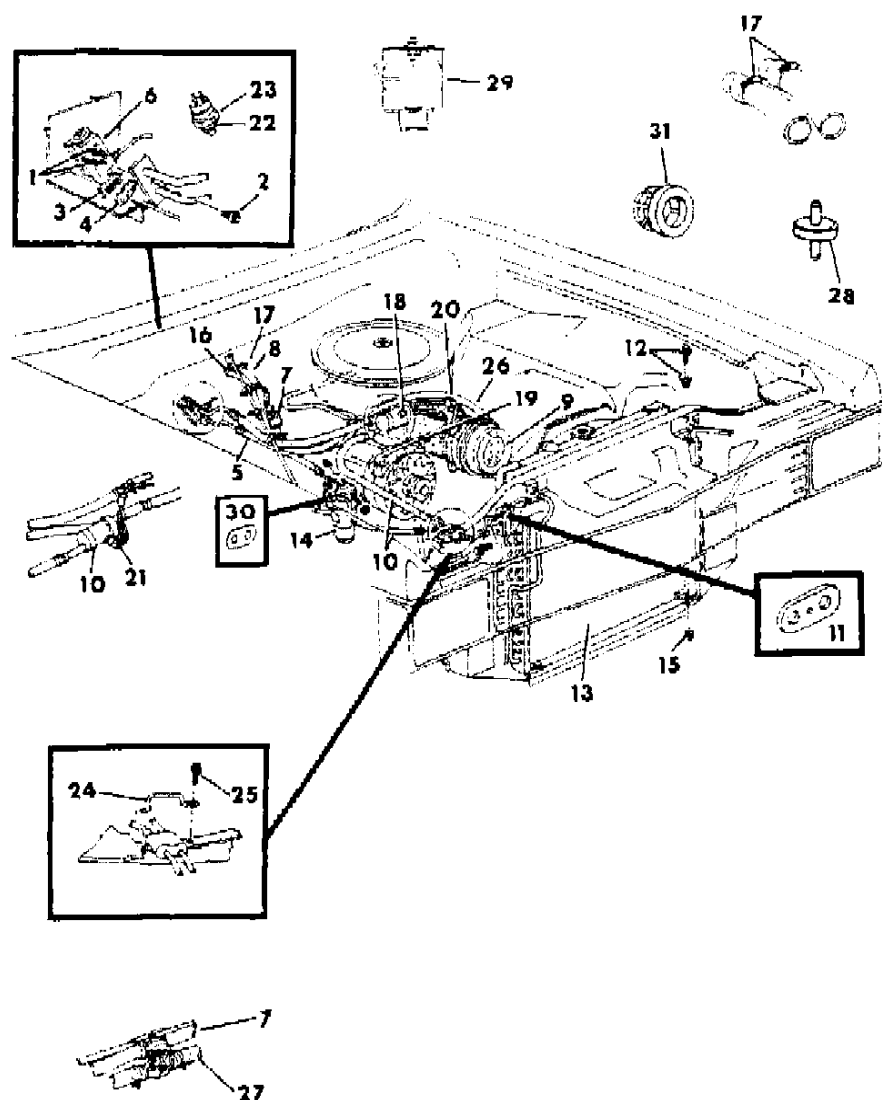
BODY STYLES

21 = 2-DOOR SEDAN	35 = FWD VAN	44 = 4-DOOR HATCHBACK
22 = 2-DOOR SPECIAL COUPE	36 = FWD WAGON	45 = 4-DOOR STATION WAGON
24 = 2-DOOR HATCHBACK	41 = 4-DOOR SEDAN	49 = LIMOUSINE
27 = 2-DOOR CONVERTIBLE		

AR = Use as Required - = Non Illustrated Part P.A.R. = Paint as Required

PLUMBING, AIR CONDITIONER AND HEATER B,F,G
Figure 24-2400

5124 2400 A



ITEM	PART NUMBER	QTY	BODY	MODEL	DESCRIPTION
1	6032 572	2	All		SCREW, A/C Expansion Valve Mtg.
2	6100 314	1	All		SCREW, A/C Suction & Liquid Line Mtg.
3	3846 836	1	All		GASKET, A/C Evaporator Valve Mtg. (Alumn.)
4	3846 834	1	All		GASKET, A/C Suction & Liquid Line to H-Valve
5	3847 169	1	All		LINE, A/C Suction & Liquid
6	4176 999	1	All		VALVE, A/C Expansion, H-Type
7	4339 457	1	All		VALVE, A/C or Heater Water
8	1315 466	AR	All		HOSE, A/C, Heater 5/8" I.D. 50Ft. Roll
9	4176 059	1	All		COMPRESSOR, A/C w/318 Engine
10	3848 694	1	All		LINE, A/C Discharge & Liquid
11	3846 835	1	All		GASKET, A/C Disch. & Liquid Line Plate to Condenser
12	3502 915	2	All		GROMMET & SPACER, A/C Condenser Mtg.
13	3847 789	1	All		CONDENSER, Complete A/C
14	3847 830	1	All		FILTER DRIER, w/Bracket A/C
15	0120 375	2	All		NUT w/CONED WA., Condenser Mtg.
16	4041 604	AR	All		CLAMP, A/C, Heater Hose to Pump
17	2448 770	AR	All		CLAMP, A/C, Heater Hose
18	3848 585	1	All		CAP, A/C Discharge Liquid Line Check Valve
19	1779 258	1	All		NIPPLE, A/C, Heater Hose Eng. 1.70" Lg., 3/8" Thd.
20	3847 081	1	All		GASKET, A/C Discharge Line Flange Mtg.
21	3848 674	1	All		SWITCH, A/C High Pressure Cut-Off
22	3441 105	1	All		SEAL, A/C Receiver Drier Low Pressure Cut-Off
23	5210 377	1	All		SWITCH, A/C Low Pressure Cut Off
24	3846 509	1	All		CLIP, A/C Discharge & Liquid Line Mtg.
25		1	All		SCREW (Not Serviced)
26	1315 466	1	All		HOSE, A/C, Heater 5/8" I.D. x 50Ft. Roll
27	1315 466	1	All		HOSE, A/C, Heater Valve to Core (Preformed) 29" Lg.
	1595 160	1	All		Heater Eng. to Valve (Preformed) .
	3849 079	1	All		HOSE, A/C, Heater Core to Pump, Silicone, 5/8 I.D. 46" Long
	3849 077	1	All		HOSE, A/C, Heater Valve to Core, Silicone 5/8 I.D. 13" Long
28	3846 304	2	All		MOUNT, A/C Condenser Mtg.
29	4205 830	2	All		SWITCH & LUBE PKG., A/C Suction Line Temp Sensing or Cycling
30	3847 083	1	All		GASKET, A/C Suction & Liquid Line Mtg. to Drier
	3847 083	1	All		A/C Discharge & Liquid Line Mtg. to Drier
31	3847 147	1	All		PILOT, A/C Suction Line Mtg. (Plastic)
	3847 147	1	All		Discharge Line Mtg. (Plastic)

MODEL CODES

B = GRAN FURY	E = 600	M = HORIZON/TURISMO
C = LE BARON/TOWN & COUNTRY/LIMO	F = FIFTH AVENUE/NEWPORT	P = RELIANT
C24 = LASER	G = DIPLOMAT	T = NEW YORKER
C44 = LE BARON/GTS	H = VOYAGER	V = 600
D = ARIES	J = CARAVELLE	V24 = DAYTONA
D44 = LANCER	K = MINI VAN/CARAVAN/ROYAL	Z = OMNI/CHARGER

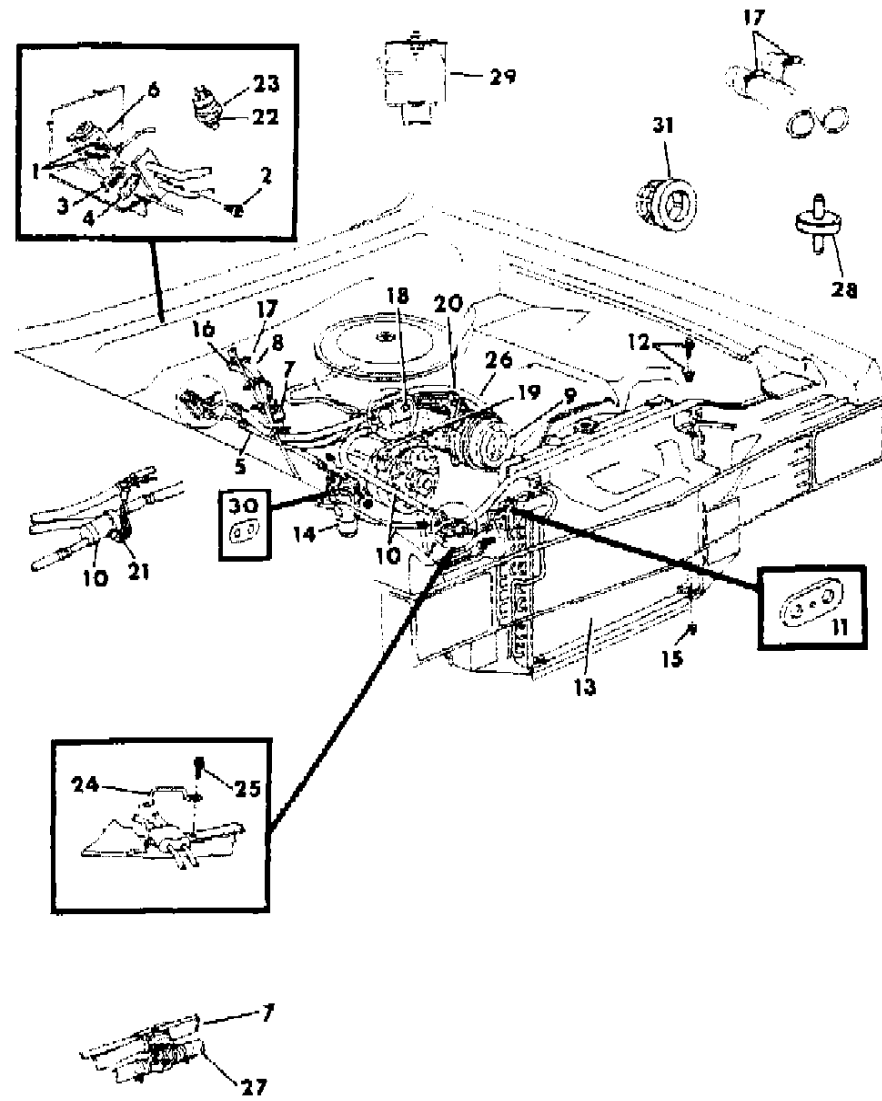
BODY STYLES

21 = 2-DOOR SEDAN	35 = FWD VAN	44 = 4-DOOR HATCHBACK
22 = 2-DOOR SPECIAL COUPE	36 = FWD WAGON	45 = 4-DOOR STATION WAGON
24 = 2-DOOR HATCHBACK	41 = 4-DOOR SEDAN	49 = LIMOUSINE
27 = 2-DOOR CONVERTIBLE		

AR = Use as Required - = Non Illustrated Part P.A.R. = Paint as Required

PLUMBING, AIR CONDITIONER AND HEATER B,F,G
Figure 24-2400

5124 2400 A



ITEM	PART NUMBER	QTY	BODY	MODEL	DESCRIPTION
	6015 756	1		B,G	STRAP, A/C or A.T.C. Vacuum Hose Support
	3780 794	AR		All	HOSE, Control Vacuum .073/.081 I.D. 50Ft. Roll

MODEL CODES

B = GRAN FURY	E = 600	M = HORIZON/TURISMO
C = LE BARON/TOWN & COUNTRY/LIMO	F = FIFTH AVENUE/NEWPORT	P = RELIANT
C24 = LASER	G = DIPLOMAT	T = NEW YORKER
C44 = LE BARON/GTS	H = VOYAGER	V = 600
D = ARIES	J = CARAVELLE	V24 = DAYTONA
D44 = LANCER	K = MINI VAN/CARAVAN/ROYAL	Z = OMNI/CHARGER

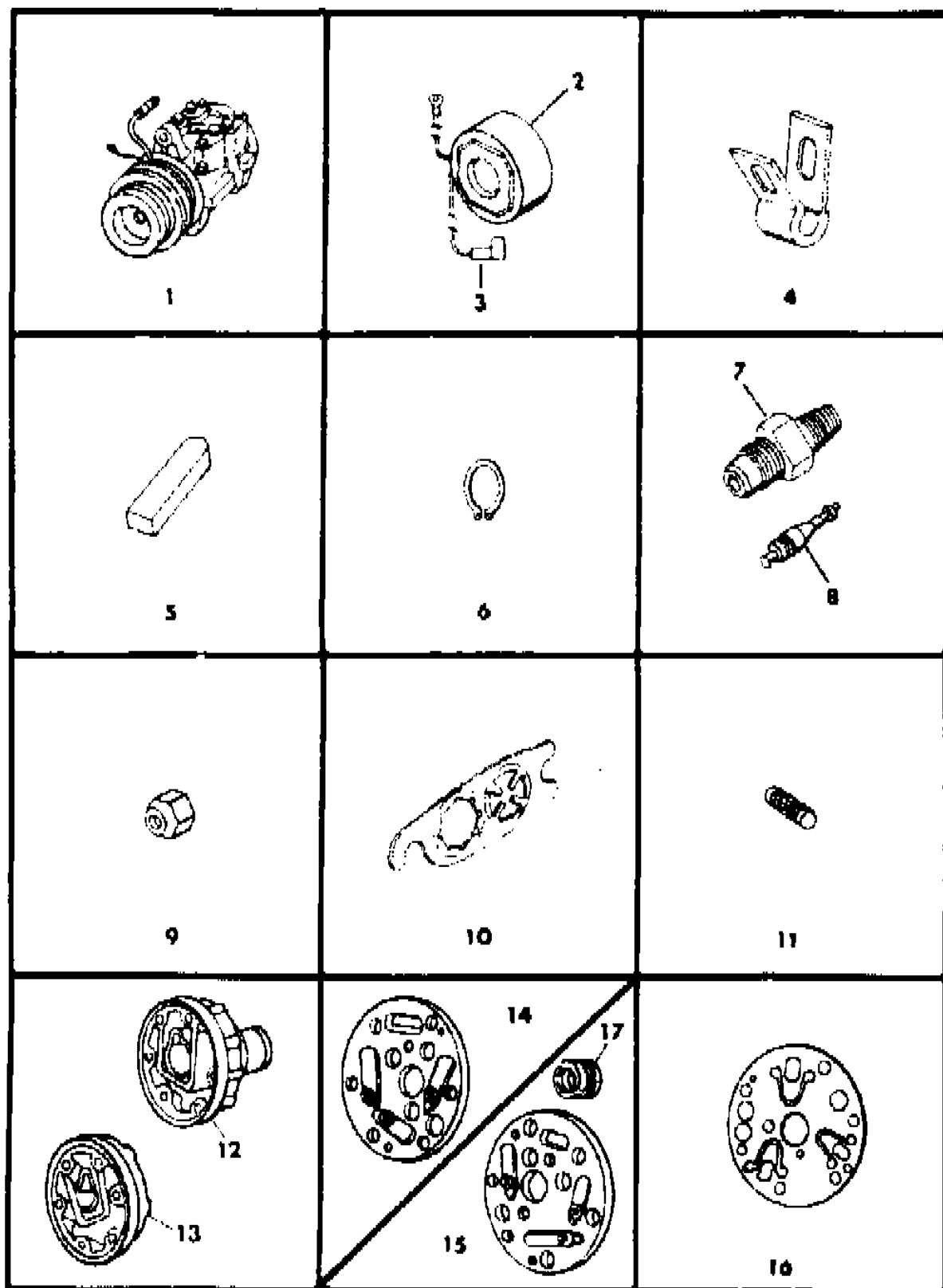
BODY STYLES

21 = 2-DOOR SEDAN	35 = FWD VAN	44 = 4-DOOR HATCHBACK
22 = 2-DOOR SPECIAL COUPE	36 = FWD WAGON	45 = 4-DOOR STATION WAGON
24 = 2-DOOR HATCHBACK	41 = 4-DOOR SEDAN	49 = LIMOUSINE
27 = 2-DOOR CONVERTIBLE		

AR = Use as Required - = Non Illustrated Part P.A.R. = Paint as Required

COMPRESSOR, AIR CONDITIONER
Figure 24-2500

5124 2500



ITEM	PART NUMBER	QTY	BODY	MODEL	DESCRIPTION
	3848 979	1			GASKET PACKAGE, A/C Compressor, Basic
	3847 180	1		All	SHIM PACKAGE, A/C Compressor Drive Clutch Consist Of: 5 -----Shims
	3848 981	1		B,F,G	PULLY & ARMATURE PKG., A/C Compr. Drive Clutch 318 Eng. Consist Of: 1 -----Pulley & Bearing 1 -----Armature
	3848 982	1			PULLY & ARMATURE PKG., A/C Compr. Drive Clutch 2.2L Eng. Consist Of: 1-----Pulley & Bearing Assy. 1-----Armature Assy.
	3848 983	1		All	PULLY & ARMATURE PKG., A/C Compr. Drive Clutch 2.6L Eng.
1	4339 456	1		All	COMPRESSOR, A/C Less (Clutch, Coil & Pulley) w/2.2L Eng.
	4339 455	1		All	w/2.6, w/318 Engine
2	3848 969	1		All	COIL, A/C Compressor Drive Clutch Field
NOTE: Important Do Not Substitute the 1985 Part Number 3848969 Coil with any other prior model year Coil 22 Model). Sheet metal parts for the C 49 not found on this illustration should be specified from the C 22 Models, as found elsewhere in this group.					
3	3843 386	1			TERMINAL, A/C Field Coil Lead
	4209 956	1			INSULATOR, A/C Field Coil Lead Terminal
4	3848 690	1			CLIP, A/C Compr. Clutch Field Coil Mtg.
5	3846 680	1			KEY, A/C Compr. Drive Shaft
6	6500 411	1			RING, A/C Compr. Drive Clutch Coil Ext.
	6031 416	1			A/C Compr. Drive Clutch Pulley Ext.
7	3846 722	1			FITTING, A/C Compr. Check Valve
8	3847 576	1			VALVE, A/C or A.T.C. Discharge Line Check
9	3848 585	1			CAP, A/C Compr. Check Valve
10	3847 081	1			GASKET, A/C Suction Flange to Compr., Rubber Coate
11	3847 920	1			PIN, A/C Compressor Clutch Coil Locating
	3847 081	1			GASKET, A/C Discharge Line Flange to Compressor
12	3847 986	1			COVER & PIN, A/C Compressor, Front
13	3846 678	1			COVER, A/C Compressor, Rear
14	3846 655	1			Rear
15	3846 654	1			PLATE ASSY., A/C Compr. Discharge Valve, Front

MODEL CODES

B = GRAN FURY	E = 600	M = HORIZON/TURISMO
C = LE BARON/TOWN & COUNTRY/LIMO	F = FIFTH AVENUE/NEWPORT	P = RELIANT
C24 = LASER	G = DIPLOMAT	T = NEW YORKER
C44 = LE BARON/GTS	H = VOYAGER	V = 600
D = ARIES	J = CARAVELLE	V24 = DAYTONA
D44 = LANCER	K = MINI VAN/CARAVAN/ROYAL	Z = OMNI/CHARGER

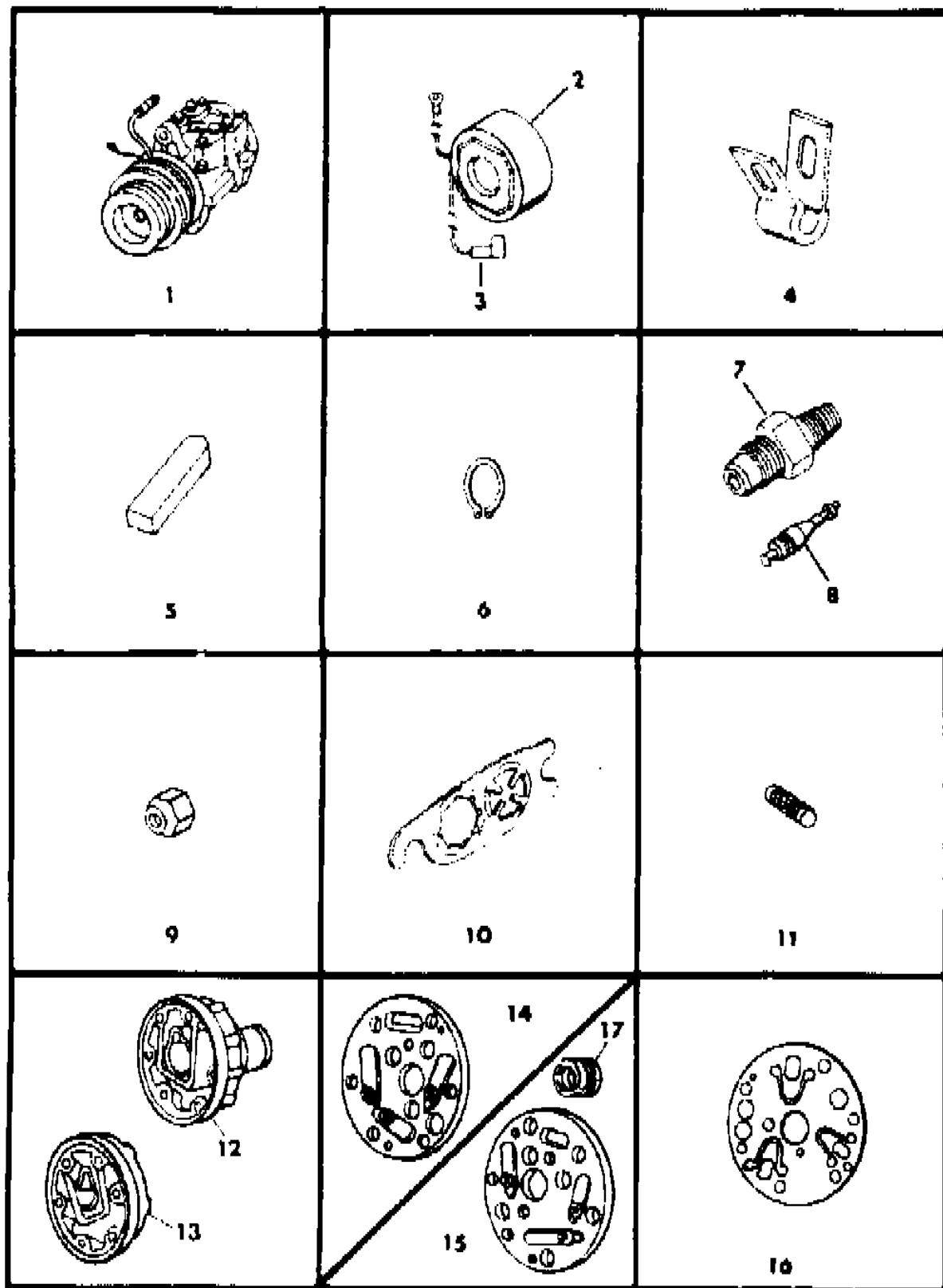
BODY STYLES

21 = 2-DOOR SEDAN	35 = FWD VAN	44 = 4-DOOR HATCHBACK
22 = 2-DOOR SPECIAL COUPE	36 = FWD WAGON	45 = 4-DOOR STATION WAGON
24 = 2-DOOR HATCHBACK	41 = 4-DOOR SEDAN	49 = LIMOUSINE
27 = 2-DOOR CONVERTIBLE		

AR = Use as Required - = Non Illustrated Part P.A.R. = Paint as Required

COMPRESSOR, AIR CONDITIONER
Figure 24-2500

5124 2500



ITEM	PART NUMBER	QTY	BODY	MODEL	DESCRIPTION
16	3846 666	2			REED, A/C Compressor Suction Valve
17	3847 916	1			SEAL, Compressor Shaft, Package
	6100 218	1			NUT, A/C Compressor Drive Clutch Mtg. (Not Shown)
	6100 141	1			LOCK WA., A/C Compressor Drive Clutch Mtg. (Not Shown)

MODEL CODES

B = GRAN FURY	E = 600	M = HORIZON/TURISMO
C = LE BARON/TOWN & COUNTRY/LIMO	F = FIFTH AVENUE/NEWPORT	P = RELIANT
C24 = LASER	G = DIPLOMAT	T = NEW YORKER
C44 = LE BARON/GTS	H = VOYAGER	V = 600
D = ARIES	J = CARAVELLE	V24 = DAYTONA
D44 = LANCER	K = MINI VAN/CARAVAN/ROYAL	Z = OMNI/CHARGER

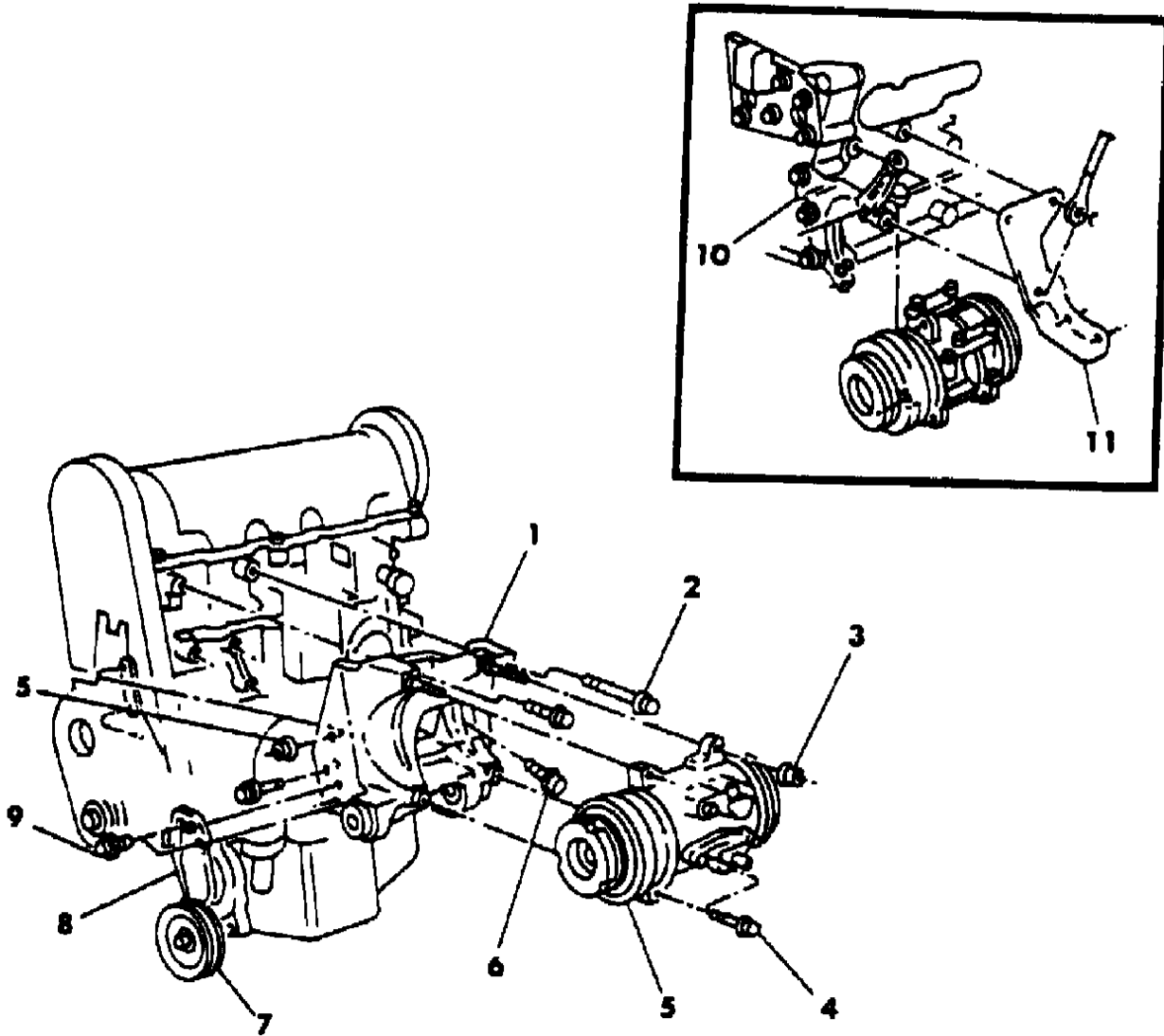
BODY STYLES

21 = 2-DOOR SEDAN	35 = FWD VAN	44 = 4-DOOR HATCHBACK
22 = 2-DOOR SPECIAL COUPE	36 = FWD WAGON	45 = 4-DOOR STATION WAGON
24 = 2-DOOR HATCHBACK	41 = 4-DOOR SEDAN	49 = LIMOUSINE
27 = 2-DOOR CONVERTIBLE		

AR = Use as Required - = Non Illustrated Part P.A.R. = Paint as Required

MOUNTING, AIR CONDITIONER COMPRESSOR M,Z,P,D,V,C J,E,T, C,V-24, H,K, D,C-44
Figure 24-2600

5124 2600



ITEM	PART NUMBER	QTY	BODY	MODEL	DESCRIPTION
1	4323 377	1		All	ADAPTOR, Alt. (Corp.) & Solid A/C Compr. Mtg. w/o 100 AMP Alternator
	4323 383	1		P,D,V,C	w/A-499 Alterator (100 AMP Alternator)
2	6101 336	1	All		SCREW w/WA., Adaptor to Cylinder Head
3	6100 518	AR	All		NUT, Lock
4	6101 054	2	All		SCREW w/WA., Compressor to Adapter
5	4339 456	1	All		COMPRESSOR, A/C w/2.2L Eng.
	4339 455	1	All		COMPRESSOR, A/C w/2.6L Eng.
6	6101 394	3	All		SCREW, Alternator & A/C Brkt. to Eng. Block, Up to 3-28-85
	6501 261	2		PDVCJET	After 3-28-85
7	3830 196	1	All		PULLEY, Idler w/2.2L Eng.
8	4273 208	1	All		BRACKET, A/C Compr. Idler Mtg. w/2.2L Eng.
9	6500 374	1	All		SCREW w/WA., Idler Alternator & A/C Mtg.
10	4273 050	1	All		BRACKET, Alternator Adjusting & A/C Mtg. w/2.6L Eng.
11	4241 279	1	All		BRACKET, A/C Compressor Rear Support w/2.6L Eng.

MODEL CODES

B = GRAN FURY	E = 600	M = HORIZON/TURISMO
C = LE BARON/TOWN & COUNTRY/LIMO	F = FIFTH AVENUE/NEWPORT	P = RELIANT
C24 = LASER	G = DIPLOMAT	T = NEW YORKER
C44 = LE BARON/GTS	H = VOYAGER	V = 600
D = ARIES	J = CARAVELLE	V24 = DAYTONA
D44 = LANCER	K = MINI VAN/CARAVAN/ROYAL	Z = OMNI/CHARGER

BODY STYLES

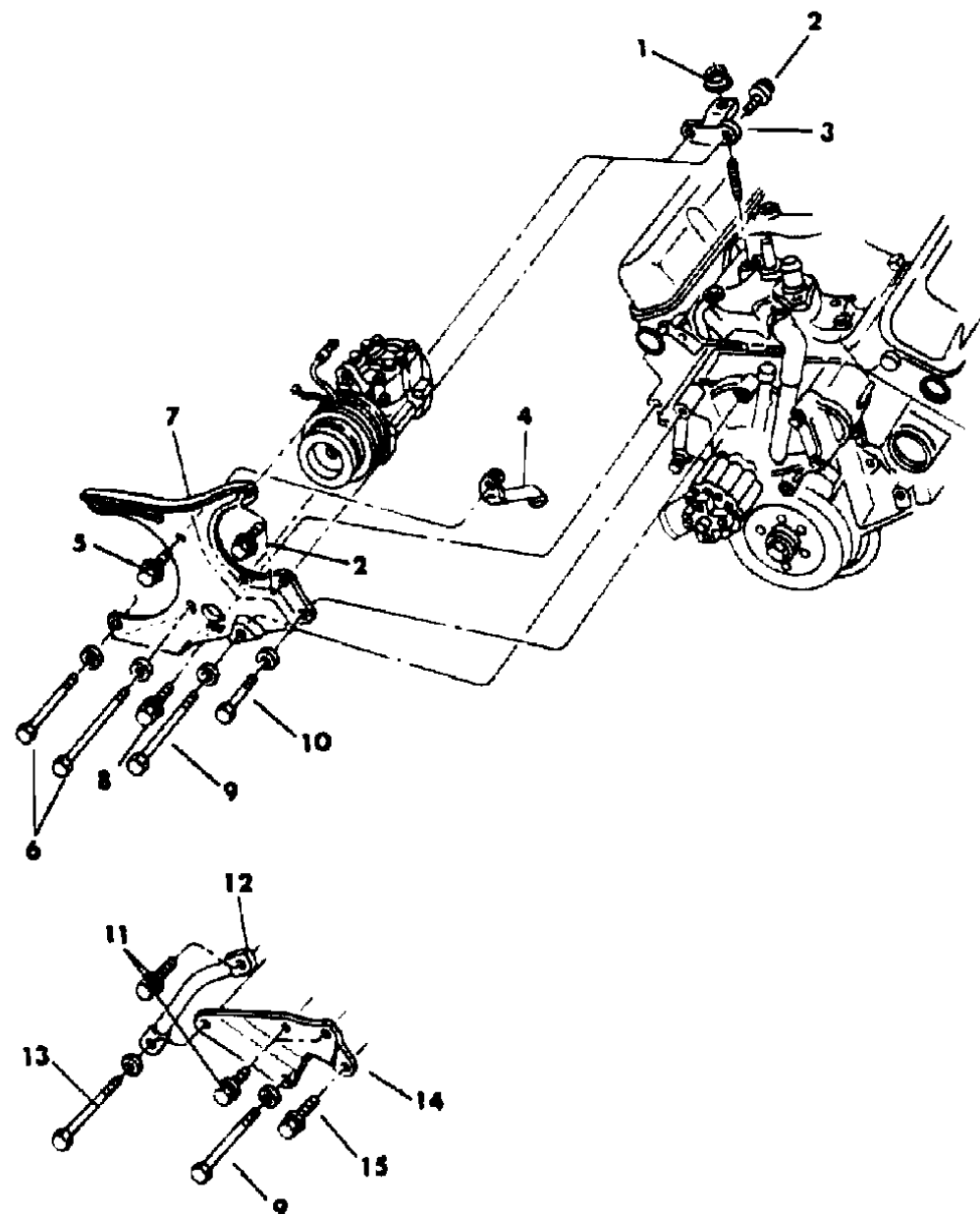
21 = 2-DOOR SEDAN	35 = FWD VAN	44 = 4-DOOR HATCHBACK
22 = 2-DOOR SPECIAL COUPE	36 = FWD WAGON	45 = 4-DOOR STATION WAGON
24 = 2-DOOR HATCHBACK	41 = 4-DOOR SEDAN	49 = LIMOUSINE
27 = 2-DOOR CONVERTIBLE		

AR = Use as Required - = Non Illustrated Part P.A.R. = Paint as Required

AIR CONDITIONER COMPRESSOR AND SUPPORTS 318 ENGINE

Figure 24-2700

51 24 2700



ITEM	PART NUMBER	QTY	BODY	MODEL	DESCRIPTION
1	6025 011	AR		All	NUT w/WA.
2	6101 301	AR		All	BOLT
3	4298 124	1		All	BRACKET, A/C Compressor, Rear Mtg.
4	4100 604	1		All	SUPPORT, Alt. & Compr. Brkt. to Alt. Mtg. w/100 Amp. Alt.
5	6022 250	1		All	SCREW w/WA.
6		AR		All	BOLT (Not Serviced)
7	4100 603	1		All	BRACKET, Alternator & Comp. Mtg. w/100 Amp. Alt.
8	6029 799	1		All	SCREW
9	6028 166	AR		All	BOLT
10	0181 126	1		All	BOLT
11	6500 365	AR		All	SCREW w/WA., A/C Compr. Mtg., Front Support
12	4116 856	1		All	STRAP, A/C Compr. to Alternator Mtg. Brkt., Front
13					BOLT (Not Serviced)
14	4273 059	1			BRACKET, A/C Compr. & Alternator Front Mtg.
15	0153 359	1			SCREW w/WASHER

MODEL CODES

B = GRAN FURY	E = 600	M = HORIZON/TURISMO
C = LE BARON/TOWN & COUNTRY/LIMO	F = FIFTH AVENUE/NEWPORT	P = RELIANT
C24 = LASER	G = DIPLOMAT	T = NEW YORKER
C44 = LE BARON/GTS	H = VOYAGER	V = 600
D = ARIES	J = CARAVELLE	V24 = DAYTONA
D44 = LANCER	K = MINI VAN/CARAVAN/ROYAL	Z = OMNI/CHARGER

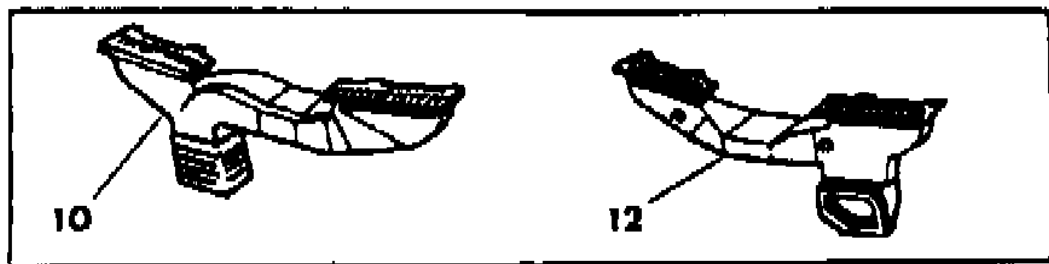
BODY STYLES

21 = 2-DOOR SEDAN	35 = FWD VAN	44 = 4-DOOR HATCHBACK
22 = 2-DOOR SPECIAL COUPE	36 = FWD WAGON	45 = 4-DOOR STATION WAGON
24 = 2-DOOR HATCHBACK	41 = 4-DOOR SEDAN	49 = LIMOUSINE
27 = 2-DOOR CONVERTIBLE		

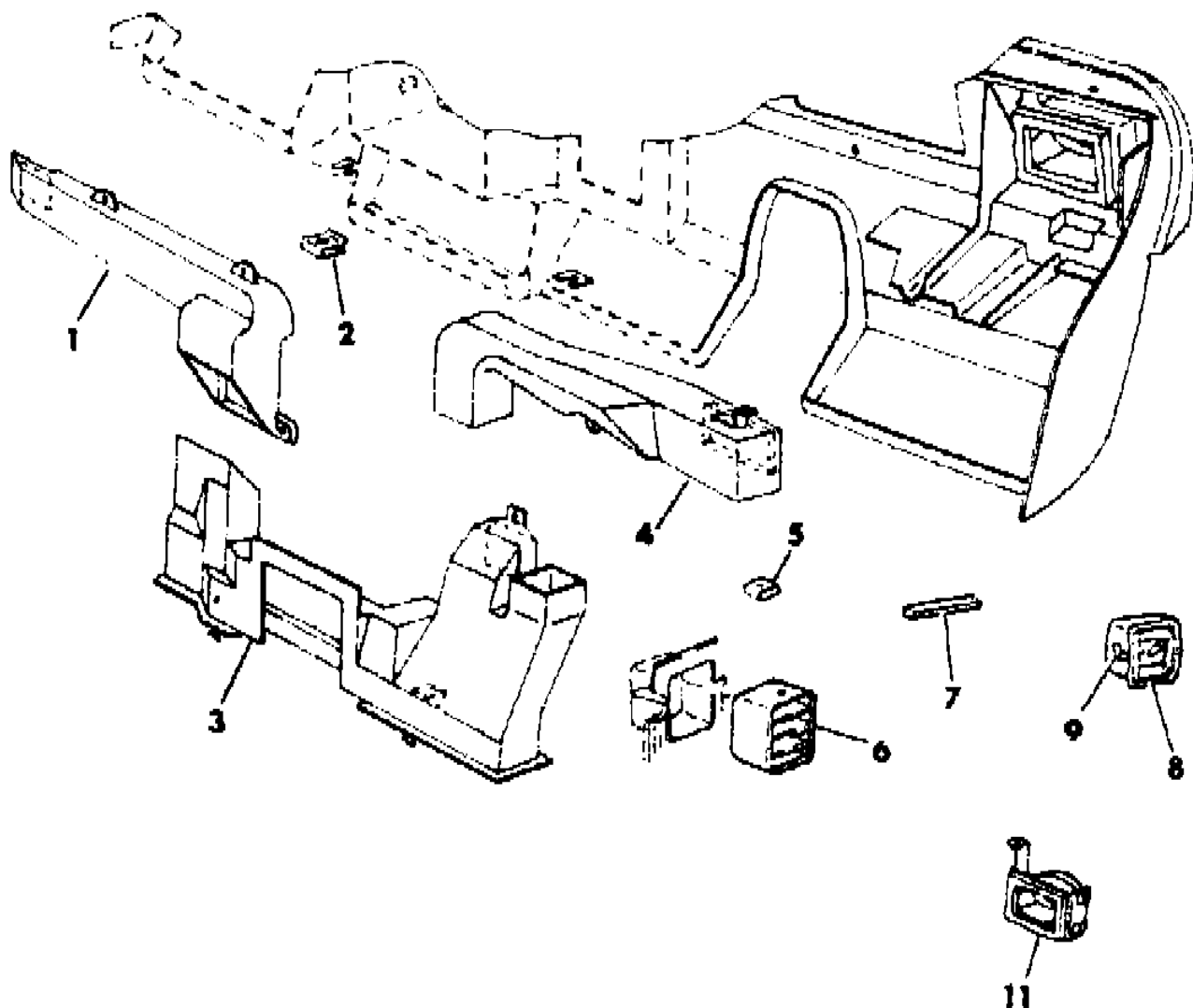
AR = Use as Required - = Non Illustrated Part P.A.R. = Paint as Required

AIR DUCTS AND OUTLETS M,Z
Figure 24-2800

5124 2800



ITEM	PART NUMBER	QTY	BODY	MODEL	DESCRIPTION
1	5210 028	1		All	DUCT, A/C Right Spot Cooler
2	0152 490	2		All	U-NUT
3	3848 786	1		All	DUCT, A/C Center Air Distribution
4	5210 029	1		All	DUCT, A/C Left Spot Cooler
5	0152 490	1		All	U-NUT, Heater
6	3502 905	1		All	LOUVER, A/C, Heater Inst. Cluster Air Outlet
7	3593 396	1		All	SEAL, A/C Outlet 10.30" Lg.
8	5210 196-7	1		All	OUTLET, A/C Air Spot Cooler
	5210 002-3	1		All	OUTLET, Heater Vent
9	5210 018	1		All	CLIP, A/C Air Spot Cooler Outlet Retaining
10	3848 831	1		All	DUCT, Heater Defroster
11	5210 182-3	1		All	ADAPTER, Vent
12	3848 832	1		All	DUCT, w/Adapter A/C Defroster



MODEL CODES

B = GRAN FURY	E = 600	M = HORIZON/TURISMO
C = LE BARON/TOWN & COUNTRY/LIMO	F = FIFTH AVENUE/NEWPORT	P = RELIANT
C24 = LASER	G = DIPLOMAT	T = NEW YORKER
C44 = LE BARON/GTS	H = VOYAGER	V = 600
D = ARIES	J = CARAVELLE	V24 = DAYTONA
D44 = LANCER	K = MINI VAN/CARAVAN/ROYAL	Z = OMNI/CHARGER

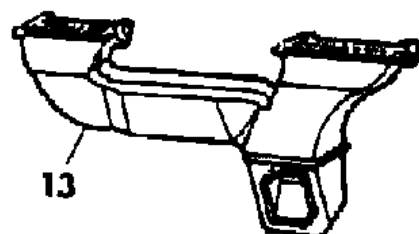
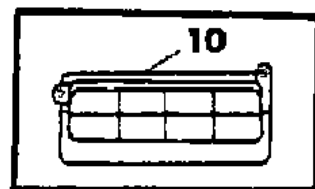
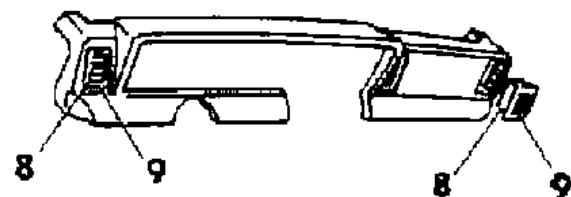
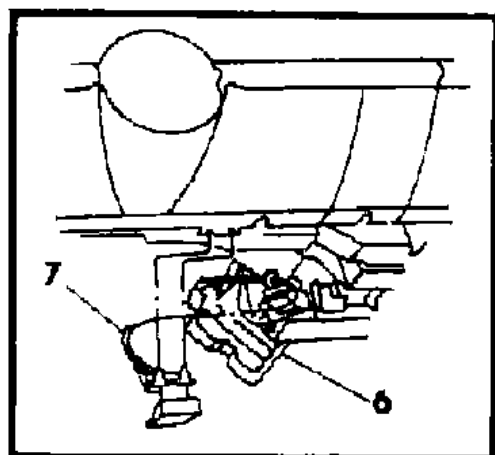
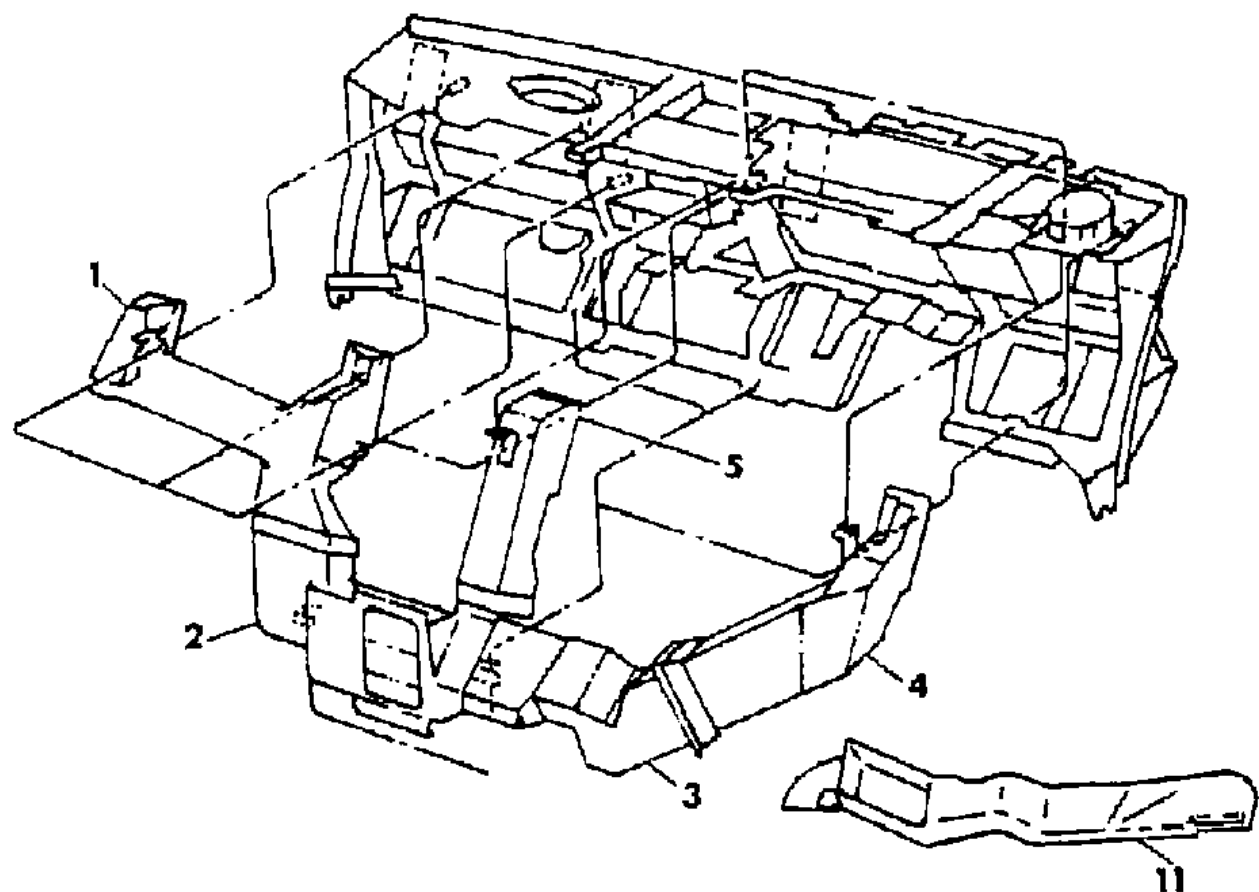
BODY STYLES

21 = 2-DOOR SEDAN	35 = FWD VAN	44 = 4-DOOR HATCHBACK
22 = 2-DOOR SPECIAL COUPE	36 = FWD WAGON	45 = 4-DOOR STATION WAGON
24 = 2-DOOR HATCHBACK	41 = 4-DOOR SEDAN	49 = LIMOUSINE
27 = 2-DOOR CONVERTIBLE		

AR = Use as Required - = Non Illustrated Part P.A.R. = Paint as Required

AIR DUCTS AND OUTLETS P,D,V,C,J,E,T
Figure 24-2900

5124 2900



ITEM	PART NUMBER	QTY	BODY	MODEL	DESCRIPTION
1	3847 562	1			DUCT, Air Outlet, Right
2	3847 744	1			DUCT, Heater Vent Distribution
	3847 554	1			DUCT, A/C Air Outlet Distribution
	0152 490	2			CLIP, Center Air Distribution Duct to Inst. Panel
3	3847 574	1			DUCT, Heater, A/C Vent Over Strg. Column
4	3847 569	1			DUCT, Air Outlet, Left
5	3847 563	1			DUCT, Air Outlet, Left Center
6	3848 054	1			HOUSING, Left Vent Complete
7	3848 239	1			CABLE, Clip Heater Vent, Left
8	4364 886	1			OUTLET w/LOUVER, A/C, Air, Charcoal
	4364 887	1			Blue
	4364 888	1			Red
	4364 889	1			Tan
	4364 890	1			Brown
9	3847 950	2	P,D,V,C		LOUVER, A/C, Heater Air Outlet Bright, Right
	3847 575	2	P,D		LOUVER, A/C, Heater Air Outlet Black, Left
	3847 950	3	J,E,T		LOUVER, A/C, Heater Air Outlet
10	3848 061	1			DUCT, Vent Ram Air w/Knob, Right
11	5210 055	1			DUCT, A/C, Heater Distribution
12	3848 732	1			DUCT, Heater Defroster w/Upper Level Vent
13	3848 734	1	PDVCJET		DUCT w/ADAPTER, A/C Defroster

MODEL CODES

B = GRAN FURY	E = 600	M = HORIZON/TURISMO
C = LE BARON/TOWN & COUNTRY/LIMO	F = FIFTH AVENUE/NEWPORT	P = RELIANT
C24 = LASER	G = DIPLOMAT	T = NEW YORKER
C44 = LE BARON/GTS	H = VOYAGER	V = 600
D = ARIES	J = CARAVELLE	V24 = DAYTONA
D44 = LANCER	K = MINI VAN/CARAVAN/ROYAL	Z = OMNI/CHARGER

BODY STYLES

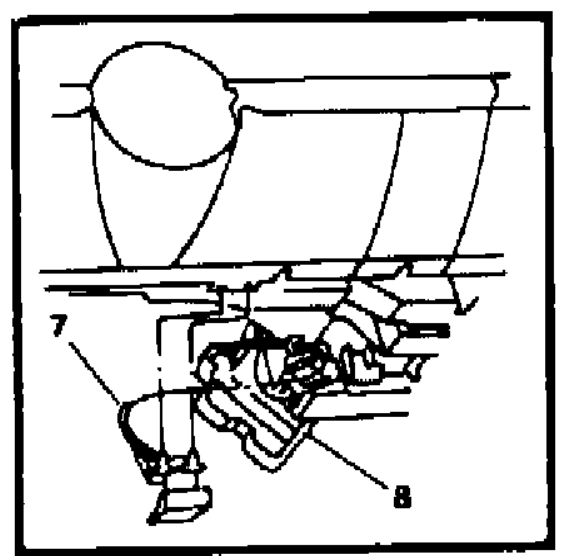
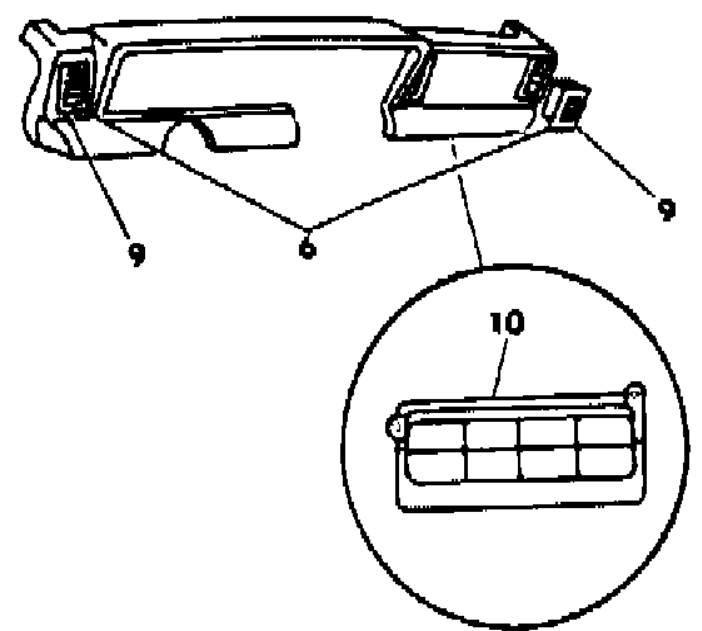
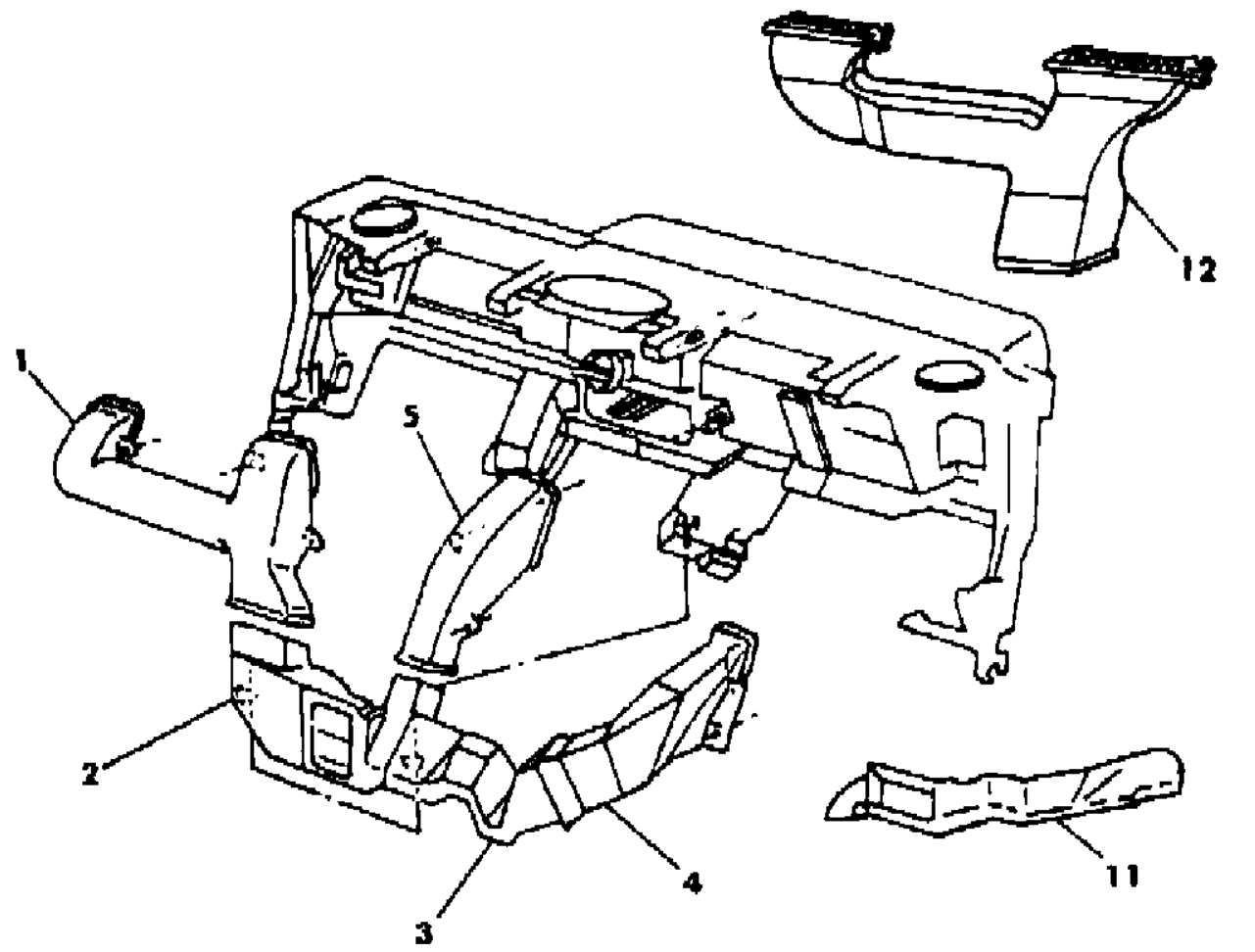
21 = 2-DOOR SEDAN	35 = FWD VAN	44 = 4-DOOR HATCHBACK
22 = 2-DOOR SPECIAL COUPE	36 = FWD WAGON	45 = 4-DOOR STATION WAGON
24 = 2-DOOR HATCHBACK	41 = 4-DOOR SEDAN	49 = LIMOUSINE
27 = 2-DOOR CONVERTIBLE		

AR = Use as Required - = Non Illustrated Part P.A.R. = Paint as Required

AIR DUCTS AND OUTLETS C,V-24
Figure 24-3000

5124 3000

ITEM	PART NUMBER	QTY	BODY	MODEL	DESCRIPTION
1	3848 088	1			DUCT, A/C, Heater Air, Right
2	3848 090	1			DUCT, Heater Air Distribution
	3848 081	1			DUCT, A/C Air Distribution
3	3847 574	1			DUCT, A/C, Heater Over Steering Column
4	3848 086	1			DUCT, A/C, Heater Air, Left
5	3848 083	1			DUCT, A/C, Heater Air, Left Center
6	4339 467	3			OUTLET, Air A/C, Red
	4339 468	3			OUTLET, Air A/C, Charcoal
	4339 469	3			OUTLET, Air A/C, Brown
	4339 470	3			OUTLET, Air A/C, Black
	3848 095	AR			CLIP, A/C, Heater Outlet Bezel Mtg.
7	3848 239	1			CABLE w/CLIP, Heater Vent, Left
8	3848 054	1			HOUSING, Vent Complete, Left
9	3847 950	1			LOUVER, A/C, Heater Air Outlet
10	3848 061	1			DUCT, Vent Ram Air w/Knob, Right
11	5210 055	1			DUCT, A/C, Heater Distribution
12	3848 052	1			DUCT, Heater Defroster



MODEL CODES
 B = GRAN FURY
 C = LE BARON/TOWN & COUNTRY/LIMO
 C24 = LASER
 C44 = LE BARON/GTS
 D = ARIES
 D44 = LANCER
 E = 600
 F = FIFTH AVENUE/NEWPORT
 G = DIPLOMAT
 H = VOYAGER
 J = CARAVELLE
 K = MINI VAN/CARAVAN/ROYAL
 M = HORIZON/TURISMO
 P = RELIANT
 T = NEW YORKER
 V = 600
 V24 = DAYTONA
 Z = OMNI/CHARGER

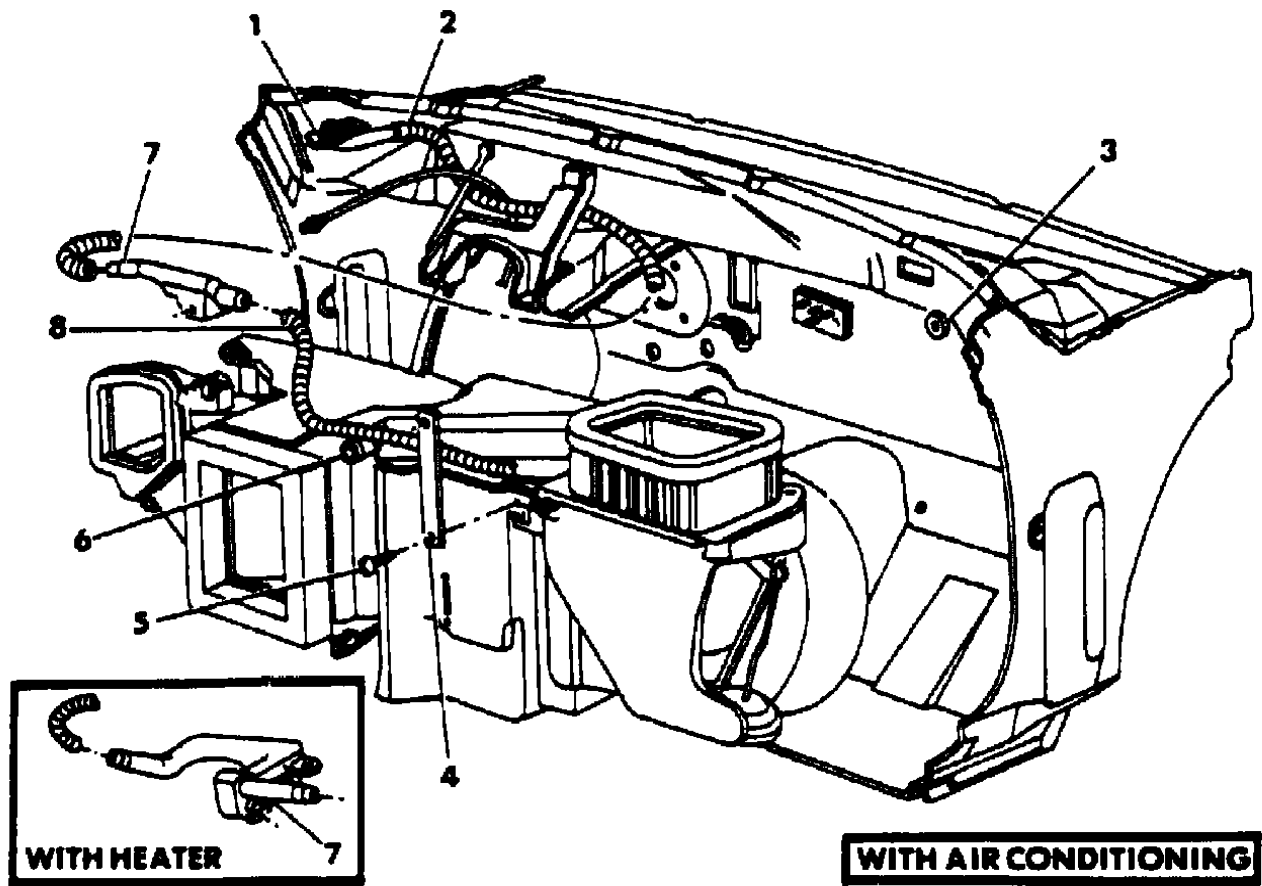
BODY STYLES
 21 = 2-DOOR SEDAN
 22 = 2-DOOR SPECIAL COUPE
 24 = 2-DOOR HATCHBACK
 27 = 2-DOOR CONVERTIBLE
 35 = FWD VAN
 36 = FWD WAGON
 41 = 4-DOOR SEDAN
 44 = 4-DOOR HATCHBACK
 45 = 4-DOOR STATION WAGON
 49 = LIMOUSINE

AR = Use as Required - = Non Illustrated Part P.A.R. = Paint as Required

DEMISTER SYSTEM C,V-24
Figure 24-3100

5124 3100

ITEM	PART NUMBER	QTY	BODY	MODEL	DESCRIPTION
1	3848 617	1			OUTLET, A/C, Heater Demister, Left
	3848 616	1			OUTLET, A/C, Heater Demister, Right
2	3848 353	1			HOSE, A/C, Heater Demister. Left 21.9" Lg.
	3848 352	1			HOSE, A/C, Heater Demister. Right 21.9" Lg.
3	0219 462	4			NUT, Unit to Dash Mounting
4	3848 238	1			BRACE, Heater Support
	3848 238	1			BRACE, A/C Unit Mtg. to Plenum
5	9423 951	1			SCREW, Unit Brace Mtg. to Unit
6	6030 820	1			NUT
7	3848 331	1			ADAPTOR, A/C Demister
	3848 354	1			ADAPTOR, Heater Demiser
8	3848 353	1			HOSE, Heater Demister, Left 21.9" Lg.
	3848 352	1			HOSE, Heater Demister, Right 21.9" Lg.
	0152 490	1			U-NUT, A/C Demister Outlet Mtg.



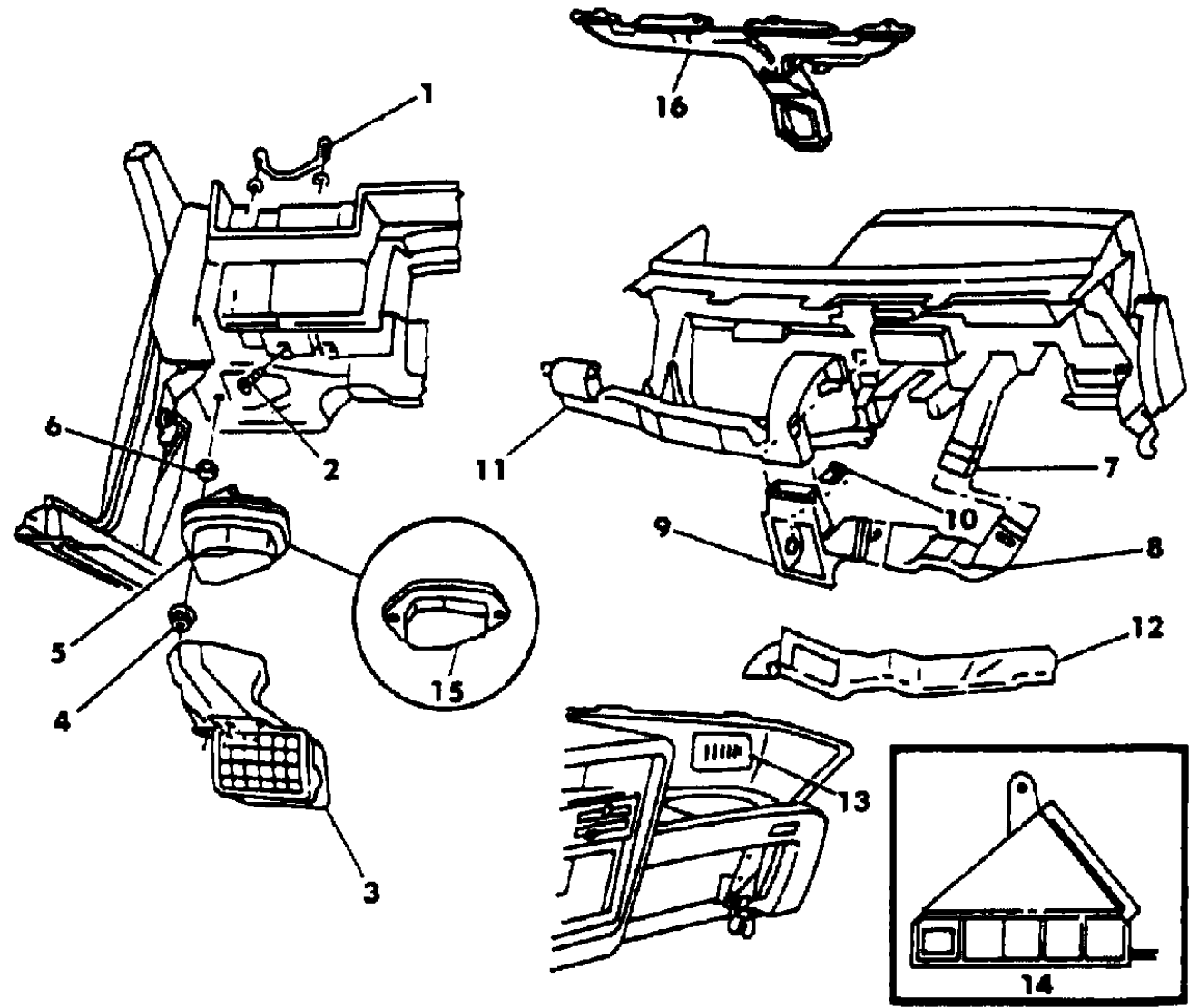
MODEL CODES
 B = GRAN FURY
 C = LE BARON/TOWN & COUNTRY/LIMO
 C24 = LASER
 C44 = LE BARON/GTS
 D = ARIES
 D44 = LANCER
 E = 600
 F = FIFTH AVENUE/NEWPORT
 G = DIPLOMAT
 H = VOYAGER
 J = CARAVELLE
 K = MINI VAN/CARAVAN/ROYAL
 M = HORIZON/TURISMO
 P = RELIANT
 T = NEW YORKER
 V = 600
 V24 = DAYTONA
 Z = OMNI/CHARGER

BODY STYLES
 21 = 2-DOOR SEDAN
 22 = 2-DOOR SPECIAL COUPE
 24 = 2-DOOR HATCHBACK
 27 = 2-DOOR CONVERTIBLE
 35 = FWD VAN
 36 = FWD WAGON
 41 = 4-DOOR SEDAN
 44 = 4-DOOR HATCHBACK
 45 = 4-DOOR STATION WAGON
 49 = LIMOUSINE

AR = Use as Required - = Non Illustrated Part P.A.R. = Paint as Required

AIR DUCTS AND OUTLETS D,C-44
Figure 24-3200

5124 3200



ITEM	PART NUMBER	QTY	BODY	MODEL	DESCRIPTION
1	3849 112	1			PLATE, Plenum Left Vent Mtg.
2	3848 937	1			BRACKET, Left Vent to Inst. Panel Mtg.
3	3848 938	1			HOUSING, Left Vent Outlet
4	6025 002	2			NUT, Housing to Plenum
5	3848 934	1			HOUSING, Left Vent Inlet
6	0116 000	2			RETAINER, Plenum Left Vent Mtg. Plate
7	3848 479	1			DUCT, Air Outlet, Left
8	3848 478	1			DUCT, Air Outlet Over Strg. Column
9	3848 472	1			DUCT, Air Outlet Distribution
10	0152 490	AR			U-NUT, Air Outlet Distr. Duct Mtg.
11	3848 475	1			DUCT, Air Outlet, Right Center
12	5210 055	1			DUCT, Heater Distribution
13	4339 476	1			OUTLET, Air Right, Dark Blue
	4339 477	1			Red
	4339 478	1			Charcoal
	4339 479	1			Tan
	4339 480	1			Black
14	3848 984	1			HOUSING, Heater Vent, Right Side Floor
15	3848 717	1			COVER, Plenum, Left Vent
	3849 114	2			WASHER, Plenum, Left Vent Cover Sealing
	0152 443	2			NUT, Left Vent to Plenum Mtg.
16	3848 486	1			DUCT, A/C, Heater Defroster

MODEL CODES

B = GRAN FURY	E = 600	M = HORIZON/TURISMO
C = LE BARON/TOWN & COUNTRY/LIMO	F = FIFTH AVENUE/NEWPORT	P = RELIANT
C24 = LASER	G = DIPLOMAT	T = NEW YORKER
C44 = LE BARON/GTS	H = VOYAGER	V = 600
D = ARIES	J = CARAVELLE	V24 = DAYTONA
D44 = LANCER	K = MINI VAN/CARAVAN/ROYAL	Z = OMNI/CHARGER

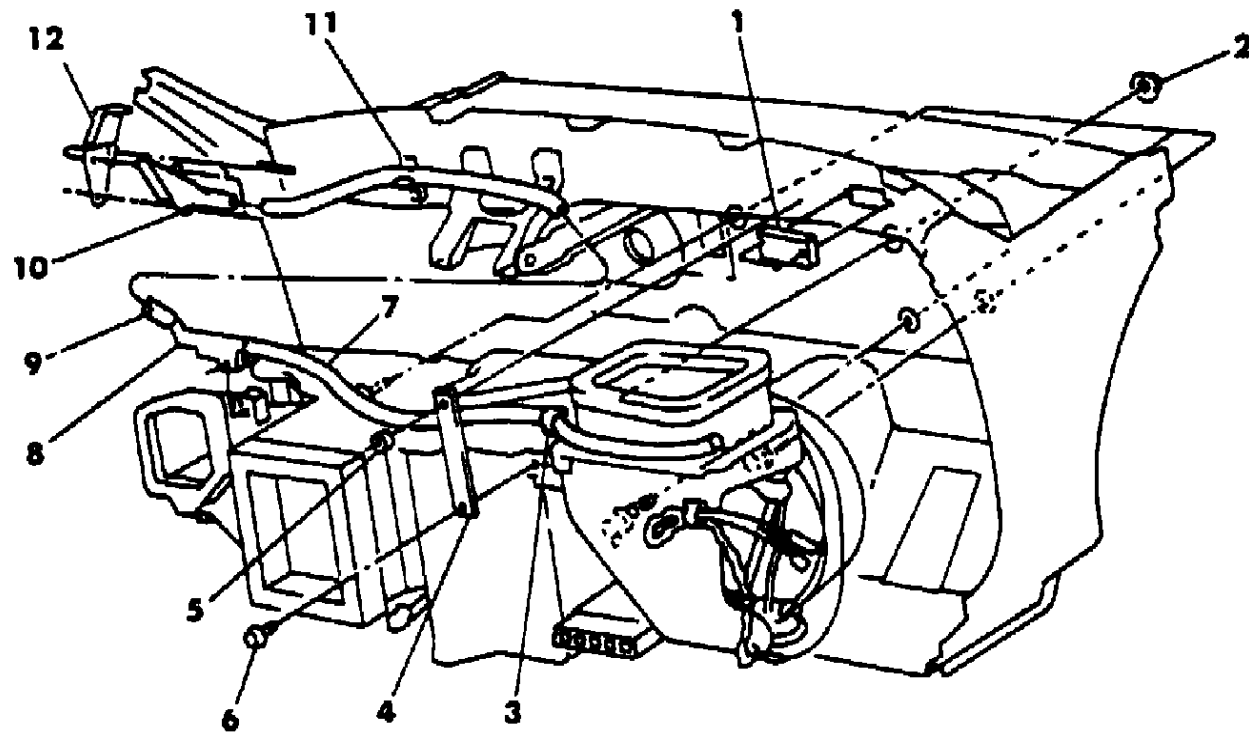
BODY STYLES

21 = 2-DOOR SEDAN	35 = FWD VAN	44 = 4-DOOR HATCHBACK
22 = 2-DOOR SPECIAL COUPE	36 = FWD WAGON	45 = 4-DOOR STATION WAGON
24 = 2-DOOR HATCHBACK	41 = 4-DOOR SEDAN	49 = LIMOUSINE
27 = 2-DOOR CONVERTIBLE		

AR = Use as Required - = Non Illustrated Part P.A.R. = Paint as Required

DEMISTER SYSTEM D,C-44
Figure 24-3300

5124 3300



ITEM	PART NUMBER	QTY	BODY	MODEL	DESCRIPTION
1	3849 075	1			RESISTOR, Blower Motor, Up to 9-17-84
	3849 235	1			After 9-17-84
2					NUT, Unit to Dash (Do Not Serv.)
3	6016 153	1			CLIP, Demister Right Hose to Unit Attaching
4	3848 238	1			BRACE, Unit Mtg. to Plenum
5	6023 204	1			NUT, Brace to Plenum Mtg.
6	9423 951	1			SCREW, Unit Brace Mtg. to Unit
7	3848 490	1			HOSE, Demister A/C, Heater, Right
8	3848 885	1			ADAPTOR, Demister
9	3848 491	1			HOSE, Demister A/C, Heater, Left
10	3848 886	1			OUTLET, Demister, Right
	3848 887	1			OUTLET, Demister, Left
11	6501 050	1			CLIP, Demister Lt. Hose to Strg. Col. Supt. Brkt.
12	4309 266-7	1			BRACKET, W/Shield Side Header Garn. Demister Outlet

MODEL CODES

B = GRAN FURY	E = 600	M = HORIZON/TURISMO
C = LE BARON/TOWN & COUNTRY/LIMO	F = FIFTH AVENUE/NEWPORT	P = RELIANT
C24 = LASER	G = DIPLOMAT	T = NEW YORKER
C44 = LE BARON/GTS	H = VOYAGER	V = 600
D = ARIES	J = CARAVELLE	V24 = DAYTONA
D44 = LANCER	K = MINI VAN/CARAVAN/ROYAL	Z = OMNI/CHARGER

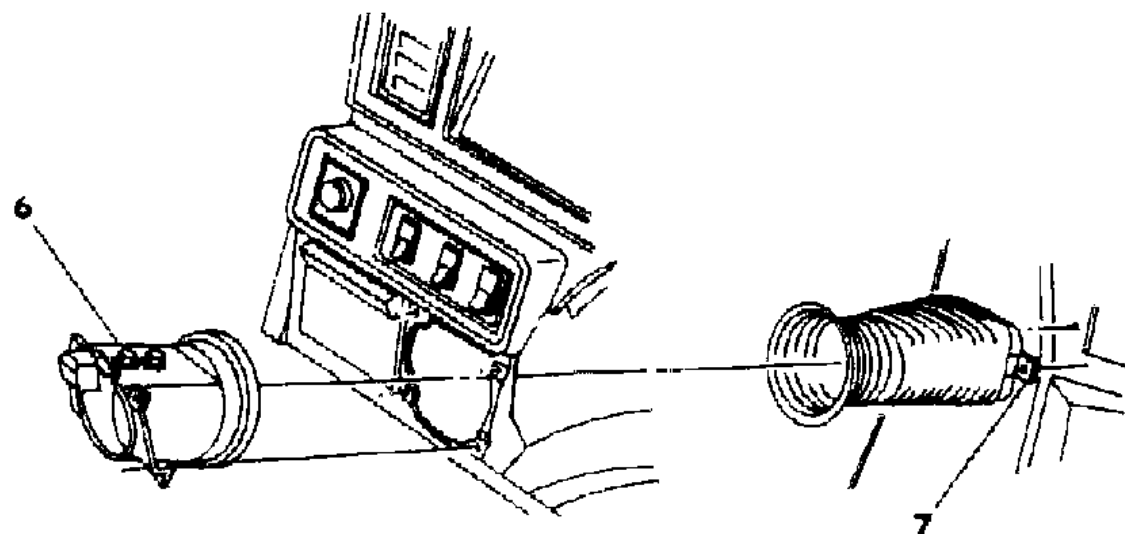
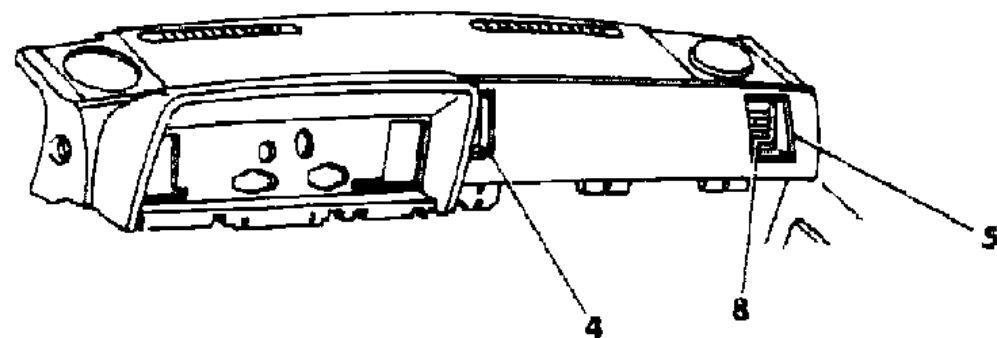
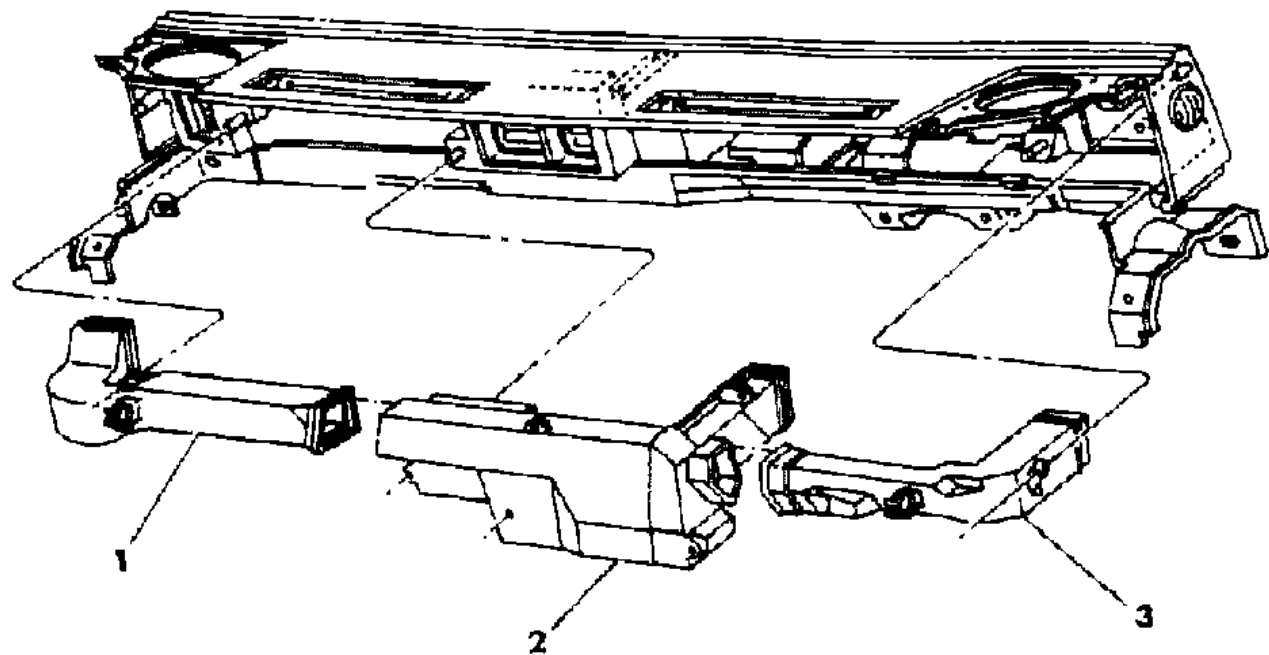
BODY STYLES

21 = 2-DOOR SEDAN	35 = FWD VAN	44 = 4-DOOR HATCHBACK
22 = 2-DOOR SPECIAL COUPE	36 = FWD WAGON	45 = 4-DOOR STATION WAGON
24 = 2-DOOR HATCHBACK	41 = 4-DOOR SEDAN	49 = LIMOUSINE
27 = 2-DOOR CONVERTIBLE		

AR = Use as Required - = Non Illustrated Part P.A.R. = Paint as Required

AIR DUCTS AND OUTLETS H,K
Figure 24-3400

5124 3400



ITEM	PART NUMBER	QTY	BODY	MODEL	DESCRIPTION
1	3848 289	1			DUCT, A/C, Heater, Right
2	3848 285	1			DUCT, A/C, Heater Distribution
3	3848 282	1			DUCT, A/C, Heater, Left
4	0118 140	2			RIVET, A/C Duct Bracket. Left Mtg.
	P663 CS8	1			Charcoal
	P663 CM6	1			Red
	P663 CB5	1			Blue
5	P663 DT5	1			Tan
	P664 CS8	1			Charcoal
	P664 CM6	1			Red
	P664 CB5	1			Blue
6	P664 DT5	1			Tan
	3848 334	1			OUTLET, Left Vent
	3848 339	1			RETAINER, Left Vent Hsg. Shut-Off Door
7	3848 334	1			OUTLET, Left Vent
	3848 342	1			DUCT, Left Vent
8	3848 278	1			LOUVER, A/C, Heater Outlet, Right

MODEL CODES

B = GRAN FURY	E = 600	M = HORIZON/TURISMO
C = LE BARON/TOWN & COUNTRY/LIMO	F = FIFTH AVENUE/NEWPORT	P = RELIANT
C24 = LASER	G = DIPLOMAT	T = NEW YORKER
C44 = LE BARON/GTS	H = VOYAGER	V = 600
D = ARIES	J = CARAVELLE	V24 = DAYTONA
D44 = LANCER	K = MINI VAN/CARAVAN/ROYAL	Z = OMNI/CHARGER

BODY STYLES

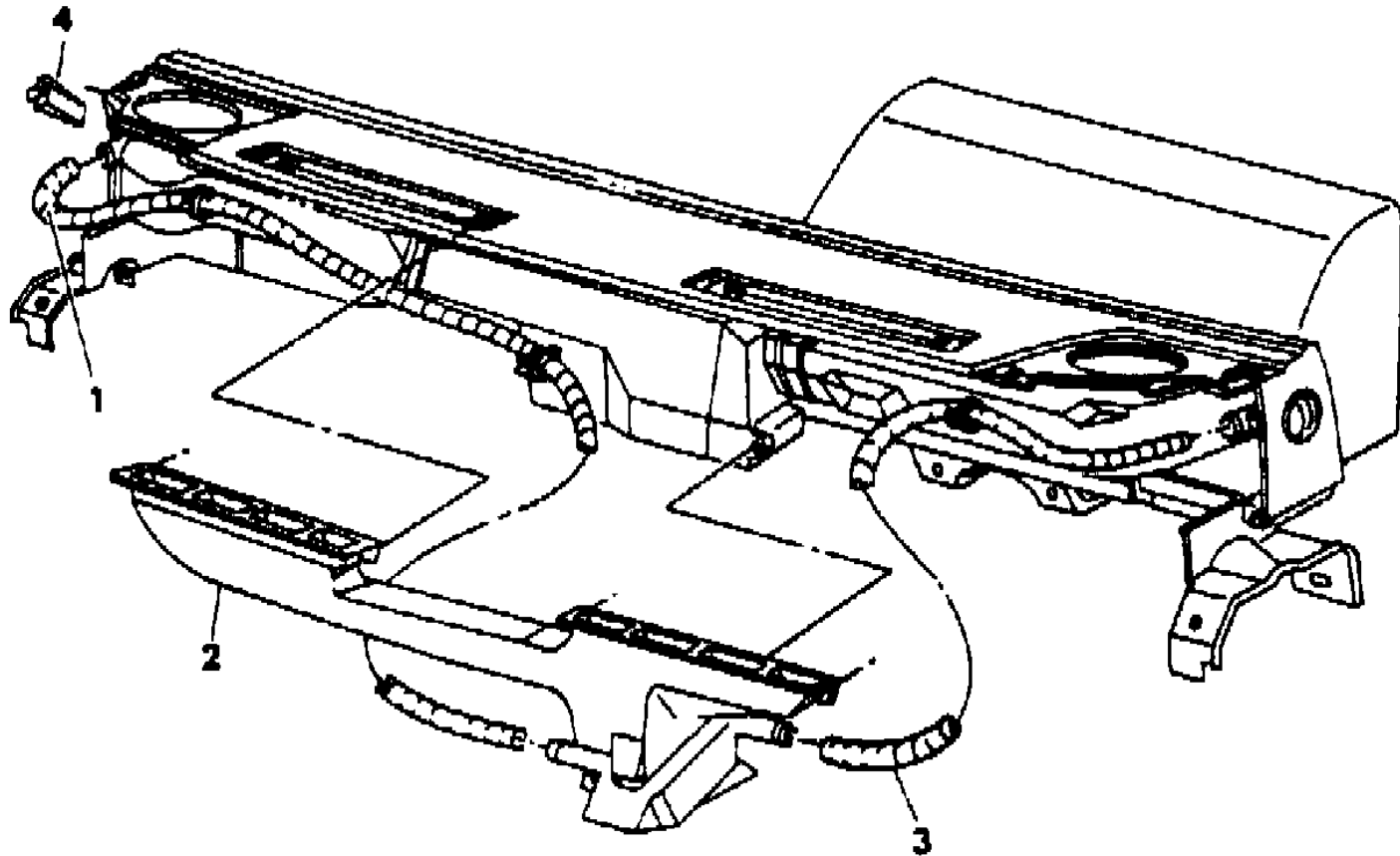
21 = 2-DOOR SEDAN	35 = FWD VAN	44 = 4-DOOR HATCHBACK
22 = 2-DOOR SPECIAL COUPE	36 = FWD WAGON	45 = 4-DOOR STATION WAGON
24 = 2-DOOR HATCHBACK	41 = 4-DOOR SEDAN	49 = LIMOUSINE
27 = 2-DOOR CONVERTIBLE		

AR = Use as Required - = Non Illustrated Part P.A.R. = Paint as Required

DEMISTER SYSTEM H,K
Figure 24-3500

5124 3500

ITEM	PART NUMBER	QTY	BODY	MODEL	DESCRIPTION
1	3848 348	1			HOSE, Heater, A/C Demister, Right
2	3848 345	1			DUCT, Heater, A/C Defroster Demister Adaptor
3	3848 349	1			HOSE, Heater, A/C Demister, Left
4	3848 313	2			OUTLET, Heater, A/C Demister



MODEL CODES

B = GRAN FURY	E = 600	M = HORIZON/TURISMO
C = LE BARON/TOWN & COUNTRY/LIMO	F = FIFTH AVENUE/NEWPORT	P = RELIANT
C24 = LASER	G = DIPLOMAT	T = NEW YORKER
C44 = LE BARON/GTS	H = VOYAGER	V = 600
D = ARIES	J = CARAVELLE	V24 = DAYTONA
D44 = LANCER	K = MINI VAN/CARAVAN/ROYAL	Z = OMNI/CHARGER

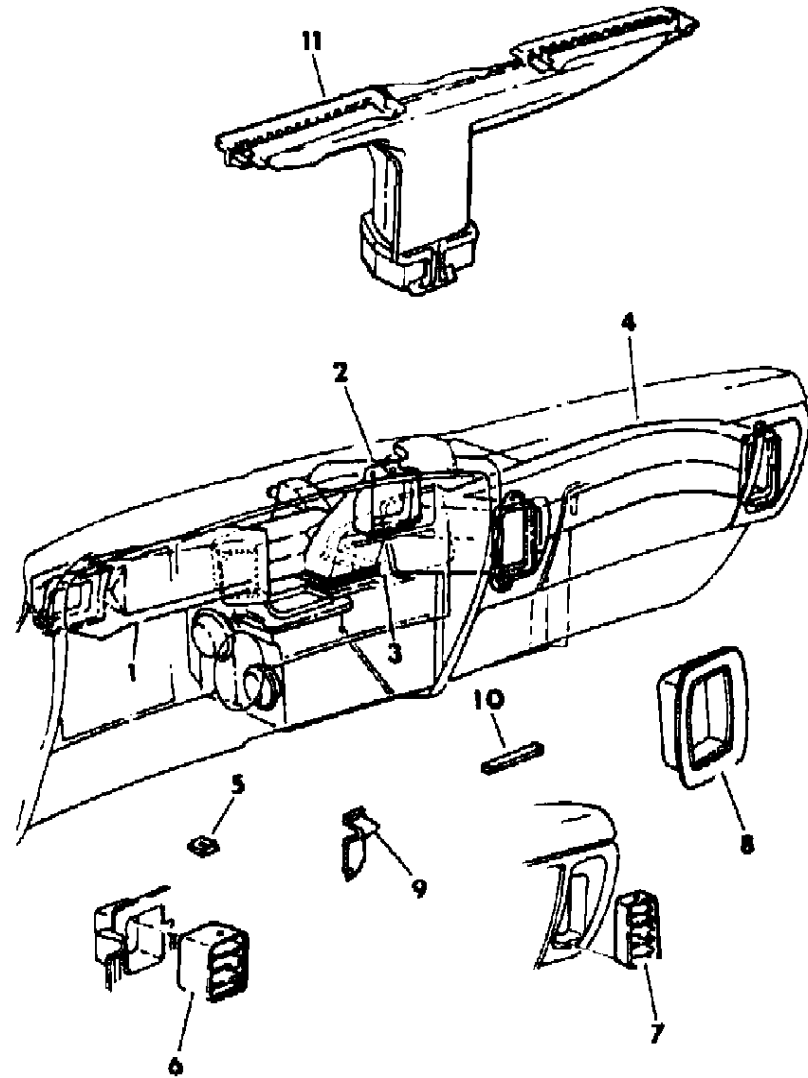
BODY STYLES

21 = 2-DOOR SEDAN	35 = FWD VAN	44 = 4-DOOR HATCHBACK
22 = 2-DOOR SPECIAL COUPE	36 = FWD WAGON	45 = 4-DOOR STATION WAGON
24 = 2-DOOR HATCHBACK	41 = 4-DOOR SEDAN	49 = LIMOUSINE
27 = 2-DOOR CONVERTIBLE		

AR = Use as Required - = Non Illustrated Part P.A.R. = Paint as Required

AIR DUCTS AND OUTLETS B,F,G
Figure 24-3600

5124 3600



ITEM	PART NUMBER	QTY	BODY	MODEL	DESCRIPTION
1	3846 421	1			DUCT, A/C Spot Cooler, Left
2	3847 401	1			DUCT, A/C, Left Center
3	3847 404	1			DUCT, A/C, Right Center
4	3846 418	1			DUCT, A/C Spot Cooler, Right
5	0152 490	2			U-NUT
6	3502 905	2			LOUVER, A/C Inst. Cluster Air Outlet
7	3502 934	2			LOUVER, A/C Inst. Panel Air Outlet
8	#3846 422	2			BEZEL, A/C Inst. Panel Air Outlet
9	#3846 412	4			CLIP, A/C Inst. Panel Air Outlet Bezel Retaining
10	3593 396	2			SEAL, A/C OUTLET, 10.30" Lg.
11	3503 863	1			DUCT, A/C Defroster

da & Export. 22 Model). Sheet metal parts for the C 49 not found on this illustration should be specified from the C 22 Models, as found elsewhere in this group.

xhaust System. Unleaded Fuel is required. 22 Model). Sheet metal parts for the C 49 not found on this illustration should be specified from the C 22 Models, as found elsewhere in this group.

h Lean Burn, California Emission Control or High Altitude Emission Control. 22 Model). Sheet metal parts for the C 49 not found on this illustration should be specified from the C 22 Models, as found elsewhere in this group.

State of California. 22 Model). Sheet metal parts for the C 49 not found on this illustration should be specified from the C 22 Models, as found elsewhere in this group.

00 feet elevation. 22 Model). Sheet metal parts for the C 49 not found on this illustration should be specified from the C 22 Models, as found elsewhere in this group.

MODEL CODES

B = GRAN FURY	E = 600	M = HORIZON/TURISMO
C = LE BARON/TOWN & COUNTRY/LIMO	F = FIFTH AVENUE/NEWPORT	P = RELIANT
C24 = LASER	G = DIPLOMAT	T = NEW YORKER
C44 = LE BARON/GTS	H = VOYAGER	V = 600
D = ARIES	J = CARAVELLE	V24 = DAYTONA
D44 = LANCER	K = MINI VAN/CARAVAN/ROYAL	Z = OMNI/CHARGER

BODY STYLES

21 = 2-DOOR SEDAN	35 = FWD VAN	44 = 4-DOOR HATCHBACK
22 = 2-DOOR SPECIAL COUPE	36 = FWD WAGON	45 = 4-DOOR STATION WAGON
24 = 2-DOOR HATCHBACK	41 = 4-DOOR SEDAN	49 = LIMOUSINE
27 = 2-DOOR CONVERTIBLE		

AR = Use as Required - = Non Illustrated Part P.A.R. = Paint as Required

GROUP 25 - EMISSION SYSTEMS

ILLUSTRATION NOT AVAILABLE AT TIME OF PUBLICATION

ILLUSTRATION TITLE	GROUP-FIG. NO.
AIR PUMP 1.6L ENGINE	Fig. 25-100
AIR PUMP TUBING 1.6L ENGINE	Fig. 25-200
AIR PUMP 2.2L ENGINE	Fig. 25-300
AIR PUMP TUBING 2.2L ENGINE EXC. H,K	Fig. 25-400
AIR PUMP TUBING 2.2L ENGINE H,K	Fig. 25-500
SECONDARY AIR SUPPLY 2.6L ENGINE H,K	Fig. 25-600
SECONDARY AIR SUPPLY 2.6L ENGINE EXC. H,K	Fig. 25-700
AIR PUMP 318 ENGINE	Fig. 25-800
AIR PUMP TUBING 318 ENGINE	Fig. 25-900
ASPIRATOR 1.6L ENGINE	Fig. 25-1000
ASPIRATOR 2.2L ENGINE EFI	Fig. 25-1025
ASPIRATOR 2.6L ENGINE H,K	Fig. 25-1100
ASPIRATOR 318 ENGINE	Fig. 25-1125
EGR SYSTEM 1.6L ENGINE	Fig. 25-1200
EGR HOSE HARNESS 1.6L ENGINE - FEDERAL AND CALIF.	Fig. 25-1300
EGR HOSE HARNESS 1.6L ENGINE - CANADA	Fig. 25-1400
EGR SYSTEM 2.2L ENGINE - EXC. TURBO - EXC. CANADA EXC. H,K	Fig. 25-1500
EGR HOSE HARNESS 2.2L ENGINE - EXC. TURBO - EXC. CANADA EXC. H,K	Fig. 25-1600
EGR SYSTEM 2.2L ENGINE - EXC. TURBO - CANADA EXC. H,K	Fig. 25-1700
EGR HOSE HARNESS 2.2L ENGINE - EXC. TURBO - CANADA M,Z	Fig. 25-1800
EGR HOSE HARNESS 2.2L ENGINE - EXC. TURBO - CANADA P,D,C,V	Fig. 25-1900
EGR SYSTEM 2.2L ENGINE - FEDERAL AND CANADA H,K	Fig. 25-2000
EGR HOSE HARNESS 2.2L ENGINE - FEDERAL H,K	Fig. 25-2100
EGR HOSE HARNESS 2.2L ENGINE - CANADA H,K	Fig. 25-2200
EGR SYSTEM 2.2L ENGINE - CALIF. AND HIGH ALT. H,K	Fig. 25-2300
EGR HOSE HARNESS 2.2L ENGINE - CALIF. AND HIGH ALT. H,K	Fig. 25-2400
EGR SYSTEM 2.2L ENGINE EFI	Fig. 25-2500
EGR HOSE HARNESS 2.2L ENGINE EFI	Fig. 25-2600
EGR SYSTEM 2.2L ENGINE TURBO	Fig. 25-2700
EGR HOSE HARNESS 2.2L ENGINE TURBO	Fig. 25-2800
EGR SYSTEM 2.6L ENGINE - FEDERAL AND CALIF. AND LIMO EXC. H,K	Fig. 25-2900
EGR SYSTEM 2.6L ENGINE - FEDERAL AND HIGH ALT. H,K	Fig. 25-3000
EGR SYSTEM 2.6L ENGINE - CALIF. H,K	Fig. 25-3100
EGR SYSTEM 2.6L ENGINE - CANADA - EXC. LIMO	Fig. 25-3200
EGR SYSTEM 318 ENGINE 2 BBL.	Fig. 25-3300
EGR HOSE HARNESS 318 ENGINE 2 BBL. - EXC. CANADA UP TO 1-14-85	Fig. 25-3400
EGR HOSE HARNESS 318 ENGINE 2 BBL. - EXC. CANADA AFTER 1-14-85	Fig. 25-3500
EGR HOSE HARNESS 318 ENGINE 2BBL. - CALIF. AFTER 4-15-85	Fig. 25-3600

GROUP 25 - EMISSION SYSTEMS

GROUP 25 - EMISSION SYSTEMS

ILLUSTRATION TITLE

GROUP-FIG. NO.

ILLUSTRATION TITLE

GROUP-FIG. NO.

M BODY B,F,G (Continued)

EGR HOSE HARNESS 318 ENGINE 2BBL. - CALIF. AFTER 4-15-85	Fig. 25-3600
EGR HOSE HARNESS 318 ENGINE 2 BBL. - CANADA	Fig. 25-3700
EGR SYSTEM 318 ENGINE 4 BBL.	Fig. 25-3800
EGR HOSE HARNESS 318 ENGINE 4 BBL.	Fig. 25-3900
VAPOR CANISTER 1.6L ENGINE	Fig. 25-4000
VAPOR CANISTER HOSE HARNESS 1.6L ENGINE - EXC. CANADA	Fig. 25-4100
VAPOR CANISTER HOSE HARNESS 1.6L ENGINE - CANADA	Fig. 25-4200
VAPOR CANISTER 2.2L ENGINE - EXC. TURBO M,Z	Fig. 25-4300
VAPOR CANISTER HOSE HARNESS 2.2L ENGINE - EXC. TURBO - EXC. CANADA M,Z	Fig. 25-4400
VAPOR CANISTER HOSE HARNESS 2.2L ENGINE - EXC. TURBO - CANADA M,Z	Fig. 25-4500
VAPOR CANISTER 2.2L ENGINE - EXC. EFI AND TURBO P,D,C,V,J,E,T	Fig. 25-4600
VAPOR CANISTER HOSE HARNESS 2.2L ENGINE - EXC. EFI AND TURBO - EXC. CANADA P,D,C,V,J,E,T	Fig. 25-4700
VAPOR CANISTER HOSE HARNESS 2.2L ENGINE - EXC. EFI AND TURBO - CANADA P,D,C,V,J,E,T	Fig. 25-4800
VAPOR CANISTER 2.2L ENGINE H,K	Fig. 25-4900
VAPOR CANISTER HOSE HARNESS 2.2L ENGINE - FEDERAL H,K	Fig. 25-5000
VAPOR CANISTER HOSE HARNESS 2.2L ENGINE - CALIF. AND HIGH ALT. H,K	Fig. 25-5100
VAPOR CANISTER HOSE HARNESS 2.2L ENGINE - CANADA H,K	Fig. 25-5200
VAPOR CANISTER HOSE HARNESS - DAMPENING CANISTER 2.2L ENGINE H,K	Fig. 25-5300
VAPOR CANISTER 2.2L ENGINE EFI	Fig. 25-5400
VAPOR CANISTER HOSE HARNESS 2.2L ENGINE EFI	Fig. 25-5500
VAPOR CANISTER 2.2L ENGINE TURBO	Fig. 25-5600
VAPOR CANISTER HOSE HARNESS 2.2L ENGINE TURBO	Fig. 25-5700
QUAD VACUUM SOLENOID HOSE HARNESS 2.2L ENGINE TURBO M,Z	Fig. 25-5800
QUAD VACUUM SOLENOID HOSE HARNESS 2.2L ENGINE TURBO P,D,C,V,J,E,T	Fig. 25-5900
M.A.P SENSOR JUMPER TUBE 2.2L ENGINE EFI AND TURBO	Fig. 25-6000
VAPOR CANISTER 2.6L ENGINE P,D,C,V,J,E,T	Fig. 25-6100
VAPOR CANISTER HOSE HARNESS - VAPOR TUBE 2.6L ENGINE - W/O AIR COND. P,D,C,V,J,E,T	Fig. 25-6200
VAPOR CANISTER HOSE HARNESS - VAPOR TUBE 2.6L ENGINE - W/AIR COND. P,D,C,V,J,E,T	Fig. 25-6300
VAPOR CANISTER HOSE HARNESS - BOWL VENT 2.6L ENGINE P,D,C,V,J,E,T	Fig. 25-6400
VAPOR CANISTER 2.6L ENGINE H,K	Fig. 25-6500
VAPOR CANISTER HOSE HARNESS - VAPOR ENGINE 2.6L ENGINE - W/O AIR COND. H,K	Fig. 25-6600
VAPOR CANISTER HOSE HARNESS - VAPOR ENGINE 2.6L ENGINE - W/AIR COND. H,K	Fig. 25-6700
VAPOR CANISTER HOSE HARNESS - BOWL VENT 2.6L ENGINE - FEDERAL H,K	Fig. 25-6800
VAPOR CANISTER HOSE HARNESS - BOWL VENT 2.6L ENGINE - HIGH ALT. H,K	Fig. 25-6900
VAPOR CANISTER HOSE HARNESS - BOWL VENT 2.6L ENGINE - CALIF. H,K	Fig. 25-7000

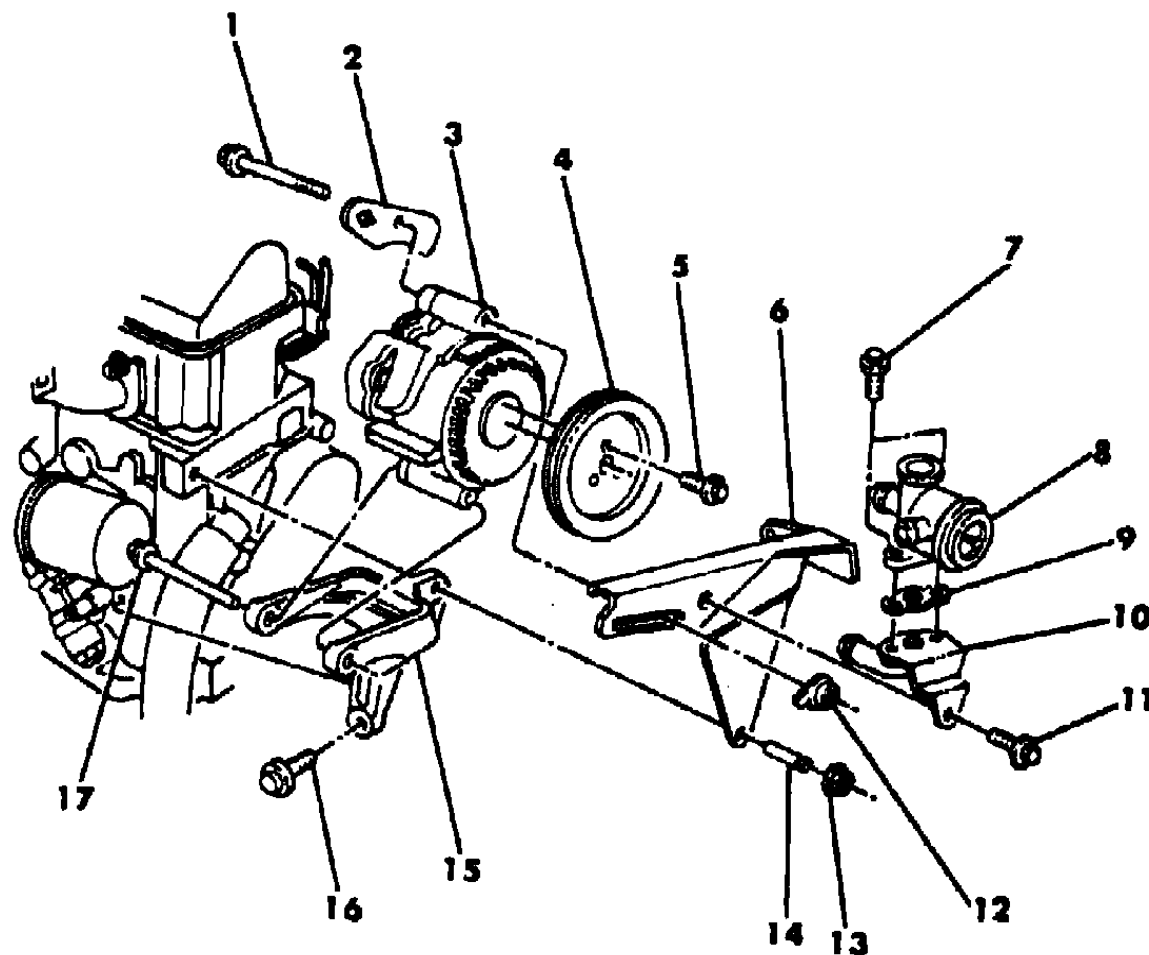
M BODY B,F,G (Continued)

VAPOR CANISTER HOSE HARNESS - BOWL VENT 2.6L ENGINE - CALIF. H,K	Fig. 25-7000
VAPOR CANISTER HOSE HARNESS - BOWL VENT 2.6L ENGINE - CANADA H,K	Fig. 25-7100
VAPOR CANISTER HOSE HARNESS - DAMPENING CANISTER 2.6L ENGINE H,K	Fig. 25-7200
VAPOR CANISTER 318 ENGINE	Fig. 25-7300
VAPOR CANISTER HOSE HARNESS 318 ENGINE 2 BBL. - EXC. CANADA	Fig. 25-7400
VAPOR CANISTER HOSE HARNESS 318 ENGINE 2 BBL. - CANADA	Fig. 25-7500
VAPOR CANISTER HOSE HARNESS 318 ENGINE 4 BBL.	Fig. 25-7600
CHOKE PULL OFF DELAY HARNESS	Fig. 25-7700
EMISSION LABEL AND CONTROLS	Fig. 25-7900

AIR PUMP 1.6L ENGINE
Figure 25-100

ITEM	PART NUMBER	QTY	BODY	MODEL	DESCRIPTION
1	6500 531	1			SCREW w/WASHER
2	4273 150	1			BRACKET, Air Pump Adj. - Rear
3	4267 228	1			PUMP, Air
4	4268 416	1			PULLEY, Air Pump
5	6500 136	3			SCREW w/WASHER
6	4273 078	1			BRACKET, Air Pump Adj. - Front
7	6500 423	2			SCREW w/WASHER
8	4275 053	1			VALVE, Air Switch & Relief
9	4179 700	1			GASKET, Air Switch & Relief Valve
10	4268 786	1			BRACKET, Air Switch & Relief Valve
11	6500 739	1			SCREW w/WASHER
12	6501 073	1			NUT, Stamped
13	6100 519	1			NUT, Locking
14	6501 005	1			STUD
15	4273 165	1			BRACKET, Air Pump Mtg.
16	6500 584	1			SCREW w/WASHER
17	6500 531	1			SCREW w/WASHER

5125 100



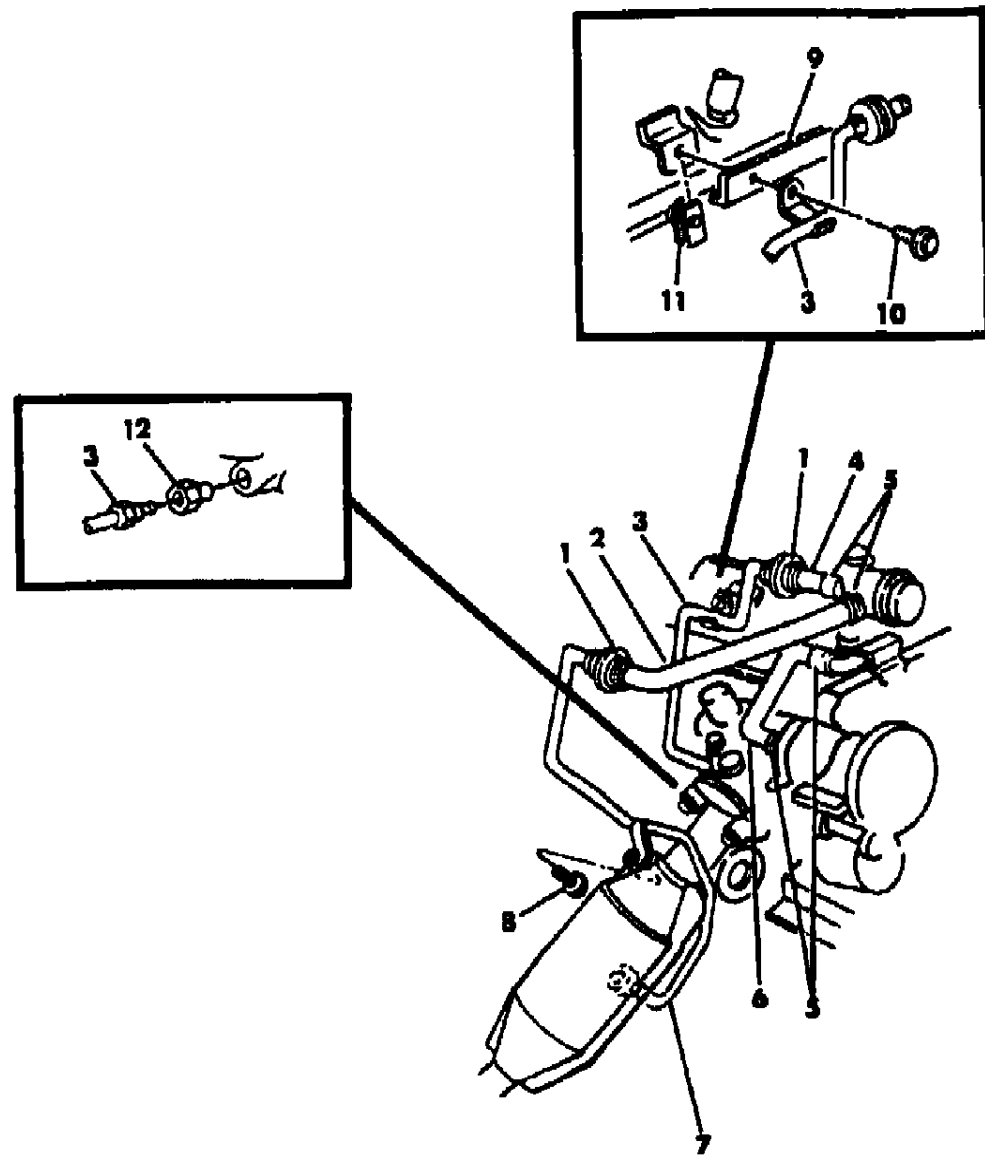
MODEL CODES
 B = GRAN FURY
 C = LE BARON/TOWN & COUNTRY/LIMO
 C24 = LASER
 C44 = LE BARON/GTS
 D = ARIES
 D44 = LANCER
 E = 600
 F = FIFTH AVENUE/NEWPORT
 G = DIPLOMAT
 H = VOYAGER
 J = CARAVELLE
 K = MINI VAN/CARAVAN/ROYAL
 M = HORIZON/TURISMO
 P = RELIANT
 T = NEW YORKER
 V = 600
 V24 = DAYTONA
 Z = OMNI/CHARGER

BODY STYLES
 21 = 2-DOOR SEDAN
 22 = 2-DOOR SPECIAL COUPE
 24 = 2-DOOR HATCHBACK
 27 = 2-DOOR CONVERTIBLE
 35 = FWD VAN
 36 = FWD WAGON
 41 = 4-DOOR SEDAN
 44 = 4-DOOR HATCHBACK
 45 = 4-DOOR STATION WAGON
 49 = LIMOUSINE

AR = Use as Required - = Non Illustrated Part P.A.R. = Paint as Required

AIR PUMP TUBING 1.6L ENGINE
Figure 25-200

5125 200 A



ITEM	PART NUMBER	QTY	BODY	MODEL	DESCRIPTION
1	2448 762	2			CLAMP
2	4275 837	1			HOSE, Air Switch & Relief Valve to Catalyst Tube
3	4275 838	1			TUBE, Air Switch & Relief Valve to Exh. Man.
4	4268 784	1			HOSE, Air Switch & Relief Valve to Exh. Man. Tube
5	2448 761	4			CLAMP
6	4268 782	1			HOSE, Air Pump to Air Switch & Relief Valve
7	4268 789	1			TUBE, Air Switch & Relief Valve to Catalyst
8	6100 557	1			SCREW w/WASHER
9	4274 949	1			BRACKET, Clip Locator
10	6100 275	1			SCREW w/WASHER
11	6100 041	1			U/NUT
12	6032 290	1			ADAPTER, Exhaust Manifold

MODEL CODES

B = GRAN FURY	E = 600	M = HORIZON/TURISMO
C = LE BARON/TOWN & COUNTRY/LIMO	F = FIFTH AVENUE/NEWPORT	P = RELIANT
C24 = LASER	G = DIPLOMAT	T = NEW YORKER
C44 = LE BARON/GTS	H = VOYAGER	V = 600
D = ARIES	J = CARAVELLE	V24 = DAYTONA
D44 = LANCER	K = MINI VAN/CARAVAN/ROYAL	Z = OMNI/CHARGER

BODY STYLES

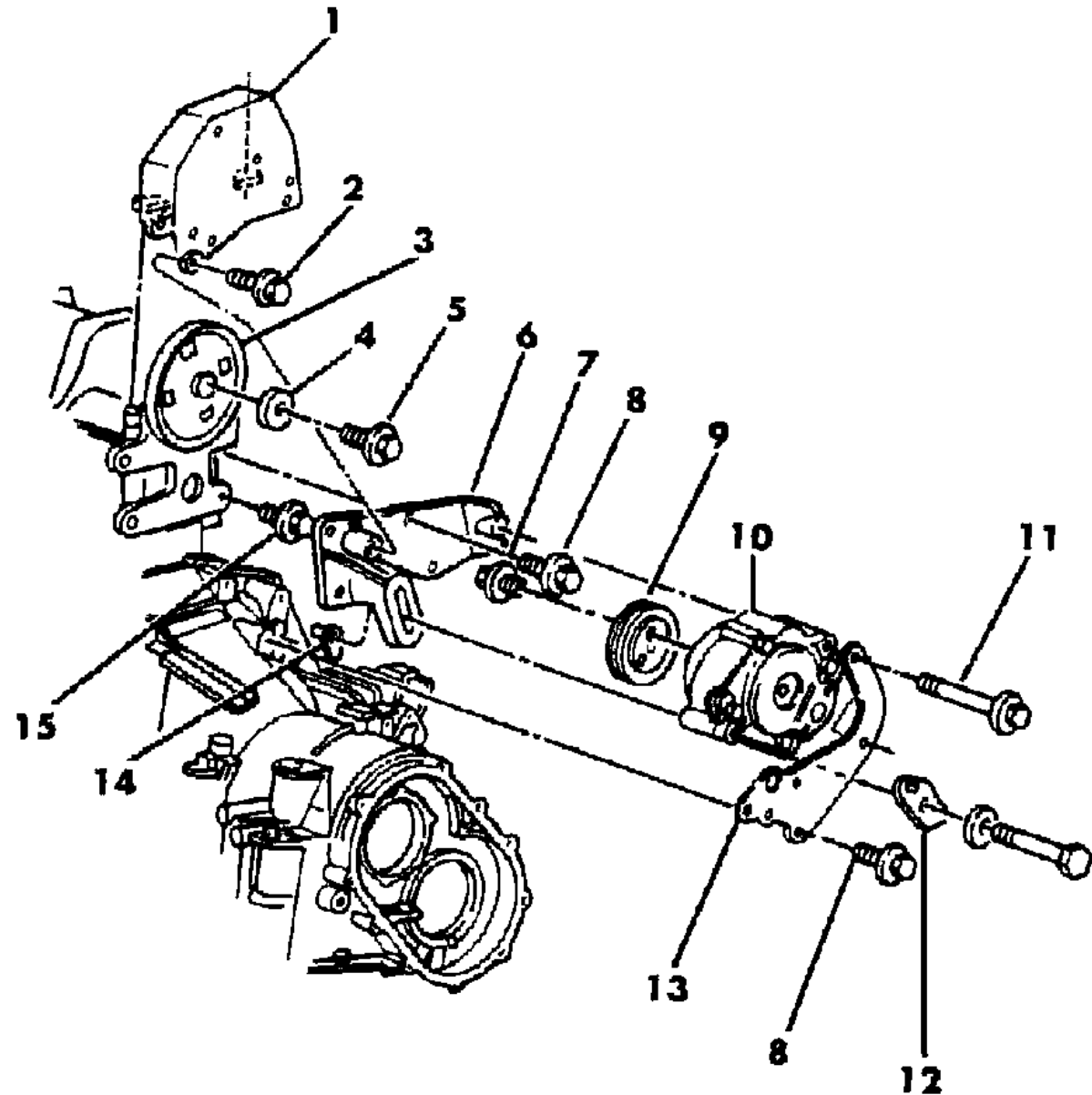
21 = 2-DOOR SEDAN	35 = FWD VAN	44 = 4-DOOR HATCHBACK
22 = 2-DOOR SPECIAL COUPE	36 = FWD WAGON	45 = 4-DOOR STATION WAGON
24 = 2-DOOR HATCHBACK	41 = 4-DOOR SEDAN	49 = LIMOUSINE
27 = 2-DOOR CONVERTIBLE		

AR = Use as Required - = Non Illustrated Part P.A.R. = Paint as Required

AIR PUMP 2.2L ENGINE
Figure 25-300

5125300

ITEM	PART NUMBER	QTY	BODY	MODEL	DESCRIPTION
1	4105 496	1			SHIELD, Air Pump Drive Pulley
2	6500 217	1			SCREW w/WASHER
3	5214 518	1			PULLEY, Air Pump Drive
4	4323 229	1			WASHER
5	6500 134	1			SCREW w/WASHER
6	4298 106	1			BRACKET, Air Pump Adj. & Mtg.
7	6500 136	3			SCREW w/WASHER
8	6500 374	6			SCREW w/WASHER
9	5203 585	1			PULLEY, Air Pump
10	4267 227	1			PUMP, Air
11	6500 531	1			SCREW w/WASHER
12	4273 150	2			BRACKET, Air Pump Adj.
13	4273 226	1			BRACKET, Air Pump Mtg. - Rear
14	6501 073	1			NUT
15	6500 267	4			SCREW w/WASHER w/o Air Pump



MODEL CODES

B = GRAN FURY	E = 600	M = HORIZON/TURISMO
C = LE BARON/TOWN & COUNTRY/LIMO	F = FIFTH AVENUE/NEWPORT	P = RELIANT
C24 = LASER	G = DIPLOMAT	T = NEW YORKER
C44 = LE BARON/GTS	H = VOYAGER	V = 600
D = ARIES	J = CARAVELLE	V24 = DAYTONA
D44 = LANCER	K = MINI VAN/CARAVAN/ROYAL	Z = OMNI/CHARGER

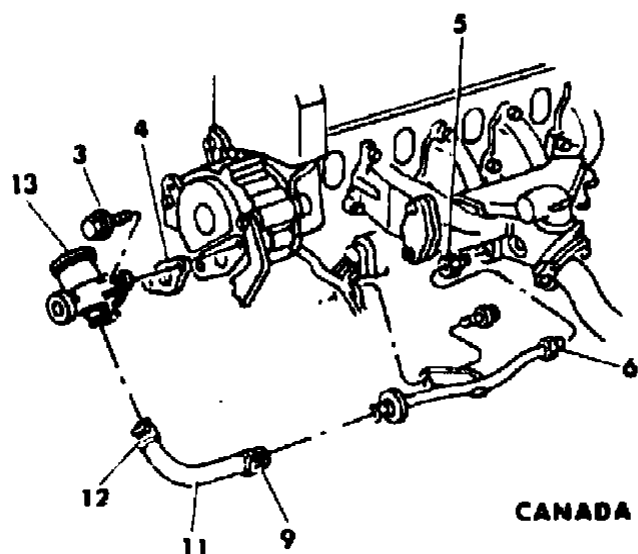
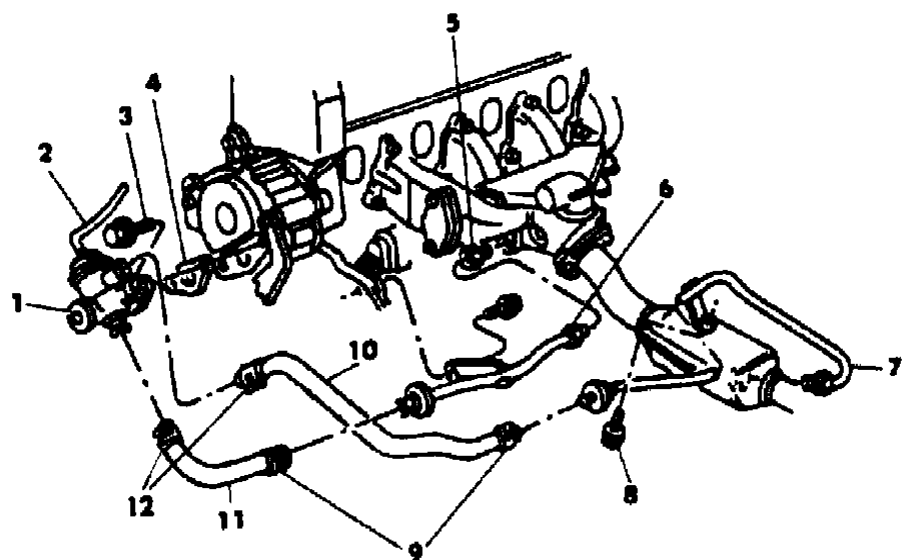
BODY STYLES

21 = 2-DOOR SEDAN	35 = FWD VAN	44 = 4-DOOR HATCHBACK
22 = 2-DOOR SPECIAL COUPE	36 = FWD WAGON	45 = 4-DOOR STATION WAGON
24 = 2-DOOR HATCHBACK	41 = 4-DOOR SEDAN	49 = LIMOUSINE
27 = 2-DOOR CONVERTIBLE		

AR = Use as Required - = Non Illustrated Part P.A.R. = Paint as Required

AIR PUMP TUBING 2.2L ENGINE EXC. H,K
Figure 25-400

5125400 A



ITEM	PART NUMBER	QTY	BODY	MODEL	DESCRIPTION
1	4275 053	1			VALVE, Air Switch & Relief
2	4201 247	1			HOSE, Vacuum
3	6500 423	2			BOLT
4	4179 700	1			GASKET
5	6032 290	1			ADAPTER, Exhaust Manifold
6	4307 802	1			TUBE, Comb. Valve to Exh. Man.
7	4300 393	1		M,Z	TUBE, Comb. Valve to Catalyst Downstream
	4275 816	1		P,D,C,V	exc. C,V-24 & C,D-44
8	6100 557	1			SCREW w/WASHER
9	2448 761	AR			CLAMP
10	4227 168	1		M,Z	HOSE, Air Switch & Relief Valve to Cata. Tube
	4275 815	1		P,D,C,V	exc. C,V-24 & C,D-44
11	4241 670	1			HOSE, Valve to Exhaust Manifold Tube
12	2448 762	AR			CLAMP
13	4241 972	1			VALVE, Relief

MODEL CODES

B = GRAN FURY	E = 600	M = HORIZON/TURISMO
C = LE BARON/TOWN & COUNTRY/LIMO	F = FIFTH AVENUE/NEWPORT	P = RELIANT
C24 = LASER	G = DIPLOMAT	T = NEW YORKER
C44 = LE BARON/GTS	H = VOYAGER	V = 600
D = ARIES	J = CARAVELLE	V24 = DAYTONA
D44 = LANCER	K = MINI VAN/CARAVAN/ROYAL	Z = OMNI/CHARGER

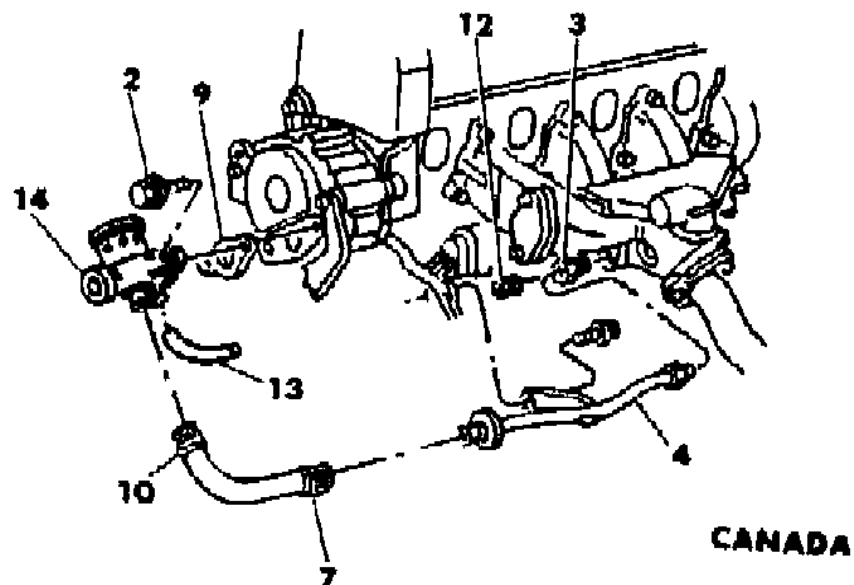
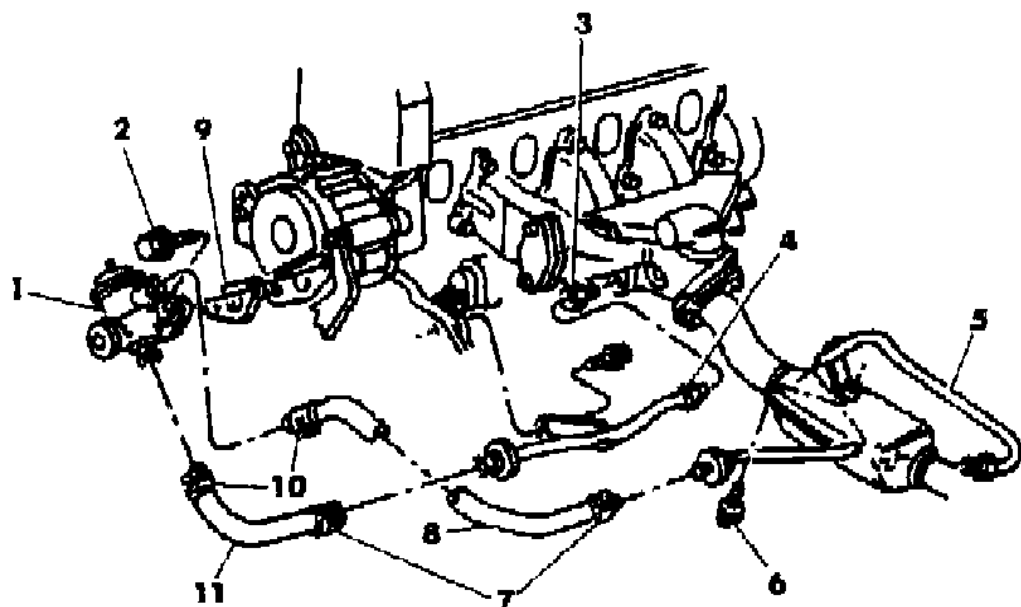
BODY STYLES

21 = 2-DOOR SEDAN	35 = FWD VAN	44 = 4-DOOR HATCHBACK
22 = 2-DOOR SPECIAL COUPE	36 = FWD WAGON	45 = 4-DOOR STATION WAGON
24 = 2-DOOR HATCHBACK	41 = 4-DOOR SEDAN	49 = LIMOUSINE
27 = 2-DOOR CONVERTIBLE		

AR = Use as Required - = Non Illustrated Part P.A.R. = Paint as Required

AIR PUMP TUBING 2.2L ENGINE H,K
Figure 25-500

5125 500



ITEM	PART NUMBER	QTY	BODY	MODEL	DESCRIPTION
1	4275 053	1			VALVE, Air Switch & Relief
2	6500 423	2			BOLT
3	6032 290	1			ADAPTER, Exhaust Manifold
4	4307 802	1			TUBE, Comb. Valve to Exhaust Manifold
5					TUBE, Air Switch & Relief Valve to Catalyst
	4275 383	1			up to 11-1-84
	4300 357	1			after 11-1-84
6	6100 557	1			SCREW w/WASHER
7	2448 761	2			CLAMP
8					HOSE, Comb. Valve to Catalyst or Exhaust Pipe Tube
	4275 833	1			up to 11-1-84
	4300 356	1			after 11-1-84
9	4179 700	1			GASKET
10	2448 762	2			CLAMP
11	4241 670	1			HOSE, Comb. Valve to Exhaust Manifold Tube
12		1			PLUG w/o Air Pump (not serviced)
13	4105 167	1			HOSE, Air Pump
14	4241 972	1			VALVE, Air Relief

MODEL CODES

B = GRAN FURY	E = 600	M = HORIZON/TURISMO
C = LE BARON/TOWN & COUNTRY/LIMO	F = FIFTH AVENUE/NEWPORT	P = RELIANT
C24 = LASER	G = DIPLOMAT	T = NEW YORKER
C44 = LE BARON/GTS	H = VOYAGER	V = 600
D = ARIES	J = CARAVELLE	V24 = DAYTONA
D44 = LANCER	K = MINI VAN/CARAVAN/ROYAL	Z = OMNI/CHARGER

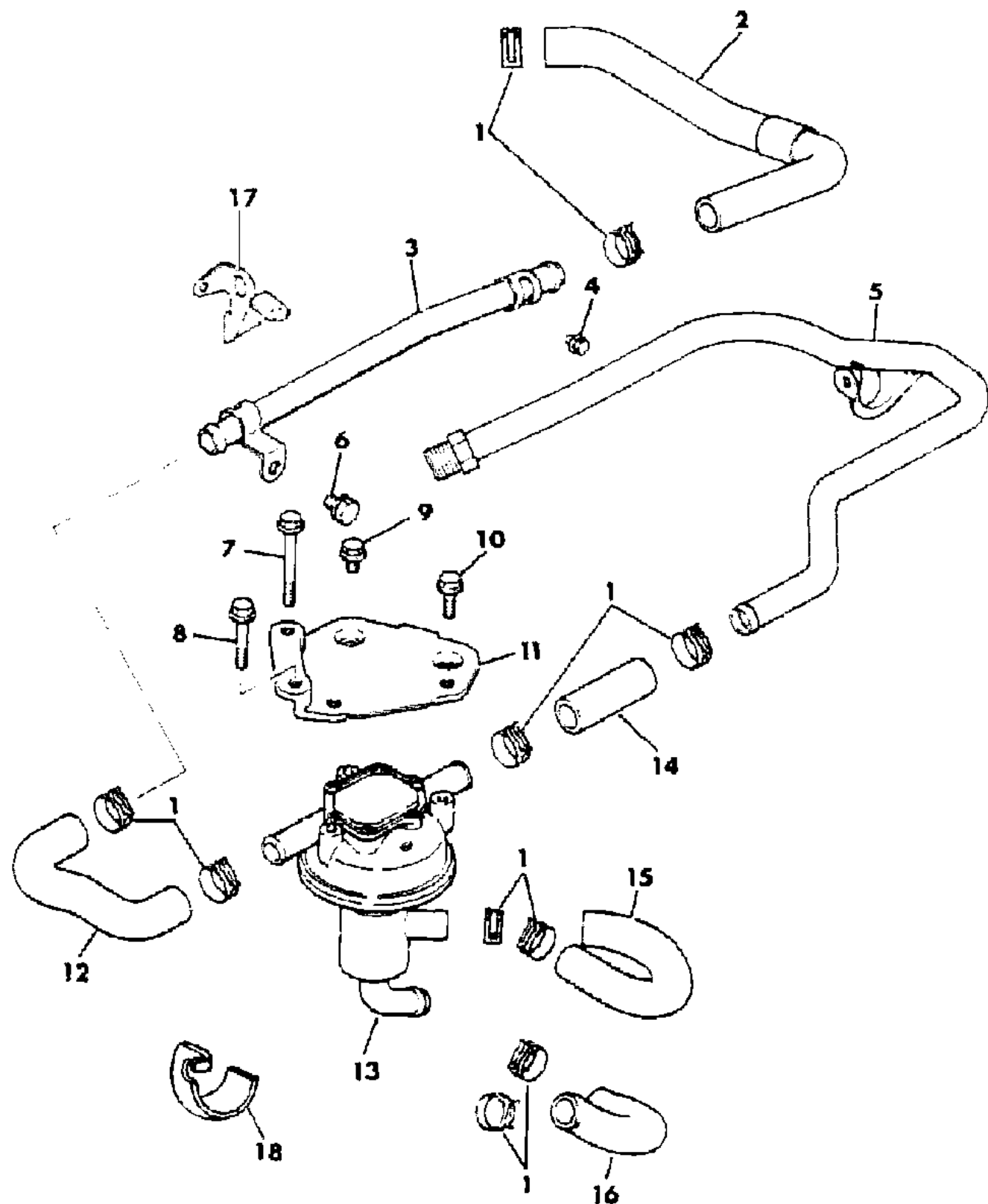
BODY STYLES

21 = 2-DOOR SEDAN	35 = FWD VAN	44 = 4-DOOR HATCHBACK
22 = 2-DOOR SPECIAL COUPE	36 = FWD WAGON	45 = 4-DOOR STATION WAGON
24 = 2-DOOR HATCHBACK	41 = 4-DOOR SEDAN	49 = LIMOUSINE
27 = 2-DOOR CONVERTIBLE		

AR = Use as Required - = Non Illustrated Part P.A.R. = Paint as Required

SECONDARY AIR SUPPLY 2.6L ENGINE H,K
Figure 25-600

5125 600 A



ITEM	PART NUMBER	QTY	BODY	MODEL	DESCRIPTION
1	MS66 0170	6			CLIP, Hose (26)
2	MD02 5123	1			HOSE, Air
3	MD02 5122	1			PIPE, Air
4	MF24 4822	1			BOLT, Washer Assembled (6x12)
5					PIPE, Air
	MD02 7227	1			w/Calif.
	4300 369	1			w/High. Alt.
6	MF24 0078	1			BOLT, Washer Assembled (10x16)
7	MF14 0040	1			BOLT, Flange (8x75)
8	MF14 0035	1			BOLT, Flange (8x50)
9	MF14 0021	3			BOLT, Flange (8x12)
10	MF14 0029	1			BOLT, Flange (8x30)
11	MD02 5585	1			BRACKET
12	MD02 4774	1			HOSE, Air
13	MD02 5587	1			PULSE AIR FEEDER
14	MD02 5566	1			HOSE, Air
15	MD02 5686	1			HOSE, Pulse
16	MD02 5687	1			HOSE, Pulse
17	MD08 7662	1			BRACKET w/High Alt.
18	MD06 9117	1			CLAMP, Air Hose w/High Alt.

MODEL CODES

B = GRAN FURY	E = 600	M = HORIZON/TURISMO
C = LE BARON/TOWN & COUNTRY/LIMO	F = FIFTH AVENUE/NEWPORT	P = RELIANT
C24 = LASER	G = DIPLOMAT	T = NEW YORKER
C44 = LE BARON/GTS	H = VOYAGER	V = 600
D = ARIES	J = CARAVELLE	V24 = DAYTONA
D44 = LANCER	K = MINI VAN/CARAVAN/ROYAL	Z = OMNI/CHARGER

BODY STYLES

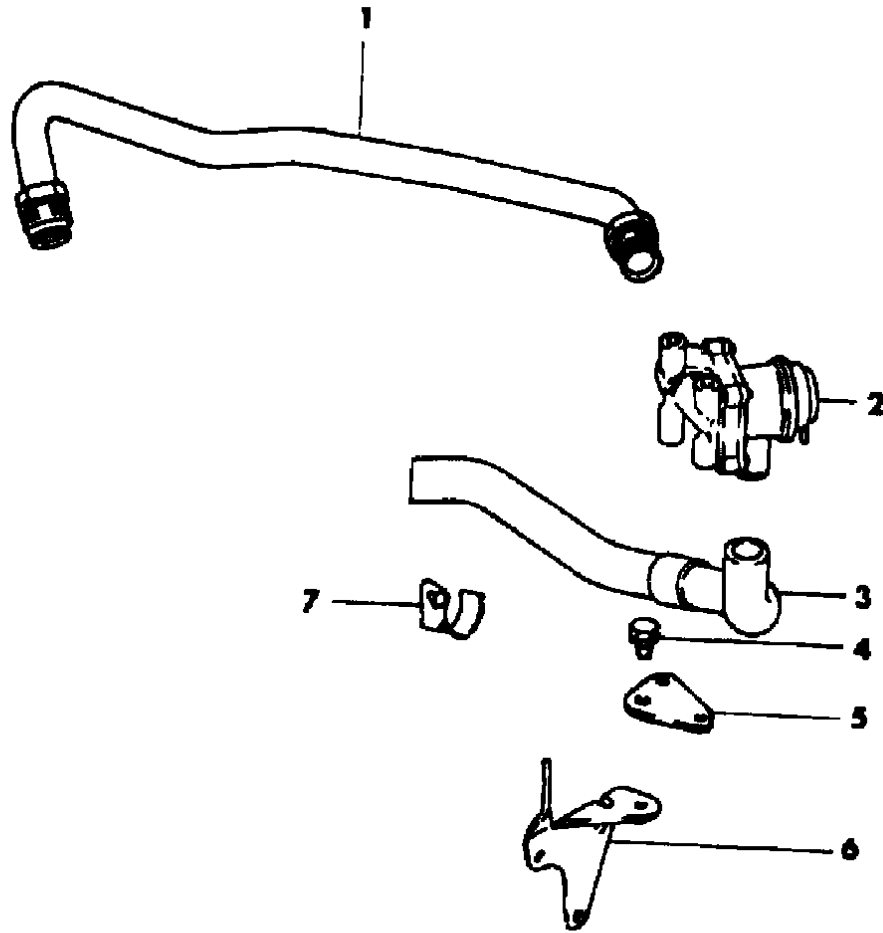
21 = 2-DOOR SEDAN	35 = FWD VAN	44 = 4-DOOR HATCHBACK
22 = 2-DOOR SPECIAL COUPE	36 = FWD WAGON	45 = 4-DOOR STATION WAGON
24 = 2-DOOR HATCHBACK	41 = 4-DOOR SEDAN	49 = LIMOUSINE
27 = 2-DOOR CONVERTIBLE		

AR = Use as Required - = Non Illustrated Part P.A.R. = Paint as Required

SECONDARY AIR SUPPLY 2.6L ENGINE EXC. H,K
Figure 25-700

5125 700

ITEM	PART NUMBER	QTY	BODY	MODEL	DESCRIPTION
1	MD07 0897	1			PIPE ASSY., Air
2	MD07 1430	1			VALVE ASSY., Reed
3	MD06 9114	1			HOSE, Air
4	MF24 3650	3			BOLT w/WASHER (8 x 18)
5	MD06 7934	1			BRACKET, Reed Valve (A)
6	MD06 9116	1			BRACKET, Reed Valve (B)
7	MD06 9117	1			CLAMP, Air Hose



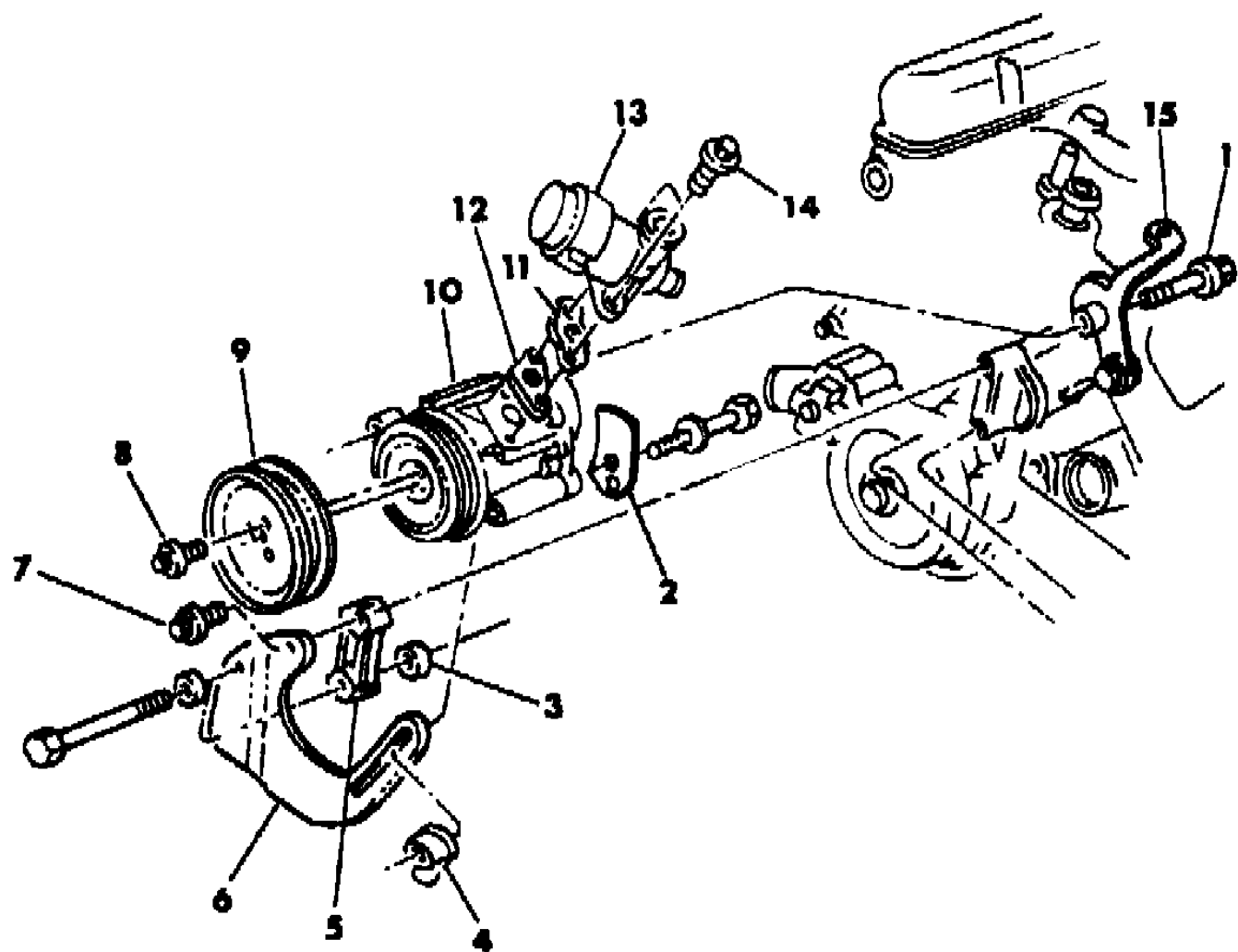
MODEL CODES
 B = GRAN FURY
 C = LE BARON/TOWN & COUNTRY/LIMO
 C24 = LASER
 C44 = LE BARON/GTS
 D = ARIES
 D44 = LANCER
 E = 600
 F = FIFTH AVENUE/NEWPORT
 G = DIPLOMAT
 H = VOYAGER
 J = CARAVELLE
 K = MINI VAN/CARAVAN/ROYAL
 M = HORIZON/TURISMO
 P = RELIANT
 T = NEW YORKER
 V = 600
 V24 = DAYTONA
 Z = OMNI/CHARGER

BODY STYLES
 21 = 2-DOOR SEDAN
 22 = 2-DOOR SPECIAL COUPE
 24 = 2-DOOR HATCHBACK
 27 = 2-DOOR CONVERTIBLE
 35 = FWD VAN
 36 = FWD WAGON
 41 = 4-DOOR SEDAN
 44 = 4-DOOR HATCHBACK
 45 = 4-DOOR STATION WAGON
 49 = LIMOUSINE

AR = Use as Required - = Non Illustrated Part P.A.R. = Paint as Required

AIR PUMP 318 ENGINE
Figure 25-800

5125 800 A



ITEM	PART NUMBER	QTY	BODY	MODEL	DESCRIPTION
1	6101 375	1			SCREW w/WASHER
2	4273 150	1			BRACKET, Air Pump Adj.
3		1			SPACER (not serviced)
4	0152 344	1			NUT, Stamped
5	4179 440	1			SPACER
6	4179 910	1			BRACKET, Air Pump Mtg. - Front
7	6500 158	1			SCREW w/WASHER
8	6500 137	3			SCREW w/WASHER
9	3870 088	1			PULLEY, Air Pump
10	4268 963	1			PUMP, Air
11	4179 700	1			GASKET, Air Sw. & Relief Valve or Diverter Valve
12	4241 252	1			ADAPTER, Pressure Tap
13	4179 719	1			VALVE, Diverter
	4227 670	1			VALVE, Air Switch & Relief
14	6500 423	2			BOLT
15					BRACKET, Air Pump Mtg. - Rear
	4201 473	1			2 Bbl.
	4323 380	1			4 Bbl.

MODEL CODES

B = GRAN FURY	E = 600	M = HORIZON/TURISMO
C = LE BARON/TOWN & COUNTRY/LIMO	F = FIFTH AVENUE/NEWPORT	P = RELIANT
C24 = LASER	G = DIPLOMAT	T = NEW YORKER
C44 = LE BARON/GTS	H = VOYAGER	V = 600
D = ARIES	J = CARAVELLE	V24 = DAYTONA
D44 = LANCER	K = MINI VAN/CARAVAN/ROYAL	Z = OMNI/CHARGER

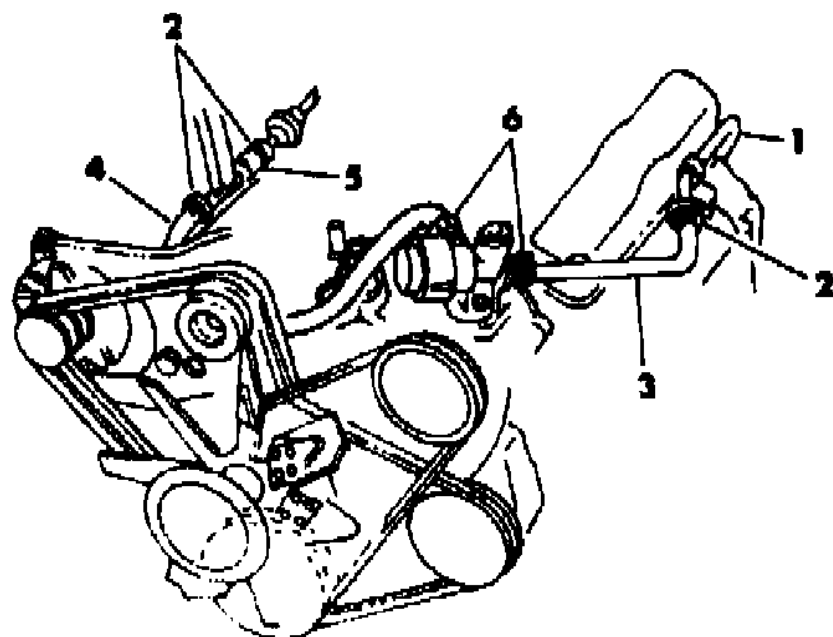
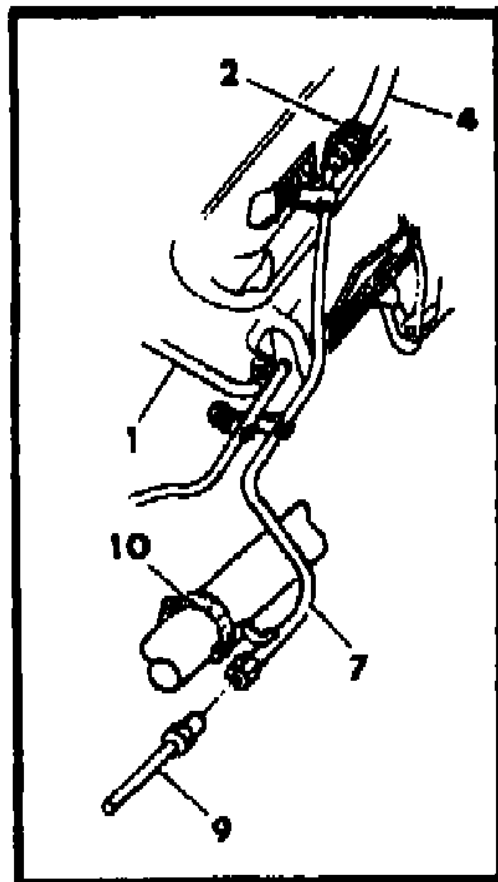
BODY STYLES

21 = 2-DOOR SEDAN	35 = FWD VAN	44 = 4-DOOR HATCHBACK
22 = 2-DOOR SPECIAL COUPE	36 = FWD WAGON	45 = 4-DOOR STATION WAGON
24 = 2-DOOR HATCHBACK	41 = 4-DOOR SEDAN	49 = LIMOUSINE
27 = 2-DOOR CONVERTIBLE		

AR = Use as Required - = Non Illustrated Part P.A.R. = Paint as Required

AIR PUMP TUBING 318 ENGINE
Figure 25-900

5125 900 A



ITEM	PART NUMBER	QTY	BODY	MODEL	DESCRIPTION
1	4179 893	1			VALVE, Crossover Air Inj. & Exh. Check
2	2448 761	AR			CLAMP
3	4179 884	1			HOSE, Div. or Comb. Valve to Air Inj. Tube or Crossover
4	4179 885	1			HOSE, Air Switch Valve to Cat. Tube
5	4227 946	1			HOSE, Press. Purge Nipple to Cat. Conv. Tube
6	3870 465	AR			CLAMP
7	4104 161	1			TUBE, Air Switch Valve to Catalyst Downstream
8	4275 834	2			GASKET, Air Inj. Tube
	3751 249	2			COVER, Exh. Man. Air Inj.
9	4150 638	1			TUBE, Airline to Catalytic Converter
10	2448 763	1			CLAMP

MODEL CODES

B = GRAN FURY	E = 600	M = HORIZON/TURISMO
C = LE BARON/TOWN & COUNTRY/LIMO	F = FIFTH AVENUE/NEWPORT	P = RELIANT
C24 = LASER	G = DIPLOMAT	T = NEW YORKER
C44 = LE BARON/GTS	H = VOYAGER	V = 600
D = ARIES	J = CARAVELLE	V24 = DAYTONA
D44 = LANCER	K = MINI VAN/CARAVAN/ROYAL	Z = OMNI/CHARGER

BODY STYLES

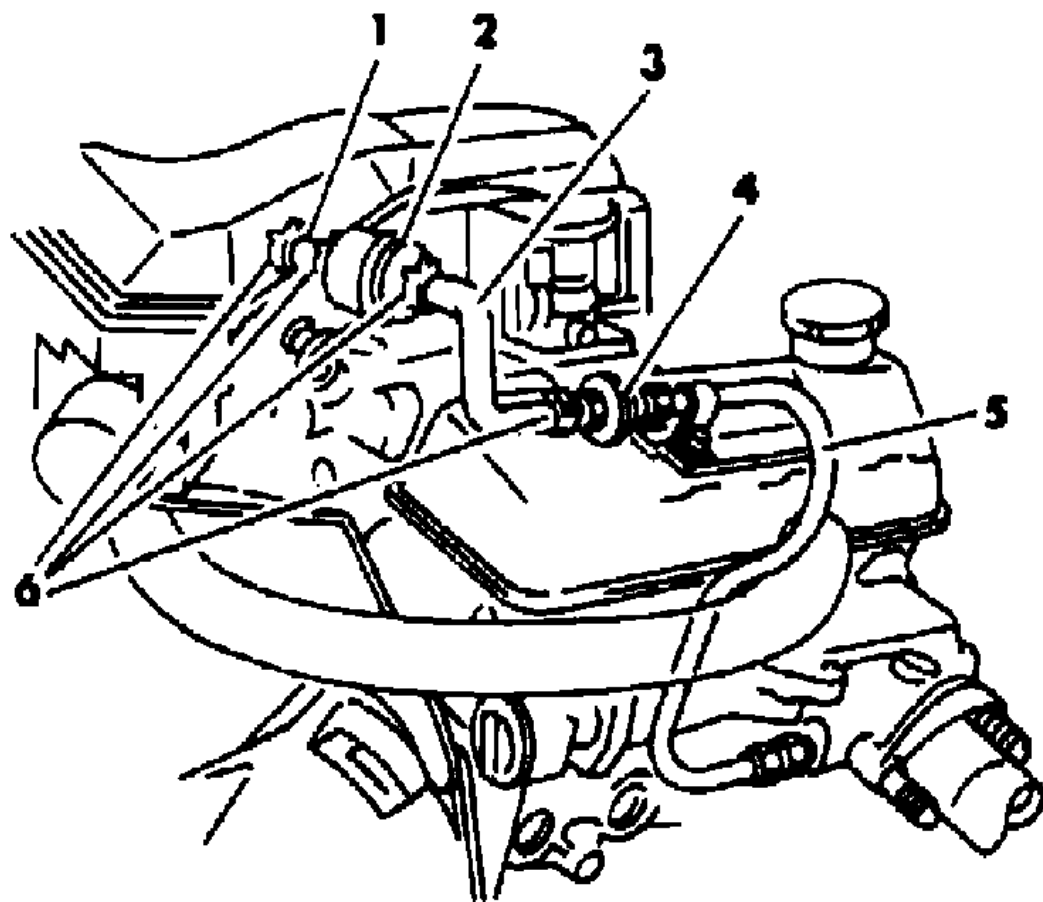
21 = 2-DOOR SEDAN	35 = FWD VAN	44 = 4-DOOR HATCHBACK
22 = 2-DOOR SPECIAL COUPE	36 = FWD WAGON	45 = 4-DOOR STATION WAGON
24 = 2-DOOR HATCHBACK	41 = 4-DOOR SEDAN	49 = LIMOUSINE
27 = 2-DOOR CONVERTIBLE		

AR = Use as Required - = Non Illustrated Part P.A.R. = Paint as Required

ASPIRATOR 1.6L ENGINE
Figure 25-1000

5125 1000 A

ITEM	PART NUMBER	QTY	BODY	MODEL	DESCRIPTION
1	4275 369	1			HOSE, Air Cleaner to Silencer
2	4275 371	1			SILENCER
3	4275 386	1			HOSE, Silencer to Aspirator
4	4300 376	1			VALVE, Aspirator
5	4275 813	1			TUBE, Exh. Man. to Aspirator
6	2448 761	4			CLAMP



MODEL CODES

B = GRAN FURY	E = 600	M = HORIZON/TURISMO
C = LE BARON/TOWN & COUNTRY/LIMO	F = FIFTH AVENUE/NEWPORT	P = RELIANT
C24 = LASER	G = DIPLOMAT	T = NEW YORKER
C44 = LE BARON/GTS	H = VOYAGER	V = 600
D = ARIES	J = CARAVELLE	V24 = DAYTONA
D44 = LANCER	K = MINI VAN/CARAVAN/ROYAL	Z = OMNI/CHARGER

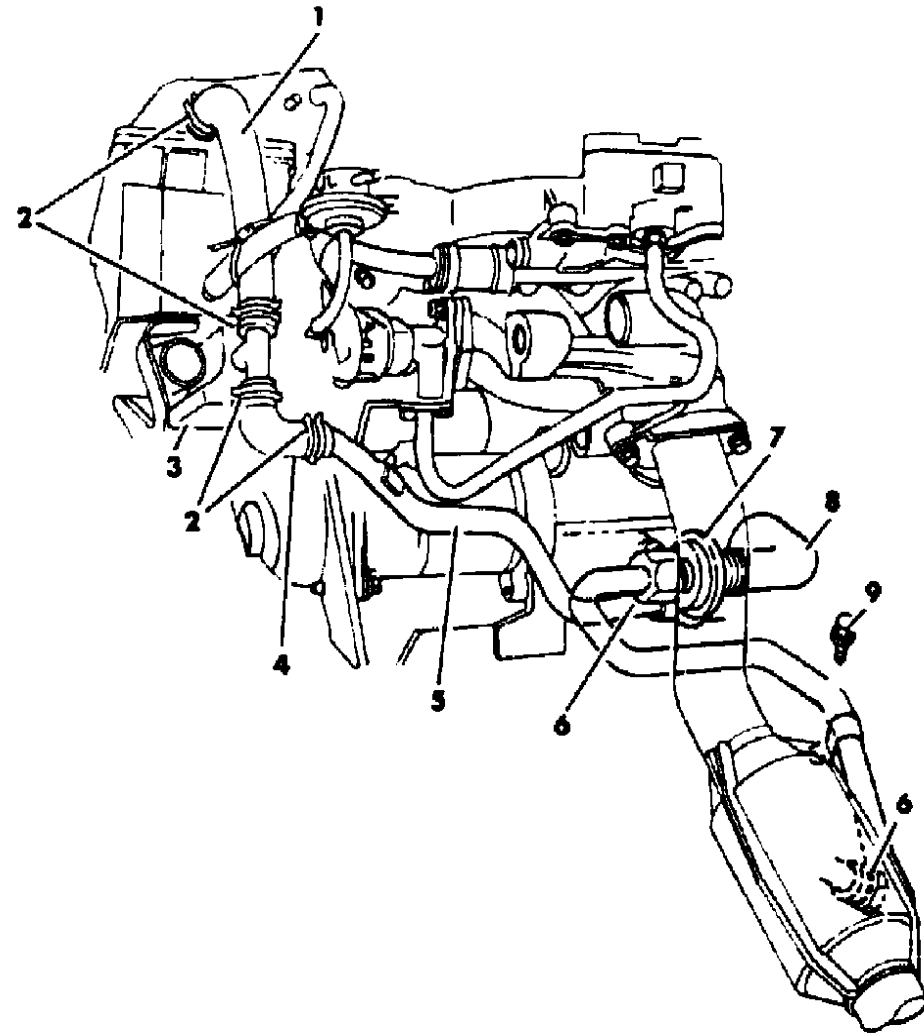
BODY STYLES

21 = 2-DOOR SEDAN	35 = FWD VAN	44 = 4-DOOR HATCHBACK
22 = 2-DOOR SPECIAL COUPE	36 = FWD WAGON	45 = 4-DOOR STATION WAGON
24 = 2-DOOR HATCHBACK	41 = 4-DOOR SEDAN	49 = LIMOUSINE
27 = 2-DOOR CONVERTIBLE		

AR = Use as Required - = Non Illustrated Part P.A.R. = Paint as Required

ASPIRATOR 2.2L ENGINE EFI
Figure 25-1025

5125 1025



ITEM	PART NUMBER	QTY	BODY	MODEL	DESCRIPTION
1	4287 705	1			HOSE, Aspirator Silencer to Air Cleaner
2	2448 761	4			CLAMP
3	4287 704	1			SILENCER
4	4287 709	1			HOSE, Silencer to Tube
5	4287 708	1			TUBE, Aspirator Hose to Silencer Hose
6	4300 364	1			TUBE, Downstream Aspirator
	6032 254	1			CONNECTOR
7	4271 931	1			VALVE, Aspirator
8	4275 373	1			HOSE, Aspirator to Tube
9	6100 557	1			SCREW w/WASHER

MODEL CODES

B = GRAN FURY	E = 600	M = HORIZON/TURISMO
C = LE BARON/TOWN & COUNTRY/LIMO	F = FIFTH AVENUE/NEWPORT	P = RELIANT
C24 = LASER	G = DIPLOMAT	T = NEW YORKER
C44 = LE BARON/GTS	H = VOYAGER	V = 600
D = ARIES	J = CARAVELLE	V24 = DAYTONA
D44 = LANCER	K = MINI VAN/CARAVAN/ROYAL	Z = OMNI/CHARGER

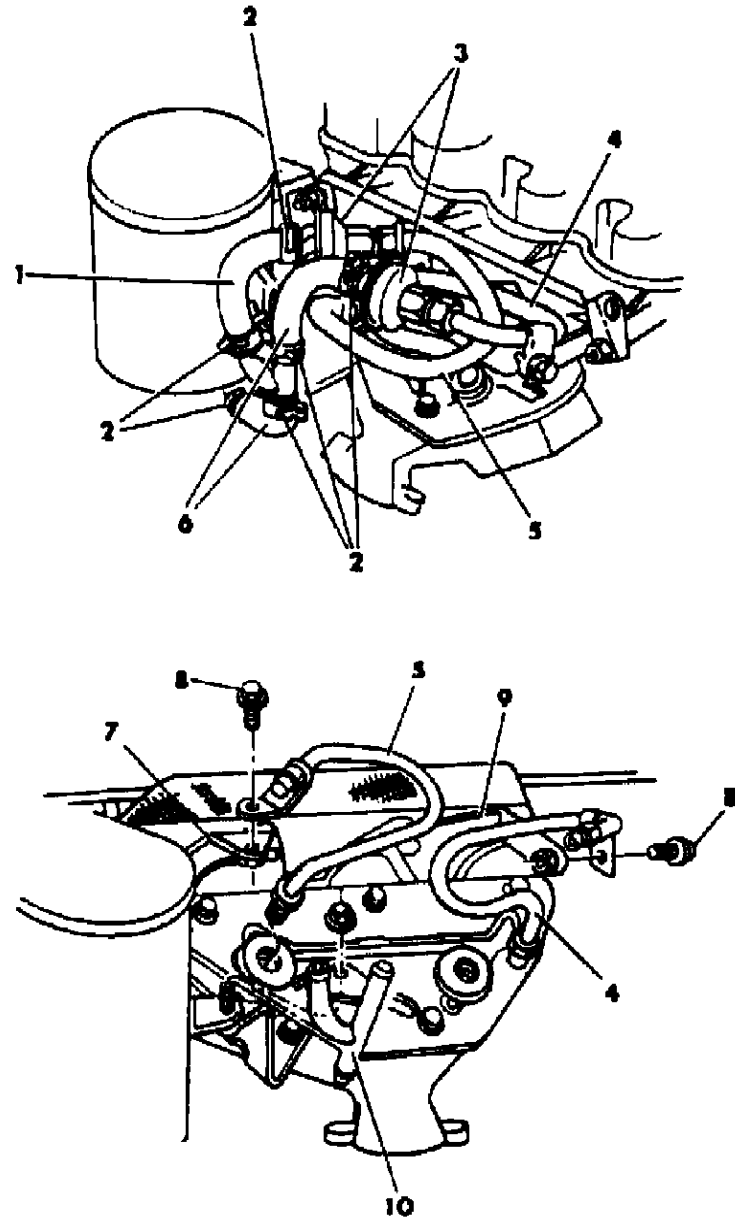
BODY STYLES

21 = 2-DOOR SEDAN	35 = FWD VAN	44 = 4-DOOR HATCHBACK
22 = 2-DOOR SPECIAL COUPE	36 = FWD WAGON	45 = 4-DOOR STATION WAGON
24 = 2-DOOR HATCHBACK	41 = 4-DOOR SEDAN	49 = LIMOUSINE
27 = 2-DOOR CONVERTIBLE		

AR = Use as Required - = Non Illustrated Part P.A.R. = Paint as Required

ASPIRATOR 2.6L ENGINE H,K
Figure 25-1100

51251100



ITEM	PART NUMBER	QTY	BODY	MODEL	DESCRIPTION
1	4275 394	1			HOSE, #2 Aspirator to Y
2	2448 761	6			CLAMP
3	4300 376	2			VALVE, Aspirator
4	4300 351	1			TUBE, #1 Aspirator
5	4300 352	1			TUBE, #2 Aspirator
6	4275 393	1			HOSE, Y to Air Cleaner
7	4105 188	1			BRACKET, #2 Aspirator Tube Support
8	6500 253	2			SCREW w/WASHER
9	4105 187	1			BRACKET, #1 Aspirator Tube Support
10	4275 395	1			CONNECTOR, Y

MODEL CODES

B = GRAN FURY	E = 600	M = HORIZON/TURISMO
C = LE BARON/TOWN & COUNTRY/LIMO	F = FIFTH AVENUE/NEWPORT	P = RELIANT
C24 = LASER	G = DIPLOMAT	T = NEW YORKER
C44 = LE BARON/GTS	H = VOYAGER	V = 600
D = ARIES	J = CARAVELLE	V24 = DAYTONA
D44 = LANCER	K = MINI VAN/CARAVAN/ROYAL	Z = OMNI/CHARGER

BODY STYLES

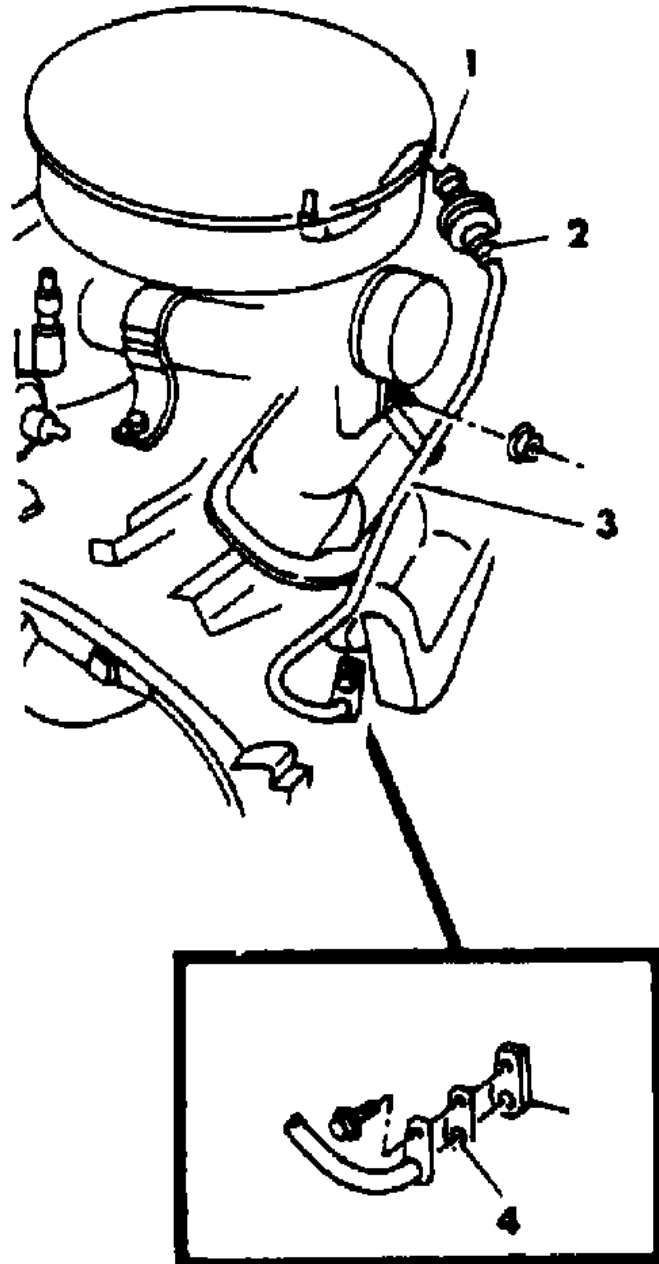
21 = 2-DOOR SEDAN	35 = FWD VAN	44 = 4-DOOR HATCHBACK
22 = 2-DOOR SPECIAL COUPE	36 = FWD WAGON	45 = 4-DOOR STATION WAGON
24 = 2-DOOR HATCHBACK	41 = 4-DOOR SEDAN	49 = LIMOUSINE
27 = 2-DOOR CONVERTIBLE		

AR = Use as Required - = Non Illustrated Part P.A.R. = Paint as Required

ASPIRATOR 318 ENGINE
Figure 25-1125

5125 1125

ITEM	PART NUMBER	QTY	BODY	MODEL	DESCRIPTION
1	4112 666	1			HOSE, Aspirator to Air Cleaner - Canada
2	4300 376	1			VALVE, Aspirator
3	4115 360	1			TUBE, Aspirator - Canada
4	4275 834	AR			GASKET, Aspirator Tube



MODEL CODES

B = GRAN FURY	E = 600	M = HORIZON/TURISMO
C = LE BARON/TOWN & COUNTRY/LIMO	F = FIFTH AVENUE/NEWPORT	P = RELIANT
C24 = LASER	G = DIPLOMAT	T = NEW YORKER
C44 = LE BARON/GTS	H = VOYAGER	V = 600
D = ARIES	J = CARAVELLE	V24 = DAYTONA
D44 = LANCER	K = MINI VAN/CARAVAN/ROYAL	Z = OMNI/CHARGER

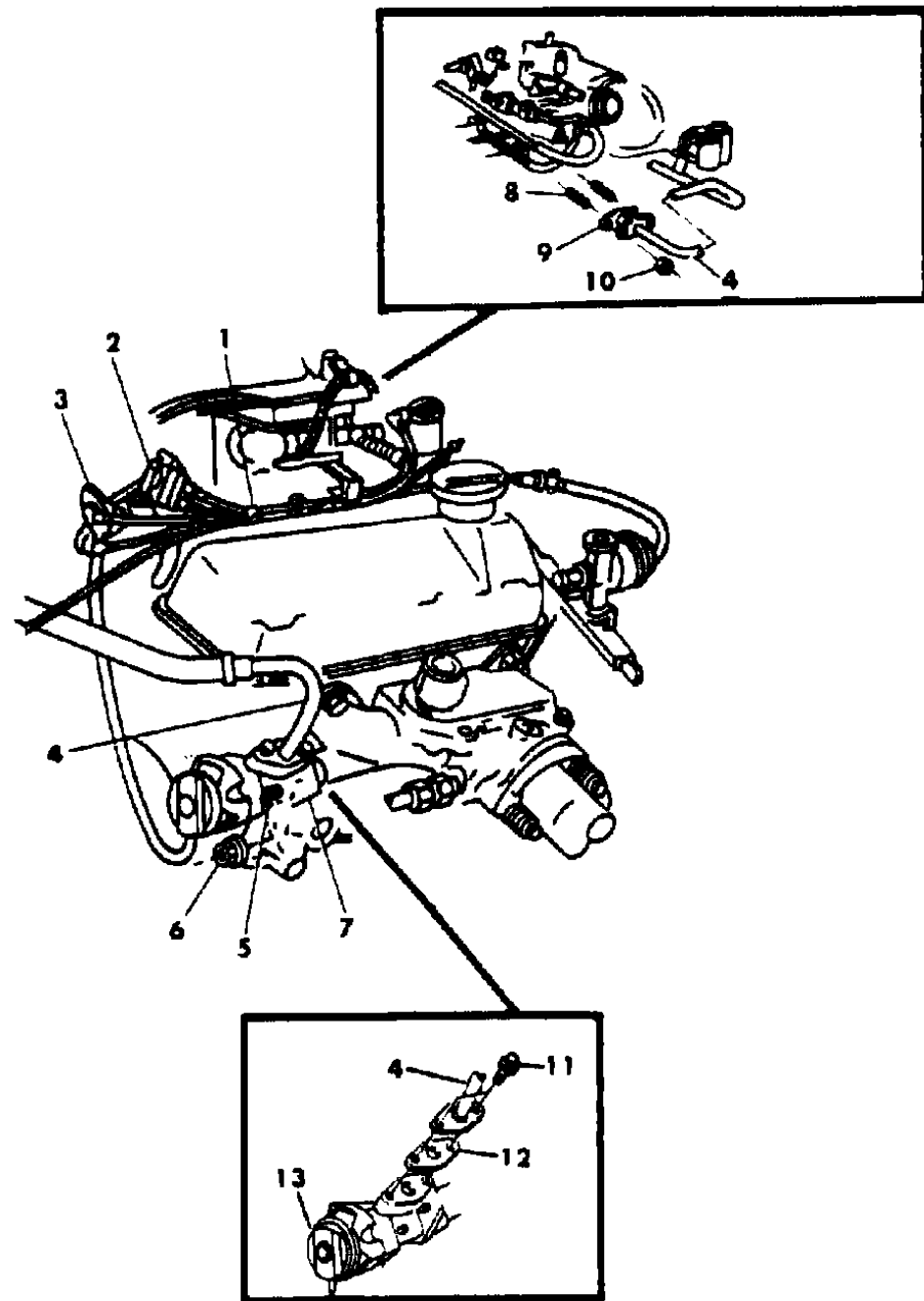
BODY STYLES

21 = 2-DOOR SEDAN	35 = FWD VAN	44 = 4-DOOR HATCHBACK
22 = 2-DOOR SPECIAL COUPE	36 = FWD WAGON	45 = 4-DOOR STATION WAGON
24 = 2-DOOR HATCHBACK	41 = 4-DOOR SEDAN	49 = LIMOUSINE
27 = 2-DOOR CONVERTIBLE		

AR = Use as Required - = Non Illustrated Part P.A.R. = Paint as Required

EGR SYSTEM 1.6L ENGINE
Figure 25-1200

5125 1200



ITEM	PART NUMBER	QTY	BODY	MODEL	DESCRIPTION
1		1			HARNESH, Hose (shown on illus. 1300, 1400)
2	4049 208	1			SWITCH, CVSCO - Orange
3	3879 736	1			SWITCH, CVSCC - Yellow
4	4213 597	1			TUBE, EGR Valve to Intake Manifold Cover
5	6500 498	2			STUD, EGR Valve Attach
6	6500 182	2			NUT
7	4201 313	1			GASKET, EGR Valve
8	6500 579	2			STUD, EGR Tube to Intake Manifold
9	4213 599	1			GASKET, Tube to Intake Manifold
10	6500 363	2			NUT
11	6500 464	2			SCREW
12	4201 384	1			GASKET, EGR to Tube Flange
13					VALVE, EGR
	4287 402	1			stamped 4287402, 4300402
	4287 424	1			stamped 4287424
	4300 424	1			stamped 4300424

MODEL CODES

B = GRAN FURY	E = 600	M = HORIZON/TURISMO
C = LE BARON/TOWN & COUNTRY/LIMO	F = FIFTH AVENUE/NEWPORT	P = RELIANT
C24 = LASER	G = DIPLOMAT	T = NEW YORKER
C44 = LE BARON/GTS	H = VOYAGER	V = 600
D = ARIES	J = CARAVELLE	V24 = DAYTONA
D44 = LANCER	K = MINI VAN/CARAVAN/ROYAL	Z = OMNI/CHARGER

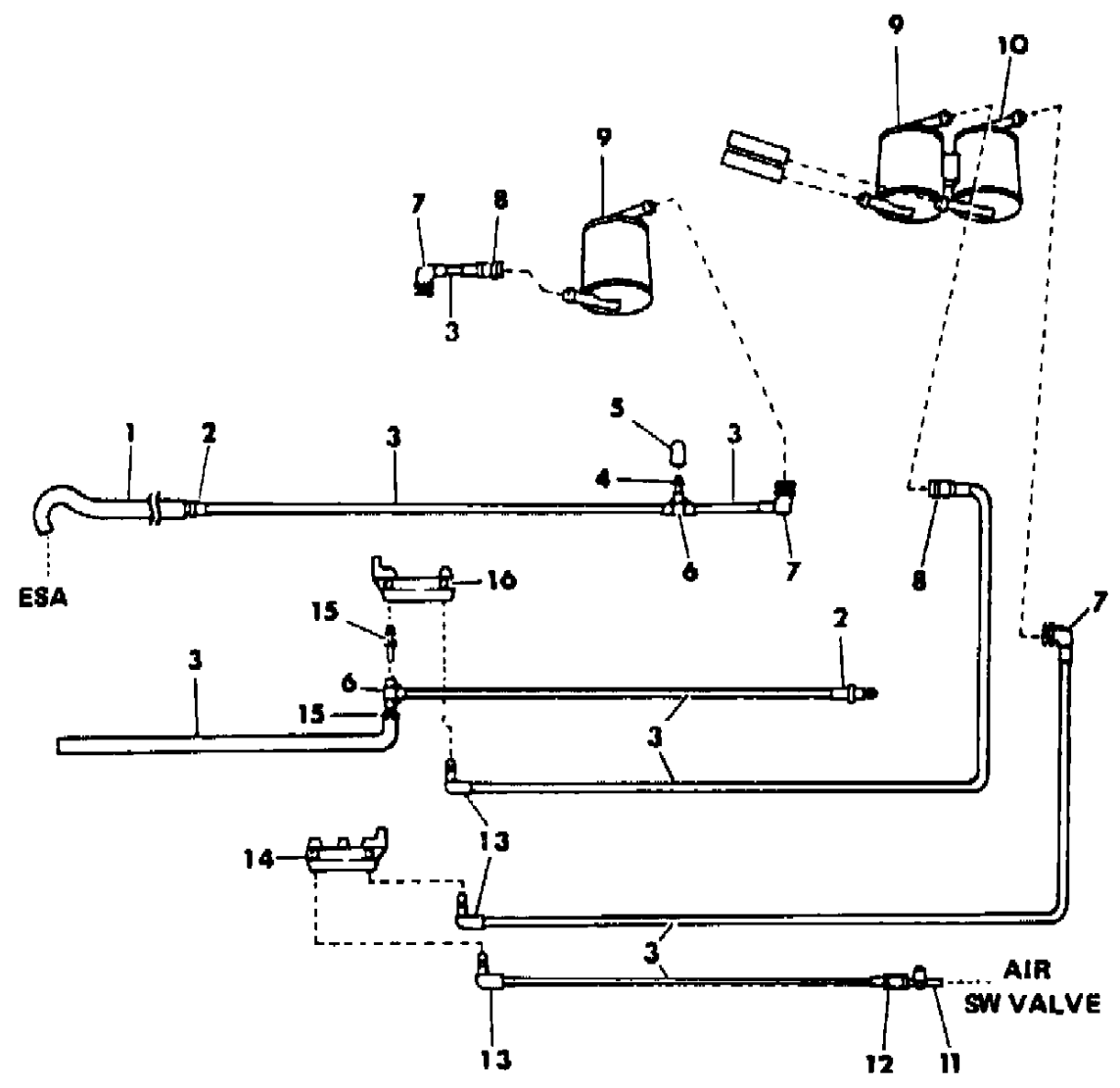
BODY STYLES

21 = 2-DOOR SEDAN	35 = FWD VAN	44 = 4-DOOR HATCHBACK
22 = 2-DOOR SPECIAL COUPE	36 = FWD WAGON	45 = 4-DOOR STATION WAGON
24 = 2-DOOR HATCHBACK	41 = 4-DOOR SEDAN	49 = LIMOUSINE
27 = 2-DOOR CONVERTIBLE		

AR = Use as Required - = Non Illustrated Part P.A.R. = Paint as Required

EGR HOSE HARNESS 1.6L ENGINE - FEDERAL AND CALIF.
Figure 25-1300

5125 1300



ITEM	PART NUMBER	QTY	BODY	MODEL	DESCRIPTION
					HARNESS, Hose (tagged 4275879 - not serviced)
	4364 375	AR			TUBING, Convoluted 3/8" (serv. in 10 ft. roll)
1	4095 993	1			HOSE, Vacuum Transducer
2	4268 687	2			CONNECTOR .15M - 3/16
3	3780 508	AR			HOSE, Rubber 1/8" (serv. in 50 ft. roll)
4	4268 668	1			CONNECTOR .15M - 3/16
5	3580 171	1			CAP
6	4179 191	2			TEE
7	4213 774	3			ELBOW .15F - 3/16
8	4179 391	2			CONNECTOR .15F - 3/16
9	4104 176	2			RESERVOIR
10	4104 177	1			RESERVOIR
11	3870 649	1			BLEED, Filtered 1/8 x 3/16
12	4179 196	1			CONNECTOR .15F - 1/8
13	4213 789	3			ELBOW .15M - 1/8
14	4095 974	1			CONNECTOR, CVSCO Switch
15	4268 662	2			CONNECTOR .15M
16	4179 093	1			CONNECTOR, CVSCC Switch

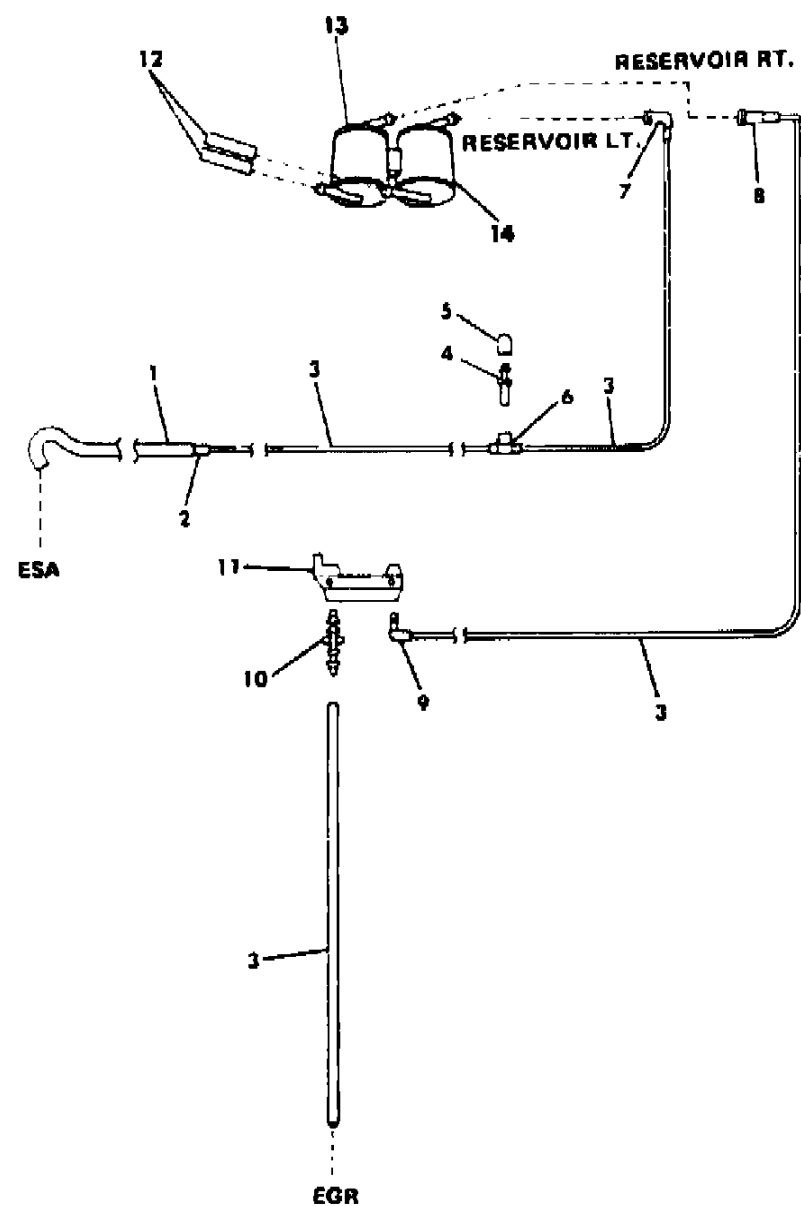
MODEL CODES
 B = GRAN FURY
 C = LE BARON/TOWN & COUNTRY/LIMO
 C24 = LASER
 C44 = LE BARON/GTS
 D = ARIES
 D44 = LANCER
 E = 600
 F = FIFTH AVENUE/NEWPORT
 G = DIPLOMAT
 H = VOYAGER
 J = CARAVELLE
 K = MINI VAN/CARAVAN/ROYAL
 M = HORIZON/TURISMO
 P = RELIANT
 T = NEW YORKER
 V = 600
 V24 = DAYTONA
 Z = OMNI/CHARGER

BODY STYLES
 21 = 2-DOOR SEDAN
 22 = 2-DOOR SPECIAL COUPE
 24 = 2-DOOR HATCHBACK
 27 = 2-DOOR CONVERTIBLE
 35 = FWD VAN
 36 = FWD WAGON
 41 = 4-DOOR SEDAN
 44 = 4-DOOR HATCHBACK
 45 = 4-DOOR STATION WAGON
 49 = LIMOUSINE

AR = Use as Required - = Non Illustrated Part P.A.R. = Paint as Required

EGR HOSE HARNESS 1.6L ENGINE - CANADA
Figure 25-1400

5125 1400



ITEM	PART NUMBER	QTY	BODY	MODEL	DESCRIPTION
					HARNESS, Hose (tagged 4275868 - not serviced)
	4364 375	AR			TUBING, Convoluted 3/8" (serv. in 10 ft. roll)
1	4095 993	1			HOSE, Vacuum Transducer
2	4268 687	1			CONNECTOR .15M - 3/16
3	3780 508	AR			HOSE, Rubber 1/8" (serv. in 50 ft. roll)
4	4268 668	1			CONNECTOR .15M - 3/16
5	3580 171	1			CAP
6	4179 191	1			TEE
7	4213 774	1			ELBOW .15F - 3/16
8	4179 391	1			CONNECTOR .15M - 3/16
9	4213 789	1			ELBOW .15M - 1/8
10	4095 145	1			CONNECTOR 1/8 x 1/8
11	4179 093	1			CONNECTOR, CVSCC Switch
12	4105 167	AR			HOSE, Rubber 3/16" (serv. in 50 ft. roll)
13	4104 176	1			RESERVOIR
14	4104 177	1			RESERVOIR

MODEL CODES

B = GRAN FURY	E = 600	M = HORIZON/TURISMO
C = LE BARON/TOWN & COUNTRY/LIMO	F = FIFTH AVENUE/NEWPORT	P = RELIANT
C24 = LASER	G = DIPLOMAT	T = NEW YORKER
C44 = LE BARON/GTS	H = VOYAGER	V = 600
D = ARIES	J = CARAVELLE	V24 = DAYTONA
D44 = LANCER	K = MINI VAN/CARAVAN/ROYAL	Z = OMNI/CHARGER

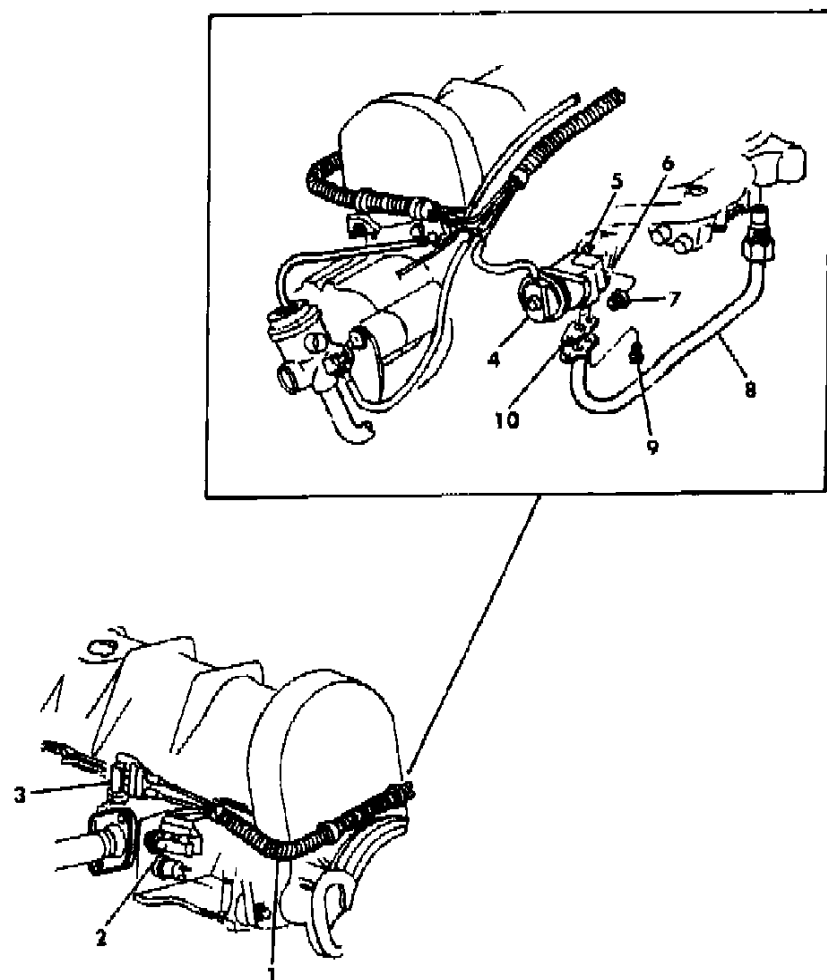
BODY STYLES

21 = 2-DOOR SEDAN	35 = FWD VAN	44 = 4-DOOR HATCHBACK
22 = 2-DOOR SPECIAL COUPE	36 = FWD WAGON	45 = 4-DOOR STATION WAGON
24 = 2-DOOR HATCHBACK	41 = 4-DOOR SEDAN	49 = LIMOUSINE
27 = 2-DOOR CONVERTIBLE		

AR = Use as Required - = Non Illustrated Part P.A.R. = Paint as Required

EGR SYSTEM 2.2L ENGINE - EXC. TURBO - EXC. CANADA EXC. H,K
Figure 25-1500

5125 1500



ITEM	PART NUMBER	QTY	BODY	MODEL	DESCRIPTION
1		1			HARNES, Hose (shown on illus. 1600)
2					SWITCH, CVSCC (Hole #1)
	4049 277	1			stamped 4030351 - Black
	3879 736	1			stamped 3870549 - Yellow
3					SWITCH, CVSCO (Hole # 2)
	3879 707	1			stamped 3870654 - Natural
	4049 208	1			stamped 4006587 - Orange
4					VALVE, EGR
	4287 402	1			stamped 4287402
	4287 403	1			stamped 4287403
	4300 403	1			stamped 4300403
	4287 407	1			stamped 4287407
	4300 407	1			stamped 4300407
	4287 408	1			stamped 4287408
	4300 408	1			stamped 4300408
	4287 412	1			stamped 4287412
	4300 412	1			stamped 4300412
	4287 430	1			stamped 4287430
	4300 430	1			stamped 4300430
	4287 433	1			stamped 4287433
	4300 433	1			stamped 4300433
	4267 249	1			stamped 4287405, 4300405
	4293 741	1			stamped 4287419, 4300419
5	6500 498	2			STUD, EGR Valve Attach
6	4201 313	1			GASKET, EGR Valve
7	6500 182	2			NUT
8	4201 288	1			TUBE, EGR Valve to Intake Mainfold Crossover
9	6500 464	2			SCREW
10	4201 384	1			GASKET, EGR Valve to Tube Flange

MODEL CODES

B = GRAN FURY	E = 600	M = HORIZON/TURISMO
C = LE BARON/TOWN & COUNTRY/LIMO	F = FIFTH AVENUE/NEWPORT	P = RELIANT
C24 = LASER	G = DIPLOMAT	T = NEW YORKER
C44 = LE BARON/GTS	H = VOYAGER	V = 600
D = ARIES	J = CARAVELLE	V24 = DAYTONA
D44 = LANCER	K = MINI VAN/CARAVAN/ROYAL	Z = OMNI/CHARGER

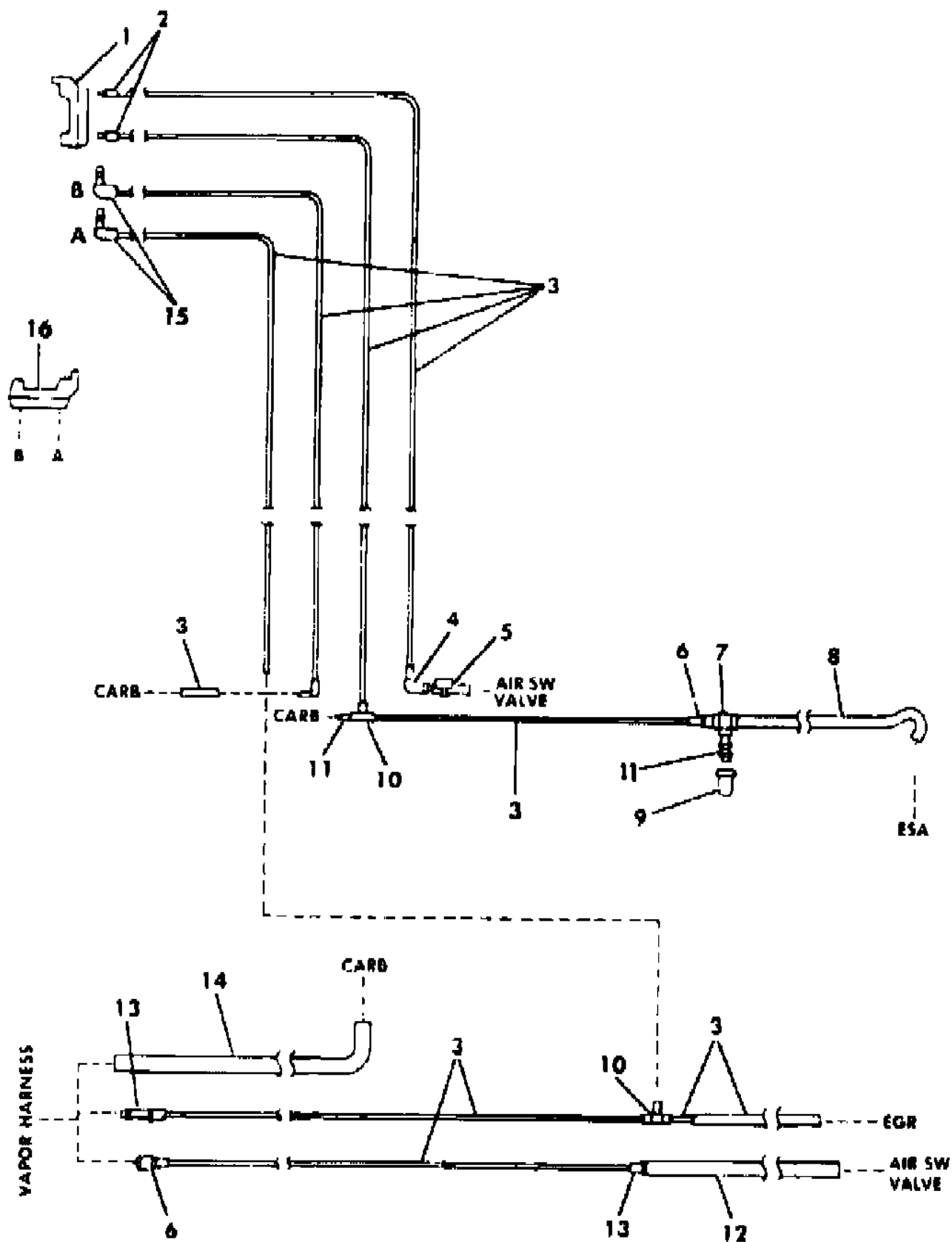
BODY STYLES

21 = 2-DOOR SEDAN	35 = FWD VAN	44 = 4-DOOR HATCHBACK
22 = 2-DOOR SPECIAL COUPE	36 = FWD WAGON	45 = 4-DOOR STATION WAGON
24 = 2-DOOR HATCHBACK	41 = 4-DOOR SEDAN	49 = LIMOUSINE
27 = 2-DOOR CONVERTIBLE		

AR = Use as Required - = Non Illustrated Part P.A.R. = Paint as Required

EGR HOSE HARNESS 2.2L ENGINE - EXC. TURBO - EXC. CANADA EXC. H,K
Figure 25-1600

5125 1600



ITEM	PART NUMBER	QTY	BODY	MODEL	DESCRIPTION
					HARNES, Hose (tagged 4288101 - not serviced)
	4364 375	AR			TUBING, Convoluted 3/8" (serv. in 10 ft. roll)
1	4095 974	1			CONNECTOR, CVSCO Switch
2	4268 681	2			CONNECTOR .15M - 1/8
3	3780 508	AR			HOSE, Rubber 1/8" (serv. in 50 ft. roll)
4	4213 766	1			ELBOW .15F - 1/8
5	3870 649	1			BLEED, Filtered 1/8 x 3/16
6	4179 391	2			CONNECTOR .15F - 3/16
7	4104 172	1			TEE 3/16 x 3/16 x 3/16
8	4104 168	1			HOSE, ESA Connection
9	3580 171	1			CAP
10	4179 191	2			TEE
11	4268 668	1			CONNECTOR .15M - 3/16
12	4105 167	AR			HOSE, Rubber 3/16" (serv. in 50 ft. roll)
13	4268 687	2			CONNECTOR .15M - 3/16
14	4287 985	1			HOSE
15	4213 789	3			ELBOW .15M - 1/8
16	4179 093	1			CONNECTOR, CVSCC Switch

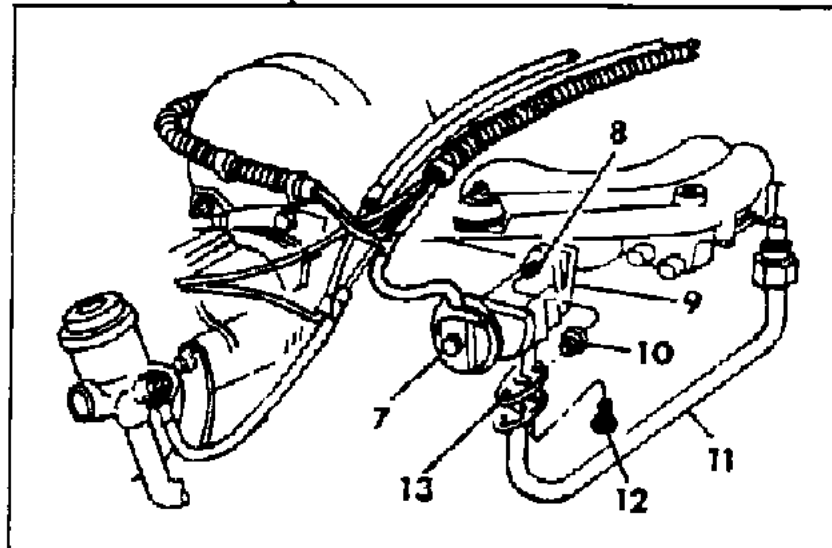
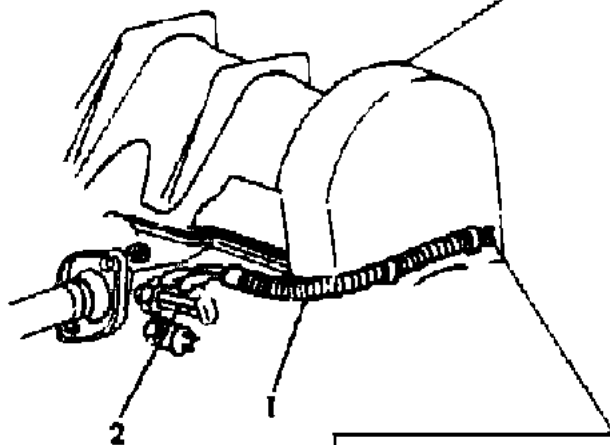
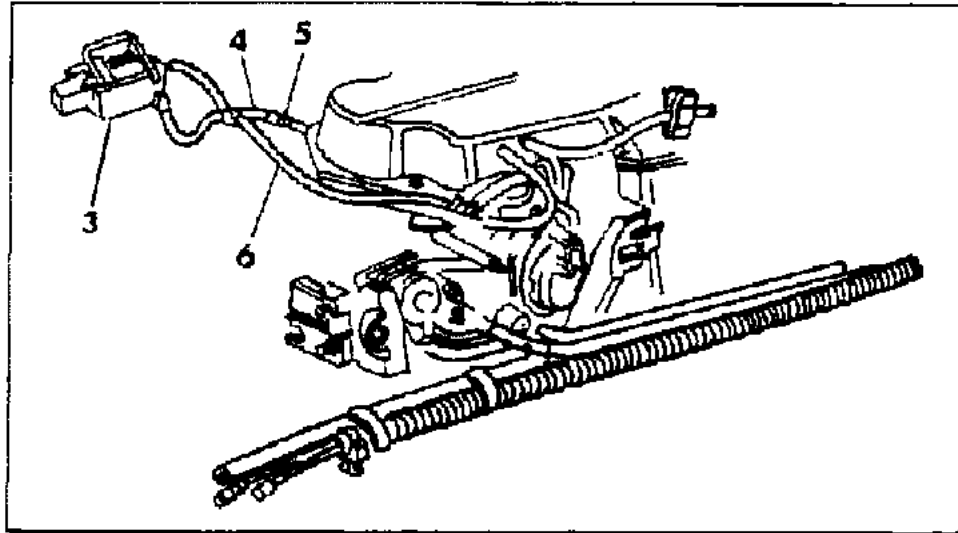
MODEL CODES
 B = GRAN FURY
 C = LE BARON/TOWN & COUNTRY/LIMO
 C24 = LASER
 C44 = LE BARON/GTS
 D = ARIES
 D44 = LANCER
 E = 600
 F = FIFTH AVENUE/NEWPORT
 G = DIPLOMAT
 H = VOYAGER
 J = CARAVELLE
 K = MINI VAN/CARAVAN/ROYAL
 M = HORIZON/TURISMO
 P = RELIANT
 T = NEW YORKER
 V = 600
 V24 = DAYTONA
 Z = OMNI/CHARGER

BODY STYLES
 21 = 2-DOOR SEDAN
 22 = 2-DOOR SPECIAL COUPE
 24 = 2-DOOR HATCHBACK
 27 = 2-DOOR CONVERTIBLE
 35 = FWD VAN
 36 = FWD WAGON
 41 = 4-DOOR SEDAN
 44 = 4-DOOR HATCHBACK
 45 = 4-DOOR STATION WAGON
 49 = LIMOUSINE

AR = Use as Required - = Non Illustrated Part P.A.R. = Paint as Required

EGR SYSTEM 2.2L ENGINE - EXC. TURBO - CANADA EXC. H,K
Figure 25-1700

5125 1700



ITEM	PART NUMBER	QTY	BODY	MODEL	DESCRIPTION
1		1			HARNES, Hose (shown on illus. 1800, 1900)
2	3879 736	1			SWITCH, CVSCC
3	4240 417	1			SOLENOID, Single Vacuum
4	3780 508	AR			HOSE, Rubber 1/8" (serv. in 50 ft. roll)
5	4241 296	1			CONNECTOR 1/8 x 3/16
6	4104 168	1			HOSE
7					VALVE, EGR
	4287 407	1			stamped 4287407
	4300 407	1			stamped 4300407
	4271 898	1			stamped 4287409, 4300409
	4287 429	1			stamped 4287429
	4300 429	1			stamped 4300429
8	6500 498	2			STUD, EGR Valve Attach
9	4201 313	1			GASKET, EGR Valve
10	6500 182	2			NUT
11	4201 288	2			TUBE, EGR Valve to Intake Manifold Crossover
12	6500 464	2			SCREW
13	4201 384	1			GASKET, EGR Valve to Tube Flange

MODEL CODES

B = GRAN FURY	E = 600	M = HORIZON/TURISMO
C = LE BARON/TOWN & COUNTRY/LIMO	F = FIFTH AVENUE/NEWPORT	P = RELIANT
C24 = LASER	G = DIPLOMAT	T = NEW YORKER
C44 = LE BARON/GTS	H = VOYAGER	V = 600
D = ARIES	J = CARAVELLE	V24 = DAYTONA
D44 = LANCER	K = MINI VAN/CARAVAN/ROYAL	Z = OMNI/CHARGER

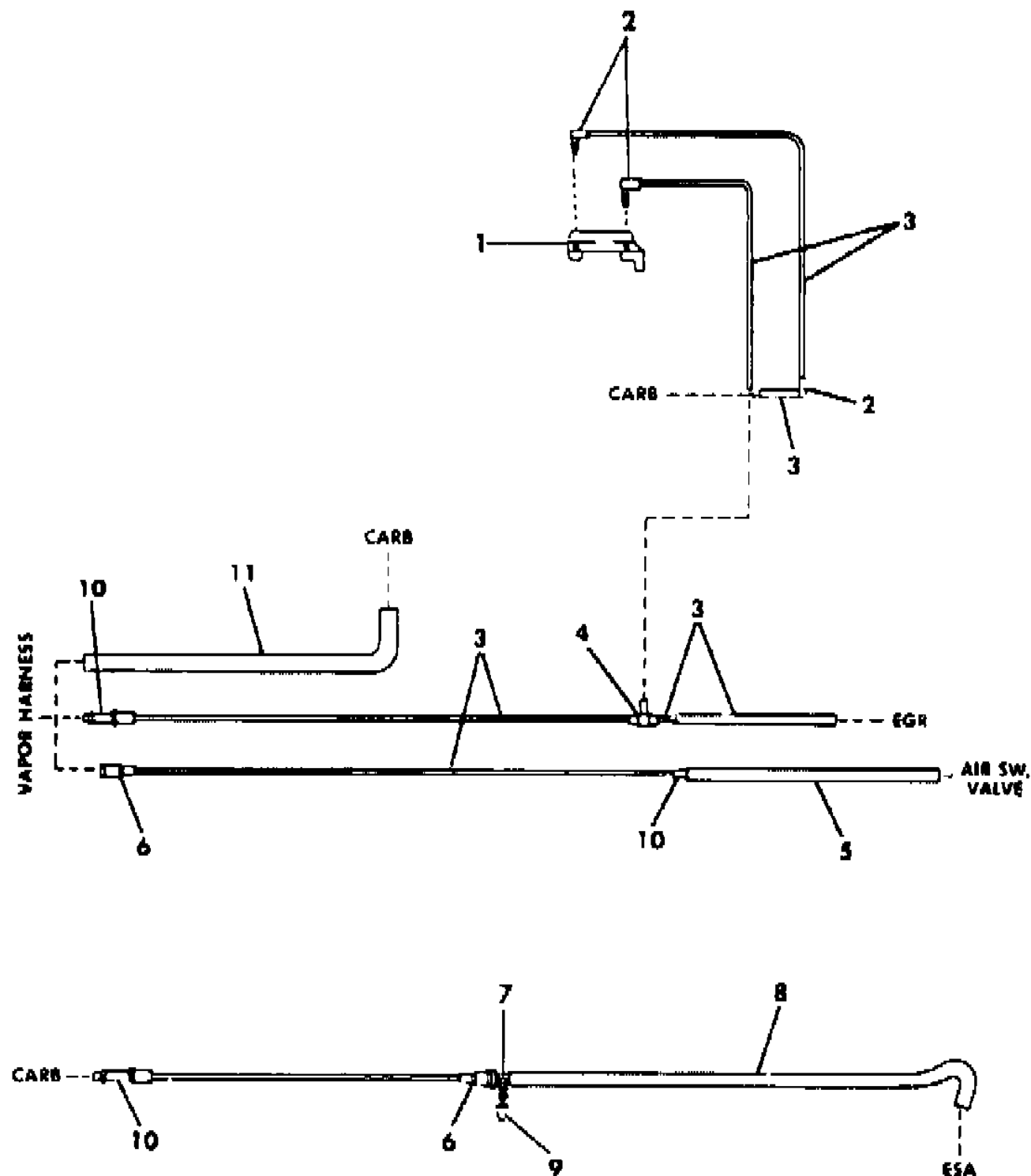
BODY STYLES

21 = 2-DOOR SEDAN	35 = FWD VAN	44 = 4-DOOR HATCHBACK
22 = 2-DOOR SPECIAL COUPE	36 = FWD WAGON	45 = 4-DOOR STATION WAGON
24 = 2-DOOR HATCHBACK	41 = 4-DOOR SEDAN	49 = LIMOUSINE
27 = 2-DOOR CONVERTIBLE		

AR = Use as Required - = Non Illustrated Part P.A.R. = Paint as Required

EGR HOSE HARNESS 2.2L ENGINE - EXC. TURBO - CANADA M,Z
Figure 25-1800

5125 1800



ITEM	PART NUMBER	QTY	BODY	MODEL	DESCRIPTION
					HARNESS, Hose (tagged 4288103 - not serviced)
	4364 375	AR			TUBING, Convoluted 3/8" (serv. in 10 ft. roll)
1	4179 093	1			CONNECTOR, CVSCC Switch
2	4213 789	3			ELBOW .15M - 1/8
3	3780 508	AR			HOSE, Rubber 1/8" (serv. in 50 ft. roll)
4	4179 191	1			TEE
5	4105 167	AR			HOSE, Rubber 3/16" (serv. in 50 ft. roll)
6	4179 391	2			CONNECTOR .15M - 3/16
7	4104 172	1			TEE 3/16 x 3/16 x 3/16
8	4104 168	1			HOSE, ESA Connection
9	3580 171	1			CAP
10	4268 687	3			CONNECTOR .15M - 3/16
11	4287 985	2			HOSE

MODEL CODES

B = GRAN FURY	E = 600	M = HORIZON/TURISMO
C = LE BARON/TOWN & COUNTRY/LIMO	F = FIFTH AVENUE/NEWPORT	P = RELIANT
C24 = LASER	G = DIPLOMAT	T = NEW YORKER
C44 = LE BARON/GTS	H = VOYAGER	V = 600
D = ARIES	J = CARAVELLE	V24 = DAYTONA
D44 = LANCER	K = MINI VAN/CARAVAN/ROYAL	Z = OMNI/CHARGER

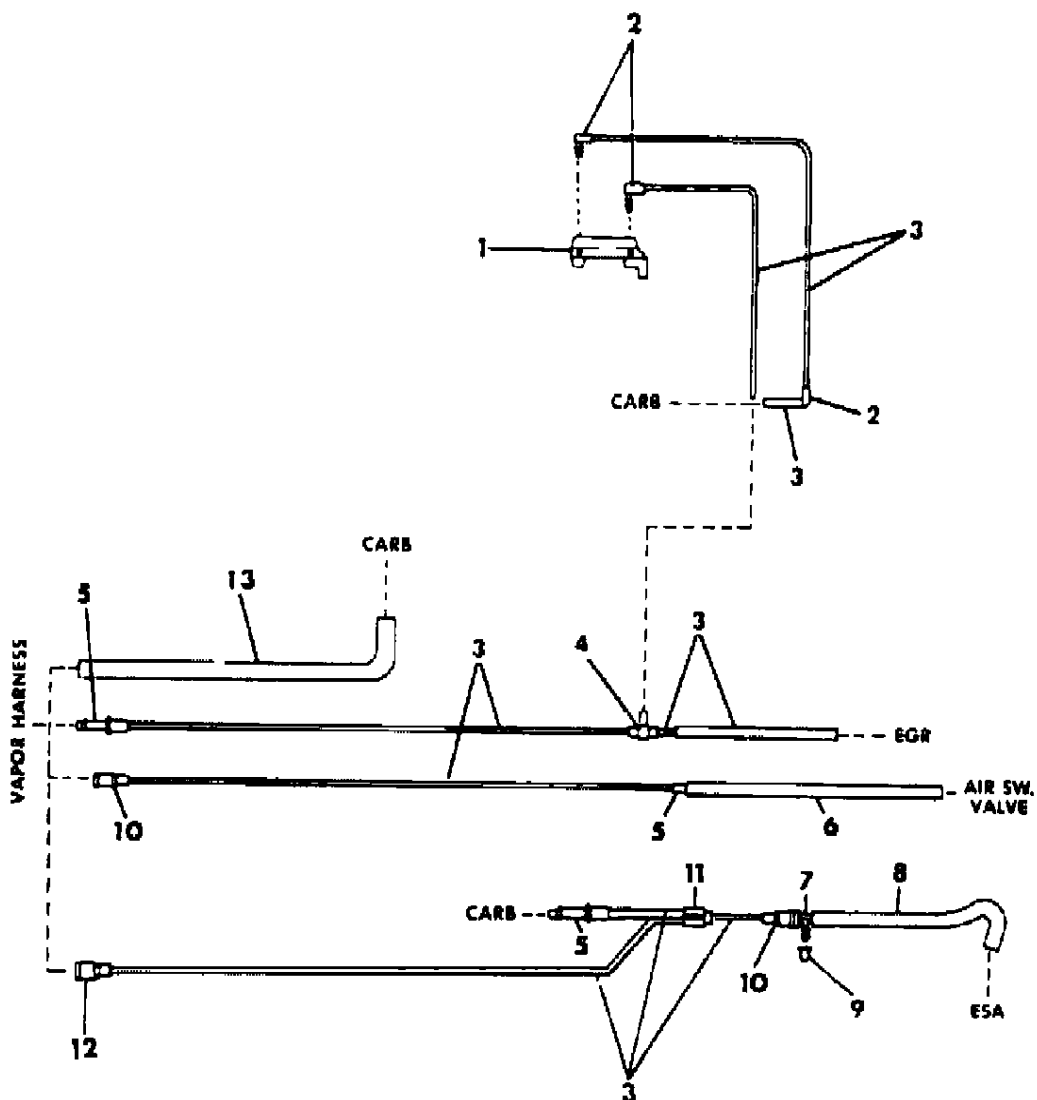
BODY STYLES

21 = 2-DOOR SEDAN	35 = FWD VAN	44 = 4-DOOR HATCHBACK
22 = 2-DOOR SPECIAL COUPE	36 = FWD WAGON	45 = 4-DOOR STATION WAGON
24 = 2-DOOR HATCHBACK	41 = 4-DOOR SEDAN	49 = LIMOUSINE
27 = 2-DOOR CONVERTIBLE		

AR = Use as Required - = Non Illustrated Part P.A.R. = Paint as Required

EGR HOSE HARNESS 2.2L ENGINE - EXC. TURBO - CANADA P,D,C,V
Figure 25-1900

5125 1900



ITEM	PART NUMBER	QTY	BODY	MODEL	DESCRIPTION
					HARNESS, Hose (tagged 4288125 - not serviced)
	4364 375	AR			TUBING, Convoluted 3/8" (serv. in 10 ft. roll)
1	4179 093	1			CONNECTOR, CVSCC Switch
2	4213 789	3			ELBOW .15M - 1/8
3	3780 508	AR			HOSE, Rubber 1/8" (serv. in 50 ft. roll)
4	4179 191	1			TEE
5	4268 687	3			CONNECTOR .15M - 3/16
6	4105 167	AR			HOSE, Rubber 3/16" (serv. in 50 ft. roll)
7	4104 172	1			TEE
8	4104 168	1			HOSE
9	3580 171	1			CAP
10	4179 391	2			CONNECTOR .15F - 3/16
11	4179 193	1			CONNECTOR
12	4179 196	1			CONNECTOR .15F - 1/8
13	4287 985	1			HOSE

MODEL CODES

B = GRAN FURY	E = 600	M = HORIZON/TURISMO
C = LE BARON/TOWN & COUNTRY/LIMO	F = FIFTH AVENUE/NEWPORT	P = RELIANT
C24 = LASER	G = DIPLOMAT	T = NEW YORKER
C44 = LE BARON/GTS	H = VOYAGER	V = 600
D = ARIES	J = CARAVELLE	V24 = DAYTONA
D44 = LANCER	K = MINI VAN/CARAVAN/ROYAL	Z = OMNI/CHARGER

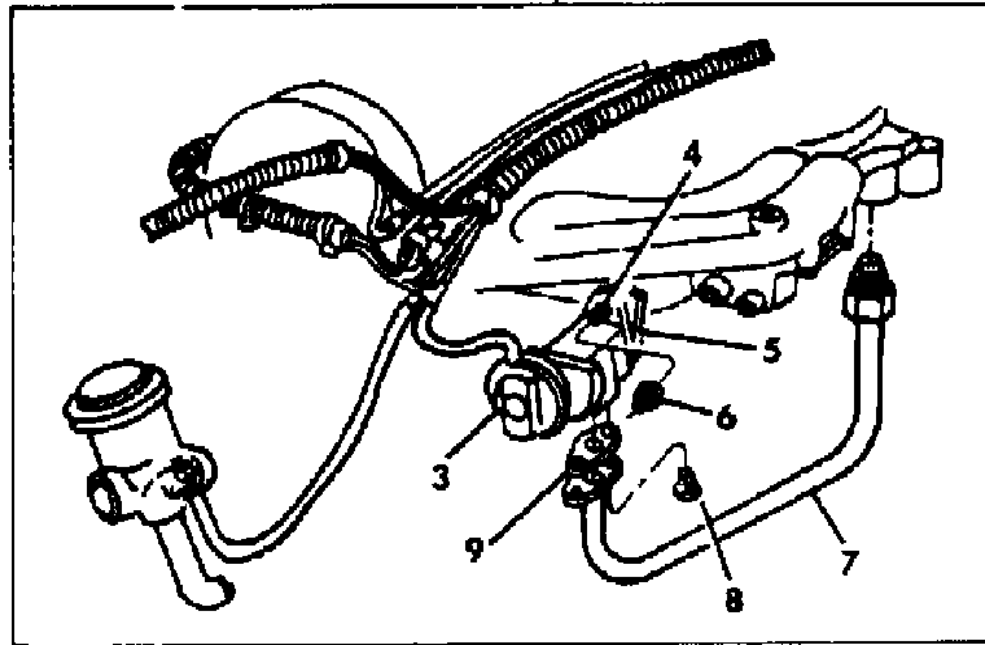
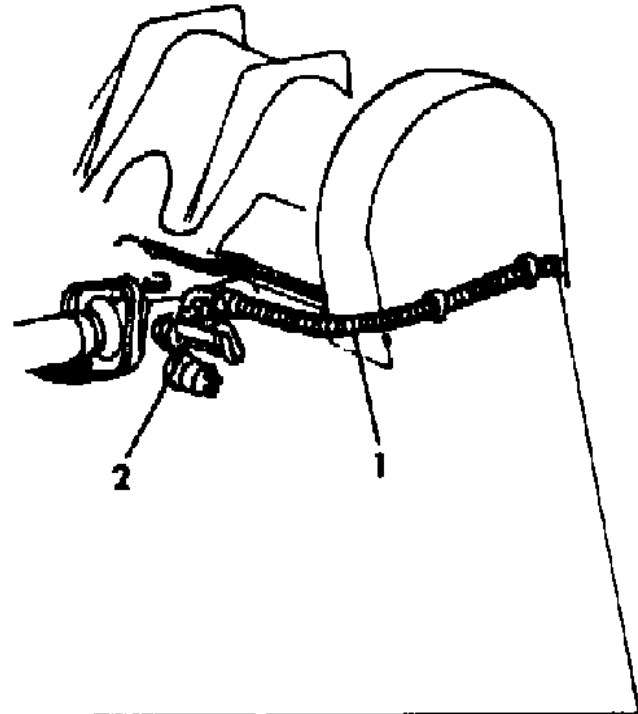
BODY STYLES

21 = 2-DOOR SEDAN	35 = FWD VAN	44 = 4-DOOR HATCHBACK
22 = 2-DOOR SPECIAL COUPE	36 = FWD WAGON	45 = 4-DOOR STATION WAGON
24 = 2-DOOR HATCHBACK	41 = 4-DOOR SEDAN	49 = LIMOUSINE
27 = 2-DOOR CONVERTIBLE		

AR = Use as Required - = Non Illustrated Part P.A.R. = Paint as Required

EGR SYSTEM 2.2L ENGINE - FEDERAL AND CANADA H,K
Figure 25-2000

5125 2000



ITEM	PART NUMBER	QTY	BODY	MODEL	DESCRIPTION
1		1			HARNES, Hose (shown on illus. 2100, 2200)
2	3879 736	1			SWITCH, CVSCC
3					VALVE, EGR
	4287 401	1			stamped 4287401
	4300 401	1			stamped 4300401
	4287 402	1			stamped 4287402, 4300402
	4287 403	1			stamped 4287403
	4300 403	1			stamped 4300403
	4287 407	1			stamped 4287407
	4300 407	1			stamped 4300407
4	6500 498	2			STUD, EGR Valve Attach
5	4201 313	1			GASKET, EGR Valve
6	6500 182	2			NUT
7	4201 288	1			TUBE, EGR Valve to Intake Manifold Crossover
8	6500 464	2			SCREW
9	4201 384	1			GASKET, EGR Valve to Tube Flange

MODEL CODES

B = GRAN FURY	E = 600	M = HORIZON/TURISMO
C = LE BARON/TOWN & COUNTRY/LIMO	F = FIFTH AVENUE/NEWPORT	P = RELIANT
C24 = LASER	G = DIPLOMAT	T = NEW YORKER
C44 = LE BARON/GTS	H = VOYAGER	V = 600
D = ARIES	J = CARAVELLE	V24 = DAYTONA
D44 = LANCER	K = MINI VAN/CARAVAN/ROYAL	Z = OMNI/CHARGER

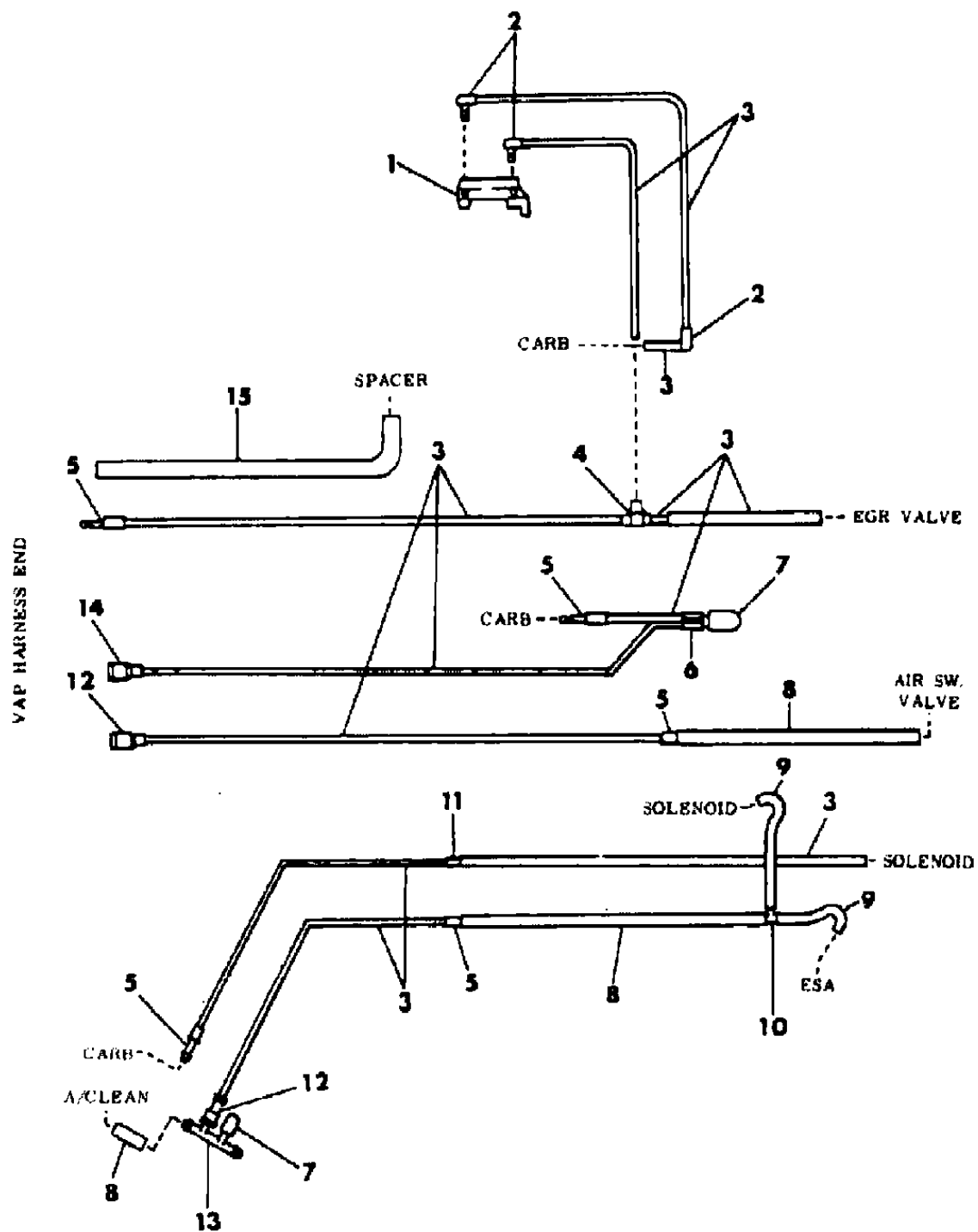
BODY STYLES

21 = 2-DOOR SEDAN	35 = FWD VAN	44 = 4-DOOR HATCHBACK
22 = 2-DOOR SPECIAL COUPE	36 = FWD WAGON	45 = 4-DOOR STATION WAGON
24 = 2-DOOR HATCHBACK	41 = 4-DOOR SEDAN	49 = LIMOUSINE
27 = 2-DOOR CONVERTIBLE		

AR = Use as Required - = Non Illustrated Part P.A.R. = Paint as Required

EGR HOSE HARNESS 2.2L ENGINE - FEDERAL H,K
Figure 25-2100

5125 2100



ITEM	PART NUMBER	QTY	BODY	MODEL	DESCRIPTION
					HARNESS, Hose (tagged 4288122 - not serviced)
1	4364 375	AR			TUBING, Convoluted 3/8" (serv. in 10 ft. roll)
2	4179 093	1			CONNECTOR, CVSCC Switch
3	4213 789	3			ELBOW .15M - 1/8
4	3780 508	AR			HOSE, Rubber 1/8" (serv. in 50 ft. roll)
5	4179 191	1			TEE
6	4268 687	5			CONNECTOR .15M - 3/16
7	4104 169	1			CONNECTOR
8	3580 171	2			CAP
9	4105 167	AR			HOSE, Rubber 3/16" (serv. in 50 ft. roll)
10	4201 247	2			HOSE
11	4104 172	1			TEE 3/16 x 3/16 x 3/16
12	4268 681	1			CONNECTOR .15M - 1/8
13	4179 391	2			CONNECTOR .15F - 3/16
14	4095 988	1			CONNECTOR
15	4179 196	1			CONNECTOR .15F - 1/8
16	4287 985	1			HOSE

MODEL CODES

B = GRAN FURY	E = 600	M = HORIZON/TURISMO
C = LE BARON/TOWN & COUNTRY/LIMO	F = FIFTH AVENUE/NEWPORT	P = RELIANT
C24 = LASER	G = DIPLOMAT	T = NEW YORKER
C44 = LE BARON/GTS	H = VOYAGER	V = 600
D = ARIES	J = CARAVELLE	V24 = DAYTONA
D44 = LANCER	K = MINI VAN/CARAVAN/ROYAL	Z = OMNI/CHARGER

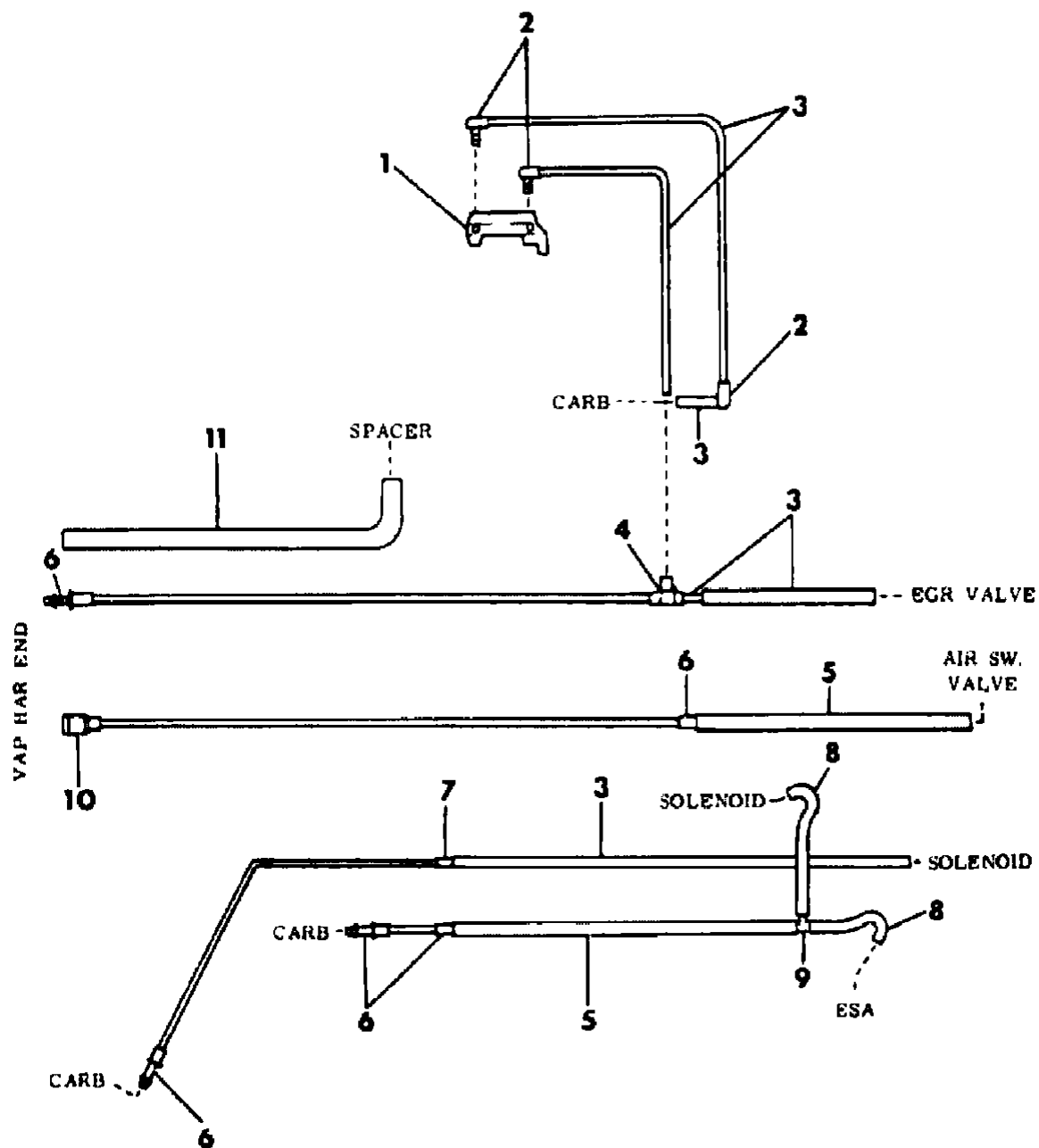
BODY STYLES

21 = 2-DOOR SEDAN	35 = FWD VAN	44 = 4-DOOR HATCHBACK
22 = 2-DOOR SPECIAL COUPE	36 = FWD WAGON	45 = 4-DOOR STATION WAGON
24 = 2-DOOR HATCHBACK	41 = 4-DOOR SEDAN	49 = LIMOUSINE
27 = 2-DOOR CONVERTIBLE		

AR = Use as Required - = Non Illustrated Part P.A.R. = Paint as Required

EGR HOSE HARNESS 2.2L ENGINE - CANADA H,K
Figure 25-2200

5125 2200



ITEM	PART NUMBER	QTY	BODY	MODEL	DESCRIPTION
					HARNES, Hose (tagged 4275030 - not serviced)
	4364 375	AR			TUBING, Convoluted 3/8" (serv. in 10 ft. roll)
1	4179 093	1			CONNECTOR, CVSCC Switch
2	4213 789	3			ELBOW .15M - 1/8
3	3780 508	AR			HOSE, Rubber 1/8" (serv. in 50 ft. roll)
4	4179 191	1			TEE
5	4105 167	AR			HOSE, Rubber 3/16" (serv. in 50 ft. roll)
6	4268 687	5			CONNECTOR .15M - 3/16
7	4268 681	1			CONNECTOR .15M - 1/8
8	4201 247	2			HOSE
9	4104 172	1			TEE
10	4179 391	1			CONNECTOR .15F - 3/16
11	4287 985	1			HOSE

MODEL CODES

B = GRAN FURY	E = 600	M = HORIZON/TURISMO
C = LE BARON/TOWN & COUNTRY/LIMO	F = FIFTH AVENUE/NEWPORT	P = RELIANT
C24 = LASER	G = DIPLOMAT	T = NEW YORKER
C44 = LE BARON/GTS	H = VOYAGER	V = 600
D = ARIES	J = CARAVELLE	V24 = DAYTONA
D44 = LANCER	K = MINI VAN/CARAVAN/ROYAL	Z = OMNI/CHARGER

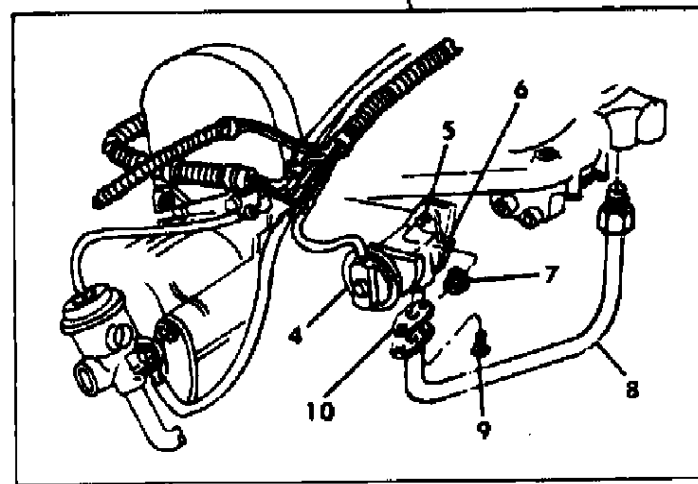
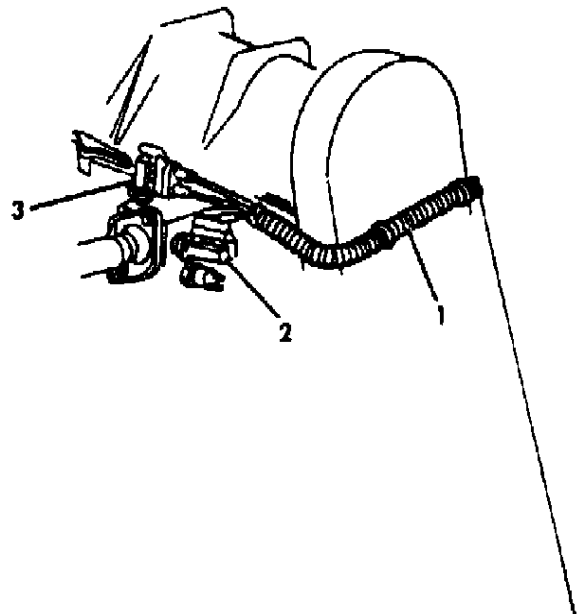
BODY STYLES

21 = 2-DOOR SEDAN	35 = FWD VAN	44 = 4-DOOR HATCHBACK
22 = 2-DOOR SPECIAL COUPE	36 = FWD WAGON	45 = 4-DOOR STATION WAGON
24 = 2-DOOR HATCHBACK	41 = 4-DOOR SEDAN	49 = LIMOUSINE
27 = 2-DOOR CONVERTIBLE		

AR = Use as Required - = Non Illustrated Part P.A.R. = Paint as Required

EGR SYSTEM 2.2L ENGINE - CALIF. AND HIGH ALT. H,K
Figure 25-2300

9125 2300



ITEM	PART NUMBER	QTY	BODY	MODEL	DESCRIPTION
1		1			HARNES, Hose (shown on illus. 2400)
2	3879 736	1			SWITCH, CVSCC (Hole #1)
3	3879 707	1			SWITCH, CVSCC (Hole #2)
4					VALVE, EGR
	4287 408	1			stamped 4287408
	4300 408	1			stamped 4300408
	4287 423	1			stamped 4287423
5	6500 498	2			STUD, EGR Valve Attach
6	4201 313	1			GASKET, EGR Valve
7	6500 182	2			NUT
8	4201 288	1			TUBE, EGR Valve to Intake Manifold Crossover
9	6500 464	2			SCREW
10	4201 384	1			GASKET, EGR Valve to Tube Flange

MODEL CODES

B = GRAN FURY	E = 600	M = HORIZON/TURISMO
C = LE BARON/TOWN & COUNTRY/LIMO	F = FIFTH AVENUE/NEWPORT	P = RELIANT
C24 = LASER	G = DIPLOMAT	T = NEW YORKER
C44 = LE BARON/GTS	H = VOYAGER	V = 600
D = ARIES	J = CARAVELLE	V24 = DAYTONA
D44 = LANCER	K = MINI VAN/CARAVAN/ROYAL	Z = OMNI/CHARGER

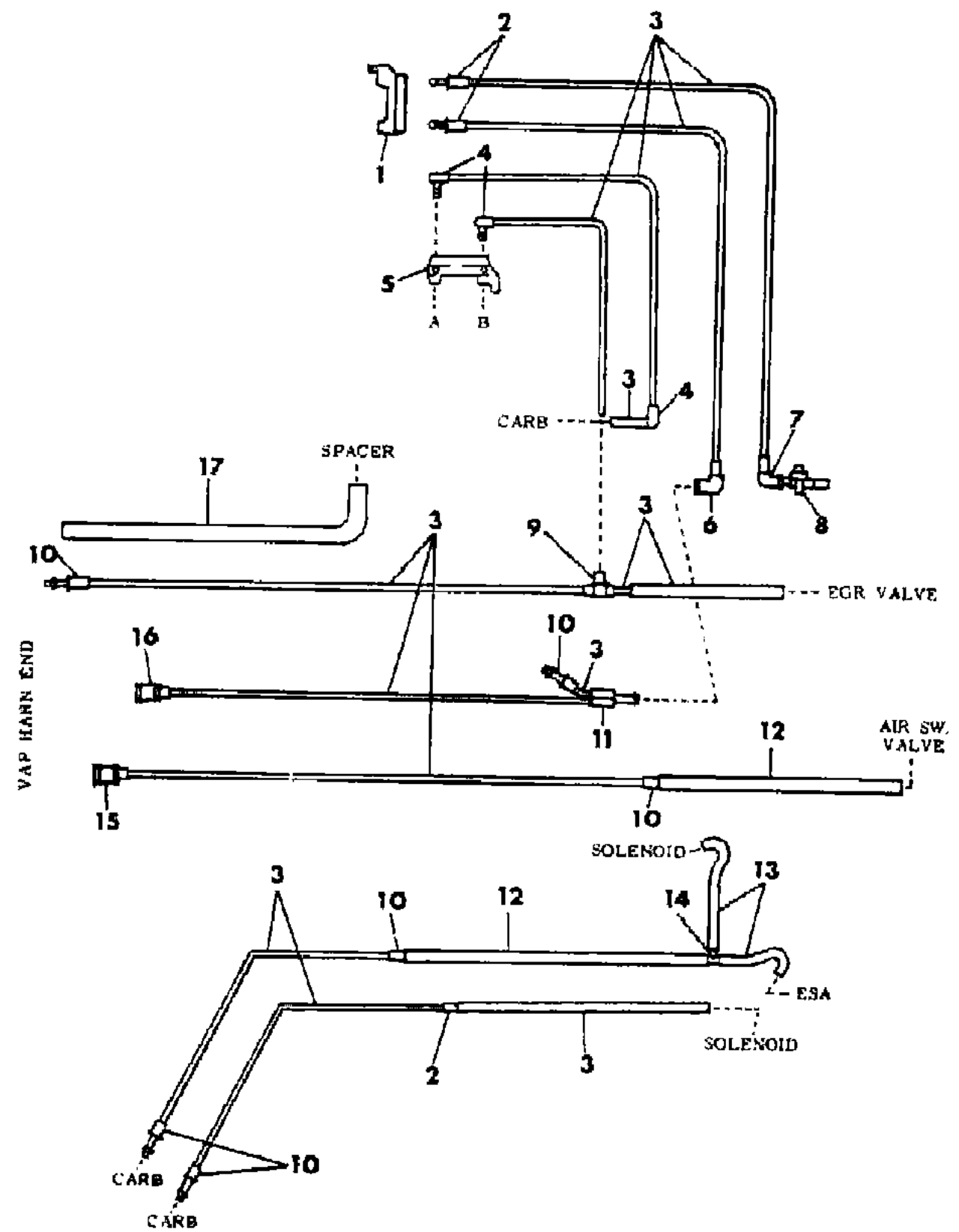
BODY STYLES

21 = 2-DOOR SEDAN	35 = FWD VAN	44 = 4-DOOR HATCHBACK
22 = 2-DOOR SPECIAL COUPE	36 = FWD WAGON	45 = 4-DOOR STATION WAGON
24 = 2-DOOR HATCHBACK	41 = 4-DOOR SEDAN	49 = LIMOUSINE
27 = 2-DOOR CONVERTIBLE		

AR = Use as Required - = Non Illustrated Part P.A.R. = Paint as Required

EGR HOSE HARNESS 2.2L ENGINE - CALIF. AND HIGH ALT. H,K
Figure 25-2400

5125 2400



ITEM	PART NUMBER	QTY	BODY	MODEL	DESCRIPTION
					HARNISS, Hose (tagged 4288124 - not serviced)
1	4364 375	AR			TUBING, Convoluted 3/8" (serv. in 10 ft. roll)
2	4095 974	1			CONNECTOR, CVSCC Switch
3	4268 681	3			CONNECTOR .15M - 1/8
4	3780 508	AR			HOSE, Rubber 1/8" (serv. in 50 ft. roll)
5	4213 789	3			ELBOW .15M - 1/8
6	4179 093	1			CONNECTOR, CVSCC Switch
7	4213 774	1			ELBOW .15F - 3/16
8	4213 766	1			ELBOW .15F - 1/8
9	3870 649	1			BLEED, Filtered Air 1/8 x 3/16
10	4179 191	1			TEE
11	4268 687	6			CONNECTOR .15M - 3/16
12	4104 169	1			CONNECTOR
13	4105 167	AR			HOSE, Rubber 3/16" (serv. in 50 ft. roll)
14	4201 247	2			HOSE
15	4104 172	1			TEE
16	4179 391	1			CONNECTOR .15F - 3/16
17	4179 196	1			CONNECTOR .15F - 1/8
18	4287 985	1			HOSE

MODEL CODES
 B = GRAN FURY
 C = LE BARON/TOWN & COUNTRY/LIMO
 C24 = LASER
 C44 = LE BARON/GTS
 D = ARIES
 D44 = LANCER
 E = 600
 F = FIFTH AVENUE/NEWPORT
 G = DIPLOMAT
 H = VOYAGER
 J = CARAVELLE
 K = MINI VAN/CARAVAN/ROYAL
 M = HORIZON/TURISMO
 P = RELIANT
 T = NEW YORKER
 V = 600
 V24 = DAYTONA
 Z = OMNI/CHARGER

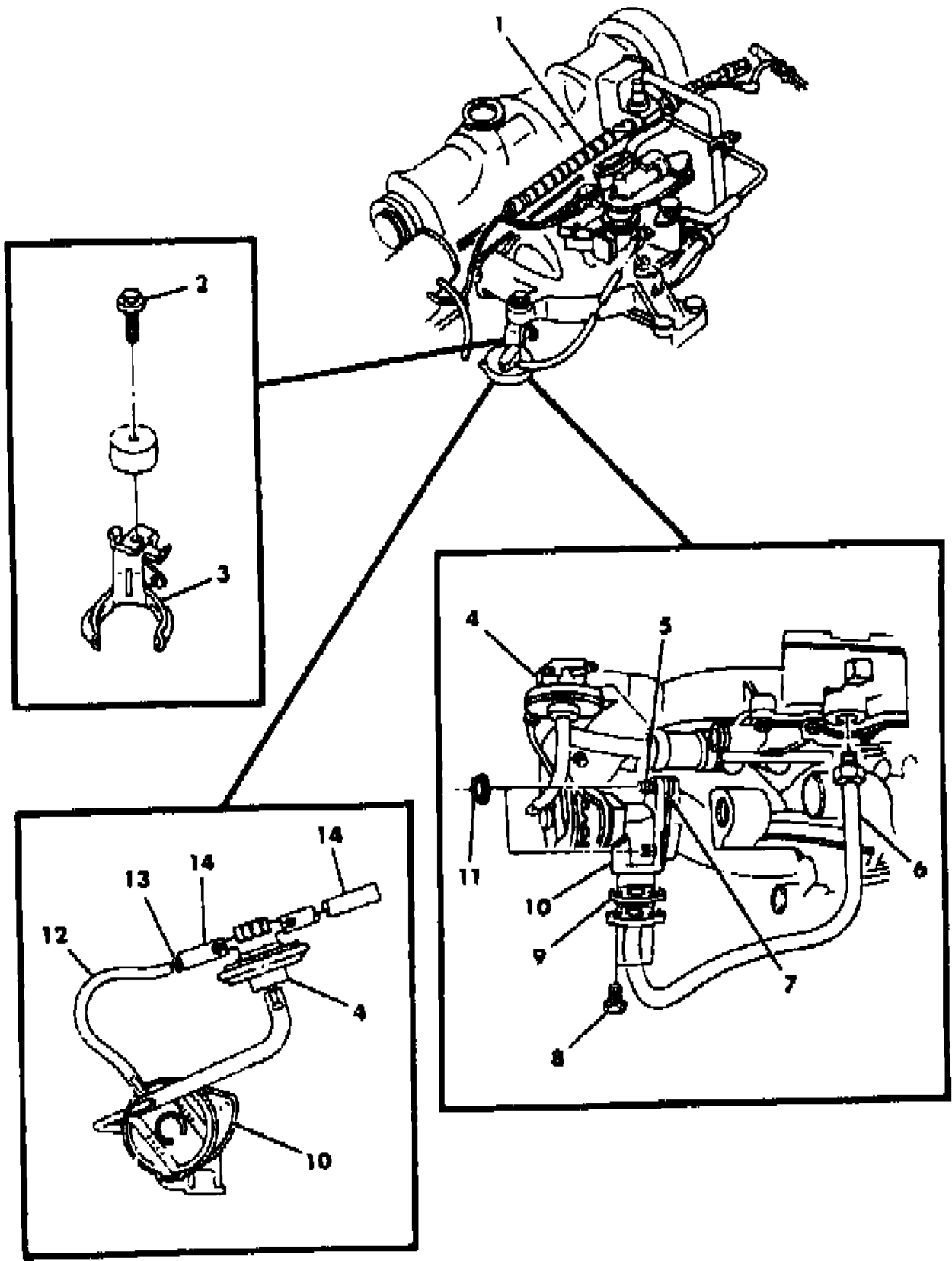
BODY STYLES
 21 = 2-DOOR SEDAN
 22 = 2-DOOR SPECIAL COUPE
 24 = 2-DOOR HATCHBACK
 27 = 2-DOOR CONVERTIBLE
 35 = FWD VAN
 36 = FWD WAGON
 41 = 4-DOOR SEDAN
 44 = 4-DOOR HATCHBACK
 45 = 4-DOOR STATION WAGON
 49 = LIMOUSINE

AR = Use as Required - = Non Illustrated Part P.A.R. = Paint as Required

EGR SYSTEM 2.2L ENGINE EFI
Figure 25-2500

51252500

ITEM	PART NUMBER	QTY	BODY	MODEL	DESCRIPTION
1		1			HARNESS, Hose (shown on illus. 2600)
2	6500 192	1			SCREW w/WASHER
3	4275 529	1			CLIP, Transducer Valve
4		1			VALVE, Transducer (serv. w/EGR Valve)
5	6500 498	2			STUD, EGR Valve Attach
6	4201 288	1			TUBE, EGR Valve to Intake Manifold Crossover
7	4201 313	1			GASKET, EGR Valve
8	6500 464	2			SCREW
9	4201 384	1			GASKET, EGR Valve to Tube Flange
10					VALVE, EGR w/Transducer
	4287 805	1			stamped 4287805
	4287 806	1			stamped 4287806
11	6500 182	2			NUT
12	3780 508	AR			HOSE, Rubber 1/8" (serv. in 50 ft. roll)
13	4241 296	1			CONNECTOR 1/8 x 3/16
14	4105 167	AR			HOSE, Rubber 3/16" (serv. in 50 ft. roll)



MODEL CODES

B = GRAN FURY	E = 600	M = HORIZON/TURISMO
C = LE BARON/TOWN & COUNTRY/LIMO	F = FIFTH AVENUE/NEWPORT	P = RELIANT
C24 = LASER	G = DIPLOMAT	T = NEW YORKER
C44 = LE BARON/GTS	H = VOYAGER	V = 600
D = ARIES	J = CARAVELLE	V24 = DAYTONA
D44 = LANCER	K = MINI VAN/CARAVAN/ROYAL	Z = OMNI/CHARGER

BODY STYLES

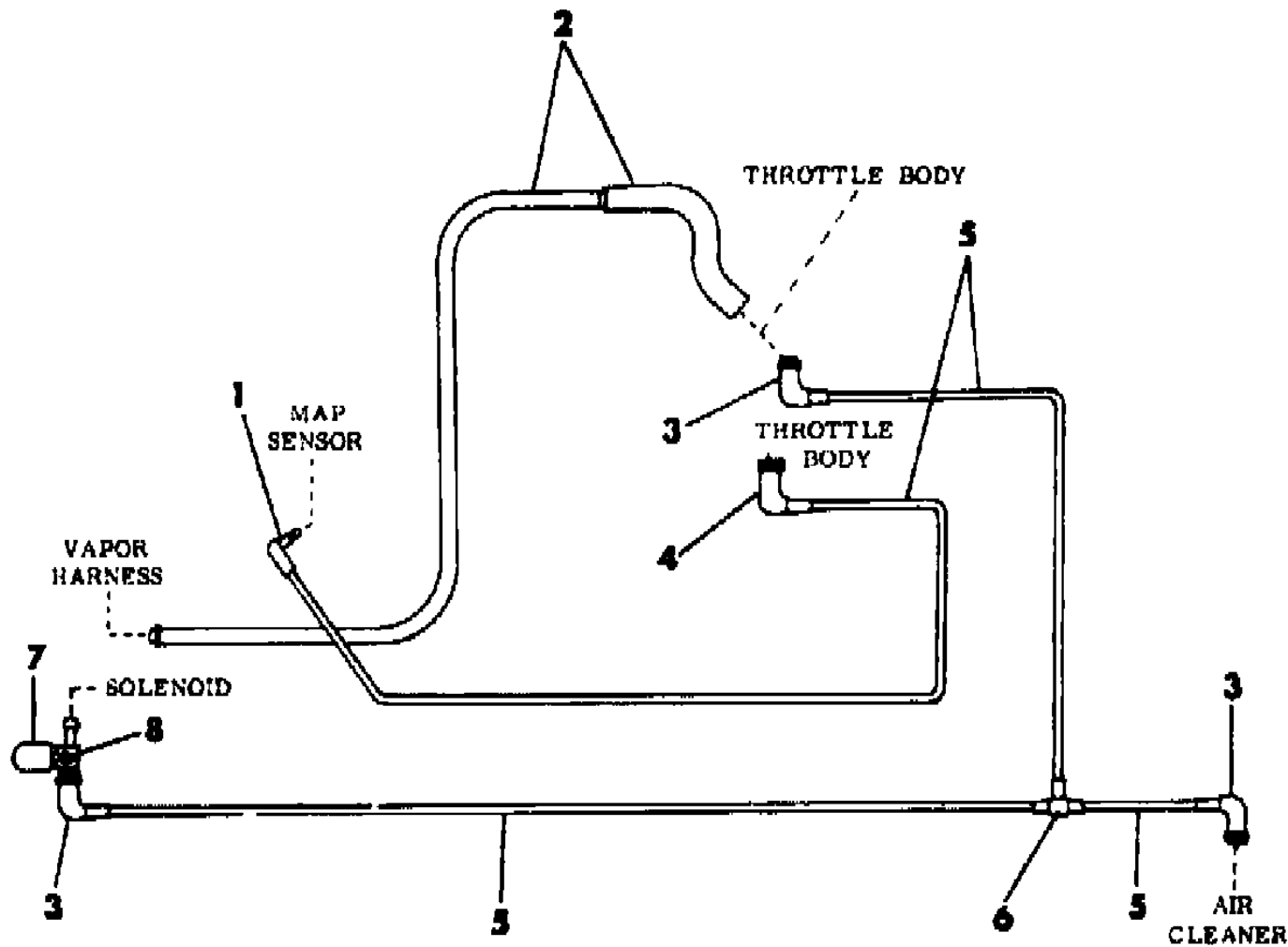
21 = 2-DOOR SEDAN	35 = FWD VAN	44 = 4-DOOR HATCHBACK
22 = 2-DOOR SPECIAL COUPE	36 = FWD WAGON	45 = 4-DOOR STATION WAGON
24 = 2-DOOR HATCHBACK	41 = 4-DOOR SEDAN	49 = LIMOUSINE
27 = 2-DOOR CONVERTIBLE		

AR = Use as Required - = Non Illustrated Part P.A.R. = Paint as Required

EGR HOSE HARNESS 2.2L ENGINE EFI
Figure 25-2600

5125 2600

ITEM	PART NUMBER	QTY	BODY	MODEL	DESCRIPTION
					HARNESS, Hose (tagged 4288108 - not serviced)
	4364 375	AR			TUBING, Convoluted 3/8" (serv. in 10 ft. roll)
1	4213 797	1			ELBOW .15M - 3/16
2	4203 316	AR			HOSE, Rubber 5/16" (serv. in 50 ft. roll)
3	4213 774	3			ELBOW .15F - 3/16
4	4213 780	1			ELBOW .15F - 1/4
5	3780 508	AR			HOSE, Rubber 1/8" (serv. in 50 ft. roll)
6	4179 191	1			TEE
7	3580 171	1			CAP
8	4104 172	1			TEE



MODEL CODES
 B = GRAN FURY
 C = LE BARON/TOWN & COUNTRY/LIMO
 C24 = LASER
 C44 = LE BARON/GTS
 D = ARIES
 D44 = LANCER
 E = 600
 F = FIFTH AVENUE/NEWPORT
 G = DIPLOMAT
 H = VOYAGER
 J = CARAVELLE
 K = MINI VAN/CARAVAN/ROYAL
 M = HORIZON/TURISMO
 P = RELIANT
 T = NEW YORKER
 V = 600
 V24 = DAYTONA
 Z = OMNI/CHARGER

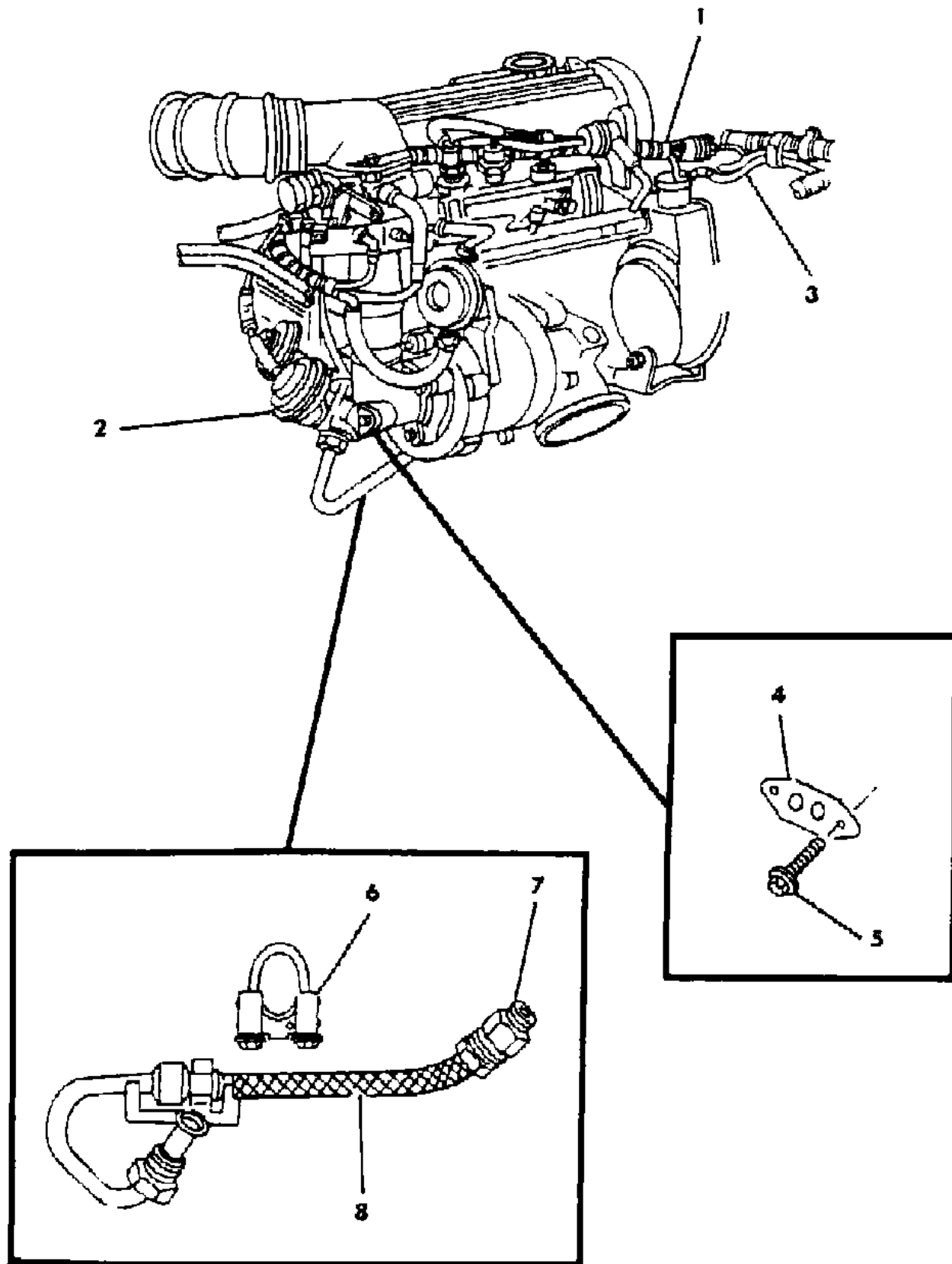
BODY STYLES
 21 = 2-DOOR SEDAN
 22 = 2-DOOR SPECIAL COUPE
 24 = 2-DOOR HATCHBACK
 27 = 2-DOOR CONVERTIBLE
 35 = FWD VAN
 36 = FWD WAGON
 41 = 4-DOOR SEDAN
 44 = 4-DOOR HATCHBACK
 45 = 4-DOOR STATION WAGON
 49 = LIMOUSINE

AR = Use as Required - = Non Illustrated Part P.A.R. = Paint as Required

EGR SYSTEM 2.2L ENGINE TURBO

Figure 25-2700

5125 2700



ITEM	PART NUMBER	QTY	BODY	MODEL	DESCRIPTION
1		1			HARNES, Hose (shown on illus. 2800)
2	4287 755	1			VALVE, EGR w/Transducer
3	4300 956	1			TUBE, Turbo Boost Gauge - Inner & Outer
4	4179 094	1			GASKET, EGR Valve Flange
5	6101 235	2			BOLT
6	4241 788	1			CLAMP, EGR Tube
7	4275 550	1			ADAPTER, Exhaust Manifold
8	4241 567	1			TUBE, EGR

MODEL CODES

B = GRAN FURY	E = 600	M = HORIZON/TURISMO
C = LE BARON/TOWN & COUNTRY/LIMO	F = FIFTH AVENUE/NEWPORT	P = RELIANT
C24 = LASER	G = DIPLOMAT	T = NEW YORKER
C44 = LE BARON/GTS	H = VOYAGER	V = 600
D = ARIES	J = CARAVELLE	V24 = DAYTONA
D44 = LANCER	K = MINI VAN/CARAVAN/ROYAL	Z = OMNI/CHARGER

BODY STYLES

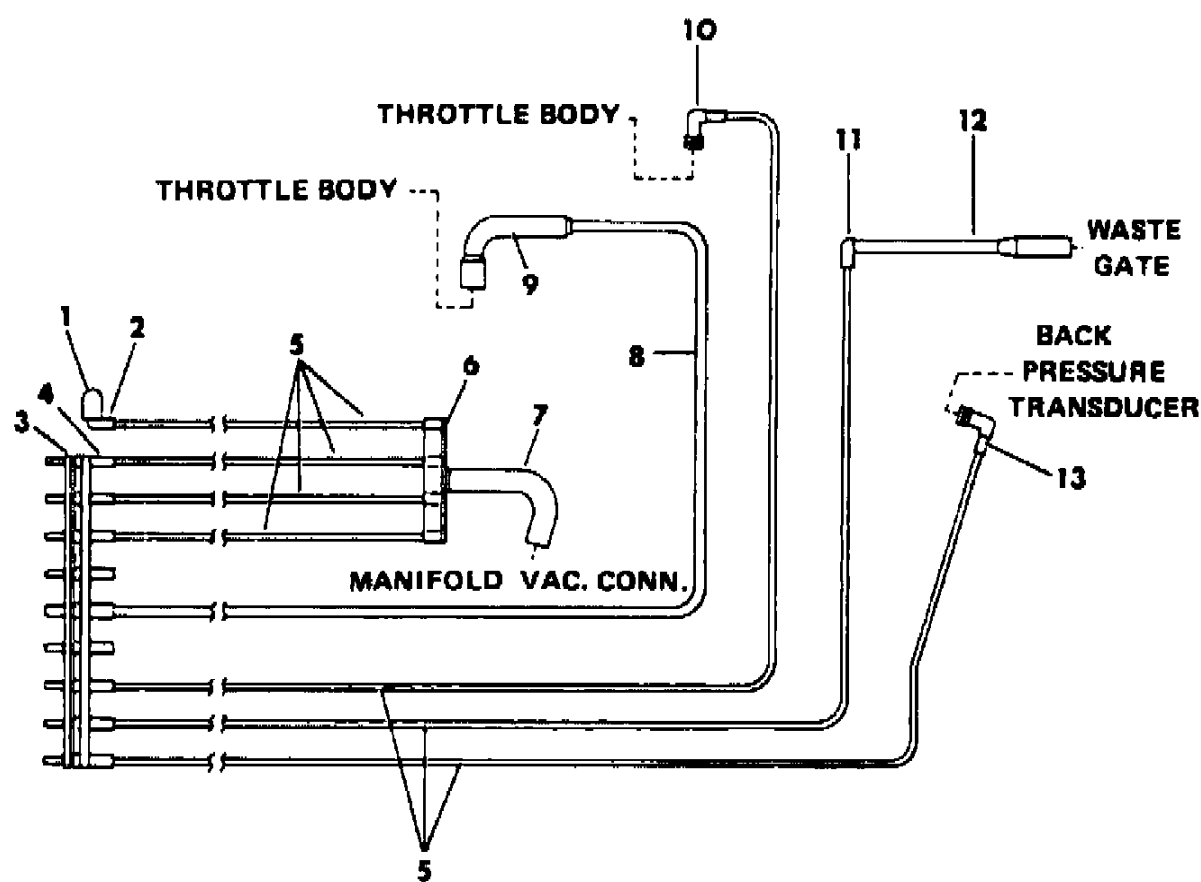
21 = 2-DOOR SEDAN	35 = FWD VAN	44 = 4-DOOR HATCHBACK
22 = 2-DOOR SPECIAL COUPE	36 = FWD WAGON	45 = 4-DOOR STATION WAGON
24 = 2-DOOR HATCHBACK	41 = 4-DOOR SEDAN	49 = LIMOUSINE
27 = 2-DOOR CONVERTIBLE		

AR = Use as Required - = Non Illustrated Part P.A.R. = Paint as Required

EGR HOSE HARNESS 2.2L ENGINE TURBO
Figure 25-2800

5125 2800

ITEM	PART NUMBER	QTY	BODY	MODEL	DESCRIPTION
					HARNESS, Hose (tagged 4288118 or 4307730 - not serviced)
					TUBING, Convoluted (serv. in 10 ft. roll)
	4364 374	AR			1/2"
	4364 392	AR			5/8"
1	3580 170	1			CAP
2	4213 789	1			ELBOW .15M - 1/8
3	4288 239	1			CONNECTOR, 9 Port - Male
4	4288 238	1			CONNECTOR, 9 Port - Female
5	3780 508	AR			HOSE, Rubber 1/8" (serv. in 50 ft. roll)
6	4306 053	1			CONNECTOR
7	4241 846	1			TUBE, Formed
8	4287 935	1			TUBE, Nylon 1/4"
9	4300 906	1			TUBE, Molded
10	4213 766	1			ELBOW .15F - 1/8
11	4213 797	1			ELBOW .15M - 3/16
12	4201 264	1			TUBE, Expanded End
13	4213 774	1			ELBOW .15F - 3/16



MODEL CODES

B = GRAN FURY	E = 600	M = HORIZON/TURISMO
C = LE BARON/TOWN & COUNTRY/LIMO	F = FIFTH AVENUE/NEWPORT	P = RELIANT
C24 = LASER	G = DIPLOMAT	T = NEW YORKER
C44 = LE BARON/GTS	H = VOYAGER	V = 600
D = ARIES	J = CARAVELLE	V24 = DAYTONA
D44 = LANCER	K = MINI VAN/CARAVAN/ROYAL	Z = OMNI/CHARGER

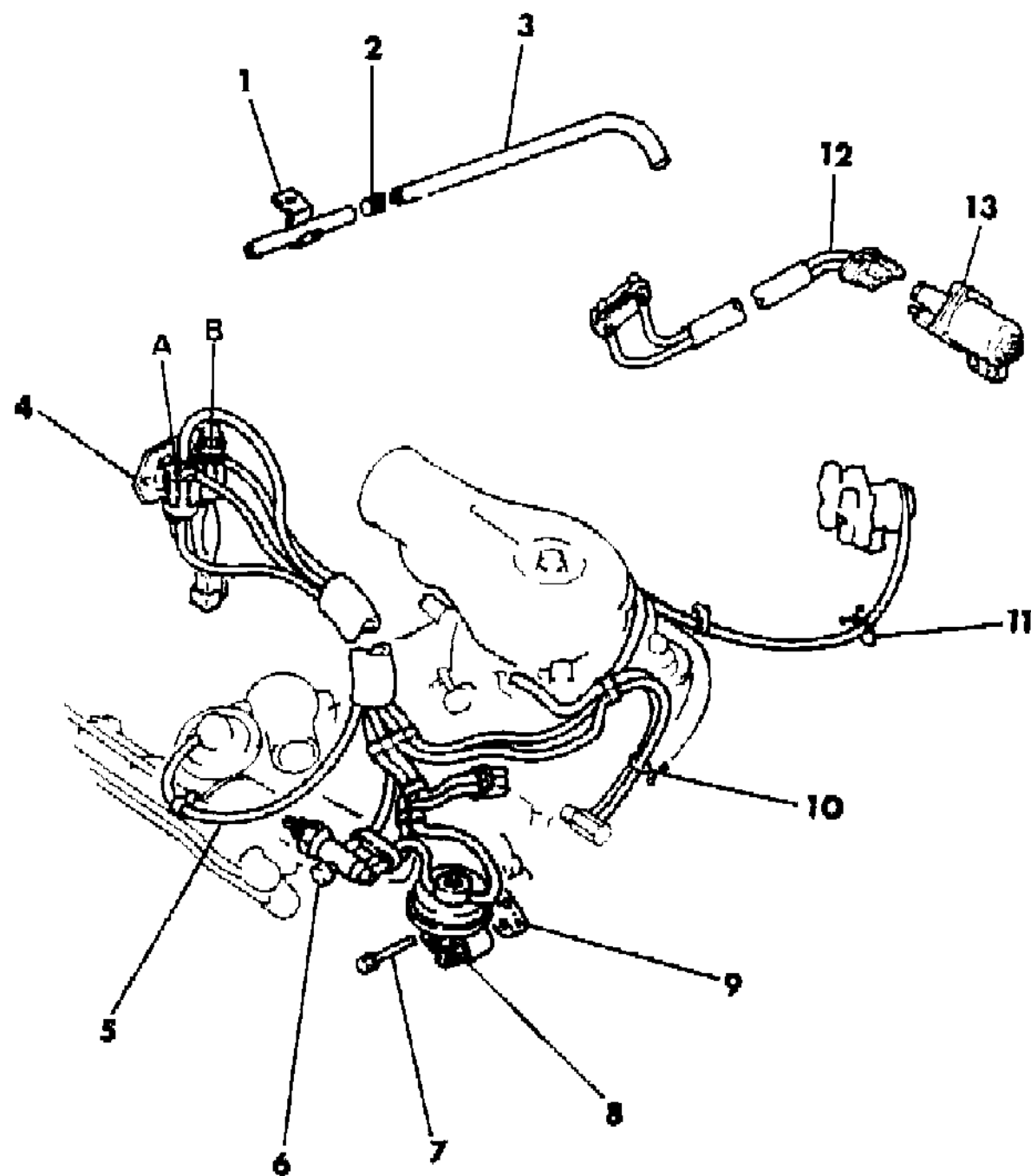
BODY STYLES

21 = 2-DOOR SEDAN	35 = FWD VAN	44 = 4-DOOR HATCHBACK
22 = 2-DOOR SPECIAL COUPE	36 = FWD WAGON	45 = 4-DOOR STATION WAGON
24 = 2-DOOR HATCHBACK	41 = 4-DOOR SEDAN	49 = LIMOUSINE
27 = 2-DOOR CONVERTIBLE		

AR = Use as Required - = Non Illustrated Part P.A.R. = Paint as Required

EGR SYSTEM 2.6L ENGINE - FEDERAL AND CALIF. AND LIMO EXC. H,K
Figure 25-2900

5125 2900 A



ITEM	PART NUMBER	QTY	BODY	MODEL	DESCRIPTION
1	MD08 8140	1			PIPE, Vapor
2	MS66 0164	2			CLIP, Hose (13.1)
3	MD08 8139	1			HOSE, Vapor
4	MD07 1769	1			VALVE ASSY., Solenoid A - Spark Advance Control Solenoid Valve B - ASV Control Solenoid Valve
5	MD08 3223	1			HOSE ASSY., Vacuum
6	MD07 3096	1			VALVE ASSY., Thermo, (2-Port Valve) ***
	MD06 2375	1			VALVE ASSEMBLY, Thermo (3-Port Valve)
7	MF24 1236	2			BOLT w/WASHER (6x45)
8	MD02 6685	1			VALVE ASSY., EGR
9	MD02 6567	1			GASKET, EGR Valve
10	MS47 0362	1			CLIP, Snap (20)
11	MS47 0359	1			CLIP, Snap (16)
12	MD02 5243	1			HOSE ASSY., Vacuum
13	MD02 6725	1			COMPENSATOR, High Alt.

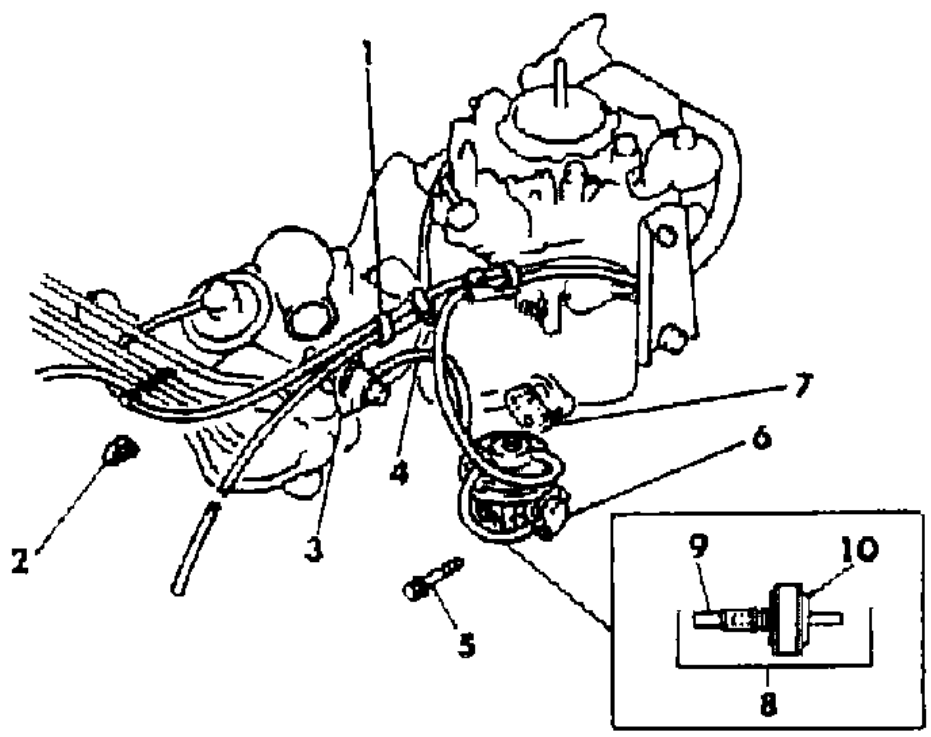
MODEL CODES
 B = GRAN FURY
 C = LE BARON/TOWN & COUNTRY/LIMO
 C24 = LASER
 C44 = LE BARON/GTS
 D = ARIES
 D44 = LANCER
 E = 600
 F = FIFTH AVENUE/NEWPORT
 G = DIPLOMAT
 H = VOYAGER
 J = CARAVELLE
 K = MINI VAN/CARAVAN/ROYAL
 M = HORIZON/TURISMO
 P = RELIANT
 T = NEW YORKER
 V = 600
 V24 = DAYTONA
 Z = OMNI/CHARGER

BODY STYLES
 21 = 2-DOOR SEDAN
 22 = 2-DOOR SPECIAL COUPE
 24 = 2-DOOR HATCHBACK
 27 = 2-DOOR CONVERTIBLE
 35 = FWD VAN
 36 = FWD WAGON
 41 = 4-DOOR SEDAN
 44 = 4-DOOR HATCHBACK
 45 = 4-DOOR STATION WAGON
 49 = LIMOUSINE

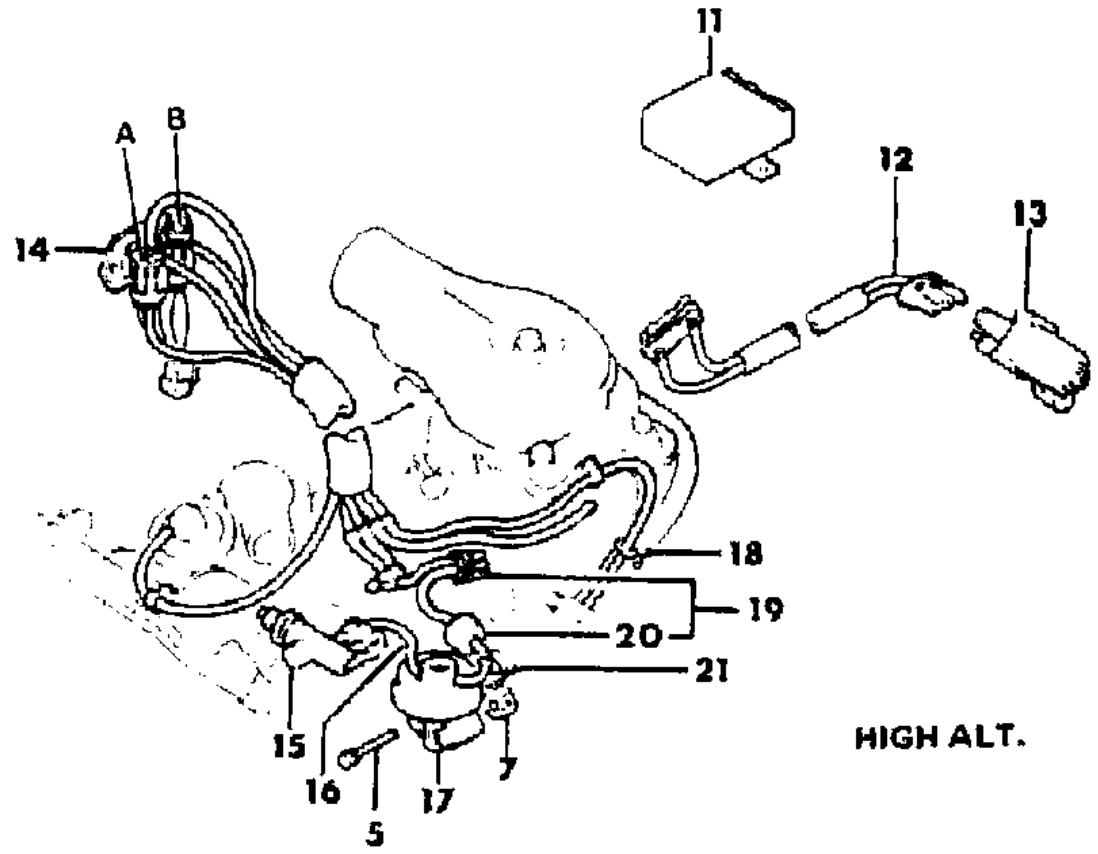
AR = Use as Required - = Non Illustrated Part P.A.R. = Paint as Required

EGR SYSTEM 2.6L ENGINE - FEDERAL AND HIGH ALT. H,K
Figure 25-3000

5125 3000 A



FEDERAL



HIGH ALT.

ITEM	PART NUMBER	QTY	BODY	MODEL	DESCRIPTION
1	MD06 9411	1			HOSE ASSY., Vacuum
2	MD00 1843	1			CLAMP, Emission Hose
3	MD00 9202	1			VALVE ASSY., Thermo
4	MS63 2811	1			HOSE, Vacuum (Green 110)
5	MF24 1236	2			BOLT w/WASHER (6x45)
6	MD07 5940	1			VALVE ASSY., EGR
7	MD02 6567	1			GASKET, EGR Valve
8	4306 281	1			DELAY, Vacuum - EGR Bleed
9	4306 279	1			CONNECTOR
10	4167 046	1			VALVE, Vacuum Delay
11	MD02 5273	1			SENSOR, Engine Speed
12	MD02 5243	1			HOSE ASSY., Vacuum
13	MD02 6708	1			COMPENSATOR, High Alt.
14	MD02 5274	1			VALVE ASSY., Solenoid A - Spark Advance Control Solenoid Valve B - ASV Control Solenoid Valve
15	MD02 5263	1			VALVE ASSY., Thermo
16	MD08 8102	1			HOSE ASSY., Vacuum
17	MD00 1542	1			VALVE ASSY., EGR
18	MS47 0362	1			CLIP, Snap (20)
19	#MD08 8084	1			HOSE ASSY., Vacuum
20	#MD00 1681	1			VALVE, Delay
21	MS47 0359	1			CLIP, Snap (16)

MODEL CODES
 B = GRAN FURY
 C = LE BARON/TOWN & COUNTRY/LIMO
 C24 = LASER
 C44 = LE BARON/GTS
 D = ARIES
 D44 = LANCER
 E = 600
 F = FIFTH AVENUE/NEWPORT
 G = DIPLOMAT
 H = VOYAGER
 J = CARAVELLE
 K = MINI VAN/CARAVAN/ROYAL
 M = HORIZON/TURISMO
 P = RELIANT
 T = NEW YORKER
 V = 600
 V24 = DAYTONA
 Z = OMNI/CHARGER

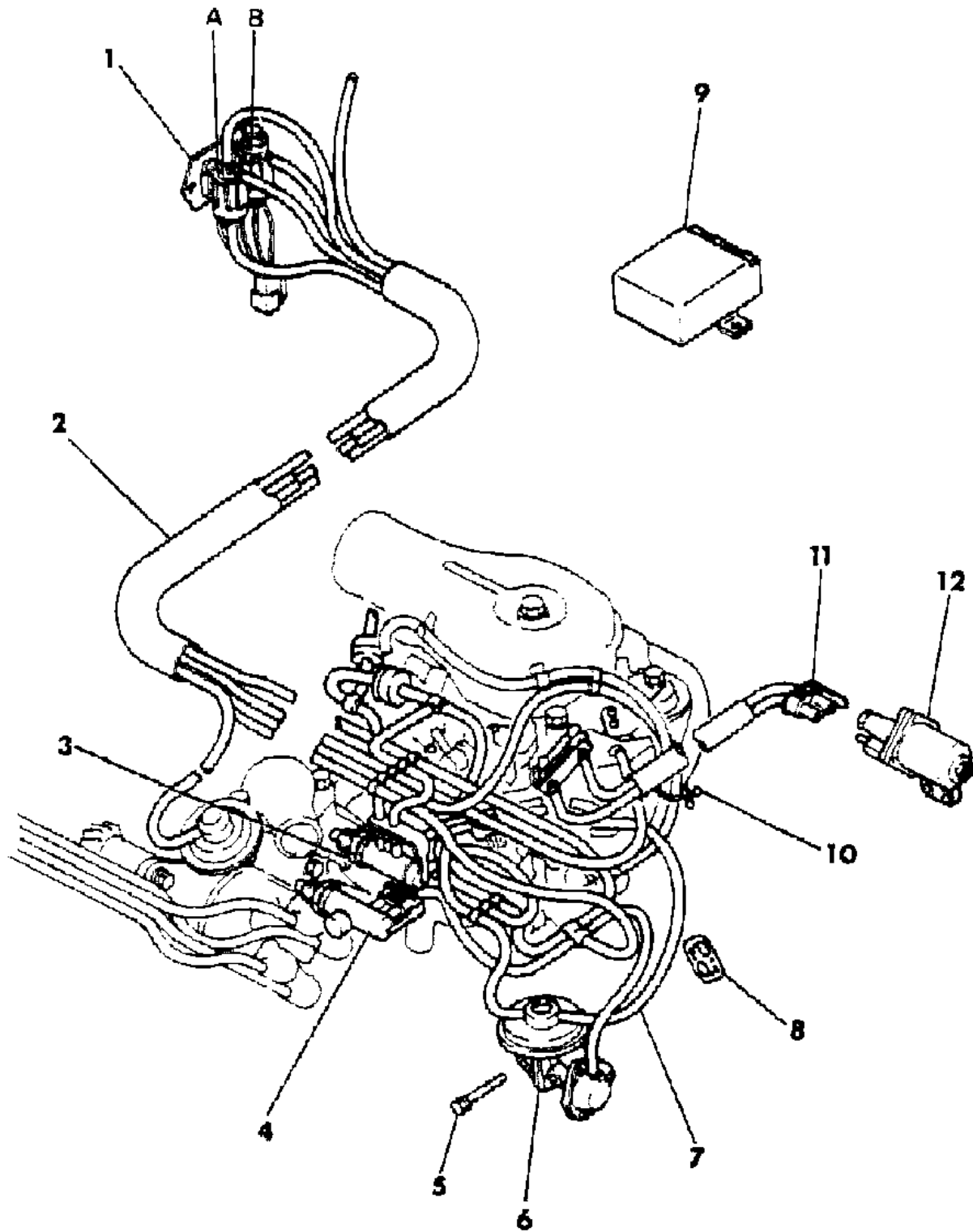
BODY STYLES
 21 = 2-DOOR SEDAN
 22 = 2-DOOR SPECIAL COUPE
 24 = 2-DOOR HATCHBACK
 27 = 2-DOOR CONVERTIBLE
 35 = FWD VAN
 36 = FWD WAGON
 41 = 4-DOOR SEDAN
 44 = 4-DOOR HATCHBACK
 45 = 4-DOOR STATION WAGON
 49 = LIMOUSINE

AR = Use as Required - = Non Illustrated Part P.A.R. = Paint as Required

EGR SYSTEM 2.6L ENGINE - CALIF. H,K
Figure 25-3100

5125 3100 A

ITEM	PART NUMBER	QTY	BODY	MODEL	DESCRIPTION
1	MD02 5274	1			VALVE ASSY., Solenoid A - Spark Advance Control Solenoid Valve B - ASV Control Solenoid Valve
2	MD08 4379	1			HOSE ASSY., Vacuum
3	MD02 5263	1			VALVE ASSY., Thermo
4	MD06 2375	1			VALVE ASSY., Thermo (3-Port Valve) ***
5	MF24 1236	2			BOLT w/WASHER (6x45)
6	MD06 7665	1			VALVE ASSY., EGR
7	MS63 2812	1			HOSE, Vacuum (Green 120)
8	MD02 6567	1			GASKER, EGR Valve
9	MD02 5273	1			SENSOR, Engine Speed
10	MD00 6478	1			CLIP, Snap
11	MD02 5243	1			HOSE ASSY., Vacuum
12	MD02 6708	1			COMPENSATOR, High Alt.



MODEL CODES

B = GRAN FURY	E = 600	M = HORIZON/TURISMO
C = LE BARON/TOWN & COUNTRY/LIMO	F = FIFTH AVENUE/NEWPORT	P = RELIANT
C24 = LASER	G = DIPLOMAT	T = NEW YORKER
C44 = LE BARON/GTS	H = VOYAGER	V = 600
D = ARIES	J = CARAVELLE	V24 = DAYTONA
D44 = LANCER	K = MINI VAN/CARAVAN/ROYAL	Z = OMNI/CHARGER

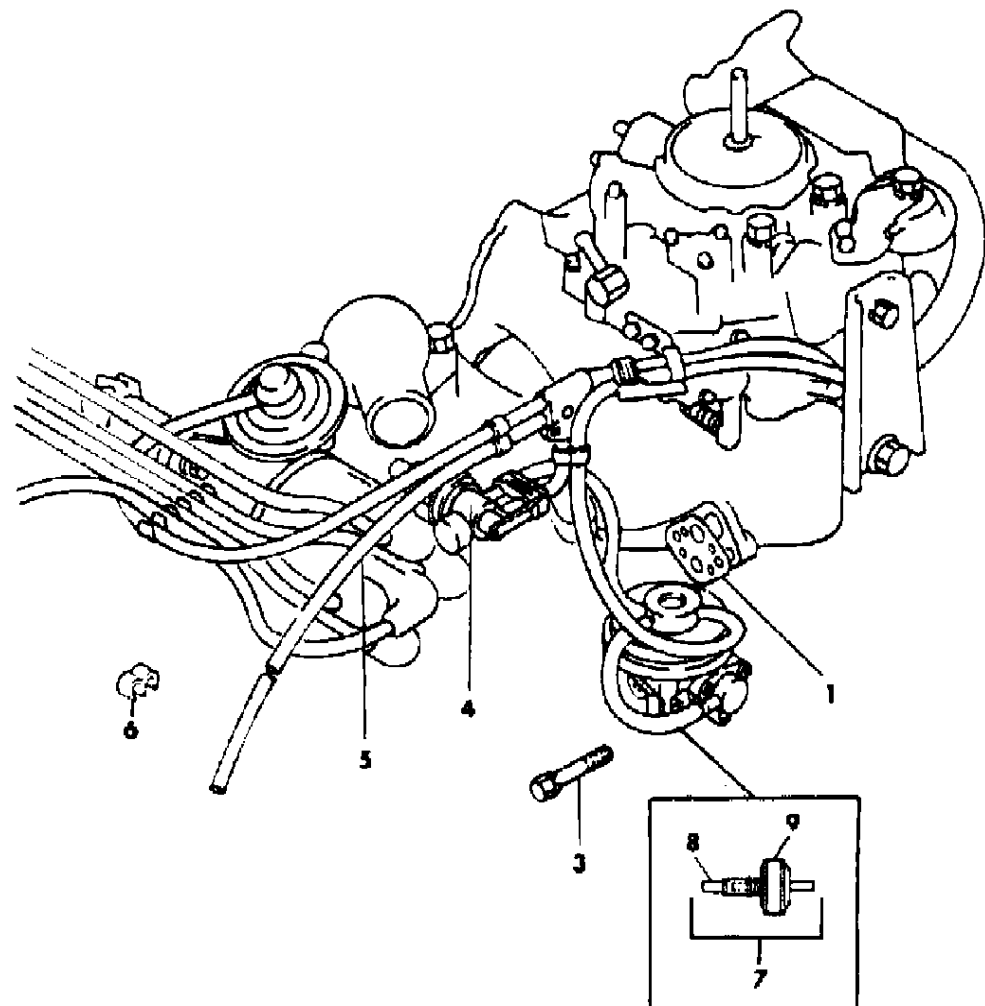
BODY STYLES

21 = 2-DOOR SEDAN	35 = FWD VAN	44 = 4-DOOR HATCHBACK
22 = 2-DOOR SPECIAL COUPE	36 = FWD WAGON	45 = 4-DOOR STATION WAGON
24 = 2-DOOR HATCHBACK	41 = 4-DOOR SEDAN	49 = LIMOUSINE
27 = 2-DOOR CONVERTIBLE		

AR = Use as Required - = Non Illustrated Part P.A.R. = Paint as Required

EGR SYSTEM 2.6L ENGINE - CANADA - EXC. LIMO
Figure 25-3200

5125 3200



ITEM	PART NUMBER	QTY	BODY	MODEL	DESCRIPTION
1	MD02 6567	1			GASKET, EGR Valve
2	MD07 3014	1			VALVE, EGR
3	MF24 1236	2			BOLT w/WASHER (6x45)
4	MD00 9202	1			VALVE, Thermo
5	MD08 3236	1			HOSE, Vacuum
6	MD00 1843	1			CLAMP, Emission Hose
7	4306 126	1			DELAY, Vacuum - EGR Bleed
8	4306 279	1			CONNECTOR
9	4173 448	1			VALVE, Vacuum Delay

MODEL CODES

B = GRAN FURY	E = 600	M = HORIZON/TURISMO
C = LE BARON/TOWN & COUNTRY/LIMO	F = FIFTH AVENUE/NEWPORT	P = RELIANT
C24 = LASER	G = DIPLOMAT	T = NEW YORKER
C44 = LE BARON/GTS	H = VOYAGER	V = 600
D = ARIES	J = CARAVELLE	V24 = DAYTONA
D44 = LANCER	K = MINI VAN/CARAVAN/ROYAL	Z = OMNI/CHARGER

BODY STYLES

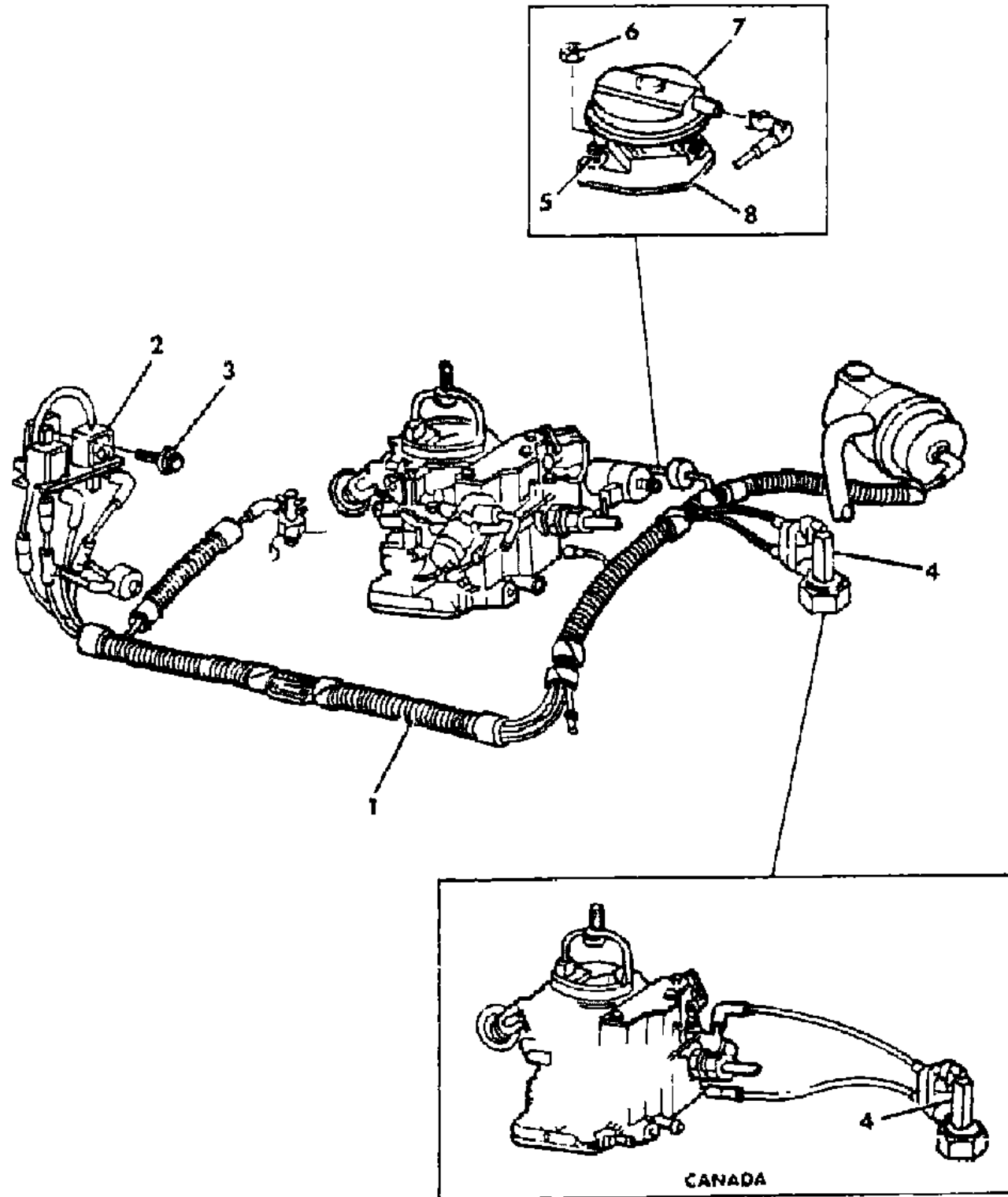
21 = 2-DOOR SEDAN	35 = FWD VAN	44 = 4-DOOR HATCHBACK
22 = 2-DOOR SPECIAL COUPE	36 = FWD WAGON	45 = 4-DOOR STATION WAGON
24 = 2-DOOR HATCHBACK	41 = 4-DOOR SEDAN	49 = LIMOUSINE
27 = 2-DOOR CONVERTIBLE		

AR = Use as Required - = Non Illustrated Part P.A.R. = Paint as Required

EGR SYSTEM 318 ENGINE 2 BBL.

Figure 25-3300

5125 3300



ITEM	PART NUMBER	QTY	BODY	MODEL	DESCRIPTION
1		1			HARNES, Hose (shown on illus. 3400, 3500, 3600, 3700)
2	4289 087	1			SOLENOID, Dual Vacuum
3	6032 473	1			SCREW w/WASHER
4	4049 277	1			SWITCH, CVSCC exc. Canada
	4095 231	1			Canada
5	6031 943	2			STUD, EGR Valve Attach
6	0115 729	2			NUT
7					VALVE, EGR
	4287 659	1			stamped 4287659
	4287 677	1			stamped 4287677
8	4287 938	1			GASKET, EGR Valve
	3671 448	1			COVER, EGR Valve Flange

MODEL CODES

B = GRAN FURY	E = 600	M = HORIZON/TURISMO
C = LE BARON/TOWN & COUNTRY/LIMO	F = FIFTH AVENUE/NEWPORT	P = RELIANT
C24 = LASER	G = DIPLOMAT	T = NEW YORKER
C44 = LE BARON/GTS	H = VOYAGER	V = 600
D = ARIES	J = CARAVELLE	V24 = DAYTONA
D44 = LANCER	K = MINI VAN/CARAVAN/ROYAL	Z = OMNI/CHARGER

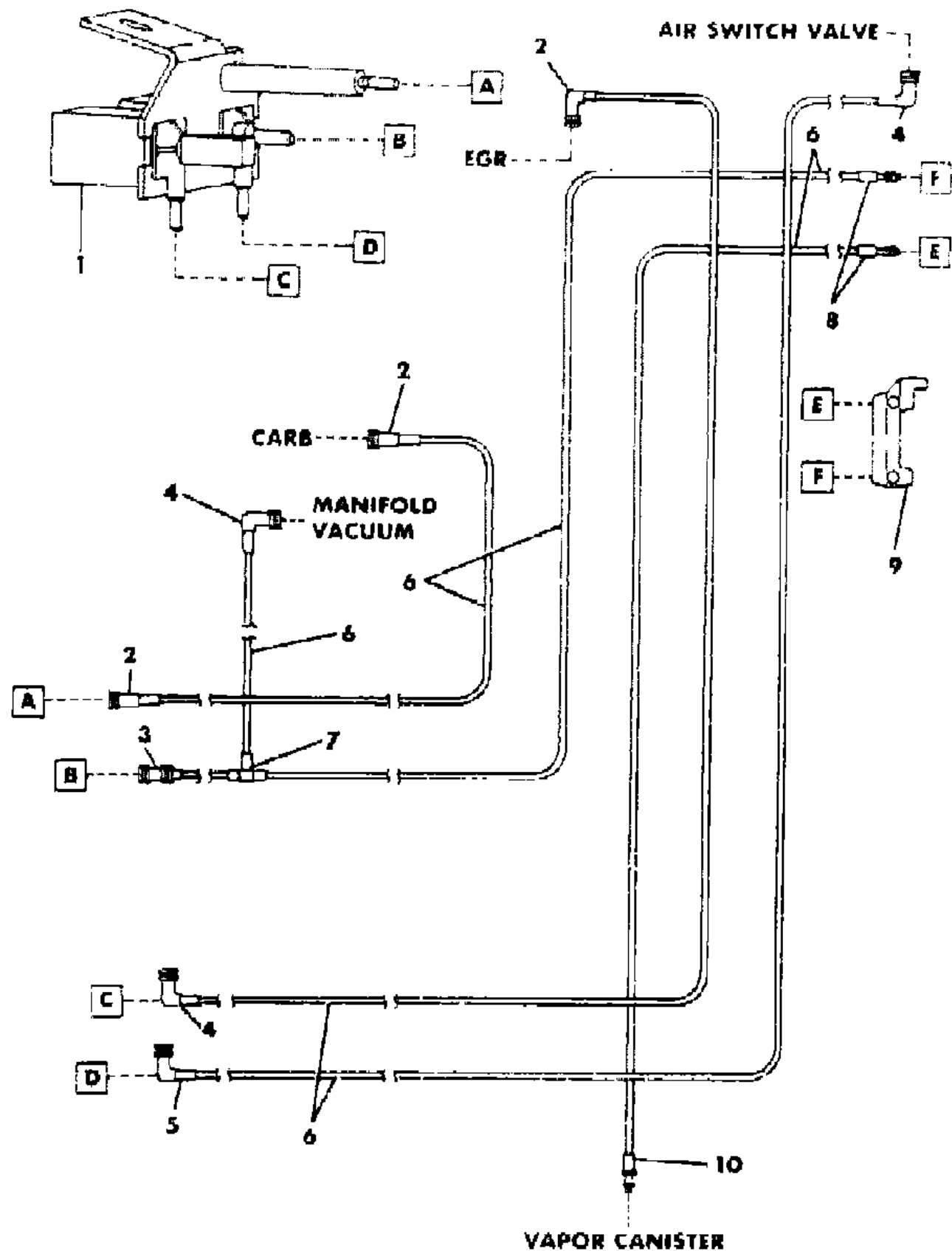
BODY STYLES

21 = 2-DOOR SEDAN	35 = FWD VAN	44 = 4-DOOR HATCHBACK
22 = 2-DOOR SPECIAL COUPE	36 = FWD WAGON	45 = 4-DOOR STATION WAGON
24 = 2-DOOR HATCHBACK	41 = 4-DOOR SEDAN	49 = LIMOUSINE
27 = 2-DOOR CONVERTIBLE		

AR = Use as Required - = Non Illustrated Part P.A.R. = Paint as Required

EGR HOSE HARNESS 318 ENGINE 2 BBL. - EXC. CANADA UP TO 1-14-85
Figure 25-3400

5125 3400



ITEM	PART NUMBER	QTY	BODY	MODEL	DESCRIPTION
					HARNESS, Hose (tagged 4268008 - not serviced)
					TUBING, Convoluted (serv. in 10 ft. roll)
	4364 393	AR			1/4"
	4364 375	AR			3/8"
	4364 374	AR			1/2"
1	4289 087	1			SOLENOID, Dual Vacuum
2	4179 196	2			CONNECTOR .15F - 1/8
3	4179 391	1			CONNECTOR .15F - 3/16
4	4213 774	3			ELBOW .15F - 3/16
5	4213 766	2			ELBOW .15F - 1/8
6	3780 508	AR			HOSE, Rubber 1/8" (serv. in 50 ft. roll)
7	4179 191	1			TEE
8	4268 681	2			CONNECTOR .15M - 1/8
9	4179 093	1			CONNECTOR, CVSCC Switch
10	4268 687	1			CONNECTOR .15M - 3/16

MODEL CODES

B = GRAN FURY	E = 600	M = HORIZON/TURISMO
C = LE BARON/TOWN & COUNTRY/LIMO	F = FIFTH AVENUE/NEWPORT	P = RELIANT
C24 = LASER	G = DIPLOMAT	T = NEW YORKER
C44 = LE BARON/GTS	H = VOYAGER	V = 600
D = ARIES	J = CARAVELLE	V24 = DAYTONA
D44 = LANCER	K = MINI VAN/CARAVAN/ROYAL	Z = OMNI/CHARGER

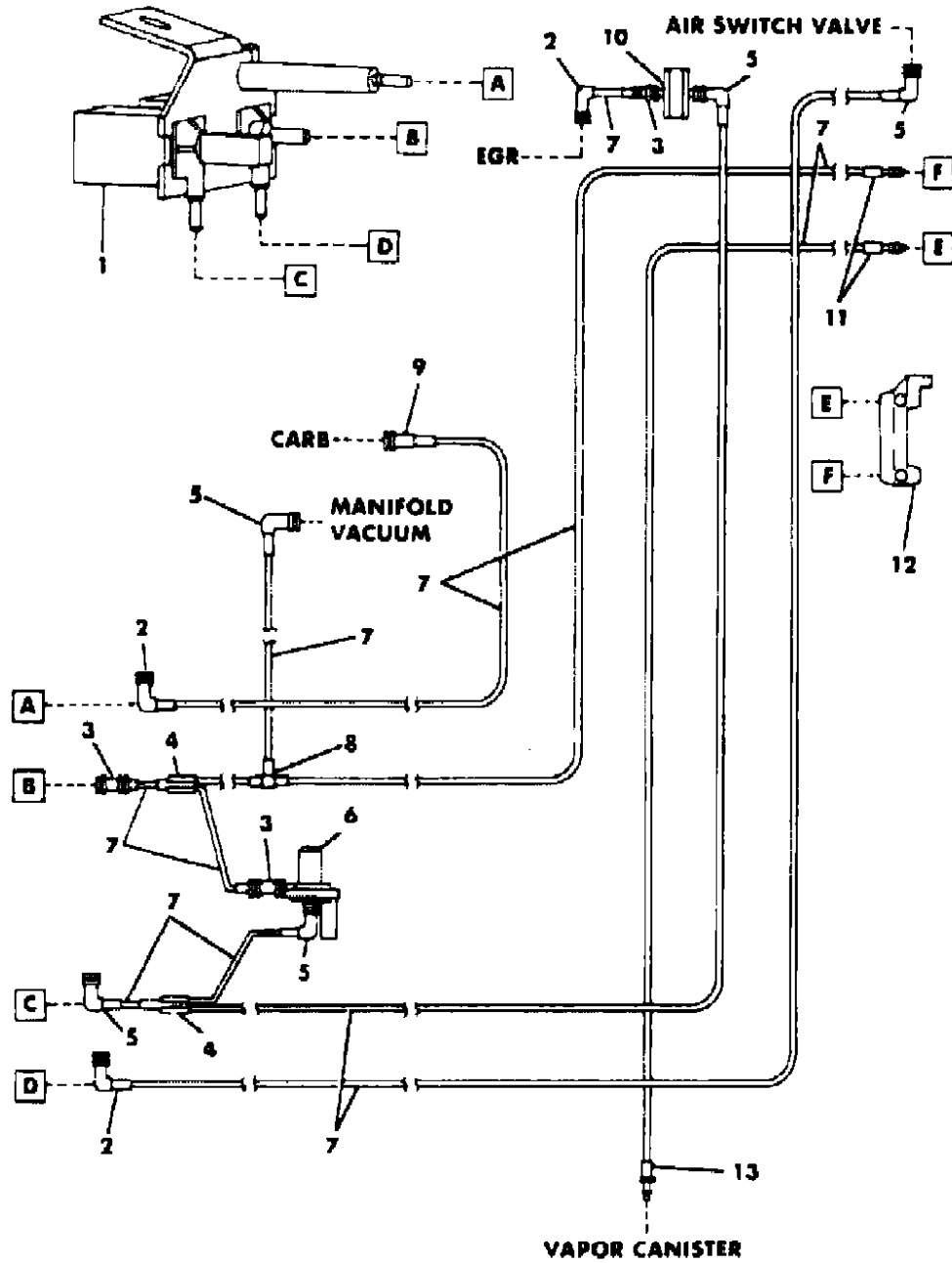
BODY STYLES

21 = 2-DOOR SEDAN	35 = FWD VAN	44 = 4-DOOR HATCHBACK
22 = 2-DOOR SPECIAL COUPE	36 = FWD WAGON	45 = 4-DOOR STATION WAGON
24 = 2-DOOR HATCHBACK	41 = 4-DOOR SEDAN	49 = LIMOUSINE
27 = 2-DOOR CONVERTIBLE		

AR = Use as Required - = Non Illustrated Part P.A.R. = Paint as Required

EGR HOSE HARNESS 318 ENGINE 2 BBL. - EXC. CANADA AFTER 1-14-85
Figure 25-3500

5125 3500



ITEM	PART NUMBER	QTY	BODY	MODEL	DESCRIPTION
					HARNESS, Hose
					(tagged 4307729 - not serviced) after 1-14-85 & up to 4-15-85
					(tagged 4307766 - not serviced) - Federal - after 4-15-85
					TUBING, Convoluted (serv. in 10 ft. roll)
	4364 393	AR			1/4"
	4364 375	AR			3/8"
	4364 374	AR			1/2"
1	4289 087	1			SOLENOID, Dual Vacuum
2	4179 196	2			CONNECTOR .15F - 1/8
3	4179 391	3			CONNECTOR .15F - 3/16
4	4213 774	5			ELBOW .15F - 3/16
5	4213 766	2			ELBOW .15F - 1/8
6	4179 193	2			CONNECTOR
7	3780 508	AR			HOSE, Rubber 1/8" (serv. in 50 ft. roll)
8	4306 924	1			SWITCH, Vacuum
9	4179 191	1			TEE
10	4167 046	1			VALVE, Delay
11	4268 681	2			CONNECTOR .15M - 1/8
12	4179 093	1			CONNECTOR, CVSCC Switch
13	4268 687	1			CONNECTOR .15M - 3/16

MODEL CODES

B = GRAN FURY	E = 600	M = HORIZON/TURISMO
C = LE BARON/TOWN & COUNTRY/LIMO	F = FIFTH AVENUE/NEWPORT	P = RELIANT
C24 = LASER	G = DIPLOMAT	T = NEW YORKER
C44 = LE BARON/GTS	H = VOYAGER	V = 600
D = ARIES	J = CARAVELLE	V24 = DAYTONA
D44 = LANCER	K = MINI VAN/CARAVAN/ROYAL	Z = OMNI/CHARGER

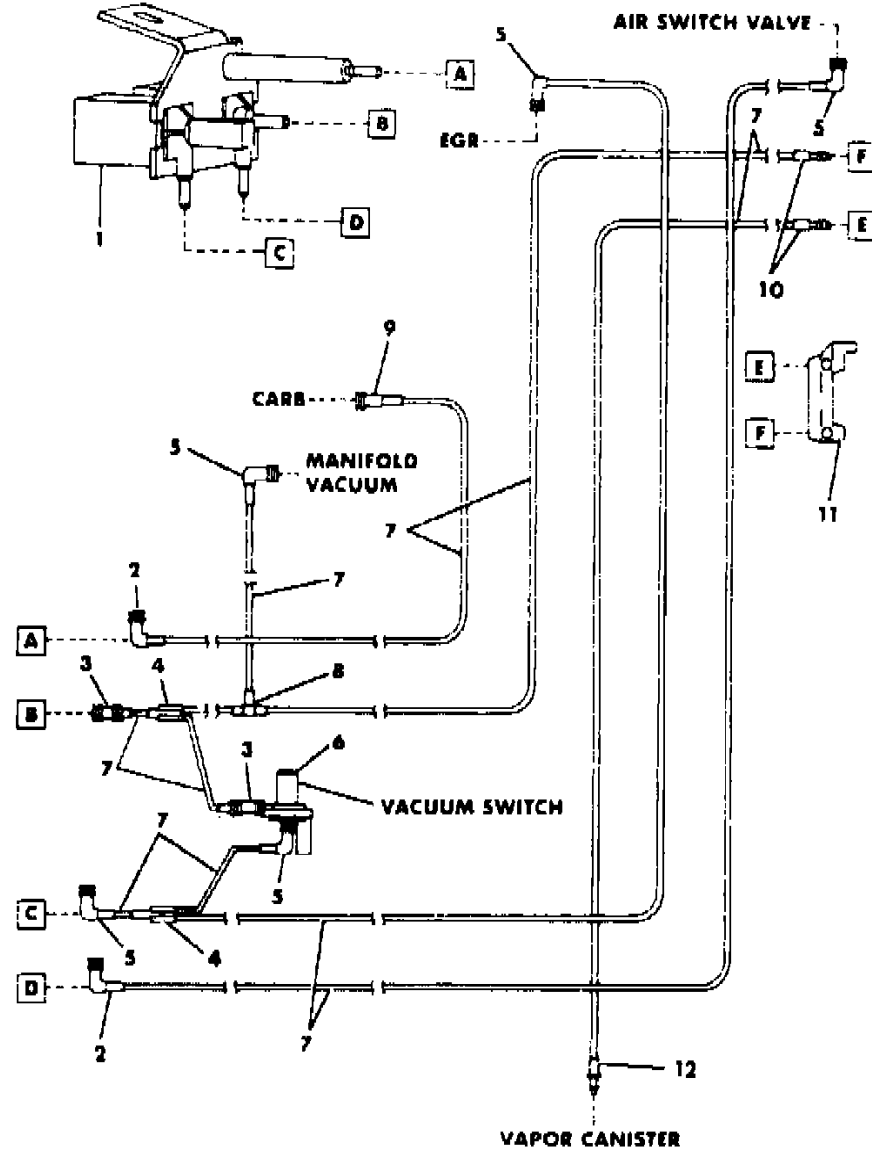
BODY STYLES

21 = 2-DOOR SEDAN	35 = FWD VAN	44 = 4-DOOR HATCHBACK
22 = 2-DOOR SPECIAL COUPE	36 = FWD WAGON	45 = 4-DOOR STATION WAGON
24 = 2-DOOR HATCHBACK	41 = 4-DOOR SEDAN	49 = LIMOUSINE
27 = 2-DOOR CONVERTIBLE		

AR = Use as Required - = Non Illustrated Part P.A.R. = Paint as Required

EGR HOSE HARNESS 318 ENGINE 2BBL. - CALIF. AFTER 4-15-85
Figure 25-3600

5125 3600



ITEM	PART NUMBER	QTY	BODY	MODEL	DESCRIPTION
					HARNESS, Hose (tagged 4307742 - not serviced)
					TUBING, Convoluted (serv. in 10 ft. roll)
	4364 393	AR			1/4"
	4364 375	AR			3/8"
	4364 374	AR			1/2"
1	4289 087	1			SOLENOID, Dual Vacuum
2	4179 196	2			CONNECTOR .15F - 1/8
3	4179 391	2			CONNECTOR .15F - 3/16
4	4179 193	2			CONNECTOR
5	4307 851	1			SWITCH, Vacuum
6	4213 774	4			ELBOW .15F - 3/16
7	4213 766	2			ELBOW .15F - 1/8
8	3780 508	AR			HOSE, Rubber 1/8" (serv. in 50 ft. roll)
9	4179 191	1			TEE
10	4268 681	2			CONNECTOR .15M - 1/8
11	4179 093	1			CONNECTOR, CVSCC Switch
12	4268 687	1			CONNECTOR .15M - 3/16

MODEL CODES

B = GRAN FURY	E = 600	M = HORIZON/TURISMO
C = LE BARON/TOWN & COUNTRY/LIMO	F = FIFTH AVENUE/NEWPORT	P = RELIANT
C24 = LASER	G = DIPLOMAT	T = NEW YORKER
C44 = LE BARON/GTS	H = VOYAGER	V = 600
D = ARIES	J = CARAVELLE	V24 = DAYTONA
D44 = LANCER	K = MINI VAN/CARAVAN/ROYAL	Z = OMNI/CHARGER

BODY STYLES

21 = 2-DOOR SEDAN	35 = FWD VAN	44 = 4-DOOR HATCHBACK
22 = 2-DOOR SPECIAL COUPE	36 = FWD WAGON	45 = 4-DOOR STATION WAGON
24 = 2-DOOR HATCHBACK	41 = 4-DOOR SEDAN	49 = LIMOUSINE
27 = 2-DOOR CONVERTIBLE		

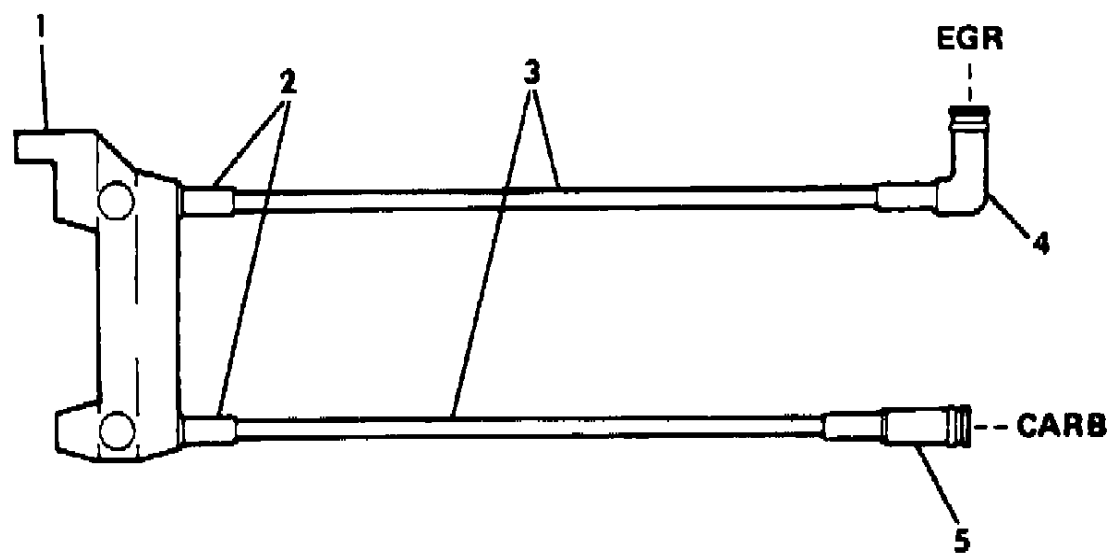
AR = Use as Required - = Non Illustrated Part P.A.R. = Paint as Required

EGR HOSE HARNESS 318 ENGINE 2 BBL. - CANADA

Figure 25-3700

ITEM	PART NUMBER	QTY	BODY	MODEL	DESCRIPTION
HARNES, Hose (tagged 4288148 - not serviced)					
1	4179 093	1			CONNECTOR, CVSCC Switch
2	4268 681	2			CONNECTOR .15M - 1/8
3	3780 508	AR			HOSE, Rubber 1/8" (serv. in 50 ft. roll)
4	4213 766	1			ELBOW .15F - 1/8
5	4179 196	1			CONNECTOR .15F - 1/8

5125 3700



MODEL CODES		
B = GRAN FURY	E = 600	M = HORIZON/TURISMO
C = LE BARON/TOWN & COUNTRY/LIMO	F = FIFTH AVENUE/NEWPORT	P = RELIANT
C24 = LASER	G = DIPLOMAT	T = NEW YORKER
C44 = LE BARON/GTS	H = VOYAGER	V = 600
D = ARIES	J = CARAVELLE	V24 = DAYTONA
D44 = LANCER	K = MINI VAN/CARAVAN/ROYAL	Z = OMNI/CHARGER

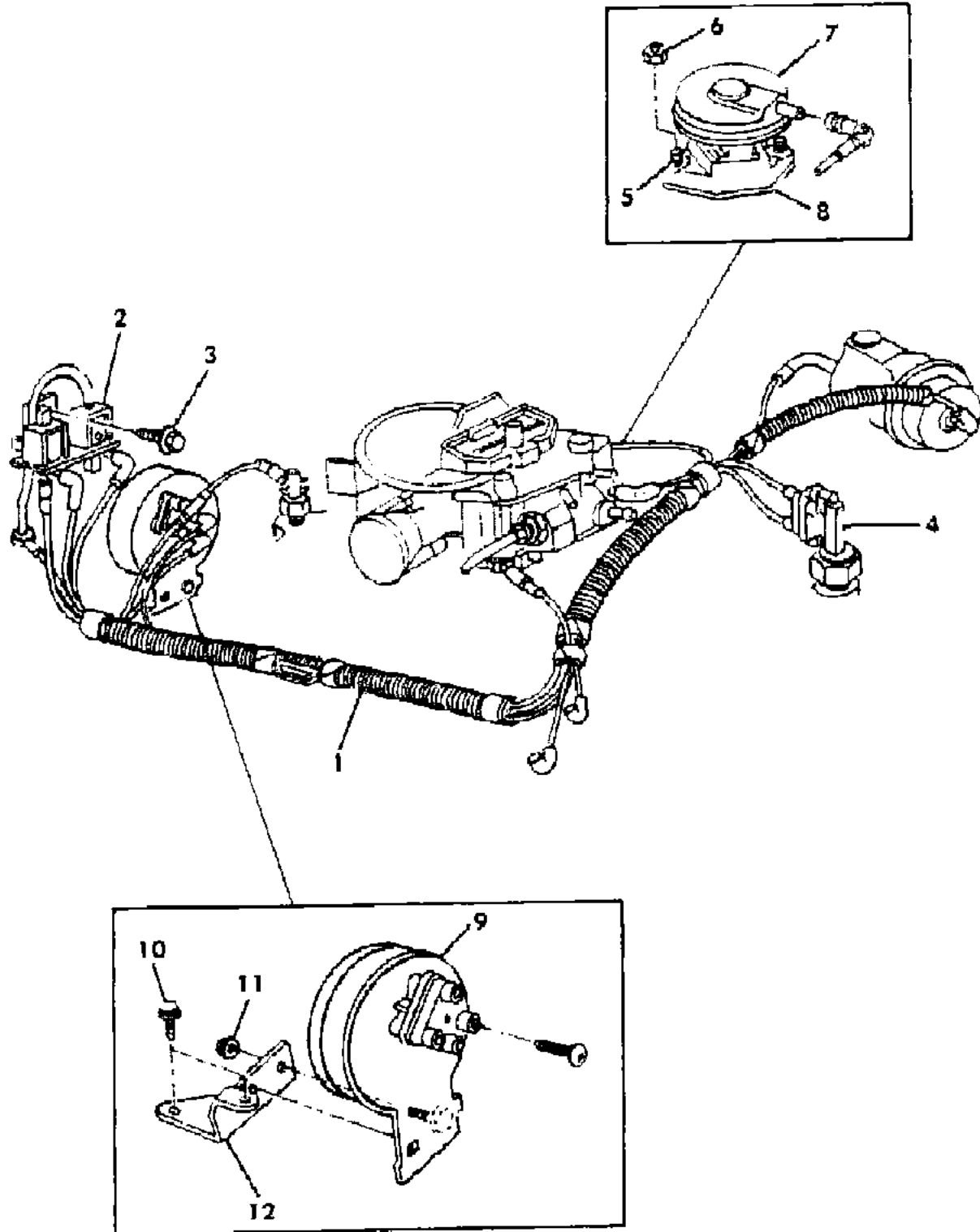
BODY STYLES		
21 = 2-DOOR SEDAN	35 = FWD VAN	44 = 4-DOOR HATCHBACK
22 = 2-DOOR SPECIAL COUPE	36 = FWD WAGON	45 = 4-DOOR STATION WAGON
24 = 2-DOOR HATCHBACK	41 = 4-DOOR SEDAN	49 = LIMOUSINE
27 = 2-DOOR CONVERTIBLE		

AR = Use as Required - = Non Illustrated Part P.A.R. = Paint as Required

EGR SYSTEM 318 ENGINE 4 BBL.
Figure 25-3800

5/25 3800

ITEM	PART NUMBER	QTY	BODY	MODEL	DESCRIPTION
1		1			HARNASS, Hose (shown on illus. 3900)
2	4289 087	1			SOLENOID, Dual Vacuum
3	6032 473	1			SCREW w/WASHER
4	3879 736	1			SWITCH, CVSCC
5	6031 943	2			STUD, EGR Valve Attach
6	0115 729	2			NUT
7	4287 670	1			VALVE, EGR
8	4287 938	1			GASKET, EGR Valve
	3671 448	1			COVER, EGR Valve Flange
9	4041 737	1			AMPLIFIER, Vacuum
10	6026 726	2			SCREW w/WASHER
11	6025 004	1			NUT
12	4241 191	1			BRACKET, Amplifier Mtg.



MODEL CODES

B = GRAN FURY	E = 600	M = HORIZON/TURISMO
C = LE BARON/TOWN & COUNTRY/LIMO	F = FIFTH AVENUE/NEWPORT	P = RELIANT
C24 = LASER	G = DIPLOMAT	T = NEW YORKER
C44 = LE BARON/GTS	H = VOYAGER	V = 600
D = ARIES	J = CARAVELLE	V24 = DAYTONA
D44 = LANCER	K = MINI VAN/CARAVAN/ROYAL	Z = OMNI/CHARGER

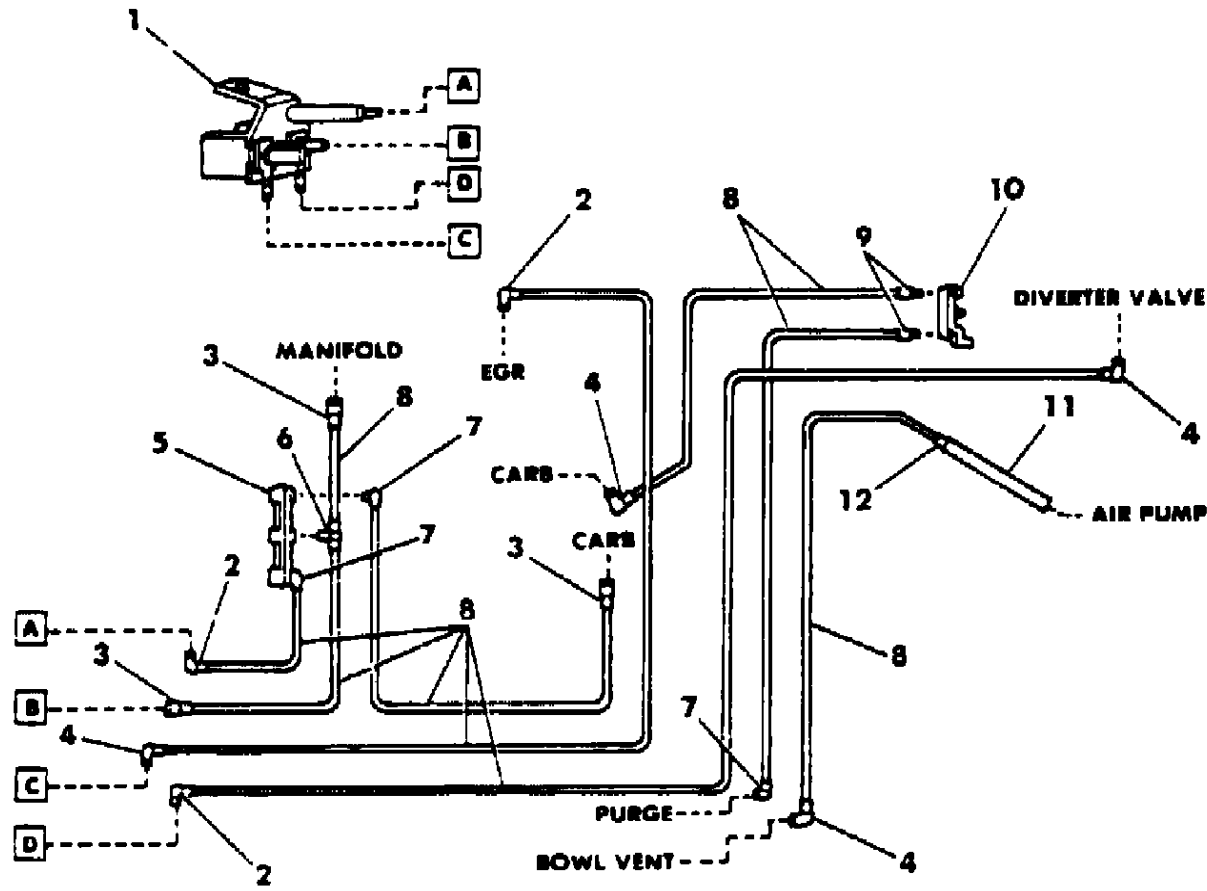
BODY STYLES

21 = 2-DOOR SEDAN	35 = FWD VAN	44 = 4-DOOR HATCHBACK
22 = 2-DOOR SPECIAL COUPE	36 = FWD WAGON	45 = 4-DOOR STATION WAGON
24 = 2-DOOR HATCHBACK	41 = 4-DOOR SEDAN	49 = LIMOUSINE
27 = 2-DOOR CONVERTIBLE		

AR = Use as Required - = Non Illustrated Part P.A.R. = Paint as Required

EGR HOSE HARNESS 318 ENGINE 4 BBL.
Figure 25-3900

5125 3900



ITEM	PART NUMBER	QTY	BODY	MODEL	DESCRIPTION
					HARNESS, Hose
					(tagged 4288141 - not serviced) up to 4-15-85
					(tagged 4307767 - not serviced) after 4-15-85
					TUBING, Convolute (serv. in 10 ft. roll)
	4364 375	AR			3/8"
	4364 374	AR			1/2"
1	4289 087	1			SOLENOID, Dual Vacuum
2	4213 766	3			ELBOW .15F - 1/8
3	4179 391	3			CONNECTOR .15F - 3/16
4	4213 774	4			ELBOW .15F - 3/16
5	4275 580	1			CONNECTOR, Vacuum
6	4300 958	1			TEE
7	4213 797	3			ELBOW .15M - 3/16
8	3780 508	AR			HOSE, Rubber 1/8" (serv. in 50 ft. roll)
9	4268 681	2			CONNECTOR .15M - 1/8
10	4179 093	1			CONNECTOR, CVSCC Switch
11	4105 167	AR			HOSE, Rubber 3/16" (serv. in 50 ft. roll)
12	4268 687	1			CONNECTOR .15M - 3/16

MODEL CODES

B = GRAN FURY	E = 600	M = HORIZON/TURISMO
C = LE BARON/TOWN & COUNTRY/LIMO	F = FIFTH AVENUE/NEWPORT	P = RELIANT
C24 = LASER	G = DIPLOMAT	T = NEW YORKER
C44 = LE BARON/GTS	H = VOYAGER	V = 600
D = ARIES	J = CARAVELLE	V24 = DAYTONA
D44 = LANCER	K = MINI VAN/CARAVAN/ROYAL	Z = OMNI/CHARGER

BODY STYLES

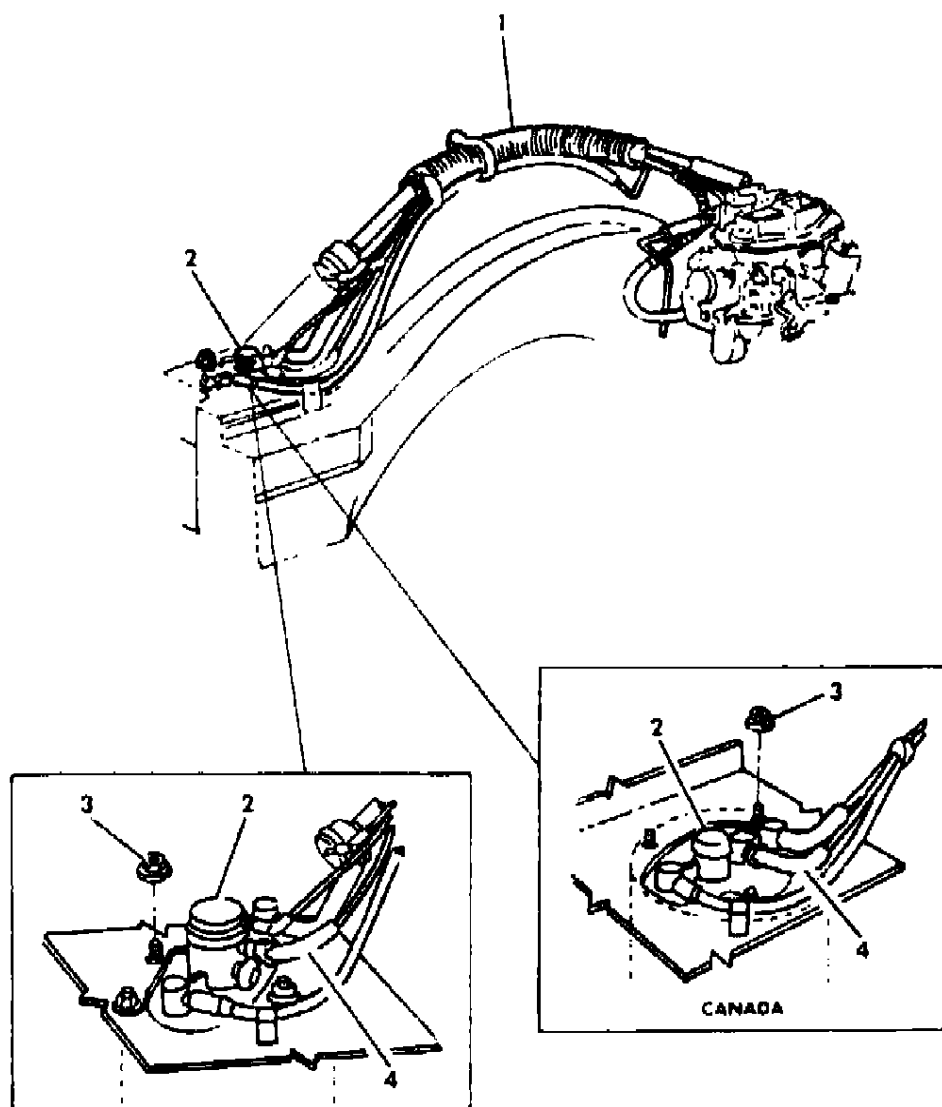
21 = 2-DOOR SEDAN	35 = FWD VAN	44 = 4-DOOR HATCHBACK
22 = 2-DOOR SPECIAL COUPE	36 = FWD WAGON	45 = 4-DOOR STATION WAGON
24 = 2-DOOR HATCHBACK	41 = 4-DOOR SEDAN	49 = LIMOUSINE
27 = 2-DOOR CONVERTIBLE		

AR = Use as Required - = Non Illustrated Part P.A.R. = Paint as Required

VAPOR CANISTER 1.6L ENGINE
Figure 25-4000

5/25 4000

ITEM	PART NUMBER	QTY	BODY	MODEL	DESCRIPTION
1		1			HARNES, Hose (shown on illus. 4100, 4200)
2	4241 838	1			CANISTER, Vapor 4 Port - stamped 4227009 - exc. Canada
	4271 982	1			3 Port - stamped 4227005 - Canada
3	0219 462	3			NUT w/WASHER
4	4203 316	AR			HOSE, Rubber 5/16" (serv. in 50 ft. roll)



MODEL CODES

B = GRAN FURY	E = 600	M = HORIZON/TURISMO
C = LE BARON/TOWN & COUNTRY/LIMO	F = FIFTH AVENUE/NEWPORT	P = RELIANT
C24 = LASER	G = DIPLOMAT	T = NEW YORKER
C44 = LE BARON/GTS	H = VOYAGER	V = 600
D = ARIES	J = CARAVELLE	V24 = DAYTONA
D44 = LANCER	K = MINI VAN/CARAVAN/ROYAL	Z = OMNI/CHARGER

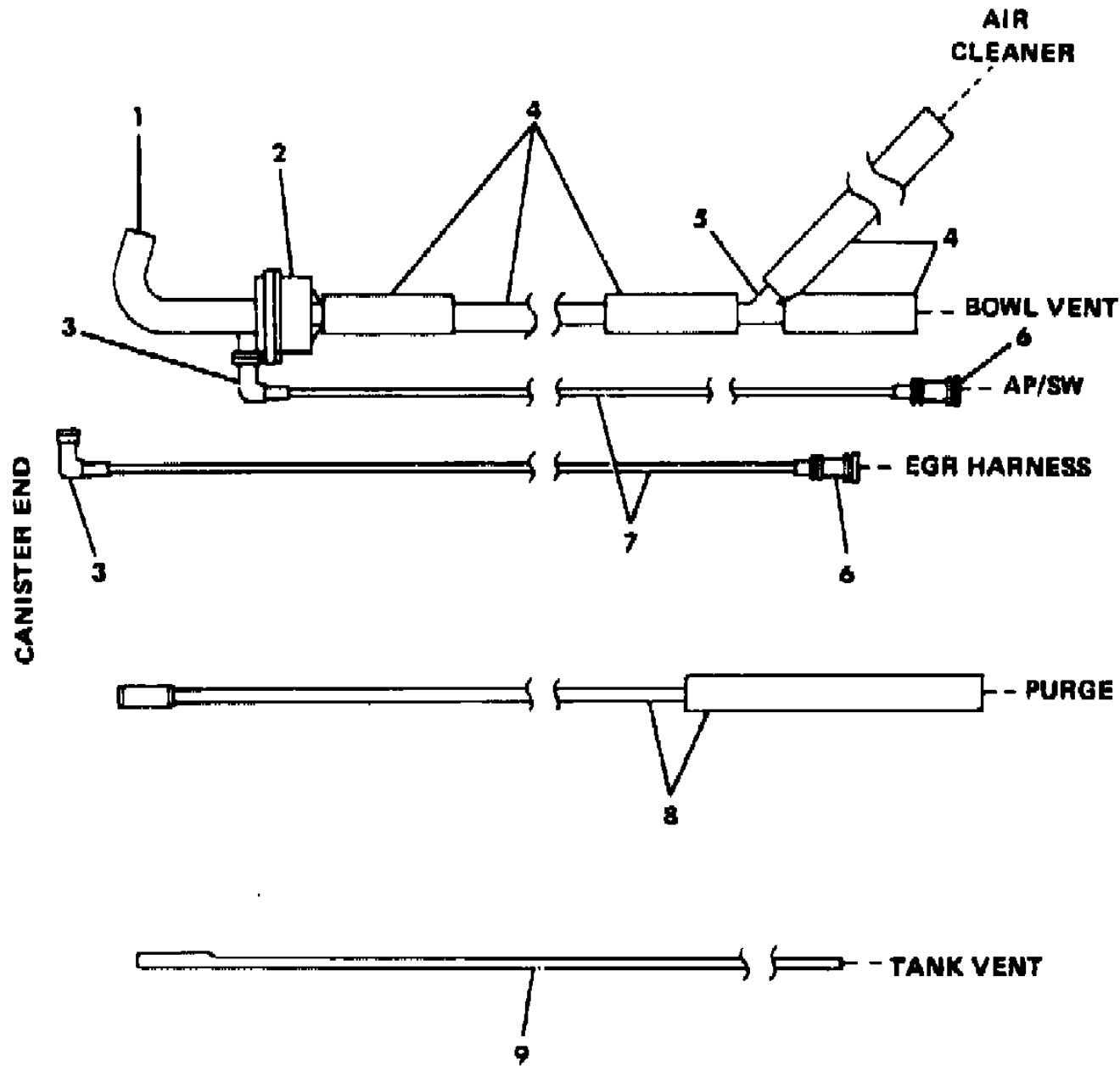
BODY STYLES

21 = 2-DOOR SEDAN	35 = FWD VAN	44 = 4-DOOR HATCHBACK
22 = 2-DOOR SPECIAL COUPE	36 = FWD WAGON	45 = 4-DOOR STATION WAGON
24 = 2-DOOR HATCHBACK	41 = 4-DOOR SEDAN	49 = LIMOUSINE
27 = 2-DOOR CONVERTIBLE		

AR = Use as Required - = Non Illustrated Part P.A.R. = Paint as Required

VAPOR CANISTER HOSE HARNESS 1.6L ENGINE - EXC. CANADA
Figure 25-4100

5125 4100



ITEM	PART NUMBER	QTY	BODY	MODEL	DESCRIPTION
					HARNESS, Hose (tagged 4268245 - not serviced)
					TUBING, Convoluted (serv. in 10 ft. roll)
	4364 375	AR			3/8"
	4397 808	AR			3/4"
1	4241 846	1			TUBE, Formed
2	5214 336	1			VALVE, Bowl Vent
3	4213 774	2			ELBOW .15F - 3/16
4	4203 421	AR			HOSE, Rubber 3/8" (serv. in 50 ft. roll)
5	4275 553	1			CONNECTOR, Y 3/8 x 3/8 x 3/8
6	4179 391	2			CONNECTOR .15F - 3/16
7	3780 508	AR			HOSE, Rubber 1/8" (serv. in 50 ft. roll)
8	4203 316	AR			HOSE, Rubber 5/16" (serv. in 50 ft. roll)
9	4210 989	1			TUBE, Expanded End

MODEL CODES

B = GRAN FURY	E = 600	M = HORIZON/TURISMO
C = LE BARON/TOWN & COUNTRY/LIMO	F = FIFTH AVENUE/NEWPORT	P = RELIANT
C24 = LASER	G = DIPLOMAT	T = NEW YORKER
C44 = LE BARON/GTS	H = VOYAGER	V = 600
D = ARIES	J = CARAVELLE	V24 = DAYTONA
D44 = LANCER	K = MINI VAN/CARAVAN/ROYAL	Z = OMNI/CHARGER

BODY STYLES

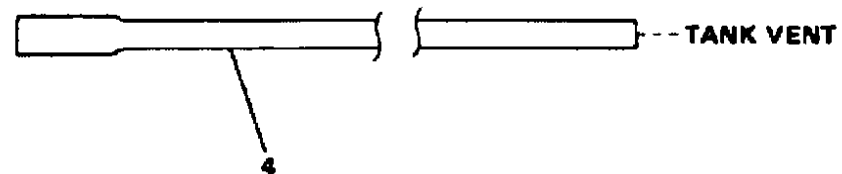
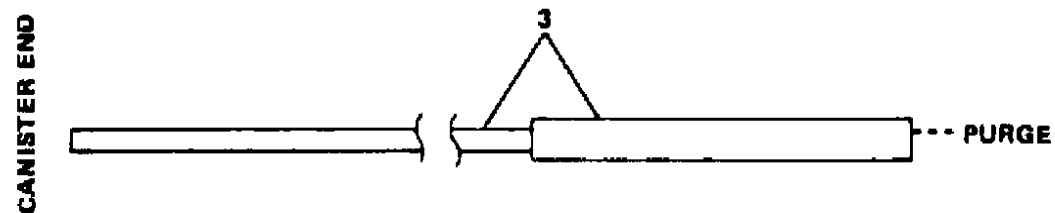
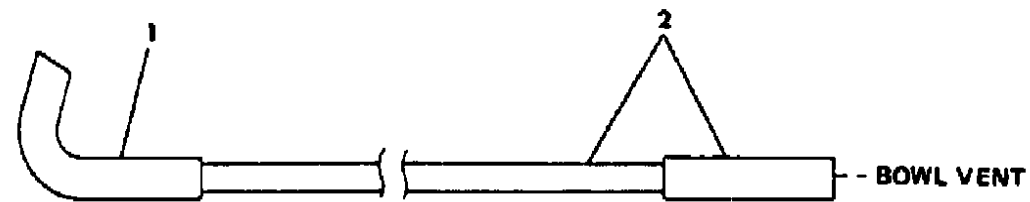
21 = 2-DOOR SEDAN	35 = FWD VAN	44 = 4-DOOR HATCHBACK
22 = 2-DOOR SPECIAL COUPE	36 = FWD WAGON	45 = 4-DOOR STATION WAGON
24 = 2-DOOR HATCHBACK	41 = 4-DOOR SEDAN	49 = LIMOUSINE
27 = 2-DOOR CONVERTIBLE		

AR = Use as Required - = Non Illustrated Part P.A.R. = Paint as Required

VAPOR CANISTER HOSE HARNESS 1.6L ENGINE - CANADA
Figure 25-4200

5125 4200

ITEM	PART NUMBER	QTY	BODY	MODEL	DESCRIPTION
					HARNESS, Hose (tagged 4268029 - not serviced)
					TUBING, Convoluted (serv. in 10 ft. roll)
	4364 375	AR			3/8"
	4397 808	AR			3/4"
1	4241 846	1			TUBE, Formed
2	4203 421	AR			HOSE, Rubber 3/8" (serv. in 50 ft. roll)
3	4203 316	AR			HOSE, Rubber 5/16" (serv. in 50 ft. roll)
4	4210 989	1			TUBE, Expanded End



MODEL CODES

B = GRAN FURY	E = 600	M = HORIZON/TURISMO
C = LE BARON/TOWN & COUNTRY/LIMO	F = FIFTH AVENUE/NEWPORT	P = RELIANT
C24 = LASER	G = DIPLOMAT	T = NEW YORKER
C44 = LE BARON/GTS	H = VOYAGER	V = 600
D = ARIES	J = CARAVELLE	V24 = DAYTONA
D44 = LANCER	K = MINI VAN/CARAVAN/ROYAL	Z = OMNI/CHARGER

BODY STYLES

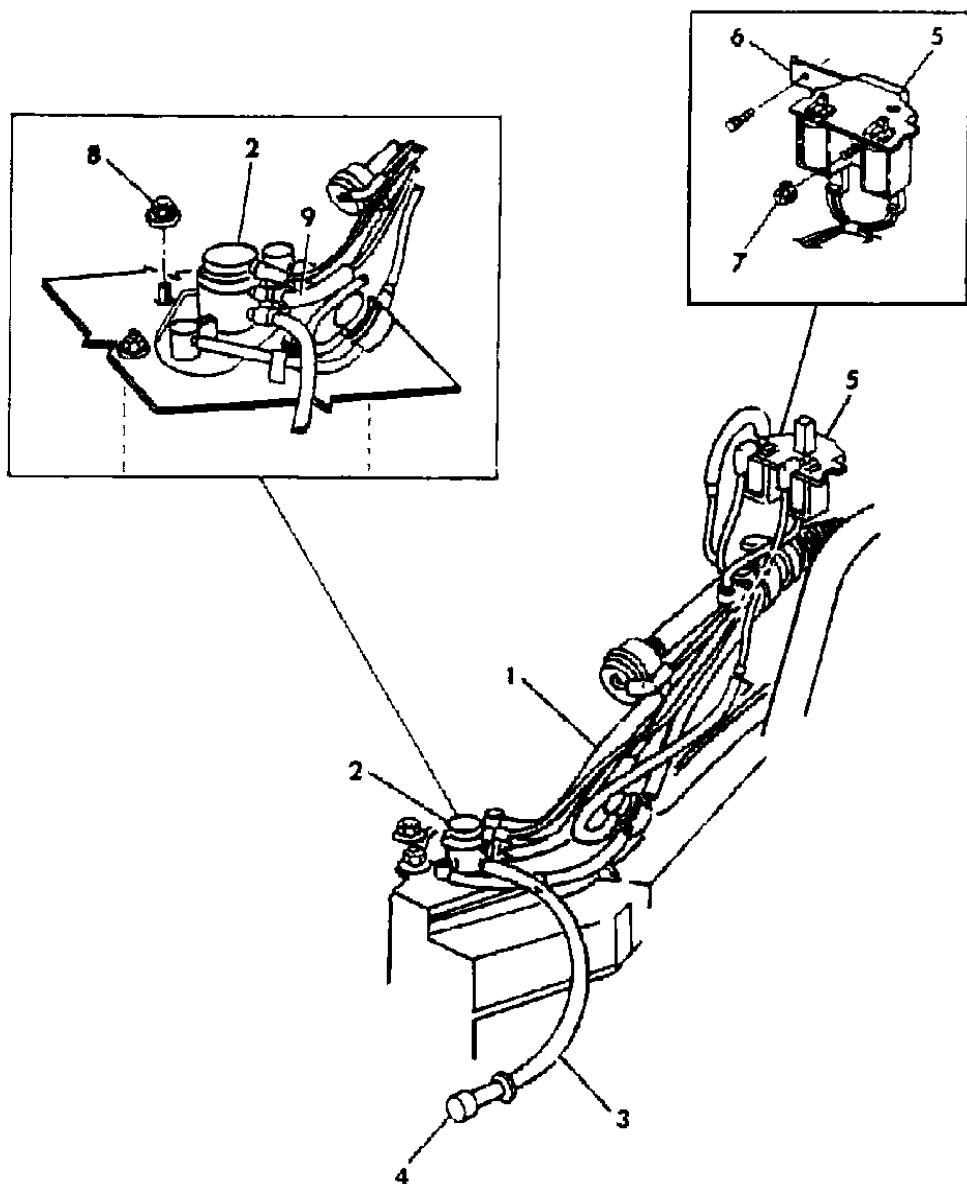
21 = 2-DOOR SEDAN	35 = FWD VAN	44 = 4-DOOR HATCHBACK
22 = 2-DOOR SPECIAL COUPE	36 = FWD WAGON	45 = 4-DOOR STATION WAGON
24 = 2-DOOR HATCHBACK	41 = 4-DOOR SEDAN	49 = LIMOUSINE
27 = 2-DOOR CONVERTIBLE		

AR = Use as Required - = Non Illustrated Part P.A.R. = Paint as Required

VAPOR CANISTER 2.2L ENGINE - EXC. TURBO M,Z
Figure 25-4300

5125 4300

ITEM	PART NUMBER	QTY	BODY	MODEL	DESCRIPTION
1		1			HARNESH, Hose (shown on illus. 4400, 4500)
2	4241 838	1			CANISTER, Vapor - stamped 4227009 or 4227030
3	4300 989	1			TUBE, Vapor Canister Stand Pipe - use w/4227030 Canister
4	4041 910	1			CAP, Vapor Canister Stand Pipe - use w/4227030 Canister
5					SOLENOID, Dual Vacuum
	5226 347	1			exc. Canada
	4240 417	1			Canada
6	5226 337	1			BRACKET, Vacuum Solenoid Valve
7	6100 047	1			NUT
8	0219 462	3			NUT w/WASHER
9	4203 316	AR			HOSE, Rubber 5/16" (serv. in 50 ft. roll)



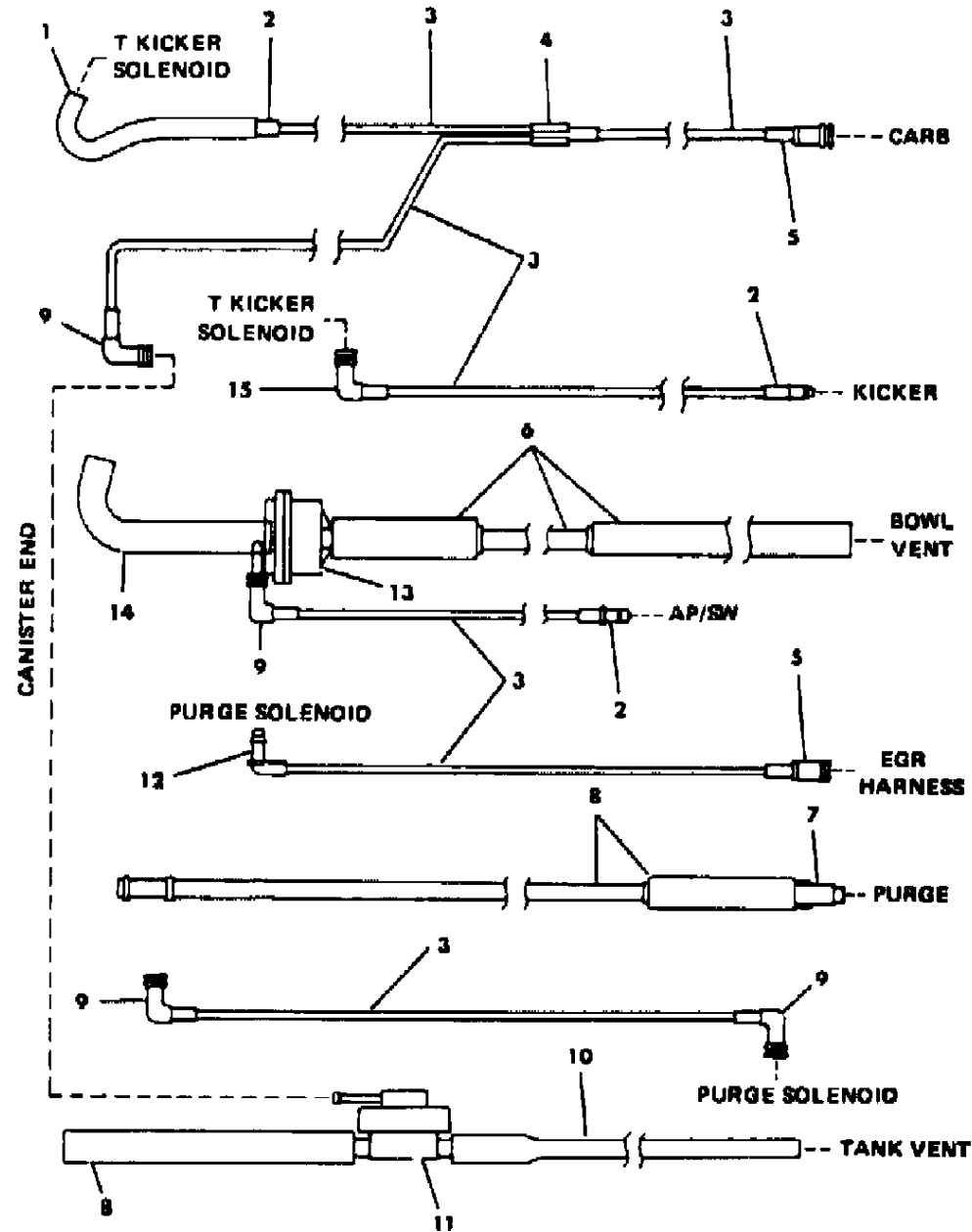
MODEL CODES
 B = GRAN FURY
 C = LE BARON/TOWN & COUNTRY/LIMO
 C24 = LASER
 C44 = LE BARON/GTS
 D = ARIES
 D44 = LANCER
 E = 600
 F = FIFTH AVENUE/NEWPORT
 G = DIPLOMAT
 H = VOYAGER
 J = CARAVELLE
 K = MINI VAN/CARAVAN/ROYAL
 M = HORIZON/TURISMO
 P = RELIANT
 T = NEW YORKER
 V = 600
 V24 = DAYTONA
 Z = OMNI/CHARGER

BODY STYLES
 21 = 2-DOOR SEDAN
 22 = 2-DOOR SPECIAL COUPE
 24 = 2-DOOR HATCHBACK
 27 = 2-DOOR CONVERTIBLE
 35 = FWD VAN
 36 = FWD WAGON
 41 = 4-DOOR SEDAN
 44 = 4-DOOR HATCHBACK
 45 = 4-DOOR STATION WAGON
 49 = LIMOUSINE

AR = Use as Required - = Non Illustrated Part P.A.R. = Paint as Required

VAPOR CANISTER HOSE HARNESS 2.2L ENGINE - EXC. TURBO - EXC. CANADA M,Z
Figure 25-4400

5125 4400



ITEM	PART NUMBER	QTY	BODY	MODEL	DESCRIPTION
					HARNESS, Hose (tagged 4306531 - not serviced)
					TUBING, Convoluted (serv. in 10 ft. roll)
	4364 392	AR			5/8"
	4397 808	AR			3/4"
1	4201 247	1			HOSE, Solenoid Conn.
2	4268 687	3			CONNECTOR .15M - 3/16
3	3780 508	AR			HOSE, Rubber 1/8" (serv. in 50 ft. roll)
4	4179 193	1			CONNECTOR .15F x .15F x .15F
5	4179 391	2			CONNECTOR .15F - 3/16
6	4203 421	AR			HOSE, Rubber 3/8" (serv. in 50 ft. roll)
7	4306 093	1			CONNECTOR 5/16 x 5/16
8	4203 316	AR			HOSE, Rubber 5/16" (serv. in 50 ft. roll)
9	4213 774	4			ELBOW .15F - 3/16
10	4210 989	1			TUBE, Expanded End
11	4306 095	1			VALVE, Tank Vapor
12	4213 798	1			ELBOW .15M - 3/16
13	5214 336	1			VALVE, Bowl Vent
14	4241 846	1			TUBE, Formed
15	4213 766	1			ELBOW .15F - 1/8

MODEL CODES

B = GRAN FURY	E = 600	M = HORIZON/TURISMO
C = LE BARON/TOWN & COUNTRY/LIMO	F = FIFTH AVENUE/NEWPORT	P = RELIANT
C24 = LASER	G = DIPLOMAT	T = NEW YORKER
C44 = LE BARON/GTS	H = VOYAGER	V = 600
D = ARIES	J = CARAVELLE	V24 = DAYTONA
D44 = LANCER	K = MINI VAN/CARAVAN/ROYAL	Z = OMNI/CHARGER

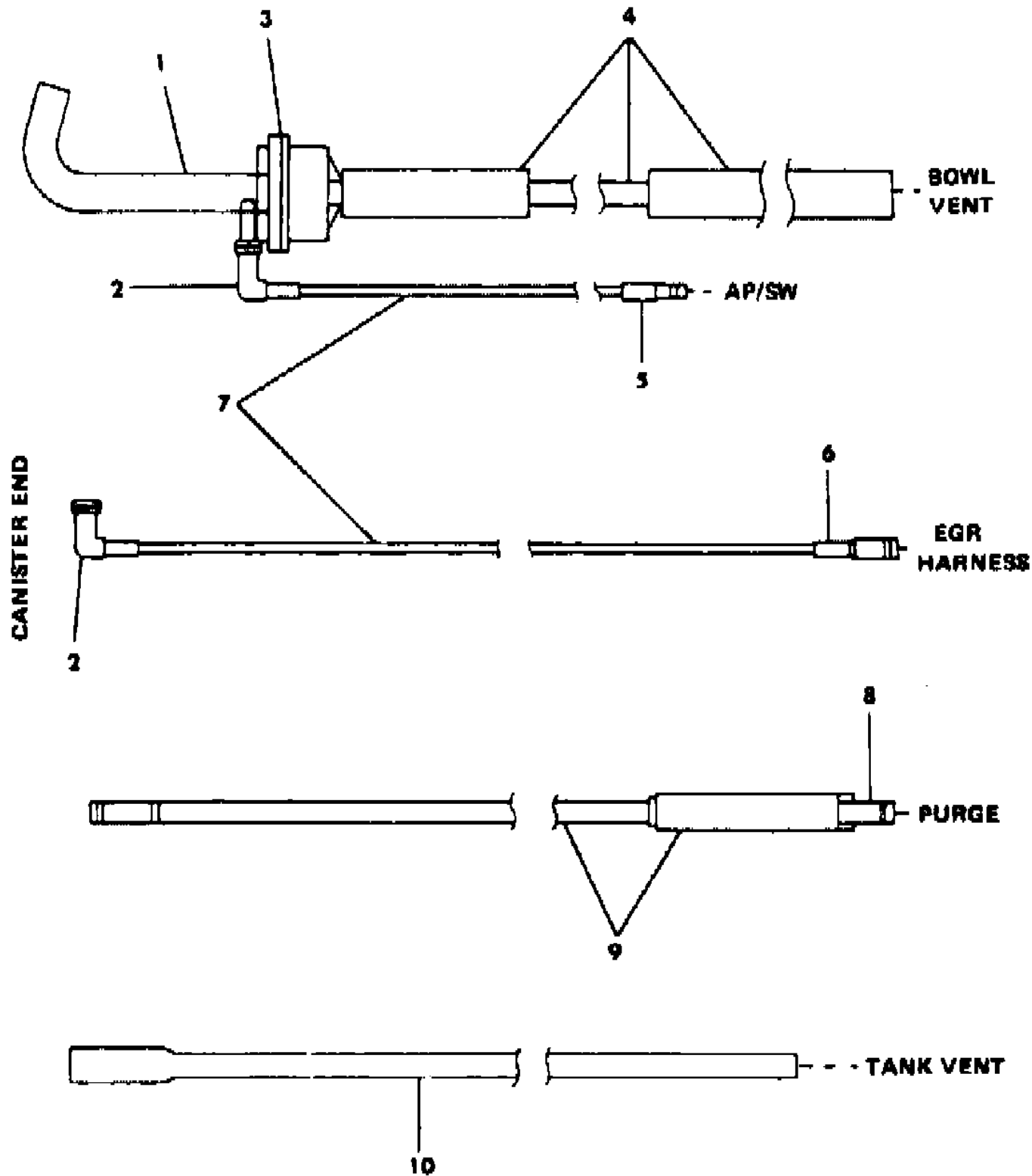
BODY STYLES

21 = 2-DOOR SEDAN	35 = FWD VAN	44 = 4-DOOR HATCHBACK
22 = 2-DOOR SPECIAL COUPE	36 = FWD WAGON	45 = 4-DOOR STATION WAGON
24 = 2-DOOR HATCHBACK	41 = 4-DOOR SEDAN	49 = LIMOUSINE
27 = 2-DOOR CONVERTIBLE		

AR = Use as Required - = Non Illustrated Part P.A.R. = Paint as Required

VAPOR CANISTER HOSE HARNESS 2.2L ENGINE - EXC. TURBO - CANADA M,Z
Figure 25-4500

5125 4500



ITEM	PART NUMBER	QTY	BODY	MODEL	DESCRIPTION
					HARNESS, Hose (tagged 4300727 - not serviced)
	4397 808	AR			TUBING, Convoluted 3/4" (serv. in 10 ft. roll)
1	4241 846	1			TUBE, Formed
2	4213 774	2			ELBOW .15F - 3/16
3	5214 336	1			VALVE, Bowl Vent
4	4203 421	AR			HOSE, Rubber 3/8" (serv. in 50 ft. roll)
5	4268 687	1			CONNECTOR .15M - 3/16
6	4179 391	1			CONNECTOR .15F - 3/16
7	3780 508	AR			HOSE, Rubber 1/8" (serv. in 50 ft. roll)
8	4306 093	1			CONNECTOR 5/16 x 5/16
9	4203 316	AR			HOSE, Rubber 5/16" (serv. in 50 ft. roll)
10	4203 211	1			HOSE

MODEL CODES

B = GRAN FURY	E = 600	M = HORIZON/TURISMO
C = LE BARON/TOWN & COUNTRY/LIMO	F = FIFTH AVENUE/NEWPORT	P = RELIANT
C24 = LASER	G = DIPLOMAT	T = NEW YORKER
C44 = LE BARON/GTS	H = VOYAGER	V = 600
D = ARIES	J = CARAVELLE	V24 = DAYTONA
D44 = LANCER	K = MINI VAN/CARAVAN/ROYAL	Z = OMNI/CHARGER

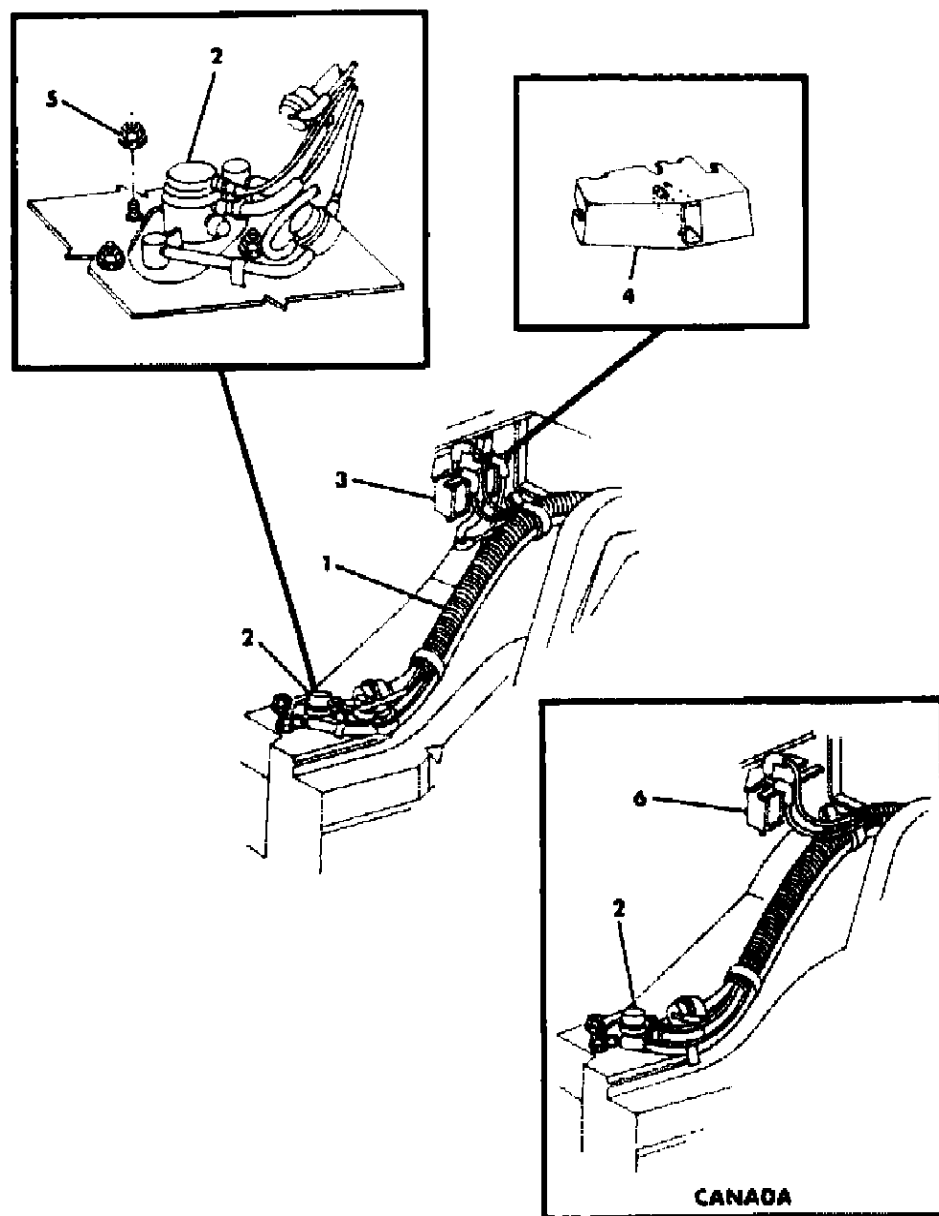
BODY STYLES

21 = 2-DOOR SEDAN	35 = FWD VAN	44 = 4-DOOR HATCHBACK
22 = 2-DOOR SPECIAL COUPE	36 = FWD WAGON	45 = 4-DOOR STATION WAGON
24 = 2-DOOR HATCHBACK	41 = 4-DOOR SEDAN	49 = LIMOUSINE
27 = 2-DOOR CONVERTIBLE		

AR = Use as Required - = Non Illustrated Part P.A.R. = Paint as Required

VAPOR CANISTER 2.2L ENGINE - EXC. EFI AND TURBO P,D,C,V,J,E,T
Figure 25-4600

5125-4600



ITEM	PART NUMBER	QTY	BODY	MODEL	DESCRIPTION
1		1			HARNES, Hose (shown on illus. 4700, 4800)
2	4241 838	1			CANISTER, Vapor
3	5226 347	1			SOLENOID, Dual Vacuum
4	5226 435	1			COVER, Dual Vacuum Solenoid
5	0219 462	2			NUT
6	5226 361	1			VALVE, Vacuum Solenoid - Canada

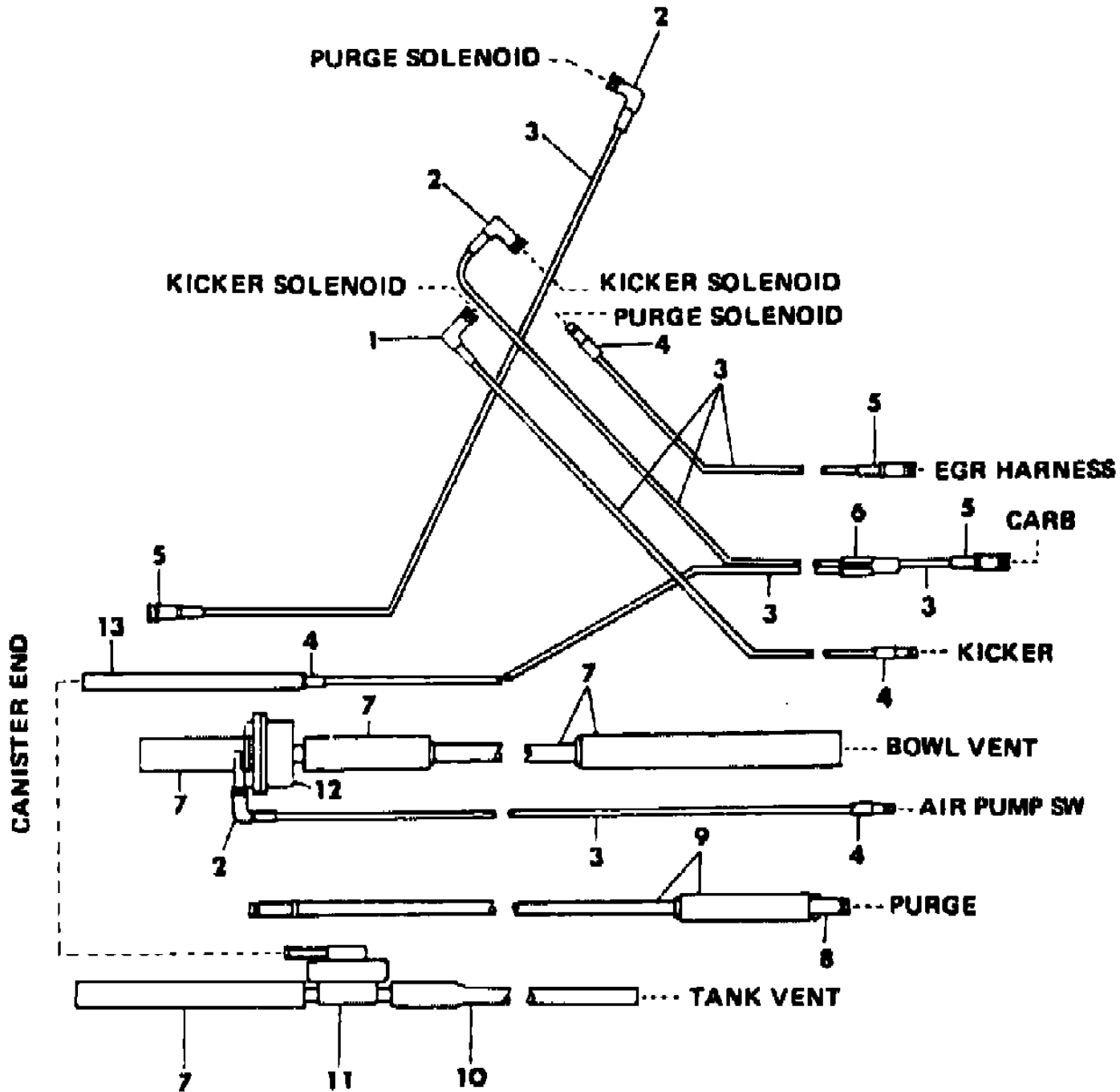
MODEL CODES
 B = GRAN FURY
 C = LE BARON/TOWN & COUNTRY/LIMO
 C24 = LASER
 C44 = LE BARON/GTS
 D = ARIES
 D44 = LANCER
 E = 600
 F = FIFTH AVENUE/NEWPORT
 G = DIPLOMAT
 H = VOYAGER
 J = CARAVELLE
 K = MINI VAN/CARAVAN/ROYAL
 M = HORIZON/TURISMO
 P = RELIANT
 T = NEW YORKER
 V = 600
 V24 = DAYTONA
 Z = OMNI/CHARGER

BODY STYLES
 21 = 2-DOOR SEDAN
 22 = 2-DOOR SPECIAL COUPE
 24 = 2-DOOR HATCHBACK
 27 = 2-DOOR CONVERTIBLE
 35 = FWD VAN
 36 = FWD WAGON
 41 = 4-DOOR SEDAN
 44 = 4-DOOR HATCHBACK
 45 = 4-DOOR STATION WAGON
 49 = LIMOUSINE

AR = Use as Required - = Non Illustrated Part P.A.R. = Paint as Required

VAPOR CANISTER HOSE HARNESS 2.2L ENGINE - EXC. EFI AND TURBO - EXC. CANADA P,D,C,V,J,E,T
Figure 25-4700

5125 4700



ITEM	PART NUMBER	QTY	BODY	MODEL	DESCRIPTION
					HARNESS, Hose (tagged 4306532 - not serviced)
					TUBING, Convoluted (serv. in 10 ft. roll)
	4364 392	AR			5/8"
	4397 808	AR			3/4"
1	4213 766	1			ELBOW .15F - 1/8
2	4213 774	3			ELBOW .15F - 3/16
3	3780 508	AR			HOSE, Rubber 1/8" (serv. in 50 ft. roll)
4	4268 687	4			CONNECTOR .15M - 3/16
5	4179 391	3			CONNECTOR .15F - 3/16
6	4179 193	1			CONNECTOR
7	4203 421	AR			HOSE, Rubber 3/8" (serv. in 50 ft. roll)
8	4306 093	1			CONNECTOR, Orificed 5/16 x 5/16
9	4203 316	AR			HOSE, Rubber 5/16" (serv. in 50 ft. roll)
10	4306 095	1			VALVE, Tank Vapor
11	4210 989	1			TUBE, Expanded End
12	5214 336	1			VALVE, Bowl Vent
13	4105 167	AR			HOSE, Rubber 3/16" (serv. in 50 ft. roll)

MODEL CODES

B = GRAN FURY	E = 600	M = HORIZON/TURISMO
C = LE BARON/TOWN & COUNTRY/LIMO	F = FIFTH AVENUE/NEWPORT	P = RELIANT
C24 = LASER	G = DIPLOMAT	T = NEW YORKER
C44 = LE BARON/GTS	H = VOYAGER	V = 600
D = ARIES	J = CARAVELLE	V24 = DAYTONA
D44 = LANCER	K = MINI VAN/CARAVAN/ROYAL	Z = OMNI/CHARGER

BODY STYLES

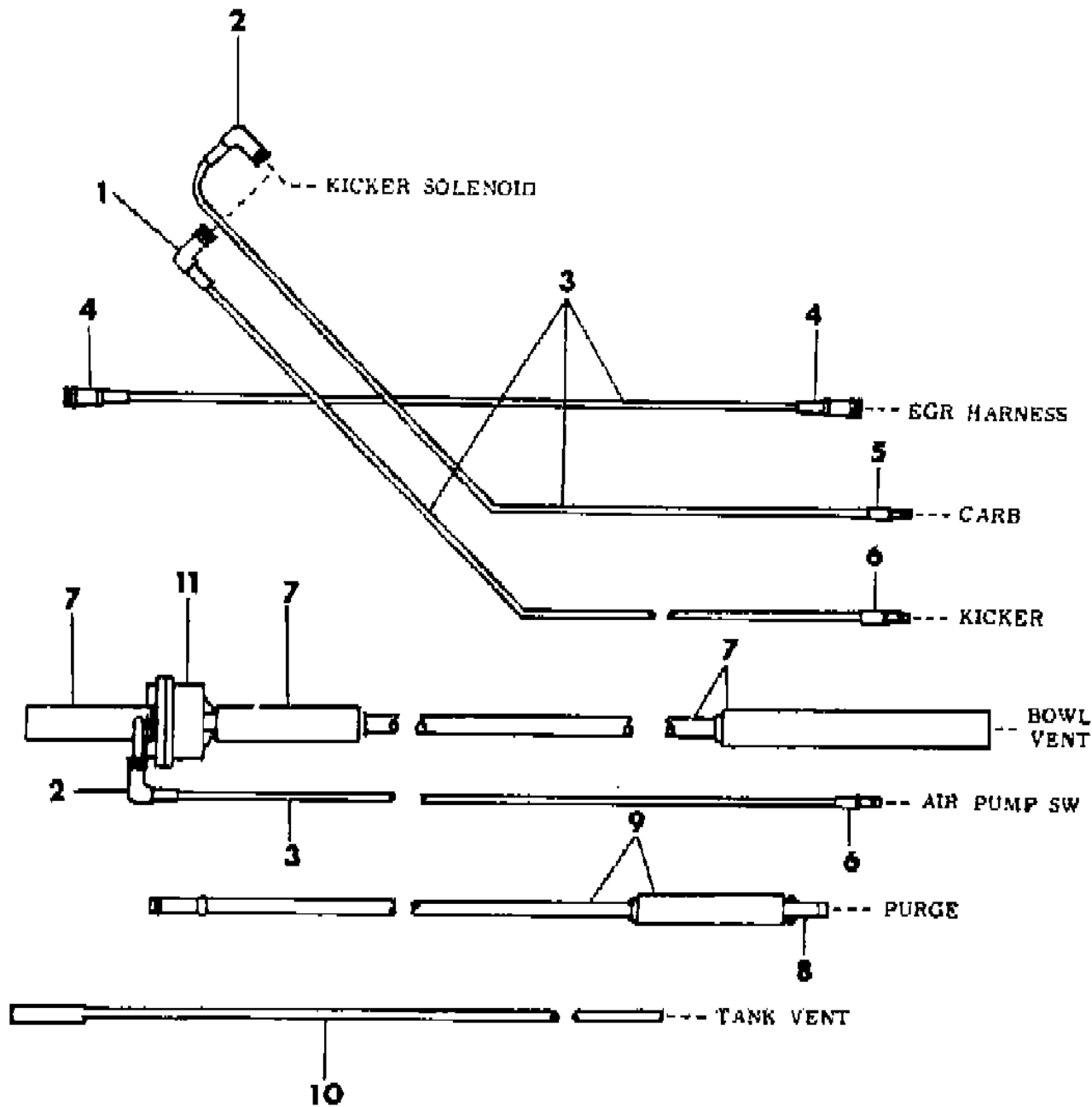
21 = 2-DOOR SEDAN	35 = FWD VAN	44 = 4-DOOR HATCHBACK
22 = 2-DOOR SPECIAL COUPE	36 = FWD WAGON	45 = 4-DOOR STATION WAGON
24 = 2-DOOR HATCHBACK	41 = 4-DOOR SEDAN	49 = LIMOUSINE
27 = 2-DOOR CONVERTIBLE		

AR = Use as Required - = Non Illustrated Part P.A.R. = Paint as Required

VAPOR CANISTER HOSE HARNESS 2.2L ENGINE - EXC. EFI AND TURBO - CANADA P,D,C,V,J,E,T
Figure 25-4800

5125 4800

CANISTER END



ITEM	PART NUMBER	QTY	BODY	MODEL	DESCRIPTION
					HARNESS, Hose (tagged 4300726 - not serviced)
					TUBING, Convoluted (serv. in 10 ft. roll)
	4364 392	AR			5/8"
	4397 808	AR			3/4"
1	4213 766	1			ELBOW .15F - 1/8
2	4213 774	2			ELBOW .15F - 3/16
3	3780 508	AR			HOSE, Rubber 1/8" (serv. in 50 ft. roll)
4	4179 391	2			CONNECTOR .15F - 3/16
5	4268 681	1			CONNECTOR .15M - 1/8
6	4268 687	2			CONNECTOR .15M - 3/16
7	4203 421	AR			HOSE, Rubber 3/8" (serv. in 50 ft. roll)
8	4306 093	1			CONNECTOR, Orificed 5/16 x 5/16
9	4203 316	AR			HOSE, Rubber 5/16" (serv. in 50 ft. roll)
10	4210 989	1			TUBE, Expanded End
11	5214 336	1			VALVE, Bowl Vent

MODEL CODES

B = GRAN FURY	E = 600	M = HORIZON/TURISMO
C = LE BARON/TOWN & COUNTRY/LIMO	F = FIFTH AVENUE/NEWPORT	P = RELIANT
C24 = LASER	G = DIPLOMAT	T = NEW YORKER
C44 = LE BARON/GTS	H = VOYAGER	V = 600
D = ARIES	J = CARAVELLE	V24 = DAYTONA
D44 = LANCER	K = MINI VAN/CARAVAN/ROYAL	Z = OMNI/CHARGER

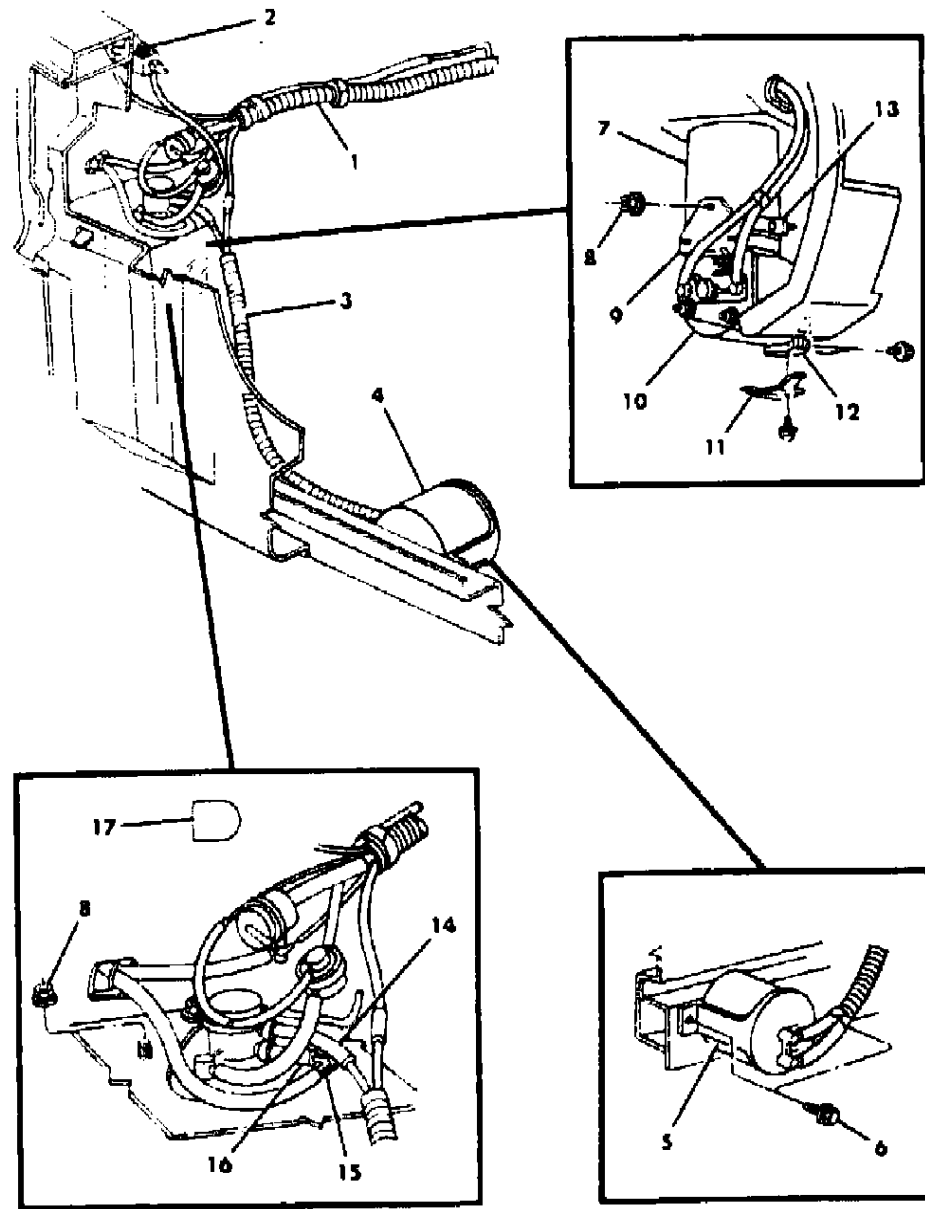
BODY STYLES

21 = 2-DOOR SEDAN	35 = FWD VAN	44 = 4-DOOR HATCHBACK
22 = 2-DOOR SPECIAL COUPE	36 = FWD WAGON	45 = 4-DOOR STATION WAGON
24 = 2-DOOR HATCHBACK	41 = 4-DOOR SEDAN	49 = LIMOUSINE
27 = 2-DOOR CONVERTIBLE		

AR = Use as Required - = Non Illustrated Part P.A.R. = Paint as Required

VAPOR CANISTER 2.2L ENGINE H,K
Figure 25-4900

5125 4900



ITEM	PART NUMBER	QTY	BODY	MODEL	DESCRIPTION
1		1			HARNES, Hose (shown on illus. 5000, 5100, 5200)
2	5226 360	1			VALVE, Vacuum Solenoid Purge
3		1			HARNES, Hose - Dampening Canister (shown on illus. 5300)
4	4241 837	1			CANISTER, Vapor Dampening
5	4095 986	1			BRACKET, Dampening Canister Mtg.
6	6032 518	2			SCREW w/WASHER
7	4241 839	1			CANISTER, Vapor - 4 Port
8	0219 462	AR			NUT
9	4288 244	1			BRACKET, Canister Attaching
10	4271 982	1			CANISTER, Vapor - 3 Port
11	4288 222	1			BRACKET, Canister Support
12	4341 375	1			STRAP, Canister Support Brkt. Mtg.
13	4288 235	1			BRACKET, Canister Mtg. - 4 Port
14	4203 316	AR			HOSE, Rubber 5/16" (serv. in 50 ft. roll)
15	4288 220	1			ELBOW 5/16
16	4287 990	1			HOSE, Expanded End
17	3733 285	1			CAP, Bowl Vent Nipple - use w/4241839 Canister

MODEL CODES

B = GRAN FURY	E = 600	M = HORIZON/TURISMO
C = LE BARON/TOWN & COUNTRY/LIMO	F = FIFTH AVENUE/NEWPORT	P = RELIANT
C24 = LASER	G = DIPLOMAT	T = NEW YORKER
C44 = LE BARON/GTS	H = VOYAGER	V = 600
D = ARIES	J = CARAVELLE	V24 = DAYTONA
D44 = LANCER	K = MINI VAN/CARAVAN/ROYAL	Z = OMNI/CHARGER

BODY STYLES

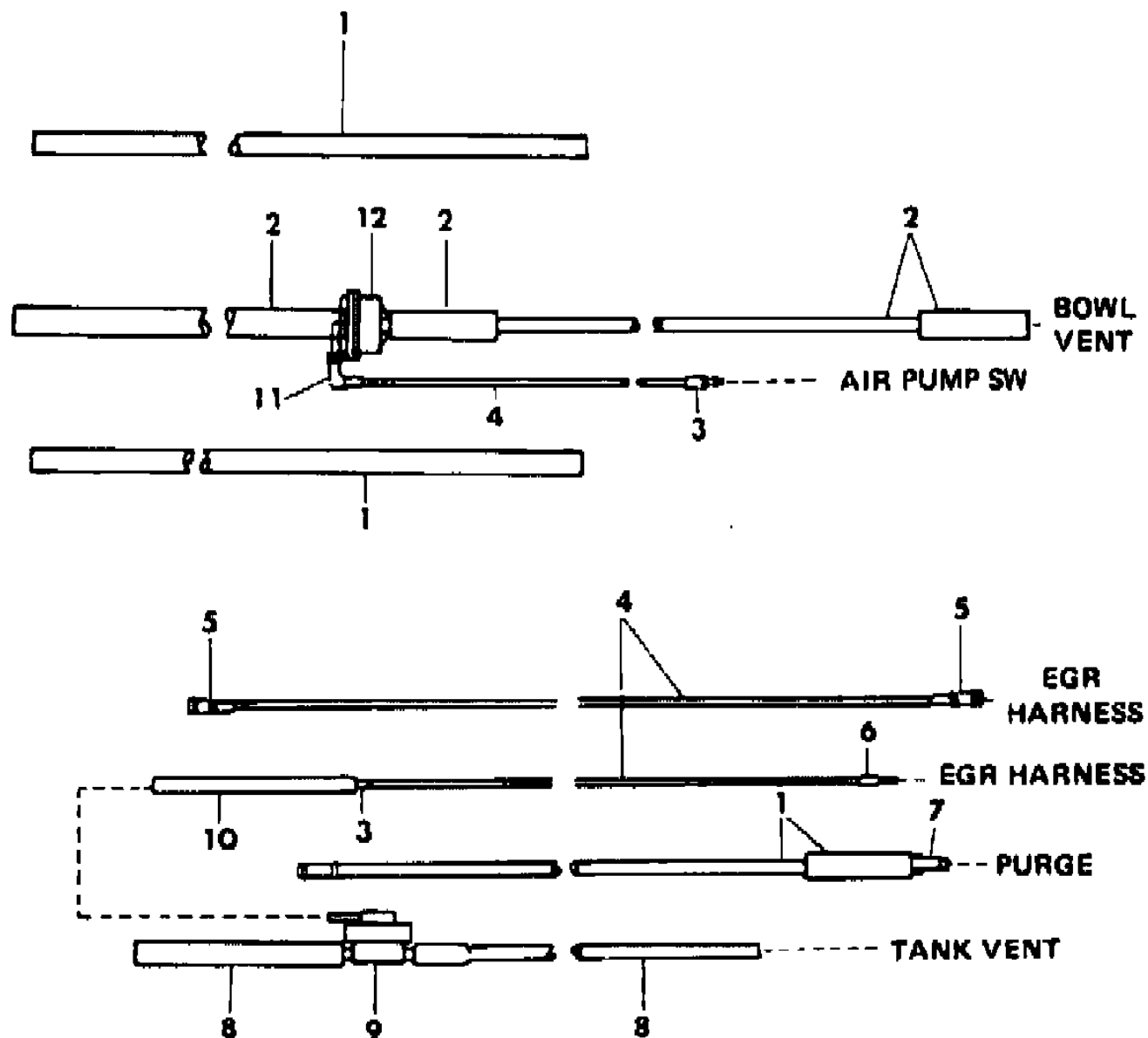
21 = 2-DOOR SEDAN	35 = FWD VAN	44 = 4-DOOR HATCHBACK
22 = 2-DOOR SPECIAL COUPE	36 = FWD WAGON	45 = 4-DOOR STATION WAGON
24 = 2-DOOR HATCHBACK	41 = 4-DOOR SEDAN	49 = LIMOUSINE
27 = 2-DOOR CONVERTIBLE		

AR = Use as Required - = Non Illustrated Part P.A.R. = Paint as Required

VAPOR CANISTER HOSE HARNESS 2.2L ENGINE - FEDERAL H,K
Figure 25-5000

5125 5000

CANISTER END



ITEM	PART NUMBER	QTY	BODY	MODEL	DESCRIPTION
					HARNESS, Hose (tagged 4300718 or 4306555 - not serviced)
	4397 808	AR			TUBING, Convoluted 3/4" (serv. in 10 ft. roll)
1	4203 316	AR			HOSE, Rubber 5/16" (serv. in 50 ft. roll)
2	4203 421	AR			HOSE, Rubber 3/8" (serv. in 50 ft. roll)
3	4268 687	2			CONNECTOR .15M - 3/16
4	3780 508	AR			HOSE, Rubber 1/8" (serv. in 50 ft. roll)
5	4179 391	2			CONNECTOR .15F - 3/16
6	4268 681	1			CONNECTOR .15M - 1/8
7	4275 586	1			CONNECTOR 5/16 x 5/16
8	4210 989	1			TUBE, Expanded End
9					VALVE, Tank Vapor
	4306 095	1			Man. Trans
	4306 058	1			Auto. Trans.
10	4105 167	AR			HOSE, Rubber 3/16" (serv. in 50 ft. roll)
11	4213 774	1			ELBOW .15F - 3/16
12	5214 336	1			VALVE, Bowl Vent

MODEL CODES

B = GRAN FURY	E = 600	M = HORIZON/TURISMO
C = LE BARON/TOWN & COUNTRY/LIMO	F = FIFTH AVENUE/NEWPORT	P = RELIANT
C24 = LASER	G = DIPLOMAT	T = NEW YORKER
C44 = LE BARON/GTS	H = VOYAGER	V = 600
D = ARIES	J = CARAVELLE	V24 = DAYTONA
D44 = LANCER	K = MINI VAN/CARAVAN/ROYAL	Z = OMNI/CHARGER

BODY STYLES

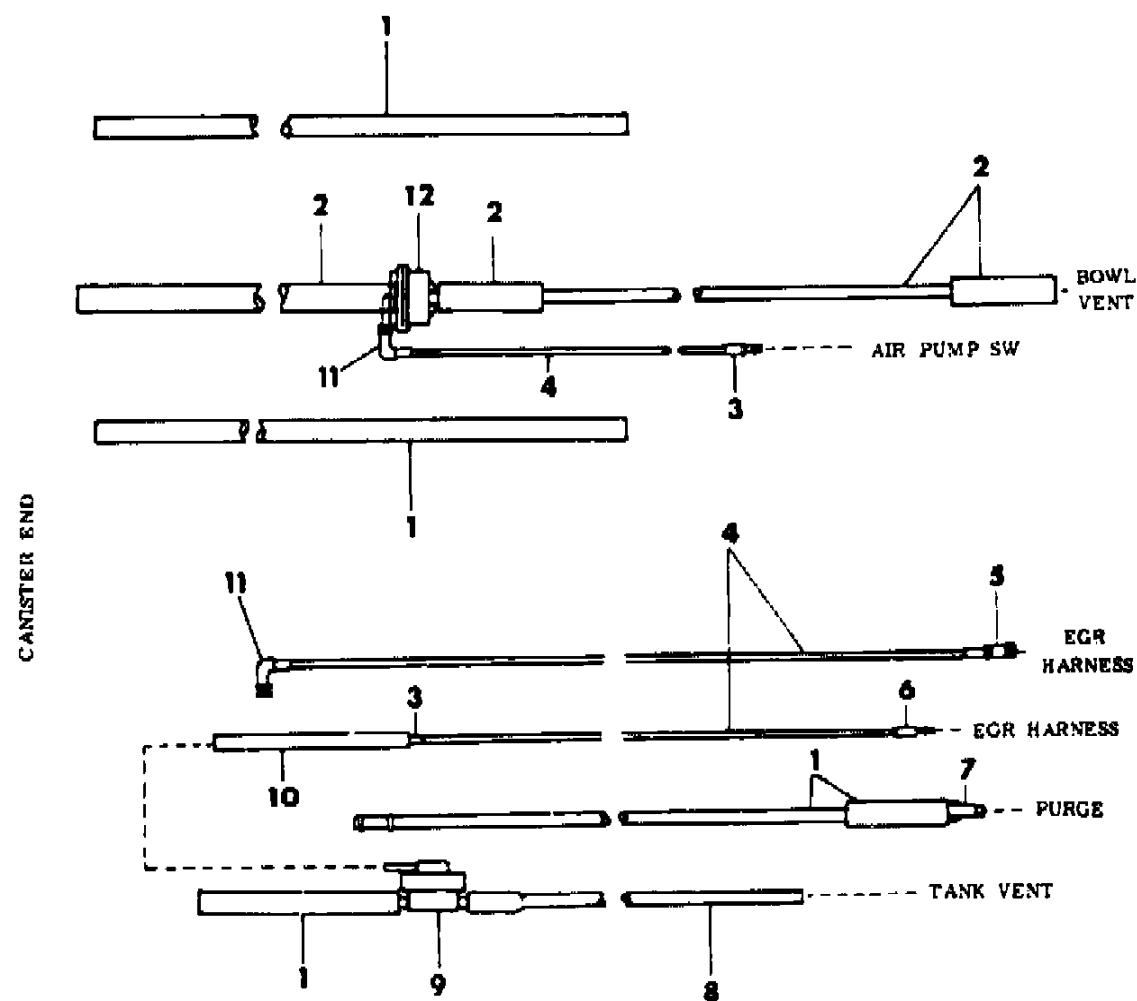
21 = 2-DOOR SEDAN	35 = FWD VAN	44 = 4-DOOR HATCHBACK
22 = 2-DOOR SPECIAL COUPE	36 = FWD WAGON	45 = 4-DOOR STATION WAGON
24 = 2-DOOR HATCHBACK	41 = 4-DOOR SEDAN	49 = LIMOUSINE
27 = 2-DOOR CONVERTIBLE		

AR = Use as Required - = Non Illustrated Part P.A.R. = Paint as Required

VAPOR CANISTER HOSE HARNESS 2.2L ENGINE - CALIF. AND HIGH ALT. H,K
Figure 25-5100

ITEM	PART NUMBER	QTY	BODY	MODEL	DESCRIPTION
					HARNESS, Hose (tagged 4300719 - not serviced)
	4397 808	AR			TUBING, Convoluted 3/4" (serv. in 10 ft. roll)
1	4203 316	AR			HOSE, Rubber 5/16" (serv. in 50 ft. roll)
2	4203 421	AR			HOSE, Rubber 3/8" (serv. in 50 ft. roll)
3	4268 687	2			CONNECTOR .15M - 3/16
4	3780 508	AR			HOSE, Rubber 1/8" (serv. in 50 ft. roll)
5	4179 391	1			CONNECTOR .15F - 3/16
6	4268 681	1			CONNECTOR .15M - 1/8
7	4275 586	1			CONNECTOR
8	4210 989	1			TUBE, Expanded End
9	4306 058	1			VALVE, Tank Vent
10	4105 167	AR			HOSE, Rubber 3/16" (serv. in 50 ft. roll)
11	4213 774	2			ELBOW .15F - 3/16
12	5214 336	1			VALVE, Bowl Vent

5125 5100



MODEL CODES

B = GRAN FURY	E = 600	M = HORIZON/TURISMO
C = LE BARON/TOWN & COUNTRY/LIMO	F = FIFTH AVENUE/NEWPORT	P = RELIANT
C24 = LASER	G = DIPLOMAT	T = NEW YORKER
C44 = LE BARON/GTS	H = VOYAGER	V = 600
D = ARIES	J = CARAVELLE	V24 = DAYTONA
D44 = LANCER	K = MINI VAN/CARAVAN/ROYAL	Z = OMNI/CHARGER

BODY STYLES

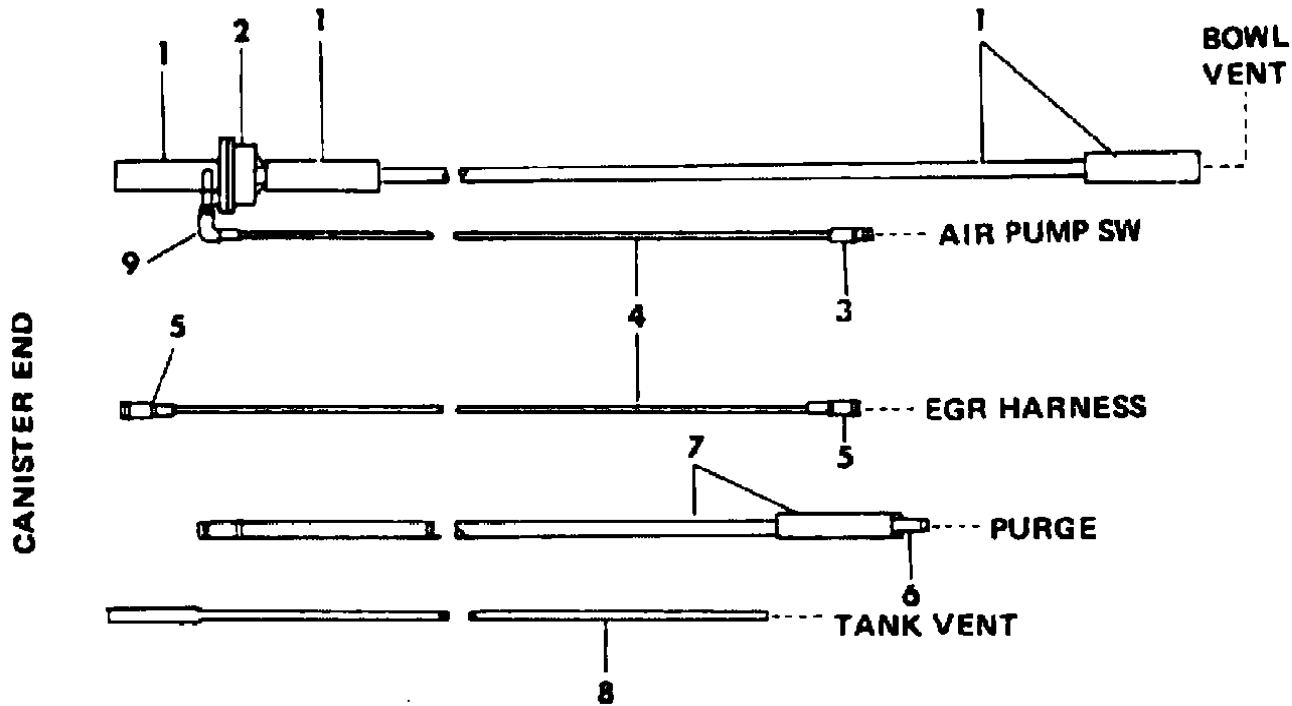
21 = 2-DOOR SEDAN	35 = FWD VAN	44 = 4-DOOR HATCHBACK
22 = 2-DOOR SPECIAL COUPE	36 = FWD WAGON	45 = 4-DOOR STATION WAGON
24 = 2-DOOR HATCHBACK	41 = 4-DOOR SEDAN	49 = LIMOUSINE
27 = 2-DOOR CONVERTIBLE		

AR = Use as Required - = Non Illustrated Part P.A.R. = Paint as Required

VAPOR CANISTER HOSE HARNESS 2.2L ENGINE - CANADA H,K
Figure 25-5200

5125 5200

ITEM	PART NUMBER	QTY	BODY	MODEL	DESCRIPTION
					HARNESS, Hose (tagged 4300710 - not serviced)
	4397 808	AR			TUBING, Convoluted 3/4" (serv. in 10 ft. roll)
1	4203 421	AR			HOSE, Rubber 3/8" (serv. in 50 ft. roll)
2	5214 336	1			VALVE, Bowl Vent
3	4268 687	1			CONNECTOR .15M - 3/16
4	3780 508	AR			HOSE, Rubber 1/8" (serv. in 50 ft. roll)
5	4179 391	2			CONNECTOR .15F - 3/16
6	4275 586	1			CONNECTOR 5/16 x 5/16
7	4203 316	AR			HOSE, Rubber 5/16" (serv. in 50 ft. roll)
8	4210 989	1			TUBE, Expanded End
9	4213 774	1			ELBOW .15F - 3/16



MODEL CODES

B = GRAN FURY	E = 600	M = HORIZON/TURISMO
C = LE BARON/TOWN & COUNTRY/LIMO	F = FIFTH AVENUE/NEWPORT	P = RELIANT
C24 = LASER	G = DIPLOMAT	T = NEW YORKER
C44 = LE BARON/GTS	H = VOYAGER	V = 600
D = ARIES	J = CARAVELLE	V24 = DAYTONA
D44 = LANCER	K = MINI VAN/CARAVAN/ROYAL	Z = OMNI/CHARGER

BODY STYLES

21 = 2-DOOR SEDAN	35 = FWD VAN	44 = 4-DOOR HATCHBACK
22 = 2-DOOR SPECIAL COUPE	36 = FWD WAGON	45 = 4-DOOR STATION WAGON
24 = 2-DOOR HATCHBACK	41 = 4-DOOR SEDAN	49 = LIMOUSINE
27 = 2-DOOR CONVERTIBLE		

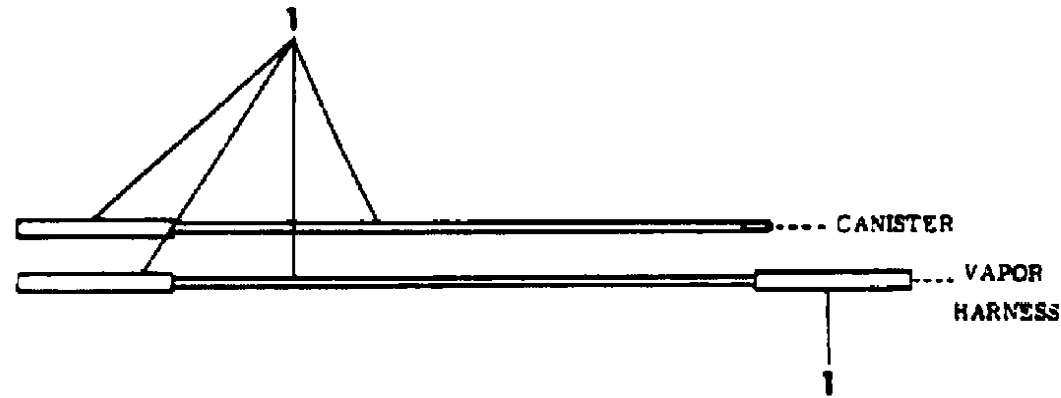
AR = Use as Required - = Non Illustrated Part P.A.R. = Paint as Required

VAPOR CANISTER HOSE HARNESS - DAMPENING CANISTER 2.2L ENGINE H,K
Figure 25-5300

5125 5300

ITEM	PART NUMBER	QTY	BODY	MODEL	DESCRIPTION
					HARNESS, Hose (tagged 4268250 - not serviced)
	4364 392	AR			TUBING, Convoluted 5/8" (serv. in 10 ft. roll)
1	4203 316	AR			HOSE, Rubber 5/16" (serv. in 50 ft. roll)

DAMPENING CANISTER



MODEL CODES

B = GRAN FURY	E = 600	M = HORIZON/TURISMO
C = LE BARON/TOWN & COUNTRY/LIMO	F = FIFTH AVENUE/NEWPORT	P = RELIANT
C24 = LASER	G = DIPLOMAT	T = NEW YORKER
C44 = LE BARON/GTS	H = VOYAGER	V = 600
D = ARIES	J = CARAVELLE	V24 = DAYTONA
D44 = LANCER	K = MINI VAN/CARAVAN/ROYAL	Z = OMNI/CHARGER

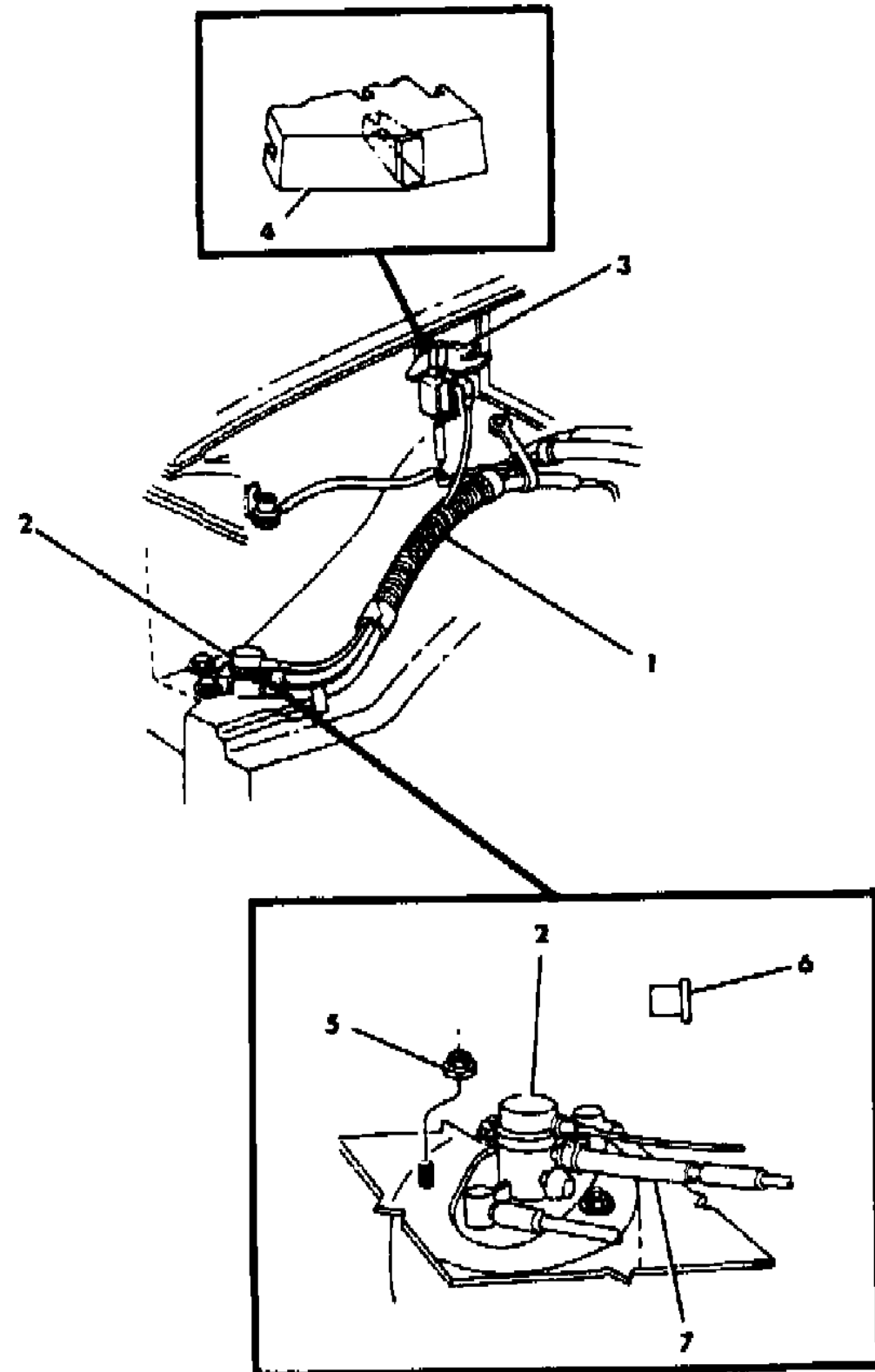
BODY STYLES

21 = 2-DOOR SEDAN	35 = FWD VAN	44 = 4-DOOR HATCHBACK
22 = 2-DOOR SPECIAL COUPE	36 = FWD WAGON	45 = 4-DOOR STATION WAGON
24 = 2-DOOR HATCHBACK	41 = 4-DOOR SEDAN	49 = LIMOUSINE
27 = 2-DOOR CONVERTIBLE		

AR = Use as Required - = Non Illustrated Part P.A.R. = Paint as Required

VAPOR CANISTER 2.2L ENGINE EFI
Figure 25-5400

5125 5400



ITEM	PART NUMBER	QTY	BODY	MODEL	DESCRIPTION
1		1			HARNESS, Hose (shown on illus. 5500)
2	4241 838	1			CANISTER, Vapor
3	5226 359	1			SOLENOID, Single Vacuum
4	5226 435	1			COVER, Vacuum Solenoid
5	0219 462	3			NUT
6	3733 285	1			CAP, Bowl Vent Nipple
7	4203 316	AR			HOSE, Rubber 5/16" (serv. in 50 ft. roll)

MODEL CODES

B = GRAN FURY	E = 600	M = HORIZON/TURISMO
C = LE BARON/TOWN & COUNTRY/LIMO	F = FIFTH AVENUE/NEWPORT	P = RELIANT
C24 = LASER	G = DIPLOMAT	T = NEW YORKER
C44 = LE BARON/GTS	H = VOYAGER	V = 600
D = ARIES	J = CARAVELLE	V24 = DAYTONA
D44 = LANCER	K = MINI VAN/CARAVAN/ROYAL	Z = OMNI/CHARGER

BODY STYLES

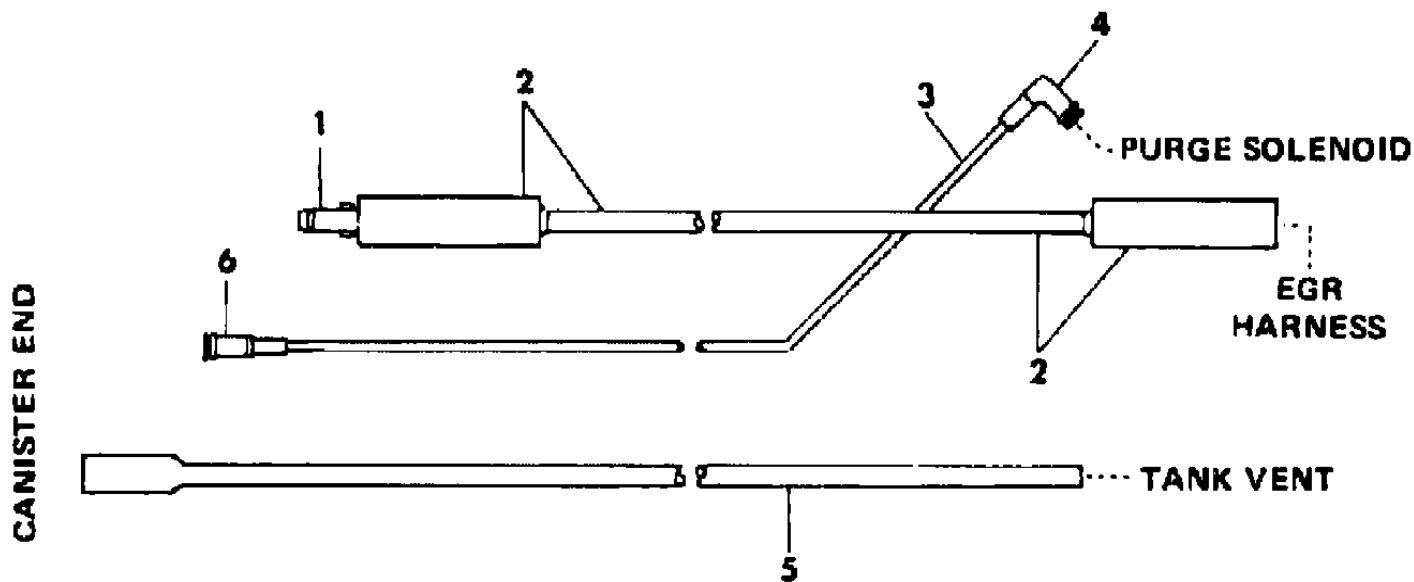
21 = 2-DOOR SEDAN	35 = FWD VAN	44 = 4-DOOR HATCHBACK
22 = 2-DOOR SPECIAL COUPE	36 = FWD WAGON	45 = 4-DOOR STATION WAGON
24 = 2-DOOR HATCHBACK	41 = 4-DOOR SEDAN	49 = LIMOUSINE
27 = 2-DOOR CONVERTIBLE		

AR = Use as Required - = Non Illustrated Part P.A.R. = Paint as Required

VAPOR CANISTER HOSE HARNESS 2.2L ENGINE EFI
Figure 25-5500

5125 5500

ITEM	PART NUMBER	QTY	BODY	MODEL	DESCRIPTION
					HARNESS, Hose (tagged 4300711 - not serviced)
	4397 808	AR			TUBING, Convoluted 3/4" (serv. in 10 ft. roll)
1	4300 907	1			CONNECTOR w/RESTRICTOR 5/16 x 5/16
2	4203 316	AR			HOSE, Rubber 5/16" (serv. in 50 ft. roll)
3	3780 508	AR			HOSE, Rubber 1/8" (serv. in 50 ft. roll)
4	4213 774	1			ELBOW .15F - 3/16
5	4210 989	1			TUBE, Expanded End
6	4179 391	1			CONNECTOR .15F - 3/16



MODEL CODES

B = GRAN FURY	E = 600	M = HORIZON/TURISMO
C = LE BARON/TOWN & COUNTRY/LIMO	F = FIFTH AVENUE/NEWPORT	P = RELIANT
C24 = LASER	G = DIPLOMAT	T = NEW YORKER
C44 = LE BARON/GTS	H = VOYAGER	V = 600
D = ARIES	J = CARAVELLE	V24 = DAYTONA
D44 = LANCER	K = MINI VAN/CARAVAN/ROYAL	Z = OMNI/CHARGER

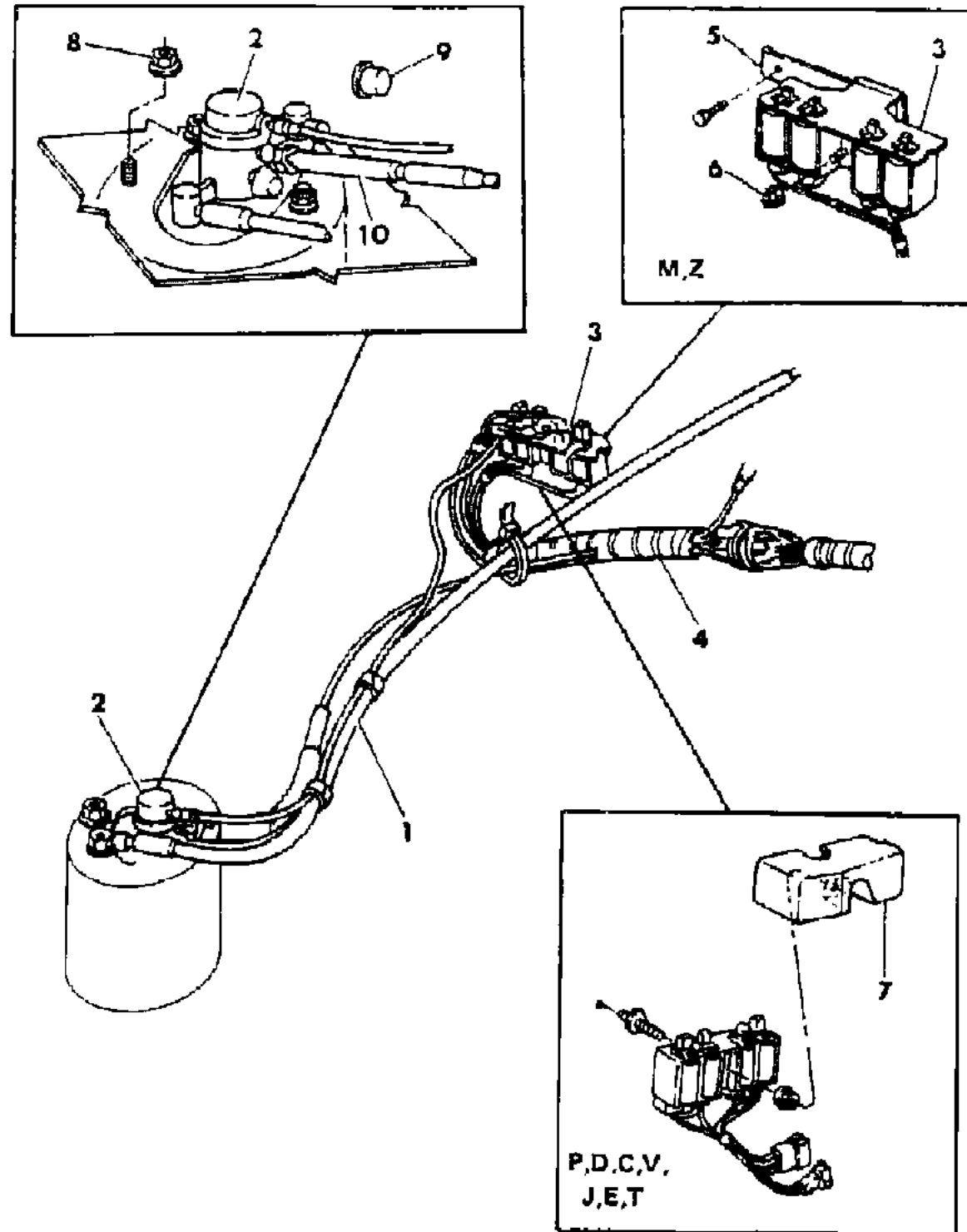
BODY STYLES

21 = 2-DOOR SEDAN	35 = FWD VAN	44 = 4-DOOR HATCHBACK
22 = 2-DOOR SPECIAL COUPE	36 = FWD WAGON	45 = 4-DOOR STATION WAGON
24 = 2-DOOR HATCHBACK	41 = 4-DOOR SEDAN	49 = LIMOUSINE
27 = 2-DOOR CONVERTIBLE		

AR = Use as Required - = Non Illustrated Part P.A.R. = Paint as Required

VAPOR CANISTER 2.2L ENGINE TURBO
Figure 25-5600

5125 5600



ITEM	PART NUMBER	QTY	BODY	MODEL	DESCRIPTION
1		1			HARNES, Hose (shown on illus. 5700)
2	4241 838	1			CANISTER, Vapor - stamped 4227006
3	5226 352	1			SOLENOID, Quad Vacuum
4		1			HARNES, Hose - Quad Vacuum Solenoid (shown on illus. 5800, 5900)
5	5226 337	1	M,Z		BRACKET, Vacuum Solenoid Valve
6	6100 047	1	M,Z		NUT
7	5226 435	1	exc. M,		COVER, Quad Vacuum Solenoid
8	0219 462	3			NUT
9	3733 285	1			CAP, Canister Bowl Vent
10	4203 316	AR			HOSE, Rubber 5/16" (serv. in 50 ft. roll)

MODEL CODES

B = GRAN FURY	E = 600	M = HORIZON/TURISMO
C = LE BARON/TOWN & COUNTRY/LIMO	F = FIFTH AVENUE/NEWPORT	P = RELIANT
C24 = LASER	G = DIPLOMAT	T = NEW YORKER
C44 = LE BARON/GTS	H = VOYAGER	V = 600
D = ARIES	J = CARAVELLE	V24 = DAYTONA
D44 = LANCER	K = MINI VAN/CARAVAN/ROYAL	Z = OMNI/CHARGER

BODY STYLES

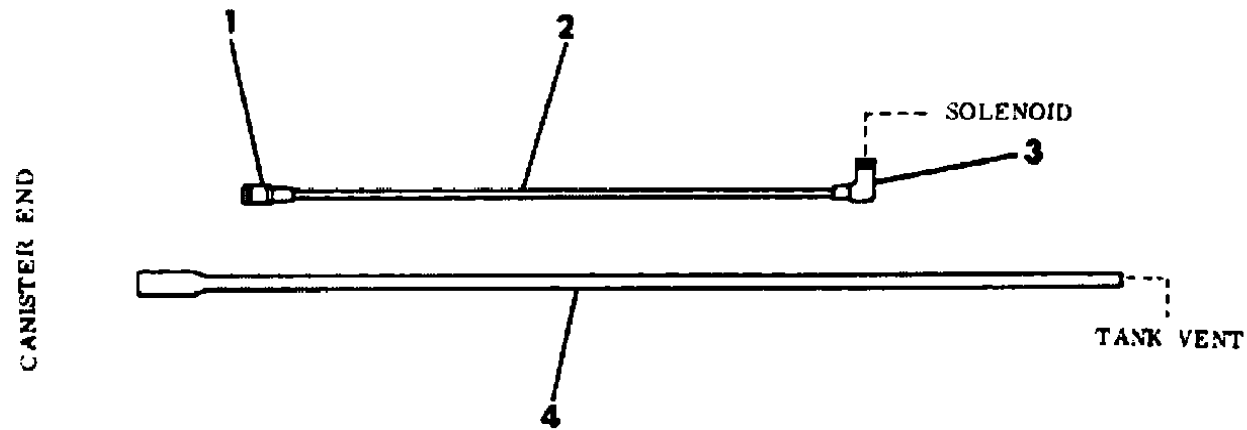
21 = 2-DOOR SEDAN	35 = FWD VAN	44 = 4-DOOR HATCHBACK
22 = 2-DOOR SPECIAL COUPE	36 = FWD WAGON	45 = 4-DOOR STATION WAGON
24 = 2-DOOR HATCHBACK	41 = 4-DOOR SEDAN	49 = LIMOUSINE
27 = 2-DOOR CONVERTIBLE		

AR = Use as Required - = Non Illustrated Part P.A.R. = Paint as Required

VAPOR CANISTER HOSE HARNESS 2.2L ENGINE TURBO
Figure 25-5700

5125 5700

ITEM	PART NUMBER	QTY	BODY	MODEL	DESCRIPTION
HARNES, Hose (tagged 4241495 or 4300702)					
1	4179 391	1			CONNECTOR .15F - 3/16
2	3780 508	AR			HOSE, Rubber 1/8" (serv. in 50 ft. roll)
3	4213 774	1			ELBOW .15F - 3/16
4	4185 460	1			TUBE, Expanded End



MODEL CODES

B = GRAN FURY	E = 600	M = HORIZON/TURISMO
C = LE BARON/TOWN & COUNTRY/LIMO	F = FIFTH AVENUE/NEWPORT	P = RELIANT
C24 = LASER	G = DIPLOMAT	T = NEW YORKER
C44 = LE BARON/GTS	H = VOYAGER	V = 600
D = ARIES	J = CARAVELLE	V24 = DAYTONA
D44 = LANCER	K = MINI VAN/CARAVAN/ROYAL	Z = OMNI/CHARGER

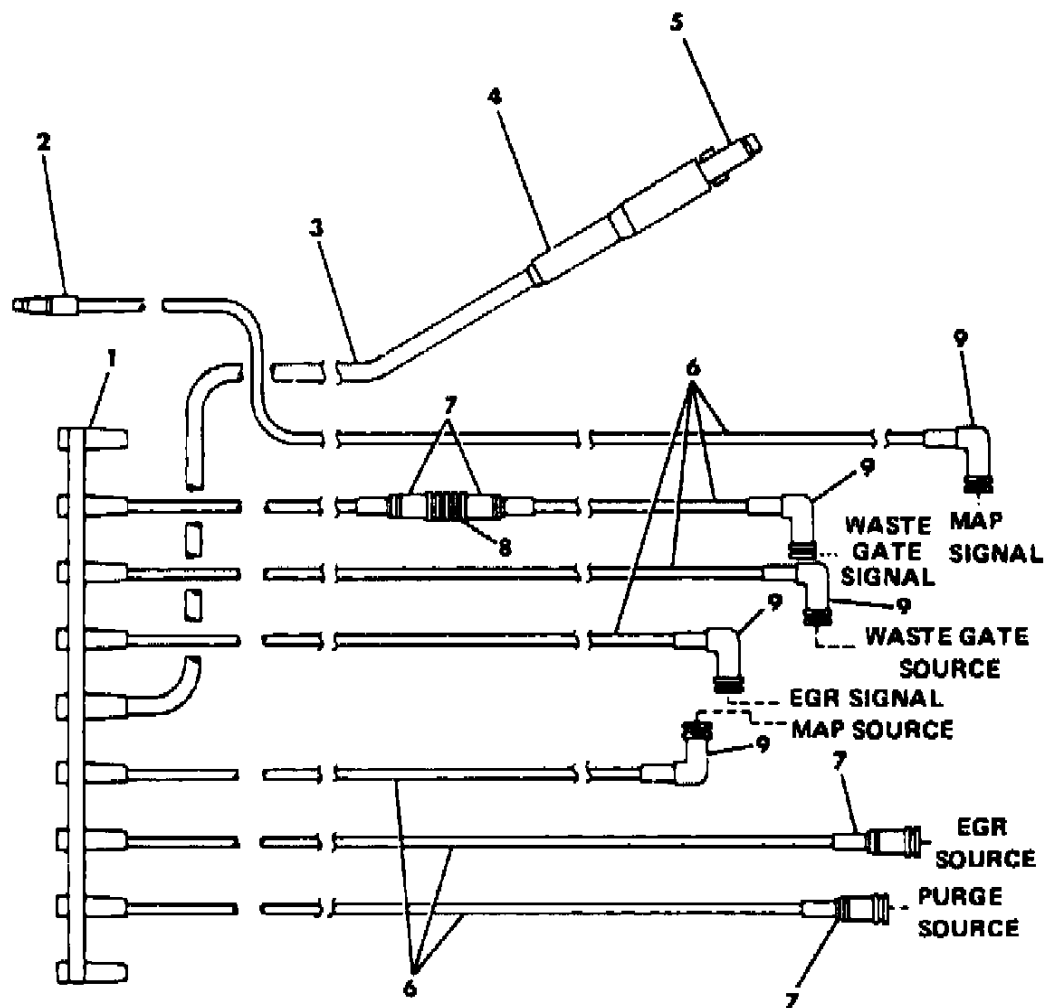
BODY STYLES

21 = 2-DOOR SEDAN	35 = FWD VAN	44 = 4-DOOR HATCHBACK
22 = 2-DOOR SPECIAL COUPE	36 = FWD WAGON	45 = 4-DOOR STATION WAGON
24 = 2-DOOR HATCHBACK	41 = 4-DOOR SEDAN	49 = LIMOUSINE
27 = 2-DOOR CONVERTIBLE		

AR = Use as Required - = Non Illustrated Part P.A.R. = Paint as Required

QUAD VACUUM SOLENOID HOSE HARNESS 2.2L ENGINE TURBO M,Z
Figure 25-5800

5125 5800



ITEM	PART NUMBER	QTY	BODY	MODEL	DESCRIPTION
					HARNESS, Hose (tagged 4306936 or 4306081)
	4364 392	AR			TUBING, Convoluted 5/8" (serv. in 10 ft. roll)
1	4288 238	1			CONNECTOR, 9 Port Female
2	4268 687	1			CONNECTOR .15M - 3/16
3	4275 716	AR			HOSE, Rubber 1/4" (serv. in 50 ft. roll)
4	4288 208	1			TUBE, Expanded End
5					CONNECTOR 5/16 x 5/16
	4179 981	1			use w/4306936 Hose Harness
	4300 907	1			use w/4306081 Hose Harness - w/Restriction
6	3780 508	AR			HOSE, Rubber 1/8" (serv. in 50 ft. roll)
7	4179 391	4			CONNECTOR .15F - 3/16
8	4275 607	1			CONNECTOR 3/16 x 3/16
9	4213 774	5			ELBOW .15F - 3/16

MODEL CODES

B = GRAN FURY	E = 600	M = HORIZON/TURISMO
C = LE BARON/TOWN & COUNTRY/LIMO	F = FIFTH AVENUE/NEWPORT	P = RELIANT
C24 = LASER	G = DIPLOMAT	T = NEW YORKER
C44 = LE BARON/GTS	H = VOYAGER	V = 600
D = ARIES	J = CARAVELLE	V24 = DAYTONA
D44 = LANCER	K = MINI VAN/CARAVAN/ROYAL	Z = OMNI/CHARGER

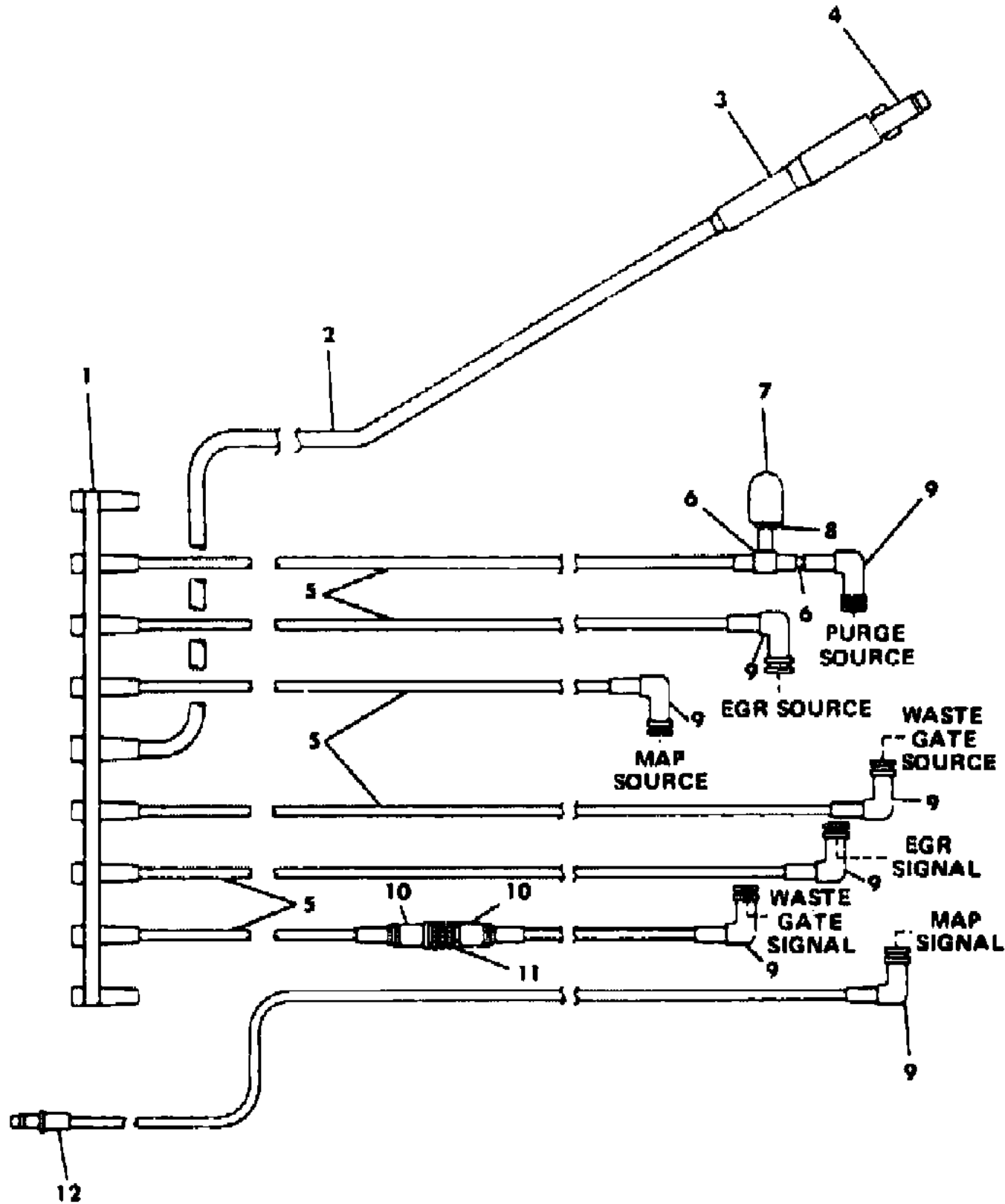
BODY STYLES

21 = 2-DOOR SEDAN	35 = FWD VAN	44 = 4-DOOR HATCHBACK
22 = 2-DOOR SPECIAL COUPE	36 = FWD WAGON	45 = 4-DOOR STATION WAGON
24 = 2-DOOR HATCHBACK	41 = 4-DOOR SEDAN	49 = LIMOUSINE
27 = 2-DOOR CONVERTIBLE		

AR = Use as Required - = Non Illustrated Part P.A.R. = Paint as Required

QUAD VACUUM SOLENOID HOSE HARNESS 2.2L ENGINE TURBO P,D,C,V,J,E,T
Figure 25-5900

5125 5900



ITEM	PART NUMBER	QTY	BODY	MODEL	DESCRIPTION
					HARNESS, Hose (tagged 4306937 or 4306082)
1	4364 392	AR			TUBING, Convoluted 5/8" (serv. in 10 ft. roll)
	4288 238	1			CONNECTOR, 9 Port Female
2	4275 716	AR			HOSE, Rubber 1/4" (serv. in 50 ft. roll)
3	4288 208	1			TUBE, Expanded End
4					CONNECTOR 5/16 x 5/16
	4179 981	1			use w/4306937 Hose Harness
	4300 907	1			use w/4306082 Hose Harness - w/Restriction
5	3780 508	AR			HOSE, Rubber 1/8" (serv. in 50 ft. roll)
6	4179 191	1			TEE
7	3580 171	1			CAP
8	4268 668	1			CONNECTOR
9	4213 774	7			ELBOW .15F - 3/16
10	4179 391	2			CONNECTOR .15F - 3/16
11	4275 607	1			CONNECTOR 3/16 x 3/16
12	4268 687	1			CONNECTOR .15M - 3/16

MODEL CODES

B = GRAN FURY	E = 600	M = HORIZON/TURISMO
C = LE BARON/TOWN & COUNTRY/LIMO	F = FIFTH AVENUE/NEWPORT	P = RELIANT
C24 = LASER	G = DIPLOMAT	T = NEW YORKER
C44 = LE BARON/GTS	H = VOYAGER	V = 600
D = ARIES	J = CARAVELLE	V24 = DAYTONA
D44 = LANCER	K = MINI VAN/CARAVAN/ROYAL	Z = OMNI/CHARGER

BODY STYLES

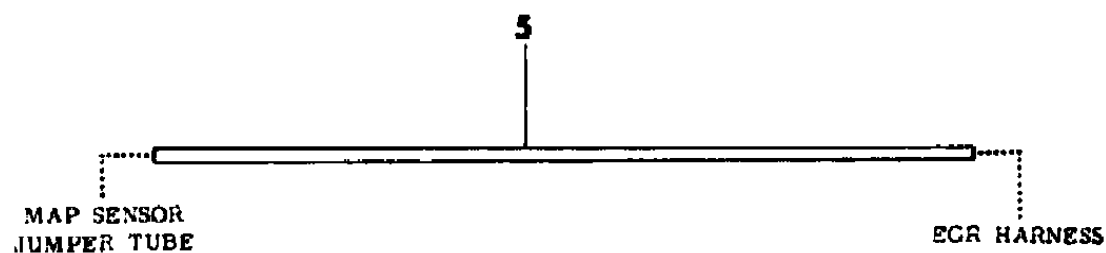
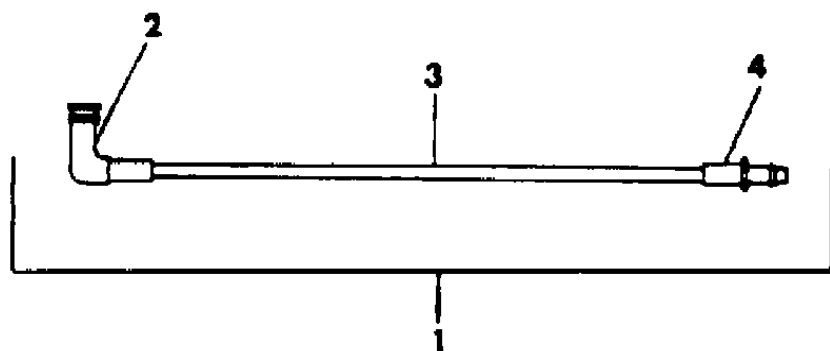
21 = 2-DOOR SEDAN	35 = FWD VAN	44 = 4-DOOR HATCHBACK
22 = 2-DOOR SPECIAL COUPE	36 = FWD WAGON	45 = 4-DOOR STATION WAGON
24 = 2-DOOR HATCHBACK	41 = 4-DOOR SEDAN	49 = LIMOUSINE
27 = 2-DOOR CONVERTIBLE		

AR = Use as Required - = Non Illustrated Part P.A.R. = Paint as Required

M.A.P SENSOR JUMPER TUBE 2.2L ENGINE EFI AND TURBO
Figure 25-6000

5125 6000

ITEM	PART NUMBER	QTY	BODY	MODEL	DESCRIPTION
1	4300 908	1			TUBE, M.A.P. Sensor Jumper
2	4213 766	1			ELBOW .15F - 1/8
3	3780 508	AR			HOSE, Rubber 1/8" (serv. in 50 ft. roll)
4	4268 687	1			CONNECTOR .15M - 3/16
5	4300 970	1			HOSE, M.A.P. Vacuum - Inner & Outer



MODEL CODES

B = GRAN FURY	E = 600	M = HORIZON/TURISMO
C = LE BARON/TOWN & COUNTRY/LIMO	F = FIFTH AVENUE/NEWPORT	P = RELIANT
C24 = LASER	G = DIPLOMAT	T = NEW YORKER
C44 = LE BARON/GTS	H = VOYAGER	V = 600
D = ARIES	J = CARAVELLE	V24 = DAYTONA
D44 = LANCER	K = MINI VAN/CARAVAN/ROYAL	Z = OMNI/CHARGER

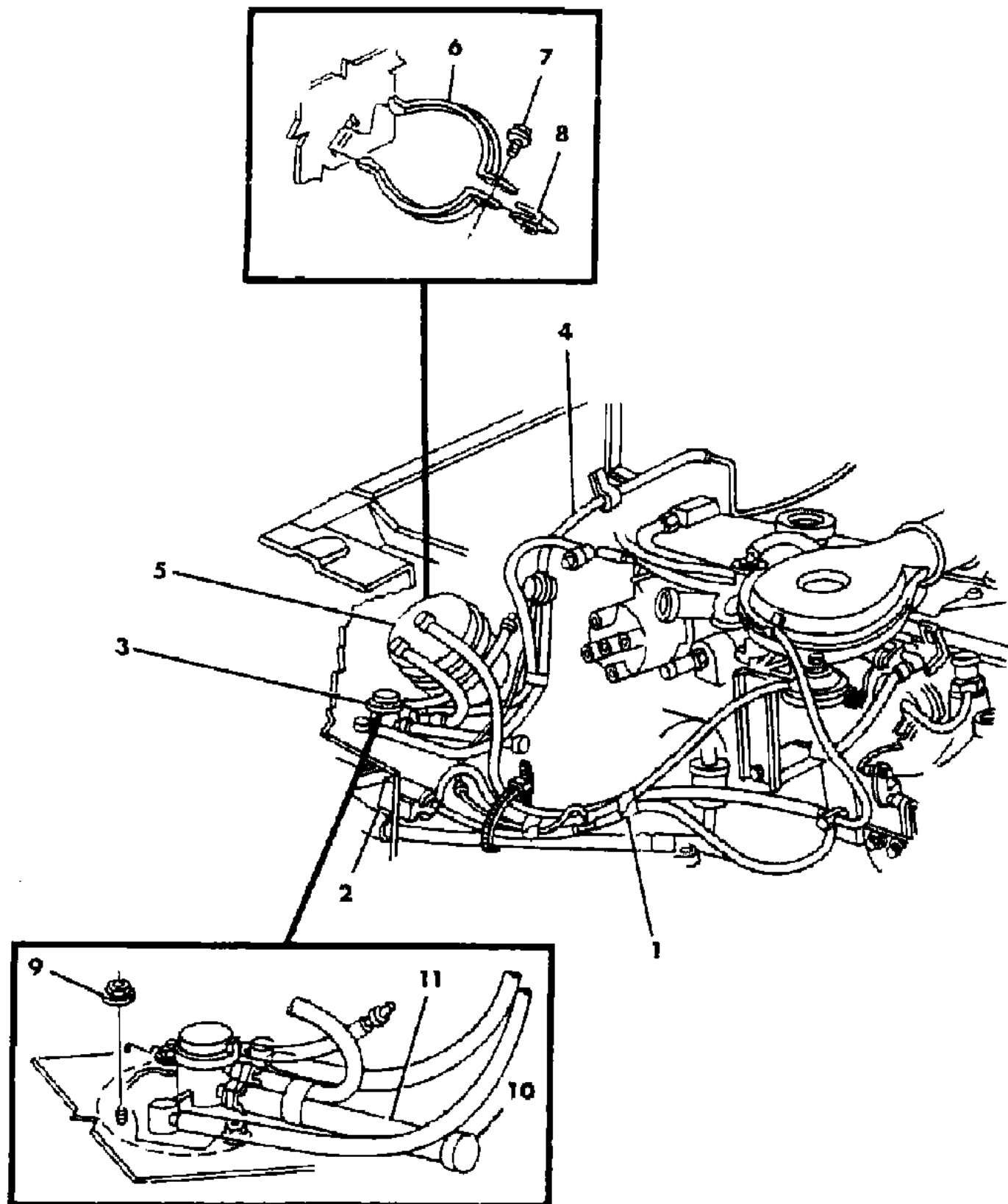
BODY STYLES

21 = 2-DOOR SEDAN	35 = FWD VAN	44 = 4-DOOR HATCHBACK
22 = 2-DOOR SPECIAL COUPE	36 = FWD WAGON	45 = 4-DOOR STATION WAGON
24 = 2-DOOR HATCHBACK	41 = 4-DOOR SEDAN	49 = LIMOUSINE
27 = 2-DOOR CONVERTIBLE		

AR = Use as Required - = Non Illustrated Part P.A.R. = Paint as Required

VAPOR CANISTER 2.6L ENGINE P,D,C,V,J,E,T
Figure 25-6100

5125 6100



ITEM	PART NUMBER	QTY	BODY	MODEL	DESCRIPTION
1		1			HARNES, Hose - Vapor Tube (shown on illus. 6200, 6300)
2	5213 348	1			SOLENOID, A/C Idle Speed Up
3					CANISTER, Vapor
	4241 839	1			exc. Canada
	4241 838	1			Canada
4		1			HARNES, Hose - Bowl Vent (shown on illus. 6400)
5	4241 837	1			CANISTER, Vapor Dampening
6	4167 722	1			STRAP, Dampening Canister Mtg.
7		1			SCREW w/WASHER (not serv.)
8	6100 041	1			U NUT
9	0219 462	3			NUT
10	4041 910	1			CAP, Vent Nipple Hose
11		AR			HOSE, Rubber

MODEL CODES

B = GRAN FURY	E = 600	M = HORIZON/TURISMO
C = LE BARON/TOWN & COUNTRY/LIMO	F = FIFTH AVENUE/NEWPORT	P = RELIANT
C24 = LASER	G = DIPLOMAT	T = NEW YORKER
C44 = LE BARON/GTS	H = VOYAGER	V = 600
D = ARIES	J = CARAVELLE	V24 = DAYTONA
D44 = LANCER	K = MINI VAN/CARAVAN/ROYAL	Z = OMNI/CHARGER

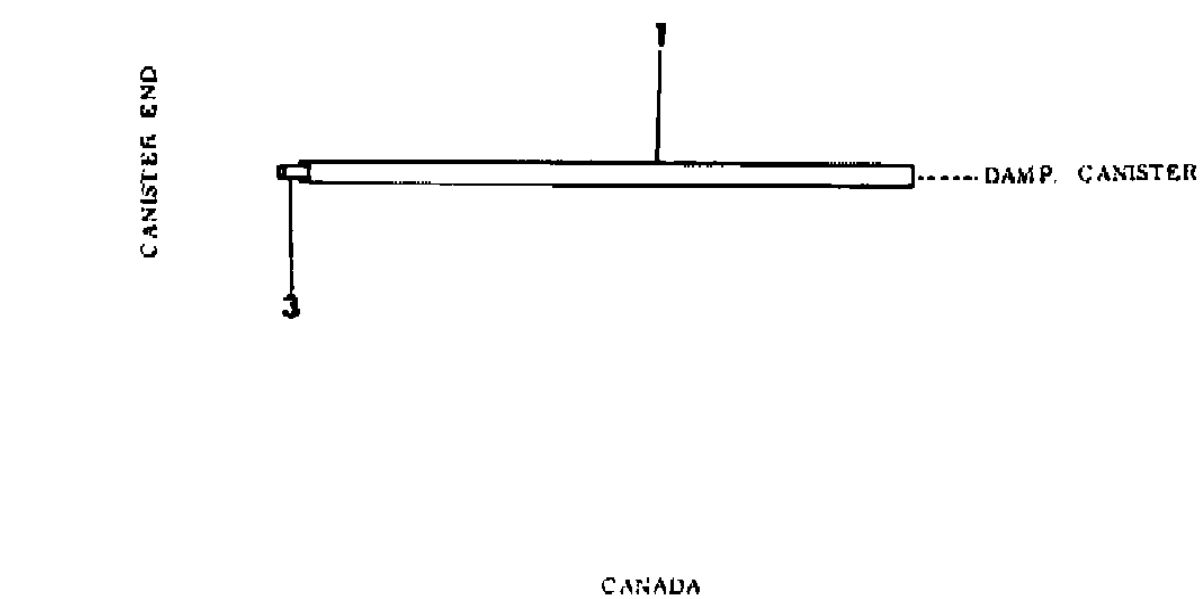
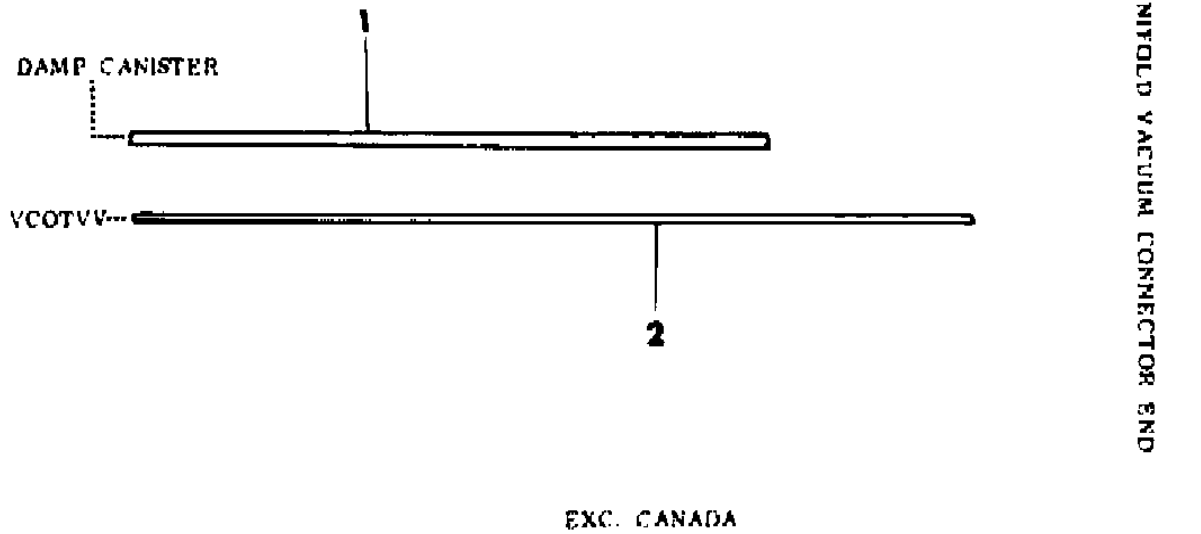
BODY STYLES

21 = 2-DOOR SEDAN	35 = FWD VAN	44 = 4-DOOR HATCHBACK
22 = 2-DOOR SPECIAL COUPE	36 = FWD WAGON	45 = 4-DOOR STATION WAGON
24 = 2-DOOR HATCHBACK	41 = 4-DOOR SEDAN	49 = LIMOUSINE
27 = 2-DOOR CONVERTIBLE		

AR = Use as Required - = Non Illustrated Part P.A.R. = Paint as Required

VAPOR CANISTER HOSE HARNESS - VAPOR TUBE 2.6L ENGINE - W/O AIR COND. P,D,C,V,J,E,T
Figure 25-6200

5125 6200



ITEM	PART NUMBER	QTY	BODY	MODEL	DESCRIPTION
HARNESS, Hose (tagged 4300723 or 4268881 - not serviced)					
1	4203 316	AR			HOSE, Rubber 5/16" (serv. in 50 ft. roll)
2	4105 167	AR			HOSE, Rubber 3/16" (serv. in 50 ft. roll)
3	4179 981	1			CONNECTOR 5/16 x 5/16

MODEL CODES

B = GRAN FURY	E = 600	M = HORIZON/TURISMO
C = LE BARON/TOWN & COUNTRY/LIMO	F = FIFTH AVENUE/NEWPORT	P = RELIANT
C24 = LASER	G = DIPLOMAT	T = NEW YORKER
C44 = LE BARON/GTS	H = VOYAGER	V = 600
D = ARIES	J = CARAVELLE	V24 = DAYTONA
D44 = LANCER	K = MINI VAN/CARAVAN/ROYAL	Z = OMNI/CHARGER

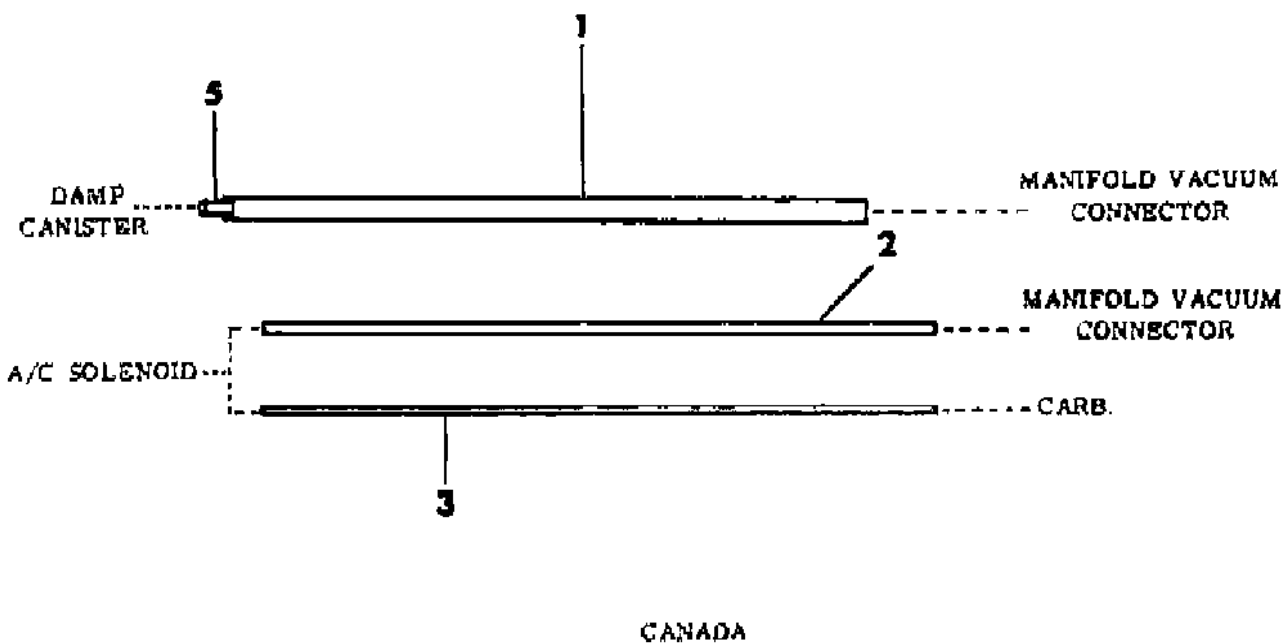
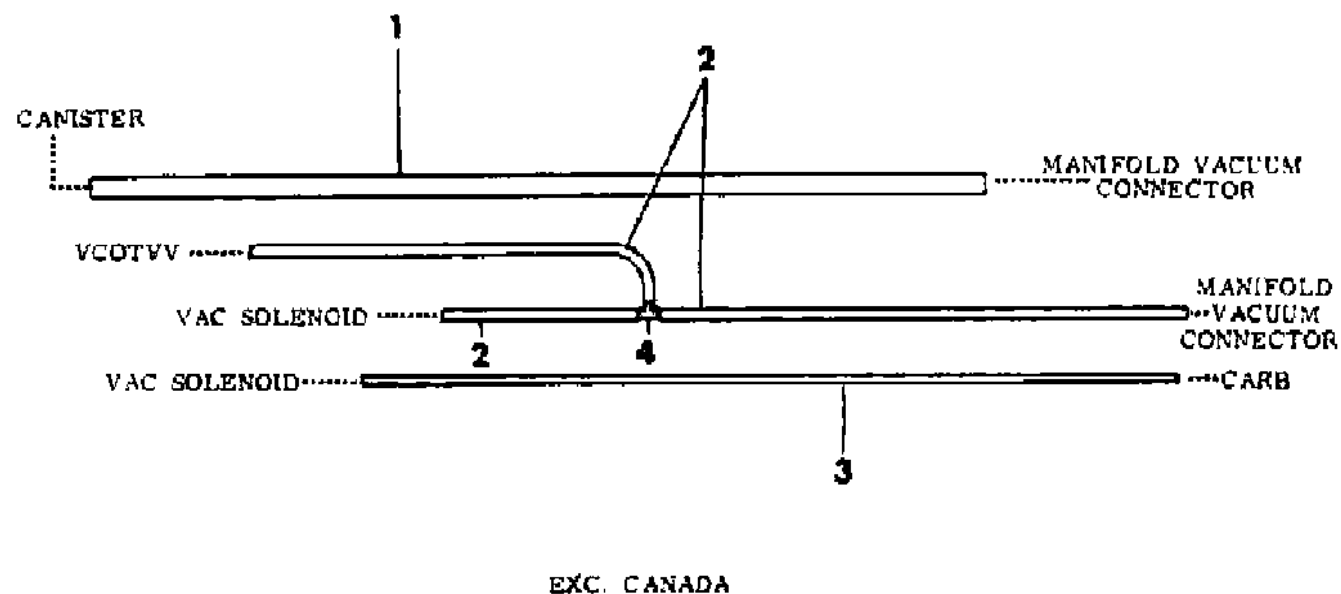
BODY STYLES

21 = 2-DOOR SEDAN	35 = FWD VAN	44 = 4-DOOR HATCHBACK
22 = 2-DOOR SPECIAL COUPE	36 = FWD WAGON	45 = 4-DOOR STATION WAGON
24 = 2-DOOR HATCHBACK	41 = 4-DOOR SEDAN	49 = LIMOUSINE
27 = 2-DOOR CONVERTIBLE		

AR = Use as Required - = Non Illustrated Part P.A.R. = Paint as Required

VAPOR CANISTER HOSE HARNESS - VAPOR TUBE 2.6L ENGINE - W/AIR COND. P,D,C,V,J,E,T
Figure 25-6300

5125 6300



ITEM	PART NUMBER	QTY	BODY	MODEL	DESCRIPTION
HARNESS, Hose (tagged 4300722 or 4268880 - not serviced)					
1	4203 316	AR			HOSE, Rubber 5/16" (serv. in 50 ft. roll)
2	4105 167	AR			HOSE, Rubber 3/16" (serv. in 50 ft. roll)
3	3780 508	AR			HOSE, Rubber 1/8" (serv. in 50 ft. roll)
4	4104 172	1			TEE
5	4179 981	1			CONNECTOR 5/16 x 5/16

MODEL CODES
 B = GRAN FURY
 C = LE BARON/TOWN & COUNTRY/LIMO
 C24 = LASER
 C44 = LE BARON/GTS
 D = ARIES
 D44 = LANCER
 E = 600
 F = FIFTH AVENUE/NEWPORT
 G = DIPLOMAT
 H = VOYAGER
 J = CARAVELLE
 K = MINI VAN/CARAVAN/ROYAL
 M = HORIZON/TURISMO
 P = RELIANT
 T = NEW YORKER
 V = 600
 V24 = DAYTONA
 Z = OMNI/CHARGER

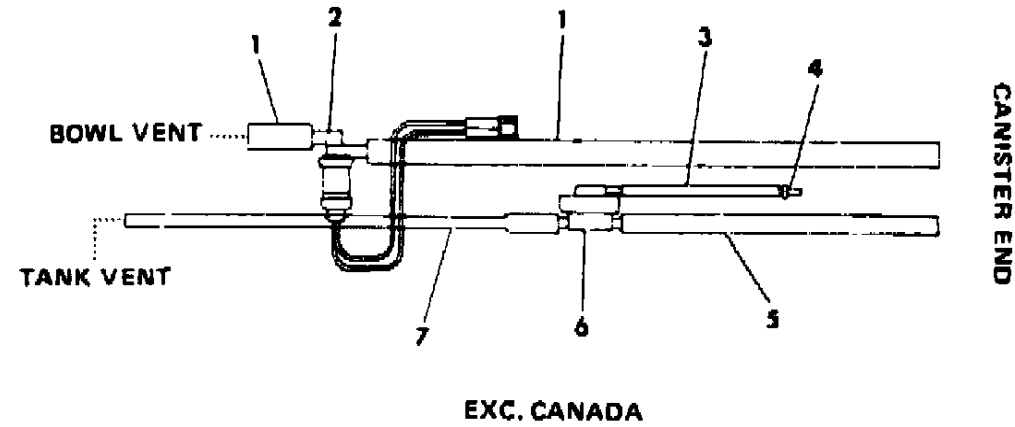
BODY STYLES
 21 = 2-DOOR SEDAN
 22 = 2-DOOR SPECIAL COUPE
 24 = 2-DOOR HATCHBACK
 27 = 2-DOOR CONVERTIBLE
 35 = FWD VAN
 36 = FWD WAGON
 41 = 4-DOOR SEDAN
 44 = 4-DOOR HATCHBACK
 45 = 4-DOOR STATION WAGON
 49 = LIMOUSINE

AR = Use as Required - = Non Illustrated Part P.A.R. = Paint as Required

VAPOR CANISTER HOSE HARNESS - BOWL VENT 2.6L ENGINE P,D,C,V,J,E,T
Figure 25-6400

5125 6400

ITEM	PART NUMBER	QTY	BODY	MODEL	DESCRIPTION
HARNESS, Hose (tagged 4300721 or 4241487 - not serviced)					
1	4203 421	AR			HOSE, Rubber 3/8" (serv. in 50 ft. roll)
2	4306 110	1			VALVE, Electric Bowl Vent
3	4105 167	AR			HOSE, Rubber 3/16" (serv. in 50 ft. roll)
4	4104 998	1			CONNECTOR 3/16 x 3/16
5	4203 316	AR			HOSE, Rubber 5/16" (serv. in 50 ft. roll)
6	4306 095	1			VALVE, Tank Vapor
7	4210 989	1			TUBE, Expanded End
8	4201 198	1			CONNECTOR 3/8 x 3/8
9	4203 211	AR			HOSE, Rubber 1/4" (serv. in 50 ft. roll)



MODEL CODES

B = GRAN FURY	E = 600	M = HORIZON/TURISMO
C = LE BARON/TOWN & COUNTRY/LIMO	F = FIFTH AVENUE/NEWPORT	P = RELIANT
C24 = LASER	G = DIPLOMAT	T = NEW YORKER
C44 = LE BARON/GTS	H = VOYAGER	V = 600
D = ARIES	J = CARAVELLE	V24 = DAYTONA
D44 = LANCER	K = MINI VAN/CARAVAN/ROYAL	Z = OMNI/CHARGER

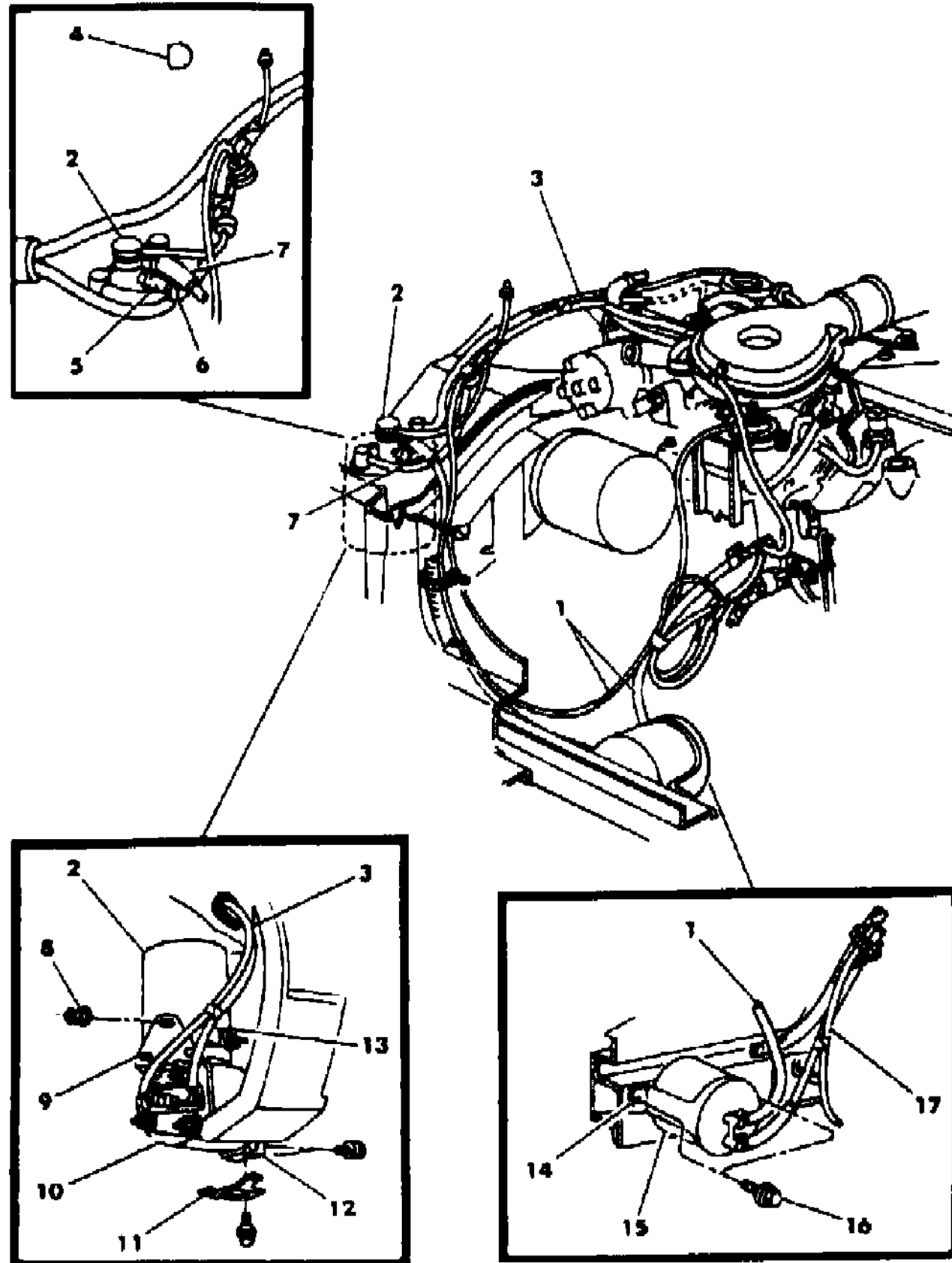
BODY STYLES

21 = 2-DOOR SEDAN	35 = FWD VAN	44 = 4-DOOR HATCHBACK
22 = 2-DOOR SPECIAL COUPE	36 = FWD WAGON	45 = 4-DOOR STATION WAGON
24 = 2-DOOR HATCHBACK	41 = 4-DOOR SEDAN	49 = LIMOUSINE
27 = 2-DOOR CONVERTIBLE		

AR = Use as Required - = Non Illustrated Part P.A.R. = Paint as Required

VAPOR CANISTER 2.6L ENGINE H,K
Figure 25-6500

3125 6500



ITEM	PART NUMBER	QTY	BODY	MODEL	DESCRIPTION
1		1			HARNESS, Hose - Vapor Engine (shown on illus. 6600, 6700)
2	4241 839	1			CANISTER, Vapor - 4 Port - stamped 4227010 or 4227027
3		1			HARNESS, Hose - Vapor Bowl Vent (shown on illus. 6800, 6900, 7000, 7100)
4	3733 285	1			CAP, Canister Bowl Vent - use w/4227027 Canister
5	4287 990	1			TUBE, Expanded End
6	4288 220	1			ELBOW 5/16
7	4203 316	AR			HOSE, Rubber 5/16" (serv. in 50 ft. roll)
8	0219 462	6			NUT
9	4288 244	1			BRACKET, Vapor Canister Attach
10	4271 982	1			CANISTER, Vapor - 3 Port - stamped 4227028
11	4288 222	1			BRACKET, Canister Support
12	4341 375	1			STRAP, Canister Support Mtg. Brkt.
13	4288 235	1			BRACKET, Canister Mtg.
14	4095 986	1			BRACKET, Dampening Canister Mtg.
15	4241 837	1			CANISTER, Vapor Dampening
16	6032 518	2			SCREW w/WASHER
17		1			HARNESS, Hose - Dampening Canister (shown on illus. 7200)

MODEL CODES

B = GRAN FURY	E = 600	M = HORIZON/TURISMO
C = LE BARON/TOWN & COUNTRY/LIMO	F = FIFTH AVENUE/NEWPORT	P = RELIANT
C24 = LASER	G = DIPLOMAT	T = NEW YORKER
C44 = LE BARON/GTS	H = VOYAGER	V = 600
D = ARIES	J = CARAVELLE	V24 = DAYTONA
D44 = LANCER	K = MINI VAN/CARAVAN/ROYAL	Z = OMNI/CHARGER

BODY STYLES

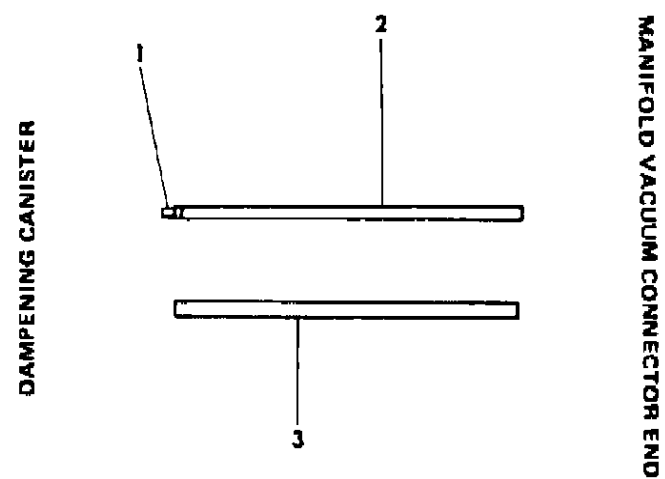
21 = 2-DOOR SEDAN	35 = FWD VAN	44 = 4-DOOR HATCHBACK
22 = 2-DOOR SPECIAL COUPE	36 = FWD WAGON	45 = 4-DOOR STATION WAGON
24 = 2-DOOR HATCHBACK	41 = 4-DOOR SEDAN	49 = LIMOUSINE
27 = 2-DOOR CONVERTIBLE		

AR = Use as Required - = Non Illustrated Part P.A.R. = Paint as Required

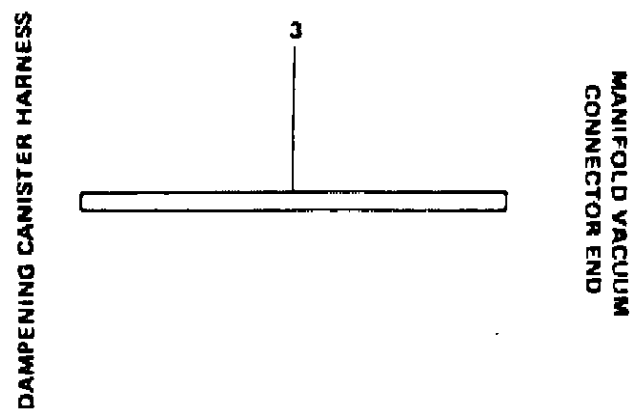
VAPOR CANISTER HOSE HARNESS - VAPOR ENGINE 2.6L ENGINE - W/O AIR COND. H,K
Figure 25-6600

ITEM	PART NUMBER	QTY	BODY	MODEL	DESCRIPTION
HARNESS, Hose (tagged 4275043 or 4268039 - not serviced)					
1	4104 998	1			CONNECTOR 3/16 x 3/16
2	4105 167	AR			HOSE, Rubber 3/16" (serv. in 50 ft. roll)
3	4203 316	AR			HOSE, Rubber 5/16" (serv. in 50 ft. roll)

5125 6600



EXC. CANADA



CANADA

MODEL CODES

B = GRAN FURY	E = 600	M = HORIZON/TURISMO
C = LE BARON/TOWN & COUNTRY/LIMO	F = FIFTH AVENUE/NEWPORT	P = RELIANT
C24 = LASER	G = DIPLOMAT	T = NEW YORKER
C44 = LE BARON/GTS	H = VOYAGER	V = 600
D = ARIES	J = CARAVELLE	V24 = DAYTONA
D44 = LANCER	K = MINI VAN/CARAVAN/ROYAL	Z = OMNI/CHARGER

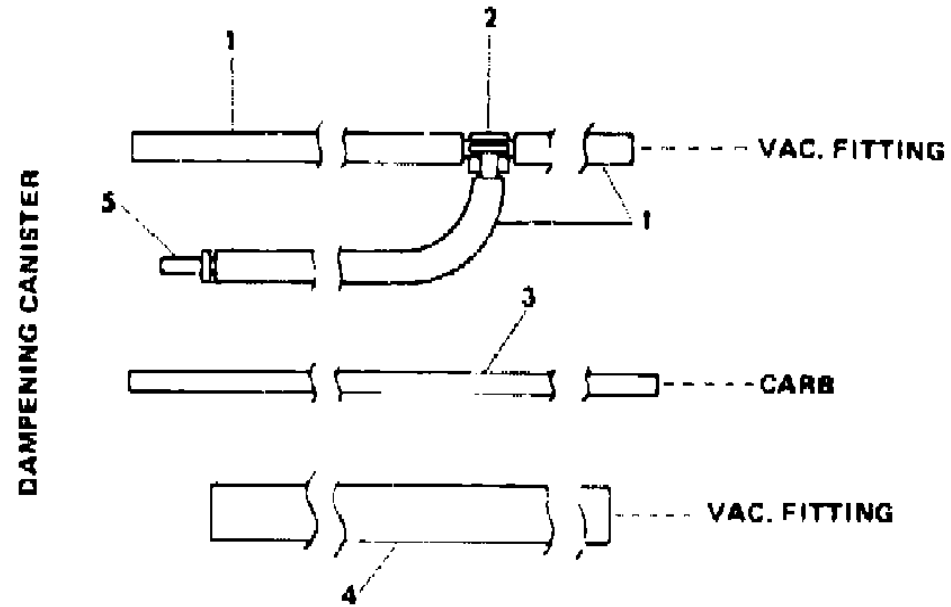
BODY STYLES

21 = 2-DOOR SEDAN	35 = FWD VAN	44 = 4-DOOR HATCHBACK
22 = 2-DOOR SPECIAL COUPE	36 = FWD WAGON	45 = 4-DOOR STATION WAGON
24 = 2-DOOR HATCHBACK	41 = 4-DOOR SEDAN	49 = LIMOUSINE
27 = 2-DOOR CONVERTIBLE		

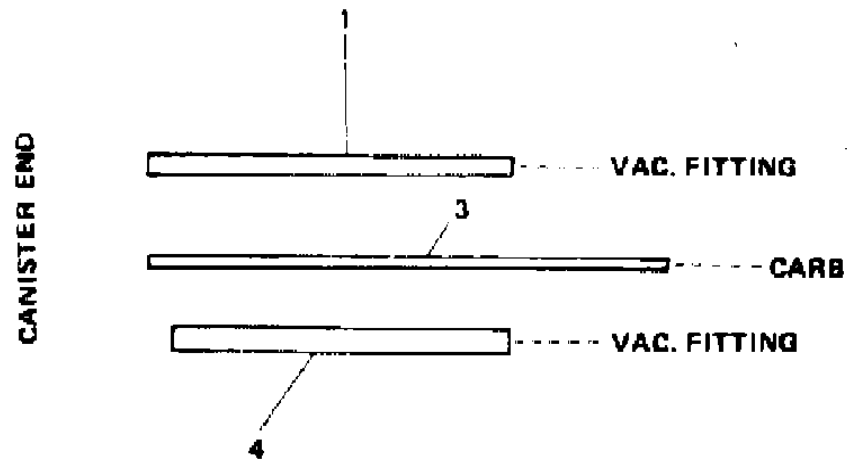
AR = Use as Required - = Non Illustrated Part P.A.R. = Paint as Required

VAPOR CANISTER HOSE HARNESS - VAPOR ENGINE 2.6L ENGINE - W/AIR COND. H,K
Figure 25-6700

5125 6700



EXC. CANADA



CANADA

ITEM	PART NUMBER	QTY	BODY	MODEL	DESCRIPTION
HARNESS, Hose (tagged 4300725 or 4268038 - not serviced)					
1	4105 167	AR			HOSE, Rubber 3/16" (serv. in 50 ft. roll)
2	4104 172	1			TEE 3/16 x 3/16 x 3/16
3	3780 508	AR			HOSE, Rubber 1/8" (serv. in 50 ft. roll)
4	4203 316	AR			HOSE, Rubber 5/16" (serv. in 50 ft. roll)
5	4104 998	1			CONNECTOR 3/16 x 3/16

MODEL CODES

B = GRAN FURY	E = 600	M = HORIZON/TURISMO
C = LE BARON/TOWN & COUNTRY/LIMO	F = FIFTH AVENUE/NEWPORT	P = RELIANT
C24 = LASER	G = DIPLOMAT	T = NEW YORKER
C44 = LE BARON/GTS	H = VOYAGER	V = 600
D = ARIES	J = CARAVELLE	V24 = DAYTONA
D44 = LANCER	K = MINI VAN/CARAVAN/ROYAL	Z = OMNI/CHARGER

BODY STYLES

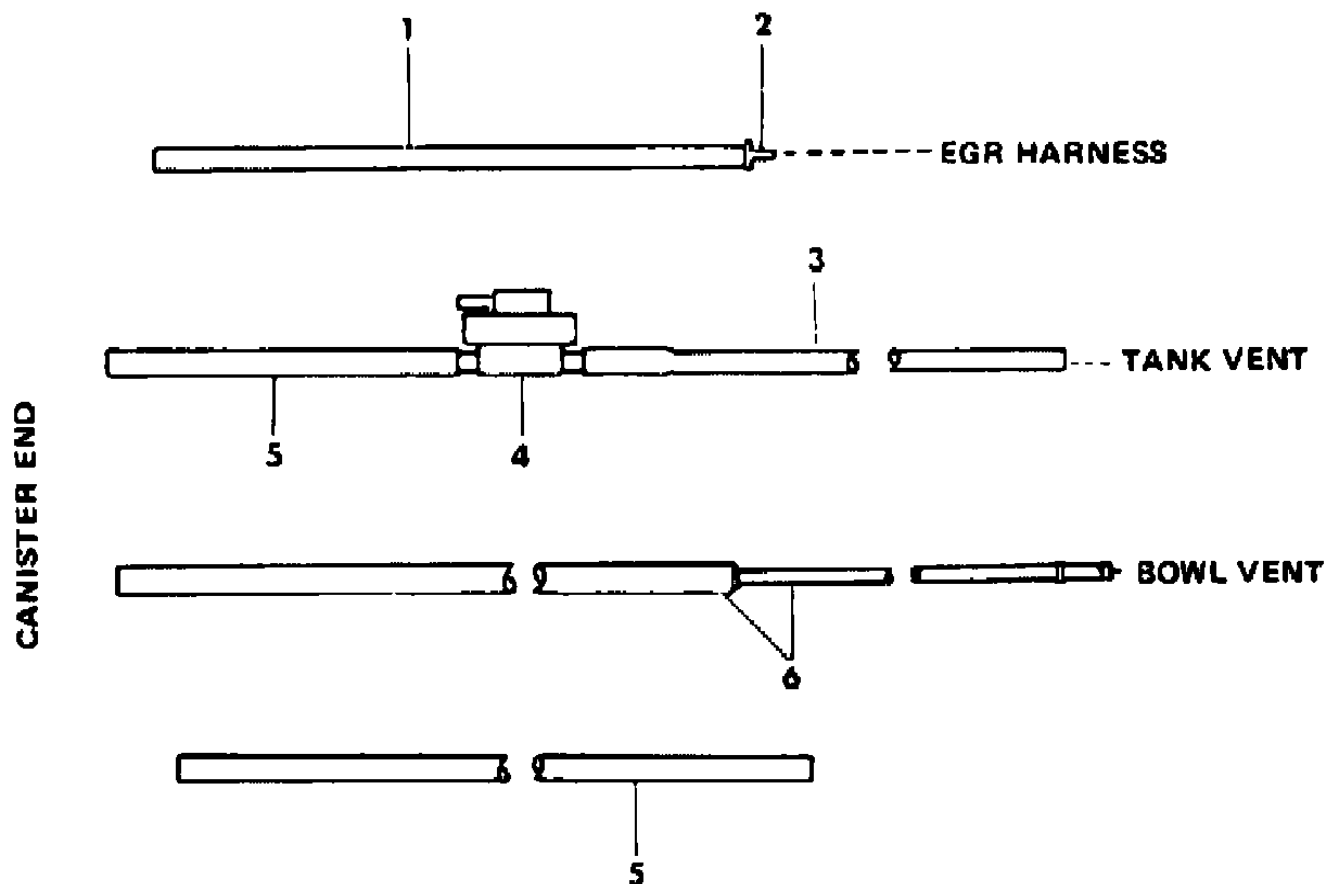
21 = 2-DOOR SEDAN	35 = FWD VAN	44 = 4-DOOR HATCHBACK
22 = 2-DOOR SPECIAL COUPE	36 = FWD WAGON	45 = 4-DOOR STATION WAGON
24 = 2-DOOR HATCHBACK	41 = 4-DOOR SEDAN	49 = LIMOUSINE
27 = 2-DOOR CONVERTIBLE		

AR = Use as Required - = Non Illustrated Part P.A.R. = Paint as Required

VAPOR CANISTER HOSE HARNESS - BOWL VENT 2.6L ENGINE - FEDERAL H,K
Figure 25-6800

5125 6800

ITEM	PART NUMBER	QTY	BODY	MODEL	DESCRIPTION
HARNESS, Hose (tagged 4300704 - not serviced)					
1	4105 167	AR			HOSE, Rubber 3/16" (serv. in 50 ft. roll)
2	4241 296	1			CONNECTOR 1/8 x 3/16
3	4210 989	1			TUBE, Expanded End
4	4306 058	1			VALVE, Tank Vapor
5	4203 316	AR			HOSE, Rubber 5/16" (serv. in 50 ft. roll)
6	4203 421	AR			HOSE, Rubber 3/8" (serv. in 50 ft. roll)



MODEL CODES

B = GRAN FURY	E = 600	M = HORIZON/TURISMO
C = LE BARON/TOWN & COUNTRY/LIMO	F = FIFTH AVENUE/NEWPORT	P = RELIANT
C24 = LASER	G = DIPLOMAT	T = NEW YORKER
C44 = LE BARON/GTS	H = VOYAGER	V = 600
D = ARIES	J = CARAVELLE	V24 = DAYTONA
D44 = LANCER	K = MINI VAN/CARAVAN/ROYAL	Z = OMNI/CHARGER

BODY STYLES

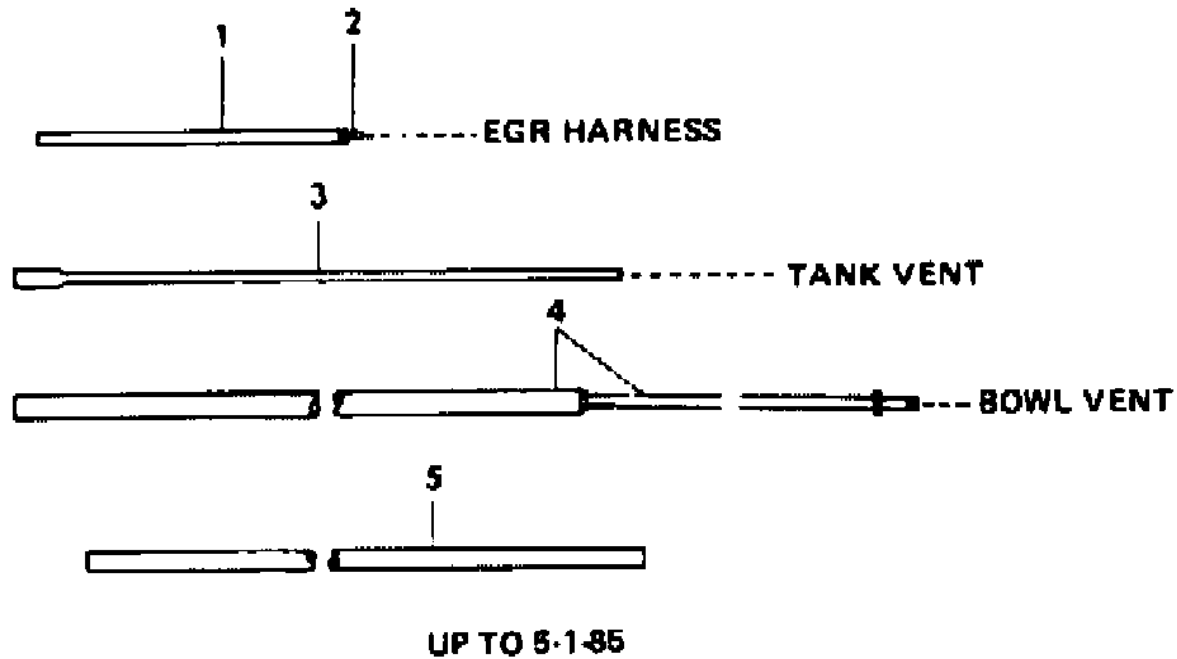
21 = 2-DOOR SEDAN	35 = FWD VAN	44 = 4-DOOR HATCHBACK
22 = 2-DOOR SPECIAL COUPE	36 = FWD WAGON	45 = 4-DOOR STATION WAGON
24 = 2-DOOR HATCHBACK	41 = 4-DOOR SEDAN	49 = LIMOUSINE
27 = 2-DOOR CONVERTIBLE		

AR = Use as Required - = Non Illustrated Part P.A.R. = Paint as Required

VAPOR CANISTER HOSE HARNESS - BOWL VENT 2.6L ENGINE - HIGH ALT. H,K
Figure 25-6900

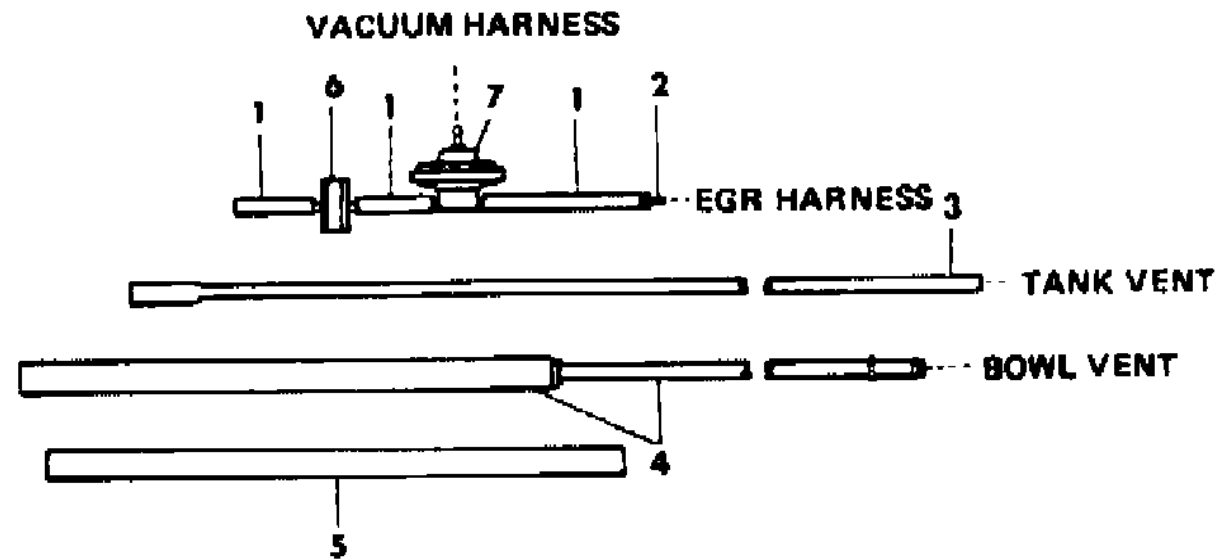
5/25 6900

CANISTER END



UP TO 5-1-85

CANISTER END



AFTER 5-1-85

ITEM	PART NUMBER	QTY	BODY	MODEL	DESCRIPTION
					HARNESS, Hose
					(tagged 4300747 - not serviced) - up to 5-1-85
					(tagged 4306505 - not serviced) - after 5-1-85
1	4105 167	AR			HOSE, Rubber 3/16" (serv. in 50 ft. roll)
2	4241 296	1			CONNECTOR 1/8 x 3/16
3	4210 989	1			TUBE, Expanded End
4	4203 421	AR			HOSE, Rubber 3/8" (serv. in 50 ft. roll)
5	4203 316	AR			HOSE, Rubber 5/16" (serv. in 50 ft. roll)
6	4306 280	1			VALVE, Vacuum Delay
7	4104 184	1			VALVE, Vacuum Purge

MODEL CODES

B = GRAN FURY	E = 600	M = HORIZON/TURISMO
C = LE BARON/TOWN & COUNTRY/LIMO	F = FIFTH AVENUE/NEWPORT	P = RELIANT
C24 = LASER	G = DIPLOMAT	T = NEW YORKER
C44 = LE BARON/GTS	H = VOYAGER	V = 600
D = ARIES	J = CARAVELLE	V24 = DAYTONA
D44 = LANCER	K = MINI VAN/CARAVAN/ROYAL	Z = OMNI/CHARGER

BODY STYLES

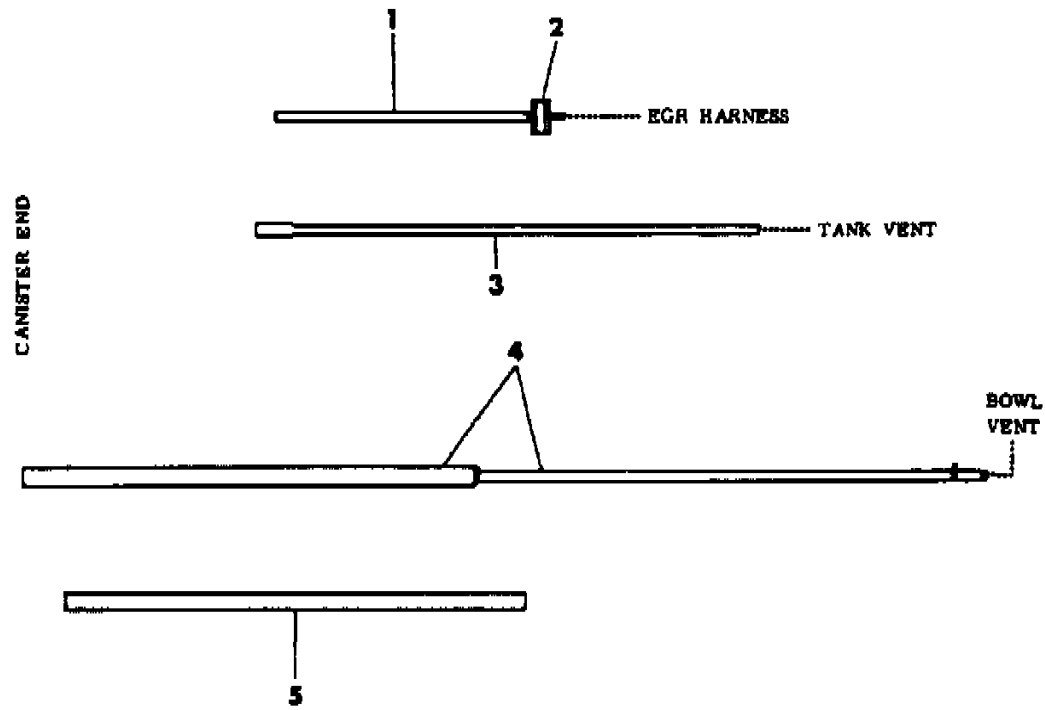
21 = 2-DOOR SEDAN	35 = FWD VAN	44 = 4-DOOR HATCHBACK
22 = 2-DOOR SPECIAL COUPE	36 = FWD WAGON	45 = 4-DOOR STATION WAGON
24 = 2-DOOR HATCHBACK	41 = 4-DOOR SEDAN	49 = LIMOUSINE
27 = 2-DOOR CONVERTIBLE		

AR = Use as Required - = Non Illustrated Part P.A.R. = Paint as Required

VAPOR CANISTER HOSE HARNESS - BOWL VENT 2.6L ENGINE - CALIF. H,K
Figure 25-7000

5125 7000

ITEM	PART NUMBER	QTY	BODY	MODEL	DESCRIPTION
HARNESS, Hose (tagged 4306528 - not serviced)					
1	4105 167	AR			HOSE, Rubber 3/16" (serv. in 50 ft. roll)
2	4306 280	1			VALVE, Vacuum Delay
3	4210 989	1			TUBE, Expanded End
4	4203 421	AR			HOSE, Rubber 3/8" (serv. in 50 ft. roll)
5	4203 316	AR			HOSE, Rubber 5/16" (serv. in 50 ft. roll)



MODEL CODES

B = GRAN FURY	E = 600	M = HORIZON/TURISMO
C = LE BARON/TOWN & COUNTRY/LIMO	F = FIFTH AVENUE/NEWPORT	P = RELIANT
C24 = LASER	G = DIPLOMAT	T = NEW YORKER
C44 = LE BARON/GTS	H = VOYAGER	V = 600
D = ARIES	J = CARAVELLE	V24 = DAYTONA
D44 = LANCER	K = MINI VAN/CARAVAN/ROYAL	Z = OMNI/CHARGER

BODY STYLES

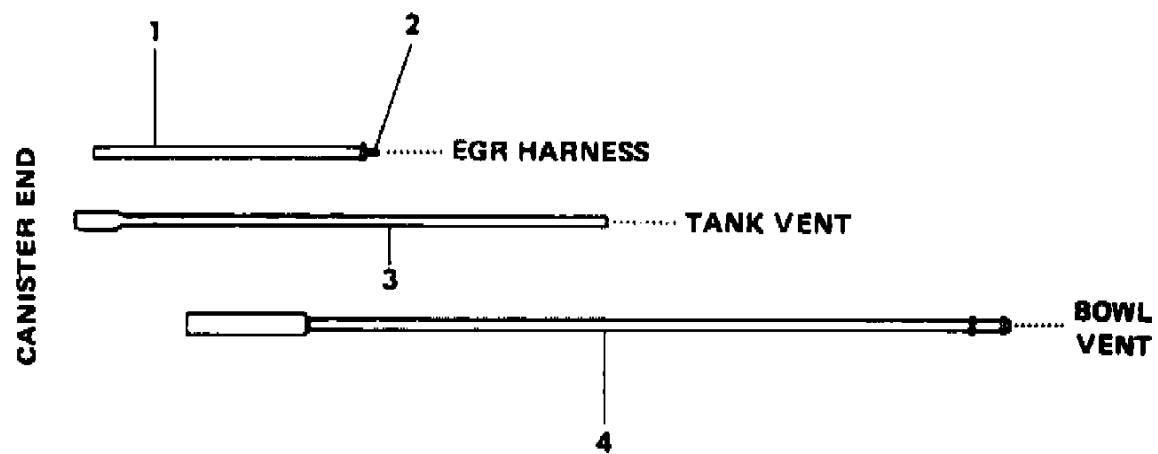
21 = 2-DOOR SEDAN	35 = FWD VAN	44 = 4-DOOR HATCHBACK
22 = 2-DOOR SPECIAL COUPE	36 = FWD WAGON	45 = 4-DOOR STATION WAGON
24 = 2-DOOR HATCHBACK	41 = 4-DOOR SEDAN	49 = LIMOUSINE
27 = 2-DOOR CONVERTIBLE		

AR = Use as Required - = Non Illustrated Part P.A.R. = Paint as Required

VAPOR CANISTER HOSE HARNESS - BOWL VENT 2.6L ENGINE - CANADA H,K
Figure 25-7100

ITEM	PART NUMBER	QTY	BODY	MODEL	DESCRIPTION
					HARNESS, Hose (tagged 4300749 - not serviced)
1	4105 167	AR			HOSE, Rubber 3/16" (serv. in 50 ft. roll)
2	4241 296	1			CONNECTOR 1/8 x 3/16
3	4210 989	1			TUBE, Expanded End
4	4203 421	AR			HOSE, Rubber 3/8" (serv. in 50 ft. roll)

5125 7100



MODEL CODES

B = GRAN FURY	E = 600	M = HORIZON/TURISMO
C = LE BARON/TOWN & COUNTRY/LIMO	F = FIFTH AVENUE/NEWPORT	P = RELIANT
C24 = LASER	G = DIPLOMAT	T = NEW YORKER
C44 = LE BARON/GTS	H = VOYAGER	V = 600
D = ARIES	J = CARAVELLE	V24 = DAYTONA
D44 = LANCER	K = MINI VAN/CARAVAN/ROYAL	Z = OMNI/CHARGER

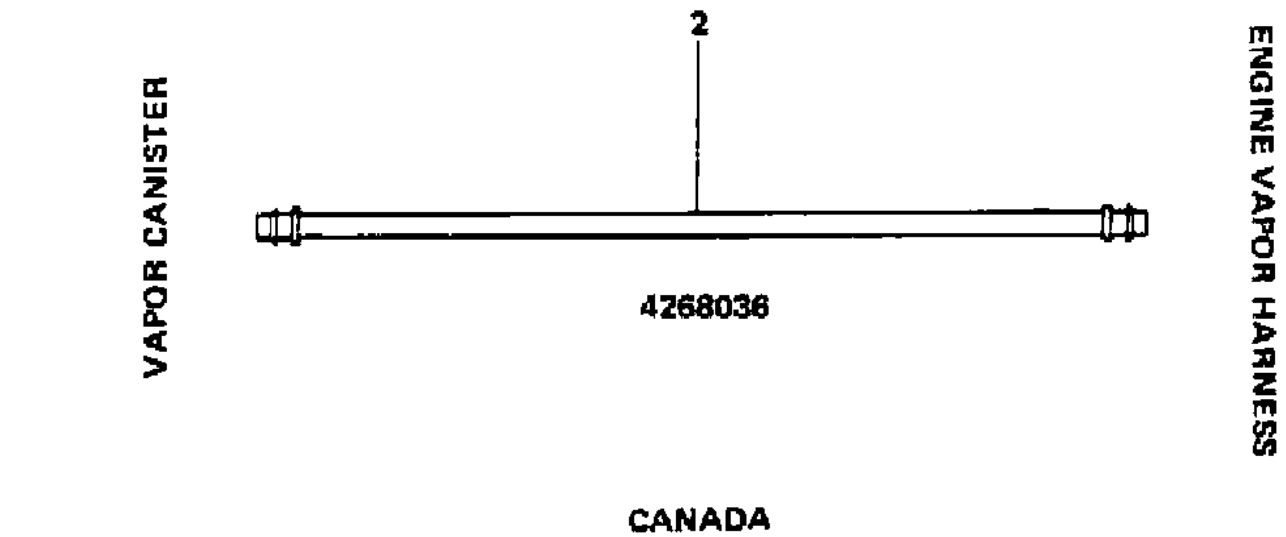
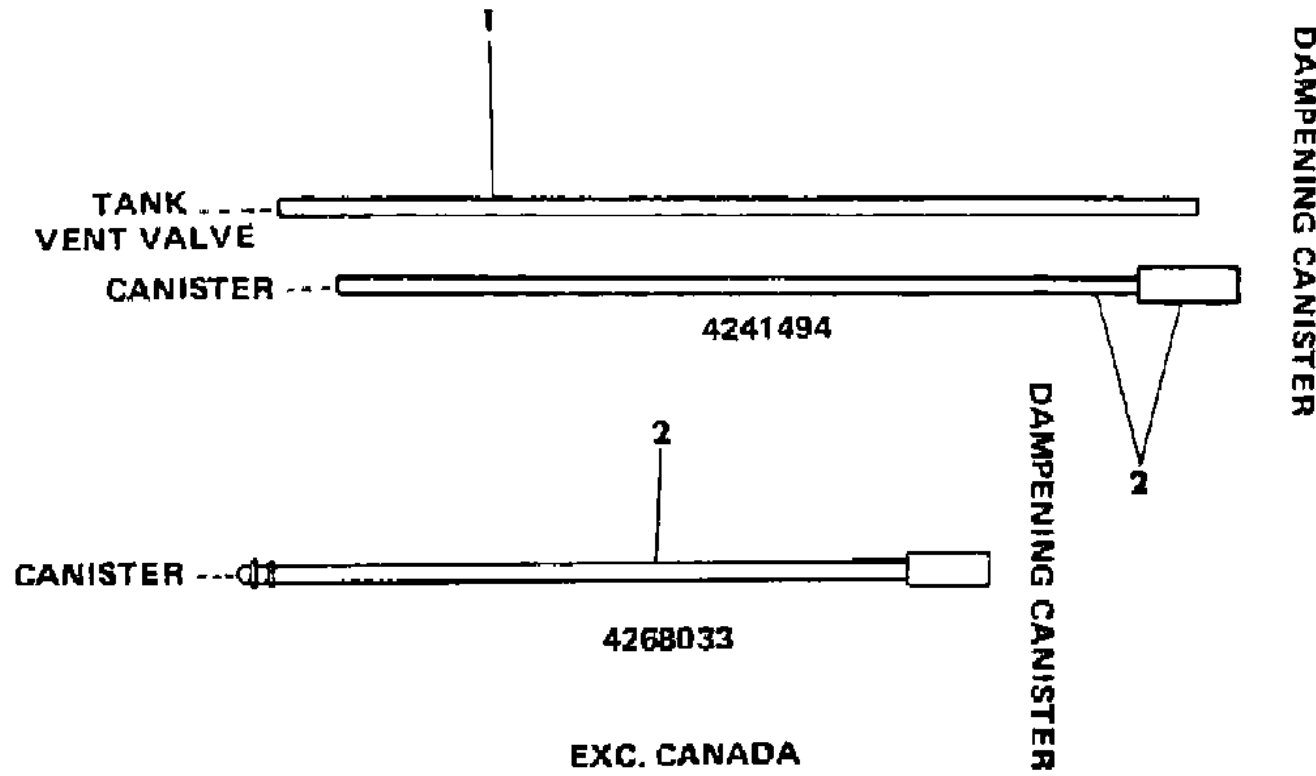
BODY STYLES

21 = 2-DOOR SEDAN	35 = FWD VAN	44 = 4-DOOR HATCHBACK
22 = 2-DOOR SPECIAL COUPE	36 = FWD WAGON	45 = 4-DOOR STATION WAGON
24 = 2-DOOR HATCHBACK	41 = 4-DOOR SEDAN	49 = LIMOUSINE
27 = 2-DOOR CONVERTIBLE		

AR = Use as Required - = Non Illustrated Part P.A.R. = Paint as Required

VAPOR CANISTER HOSE HARNESS - DAMPENING CANISTER 2.6L ENGINE H,K
Figure 25-7200

5125 7200



ITEM	PART NUMBER	QTY	BODY	MODEL	DESCRIPTION
					HARNESS, Hose (tagged 4241494 or 4268036 or 4268033 - not serviced)
1	4105 167	AR			HOSE, Rubber 3/16" (serv. in 50 ft. roll)
2	4203 316	AR			HOSE, Rubber 5/16" (serv. in 50 ft. roll)

MODEL CODES
 B = GRAN FURY
 C = LE BARON/TOWN & COUNTRY/LIMO
 C24 = LASER
 C44 = LE BARON/GTS
 D = ARIES
 D44 = LANCER
 E = 600
 F = FIFTH AVENUE/NEWPORT
 G = DIPLOMAT
 H = VOYAGER
 J = CARAVELLE
 K = MINI VAN/CARAVAN/ROYAL
 M = HORIZON/TURISMO
 P = RELIANT
 T = NEW YORKER
 V = 600
 V24 = DAYTONA
 Z = OMNI/CHARGER

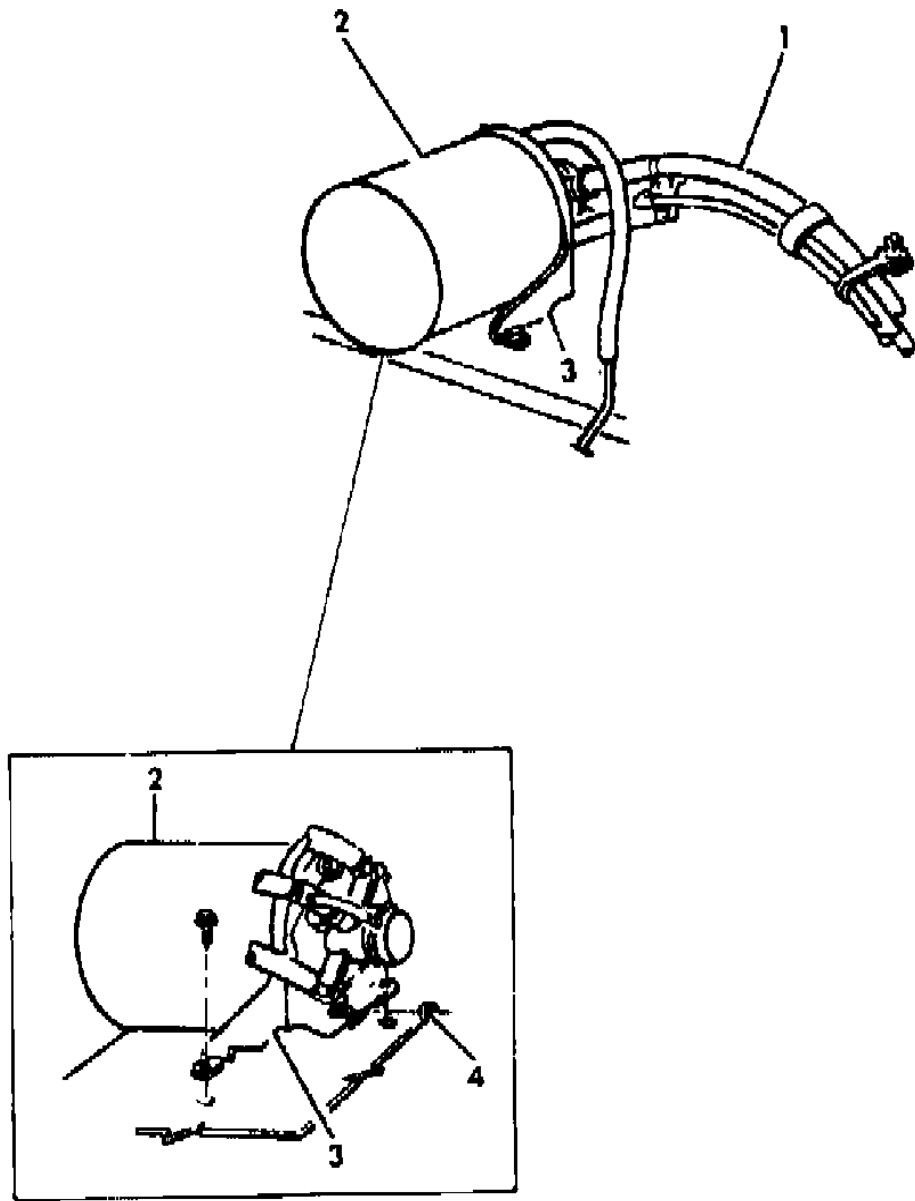
BODY STYLES
 21 = 2-DOOR SEDAN
 22 = 2-DOOR SPECIAL COUPE
 24 = 2-DOOR HATCHBACK
 27 = 2-DOOR CONVERTIBLE
 35 = FWD VAN
 36 = FWD WAGON
 41 = 4-DOOR SEDAN
 44 = 4-DOOR HATCHBACK
 45 = 4-DOOR STATION WAGON
 49 = LIMOUSINE

AR = Use as Required - = Non Illustrated Part P.A.R. = Paint as Required

VAPOR CANISTER 318 ENGINE
Figure 25-7300

5125 7300

ITEM	PART NUMBER	QTY	BODY	MODEL	DESCRIPTION
1		1			HARNES, Hose (shown on illus. 7400, 7500, 7600)
2	4241 839	1			CANISTER, Vapor - stamped 4227010
3	4241 251	1			BRACKET, Canister Mtg.
4	0219 462	3			NUT



MODEL CODES
 B = GRAN FURY
 C = LE BARON/TOWN & COUNTRY/LIMO
 C24 = LASER
 C44 = LE BARON/GTS
 D = ARIES
 D44 = LANCER
 E = 600
 F = FIFTH AVENUE/NEWPORT
 G = DIPLOMAT
 H = VOYAGER
 J = CARAVELLE
 K = MINI VAN/CARAVAN/ROYAL
 M = HORIZON/TURISMO
 P = RELIANT
 T = NEW YORKER
 V = 600
 V24 = DAYTONA
 Z = OMNI/CHARGER

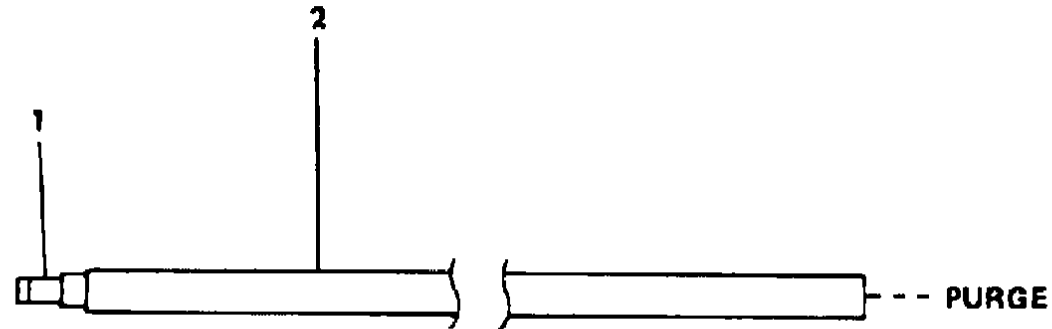
BODY STYLES
 21 = 2-DOOR SEDAN
 22 = 2-DOOR SPECIAL COUPE
 24 = 2-DOOR HATCHBACK
 27 = 2-DOOR CONVERTIBLE
 35 = FWD VAN
 36 = FWD WAGON
 41 = 4-DOOR SEDAN
 44 = 4-DOOR HATCHBACK
 45 = 4-DOOR STATION WAGON
 49 = LIMOUSINE

AR = Use as Required - = Non Illustrated Part P.A.R. = Paint as Required

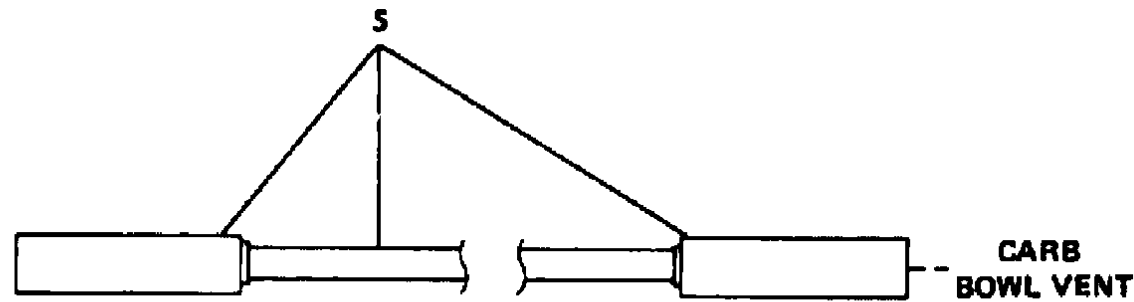
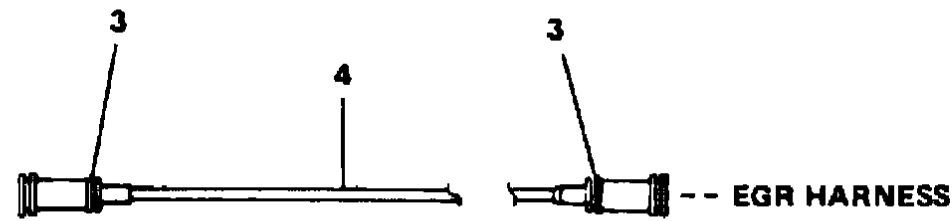
VAPOR CANISTER HOSE HARNESS 318 ENGINE 2 BBL. - EXC. CANADA
Figure 25-7400

5125 7400

ITEM	PART NUMBER	QTY	BODY	MODEL	DESCRIPTION
HARNES, Hose (tagged 4300741 - not serviced)					
1	4179 981	1			CONNECTOR 5/16 x 5/16
2	4203 316	AR			HOSE, Rubber 5/16" (serv. in 50 ft. roll)
3	4179 391	2			CONNECTOR .15F - 3/16
4	3780 508	AR			HOSE, Rubber 1/8" (serv. in 50 ft. roll)
5	4203 421	AR			HOSE, Rubber 3/8" (serv. in 50 ft. roll)



CANISTER END



MODEL CODES

B = GRAN FURY	E = 600	M = HORIZON/TURISMO
C = LE BARON/TOWN & COUNTRY/LIMO	F = FIFTH AVENUE/NEWPORT	P = RELIANT
C24 = LASER	G = DIPLOMAT	T = NEW YORKER
C44 = LE BARON/GTS	H = VOYAGER	V = 600
D = ARIES	J = CARAVELLE	V24 = DAYTONA
D44 = LANCER	K = MINI VAN/CARAVAN/ROYAL	Z = OMNI/CHARGER

BODY STYLES

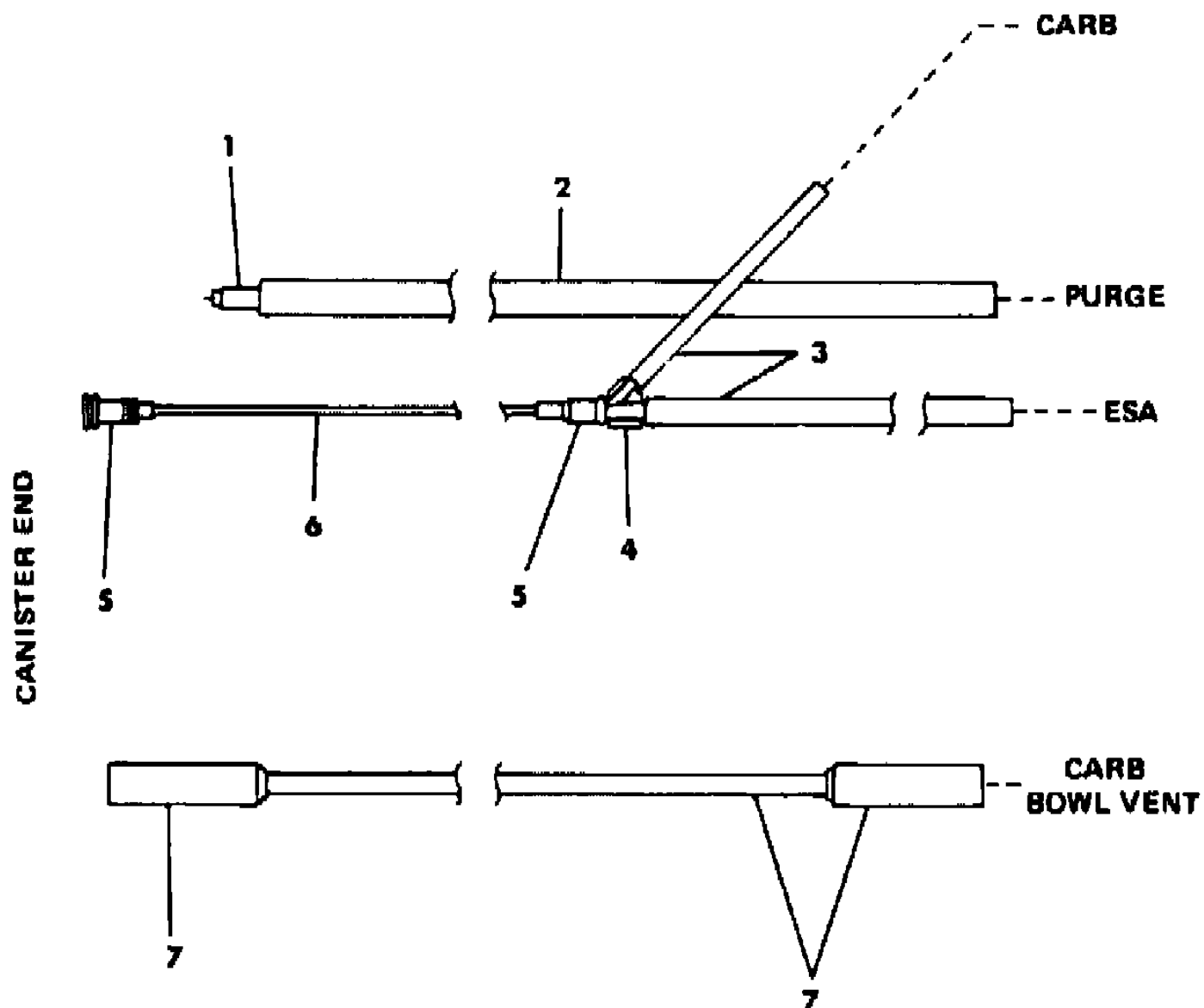
21 = 2-DOOR SEDAN	35 = FWD VAN	44 = 4-DOOR HATCHBACK
22 = 2-DOOR SPECIAL COUPE	36 = FWD WAGON	45 = 4-DOOR STATION WAGON
24 = 2-DOOR HATCHBACK	41 = 4-DOOR SEDAN	49 = LIMOUSINE
27 = 2-DOOR CONVERTIBLE		

AR = Use as Required - = Non Illustrated Part P.A.R. = Paint as Required

VAPOR CANISTER HOSE HARNESS 318 ENGINE 2 BBL. - CANADA
Figure 25-7500

5125 7500

ITEM	PART NUMBER	QTY	BODY	MODEL	DESCRIPTION
HARNES, Hose (tagged 4306561 - not serviced)					
1	4179 981	1			CONNECTOR 5/16 x 5/16
2	4203 316	AR			HOSE, Rubber 5/16" (serv. in 50 ft. roll)
3	4105 167	AR			HOSE, Rubber 3/16" (serv. in 50 ft. roll)
4	4275 571	1			CONNECTOR, Y 3/16 x 3/16 x 3/16
5	4179 391	2			CONNECTOR .15F - 3/16
6	3780 508	AR			HOSE, Rubber 1/8" (serv. in 50 ft. roll)
7	4203 421	AR			HOSE, Rubber 3/8" (serv. in 50 ft. roll)



MODEL CODES
 B = GRAN FURY
 C = LE BARON/TOWN & COUNTRY/LIMO
 C24 = LASER
 C44 = LE BARON/GTS
 D = ARIES
 D44 = LANCER
 E = 600
 F = FIFTH AVENUE/NEWPORT
 G = DIPLOMAT
 H = VOYAGER
 J = CARAVELLE
 K = MINI VAN/CARAVAN/ROYAL
 M = HORIZON/TURISMO
 P = RELIANT
 T = NEW YORKER
 V = 600
 V24 = DAYTONA
 Z = OMNI/CHARGER

BODY STYLES
 21 = 2-DOOR SEDAN
 22 = 2-DOOR SPECIAL COUPE
 24 = 2-DOOR HATCHBACK
 27 = 2-DOOR CONVERTIBLE
 35 = FWD VAN
 36 = FWD WAGON
 41 = 4-DOOR SEDAN
 44 = 4-DOOR HATCHBACK
 45 = 4-DOOR STATION WAGON
 49 = LIMOUSINE

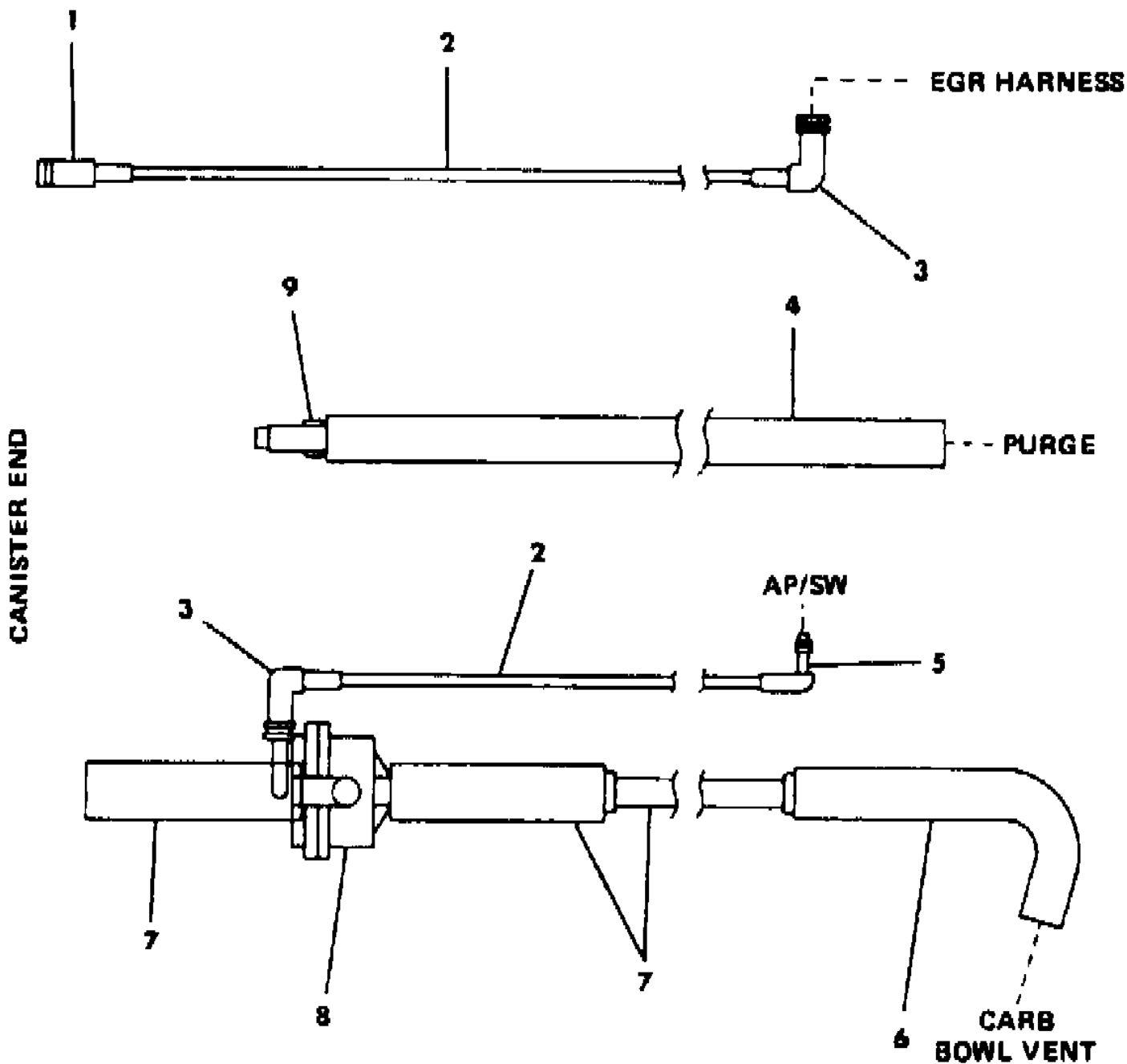
AR = Use as Required - = Non Illustrated Part P.A.R. = Paint as Required

VAPOR CANISTER HOSE HARNESS 318 ENGINE 4 BBL.

Figure 25-7600

5125 7600

ITEM	PART NUMBER	QTY	BODY	MODEL	DESCRIPTION
HARNESS, Hose (tagged 4300743 - not serviced)					
1	4179 391	1			CONNECTOR .15F - 3/16
2	3780 508	AR			HOSE, Rubber 1/8" (serv. in 50 ft. roll)
3	4213 774	2			ELBOW .15F - 3/16
4	4203 316	AR			HOSE, Rubber 5/16" (serv. in 50 ft. roll)
5	4213 797	1			ELBOW .15M - 3/16
6	4241 846	1			TUBE, Formed
7	4203 421	AR			HOSE, Rubber 3/8" (serv. in 50 ft. roll)
8	5214 336	1			VALVE, Bowl Vent
9	4300 946	1			CONNECTOR 5/16 x 5/16



MODEL CODES

B = GRAN FURY	E = 600	M = HORIZON/TURISMO
C = LE BARON/TOWN & COUNTRY/LIMO	F = FIFTH AVENUE/NEWPORT	P = RELIANT
C24 = LASER	G = DIPLOMAT	T = NEW YORKER
C44 = LE BARON/GTS	H = VOYAGER	V = 600
D = ARIES	J = CARAVELLE	V24 = DAYTONA
D44 = LANCER	K = MINI VAN/CARAVAN/ROYAL	Z = OMNI/CHARGER

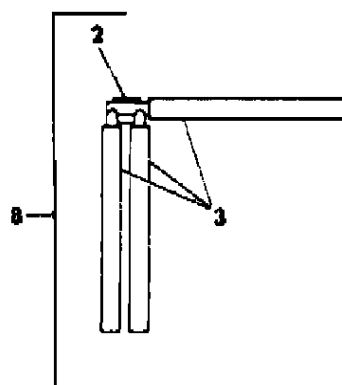
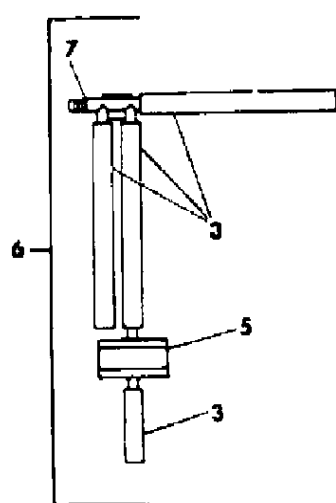
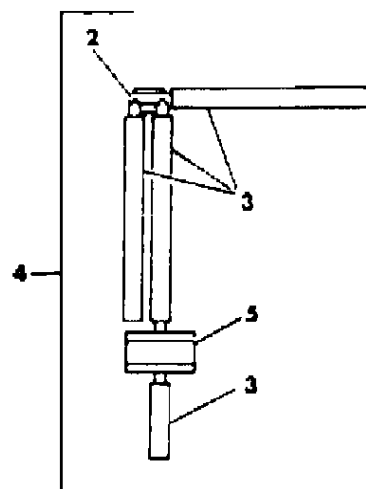
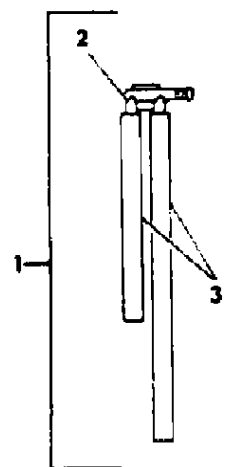
BODY STYLES

21 = 2-DOOR SEDAN	35 = FWD VAN	44 = 4-DOOR HATCHBACK
22 = 2-DOOR SPECIAL COUPE	36 = FWD WAGON	45 = 4-DOOR STATION WAGON
24 = 2-DOOR HATCHBACK	41 = 4-DOOR SEDAN	49 = LIMOUSINE
27 = 2-DOOR CONVERTIBLE		

AR = Use as Required - = Non Illustrated Part P.A.R. = Paint as Required

CHOKE PULL OFF DELAY HARNESS
Figure 25-7700

5125 7700



ITEM	PART NUMBER	QTY	BODY	MODEL	DESCRIPTION
1		1		M,Z	HARNESS, Hose 1.6L Eng. (tagged 4201295 - not serviced)
2	4095 987	1			CONNECTOR, F
3	4105 167	AR			HOSE, Rubber 3/16" (serv. in 50 ft. roll)
4		1		M,Z,P,D	HARNESS, Hose 2.2L Eng. w/(S/C - EDE) - exc. Canada - exc. C,V-24 & C,D-44 (tagged 4306139 - not serviced)
		1		M,Z	2.2L Eng. w/(S/C - EDJ) (tagged 4306139 - not serviced)
		1		P,D,C,V	2.2L Eng. w/(S/C - EDE) - Canada - exc. C,V-24 & C,D-44 (tagged 4227177 - not serviced)
		1		H,K	2.2L Eng. w/(S/C - NAE, NAF) - Auto. Trans. (tagged 4306139 - not serviced)
		1		H,K	2.2L Eng. w/(S/C - NAE, NAF) - Man. Trans. (tagged 4167047 - not serviced)
5					VALVE, Vacuum Delay
	4300 984	1			usw w/4306139 Hose Harness
	4167 046	1			usw w/4167047 Hose Harness
	4227 173	1			usw w/4201293 or 4227177 Hose Harness
6		1		M,Z	HARNESS, Hose 2.2L Eng. w/(S/C - EDE) - Canada (tagged 4201293 - not serviced)
7	4095 988	1			CONNECTOR, 4 Way
8		1		H,K	HARNESS, Hose 2.2L Eng. w/(S/C - NAA) - Federal & Canada (tagged 4201296 - not serviced)

MODEL CODES

B = GRAN FURY	E = 600	M = HORIZON/TURISMO
C = LE BARON/TOWN & COUNTRY/LIMO	F = FIFTH AVENUE/NEWPORT	P = RELIANT
C24 = LASER	G = DIPLOMAT	T = NEW YORKER
C44 = LE BARON/GTS	H = VOYAGER	V = 600
D = ARIES	J = CARAVELLE	V24 = DAYTONA
D44 = LANCER	K = MINI VAN/CARAVAN/ROYAL	Z = OMNI/CHARGER

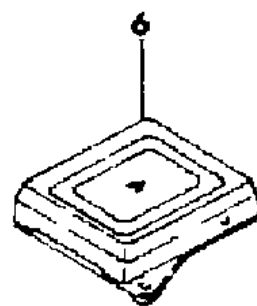
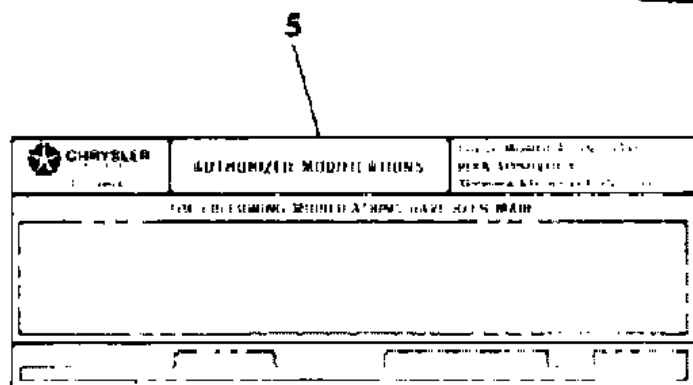
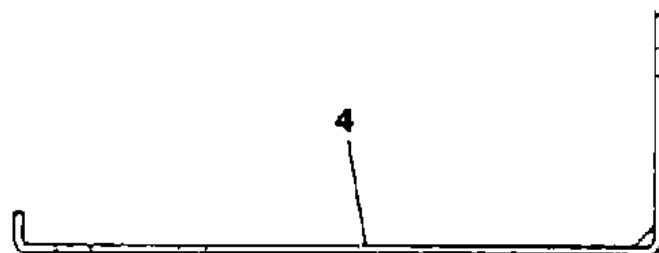
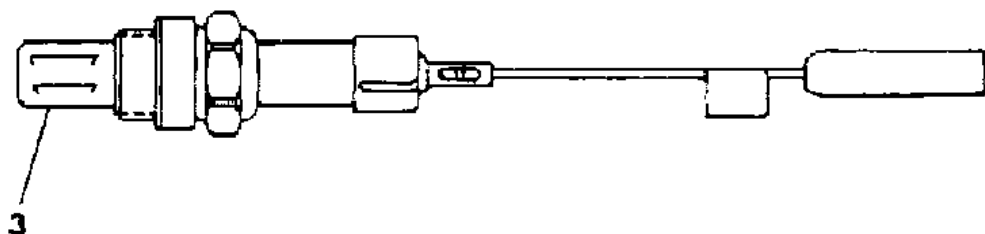
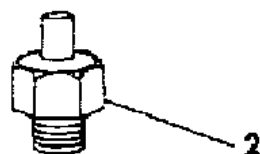
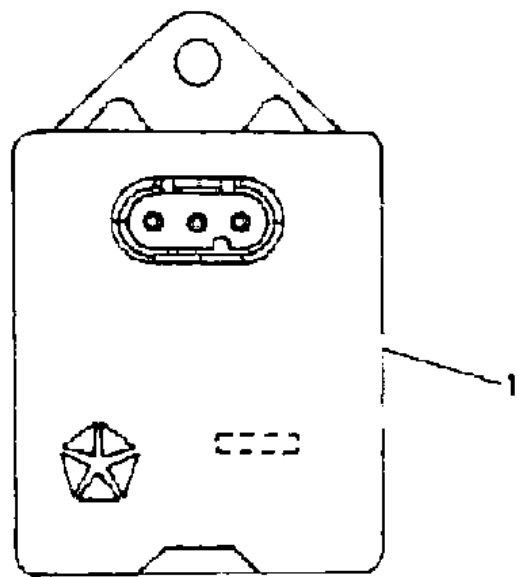
BODY STYLES

21 = 2-DOOR SEDAN	35 = FWD VAN	44 = 4-DOOR HATCHBACK
22 = 2-DOOR SPECIAL COUPE	36 = FWD WAGON	45 = 4-DOOR STATION WAGON
24 = 2-DOOR HATCHBACK	41 = 4-DOOR SEDAN	49 = LIMOUSINE
27 = 2-DOOR CONVERTIBLE		

AR = Use as Required - = Non Illustrated Part P.A.R. = Paint as Required

EMISSION LABEL AND CONTROLS
Figure 25-7900

5129 7900



ITEM	PART NUMBER	QTY	BODY	MODEL	DESCRIPTION
1					CONTROL, EGR Time Delay
	4145 202	1			Blue
	4111 481	1			Red
2	4111 482	1			SWITCH, Charge Temperature
3					SENSOR, Oxygen
	4301 375	1			exc. 2.2L Eng. w/(S/C - EDG)
	4301 346	1			2.2L Eng. w/(S/C - EDG)
	MD07 3036	1	exc. H,		2.6L Eng.
4	4268 494	1			BRACKET, Oxygen Sensor Wire
5	4275 086	1			LABEL, Authorization Modification
6					CONTROL UNIT, Carb.
	MD08 2058	1	exc. H,		2.6L Eng. - exc. Calif.
	MD08 2059	1	H,K		2.6L Eng. w/Calif.

MODEL CODES
 B = GRAN FURY
 C = LE BARON/TOWN & COUNTRY/LIMO
 C24 = LASER
 C44 = LE BARON/GTS
 D = ARIES
 D44 = LANCER
 E = 600
 F = FIFTH AVENUE/NEWPORT
 G = DIPLOMAT
 H = VOYAGER
 J = CARAVELLE
 K = MINI VAN/CARAVAN/ROYAL
 M = HORIZON/TURISMO
 P = RELIANT
 T = NEW YORKER
 V = 600
 V24 = DAYTONA
 Z = OMNI/CHARGER

BODY STYLES
 21 = 2-DOOR SEDAN
 22 = 2-DOOR SPECIAL COUPE
 24 = 2-DOOR HATCHBACK
 27 = 2-DOOR CONVERTIBLE
 35 = FWD VAN
 36 = FWD WAGON
 41 = 4-DOOR SEDAN
 44 = 4-DOOR HATCHBACK
 45 = 4-DOOR STATION WAGON
 49 = LIMOUSINE

AR = Use as Required - = Non Illustrated Part P.A.R. = Paint as Required

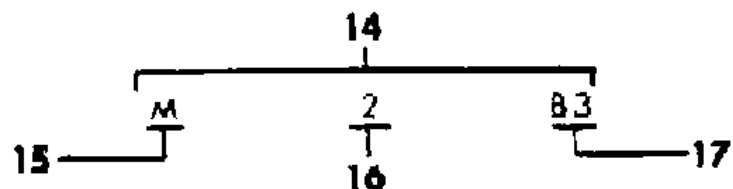
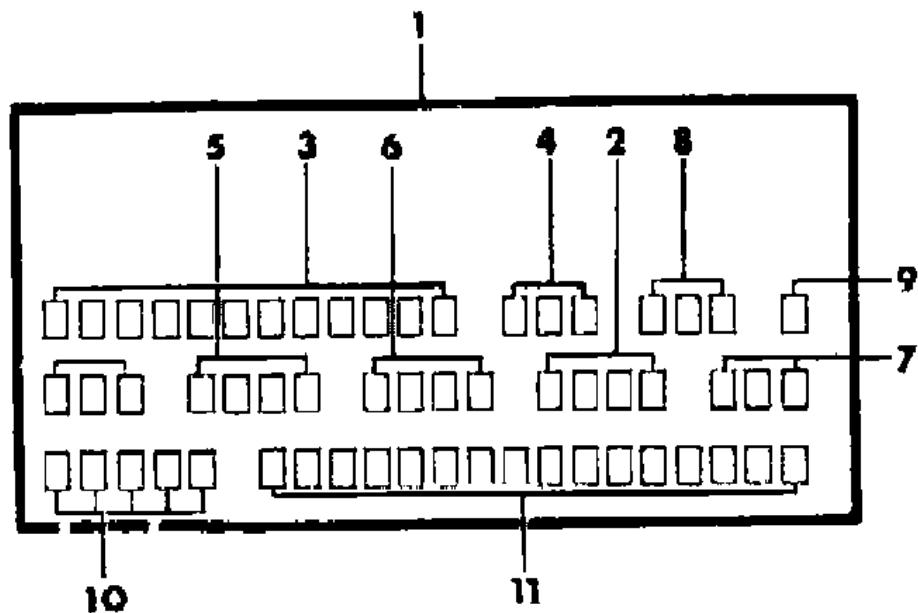
GROUP INF - INTERIOR TRIM

ILLUSTRATION TITLE	GROUP-FIG. NO.
TRIM CODE DEFINED	Fig. INF-100
TRIM INFORMATION	Fig. INF-200

ILLUSTRATION NOT AVAILABLE AT TIME OF PUBLICATION

TRIM CODE DEFINED
Figure INF-100

5229 100



18						
SALES CODE	CBA	CBB	CAD	CAC	CBC	CBD
CLOTH	1	3	7	5	9	F
VINYL	2	4	8	6	X	V
LEATHER	N	G	L	J	Y	P

ITEM	PART NUMBER	QTY	BODY	MODEL	DESCRIPTION
-1-					BODY CODE PLATE 22 Model). Sheet metal parts for the C 49 not found on this illustration should be specified from the C 22 Models, as found elsewhere in this group.
					The Body Code plate includes the Trim Code, Paint Codes, Vinyl Roof code, Build Date, etc.. The plate is located under the hood on the left front fender side shield or wheel housing or the radiator support.
					NOTE: For additional detailed information not listed below, see illustrated text inf. section front fender side shield or wheel housing or the radiator support.
-2-					Trim Code front fender side shield or wheel housing or the radiator support.
-3-					Vehicle Order Number front fender side shield or wheel housing or the radiator support.
-4-					Vinyl Roof Code/Door Combo Code (Pillette) front fender side shield or wheel housing or the radiator support.
-5-					Body Paint, Primary front fender side shield or wheel housing or the radiator support.
-6-					Body Paint, Secondary front fender side shield or wheel housing or the radiator support.
-7-					Engine code front fender side shield or wheel housing or the radiator support.
-8-					Transmission code front fender side shield or wheel housing or the radiator support.
-9-					Order: U = U.S.; C = Canada; I = International front fender side shield or wheel housing or the radiator support.
-10-					Model (includes Shell, Car Line, Price Class, Body Type) front fender side shield or wheel housing or the radiator support.
-11-					Vin (Vehicle Identification Number) front fender side shield or wheel housing or the radiator support.
					***** front fender side shield or wheel housing or the radiator support.
-14-					TRIM CODE (typical) defined front fender side shield or wheel housing or the radiator support.
-15-					Series (1st element) front fender side shield or wheel housing or the radiator support.
-16-					Type & Material (see Chart #16 for application) front fender side shield or wheel housing or the radiator support.
-17-					Color & Shade (see Figure IT-30 for definition) front fender side shield or wheel housing or the radiator support.
					***** front fender side shield or wheel housing or the radiator support.
-18-					Type & Material defined (2nd character of Trim Code) front fender side shield or wheel housing or the radiator support.
-19-					Seat Sales codes front fender side shield or wheel housing or the radiator support.
					CBA = Straight Bench, Front w/solid fixed back front fender side shield or wheel housing or the radiator support.
					CBB = Straight Bench, Front w/split hinged back front fender side shield or wheel housing or the radiator support.
					CAC = Bucket, Front - Low Back front fender side shield or wheel housing or the radiator support.
					CAD = Bucket, Front - High Back front fender side shield or wheel housing or the radiator support.
					CBC = 60/40 Split Bench, Front - w/passenger side recliner front fender side shield or wheel housing or the radiator support.
					CBD = 50/50 Split w/Dual Arm Rest front fender side shield or wheel housing or the radiator support.
-20-					Cloth material codes front fender side shield or wheel housing or the radiator support.
-21-					All Vinyl material codes front fender side shield or wheel housing or the radiator support.
-22-					Leather material codes front fender side shield or wheel housing or the radiator support.

MODEL CODES		
B = GRAN FURY	E = 600	M = HORIZON/TURISMO
C = LE BARON/TOWN & COUNTRY/LIMO	F = FIFTH AVENUE/NEWPORT	P = RELIANT
C24 = LASER	G = DIPLOMAT	T = NEW YORKER
C44 = LE BARON/GTS	H = VOYAGER	V = 600
D = ARIES	J = CARAVELLE	V24 = DAYTONA
D44 = LANCER	K = MINI VAN/CARAVAN/ROYAL	Z = OMNI/CHARGER

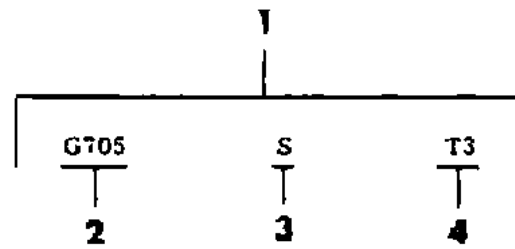
BODY STYLES		
21 = 2-DOOR SEDAN	35 = FWD VAN	44 = 4-DOOR HATCHBACK
22 = 2-DOOR SPECIAL COUPE	36 = FWD WAGON	45 = 4-DOOR STATION WAGON
24 = 2-DOOR HATCHBACK	41 = 4-DOOR SEDAN	49 = LIMOUSINE
27 = 2-DOOR CONVERTIBLE		

AR = Use as Required - = Non Illustrated Part P.A.R. = Paint as Required

TRIM INFORMATION

Figure INF-200

5229 200



		BODY						
		L	G	K	E	M	H	S
				P D C V	J E T	B F G	D C	H K
A3	Silver	X			X	X	X	
AC	Silver and Blue	X						
AS	Silver and Charcoal	X	X	X			X	X
B5	Medium Blue	X						X
BC	Medium and Dark Blue			X				
C8	Dark Blue			X	X	X		
M6	Red	X	X	X	X	X	X	X
MW	Red and White			X				
S8	Charcoal			X	X			
SA	Charcoal and Silver	X		X				
T3	Tan	X		X	X	X	X	
T8	Brown			X	X			
TT	Light and Med. Tan		X	X			X	X
TU	Light and Med. Tan			X				
X7	Black		X				X	



ITEM	PART NUMBER	QTY	BODY	MODEL	DESCRIPTION
------	-------------	-----	------	-------	-------------

- 1- = COLOR CODED PART NUMBER defined: front fender side shield or wheel housing or the radiator support.
- 2- = First element: Basic part number (1 alpha + 3 numerics) front fender side shield or wheel housing or the radiator support.
- 3- = Second element: Series/1st model year color mastered (1 alpha) front fender side shield or wheel housing or the radiator support.
- 4- = Third element: Color & shade suffix (usually 1 alpha + 1 numeric) front fender side shield or wheel housing or the radiator support.
- - ALPHA: front fender side shield or wheel housing or the radiator support.
 - A = Silver front fender side shield or wheel housing or the radiator support.
 - AC = Silver and Blue front fender side shield or wheel housing or the radiator support.
 - AS = Silver and Charcoal front fender side shield or wheel housing or the radiator support.
 - B = Medium Blue front fender side shield or wheel housing or the radiator support.
 - BC = Medium Blue and Dark Blue front fender side shield or wheel housing or the radiator support.
 - C = Dark Blue front fender side shield or wheel housing or the radiator support.
 - LT = Beige and Brown front fender side shield or wheel housing or the radiator support.
 - M = Red front fender side shield or wheel housing or the radiator support.
 - MA = Red and Silver front fender side shield or wheel housing or the radiator support.
 - MW = Red and White front fender side shield or wheel housing or the radiator support.
 - S = Charcoal front fender side shield or wheel housing or the radiator support.
 - SA = Charcoal and Silver front fender side shield or wheel housing or the radiator support.
 - T3 = Tan front fender side shield or wheel housing or the radiator support.
 - T8 = Dark Brown front fender side shield or wheel housing or the radiator support.
 - TT = Light and Medium Tan front fender side shield or wheel housing or the radiator support.
 - TU = Light and Medium Tan front fender side shield or wheel housing or the radiator support.
 - X = Black front fender side shield or wheel housing or the radiator support.
- - NUMERIC (on a scale from 1-9: 1= lightest shade; 9= darkest shade) front fender side shield or wheel housing or the radiator support.
 - 1 = very Light front fender side shield or wheel housing or the radiator support.
 - 2 = Light front fender side shield or wheel housing or the radiator support.
 - 3 = front fender side shield or wheel housing or the radiator support.
 - 4 = front fender side shield or wheel housing or the radiator support.
 - 5 = Medium front fender side shield or wheel housing or the radiator support.
 - 6 = Medium dark front fender side shield or wheel housing or the radiator support.
 - 7 = front fender side shield or wheel housing or the radiator support.
 - 8 = Dark front fender side shield or wheel housing or the radiator support.
 - 9 = very Dark front fender side shield or wheel housing or the radiator support.
- 5- = COLOR APPLICATION CHART (identifies vehicle usage) front fender side shield or wheel housing or the radiator support.
- 6- = COMBINED Part Number defined front fender side shield or wheel housing or the radiator support.

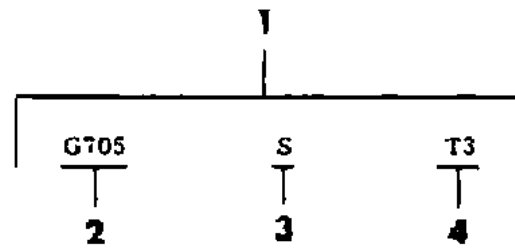
MODEL CODES

- | | | |
|----------------------------------|----------------------------|---------------------|
| B = GRAN FURY | E = 600 | M = HORIZON/TURISMO |
| C = LE BARON/TOWN & COUNTRY/LIMO | F = FIFTH AVENUE/NEWPORT | P = RELIANT |
| C24 = LASER | G = DIPLOMAT | T = NEW YORKER |
| C44 = LE BARON/GTS | H = VOYAGER | V = 600 |
| D = ARIES | J = CARAVELLE | V24 = DAYTONA |
| D44 = LANCER | K = MINI VAN/CARAVAN/ROYAL | Z = OMNI/CHARGER |

BODY STYLES

- | | | |
|---------------------------|-------------------|---------------------------|
| 21 = 2-DOOR SEDAN | 35 = FWD VAN | 44 = 4-DOOR HATCHBACK |
| 22 = 2-DOOR SPECIAL COUPE | 36 = FWD WAGON | 45 = 4-DOOR STATION WAGON |
| 24 = 2-DOOR HATCHBACK | 41 = 4-DOOR SEDAN | 49 = LIMOUSINE |
| 27 = 2-DOOR CONVERTIBLE | | |

AR = Use as Required - = Non Illustrated Part P.A.R. = Paint as Required



		BODY						
		L	G	K	E	M	H	S
				P	J	B		
		M	V	D	E	F	D	H
		Z	C	C	T	G	C	K
	A3 Silver	X			X	X	X	
	AC Silver and Blue	X						
	AS Silver and Charcoal	X	X	X			X	X
	B5 Medium Blue	X						X
	BC Medium and Dark Blue			X				
	C8 Dark Blue			X	X	X		
5	M6 Red	X	X	X	X	X	X	X
	MW Red and White			X				
	S8 Charcoal			X	X			
	SA Charcoal and Silver	X		X				
	T3 Tan	X		X	X	X	X	
	T8 Brown			X	X			
	TT Light and Med. Tan		X	X			X	X
	TU Light and Med. Tan			X				
	X7 Black		X				X	



TRIM INFORMATION
Figure INF-200

ITEM	PART NUMBER	QTY	BODY	MODEL	DESCRIPTION
------	-------------	-----	------	-------	-------------

. . . . Right & Left part numbers are frequently combined on 1 line and are interpreted as: front fender side shield or wheel housing or the radiator support.

. . . . D450PA4 = Right side application; D451PA4 = Left side application. front fender side shield or wheel housing or the radiator support.

. . . . Right & Left sides are always determined by their relationship to the driver when normally seated and looking forward. front fender side shield or wheel housing or the radiator support.

* * * * HOW TO ORDER ROLL GOODS front fender side shield or wheel housing or the radiator support.

VINYL & CLOTH: Requirements must be ordered in the number of linear inches desired; e.g.: when 10 running inches of a particular part number is req'd., the order should specify a quantity of 10.

HIDE or LEATHER: Requirements must be ordered in the number of square feet desired; e.g.: when 2 square feet of a particular part number is req'd., the order should specify a quantity of 2.

* * * * CAUTION - SEAT COVERS vs ASSEMBLIES e order should specify a quantity of 2.

Extreme care must be exercised when ordering Seat Covers to insure it is ONLY the Cover and NOT a complete Cushion or Back. Complete Cushions and Backs ARE NOT RETURNABLE.

MODEL CODES

B = GRAN FURY	E = 600	M = HORIZON/TURISMO
C = LE BARON/TOWN & COUNTRY/LIMO	F = FIFTH AVENUE/NEWPORT	P = RELIANT
C24 = LASER	G = DIPLOMAT	T = NEW YORKER
C44 = LE BARON/GTS	H = VOYAGER	V = 600
D = ARIES	J = CARAVELLE	V24 = DAYTONA
D44 = LANCER	K = MINI VAN/CARAVAN/ROYAL	Z = OMNI/CHARGER

BODY STYLES

21 = 2-DOOR SEDAN	35 = FWD VAN	44 = 4-DOOR HATCHBACK
22 = 2-DOOR SPECIAL COUPE	36 = FWD WAGON	45 = 4-DOOR STATION WAGON
24 = 2-DOOR HATCHBACK	41 = 4-DOOR SEDAN	49 = LIMOUSINE
27 = 2-DOOR CONVERTIBLE		

AR = Use as Required - = Non Illustrated Part P.A.R. = Paint as Required

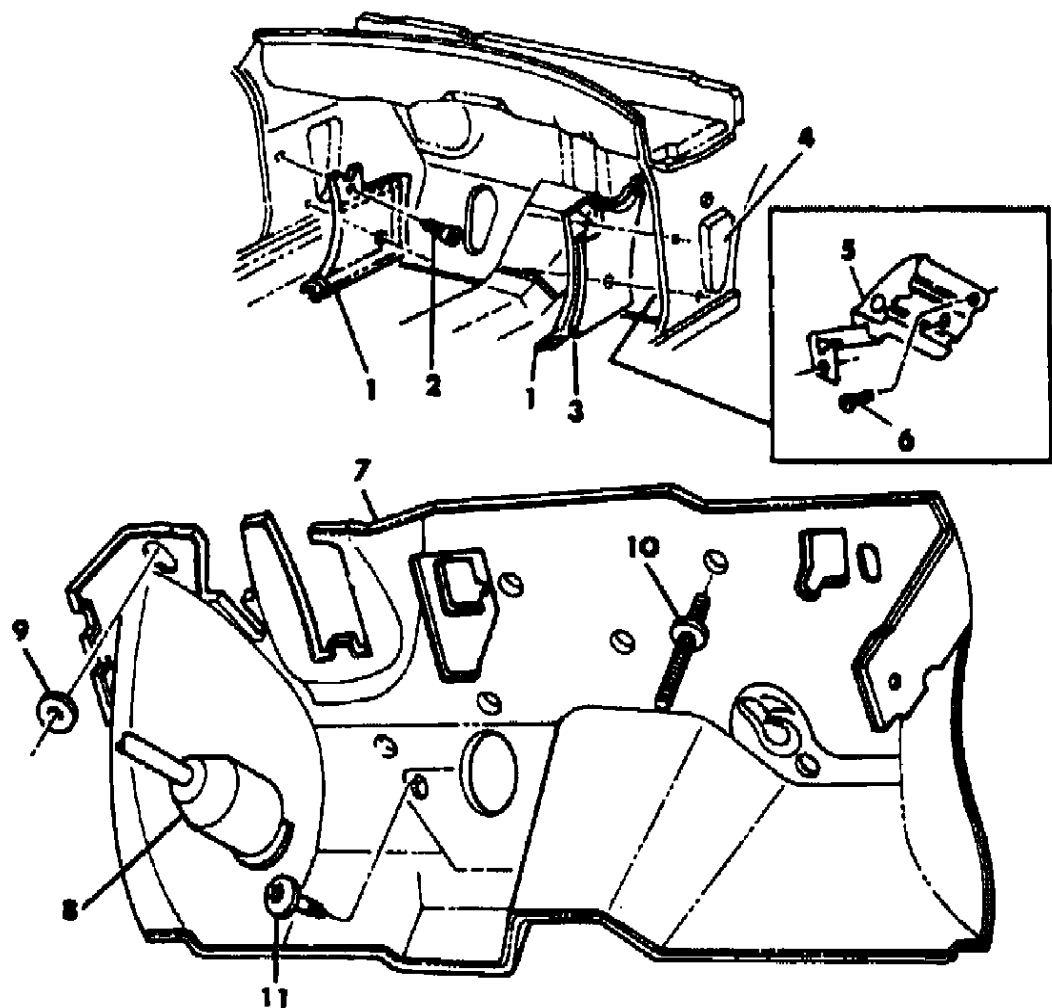
GROUP ITA - L BODY

ILLUSTRATION TITLE	GROUP-FIG. NO.
COWL PANEL AND SILENCERS M,Z L BODY	Fig. ITA-100
HEADLINER AND VISOR M,Z L BODY	Fig. ITA-200
TONNEAU COVER M,Z 24 L BODY	Fig. ITA-300
MOULDING GARNISH M,Z L BODY 24,44	Fig. ITA-400
B PILLAR TRIM M,Z L BODY 44	Fig. ITA-500
PANEL QUARTER TRIM M,Z L BODY 24	Fig. ITA-600
LIFT GATE TRIM M,Z L BODY 24	Fig. ITA-700
PANEL QUARTER TRIM M,Z L BODY 44	Fig. ITA-800
CARPET M,Z L BODY	Fig. ITA-900
MATS SILENCERS AND INSULATIONS M,Z L BODY	Fig. ITA-1000
SCUFF PLATES BODY SIDE SILL AND DOOR M,Z L BODY	Fig. ITA-1100
DOOR TRIM PANEL M,Z L BODY 24 TRIM CODES F5,H7,H8,S5	Fig. ITA-1200
DOOR TRIM PANEL M,Z L BODY 44 TRIM CODES B5,E7,E8	Fig. ITA-1300
DOOR TRIM PANEL M,Z L BODY 44 TRIM CODES F5,H8	Fig. ITA-1400
SEAT FRONT M,Z L BODY TRIM CODES B5,F5	Fig. ITA-1500
SEAT FRONT M,Z L BODY TRIM CODES E7,H7	Fig. ITA-1600
SEAT FRONT M,Z L BODY TRIM CODES E8,H8	Fig. ITA-1700
SEAT FRONT Z L BODY TRIM CODE S5	Fig. ITA-1800
BELT FRONT SEAT M,Z L BODY	Fig. ITA-1900
RECLINING FRONT SEAT W/O INERTIA M,Z L BODY	Fig. ITA-2000
RECLINING FRONT SEAT W/INERTIA M,Z L BODY	Fig. ITA-2100
ADJUSTER MANUAL M,Z L BODY	Fig. ITA-2200
SEAT REAR M,Z L BODY TRIM CODES B5,F5	Fig. ITA-2300
SEAT REAR M,Z L BODY TRIM CODES E7,H7	Fig. ITA-2400
SEAT REAR M,Z L BODY TRIM CODES E8,H8	Fig. ITA-2500
SEAT REAR Z L BODY TRIM CODE S5	Fig. ITA-2600
BELT REAR SEAT LAP M,Z L BODY	Fig. ITA-2700
SEAT REAR FOLD DOWN M,Z L BODY 24	Fig. ITA-2800
SEAT REAR FOLD DOWN M,Z L BODY 44	Fig. ITA-2900

ILLUSTRATION NOT AVAILABLE AT TIME OF PUBLICATION

COWL PANEL AND SILENCERS M,Z L BODY Figure ITA-100

8230 100 A



ITEM	PART NUMBER	QTY	BODY	MODEL	DESCRIPTION
1					PANEL, Cowl Side Trim N N N N
	F216-7 BC7	1			Blue N N24 N YF216BC7
	F216-7 TM6	1			Red N N24 N YF216TM6
	F216-7 DT5	1			Brown N N24 N YF216DT5
	F216-7 CS8	1			Charcoal N N24 N YF216CS8
	F164 DC7	1			w/Turbo w/o Air, Right, Blue N N24 N YF164DC7
	F404 DC7	1			w/Turbo w/Air, Right, Blue N N24 N YF404DC7
	F217 BC7	1			w/Turbo, Left, Blue N N24 N YF217BC7
	F164 DS8	1			w/Turbo w/o Air, Right, Charcoal N N24 N YF164DS8
	F404 DS8	1			w/Turbo w/Air, Right, Charcoal N N24 N YF404DS8
	F217 CS8	1			w/Turbo, Left, Charcoal N N24 N YF217CS8
	F266-7 DT5	1			(paint as required) N N44 N YF266DT5
	F318 DT5	1			w/Turbo w/o Air, Right (paint as required) N N44 N YF318DT5
	F406 DC7	1			w/Turbo w/Air, Right N N N N
	F406 DM6	1			Blue N N44 N YF406DC7
	F406 DT5	1			Red N N44 N YF406DM6
	F406 DS8	1			Tan N N44 N YF406DT5
	F267 DT5	1			Charcoal N N44 N YF406DS8
					w/Turbo, Left, Black (paint as required) N N44 N YF267DT5
2		AR			SCREW (8-18x1 3/4)(not serviced) N N N N
3	3837 683	1			SILENCER, Cowl Panel w/ or w/o Air Conditioning N N N
					Y3837683
4					COWL, Side Panel (reference) N N N N
5	4283 298	1			BRACKET, Cowl Side Trim Panel Attaching Right Side Only w/ Turbo N N N Y4283298
	4309 101	1			RETAINER, Cowl Side Trim Panel Attaching Right Side Only w/ Turbo N N N Y4309101
6		2			SCREW (10-16x1/2)(not serviced) N N N N
7	4314 598	1			LINER, Dash w/ or w/o Air Conditioning N N N Y4314598
	6032 185	5			CAPLUG N N N Y6032185
	6026 430	5			RETAINER, Caplug N N N Y6026430
8	4147 156	1			LINER, Steering Column Cover N N N Y4147156
9	4206 545	AR			RETAINER, Dash and Cowl N N N Y4206545
10	6032 020	AR			STUD, Special N N N Y6032020
11		AR			SCREW, w/Washer & Seal(Self Drilling and Tapping Hex Head 8-18x.75) (not serviced) N N N N

MODEL CODES

B = GRAN FURY	E = 600	M = HORIZON/TURISMO
C = LE BARON/TOWN & COUNTRY/LIMO	F = FIFTH AVENUE/NEWPORT	P = RELIANT
C24 = LASER	G = DIPLOMAT	T = NEW YORKER
C44 = LE BARON/GTS	H = VOYAGER	V = 600
D = ARIES	J = CARAVELLE	V24 = DAYTONA
D44 = LANCER	K = MINI VAN/CARAVAN/ROYAL	Z = OMNI/CHARGER

BODY STYLES

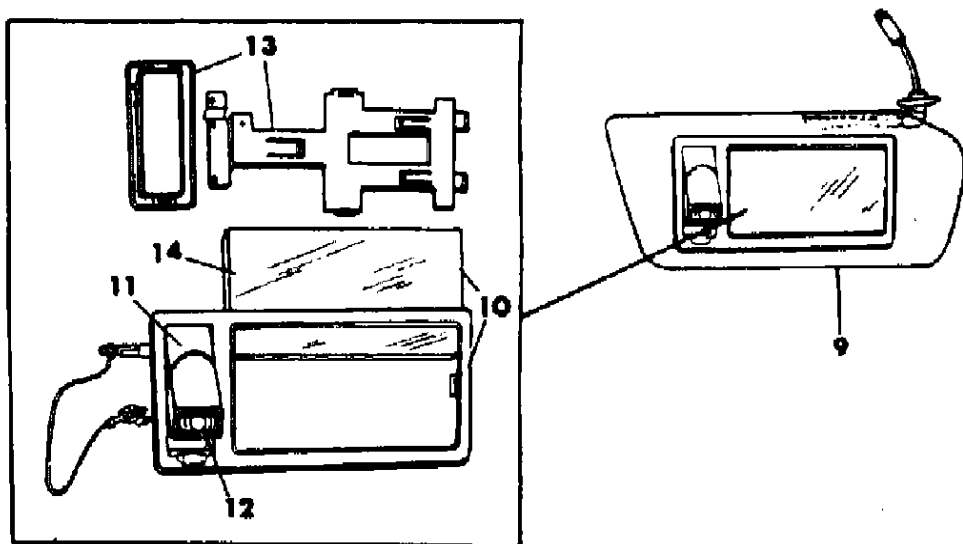
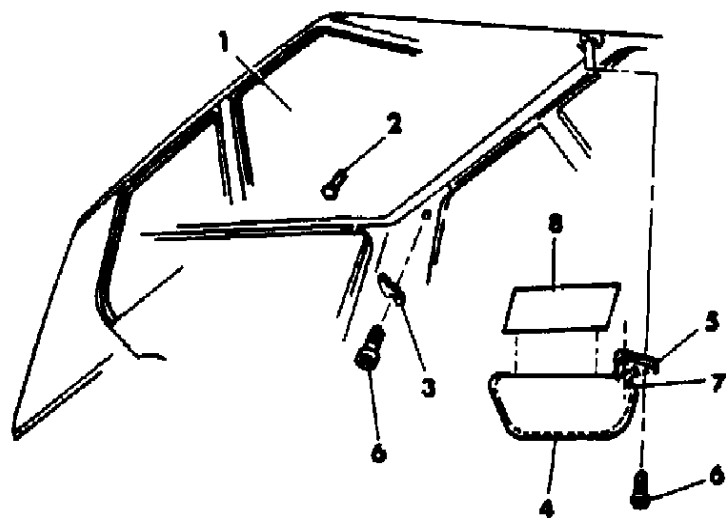
21 = 2-DOOR SEDAN	35 = FWD VAN	44 = 4-DOOR HATCHBACK
22 = 2-DOOR SPECIAL COUPE	36 = FWD WAGON	45 = 4-DOOR STATION WAGON
24 = 2-DOOR HATCHBACK	41 = 4-DOOR SEDAN	49 = LIMOUSINE
27 = 2-DOOR CONVERTIBLE		

AR = Use as Required - = Non Illustrated Part P.A.R. = Paint as Required

HEADLINER AND VISOR M,Z L BODY

Figure ITA-200

5230 200



ITEM	PART NUMBER	QTY	BODY	MODEL	DESCRIPTION	
1	HEADLINER N N N N					
					Cloth N N N N	
		H819 AA3	1			Silver N N24 N YH819AA3
		H819 BB5	1			Blue N N24 N YH819BB5
		H819 TM6	1			Red N N24 N YH819TM6
		H819 DT3	1			Tan N N24 N YH819DT3
		H819 CS8	1			Charcoal N N24 N YH819CS8
						Cloth N N N N
		H828 AA3	1			Silver N N44 N YH828AA3
		H828 BB5	1			Blue N N44 N YH828BB5
		H828 TM6	1			Red N N44 N YH828TM6
		H828 DT3	1			Tan N N44 N YH828DT3
						w/Sun Roof N N N N
		H820 BA3	1			Silver N N24 N YH820BA3
		H820 BB5	1			Blue, Medium N N24 N YH820BB5
		H820 BM6	1			Red N N24 N YH820BM6
		H820 DT3	1			Tan N N24 N YH820DT3
		H820 CS8	1			Charcoal N N24 N YH820CS8
		4049 603	AR			SILENCER, Roof Panel (36"x72"x1 1/2"thick slab) N N N Y4049603
		3762 861	AR			SILENCER, Roof Panel (60"x72" material cut to fit) N N N Y3762861
2	FASTENER, Headliner N N N N					
					Center N N N N	
		H452 AA3	1			Silver N N N YH452AA3
		H452 BB5	1			Blue N N N YH452BB5
		H452 TM6	1			Red N N N YH452TM6
		H452 DT3	1			Tan N N N YH452DT3
		H452 CS8	1			Charcoal N N N YH452CS8
			1			Rear N N N N
		H446 RX9	1			Black (paint as required) N N N YH446RX9
	3	3685 992	2			HOOK, Coat N N N Y3685992
4	VISOR, w/o Mirror Vinyl N N N N					
		H301 DA2	2			Silver N N N YH301DA2
		H301 DB5	2			Blue N N N YH301DB5
		H301 DM6	2			Red N N N YH301DM6
		H301 DT3	2			Tan N N N YH301DT3

MODEL CODES

B = GRAN FURY	E = 600	M = HORIZON/TURISMO
C = LE BARON/TOWN & COUNTRY/LIMO	F = FIFTH AVENUE/NEWPORT	P = RELIANT
C24 = LASER	G = DIPLOMAT	T = NEW YORKER
C44 = LE BARON/GTS	H = VOYAGER	V = 600
D = ARIES	J = CARAVELLE	V24 = DAYTONA
D44 = LANCER	K = MINI VAN/CARAVAN/ROYAL	Z = OMNI/CHARGER

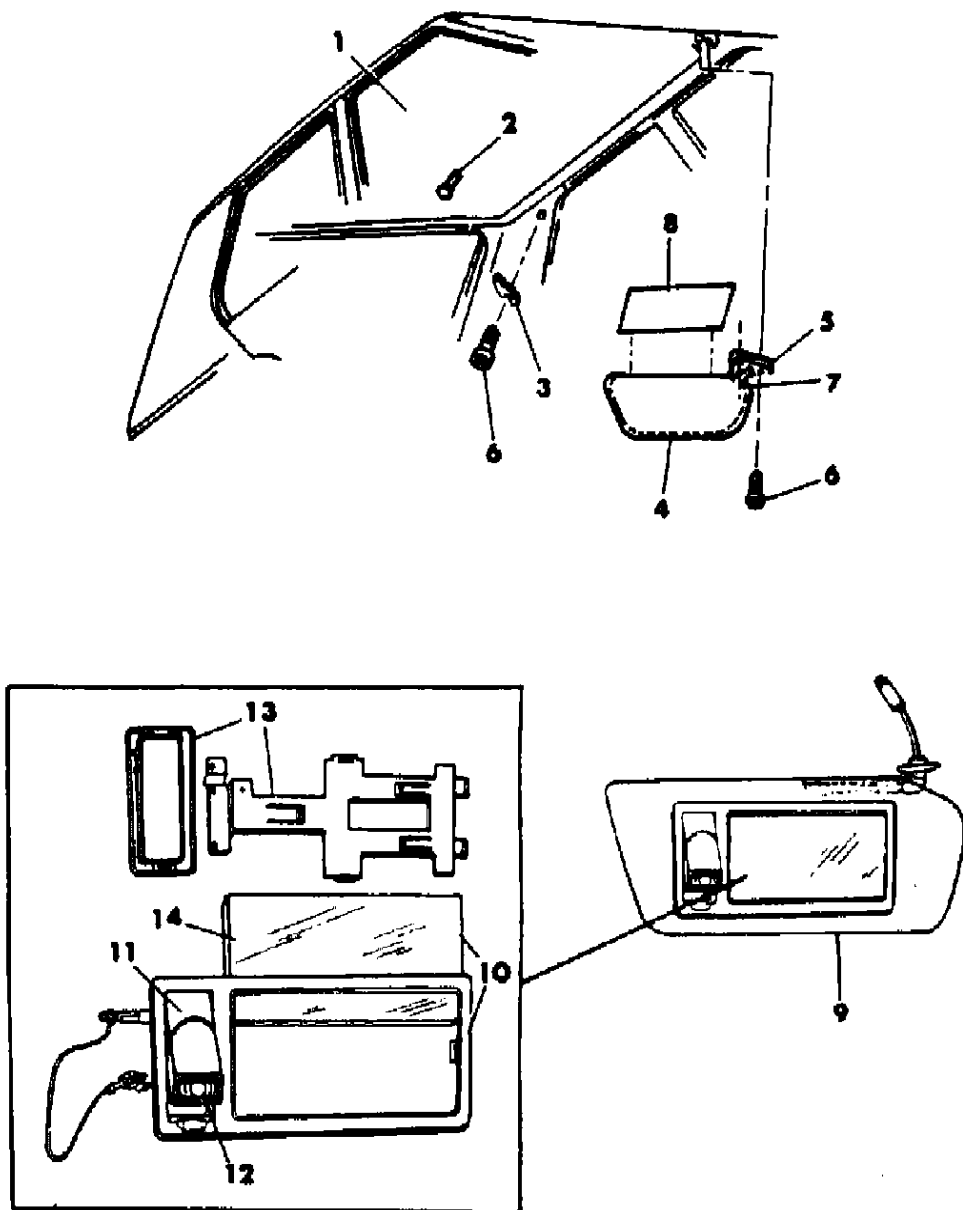
BODY STYLES

21 = 2-DOOR SEDAN	35 = FWD VAN	44 = 4-DOOR HATCHBACK
22 = 2-DOOR SPECIAL COUPE	36 = FWD WAGON	45 = 4-DOOR STATION WAGON
24 = 2-DOOR HATCHBACK	41 = 4-DOOR SEDAN	49 = LIMOUSINE
27 = 2-DOOR CONVERTIBLE		

AR = Use as Required - = Non Illustrated Part P.A.R. = Paint as Required

HEADLINER AND VISOR M,Z L BODY
Figure ITA-200

5230 200



ITEM	PART NUMBER	QTY	BODY	MODEL	DESCRIPTION
	H301 DS8	2			Charcoal N N N YH301DS8
5	5208 714	2			ARM and BRACKET, Sunvisor Panel N N N Y5208714
6		AR			SCREW (10-16x3/4)(not serviced) N N N N
7	1490 983	2			CLIP, Visor Panel End N N N Y1490983
8		1			MIRROR, Visor Vanity, Right N N N N
	H322 CA3	1			Silver N N N YH322CA3
	H322 DB5	1			Blue N N N YH322DB5
	H322 CM6	1			Red N N N YH322CM6
	H322 DT3	1			Tan N N N YH322DT3
9	H322 DS8	1			Charcoal N N N YH322DS8
					VISOR, w/Mirror, Map Light, Arm and Bracket (cloth) N N N N Right N N N N
	H590 DA3	1			Silver N N N YH590DA3
	H590 DB5	1			Blue N N N YH590DB5
	H590 DM6	1			Red N N N YH590DM6
	H590 DT3	1			Tan N N N YH590DT3
	H590 DS8	1			Charcoal N N N YH590DS8
					Left N N N N
	H591 DA3	1			Silver N N N YH591DA3
	H591 DB5	1			Blue N N N YH591DB5
	H591 DM6	1			Red N N N YH591DM6
	H591 DT3	1			Tan N N N YH591DT3
	H591 DS8	1			Charcoal N N N YH591DS8
10					VISOR, Sub Assy. N N N N
	H450 DA3	1			Silver N N N YH450DA3
	H450 DB5	1			Blue N N N YH450DB5
	H450 DM6	1			Red N N N YH450DM6
	H450 DT3	1			Tan N N N YH450DT3
	H450 DS8	1			Charcoal N N N YH450DS8
11					MAP LIGHT (serviced in item 9) N N N N
12	4309 023	1			LENS, Map Light N N N Y4309023
13					Serviced in item 9 N N N N
14	4309 022	1			MIRROR and BACKING N N N Y4309022

MODEL CODES

B = GRAN FURY	E = 600	M = HORIZON/TURISMO
C = LE BARON/TOWN & COUNTRY/LIMO	F = FIFTH AVENUE/NEWPORT	P = RELIANT
C24 = LASER	G = DIPLOMAT	T = NEW YORKER
C44 = LE BARON/GTS	H = VOYAGER	V = 600
D = ARIES	J = CARAVELLE	V24 = DAYTONA
D44 = LANCER	K = MINI VAN/CARAVAN/ROYAL	Z = OMNI/CHARGER

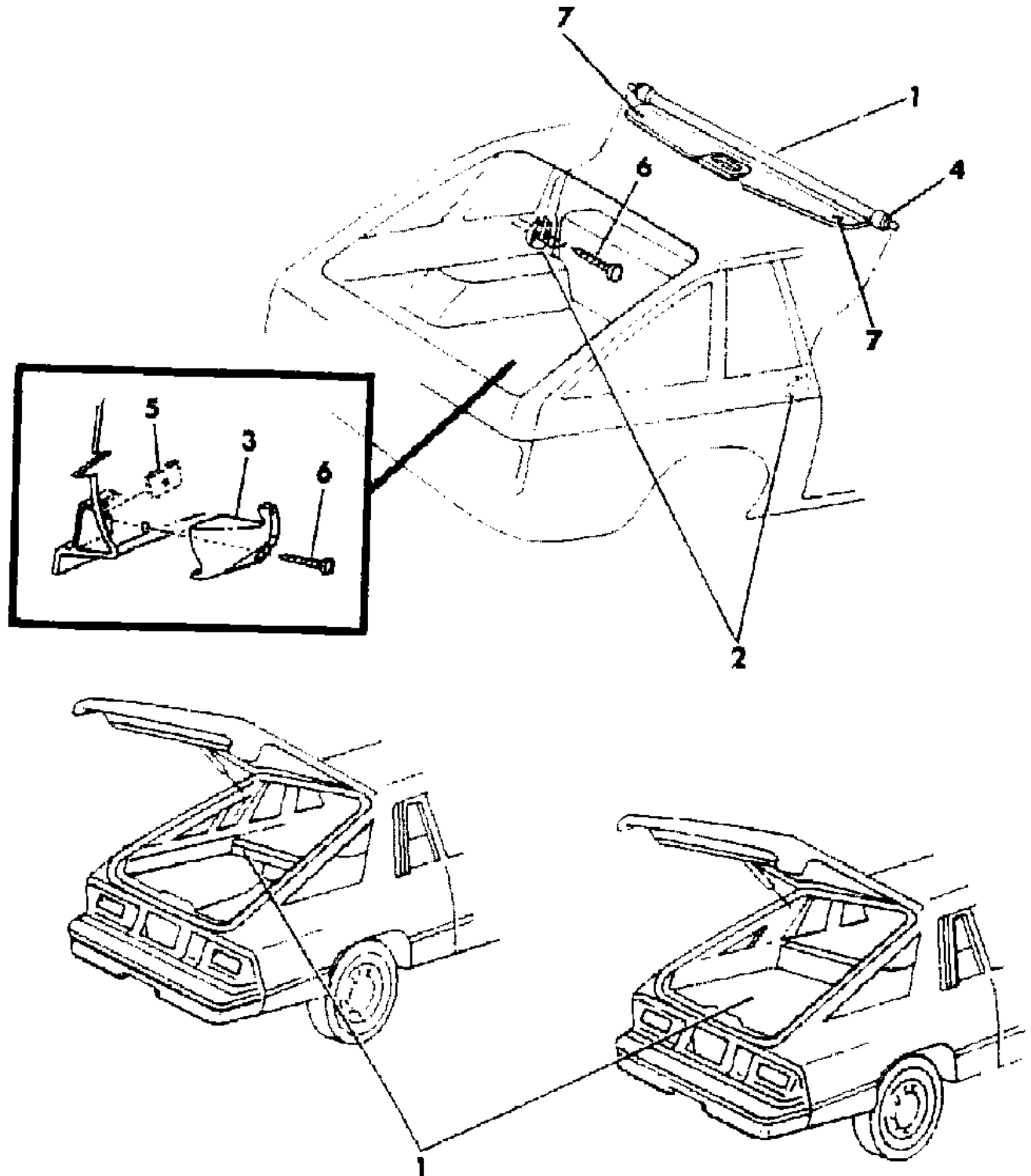
BODY STYLES

21 = 2-DOOR SEDAN	35 = FWD VAN	44 = 4-DOOR HATCHBACK
22 = 2-DOOR SPECIAL COUPE	36 = FWD WAGON	45 = 4-DOOR STATION WAGON
24 = 2-DOOR HATCHBACK	41 = 4-DOOR SEDAN	49 = LIMOUSINE
27 = 2-DOOR CONVERTIBLE		

AR = Use as Required - = Non Illustrated Part P.A.R. = Paint as Required

TONNEAU COVER M,Z 24 L BODY
Figure ITA-300

5230 300 A



ITEM	PART NUMBER	QTY	BODY	MODEL	DESCRIPTION
1		1			TONNEAU COVER, Rear Compartment N N N N
	4271 043	1			Blue (use up to 10/30/84) N N N Y4271043
	4271 087	1			Blue (use after 10/30/84) N N N Y4271087
	4271 088	1			Red N N N Y4271088
	4271 073	1			Tan (use up to 9/18/84) N N N Y4271073
	4271 090	1			Tan (use after 9/18/84) N N N Y4271090
	4271 054	1			Charcoal (use up to 9/25/84) N N N Y4271054
	4271 089	1			Charcoal (use after 9/25/84) N N N Y4271089
2					SUPPORT, Rear Compartment Tonneau Cover Front N N N N
	H493 AA3	2			Silver N N N YH493AA3
	H493 BB5	2			Blue N N N YH493BB5
	H493 TM6	2			Red N N N YH493TM6
	H493 DT3	2			Tan N N N YH493DT3
	H493 CS8	2			Charcoal N N N YH493CS8
3					HOOK, Rear Compartment Tonneau Cover Rear N N N N
	H494-5 AA3	1			Silver N N N YH494AA3
	H494-5 BB5	1			Blue N N N YH494BB5
	H494-5 TM6	1			Red N N N YH494TM6
	H494-5 DT3	1			Tan N N N YH494DT3
	H494-5 CS8	1			Charcoal N N N YH494CS8
4	4271 047	1			END CAP PACKAGE N N N Y4271047
5	0152 490	2			U-NUT, Quarter Rear Compartment Cover Hook Attaching N N N Y152490
6		AR			SCREW (8-18x1 1/4) (not serviced) N N N N
7					GROMMET, Tonneau Cover N N N N
	H544 DC7	2			Blue N N N YH544DC7
	H544 DM6	2			Red N N N YH544DM6
	H544 DT5	2			Tan N N N YH544DT5
	H544 DS8	2			Charcoal N N N YH544DS8

MODEL CODES

B = GRAN FURY	E = 600	M = HORIZON/TURISMO
C = LE BARON/TOWN & COUNTRY/LIMO	F = FIFTH AVENUE/NEWPORT	P = RELIANT
C24 = LASER	G = DIPLOMAT	T = NEW YORKER
C44 = LE BARON/GTS	H = VOYAGER	V = 600
D = ARIES	J = CARAVELLE	V24 = DAYTONA
D44 = LANCER	K = MINI VAN/CARAVAN/ROYAL	Z = OMNI/CHARGER

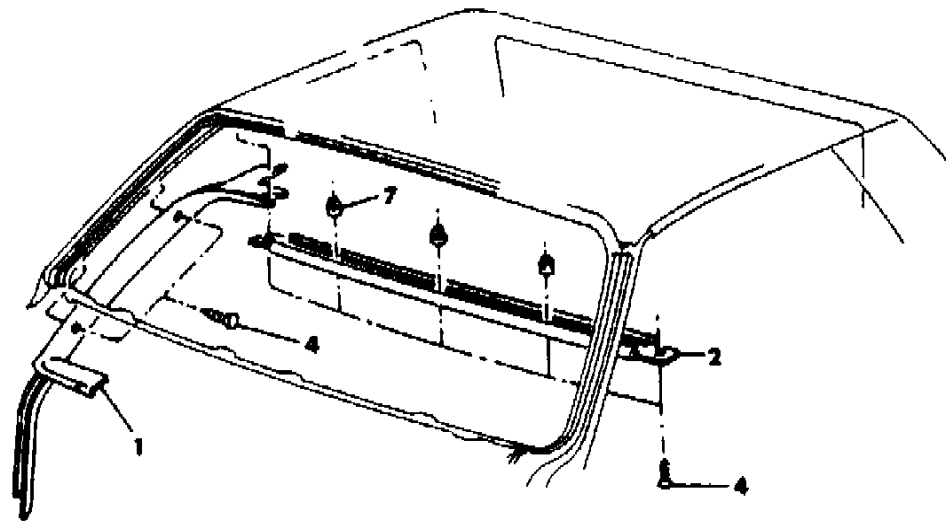
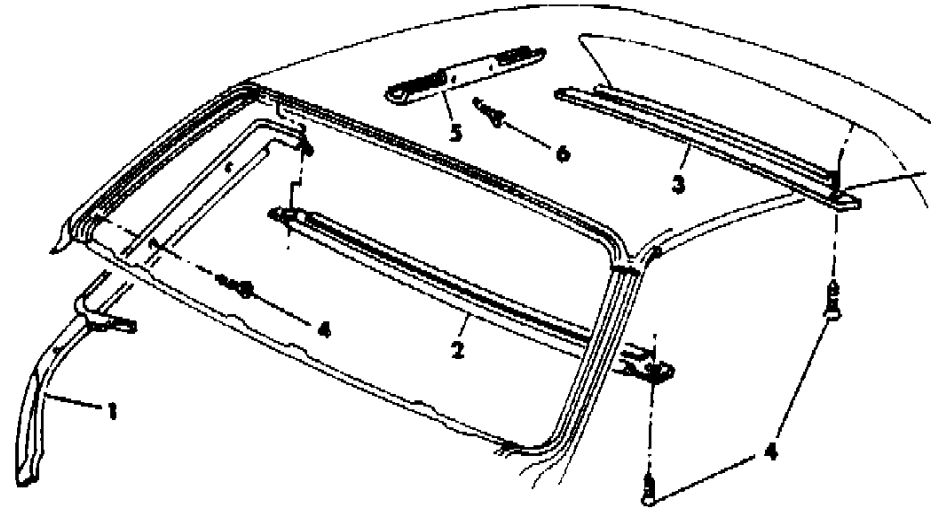
BODY STYLES

21 = 2-DOOR SEDAN	35 = FWD VAN	44 = 4-DOOR HATCHBACK
22 = 2-DOOR SPECIAL COUPE	36 = FWD WAGON	45 = 4-DOOR STATION WAGON
24 = 2-DOOR HATCHBACK	41 = 4-DOOR SEDAN	49 = LIMOUSINE
27 = 2-DOOR CONVERTIBLE		

AR = Use as Required - = Non Illustrated Part P.A.R. = Paint as Required

MOULDING GARNISH M,Z L BODY 24,44
Figure ITA-400

5230 400



ITEM	PART NUMBER	QTY	BODY	MODEL	DESCRIPTION
1					MOULDING, Windshield Side (paint as required) N N N N
	F260-1 AA3	1			Silver N N44 N YF260AA3
	F262-3 AA3	1			Silver N N24 N YF262AA3
	F262-3 BB5	1			Blue N N24 N YF262BB5
	F262-3 TM6	1			Red N N24 N YF262TM6
	F262-3 DT3	1			Tan N N24 N YF262DT3
2					MOULDING, Windshield Upper (paint as required) N N N N
	5208 508	1			N N44 N Y5208508
	5231 298	1			N N24 N Y5231298
3					MOULDING, Roof Liftgate Upper (paint as required) N N44 N
	5208 522	1			Y5208522
	5231 786	1			MOULDING, w/Spacer Roof Liftgate Upper (paint as required) N N24 N Y5231786
4		AR			SCREW (8-18x3/4)(not serviced) N N24,44 N N
5	5231 300	2			MOULDING, Roof Side (paint as required) N N24 N Y5231300
6	9420 486	AR			SCREW N N24 N Y9420486
7	0152 861	AR			NUT, Spacer N N24,44 N Y152861

MODEL CODES

B = GRAN FURY	E = 600	M = HORIZON/TURISMO
C = LE BARON/TOWN & COUNTRY/LIMO	F = FIFTH AVENUE/NEWPORT	P = RELIANT
C24 = LASER	G = DIPLOMAT	T = NEW YORKER
C44 = LE BARON/GTS	H = VOYAGER	V = 600
D = ARIES	J = CARAVELLE	V24 = DAYTONA
D44 = LANCER	K = MINI VAN/CARAVAN/ROYAL	Z = OMNI/CHARGER

BODY STYLES

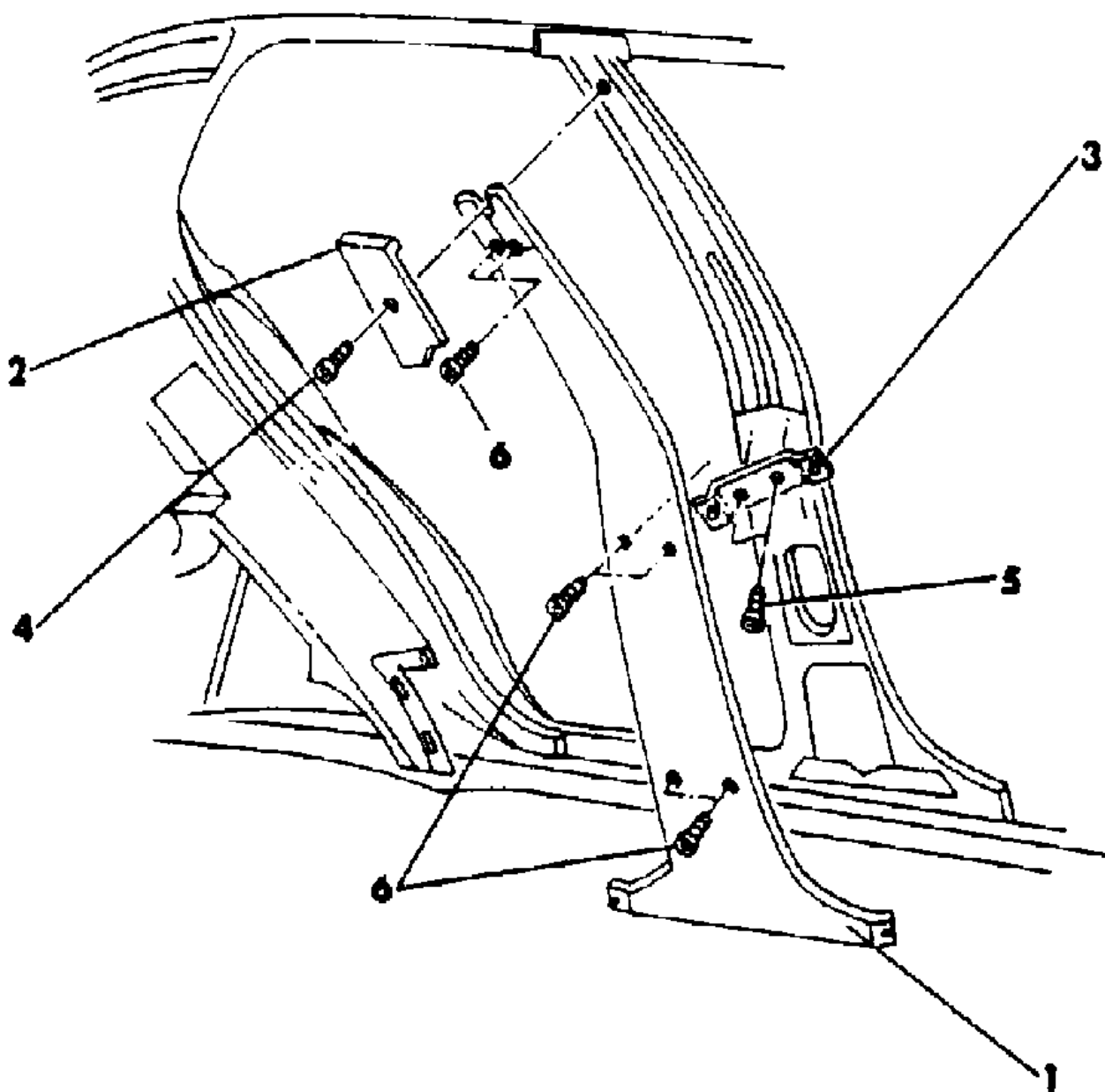
21 = 2-DOOR SEDAN	35 = FWD VAN	44 = 4-DOOR HATCHBACK
22 = 2-DOOR SPECIAL COUPE	36 = FWD WAGON	45 = 4-DOOR STATION WAGON
24 = 2-DOOR HATCHBACK	41 = 4-DOOR SEDAN	49 = LIMOUSINE
27 = 2-DOOR CONVERTIBLE		

AR = Use as Required - = Non Illustrated Part P.A.R. = Paint as Required

B PILLAR TRIM M,Z L BODY 44
Figure ITA-500

5230 500

ITEM	PART NUMBER	QTY	BODY	MODEL	DESCRIPTION
1					COVER, Center Pillar Trim "B" Lower N N N N
	F202-3 AA3	1			Silver (paint as required) N N N YF202AA3
2					COVER, Center Pillar "B" Trim Upper N N N N
	F172-3 AA3	1			Silver (paint as required) N N N YF172AA3
3	5208 733	2			BRACKET, Center Pillar Trim Cover Attaching N N N Y5208733
4		AR			SCREW (8-18x1 1/4) (not serviced) N N N N
5	6032 456	4			SCREW N N N Y6032456
6		AR			SCREW (8-18x1/2)(not serviced) N N N N



MODEL CODES

B = GRAN FURY	E = 600	M = HORIZON/TURISMO
C = LE BARON/TOWN & COUNTRY/LIMO	F = FIFTH AVENUE/NEWPORT	P = RELIANT
C24 = LASER	G = DIPLOMAT	T = NEW YORKER
C44 = LE BARON/GTS	H = VOYAGER	V = 600
D = ARIES	J = CARAVELLE	V24 = DAYTONA
D44 = LANCER	K = MINI VAN/CARAVAN/ROYAL	Z = OMNI/CHARGER

BODY STYLES

21 = 2-DOOR SEDAN	35 = FWD VAN	44 = 4-DOOR HATCHBACK
22 = 2-DOOR SPECIAL COUPE	36 = FWD WAGON	45 = 4-DOOR STATION WAGON
24 = 2-DOOR HATCHBACK	41 = 4-DOOR SEDAN	49 = LIMOUSINE
27 = 2-DOOR CONVERTIBLE		

AR = Use as Required - = Non Illustrated Part P.A.R. = Paint as Required

PANEL QUARTER TRIM M,Z L BODY 24

Figure ITA-600

5230 600

ITEM	PART NUMBER	QTY	BODY	MODEL	DESCRIPTION
1					PANEL, Quarter Trim N N N N
	H488-9 CA3	1			Silver N N N YH488CA3
	H488-9 CB5	1			Blue N N N YH488CB5
	H488-9 CM6	1			Red N N N YH488CM6
	H488-9 DT3	1			Tan N N N YH488DT3
	H488-9 CS8	1			Charcoal N N N YH488CS8
	4278 178	6			TAPE, Upper Quarter Sound Deadner Sealer N N N Y4278178
2	5208 984	4			BRACKET, Quarter Trim Panel Wheelhouse Attaching N N N Y5208984
3					PANEL, Wheelhouse Trim N N N N
	H440-1 DT3	1			Beige (paint as required) N N N YH440DT3
4	0152 490	2			U-NUT, Quarter Lower Trim Cover Attaching N N N Y152490
5					PANEL, Quarter Trim Lower w/o Armrest N N N N
	F208-9 CA3	1			Silver N N N YF208CA3
	F208-9 CB5	1			Blue N N N YF208CB5
	F208-9 CM6	1			Red N N N YF208CM6
	F208-9 DT3	1			Tan N N N YF208DT3
	F208-9 CS8	1			Charcoal N N N YF208CS8
6		AR			SCREW (8-18x3/4)(not serviced) N N N N
7					GRILLE, Quarter Panel Speaker (Carpeted) N N N N
	D472-3 CAC	1			Silver and Blue N N N YD472CAC
	D472-3 DBC	1			Blue and Dark Blue N N N YD472DBC
	D472-3 TM6	1			Red N N N YD472TM6
	D472-3 DT5	1			Tan N N N YD472DT5
	D472-3 CS8	1			Charcoal N N N YD472CS8
	D472-3 CAS	1			Silver and Charcoal N N N YD472CAS
8	1623 945	AR			FASTENER N N N Y1623945
9		AR			SCREW (6-18x3/4)(not serviced) N N N N

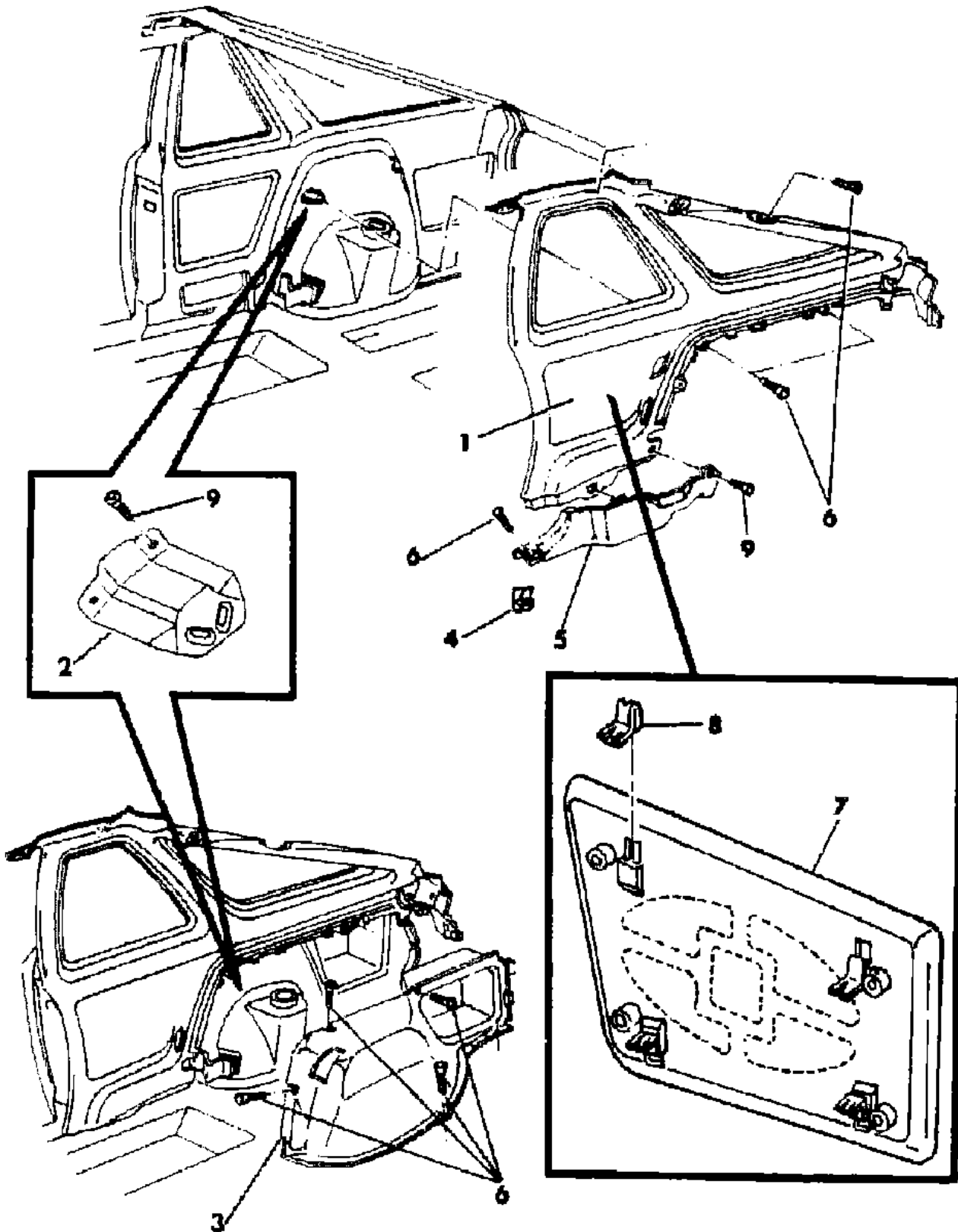
MODEL CODES

B = GRAN FURY	E = 600	M = HORIZON/TURISMO
C = LE BARON/TOWN & COUNTRY/LIMO	F = FIFTH AVENUE/NEWPORT	P = RELIANT
C24 = LASER	G = DIPLOMAT	T = NEW YORKER
C44 = LE BARON/GTS	H = VOYAGER	V = 600
D = ARIES	J = CARAVELLE	V24 = DAYTONA
D44 = LANCER	K = MINI VAN/CARAVAN/ROYAL	Z = OMNI/CHARGER

BODY STYLES

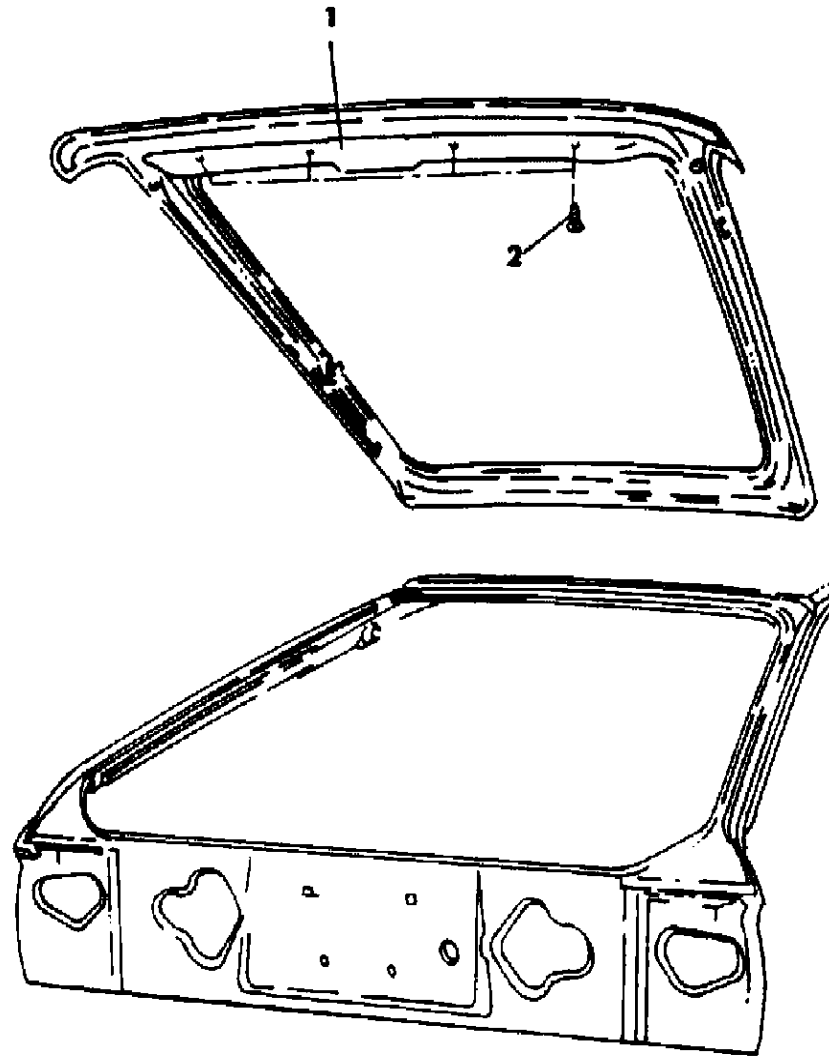
21 = 2-DOOR SEDAN	35 = FWD VAN	44 = 4-DOOR HATCHBACK
22 = 2-DOOR SPECIAL COUPE	36 = FWD WAGON	45 = 4-DOOR STATION WAGON
24 = 2-DOOR HATCHBACK	41 = 4-DOOR SEDAN	49 = LIMOUSINE
27 = 2-DOOR CONVERTIBLE		

AR = Use as Required - = Non Illustrated Part P.A.R. = Paint as Required



LIFT GATE TRIM M,Z L BODY 24
Figure ITA-700

5230 100



ITEM	PART NUMBER	QTY	BODY	MODEL	DESCRIPTION
1					COVER, Liftgate N N N N
	H429 AA3	1			Silver N N N YH429AA3
	H429 BB5	1			Blue N N N YH429BB5
	H429 TM6	1			Red N N N YH429TM6
	H429 DT3	1			Tan N N N YH429DT3
	H429 CS8	1			Charcoal N N N YH429CS8
2		4			SCREW (not serviced) N N N N

MODEL CODES

B = GRAN FURY	E = 600	M = HORIZON/TURISMO
C = LE BARON/TOWN & COUNTRY/LIMO	F = FIFTH AVENUE/NEWPORT	P = RELIANT
C24 = LASER	G = DIPLOMAT	T = NEW YORKER
C44 = LE BARON/GTS	H = VOYAGER	V = 600
D = ARIES	J = CARAVELLE	V24 = DAYTONA
D44 = LANCER	K = MINI VAN/CARAVAN/ROYAL	Z = OMNI/CHARGER

BODY STYLES

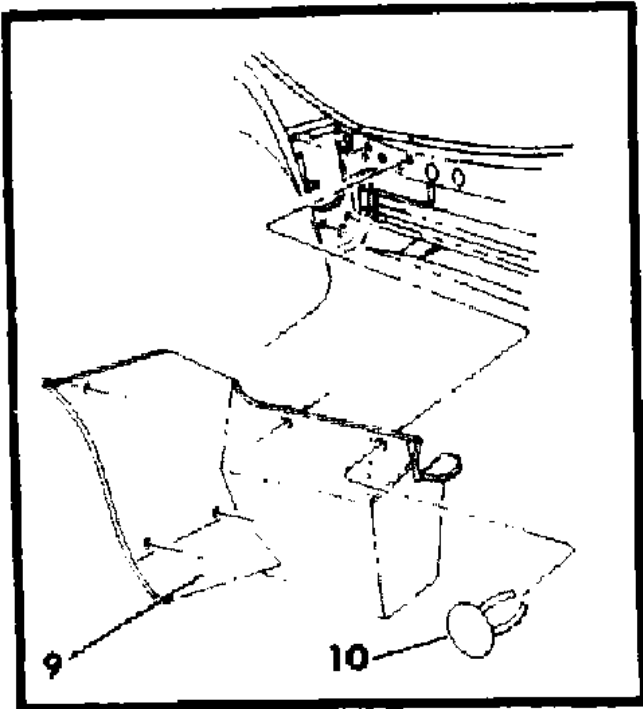
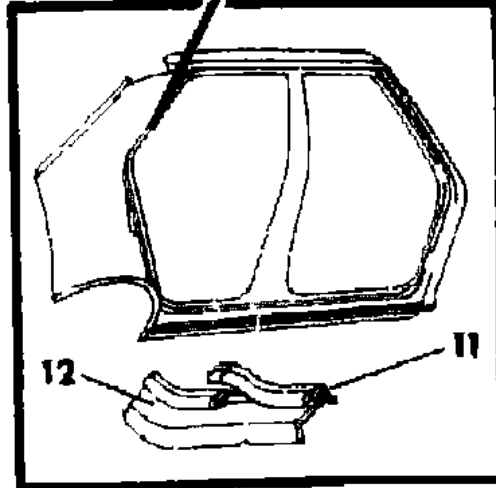
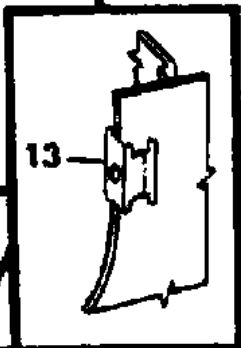
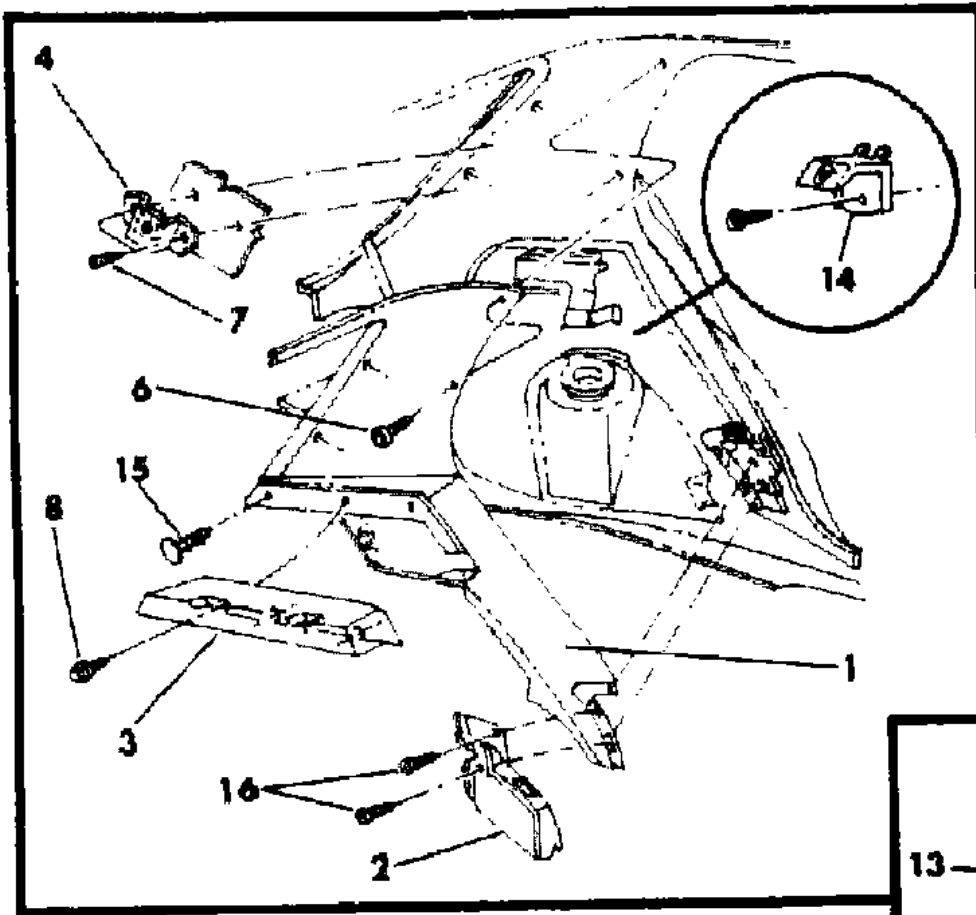
21 = 2-DOOR SEDAN	35 = FWD VAN	44 = 4-DOOR HATCHBACK
22 = 2-DOOR SPECIAL COUPE	36 = FWD WAGON	45 = 4-DOOR STATION WAGON
24 = 2-DOOR HATCHBACK	41 = 4-DOOR SEDAN	49 = LIMOUSINE
27 = 2-DOOR CONVERTIBLE		

AR = Use as Required - = Non Illustrated Part P.A.R. = Paint as Required

PANEL QUARTER TRIM M,Z L BODY 44

Figure ITA-800

5230 800



ITEM	PART NUMBER	QTY	BODY	MODEL	DESCRIPTION
1					PANEL, Upper Quarter Wheelhouse Trim N N N N
	H444-5 BL3	1			Beige (paint as required) N N N YH444BL3
2					COVER, Quarter Trim Panel Lower N N N N
	F192-3 AA3	1			Silver (paint as required) N N N YF192AA3
3					EXTENSION, Shelf Panel w/o Speakers N N N N
	H208-9 TX9	1			Black (paint as required) N N N YH208TX9
4					BRACKET, Aperture Quarter Trim Attaching N N N Y5208863
6		AR			SCREW (8-18x1)(not serviced) N N N N
7					SCREW N N N Y6032456
8		AR			SCREW N N N Y6100567
9					PANEL, Cargo Side N N N Y5208846
10					FASTENER, Cargo Side Panel N N N Y6003683
11					PINCHWELD, w/Weatherstrip Front Door N N N N
	F026-7 AA3	1			Silver N N N YF026AA3
	F026-7 BB5	1			Blue N N N YF026BB5
	F026-7 AM6	1			Red N N N YF026AM6
	F026-7 DT3	1			Tan N N N YF026DT3
12					PINCHWELD, w/Weatherstrip Rear Door N N N N
	F024-5 AA3	1			Silver N N N YF024AA3
	F024-5 BB5	1			Blue N N N YF024BB5
	F024-5 TM6	1			Red N N N YF024TM6
	F024-5 DT3	1			Tan N N N YF024DT3
13					CLIP, Rear Door Weather Strip N N N Y5208891
14					BRACKET, Quarter Upper Trim Panel Attaching N N N Y5216518
15		AR			PLUG N N N YH446RX9
16		AR			SCREW (8-18x3/4)(not serviced) N N N N

MODEL CODES

B = GRAN FURY	E = 600	M = HORIZON/TURISMO
C = LE BARON/TOWN & COUNTRY/LIMO	F = FIFTH AVENUE/NEWPORT	P = RELIANT
C24 = LASER	G = DIPLOMAT	T = NEW YORKER
C44 = LE BARON/GTS	H = VOYAGER	V = 600
D = ARIES	J = CARAVELLE	V24 = DAYTONA
D44 = LANCER	K = MINI VAN/CARAVAN/ROYAL	Z = OMNI/CHARGER

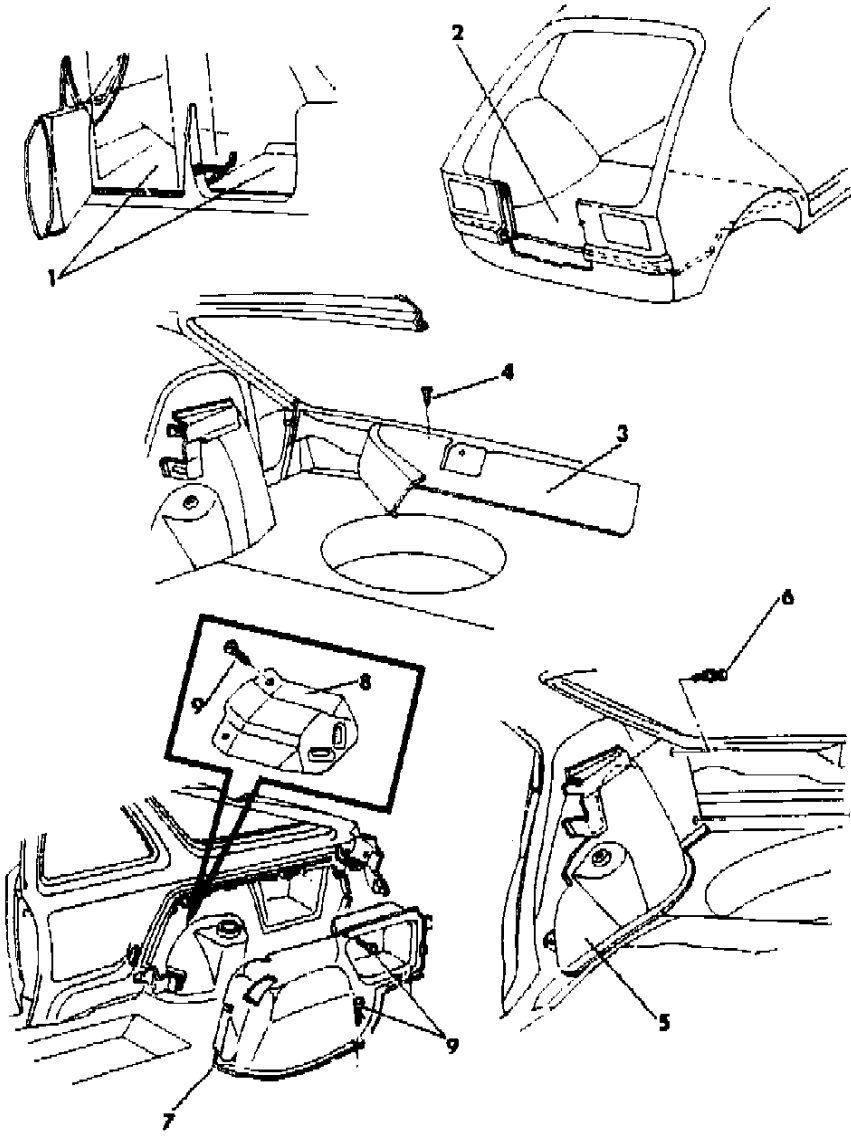
BODY STYLES

21 = 2-DOOR SEDAN	35 = FWD VAN	44 = 4-DOOR HATCHBACK
22 = 2-DOOR SPECIAL COUPE	36 = FWD WAGON	45 = 4-DOOR STATION WAGON
24 = 2-DOOR HATCHBACK	41 = 4-DOOR SEDAN	49 = LIMOUSINE
27 = 2-DOOR CONVERTIBLE		

AR = Use as Required - = Non Illustrated Part P.A.R. = Paint as Required

**CARPET M,Z L BODY
Figure ITA-900**

5230 900



ITEM	PART NUMBER	QTY	BODY	MODEL	DESCRIPTION
1					CARPET, One Piece Front and Rear N N N N
	M736 DC7	1			Blue N N24 N YM736DC7
	M736 DM6	1			Red N N24 N YM736DM6
	M736 DT5	1			Tan N N24 N YM736DT5
	M736 DS8	1			Charcoal N N24 N YM736DS8
	M737 DC7	1			Blue N N44 N YM737DC7
	M737 DM6	1			Red N N44 N YM737DM6
	M737 DT5	1			Tan N N44 N YM737DT5
	M737 DS8	1			Charcoal N N44 N YM737DS8
2					CARPET, Luggage Compartment Floor w/Sound Insulation N N N
	F160 CC7	1			Blue N N24 N YF160CC7
	F160 CM6	1			Red N N24 N YF160CM6
	F160 DT5	1			Tan N N24 N YF160DT5
	F160 CS8	1			Charcoal N N24 N YF160CS8
	5216 653	1			Black N N44 N Y5216653
3					CARPET, w/Silencer Liftgate Lower Panel N N N N
	H454 CCA	1			Blue and Silver N N24 N YH454CCA
	H454 CAS	1			Silver and Charcoal N N24 N YH454CAS
	H454 BC7	1			Blue N N24 N YH454BC7
	H454 TM6	1			Red N N24 N YH454TM6
	H454 DTT	1			Saddle N N24 N YH454DTT
	H454 CS8	1			Charcoal N N24 N YH454CS8
	5208 917	1			Black N N44 N Y5208917
					HOOK, Carpet N N N N
	4283 704	2			N N44 N Y4283704
	4283 705	1			N N44 N Y4283705
4		AR			NAIL (not serviced) N N N N
5	5208 622-3	1			COVER, Wheelhouse Luggage Compartment (Carpet and Silencer) N N44 N Y5208622
6	6003 683	AR			CLIP, Wheelhouse Cover Attaching N N44 N Y6003683
7					COVER, Wheelhouse Luggage Compartment (Carpet) N N N N
	H438-9 CAC	1			Silver and Blue N N24 N YH438CAC
	H438-9 CAS	1			Silver and Charcoal N N24 N YH438CAS
	H438-9 BB5	1			Blue N N24 N YH438BB5
	H438-9 BM6	1			Red N N24 N YH438BM6
	H438-9 DT3	1			Tan N N24 N YH438DT3

MODEL CODES

B = GRAN FURY	E = 600	M = HORIZON/TURISMO
C = LE BARON/TOWN & COUNTRY/LIMO	F = FIFTH AVENUE/NEWPORT	P = RELIANT
C24 = LASER	G = DIPLOMAT	T = NEW YORKER
C44 = LE BARON/GTS	H = VOYAGER	V = 600
D = ARIES	J = CARAVELLE	V24 = DAYTONA
D44 = LANCER	K = MINI VAN/CARAVAN/ROYAL	Z = OMNI/CHARGER

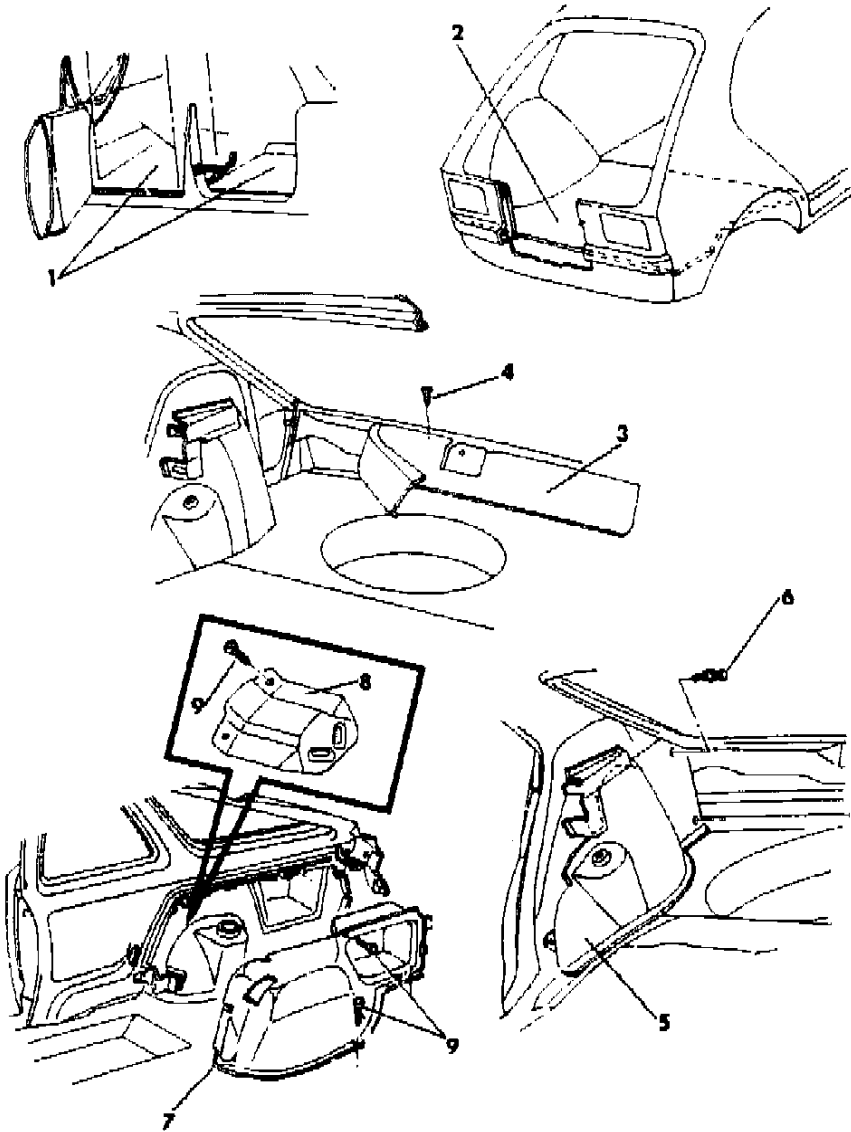
BODY STYLES

21 = 2-DOOR SEDAN	35 = FWD VAN	44 = 4-DOOR HATCHBACK
22 = 2-DOOR SPECIAL COUPE	36 = FWD WAGON	45 = 4-DOOR STATION WAGON
24 = 2-DOOR HATCHBACK	41 = 4-DOOR SEDAN	49 = LIMOUSINE
27 = 2-DOOR CONVERTIBLE		

AR = Use as Required - = Non Illustrated Part P.A.R. = Paint as Required

CARPET M,Z L BODY
Figure ITA-900

5230 900



ITEM	PART NUMBER	QTY	BODY	MODEL	DESCRIPTION
	H438-9 CS8	1			Charcoal N N24 N YH438CS8
8	5208 984	2			BRACKET, Quarter Wheelhouse Attaching N N24 N Y5208984
9		AR			SCREW (8-18x3/4)(not serviced) N N24 N N
The following parts are not illustrated. s ARE NOT RETURNABLE.					
					CARPET, Folding Rear Seat Back (serviced in Rear Seat Back Cover) N N24 N N
	3837 683	2			SILENCER, Wheelhouse Cover Luggage Compartment (24"x48"x1/4" Material) N N N Y3837683
	4186 901	2			SILENCER, Front Floor Pan Center (36"x72" material cut to fit) N N N Y4186901
	3762 862	AR			SILENCER, Cargo Floor and Under Second Seat (36'x72" material cut to fit) N N N Y3762862
					CARPETED FLOOR MATS, Set of Two N N N N
					Front N N N N
	M022 AC7	1			Blue N N N YM022AC7
	M022 VM6	1			Red N N N YM022VM6
	M022 DT5	1			Tan N N N YM022DT5
	M022 CS8	1			Charcoal N N N YM022CS8
					Rear N N N N
	M023 BC7	1			Blue N N N YM023BC7
	M023 VM6	1			Red N N N YM023VM6
	M023 DT5	1			Tan N N N YM023DT5
	M023 CS8	1			Charcoal N N N YM023CS8

NOTE: For carpet on quarter panel See Quarter Panel Illustration. s ARE NOT RETURNABLE.

MODEL CODES

B = GRAN FURY	E = 600	M = HORIZON/TURISMO
C = LE BARON/TOWN & COUNTRY/LIMO	F = FIFTH AVENUE/NEWPORT	P = RELIANT
C24 = LASER	G = DIPLOMAT	T = NEW YORKER
C44 = LE BARON/GTS	H = VOYAGER	V = 600
D = ARIES	J = CARAVELLE	V24 = DAYTONA
D44 = LANCER	K = MINI VAN/CARAVAN/ROYAL	Z = OMNI/CHARGER

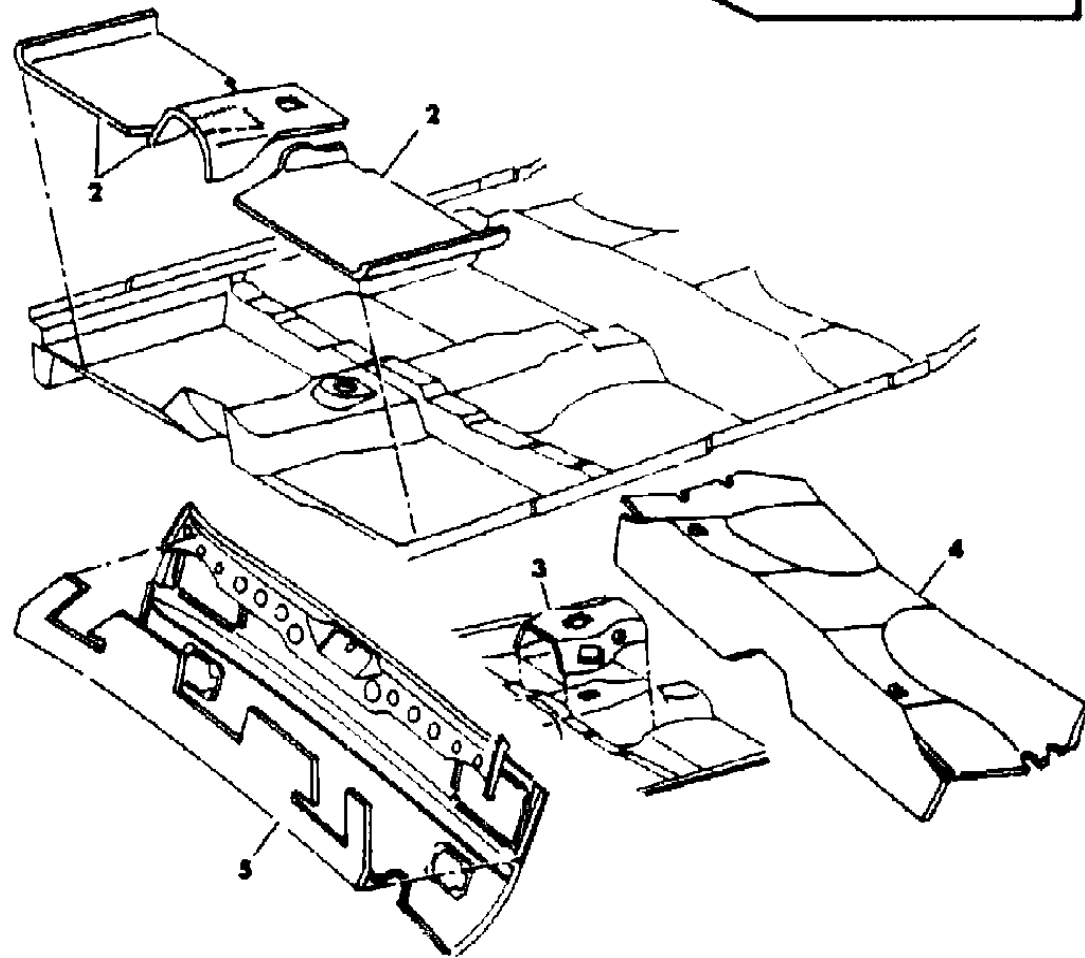
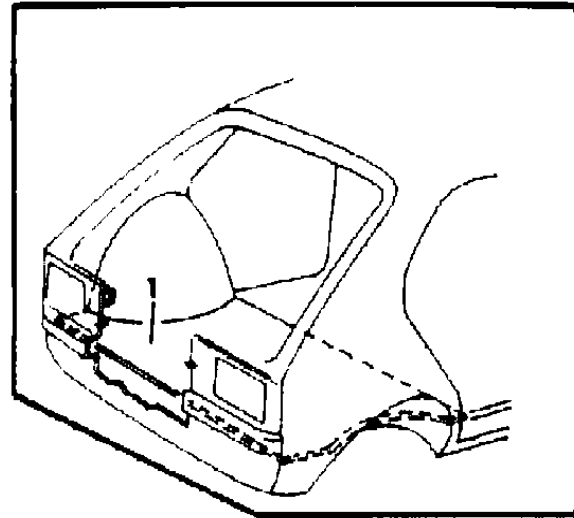
BODY STYLES

21 = 2-DOOR SEDAN	35 = FWD VAN	44 = 4-DOOR HATCHBACK
22 = 2-DOOR SPECIAL COUPE	36 = FWD WAGON	45 = 4-DOOR STATION WAGON
24 = 2-DOOR HATCHBACK	41 = 4-DOOR SEDAN	49 = LIMOUSINE
27 = 2-DOOR CONVERTIBLE		

AR = Use as Required - = Non Illustrated Part P.A.R. = Paint as Required

MATS SILENCERS AND INSULATIONS M,Z L BODY
Figure ITA-1000

5230 1000



ITEM	PART NUMBER	QTY	BODY	MODEL	DESCRIPTION
1	5208 595	1			MAT, Luggage Compartment, Felt w/Latex Back N N24,44 N Y5208595
2	4186 901	1			SILENCER, Floor (36"x72" Material cut to fit) N N N Y4186901
3	3762 861	1			INSULATION, Rear Floor, Center (36"x72" material cut to fit) N N24,44 N Y3762861
4	3762 862	1			SILENCER, Under Second Seat (36"x72" material cut to fit) N N24,44 N Y3762862
5	3837 683	1			SILENCER, Lower Hatch Panel (24"x48"x1/2" material cut to fit) N N44 N Y3837683

MODEL CODES

B = GRAN FURY	E = 600	M = HORIZON/TURISMO
C = LE BARON/TOWN & COUNTRY/LIMO	F = FIFTH AVENUE/NEWPORT	P = RELIANT
C24 = LASER	G = DIPLOMAT	T = NEW YORKER
C44 = LE BARON/GTS	H = VOYAGER	V = 600
D = ARIES	J = CARAVELLE	V24 = DAYTONA
D44 = LANCER	K = MINI VAN/CARAVAN/ROYAL	Z = OMNI/CHARGER

BODY STYLES

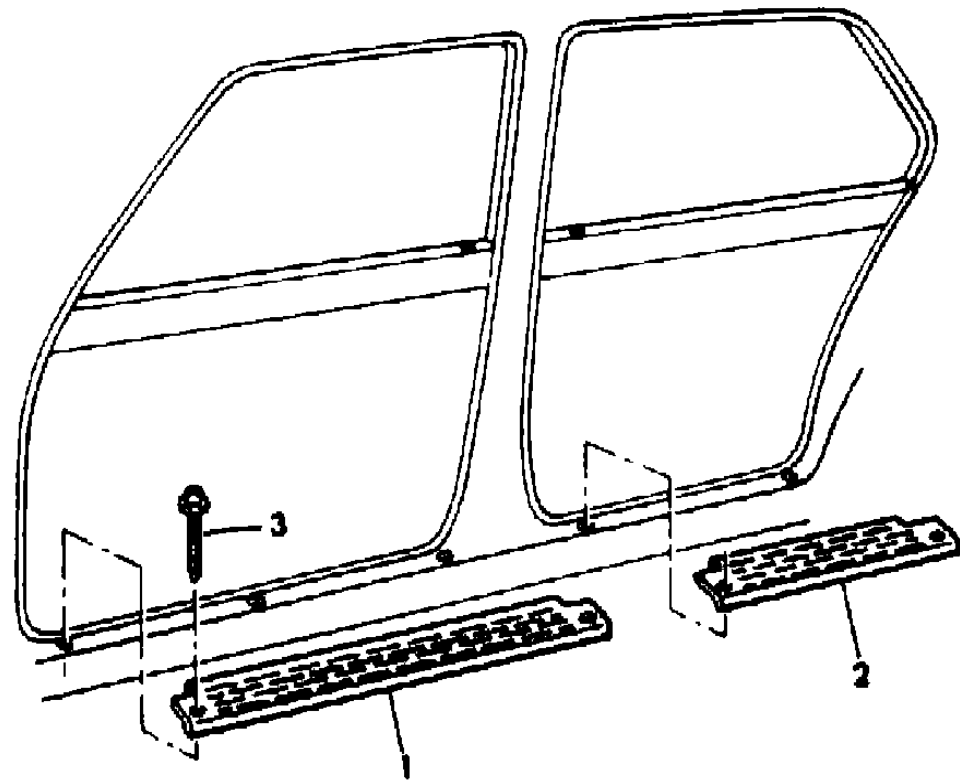
21 = 2-DOOR SEDAN	35 = FWD VAN	44 = 4-DOOR HATCHBACK
22 = 2-DOOR SPECIAL COUPE	36 = FWD WAGON	45 = 4-DOOR STATION WAGON
24 = 2-DOOR HATCHBACK	41 = 4-DOOR SEDAN	49 = LIMOUSINE
27 = 2-DOOR CONVERTIBLE		

AR = Use as Required - = Non Illustrated Part P.A.R. = Paint as Required

SCUFF PLATES BODY SIDE SILL AND DOOR M,Z L BODY
Figure ITA-1100

3230 1100

ITEM	PART NUMBER	QTY	BODY	MODEL	DESCRIPTION
1	5208 814	2			MOULDING, Sill Garnish N N24 N Y5208814
	5208 526	2			Front N N44 N Y5208526
2					MOULDING, Sill Garnish N N N N
	5208 527	2			Rear N N44 N Y5208527
3		AR			SCREW (not serviced) N N24,44 N N
					FASTENER, Shelby N N N N
	X910 BA1	AR			Silver N N24 N YX910BA1
	X910 BB6	AR			Blue N N24 N YX910BB6
	X910 DT4	AR			Tan N N24 N YX910DT4
	X910 DX9	AR			Black N N24 N YX910DX9



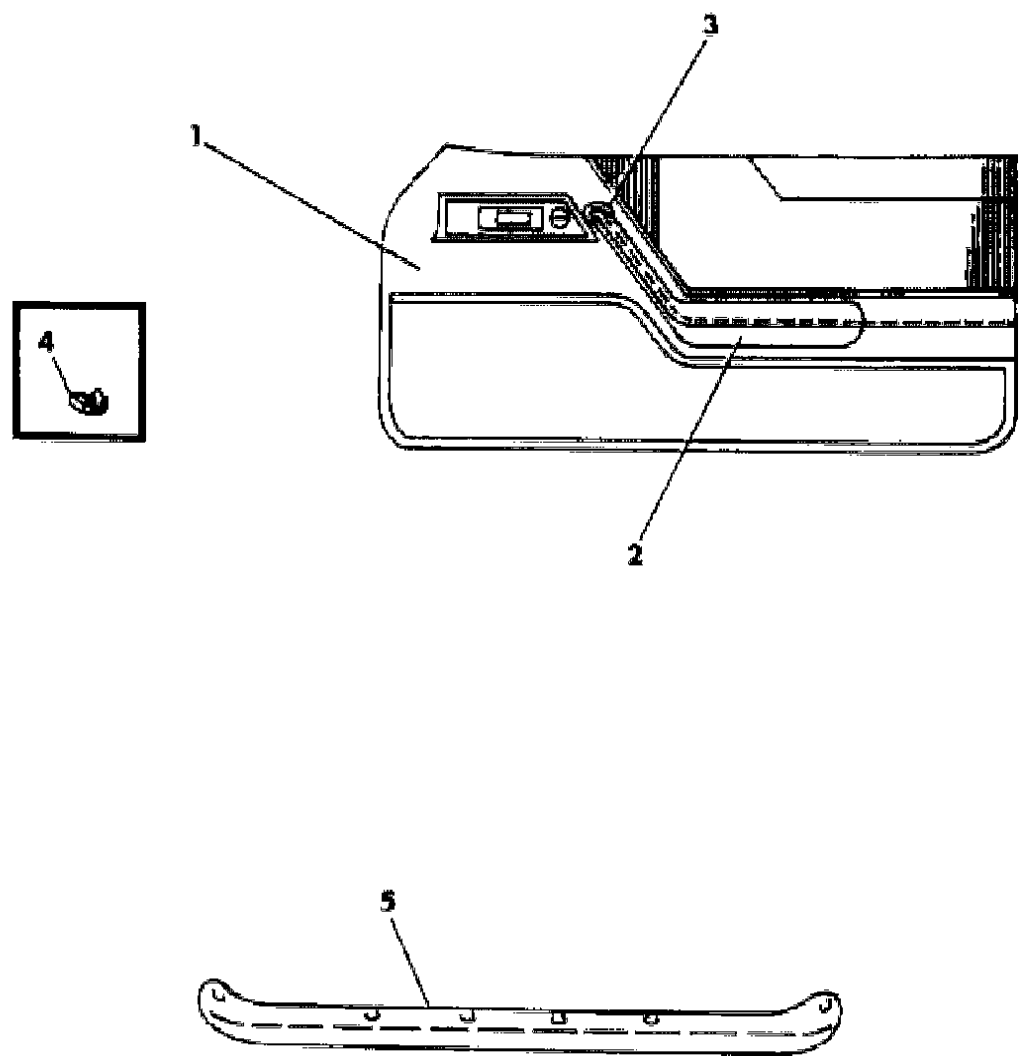
MODEL CODES
 B = GRAN FURY
 C = LE BARON/TOWN & COUNTRY/LIMO
 C24 = LASER
 C44 = LE BARON/GTS
 D = ARIES
 D44 = LANCER
 E = 600
 F = FIFTH AVENUE/NEWPORT
 G = DIPLOMAT
 H = VOYAGER
 J = CARAVELLE
 K = MINI VAN/CARAVAN/ROYAL
 M = HORIZON/TURISMO
 P = RELIANT
 T = NEW YORKER
 V = 600
 V24 = DAYTONA
 Z = OMNI/CHARGER

BODY STYLES
 21 = 2-DOOR SEDAN
 22 = 2-DOOR SPECIAL COUPE
 24 = 2-DOOR HATCHBACK
 27 = 2-DOOR CONVERTIBLE
 35 = FWD VAN
 36 = FWD WAGON
 41 = 4-DOOR SEDAN
 44 = 4-DOOR HATCHBACK
 45 = 4-DOOR STATION WAGON
 49 = LIMOUSINE

AR = Use as Required - = Non Illustrated Part P.A.R. = Paint as Required

**DOOR TRIM PANEL M,Z L BODY 24 TRIM CODES F5,H7,H8,S5
Figure ITA-1200**

5230 1200



ITEM	PART NUMBER	QTY	BODY	MODEL	DESCRIPTION
1					PANEL, w/Carpet Door Trim N N N N
	J050-1 CSA	1			Cloth N N N N
	J050-1 CM6	1			N N NF5SA YJ050CSA
	J050-1 DT3	1			N N NF5M YJ050CM6
					N N NF5T YJ050DT3
	J066-7 CCA	1			(use up to 1/2/85) N N N N
	J066-7 CSA	1			N N NS5AC YJ066CCA
					N N NS5AS YJ066CSA
					(use after 1/2/85) N N N N
	J324-5 DCA	1			N N NS5AC YJ324DCA
	J324-5 DSA	1			N N NS5AS YJ324DSA
					Vinyl N N N N
	J048-9 CA2	1			N N NH7SA,H8SA YJ048CA2
	J048-9 CB5	1			N N NH7B YJ048CB5
	J048-9 CM6	1			N N NH7M,H8M YJ048CM6
	J048-9 DT3	1			N N NH7T,H8T YJ048DT3
2					ARMREST, w/Pull Handle N N N N
	D484-5 CA2	1			Silver N N N YD484CA2
	D484-5 CB5	1			Blue N N N YD484CB5
	D484-5 CM6	1			Red N N N YD484CM6
	D484-5 DT3	1			Tan N N N YD484DT3
	D484-5 CT8	1			Brown N N N YD484CT8
	D484-5 CS8	1			Charcoal N N N YD484CS8
3	4282 435	2			BEZEL, Armrest N N N Y4282435
	6031 171	AR			SCREW N N N Y6031171
4	4114 785	AR			FASTENER, Door Trim Panel N N N Y4114785
5	4248 514	2			SEAL, Secondary N N N Y4248514
	4049 602	AR			SILENCER, Trim Panel (36"x36"x1/2" material) N N N Y4049602

The following part is not illustrated. s ARE NOT RETURNABLE.

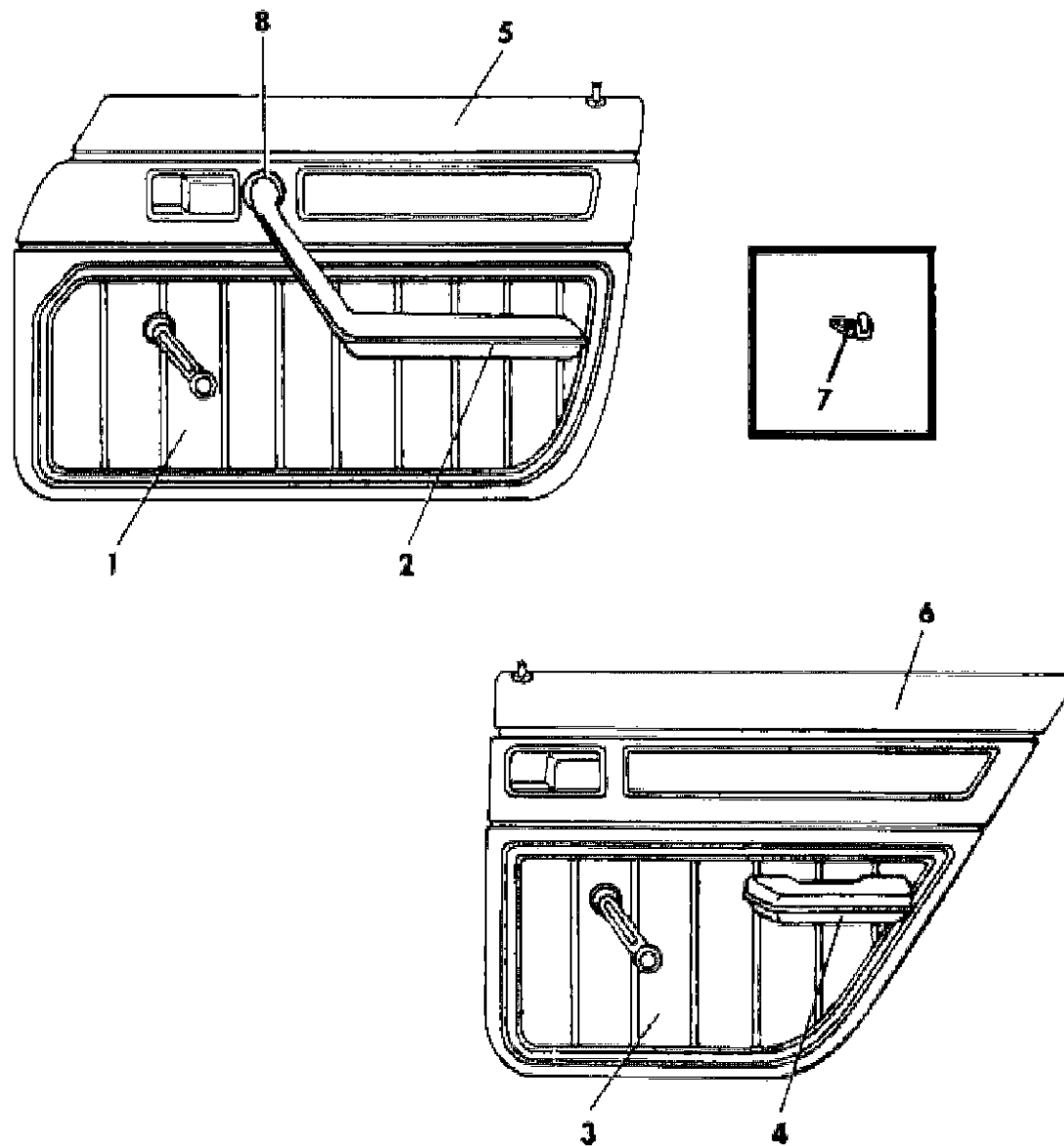
MODEL CODES		
B = GRAN FURY	E = 600	M = HORIZON/TURISMO
C = LE BARON/TOWN & COUNTRY/LIMO	F = FIFTH AVENUE/NEWPORT	P = RELIANT
C24 = LASER	G = DIPLOMAT	T = NEW YORKER
C44 = LE BARON/GTS	H = VOYAGER	V = 600
D = ARIES	J = CARAVELLE	V24 = DAYTONA
D44 = LANCER	K = MINI VAN/CARAVAN/ROYAL	Z = OMNI/CHARGER

BODY STYLES		
21 = 2-DOOR SEDAN	35 = FWD VAN	44 = 4-DOOR HATCHBACK
22 = 2-DOOR SPECIAL COUPE	36 = FWD WAGON	45 = 4-DOOR STATION WAGON
24 = 2-DOOR HATCHBACK	41 = 4-DOOR SEDAN	49 = LIMOUSINE
27 = 2-DOOR CONVERTIBLE		

AR = Use as Required - = Non Illustrated Part P.A.R. = Paint as Required

DOOR TRIM PANEL M,Z L BODY 44 TRIM CODES B5,E7,E8
Figure ITA-1300

5230 1300



ITEM	PART NUMBER	QTY	BODY	MODEL	DESCRIPTION
1	J056-7 BA2	1			PANEL, w/Weatherstrip Front Door Trim (full panel) N N N N
	J056-7 BB5	1			N N NB5A,E7A,E8A YJ056BA2
	J056-7 BM6	1			N N NB5B,E7B YJ056BB5
	J056-7 DT3	1			N N NB5M,E7M YJ056BM6
	J056-7 DT3	1			N N NB5T,E7T,E8T YJ056DT3
2	3510 447	AR			GROMMET N N N Y3510447
	D484-5 CA2	1			ARMREST, w/Pull Handle N N N N
	D484-5 CB5	1			Silver N N N YD484CA2
	D484-5 CM6	1			Blue N N N YD484CB5
	D484-5 DT3	1			Red N N N YD484CM6
	D484-5 DT3	1			Tan N N N YD484DT3
	D484-5 CT8	1			Brown N N N YD484CT8
3	6032 456	AR			SCREW, Armrest Attaching N N N Y6032456
	J452-3 BA2	1			PANEL, Rear Door Trim (full panel) N N N N
	J452-3 BB5	1			N N NB5A,E7A,E8A YJ452BA2
	J452-3 VM6	1			N N NB5B,E7B YJ452BB5
	J452-3 DT3	1			N N NB5M,E7M YJ452VM6
4	J452-3 DT3	1			N N NB5T,E7T,E8T YJ452DT3
	D447 AA3	2			PAD and PLATE, Rear Door Armrest N N N N
	D447 BB5	2			Silver N N N YD447AA3
	D447 TM6	2			Blue N N N YD447BB5
	D447 DT3	2			Red N N N YD447TM6
	6032 456	AR			Tan N N N YD447DT3
5	6032 456	AR			SCREW, Armrest Attaching N N N Y6032456
	D914-5 BA3	1			MOULDING, w/Grommet Garnish N N N N
	D914-5 BB5	1			(use up to 9/24/84) N N N N
	D914-5 AM6	1			Silver N N N YD914BA3
	D914-5 DT3	1			Blue N N N YD914BB5
	D914-5 DT3	1			Red N N N YD914AM6
	D914-5 DT3	1			Tan N N N YD914DT3
	D918-9 DA3	1			(use after 9/24/84) N N N N
	D918-9 DB5	1			Silver N N N YD918DA3
	D918-9 DM6	1			Blue N N N YD918DB5
	D918-9 DT3	1			Red N N N YD918DM6
6	3510 447	AR			Tan N N N YD918DT3
	3510 447	AR			GROMMET, Garnish Moulding N N N Y3510447
	3510 447	AR			MOULDING, w/Grommet Rear N N N N

MODEL CODES

B = GRAN FURY	E = 600	M = HORIZON/TURISMO
C = LE BARON/TOWN & COUNTRY/LIMO	F = FIFTH AVENUE/NEWPORT	P = RELIANT
C24 = LASER	G = DIPLOMAT	T = NEW YORKER
C44 = LE BARON/GTS	H = VOYAGER	V = 600
D = ARIES	J = CARAVELLE	V24 = DAYTONA
D44 = LANCER	K = MINI VAN/CARAVAN/ROYAL	Z = OMNI/CHARGER

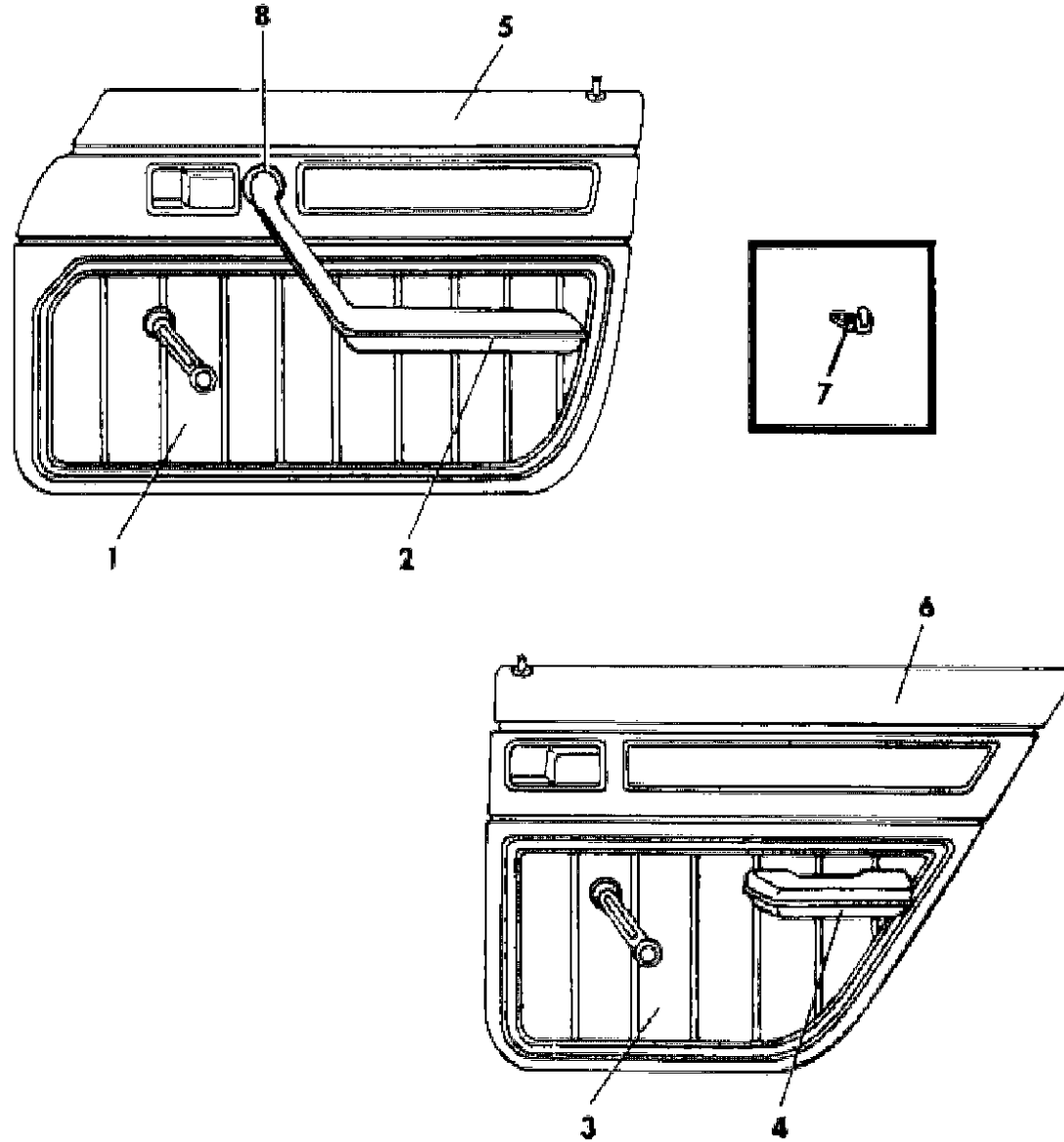
BODY STYLES

21 = 2-DOOR SEDAN	35 = FWD VAN	44 = 4-DOOR HATCHBACK
22 = 2-DOOR SPECIAL COUPE	36 = FWD WAGON	45 = 4-DOOR STATION WAGON
24 = 2-DOOR HATCHBACK	41 = 4-DOOR SEDAN	49 = LIMOUSINE
27 = 2-DOOR CONVERTIBLE		

AR = Use as Required - = Non Illustrated Part P.A.R. = Paint as Required

**DOOR TRIM PANEL M,Z L BODY 44 TRIM CODES B5,E7,E8
Figure ITA-1300**

5230 1300



ITEM	PART NUMBER	QTY	BODY	MODEL	DESCRIPTION
	D916-7 BA3	1			Silver N N N YD916BA3
	D916-7 BB5	1			Blue N N N YD916BB5
	D916-7 AM6	1			Red N N N YD916AM6
	D916-7 DT3	1			Tan N N N YD916DT3
	3510 447	AR			GROMMET, Garnish Moulding N N N Y3510447
7	4114 785	AR			FASTENER N N N Y4114785
8	4282 435	2			BEZEL, Armrest N N N Y4282435
The following parts are not illustrated. s ARE NOT RETURNABLE.					
	4049 602	1			SILENCER, Door (36"x36"x1/2" material) N N N Y4049602

MODEL CODES

B = GRAN FURY	E = 600	M = HORIZON/TURISMO
C = LE BARON/TOWN & COUNTRY/LIMO	F = FIFTH AVENUE/NEWPORT	P = RELIANT
C24 = LASER	G = DIPLOMAT	T = NEW YORKER
C44 = LE BARON/GTS	H = VOYAGER	V = 600
D = ARIES	J = CARAVELLE	V24 = DAYTONA
D44 = LANCER	K = MINI VAN/CARAVAN/ROYAL	Z = OMNI/CHARGER

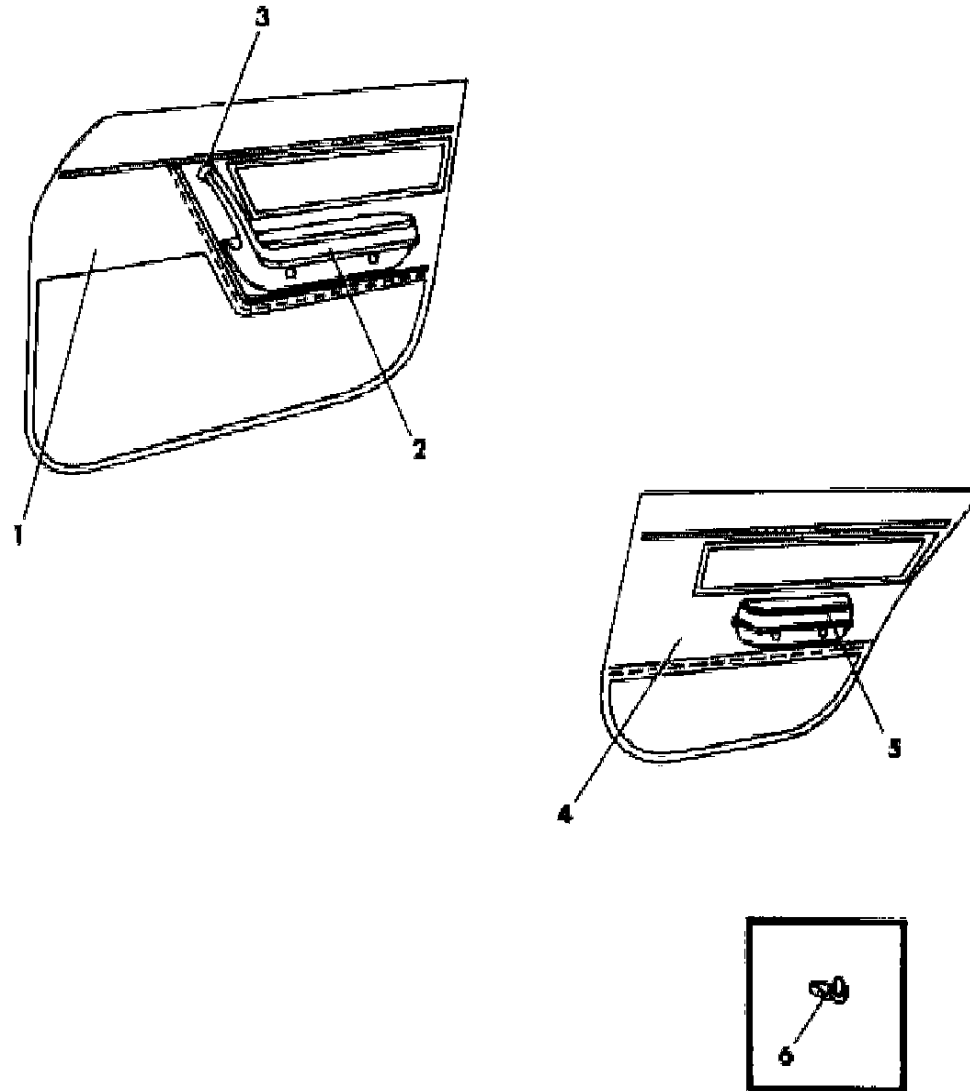
BODY STYLES

21 = 2-DOOR SEDAN	35 = FWD VAN	44 = 4-DOOR HATCHBACK
22 = 2-DOOR SPECIAL COUPE	36 = FWD WAGON	45 = 4-DOOR STATION WAGON
24 = 2-DOOR HATCHBACK	41 = 4-DOOR SEDAN	49 = LIMOUSINE
27 = 2-DOOR CONVERTIBLE		

AR = Use as Required - = Non Illustrated Part P.A.R. = Paint as Required

**DOOR TRIM PANEL M,Z L BODY 44 TRIM CODES F5,H8
Figure ITA-1400**

5230 1400



ITEM	PART NUMBER	QTY	BODY	MODEL	DESCRIPTION
1					PANEL and CARPET N N N N
	J062-3 CA2	1			N N NF5A,H8A YJ062CA2
	J062-3 CB5	1			N N NF5B YJ062CB5
	J062-3 CM6	1			N N NF5M,H8M YJ062CM6
	J062-3 DT3	1			N N NF5T,H8T YJ062DT3
2					ARMREST, w/Pull Handle N N N N
	D484-5 CA2	1			Silver N N NF5A,H8A YD484CA2
	D484-5 CB5	1			Blue N N NF5B YD484CB5
	D484-5 CM6	1			Red N N NF5M,H8M YD484CM6
	D484-5 DT3	1			Tan N N NF5T,H8T YD484DT3
3	4282 435	2			BEZEL, Front Door Armrest N N N Y4282435
	6031 171	8			SCREW, Bezel Attaching N N N Y6031171
4					PANEL and CARPET N N N N
	J426-7 CA2	1			N N NF5A,H8A YJ426CA2
	J426-7 CB5	1			N N NF5B YJ426CB5
	J426-7 CM6	1			N N NF5M,H8M YJ426CM6
	J426-7 DT3	1			N N NF5T,H8T YJ426DT3
5					PAD and PLATE, Rear Door Armrest N N N N
	D447 AA3	2			Silver N N NF5A,H8A YD447AA3
	D447 BB5	2			Blue N N NF5B YD447BB5
	D447 TM6	2			Red N N NF5M,H8M YD447TM6
	D447 DT3	2			Tan N N NF5T,H8T YD447DT3
6	4114 785	AR			FASTENER, Door Trim Panel Attaching N N N Y4114785
	4049 602	1			SILENCER, Door (36"x36"x1/2" material) N N N Y4049602

The following parts are not illustrated. s ARE NOT RETURNABLE.

MODEL CODES

B = GRAN FURY	E = 600	M = HORIZON/TURISMO
C = LE BARON/TOWN & COUNTRY/LIMO	F = FIFTH AVENUE/NEWPORT	P = RELIANT
C24 = LASER	G = DIPLOMAT	T = NEW YORKER
C44 = LE BARON/GTS	H = VOYAGER	V = 600
D = ARIES	J = CARAVELLE	V24 = DAYTONA
D44 = LANCER	K = MINI VAN/CARAVAN/ROYAL	Z = OMNI/CHARGER

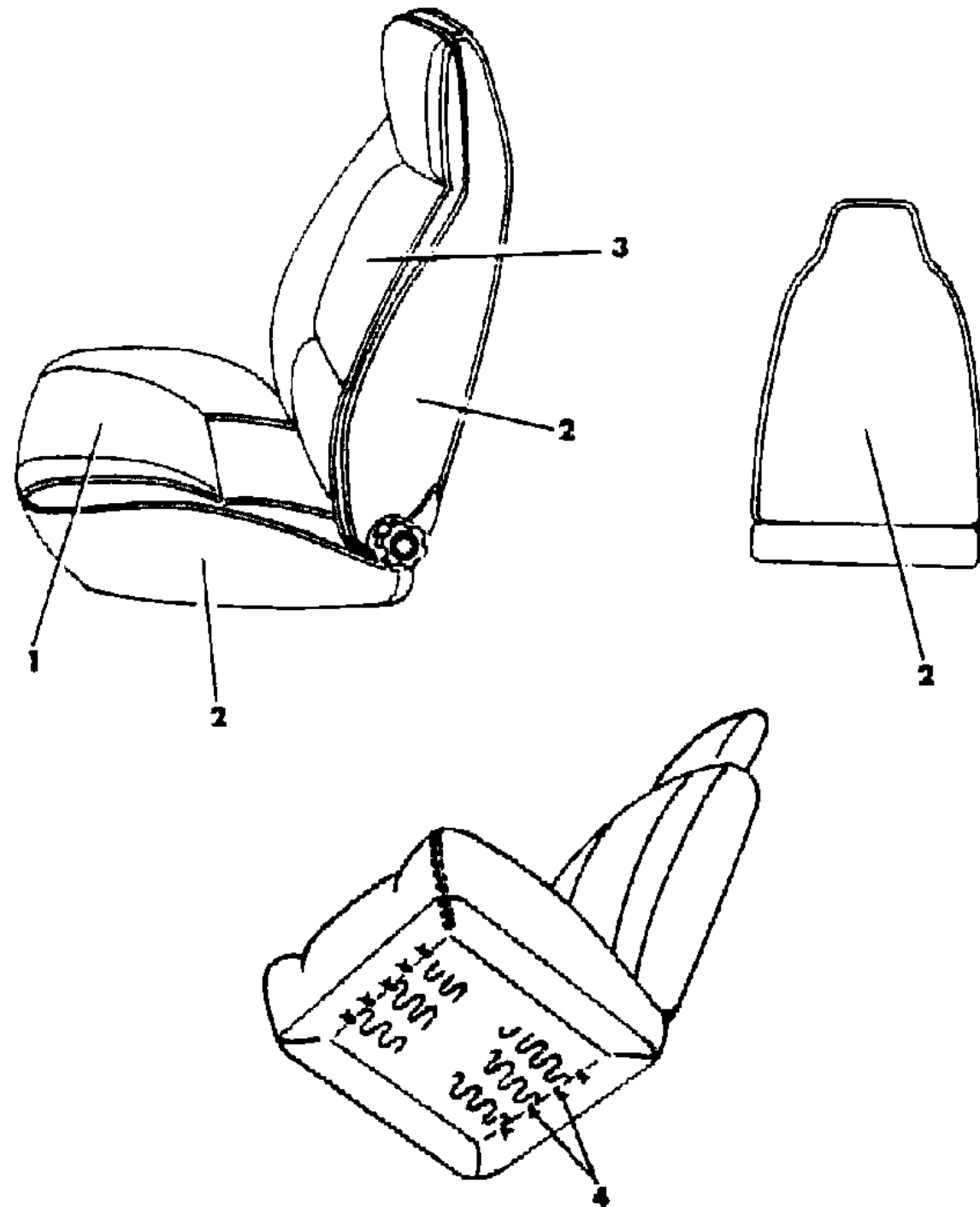
BODY STYLES

21 = 2-DOOR SEDAN	35 = FWD VAN	44 = 4-DOOR HATCHBACK
22 = 2-DOOR SPECIAL COUPE	36 = FWD WAGON	45 = 4-DOOR STATION WAGON
24 = 2-DOOR HATCHBACK	41 = 4-DOOR SEDAN	49 = LIMOUSINE
27 = 2-DOOR CONVERTIBLE		

AR = Use as Required - = Non Illustrated Part P.A.R. = Paint as Required

SEAT FRONT M,Z L BODY TRIM CODES B5,F5
Figure ITA-1500

5230 1500



ITEM	PART NUMBER	QTY	BODY	MODEL	DESCRIPTION
1-2					CUSHION, w/Spring/Frame, Pad and Cover N N N N
					Cloth N N N N
	N552-3 D5A	1			N N44 NB5A,F5A YN552D5A
	N552-3 D5B	1			N N44 NB5B,F5B YN552D5B
	N552-3 D5M	1			N N24,44 NB5M,F5M YN552D5M
	N552-3 D5T	1			N N24,44 NB5T,F5T YN552D5T
	N552-3 D5S	1			N N24 NF5SA YN552D5S
1					COVER, Cushion N N N N
					Cloth N N N N
	N436 D5A	2			N N44 NB5A,F5A YN436D5A
	N436 D5B	2			N N44 NB5B,F5B YN436D5B
	N436 D5M	2			N N24,44 NB5M,F5M YN436D5M
	N436 D5T	2			N N24,44 NB5T,F5T YN436D5T
	N436 D5S	2			N N24 NF5SA YN436D5S
2					ROLL STOCK, Vinyl Order by the Inch N N N N
	R616 AA2	AR			Silver 64" Wide N N N YR616AA2
	R616 BB5	AR			Blue 64" Wide N N N YR616BB5
	R616 VM6	AR			Red 64" Wide N N N YR616VM6
	R616 DT3	AR			Tan 64" Wide N N N YR616DT3
	R609 CS8	AR			Charcoal 54" Wide N N N YR609CS8
3&2					BACK, w/Spring/Frame, Pad and Cover N N N N
					Cloth N N N N
	N558-9 D5M	1			N N24 NF5M YN558D5M
	N558-9 D5T	1			N N24 NF5T YN558D5T
	N558-9 D5S	1			N N24 NF5SA YN558D5S
	N560-1 D5A	1			N N44 NB5A,F5A YN560D5A
	N560-1 D5B	1			N N44 NB5B,F5B YN560D5B
	N560-1 D5M	1			N N44 NB5M,F5M YN560D5M
	N560-1 D5T	1			N N44 NB5T,F5T YN560D5T
3					COVER, Back N N N N
					Cloth N N N N
	N438-9 D5A	1			N N44 NB5A,F5A YN438D5A
	N438-9 D5B	1			N N44 NB5B,F5B YN438D5B
	N438-9 D5M	1			N N24,44 NB5M,F5M YN438D5M
	N438-9 D5T	1			N N24,44 NB5T,F5T YN438D5T
	N438-9 D5S	1			N N24 NF5SA YN438D5S
4	6008 076	AR			HOG RING N N N Y6008076

MODEL CODES

B = GRAN FURY	E = 600	M = HORIZON/TURISMO
C = LE BARON/TOWN & COUNTRY/LIMO	F = FIFTH AVENUE/NEWPORT	P = RELIANT
C24 = LASER	G = DIPLOMAT	T = NEW YORKER
C44 = LE BARON/GTS	H = VOYAGER	V = 600
D = ARIES	J = CARAVELLE	V24 = DAYTONA
D44 = LANCER	K = MINI VAN/CARAVAN/ROYAL	Z = OMNI/CHARGER

BODY STYLES

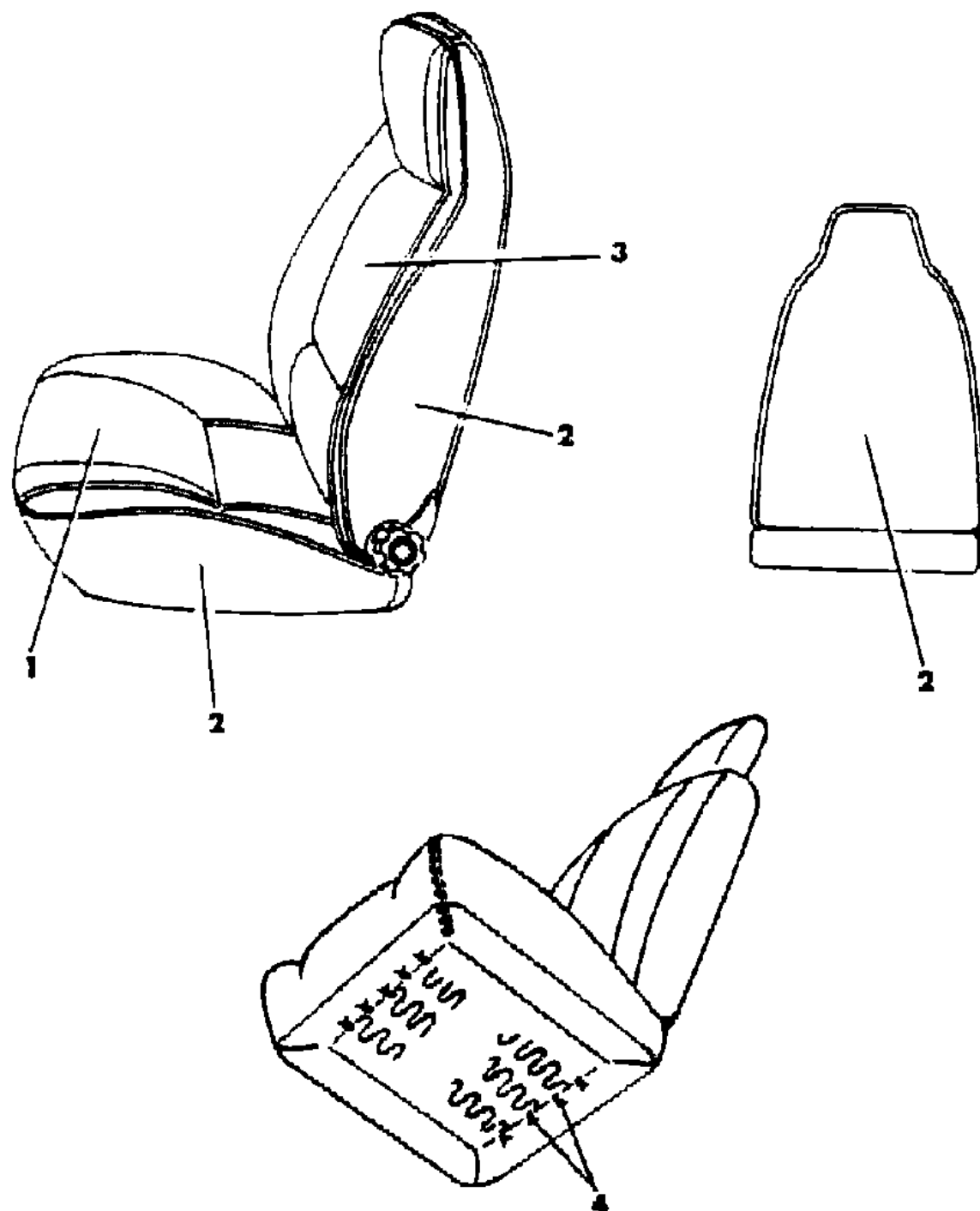
21 = 2-DOOR SEDAN	35 = FWD VAN	44 = 4-DOOR HATCHBACK
22 = 2-DOOR SPECIAL COUPE	36 = FWD WAGON	45 = 4-DOOR STATION WAGON
24 = 2-DOOR HATCHBACK	41 = 4-DOOR SEDAN	49 = LIMOUSINE
27 = 2-DOOR CONVERTIBLE		

AR = Use as Required - = Non Illustrated Part P.A.R. = Paint as Required

SEAT FRONT M,Z L BODY TRIM CODES B5,F5
Figure ITA-1500

5230 1500

ITEM	PART NUMBER	QTY	BODY	MODEL	DESCRIPTION
	6030 441	4			FASTENER, Cushion Cover Attaching N N N Y6030441



MODEL CODES

B = GRAN FURY	E = 600	M = HORIZON/TURISMO
C = LE BARON/TOWN & COUNTRY/LIMO	F = FIFTH AVENUE/NEWPORT	P = RELIANT
C24 = LASER	G = DIPLOMAT	T = NEW YORKER
C44 = LE BARON/GTS	H = VOYAGER	V = 600
D = ARIES	J = CARAVELLE	V24 = DAYTONA
D44 = LANCER	K = MINI VAN/CARAVAN/ROYAL	Z = OMNI/CHARGER

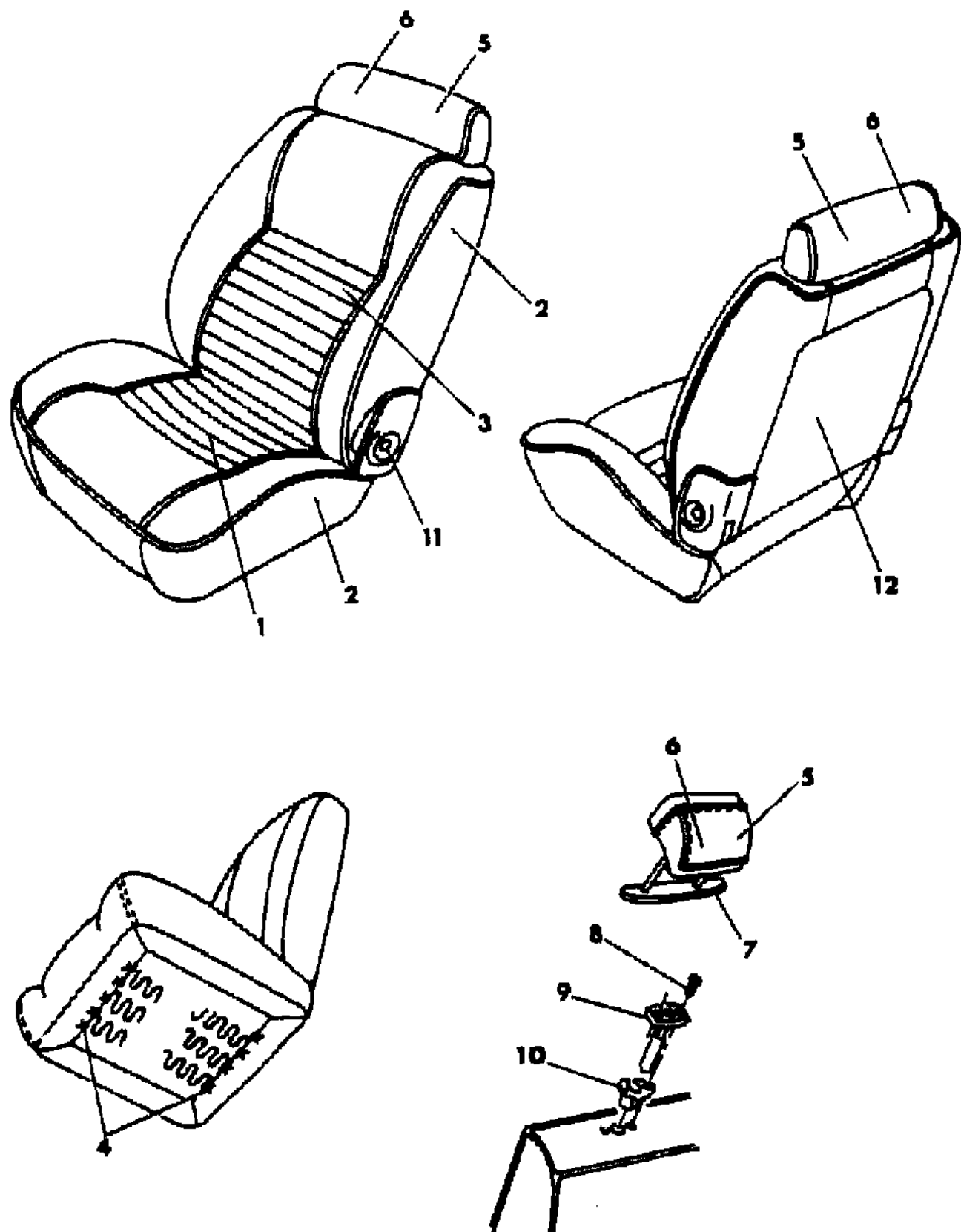
BODY STYLES

21 = 2-DOOR SEDAN	35 = FWD VAN	44 = 4-DOOR HATCHBACK
22 = 2-DOOR SPECIAL COUPE	36 = FWD WAGON	45 = 4-DOOR STATION WAGON
24 = 2-DOOR HATCHBACK	41 = 4-DOOR SEDAN	49 = LIMOUSINE
27 = 2-DOOR CONVERTIBLE		

AR = Use as Required - = Non Illustrated Part P.A.R. = Paint as Required

SEAT FRONT M,Z L BODY TRIM CODES E7,H7
Figure ITA-1600

5230 1800



ITEM	PART NUMBER	QTY	BODY	MODEL	DESCRIPTION
1-2					CUSHION, w/Spring/Frame, Pad and Cover N N N N
	N862-3 C7A	1			Cloth N N N N
	N862-3 C7B	1			N N NE7A,H7SA YN862C7A
	N862-3 C7M	1			N N NE7B,H7B YN862C7B
	N862-3 D7T	1			N N NE7M,H7M YN862C7M
1					COVER, Cushion N N N N
	N420 C7A	2			Cloth N N N N
	N420 C7B	2			N N NE7A,H7SA YN420C7A
	N420 C7M	2			N N NE7B,H7B YN420C7B
	N420 D7T	2			N N NE7M,H7M YN420C7M
2					ROLL STOCK, Vinyl Order by the Inch N N N N
	R616 AA2	AR			Silver 64" Wide N N N YR616AA2
	R616 BB5	AR			Blue 64" Wide N N N YR616BB5
	R616 VM6	AR			Red 64" Wide N N N YR616VM6
	R616 DT3	AR			Tan 64" Wide N N N YR616DT3
	R609 CS8	AR			Charcoal 54" Wide N N N YR609CS8
2-3					BACK, w/Spring/Frame, Pad and Cover N N N N
	N866-7 C7A	1			Cloth N N N N
	N866-7 C7B	1			N N NE7A,H7SA YN866C7A
	N866-7 C7M	1			N N NE7B,H7B YN866C7B
	N866-7 D7T	1			N N NE7M,H7M YN866C7M
3					COVER, Back N N N N
	N421 C7A	2			Cloth N N N N
	N421 C7B	2			N N NEFA,H7SA YN421C7A
	N421 C7M	2			N N NE7B,H7B YN421C7B
	N421 D7T	2			N N NE7M,H7M YN421C7M
4	6008 076	AR			HOG RING N N N Y6008076
	6030 441	4			FASTENER, Cushion Cover Attaching N N N Y6030441
5					HEADREST and COVER N N N N
	N567 CA3	2			Silver N N NE7A,H7SA YN567CA3
	N567 CB5	2			Blue N N NE7B,H7B YN567CB5
	N567 CM6	2			Red N N NE7M,H7M YN567CM6
	N567 DT3	2			Tan N N NE7T,H7T YN567DT3

MODEL CODES

B = GRAN FURY	E = 600	M = HORIZON/TURISMO
C = LE BARON/TOWN & COUNTRY/LIMO	F = FIFTH AVENUE/NEWPORT	P = RELIANT
C24 = LASER	G = DIPLOMAT	T = NEW YORKER
C44 = LE BARON/GTS	H = VOYAGER	V = 600
D = ARIES	J = CARAVELLE	V24 = DAYTONA
D44 = LANCER	K = MINI VAN/CARAVAN/ROYAL	Z = OMNI/CHARGER

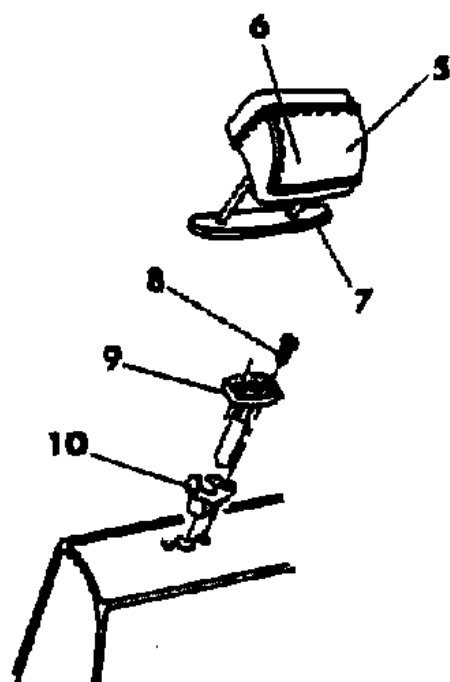
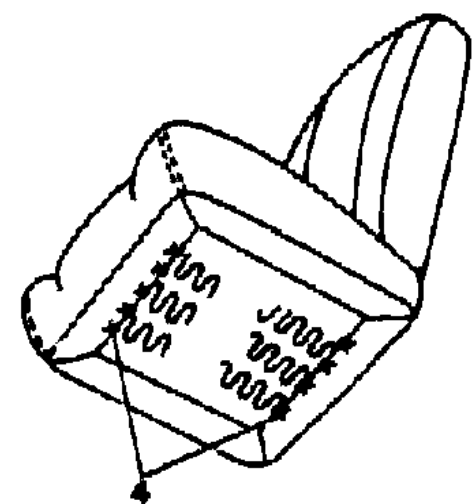
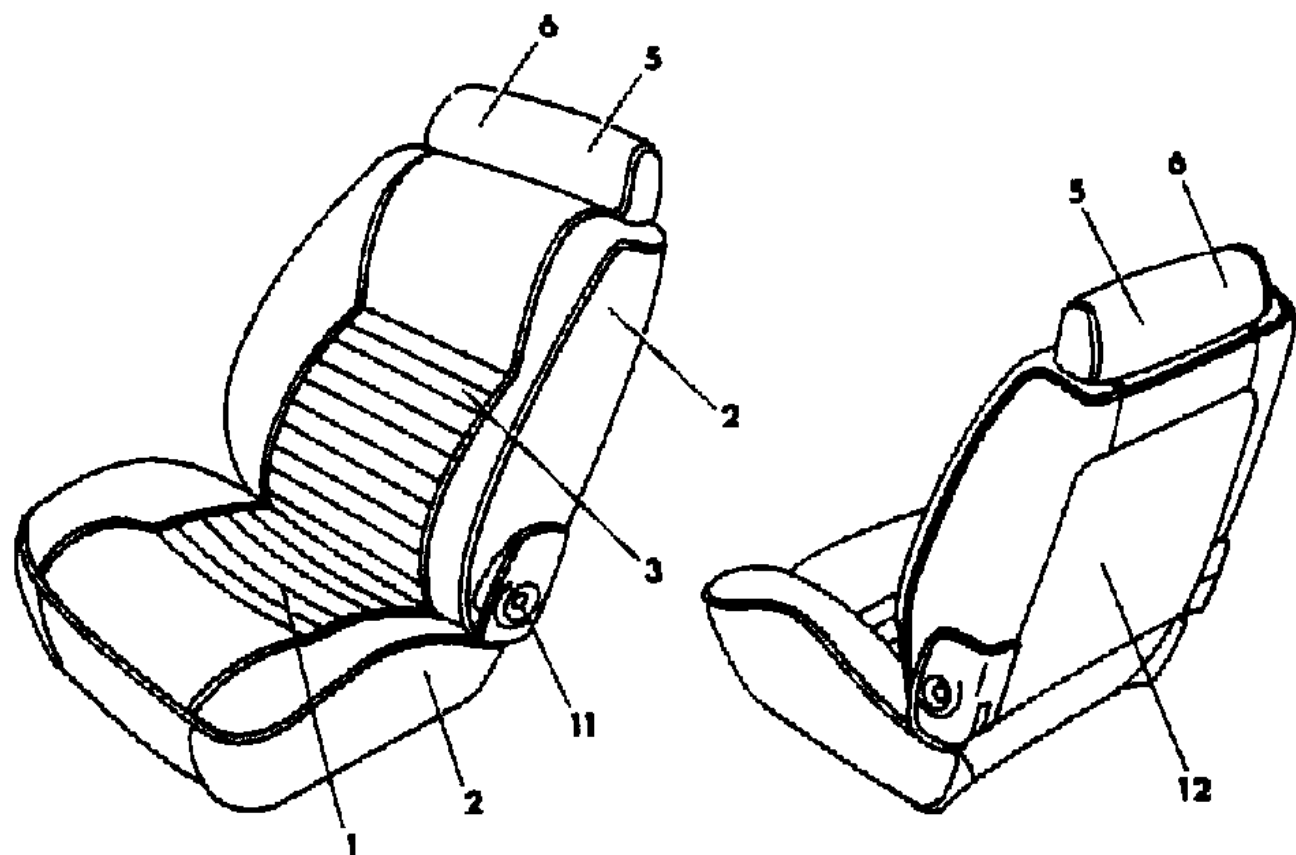
BODY STYLES

21 = 2-DOOR SEDAN	35 = FWD VAN	44 = 4-DOOR HATCHBACK
22 = 2-DOOR SPECIAL COUPE	36 = FWD WAGON	45 = 4-DOOR STATION WAGON
24 = 2-DOOR HATCHBACK	41 = 4-DOOR SEDAN	49 = LIMOUSINE
27 = 2-DOOR CONVERTIBLE		

AR = Use as Required - = Non Illustrated Part P.A.R. = Paint as Required

SEAT FRONT M,Z L BODY TRIM CODES E7,H7
Figure ITA-1600

5230 1800



ITEM	PART NUMBER	QTY	BODY	MODEL	DESCRIPTION
6					COVER, Headrest N N N N
	N347 CA3	2			Silver N N NE7A,H7SA YN347CA3
	N347 CB5	2			Blue N N NE7B,H7B YN347CB5
	N347 CM6	2			Red N N NE7M,H7M YN347CM6
	N347 DT3	2			Tan N N NE7T,H7T YN347DT3
7	4018 808	2			COVER, Headrest Finish N N N Y4018808
8		AR			SCREW (8-18x1)(not serviced) N N N N
9					SLEEVE, Headrest N N N N
	S690 AA3	4			Silver N N N YS690AA3
	S690 BB5	4			Blue N N N YS690BB5
	S690 TM6	4			Red N N N YS690TM6
	S690 DT3	4			Tan N N N YS690DT3
10	4098 965	4			CATCH, Headrest Post N N N Y4098965
11					COVER, Hinge Arm (paint as required) N N N N
	S810-1 RX9	1			Outer N N N YS810RX9
	S876-7 DT3	1			Inner N N N YS876DT3
12					PANEL, Back of Front Back N N N N
	S731 AA2	2			N N NE7A,H7SA YS731AA2
	S731 BB5	2			N N NE7B,H7B YS731BB5
	S731 VM6	2			N N NE7M,H7M YS731VM6
	S731 DT3	2			N N NE7T,H7T YS731DT3

MODEL CODES

B = GRAN FURY	E = 600	M = HORIZON/TURISMO
C = LE BARON/TOWN & COUNTRY/LIMO	F = FIFTH AVENUE/NEWPORT	P = RELIANT
C24 = LASER	G = DIPLOMAT	T = NEW YORKER
C44 = LE BARON/GTS	H = VOYAGER	V = 600
D = ARIES	J = CARAVELLE	V24 = DAYTONA
D44 = LANCER	K = MINI VAN/CARAVAN/ROYAL	Z = OMNI/CHARGER

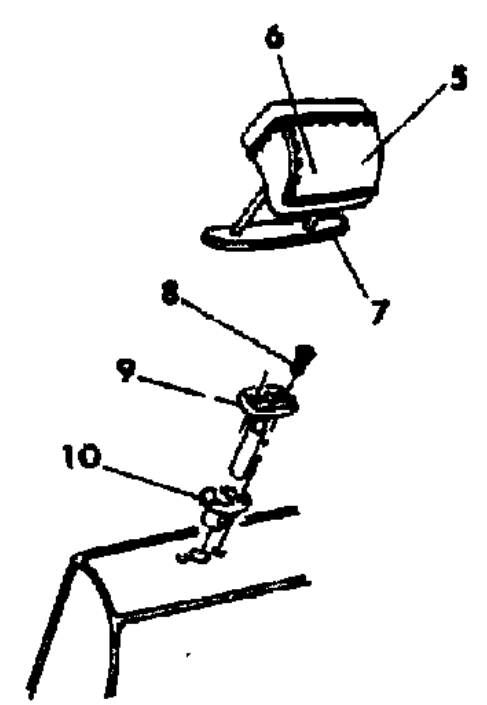
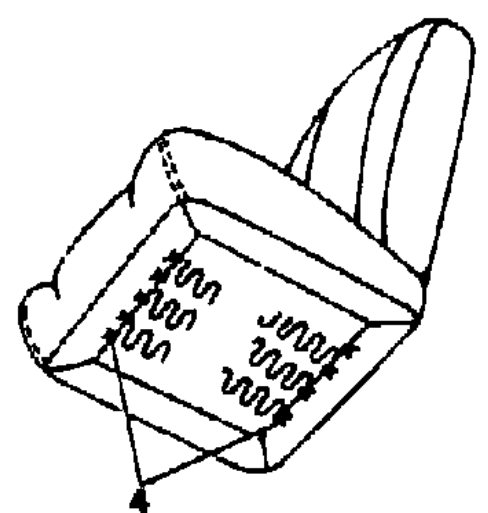
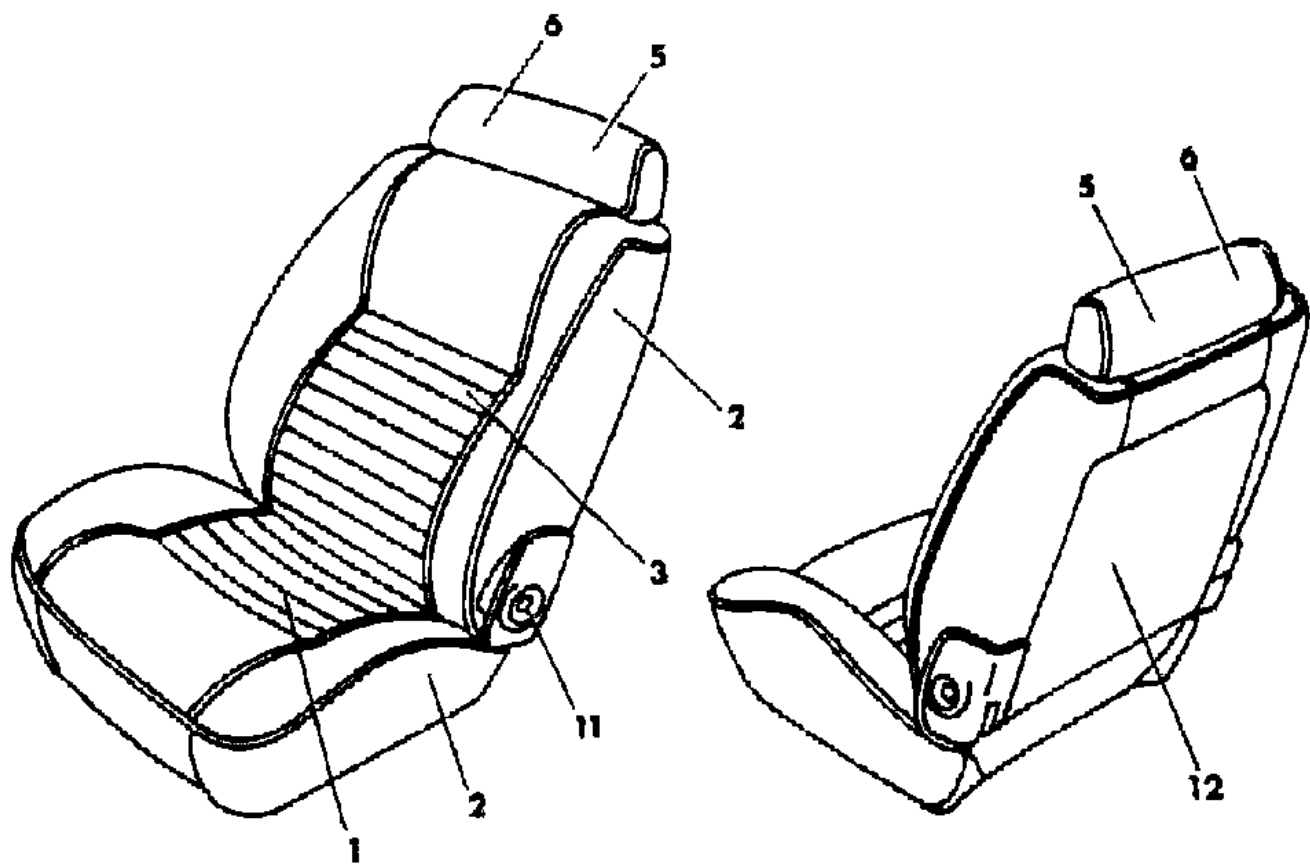
BODY STYLES

21 = 2-DOOR SEDAN	35 = FWD VAN	44 = 4-DOOR HATCHBACK
22 = 2-DOOR SPECIAL COUPE	36 = FWD WAGON	45 = 4-DOOR STATION WAGON
24 = 2-DOOR HATCHBACK	41 = 4-DOOR SEDAN	49 = LIMOUSINE
27 = 2-DOOR CONVERTIBLE		

AR = Use as Required - = Non Illustrated Part P.A.R. = Paint as Required

SEAT FRONT M,Z L BODY TRIM CODES E8,H8
Figure ITA-1700

5230 1700



ITEM	PART NUMBER	QTY	BODY	MODEL	DESCRIPTION
1-2					CUSHION, w/Spring/Frame, Pad and Cover N N N N Vinyl N N N N
	N954-5 C8A	1			N N NE8A,H8A,H8SAYN954C8A
	N954-5 C8M	1			N N NH8M YN954C8M
	N954-5 D8T	1			N N NE8T,H8T YN954D8T
1					COVER, Cushion N N N N Vinyl N N N N
	N426 C8A	2			N N NE8A,H8A,H8SAYN426C8A
	N426 C8M	2			N N NH8M YN426C8M
	N426 D8T	2			N N NE8T,H8T YN426D8T
2					ROLL STOCK,Vinyl Order by the Inch N N N N Silver 64" Wide N N N YR616AA2
	R616 AA2	AR			Red 64" Wide N N N YR616VM6
	R616 VM6	AR			Tan 64" Wide N N N YR616DT3
	R616 DT3	AR			
2-3					BACK, w/Spring/Frame, Pad and Cover N N N N Vinyl N N N N
	N958-9 C8A	1			N N NE8A,H8A,H8SAYN958C8A
	N958-9 C8M	1			N N NH8M YN958C8M
	N958-9 D8T	1			N N NE8T,H8T YN958D8T
3					COVER, Back N N N N Vinyl N N N N
	N427 C8A	2			N N NE8A,H8A,H8SAYN427C8A
	N427 C8M	2			N N NH8M YN427C8M
	N427 D8T	2			N N NE8T,H8T YN427D8T
4	6008 076	AR			HOG RING N N N Y6008076
	6030 441	4			FASTENER, Cushion Cover Attaching N N N Y6030441
5					HEADREST and COVER N N N N
	S702 AA2	2			N N NE8A,H8A,H8SAYS702AA2
	S702 TM6	2			N N NH8M YS702TM6
	S702 DT3	2			N N NE8T,H8T YS702DT3
6					COVER,(serviced w/Head Rest Only) N N N N
7	4018 808	2			COVER, Headrest Finish N N N Y4018808
8					SCREW (8-18x1)(not serviced) N N N N
9					SLEEVE, Headrest N N N N
	S690 AA3	4			Silver N N N YS690AA3
	S690 TM6	4			Red N N N YS690TM6
	S690 DT3	4			Tan N N N YS690DT3

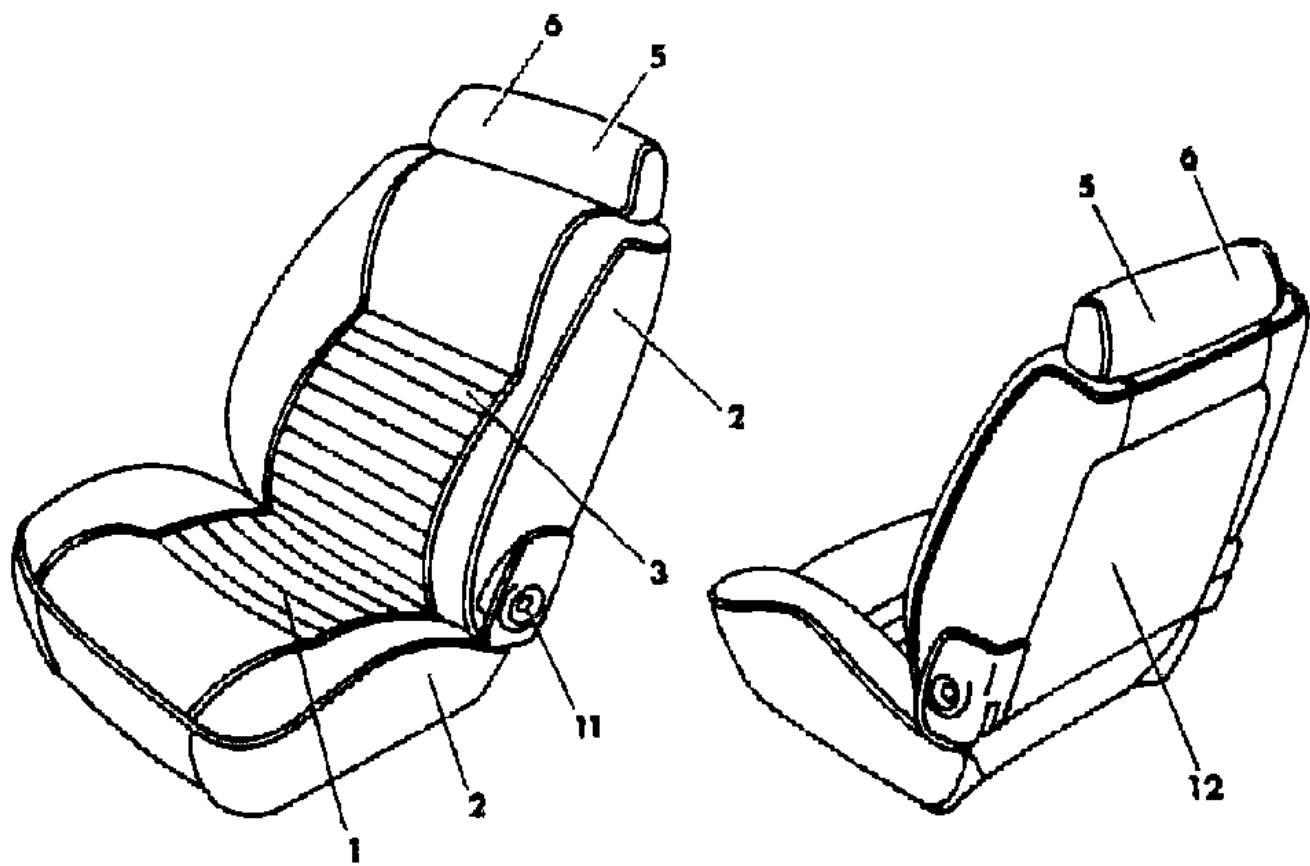
MODEL CODES
 B = GRAN FURY
 C = LE BARON/TOWN & COUNTRY/LIMO
 C24 = LASER
 C44 = LE BARON/GTS
 D = ARIES
 D44 = LANCER
 E = 600
 F = FIFTH AVENUE/NEWPORT
 G = DIPLOMAT
 H = VOYAGER
 J = CARAVELLE
 K = MINI VAN/CARAVAN/ROYAL
 M = HORIZON/TURISMO
 P = RELIANT
 T = NEW YORKER
 V = 600
 V24 = DAYTONA
 Z = OMNI/CHARGER

BODY STYLES
 21 = 2-DOOR SEDAN
 22 = 2-DOOR SPECIAL COUPE
 24 = 2-DOOR HATCHBACK
 27 = 2-DOOR CONVERTIBLE
 35 = FWD VAN
 36 = FWD WAGON
 41 = 4-DOOR SEDAN
 44 = 4-DOOR HATCHBACK
 45 = 4-DOOR STATION WAGON
 49 = LIMOUSINE

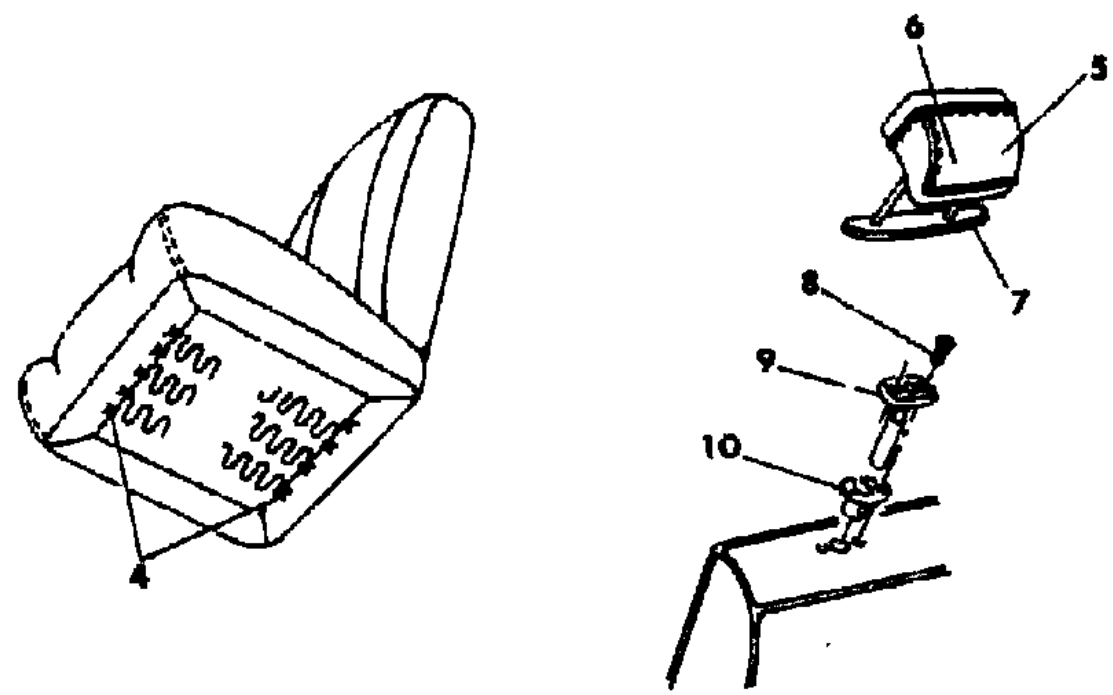
AR = Use as Required - = Non Illustrated Part P.A.R. = Paint as Required

SEAT FRONT M,Z L BODY TRIM CODES E8,H8
Figure ITA-1700

5230 1700



ITEM	PART NUMBER	QTY	BODY	MODEL	DESCRIPTION
10	4098 965	4			CATCH, Headrest Post N N N Y4098965
11	S810-1 RX9	1			COVER, Hinge Arm (paint as required) N N N N Outer N N N YS810RX9
	S876-7 DT3	1			Inner N N N YS876DT3
12	S731 AA2	2			PANEL, Back of Front Back N N N N N N NE8A,H8A,H8SAYS731AA2
	S731 VM6	2			N N NH8M YS731VM6
	S731 DT3	2			N N NE8T,H8T YS731DT3



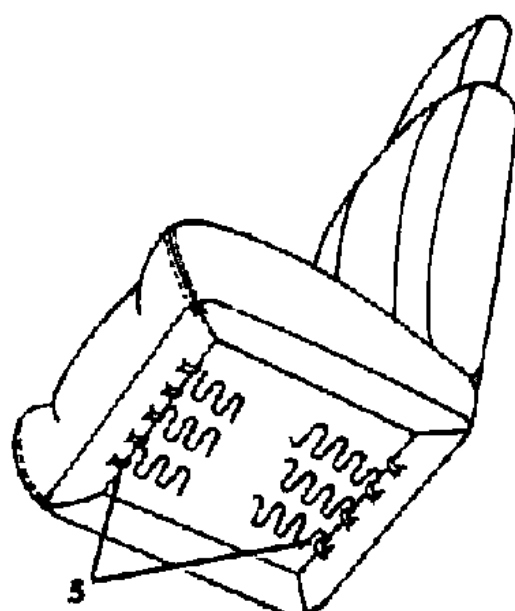
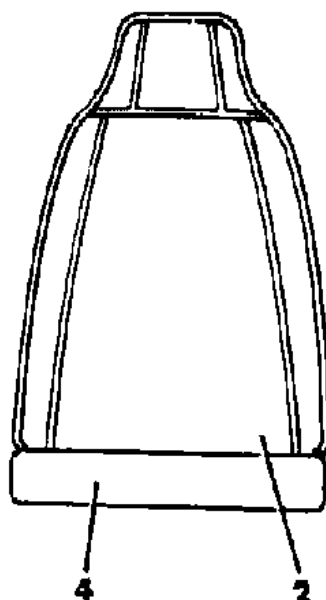
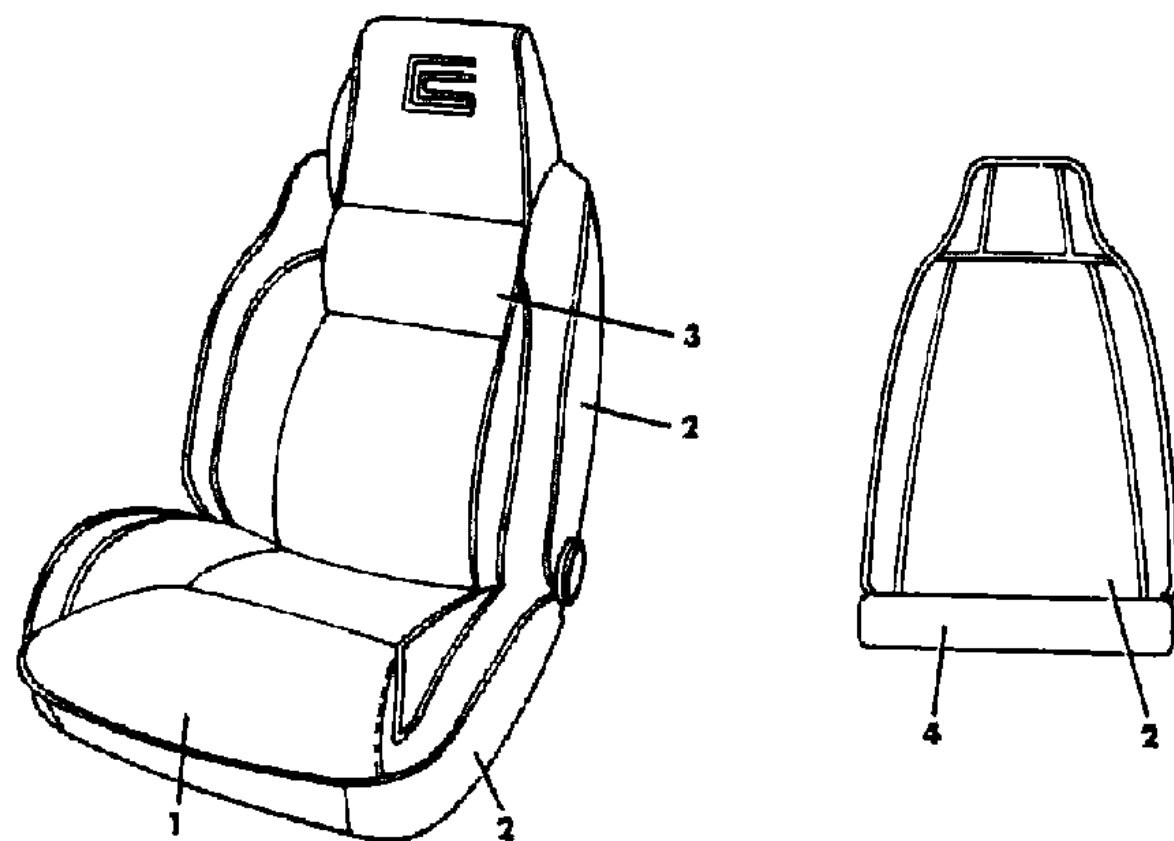
MODEL CODES
 B = GRAN FURY
 C = LE BARON/TOWN & COUNTRY/LIMO
 C24 = LASER
 C44 = LE BARON/GTS
 D = ARIES
 D44 = LANCER
 E = 600
 F = FIFTH AVENUE/NEWPORT
 G = DIPLOMAT
 H = VOYAGER
 J = CARAVELLE
 K = MINI VAN/CARAVAN/ROYAL
 M = HORIZON/TURISMO
 P = RELIANT
 T = NEW YORKER
 V = 600
 V24 = DAYTONA
 Z = OMNI/CHARGER

BODY STYLES
 21 = 2-DOOR SEDAN
 22 = 2-DOOR SPECIAL COUPE
 24 = 2-DOOR HATCHBACK
 27 = 2-DOOR CONVERTIBLE
 35 = FWD VAN
 36 = FWD WAGON
 41 = 4-DOOR SEDAN
 44 = 4-DOOR HATCHBACK
 45 = 4-DOOR STATION WAGON
 49 = LIMOUSINE

AR = Use as Required - = Non Illustrated Part P.A.R. = Paint as Required

SEAT FRONT Z L BODY TRIM CODE S5
Figure ITA-1800

5230 1800



ITEM	PART NUMBER	QTY	BODY	MODEL	DESCRIPTION
1-2					CUSHION, w/Spring/Frame, Pad and Cover N N N N Cloth N N N N (use up to 1/2/85) N N N N
	N574-5 D5A	1			N N NS5AC YN574D5A
	N574-5 D5S	1			N N NS5AS YN574D5S
					(use after 1/2/85) N N N N
	N732-3 D5C	1			N N NS5AC YN732D5C
	N732-3 D5S	1			N N NS5AS YN732D5S
1					COVER, Cushion N N N N Cloth N N N N (use up to 1/2/85) N N N N
	N444 D5A	2			N N NS5AC YN444D5A
	N444 D5S	2			N N NS5AS YN444D5S
					(use after 1/2/85) N N N N
	N416 D5C	2			N N NS5AC YN416D5C
	N416 D5S	2			N N NS5AS YN416D5S
2	R616 AA2	AR			ROLL STOCK, Vinyl 64" Wide Order by the Inch. N N NS5AC YR616AA2
2-3					BACK, w/Spring/Frame, Pad and Cover N N N N Cloth N N N N (use up to 1/2/85) N N N N
	N578-9 D5A	1			N N NS5AC YN578D5A
	N578-9 D5S	1			N N NS5AS YN578D5S
					(use after 1/2/85) N N N N
	N736-7 D5C	1			N N NS5AC YN736D5C
	N736-7 D5S	1			N N NS5AS YN736D5S
3					COVER, Back N N N N Cloth N N N N (use up to 1/2/85) N N N N
	N446-7 D5A	1			N N NS5AC YN446D5A
	N446-7 D5S	1			N N NS5AS YN446D5S
					(use after 1/2/85) N N N N
	N456-7 D5C	1			N N NS5AC YN456D5C
	N456-7 D5S	1			N N NS5AS YN456D5S
4					CARPET, (serviced w/Cushion Cover) N N N N
5	6008 076	AR			HOG RING N N N Y6008076
	6030 441	4			FASTENER, Cushion Cover Attaching N N N Y6030441

MODEL CODES

B = GRAN FURY	E = 600	M = HORIZON/TURISMO
C = LE BARON/TOWN & COUNTRY/LIMO	F = FIFTH AVENUE/NEWPORT	P = RELIANT
C24 = LASER	G = DIPLOMAT	T = NEW YORKER
C44 = LE BARON/GTS	H = VOYAGER	V = 600
D = ARIES	J = CARAVELLE	V24 = DAYTONA
D44 = LANCER	K = MINI VAN/CARAVAN/ROYAL	Z = OMNI/CHARGER

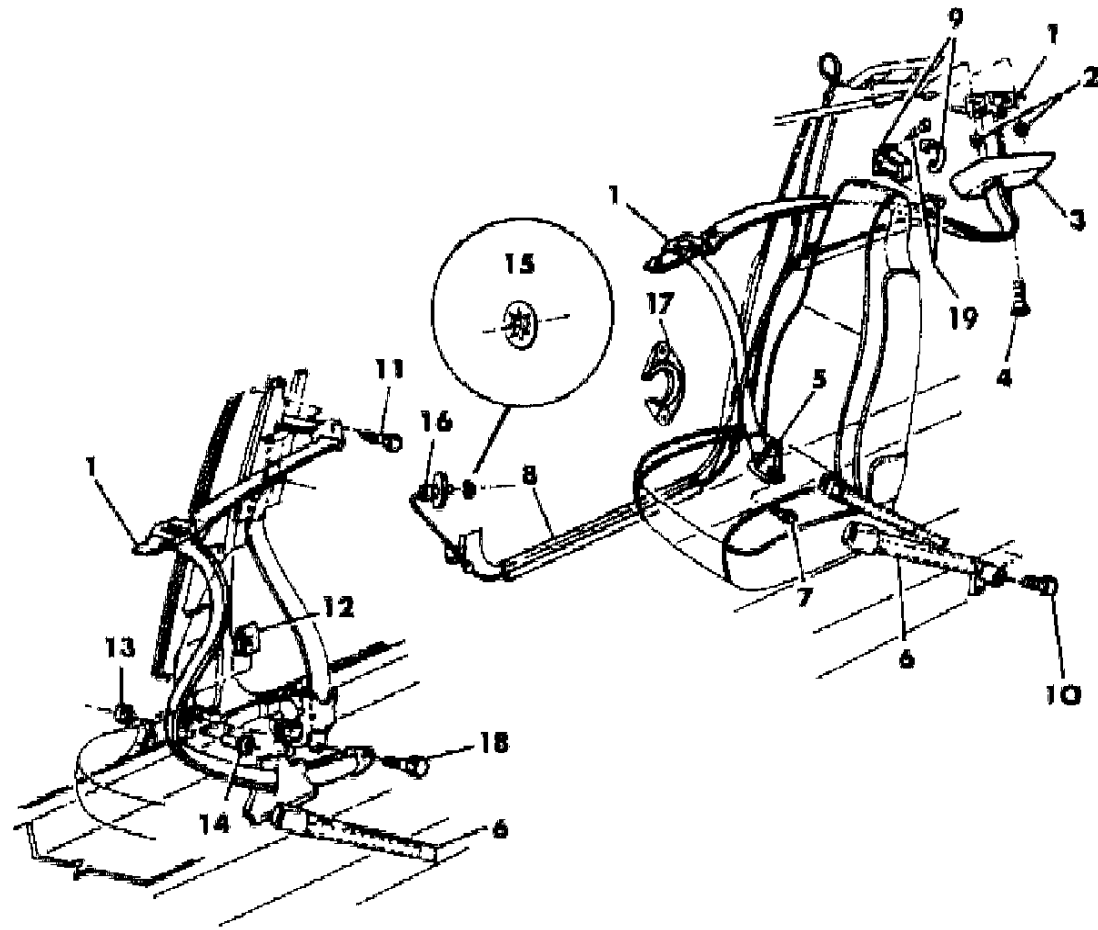
BODY STYLES

21 = 2-DOOR SEDAN	35 = FWD VAN	44 = 4-DOOR HATCHBACK
22 = 2-DOOR SPECIAL COUPE	36 = FWD WAGON	45 = 4-DOOR STATION WAGON
24 = 2-DOOR HATCHBACK	41 = 4-DOOR SEDAN	49 = LIMOUSINE
27 = 2-DOOR CONVERTIBLE		

AR = Use as Required - = Non Illustrated Part P.A.R. = Paint as Required

BELT FRONT SEAT M,Z L BODY
Figure ITA-1900

5230 1900



ITEM	PART NUMBER	QTY	BODY	MODEL	DESCRIPTION
1					BELT, Lap and Shoulder, Outer N N N N Label Number 4327354-5 N N N N
	F612-3 CA3	1			Silver N N24 N YF612CA3
	F612-3 CB5	1			Blue N N24 N YF612CB5
	F612-3 CM6	1			Red N N24 N YF612CM6
	F612-3 DT3	1			Tan N N24 N YF612DT3
	F612-3 CS8	1			Charcoal N N24 N YF612CS8 Label Number 4327098-9 N N N N
	F742-3 BA3	1			Silver N N44 N YF742BA3
	F742-3 BB5	1			Blue N N44 N YF742BB5
	F742-3 BM6	1			Red N N44 N YF742BM6
	F742-3 DT3	1			Tan N N44 N YF742DT3
	F742-3 CT8	1			Brown N N44 N YF742CT8
	4172 857	2			ROD, Tension Reliever Release Actuating N N44 N Y4172857
2	6500 363	2			NUT N N N Y6500363
3	H496-7 SX9	1			COVER, Headliner Shoulder Belt Retractor (paint as required) N N N YH496SX9
4		AR			SCREW (8-18x3/4)(not serviced) N N N N
5	F814 JX9	2			COVER, Swivel Plate (paint as required) N N24 N YF814JX9
6					BELT, Lap Buckle Half Inner N N N N Label Number 4316116-7 N N N N
	F674-5 BA3	1			Silver N N N YF674BA3
	F674-5 BB5	1			Blue N N N YF674BB5
	F674-5 BM6	1			Red N N N YF674BM6
	F674-5 DT3	1			Tan N N N YF674DT3
	F674-5 CS8	1			Charcoal N N N YF674CS8
	4209 934	AR			WEDGE, Front Lap Belt N N N Y4209934
7	6031 298	AR			BOLT N N N Y6031298
8	5232 137	2			CASING, Tension Reliever Cable N N N Y5232137
9	S863 AA3	2			GUIDE, w/High Back Bucket N N N YS863AA3 w/Low Back Bucket w/Applied Headrest N N N N
	S761 AA3	2			Silver N N N YS761AA3
	S761 CB5	2			Blue N N N YS761CB5
	S761 TM6	2			Red N N N YS761TM6
	S761 DT3	2			Tan N N N YS761DT3
10		AR			BOLT (7/16-20-1.375x3/16 Hex Head)(not serviced) N N N N
11	6031 216	2			BOLT N N44 N Y6031216

MODEL CODES

B = GRAN FURY	E = 600	M = HORIZON/TURISMO
C = LE BARON/TOWN & COUNTRY/LIMO	F = FIFTH AVENUE/NEWPORT	P = RELIANT
C24 = LASER	G = DIPLOMAT	T = NEW YORKER
C44 = LE BARON/GTS	H = VOYAGER	V = 600
D = ARIES	J = CARAVELLE	V24 = DAYTONA
D44 = LANCER	K = MINI VAN/CARAVAN/ROYAL	Z = OMNI/CHARGER

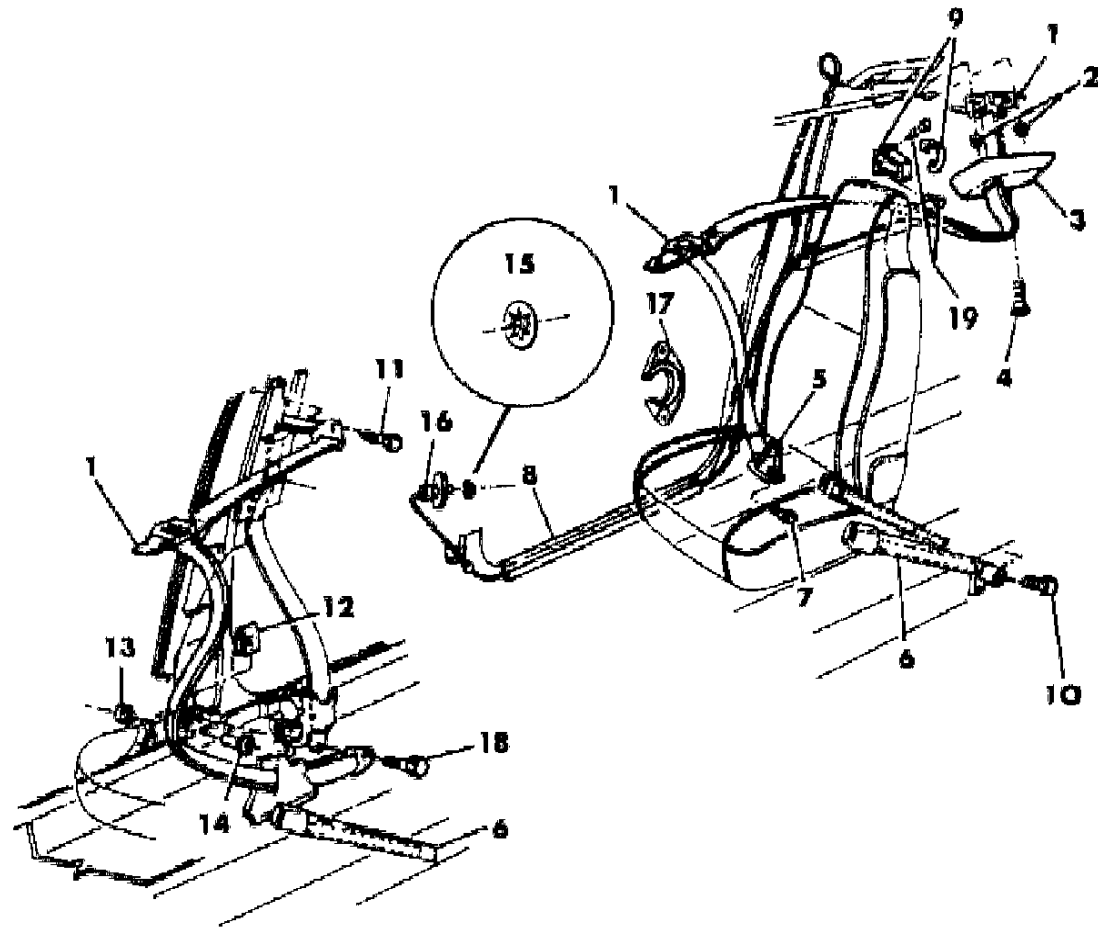
BODY STYLES

21 = 2-DOOR SEDAN	35 = FWD VAN	44 = 4-DOOR HATCHBACK
22 = 2-DOOR SPECIAL COUPE	36 = FWD WAGON	45 = 4-DOOR STATION WAGON
24 = 2-DOOR HATCHBACK	41 = 4-DOOR SEDAN	49 = LIMOUSINE
27 = 2-DOOR CONVERTIBLE		

AR = Use as Required - = Non Illustrated Part P.A.R. = Paint as Required

BELT FRONT SEAT M,Z L BODY
Figure ITA-1900

5200 1900



ITEM	PART NUMBER	QTY	BODY	MODEL	DESCRIPTION
12	6031 448	2			U-NUT N N44 N Y6031448
13	4290 789	2			CYLINDER, Tension Release Button N N44 N Y4290789
	4327 076	2			w/Bumper N N44 N Y4327076
14	4327 076	2			RETAINER, Tension Release Button N N44 N Y4327076
15	6025 160	2			RETAINER, Inertia Retractor Pedulum Shaft N N N Y6025160
16		1			CABLE, Retractor Tension Reliever (serviced in Belt Assy.) N N N N
17	4054 365	2			RETAINER, Tension Reliever Attaching N N24 N Y4054365
18		AR			BOLT (7/16-20-1/2x13/16 Hex head)(not serviced) N N N N
19		AR			SCREW (8-18x1)(not serviced) N N N N

MODEL CODES

B = GRAN FURY	E = 600	M = HORIZON/TURISMO
C = LE BARON/TOWN & COUNTRY/LIMO	F = FIFTH AVENUE/NEWPORT	P = RELIANT
C24 = LASER	G = DIPLOMAT	T = NEW YORKER
C44 = LE BARON/GTS	H = VOYAGER	V = 600
D = ARIES	J = CARAVELLE	V24 = DAYTONA
D44 = LANCER	K = MINI VAN/CARAVAN/ROYAL	Z = OMNI/CHARGER

BODY STYLES

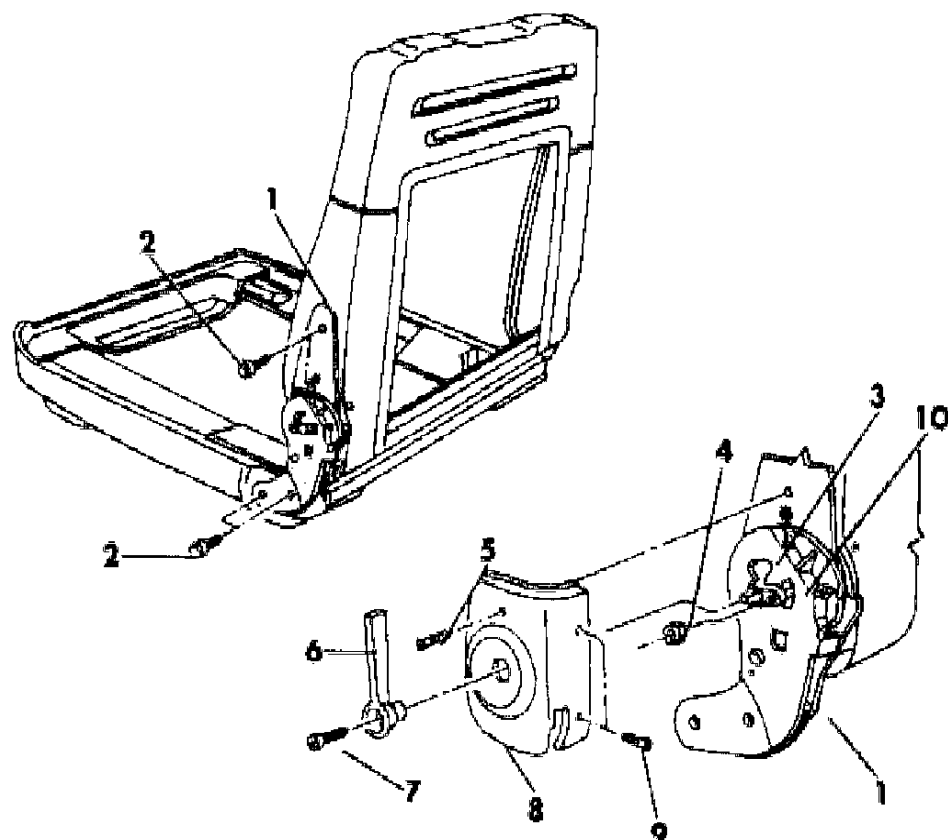
21 = 2-DOOR SEDAN	35 = FWD VAN	44 = 4-DOOR HATCHBACK
22 = 2-DOOR SPECIAL COUPE	36 = FWD WAGON	45 = 4-DOOR STATION WAGON
24 = 2-DOOR HATCHBACK	41 = 4-DOOR SEDAN	49 = LIMOUSINE
27 = 2-DOOR CONVERTIBLE		

AR = Use as Required - = Non Illustrated Part P.A.R. = Paint as Required

RECLINING FRONT SEAT W/O INERTIA M,Z L BODY
Figure ITA-2000

0230 2000

ITEM	PART NUMBER	QTY	BODY	MODEL	DESCRIPTION
1	4190 968-9	1			RECLINER N N N Y4190968
2	9422 041	8			SCREW and WASHER, w/Low Back Buckets N N N Y9422041
3	4029 871	1			ADAPTER, Actuator Handle N N N Y4029871
4	0120 622	1			NUT, Lock N N N Y120622
5	6032 072	AR			SCREW N N N Y6032072
6		2			HANDLE, Seat Recliner N N N N4018911
7		AR			SCREW (8-32x1/2)(not serviced) N N N N
8					COVER,(see Seat Illustration Interior Trim) N N N N
9		AR			SCREW (8-18x1)(not serviced) N N N N
10	4190 248-9	1			SPRING, Front Seat Back Reclining Release Cam N N N Y4190248
The following parts are not illustrated. s ARE NOT RETURNABLE.					
		1			SHIM, Front Seat Recliner Locking Arm (serviced in recliner) N N N
	4029 846	1			BUSHING, Inner Pivot, Right Only N N N Y4029846



MODEL CODES

B = GRAN FURY	E = 600	M = HORIZON/TURISMO
C = LE BARON/TOWN & COUNTRY/LIMO	F = FIFTH AVENUE/NEWPORT	P = RELIANT
C24 = LASER	G = DIPLOMAT	T = NEW YORKER
C44 = LE BARON/GTS	H = VOYAGER	V = 600
D = ARIES	J = CARAVELLE	V24 = DAYTONA
D44 = LANCER	K = MINI VAN/CARAVAN/ROYAL	Z = OMNI/CHARGER

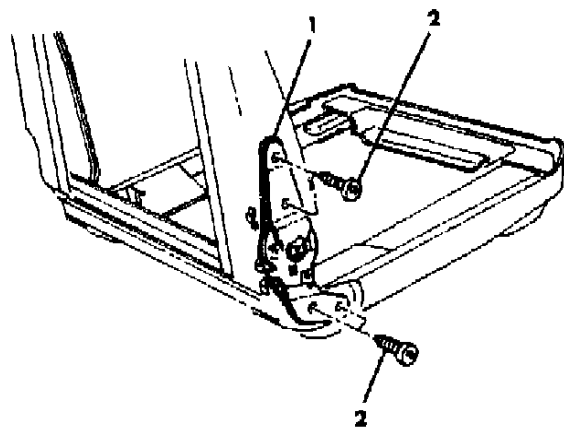
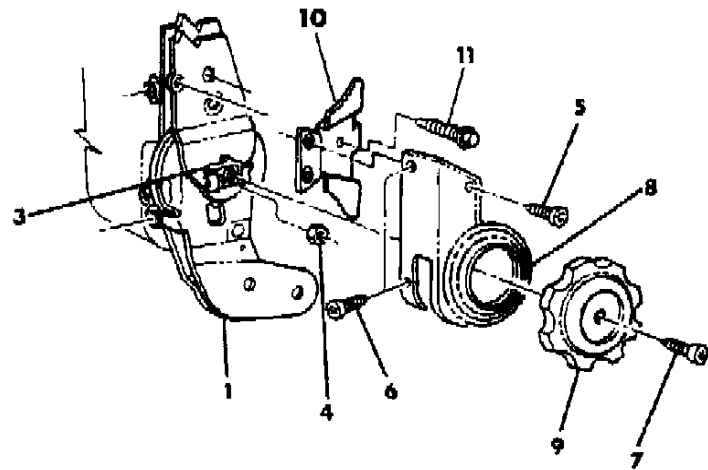
BODY STYLES

21 = 2-DOOR SEDAN	35 = FWD VAN	44 = 4-DOOR HATCHBACK
22 = 2-DOOR SPECIAL COUPE	36 = FWD WAGON	45 = 4-DOOR STATION WAGON
24 = 2-DOOR HATCHBACK	41 = 4-DOOR SEDAN	49 = LIMOUSINE
27 = 2-DOOR CONVERTIBLE		

AR = Use as Required - = Non Illustrated Part P.A.R. = Paint as Required

RECLINING FRONT SEAT W/INERTIA M,Z L BODY
Figure ITA-2100

5230 2100



ITEM	PART NUMBER	QTY	BODY	MODEL	DESCRIPTION
1	4239 640-1	1			RECLINER, Inertia N N N Y4239640
2	9422 041	8			SCREW N N N Y9422041
3	4239 671	1			ACTUATOR, Release N N24 N Y4239671
	4277 946	1			N N44 N Y4277946
4	0120 622	2			NUT N N N Y120622
5		AR			SCREW (8-18x1)(not serviced) N N N N
6	0118 614	AR			SCREW N N N Y118614
7	6032 456	2			SCREW N N N Y6032456
8	4239 542-3	1			SHIELD, Outer Chrome N N N Y4239542
	4239 570-1	1			Inner, Chrome N N N Y4239570
	4029 846	1			BUSHING, Inner Pivot, Right Only N N N Y4029846
9	4239 546	2			KNOB, Recliner Release N N N Y4239546
10	4290 711	2			BRACKET, Side Shield Mounting N N N Y4290711
11	9422 041	1			SCREW N N N Y9422041

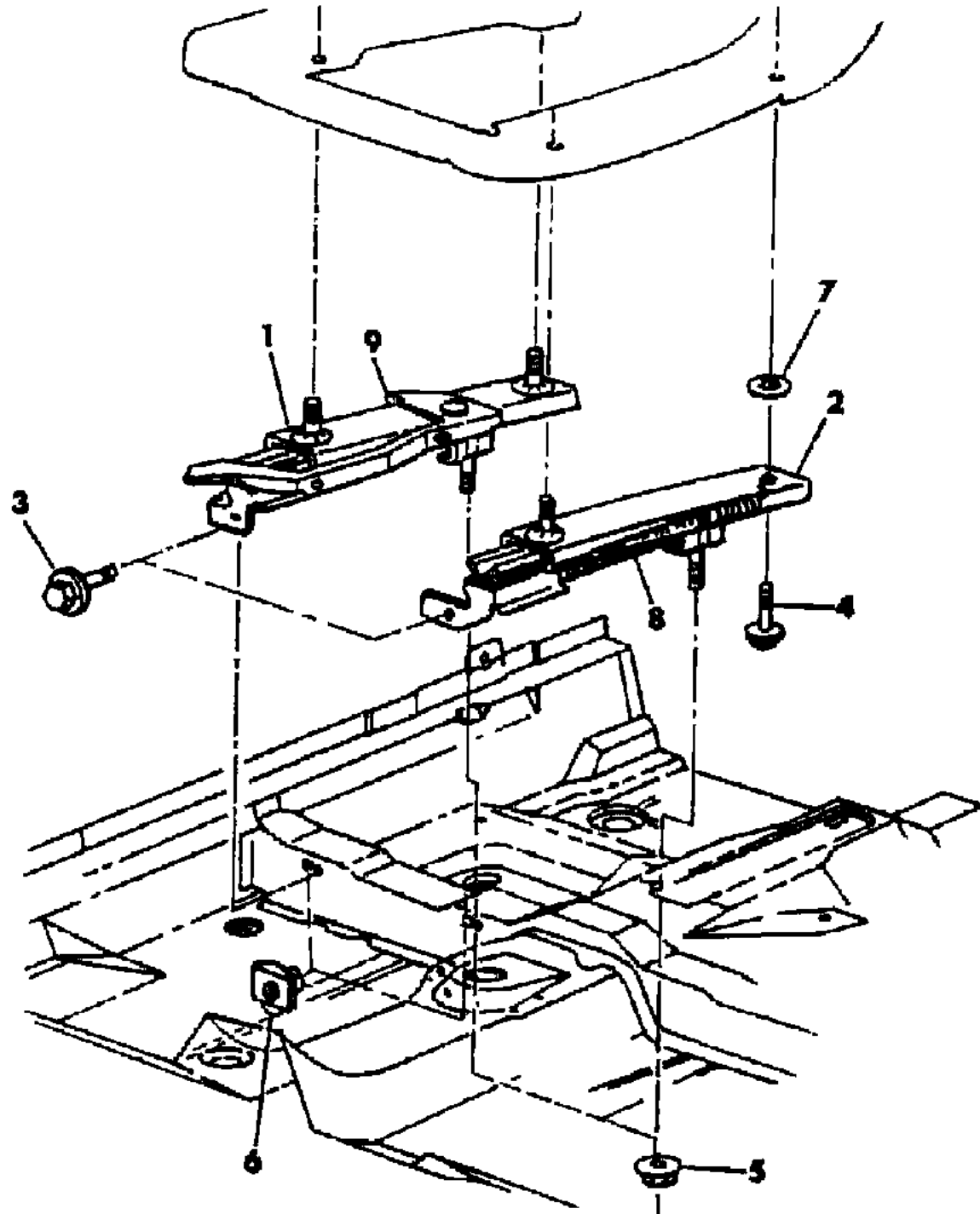
MODEL CODES
 B = GRAN FURY
 C = LE BARON/TOWN & COUNTRY/LIMO
 C24 = LASER
 C44 = LE BARON/GTS
 D = ARIES
 D44 = LANCER
 E = 600
 F = FIFTH AVENUE/NEWPORT
 G = DIPLOMAT
 H = VOYAGER
 J = CARAVELLE
 K = MINI VAN/CARAVAN/ROYAL
 M = HORIZON/TURISMO
 P = RELIANT
 T = NEW YORKER
 V = 600
 V24 = DAYTONA
 Z = OMNI/CHARGER

BODY STYLES
 21 = 2-DOOR SEDAN
 22 = 2-DOOR SPECIAL COUPE
 24 = 2-DOOR HATCHBACK
 27 = 2-DOOR CONVERTIBLE
 35 = FWD VAN
 36 = FWD WAGON
 41 = 4-DOOR SEDAN
 44 = 4-DOOR HATCHBACK
 45 = 4-DOOR STATION WAGON
 49 = LIMOUSINE

AR = Use as Required - = Non Illustrated Part P.A.R. = Paint as Required

ADJUSTER MANUAL M,Z L BODY
Figure ITA-2200

5230 2200



ITEM	PART NUMBER	QTY	BODY	MODEL	DESCRIPTION
1	4277 472-3	1			ADJUSTER, Outer N N24 N Y4277472
	4277 474-5	1			N N44 N Y4277474
2					ADJUSTER, Inner N N N N
	5232 142-3	1			N N24 N Y5232142
	5232 146-7	1			N N44 N Y5232146
3	6100 592	4			SCREW and WASHER N N N Y6100592
4	6100 592	8			SCREW and WASHER N N N Y6100592
5	6100 051	4			NUT and WASHER N N N Y6100051
6	6101 283	4			U-NUT N N N Y6101283
7	6028 040	8			RETAINER N N N Y6028040
8	5207 182	1			SPRING, Manual Adjust Assist, Left N N N Y5207182
	4277 504	AR			SPRING, Manual Adjuster Release Lever Return N N N Y4277504
9	0104 918	AR			BALL, Front Seat Manual Adjuster N N N Y104918

MODEL CODES

B = GRAN FURY	E = 600	M = HORIZON/TURISMO
C = LE BARON/TOWN & COUNTRY/LIMO	F = FIFTH AVENUE/NEWPORT	P = RELIANT
C24 = LASER	G = DIPLOMAT	T = NEW YORKER
C44 = LE BARON/GTS	H = VOYAGER	V = 600
D = ARIES	J = CARAVELLE	V24 = DAYTONA
D44 = LANCER	K = MINI VAN/CARAVAN/ROYAL	Z = OMNI/CHARGER

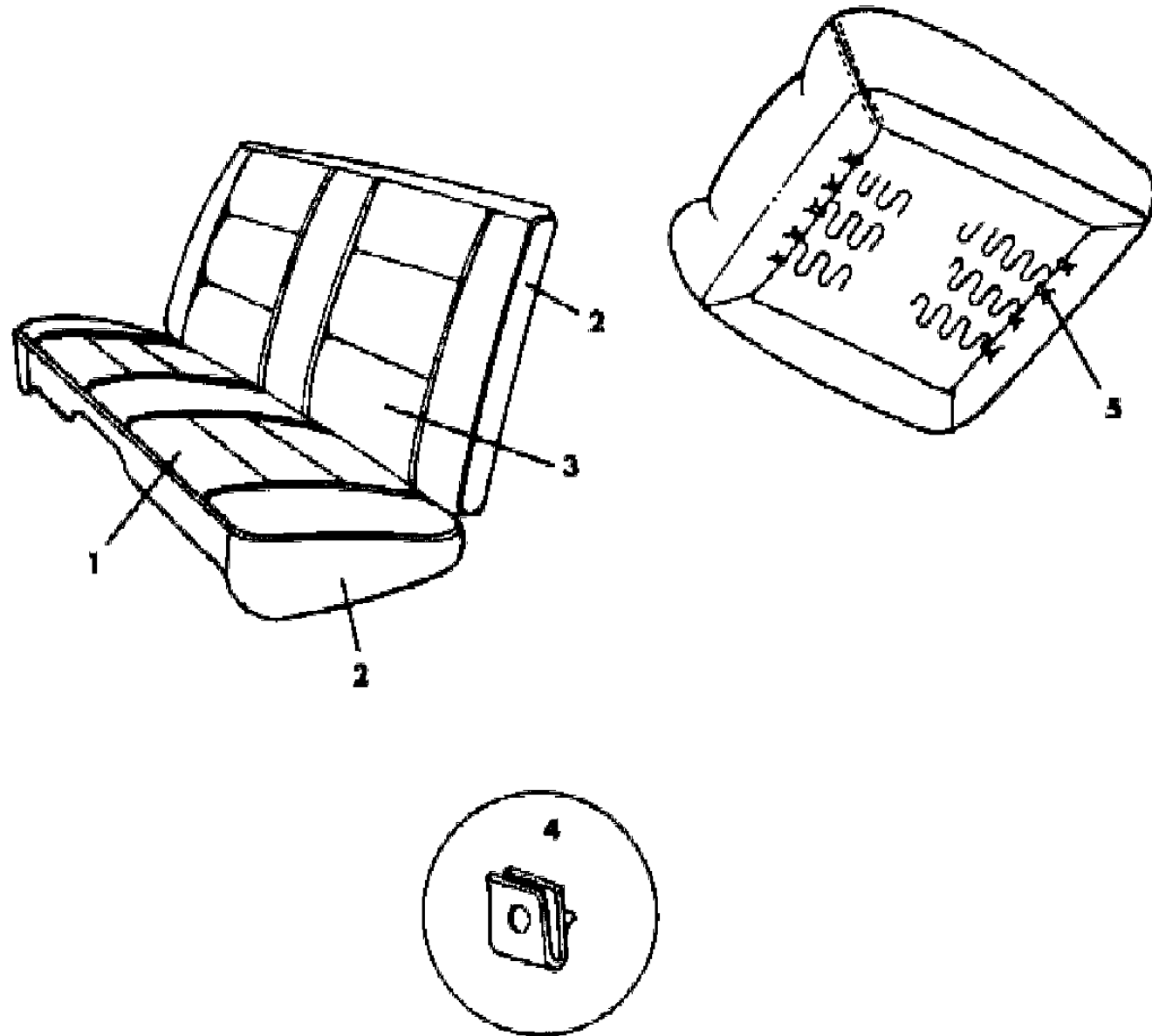
BODY STYLES

21 = 2-DOOR SEDAN	35 = FWD VAN	44 = 4-DOOR HATCHBACK
22 = 2-DOOR SPECIAL COUPE	36 = FWD WAGON	45 = 4-DOOR STATION WAGON
24 = 2-DOOR HATCHBACK	41 = 4-DOOR SEDAN	49 = LIMOUSINE
27 = 2-DOOR CONVERTIBLE		

AR = Use as Required - = Non Illustrated Part P.A.R. = Paint as Required

SEAT REAR M,Z L BODY TRIM CODES B5,F5
Figure ITA-2300

5230 2300



ITEM	PART NUMBER	QTY	BODY	MODEL	DESCRIPTION
1-2					CUSHION, w/Spring/Frame, Pad and Cover N N N N
	N566 D5M	1			Cloth N N N N
	N566 D5T	1			N N24 NF5M YN566D5M
	N566 D5S	1			N N24 NF5T YN566D5T
	N568 D5A	1			N N24 NF5SA YN566D5S
	N568 D5B	1			N N44 NB5A,F5A YN568D5A
	N568 D5M	1			N N44 NB5B,F5B YN568D5B
	N568 D5T	1			N N44 NB5M,F5M YN568D5M
	N568 D5T	1			N N44 NB5T,F5T YN568D5T
1					COVER, Cushion N N N N
	N440 D5M	1			Cloth N N N N
	N440 D5T	1			N N24 NF5M YN440D5M
	N440 D5S	1			N N24 NF5T YN440D5T
	N441 D5A	1			N N24 NF5SA YN440D5S
	N441 D5B	1			N N44 NB5A,F5A YN441D5A
	N441 D5M	1			N N44 NB5B,F5B YN441D5B
	N441 D5T	1			N N44 NB5M,F5M YN441D5M
	N441 D5T	1			N N44 NB5T,F5T YN441D5T
2					ROLL STOCK, Vinyl Order by the Inch. N N N N
	R616 AA2	AR			Silver, 64" Wide N N N YR616AA2
	R616 BB5	AR			Blue, 64" Wide N N N YR616BB5
	R616 VM6	AR			Red, 64" Wide N N N YR616VM6
	R616 DT3	AR			Tan 64" Wide N N N YR616DT3
	R609 CS8	AR			Charcoal, 54" Wide N N N YR609CS8
2-3					BACK, w/Panel, Protectors, Pad and Cover N N N N
	N569 D5M	1			Cloth N N N N
	N569 D5T	1			N N24 NF5M YN569D5M
	N569 D5S	1			N N24 NF5T YN569D5T
	N570 D5A	1			N N24 NF5SA YN569D5S
	N570 D5B	1			N N44 NB5A,F5A YN570D5A
	N570 D5M	1			N N44 NB5B,F5B YN570D5B
	N570 D5T	1			N N44 NB5M,F5M YN570D5M
	N570 D5T	1			N N44 NB5T,F5T YN570D5T
3					COVER, Back N N N N
	N442 D5M	1			Cloth N N N N
	N442 D5T	1			N N24 NF5M YN442D5M
	N442 D5T	1			N N24 NF5T YN442D5T

MODEL CODES

B = GRAN FURY	E = 600	M = HORIZON/TURISMO
C = LE BARON/TOWN & COUNTRY/LIMO	F = FIFTH AVENUE/NEWPORT	P = RELIANT
C24 = LASER	G = DIPLOMAT	T = NEW YORKER
C44 = LE BARON/GTS	H = VOYAGER	V = 600
D = ARIES	J = CARAVELLE	V24 = DAYTONA
D44 = LANCER	K = MINI VAN/CARAVAN/ROYAL	Z = OMNI/CHARGER

BODY STYLES

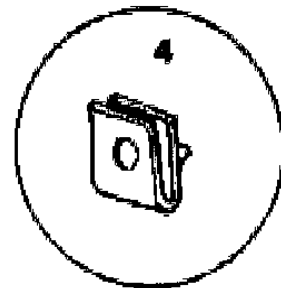
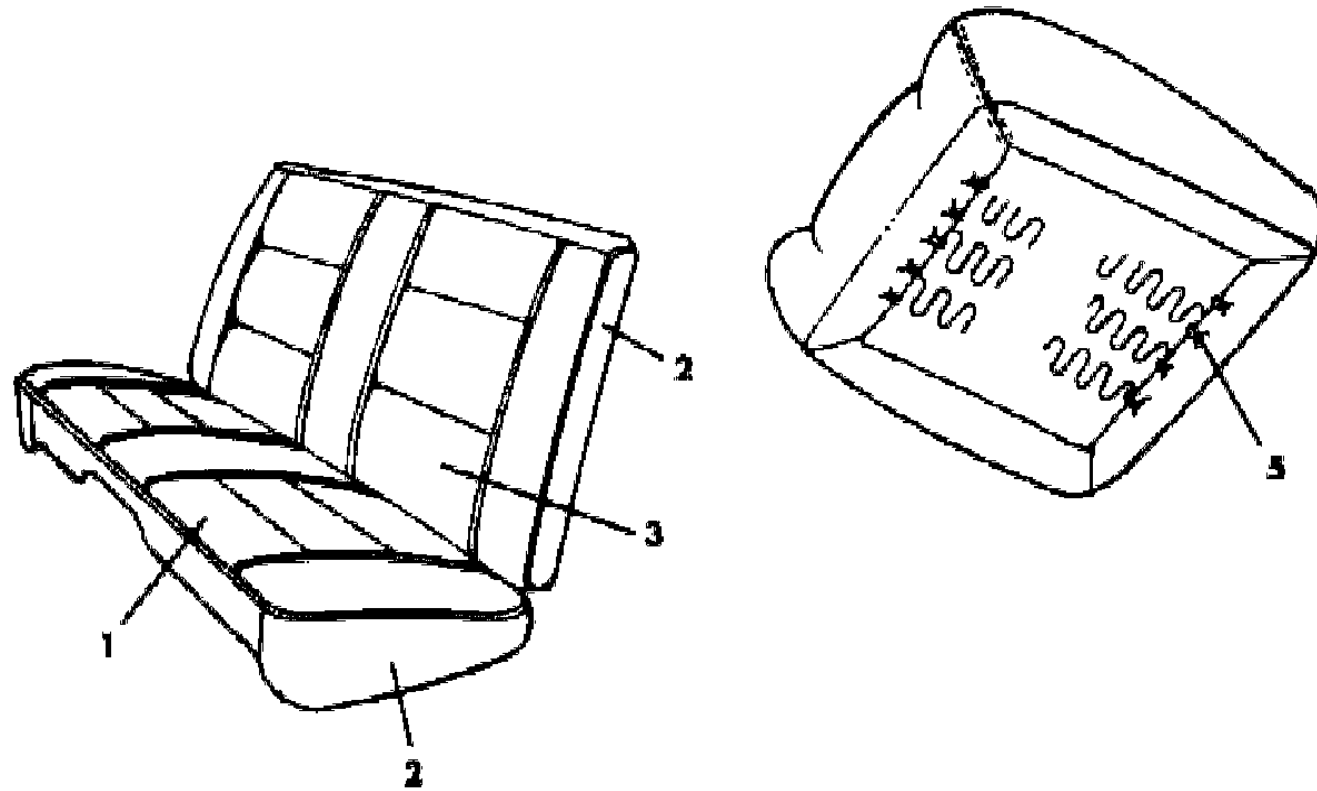
21 = 2-DOOR SEDAN	35 = FWD VAN	44 = 4-DOOR HATCHBACK
22 = 2-DOOR SPECIAL COUPE	36 = FWD WAGON	45 = 4-DOOR STATION WAGON
24 = 2-DOOR HATCHBACK	41 = 4-DOOR SEDAN	49 = LIMOUSINE
27 = 2-DOOR CONVERTIBLE		

AR = Use as Required - = Non Illustrated Part P.A.R. = Paint as Required

SEAT REAR M,Z L BODY TRIM CODES B5,F5
Figure ITA-2300

5230 2300

ITEM	PART NUMBER	QTY	BODY	MODEL	DESCRIPTION
	N442 D5S	1			N N24 NF5SA YN442D5S
	N443 D5A	1			N N44 NB5A,F5A YN443D5A
	N443 D5B	1			N N44 NB5B,F5B YN443D5B
	N443 D5M	1			N N44 NB5M,F5M YN443D5M
	N443 D5T	1			N N44 NB5T,F5T YN443D5T
4	6500 296	2			CLIP, Cushion Retainer N N N Y6500296
5	6008 076	AR			HOG RING N N N Y6008076



MODEL CODES

B = GRAN FURY	E = 600	M = HORIZON/TURISMO
C = LE BARON/TOWN & COUNTRY/LIMO	F = FIFTH AVENUE/NEWPORT	P = RELIANT
C24 = LASER	G = DIPLOMAT	T = NEW YORKER
C44 = LE BARON/GTS	H = VOYAGER	V = 600
D = ARIES	J = CARAVELLE	V24 = DAYTONA
D44 = LANCER	K = MINI VAN/CARAVAN/ROYAL	Z = OMNI/CHARGER

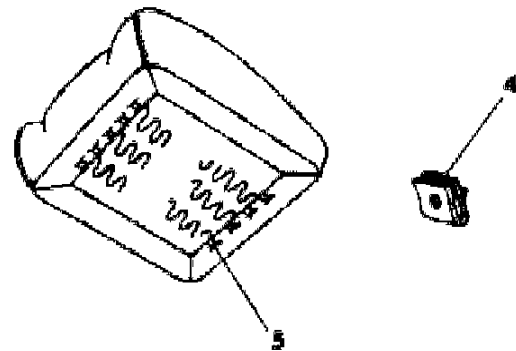
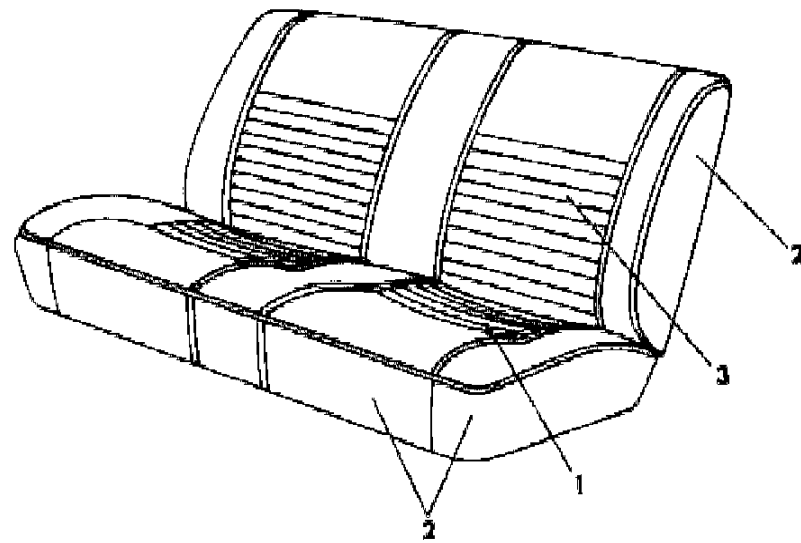
BODY STYLES

21 = 2-DOOR SEDAN	35 = FWD VAN	44 = 4-DOOR HATCHBACK
22 = 2-DOOR SPECIAL COUPE	36 = FWD WAGON	45 = 4-DOOR STATION WAGON
24 = 2-DOOR HATCHBACK	41 = 4-DOOR SEDAN	49 = LIMOUSINE
27 = 2-DOOR CONVERTIBLE		

AR = Use as Required - = Non Illustrated Part P.A.R. = Paint as Required

SEAT REAR M,Z L BODY TRIM CODES E7,H7
Figure ITA-2400

5230 2400



ITEM	PART NUMBER	QTY	BODY	MODEL	DESCRIPTION
1-2					CUSHION, w/Spring/Frame, Pad and Cover N N N N
	N870 C7B	1			Cloth N N N N
	N870 C7M	1			N N24 NH7B YN870C7B
	N870 D7T	1			N N24 NH7M YN870C7M
	N870 C7S	1			N N24 NH7T YN870D7T
	N871 C7A	1			N N24 NH7SA YN870C7S
	N871 C7B	1			N N44 NE7A YN871C7A
	N871 C7M	1			N N44 NE7B YN871C7B
	N871 D7T	1			N N44 NE7M YN871C7M
1					COVER, Cushion N N N N
	N422 C7B	1			Cloth N N N N
	N422 C7M	1			N N24 NH7B YN422C7B
	N422 D7T	1			N N24 NH7M YN422C7M
	N422 C7S	1			N N24 NH7T YN422D7T
	N423 C7A	1			N N24 NH7SA YN422C7S
	N423 C7B	1			N N44 NE7A YN423C7A
	N423 C7M	1			N N44 NE7B YN423C7B
	N423 D7T	1			N N44 NE7M YN423C7M
2					ROLL STOCK, Vinyl Order by the Inch N N N N
	R616 AA2	AR			Silver, 64" Wide N N N YR616AA2
	R616 BB5	AR			Blue, 64" Wide N N N YR616BB5
	R616 VM6	AR			Red, 64" Wide N N N YR616VM6
	R616 DT3	AR			Tan 64" Wide N N N YR616DT3
	R609 CS8	AR			Charcoal, 54" Wide N N N YR609CS8
3&2					BACK, w/Panel, Protectors, Pad and Cover N N N N
	N872 C7B	1			Cloth N N N N
	N872 C7M	1			N N24 NH7B YN872C7B
	N872 D7T	1			N N24 NH7M YN872C7M
	N872 C7S	1			N N24 NH7T YN872D7T
	N873 C7A	1			N N24 NH7SA YN872C7S
	N873 C7B	1			N N44 NE7A YN873C7A
	N873 C7M	1			N N44 NE7B YN873C7B
	N873 D7T	1			N N44 NE7M YN873C7M
3					COVER, Back N N N N

MODEL CODES

B = GRAN FURY	E = 600	M = HORIZON/TURISMO
C = LE BARON/TOWN & COUNTRY/LIMO	F = FIFTH AVENUE/NEWPORT	P = RELIANT
C24 = LASER	G = DIPLOMAT	T = NEW YORKER
C44 = LE BARON/GTS	H = VOYAGER	V = 600
D = ARIES	J = CARAVELLE	V24 = DAYTONA
D44 = LANCER	K = MINI VAN/CARAVAN/ROYAL	Z = OMNI/CHARGER

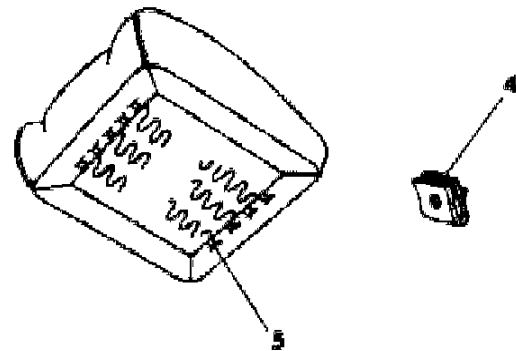
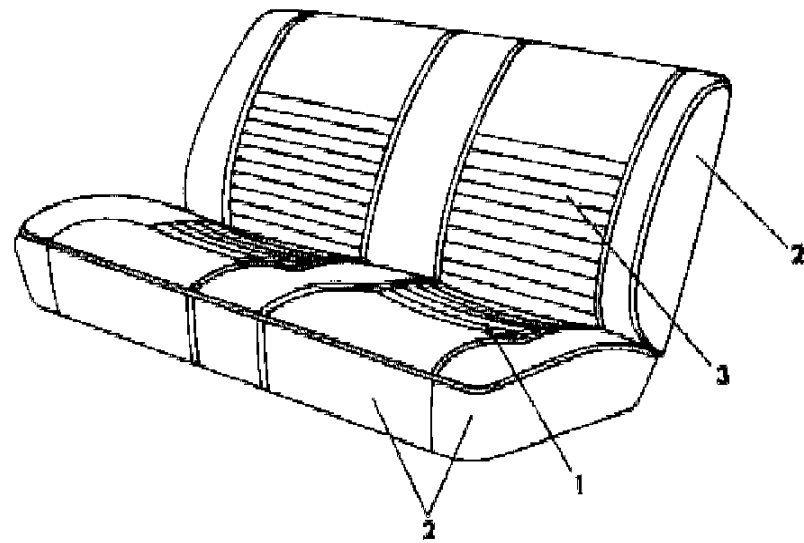
BODY STYLES

21 = 2-DOOR SEDAN	35 = FWD VAN	44 = 4-DOOR HATCHBACK
22 = 2-DOOR SPECIAL COUPE	36 = FWD WAGON	45 = 4-DOOR STATION WAGON
24 = 2-DOOR HATCHBACK	41 = 4-DOOR SEDAN	49 = LIMOUSINE
27 = 2-DOOR CONVERTIBLE		

AR = Use as Required - = Non Illustrated Part P.A.R. = Paint as Required

SEAT REAR M,Z L BODY TRIM CODES E7,H7
Figure ITA-2400

5230 2400



ITEM	PART NUMBER	QTY	BODY	MODEL	DESCRIPTION
					Cloth N N N N
	N424 C7B	1			N N24 NH7B YN424C7B
	N424 C7M	1			N N24 NH7M YN424C7M
	N424 D7T	1			N N24 NH7T YN424D7T
	N424 C7S	1			N N24 NH7SA YN424C7S
	N425 C7A	1			N N44 NE7A YN425C7A
	N425 C7B	1			N N44 NE7B YN425C7B
	N425 C7M	1			N N44 NE7M YN425C7M
	N425 D7T	1			N N44 NE7T YN425D7T
4	6500 296	AR			CLIP, Rear Cushion Retainer N N N Y6500296
5	6008 076	AR			CLIP, Hog Ring N N N Y6008076

MODEL CODES

B = GRAN FURY	E = 600	M = HORIZON/TURISMO
C = LE BARON/TOWN & COUNTRY/LIMO	F = FIFTH AVENUE/NEWPORT	P = RELIANT
C24 = LASER	G = DIPLOMAT	T = NEW YORKER
C44 = LE BARON/GTS	H = VOYAGER	V = 600
D = ARIES	J = CARAVELLE	V24 = DAYTONA
D44 = LANCER	K = MINI VAN/CARAVAN/ROYAL	Z = OMNI/CHARGER

BODY STYLES

21 = 2-DOOR SEDAN	35 = FWD VAN	44 = 4-DOOR HATCHBACK
22 = 2-DOOR SPECIAL COUPE	36 = FWD WAGON	45 = 4-DOOR STATION WAGON
24 = 2-DOOR HATCHBACK	41 = 4-DOOR SEDAN	49 = LIMOUSINE
27 = 2-DOOR CONVERTIBLE		

AR = Use as Required - = Non Illustrated Part P.A.R. = Paint as Required

SEAT REAR M,Z L BODY TRIM CODES E8,H8
Figure ITA-2500

ITEM	PART NUMBER	QTY	BODY	MODEL	DESCRIPTION
1-2					CUSHION, w/Spring/Frame, Pad and Cover N N N N
					Vinyl N N N N
	N962 C8M	1			N N24 NH8M YN962C8M
	N962 D8T	1			N N24 NH8T YN962D8T
	N962 C8A	1			N N24 NH8SA YN962C8A
	N963 C8A	1			N N44 NE8A,H8A YN963C8A
	N963 C8M	1			N N44 NH8M YN963C8M
	N963 D8T	1			N N44 NE8T,H8T YN963D8T
1					COVER, Cushion N N N N
					Vinyl N N N N
	N428 C8M	1			N N24 NH8M YN428C8M
	N428 D8T	1			N N24 NH8T YN428D8T
	N428 C8S	1			N N24 NH8SA YN428C8S
	N429 C8A	1			N N44 NE8A,H8A YN429C8A
	N429 C8M	1			N N44 NH8M YN429C8M
	N429 D8T	1			N N44 NE8T,H8T YN429D8T
2					ROLL STOCK, Vinyl Order by the Inch N N N N
	R616 AA2	AR			Silver, 64" Wide N N N YR616AA2
	R616 VM6	AR			Red, 64" Wide N N N YR616VM6
	R616 DT3	AR			Tan, 64" Wide N N N YR616DT3
	R609 CS8	AR			Charcoal, 54" Wide N N N YR609CS8
2-3					BACK, w/Panel, Protectors, Pad and Cover N N N N
					Vinyl N N N N
	N964 C8M	1			N N24 NH8M YN964C8M
	N964 D8T	1			N N24 NH8T YN964D8T
	N964 C8A	1			N N24 NH8SA YN964C8A
	N965 C8A	1			N N44 NE8A,H8A YN965C8A
	N965 C8M	1			N N44 NH8M YN965C8M
	N965 D8T	1			N N44 NE8T,H8T YN965D8T
3					COVER, Back N N N N
					Vinyl N N N N
	N430 C8M	1			N N24 NH8M YN430C8M
	N430 D8T	1			N N24 NH8T YN430D8T
	N430 C8S	1			N N24 NH8SA YN430C8S
	N431 C8A	1			N N44 NE8A,H8A YN431C8A
	N431 C8M	1			N N44 NH8M YN431C8M
	N431 D8T	1			N N44 NE8T,H8T YN431D8T

MODEL CODES

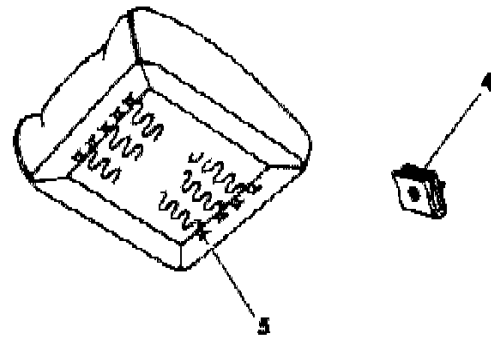
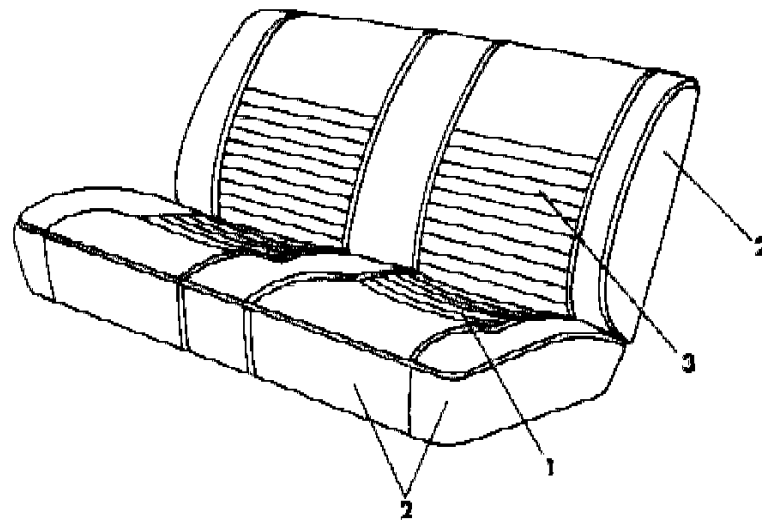
B = GRAN FURY	E = 600	M = HORIZON/TURISMO
C = LE BARON/TOWN & COUNTRY/LIMO	F = FIFTH AVENUE/NEWPORT	P = RELIANT
C24 = LASER	G = DIPLOMAT	T = NEW YORKER
C44 = LE BARON/GTS	H = VOYAGER	V = 600
D = ARIES	J = CARAVELLE	V24 = DAYTONA
D44 = LANCER	K = MINI VAN/CARAVAN/ROYAL	Z = OMNI/CHARGER

BODY STYLES

21 = 2-DOOR SEDAN	35 = FWD VAN	44 = 4-DOOR HATCHBACK
22 = 2-DOOR SPECIAL COUPE	36 = FWD WAGON	45 = 4-DOOR STATION WAGON
24 = 2-DOOR HATCHBACK	41 = 4-DOOR SEDAN	49 = LIMOUSINE
27 = 2-DOOR CONVERTIBLE		

AR = Use as Required - = Non Illustrated Part P.A.R. = Paint as Required

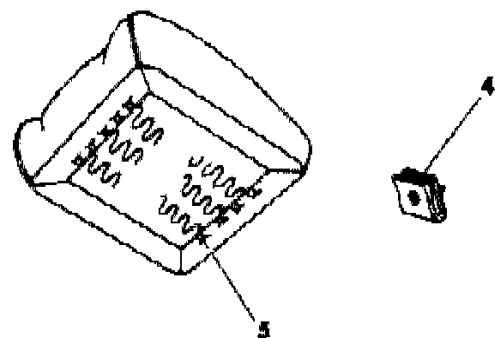
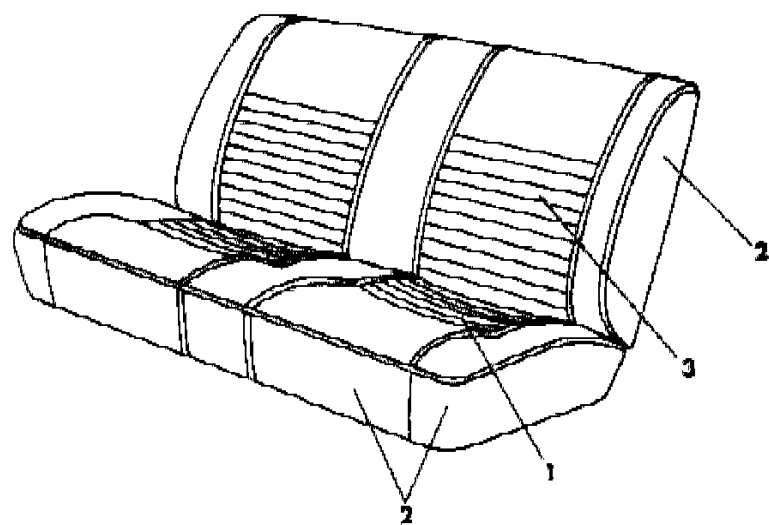
5230 2890



SEAT REAR M,Z L BODY TRIM CODES E8,H8
Figure ITA-2500

ITEM	PART NUMBER	QTY	BODY	MODEL	DESCRIPTION
4	6500 296	AR			CLIP, Cushion Retainer N N N Y6500296
5	6008 076	AR			HOG RING N N N Y6008076

5230 2800



MODEL CODES

B = GRAN FURY	E = 600	M = HORIZON/TURISMO
C = LE BARON/TOWN & COUNTRY/LIMO	F = FIFTH AVENUE/NEWPORT	P = RELIANT
C24 = LASER	G = DIPLOMAT	T = NEW YORKER
C44 = LE BARON/GTS	H = VOYAGER	V = 600
D = ARIES	J = CARAVELLE	V24 = DAYTONA
D44 = LANCER	K = MINI VAN/CARAVAN/ROYAL	Z = OMNI/CHARGER

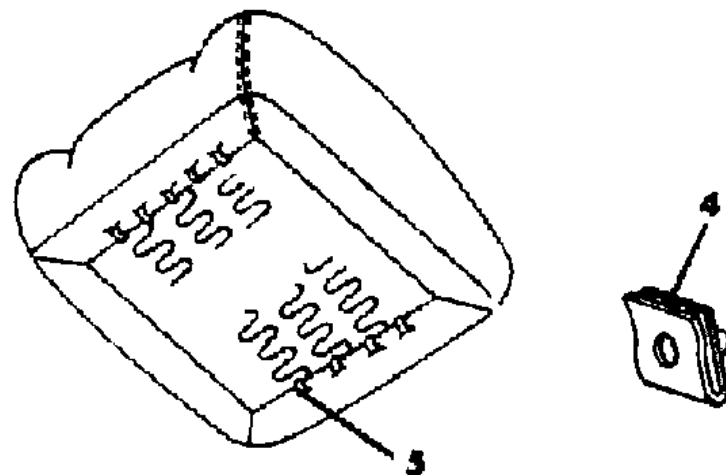
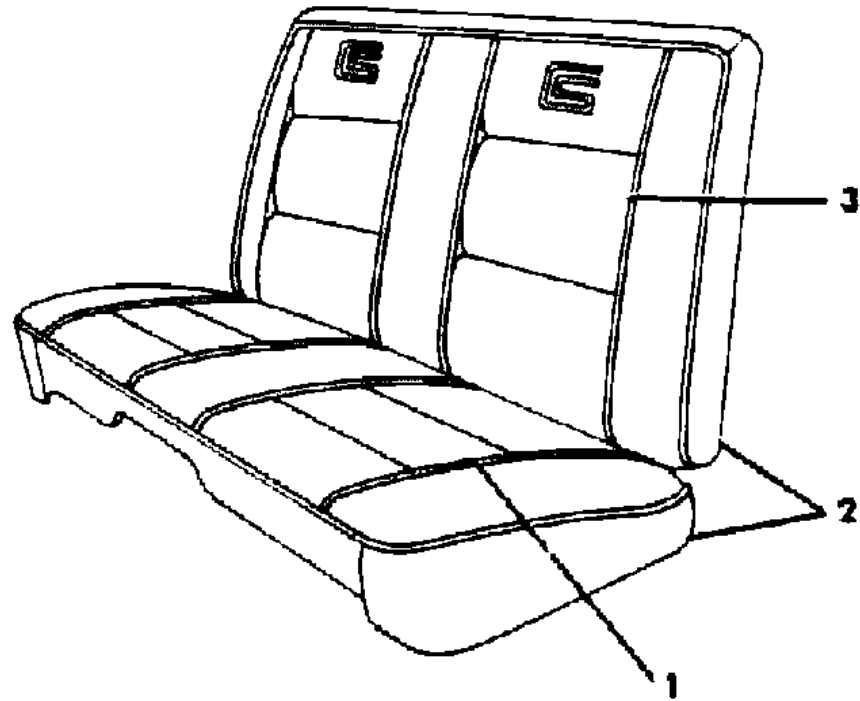
BODY STYLES

21 = 2-DOOR SEDAN	35 = FWD VAN	44 = 4-DOOR HATCHBACK
22 = 2-DOOR SPECIAL COUPE	36 = FWD WAGON	45 = 4-DOOR STATION WAGON
24 = 2-DOOR HATCHBACK	41 = 4-DOOR SEDAN	49 = LIMOUSINE
27 = 2-DOOR CONVERTIBLE		

AR = Use as Required - = Non Illustrated Part P.A.R. = Paint as Required

SEAT REAR Z L BODY TRIM CODE S5
Figure ITA-2600

5230 2600



ITEM	PART NUMBER	QTY	BODY	MODEL	DESCRIPTION
1-2					CUSHION, w/Spring/Frame, Pad and Cover N N N N Cloth N N N N (use up to 1/2/85) N N N N N N NS5AC YN770B5A N N NS5AS YN770C5S
	N770 B5A	1			
	N770 C5S	1			
	N834 D5C	1			(use after 1/2/85) N N N N N N NS5AC YN834D5C
	N834 D5S	1			N N NS5AS YN834D5S
1					COVER, Cushion N N N N Cloth N N N N (use up to 1/2/85) N N N N N N NS5AC YN414B5A N N NS5AS YN414C5S
	N414 B5A	1			
	N414 C5S	1			
	N418 D5C	1			(use after 1/2/85) N N N N N N NS5AC YN418D5C
	N418 D5S	1			N N NS5AS YN418D5S
2	R616 AA2	AR			ROLL STOCK, Vinyl 64" Wide Order by the Inch N N N YR616AA2
2-3					BACK, w/Panel, Protectors, Pad and Cover N N N N Cloth N N N N (use up to 1/2/85) N N N N N N NS5AC YN583D5A N N NS5AS YN583D5S (use after 1/2/85) N N N N N N NS5AC YN835D5C N N NS5AS YN835D5S
	N583 D5A	1			
	N583 D5S	1			
	N835 D5C	1			
	N835 D5S	1			
3					COVER, Back N N N N Cloth N N N N (use up to 1/2/85) N N N N N N NS5AC YN449D5A N N NS5AS YN449D5S (use after 1/2/85) N N N N N N NS5AC YN419D5C N N NS5AS YN419D5S
	N449 D5A	1			
	N449 D5S	1			
	N419 D5C	1			
	N419 D5S	1			
4	6500 296	AR			CLIP, Rear Cushion Retainer N N N Y6500296
5	6008 076	AR			HOG RING N N N Y6008076

MODEL CODES

B = GRAN FURY	E = 600	M = HORIZON/TURISMO
C = LE BARON/TOWN & COUNTRY/LIMO	F = FIFTH AVENUE/NEWPORT	P = RELIANT
C24 = LASER	G = DIPLOMAT	T = NEW YORKER
C44 = LE BARON/GTS	H = VOYAGER	V = 600
D = ARIES	J = CARAVELLE	V24 = DAYTONA
D44 = LANCER	K = MINI VAN/CARAVAN/ROYAL	Z = OMNI/CHARGER

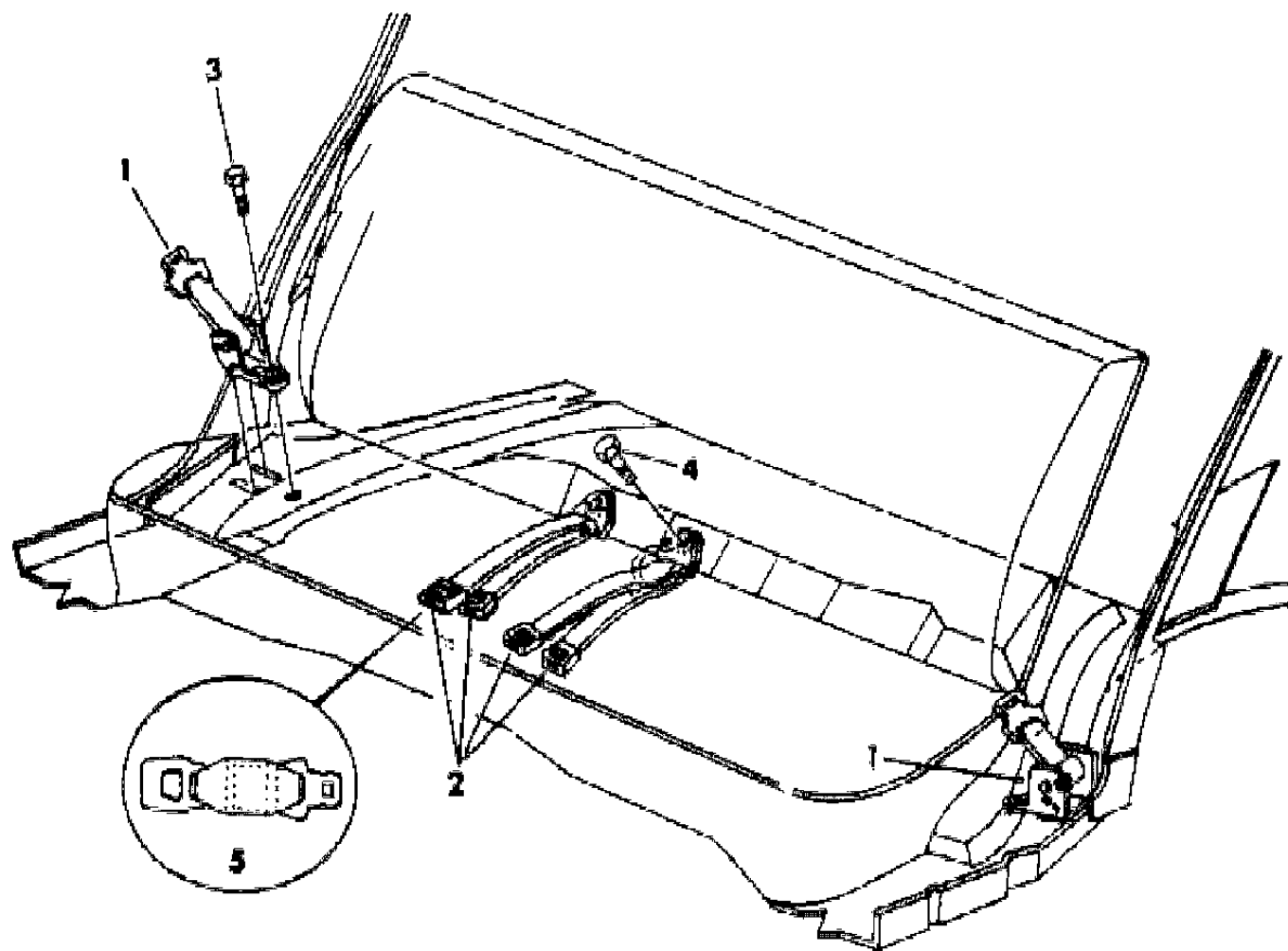
BODY STYLES

21 = 2-DOOR SEDAN	35 = FWD VAN	44 = 4-DOOR HATCHBACK
22 = 2-DOOR SPECIAL COUPE	36 = FWD WAGON	45 = 4-DOOR STATION WAGON
24 = 2-DOOR HATCHBACK	41 = 4-DOOR SEDAN	49 = LIMOUSINE
27 = 2-DOOR CONVERTIBLE		

AR = Use as Required - = Non Illustrated Part P.A.R. = Paint as Required

BELT REAR SEAT LAP M,Z L BODY
Figure ITA-2700

5230 2700



ITEM	PART NUMBER	QTY	BODY	MODEL	DESCRIPTION
1					BELT, Rear Seat Lap Outboard Tip Half N N N N Label Number 4316222 or 4237196 N N N N
	F673 BA3	2			Silver N N N YF673BA3
	F673 BB5	2			Blue N N N YF673BB5
	F673 BM6	2			Red N N N YF673BM6
	F673 DT3	2			Tan N N N YF673DT3
	F673 CS8	2			Charcoal N N N YF673CS8
2					BELT, Rear Seat Lap Buckle Inner, Right N N N N Label Number 4316756 N N N N
	F712 BA3	1			Silver N N N YF712BA3
	F712 BB5	1			Blue N N N YF712BB5
	F712 BM6	1			Red N N N YF712BM6
	F712 DT3	1			Tan N N N YF712DT3
	F712 CS8	1			Charcoal N N N YF712CS8
					Buckle and Tip, Left N N N N Label Number 4136755 N N N N
	F711 BA3	1			Silver N N N YF711BA3
	F711 BB5	1			Blue N N N YF711BB5
	F711 BM6	1			Red N N N YF711BM6
	F711 DT3	1			Tan N N N YF711DT3
	F711 CS8	1			Charcoal N N N YF711CS8
3	6031 484	2			BOLT N N N Y6031484
4	6031 298	1			BOLT N N N Y6031298
5	4364 849	1			EXTENSION, Seat Belt N N N Y4364849

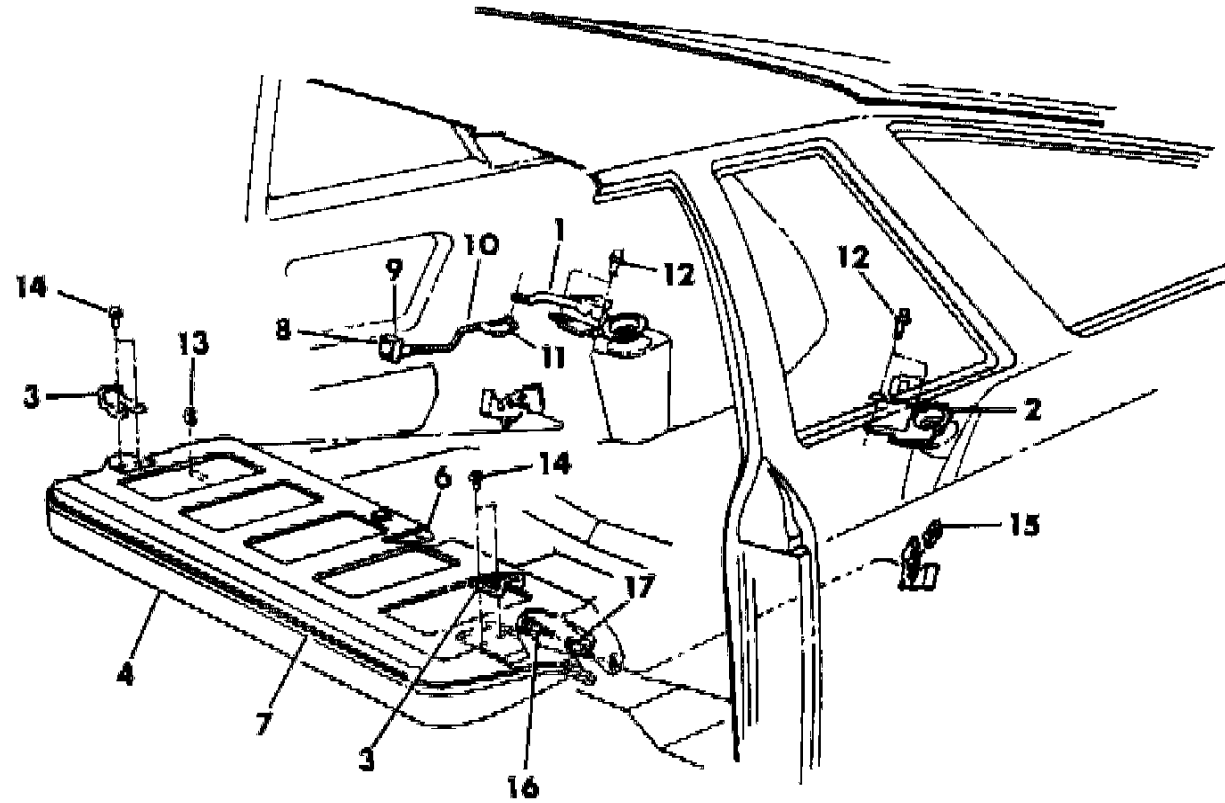
MODEL CODES
 B = GRAN FURY
 C = LE BARON/TOWN & COUNTRY/LIMO
 C24 = LASER
 C44 = LE BARON/GTS
 D = ARIES
 D44 = LANCER
 E = 600
 F = FIFTH AVENUE/NEWPORT
 G = DIPLOMAT
 H = VOYAGER
 J = CARAVELLE
 K = MINI VAN/CARAVAN/ROYAL
 M = HORIZON/TURISMO
 P = RELIANT
 T = NEW YORKER
 V = 600
 V24 = DAYTONA
 Z = OMNI/CHARGER

BODY STYLES
 21 = 2-DOOR SEDAN
 22 = 2-DOOR SPECIAL COUPE
 24 = 2-DOOR HATCHBACK
 27 = 2-DOOR CONVERTIBLE
 35 = FWD VAN
 36 = FWD WAGON
 41 = 4-DOOR SEDAN
 44 = 4-DOOR HATCHBACK
 45 = 4-DOOR STATION WAGON
 49 = LIMOUSINE

AR = Use as Required - = Non Illustrated Part P.A.R. = Paint as Required

SEAT REAR FOLD DOWN M,Z L BODY 24
Figure ITA-2800

5230 2800



ITEM	PART NUMBER	QTY	BODY	MODEL	DESCRIPTION
1	5207 284	1			LATCH, Second Seat Back N N N Y5207284
2	5207 306	1			BRACKET, w/Retainer Clip Second Seat Back N N N Y5207306
3	5207 288	2			STRIKER, Second Seat Back Latch and Retainer Clip N N N Y5207288
4	5230 363	1			PANEL, Rear Seat Back N N N Y5230363
6	5230 365	1			PROTECTOR, Inner N N N Y5230365
7	S535 RX9	1			PROTECTOR, Upper N N N YS535RX9
8	H443 BL3	1			BUTTON, Second Seat Back Release Rod (paint as required) N N N YH443BL3
	4246 304	1			BAND, Second Seat Back Release Tie Down N N N Y4246304
9	H428 BL3	1			BEZEL, Second Seat Back Latch Release Rod Button (paint as required) N N N YH428BL3
10	5207 289	1			ROD, Second Seat Back Latch Release N N N Y5207289
	6031 485	1			CLIP, Second Seat Back Latch Release Rod N N N Y6031485
11	2945 109	1			CLIP, Second Seat Back Release Rod Attaching N N N Y2945109
12	6101 276	AR			SCREW and WASHER N N N Y6101276
13	6023 878	2			RING, Retainer N N N Y6023878
14	6501 070	4			SCREW N N N Y6501070
15	6101 283	2			U-NUT N N N Y6101283
16	6500 713	2			SCREW N N N Y6500713
17	5230 351	2			BUSHING N N N Y5230351

MODEL CODES

B = GRAN FURY	E = 600	M = HORIZON/TURISMO
C = LE BARON/TOWN & COUNTRY/LIMO	F = FIFTH AVENUE/NEWPORT	P = RELIANT
C24 = LASER	G = DIPLOMAT	T = NEW YORKER
C44 = LE BARON/GTS	H = VOYAGER	V = 600
D = ARIES	J = CARAVELLE	V24 = DAYTONA
D44 = LANCER	K = MINI VAN/CARAVAN/ROYAL	Z = OMNI/CHARGER

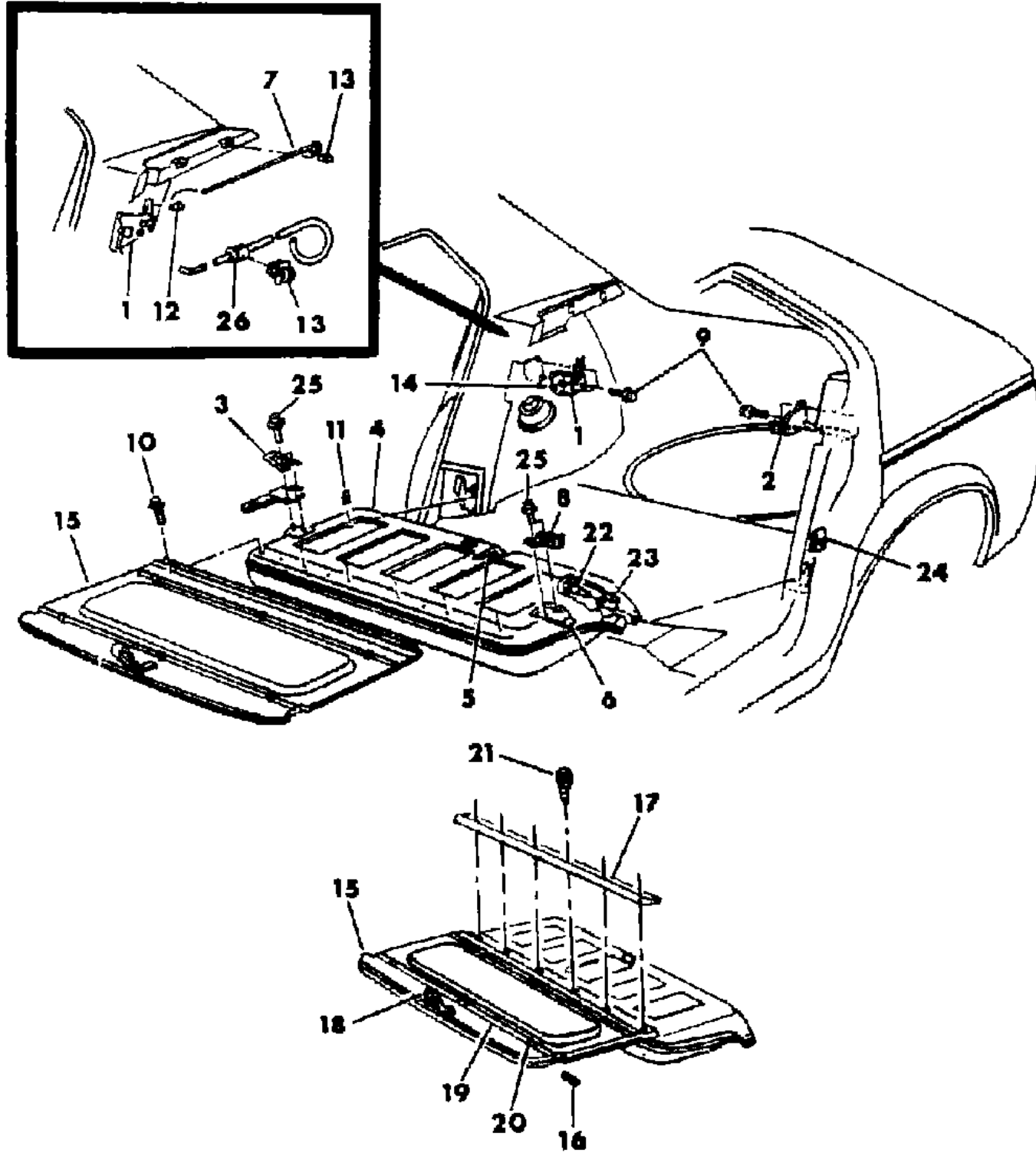
BODY STYLES

21 = 2-DOOR SEDAN	35 = FWD VAN	44 = 4-DOOR HATCHBACK
22 = 2-DOOR SPECIAL COUPE	36 = FWD WAGON	45 = 4-DOOR STATION WAGON
24 = 2-DOOR HATCHBACK	41 = 4-DOOR SEDAN	49 = LIMOUSINE
27 = 2-DOOR CONVERTIBLE		

AR = Use as Required - = Non Illustrated Part P.A.R. = Paint as Required

SEAT REAR FOLD DOWN M,Z L BODY 44
Figure ITA-2900

5230 2900



ITEM	PART NUMBER	QTY	BODY	MODEL	DESCRIPTION
1	5207 008	2			LATCH, Folding Rear Seat Back N N N Y5207008
2	5207 208	1			BRACKET and CLIP, Support N N N Y5207208
3	5207 059	1			STRIKER, Folding Seat Back Latch N N N Y5207059
4	5230 363	1			PANEL, Seat Back N N N Y5230363
5	5230 365	1			PROTECTOR, Inner N N N Y5230365
6	S535 RX9	1			PROTECTOR, Upper N N N YS535RX9
7	5207 082	1			ROD, Latch Release N N N Y5207082
8	5207 272	1			STRIKER, Left Side N N N Y5207272
9	6101 276	AR			SCREW and WASHER N N N Y6101276
10		AR			SCREW (8-18x5/8)(not serviced) N N N
11	6023 878	1			RING, Retainer N N N Y6023878
12	2945 109	1			CLIP, Latch to Rod N N N Y2945109
13	6015 640	AR			CLIP N N N Y6015640
14	5207 189	1			BUMPER, Folding Rear Seat Back Support N N N Y5207189
	6031 340	1			NUT, Seat Back Latch Bumper N N N Y6031340
15					PANEL, Rear Shelf N N N
	H207 CS8	1			Charcoal N N N YH207CS8
	H207 BC7	1			Blue N N N YH207BC7
	H207 VM6	1			Red N N N YH207VM6
	H207 DT5	1			Tan N N N YH207DT5
16	5230 427	1			CORD, Shelf Panel N N N Y5230427
17	5200 315	1			RETAINER, Shelf Panel Carpet N N N Y5200315
18	5200 383	1			STRAP, Shelf Panel Lift N N N Y5200383
19	5200 306	1			ROD, Shelf Panel Support N N N Y5200306
20	5200 309	3			RETAINER, Shelf Panel Support Rod N N N Y5200309
21		AR			SCREW (8-18x5/8)(not serviced) N N N
22		2			SCREW, Folding Rear Seat Back Pivot N N N N6500713
23	5230 351	2			BUSHING, Folding Rear Seat Back Pivot Screw N N N Y5230351
24	6101 283	2			U-NUT N N N Y6101283
	6031 340	1			NUT, Folding Rear Seat Back Latch Bumper Adjuster N N N Y6031340
25	6501 070	4			SCREW N N N Y6501070
26	4057 555	AR			RETAINER N N N Y4057555

MODEL CODES

B = GRAN FURY	E = 600	M = HORIZON/TURISMO
C = LE BARON/TOWN & COUNTRY/LIMO	F = FIFTH AVENUE/NEWPORT	P = RELIANT
C24 = LASER	G = DIPLOMAT	T = NEW YORKER
C44 = LE BARON/GTS	H = VOYAGER	V = 600
D = ARIES	J = CARAVELLE	V24 = DAYTONA
D44 = LANCER	K = MINI VAN/CARAVAN/ROYAL	Z = OMNI/CHARGER

BODY STYLES

21 = 2-DOOR SEDAN	35 = FWD VAN	44 = 4-DOOR HATCHBACK
22 = 2-DOOR SPECIAL COUPE	36 = FWD WAGON	45 = 4-DOOR STATION WAGON
24 = 2-DOOR HATCHBACK	41 = 4-DOOR SEDAN	49 = LIMOUSINE
27 = 2-DOOR CONVERTIBLE		

AR = Use as Required - = Non Illustrated Part P.A.R. = Paint as Required

GROUP ITC - K BODY

ILLUSTRATION NOT AVAILABLE AT TIME OF PUBLICATION

ILLUSTRATION TITLE	GROUP-FIG. NO.
COWL PANEL AND SILENCERS P,D,C,V K BODY	Fig. ITC-100
HEADLINER VISOR AND SHELF PANEL P,D,C,V K BODY	Fig. ITC-200
HEADLINER AND SUNVISOR LIMO	Fig. ITC-300
TONNEAU COVER C . K BODY 45	Fig. ITC-400
MOULDING GARNISH P,D,C,V K BODY	Fig. ITC-500
MOULDING GARNISH C,V K BODY 27	Fig. ITC-600
MOULDING GARNISH AND BACKLITE INSERT LIMO.	Fig. ITC-700
B PILLAR TRIM P,D,C K BODY 41,45, AND LIMO.	Fig. ITC-800
PANEL QUARTER TRIM P,D K BODY 21	Fig. ITC-900
PANEL QUARTER TRIM C,V K BODY 22	Fig. ITC-1000
PANEL QUARTER TRIM C,V K BODY 27	Fig. ITC-1100
PANEL QUARTER TRIM P,D,C K BODY 41	Fig. ITC-1200
PANEL QUARTER TRIM P,D,C K BODY 45	Fig. ITC-1300
LIFT GATE TRIM P,D,C K BODY 45	Fig. ITC-1400
PANEL QUARTER TRIM LIMO	Fig. ITC-1500
DIVIDER CENTER PRIVACY LIMO.	Fig. ITC-1600
PANEL TRIM CENTER DIVIDER LIMO.	Fig. ITC-1700
CARPET P,D,C,V K BODY	Fig. ITC-1800
CARPET FOOTREST AND TRUNK LIMO.	Fig. ITC-1900
CARPET C,V K BODY 27	Fig. ITC-2000
MATS FRONT AND REAR P,D,C,V K BODY	Fig. ITC-2100
SILENCERS REAR COMPARTMENT P,D,C,V K BODY 21,22,41	Fig. ITC-2200
PANEL CARGO P,D,C K BODY	Fig. ITC-2300
CARPET CARGO AREA P,D,C K BODY 45	Fig. ITC-2400
SCUFF PLATES BODY SIDE SILL AND DOOR P,D,C,V K BODY	Fig. ITC-2500
DOOR TRIM PANEL P,D K BODY 21	Fig. ITC-2600
DOOR TRIM PANEL C,V K BODY 22,27	Fig. ITC-2700
DOOR TRIM PANEL K BODY P,D 41,45	Fig. ITC-2800
DOOR TRIM PANEL FRONT K BODY C 41,45	Fig. ITC-2900
DOOR TRIM PANEL REAR K BODY C 41,45	Fig. ITC-3000
DOOR TRIM PANEL FRONT LIMO.	Fig. ITC-3100
DOOR TRIM PANEL REAR LIMO.	Fig. ITC-3200
SEAT FRONT P,D K BODY 21 TRIM CODES C1,C2	Fig. ITC-3300
SEAT FRONT P,D K BODY 41,45 TRIM CODES C1,C2,K2	Fig. ITC-3400
SEAT FRONT P,D K BODY TRIM CODES H3,H4	Fig. ITC-3500
SEAT FRONT P,D K BODY TRIM CODES C3,C4	Fig. ITC-3600
SEAT FRONT C,V K BODY TRIM CODE M3	Fig. ITC-3700
SEAT FRONT P,D K BODY FLEET POLICE AND OTHERS	Fig. ITC-3800

GROUP ITC - K BODY

ILLUSTRATION TITLE

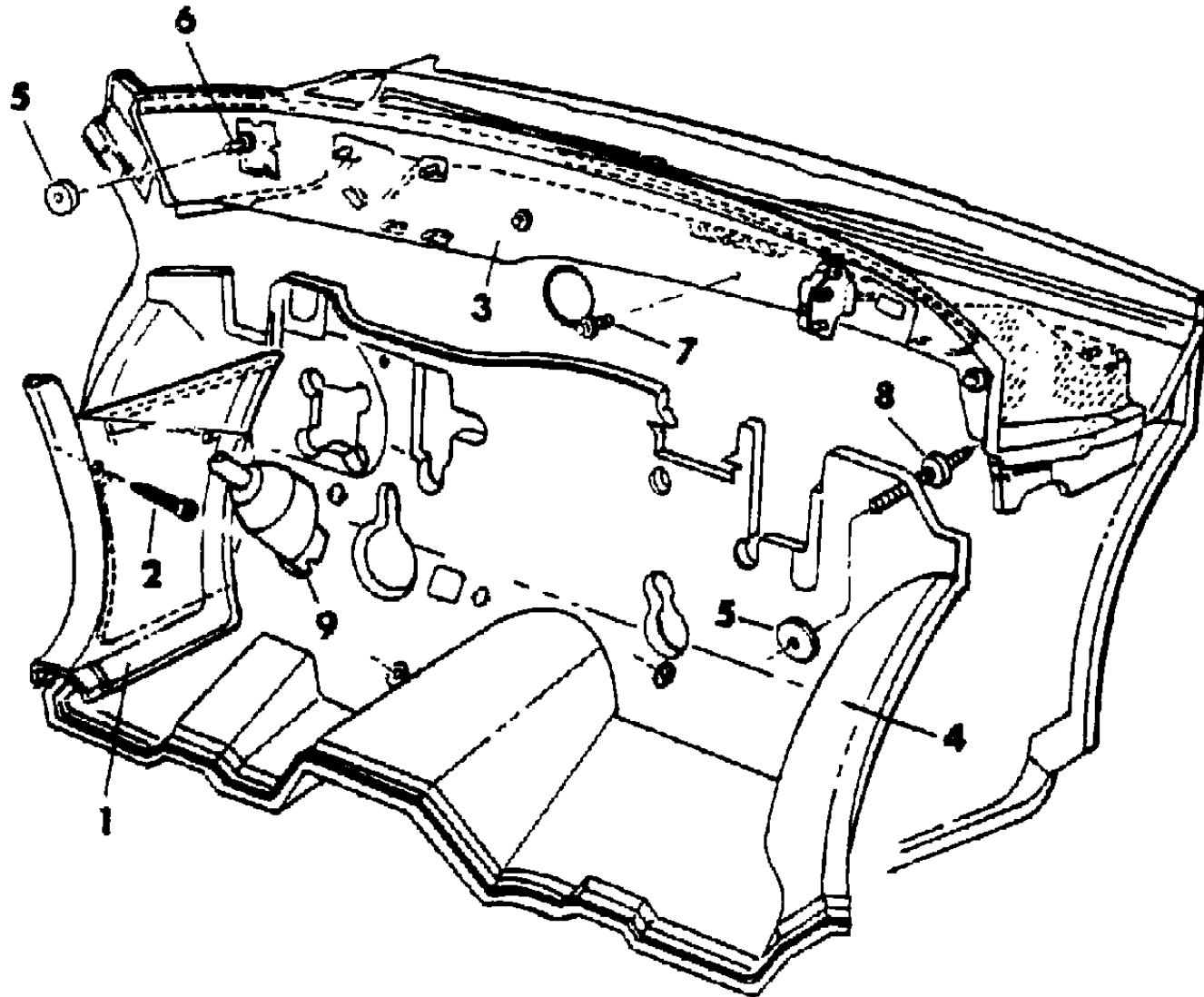
GROUP-FIG. NO.

M BODY B,F,G (Continued)

SEAT FRONT P,D K BODY FLEET POLICE AND OTHERS	Fig. ITC-3800
SEAT FRONT P,D K BODY TRIM CODES F7,H7	Fig. ITC-3900
SEAT FRONT C,V K BODY TRIM CODE V8	Fig. ITC-4000
SEAT FRONT C,V K BODY TRIM CODES GL,RL	Fig. ITC-4100
SEAT FRONT P,D K BODY TRIM CODE K8	Fig. ITC-4200
SEAT FRONT C,V K BODY TRIM CODE M5	Fig. ITC-4300
SEAT FRONT LIMO.	Fig. ITC-4400
SEAT FRONT P,D K BODY FLEET POLICE AND OTHERS	Fig. ITC-4500
SEAT FRONT C K BODY TRIM CODE SP	Fig. ITC-4600
BELT FRONT SEAT LAP AND SHOULDER P,D,C,V K BODY	Fig. ITC-4700
BELT FRONT SEAT INBOARD P,D,C,V K BODY	Fig. ITC-4800
BELT FRONT SEAT C,V K BODY 27	Fig. ITC-4900
RELEASE FRONT BENCH SEAT P,D,C,V K BODY	Fig. ITC-5000
RECLINING BUCKET SEAT P,D,C,V K BODY	Fig. ITC-5100
RECLINING 50/50 SEAT C,V K BODY	Fig. ITC-5200
ADJUSTER MANUAL P,D,C,V K BODY	Fig. ITC-5300
COVERS MANUAL SEAT ADJUSTERS P,D,C,V K BODY	Fig. ITC-5400
ADJUSTER ELECTRIC P,D,C,V K BODY	Fig. ITC-5500
COVERS ELECTRIC SEAT ADJUSTORS P,D,C,V K BODY	Fig. ITC-5600
SEAT REAR P,D K BODY TRIM CODES C1,C2,C3,C4	Fig. ITC-5700
SEAT REAR C,V K BODY TRIM CODES M3,M5	Fig. ITC-5800
SEAT REAR C K BODY 45 TRIM CODE V8	Fig. ITC-5900
SEAT REAR C K BODY TRIM CODE SP	Fig. ITC-6000
SEAT REAR P,D K BODY TRIM CODES K2,K8	Fig. ITC-6100
SEAT REAR C,V K BODY 27 TRIM CODES GL,RL,V8	Fig. ITC-6200
SEAT REAR P,D K BODY TRIM CODES H3,H4,F7,H7	Fig. ITC-6300
SEAT REAR P,D K BODY FLEET POLICE AND OTHERS	Fig. ITC-6400
SEAT REAR LIMO	Fig. ITC-6500
JUMP SEAT LIMO	Fig. ITC-6600
BELT REAR SEAT LAP P,D,C,V K BODY	Fig. ITC-6700
SEAT REAR FOLD DOWN P,D,C K BODY 45	Fig. ITC-6800

COWL PANEL AND SILENCERS P,D,C,V K BODY
Figure ITC-100

5234 100



ITEM	PART NUMBER	QTY	BODY	MODEL	DESCRIPTION
1					PANEL, Cowl Side Trim N N N N
					Right w/o 2.6L Engine N N N N
	F206 AA3	1			Silver NP,D N N YF206AA3
	F206 BB5	1			Blue NP,D N N YF206BB5
	F206 VM6	1			Red NP,D N N YF206VM6
	F206 DT3	1			Tan NP,D N N YF206DT3
					Right w/2.6L Engine or E.F.I. N N N N
	F197 CA3	1			Silver NP,D N N YF197CA3
	F197 CB5	1			Blue NP,D N N YF197CB5
	F197 CM6	1			Red NP,D N N YF197CM6
	F197 DT3	1			Tan NP,D N N YF197DT3
					Left N N N N
	F207 AA3	1			Silver NP,D N N YF207AA3
	F207 BB5	1			Blue NP,D N N YF207BB5
	F207 VM6	1			Red NP,D N N YF207VM6
	F207 DT3	1			Tan NP,D N N YF207DT3
	4342 100-1	1			Charcoal N NLimo N Y4342100
	4339 702-3	1			Blue N NLimo N Y4339702
	4342 102	1			Calif. Right Charcoal N NLimo N Y4342102
	4342 112	1			Calif. Right Blue N NLimo N Y4342112
					w/o Turbo, Right N N N N
	F210 CS8	1			Charcoal NC,V N N YF210CS8
	F210 CC7	1			Blue NC,V N N YF210CC7
	F210 CM6	1			Red NC,V N N YF210CM6
	F210 DT3	1			Tan NC,V N N YF210DT3
	F210 CT9	1			Brown NC,V N N YF210CT9
					w/Turbo, Right N N N N
	F196 CC7	1			Blue N N N YF196CC7
	F196 CA3	1			Silver N N N YF196CA3
	F196 CM6	1			Red N N N YF196CM6
	F196 CS8	1			Charcoal N N N YF196CS8
	F196 DT3	1			Tan N N N YF196DT3
	F196 CT9	1			Brown N N N YF196CT9
	4247 832	1			BRACKET, Cowl Side Trim, Right N N N Y4247832
					w/ or w/o Turbo, Left N N N N
	F211 CC7	1			Blue NC,V N N YF211CC7
	F211 CS8	1			Charcoal NC,V N N YF211CS8

MODEL CODES

B = GRAN FURY	E = 600	M = HORIZON/TURISMO
C = LE BARON/TOWN & COUNTRY/LIMO	F = FIFTH AVENUE/NEWPORT	P = RELIANT
C24 = LASER	G = DIPLOMAT	T = NEW YORKER
C44 = LE BARON/GTS	H = VOYAGER	V = 600
D = ARIES	J = CARAVELLE	V24 = DAYTONA
D44 = LANCER	K = MINI VAN/CARAVAN/ROYAL	Z = OMNI/CHARGER

BODY STYLES

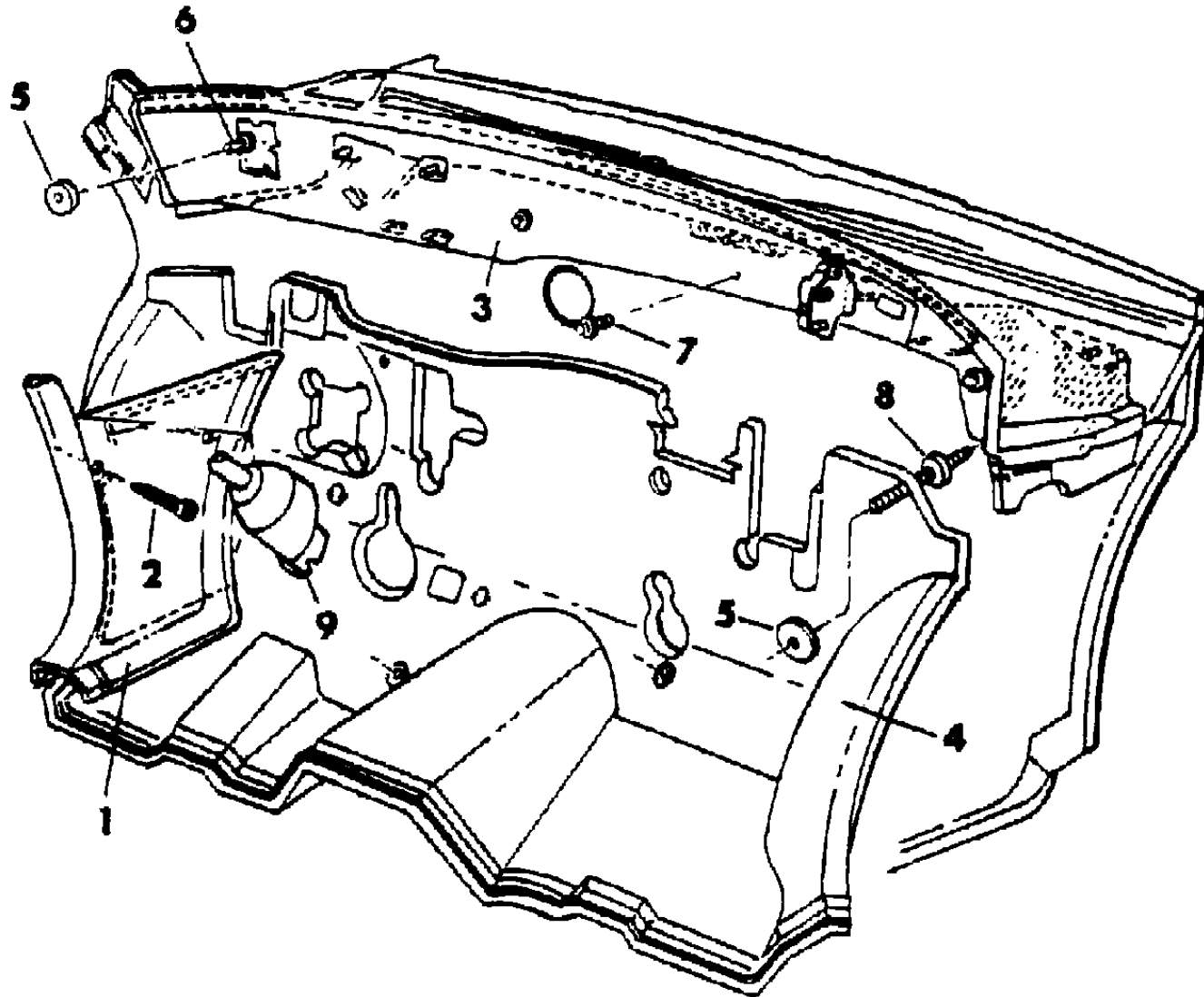
21 = 2-DOOR SEDAN	35 = FWD VAN	44 = 4-DOOR HATCHBACK
22 = 2-DOOR SPECIAL COUPE	36 = FWD WAGON	45 = 4-DOOR STATION WAGON
24 = 2-DOOR HATCHBACK	41 = 4-DOOR SEDAN	49 = LIMOUSINE
27 = 2-DOOR CONVERTIBLE		

AR = Use as Required - = Non Illustrated Part P.A.R. = Paint as Required

COWL PANEL AND SILENCERS P,D,C,V K BODY
Figure ITC-100

5234 100

ITEM	PART NUMBER	QTY	BODY	MODEL	DESCRIPTION
	F211 CM6	1			Red NC,V N N YF211CM6
	F211 DT3	1			Tan NC,V N N YF211DT3
	F211 CT9	1			Brown NC,V N N YF211CT9
2		AR			SCREW (not serviced) N N N N
3	4278 961	1			SILENCER, Cowl Panel N N N Y4278961
4	4314 913	1			LINER, Dash N NExc.27 N Y4314913
	4314 917	1			N N27 N Y4314917
	4278 955	1			PACKAGE, Liner Attaching N N N Y4278955
5	4206 545	AR			RETAINER N N N Y4206545
	6032 185	6			CAPLUG, Dash Liner N N N Y6032185
	6026 430	6			RETAINER, Caplug N N N Y6026430
6	6032 020	1			STUD, Collar N N N Y6032020
7		3			SCREW and WASHER (not serviced) N N N N
8	6031 630	4			STUD N N N Y6031630
9	4188 868	1			COVER and SILENCER, Steering Column N N N Y4188868



MODEL CODES

B = GRAN FURY	E = 600	M = HORIZON/TURISMO
C = LE BARON/TOWN & COUNTRY/LIMO	F = FIFTH AVENUE/NEWPORT	P = RELIANT
C24 = LASER	G = DIPLOMAT	T = NEW YORKER
C44 = LE BARON/GTS	H = VOYAGER	V = 600
D = ARIES	J = CARAVELLE	V24 = DAYTONA
D44 = LANCER	K = MINI VAN/CARAVAN/ROYAL	Z = OMNI/CHARGER

BODY STYLES

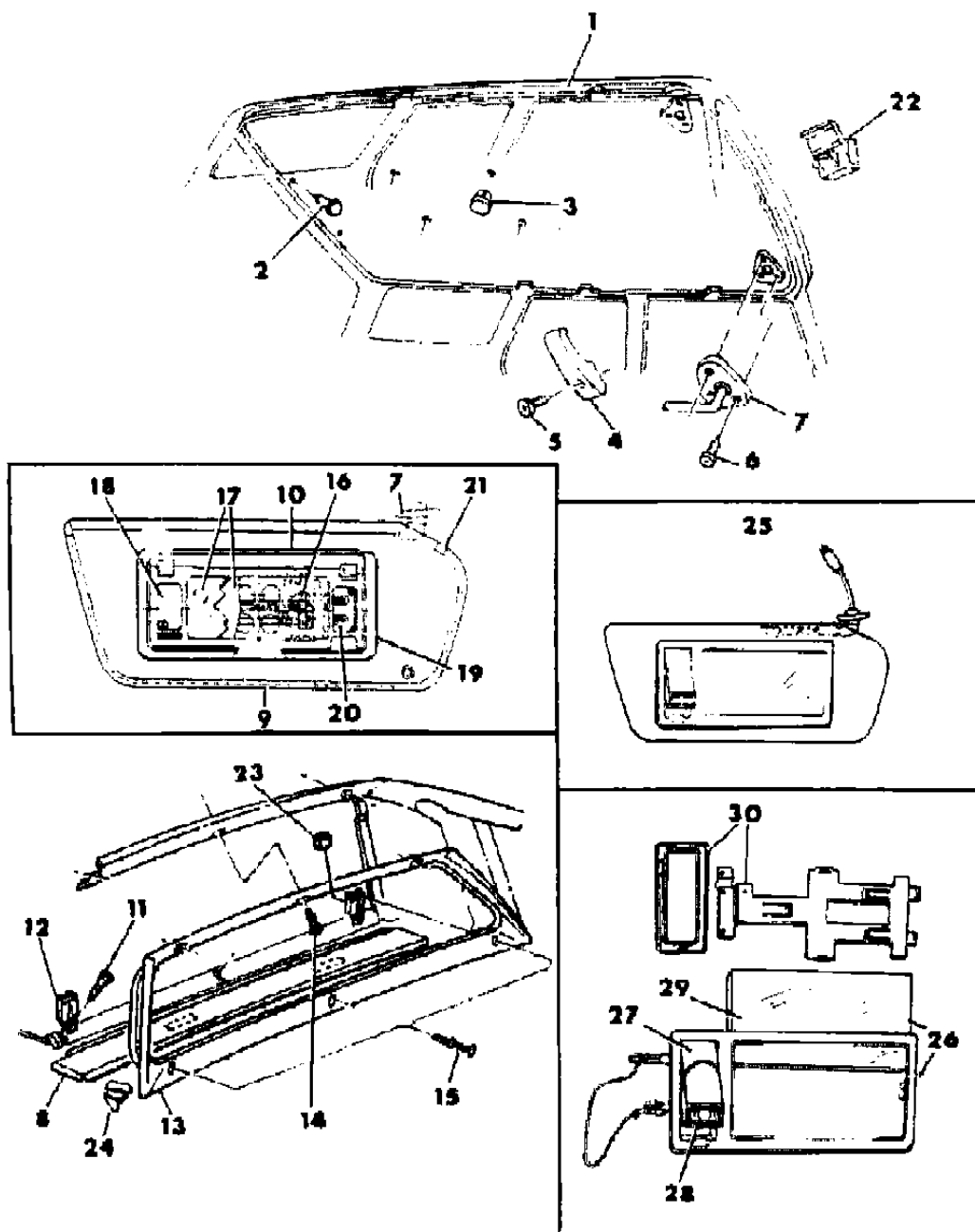
21 = 2-DOOR SEDAN	35 = FWD VAN	44 = 4-DOOR HATCHBACK
22 = 2-DOOR SPECIAL COUPE	36 = FWD WAGON	45 = 4-DOOR STATION WAGON
24 = 2-DOOR HATCHBACK	41 = 4-DOOR SEDAN	49 = LIMOUSINE
27 = 2-DOOR CONVERTIBLE		

AR = Use as Required - = Non Illustrated Part P.A.R. = Paint as Required

HEADLINER VISOR AND SHELF PANEL P,D,C,V K BODY

Figure ITC-200

5234 200



ITEM	PART NUMBER	QTY	BODY	MODEL	DESCRIPTION
1					HEADLINER, Cloth N N N N
	H837 AA3	1			Silver N N21,22 N YH837AA3
	H837 BB5	1			Blue, Medium N N21 N YH837BB5
	H837 AC7	1			Blue, Dark N N22 N YH837AC7
	H837 VM6	1			Red N N21,22 N YH837VM6
	H837 DT3	1			Tan N N21,22 N YH837DT3
	H837 BT8	1			Brown N N22 N YH837BT8
	H837 CS8	1			Charcoal N N22 N YH837CS8
	H834 AA3	1			Silver N N41 N YH834AA3
	H834 BB5	1			Blue, Medium N N41 N YH834BB5
	H834 AC7	1			Blue, Dark N N41 N YH834AC7
	H834 VM6	1			Red N N41 N YH834VM6
	H834 DT3	1			Tan N N41 N YH834DT3
	H834 BT8	1			Brown N N41 N YH834BT8
	H834 CS8	1			Charcoal N N41 N YH834CS8
	H850 CA3	1			Silver N N45 N YH850CA3
	H850 BB5	1			Blue N N45 N YH850BB5
	H850 AM6	1			Red N N45 N YH850AM6
	H850 DT3	1			Tan N N45 N YH850DT3
	H850 BT8	1			Brown N N45 N YH850BT8
2	6003 587	1			FASTENER, Roof Headliner Rear Attaching N N45 N Y6003587
3					FASTENER, Roof Headliner N N N N
	H452 AA3	4			Silver N N45 N YH452AA3
	H452 TM6	4			Red N N45 N YH452TM6
	H452 CK5	4			Saddle N N45 N YH452CK5
4	3685 992	2			HOOK, Coat N N N Y3685992
5		2			SCREW (not serviced) N N N N
6	6032 584	6			SCREW, Visor Arm N N N Y6032584
7	4078 431	2			ARM and BRACKET, Sun Visor N N N Y4078431
	4282 322-3	1			ARM, Sun Visor NC,V N27 N Y4282322
	4248 315	1			ARM and BRACKET, Lighted Mirror N N N Y4248315
8					PANEL, Rear Shelf Trim N N N N
	H205 CA3	1			Silver N N N YH205CA3
	H205 CB5	1			Blue, Medium N N N YH205CB5
	H205 CC7	1			Blue, Dark N N N YH205CC7
	H205 CM6	1			Red N N N YH205CM6
	H205 DT3	1			Tan N N N YH205DT3

MODEL CODES

B = GRAN FURY	E = 600	M = HORIZON/TURISMO
C = LE BARON/TOWN & COUNTRY/LIMO	F = FIFTH AVENUE/NEWPORT	P = RELIANT
C24 = LASER	G = DIPLOMAT	T = NEW YORKER
C44 = LE BARON/GTS	H = VOYAGER	V = 600
D = ARIES	J = CARAVELLE	V24 = DAYTONA
D44 = LANCER	K = MINI VAN/CARAVAN/ROYAL	Z = OMNI/CHARGER

BODY STYLES

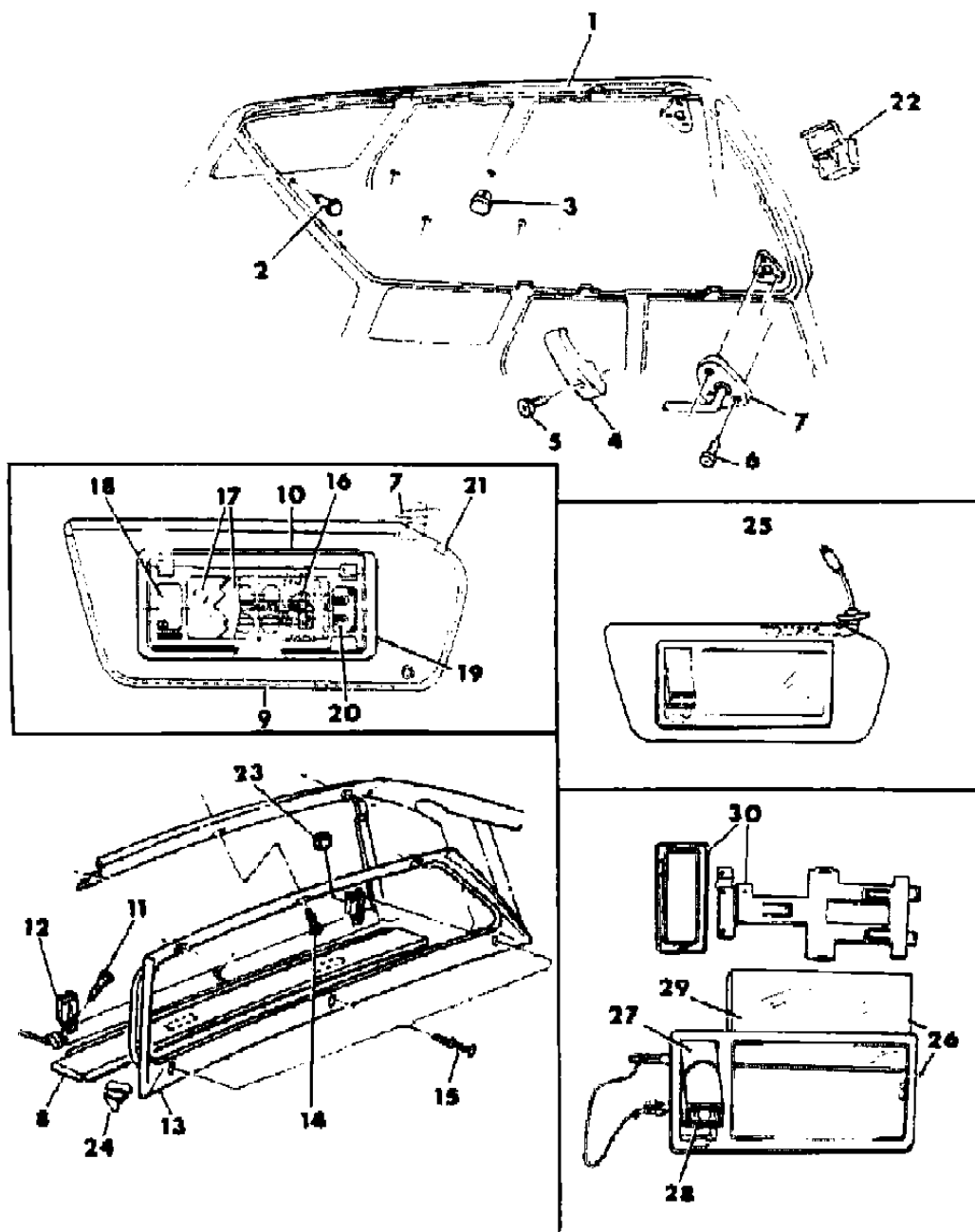
21 = 2-DOOR SEDAN	35 = FWD VAN	44 = 4-DOOR HATCHBACK
22 = 2-DOOR SPECIAL COUPE	36 = FWD WAGON	45 = 4-DOOR STATION WAGON
24 = 2-DOOR HATCHBACK	41 = 4-DOOR SEDAN	49 = LIMOUSINE
27 = 2-DOOR CONVERTIBLE		

AR = Use as Required - = Non Illustrated Part P.A.R. = Paint as Required

HEADLINER VISOR AND SHELF PANEL P,D,C,V K BODY

Figure ITC-200

5234 200



ITEM	PART NUMBER	QTY	BODY	MODEL	DESCRIPTION
	H205 CT9	1			Brown N N N YH205CT9
	H205 CS8	1			Charcoal N N N YH205CS8
9					VISOR, Panel Cloth w/o Lighted Mirror, w/Stiching (H393 Comes With Mirror - Right Side Only) N N N N
	H693 AA3	2			Silver N N N YH693AA3
	H693 BB5	2			Blue, Medium N N N YH693BB5
	H693 AC7	2			Blue, Dark N N N YH693AC7
	H693 VM6	2			Red N N N YH693VM6
	H693 DT3	2			Tan N N N YH693DT3
	H693 BT8	2			Brown N N N YH693BT8
	H693 CS8	2			Charcoal N N N YH693CS8 w/Non Illuminated Mirror N N N N
	H393 DA3	2			Silver N N N YH393DA3
	H393 DB5	2			Blue N N N YH393DB5
	H393 DM6	2			Red N N N YH393DM6
	H393 DT3	2			Tan N N N YH393DT3
					MIRROR, Viser Non Illuminated N N N N
	H322 CA3	1			Silver N N N YH322CA3
	H322 DB5	1			Blue N N N YH322DB5
	H322 CM6	1			Red N N N YH322CM6
	H322 DT3	1			Tan N N N YH322DT3
					VISOR, w/Lighted Mirror Right N N N N
	H329 BC7	1			Blue, Dark NC,V N N YH329BC7
	H329 BM6	1			Red NC,V N N YH329BM6
	H329 DT3	1			Tan NC,V N N YH329DT3
	H329 BT8	1			Brown NC,V N N YH329BT8
	H329 CS8	1			Charcoal NC,V N N YH329CS8 w/o Mirror, Vinyl N N N N
	H384-5 DT3	1			Tan NC,V N27 N YH384DT3
	H384-5 CM6	1			Red NC,V N27 N YH384CM6
	H384-5 CS8	1			Charcoal NC,V N27 N YH384CS8
10					MIRROR, w/Cover Visor Vanity N N N N
	H308 ACC	1			Blue, Dark NC,V N N YH308ACC
	H308 AMM	1			Red NC,V N N YH308AMM
	H308 DT3	1			Tan NC,V N N YH308DT3
	H308 BTT	1			Brown NC,V N N YH308BTT
	H308 CSS	1			Charcoal NC,V N N YH308CSS

MODEL CODES

B = GRAN FURY	E = 600	M = HORIZON/TURISMO
C = LE BARON/TOWN & COUNTRY/LIMO	F = FIFTH AVENUE/NEWPORT	P = RELIANT
C24 = LASER	G = DIPLOMAT	T = NEW YORKER
C44 = LE BARON/GTS	H = VOYAGER	V = 600
D = ARIES	J = CARAVELLE	V24 = DAYTONA
D44 = LANCER	K = MINI VAN/CARAVAN/ROYAL	Z = OMNI/CHARGER

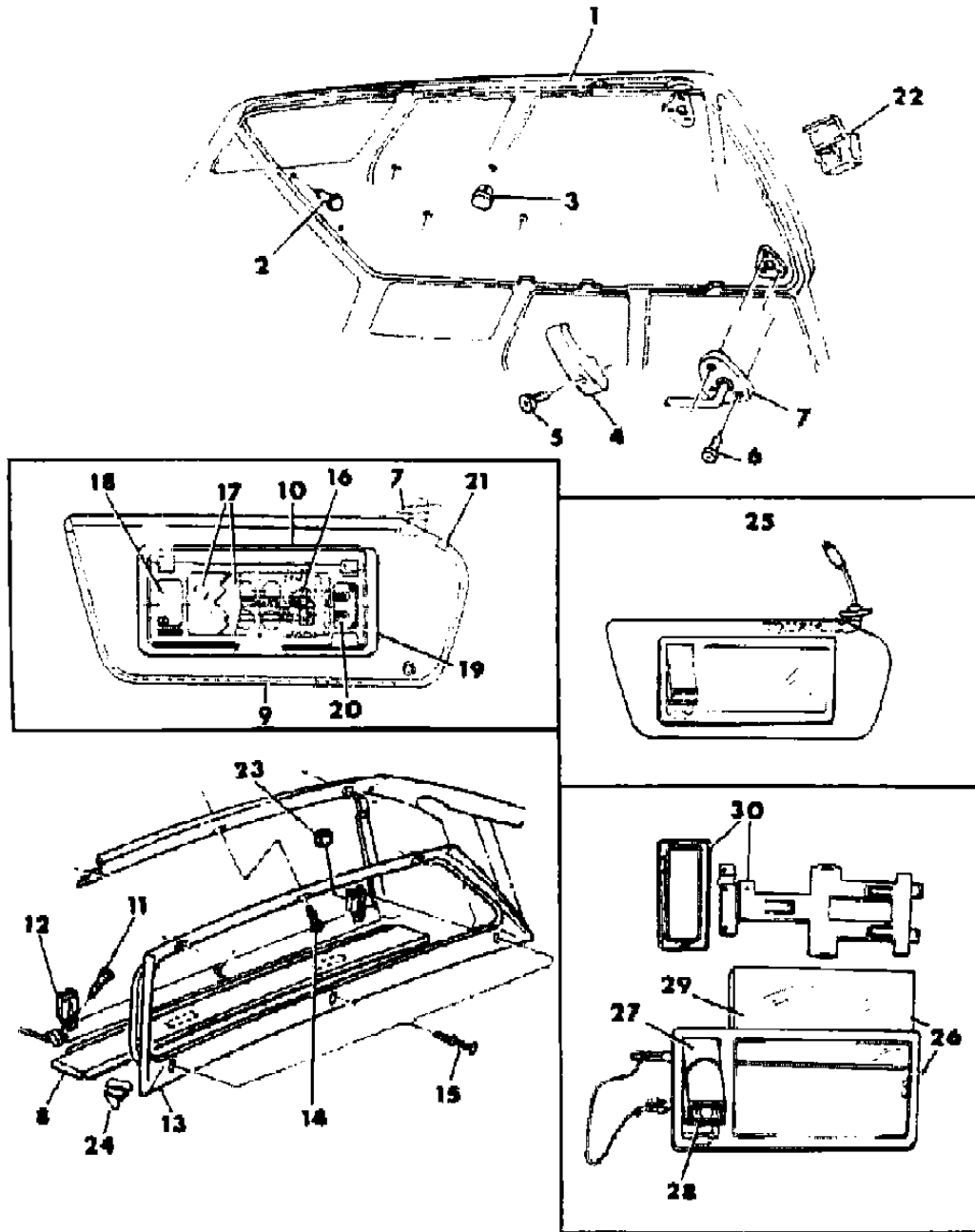
BODY STYLES

21 = 2-DOOR SEDAN	35 = FWD VAN	44 = 4-DOOR HATCHBACK
22 = 2-DOOR SPECIAL COUPE	36 = FWD WAGON	45 = 4-DOOR STATION WAGON
24 = 2-DOOR HATCHBACK	41 = 4-DOOR SEDAN	49 = LIMOUSINE
27 = 2-DOOR CONVERTIBLE		

AR = Use as Required - = Non Illustrated Part P.A.R. = Paint as Required

HEADLINER VISOR AND SHELF PANEL P,D,C,V K BODY
Figure ITC-200

5234 200



ITEM	PART NUMBER	QTY	BODY	MODEL	DESCRIPTION
					COVER AND FRAME, Mirror N N N N
	H310 ACC	1			Blue, Dark NC,V N N YH310ACC
	H310 AMM	1			Red NC,V N N YH310AMM
	H310 DT3	1			Tan NC,V N N YH310DT3
	H310 BTT	1			Brown NC,V N N YH310BTT
	H310 CSS	1			Charcoal NC,V N N YH310CSS
					VISOR, Sub Assy. w/Lighted Mirror N N N N
	H334 BC7	1			Blue, Dark NC,V N N YH334BC7
	H334 BM6	1			Red NC,V N N YH334BM6
	H334 DT3	1			Tan NC,V N N YH334DT3
	H334 BT8	1			Brown NC,V N N YH334BT8
	H334 CS8	1			Charcoal NC,V N N YH334CS8
11	6032 456	5			SCREW NC,V N N Y6032456
12	4223 241	3			BRACKET NC,V N N Y4223241
13	F232 AA3	1			PANEL, Rear Window Trim (paint as required) NC,V N N YF232AA3
14		6			SCREW (not serviced)(8-18x1) NC,V N N N
15					FASTENER, Rear Window Trim N N N N
	H448 CS8	1			Charcoal NC,V N N YH448CS8
	H448 AC7	1			Blue NC,V N N YH448AC7
	H448 AM6	1			Red NC,V N N YH448AM6
	H448 DT3	1			Tan NC,V N N YH448DT3
	H448 BT8	1			Brown NC,V N N YH448BT8
16	3832 873	1			COMPONENT BOARD, Lighted Mirror N N N Y3832873
17	4077 693	1			MIRROR and BACK, Vanity Mirror N N N Y4077693
18	4166 974	2			LENS, Vanity Mirror N N N Y4166974
19	4166 976	2			HINGE SPRING, Vanity Mirror N N N Y4166976
20	9421 330	4			BLUB N N N Y9421330
21	1490 983	2			CLIP, Visor Panel End N N N Y1490983
	4248 427	2			N N27 N Y4248427
	1233 481	2			Chrome N N27 N Y1233481
22		AR			RETAINER, Headliner and Garnish Moulding (Serviced w/ Moulding) N N N N
23	4247 904	AR			SPACER N N N Y4247904
24	6003 640	AR			FASTENER, Shelf Trim Panel N N N Y6003640
					SILENCERS, Roof Panel N N N N

The following parts are not illustrated. s ARE NOT RETURNABLE.

MODEL CODES

B = GRAN FURY	E = 600	M = HORIZON/TURISMO
C = LE BARON/TOWN & COUNTRY/LIMO	F = FIFTH AVENUE/NEWPORT	P = RELIANT
C24 = LASER	G = DIPLOMAT	T = NEW YORKER
C44 = LE BARON/GTS	H = VOYAGER	V = 600
D = ARIES	J = CARAVELLE	V24 = DAYTONA
D44 = LANCER	K = MINI VAN/CARAVAN/ROYAL	Z = OMNI/CHARGER

BODY STYLES

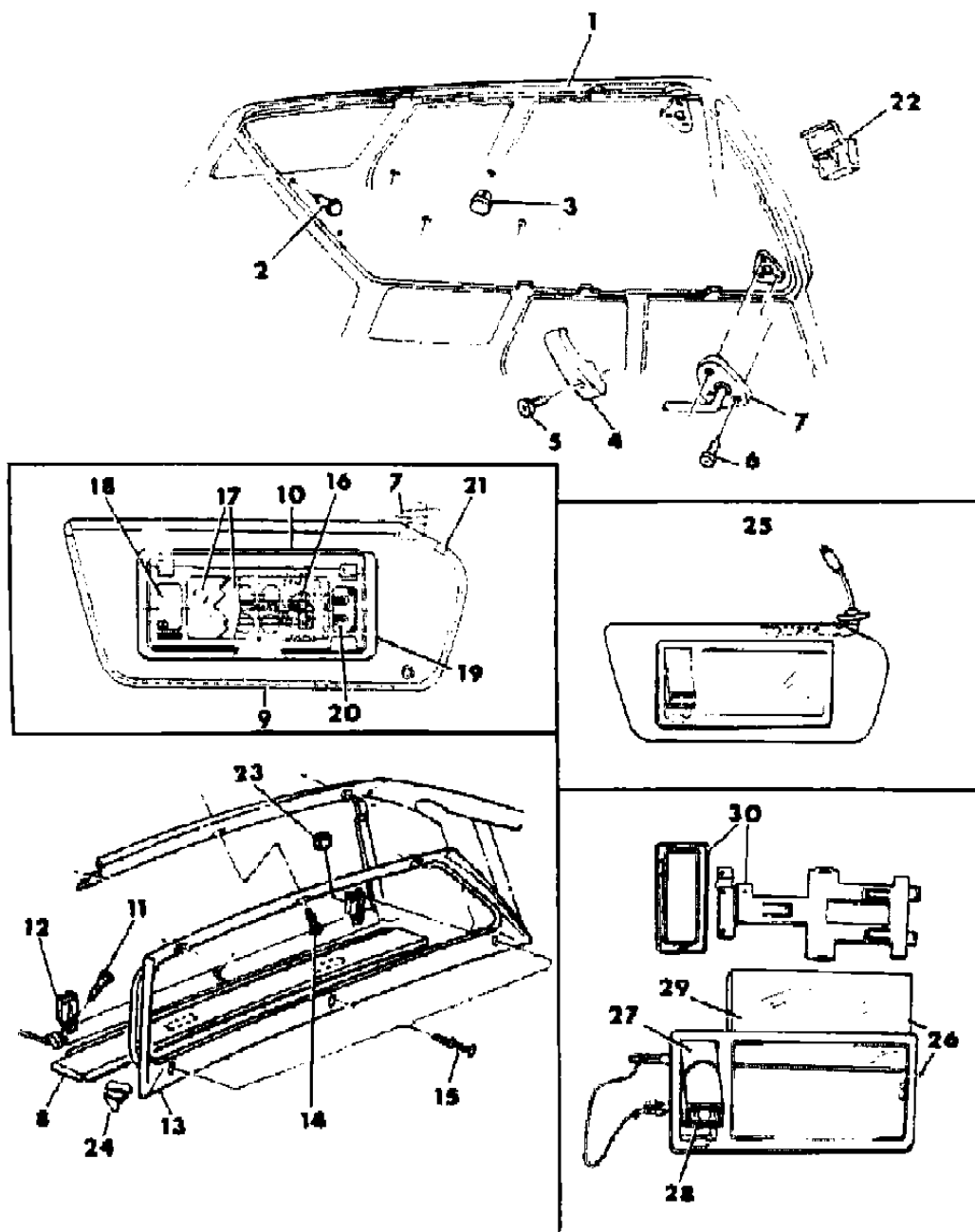
21 = 2-DOOR SEDAN	35 = FWD VAN	44 = 4-DOOR HATCHBACK
22 = 2-DOOR SPECIAL COUPE	36 = FWD WAGON	45 = 4-DOOR STATION WAGON
24 = 2-DOOR HATCHBACK	41 = 4-DOOR SEDAN	49 = LIMOUSINE
27 = 2-DOOR CONVERTIBLE		

AR = Use as Required - = Non Illustrated Part P.A.R. = Paint as Required

HEADLINER VISOR AND SHELF PANEL P,D,C,V K BODY

Figure ITC-200

5234 200



ITEM	PART NUMBER	QTY	BODY	MODEL	DESCRIPTION
	4078 582	AR			Front N N N Y4078582
	4078 583	AR			Center N N N Y4078583
	4078 584	AR			Rear N N N Y4078584
	2789 037	2			TIP, Visor Inner Support N N27 N Y2789037
	2789 036	2			SUPPORT, Visor Inner N N27 N Y2789036
		2			CLIP, Visor Panel (serviced in Visor) N N27 N N
25					VISOR, w/Mirror, Map Light, Arm and Bracket N N N N Right N N N N
	H708 DA3	1			Silver N N N YH708DA3
	H708 DB5	1			Blue N N N YH708DB5
	H708 DM6	1			Red N N N YH708DM6
	H708 DT3	1			Tan N N N YH708DT3
					Left w/o Mirror N N N N
	H709 DA3	1			Silver N N N YH709DA3
	H709 DB5	1			Blue N N N YH709DB5
	H709 DM6	1			Red N N N YH709DM6
	H709 DT3	1			Tan N N N YH709DT3
26					VISOR, Sub Assy. N N N N
	H500 DA3	1			Silver N N N YH500DA3
	H500 DB5	1			Blue N N N YH500DB5
	H500 DM6	1			Red N N N YH500DM6
	H500 DT3	1			Tan N N N YH500DT3
27					MAP LIGHT (serviced in item 25) N N N N
28	4309 023	1			LENS, Map Light N N N Y4309023
29	4309 022	1			MIRROR and BACKING N N N Y4309022
30					Serviced in item 25 N N N N

MODEL CODES

B = GRAN FURY	E = 600	M = HORIZON/TURISMO
C = LE BARON/TOWN & COUNTRY/LIMO	F = FIFTH AVENUE/NEWPORT	P = RELIANT
C24 = LASER	G = DIPLOMAT	T = NEW YORKER
C44 = LE BARON/GTS	H = VOYAGER	V = 600
D = ARIES	J = CARAVELLE	V24 = DAYTONA
D44 = LANCER	K = MINI VAN/CARAVAN/ROYAL	Z = OMNI/CHARGER

BODY STYLES

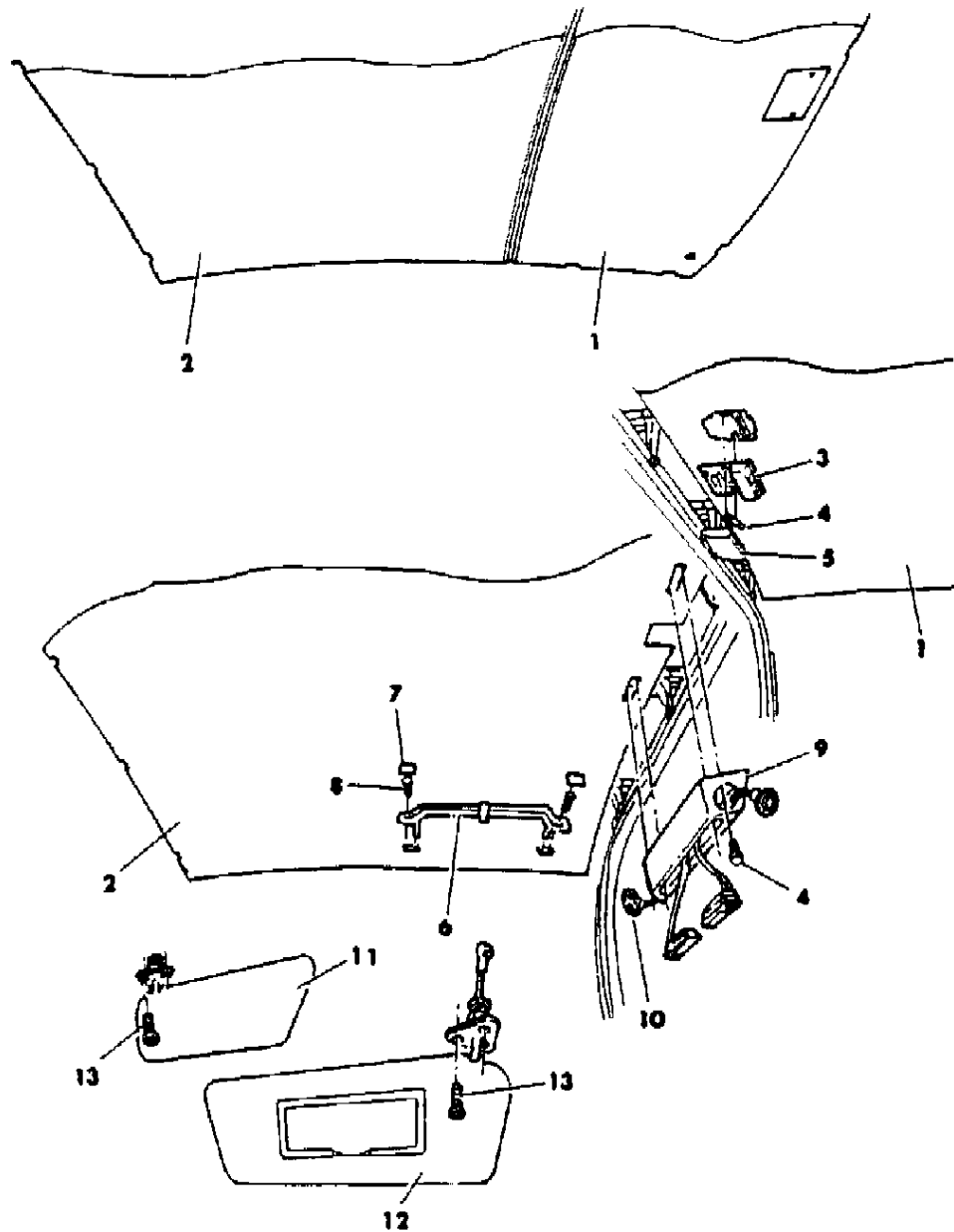
21 = 2-DOOR SEDAN	35 = FWD VAN	44 = 4-DOOR HATCHBACK
22 = 2-DOOR SPECIAL COUPE	36 = FWD WAGON	45 = 4-DOOR STATION WAGON
24 = 2-DOOR HATCHBACK	41 = 4-DOOR SEDAN	49 = LIMOUSINE
27 = 2-DOOR CONVERTIBLE		

AR = Use as Required - = Non Illustrated Part P.A.R. = Paint as Required

HEADLINER AND SUNVISOR LIMO

Figure ITC-300

5234 300



ITEM	PART NUMBER	QTY	BODY	MODEL	DESCRIPTION
1					HEADLINER, Front N N N N
	4339 916	1			Silver N N N Y4339916
	4339 917	1			Blue N N N Y4339917
2					HEADLINER, Rear N N N N
	4339 918	1			Silver N N N Y4339918
	4339 919	1			Blue N N N Y4339919
					BUTTON ASSEMBLY N N N N
	4364 222	AR			Silver N N N Y4364222
	4364 223	AR			Blue N N N Y4364223
3					LAMP, Front Dome (refer to Group 8) N N N N
4					SCREW (refer to Group 8) N N N N
5					LENS, Dome Lamp (refer to Group 8) N N N N
6					STRAP, Assist N N N N
	4339 564	2			Silver N N N Y4339564
	4339 565	2			Blue N N N Y4339565
7					CAP, Assist Strap N N N Y4342123
	4339 524	2			PLATE, Tapping Assist Strap N N N Y4339524
	4339 536-7	1			BRACKET, Pull Strap Mounting N N N Y4339536
8					SCREW (not serviced) N N N N
9					MODULE and BRACKETS, Glamour Lamp N N N N
	4342 066	1			Silver N N N Y4342066
	4342 067	1			Blue N N N Y4342067
10					LENS, Reading Lamp (refer to Group 8) N N N N
					BULB, Reading Lamp (refer to Group 8) N N N N
11					VISOR, Left w/o Mirror N N N N
	H693 AA3	1			Silver N N N YH693AA3
	H693 AC7	1			Blue N N N YH693AC7
12					VISOR, Right w/Mirror N N N N
	H332 BA3	1			Silver N N N YH332BA3
	H332 BC7	1			Blue N N N YH332BC7
13					SCREW, Sunvisor Attaching N N N Y153704

MODEL CODES

B = GRAN FURY	E = 600	M = HORIZON/TURISMO
C = LE BARON/TOWN & COUNTRY/LIMO	F = FIFTH AVENUE/NEWPORT	P = RELIANT
C24 = LASER	G = DIPLOMAT	T = NEW YORKER
C44 = LE BARON/GTS	H = VOYAGER	V = 600
D = ARIES	J = CARAVELLE	V24 = DAYTONA
D44 = LANCER	K = MINI VAN/CARAVAN/ROYAL	Z = OMNI/CHARGER

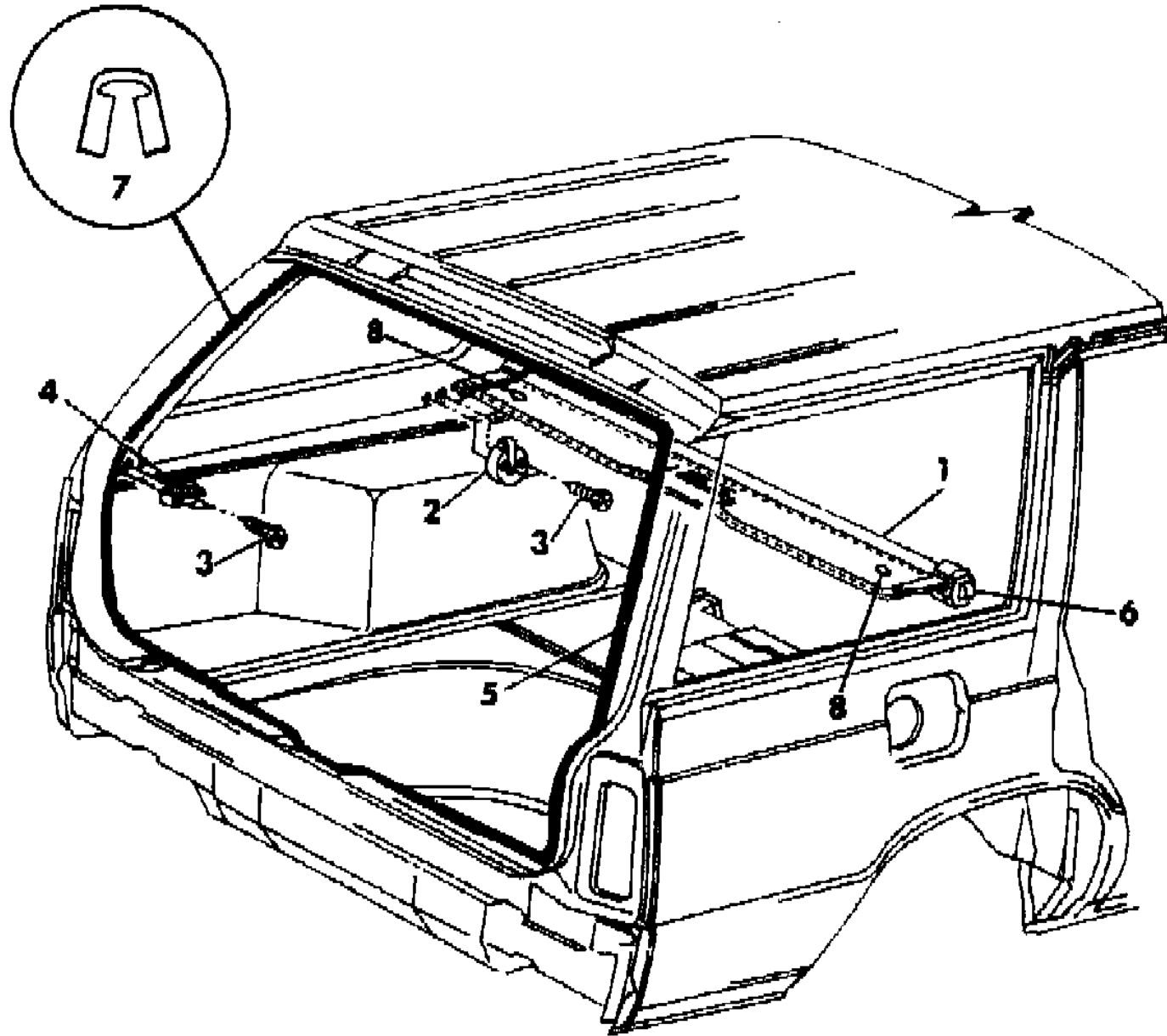
BODY STYLES

21 = 2-DOOR SEDAN	35 = FWD VAN	44 = 4-DOOR HATCHBACK
22 = 2-DOOR SPECIAL COUPE	36 = FWD WAGON	45 = 4-DOOR STATION WAGON
24 = 2-DOOR HATCHBACK	41 = 4-DOOR SEDAN	49 = LIMOUSINE
27 = 2-DOOR CONVERTIBLE		

AR = Use as Required - = Non Illustrated Part P.A.R. = Paint as Required

TONNEAU COVER C . K BODY 45
Figure ITC-400

5234 400 A



ITEM	PART NUMBER	QTY	BODY	MODEL	DESCRIPTION
1					COVER, Rear Compartment . N N N N
	4271 086	1			Blue . N N N Y4271086
	4271 083	1			Red . N N N Y4271083
	4271 084	1			Tan . N N N Y4271084
	4271 085	1			Brown . N N N Y4271085
2					COVER, Support . N N N N
	W234 BB5	1			Blue . N N N YW234BB5
	W234 VM6	2			Red . N N N YW234VM6
	W234 DT3	2			Tan . N N N YW234DT3
	W234 BT8	2			Brown . N N N YW234BT8
3		AR			SCREW (not serviced) . N N N N
4					COVER, Hook . N N N N
	W236-7 BB5	2			Blue . N N N YW236BB5
	W236-7 VM6	2			Red . N N N YW236VM6
	W236-7 DT3	2			Tan . N N N YW236DT3
	W236-7 BT8	2			Brown . N N N YW236BT8
5					WELT, Liftgate Opening . N N N N
	W267 BB5	1			Blue . NP,D,C N N YW267BB5
	W267 VM6	1			Red . NP,D,C N N YW267VM6
	W267 DT3	1			Tan . NP,D,C N N YW267DT3
	W267 BT8	1			Brown . NP,D,C N N YW267BT8
6	4271 047	1			END CAP N N N Y4271047
7	4078 958	2			END CAP, Liftgate Opening Welt N N N Y4078958
8					GROMMET, Tonneau Cover N N N N
	H544 DM6	2			Red N N N YH544DM6
	H544 DT3	2			Tan, Light N N N YH544DT3
	H544 DT5	2			Tan, Medium N N N YH544DT5
	H544 DT8	2			Brown N N N YH544DT8
	H544 DX9	2			Black N N N YH544DX9

MODEL CODES

B = GRAN FURY	E = 600	M = HORIZON/TURISMO
C = LE BARON/TOWN & COUNTRY/LIMO	F = FIFTH AVENUE/NEWPORT	P = RELIANT
C24 = LASER	G = DIPLOMAT	T = NEW YORKER
C44 = LE BARON/GTS	H = VOYAGER	V = 600
D = ARIES	J = CARAVELLE	V24 = DAYTONA
D44 = LANCER	K = MINI VAN/CARAVAN/ROYAL	Z = OMNI/CHARGER

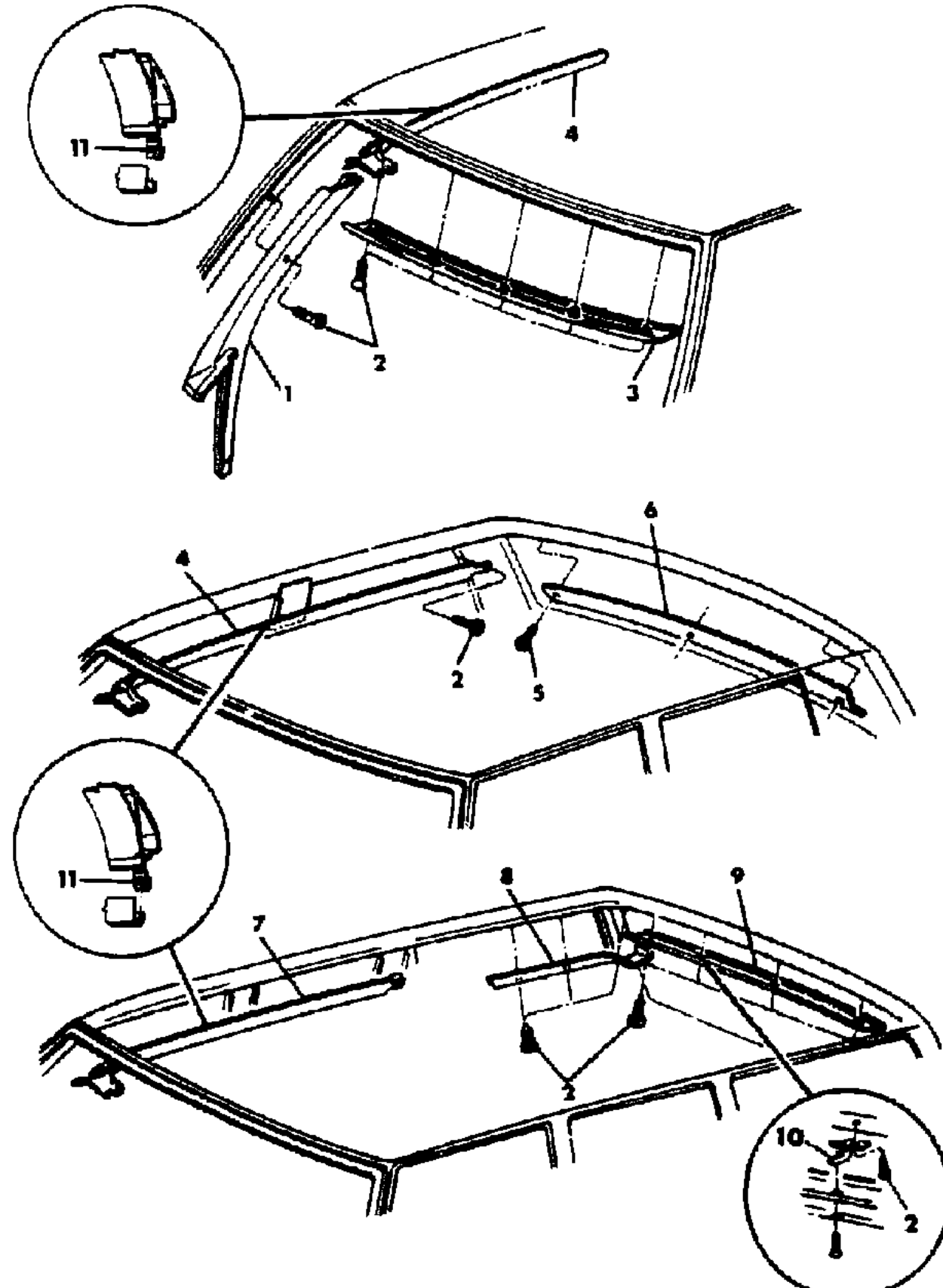
BODY STYLES

21 = 2-DOOR SEDAN	35 = FWD VAN	44 = 4-DOOR HATCHBACK
22 = 2-DOOR SPECIAL COUPE	36 = FWD WAGON	45 = 4-DOOR STATION WAGON
24 = 2-DOOR HATCHBACK	41 = 4-DOOR SEDAN	49 = LIMOUSINE
27 = 2-DOOR CONVERTIBLE		

AR = Use as Required - = Non Illustrated Part P.A.R. = Paint as Required

MOULDING GARNISH P,D,C,V K BODY
Figure ITC-500

5234 500



ITEM	PART NUMBER	QTY	BODY	MODEL	DESCRIPTION
1	F458-9 DT3	1			MOULDING,w/Retainer and Seal Windshield Side (paint as required) N N N YF458DT3
2	9414 753	AR			SCREW N N N Y9414753
3	F249 DA3	1			MOULDING, Windshield Upper (paint as required) N N N YF249DA3
4	F052-3 DA3	1			MOULDING, w/Retainer Roof Rail (paint as required) N N N N N21,22 N YF052DA3
	F054-5 DA3	1			N N41 N YF054DA3
5	6032 456	2			SCREW N N N Y6032456
6					MOULDING, Rear Window Header (paint as required) N N N N N21 N Y4077542
	4077 541	1			N N41 N Y4077541
7	F056-7 DT3	1			MOULDING, w/Retainer Roof Rail (paint as required) N N45 N YF056DT3
8	F294-5 AB2	1			MOULDING, Quarter Window Rail (paint as required) N N45 N YF294AB2
9					MOULDING, Liftgate Header Opening N N N N H543 DB5
	H543 DB5	1			Blue N N45 N YH543DB5
	H543 CM6	1			Red N N45 N YH543CM6
	H543 DT3	1			Tan N N45 N YH543DT3
	H543 CT8	1			Brown N N45 N YH543CT8
10	4247 758	4			BRACKET, Liftgate Opening Header Moulding Attaching N N N Y4247758
11					RETAINER, Moulding (Serviced w/Moulding) N N N N

MODEL CODES

B = GRAN FURY	E = 600	M = HORIZON/TURISMO
C = LE BARON/TOWN & COUNTRY/LIMO	F = FIFTH AVENUE/NEWPORT	P = RELIANT
C24 = LASER	G = DIPLOMAT	T = NEW YORKER
C44 = LE BARON/GTS	H = VOYAGER	V = 600
D = ARIES	J = CARAVELLE	V24 = DAYTONA
D44 = LANCER	K = MINI VAN/CARAVAN/ROYAL	Z = OMNI/CHARGER

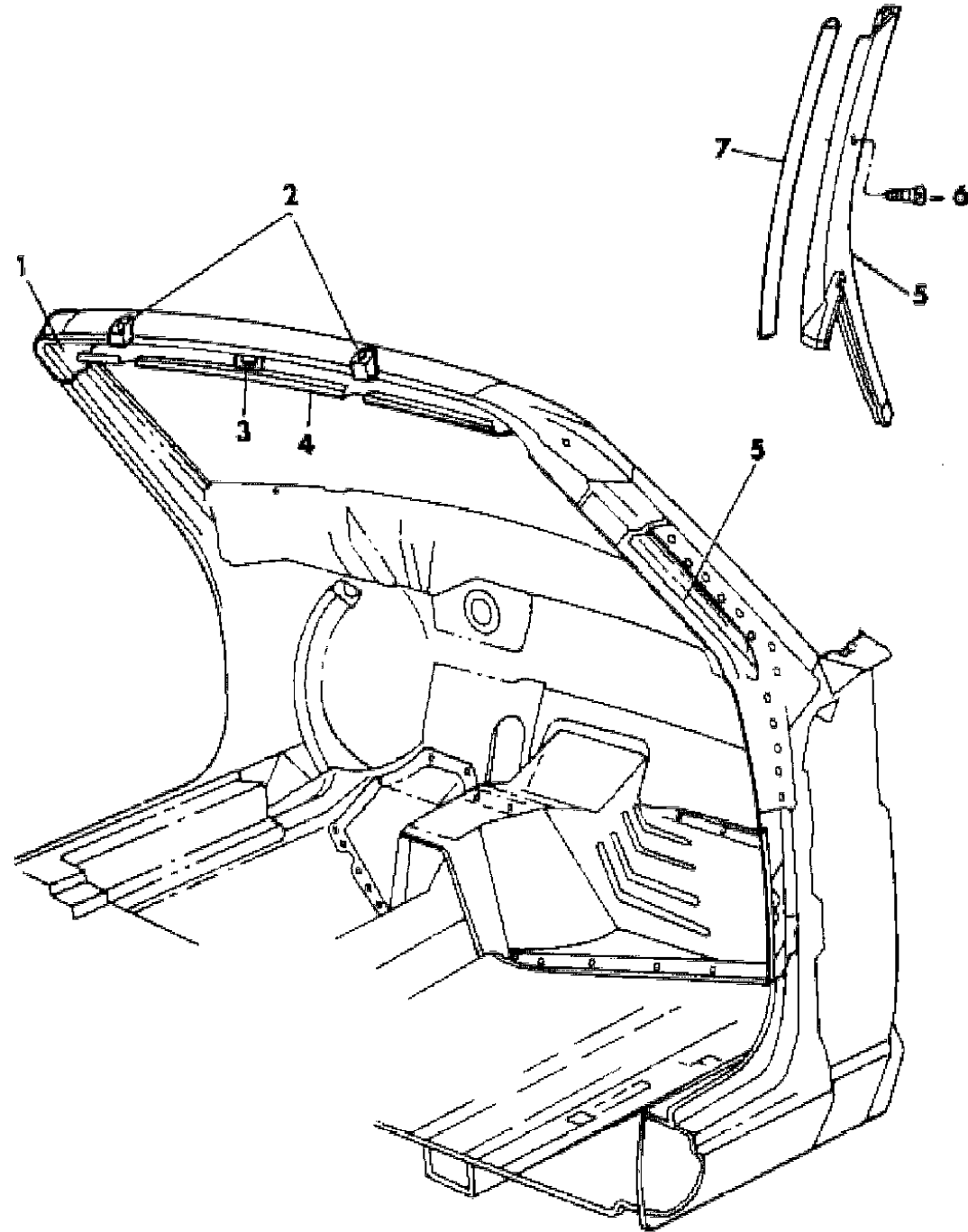
BODY STYLES

21 = 2-DOOR SEDAN	35 = FWD VAN	44 = 4-DOOR HATCHBACK
22 = 2-DOOR SPECIAL COUPE	36 = FWD WAGON	45 = 4-DOOR STATION WAGON
24 = 2-DOOR HATCHBACK	41 = 4-DOOR SEDAN	49 = LIMOUSINE
27 = 2-DOOR CONVERTIBLE		

AR = Use as Required - = Non Illustrated Part P.A.R. = Paint as Required

MOULDING GARNISH C,V K BODY 27
Figure ITC-600

5234 000



ITEM	PART NUMBER	QTY	BODY	MODEL	DESCRIPTION
1					MOULDING, Garnish Corner N N N N
	F106-7 DT3	1			Tan N N N YF106DT3
	F106-7 CM6	1			Red N N N YF106CM6
	F106-7 CS8	1			Charcoal N N N YF106CS8
	9414 753	6			SCREW, Corner Garnish N N N Y9414753
2	4097 505	2			STRIKER, Latch N N N Y4097505
3					BRACKET, Sunvisor (serviced in Item 4) N N N N
4					MOULDING, Windshield N N N N
	F108 DT3	1			Tan N N N YF108DT3
	F108 CM6	1			Red N N N YF108CM6
	F108 CS8	1			Charcoal N N N YF108CS8
5	F548-9 DT3	1			MOULDING,w/Retainer and Seal Windshield Side (paint as required) N N N YF548DT3
6	9414 753	AR			SCREW, Corner Garnish N N N Y9414753
7	4305 123	AR			CAP, Granish Moulding (if required part must be modified) (cut to fit) N N N Y4305123

MODEL CODES

B = GRAN FURY	E = 600	M = HORIZON/TURISMO
C = LE BARON/TOWN & COUNTRY/LIMO	F = FIFTH AVENUE/NEWPORT	P = RELIANT
C24 = LASER	G = DIPLOMAT	T = NEW YORKER
C44 = LE BARON/GTS	H = VOYAGER	V = 600
D = ARIES	J = CARAVELLE	V24 = DAYTONA
D44 = LANCER	K = MINI VAN/CARAVAN/ROYAL	Z = OMNI/CHARGER

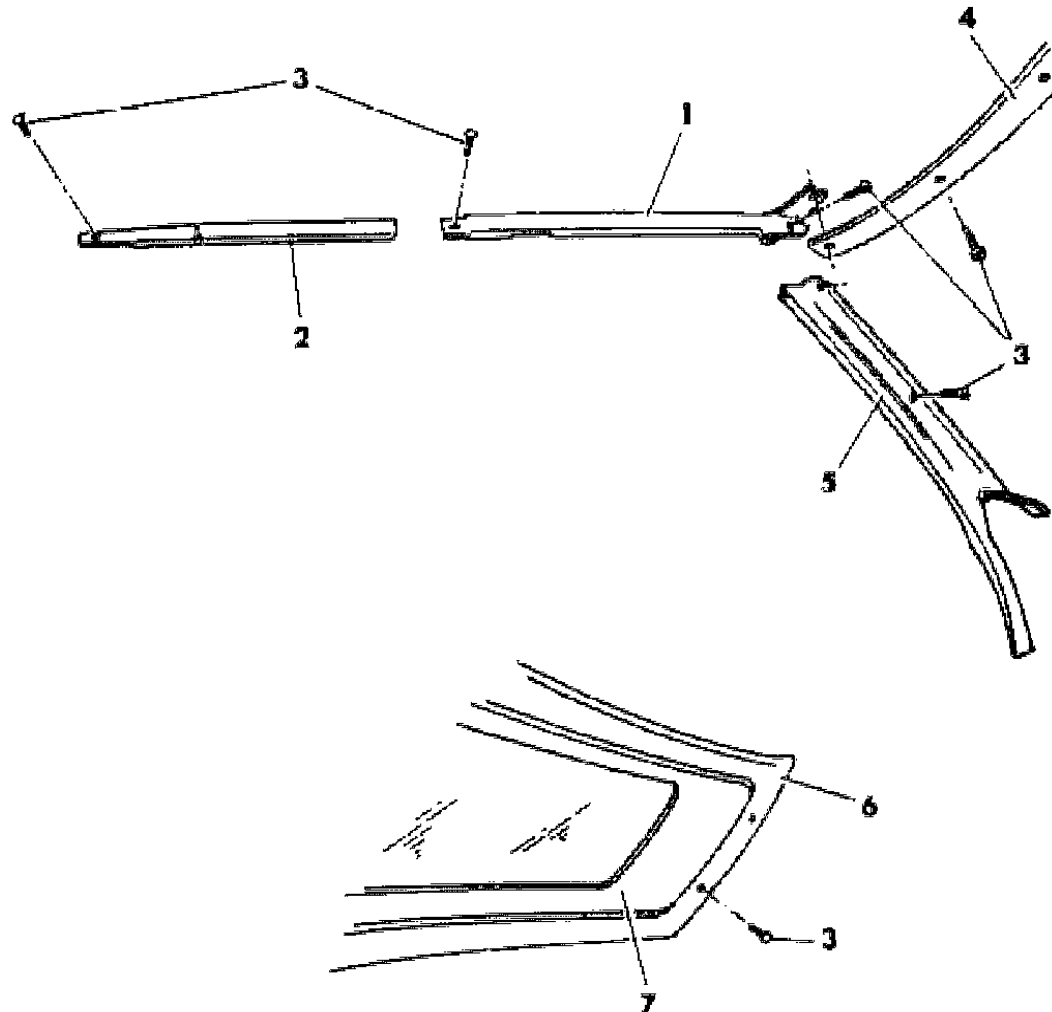
BODY STYLES

21 = 2-DOOR SEDAN	35 = FWD VAN	44 = 4-DOOR HATCHBACK
22 = 2-DOOR SPECIAL COUPE	36 = FWD WAGON	45 = 4-DOOR STATION WAGON
24 = 2-DOOR HATCHBACK	41 = 4-DOOR SEDAN	49 = LIMOUSINE
27 = 2-DOOR CONVERTIBLE		

AR = Use as Required - = Non Illustrated Part P.A.R. = Paint as Required

MOULDING GARNISH AND BACKLITE INSERT LIMO.
Figure ITC-700

5234 700



ITEM	PART NUMBER	QTY	BODY	MODEL	DESCRIPTION
1					MOULDING, Headliner Garnish, Front N N N N
	4339 574-5	1			Silver N N N Y4339574
	4339 576-7	1			Blue N N N Y4339576
2					MOULDING, Headliner Garnish, Rear N N N N
	4339 878-9	1			Silver N N N Y4339878
	4339 880-1	1			Blue N N N Y4339880
3					SCREW (not serviced) N N N N
4					MOULDING, Windshield Garnish N N N N
	4339 598	1			Silver N N N Y4339598
	4339 599	1			Blue N N N Y4339599
5					MOULDING, Windshield Side Garnish N N N N
	4342 118-9	1			Silver N N N Y4342118
	4342 120-1	1			Blue N N N Y4342120
6					MOULDING, Backlite Garnish N N N N
	4339 596	1			Silver N N N Y4339596
	4339 597	1			Blue N N N Y4339597
7					FILLER, Backlite Garnish N N N N
	4339 594	1			Silver N N N Y4339594
	4339 595	1			Blue N N N Y4339595

MODEL CODES

B = GRAN FURY	E = 600	M = HORIZON/TURISMO
C = LE BARON/TOWN & COUNTRY/LIMO	F = FIFTH AVENUE/NEWPORT	P = RELIANT
C24 = LASER	G = DIPLOMAT	T = NEW YORKER
C44 = LE BARON/GTS	H = VOYAGER	V = 600
D = ARIES	J = CARAVELLE	V24 = DAYTONA
D44 = LANCER	K = MINI VAN/CARAVAN/ROYAL	Z = OMNI/CHARGER

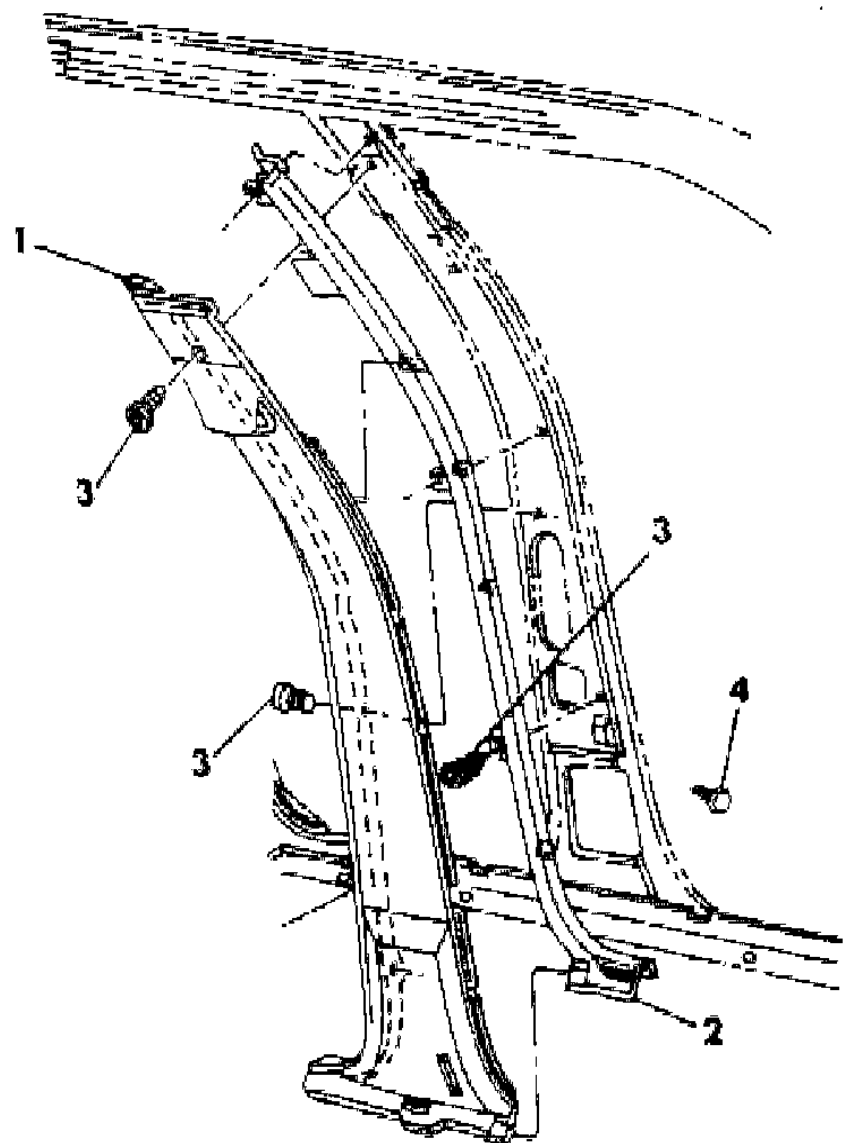
BODY STYLES

21 = 2-DOOR SEDAN	35 = FWD VAN	44 = 4-DOOR HATCHBACK
22 = 2-DOOR SPECIAL COUPE	36 = FWD WAGON	45 = 4-DOOR STATION WAGON
24 = 2-DOOR HATCHBACK	41 = 4-DOOR SEDAN	49 = LIMOUSINE
27 = 2-DOOR CONVERTIBLE		

AR = Use as Required - = Non Illustrated Part P.A.R. = Paint as Required

**B PILLAR TRIM P,D,C K BODY 41,45, AND LIMO.
Figure ITC-800**

5234 B(W)



ITEM	PART NUMBER	QTY	BODY	MODEL	DESCRIPTION
1					COVER, Center Pillar "B" Rear N N N N
					(use for cars built at Jefferson and St. Louis) N N N N
	F408-9 AA3	1			Silver N N N YF408AA3
	F408-9 BB5	1			Blue N N N YF408BB5
	F408-9 AC7	1			Blue N N N YF408AC7
	F408-9 AM6	1			Red N N N YF408AM6
	F408-9 DT3	1			Tan N N N YF408DT3
	F408-9 BT8	1			Brown N N N YF408BT8
	F408-9 CS8	1			Charcoal N N N YF408CS8
					(use up to 6/17/85 for cars built at Newark) N N N N
	F408-9 AA3	1			Silver N N N YF408AA3
	F408-9 BB5	1			Blue N N N YF408BB5
	F408-9 AC7	1			Blue N N N YF408AC7
	F408-9 AM6	1			Red N N N YF408AM6
	F408-9 DT3	1			Tan N N N YF408DT3
	F408-9 BT8	1			Brown N N N YF408BT8
	F408-9 CS8	1			Charcoal N N N YF408CS8
					(use after 6/17/85 for cars built at Newark) N N N N
	F214-5 CA3	1			Silver N N N YF214CA3
	F214-5 CB5	1			Blue N N N YF214CB5
	F214-5 CC7	1			Blue N N N YF214CC7
	F214-5 CM6	1			Red N N N YF214CM6
	F214-5 DT3	1			Tan N N N YF214DT3
	F214-5 CT8	1			Brown N N N YF214CT8
	F214-5 CS8	1			Charcoal N N N YF214CS8
	4364 168-9	1			Silver N NLimo N Y4364168
	4364 170-1	1			Blue N NLimo N Y4364170
2					COVER, Center Pillar "B" Front N N N N
	F396-7 AA3	1			Silver N N N YF396AA3
	F396-7 BB5	1			Blue N N N YF396BB5
	F396-7 AC7	1			Blue, Dark N N N YF396AC7
	F396-7 AM6	1			Red N N N YF396AM6
	F396-7 DT3	1			Tan N N N YF396DT3
	F396-7 BT8	1			Brown N N N YF396BT8
	F396-7 CS8	1			Charcoal N N N YF396CS8
					BUMPER N N N N
	F030 CA3	2			Silver N N N YF030CA3

MODEL CODES

B = GRAN FURY	E = 600	M = HORIZON/TURISMO
C = LE BARON/TOWN & COUNTRY/LIMO	F = FIFTH AVENUE/NEWPORT	P = RELIANT
C24 = LASER	G = DIPLOMAT	T = NEW YORKER
C44 = LE BARON/GTS	H = VOYAGER	V = 600
D = ARIES	J = CARAVELLE	V24 = DAYTONA
D44 = LANCER	K = MINI VAN/CARAVAN/ROYAL	Z = OMNI/CHARGER

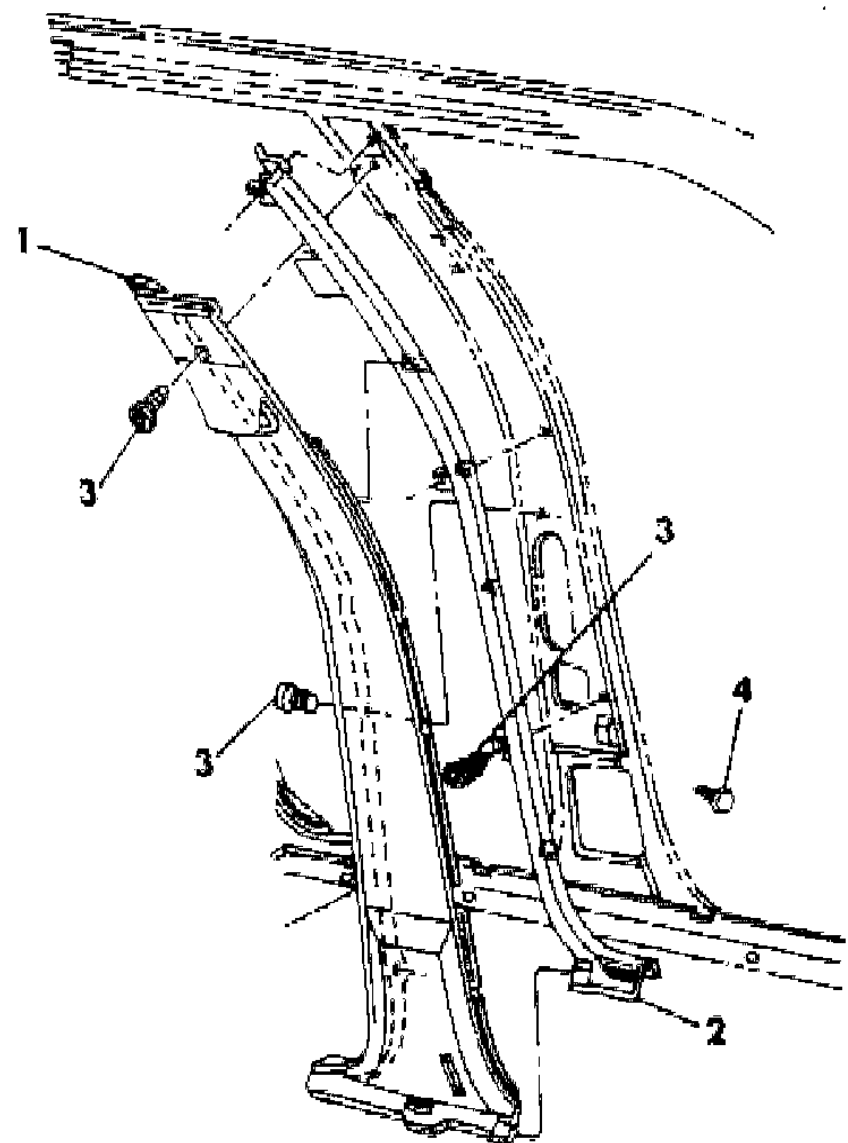
BODY STYLES

21 = 2-DOOR SEDAN	35 = FWD VAN	44 = 4-DOOR HATCHBACK
22 = 2-DOOR SPECIAL COUPE	36 = FWD WAGON	45 = 4-DOOR STATION WAGON
24 = 2-DOOR HATCHBACK	41 = 4-DOOR SEDAN	49 = LIMOUSINE
27 = 2-DOOR CONVERTIBLE		

AR = Use as Required - = Non Illustrated Part P.A.R. = Paint as Required

**B PILLAR TRIM P,D,C K BODY 41,45, AND LIMO.
Figure ITC-800**

5234 B(W)



ITEM	PART NUMBER	QTY	BODY	MODEL	DESCRIPTION
	F030 CB5	2			Blue N N N YF030CB5
	F030 CC7	2			Blue N N N YF030CC7
	F030 CM6	2			Red N N N YF030CM6
	F030 DT3	2			Tan N N N YF030DT3
	F030 CT8	2			Brown N N N YF030CT8
	F030 CS8	2			Charcoal N N N YF030CS8
	4364 172-3	1			Silver N NLimo N Y4364172
	4364 174-5	1			Blue N NLimo N Y4364174
3	9420 486	AR			SCREW N N N Y9420486
4	6030 441	8			FASTENER, Center Pillar Silencer Attaching N N N Y6030441
	4337 840-1	1			SILENCER, Center Pillar N N N Y4337840

MODEL CODES

B = GRAN FURY	E = 600	M = HORIZON/TURISMO
C = LE BARON/TOWN & COUNTRY/LIMO	F = FIFTH AVENUE/NEWPORT	P = RELIANT
C24 = LASER	G = DIPLOMAT	T = NEW YORKER
C44 = LE BARON/GTS	H = VOYAGER	V = 600
D = ARIES	J = CARAVELLE	V24 = DAYTONA
D44 = LANCER	K = MINI VAN/CARAVAN/ROYAL	Z = OMNI/CHARGER

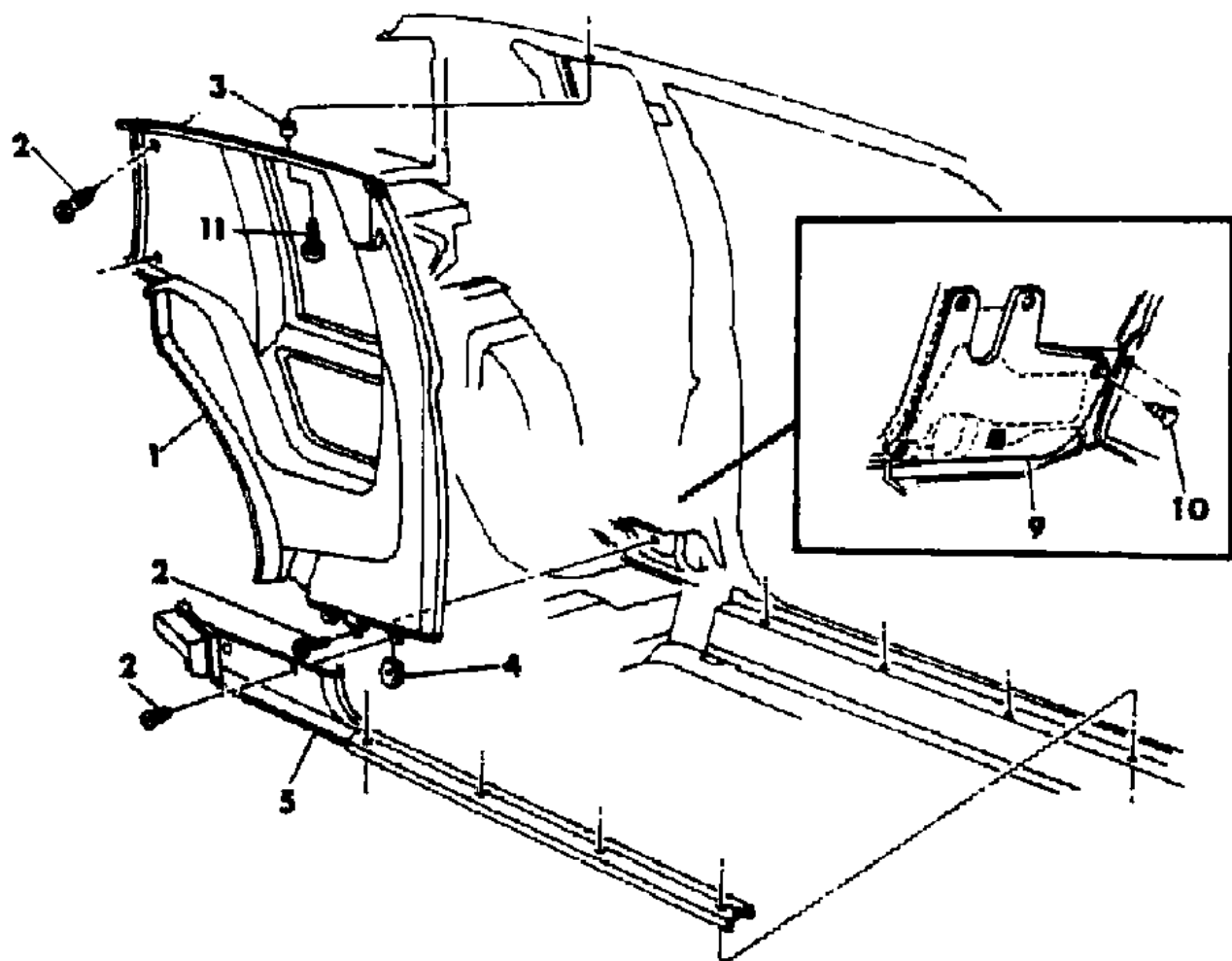
BODY STYLES

21 = 2-DOOR SEDAN	35 = FWD VAN	44 = 4-DOOR HATCHBACK
22 = 2-DOOR SPECIAL COUPE	36 = FWD WAGON	45 = 4-DOOR STATION WAGON
24 = 2-DOOR HATCHBACK	41 = 4-DOOR SEDAN	49 = LIMOUSINE
27 = 2-DOOR CONVERTIBLE		

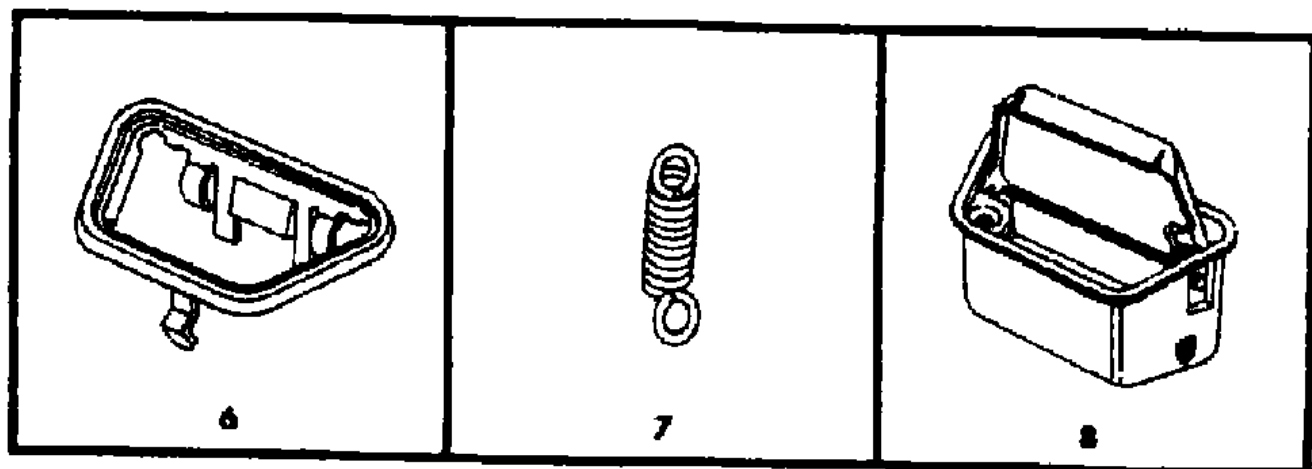
AR = Use as Required - = Non Illustrated Part P.A.R. = Paint as Required

PANEL QUARTER TRIM P,D K BODY 21
Figure ITC-900

5234 900



ITEM	PART NUMBER	QTY	BODY	MODEL	DESCRIPTION
1					PANEL, Quarter Upper (paint as required) N N N N
	H720-1 CA3	1			N NL N YH720CA3
	H400-1 DA3	1			N NH,M N YH400DA3
					BUMPER N N N N
	F030 CA3	2			Silver N N N YF030CA3
	F030 CB5	2			Blue N N N YF030CB5
	F030 CM6	2			Red N N N YF030CM6
	F030 DT3	2			Tan N N N YF030DT3
2		AR			SCREW (not serviced)(8-18x1) N N N N
3	0152 863	AR			SPACER NUT N N N Y152863
4	6031 803	4			U-NUT N N N Y6031803
5					PLATE, See Scuff Plate Illustration Group 23-TRIM N N N N
6	2879 652	2			BEZEL, Ash Receiver N N N Y2879652
7	2292 503	2			SPRING, Ash Receiver Lid N N N Y2292503
8	2589 587	2			RECEIVER, Ash N N N Y2589587
9	3762 862	AR			SILENCER (36"x72" material cut to fit) N N N Y3762862
10	6003 423	AR			FASTENER N N N Y6003423
11		AR			SCREW (not serviced)(8-18x1.25) N N N N



MODEL CODES

B = GRAN FURY	E = 600	M = HORIZON/TURISMO
C = LE BARON/TOWN & COUNTRY/LIMO	F = FIFTH AVENUE/NEWPORT	P = RELIANT
C24 = LASER	G = DIPLOMAT	T = NEW YORKER
C44 = LE BARON/GTS	H = VOYAGER	V = 600
D = ARIES	J = CARAVELLE	V24 = DAYTONA
D44 = LANCER	K = MINI VAN/CARAVAN/ROYAL	Z = OMNI/CHARGER

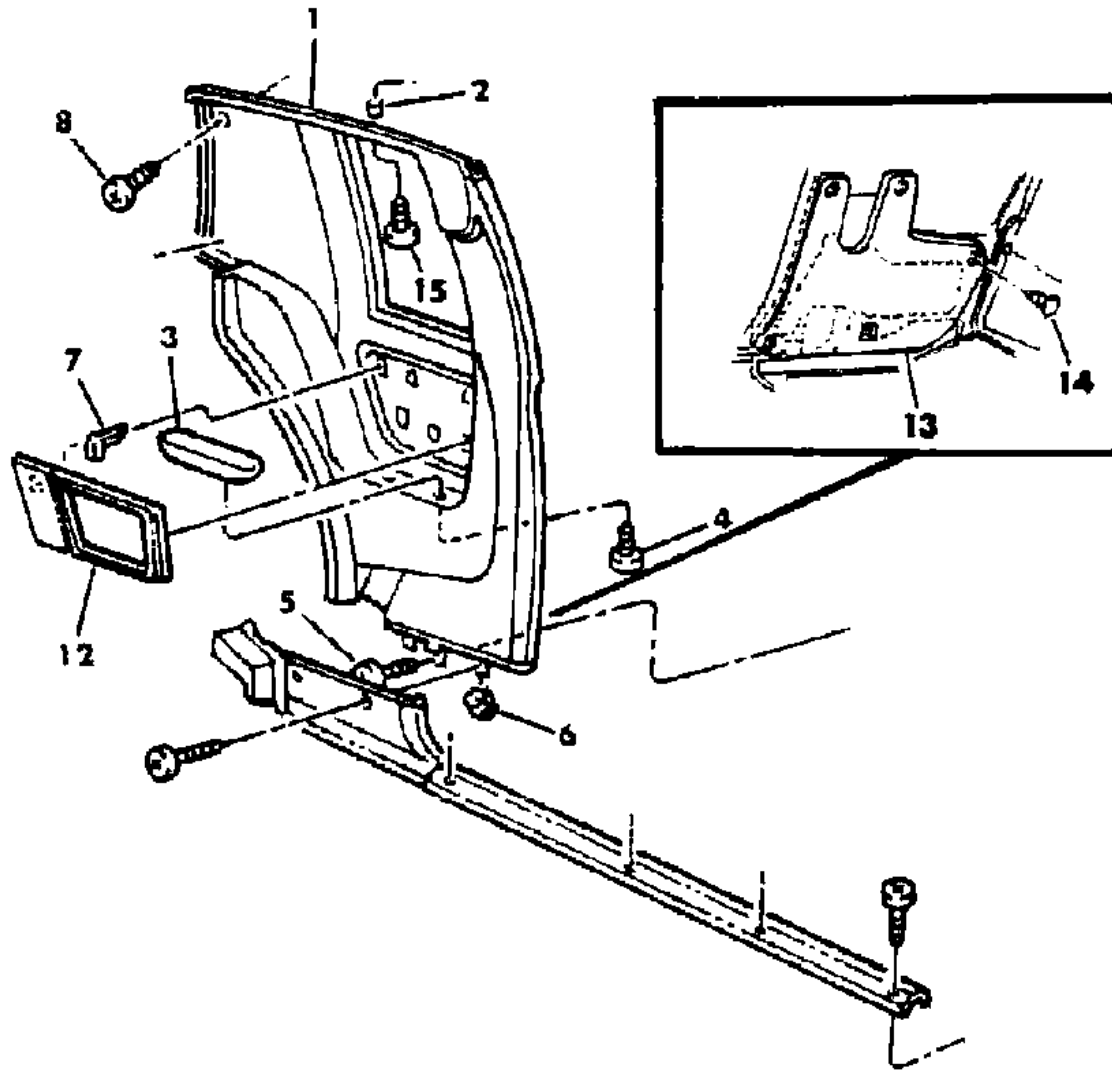
BODY STYLES

21 = 2-DOOR SEDAN	35 = FWD VAN	44 = 4-DOOR HATCHBACK
22 = 2-DOOR SPECIAL COUPE	36 = FWD WAGON	45 = 4-DOOR STATION WAGON
24 = 2-DOOR HATCHBACK	41 = 4-DOOR SEDAN	49 = LIMOUSINE
27 = 2-DOOR CONVERTIBLE		

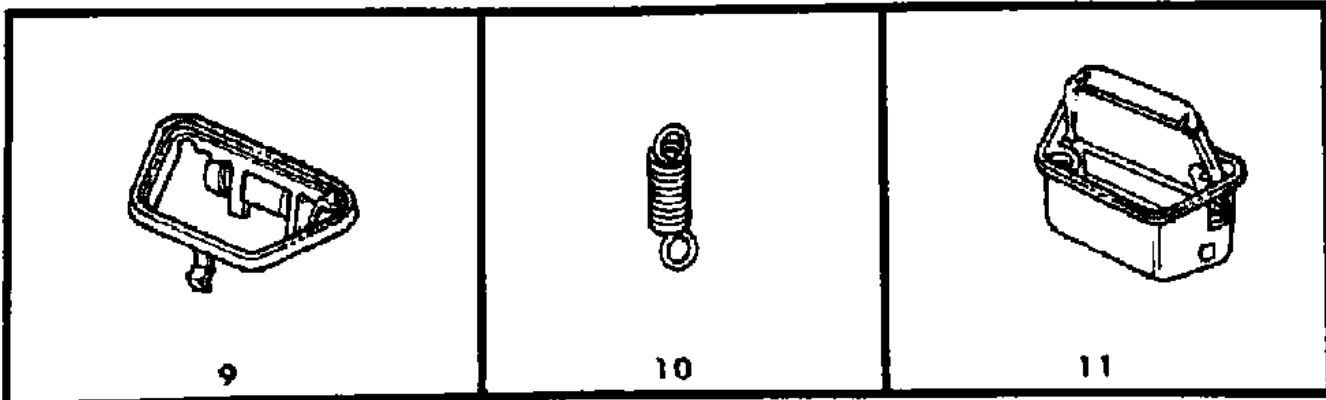
AR = Use as Required - = Non Illustrated Part P.A.R. = Paint as Required

PANEL QUARTER TRIM C,V K BODY 22
Figure ITC-1000

5234 1000



ITEM	PART NUMBER	QTY	BODY	MODEL	DESCRIPTION
1	H364-5 DT3	1			PANEL, Upper Trim (paint as required) N N N YH364DT3
	F030 CA3	2			BUMPER N N N N Silver N N N YF030CA3
	F030 CC7	2			Blue N N N YF030CC7
	F030 CM6	2			Red N N N YF030CM6
	F030 DT3	2			Tan N N N YF030DT3
	F030 CT8	2			Brown N N N YF030CT8
	F030 CS8	2			Charcoal N N N YF030CS8
2	0152 863	2			NUT, Spacer N N N Y152863
3					ARMREST N N N N
	D408-9 CS8	1			Charcoal N N N YD408CS8
	D408-9 AC7	1			Blue, Dark N N N YD408AC7
	D408-9 AM6	1			Red N N N YD408AM6
	D408-9 DT3	1			Tan N N N YD408DT3
	D408-9 BT8	1			Brown N N N YD408BT8
4	9428 283	4			SCREW N N N Y9428283
5	6032 456	5			SCREW N N N Y6032456
6	6031 803	4			U-NUT N N N Y6031803
7	4114 785	12			FASTENER N N N Y4114785
8		6			SCREW (not serviced)(8-18x1) N N N N
9	2657 877	2			BEZEL, Ash Receiver N N N Y2657877
10	2292 503	2			SPRING, Ash Receiver Lid N N N Y2292503
11	2589 587	2			RECEIVER, Ash N N N Y2589587
12					BOLSTER, Quarter Trim Panel N N N N
	D522-3 DAS	1			N N NM3S,M5S YD522DAS
	D522-3 DCC	1			N N NM3C,M5C YD522DCC
	D522-3 DMM	1			N N NM3M,M5M YD522DMM
	D522-3 DTT	1			N N NM3T,M5T YD522DTT
	D522-3 DT8	1			N N NM3T,M5T YD522DT8
	D542-3 CA2	1			N N NSPSA YD542CA2
	D542-3 DT3	1			N N NSPTU YD542DT3
13	3762 862	AR			SILENCER (36"x72" material cut to fit) N N N Y3762862
14	6003 423	AR			FASTENER N N N Y6003423
11		AR			SCREW (not serviced)(8-18x1.25) N N N N



MODEL CODES

B = GRAN FURY	E = 600	M = HORIZON/TURISMO
C = LE BARON/TOWN & COUNTRY/LIMO	F = FIFTH AVENUE/NEWPORT	P = RELIANT
C24 = LASER	G = DIPLOMAT	T = NEW YORKER
C44 = LE BARON/GTS	H = VOYAGER	V = 600
D = ARIES	J = CARAVELLE	V24 = DAYTONA
D44 = LANCER	K = MINI VAN/CARAVAN/ROYAL	Z = OMNI/CHARGER

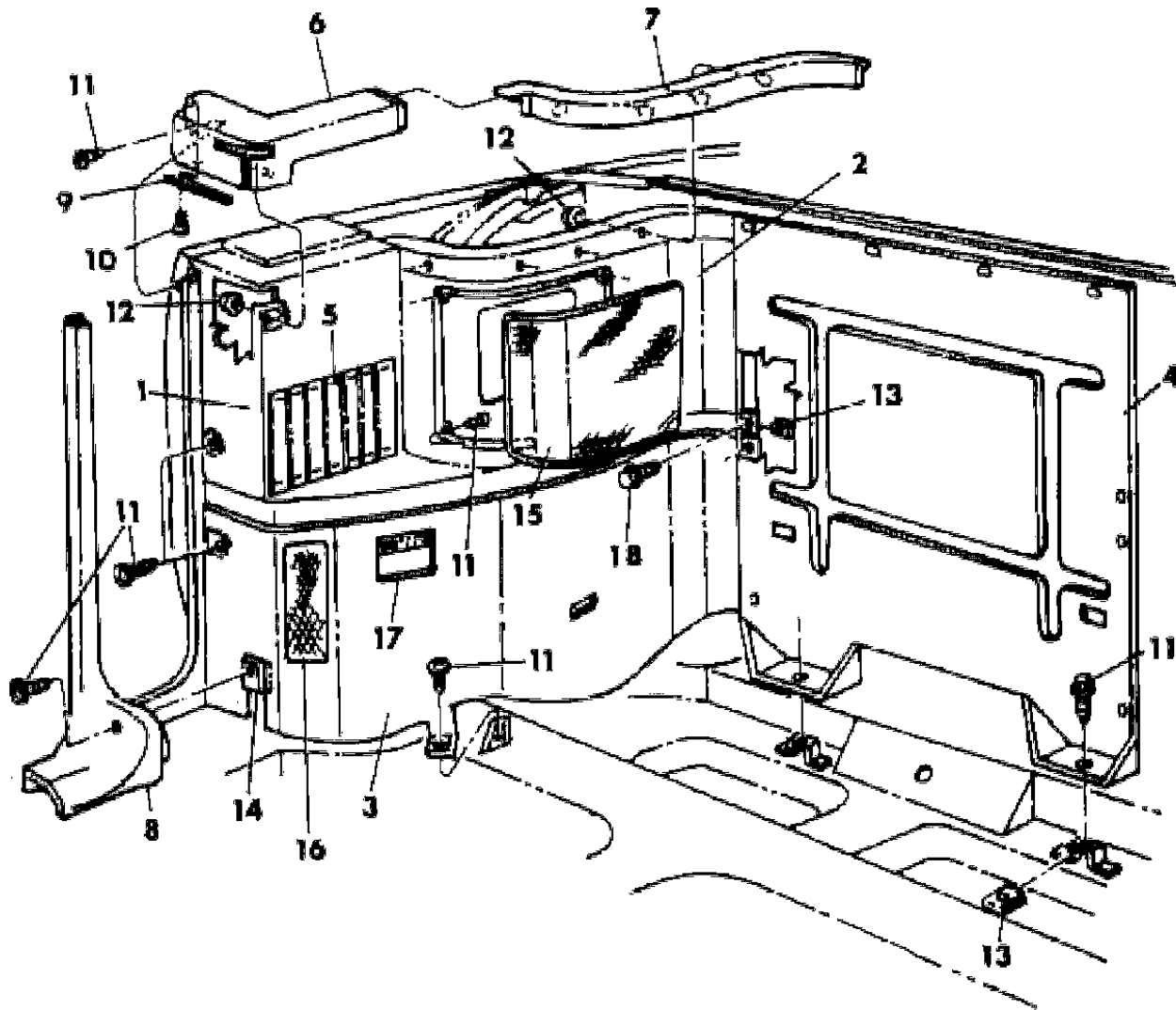
BODY STYLES

21 = 2-DOOR SEDAN	35 = FWD VAN	44 = 4-DOOR HATCHBACK
22 = 2-DOOR SPECIAL COUPE	36 = FWD WAGON	45 = 4-DOOR STATION WAGON
24 = 2-DOOR HATCHBACK	41 = 4-DOOR SEDAN	49 = LIMOUSINE
27 = 2-DOOR CONVERTIBLE		

AR = Use as Required - = Non Illustrated Part P.A.R. = Paint as Required

PANEL QUARTER TRIM C,V K BODY 27
Figure ITC-1100

5234 1100



ITEM	PART NUMBER	QTY	BODY	MODEL	DESCRIPTION
1					PANEL, Quarter Upper Trim. Front N N N N
	K798-9 DT3	1			Tan N N N YK798DT3
	K798-9 CM6	1			Red N N N YK798CM6
	K798-9 CS8	1			Charcoal N N N YK798CS8
2					PANEL, Quarter Upper Trim, Rear N N N N
	K796-7 DT3	1			Tan N N N YK796DT3
	K796-7 CM6	1			Red N N N YK796CM6
	K796-7 CS8	1			Charcoal N N N YK796CS8
3					PANEL, Quarter Trim, Lower N N N N
	K800-1 DT3	1			Tan N N N YK800DT3
	K800-1 CM6	1			Red N N N YK800CM6
	K800-1 CS8	1			Charcoal N N N YK800CS8
4	4248 755	1			PANEL, Back Center N N N Y4248755
5					INSERT, Quarter Upper Trim, Front N N N N
	K132 DT3	2			N N NV8T YK132DT3
	K132 CM6	2			N N NV8M,V8MW YK132CM6
	K146 CA2	2			N N NGLSA,RLSA YK146CA2
	K146 DT3	2			N N NGLTU,RLTU YK146DT3
	1623 945	8			FASTENER, Insert N N N Y1623945
6	4282 504-5	1			MOULDING, Lock Pillar Cover N N N Y4282504
7	4282 620-1	1			MOULDING, Quarter Belt, Rear N N N Y4282620
8	H136-7 CL3	1			MOULDING, Lock Pillar (paint as required) N N N YH136CL3
	6501 059	1			NUT, Attaching N N N Y6501059
9	4282 506-7	1			INSERT, Lock Pillar Cover N N N Y4282506
10					SCREW (not serviced) N N N N
11					SCREW (not serviced) N N N N
12					NUT and WASHER (not serviced) N N N N
13	6101 308	8			U-NUT N N N Y6101308
14		8			U-NUT (not serviced) N N N N
15					GRILLE, Speaker N N N N
	D504-5 DT3	1			Tan N N N YD504DT3
	D504-5 CM6	1			Red N N N YD504CM6
	D504-5 CS8	1			Charcoal N N N YD504CS8
16					LAMP, Quarter Courtesy (refer to Group 8) N N N N
17	3832 200	2			RECEPTACLE, Ash Receiver N N N Y3832200
	3510 868	2			RETAINER and BEZEL, Ash Receiver N N N Y3510868
18	6501 013	8			SCREW and WASHER N N N Y6501013

MODEL CODES

B = GRAN FURY	E = 600	M = HORIZON/TURISMO
C = LE BARON/TOWN & COUNTRY/LIMO	F = FIFTH AVENUE/NEWPORT	P = RELIANT
C24 = LASER	G = DIPLOMAT	T = NEW YORKER
C44 = LE BARON/GTS	H = VOYAGER	V = 600
D = ARIES	J = CARAVELLE	V24 = DAYTONA
D44 = LANCER	K = MINI VAN/CARAVAN/ROYAL	Z = OMNI/CHARGER

BODY STYLES

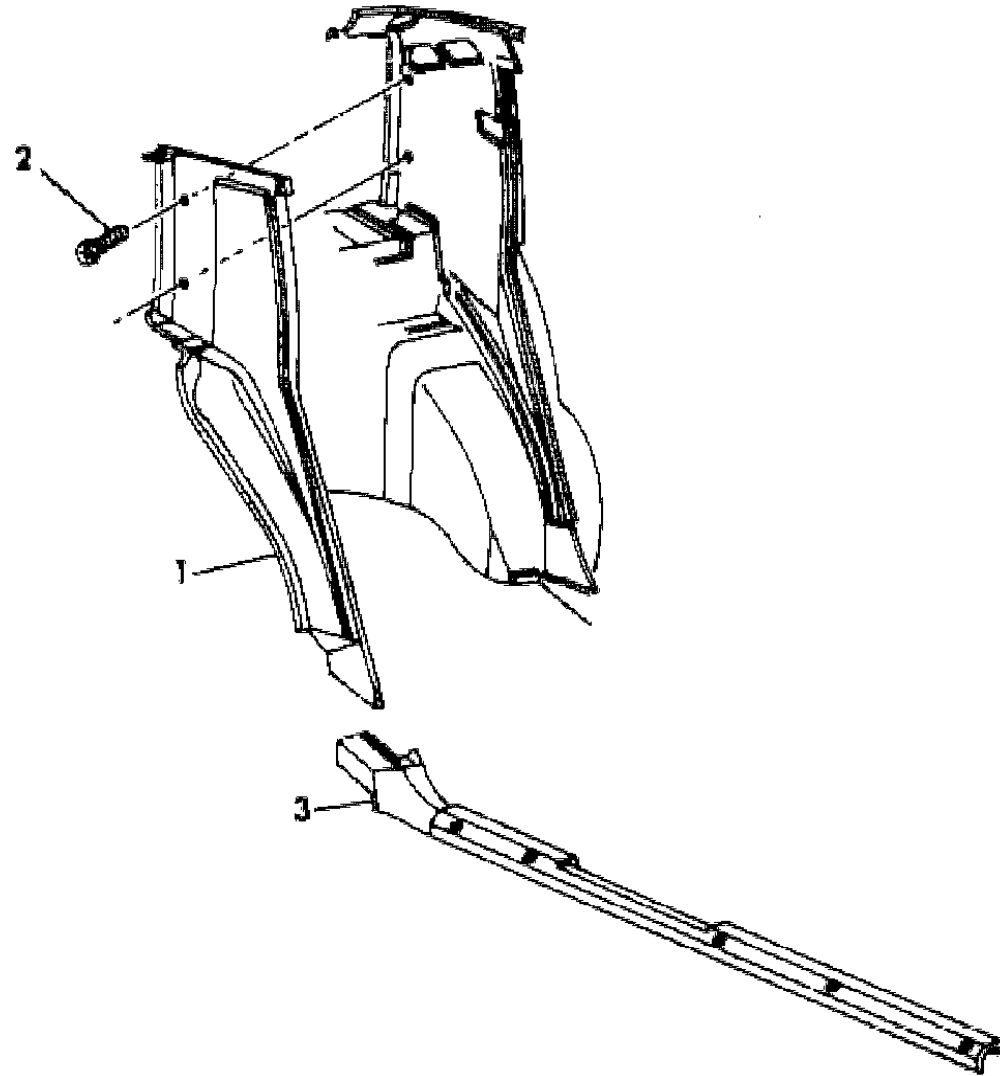
21 = 2-DOOR SEDAN	35 = FWD VAN	44 = 4-DOOR HATCHBACK
22 = 2-DOOR SPECIAL COUPE	36 = FWD WAGON	45 = 4-DOOR STATION WAGON
24 = 2-DOOR HATCHBACK	41 = 4-DOOR SEDAN	49 = LIMOUSINE
27 = 2-DOOR CONVERTIBLE		

AR = Use as Required - = Non Illustrated Part P.A.R. = Paint as Required

PANEL QUARTER TRIM P,D,C K BODY 41
Figure ITC-1200

5234 1200

ITEM	PART NUMBER	QTY	BODY	MODEL	DESCRIPTION
1	F152-3 BB5	1			PANEL, Quarter Trim (paint as required) N N N YF152BB5
2		AR			SCREW (not serviced) N N N N
3					PLATE, See Scuff Plate Illustration Group 23-TRIM N N N N



MODEL CODES

B = GRAN FURY	E = 600	M = HORIZON/TURISMO
C = LE BARON/TOWN & COUNTRY/LIMO	F = FIFTH AVENUE/NEWPORT	P = RELIANT
C24 = LASER	G = DIPLOMAT	T = NEW YORKER
C44 = LE BARON/GTS	H = VOYAGER	V = 600
D = ARIES	J = CARAVELLE	V24 = DAYTONA
D44 = LANCER	K = MINI VAN/CARAVAN/ROYAL	Z = OMNI/CHARGER

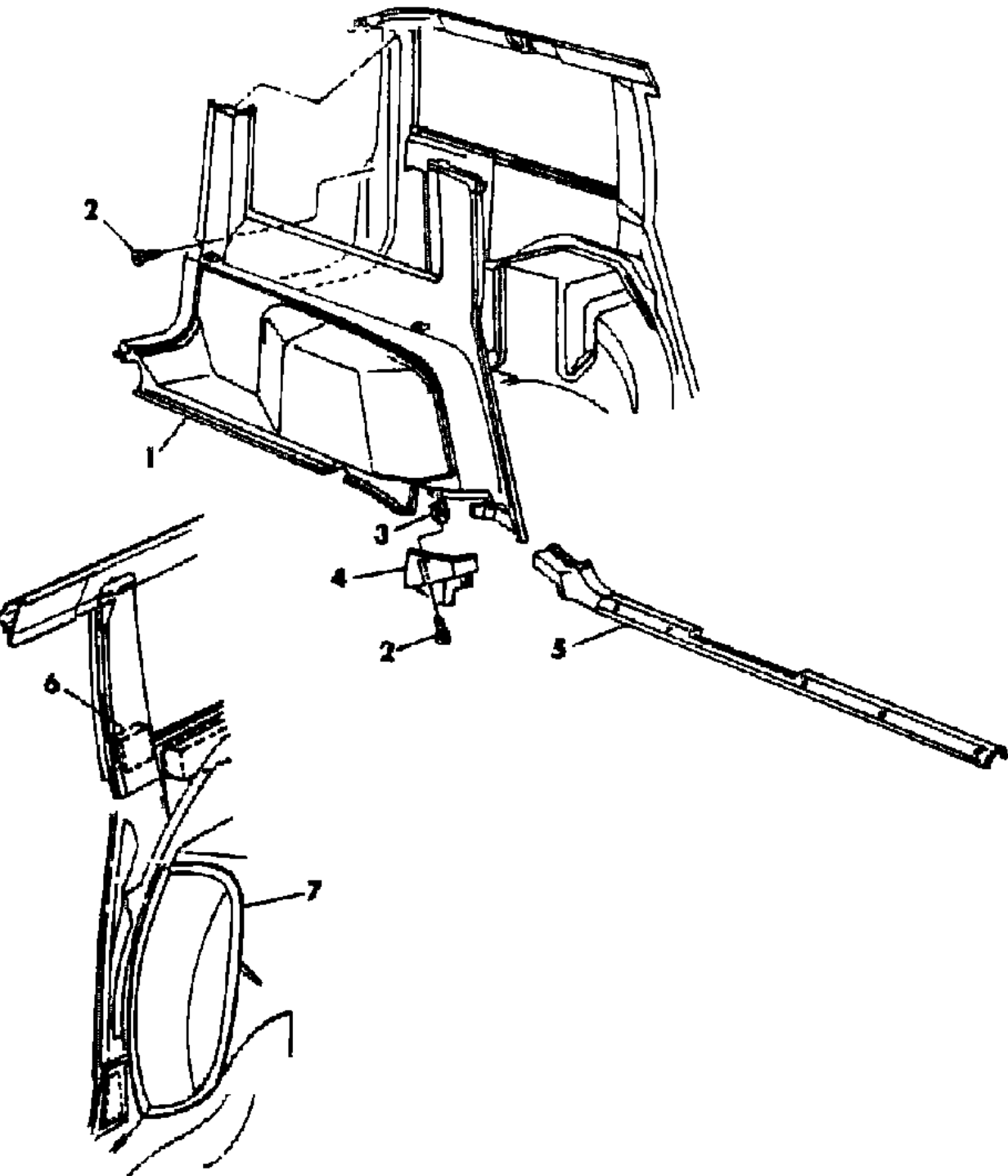
BODY STYLES

21 = 2-DOOR SEDAN	35 = FWD VAN	44 = 4-DOOR HATCHBACK
22 = 2-DOOR SPECIAL COUPE	36 = FWD WAGON	45 = 4-DOOR STATION WAGON
24 = 2-DOOR HATCHBACK	41 = 4-DOOR SEDAN	49 = LIMOUSINE
27 = 2-DOOR CONVERTIBLE		

AR = Use as Required - = Non Illustrated Part P.A.R. = Paint as Required

PANEL QUARTER TRIM P,D,C K BODY 45
Figure ITC-1300

5234 1300



ITEM	PART NUMBER	QTY	BODY	MODEL	DESCRIPTION
1					PANEL, Quarter Trim (paint as required) N N N N
	W244-5 DT3	1			NP,D N N YW244DT3
	W230-1 AM6	1			Red NC N N YW230AM6
	W230-1 DT3	1			Tan NC N N YW230DT3
	W230-1 BT8	1			Brown NC N N YW230BT8
					CARPET, Quarter Trim Panel N N N N
	W572-3 AM6	1			Red NC N N YW572AM6
	W572-3 DT3	1			Tan NC N N YW572DT3
	W572-3 BT9	1			Brown NC N N YW572BT9
2	6032 456	AR			SCREW N N N Y6032456
3	6031 803	4			U-NUT N N N Y6031803
4	W240-1 VB2	2			PLATE, Seat Adjuster Access Hole Cover (paint as required) N N N YW240VB2
5					PLATE, See Scuff Plate illustration Group 23-TRIM N N N N
6	4136 546	2			PAD, Lock Pillar, Upper Silencer N N N Y4136546
7	4247 226-7	1			SILENCER, Wheelhouse Cover, Molded N N N Y4247226

MODEL CODES

B = GRAN FURY	E = 600	M = HORIZON/TURISMO
C = LE BARON/TOWN & COUNTRY/LIMO	F = FIFTH AVENUE/NEWPORT	P = RELIANT
C24 = LASER	G = DIPLOMAT	T = NEW YORKER
C44 = LE BARON/GTS	H = VOYAGER	V = 600
D = ARIES	J = CARAVELLE	V24 = DAYTONA
D44 = LANCER	K = MINI VAN/CARAVAN/ROYAL	Z = OMNI/CHARGER

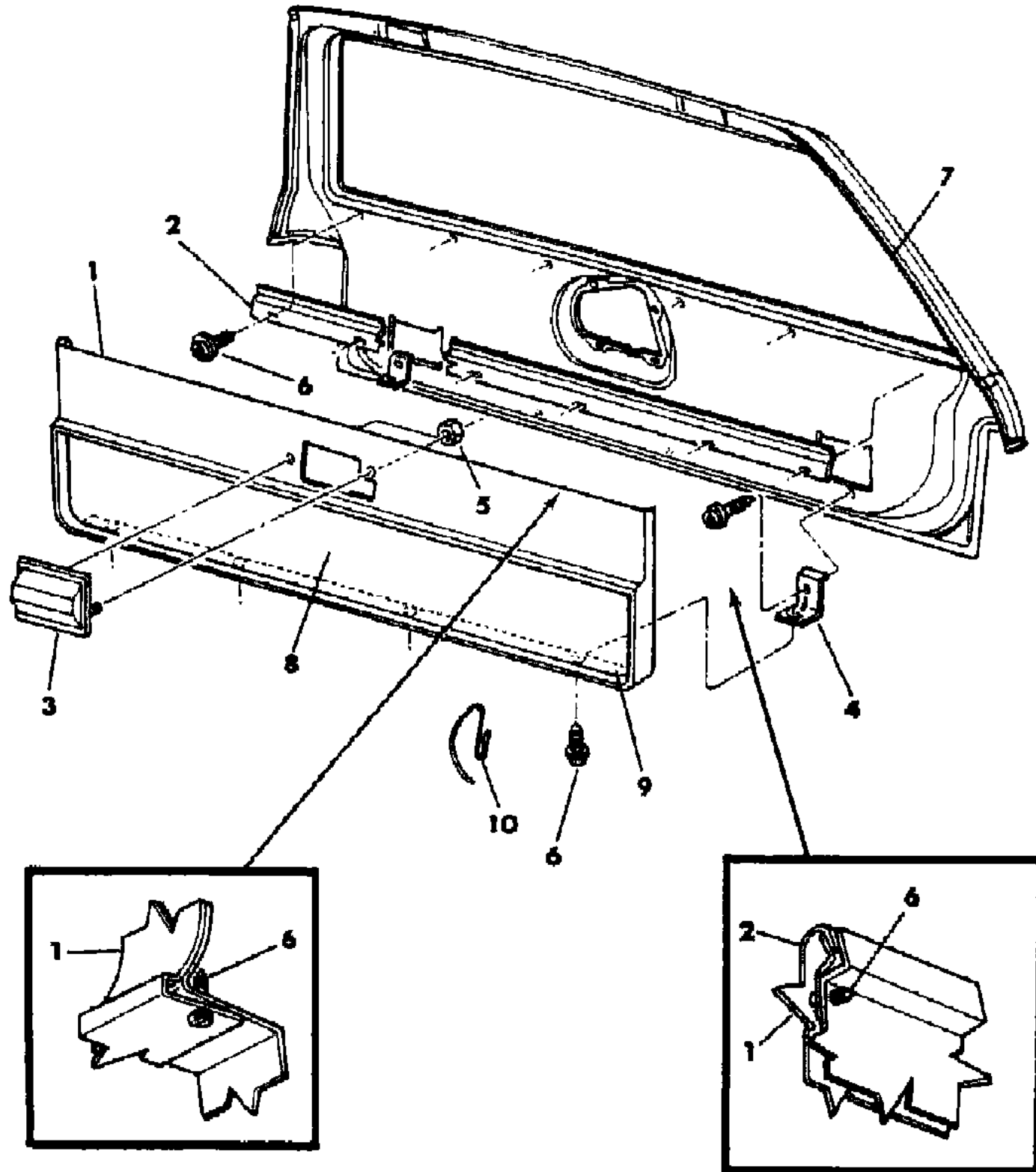
BODY STYLES

21 = 2-DOOR SEDAN	35 = FWD VAN	44 = 4-DOOR HATCHBACK
22 = 2-DOOR SPECIAL COUPE	36 = FWD WAGON	45 = 4-DOOR STATION WAGON
24 = 2-DOOR HATCHBACK	41 = 4-DOOR SEDAN	49 = LIMOUSINE
27 = 2-DOOR CONVERTIBLE		

AR = Use as Required - = Non Illustrated Part P.A.R. = Paint as Required

LIFT GATE TRIM P,D,C K BODY 45
Figure ITC-1400

5234 1400



ITEM	PART NUMBER	QTY	BODY	MODEL	DESCRIPTION
1	W665 AB2	1			PANEL, Liftgate (paint as required) NP,D N N YW665AB2 (use up to 12/10/84) N N N N
	W663 AM6	1			Red NC N N YW663AM6
	W663 DT3	1			Tan NC N N YW663DT3
	W663 BT8	1			Brown NC N N YW663BT8 (use after 12/10/84) N N N N
	H224 CM6	1			Red NC N N YH224CM6
	H224 DT3	1			Tan NC N N YH224DT3
	H224 CT8	1			Brown NC N N YH224CT8
2	4381 099	AR			RETAINER N N N Y4381099
3	W661 CA3	1			COVER, Rear Wiper Moter (paint as required) N N N YW661CA3
4	4078 713	2			BRACKET, Trim to Inner Panel Attaching N N N Y4078713
5	6023 120	2			NUT N N N Y6023120
6	9420 486	12			SCREW N N N Y9420486
7	4078 959	AR			WELT or WEATHERSTRIP N N N Y4078959
8		AR			SILENCER, Liftgate Trim Panel(Serviced in Item 1) N N N N
9					CARPET, Trim Panel N N N N
	R118 VM6	1			Red NC N N YR118VM6
	R118 DT3	1			Tan NC N N YR118DT3
	W664 BT8	1			Brown NC N N YW664BT8
10	4247 884	1			CLIP N N N Y4247884

MODEL CODES

B = GRAN FURY	E = 600	M = HORIZON/TURISMO
C = LE BARON/TOWN & COUNTRY/LIMO	F = FIFTH AVENUE/NEWPORT	P = RELIANT
C24 = LASER	G = DIPLOMAT	T = NEW YORKER
C44 = LE BARON/GTS	H = VOYAGER	V = 600
D = ARIES	J = CARAVELLE	V24 = DAYTONA
D44 = LANCER	K = MINI VAN/CARAVAN/ROYAL	Z = OMNI/CHARGER

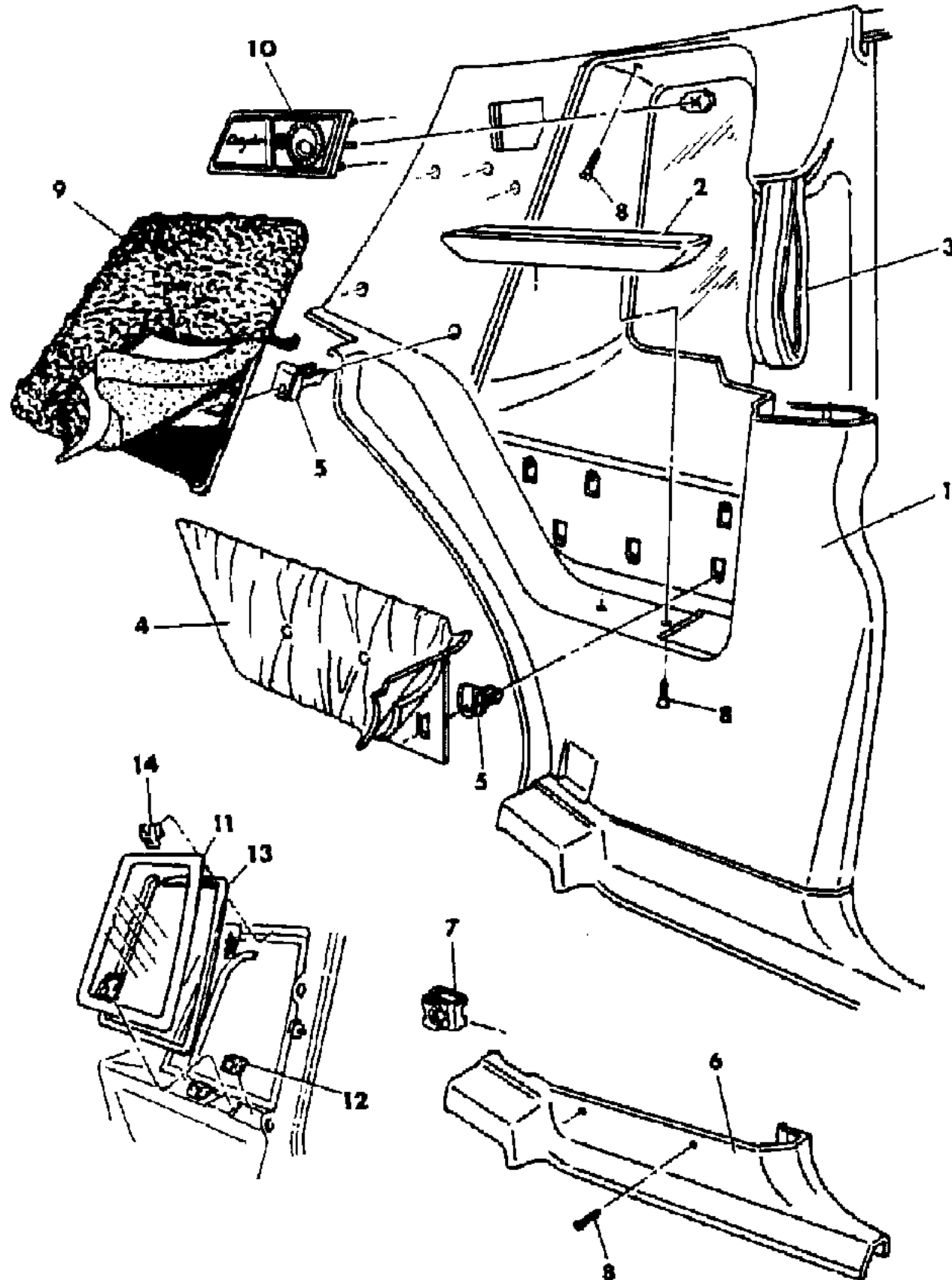
BODY STYLES

21 = 2-DOOR SEDAN	35 = FWD VAN	44 = 4-DOOR HATCHBACK
22 = 2-DOOR SPECIAL COUPE	36 = FWD WAGON	45 = 4-DOOR STATION WAGON
24 = 2-DOOR HATCHBACK	41 = 4-DOOR SEDAN	49 = LIMOUSINE
27 = 2-DOOR CONVERTIBLE		

AR = Use as Required - = Non Illustrated Part P.A.R. = Paint as Required

PANEL QUARTER TRIM LIMO
Figure ITC-1500

5234 1500



ITEM	PART NUMBER	QTY	BODY	MODEL	DESCRIPTION
1					PANEL, Quarter Trim N N N N
	4364 202-3	1			Silver N N N Y4364202
	4364 204-5	1			Blue N N N Y4364204
2					PAD, Armrest N N N N
	4339 550-1	1			Silver N N N Y4339550
	4339 552-3	1			Blue N N N Y4339552
3					STRAP, Assist N N N N
	4339 562	2			Silver N N N Y4339562
	4339 563	2			Blue N N N Y4339563
4					APPLIQUE N N N N
	4339 554-5	1			Silver N N N Y4339554
	4339 556-7	1			Blue N N N Y4339556
	4342 096-7	1			Blue, Leather N N N Y4342096
5	4114 785	AR			FASTENER N N N Y4114785
6					MOULDING, Quarter Trim N N N N
	4364 214-5	1			Silver N N N Y4364214
	4364 216-7	1			Blue N N N Y4364216
7		AR			NUT (not serviced) N N N N
8		AR			SCREW (not serviced) N N N N
9					PILLOW, Quarter Trim N N N N
	4339 558-9	1			Silver N N N Y4339558
	4339 560-1	1			Blue N N N Y4339560
	4342 098-9	1			Blue, Leather N N N Y4342098
10					LAMP, Quarter Reading (refer to Group 8) N N N N
11	4364 152-3	1			GLASS, Quarter Window N N N Y4364152
12	4206 362	6			SPACER, Quarter Glass N N N Y4206362
13	4278 162	2			SPACER, Quarter Glass N N N Y4278162
14	4206 852	2			CLIP, Quarter Glass Mounting N N N Y4206852

MODEL CODES

B = GRAN FURY	E = 600	M = HORIZON/TURISMO
C = LE BARON/TOWN & COUNTRY/LIMO	F = FIFTH AVENUE/NEWPORT	P = RELIANT
C24 = LASER	G = DIPLOMAT	T = NEW YORKER
C44 = LE BARON/GTS	H = VOYAGER	V = 600
D = ARIES	J = CARAVELLE	V24 = DAYTONA
D44 = LANCER	K = MINI VAN/CARAVAN/ROYAL	Z = OMNI/CHARGER

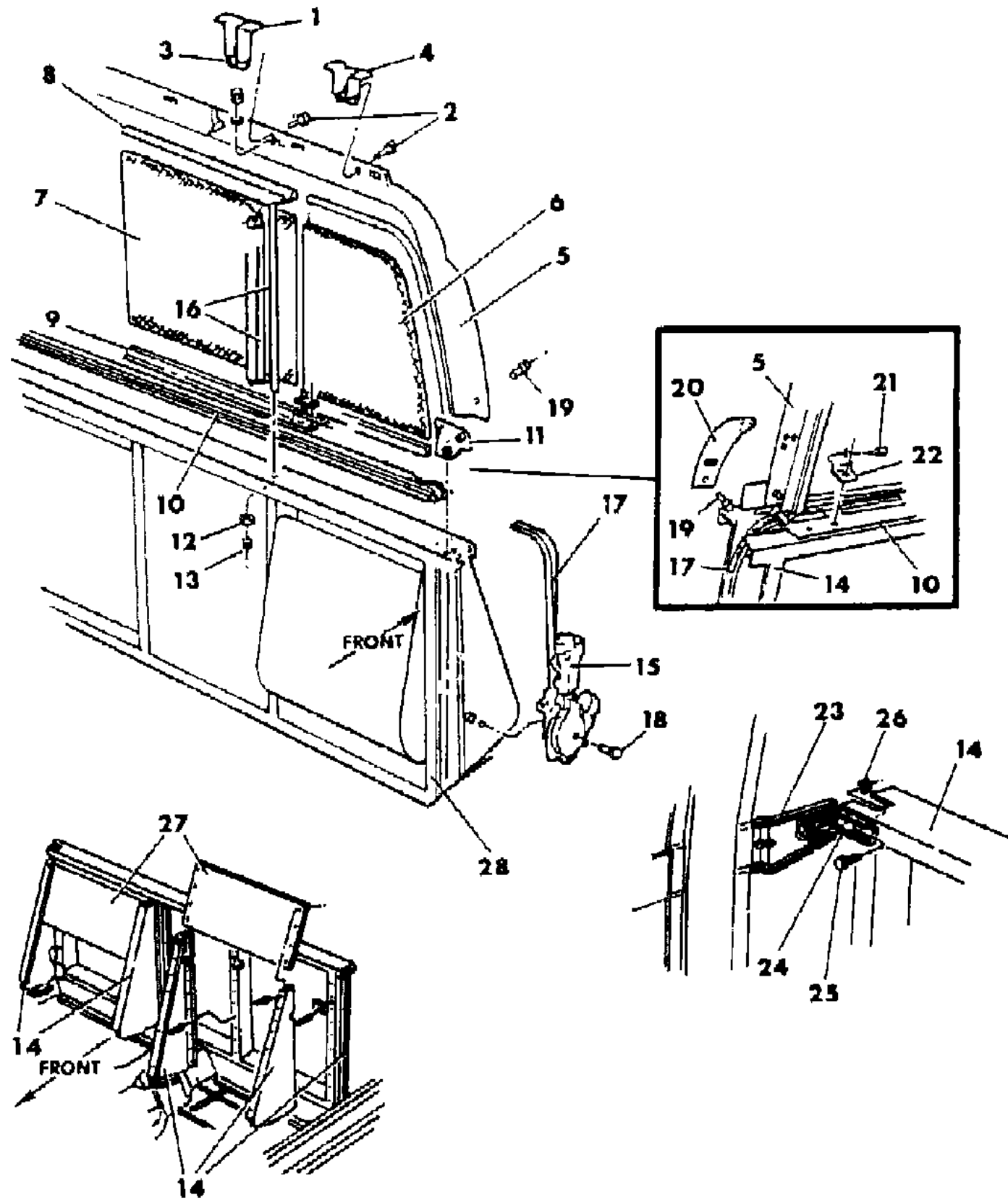
BODY STYLES

21 = 2-DOOR SEDAN	35 = FWD VAN	44 = 4-DOOR HATCHBACK
22 = 2-DOOR SPECIAL COUPE	36 = FWD WAGON	45 = 4-DOOR STATION WAGON
24 = 2-DOOR HATCHBACK	41 = 4-DOOR SEDAN	49 = LIMOUSINE
27 = 2-DOOR CONVERTIBLE		

AR = Use as Required - = Non Illustrated Part P.A.R. = Paint as Required

DIVIDER CENTER PRIVACY LIMO.
Figure ITC-1600

5234 1600 A



ITEM	PART NUMBER	QTY	BODY	MODEL	DESCRIPTION
1	4339 938	2			BRACKET, Upper Track Support, Inner N N N Y4339938
2	6500 739	AR			BOLT N N N Y6500739
3	6101 283	AR			NUT N N N Y6101283
4	4339 937	2			BRACKET, Upper Track Support, Outer N N N Y4339937
5	4339 935	1			TRACK, Upper Divider Glass N N N Y4339935
6	4339 948	1			GLASS, Divider Stationary N N N Y4339948
7	4339 951	1			GLASS, Sliding N N N Y4339951
8	4339 956	1			CHANNEL, Sliding Glass Upper N N N Y4339956
9	4339 957	1			CHANNEL, Sliding Glass Lower N N N Y4339957
10	4364 349	1			TRACK, Divider Glass Lower N N N Y4364349
11	4339 939	1			BRACKET, Track Divider Upper N N N Y4339939
12					WASHER (not serviced) N N N N
13					NUT (not serviced) N N N N
14	4339 928-9	1			FRAME, Center Divider Lower N N N Y4339928
15	4342 072	1			MOTOR, w/Mechanism Sliding Glass N N N N (use up to VIN Number 126-284) N N N Y4342072
	4397 353	1			(use after VIN Number 126-284) N N N Y4397353
16					MOULDING, Upper N N N N
	4364 343	1			Silver N N N Y4364343
	4364 344	1			Blue N N N Y4364344
17	4364 348	1			TAPE, Regulator Drive N N N Y4364348
18					BOLT (M6-1x16)(not serviced) N N N N
19					SCREW (not serviced) N N N N
20	4342 009	1			BRACE, Upper/Lower Divider N N N Y4342009
21	4229 803	1			BUMPER, Rubber N N N Y4229803
22	4339 953	1			BRACKET, Divider Glass Bumper N N N Y4339953
23	4342 084-5	1			BRACE, "B" Pillar To Frame N N N Y4342084
24	4342 087	2			BRACKET, Brace to Frame N N N Y4342087
25					BOLT (8M-7x12 Nylon)(not serviced) N N N N
26					NUT (8M)(not serviced) N N N N
27	4339 930	2			PLATE, Reinforcement N N N Y4339930
28	4339 862	1			FRAME, Lower N N N Y4339862

MODEL CODES

B = GRAN FURY	E = 600	M = HORIZON/TURISMO
C = LE BARON/TOWN & COUNTRY/LIMO	F = FIFTH AVENUE/NEWPORT	P = RELIANT
C24 = LASER	G = DIPLOMAT	T = NEW YORKER
C44 = LE BARON/GTS	H = VOYAGER	V = 600
D = ARIES	J = CARAVELLE	V24 = DAYTONA
D44 = LANCER	K = MINI VAN/CARAVAN/ROYAL	Z = OMNI/CHARGER

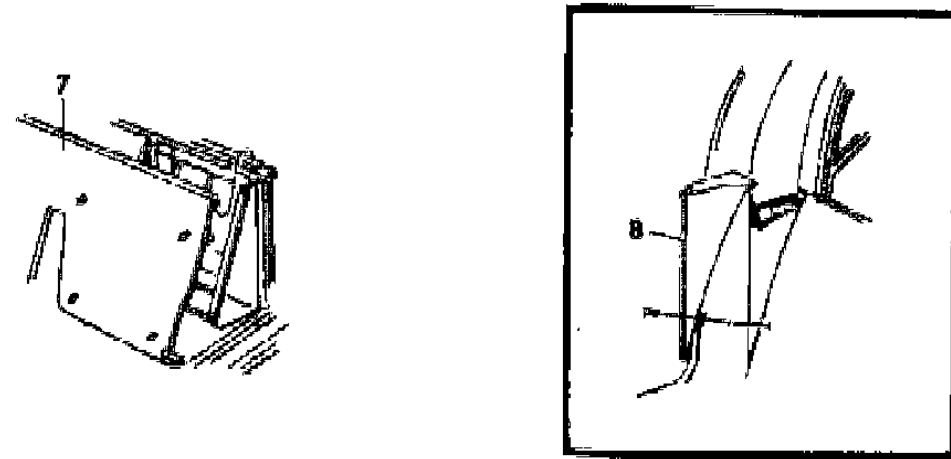
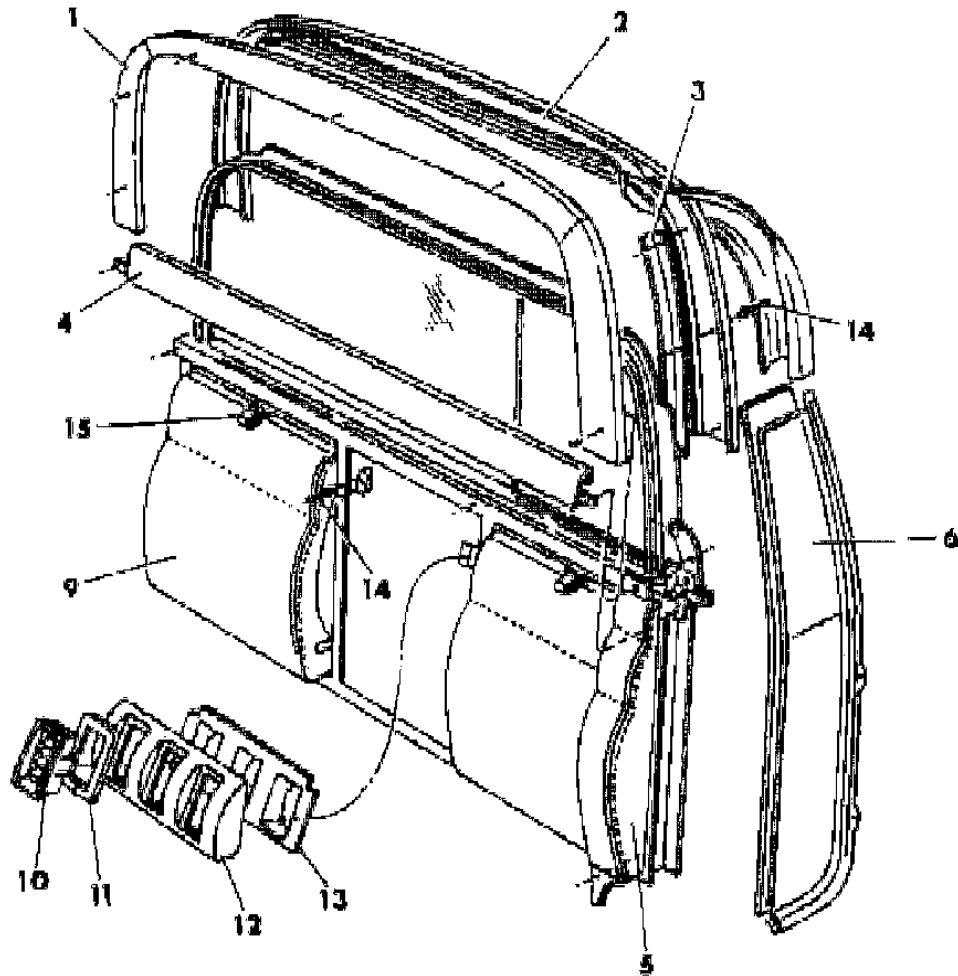
BODY STYLES

21 = 2-DOOR SEDAN	35 = FWD VAN	44 = 4-DOOR HATCHBACK
22 = 2-DOOR SPECIAL COUPE	36 = FWD WAGON	45 = 4-DOOR STATION WAGON
24 = 2-DOOR HATCHBACK	41 = 4-DOOR SEDAN	49 = LIMOUSINE
27 = 2-DOOR CONVERTIBLE		

AR = Use as Required - = Non Illustrated Part P.A.R. = Paint as Required

PANEL TRIM CENTER DIVIDER LIMO.
Figure ITC-1700

5234 1700



ITEM	PART NUMBER	QTY	BODY	MODEL	DESCRIPTION
1	4339 914	1			PANEL, Trim Upper Divider, Rear N N N N Silver N N N Y4339914
	4339 915	1			Blue N N N Y4339915
2	4339 908	1			PANEL, Trim Upper Divider, Front N N N N Silver N N N Y4339908
	4339 909	1			Blue N N N Y4339909
3					BRACKET (serviced in item 1) N N N N
4	4397 351	1			PANEL, Trim Divider Belt N N N N Silver N N N Y4397351
	4397 352	1			Blue N N N Y4397352
5	4339 898-9	1			PANEL, Trim Divider Outer Lower N N N N Silver N N N Y4339898
	4339 900-1	1			Blue N N N Y4339900
6	4339 894-5	1			PANEL, Trim Divider Front Outer N N N N Silver N N N Y4339894
	4339 896-7	1			Blue N N N Y4339896
7	4364 346	1			PANEL, Trim Divider Front Lower N N N N Silver N N N Y4364346
	4364 347	1			Blue N N N Y4364347
8	4339 910-1	1			PANEL, Front Divider Outer N N N N Silver N N N Y4339910
	4339 912-3	1			Blue N N N Y4339912
9	4339 906	2			TRIM, Back of Jump Seat Cushion N N N N Silver N N N Y4339906
	4339 907	2			Blue N N N Y4339907
10	3847 978	AR			BEZEL, A/C Outlet N N N Y3847978
11					TAPE (.125x50)(not serviced) N N N N
12	4342 024	1			PANEL, Divider A/C N N N N Silver N N N Y4342024
	4342 025	1			Blue N N N Y4342025
13	4342 027	1			DUCT, A/C Panel Inner N N N Y4342027
14					RIVET (not serviced) N N N N
15	4364 246	2			PULL STRAP N N N N Silver N N N Y4364246
	4364 247	2			Blue N N N Y4364247

MODEL CODES

B = GRAN FURY	E = 600	M = HORIZON/TURISMO
C = LE BARON/TOWN & COUNTRY/LIMO	F = FIFTH AVENUE/NEWPORT	P = RELIANT
C24 = LASER	G = DIPLOMAT	T = NEW YORKER
C44 = LE BARON/GTS	H = VOYAGER	V = 600
D = ARIES	J = CARAVELLE	V24 = DAYTONA
D44 = LANCER	K = MINI VAN/CARAVAN/ROYAL	Z = OMNI/CHARGER

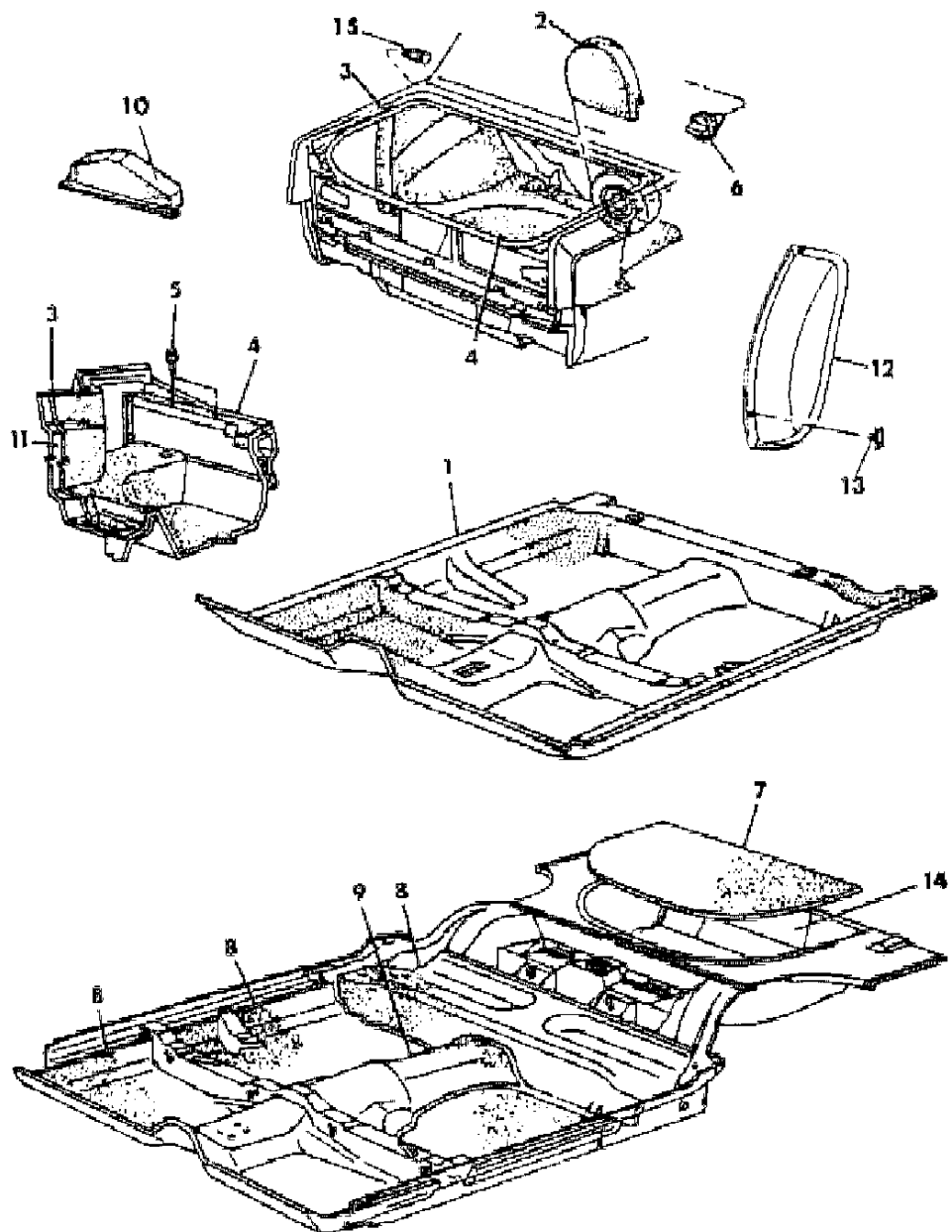
BODY STYLES

21 = 2-DOOR SEDAN	35 = FWD VAN	44 = 4-DOOR HATCHBACK
22 = 2-DOOR SPECIAL COUPE	36 = FWD WAGON	45 = 4-DOOR STATION WAGON
24 = 2-DOOR HATCHBACK	41 = 4-DOOR SEDAN	49 = LIMOUSINE
27 = 2-DOOR CONVERTIBLE		

AR = Use as Required - = Non Illustrated Part P.A.R. = Paint as Required

CARPET P,D,C,V K BODY
Figure ITC-1800

5-14 1800



ITEM	PART NUMBER	QTY	BODY	MODEL	DESCRIPTION
1					CARPET, Front and Rear N N N N
	M656 DC7	1			Blue N N41,45 N YM656DC7
	M656 DM6	1			Red N N41,45 N YM656DM6
	M656 DT5	1			Tan N N41,45 N YM656DT5
	M656 DT9	1			Brown N N41,45 N YM656DT9
	M656 DS8	1			Charcoal N N41,45 N YM656DS8 (use up to 2/18/85) N N N N
	M656 DC7	1			Blue N N21,22 N YM656DC7
	M656 DM6	1			Red N N21,22 N YM656DM6
	M656 DT5	1			Tan N N21,22 N YM656DT5
	M656 DT9	1			Brown N N21,22 N YM656DT9
	M656 DS8	1			Charcoal N N21,22 N YM656DS8 (use after 2/18/85) N N N N
	M591 DC7	1			Blue N N21,22 N YM591DC7
	M591 DM6	1			Red N N21,22 N YM591DM6
	M591 DT5	1			Tan N N21,22 N YM591DT5
	M591 DT9	1			Brown N N21,22 N YM591DT9
	M591 DS8	1			Charcoal N N21,22 N YM591DS8
2	4282 561	1			COVER, Spare Tire, Mini Tire (carpet) N N21,22,41 N Y4282561
	4282 555	1			Full Tire (13") N N21,22,41 N Y4282555
	4282 558	1			Full Tire (14") N N21,22,41 N Y4282558
3	4282 546-7	1			CARPET, Wheelhouse N N21,22,41 N Y4282546
4					CARPET, Floor and Deck Lower Panel N N N N
	4282 544	1			w/Trunk Dress Up NC,V N22,41 N Y4282544
	4283 182	1			w/Trunk Dress Up NP,D N21,41 N Y4283182
	4282 543	1			w/o Trunk Dress Up NP,D N21,41 N Y4282543
5		AR			SCREW N N21,22,41 N N6032650
6	4223 983	1			FASTENER, Spare Tire Cover Attaching N N21,22,41 N Y4223983
7		1			CARPET, Floor Well (not used) N N N N
8	4186 901	AR			SILENCER N N N Y4186901
9	4186 901	AR			SILENCER N N N Y4186901
10	4282 551	1			COVER, Jack N N N Y4282551
	4247 900	1			FOUND, Jack Cover Trim N N N Y4247900
11	3762 862	AR			SILENCER, Wheelhouse (36"x72" material cut to fit) N N N Y3762862

MODEL CODES

B = GRAN FURY	E = 600	M = HORIZON/TURISMO
C = LE BARON/TOWN & COUNTRY/LIMO	F = FIFTH AVENUE/NEWPORT	P = RELIANT
C24 = LASER	G = DIPLOMAT	T = NEW YORKER
C44 = LE BARON/GTS	H = VOYAGER	V = 600
D = ARIES	J = CARAVELLE	V24 = DAYTONA
D44 = LANCER	K = MINI VAN/CARAVAN/ROYAL	Z = OMNI/CHARGER

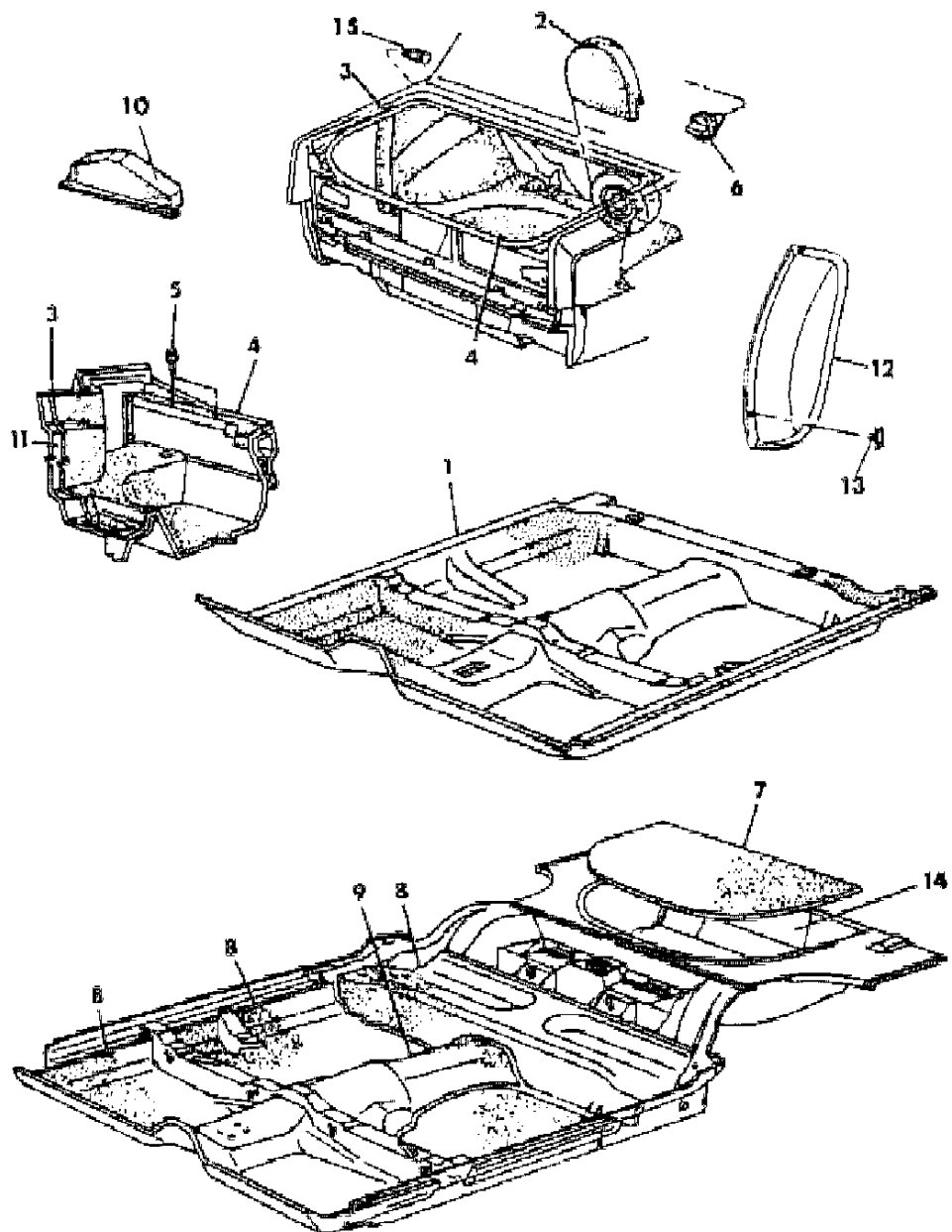
BODY STYLES

21 = 2-DOOR SEDAN	35 = FWD VAN	44 = 4-DOOR HATCHBACK
22 = 2-DOOR SPECIAL COUPE	36 = FWD WAGON	45 = 4-DOOR STATION WAGON
24 = 2-DOOR HATCHBACK	41 = 4-DOOR SEDAN	49 = LIMOUSINE
27 = 2-DOOR CONVERTIBLE		

AR = Use as Required - = Non Illustrated Part P.A.R. = Paint as Required

CARPET P,D,C,V K BODY
Figure ITC-1800

5214 1800



ITEM	PART NUMBER	QTY	BODY	MODEL	DESCRIPTION
12	4247 226-7	1			SILENCER, Wheelhouse Inner (36"x72" material cut to fit) NC,V N N Y4247226
13	6003 683	1			FASTENER, Wheelhouse Carpet (left side) N N N Y6003683
	6003 351	AR			FASTENER, Silencer Attaching (left side) N N N Y6003351
14	3762 862	AR			SILENCER (36"x72" material cut to fit) N N N Y3762862
15	6003 683	AR			FASTENER, Wheelhouse Carpet Attach N N N Y6003683
NOTE: The Following Items Are Not Illustrated s ARE NOT RETURNABLE.					
					CARPETED FLOOR MATS, Set of Two N N N N Front N N N N
	M022 CS8	1			Charcoal N N N YM022CS8
	M022 AC7	1			Blue, Dark N N N YM022AC7
	M022 VM6	1			Red N N N YM022VM6
	M022 DT5	1			Tan N N N YM022DT5
					Rear N N N N
	M045 DS8	1			Charcoal N N N YM045DS8
	M024 VC7	1			Blue, Dark N N N YM024VC7
	M024 VM6	1			Red N N N YM024VM6
	M045 DT5	1			Tan N N N YM045DT5

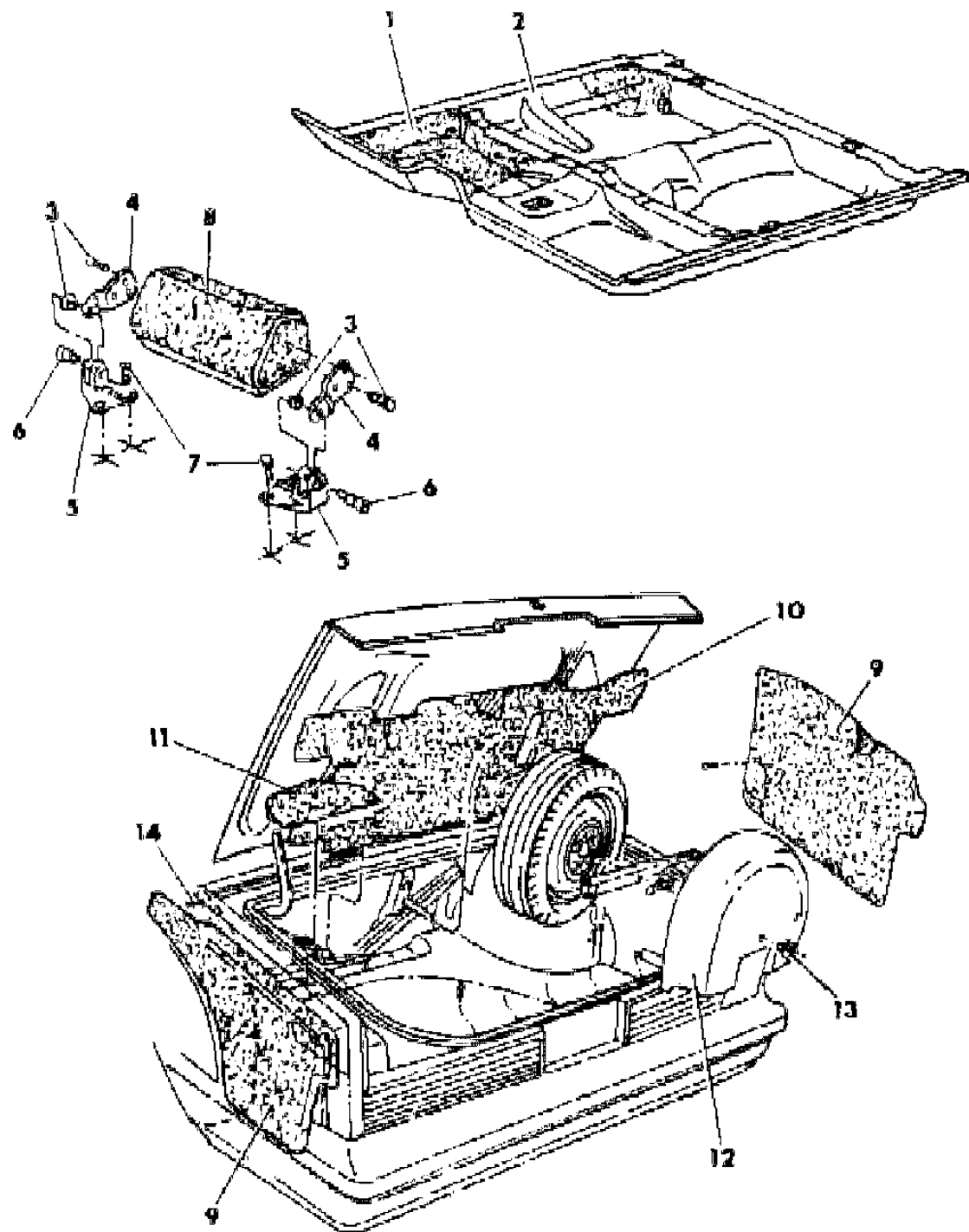
MODEL CODES
 B = GRAN FURY
 C = LE BARON/TOWN & COUNTRY/LIMO
 C24 = LASER
 C44 = LE BARON/GTS
 D = ARIES
 D44 = LANCER
 E = 600
 F = FIFTH AVENUE/NEWPORT
 G = DIPLOMAT
 H = VOYAGER
 J = CARAVELLE
 K = MINI VAN/CARAVAN/ROYAL
 M = HORIZON/TURISMO
 P = RELIANT
 T = NEW YORKER
 V = 600
 V24 = DAYTONA
 Z = OMNI/CHARGER

BODY STYLES
 21 = 2-DOOR SEDAN
 22 = 2-DOOR SPECIAL COUPE
 24 = 2-DOOR HATCHBACK
 27 = 2-DOOR CONVERTIBLE
 35 = FWD VAN
 36 = FWD WAGON
 41 = 4-DOOR SEDAN
 44 = 4-DOOR HATCHBACK
 45 = 4-DOOR STATION WAGON
 49 = LIMOUSINE

AR = Use as Required - = Non Illustrated Part P.A.R. = Paint as Required

CARPET FOOTREST AND TRUNK LIMO.
Figure ITC-1900

5234 1900



ITEM	PART NUMBER	QTY	BODY	MODEL	DESCRIPTION
1					CARPET, Front N N N N
	4342 179	1			Charcoal N N N Y4342179
	4342 180	1			Blue N N N Y4342180
2					CARPET, Rear N N N N
	4342 181	1			Charcoal N N N Y4342181
	4342 182	1			Blue N N N Y4342182
3-4	4339 670-1	1			KIT, Footrest Arm and Bracket N N N Y4339670
3					SCREW (serviced in Kit) N N N N
4					ARM, Footrest (serviced in Kit) N N N N
5-7	4339 672-3	1			KIT, Footrest Support Bracket N N N Y4339672
5					BRACKET, Footrest (serviced in Kit) N N N N
6					BOLT (serviced in Kit) N N N N
7					SCREW (serviced in Kit) N N N N
8					FOOTREST N N N N
	4342 113	1			Charcoal N N N Y4342113
	4339 545	1			Blue N N N Y4339545
	4339 522	1			PLATE, Footrest N N N Y4339522
9	4342 138-9	1			CARPET, Wheelhouse Rear N N N Y4342138
10	4342 137	1			PARTITION, Trunk, Charcoal N N N Y4342137
11	4282 551	1			COVER, Jack N N N Y4282551
	4247 900	1			FOUND, Jack Cover Trim N N N Y4247900
12	4282 238	1			COVER, Spare Tire N N N Y4282238
13	4223 983	1			FASTENER N N N Y4223983
14	4077 906-7	1			CARPET, Wheelhouse Front N N N Y4077906
The following parts are not illustrated. s ARE NOT RETURNABLE.					
					CARPETED FLOOR MATS, Set of Two N N N N
	4342 177	1			Charcoal N N N Y4342177
	4339 543	1			Blue N N N Y4339543

MODEL CODES

B = GRAN FURY	E = 600	M = HORIZON/TURISMO
C = LE BARON/TOWN & COUNTRY/LIMO	F = FIFTH AVENUE/NEWPORT	P = RELIANT
C24 = LASER	G = DIPLOMAT	T = NEW YORKER
C44 = LE BARON/GTS	H = VOYAGER	V = 600
D = ARIES	J = CARAVELLE	V24 = DAYTONA
D44 = LANCER	K = MINI VAN/CARAVAN/ROYAL	Z = OMNI/CHARGER

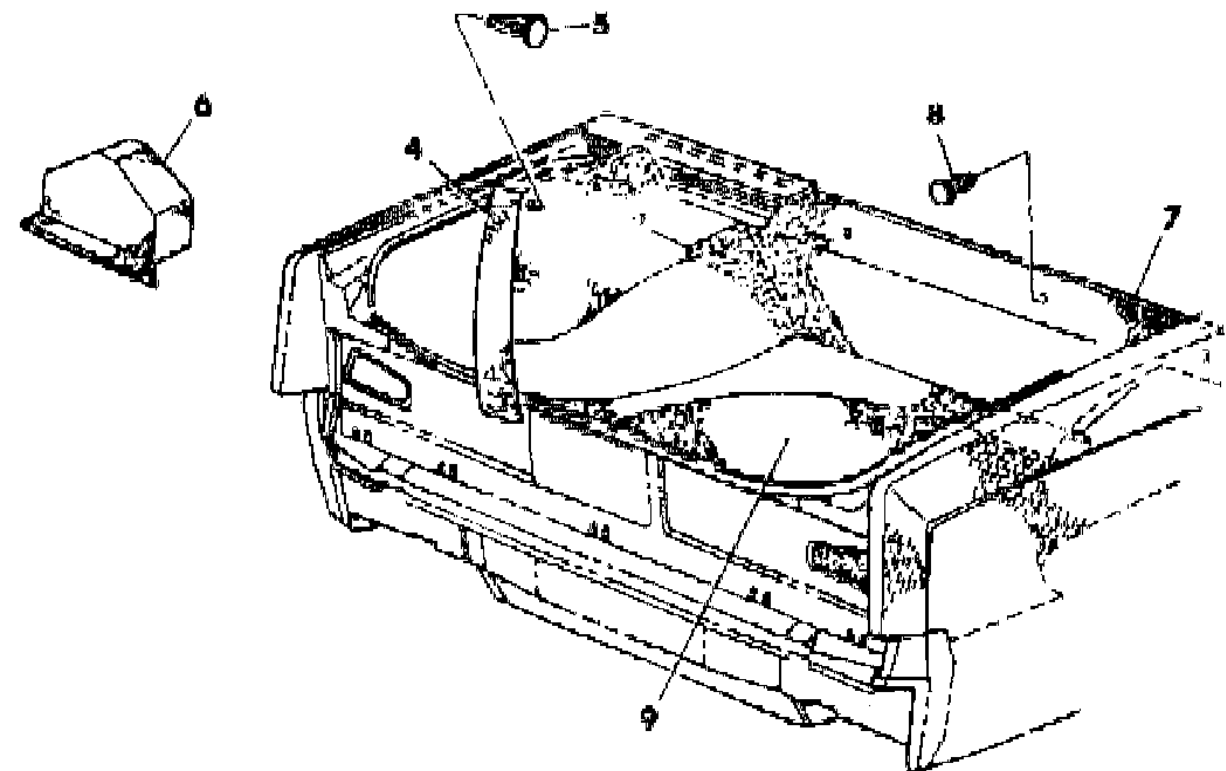
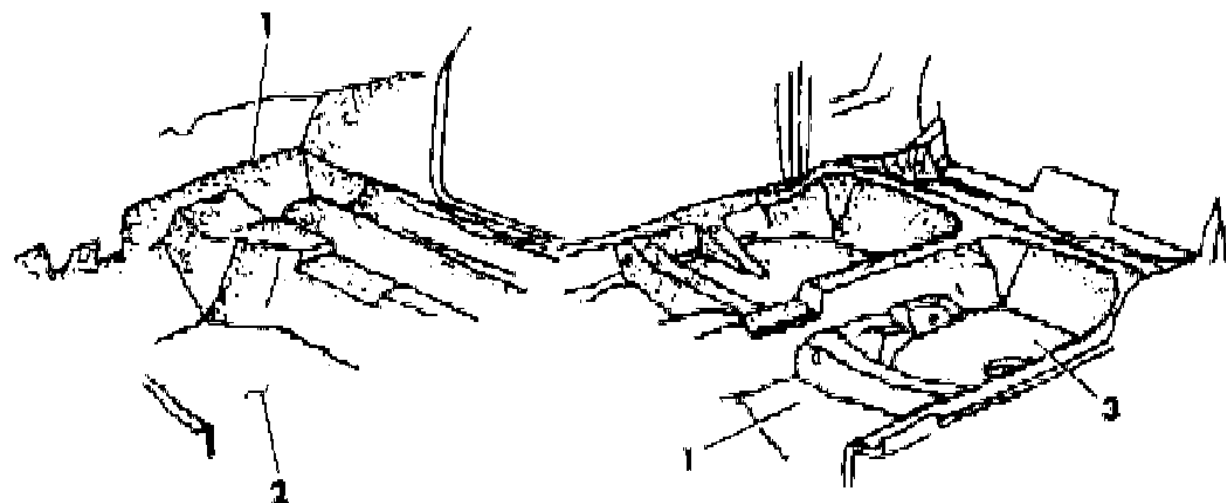
BODY STYLES

21 = 2-DOOR SEDAN	35 = FWD VAN	44 = 4-DOOR HATCHBACK
22 = 2-DOOR SPECIAL COUPE	36 = FWD WAGON	45 = 4-DOOR STATION WAGON
24 = 2-DOOR HATCHBACK	41 = 4-DOOR SEDAN	49 = LIMOUSINE
27 = 2-DOOR CONVERTIBLE		

AR = Use as Required - = Non Illustrated Part P.A.R. = Paint as Required

CARPET C,V K BODY 27
Figure ITC-2000

1234 2000



ITEM	PART NUMBER	QTY	BODY	MODEL	DESCRIPTION
1					CARPET, Front and Rear N N N N
	M658 DT5	1			Tan N N N YM658DT5
	M658 CM6	1			Red N N N YM658CM6
	M658 CS8	1			Charcoal N N N YM658CS8
2	4305 072-3	1			SILENCER, Front N N N Y4305072
3	4097 780-1	1			SILENCER, Rear N N N Y4097780
4	4282 568-9	1			CARPET, Wheelhouse N N N Y4282568
5	6003 683	1			FASTENER, Wheelhouse Carpet Attaching, Left Side N N N Y6003683
6	4282 551	1			COVER, Jack Trim N N N Y4282551
7	4282 563	1			CARPET, Bulkhead Trim N N N Y4282563
8	6030 441	4			RETAINER, Bulkhead Trim N N N Y6030441
9	4282 562	1			CARPET, Luggage Compartment and Lower Deck Lid N N N Y4282562
	4282 989	1			COVER, Mini Spare Tire N N N Y4282989

NOTE: The Following Items Are Not Illustrated s ARE NOT RETURNABLE.

MODEL CODES		
B = GRAN FURY	E = 600	M = HORIZON/TURISMO
C = LE BARON/TOWN & COUNTRY/LIMO	F = FIFTH AVENUE/NEWPORT	P = RELIANT
C24 = LASER	G = DIPLOMAT	T = NEW YORKER
C44 = LE BARON/GTS	H = VOYAGER	V = 600
D = ARIES	J = CARAVELLE	V24 = DAYTONA
D44 = LANCER	K = MINI VAN/CARAVAN/ROYAL	Z = OMNI/CHARGER

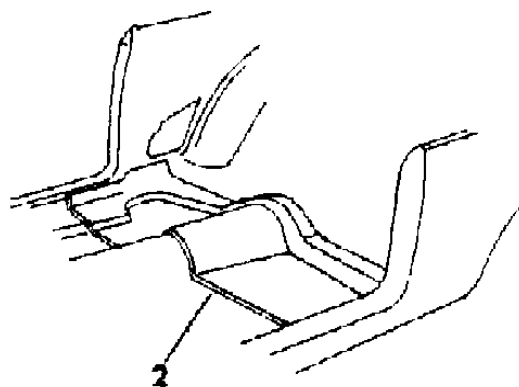
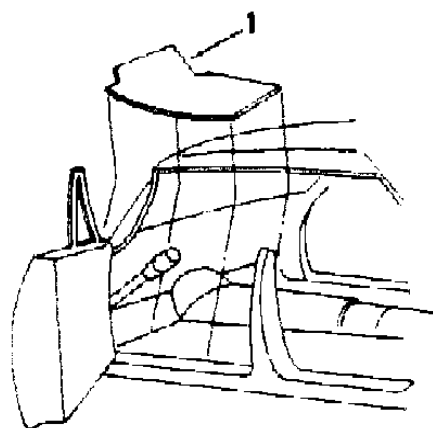
BODY STYLES		
21 = 2-DOOR SEDAN	35 = FWD VAN	44 = 4-DOOR HATCHBACK
22 = 2-DOOR SPECIAL COUPE	36 = FWD WAGON	45 = 4-DOOR STATION WAGON
24 = 2-DOOR HATCHBACK	41 = 4-DOOR SEDAN	49 = LIMOUSINE
27 = 2-DOOR CONVERTIBLE		

AR = Use as Required - = Non Illustrated Part P.A.R. = Paint as Required

MATS FRONT AND REAR P,D,C,V K BODY
Figure ITC-2100

5234 2100

ITEM	PART NUMBER	QTY	BODY	MODEL	DESCRIPTION
1	4282 354	1			MAT, Rubber, Heavy Duty, Front (black) N N N Y4282354
2	4282 355	1			MAT, Rubber, Heavy Duty, Rear, (black) N N N Y4282355



MODEL CODES

B = GRAN FURY	E = 600	M = HORIZON/TURISMO
C = LE BARON/TOWN & COUNTRY/LIMO	F = FIFTH AVENUE/NEWPORT	P = RELIANT
C24 = LASER	G = DIPLOMAT	T = NEW YORKER
C44 = LE BARON/GTS	H = VOYAGER	V = 600
D = ARIES	J = CARAVELLE	V24 = DAYTONA
D44 = LANCER	K = MINI VAN/CARAVAN/ROYAL	Z = OMNI/CHARGER

BODY STYLES

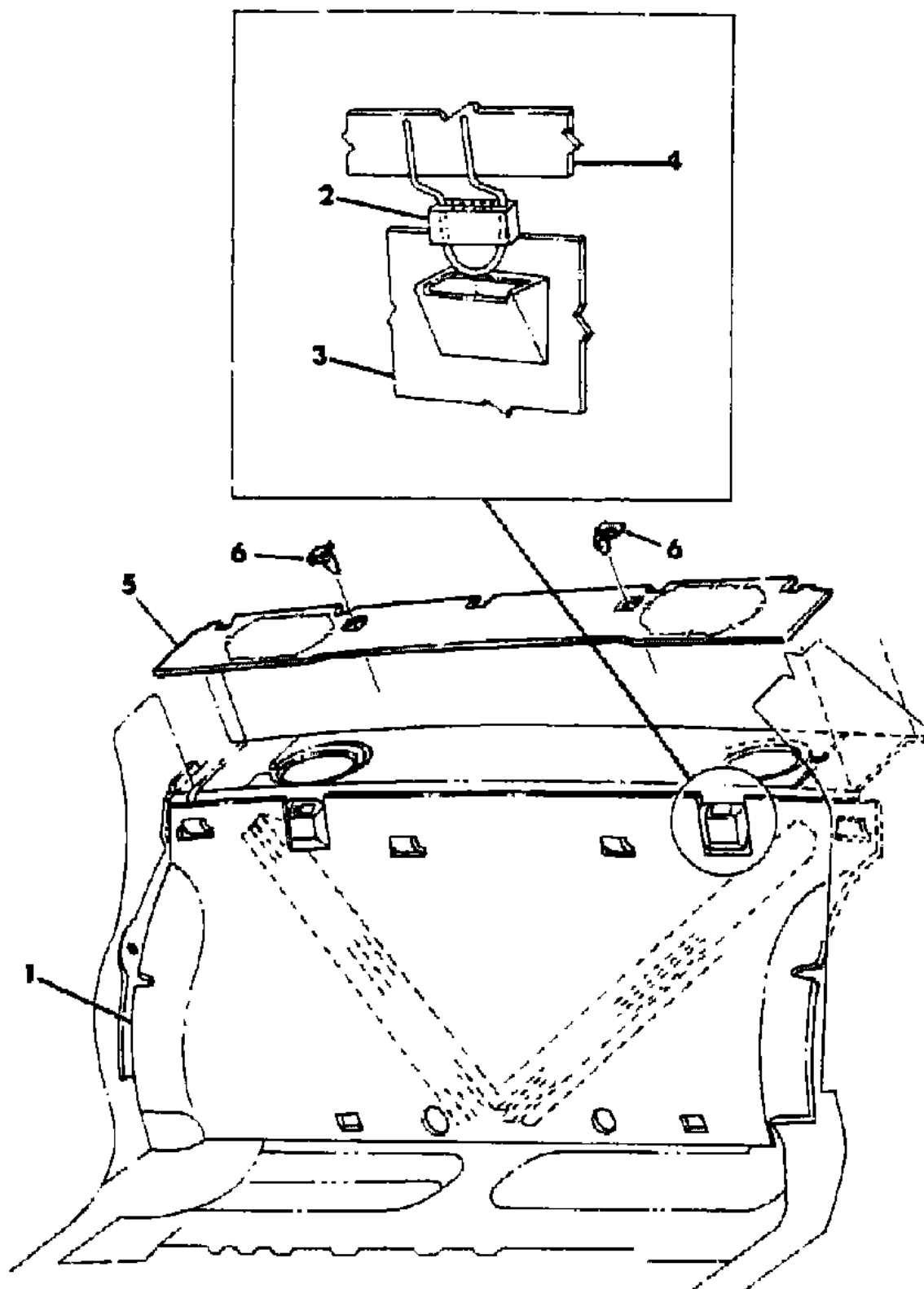
21 = 2-DOOR SEDAN	35 = FWD VAN	44 = 4-DOOR HATCHBACK
22 = 2-DOOR SPECIAL COUPE	36 = FWD WAGON	45 = 4-DOOR STATION WAGON
24 = 2-DOOR HATCHBACK	41 = 4-DOOR SEDAN	49 = LIMOUSINE
27 = 2-DOOR CONVERTIBLE		

AR = Use as Required - = Non Illustrated Part P.A.R. = Paint as Required

SILENCERS REAR COMPARTMENT P,D,C,V K BODY 21,22,41
Figure ITC-2200

5234 2200

ITEM	PART NUMBER	QTY	BODY	MODEL	DESCRIPTION
1	4309 624	1			SILENCER, Luggage Compartment Front liner N N N Y4309624
2	4239 182	1			SEAL, Rear Seat Back to Shelf Panel N N N Y4239182
3					SHELF PANEL (reference) N N N N
4					SPRING, Rear Seat Back (reference) N N N N
5	4223 571	1			SILENCER, Sound Barrier N N N Y4223571
6	6003 640	1			FASTENER N N N Y6003640



MODEL CODES
 B = GRAN FURY
 C = LE BARON/TOWN & COUNTRY/LIMO
 C24 = LASER
 C44 = LE BARON/GTS
 D = ARIES
 D44 = LANCER
 E = 600
 F = FIFTH AVENUE/NEWPORT
 G = DIPLOMAT
 H = VOYAGER
 J = CARAVELLE
 K = MINI VAN/CARAVAN/ROYAL
 M = HORIZON/TURISMO
 P = RELIANT
 T = NEW YORKER
 V = 600
 V24 = DAYTONA
 Z = OMNI/CHARGER

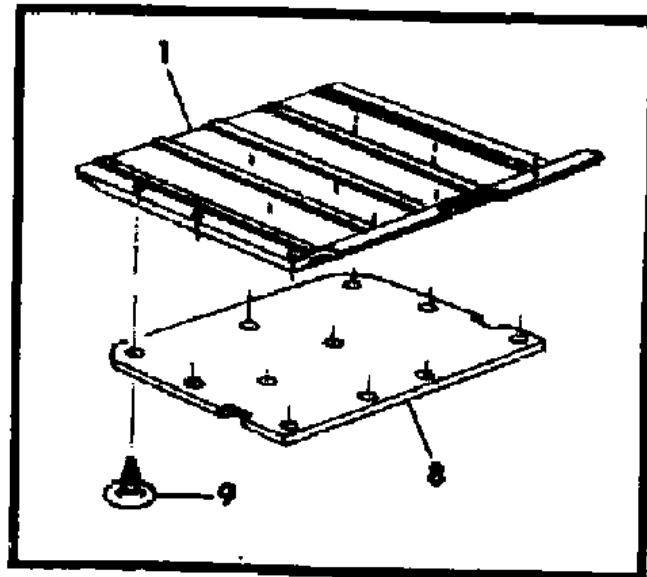
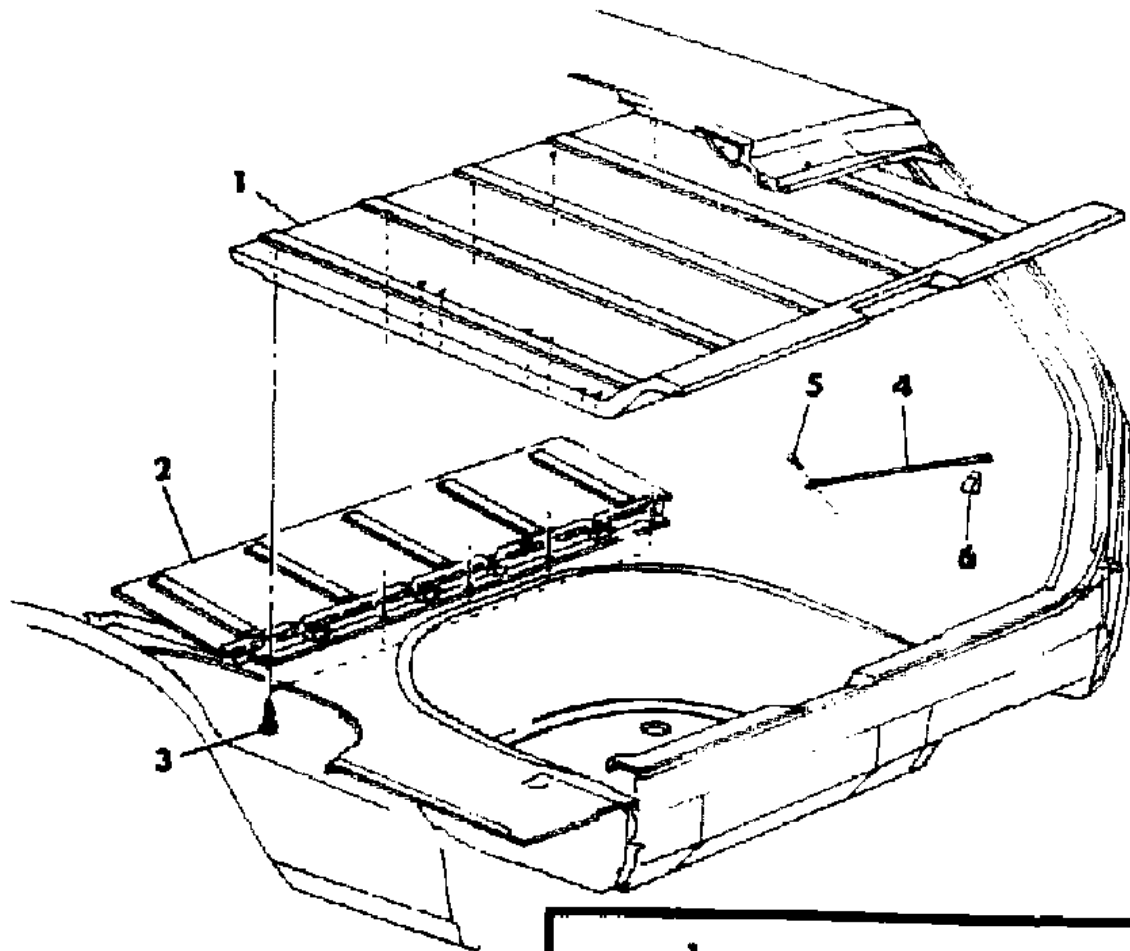
BODY STYLES
 21 = 2-DOOR SEDAN
 22 = 2-DOOR SPECIAL COUPE
 24 = 2-DOOR HATCHBACK
 27 = 2-DOOR CONVERTIBLE
 35 = FWD VAN
 36 = FWD WAGON
 41 = 4-DOOR SEDAN
 44 = 4-DOOR HATCHBACK
 45 = 4-DOOR STATION WAGON
 49 = LIMOUSINE

AR = Use as Required - = Non Illustrated Part P.A.R. = Paint as Required

PANEL CARGO P,D,C K BODY
Figure ITC-2300

5234 2300

ITEM	PART NUMBER	QTY	BODY	MODEL	DESCRIPTION
1					PANEL, Rear Cargo Cover N N N N
	W233 BB5	1			Blue N N N YW233BB5
	W233 VM6	1			Red N N N YW233VM6
	W233 DT3	1			Tan N N N YW233DT3
	W233 BT8	1			Brown N N N YW233BT8
2					PANEL (see seat rear Fold Down Wagon Illustration) N N N N
3					SCREW (not serviced) N N N N
4	3861 821	1			CABLE, Cargo Floor Panel Support N N N Y3861821
5	6031 401	1			SCREW, Cable Attaching N N N Y6031401
6	6016 080	1			CLIP, Cable Attaching N N N Y6016080
7	3762 862				SILENCER, Spare Tire Well N N N Y3762862
8	4078 960	AR			SILENCER N N N Y4078960
9	6032 363	AR			FASTENER N N N Y6032363



MODEL CODES

B = GRAN FURY	E = 600	M = HORIZON/TURISMO
C = LE BARON/TOWN & COUNTRY/LIMO	F = FIFTH AVENUE/NEWPORT	P = RELIANT
C24 = LASER	G = DIPLOMAT	T = NEW YORKER
C44 = LE BARON/GTS	H = VOYAGER	V = 600
D = ARIES	J = CARAVELLE	V24 = DAYTONA
D44 = LANCER	K = MINI VAN/CARAVAN/ROYAL	Z = OMNI/CHARGER

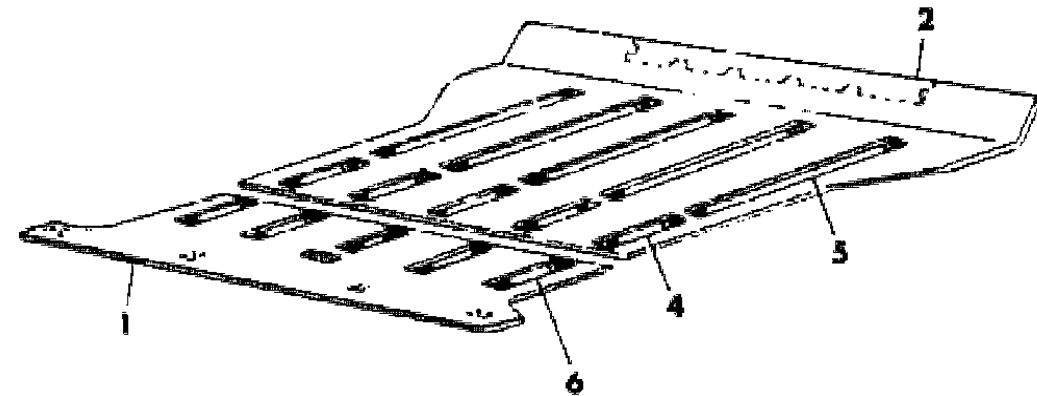
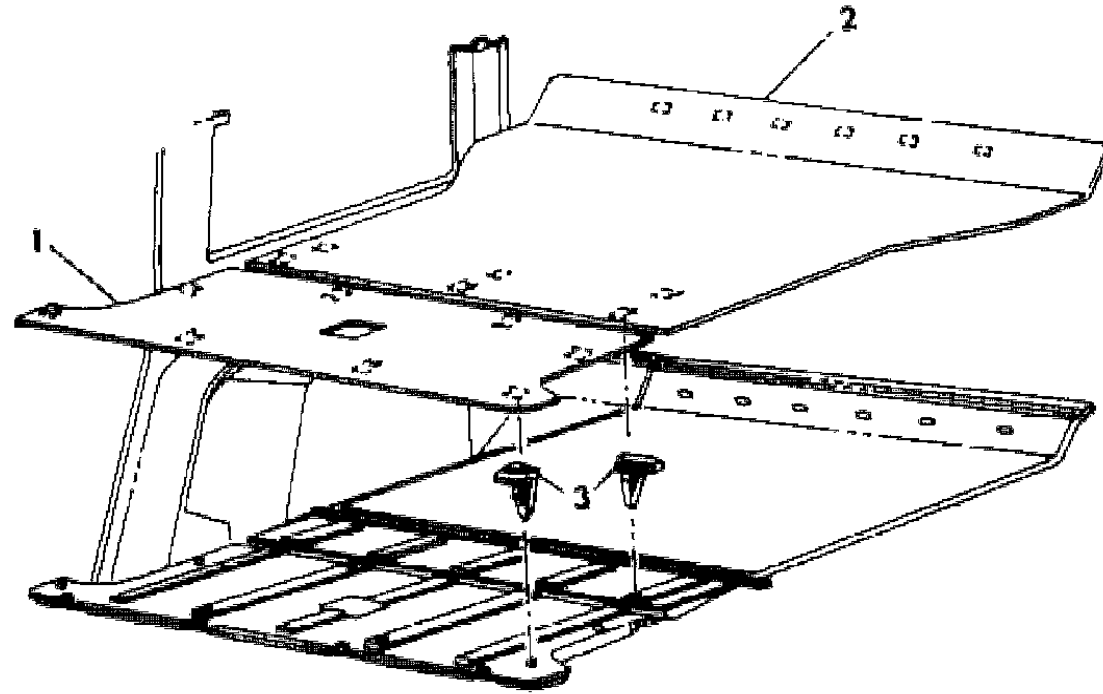
BODY STYLES

21 = 2-DOOR SEDAN	35 = FWD VAN	44 = 4-DOOR HATCHBACK
22 = 2-DOOR SPECIAL COUPE	36 = FWD WAGON	45 = 4-DOOR STATION WAGON
24 = 2-DOOR HATCHBACK	41 = 4-DOOR SEDAN	49 = LIMOUSINE
27 = 2-DOOR CONVERTIBLE		

AR = Use as Required - = Non Illustrated Part P.A.R. = Paint as Required

CARPET CARGO AREA P,D,C K BODY 45
Figure ITC-2400

5234 2400



ITEM	PART NUMBER	QTY	BODY	MODEL	DESCRIPTION
1					CARPET, Rear Seat Back N N N N
	M662 DB5	1			Blue NP,D N N YM662DB5
	M662 VM6	1			Red NP,D N N YM662VM6
	M662 DT3	1			Tan NP,D N N YM662DT3
	W270 AM6	1			Red NC N N YW270AM6
	W270 DT3	1			Tan NC N N YW270DT3
	W270 BT9	1			Brown NC N N YW270BT9
2					CARPET, Cargo Floor N N N N
	M672 DB5	1			Blue NP,D N N YM672DB5
	M672 VM6	1			Red NP,D N N YM672VM6
	M672 DT3	1			Tan NP,D N N YM672DT3
	W271 AM6	1			Red NC N N YW271AM6
	W271 DT3	1			Tan NC N N YW271DT3
	W271 BT9	1			Brown NC N N YW271BT9
3	4114 785	AR			FASTENER, Carpet N N N Y4114785
4	4247 142	5			MOULDING, Rear Seat Back Filler (skid strips) NC N N Y4247142
5	4247 143	5			MOULDING, Cargo Floor (skid strips) NC N N Y4247143
6	2086 533	5			MOULDING, Rear Seat Back Carpet NC-P N N Y2086533

MODEL CODES

B = GRAN FURY	E = 600	M = HORIZON/TURISMO
C = LE BARON/TOWN & COUNTRY/LIMO	F = FIFTH AVENUE/NEWPORT	P = RELIANT
C24 = LASER	G = DIPLOMAT	T = NEW YORKER
C44 = LE BARON/GTS	H = VOYAGER	V = 600
D = ARIES	J = CARAVELLE	V24 = DAYTONA
D44 = LANCER	K = MINI VAN/CARAVAN/ROYAL	Z = OMNI/CHARGER

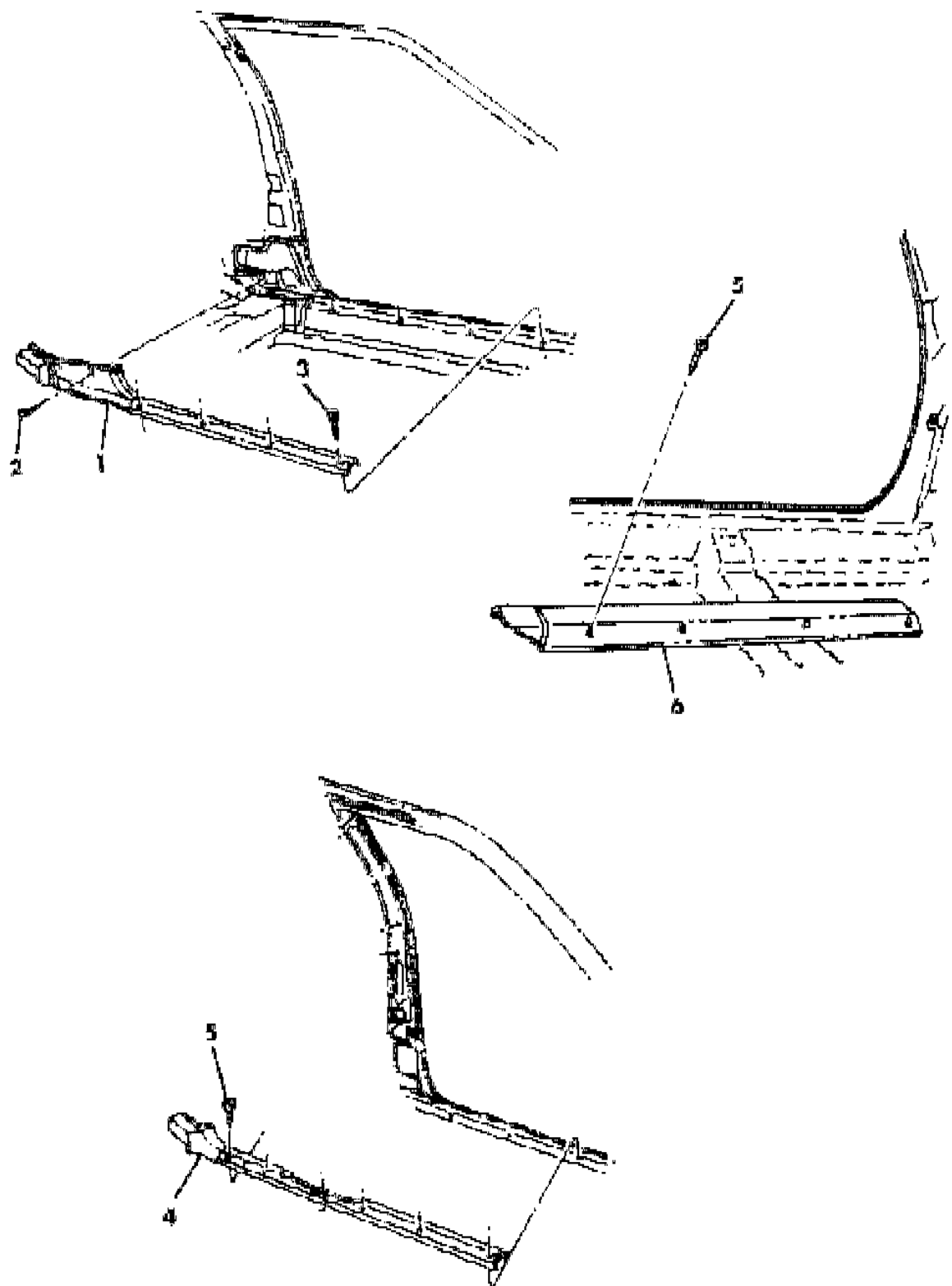
BODY STYLES

21 = 2-DOOR SEDAN	35 = FWD VAN	44 = 4-DOOR HATCHBACK
22 = 2-DOOR SPECIAL COUPE	36 = FWD WAGON	45 = 4-DOOR STATION WAGON
24 = 2-DOOR HATCHBACK	41 = 4-DOOR SEDAN	49 = LIMOUSINE
27 = 2-DOOR CONVERTIBLE		

AR = Use as Required - = Non Illustrated Part P.A.R. = Paint as Required

SCUFF PLATES BODY SIDE SILL AND DOOR P,D,C,V K BODY
Figure ITC-2500

5234 2300



ITEM	PART NUMBER	QTY	BODY	MODEL	DESCRIPTION
1					PLATE, Door Sill Scuff Lower (paint as required) N N N N Right N N N N (use up to 10/8/84) N N21,22 N YM904AA3 (use after 10/8/84) N N21,22 N YM922CL3 Left N N N N
	M904 AA3	1			
	M922 CL3	1			
	M905 AA3	1			(use up to 10/8/84) N N21,22 N YM905AA3
	M923 CL3	1			(use from 10/8/84 to 4/1/85) N N21,22 N YM923CL3
	M935 DA3	1			(use after 4/1/85) N N21,22 N YM935DA3
2		4			SCREW (not serviced) N N21,22,27 N N
3	6032 456	8			SCREW N N21,22,27 N Y6032456
4					PLATE, Front and Rear Door Sill (paint as required) N N N N N N41,45 N YM912DA3
	M912-3 DA3	1			
5		10			SCREW (not serviced) N N41,45 N N
6					PLATE, Door Sill N N N N N N27 N YM924DT3
	M924-5 DT3	1			
	4364 206-7	1			Front, Silver N N Limo N Y4364206
	4364 208-9	1			Front, Blue N N Limo N Y4364208
	4364 218-9	1			Rear, Silver N N Limo N Y4364218
	4364 220-1	1			Rear, Blue N N Limo N Y4364220

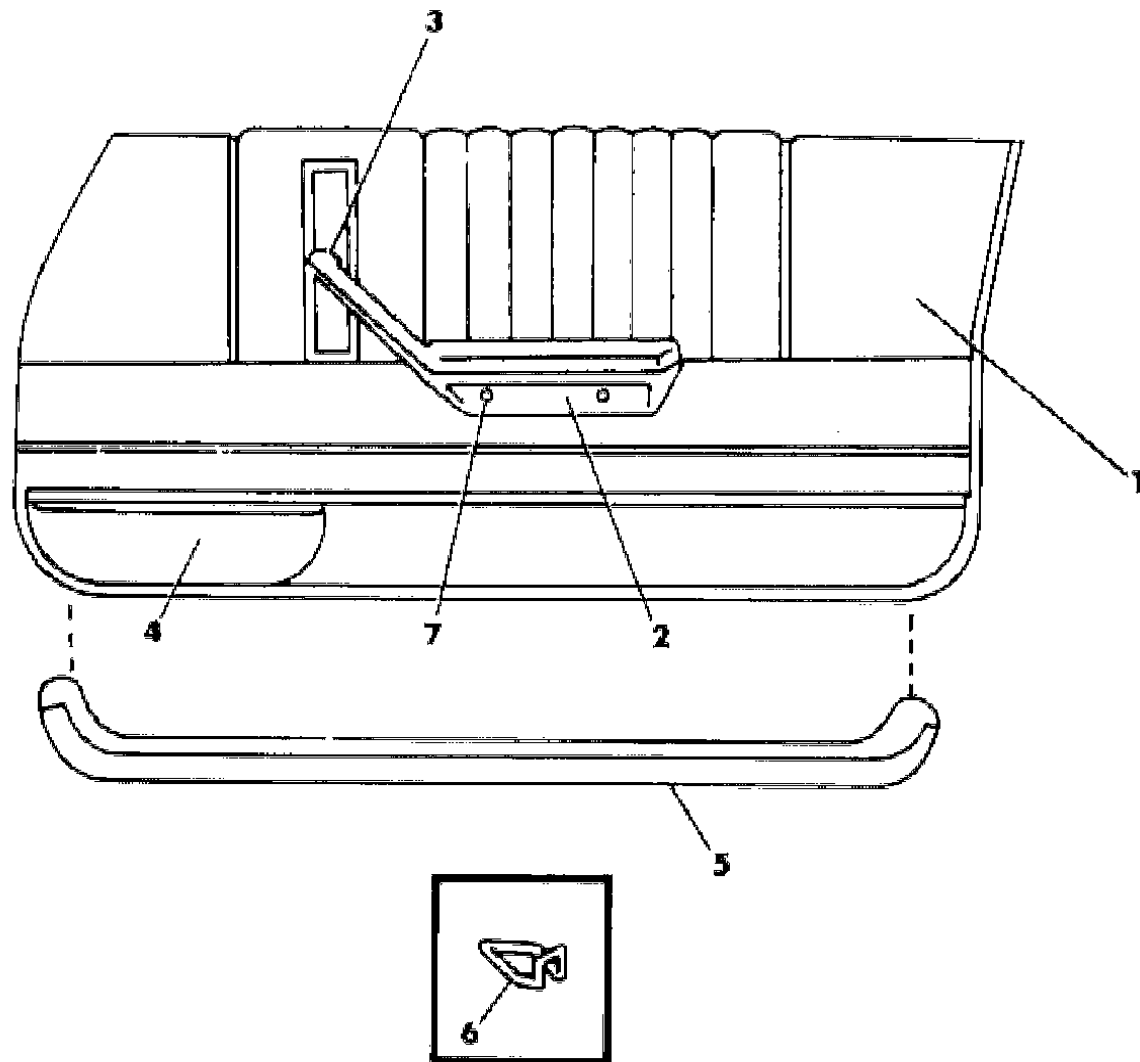
MODEL CODES
 B = GRAN FURY
 C = LE BARON/TOWN & COUNTRY/LIMO
 C24 = LASER
 C44 = LE BARON/GTS
 D = ARIES
 D44 = LANCER
 E = 600
 F = FIFTH AVENUE/NEWPORT
 G = DIPLOMAT
 H = VOYAGER
 J = CARAVELLE
 K = MINI VAN/CARAVAN/ROYAL
 M = HORIZON/TURISMO
 P = RELIANT
 T = NEW YORKER
 V = 600
 V24 = DAYTONA
 Z = OMNI/CHARGER

BODY STYLES
 21 = 2-DOOR SEDAN
 22 = 2-DOOR SPECIAL COUPE
 24 = 2-DOOR HATCHBACK
 27 = 2-DOOR CONVERTIBLE
 35 = FWD VAN
 36 = FWD WAGON
 41 = 4-DOOR SEDAN
 44 = 4-DOOR HATCHBACK
 45 = 4-DOOR STATION WAGON
 49 = LIMOUSINE

AR = Use as Required - = Non Illustrated Part P.A.R. = Paint as Required

DOOR TRIM PANEL P,D K BODY 21
Figure ITC-2600

5234 2600



ITEM	PART NUMBER	QTY	BODY	MODEL	DESCRIPTION
1					PANEL, Door w/Carpet and Plaque N N N N
	J212-3 DA2	1			Vinyl N N N N N N NC1AS YJ212DA2
	J212-3 DB5	1			N N NC1BC,C2BC YJ212DB5
	J212-3 DM6	1			N N NC1M,C2M YJ212DM6
	J212-3 DT3	1			N N NC1TT,C2TT YJ212DT3
	J218-9 DA2	1			N N NC3AS YJ218DA2
	J218-9 DA2	1			N N NF7AS,H4AS YJ218DA2
	J218-9 DB5	1			N N NC3BC,C4BC YJ218DB5
	J218-9 DB5	1			N N NF7BC,H4BC YJ218DB5
	J218-9 DM6	1			N N NC3M,C4M YJ218DM6
	J218-9 DM6	1			N N NF7M,H4M YJ218DM6
	J218-9 DT3	1			N N NC3TT,C4TT YJ218DT3
	J218-9 DT3	1			N N NF7TT,H4TT YJ218DT3
	J216-7 DA3	1			Cloth N N N N N N NH3AS,H7AS YJ216DA3
	J216-7 DB6	1			N N NH3BC,H7BC YJ216DB6
	J216-7 DM6	1			N N NH3M,H7M YJ216DM6
	J216-7 DT3	1			N N NH3TT,H7TT YJ216DT3
2					ARMREST N N N N
	D498-9 AA3	1			Silver N N N YD498AA3
	D498-9 BB5	1			Blue N N N YD498BB5
	D498-9 VM6	1			Red N N N YD498VM6
	D498-9 DT3	1			Tan N N N YD498DT3
	6032 096	AR			SCREW, Armrest Attaching N N N N (use up to 5/1/85) N N N Y6032096
	6033 048	AR			(use after 5/1/85) N N N Y6033048
3	4223 630-1	1			BEZEL, Armrest N N N Y4223630
		AR			SCREW, Bezel Attaching (not serviced) N N N N
4					PANEL, Trim Pocket N N N N
	D106-7 DC7	1			Blue N N N YD106DC7
	D106-7 DM6	1			Red N N N YD106DM6
	D106-7 DT5	1			Tan N N N YD106DT5
	D106-7 DS8	1			Charcoal N N N YD106DS8
5	4247 229	2			SEAL, Secondary Sound N N N Y4247229
6	4114 785	AR			FASTENER, Door Panel N N N Y4114785
	6032 133	AR			NUT N N N Y6032133

MODEL CODES

B = GRAN FURY	E = 600	M = HORIZON/TURISMO
C = LE BARON/TOWN & COUNTRY/LIMO	F = FIFTH AVENUE/NEWPORT	P = RELIANT
C24 = LASER	G = DIPLOMAT	T = NEW YORKER
C44 = LE BARON/GTS	H = VOYAGER	V = 600
D = ARIES	J = CARAVELLE	V24 = DAYTONA
D44 = LANCER	K = MINI VAN/CARAVAN/ROYAL	Z = OMNI/CHARGER

BODY STYLES

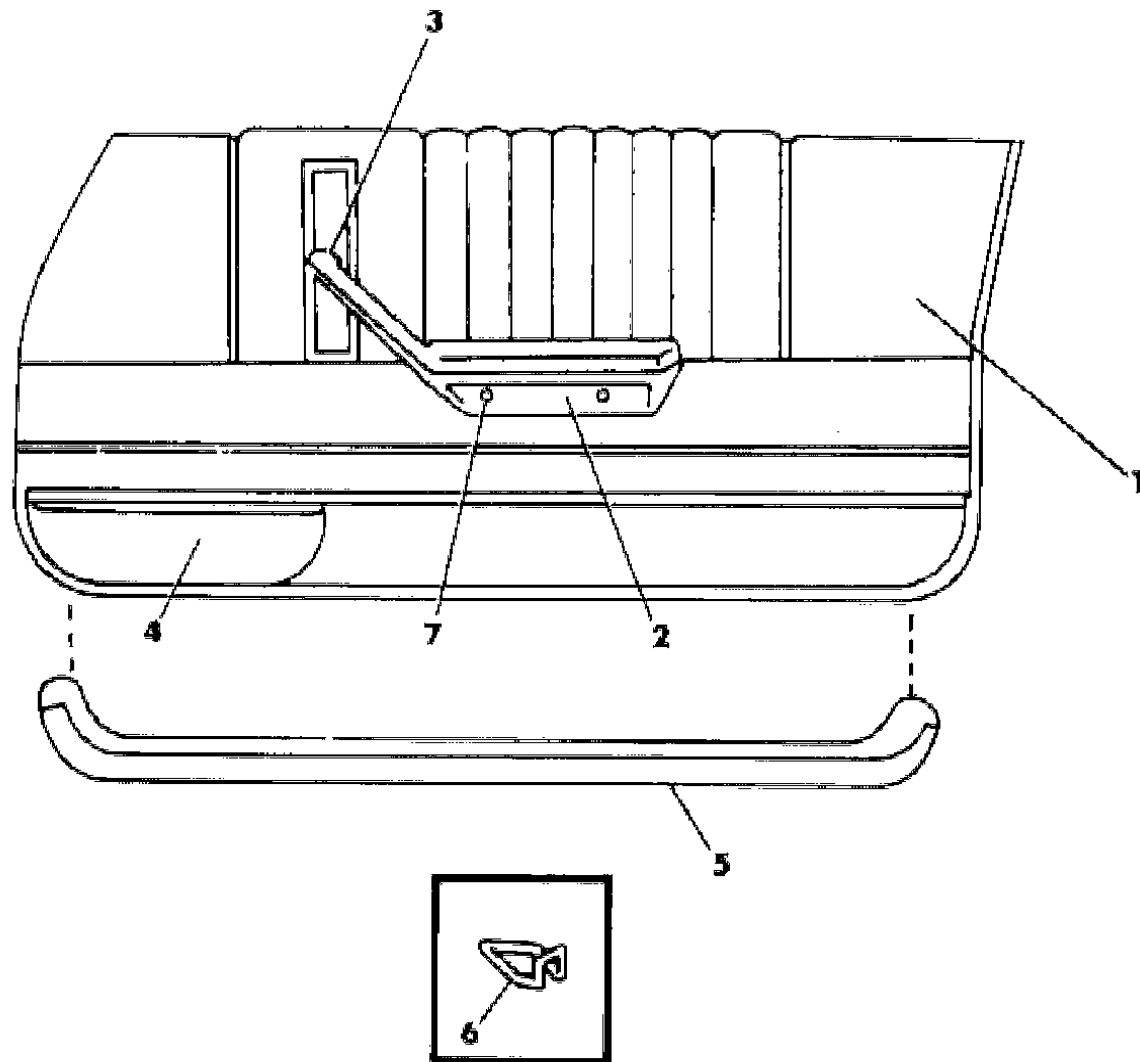
21 = 2-DOOR SEDAN	35 = FWD VAN	44 = 4-DOOR HATCHBACK
22 = 2-DOOR SPECIAL COUPE	36 = FWD WAGON	45 = 4-DOOR STATION WAGON
24 = 2-DOOR HATCHBACK	41 = 4-DOOR SEDAN	49 = LIMOUSINE
27 = 2-DOOR CONVERTIBLE		

AR = Use as Required - = Non Illustrated Part P.A.R. = Paint as Required

DOOR TRIM PANEL P,D K BODY 21
Figure ITC-2600

ITEM	PART NUMBER	QTY	BODY	MODEL	DESCRIPTION
7	6032 735	AR			SCREW, Armrest Attaching N N N Y6032735
The following parts are not illustrated. s ARE NOT RETURNABLE.					
	4049 602	AR			SILENCER, Door (36"x36"x1/2" material) N N N Y4049602

5234 2600



MODEL CODES

B = GRAN FURY	E = 600	M = HORIZON/TURISMO
C = LE BARON/TOWN & COUNTRY/LIMO	F = FIFTH AVENUE/NEWPORT	P = RELIANT
C24 = LASER	G = DIPLOMAT	T = NEW YORKER
C44 = LE BARON/GTS	H = VOYAGER	V = 600
D = ARIES	J = CARAVELLE	V24 = DAYTONA
D44 = LANCER	K = MINI VAN/CARAVAN/ROYAL	Z = OMNI/CHARGER

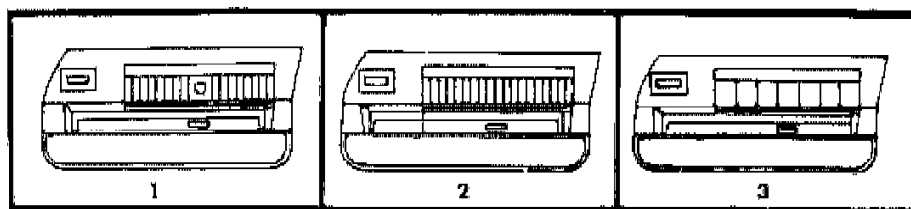
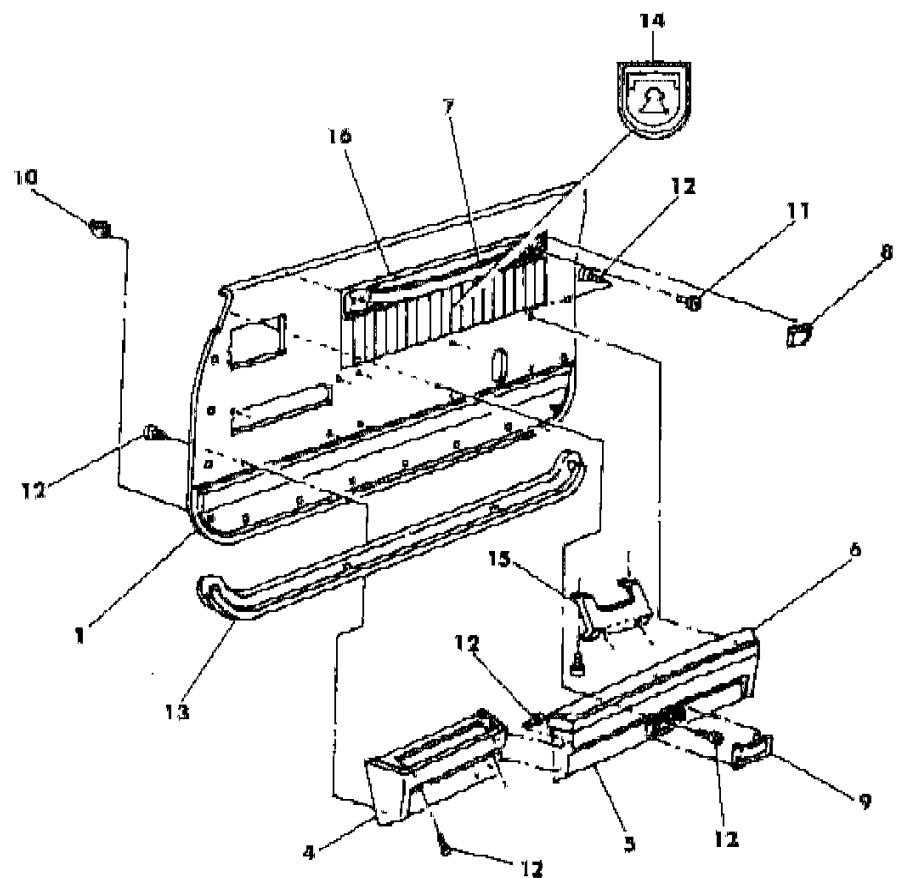
BODY STYLES

21 = 2-DOOR SEDAN	35 = FWD VAN	44 = 4-DOOR HATCHBACK
22 = 2-DOOR SPECIAL COUPE	36 = FWD WAGON	45 = 4-DOOR STATION WAGON
24 = 2-DOOR HATCHBACK	41 = 4-DOOR SEDAN	49 = LIMOUSINE
27 = 2-DOOR CONVERTIBLE		

AR = Use as Required - = Non Illustrated Part P.A.R. = Paint as Required

DOOR TRIM PANEL C,V K BODY 22,27
Figure ITC-2700

94231 2700



ITEM	PART NUMBER	QTY	BODY	MODEL	DESCRIPTION
1					PANEL, Door N N N N
	K210-1 CS8	1			Vinyl N N N N
	K210-1 DT3	1			N N NSPSA YK210CS8 N N NSPTU YK210DT3
2					PANEL, Door N N N N
					Vinyl N N N N
	K130-1 CM6	1			N N27 NV8M YK130CM6
	K130-1 DT3	1			N N27 NV8T YK130DT3
	K130-1 CMW	1			N N27 NV8MW YK130CMW
	J284-5 CSA	1			N N27 NGLSA YJ284CSA
	J284-5 DT3	1			N N27 NGLTU YJ284DT3
	K208-9 CS8	1			N N27 NRLSA YK208CS8
K208-9 DT3	1			N N27 NRLTU YK208DT3	
3					PANEL, Door N N N N
					Cloth N N N N
					(use up to 2/1/85) N N N N
	J236-7 DCC	1			N N NM3C,M5C YJ236DCC
	J236-7 DMM	1			N N NM3M,M5M YJ236DMM
	J236-7 DTT	1			N N NM3T3,M5T3 YJ236DTT
	J236-7 DT8	1			N N NM3T8,M5T8 YJ236DT8
	J236-7 DAS	1			N N NM3S,M5S YJ236DAS
					(use after 2/1/85) N N N N
	J326-7 DCC	1			N N NM3C,M5C YJ326DCC
	J326-7 DMM	1			N N NM3M,M5M YJ326DMM
	J326-7 DTT	1			N N NM3T3,M5T3 YJ326DTT
J326-7 DT8	1			N N NM3T8,M5T8 YJ326DT8	
J326-7 DAS	1			N N NM3S,M5S YJ326DAS	
4	D412-3 AA3	1			BASE, Armrest w/Electric Window Switch (paint as required) N N N YD412AA3
	6031 964	AR			NUT, Push Base Attaching N N N Y6031964
5	D414-5 EK1	1			BASE, Armrest w/o Power Door Locks (paint as required) N N N YD414EK1
	D536-7 BL3	1			w/Power Door Locks (paint as required) N N N YD536BL3
6					PAD, Armrest N N N N
					w/o Power Door Locks N N N N
	D402-3 CS8	1			Charcoal N N N YD402CS8
	D402-3 AC7	1			Blue, Dark N N N YD402AC7

MODEL CODES

B = GRAN FURY	E = 600	M = HORIZON/TURISMO
C = LE BARON/TOWN & COUNTRY/LIMO	F = FIFTH AVENUE/NEWPORT	P = RELIANT
C24 = LASER	G = DIPLOMAT	T = NEW YORKER
C44 = LE BARON/GTS	H = VOYAGER	V = 600
D = ARIES	J = CARAVELLE	V24 = DAYTONA
D44 = LANCER	K = MINI VAN/CARAVAN/ROYAL	Z = OMNI/CHARGER

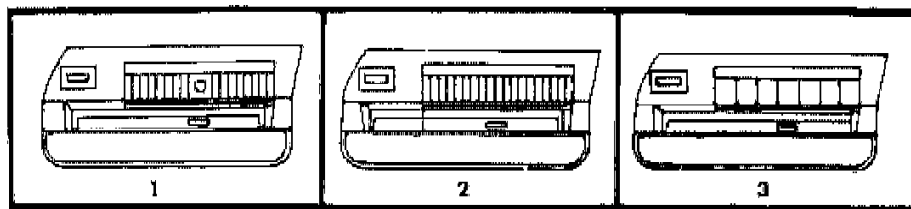
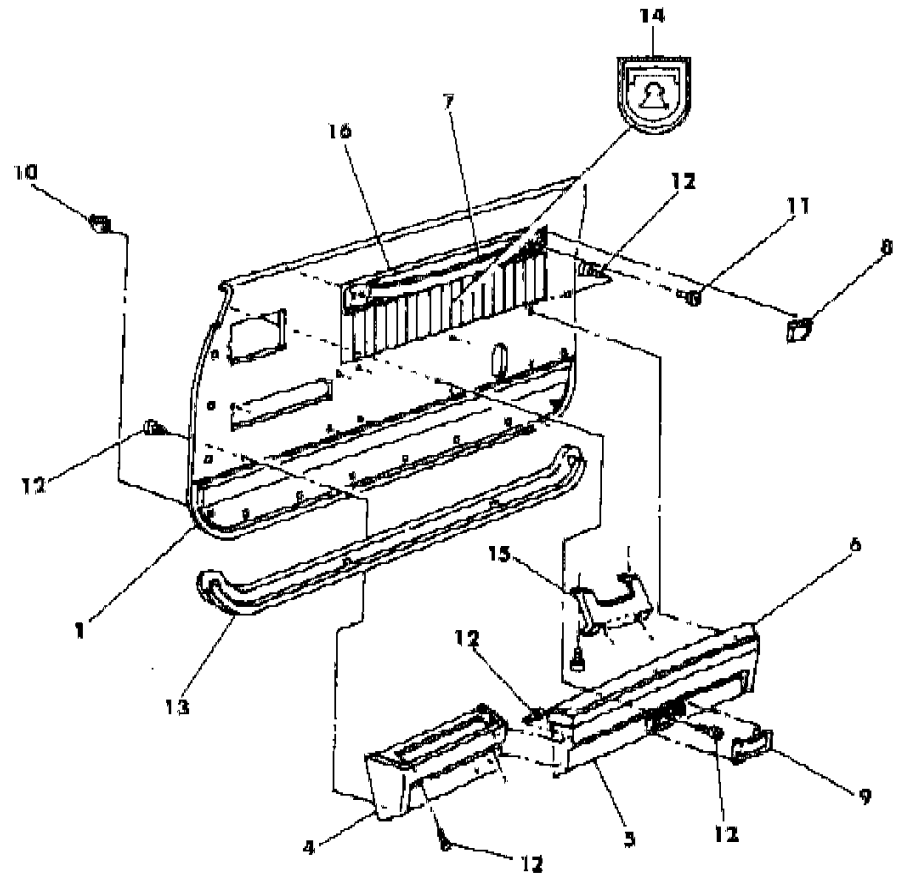
BODY STYLES

21 = 2-DOOR SEDAN	35 = FWD VAN	44 = 4-DOOR HATCHBACK
22 = 2-DOOR SPECIAL COUPE	36 = FWD WAGON	45 = 4-DOOR STATION WAGON
24 = 2-DOOR HATCHBACK	41 = 4-DOOR SEDAN	49 = LIMOUSINE
27 = 2-DOOR CONVERTIBLE		

AR = Use as Required - = Non Illustrated Part P.A.R. = Paint as Required

DOOR TRIM PANEL C,V K BODY 22,27
Figure ITC-2700

94231 2700



ITEM	PART NUMBER	QTY	BODY	MODEL	DESCRIPTION
	D402-3 AM6	1			Red N N N YD402AM6
	D402-3 DT3	1			Tan N N N YD402DT3
	D402-3 BT8	1			Brown N N N YD402BT8
	D402-3 BW1	1			White N N N YD402BW1 w/Power Door Locks N N N N
	D528-9 CS8	1			Charcoal N N N YD528CS8
	D528-9 BC7	1			Blue, Dark N N N YD528BC7
	D528-9 BM6	1			Red N N N YD528BM6
	D528-9 DT3	1			Tan N N N YD528DT3
	D528-9 BT8	1			Brown N N N YD528BT8
	D528-9 BW1	1			White N N N YD528BW1
7					HANDLE N N N N
	D946 CS8	2			Charcoal N N N YD946CS8
	D946 AA2	2			Silver N N N YD946AA2
	D946 AC8	2			Blue, Dark N N N YD946AC8
	D946 AM6	2			Red N N N YD946AM6
	D946 DT3	2			Tan N N N YD946DT3
	D946 BT8	2			Brown N N N YD946BT8
	D946 BW1	2			White N N N YD946BW1
	D946 CK5	2			Saddle N N N YD946CK5
8	4248 941	4			END CAP N N N Y4248941
9	3591 803	2			LENS, Reflex N N N Y3591803
10	6003 640	AR			FASTENER N N N Y6003640
11	6032 141	AR			SCREW N N N Y6032141
12		AR			SCREW (not serviced) N N N N
13	4247 229	2			SEAL, Secondary N N N Y4247229
14	4247 692	2			MEDALLION, Mark Cross Package N N N Y4247692
15	4248 449	2			BRACKET, Remote Mirror Bezel to Armrest N N N Y4248449
	6030 851	4			NUT, Speed Bracket Attaching N N N Y6030851
16	4248 939	2			FINISH PLATE N N N Y4248939
	6032 133	AR			NUT, Finish Plate N N N Y6032133
	4049 602	AR			SILENCER, Door (36"x36"x1/2" material) N N N Y4049602

The following parts are not illustrated. s ARE NOT RETURNABLE.

MODEL CODES

B = GRAN FURY	E = 600	M = HORIZON/TURISMO
C = LE BARON/TOWN & COUNTRY/LIMO	F = FIFTH AVENUE/NEWPORT	P = RELIANT
C24 = LASER	G = DIPLOMAT	T = NEW YORKER
C44 = LE BARON/GTS	H = VOYAGER	V = 600
D = ARIES	J = CARAVELLE	V24 = DAYTONA
D44 = LANCER	K = MINI VAN/CARAVAN/ROYAL	Z = OMNI/CHARGER

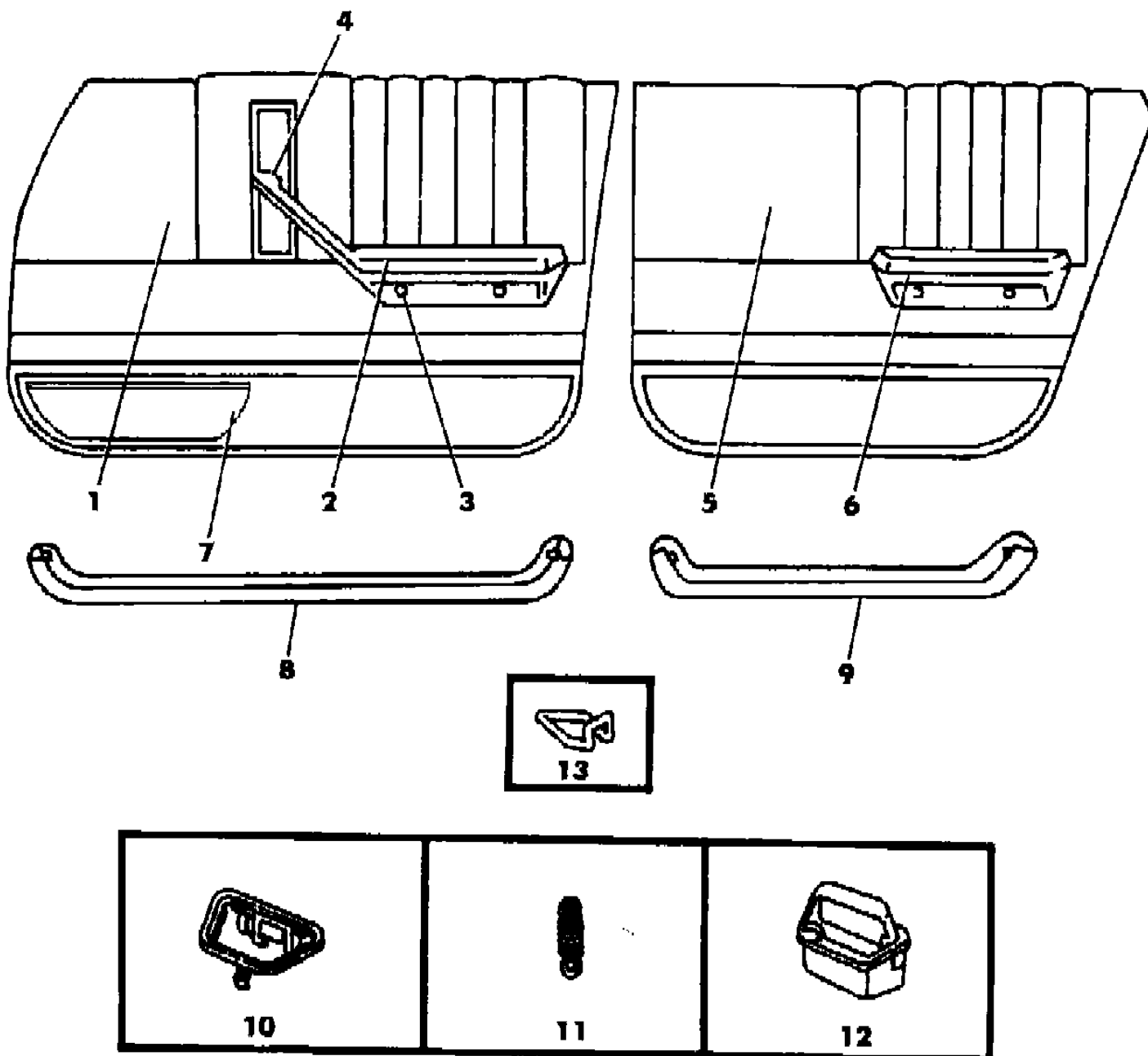
BODY STYLES

21 = 2-DOOR SEDAN	35 = FWD VAN	44 = 4-DOOR HATCHBACK
22 = 2-DOOR SPECIAL COUPE	36 = FWD WAGON	45 = 4-DOOR STATION WAGON
24 = 2-DOOR HATCHBACK	41 = 4-DOOR SEDAN	49 = LIMOUSINE
27 = 2-DOOR CONVERTIBLE		

AR = Use as Required - = Non Illustrated Part P.A.R. = Paint as Required

DOOR TRIM PANEL K BODY P,D 41,45
Figure ITC-2800

5234 2800 A



ITEM	PART NUMBER	QTY	BODY	MODEL	DESCRIPTION
1					PANEL, Door w/Carpet and Plaque N N N N
					Vinyl N N N N
	J214-5 DA2	1			N N NC1AS YJ214DA2
	J214-5 DB5	1			N N NC1BC,C2BC YJ214DB5
	J214-5 DB5	1			N N NK2BC,K8BC YJ214DB5
	J214-5 DM6	1			N N NC1M,C2M YJ214DM6
	J214-5 DT3	1			N N NC1TT,C2TT YJ214DT3
	J214-5 DT3	1			N N NK2TT,K8TT YJ214DT3
	J222-3 DA2	1			N N NC3AS YJ222DA2
	J222-3 DA2	1			N N NF7AS,H4AS YJ222DA2
	J222-3 DB5	1			N N NC3BC,C4BC YJ222DB5
	J222-3 DB5	1			N N NF7BC,H4BC YJ222DB5
	J222-3 DM6	1			N N NC3M,C4M YJ222DM6
	J222-3 DM6	1			N N NF7M,H4M YJ222DM6
	J222-3 DT3	1			N N NC3TT,C4TT YJ222DT3
	J222-3 DT3	1			N N NF7TT,H4TT YJ222DT3
					Cloth N N N N
	J220-1 DA3	1			N N NH3AS,H7AS YJ220DA3
	J220-1 DB6	1			N N NH3BC,H7BC YJ220DB6
	J220-1 DM6	1			N N NH3M,H7M YJ220DM6
	J220-1 DT3	1			N N NH3TT,H7TT YJ220DT3
2					ARMREST, Front N N N N
	D498-9 AA3	1			Silver N N N YD498AA3
	D498-9 BB5	1			Blue, Medium N N N YD498BB5
	D498-9 VM6	1			Red N N N YD498VM6
	D498-9 DT3	1			Tan N N N YD498DT3
3					SCREW, Armrest Attaching N N N N
	6032 735	AR			(use up to 5/1/85) N N N Y6032735
	6033 048	AR			(use after 5/1/85) N N N Y6033048
4	4223 630-1	1			BEZEL, Armrest N N N Y4223630
		AR			SCREW, Bezel Attaching (not serviced) N N N N
5					PANEL, Door Rear N N N N
					Vinyl N N N N
	J410-1 DA2	1			N N NC1AS YJ410DA2
	J410-1 DB5	1			N N NC1BC,C2BC YJ410DB5
	J410-1 DB5	1			N N NK2BC,K8BC YJ410DB5
	J410-1 DM6	1			N N NC1M,C2M YJ410DM6

MODEL CODES

B = GRAN FURY	E = 600	M = HORIZON/TURISMO
C = LE BARON/TOWN & COUNTRY/LIMO	F = FIFTH AVENUE/NEWPORT	P = RELIANT
C24 = LASER	G = DIPLOMAT	T = NEW YORKER
C44 = LE BARON/GTS	H = VOYAGER	V = 600
D = ARIES	J = CARAVELLE	V24 = DAYTONA
D44 = LANCER	K = MINI VAN/CARAVAN/ROYAL	Z = OMNI/CHARGER

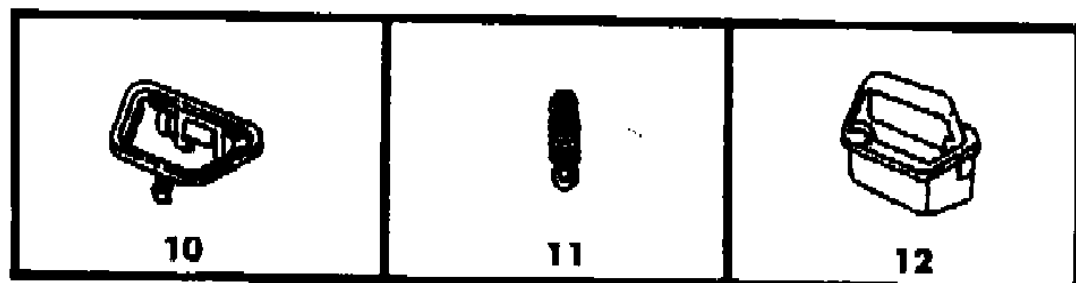
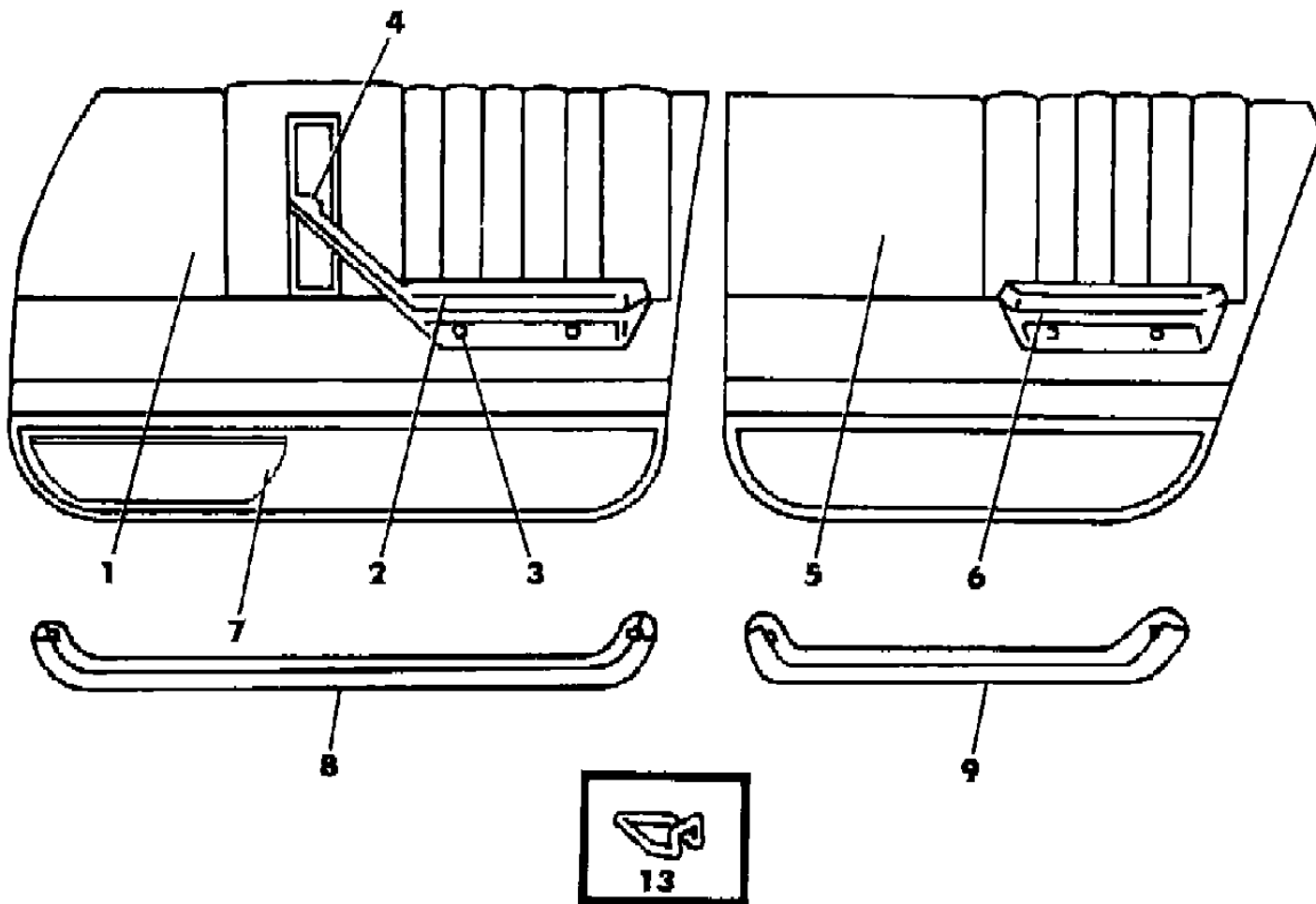
BODY STYLES

21 = 2-DOOR SEDAN	35 = FWD VAN	44 = 4-DOOR HATCHBACK
22 = 2-DOOR SPECIAL COUPE	36 = FWD WAGON	45 = 4-DOOR STATION WAGON
24 = 2-DOOR HATCHBACK	41 = 4-DOOR SEDAN	49 = LIMOUSINE
27 = 2-DOOR CONVERTIBLE		

AR = Use as Required - = Non Illustrated Part P.A.R. = Paint as Required

DOOR TRIM PANEL K BODY P,D 41,45
Figure ITC-2800

5234 2800 A



ITEM	PART NUMBER	QTY	BODY	MODEL	DESCRIPTION
	J410-1 DT3	1			N N NC1TT,C2TT YJ410DT3
	J410-1 DT3	1			N N NK2TT,K8TT YJ410DT3
	J422-3 DA2	1			N N NC3AS YJ422DA2
	J422-3 DA2	1			N N NF7AS,H4AS YJ422DA2
	J422-3 DB5	1			N N NC3BC,C4BC YJ422DB5
	J422-3 DB5	1			N N NF7BC,H4BC YJ422DB5
	J422-3 DM6	1			N N NC3M,C4M YJ422DM6
	J422-3 DM6	1			N N NF7M,H4M YJ422DM6
	J422-3 DT3	1			N N NC3TT,C4TT YJ422DT3
	J422-3 DT3	1			N N NF7TT,H4TT YJ422DT3
					Cloth N N N N
	J428-9 DA3	1			N N NH3AS,H7AS YJ428DA3
	J428-9 DB6	1			N N NH3BC,H7BC YJ428DB6
	J428-9 DM6	1			N N NH3M,H7M YJ428DM6
	J428-9 DT3	1			N N NH3TT,H7TT YJ428DT3
6					ARMREST, Rear N N N N
	D426-7 AA3	1			Silver N N N YD426AA3
	D426-7 BB5	1			Blue, Medium N N N YD426BB5
	D426-7 VM6	1			Red N N N YD426VM6
	D426-7 DT3	1			Tan N N N YD426DT3
7					PANEL, Trim Pocket N N N N
	D106-7 DC7	1			Blue N N N YD106DC7
	D106-7 DM6	1			Red N N N YD106DM6
	D106-7 DT5	1			Tan N N N YD106DT5
	D106-7 DS8	1			Charcoal N N N YD106DS8
8	4247 230	2			SEAL, Secondary Sound Front N N N Y4247230
9	4247 231	2			SEAL, Secondary Sound Rear N N N Y4247231
10	2788 701	2			BEZEL, Ash Receiver N N N Y2788701
11	2292 503	2			SPRING, Ash Receiver N N N Y2292503
12	2788 032	2			RECEIVER, Ash N N N Y2788032
13	6003 640	AR			FASTENER, Trim Panel N N N Y6003640
	6032 133	AR			NUT N N N Y6032133
The following parts are not illustrated. s ARE NOT RETURNABLE.					
	4049 602	AR			SILENCER, Door (36"x36"x1/2" material) N N N Y4049602

MODEL CODES

B = GRAN FURY	E = 600	M = HORIZON/TURISMO
C = LE BARON/TOWN & COUNTRY/LIMO	F = FIFTH AVENUE/NEWPORT	P = RELIANT
C24 = LASER	G = DIPLOMAT	T = NEW YORKER
C44 = LE BARON/GTS	H = VOYAGER	V = 600
D = ARIES	J = CARAVELLE	V24 = DAYTONA
D44 = LANCER	K = MINI VAN/CARAVAN/ROYAL	Z = OMNI/CHARGER

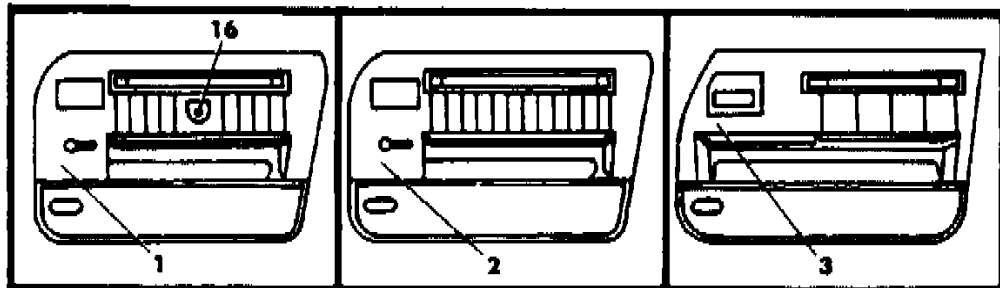
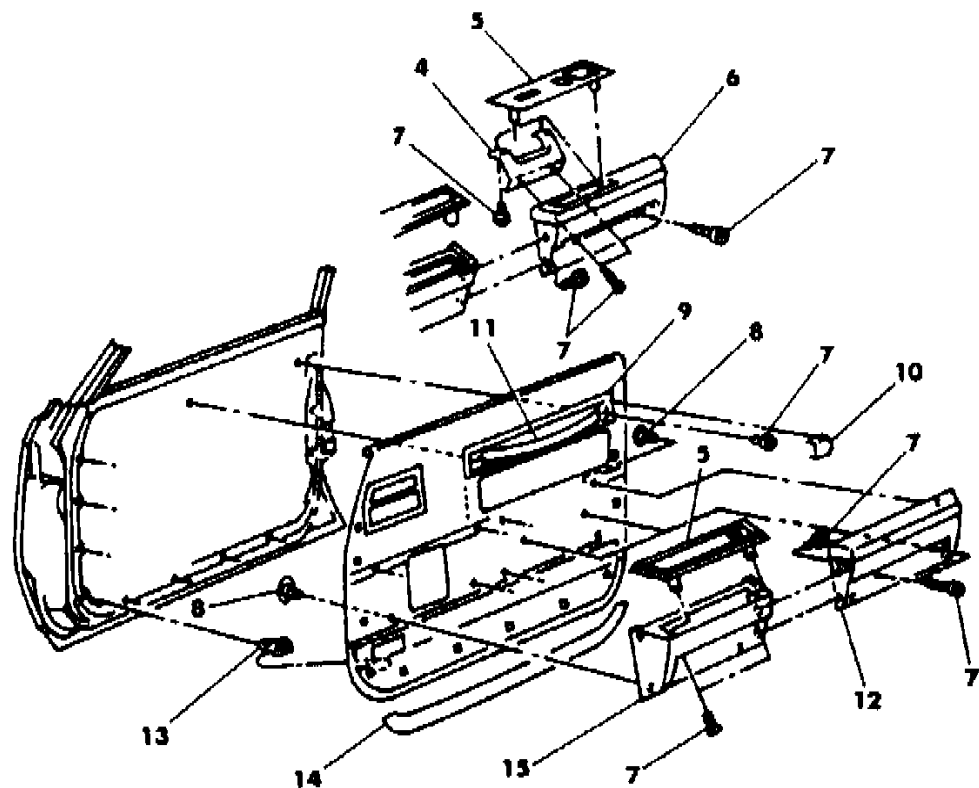
BODY STYLES

21 = 2-DOOR SEDAN	35 = FWD VAN	44 = 4-DOOR HATCHBACK
22 = 2-DOOR SPECIAL COUPE	36 = FWD WAGON	45 = 4-DOOR STATION WAGON
24 = 2-DOOR HATCHBACK	41 = 4-DOOR SEDAN	49 = LIMOUSINE
27 = 2-DOOR CONVERTIBLE		

AR = Use as Required - = Non Illustrated Part P.A.R. = Paint as Required

DOOR TRIM PANEL FRONT K BODY C 41,45
Figure ITC-2900

5234 3900



ITEM	PART NUMBER	QTY	BODY	MODEL	DESCRIPTION
1					PANEL, Door N N N N
	J244-5 DSA	1			Vinyl N N N N N N NSPSA YJ244DSA
	J244-5 DT3	1			N N NSPTU YJ244DT3
2					PANEL, Door N N N N
	J240-1 DM6	1			Vinyl N N N N N N NV8M YJ240DM6
	J240-1 DT3	1			N N NV8T YJ240DT3
3					PANEL, Door N N N N
					Cloth N N N N (use up to 2/1/85) N N N N
	J246-7 DCC	1			N N NM3C,M5C YJ246DCC
	J246-7 DMM	1			N N NM3M,M5M YJ246DMM
	J246-7 DTT	1			N N NM3T3,M5T3 YJ246DTT
	J246-7 DT8	1			N N NM3T8,M5T8 YJ246DT8
	J246-7 DAS	1			N N NM3S,M5S YJ246DAS (use after 2/1/85) N N N N
	J328-9 DCC	1			N N NM3C,M5C YJ328DCC
	J328-9 DMM	1			N N NM3M,M5M YJ328DMM
	J328-9 DTT	1			N N NM3T3,M5T3 YJ328DTT
J328-9 DT8	1			N N NM3T8,M5T8 YJ328DT8	
J328-9 DAS	1			N N NM3S,M5S YJ328DAS	
4	4248 449	2			BRACKET, Remote Mirror Bezel to Armrest N N N Y4248449
	6030 851	4			NUT, Speed Bracket Attaching N N N Y6030851
5					BEZELS, See Group 23C N N N N
6					PAD, Armrest N N N N
					w/Power Door Locks N N N N
	D530-1 BC7	1			Blue N N N YD530BC7
	D530-1 BM6	1			Red N N N YD530BM6
	D530-1 DT3	1			Tan N N N YD530DT3
	D530-1 BT8	1			Brown N N N YD530BT8
	D530-1 CS8	1			Charcoal N N N YD530CS8
					w/o Power Door Locks N N N N
	D506-7 AC7	1			Blue N N N YD506AC7
	D506-7 AM6	1			Red N N N YD506AM6
	D506-7 DT3	1			Tan N N N YD506DT3
	D506-7 BT8	1			Brown N N N YD506BT8

MODEL CODES

B = GRAN FURY	E = 600	M = HORIZON/TURISMO
C = LE BARON/TOWN & COUNTRY/LIMO	F = FIFTH AVENUE/NEWPORT	P = RELIANT
C24 = LASER	G = DIPLOMAT	T = NEW YORKER
C44 = LE BARON/GTS	H = VOYAGER	V = 600
D = ARIES	J = CARAVELLE	V24 = DAYTONA
D44 = LANCER	K = MINI VAN/CARAVAN/ROYAL	Z = OMNI/CHARGER

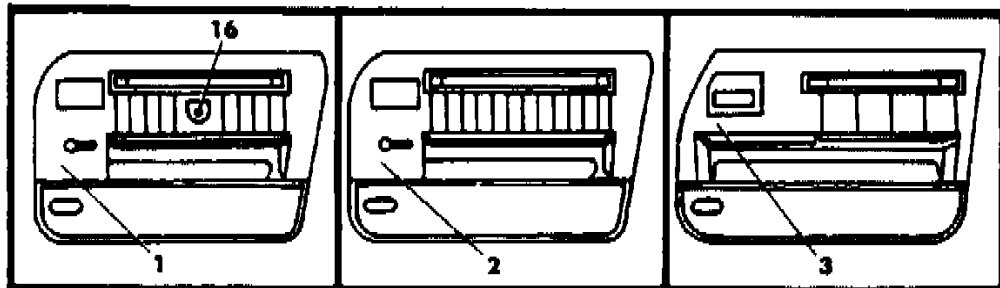
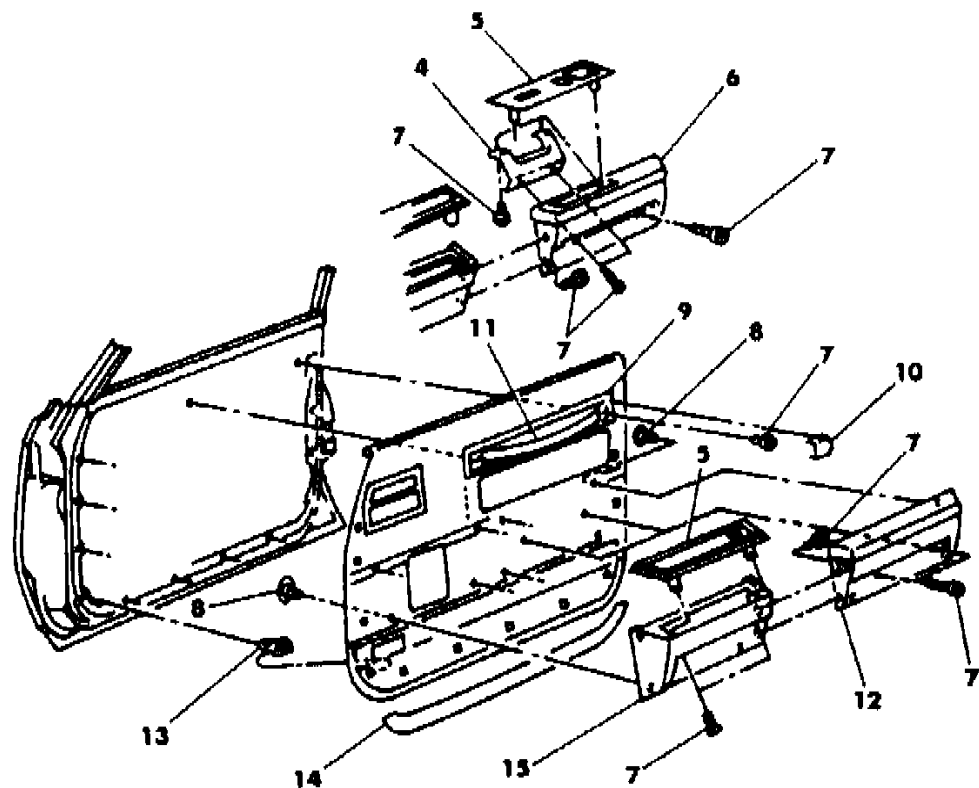
BODY STYLES

21 = 2-DOOR SEDAN	35 = FWD VAN	44 = 4-DOOR HATCHBACK
22 = 2-DOOR SPECIAL COUPE	36 = FWD WAGON	45 = 4-DOOR STATION WAGON
24 = 2-DOOR HATCHBACK	41 = 4-DOOR SEDAN	49 = LIMOUSINE
27 = 2-DOOR CONVERTIBLE		

AR = Use as Required - = Non Illustrated Part P.A.R. = Paint as Required

DOOR TRIM PANEL FRONT K BODY C 41,45
Figure ITC-2900

5234 3900



ITEM	PART NUMBER	QTY	BODY	MODEL	DESCRIPTION
	D506-7 CS8	1			Charcoal N N N YD506CS8
7		AR			SCREW (not serviced) N N N N
8		AR			SCREW and WASHER (not serviced) N N N N
9	4248 930	2			PLATE, Finish N N N Y4248930
	6032 133	6			NUT N N N Y6032133
10	4248 932	2			END CAP, Finish Plate N N N Y4248932
11					HANDLE, Door Pull N N N N
	D930 AA2	2			w/Saddle Grain Finish N N N N Silver N N N YD930AA2
	D930 AC8	2			Blue N N N YD930AC8
	D930 AM6	2			Red N N N YD930AM6
	D930 DT3	2			Tan N N N YD930DT3
	D930 BT8	2			Brown N N N YD930BT8
	D930 CS8	2			Charcoal N N N YD930CS8
12					BASE, Armrest (paint as required) N N N N
	D538-9 BL3	1			w/Power Door Locks N N N YD538BL3
	D508-9 AA3	1			w/o Power Door Locks N N N YD508AA3
13	6003 640	AR			FASTENER N N N Y6003640
14	4247 230	2			SEAL, Secondary Sound N N N Y4247230
15	D412-3 AA3	1			BASE, Armrest w/Power Windows (paint as required) N N N YD412AA3
16	4247 692	2			MEDALLION ASSEMBLY N N N Y4247692
	4049 602	2			SILENCER, Door (36"x36"x1/2 material cut to fit) N N N Y4049602

Note: The following part is not illustrated. s ARE NOT RETURNABLE.

MODEL CODES

B = GRAN FURY	E = 600	M = HORIZON/TURISMO
C = LE BARON/TOWN & COUNTRY/LIMO	F = FIFTH AVENUE/NEWPORT	P = RELIANT
C24 = LASER	G = DIPLOMAT	T = NEW YORKER
C44 = LE BARON/GTS	H = VOYAGER	V = 600
D = ARIES	J = CARAVELLE	V24 = DAYTONA
D44 = LANCER	K = MINI VAN/CARAVAN/ROYAL	Z = OMNI/CHARGER

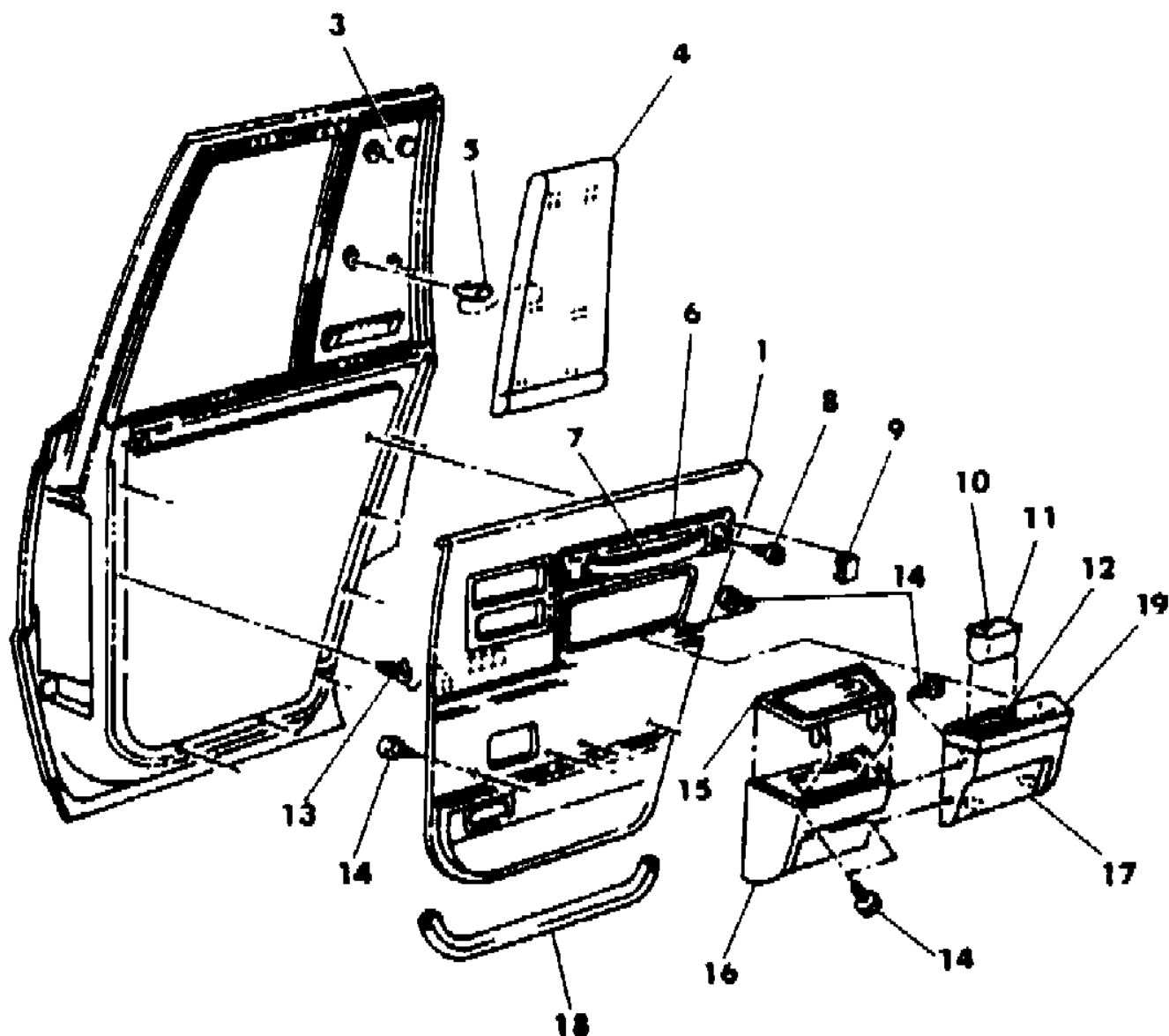
BODY STYLES

21 = 2-DOOR SEDAN	35 = FWD VAN	44 = 4-DOOR HATCHBACK
22 = 2-DOOR SPECIAL COUPE	36 = FWD WAGON	45 = 4-DOOR STATION WAGON
24 = 2-DOOR HATCHBACK	41 = 4-DOOR SEDAN	49 = LIMOUSINE
27 = 2-DOOR CONVERTIBLE		

AR = Use as Required - = Non Illustrated Part P.A.R. = Paint as Required

DOOR TRIM PANEL REAR K BODY C 41,45
Figure ITC-3000

3234 3000



ITEM	PART NUMBER	QTY	BODY	MODEL	DESCRIPTION
1					PANEL, Door N N N N
					Vinyl N N N N
					(use up to 2/6/85) N N N N
		J416-7 DSA	1		N N NSPSA YJ416DSA
		J416-7 DT3	1		N N NSPTU YJ416DT3
					(use after 2/6/85) N N N N
		J506-7 DSA	1		N N NSPSA YJ506DSA
		J506-7 DT3	1		N N NSPTU YJ506DT3
					(use up to 2/13/85) N N N N
		J412-3 DM6	1		N N NV8M YJ412DM6
	J412-3 DT3	1		N N NV8T YJ412DT3	
				(use after 2/13/85) N N N N	
	J510-1 DM6	1		N N NV8M YJ510DM6	
	J510-1 DT3	1		N N NV8T YJ510DT3	
2					PANEL, Door N N N N
					Cloth N N N N
					(use up to 2/1/85) N N N N
		J414-5 DCC	1		N N NM3C,M5C YJ414DCC
		J414-5 DMM	1		N N NM3M,M5M YJ414DMM
		J414-5 DTT	1		N N NM3T3,M5T3 YJ414DTT
		J414-5 DT8	1		N N NM3T8,M5T8 YJ414DT8
		J414-5 DAS	1		N N NM3S,M5S YJ414DAS
					(use after 2/1/85) N N N N
		J474-5 DCC	1		N N NM3C,M5C YJ474DCC
		J474-5 DMM	1		N N NM3M,M5M YJ474DMM
		J474-5 DTT	1		N N NM3T3,M5T3 YJ474DTT
		J474-5 DT8	1		N N NM3T8,M5T8 YJ474DT8
	J474-5 DAS	1		N N NM3S,M5S YJ474DAS	
3	4280 098-9	1			INSERT N N NVE Y4280098
4					COVER, Door Quarter Inner N N N N
		D864-5 AC7	1		N N41 NVEC YD864AC7
		D864-5 AM6	1		N N41 NVEM YD864AM6
		D864-5 DT3	1		N N41 NVET3,VETU YD864DT3
		D864-5 BT8	1		N N41 NVET8 YD864BT8
		D864-5 CS8	1		N N41 NVESA,VES YD864CS8
	5	4114 785	8		
6	4248 931	2			PLATE, Finish N N N Y4248931

MODEL CODES

B = GRAN FURY	E = 600	M = HORIZON/TURISMO
C = LE BARON/TOWN & COUNTRY/LIMO	F = FIFTH AVENUE/NEWPORT	P = RELIANT
C24 = LASER	G = DIPLOMAT	T = NEW YORKER
C44 = LE BARON/GTS	H = VOYAGER	V = 600
D = ARIES	J = CARAVELLE	V24 = DAYTONA
D44 = LANCER	K = MINI VAN/CARAVAN/ROYAL	Z = OMNI/CHARGER

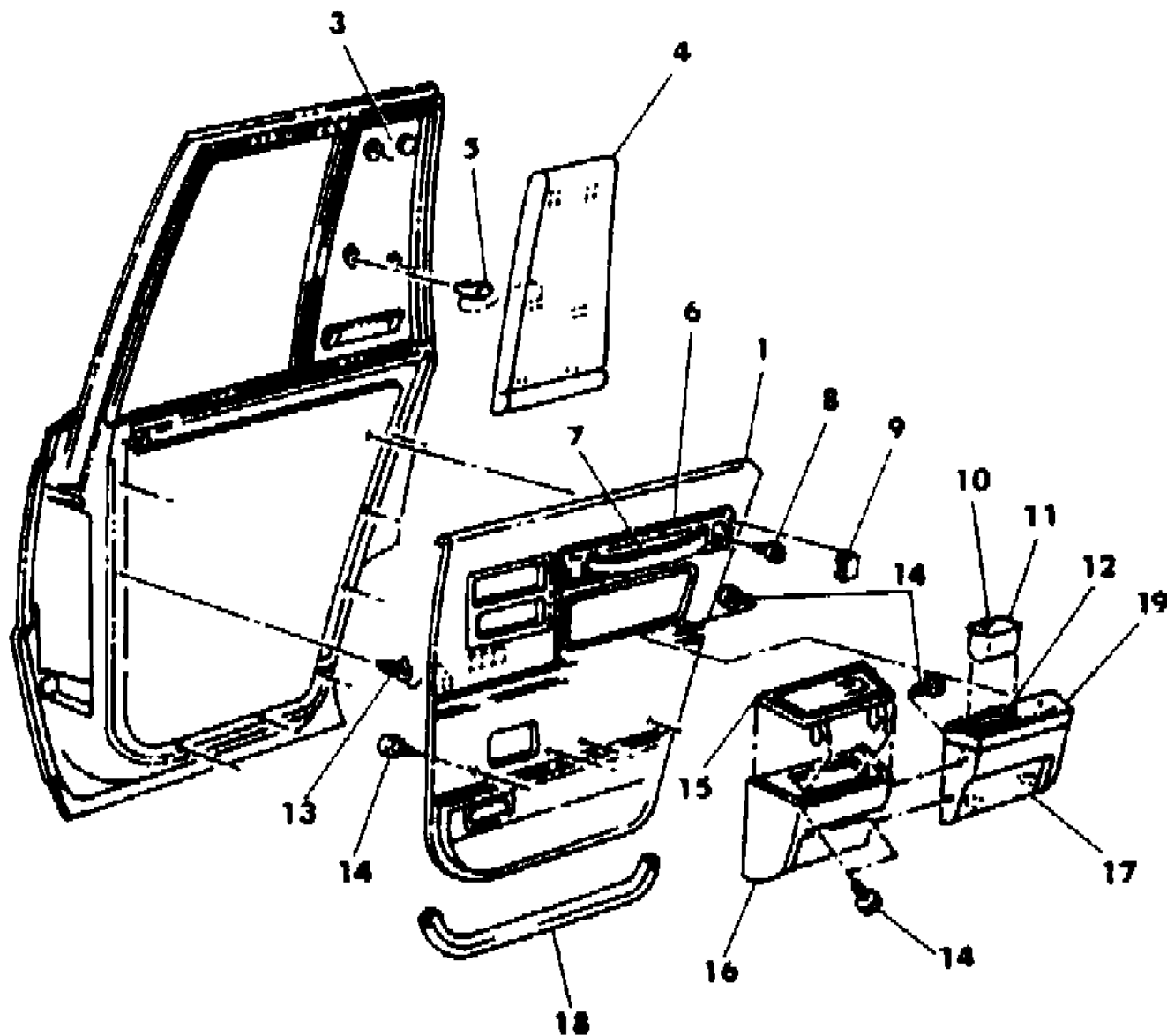
BODY STYLES

21 = 2-DOOR SEDAN	35 = FWD VAN	44 = 4-DOOR HATCHBACK
22 = 2-DOOR SPECIAL COUPE	36 = FWD WAGON	45 = 4-DOOR STATION WAGON
24 = 2-DOOR HATCHBACK	41 = 4-DOOR SEDAN	49 = LIMOUSINE
27 = 2-DOOR CONVERTIBLE		

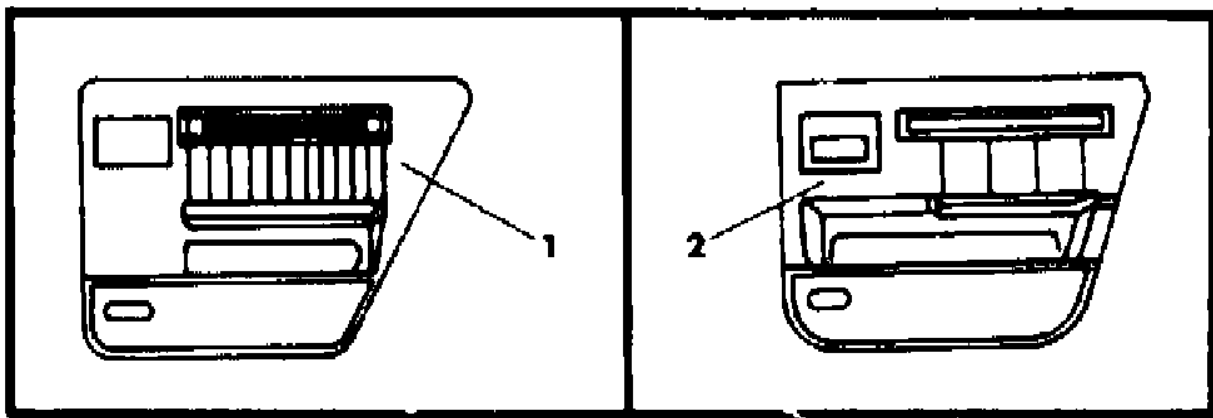
AR = Use as Required - = Non Illustrated Part P.A.R. = Paint as Required

DOOR TRIM PANEL REAR K BODY C 41,45
Figure ITC-3000

3234 3000



ITEM	PART NUMBER	QTY	BODY	MODEL	DESCRIPTION
7					HANDLE, Door Pull N N N N w/Saddle Grain Finish N N N N D931 AA2 1 Silver N N N YD931AA2 D931 AC8 1 Blue N N N YD931AC8 D931 AM6 1 Red N N N YD931AM6 D931 DT3 1 Tan N N N YD931DT3 D931 BT8 1 Brown N N N YD931BT8 D931 CS8 1 Charcoal N N N YD931CS8
8	6032 141	AR			SCREW N N N Y6032141
9	4248 932	2			END CAP N N N Y4248932
10	2292 503	2			SPRING, Ash Receiver Lid N N N Y2292503
11	2589 587	2			ASH RECEIVER N N N Y2589587
12	2657 877	2			BEZEL, Ash Receiver N N N Y2657877
13	6003 640	AR			FASTENER N N N Y6003640
14		AR			SCREW (not serviced) N N N N
15					See Group 23C N N N N
16	D518-9 AA3	1			BASE, Armrest, w/Power Windows (paint as required) N N N YD518AA3
17	D516-7 AA3	1			BASE, Armrest (paint as required) N N N YD516AA3
18	4247 231	2			SEAL, Secondary Sound N N N Y4247231
19					PAD, Armrest N N N N D514-5 AC7 1 Blue N N N YD514AC7 D514-5 AM6 1 Red N N N YD514AM6 D514-5 DT3 1 Tan N N N YD514DT3 D514-5 BT8 1 Brown N N N YD514BT8 D514-5 CS8 1 Charcoal N N N YD514CS8
Note: The followin part is not illustrated. s ARE NOT RETURNABLE.					
	4049 602	2			SILENCER, Door (36"x36" 1/2 material cut to fit) N N N Y4049602



MODEL CODES

B = GRAN FURY	E = 600	M = HORIZON/TURISMO
C = LE BARON/TOWN & COUNTRY/LIMO	F = FIFTH AVENUE/NEWPORT	P = RELIANT
C24 = LASER	G = DIPLOMAT	T = NEW YORKER
C44 = LE BARON/GTS	H = VOYAGER	V = 600
D = ARIES	J = CARAVELLE	V24 = DAYTONA
D44 = LANCER	K = MINI VAN/CARAVAN/ROYAL	Z = OMNI/CHARGER

BODY STYLES

21 = 2-DOOR SEDAN	35 = FWD VAN	44 = 4-DOOR HATCHBACK
22 = 2-DOOR SPECIAL COUPE	36 = FWD WAGON	45 = 4-DOOR STATION WAGON
24 = 2-DOOR HATCHBACK	41 = 4-DOOR SEDAN	49 = LIMOUSINE
27 = 2-DOOR CONVERTIBLE		

AR = Use as Required - = Non Illustrated Part P.A.R. = Paint as Required

**DOOR TRIM PANEL FRONT LIMO.
Figure ITC-3100**

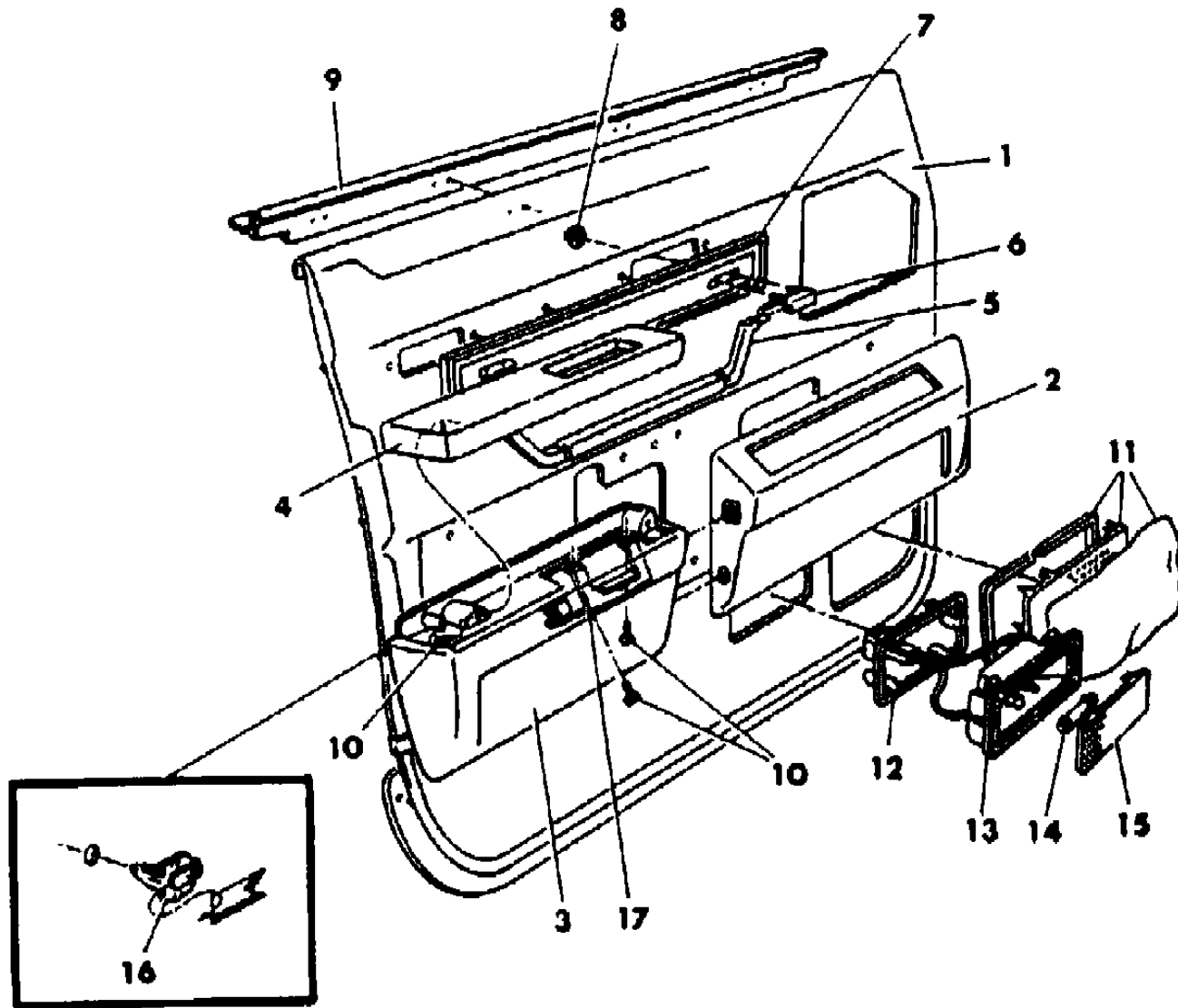
ITEM	PART NUMBER	QTY	BODY	MODEL	DESCRIPTION
1					PANEL, Front Door Trim N N N N
	4364 306-7	1			Charcoal N N N Y4364306
	4364 308-9	1			Blue N N N Y4364308
2					ARMREST, Front Control N N N N
	4339 790-1	1			Silver N N N Y4339790
	4339 792-3	1			Blue N N N Y4339792
3					ARMREST, Rear Compartment N N N N
	4342 158-9	1			Silver N N N Y4342158
	4342 160-1	1			Blue N N N Y4342160
4					PAD, Armrest N N N N
	4364 272-3	1			Silver N N N Y4364272
	4364 274-5	1			Blue N N N Y4364274
5	4078 233	2			STRAP, Door Pull N N N Y4078233
6	4077 196-7	1			END CAP, Pull Strap N N N Y4077196
7	4342 130	2			BEZEL, Door Pull Strap N N N Y4342130
8					NUT (not serviced) N N N N
9		1			WEATHERSTRIP, Inner (serviced in Panel) N N N N
10		1			SCREW (not serviced) N N N N
11					GRILLE, Speakers (refer to Group 23C) N N N N
12					RETAINER, Door Courtesy Lamp (refer to Group 8) N N N N
13					HOUSING, Courtesy Lamp (refer to Group 8) N N N N
14					BULB, Courtesy Lamp (refer to Group 8) N N N N
15					LENS, Courtesy Lamp (refer to Group 8) N N N N

MODEL CODES
 B = GRAN FURY
 C = LE BARON/TOWN & COUNTRY/LIMO
 C24 = LASER
 C44 = LE BARON/GTS
 D = ARIES
 D44 = LANCER
 E = 600
 F = FIFTH AVENUE/NEWPORT
 G = DIPLOMAT
 H = VOYAGER
 J = CARAVELLE
 K = MINI VAN/CARAVAN/ROYAL
 M = HORIZON/TURISMO
 P = RELIANT
 T = NEW YORKER
 V = 600
 V24 = DAYTONA
 Z = OMNI/CHARGER

BODY STYLES
 21 = 2-DOOR SEDAN
 22 = 2-DOOR SPECIAL COUPE
 24 = 2-DOOR HATCHBACK
 27 = 2-DOOR CONVERTIBLE
 35 = FWD VAN
 36 = FWD WAGON
 41 = 4-DOOR SEDAN
 44 = 4-DOOR HATCHBACK
 45 = 4-DOOR STATION WAGON
 49 = LIMOUSINE

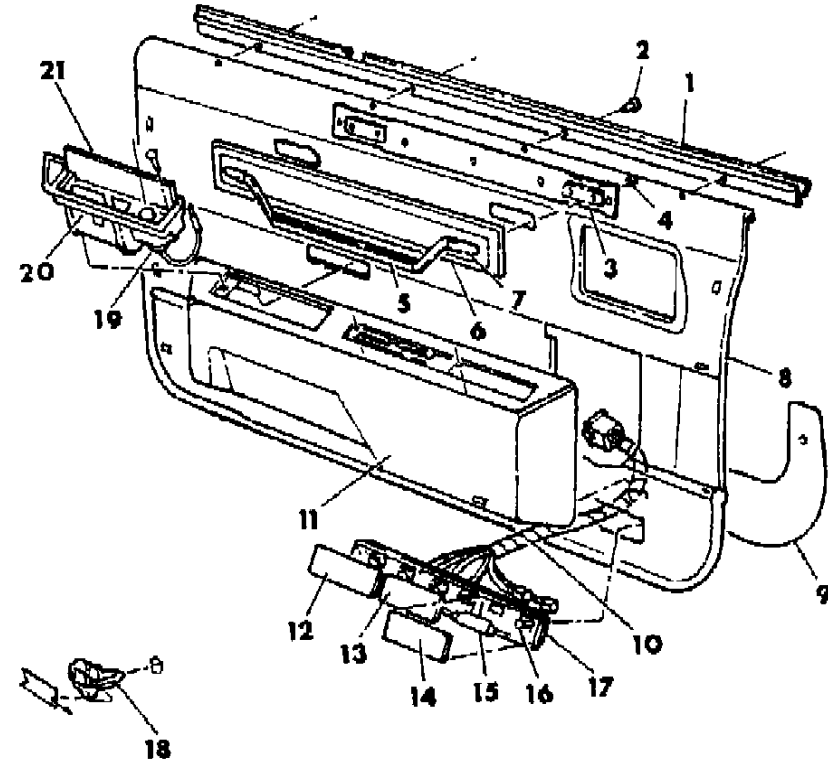
AR = Use as Required - = Non Illustrated Part P.A.R. = Paint as Required

5234 3100



**DOOR TRIM PANEL REAR LIMO.
Figure ITC-3200**

5234 3200



ITEM	PART NUMBER	QTY	BODY	MODEL	DESCRIPTION
1		1			WEATHERSTRIP, Inner (serviced in Panel) N N N N
2					SCREW (not serviced) N N N N
3		2			REINFORCEMENT, Pull Strap (serviced in Panel) N N N N
4	6032 133	AR			NUT N N N Y6032133
5	4078 233	2			STRAP, Door Pull N N N Y4078233
6	4342 130	2			BEZEL, Pull Strap N N N Y4342130
7	4077 196-7	2			BRACKET, Pull Strap N N N Y4077196
	4342 123	4			COVER, Pull Strap End Cap N N N Y4342123
8					PANEL, Door Trim N N N N
	4364 292-3	1			Charcoal N N N Y4364292
	4364 294-5	1			Blue N N N Y4364294
9	4339 960	2			SEAL, Door Sill N N N Y4339960
10					WIRING, Door Courtesy Lamp (refer to Group 8) N N N N
11					ARMREST, w/Speaker Grille Rear N N N N
	4339 834-5	1			Silver N N N Y4339834
	4339 836-7	1			Blue N N N Y4339836
12					LENS, Courtesy Lamp (refer to Group 8) N N N N
13					LENS, Directional (refer to Group 8) N N N N
14					LENS, Courtesy Lamp (refer to Group 8) N N N N
15					BULB (refer to Group 8) N N N N
16					SCREW (8-18x.50)(not serviced) N N N N
17					HOUSING, Courtesy Lamp (refer to Group 8) N N N N
18	6003 640	AR			FASTENER N N N Y6003640
19	4339 829	2			RECEPTACLE, Ash Receiver N N N Y4339829
20	4339 828	2			SOCKET, w/Retainer Ash Receiver N N N Y4339828
21	4342 122	2			DOOR, w/Pin and Spring Package Ash Receiver N N N Y4342122
	4339 830	2			KNOB and ELEMENT, Cigar Lighter N N N Y4339830

MODEL CODES

B = GRAN FURY	E = 600	M = HORIZON/TURISMO
C = LE BARON/TOWN & COUNTRY/LIMO	F = FIFTH AVENUE/NEWPORT	P = RELIANT
C24 = LASER	G = DIPLOMAT	T = NEW YORKER
C44 = LE BARON/GTS	H = VOYAGER	V = 600
D = ARIES	J = CARAVELLE	V24 = DAYTONA
D44 = LANCER	K = MINI VAN/CARAVAN/ROYAL	Z = OMNI/CHARGER

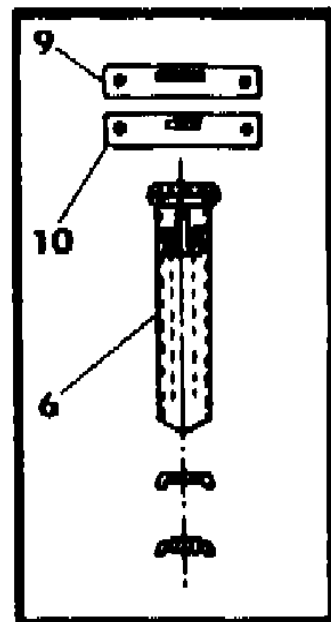
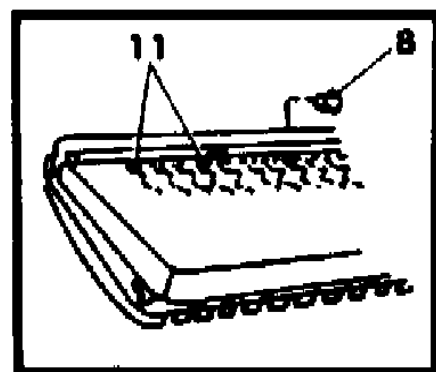
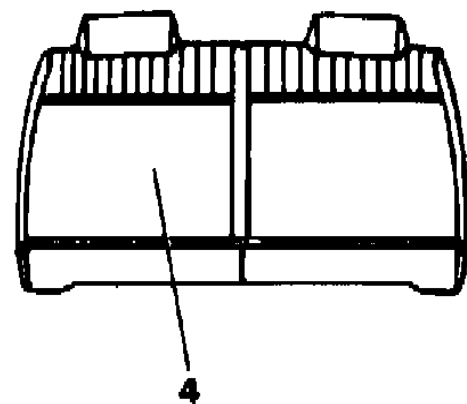
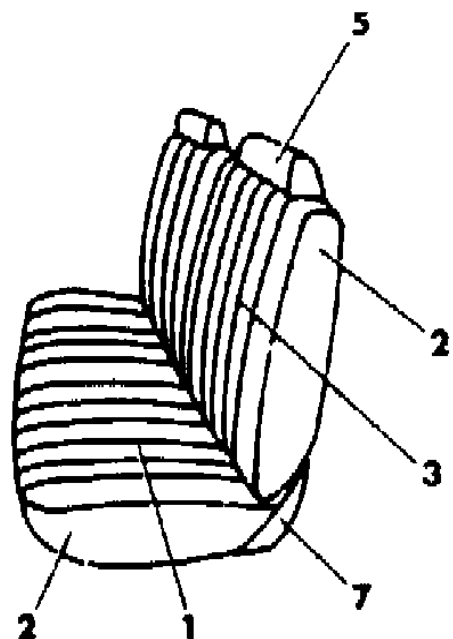
BODY STYLES

21 = 2-DOOR SEDAN	35 = FWD VAN	44 = 4-DOOR HATCHBACK
22 = 2-DOOR SPECIAL COUPE	36 = FWD WAGON	45 = 4-DOOR STATION WAGON
24 = 2-DOOR HATCHBACK	41 = 4-DOOR SEDAN	49 = LIMOUSINE
27 = 2-DOOR CONVERTIBLE		

AR = Use as Required - = Non Illustrated Part P.A.R. = Paint as Required

SEAT FRONT P,D K BODY 21 TRIM CODES C1,C2
Figure ITC-3300

5234 3300



ITEM	PART NUMBER	QTY	BODY	MODEL	DESCRIPTION
1-2					CUSHION, w/Spring/Frame, Pad and Cover N N N N
	B907 C1A	1			Cloth N N N N
	B907 C1B	1			N N NC1AS YB907C1A
	B907 C1M	1			N N NC1BC YB907C1B
	B907 D1T	1			N N NC1M YB907C1M
	B909 B2C	1			N N NC1TT YB907D1T
	B909 B2M	1			Vinyl N N N N
	B909 D2T	1			N N NC2BC YB909B2C
	B909 B2M	1			N N NC2M YB909B2M
	B909 D2T	1			N N NC2TT YB909D2T
1					COVER, Cushion N N N N
	C440 C1A	1			Cloth N N N N
	C440 C1B	1			N N NC1AS YC440C1A
	C440 C1M	1			N N NC1BC YC440C1B
	C440 D1T	1			N N NC1M YC440C1M
	C446 B2C	1			N N NC1TT YC440D1T
	C446 A2M	1			Vinyl N N N N
	C446 D2T	1			N N NC2BC YC446B2C
	C446 A2M	1			N N NC2M YC446A2M
	C446 D2T	1			N N NC2TT YC446D2T
2					ROLL STOCK, Vinyl Order By The Inch N N N N
	R616 VC8	AR			Blue, 64" Wide N N NC2BC YR616VC8
	R616 BB5	AR			Blue, 64" Wide N N NC1BC YR616BB5
	R616 VM6	AR			Red, 64" Wide N N NC1M,C2M YR616VM6
	R609 DT5	AR			Brown, 54" Wide N N NC2TT YR609DT5
	R609 DT5	AR			Brown, 54" Wide N N NC1TT YR609DT5
	R609 CS8	AR			Charcoal, 54" Wide N N NC1AS YR609CS8
2-3					BACK, w/Spring/Frame, Pad and Cover N N N N
	C628-9 C1A	1			Cloth N N N N
	C628-9 C1B	1			N N NC1AS YC628C1A
	C628-9 C1M	1			N N NC1BC YC628C1B
	C628-9 D1T	1			N N NC1M YC628C1M
	C644-5 C2C	1			N N NC1TT YC628D1T
	C644-5 C2M	1			Vinyl N N N N
	C644-5 D2T	1			N N NC2BC YC644C2C
	C644-5 C2M	1			N N NC2M YC644C2M
	C644-5 D2T	1			N N NC2TT YC644D2T

MODEL CODES

B = GRAN FURY	E = 600	M = HORIZON/TURISMO
C = LE BARON/TOWN & COUNTRY/LIMO	F = FIFTH AVENUE/NEWPORT	P = RELIANT
C24 = LASER	G = DIPLOMAT	T = NEW YORKER
C44 = LE BARON/GTS	H = VOYAGER	V = 600
D = ARIES	J = CARAVELLE	V24 = DAYTONA
D44 = LANCER	K = MINI VAN/CARAVAN/ROYAL	Z = OMNI/CHARGER

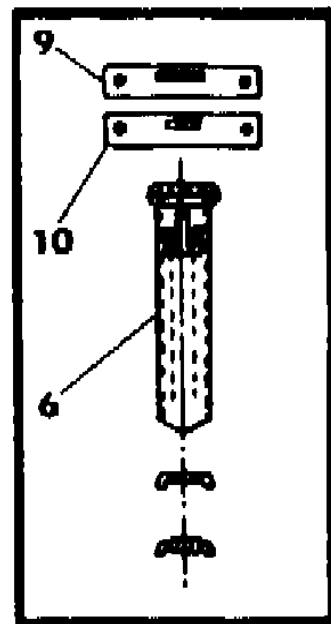
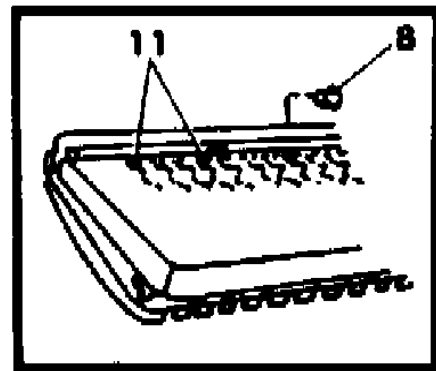
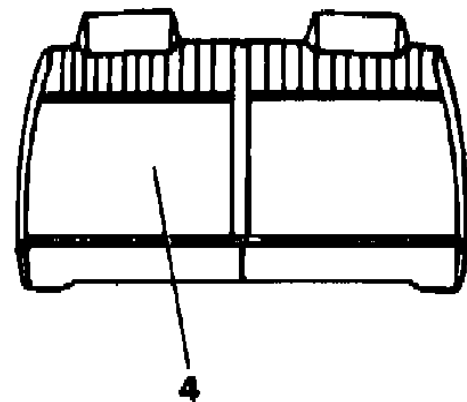
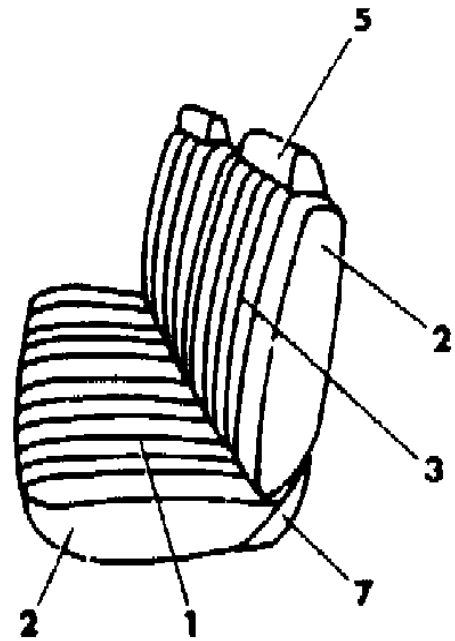
BODY STYLES

21 = 2-DOOR SEDAN	35 = FWD VAN	44 = 4-DOOR HATCHBACK
22 = 2-DOOR SPECIAL COUPE	36 = FWD WAGON	45 = 4-DOOR STATION WAGON
24 = 2-DOOR HATCHBACK	41 = 4-DOOR SEDAN	49 = LIMOUSINE
27 = 2-DOOR CONVERTIBLE		

AR = Use as Required - = Non Illustrated Part P.A.R. = Paint as Required

SEAT FRONT P,D K BODY 21 TRIM CODES C1,C2
Figure ITC-3300

5234 3300



ITEM	PART NUMBER	QTY	BODY	MODEL	DESCRIPTION
3					COVER, Back N N N N
					Cloth N N N N
	C430-1 C1A	1			N N NC1AS YC430C1A
	C430-1 C1B	1			N N NC1BC YC430C1B
	C430-1 C1M	1			N N NC1M YC430C1M
	C430-1 D1T	1			N N NC1TT YC430D1T
					Vinyl N N N N
	C428-9 C2C	1			N N NC2BC YC428C2C
	C428-9 C2M	1			N N NC2M YC428C2M
	C428-9 D2T	1			N N NC2TT YC428D2T
4					ROLL STOCK, Vinyl 50" Wide Order by the Inch N N N N
	R620 AC8	AR			Blue N N N YR620AC8
	R620 VM6	AR			Red N N N YR620VM6
	R620 DT5	AR			Tan N N N YR620DT5
	R620 CS8	AR			Charcoal N N N YR620CS8
5					HEADREST N N N N
	S790 AA2	2			Silver N N N YS790AA2
	S790 BB5	2			Blue N N N YS790BB5
	S790 VM6	2			Red N N N YS790VM6
	S790 DT3	2			Tan N N N YS790DT3
6					SLEEVE, Headrest N N N N
	S786 AA3	2			Silver N N N YS786AA3
	S786 BB5	2			Blue N N N YS786BB5
	S786 VM6	2			Red N N N YS786VM6
	S786 DT3	2			Tan N N N YS786DT3
7					SHIELD, Cushion N N N N
	S780-1 AC7	1			Blue N N N YS780AC7
	S780-1 VM6	1			Red N N N YS780VM6
	S780-1 DT5	1			Brown N N N YS780DT5
	S780-1 CS8	1			Charcoal N N N YS780CS8
8	4277 908	2			BUSHING, Cushion Pivot Bracket N N N Y4277908
9	4190 388	2			COVER, Headrest Finish N N N Y4190388
10	4190 387	2			SUPPORT, Headrest Trim Cover N N N Y4190387
11	6008 076	AR			HOG RING N N N Y6008076

MODEL CODES

B = GRAN FURY	E = 600	M = HORIZON/TURISMO
C = LE BARON/TOWN & COUNTRY/LIMO	F = FIFTH AVENUE/NEWPORT	P = RELIANT
C24 = LASER	G = DIPLOMAT	T = NEW YORKER
C44 = LE BARON/GTS	H = VOYAGER	V = 600
D = ARIES	J = CARAVELLE	V24 = DAYTONA
D44 = LANCER	K = MINI VAN/CARAVAN/ROYAL	Z = OMNI/CHARGER

BODY STYLES

21 = 2-DOOR SEDAN	35 = FWD VAN	44 = 4-DOOR HATCHBACK
22 = 2-DOOR SPECIAL COUPE	36 = FWD WAGON	45 = 4-DOOR STATION WAGON
24 = 2-DOOR HATCHBACK	41 = 4-DOOR SEDAN	49 = LIMOUSINE
27 = 2-DOOR CONVERTIBLE		

AR = Use as Required - = Non Illustrated Part P.A.R. = Paint as Required

SEAT FRONT P,D K BODY 41,45 TRIM CODES C1,C2,K2
Figure ITC-3400

ITEM	PART NUMBER	QTY	BODY	MODEL	DESCRIPTION
1-4					SEAT COMPLETE, (Includes Cushion and Back) w/Spring/Frame, Pad and Cover N N N N Manual N N N N Cloth N N N N N N41 NC1AS YC619C1A N N41 NC1BC YC619C1B N N41 NC1M YC619C1M N N41 NC1TT YC619D1T Vinyl N N N N
	C619 C1A	1			
	C619 C1B	1			
	C619 C1M	1			
	C619 D1T	1			
	C648 C2C	1			N N NC2BC YC648C2C
	C648 C2M	1			N N NC2M YC648C2M
	C648 D2T	1			N N NC2TT YC648D2T
2					ROLL STOCK, Vinyl Order by the Inch N N N N
	R609 CS8	AR			Charcoal, 54" Wide N N N YR609CS8
	R609 DT5	AR			Brown, 54" Wide N N N YR609DT5
	R616 VM6	AR			Red, 64" Wide N N N YR616VM6
	R616 VC8	AR			Blue, 64" Wide N N N YR616VC8
3					COVER, Cushion N N N N Cloth N N N N N N41 NC1AS YC441C1A N N41 NC1BC YC441C1B N N41 NC1M YC441C1M N N41 NC1TT YC441D1T Vinyl N N N N
	C441 C1A	1			
	C441 C1B	1			
	C441 C1M	1			
	C441 D1T	1			
	C447 B2C	1			N N41 NC2BC YC447B2C
	C447 A2M	1			N N41 NC2M YC447A2M
	C447 D2T	1			N N41 NC2TT YC447D2T
4					COVER, Back N N N N Cloth N N N N N N41 NC1AS YC425C1A N N41 NC1BC YC425C1B N N41 NC1M YC425C1M N N41 NC1TT YC425D1T Vinyl N N N N
	C425 C1A	1			
	C425 C1B	1			
	C425 C1M	1			
	C425 D1T	1			
	C427 B2C	1			N N41 NC2BC YC427B2C
	C427 A2M	1			N N41 NC2M YC427A2M
	C427 D2T	1			N N41 NC2TT YC427D2T

MODEL CODES

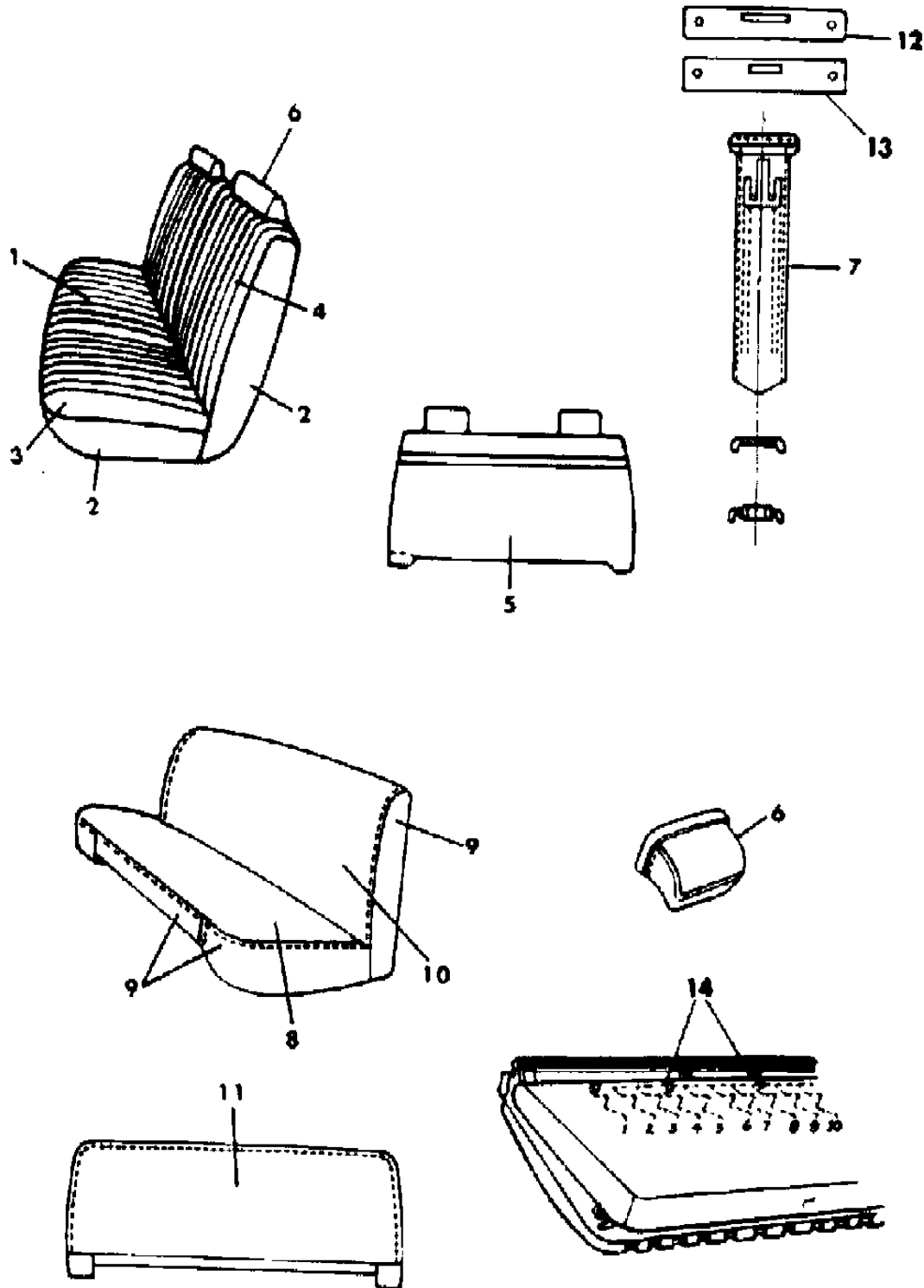
B = GRAN FURY	E = 600	M = HORIZON/TURISMO
C = LE BARON/TOWN & COUNTRY/LIMO	F = FIFTH AVENUE/NEWPORT	P = RELIANT
C24 = LASER	G = DIPLOMAT	T = NEW YORKER
C44 = LE BARON/GTS	H = VOYAGER	V = 600
D = ARIES	J = CARAVELLE	V24 = DAYTONA
D44 = LANCER	K = MINI VAN/CARAVAN/ROYAL	Z = OMNI/CHARGER

BODY STYLES

21 = 2-DOOR SEDAN	35 = FWD VAN	44 = 4-DOOR HATCHBACK
22 = 2-DOOR SPECIAL COUPE	36 = FWD WAGON	45 = 4-DOOR STATION WAGON
24 = 2-DOOR HATCHBACK	41 = 4-DOOR SEDAN	49 = LIMOUSINE
27 = 2-DOOR CONVERTIBLE		

AR = Use as Required - = Non Illustrated Part P.A.R. = Paint as Required

5234 3400



SEAT FRONT P,D K BODY 41,45 TRIM CODES C1,C2,K2
Figure ITC-3400

ITEM	PART NUMBER	QTY	BODY	MODEL	DESCRIPTION
5	R620 DT5	AR			ROLL STOCK, Vinyl 50" Wide Order by the Inch N N N N
	R620 CS8	AR			Brown N N N YR620DT5
	R620 VM6	AR			Charcoal N N N YR620CS8
	R620 AC8	AR			Red N N N YR620VM6
					Blue N N N YR620AC8
6	S790 BB5	2			HEADREST N N N N
	S790 AA2	2			Blue, Medium N N N YS790BB5
	S790 VM6	2			Silver N N N YS790AA2
	S790 DT3	2			Red N N N YS790VM6
7	S786 AA3	2			SLEEVE, Headrest N N N N
	S786 BB5	2			Tan N N N YS790DT3
	S786 VM6	2			Silver N N N YS786AA3
	S786 DT3	2			Blue, Medium N N N YS786BB5
8-10					SEAT COMPLETE,(Includes Cushion and Back), w/Spring/Frame, Pad and Cover N N N N
	C690 B2C	1			Vinyl N N N N
	C690 D2T	1			N N NK2BC YC690B2C
					N N NK2TT YC690D2T
8					COVER, Cushion N N N N
	C396 B2C	1			Vinyl N N N N
	C396 D2T	1			N N NK2BC YC396B2C
					N N NK2TT YC396D2T
9					ROLL STOCK, Vinyl Order by the Inch N N N N
	R616 VC8	AR			64" Wide N N NK2BC YR616VC8
	R609 DT5	AR			58" Wide N N NK2TT YR609DT5
10					COVER, Back N N N N
	C397 B2C	1			Vinyl N N N N
	C397 D2T	1			N N NK2BC YC397B2C
					N N NK2TT YC397D2T
11	R620 AC8	AR			ROLL STOCK, Vinyl 50" Wide Order by the Inch. N N N N
	R620 DT5	AR			N N NK2BC YR620AC8
					N N NK2TT YR620DT5
12	4190 388	2			COVER, Headrest Finish N N N Y4190388
13	4190 387	2			SUPPORT, Headrest Trim Cover N N N Y4190387
14	6008 076	AR			HOG RING N N N Y6008076

MODEL CODES

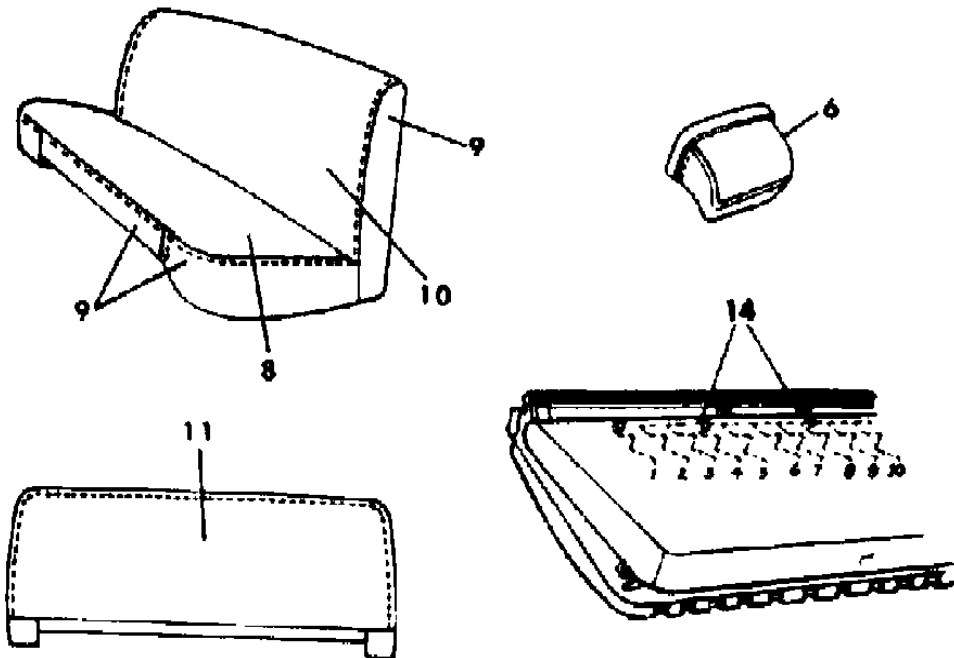
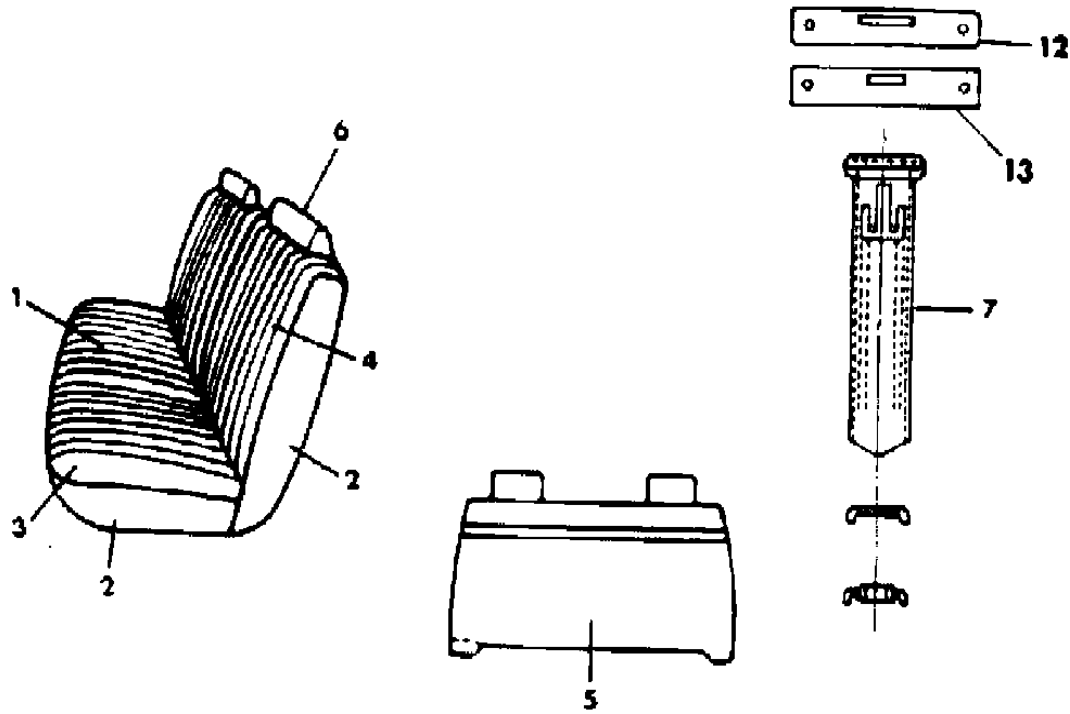
B = GRAN FURY	E = 600	M = HORIZON/TURISMO
C = LE BARON/TOWN & COUNTRY/LIMO	F = FIFTH AVENUE/NEWPORT	P = RELIANT
C24 = LASER	G = DIPLOMAT	T = NEW YORKER
C44 = LE BARON/GTS	H = VOYAGER	V = 600
D = ARIES	J = CARAVELLE	V24 = DAYTONA
D44 = LANCER	K = MINI VAN/CARAVAN/ROYAL	Z = OMNI/CHARGER

BODY STYLES

21 = 2-DOOR SEDAN	35 = FWD VAN	44 = 4-DOOR HATCHBACK
22 = 2-DOOR SPECIAL COUPE	36 = FWD WAGON	45 = 4-DOOR STATION WAGON
24 = 2-DOOR HATCHBACK	41 = 4-DOOR SEDAN	49 = LIMOUSINE
27 = 2-DOOR CONVERTIBLE		

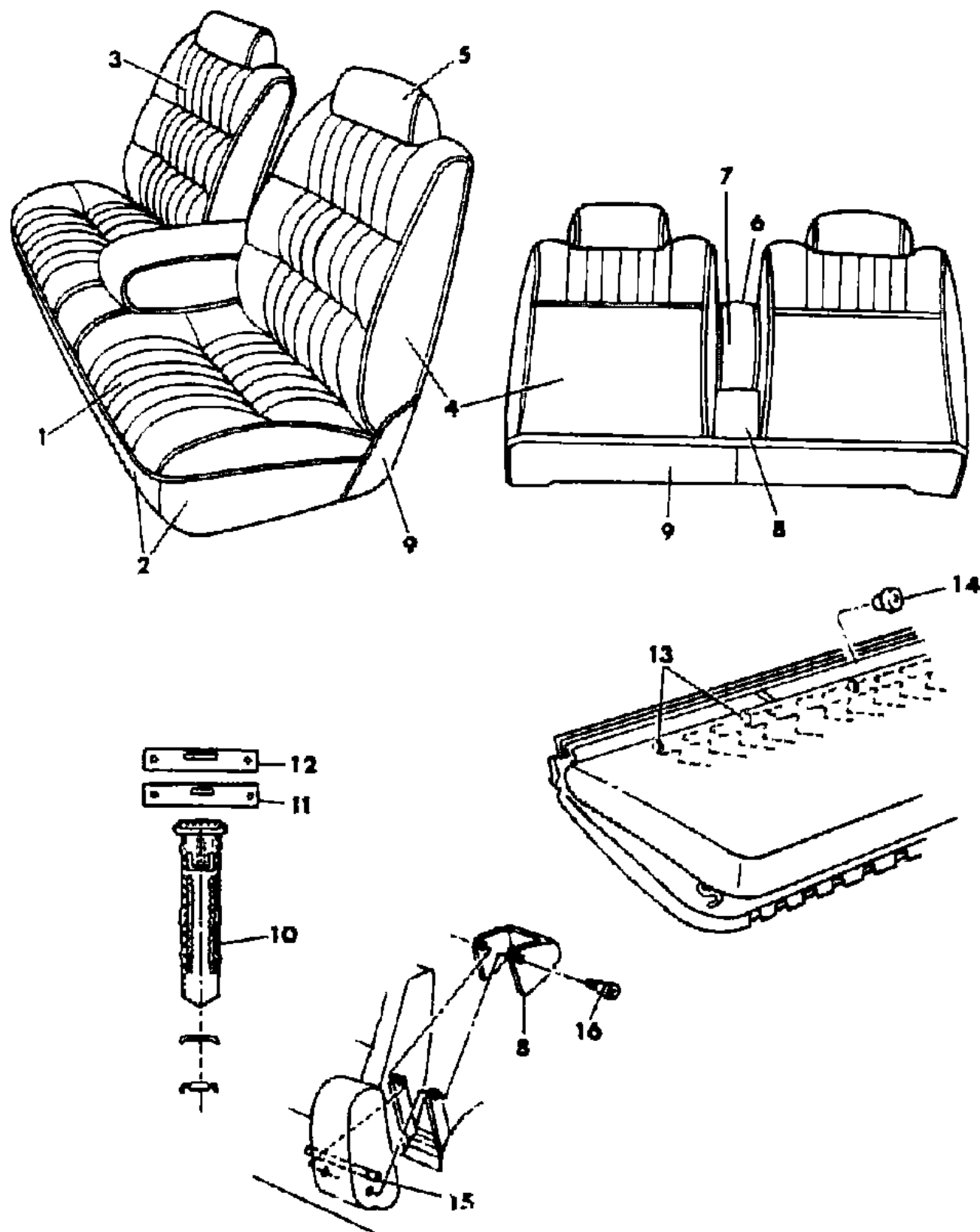
AR = Use as Required - = Non Illustrated Part P.A.R. = Paint as Required

5234 3400



SEAT FRONT P,D K BODY TRIM CODES H3,H4
Figure ITC-3500

5234 3500



ITEM	PART NUMBER	QTY	BODY	MODEL	DESCRIPTION
1-2					CUSHION, w/Spring/Frame, Pad and Cover N N N N
					Cloth N N N N
					(use up to 2/1/85) N N N N
	C618 C3A	1			N N NH3AS YC618C3A
	C618 D3B	1			N N NH3BC YC618D3B
	C618 D3T	1			N N NH3TT YC618D3T
	C618 C3M	1			N N NH3M6 YC618C3M
					(use after 2/1/85) N N N N
	C735 D3A	1			N N NH3AS YC735D3A
	C735 D3B	1			N N NH3BC YC735D3B
	C735 D3T	1			N N NH3TT YC735D3T
	C735 D3M	1			N N NH3M6 YC735D3M
					Vinyl N N N N
	C609 C4A	1			N N NH4AS YC609C4A
	C609 C4B	1			N N NH4BC YC609C4B
	C609 D4T	1			N N NH4TT YC609D4T
	C609 C4M	1			N N NH4M6 YC609C4M
1					COVER, Cushion N N N N
					Cloth N N N N
					(use up to 2/1/85) N N N N
	C311 C3A	1			N N NH3AS YC311C3A
	C311 D3B	1			N N NH3BC YC311D3B
	C311 D3T	1			N N NH3TT YC311D3T
	C311 C3M	1			N N NH3M6 YC311C3M
					(use after 2/1/85) N N N N
	C523 D3A	1			N N NH3AS YC523D3A
	C523 D3B	1			N N NH3BC YC523D3B
	C523 D3T	1			N N NH3TT YC523D3T
	C523 D3M	1			N N NH3M6 YC523D3M
					Vinyl N N N N
	C302 C4A	1			N N NH4AS YC302C4A
	C302 C4B	1			N N NH4BC YC302C4B
	C302 D4T	1			N N NH4TT YC302D4T
	C302 C4M	1			N N NH4M6 YC302C4M
2					ROLL STOCK, Vinyl Order by the Inch. N N N N
	R616 VM6	AR			Red, 64" Wide N N N YR616VM6
	R616 VC8	AR			Dark Blue, 64" Wide N N N YR616VC8

MODEL CODES

B = GRAN FURY	E = 600	M = HORIZON/TURISMO
C = LE BARON/TOWN & COUNTRY/LIMO	F = FIFTH AVENUE/NEWPORT	P = RELIANT
C24 = LASER	G = DIPLOMAT	T = NEW YORKER
C44 = LE BARON/GTS	H = VOYAGER	V = 600
D = ARIES	J = CARAVELLE	V24 = DAYTONA
D44 = LANCER	K = MINI VAN/CARAVAN/ROYAL	Z = OMNI/CHARGER

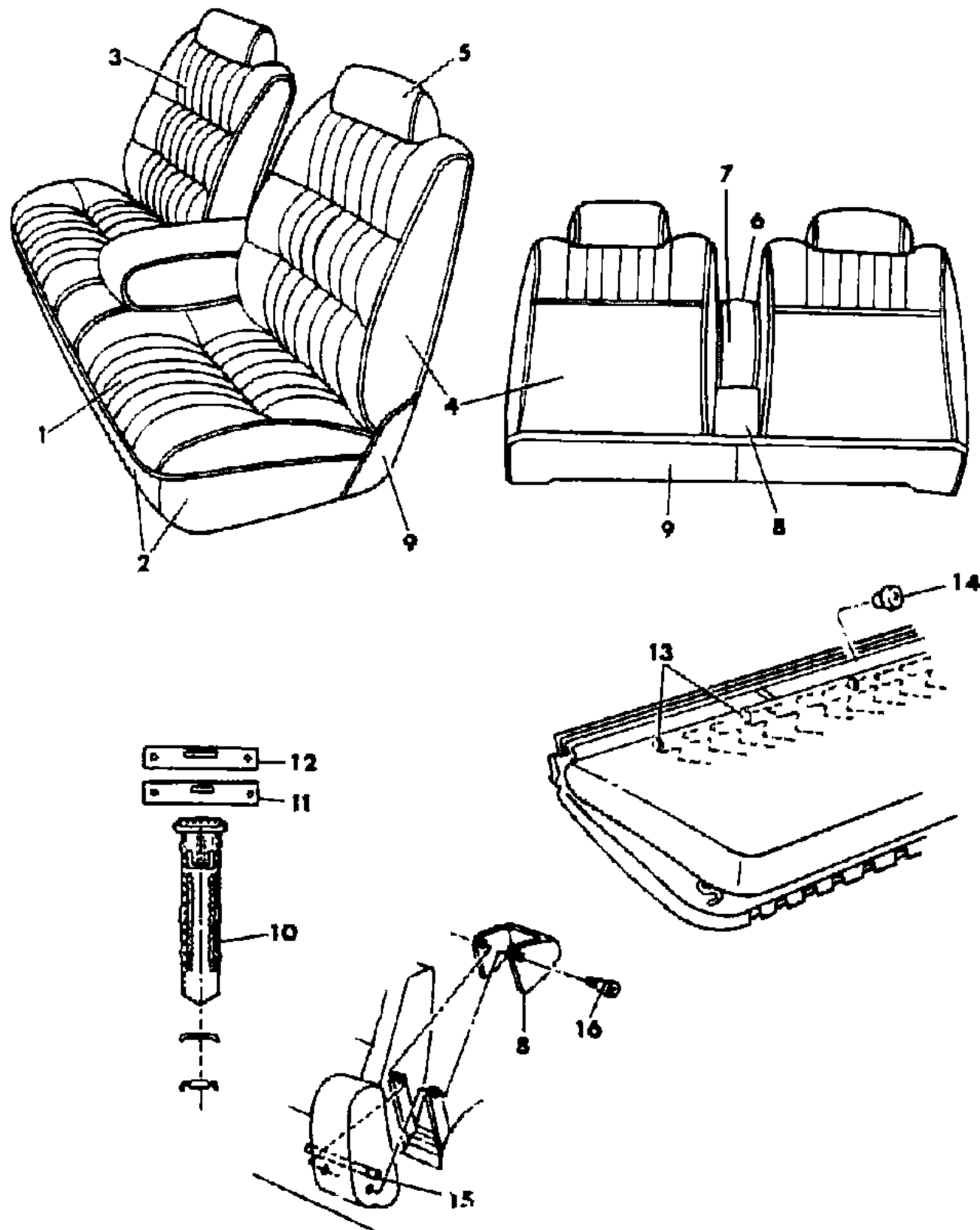
BODY STYLES

21 = 2-DOOR SEDAN	35 = FWD VAN	44 = 4-DOOR HATCHBACK
22 = 2-DOOR SPECIAL COUPE	36 = FWD WAGON	45 = 4-DOOR STATION WAGON
24 = 2-DOOR HATCHBACK	41 = 4-DOOR SEDAN	49 = LIMOUSINE
27 = 2-DOOR CONVERTIBLE		

AR = Use as Required - = Non Illustrated Part P.A.R. = Paint as Required

SEAT FRONT P,D K BODY TRIM CODES H3,H4
Figure ITC-3500

5234 3500



ITEM	PART NUMBER	QTY	BODY	MODEL	DESCRIPTION
	R609 DT5	AR			Tan, 58" Wide N N N YR609DT5
	R609 CS8	AR			Charcoal, 58" Wide N N N YR609CS8
3-4					BACK, w/Spring/Frame, Pad and Cover N N N N Cloth N N N N (use up to 2/1/85) N N N N
	C682-3 C3A	1			N N NH3AS YC682C3A
	C682-3 D3B	1			N N NH3BC YC682D3B
	C682-3 D3T	1			N N NH3TT YC682D3T
	C682-3 C3M	1			N N NH3M6 YC682C3M
					(use after 2/1/85) N N N N
	C738-9 D3A	1			N N NH3AS YC738D3A
	C738-9 D3B	1			N N NH3BC YC738D3B
	C738-9 D3T	1			N N NH3TT YC738D3T
	C738-9 D3M	1			N N NH3M6 YC738D3M
					Vinyl N N N N
	C636-7 C4A	1			N N NH4AS YC636C4A
	C636-7 C4B	1			N N NH4BC YC636C4B
	C636-7 D4T	1			N N NH4TT YC636D4T
	C636-7 C4M	1			N N NH4M6 YC636C4M
3					COVER, Back N N N N Cloth N N N N (use up to 2/1/85) N N N N
	A358-9 C3A	1			N N NH3AS YA358C3A
	A358-9 D3B	1			N N NH3BC YA358D3B
	A358-9 D3T	1			N N NH3TT YA358D3T
	A358-9 C3M	1			N N NH3M6 YA358C3M
					(use after 2/1/85) N N N N
	C524-5 D3A	1			N N NH3AS YC524D3A
	C524-5 D3B	1			N N NH3BC YC524D3B
	C524-5 D3T	1			N N NH3TT YC524D3T
	C524-5 D3M	1			N N NH3M6 YC524D3M
					Vinyl N N N N
	A360-1 C4A	1			N N NH4AS YA360C4A
	A360-1 C4B	1			N N NH4BC YA360C4B
	A360-1 D4T	1			N N NH4TT YA360D4T
	A360-1 C4M	1			N N NH4M YA360C4M
4					ROLL STOCK, Cloth 54" Wide Order by the Inch N N N N

MODEL CODES

B = GRAN FURY	E = 600	M = HORIZON/TURISMO
C = LE BARON/TOWN & COUNTRY/LIMO	F = FIFTH AVENUE/NEWPORT	P = RELIANT
C24 = LASER	G = DIPLOMAT	T = NEW YORKER
C44 = LE BARON/GTS	H = VOYAGER	V = 600
D = ARIES	J = CARAVELLE	V24 = DAYTONA
D44 = LANCER	K = MINI VAN/CARAVAN/ROYAL	Z = OMNI/CHARGER

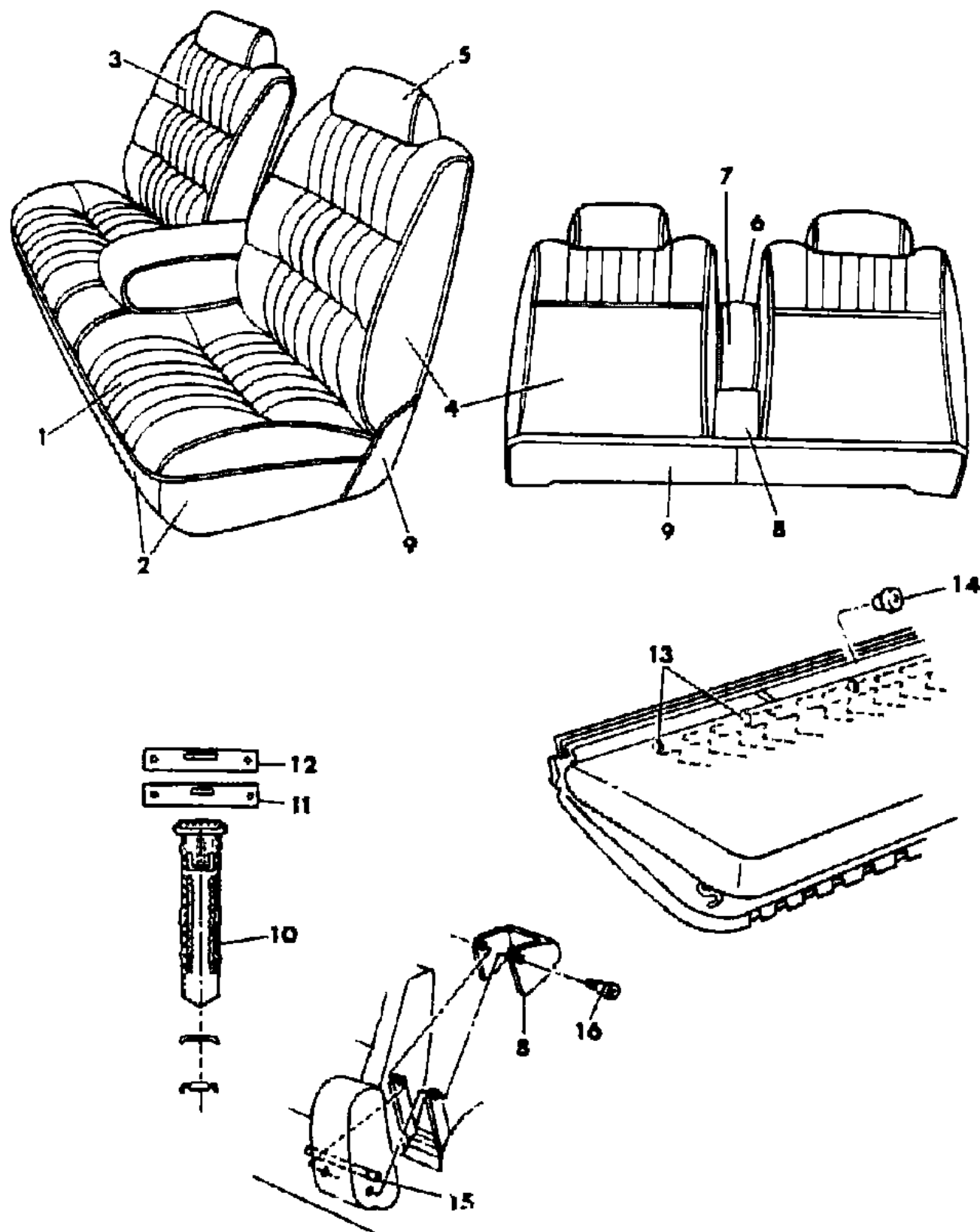
BODY STYLES

21 = 2-DOOR SEDAN	35 = FWD VAN	44 = 4-DOOR HATCHBACK
22 = 2-DOOR SPECIAL COUPE	36 = FWD WAGON	45 = 4-DOOR STATION WAGON
24 = 2-DOOR HATCHBACK	41 = 4-DOOR SEDAN	49 = LIMOUSINE
27 = 2-DOOR CONVERTIBLE		

AR = Use as Required - = Non Illustrated Part P.A.R. = Paint as Required

SEAT FRONT P,D K BODY TRIM CODES H3,H4
Figure ITC-3500

5234 3500



ITEM	PART NUMBER	QTY	BODY	MODEL	DESCRIPTION
					(use up to 2/1/85) N N N N
	R092 CS8	AR			N N NH3AS YR092CS8
	R092 VC7	AR			N N NH3BC YR092VC7
	R088 DT5	AR			N N NH3TT YR088DT5
	R092 VM6	AR			N N NH3M6 YR092VM6
					59" Wide (use after 2/1/85) N N N N
	R026 DS8	AR			N N NH3AS YR026DS8
	R026 DC7	AR			N N NH3BC YR026DC7
	R026 DT5	AR			N N NH3TT YR026DT5
	R026 DM6	AR			N N NH3M6 YR026DM6
					Vinyl Order by the Inch N N N N
	R616 VM6	AR			Red, 64" Wide N N NH4M YR616VM6
	R616 VC8	AR			Blue, 64" Wide N N NH4BC YR616VC8
	R609 DT5	AR			Tan, 58" Wide N N NH4TT YR609DT5
	R609 CS8	AR			Charcoal, 58" Wide N N NH4AS YR609CS8
5					HEADREST and COVER N N N N
	B995 CA3	2			N N NH3AS YB995CA3
	B995 DB6	2			N N NH3BC YB995DB6
	B995 DT3	2			N N NH3TT YB995DT3
	B995 CM6	2			N N NH3M6 YB995CM6
	S790 AA2	2			N N NH4AS YS790AA2
	S790 BB5	2			N N NH4BC YS790BB5
	S790 DT3	2			N N NH4TT YS790DT3
	S790 VM6	2			N N NH4M6 YS790VM6
					COVER, Headrest N N N N
	C365 CA3	2			N N NH3AS YC365CA3
	C365 DB6	2			N N NH3BC YC365DB6
	C365 DT3	2			N N NH3TT YC365DT3
	C365 CM6	2			N N NH3M6 YC365CM6
6					ARMREST and COVER N N N N
					Cloth N N N N
					(use up to 2/1/85) N N N N
	C621 CS8	1			N N NH3AS YC621CS8
	C621 CC7	1			N N NH3BC YC621CC7
	C621 DT5	1			N N NH3TT YC621DT5
	C621 CM6	1			N N NH3M6 YC621CM6
					(use after 2/1/85) N N N N

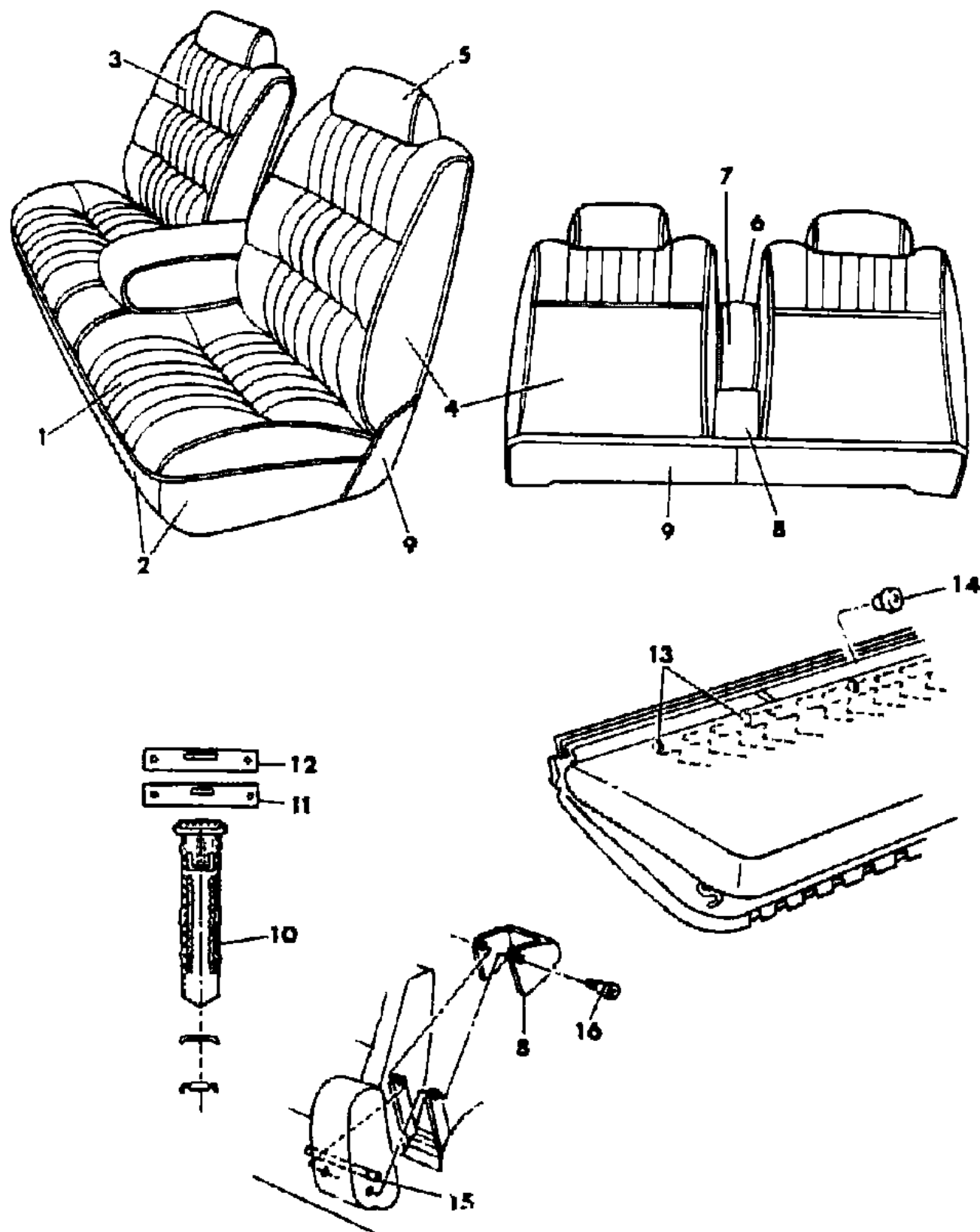
MODEL CODES
 B = GRAN FURY
 C = LE BARON/TOWN & COUNTRY/LIMO
 C24 = LASER
 C44 = LE BARON/GTS
 D = ARIES
 D44 = LANCER
 E = 600
 F = FIFTH AVENUE/NEWPORT
 G = DIPLOMAT
 H = VOYAGER
 J = CARAVELLE
 K = MINI VAN/CARAVAN/ROYAL
 M = HORIZON/TURISMO
 P = RELIANT
 T = NEW YORKER
 V = 600
 V24 = DAYTONA
 Z = OMNI/CHARGER

BODY STYLES
 21 = 2-DOOR SEDAN
 22 = 2-DOOR SPECIAL COUPE
 24 = 2-DOOR HATCHBACK
 27 = 2-DOOR CONVERTIBLE
 35 = FWD VAN
 36 = FWD WAGON
 41 = 4-DOOR SEDAN
 44 = 4-DOOR HATCHBACK
 45 = 4-DOOR STATION WAGON
 49 = LIMOUSINE

AR = Use as Required - = Non Illustrated Part P.A.R. = Paint as Required

SEAT FRONT P,D K BODY TRIM CODES H3,H4
Figure ITC-3500

5234 3500



ITEM	PART NUMBER	QTY	BODY	MODEL	DESCRIPTION
	C740 DS8	1			N N NH3AS YC740DS8
	C740 DC7	1			N N NH3BC YC740DC7
	C740 DT5	1			N N NH3TT YC740DT5
	C740 DM6	1			N N NH3M6 YC740DM6
					Vinyl N N N N
	B941 CS8	1			N N NH4AS YB941CS8
	B941 BC8	1			N N NH4BC YB941BC8
	B941 DT5	1			N N NH4TT YB941DT5
	B941 BM6	1			N N NH4M6 YB941BM6
7					COVER, Armrest N N N N Cloth N N N N (use up to 2/1/85) N N N N
	C314 CS8	1			N N NH3AS YC314CS8
	C314 CC7	1			N N NH3BC YC314CC7
	C314 DT5	1			N N NH3TT YC314DT5
	C314 CM6	1			N N NH3M6 YC314CM6
					(use after 2/1/85) N N N N
	C514 DS8	1			N N NH3AS YC514DS8
	C514 DC7	1			N N NH3BC YC514DC7
	C514 DT5	1			N N NH3TT YC514DT5
	C514 DM6	1			N N NH3M6 YC514DM6
					Vinyl N N N N
	C459 CS8	1			N N NH4AS YC459CS8
	C459 BC8	1			N N NH4BC YC459BC8
	C459 DT5	1			N N NH4TT YC459DT5
	C459 BM6	1			N N NH4M6 YC459BM6
8					COVER, Center Armrest N N N N Charcoal N N N YS581CS8 Tan N N N YS581DT5
	S581 CS8	1			Charcoal N N N YS581CS8
	S581 DT5	1			Tan N N N YS581DT5
	S581 AM6	1			Red N N N YS581AM6
	S581 AC7	1			Blue N N N YS581AC7
9					SHIELD, Front Cushion Rear Rail N N N N Charcoal N N21 N YS780CS8 Blue N N21 N YS780AC7 Tan N N21 N YS780DT5 Red N N21 N YS780VM6 Charcoal N N41,45 N YS678CS8
	S780-1 CS8	1			Charcoal N N21 N YS780CS8
	S780-1 AC7	1			Blue N N21 N YS780AC7
	S780-1 DT5	1			Tan N N21 N YS780DT5
	S780-1 VM6	1			Red N N21 N YS780VM6
	S678-9 CS8	1			Charcoal N N41,45 N YS678CS8

MODEL CODES

B = GRAN FURY	E = 600	M = HORIZON/TURISMO
C = LE BARON/TOWN & COUNTRY/LIMO	F = FIFTH AVENUE/NEWPORT	P = RELIANT
C24 = LASER	G = DIPLOMAT	T = NEW YORKER
C44 = LE BARON/GTS	H = VOYAGER	V = 600
D = ARIES	J = CARAVELLE	V24 = DAYTONA
D44 = LANCER	K = MINI VAN/CARAVAN/ROYAL	Z = OMNI/CHARGER

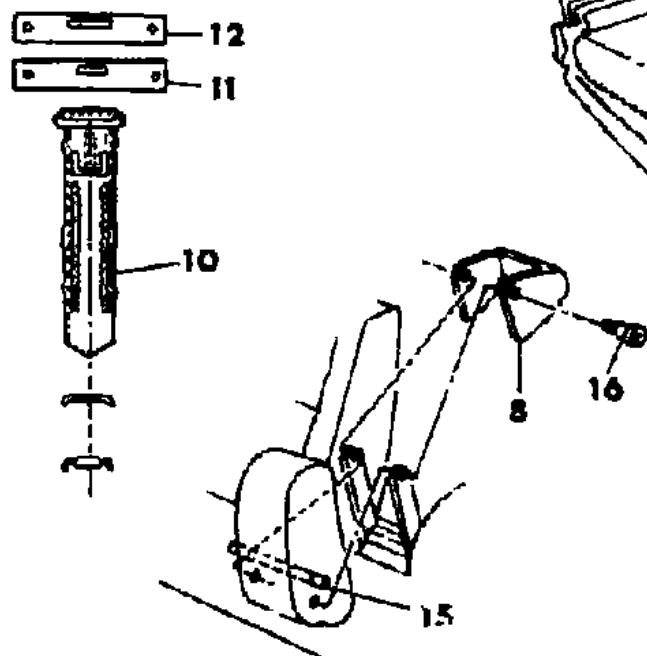
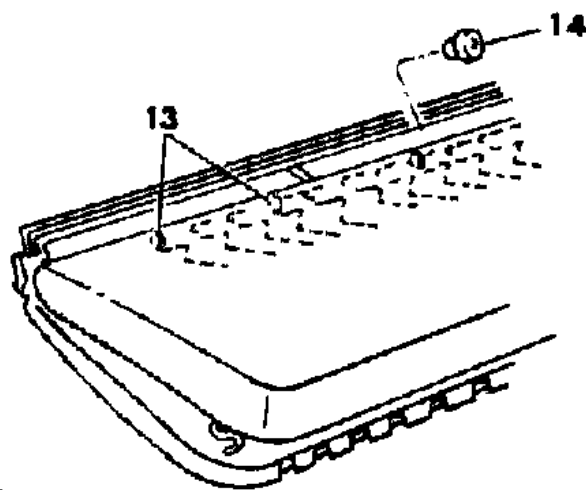
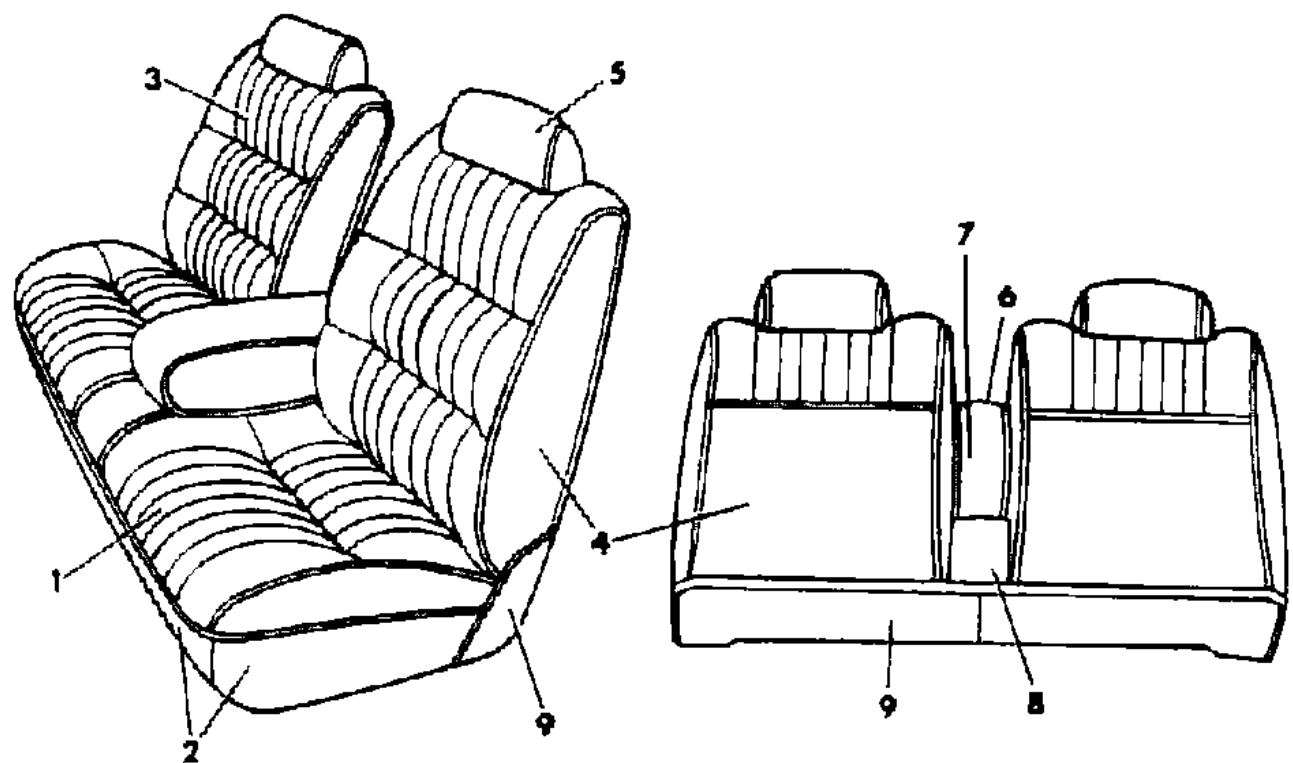
BODY STYLES

21 = 2-DOOR SEDAN	35 = FWD VAN	44 = 4-DOOR HATCHBACK
22 = 2-DOOR SPECIAL COUPE	36 = FWD WAGON	45 = 4-DOOR STATION WAGON
24 = 2-DOOR HATCHBACK	41 = 4-DOOR SEDAN	49 = LIMOUSINE
27 = 2-DOOR CONVERTIBLE		

AR = Use as Required - = Non Illustrated Part P.A.R. = Paint as Required

SEAT FRONT P,D K BODY TRIM CODES H3,H4
Figure ITC-3500

5234 3500



ITEM	PART NUMBER	QTY	BODY	MODEL	DESCRIPTION
	S678-9 AC7	1			Blue N N41,45 N YS678AC7
	S678-9 DT5	1			Tan N N41,45 N YS678DT5
	S678-9 AM6	1			Red N N41,45 N YS678AM6
10					SLEEVE, Headrest N N N N
	S786 AA3	2			Silver N N N YS786AA3
	S786 BB5	2			Blue N N N YS786BB5
	S786 DT3	2			Tan N N N YS786DT3
	S786 VM6	2			Red N N N YS786VM6
11	4190 387	2			SUPPORT, Headrest N N N Y4190387
12	4190 388	2			COVER, Headrest Finish N N N Y4190388
13	6008 076	AR			HOG RING N N N Y6008076
14	4277 908	AR			BUSHING, Pivot Bracket N N N Y4277908
15	4239 076	1			ROD, Armrest Lock N N N Y4239076
	6006 324	1			NUT, Armrest Lock Rod N N N Y6006324
16	6030 082	2			SCREW, Armrest to Stanchion N N N Y6030082

MODEL CODES

B = GRAN FURY	E = 600	M = HORIZON/TURISMO
C = LE BARON/TOWN & COUNTRY/LIMO	F = FIFTH AVENUE/NEWPORT	P = RELIANT
C24 = LASER	G = DIPLOMAT	T = NEW YORKER
C44 = LE BARON/GTS	H = VOYAGER	V = 600
D = ARIES	J = CARAVELLE	V24 = DAYTONA
D44 = LANCER	K = MINI VAN/CARAVAN/ROYAL	Z = OMNI/CHARGER

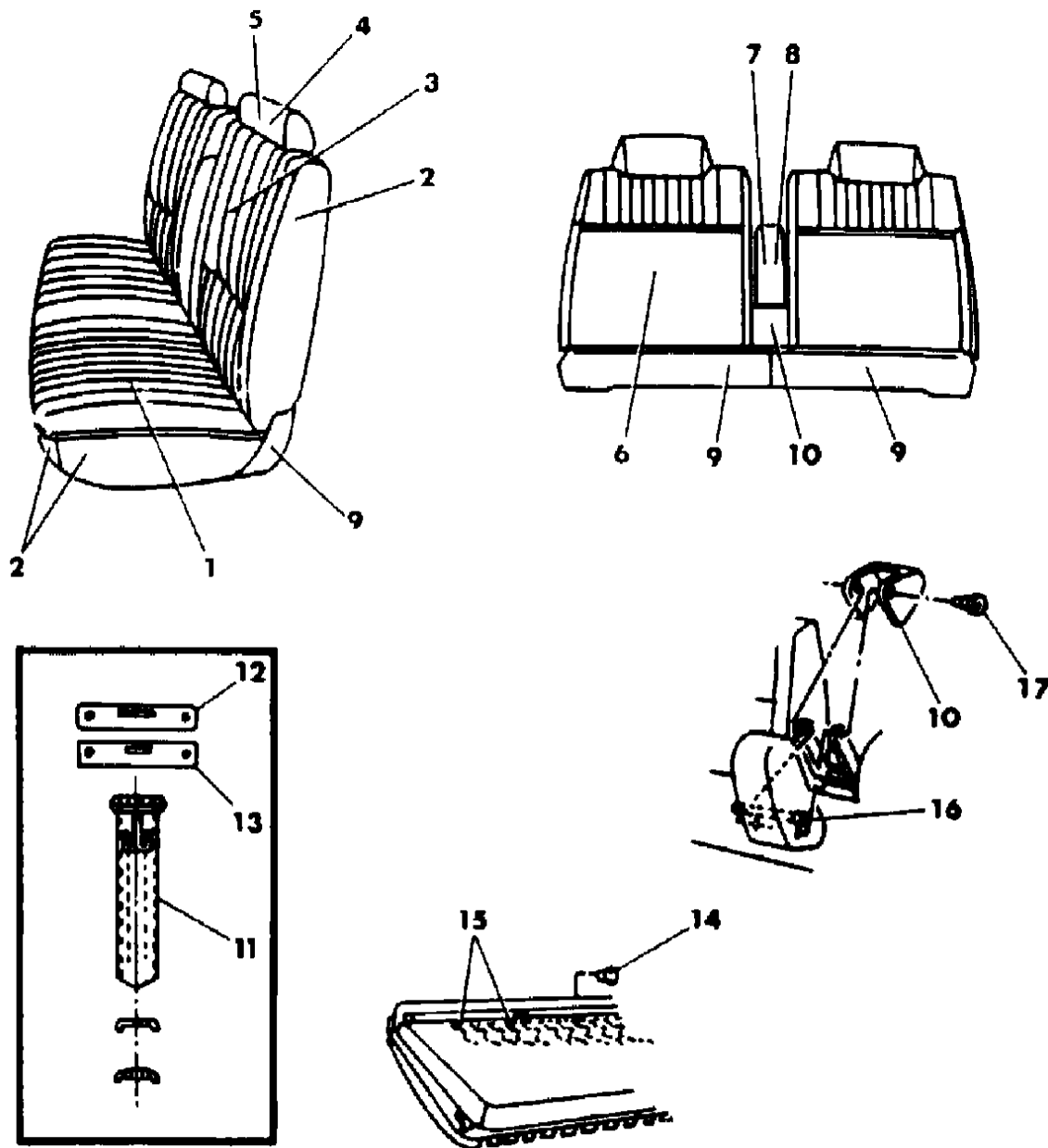
BODY STYLES

21 = 2-DOOR SEDAN	35 = FWD VAN	44 = 4-DOOR HATCHBACK
22 = 2-DOOR SPECIAL COUPE	36 = FWD WAGON	45 = 4-DOOR STATION WAGON
24 = 2-DOOR HATCHBACK	41 = 4-DOOR SEDAN	49 = LIMOUSINE
27 = 2-DOOR CONVERTIBLE		

AR = Use as Required - = Non Illustrated Part P.A.R. = Paint as Required

SEAT FRONT P,D K BODY TRIM CODES C3,C4
Figure ITC-3600

5234 3600



ITEM	PART NUMBER	QTY	BODY	MODEL	DESCRIPTION
1-3					CUSHION, w/Spring/Frame, Pad and Cover N N N N
	C717 D3A	1			Cloth N N N N
	C717 D3B	1			N N NC3AS YC717D3A
	C717 D3M	1			N N NC3BC YC717D3B
	C717 D3T	1			N N NC3M YC717D3M
	C663 D4B	1			N N NC3TT YC717D3T
	C663 D4M	1			Vinyl N N N N
	C663 D4T	1			N N NC4BC YC663D4B
	C663 D4M	1			N N NC4M YC663D4M
	C663 D4T	1			N N NC4TT YC663D4T
1					COVER, Cushion N N N N
	C318 D3A	1			Cloth N N N N
	C318 D3B	1			N N NC3AS YC318D3A
	C318 D3M	1			N N NC3BC YC318D3B
	C318 D3T	1			N N NC3M YC318D3M
	C368 D4B	1			N N NC3TT YC318D3T
	C368 D4M	1			Vinyl N N N N
	C368 D4T	1			N N NC4BC YC368D4B
	C368 D4M	1			N N NC4M YC368D4M
	C368 D4T	1			N N NC4TT YC368D4T
2					ROLL STOCK, Vinyl Order by the Inch. N N N N
	R609 CS8	AR			Charcoal, 58" Wide N N NC3AS YR609CS8
	R616 VC8	AR			Blue, 64" Wide N N NC3BC YR616VC8
	R616 BB5	AR			Blue, 64" Wide N N NC4BC YR616BB5
	R616 VM6	AR			Red, 64" Wide N N NC3M,C4M YR616VM6
	R616 DT3	AR			Tan, 64" Wide N N NC3TT,C4TT YR616DT3
2-3					BACK, w/Spring/Frame, Pad and Cover N N N N
	C720-1 D3A	1			Cloth N N N N
	C720-1 D3B	1			N N NC3AS YC720D3A
	C720-1 D3M	1			N N NC3BC YC720D3B
	C720-1 D3T	1			N N NC3M YC720D3M
	C666-7 D4B	1			N N NC3TT YC720D3T
	C666-7 D4M	1			Vinyl N N N N
	C666-7 D4T	1			N N NC4BC YC666D4B
	C666-7 D4M	1			N N NC4M YC666D4M
	C666-7 D4T	1			N N NC4TT YC666D4T
3					COVER, Back N N N N

MODEL CODES

B = GRAN FURY	E = 600	M = HORIZON/TURISMO
C = LE BARON/TOWN & COUNTRY/LIMO	F = FIFTH AVENUE/NEWPORT	P = RELIANT
C24 = LASER	G = DIPLOMAT	T = NEW YORKER
C44 = LE BARON/GTS	H = VOYAGER	V = 600
D = ARIES	J = CARAVELLE	V24 = DAYTONA
D44 = LANCER	K = MINI VAN/CARAVAN/ROYAL	Z = OMNI/CHARGER

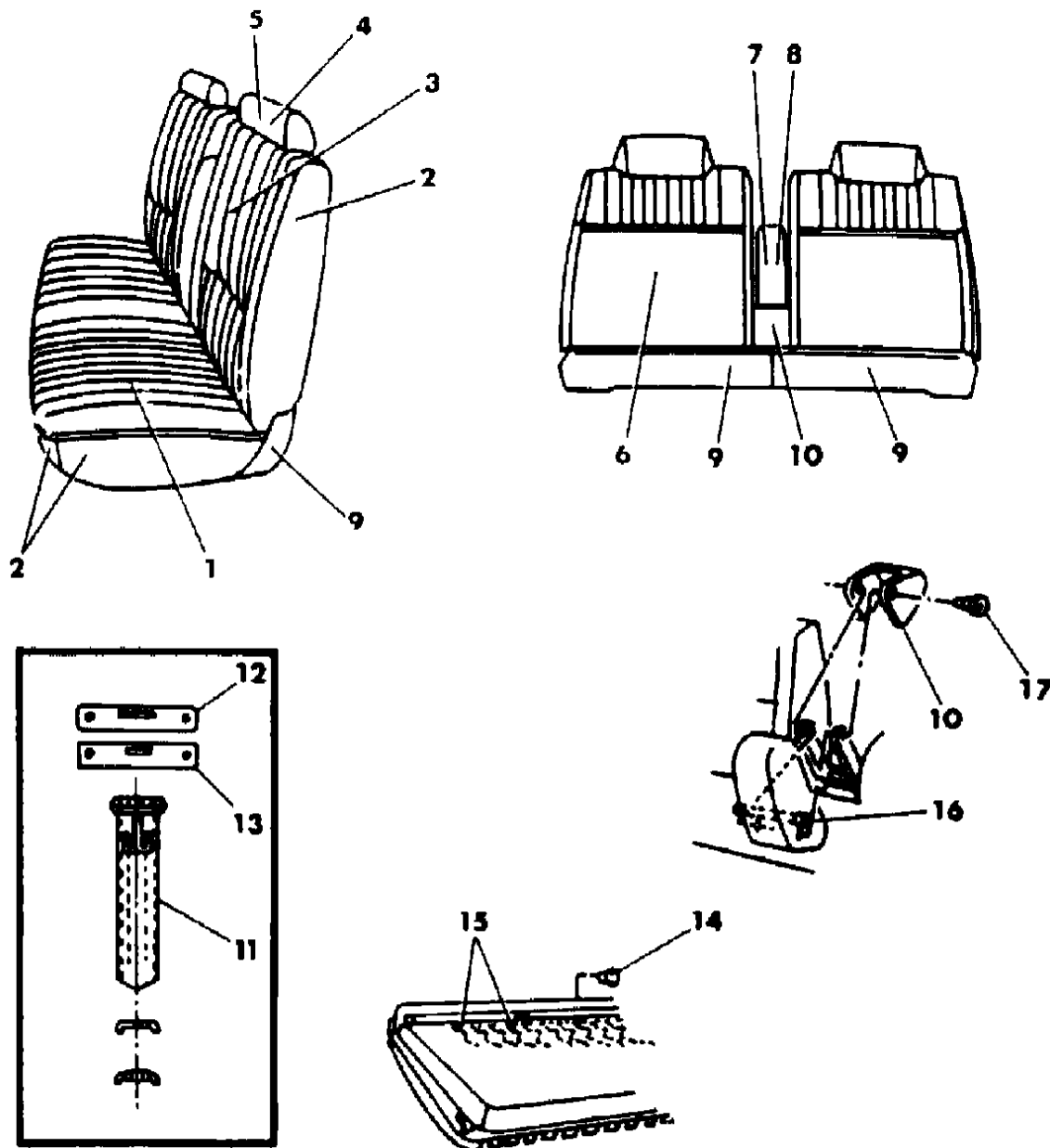
BODY STYLES

21 = 2-DOOR SEDAN	35 = FWD VAN	44 = 4-DOOR HATCHBACK
22 = 2-DOOR SPECIAL COUPE	36 = FWD WAGON	45 = 4-DOOR STATION WAGON
24 = 2-DOOR HATCHBACK	41 = 4-DOOR SEDAN	49 = LIMOUSINE
27 = 2-DOOR CONVERTIBLE		

AR = Use as Required - = Non Illustrated Part P.A.R. = Paint as Required

SEAT FRONT P,D K BODY TRIM CODES C3,C4
Figure ITC-3600

5234 3600



ITEM	PART NUMBER	QTY	BODY	MODEL	DESCRIPTION
					Cloth N N N N
	C316-7 D3A	1			N N NC3AS YC316D3A
	C316-7 D3B	1			N N NC3BC YC316D3B
	C316-7 D3M	1			N N NC3M YC316D3M
	C316-7 D3T	1			N N NC3TT YC316D3T
		1			Vinyl N N N N
	C366-7 D4B	1			N N NC4BC YC366D4B
	C366-7 D4M	1			N N NC4M YC366D4M
	C366-7 D4T	1			N N NC4TT YC366D4T
4					HEADREST and COVER N N N N
					Cloth N N N N
	C726 D3A	2			N N NC3AS YC726D3A
	C726 D3B	2			N N NC3BC YC726D3B
	C726 D3M	2			N N NC3M YC726D3M
	C726 D3T	2			N N NC3TT YC726D3T
					Vinyl N N N N
	S790 BB5	2			N N NC4BC YS790BB5
	S790 VM6	2			N N NC4M YS790VM6
	S790 DT3	2			N N NC4TT YS790DT3
5					COVER, Headrest N N N N
					Cloth N N N N
	C315 DA3	2			N N NC3AS YC315DA3
	C315 DB5	2			N N NC3BC YC315DB5
	C315 DM6	2			N N NC3M YC315DM6
	C315 DT3	2			N N NC3TT YC315DT3
6					ROLL STOCK, Vinyl 50" Wide Order by the Inch. N N N N
	R620 CS8	AR			Charcoal N N N YR620CS8
	R620 AC8	AR			Blue, Dark N N N YR620AC8
	R620 VM6	AR			Red N N N YR620VM6
	R620 DT5	AR			Tan N N N YR620DT5
7					ARMREST and COVER N N N N
					Cloth N N N N
	C722 D3A	1			N N NC3AS YC722D3A
	C722 D3B	1			N N NC3BC YC722D3B
	C722 D3M	1			N N NC3M YC722D3M
	C722 D3T	1			N N NC3TT YC722D3T
					Vinyl N N N N

MODEL CODES

B = GRAN FURY	E = 600	M = HORIZON/TURISMO
C = LE BARON/TOWN & COUNTRY/LIMO	F = FIFTH AVENUE/NEWPORT	P = RELIANT
C24 = LASER	G = DIPLOMAT	T = NEW YORKER
C44 = LE BARON/GTS	H = VOYAGER	V = 600
D = ARIES	J = CARAVELLE	V24 = DAYTONA
D44 = LANCER	K = MINI VAN/CARAVAN/ROYAL	Z = OMNI/CHARGER

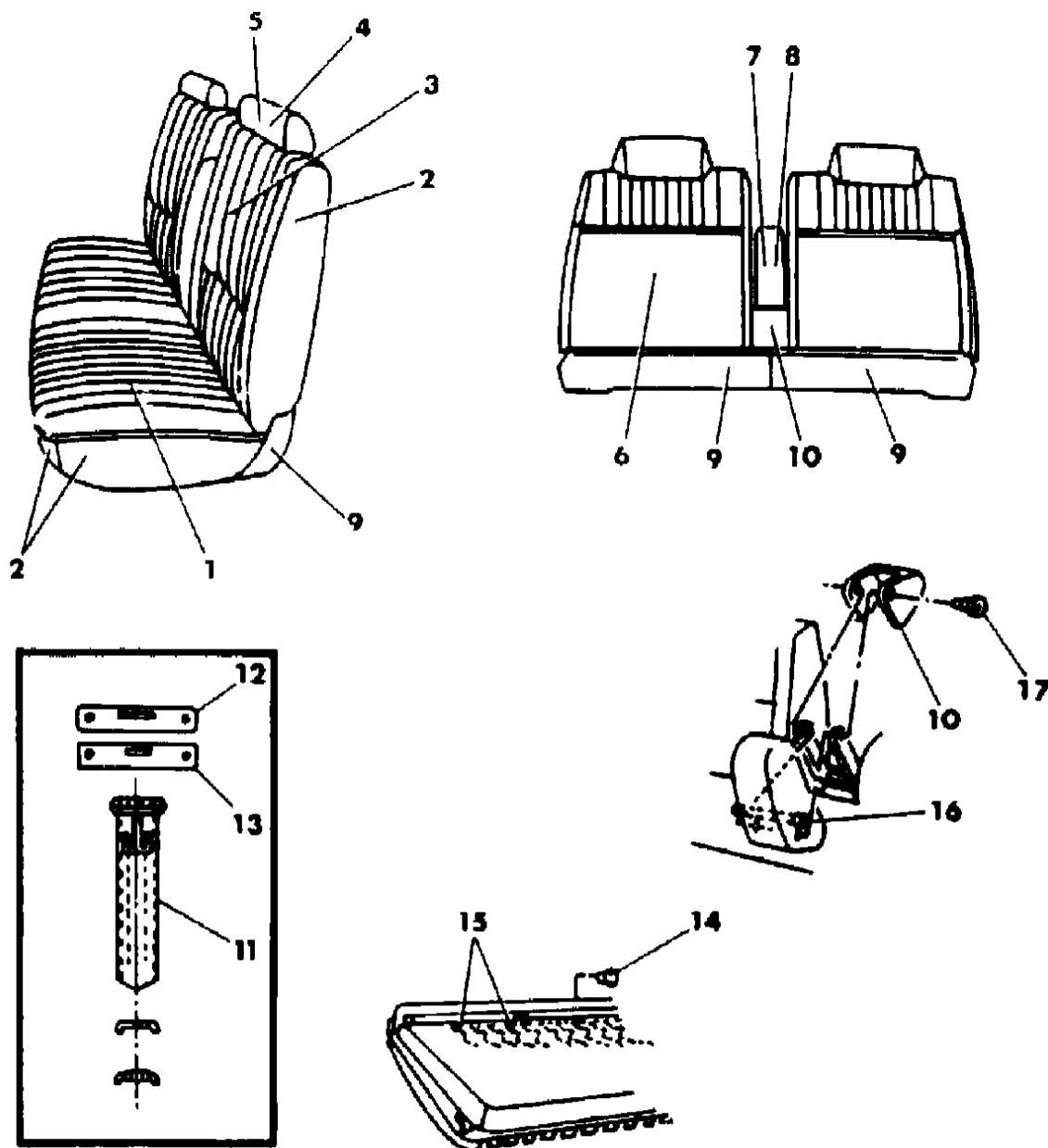
BODY STYLES

21 = 2-DOOR SEDAN	35 = FWD VAN	44 = 4-DOOR HATCHBACK
22 = 2-DOOR SPECIAL COUPE	36 = FWD WAGON	45 = 4-DOOR STATION WAGON
24 = 2-DOOR HATCHBACK	41 = 4-DOOR SEDAN	49 = LIMOUSINE
27 = 2-DOOR CONVERTIBLE		

AR = Use as Required - = Non Illustrated Part P.A.R. = Paint as Required

SEAT FRONT P,D K BODY TRIM CODES C3,C4
Figure ITC-3600

5234 3800



ITEM	PART NUMBER	QTY	BODY	MODEL	DESCRIPTION
	B941 DBC	1			N N NC4BC YB941DBC
	B941 BM6	1			N N NC4M YB941BM6
	B941 DTT	1			N N NC4TT YB941DTT
8					COVER, Armrest N N N N Cloth N N N N
	C321 DA3	1			N N NC3AS YC321DA3
	C321 DB5	1			N N NC3BC YC321DB5
	C321 DM6	1			N N NC3M YC321DM6
	C321 DT3	1			N N NC3TT YC321DT3
					Vinyl N N N N
	C459 DBC	1			N N NC4BC YC459DBC
	C459 BM6	1			N N NC4M YC459BM6
	C459 DTT	1			N N NC4TT YC459DTT
9					SHIELD, Rear Rail N N N N
	S780-1 CS8	1			Charcoal N N21 N YS780CS8
	S780-1 AC7	1			Blue N N21 N YS780AC7
	S780-1 VM6	1			Red N N21 N YS780VM6
	S780-1 DT5	1			Tan N N21 N YS780DT5
	S678-9 CS8	1			Charcoal N N41 N YS678CS8
	S678-9 AC7	1			Blue N N41 N YS678AC7
	S678-9 AM6	1			Red N N41 N YS678AM6
	S678-9 DT5	1			Tan N N41 N YS678DT5
10					SHIELD, Armrest Finish N N N N
	S581 CS8	1			Charcoal N N N YS581CS8
	S581 AC7	1			Blue N N N YS581AC7
	S581 AM6	1			Red N N N YS581AM6
	S581 BL3	1			Tan N N N YS581BL3
11					SLEEVE, Headrest N N N N
	S786 AA3	2			Silver N N N YS786AA3
	S786 BB5	2			Blue N N N YS786BB5
	S786 VM6	2			Red N N N YS786VM6
	S786 DT3	2			Tan N N N YS786DT3
12	4190 388	2			COVER, Headrest Finish N N N Y4190388
13	4190 387	2			SUPPORT, Headrest Trim Cover N N N Y4190387
14	4277 908	2			BUSHING, Cushion Pivot Bracket N N N Y4277908
15	6008 076	AR			HOG RING N N N Y6008076
16	4239 076	1			ROD, Armrest Lock N N N Y4239076

MODEL CODES
 B = GRAN FURY
 C = LE BARON/TOWN & COUNTRY/LIMO
 C24 = LASER
 C44 = LE BARON/GTS
 D = ARIES
 D44 = LANCER
 E = 600
 F = FIFTH AVENUE/NEWPORT
 G = DIPLOMAT
 H = VOYAGER
 J = CARAVELLE
 K = MINI VAN/CARAVAN/ROYAL
 M = HORIZON/TURISMO
 P = RELIANT
 T = NEW YORKER
 V = 600
 V24 = DAYTONA
 Z = OMNI/CHARGER

BODY STYLES
 21 = 2-DOOR SEDAN
 22 = 2-DOOR SPECIAL COUPE
 24 = 2-DOOR HATCHBACK
 27 = 2-DOOR CONVERTIBLE
 35 = FWD VAN
 36 = FWD WAGON
 41 = 4-DOOR SEDAN
 44 = 4-DOOR HATCHBACK
 45 = 4-DOOR STATION WAGON
 49 = LIMOUSINE

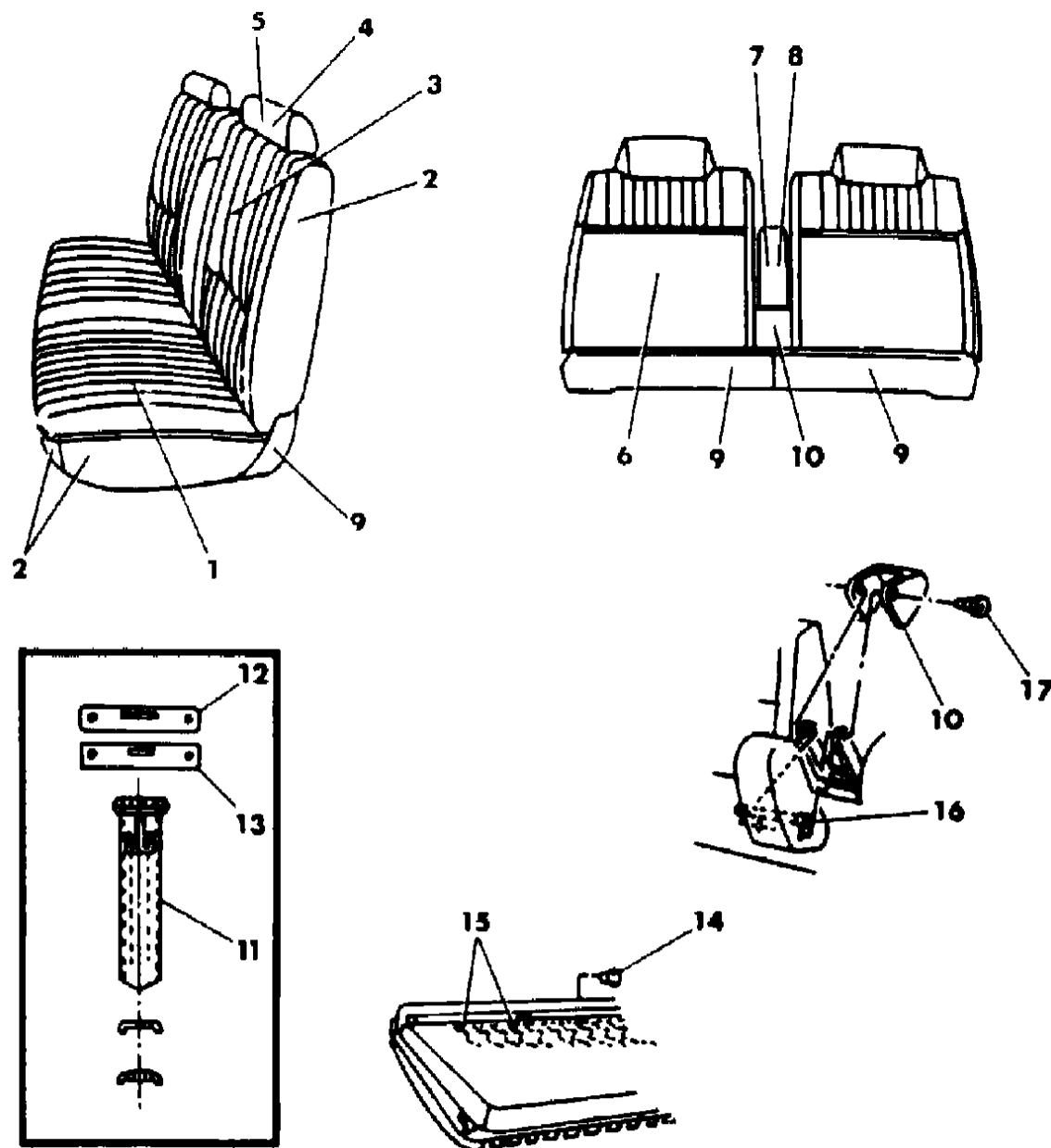
AR = Use as Required - = Non Illustrated Part P.A.R. = Paint as Required

SEAT FRONT P,D K BODY TRIM CODES C3,C4
Figure ITC-3600

5234 3800

ITEM	PART NUMBER	QTY	BODY	MODEL	DESCRIPTION
------	-------------	-----	------	-------	-------------

	6006 324	1			NUT, Armrest Lock Rod N N N Y6006324
17	6030 082	2			SCREW, Armrest to Stanchion N N N Y6030082



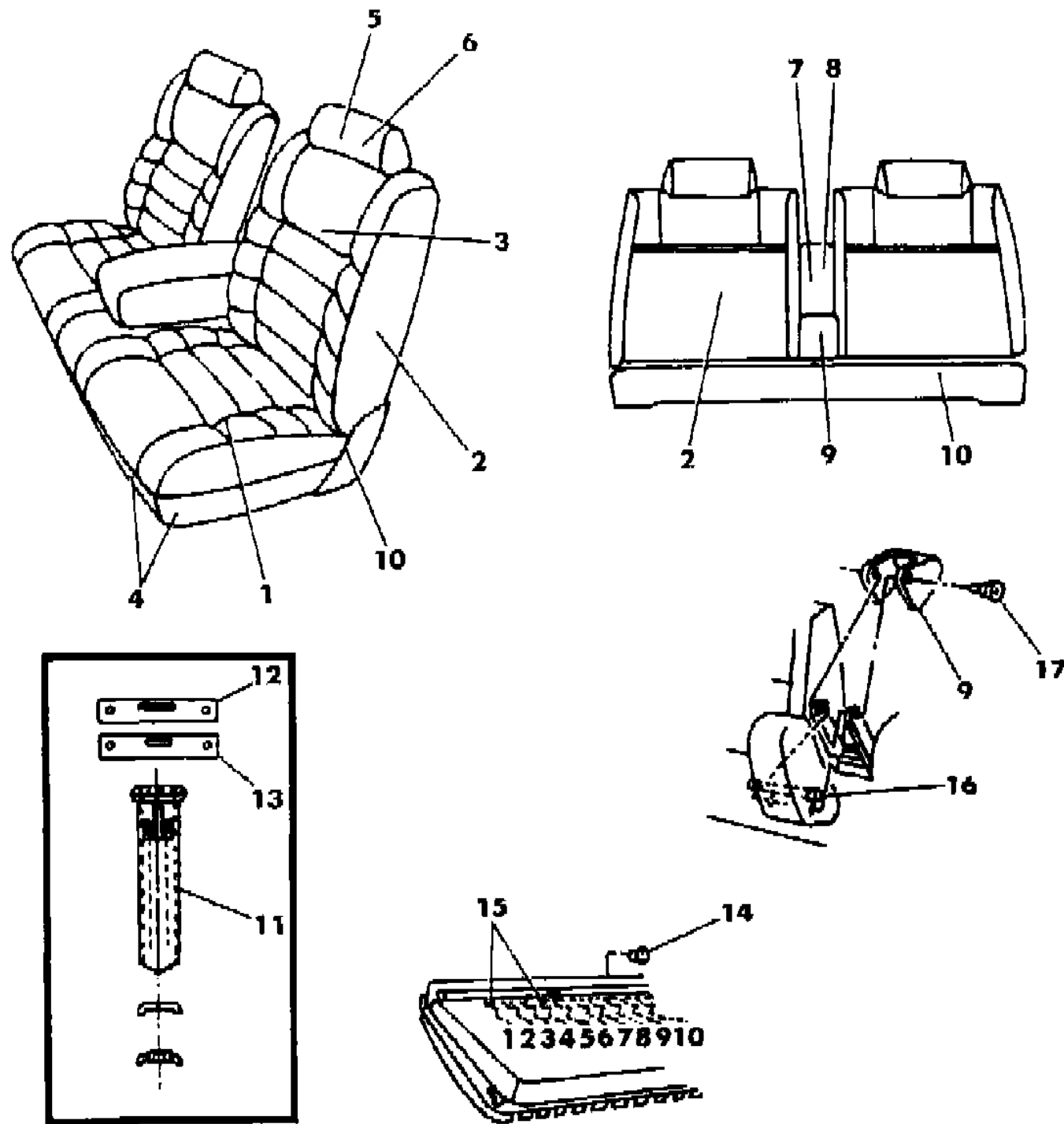
MODEL CODES
 B = GRAN FURY
 C = LE BARON/TOWN & COUNTRY/LIMO
 C24 = LASER
 C44 = LE BARON/GTS
 D = ARIES
 D44 = LANCER
 E = 600
 F = FIFTH AVENUE/NEWPORT
 G = DIPLOMAT
 H = VOYAGER
 J = CARAVELLE
 K = MINI VAN/CARAVAN/ROYAL
 M = HORIZON/TURISMO
 P = RELIANT
 T = NEW YORKER
 V = 600
 V24 = DAYTONA
 Z = OMNI/CHARGER

BODY STYLES
 21 = 2-DOOR SEDAN
 22 = 2-DOOR SPECIAL COUPE
 24 = 2-DOOR HATCHBACK
 27 = 2-DOOR CONVERTIBLE
 35 = FWD VAN
 36 = FWD WAGON
 41 = 4-DOOR SEDAN
 44 = 4-DOOR HATCHBACK
 45 = 4-DOOR STATION WAGON
 49 = LIMOUSINE

AR = Use as Required - = Non Illustrated Part P.A.R. = Paint as Required

SEAT FRONT C,V K BODY TRIM CODE M3
Figure ITC-3700

5234 3700



ITEM	PART NUMBER	QTY	BODY	MODEL	DESCRIPTION
1-2					CUSHION, w/Spring/Frame, Pad and Cover N N N N
					Cloth N N N N
					(use up to 2/1/85) N N N N
	A819 D3C	1			N N NM3C YA819D3C
	A819 D3M	1			N N NM3M YA819D3M
	A819 D3T	1			N N NM3T3 YA819D3T
	A819 D3U	1			N N NM3T8 YA819D3U
	A819 D3S	1			N N NM3S YA819D3S
					(use after 2/1/85) N N N N
	C847 D3C	1			N N NM3C YC847D3C
	C847 D3M	1			N N NM3M YC847D3M
	C847 D3T	1			N N NM3T3 YC847D3T
	C847 D3U	1			N N NM3T8 YC847D3U
	C847 D3S	1			N N NM3S YC847D3S
1					COVER, Cushion N N N N
					Cloth N N N N
					(use up to 2/1/85) N N N N
	A536 D3C	1			N N NM3C YA536D3C
	A536 D3M	1			N N NM3M YA536D3M
	A536 D3T	1			N N NM3T3 YA536D3T
	A536 D3U	1			N N NM3T8 YA536D3U
	A536 D3S	1			N N NM3S YA536D3S
					(use after 2/1/85) N N N N
	C511 D3C	1			N N NM3C YC511D3C
	C511 D3M	1			N N NM3M YC511D3M
	C511 D3T	1			N N NM3T3 YC511D3T
	C511 D3U	1			N N NM3T8 YC511D3U
	C511 D3S	1			N N NM3S YC511D3S
2					ROLL STOCK, Cloth 64" Wide Order by the Inch. N N N N
					(use up to 2/1/85) N N N N
	R092 VC7	AR			N N NM3C YR092VC7
	R092 VM6	AR			N N NM3M YR092VM6
	R092 DT3	AR			N N NM3T3 YR092DT3
	R088 BT8	AR			N N NM3T8 YR088BT8
	R092 CS8	AR			N N NM3S YR092CS8
					59" Wide (use after 2/1/85) N N N N
	R026 DC7	AR			N N NM3C YR026DC7

MODEL CODES

B = GRAN FURY	E = 600	M = HORIZON/TURISMO
C = LE BARON/TOWN & COUNTRY/LIMO	F = FIFTH AVENUE/NEWPORT	P = RELIANT
C24 = LASER	G = DIPLOMAT	T = NEW YORKER
C44 = LE BARON/GTS	H = VOYAGER	V = 600
D = ARIES	J = CARAVELLE	V24 = DAYTONA
D44 = LANCER	K = MINI VAN/CARAVAN/ROYAL	Z = OMNI/CHARGER

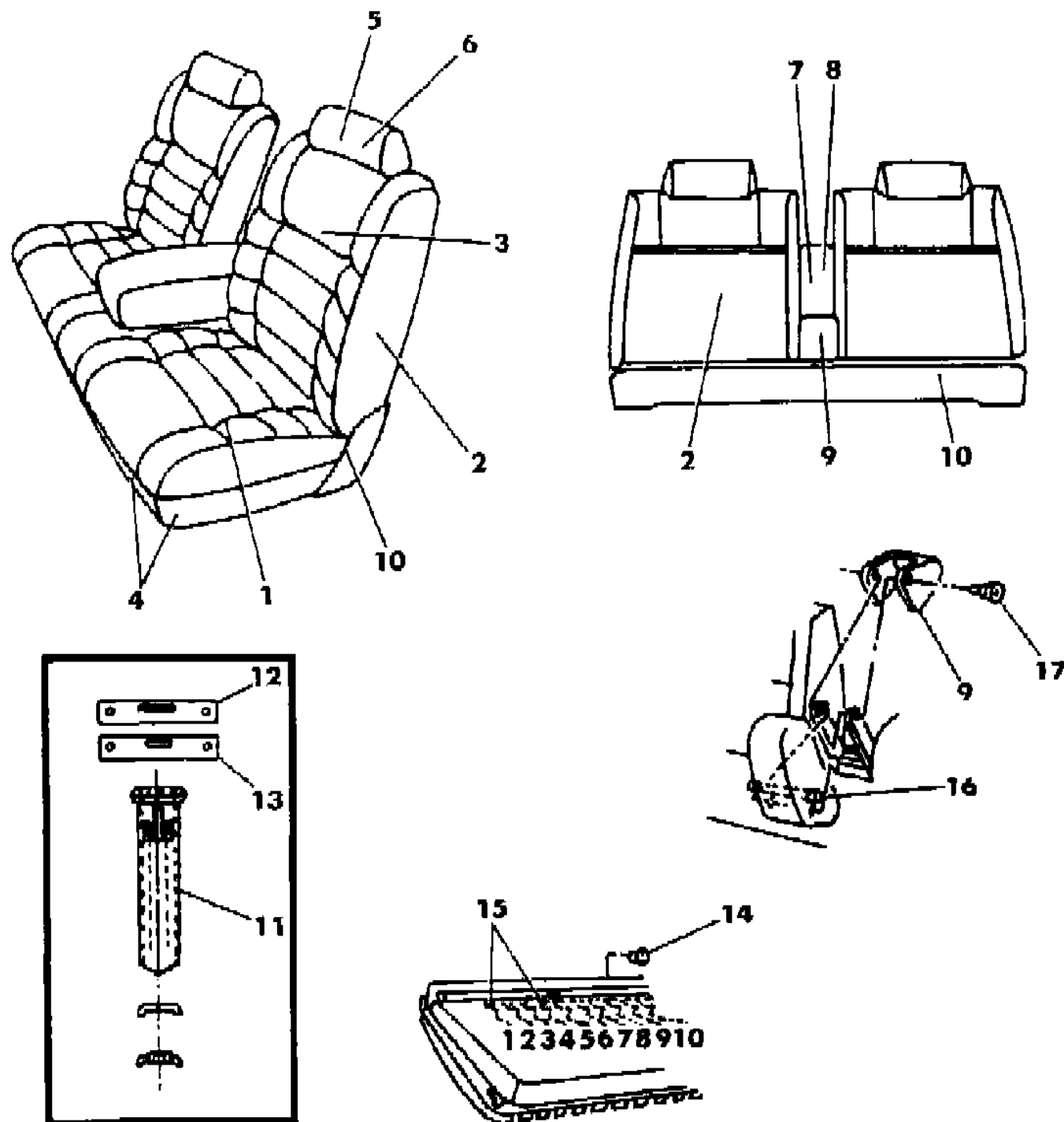
BODY STYLES

21 = 2-DOOR SEDAN	35 = FWD VAN	44 = 4-DOOR HATCHBACK
22 = 2-DOOR SPECIAL COUPE	36 = FWD WAGON	45 = 4-DOOR STATION WAGON
24 = 2-DOOR HATCHBACK	41 = 4-DOOR SEDAN	49 = LIMOUSINE
27 = 2-DOOR CONVERTIBLE		

AR = Use as Required - = Non Illustrated Part P.A.R. = Paint as Required

SEAT FRONT C,V K BODY TRIM CODE M3
Figure ITC-3700

5234 3700



ITEM	PART NUMBER	QTY	BODY	MODEL	DESCRIPTION
	R026 DM6	AR			N N NM3M YR026DM6
	R026 DT3	AR			N N NM3T3 YR026DT3
	R026 DT8	AR			N N NM3T8 YR026DT8
	R026 DS8	AR			N N NM3S YR026DS8
2-3					BACK, w/Spring/Frame, Pad and Cover N N N N
					Cloth N N N N
					(use up to 2/1/85) N N N N
	A836-7 D3C	1			N N NM3C YA836D3C
	A836-7 D3M	1			N N NM3M YA836D3M
	A836-7 D3T	1			N N NM3T3 YA836D3T
	A836-7 D3U	1			N N NM3T8 YA836D3U
	A836-7 D3S	1			N N NM3S YA836D3S
					(use after 2/1/85) N N N N
	C850-1 D3C	1			N N NM3C YC850D3C
	C850-1 D3M	1			N N NM3M YC850D3M
	C850-1 D3T	1			N N NM3T3 YC850D3T
	C850-1 D3U	1			N N NM3T8 YC850D3U
	C850-1 D3S	1			N N NM3S YC850D3S
3					COVER, Back N N N N
					Cloth N N N N
					(use up to 2/1/85) N N N N
	A542-3 D3C	1			N N NM3C YA542D3C
	A542-3 D3M	1			N N NM3M YA542D3M
	A542-3 D3T	1			N N NM3T3 YA542D3T
	A542-3 D3U	1			N N NM3T8 YA542D3U
	A542-3 D3S	1			N N NM3S YA542D3S
					(use after 2/1/85) N N N N
	C512-3 D3C	1			N N NM3C YC512D3C
	C512-3 D3M	1			N N NM3M YC512D3M
	C512-3 D3T	1			N N NM3T3 YC512D3T
	C512-3 D3U	1			N N NM3T8 YC512D3U
	C512-3 D3S	1			N N NM3S YC512D3S
4					ROLL STOCK, Vinyl Order by the Inch. N N N N
	R616 VC8	AR			Blue, 64" Wide N N NM3C YR616VC8
	R616 VM6	AR			Red, 64" Wide N N NM3M YR616VM6
	R616 DT3	AR			Tan, 64" Wide N N NM3T3 YR616DT3
	R609 BT8	AR			Brown, 58" Wide N N NM3T8 YR609BT8

MODEL CODES

B = GRAN FURY	E = 600	M = HORIZON/TURISMO
C = LE BARON/TOWN & COUNTRY/LIMO	F = FIFTH AVENUE/NEWPORT	P = RELIANT
C24 = LASER	G = DIPLOMAT	T = NEW YORKER
C44 = LE BARON/GTS	H = VOYAGER	V = 600
D = ARIES	J = CARAVELLE	V24 = DAYTONA
D44 = LANCER	K = MINI VAN/CARAVAN/ROYAL	Z = OMNI/CHARGER

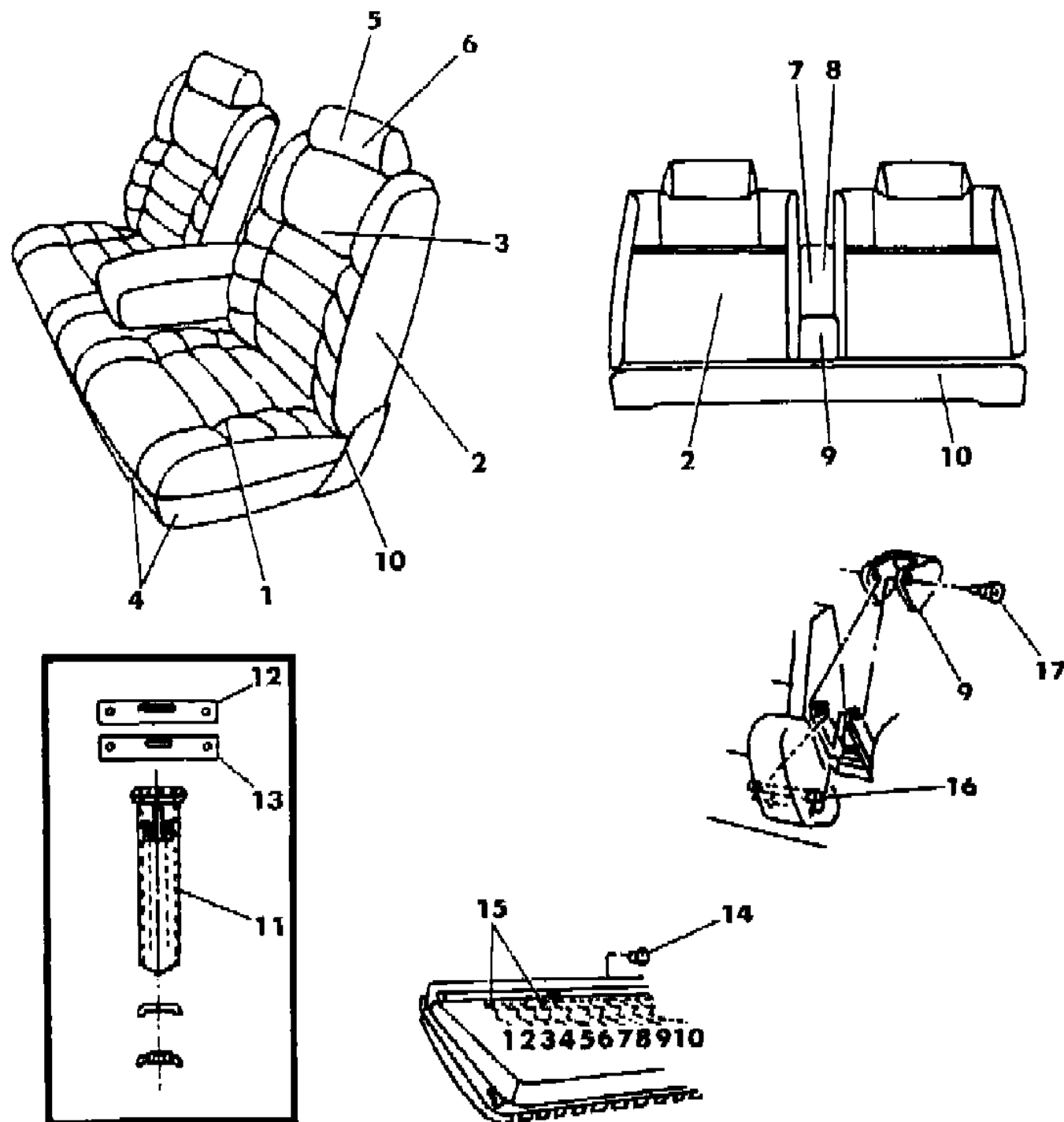
BODY STYLES

21 = 2-DOOR SEDAN	35 = FWD VAN	44 = 4-DOOR HATCHBACK
22 = 2-DOOR SPECIAL COUPE	36 = FWD WAGON	45 = 4-DOOR STATION WAGON
24 = 2-DOOR HATCHBACK	41 = 4-DOOR SEDAN	49 = LIMOUSINE
27 = 2-DOOR CONVERTIBLE		

AR = Use as Required - = Non Illustrated Part P.A.R. = Paint as Required

SEAT FRONT C,V K BODY TRIM CODE M3
Figure ITC-3700

5234 3700



ITEM	PART NUMBER	QTY	BODY	MODEL	DESCRIPTION
	R609 CS8	AR			Charcoal, 58" Wide N N NM3S YR609CS8
5					HEADREST and COVER N N N N
	A822 DC7	2			N N NM3C YA822DC7
	A822 DM6	2			N N NM3M YA822DM6
	A822 DT3	2			N N NM3T3 YA822DT3
	A822 DT8	2			N N NM3T8 YA822DT8
	A822 DS8	2			N N NM3S YA822DS8
6					COVER, Headrest N N N N
	A539 DC7	2			N N NM3C YA539DC7
	A539 DM6	2			N N NM3M YA539DM6
	A539 DT3	2			N N NM3T3 YA539DT3
	A539 DT8	2			N N NM3T8 YA539DT8
	A539 DS8	2			N N NM3S YA539DS8
7					ARMREST and COVER N N N N (use up to 2/1/85) N N N N
	A835 DC7	1			N N NM3C YA835DC7
	A835 DM6	1			N N NM3M YA835DM6
	A835 DT3	1			N N NM3T3 YA835DT3
	A835 DT8	1			N N NM3T8 YA835DT8
	A835 DS8	1			N N NM3S YA835DS8 (use after 2/1/85) N N N N
	C852 DC7	1			N N NM3C YC852DC7
	C852 DM6	1			N N NM3M YC852DM6
	C852 DT5	1			N N NM3T3 YC852DT5
	C852 DT8	1			N N NM3T8 YC852DT8
	C852 DS8	1			N N NM3S YC852DS8
8					COVER, Armrest N N N N (use up to 2/1/85) N N N N
	A540 DC7	1			N N NM3C YA540DC7
	A540 DM6	1			N N NM3M YA540DM6
	A540 DT3	1			N N NM3T3 YA540DT3
	A540 DT8	1			N N NM3T8 YA540DT8
	A540 DS8	1			N N NM3S YA540DS8
	C514 DC7	1			(use after 2/1/85) N N N N N N NM3C YC514DC7
	C514 DM6	1			N N NM3M YC514DM6
	C514 DT5	1			N N NM3T3 YC514DT5

MODEL CODES

B = GRAN FURY	E = 600	M = HORIZON/TURISMO
C = LE BARON/TOWN & COUNTRY/LIMO	F = FIFTH AVENUE/NEWPORT	P = RELIANT
C24 = LASER	G = DIPLOMAT	T = NEW YORKER
C44 = LE BARON/GTS	H = VOYAGER	V = 600
D = ARIES	J = CARAVELLE	V24 = DAYTONA
D44 = LANCER	K = MINI VAN/CARAVAN/ROYAL	Z = OMNI/CHARGER

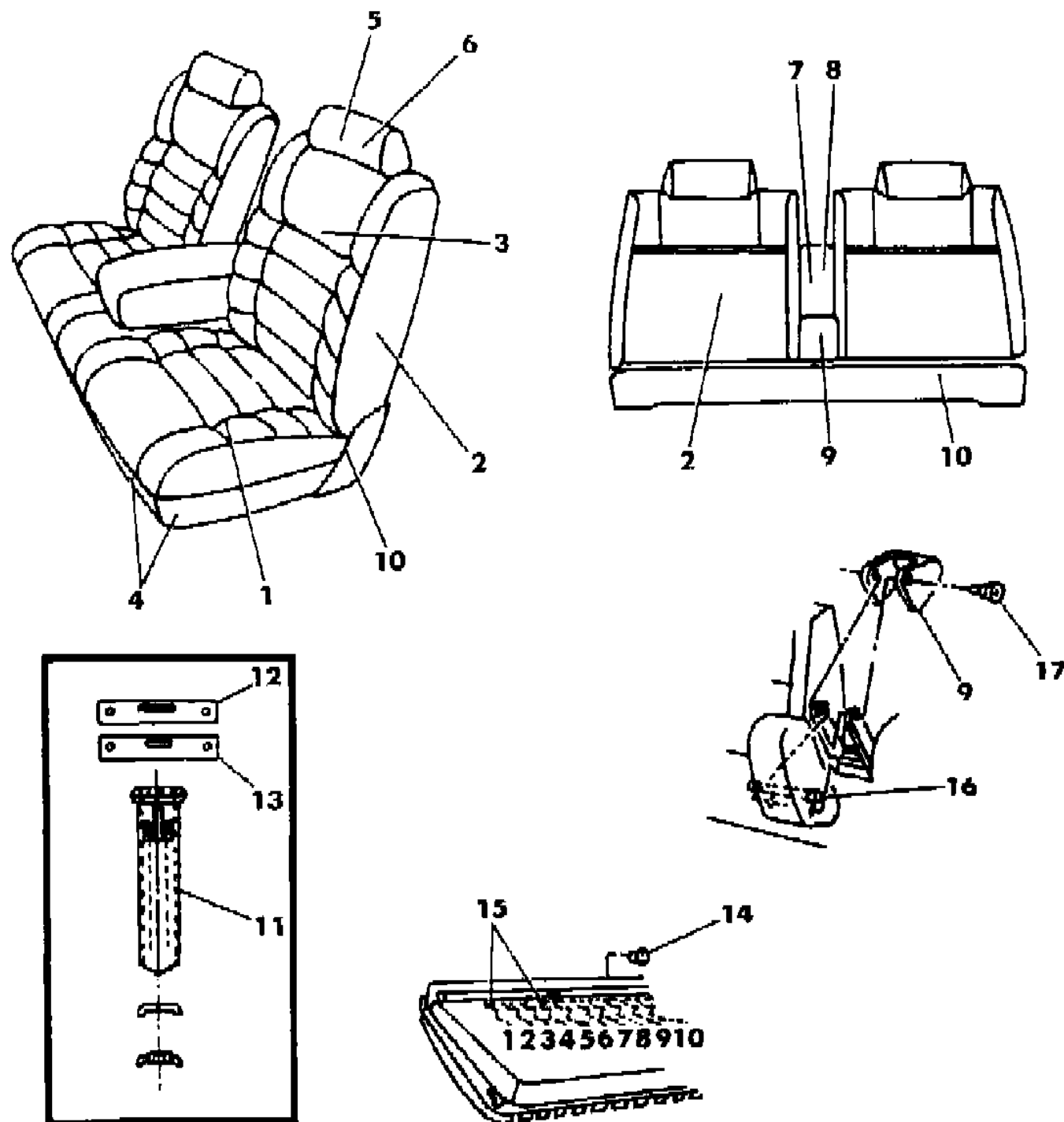
BODY STYLES

21 = 2-DOOR SEDAN	35 = FWD VAN	44 = 4-DOOR HATCHBACK
22 = 2-DOOR SPECIAL COUPE	36 = FWD WAGON	45 = 4-DOOR STATION WAGON
24 = 2-DOOR HATCHBACK	41 = 4-DOOR SEDAN	49 = LIMOUSINE
27 = 2-DOOR CONVERTIBLE		

AR = Use as Required - = Non Illustrated Part P.A.R. = Paint as Required

SEAT FRONT C,V K BODY TRIM CODE M3
Figure ITC-3700

5234 3700



ITEM	PART NUMBER	QTY	BODY	MODEL	DESCRIPTION
	C514 DT8	1			N N NM3T8 YC514DT8
	C514 DS8	1			N N NM3S YC514DS8
9	S581 AC7	1			SHIELD, Armrest N N N N
	S581 AM6	1			N N NM3C YS581AC7
	S581 DT3	1			N N NM3M YS581AM6
	S581 BT8	1			N N NM3T3 YS581DT3
	S581 CS8	1			N N NM3T8 YS581BT8
10	S678-9 AC7	1			SHIELD, Rear Rail N N N N
	S678-9 AM6	1			N N NM3C YS678AC7
	S678-9 DT3	1			N N NM3M YS678AM6
	S678-9 BT8	1			N N NM3T3 YS678DT3
	S678-9 CS8	1			N N NM3T8 YS678BT8
11	S786 AC7	2			SLEEVE, Headrest N N N N
	S786 VM6	2			N N NM3C YS786AC7
	S786 DT3	2			N N NM3M YS786VM6
	S786 BT8	2			N N NM3T3 YS786DT3
	S786 CS8	2			N N NM3T8 YS786BT8
12	4190 388	2			COVER, Headrest Finish N N N Y4190388
13	4190 387	2			SUPPORT, Headrest Trim Cover N N N Y4190387
14	4277 908	2			BUSHING, Cushion Pivot Bracket N N N Y4277908
15	6008 076	AR			HOG RING N N N Y6008076
16	4239 076	1			ROD, Armrest Lock N N N Y4239076
	6006 324	1			NUT, Armrest Lock Rod N N N Y6006324
17	6030 082	2			SCREW, Armrest to Stanchion N N N Y6030082

MODEL CODES

B = GRAN FURY	E = 600	M = HORIZON/TURISMO
C = LE BARON/TOWN & COUNTRY/LIMO	F = FIFTH AVENUE/NEWPORT	P = RELIANT
C24 = LASER	G = DIPLOMAT	T = NEW YORKER
C44 = LE BARON/GTS	H = VOYAGER	V = 600
D = ARIES	J = CARAVELLE	V24 = DAYTONA
D44 = LANCER	K = MINI VAN/CARAVAN/ROYAL	Z = OMNI/CHARGER

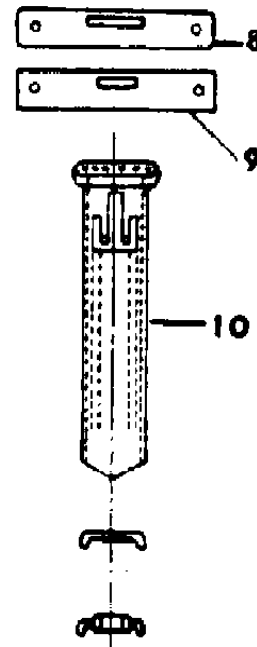
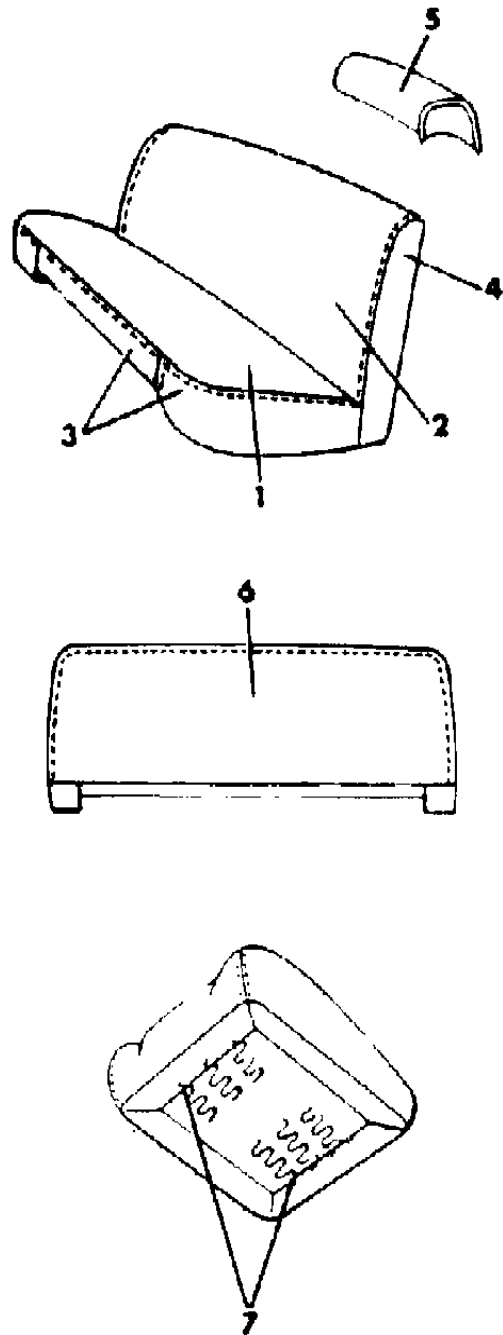
BODY STYLES

21 = 2-DOOR SEDAN	35 = FWD VAN	44 = 4-DOOR HATCHBACK
22 = 2-DOOR SPECIAL COUPE	36 = FWD WAGON	45 = 4-DOOR STATION WAGON
24 = 2-DOOR HATCHBACK	41 = 4-DOOR SEDAN	49 = LIMOUSINE
27 = 2-DOOR CONVERTIBLE		

AR = Use as Required - = Non Illustrated Part P.A.R. = Paint as Required

SEAT FRONT P,D K BODY FLEET POLICE AND OTHERS
Figure ITC-3800

5234 3800



ITEM	PART NUMBER	QTY	BODY	MODEL	DESCRIPTION
NOTE: Special equipment code is in the trim column. s ARE NOT RETURNABLE.					
1	4196 909	1			COVER, Cushion N N N N Medium And Dark Blue, Cloth N N NCBAN Y4196909
	4196 951	1			Beige And Brown, Cloth N N NCBAN Y4196951
2	4196 908	1			COVER, Back N N N N Medium And Dark Blue, Cloth N N NCBAN Y4196908
	4196 950	1			Beige And Brown, Cloth N N NCBAN Y4196950
3	R616 VC8				ROLL STOCK, 54" Wide Order by the Inch N N N N Blue, Vinyl N N N YR616VC8
	R609 DT5				Brown, Vinyl N N N YR609DT5
4	R615 VC8				ROLL STOCK, 54" Wide Order by the Inch N N N N Blue, Vinyl N N N YR615VC8
	R615 DT5				Brown, Vinyl N N N YR615DT5
5	S790 BB5	2			HEADREST and COVER N N N N Blue N N N YS790BB5
	S790 BL3	2			Beige N N N YS790BL3
6	R620 AC8				ROLL STOCK, 54" Wide Order by the Inch N N N N Blue, Vinyl N N N YR620AC8
	R620 DT5				Brown, Vinyl N N N YR620DT5
7	6008 076	AR			HOG RING N N N Y6008076
8	4190 388	2			COVER, Headrest Finish N N N Y4190388
9	4190 387	2			SUPPORT, Headrest N N N Y4190387
10	S786 AC7	2			SLEEVE, Headrest N N N N Blue N N N YS786AC7
	S786 DT3	2			Tan N N N YS786DT3

MODEL CODES

B = GRAN FURY	E = 600	M = HORIZON/TURISMO
C = LE BARON/TOWN & COUNTRY/LIMO	F = FIFTH AVENUE/NEWPORT	P = RELIANT
C24 = LASER	G = DIPLOMAT	T = NEW YORKER
C44 = LE BARON/GTS	H = VOYAGER	V = 600
D = ARIES	J = CARAVELLE	V24 = DAYTONA
D44 = LANCER	K = MINI VAN/CARAVAN/ROYAL	Z = OMNI/CHARGER

BODY STYLES

21 = 2-DOOR SEDAN	35 = FWD VAN	44 = 4-DOOR HATCHBACK
22 = 2-DOOR SPECIAL COUPE	36 = FWD WAGON	45 = 4-DOOR STATION WAGON
24 = 2-DOOR HATCHBACK	41 = 4-DOOR SEDAN	49 = LIMOUSINE
27 = 2-DOOR CONVERTIBLE		

AR = Use as Required - = Non Illustrated Part P.A.R. = Paint as Required

SEAT FRONT P,D K BODY TRIM CODES F7,H7
Figure ITC-3900

5234 3900

ITEM	PART NUMBER	QTY	BODY	MODEL	DESCRIPTION
1-2					CUSHION, w/Spring/Frame, Pad and Cover N N N N
					Cloth N N N N (use up to 2/1/85) N N N N Right N N N N
	B962 D7A	1			N N NF7AS,H7AS YB962D7A
	B962 D7B	1			N N NF7BC,H7BC YB962D7B
	B962 D7M	1			N N NF7M,H7M YB962D7M
	B962 D7T	1			N N NF7TT,H7TT YB962D7T Left N N N N
	B961 D7A	1			N N NF7AS,H7AS YB961D7A
	B961 D7B	1			N N NF7BC,H7BC YB961D7B
	B961 D7M	1			N N NF7M,H7M YB961D7M
	B961 D7T	1			N N NF7TT,H7TT YB961D7T (use after 2/1/85) N N N N
	C748-9 D7A	1			N N NF7AS,H7AS YC748D7A
	C748-9 D7B	1			N N NF7BC,H7BC YC748D7B
	C748-9 D7M	1			N N NF7M,H7M YC748D7M
	C748-9 D7T	1			N N NF7TT,H7TT YC748D7T
1					COVER, Cushion N N N N Cloth N N N N (use up to 2/1/85) N N N N
	C338-9 D7A	1			N N NF7AS,H7AS YC338D7A
	C338-9 D7B	1			N N NF7BC,H7BC YC338D7B
	C338-9 D7M	1			N N NF7M,H7M YC338D7M
	C338-9 D7T	1			N N NF7TT,H7TT YC338D7T (use after 2/1/85) N N N N
	C532-3 D7A	1			N N NF7AS,H7AS YC532D7A
	C532-3 D7B	1			N N NF7BC,H7BC YC532D7B
	C532-3 D7M	1			N N NF7M,H7M YC532D7M
	C532-3 D7T	1			N N NF7TT,H7TT YC532D7T
2					ROLL STOCK, Vinyl Order by the Inch N N N N
	R616 VM6	AR			Red. 64" Wide N N N YR616VM6
	R616 VC8	AR			Blue. 64" Wide N N N YR616VC8
	R609 DT5	AR			Tan, 58" Wide N N N YR609DT5
	R609 CS8	AR			Charcoal. 58" Wide N N N YR609CS8
3-4					BACK, w/Spring/Frame, Pad and Cover N N N N Cloth N N N N

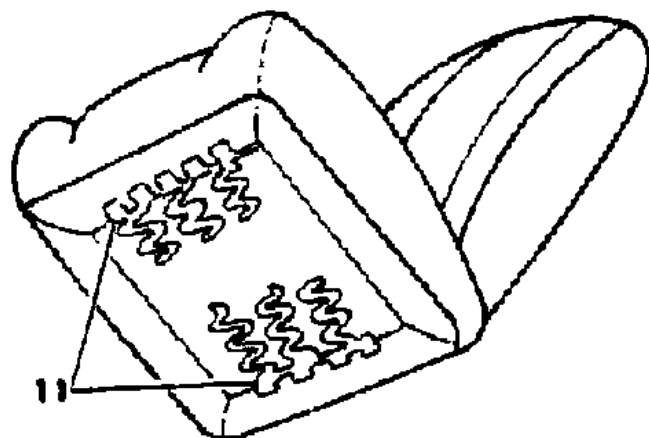
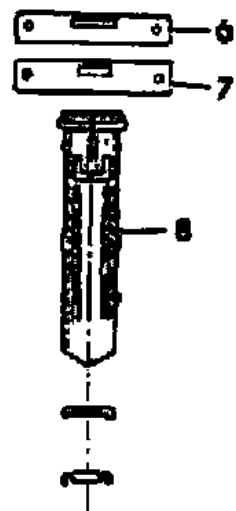
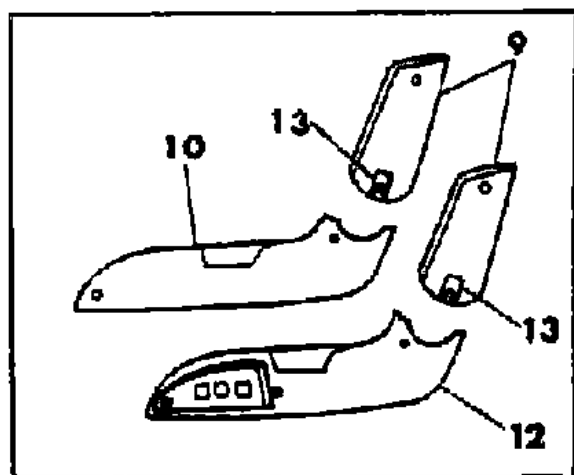
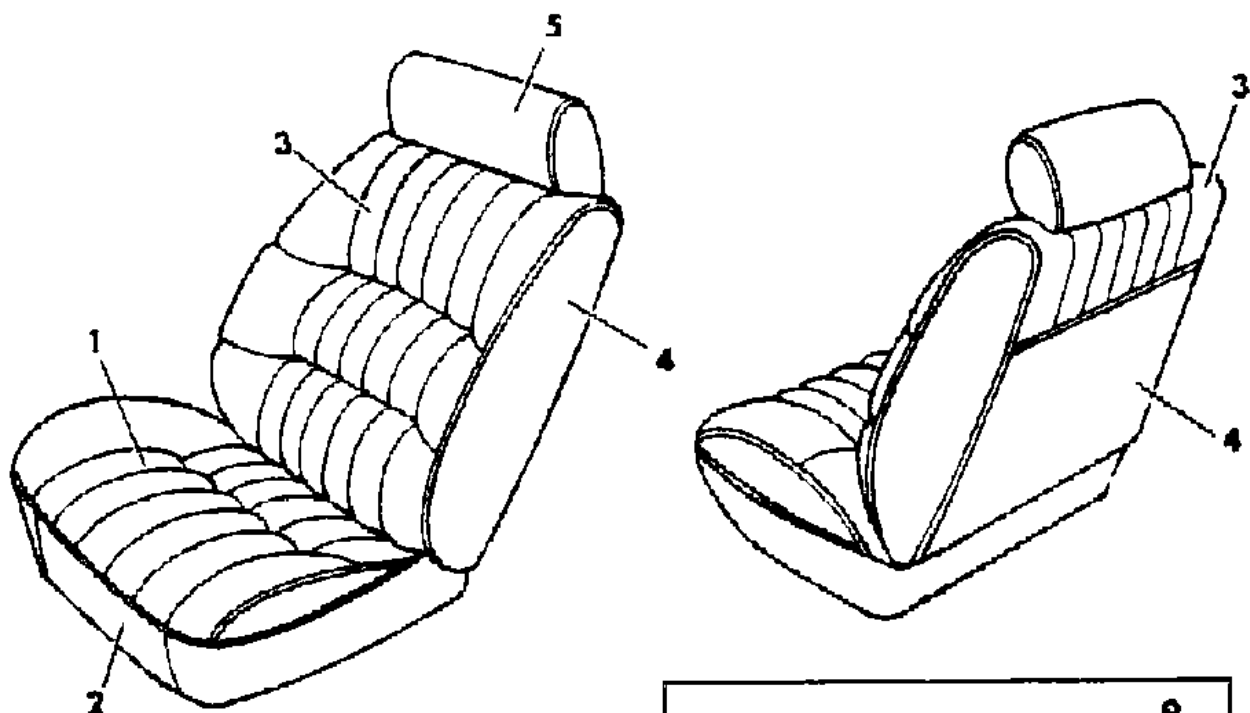
MODEL CODES

B = GRAN FURY	E = 600	M = HORIZON/TURISMO
C = LE BARON/TOWN & COUNTRY/LIMO	F = FIFTH AVENUE/NEWPORT	P = RELIANT
C24 = LASER	G = DIPLOMAT	T = NEW YORKER
C44 = LE BARON/GTS	H = VOYAGER	V = 600
D = ARIES	J = CARAVELLE	V24 = DAYTONA
D44 = LANCER	K = MINI VAN/CARAVAN/ROYAL	Z = OMNI/CHARGER

BODY STYLES

21 = 2-DOOR SEDAN	35 = FWD VAN	44 = 4-DOOR HATCHBACK
22 = 2-DOOR SPECIAL COUPE	36 = FWD WAGON	45 = 4-DOOR STATION WAGON
24 = 2-DOOR HATCHBACK	41 = 4-DOOR SEDAN	49 = LIMOUSINE
27 = 2-DOOR CONVERTIBLE		

AR = Use as Required - = Non Illustrated Part P.A.R. = Paint as Required



SEAT FRONT P,D K BODY TRIM CODES F7,H7
Figure ITC-3900

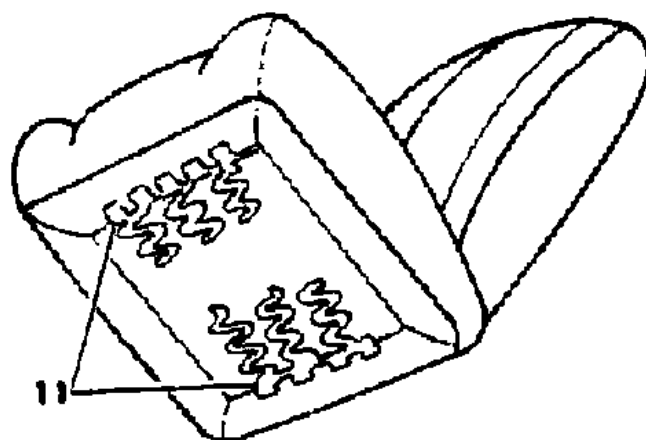
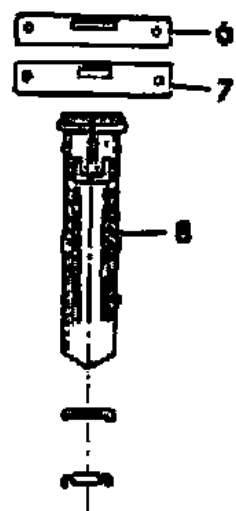
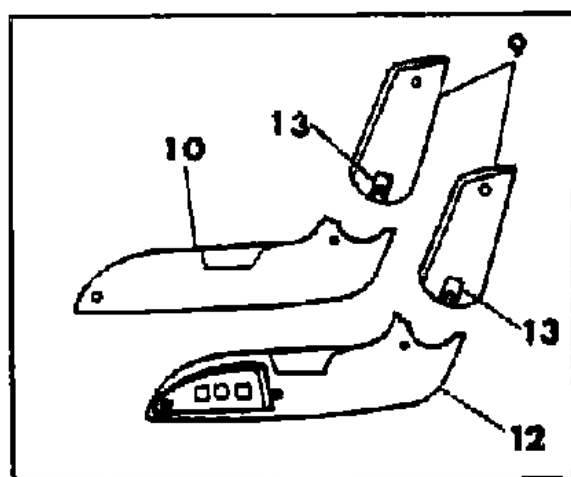
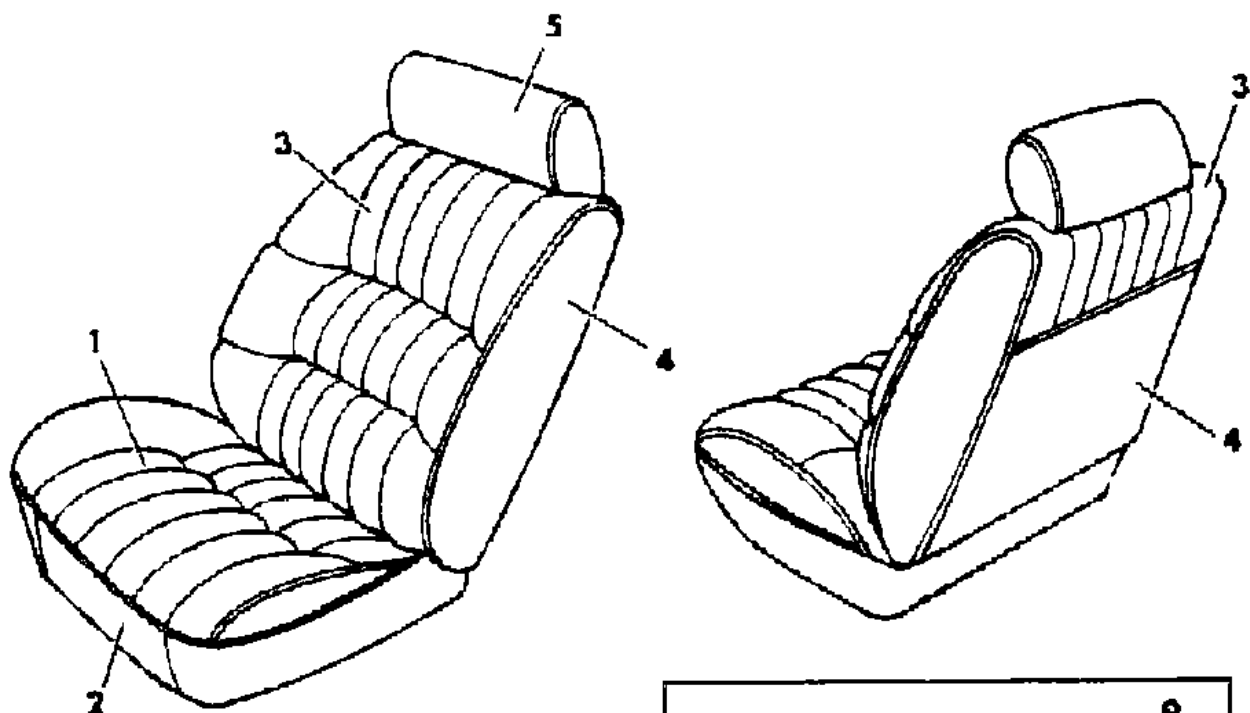
5234 3900

ITEM	PART NUMBER	QTY	BODY	MODEL	DESCRIPTION
					(use up to 2/1/85) N N N N
					Right N N N N
	B964 D7A	1			N N NF7AS,H7AS YB964D7A
	B964 D7B	1			N N NF7BC,H7BC YB964D7B
	B964 D7M	1			N N NF7M,H7M YB964D7M
	B964 D7T	1			N N NF7TT,H7TT YB964D7T
					Left N N N N
	B963 D7A	1			N N NF7AS,H7AS YB963D7A
	B963 D7B	1			N N NF7BC,H7BC YB963D7B
	B963 D7M	1			N N NF7M,H7M YB963D7M
	B963 D7T	1			N N NF7TT,H7TT YB963D7T
					(use after 2/1/85) N N N N
	C752-3 D7A	1			N N NF7AS,H7AS YC752D7A
	C752-3 D7B	1			N N NF7BC,H7BC YC752D7B
	C752-3 D7M	1			N N NF7M,H7M YC752D7M
	C752-3 D7T	1			N N NF7TT,H7TT YC752D7T
3					COVER, Back N N N N
					Cloth N N N N
					(use up to 2/1/85) N N N N
	C340 D7A	2			N N NF7AS,H7AS YC340D7A
	C340 D7B	2			N N NF7BC,H7BC YC340D7B
	C340 D7M	2			N N NF7M,H7M YC340D7M
	C340 D7T	2			N N NF7TT,H7TT YC340D7T
					(use after 2/1/85) N N N N
	C534 D7A	2			N N NF7AS,H7AS YC534D7A
	C534 D7B	2			N N NF7BC,H7BC YC534D7B
	C534 D7M	2			N N NF7M,H7M YC534D7M
	C534 D7T	2			N N NF7TT,H7TT YC534D7T
4					ROLL STOCK, Cloth 54" Wide Order by the Inch. N N N N
					(use up to 2/1/85) N N N N
	R088 BT8	AR			Brown N N N YR088BT8
	R092 CS8	AR			Charcoal N N N YR092CS8
	R092 VC7	AR			Blue N N N YR092VC7
	R092 VM6	AR			Red N N N YR092VM6
					59" Wide (use after 2/1/85) N N N N
	R026 DT5	AR			Brown N N N YR026DT5
	R026 DS8	AR			Charcoal N N N YR026DS8

MODEL CODES
 B = GRAN FURY
 C = LE BARON/TOWN & COUNTRY/LIMO
 C24 = LASER
 C44 = LE BARON/GTS
 D = ARIES
 D44 = LANCER
 E = 600
 F = FIFTH AVENUE/NEWPORT
 G = DIPLOMAT
 H = VOYAGER
 J = CARAVELLE
 K = MINI VAN/CARAVAN/ROYAL
 M = HORIZON/TURISMO
 P = RELIANT
 T = NEW YORKER
 V = 600
 V24 = DAYTONA
 Z = OMNI/CHARGER

BODY STYLES
 21 = 2-DOOR SEDAN
 22 = 2-DOOR SPECIAL COUPE
 24 = 2-DOOR HATCHBACK
 27 = 2-DOOR CONVERTIBLE
 35 = FWD VAN
 36 = FWD WAGON
 41 = 4-DOOR SEDAN
 44 = 4-DOOR HATCHBACK
 45 = 4-DOOR STATION WAGON
 49 = LIMOUSINE

AR = Use as Required - = Non Illustrated Part P.A.R. = Paint as Required



SEAT FRONT P,D K BODY TRIM CODES F7,H7
Figure ITC-3900

5234 3900

ITEM	PART NUMBER	QTY	BODY	MODEL	DESCRIPTION
5	R026 DC7	AR			Blue N N N YR026DC7
	R026 DM6	AR			Red N N N YR026DM6
	HEADREST and COVER N N N N				
	(use up to 2/1/85) N N N N				
	B995 CA3	2			Silver N N N YB995CA3
	B995 DB6	2			Blue N N N YB995DB6
B995 DT3	2			Tan N N N YB995DT3	
B995 CM6	2			Red N N N YB995CM6	
(use after 2/1/85) N N N N					
C741 DA3	2			Silver N N N YC741DA3	
C741 DB6	2			Blue N N N YC741DB6	
C741 DT3	2			Tan N N N YC741DT3	
C741 DM6	2			Red N N N YC741DM6	
COVER, Headrest N N N N					
(use up to 2/1/85) N N N N					
C365 CA3	2			Silver N N N YC365CA3	
C365 DB6	2			Blue N N N YC365DB6	
C365 DT3	2			Tan N N N YC365DT3	
C365 CM6	2			Red N N N YC365CM6	
(use after 2/1/85) N N N N					
C527 DA3	2			Silver N N N YC527DA3	
C527 DB6	2			Blue N N N YC527DB6	
C527 DT3	2			Tan N N N YC527DT3	
C527 DM6	2			Red N N N YC527DM6	
6	4190 388	2			COVER, Headrest Support N N N Y4190388
7	4190 387	2			SUPPORT, Headrest N N N Y4190387
8	SLEEVE, Headrest N N N N				
	S786 AA3	2			Silver N N N YS786AA3
	S786 BB5	2			Blue N N N YS786BB5
	S786 DT3	2			Tan N N N YS786DT3
	S786 VM6	2			Red N N N YS786VM6
9	SHIELD, Back (paint as required) N N N N				
Outer N N N N					
	S938 DW1	1			Passenger Seat N N N N
	S916 DA3	1			N N21 N YS938DW1
					N N41,45 N YS916DA3
					Drivers Seat N N N N

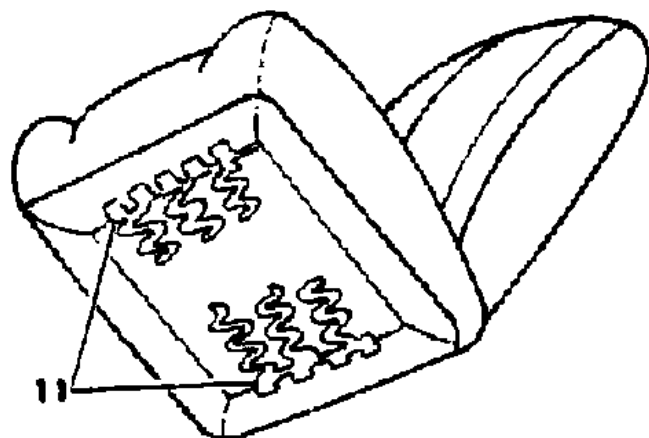
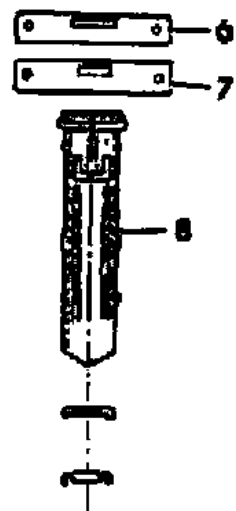
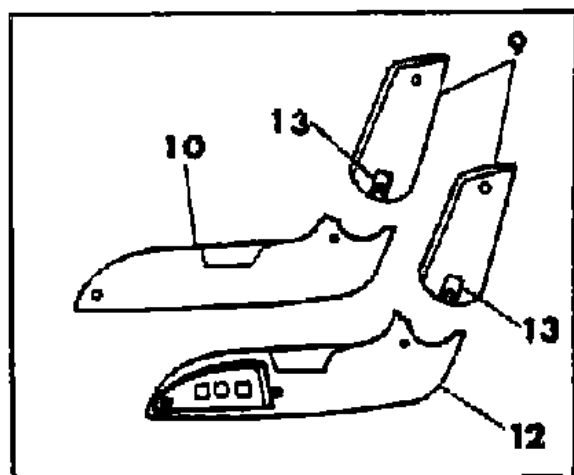
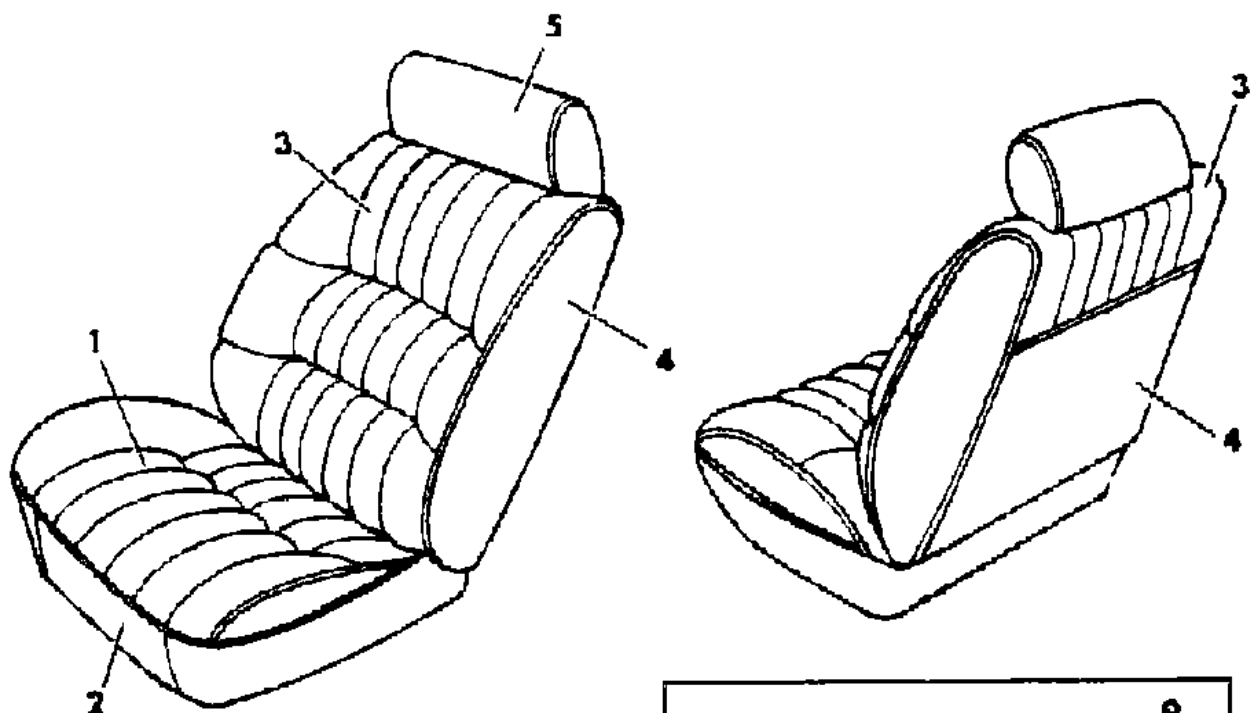
MODEL CODES

B = GRAN FURY	E = 600	M = HORIZON/TURISMO
C = LE BARON/TOWN & COUNTRY/LIMO	F = FIFTH AVENUE/NEWPORT	P = RELIANT
C24 = LASER	G = DIPLOMAT	T = NEW YORKER
C44 = LE BARON/GTS	H = VOYAGER	V = 600
D = ARIES	J = CARAVELLE	V24 = DAYTONA
D44 = LANCER	K = MINI VAN/CARAVAN/ROYAL	Z = OMNI/CHARGER

BODY STYLES

21 = 2-DOOR SEDAN	35 = FWD VAN	44 = 4-DOOR HATCHBACK
22 = 2-DOOR SPECIAL COUPE	36 = FWD WAGON	45 = 4-DOOR STATION WAGON
24 = 2-DOOR HATCHBACK	41 = 4-DOOR SEDAN	49 = LIMOUSINE
27 = 2-DOOR CONVERTIBLE		

AR = Use as Required - = Non Illustrated Part P.A.R. = Paint as Required



SEAT FRONT P,D K BODY TRIM CODES F7,H7
Figure ITC-3900

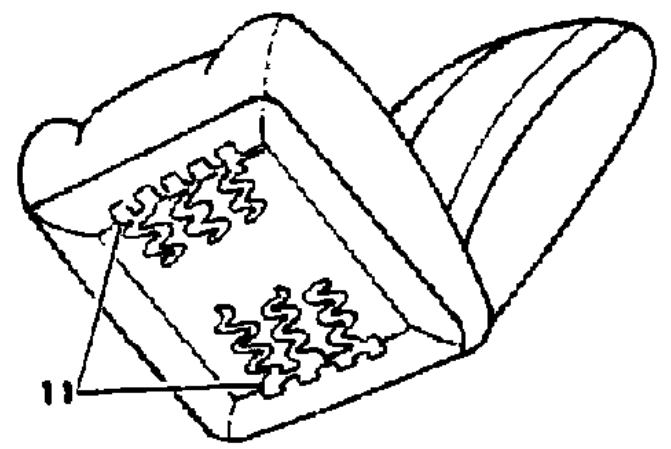
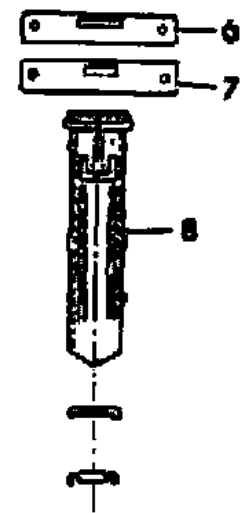
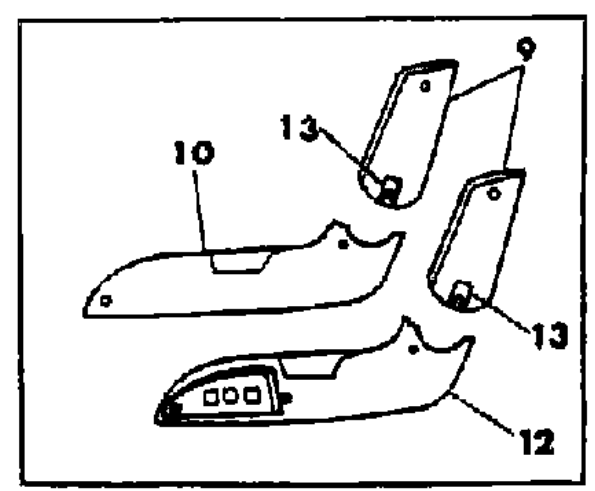
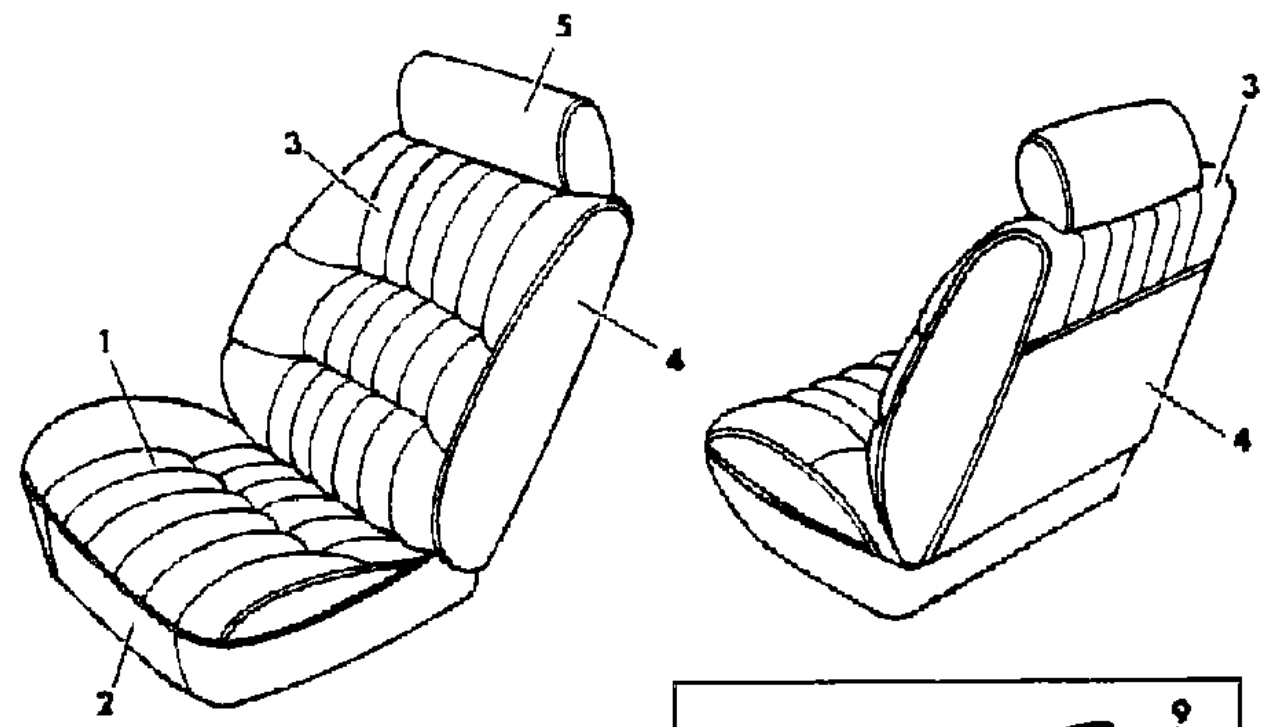
5234 3900

ITEM	PART NUMBER	QTY	BODY	MODEL	DESCRIPTION
	S939 DW1	1			N N21 N YS939DW1
	S917 DA3	1			N N41,45 N YS917DA3 Inner N N N N Passenger Seat N N N N
	S939 DW1	1			N N21 N YS939DW1
	S917 DA3	1			N N41,45 N YS917DA3 Driver Seat N N N N
	S938 DW1	1			N N21 N YS938DW1
	S916 DA3	1			N N41,45 N YS916DA3
10					SHIELD, Cushion N N N N Outer N N N N Passenger Seat N N N N N N21 N YS918DW1
	S918 DW1	1			N N41,45 N YS942DA3
	S942 DA3	1			Drivers Seat N N N N
	S919 DW1	1			N N21 N YS919DW1
	S943 DA3	1			N N41,45 N YS943DA3 Inner N N N N Passenger Seat N N N N N N21 N YS919DW1
	S919 DW1	1			N N41,45 N YS943DA3
	S943 DA3	1			Drivers Seat N N N N N N21 N YS918DW1
	S918 DW1	1			N N41,45 N YS942DA3
11	6008 076	AR			HOG RING N N N Y6008076
12					SHIELD, Cushion Electric (paint as required) N N N N N N21 N YS945DW1
	S945 DW1	1			N N41,45 N YS921DA3
	S921 DA3	1			SCREW, Side Shields Attaching (8-18x1.75) (not serviced) N N
		AR			N N
13	4317 800	AR			CLIP, Shield Attaching N N N Y4317800

MODEL CODES
 B = GRAN FURY
 C = LE BARON/TOWN & COUNTRY/LIMO
 C24 = LASER
 C44 = LE BARON/GTS
 D = ARIES
 D44 = LANCER
 E = 600
 F = FIFTH AVENUE/NEWPORT
 G = DIPLOMAT
 H = VOYAGER
 J = CARAVELLE
 K = MINI VAN/CARAVAN/ROYAL
 M = HORIZON/TURISMO
 P = RELIANT
 T = NEW YORKER
 V = 600
 V24 = DAYTONA
 Z = OMNI/CHARGER

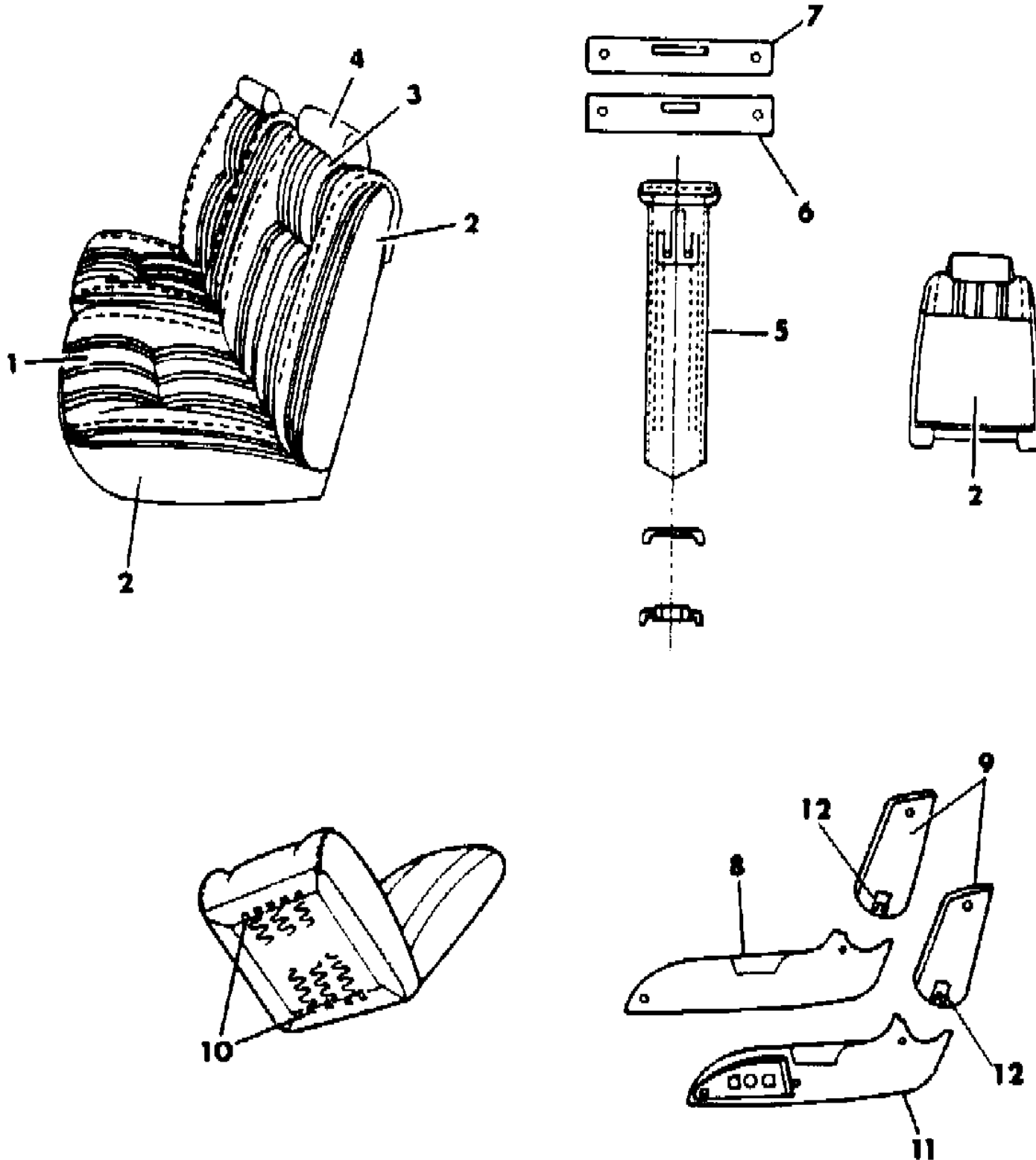
BODY STYLES
 21 = 2-DOOR SEDAN
 22 = 2-DOOR SPECIAL COUPE
 24 = 2-DOOR HATCHBACK
 27 = 2-DOOR CONVERTIBLE
 35 = FWD VAN
 36 = FWD WAGON
 41 = 4-DOOR SEDAN
 44 = 4-DOOR HATCHBACK
 45 = 4-DOOR STATION WAGON
 49 = LIMOUSINE

AR = Use as Required - = Non Illustrated Part P.A.R. = Paint as Required



SEAT FRONT C,V K BODY TRIM CODE V8
Figure ITC-4000

5234 4000



ITEM	PART NUMBER	QTY	BODY	MODEL	DESCRIPTION
1-2					CUSHION, w/Spring/Frame, Pad and Cover N N N N Vinyl N N N N Right N N N N N N NV8M YB904D8M N N NV8T YB904D8T N N NV8MW YB904D8W Left N N N N N N NV8M YB955D8M N N NV8T YB955D8T N N NV8MW YB955D8W
1					COVER, Cushion N N N N Vinyl N N N N N N NV8M YC416D8M N N NV8T YC416D8T N N NV8MW YC416D8W
2					ROLL STOCK, Vinyl Order by the Inch. N N N N Tan, 64" Wide N N N YR616DT3 Red, 64" Wide N N N YR616VM6 White, 54" Wide N N N YR600VW1
2-3					BACK, w/Spring/Frame, Pad and Cover N N N N Vinyl N N N N Right N N N N N N NV8M YB906D8M N N NV8T YB906D8T N N NV8MW YB906D8W Left N N N N N N NV8M YB959D8M N N NV8T YB959D8T N N NV8MW YB959D8W
3					COVER, Back N N N N Vinyl N N N N N N NV8M YC490D8M N N NV8T YC490D8T N N NV8MW YC490D8W
4					HEADREST and COVER N N N N N N NV8M YS790VM6 N N NV8T YS790DT3

MODEL CODES

B = GRAN FURY	E = 600	M = HORIZON/TURISMO
C = LE BARON/TOWN & COUNTRY/LIMO	F = FIFTH AVENUE/NEWPORT	P = RELIANT
C24 = LASER	G = DIPLOMAT	T = NEW YORKER
C44 = LE BARON/GTS	H = VOYAGER	V = 600
D = ARIES	J = CARAVELLE	V24 = DAYTONA
D44 = LANCER	K = MINI VAN/CARAVAN/ROYAL	Z = OMNI/CHARGER

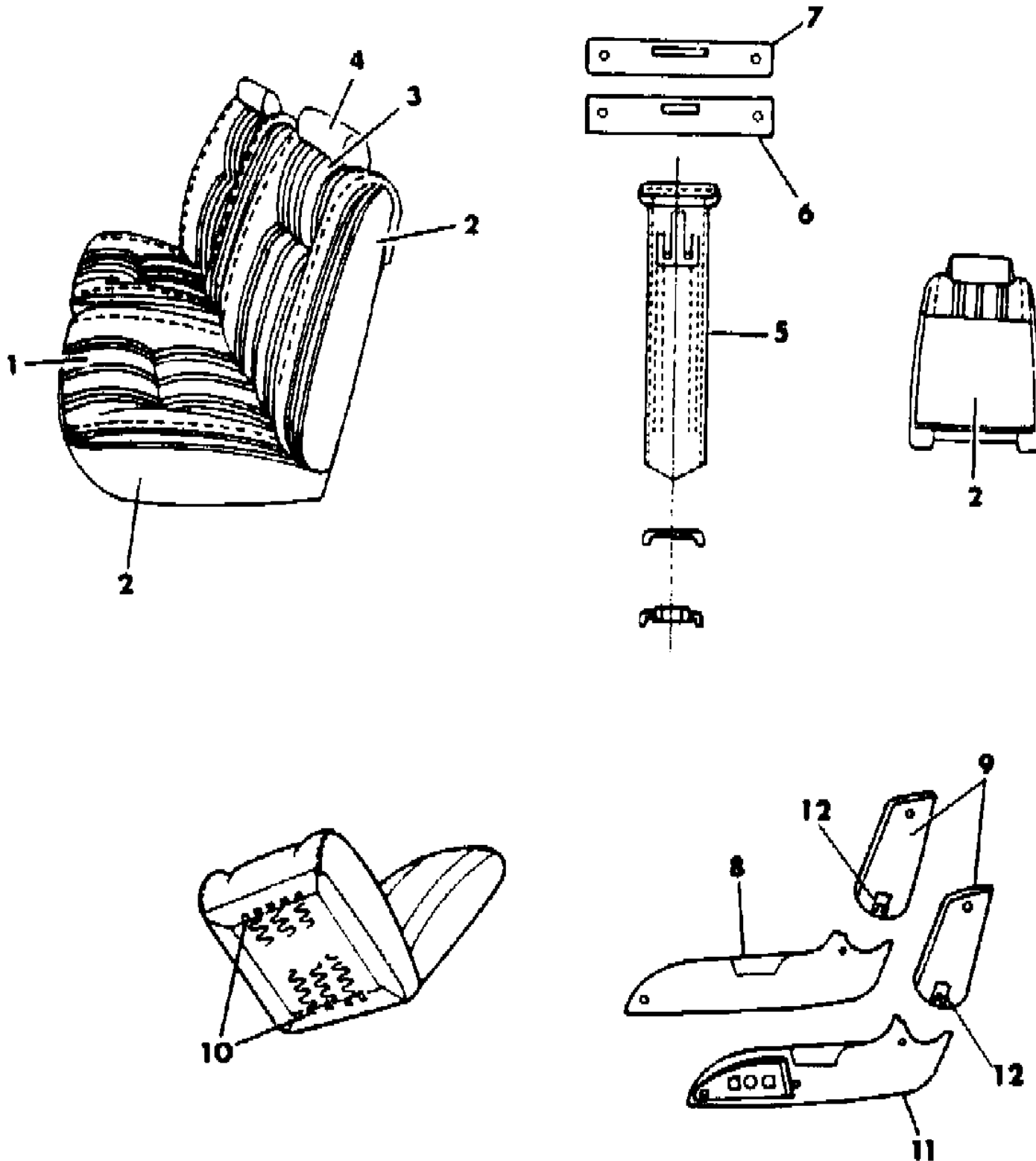
BODY STYLES

21 = 2-DOOR SEDAN	35 = FWD VAN	44 = 4-DOOR HATCHBACK
22 = 2-DOOR SPECIAL COUPE	36 = FWD WAGON	45 = 4-DOOR STATION WAGON
24 = 2-DOOR HATCHBACK	41 = 4-DOOR SEDAN	49 = LIMOUSINE
27 = 2-DOOR CONVERTIBLE		

AR = Use as Required - = Non Illustrated Part P.A.R. = Paint as Required

SEAT FRONT C,V K BODY TRIM CODE V8
Figure ITC-4000

5234 4000



ITEM	PART NUMBER	QTY	BODY	MODEL	DESCRIPTION
	S790 BW1	2			N N NV8MW YS790BW1
5	S786 VM6	2			SLEEVE, Headrest N N N N
	S786 DT3	2			N N NV8M YS786VM6
	S786 BW1	2			N N NV8T YS786DT3
	4138 140	4			SPACER, Headrest N N N Y4138140
6	4190 387	2			SUPPORT, Headrest Trim Cover N N N Y4190387
7	4190 388	2			COVER, Headrest Finish N N N Y4190388
8		1			SHIELD, Cushion (paint as required) N N N N
					Outer N N N N
	S918 DW1	1			Passenger Seat N N N N
	S942 DA3	1			N N27 N YS918DW1
	S919 DW1	1			N N45 N YS942DA3
	S943 DA3	1			Drivers Seat N N N N
	S919 DW1	1			N N27 N YS919DW1
	S943 DA3	1			N N45 N YS943DA3
					Inner N N N N
	S919 DW1	1			Passenger Seat N N N N
	S943 DA3	1			N N27 N YS919DW1
	S942 DA3	1			N N45 N YS942DA3
	S918 DW1	1			Drivers Seat N N N N
	S942 DA3	1			N N27 N YS918DW1
9					SHIELD, Back (paint as required) N N N N
					Outer N N N N
	S938 DW1	1			Passenger Seat N N N N
	S916 DA3	1			N N27 N YS938DW1
	S939 DW1	1			N N45 N YS916DA3
	S917 DA3	1			Drivers Seat N N N N
	S939 DW1	1			N N27 N YS939DW1
	S917 DA3	1			N N45 N YS917DA3
					Inner N N N N
	S939 DW1	1			Passenger Seat N N N N
	S917 DA3	1			N N27 N YS939DW1
	S938 DW1	1			N N45 N YS917DA3
					Drivers Seat N N N N
	S938 DW1	1			N N27 N YS938DW1

MODEL CODES

B = GRAN FURY	E = 600	M = HORIZON/TURISMO
C = LE BARON/TOWN & COUNTRY/LIMO	F = FIFTH AVENUE/NEWPORT	P = RELIANT
C24 = LASER	G = DIPLOMAT	T = NEW YORKER
C44 = LE BARON/GTS	H = VOYAGER	V = 600
D = ARIES	J = CARAVELLE	V24 = DAYTONA
D44 = LANCER	K = MINI VAN/CARAVAN/ROYAL	Z = OMNI/CHARGER

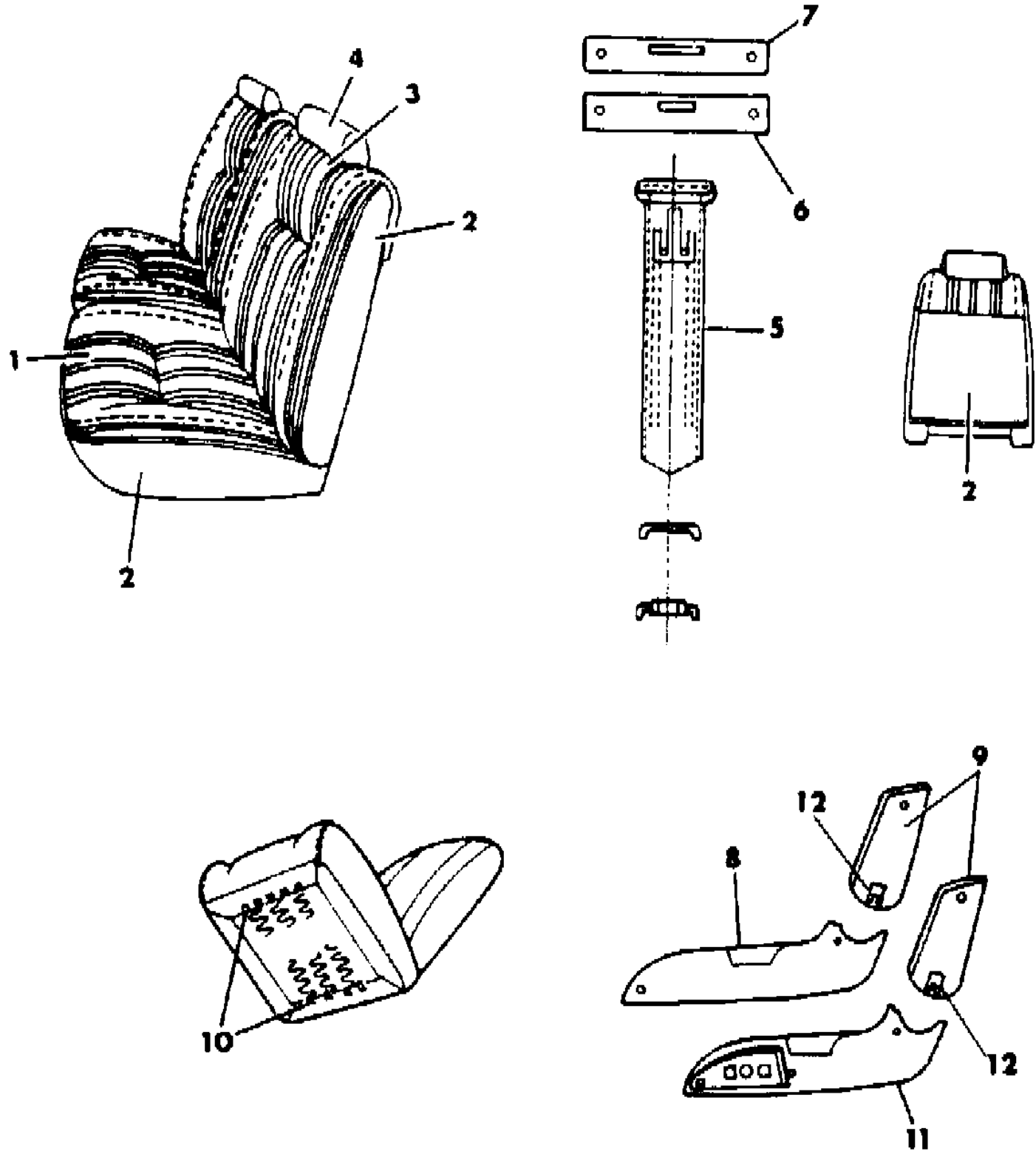
BODY STYLES

21 = 2-DOOR SEDAN	35 = FWD VAN	44 = 4-DOOR HATCHBACK
22 = 2-DOOR SPECIAL COUPE	36 = FWD WAGON	45 = 4-DOOR STATION WAGON
24 = 2-DOOR HATCHBACK	41 = 4-DOOR SEDAN	49 = LIMOUSINE
27 = 2-DOOR CONVERTIBLE		

AR = Use as Required - = Non Illustrated Part P.A.R. = Paint as Required

SEAT FRONT C,V K BODY TRIM CODE V8
Figure ITC-4000

5234 4000



ITEM	PART NUMBER	QTY	BODY	MODEL	DESCRIPTION
	S916 DA3	1			N N45 N YS916DA3
-	6031 147	AR			NUT N N N Y6031147
10	6008 076	AR			HOG RING N N N Y6008076
11	S945 DW1	1			SHIELD, Cushion Electric (paint as required) N N N N N N27 N YS945DW1
	S921 DA3	1			N N45 N YS921DA3
		AR			SCREW, Side Shields Attaching (8-18x1.75) (not serviced) N N N N
12	4317 800	AR			CLIP, Shield Attaching N N N Y4317800

MODEL CODES

B = GRAN FURY	E = 600	M = HORIZON/TURISMO
C = LE BARON/TOWN & COUNTRY/LIMO	F = FIFTH AVENUE/NEWPORT	P = RELIANT
C24 = LASER	G = DIPLOMAT	T = NEW YORKER
C44 = LE BARON/GTS	H = VOYAGER	V = 600
D = ARIES	J = CARAVELLE	V24 = DAYTONA
D44 = LANCER	K = MINI VAN/CARAVAN/ROYAL	Z = OMNI/CHARGER

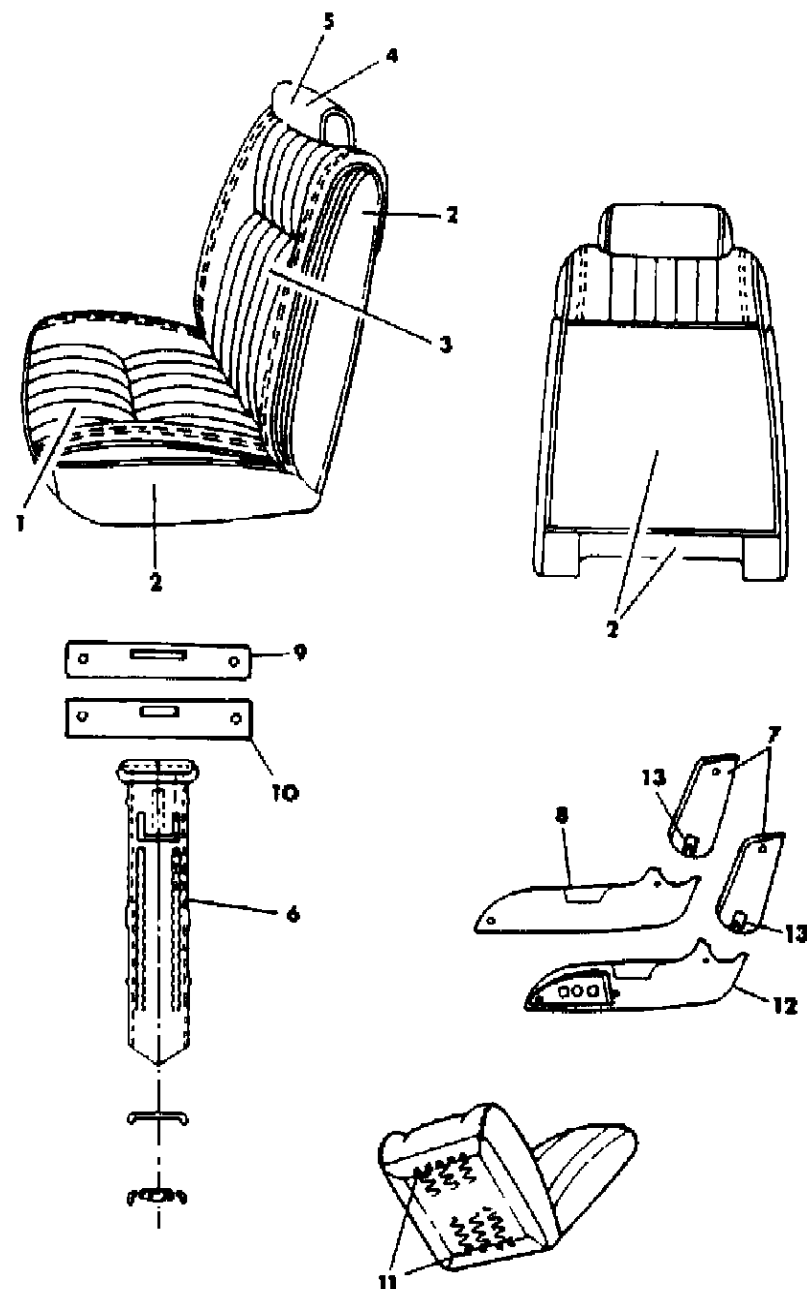
BODY STYLES

21 = 2-DOOR SEDAN	35 = FWD VAN	44 = 4-DOOR HATCHBACK
22 = 2-DOOR SPECIAL COUPE	36 = FWD WAGON	45 = 4-DOOR STATION WAGON
24 = 2-DOOR HATCHBACK	41 = 4-DOOR SEDAN	49 = LIMOUSINE
27 = 2-DOOR CONVERTIBLE		

AR = Use as Required - = Non Illustrated Part P.A.R. = Paint as Required

SEAT FRONT C,V K BODY TRIM CODES GL,RL
Figure ITC-4100

9231 4100



ITEM	PART NUMBER	QTY	BODY	MODEL	DESCRIPTION
1-2					CUSHION, w/Spring/Frame, Pad and Cover N N N N Leather N N N N
	C826-7 DLT	1			N N NRLTU,GLTU YC826DLT
	C826-7 DLS	1			N N NRLSA,GLSA YC826DLS
1					COVER, Cushion N N N N Leather N N N N
	C418-9 DLT	1			N N NGLTU,RLTU YC418DLT
	C418-9 DLS	1			N N NRLSA,GLSA YC418DLS
2					ROLL STOCK, Vinyl 58" Wide Order by the Inch N N N N
	R609 DT5	AR			N N NRLTU,GLTU YR609DT5
	R609 CS8	AR			N N NRLSA,GLSA YR609CS8
2-3					BACK, w/Spring/Frame, Pad and Cover N N N N Leather N N N N
	C828-9 DLT	1			N N NRLTU,GLTU YC828DLT
	C828-9 DLS	1			N N NRLSA,GLSA YC828DLS
3					COVER, Back N N N N Leather N N N N
	C488 DLT	2			N N NRLTU,GLTU YC488DLT
	C488 DLS	2			N N NRLSA,GLSA YC488DLS
4					HEADREST and COVER N N N N
	C834 DLT	2			N N NRLTU,GLTU YC834DLT
	C834 CLS	2			N N NRLSA,GLSA YC834CLS
5					COVER, Headrest N N N N
	C404 DLT	2			N N NRLTU,GLTU YC404DLT
	C404 CLS	2			N N NRLSA,GLSA YC404CLS
6					SLEEVE, Headrest N N N N
	S786 DT3	2			Tan N N N YS786DT3
	S786 CS8	2			Charcoal N N N YS786CS8
7					SHIELD, Back (paint as required) N N N N Outer N N N N
	S938 DW1	1			Passenger Seat N N27 N YS938DW1
	S939 DW1	1			Drivers Seat N N27 N YS939DW1 Inner N N N N
	S939 DW1	1			Passenger Seat N N27 N YS939DW1
	S938 DW1	1			Drivers Seat N N27 N YS938DW1
	S938 DW1	1			N N27 N YS938DW1
8		1			SHIELD, Cushion (paint as required) N N N N

MODEL CODES

B = GRAN FURY	E = 600	M = HORIZON/TURISMO
C = LE BARON/TOWN & COUNTRY/LIMO	F = FIFTH AVENUE/NEWPORT	P = RELIANT
C24 = LASER	G = DIPLOMAT	T = NEW YORKER
C44 = LE BARON/GTS	H = VOYAGER	V = 600
D = ARIES	J = CARAVELLE	V24 = DAYTONA
D44 = LANCER	K = MINI VAN/CARAVAN/ROYAL	Z = OMNI/CHARGER

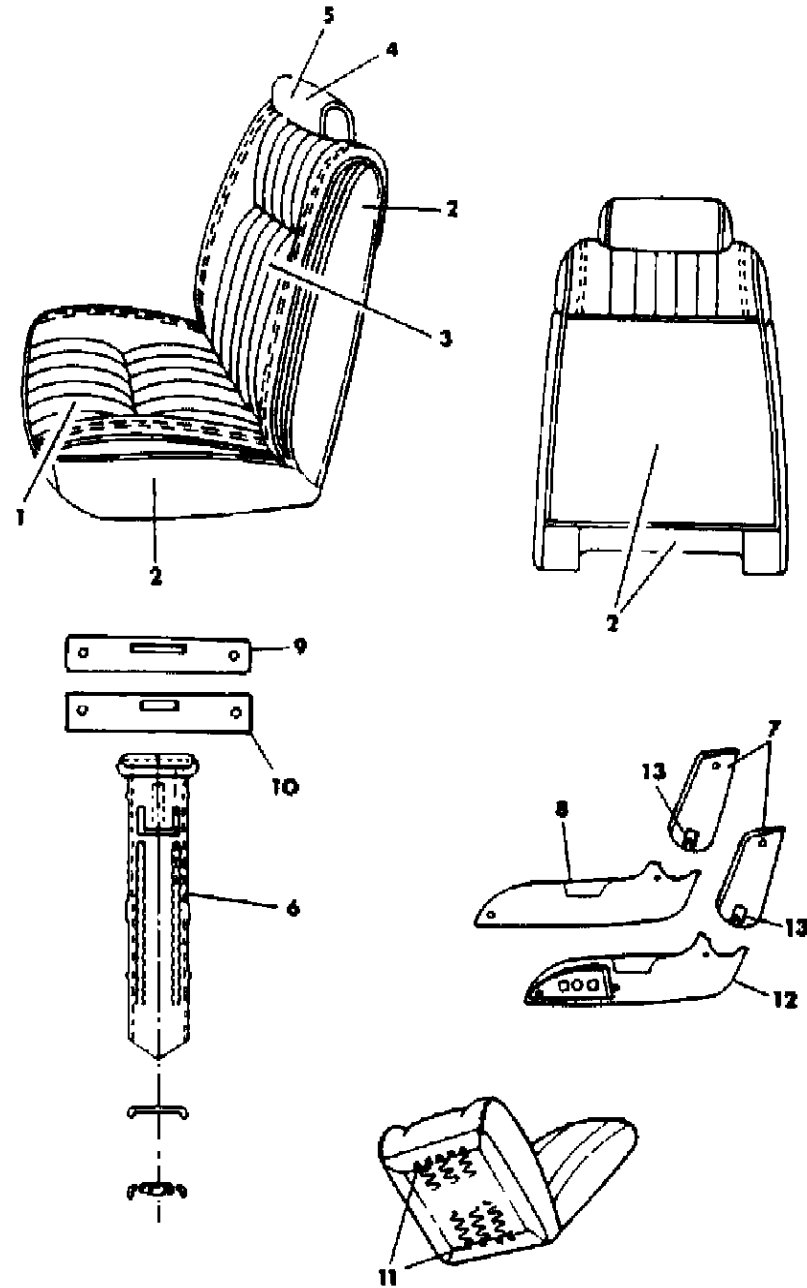
BODY STYLES

21 = 2-DOOR SEDAN	35 = FWD VAN	44 = 4-DOOR HATCHBACK
22 = 2-DOOR SPECIAL COUPE	36 = FWD WAGON	45 = 4-DOOR STATION WAGON
24 = 2-DOOR HATCHBACK	41 = 4-DOOR SEDAN	49 = LIMOUSINE
27 = 2-DOOR CONVERTIBLE		

AR = Use as Required - = Non Illustrated Part P.A.R. = Paint as Required

SEAT FRONT C,V K BODY TRIM CODES GL,RL
Figure ITC-4100

9233 4100



ITEM	PART NUMBER	QTY	BODY	MODEL	DESCRIPTION
					Outer N N N N
	S918 DW1	1			Passenger Seat N N27 N YS918DW1
	S919 DW1	1			Drivers Seat N N27 N YS919DW1
	S919 DW1	1			N N27 N YS919DW1
					Inner N N N N
	S919 DW1	1			Passenger Seat N N27 N YS919DW1
	S918 DW1	1			Drivers Seat N N27 N YS918DW1
9	4190 388	2			COVER, Headrest Finish N N N Y4190388
10	4190 387	2			SUPPORT, Headrest Trim Cover N N N Y4190387
11	6008 076	AR			HOG RING N N N Y6008076
12					SHIELD, Cushion Electric (paint as required) N N N N
	S945 DW1	1			N N27 N YS945DW1
		AR			SCREW, Side Shields Attaching (8-18x1.75) (not serviced) N N
					N N
8	4317 800	AR			CLIP, Shield Attaching N N N Y4317800

NOTE: For Armrest See Console and Armrest Illustration. s ARE NOT RETURNABLE.

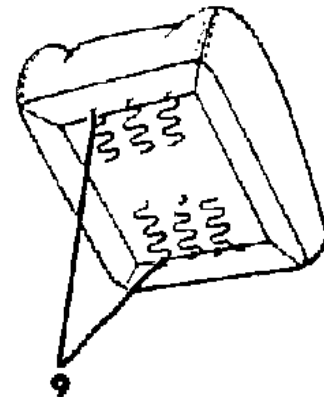
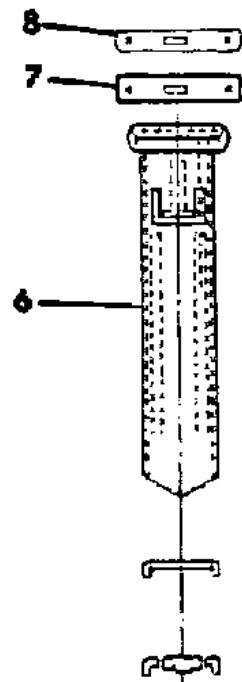
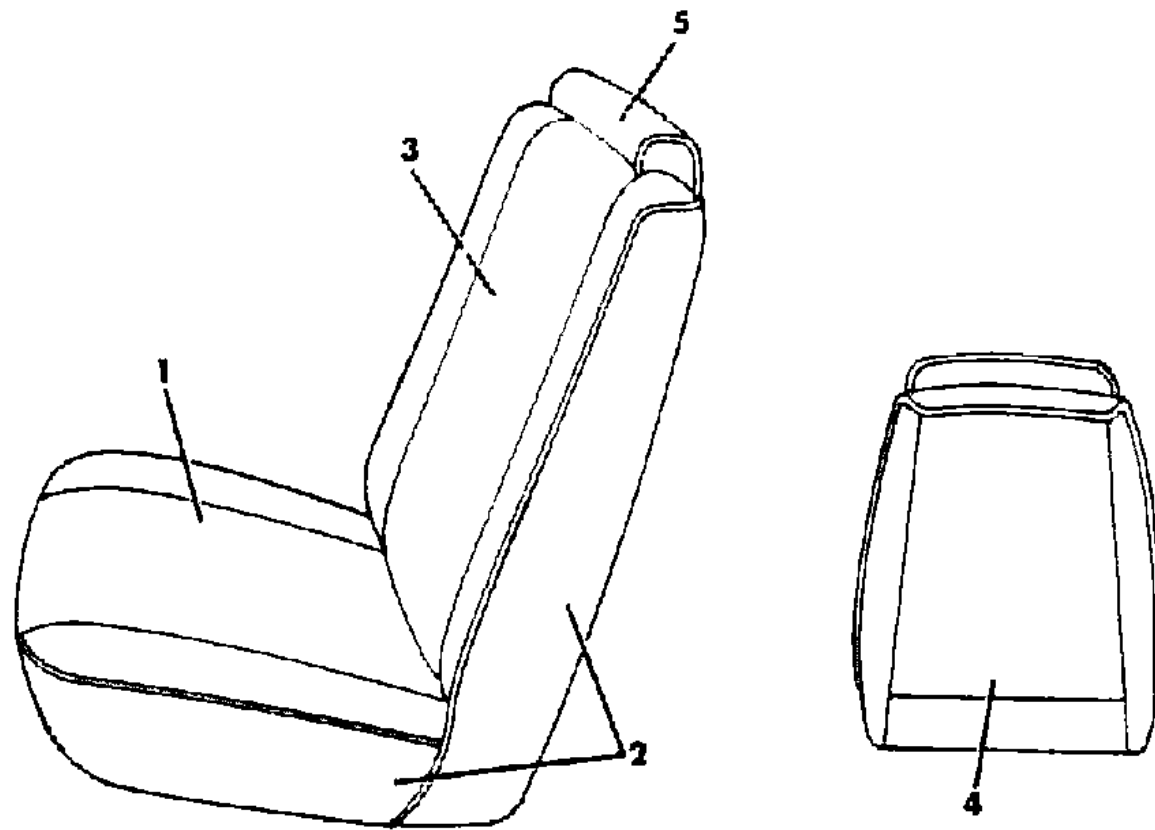
MODEL CODES		
B = GRAN FURY	E = 600	M = HORIZON/TURISMO
C = LE BARON/TOWN & COUNTRY/LIMO	F = FIFTH AVENUE/NEWPORT	P = RELIANT
C24 = LASER	G = DIPLOMAT	T = NEW YORKER
C44 = LE BARON/GTS	H = VOYAGER	V = 600
D = ARIES	J = CARAVELLE	V24 = DAYTONA
D44 = LANCER	K = MINI VAN/CARAVAN/ROYAL	Z = OMNI/CHARGER

BODY STYLES		
21 = 2-DOOR SEDAN	35 = FWD VAN	44 = 4-DOOR HATCHBACK
22 = 2-DOOR SPECIAL COUPE	36 = FWD WAGON	45 = 4-DOOR STATION WAGON
24 = 2-DOOR HATCHBACK	41 = 4-DOOR SEDAN	49 = LIMOUSINE
27 = 2-DOOR CONVERTIBLE		

AR = Use as Required - = Non Illustrated Part P.A.R. = Paint as Required

SEAT FRONT P,D K BODY TRIM CODE K8
Figure ITC-4200

5234 4300



ITEM	PART NUMBER	QTY	BODY	MODEL	DESCRIPTION
1-2					CUSHION, w/Spring/Frame, Pad and Cover N N N N Vinyl N N N N
	C758-9 D8C	1			N N NK8BC YC758D8C
	C758 D8T	1			N N NK8TT YC758D8T
1					COVER, Cushion N N N N Vinyl N N N N
	C492 D8C	2			N N NK8BC YC492D8C
	C492 D8T	2			N N NK8TT YC492D8T
2					ROLL STOCK, Vinyl Order by the Inch N N N N
	R616 VC8	AR			Blue, 64" Wide N N NK8BC YR616VC8
	R609 DT5	AR			Tan, 58" Wide N N NK8TT YR609DT5
2-3					BACK, w/Spring/Frame, Pad and Cover N N N N Vinyl N N N N
	C760-1 D8C	1			N N NK8BC YC760D8C
	C760-1 D8T	1			N N NK8TT YC760D8T
3					COVER, Back N N N N Vinyl N N N N
	C493 D8C	2			N N NK8BC YC493D8C
	C493 D8T	2			N N NK8TT YC493D8T
4					ROLL STOCK, Vinyl 50" Wide Order by the Inch N N N N
	R620 AC8	AR			N N NK8BC YR620AC8
	R620 DT5	AR			N N NK8TT YR620DT5
5					HEADREST and COVER N N N N
	S790 BB5	2			N N NK8BC YS790BB5
	S790 DT3	2			N N NK8TT YS790DT3
6					SLEEVE, Headrest N N N N
	S786 BB5	2			N N NK8BC YS786BB5
	S786 DT3	2			N N NK8TT YS786DT3
7	4190 387	2			SUPPORT, Headrest N N N Y4190387
8	4190 388	2			COVER, Headrest Finish N N N Y4190388
9	6008 076	AR			HOG RING N N N Y6008076

MODEL CODES

B = GRAN FURY	E = 600	M = HORIZON/TURISMO
C = LE BARON/TOWN & COUNTRY/LIMO	F = FIFTH AVENUE/NEWPORT	P = RELIANT
C24 = LASER	G = DIPLOMAT	T = NEW YORKER
C44 = LE BARON/GTS	H = VOYAGER	V = 600
D = ARIES	J = CARAVELLE	V24 = DAYTONA
D44 = LANCER	K = MINI VAN/CARAVAN/ROYAL	Z = OMNI/CHARGER

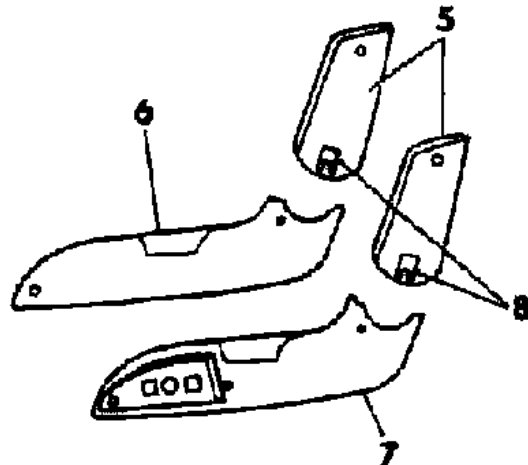
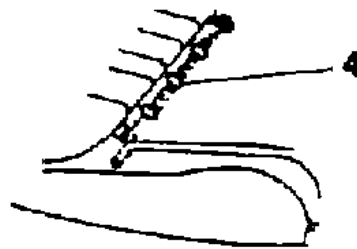
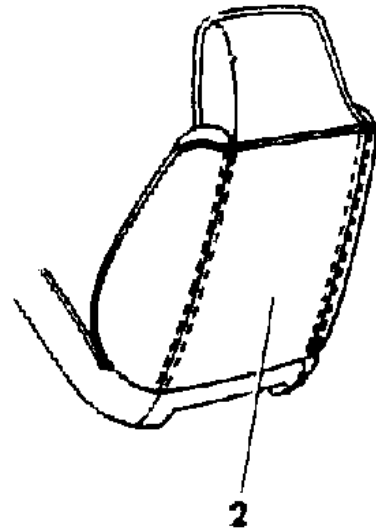
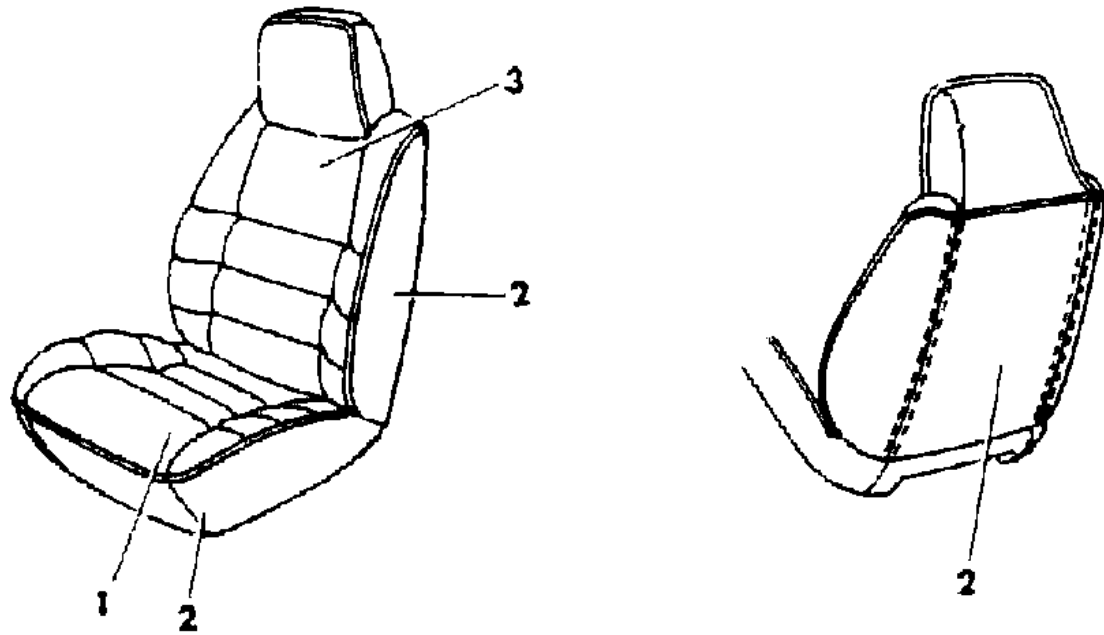
BODY STYLES

21 = 2-DOOR SEDAN	35 = FWD VAN	44 = 4-DOOR HATCHBACK
22 = 2-DOOR SPECIAL COUPE	36 = FWD WAGON	45 = 4-DOOR STATION WAGON
24 = 2-DOOR HATCHBACK	41 = 4-DOOR SEDAN	49 = LIMOUSINE
27 = 2-DOOR CONVERTIBLE		

AR = Use as Required - = Non Illustrated Part P.A.R. = Paint as Required

SEAT FRONT C,V K BODY TRIM CODE M5
Figure ITC-4300

5234 4300



ITEM	PART NUMBER	QTY	BODY	MODEL	DESCRIPTION
1-2					CUSHION, w/Spring/Frame, Pad and Cover N N N N
					Cloth N N N N
					(use up to 2/1/85) N N N N
	C704-5 D5C	1			N N NM5C YC704D5C
	C704-5 D5M	1			N N NM5M YC704D5M
	C704-5 D5T	1			N N NM5T3 YC704D5T
	C704-5 D5U	1			N N NM5T8 YC704D5U
	C704-5 D5S	1			N N NM5S YC704D5S
					(use after 2/1/85) N N N N
	C786-7 D5C	1			N N NM5C YC786D5C
	C786-7 D5M	1			N N NM5M YC786D5M
	C786-7 D5T	1			N N NM5T3 YC786D5T
	C786-7 D5U	1			N N NM5T8 YC786D5U
	C786-7 D5S	1			N N NM5S YC786D5S
1					COVER, Cushion N N N N
					Cloth N N N N
					(use up to 2/1/85) N N N N
	C386-7 D5C	1			N N NM5C YC386D5C
	C386-7 D5M	1			N N NM5M YC386D5M
	C386-7 D5T	1			N N NM5T3 YC386D5T
	C386-7 D5U	1			N N NM5T8 YC386D5U
	C386-7 D5S	1			N N NM5S YC386D5S
					(use after 2/1/85) N N N N
	C516-7 D5C	1			N N NM5C YC516D5C
	C516-7 D5M	1			N N NM5M YC516D5M
	C516-7 D5T	1			N N NM5T3 YC516D5T
	C516-7 D5U	1			N N NM5T8 YC516D5U
	C516-7 D5S	1			N N NM5S YC516D5S
2					ROLL STOCK, Cloth 54" Wide Order by the Inch. N N N N
					(use up to 2/1/85) N N N N
	R092 VC7	AR			N N NM5C YR092VC7
	R088 VM6	AR			N N NM5M YR088VM6
	R092 DT3	AR			N N NM5T3 YR092DT3
	R088 BT8	AR			N N NM5T8 YR088BT8
	R092 CS8	AR			N N NM5S YR092CS8
					59" Wide (use after 2/1/85) N N N N
	R026 DC7	AR			N N NM5C YR026DC7

MODEL CODES

B = GRAN FURY	E = 600	M = HORIZON/TURISMO
C = LE BARON/TOWN & COUNTRY/LIMO	F = FIFTH AVENUE/NEWPORT	P = RELIANT
C24 = LASER	G = DIPLOMAT	T = NEW YORKER
C44 = LE BARON/GTS	H = VOYAGER	V = 600
D = ARIES	J = CARAVELLE	V24 = DAYTONA
D44 = LANCER	K = MINI VAN/CARAVAN/ROYAL	Z = OMNI/CHARGER

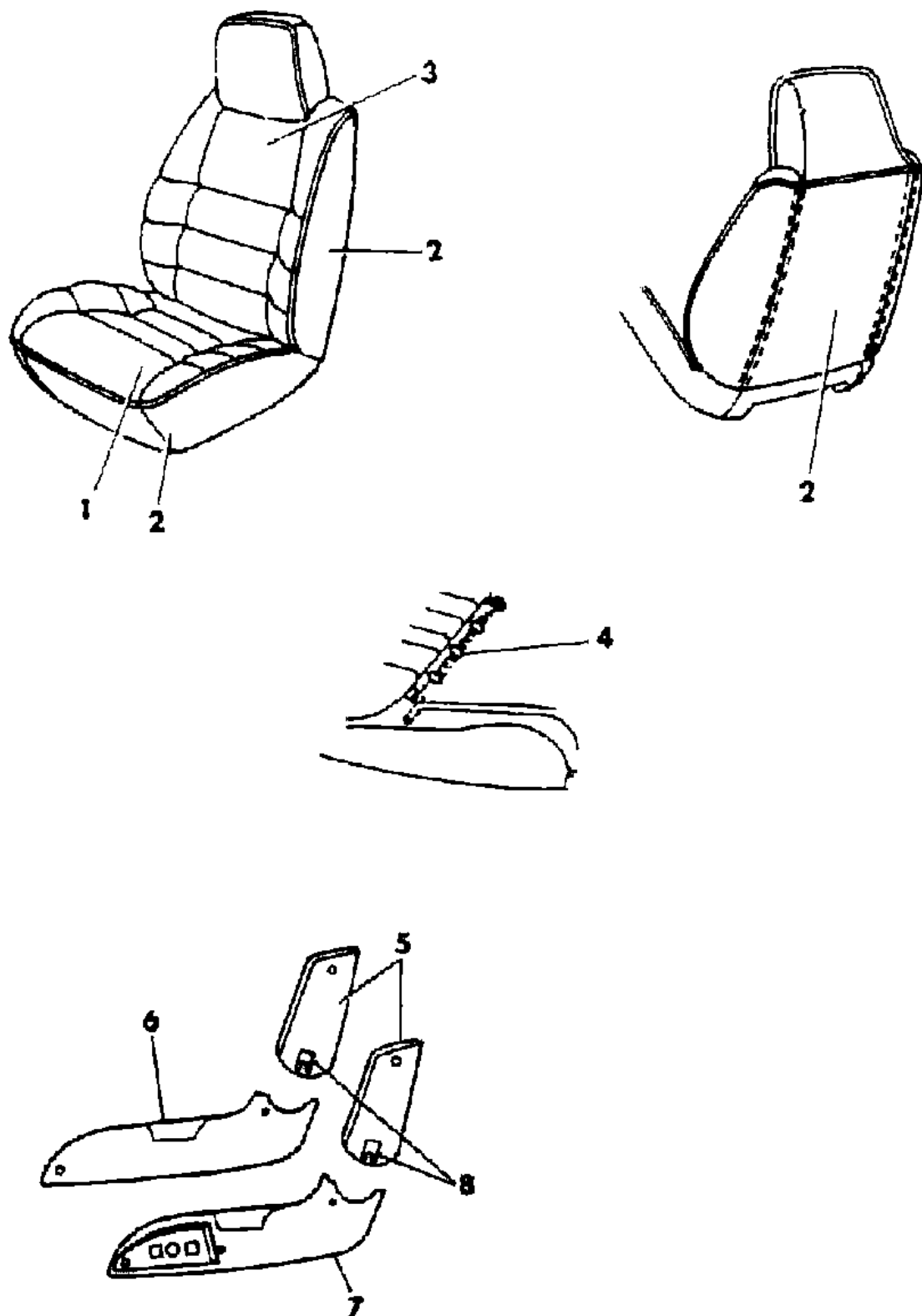
BODY STYLES

21 = 2-DOOR SEDAN	35 = FWD VAN	44 = 4-DOOR HATCHBACK
22 = 2-DOOR SPECIAL COUPE	36 = FWD WAGON	45 = 4-DOOR STATION WAGON
24 = 2-DOOR HATCHBACK	41 = 4-DOOR SEDAN	49 = LIMOUSINE
27 = 2-DOOR CONVERTIBLE		

AR = Use as Required - = Non Illustrated Part P.A.R. = Paint as Required

SEAT FRONT C,V K BODY TRIM CODE M5
Figure ITC-4300

5234 4300



ITEM	PART NUMBER	QTY	BODY	MODEL	DESCRIPTION
	R026 DM6	AR			N N NM5M YR026DM6
	R026 DT3	AR			N N NM5T3 YR026DT3
	R026 DT8	AR			N N NM5T8 YR026DT8
	R026 DS8	AR			N N NM5S YR026DS8
2-3					BACK, w/Spring/Frame, Pad and Cover N N N N
					Cloth N N N N
					(use up to 2/1/85) N N N N
	C708-9 D5C	1			N N NM5C YC708D5C
	C708-9 D5M	1			N N NM5M YC708D5M
	C708-9 D5T	1			N N NM5T3 YC708D5T
	C708-9 D5U	1			N N NM5T8 YC708D5U
	C708-9 D5S	1			N N NM5S YC708D5S
					(use after 2/1/85) N N N N
	C790-1 D5C	1			N N NM5C YC790D5C
	C790-1 D5M	1			N N NM5M YC790D5M
	C790-1 D5T	1			N N NM5T3 YC790D5T
	C790-1 D5U	1			N N NM5T8 YC790D5U
	C790-1 D5S	1			N N NM5S YC790D5S
3					COVER, Back N N N N
					Cloth N N N N
					(use up to 2/1/85) N N N N
	C388 D5C	2			N N NM5C YC388D5C
	C388 D5M	2			N N NM5M YC388D5M
	C388 D5T	2			N N NM5T3 YC388D5T
	C388 D5U	2			N N NM5T8 YC388D5U
	C388 D5S	2			N N NM5S YC388D5S
					(use after 2/1/85) N N N N
	C518 D5C	2			N N NM5C YC518D5C
	C518 D5M	2			N N NM5M YC518D5M
	C518 D5T	2			N N NM5T3 YC518D5T
	C518 D5U	2			N N NM5T8 YC518D5U
	C518 D5S	2			N N NM5S YC518D5S
4	6008 076	AR			HOG RING N N N Y6008076
5					SHIELD, Back (paint as required) N N N N
					Outer N N N N
					Passenger Seat N N N N
	S938 DW1	1			N N22 N YS938DW1

MODEL CODES

B = GRAN FURY	E = 600	M = HORIZON/TURISMO
C = LE BARON/TOWN & COUNTRY/LIMO	F = FIFTH AVENUE/NEWPORT	P = RELIANT
C24 = LASER	G = DIPLOMAT	T = NEW YORKER
C44 = LE BARON/GTS	H = VOYAGER	V = 600
D = ARIES	J = CARAVELLE	V24 = DAYTONA
D44 = LANCER	K = MINI VAN/CARAVAN/ROYAL	Z = OMNI/CHARGER

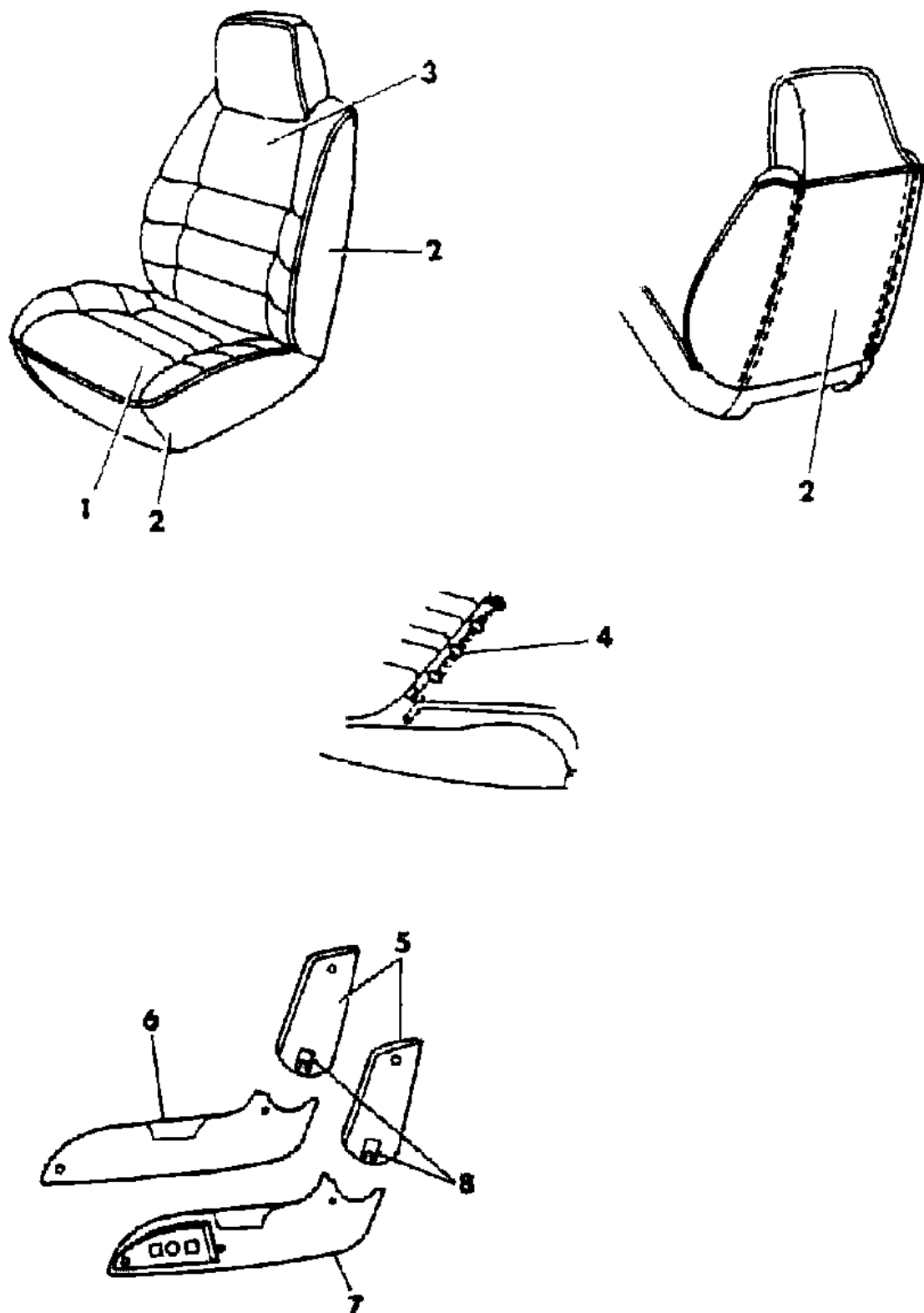
BODY STYLES

21 = 2-DOOR SEDAN	35 = FWD VAN	44 = 4-DOOR HATCHBACK
22 = 2-DOOR SPECIAL COUPE	36 = FWD WAGON	45 = 4-DOOR STATION WAGON
24 = 2-DOOR HATCHBACK	41 = 4-DOOR SEDAN	49 = LIMOUSINE
27 = 2-DOOR CONVERTIBLE		

AR = Use as Required - = Non Illustrated Part P.A.R. = Paint as Required

SEAT FRONT C,V K BODY TRIM CODE M5
Figure ITC-4300

5234 4300



ITEM	PART NUMBER	QTY	BODY	MODEL	DESCRIPTION
	S916 DA3	1			N N41,45 N YS916DA3 Drivers Seat N N N N
	S939 DW1	1			N N22 N YS939DW1
	S917 DA3	1			N N41,45 N YS917DA3 Inner N N N N
	S939 DW1	1			Passenger Seat N N N N N N22 N YS939DW1
	S917 DA3	1			N N41,45 N YS917DA3 Drivers Seat N N N N
	S938 DW1	1			N N22 N YS938DW1
6	S916 DA3	1			N N41,45 N YS916DA3 SHIELD, Cushion (paint as required) N N N N Outer N N N N
	S918 DW1	1			Passenger Seat N N N N N N22 N YS918DW1
	S942 DA3	1			N N41,45 N YS942DA3 Drivers Seat N N N N
	S919 DW1	1			N N22 N YS919DW1
	S943 DA3	1			N N41,45 N YS943DA3 Inner N N N N Passenger Seat N N N N
	S919 DW1	1			N N22 N YS919DW1
	S943 DA3	1			N N41,45 N YS943DA3 Drivers Seat N N N N
	S918 DW1	1			N N22 N YS918DW1
7	S942 DA3	1			N N41,45 N YS942DA3 SHIELD, Cushion Electric (paint as required) N N N N
	S945 DW1	1			N N22 N YS945DW1
	S921 DA3	1			N N41,45 N YS921DA3
		AR			SCREW, Side Shields Attaching (8-18x1.75) (not serviced) N N N N
8	4317 800	AR			CLIP, Shield Attaching N N N Y4317800

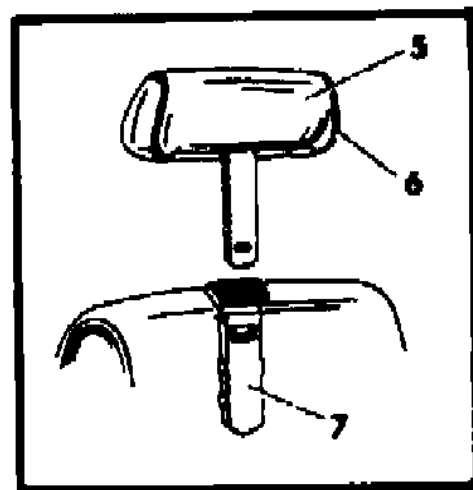
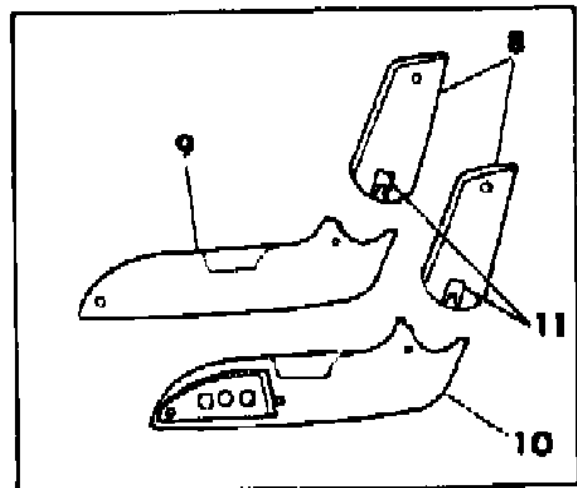
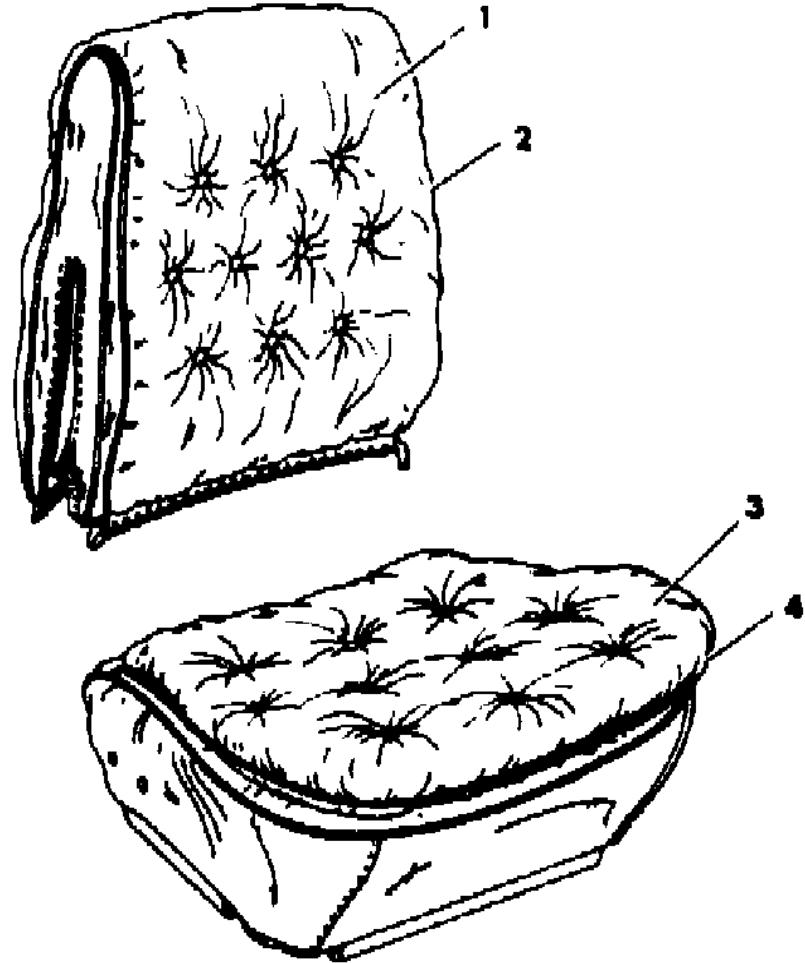
MODEL CODES
 B = GRAN FURY
 C = LE BARON/TOWN & COUNTRY/LIMO
 C24 = LASER
 C44 = LE BARON/GTS
 D = ARIES
 D44 = LANCER
 E = 600
 F = FIFTH AVENUE/NEWPORT
 G = DIPLOMAT
 H = VOYAGER
 J = CARAVELLE
 K = MINI VAN/CARAVAN/ROYAL
 M = HORIZON/TURISMO
 P = RELIANT
 T = NEW YORKER
 V = 600
 V24 = DAYTONA
 Z = OMNI/CHARGER

BODY STYLES
 21 = 2-DOOR SEDAN
 22 = 2-DOOR SPECIAL COUPE
 24 = 2-DOOR HATCHBACK
 27 = 2-DOOR CONVERTIBLE
 35 = FWD VAN
 36 = FWD WAGON
 41 = 4-DOOR SEDAN
 44 = 4-DOOR HATCHBACK
 45 = 4-DOOR STATION WAGON
 49 = LIMOUSINE

AR = Use as Required - = Non Illustrated Part P.A.R. = Paint as Required

**SEAT FRONT LIMO.
Figure ITC-4400**

5234 4400



ITEM	PART NUMBER	QTY	BODY	MODEL	DESCRIPTION
1-2					BACK, w/Spring/Frame, Pad and Cover N N N N
	4364 320-1	1			Silver N N N Y4364320
	4364 322-3	1			Blue N N N Y4364322
	4364 324-5	1			Blue, Leather N N N Y4364324
2					COVER, Back N N N N
	4364 326-7	1			Silver N N N Y4364326
	4364 328-9	1			Blue N N N Y4364328
	4364 330-1	1			Blue, Leather N N N Y4364330
3-4					CUSHION, w/Spring/Frame, Pad and Cover N N N N
	4364 332-3	1			Silver N N N Y4364332
	4364 334-5	1			Blue N N N Y4364334
	4364 336-7	1			Blue, Leather N N N Y4364336
4					COVER, Cushion N N N N
	4364 314-5	1			Silver N N N Y4364314
	4364 316-7	1			Blue N N N Y4364316
	4364 318-9	1			Blue, Leather N N N Y4364318
5					HEADREST and COVER N N N N
	4364 300	2			Silver N N N Y4364300
	4364 301	2			Blue N N N Y4364301
	4364 302	2			Blue, Leather N N N Y4364302
6					COVER, Headrest N N N N
	4364 303	1			Silver N N N Y4364303
	4364 304	1			Blue N N N Y4364304
	4364 305	1			Blue, Leather N N N Y4364305
7					SLEEVE, Headrest N N N N
	S786 AA3	1			Silver N N N YS786AA3
	S786 AC7	1			Blue N N N YS786AC7
8					SHIELD, Back (paint as required) N N N N Outer N N N N
	S916 DA3	1			Passenger Seat N N N YS916DA3
	S917 DA3	1			Drivers Seat N N N YS917DA3 Inner N N N N
	S917 DA3	1			Passenger Seat N N N YS917DA3
	S916 DA3	1			Drivers Seat N N N YS916DA3
9					SHIELD, Cushion (paint as required) N N N N Outer N N N N
	S942 DA3	1			Passenger Seat N N N YS942DA3

MODEL CODES

B = GRAN FURY	E = 600	M = HORIZON/TURISMO
C = LE BARON/TOWN & COUNTRY/LIMO	F = FIFTH AVENUE/NEWPORT	P = RELIANT
C24 = LASER	G = DIPLOMAT	T = NEW YORKER
C44 = LE BARON/GTS	H = VOYAGER	V = 600
D = ARIES	J = CARAVELLE	V24 = DAYTONA
D44 = LANCER	K = MINI VAN/CARAVAN/ROYAL	Z = OMNI/CHARGER

BODY STYLES

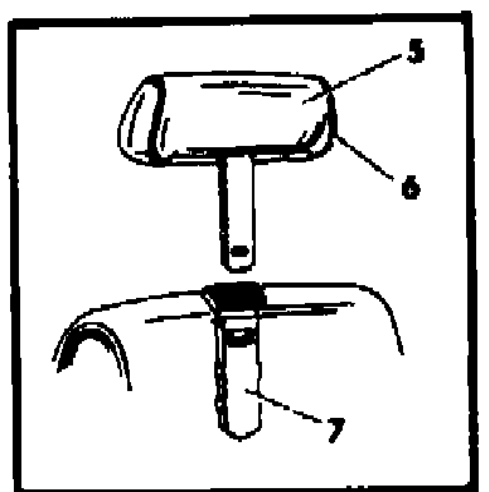
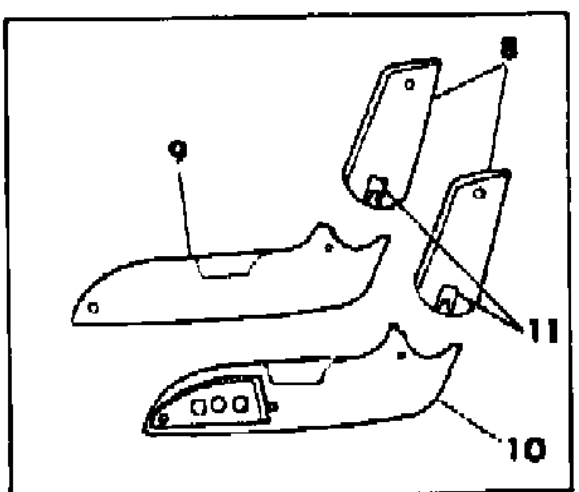
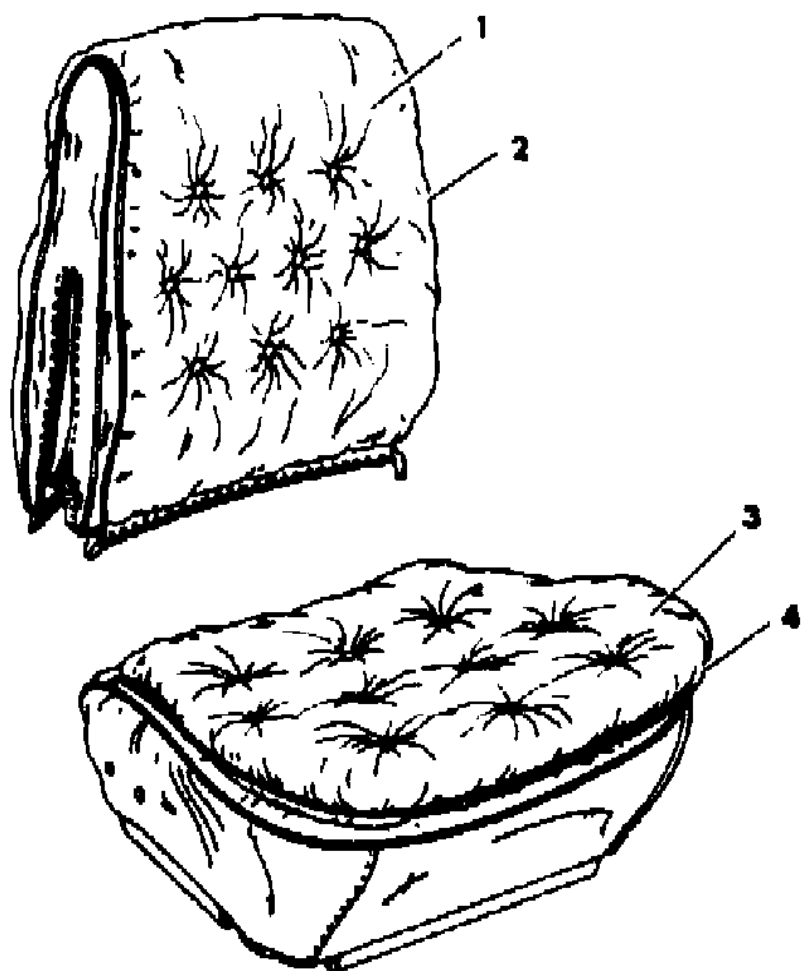
21 = 2-DOOR SEDAN	35 = FWD VAN	44 = 4-DOOR HATCHBACK
22 = 2-DOOR SPECIAL COUPE	36 = FWD WAGON	45 = 4-DOOR STATION WAGON
24 = 2-DOOR HATCHBACK	41 = 4-DOOR SEDAN	49 = LIMOUSINE
27 = 2-DOOR CONVERTIBLE		

AR = Use as Required - = Non Illustrated Part P.A.R. = Paint as Required

SEAT FRONT LIMO.
Figure ITC-4400

5234 4400

ITEM	PART NUMBER	QTY	BODY	MODEL	DESCRIPTION
	S943 DA3	1			Drivers Seat N N N YS943DA3
					Inner N N N N
	S943 DA3	1			Passenger Seat N N N YS943DA3
	S942 DA3	1			Drivers Seat N N N YS942DA3
10	S921 DA3	1			SHIELD, Cushion Electric (paint as required) N N N YS921DA3
11	4317 800	AR			CLIP, Shield Attaching N N N Y4317800



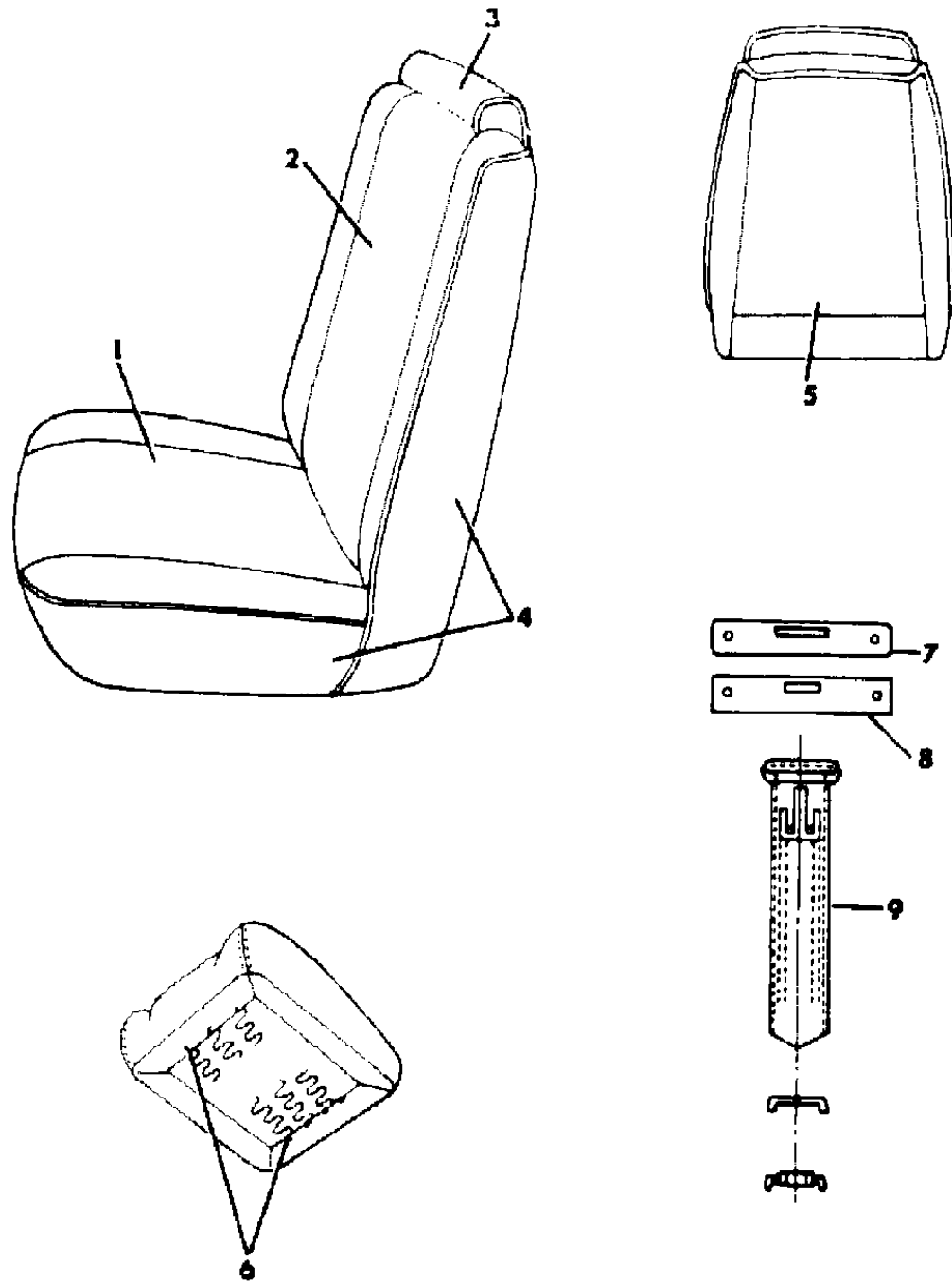
MODEL CODES
 B = GRAN FURY
 C = LE BARON/TOWN & COUNTRY/LIMO
 C24 = LASER
 C44 = LE BARON/GTS
 D = ARIES
 D44 = LANCER
 E = 600
 F = FIFTH AVENUE/NEWPORT
 G = DIPLOMAT
 H = VOYAGER
 J = CARAVELLE
 K = MINI VAN/CARAVAN/ROYAL
 M = HORIZON/TURISMO
 P = RELIANT
 T = NEW YORKER
 V = 600
 V24 = DAYTONA
 Z = OMNI/CHARGER

BODY STYLES
 21 = 2-DOOR SEDAN
 22 = 2-DOOR SPECIAL COUPE
 24 = 2-DOOR HATCHBACK
 27 = 2-DOOR CONVERTIBLE
 35 = FWD VAN
 36 = FWD WAGON
 41 = 4-DOOR SEDAN
 44 = 4-DOOR HATCHBACK
 45 = 4-DOOR STATION WAGON
 49 = LIMOUSINE

AR = Use as Required - = Non Illustrated Part P.A.R. = Paint as Required

SEAT FRONT P,D K BODY FLEET POLICE AND OTHERS
Figure ITC-3800

5214 4500



ITEM	PART NUMBER	QTY	BODY	MODEL	DESCRIPTION
------	-------------	-----	------	-------	-------------

NOTE: Special equipment code is in the trim column. s ARE NOT RETURNABLE.

1	4196 924	2			COVER, Cushion N N N N Medium and Dark Blue, Cloth N N NCACS Y4196924
	4196 954	2			Beige and Brown, Cloth N N NCACS Y4196954
2	4196 926	2			COVER, Back N N N N Medium And Dark Blue, Cloth N N NCACS Y4196926
	4196 960	2			Beige And Brown, Cloth N N NCACS Y4196960
3	S790 BB5	2			HEADREST and COVER N N N N Blue N N N YS790BB5
	S790 BL3	2			Beige N N N YS790BL3
4	R616 VC8	AR			ROLL STOCK, 54" Wide Order by the Inch N N N N Blue, Vinyl N N N YR616VC8
	R609 DT5	AR			Brown, Vinyl N N N YR609DT5
5	R620 AC8	AR			ROLL STOCK, 54" Wide Order by the Inch N N N N Blue, Vinyl N N N YR620AC8
	R620 DT5	AR			Brown, Vinyl N N N YR620DT5
6	6008 076	AR			HOG RING N N N Y6008076
7	4190 388	2			COVER, Headrest Finish N N N Y4190388
8	4190 387	2			SUPPORT, Headrest N N N Y4190387
9	S786 AC7	2			SLEEVE, Headrest N N N N Blue N N N YS786AC7
	S786 DT3	2			Tan N N N YS786DT3

MODEL CODES

B = GRAN FURY	E = 600	M = HORIZON/TURISMO
C = LE BARON/TOWN & COUNTRY/LIMO	F = FIFTH AVENUE/NEWPORT	P = RELIANT
C24 = LASER	G = DIPLOMAT	T = NEW YORKER
C44 = LE BARON/GTS	H = VOYAGER	V = 600
D = ARIES	J = CARAVELLE	V24 = DAYTONA
D44 = LANCER	K = MINI VAN/CARAVAN/ROYAL	Z = OMNI/CHARGER

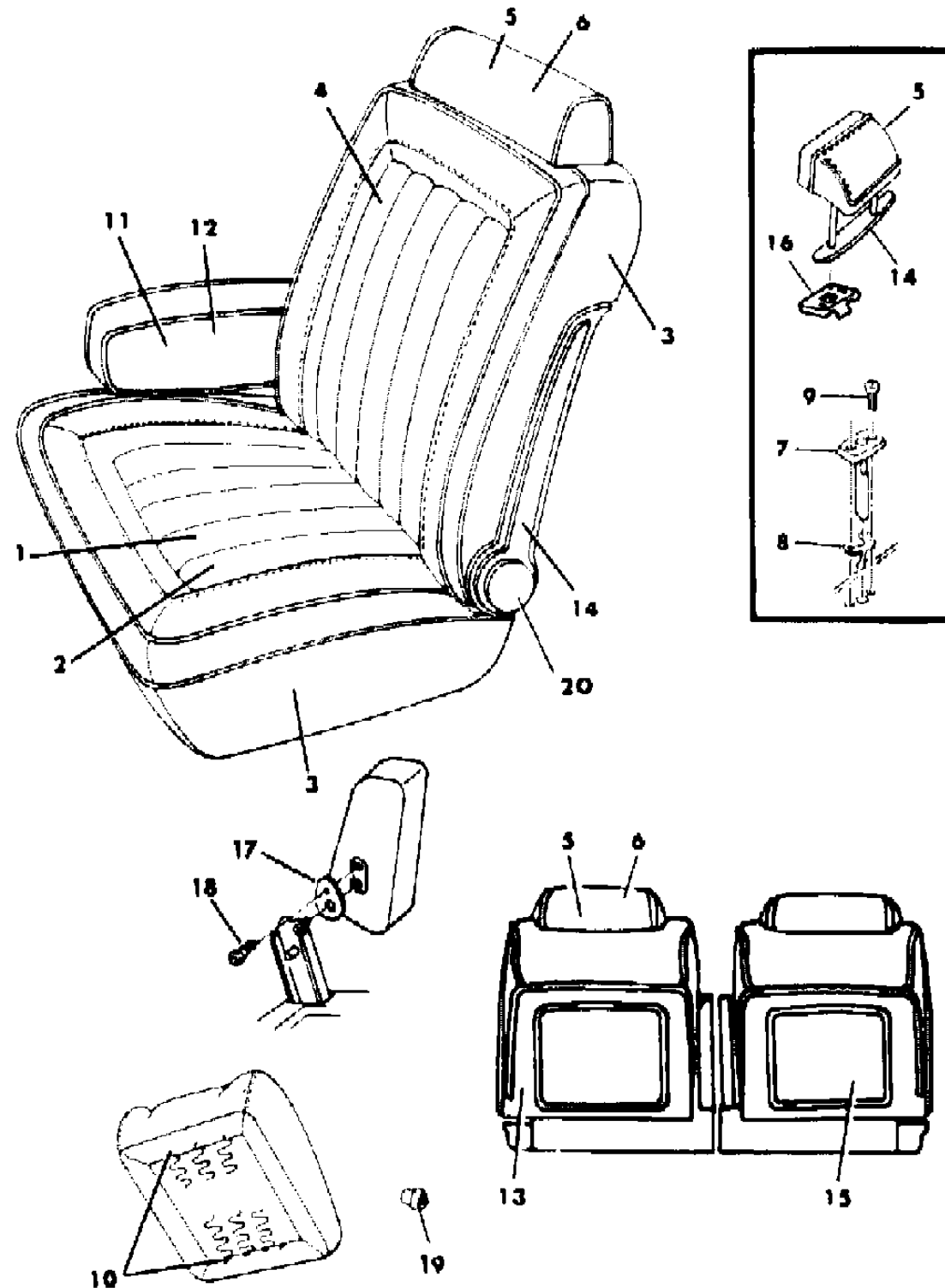
BODY STYLES

21 = 2-DOOR SEDAN	35 = FWD VAN	44 = 4-DOOR HATCHBACK
22 = 2-DOOR SPECIAL COUPE	36 = FWD WAGON	45 = 4-DOOR STATION WAGON
24 = 2-DOOR HATCHBACK	41 = 4-DOOR SEDAN	49 = LIMOUSINE
27 = 2-DOOR CONVERTIBLE		

AR = Use as Required - = Non Illustrated Part P.A.R. = Paint as Required

SEAT FRONT C K BODY TRIM CODE SP
Figure ITC-4600

5234 4600



ITEM	PART NUMBER	QTY	BODY	MODEL	DESCRIPTION
1-3					CUSHION, w/Spring/Frame, Pad and Cover N N N N Leather N N N N N N22,41 NSPSA YA760CPA N N22,41,45 NSPTU YA760DPU
2	A760-1 CPA A760-1 DPU				COVER, Cushion N N N N Leather N N N N N N22,41 NSPSA YA438CPA N N22,41,45 NSPTU YA438DPU
3	A438-9 CPA A438-9 DPU	1 1			ROLL STOCK, Vinyl Order by the Inch N N N N Charcoal 58" Wide N N22,41 NSPSA YR609CS8 Tan, 58" Wide N N22,41,45 NSPTU YR609DT5
3-4	R609 CS8 R609 DT5	AR AR			BACK, w/Spring/Frame, Pad and Cover N N N N Leather N N N N
4	A796-7 CPA A796-7 DPU	1 1			COVER, Back N N N N Leather N N N N
5	A440-1 CPA A440-1 DPU	1 1			HEADREST and COVER N N N N N N22,41 NSPSA YA440CPA N N22,41,45 NSPTU YA440DPU
5	A758 CS8 A758 DT5	2 2			HEADREST and COVER N N N N N N22,41 NSPSA YA758CS8 N N22,41,45 NSPTU YA758DT5
6	A448 CS8 A448 DT5	2 2			COVER, Headrest N N N N N N22,41 NSPSA YA448CS8 N N22,41,45 NSPTU YA448DT5
7	S786 CS8 S786 DT3	4 4			SLEEVE, Headrest N N N N N N22,41 NSPSA YS786CS8 N N22,41,45 NSPTU YS786DT3
8	4098 965	4			CATCH, Headrest Post N N22,41,45 N Y4098965
9		4			SCREW (not serviced) N N N N
10	6008 076	AR			HOG RING N N N Y6008076
11	A903 CS8 A903 DT5	2 2			ARMREST and COVER (passenger and drivers seat) N N N N N N22,41 NSPSA YA903CS8 N N22,41,45 NSPTU YA903DT5
12	A493 DT5 A519 CS8	2 2			COVER, Armrest (passenger and drivers seat) N N N N N N22,41,45 NSPTU YA493DT5 N N22,41 NSPSA YA519CS8

MODEL CODES

B = GRAN FURY	E = 600	M = HORIZON/TURISMO
C = LE BARON/TOWN & COUNTRY/LIMO	F = FIFTH AVENUE/NEWPORT	P = RELIANT
C24 = LASER	G = DIPLOMAT	T = NEW YORKER
C44 = LE BARON/GTS	H = VOYAGER	V = 600
D = ARIES	J = CARAVELLE	V24 = DAYTONA
D44 = LANCER	K = MINI VAN/CARAVAN/ROYAL	Z = OMNI/CHARGER

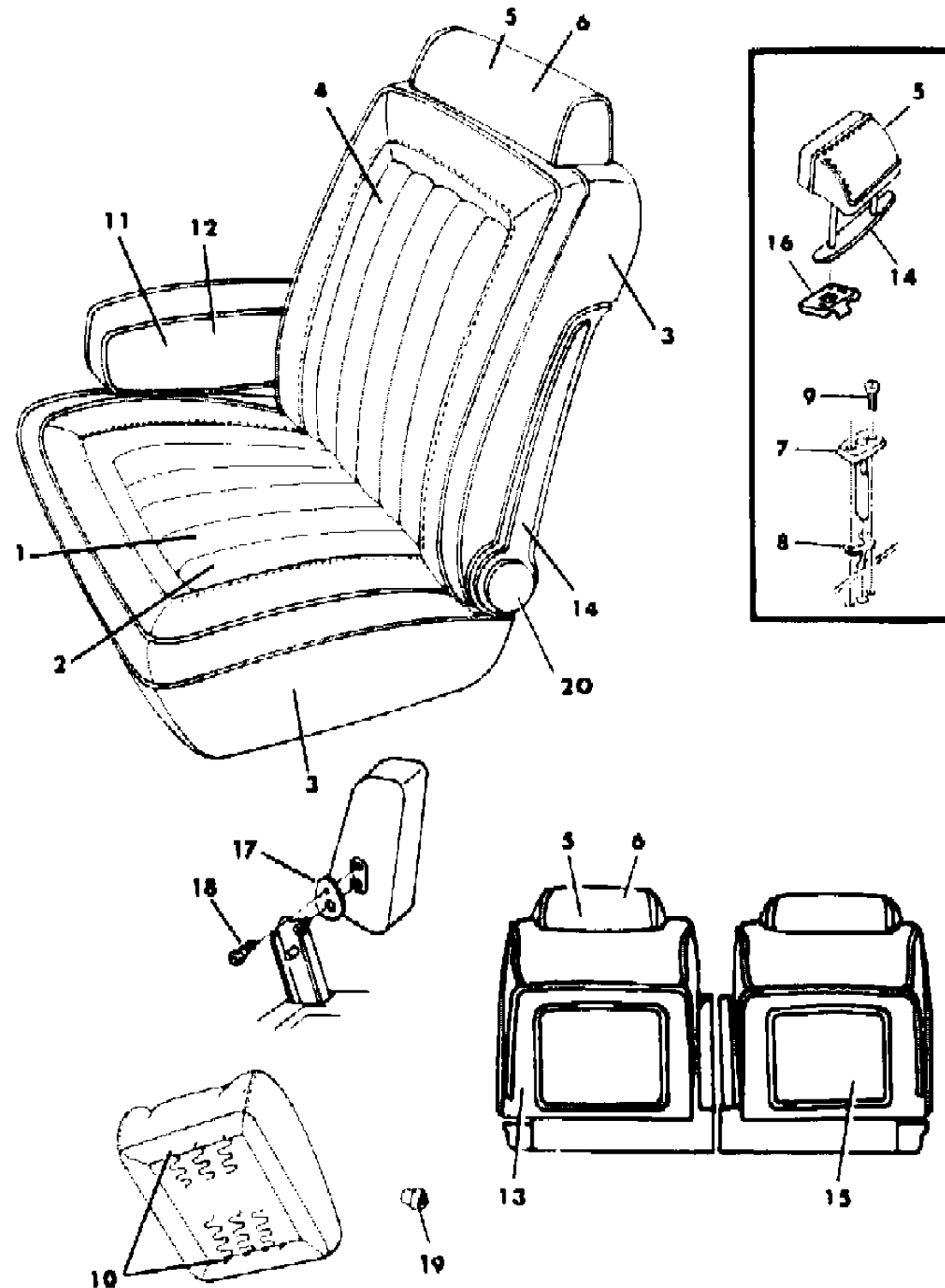
BODY STYLES

21 = 2-DOOR SEDAN	35 = FWD VAN	44 = 4-DOOR HATCHBACK
22 = 2-DOOR SPECIAL COUPE	36 = FWD WAGON	45 = 4-DOOR STATION WAGON
24 = 2-DOOR HATCHBACK	41 = 4-DOOR SEDAN	49 = LIMOUSINE
27 = 2-DOOR CONVERTIBLE		

AR = Use as Required - = Non Illustrated Part P.A.R. = Paint as Required

SEAT FRONT C K BODY TRIM CODE SP
Figure ITC-4600

5234 4600



ITEM	PART NUMBER	QTY	BODY	MODEL	DESCRIPTION
13					SHIELD, w/Finish Plate Front Seat Back (paint as required) N N N N
	S748-9 DT3	1			N N N YS748DT3
14	4018 808	2			COVER, Headrest Finish N N22,41,45 N Y4018808
15					COVER, Back Pocket N N N N
	S714-5 CS8	1			N N NSPSA YS714CS8
	S714-5 DT5	1			N N NSPTU YS714DT5
15A		AR			BOLT, Pocket attaching (8-32x.780) (not serviced) N N N N
16	4138 140	4			SPACER, Headrest N N N Y4138140
17	4290 871	AR			SPACER, Armrest to Stanchion N N N Y4290871
18	6032 567	AR			BOLT, Shoulder N N N Y6032567
19	4190 488	1			BUSHING, Inner Pivot Pin Right Only N N N Y4190488
20	4277 670	2			PLATE, Shield N N N Y4277670

MODEL CODES

B = GRAN FURY	E = 600	M = HORIZON/TURISMO
C = LE BARON/TOWN & COUNTRY/LIMO	F = FIFTH AVENUE/NEWPORT	P = RELIANT
C24 = LASER	G = DIPLOMAT	T = NEW YORKER
C44 = LE BARON/GTS	H = VOYAGER	V = 600
D = ARIES	J = CARAVELLE	V24 = DAYTONA
D44 = LANCER	K = MINI VAN/CARAVAN/ROYAL	Z = OMNI/CHARGER

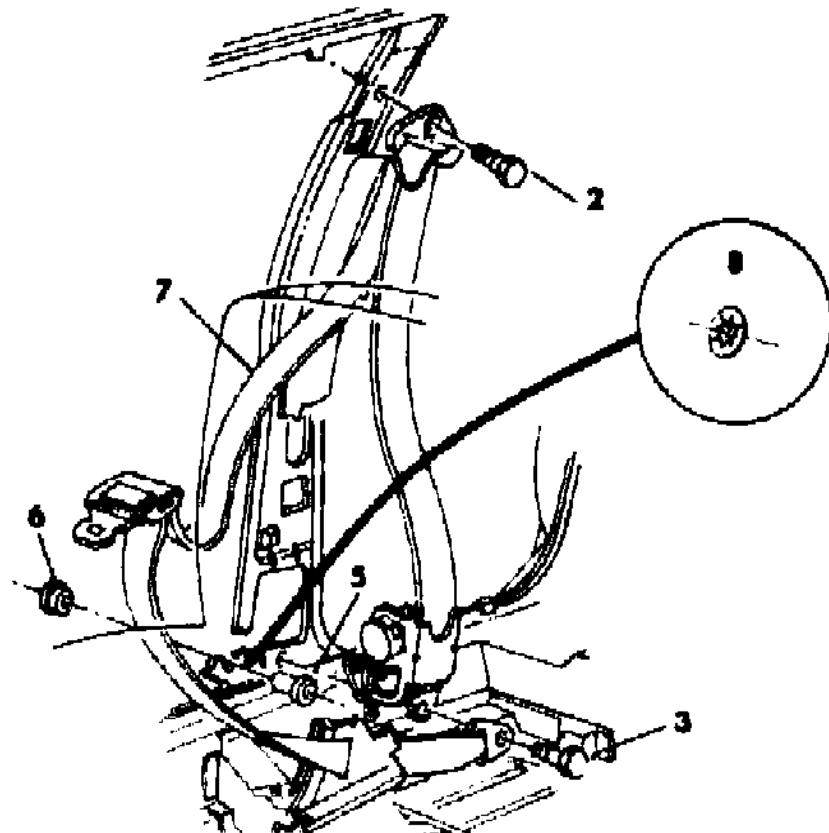
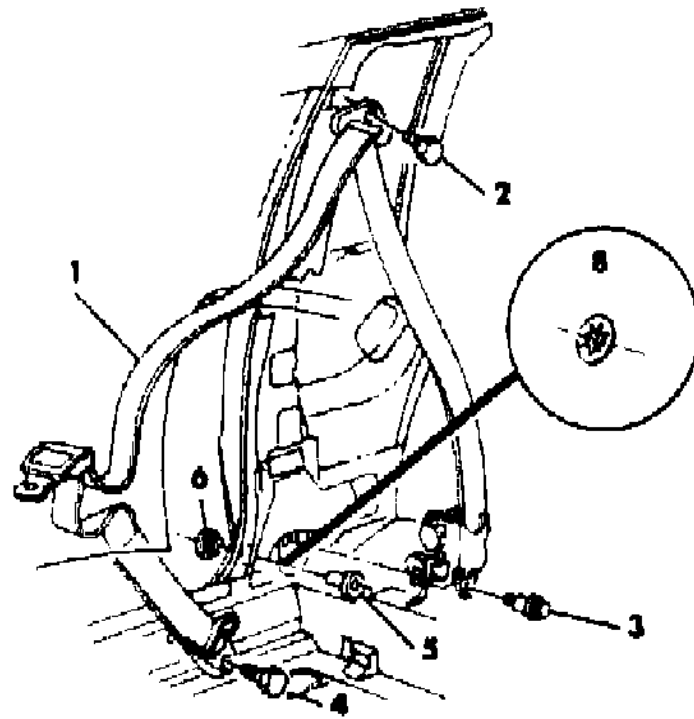
BODY STYLES

21 = 2-DOOR SEDAN	35 = FWD VAN	44 = 4-DOOR HATCHBACK
22 = 2-DOOR SPECIAL COUPE	36 = FWD WAGON	45 = 4-DOOR STATION WAGON
24 = 2-DOOR HATCHBACK	41 = 4-DOOR SEDAN	49 = LIMOUSINE
27 = 2-DOOR CONVERTIBLE		

AR = Use as Required - = Non Illustrated Part P.A.R. = Paint as Required

BELT FRONT SEAT LAP AND SHOULDER P,D,C,V K BODY
Figure ITC-4700

1234 4700



ITEM	PART NUMBER	QTY	BODY	MODEL	DESCRIPTION
1					BELT, Front Seat Lap and Shoulder Outer N N N N Label Number 4327112-3 N N N N F746-7 DA3 1 Silver N N21,22 N YF746DA3 F746-7 DB5 1 Blue, Light N N21,22 N YF746DB5 F746-7 DC7 1 Blue, Dark N N21,22 N YF746DC7 F746-7 DM6 1 Red N N21,22 N YF746DM6 F746-7 DT3 1 Tan N N21,22 N YF746DT3 F746-7 DT8 1 Brown N N21,22 N YF746DT8 F746-7 DS8 1 Charcoal N N21,22 N YF746DS8
2	6031 298	2			BOLT, Shoulder N N N Y6031298
3	6031 484	2			BOLT N N N Y6031484
4	6031 216	2			BOLT, Shoulder N N N Y6031216
5	4290 789	2			CYLINDER, Tension Reliever Button w/Bumper N N N Y4290789 4327 154 2 BUTTON, Tension Reliever N N N Y4327154
6	4327 076	2			RETAINER, Seat Belt Tension Reliever Button N N N Y4327076
7					BELT, Front Seat Lap and Shoulder, Outer N N N N Label Number 4327108-9 N N N N F752-3 DA3 1 Silver N N41,45 N YF752DA3 F752-3 DB5 1 Blue, Light N N41,45 N YF752DB5 F752-3 DC7 1 Blue, Dark N N41,45 N YF752DC7 F752-3 DM6 1 Red N N41,45 N YF752DM6 F752-3 DT3 1 Tan N N41,45 N YF752DT3 F752-3 DT8 1 Brown N N41,45 N YF752DT8 F752-3 DS8 1 Charcoal N N41,45 N YF752DS8 4172 857 1 ROD, Retractor Tension Reliever Release Actuating N N41,45 N Y4172857
8	6025 160	2			RETAINER, Inertia Retractor Pendulum Shaft N N N Y6025160

MODEL CODES

B = GRAN FURY	E = 600	M = HORIZON/TURISMO
C = LE BARON/TOWN & COUNTRY/LIMO	F = FIFTH AVENUE/NEWPORT	P = RELIANT
C24 = LASER	G = DIPLOMAT	T = NEW YORKER
C44 = LE BARON/GTS	H = VOYAGER	V = 600
D = ARIES	J = CARAVELLE	V24 = DAYTONA
D44 = LANCER	K = MINI VAN/CARAVAN/ROYAL	Z = OMNI/CHARGER

BODY STYLES

21 = 2-DOOR SEDAN	35 = FWD VAN	44 = 4-DOOR HATCHBACK
22 = 2-DOOR SPECIAL COUPE	36 = FWD WAGON	45 = 4-DOOR STATION WAGON
24 = 2-DOOR HATCHBACK	41 = 4-DOOR SEDAN	49 = LIMOUSINE
27 = 2-DOOR CONVERTIBLE		

AR = Use as Required - = Non Illustrated Part P.A.R. = Paint as Required

BELT FRONT SEAT INBOARD P,D,C,V K BODY
Figure ITC-4800

5234 4800

ITEM	PART NUMBER	QTY	BODY	MODEL	DESCRIPTION
1					BELT, Front Seat Lap, Inner N N N N
					Label Number 4316892 N N N N
	F698 CA3	1			Silver N N N YF698CA3
	F698 CB5	1			Blue, Light N N N YF698CB5
	F698 CC7	1			Blue, Dark N N N YF698CC7
	F698 CM6	1			Red N N N YF698CM6
	F698 DT3	1			Tan N N N YF698DT3
	F698 CT8	1			Brown N N N YF698CT8
F698 CS8	1			Charcoal N N N YF698CS8	
2	6031 298	AR			BOLT N N N Y6031298
3		AR			WASHER (not serviced) N N N N
4					BELT, Front Seat Lap Inboard, Right N N N N
					Label Number 4316750 N N N N
	F706 BA3	1			Silver N N N YF706BA3
	F706 BB5	1			Blue, Light N N N YF706BB5
	F706 BC7	1			Blue, Dark N N N YF706BC7
	F706 BM6	1			Red N N N YF706BM6
	F706 DT3	1			Tan N N N YF706DT3
	F706 BT8	1			Brown N N N YF706BT8
F706 CS8	1			Charcoal N N N YF706CS8	
5					BELT, Front Seat Lap Inboard, Left N N N N
					Label Number 4316751 N N N N
	F707 BA3	1			Silver N N N YF707BA3
	F707 BB5	1			Blue, Medium N N N YF707BB5
	F707 BC7	1			Blue, Dark N N N YF707BC7
	F707 BM6	1			Red N N N YF707BM6
	F707 DT3	1			Tan N N N YF707DT3
	F707 BT8	1			Brown N N N YF707BT8
F707 CS8	1			Charcoal N N N YF707CS8	
6	F814 JX9	2			COVER, Anchor Bolt N N N YF814JX9
7					BELT, Inner Buckle N N N N
					Label Number 4277632-3 N N N N
	F616-7 BA3	1			Silver N N N YF616BA3
	F616-7 BC7	1			Blue N N N YF616BC7
	F616-7 BM6	1			Red N N N YF616BM6
F616-7 DT3	1			Tan N N N YF616DT3	
F616-7 BT8	1			Brown N N N YF616BT8	

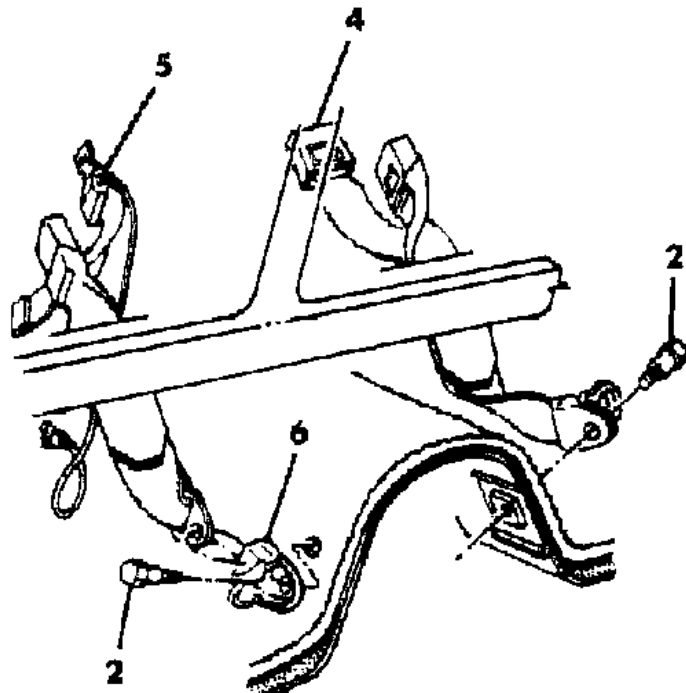
MODEL CODES

B = GRAN FURY	E = 600	M = HORIZON/TURISMO
C = LE BARON/TOWN & COUNTRY/LIMO	F = FIFTH AVENUE/NEWPORT	P = RELIANT
C24 = LASER	G = DIPLOMAT	T = NEW YORKER
C44 = LE BARON/GTS	H = VOYAGER	V = 600
D = ARIES	J = CARAVELLE	V24 = DAYTONA
D44 = LANCER	K = MINI VAN/CARAVAN/ROYAL	Z = OMNI/CHARGER

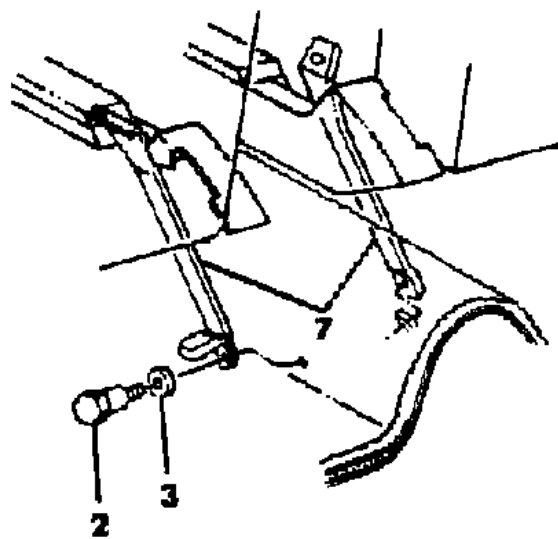
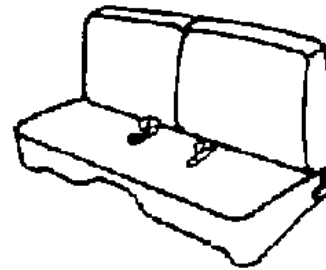
BODY STYLES

21 = 2-DOOR SEDAN	35 = FWD VAN	44 = 4-DOOR HATCHBACK
22 = 2-DOOR SPECIAL COUPE	36 = FWD WAGON	45 = 4-DOOR STATION WAGON
24 = 2-DOOR HATCHBACK	41 = 4-DOOR SEDAN	49 = LIMOUSINE
27 = 2-DOOR CONVERTIBLE		

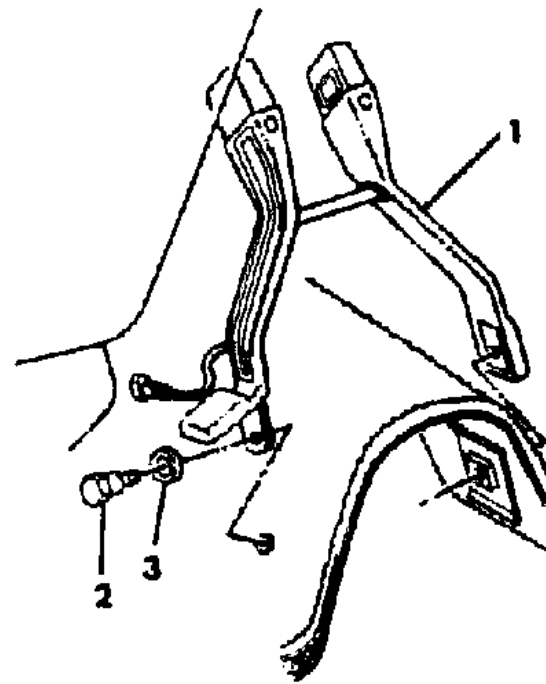
AR = Use as Required - = Non Illustrated Part P.A.R. = Paint as Required



W/Bench



W/50-50

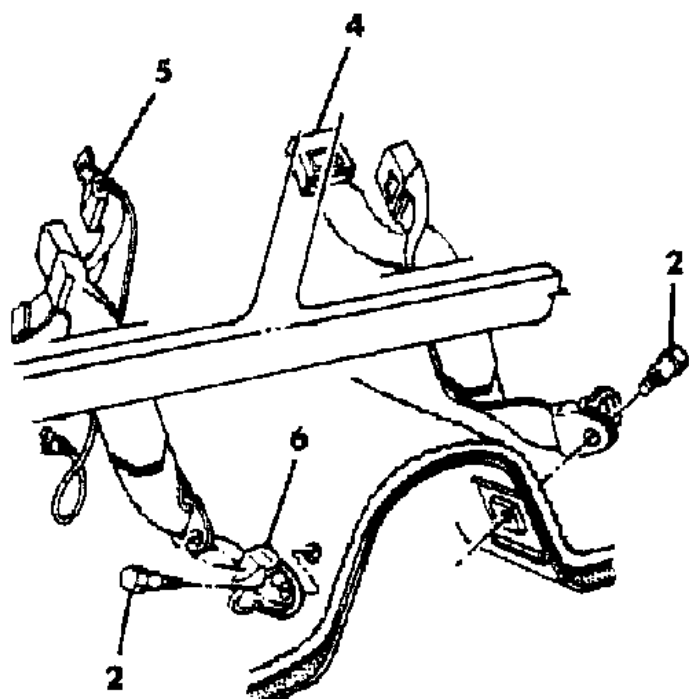


W/Buckets

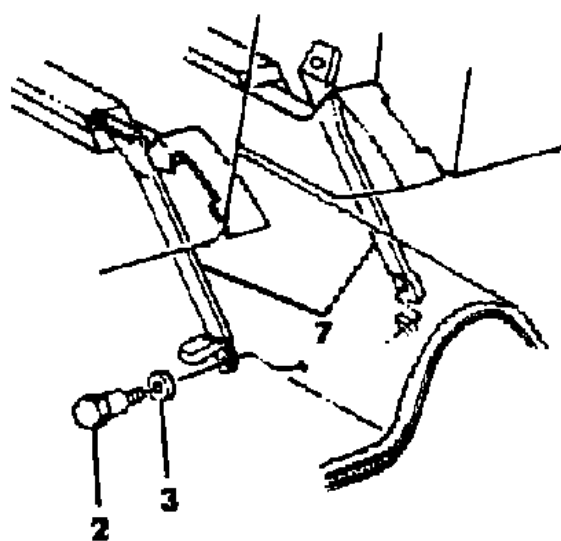
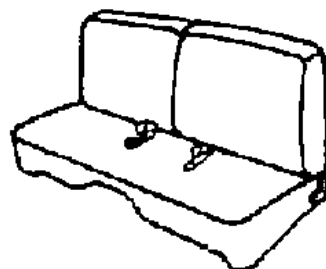
BELT FRONT SEAT INBOARD P,D,C,V K BODY
Figure ITC-4800

5234 4800

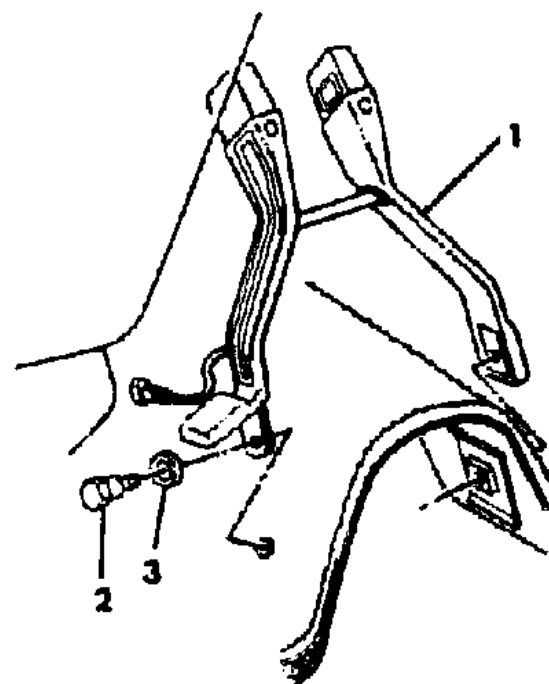
ITEM	PART NUMBER	QTY	BODY	MODEL	DESCRIPTION
	F616-7 CS8	1			Charcoal N N N YF616CS8



W/Bench



W/50-50



W/Buckets

MODEL CODES

- | | | |
|----------------------------------|----------------------------|---------------------|
| B = GRAN FURY | E = 600 | M = HORIZON/TURISMO |
| C = LE BARON/TOWN & COUNTRY/LIMO | F = FIFTH AVENUE/NEWPORT | P = RELIANT |
| C24 = LASER | G = DIPLOMAT | T = NEW YORKER |
| C44 = LE BARON/GTS | H = VOYAGER | V = 600 |
| D = ARIES | J = CARAVELLE | V24 = DAYTONA |
| D44 = LANCER | K = MINI VAN/CARAVAN/ROYAL | Z = OMNI/CHARGER |

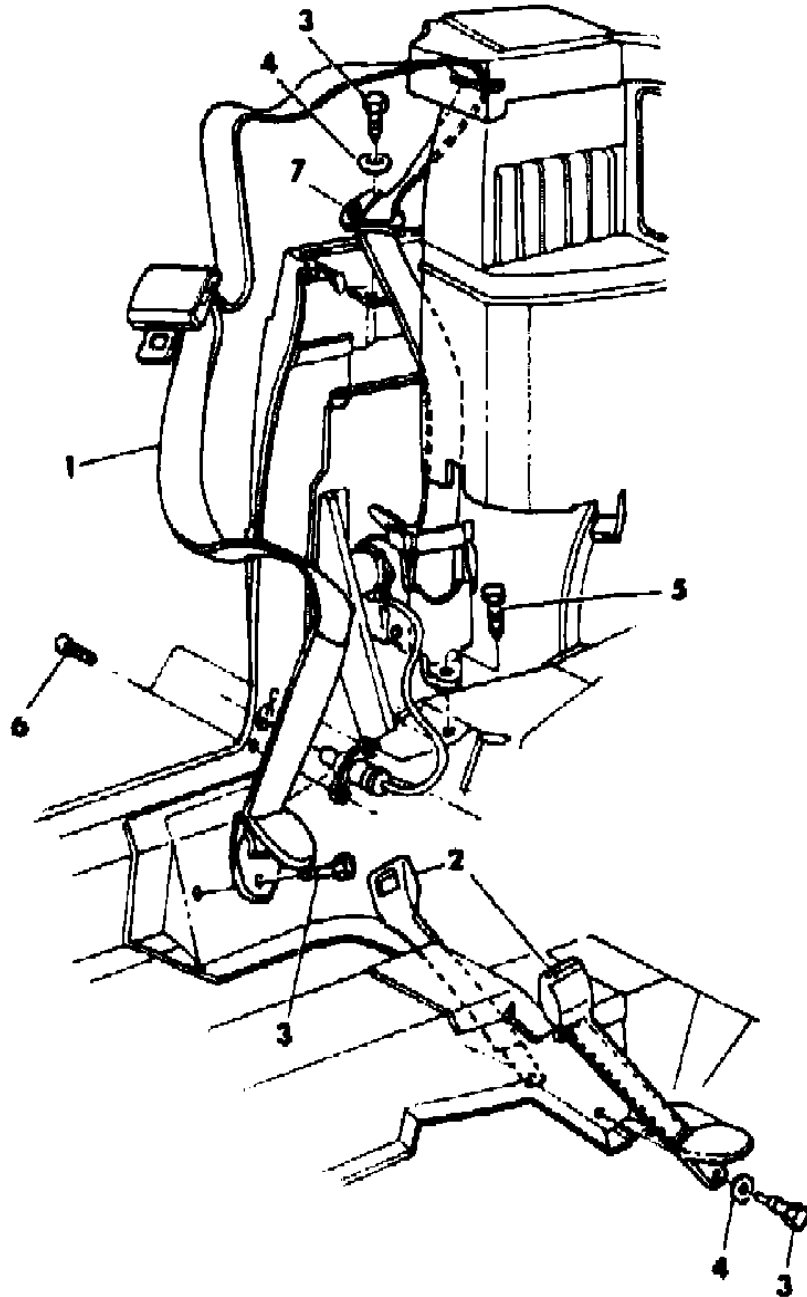
BODY STYLES

- | | | |
|---------------------------|-------------------|---------------------------|
| 21 = 2-DOOR SEDAN | 35 = FWD VAN | 44 = 4-DOOR HATCHBACK |
| 22 = 2-DOOR SPECIAL COUPE | 36 = FWD WAGON | 45 = 4-DOOR STATION WAGON |
| 24 = 2-DOOR HATCHBACK | 41 = 4-DOOR SEDAN | 49 = LIMOUSINE |
| 27 = 2-DOOR CONVERTIBLE | | |

AR = Use as Required - = Non Illustrated Part P.A.R. = Paint as Required

BELT FRONT SEAT C,V K BODY 27
Figure ITC-4900

5274 1900



ITEM	PART NUMBER	QTY	BODY	MODEL	DESCRIPTION
1					BELT, Lap and Shoulder N N N N
	F762-3 DT3	1			Label Number 4317810-1 N N N N Beige N N N YF762DT3
	F762-3 CM6	1			Red N N N YF762CM6
	F762-3 CS8	1			Charcoal N N N YF762CS8
	F768-9 CM6	1			Label Number 4327320-1 N N N N Red N N N YF768CM6
	F768-9 DT3	1			Tan N N N YF768DT3
	F768-9 CS8	1			Charcoal N N N YF768CS8
2					BELT, Inner N N N N
	F591 DT3	1			Label Number 4317997 N N N N Tan N N N YF591DT3
	F591 BM6	1			Red N N N YF591BM6
	F591 CS8	1			Charcoal N N N YF591CS8
	F774 DT3	1			Label Number 4317958 or 4327362 N N N N Tan N N N YF774DT3
	F774 CM6	1			Red N N N YF774CM6
	F774 CS8	1			Charcoal N N N YF774CS8
3	6031 298	2			BOLT N N N Y6031298
4					WASHER (not serviced) N N N N
5	6031 218	2			BOLT N N N Y6031218
6					SCREW (not serviced) N N N N
7	4097 670-1	1			GUIDE, Seat Belt N N N Y4097670

MODEL CODES

B = GRAN FURY	E = 600	M = HORIZON/TURISMO
C = LE BARON/TOWN & COUNTRY/LIMO	F = FIFTH AVENUE/NEWPORT	P = RELIANT
C24 = LASER	G = DIPLOMAT	T = NEW YORKER
C44 = LE BARON/GTS	H = VOYAGER	V = 600
D = ARIES	J = CARAVELLE	V24 = DAYTONA
D44 = LANCER	K = MINI VAN/CARAVAN/ROYAL	Z = OMNI/CHARGER

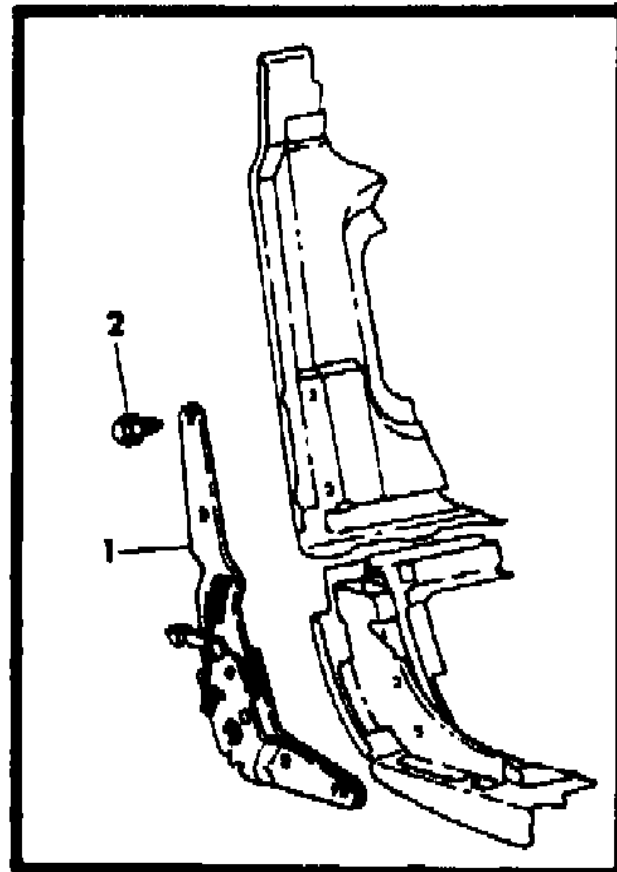
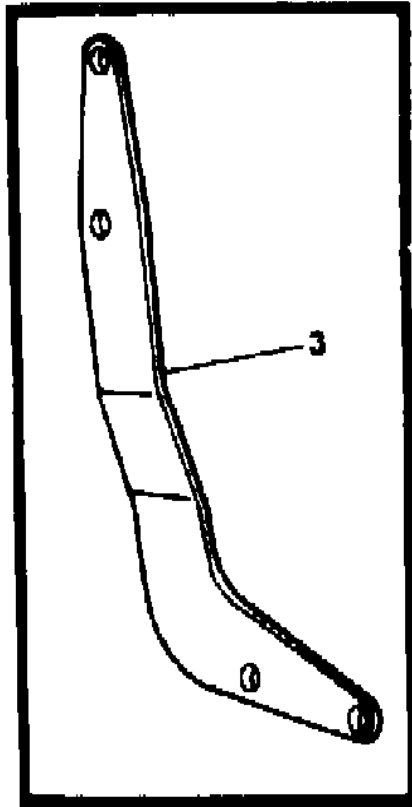
BODY STYLES

21 = 2-DOOR SEDAN	35 = FWD VAN	44 = 4-DOOR HATCHBACK
22 = 2-DOOR SPECIAL COUPE	36 = FWD WAGON	45 = 4-DOOR STATION WAGON
24 = 2-DOOR HATCHBACK	41 = 4-DOOR SEDAN	49 = LIMOUSINE
27 = 2-DOOR CONVERTIBLE		

AR = Use as Required - = Non Illustrated Part P.A.R. = Paint as Required

RELEASE FRONT BENCH SEAT P,D,C,V K BODY
Figure ITC-5000

5234 5000



ITEM	PART NUMBER	QTY	BODY	MODEL	DESCRIPTION
1	4190 664-5	1			LATCH, Front Seat Inertia, w/Bench and w/Split Back Bench N N21,22 N Y4190664
2	6100 585	AR			SCREW, Latch Assy. Inertia N N21,22 N Y6100585
3	4345 368-9	1			ARM, Seat Back to Cushion N N N Y4345368

MODEL CODES

B = GRAN FURY	E = 600	M = HORIZON/TURISMO
C = LE BARON/TOWN & COUNTRY/LIMO	F = FIFTH AVENUE/NEWPORT	P = RELIANT
C24 = LASER	G = DIPLOMAT	T = NEW YORKER
C44 = LE BARON/GTS	H = VOYAGER	V = 600
D = ARIES	J = CARAVELLE	V24 = DAYTONA
D44 = LANCER	K = MINI VAN/CARAVAN/ROYAL	Z = OMNI/CHARGER

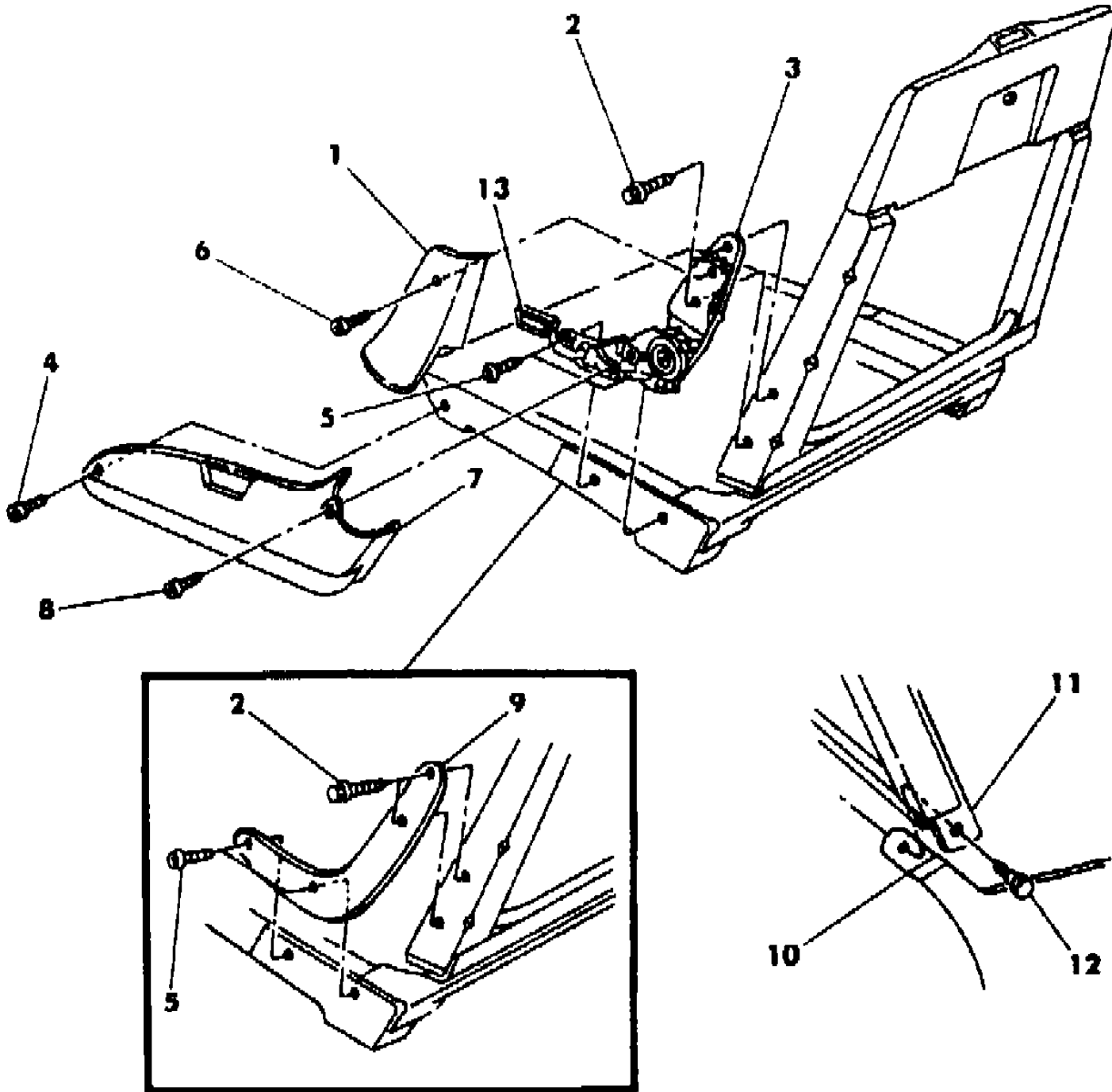
BODY STYLES

21 = 2-DOOR SEDAN	35 = FWD VAN	44 = 4-DOOR HATCHBACK
22 = 2-DOOR SPECIAL COUPE	36 = FWD WAGON	45 = 4-DOOR STATION WAGON
24 = 2-DOOR HATCHBACK	41 = 4-DOOR SEDAN	49 = LIMOUSINE
27 = 2-DOOR CONVERTIBLE		

AR = Use as Required - = Non Illustrated Part P.A.R. = Paint as Required

RECLINING BUCKET SEAT P,D,C,V K BODY
Figure ITC-5100

5234 5100



ITEM	PART NUMBER	QTY	BODY	MODEL	DESCRIPTION
1					SHIELD, Back (paint as required) N N N N
	S938-9 DW1	1			w/Release Button N N21,22,27 N YS938DW1
	S916-7 DA3	1			N N41,45 N YS916DA3
2	6501 221	AR			SCREW N N N Y6501221
3					RECLINER (paint as required) N N N N
	4327 628-9	1			N N21,22,27 N Y4327628
	4327 626-7	1			N N41,45 N Y4327626
4		AR			SCREW (8-18x1.00)(not serviced) N N N N
5	6500 558	AR			SCREW N N N Y6500558
6		AR			SCREW (8-18x1.75)(not serviced) N N N N
7					SHIELD, Cushion (paint as required) N N N N
	S918-9 DW1	1			N N21,22,27 N YS918DW1
	S942-3 DA3	1			N N41,45 N YS942DA3
8	6032 456	AR			SCREW N N N Y6032456
9	4317 876	2			ARM, Cushion to Back (use up to 11/1/84) N N N Y4317876
	4327 508	2			(use after 11/1/84) N N N Y4327508
10					FRAME, Cushion (reference) N N N N
11					FRAME, Back (reference) N N N N
12	6501 199	2			BOLT (10x1.5x39) N N N Y6501199
13	S940-1 DA3	1			LEVER, Recliner Release (paint as required) N N N YS940DA3
The following part is not illustrated. s ARE NOT RETURNABLE.					
	4190 614	2			ACTUATOR, Inertia Latch N N21,22,27 N Y4190614

MODEL CODES

B = GRAN FURY	E = 600	M = HORIZON/TURISMO
C = LE BARON/TOWN & COUNTRY/LIMO	F = FIFTH AVENUE/NEWPORT	P = RELIANT
C24 = LASER	G = DIPLOMAT	T = NEW YORKER
C44 = LE BARON/GTS	H = VOYAGER	V = 600
D = ARIES	J = CARAVELLE	V24 = DAYTONA
D44 = LANCER	K = MINI VAN/CARAVAN/ROYAL	Z = OMNI/CHARGER

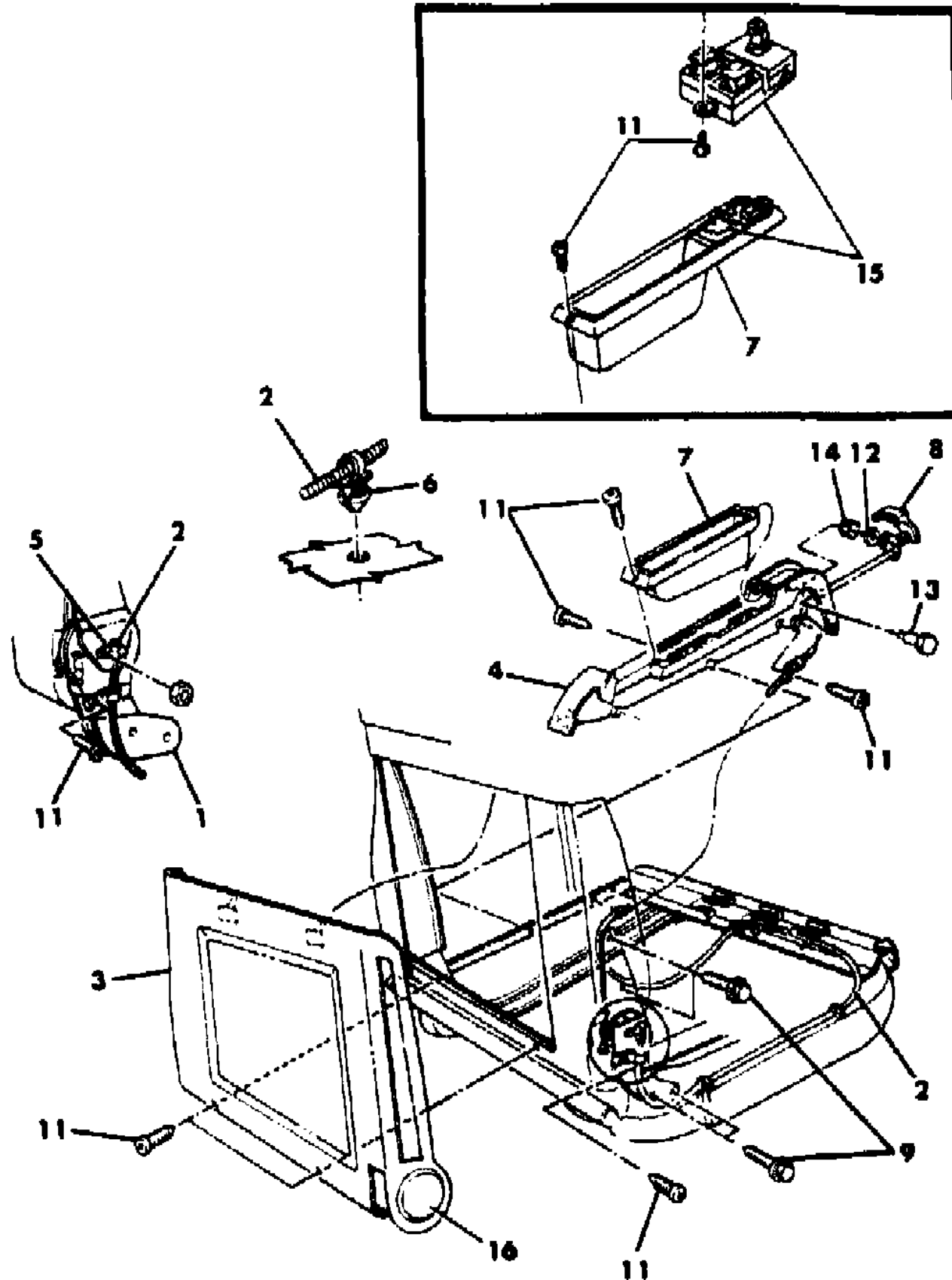
BODY STYLES

21 = 2-DOOR SEDAN	35 = FWD VAN	44 = 4-DOOR HATCHBACK
22 = 2-DOOR SPECIAL COUPE	36 = FWD WAGON	45 = 4-DOOR STATION WAGON
24 = 2-DOOR HATCHBACK	41 = 4-DOOR SEDAN	49 = LIMOUSINE
27 = 2-DOOR CONVERTIBLE		

AR = Use as Required - = Non Illustrated Part P.A.R. = Paint as Required

RECLINING 50/50 SEAT C,V K BODY
Figure ITC-5200

5234 5300



ITEM	PART NUMBER	QTY	BODY	MODEL	DESCRIPTION
1	4277 152-3	1			RECLINER N N22,27 N Y4277152
	4190 410	1			Right N N41,45 N Y4190410
	4277 553	1			Left N N41,45 N Y4277553
2	4316 984-5	1			CABLE, Release N N N Y4316984
3					SHIELD, w/Finish Plate Front Seat Back (paint as required) N N N N
	S748-9 DT3	1			N N N YS748DT3
	F245 CA3	AR			PLUG, Shield Upper 1/8" Attaching Hole (paint as required) N N N YF245CA3
4					CONSOLETTA, w/Handle N N N N
	S834-5 CS8	1			Charcoal N N N YS834CS8
	S834-5 DT5	1			Tan N N N YS834DT5
5	4277 506-7	1			ACTUATOR N N N Y4277506
6	6015 640	AR			CLIP N N N Y6015640
7					TRAY N N N N
					w/o Power Seats Right and Left N N N N
	S820 CS8	2			Charcoal N N N YS820CS8
	S820 DT5	2			Tan N N N YS820DT5
					w/Power Seats Left N N N N
	S821 CS8	1			Charcoal N N N YS821CS8
	S821 DT5	1			Tan N N N YS821DT5
8					HANDLE, Recliner Release N N N N
	S600 CS8	2			Charcoal N N N YS600CS8
	S600 DT5	2			Tan N N N YS600DT5
9	9422 041	4			SCREW and WASHER N N N Y9422041
10	0120 622	AR			NUT, Lock N N N Y120622
11		AR			SCREW (8-18x50)(not serviced) N N N N
12	6100 883	2			WASHER N N N Y6100883
13	6032 310	2			BOLT, Shoulder N N N Y6032310
14	4290 370-1	1			SPRING, Handle Return N N N Y4290370
15	3747 815	1			SWITCH, Seat Adjuster N N N Y3747815
16	4277 670	2			PLATE, Shield N N N Y4277670

MODEL CODES

B = GRAN FURY	E = 600	M = HORIZON/TURISMO
C = LE BARON/TOWN & COUNTRY/LIMO	F = FIFTH AVENUE/NEWPORT	P = RELIANT
C24 = LASER	G = DIPLOMAT	T = NEW YORKER
C44 = LE BARON/GTS	H = VOYAGER	V = 600
D = ARIES	J = CARAVELLE	V24 = DAYTONA
D44 = LANCER	K = MINI VAN/CARAVAN/ROYAL	Z = OMNI/CHARGER

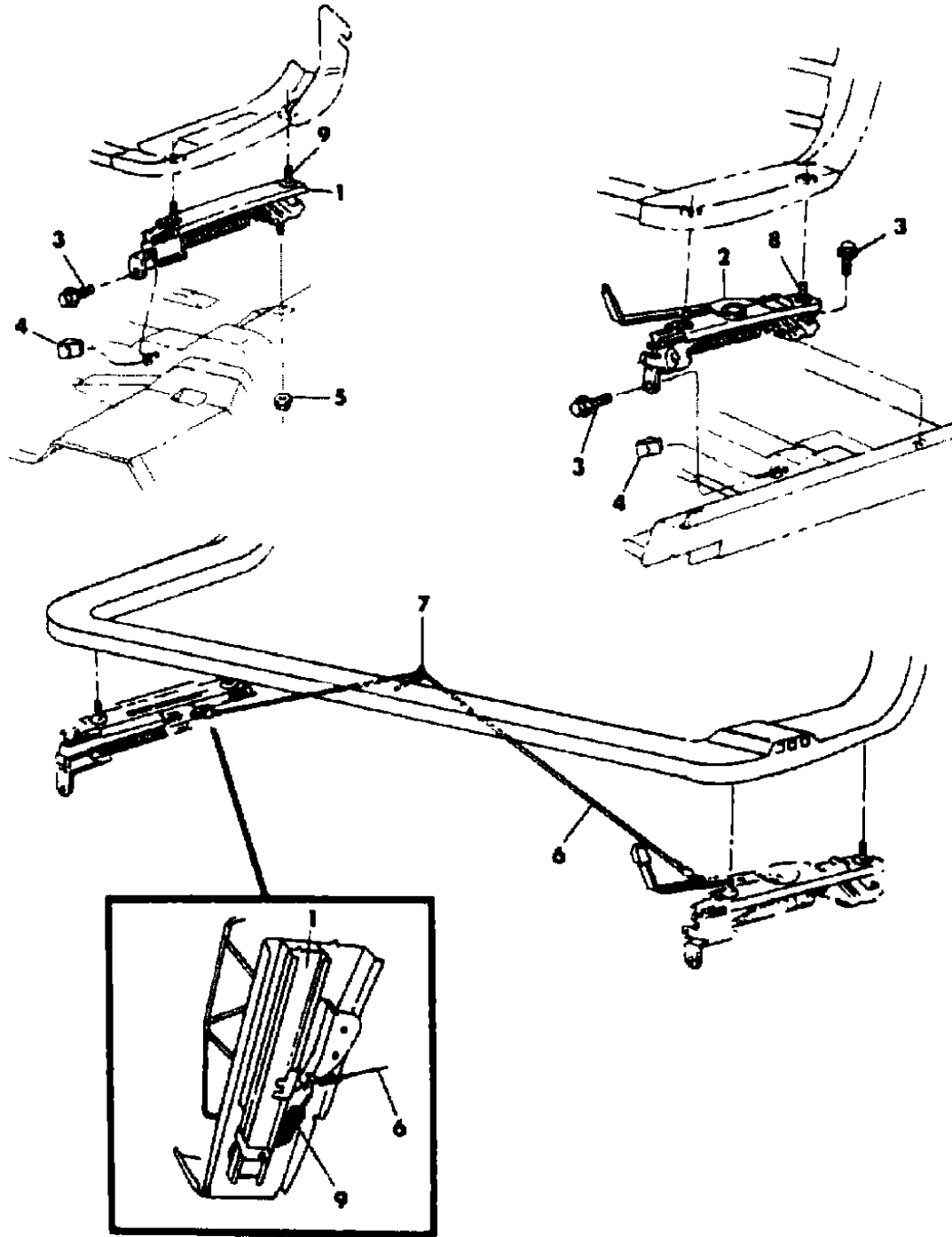
BODY STYLES

21 = 2-DOOR SEDAN	35 = FWD VAN	44 = 4-DOOR HATCHBACK
22 = 2-DOOR SPECIAL COUPE	36 = FWD WAGON	45 = 4-DOOR STATION WAGON
24 = 2-DOOR HATCHBACK	41 = 4-DOOR SEDAN	49 = LIMOUSINE
27 = 2-DOOR CONVERTIBLE		

AR = Use as Required - = Non Illustrated Part P.A.R. = Paint as Required

ADJUSTER MANUAL P,D,C,V K BODY
Figure ITC-5300

3234 5300



ITEM	PART NUMBER	QTY	BODY	MODEL	DESCRIPTION
1	4327 174-5	1			ADJUSTER, w/Bucket Seat Inner N N N Y4327174
	4316 856-7	1			NC,V N27 N Y4316856
	4290 998-9	1			w/50/50 Split N N N Y4290998
2					ADJUSTER, Outer N N N N
	4327 172-3	1			w/Bucket Seat N N N Y4327172
	4316 858-9	1			w/Bucket Seat NC,V N27 N Y4316858
	4327 178-9	1			w/Bench Seat w/o 4 Speed Manual Trans. N N N Y4327178
	4327 274-5	1			w/Bench Seat w/4 Speed Manual Trans. N N N Y4327274
	4290 996-7	1			w/50/50 Split N N N Y4290996
3		AR			SCREW and WASHER (not serviced) N N N N
4	6101 283	AR			U-NUT N N N Y6101283
5		AR			NUT and WASHER (not serviced) N N N N
6					WIRE, Release Lever Connector N N N N
	4239 933	1			w/Bench Seat N N N Y4239933
	4239 942	2			w/Bucket Seat N N N Y4239942
	4277 556	1			w/50/50 Split N N N Y4277556
7	2942 556	1			HOOK, Guide Wire N N N Y2942556
8		AR			SCREW and WASHER (not serviced) N N N N
9		1			SPRING N N N N
	4316 007	1			Latch Assist (18 coils) w/Bucket & Bench N N N Y4316007
	4316 006	1			Lever Assist (15 coils) w/Bucket N N N Y4316006
	4316 008	1			Lever Assist (15 coils) w/Bench N N N Y4316008
	4316 009	1			Adjustor Assist (29 coils) w/Bench N N N Y4316009
	4316 172	1			Adjustor Assist (43 coils) w/50/50 N N N Y4316172
	4327 235	1			SPRING, Latch Return Outboard Right N N27 N Y4327235
	4290 986	1			SPRING, Latch Return Inboard Left N N27 N Y4290986
	4290 990	1			SPRING, Adjustor Assist N N27 N Y4290990

MODEL CODES

B = GRAN FURY	E = 600	M = HORIZON/TURISMO
C = LE BARON/TOWN & COUNTRY/LIMO	F = FIFTH AVENUE/NEWPORT	P = RELIANT
C24 = LASER	G = DIPLOMAT	T = NEW YORKER
C44 = LE BARON/GTS	H = VOYAGER	V = 600
D = ARIES	J = CARAVELLE	V24 = DAYTONA
D44 = LANCER	K = MINI VAN/CARAVAN/ROYAL	Z = OMNI/CHARGER

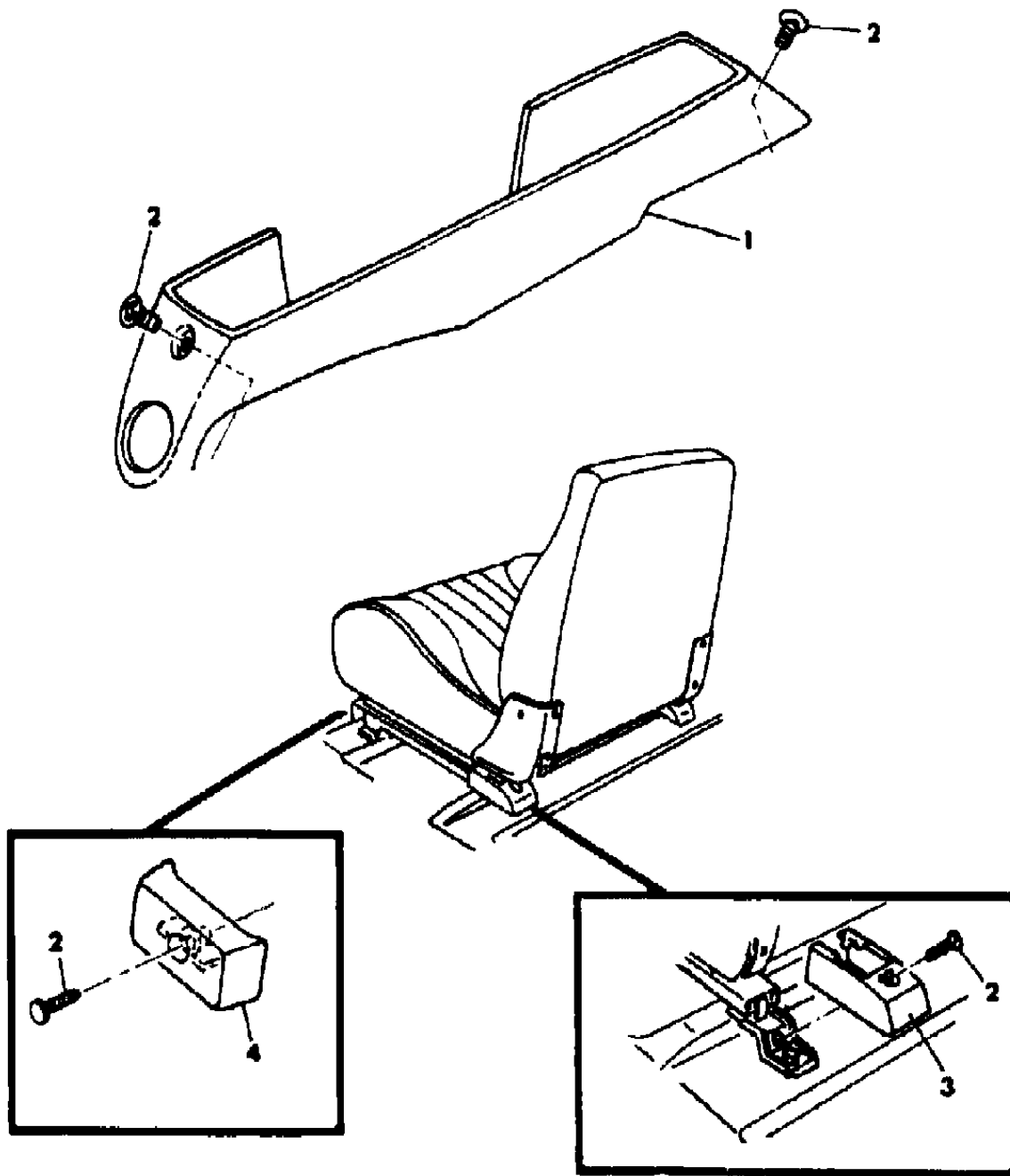
BODY STYLES

21 = 2-DOOR SEDAN	35 = FWD VAN	44 = 4-DOOR HATCHBACK
22 = 2-DOOR SPECIAL COUPE	36 = FWD WAGON	45 = 4-DOOR STATION WAGON
24 = 2-DOOR HATCHBACK	41 = 4-DOOR SEDAN	49 = LIMOUSINE
27 = 2-DOOR CONVERTIBLE		

AR = Use as Required - = Non Illustrated Part P.A.R. = Paint as Required

COVERS MANUAL SEAT ADJUSTERS P,D,C,V K BODY
Figure ITC-5400

2234 5400



ITEM	PART NUMBER	QTY	BODY	MODEL	DESCRIPTION
1					COVERS, w/Bench and Buckets Outer N N N N
	S952-3 CC7	1			Blue N N N YS952CC7
	S952-3 CM6	1			Red N N N YS952CM6
	S952-3 DT5	1			Tan N N N YS952DT5
	S952-3 CT8	1			Brown N N N YS952CT8
	S952-3 CS8	1			Charcoal N N N YS952CS8
	S910-1 CM6	1			Outer w/Buckets N N N N
	S910-1 DT5	1			Red N N27 N YS910CM6
	S910-1 CS8	1			Tan N N27 N YS910DT5
2					Charcoal N N27 N YS910CS8
2					SCREW (not serviced) N N N N
3					COVER, Inboard Rear w/Buckets N N N N
	S902 CM6	2			Red N N27 N YS902CM6
	S902 DT5	2			Tan N N27 N YS902DT5
	S902 CS8	2			Charcoal N N27 N YS902CS8
	S650 CC7	2			Inner Rear N N N N
	S650 CM6	2			Blue N N N YS650CC7
	S650 DT5	2			Red N N N YS650CM6
	S650 CT8	2			Tan N N N YS650DT5
	S650 CS8	2			Brown N N N YS650CT8
	S650 CS8	2			Charcoal N N N YS650CS8
4					COVER, Front Inner w/50/50 Split N N N N
	S654 CM6	2			Blue N N N YS654CM6
	S654 DT5	2			Tan N N N YS654DT5
	S654 CT8	2			Brown N N N YS654CT8
	S654 CS8	2			Charcoal N N N YS654CS8

MODEL CODES

B = GRAN FURY	E = 600	M = HORIZON/TURISMO
C = LE BARON/TOWN & COUNTRY/LIMO	F = FIFTH AVENUE/NEWPORT	P = RELIANT
C24 = LASER	G = DIPLOMAT	T = NEW YORKER
C44 = LE BARON/GTS	H = VOYAGER	V = 600
D = ARIES	J = CARAVELLE	V24 = DAYTONA
D44 = LANCER	K = MINI VAN/CARAVAN/ROYAL	Z = OMNI/CHARGER

BODY STYLES

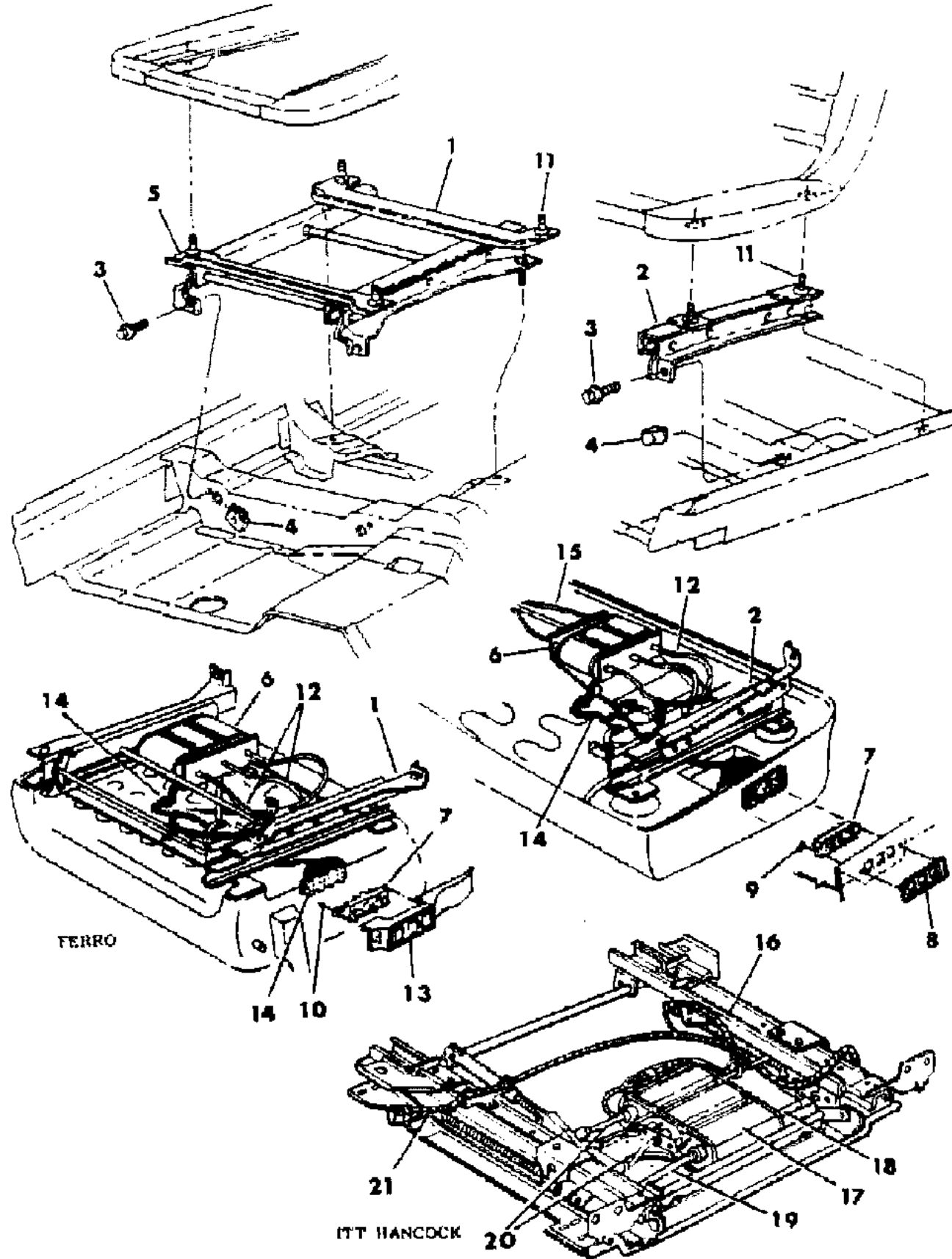
21 = 2-DOOR SEDAN	35 = FWD VAN	44 = 4-DOOR HATCHBACK
22 = 2-DOOR SPECIAL COUPE	36 = FWD WAGON	45 = 4-DOOR STATION WAGON
24 = 2-DOOR HATCHBACK	41 = 4-DOOR SEDAN	49 = LIMOUSINE
27 = 2-DOOR CONVERTIBLE		

AR = Use as Required - = Non Illustrated Part P.A.R. = Paint as Required

ADJUSTER ELECTRIC P,D,C,V K BODY

Figure ITC-5500

5234 5500



ITEM	PART NUMBER	QTY	BODY	MODEL	DESCRIPTION
NOTE: THE FOLLOWING PARTS ARE FOR REPLACEMENT ONLY NOT FOR NEW INSTALLATION. s ARE NOT RETURNABLE					
1		1			ADJUSTER, w/Bucket - Ferro N N N N
	4327 004	1			w/Buckets N N27 N Y4327004
	4364 289	1			Driver Seat (not illustrated) (Item #1 Is a Hancock Not Ferro) N NLIMO N Y4364289
2	4327 182-3	1			ADJUSTER, Bench Seat N N N Y4327182
3					SCREW and WASHER (not serviced) N N N N
4	6101 283	AR			U-NUT N N N Y6101283
5	6028 040	4			RETAINER N N N Y6028040
6	4327 045	1			MOTOR, w/Bench Seat N N N Y4327045
	4327 288	1			w/Buckets N N27 N Y4327288
	4316 848	1			SUPPORT, Motor w/Buckets N N27 N Y4316848
7	3747 740	1			SWITCH, w/Bench and Split Bench Seat N N N Y3747740
	3747 924	1			w/Bucket Seats N N N Y3747924
8	3746 967	1			BEZEL, Switch w/Bench Seat N N N Y3746967
9	6025 002	AR			NUT and CONE WASHER N N N Y6025002
10					SCREW (not serviced) N N N N
11					SCREW and WASHER (not serviced) N N N N
12	4316 846	3			CABLE, w/Bucket (1.94") N N27 N Y4316846
	4376 631	3			w/Bench (12.19")(Cable and Housing) N N N Y4376631
13					SHIELD (see Seat Illustration) N N N N
14	4304 162	1			WIRING, Seat Adjuster N N N Y4304162
15	4376 630	1			CABLE and HOUSING, w/Bench (31.86") N N N Y4376630
	4376 632	2			(35.63") N N N Y4376632
16					ADJUSTER, Less Motor - Hancock N N N N
	4327 350	1			(use up to 3/15/85) N N N Y4327350
	4380 052	1			(use after 3/15/85) (Item #16 Is Ferro Not A Hancock) N N N Y4380052
17	4327 279	1			MOTOR, Electric Seat Adjuster N N N Y4327279
18	4327 280	1			CABLE, Inner (2.68") N N N Y4327280
19	4327 281	1			CABLE, Outer (5.68") N N N Y4327281
20	4327 282	2			SHAFT, Flexible (4.005") N N N Y4327282
21	4304 956	1			WIRING N N N Y4304956

MODEL CODES

B = GRAN FURY	E = 600	M = HORIZON/TURISMO
C = LE BARON/TOWN & COUNTRY/LIMO	F = FIFTH AVENUE/NEWPORT	P = RELIANT
C24 = LASER	G = DIPLOMAT	T = NEW YORKER
C44 = LE BARON/GTS	H = VOYAGER	V = 600
D = ARIES	J = CARAVELLE	V24 = DAYTONA
D44 = LANCER	K = MINI VAN/CARAVAN/ROYAL	Z = OMNI/CHARGER

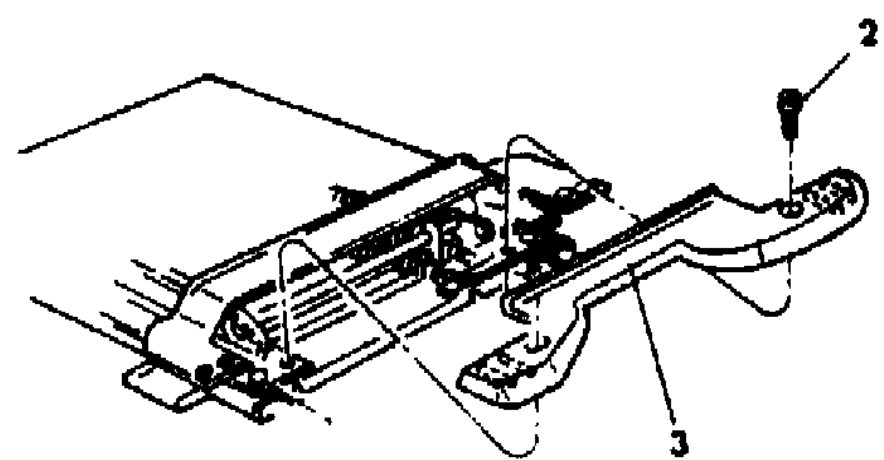
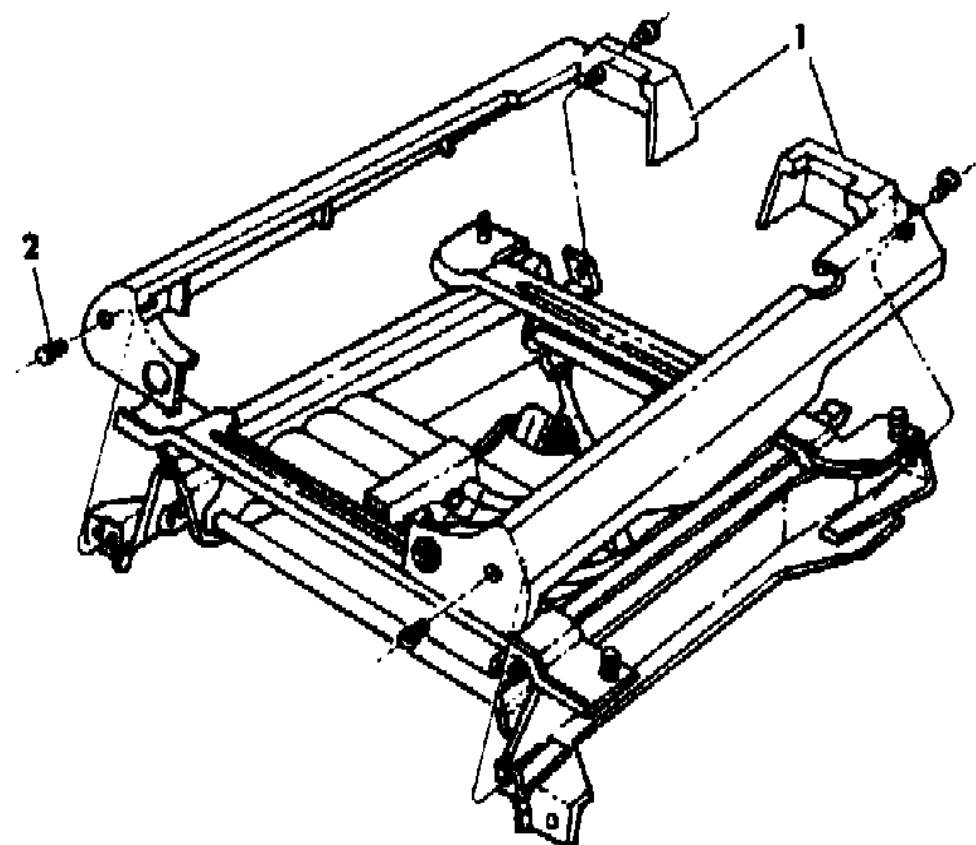
BODY STYLES

21 = 2-DOOR SEDAN	35 = FWD VAN	44 = 4-DOOR HATCHBACK
22 = 2-DOOR SPECIAL COUPE	36 = FWD WAGON	45 = 4-DOOR STATION WAGON
24 = 2-DOOR HATCHBACK	41 = 4-DOOR SEDAN	49 = LIMOUSINE
27 = 2-DOOR CONVERTIBLE		

AR = Use as Required - = Non Illustrated Part P.A.R. = Paint as Required

COVERS ELECTRIC SEAT ADJUSTORS P,D,C,V K BODY
Figure ITC-5600

5234 5600



ITEM	PART NUMBER	QTY	BODY	MODEL	DESCRIPTION
1					COVERS, w/Bench Seat N N N N
	S606-7 CC7	1			Blue N N N YS606CC7
	S606-7 CM6	1			Red N N N YS606CM6
	S606-7 DT5	1			Tan N N N YS606DT5
	S606-7 CT8	1			Brown N N N YS606CT8
	S606-7 CS8	1			Charcoal N N N YS606CS8 w/Buckets, Inner Left N N N N
	S674 CC7	1			Blue N N N YS674CC7
	S674 CM6	1			Red N N N YS674CM6
	S674 DT5	1			Tan N N N YS674DT5
	S674 CT8	1			Brown N N N YS674CT8
	S674 CS8	1			Charcoal N N N YS674CS8 w/Buckets Outer N N N N
	S675 CC7	1			Blue N N N YS675CC7
	S675 CM6	1			Red N N N YS675CM6
	S675 DT5	1			Tan N N N YS675DT5
	S675 CT8	1			Brown N N N YS675CT8
	S675 CS8	1			Charcoal N N N YS675CS8 w/Buckets, Inner N N N N
	S903 CM6	1			Red N N27 N YS903CM6
	S903 DT5	1			Tan N N27 N YS903DT5
	S903 CS8	1			Charcoal N N27 N YS903CS8 w/Buckets, Outer N N N N
	S905 CM6	1			Red N N27 N YS905CM6
	S905 DT5	1			Tan N N27 N YS905DT5
	S905 CS8	1			Charcoal N N27 N YS905CS8
2					SCREW (not serviced) N N N N
3					COVER, Electric Adjusters, Rear w/Buckets N N N N
	S646 CM6	1			Red N N27 N YS646CM6
	S646 DT5	1			Tan N N27 N YS646DT5
	S646 CS8	1			Charcoal N N27 N YS646CS8
	S660 CC7	1			Blue N N N YS660CC7
	S660 CM6	1			Red N N N YS660CM6
	S660 DT5	1			Tan N N N YS660DT5
	S660 CT8	1			Brown N N N YS660CT8
	S660 CS8	1			Charcoal N N N YS660CS8

MODEL CODES
 B = GRAN FURY
 C = LE BARON/TOWN & COUNTRY/LIMO
 C24 = LASER
 C44 = LE BARON/GTS
 D = ARIES
 D44 = LANCER
 E = 600
 F = FIFTH AVENUE/NEWPORT
 G = DIPLOMAT
 H = VOYAGER
 J = CARAVELLE
 K = MINI VAN/CARAVAN/ROYAL
 M = HORIZON/TURISMO
 P = RELIANT
 T = NEW YORKER
 V = 600
 V24 = DAYTONA
 Z = OMNI/CHARGER

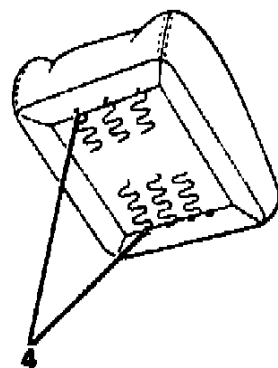
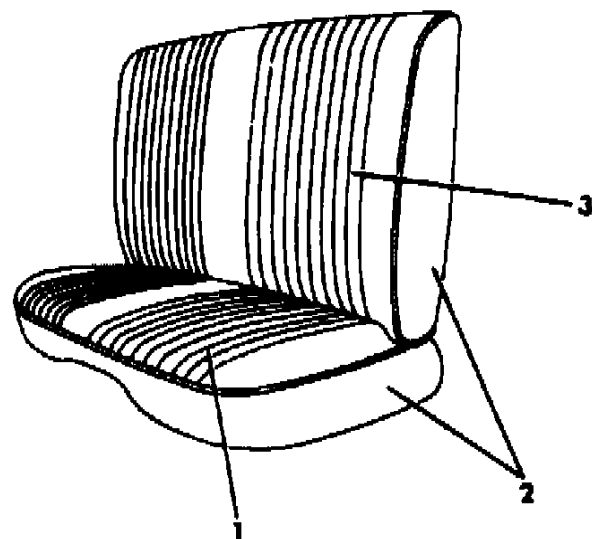
BODY STYLES
 21 = 2-DOOR SEDAN
 22 = 2-DOOR SPECIAL COUPE
 24 = 2-DOOR HATCHBACK
 27 = 2-DOOR CONVERTIBLE
 35 = FWD VAN
 36 = FWD WAGON
 41 = 4-DOOR SEDAN
 44 = 4-DOOR HATCHBACK
 45 = 4-DOOR STATION WAGON
 49 = LIMOUSINE

AR = Use as Required - = Non Illustrated Part P.A.R. = Paint as Required

SEAT REAR P,D K BODY TRIM CODES C1,C2,C3,C4
Figure ITC-5700

ITEM	PART NUMBER	QTY	BODY	MODEL	DESCRIPTION
1-2					CUSHION, w/Spring/Frame, Pad and Cover N N N N
					Cloth N N N N
	C961 C1A	1			N N21,41 NC1AS YC961C1A
	C961 C1B	1			N N21,41 NC1BC YC961C1B
	C961 C1M	1			N N21,41 NC1M YC961C1M
	C961 D1T	1			N N21,41 NC1TT YC961D1T
	C724 D3A	1			N N21,41 NC3AS YC724D3A
	C724 D3B	1			N N21,41 NC3BC YC724D3B
	C724 D3M	1			N N21,41 NC3M YC724D3M
	C724 D3T	1			N N21,41 NC3TT YC724D3T
					Heavy Duty N N N N
					Vinyl N N N N
	C982 B2C	1			N N21,41 NC2BC,C4BC YC982B2C
	C982 A2M	1			N N21,41 NC2M,C4M YC982A2M
	C973 D2T	1			N N21,41 NC2TT,C4TT YC973D2T
1					COVER, Cushion N N N N
					Cloth N N N N
	C442 C1A	1			N N21,41 NC1AS,C3AS YC442C1A
	C442 C1B	1			N N21,41 NC1BC,C3BC YC442C1B
	C442 C1M	1			N N21,41 NC1M,C3M YC442C1M
	C442 D1T	1			N N21,41 NC1TT,C3TT YC442D1T
					Vinyl N N N N
	C475 B4B	1			N N21,41 NC2BC,C4BC YC475B4B
	C475 B4M	1			N N21,41 NC2M,C4M YC475B4M
	C450 D2T	1			N N21,41 NC2TT,C4TT YC450D2T
2					ROLL STOCK, Vinyl Order by the Inch. N N N N
	R609 CS8	AR			Charcoal 58" Wide N N N YR609CS8
	R616 VC8	AR			Blue 64" Wide N N N YR616VC8
	R616 VM6	AR			Red 64" Wide N N N YR616VM6
	R609 DT5	AR			Tan, 58" Wide N N N YR609DT5
3&2					BACK, w/Spring/Frame, Pad and Cover N N N N
					Cloth N N N N
	C962 C1A	1			N N21,41 NC1AS YC962C1A
	C962 C1B	1			N N21,41 NC1BC YC962C1B
	C962 C1M	1			N N21,41 NC1M YC962C1M
	C962 D1T	1			N N21,41 NC1TT YC962D1T
	C725 D3A	1			N N21,41 NC3AS YC725D3A

5234 5700



MODEL CODES

B = GRAN FURY	E = 600	M = HORIZON/TURISMO
C = LE BARON/TOWN & COUNTRY/LIMO	F = FIFTH AVENUE/NEWPORT	P = RELIANT
C24 = LASER	G = DIPLOMAT	T = NEW YORKER
C44 = LE BARON/GTS	H = VOYAGER	V = 600
D = ARIES	J = CARAVELLE	V24 = DAYTONA
D44 = LANCER	K = MINI VAN/CARAVAN/ROYAL	Z = OMNI/CHARGER

BODY STYLES

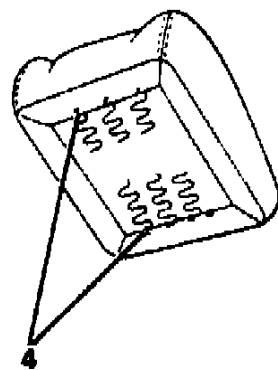
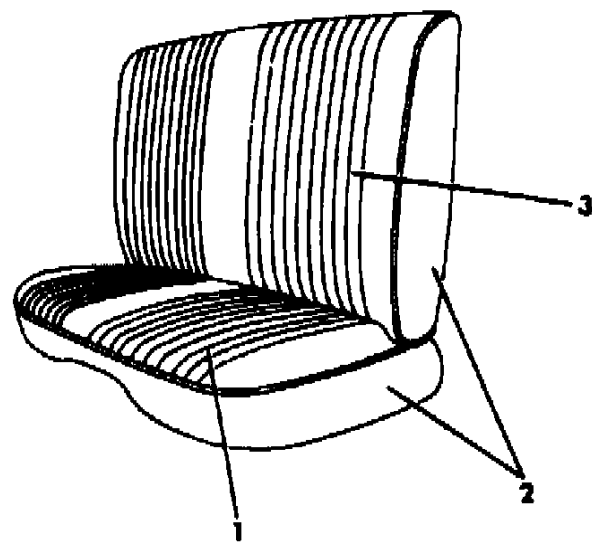
21 = 2-DOOR SEDAN	35 = FWD VAN	44 = 4-DOOR HATCHBACK
22 = 2-DOOR SPECIAL COUPE	36 = FWD WAGON	45 = 4-DOOR STATION WAGON
24 = 2-DOOR HATCHBACK	41 = 4-DOOR SEDAN	49 = LIMOUSINE
27 = 2-DOOR CONVERTIBLE		

AR = Use as Required - = Non Illustrated Part P.A.R. = Paint as Required

SEAT REAR P,D K BODY TRIM CODES C1,C2,C3,C4
Figure ITC-5700

ITEM	PART NUMBER	QTY	BODY	MODEL	DESCRIPTION
	C725 D3B	1			N N21,41 NC3BC YC725D3B
	C725 D3M	1			N N21,41 NC3M YC725D3M
	C725 D3T	1			N N21,41 NC3TT YC725D3T
					Heavy Duty N N N N Vinyl N N N N
	C974 B2C	1			N N21,41 NC2BC,C4BC YC974B2C
	C974 A2M	1			N N21,41 NC2M,C4M YC974A2M
	C974 D2T	1			N N21,41 NC2TT,C4TT YC974D2T
3					COVER, Back N N N N Cloth N N N N
	C443 C1A	1			N N21,41 NC1AS,C3AS YC443C1A
	C443 C1B	1			N N21,41 NC1BC,C3BC YC443C1B
	C443 C1M	1			N N21,41 NC1M,C3M YC443C1M
	C443 D1T	1			N N21,41 NC1TT,C3TT YC443D1T
					Vinyl N N N N
	C476 B4B	1			N N21,41 NC2BC,C4BC YC476B4B
	C476 B4M	1			N N21,41 NC2M,C4M YC476B4M
	C451 D2T	1			N N21,41 NC2TT,C4TT YC451D2T
4	6008 076	AR			HOG RING N N N Y6008076

5234 5700



MODEL CODES

B = GRAN FURY	E = 600	M = HORIZON/TURISMO
C = LE BARON/TOWN & COUNTRY/LIMO	F = FIFTH AVENUE/NEWPORT	P = RELIANT
C24 = LASER	G = DIPLOMAT	T = NEW YORKER
C44 = LE BARON/GTS	H = VOYAGER	V = 600
D = ARIES	J = CARAVELLE	V24 = DAYTONA
D44 = LANCER	K = MINI VAN/CARAVAN/ROYAL	Z = OMNI/CHARGER

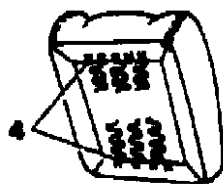
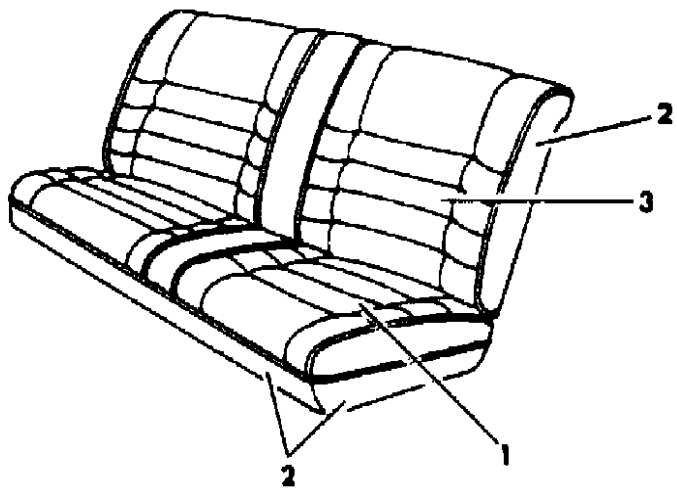
BODY STYLES

21 = 2-DOOR SEDAN	35 = FWD VAN	44 = 4-DOOR HATCHBACK
22 = 2-DOOR SPECIAL COUPE	36 = FWD WAGON	45 = 4-DOOR STATION WAGON
24 = 2-DOOR HATCHBACK	41 = 4-DOOR SEDAN	49 = LIMOUSINE
27 = 2-DOOR CONVERTIBLE		

AR = Use as Required - = Non Illustrated Part P.A.R. = Paint as Required

SEAT REAR C,V K BODY TRIM CODES M3,M5
Figure ITC-5800

5234 5800



ITEM	PART NUMBER	QTY	BODY	MODEL	DESCRIPTION
1-2					CUSHION, w/Spring/Frame, Pad and Cover N N N N
					Cloth N N N N
					(use up to 2/1/85) N N N N
	C702 D5C	1			N N21,41 NM3C,M5C YC702D5C
	C702 D5M	1			N N21,41 NM3M,M5M YC702D5M
	C702 D5T	1			N N21,41 NM3T3,M5T3 YC702D5T
	C702 D5U	1			N N21,41 NM3T3,M5T8 YC702D5U
	C702 D5S	1			N N21,41 NM3S,M5S YC702D5S
	C692 D5M	1			N N45 NM3M,M5M YC692D5M
	C692 D5T	1			N N45 NM3T3,M5T3 YC692D5T
	C692 D5U	1			N N45 NM3T8,M5T8 YC692D5U
					(use after 2/1/85) N N N N
	C796 D5C	1			N N21,41 NM3C,M5C YC796D5C
	C796 D5M	1			N N21,41 NM3M,M5M YC796D5M
	C796 D5T	1			N N21,41 NM3T3,M5T3 YC796D5T
	C796 D5U	1			N N21,41 NM3T8,M5T8 YC796D5U
	C796 D5S	1			N N21,41 NM3S,M5S YC796D5S
	C798 D5M	1			N N45 NM3M,M5M YC798D5M
	C798 D5T	1			N N45 NM3T3,M5T3 YC798D5T
	C798 D5U	1			N N45 NM3T8,M5T8 YC798D5U
1					COVER, Cushion N N N N
					Cloth N N N N
					(use up to 2/1/85) N N N N
	C392 D5C	1			N N21,41 NM3C,M5C YC392D5C
	C392 D5M	1			N N21,41 NM3M,M5M YC392D5M
	C392 D5T	1			N N21,41 NM3T3,M5T3 YC392D5T
	C392 D5U	1			N N21,41 NM3T8,M5T8 YC392D5U
	C392 D5S	1			N N21,41 NM3S,M5S YC392D5S
	C394 D5M	1			N N45 NM3M,M5M YC394D5M
	C394 D5T	1			N N45 NM3T3,M5T3 YC394D5T
	C394 D5U	1			N N45 NM3T8,M5T8 YC394D5U
					(use after 2/1/85) N N N N
	C519 D5C	1			N N21,41 NM3C,M5C YC519D5C
	C519 D5M	1			N N21,41 NM3M,M5M YC519D5M
	C519 D5T	1			N N21,41 NM3T3,M5T3 YC519D5T
	C519 D5U	1			N N21,41 NM3T8,M5T8 YC519D5U
	C519 D5S	1			N N21,41 NM3S,M5S YC519D5S

MODEL CODES

B = GRAN FURY	E = 600	M = HORIZON/TURISMO
C = LE BARON/TOWN & COUNTRY/LIMO	F = FIFTH AVENUE/NEWPORT	P = RELIANT
C24 = LASER	G = DIPLOMAT	T = NEW YORKER
C44 = LE BARON/GTS	H = VOYAGER	V = 600
D = ARIES	J = CARAVELLE	V24 = DAYTONA
D44 = LANCER	K = MINI VAN/CARAVAN/ROYAL	Z = OMNI/CHARGER

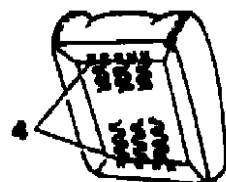
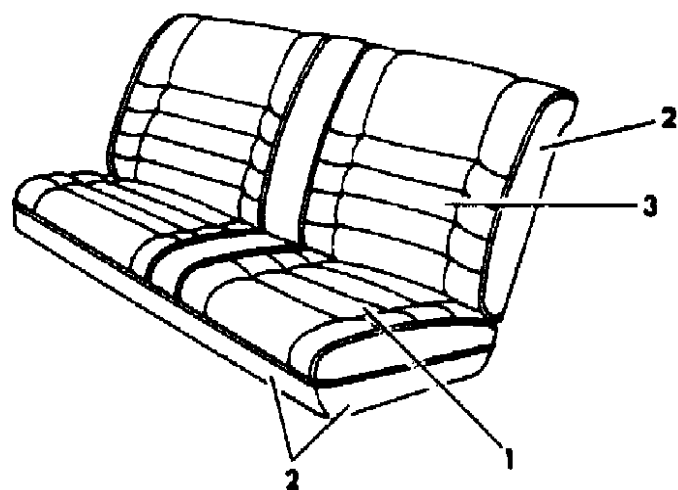
BODY STYLES

21 = 2-DOOR SEDAN	35 = FWD VAN	44 = 4-DOOR HATCHBACK
22 = 2-DOOR SPECIAL COUPE	36 = FWD WAGON	45 = 4-DOOR STATION WAGON
24 = 2-DOOR HATCHBACK	41 = 4-DOOR SEDAN	49 = LIMOUSINE
27 = 2-DOOR CONVERTIBLE		

AR = Use as Required - = Non Illustrated Part P.A.R. = Paint as Required

SEAT REAR C,V K BODY TRIM CODES M3,M5
Figure ITC-5800

5234 580W



ITEM	PART NUMBER	QTY	BODY	MODEL	DESCRIPTION
	C521 D5M	1			N N45 NM3M,M5M YC521D5M
	C521 D5T	1			N N45 NM3T3,M5T3 YC521D5T
	C521 D5U	1			N N45 NM3T8,M5T8 YC521D5U
2					ROLL STOCK, Cloth 54" Wide Order by the Inch N N N N (use up to 2/1/85) N N N N
	R092 VM6	AR			Red N N N YR092VM6
	R092 VC7	AR			Blue N N N YR092VC7
	R092 DT3	AR			Tan N N N YR092DT3
	R088 BT8	AR			Brown N N N YR088BT8
	R092 CS8	AR			Charcoal N N N YR092CS8 59" Wide (use after 2/1/85) N N N N
	R026 DM6	AR			Red N N N YR026DM6
	R026 DC7	AR			Blue N N N YR026DC7
	R026 DT3	AR			Tan N N N YR026DT3
	R026 DT8	AR			Brown N N N YR026DT8
	R026 DS8	AR			Charcoal N N N YR026DS8
3-4					BACK, w/Spring/Frame, Pad and Cover N N N N Cloth N N N N (use up to 2/1/85) N N N N
	C712 D5C	1			N N21,41 NM3C,M5C YC712D5C
	C712 D5M	1			N N21,41 NM3M,M5M YC712D5M
	C712 D5T	1			N N21,41 NM3T3,M5T3 YC712D5T
	C712 D5U	1			N N21,41 NM3T8,M5T8 YC712D5U
	C712 D5S	1			N N21,41 NM3S,M5S YC712D5S
	C693 D5M	1			N N45 NM3M,M5M YC693D5M
	C693 D5T	1			N N45 NM3T3,M5T3 YC693D5T
	C693 D5U	1			N N45 NM3T8,M5T8 YC693D5U (use after 2/1/85) N N N N
	C797 D5C	1			N N21,41 NM3C,M5C YC797D5C
	C797 D5M	1			N N21,41 NM3M,M5M YC797D5M
	C797 D5T	1			N N21,41 NM3T3,M5T3 YC797D5T
	C797 D5U	1			N N21,41 NM3T8,M5T8 YC797D5U
	C797 D5S	1			N N21,41 NM3S,M5S YC797D5S
	C799 D5M	1			N N45 NM3M,M5M YC799D5M
	C799 D5T	1			N N45 NM3T3,M5T3 YC799D5T
	C799 D5U	1			N N45 NM3T8,M5T8 YC799D5U
3					COVER, Back N N N N

MODEL CODES

B = GRAN FURY	E = 600	M = HORIZON/TURISMO
C = LE BARON/TOWN & COUNTRY/LIMO	F = FIFTH AVENUE/NEWPORT	P = RELIANT
C24 = LASER	G = DIPLOMAT	T = NEW YORKER
C44 = LE BARON/GTS	H = VOYAGER	V = 600
D = ARIES	J = CARAVELLE	V24 = DAYTONA
D44 = LANCER	K = MINI VAN/CARAVAN/ROYAL	Z = OMNI/CHARGER

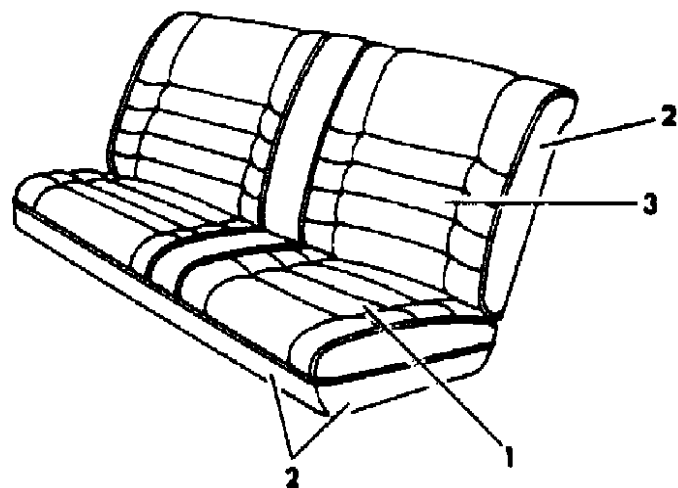
BODY STYLES

21 = 2-DOOR SEDAN	35 = FWD VAN	44 = 4-DOOR HATCHBACK
22 = 2-DOOR SPECIAL COUPE	36 = FWD WAGON	45 = 4-DOOR STATION WAGON
24 = 2-DOOR HATCHBACK	41 = 4-DOOR SEDAN	49 = LIMOUSINE
27 = 2-DOOR CONVERTIBLE		

AR = Use as Required - = Non Illustrated Part P.A.R. = Paint as Required

SEAT REAR C,V K BODY TRIM CODES M3,M5
Figure ITC-5800

5234 5800



ITEM	PART NUMBER	QTY	BODY	MODEL	DESCRIPTION
					Cloth N N N N
					(use up to 2/1/85) N N N N
	C393 D5C	1			N N21,41 NM3C,M5C YC393D5C
	C393 D5M	1			N N21,41 NM3M,M5M YC393D5M
	C393 D5T	1			N N21,41 NM3T3,M5T3 YC393D5T
	C393 D5U	1			N N21,41 NM3T8,M5T8 YC393D5U
	C393 D5S	1			N N21,41 NM3S,M5S YC393D5S
	C395 D5M	1			N N45 NM3M,M5M YC395D5M
	C395 D5T	1			N N45 NM3T3,M5T3 YC395D5T
	C395 D5U	1			N N45 NM3T8,M5T8 YC395D5U
					(use after 2/1/85) N N N N
	C520 D5C	1			N N21,41 NM3C,M5C YC520D5C
	C520 D5M	1			N N21,41 NM3M,M5M YC520D5M
	C520 D5T	1			N N21,41 NM3T3,M5T3 YC520D5T
	C520 D5U	1			N N21,41 NM3T8,M5T8 YC520D5U
	C520 D5S	1			N N21,41 NM3S,M5S YC520D5S
	C522 D5M	1			N N45 NM3M,M5M YC522D5M
	C522 D5T	1			N N45 NM3T3,M5T3 YC522D5T
	C522 D5U	1			N N45 NM3T8,M5T8 YC522D5U
4	6008 076	AR			HOG RING N N N Y6008076

MODEL CODES

B = GRAN FURY	E = 600	M = HORIZON/TURISMO
C = LE BARON/TOWN & COUNTRY/LIMO	F = FIFTH AVENUE/NEWPORT	P = RELIANT
C24 = LASER	G = DIPLOMAT	T = NEW YORKER
C44 = LE BARON/GTS	H = VOYAGER	V = 600
D = ARIES	J = CARAVELLE	V24 = DAYTONA
D44 = LANCER	K = MINI VAN/CARAVAN/ROYAL	Z = OMNI/CHARGER

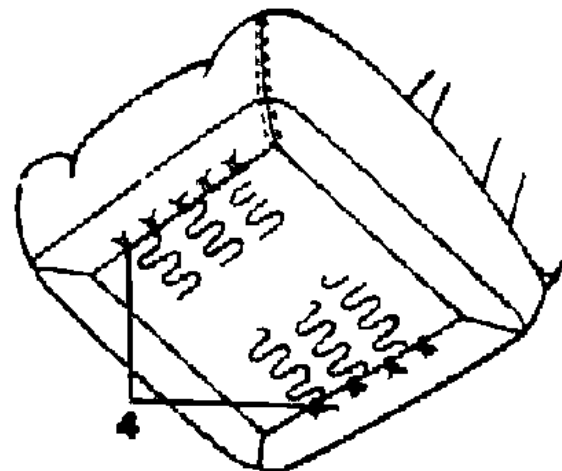
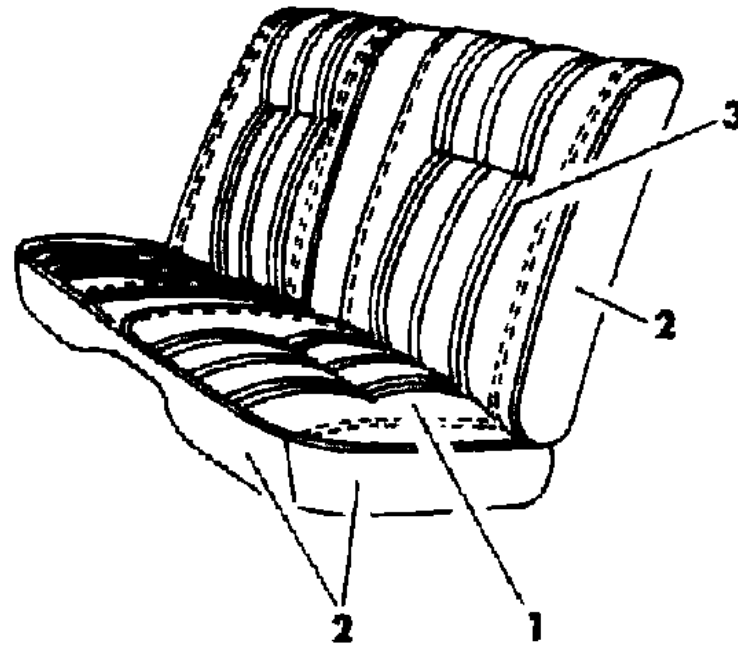
BODY STYLES

21 = 2-DOOR SEDAN	35 = FWD VAN	44 = 4-DOOR HATCHBACK
22 = 2-DOOR SPECIAL COUPE	36 = FWD WAGON	45 = 4-DOOR STATION WAGON
24 = 2-DOOR HATCHBACK	41 = 4-DOOR SEDAN	49 = LIMOUSINE
27 = 2-DOOR CONVERTIBLE		

AR = Use as Required - = Non Illustrated Part P.A.R. = Paint as Required

SEAT REAR C K BODY 45 TRIM CODE V8
Figure ITC-5900

5234 591M



ITEM	PART NUMBER	QTY	BODY	MODEL	DESCRIPTION
1-2					CUSHION, w/Spring/Frame, Pad and Cover N N N N Vinyl N N N N
	B905 A8M	1			N N45 NV8M YB905A8M
	B905 D8T	1			N N45 NV8T YB905D8T
1					COVER, Cushion N N N N Vinyl N N N N
	C468 A8M	1			N N45 NV8M YC468A8M
	C468 D8T	1			N N45 NV8T YC468D8T
2					ROLL STOCK, Vinyl 64" Wide Order by the Inch N N N N
	R616 VM6	AR			Red N N45 NV8M YR616VM6
	R616 DT3	AR			Tan N N45 NV8T YR616DT3
2-3					BACK, w/Spring/Frame, Pad and Cover N N N N Vinyl N N N N
	C766 A8M	1			N N45 NV8M YC766A8M
	C766 D8T	1			N N45 NV8T YC766D8T
3					COVER, Back N N N N Vinyl N N N N
	C383 A8M	1			N N45 NV8M YC383A8M
	C383 D8T	1			N N45 NV8T YC383D8T
4	6008 076	AR			HOG RING N N N Y6008076

MODEL CODES

B = GRAN FURY	E = 600	M = HORIZON/TURISMO
C = LE BARON/TOWN & COUNTRY/LIMO	F = FIFTH AVENUE/NEWPORT	P = RELIANT
C24 = LASER	G = DIPLOMAT	T = NEW YORKER
C44 = LE BARON/GTS	H = VOYAGER	V = 600
D = ARIES	J = CARAVELLE	V24 = DAYTONA
D44 = LANCER	K = MINI VAN/CARAVAN/ROYAL	Z = OMNI/CHARGER

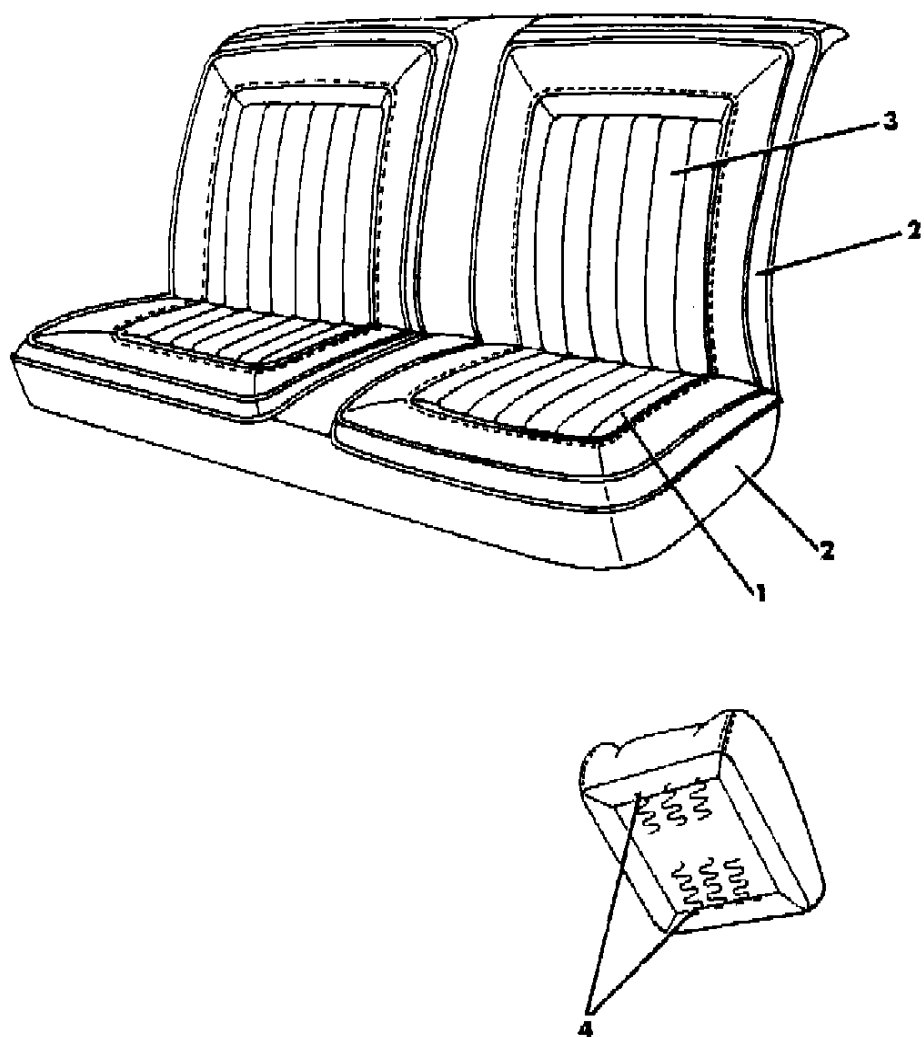
BODY STYLES

21 = 2-DOOR SEDAN	35 = FWD VAN	44 = 4-DOOR HATCHBACK
22 = 2-DOOR SPECIAL COUPE	36 = FWD WAGON	45 = 4-DOOR STATION WAGON
24 = 2-DOOR HATCHBACK	41 = 4-DOOR SEDAN	49 = LIMOUSINE
27 = 2-DOOR CONVERTIBLE		

AR = Use as Required - = Non Illustrated Part P.A.R. = Paint as Required

SEAT REAR C K BODY TRIM CODE SP
Figure ITC-6000

5239 6000



ITEM	PART NUMBER	QTY	BODY	MODEL	DESCRIPTION
1-2					CUSHION, w/Spring/Frame, Pad and Cover N N N N
	A748 CPA	1			Leather N N N N
	A748 DPU	1			N N22,41 NSPSA YA748CPA
	A750 DPU	1			N N22,41 NSPTU YA748DPU
1					COVER, Cushion N N N N
	A442 CPA	1			Leather N N N N
	A442 DPU	1			N N22,41 NSPSA YA442CPA
	A444 DPU	1			N N22,41 NSPTU YA442DPU
2					ROLL STOCK, Vinyl Order by the Inch N N N N
	R609 CS8	AR			Charcoal 58" Wide N N N YR609CS8
	R616 DT3	AR			Tan, 64" Wide N N N YR616DT3
2-3					BACK, w/Spring/Frame, Pad and Cover N N N N
	A749 CPA	1			Leather N N N N
	A749 DPU	1			N N22,41 NSPSA YA749CPA
	A751 DPU	1			N N22,41 NSPTU YA749DPU
3					COVER, Back N N N N
	A443 CPA	1			Leather N N N N
	A443 DPU	1			N N22,41 NSPSA YA443CPA
	A445 DPU	1			N N22,41 NSPTU YA443DPU
4	6008 076	AR			N N45 NSPTU YA445DPU
					HOG RING N N N Y6008076

MODEL CODES

B = GRAN FURY	E = 600	M = HORIZON/TURISMO
C = LE BARON/TOWN & COUNTRY/LIMO	F = FIFTH AVENUE/NEWPORT	P = RELIANT
C24 = LASER	G = DIPLOMAT	T = NEW YORKER
C44 = LE BARON/GTS	H = VOYAGER	V = 600
D = ARIES	J = CARAVELLE	V24 = DAYTONA
D44 = LANCER	K = MINI VAN/CARAVAN/ROYAL	Z = OMNI/CHARGER

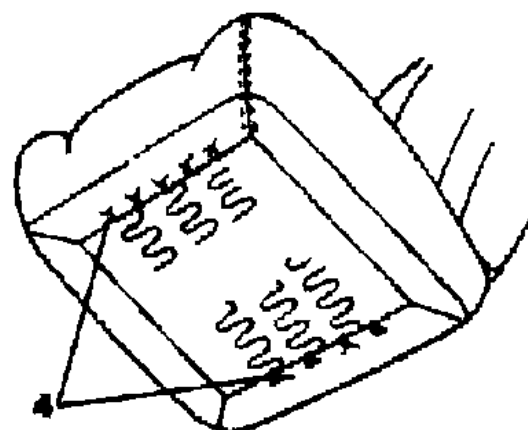
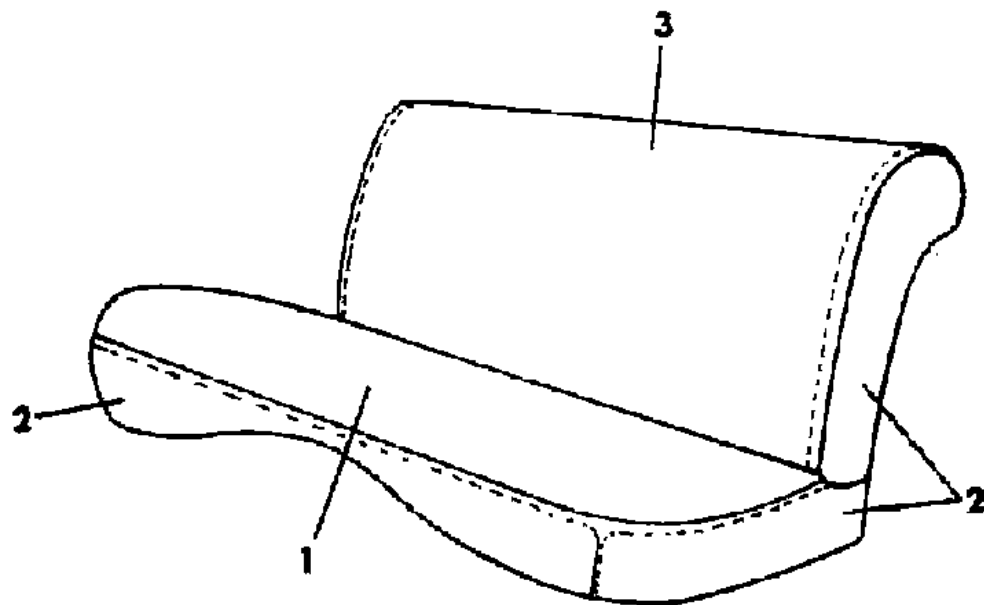
BODY STYLES

21 = 2-DOOR SEDAN	35 = FWD VAN	44 = 4-DOOR HATCHBACK
22 = 2-DOOR SPECIAL COUPE	36 = FWD WAGON	45 = 4-DOOR STATION WAGON
24 = 2-DOOR HATCHBACK	41 = 4-DOOR SEDAN	49 = LIMOUSINE
27 = 2-DOOR CONVERTIBLE		

AR = Use as Required - = Non Illustrated Part P.A.R. = Paint as Required

SEAT REAR P,D K BODY TRIM CODES K2,K8
Figure ITC-6100

5234 6100



ITEM	PART NUMBER	QTY	BODY	MODEL	DESCRIPTION
1-2					CUSHION, w/Spring/Frame, Pad and Cover N N N N Vinyl N N N N w/Heavy Duty Springs N N N N N N NK2BC,K8BC YC756B2C N N NK2TT,K8TT YC756D2T
	C756 B2C	1			
	C756 D2T	1			
	C732 B2C	1			w/o Heavy Duty Springs N N N N N N NK2BC,K8BC YC732B2C N N NK2TT,K8TT YC732D2T
	C732 D2T	1			
1					COVER, Cushion N N N N Vinyl N N N N N N NK2BC,K8BC YC507B2C N N NK2TT,K8TT YC507D2T
	C507 B2C	1			
	C507 D2T	1			
2					ROLL STOCK, Vinyl Order by the Inch N N N N Blue 64" Wide N N NK2BC,K8BC YR616VC8 Tan 58" Wide N N NK2TT,K8TT YR609DT5
	R616 VC8	AR			
	R609 DT5	AR			
2-3					BACK, w/Spring/Frame, Pad and Cover N N N N Vinyl N N N N N N NK2BC,K8BC YC821B2C N N NK2TT,K8TT YC821D2T
	C821 B2C	1			
	C821 D2T	1			
3					COVER, Back N N N N Vinyl N N N N N N NK2BC,K8BC YC399B2C N N NK2TT,K8TT YC399D2T
	C399 B2C	1			
	C399 D2T	1			
4	6008 076	AR			HOG RING N N N Y6008076

MODEL CODES

B = GRAN FURY	E = 600	M = HORIZON/TURISMO
C = LE BARON/TOWN & COUNTRY/LIMO	F = FIFTH AVENUE/NEWPORT	P = RELIANT
C24 = LASER	G = DIPLOMAT	T = NEW YORKER
C44 = LE BARON/GTS	H = VOYAGER	V = 600
D = ARIES	J = CARAVELLE	V24 = DAYTONA
D44 = LANCER	K = MINI VAN/CARAVAN/ROYAL	Z = OMNI/CHARGER

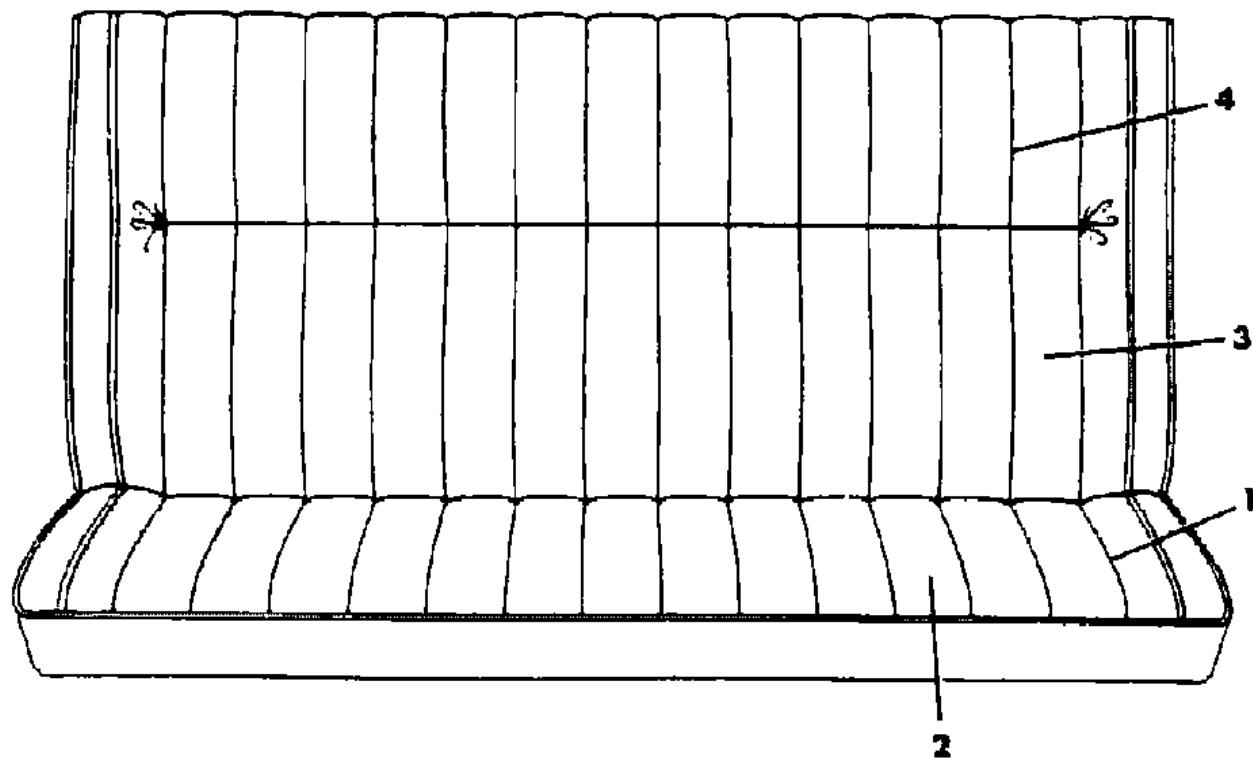
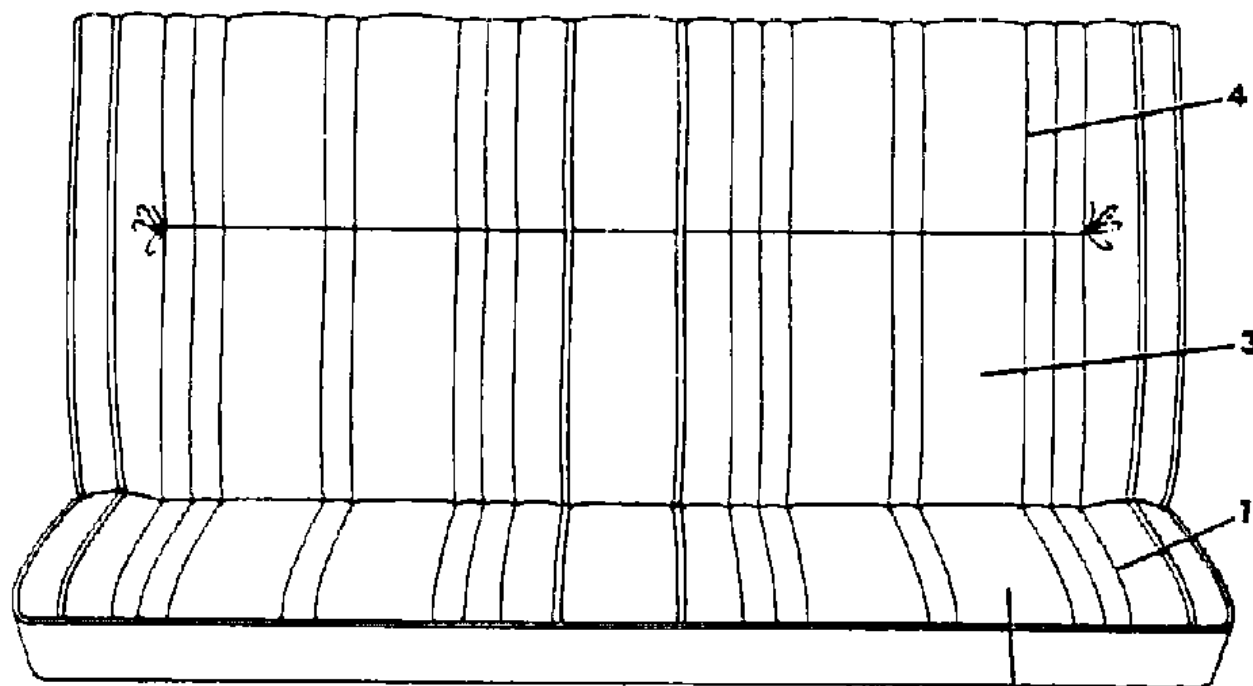
BODY STYLES

21 = 2-DOOR SEDAN	35 = FWD VAN	44 = 4-DOOR HATCHBACK
22 = 2-DOOR SPECIAL COUPE	36 = FWD WAGON	45 = 4-DOOR STATION WAGON
24 = 2-DOOR HATCHBACK	41 = 4-DOOR SEDAN	49 = LIMOUSINE
27 = 2-DOOR CONVERTIBLE		

AR = Use as Required - = Non Illustrated Part P.A.R. = Paint as Required

SEAT REAR C,V K BODY 27 TRIM CODES GL,RL,V8
Figure ITC-6200

5214 6200



ITEM	PART NUMBER	QTY	BODY	MODEL	DESCRIPTION
1-2					CUSHION, w/Spring/Frame, Pad and Cover N N N N
	B591 DT3	1			Leather N N N N
	B591 CA2	1			N N NRLTU, GLTU YB591DT3 N N NRLSA, GLSA YB591CA2 Vinyl N N N N
	B593 CM6	1			N N NV8M YB593CM6
	B593 DT3	1			N N NV8T YB593DT3
	B593 CW1	1			N N NV8MW YB593CW1
2					COVER, Cushion N N N N
	C679 DT3	1			Leather N N N N
	C679 CA2	1			N N NRLTU, GLTU YC679DT3 N N NRLSA, GLSA YC679CA2 Vinyl N N N N
	C677 DT3	1			N N NV8T YC677DT3
	C677 CM6	1			N N NV8M YC677CM6
	C677 CW1	1			N N NV8MW YC677CW1
3-4					BACK, w/Spring/Frame, Pad and Cover N N N N
	B590 DT3	1			Leather N N N N
	B590 CA2	1			N N NRLTU, GLTU YB590DT3 N N NRLSA, GLSA YB590CA2 Vinyl N N N N
	B592 CM6	1			N N NV8M YB592CM6
	B592 DT3	1			N N NV8T YB592DT3
	B592 CW1	1			N N NV8MW YB592CW1
4					COVER, Back N N N N
	C678 DT3	1			Leather N N N N
	C678 CA2	1			N N NRLTU, GLTU YC678DT3 N N NRLSA, GLSA YC678CA2 Vinyl N N N N
	C676 DT3	1			N N NV8T YC676DT3
	C676 CM6	1			N N NV8M YC676CM6
	C676 CW1	1			N N NV8MW YC676CW1

MODEL CODES

B = GRAN FURY	E = 600	M = HORIZON/TURISMO
C = LE BARON/TOWN & COUNTRY/LIMO	F = FIFTH AVENUE/NEWPORT	P = RELIANT
C24 = LASER	G = DIPLOMAT	T = NEW YORKER
C44 = LE BARON/GTS	H = VOYAGER	V = 600
D = ARIES	J = CARAVELLE	V24 = DAYTONA
D44 = LANCER	K = MINI VAN/CARAVAN/ROYAL	Z = OMNI/CHARGER

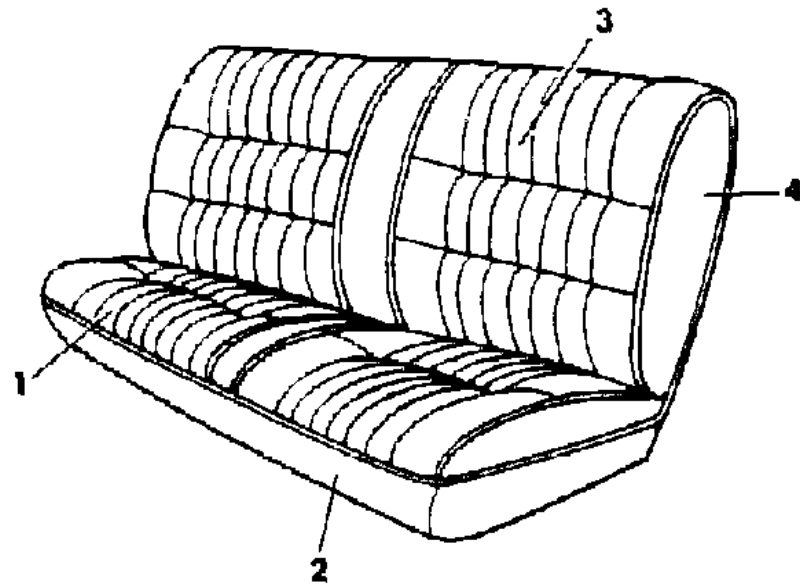
BODY STYLES

21 = 2-DOOR SEDAN	35 = FWD VAN	44 = 4-DOOR HATCHBACK
22 = 2-DOOR SPECIAL COUPE	36 = FWD WAGON	45 = 4-DOOR STATION WAGON
24 = 2-DOOR HATCHBACK	41 = 4-DOOR SEDAN	49 = LIMOUSINE
27 = 2-DOOR CONVERTIBLE		

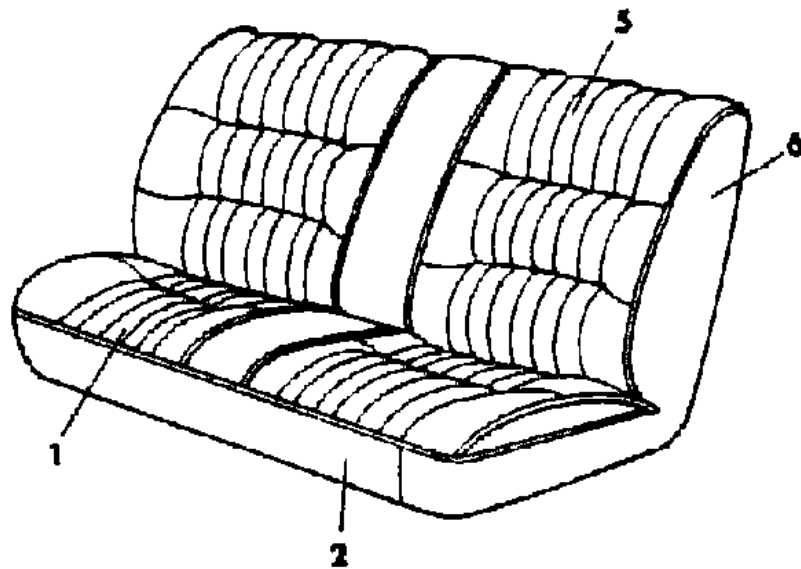
AR = Use as Required - = Non Illustrated Part P.A.R. = Paint as Required

SEAT REAR P,D K BODY TRIM CODES H3,H4,F7,H7
Figure ITC-6300

5234 0300



MDL. 21.41



MDL. 45

ITEM	PART NUMBER	QTY	BODY	MODEL	DESCRIPTION
1-2					CUSHION, w/Spring/Frame, Pad and Cover N N N N
					Cloth N N N N
					(use up to 2/1/85) N N N N
	B992 C7A	1			N N NH3AS,H7AS YB992C7A
	B992 C7A	1			N N NF7AS YB992C7A
	B992 D7B	1			N N NH3BC,H7BC YB992D7B
	B992 D7B	1			N N NF7BC YB992D7B
	B992 D7T	1			N N NH3TT,H7TT YB992D7T
	B992 D7T	1			N N NF7TT YB992D7T
	B992 C7M	1			N N NH3M,H7M YB992C7M
	B992 C7M	1			N N NF7M YB992C7M
					(use after 2/1/85) N N N N
	C743 D7A	1			N N NH3AS,H7AS YC743D7A
	C743 D7A	1			N N NF7AS YC743D7A
	C743 D7B	1			N N NH3BC,H7BC YC743D7B
	C743 D7B	1			N N NF7BC YC743D7B
	C743 D7T	1			N N NH3TT,H7TT YC743D7T
	C743 D7T	1			N N NF7TT YC743D7T
	C743 D7M	1			N N NH3M,H7M YC743D7M
	C743 D7M	1			N N NF7M YC743D7M
					Vinyl N N N N
	C606 C4A	1			N N NH4AS YC606C4A
	C606 C4B	1			N N NH4BC YC606C4B
	C606 D4T	1			N N NH4TT YC606D4T
	C606 C4M	1			N N NH4M YC606C4M
1					COVER, Cushion N N N N
					Cloth N N N N
					(use up to 2/1/85) N N N N
	C362 C7A	1			N N NH3AS,H7AS YC362C7A
	C362 C7A	1			N N NF7AS YC362C7A
	C362 D7B	1			N N NH3BC,H7BC YC362D7B
	C362 D7B	1			N N NF7BC YC362D7B
	C362 D7T	1			N N NH3TT,H7TT YC362D7T
	C362 D7T	1			N N NF7TT YC362D7T
	C362 C7M	1			N N NH3M,H7M YC362C7M
	C362 C7M	1			N N NF7M YC362C7M
					(use after 2/1/85) N N N N

MODEL CODES

B = GRAN FURY	E = 600	M = HORIZON/TURISMO
C = LE BARON/TOWN & COUNTRY/LIMO	F = FIFTH AVENUE/NEWPORT	P = RELIANT
C24 = LASER	G = DIPLOMAT	T = NEW YORKER
C44 = LE BARON/GTS	H = VOYAGER	V = 600
D = ARIES	J = CARAVELLE	V24 = DAYTONA
D44 = LANCER	K = MINI VAN/CARAVAN/ROYAL	Z = OMNI/CHARGER

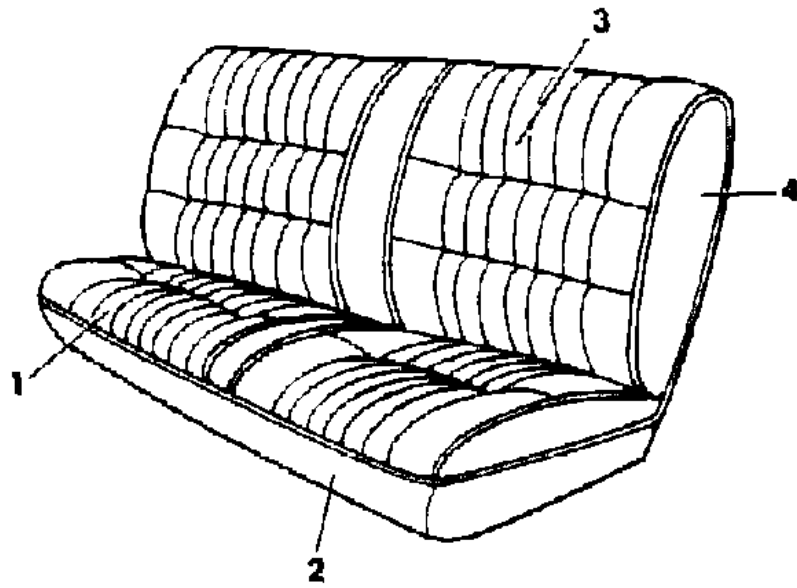
BODY STYLES

21 = 2-DOOR SEDAN	35 = FWD VAN	44 = 4-DOOR HATCHBACK
22 = 2-DOOR SPECIAL COUPE	36 = FWD WAGON	45 = 4-DOOR STATION WAGON
24 = 2-DOOR HATCHBACK	41 = 4-DOOR SEDAN	49 = LIMOUSINE
27 = 2-DOOR CONVERTIBLE		

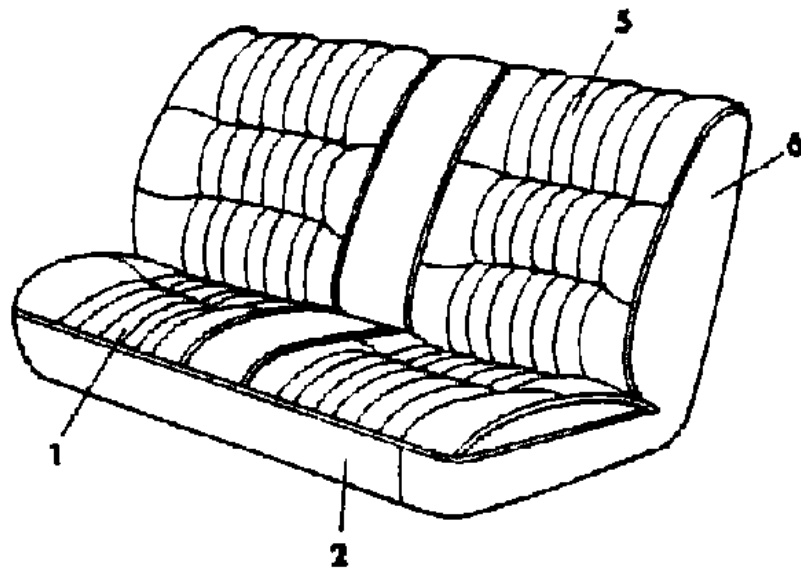
AR = Use as Required - = Non Illustrated Part P.A.R. = Paint as Required

SEAT REAR P,D K BODY TRIM CODES H3,H4,F7,H7
Figure ITC-6300

5234 0300



MDL. 21.41



MDL. 45

ITEM	PART NUMBER	QTY	BODY	MODEL	DESCRIPTION
	C528 D7A	1			N N NH3AS,H7AS YC528D7A
	C528 D7A	1			N N NF7AS YC528D7A
	C528 D7B	1			N N NH3BC,H7BC YC528D7B
	C528 D7B	1			N N NF7BC YC528D7B
	C528 D7T	1			N N NH3TT,H7TT YC528D7T
	C528 D7T	1			N N NF7TT YC528D7T
	C528 D7M	1			N N NH3M,H7M YC528D7M
	C528 D7M	1			N N NF7M YC528D7M
					Vinyl N N N N
	C303 C4A	1			N N NH4AS YC303C4A
	C303 C4B	1			N N NH4BC YC303C4B
	C303 D4T	1			N N NH4TT YC303D4T
	C303 C4M	1			N N NH4M YC303C4M
2					ROLL STOCK, Vinyl Order by the Inch N N N N
	R616 VM6	AR			Red 64" Wide N N N YR616VM6
	R616 VC8	AR			Dark Blue 64" Wide N N N YR616VC8
	R609 DT5	AR			Tan 58" Wide N N N YR609DT5
	R609 CS8	AR			Charcoal 58" Wide N N N YR609CS8
3-4					BACK, w/Spring/Frame, Pad and Cover N N N N
					Cloth N N N N
					(use up to 2/1/85) N N N N
	B994 C7A	1			N N21,41 NH3AS,H7AS YB994C7A
	B994 C7A	1			N N21,41 NF7AS YB994C7A
	B994 D7B	1			N N21,41 NH3BC,H7BC YB994D7B
	B994 D7B	1			N N21,41 NF7BC YB994D7B
	B994 D7T	1			N N21,41 NH3TT,H7TT YB994D7T
	B994 D7T	1			N N21,41 NF7TT YB994D7T
	B994 C7M	1			N N21,41 NH3M,H7M YB994C7M
	B994 C7M	1			N N21,41 NF7M YB994C7M
					(use after 2/1/85) N N N N
	C744 D7A	1			N N21,41 NH3AS,H7AS YC744D7A
	C744 D7A	1			N N21,41 NF7AS YC744D7A
	C744 D7B	1			N N21,41 NH3BC,H7BC YC744D7B
	C744 D7B	1			N N21,41 NF7BC YC744D7B
	C744 D7T	1			N N21,41 NH3TT,H7TT YC744D7T
	C744 D7T	1			N N21,41 NF7TT YC744D7T
	C744 D7M	1			N N21,41 NH3M,H7M YC744D7M

MODEL CODES

B = GRAN FURY

C = LE BARON/TOWN & COUNTRY/LIMO

C24 = LASER

C44 = LE BARON/GTS

D = ARIES

D44 = LANCER

E = 600

F = FIFTH AVENUE/NEWPORT

G = DIPLOMAT

H = VOYAGER

J = CARAVELLE

K = MINI VAN/CARAVAN/ROYAL

M = HORIZON/TURISMO

P = RELIANT

T = NEW YORKER

V = 600

V24 = DAYTONA

Z = OMNI/CHARGER

BODY STYLES

21 = 2-DOOR SEDAN

22 = 2-DOOR SPECIAL COUPE

24 = 2-DOOR HATCHBACK

27 = 2-DOOR CONVERTIBLE

35 = FWD VAN

36 = FWD WAGON

41 = 4-DOOR SEDAN

44 = 4-DOOR HATCHBACK

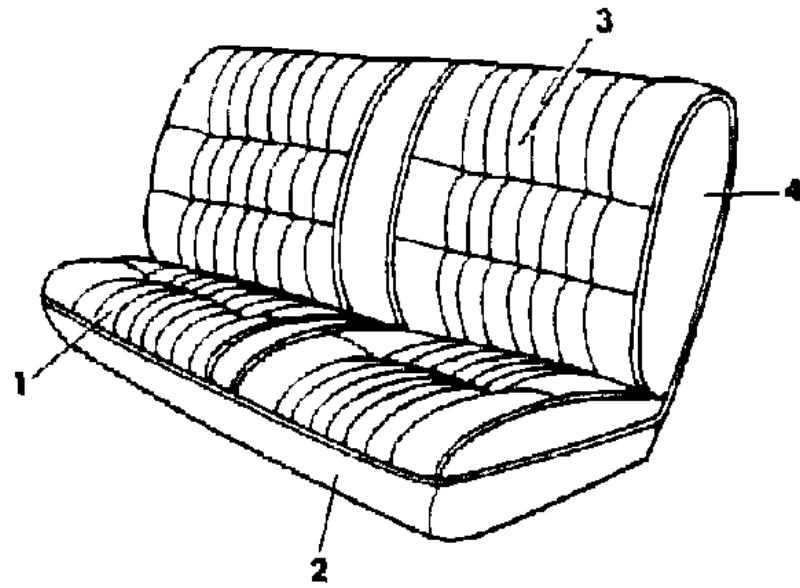
45 = 4-DOOR STATION WAGON

49 = LIMOUSINE

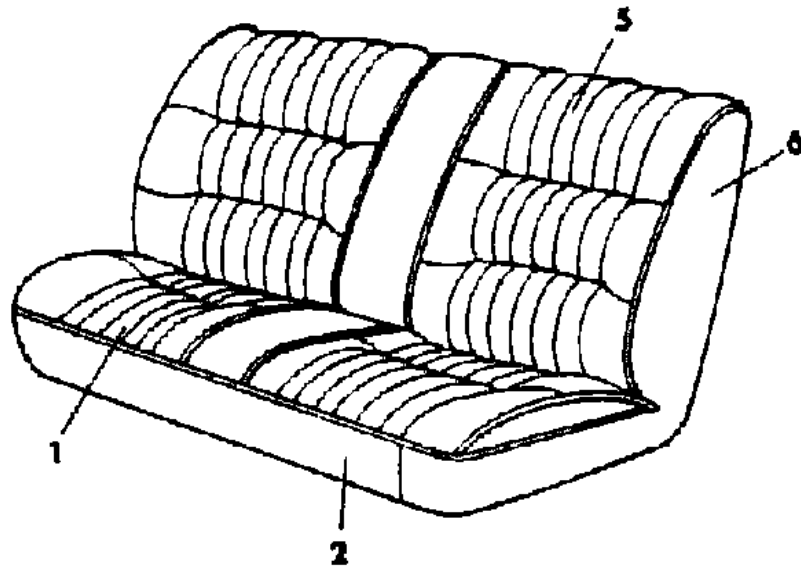
AR = Use as Required - = Non Illustrated Part P.A.R. = Paint as Required

SEAT REAR P,D K BODY TRIM CODES H3,H4,F7,H7
Figure ITC-6300

5234 0300



MDL. 21.41



MDL. 45

ITEM	PART NUMBER	QTY	BODY	MODEL	DESCRIPTION
	C744 D7M	1			N N21,41 NF7M YC744D7M Vinyl N N N N
	C607 C4A	1			N N21,41 NH4AS YC607C4A
	C607 C4B	1			N N21,41 NH4BC YC607C4B
	C607 D4T	1			N N21,41 NH4TT YC607D4T
3	C607 C4M	1			N N21,41 NH4M YC607C4M COVER, Back N N N N Cloth N N N N (use up to 2/1/85) N N N N
	C363 C7A	1			N N21,41 NH3AS,H7AS YC363C7A
	C363 C7A	1			N N21,41 NF7AS YC363C7A
	C363 D7B	1			N N21,41 NH3BC,H7BC YC363D7B
	C363 D7B	1			N N21,41 NF7BC YC363D7B
	C363 D7T	1			N N21,41 NH3TT,H7TT YC363D7T
	C363 D7T	1			N N21,41 NF7TT YC363D7T
	C363 C7M	1			N N21,41 NH3M,H7M YC363C7M
	C363 C7M	1			N N21,41 NF7M YC363C7M (use after 2/1/85) N N N N
	C529 D7A	1			N N21,41 NH3AS,H7AS YC529D7A
	C529 D7A	1			N N21,41 NF7AS YC529D7A
	C529 D7B	1			N N21,41 NH3BC,H7BC YC529D7B
	C529 D7B	1			N N21,41 NF7BC YC529D7B
	C529 D7T	1			N N21,41 NH3TT,H7TT YC529D7T
	C529 D7T	1			N N21,41 NF7TT YC529D7T
	C529 D7M	1			N N21,41 NH3M,H7M YC529D7M
	C529 D7M	1			N N21,41 NF7M YC529D7M Vinyl N N N N
	C304 C4A	1			N N21,41 NH4AS YC304C4A
	C304 C4B	1			N N21,41 NH4BC YC304C4B
	C304 D4T	1			N N21,41 NH4TT YC304D4T
4	C304 C4M	1			N N21,41 NH4M YC304C4M ROLL STOCK, Cloth 54" Wide Order by the Inch N N N N (use up to 2/1/85) N N N N
	R092 DT3	AR			Tan N N21,41 N YR092DT3
	R092 CS8	AR			Charcoal N N21,41 N YR092CS8
	R092 VC7	AR			Blue N N21,41 N YR092VC7
	R092 VM6	AR			Red N N21,41 N YR092VM6

MODEL CODES

B = GRAN FURY	E = 600	M = HORIZON/TURISMO
C = LE BARON/TOWN & COUNTRY/LIMO	F = FIFTH AVENUE/NEWPORT	P = RELIANT
C24 = LASER	G = DIPLOMAT	T = NEW YORKER
C44 = LE BARON/GTS	H = VOYAGER	V = 600
D = ARIES	J = CARAVELLE	V24 = DAYTONA
D44 = LANCER	K = MINI VAN/CARAVAN/ROYAL	Z = OMNI/CHARGER

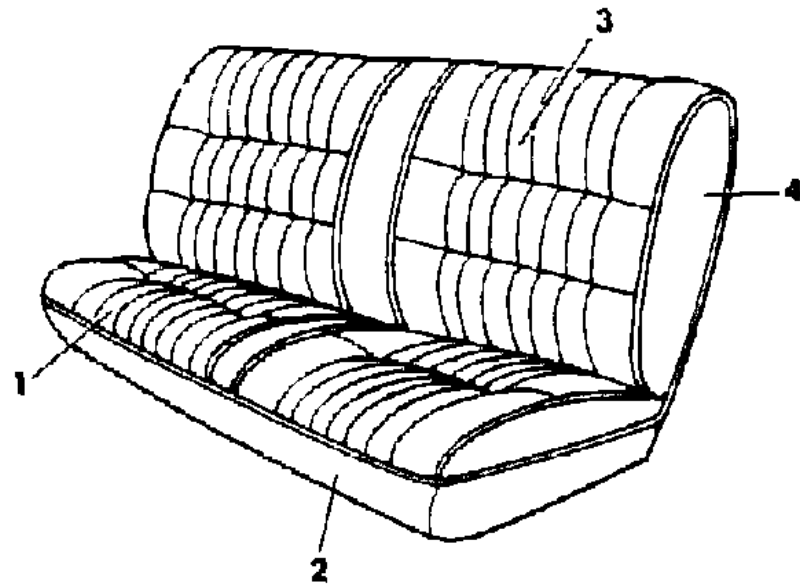
BODY STYLES

21 = 2-DOOR SEDAN	35 = FWD VAN	44 = 4-DOOR HATCHBACK
22 = 2-DOOR SPECIAL COUPE	36 = FWD WAGON	45 = 4-DOOR STATION WAGON
24 = 2-DOOR HATCHBACK	41 = 4-DOOR SEDAN	49 = LIMOUSINE
27 = 2-DOOR CONVERTIBLE		

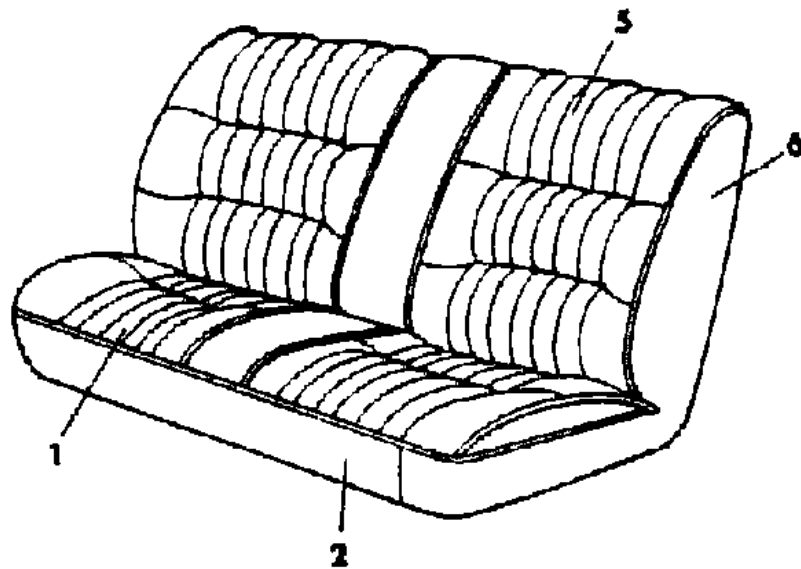
AR = Use as Required - = Non Illustrated Part P.A.R. = Paint as Required

SEAT REAR P,D K BODY TRIM CODES H3,H4,F7,H7
Figure ITC-6300

5234 0300



MDL. 21.41



MDL. 45

ITEM	PART NUMBER	QTY	BODY	MODEL	DESCRIPTION
					59" Wide (use after 2/1/85) N N N N
	R026 DT3	AR			Tan N N N YR026DT3
	R026 DS8	AR			Charcoal N N N YR026DS8
	R026 DC7	AR			Blue N N N YR026DC7
	R026 DM6	AR			Red N N N YR026DM6
5-6					BACK, w/Spring/Frame, Pad and Cover N N N N Cloth N N N N (use up to 2/1/85) N N N N
	B996 D7B	1			N N45 NH3BC,H7BC YB996D7B
	B996 D7T	1			N N45 NH3TT,H7TT YB996D7T
	B996 C7M	1			N N45 NH3M,H7M YB996C7M (use after 2/1/85) N N N N
	C745 D7B	1			N N45 NH3BC,H7BC YC745D7B
	C745 D7T	1			N N45 NH3TT,H7TT YC745D7T
	C745 D7M	1			N N45 NH3M,H7M YC745D7M Vinyl N N N N
	C612 D4B	1			N N45 NH4BC YC612D4B
	C612 D4T	1			N N45 NH4TT YC612D4T
	C612 C4M	1			N N45 NH4M YC612C4M
5					COVER, Back N N N N Cloth N N N N (use up to 2/1/85) N N N N
	C364 D7B	1			N N45 NH3BC,H7BC YC364D7B
	C364 D7T	1			N N45 NH3TT,H7TT YC364D7T
	C364 C7M	1			N N45 NH3M,H7M YC364C7M (use after 2/1/85) N N N N
	C530 D7B	1			N N45 NH3BC,H7BC YC530D7B
	C530 D7T	1			N N45 NH3TT,H7TT YC530D7T
	C530 D7M	1			N N45 NH3M,H7M YC530D7M Vinyl N N N N
	C305 D4B	1			N N45 NH4BC YC305D4B
	C305 D4T	1			N N45 NH4TT YC305D4T
	C305 C4M	1			N N45 NH4M6 YC305C4M
6					ROLL STOCK, Carpet 54" Wide. order by the inch N N N N
	R118 VM6	AR			Red N N45 N YR118VM6
	R118 CS8	AR			Charcoal N N45 N YR118CS8
	R118 DT3	AR			Tan N N45 N YR118DT3

MODEL CODES

B = GRAN FURY	E = 600	M = HORIZON/TURISMO
C = LE BARON/TOWN & COUNTRY/LIMO	F = FIFTH AVENUE/NEWPORT	P = RELIANT
C24 = LASER	G = DIPLOMAT	T = NEW YORKER
C44 = LE BARON/GTS	H = VOYAGER	V = 600
D = ARIES	J = CARAVELLE	V24 = DAYTONA
D44 = LANCER	K = MINI VAN/CARAVAN/ROYAL	Z = OMNI/CHARGER

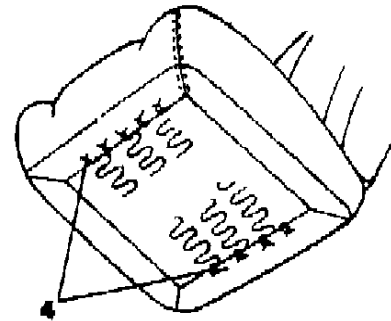
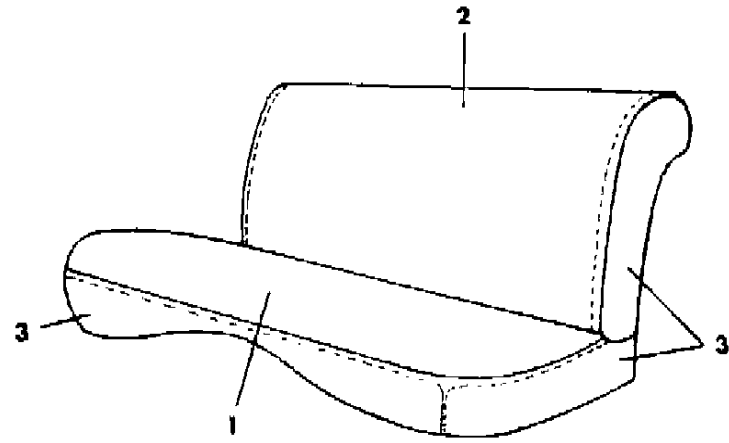
BODY STYLES

21 = 2-DOOR SEDAN	35 = FWD VAN	44 = 4-DOOR HATCHBACK
22 = 2-DOOR SPECIAL COUPE	36 = FWD WAGON	45 = 4-DOOR STATION WAGON
24 = 2-DOOR HATCHBACK	41 = 4-DOOR SEDAN	49 = LIMOUSINE
27 = 2-DOOR CONVERTIBLE		

AR = Use as Required - = Non Illustrated Part P.A.R. = Paint as Required

SEAT REAR P,D K BODY FLEET POLICE AND OTHERS
Figure ITC-6400

5234 6400



ITEM	PART NUMBER	QTY	BODY	MODEL	DESCRIPTION
NOTE: Special equipment code is in the trim column. s ARE NOT RETURNABLE.					
1	4196 910	1			COVER, Cushion N N N N Medium And Dark Blue, Cloth N N NCACS,CBAN Y4196910
	4196 952	1			Beige And Brown Cloth N N NCACS,CBAN Y4196952
2	4196 911	1			COVER, Back N N N N Medium And Dark Blue, Cloth N N NCACS,CBAN Y4196911
	4196 953	1			Beige And Brown, Cloth N N NCACS,CBAN Y4196953
3	R616 VC8				ROLL STOCK, Vinyl 54" Wide Order By Inch N N N N Blue N N N YR616VC8
	R609 DT5				Brown N N N YR609DT5
4	6008 076	AR			HOG RING N N N Y6008076

MODEL CODES

B = GRAN FURY	E = 600	M = HORIZON/TURISMO
C = LE BARON/TOWN & COUNTRY/LIMO	F = FIFTH AVENUE/NEWPORT	P = RELIANT
C24 = LASER	G = DIPLOMAT	T = NEW YORKER
C44 = LE BARON/GTS	H = VOYAGER	V = 600
D = ARIES	J = CARAVELLE	V24 = DAYTONA
D44 = LANCER	K = MINI VAN/CARAVAN/ROYAL	Z = OMNI/CHARGER

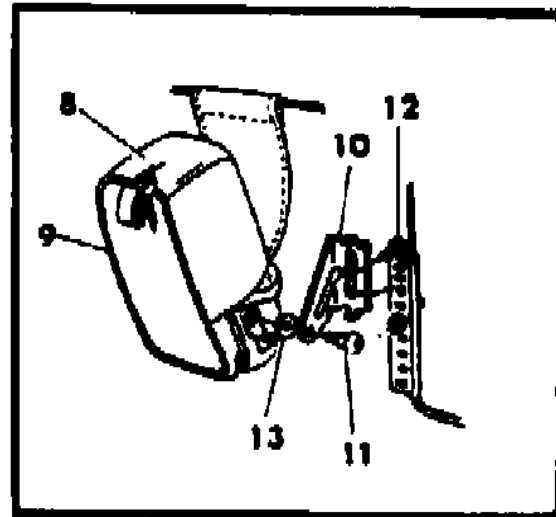
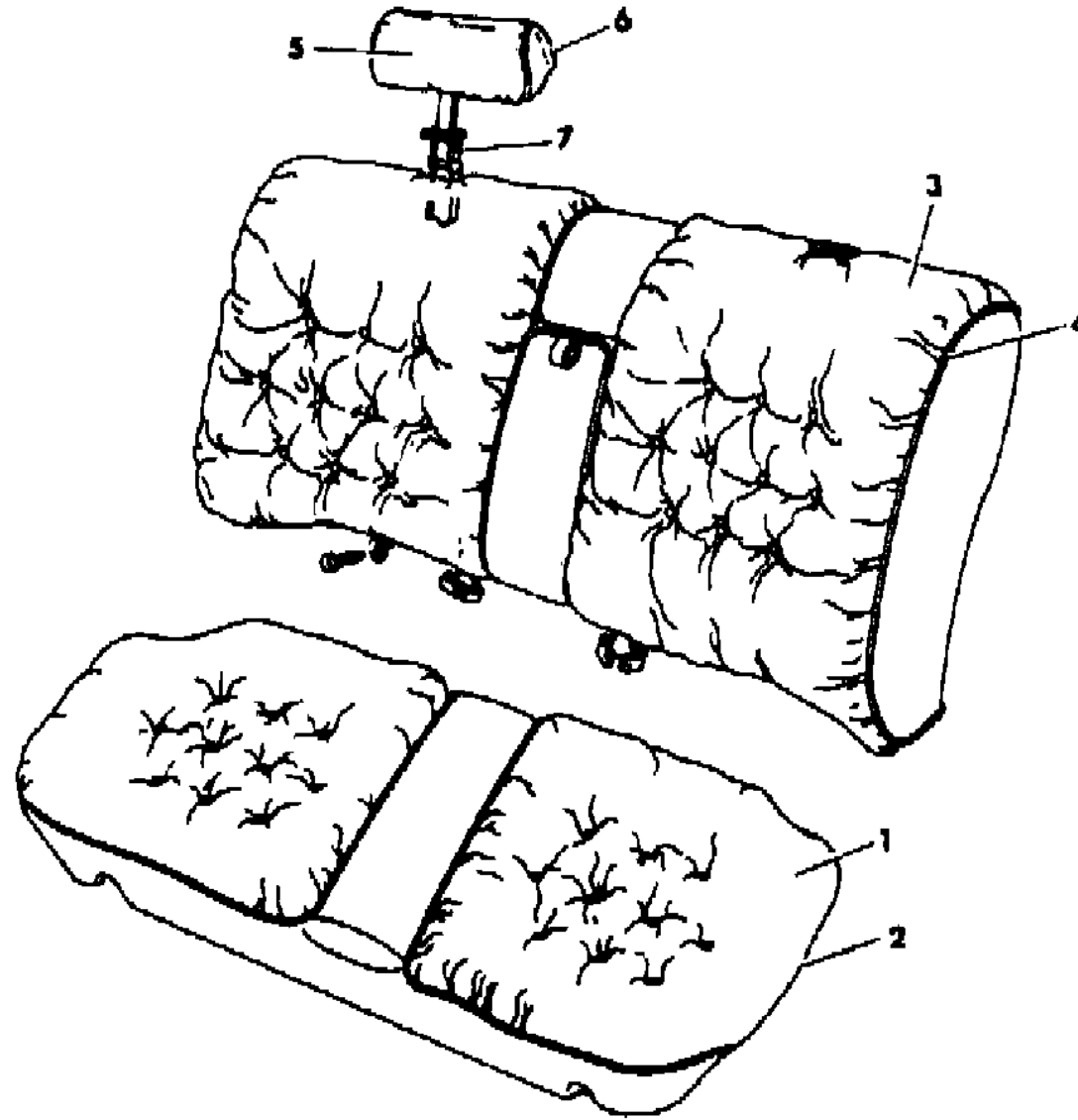
BODY STYLES

21 = 2-DOOR SEDAN	35 = FWD VAN	44 = 4-DOOR HATCHBACK
22 = 2-DOOR SPECIAL COUPE	36 = FWD WAGON	45 = 4-DOOR STATION WAGON
24 = 2-DOOR HATCHBACK	41 = 4-DOOR SEDAN	49 = LIMOUSINE
27 = 2-DOOR CONVERTIBLE		

AR = Use as Required - = Non Illustrated Part P.A.R. = Paint as Required

SEAT REAR LIMO
Figure ITC-6500

5234 6500



ITEM	PART NUMBER	QTY	BODY	MODEL	DESCRIPTION
1-2					CUSHION, w/Spring/Frame, Pad and Cover N N N N
	4342 165	1			Silver N N N Y4342165
	4342 166	1			Blue N N N Y4342166
	4342 167	1			Blue, Leather and Vinyl N N N Y4342167
	4364 251	1			Blue, All Leather N N N Y4364251
2					COVER, Cushion N N N N
	4342 168				Silver N N N Y4342168
	4342 169				Blue N N N Y4342169
	4342 170				Blue, Leather and Vinyl N N N Y4342170
	4364 201				Blue, All Leather N N N Y4364201
3-4					BACK, w/Spring/Frame, Pad and Cover N N N N
	4342 263	1			Silver N N N Y4342263
	4342 264	1			Blue N N N Y4342264
	4364 342	1			Blue, Leather N N N Y4364342
4					COVER, Back N N N N
	4364 254	1			Silver N N N Y4364254
	4364 255	1			Blue N N N Y4364255
	4364 256	1			Blue, Leather N N N Y4364256
5-6					HEADREST N N N N
	4364 260	1			Silver N N N Y4364260
	4364 261	1			Blue N N N Y4364261
	4364 262	1			Blue, Leather N N N Y4364262
6					COVER, Headrest (serviced in Headrest) N N N N
7					SLEEVE N N N N
8-9					ARMREST N N N N
	4364 266	1			Silver N N N Y4364266
	4364 267	1			Blue N N N Y4364267
	4364 268	1			Blue, Leather N N N Y4364268
9					COVER, Armrest N N N N
	4364 257	1			Silver N N N Y4364257
	4364 258	1			Blue N N N Y4364258
	4364 259	1			Blue, Leather N N N Y4364259
10	4339 782-3	1			HINGE, Center Armrest, Rear N N N Y4339782
11	0181 063	2			BOLT, Armrest To Hinge N N N Y181063
12	6026 584	AR			BOLT, Hinge To Frame N N N Y6026584
13	6031 537	AR			WASHER, Hinge To Armrest N N N Y6031537

MODEL CODES

B = GRAN FURY
C = LE BARON/TOWN & COUNTRY/LIMO
C24 = LASER
C44 = LE BARON/GTS
D = ARIES
D44 = LANCER
E = 600
F = FIFTH AVENUE/NEWPORT
G = DIPLOMAT
H = VOYAGER
J = CARAVELLE
K = MINI VAN/CARAVAN/ROYAL
M = HORIZON/TURISMO
P = RELIANT
T = NEW YORKER
V = 600
V24 = DAYTONA
Z = OMNI/CHARGER

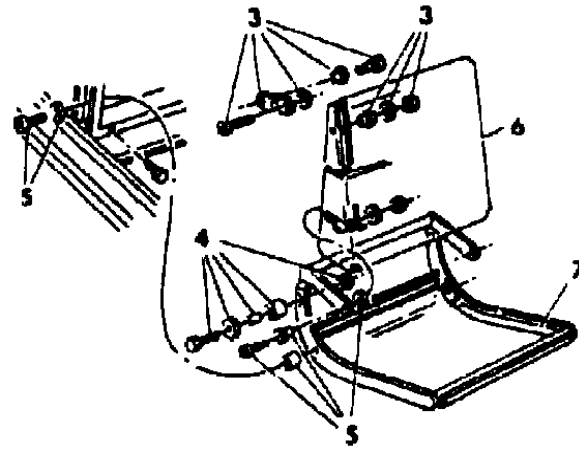
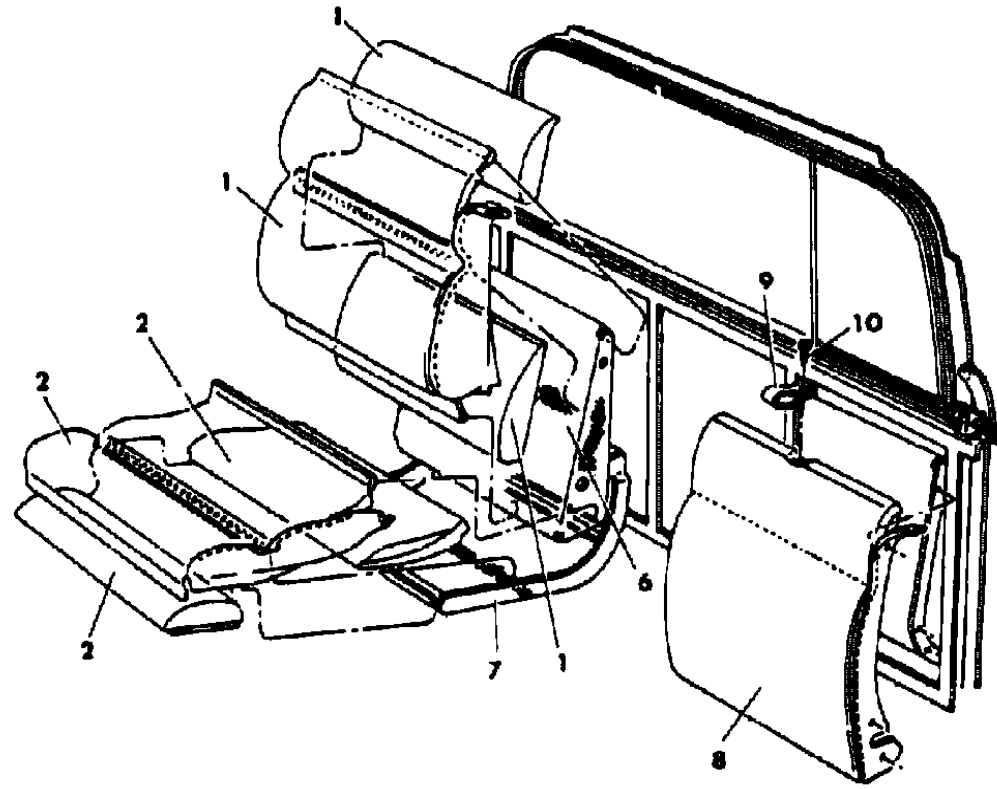
BODY STYLES

21 = 2-DOOR SEDAN
22 = 2-DOOR SPECIAL COUPE
24 = 2-DOOR HATCHBACK
27 = 2-DOOR CONVERTIBLE
35 = FWD VAN
36 = FWD WAGON
41 = 4-DOOR SEDAN
44 = 4-DOOR HATCHBACK
45 = 4-DOOR STATION WAGON
49 = LIMOUSINE

AR = Use as Required - = Non Illustrated Part P.A.R. = Paint as Required

JUMP SEAT LIMO
Figure ITC-6600

5234 0600 A



ITEM	PART NUMBER	QTY	BODY	MODEL	DESCRIPTION
1	4342 019	2			BACK, w/Cover and Pads N N N N Silver N N N Y4342019
	4342 020	2			Blue N N N Y4342020
	4342 108	2			Blue, Leather N N N Y4342108
2	4342 021	2			CUSHION, w/Cover and Pads N N N N Silver N N N Y4342021
	4342 022	2			Blue N N N Y4342022
	4342 109	2			Blue, Leather N N N Y4342109
3	4339 932	2			LINK PACKAGE, Upper Back N N N Y4339932
4	4339 926	2			BUMPER PACKAGE, Stop N N N Y4339926
5	4339 934	2			HARDWARE PACKAGE, Lower N N N Y4339934
6	4339 931	2			FRAME, Seat Back N N N Y4339931
7	4339 933	2			FRAME, Seat Cushion N N N Y4339933
8	4339 906	2			PANEL, Cushion Bottom Cover N N N N Silver N N N Y4339906
	4339 907	2			Blue N N N Y4339907
9	4364 246	2			PULL STRAP N N N N Silver N N N Y4364246
	4364 247	2			Blue N N N Y4364247
10					SCREW (not serviced) N N N N

MODEL CODES

B = GRAN FURY	E = 600	M = HORIZON/TURISMO
C = LE BARON/TOWN & COUNTRY/LIMO	F = FIFTH AVENUE/NEWPORT	P = RELIANT
C24 = LASER	G = DIPLOMAT	T = NEW YORKER
C44 = LE BARON/GTS	H = VOYAGER	V = 600
D = ARIES	J = CARAVELLE	V24 = DAYTONA
D44 = LANCER	K = MINI VAN/CARAVAN/ROYAL	Z = OMNI/CHARGER

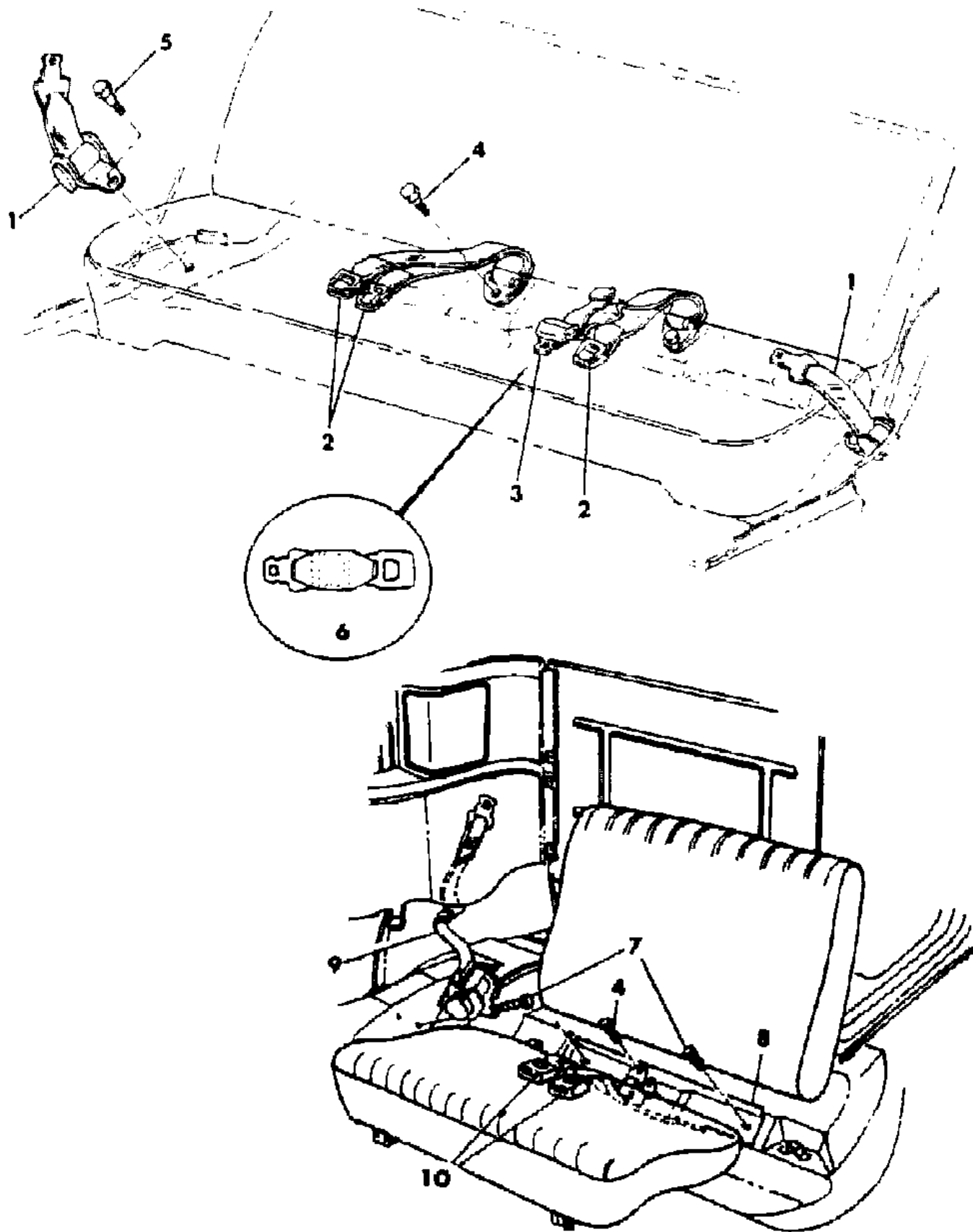
BODY STYLES

21 = 2-DOOR SEDAN	35 = FWD VAN	44 = 4-DOOR HATCHBACK
22 = 2-DOOR SPECIAL COUPE	36 = FWD WAGON	45 = 4-DOOR STATION WAGON
24 = 2-DOOR HATCHBACK	41 = 4-DOOR SEDAN	49 = LIMOUSINE
27 = 2-DOOR CONVERTIBLE		

AR = Use as Required - = Non Illustrated Part P.A.R. = Paint as Required

BELT REAR SEAT LAP P,D,C,V K BODY Figure ITC-6700

5234 6700



ITEM	PART NUMBER	QTY	BODY	MODEL	DESCRIPTION
1					BELT, Rear seat Lap Outboard Tip Half, Label No. 4277885 or 4327194 N N N N
	F861 AA3	2			Silver N N N YF861AA3
	F861 BB5	2			Blue N N N YF861BB5
	F861 AC7	2			Blue, Dark N N N YF861AC7
	F861 AM6	2			Red N N N YF861AM6
	F861 DT3	2			Tan N N N YF861DT3
	F861 BT8	2			Brown N N N YF861BT8
	F861 CS8	2			Charcoal N N N YF861CS8
					Label Number 4317069 N N N N
	F724 DA3	2			Silver N N N YF724DA3
	F724 DB5	2			Blue N N N YF724DB5
	F724 DC7	2			Blue N N N YF724DC7
	F724 DM6	2			Red N N N YF724DM6
	F724 DT3	2			Tan N N N YF724DT3
	F724 DT8	2			Brown N N N YF724DT8
	F724 DS8	2			Charcoal N N N YF724DS8
2					BELT, Rear Seat Lap Buckle Inner, Right N N N N
					Label Number 4316754 N N N N
	F710 BA3	2			Silver N N N YF710BA3
	F710 BB5	2			Blue N N N YF710BB5
	F710 BC7	2			Blue, Dark N N N YF710BC7
	F710 BM6	2			Red N N N YF710BM6
	F710 DT3	2			Tan N N N YF710DT3
	F710 BT8	2			Brown N N N YF710BT8
	F710 CS8	2			Charcoal N N N YF710CS8
3					BELT, Rear Seat Lap Buckle and Tip, Left N N N N
					Label Number 4316747 N N N N
	F717 BA3	1			Silver N N N YF717BA3
	F717 BB5	1			Blue N N N YF717BB5
	F717 BC7	1			Blue, Dark N N N YF717BC7
	F717 BM6	1			Red N N N YF717BM6
	F717 DT3	1			Tan N N N YF717DT3
	F717 BT8	1			Brown N N N YF717BT8
	F717 CS8	1			Charcoal N N N YF717CS8
4	6031 298	2			BOLT N N N Y6031298
5	6031 484	2			BOLT N N N Y6031484

MODEL CODES

B = GRAN FURY	E = 600	M = HORIZON/TURISMO
C = LE BARON/TOWN & COUNTRY/LIMO	F = FIFTH AVENUE/NEWPORT	P = RELIANT
C24 = LASER	G = DIPLOMAT	T = NEW YORKER
C44 = LE BARON/GTS	H = VOYAGER	V = 600
D = ARIES	J = CARAVELLE	V24 = DAYTONA
D44 = LANCER	K = MINI VAN/CARAVAN/ROYAL	Z = OMNI/CHARGER

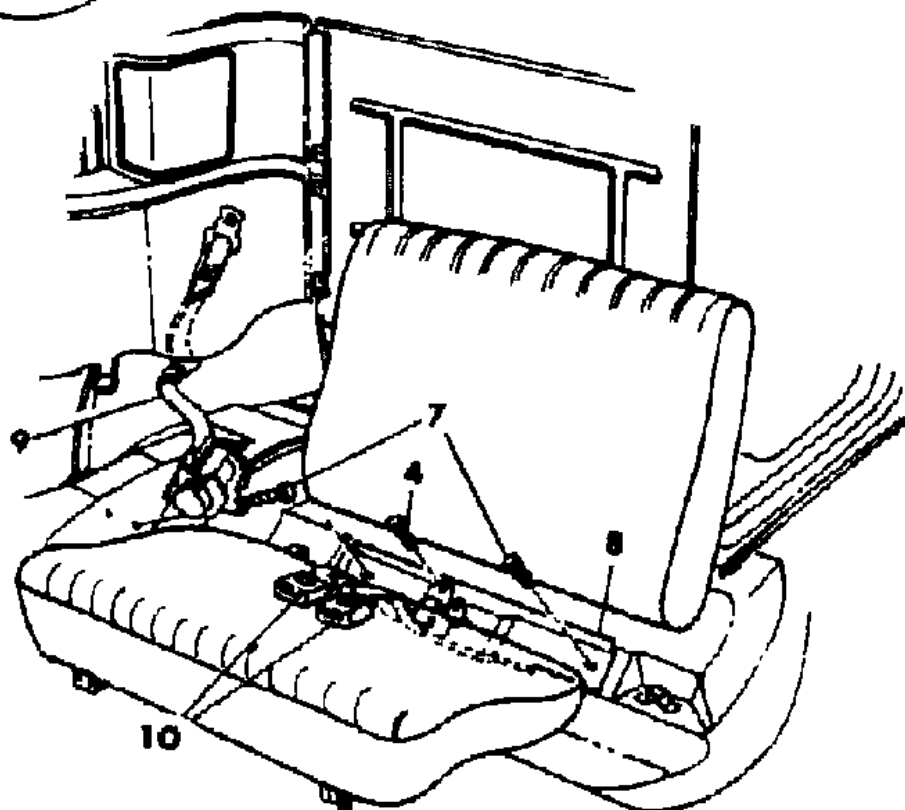
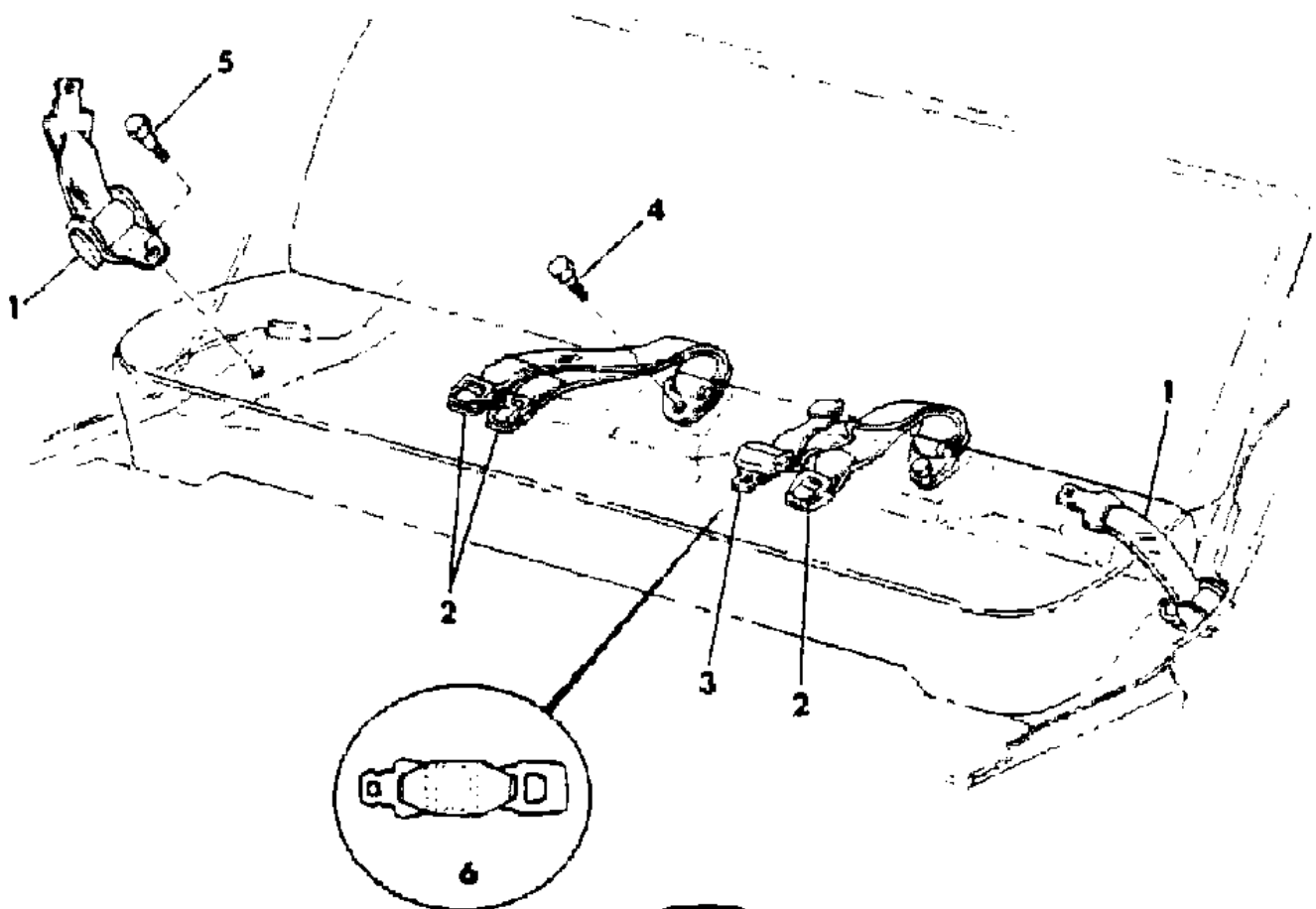
BODY STYLES

21 = 2-DOOR SEDAN	35 = FWD VAN	44 = 4-DOOR HATCHBACK
22 = 2-DOOR SPECIAL COUPE	36 = FWD WAGON	45 = 4-DOOR STATION WAGON
24 = 2-DOOR HATCHBACK	41 = 4-DOOR SEDAN	49 = LIMOUSINE
27 = 2-DOOR CONVERTIBLE		

AR = Use as Required - = Non Illustrated Part P.A.R. = Paint as Required

BELT REAR SEAT LAP P,D,C,V K BODY
Figure ITC-6700

5234 6700



ITEM	PART NUMBER	QTY	BODY	MODEL	DESCRIPTION
6	4364 849	1			EXTENSION, Rear Seat Belt N N N Y4364849
7	6031 218	4			BOLT N N N Y6031218
8	4314 478	1			REINFORCEMENT,w/Weldnuts N N N Y4314478
9					BELT, Rear Seat Outboard Tip Half w/Retractors N N N N Label Number 4317069 N N N N
	F724 DA3	2			Silver N N N YF724DA3
	F724 DB5	2			Blue N N N YF724DB5
	F724 DC7	2			Blue, Dark N N N YF724DC7
	F724 DM6	2			Red N N N YF724DM6
	F724 DT3	2			Tan N N N YF724DT3
	F724 DT8	2			Brown N N N YF724DT8
	F724 DS8	2			Charcoal N N N YF724DS8
10					BELT, Buckle Half, Inner N N N N Label Number 4316757 N N N N
	F713 DT3	1			Tan N N27 N YF713DT3
	F713 BM6	1			Red N N27 N YF713BM6
	F713 BT8	1			Brown N N27 N YF713BT8
	F713 CS8	1			Charcoal N N27 N YF713CS8

MODEL CODES

B = GRAN FURY	E = 600	M = HORIZON/TURISMO
C = LE BARON/TOWN & COUNTRY/LIMO	F = FIFTH AVENUE/NEWPORT	P = RELIANT
C24 = LASER	G = DIPLOMAT	T = NEW YORKER
C44 = LE BARON/GTS	H = VOYAGER	V = 600
D = ARIES	J = CARAVELLE	V24 = DAYTONA
D44 = LANCER	K = MINI VAN/CARAVAN/ROYAL	Z = OMNI/CHARGER

BODY STYLES

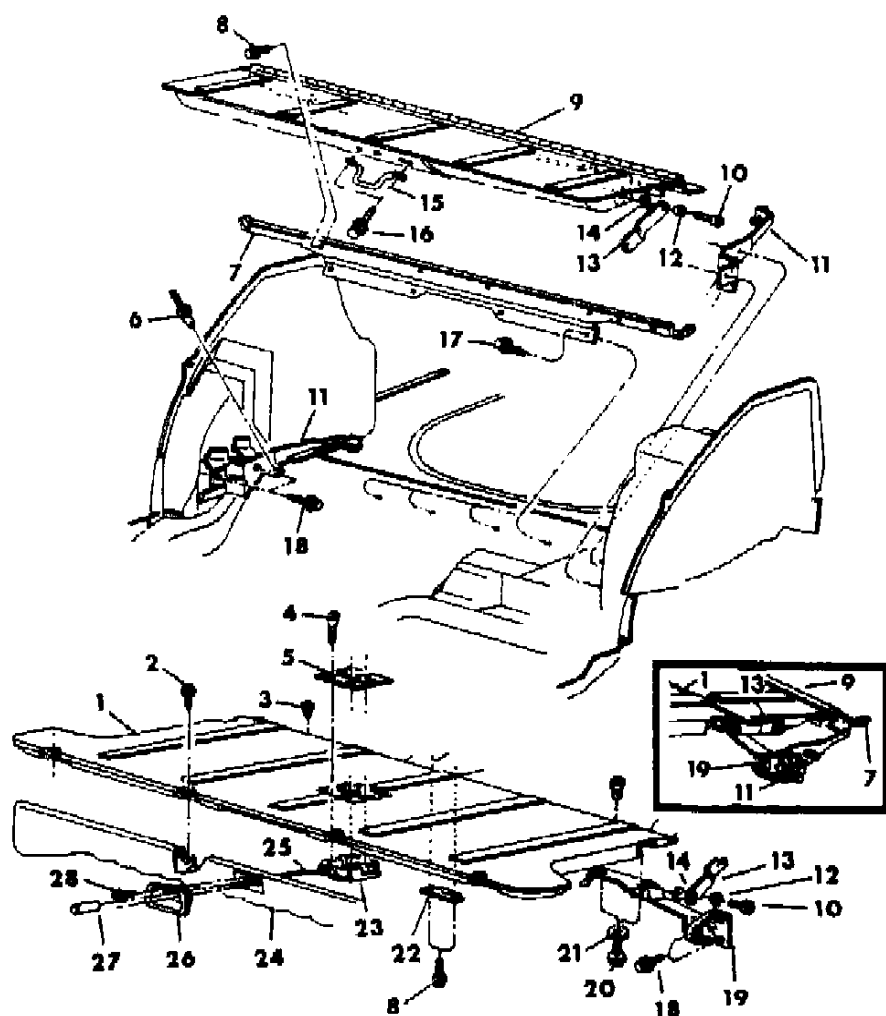
21 = 2-DOOR SEDAN	35 = FWD VAN	44 = 4-DOOR HATCHBACK
22 = 2-DOOR SPECIAL COUPE	36 = FWD WAGON	45 = 4-DOOR STATION WAGON
24 = 2-DOOR HATCHBACK	41 = 4-DOOR SEDAN	49 = LIMOUSINE
27 = 2-DOOR CONVERTIBLE		

AR = Use as Required - = Non Illustrated Part P.A.R. = Paint as Required

SEAT REAR FOLD DOWN P,D,C K BODY 45
Figure ITC-6800

5234 BRU

ITEM	PART NUMBER	QTY	BODY	MODEL	DESCRIPTION
1					PANEL, Seat Back N N N N
	W232 BB5	1			Blue N N N YW232BB5
	W232 VM6	1			Red N N N YW232VM6
	W232 DT3	1			Tan N N N YW232DT3
	W232 BT8	1			Brown N N N YW232BT8
2					SCREW (not serviced) N N N N
3	4206 315	1			BUMPER, Seat Back N N N Y4206315
4	6100 897	3			SCREW N N N Y6100897
5	4206 082	1			ESCUTCHEON, Seat Back Latch N N N Y4206082
6	6031 115	4			RIVET N N N Y6031115
7	4206 092	1			FRAME, Filler Supt. Center N N N Y4206092
8		AR			SCREW (not serviced) N N N N
9	4206 269	1			PANEL, Filler N N N Y4206269
10	6500 554	4			SCREW, Shoulder N N N Y6500554
11	4278 424-5	1			FRAME, w/P/Nut Side Filler Support N N N Y4278424
12	0869 770	4			WASHER, Spring N N N Y0869770
13	4206 369	2			LINK, Filler Panel to Seat Back N N N Y4206369
14					WASHER (not serviced) N N N N
15	4206 214	1			STRIKER, Filler Panel N N N Y4206214
16	0181 063	2			SCREW, Striker N N N Y0181063
17	6500 557	AR			SCREW N N N Y6500557
18	6100 566	AR			SCREW N N N Y6100566
19	4206 318-9	1			HINGE, Seat Back N N N Y4206318
20	6100 566	4			SCREW and WASHER N N N Y6100566
21					WASHER (serviced in item 20) N N N N
22	4206 983	1			BRACKET, Seat Back Center Retainer N N N Y4206983
23	4172 139	1			LATCH, Seat Back N N N Y4172139
	6100 041	3			NUT, Latch Attaching N N N Y6100041
24					SEAT BACK (see Trim section) N N N N
25	4172 723	1			ROD, Latch Release N N N Y4172723
26	W246 CA3	1			BEZEL, Latch Release Knob (paint as required) N N N YW246CA3
27	3861 859	1			KNOB, Release Latch Rod N N N Y3861859
28					SCREW (not serviced) N N N N



MODEL CODES

B = GRAN FURY	E = 600	M = HORIZON/TURISMO
C = LE BARON/TOWN & COUNTRY/LIMO	F = FIFTH AVENUE/NEWPORT	P = RELIANT
C24 = LASER	G = DIPLOMAT	T = NEW YORKER
C44 = LE BARON/GTS	H = VOYAGER	V = 600
D = ARIES	J = CARAVELLE	V24 = DAYTONA
D44 = LANCER	K = MINI VAN/CARAVAN/ROYAL	Z = OMNI/CHARGER

BODY STYLES

21 = 2-DOOR SEDAN	35 = FWD VAN	44 = 4-DOOR HATCHBACK
22 = 2-DOOR SPECIAL COUPE	36 = FWD WAGON	45 = 4-DOOR STATION WAGON
24 = 2-DOOR HATCHBACK	41 = 4-DOOR SEDAN	49 = LIMOUSINE
27 = 2-DOOR CONVERTIBLE		

AR = Use as Required - = Non Illustrated Part P.A.R. = Paint as Required

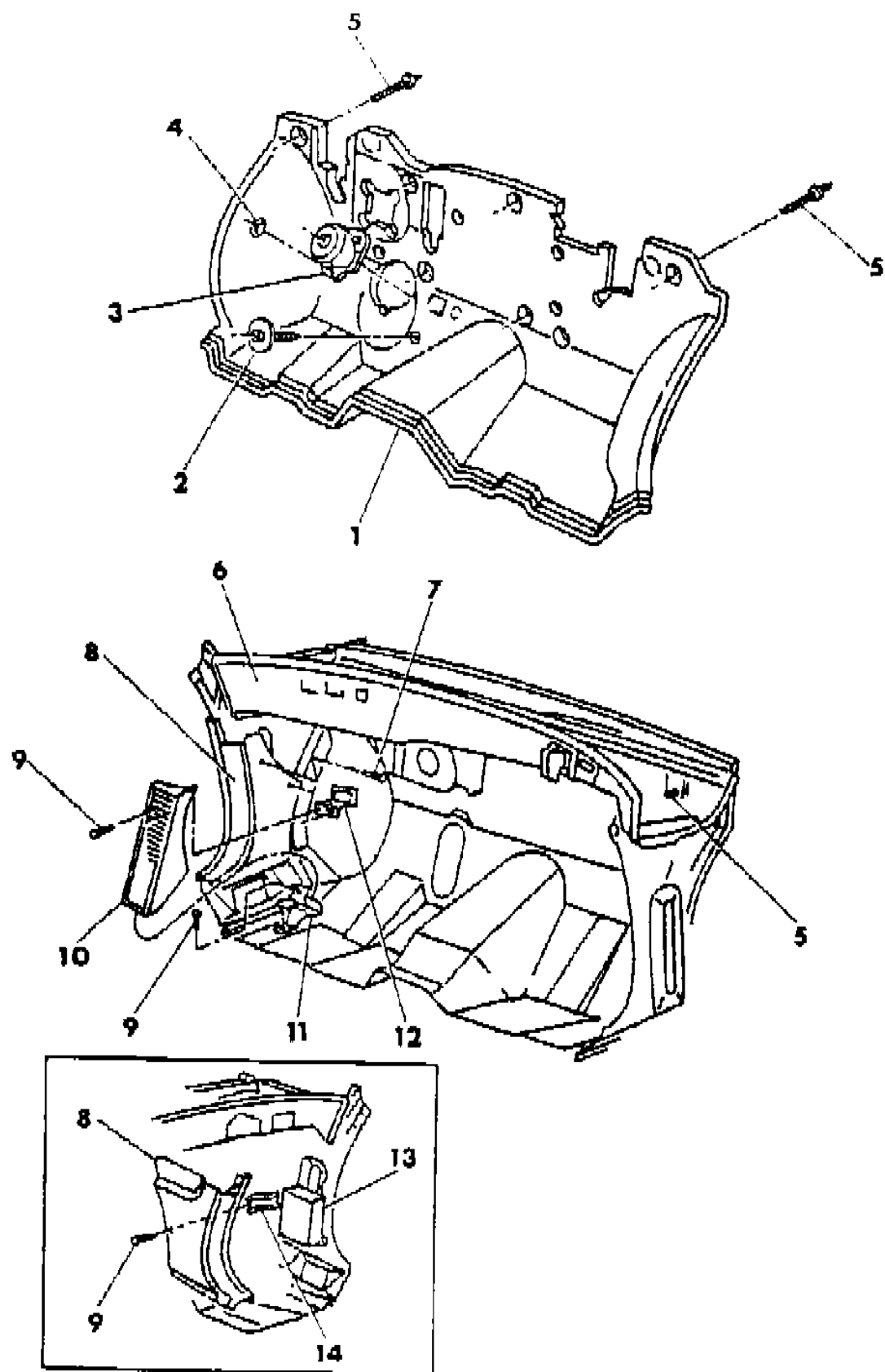
GROUP ITD - G BODY

ILLUSTRATION TITLE	GROUP-FIG. NO.
COWL PANEL AND SILENCERS V,C 24 G BODY	Fig. ITD-100
HEADLINER AND VISOR FRONT V,C 24 G BODY	Fig. ITD-200
TONNEAU COVER V,C 24 G BODY	Fig. ITD-300
MOULDING GARNISH V,C 24 G BODY	Fig. ITD-400
PANEL QUARTER TRIM AND LOWER DECK OPENING PANEL V,C 24 G Body	Fig. ITD-500
PANEL LIFTGATE TRIM AND VISOR V,C 24 G BODY	Fig. ITD-600
CARPET AND SILENCERS V,C 24 G BODY	Fig. ITD-700
SCUFF PLATE V,C 24 G BODY	Fig. ITD-800
DOOR TRIM PANEL V,C 24 G BODY	Fig. ITD-900
SEAT FRONT V,C 24 G BODY TRIM CODES A7,A8	Fig. ITD-1000
SEAT FRONT V,C 24 G BODY TRIM CODE E7	Fig. ITD-1100
SEAT FRONT V,C 24 G BODY TRIM CODE EL	Fig. ITD-1200
BELT FRONT SEAT LAP AND SHOULDER V,C 24 G BODY	Fig. ITD-1300
LUMBAR AND THIGH SUPPORT V,C 24 G BODY	Fig. ITD-1400
RECLINING FRONT SEAT V,C 24 G BODY	Fig. ITD-1500
ADJUSTER MANUAL V,C 24 G BODY	Fig. ITD-1600
COVERS MANUAL SEAT ADJUSTER V,C 24 G BODY	Fig. ITD-1700
ADJUSTER ELECTRIC V,C 24 G BODY	Fig. ITD-1800
COVERS ELECTRIC SEAT ADJUSTER V,C 24 G BODY	Fig. ITD-1900
SEAT REAR V,C 24 G BODY TRIM CODES A7,A8	Fig. ITD-2000
SEAT REAR V,C 24 G BODY TRIM CODE E7	Fig. ITD-2100
SEAT REAR V,C 24 G BODY TRIM CODE EL	Fig. ITD-2200
BELT REAR SEAT V,C 24 G BODY	Fig. ITD-2300
SEAT REAR FOLD DOWN V,C 24 G BODY	Fig. ITD-2400

ILLUSTRATION NOT AVAILABLE AT TIME OF PUBLICATION

COWL PANEL AND SILENCERS V,C 24 G BODY
Figure ITD-100

5235 100



ITEM	PART NUMBER	QTY	BODY	MODEL	DESCRIPTION
1	4314 913	1			LINER, Dash N N N Y4314913
2					SCREW (8-18x3/4)(not serviced) N N N N
3	4188 868	1			COVER and SILENCER, Steering Column N N N Y4188868
4					NUT, Push-on N N N N
5	6032 020	6			STUD, Collar Special N N N Y6032020
6					SILENCER, Cowl (not serviced) N N N N
7					SCREW (not serviced) N N N N
8					PANEL, Cowl Side Trim N N N N
	F174-5 CM6	1			Red N N N YF174CM6
	F174-5 CS8	1			Charcoal N N N YF174CS8
	F174-5 DT5	1			Tan N N N YF174DT5
	F174-5 CX9	1			Black N N N YF174CX9
9	4248 717	1			FOOTREST, Left Only N N N Y4248717
10	4248 705	1			BRACKET, Footrest, Lower N N N Y4248705
11	4248 703	1			BRACKET, Footrest, Upper N N N Y4248703
12					LOGIC MODULE (see Group 8) N N N N
13	4247 832	1			BRACKET, Cowl Side Trim Attach w/E.F.I. N N N Y4247832

MODEL CODES

B = GRAN FURY	E = 600	M = HORIZON/TURISMO
C = LE BARON/TOWN & COUNTRY/LIMO	F = FIFTH AVENUE/NEWPORT	P = RELIANT
C24 = LASER	G = DIPLOMAT	T = NEW YORKER
C44 = LE BARON/GTS	H = VOYAGER	V = 600
D = ARIES	J = CARAVELLE	V24 = DAYTONA
D44 = LANCER	K = MINI VAN/CARAVAN/ROYAL	Z = OMNI/CHARGER

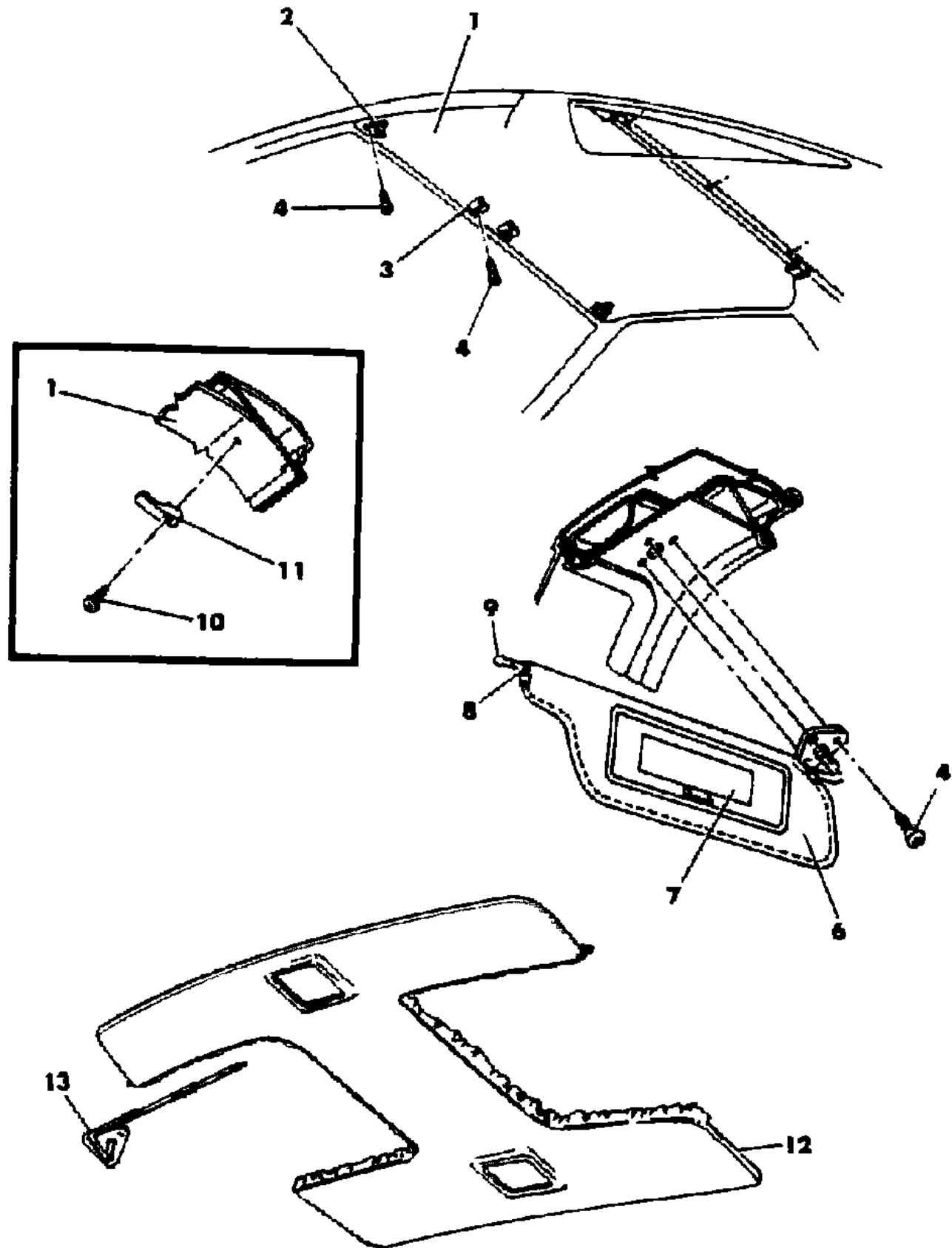
BODY STYLES

21 = 2-DOOR SEDAN	35 = FWD VAN	44 = 4-DOOR HATCHBACK
22 = 2-DOOR SPECIAL COUPE	36 = FWD WAGON	45 = 4-DOOR STATION WAGON
24 = 2-DOOR HATCHBACK	41 = 4-DOOR SEDAN	49 = LIMOUSINE
27 = 2-DOOR CONVERTIBLE		

AR = Use as Required - = Non Illustrated Part P.A.R. = Paint as Required

HEADLINER AND VISOR FRONT V,C 24 G BODY Figure ITD-200

5236 200



ITEM	PART NUMBER	QTY	BODY	MODEL	DESCRIPTION
1					HEADLINER N N N N
					w/o Sunroof N N N N
	H814 DA3	1			Silver N N N YH814DA3
	H814 DM6	1			Red N N N YH814DM6
	H814 DT3	1			Tan N N N YH814DT3
	H814 DX9	1			Black N N N YH814DX9
		1			w/Sunroof N N N N
	H810 CA3	1			Silver N N N YH810CA3
	H810 CM6	1			Red N N N YH810CM6
	H810 DT3	1			Tan N N N YH810DT3
	H810 CX9	1			Black N N N YH810CX9
2	4247 868-9	1			ARM and BRACKET, Sunvisor (w/o T/Bar) N N N Y4247868
3					CLIP, Sunvisor Retainer N N N N
	H335 CA3	2			Silver N N N YH335CA3
	H335 CM6	2			Red N N N YH335CM6
	H335 DT3	2			Tan N N N YH335DT3
	H335 CX9	2			Black N N N YH335CX9
4	6032 584	6			SCREW N N N Y6032584
6					VISOR, Less Arm and Bracket N N N N
					w/Mirror Right N N N N
	H338 CA3	1			Silver N N N YH338CA3
	H338 CM6	1			Red N N N YH338CM6
	H338 DT3	1			Tan N N N YH338DT3
	H338 CX9	1			Black N N N YH338CX9
					w/o Mirror Left N N N N
	H339 CA3	1			Silver N N N YH339CA3
	H339 CM6	1			Red N N N YH339CM6
	H339 DT3	1			Tan N N N YH339DT3
	H339 CX9	1			Black N N N YH339CX9
7					MIRROR, Visor Vanity (right only) N N N N
	H322 CA3	1			Silver N N N YH322CA3
	H322 CM6	1			Red N N N YH322CM6
	H322 DT3	1			Tan N N N YH322DT3
	H322 CX9	1			Black N N N YH322CX9
8	4282 359	2			SUPPORT, Visor Inner N N N Y4282359
9					TIP, Visor Support N N N N
	H315 CA3	2			Silver N N N YH315CA3

MODEL CODES

B = GRAN FURY	E = 600	M = HORIZON/TURISMO
C = LE BARON/TOWN & COUNTRY/LIMO	F = FIFTH AVENUE/NEWPORT	P = RELIANT
C24 = LASER	G = DIPLOMAT	T = NEW YORKER
C44 = LE BARON/GTS	H = VOYAGER	V = 600
D = ARIES	J = CARAVELLE	V24 = DAYTONA
D44 = LANCER	K = MINI VAN/CARAVAN/ROYAL	Z = OMNI/CHARGER

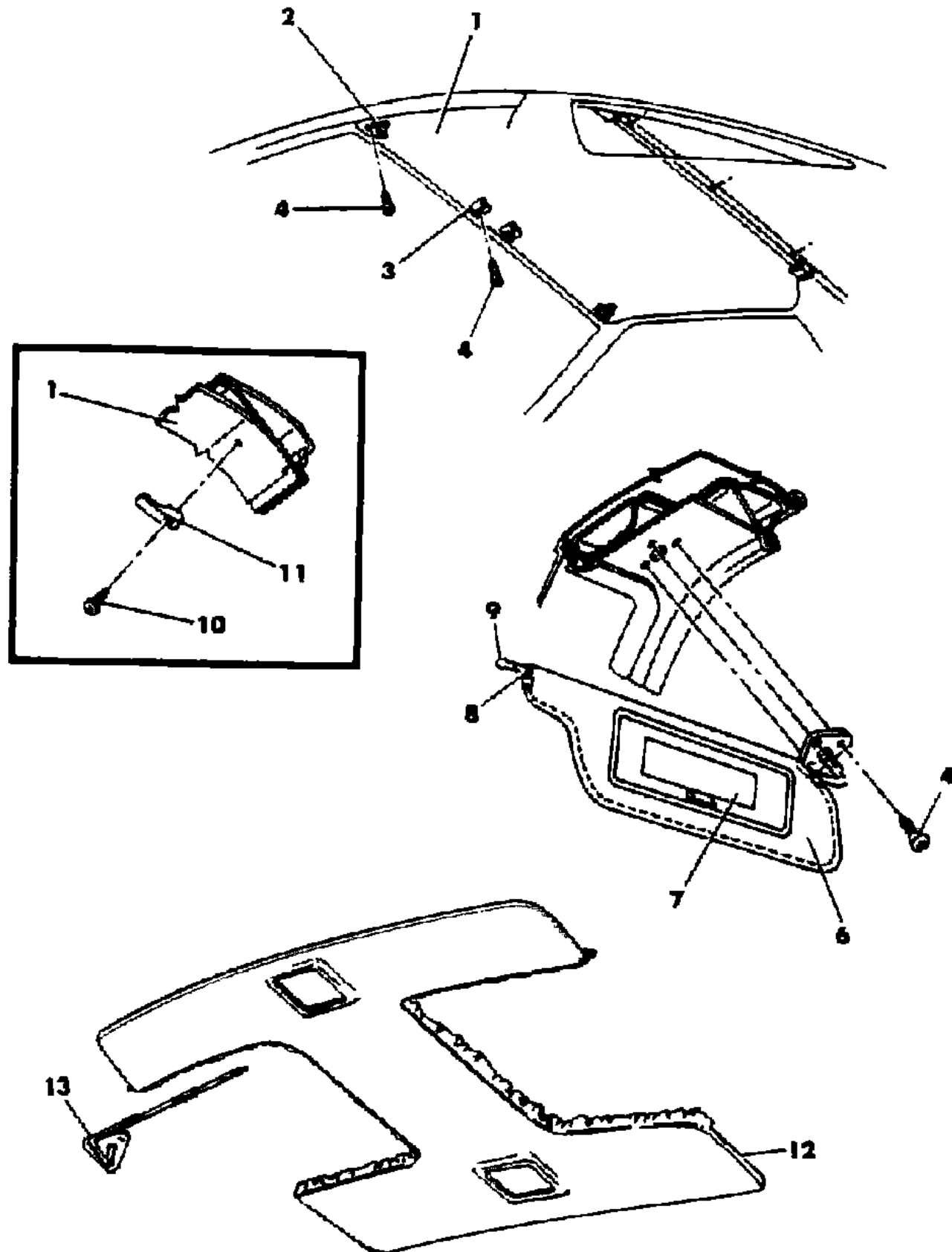
BODY STYLES

21 = 2-DOOR SEDAN	35 = FWD VAN	44 = 4-DOOR HATCHBACK
22 = 2-DOOR SPECIAL COUPE	36 = FWD WAGON	45 = 4-DOOR STATION WAGON
24 = 2-DOOR HATCHBACK	41 = 4-DOOR SEDAN	49 = LIMOUSINE
27 = 2-DOOR CONVERTIBLE		

AR = Use as Required - = Non Illustrated Part P.A.R. = Paint as Required

HEADLINER AND VISOR FRONT V,C 24 G BODY
Figure ITD-200

5236 200



ITEM	PART NUMBER	QTY	BODY	MODEL	DESCRIPTION
	H315 CM6	2			Red N N N YH315CM6
	H315 CT8	2			Brown N N N YH315CT8
	H315 CX9	2			Black N N N YH315CX9
10					SCREW (not serviced) N N N N
11	3685 992	2			HOOK, Coat N N N Y3685992
12					HEADLINER, w/T-Bar Roof N N N N
	4397 056	1			Silver/Charcoal N N N Y4397056
	4397 057	1			Red N N N Y4397057
	4397 059	1			Black N N N Y4397059
13	4397 012-3	1			ARM and BRACKET, Visor w/T-Bar Roof N N N Y4397012
NOTE: The following items are not illustrated s ARE NOT RETURNABLE.					
	4342 496	2			SILENCER, Roof N N N Y4342496

MODEL CODES

B = GRAN FURY	E = 600	M = HORIZON/TURISMO
C = LE BARON/TOWN & COUNTRY/LIMO	F = FIFTH AVENUE/NEWPORT	P = RELIANT
C24 = LASER	G = DIPLOMAT	T = NEW YORKER
C44 = LE BARON/GTS	H = VOYAGER	V = 600
D = ARIES	J = CARAVELLE	V24 = DAYTONA
D44 = LANCER	K = MINI VAN/CARAVAN/ROYAL	Z = OMNI/CHARGER

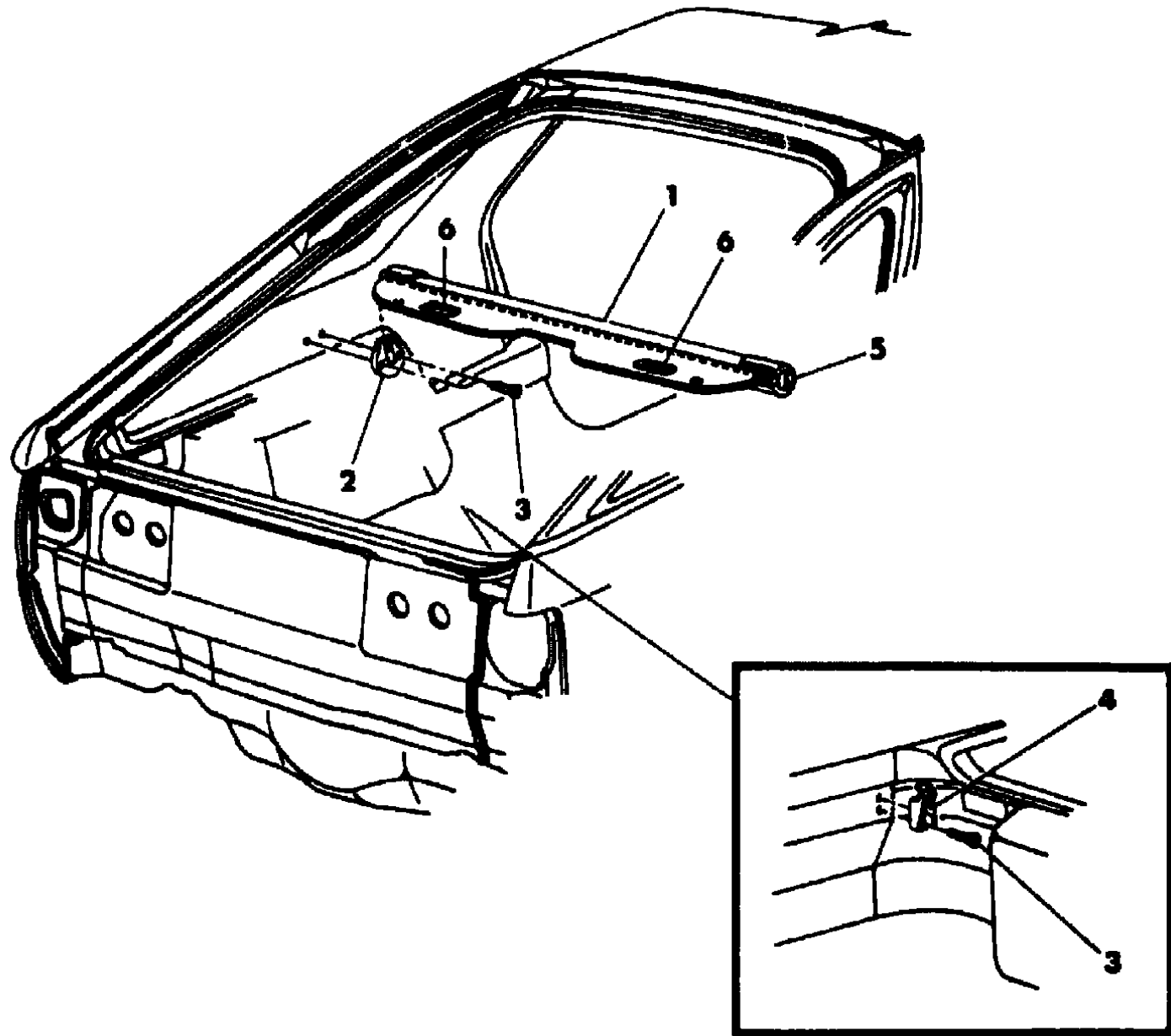
BODY STYLES

21 = 2-DOOR SEDAN	35 = FWD VAN	44 = 4-DOOR HATCHBACK
22 = 2-DOOR SPECIAL COUPE	36 = FWD WAGON	45 = 4-DOOR STATION WAGON
24 = 2-DOOR HATCHBACK	41 = 4-DOOR SEDAN	49 = LIMOUSINE
27 = 2-DOOR CONVERTIBLE		

AR = Use as Required - = Non Illustrated Part P.A.R. = Paint as Required

TONNEAU COVER V,C 24 G BODY
Figure ITD-300

5236 300 A



ITEM	PART NUMBER	QTY	BODY	MODEL	DESCRIPTION
1					COVER, Security N N N N
	4271 077	1			Red N N N Y4271077
	4271 078	1			Charcoal N N N Y4271078
	4271 081	1			Tan N N N Y4271081
	4271 080	1			Black N N N Y4271080
2					SUPPORT, Security Cover N N N N
	H482 CM6	2			Red N N N YH482CM6
	H482 CA3	2			Silver N N N YH482CA3
	H482 DT3	2			Tan N N N YH482DT3
	H482 CX9	2			Black N N N YH482CX9
3		8			SCREW (8-1x1 1/4)(not serviced) N N N N
4					HOOK, Security Cover N N N N
	H464 CM6	2			Red N N N YH464CM6
	H464 CS8	2			Charcoal N N N YH464CS8
	H464 DT5	2			Tan N N N YH464DT5
	H464 CX9	2			Black N N N YH464CX9
5	4271 047	1			END CAP PACKAGE N N N Y4271047
6					GROMMET, Tonneau Cover N N N N
	H544 DM6	2			Red N N N YH544DM6
	H544 DT5	2			Tan N N N YH544DT5
	H544 DS8	2			Charcoal N N N YH544DS8
	H544 DX9	2			Black N N N YH544DX9

MODEL CODES

B = GRAN FURY	E = 600	M = HORIZON/TURISMO
C = LE BARON/TOWN & COUNTRY/LIMO	F = FIFTH AVENUE/NEWPORT	P = RELIANT
C24 = LASER	G = DIPLOMAT	T = NEW YORKER
C44 = LE BARON/GTS	H = VOYAGER	V = 600
D = ARIES	J = CARAVELLE	V24 = DAYTONA
D44 = LANCER	K = MINI VAN/CARAVAN/ROYAL	Z = OMNI/CHARGER

BODY STYLES

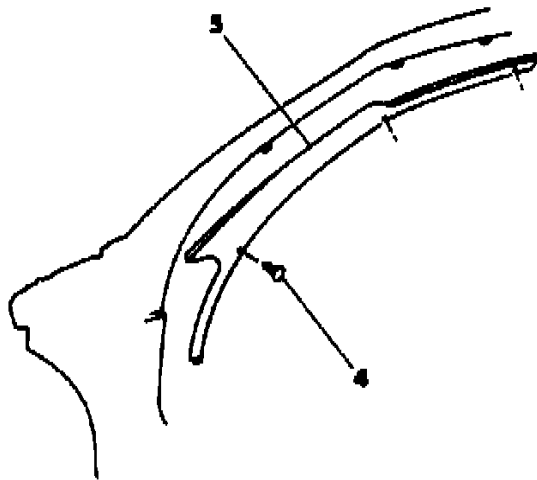
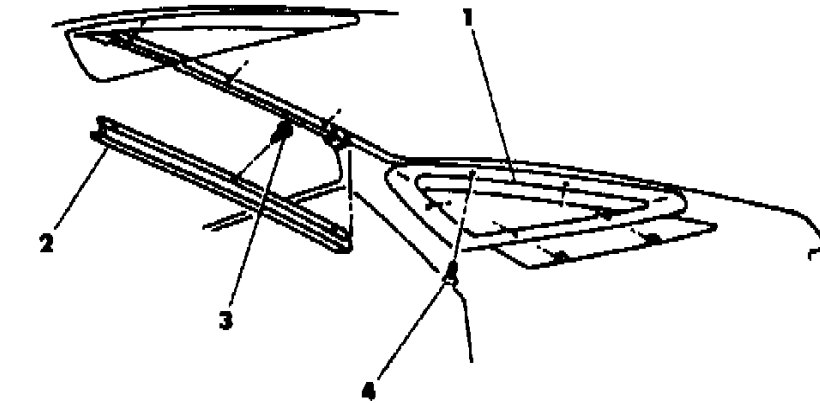
21 = 2-DOOR SEDAN	35 = FWD VAN	44 = 4-DOOR HATCHBACK
22 = 2-DOOR SPECIAL COUPE	36 = FWD WAGON	45 = 4-DOOR STATION WAGON
24 = 2-DOOR HATCHBACK	41 = 4-DOOR SEDAN	49 = LIMOUSINE
27 = 2-DOOR CONVERTIBLE		

AR = Use as Required - = Non Illustrated Part P.A.R. = Paint as Required

MOULDING GARNISH V,C 24 G BODY
Figure ITD-400

ITEM	PART NUMBER	QTY	BODY	MODEL	DESCRIPTION
1	H132-3 CA3	1			MOULDING, Quarter Window Garnish (paint as required) N N N YH132CA3
2	F282 CA3	1			MOULDING, Rear Header (paint as required) N N N YF282CA3
3					SCREW (8-18x5/8)(not serviced) N N N N
4					PLUG, Garnish Attaching N N N N
	H448 AA3	AR			Silver N N N YH448AA3
	H448 AM6	AR			Red N N N YH448AM6
	H448 DT3	AR			Tan N N N YH448DT3
	H448 CX9	AR			Black N N N YH448CX9
	F155 BA3	AR			FASTENER, Garnish Attaching N N N N Silver N N N YF155BA3
	F155 BM6	AR			Red N N N YF155BM6
	F155 DT5	AR			Tan N N N YF155DT5
	F155 CX9	AR			Black N N N YF155CX9
5					MOULDING, Windshield Side Garnish N N N N
	H134-5 CA3	1			Silver N N N YH134CA3
	H134-5 CM6	1			Red N N N YH134CM6
	H134-5 DT3	1			Tan N N N YH134DT3
	H134-5 CX9	1			Black N N N YH134CX9

5236 400



MODEL CODES

B = GRAN FURY	E = 600	M = HORIZON/TURISMO
C = LE BARON/TOWN & COUNTRY/LIMO	F = FIFTH AVENUE/NEWPORT	P = RELIANT
C24 = LASER	G = DIPLOMAT	T = NEW YORKER
C44 = LE BARON/GTS	H = VOYAGER	V = 600
D = ARIES	J = CARAVELLE	V24 = DAYTONA
D44 = LANCER	K = MINI VAN/CARAVAN/ROYAL	Z = OMNI/CHARGER

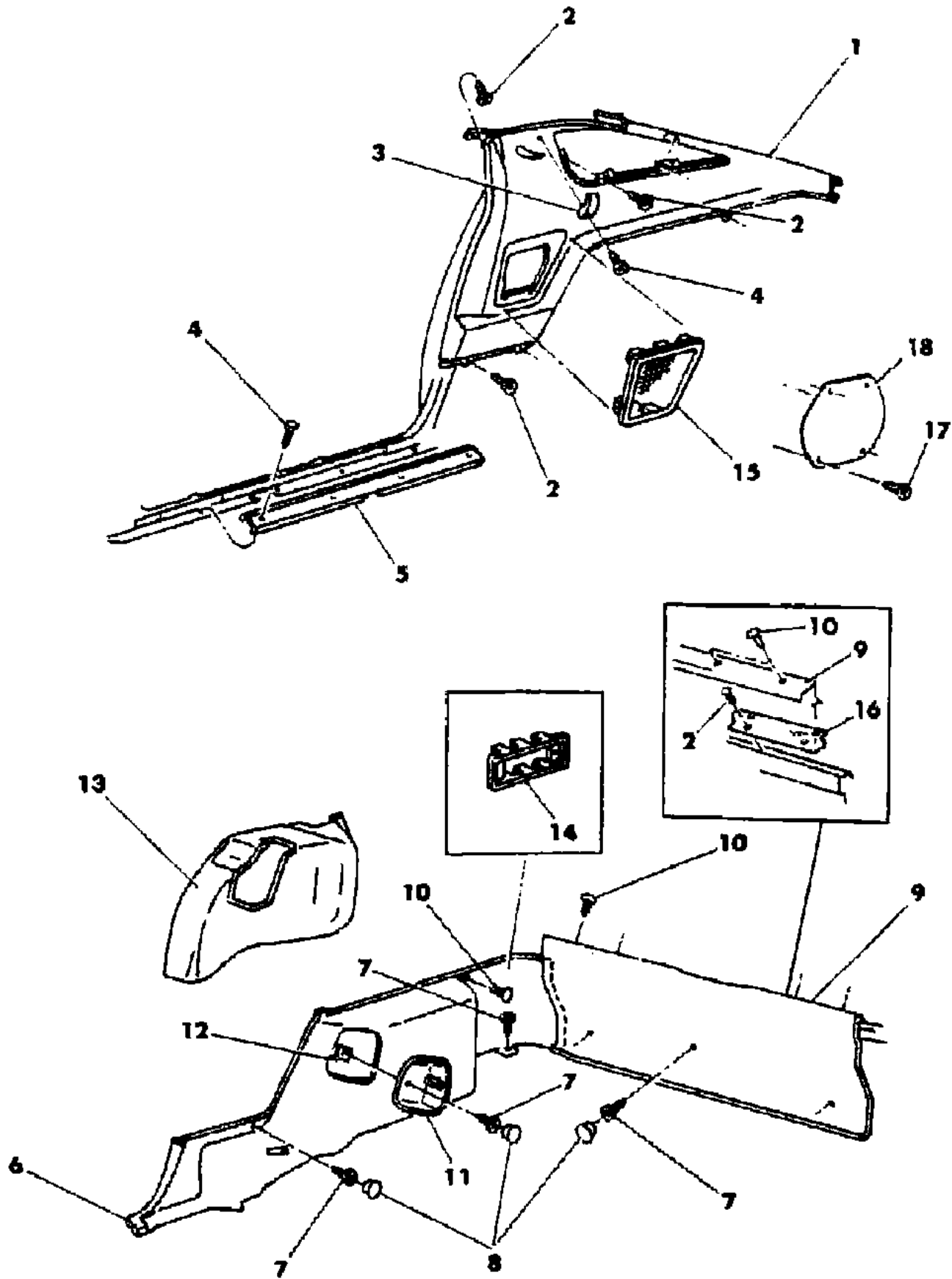
BODY STYLES

21 = 2-DOOR SEDAN	35 = FWD VAN	44 = 4-DOOR HATCHBACK
22 = 2-DOOR SPECIAL COUPE	36 = FWD WAGON	45 = 4-DOOR STATION WAGON
24 = 2-DOOR HATCHBACK	41 = 4-DOOR SEDAN	49 = LIMOUSINE
27 = 2-DOOR CONVERTIBLE		

AR = Use as Required - = Non Illustrated Part P.A.R. = Paint as Required

**PANEL QUARTER TRIM AND LOWER DECK OPENING PANEL V,C 24 G Body
Figure ITD-500**

5236 500



ITEM	PART NUMBER	QTY	BODY	MODEL	DESCRIPTION
1					PANEL, Quarter Upper Trim (paint as required) N N N N
	H366-7 CAS	1			(use up to 9/25/84) N N N YH366CAS
	K528-9 DTT	1			(use after 9/25/84) N N N YK528DTT
2					SCREW, Panel Attaching (8-18x1/2) (not serviced) N N N N
3	3685 992	2			HOOK, Coat N N N Y3685992
4					SCREW (not serviced)(see Scuff Plate Illustration) N N N N
5					PLATE, Door Sill Scuff (see Scuff Plate Illustration) N N N N
6					PANEL, Quarter Lower Trim w/o Carpet (paint as required) N N N N
	H374-5 CT8	1			(use up to 9/18/84) N N N YH374CT8
	K530-1 DT5	1			(use after 9/18/84) N N N YK530DT5
					w/Carpet N N N N
	H368-9 CM6	1			Red (use up to 9/28/84) N N N YH368CM6
	K532-3 DM6	1			Red (use after 9/28/84) N N N YK532DM6
	H368-9 CS8	1			Charcoal (use up to 9/19/84) N N N YH368CS8
	K532-3 DS8	1			Charcoal (use after 9/19/84) N N N YK532DS8
	H368-9 DT5	1			Tan (use up to 9/19/84) N N N YH368DT5
	K532-3 DT5	1			Tan (use after 9/19/84) N N N YK532DT5
	H368-9 CX9	1			Black (use up to 10/5/84) N N N YH368CX9
	K532-3 DX9	1			Black (use after 10/5/84) N N N YK532DX9
7					SCREW (8-18x5/8)(not serviced) N N N N
8	F245 CA3	AR			PLUG, Trim (paint as required) N N N YF245CA3
9	H188 CAS	1			PANEL, Liftgate Opening Lower Trim w/o Carpet(paint as required) N N N YH188CAS
					w/Carpet N N N N
	H192 CAS	1			Silver N N N YH192CAS
	H192 CM6	1			Red N N N YH192CM6
	H192 DTT	1			Tan N N N YH192DTT
	H192 CX9	1			Black N N N YH192CX9
10					FASTENER N N N N
	F155 BA3	AR			Silver N N N YF155BA3
	F155 BM6	AR			Red N N N YF155BM6
	F155 DT5	AR			Tan N N N YF155DT5
	F155 CS8	AR			Charcoal N N N YF155CS8
	F155 CX9	AR			Black N N N YF155CX9
11	F416-7 CS8	1			COVER, Seat Latch (paint as required) N N N YF416CS8
12	6031 803	2			U-NUT N N N Y6031803

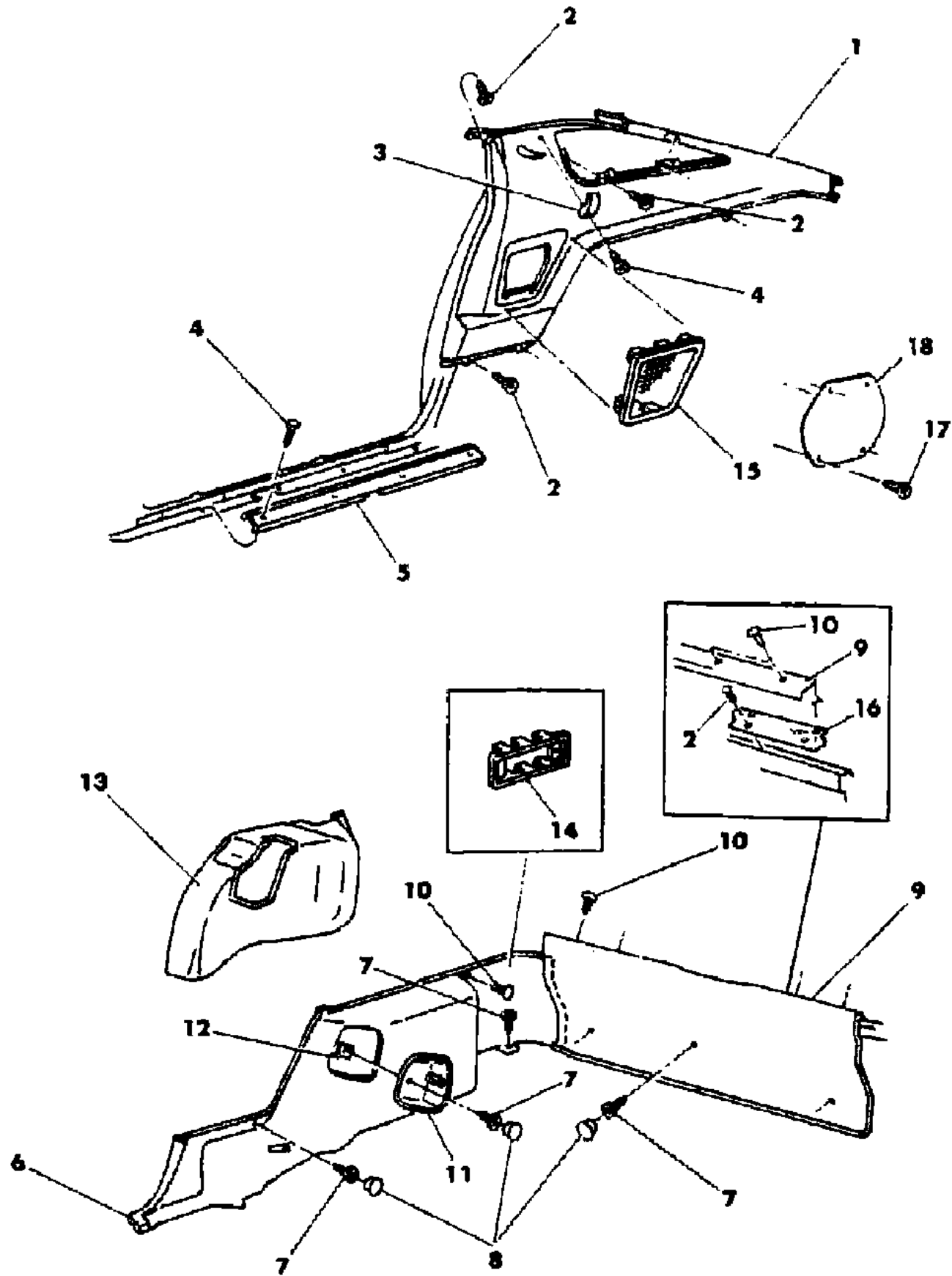
MODEL CODES
 B = GRAN FURY
 C = LE BARON/TOWN & COUNTRY/LIMO
 C24 = LASER
 C44 = LE BARON/GTS
 D = ARIES
 D44 = LANCER
 E = 600
 F = FIFTH AVENUE/NEWPORT
 G = DIPLOMAT
 H = VOYAGER
 J = CARAVELLE
 K = MINI VAN/CARAVAN/ROYAL
 M = HORIZON/TURISMO
 P = RELIANT
 T = NEW YORKER
 V = 600
 V24 = DAYTONA
 Z = OMNI/CHARGER

BODY STYLES
 21 = 2-DOOR SEDAN
 22 = 2-DOOR SPECIAL COUPE
 24 = 2-DOOR HATCHBACK
 27 = 2-DOOR CONVERTIBLE
 35 = FWD VAN
 36 = FWD WAGON
 41 = 4-DOOR SEDAN
 44 = 4-DOOR HATCHBACK
 45 = 4-DOOR STATION WAGON
 49 = LIMOUSINE

AR = Use as Required - = Non Illustrated Part P.A.R. = Paint as Required

PANEL QUARTER TRIM AND LOWER DECK OPENING PANEL V,C 24 G Body
Figure ITD-500

5236 500



ITEM	PART NUMBER	QTY	BODY	MODEL	DESCRIPTION
13	4186 901	AR			SILENCER, Wheelhouse N N N Y4186901
14	3591 126	1			BRACKET, Cargo Lamp (painted) N N N Y3591126
15					GRILLE, Rear Speakers N N N N
	D494-5 CA3	1			Silver N N N YD494CA3
	D494-5 CM6	1			Red N N N YD494CM6
	D494-5 DT3	1			Tan N N N YD494DT3
	D494-5 CX9	1			Black N N N YD494CX9
	6032 268	5			RETAINER, Grille Attaching N N N Y6032268
16	4247 885	2			BRACKET, Liftgate Opening Lower Trim Panel Attaching N N N Y4247885
17		AR			SCREW (not serviced) N N N N
18		2			COVER, Rear Compartment Speaker Hole w/o Radio (not serviced) N N N N

MODEL CODES

B = GRAN FURY	E = 600	M = HORIZON/TURISMO
C = LE BARON/TOWN & COUNTRY/LIMO	F = FIFTH AVENUE/NEWPORT	P = RELIANT
C24 = LASER	G = DIPLOMAT	T = NEW YORKER
C44 = LE BARON/GTS	H = VOYAGER	V = 600
D = ARIES	J = CARAVELLE	V24 = DAYTONA
D44 = LANCER	K = MINI VAN/CARAVAN/ROYAL	Z = OMNI/CHARGER

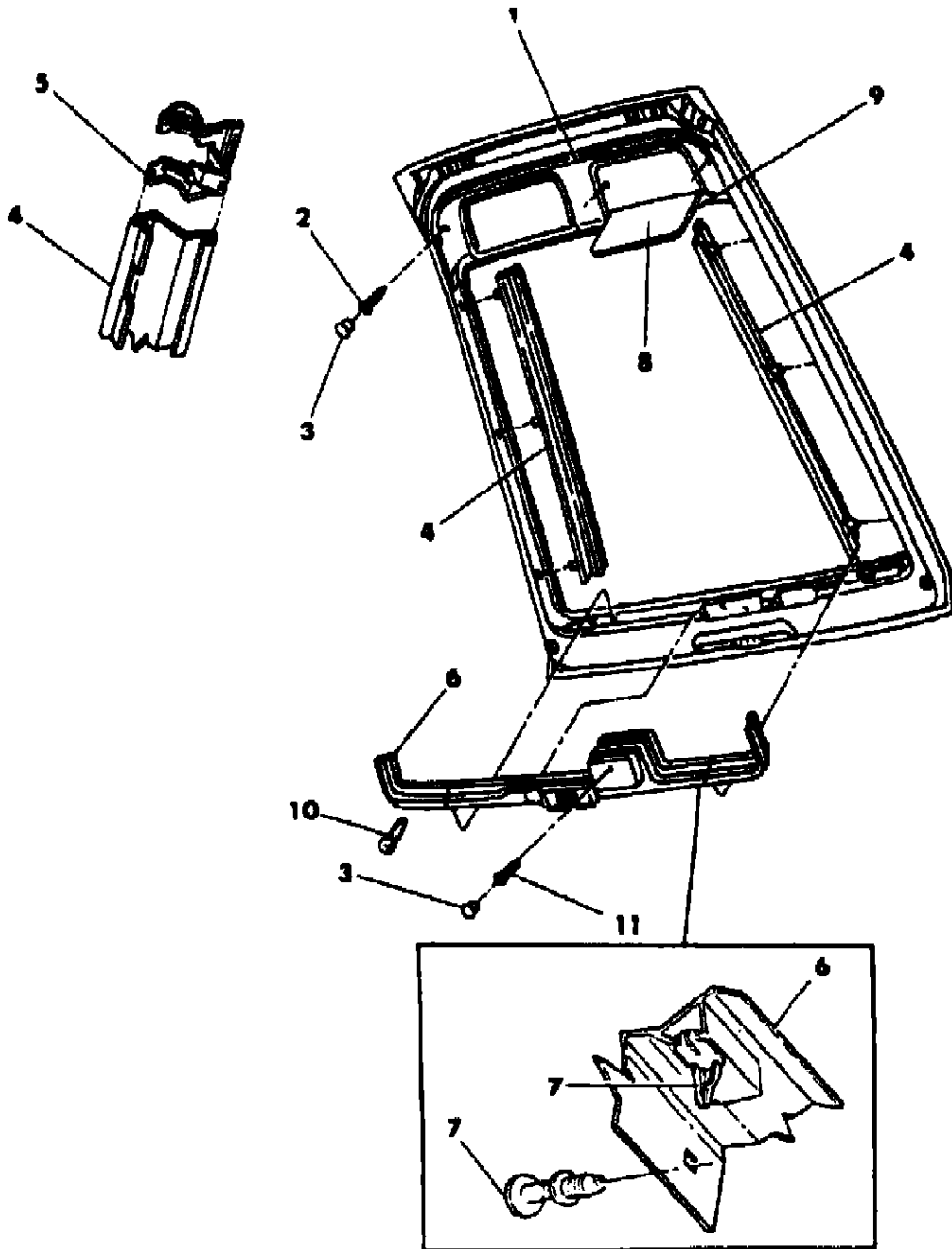
BODY STYLES

21 = 2-DOOR SEDAN	35 = FWD VAN	44 = 4-DOOR HATCHBACK
22 = 2-DOOR SPECIAL COUPE	36 = FWD WAGON	45 = 4-DOOR STATION WAGON
24 = 2-DOOR HATCHBACK	41 = 4-DOOR SEDAN	49 = LIMOUSINE
27 = 2-DOOR CONVERTIBLE		

AR = Use as Required - = Non Illustrated Part P.A.R. = Paint as Required

PANEL LIFTGATE TRIM AND VISOR V,C 24 G BODY
Figure ITD-600

5238 800



ITEM	PART NUMBER	QTY	BODY	MODEL	DESCRIPTION
1	H217 CA3	1			PANEL, Liftgate Upper Trim w/Rear Visors (paint as required) N N N YH217CA3
	H183 CA3	1			w/o Rear Visors (paint as required) N N N YH183CA3
2	F245 CA3	5			SCREW (8-18x3/4)(not serviced) N N N N
3	4309 082-3	1			PLUG, Trim (paint as required) N N N YF245CA3
4	4247 729	6			PANEL, Liftgate Side Trim (paint as required) N N N Y4309082
5					RETAINER, Side Trim Attach N N N Y4247729
6	H175 CA3	1			PANEL, Liftgate Lower w/Seal (paint as required) N N N N
	H180 CA3	1			w/o Rear Wipers N N N YH180CA3
7	4114 785	3			CLIPS, Lower Trim Panel w/Rear Wipers N N N Y4114785
	F155 BA3	4			w/o Rear Wiper N N N N
	F155 BM6	4			Silver N N N YF155BA3
	F155 DT3	4			Red N N N YF155BM6
	F155 CS8	4			Tan N N N YF155DT3
	F155 CX9	4			Charcoal N N N YF155CS8
					Black N N N YF155CX9
8					VISOR, Rear N N N N
	H704-5 CA2	1			Silver N N N YH704CA2
	H704-5 CM6	1			Red N N N YH704CM6
	H704-5 DT3	1			Tan N N N YH704DT3
	H704-5 CX9	1			Black N N N YH704CX9
	4247 724	2			BRACKET, Visor Mounting N N N Y4247724
9	4248 427	4			CLIP, Visor Panel End N N N Y4248427
10					SCREW (8-18x13/32)(not serviced) N N N N

MODEL CODES

B = GRAN FURY	E = 600	M = HORIZON/TURISMO
C = LE BARON/TOWN & COUNTRY/LIMO	F = FIFTH AVENUE/NEWPORT	P = RELIANT
C24 = LASER	G = DIPLOMAT	T = NEW YORKER
C44 = LE BARON/GTS	H = VOYAGER	V = 600
D = ARIES	J = CARAVELLE	V24 = DAYTONA
D44 = LANCER	K = MINI VAN/CARAVAN/ROYAL	Z = OMNI/CHARGER

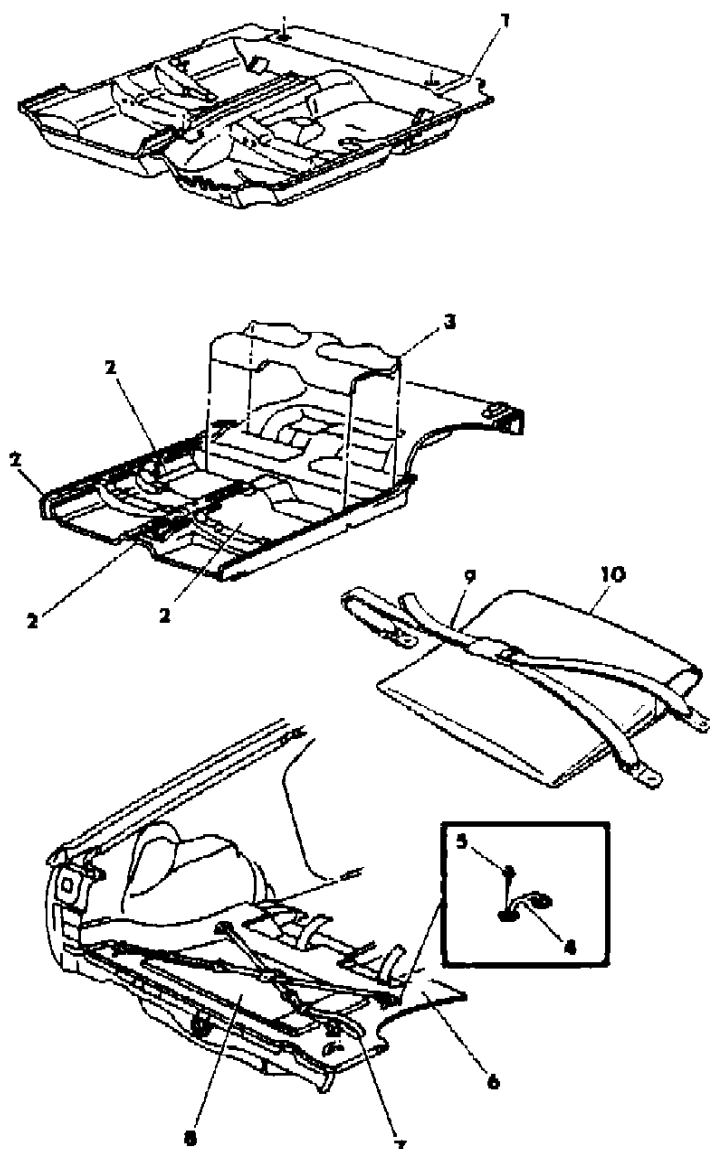
BODY STYLES

21 = 2-DOOR SEDAN	35 = FWD VAN	44 = 4-DOOR HATCHBACK
22 = 2-DOOR SPECIAL COUPE	36 = FWD WAGON	45 = 4-DOOR STATION WAGON
24 = 2-DOOR HATCHBACK	41 = 4-DOOR SEDAN	49 = LIMOUSINE
27 = 2-DOOR CONVERTIBLE		

AR = Use as Required - = Non Illustrated Part P.A.R. = Paint as Required

CARPET AND SILENCERS V,C 24 G BODY
Figure ITD-700

5236 700



ITEM	PART NUMBER	QTY	BODY	MODEL	DESCRIPTION
1					CARPET, Floor N N N N
	M666 DM6	1			Red N N N YM666DM6
	M666 DS8	1			Charcoal N N N YM666DS8
	M666 DT5	1			Tan N N N YM666DT5
	M666 DX9	1			Black N N N YM666DX9
2	4186 901	AR			SILENCER, Floor (36"x72" Material cut to fit) N N N Y4186901
3	4186 901	AR			SILENCER, Under Rear Seat (36"x72" Material cut to fit) N N N Y4186901
4	4248 818	4			FOOT, Tie Down Anchor N N N Y4248818
5					SCREW (not serviced) N N N N
6					CARPET, Cargo Area w/o Slits N N N N
	M628 CM6	1			Red N N N YM628CM6
	M628 CS8	1			Charcoal N N N YM628CS8
	M628 DT5	1			Tan N N N YM628DT5
	M628 CX9	1			Black N N N YM628CX9
7	H349 CX9	2			STRAP, Tie Down, Black N N N YH349CX9
8	H608 CX7	1			BAG, Sunroof Storage N N N YH608CX7
9	4397 109	1			STRAP, T-Bar Roof Hatch Storage N N N Y4397109
10	4397 108	1			BAG, T-Bar Roof Hatch Storage N N N Y4397108
	3762 862	AR			SILENCER, Cargo Compartment (36"x72" Material cut to fit) N N N Y3762862
					CARPETED FLOOR MATS, Set Of Two N N N N
					Front N N N N
	M022 DT5	1			Tan N N N YM022DT5
	M022 CS8	1			Charcoal N N N YM022CS8
	M022 VM6	1			Red N N N YM022VM6
	M022 VX9	1			Black N N N YM022VX9
					Rear N N N N
	M023 DT5	1			Tan N N N YM023DT5
	M023 CS8	1			Charcoal N N N YM023CS8
	M023 VM6	1			Red N N N YM023VM6
	M023 VX9	1			Black N N N YM023VX9

NOTE: The Following Items Are Not Illustrated s ARE NOT RETURNABLE.

MODEL CODES		
B = GRAN FURY	E = 600	M = HORIZON/TURISMO
C = LE BARON/TOWN & COUNTRY/LIMO	F = FIFTH AVENUE/NEWPORT	P = RELIANT
C24 = LASER	G = DIPLOMAT	T = NEW YORKER
C44 = LE BARON/GTS	H = VOYAGER	V = 600
D = ARIES	J = CARAVELLE	V24 = DAYTONA
D44 = LANCER	K = MINI VAN/CARAVAN/ROYAL	Z = OMNI/CHARGER

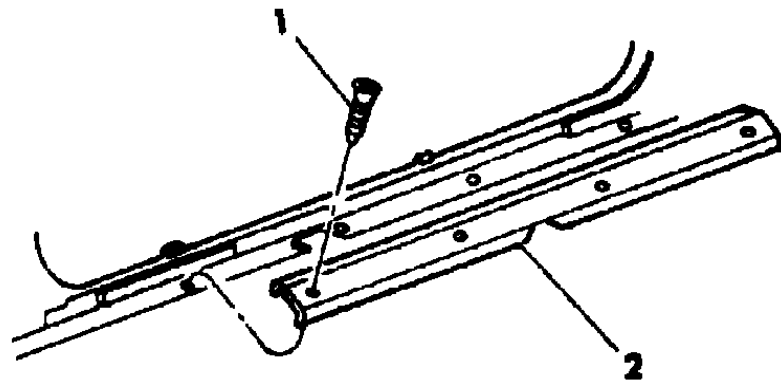
BODY STYLES		
21 = 2-DOOR SEDAN	35 = FWD VAN	44 = 4-DOOR HATCHBACK
22 = 2-DOOR SPECIAL COUPE	36 = FWD WAGON	45 = 4-DOOR STATION WAGON
24 = 2-DOOR HATCHBACK	41 = 4-DOOR SEDAN	49 = LIMOUSINE
27 = 2-DOOR CONVERTIBLE		

AR = Use as Required - = Non Illustrated Part P.A.R. = Paint as Required

SCUFF PLATE V,C 24 G BODY
Figure ITD-800

ITEM	PART NUMBER	QTY	BODY	MODEL	DESCRIPTION
1		AR			SCREW (not serviced) N N N N
2	M910 CT8	2			PLATE, Door Sill Scuff (paint as required) N N N N N N N YM910CT8

5236 800



MODEL CODES

B = GRAN FURY	E = 600	M = HORIZON/TURISMO
C = LE BARON/TOWN & COUNTRY/LIMO	F = FIFTH AVENUE/NEWPORT	P = RELIANT
C24 = LASER	G = DIPLOMAT	T = NEW YORKER
C44 = LE BARON/GTS	H = VOYAGER	V = 600
D = ARIES	J = CARAVELLE	V24 = DAYTONA
D44 = LANCER	K = MINI VAN/CARAVAN/ROYAL	Z = OMNI/CHARGER

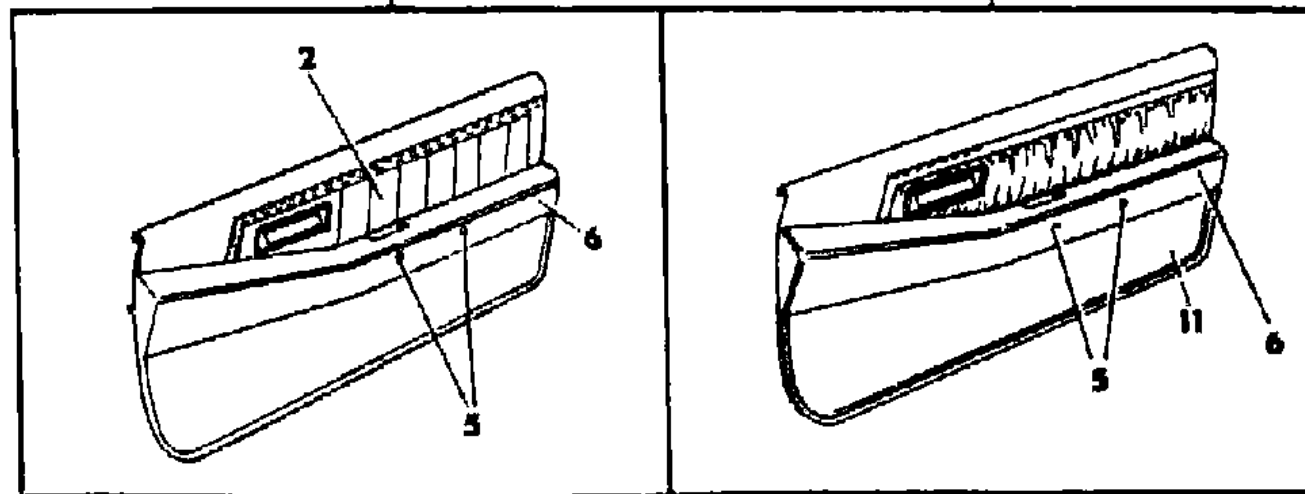
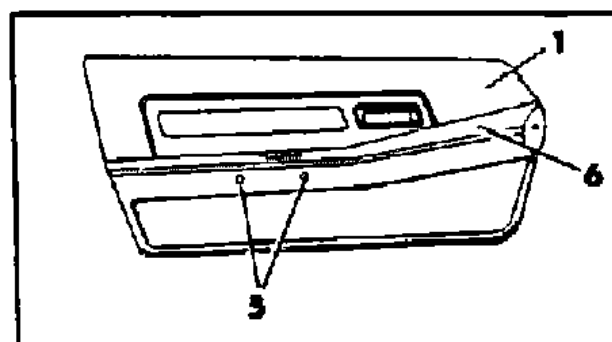
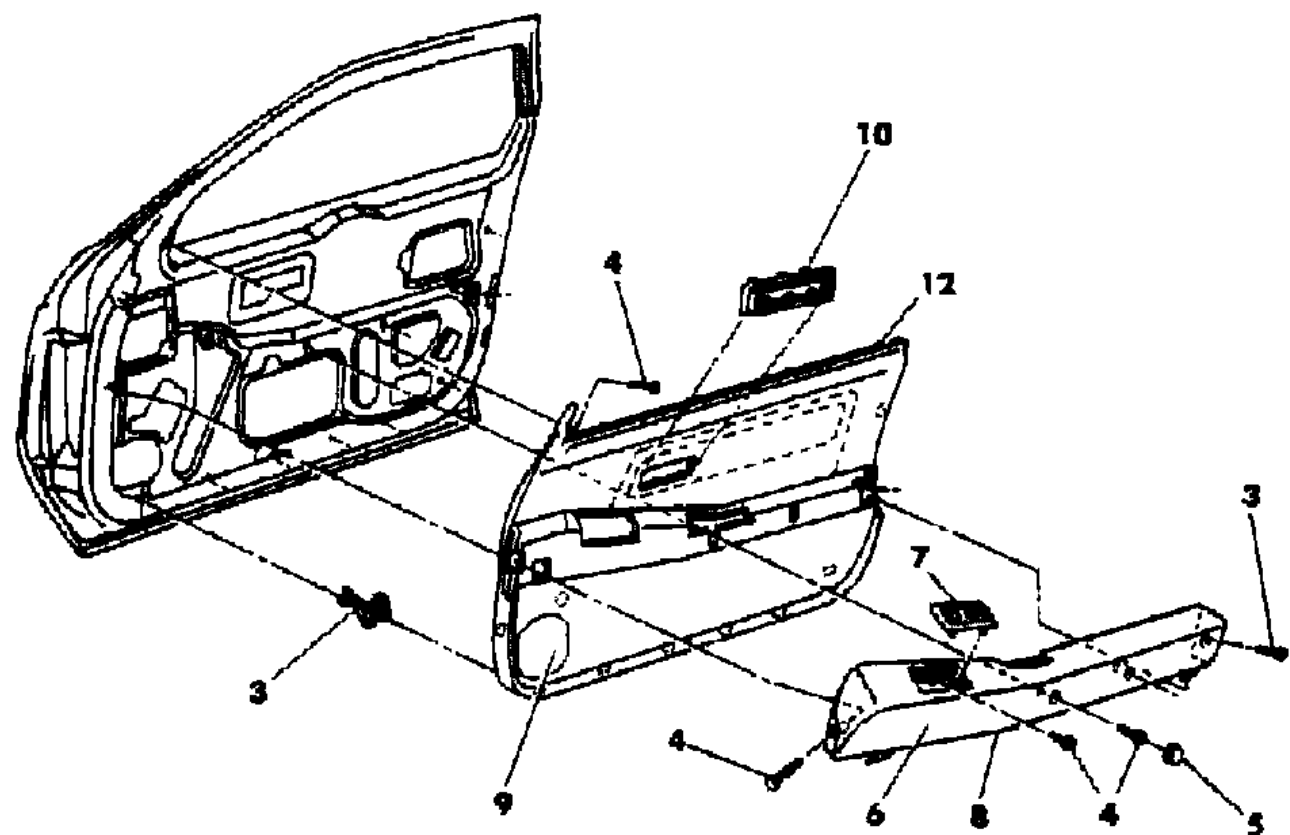
BODY STYLES

21 = 2-DOOR SEDAN	35 = FWD VAN	44 = 4-DOOR HATCHBACK
22 = 2-DOOR SPECIAL COUPE	36 = FWD WAGON	45 = 4-DOOR STATION WAGON
24 = 2-DOOR HATCHBACK	41 = 4-DOOR SEDAN	49 = LIMOUSINE
27 = 2-DOOR CONVERTIBLE		

AR = Use as Required - = Non Illustrated Part P.A.R. = Paint as Required

DOOR TRIM PANEL V,C 24 G BODY
Figure ITD-900

5236 900



ITEM	PART NUMBER	QTY	BODY	MODEL	DESCRIPTION
1	PANEL, Door Trim N N N N				
	J260-1 CA2	1			N N NA8AS YJ260CA2
	J260-1 CM6	1			N N NA8M YJ260CM6
	J260-1 DT3	1			N N NA8TT YJ260DT3
	J260-1 CX7	1			N N NA8X YJ260CX7
	K198-9 CAS	1			N N NA7AS YK198CAS
	K198-9 CMA	1			N N NA7M YK198CMA
	K198-9 DTT	1			N N NA7TT YK198DTT
K198-9 CXA	1			N N NA7X YK198CXA	
2	PANEL, Door Trim N N N N				
	K196-7 DA4	1			N N NE7AS YK196DA4
	K196-7 DM6	1			N N NE7M YK196DM6
	K196-7 DT3	1			N N NE7TT YK196DT3
K196-7 DX9	1			N N NE7X YK196DX9	
3	4114 785	8			FASTENER, Door Trim Panel Attaching N N N Y4114785
4		AR			SCREW (not serviced) N N N N
5	PLUG, Armrest N N N N				
	D446 CS8	2			Charcoal N N N YD446CS8
	D446 DT5	2			Tan N N N YD446DT5
	D446 CM6	2			Red N N N YD446CM6
	D446 CX9	2			Black N N N YD446CX9
6	ARMREST, Door N N N N				
	D420-1 CS8	1			Charcoal N N N YD420CS8
	D420-1 DT5	1			Tan N N N YD420DT5
	D420-1 CM6	1			Red N N N YD420CM6
D420-1 CX9	1			Black N N N YD420CX9	
7					BEZEL and PLATE (see Group 23C) N N N N
8					BACKING PLATE, Door Armrest (serviced in Item 6) N N N N
9					GRILLE, Speaker Radio (refer to Group 23C) N N N N
10					BEZEL, Door Handle (refer to Group 23C) N N N N
11	PANEL, Door Trim w/Upper Trim Panel N N N N				
	K202-3 DT3	1			(use up to 3/6/85) N N NELTT YK202DT3
	J314-5 DT3	1			(use after 3/6/85) N N NELTT YJ314DT3
	K202-3 CX7	1			(use up to 4/1/85) N N NELX YK202CX7
J314-5 DX7	1			(use after 4/1/85) N N NELX YJ314DX7	
12	SEAL, Belt Rear N N N Y4198910				
	4198 910-1	1			
	6016 144	4			FASTENER, Liner Attaching N N N Y6016144

NOTE: The following parts are not illustrated. s ARE NOT RETURNABLE.

MODEL CODES

B = GRAN FURY	E = 600	M = HORIZON/TURISMO
C = LE BARON/TOWN & COUNTRY/LIMO	F = FIFTH AVENUE/NEWPORT	P = RELIANT
C24 = LASER	G = DIPLOMAT	T = NEW YORKER
C44 = LE BARON/GTS	H = VOYAGER	V = 600
D = ARIES	J = CARAVELLE	V24 = DAYTONA
D44 = LANCER	K = MINI VAN/CARAVAN/ROYAL	Z = OMNI/CHARGER

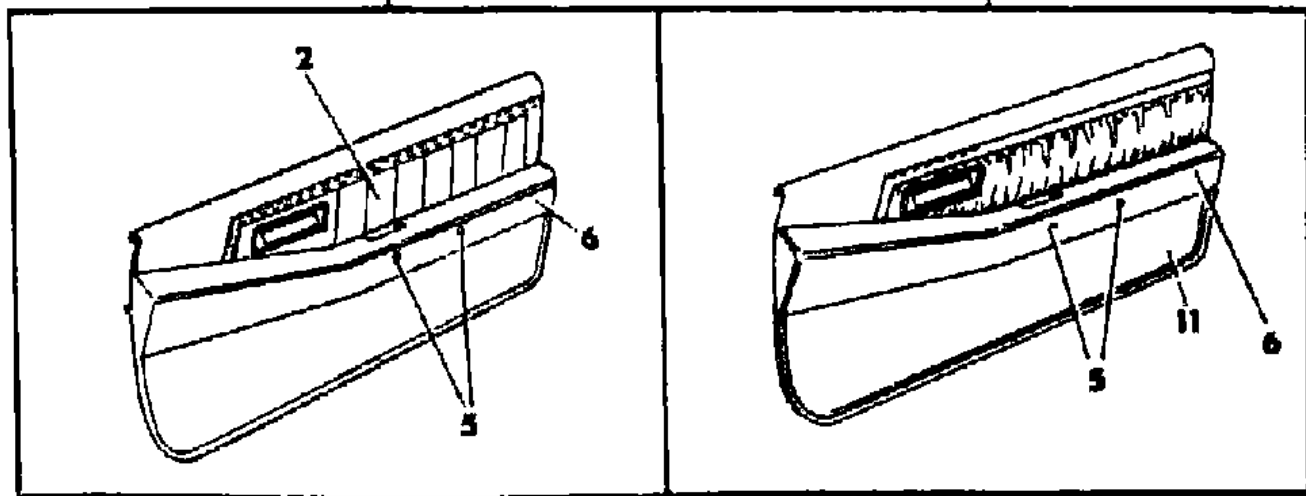
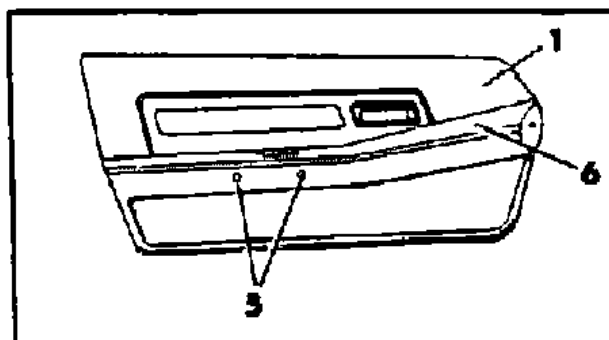
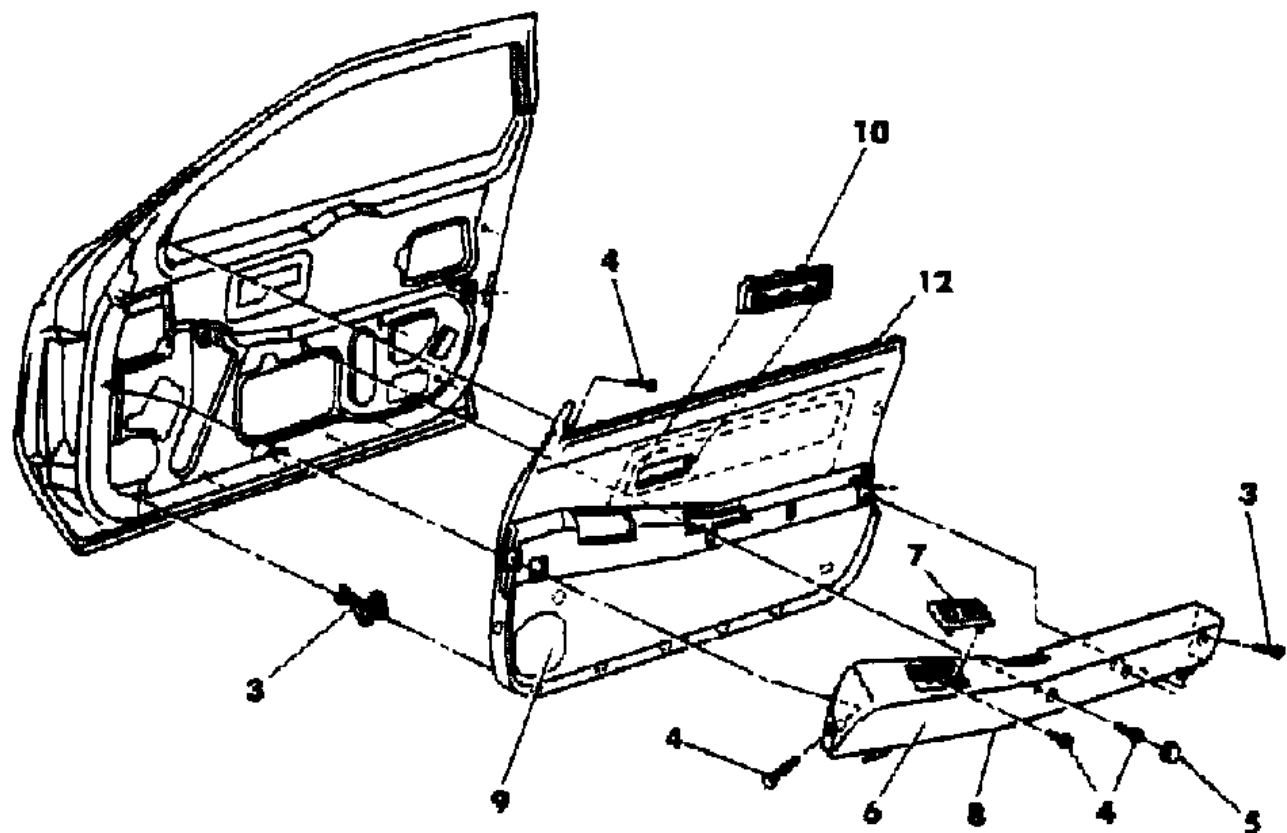
BODY STYLES

21 = 2-DOOR SEDAN	35 = FWD VAN	44 = 4-DOOR HATCHBACK
22 = 2-DOOR SPECIAL COUPE	36 = FWD WAGON	45 = 4-DOOR STATION WAGON
24 = 2-DOOR HATCHBACK	41 = 4-DOOR SEDAN	49 = LIMOUSINE
27 = 2-DOOR CONVERTIBLE		

AR = Use as Required - = Non Illustrated Part P.A.R. = Paint as Required

DOOR TRIM PANEL V,C 24 G BODY
Figure ITD-900

5236 900



ITEM	PART NUMBER	QTY	BODY	MODEL	DESCRIPTION
	4049 602	AR			SILENCER N N N Y4049602
	6032 431	AR			FASTENER, Bolster Attaching N N N Y6032431

MODEL CODES

B = GRAN FURY	E = 600	M = HORIZON/TURISMO
C = LE BARON/TOWN & COUNTRY/LIMO	F = FIFTH AVENUE/NEWPORT	P = RELIANT
C24 = LASER	G = DIPLOMAT	T = NEW YORKER
C44 = LE BARON/GTS	H = VOYAGER	V = 600
D = ARIES	J = CARAVELLE	V24 = DAYTONA
D44 = LANCER	K = MINI VAN/CARAVAN/ROYAL	Z = OMNI/CHARGER

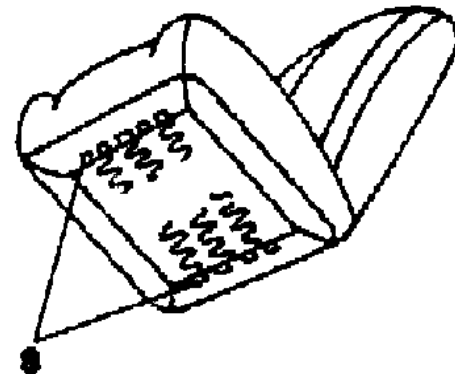
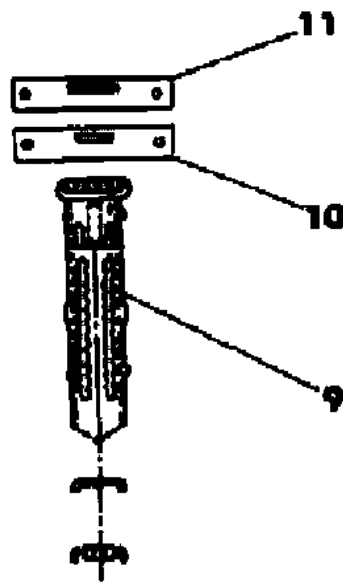
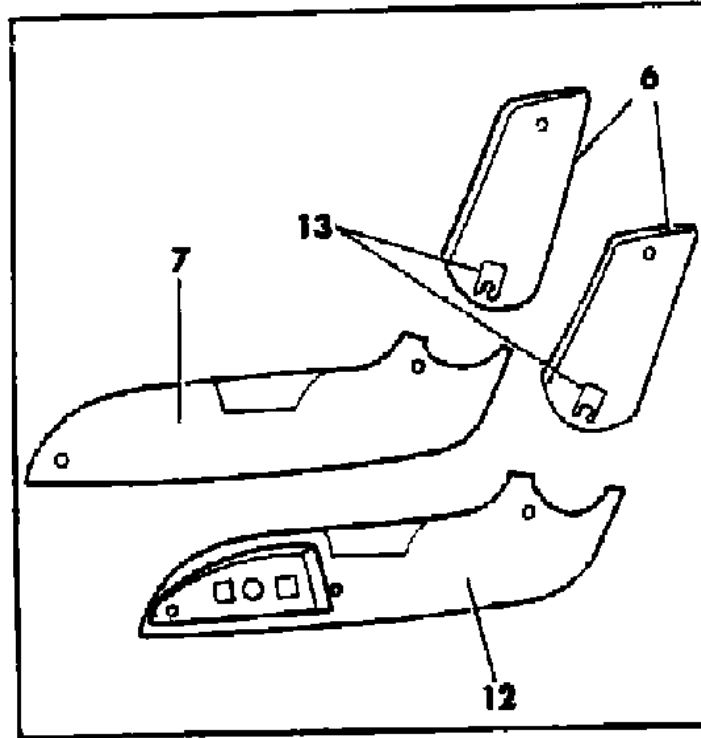
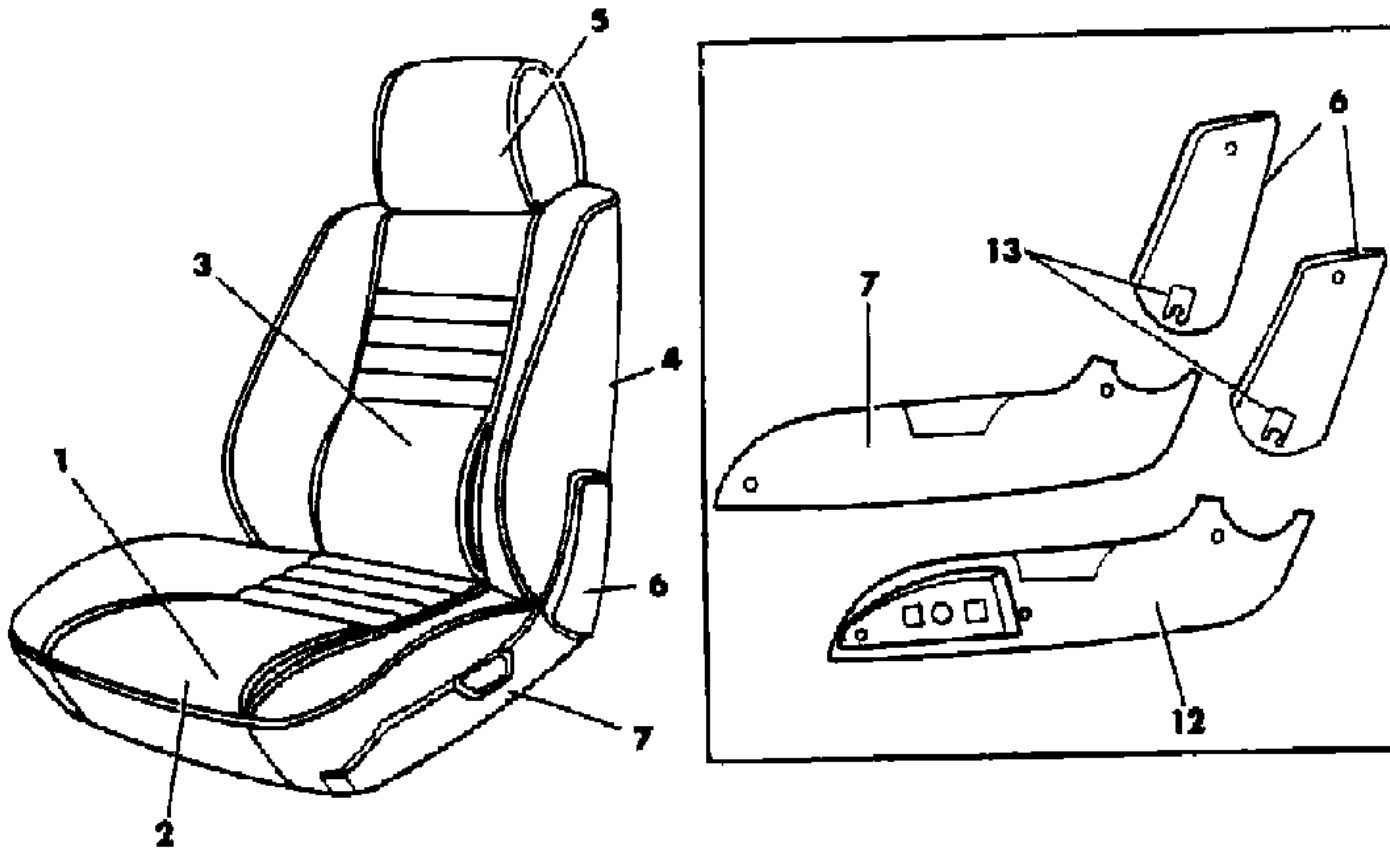
BODY STYLES

21 = 2-DOOR SEDAN	35 = FWD VAN	44 = 4-DOOR HATCHBACK
22 = 2-DOOR SPECIAL COUPE	36 = FWD WAGON	45 = 4-DOOR STATION WAGON
24 = 2-DOOR HATCHBACK	41 = 4-DOOR SEDAN	49 = LIMOUSINE
27 = 2-DOOR CONVERTIBLE		

AR = Use as Required - = Non Illustrated Part P.A.R. = Paint as Required

SEAT FRONT V,C 24 G BODY TRIM CODES A7,A8
Figure ITD-1000

5236 1000



ITEM	PART NUMBER	QTY	BODY	MODEL	DESCRIPTION
1-2					CUSHION, w/Spring, Pad and Cover N N N N
					Manual N N N N
					Cloth N N N N
					(use up to 2/1/85) N N N N
	B872-3 D7A	1			N N NA7AS YB872D7A
	B872-3 D7M	1			N N NA7M YB872D7M
	B872-3 D7T	1			N N NA7TT YB872D7T
	B872-3 D7X	1			N N NA7X YB872D7X
					(use after 2/1/85) N N N N
	B680-1 D7A	1			N N NA7AS YB680D7A
	B680-1 D7M	1			N N NA7M YB680D7M
	B680-1 D7T	1			N N NA7TT YB680D7T
	B680-1 D7X	1			N N NA7X YB680D7X
					Vinyl N N N N
	B888-9 D8A	2			N N NA8AS YB888D8A
	B888-9 D8M	2			N N NA8M YB888D8M
	B888-9 D8T	2			N N NA8TT YB888D8T
	B888-9 D8X	2			N N NA8X YB888D8X
					Electric N N N N
					Cloth N N N N
					(use up to 2/1/85) N N N N
	B785 D7A	1			N N NA7AS YB785D7A
	B785 D7M	1			N N NA7M YB785D7M
	B785 D7T	1			N N NA7TT YB785D7T
	B785 D7X	1			N N NA7X YB785D7X
					(use after 2/1/85) N N N N
	B683 D7A	1			N N NA7AS YB683D7A
	B683 D7M	1			N N NA7M YB683D7M
	B683 D7T	1			N N NA7TT YB683D7T
	B683 D7X	1			N N NA7X YB683D7X
					Vinyl N N N N
	B891 D8A	1			N N NA8AS YB891D8A
	B891 D8M	1			N N NA8M YB891D8M
	B891 D8T	1			N N NA8TT YB891D8T
	B891 D8X	1			N N NA8X YB891D8X
2					COVER, Cushion N N N N
					Cloth N N N N

MODEL CODES

B = GRAN FURY	E = 600	M = HORIZON/TURISMO
C = LE BARON/TOWN & COUNTRY/LIMO	F = FIFTH AVENUE/NEWPORT	P = RELIANT
C24 = LASER	G = DIPLOMAT	T = NEW YORKER
C44 = LE BARON/GTS	H = VOYAGER	V = 600
D = ARIES	J = CARAVELLE	V24 = DAYTONA
D44 = LANCER	K = MINI VAN/CARAVAN/ROYAL	Z = OMNI/CHARGER

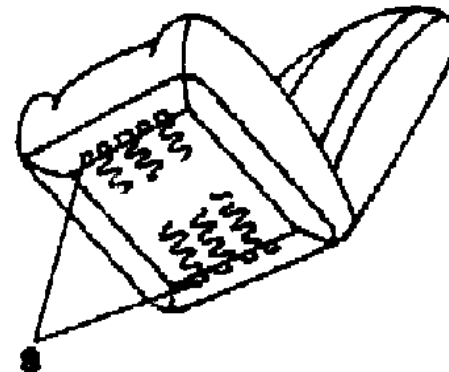
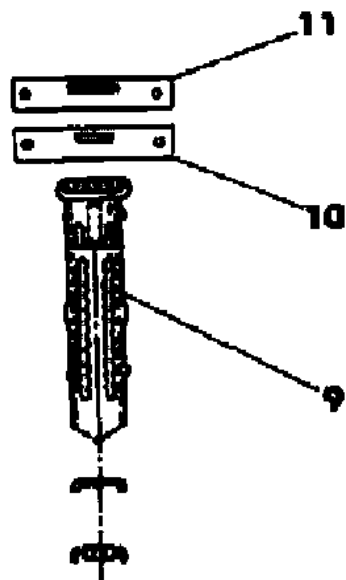
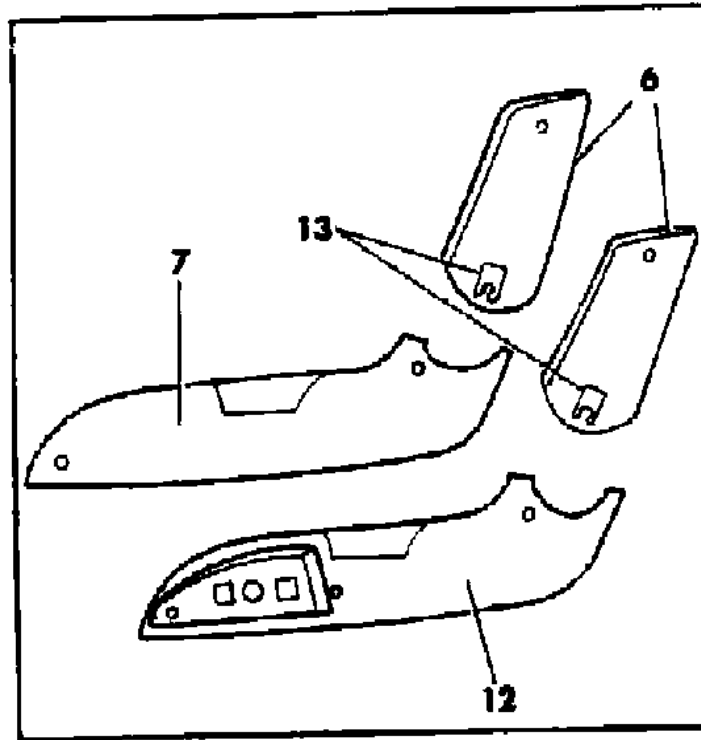
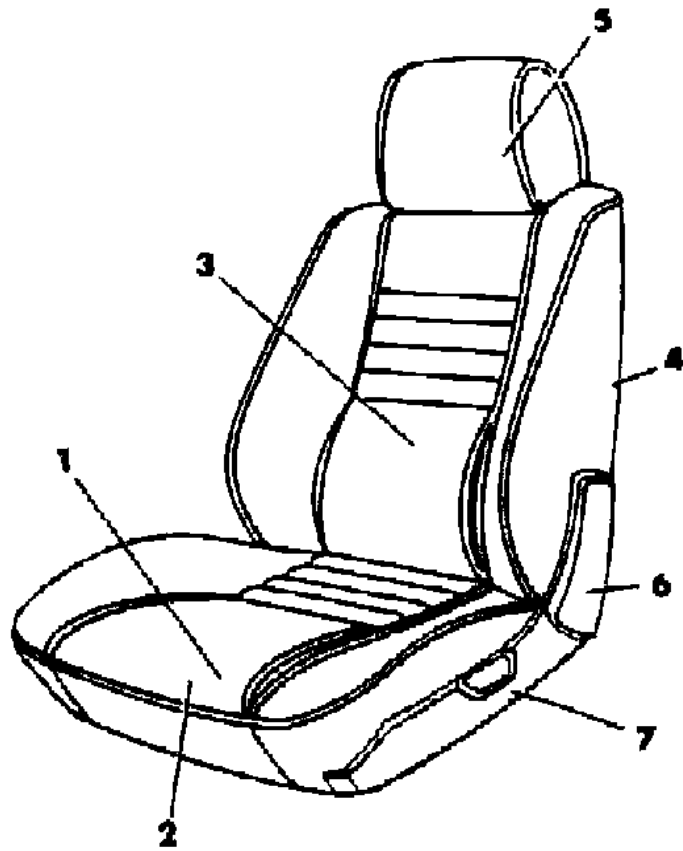
BODY STYLES

21 = 2-DOOR SEDAN	35 = FWD VAN	44 = 4-DOOR HATCHBACK
22 = 2-DOOR SPECIAL COUPE	36 = FWD WAGON	45 = 4-DOOR STATION WAGON
24 = 2-DOOR HATCHBACK	41 = 4-DOOR SEDAN	49 = LIMOUSINE
27 = 2-DOOR CONVERTIBLE		

AR = Use as Required - = Non Illustrated Part P.A.R. = Paint as Required

SEAT FRONT V,C 24 G BODY TRIM CODES A7,A8
Figure ITD-1000

5236 1000



ITEM	PART NUMBER	QTY	BODY	MODEL	DESCRIPTION
					(use up to 2/1/85) N N N N
	B464-5 D7A	1			N N NA7AS YB464D7A
	B464-5 D7M	1			N N NA7M YB464D7M
	B464-5 D7T	1			N N NA7TT YB464D7T
	B464-5 D7X	1			N N NA7X YB464D7X
					(use after 2/1/85) N N N N
	B472-3 D7A	1			N N NA7AS YB472D7A
	B472-3 D7M	1			N N NA7M YB472D7M
	B472-3 D7T	1			N N NA7TT YB472D7T
	B472-3 D7X	1			N N NA7X YB472D7X
					Vinyl N N N N
	B468-9 D8A	1			N N NA8AS YB468D8A
	B468-9 D8M	1			N N NA8M YB468D8M
	B468-9 D8T	1			N N NA8TT YB468D8T
	B468-9 D8X	1			N N NA8X YB468D8X
3					BACK, w/Spring, Pad and Cover N N N N
					Cloth N N N N
					(use up to 2/1/85) N N N N
	B878-9 D7A	1			N N NA7AS YB878D7A
	B878-9 D7M	1			N N NA7M YB878D7M
	B878-9 D7T	1			N N NA7TT YB878D7T
	B878-9 D7X	1			N N NA7X YB878D7X
					(use after 2/1/85) N N N N
	B678-9 D7A	1			N N NA7AS YB678D7A
	B678-9 D7M	1			N N NA7M YB678D7M
	B678-9 D7T	1			N N NA7TT YB678D7T
	B678-9 D7X	1			N N NA7X YB678D7X
					Vinyl N N N N
	B894-5 D8A	1			N N NA8AS YB894D8A
	B894-5 D8M	1			N N NA8M YB894D8M
	B894-5 D8T	1			N N NA8TT YB894D8T
	B894-5 D8X	1			N N NA8X YB894D8X
4					COVER, Back N N N N
					Cloth N N N N
					(use up to 2/1/85) N N N N
	B466-7 D7A	1			N N NA7AS YB466D7A
	B466-7 D7M	1			N N NA7M YB466D7M

MODEL CODES

B = GRAN FURY

C = LE BARON/TOWN & COUNTRY/LIMO

C24 = LASER

C44 = LE BARON/GTS

D = ARIES

D44 = LANCER

E = 600

F = FIFTH AVENUE/NEWPORT

G = DIPLOMAT

H = VOYAGER

J = CARAVELLE

K = MINI VAN/CARAVAN/ROYAL

M = HORIZON/TURISMO

P = RELIANT

T = NEW YORKER

V = 600

V24 = DAYTONA

Z = OMNI/CHARGER

BODY STYLES

21 = 2-DOOR SEDAN

22 = 2-DOOR SPECIAL COUPE

24 = 2-DOOR HATCHBACK

27 = 2-DOOR CONVERTIBLE

35 = FWD VAN

36 = FWD WAGON

41 = 4-DOOR SEDAN

44 = 4-DOOR HATCHBACK

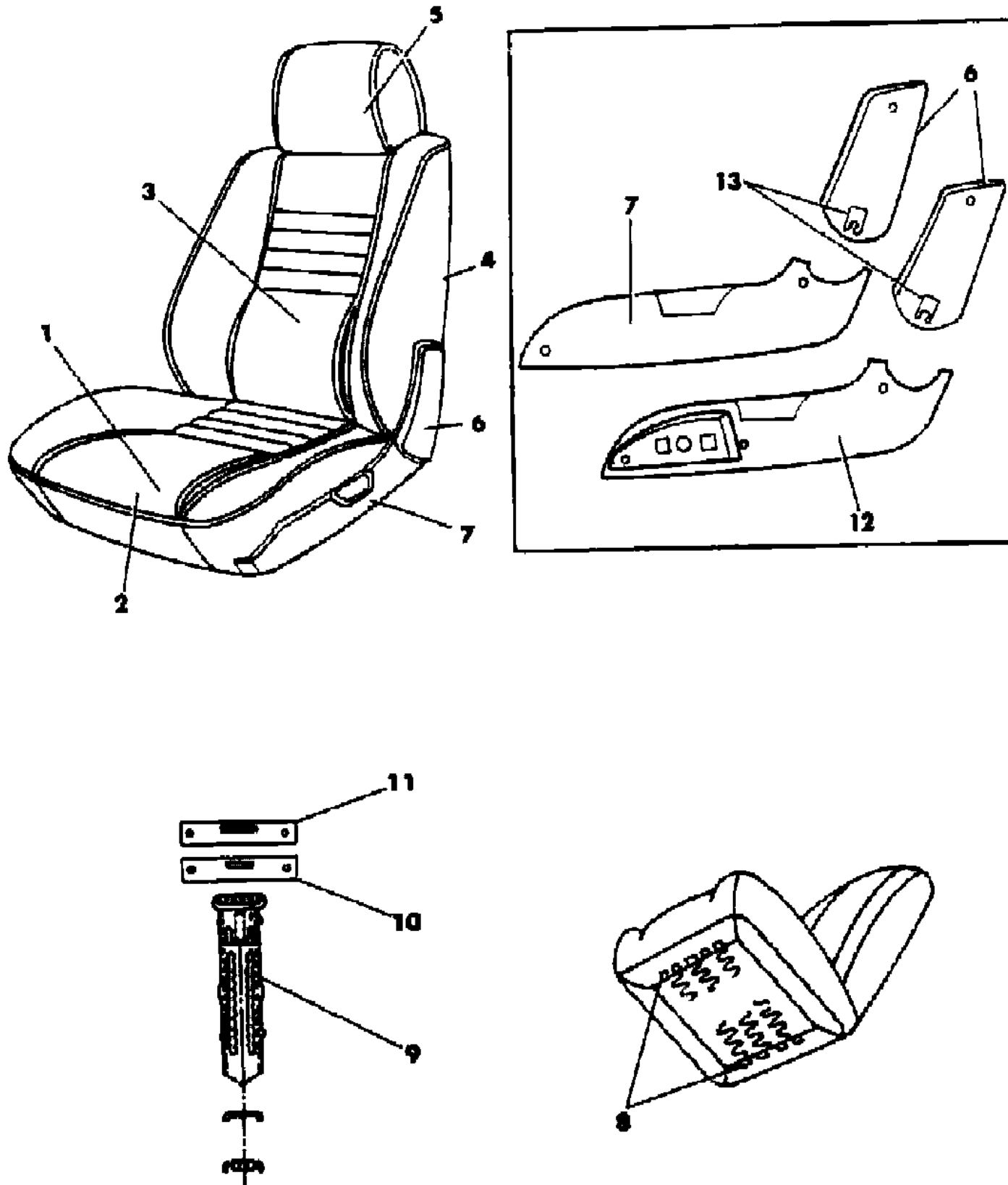
45 = 4-DOOR STATION WAGON

49 = LIMOUSINE

AR = Use as Required - = Non Illustrated Part P.A.R. = Paint as Required

SEAT FRONT V,C 24 G BODY TRIM CODES A7,A8
Figure ITD-1000

5236 1000



ITEM	PART NUMBER	QTY	BODY	MODEL	DESCRIPTION
	B466-7 D7T	1			N N NA7TT YB466D7T
	B466-7 D7X	1			N N NA7X YB466D7X (use after 2/1/85) N N N N
	B474-5 D7A	1			N N NA7AS YB474D7A
	B474-5 D7M	1			N N NA7M YB474D7M
	B474-5 D7T	1			N N NA7TT YB474D7T
	B474-5 D7X	1			N N NA7X YB474D7X Vinyl N N N N
	B470-1 D8A	1			N N NA8AS YB470D8A
	B470-1 D8M	1			N N NA8M YB470D8M
	B470-1 D8T	1			N N NA8TT YB470D8T
	B470-1 D8X	1			N N NA8X YB470D8X
5					HEADREST and COVER N N N N Cloth N N N N (use up to 2/1/85) N N N N
	B704 CAS	2			N N NA7AS YB704CAS
	B704 CMA	2			N N NA7M YB704CMA
	B704 DTT	2			N N NA7TT YB704DTT
	B704 CXA	2			N N NA7X7 YB704CXA (use after 2/1/85) N N N N
	B677 DAS	2			N N NA7AS YB677DAS
	B677 DMA	2			N N NA7M YB677DMA
	B677 DTT	2			N N NA7TT YB677DTT
	B677 DXA	2			N N NA7X YB677DXA Vinyl N N N N
	B836 CA2	2			N N NA8AS YB836CA2
	B836 CM6	2			N N NA8M YB836CM6
	B836 DT3	2			N N NA8TT YB836DT3
	B836 CX7	2			N N NA8X YB836CX7
					COVER, Headrest N N N N Cloth N N N N (use up to 2/1/85) N N N N
	B440 CAS	2			N N NA7AS YB440CAS
	B440 CMA	2			N N NA7M YB440CMA
	B440 DTT	2			N N NA7TT YB440DTT
	B440 CXA	2			N N NA7X YB440CXA (use after 2/1/85) N N N N

MODEL CODES

B = GRAN FURY	E = 600	M = HORIZON/TURISMO
C = LE BARON/TOWN & COUNTRY/LIMO	F = FIFTH AVENUE/NEWPORT	P = RELIANT
C24 = LASER	G = DIPLOMAT	T = NEW YORKER
C44 = LE BARON/GTS	H = VOYAGER	V = 600
D = ARIES	J = CARAVELLE	V24 = DAYTONA
D44 = LANCER	K = MINI VAN/CARAVAN/ROYAL	Z = OMNI/CHARGER

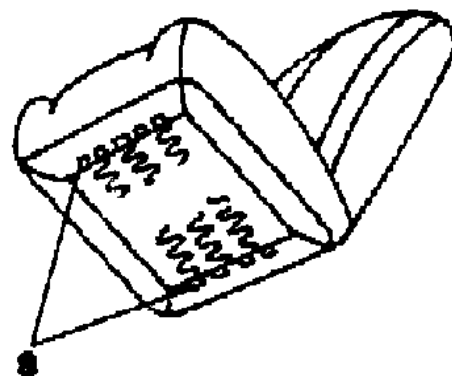
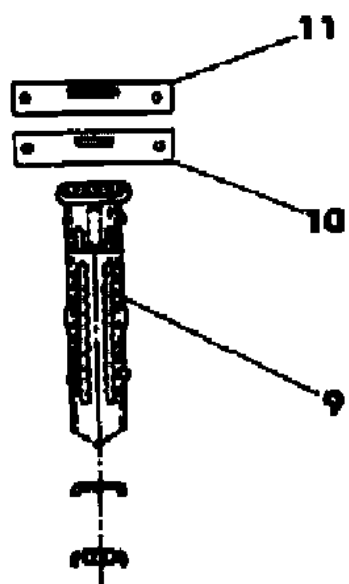
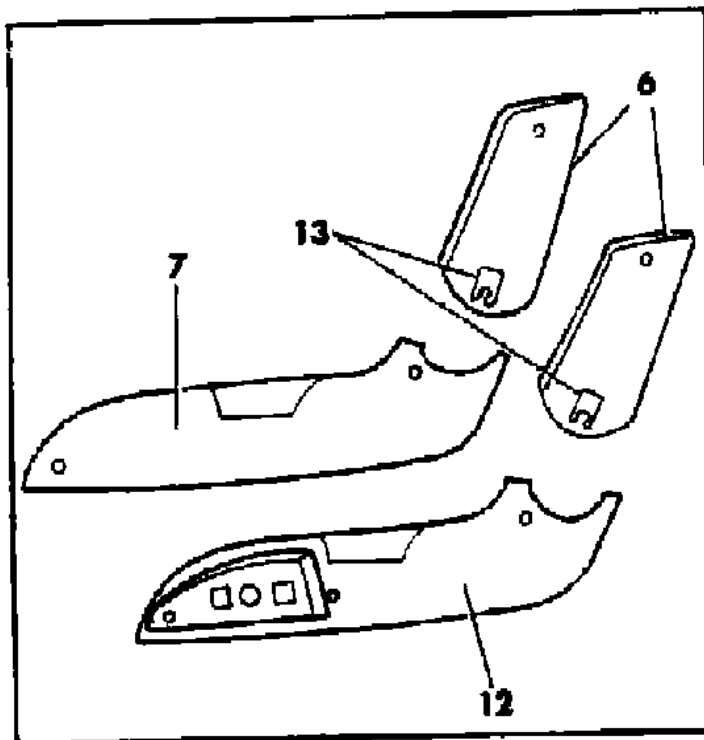
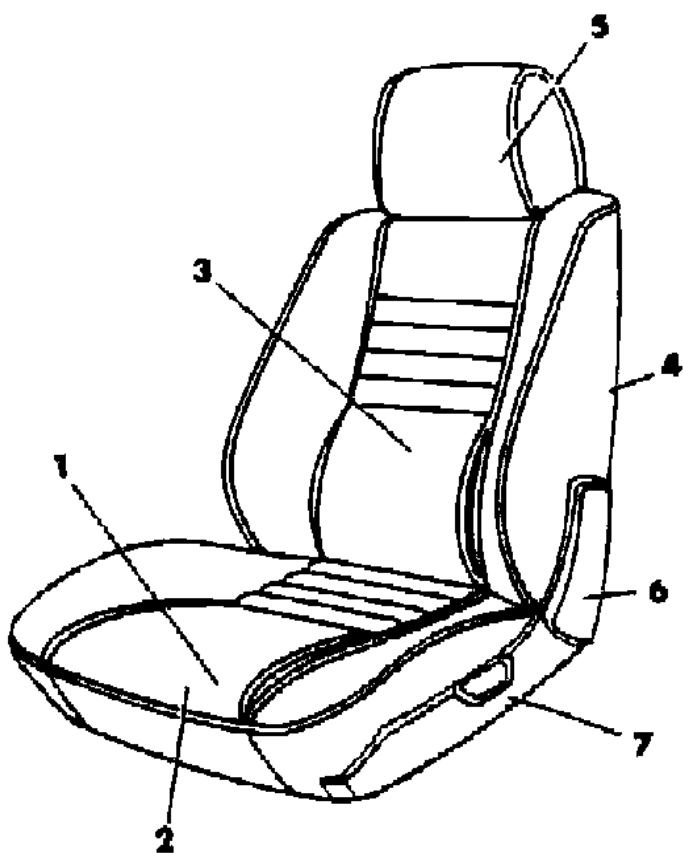
BODY STYLES

21 = 2-DOOR SEDAN	35 = FWD VAN	44 = 4-DOOR HATCHBACK
22 = 2-DOOR SPECIAL COUPE	36 = FWD WAGON	45 = 4-DOOR STATION WAGON
24 = 2-DOOR HATCHBACK	41 = 4-DOOR SEDAN	49 = LIMOUSINE
27 = 2-DOOR CONVERTIBLE		

AR = Use as Required - = Non Illustrated Part P.A.R. = Paint as Required

SEAT FRONT V,C 24 G BODY TRIM CODES A7,A8
Figure ITD-1000

5236 1000



ITEM	PART NUMBER	QTY	BODY	MODEL	DESCRIPTION
	B477 D7A	2			N N NA7AS YB477D7A
	B477 D7M	2			N N NA7M YB477D7M
	B477 D7T	2			N N NA7TT YB477D7T
	B477 D7X	2			N N NA7X YB477D7X
		2			Vinyl N N N N
	B462 CA2	2			N N NA8AS YB462CA2
	B462 CM6	2			N N NA8M YB462CM6
	B462 DT3	2			N N NA8TT YB462DT3
	B462 CX7	2			N N NA8X YB462CX7
6	S938-9 DW1	1			SHIELD, Back (paint as required) N N N YS938DW1
7	S918-9 DW1	1			SHIELD, Cushion (paint as required) N N N YS918DW1
8	6008 076	AR			HOG RING N N N Y6008076
9					SLEEVE, Headrest N N N N
	S786 AA3	2			Silver N N N YS786AA3
	S786 VM6	2			Red N N N YS786VM6
	S786 DT3	2			Tan N N N YS786DT3
	S786 CX9	2			Black N N N YS786CX9
10	4190 387	2			SUPPORT, Headrest N N N Y4190387
11	4190 388	2			COVER, Headrest Finish N N N Y4190388
12	S945 DW1	1			SHIELD, Electric (paint as required) N N N YS945DW1
		AR			SCREW, Side Shields Attaching (8-18x1.75) (not serviced) N N N N
14	4317 800	AR			CLIP N N N Y4317800

MODEL CODES

B = GRAN FURY	E = 600	M = HORIZON/TURISMO
C = LE BARON/TOWN & COUNTRY/LIMO	F = FIFTH AVENUE/NEWPORT	P = RELIANT
C24 = LASER	G = DIPLOMAT	T = NEW YORKER
C44 = LE BARON/GTS	H = VOYAGER	V = 600
D = ARIES	J = CARAVELLE	V24 = DAYTONA
D44 = LANCER	K = MINI VAN/CARAVAN/ROYAL	Z = OMNI/CHARGER

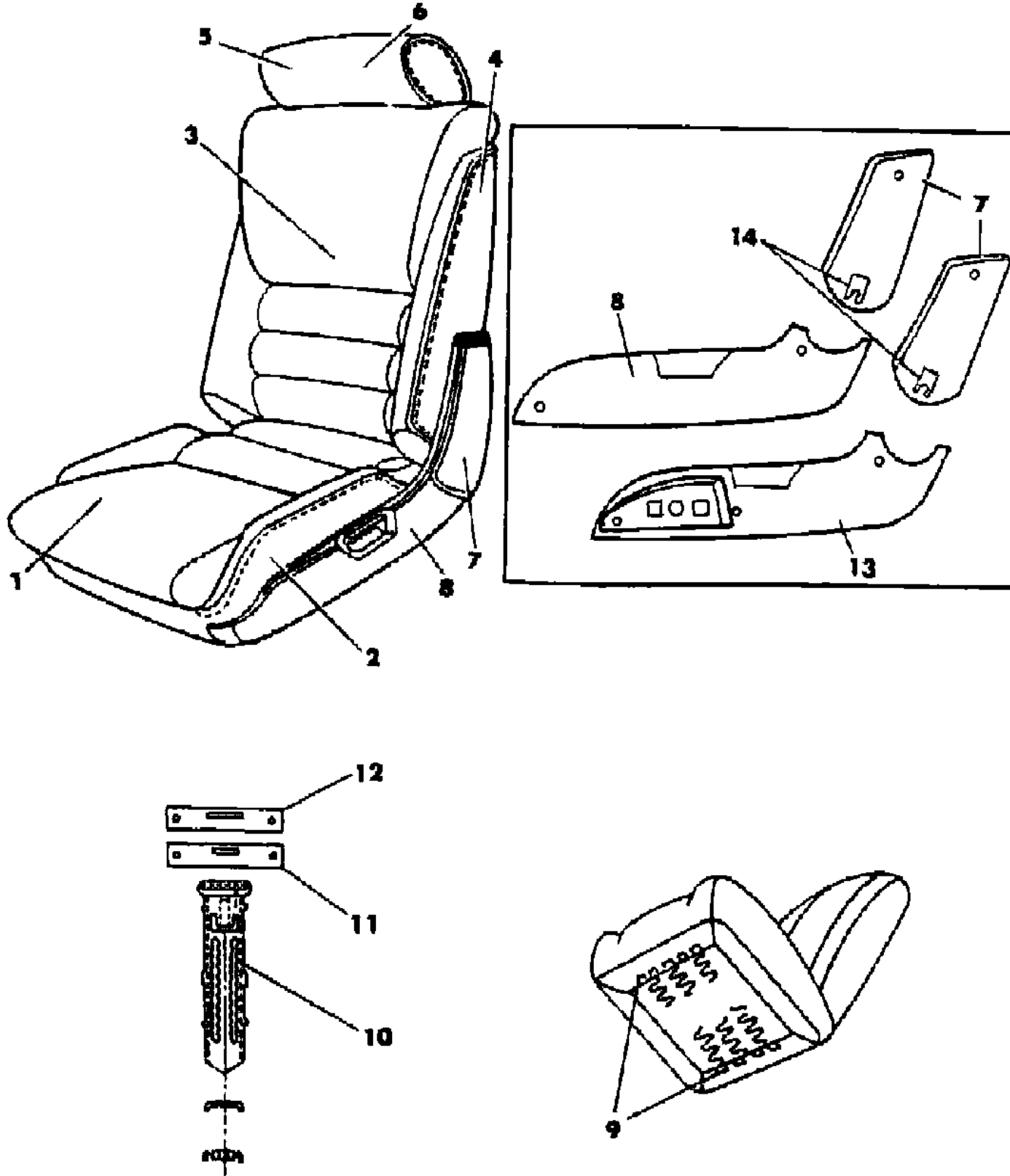
BODY STYLES

21 = 2-DOOR SEDAN	35 = FWD VAN	44 = 4-DOOR HATCHBACK
22 = 2-DOOR SPECIAL COUPE	36 = FWD WAGON	45 = 4-DOOR STATION WAGON
24 = 2-DOOR HATCHBACK	41 = 4-DOOR SEDAN	49 = LIMOUSINE
27 = 2-DOOR CONVERTIBLE		

AR = Use as Required - = Non Illustrated Part P.A.R. = Paint as Required

SEAT FRONT V,C 24 G BODY TRIM CODE E7
Figure ITD-1100

5236 1100



ITEM	PART NUMBER	QTY	BODY	MODEL	DESCRIPTION
1					CUSHION, w/Spring, Pad and Cover N N N N
					Manual N N N N
					Cloth N N N N
		B850-1 D7A	1		N N NE7AS YB850D7A
		B850-1 D7M	1		N N NE7M YB850D7M
		B850-1 D7T	1		N N NE7TT YB850D7T
		B850-1 D7X	1		N N NE7X YB850D7X
					Electric N N N N
					Cloth N N N N
		B853 D7A	1		N N NE7AS YB853D7A
	B853 D7M	1		N N NE7M YB853D7M	
	B853 D7T	1		N N NE7TT YB853D7T	
	B853 D7X	1		N N NE7X YB853D7X	
2					COVER, Cushion N N N N
					Cloth N N N N
					COVER and PAD N N N N
		B666-7 D7A	1		N N NE7AS YB666D7A
		B666-7 D7M	1		N N NE7M YB666D7M
	B666-7 D7T	1		N N NE7TT YB666D7T	
	B666-7 D7X	1		N N NE7X YB666D7X	
3					BACK, w/Spring, Pad and Cover N N N N
					Cloth N N N N
		B856-7 D7A	1		N N NE7AS YB856D7A
		B856-7 D7M	1		N N NE7M YB856D7M
		B856-7 D7T	1		N N NE7TT YB856D7T
	B856-7 D7X	1		N N NE7X YB856D7X	
4					COVER and PAD, Back N N N N
					Cloth N N N N
		E246-7 D7A	1		N N NE7AS YE246D7A
		E246-7 D7M	1		N N NE7M YE246D7M
		E246-7 D7T	1		N N NE7TT YE246D7T
	E246-7 D7X	1		N N NE7X YE246D7X	
5					HEADREST and COVER N N N N
		E592 DAS	2		N N NE7AS YE592DAS
		E592 DMM	2		N N NE7M YE592DMM
		E592 DTT	2		N N NE7TT YE592DTT
		E592 DXS	2		N N NE7X YE592DXS

MODEL CODES

B = GRAN FURY	E = 600	M = HORIZON/TURISMO
C = LE BARON/TOWN & COUNTRY/LIMO	F = FIFTH AVENUE/NEWPORT	P = RELIANT
C24 = LASER	G = DIPLOMAT	T = NEW YORKER
C44 = LE BARON/GTS	H = VOYAGER	V = 600
D = ARIES	J = CARAVELLE	V24 = DAYTONA
D44 = LANCER	K = MINI VAN/CARAVAN/ROYAL	Z = OMNI/CHARGER

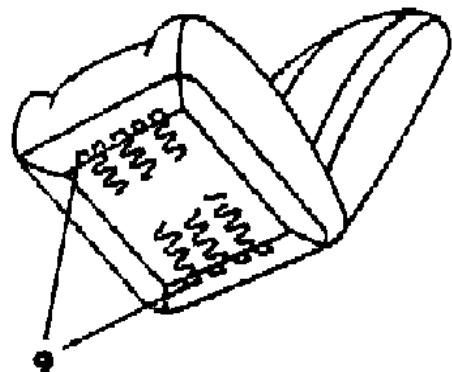
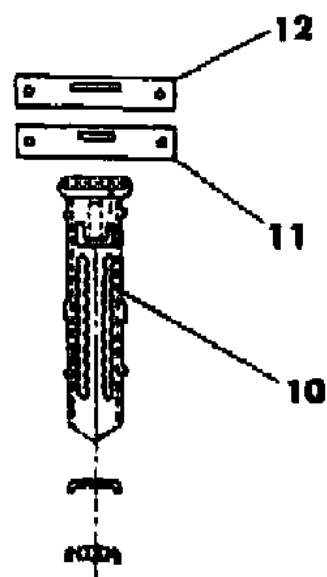
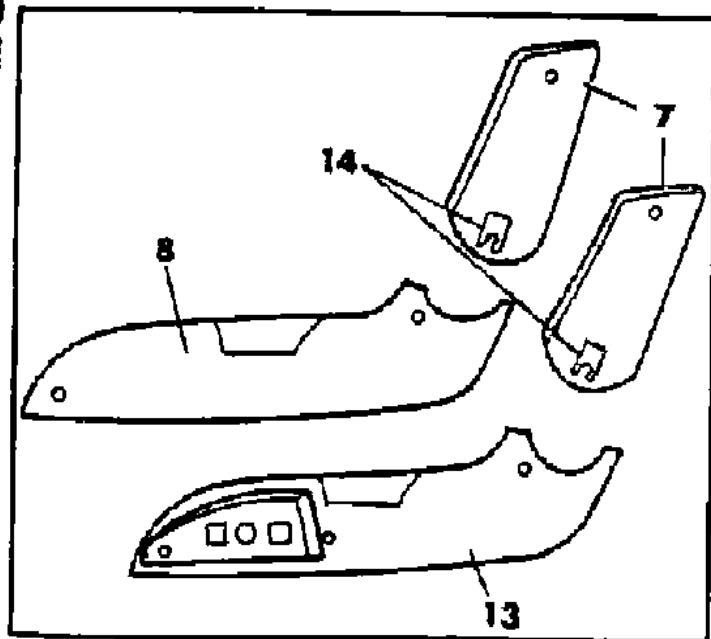
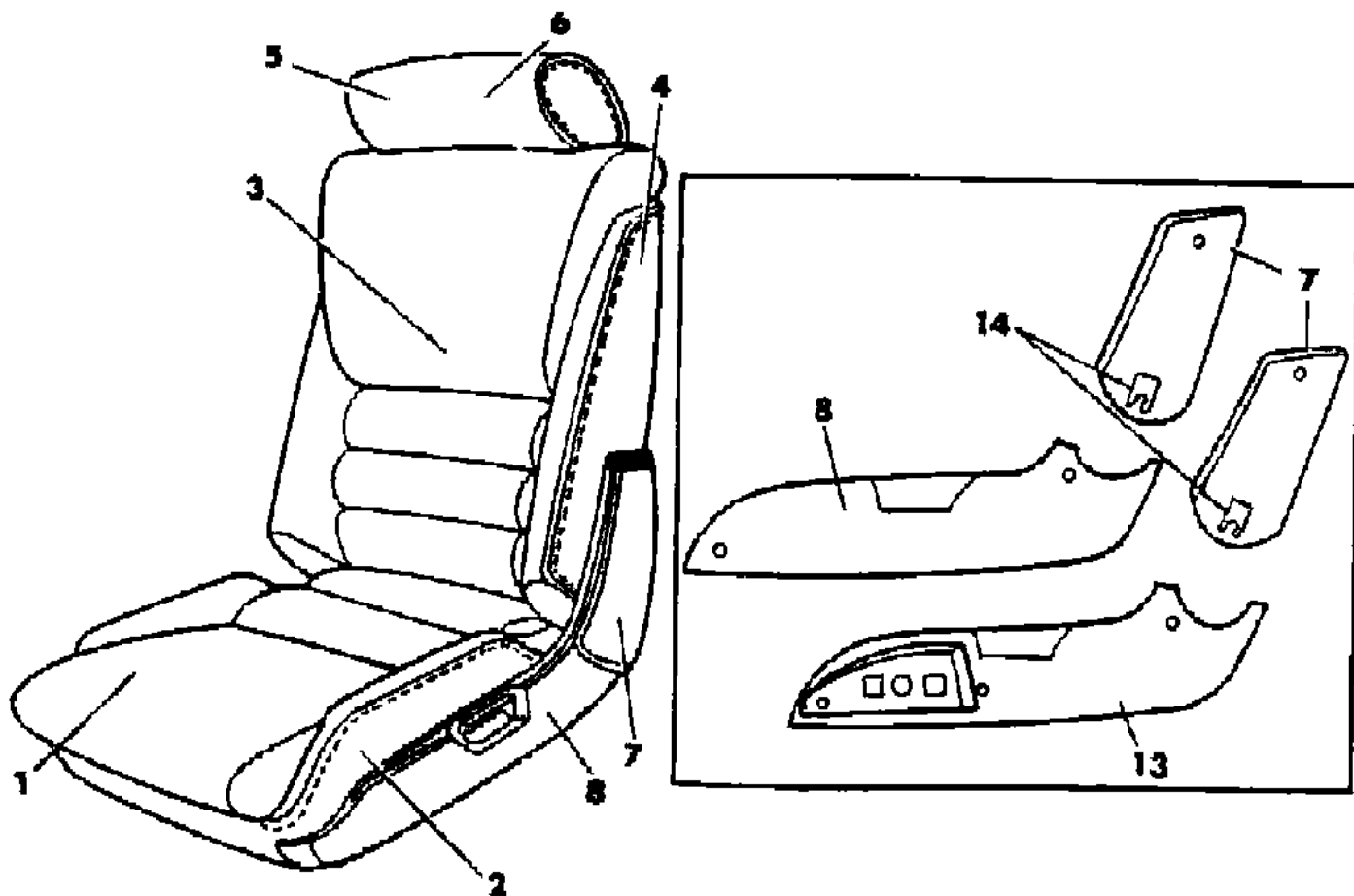
BODY STYLES

21 = 2-DOOR SEDAN	35 = FWD VAN	44 = 4-DOOR HATCHBACK
22 = 2-DOOR SPECIAL COUPE	36 = FWD WAGON	45 = 4-DOOR STATION WAGON
24 = 2-DOOR HATCHBACK	41 = 4-DOOR SEDAN	49 = LIMOUSINE
27 = 2-DOOR CONVERTIBLE		

AR = Use as Required - = Non Illustrated Part P.A.R. = Paint as Required

SEAT FRONT V,C 24 G BODY TRIM CODE E7
Figure ITD-1100

5236 1100



ITEM	PART NUMBER	QTY	BODY	MODEL	DESCRIPTION
6					COVER, Headrest N N N N
	E221 DAS	2			N N NE7AS YE221DAS
	E221 DMM	2			N N NE7M YE221DMM
	E221 DTT	2			N N NE7TT YE221DTT
	E221 DXS	2			N N NE7X YE221DXS
7	S938-9 DW1	2			SHIELD, Back (paint as required) N N N YS938DW1
8	S918-9 DW1	1			SHIELD, Cushion (paint as required) N N N YS918DW1
9	6008 076	AR			HOG RING N N N Y6008076
10					SLEEVE, Headrest N N N N
	S786 AA3	2			Silver N N N YS786AA3
	S786 VM6	2			Red N N N YS786VM6
	S786 DT3	2			Tan N N N YS786DT3
	S786 CX9	2			Black N N N YS786CX9
11	4190 387	2			SUPPORT, Headrest N N N Y4190387
12	4190 388	2			COVER, Headrest Finish N N N Y4190388
13	S945 DW1	1			SHIELD, Electric (paint as required) N N N YS945DW1
14	4317 800	AR			CLIP N N N Y4317800
		AR			SCREW, Side Shields Attaching (8-18x1.75) (not serviced) N N N N

MODEL CODES

B = GRAN FURY	E = 600	M = HORIZON/TURISMO
C = LE BARON/TOWN & COUNTRY/LIMO	F = FIFTH AVENUE/NEWPORT	P = RELIANT
C24 = LASER	G = DIPLOMAT	T = NEW YORKER
C44 = LE BARON/GTS	H = VOYAGER	V = 600
D = ARIES	J = CARAVELLE	V24 = DAYTONA
D44 = LANCER	K = MINI VAN/CARAVAN/ROYAL	Z = OMNI/CHARGER

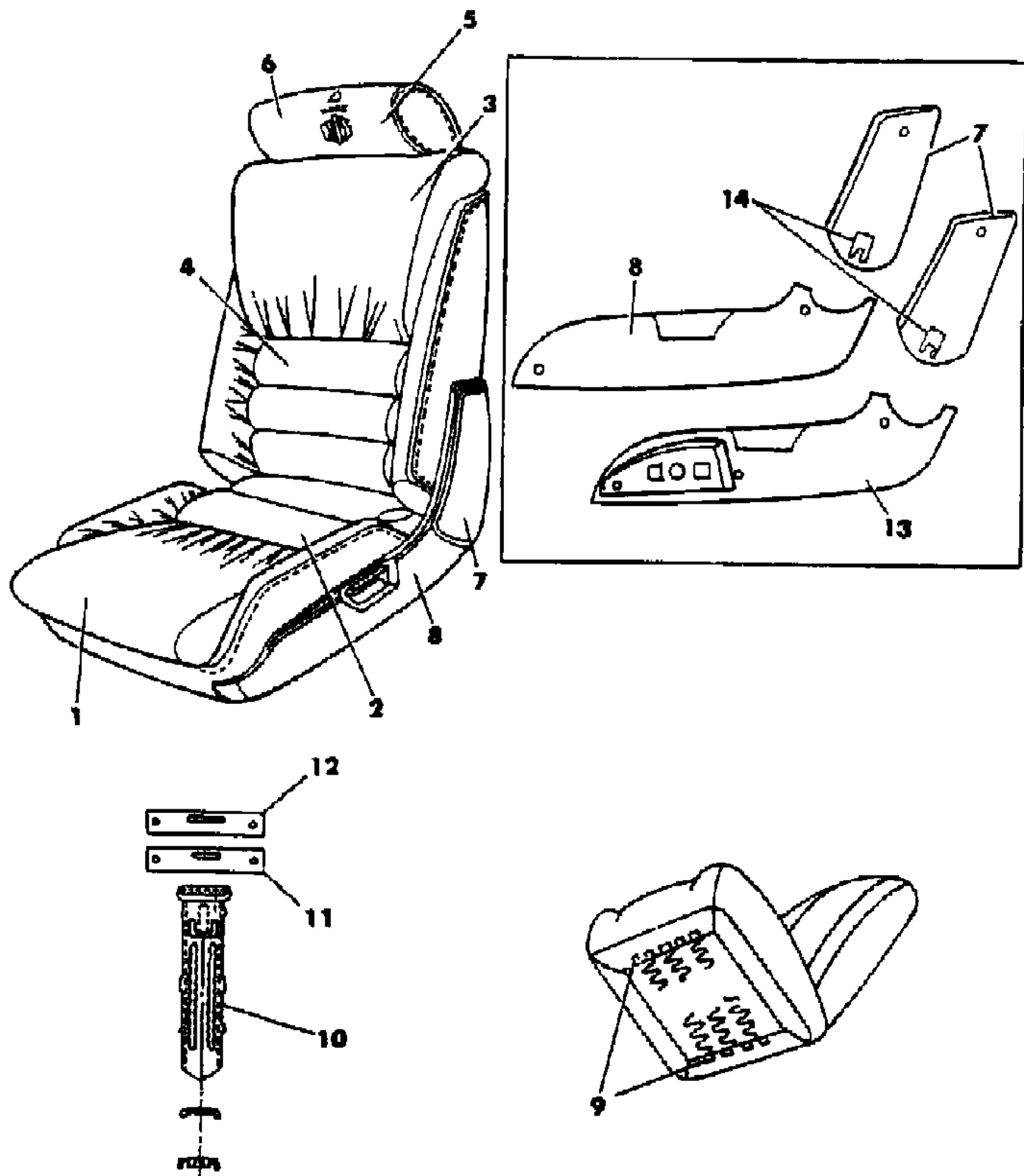
BODY STYLES

21 = 2-DOOR SEDAN	35 = FWD VAN	44 = 4-DOOR HATCHBACK
22 = 2-DOOR SPECIAL COUPE	36 = FWD WAGON	45 = 4-DOOR STATION WAGON
24 = 2-DOOR HATCHBACK	41 = 4-DOOR SEDAN	49 = LIMOUSINE
27 = 2-DOOR CONVERTIBLE		

AR = Use as Required - = Non Illustrated Part P.A.R. = Paint as Required

SEAT FRONT V,C 24 G BODY TRIM CODE EL
Figure ITD-1200

5236 1200



ITEM	PART NUMBER	QTY	BODY	MODEL	DESCRIPTION
1					CUSHION, w/Spring/Frame, Pad and Cover N N N N Leather N N N N N N NELTT YB652DLT N N NELX YB652DLX
2					COVER, Cushion N N N N Leather N N N N COVER and PAD, (w/Bladder Left Side; w/o Bladder Right Side) N N N N N N NELTT YB670DLT N N NELX YB670DLX
3					BACK, w/Spring/Frame, Pad and Cover N N N N Leather N N N N N N NELTT YB654DLT N N NELX YB654DLX
4					COVER and PAD, Back N N N N Leather N N N N N N NELTT YB506DLT N N NELX YB506DLX
5					HEADREST and COVER N N N N w/Mark Cross N N N N NC N NELTT YB602DT3 NC N NELX YB602DX9 w/o Mark Cross N N N N NV N NELTT YB603DT3 NV N NELX YB603DX9
6					COVER, Headrest N N N N w/Mark Cross N N N N NC N NELTT YB499DT3 NC N NELX YB499DX9 w/o Mark Cross N N N N NV N NELTT YB500DT3 NV N NELX YB500DX9
7	S938-9 DW1	2			SHIELD, Back (paint as required) N N N YS938DW1
8	S918-9 DW1	1			SHIELD, Cushion (paint as required) N N N YS918DW1
9	6008 076	AR			HOG RING N N N Y6008076
10	S786 AA3	2			SLEEVE, Headrest N N N N Silver N N N YS786AA3

MODEL CODES

B = GRAN FURY	E = 600	M = HORIZON/TURISMO
C = LE BARON/TOWN & COUNTRY/LIMO	F = FIFTH AVENUE/NEWPORT	P = RELIANT
C24 = LASER	G = DIPLOMAT	T = NEW YORKER
C44 = LE BARON/GTS	H = VOYAGER	V = 600
D = ARIES	J = CARAVELLE	V24 = DAYTONA
D44 = LANCER	K = MINI VAN/CARAVAN/ROYAL	Z = OMNI/CHARGER

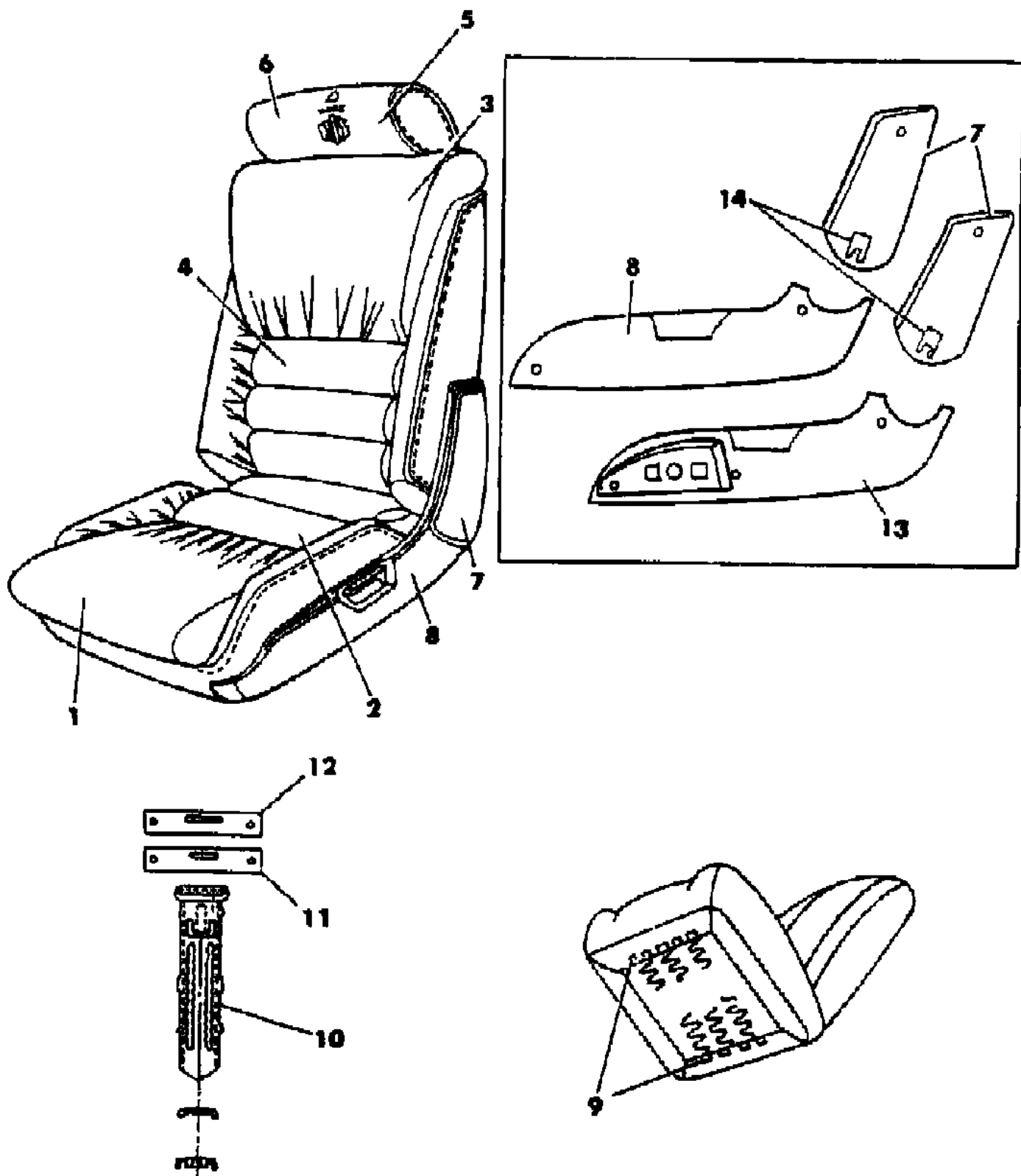
BODY STYLES

21 = 2-DOOR SEDAN	35 = FWD VAN	44 = 4-DOOR HATCHBACK
22 = 2-DOOR SPECIAL COUPE	36 = FWD WAGON	45 = 4-DOOR STATION WAGON
24 = 2-DOOR HATCHBACK	41 = 4-DOOR SEDAN	49 = LIMOUSINE
27 = 2-DOOR CONVERTIBLE		

AR = Use as Required - = Non Illustrated Part P.A.R. = Paint as Required

SEAT FRONT V,C 24 G BODY TRIM CODE EL
Figure ITD-1200

5236 1200



ITEM	PART NUMBER	QTY	BODY	MODEL	DESCRIPTION
	S786 VM6	2			Red N N N YS786VM6
	S786 DT3	2			Tan N N N YS786DT3
	S786 CX9	2			Black N N N YS786CX9
11	4190 387	2			SUPPORT, Headrest N N N Y4190387
12	4190 388	2			COVER, Headrest Finish N N N Y4190388
13	S945 DW1	1			SHIELD, Electric (paint as required) N N N YS945DW1
		AR			SCREW, Side Shields Attaching (8-18x1.75) (not serviced) N N N N
14	4317 800	AR			CLIP N N N Y4317800

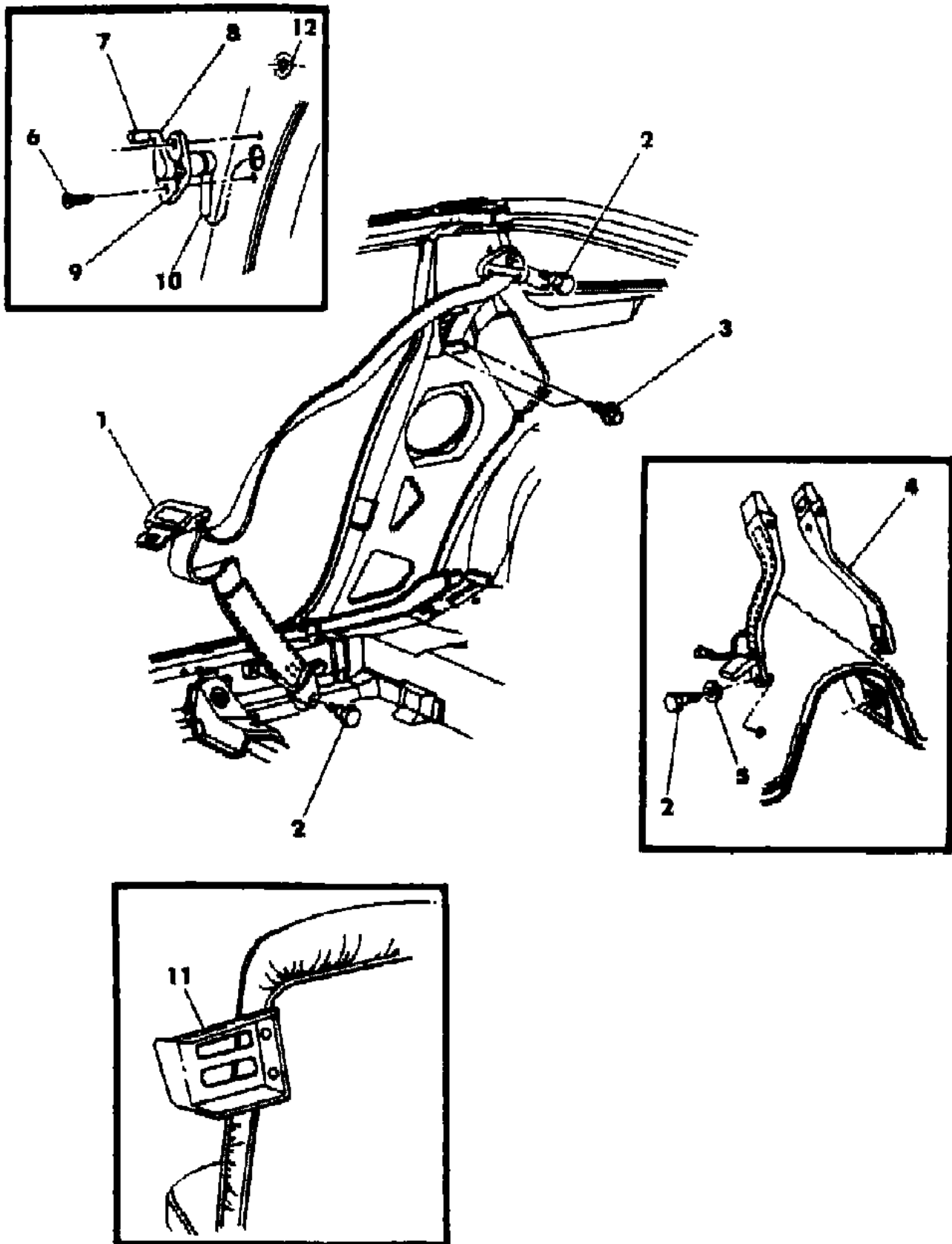
MODEL CODES
 B = GRAN FURY
 C = LE BARON/TOWN & COUNTRY/LIMO
 C24 = LASER
 C44 = LE BARON/GTS
 D = ARIES
 D44 = LANCER
 E = 600
 F = FIFTH AVENUE/NEWPORT
 G = DIPLOMAT
 H = VOYAGER
 J = CARAVELLE
 K = MINI VAN/CARAVAN/ROYAL
 M = HORIZON/TURISMO
 P = RELIANT
 T = NEW YORKER
 V = 600
 V24 = DAYTONA
 Z = OMNI/CHARGER

BODY STYLES
 21 = 2-DOOR SEDAN
 22 = 2-DOOR SPECIAL COUPE
 24 = 2-DOOR HATCHBACK
 27 = 2-DOOR CONVERTIBLE
 35 = FWD VAN
 36 = FWD WAGON
 41 = 4-DOOR SEDAN
 44 = 4-DOOR HATCHBACK
 45 = 4-DOOR STATION WAGON
 49 = LIMOUSINE

AR = Use as Required - = Non Illustrated Part P.A.R. = Paint as Required

BELT FRONT SEAT LAP AND SHOULDER V,C 24 G BODY
Figure ITD-1300

5236 1300



ITEM	PART NUMBER	QTY	BODY	MODEL	DESCRIPTION
1					BELT, Outboard Lap and Shoulder N N N N
					Label Number 4327078-9 N N N N
	F734-5 CA3	1			Silver N N N YF734CA3
	F734-5 CM6	1			Red N N N YF734CM6
	F734-5 DT3	1			Tan N N N YF734DT3
	F734-5 CX9	1			Black N N N YF734CX9
					Label Number 4327216-7 N N N N
	F764-5 CA3	1			Silver N N N YF764CA3
	F764-5 CM6	1			Red N N N YF764CM6
	F764-5 DT3	1			Tan N N N YF764DT3
	F764-5 CX9	1			Black N N N YF764CX9
					Label Number 4327216-7 N N N N
	4364 816-7	1			Silver N N N Y4364816
	4364 818-9	1			Red N N N Y4364818
	4364 824-5	1			Tan N N N Y4364824
	4364 822-3	1			Black N N N Y4364822
2	6031 298	2			BOLT, Shoulder N N N Y6031298
3		AR			BOLT (not serviced) N N N N
4					BELT, Front Seat Buckle Half N N N N
					Label Number 4290764-5 N N N N
	F696-7 CA3	1			Silver N N N YF696CA3
	F696-7 CM6	1			Red N N N YF696CM6
	F696-7 DT5	1			Tan N N N YF696DT5
	F696-7 CX9	1			Black N N N YF696CX9
5		AR			WASHER (not serviced) N N N N
6		AR			SCREW (not serviced) N N N N
7-10	4327 332-3	1			ACTUATOR, Complete N N N Y4327332
7		2			SILENCER, Actuator N N N N
8		1			CRANK, w/Actuator, Housing and Spring N N N N
9		1			HOUSING, Retractor Actuator N N N N
10		2			ACTUATOR, Retractor N N N N
		1			SPRING, Actuator N N N N
		2			SCREW, Actuator to Crank N N N N
11					GUIDE, (catcher) Front Seat Belt N N N N
	F835 CM6	2			Red N N N YF835CM6
	F835 CS8	2			Charcoal N N N YF835CS8
	F835 CX9	2			Black N N N YF835CX9

MODEL CODES

B = GRAN FURY	E = 600	M = HORIZON/TURISMO
C = LE BARON/TOWN & COUNTRY/LIMO	F = FIFTH AVENUE/NEWPORT	P = RELIANT
C24 = LASER	G = DIPLOMAT	T = NEW YORKER
C44 = LE BARON/GTS	H = VOYAGER	V = 600
D = ARIES	J = CARAVELLE	V24 = DAYTONA
D44 = LANCER	K = MINI VAN/CARAVAN/ROYAL	Z = OMNI/CHARGER

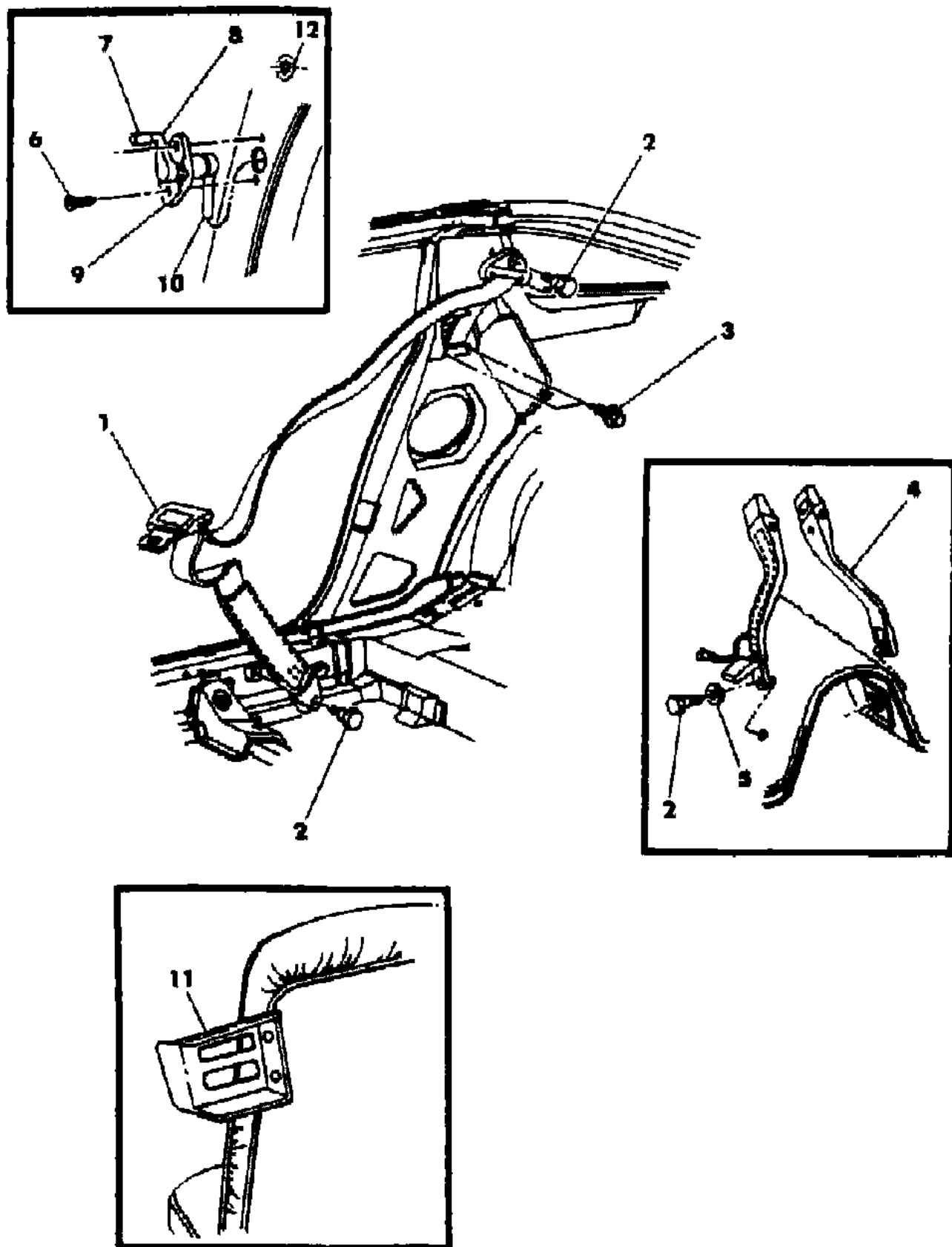
BODY STYLES

21 = 2-DOOR SEDAN	35 = FWD VAN	44 = 4-DOOR HATCHBACK
22 = 2-DOOR SPECIAL COUPE	36 = FWD WAGON	45 = 4-DOOR STATION WAGON
24 = 2-DOOR HATCHBACK	41 = 4-DOOR SEDAN	49 = LIMOUSINE
27 = 2-DOOR CONVERTIBLE		

AR = Use as Required - = Non Illustrated Part P.A.R. = Paint as Required

BELT FRONT SEAT LAP AND SHOULDER V,C 24 G BODY
Figure ITD-1300

5236 1300



ITEM	PART NUMBER	QTY	BODY	MODEL	DESCRIPTION
12	6025 160	2			RETAINER, Inertia Retractor Pendulum Shaft N N N Y6025160

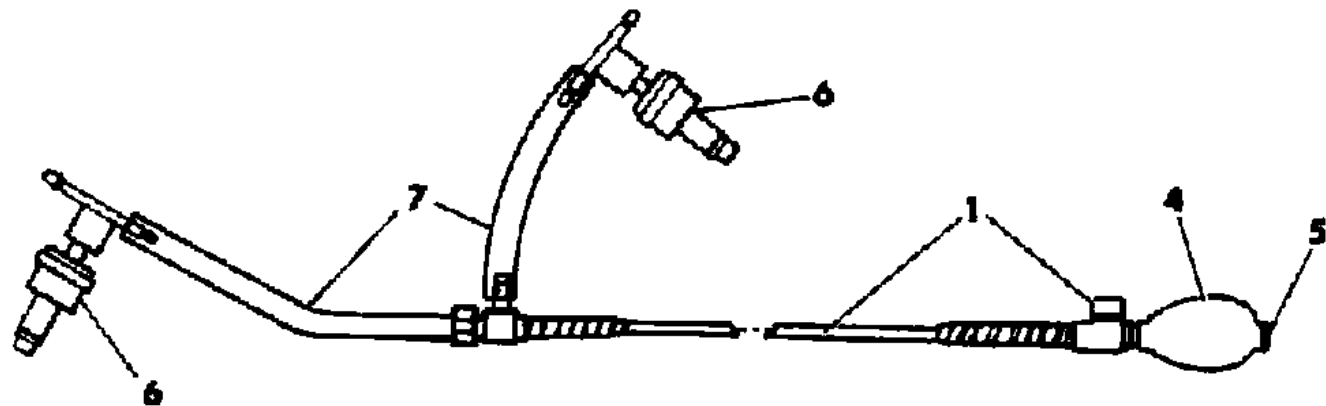
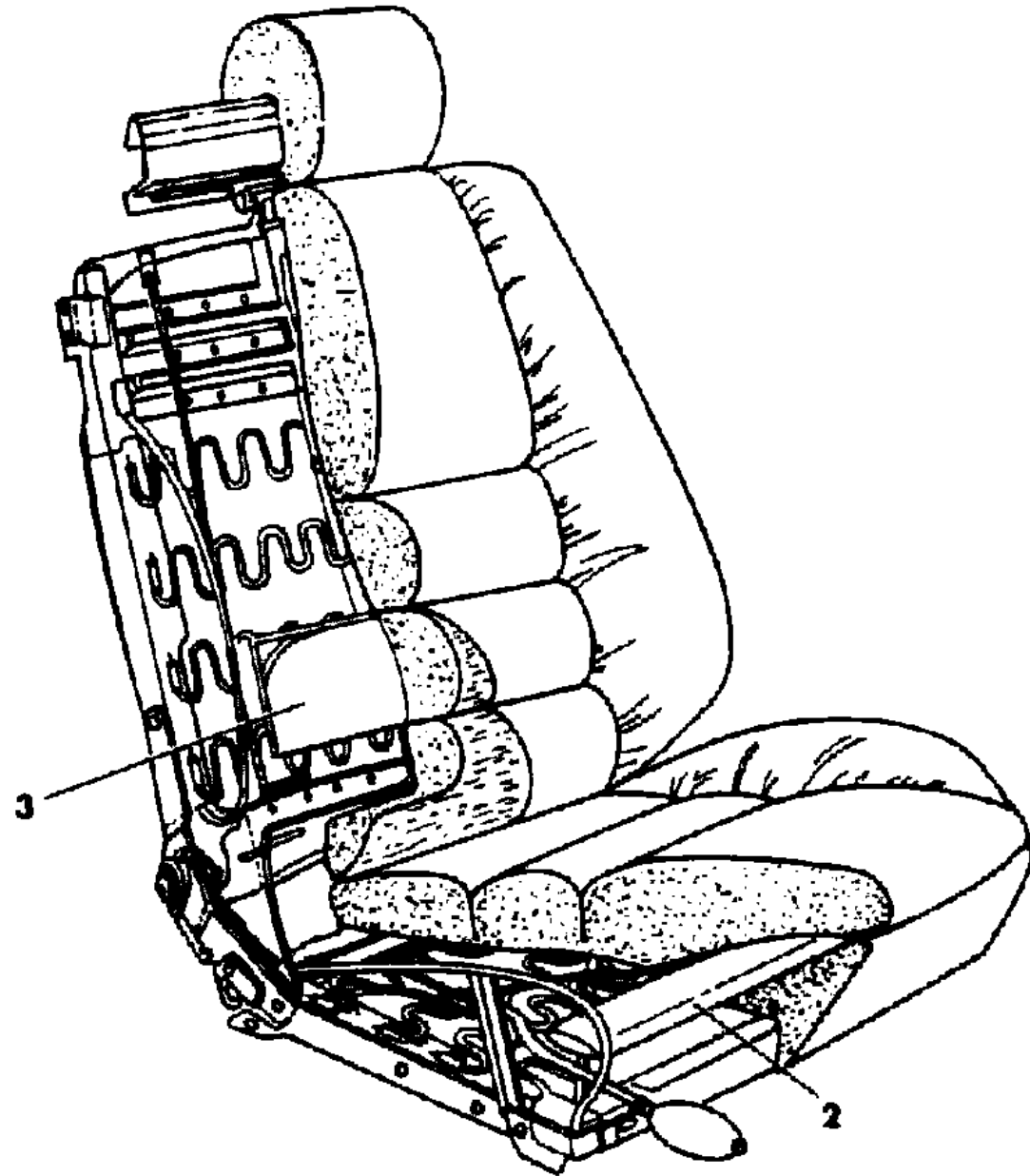
MODEL CODES
 B = GRAN FURY
 C = LE BARON/TOWN & COUNTRY/LIMO
 C24 = LASER
 C44 = LE BARON/GTS
 D = ARIES
 D44 = LANCER
 E = 600
 F = FIFTH AVENUE/NEWPORT
 G = DIPLOMAT
 H = VOYAGER
 J = CARAVELLE
 K = MINI VAN/CARAVAN/ROYAL
 M = HORIZON/TURISMO
 P = RELIANT
 T = NEW YORKER
 V = 600
 V24 = DAYTONA
 Z = OMNI/CHARGER

BODY STYLES
 21 = 2-DOOR SEDAN
 22 = 2-DOOR SPECIAL COUPE
 24 = 2-DOOR HATCHBACK
 27 = 2-DOOR CONVERTIBLE
 35 = FWD VAN
 36 = FWD WAGON
 41 = 4-DOOR SEDAN
 44 = 4-DOOR HATCHBACK
 45 = 4-DOOR STATION WAGON
 49 = LIMOUSINE

AR = Use as Required - = Non Illustrated Part P.A.R. = Paint as Required

LUMBAR AND THIGH SUPPORT V,C 24 G BODY
Figure ITD-1400

5238 1406



ITEM	PART NUMBER	QTY	BODY	MODEL	DESCRIPTION
1	4327 620	1			VALVE, Dual Control N N N Y4327620
2	4327 423	1			BLADDER, Cushion Thigh Support N N N Y4327423
3	4327 426	1			BLADDER, Back Lumber Support N N N Y4327426
4	4327 428	1			BULB, Pump Molded Rubber Support N N N Y4327428
5	4327 429	1			VALVE, Pump Bulb Check Support N N N Y4327429
6	4327 430	1			VALVE, Pressure Relief Support N N N Y4327430
7	4271 082	2			TUBING, PVC (12" length) N N N Y4271082

MODEL CODES

B = GRAN FURY	E = 600	M = HORIZON/TURISMO
C = LE BARON/TOWN & COUNTRY/LIMO	F = FIFTH AVENUE/NEWPORT	P = RELIANT
C24 = LASER	G = DIPLOMAT	T = NEW YORKER
C44 = LE BARON/GTS	H = VOYAGER	V = 600
D = ARIES	J = CARAVELLE	V24 = DAYTONA
D44 = LANCER	K = MINI VAN/CARAVAN/ROYAL	Z = OMNI/CHARGER

BODY STYLES

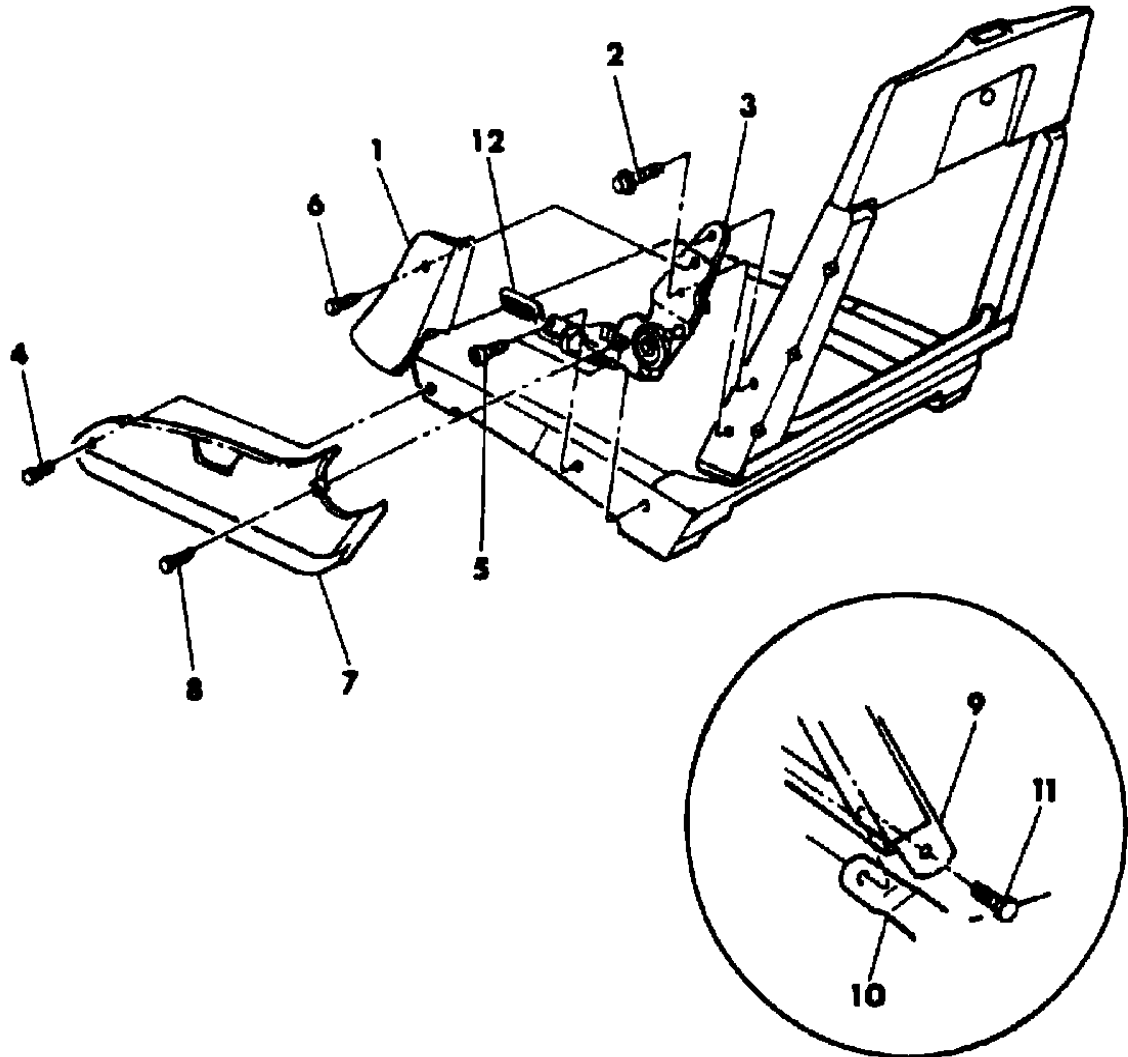
21 = 2-DOOR SEDAN	35 = FWD VAN	44 = 4-DOOR HATCHBACK
22 = 2-DOOR SPECIAL COUPE	36 = FWD WAGON	45 = 4-DOOR STATION WAGON
24 = 2-DOOR HATCHBACK	41 = 4-DOOR SEDAN	49 = LIMOUSINE
27 = 2-DOOR CONVERTIBLE		

AR = Use as Required - = Non Illustrated Part P.A.R. = Paint as Required

RECLINING FRONT SEAT V,C 24 G BODY
Figure ITD-1500

5236 1500

ITEM	PART NUMBER	QTY	BODY	MODEL	DESCRIPTION
1	S938-9 DW1	1			SHIELD, w/Release Button, Back (paint as required) N N N YS938DW1
2	6501 222	AR			SCREW N N N Y6501222
3	4327 628-9	1			RECLINER N N N Y4327628
	4327 671	1			PROTECTOR, Seat Trim N N N Y4327671
4		AR			SCREW (8-18x1.00)(not serviced) N N N N
5	6500 558	AR			SCREW N N N Y6500558
6		AR			SCREW (8-18x1.75)(not serviced) N N N N
7	S918-9 DW1	1			SHIELD, Cushion (paint as required) N N N YS918DW1
8	6032 456	AR			SCREW N N N Y6032456
9					FRAME, Back (reference) N N N N
10					FRAME, Cushion (reference) N N N N
11	6501 199	2			BOLT (10-1.5x39) N N N Y6501199
12	S940-1 DA3				LEVER, Recliner Release (paint as required) N N N YS940DA3



MODEL CODES

B = GRAN FURY	E = 600	M = HORIZON/TURISMO
C = LE BARON/TOWN & COUNTRY/LIMO	F = FIFTH AVENUE/NEWPORT	P = RELIANT
C24 = LASER	G = DIPLOMAT	T = NEW YORKER
C44 = LE BARON/GTS	H = VOYAGER	V = 600
D = ARIES	J = CARAVELLE	V24 = DAYTONA
D44 = LANCER	K = MINI VAN/CARAVAN/ROYAL	Z = OMNI/CHARGER

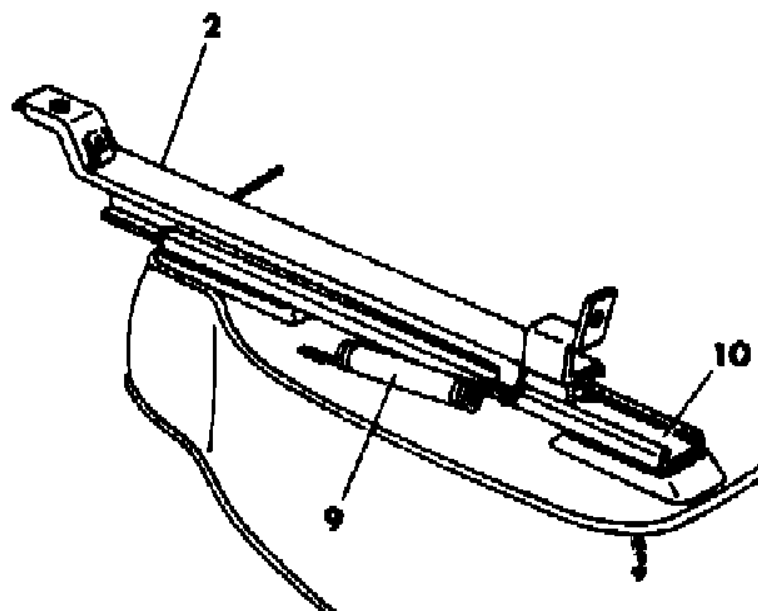
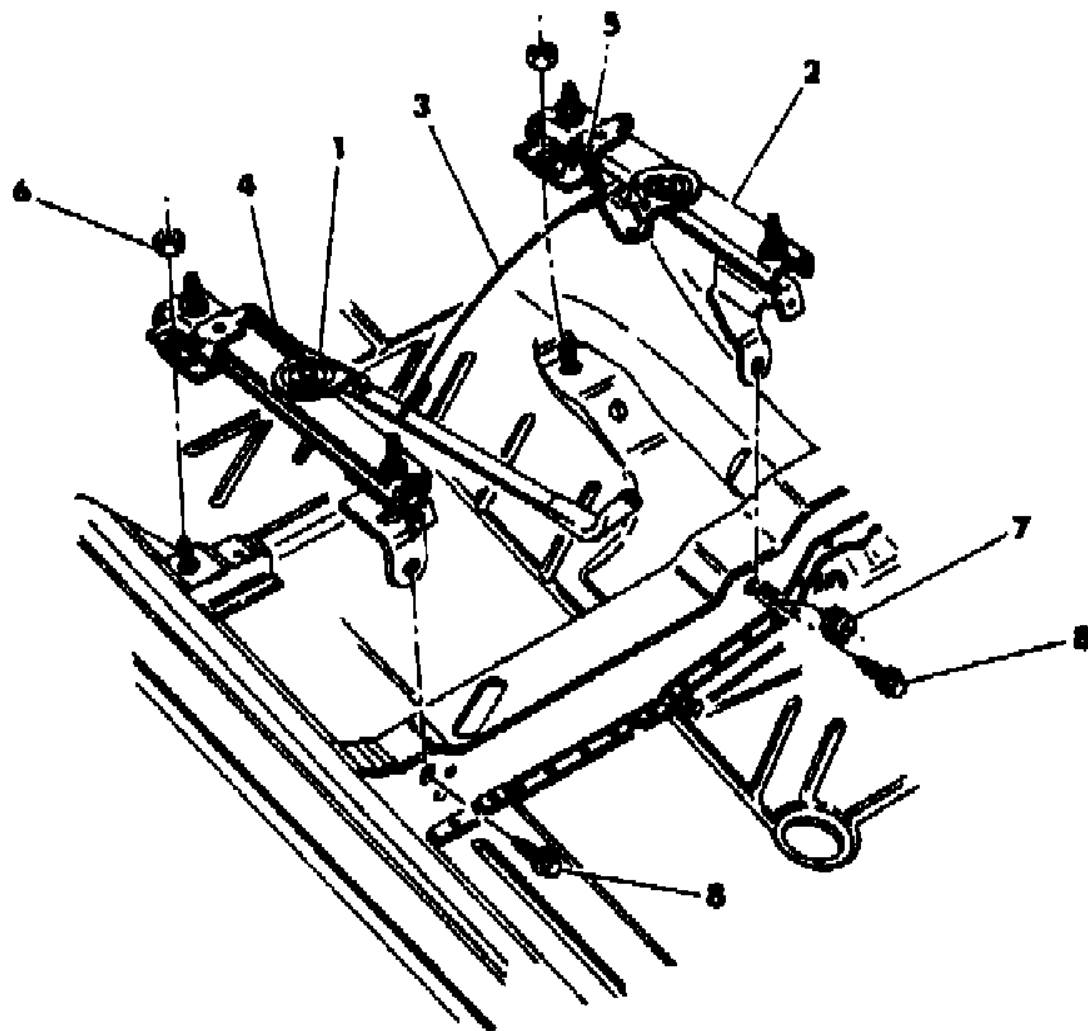
BODY STYLES

21 = 2-DOOR SEDAN	35 = FWD VAN	44 = 4-DOOR HATCHBACK
22 = 2-DOOR SPECIAL COUPE	36 = FWD WAGON	45 = 4-DOOR STATION WAGON
24 = 2-DOOR HATCHBACK	41 = 4-DOOR SEDAN	49 = LIMOUSINE
27 = 2-DOOR CONVERTIBLE		

AR = Use as Required - = Non Illustrated Part P.A.R. = Paint as Required

ADJUSTER MANUAL V,C 24 G BODY
Figure ITD-1600

5250 1600



ITEM	PART NUMBER	QTY	BODY	MODEL	DESCRIPTION
1					ADJUSTER, Outer N N N N
	4290 982	1			Passenger Seat N N N Y4290982
	4290 983	1			Driver Seat N N N Y4290983
2					ADJUSTER, Inner N N N N
	4290 984	1			Passenger Seat N N N Y4290984
	4290 985	1			Driver Seat N N N Y4290985
3	4239 942	1			WIRE, Adjuster Release N N N Y4239942
4	4327 235	1			SPRING, Lever Return N N N Y4327235
5	4290 986	1			SPRING, Latch Return N N N Y4290986
6		AR			NUT, Hexagon Flange (M8x1.25-6H) (not serviced) N N N N
7	6101 283	1			U-NUT N N N Y6101283
8		AR			SCREW and WASHER, Hex Head (8-1.25x30)(not serviced) N N N N
9	4290 990	1			SPRING, Inner Adjuster Assist N N N Y4290990
10	4316 938-9	1			TRACK, Lower N N N Y4316938

MODEL CODES

B = GRAN FURY	E = 600	M = HORIZON/TURISMO
C = LE BARON/TOWN & COUNTRY/LIMO	F = FIFTH AVENUE/NEWPORT	P = RELIANT
C24 = LASER	G = DIPLOMAT	T = NEW YORKER
C44 = LE BARON/GTS	H = VOYAGER	V = 600
D = ARIES	J = CARAVELLE	V24 = DAYTONA
D44 = LANCER	K = MINI VAN/CARAVAN/ROYAL	Z = OMNI/CHARGER

BODY STYLES

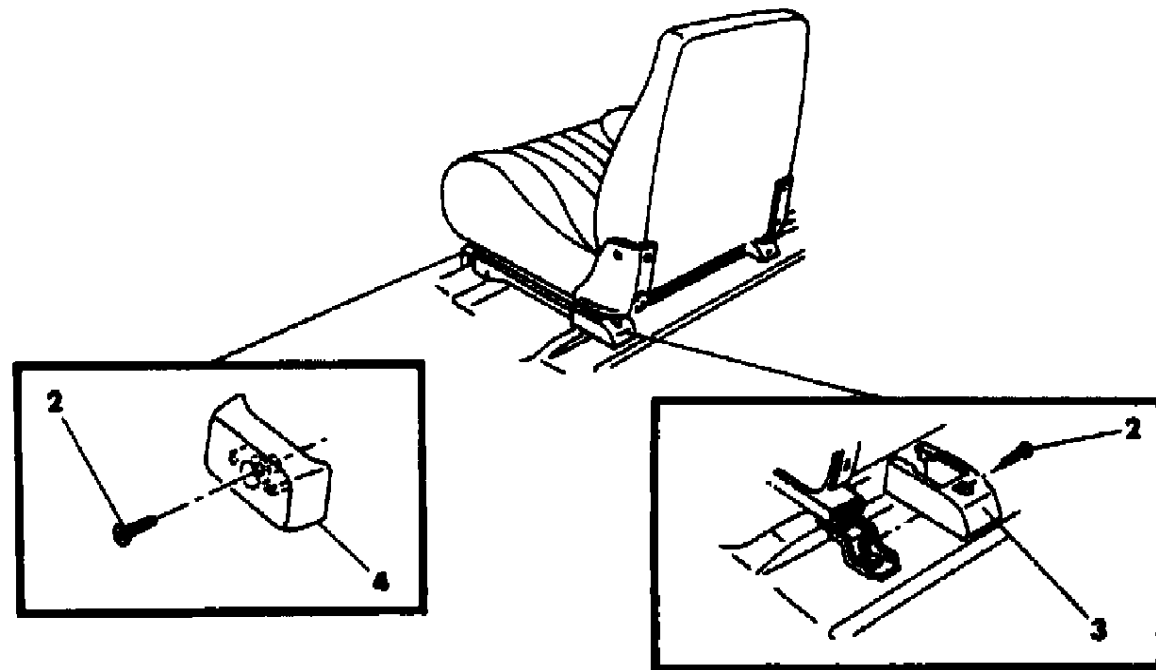
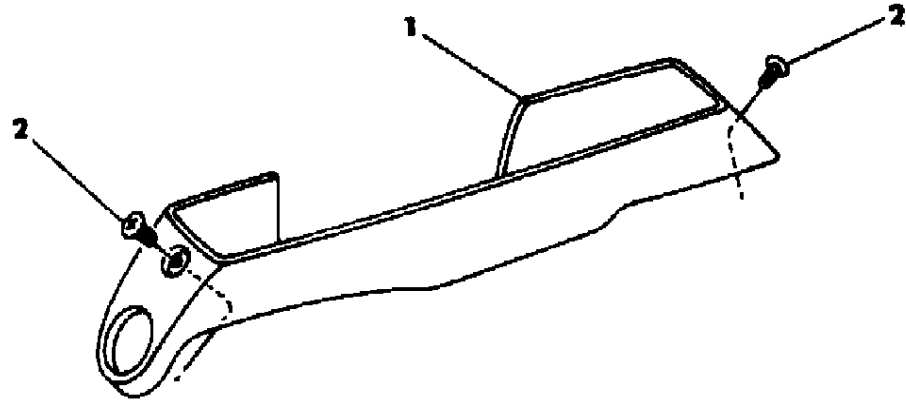
21 = 2-DOOR SEDAN	35 = FWD VAN	44 = 4-DOOR HATCHBACK
22 = 2-DOOR SPECIAL COUPE	36 = FWD WAGON	45 = 4-DOOR STATION WAGON
24 = 2-DOOR HATCHBACK	41 = 4-DOOR SEDAN	49 = LIMOUSINE
27 = 2-DOOR CONVERTIBLE		

AR = Use as Required - = Non Illustrated Part P.A.R. = Paint as Required

COVERS MANUAL SEAT ADJUSTER V,C 24 G BODY
Figure ITD-1700

ITEM	PART NUMBER	QTY	BODY	MODEL	DESCRIPTION
1	S912-3 CX9	1			COVER, Manual Adjuster, Outer N N N YS912CX9
2		AR			SCREW (not serviced) N N N N
3	S650 CX9	2			COVER, Inner Rear N N N YS650CX9
4	S654 CX9	2			COVER, Inner Front N N N YS654CX9

5236 1700



MODEL CODES

B = GRAN FURY	E = 600	M = HORIZON/TURISMO
C = LE BARON/TOWN & COUNTRY/LIMO	F = FIFTH AVENUE/NEWPORT	P = RELIANT
C24 = LASER	G = DIPLOMAT	T = NEW YORKER
C44 = LE BARON/GTS	H = VOYAGER	V = 600
D = ARIES	J = CARAVELLE	V24 = DAYTONA
D44 = LANCER	K = MINI VAN/CARAVAN/ROYAL	Z = OMNI/CHARGER

BODY STYLES

21 = 2-DOOR SEDAN	35 = FWD VAN	44 = 4-DOOR HATCHBACK
22 = 2-DOOR SPECIAL COUPE	36 = FWD WAGON	45 = 4-DOOR STATION WAGON
24 = 2-DOOR HATCHBACK	41 = 4-DOOR SEDAN	49 = LIMOUSINE
27 = 2-DOOR CONVERTIBLE		

AR = Use as Required - = Non Illustrated Part P.A.R. = Paint as Required

ADJUSTER ELECTRIC V,C 24 G BODY
Figure ITD-1800

ITEM	PART NUMBER	QTY	BODY	MODEL	DESCRIPTION
------	-------------	-----	------	-------	-------------

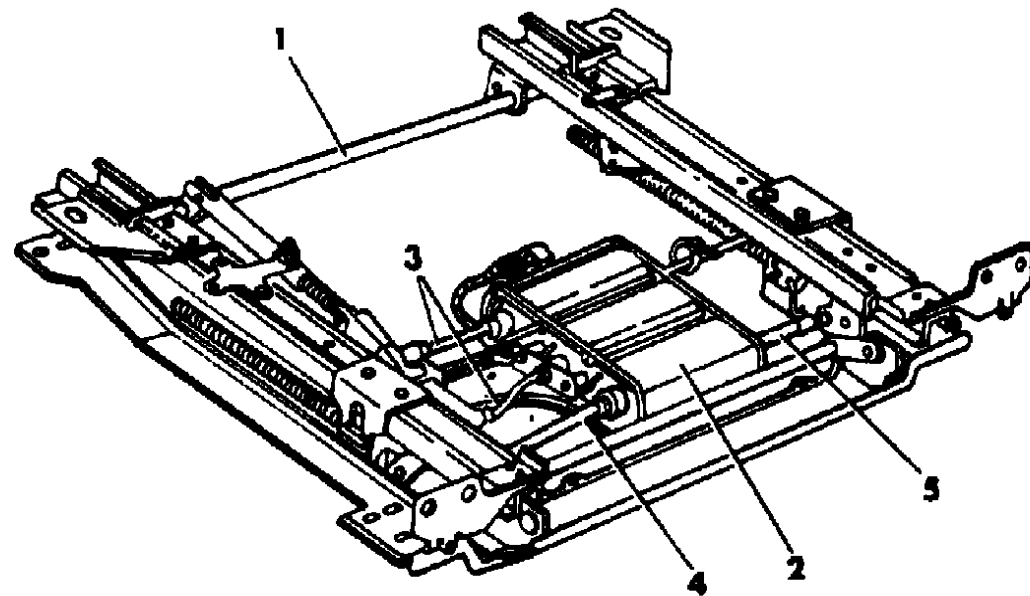
NOTE: THE FOLLOWING PARTS ARE FOR REPLACEMENT ONLY NOT FOR NEW INSTALLATION. s ARE NOT RETURNABLE

1	4327 396	1			ADJUSTER, Less Motor N N N Y4327396
2	4327 279	1			MOTOR, Electric Seat Adjuster N N N Y4327279
3	4327 282	2			SHAFT, Flexible (4.005") N N N Y4327282
4	4327 281	1			CABLE, Outer (5.68") N N N Y4327281
5	4327 280	1			CABLE, Inner (2.68") N N N Y4327280

NOTE: The Following Parts Are Not Illustrated s ARE NOT RETURNABLE.

	4304 865	1			WIRING, Power Seat Feed N N N Y4304865
	S945 DW1	1			SHIELD, Outboard Left N N N YS945DW1

5236 1800



MODEL CODES

B = GRAN FURY	E = 600	M = HORIZON/TURISMO
C = LE BARON/TOWN & COUNTRY/LIMO	F = FIFTH AVENUE/NEWPORT	P = RELIANT
C24 = LASER	G = DIPLOMAT	T = NEW YORKER
C44 = LE BARON/GTS	H = VOYAGER	V = 600
D = ARIES	J = CARAVELLE	V24 = DAYTONA
D44 = LANCER	K = MINI VAN/CARAVAN/ROYAL	Z = OMNI/CHARGER

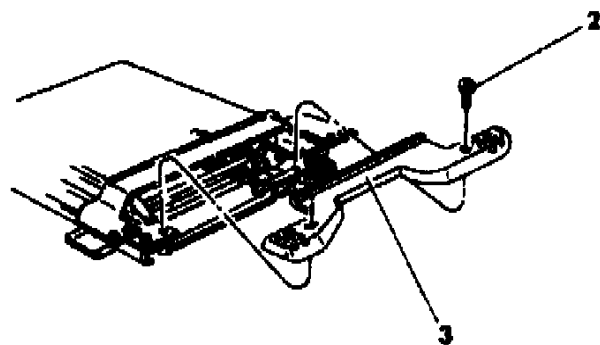
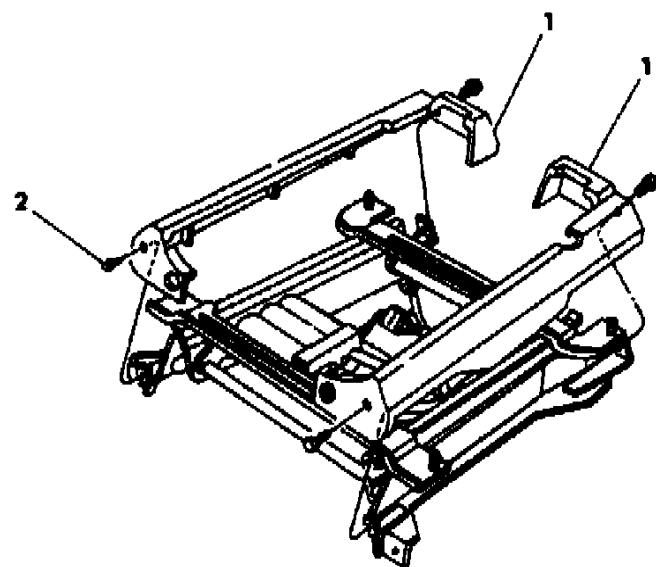
BODY STYLES

21 = 2-DOOR SEDAN	35 = FWD VAN	44 = 4-DOOR HATCHBACK
22 = 2-DOOR SPECIAL COUPE	36 = FWD WAGON	45 = 4-DOOR STATION WAGON
24 = 2-DOOR HATCHBACK	41 = 4-DOOR SEDAN	49 = LIMOUSINE
27 = 2-DOOR CONVERTIBLE		

AR = Use as Required - = Non Illustrated Part P.A.R. = Paint as Required

COVERS ELECTRIC SEAT ADJUSTER V,C 24 G BODY
Figure ITD-1900

5236 1900



ITEM	PART NUMBER	QTY	BODY	MODEL	DESCRIPTION
1					COVER, Electric Seat Adjuster w/Bucket Seats N N N N
	S674 CX9	1			Inner (Black) N N N YS674CX9
	S675 CX9	1			Outer (Black) N N N YS675CX9
2		AR			SCREW (not serviced) N N N N
3	S660 CX9	1			COVER, Electric Adjuster, Rear (Black) N N N YS660CX9

MODEL CODES

B = GRAN FURY	E = 600	M = HORIZON/TURISMO
C = LE BARON/TOWN & COUNTRY/LIMO	F = FIFTH AVENUE/NEWPORT	P = RELIANT
C24 = LASER	G = DIPLOMAT	T = NEW YORKER
C44 = LE BARON/GTS	H = VOYAGER	V = 600
D = ARIES	J = CARAVELLE	V24 = DAYTONA
D44 = LANCER	K = MINI VAN/CARAVAN/ROYAL	Z = OMNI/CHARGER

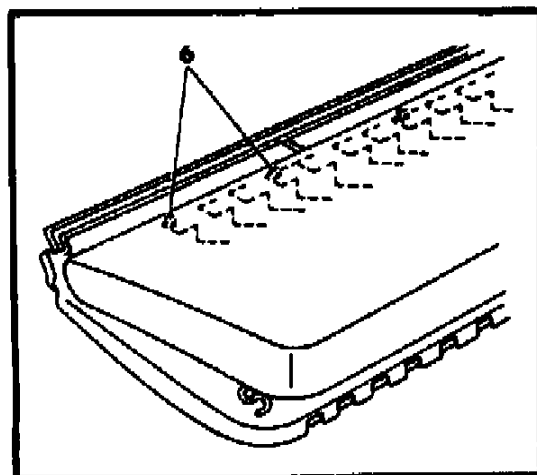
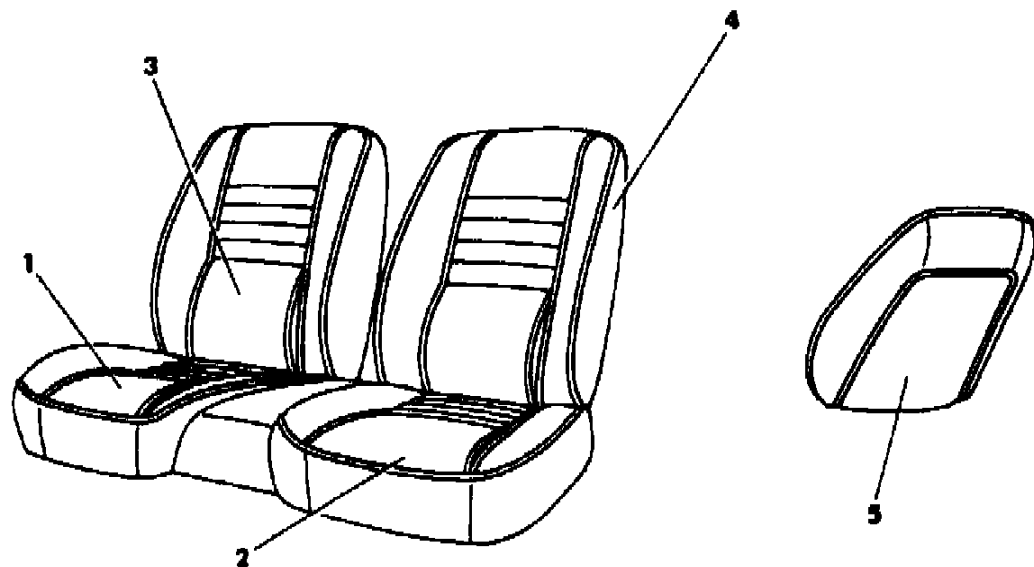
BODY STYLES

21 = 2-DOOR SEDAN	35 = FWD VAN	44 = 4-DOOR HATCHBACK
22 = 2-DOOR SPECIAL COUPE	36 = FWD WAGON	45 = 4-DOOR STATION WAGON
24 = 2-DOOR HATCHBACK	41 = 4-DOOR SEDAN	49 = LIMOUSINE
27 = 2-DOOR CONVERTIBLE		

AR = Use as Required - = Non Illustrated Part P.A.R. = Paint as Required

SEAT REAR V,C 24 G BODY TRIM CODES A7,A8
Figure ITD-2000

5236 2000



ITEM	PART NUMBER	QTY	BODY	MODEL	DESCRIPTION
1					CUSHION, w/Spring, Pad and Cover N N N N
					Cloth N N N N (use up to 2/1/85) N N N N
	B710 D7A	1			N N NA7AS YB710D7A
	B710 C7M	1			N N NA7M YB710C7M
	B710 D7T	1			N N NA7TT YB710D7T
	B710 C7X	1			N N NA7X YB710C7X (use after 2/1/85) N N N N
	B676 D7A	1			N N NA7AS YB676D7A
	B676 D7M	1			N N NA7M YB676D7M
	B676 D7T	1			N N NA7TT YB676D7T
	B676 D7X	1			N N NA7X YB676D7X Vinyl N N N N
	B841 D8A	1			N N NA8AS YB841D8A
	B841 C8M	1			N N NA8M YB841C8M
	B841 D8T	1			N N NA8TT YB841D8T
	B841 C8X	1			N N NA8X YB841C8X
2					COVER, Cushion N N N N
					Cloth N N N N (use up to 2/1/85) N N N N
	B434 D7A	1			N N NA7AS YB434D7A
	B434 C7M	1			N N NA7M YB434C7M
	B434 D7T	1			N N NA7TT YB434D7T
	B434 C7X	1			N N NA7X YB434C7X (use after 2/1/85) N N N N
	B478 D7A	1			N N NA7AS YB478D7A
	B478 D7M	1			N N NA7M YB478D7M
	B478 D7T	1			N N NA7TT YB478D7T
	B478 D7X	1			N N NA7X YB478D7X Vinyl N N N N
	B459 D8A	1			N N NA8AS YB459D8A
	B459 C8M	1			N N NA8M YB459C8M
	B459 D8T	1			N N NA8TT YB459D8T
	B459 C8X	1			N N NA8X YB459C8X
3					BACK, w/Spring, Pad and Cover N N N N
					Cloth N N N N (use up to 2/1/85) N N N N

MODEL CODES

B = GRAN FURY	E = 600	M = HORIZON/TURISMO
C = LE BARON/TOWN & COUNTRY/LIMO	F = FIFTH AVENUE/NEWPORT	P = RELIANT
C24 = LASER	G = DIPLOMAT	T = NEW YORKER
C44 = LE BARON/GTS	H = VOYAGER	V = 600
D = ARIES	J = CARAVELLE	V24 = DAYTONA
D44 = LANCER	K = MINI VAN/CARAVAN/ROYAL	Z = OMNI/CHARGER

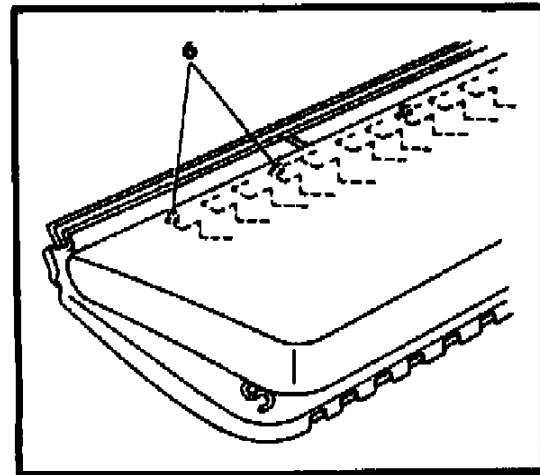
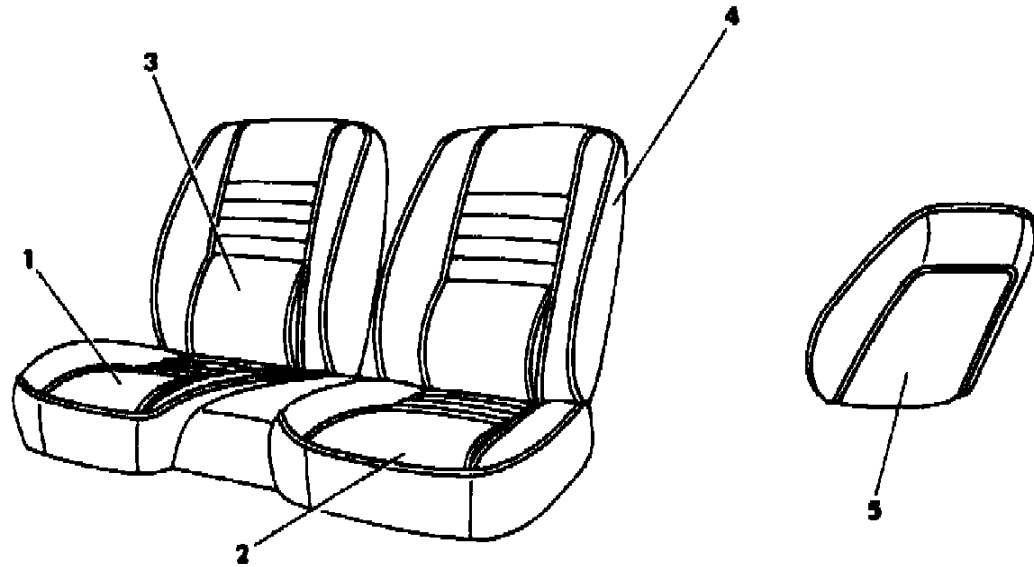
BODY STYLES

21 = 2-DOOR SEDAN	35 = FWD VAN	44 = 4-DOOR HATCHBACK
22 = 2-DOOR SPECIAL COUPE	36 = FWD WAGON	45 = 4-DOOR STATION WAGON
24 = 2-DOOR HATCHBACK	41 = 4-DOOR SEDAN	49 = LIMOUSINE
27 = 2-DOOR CONVERTIBLE		

AR = Use as Required - = Non Illustrated Part P.A.R. = Paint as Required

SEAT REAR V,C 24 G BODY TRIM CODES A7,A8
Figure ITD-2000

5236 2000



ITEM	PART NUMBER	QTY	BODY	MODEL	DESCRIPTION
	B708-9 D7A	1			N N NA7AS YB708D7A
	B708-9 C7M	1			N N NA7M YB708C7M
	B708-9 D7T	1			N N NA7TT YB708D7T
	B708-9 C7X	1			N N NA7X YB708C7X (use after 2/1/85) N N N N
	B674-5 D7A	1			N N NA7AS YB674D7A
	B674-5 D7M	1			N N NA7M YB674D7M
	B674-5 D7T	1			N N NA7TT YB674D7T
	B674-5 D7X	1			N N NA7X YB674D7X
	B838-9 D8A	1			Vinyl N N N N N N NA8AS YB838D8A
	B838-9 C8M	1			N N NA8M YB838C8M
	B838-9 D8T	1			N N NA8TT YB838D8T
4	B838-9 C8X	1			N N NA8X YB838C8X COVER, Back N N N N Cloth N N N N (use up to 2/1/85) N N N N
	B430-1 D7A	1			N N NA7AS YB430D7A
	B430-1 C7M	1			N N NA7M YB430C7M
	B430-1 D7T	1			N N NA7TT YB430D7T
	B430-1 C7X	1			N N NA7X YB430C7X (use after 2/1/85) N N N N
	B476-7 D7A	1			N N NA7AS YB476D7A
	B476-7 D7M	1			N N NA7M YB476D7M
	B476-7 D7T	1			N N NA7TT YB476D7T
	B476-7 D7X	1			N N NA7X YB476D7X Vinyl N N N N
	B460-1 D8A	1			N N NA8AS YB460D8A
	B460-1 C8M	1			N N NA8M YB460C8M
	B460-1 D8T	1			N N NA8TT YB460D8T
5	B460-1 C8X	1			N N NA8X YB460C8X PANEL, Seat Back w/Carpet N N N N
	S730 CM6	2			Red N N N YS730CM6
	S730 CS8	2			Charcoal N N N YS730CS8
	S730 DT5	2			Tan N N N YS730DT5
	S730 CX9	2			Black N N N YS730CX9
6	6008 076	AR			HOG RING N N N Y6008076

MODEL CODES

B = GRAN FURY	E = 600	M = HORIZON/TURISMO
C = LE BARON/TOWN & COUNTRY/LIMO	F = FIFTH AVENUE/NEWPORT	P = RELIANT
C24 = LASER	G = DIPLOMAT	T = NEW YORKER
C44 = LE BARON/GTS	H = VOYAGER	V = 600
D = ARIES	J = CARAVELLE	V24 = DAYTONA
D44 = LANCER	K = MINI VAN/CARAVAN/ROYAL	Z = OMNI/CHARGER

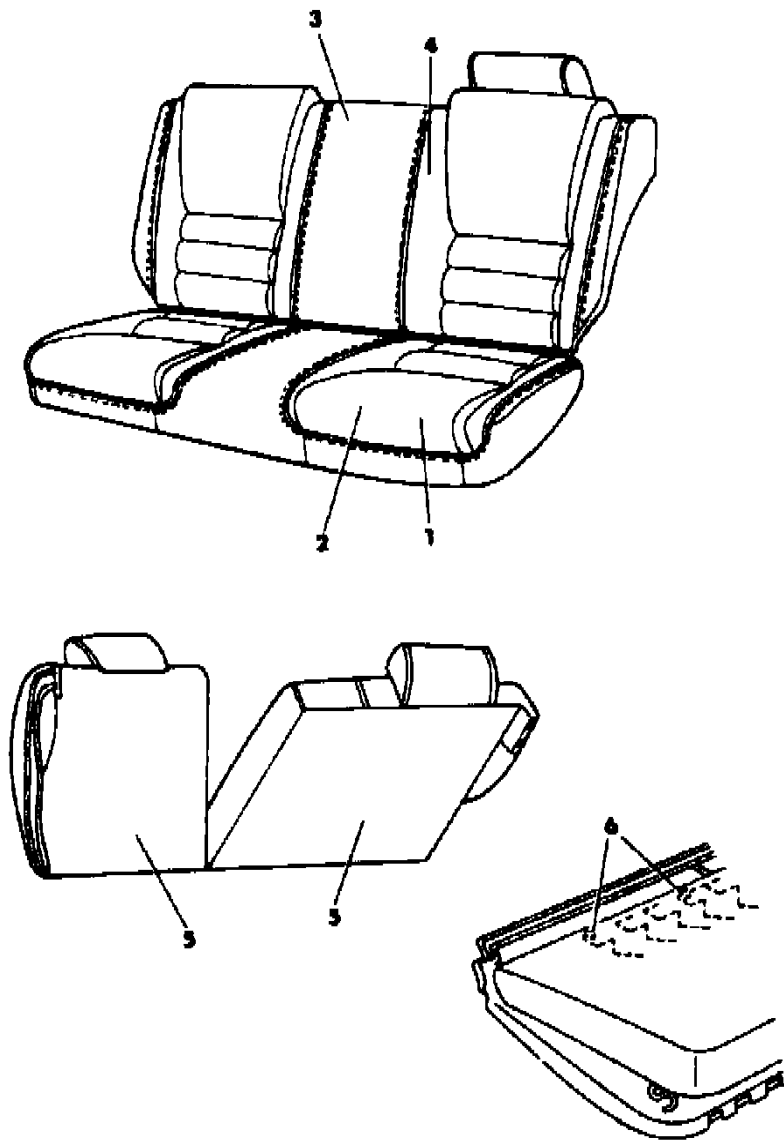
BODY STYLES

21 = 2-DOOR SEDAN	35 = FWD VAN	44 = 4-DOOR HATCHBACK
22 = 2-DOOR SPECIAL COUPE	36 = FWD WAGON	45 = 4-DOOR STATION WAGON
24 = 2-DOOR HATCHBACK	41 = 4-DOOR SEDAN	49 = LIMOUSINE
27 = 2-DOOR CONVERTIBLE		

AR = Use as Required - = Non Illustrated Part P.A.R. = Paint as Required

SEAT REAR V,C 24 G BODY TRIM CODE E7
Figure ITD-2100

5235 2100



ITEM	PART NUMBER	QTY	BODY	MODEL	DESCRIPTION
1					CUSHION, w/Spring, Pad and Cover N N N N
	B867 D7A	1			Cloth N N N N
	B867 D7M	1			N N NE7AS YB867D7A
	B867 D7T	1			N N NE7M YB867D7M
	B867 D7X	1			N N NE7TT YB867D7T
2					COVER, Cushion N N N N
	B490 D7A	1			Cloth N N N N
	B490 D7M	1			N N NE7AS YB490D7A
	B490 D7T	1			N N NE7M YB490D7M
	B490 D7X	1			N N NE7TT YB490D7T
3					BACK, w/Spring, Pad and Cover N N N N
	B864-5 D7A	1			Cloth N N N N
	B864-5 D7M	1			N N NE7AS YB864D7A
	B864-5 D7T	1			N N NE7M YB864D7M
	B864-5 D7X	1			N N NE7TT YB864D7T
4					COVER, Back N N N N
	B488-9 D7A	1			Cloth N N N N
	B488-9 D7M	1			N N NE7AS YB488D7A
	B488-9 D7T	1			N N NE7M YB488D7M
	B488-9 D7X	1			N N NE7TT YB488D7T
5					CARPET, Latex 6 Oz. Order By The Inch N N N N
	R122 CM6	AR			Red N N N YR122CM6
	R122 CS8	AR			Charcoal N N N YR122CS8
	R122 DT5	AR			Tan N N N YR122DT5
	R122 CX9	AR			Black N N N YR122CX9
6	6008 076	AR			HOG RING N N N Y6008076

MODEL CODES

B = GRAN FURY	E = 600	M = HORIZON/TURISMO
C = LE BARON/TOWN & COUNTRY/LIMO	F = FIFTH AVENUE/NEWPORT	P = RELIANT
C24 = LASER	G = DIPLOMAT	T = NEW YORKER
C44 = LE BARON/GTS	H = VOYAGER	V = 600
D = ARIES	J = CARAVELLE	V24 = DAYTONA
D44 = LANCER	K = MINI VAN/CARAVAN/ROYAL	Z = OMNI/CHARGER

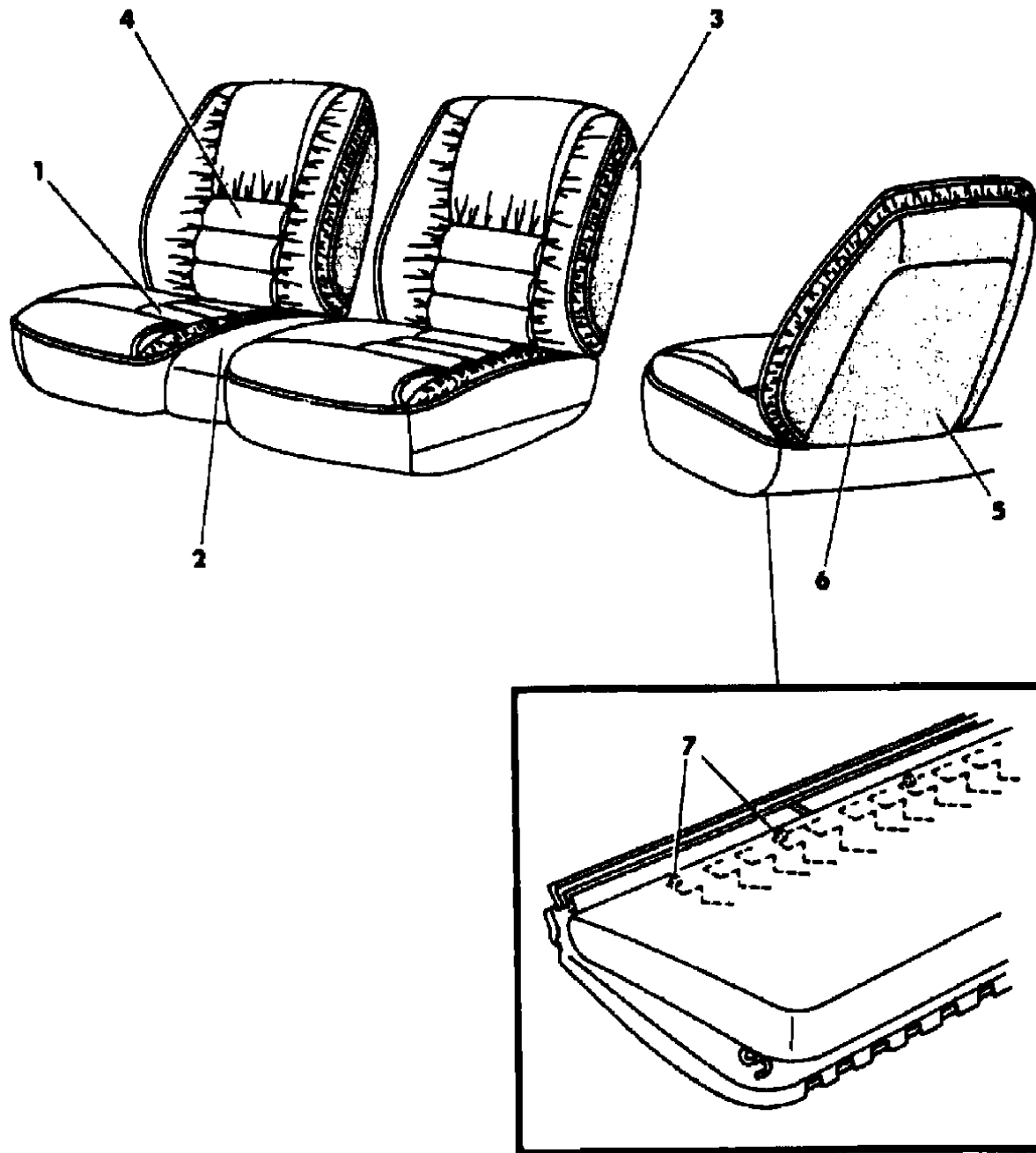
BODY STYLES

21 = 2-DOOR SEDAN	35 = FWD VAN	44 = 4-DOOR HATCHBACK
22 = 2-DOOR SPECIAL COUPE	36 = FWD WAGON	45 = 4-DOOR STATION WAGON
24 = 2-DOOR HATCHBACK	41 = 4-DOOR SEDAN	49 = LIMOUSINE
27 = 2-DOOR CONVERTIBLE		

AR = Use as Required - = Non Illustrated Part P.A.R. = Paint as Required

SEAT REAR V,C 24 G BODY TRIM CODE EL
Figure ITD-2200

5236 2200



ITEM	PART NUMBER	QTY	BODY	MODEL	DESCRIPTION
1					CUSHION, w/Spring, Pad and Cover N N N N
	B610 DLT	1			Leather N N N N
	B610 DLX	1			N N NELTT YB610DLT
					N N NELX YB610DLX
2					COVER, Cushion N N N N
	B498 DLT	1			Leather N N N N
	B498 DLX	1			N N NELTT YB498DLT
					N N NELX YB498DLX
3					BACK, w/Spring, Pad and Cover N N N N
	B608-9 DLT	1			Leather N N N N
	B608-9 DLX	1			N N NELTT YB608DLT
					N N NELX YB608DLX
4					COVER, Back N N N N
	B496-7 DLT	1			Leather N N N N
	B496-7 DLX	1			N N NELTT YB496DLT
					N N NELX YB496DLX
5					ROLL STOCK, Carpet (Order By The Inch) N N N N
	R122 DT5	AR			Tan N N N YR122DT5
	R122 CX9	AR			Black N N N YR122CX9
6					PANEL, Seat Back w/Carpet N N N N
	S730 DT5	2			Tan N N N YS730DT5
	S730 CX9	2			Black N N N YS730CX9
7	6008 076	AR			HOG RING N N N Y6008076

MODEL CODES

B = GRAN FURY	E = 600	M = HORIZON/TURISMO
C = LE BARON/TOWN & COUNTRY/LIMO	F = FIFTH AVENUE/NEWPORT	P = RELIANT
C24 = LASER	G = DIPLOMAT	T = NEW YORKER
C44 = LE BARON/GTS	H = VOYAGER	V = 600
D = ARIES	J = CARAVELLE	V24 = DAYTONA
D44 = LANCER	K = MINI VAN/CARAVAN/ROYAL	Z = OMNI/CHARGER

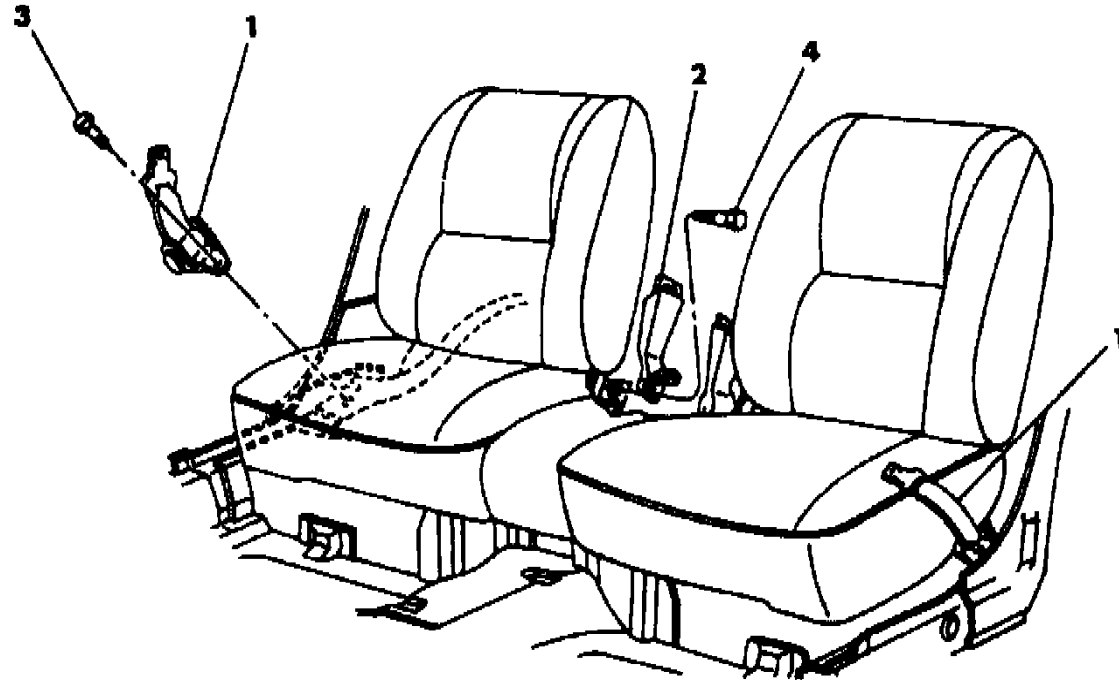
BODY STYLES

21 = 2-DOOR SEDAN	35 = FWD VAN	44 = 4-DOOR HATCHBACK
22 = 2-DOOR SPECIAL COUPE	36 = FWD WAGON	45 = 4-DOOR STATION WAGON
24 = 2-DOOR HATCHBACK	41 = 4-DOOR SEDAN	49 = LIMOUSINE
27 = 2-DOOR CONVERTIBLE		

AR = Use as Required - = Non Illustrated Part P.A.R. = Paint as Required

BELT REAR SEAT V,C 24 G BODY
Figure ITD-2300

5236 2300



ITEM	PART NUMBER	QTY	BODY	MODEL	DESCRIPTION
1					BELT, Rear Lap Outboard Tip, Right N N N N
	F688 CA3	1			Label Number 4290853 N N N N Silver N N N YF688CA3
	F688 CM6	1			Red N N N YF688CM6
	F688 DT3	1			Tan N N N YF688DT3
	F688 CX9	1			Black N N N YF688CX9 Outboard Tip, Left N N N N Label Number 4327891 N N N N
	F741 CA3	1			Silver N N N YF741CA3
	F741 CM6	1			Red N N N YF741CM6
	F741 DT3	1			Tan N N N YF741DT3
	F741 CX9	1			Black N N N YF741CX9
2					BELT, Rear Inner Buckle N N N N
	F689 CA3	2			Label Number 4290854 N N N N Silver N N N YF689CA3
	F689 CM6	2			Red N N N YF689CM6
	F689 DT5	2			Tan N N N YF689DT5
	F689 DS8	2			Charcoal N N N YF689DS8
	F689 CX9	2			Black N N N YF689CX9
3	6031 484	2			BOLT, Outboard Belt Attaching N N N Y6031484
4	6032 039	2			BOLT, Inboard Buckle Attaching N N N Y6032039

MODEL CODES

B = GRAN FURY	E = 600	M = HORIZON/TURISMO
C = LE BARON/TOWN & COUNTRY/LIMO	F = FIFTH AVENUE/NEWPORT	P = RELIANT
C24 = LASER	G = DIPLOMAT	T = NEW YORKER
C44 = LE BARON/GTS	H = VOYAGER	V = 600
D = ARIES	J = CARAVELLE	V24 = DAYTONA
D44 = LANCER	K = MINI VAN/CARAVAN/ROYAL	Z = OMNI/CHARGER

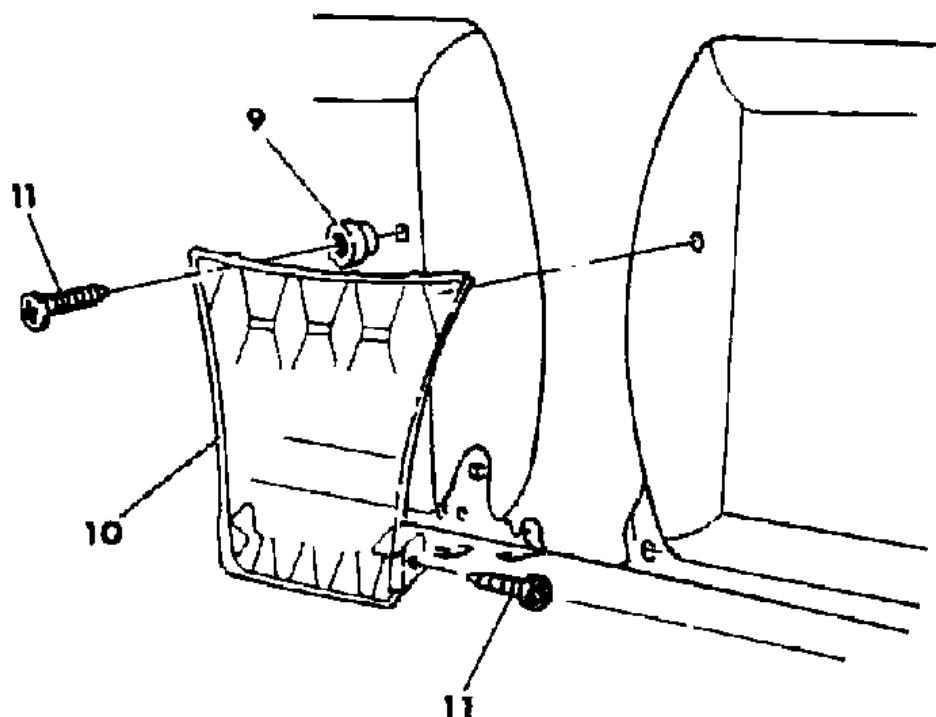
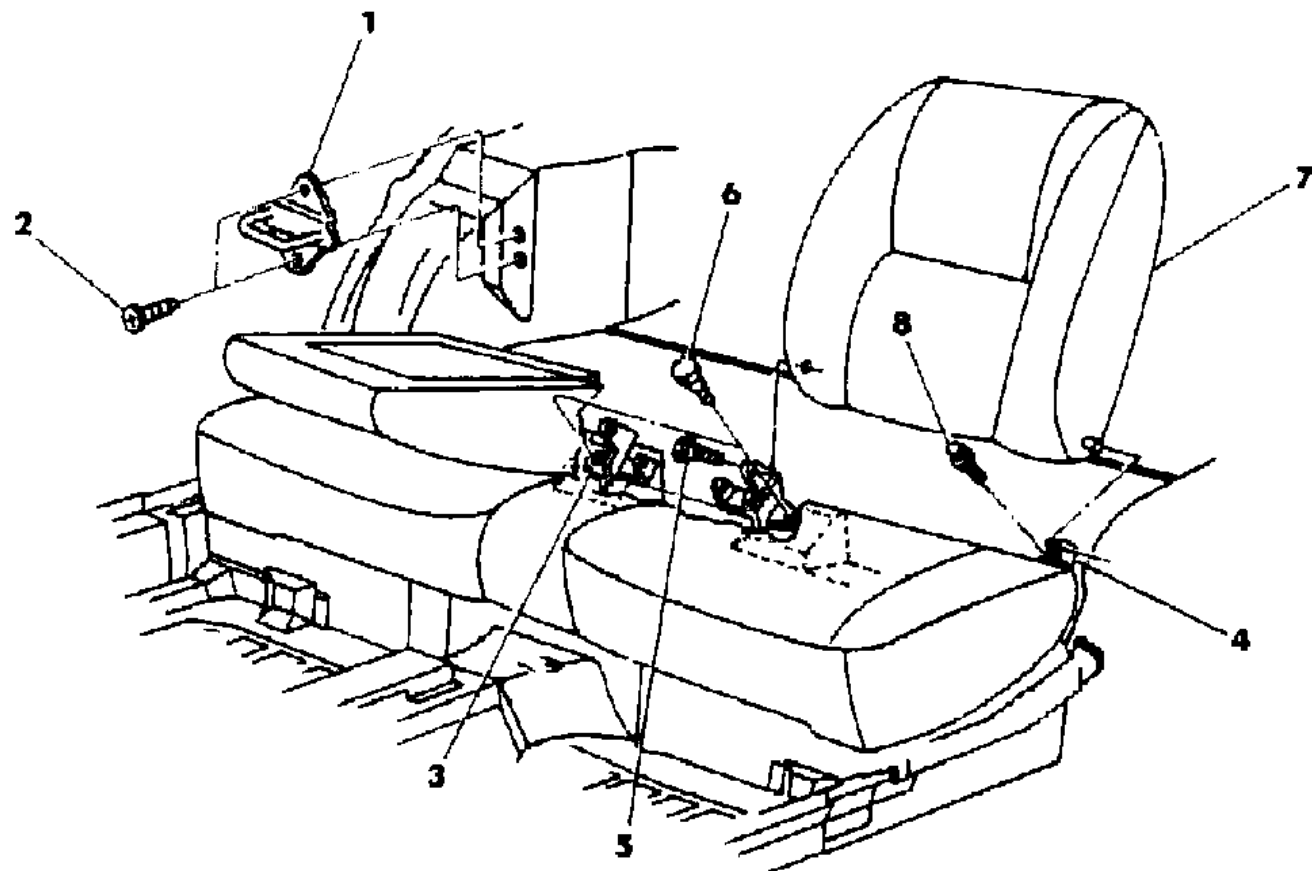
BODY STYLES

21 = 2-DOOR SEDAN	35 = FWD VAN	44 = 4-DOOR HATCHBACK
22 = 2-DOOR SPECIAL COUPE	36 = FWD WAGON	45 = 4-DOOR STATION WAGON
24 = 2-DOOR HATCHBACK	41 = 4-DOOR SEDAN	49 = LIMOUSINE
27 = 2-DOOR CONVERTIBLE		

AR = Use as Required - = Non Illustrated Part P.A.R. = Paint as Required

SEAT REAR FOLD DOWN V,C 24 G BODY
Figure ITD-2400

5238 2400



ITEM	PART NUMBER	QTY	BODY	MODEL	DESCRIPTION
1	4277 934	2			STRIKER, Seat Back Latch N N N Y4277934
2	6500 777	4			SCREW, Striker Attaching N N N Y6500777
3					BRACKET, Inner Seat Back Hinge (Serviced in Seat Cushion) N N N
4					BRACKET, Outer Seat Back Hinge (Serviced in Seat Cushion) N N N
5	6500 534	2			BOLT, Cushion To Seat Back N N N Y6500534
6	6031 218	2			BOLT, Cushion To Floor N N N Y6031218
7					FRAME, Seat Back (Serviced in Seat Back) N N N N
8					SCREW, Self Tapping (10-16x1 1/4) (not serviced) N N N N
9	4290 936	2			BUTTON, Cargo Net Attaching N N N Y4290936
10	4277 210	1			NET, Cargo, Rear Seat Back N N N Y4277210
11					SCREW (8-18x1/2)(not serviced) N N N N

NOTE: The Following Items Are Not Illustrated. s ARE NOT RETURNABLE.

4277 618-9	1				LATCH, Seat Back Release N N N Y4277618
6031 485	1				CLIP, Release Rod To Button N N N Y6031485
2945 108-9	1				CLIP, Rod To Latch Release Lever N N N Y2945108
					BUTTON, Folding Seat Back Release N N N N
H436 CM6	2				Red N N N YH436CM6
H436 CS8	2				Charcoal N N N YH436CS8
H436 DT5	2				Tan N N N YH436DT5
H436 CX9	2				Black N N N YH436CX9
S822-3 CS8	1				COVER, Seat Back Latch (paint as required) N N N YS822CS8
					COVER, Rear Seat Cushion Inner Hinge N N N N
S602-3 CM6	1				Red N N N YS602CM6
S602-3 CS8	1				Charcoal N N N YS602CS8
S602-3 DT5	1				Tan N N N YS602DT5
S602-3 CX9	1				Black N N N YS602CX9
6100 557	2				SCREW, Latch Attaching (M6x20) N N N Y6100557
6026 647	2				RETAINER, Cushion to Floor Attaching N N N Y6026647

MODEL CODES

B = GRAN FURY	E = 600	M = HORIZON/TURISMO
C = LE BARON/TOWN & COUNTRY/LIMO	F = FIFTH AVENUE/NEWPORT	P = RELIANT
C24 = LASER	G = DIPLOMAT	T = NEW YORKER
C44 = LE BARON/GTS	H = VOYAGER	V = 600
D = ARIES	J = CARAVELLE	V24 = DAYTONA
D44 = LANCER	K = MINI VAN/CARAVAN/ROYAL	Z = OMNI/CHARGER

BODY STYLES

21 = 2-DOOR SEDAN	35 = FWD VAN	44 = 4-DOOR HATCHBACK
22 = 2-DOOR SPECIAL COUPE	36 = FWD WAGON	45 = 4-DOOR STATION WAGON
24 = 2-DOOR HATCHBACK	41 = 4-DOOR SEDAN	49 = LIMOUSINE
27 = 2-DOOR CONVERTIBLE		

AR = Use as Required - = Non Illustrated Part P.A.R. = Paint as Required

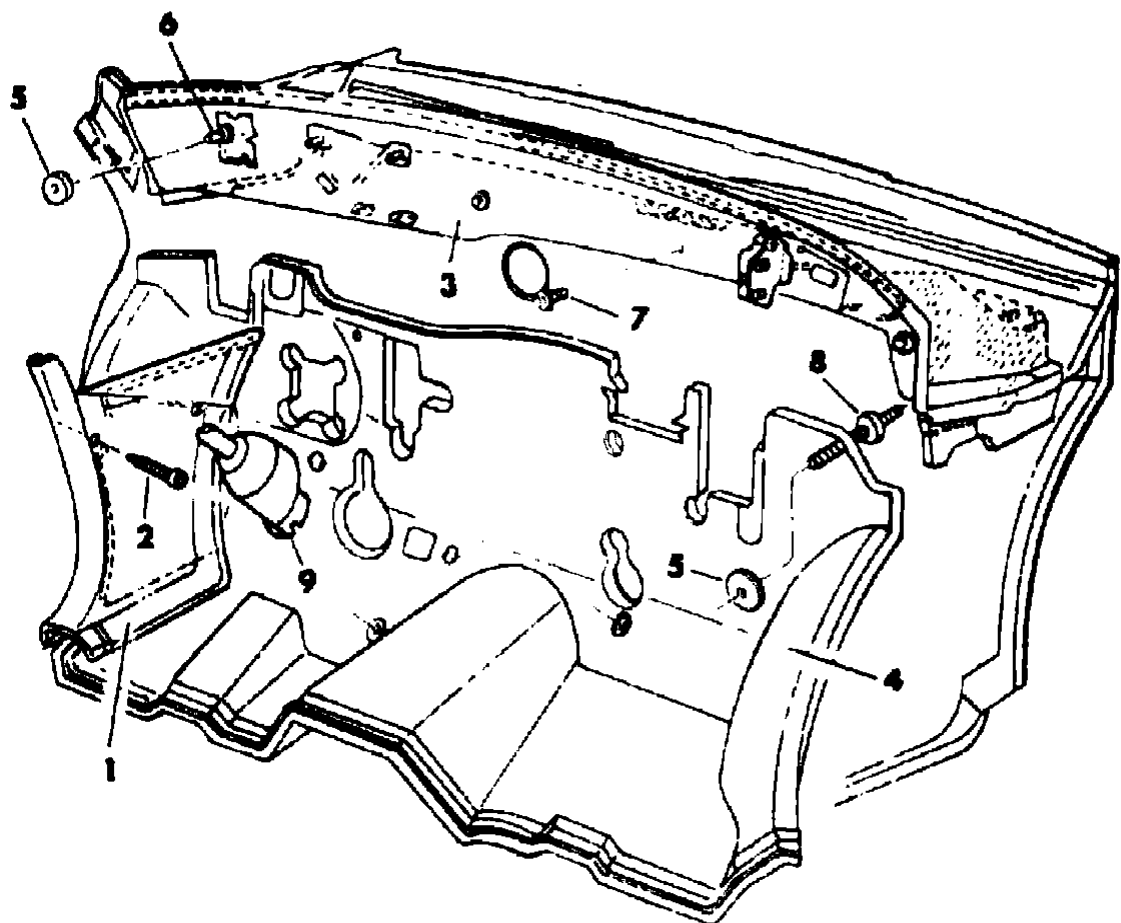
GROUP ITE - E BODY

ILLUSTRATION TITLE	GROUP-FIG. NO.
COWL PANEL AND SILENCERS J,E,T E BODY	Fig. ITE-100
HEADLINER, VISOR AND SHELF PANEL J,E,T E BODY	Fig. ITE-200
MOULDING GARNISH J,E,T E BODY	Fig. ITE-300
B PILLAR TRIM J,E,T E BODY	Fig. ITE-400
PANEL QUARTER TRIM J,E,T E BODY	Fig. ITE-500
CARPET J,E,T E BODY	Fig. ITE-600
SILENCERS REAR COMPARTMENT J,E,T E BODY	Fig. ITE-700
SCUFF PLATES BODY SILL AND DOORS J,E,T E BODY	Fig. ITE-800
DOOR TRIM PANEL FRONT J,E,T E BODY	Fig. ITE-900
DOOR TRIM PANEL REAR J,E,T E BODY	Fig. ITE-1000
SEAT FRONT J,E,T E BODY TRIM CODE M3	Fig. ITE-1100
SEAT FRONT J,E,T E BODY TRIM CODE C4	Fig. ITE-1200
SEAT FRONT J,E,T E BODY TRIM CODE H3	Fig. ITE-1300
SEAT FRONT J,E,T E BODY TRIM CODE PF	Fig. ITE-1400
SEAT FRONT J,E,T E BODY TRIM CODE LP	Fig. ITE-1500
SEAT FRONT J,E,T E BODY TRIM CODE LF	Fig. ITE-1600
BELT FRONT SEAT J,E,T E BODY	Fig. ITE-1700
BELT FRONT SEAT INBOARD J,E,T E BODY	Fig. ITE-1800
RECLINING 50/50 SEAT J,E,T E BODY	Fig. ITE-1900
ADJUSTER MANUAL J,E,T E BODY	Fig. ITE-2000
ADJUSTER ELECTRIC J,E,T E BODY	Fig. ITE-2100
SEAT REAR J,E,T E BODY TRIM CODES C4,H3,M3	Fig. ITE-2200
SEAT REAR J,E,T E BODY TRIM CODE PF	Fig. ITE-2300
SEAT REAR J,E,T E BODY TRIM CODES LF,LP	Fig. ITE-2400
BELT REAR SEAT J,E,T E BODY	Fig. ITE-2500

ILLUSTRATION NOT AVAILABLE AT TIME OF PUBLICATION

COWL PANEL AND SILENCERS J,E,T E BODY
Figure ITE-100

5238 100A



ITEM	PART NUMBER	QTY	BODY	MODEL	DESCRIPTION
1					PANEL, Cowl Side Trim N N N N
					w/o Turbo, w/o E.F.I., Right N N N N
	F210 CA3	1			Silver N N N YF210CA3
	F210 CC7	1			Blue N N N YF210CC7
	F210 CS8	1			Charcoal N N N YF210CS8
	F210 CM6	1			Red N N N YF210CM6
	F210 DT3	1			Tan N N N YF210DT3
	F210 CT9	1			Brown N N N YF210CT9
					w/Turbo, w/E.F.I., Right N N N N
	F196 CA3	1			Silver N N N YF196CA3
	F196 CC7	1			Blue, Dark N N N YF196CC7
	F196 CM6	1			Red N N N YF196CM6
	F196 CS8	1			Charcoal N N N YF196CS8
	F196 DT3	1			Tan N N N YF196DT3
	F196 CT9	1			Brown N N N YF196CT9
	4247 832	1			BRACKET, Cowl Side Trim, Right N N N Y4247832
					w/or w/o Turbo, Left N N N N
					After 1/25/84 N N N N
	F211 CA3	1			Silver N N N YF211CA3
	F211 CC7	1			Blue, Dark N N N YF211CC7
	F211 CS8	1			Charcoal N N N YF211CS8
	F211 CM6	1			Red N N N YF211CM6
	F211 DT3	1			Tan N N N YF211DT3
	F211 CT9	1			Brown N N N YF211CT9
2		AR			SCREW (not serviced) N N N N
3	4278 961	1			SILENCER, Cowl Panel N N N Y4278961
4	4314 913	1			LINER, Dash N N N Y4314913
	6026 430	6			RETAINER, Dash Liner Caplug N N N Y6026430
	4278 955	1			LINER, Attaching Package N N N Y4278955
5	4206 545	AR			RETAINER N N N Y4206545
	6032 185	6			CAPLUG, Dash Liner N N N Y6032185
	6026 430	6			RETAINER, Caplug N N N Y6026430
6	6032 020	1			STUD, Collar N N N Y6032020
7		3			SCREW and WASHER (not serviced) N N N N
8	6031 630	4			STUD N N N Y6031630
9	4188 868	1			COVER and SILENCER, Steering Column N N N Y4188868

MODEL CODES

B = GRAN FURY	E = 600	M = HORIZON/TURISMO
C = LE BARON/TOWN & COUNTRY/LIMO	F = FIFTH AVENUE/NEWPORT	P = RELIANT
C24 = LASER	G = DIPLOMAT	T = NEW YORKER
C44 = LE BARON/GTS	H = VOYAGER	V = 600
D = ARIES	J = CARAVELLE	V24 = DAYTONA
D44 = LANCER	K = MINI VAN/CARAVAN/ROYAL	Z = OMNI/CHARGER

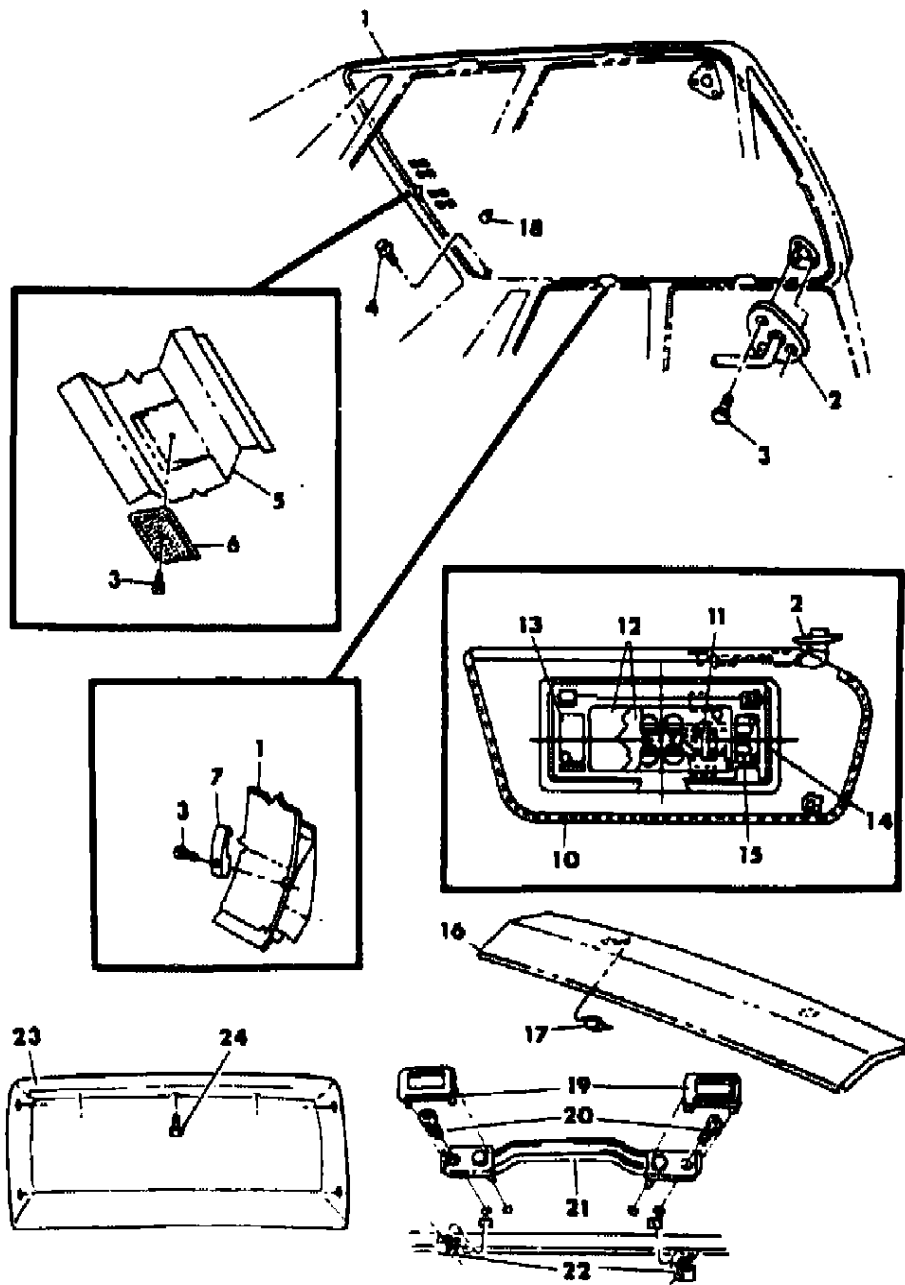
BODY STYLES

21 = 2-DOOR SEDAN	35 = FWD VAN	44 = 4-DOOR HATCHBACK
22 = 2-DOOR SPECIAL COUPE	36 = FWD WAGON	45 = 4-DOOR STATION WAGON
24 = 2-DOOR HATCHBACK	41 = 4-DOOR SEDAN	49 = LIMOUSINE
27 = 2-DOOR CONVERTIBLE		

AR = Use as Required - = Non Illustrated Part P.A.R. = Paint as Required

HEADLINER, VISOR AND SHELF PANEL J,E,T E BODY
Figure ITE-200

5338 200



ITEM	PART NUMBER	QTY	BODY	MODEL	DESCRIPTION
1					HEADLINER N N N N
	H860 CA3	1			Silver N N N YH860CA3
	H860 CC7	1			Blue, Dark N N N YH860CC7
	H860 CS8	1			Charcoal N N N YH860CS8
	H860 CM6	1			Red N N N YH860CM6
	H860 DT3	1			Tan N N N YH860DT3
	H860 CT8	1			Brown N N N YH860CT8
2	4248 315	1			ARM and BRACKET, w/illuminated Visor N N N Y4248315
	4247 862-3	1			w/o Illuminated Visor N N N Y4247862
3		6			SCREW, Visor Bracket Attaching N N N N6032584
4	6003 587	2			FASTENER N N N Y6003587
5					FRAME, Rear Window Opening, Upper N N N N
6	4247 874	2			HOOK, Headliner (Velcro) N N N Y4247874
		2			SCREW (not serviced) N N N N
7	3685 992	2			HOOK, Coat N N N Y3685992
10					VISOR, Sun w/o Illuminated Mirror N N N N
	H328 BA3	2			Silver N N N YH328BA3
	H328 BC7	2			Blue, Dark N N N YH328BC7
	H328 CS8	2			Charcoal N N N YH328CS8
	H328 BM6	2			Red N N N YH328BM6
	H328 DT3	2			Tan N N N YH328DT3
	H328 BT8	2			Brown N N N YH328BT8
					w/illuminated Mirror, Right N N N N
	H332 BA3	1			Silver N N N YH332BA3
	H332 BC7	1			Blue, Dark N N N YH332BC7
	H332 CS8	1			Charcoal N N N YH332CS8
	H332 BM6	1			Red N N N YH332BM6
	H332 DT3	1			Tan N N N YH332DT3
	H332 BT8	1			Brown N N N YH332BT8
					Sub Assy. w/illuminated Mirror, Right N N N N
	H333 BA3	1			Silver N N N YH333BA3
	H333 BC7	1			Blue, Dark N N N YH333BC7
	H333 CS8	1			Charcoal N N N YH333CS8
	H333 BM6	1			Red N N N YH333BM6
	H333 DT3	1			Tan N N N YH333DT3
	H333 BT8	1			Brown N N N YH333BT8
11	3832 873	1			COMPONENT BOARD, Mirror N N N Y3832873

MODEL CODES

B = GRAN FURY
C = LE BARON/TOWN & COUNTRY/LIMO
C24 = LASER
C44 = LE BARON/GTS
D = ARIES
D44 = LANCER
E = 600
F = FIFTH AVENUE/NEWPORT
G = DIPLOMAT
H = VOYAGER
J = CARAVELLE
K = MINI VAN/CARAVAN/ROYAL
M = HORIZON/TURISMO
P = RELIANT
T = NEW YORKER
V = 600
V24 = DAYTONA
Z = OMNI/CHARGER

BODY STYLES

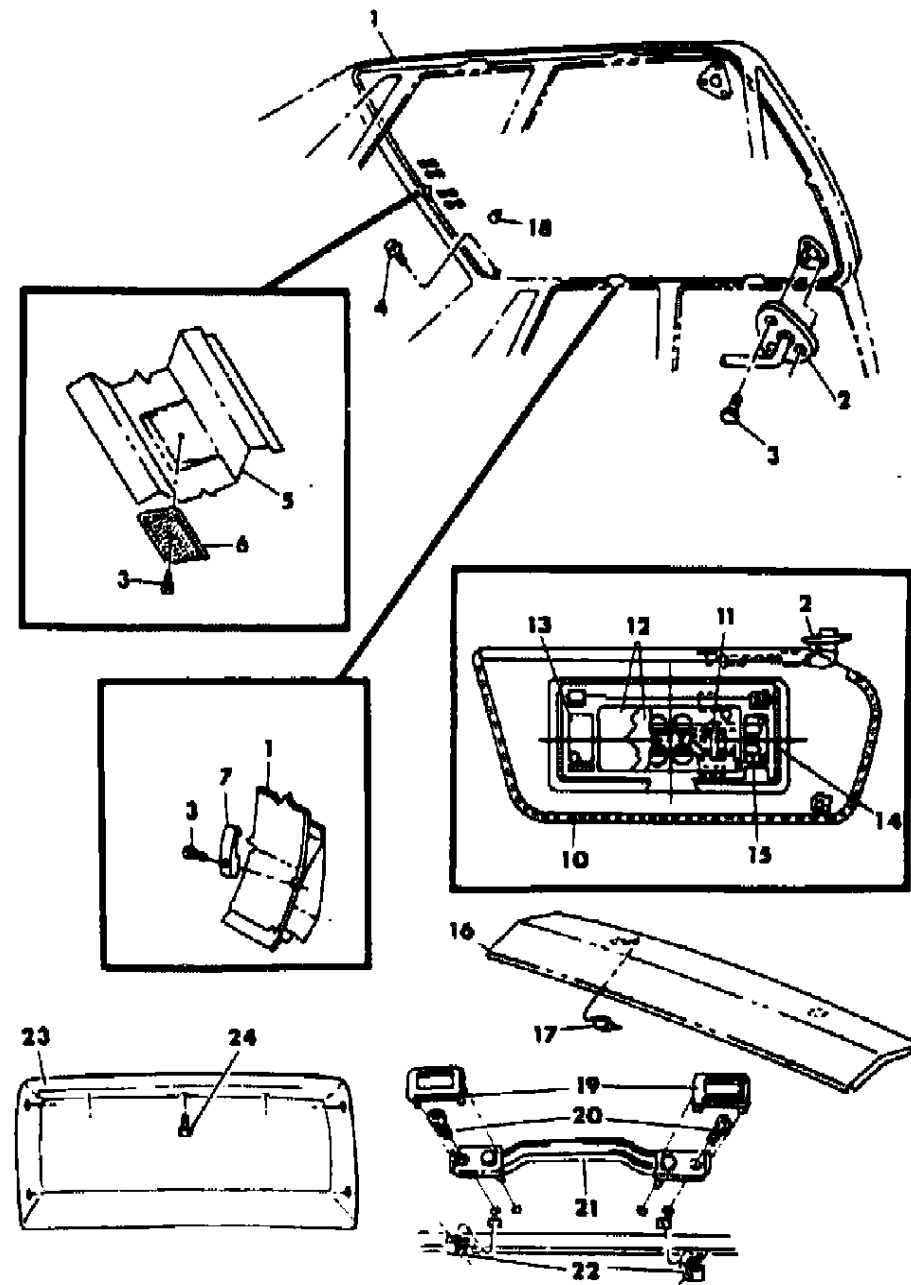
21 = 2-DOOR SEDAN
22 = 2-DOOR SPECIAL COUPE
24 = 2-DOOR HATCHBACK
27 = 2-DOOR CONVERTIBLE
35 = FWD VAN
36 = FWD WAGON
41 = 4-DOOR SEDAN
44 = 4-DOOR HATCHBACK
45 = 4-DOOR STATION WAGON
49 = LIMOUSINE

AR = Use as Required - = Non Illustrated Part P.A.R. = Paint as Required

HEADLINER, VISOR AND SHELF PANEL J,E,T E BODY

Figure ITE-200

5339 200



ITEM	PART NUMBER	QTY	BODY	MODEL	DESCRIPTION
12	4077 693	1			MIRROR and BACK, Vanity Mirror N N N Y4077693
13	4166 974	2			LENS, Vanity Mirror N N N Y4166974
14	4166 976	2			HINGE SPRING, Vanity Mirror N N N Y4166976
15	9421 330	4			BULB N N N Y9421330
16					PANEL, Shelf Trim N N N N
	H204 DA3	1			Silver N N N YH204DA3
	H204 CS8	1			Charcoal N N N YH204CS8
	H204 BC7	1			Blue, Dark N N N YH204BC7
	H204 BM6	1			Red N N N YH204BM6
	H204 DT3	1			Tan N N N YH204DT3
	H204 BT9	1			Brown N N N YH204BT9
17	6031 536	3			CLIP, Shelf Panel Attaching N N N Y6031536
18					FASTENER N N N N
	H452 AA3	2			Silver N N N YH452AA3
	H452 VC7	2			Blue, Dark N N N YH452VC7
	H452 TM6	2			Red N N N YH452TM6
	H452 DT3	2			Tan N N N YH452DT3
	H452 BT8	2			Brown N N N YH452BT8
19	4223 941	AR			COVER, Roof Rail Grab Handle N N N Y4223941
	4010 348	AR			CAP, Handle End N N N Y4010348
20		AR			SCREW (not serviced) N N N N
21					HANDLE, Roof Grab, Front N N N N
	H430 CA2	1			Silver N N N YH430CA2
	H430 CC8	1			Blue, Dark N N N YH430CC8
	H430 CS8	1			Charcoal N N N YH430CS8
	H430 DT3	1			Tan N N N YH430DT3
	H430 CM6	1			Red N N N YH430CM6
	H430 CT8	1			Brown N N N YH430CT8
					Rear, w/Coat Hook N N N N
	H435 CA2	2			Silver N N N YH435CA2
	H435 CC8	2			Blue, Dark N N N YH435CC8
	H435 CS8	2			Charcoal N N N YH435CS8
	H435 DT3	2			Tan N N N YH435DT3
	H435 CM6	2			Red N N N YH435CM6
	H435 CT8	2			Brown N N N YH435CT8
22	0116 000	AR			RETAINER N N N Y116000
23					PANEL, Rear Window Trim N N N N

MODEL CODES

B = GRAN FURY	E = 600	M = HORIZON/TURISMO
C = LE BARON/TOWN & COUNTRY/LIMO	F = FIFTH AVENUE/NEWPORT	P = RELIANT
C24 = LASER	G = DIPLOMAT	T = NEW YORKER
C44 = LE BARON/GTS	H = VOYAGER	V = 600
D = ARIES	J = CARAVELLE	V24 = DAYTONA
D44 = LANCER	K = MINI VAN/CARAVAN/ROYAL	Z = OMNI/CHARGER

BODY STYLES

21 = 2-DOOR SEDAN	35 = FWD VAN	44 = 4-DOOR HATCHBACK
22 = 2-DOOR SPECIAL COUPE	36 = FWD WAGON	45 = 4-DOOR STATION WAGON
24 = 2-DOOR HATCHBACK	41 = 4-DOOR SEDAN	49 = LIMOUSINE
27 = 2-DOOR CONVERTIBLE		

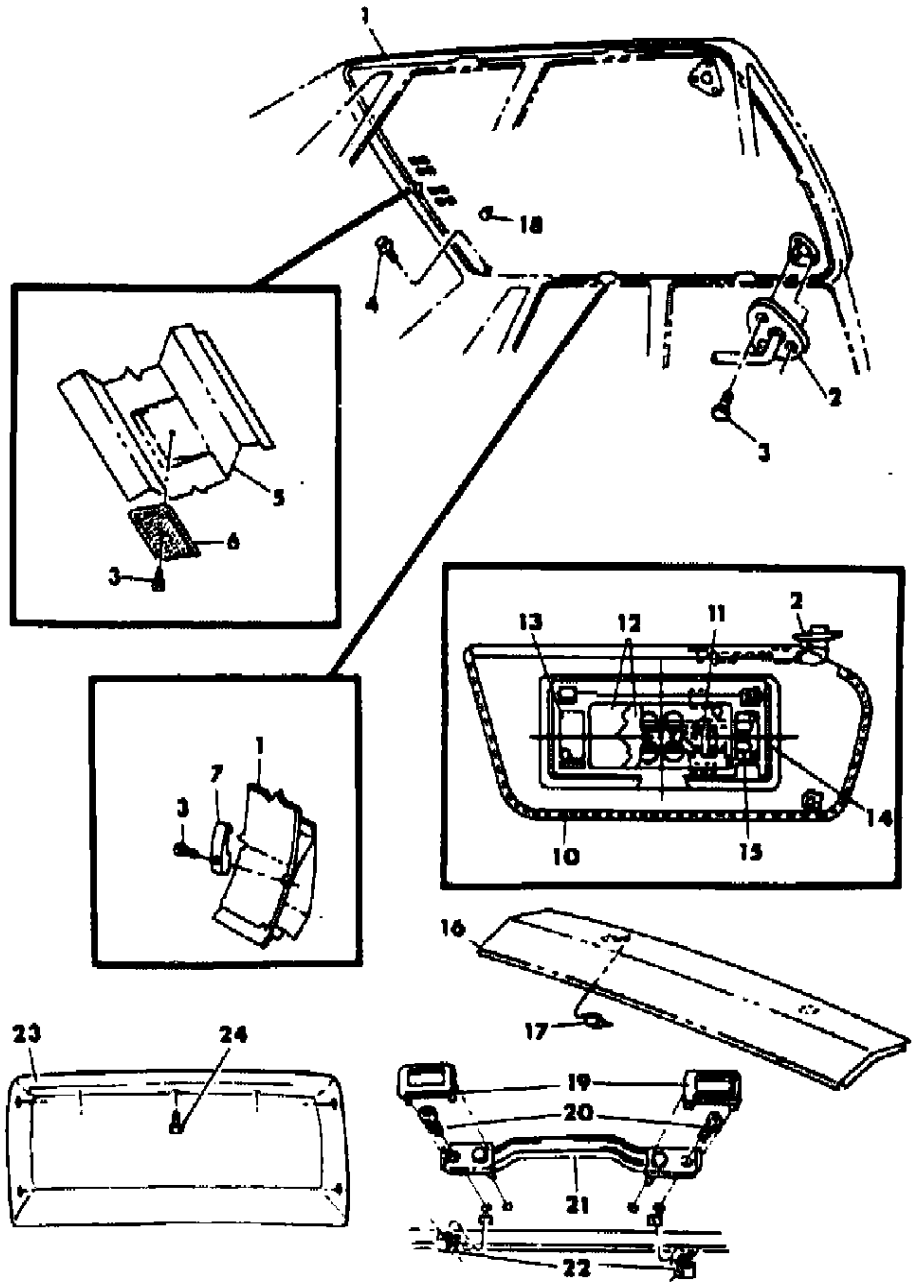
AR = Use as Required - = Non Illustrated Part P.A.R. = Paint as Required

HEADLINER, VISOR AND SHELF PANEL J,E,T E BODY

Figure ITE-200

5338 200

ITEM	PART NUMBER	QTY	BODY	MODEL	DESCRIPTION
					w/Fabric Cover N N N N
	F238 BC7	1			Blue N N N YF238BC7
	F238 BM6	1			Red N N N YF238BM6
	F238 DT3	1			Tan N N N YF238DT3
	F238 BT8	1			Brown N N N YF238BT8
	F238 CS8	1			Charcoal N N N YF238CS8
24		AR			SCREW (not serviced) N N N N



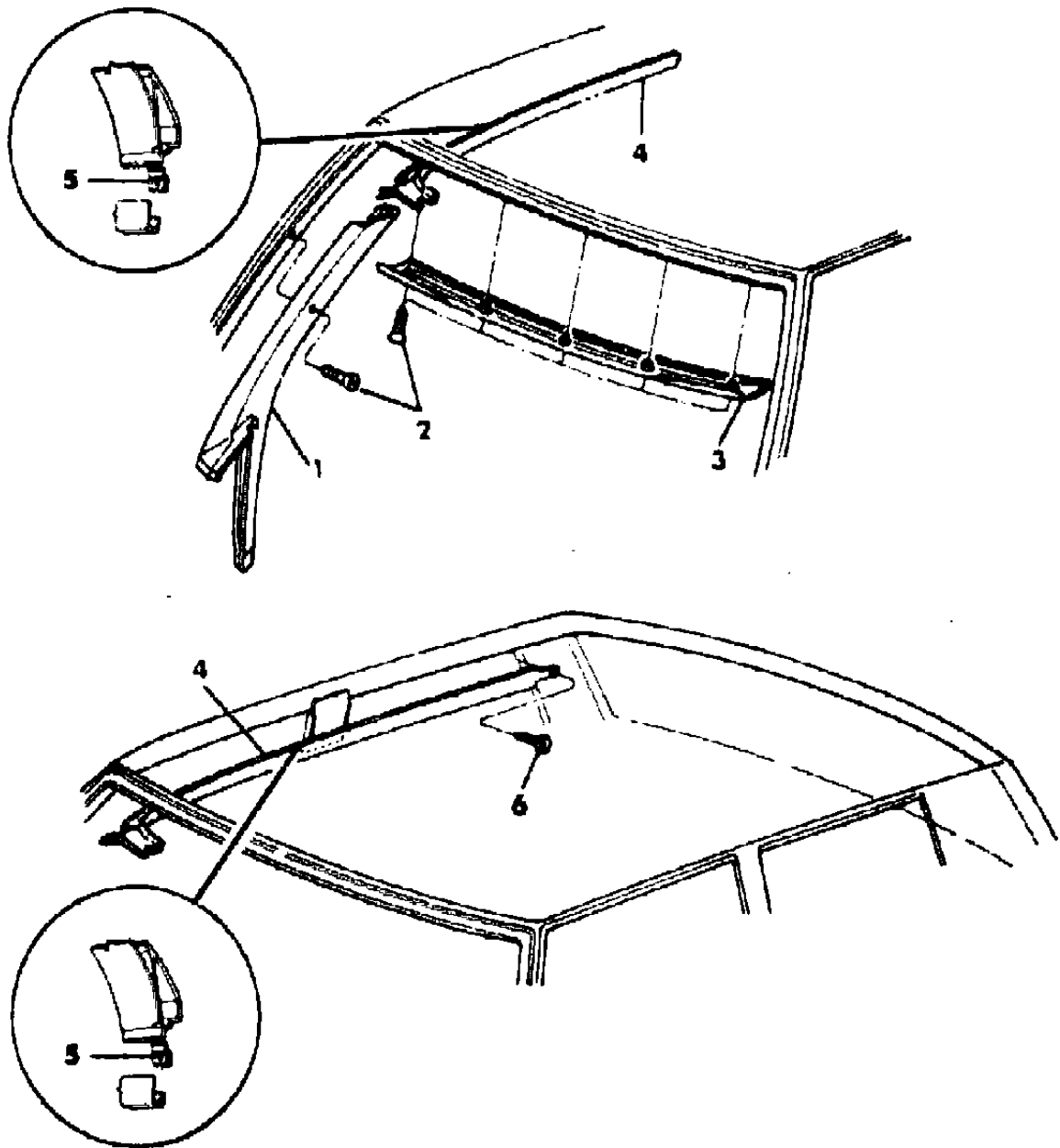
MODEL CODES
 B = GRAN FURY
 C = LE BARON/TOWN & COUNTRY/LIMO
 C24 = LASER
 C44 = LE BARON/GTS
 D = ARIES
 D44 = LANCER
 E = 600
 F = FIFTH AVENUE/NEWPORT
 G = DIPLOMAT
 H = VOYAGER
 J = CARAVELLE
 K = MINI VAN/CARAVAN/ROYAL
 M = HORIZON/TURISMO
 P = RELIANT
 T = NEW YORKER
 V = 600
 V24 = DAYTONA
 Z = OMNI/CHARGER

BODY STYLES
 21 = 2-DOOR SEDAN
 22 = 2-DOOR SPECIAL COUPE
 24 = 2-DOOR HATCHBACK
 27 = 2-DOOR CONVERTIBLE
 35 = FWD VAN
 36 = FWD WAGON
 41 = 4-DOOR SEDAN
 44 = 4-DOOR HATCHBACK
 45 = 4-DOOR STATION WAGON
 49 = LIMOUSINE

AR = Use as Required - = Non Illustrated Part P.A.R. = Paint as Required

MOULDING GARNISH J,E,T E BODY
Figure ITE-300

5238 300



ITEM	PART NUMBER	QTY	BODY	MODEL	DESCRIPTION
1	F458-9 DT3	1			MOULDING, Windshield Side, Garnish (paint as required) N N N YF458DT3 w/Fabric Cover N N N N
	F138-9 CS8	1			Charcoal N N N YF138CS8
	F138-9 CC7	1			Blue, Dark N N N YF138CC7
	F138-9 DT3	1			Tan N N N YF138DT3
	F138-9 CM6	1			Red N N N YF138CM6
	F138-9 CT8	1			Brown N N N YF138CT8
2	0153 704	9			SCREW N N N Y153704
3	F249 DA3	1			MOULDING, Windshield Header, Upper Garnish (paint as required) N N N YF249DA3 w/Fabric Cover N N N N
	F255 DS8	1			Charcoal N N N YF255DS8
	F255 DC7	1			Blue, Dark N N N YF255DC7
	F255 DT3	1			Tan N N N YF255DT3
	F255 DM6	1			Red N N N YF255DM6
	F255 DT8	1			Brown N N N YF255DT8
4	F058-9 DA3	1			MOULDING, w/Retainer Roof Rail Garnish (paint as required) N N N YF058DA3 w/Fabric Cover N N N N
	F060-1 DS8	1			Charcoal N N N YF060DS8
	F060-1 DC7	1			Blue, Dark N N N YF060DC7
	F060-1 DT3	1			Tan N N N YF060DT3
	F060-1 DM6	1			Red N N N YF060DM6
	F060-1 DT8	1			Brown N N N YF060DT8
5		6			RETAINER, Roof Rail Side Moulding (serviced in Item 4) N N N N
6		AR			SCREW (not serviced) N N N N

MODEL CODES

B = GRAN FURY	E = 600	M = HORIZON/TURISMO
C = LE BARON/TOWN & COUNTRY/LIMO	F = FIFTH AVENUE/NEWPORT	P = RELIANT
C24 = LASER	G = DIPLOMAT	T = NEW YORKER
C44 = LE BARON/GTS	H = VOYAGER	V = 600
D = ARIES	J = CARAVELLE	V24 = DAYTONA
D44 = LANCER	K = MINI VAN/CARAVAN/ROYAL	Z = OMNI/CHARGER

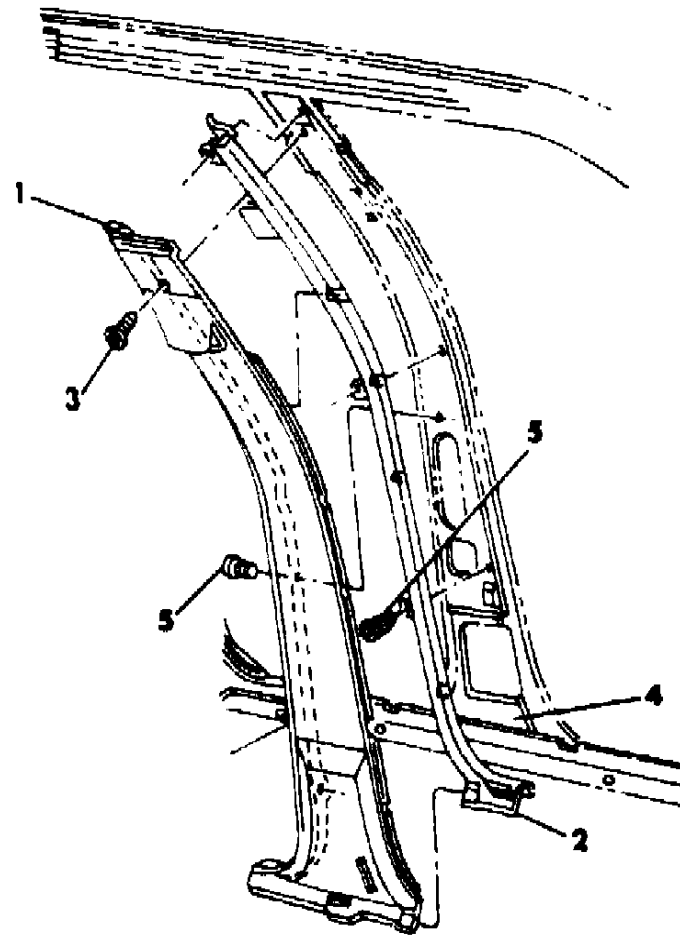
BODY STYLES

21 = 2-DOOR SEDAN	35 = FWD VAN	44 = 4-DOOR HATCHBACK
22 = 2-DOOR SPECIAL COUPE	36 = FWD WAGON	45 = 4-DOOR STATION WAGON
24 = 2-DOOR HATCHBACK	41 = 4-DOOR SEDAN	49 = LIMOUSINE
27 = 2-DOOR CONVERTIBLE		

AR = Use as Required - = Non Illustrated Part P.A.R. = Paint as Required

B PILLAR TRIM J,E,T E BODY
Figure ITE-400

5238 400



ITEM	PART NUMBER	QTY	BODY	MODEL	DESCRIPTION
1					COVER, Center (B) Pillar Trim, Rear N N N N
					w/o Fabric Cover N N N N
	F408-9 AA3	1			Silver N N N YF408AA3
	F408-9 CS8	1			Charcoal N N N YF408CS8
	F408-9 AC7	1			Blue, Dark N N N YF408AC7
	F408-9 AM6	1			Red N N N YF408AM6
	F408-9 DT3	1			Tan N N N YF408DT3
	F408-9 BT8	1			Brown N N N YF408BT8
					w/Fabric Cover N N N N
	F116-7 CS8				Charcoal N N N YF116CS8
	F116-7 CC7				Blue, Dark N N N YF116CC7
	F116-7 CM6				Red N N N YF116CM6
	F116-7 DT3				Tan N N N YF116DT3
	F116-7 CT8				Brown N N N YF116CT8
2					COVER, Center (B) Pillar Trim, Front N N N N
					w/o Fabric Cover N N N N
	F396-7 AA3	1			Silver N N N YF396AA3
	F396-7 CS8	1			Charcoal N N N YF396CS8
	F396-7 BT8	1			Brown N N N YF396BT8
	F396-7 AC7	1			Blue, Dark N N N YF396AC7
	F396-7 AM6	1			Red N N N YF396AM6
	F396-7 DT3	1			Tan N N N YF396DT3
					BUMPER N N N N
	F030 CA3	2			Silver N N N YF030CA3
	F030 CC7	2			Blue, Dark N N N YF030CC7
	F030 CM6	2			Red N N N YF030CM6
	F030 DT3	2			Tan N N N YF030DT3
	F030 CT8	2			Brown N N N YF030CT8
	F030 CS8	2			Charcoal N N N YF030CS8
					w/Fabric Cover N N N N
	F118-9 CS8	1			Charcoal N N N YF118CS8
	F118-9 CC7	1			Blue, Dark N N N YF118CC7
	F118-9 CM6	1			Red N N N YF118CM6
	F118-9 DT3	1			Tan N N N YF118DT3
	F118-9 CT8	1			Brown N N N YF118CT8
3		AR			SCREW (not serviced) N N N N

MODEL CODES

B = GRAN FURY	E = 600	M = HORIZON/TURISMO
C = LE BARON/TOWN & COUNTRY/LIMO	F = FIFTH AVENUE/NEWPORT	P = RELIANT
C24 = LASER	G = DIPLOMAT	T = NEW YORKER
C44 = LE BARON/GTS	H = VOYAGER	V = 600
D = ARIES	J = CARAVELLE	V24 = DAYTONA
D44 = LANCER	K = MINI VAN/CARAVAN/ROYAL	Z = OMNI/CHARGER

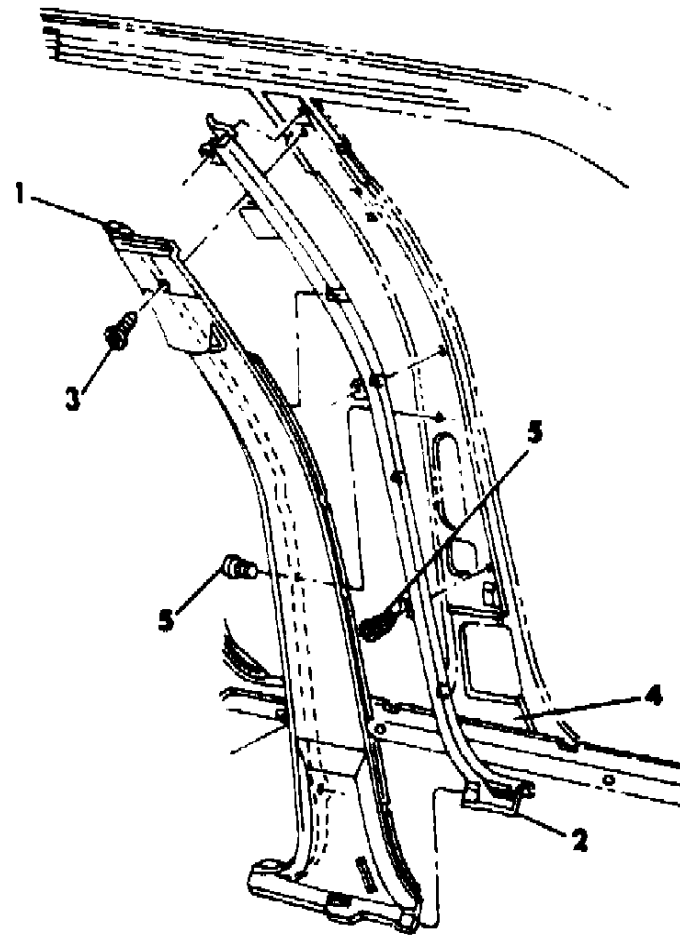
BODY STYLES

21 = 2-DOOR SEDAN	35 = FWD VAN	44 = 4-DOOR HATCHBACK
22 = 2-DOOR SPECIAL COUPE	36 = FWD WAGON	45 = 4-DOOR STATION WAGON
24 = 2-DOOR HATCHBACK	41 = 4-DOOR SEDAN	49 = LIMOUSINE
27 = 2-DOOR CONVERTIBLE		

AR = Use as Required - = Non Illustrated Part P.A.R. = Paint as Required

B PILLAR TRIM J,E,T E BODY
Figure ITE-400

5238 400



ITEM	PART NUMBER	QTY	BODY	MODEL	DESCRIPTION
4	4337 840-1	AR			SILENCER, Body Side Aperture, Lower Center Pillar N N N Y4337840
-	6003 423	8			FASTENER, Silencer Attaching N N N Y6003423
5	9420 486	AR			SCREW N N N Y9420486

MODEL CODES

B = GRAN FURY	E = 600	M = HORIZON/TURISMO
C = LE BARON/TOWN & COUNTRY/LIMO	F = FIFTH AVENUE/NEWPORT	P = RELIANT
C24 = LASER	G = DIPLOMAT	T = NEW YORKER
C44 = LE BARON/GTS	H = VOYAGER	V = 600
D = ARIES	J = CARAVELLE	V24 = DAYTONA
D44 = LANCER	K = MINI VAN/CARAVAN/ROYAL	Z = OMNI/CHARGER

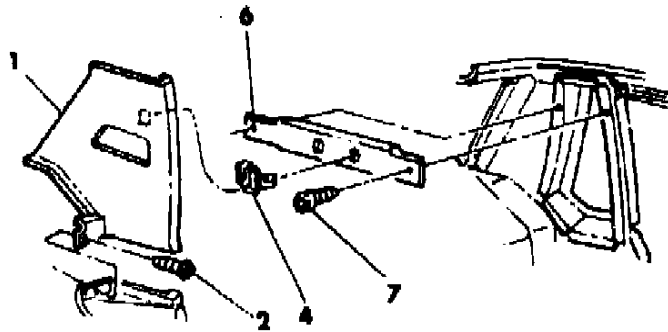
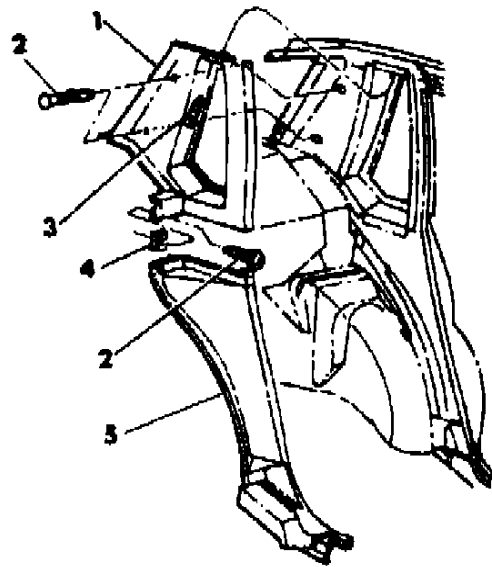
BODY STYLES

21 = 2-DOOR SEDAN	35 = FWD VAN	44 = 4-DOOR HATCHBACK
22 = 2-DOOR SPECIAL COUPE	36 = FWD WAGON	45 = 4-DOOR STATION WAGON
24 = 2-DOOR HATCHBACK	41 = 4-DOOR SEDAN	49 = LIMOUSINE
27 = 2-DOOR CONVERTIBLE		

AR = Use as Required - = Non Illustrated Part P.A.R. = Paint as Required

PANEL QUARTER TRIM J,E,T E BODY
Figure ITE-500

5238 500



ITEM	PART NUMBER	QTY	BODY	MODEL	DESCRIPTION
1	H644-5 BL3	1			PANEL, Quarter Trim Upper (paint as required) N N N YH644BL3 w/Fabric Cover N N N N
	K504-5 CS8	1			Charcoal N N N YK504CS8
	K504-5 CC7	1			Blue, Dark N N N YK504CC7
	K504-5 CM6	1			Red N N N YK504CM6
	K504-5 DT3	1			Tan N N N YK504DT3
	K504-5 CT8	1			Brown N N N YK504CT8
2	F155 BA3	4			FASTENER, Upper Quarter Trim Panel N N N N Silver N N N YF155BA3
	F155 BC7	4			Blue, Dark N N N YF155BC7
	F155 BM6	4			Red N N N YF155BM6
	F155 DT3	4			Tan N N N YF155DT3
3		AR			SCREW (not serviced) N N N N
4	1199 301	2			J-NUT N N N Y1199301
5	H414-5 DT3	1			PANEL, Quarter Trim, Lower (paint as required) N N N YH414DT3 w/Fabric Cover N N N N
	H416-7 DS8	1			Charcoal N N N YH416DS8
	H416-7 DC7	1			Blue, Dark N N N YH416DC7
	H416-7 DT3	1			Beige N N N YH416DT3
	H416-7 DM6	1			Red N N N YH416DM6
	H416-7 DT8	1			Brown N N N YH416DT8
6	4247 931	2			BRACKET, Quarter Trim N N N Y4247931
7		AR			SCREW (not serviced) N N N N

MODEL CODES

B = GRAN FURY	E = 600	M = HORIZON/TURISMO
C = LE BARON/TOWN & COUNTRY/LIMO	F = FIFTH AVENUE/NEWPORT	P = RELIANT
C24 = LASER	G = DIPLOMAT	T = NEW YORKER
C44 = LE BARON/GTS	H = VOYAGER	V = 600
D = ARIES	J = CARAVELLE	V24 = DAYTONA
D44 = LANCER	K = MINI VAN/CARAVAN/ROYAL	Z = OMNI/CHARGER

BODY STYLES

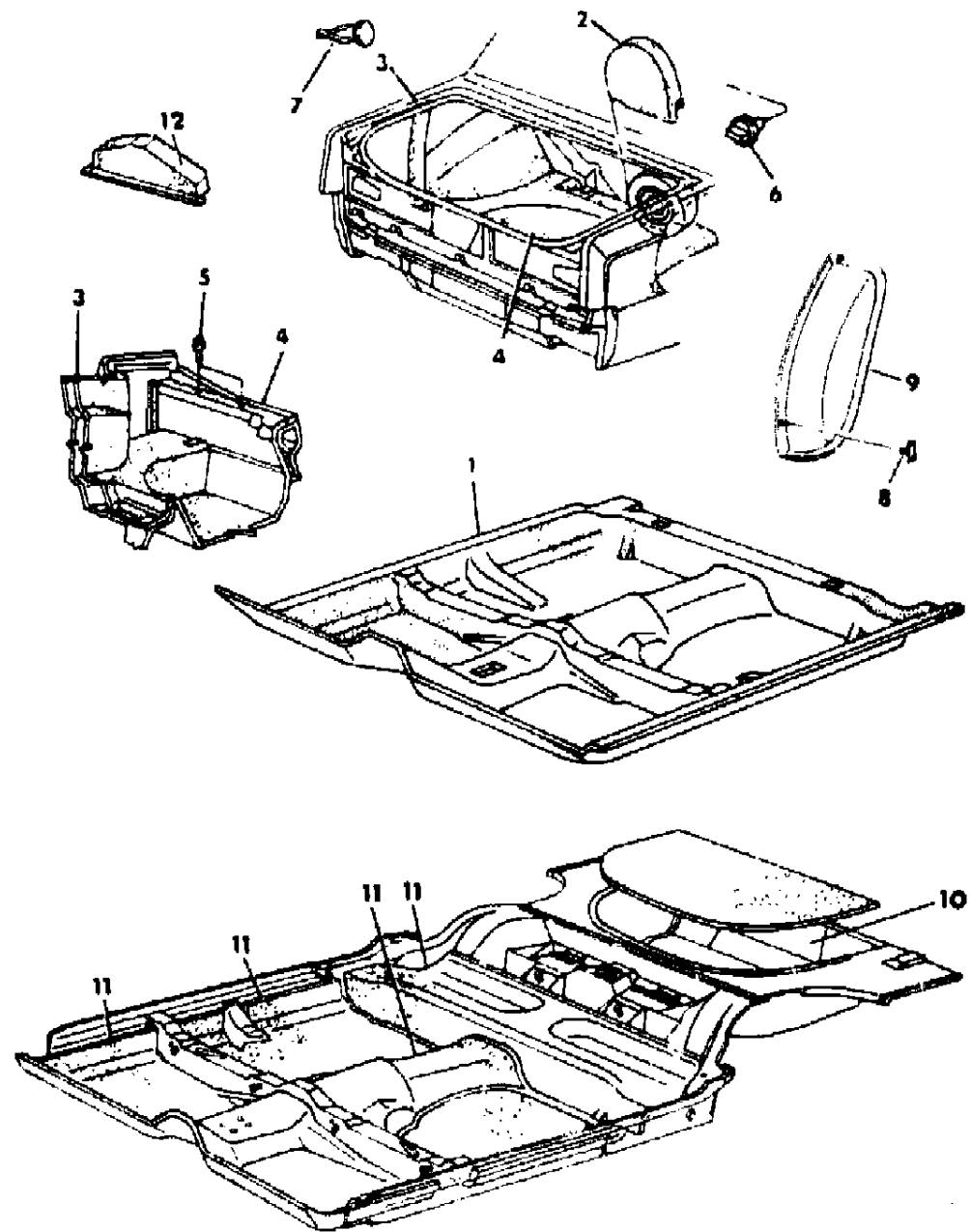
21 = 2-DOOR SEDAN	35 = FWD VAN	44 = 4-DOOR HATCHBACK
22 = 2-DOOR SPECIAL COUPE	36 = FWD WAGON	45 = 4-DOOR STATION WAGON
24 = 2-DOOR HATCHBACK	41 = 4-DOOR SEDAN	49 = LIMOUSINE
27 = 2-DOOR CONVERTIBLE		

AR = Use as Required - = Non Illustrated Part P.A.R. = Paint as Required

CARPET J,E,T E BODY
Figure ITE-600

ITEM	PART NUMBER	QTY	BODY	MODEL	DESCRIPTION
1					CARPET N N N N
		1			Charcoal N N N NM665dS8
		1			Blue, Dark N N N NM665dC7
		1			Red N N N NM665dM6
		1			Tan N N N NM665dt5
		1			Brown N N N NM665dT9
2					COVER, Spare Tire N N N N
	4282 558	1			Full Size (14") N N N Y4282558
	4223 273	1			Mini Size NExc. T-P N N Y4223273
	4282 561	1			NT-P N N Y4282561
3					CARPET, Wheelhouse and Quarter Trim Panel N N N N
	4283 746	1			Right N N N Y4283746
	4282 549	1			Left N N N Y4282549
4	4282 545	1			CARPET, Luggage Floor and Lower Deck N N N Y4282545
5	6032 650	AR			SCREW N N N Y6032650
6	4223 983	1			FASTENER, Spare Tire Trim Cover N N N Y4223983
7	6003 683	AR			CLIP, Wheelhouse and Quarter Trim Attaching N N N Y6003683
8	6030 441	4			CLIP, Wheelhouse Inner Silencer N N N Y6030441
9	4247 226-7	1			SILENCER, Wheelhouse Cover N N N Y4247226
10	3762 862	AR			SILENCER, Spare Tire Floor Pan (36"x72" material cut to fit) N N N Y3762862
11	4186 901	AR			SILENCER (36"x72" material cut to fit) N N N Y4186901
12	4282 551	1			COVER, Jack N N N Y4282551
					The following parts are not illustrated. s ARE NOT RETURNABLE.
					CARPETED FLOOR MATS, Set of Two N N N N
					Front N N N N
	M022 CS8	1			Charcoal N N N YM022CS8
	M022 AC7	1			Blue, Dark N N N YM022AC7
	M022 VM6	1			Red N N N YM022VM6
	M022 DT5	1			Tan N N N YM022DT5
	M022 BT9	1			Brown N N N YM022BT9
					Rear N N N N
	M024 CS8	1			Charcoal N N N YM024CS8
	M024 VC7	1			Blue, Dark N N N YM024VC7
	M024 VM6	1			Red N N N YM024VM6
	M024 DT5	1			Tan N N N YM024DT5
	M024 BT9	1			Brown N N N YM024BT9

5238 0001 A



MODEL CODES

B = GRAN FURY	E = 600	M = HORIZON/TURISMO
C = LE BARON/TOWN & COUNTRY/LIMO	F = FIFTH AVENUE/NEWPORT	P = RELIANT
C24 = LASER	G = DIPLOMAT	T = NEW YORKER
C44 = LE BARON/GTS	H = VOYAGER	V = 600
D = ARIES	J = CARAVELLE	V24 = DAYTONA
D44 = LANCER	K = MINI VAN/CARAVAN/ROYAL	Z = OMNI/CHARGER

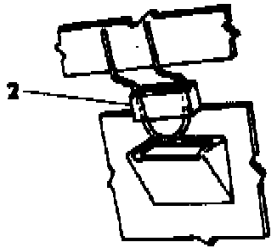
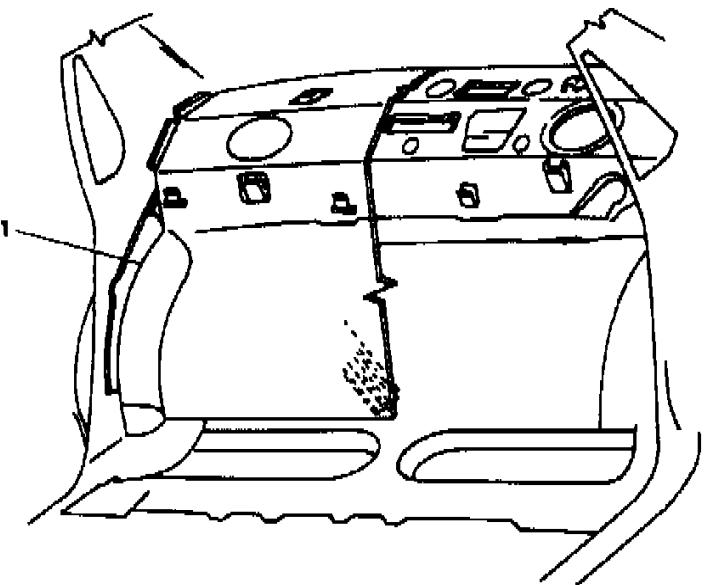
BODY STYLES

21 = 2-DOOR SEDAN	35 = FWD VAN	44 = 4-DOOR HATCHBACK
22 = 2-DOOR SPECIAL COUPE	36 = FWD WAGON	45 = 4-DOOR STATION WAGON
24 = 2-DOOR HATCHBACK	41 = 4-DOOR SEDAN	49 = LIMOUSINE
27 = 2-DOOR CONVERTIBLE		

AR = Use as Required - = Non Illustrated Part P.A.R. = Paint as Required

SILENCERS REAR COMPARTMENT J,E,T E BODY
Figure ITE-700

5238 700



ITEM	PART NUMBER	QTY	BODY	MODEL	DESCRIPTION
1	4282 677	1			SILENCER, Luggage Compartment, Front Liner and Shelf Trim N N N
2	4239 182	2			SEAL, Rear Seat Back Spring Shelf Panel N N N Y4239182

MODEL CODES
 B = GRAN FURY E = 600 M = HORIZON/TURISMO
 C = LE BARON/TOWN & COUNTRY/LIMO F = FIFTH AVENUE/NEWPORT P = RELIANT
 C24 = LASER G = DIPLOMAT T = NEW YORKER
 C44 = LE BARON/GTS H = VOYAGER V = 600
 D = ARIES J = CARAVELLE V24 = DAYTONA
 D44 = LANCER K = MINI VAN/CARAVAN/ROYAL Z = OMNI/CHARGER

BODY STYLES
 21 = 2-DOOR SEDAN 35 = FWD VAN 44 = 4-DOOR HATCHBACK
 22 = 2-DOOR SPECIAL COUPE 36 = FWD WAGON 45 = 4-DOOR STATION WAGON
 24 = 2-DOOR HATCHBACK 41 = 4-DOOR SEDAN 49 = LIMOUSINE
 27 = 2-DOOR CONVERTIBLE

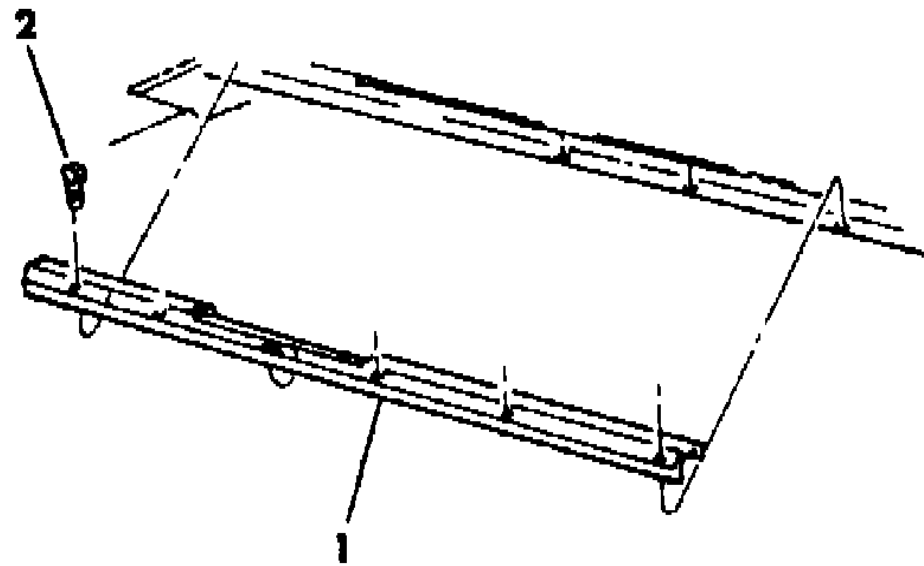
AR = Use as Required - = Non Illustrated Part P.A.R. = Paint as Required

SCUFF PLATES BODY SILL AND DOORS J,E,T E BODY
Figure ITE-800

5238 800

ITEM	PART NUMBER	QTY	BODY	MODEL	DESCRIPTION
------	-------------	-----	------	-------	-------------

1	M902-3 BA3	1			PLATE, Door Sill Scuff Front and Rear (paint as required) N N N YM902BA3
2		AR			SCREW (not serviced) N N N N



MODEL CODES

B = GRAN FURY	E = 600	M = HORIZON/TURISMO
C = LE BARON/TOWN & COUNTRY/LIMO	F = FIFTH AVENUE/NEWPORT	P = RELIANT
C24 = LASER	G = DIPLOMAT	T = NEW YORKER
C44 = LE BARON/GTS	H = VOYAGER	V = 600
D = ARIES	J = CARAVELLE	V24 = DAYTONA
D44 = LANCER	K = MINI VAN/CARAVAN/ROYAL	Z = OMNI/CHARGER

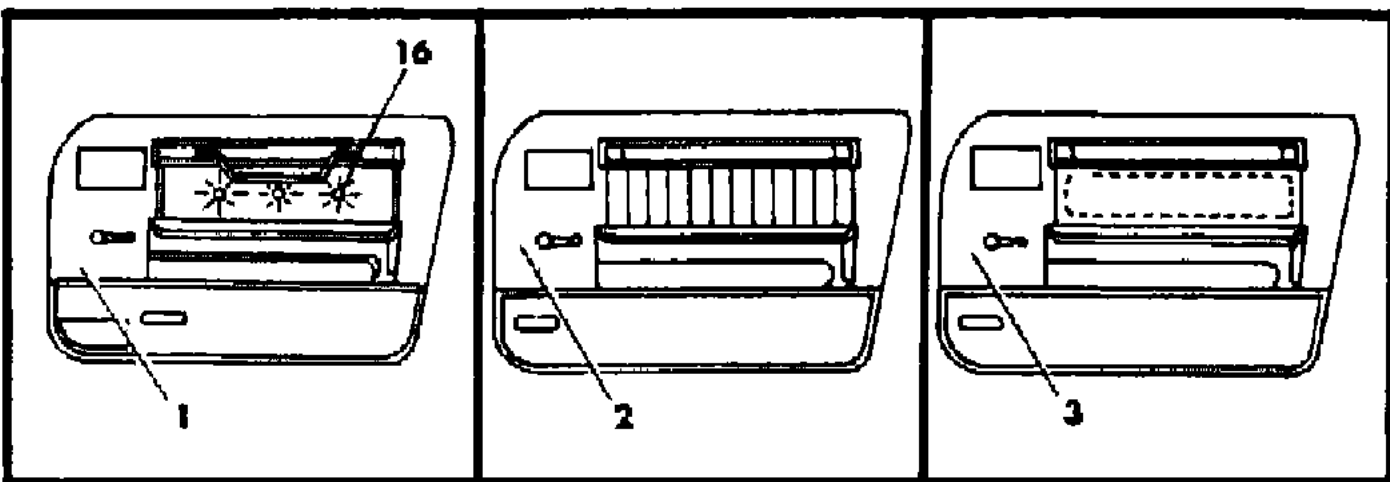
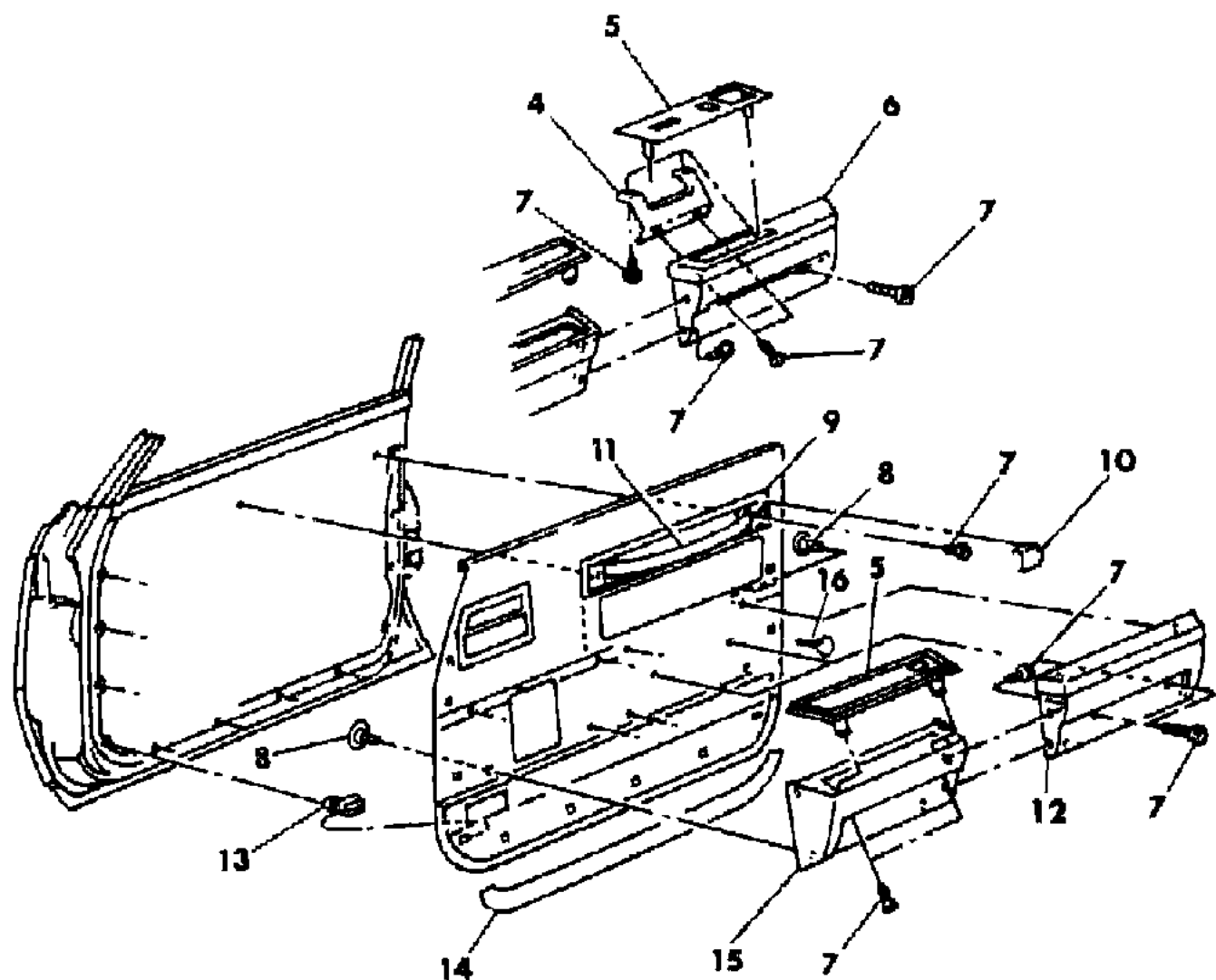
BODY STYLES

21 = 2-DOOR SEDAN	35 = FWD VAN	44 = 4-DOOR HATCHBACK
22 = 2-DOOR SPECIAL COUPE	36 = FWD WAGON	45 = 4-DOOR STATION WAGON
24 = 2-DOOR HATCHBACK	41 = 4-DOOR SEDAN	49 = LIMOUSINE
27 = 2-DOOR CONVERTIBLE		

AR = Use as Required - = Non Illustrated Part P.A.R. = Paint as Required

DOOR TRIM PANEL FRONT J,E,T E BODY
Figure ITE-900

5238 900



ITEM	PART NUMBER	QTY	BODY	MODEL	DESCRIPTION	
1					PANEL, Door Trim N N N N	
					Vinyl N N N N	
		J266-7 DS8	1			N N NLPS YJ266DS8
		J266-7 DC8	1			N N NLPC YJ266DC8
		J266-7 DM6	1			N N NLPM YJ266DM6
		J266-7 DT3	1			N N NLPT3 YJ266DT3
		J266-7 DT8	1			N N NLPT8 YJ266DT8
						Cloth N N N N
		J268-9 DS8	1			N N NLFS YJ268DS8
		J268-9 DC7	1			N N NLFC YJ268DC7
		J268-9 DM6	1			N N NLFM YJ268DM6
		J268-9 DT3	1			N N NLFT3 YJ268DT3
		J268-9 DT8	1			N N NLFT8 YJ268DT8
2					PANEL, Door Trim N N N N	
					Cloth N N N N	
					(use up to 2/5/85) N N N N	
		J250-1 DA4	1			N N NPFA YJ250DA4
		J250-1 DC8	1			N N NPFC YJ250DC8
		J250-1 DM6	1			N N NPFM YJ250DM6
		J250-1 DT3	1			N N NPFT YJ250DT3
						(use after 2/5/85) N N N N
		J320-1 DA4	1			N N NPFA YJ320DA4
		J320-1 DC8	1			N N NPFC YJ320DC8
		J320-1 DM6	1			N N NPFM YJ320DM6
		J320-1 DT3	1			N N NPFT YJ320DT3
	3					PANEL, Door Trim N N N N
					Vinyl N N N N	
					(use up to 2/12/85) N N N N	
		J248-9 DA2	1			N N NC4A YJ248DA2
		J248-9 DM6	1			N N NC4M YJ248DM6
		J248-9 DT3	1			N N NC4T YJ248DT3
						(use after 2/12/85) N N N N
		J322-3 DA2	1			N N NC4A YJ322DA2
		J322-3 DM6	1			N N NC4M YJ322DM6
		J322-3 DT3	1			N N NC4T YJ322DT3
						Cloth N N N N
						(use up to 2/1/85) N N N N

MODEL CODES

B = GRAN FURY	E = 600	M = HORIZON/TURISMO
C = LE BARON/TOWN & COUNTRY/LIMO	F = FIFTH AVENUE/NEWPORT	P = RELIANT
C24 = LASER	G = DIPLOMAT	T = NEW YORKER
C44 = LE BARON/GTS	H = VOYAGER	V = 600
D = ARIES	J = CARAVELLE	V24 = DAYTONA
D44 = LANCER	K = MINI VAN/CARAVAN/ROYAL	Z = OMNI/CHARGER

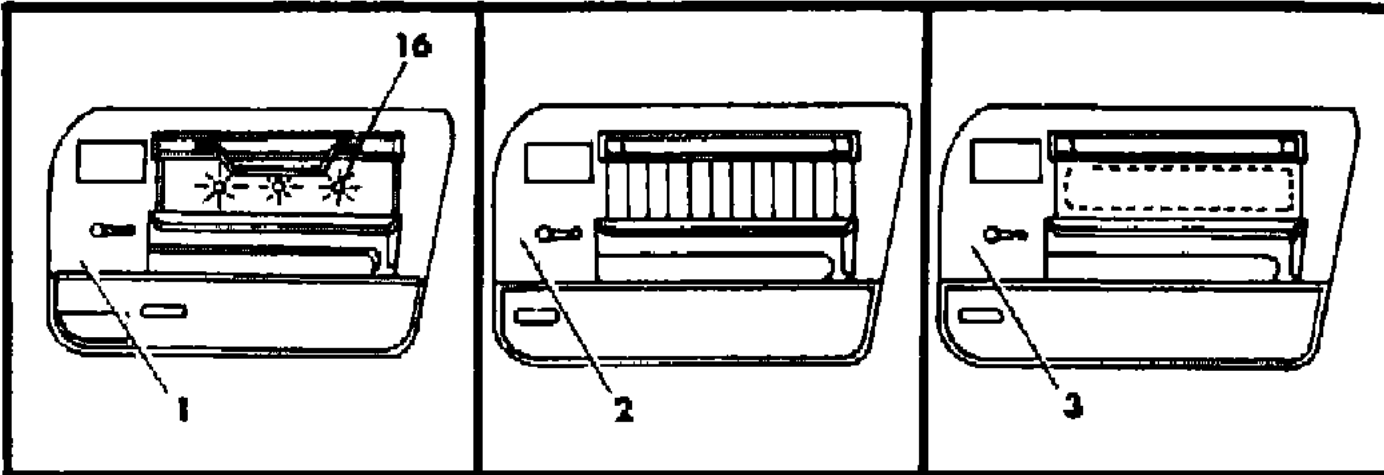
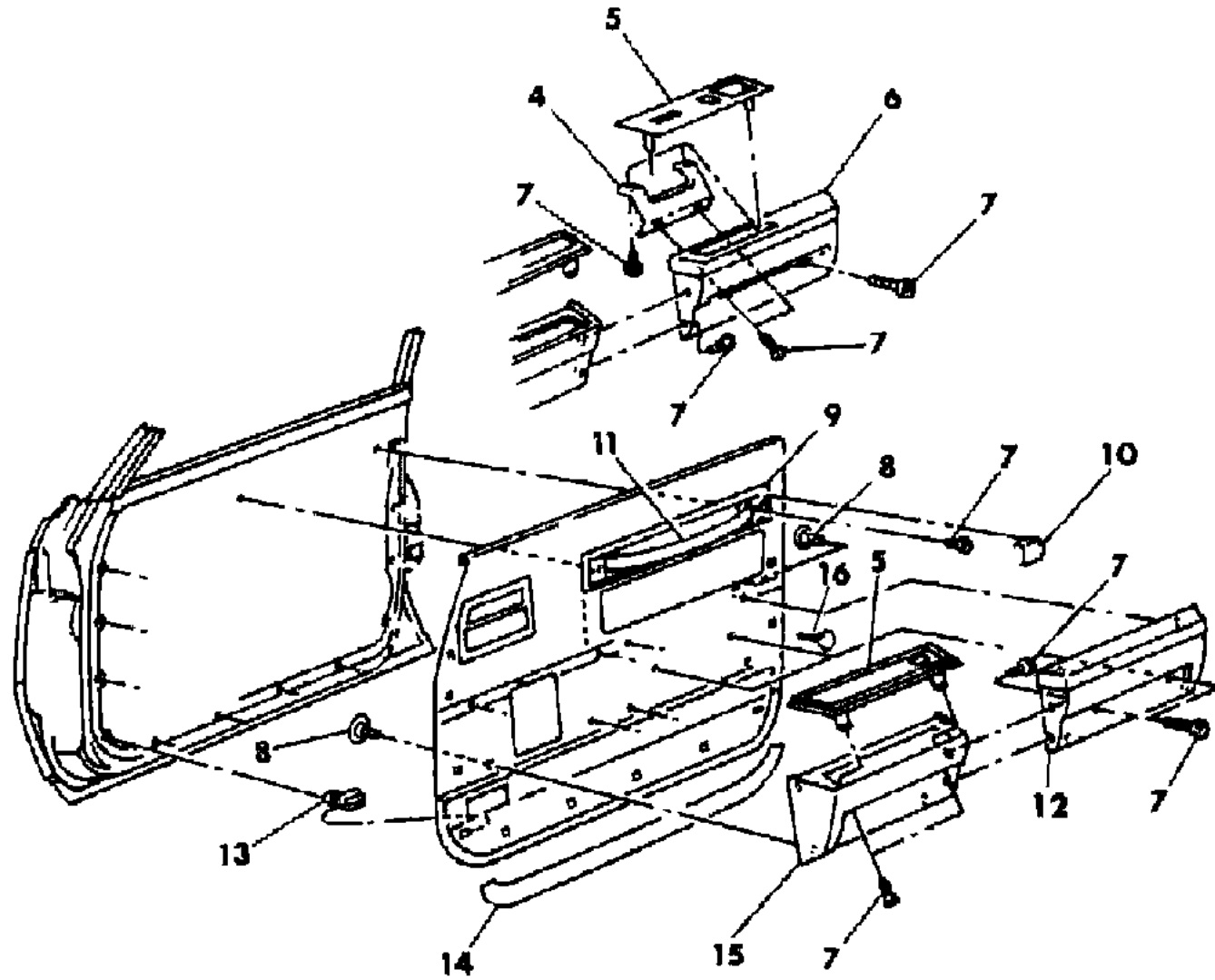
BODY STYLES

21 = 2-DOOR SEDAN	35 = FWD VAN	44 = 4-DOOR HATCHBACK
22 = 2-DOOR SPECIAL COUPE	36 = FWD WAGON	45 = 4-DOOR STATION WAGON
24 = 2-DOOR HATCHBACK	41 = 4-DOOR SEDAN	49 = LIMOUSINE
27 = 2-DOOR CONVERTIBLE		

AR = Use as Required - = Non Illustrated Part P.A.R. = Paint as Required

DOOR TRIM PANEL FRONT J,E,T E BODY
Figure ITE-900

5238 900



ITEM	PART NUMBER	QTY	BODY	MODEL	DESCRIPTION
	J264-5 DA3	1			N N NH3A,M3A YJ264DA3
	J264-5 DC7	1			N N NH3C,M3C YJ264DC7
	J264-5 DM6	1			N N NH3M,M3M YJ264DM6
	J264-5 DT3	1			N N NH3T,M3T YJ264DT3 (use after 2/1/85) N N N N
	J330-1 DA3	1			N N NH3A,M3A YJ330DA3
	J330-1 DC7	1			N N NH3C,M3C YJ330DC7
	J330-1 DM6	1			N N NH3M,M3M YJ330DM6
	J330-1 DT3	1			N N NH3T,M3T YJ330DT3
	6003 640	AR			FASTENER, Door Trim Panel N N N Y6003640
4	4248 449	2			BRACKET, Mirror Bezel to Armrest Base N N N Y4248449
	6030 851	4			NUT, Speed Bracket Attaching N N N Y6030851
5					BEZELS (see Group 23C) N N N N
6					PAD, Armrest w/Power Door Locks N N N N
	D530-1 BA3	1			Silver N N N YD530BA3
	D530-1 CS8	1			Charcoal N N N YD530CS8
	D530-1 BC7	1			Blue, Dark N N N YD530BC7
	D530-1 BM6	1			Red N N N YD530BM6
	D530-1 DT3	1			Tan N N N YD530DT3
	D530-1 BT8	1			Brown N N N YD530BT8 w/o Power Door Locks N N N N
	D506-7 AA3	1			Silver N N N YD506AA3
	D506-7 CS8	1			Charcoal N N N YD506CS8
	D506-7 AC7	1			Blue, Dark N N N YD506AC7
	D506-7 AM6	1			Red N N N YD506AM6
	D506-7 DT3	1			Tan N N N YD506DT3
	D506-7 BT8	1			Brown N N N YD506BT8
7		AR			SCREW (not serviced) N N N N
8		AR			SCREW and WASHER (not serviced) N N N N
9	4248 930	2			PLATE, Finish NExc. T-P N N Y4248930
	4248 603	2			NT-P N N Y4248603
	6032 133	6			NUT N N N Y6032133
10	4248 932	4			END CAP, Finish Plate NExc. T-P N N Y4248932
	4077 196-7	2			NT-P N N Y4077196
11					HANDLE, Pull N N N N w/Saddle Grain N N N N
	D930 AA2	2			Silver N N N YD930AA2

MODEL CODES

B = GRAN FURY	E = 600	M = HORIZON/TURISMO
C = LE BARON/TOWN & COUNTRY/LIMO	F = FIFTH AVENUE/NEWPORT	P = RELIANT
C24 = LASER	G = DIPLOMAT	T = NEW YORKER
C44 = LE BARON/GTS	H = VOYAGER	V = 600
D = ARIES	J = CARAVELLE	V24 = DAYTONA
D44 = LANCER	K = MINI VAN/CARAVAN/ROYAL	Z = OMNI/CHARGER

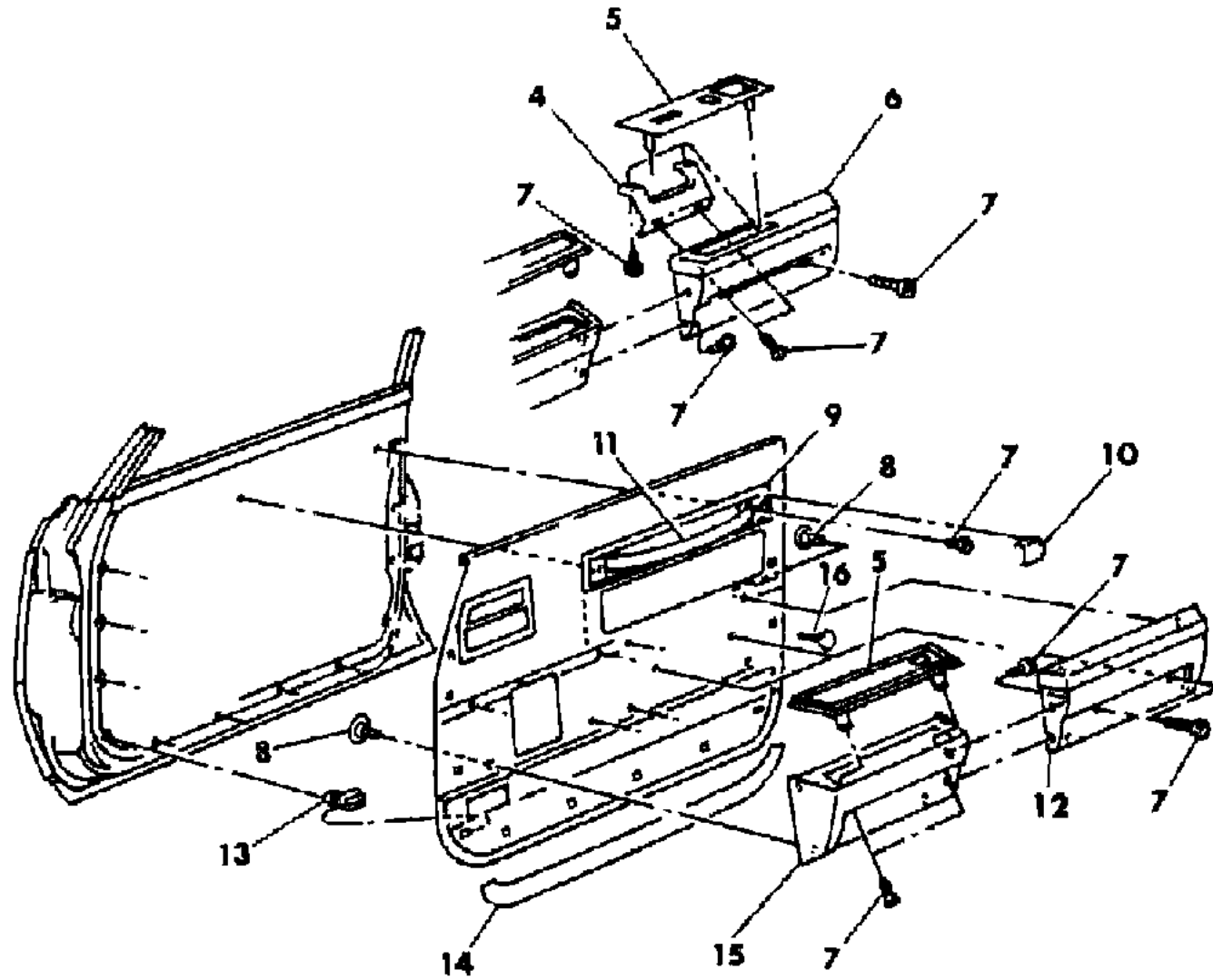
BODY STYLES

21 = 2-DOOR SEDAN	35 = FWD VAN	44 = 4-DOOR HATCHBACK
22 = 2-DOOR SPECIAL COUPE	36 = FWD WAGON	45 = 4-DOOR STATION WAGON
24 = 2-DOOR HATCHBACK	41 = 4-DOOR SEDAN	49 = LIMOUSINE
27 = 2-DOOR CONVERTIBLE		

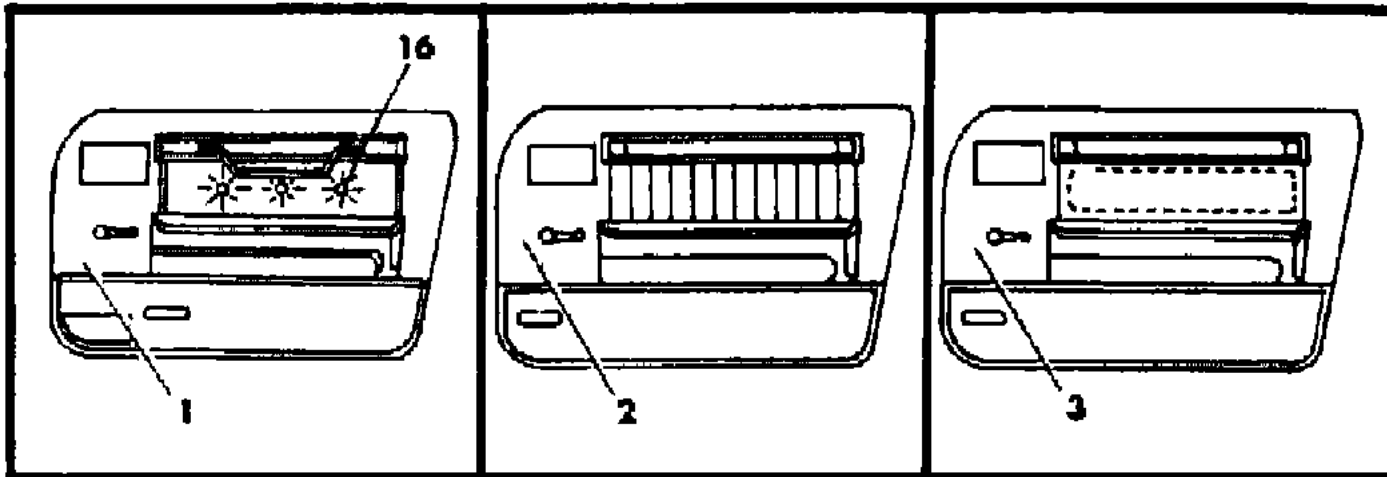
AR = Use as Required - = Non Illustrated Part P.A.R. = Paint as Required

DOOR TRIM PANEL FRONT J,E,T E BODY
Figure ITE-900

5238 900



ITEM	PART NUMBER	QTY	BODY	MODEL	DESCRIPTION
	D930 AC8	2			Blue, Dark N N N YD930AC8
	D930 AM6	2			Red N N N YD930AM6
	D930 DT3	2			Tan N N N YD930DT3
	4248 870	2			w/Dark Butterfly Walnut Grain N N N Y4248870
	0455 734	4			SPRING PIN, Door Pull Handle N N N Y455734
	6031 667	4			WASHER, Door Pull Handle Attaching N N N Y6031667
	9420 294	8			NUT, Door Pull Handle Attaching N N N Y9420294
	6032 141	4			SCREW, Pull Handle Attaching N N N Y6032141
12					BASE, Armrest (paint as required) N N N N
	D538-9 BL3	1			w/Power Door Locks N N N YD538BL3
	D508-9 AA3	1			w/o Power Door Locks N N N YD508AA3
	6031 964	AR			NUT, Push Base Attaching N N N Y6031964
13	4114 785	AR			FASTENER N N N Y4114785
14	4247 230	2			SEAL, Secondary Sound N N N Y4247230
15	D412-3 AA3	1			BASE, Armrest w/Power Windows (paint as required) N N N YD412AA3
16					BUTTON, Door Trim Panel Bolster N N N N
					Cloth N N N N
	S721 CS8	6			Charcoal N N N YS721CS8
	S721 CC7	6			Blue, Dark N N N YS721CC7
	S721 DT3	6			Tan N N N YS721DT3
	S721 CM6	6			Red N N N YS721CM6
	S721 CT8	6			Brown N N N YS721CT8
					Vinyl N N N N
	S722 CS8	6			Charcoal N N N YS722CS8
	S722 CC8	6			Blue, Dark N N N YS722CC8
	S722 DT3	6			Tan N N N YS722DT3
	S722 CM6	6			Red N N N YS722CM6
	S722 CT8	6			Brown N N N YS722CT8
The following part is not illustrated. s ARE NOT RETURNABLE.					
	4049 602	AR			SILENCER, Door (36"x36"x1/2" material cut to fit) N N N Y4049602



MODEL CODES

B = GRAN FURY	E = 600	M = HORIZON/TURISMO
C = LE BARON/TOWN & COUNTRY/LIMO	F = FIFTH AVENUE/NEWPORT	P = RELIANT
C24 = LASER	G = DIPLOMAT	T = NEW YORKER
C44 = LE BARON/GTS	H = VOYAGER	V = 600
D = ARIES	J = CARAVELLE	V24 = DAYTONA
D44 = LANCER	K = MINI VAN/CARAVAN/ROYAL	Z = OMNI/CHARGER

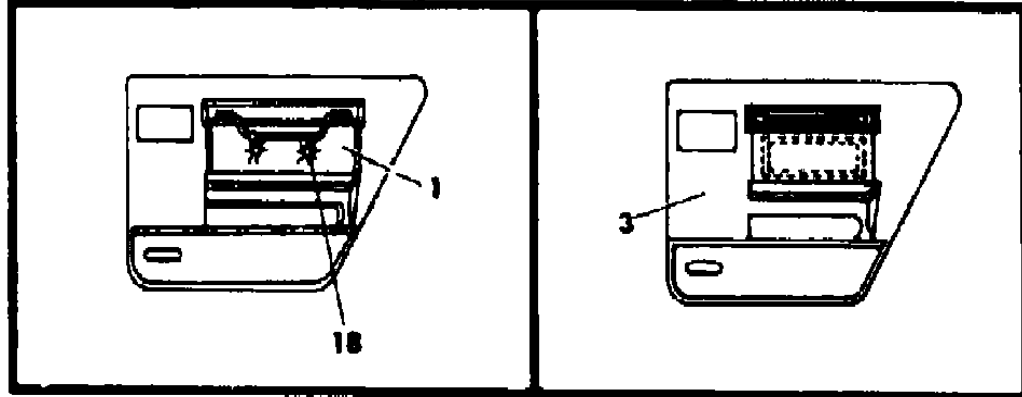
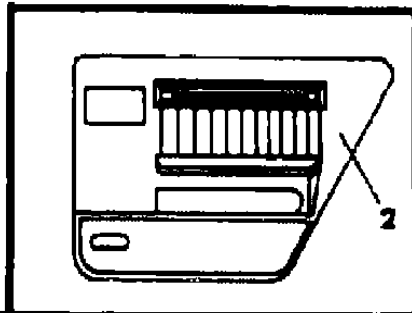
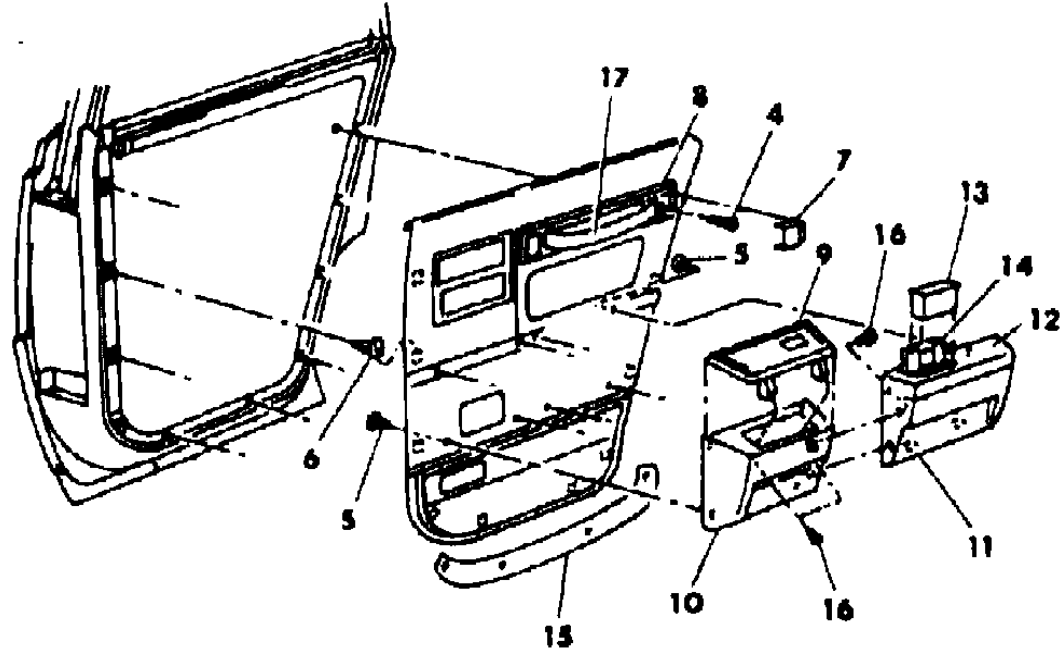
BODY STYLES

21 = 2-DOOR SEDAN	35 = FWD VAN	44 = 4-DOOR HATCHBACK
22 = 2-DOOR SPECIAL COUPE	36 = FWD WAGON	45 = 4-DOOR STATION WAGON
24 = 2-DOOR HATCHBACK	41 = 4-DOOR SEDAN	49 = LIMOUSINE
27 = 2-DOOR CONVERTIBLE		

AR = Use as Required - = Non Illustrated Part P.A.R. = Paint as Required

DOOR TRIM PANEL REAR J,E,T E BODY
Figure ITE-1000

5238 1000



ITEM	PART NUMBER	QTY	BODY	MODEL	DESCRIPTION	
1					PANEL, Door Trim N N N N	
					Vinyl N N N N	
		J434-5 DS8	1		N N NLPS YJ434DS8	
		J434-5 DC8	1		N N NLPC YJ434DC8	
		J434-5 DM6	1		N N NLPM YJ434DM6	
		J434-5 DT3	1		N N NLPT3 YJ434DT3	
		J434-5 DT8	1		N N NLPT8 YJ434DT8	
					Cloth N N N N	
		J436-7 DS8	1		N N NLFS YJ436DS8	
		J436-7 DC7	1		N N NLFC YJ436DC7	
		J436-7 DM6	1		N N NLFM YJ436DM6	
		J436-7 DT3	1		N N NLFT3 YJ436DT3	
		J436-7 DT8	1		N N NLFT8 YJ436DT8	
	2					PANEL, Door Trim N N N N
					Cloth N N N N	
					(use up to 2/5/85) N N N N	
		J420-1 DA4	1		N N NPFA YJ420DA4	
		J420-1 DC8	1		N N NPFC YJ420DC8	
		J420-1 DM6	1		N N NPFM YJ420DM6	
		J420-1 DT3	1		N N NPFT YJ420DT3	
					(use after 2/5/85) N N N N	
		J522-3 DA4	1		N N NPFA YJ522DA4	
		J522-3 DC8	1		N N NPFC YJ522DC8	
		J522-3 DM6	1		N N NPFM YJ522DM6	
		J522-3 DT3	1		N N NPFT YJ522DT3	
3						PANEL, Door Trim N N N N
						Vinyl N N N N
					(use up to 2/12/85) N N N N	
		J418-9 DA2	1		N N NC4A YJ418DA2	
		J418-9 DM6	1		N N NC4M YJ418DM6	
		J418-9 DT3	1		N N NC4T YJ418DT3	
					(use after 2/12/85) N N N N	
		J524-5 DA2	1		N N NC4A YJ524DA2	
		J524-5 DM6	1		N N NC4M YJ524DM6	
		J524-5 DT3	1		N N NC4T YJ524DT3	
					Cloth N N N N	
					(use up to 2/1/85) N N N N	

MODEL CODES

B = GRAN FURY	E = 600	M = HORIZON/TURISMO
C = LE BARON/TOWN & COUNTRY/LIMO	F = FIFTH AVENUE/NEWPORT	P = RELIANT
C24 = LASER	G = DIPLOMAT	T = NEW YORKER
C44 = LE BARON/GTS	H = VOYAGER	V = 600
D = ARIES	J = CARAVELLE	V24 = DAYTONA
D44 = LANCER	K = MINI VAN/CARAVAN/ROYAL	Z = OMNI/CHARGER

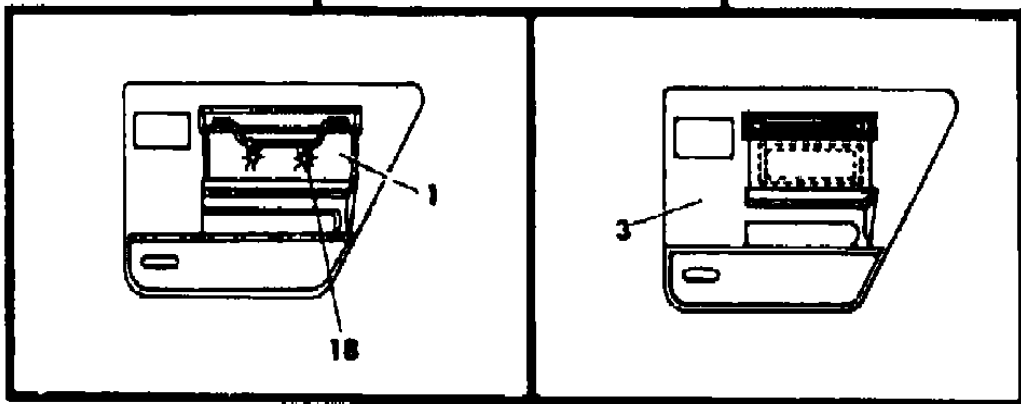
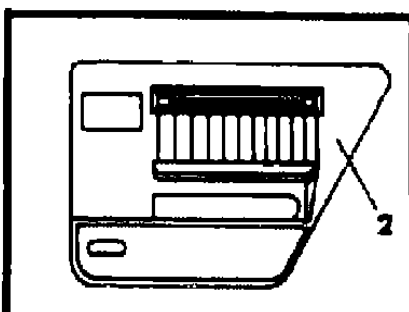
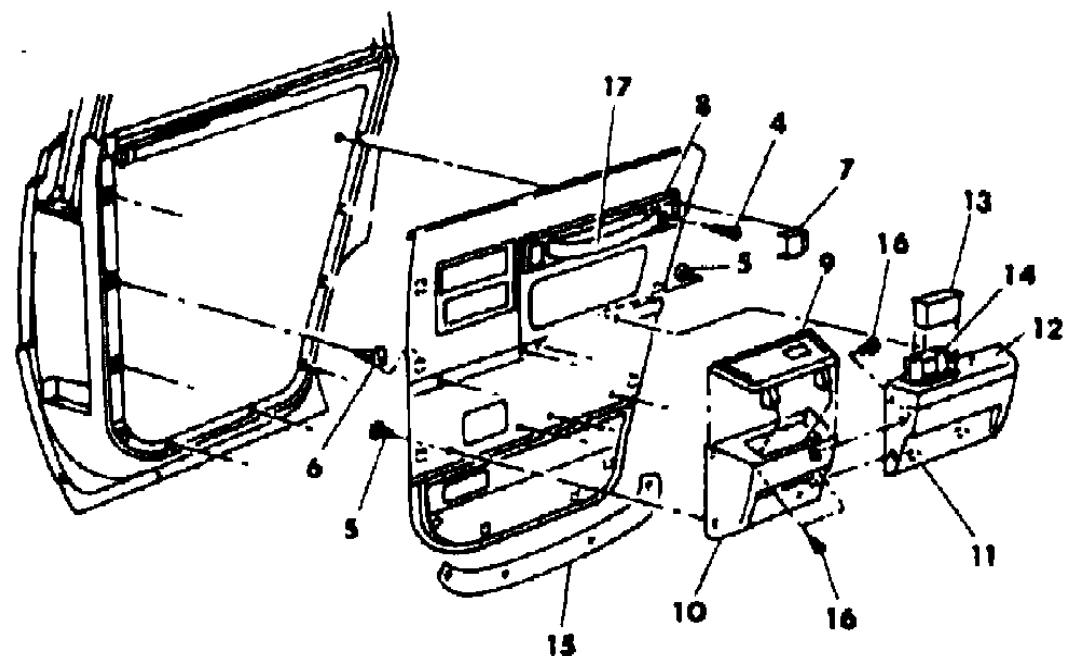
BODY STYLES

21 = 2-DOOR SEDAN	35 = FWD VAN	44 = 4-DOOR HATCHBACK
22 = 2-DOOR SPECIAL COUPE	36 = FWD WAGON	45 = 4-DOOR STATION WAGON
24 = 2-DOOR HATCHBACK	41 = 4-DOOR SEDAN	49 = LIMOUSINE
27 = 2-DOOR CONVERTIBLE		

AR = Use as Required - = Non Illustrated Part P.A.R. = Paint as Required

DOOR TRIM PANEL REAR J,E,T E BODY
Figure ITE-1000

5238 1000



ITEM	PART NUMBER	QTY	BODY	MODEL	DESCRIPTION
	J432-3 DA3	1			N N NH3A,M3A YJ432DA3
	J432-3 DC7	1			N N NH3C,M3C YJ432DC7
	J432-3 DM6	1			N N NH3M,M3M YJ432DM6
	J432-3 DT3	1			N N NH3T,M3T YJ432DT3 (use after 2/1/85) N N N N
	J472-3 DA3	1			N N NH3A,M3A YJ472DA3
	J472-3 DC7	1			N N NH3C,M3C YJ472DC7
	J472-3 DM6	1			N N NH3M,M3M YJ472DM6
	J472-3 DT3	1			N N NH3T,M3T YJ472DT3
	6003 640	AR			FASTENER, Door Trim Panel N N N Y6003640
4	6032 141	AR			SCREW N N N Y6032141
5		AR			SCREW and WASHER (not serviced) N N N N
6	4114 785	AR			FASTENER N N N Y4114785
7	4248 932	4			END CAP NExc. T-P N N Y4248932
	4077 196-7	2			NT-P N N Y4077196
8	4248 931	2			PLATE, Finish NExc. T-P N N Y4248931
	4248 604	2			NT-P N N Y4248604
-	6032 133	6			NUT, Finish Plate N N N Y6032133
9					BEZEL (see Group 23C) N N N N
10	D518-9 AA3	1			BASE, Armrest w/Power Windows N N N YD518AA3
11	D390-1 BL3	1			BASE, Armrest N N N YD390BL3
12					PAD, Armrest N N N N
	D422-3 BA3	1			Silver N N N YD422BA3
	D422-3 CS8	1			Charcoal N N N YD422CS8
	D422-3 BC7	1			Blue, Dark N N N YD422BC7
	D422-3 BM6	1			Red N N N YD422BM6
	D422-3 DT3	1			Tan N N N YD422DT3
	D422-3 BT8	1			Brown N N N YD422BT8
13	3832 955	2			RECEPTACLE, Ash Receiver N N N Y3832955
	0274 306	2			PIN, Ash Receiver Lid Attaching N N N Y274306
14					RECEPTACLE, Complete N N N N
	D438 BA3	2			Silver N N N YD438BA3
	D438 CS8	2			Charcoal N N N YD438CS8
	D438 BC7	2			Blue, Dark N N N YD438BC7
	D438 BM6	2			Red N N N YD438BM6
	D438 DT3	2			Tan N N N YD438DT3
	D438 BT8	2			Brown N N N YD438BT8

MODEL CODES

B = GRAN FURY	E = 600	M = HORIZON/TURISMO
C = LE BARON/TOWN & COUNTRY/LIMO	F = FIFTH AVENUE/NEWPORT	P = RELIANT
C24 = LASER	G = DIPLOMAT	T = NEW YORKER
C44 = LE BARON/GTS	H = VOYAGER	V = 600
D = ARIES	J = CARAVELLE	V24 = DAYTONA
D44 = LANCER	K = MINI VAN/CARAVAN/ROYAL	Z = OMNI/CHARGER

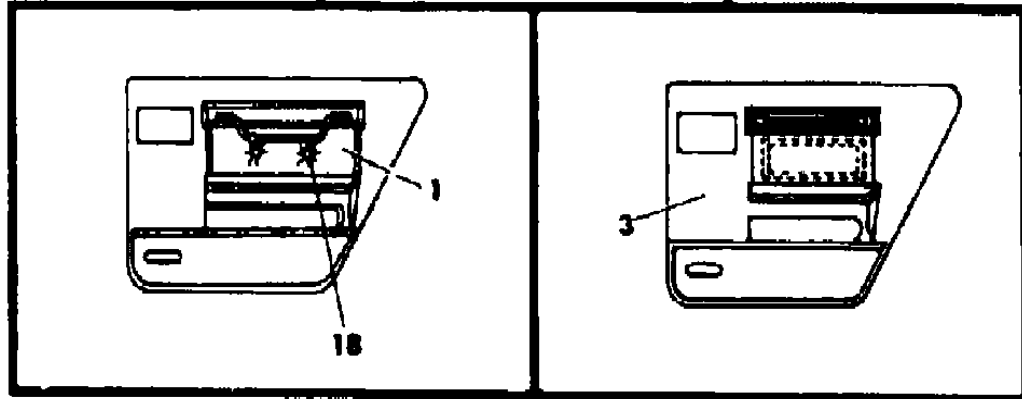
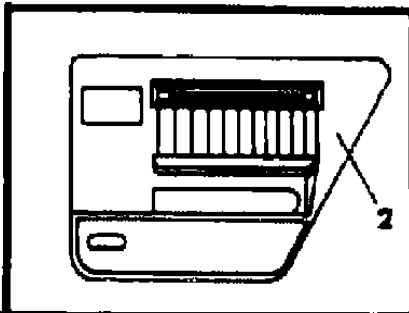
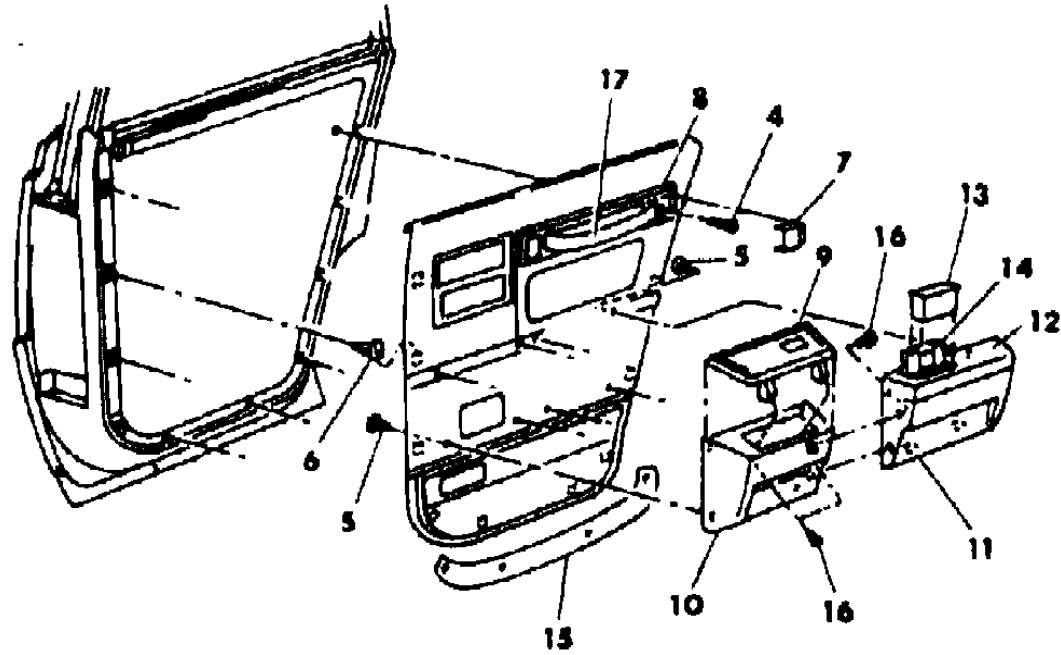
BODY STYLES

21 = 2-DOOR SEDAN	35 = FWD VAN	44 = 4-DOOR HATCHBACK
22 = 2-DOOR SPECIAL COUPE	36 = FWD WAGON	45 = 4-DOOR STATION WAGON
24 = 2-DOOR HATCHBACK	41 = 4-DOOR SEDAN	49 = LIMOUSINE
27 = 2-DOOR CONVERTIBLE		

AR = Use as Required - = Non Illustrated Part P.A.R. = Paint as Required

DOOR TRIM PANEL REAR J,E,T E BODY
Figure ITE-1000

5238 1000



ITEM	PART NUMBER	QTY	BODY	MODEL	DESCRIPTION
15	4247 372	2			SEAL, Secondary N N N Y4247372
16		AR			SCREW (not serviced) N N N N
17					HANDLE, Door Pull N N N N
					w/Saddle Grain N N N N
	D931 AA2	2			Silver N N N YD931AA2
	D931 AC8	2			Blue, Dark N N N YD931AC8
	D931 AM6	2			Red N N N YD931AM6
	D931 DT3	2			Tan N N N YD931DT3
	D931 BT8	2			Brown N N N YD931BT8
	D931 CS8	2			Charcoal N N N YD931CS8
	4248 870	2			w/Dark Butterfly Walnut Grain N N N Y4248870
	0455 734	4			SPRING PIN, Door Pull Handle N N N Y455734
	6031 667	4			WASHER, Door Pull Handle Attaching N N N Y6031667
	9420 294	8			NUT, Door Pull Handle Attaching N N N Y9420294
18					BUTTON, Door Trim Panel Bolster N N N N
					w/Cloth Cover N N N N
	S721 CS8	4			Charcoal N N N YS721CS8
	S721 CC7	4			Blue, Dark N N N YS721CC7
	S721 DT3	4			Tan N N N YS721DT3
	S721 CM6	4			Red N N N YS721CM6
	S721 CT8	4			Brown N N N YS721CT8
					w/Vinyl Cover N N N N
	S722 CS8	4			Charcoal N N N YS722CS8
	S722 CC8	4			Blue, Dark N N N YS722CC8
	S722 DT3	4			Tan N N N YS722DT3
	S722 CM6	4			Red N N N YS722CM6
	S722 CT8	4			Brown N N N YS722CT8
					The following part is not illustrated. s ARE NOT RETURNABLE.
	4049 602	AR			SILENCER, Door (36"x36"x1/2" material cut to fit) N N N Y4049602

MODEL CODES

B = GRAN FURY	E = 600	M = HORIZON/TURISMO
C = LE BARON/TOWN & COUNTRY/LIMO	F = FIFTH AVENUE/NEWPORT	P = RELIANT
C24 = LASER	G = DIPLOMAT	T = NEW YORKER
C44 = LE BARON/GTS	H = VOYAGER	V = 600
D = ARIES	J = CARAVELLE	V24 = DAYTONA
D44 = LANCER	K = MINI VAN/CARAVAN/ROYAL	Z = OMNI/CHARGER

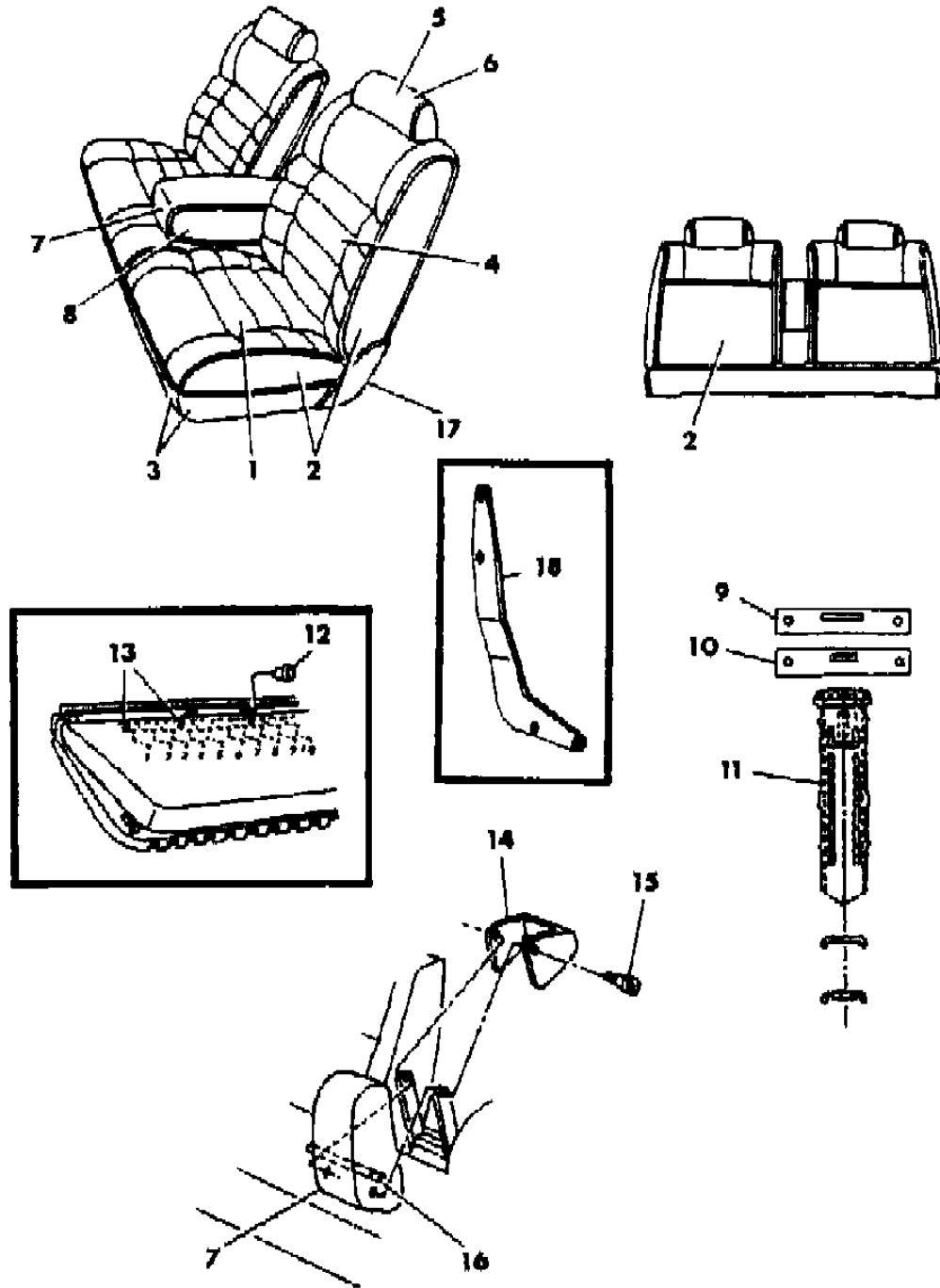
BODY STYLES

21 = 2-DOOR SEDAN	35 = FWD VAN	44 = 4-DOOR HATCHBACK
22 = 2-DOOR SPECIAL COUPE	36 = FWD WAGON	45 = 4-DOOR STATION WAGON
24 = 2-DOOR HATCHBACK	41 = 4-DOOR SEDAN	49 = LIMOUSINE
27 = 2-DOOR CONVERTIBLE		

AR = Use as Required - = Non Illustrated Part P.A.R. = Paint as Required

SEAT FRONT J,E,T E BODY TRIM CODE M3
Figure ITE-1100

5238 1100



ITEM	PART NUMBER	QTY	BODY	MODEL	DESCRIPTION
1-3					CUSHION, w/Spring/Frame, Pad and Cover N N N N
					Cloth N N N N (use up to 2/1/85) N N N N
	A819 D3A	1			N N NM3A YA819D3A
	A819 D3C	1			N N NM3C YA819D3C
	A819 D3M	1			N N NM3M YA819D3M
	A819 D3T	1			N N NM3T YA819D3T (use after 2/1/85) N N N N
	C847 D3A	1			N N NM3A YC847D3A
	C847 D3C	1			N N NM3C YC847D3C
	C847 D3M	1			N N NM3M YC847D3M
	C847 D3T	1			N N NM3T YC847D3T
1					COVER, Cushion N N N N
					Cloth N N N N (use up to 2/1/85) N N N N
	A536 D3A	1			N N NM3A YA536D3A
	A536 D3C	1			N N NM3C YA536D3C
	A536 D3M	1			N N NM3M YA536D3M
	A536 D3T	1			N N NM3T YA536D3T (use after 2/1/85) N N N N
	C511 D3A	1			N N NM3A YC511D3A
	C511 D3C	1			N N NM3C YC511D3C
	C511 D3M	1			N N NM3M YC511D3M
	C511 D3T	1			N N NM3T YC511D3T
2					ROLL STOCK, Cloth 54" Wide Order by the Inch N N N N
					(use up to 2/1/85) N N N N
	R092 DA3	AR			N N NM3A YR092DA3
	R092 VC7	AR			N N NM3C YR092VC7
	R092 VM6	AR			N N NM3M YR092VM6
	R092 DT3	AR			N N NM3T YR092DT3
					59" Wide (use after 2/1/85) N N N N
	R026 BA3	AR			N N NM3A YR026BA3
	R026 DC7	AR			N N NM3C YR026DC7
	R026 DM6	AR			N N NM3M YR026DM6
	R026 DT3	AR			N N NM3T YR026DT3
3					ROLL STOCK, Vinyl 64" Wide Order by the Inch N N N N
	R616 AA2	AR			N N NM3A YR616AA2

MODEL CODES

B = GRAN FURY	E = 600	M = HORIZON/TURISMO
C = LE BARON/TOWN & COUNTRY/LIMO	F = FIFTH AVENUE/NEWPORT	P = RELIANT
C24 = LASER	G = DIPLOMAT	T = NEW YORKER
C44 = LE BARON/GTS	H = VOYAGER	V = 600
D = ARIES	J = CARAVELLE	V24 = DAYTONA
D44 = LANCER	K = MINI VAN/CARAVAN/ROYAL	Z = OMNI/CHARGER

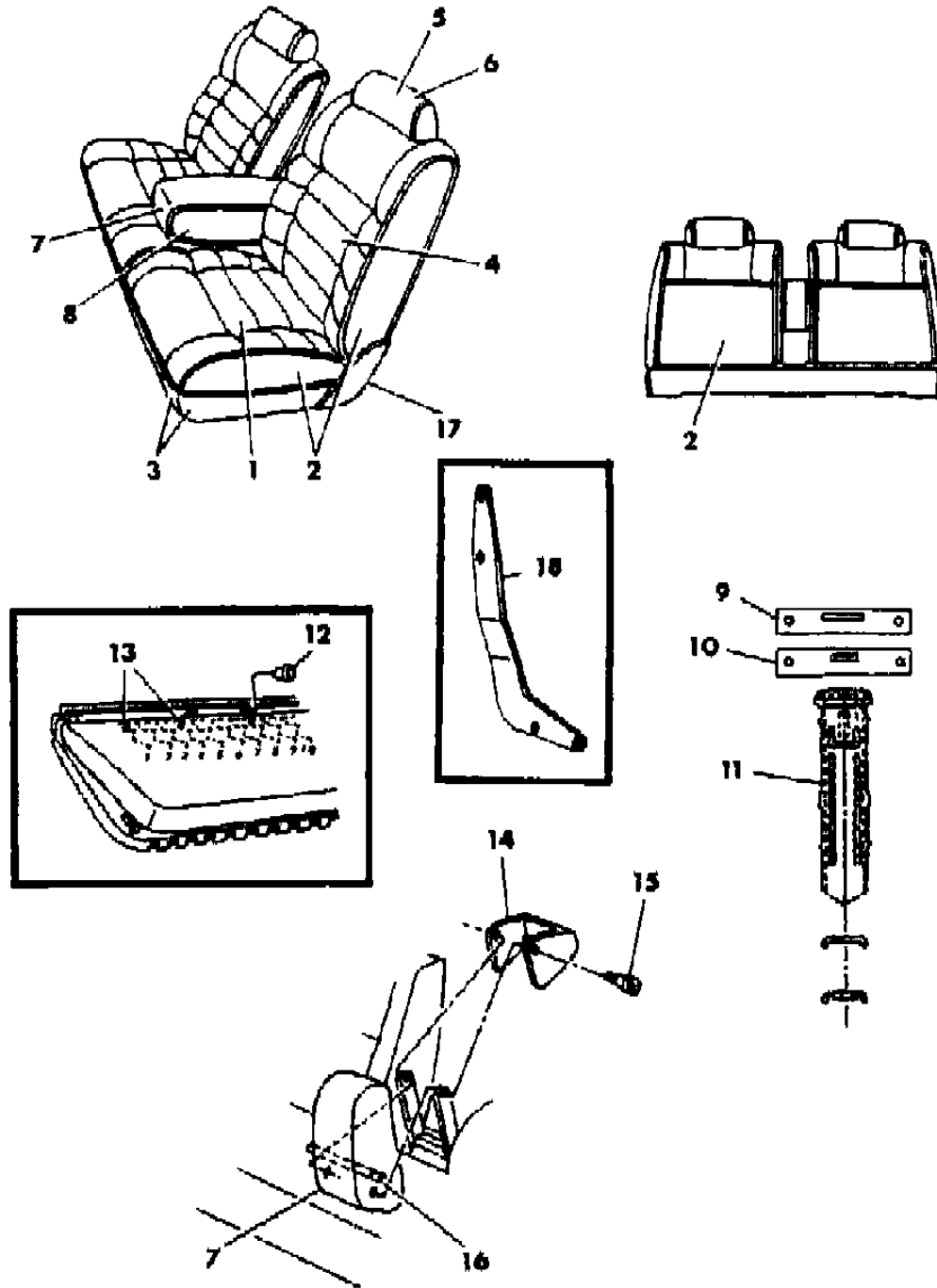
BODY STYLES

21 = 2-DOOR SEDAN	35 = FWD VAN	44 = 4-DOOR HATCHBACK
22 = 2-DOOR SPECIAL COUPE	36 = FWD WAGON	45 = 4-DOOR STATION WAGON
24 = 2-DOOR HATCHBACK	41 = 4-DOOR SEDAN	49 = LIMOUSINE
27 = 2-DOOR CONVERTIBLE		

AR = Use as Required - = Non Illustrated Part P.A.R. = Paint as Required

SEAT FRONT J,E,T E BODY TRIM CODE M3
Figure ITE-1100

5238 1100



ITEM	PART NUMBER	QTY	BODY	MODEL	DESCRIPTION
	R616 VC8	AR			N N NM3C YR616VC8
	R616 VM6	AR			N N NM3M YR616VM6
	R616 DT3	AR			N N NM3T YR616DT3
2-4					BACK, w/Spring/Frame, Pad and Cover N N N N Cloth N N N N (use up to 2/1/85) N N N N
	A836-7 D3A	1			N N NM3A YA836D3A
	A836-7 D3C	1			N N NM3C YA836D3C
	A836-7 D3M	1			N N NM3M YA836D3M
	A836-7 D3T	1			N N NM3T YA836D3T (use after 2/1/85) N N N N
	C850-1 D3A	1			N N NM3A YC850D3A
	C850-1 D3C	1			N N NM3C YC850D3C
	C850-1 D3M	1			N N NM3M YC850D3M
	C850-1 D3T	1			N N NM3T YC850D3T
4					COVER, Back N N N N Cloth N N N N (use up to 2/1/85) N N N N
	A542-3 D3A	1			N N NM3A YA542D3A
	A542-3 D3C	1			N N NM3C YA542D3C
	A542-3 D3M	1			N N NM3M YA542D3M
	A542-3 D3T	1			N N NM3T YA542D3T (use after 2/1/85) N N N N
	C512-3 D3A	1			N N NM3A YC512D3A
	C512-3 D3C	1			N N NM3C YC512D3C
	C512-3 D3M	1			N N NM3M YC512D3M
	C512-3 D3T	1			N N NM3T YC512D3T
5					HEADREST and COVER N N N N
	A822 DA3	2			N N NM3A YA822DA3
	A822 DC7	2			N N NM3C YA822DC7
	A822 DM6	2			N N NM3M YA822DM6
	A822 DT3	2			N N NM3T YA822DT3
6					COVER, Headrest N N N N
	A539 DA3	2			N N NM3A YA539DA3
	A539 DC7	2			N N NM3C YA539DC7
	A539 DM6	2			N N NM3M YA539DM6
	A539 DT3	2			N N NM3T YA539DT3

MODEL CODES

B = GRAN FURY	E = 600	M = HORIZON/TURISMO
C = LE BARON/TOWN & COUNTRY/LIMO	F = FIFTH AVENUE/NEWPORT	P = RELIANT
C24 = LASER	G = DIPLOMAT	T = NEW YORKER
C44 = LE BARON/GTS	H = VOYAGER	V = 600
D = ARIES	J = CARAVELLE	V24 = DAYTONA
D44 = LANCER	K = MINI VAN/CARAVAN/ROYAL	Z = OMNI/CHARGER

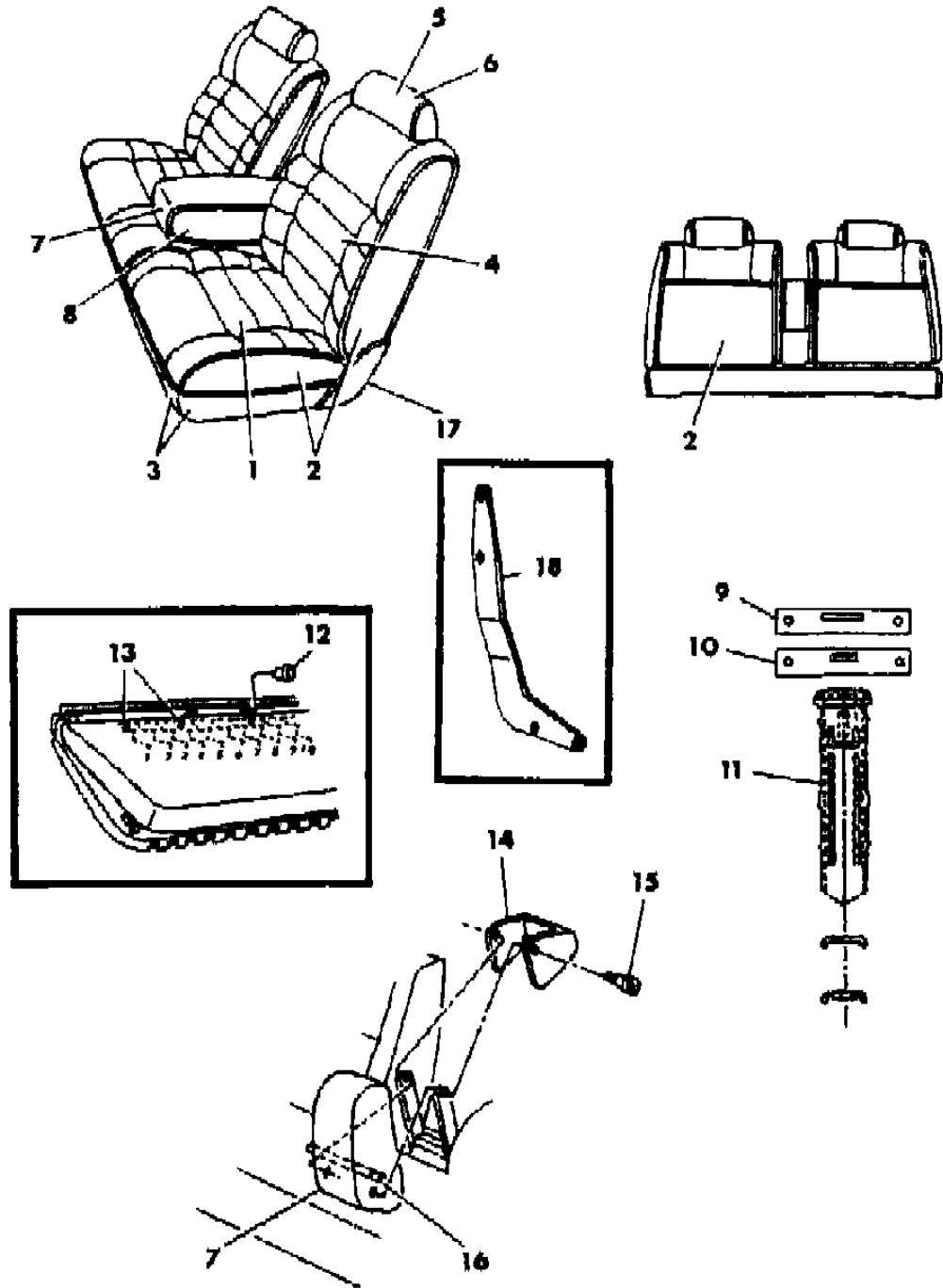
BODY STYLES

21 = 2-DOOR SEDAN	35 = FWD VAN	44 = 4-DOOR HATCHBACK
22 = 2-DOOR SPECIAL COUPE	36 = FWD WAGON	45 = 4-DOOR STATION WAGON
24 = 2-DOOR HATCHBACK	41 = 4-DOOR SEDAN	49 = LIMOUSINE
27 = 2-DOOR CONVERTIBLE		

AR = Use as Required - = Non Illustrated Part P.A.R. = Paint as Required

SEAT FRONT J,E,T E BODY TRIM CODE M3
Figure ITE-1100

5238 1100



ITEM	PART NUMBER	QTY	BODY	MODEL	DESCRIPTION
7					ARMREST and COVER N N N N (use up to 2/1/85) N N N N
	A835 DA3	1			N N NM3A YA835DA3
	A835 DC7	1			N N NM3C YA835DC7
	A835 DM6	1			N N NM3M YA835DM6
	A835 DT3	1			N N NM3T YA835DT3
					(use after 2/1/85) N N N N
	C852 DA3	1			N N NM3A YC852DA3
	C852 DC7	1			N N NM3C YC852DC7
	C852 DM6	1			N N NM3M YC852DM6
	C852 DT3	1			N N NM3T YC852DT3
8					COVER, Armrest N N N N (use up to 2/1/85) N N N N
	A540 DA3	1			N N NM3A YA540DA3
	A540 DC7	1			N N NM3C YA540DC7
	A540 DM6	1			N N NM3M YA540DM6
	A540 DT3	1			N N NM3T YA540DT3
					(use after 2/1/85) N N N N
	C514 DA3	1			N N NM3A YC514DA3
	C514 DC7	1			N N NM3C YC514DC7
	C514 DM6	1			N N NM3M YC514DM6
	C514 DT3	1			N N NM3T YC514DT3
9	4190 388	2			COVER, Headrest Finish N N N Y4190388
10	4190 387	2			SUPPORT, Headrest Trim Cover N N N Y4190387
11					SLEEVE, Headrest N N N N
	S786 AA3	2			N N NM3A YS786AA3
	S786 AC7	2			N N NM3C YS786AC7
	S786 VM6	2			N N NM3M YS786VM6
	S786 DT3	2			N N NM3T YS786DT3
12	4277 908	2			BUSHING, Cushion Pivot Bracket N N N Y4277908
13	6008 076	AR			HOG RING N N N Y6008076
14					COVER, Armrest Finish N N N N
	S581 AA3	1			N N NM3A YS581AA3
	S581 AC7	1			N N NM3C YS581AC7
	S581 AM6	1			N N NM3M YS581AM6
	S581 DT3	1			N N NM3T YS581DT3
15	6030 082	2			SCREW, Armrest to Stanchion N N N Y6030082

MODEL CODES

B = GRAN FURY	E = 600	M = HORIZON/TURISMO
C = LE BARON/TOWN & COUNTRY/LIMO	F = FIFTH AVENUE/NEWPORT	P = RELIANT
C24 = LASER	G = DIPLOMAT	T = NEW YORKER
C44 = LE BARON/GTS	H = VOYAGER	V = 600
D = ARIES	J = CARAVELLE	V24 = DAYTONA
D44 = LANCER	K = MINI VAN/CARAVAN/ROYAL	Z = OMNI/CHARGER

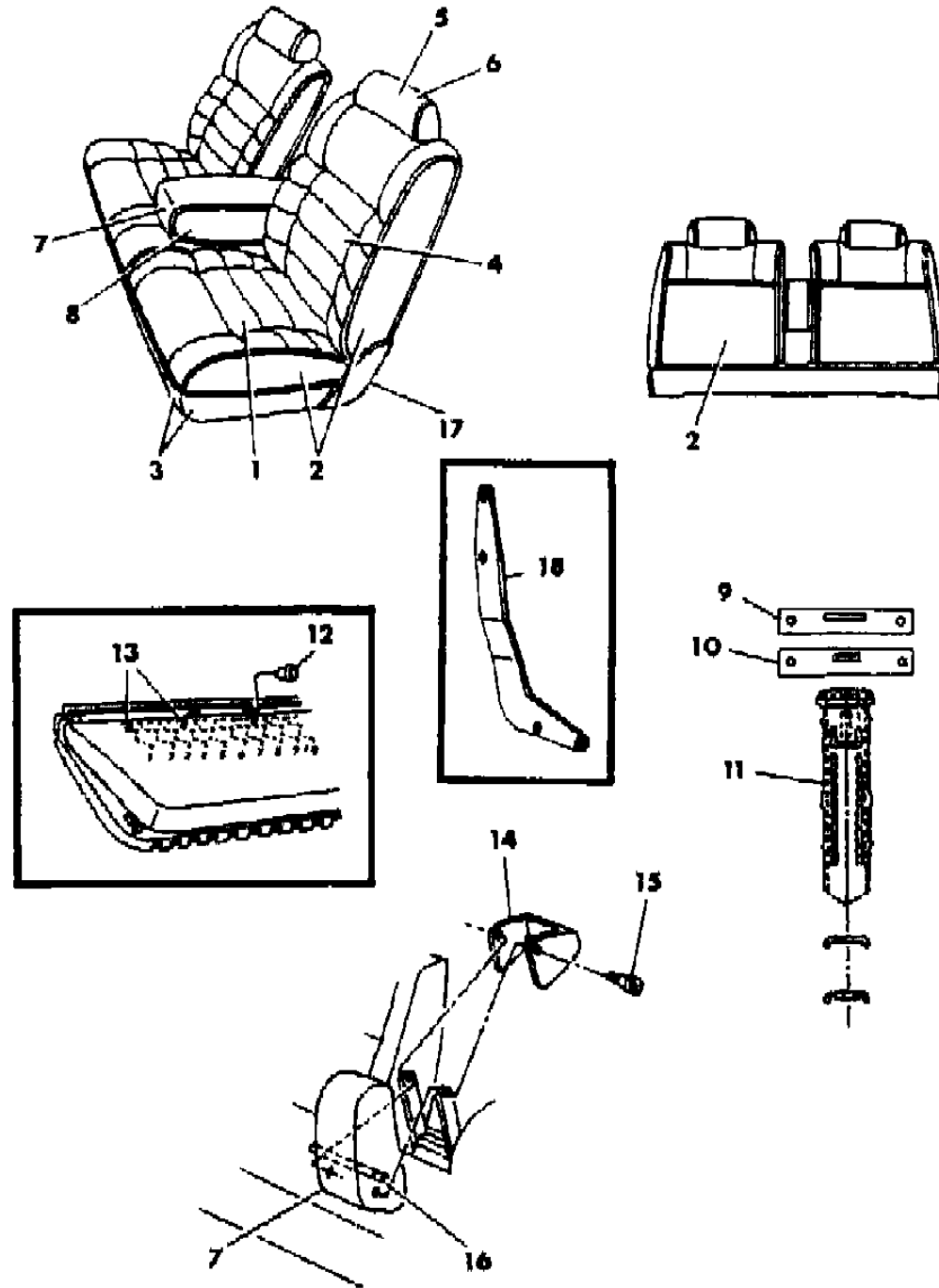
BODY STYLES

21 = 2-DOOR SEDAN	35 = FWD VAN	44 = 4-DOOR HATCHBACK
22 = 2-DOOR SPECIAL COUPE	36 = FWD WAGON	45 = 4-DOOR STATION WAGON
24 = 2-DOOR HATCHBACK	41 = 4-DOOR SEDAN	49 = LIMOUSINE
27 = 2-DOOR CONVERTIBLE		

AR = Use as Required - = Non Illustrated Part P.A.R. = Paint as Required

SEAT FRONT J,E,T E BODY TRIM CODE M3
Figure ITE-1100

5238 1100



ITEM	PART NUMBER	QTY	BODY	MODEL	DESCRIPTION
16	4138 891	1			ROD, Armrest Lock N N N Y4138891
	6006 324	AR			NUT, Armrest Lock Rod N N N Y6006324
17					SHIELD, Rear Rail N N N N
	S678-9 AA3	1			N N NM3A YS678AA3
	S678-9 AC7	1			N N NM3C YS678AC7
	S678-9 AM6	1			N N NM3M YS678AM6
	S678-9 DT3	1			N N NM3T YS678DT3
18	4345 368-9	1			ARM, Front Seat Back to Cushion (Split Back Bench w/Center Armrest) N N N Y4345368
	6100 585	4			SCREW and WASHER N N N Y6100585

MODEL CODES

B = GRAN FURY	E = 600	M = HORIZON/TURISMO
C = LE BARON/TOWN & COUNTRY/LIMO	F = FIFTH AVENUE/NEWPORT	P = RELIANT
C24 = LASER	G = DIPLOMAT	T = NEW YORKER
C44 = LE BARON/GTS	H = VOYAGER	V = 600
D = ARIES	J = CARAVELLE	V24 = DAYTONA
D44 = LANCER	K = MINI VAN/CARAVAN/ROYAL	Z = OMNI/CHARGER

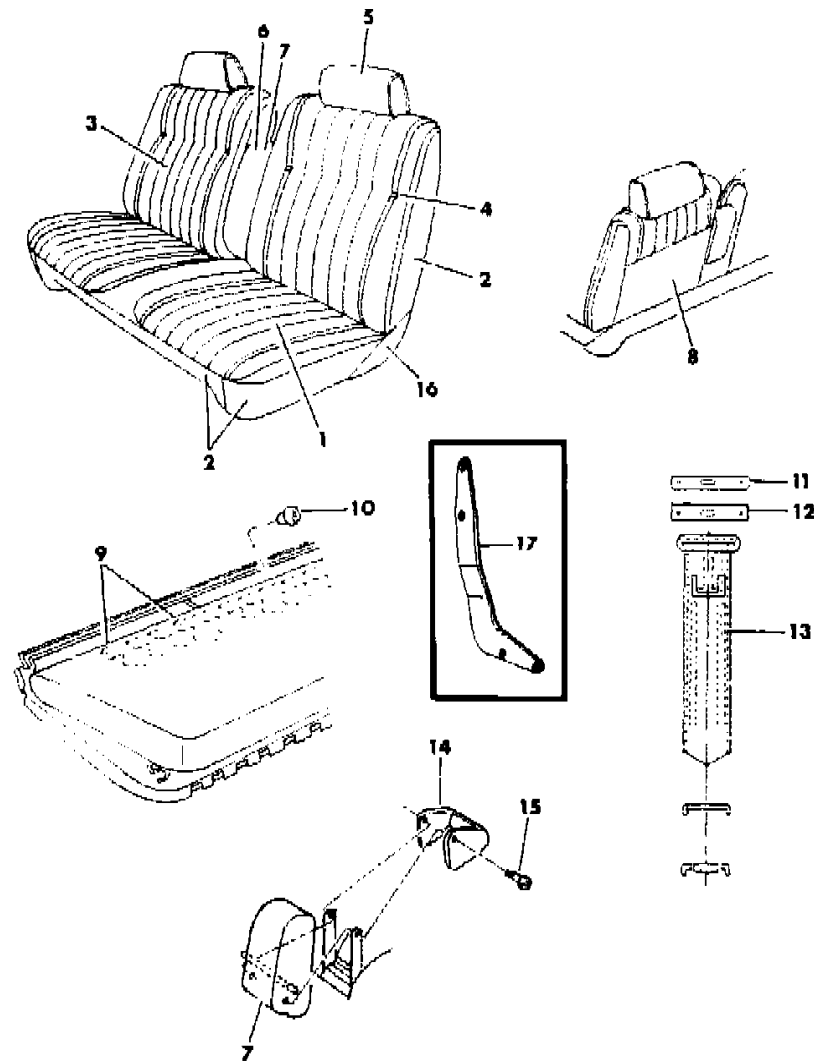
BODY STYLES

21 = 2-DOOR SEDAN	35 = FWD VAN	44 = 4-DOOR HATCHBACK
22 = 2-DOOR SPECIAL COUPE	36 = FWD WAGON	45 = 4-DOOR STATION WAGON
24 = 2-DOOR HATCHBACK	41 = 4-DOOR SEDAN	49 = LIMOUSINE
27 = 2-DOOR CONVERTIBLE		

AR = Use as Required - = Non Illustrated Part P.A.R. = Paint as Required

SEAT FRONT J,E,T E BODY TRIM CODE C4
Figure ITE-1200

5238 1200



ITEM	PART NUMBER	QTY	BODY	MODEL	DESCRIPTION
1-2					CUSHION, w/Spring/Frame, Pad and Cover N N N N Vinyl N N N N
	A786 B4A	1			N N NC4A YA786B4A
	A786 B4M	1			N N NC4M YA786B4M
	A786 D4T	1			N N NC4T YA786D4T
1					COVER, Cushion N N N N Vinyl N N N N
	A410 B4A	1			N N NC4A YA410B4A
	A410 B4M	1			N N NC4M YA410B4M
	A410 D4T	1			N N NC4T YA410D4T
2					ROLL STOCK, Vinyl 64" Wide Order by the Inch N N N N
	R616 AA2	AR			N N NC4A YR616AA2
	R616 VM6	AR			N N NC4M YR616VM6
	R616 DT3	AR			N N NC4T YR616DT3
2-3					BACK, w/Spring/Frame, Pad and Cover N N N N Vinyl N N N N
	A708-9 C4A	1			N N NC4A YA708C4A
	A708-9 C4M	1			N N NC4M YA708C4M
	A708-9 D4T	1			N N NC4T YA708D4T
3					COVER, Back N N N N Vinyl N N N N
	A388-9 C4A	1			N N NC4A YA388C4A
	A388-9 C4M	1			N N NC4M YA388C4M
	A388-9 D4T	1			N N NC4T YA388D4T
4	4316 220	4			BUTTON, Chrome N N N Y4316220
5					HEADREST and COVER N N N N
	S790 AA2	2			N N NC4A YS790AA2
	S790 VM6	2			N N NC4M YS790VM6
	S790 DT3	2			N N NC4T YS790DT3
6					ARMREST and COVER N N N N
	B941 BA2	1			N N NC4A YB941BA2
	B941 BM6	1			N N NC4M YB941BM6
	B941 DT3	1			N N NC4T YB941DT3
7					COVER, Armrest N N N N
	C459 BA2	1			N N NC4A YC459BA2
	C459 BM6	1			N N NC4M YC459BM6
	C459 DT3	1			N N NC4T YC459DT3

MODEL CODES

B = GRAN FURY	E = 600	M = HORIZON/TURISMO
C = LE BARON/TOWN & COUNTRY/LIMO	F = FIFTH AVENUE/NEWPORT	P = RELIANT
C24 = LASER	G = DIPLOMAT	T = NEW YORKER
C44 = LE BARON/GTS	H = VOYAGER	V = 600
D = ARIES	J = CARAVELLE	V24 = DAYTONA
D44 = LANCER	K = MINI VAN/CARAVAN/ROYAL	Z = OMNI/CHARGER

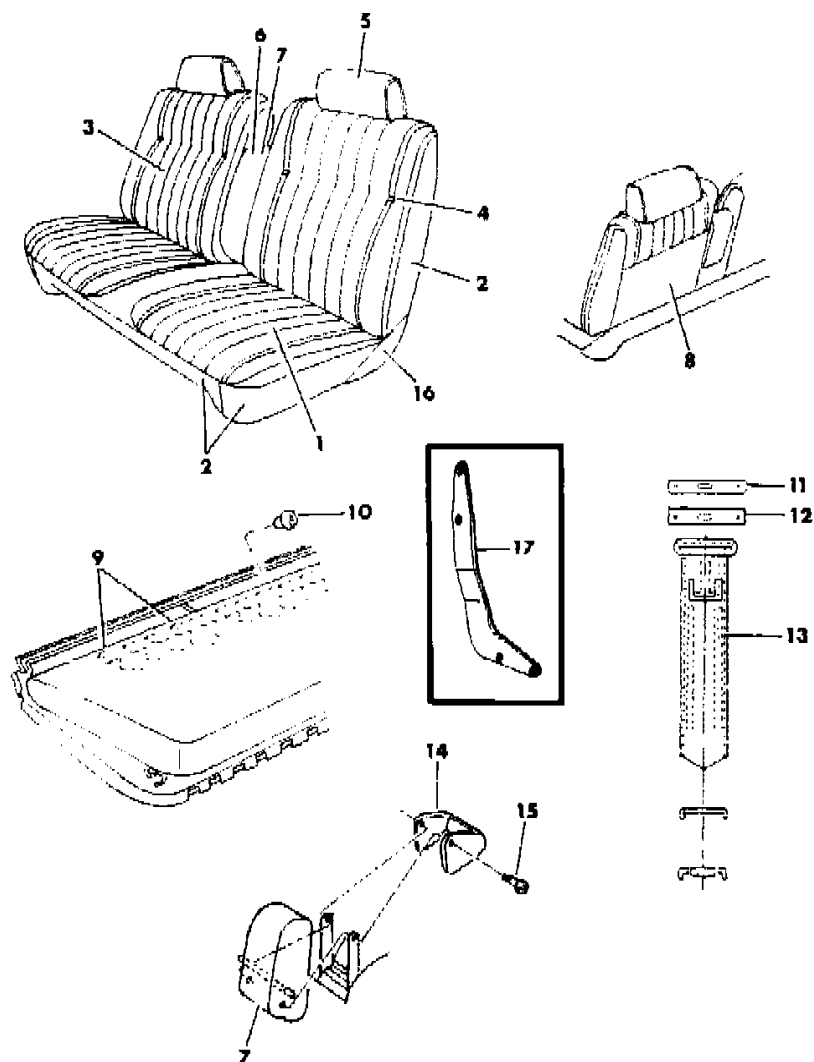
BODY STYLES

21 = 2-DOOR SEDAN	35 = FWD VAN	44 = 4-DOOR HATCHBACK
22 = 2-DOOR SPECIAL COUPE	36 = FWD WAGON	45 = 4-DOOR STATION WAGON
24 = 2-DOOR HATCHBACK	41 = 4-DOOR SEDAN	49 = LIMOUSINE
27 = 2-DOOR CONVERTIBLE		

AR = Use as Required - = Non Illustrated Part P.A.R. = Paint as Required

SEAT FRONT J,E,T E BODY TRIM CODE C4
Figure ITE-1200

5238 1200



ITEM	PART NUMBER	QTY	BODY	MODEL	DESCRIPTION
8	R620 AA2	AR			ROLL STOCK, Vinyl 50" Wide Order by the Inch N N N N
	R620 VM6	AR			N N NC4A YR620AA2
	R620 DT3	AR			N N NC4M YR620VM6
					N N NC4T YR620DT3
9	6008 076	AR			HOG RING N N N Y6008076
10	4277 908	2			BUSHING, Cushion Pivot Bracket N N N Y4277908
11	4190 388	2			COVER, Headrest Finish N N N Y4190388
12	4190 387	2			SUPPORT, Headrest Trim Cover N N N Y4190387
13					SLEEVE, Headrest N N N N
	S786 AA3	2			N N NC4A YS786AA3
	S786 VM6	2			N N NC4M YS786VM6
	S786 DT3	2			N N NC4T YS786DT3
14					COVER, Armrest Finish N N N N
	S581 AA3	1			N N NC4A YS581AA3
	S581 AM6	1			N N NC4M YS581AM6
	S581 DT3	1			N N NC4T YS581DT3
15	6030 082	2			SCREW, Armrest to Stanchion N N N Y6030082
16					SHIELD, Rear Rail N N N N
	S678-9 AA3	1			N N NC4A YS678AA3
	S678-9 AM6	1			N N NC4M YS678AM6
	S678-9 DT3	1			N N NC4T YS678DT3
17	4345 368-9	1			ARM, Front Seat Back to Cushion (Split Back Bench w/Center Armrest) N N N Y4345368
	6100 585	4			SCREW and WASHER N N N Y6100585

MODEL CODES

B = GRAN FURY	E = 600	M = HORIZON/TURISMO
C = LE BARON/TOWN & COUNTRY/LIMO	F = FIFTH AVENUE/NEWPORT	P = RELIANT
C24 = LASER	G = DIPLOMAT	T = NEW YORKER
C44 = LE BARON/GTS	H = VOYAGER	V = 600
D = ARIES	J = CARAVELLE	V24 = DAYTONA
D44 = LANCER	K = MINI VAN/CARAVAN/ROYAL	Z = OMNI/CHARGER

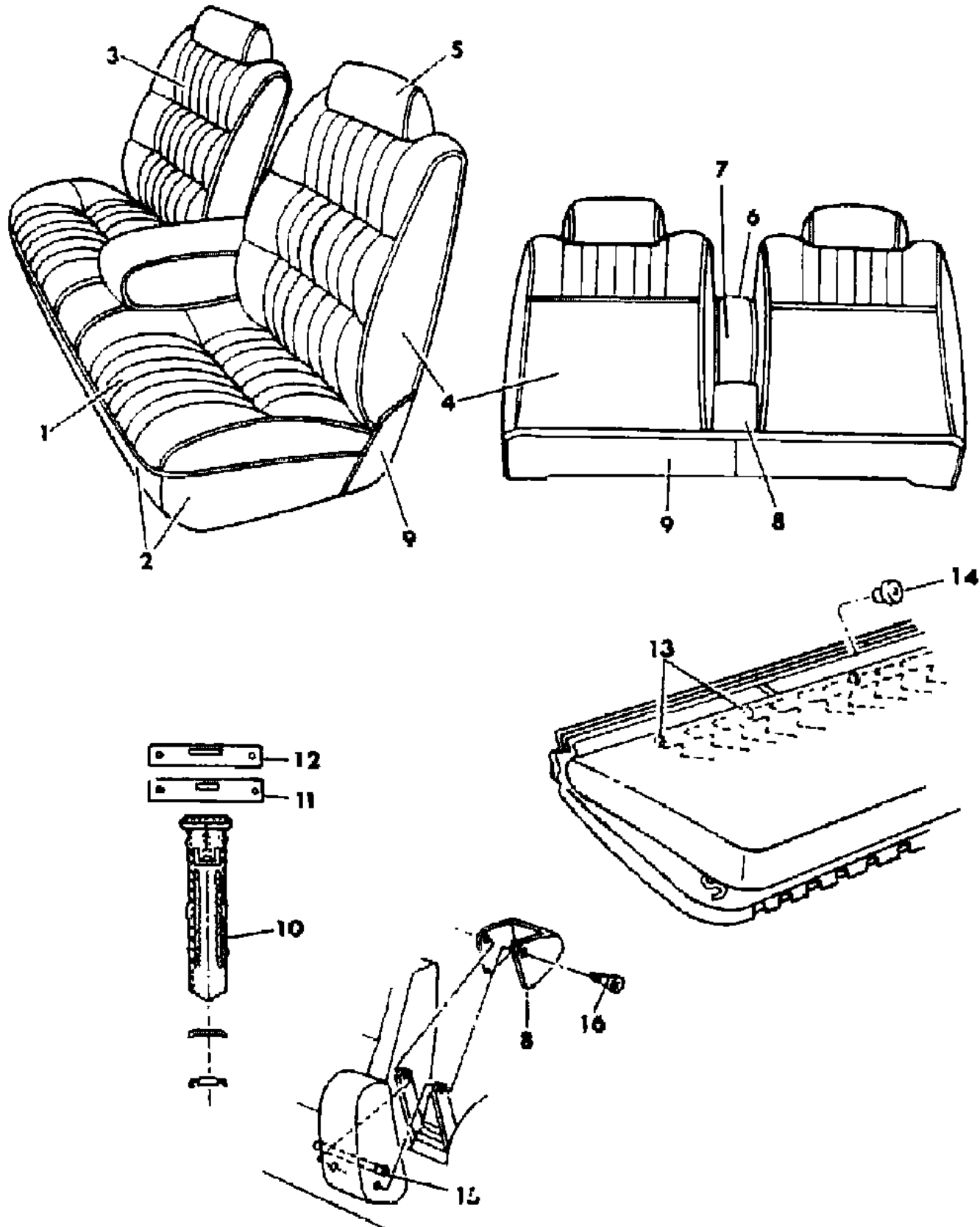
BODY STYLES

21 = 2-DOOR SEDAN	35 = FWD VAN	44 = 4-DOOR HATCHBACK
22 = 2-DOOR SPECIAL COUPE	36 = FWD WAGON	45 = 4-DOOR STATION WAGON
24 = 2-DOOR HATCHBACK	41 = 4-DOOR SEDAN	49 = LIMOUSINE
27 = 2-DOOR CONVERTIBLE		

AR = Use as Required - = Non Illustrated Part P.A.R. = Paint as Required

SEAT FRONT J,E,T E BODY TRIM CODE H3
Figure ITE-1300

5238 1300



ITEM	PART NUMBER	QTY	BODY	MODEL	DESCRIPTION
1-2					CUSHION, w/Spring/Frame, Pad and Cover N N N N
					Cloth N N N N
					(use up to 2/1/85) N N N N
	C618 D3S	1			N N NH3A YC618D3S
	C618 D3C	1			N N NH3C YC618D3C
	C618 C3M	1			N N NH3M YC618C3M
	C618 D3U	1			N N NH3T YC618D3U
					(use after 2/1/85) N N N N
	C735 D3S	1			N N NH3A YC735D3S
	C735 D3C	1			N N NH3C YC735D3C
	C735 D3M	1			N N NH3M YC735D3M
	C735 D3U	1			N N NH3T YC735D3U
1					COVER, Cushion N N N N
					Cloth N N N N
					(use up to 2/1/85) N N N N
	C311 D3S	1			N N NH3A YC311D3S
	C311 D3C	1			N N NH3C YC311D3C
	C311 C3M	1			N N NH3M YC311C3M
	C311 D3U	1			N N NH3T YC311D3U
					(use after 2/1/85) N N N N
	C523 D3S	1			N N NH3A YC523D3S
	C523 D3C	1			N N NH3C YC523D3C
	C523 D3M	1			N N NH3M YC523D3M
	C523 D3U	1			N N NH3T YC523D3U
2					ROLL STOCK, Vinyl 64" Wide Order by the Inch N N N N
	R616 AA2	AR			N N NH3A YR616AA2
	R616 VC8	AR			N N NH3C YR616VC8
	R616 VM6	AR			N N NH3M YR616VM6
	R616 DT3	AR			N N NH3T YR616DT3
2-3					BACK, w/Spring/Frame, Pad and Cover N N N N
					Cloth N N N N
					(use up to 2/1/85) N N N N
	C682-3 D3S	1			N N NH3A YC682D3S
	C682-3 D3C	1			N N NH3C YC682D3C
	C682-3 C3M	1			N N NH3M YC682C3M
	C682-3 D3U	1			N N NH3T YC682D3U
					(use after 2/1/85) N N N N

MODEL CODES

B = GRAN FURY	E = 600	M = HORIZON/TURISMO
C = LE BARON/TOWN & COUNTRY/LIMO	F = FIFTH AVENUE/NEWPORT	P = RELIANT
C24 = LASER	G = DIPLOMAT	T = NEW YORKER
C44 = LE BARON/GTS	H = VOYAGER	V = 600
D = ARIES	J = CARAVELLE	V24 = DAYTONA
D44 = LANCER	K = MINI VAN/CARAVAN/ROYAL	Z = OMNI/CHARGER

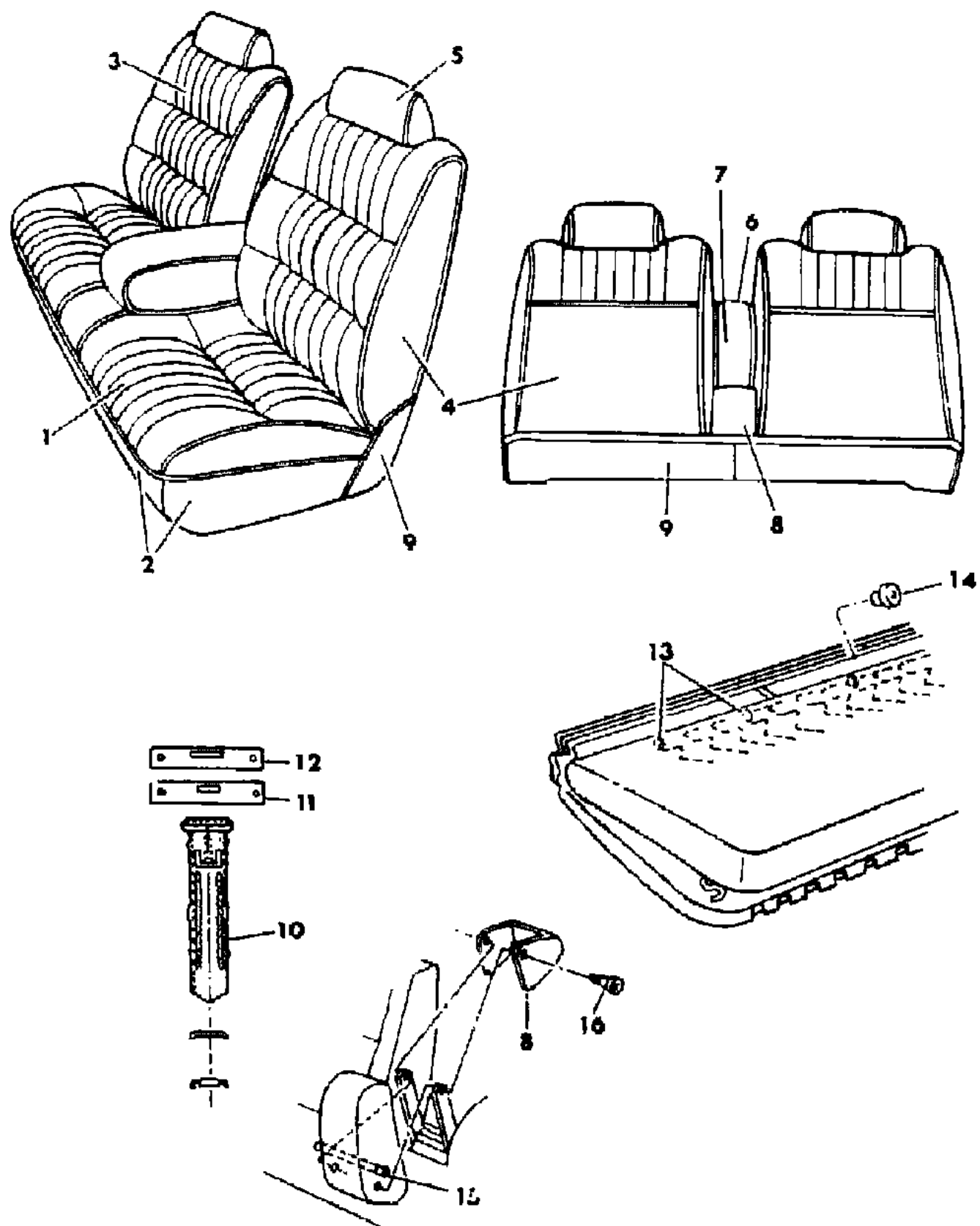
BODY STYLES

21 = 2-DOOR SEDAN	35 = FWD VAN	44 = 4-DOOR HATCHBACK
22 = 2-DOOR SPECIAL COUPE	36 = FWD WAGON	45 = 4-DOOR STATION WAGON
24 = 2-DOOR HATCHBACK	41 = 4-DOOR SEDAN	49 = LIMOUSINE
27 = 2-DOOR CONVERTIBLE		

AR = Use as Required - = Non Illustrated Part P.A.R. = Paint as Required

SEAT FRONT J,E,T E BODY TRIM CODE H3 Figure ITE-1300

5238 1300



ITEM	PART NUMBER	QTY	BODY	MODEL	DESCRIPTION
	C738-9 D3S	1			N N NH3A YC738D3S
	C738-9 D3C	1			N N NH3C YC738D3C
	C738-9 D3M	1			N N NH3M YC738D3M
	C738-9 D3U	1			N N NH3T YC738D3U
3					COVER, Back N N N N Cloth N N N N (use up to 2/1/85) N N N N
	A358-9 D3S	1			N N NH3A YA358D3S
	A358-9 D3C	1			N N NH3C YA358D3C
	A358-9 C3M	1			N N NH3M YA358C3M
	A358-9 D3U	1			N N NH3T YA358D3U (use after 2/1/85) N N N N
	C524-5 D3S	1			N N NH3A YC524D3S
	C524-5 D3C	1			N N NH3C YC524D3C
	C524-5 D3M	1			N N NH3M YC524D3M
	C524-5 D3U	1			N N NH3T YC524D3U
4					ROLL STOCK, Cloth 54" Wide Order by the Inch N N N N (use up to 2/1/85) N N N N
	R092 CS8	AR			N N NH3A YR092CS8
	R092 VC7	AR			N N NH3C YR092VC7
	R092 VM6	AR			N N NH3M YR092VM6
	R092 DT3	AR			N N NH3T YR092DT3 59" Wide (use after 2/1/85) N N N N
	R026 BA3	AR			N N NH3A YR026BA3
	R026 DC7	AR			N N NH3C YR026DC7
	R026 DM6	AR			N N NH3M YR026DM6
	R026 DT3	AR			N N NH3T YR026DT3
5					HEADREST and COVER N N N N (use up to 2/1/85) N N N N
	B995 DAP	2			N N NH3A YB995DAP
	B995 DC7	2			N N NH3C YB995DC7
	B995 CM6	2			N N NH3M YB995CM6
	B995 DTU	2			N N NH3T YB995DTU
	C741 DAP	2			N N NH3A YC741DAP
	C741 DC7	2			N N NH3C YC741DC7
	C741 DM6	2			N N NH3M YC741DM6

MODEL CODES

B = GRAN FURY	E = 600	M = HORIZON/TURISMO
C = LE BARON/TOWN & COUNTRY/LIMO	F = FIFTH AVENUE/NEWPORT	P = RELIANT
C24 = LASER	G = DIPLOMAT	T = NEW YORKER
C44 = LE BARON/GTS	H = VOYAGER	V = 600
D = ARIES	J = CARAVELLE	V24 = DAYTONA
D44 = LANCER	K = MINI VAN/CARAVAN/ROYAL	Z = OMNI/CHARGER

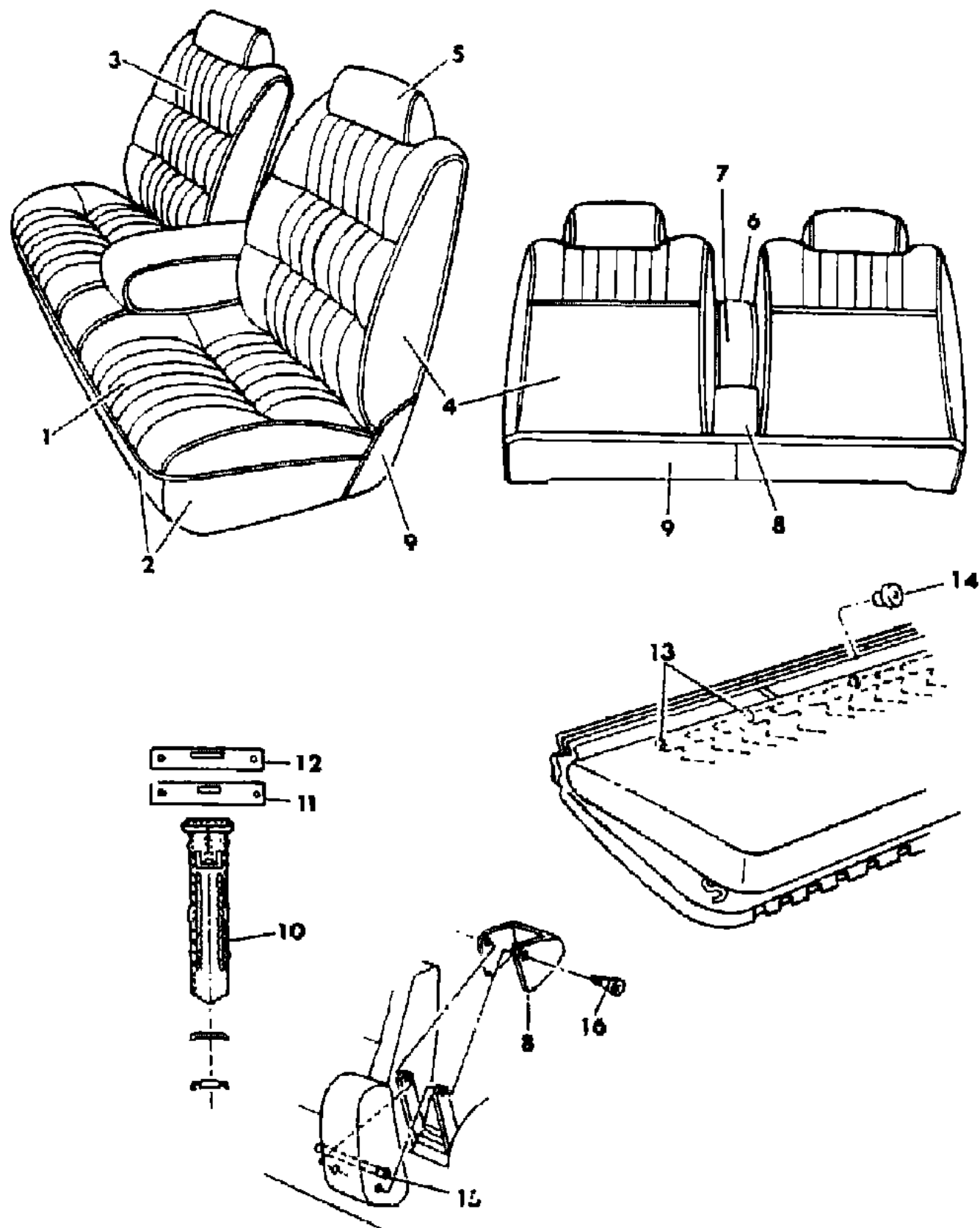
BODY STYLES

21 = 2-DOOR SEDAN	35 = FWD VAN	44 = 4-DOOR HATCHBACK
22 = 2-DOOR SPECIAL COUPE	36 = FWD WAGON	45 = 4-DOOR STATION WAGON
24 = 2-DOOR HATCHBACK	41 = 4-DOOR SEDAN	49 = LIMOUSINE
27 = 2-DOOR CONVERTIBLE		

AR = Use as Required - = Non Illustrated Part P.A.R. = Paint as Required

SEAT FRONT J,E,T E BODY TRIM CODE H3
Figure ITE-1300

5238 1300



ITEM	PART NUMBER	QTY	BODY	MODEL	DESCRIPTION
	C741 DTU	2			N N NH3T YC741DTU COVER, Headrest N N N N (use up to 2/1/85) N N N N
	C365 DAP	2			N N NH3A YC365DAP
	C365 DC7	2			N N NH3C YC365DC7
	C365 CM6	2			N N NH3M YC365CM6
	C365 DT3	2			N N NH3T YC365DT3 (use after 2/1/85) N N N N
	C527 DAP	2			N N NH3A YC527DAP
	C527 DC7	2			N N NH3C YC527DC7
	C527 DM6	2			N N NH3M YC527DM6
	C527 DTU	2			N N NH3T YC527DTU
6					ARMREST and COVER N N N N (use up to 2/1/85) N N N N
	C621 DA3	1			N N NH3A YC621DA3
	C621 CC7	1			N N NH3C YC621CC7
	C621 CM6	1			N N NH3M YC621CM6
	C621 DT3	1			N N NH3T YC621DT3 (use after 2/1/85) N N N N
	C740 DA3	1			N N NH3A YC740DA3
	C740 DC7	1			N N NH3C YC740DC7
	C740 DM6	1			N N NH3M YC740DM6
	C740 DT3	1			N N NH3T YC740DT3
7					COVER, Armrest N N N N (use up to 2/1/85) N N N N
	C314 DA3	1			N N NH3A YC314DA3
	C314 CC7	1			N N NH3C YC314CC7
	C314 CM6	1			N N NH3M YC314CM6
	C314 DT3	1			N N NH3T YC314DT3 (use after 2/1/85) N N N N
	C514 DA3	1			N N NH3A YC514DA3
	C514 DC7	1			N N NH3C YC514DC7
	C514 DM6	1			N N NH3M YC514DM6
	C514 DT3	1			N N NH3T YC514DT3
8					COVER, Armrest Finish N N N N
	S581 AA3	1			N N NH3A YS581AA3
	S581 AC7	1			N N NH3C YS581AC7

MODEL CODES

B = GRAN FURY	E = 600	M = HORIZON/TURISMO
C = LE BARON/TOWN & COUNTRY/LIMO	F = FIFTH AVENUE/NEWPORT	P = RELIANT
C24 = LASER	G = DIPLOMAT	T = NEW YORKER
C44 = LE BARON/GTS	H = VOYAGER	V = 600
D = ARIES	J = CARAVELLE	V24 = DAYTONA
D44 = LANCER	K = MINI VAN/CARAVAN/ROYAL	Z = OMNI/CHARGER

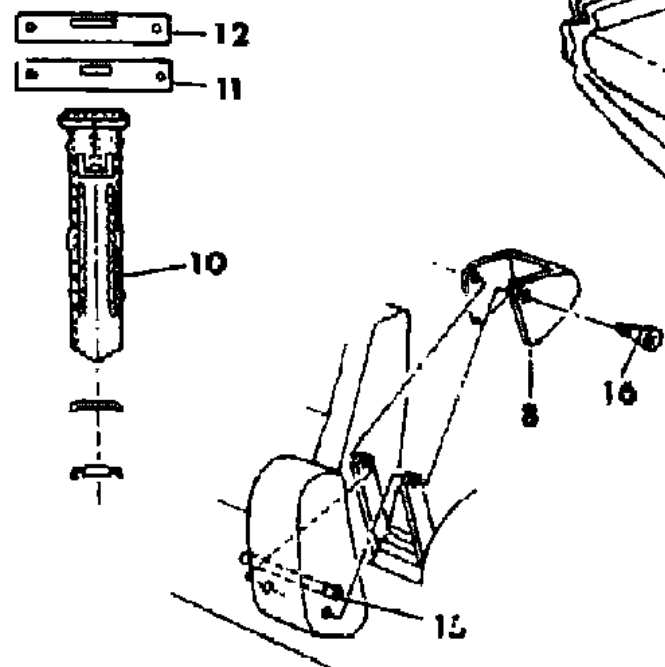
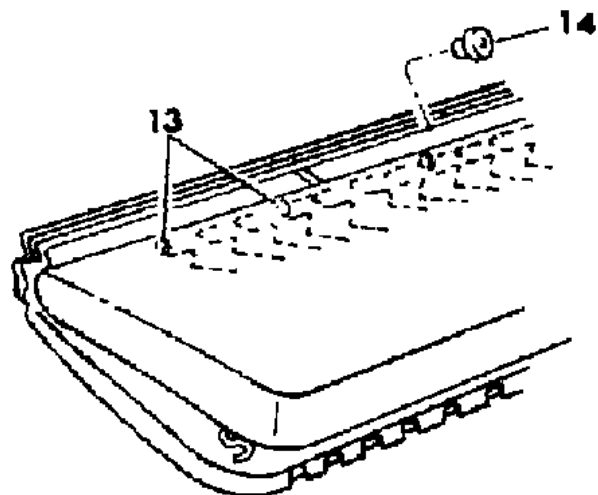
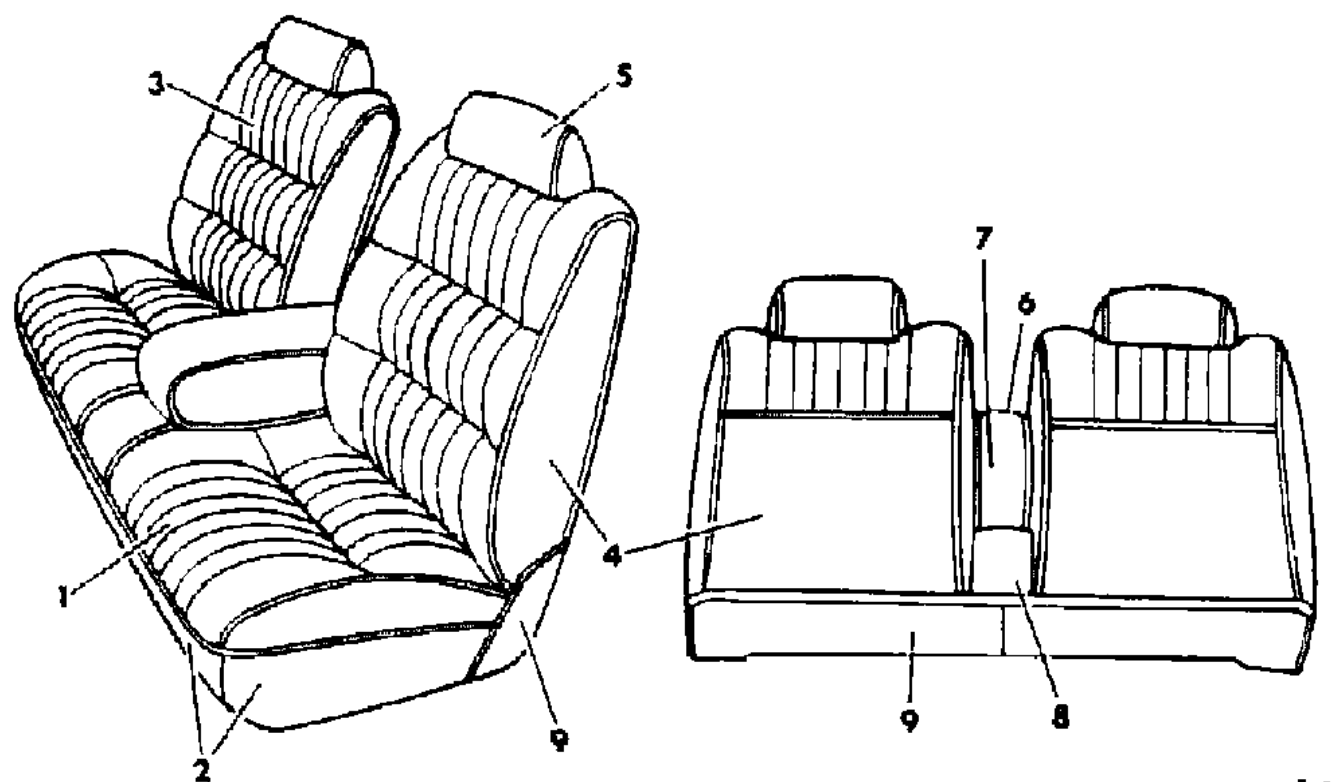
BODY STYLES

21 = 2-DOOR SEDAN	35 = FWD VAN	44 = 4-DOOR HATCHBACK
22 = 2-DOOR SPECIAL COUPE	36 = FWD WAGON	45 = 4-DOOR STATION WAGON
24 = 2-DOOR HATCHBACK	41 = 4-DOOR SEDAN	49 = LIMOUSINE
27 = 2-DOOR CONVERTIBLE		

AR = Use as Required - = Non Illustrated Part P.A.R. = Paint as Required

SEAT FRONT J,E,T E BODY TRIM CODE H3
Figure ITE-1300

5238 1300



ITEM	PART NUMBER	QTY	BODY	MODEL	DESCRIPTION
	S581 AM6	1			N N NH3M YS581AM6
	S581 DT3	1			N N NH3T YS581DT3
9					SHIELD, Cushion Rear Rail N N N N
	S678-9 CS8	1			N N NH3A YS678CS8
	S678-9 AC7	1			N N NH3C YS678AC7
	S678-9 AM6	1			N N NH3M YS678AM6
	S678-9 DT3	1			N N NH3T YS678DT3
10					SLEEVE, Headrest N N N N
	S786 AA3	2			Silver N N N YS786AA3
	S786 AC7	2			Blue N N N YS786AC7
	S786 VM6	2			Red N N N YS786VM6
	S786 DT3	2			Tan N N N YS786DT3
11	4190 387	2			SUPPORT, Headrest N N N Y4190387
12	4190 388	2			COVER, Headrest Finish N N N Y4190388
13	6008 076	AR			HOG RING N N N Y6008076
14	4277 908	1			BUSHING, Pivot N N N Y4277908
15	4239 076	1			ROD, Armrest Lock N N N Y4239076
	6006 324	1			NUT, Armrest Lock Rod N N N Y6006324
16	6030 082	2			SCREW, Armrest to Stanchion N N N Y6030082

MODEL CODES

B = GRAN FURY	E = 600	M = HORIZON/TURISMO
C = LE BARON/TOWN & COUNTRY/LIMO	F = FIFTH AVENUE/NEWPORT	P = RELIANT
C24 = LASER	G = DIPLOMAT	T = NEW YORKER
C44 = LE BARON/GTS	H = VOYAGER	V = 600
D = ARIES	J = CARAVELLE	V24 = DAYTONA
D44 = LANCER	K = MINI VAN/CARAVAN/ROYAL	Z = OMNI/CHARGER

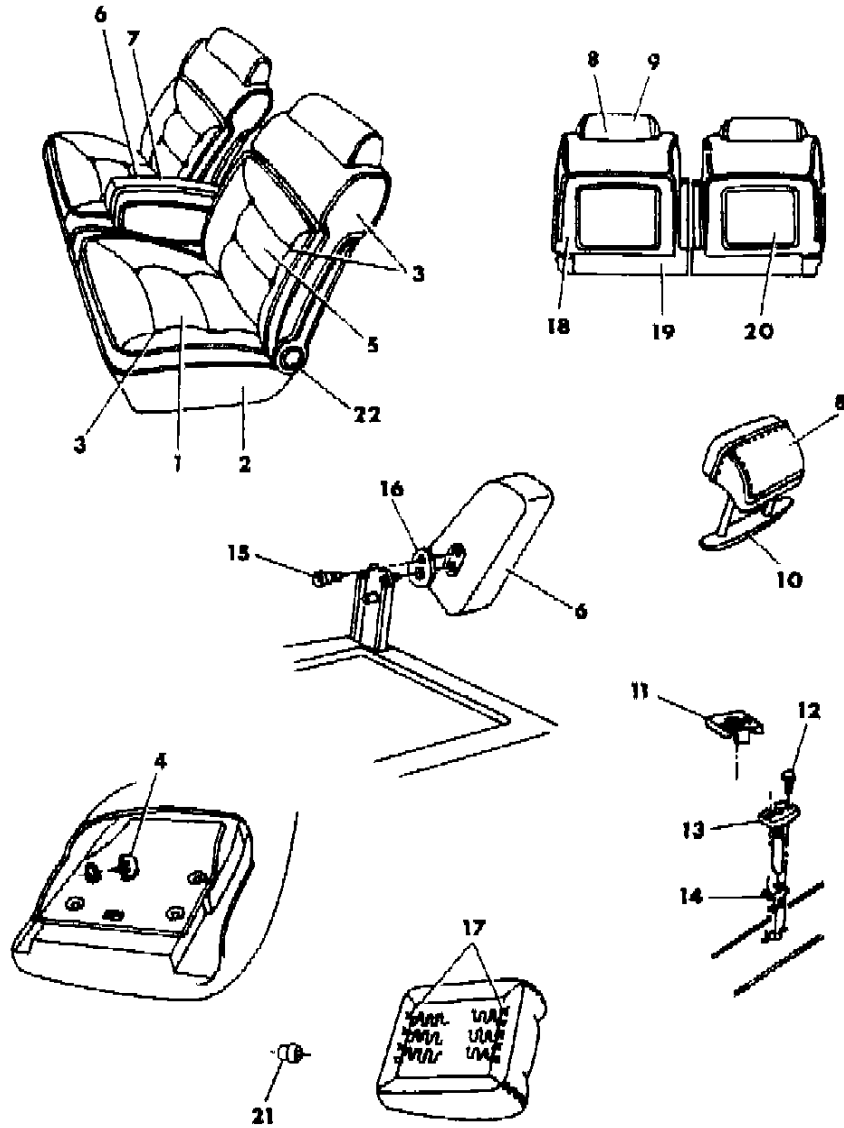
BODY STYLES

21 = 2-DOOR SEDAN	35 = FWD VAN	44 = 4-DOOR HATCHBACK
22 = 2-DOOR SPECIAL COUPE	36 = FWD WAGON	45 = 4-DOOR STATION WAGON
24 = 2-DOOR HATCHBACK	41 = 4-DOOR SEDAN	49 = LIMOUSINE
27 = 2-DOOR CONVERTIBLE		

AR = Use as Required - = Non Illustrated Part P.A.R. = Paint as Required

SEAT FRONT J,E,T E BODY TRIM CODE PF
Figure ITE-1400

5238 1400



ITEM	PART NUMBER	QTY	BODY	MODEL	DESCRIPTION
1-2					CUSHION, w/Spring/Frame, Pad and Cover N N N N Cloth N N N N
	A772-3 DFA	1			N N NPFA YA772DFA
	A772-3 DFC	1			N N NPFC YA772DFC
	A772-3 DFM	1			N N NPFM YA772DFM
	A772-3 DFT	1			N N NPFT YA772DFT
1					COVER, w/Carpet Cushion N N N N Cloth N N N N
	A548-9 DFA	1			N N NPFA YA548DFA
	A548-9 DFC	1			N N NPFC YA548DFC
	A548-9 DFM	1			N N NPFM YA548DFM
	A548-9 DFT	1			N N NPFT YA548DFT
2					ROLL STOCK, Cloth 54" Wide Order by the Inch N N N N
	R021 DA4	AR			N N NPFA YR021DA4
	R021 DC8	AR			N N NPFC YR021DC8
	R021 CM6	AR			N N NPFM YR021CM6
	R021 DT3	AR			N N NPFT YR021DT3
3					BUTTON, Cushion and Back N N N N
	G396 DAS	AR			N N NPFA YG396DAS
	G396 DCC	AR			N N NPFC YG396DCC
	G396 DMM	AR			N N NPFM YG396DMM
	G396 DTT	AR			N N NPFT YG396DTT
	6032 359	AR			RETAINER, Button N N N Y6032359
4	4018 167	AR			WASHER, Button N N N Y4018167
5-6					BACK, w/Spring/Frame, Pad and Cover N N N N Cloth N N N N
	A774-5 DFA	1			N N NPFA YA774DFA
	A774-5 DFC	1			N N NPFC YA774DFC
	A774-5 DFM	1			N N NPFM YA774DFM
	A774-5 DFT	1			N N NPFT YA774DFT
5					COVER, Back N N N N Cloth N N N N
	A550-1 DFA	1			N N NPFA YA550DFA
	A550-1 DFC	1			N N NPFC YA550DFC
	A550-1 DFM	1			N N NPFM YA550DFM
	A550-1 DFT	1			N N NPFT YA550DFT
6					ARMREST and COVER (passenger and drivers seat) N N N N

MODEL CODES

B = GRAN FURY	E = 600	M = HORIZON/TURISMO
C = LE BARON/TOWN & COUNTRY/LIMO	F = FIFTH AVENUE/NEWPORT	P = RELIANT
C24 = LASER	G = DIPLOMAT	T = NEW YORKER
C44 = LE BARON/GTS	H = VOYAGER	V = 600
D = ARIES	J = CARAVELLE	V24 = DAYTONA
D44 = LANCER	K = MINI VAN/CARAVAN/ROYAL	Z = OMNI/CHARGER

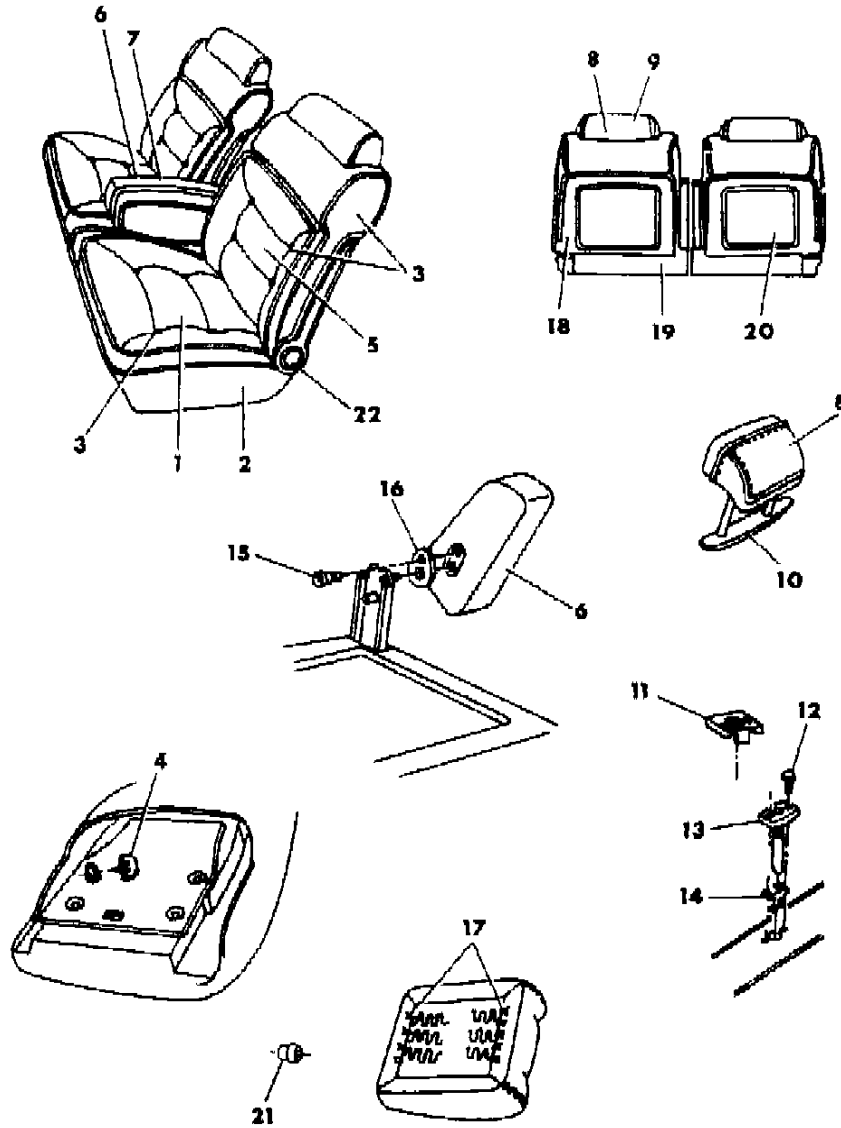
BODY STYLES

21 = 2-DOOR SEDAN	35 = FWD VAN	44 = 4-DOOR HATCHBACK
22 = 2-DOOR SPECIAL COUPE	36 = FWD WAGON	45 = 4-DOOR STATION WAGON
24 = 2-DOOR HATCHBACK	41 = 4-DOOR SEDAN	49 = LIMOUSINE
27 = 2-DOOR CONVERTIBLE		

AR = Use as Required - = Non Illustrated Part P.A.R. = Paint as Required

SEAT FRONT J,E,T E BODY TRIM CODE PF
Figure ITE-1400

5238 1400



ITEM	PART NUMBER	QTY	BODY	MODEL	DESCRIPTION
	A738 DA4	2			N N NPFA YA738DA4
	A738 DC8	2			N N NPFC YA738DC8
	A738 DM6	2			N N NPFM YA738DM6
	A738 DT3	2			N N NPFT YA738DT3
7					COVER, Armrest (passenger and driver seat) N N N N
	A555 DA4	2			N N NPFA YA555DA4
	A555 DC8	2			N N NPFC YA555DC8
	A555 DM6	2			N N NPFM YA555DM6
	A555 DT3	2			N N NPFT YA555DT3
8					HEADREST and COVER N N N N
	A768 DA4	2			N N NPFA YA768DA4
	A768 DC8	2			N N NPFC YA768DC8
	A768 DM6	2			N N NPFM YA768DM6
	A768 DT3	2			N N NPFT YA768DT3
9					COVER, Headrest N N N N
	A554 DA4	2			N N NPFA YA554DA4
	A554 DC8	2			N N NPFC YA554DC8
	A554 DM6	2			N N NPFM YA554DM6
	A554 DT3	2			N N NPFT YA554DT3
10	4018 808	2			COVER, Headrest Finish N N N Y4018808
11	4138 140	4			SPACER, Headrest N N N Y4138140
12		AR			SCREW (not serviced) N N N N
13					SLEEVE, Headrest N N N N
	S690 AA3	4			N N NPFA YS690AA3
	S690 SC7	4			N N NPFC YS690SC7
	S690 TM6	4			N N NPFM YS690TM6
	S690 DT3	4			N N NPFT YS690DT3
14	4098 965	4			CATCH, Headrest Post N N N Y4098965
15	6032 567	AR			BOLT, Shoulder N N N Y6032567
16	4290 871	AR			SPACER, Armrest N N N Y4290871
17	6008 076	AR			HOG RING N N N Y6008076
18					SHIELD, w/Finish Plate Front Seat Back (paint as required) N N N N
	S748-9 DT3	1			N N N YS748DT3
19					CARPET (serviced in item 1) N N N N
20					COVER, Back Pocket N N N N
	S744-5 DA4	1			N N NPFA YS744DA4

MODEL CODES

B = GRAN FURY	E = 600	M = HORIZON/TURISMO
C = LE BARON/TOWN & COUNTRY/LIMO	F = FIFTH AVENUE/NEWPORT	P = RELIANT
C24 = LASER	G = DIPLOMAT	T = NEW YORKER
C44 = LE BARON/GTS	H = VOYAGER	V = 600
D = ARIES	J = CARAVELLE	V24 = DAYTONA
D44 = LANCER	K = MINI VAN/CARAVAN/ROYAL	Z = OMNI/CHARGER

BODY STYLES

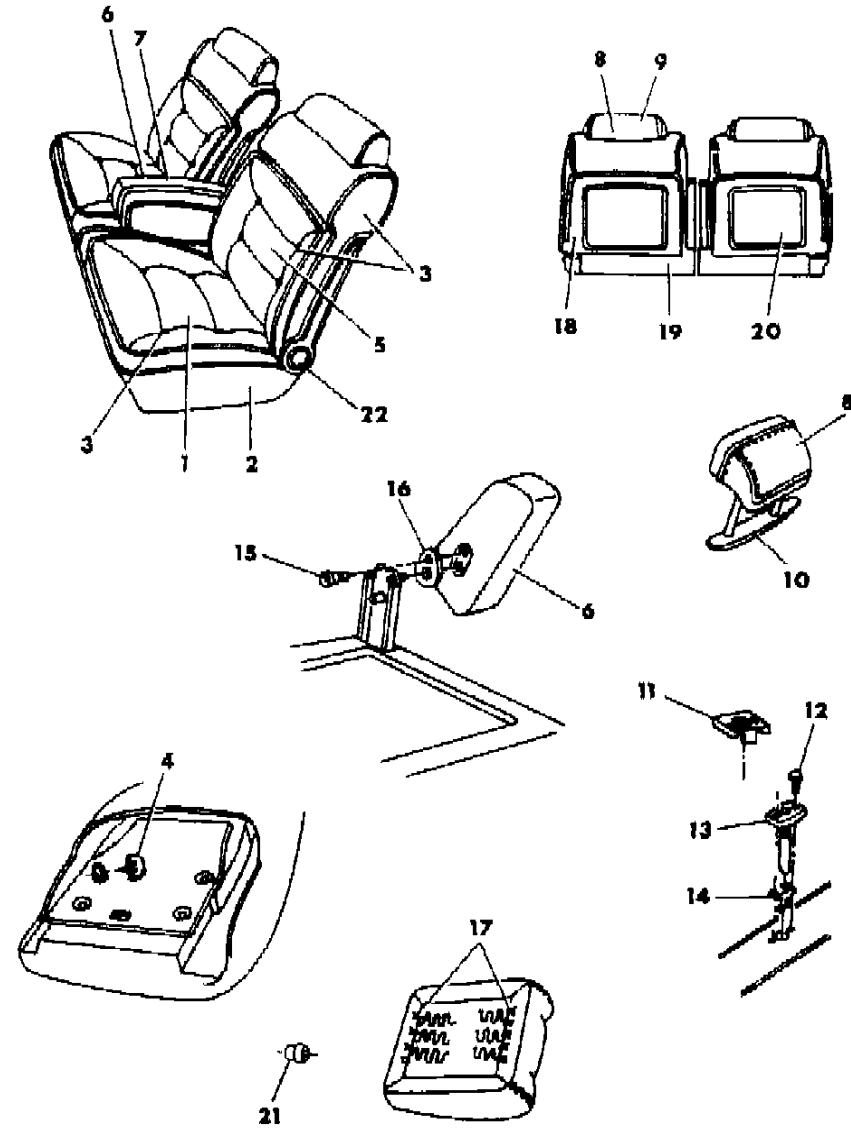
21 = 2-DOOR SEDAN	35 = FWD VAN	44 = 4-DOOR HATCHBACK
22 = 2-DOOR SPECIAL COUPE	36 = FWD WAGON	45 = 4-DOOR STATION WAGON
24 = 2-DOOR HATCHBACK	41 = 4-DOOR SEDAN	49 = LIMOUSINE
27 = 2-DOOR CONVERTIBLE		

AR = Use as Required - = Non Illustrated Part P.A.R. = Paint as Required

SEAT FRONT J,E,T E BODY TRIM CODE PF
Figure ITE-1400

5238 1400

ITEM	PART NUMBER	QTY	BODY	MODEL	DESCRIPTION
	S744-5 DC8	1			N N NPFC YS744DC8
	S744-5 DM6	1			N N NPFM YS744DM6
	S744-5 DT3	1			N N NPFT YS744DT3
					BOLT, Pocket Attaching (8-32x.780) (not serviced) N N N N
21	4190 488	1			BUSHING, Inner Pivot Pin Right Only N N N Y4190488
22	4277 670	2			PLATE, Shield N N N Y4277670



MODEL CODES

B = GRAN FURY	E = 600	M = HORIZON/TURISMO
C = LE BARON/TOWN & COUNTRY/LIMO	F = FIFTH AVENUE/NEWPORT	P = RELIANT
C24 = LASER	G = DIPLOMAT	T = NEW YORKER
C44 = LE BARON/GTS	H = VOYAGER	V = 600
D = ARIES	J = CARAVELLE	V24 = DAYTONA
D44 = LANCER	K = MINI VAN/CARAVAN/ROYAL	Z = OMNI/CHARGER

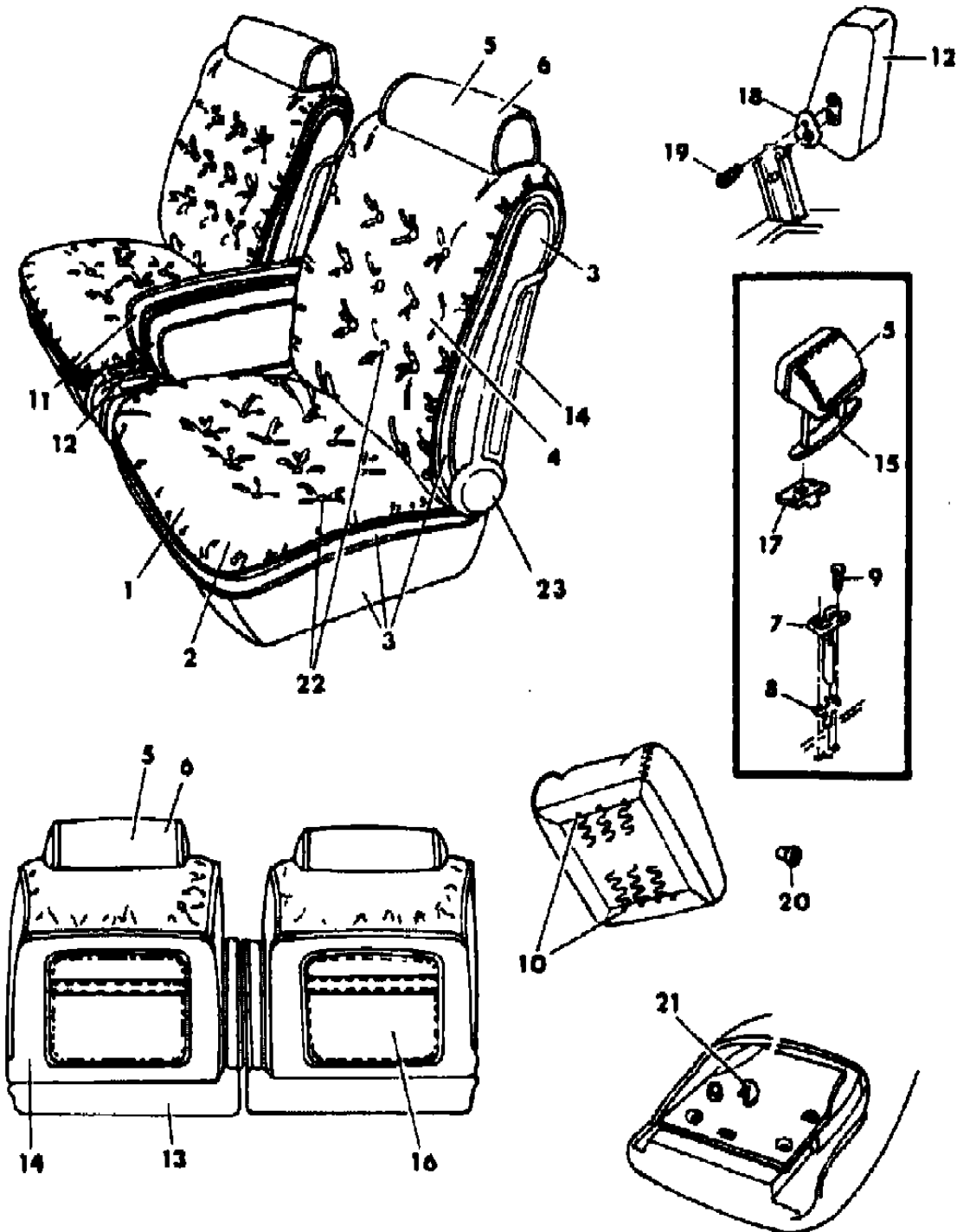
BODY STYLES

21 = 2-DOOR SEDAN	35 = FWD VAN	44 = 4-DOOR HATCHBACK
22 = 2-DOOR SPECIAL COUPE	36 = FWD WAGON	45 = 4-DOOR STATION WAGON
24 = 2-DOOR HATCHBACK	41 = 4-DOOR SEDAN	49 = LIMOUSINE
27 = 2-DOOR CONVERTIBLE		

AR = Use as Required - = Non Illustrated Part P.A.R. = Paint as Required

SEAT FRONT J,E,T E BODY TRIM CODE LP
Figure ITE-1500

5236 1500 A



ITEM	PART NUMBER	QTY	BODY	MODEL	DESCRIPTION
1-3					CUSHION, w/Spring/Frame, Pad and Cover N N N N Leather N N N N
	A882-3 CPS	1			N N NLPS YA882CPS
	A882-3 CPC	1			N N NLPC YA882CPC
	A882-3 CPM	1			N N NLPM YA882CPM
	A882-3 DPU	1			N N NLPT3 YA882DPU
	A882-3 CPT	1			N N NLPT8 YA882CPT
2					COVER, Cushion N N N N Leather N N N N
	A484-5 CPS	1			N N NLPS YA484CPS
	A484-5 CPC	1			N N NLPC YA484CPC
	A484-5 CPM	1			N N NLPM YA484CPM
	A484-5 DPU	1			N N NLPT3 YA484DPU
	A484-5 CPT	1			N N NLPT8 YA484CPT
3					ROLL STOCK, Vinyl 54" Wide Order by the Inch N N N N
	R627 CS8	AR			N N NLPS YR627CS8
	R627 AC8	AR			N N NLPC YR627AC8
	R627 AM6	AR			N N NLPM YR627AM6
	R627 DT3	AR			N N NLPT3 YR627DT3
	R627 BT8	AR			N N NLPT8 YR627BT8
3-4					BACK, w/Spring/Frame, Pad and Cover N N N N Leather N N N N
	A886-7 CPS	1			N N NLPS YA886CPS
	A886-7 CPC	1			N N NLPC YA886CPC
	A886-7 CPM	1			N N NLPM YA886CPM
	A886-7 DPU	1			N N NLPT3 YA886DPU
	A886-7 CPT	1			N N NLPT8 YA886CPT
4					COVER, Back N N N N Leather N N N N
	A486-7 CPS	1			N N NLPS YA486CPS
	A486-7 CPC	1			N N NLPC YA486CPC
	A486-7 CPM	1			N N NLPM YA486CPM
	A486-7 DPU	1			N N NLPT3 YA486DPU
	A486-7 CPT	1			N N NLPT8 YA486CPT
5					HEADREST and COVER N N N N
	A758 CS8	2			N N NLPS YA758CS8
	A758 BC8	2			N N NLPC YA758BC8

MODEL CODES

B = GRAN FURY	E = 600	M = HORIZON/TURISMO
C = LE BARON/TOWN & COUNTRY/LIMO	F = FIFTH AVENUE/NEWPORT	P = RELIANT
C24 = LASER	G = DIPLOMAT	T = NEW YORKER
C44 = LE BARON/GTS	H = VOYAGER	V = 600
D = ARIES	J = CARAVELLE	V24 = DAYTONA
D44 = LANCER	K = MINI VAN/CARAVAN/ROYAL	Z = OMNI/CHARGER

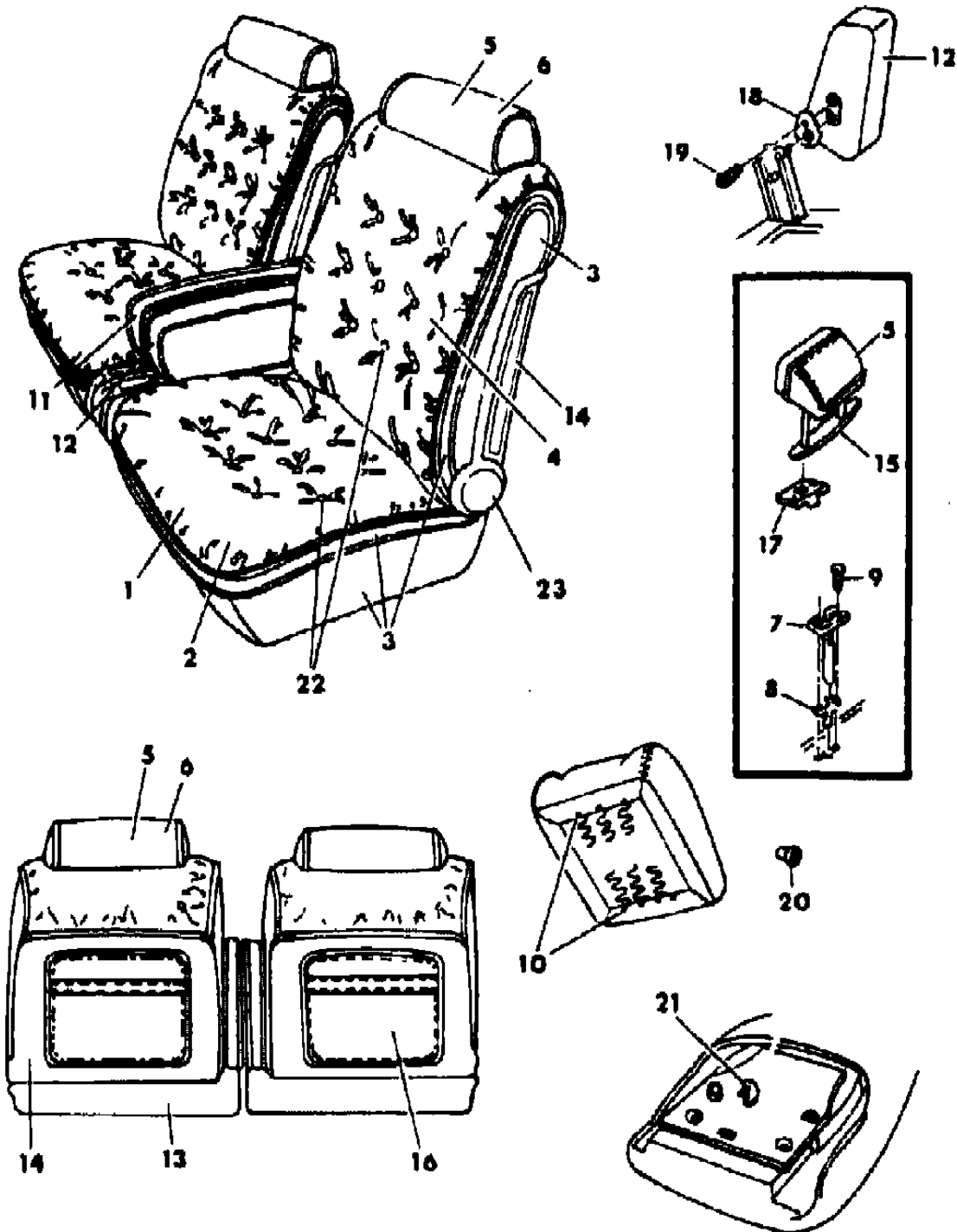
BODY STYLES

21 = 2-DOOR SEDAN	35 = FWD VAN	44 = 4-DOOR HATCHBACK
22 = 2-DOOR SPECIAL COUPE	36 = FWD WAGON	45 = 4-DOOR STATION WAGON
24 = 2-DOOR HATCHBACK	41 = 4-DOOR SEDAN	49 = LIMOUSINE
27 = 2-DOOR CONVERTIBLE		

AR = Use as Required - = Non Illustrated Part P.A.R. = Paint as Required

SEAT FRONT J,E,T E BODY TRIM CODE LP
Figure ITE-1500

3238 1500 A



ITEM	PART NUMBER	QTY	BODY	MODEL	DESCRIPTION
	A758 BM6	2			N N NLPM YA758BM6
	A758 DT3	2			N N NLPT3 YA758DT3
	A758 BT8	2			N N NLPT8 YA758BT8
6					COVER, Headrest N N N N
	A448 CS8	2			N N NLPS YA448CS8
	A448 BC8	2			N N NLPC YA448BC8
	A448 BM6	2			N N NLPM YA448BM6
	A448 DT3	2			N N NLPT3 YA448DT3
	A448 BT8	2			N N NLPT8 YA448BT8
7					SLEEVE, Headrest N N N N
	S690 CS8	4			N N NLPS YS690CS8
	S690 SC7	4			N N NLPC YS690SC7
	S690 TM6	4			N N NLPM YS690TM6
	S690 DT3	4			N N NLPT3 YS690DT3
	S690 BT8	4			N N NLPT8 YS690BT8
8	4098 965	4			CATCH, Headrest Post N N N Y4098965
9		AR			SCREW (not serviced) N N N N
10	6008 076	AR			HOG RING N N N Y6008076
11					ARMREST and COVER (passenger and driver seat) N N N N
	A903 CS8	2			N N NLPS YA903CS8
	A903 CC8	2			N N NLPC YA903CC8
	A903 CM6	2			N N NLPM YA903CM6
	A903 DT3	2			N N NLPT3 YA903DT3
	A903 CT8	2			N N NLPT8 YA903CT8
12					COVER, Armrest (passenger and driver seat) N N N N
	A493 CS8	2			N N NLPS YA493CS8
	A493 CC8	2			N N NLPC YA493CC8
	A493 CM6	2			N N NLPM YA493CM6
	A493 DT3	2			N N NLPT3 YA493DT3
	A493 CT8	2			N N NLPT8 YA493CT8
13					CARPET (serviced in item 2) N N N N
14	S748-9 DT3	1			SHIELD, w/Finish Plate Front Seat Back (paint as required) N N N YS748DT3
15	4018 808	2			COVER, Headrest Finish N N N Y4018808
16					COVER, Back Pocket N N N N
	S714-5 CS8	1			N N NLPS YS714CS8
	S714-5 BC8	1			N N NLPC YS714BC8

MODEL CODES

B = GRAN FURY	E = 600	M = HORIZON/TURISMO
C = LE BARON/TOWN & COUNTRY/LIMO	F = FIFTH AVENUE/NEWPORT	P = RELIANT
C24 = LASER	G = DIPLOMAT	T = NEW YORKER
C44 = LE BARON/GTS	H = VOYAGER	V = 600
D = ARIES	J = CARAVELLE	V24 = DAYTONA
D44 = LANCER	K = MINI VAN/CARAVAN/ROYAL	Z = OMNI/CHARGER

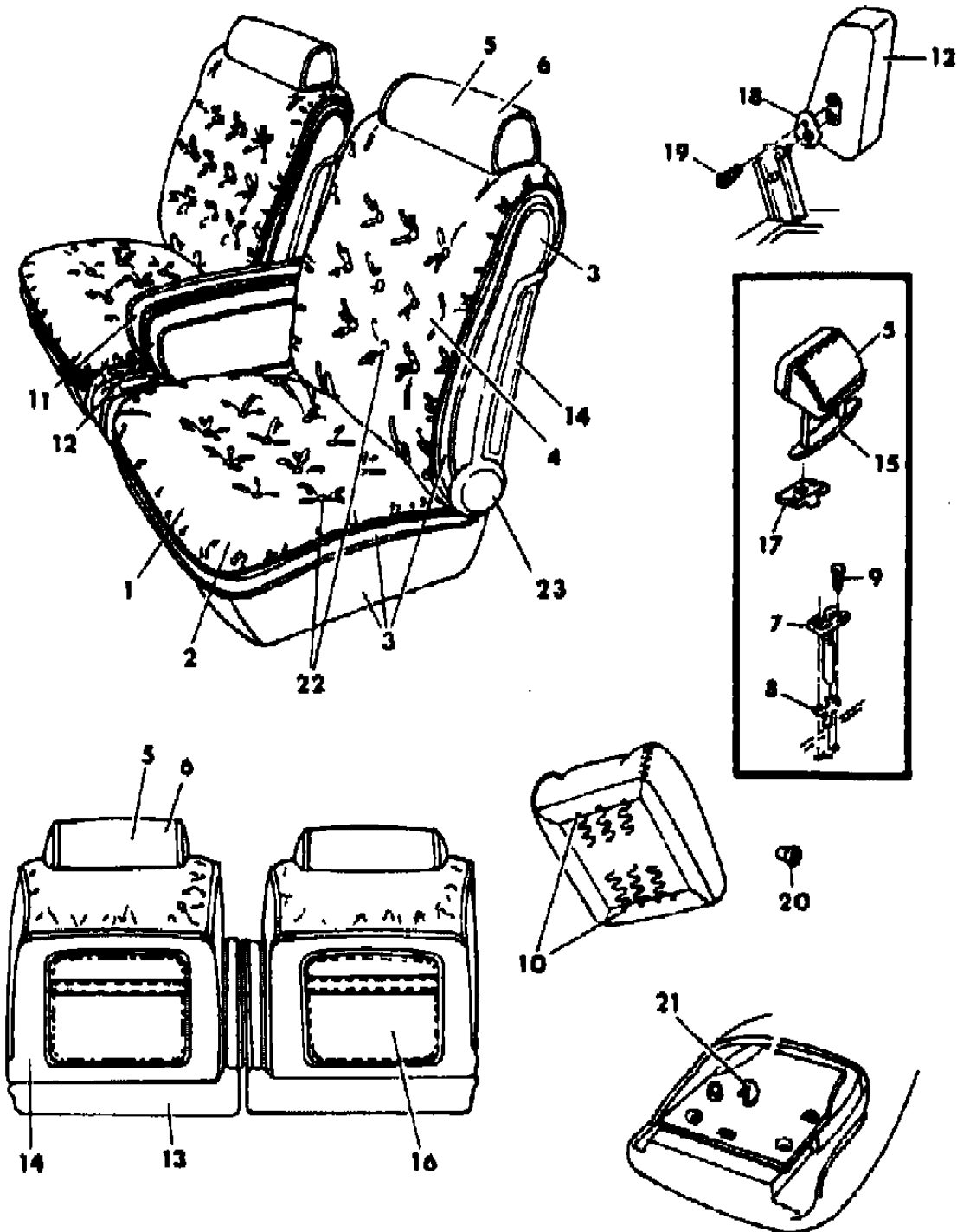
BODY STYLES

21 = 2-DOOR SEDAN	35 = FWD VAN	44 = 4-DOOR HATCHBACK
22 = 2-DOOR SPECIAL COUPE	36 = FWD WAGON	45 = 4-DOOR STATION WAGON
24 = 2-DOOR HATCHBACK	41 = 4-DOOR SEDAN	49 = LIMOUSINE
27 = 2-DOOR CONVERTIBLE		

AR = Use as Required - = Non Illustrated Part P.A.R. = Paint as Required

SEAT FRONT J,E,T E BODY TRIM CODE LP
Figure ITE-1500

5238 1500 A



ITEM	PART NUMBER	QTY	BODY	MODEL	DESCRIPTION
	S714-5 BM6	1			N N NLPM YS714BM6
	S714-5 DT3	1			N N NLPT3 YS714DT3
	S714-5 BT8	1			N N NLPT8 YS714BT8
					BOLT, Pocket Attaching (8-32x.780) (not serviced) N N N N
17	4138 140	4			SPACER, Headrest N N N Y4138140
18	4290 871	AR			SPACER, Armrest to Stanchion N N N Y4290871
19	6032 567	AR			BOLT, Shoulder N N N Y6032567
20	4190 488	1			BUSHING, Inner Pivot Pin Right Only N N N Y4190488
21	4018 167	AR			WASHER, Button N N N Y4018167
22					BUTTON, Cushion and Back N N N N
	S845 CS8	AR			N N NLPS YS845CS8
	S845 VC8	AR			N N NLPC YS845VC8
	S845 AM6	AR			N N NLPM YS845AM6
	S845 DT3	AR			N N NLPT3 YS845DT3
	S845 CT8	AR			N N NLPT8 YS845CT8
	4018 167	AR			WASHER, Trim Button N N N Y4018167
23	4277 670	2			PLATE, Shield N N N Y4277670

MODEL CODES

B = GRAN FURY	E = 600	M = HORIZON/TURISMO
C = LE BARON/TOWN & COUNTRY/LIMO	F = FIFTH AVENUE/NEWPORT	P = RELIANT
C24 = LASER	G = DIPLOMAT	T = NEW YORKER
C44 = LE BARON/GTS	H = VOYAGER	V = 600
D = ARIES	J = CARAVELLE	V24 = DAYTONA
D44 = LANCER	K = MINI VAN/CARAVAN/ROYAL	Z = OMNI/CHARGER

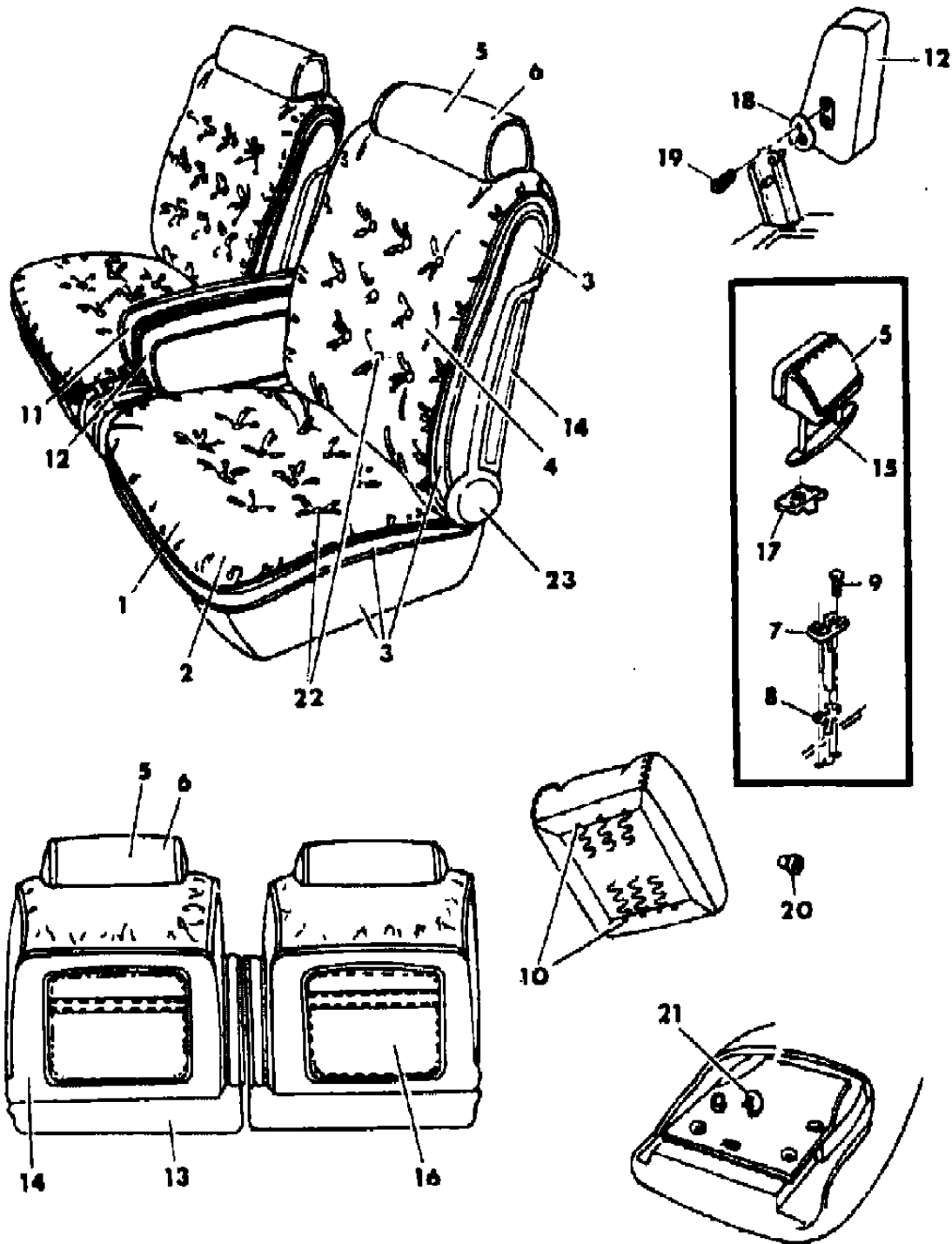
BODY STYLES

21 = 2-DOOR SEDAN	35 = FWD VAN	44 = 4-DOOR HATCHBACK
22 = 2-DOOR SPECIAL COUPE	36 = FWD WAGON	45 = 4-DOOR STATION WAGON
24 = 2-DOOR HATCHBACK	41 = 4-DOOR SEDAN	49 = LIMOUSINE
27 = 2-DOOR CONVERTIBLE		

AR = Use as Required - = Non Illustrated Part P.A.R. = Paint as Required

SEAT FRONT J,E,T E BODY TRIM CODE LF
Figure ITE-1600

3238 1600 A



ITEM	PART NUMBER	QTY	BODY	MODEL	DESCRIPTION
1-3					CUSHION, w/Spring/Frame, Pad and Cover N N N N
	A682-3 CFS	1			Cloth N N N N
	A682-3 CFC	1			N N NLFS YA682CFS
	A682-3 CFM	1			N N NLFC YA682CFC
	A682-3 DFU	1			N N NLFM YA682CFM
	A682-3 CFT	1			N N NLFT3 YA682DFU
2					COVER, Cushion N N N N
	A494-5 CFS				Cloth N N N N
	A494-5 CFC				N N NLFS YA494CFS
	A494-5 CFM				N N NLFC YA494CFC
	A494-5 DFU				N N NLFM YA494CFM
	A494-5 CFT				N N NLFT3 YA494DFU
3					ROLL STOCK, Cloth 54" Wide Order by the Inch. N N N N
	R093 CS8	AR			N N NLFS YR093CS8
	R093 AC7	AR			N N NLFC YR093AC7
	R093 AM6	AR			N N NLFM YR093AM6
	R093 DT3	AR			N N NLFT3 YR093DT3
	R093 BT8	AR			N N NLFT8 YR093BT8
3-4					BACK, w/Spring/Frame, Pad and Cover N N N N
	A686-7 CFS	1			Cloth N N N N
	A686-7 CFC	1			N N NLFS YA686CFS
	A686-7 CFM	1			N N NLFC YA686CFC
	A686-7 DFU	1			N N NLFM YA686CFM
	A686-7 CFT	1			N N NLFT3 YA686DFU
4					COVER, Back N N N N
	A520-1 CFS	1			Cloth N N N N
	A520-1 CFC	1			N N NLFS YA520CFS
	A520-1 CFM	1			N N NLFC YA520CFC
	A520-1 DFU	1			N N NLFM YA520CFM
	A520-1 CFT	1			N N NLFT3 YA520DFU
5					HEADREST and COVER N N N N
	A694 CS8	2			N N NLFS YA694CS8
	A694 CC7	2			N N NLFC YA694CC7

MODEL CODES

B = GRAN FURY	E = 600	M = HORIZON/TURISMO
C = LE BARON/TOWN & COUNTRY/LIMO	F = FIFTH AVENUE/NEWPORT	P = RELIANT
C24 = LASER	G = DIPLOMAT	T = NEW YORKER
C44 = LE BARON/GTS	H = VOYAGER	V = 600
D = ARIES	J = CARAVELLE	V24 = DAYTONA
D44 = LANCER	K = MINI VAN/CARAVAN/ROYAL	Z = OMNI/CHARGER

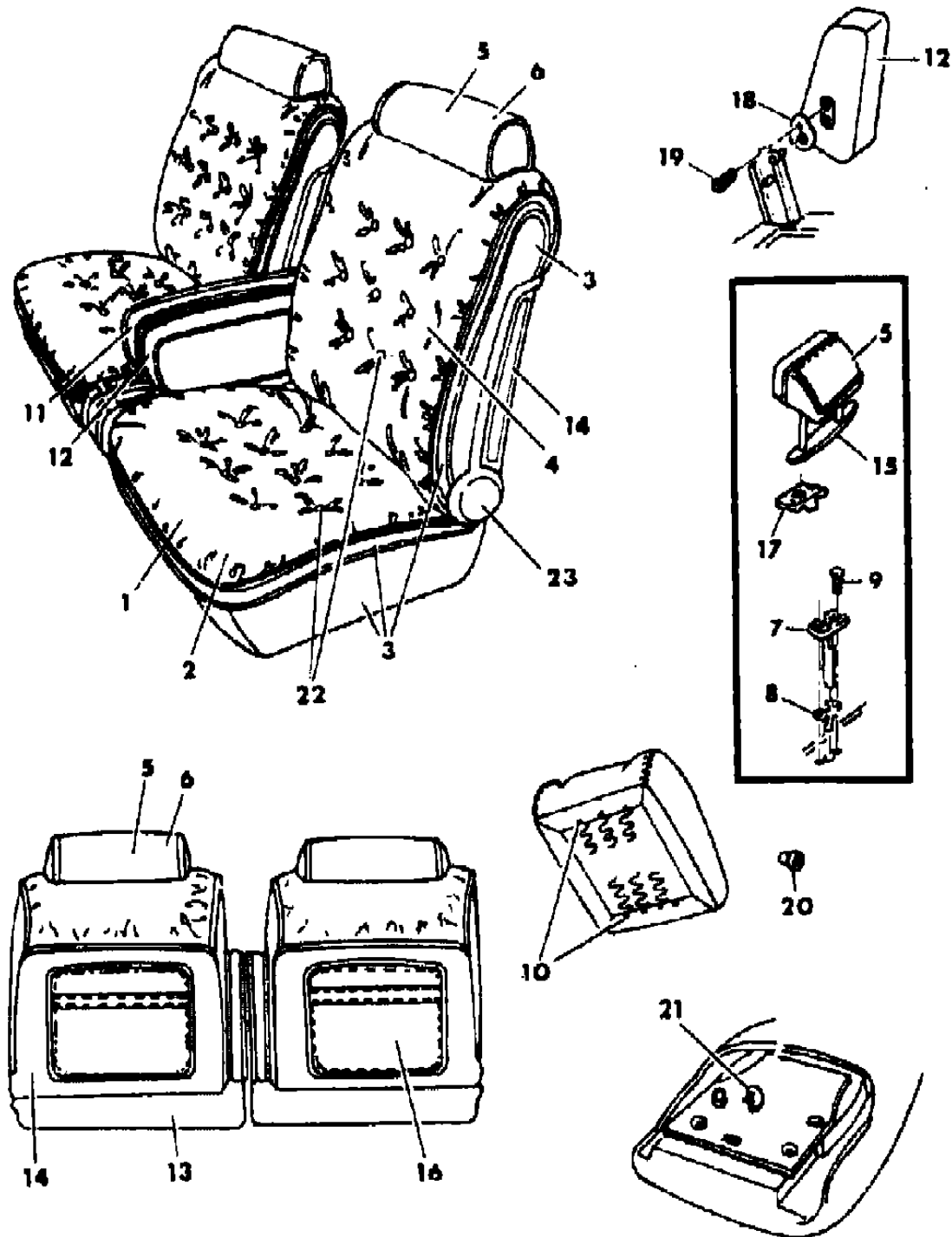
BODY STYLES

21 = 2-DOOR SEDAN	35 = FWD VAN	44 = 4-DOOR HATCHBACK
22 = 2-DOOR SPECIAL COUPE	36 = FWD WAGON	45 = 4-DOOR STATION WAGON
24 = 2-DOOR HATCHBACK	41 = 4-DOOR SEDAN	49 = LIMOUSINE
27 = 2-DOOR CONVERTIBLE		

AR = Use as Required - = Non Illustrated Part P.A.R. = Paint as Required

SEAT FRONT J,E,T E BODY TRIM CODE LF
Figure ITE-1600

3238 1600 A



ITEM	PART NUMBER	QTY	BODY	MODEL	DESCRIPTION
	A694 CM6	2			N N NLFM YA694CM6
	A694 DT3	2			N N NLFT3 YA694DT3
	A694 CT8	2			N N NLFT8 YA694CT8
6					COVER, Headrest N N N N
	A502 CS8	2			N N NLFS YA502CS8
	A502 CC7	2			N N NLFC YA502CC7
	A502 CM6	2			N N NLFM YA502CM6
	A502 DT3	2			N N NLFT3 YA502DT3
	A502 CT8	2			N N NLFT8 YA502CT8
7					SLEEVE, Headrest N N N N
	S690 CS8	4			N N NLFS YS690CS8
	S690 SC7	4			N N NLFC YS690SC7
	S690 TM6	4			N N NLFM YS690TM6
	S690 DT3	4			N N NLFT3 YS690DT3
	S690 BT8	4			N N NLFT8 YS690BT8
8	4098 965	4			CATCH, Headrest Post N N N Y4098965
9		AR			SCREW (not serviced) N N N N
10	6008 076	AR			HOG RING N N N Y6008076
11					ARMREST and COVER (passenger and driver seat) N N N N
	A714 CS8	2			N N NLFS YA714CS8
	A714 CC7	2			N N NLFC YA714CC7
	A714 CM6	2			N N NLFM YA714CM6
	A714 DT3	2			N N NLFT3 YA714DT3
	A714 CT8	2			N N NLFT8 YA714CT8
12					COVER, Armrest (passenger and driver seat) N N N N
	A505 CS8	2			N N NLFS YA505CS8
	A505 CC7	2			N N NLFC YA505CC7
	A505 CM6	2			N N NLFM YA505CM6
	A505 DT3	2			N N NLFT3 YA505DT3
	A505 CT8	1			N N NLFT8 YA505CT8
13					CARPET (serviced in item 2) N N N N
14	S748-9 DT3	1			SHIELD, w/Finish Plate Front Seat Back (paint as required) N N N YS748DT3
15	4018 808	2			COVER, Headrest Finish N N N Y4018808
16					COVER, Back Pocket N N N N
	S710-1 CS8	1			N N NLFS YS710CS8
	S710-1 CC7	1			N N NLFC YS710CC7

MODEL CODES

B = GRAN FURY	E = 600	M = HORIZON/TURISMO
C = LE BARON/TOWN & COUNTRY/LIMO	F = FIFTH AVENUE/NEWPORT	P = RELIANT
C24 = LASER	G = DIPLOMAT	T = NEW YORKER
C44 = LE BARON/GTS	H = VOYAGER	V = 600
D = ARIES	J = CARAVELLE	V24 = DAYTONA
D44 = LANCER	K = MINI VAN/CARAVAN/ROYAL	Z = OMNI/CHARGER

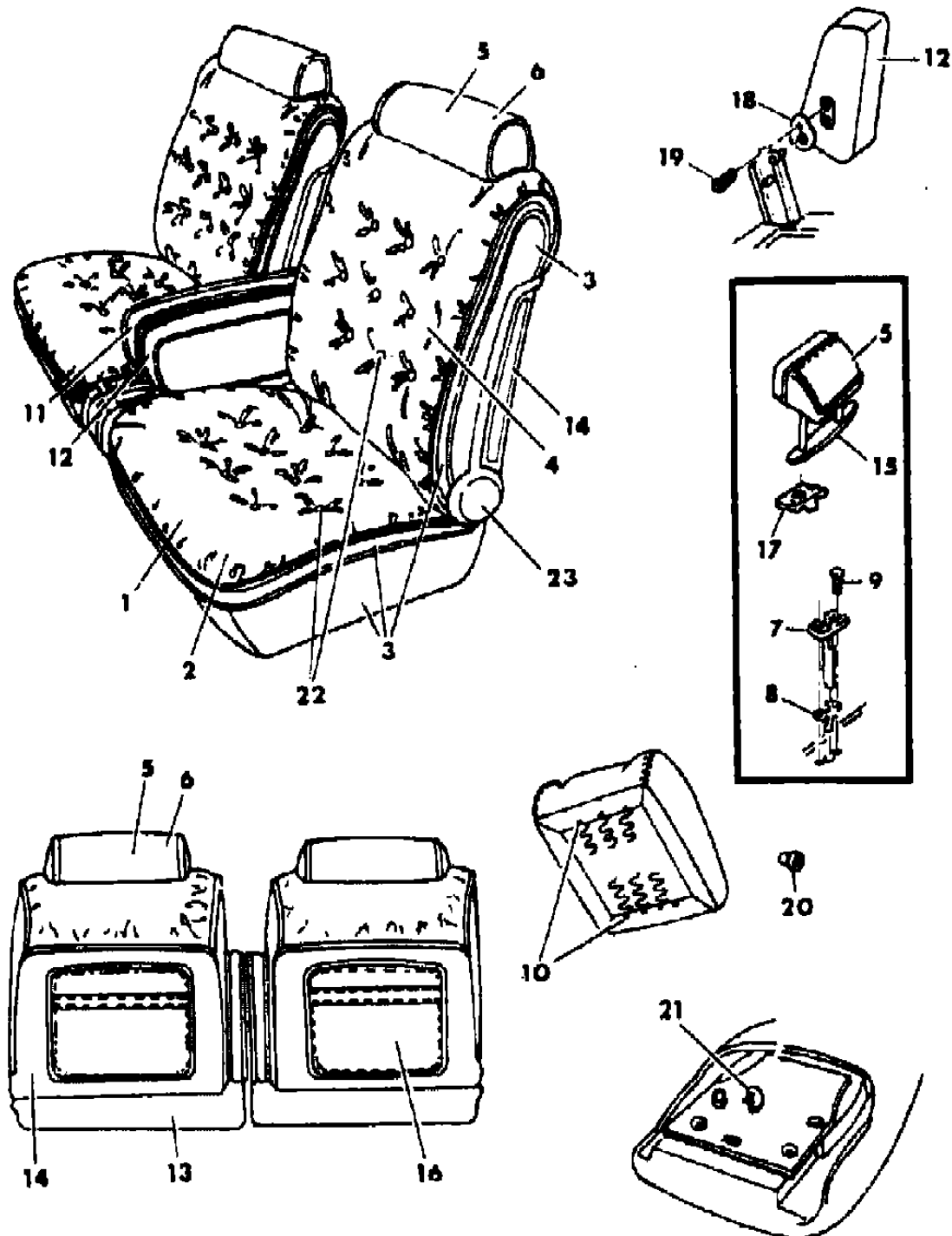
BODY STYLES

21 = 2-DOOR SEDAN	35 = FWD VAN	44 = 4-DOOR HATCHBACK
22 = 2-DOOR SPECIAL COUPE	36 = FWD WAGON	45 = 4-DOOR STATION WAGON
24 = 2-DOOR HATCHBACK	41 = 4-DOOR SEDAN	49 = LIMOUSINE
27 = 2-DOOR CONVERTIBLE		

AR = Use as Required - = Non Illustrated Part P.A.R. = Paint as Required

SEAT FRONT J,E,T E BODY TRIM CODE LF
Figure ITE-1600

3238 1600 A



ITEM	PART NUMBER	QTY	BODY	MODEL	DESCRIPTION
	S710-1 CM6	1			N N NLFM YS710CM6
	S710-1 DT3	1			N N NLFT3 YS710DT3
	S710-1 CT8	1			N N NLFT8 YS710CT8
		AR			BOLT, Pocket Attaching (8-32.780) (not serviced) N N N N
17	4138 140	4			SPACER, Headrest N N N Y4138140
18	4290 871	AR			SPACER, Armrest to Stanchion N N N Y4290871
19	6032 567	AR			BOLT, Shoulder N N N Y6032567
20	4190 488	1			BUSHING, Inner Pivot Pin, Right Only N N N Y4190488
21	4018 167	AR			WASHER, Button N N N Y4018167
22					BUTTON, Cushion and Back N N N N
	G378 CS8	AR			N N NLFS YG378CS8
	G378 AC7	AR			N N NLFC YG378AC7
	G378 AM6	AR			N N NLFM YG378AM6
	G378 DT3	AR			N N NLFT3 YG378DT3
	G378 CT8	AR			N N NLFT8 YG378CT8
	4018 167	AR			WASHER, Trim Button N N N Y4018167
23	4277 670	2			PLATE, Shield N N N Y4277670

MODEL CODES

B = GRAN FURY	E = 600	M = HORIZON/TURISMO
C = LE BARON/TOWN & COUNTRY/LIMO	F = FIFTH AVENUE/NEWPORT	P = RELIANT
C24 = LASER	G = DIPLOMAT	T = NEW YORKER
C44 = LE BARON/GTS	H = VOYAGER	V = 600
D = ARIES	J = CARAVELLE	V24 = DAYTONA
D44 = LANCER	K = MINI VAN/CARAVAN/ROYAL	Z = OMNI/CHARGER

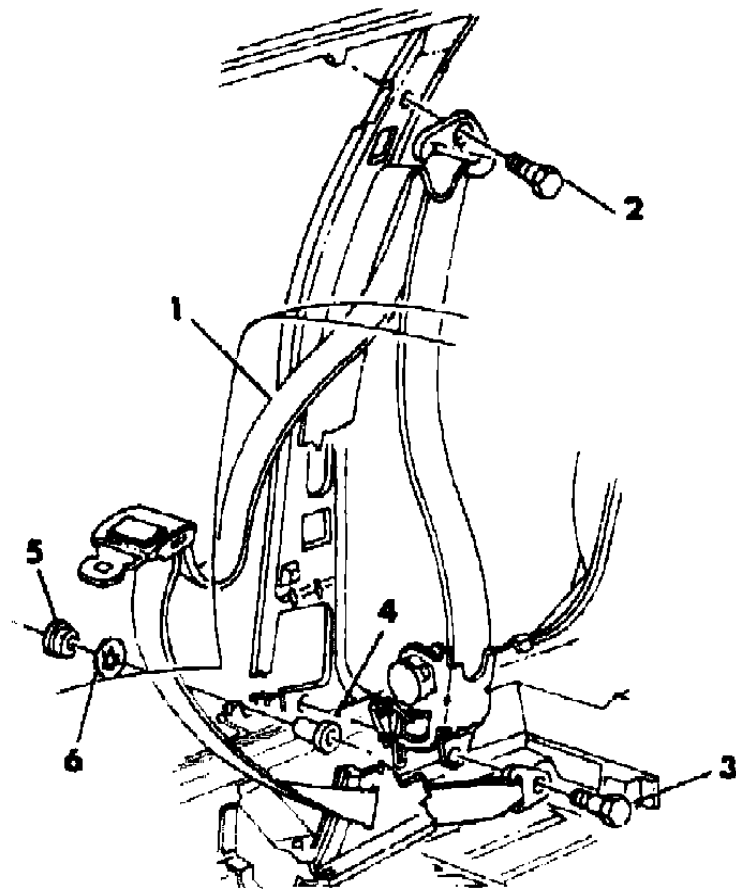
BODY STYLES

21 = 2-DOOR SEDAN	35 = FWD VAN	44 = 4-DOOR HATCHBACK
22 = 2-DOOR SPECIAL COUPE	36 = FWD WAGON	45 = 4-DOOR STATION WAGON
24 = 2-DOOR HATCHBACK	41 = 4-DOOR SEDAN	49 = LIMOUSINE
27 = 2-DOOR CONVERTIBLE		

AR = Use as Required - = Non Illustrated Part P.A.R. = Paint as Required

BELT FRONT SEAT J,E,T E BODY
Figure ITE-1700

5238 1700



ITEM	PART NUMBER	QTY	BODY	MODEL	DESCRIPTION
1					BELT, Lap and Shoulder, Outer N N N N
					Label Number 4327108-9 N N N N
	F752-3 DA3	1			Silver N N N YF752DA3
	F752-3 DC7	1			Blue, Dark N N N YF752DC7
	F752-3 DS8	1			Charcoal N N N YF752DS8
	F752-3 DM6	1			Red N N N YF752DM6
	F752-3 DT3	1			Tan N N N YF752DT3
	F752-3 DT8	1			Brown N N N YF752DT8
	4172 857	2			ROD, Tension Reliever Release Actuating N N N Y4172857
2	6031 298	2			BOLT, Shoulder N N N Y6031298
3	6031 484	2			BOLT N N N Y6031484
4					CYLINDER, Tension Reliever Button N N N N
	4290 789	2			w/Bumper N N N Y4290789
	4327 154	2			BUTTON, Tension Reliever N N N Y4327154
5	4327 076	2			RETAINER, Tension Reliever Button N N N Y4327076
6	6025 160	2			RETAINER, Inertia Retractor Pendulum Shaft N N N Y6025160

MODEL CODES

B = GRAN FURY	E = 600	M = HORIZON/TURISMO
C = LE BARON/TOWN & COUNTRY/LIMO	F = FIFTH AVENUE/NEWPORT	P = RELIANT
C24 = LASER	G = DIPLOMAT	T = NEW YORKER
C44 = LE BARON/GTS	H = VOYAGER	V = 600
D = ARIES	J = CARAVELLE	V24 = DAYTONA
D44 = LANCER	K = MINI VAN/CARAVAN/ROYAL	Z = OMNI/CHARGER

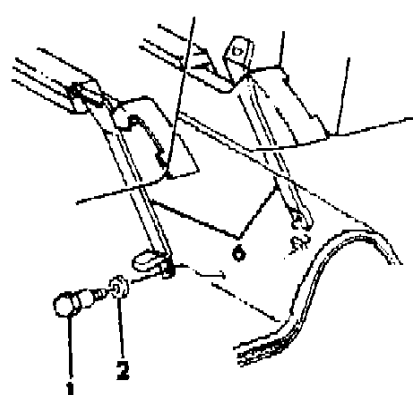
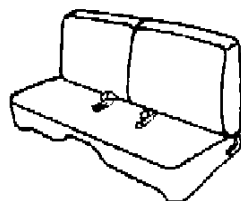
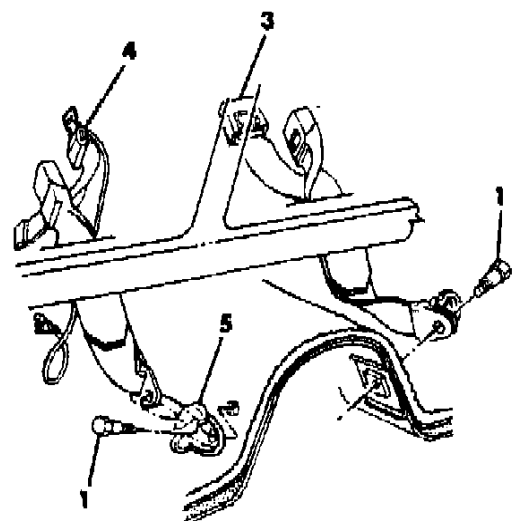
BODY STYLES

21 = 2-DOOR SEDAN	35 = FWD VAN	44 = 4-DOOR HATCHBACK
22 = 2-DOOR SPECIAL COUPE	36 = FWD WAGON	45 = 4-DOOR STATION WAGON
24 = 2-DOOR HATCHBACK	41 = 4-DOOR SEDAN	49 = LIMOUSINE
27 = 2-DOOR CONVERTIBLE		

AR = Use as Required - = Non Illustrated Part P.A.R. = Paint as Required

BELT FRONT SEAT INBOARD J,E,T E BODY Figure ITE-1800

5238 1800



ITEM	PART NUMBER	QTY	BODY	MODEL	DESCRIPTION
1	6031 298	AR			BOLT N N N Y6031298
2		AR			WASHER (not serviced) N N N N
3					BELT, Inboard Right N N N N Label Number 4316750 N N N N Silver N N N YF706BA3
	F706 BA3	1			Silver N N N YF706BA3
	F706 BC7	1			Blue, Dark N N N YF706BC7
	F706 CS8	1			Charcoal N N N YF706CS8
	F706 BM6	1			Red N N N YF706BM6
	F706 DT3	1			Tan N N N YF706DT3
	F706 BT8	1			Brown N N N YF706BT8
4					BELT, Lap Inboard Left N N N N Label Number 4316751 N N N N Silver N N N YF707BA3
	F707 BA3	1			Silver N N N YF707BA3
	F707 BC7	1			Blue, Dark N N N YF707BC7
	F707 CS8	1			Charcoal N N N YF707CS8
	F707 BM6	1			Red N N N YF707BM6
	F707 DT3	1			Tan N N N YF707DT3
	F707 BT8	1			Brown N N N YF707BT8
5	F814 JX9	2			COVER, Anchor Bolt (paint as required) N N N YF814JX9
6					BELT, Inner Buckle N N N N Label Number 4277632-3 N N N N
	F616-7 BA3	1			Silver N N N YF616BA3
	F616-7 BC7	1			Blue, Dark N N N YF616BC7
	F616-7 CS8	1			Charcoal N N N YF616CS8
	F616-7 BM6	1			Red N N N YF616BM6
	F616-7 DT3	1			Tan N N N YF616DT3
	F616-7 BT8	1			Brown N N N YF616BT8

MODEL CODES

B = GRAN FURY	E = 600	M = HORIZON/TURISMO
C = LE BARON/TOWN & COUNTRY/LIMO	F = FIFTH AVENUE/NEWPORT	P = RELIANT
C24 = LASER	G = DIPLOMAT	T = NEW YORKER
C44 = LE BARON/GTS	H = VOYAGER	V = 600
D = ARIES	J = CARAVELLE	V24 = DAYTONA
D44 = LANCER	K = MINI VAN/CARAVAN/ROYAL	Z = OMNI/CHARGER

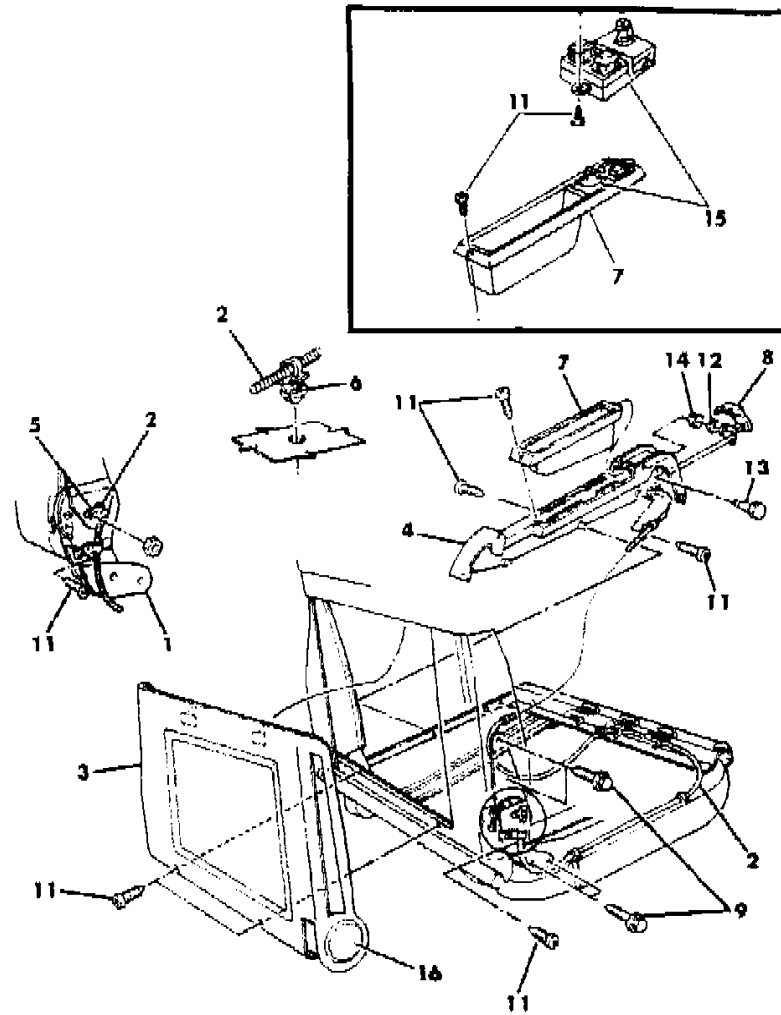
BODY STYLES

21 = 2-DOOR SEDAN	35 = FWD VAN	44 = 4-DOOR HATCHBACK
22 = 2-DOOR SPECIAL COUPE	36 = FWD WAGON	45 = 4-DOOR STATION WAGON
24 = 2-DOOR HATCHBACK	41 = 4-DOOR SEDAN	49 = LIMOUSINE
27 = 2-DOOR CONVERTIBLE		

AR = Use as Required - = Non Illustrated Part P.A.R. = Paint as Required

RECLINING 50/50 SEAT J,E,T E BODY
Figure ITE-1900

5238 1900



ITEM	PART NUMBER	QTY	BODY	MODEL	DESCRIPTION
1					RECLINER N N N N
	4190 410	1			Right N N N Y4190410
	4277 553	1			Left N N N Y4277553
2	4316 984-5	1			CABLE, Release N N N Y4316984
3					SHIELD, w/Finish Plate Front Seat Back (paint as required) N N N N
	S748-9 DT3	1			N N N YS748DT3
	F245 CA3	2			PLUG, Back Shield Upper 1/8" Attaching Hole N N N YF245CA3
4					CONSOLETTA, w/Handle N N N N
	S834-5 CA3	1			Silver N N N YS834CA3
	S834-5 CC7	1			Blue, Dark N N N YS834CC7
	S834-5 CS8	1			Charcoal N N N YS834CS8
	S834-5 CM6	1			Red N N N YS834CM6
	S834-5 DT5	1			Tan N N N YS834DT5
	S834-5 CT8	1			Brown N N N YS834CT8
	4290 866	2			CLIP, Front Seat Cushion Inner Console Rear Attaching N N N Y4290866
5	4277 506-7	1			ACTUATOR N N N Y4277506
6	6015 640	AR			CLIP N N N Y6015640
7					TRAY, w/Decal N N N N
					w/Manual Seats N N N N
	S820 BA3	AR			Silver N N N YS820BA3
	S820 BC7	AR			Blue, Dark N N N YS820BC7
	S820 CS8	AR			Charcoal N N N YS820CS8
	S820 BM6	AR			Red N N N YS820BM6
	S820 DT5	AR			Tan N N N YS820DT5
	S820 BT8	AR			Brown N N N YS820BT8
					w/Electric Seats N N N N
	S821 BA3	AR			Silver N N N YS821BA3
	S821 BC7	AR			Blue, Dark N N N YS821BC7
	S821 CS8	AR			Charcoal N N N YS821CS8
	S821 BM6	AR			Red N N N YS821BM6
	S821 DT5	AR			Tan N N N YS821DT5
	S821 BT8	AR			Brown N N N YS821BT8
8					HANDLE, Recliner Release N N N N
	S600 BA3	2			Silver N N N YS600BA3

MODEL CODES

B = GRAN FURY	E = 600	M = HORIZON/TURISMO
C = LE BARON/TOWN & COUNTRY/LIMO	F = FIFTH AVENUE/NEWPORT	P = RELIANT
C24 = LASER	G = DIPLOMAT	T = NEW YORKER
C44 = LE BARON/GTS	H = VOYAGER	V = 600
D = ARIES	J = CARAVELLE	V24 = DAYTONA
D44 = LANCER	K = MINI VAN/CARAVAN/ROYAL	Z = OMNI/CHARGER

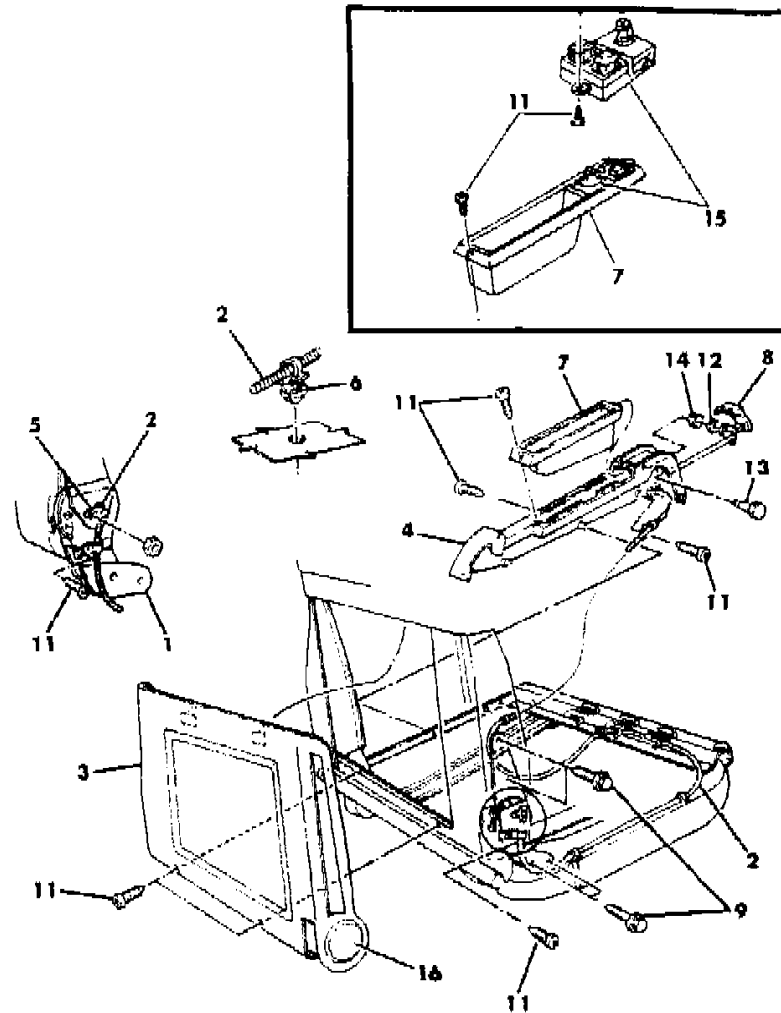
BODY STYLES

21 = 2-DOOR SEDAN	35 = FWD VAN	44 = 4-DOOR HATCHBACK
22 = 2-DOOR SPECIAL COUPE	36 = FWD WAGON	45 = 4-DOOR STATION WAGON
24 = 2-DOOR HATCHBACK	41 = 4-DOOR SEDAN	49 = LIMOUSINE
27 = 2-DOOR CONVERTIBLE		

AR = Use as Required - = Non Illustrated Part P.A.R. = Paint as Required

RECLINING 50/50 SEAT J,E,T E BODY
Figure ITE-1900

5238 1900



ITEM	PART NUMBER	QTY	BODY	MODEL	DESCRIPTION
	S600 BC7	2			Blue, Dark N N N YS600BC7
	S600 DT5	2			Tan N N N YS600DT5
	S600 BM6	2			Red N N N YS600BM6
	S600 CS8	2			Charcoal N N N YS600CS8
	S600 BT8	2			Brown N N N YS600BT8
9	9422 041	4			SCREW and WASHER N N N Y9422041
10	0120 622	AR			NUT, Lock N N N Y120622
11		AR			SCREW (not serviced) N N N N
12	6100 883	2			WASHER N N N Y6100883
13	6032 310	2			BOLT, Shoulder N N N Y6032310
14	4290 370-1	1			SPRING, Handle Return N N N Y4290370
15	3747 815	1			SWITCH, Seat Adjuster N N N Y3747815
16	4277 670	2			PLATE, Shield N N N Y4277670

MODEL CODES

B = GRAN FURY	E = 600	M = HORIZON/TURISMO
C = LE BARON/TOWN & COUNTRY/LIMO	F = FIFTH AVENUE/NEWPORT	P = RELIANT
C24 = LASER	G = DIPLOMAT	T = NEW YORKER
C44 = LE BARON/GTS	H = VOYAGER	V = 600
D = ARIES	J = CARAVELLE	V24 = DAYTONA
D44 = LANCER	K = MINI VAN/CARAVAN/ROYAL	Z = OMNI/CHARGER

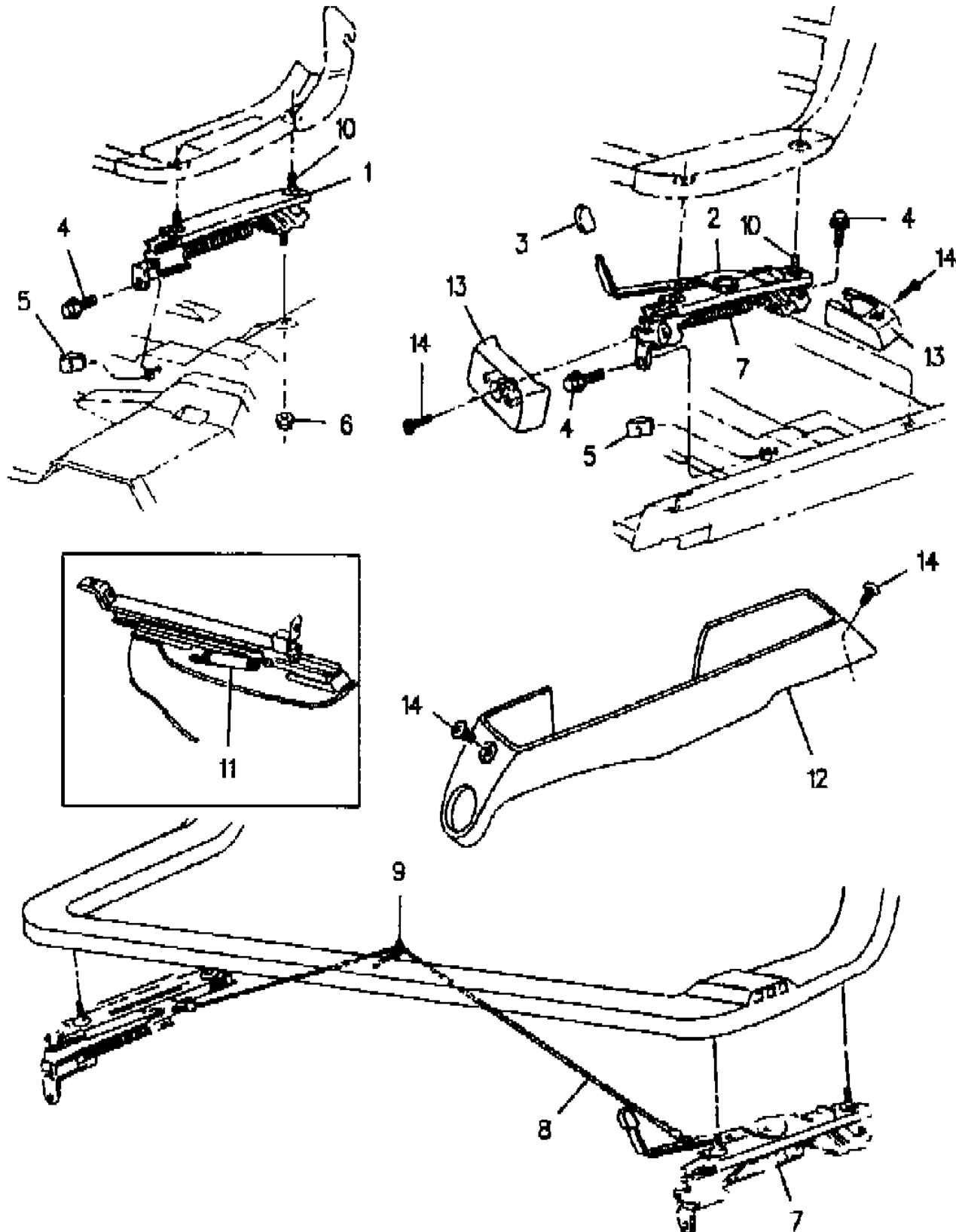
BODY STYLES

21 = 2-DOOR SEDAN	35 = FWD VAN	44 = 4-DOOR HATCHBACK
22 = 2-DOOR SPECIAL COUPE	36 = FWD WAGON	45 = 4-DOOR STATION WAGON
24 = 2-DOOR HATCHBACK	41 = 4-DOOR SEDAN	49 = LIMOUSINE
27 = 2-DOOR CONVERTIBLE		

AR = Use as Required - = Non Illustrated Part P.A.R. = Paint as Required

ADJUSTER MANUAL J,E,T E BODY
Figure ITE-2000

5238 2000A



ITEM	PART NUMBER	QTY	BODY	MODEL	DESCRIPTION
1					ADJUSTER, Inner N N N N
	4290 998-9	1			w/50/50 Split N N N Y4290998
2					ADJUSTER, Outer N N N N
	4327 178-9	1			w/Bench Seat N N N Y4327178
	4290 996-7	1			w/50/50 Split N N N Y4290996
3	5207 235	1			KNOB, Release Lever N N N Y5207235
4		AR			SCREW and WASHER (not serviced) N N N N
5	6101 283	AR			U-NUT N N N Y6101283
6	6500 563	AR			NUT and WASHER N N N Y6500563
7	4316 006	1			SPRING, Adjuster Release Lever w/Bucket Seat (w/15 Coils) N N N Y4316006
	4316 008	1			w/Bench Seat (w/15 Coils) N N N Y4316008
8					WIRE, Release Lever Connector N N N N
	4239 933	1			w/Bench Seat N N N Y4239933
	4277 556	1			w/50/50 Split N N N Y4277556
9	2942 556	1			HOOK, Guide Wire N N N Y2942556
10		AR			SCREW and WASHER (not serviced) N N N N
11	4316 009	1			SPRING, Adjuster Assist (w/29.25 Coils) N N N Y4316009
	4316 172	1			w/50/50 Seats w/Dual Arm Rest (w/43.25 Coils) N N N Y4316172
	4316 007	1			SPRING, Adjuster Release Latch (w/18 Coils) N N N Y4316007
12					COVER, Adjuster N N N N
	S952-3 CS8	1			w/Bench Seat N N N N
	S952-3 CC7	1			Charcoal N N N YS952CS8
	S952-3 CM6	1			Blue, Dark N N N YS952CC7
	S952-3 DT5	1			Red N N N YS952CM6
	S952-3 CT8	1			Tan N N N YS952DT5
	S952-3 CT8	1			Brown N N N YS952CT8
13					COVER, Manual Adjuster w/50/50 Seats N N N N
	S654 CS8	2			Inner Front N N N N
	S654 CC7	2			Charcoal N N N YS654CS8
	S654 CM6	2			Blue, Dark N N N YS654CC7
	S654 DT5	2			Red N N N YS654CM6
	S654 DT5	2			Tan N N N YS654DT5
	S654 CT8	2			Brown N N N YS654CT8
	S650 CS8	2			Inner Rear N N N N
	S650 CS8	2			Charcoal N N N YS650CS8

MODEL CODES

B = GRAN FURY	E = 600	M = HORIZON/TURISMO
C = LE BARON/TOWN & COUNTRY/LIMO	F = FIFTH AVENUE/NEWPORT	P = RELIANT
C24 = LASER	G = DIPLOMAT	T = NEW YORKER
C44 = LE BARON/GTS	H = VOYAGER	V = 600
D = ARIES	J = CARAVELLE	V24 = DAYTONA
D44 = LANCER	K = MINI VAN/CARAVAN/ROYAL	Z = OMNI/CHARGER

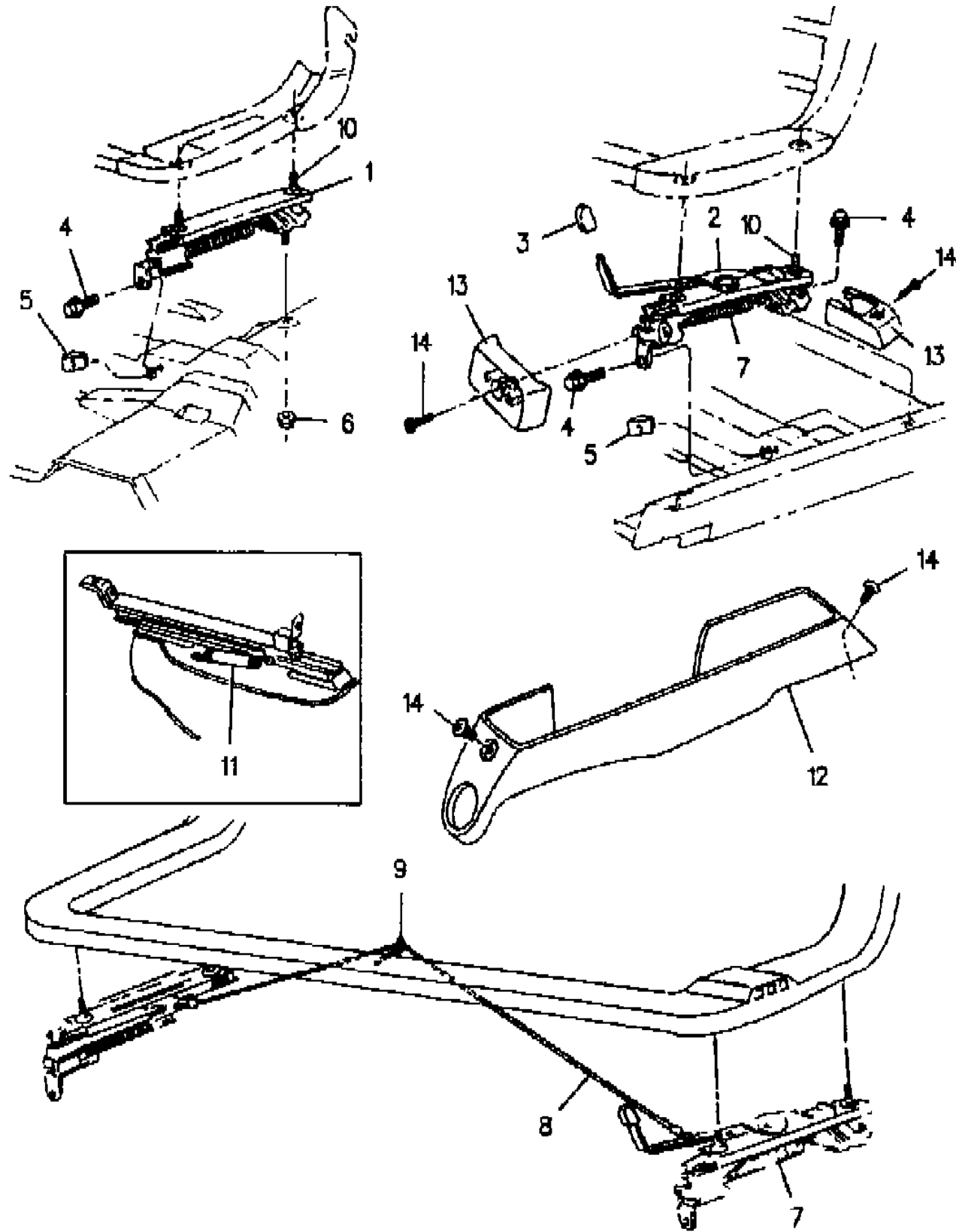
BODY STYLES

21 = 2-DOOR SEDAN	35 = FWD VAN	44 = 4-DOOR HATCHBACK
22 = 2-DOOR SPECIAL COUPE	36 = FWD WAGON	45 = 4-DOOR STATION WAGON
24 = 2-DOOR HATCHBACK	41 = 4-DOOR SEDAN	49 = LIMOUSINE
27 = 2-DOOR CONVERTIBLE		

AR = Use as Required - = Non Illustrated Part P.A.R. = Paint as Required

ADJUSTER MANUAL J,E,T E BODY
Figure ITE-2000

5238 2000A



ITEM	PART NUMBER	QTY	BODY	MODEL	DESCRIPTION
	S650 CC7	2			Blue, Dark N N N YS650CC7
	S650 CM6	2			Red N N N YS650CM6
	S650 DT5	2			Tan N N N YS650DT5
	S650 CT8	2			Brown N N N YS650CT8
14		AR			SCREW (not serviced) N N N N
The following part is not illustrated. s ARE NOT RETURNABLE.					
	4290 866	2			CLIP, Front Seat Cushion Inner Console Rear Attaching w/ 50/50 Split Seats N N N Y4290866
	0104 918	AR			BALL, Adjuster w/50/50 Split Seats N N N Y104918

MODEL CODES
 B = GRAN FURY
 C = LE BARON/TOWN & COUNTRY/LIMO
 C24 = LASER
 C44 = LE BARON/GTS
 D = ARIES
 D44 = LANCER
 E = 600
 F = FIFTH AVENUE/NEWPORT
 G = DIPLOMAT
 H = VOYAGER
 J = CARAVELLE
 K = MINI VAN/CARAVAN/ROYAL
 M = HORIZON/TURISMO
 P = RELIANT
 T = NEW YORKER
 V = 600
 V24 = DAYTONA
 Z = OMNI/CHARGER

BODY STYLES
 21 = 2-DOOR SEDAN
 22 = 2-DOOR SPECIAL COUPE
 24 = 2-DOOR HATCHBACK
 27 = 2-DOOR CONVERTIBLE
 35 = FWD VAN
 36 = FWD WAGON
 41 = 4-DOOR SEDAN
 44 = 4-DOOR HATCHBACK
 45 = 4-DOOR STATION WAGON
 49 = LIMOUSINE

AR = Use as Required - = Non Illustrated Part P.A.R. = Paint as Required

ADJUSTER ELECTRIC J,E,T E BODY

Figure ITE-2100

5238 2100

ITEM	PART NUMBER	QTY	BODY	MODEL	DESCRIPTION
------	-------------	-----	------	-------	-------------

NOTE: THE FOLLOWING PARTS ARE FOR REPLACEMENT ONLY NOT FOR NEW INSTALLATION. s ARE NOT RETURNABLE

1	4327 182-3	1			ADJUSTER, Bench Seat N N N Y4327182
2	6500 615	AR			SCREW and WASHER N N N Y6500615
3	6500 615	AR			SCREW and WASHER N N N Y6500615
4	6101 283	AR			U-NUT N N N Y6101283
5	6015 756	AR			STRAP N N N Y6015756
6	4327 045	1			MOTOR, w/Bench Seat N N N Y4327045
7		AR			CLIP (not serviced) N N N N
8					SWITCH N N N N
	3747 740	1			w/Bench Seat N N N Y3747740
9	3746 967	1			BEZEL, Switch w/Bench Seat N N N Y3746967
10	6025 002	AR			NUT and CONE WASHER N N N Y6025002
11	0181 088	4			SCREW and WASHER N N N Y181088
12					CABLE and HOUSING, Bench Seat N N N N
	4376 631	3			Left (12.19") N N N Y4376631
13	4304 162	1			WIRING, w/Bench Seat N N N Y4304162
14					CABLE and HOUSING, Bench Seat N N N N
	4376 630	1			Right (31.68") N N N Y4376630
	4376 632	2			Right (35.63") N N N Y4376632
15					COVER, w/Bench N N N N
	S606-7 CS8	1			Charcoal N N N YS606CS8
	S606-7 CC7	1			Blue, Dark N N N YS606CC7
	S606-7 CM6	1			Red N N N YS606CM6
	S606-7 DT5	1			Tan N N N YS606DT5
	S606-7 CT8	1			Brown N N N YS606CT8
					w/Bucket or 50/50 Split, Drivers Seat Outer N N N N
	S675 CS8	1			Charcoal N N N YS675CS8
	S675 CC7	1			Blue, Dark N N N YS675CC7
	S675 CM6	1			Red N N N YS675CM6
	S675 DT5	1			Tan N N N YS675DT5
	S675 CT8	1			Brown N N N YS675CT8
					w/Bucket or 50/50 Split, Drivers Seat Inner, Passenger Seat Outer N N N N
	S674 CS8	1			Charcoal N N N YS674CS8
	S674 CC7	1			Blue, Dark N N N YS674CC7
	S674 CM6	1			Red N N N YS674CM6
	S674 DT5	1			Tan N N N YS674DT5

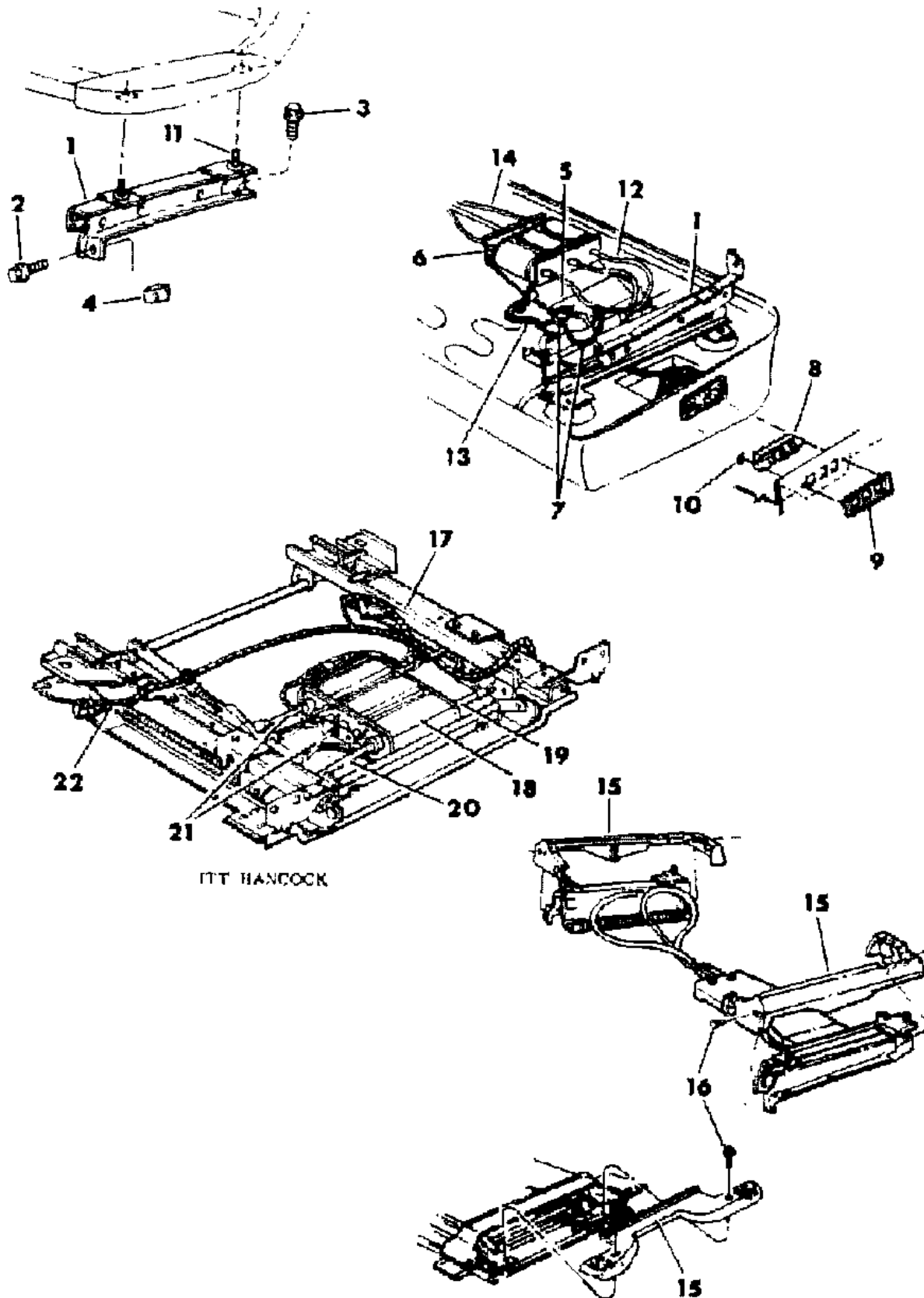
MODEL CODES

B = GRAN FURY	E = 600	M = HORIZON/TURISMO
C = LE BARON/TOWN & COUNTRY/LIMO	F = FIFTH AVENUE/NEWPORT	P = RELIANT
C24 = LASER	G = DIPLOMAT	T = NEW YORKER
C44 = LE BARON/GTS	H = VOYAGER	V = 600
D = ARIES	J = CARAVELLE	V24 = DAYTONA
D44 = LANCER	K = MINI VAN/CARAVAN/ROYAL	Z = OMNI/CHARGER

BODY STYLES

21 = 2-DOOR SEDAN	35 = FWD VAN	44 = 4-DOOR HATCHBACK
22 = 2-DOOR SPECIAL COUPE	36 = FWD WAGON	45 = 4-DOOR STATION WAGON
24 = 2-DOOR HATCHBACK	41 = 4-DOOR SEDAN	49 = LIMOUSINE
27 = 2-DOOR CONVERTIBLE		

AR = Use as Required - = Non Illustrated Part P.A.R. = Paint as Required



ADJUSTER ELECTRIC J,E,T E BODY

Figure ITE-2100

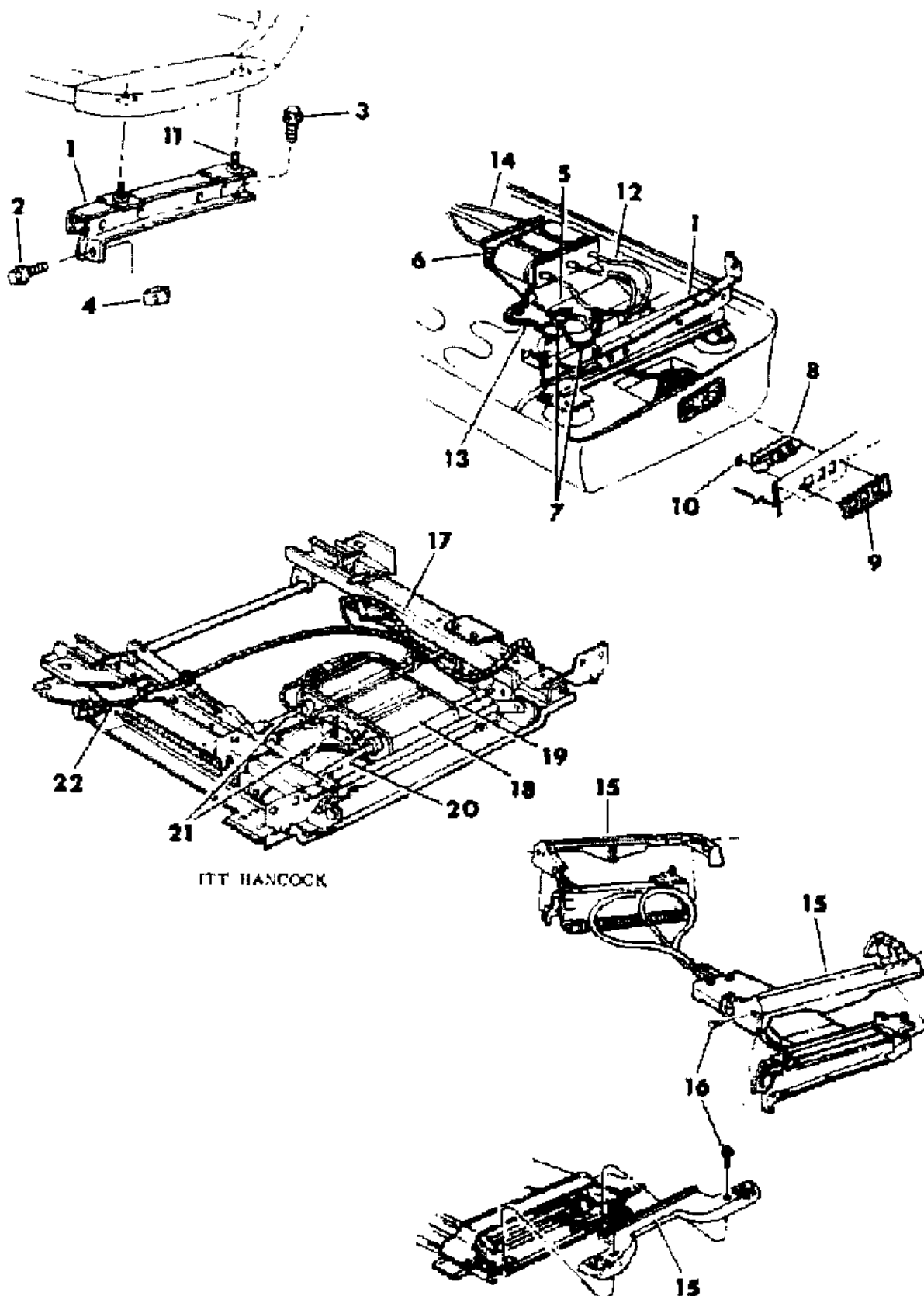
5238 2100

ITEM	PART NUMBER	QTY	BODY	MODEL	DESCRIPTION
	S674 CT8	1			Brown N N N YS674CT8 w/Bucket or 50/50 Split Passenger Seat Inner N N N N
	S686 DC7	1			Blue N N N YS686DC7
	S686 DM6	1			Red N N N YS686DM6
	S686 DT5	1			Tan N N N YS686DT5
	S686 DT8	1			Brown N N N YS686DT8
	S686 DS8	1			Charcoal N N N YS686DS8 w/Bucket or 50/50 Split, Rear Passenger and Drivers Seat N N N N
	S660 CS8	2			Charcoal N N N YS660CS8
	S660 CC7	2			Blue, Dark N N N YS660CC7
	S660 CM6	2			Red N N N YS660CM6
	S660 DT5	2			Tan N N N YS660DT5
	S660 CT8	2			Brown N N N YS660CT8
16		AR			SCREW (not serviced) N N N N
17	4327 350	1			ADJUSTER, w/50/50 Split Used on Passenger or Drivers Seat (Hancock) N N N Y4327350
18	4327 279	1			MOTOR, w/Bucket or 50/50 Split N N N Y4327279
19	4327 280	1			CABLE, Inner w/Bucket or 50/50 Split N N N Y4327280
20	4327 281	1			CABLE, Outer w/Bucket or 50/50 Split N N N Y4327281
21	4327 282	2			SHAFT, Flexible w/Bucket or 50/50 Split N N N Y4327282
22	4304 778	1			WIRING N N N Y4304778

MODEL CODES
 B = GRAN FURY
 C = LE BARON/TOWN & COUNTRY/LIMO
 C24 = LASER
 C44 = LE BARON/GTS
 D = ARIES
 D44 = LANCER
 E = 600
 F = FIFTH AVENUE/NEWPORT
 G = DIPLOMAT
 H = VOYAGER
 J = CARAVELLE
 K = MINI VAN/CARAVAN/ROYAL
 M = HORIZON/TURISMO
 P = RELIANT
 T = NEW YORKER
 V = 600
 V24 = DAYTONA
 Z = OMNI/CHARGER

BODY STYLES
 21 = 2-DOOR SEDAN
 22 = 2-DOOR SPECIAL COUPE
 24 = 2-DOOR HATCHBACK
 27 = 2-DOOR CONVERTIBLE
 35 = FWD VAN
 36 = FWD WAGON
 41 = 4-DOOR SEDAN
 44 = 4-DOOR HATCHBACK
 45 = 4-DOOR STATION WAGON
 49 = LIMOUSINE

AR = Use as Required - = Non Illustrated Part P.A.R. = Paint as Required



SEAT REAR J,E,T E BODY TRIM CODES C4,H3,M3

Figure ITE-2200

5236 2200

ITEM	PART NUMBER	QTY	BODY	MODEL	DESCRIPTION
1-2					CUSHION, w/Spring/Frame, Pad and Cover N N N N
					Cloth N N N N (use up to 2/1/85) N N N N
	C702 D5A	1			N N NM3A YC702D5A
	C702 D5C	1			N N NM3C YC702D5C
	C702 D5M	1			N N NM3M YC702D5M
	C702 D5T	1			N N NM3T YC702D5T (use after 2/1/85) N N N N
	C796 D5A	1			N N NM3A YC796D5A
	C796 D5C	1			N N NM3C YC796D5C
	C796 D5M	1			N N NM3M YC796D5M
	C796 D5T	1			N N NM3T YC796D5T
1					COVER, Cushion N N N N
					Cloth N N N N (use up to 2/1/85) N N N N
	C392 D5A	1			N N NM3A YC392D5A
	C392 D5C	1			N N NM3C YC392D5C
	C392 D5M	1			N N NM3M YC392D5M
	C392 D5T	1			N N NM3T YC392D5T (use after 2/1/85) N N N N
	C519 D5A	1			N N NM3A YC519D5A
	C519 D5C	1			N N NM3C YC519D5C
	C519 D5M	1			N N NM3M YC519D5M
	C519 D5T	1			N N NM3T YC519D5T
2					ROLL STOCK, Vinyl 64" Wide Order by the Inch N N N N
	R616 AA2	AR			N N NC4A,H3A,M3A YR616AA2
	R616 VC8	AR			N N NH3C,M3C YR616VC8
	R616 VM6	AR			N N NC4M,H3M,M3M YR616VM6
	R616 DT3	AR			N N NC4T,H3T,M3T YR616DT3
3-4					BACK, w/Spring/Frame, Pad and Cover N N N N
					Cloth N N N N (use up to 2/1/85) N N N N
	C712 D5A	1			N N NM3A YC712D5A
	C712 D5C	1			N N NM3C YC712D5C
	C712 D5M	1			N N NM3M YC712D5M
	C712 D5T	1			N N NM3T YC712D5T (use after 2/1/85) N N N N

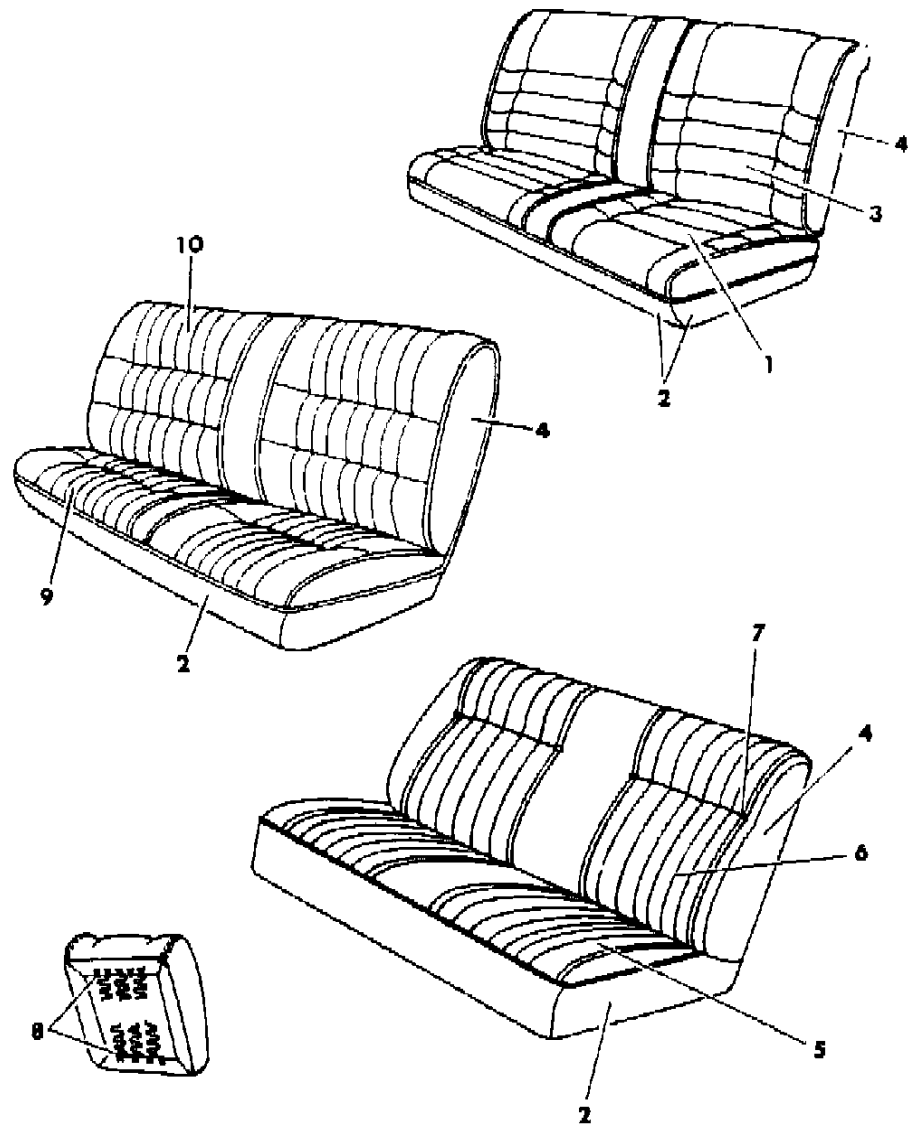
MODEL CODES

B = GRAN FURY	E = 600	M = HORIZON/TURISMO
C = LE BARON/TOWN & COUNTRY/LIMO	F = FIFTH AVENUE/NEWPORT	P = RELIANT
C24 = LASER	G = DIPLOMAT	T = NEW YORKER
C44 = LE BARON/GTS	H = VOYAGER	V = 600
D = ARIES	J = CARAVELLE	V24 = DAYTONA
D44 = LANCER	K = MINI VAN/CARAVAN/ROYAL	Z = OMNI/CHARGER

BODY STYLES

21 = 2-DOOR SEDAN	35 = FWD VAN	44 = 4-DOOR HATCHBACK
22 = 2-DOOR SPECIAL COUPE	36 = FWD WAGON	45 = 4-DOOR STATION WAGON
24 = 2-DOOR HATCHBACK	41 = 4-DOOR SEDAN	49 = LIMOUSINE
27 = 2-DOOR CONVERTIBLE		

AR = Use as Required - = Non Illustrated Part P.A.R. = Paint as Required



SEAT REAR J,E,T E BODY TRIM CODES C4,H3,M3
Figure ITE-2200

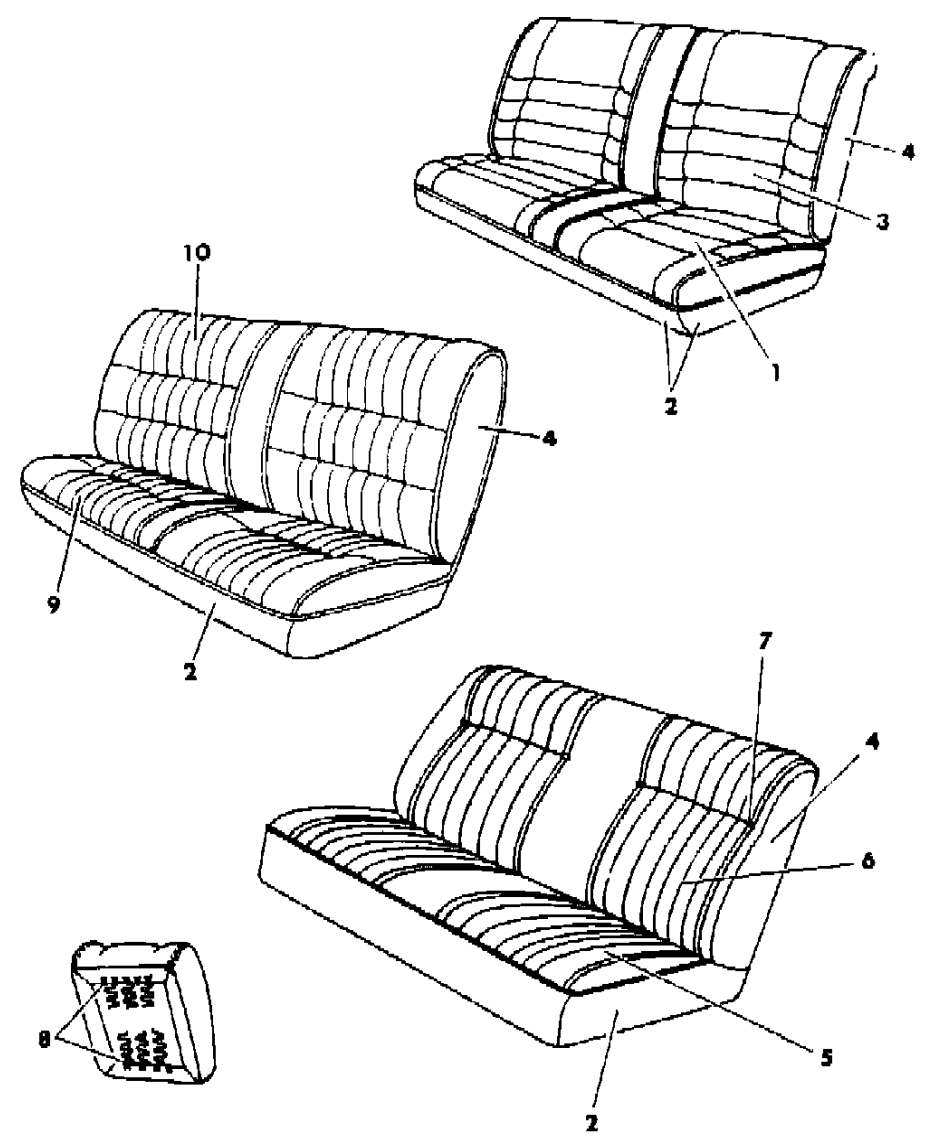
5236 2200

ITEM	PART NUMBER	QTY	BODY	MODEL	DESCRIPTION
	C797 D5A	1			N N NM3A YC797D5A
	C797 D5C	1			N N NM3C YC797D5C
	C797 D5M	1			N N NM3M YC797D5M
	C797 D5T	1			N N NM3T YC797D5T
3					COVER, Back N N N N
					Cloth N N N N
					(use up to 2/1/85) N N N N
	C393 D5A	1			N N NM3A YC393D5A
	C393 D5C	1			N N NM3C YC393D5C
	C393 D5M	1			N N NM3M YC393D5M
	C393 D5T	1			N N NM3T YC393D5T
					(use after 2/1/85) N N N N
	C520 D5A	1			N N NM3A YC520D5A
	C520 D5C	1			N N NM3C YC520D5C
	C520 D5M	1			N N NM3M YC520D5M
	C520 D5T	1			N N NM3T YC520D5T
4					ROLL STOCK, Cloth 54" Wide Order by the Inch N N N N
					(use up to 2/1/85) N N N N
	R092 DA3	AR			N N NC4A,H3A,M3A YR092DA3
	R092 VC7	AR			N N NH3C,M3C YR092VC7
	R092 VM6	AR			N N NC4M,H3M,M3M YR092VM6
	R092 DT3	AR			N N NC4T,H3T,M3T YR092DT3
					59" Wide (use after 2/1/85) N N N N
	R026 BA3	AR			N N NC4A,H3A,M3A YR026BA3
	R026 DC7	AR			N N NH3C,M3C YR026DC7
	R026 DM6	AR			N N NC4M,H3M,M3M YR026DM6
	R026 DT3	AR			N N NC4T,H3T,M3T YR026DT3
5&2					CUSHION, w/Spring/Frame, Pad and Cover N N N N
					Vinyl N N N N
	A723 B4A	1			N N NC4A YA723B4A
	A723 B4M	1			N N NC4M YA723B4M
	A723 D4T	1			N N NC4T YA723D4T
5					COVER, Cushion N N N N
					Vinyl N N N N
	A411 B4A	1			N N NC4A YA411B4A
	A411 B4M	1			N N NC4M YA411B4M
	A411 D4T	1			N N NC4T YA411D4T

MODEL CODES
 B = GRAN FURY
 C = LE BARON/TOWN & COUNTRY/LIMO
 C24 = LASER
 C44 = LE BARON/GTS
 D = ARIES
 D44 = LANCER
 E = 600
 F = FIFTH AVENUE/NEWPORT
 G = DIPLOMAT
 H = VOYAGER
 J = CARAVELLE
 K = MINI VAN/CARAVAN/ROYAL
 M = HORIZON/TURISMO
 P = RELIANT
 T = NEW YORKER
 V = 600
 V24 = DAYTONA
 Z = OMNI/CHARGER

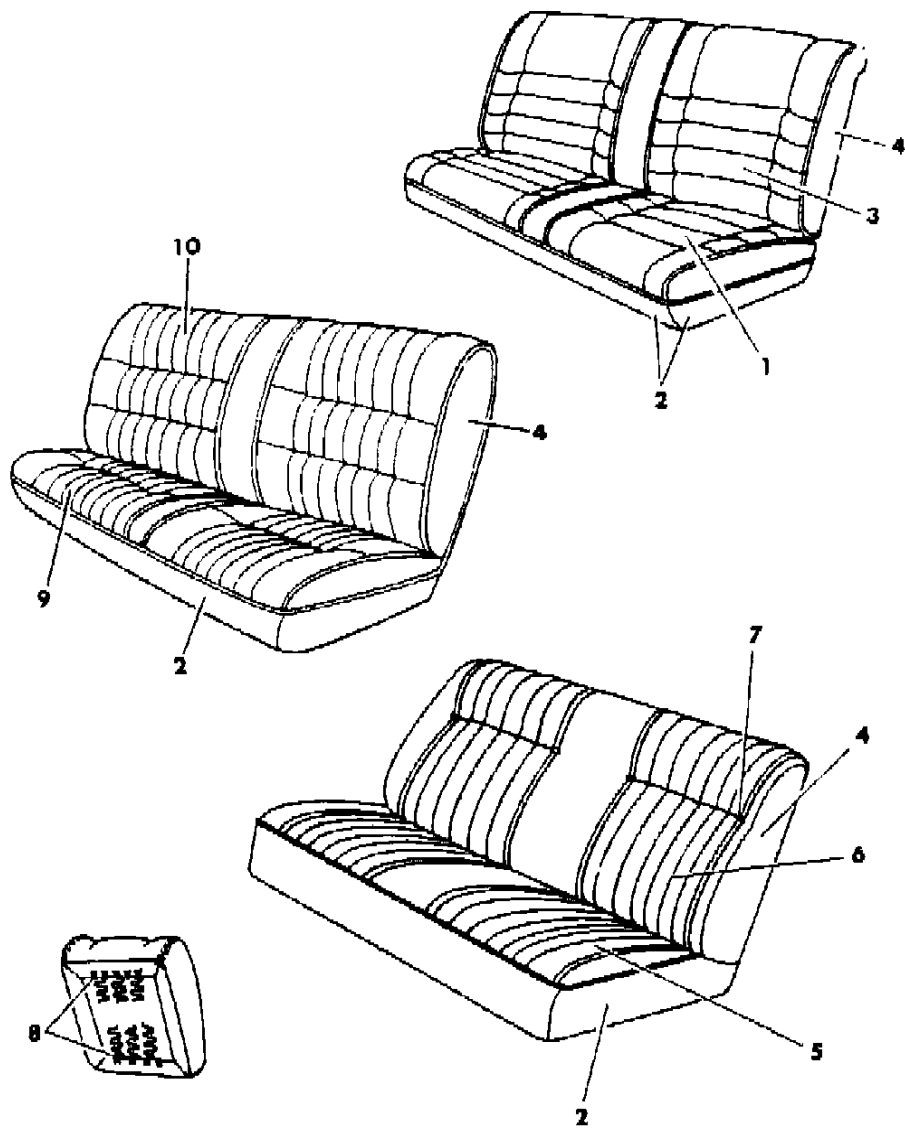
BODY STYLES
 21 = 2-DOOR SEDAN
 22 = 2-DOOR SPECIAL COUPE
 24 = 2-DOOR HATCHBACK
 27 = 2-DOOR CONVERTIBLE
 35 = FWD VAN
 36 = FWD WAGON
 41 = 4-DOOR SEDAN
 44 = 4-DOOR HATCHBACK
 45 = 4-DOOR STATION WAGON
 49 = LIMOUSINE

AR = Use as Required - = Non Illustrated Part P.A.R. = Paint as Required



SEAT REAR J,E,T E BODY TRIM CODES C4,H3,M3
Figure ITE-2200

5236 2200



ITEM	PART NUMBER	QTY	BODY	MODEL	DESCRIPTION
6&2					BACK, w/Spring/Frame, Pad and Cover N N N N
					Vinyl N N N N
	A724 B4A	1			N N NC4A YA724B4A
	A724 B4M	1			N N NC4M YA724B4M
	A724 D4T	1			N N NC4T YA724D4T
6					COVER, Back N N N N
					Vinyl N N N N
	A412 B4A	1			N N NC4A YA412B4A
	A412 B4M	1			N N NC4M YA412B4M
	A412 D4T	1			N N NC4T YA412D4T
7	4316 220	4			BUTTON, Chrome N N N Y4316220
8	6008 076	AR			HOG RING N N N Y6008076
9&2					CUSHION, w/Spring/Frame, Pad and Cover N N N N
					Cloth N N N N
					(use up to 2/1/85) N N N N
	B992 D3S	1			N N NH3A YB992D3S
	B992 D3C	1			N N NH3C YB992D3C
	B992 C7M	1			N N NH3M YB992C7M
	B992 D3U	1			N N NH3T YB992D3U
					(use after 2/1/85) N N N N
	C743 D3S	1			N N NH3A YC743D3S
	C743 D3C	1			N N NH3C YC743D3C
	C743 D7M	1			N N NH3M YC743D7M
	C743 D3U	1			N N NH3T YC743D3U
9					COVER, Cushion N N N N
					Cloth N N N N
					(use up to 2/1/85) N N N N
	C362 D3S	1			N N NH3A YC362D3S
	C362 D3C	1			N N NH3C YC362D3C
	C362 C7M	1			N N NH3M YC362C7M
	C362 D3U	1			N N NH3T YC362D3U
					(use after 2/1/85) N N N N
	C528 D3S	1			N N NH3A YC528D3S
	C528 D3C	1			N N NH3C YC528D3C
	C528 D7M	1			N N NH3M YC528D7M
	C528 D3U	1			N N NH3T YC528D3U
10&2					BACK, w/Spring/Frame, Pad and Cover N N N N

MODEL CODES

B = GRAN FURY	E = 600	M = HORIZON/TURISMO
C = LE BARON/TOWN & COUNTRY/LIMO	F = FIFTH AVENUE/NEWPORT	P = RELIANT
C24 = LASER	G = DIPLOMAT	T = NEW YORKER
C44 = LE BARON/GTS	H = VOYAGER	V = 600
D = ARIES	J = CARAVELLE	V24 = DAYTONA
D44 = LANCER	K = MINI VAN/CARAVAN/ROYAL	Z = OMNI/CHARGER

BODY STYLES

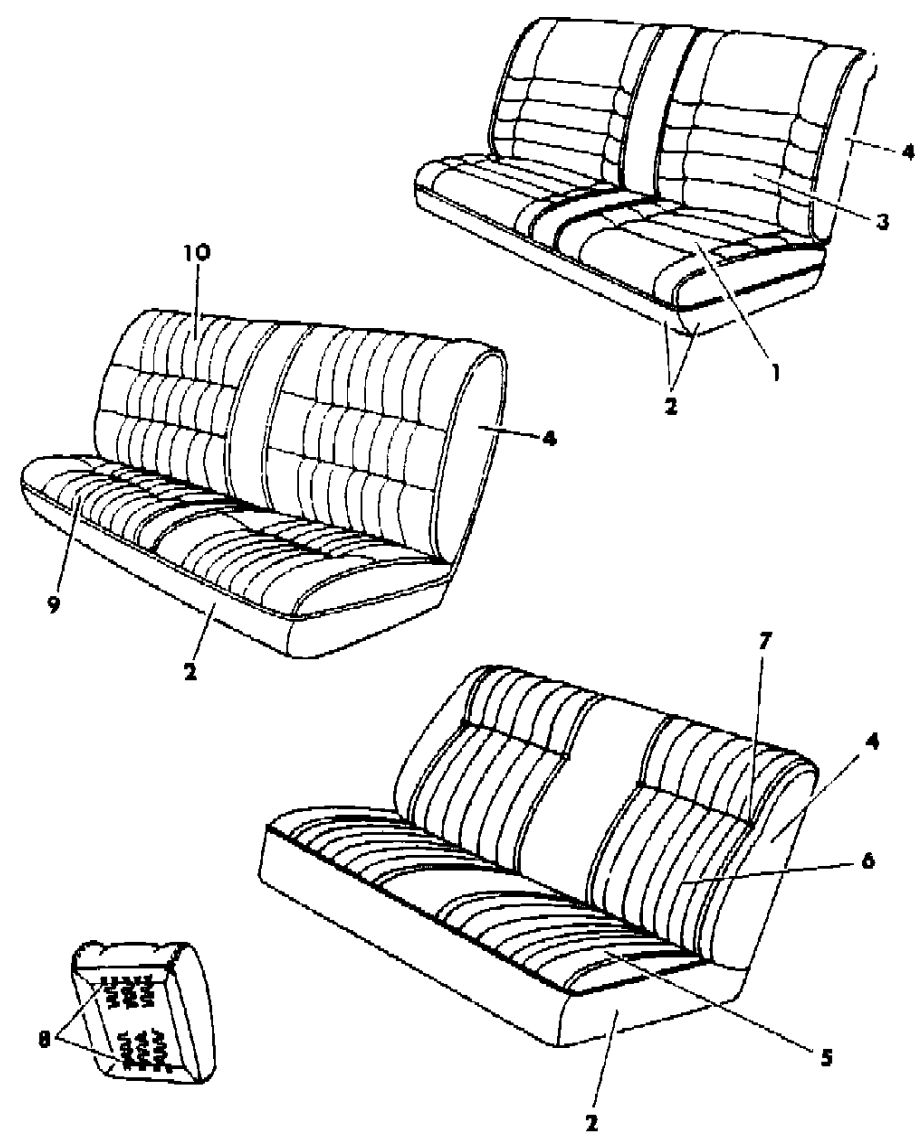
21 = 2-DOOR SEDAN	35 = FWD VAN	44 = 4-DOOR HATCHBACK
22 = 2-DOOR SPECIAL COUPE	36 = FWD WAGON	45 = 4-DOOR STATION WAGON
24 = 2-DOOR HATCHBACK	41 = 4-DOOR SEDAN	49 = LIMOUSINE
27 = 2-DOOR CONVERTIBLE		

AR = Use as Required - = Non Illustrated Part P.A.R. = Paint as Required

SEAT REAR J,E,T E BODY TRIM CODES C4,H3,M3
Figure ITE-2200

5236 2200

ITEM	PART NUMBER	QTY	BODY	MODEL	DESCRIPTION
					Cloth N N N N
					(use up to 2/1/85) N N N N
	B994 D3S	1			N N NH3A YB994D3S
	B994 D3C	1			N N NH3C YB994D3C
	B994 C7M	1			N N NH3M YB994C7M
	B994 D3U	1			N N NH3T YB994D3U
					(use after 2/1/85) N N N N
	C744 D3S	1			N N NH3A YC744D3S
	C744 D3C	1			N N NH3C YC744D3C
	C744 D7M	1			N N NH3M YC744D7M
	C744 D3U	1			N N NH3T YC744D3U
10					COVER, Back N N N N
					Cloth N N N N
					(use up to 2/1/85) N N N N
	C363 D3S	1			N N NH3A YC363D3S
	C363 D3C	1			N N NH3C YC363D3C
	C363 C7M	1			N N NH3M YC363C7M
	C363 D3U	1			N N NH3T YC363D3U
					(use after 2/1/85) N N N N
	C529 D3S	1			N N NH3A YC529D3S
	C529 D3C	1			N N NH3C YC529D3C
	C529 D7M	1			N N NH3M YC529D7M
	C529 D3U	1			N N NH3T YC529D3U



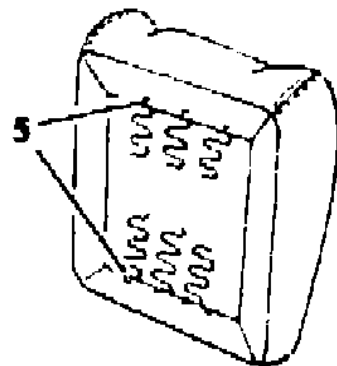
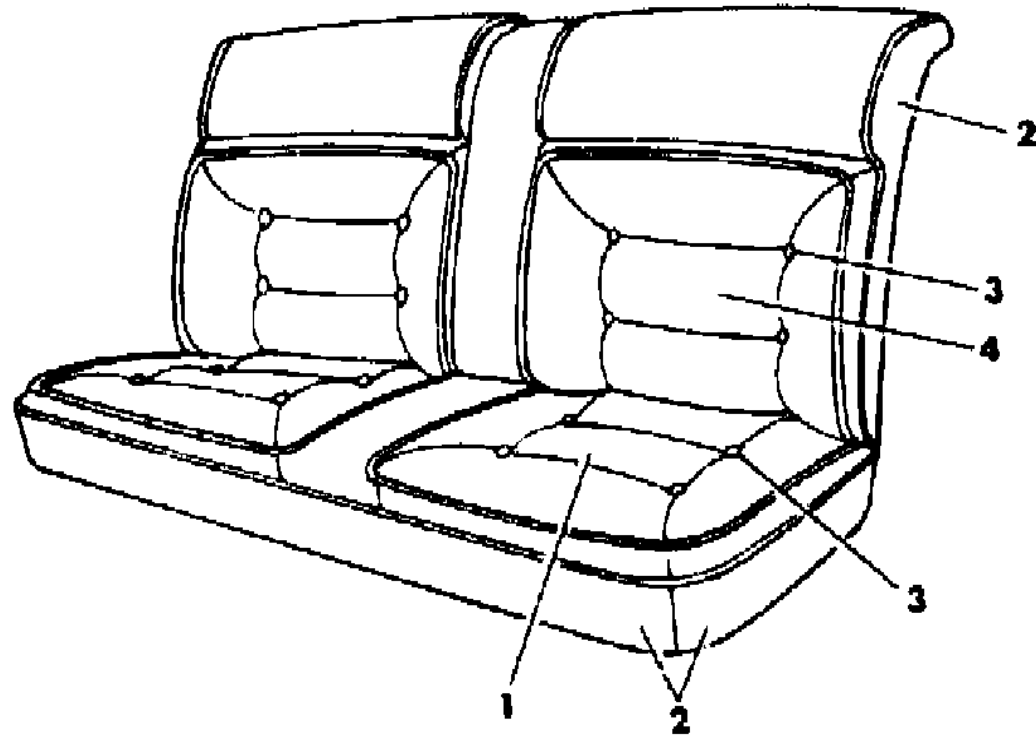
MODEL CODES
 B = GRAN FURY
 C = LE BARON/TOWN & COUNTRY/LIMO
 C24 = LASER
 C44 = LE BARON/GTS
 D = ARIES
 D44 = LANCER
 E = 600
 F = FIFTH AVENUE/NEWPORT
 G = DIPLOMAT
 H = VOYAGER
 J = CARAVELLE
 K = MINI VAN/CARAVAN/ROYAL
 M = HORIZON/TURISMO
 P = RELIANT
 T = NEW YORKER
 V = 600
 V24 = DAYTONA
 Z = OMNI/CHARGER

BODY STYLES
 21 = 2-DOOR SEDAN
 22 = 2-DOOR SPECIAL COUPE
 24 = 2-DOOR HATCHBACK
 27 = 2-DOOR CONVERTIBLE
 35 = FWD VAN
 36 = FWD WAGON
 41 = 4-DOOR SEDAN
 44 = 4-DOOR HATCHBACK
 45 = 4-DOOR STATION WAGON
 49 = LIMOUSINE

AR = Use as Required - = Non Illustrated Part P.A.R. = Paint as Required

SEAT REAR J,E,T E BODY TRIM CODE PF
Figure ITE-2300

5238 2300



ITEM	PART NUMBER	QTY	BODY	MODEL	DESCRIPTION
1-3					CUSHION, w/Spring/Frame, Pad and Cover N N N N Cloth N N N N
	A766 DFA	1			N N NPFA YA766DFA
	A766 DFC	1			N N NPFC YA766DFC
	A766 DFM	1			N N NPFM YA766DFM
	A766 DFT	1			N N NPFT YA766DFT
1					COVER, Cushion N N N N Cloth N N N N
	A552 DFA	1			N N NPFA YA552DFA
	A552 DFC	1			N N NPFC YA552DFC
	A552 DFM	1			N N NPFM YA552DFM
	A552 DFT	1			N N NPFT YA552DFT
2					ROLL STOCK, Cloth 54" Wide Order by the Inch N N N N
	R021 DA4	AR			N N NPFA YR021DA4
	R021 DC8	AR			N N NPFC YR021DC8
	R021 CM6	AR			N N NPFM YR021CM6
	R021 DT3	AR			N N NPFT YR021DT3
3					BUTTON, Cushion and Back N N N N
	G396 DAS	AR			N N NPFA YG396DAS
	G396 DCC	AR			N N NPFC YG396DCC
	G396 DMM	AR			N N NPFM YG396DMM
	G396 DTT	AR			N N NPFT YG396DTT
-	6032 359	AR			RETAINER, Button N N N Y6032359
2-4					BACK, w/Spring/Frame, Pad and Cover N N N N Cloth N N N N
	A767 DFA	1			N N NPFA YA767DFA
	A767 DFC	1			N N NPFC YA767DFC
	A767 DFM	1			N N NPFM YA767DFM
	A767 DFT	1			N N NPFT YA767DFT
4					COVER, Back N N N N Cloth N N N N
	A553 DFA	1			N N NPFA YA553DFA
	A553 DFC	1			N N NPFC YA553DFC
	A553 DFM	1			N N NPFM YA553DFM
	A553 DFT	1			N N NPFT YA553DFT
5	6008 076	AR			HOG RING N N N Y6008076

MODEL CODES

B = GRAN FURY	E = 600	M = HORIZON/TURISMO
C = LE BARON/TOWN & COUNTRY/LIMO	F = FIFTH AVENUE/NEWPORT	P = RELIANT
C24 = LASER	G = DIPLOMAT	T = NEW YORKER
C44 = LE BARON/GTS	H = VOYAGER	V = 600
D = ARIES	J = CARAVELLE	V24 = DAYTONA
D44 = LANCER	K = MINI VAN/CARAVAN/ROYAL	Z = OMNI/CHARGER

BODY STYLES

21 = 2-DOOR SEDAN	35 = FWD VAN	44 = 4-DOOR HATCHBACK
22 = 2-DOOR SPECIAL COUPE	36 = FWD WAGON	45 = 4-DOOR STATION WAGON
24 = 2-DOOR HATCHBACK	41 = 4-DOOR SEDAN	49 = LIMOUSINE
27 = 2-DOOR CONVERTIBLE		

AR = Use as Required - = Non Illustrated Part P.A.R. = Paint as Required

SEAT REAR J,E,T E BODY TRIM CODES LF,LP
Figure ITE-2400

5238 2400

ITEM	PART NUMBER	QTY	BODY	MODEL	DESCRIPTION
1-3					CUSHION, w/Spring/Frame, Pad and Cover N N N N
					Leather N N N N
	A716 DPS	1			N N NLPS YA716DPS
	A716 DPC	1			N N NLPC YA716DPC
	A716 DPM	1			N N NLPM YA716DPM
	A716 DPU	1			N N NLPT3 YA716DPU
	A716 DPT	1			N N NLPT8 YA716DPT
					Cloth N N N N
	A715 DFS	1			N N NLFS YA715DFS
	A715 DFC	1			N N NLFC YA715DFC
	A715 DFM	1			N N NLFM YA715DFM
	A715 DFU	1			N N NLFT3 YA715DFU
	A715 DFT	1			N N NLFT8 YA715DFT
1					COVER, Cushion N N N N
					Leather N N N N
	A417 DPS	1			N N NLPS YA417DPS
	A417 DPC	1			N N NLPC YA417DPC
	A417 DPM	1			N N NLPM YA417DPM
	A417 DPU	1			N N NLPT3 YA417DPU
	A417 DPT	1			N N NLPT8 YA417DPT
					Cloth N N N N
	A415 DFS	1			N N NLFS YA415DFS
	A415 DFC	1			N N NLFC YA415DFC
	A415 DFM	1			N N NLFM YA415DFM
	A415 DFU	1			N N NLFT3 YA415DFU
	A415 DFT	1			N N NLFT8 YA415DFT
2					ROLL STOCK, Vinyl 54" Wide Order By The Inch. N N N N
	R627 CS8	AR			N N NLPS YR627CS8
	R627 AC8	AR			N N NLPC YR627AC8
	R627 AM6	AR			N N NLPM YR627AM6
	R627 DT3	AR			N N NLPT3 YR627DT3
	R627 BT8	AR			N N NLPT8 YR627BT8
					ROLL STOCK, Cloth 54" Wide Order By The Inch. N N N N
	R093 CS8	AR			N N NLFS,LPS YR093CS8
	R093 AC7	AR			N N NLFC,LPC YR093AC7
	R093 AM6	AR			N N NLFM,LPM YR093AM6
	R093 DT3	AR			N N NLFT3,LPT3 YR093DT3

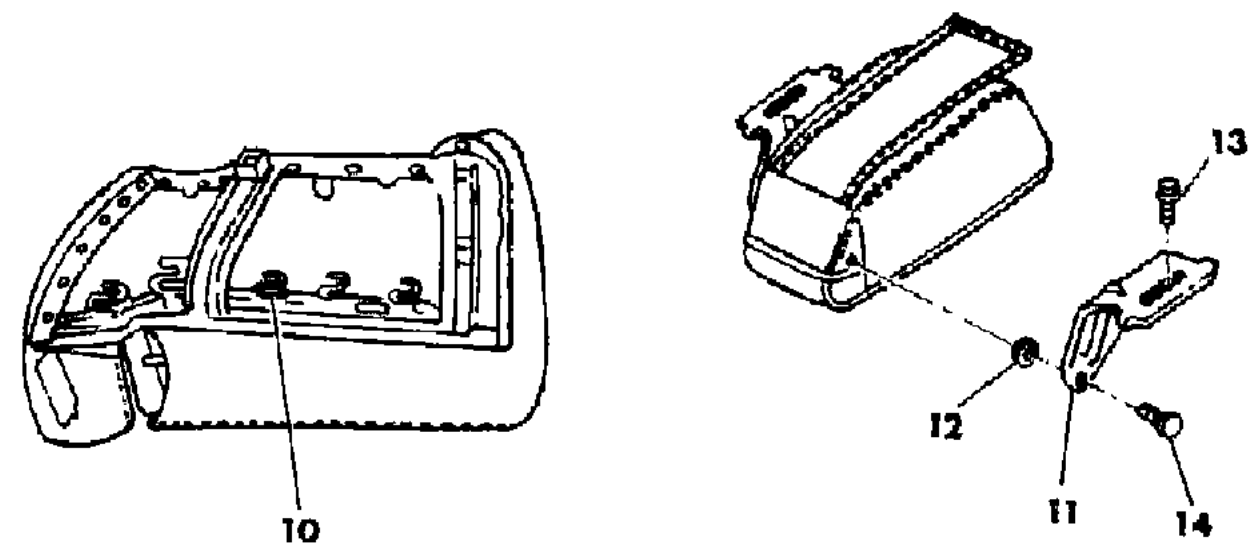
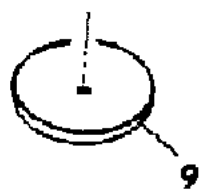
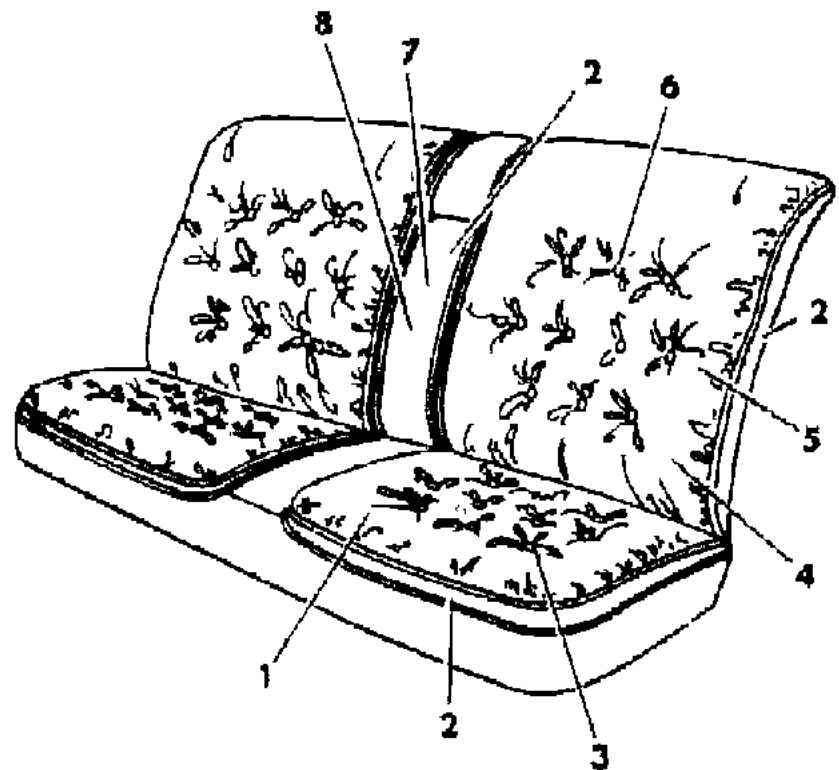
MODEL CODES

B = GRAN FURY	E = 600	M = HORIZON/TURISMO
C = LE BARON/TOWN & COUNTRY/LIMO	F = FIFTH AVENUE/NEWPORT	P = RELIANT
C24 = LASER	G = DIPLOMAT	T = NEW YORKER
C44 = LE BARON/GTS	H = VOYAGER	V = 600
D = ARIES	J = CARAVELLE	V24 = DAYTONA
D44 = LANCER	K = MINI VAN/CARAVAN/ROYAL	Z = OMNI/CHARGER

BODY STYLES

21 = 2-DOOR SEDAN	35 = FWD VAN	44 = 4-DOOR HATCHBACK
22 = 2-DOOR SPECIAL COUPE	36 = FWD WAGON	45 = 4-DOOR STATION WAGON
24 = 2-DOOR HATCHBACK	41 = 4-DOOR SEDAN	49 = LIMOUSINE
27 = 2-DOOR CONVERTIBLE		

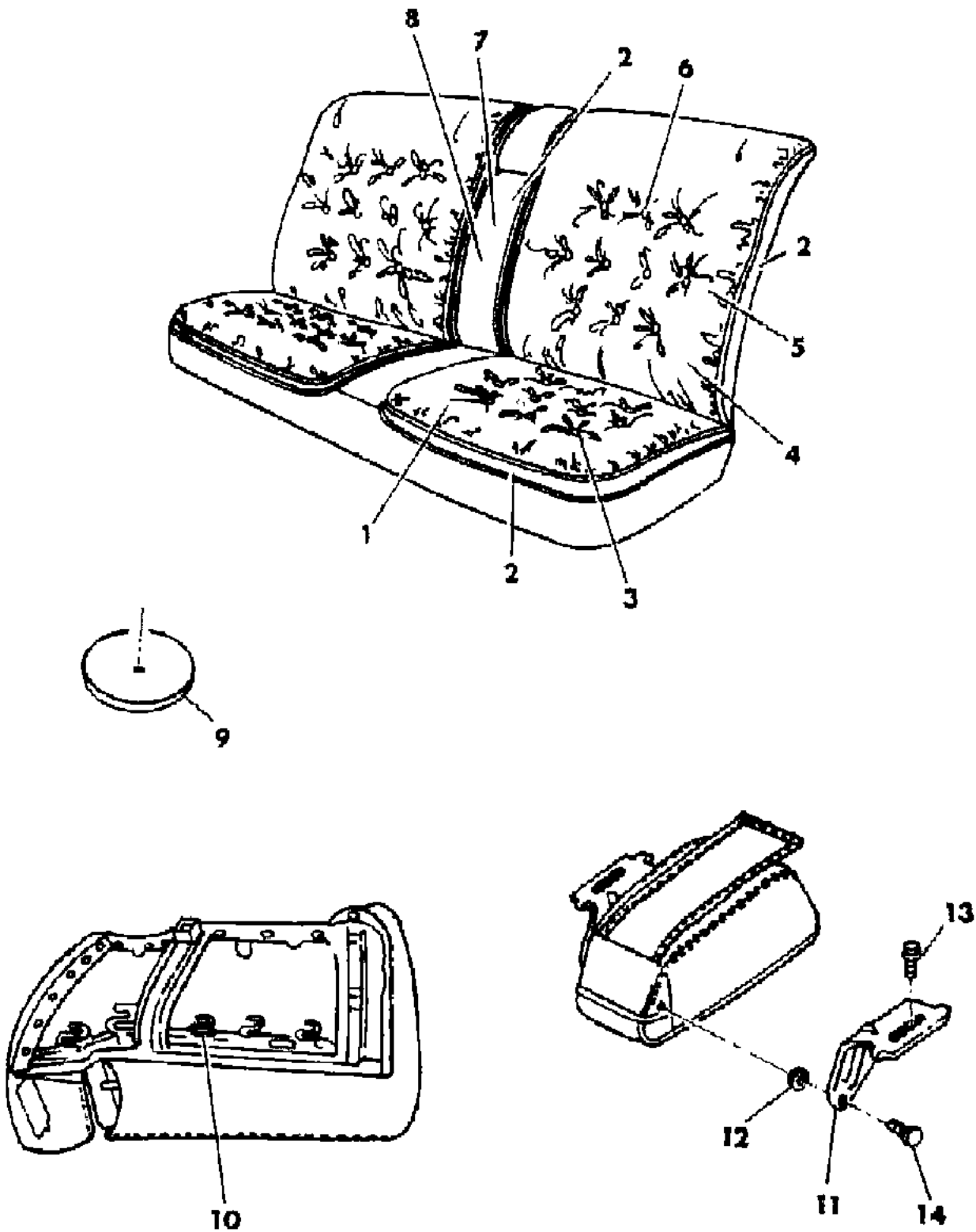
AR = Use as Required - = Non Illustrated Part P.A.R. = Paint as Required



SEAT REAR J,E,T E BODY TRIM CODES LF,LP
Figure ITE-2400

5238 2400

ITEM	PART NUMBER	QTY	BODY	MODEL	DESCRIPTION
	R093 BT8	AR			N N NLFT8,LPT8 YR093BT8
3					BUTTON, Cushion N N N N
	S845 CS8	AR			N N NLPS YS845CS8
	S845 VC8	AR			N N NLPC YS845VC8
	S845 AM6	AR			N N NLPM YS845AM6
	S845 DT3	AR			N N NLPT3 YS845DT3
	S845 CT8	AR			N N NLPT8 YS845CT8
	G378 CS8	AR			N N NLFS YG378CS8
	G378 AC7	AR			N N NLFC YG378AC7
	G378 AM6	AR			N N NLFM YG378AM6
	G378 DT3	AR			N N NLFT3 YG378DT3
	G378 CT8	AR			N N NLFT8 YG378CT8
4-6					BACK, w/Spring/Frame, Pad and Cover N N N N
					Leather N N N N
	A717 DPS	1			N N NLPS YA717DPS
	A717 DPC	1			N N NLPC YA717DPC
	A717 DPM	1			N N NLPM YA717DPM
	A717 DPU	1			N N NLPT3 YA717DPU
	A717 DPT	1			N N NLPT8 YA717DPT
					Cloth N N N N
	A719 DFS	1			N N NLFS YA719DFS
	A719 DFC	1			N N NLFC YA719DFC
	A719 DFM	1			N N NLFM YA719DFM
	A719 DFU	1			N N NLFT3 YA719DFU
	A719 DFT	1			N N NLFT8 YA719DFT
5					COVER, Back N N N N
					Leather N N N N
	A419 DPS	1			N N NLPS YA419DPS
	A419 DPC	1			N N NLPC YA419DPC
	A419 DPM	1			N N NLPM YA419DPM
	A419 DPU	1			N N NLPT3 YA419DPU
	A419 DPT	1			N N NLPT8 YA419DPT
					Cloth N N N N
	A413 DFS	1			N N NLFS YA413DFS
	A413 DFC	1			N N NLFC YA413DFC
	A413 DFM	1			N N NLFM YA413DFM
	A413 DFU	1			N N NLFT3 YA413DFU



MODEL CODES
 B = GRAN FURY
 C = LE BARON/TOWN & COUNTRY/LIMO
 C24 = LASER
 C44 = LE BARON/GTS
 D = ARIES
 D44 = LANCER
 E = 600
 F = FIFTH AVENUE/NEWPORT
 G = DIPLOMAT
 H = VOYAGER
 J = CARAVELLE
 K = MINI VAN/CARAVAN/ROYAL
 M = HORIZON/TURISMO
 P = RELIANT
 T = NEW YORKER
 V = 600
 V24 = DAYTONA
 Z = OMNI/CHARGER

BODY STYLES
 21 = 2-DOOR SEDAN
 22 = 2-DOOR SPECIAL COUPE
 24 = 2-DOOR HATCHBACK
 27 = 2-DOOR CONVERTIBLE
 35 = FWD VAN
 36 = FWD WAGON
 41 = 4-DOOR SEDAN
 44 = 4-DOOR HATCHBACK
 45 = 4-DOOR STATION WAGON
 49 = LIMOUSINE

AR = Use as Required - = Non Illustrated Part P.A.R. = Paint as Required

SEAT REAR J,E,T E BODY TRIM CODES LF,LP
Figure ITE-2400

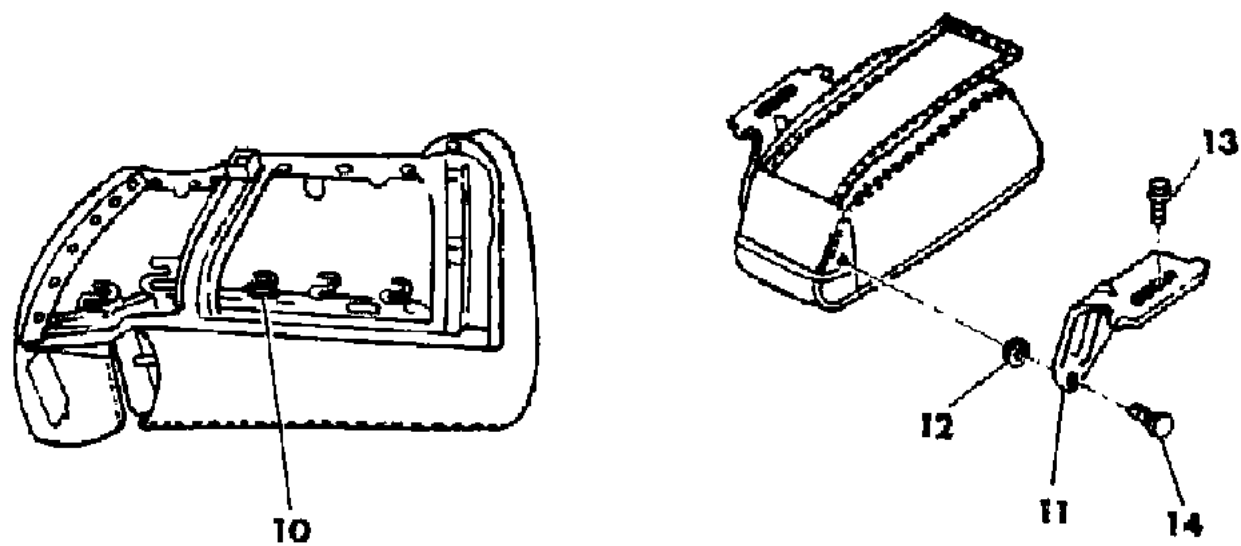
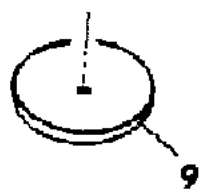
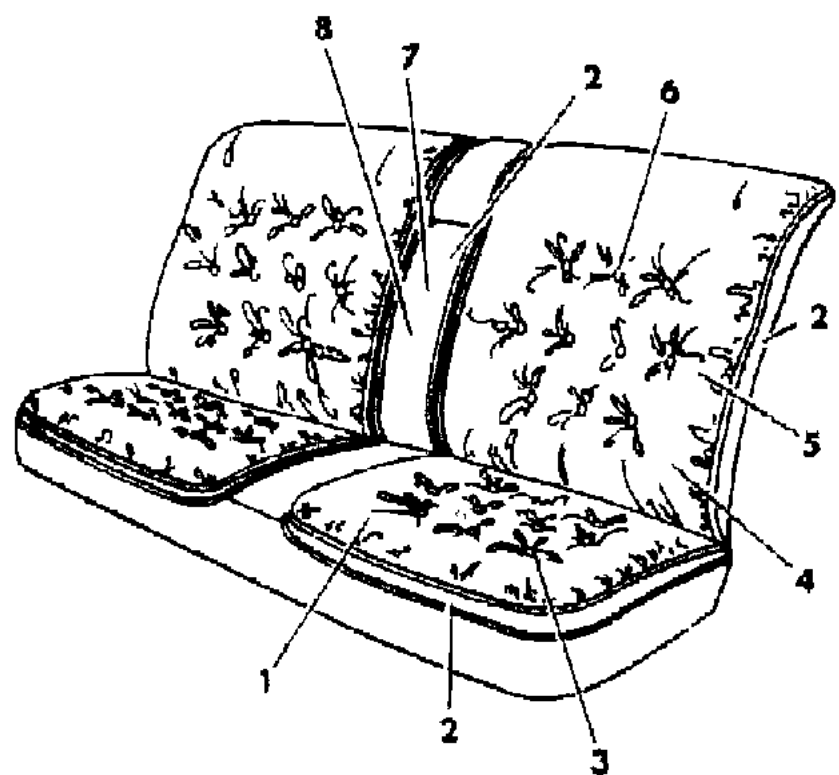
5238 2400

ITEM	PART NUMBER	QTY	BODY	MODEL	DESCRIPTION
	A413 DFT	1			N N NLFT8 YA413DFT
6					BUTTON, Back N N N N
	S845 CS8	AR			N N NLPS YS845CS8
	S845 VC8	AR			N N NLPC YS845VC8
	S845 AM6	AR			N N NLPM YS845AM6
	S845 DT3	AR			N N NLPT3 YS845DT3
	S845 CT8	AR			N N NLPT8 YS845CT8
	G378 CS8	AR			N N NLFS YG378CS8
	G378 AC7	AR			N N NLFC YG378AC7
	G378 AM6	AR			N N NLFM YG378AM6
	G378 DT3	AR			N N NLFT3 YG378DT3
	G379 CT8	AR			N N NLFT8 YG379CT8
7					ARMREST, Center N N N N
	A515 DS8	1			N N NLPS YA515DS8
	A515 DC8	1			N N NLPC YA515DC8
	A515 DM6	1			N N NLPM YA515DM6
	A515 DT3	1			N N NLPT3 YA515DT3
	A515 DT8	1			N N NLPT8 YA515DT8
	A514 DS8	1			N N NLFS YA514DS8
	A514 DC7	1			N N NLFC YA514DC7
	A514 DM6	1			N N NLFM YA514DM6
	A514 DT3	1			N N NLFT3 YA514DT3
	A514 DT8	1			N N NLFT8 YA514DT8
8					COVER, Armrest Center N N N N
	A507 DPS	1			N N NLPS YA507DPS
	A507 DPC	1			N N NLPC YA507DPC
	A507 DPM	1			N N NLPM YA507DPM
	A507 DPU	1			N N NLPT3 YA507DPU
	A507 DPT	1			N N NLPT8 YA507DPT
	A506 DFS	1			N N NLFS YA506DFS
	A506 DFC	1			N N NLFC YA506DFC
	A506 DFM	1			N N NLFM YA506DFM
	A506 DFU	1			N N NLFT3 YA506DFU
	A506 DFT	1			N N NLFT8 YA506DFT
9	4029 901	AR			WASHER, Button Stud N N N Y4029901
10	6008 076	AR			HOG RING N N N Y6008076
11	4098 764-5	1			HINGE, Center Armrest N N N Y4098764

MODEL CODES
 B = GRAN FURY
 C = LE BARON/TOWN & COUNTRY/LIMO
 C24 = LASER
 C44 = LE BARON/GTS
 D = ARIES
 D44 = LANCER
 E = 600
 F = FIFTH AVENUE/NEWPORT
 G = DIPLOMAT
 H = VOYAGER
 J = CARAVELLE
 K = MINI VAN/CARAVAN/ROYAL
 M = HORIZON/TURISMO
 P = RELIANT
 T = NEW YORKER
 V = 600
 V24 = DAYTONA
 Z = OMNI/CHARGER

BODY STYLES
 21 = 2-DOOR SEDAN
 22 = 2-DOOR SPECIAL COUPE
 24 = 2-DOOR HATCHBACK
 27 = 2-DOOR CONVERTIBLE
 35 = FWD VAN
 36 = FWD WAGON
 41 = 4-DOOR SEDAN
 44 = 4-DOOR HATCHBACK
 45 = 4-DOOR STATION WAGON
 49 = LIMOUSINE

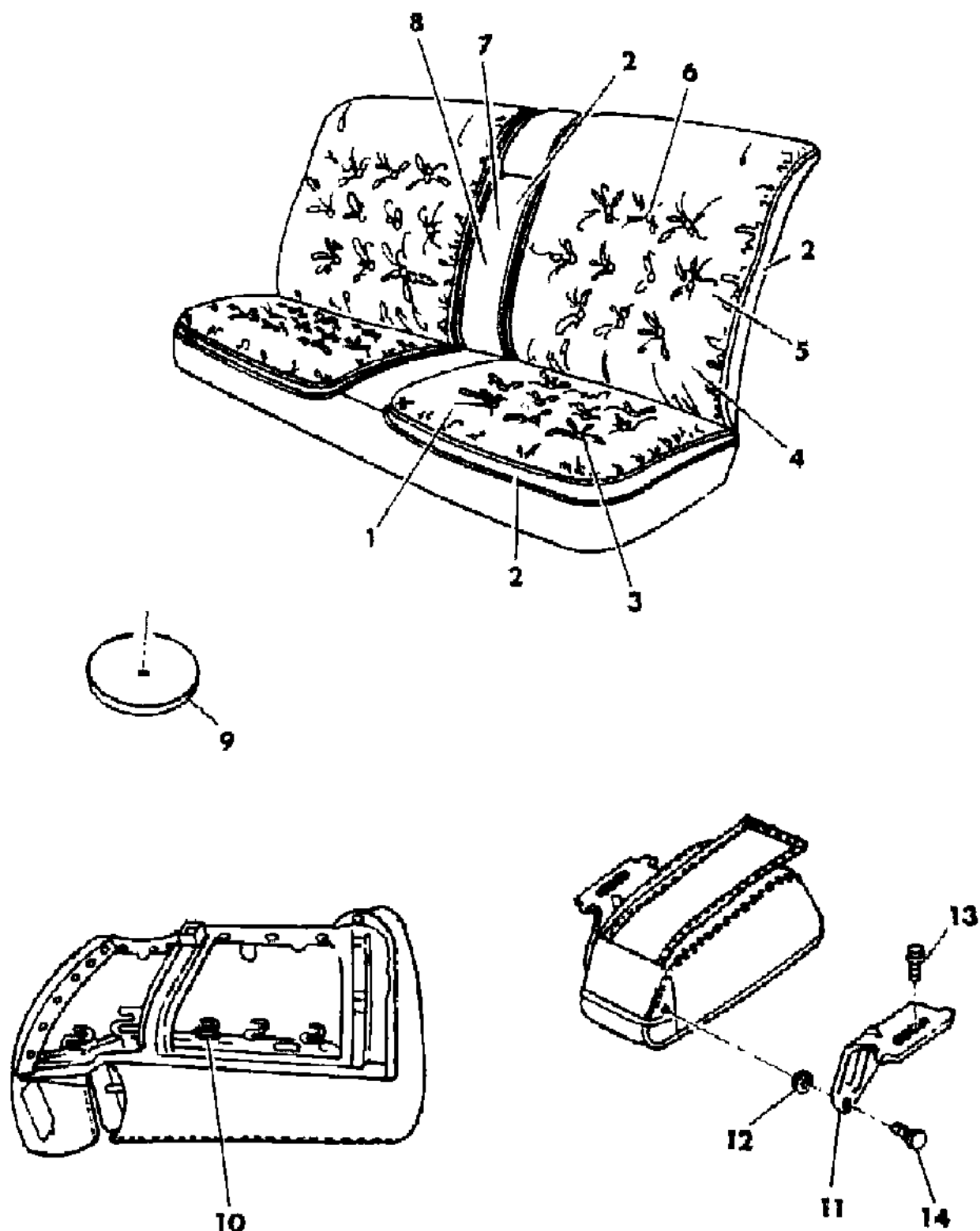
AR = Use as Required - = Non Illustrated Part P.A.R. = Paint as Required



SEAT REAR J,E,T E BODY TRIM CODES LF,LP
Figure ITE-2400

5238 2400

ITEM	PART NUMBER	QTY	BODY	MODEL	DESCRIPTION
12	6031 537	2			WASHER N N N Y6031537
13	0181 063	2			SCREW N N N Y181063
14	6026 584	2			SCREW (shoulder type) N N N Y6026584



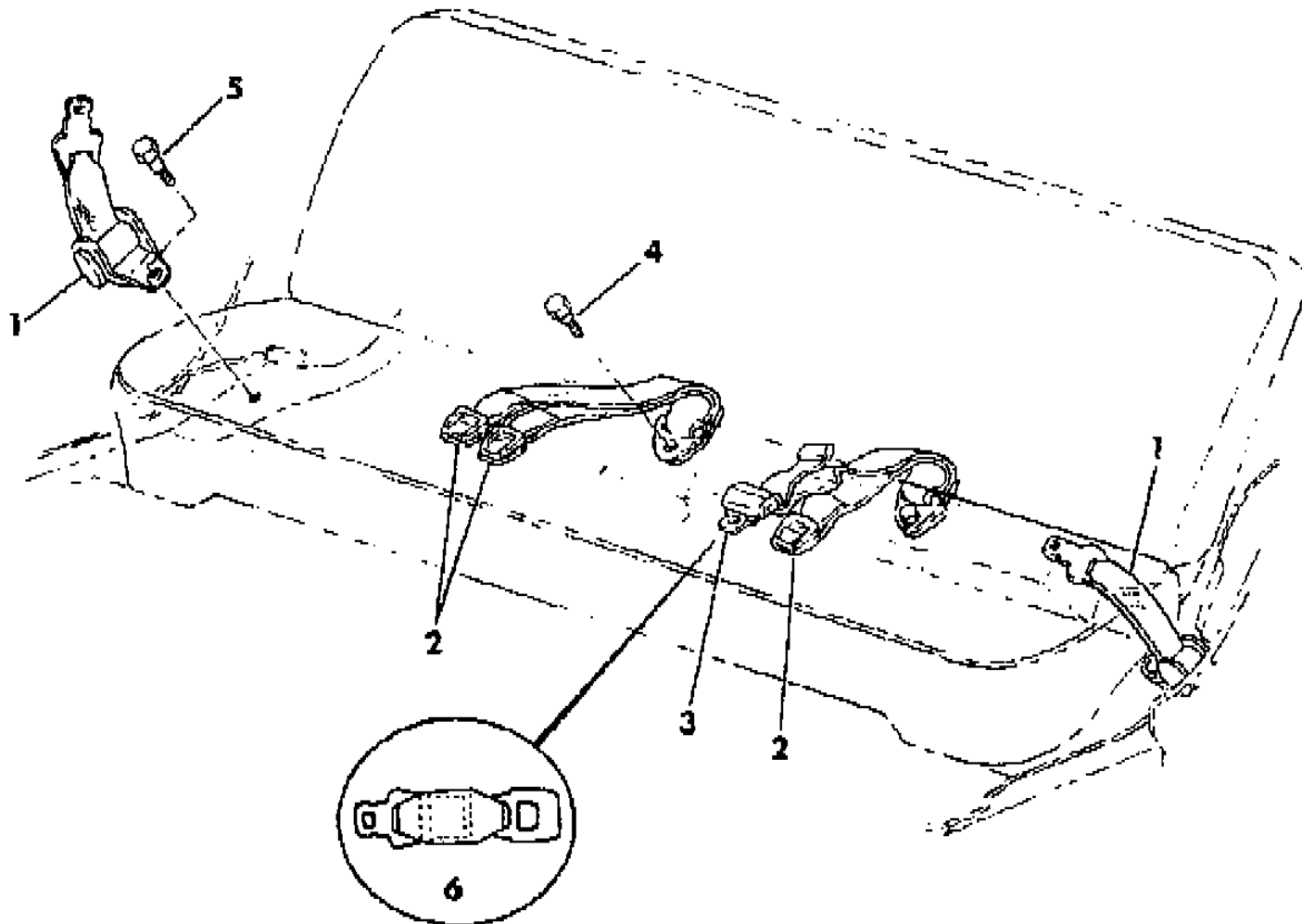
MODEL CODES
 B = GRAN FURY
 C = LE BARON/TOWN & COUNTRY/LIMO
 C24 = LASER
 C44 = LE BARON/GTS
 D = ARIES
 D44 = LANCER
 E = 600
 F = FIFTH AVENUE/NEWPORT
 G = DIPLOMAT
 H = VOYAGER
 J = CARAVELLE
 K = MINI VAN/CARAVAN/ROYAL
 M = HORIZON/TURISMO
 P = RELIANT
 T = NEW YORKER
 V = 600
 V24 = DAYTONA
 Z = OMNI/CHARGER

BODY STYLES
 21 = 2-DOOR SEDAN
 22 = 2-DOOR SPECIAL COUPE
 24 = 2-DOOR HATCHBACK
 27 = 2-DOOR CONVERTIBLE
 35 = FWD VAN
 36 = FWD WAGON
 41 = 4-DOOR SEDAN
 44 = 4-DOOR HATCHBACK
 45 = 4-DOOR STATION WAGON
 49 = LIMOUSINE

AR = Use as Required - = Non Illustrated Part P.A.R. = Paint as Required

BELT REAR SEAT J,E,T E BODY
Figure ITE-2500

5238 2500



ITEM	PART NUMBER	QTY	BODY	MODEL	DESCRIPTION
1					BELT, Outboard Tip Half N N N N Label Number 4317069 N N N N
	F724 DA3	2			Silver N N N YF724DA3
	F724 DC7	2			Blue, Dark N N N YF724DC7
	F724 DS8	2			Charcoal N N N YF724DS8
	F724 DM6	2			Red N N N YF724DM6
	F724 DT3	2			Tan N N N YF724DT3
	F724 DT8	2			Brown N N N YF724DT8
2					BELT, Buckle Inner, Right N N N N Label Number 4316754 N N N N
	F710 BA3	1			Silver N N N YF710BA3
	F710 BC7	1			Blue, Dark N N N YF710BC7
	F710 CS8	1			Charcoal N N N YF710CS8
	F710 BM6	1			Red N N N YF710BM6
	F710 DT3	1			Tan N N N YF710DT3
	F710 BT8	1			Brown N N N YF710BT8
3					BELT, Buckle and Tip, Left N N N N Label Number 4316767 N N N N
	F717 BA3	1			Silver N N N YF717BA3
	F717 BC7	1			Blue, Dark N N N YF717BC7
	F717 CS8	1			Charcoal N N N YF717CS8
	F717 BM6	1			Red N N N YF717BM6
	F717 DT3	1			Tan N N N YF717DT3
	F717 BT8	1			Brown N N N YF717BT8
4	6031 298	2			BOLT N N N Y6031298
5	6031 484	2			BOLT N N N Y6031484
6	4364 849	1			EXTENSION, Rear Seat Belt N N N Y4364849

MODEL CODES

B = GRAN FURY	E = 600	M = HORIZON/TURISMO
C = LE BARON/TOWN & COUNTRY/LIMO	F = FIFTH AVENUE/NEWPORT	P = RELIANT
C24 = LASER	G = DIPLOMAT	T = NEW YORKER
C44 = LE BARON/GTS	H = VOYAGER	V = 600
D = ARIES	J = CARAVELLE	V24 = DAYTONA
D44 = LANCER	K = MINI VAN/CARAVAN/ROYAL	Z = OMNI/CHARGER

BODY STYLES

21 = 2-DOOR SEDAN	35 = FWD VAN	44 = 4-DOOR HATCHBACK
22 = 2-DOOR SPECIAL COUPE	36 = FWD WAGON	45 = 4-DOOR STATION WAGON
24 = 2-DOOR HATCHBACK	41 = 4-DOOR SEDAN	49 = LIMOUSINE
27 = 2-DOOR CONVERTIBLE		

AR = Use as Required - = Non Illustrated Part P.A.R. = Paint as Required

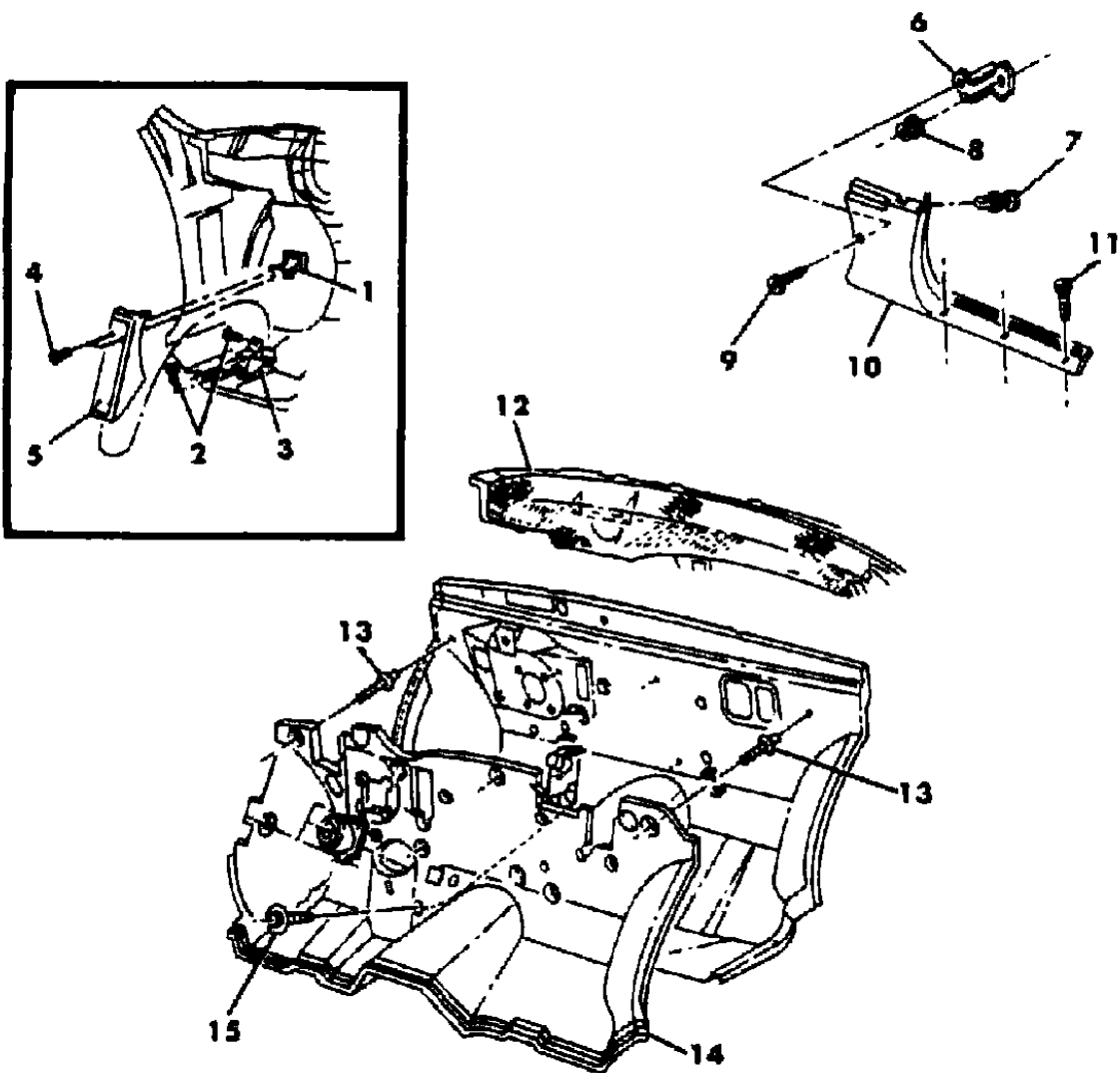
GROUP ITF - H BODY

ILLUSTRATION TITLE	GROUP-FIG. NO.
COWL PANEL AND SILENCERS C,D H BODY	Fig. ITF-100
HEADLINER VISOR AND SHELF PANEL C,D H BODY	Fig. ITF-200
MOULDING GARNISH C,D H BODY	Fig. ITF-300
B PILLAR TRIM C,D H BODY	Fig. ITF-400
PANEL QUARTER AND LIFT GATE TRIM C,D H BODY	Fig. ITF-500
LIFTGATE TRIM C,D H BODY	Fig. ITF-600
CARPET AND SILENCERS C,D H BODY	Fig. ITF-700
SCUFF PLATES C,D H BODY	Fig. ITF-800
DOOR TRIM FRONT C,D H BODY	Fig. ITF-900
DOOR TRIM PANEL REAR C,D H BODY	Fig. ITF-1000
SEAT FRONT C,D H BODY TRIM CODE D7	Fig. ITF-1100
SEAT FRONT C,D H BODY TRIM CODE E7	Fig. ITF-1200
SEAT FRONT C,D H BODY TRIM CODE C7	Fig. ITF-1300
SEAT FRONT C,D H BODY TRIM CODE HL	Fig. ITF-1400
BELT FRONT SEAT C,D H BODY	Fig. ITF-1500
RECLINING SEAT C,D H BODY	Fig. ITF-1600
ADJUSTER MANUAL C,D H BODY	Fig. ITF-1700
COVERS ADJUSTER MANUAL C,D H BODY	Fig. ITF-1800
ADJUSTER ELECTRIC C,D H BODY	Fig. ITF-1900
COVERS ADJUSTER ELECTRIC C,D H BODY	Fig. ITF-2000
SEAT REAR C,D H BODY TRIM CODES D7,E7	Fig. ITF-2100
SEAT REAR C,D H BODY TRIM CODES C7,HL	Fig. ITF-2200
BELT REAR SEAT C,D H BODY	Fig. ITF-2300
SEAT REAR FOLD DOWN C,D H BODY	Fig. ITF-2400

ILLUSTRATION NOT AVAILABLE AT TIME OF PUBLICATION

COWL PANEL AND SILENCERS C,D H BODY
Figure ITF-100

5240 100A



ITEM	PART NUMBER	QTY	BODY	MODEL	DESCRIPTION
1	4248 703	1			BRACKET, Footrest Support Upper N N N Y4248703
2		AR			SCREW (10-16x3/4)(not serviced) N N N N
3	4248 705	1			BRACKET, Footrest Lower N N N Y4248705
4		AR			SCREW (not serviced) N N N N
5	4248 717	1			FOOTREST N N N Y4248717
6	4282 434	1			BRACKET, Cowl Right Side N N N Y4282434
7					FASTENER N N N N
	F155 BA3	AR			Silver N N N YF155BA3
	F155 BM6	AR			Red N N N YF155BM6
	F155 DT3	AR			Tan N N N YF155DT3
	F155 CX9	AR			Black N N N YF155CX9
8					NUT and WASHER (see Group 8) N N N N
9		AR			SCREW (not serviced) N N N N
10					COWL and SCUFF PLATE N N N N
	F186-7 DA3	1			Silver N N N YF186DA3
	F186-7 DM6	1			Red N N N YF186DM6
	F186-7 DT3	1			Tan N N N YF186DT3
	F186-7 DX9	1			Black N N N YF186DX9
11					SCREW (8-18x1)(not serviced) N N N N
12	4186 901	1			SILENCER (36"x72" material cut to fit) N N N Y4186901
13	6032 020	6			STUD N N N Y6032020
14	4314 913	1			LINER, Dash w/ or w/o A/C N N N Y4314913
	6032 185	6			CAPLUG N N N Y6032185
	6026 430	6			RETAINER, Caplug N N N Y6026430
15		AR			SCREW and WASHER (not serviced) N N N N

MODEL CODES

B = GRAN FURY	E = 600	M = HORIZON/TURISMO
C = LE BARON/TOWN & COUNTRY/LIMO	F = FIFTH AVENUE/NEWPORT	P = RELIANT
C24 = LASER	G = DIPLOMAT	T = NEW YORKER
C44 = LE BARON/GTS	H = VOYAGER	V = 600
D = ARIES	J = CARAVELLE	V24 = DAYTONA
D44 = LANCER	K = MINI VAN/CARAVAN/ROYAL	Z = OMNI/CHARGER

BODY STYLES

21 = 2-DOOR SEDAN	35 = FWD VAN	44 = 4-DOOR HATCHBACK
22 = 2-DOOR SPECIAL COUPE	36 = FWD WAGON	45 = 4-DOOR STATION WAGON
24 = 2-DOOR HATCHBACK	41 = 4-DOOR SEDAN	49 = LIMOUSINE
27 = 2-DOOR CONVERTIBLE		

AR = Use as Required - = Non Illustrated Part P.A.R. = Paint as Required

HEADLINER VISOR AND SHELF PANEL C,D H BODY Figure ITF-200

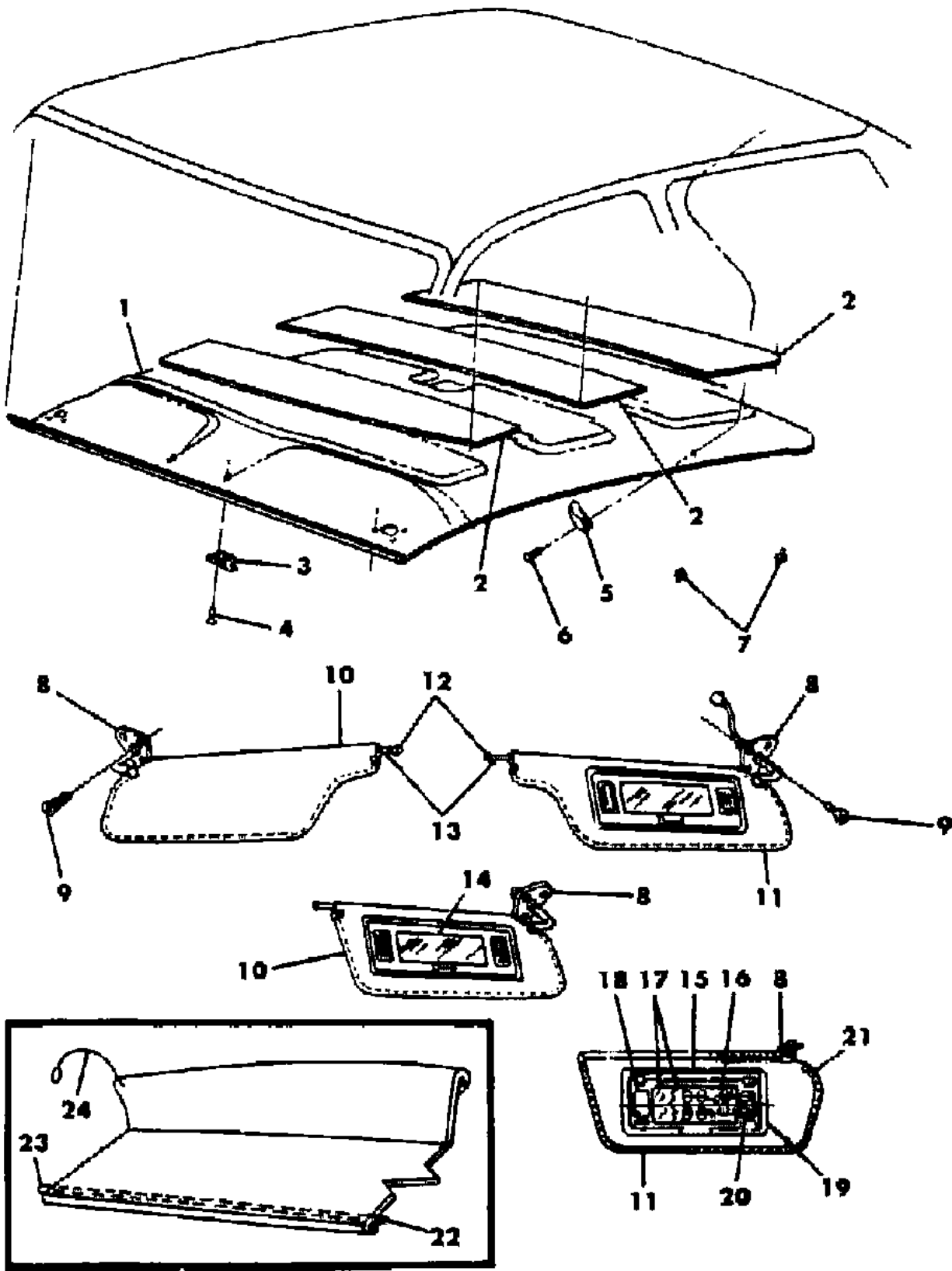
5240 200

ITEM	PART NUMBER	QTY	BODY	MODEL	DESCRIPTION
1					HEADLINER N N N N
					w/o Sun Roof N N N N
	H870 DA3	1			Silver N N N YH870DA3
	H870 DM6	1			Red N N N YH870DM6
	H870 DT3	1			Tan N N N YH870DT3
	H870 DX9	1			Black N N N YH870DX9
					w/Sun Roof N N N N
	H514 DA3	1			Silver N N N YH514DA3
	H514 DM6	1			Red N N N YH514DM6
	H514 DT3	1			Tan N N N YH514DT3
	H514 DX9	1			Black N N N YH514DX9
2	4342 496	AR			SILENCER, Roof N N N Y4342496
3					CLIP, Sunvisor N N N N
	H335 CA3	1			Silver N N N YH335CA3
	H335 CM6	1			Red N N N YH335CM6
	H335 DT3	1			Tan N N N YH335DT3
	H335 CX9	1			Black N N N YH335CX9
4		2			SCREW (not serviced) N N N N
5	3685 992	2			HOOK, Coat N N N Y3685992
6		AR			SCREW (8-18x7/8)(not serviced) N N N N
7					FASTENER, Headliner N N N N
	H452 AA3	AR			Silver N N N YH452AA3
	H452 TM6	AR			Red N N N YH452TM6
	H452 DT3	AR			Tan N N N YH452DT3
	H452 SX9	AR			Black N N N YH452SX9
8	4247 868-9	1			ARM and BRACKET, w/o Mirror N N N Y4247868
					w/Mirror N N N N
	H078 DA3	1			Silver N N N YH078DA3
	H078 DM6	1			Red N N N YH078DM6
	H078 DT3	1			Tan N N N YH078DT3
	H078 DX9	1			Black N N N YH078DX9
9	6032 584	6			SCREW, Visor Attaching N N N Y6032584
10					VISOR, w/non Illuminated Mirror Right N N N N
	H338 CA3	1			Silver N N N YH338CA3
	H338 CM6	1			Red N N N YH338CM6
	H338 DT3	1			Tan N N N YH338DT3
	H338 CX9	1			Black N N N YH338CX9

MODEL CODES
 B = GRAN FURY
 C = LE BARON/TOWN & COUNTRY/LIMO
 C24 = LASER
 C44 = LE BARON/GTS
 D = ARIES
 D44 = LANCER
 E = 600
 F = FIFTH AVENUE/NEWPORT
 G = DIPLOMAT
 H = VOYAGER
 J = CARAVELLE
 K = MINI VAN/CARAVAN/ROYAL
 M = HORIZON/TURISMO
 P = RELIANT
 T = NEW YORKER
 V = 600
 V24 = DAYTONA
 Z = OMNI/CHARGER

BODY STYLES
 21 = 2-DOOR SEDAN
 22 = 2-DOOR SPECIAL COUPE
 24 = 2-DOOR HATCHBACK
 27 = 2-DOOR CONVERTIBLE
 35 = FWD VAN
 36 = FWD WAGON
 41 = 4-DOOR SEDAN
 44 = 4-DOOR HATCHBACK
 45 = 4-DOOR STATION WAGON
 49 = LIMOUSINE

AR = Use as Required - = Non Illustrated Part P.A.R. = Paint as Required



HEADLINER VISOR AND SHELF PANEL C,D H BODY Figure ITF-200

5240 200

ITEM	PART NUMBER	QTY	BODY	MODEL	DESCRIPTION
					w/o Mirror Left N N N N
	H339 CA3	1			Silver N N N YH339CA3
	H339 CM6	1			Red N N N YH339CM6
	H339 DT3	1			Tan N N N YH339DT3
	H339 CX9	1			Black N N N YH339CX9
11					VISOR, w/Illuminated Mirror Right N N N N
	H692 DA3	1			Silver N N N YH692DA3
	H692 DM6	1			Red N N N YH692DM6
	H692 DT3	1			Tan N N N YH692DT3
	H692 DX9	1			Black N N N YH692DX9
					VISOR, Sub Assy. Illuminated Mirror N N N N
	H077 DA3	1			Silver N N N YH077DA3
	H077 DM6	1			Red N N N YH077DM6
	H077 DT3	1			Tan N N N YH077DT3
	H077 DX9	1			Black N N N YH077DX9
12	4282 359	2			SUPPORT, Visor Inner N N N Y4282359
13					TIP, Visor Support N N N N
	H315 CA3	2			Silver N N N YH315CA3
	H315 CM6	2			Red N N N YH315CM6
	H315 DT3	2			Tan N N N YH315DT3
	H315 CX9	2			Black N N N YH315CX9
14					MIRROR, non/Illuminated Right Only N N N N
	H322 CA3	1			Silver N N N YH322CA3
	H322 CM6	1			Red N N N YH322CM6
	H322 DT3	1			Tan N N N YH322DT3
	H322 CX9	1			Black N N N YH322CX9
15					COVER and FRAME (serviced in item 11) N N N N
16	3832 873	1			COMPONENT BOARD, Lighted Mirror N N N Y3832873
17	4077 693	1			MIRROR and BACK N N N Y4077693
18	4166 974	2			LENS N N N Y4166974
19	4166 976	2			HINGE, Spring N N N Y4166976
20	9421 330	4			BULB N N N Y9421330
21	1490 983	2			CLIP, Visor Panel End N N N Y1490983
22					PANEL, Shelf Trim N N N N
	H156 EA7	1			Silver N N N YH156EA7
	H220 DM6	1			Red N N N YH220DM6
	H220 DT5	1			Tan N N N YH220DT5

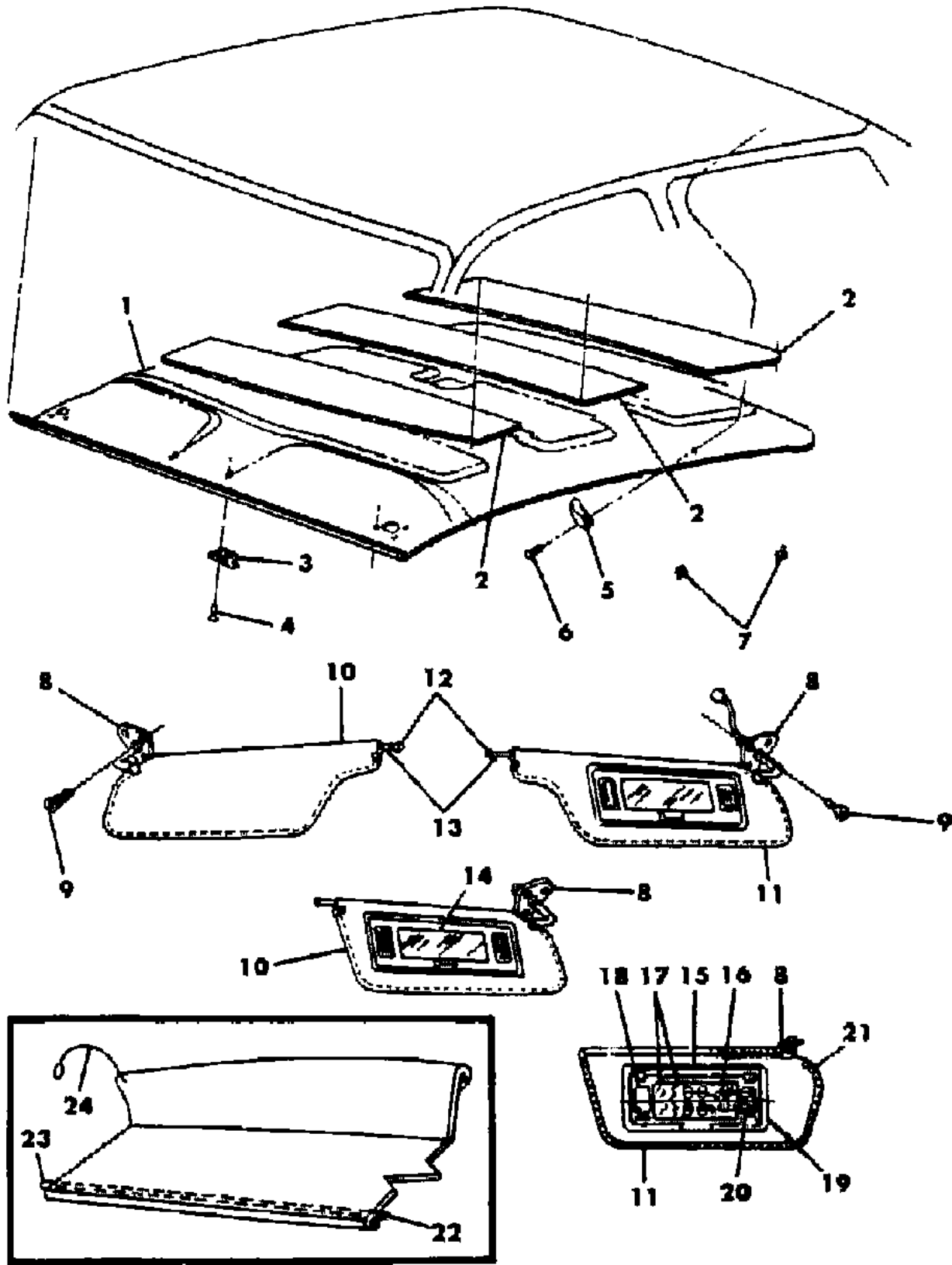
MODEL CODES

B = GRAN FURY	E = 600	M = HORIZON/TURISMO
C = LE BARON/TOWN & COUNTRY/LIMO	F = FIFTH AVENUE/NEWPORT	P = RELIANT
C24 = LASER	G = DIPLOMAT	T = NEW YORKER
C44 = LE BARON/GTS	H = VOYAGER	V = 600
D = ARIES	J = CARAVELLE	V24 = DAYTONA
D44 = LANCER	K = MINI VAN/CARAVAN/ROYAL	Z = OMNI/CHARGER

BODY STYLES

21 = 2-DOOR SEDAN	35 = FWD VAN	44 = 4-DOOR HATCHBACK
22 = 2-DOOR SPECIAL COUPE	36 = FWD WAGON	45 = 4-DOOR STATION WAGON
24 = 2-DOOR HATCHBACK	41 = 4-DOOR SEDAN	49 = LIMOUSINE
27 = 2-DOOR CONVERTIBLE		

AR = Use as Required - = Non Illustrated Part P.A.R. = Paint as Required

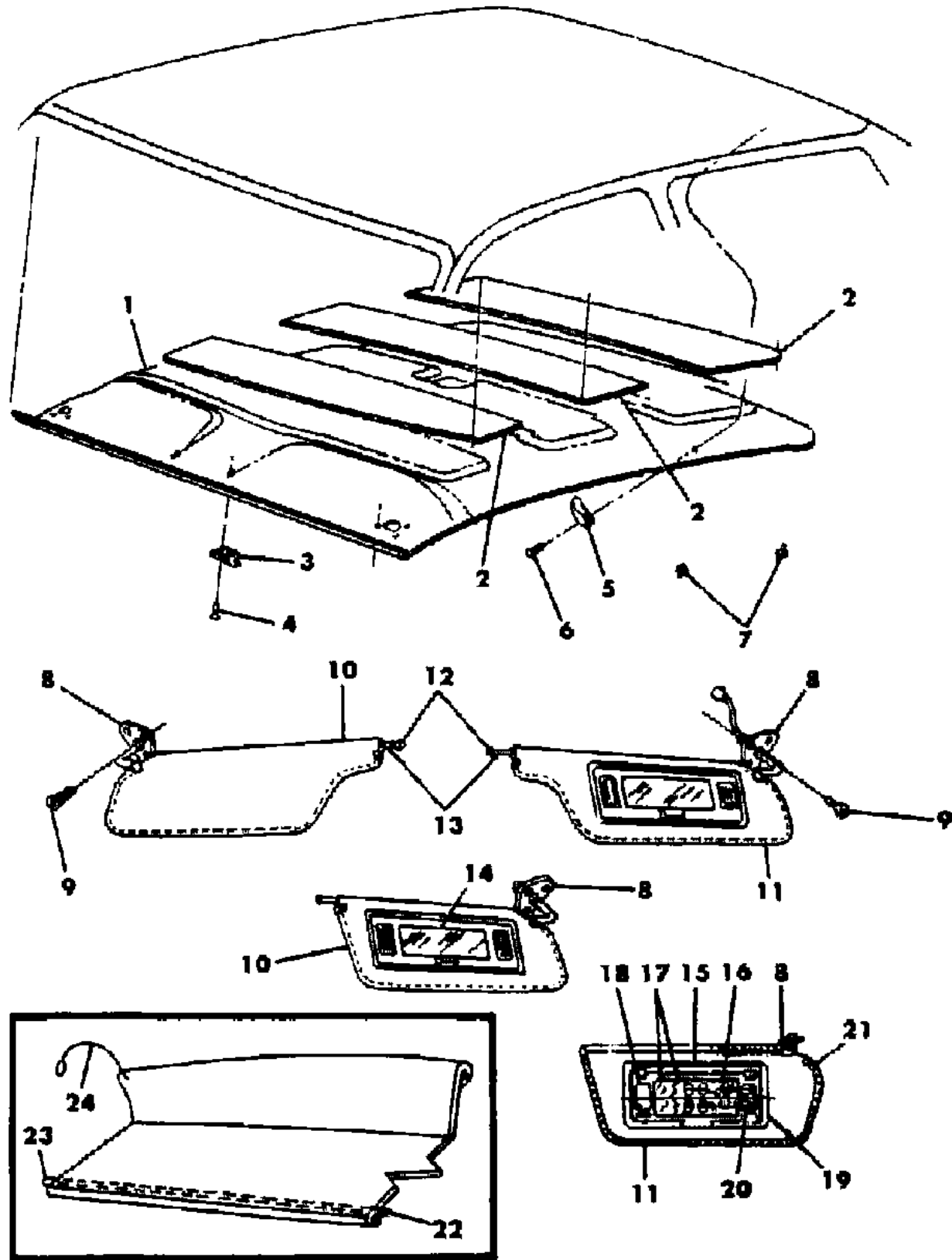


HEADLINER VISOR AND SHELF PANEL C,D H BODY

Figure ITF-200

5240 200

ITEM	PART NUMBER	QTY	BODY	MODEL	DESCRIPTION
	H156 EX9	1			Black N N N YH156EX9
23	2789 037	2			TIP, Shelf Trim Panel Pivot N N N Y2789037
24	4381 135	1			CORD, Shelf Panel N N N Y4381135



MODEL CODES

B = GRAN FURY	E = 600	M = HORIZON/TURISMO
C = LE BARON/TOWN & COUNTRY/LIMO	F = FIFTH AVENUE/NEWPORT	P = RELIANT
C24 = LASER	G = DIPLOMAT	T = NEW YORKER
C44 = LE BARON/GTS	H = VOYAGER	V = 600
D = ARIES	J = CARAVELLE	V24 = DAYTONA
D44 = LANCER	K = MINI VAN/CARAVAN/ROYAL	Z = OMNI/CHARGER

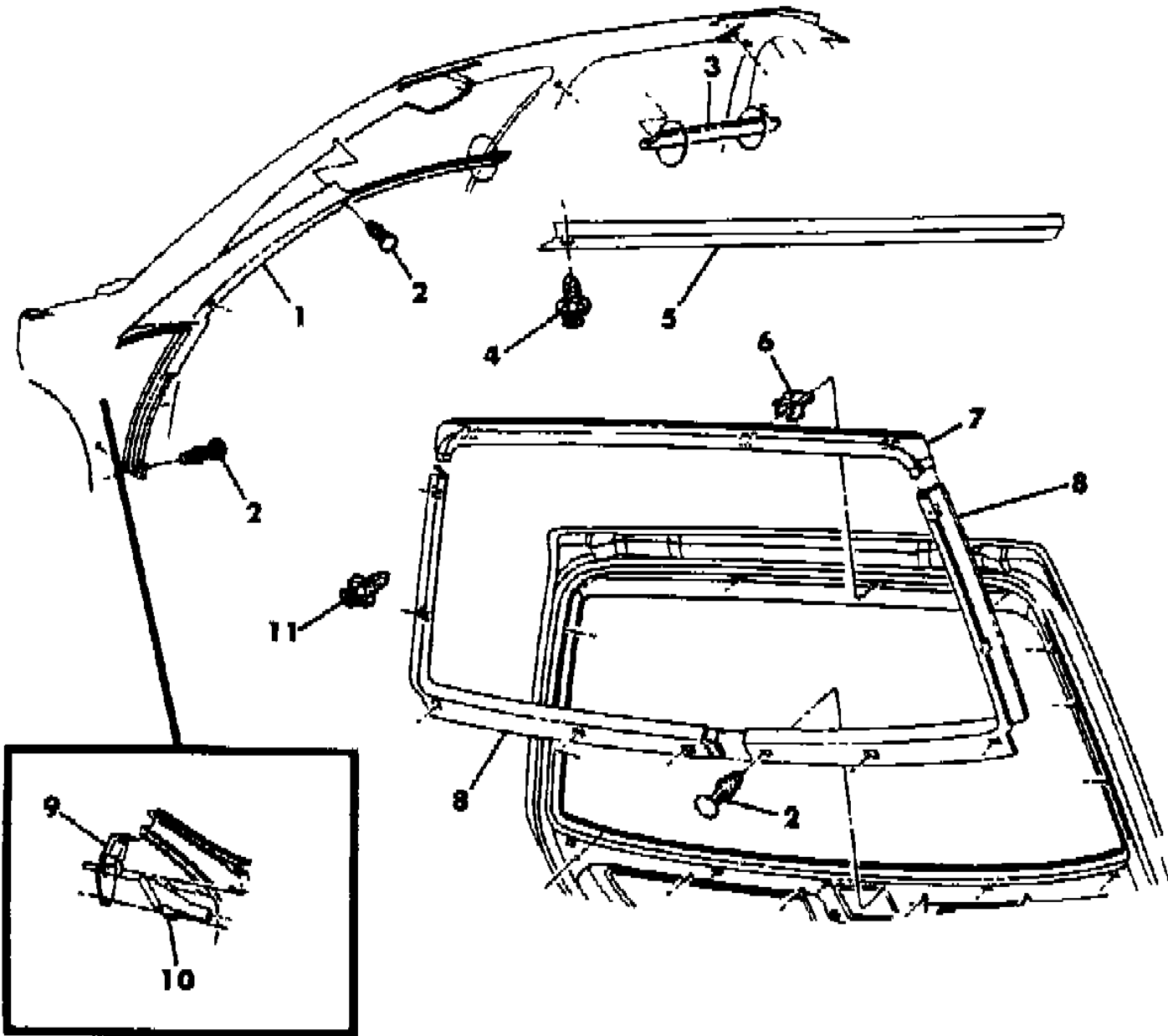
BODY STYLES

21 = 2-DOOR SEDAN	35 = FWD VAN	44 = 4-DOOR HATCHBACK
22 = 2-DOOR SPECIAL COUPE	36 = FWD WAGON	45 = 4-DOOR STATION WAGON
24 = 2-DOOR HATCHBACK	41 = 4-DOOR SEDAN	49 = LIMOUSINE
27 = 2-DOOR CONVERTIBLE		

AR = Use as Required - = Non Illustrated Part P.A.R. = Paint as Required

MOULDING GARNISH C,D H BODY
Figure ITF-300

5240 300 A



ITEM	PART NUMBER	QTY	BODY	MODEL	DESCRIPTION	
1					PANEL, Windshield Side and Front Garnish Moulding w/Dimister Louvers N N N N	
	F130-1 DA3	1			Silver N N N YF130DA3	
	F130-1 DM6	1			Red N N N YF130DM6	
	F130-1 DT3	1			Tan N N N YF130DT3	
	F130-1 DX9	1			Black N N N YF130DX9	
2					FASTENER N N N N	
	F155 DA7	AR			Silver N N N YF155DA7	
	F155 BM6	AR			Red N N N YF155BM6	
	F155 DT3	AR			Tan N N N YF155DT3	
3					MOULDING, Rear Door Roof Rail N N N N	
	F132-3 DA3	1			Silver N N N YF132DA3	
	F132-3 DM6	1			Red N N N YF132DM6	
	F132-3 DT3	1			Tan N N N YF132DT3	
4					MOULDING, Liftgate Header (paint as required) N N N Y4282662	
	4283 515	6			RETAINER, Roof Rail Moulding N N N Y4283515	
	6032 456	AR			SCREW N N N Y6032456	
	4282 662	1			MOULDING, Liftgate Header (paint as required) N N N Y4282662	
5					CLIP, Liftgate Moulding Attaching N N N Y6501292	
	6501 292	AR			CLIP, Liftgate Moulding Attaching N N N Y6501292	
					MOULDING, Liftgate Upper Trim N N N N	
	H212 DA7	1			Silver N N N YH212DA7	
6					MOULDING, Liftgate Upper Trim N N N N	
	H212 DM6	1			Red N N N YH212DM6	
	H212 DT5	1			Tan N N N YH212DT5	
	H212 DX9	1			Black N N N YH212DX9	
	7					MOULDING, Liftgate Side and Lower N N N N
		H210-1 DA7	1			w/o Heated Rear Window N N N N
		H210-1 DM6	1			Silver N N N YH210DA7
		H210-1 DT5	1			Red N N N YH210DM6
	8					Tan N N N YH210DT5
		H210-1 DX9	1			Black N N N YH210DX9
		H238-9 DA7	1			w/Heated Rear Window N N N N
		H238-9 DM6	1			Silver N N N YH238DA7
9					Red N N N YH238DM6	
	H238-9 DT5	1			Tan N N N YH238DT5	
	H238-9 DX9	1			Black N N N YH238DX9	
					BRACKET, Windshield Side and Front Header N N N N	

MODEL CODES

B = GRAN FURY	E = 600	M = HORIZON/TURISMO
C = LE BARON/TOWN & COUNTRY/LIMO	F = FIFTH AVENUE/NEWPORT	P = RELIANT
C24 = LASER	G = DIPLOMAT	T = NEW YORKER
C44 = LE BARON/GTS	H = VOYAGER	V = 600
D = ARIES	J = CARAVELLE	V24 = DAYTONA
D44 = LANCER	K = MINI VAN/CARAVAN/ROYAL	Z = OMNI/CHARGER

BODY STYLES

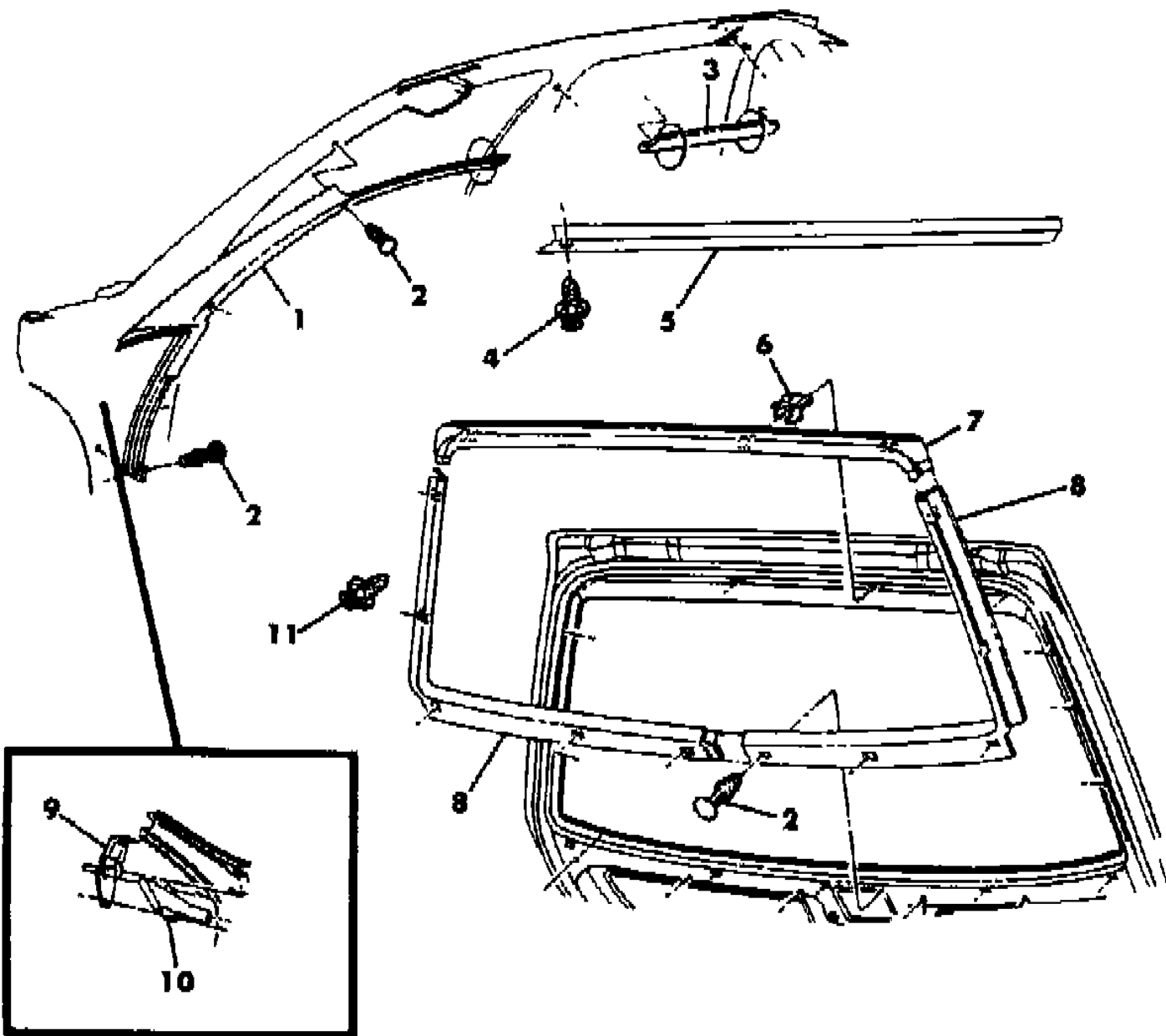
21 = 2-DOOR SEDAN	35 = FWD VAN	44 = 4-DOOR HATCHBACK
22 = 2-DOOR SPECIAL COUPE	36 = FWD WAGON	45 = 4-DOOR STATION WAGON
24 = 2-DOOR HATCHBACK	41 = 4-DOOR SEDAN	49 = LIMOUSINE
27 = 2-DOOR CONVERTIBLE		

AR = Use as Required - = Non Illustrated Part P.A.R. = Paint as Required

MOULDING GARNISH C,D H BODY
Figure ITF-300

5240 300 A

ITEM	PART NUMBER	QTY	BODY	MODEL	DESCRIPTION
	4309 266-7	1			(use up to 3/1/85) N N N Y4309266
	4309 744-5	1			(use after 3/1/85) N N N Y4309744
10					AIR OUTLET DIMISTER (see Group 24) N N N N
11	H259 DA7	2			HANGER, Shelf Panel Cord Attaching (paint as required) N N N YH259DA7



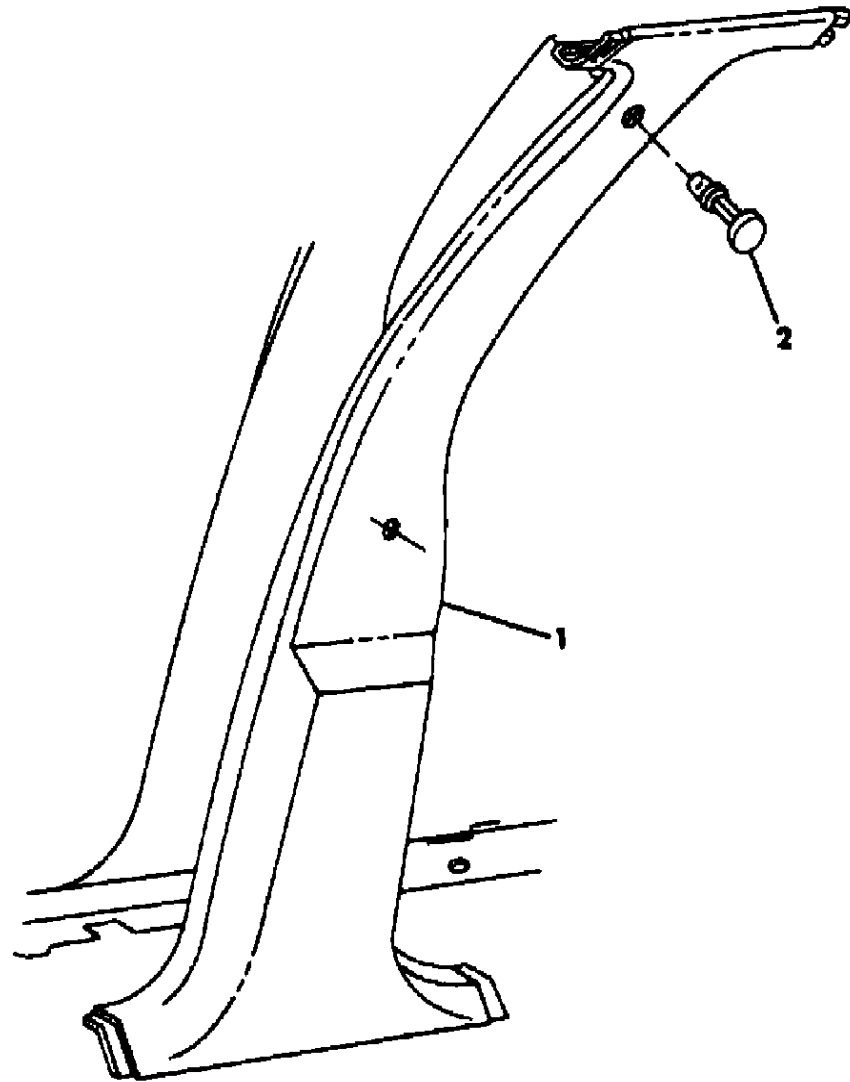
- MODEL CODES
- | | | |
|----------------------------------|----------------------------|---------------------|
| B = GRAN FURY | E = 600 | M = HORIZON/TURISMO |
| C = LE BARON/TOWN & COUNTRY/LIMO | F = FIFTH AVENUE/NEWPORT | P = RELIANT |
| C24 = LASER | G = DIPLOMAT | T = NEW YORKER |
| C44 = LE BARON/GTS | H = VOYAGER | V = 600 |
| D = ARIES | J = CARAVELLE | V24 = DAYTONA |
| D44 = LANCER | K = MINI VAN/CARAVAN/ROYAL | Z = OMNI/CHARGER |

- BODY STYLES
- | | | |
|---------------------------|-------------------|---------------------------|
| 21 = 2-DOOR SEDAN | 35 = FWD VAN | 44 = 4-DOOR HATCHBACK |
| 22 = 2-DOOR SPECIAL COUPE | 36 = FWD WAGON | 45 = 4-DOOR STATION WAGON |
| 24 = 2-DOOR HATCHBACK | 41 = 4-DOOR SEDAN | 49 = LIMOUSINE |
| 27 = 2-DOOR CONVERTIBLE | | |

AR = Use as Required - = Non Illustrated Part P.A.R. = Paint as Required

B PILLAR TRIM C,D H BODY
Figure ITF-400

5240 400



ITEM	PART NUMBER	QTY	BODY	MODEL	DESCRIPTION
1					PANEL, Center Pillar Cover N N N N
	F264-5 DA3	1			Silver N N N YF264DA3
	F264-5 DM6	1			Red N N N YF264DM6
	F264-5 DT3	1			Tan N N N YF264DT3
	F264-5 DX9	1			Black N N N YF264DX9
2					FASTENER N N N N
	F155 BA3	AR			Silver N N N YF155BA3
	F155 BM6	AR			Red N N N YF155BM6
	F155 DT3	AR			Tan N N N YF155DT3
	F155 CX9	AR			Black N N N YF155CX9

MODEL CODES

B = GRAN FURY	E = 600	M = HORIZON/TURISMO
C = LE BARON/TOWN & COUNTRY/LIMO	F = FIFTH AVENUE/NEWPORT	P = RELIANT
C24 = LASER	G = DIPLOMAT	T = NEW YORKER
C44 = LE BARON/GTS	H = VOYAGER	V = 600
D = ARIES	J = CARAVELLE	V24 = DAYTONA
D44 = LANCER	K = MINI VAN/CARAVAN/ROYAL	Z = OMNI/CHARGER

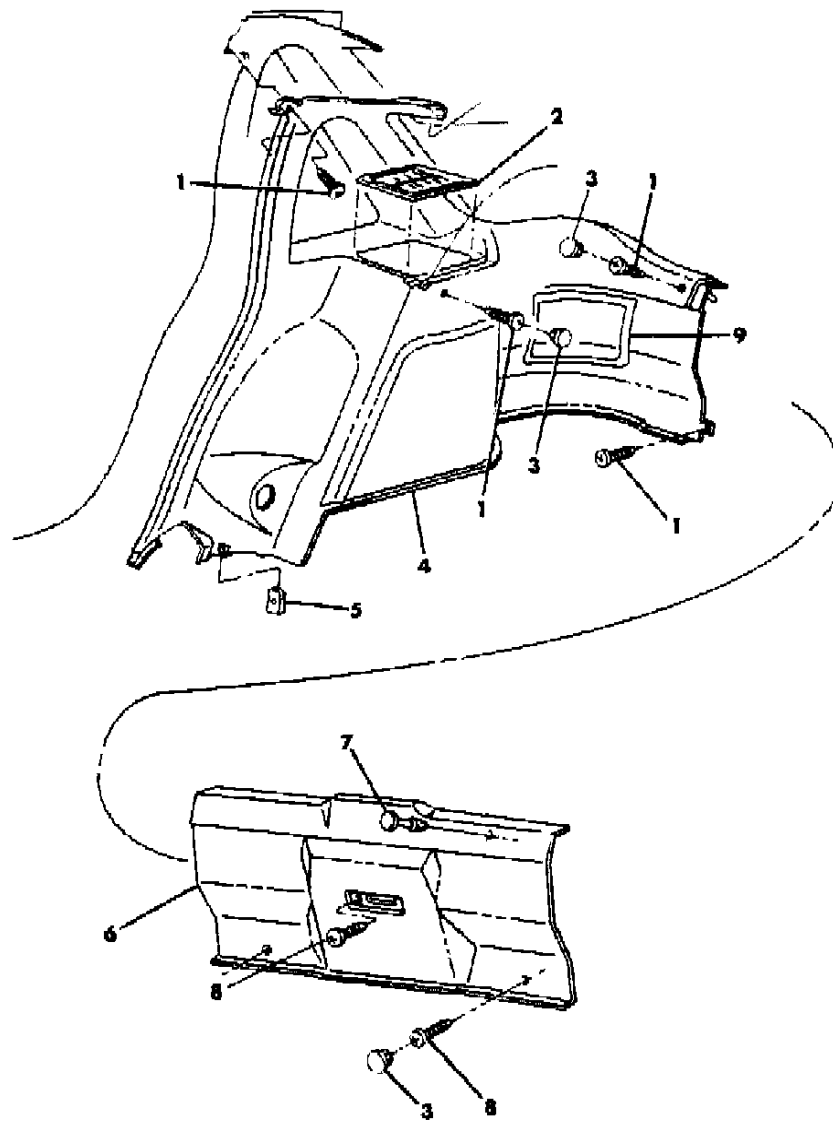
BODY STYLES

21 = 2-DOOR SEDAN	35 = FWD VAN	44 = 4-DOOR HATCHBACK
22 = 2-DOOR SPECIAL COUPE	36 = FWD WAGON	45 = 4-DOOR STATION WAGON
24 = 2-DOOR HATCHBACK	41 = 4-DOOR SEDAN	49 = LIMOUSINE
27 = 2-DOOR CONVERTIBLE		

AR = Use as Required - = Non Illustrated Part P.A.R. = Paint as Required

PANEL QUARTER AND LIFT GATE TRIM C,D H BODY
Figure ITF-500

5240 500



ITEM	PART NUMBER	QTY	BODY	MODEL	DESCRIPTION
1		AR			SCREW (not serviced) N N N N
2	H214-5 DA3	1			GRILLE, Rear Compartment Speaker (paint as required) N N N YH214DA3
3	F245 CA3	AR			PLUG (paint as required) N N N YF245CA3
4					PANEL, Quarter Trim (paint as required) N N N N
	F188-9 DA3	1			(use up to 2/11/85) N N N YF188DA3
	K526-7 DA3	1			(use after 2/11/85) N N N YK526DA3
5	0152 490	2			U-NUT N N N Y152490
6	H177 DA3	1			PANEL, Liftgate Opening Lower (paint as required) N N N YH177DA3
7					FASTENER N N N N
	F155 BA3	AR			Silver N N N YF155BA3
	F155 BM6	AR			Red N N N YF155BM6
	F155 DT3	AR			Tan N N N YF155DT3
	F155 CX9	AR			Black N N N YF155CX9
8		AR			SCREW (not serviced) N N N N
9					DOOR, Quarter Panel Access (paint as required) N N N N
	F062-3 DA3	1			N N N YF062DA3

MODEL CODES

B = GRAN FURY	E = 600	M = HORIZON/TURISMO
C = LE BARON/TOWN & COUNTRY/LIMO	F = FIFTH AVENUE/NEWPORT	P = RELIANT
C24 = LASER	G = DIPLOMAT	T = NEW YORKER
C44 = LE BARON/GTS	H = VOYAGER	V = 600
D = ARIES	J = CARAVELLE	V24 = DAYTONA
D44 = LANCER	K = MINI VAN/CARAVAN/ROYAL	Z = OMNI/CHARGER

BODY STYLES

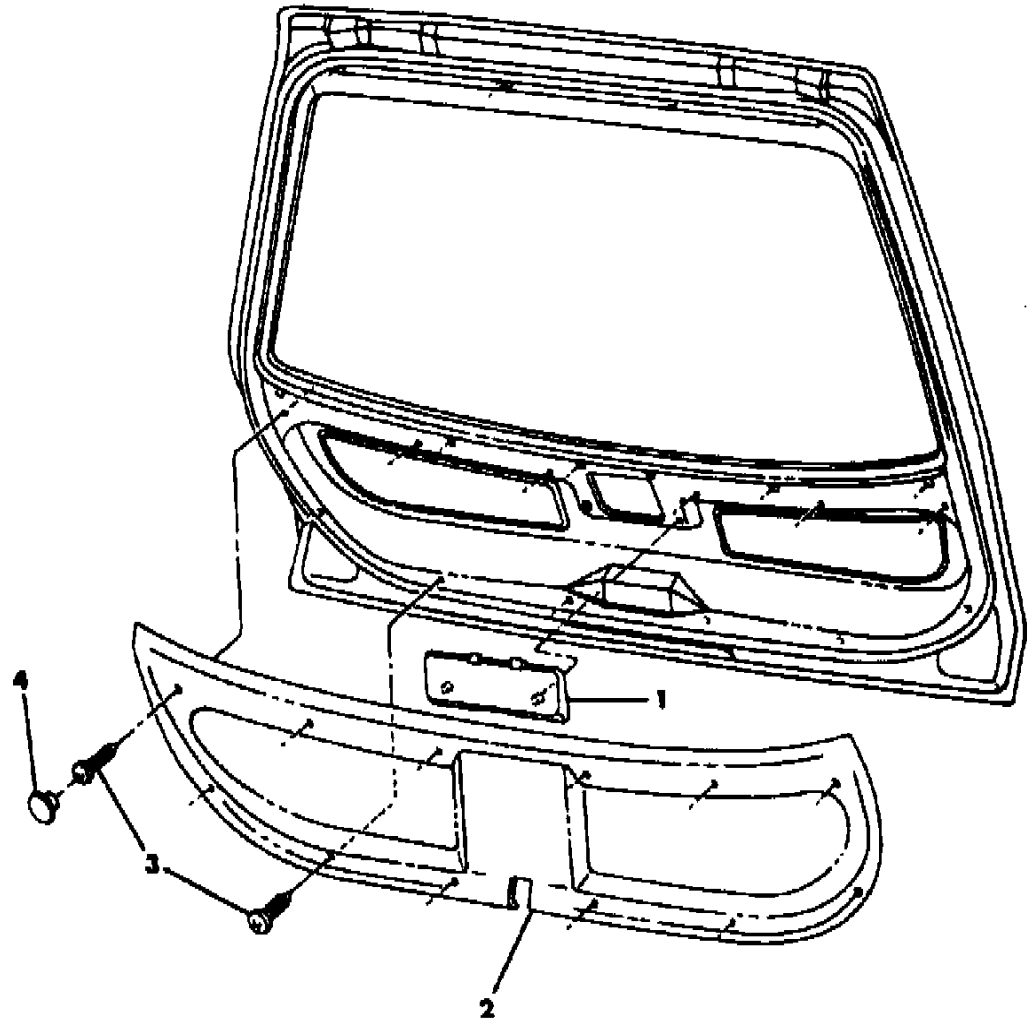
21 = 2-DOOR SEDAN	35 = FWD VAN	44 = 4-DOOR HATCHBACK
22 = 2-DOOR SPECIAL COUPE	36 = FWD WAGON	45 = 4-DOOR STATION WAGON
24 = 2-DOOR HATCHBACK	41 = 4-DOOR SEDAN	49 = LIMOUSINE
27 = 2-DOOR CONVERTIBLE		

AR = Use as Required - = Non Illustrated Part P.A.R. = Paint as Required

LIFTGATE TRIM C,D H BODY
Figure ITF-600

5240 600

ITEM	PART NUMBER	QTY	BODY	MODEL	DESCRIPTION
1	H169 DA7	1			COVER, w/o Wiper Arm (paint as required) N N N YH169DA7
2	H171 EK1	1			PANEL, Lower Trim (paint as required) (Change to H171EK3) N N N YH171EK1
3		AR			SCREW (not serviced) N N N N
4	F245 CA3	AR			PLUG (paint as required) N N N YF245CA3



MODEL CODES

B = GRAN FURY	E = 600	M = HORIZON/TURISMO
C = LE BARON/TOWN & COUNTRY/LIMO	F = FIFTH AVENUE/NEWPORT	P = RELIANT
C24 = LASER	G = DIPLOMAT	T = NEW YORKER
C44 = LE BARON/GTS	H = VOYAGER	V = 600
D = ARIES	J = CARAVELLE	V24 = DAYTONA
D44 = LANCER	K = MINI VAN/CARAVAN/ROYAL	Z = OMNI/CHARGER

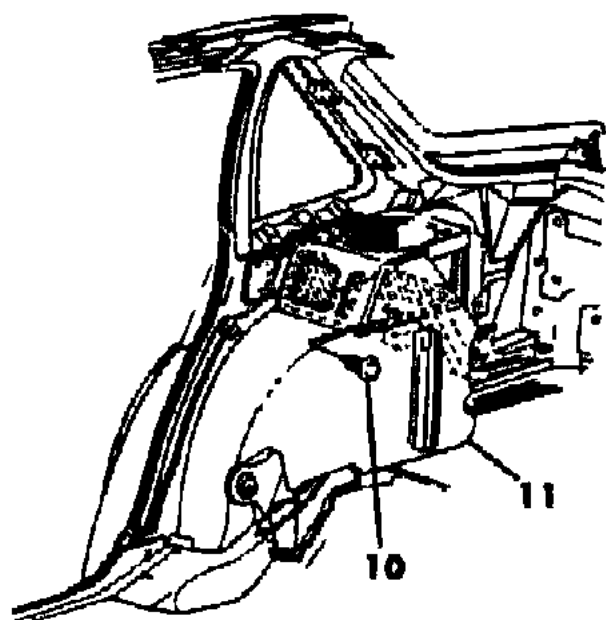
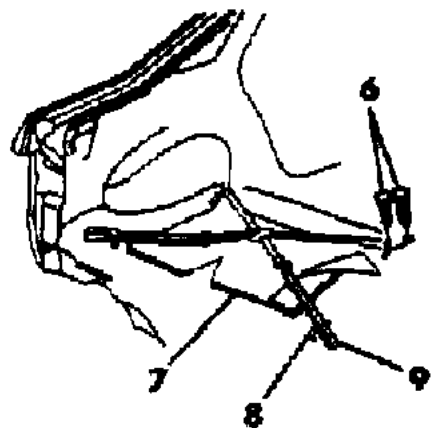
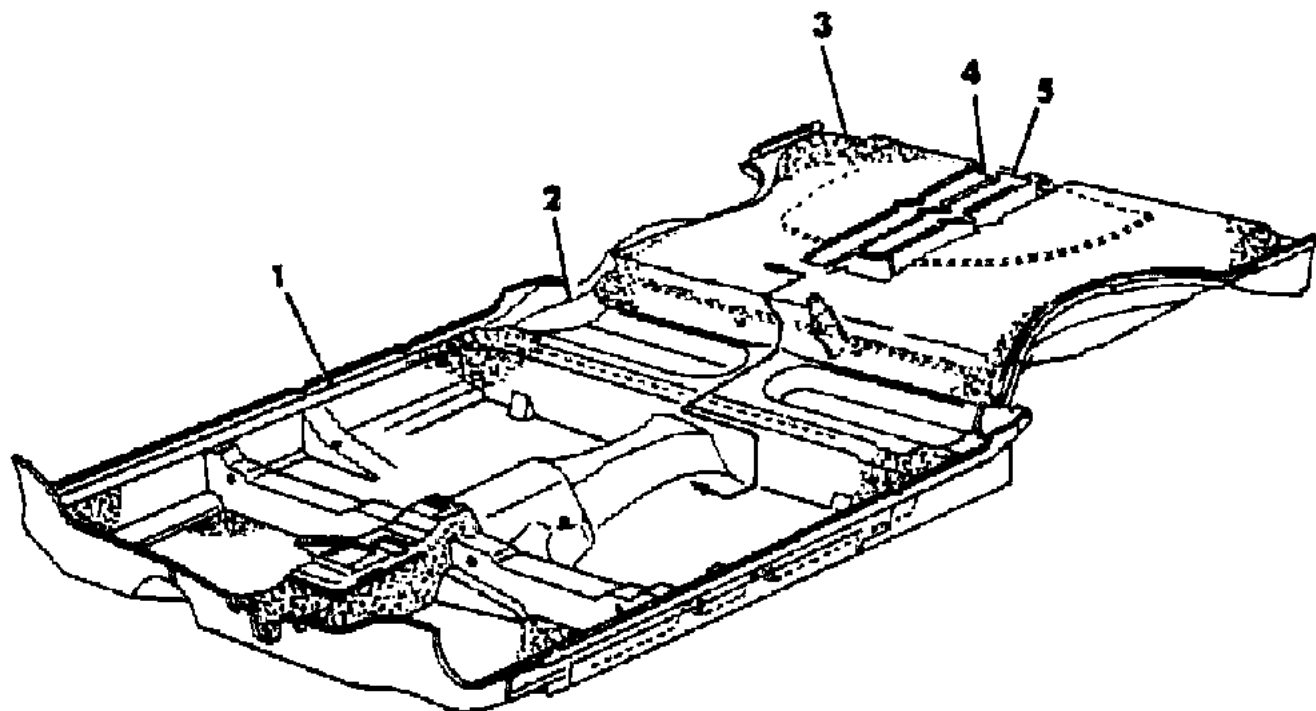
BODY STYLES

21 = 2-DOOR SEDAN	35 = FWD VAN	44 = 4-DOOR HATCHBACK
22 = 2-DOOR SPECIAL COUPE	36 = FWD WAGON	45 = 4-DOOR STATION WAGON
24 = 2-DOOR HATCHBACK	41 = 4-DOOR SEDAN	49 = LIMOUSINE
27 = 2-DOOR CONVERTIBLE		

AR = Use as Required - = Non Illustrated Part P.A.R. = Paint as Required

CARPET AND SILENCERS C,D H BODY
Figure ITF-700

5240 700



ITEM	PART NUMBER	QTY	BODY	MODEL	DESCRIPTION
1					CARPET, Front and Rear N N N N
					w/o Console N N N N
	M601 DM6	1			Red N N N YM601DM6
	M601 DT5	1			Tan N N N YM601DT5
	M601 DS8	1			Charcoal N N N YM601DS8
	M601 DX9	1			Black N N N YM601DX9
					w/Console N N N N
	M602 DM6	1			Red N N N YM602DM6
	M602 DT5	1			Tan N N N YM602DT5
	M602 DS8	1			Charcoal N N N YM602DS8
	M602 DX9	1			Black N N N YM602DX9
2					SILENCER, Under Rear Seat (not serviced) N N N N
3					CARPET, Cargo Floor N N N N
	M600 DM6	1			Red N N N YM600DM6
	M600 DT5	1			Tan N N N YM600DT5
	M600 DS8	1			Charcoal N N N YM600DS8
	M600 DX9	1			Black N N N YM600DX9
4	3762 862	AR			SILENCER, Cargo Floor (36"x72" material cut to fit) N N N Y3762862
5	4248 912	1			COVER, Spare Tire Well N N N Y4248912
6		8			SCREW (8-18x3/4)(not serviced) N N N N
7	H609 DX7	1			BAG, Sunroof Storage N N N YH609DX7
8	4248 818	4			FOOT, Convencence Tie Down Anchor N N N Y4248818
9	H349 CX9	2			STRAP, Tie Down N N N YH349CX9
10	6003 423	2			FASTENER N N N Y6003423
11	4186 901	AR			SILENCER, Quarter Panel and Wheelhouse (36"x72" material cut to fit) N N N Y4186901
					The following parts are not illustrated. s ARE NOT RETURNABLE.
					CARPETED FLOOR MATS, Set of Two N N N N
					Front N N N N
	M035 DM6	1			Red N N N YM035DM6
	M035 DT5	1			Tan N N N YM035DT5
	M035 DS8	1			Charcoal N N N YM035DS8
	M035 DX9	1			Black N N N YM035DX9
					Rear N N N N
	M024 VM6	1			Red N N N YM024VM6
	M045 DT5	1			Tan N N N YM045DT5

MODEL CODES

B = GRAN FURY	E = 600	M = HORIZON/TURISMO
C = LE BARON/TOWN & COUNTRY/LIMO	F = FIFTH AVENUE/NEWPORT	P = RELIANT
C24 = LASER	G = DIPLOMAT	T = NEW YORKER
C44 = LE BARON/GTS	H = VOYAGER	V = 600
D = ARIES	J = CARAVELLE	V24 = DAYTONA
D44 = LANCER	K = MINI VAN/CARAVAN/ROYAL	Z = OMNI/CHARGER

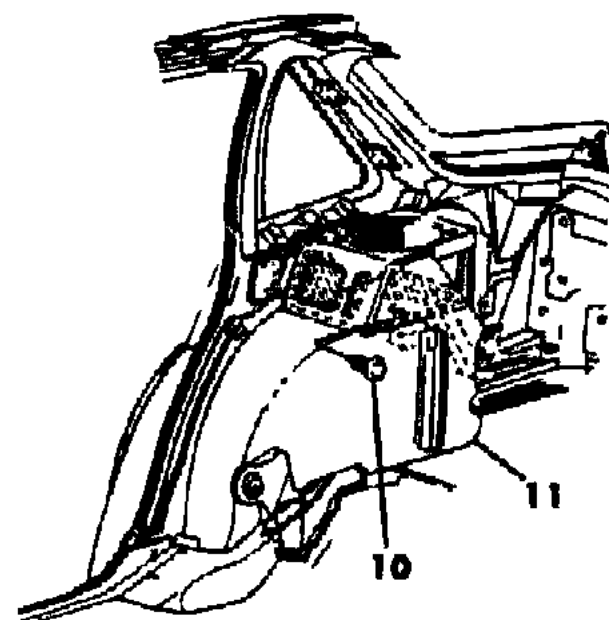
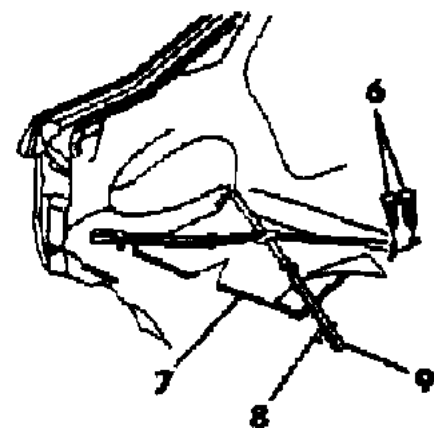
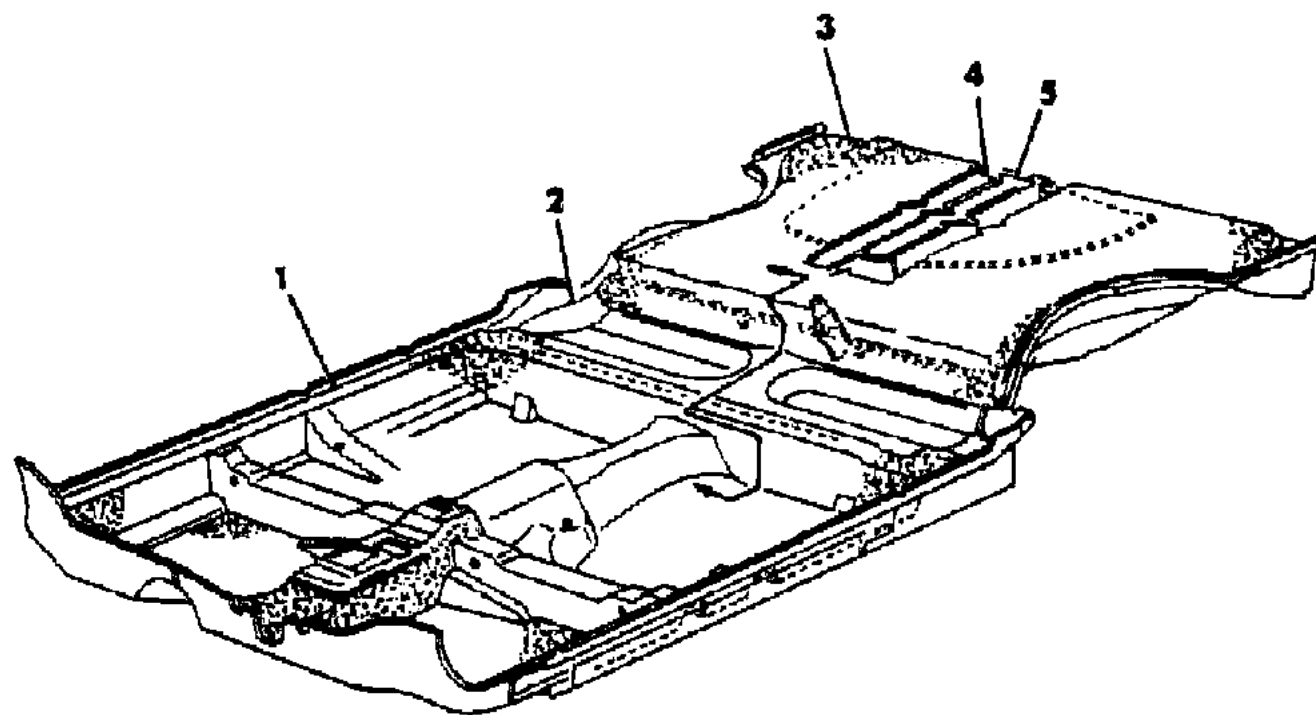
BODY STYLES

21 = 2-DOOR SEDAN	35 = FWD VAN	44 = 4-DOOR HATCHBACK
22 = 2-DOOR SPECIAL COUPE	36 = FWD WAGON	45 = 4-DOOR STATION WAGON
24 = 2-DOOR HATCHBACK	41 = 4-DOOR SEDAN	49 = LIMOUSINE
27 = 2-DOOR CONVERTIBLE		

AR = Use as Required - = Non Illustrated Part P.A.R. = Paint as Required

CARPET AND SILENCERS C,D H BODY
Figure ITF-700

5240 700



ITEM	PART NUMBER	QTY	BODY	MODEL	DESCRIPTION
	M045 DS8	1			Charcoal N N N YM045DS8
	M024 DX9	1			Black N N N YM024DX9

MODEL CODES

B = GRAN FURY	E = 600	M = HORIZON/TURISMO
C = LE BARON/TOWN & COUNTRY/LIMO	F = FIFTH AVENUE/NEWPORT	P = RELIANT
C24 = LASER	G = DIPLOMAT	T = NEW YORKER
C44 = LE BARON/GTS	H = VOYAGER	V = 600
D = ARIES	J = CARAVELLE	V24 = DAYTONA
D44 = LANCER	K = MINI VAN/CARAVAN/ROYAL	Z = OMNI/CHARGER

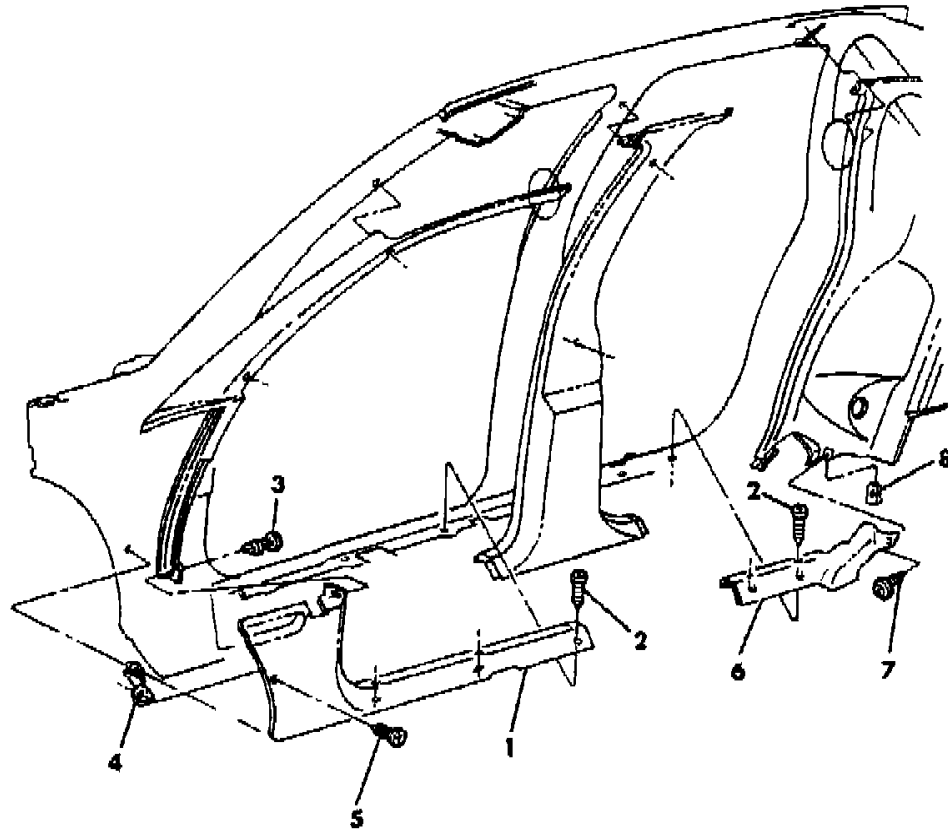
BODY STYLES

21 = 2-DOOR SEDAN	35 = FWD VAN	44 = 4-DOOR HATCHBACK
22 = 2-DOOR SPECIAL COUPE	36 = FWD WAGON	45 = 4-DOOR STATION WAGON
24 = 2-DOOR HATCHBACK	41 = 4-DOOR SEDAN	49 = LIMOUSINE
27 = 2-DOOR CONVERTIBLE		

AR = Use as Required - = Non Illustrated Part P.A.R. = Paint as Required

SCUFF PLATES C,D H BODY
Figure ITF-800

5240 BODY A



ITEM	PART NUMBER	QTY	BODY	MODEL	DESCRIPTION
1					SCUFF PLATE and COWL N N N N
	F186-7 DA3	1			Silver N N N YF186DA3
	F186-7 DM6	1			Red N N N YF186DM6
	F186-7 DT3	1			Tan N N N YF186DT3
	F186-7 DX9	1			Black N N N YF186DX9
2		AR			SCREW (not serviced) N N N N
3					FASTENER N N N N
	F155 BA3	AR			Silver N N N YF155BA3
	F155 BM6	AR			Red N N N YF155BM6
	F155 DT3	AR			Tan N N N YF155DT3
	F155 CX9	AR			Black N N N YF155CX9
4	4282 434	1			BRACKET, Right Side Only N N N Y4282434
5		AR			SCREW (not serviced) N N N N
6					PLATE, Rear Sill Scuff N N N N
	M918-9 DA3	1			Silver N N N YM918DA3
	M918-9 DM6	1			Red N N N YM918DM6
	M918-9 DT3	1			Tan N N N YM918DT3
	M918-9 DX9	1			Black N N N YM918DX9
7		AR			SCREW (8-18x3/4)(not serviced) N N N N
8	0152 490	AR			U-NUT N N N Y152490

MODEL CODES

B = GRAN FURY	E = 600	M = HORIZON/TURISMO
C = LE BARON/TOWN & COUNTRY/LIMO	F = FIFTH AVENUE/NEWPORT	P = RELIANT
C24 = LASER	G = DIPLOMAT	T = NEW YORKER
C44 = LE BARON/GTS	H = VOYAGER	V = 600
D = ARIES	J = CARAVELLE	V24 = DAYTONA
D44 = LANCER	K = MINI VAN/CARAVAN/ROYAL	Z = OMNI/CHARGER

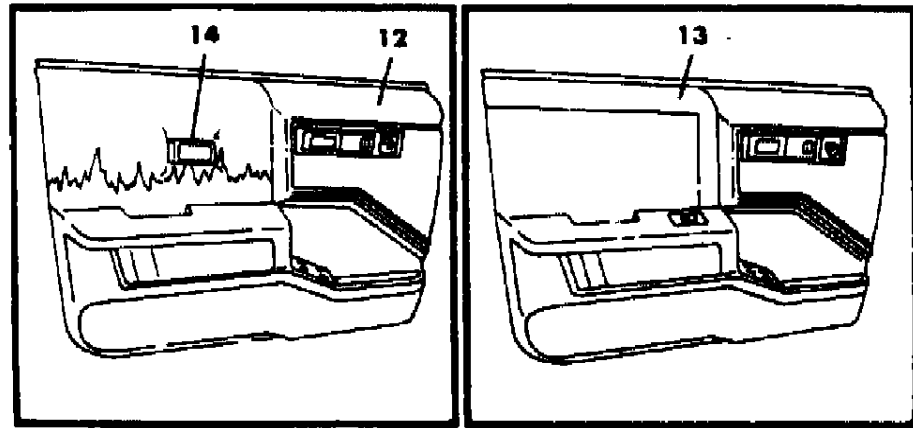
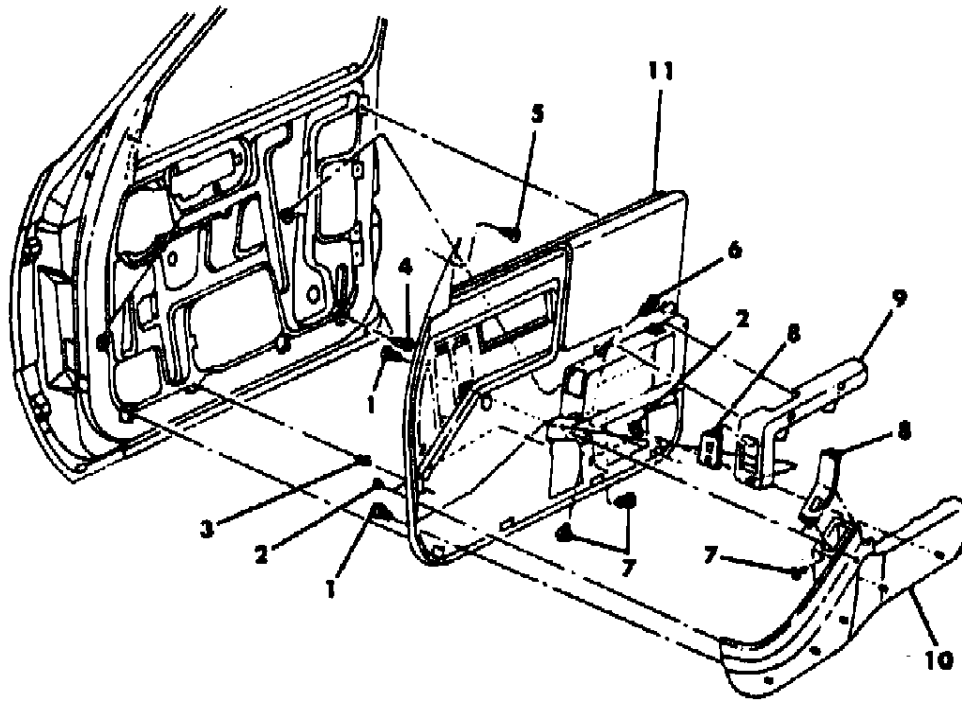
BODY STYLES

21 = 2-DOOR SEDAN	35 = FWD VAN	44 = 4-DOOR HATCHBACK
22 = 2-DOOR SPECIAL COUPE	36 = FWD WAGON	45 = 4-DOOR STATION WAGON
24 = 2-DOOR HATCHBACK	41 = 4-DOOR SEDAN	49 = LIMOUSINE
27 = 2-DOOR CONVERTIBLE		

AR = Use as Required - = Non Illustrated Part P.A.R. = Paint as Required

DOOR TRIM FRONT C,D H BODY
Figure ITF-900

5240 900



ITEM	PART NUMBER	QTY	BODY	MODEL	DESCRIPTION
1		AR			SCREW (not serviced) N N N N
2	6031 147	AR			NUT, Spring Push On N N N Y6031147
3					FASTENER N N N N
4	6501 352	14			N N N Y6501352
4	4114 785	AR			FASTENER N N N Y4114785
5		AR			SCREW (not serviced) N N N N
6		AR			SCREW, Self Piercing (not serviced) N N N N
7		AR			SCREW (8-18x1)(not serviced) N N N N
8					BEZELS (see Group 23C) N N N N
9					ARMREST N N N N
					w/o Electric Switch N N N N
	D526-7 DA3	1			Silver N N N YD526DA3
	D526-7 DM6	1			Red N N N YD526DM6
	D526-7 DT3	1			Tan N N N YD526DT3
	D526-7 DX9	1			Black N N N YD526DX9
					w/Electric Switch N N N N
	D548-9 DA3	1			Silver N N N YD548DA3
	D548-9 DM6	1			Red N N N YD548DM6
	D548-9 DT3	1			Tan N N N YD548DT3
	D548-9 DX9	1			Black N N N YD548DX9
10					PANEL, Trim Pocket N N N N
					w/o Power Windows N N N N
	D606-7 DA3	1			Silver N N N YD606DA3
	D606-7 DM6	1			Red N N N YD606DM6
	D606-7 DT3	1			Tan N N N YD606DT3
	D606-7 DX9	1			Black N N N YD606DX9
					w/Power Windows N N N N
	D608-9 DA3	1			Silver N N N YD608DA3
	D608-9 DM6	1			Red N N N YD608DM6
	D608-9 DT3	1			Tan N N N YD608DT3
	D608-9 DX9	1			Black N N N YD608DX9
	6031 147	AR			NUT, Pocket Panel N N N Y6031147
11	4282 464-5	1			WEATHERSTRIP N N N Y4282464
12					PANEL, Door Trim w/Speaker Grille N N N N
					Leather N N N N
	J210-1 DA2	1			N N NHLA YJ210DA2
	J210-1 DM6	1			N N NHLM YJ210DM6

MODEL CODES

B = GRAN FURY	E = 600	M = HORIZON/TURISMO
C = LE BARON/TOWN & COUNTRY/LIMO	F = FIFTH AVENUE/NEWPORT	P = RELIANT
C24 = LASER	G = DIPLOMAT	T = NEW YORKER
C44 = LE BARON/GTS	H = VOYAGER	V = 600
D = ARIES	J = CARAVELLE	V24 = DAYTONA
D44 = LANCER	K = MINI VAN/CARAVAN/ROYAL	Z = OMNI/CHARGER

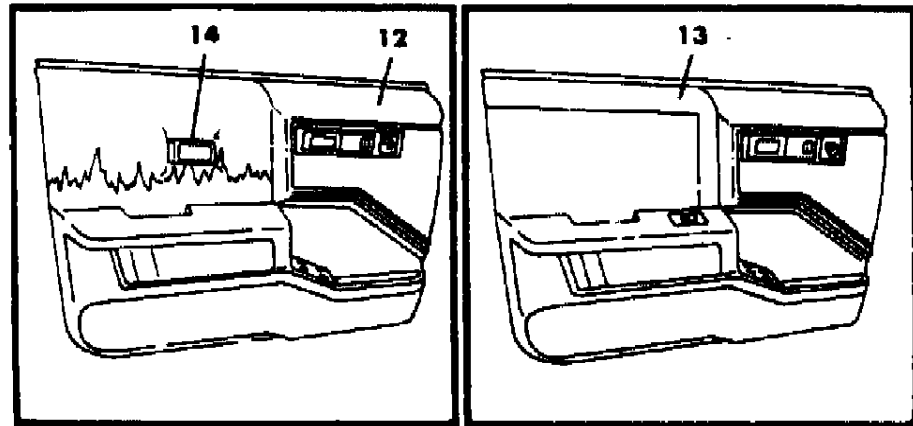
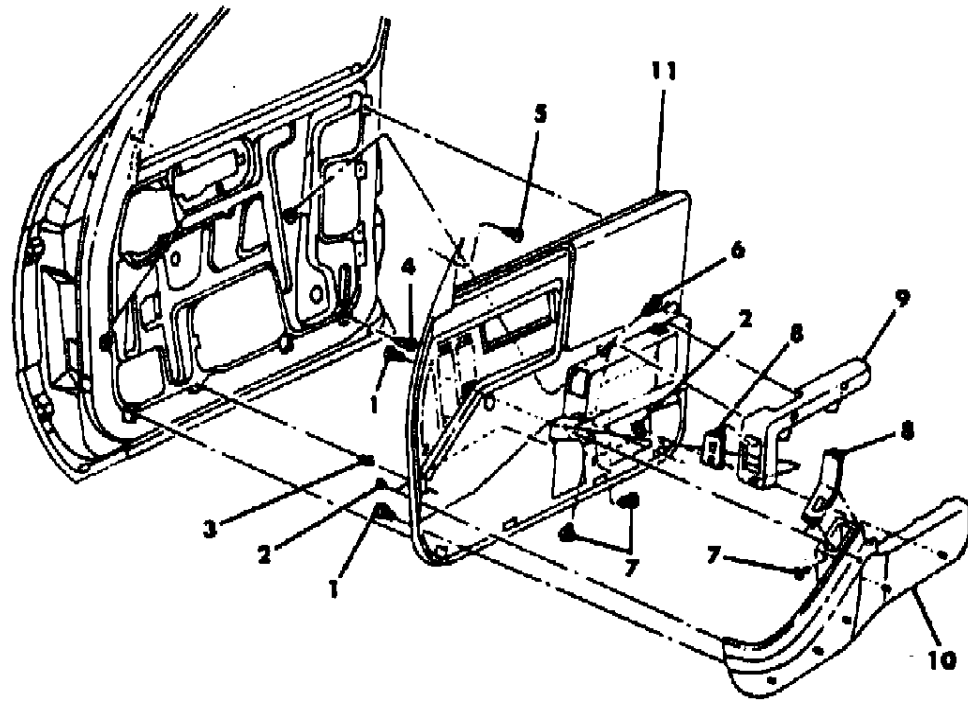
BODY STYLES

21 = 2-DOOR SEDAN	35 = FWD VAN	44 = 4-DOOR HATCHBACK
22 = 2-DOOR SPECIAL COUPE	36 = FWD WAGON	45 = 4-DOOR STATION WAGON
24 = 2-DOOR HATCHBACK	41 = 4-DOOR SEDAN	49 = LIMOUSINE
27 = 2-DOOR CONVERTIBLE		

AR = Use as Required - = Non Illustrated Part P.A.R. = Paint as Required

DOOR TRIM FRONT C,D H BODY
Figure ITF-900

5240 900



ITEM	PART NUMBER	QTY	BODY	MODEL	DESCRIPTION
	J210-1 DT3	1			N N NHLT YJ210DT3
	J210-1 DX9	1			N N NHLX YJ210DX9 Cloth N N N N
	J208-9 DAS	1			N N NC7A YJ208DAS
	J208-9 DMM	1			N N NC7M YJ208DMM
	J208-9 DTT	1			N N NC7T YJ208DTT
	J208-9 DXS	1			N N NC7X YJ208DXS
13					PANEL, Door Trim w/Speaker Grille N N N N Cloth N N N N (use up to 1/2/85) N N N N
	J202-3 DA3	1			N N ND7A YJ202DA3
	J202-3 DM6	1			N N ND7M YJ202DM6
	J202-3 DT3	1			N N ND7T YJ202DT3
	J202-3 DX9	1			N N ND7X YJ202DX9 (use after 1/2/85) N N N N
	J332-3 DA3	1			N N ND7A YJ332DA3
	J332-3 DM6	1			N N ND7M YJ332DM6
	J332-3 DT3	1			N N ND7T YJ332DT3
	J332-3 DX7	1			N N ND7X YJ332DX7 Cloth N N N N
	J206-7 DAS	1			N N NE7AS YJ206DAS
	J206-7 DMM	1			N N NE7M YJ206DMM
	J206-7 DTT	1			N N NE7TT YJ206DTT
	J206-7 DXS	1			N N NE7X YJ206DXS
	6032 431	AR			FASTENER, Bolster Mounting N N N Y6032431
	6501 048	4			CLIP, Panel Retaining N N N Y6501048
	6016 144	4			FASTENER, Liner Attaching N N N Y6016144
14					BUTTON, Bolster N N N N
	D612 DA2	1			N N NHLA YD612DA2
	D612 DM6	1			N N NHLM YD612DM6
	D612 DT3	1			N N NHLT YD612DT3
	D612 DX7	1			N N NHLX YD612DX7
	2821 994	AR			RETAINER, Button N N N Y2821994

MODEL CODES

B = GRAN FURY	E = 600	M = HORIZON/TURISMO
C = LE BARON/TOWN & COUNTRY/LIMO	F = FIFTH AVENUE/NEWPORT	P = RELIANT
C24 = LASER	G = DIPLOMAT	T = NEW YORKER
C44 = LE BARON/GTS	H = VOYAGER	V = 600
D = ARIES	J = CARAVELLE	V24 = DAYTONA
D44 = LANCER	K = MINI VAN/CARAVAN/ROYAL	Z = OMNI/CHARGER

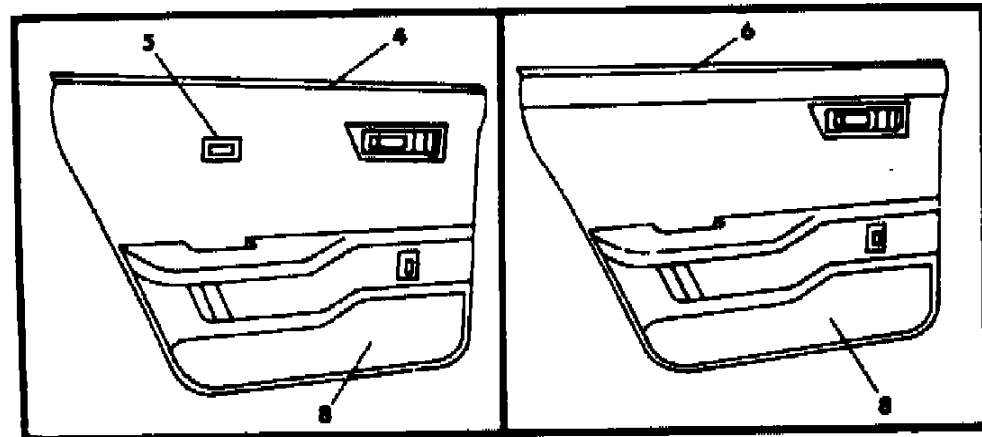
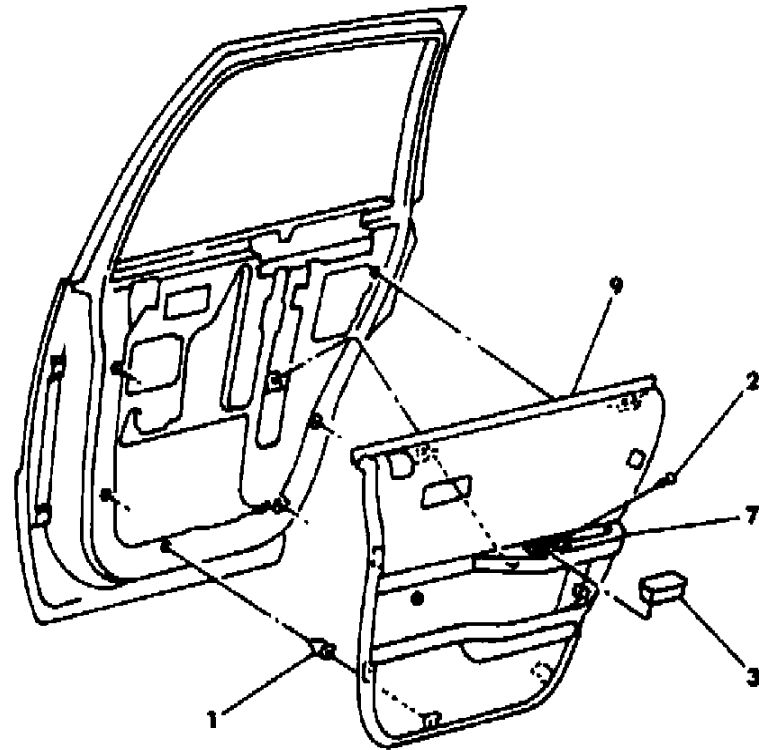
BODY STYLES

21 = 2-DOOR SEDAN	35 = FWD VAN	44 = 4-DOOR HATCHBACK
22 = 2-DOOR SPECIAL COUPE	36 = FWD WAGON	45 = 4-DOOR STATION WAGON
24 = 2-DOOR HATCHBACK	41 = 4-DOOR SEDAN	49 = LIMOUSINE
27 = 2-DOOR CONVERTIBLE		

AR = Use as Required - = Non Illustrated Part P.A.R. = Paint as Required

DOOR TRIM PANEL REAR C,D H BODY
Figure ITF-1000

5240 1000



ITEM	PART NUMBER	QTY	BODY	MODEL	DESCRIPTION
1					FASTENER N N N N
1	6501 352	12			N N N Y6501352
2		2			SCREW, Self Piercing (not serviced) N N N N
3					ASH RECEIVER N N N N
	D389 DA3	2			Silver N N N YD389DA3
	D389 DM6	2			Red N N N YD389DM6
	D389 DT3	2			Tan N N N YD389DT3
	D389 DX9	2			Black N N N YD389DX9
	4282 247	2			SPRING, Cover Ash Receiver N N N Y4282247
4					PANEL, Door Trim N N N N
					Leather N N N N
	J408-9 DA2	1			N N NHLA YJ408DA2
	J408-9 DM6	1			N N NHLM YJ408DM6
	J408-9 DT3	1			N N NHLT YJ408DT3
	J408-9 DX9	1			N N NHLX YJ408DX9
					Cloth N N N N
	J406-7 DAS	1			N N NC7A YJ406DAS
	J406-7 DMM	1			N N NC7M YJ406DMM
	J406-7 DTT	1			N N NC7T YJ406DTT
	J406-7 DXS	1			N N NC7X YJ406DXS
5					BUTTON, Bolster N N N N
	D612 DA2	1			N N NHLA YD612DA2
	D612 DM6	1			N N NHLM YD612DM6
	D612 DT3	1			N N NHLT YD612DT3
	D612 DX7	1			N N NHLX YD612DX7
	2821 994	2			RETAINER, Button N N N Y2821994
	6016 144	4			FASTENER, Liner N N N Y6016144
	6032 431	AR			FASTENER, Bolster Attaching N N N Y6032431
6					PANEL, Door Trim N N N N
					Cloth N N N N
					(use up to 1/2/85) N N N N
	J400-1 DA3	1			N N ND7A YJ400DA3
	J400-1 DM6	1			N N ND7M YJ400DM6
	J400-1 DT3	1			N N ND7T YJ400DT3
	J400-1 DX9	1			N N ND7X YJ400DX9
					(use after 1/2/85) N N N N
	J470-1 DA3	1			N N ND7A YJ470DA3

MODEL CODES

B = GRAN FURY	E = 600	M = HORIZON/TURISMO
C = LE BARON/TOWN & COUNTRY/LIMO	F = FIFTH AVENUE/NEWPORT	P = RELIANT
C24 = LASER	G = DIPLOMAT	T = NEW YORKER
C44 = LE BARON/GTS	H = VOYAGER	V = 600
D = ARIES	J = CARAVELLE	V24 = DAYTONA
D44 = LANCER	K = MINI VAN/CARAVAN/ROYAL	Z = OMNI/CHARGER

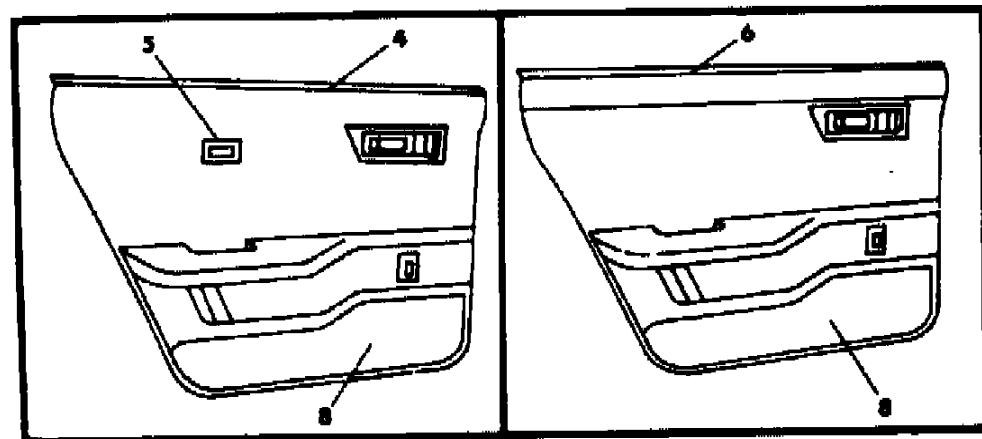
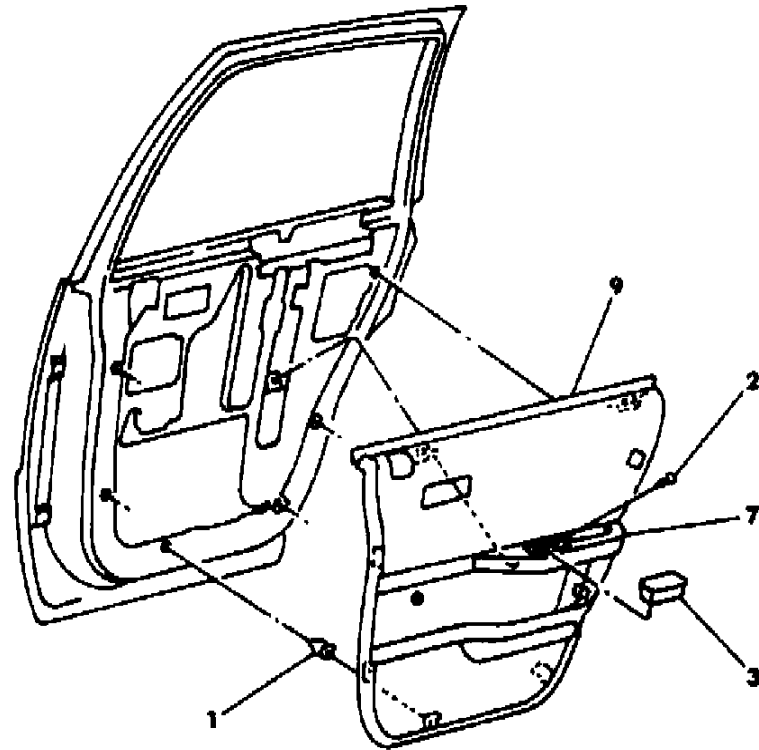
BODY STYLES

21 = 2-DOOR SEDAN	35 = FWD VAN	44 = 4-DOOR HATCHBACK
22 = 2-DOOR SPECIAL COUPE	36 = FWD WAGON	45 = 4-DOOR STATION WAGON
24 = 2-DOOR HATCHBACK	41 = 4-DOOR SEDAN	49 = LIMOUSINE
27 = 2-DOOR CONVERTIBLE		

AR = Use as Required - = Non Illustrated Part P.A.R. = Paint as Required

DOOR TRIM PANEL REAR C,D H BODY
Figure ITF-1000

5240 1000



ITEM	PART NUMBER	QTY	BODY	MODEL	DESCRIPTION
	J470-1 DM6	1			N N ND7M YJ470DM6
	J470-1 DT3	1			N N ND7T YJ470DT3
	J470-1 DX7	1			N N ND7X YJ470DX7
	J404-5 DAS	1			Cloth N N N N N N NE7AS YJ404DAS
	J404-5 DMM	1			N N NE7M YJ404DMM
	J404-5 DTT	1			N N NE7TT YJ404DTT
	J404-5 DXS	1			N N NE7X YJ404DXS
7					ARMREST, w/Ash Receiver N N N N
	D524-5 DA3	1			Silver N N N YD524DA3
	D524-5 DM6	1			Red N N N YD524DM6
	D524-5 DT3	1			Tan N N N YD524DT3
	D524-5 DX9	1			Black N N N YD524DX9
8					CARPET N N N N
	D380-1 DA3	1			Silver N N N YD380DA3
	D380-1 DM6	1			Red N N N YD380DM6
	D380-1 DT3	1			Tan N N N YD380DT3
	D380-1 DX9	1			Black N N N YD380DX9
9	4282 472-3	1			WEATHERSTRIP N N N Y4282472

MODEL CODES

B = GRAN FURY	E = 600	M = HORIZON/TURISMO
C = LE BARON/TOWN & COUNTRY/LIMO	F = FIFTH AVENUE/NEWPORT	P = RELIANT
C24 = LASER	G = DIPLOMAT	T = NEW YORKER
C44 = LE BARON/GTS	H = VOYAGER	V = 600
D = ARIES	J = CARAVELLE	V24 = DAYTONA
D44 = LANCER	K = MINI VAN/CARAVAN/ROYAL	Z = OMNI/CHARGER

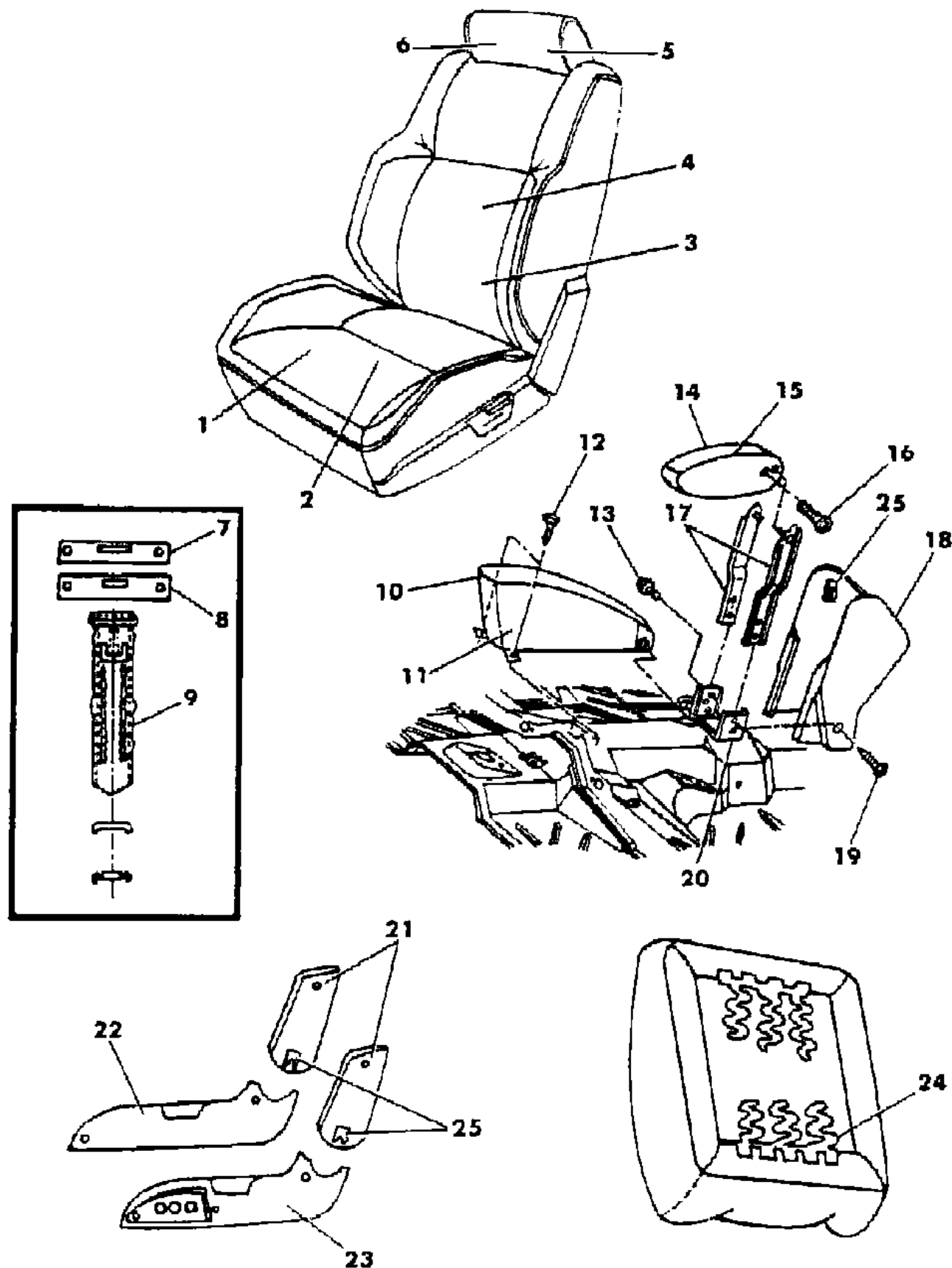
BODY STYLES

21 = 2-DOOR SEDAN	35 = FWD VAN	44 = 4-DOOR HATCHBACK
22 = 2-DOOR SPECIAL COUPE	36 = FWD WAGON	45 = 4-DOOR STATION WAGON
24 = 2-DOOR HATCHBACK	41 = 4-DOOR SEDAN	49 = LIMOUSINE
27 = 2-DOOR CONVERTIBLE		

AR = Use as Required - = Non Illustrated Part P.A.R. = Paint as Required

SEAT FRONT C,D H BODY TRIM CODE D7 Figure ITF-1100

5240 1100 A



ITEM	PART NUMBER	QTY	BODY	MODEL	DESCRIPTION
1-2					CUSHION, w/Spring/Frame, Pad and Cover N N N N
					Cloth N N N N (use up to 1/2/85) N N N N Manual N N N N
	E620-1 D7A	1			N N ND7A YE620D7A
	E620-1 D7M	1			N N ND7M YE620D7M
	E620-1 D7T	1			N N ND7T YE620D7T
	E620-1 D7X	1			N N ND7X YE620D7X (use after 1/2/85) N N N N
	E750-1 D7A	1			Sample of Material Required N N ND7A YE750D7A
	E750-1 E7A	1			Sample of Material Required N N ND7A YE750E7A
	E750-1 D7M	1			N N ND7M YE750D7M
	E750-1 D7T	1			N N ND7T YE750D7T
	E750-1 D7X	1			Sample of Material Required N N ND7X YE750D7X
	E750-1 E7X	1			Sample of Material Required N N ND7X YE750E7X Electric Left N N N N (use up to 1/2/85) N N N N
	E623 D7A	1			N N ND7A YE623D7A
	E623 D7M	1			N N ND7M YE623D7M
	E623 D7T	1			N N ND7T YE623D7T
	E623 D7X	1			N N ND7X YE623D7X (use after 1/2/85) N N N N
	E753 D7A	1			Sample of Material Required N N ND7A YE753D7A
	E753 E7A	1			Sample of Material Required N N ND7A YE753E7A
	E753 D7M	1			N N ND7M YE753D7M
	E753 D7T	1			N N ND7T YE753D7T
	E753 D7X	1			Sample of Material Required N N ND7X YE753D7X
	E753 E7X	1			Sample of Material Required N N ND7X YE753E7X
2					COVER, Cushion N N N N
					Cloth N N N N (use up to 1/2/85) N N N N
	E224-5 D7A	1			N N ND7A YE224D7A
	E224-5 D7M	1			N N ND7M YE224D7M
	E224-5 D7T	1			N N ND7T YE224D7T
	E224-5 D7X	1			N N ND7X YE224D7X (use after 1/2/85) N N N N
	E234-5 D7A	1			Sample of Material Required N N ND7A YE234D7A

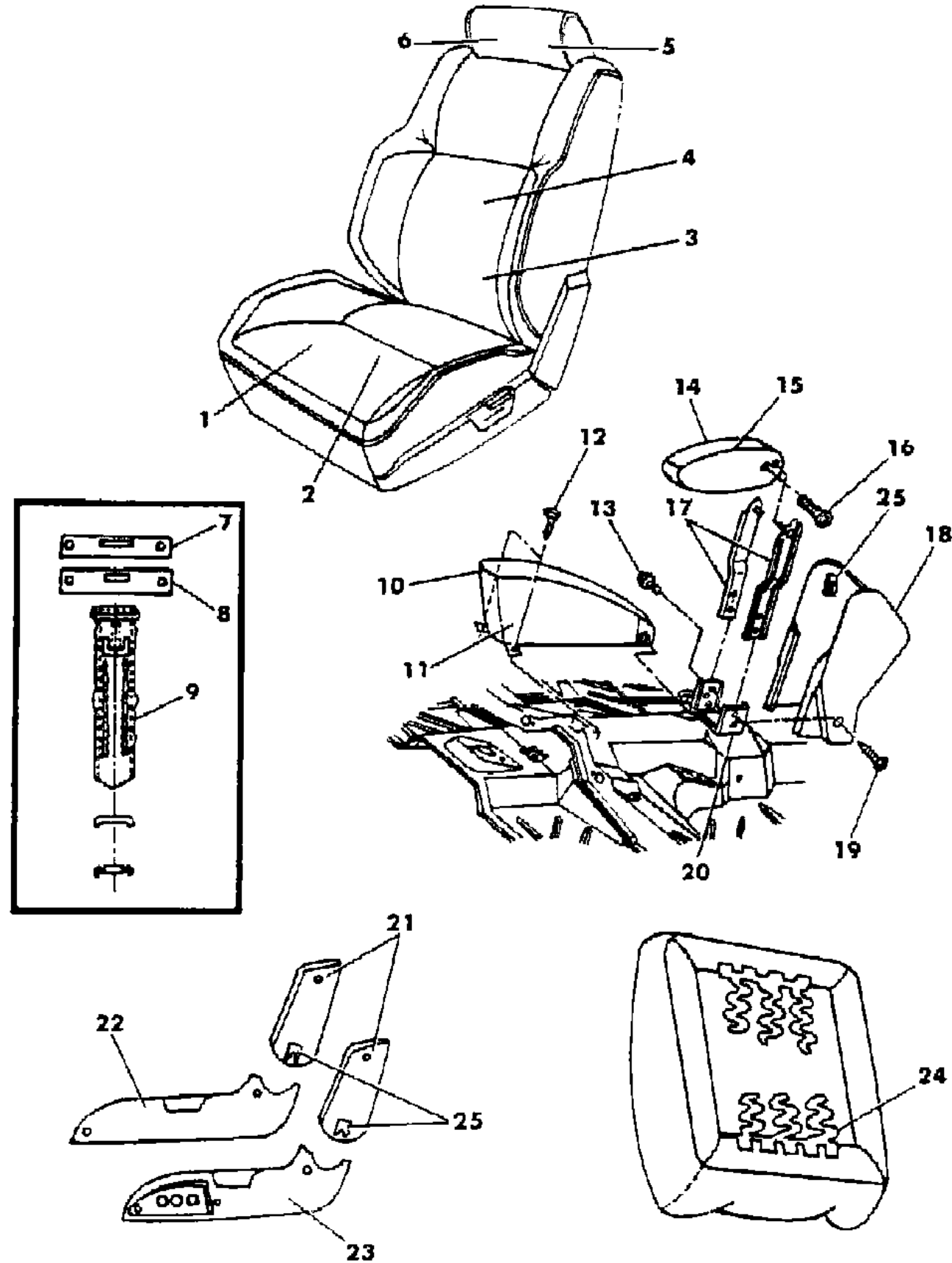
MODEL CODES
 B = GRAN FURY E = 600 M = HORIZON/TURISMO
 C = LE BARON/TOWN & COUNTRY/LIMO F = FIFTH AVENUE/NEWPORT P = RELIANT
 C24 = LASER G = DIPLOMAT T = NEW YORKER
 C44 = LE BARON/GTS H = VOYAGER V = 600
 D = ARIES J = CARAVELLE V24 = DAYTONA
 D44 = LANCER K = MINI VAN/CARAVAN/ROYAL Z = OMNI/CHARGER

BODY STYLES
 21 = 2-DOOR SEDAN 35 = FWD VAN 44 = 4-DOOR HATCHBACK
 22 = 2-DOOR SPECIAL COUPE 36 = FWD WAGON 45 = 4-DOOR STATION WAGON
 24 = 2-DOOR HATCHBACK 41 = 4-DOOR SEDAN 49 = LIMOUSINE
 27 = 2-DOOR CONVERTIBLE

AR = Use as Required - = Non Illustrated Part P.A.R. = Paint as Required

SEAT FRONT C,D H BODY TRIM CODE D7
Figure ITF-1100

5240 1100 A



ITEM	PART NUMBER	QTY	BODY	MODEL	DESCRIPTION
	E254-5 E7A	1			Sample of Material Required N N ND7A YE254E7A
	E234-5 D7M	1			N N ND7M YE234D7M
	E234-5 D7T	1			N N ND7T YE234D7T
	E234-5 D7X	1			Sample of Material Required N N ND7X YE234D7X
	E254-5 E7X	1			Sample of Material Required N N ND7X YE254E7X
3-4					BACK, w/Spring/Frame, Pad and Cover N N N N Cloth N N N N (use up to 1/2/85) N N N N
	E626-7 D7A	1			N N ND7A YE626D7A
	E626-7 D7M	1			N N ND7M YE626D7M
	E626-7 D7T	1			N N ND7T YE626D7T
	E626-7 D7X	1			N N ND7X YE626D7X (use after 1/2/85) N N N N
	E748-9 D7A	1			Sample of Material Required N N ND7A YE748D7A
	E748-9 E7A	1			Sample of Material Required N N ND7A YE748E7A
	E748-9 D7M	1			N N ND7M YE748D7M
	E748-9 D7T	1			N N ND7T YE748D7T
	E748-9 D7X	1			Sample of Material Required N N ND7X YE748D7X
	E748-9 E7X	1			Sample of Material Required N N ND7X YE748E7X
4					COVER, Back N N N N Cloth N N N N (use up to 1/2/85) N N N N
	E226-7 D7A	1			N N ND7A YE226D7A
	E226-7 D7M	1			N N ND7M YE226D7M
	E226-7 D7T	1			N N ND7T YE226D7T
	E226-7 D7X	1			N N ND7X YE226D7X (use after 1/2/85) N N N N
	E236-7 D7A	1			Sample of Material Required N N ND7A YE236D7A
	E256-7 E7A	1			Sample of Material Required N N ND7A YE256E7A
	E236-7 D7M	1			N N ND7M YE236D7M
	E236-7 D7T	1			N N ND7T YE236D7T
	E236-7 D7X	1			Sample of Material Required N N ND7X YE236D7X
	E256-7 E7X	1			Sample of Material Required N N ND7X YE256E7X
5-6					HEADREST and COVER N N N N (use up to 1/2/85) N N N N
	E630 DA3	2			N N ND7A YE630DA3
	E630 DM6	2			N N ND7M YE630DM6

MODEL CODES

B = GRAN FURY	E = 600	M = HORIZON/TURISMO
C = LE BARON/TOWN & COUNTRY/LIMO	F = FIFTH AVENUE/NEWPORT	P = RELIANT
C24 = LASER	G = DIPLOMAT	T = NEW YORKER
C44 = LE BARON/GTS	H = VOYAGER	V = 600
D = ARIES	J = CARAVELLE	V24 = DAYTONA
D44 = LANCER	K = MINI VAN/CARAVAN/ROYAL	Z = OMNI/CHARGER

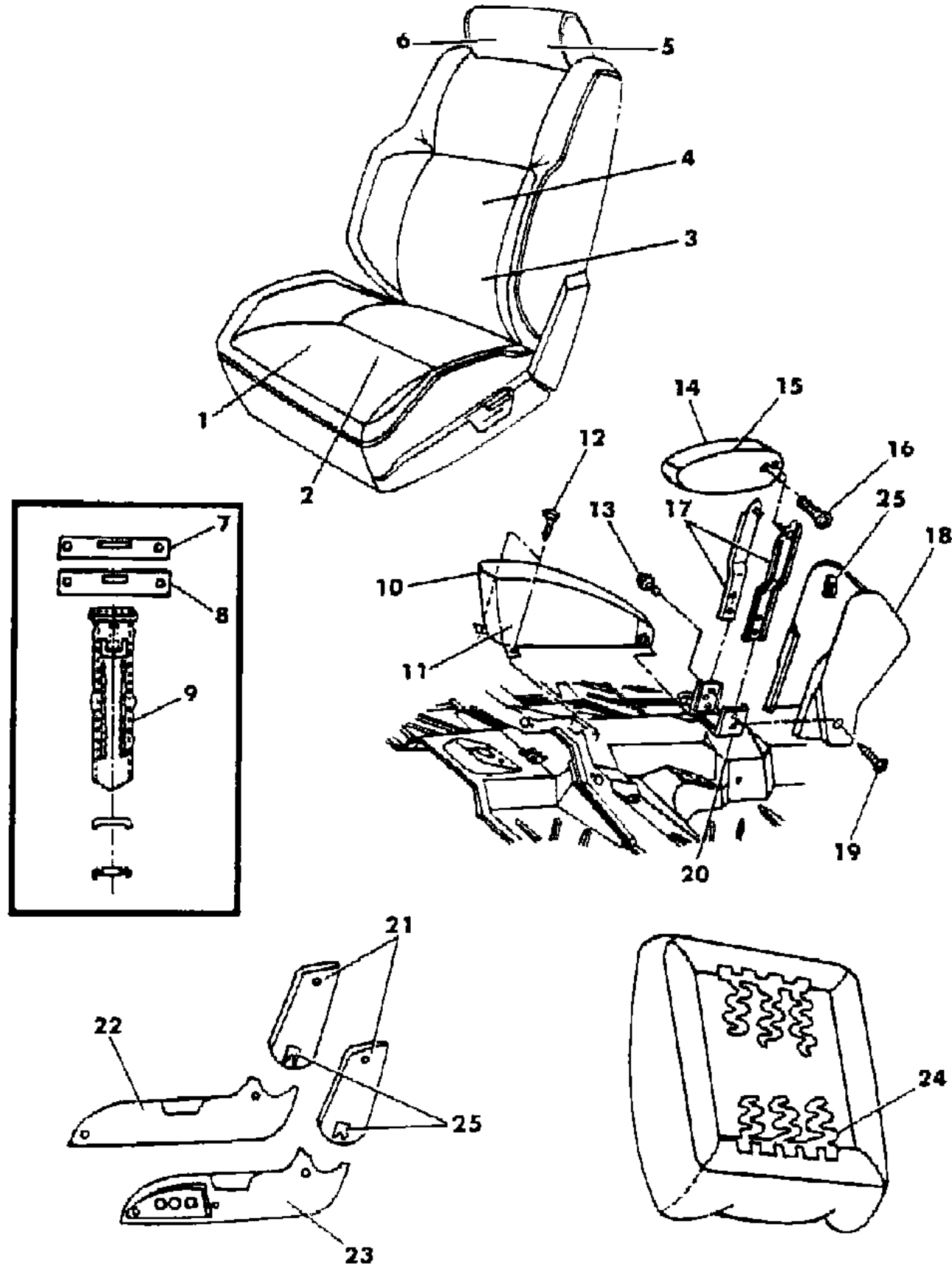
BODY STYLES

21 = 2-DOOR SEDAN	35 = FWD VAN	44 = 4-DOOR HATCHBACK
22 = 2-DOOR SPECIAL COUPE	36 = FWD WAGON	45 = 4-DOOR STATION WAGON
24 = 2-DOOR HATCHBACK	41 = 4-DOOR SEDAN	49 = LIMOUSINE
27 = 2-DOOR CONVERTIBLE		

AR = Use as Required - = Non Illustrated Part P.A.R. = Paint as Required

SEAT FRONT C,D H BODY TRIM CODE D7
Figure ITF-1100

5240 1100 A



ITEM	PART NUMBER	QTY	BODY	MODEL	DESCRIPTION
	E630 DT3	2			N N ND7T YE630DT3
	E630 DX7	2			N N ND7X YE630DX7 (use after 1/2/85) N N N N
	E747 DA3	2			Sample of Material Required N N ND7A YE747DA3
	E747 EA3	2			Sample of Material Required N N ND7A YE747EA3
	E747 DM6	2			N N ND7M YE747DM6
	E747 DT3	2			N N ND7T YE747DT3
	E747 DX7	2			Sample of Material Required N N ND7X YE747DX7
	E747 EX7	2			Sample of Material Required N N ND7X YE747EX7
6					COVER, Headrest N N N N (use up to 1/2/85) N N N N
	E230 DA3	2			N N ND7A YE230DA3
	E230 DM6	2			N N ND7M YE230DM6
	E230 DT3	2			N N ND7T YE230DT3
	E230 DX7	2			N N ND7X YE230DX7 (use after 1/2/85) N N N N
	E240 DA3	2			Sample of Material Required N N ND7A YE240DA3
	E260 EA3	2			Sample of Material Required N N ND7A YE260EA3
	E240 DM6	2			N N ND7M YE240DM6
	E240 DT3	2			N N ND7T YE240DT3
	E240 DX7	2			Sample of Material Required N N ND7X YE240DX7
	E260 EX7	2			Sample of Material Required N N ND7X YE260EX7
7	4190 388	2			COVER, Headrest Finish N N N Y4190388
8	4190 387	2			SUPPORT, Headrest N N N Y4190387
9					SLEEVE, Headrest N N N N
	S786 AA3	2			N N ND7A YS786AA3
	S786 VM6	2			N N ND7M YS786VM6
	S786 DT3	2			N N ND7T YS786DT3
	S786 CX9	2			N N ND7X YS786CX9
10					CUSHION, Center w/Cover N N N N
	E700 DA4	1			Sample of Material Required N N ND7A YE700DA4
	E700 EA3	1			Sample of Material Required N N ND7A YE700EA3
	E700 DM6	1			N N ND7M YE700DM6
	E700 DT3	1			N N ND7T YE700DT3
	E700 DX9	1			Sample of Material Required N N ND7X YE700DX9
	E700 EX7	1			Sample of Material Required N N ND7X YE700EX7
11					COVER, Center Cushion N N N N

MODEL CODES

B = GRAN FURY	E = 600	M = HORIZON/TURISMO
C = LE BARON/TOWN & COUNTRY/LIMO	F = FIFTH AVENUE/NEWPORT	P = RELIANT
C24 = LASER	G = DIPLOMAT	T = NEW YORKER
C44 = LE BARON/GTS	H = VOYAGER	V = 600
D = ARIES	J = CARAVELLE	V24 = DAYTONA
D44 = LANCER	K = MINI VAN/CARAVAN/ROYAL	Z = OMNI/CHARGER

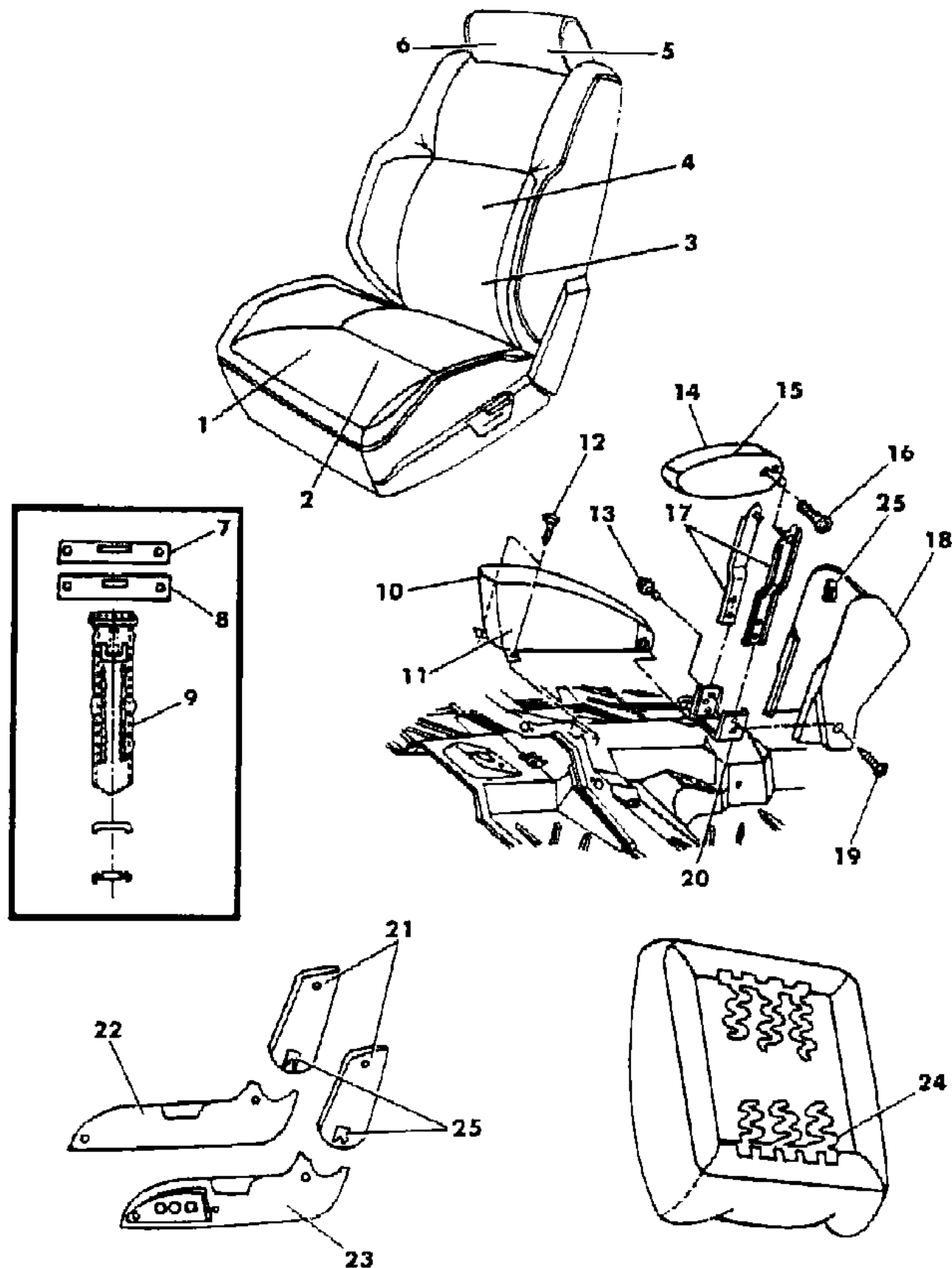
BODY STYLES

21 = 2-DOOR SEDAN	35 = FWD VAN	44 = 4-DOOR HATCHBACK
22 = 2-DOOR SPECIAL COUPE	36 = FWD WAGON	45 = 4-DOOR STATION WAGON
24 = 2-DOOR HATCHBACK	41 = 4-DOOR SEDAN	49 = LIMOUSINE
27 = 2-DOOR CONVERTIBLE		

AR = Use as Required - = Non Illustrated Part P.A.R. = Paint as Required

SEAT FRONT C,D H BODY TRIM CODE D7
Figure ITF-1100

5240 1100 A



ITEM	PART NUMBER	QTY	BODY	MODEL	DESCRIPTION
	E232 DA4	1			N N ND7A YE232DA4
	E232 DM6	1			N N ND7M YE232DM6
	E232 DT3	1			N N ND7T YE232DT3
	E232 DX9	1			N N ND7X YE232DX9
12		AR			SCREW (10-16x7/8)(not serviced) N N N N
13	6100 583	AR			SCREW and WASHER N N N Y6100583
14					ARMREST and COVER N N N N
	E701 DA4	1			Sample of Material Required N N ND7A YE701DA4
	E701 EA3	1			Sample of Material Required N N ND7A YE701EA3
	E701 DM6	1			N N ND7M YE701DM6
	E701 DT3	1			N N ND7T YE701DT3
	E701 DX9	1			Sample of Material Required N N ND7X YE701DX9
	E701 EX7	1			Sample of Material Required N N ND7X YE701EX7
15					COVER, Armrest N N N N
	E233 DA4	1			N N ND7A YE233DA4
	E233 DM6	1			N N ND7M YE233DM6
	E233 DT3	1			N N ND7T YE233DT3
	E233 DX9	1			N N ND7X YE233DX9
16	6032 567	2			SCREW N N N Y6032567
17	4327 518-9	1			STANCHION N N N Y4327518
	6500 453	2			NUT N N N Y6500453
18					SHIELD N N N N
	S959 DA3	1			N N ND7A YS959DA3
	S959 DM6	1			N N ND7M YS959DM6
	S959 DT3	1			N N ND7T YS959DT3
	S959 DX9	1			N N ND7X YS959DX9
19		AR			SCREW (10-16x1 3/4)(not serviced) N N N N
20					BRACKET, (see Group 23A) N N N N
21					SHIELD, Back (paint as required) N N N N
					Passenger N N N N
	S916 DA3	1			Outboard N N N YS916DA3
	S917 DA3	1			Inboard N N N YS917DA3
					Driver N N N N
	S917 DA3	1			Outboard N N N YS917DA3
	S916 DA3	1			Inboard N N N YS916DA3
22					SHIELD, Cushion (paint as required) N N N N
					Passenger N N N N

MODEL CODES

B = GRAN FURY	E = 600	M = HORIZON/TURISMO
C = LE BARON/TOWN & COUNTRY/LIMO	F = FIFTH AVENUE/NEWPORT	P = RELIANT
C24 = LASER	G = DIPLOMAT	T = NEW YORKER
C44 = LE BARON/GTS	H = VOYAGER	V = 600
D = ARIES	J = CARAVELLE	V24 = DAYTONA
D44 = LANCER	K = MINI VAN/CARAVAN/ROYAL	Z = OMNI/CHARGER

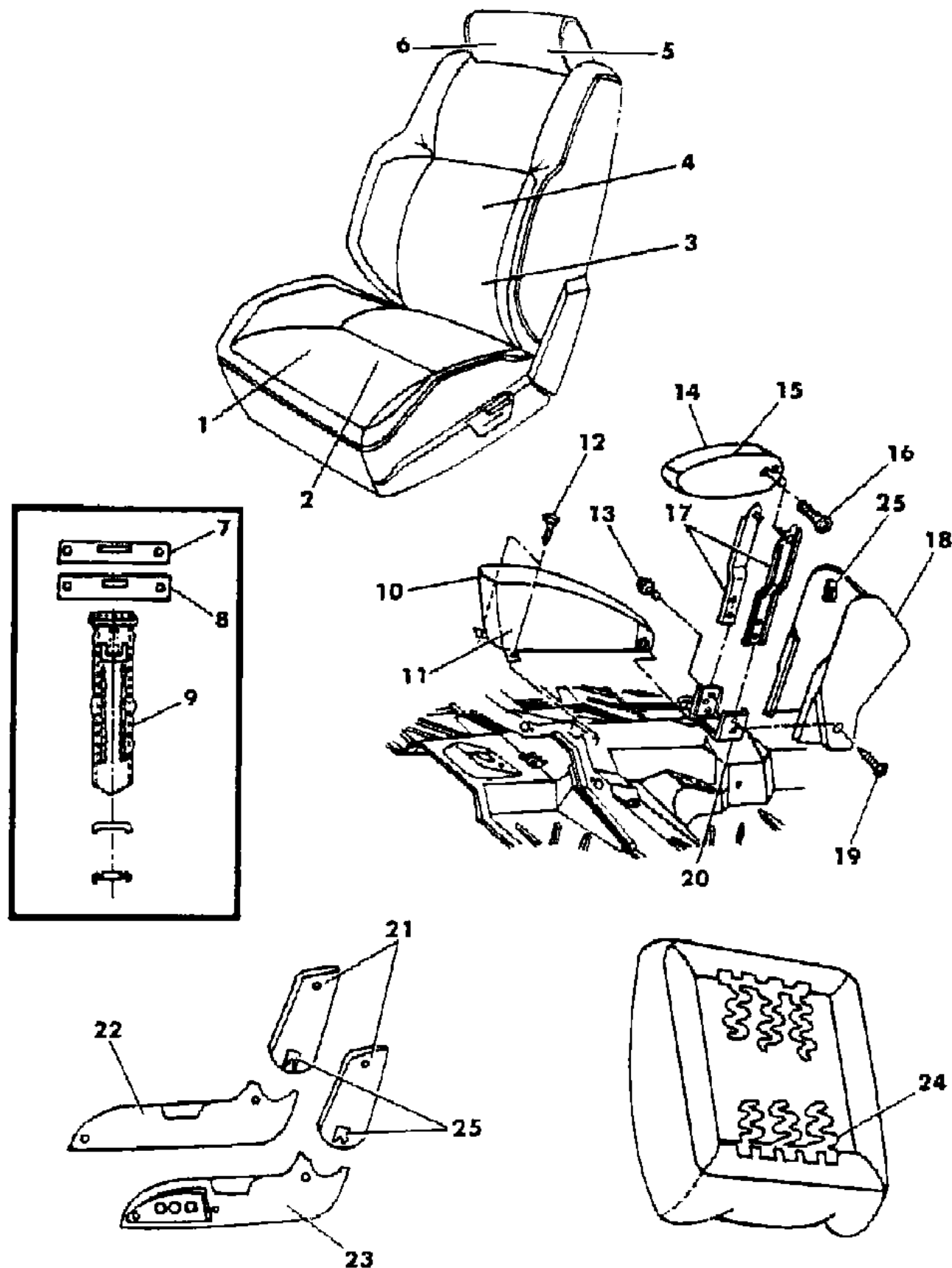
BODY STYLES

21 = 2-DOOR SEDAN	35 = FWD VAN	44 = 4-DOOR HATCHBACK
22 = 2-DOOR SPECIAL COUPE	36 = FWD WAGON	45 = 4-DOOR STATION WAGON
24 = 2-DOOR HATCHBACK	41 = 4-DOOR SEDAN	49 = LIMOUSINE
27 = 2-DOOR CONVERTIBLE		

AR = Use as Required - = Non Illustrated Part P.A.R. = Paint as Required

SEAT FRONT C,D H BODY TRIM CODE D7
Figure ITF-1100

5240 1100 A



ITEM	PART NUMBER	QTY	BODY	MODEL	DESCRIPTION
	S942 DA3	1			Outboard N N N YS942DA3
	S943 DA3	1			Inboard N N N YS943DA3
	S943 DA3	1			Driver N N N N
	S942 DA3	1			Outboard N N N YS943DA3
	S942 DA3	1			Inboard N N N YS942DA3
23	S921 DA3	1			SHIELD, Cushion Outboard Electric N N N YS921DA3
24	6008 076	AR			HOG RING N N N Y6008076
25	4317 800	AR			CLIP, Shield Attaching N N N Y4317800

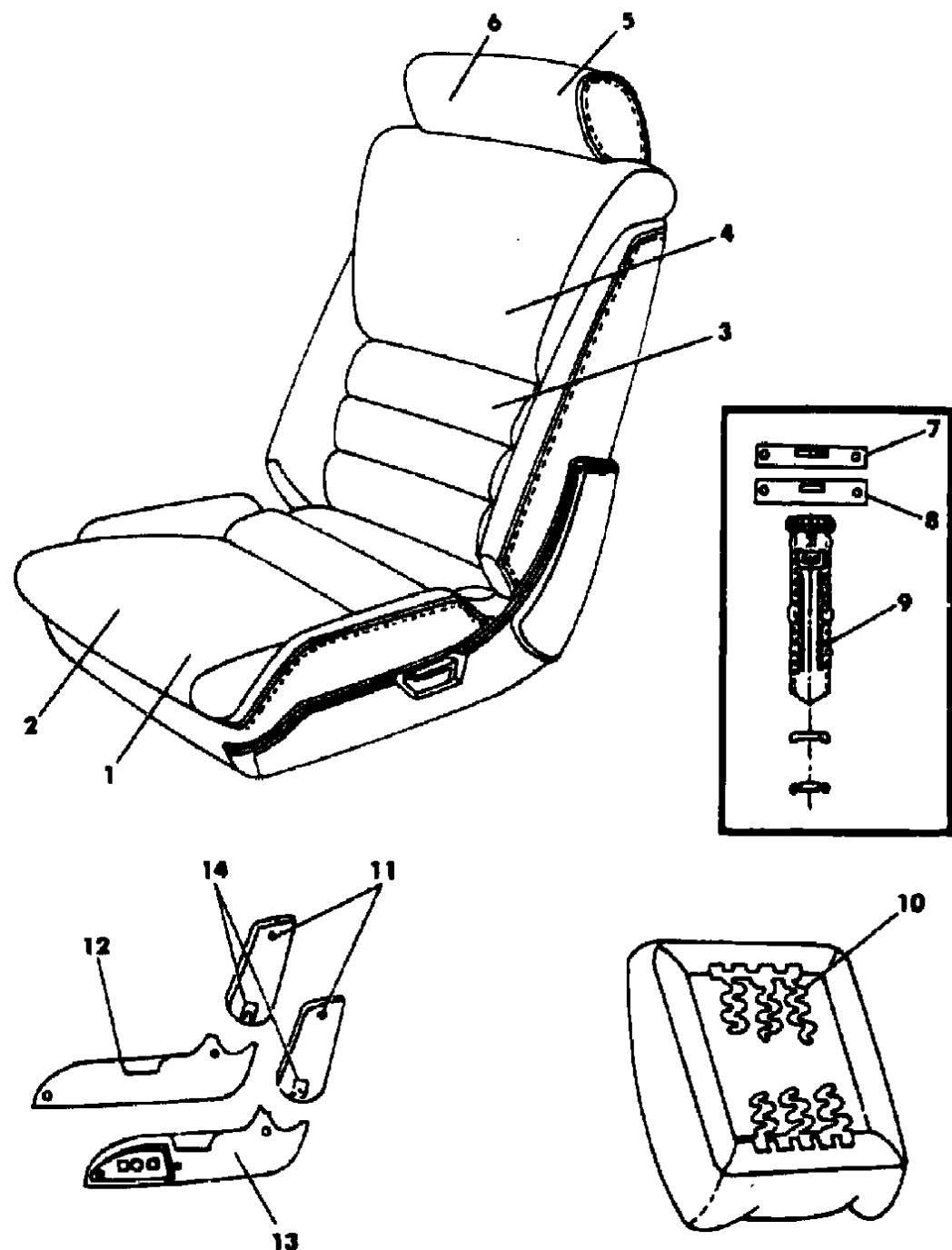
MODEL CODES
 B = GRAN FURY
 C = LE BARON/TOWN & COUNTRY/LIMO
 C24 = LASER
 C44 = LE BARON/GTS
 D = ARIES
 D44 = LANCER
 E = 600
 F = FIFTH AVENUE/NEWPORT
 G = DIPLOMAT
 H = VOYAGER
 J = CARAVELLE
 K = MINI VAN/CARAVAN/ROYAL
 M = HORIZON/TURISMO
 P = RELIANT
 T = NEW YORKER
 V = 600
 V24 = DAYTONA
 Z = OMNI/CHARGER

BODY STYLES
 21 = 2-DOOR SEDAN
 22 = 2-DOOR SPECIAL COUPE
 24 = 2-DOOR HATCHBACK
 27 = 2-DOOR CONVERTIBLE
 35 = FWD VAN
 36 = FWD WAGON
 41 = 4-DOOR SEDAN
 44 = 4-DOOR HATCHBACK
 45 = 4-DOOR STATION WAGON
 49 = LIMOUSINE

AR = Use as Required - = Non Illustrated Part P.A.R. = Paint as Required

SEAT FRONT C,D H BODY TRIM CODE E7
Figure ITF-1200

5240 1200



ITEM	PART NUMBER	QTY	BODY	MODEL	DESCRIPTION
1-2					CUSHION, w/Spring/Frame, Pad and Cover N N N N
					Cloth N N N N
					Right N N N N
	B850 D7A	1			N N NE7AS YB850D7A
	B850 D7M	1			N N NE7M YB850D7M
	B850 D7T	1			N N NE7T YB850D7T
	B850 D7X	1			N N NE7X YB850D7X
					Left N N N N
	B853 D7A	1			N N NE7AS YB853D7A
	B853 D7M	1			N N NE7M YB853D7M
	B853 D7T	1			N N NE7T YB853D7T
	B853 D7X	1			N N NE7X YB853D7X
2					COVER, Cushion N N N N
					Cloth N N N N
					COVER and PAD N N N N
					Right N N N N
	B666 D7A	1			N N NE7AS YB666D7A
	B666 D7M	1			N N NE7M YB666D7M
	B666 D7T	1			N N NE7TT YB666D7T
	B666 D7X	1			N N NE7X YB666D7X
					Left N N N N
	B669 D7A	1			N N NE7AS YB669D7A
	B669 D7M	1			N N NE7M YB669D7M
	B669 D7T	1			N N NE7TT YB669D7T
	B669 D7X	1			N N NE7X YB669D7X
3-4					BACK, w/Spring/Frame, Pad and Cover N N N N
					Cloth N N N N
					Right N N N N
	B856 D7A	1			N N NE7AS YB856D7A
	B856 D7M	1			N N NE7M YB856D7M
	B856 D7T	1			N N NE7T YB856D7T
	B856 D7X	1			N N NE7X YB856D7X
					Left N N N N
	E599 D7A	1			N N NE7AS YE599D7A
	E599 D7M	1			N N NE7M YE599D7M
	E599 D7T	1			N N NE7TT YE599D7T
	E599 D7X	1			N N NE7X YE599D7X

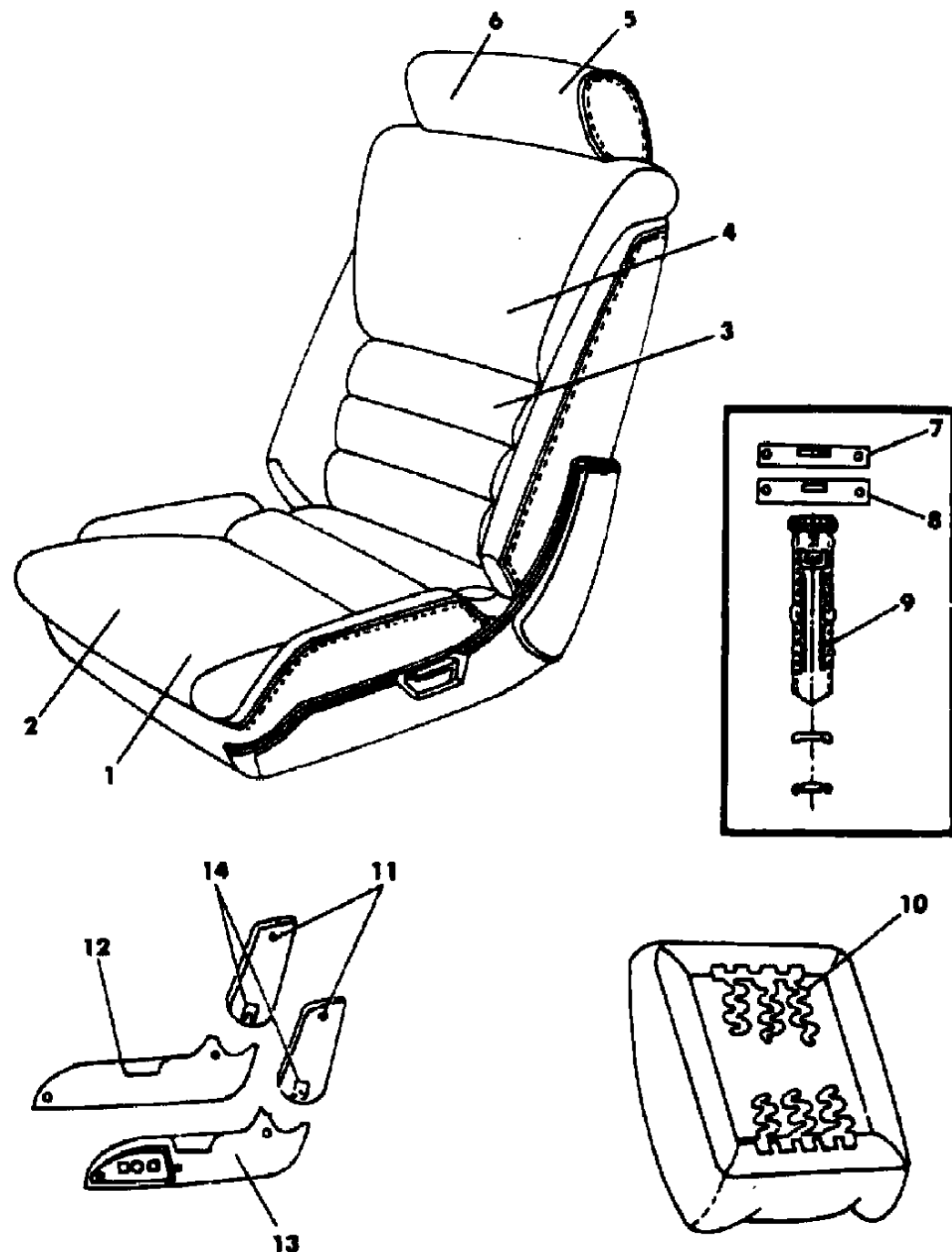
MODEL CODES
 B = GRAN FURY
 C = LE BARON/TOWN & COUNTRY/LIMO
 C24 = LASER
 C44 = LE BARON/GTS
 D = ARIES
 D44 = LANCER
 E = 600
 F = FIFTH AVENUE/NEWPORT
 G = DIPLOMAT
 H = VOYAGER
 J = CARAVELLE
 K = MINI VAN/CARAVAN/ROYAL
 M = HORIZON/TURISMO
 P = RELIANT
 T = NEW YORKER
 V = 600
 V24 = DAYTONA
 Z = OMNI/CHARGER

BODY STYLES
 21 = 2-DOOR SEDAN
 22 = 2-DOOR SPECIAL COUPE
 24 = 2-DOOR HATCHBACK
 27 = 2-DOOR CONVERTIBLE
 35 = FWD VAN
 36 = FWD WAGON
 41 = 4-DOOR SEDAN
 44 = 4-DOOR HATCHBACK
 45 = 4-DOOR STATION WAGON
 49 = LIMOUSINE

AR = Use as Required - = Non Illustrated Part P.A.R. = Paint as Required

SEAT FRONT C,D H BODY TRIM CODE E7
Figure ITF-1200

5240 1200



ITEM	PART NUMBER	QTY	BODY	MODEL	DESCRIPTION
4					COVER and PAD, Back N N N N
					Cloth N N N N
	E246 D7A	2			N N NE7AS YE246D7A
	E246 D7M	2			N N NE7M YE246D7M
	E246 D7T	2			N N NE7T YE246D7T
	E246 D7X	2			N N NE7X YE246D7X
5					HEADREST and COVER N N N N
	E592 DAS	2			N N NE7AS YE592DAS
	E592 DMM	2			N N NE7M YE592DMM
	E592 DTT	2			N N NE7T YE592DTT
	E592 DXS	2			N N NE7X YE592DXS
6					COVER, Headrest N N N N
	E221 DAS	2			N N NE7AS YE221DAS
	E221 DMM	2			N N NE7M YE221DMM
	E221 DTT	2			N N NE7T YE221DTT
	E221 DXS	2			N N NE7X YE221DXS
7	4190 388	2			COVER, Headrest Finish N N N Y4190388
8	4190 387	2			SUPPORT, Headrest N N N Y4190387
9					SLEEVE, Headrest N N N N
	S786 AA3	2			N N NE7AS YS786AA3
	S786 VM6	2			N N NE7M YS786VM6
	S786 DT3	2			N N NE7T YS786DT3
	S786 CX9	2			N N NE7X YS786CX9
10	6008 076	AR			HOG RING N N N Y6008076
11					SHIELD, Back (paint as required) N N N N
					Passenger N N N N
	S916 DA3	1			Outboard N N N YS916DA3
	S917 DA3	1			Inboard N N N YS917DA3
					Driver N N N N
	S917 DA3	1			Outboard N N N YS917DA3
	S916 DA3	1			Inboard N N N YS916DA3
12					SHIELD, Cushion (paint as required) N N N N
					Passenger N N N N
	S942 DA3	1			Outboard N N N YS942DA3
	S943 DA3	1			Inboard N N N YS943DA3
					Driver N N N N
	S943 DA3	1			Outboard N N N YS943DA3

MODEL CODES

B = GRAN FURY	E = 600	M = HORIZON/TURISMO
C = LE BARON/TOWN & COUNTRY/LIMO	F = FIFTH AVENUE/NEWPORT	P = RELIANT
C24 = LASER	G = DIPLOMAT	T = NEW YORKER
C44 = LE BARON/GTS	H = VOYAGER	V = 600
D = ARIES	J = CARAVELLE	V24 = DAYTONA
D44 = LANCER	K = MINI VAN/CARAVAN/ROYAL	Z = OMNI/CHARGER

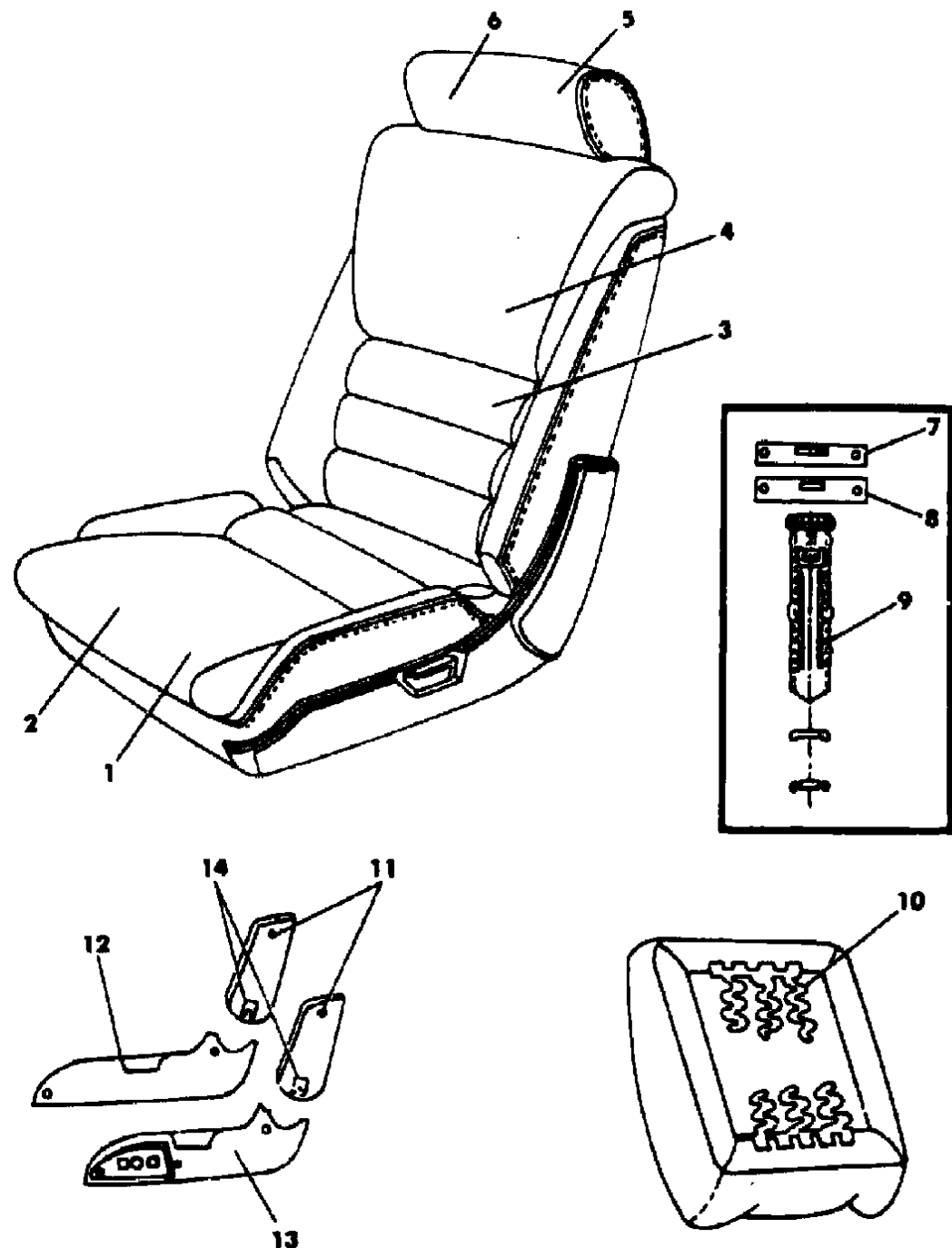
BODY STYLES

21 = 2-DOOR SEDAN	35 = FWD VAN	44 = 4-DOOR HATCHBACK
22 = 2-DOOR SPECIAL COUPE	36 = FWD WAGON	45 = 4-DOOR STATION WAGON
24 = 2-DOOR HATCHBACK	41 = 4-DOOR SEDAN	49 = LIMOUSINE
27 = 2-DOOR CONVERTIBLE		

AR = Use as Required - = Non Illustrated Part P.A.R. = Paint as Required

SEAT FRONT C,D H BODY TRIM CODE E7
Figure ITF-1200

5240 1200



ITEM	PART NUMBER	QTY	BODY	MODEL	DESCRIPTION
------	-------------	-----	------	-------	-------------

	S942 DA3	1			Inboard N N N YS942DA3
13	S921 DA3	1			SHIELD, Cushion Electric (paint as required) N N N YS921DA3
14	4317 800	AR			CLIP, Shield Attaching N N N Y4317800

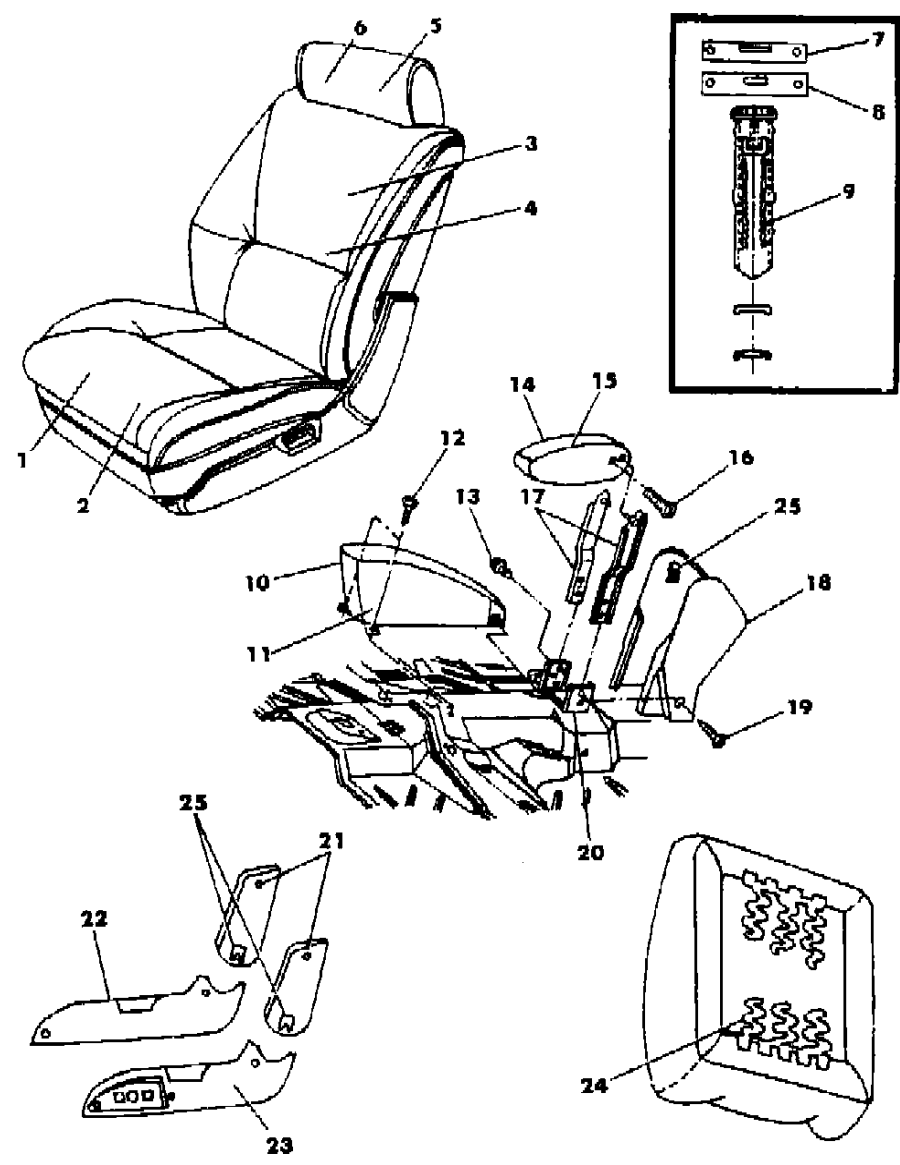
MODEL CODES
 B = GRAN FURY
 C = LE BARON/TOWN & COUNTRY/LIMO
 C24 = LASER
 C44 = LE BARON/GTS
 D = ARIES
 D44 = LANCER
 E = 600
 F = FIFTH AVENUE/NEWPORT
 G = DIPLOMAT
 H = VOYAGER
 J = CARAVELLE
 K = MINI VAN/CARAVAN/ROYAL
 M = HORIZON/TURISMO
 P = RELIANT
 T = NEW YORKER
 V = 600
 V24 = DAYTONA
 Z = OMNI/CHARGER

BODY STYLES
 21 = 2-DOOR SEDAN
 22 = 2-DOOR SPECIAL COUPE
 24 = 2-DOOR HATCHBACK
 27 = 2-DOOR CONVERTIBLE
 35 = FWD VAN
 36 = FWD WAGON
 41 = 4-DOOR SEDAN
 44 = 4-DOOR HATCHBACK
 45 = 4-DOOR STATION WAGON
 49 = LIMOUSINE

AR = Use as Required - = Non Illustrated Part P.A.R. = Paint as Required

SEAT FRONT C,D H BODY TRIM CODE C7
Figure ITF-1300

9240 (CARR)



ITEM	PART NUMBER	QTY	BODY	MODEL	DESCRIPTION
1-2					CUSHION, w/Spring/Frame, Pad and Cover N N N N
					Cloth N N N N
					Manual N N N N
	E646-7 D7A	1			N N NC7A YE646D7A
	E646-7 D7M	1			N N NC7M YE646D7M
	E646-7 D7T	1			N N NC7T YE646D7T
	E646-7 D7X	1			N N NC7X YE646D7X
					Electric Left N N N N
	E649 D7A	1			N N NC7A YE649D7A
	E649 D7M	1			N N NC7M YE649D7M
	E649 D7T	1			N N NC7T YE649D7T
	E649 D7X	1			N N NC7X YE649D7X
2					COVER, Cushion N N N N
					Cloth N N N N
	E200-1 D7A	1			N N NC7A YE200D7A
	E200-1 D7M	1			N N NC7M YE200D7M
	E200-1 D7T	1			N N NC7T YE200D7T
	E200-1 D7X	1			N N NC7X YE200D7X
3-4					BACK, w/Spring/Frame, Pad and Cover N N N N
					Cloth N N N N
	E652-3 D7A	1			N N NC7A YE652D7A
	E652-3 D7M	1			N N NC7M YE652D7M
	E652-3 D7T	1			N N NC7T YE652D7T
	E652-3 D7X	1			N N NC7X YE652D7X
4					COVER and PAD, Back N N N N
					Cloth N N N N
	E708-9 D7A	1			N N NC7A YE708D7A
	E708-9 D7M	1			N N NC7M YE708D7M
	E708-9 D7T	1			N N NC7T YE708D7T
	E708-9 D7X	1			N N NC7X YE708D7X
5					HEADREST and COVER N N N N
	E656 DAS	2			N N NC7A YE656DAS
	E656 DMM	2			N N NC7M YE656DMM
	E656 DTT	2			N N NC7TT YE656DTT
	E656 DXS	2			N N NC7X YE656DXS
6					COVER, Headrest N N N N
	E207 DAS	2			N N NC7AS YE207DAS

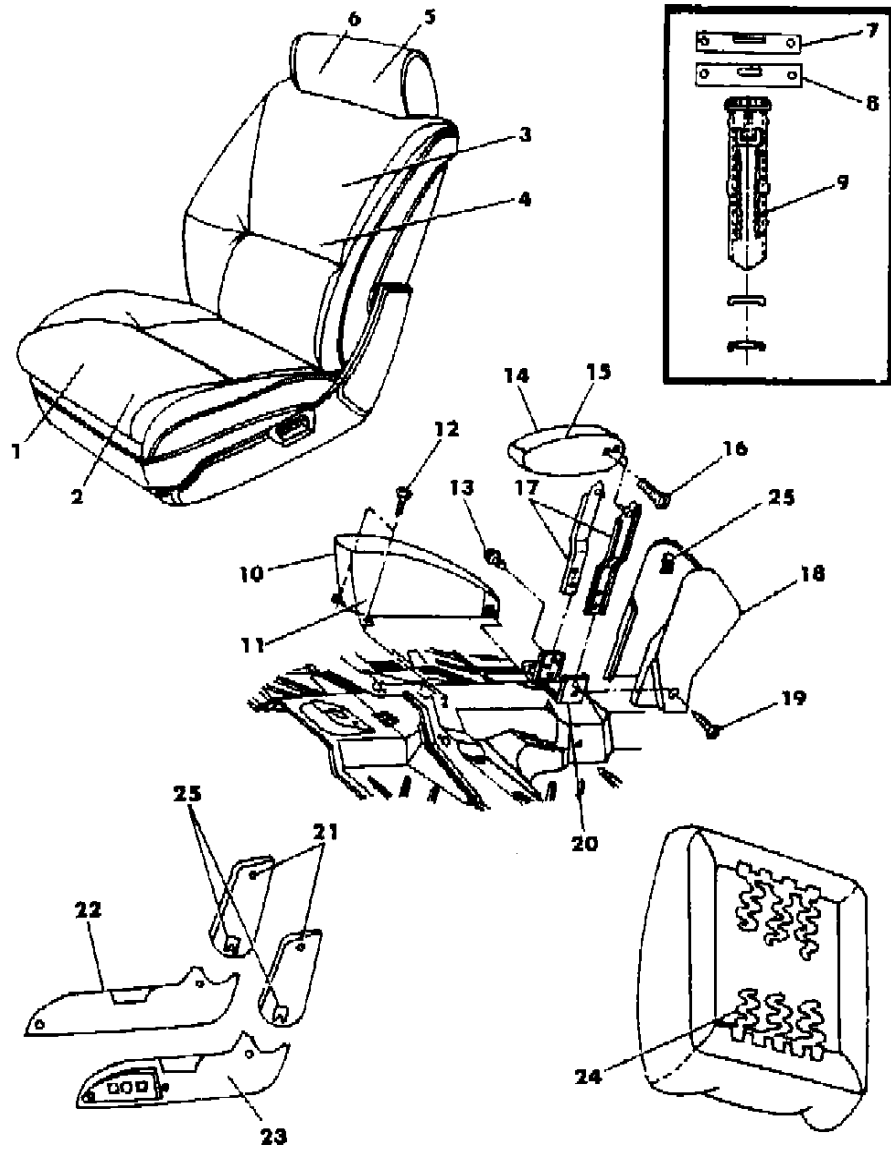
MODEL CODES
 B = GRAN FURY
 C = LE BARON/TOWN & COUNTRY/LIMO
 C24 = LASER
 C44 = LE BARON/GTS
 D = ARIES
 D44 = LANCER
 E = 600
 F = FIFTH AVENUE/NEWPORT
 G = DIPLOMAT
 H = VOYAGER
 J = CARAVELLE
 K = MINI VAN/CARAVAN/ROYAL
 M = HORIZON/TURISMO
 P = RELIANT
 T = NEW YORKER
 V = 600
 V24 = DAYTONA
 Z = OMNI/CHARGER

BODY STYLES
 21 = 2-DOOR SEDAN
 22 = 2-DOOR SPECIAL COUPE
 24 = 2-DOOR HATCHBACK
 27 = 2-DOOR CONVERTIBLE
 35 = FWD VAN
 36 = FWD WAGON
 41 = 4-DOOR SEDAN
 44 = 4-DOOR HATCHBACK
 45 = 4-DOOR STATION WAGON
 49 = LIMOUSINE

AR = Use as Required - = Non Illustrated Part P.A.R. = Paint as Required

SEAT FRONT C,D H BODY TRIM CODE C7
Figure ITF-1300

9240 (CARR)



ITEM	PART NUMBER	QTY	BODY	MODEL	DESCRIPTION
	E207 DMM	2			N N NC7M YE207DMM
	E207 DTT	2			N N NC7TT YE207DTT
	E207 DXS	2			N N NC7X YE207DXS
7	4190 388	2			COVER, Headrest Finish N N N Y4190388
8	4190 387	2			SUPPORT, Headrest N N N Y4190387
9					SLEEVE, Headrest N N N N
	S786 AA3	2			N N NC7A YS786AA3
	S786 VM6	2			N N NC7M YS786VM6
	S786 DT3	2			N N NC7T YS786DT3
	S786 CX9	2			N N NC7X YS786CX9
10					CUSHION, Center w/Cover N N N N
	E700 DA4	1			N N NC7A YE700DA4
	E700 DM6	1			N N NC7M YE700DM6
	E700 DT3	1			N N NC7T YE700DT3
	E700 DX9	1			N N NC7X YE700DX9
11					COVER, Center Cushion N N N N
	E232 DA4	1			N N NC7A YE232DA4
	E232 DM6	1			N N NC7M YE232DM6
	E232 DT3	1			N N NC7T YE232DT3
	E232 DX9	1			N N NC7X YE232DX9
12		AR			SCREW (10-16x3/4)(not serviced) N N N N
13	6100 583	AR			SCREW and WASHER N N N Y6100583
14					ARMREST and COVER N N N N
	E701 DA4	1			N N NC7A YE701DA4
	E701 DM6	1			N N NC7M YE701DM6
	E701 DT3	1			N N NC7T YE701DT3
	E701 DX9	1			N N NC7X YE701DX9
15					COVER, Armrest N N N N
	E233 DA4	1			N N NC7A YE233DA4
	E233 DM6	1			N N NC7M YE233DM6
	E233 DT3	1			N N NC7T YE233DT3
	E233 DX9	1			N N NC7X YE233DX9
16	6032 567	2			SCREW N N N Y6032567
17	4327 518-9	1			STANCHION N N N Y4327518
	6500 453	2			NUT N N N Y6500453
18					SHIELD N N N N
	S959 DA3	1			N N NC7A YS959DA3

MODEL CODES

B = GRAN FURY	E = 600	M = HORIZON/TURISMO
C = LE BARON/TOWN & COUNTRY/LIMO	F = FIFTH AVENUE/NEWPORT	P = RELIANT
C24 = LASER	G = DIPLOMAT	T = NEW YORKER
C44 = LE BARON/GTS	H = VOYAGER	V = 600
D = ARIES	J = CARAVELLE	V24 = DAYTONA
D44 = LANCER	K = MINI VAN/CARAVAN/ROYAL	Z = OMNI/CHARGER

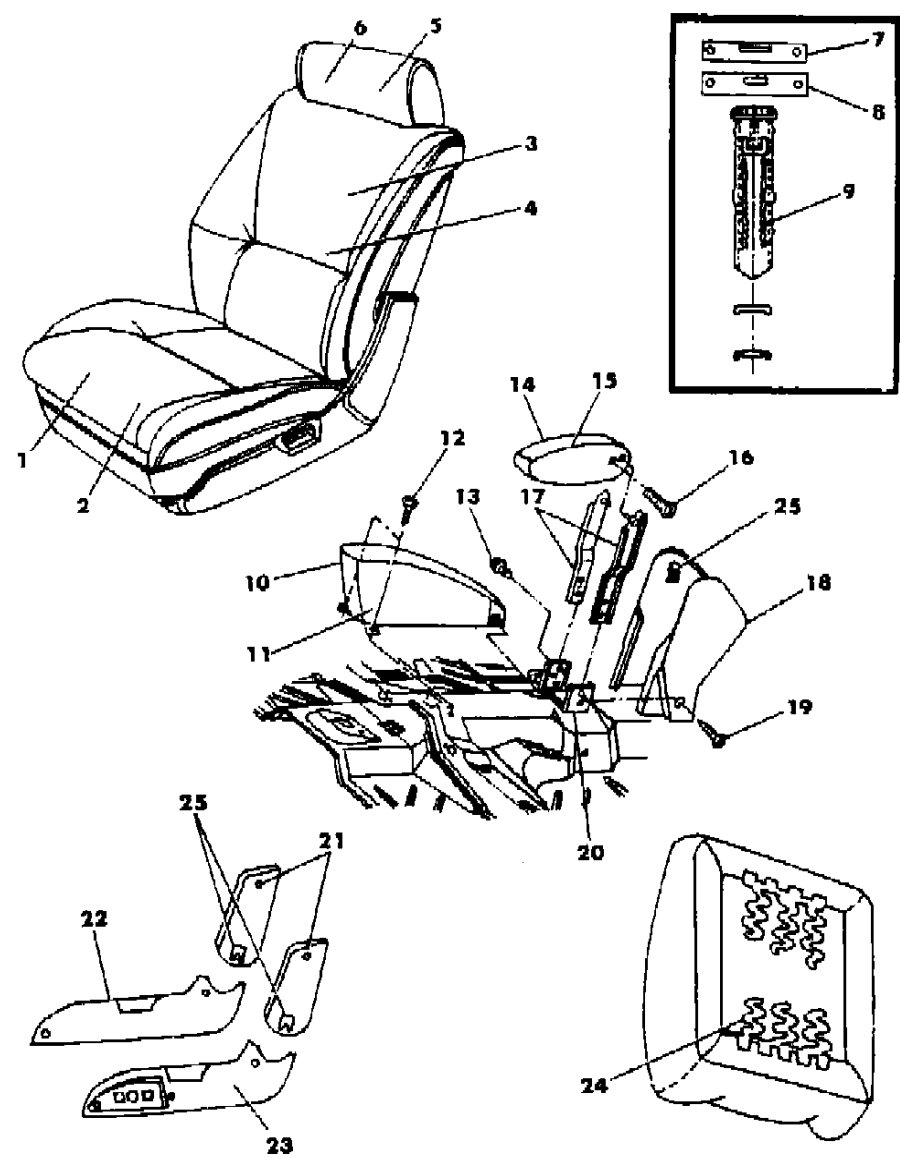
BODY STYLES

21 = 2-DOOR SEDAN	35 = FWD VAN	44 = 4-DOOR HATCHBACK
22 = 2-DOOR SPECIAL COUPE	36 = FWD WAGON	45 = 4-DOOR STATION WAGON
24 = 2-DOOR HATCHBACK	41 = 4-DOOR SEDAN	49 = LIMOUSINE
27 = 2-DOOR CONVERTIBLE		

AR = Use as Required - = Non Illustrated Part P.A.R. = Paint as Required

SEAT FRONT C,D H BODY TRIM CODE C7
Figure ITF-1300

9240 (C 000)



ITEM	PART NUMBER	QTY	BODY	MODEL	DESCRIPTION
	S959 DM6	1			N N NC7M YS959DM6
	S959 DT3	1			N N NC7T YS959DT3
	S959 DX9	1			N N NC7X YS959DX9
19		AR			SCREW (10-16x1 3/4)(not serviced) N N N N
20					BRACKET (see Group 23A) N N N N
21					SHIELD, Back (paint as required) N N N N
					Passenger N N N N
	S916 DA3	1			Outboard N N N YS916DA3
	S917 DA3	1			Inboard N N N YS917DA3
					Driver N N N N
	S917 DA3	1			Outboard N N N YS917DA3
	S916 DA3	1			Inboard N N N YS916DA3
22					SHIELD, Cushion (paint as required) N N N N
					Passenger N N N N
	S942 DA3	1			Outboard N N N YS942DA3
	S943 DA3	1			Inboard N N N YS943DA3
					Driver N N N N
	S943 DA3	1			Outboard N N N YS943DA3
	S942 DA3	1			Inboard N N N YS942DA3
23	S921 DA3	1			SHIELD, Cushion Electric (paint as required) N N N YS921DA3
24	6008 076	AR			HOG RING N N N Y6008076
25	4317 800	AR			CLIP, Shield Attaching N N N Y4317800

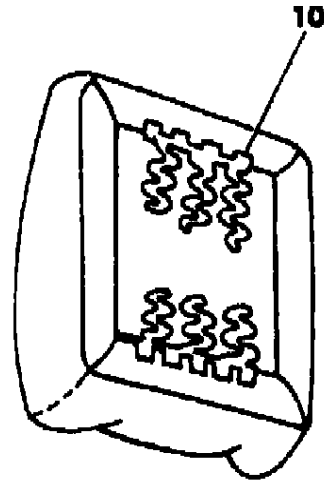
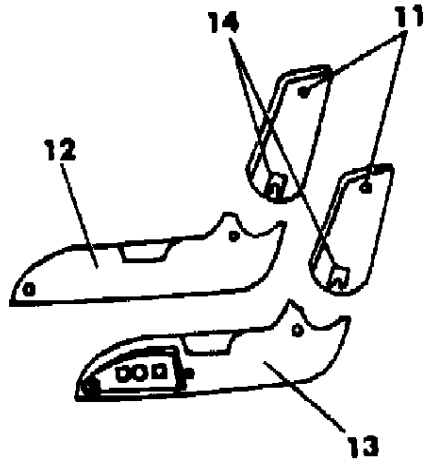
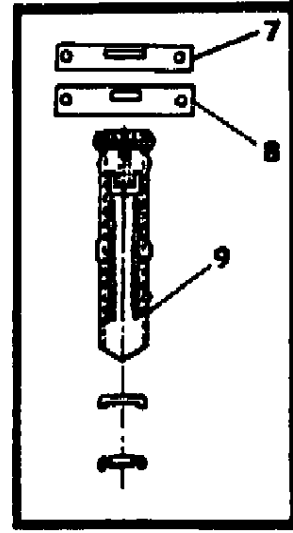
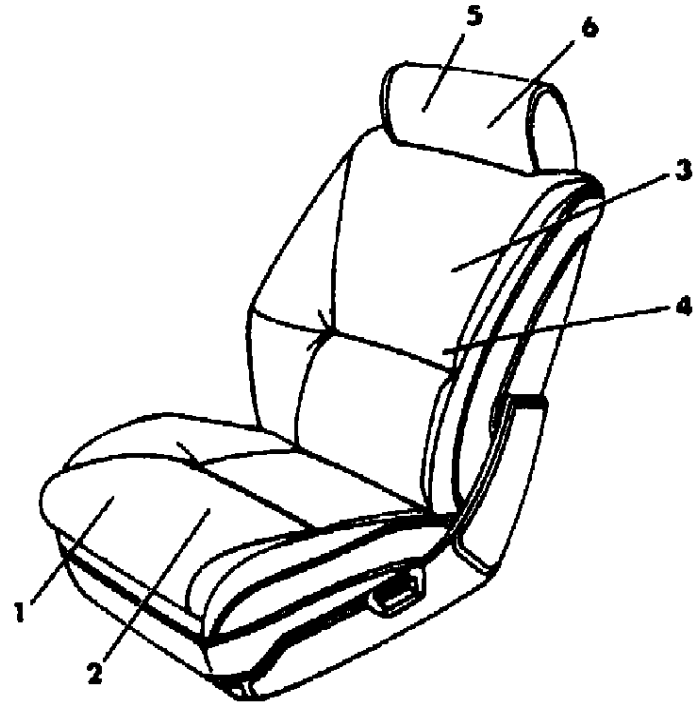
MODEL CODES
 B = GRAN FURY
 C = LE BARON/TOWN & COUNTRY/LIMO
 C24 = LASER
 C44 = LE BARON/GTS
 D = ARIES
 D44 = LANCER
 E = 600
 F = FIFTH AVENUE/NEWPORT
 G = DIPLOMAT
 H = VOYAGER
 J = CARAVELLE
 K = MINI VAN/CARAVAN/ROYAL
 M = HORIZON/TURISMO
 P = RELIANT
 T = NEW YORKER
 V = 600
 V24 = DAYTONA
 Z = OMNI/CHARGER

BODY STYLES
 21 = 2-DOOR SEDAN
 22 = 2-DOOR SPECIAL COUPE
 24 = 2-DOOR HATCHBACK
 27 = 2-DOOR CONVERTIBLE
 35 = FWD VAN
 36 = FWD WAGON
 41 = 4-DOOR SEDAN
 44 = 4-DOOR HATCHBACK
 45 = 4-DOOR STATION WAGON
 49 = LIMOUSINE

AR = Use as Required - = Non Illustrated Part P.A.R. = Paint as Required

SEAT FRONT C,D H BODY TRIM CODE HL
Figure ITF-1400

5240 1400



ITEM	PART NUMBER	QTY	BODY	MODEL	DESCRIPTION
1-2					CUSHION, w/Spring/Frame, Pad and Cover N N N N
					Leather N N N N
					Manual N N N N
	E672-3 DLA	1			N N NHLA YE672DLA
	E672-3 DLM	1			N N NHLM YE672DLM
	E672-3 DLT	1			N N NHLT YE672DLT
	E672-3 DLX	1			N N NHLX YE672DLX
					Electric Left N N N N
					Leather N N N N
	E675 DLA	1			N N NHLA YE675DLA
	E675 DLM	1			N N NHLM YE675DLM
	E675 DLT	1			N N NHLT YE675DLT
	E675 DLX	1			N N NHLX YE675DLX
2					COVER, Cushion N N N N
					Leather N N N N
	E208-9 DLA	1			N N NHLA YE208DLA
	E208-9 DLM	1			N N NHLM YE208DLM
	E208-9 DLT	1			N N NHLT YE208DLT
	E208-9 DLX	1			N N NHLX YE208DLX
3-4					BACK, w/Spring/Frame, Pad and Cover N N N N
					Leather N N N N
	E678-9 DLA	1			N N NHLA YE678DLA
	E678-9 DLM	1			N N NHLM YE678DLM
	E678-9 DLT	1			N N NHLT YE678DLT
	E678-9 DLX	1			N N NHLX YE678DLX
4					COVER and PAD, Back N N N N
					Leather N N N N
	E710-1 DLA	1			N N NHLA YE710DLA
	E710-1 DLM	1			N N NHLM YE710DLM
	E710-1 DLT	1			N N NHLT YE710DLT
	E710-1 DLX	1			N N NHLX YE710DLX
5-6					HEADREST and COVER N N N N
	E682 DA2	2			N N NHLA YE682DA2
	E682 DM6	2			N N NHLM YE682DM6
	E682 DT3	2			N N NHLT YE682DT3
	E682 DX9	2			N N NHLX YE682DX9
6					COVER, Headrest N N N N

MODEL CODES

B = GRAN FURY	E = 600	M = HORIZON/TURISMO
C = LE BARON/TOWN & COUNTRY/LIMO	F = FIFTH AVENUE/NEWPORT	P = RELIANT
C24 = LASER	G = DIPLOMAT	T = NEW YORKER
C44 = LE BARON/GTS	H = VOYAGER	V = 600
D = ARIES	J = CARAVELLE	V24 = DAYTONA
D44 = LANCER	K = MINI VAN/CARAVAN/ROYAL	Z = OMNI/CHARGER

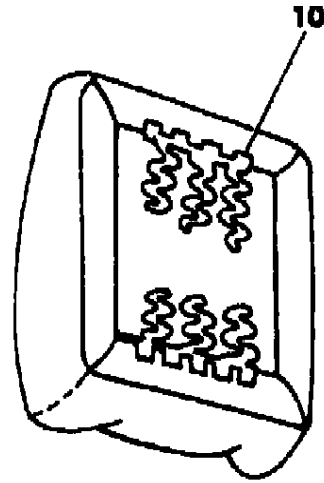
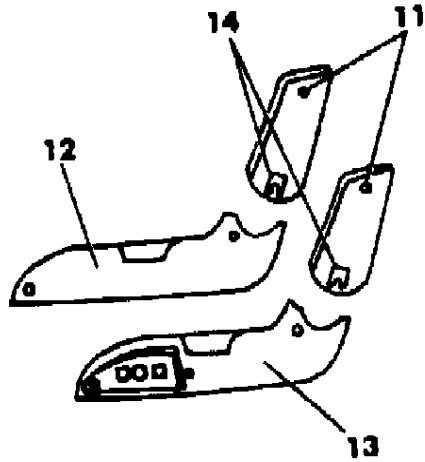
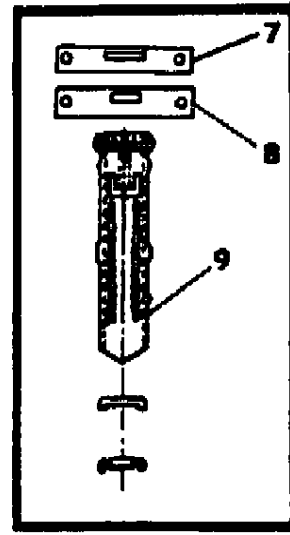
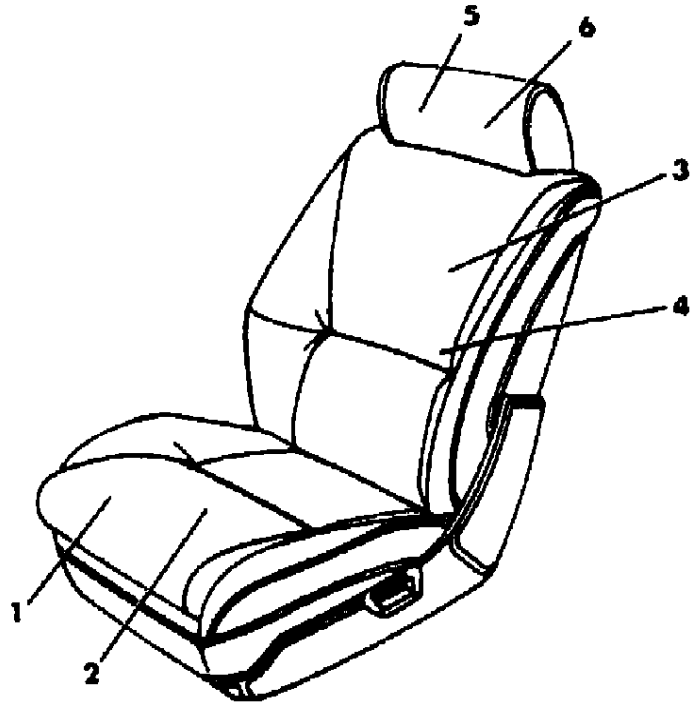
BODY STYLES

21 = 2-DOOR SEDAN	35 = FWD VAN	44 = 4-DOOR HATCHBACK
22 = 2-DOOR SPECIAL COUPE	36 = FWD WAGON	45 = 4-DOOR STATION WAGON
24 = 2-DOOR HATCHBACK	41 = 4-DOOR SEDAN	49 = LIMOUSINE
27 = 2-DOOR CONVERTIBLE		

AR = Use as Required - = Non Illustrated Part P.A.R. = Paint as Required

SEAT FRONT C,D H BODY TRIM CODE HL
Figure ITF-1400

5240 1400



ITEM	PART NUMBER	QTY	BODY	MODEL	DESCRIPTION
	E215 DA2	2			N N NHLA YE215DA2
	E215 DM6	2			N N NHLM YE215DM6
	E215 DT3	2			N N NHLT YE215DT3
	E215 DX7	2			N N NHLX YE215DX7
7	4190 388	2			COVER, Headrest Finish N N N Y4190388
8	4190 387	2			SUPPORT, Headrest N N N Y4190387
9					SLEEVE, Headrest N N N N
	S786 AA3	2			N N NHLA YS786AA3
	S786 VM6	2			N N NHLM YS786VM6
	S786 DT3	2			N N NHLT YS786DT3
	S786 CX9	2			N N NHLX YS786CX9
10	6008 076	AR			HOG RING N N N Y6008076
11					SHIELD, Back (paint as required) N N N N
					Passenger N N N N
	S916 DA3	1			Outboard N N N YS916DA3
	S917 DA3	1			Inboard N N N YS917DA3
					Driver N N N N
	S917 DA3	1			Outboard N N N YS917DA3
	S916 DA3	1			Inboard N N N YS916DA3
12					SHIELD, Cushion (paint as required) N N N N
					Passenger N N N N
	S942 DA3	1			Outboard N N N YS942DA3
	S943 DA3	1			Inboard N N N YS943DA3
					Driver N N N N
	S943 DA3	1			Outboard N N N YS943DA3
	S942 DA3	1			Inboard N N N YS942DA3
13	S921 DA3	1			SHIELD, Cushion Electric (paint as required) N N N YS921DA3
14	4317 800	AR			CLIP, Shield Attaching N N N Y4317800

MODEL CODES

B = GRAN FURY	E = 600	M = HORIZON/TURISMO
C = LE BARON/TOWN & COUNTRY/LIMO	F = FIFTH AVENUE/NEWPORT	P = RELIANT
C24 = LASER	G = DIPLOMAT	T = NEW YORKER
C44 = LE BARON/GTS	H = VOYAGER	V = 600
D = ARIES	J = CARAVELLE	V24 = DAYTONA
D44 = LANCER	K = MINI VAN/CARAVAN/ROYAL	Z = OMNI/CHARGER

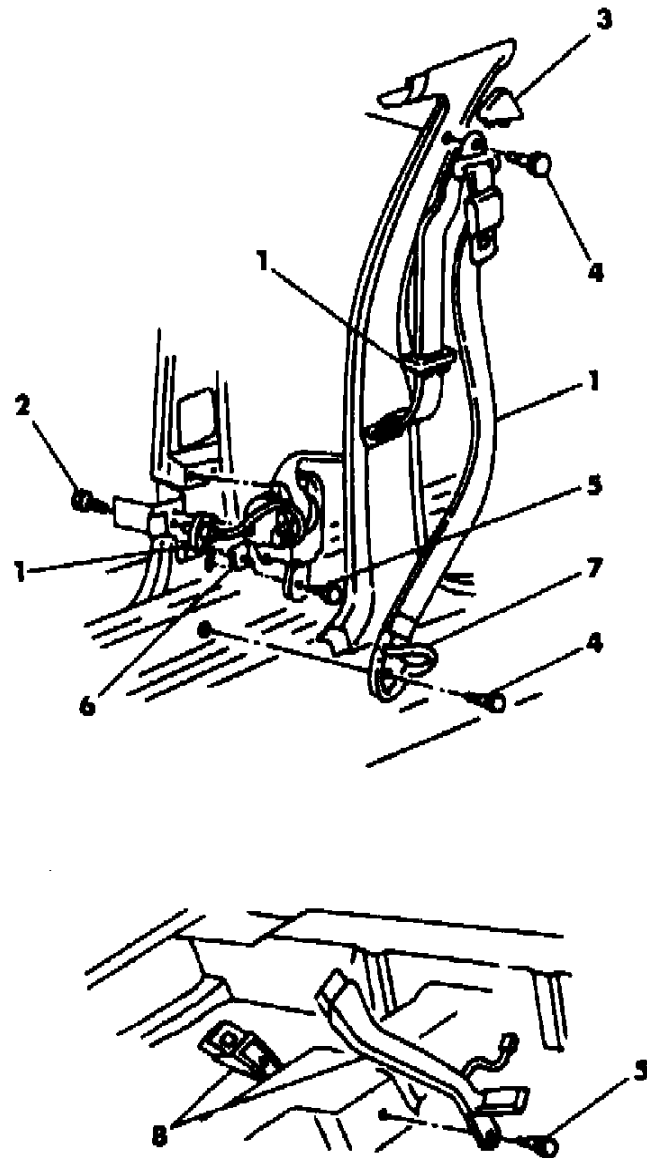
BODY STYLES

21 = 2-DOOR SEDAN	35 = FWD VAN	44 = 4-DOOR HATCHBACK
22 = 2-DOOR SPECIAL COUPE	36 = FWD WAGON	45 = 4-DOOR STATION WAGON
24 = 2-DOOR HATCHBACK	41 = 4-DOOR SEDAN	49 = LIMOUSINE
27 = 2-DOOR CONVERTIBLE		

AR = Use as Required - = Non Illustrated Part P.A.R. = Paint as Required

BELT FRONT SEAT C,D H BODY
Figure ITF-1500

5240 1500



ITEM	PART NUMBER	QTY	BODY	MODEL	DESCRIPTION
1					BELT, Outer N N N N Label Number 4317022-3 N N N N Silver N N N YF864DA3 Red N N N YF864DM6 Tan N N N YF864DT3 Black N N N YF864DX9
2		4			SCREW (10-16x3/4)(not serviced) N N N N
3					COVER, Turning Loop N N N N Silver N N N YF700CA3 Red N N N YF700CM6 Tan N N N YF700DT3 Black N N N YF700DX9
4	6031 216	2			BOLT N N N Y6031216
5	6031 484	6			BOLT N N N Y6031484
6	6031 448	2			U-NUT N N N Y6031448
7		2			COVER, Swivel Plate (serviced in item 1) N N N N
8					BELT, Inner N N N N Label Number 4317070-1 N N N N Silver N N N YF720DA3 Red N N N YF720DM6 Tan N N N YF720DT3 Black N N N YF720DX9 w/Center Cushion N N N N Label Number 4327190-1 N N N N Silver N N N YF760DA3 Red N N N YF760DM6 Tan N N N YF760DT3 Black N N N YF760DX9

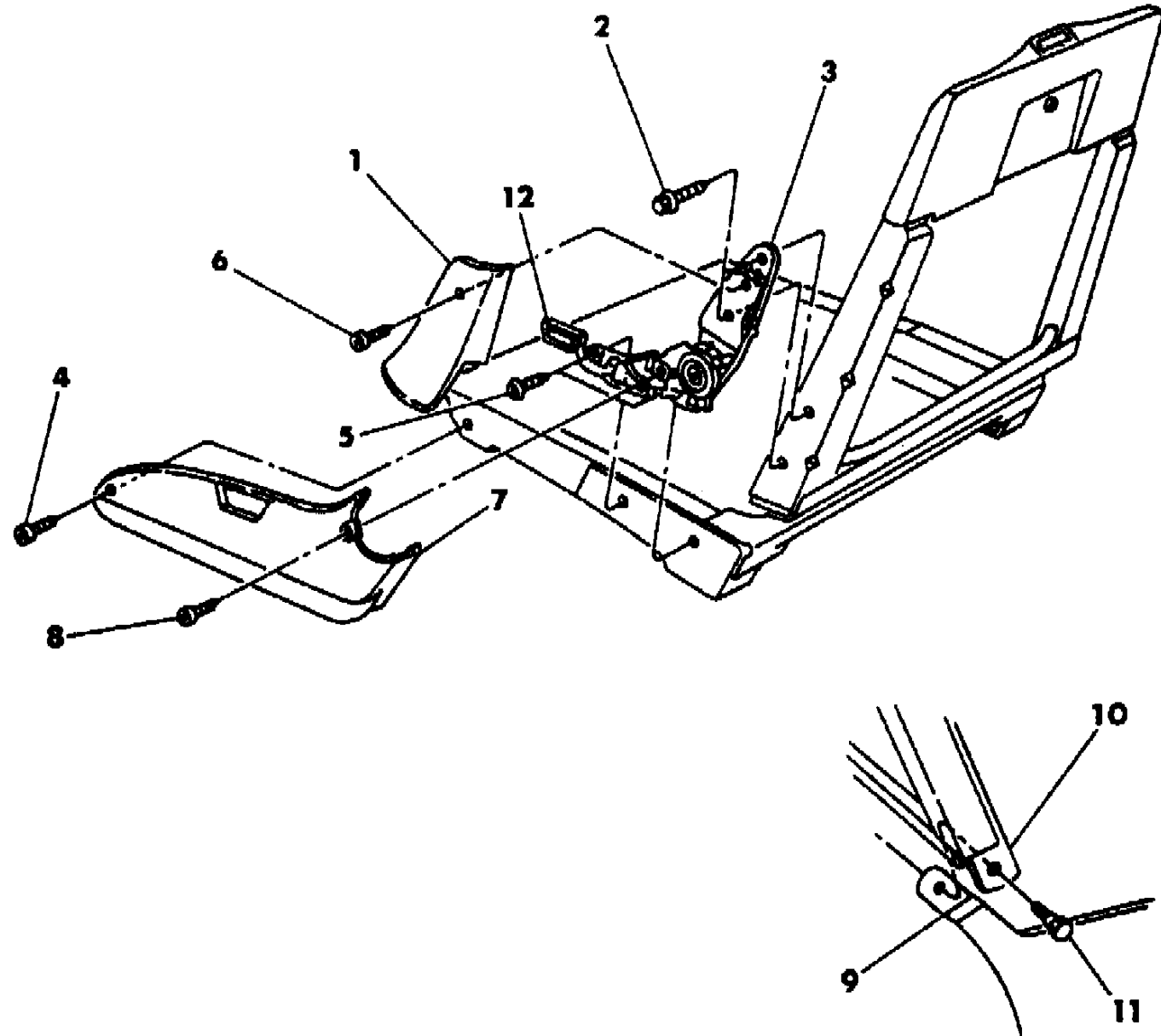
MODEL CODES
 B = GRAN FURY
 C = LE BARON/TOWN & COUNTRY/LIMO
 C24 = LASER
 C44 = LE BARON/GTS
 D = ARIES
 D44 = LANCER
 E = 600
 F = FIFTH AVENUE/NEWPORT
 G = DIPLOMAT
 H = VOYAGER
 J = CARAVELLE
 K = MINI VAN/CARAVAN/ROYAL
 M = HORIZON/TURISMO
 P = RELIANT
 T = NEW YORKER
 V = 600
 V24 = DAYTONA
 Z = OMNI/CHARGER

BODY STYLES
 21 = 2-DOOR SEDAN
 22 = 2-DOOR SPECIAL COUPE
 24 = 2-DOOR HATCHBACK
 27 = 2-DOOR CONVERTIBLE
 35 = FWD VAN
 36 = FWD WAGON
 41 = 4-DOOR SEDAN
 44 = 4-DOOR HATCHBACK
 45 = 4-DOOR STATION WAGON
 49 = LIMOUSINE

AR = Use as Required - = Non Illustrated Part P.A.R. = Paint as Required

RECLINING SEAT C,D H BODY
Figure ITF-1600

5240 1600 A



ITEM	PART NUMBER	QTY	BODY	MODEL	DESCRIPTION
1	S916-7 DA3	1			SHIELD, Back (paint as required) N N N YS916DA3
2	6501 221	AR			SCREW N N N Y6501221
3	4327 626-7	1			RECLINER N N N Y4327626
4		AR			SCREW (8-18x1.00)(not serviced) N N N N
5	6500 558	AR			SCREW N N N Y6500558
6		AR			SCREW (8-18x1.75)(not serviced) N N N N
7	S942-3 DA3	1			SHIELD, Cushion (paint as required) N N N YS942DA3
8	6032 456	AR			SCREW N N N Y6032456
9					FRAME, Cushion (reference) N N N N
10					FRAME, Back (reference) N N N N
11	6501 199	2			BOLT (10x1.5x39) N N N Y6501199
12	S940-1 DA3	1			LEVER, Recliner Release (paint as required) N N N YS940DA3

MODEL CODES

B = GRAN FURY	E = 600	M = HORIZON/TURISMO
C = LE BARON/TOWN & COUNTRY/LIMO	F = FIFTH AVENUE/NEWPORT	P = RELIANT
C24 = LASER	G = DIPLOMAT	T = NEW YORKER
C44 = LE BARON/GTS	H = VOYAGER	V = 600
D = ARIES	J = CARAVELLE	V24 = DAYTONA
D44 = LANCER	K = MINI VAN/CARAVAN/ROYAL	Z = OMNI/CHARGER

BODY STYLES

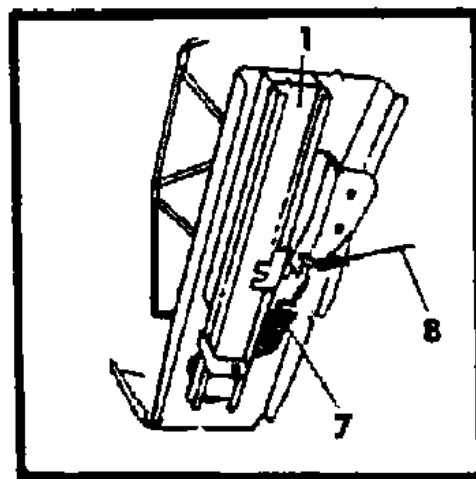
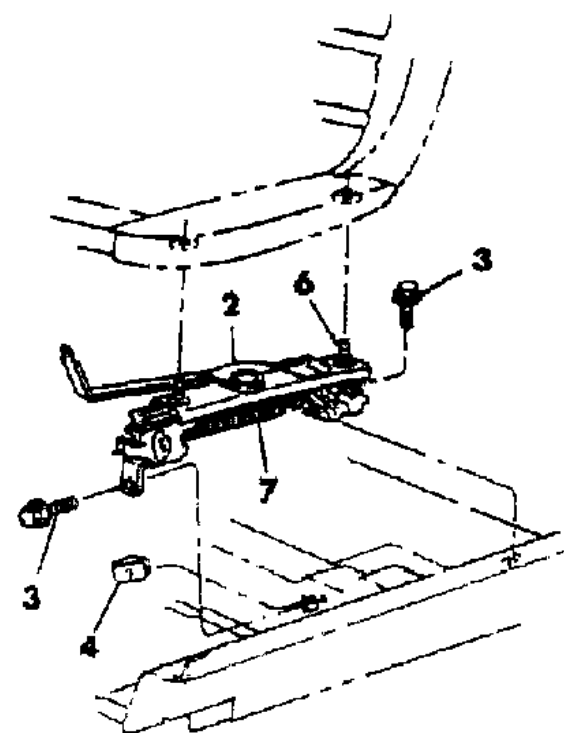
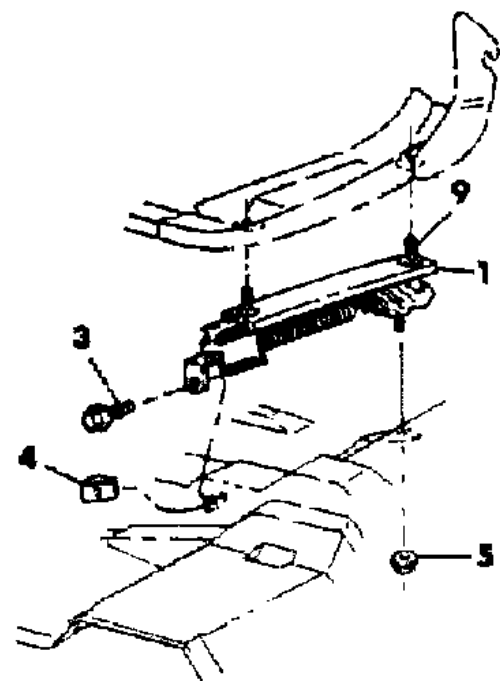
21 = 2-DOOR SEDAN	35 = FWD VAN	44 = 4-DOOR HATCHBACK
22 = 2-DOOR SPECIAL COUPE	36 = FWD WAGON	45 = 4-DOOR STATION WAGON
24 = 2-DOOR HATCHBACK	41 = 4-DOOR SEDAN	49 = LIMOUSINE
27 = 2-DOOR CONVERTIBLE		

AR = Use as Required - = Non Illustrated Part P.A.R. = Paint as Required

ADJUSTER MANUAL C,D H BODY

Figure ITF-1700

5240 1700



ITEM	PART NUMBER	QTY	BODY	MODEL	DESCRIPTION
1					ADJUSTER, Inner N N N N
	4327 174	1			Passenger N N N Y4327174
	4327 175	1			Driver N N N Y4327175
2					ADJUSTER, Outer N N N N
	4327 172	1			Passenger N N N Y4327172
	4327 173	1			Driver N N N Y4327173
3		AR			SCREW (not serviced) N N N N
4	6101 283	AR			U-NUT N N N Y6101283
5		AR			NUT and WASHER (not serviced) N N N N
6		AR			SCREW and WASHER (not serviced) N N N N
7					SPRINGS N N N N
	4316 006	1			Lever Assist (15 coils) N N N Y4316006
	4316 007	1			Latch Assist (18 coils) N N N Y4316007
8	4239 942	2			WIRE, Release Lever Connector N N N Y4239942

MODEL CODES

B = GRAN FURY	E = 600	M = HORIZON/TURISMO
C = LE BARON/TOWN & COUNTRY/LIMO	F = FIFTH AVENUE/NEWPORT	P = RELIANT
C24 = LASER	G = DIPLOMAT	T = NEW YORKER
C44 = LE BARON/GTS	H = VOYAGER	V = 600
D = ARIES	J = CARAVELLE	V24 = DAYTONA
D44 = LANCER	K = MINI VAN/CARAVAN/ROYAL	Z = OMNI/CHARGER

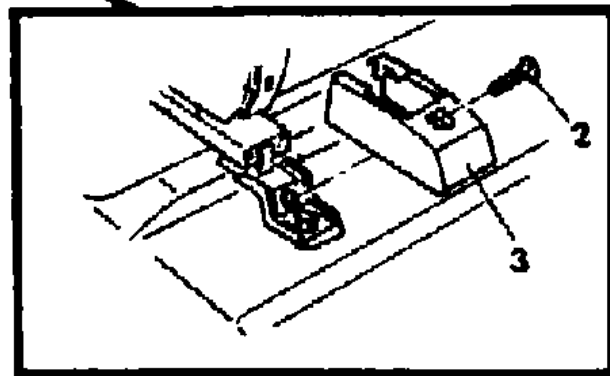
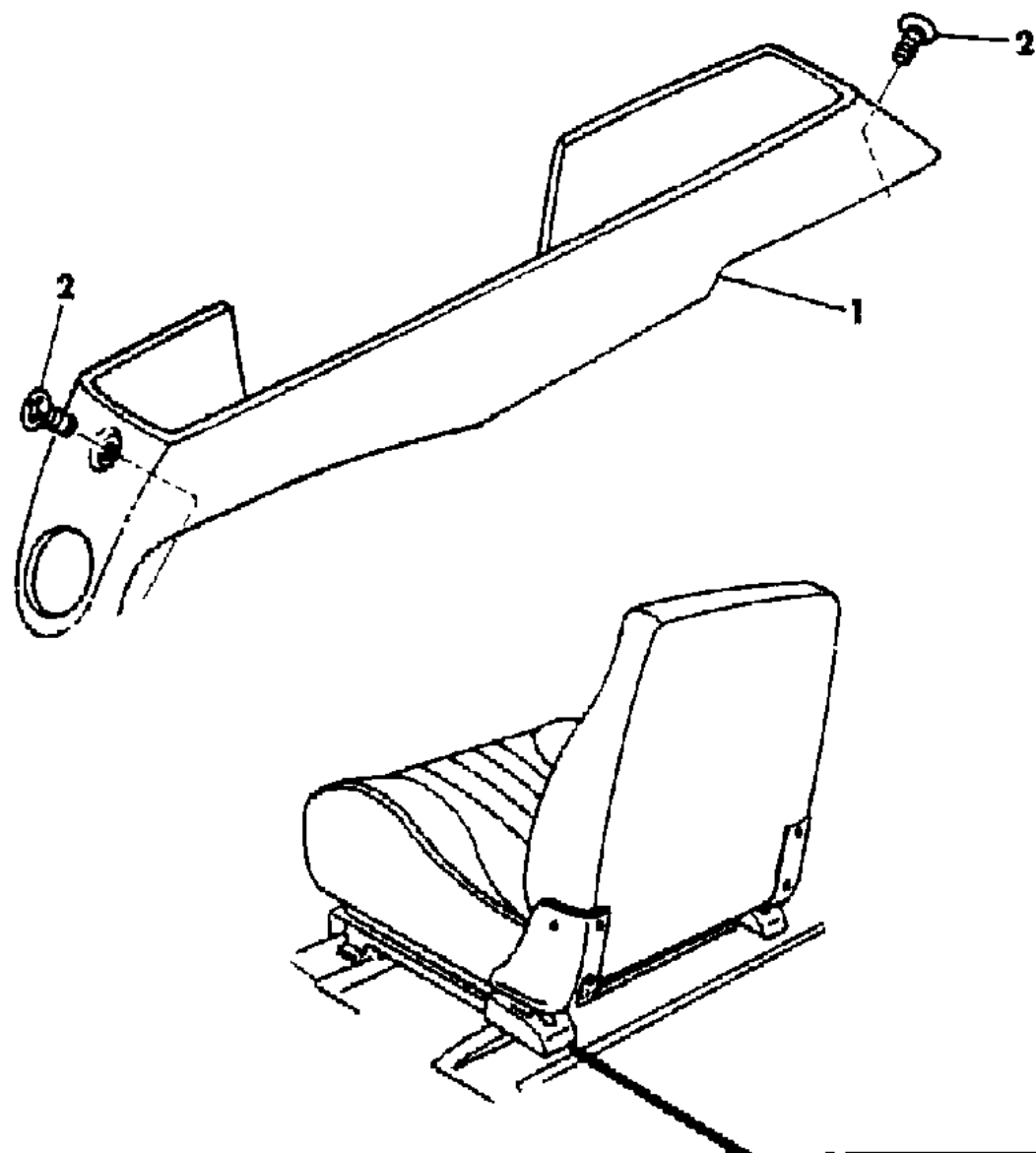
BODY STYLES

21 = 2-DOOR SEDAN	35 = FWD VAN	44 = 4-DOOR HATCHBACK
22 = 2-DOOR SPECIAL COUPE	36 = FWD WAGON	45 = 4-DOOR STATION WAGON
24 = 2-DOOR HATCHBACK	41 = 4-DOOR SEDAN	49 = LIMOUSINE
27 = 2-DOOR CONVERTIBLE		

AR = Use as Required - = Non Illustrated Part P.A.R. = Paint as Required

COVERS ADJUSTER MANUAL C,D H BODY
Figure ITF-1800

5240 1800



ITEM	PART NUMBER	QTY	BODY	MODEL	DESCRIPTION
1					COVER, Outer N N N N
	S952-3 CM6	1			Red N N N YS952CM6
	S952-3 DT5	1			Tan N N N YS952DT5
	S952-3 CS8	1			Charcoal N N N YS952CS8
	S952-3 DX9	1			Black N N N YS952DX9
2		AR			SCREW (not serviced) N N N N
3					COVER, Inner N N N N
	S902 CM6	1			Red N N N YS902CM6
	S902 DT5	1			Tan N N N YS902DT5
	S902 CS8	1			Charcoal N N N YS902CS8
	S902 DX9	1			Black N N N YS902DX9

MODEL CODES

B = GRAN FURY	E = 600	M = HORIZON/TURISMO
C = LE BARON/TOWN & COUNTRY/LIMO	F = FIFTH AVENUE/NEWPORT	P = RELIANT
C24 = LASER	G = DIPLOMAT	T = NEW YORKER
C44 = LE BARON/GTS	H = VOYAGER	V = 600
D = ARIES	J = CARAVELLE	V24 = DAYTONA
D44 = LANCER	K = MINI VAN/CARAVAN/ROYAL	Z = OMNI/CHARGER

BODY STYLES

21 = 2-DOOR SEDAN	35 = FWD VAN	44 = 4-DOOR HATCHBACK
22 = 2-DOOR SPECIAL COUPE	36 = FWD WAGON	45 = 4-DOOR STATION WAGON
24 = 2-DOOR HATCHBACK	41 = 4-DOOR SEDAN	49 = LIMOUSINE
27 = 2-DOOR CONVERTIBLE		

AR = Use as Required - = Non Illustrated Part P.A.R. = Paint as Required

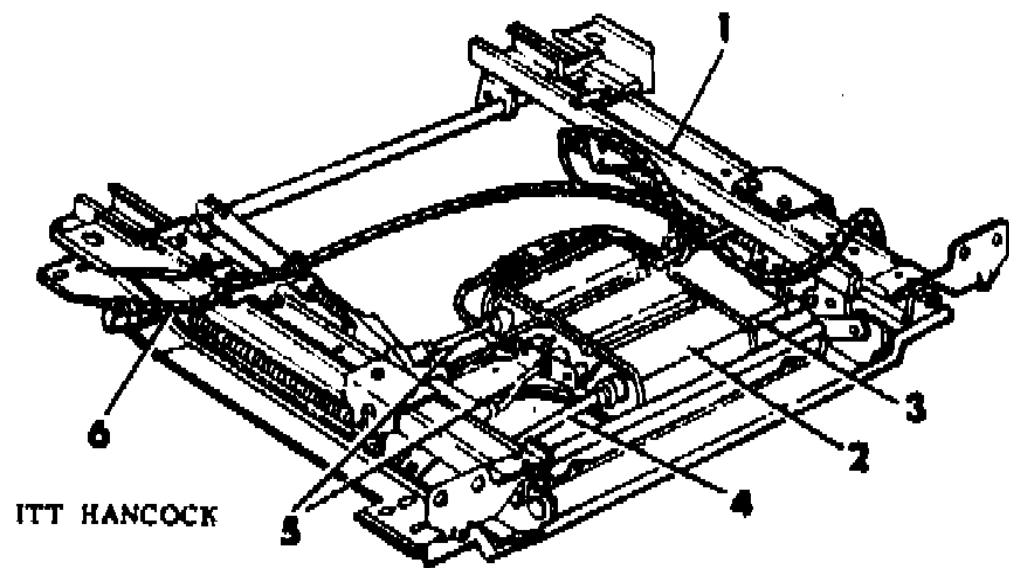
ADJUSTER ELECTRIC C,D H BODY
Figure ITF-1900

5240 1900

ITEM	PART NUMBER	QTY	BODY	MODEL	DESCRIPTION
------	-------------	-----	------	-------	-------------

NOTE: THE FOLLOWING PARTS ARE FOR REPLACEMENT ONLY NOT FOR NEW INSTALLATION. s ARE NOT RETURNABLE

1	4327 350	1			ADJUSTER, Less Motor N N N N (use up to 3/15/85) N N N Y4327350
	4380 052	1			(use after 3/15/85) N N N Y4380052
2	4327 279	1			MOTOR N N N Y4327279
3	4327 280	1			CABLE, Inner (2.08") N N N Y4327280
4	4327 281	1			CABLE, Outer (5.68") N N N Y4327281
5	4327 282	1			SHAFT, Flexible (4.005") N N N Y4327282
6	4304 956	1			WIRING N N N Y4304956
	3747 924	1			SWITCH, Seat Adjuster N N N Y3747924



MODEL CODES

B = GRAN FURY	E = 600	M = HORIZON/TURISMO
C = LE BARON/TOWN & COUNTRY/LIMO	F = FIFTH AVENUE/NEWPORT	P = RELIANT
C24 = LASER	G = DIPLOMAT	T = NEW YORKER
C44 = LE BARON/GTS	H = VOYAGER	V = 600
D = ARIES	J = CARAVELLE	V24 = DAYTONA
D44 = LANCER	K = MINI VAN/CARAVAN/ROYAL	Z = OMNI/CHARGER

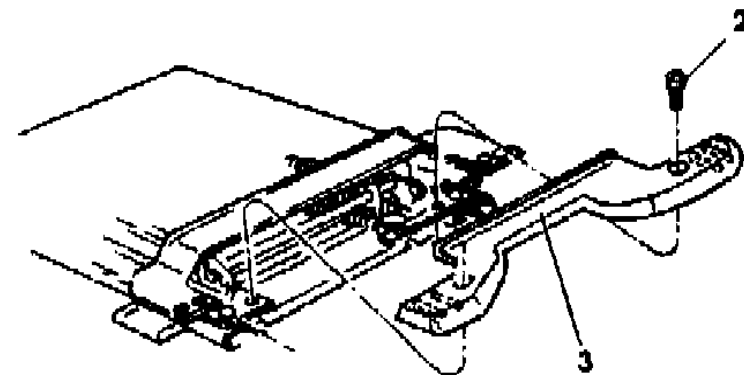
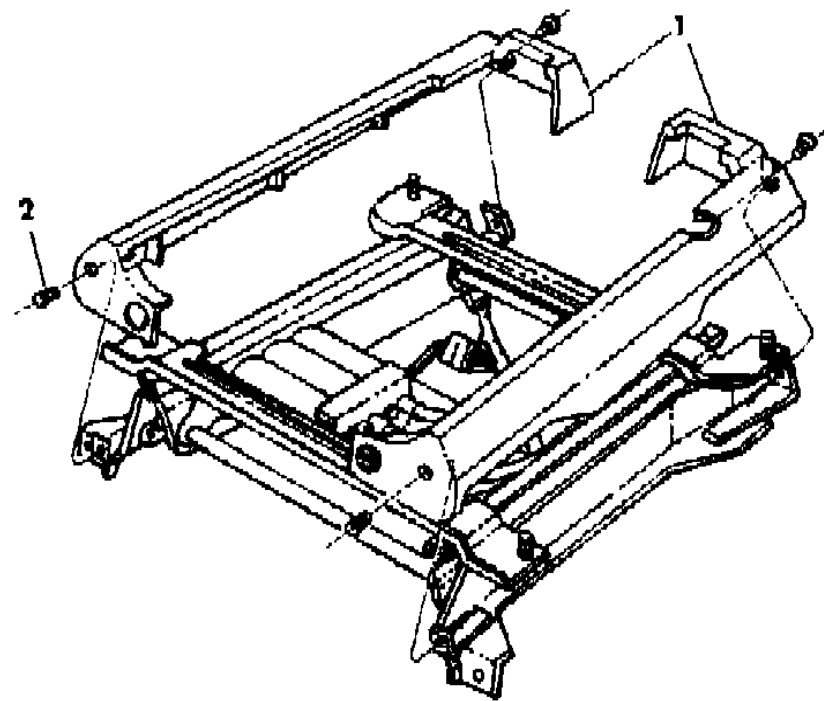
BODY STYLES

21 = 2-DOOR SEDAN	35 = FWD VAN	44 = 4-DOOR HATCHBACK
22 = 2-DOOR SPECIAL COUPE	36 = FWD WAGON	45 = 4-DOOR STATION WAGON
24 = 2-DOOR HATCHBACK	41 = 4-DOOR SEDAN	49 = LIMOUSINE
27 = 2-DOOR CONVERTIBLE		

AR = Use as Required - = Non Illustrated Part P.A.R. = Paint as Required

COVERS ADJUSTER ELECTRIC C,D H BODY
Figure ITF-2000

5240 2000



ITEM	PART NUMBER	QTY	BODY	MODEL	DESCRIPTION
1					COVER N N N N
					Inner N N N N
	S674 CM6	1			Red N N N YS674CM6
	S674 DT5	1			Tan N N N YS674DT5
	S674 CS8	1			Charcoal N N N YS674CS8
	S674 CX9	1			Black N N N YS674CX9
					Outer N N N N
	S675 CM6	1			Red N N N YS675CM6
	S675 DT5	1			Tan N N N YS675DT5
	S675 CS8	1			Charcoal N N N YS675CS8
	S675 CX9	1			Black N N N YS675CX9
2		AR			SCREW (not serviced) N N N N
3					COVER, Rear N N N N
	S660 CM6	1			Red N N N YS660CM6
	S660 DT5	1			Tan N N N YS660DT5
	S660 CS8	1			Charcoal N N N YS660CS8
	S660 CX9	1			Black N N N YS660CX9

MODEL CODES

B = GRAN FURY	E = 600	M = HORIZON/TURISMO
C = LE BARON/TOWN & COUNTRY/LIMO	F = FIFTH AVENUE/NEWPORT	P = RELIANT
C24 = LASER	G = DIPLOMAT	T = NEW YORKER
C44 = LE BARON/GTS	H = VOYAGER	V = 600
D = ARIES	J = CARAVELLE	V24 = DAYTONA
D44 = LANCER	K = MINI VAN/CARAVAN/ROYAL	Z = OMNI/CHARGER

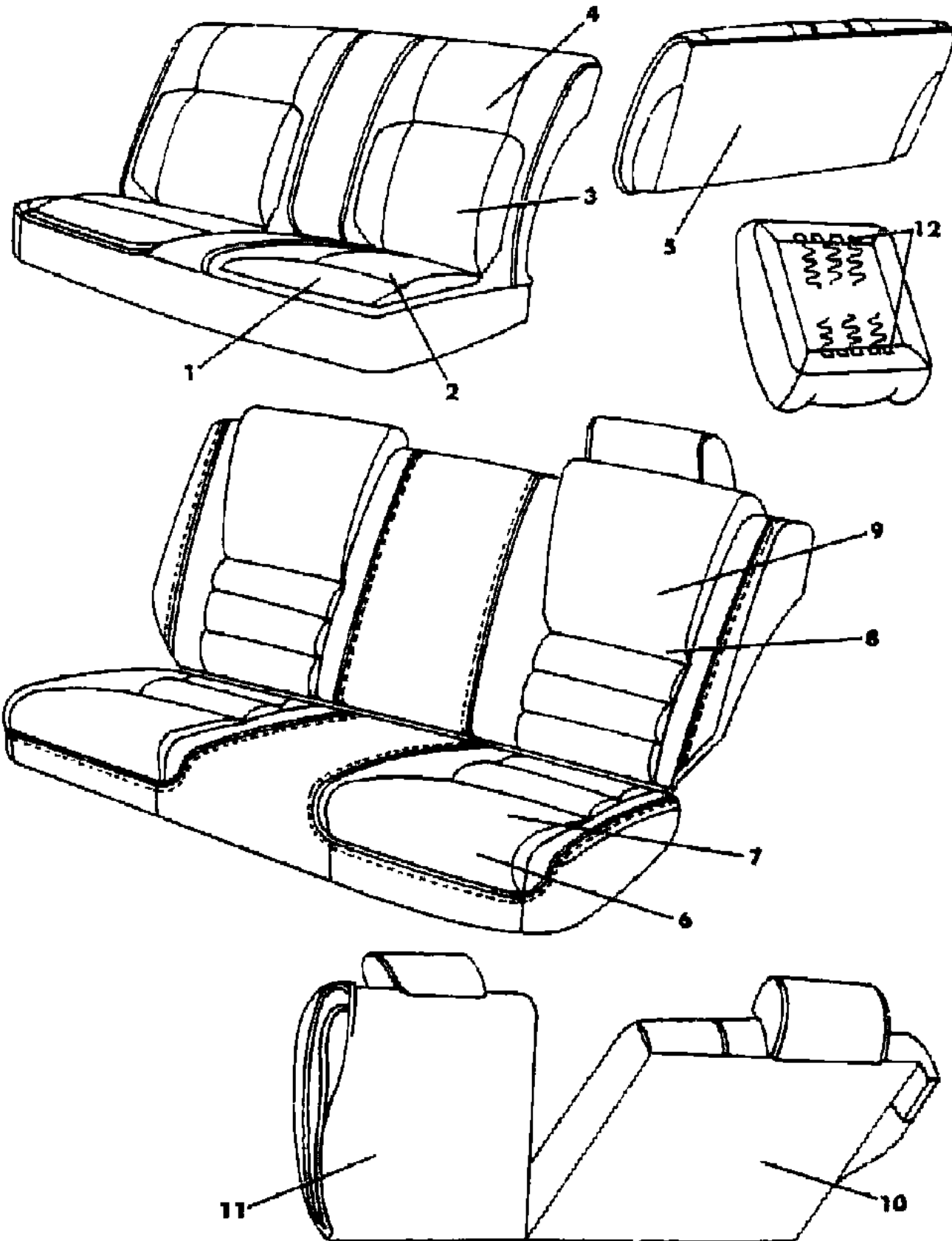
BODY STYLES

21 = 2-DOOR SEDAN	35 = FWD VAN	44 = 4-DOOR HATCHBACK
22 = 2-DOOR SPECIAL COUPE	36 = FWD WAGON	45 = 4-DOOR STATION WAGON
24 = 2-DOOR HATCHBACK	41 = 4-DOOR SEDAN	49 = LIMOUSINE
27 = 2-DOOR CONVERTIBLE		

AR = Use as Required - = Non Illustrated Part P.A.R. = Paint as Required

SEAT REAR C,D H BODY TRIM CODES D7,E7
Figure ITF-2100

5240 2100



ITEM	PART NUMBER	QTY	BODY	MODEL	DESCRIPTION
1-2					CUSHION, w/Spring/Frame, Pad and Cover N N N N
					Cloth N N N N
					(use up to 1/21/85) N N N N
	E632 D7A	1			N N ND7A YE632D7A
	E632 D7M	1			N N ND7M YE632D7M
	E632 D7T	1			N N ND7T YE632D7T
	E632 D7X	1			N N ND7X YE632D7X
					(use after 1/21/85) N N N N
	E744 D7A	1			Sample of Material Required N N ND7A YE744D7A
	E744 E7A	1			Sample of Material Required N N ND7A YE744E7A
	E744 D7M	1			N N ND7M YE744D7M
	E744 D7T	1			N N ND7T YE744D7T
	E744 D7X	1			Sample of Material Required N N ND7X YE744D7X
	E744 E7X	1			Sample of Material Required N N ND7X YE744E7X
2					COVER, Cushion N N N N
					Cloth N N N N
					(use up to 1/21/85) N N N N
	E228 D7A	1			N N ND7A YE228D7A
	E228 D7M	1			N N ND7M YE228D7M
	E228 D7T	1			N N ND7T YE228D7T
	E228 D7X	1			N N ND7X YE228D7X
					(use after 1/21/85) N N N N
	E238 D7A	1			Sample of Material Required N N ND7A YE238D7A
	E258 E7A	1			Sample of Material Required N N ND7A YE258E7A
	E238 D7M	1			N N ND7M YE238D7M
	E238 D7T	1			N N ND7T YE238D7T
	E238 D7X	1			Sample of Material Required N N ND7X YE238D7X
	E258 E7X	1			Sample of Material Required N N ND7X YE258E7X
3-4					BACK, w/Spring/Frame, Pad and Cover N N N N
					Cloth N N N N
					(use up to 1/21/85) N N N N
	E634 D7A	1			N N ND7A YE634D7A
	E634 D7M	1			N N ND7M YE634D7M
	E634 D7T	1			N N ND7T YE634D7T
	E634 D7X	1			N N ND7X YE634D7X
					(use after 1/21/85) N N N N
	E745 D7A	1			Sample of Material Required N N ND7A YE745D7A

MODEL CODES

B = GRAN FURY	E = 600	M = HORIZON/TURISMO
C = LE BARON/TOWN & COUNTRY/LIMO	F = FIFTH AVENUE/NEWPORT	P = RELIANT
C24 = LASER	G = DIPLOMAT	T = NEW YORKER
C44 = LE BARON/GTS	H = VOYAGER	V = 600
D = ARIES	J = CARAVELLE	V24 = DAYTONA
D44 = LANCER	K = MINI VAN/CARAVAN/ROYAL	Z = OMNI/CHARGER

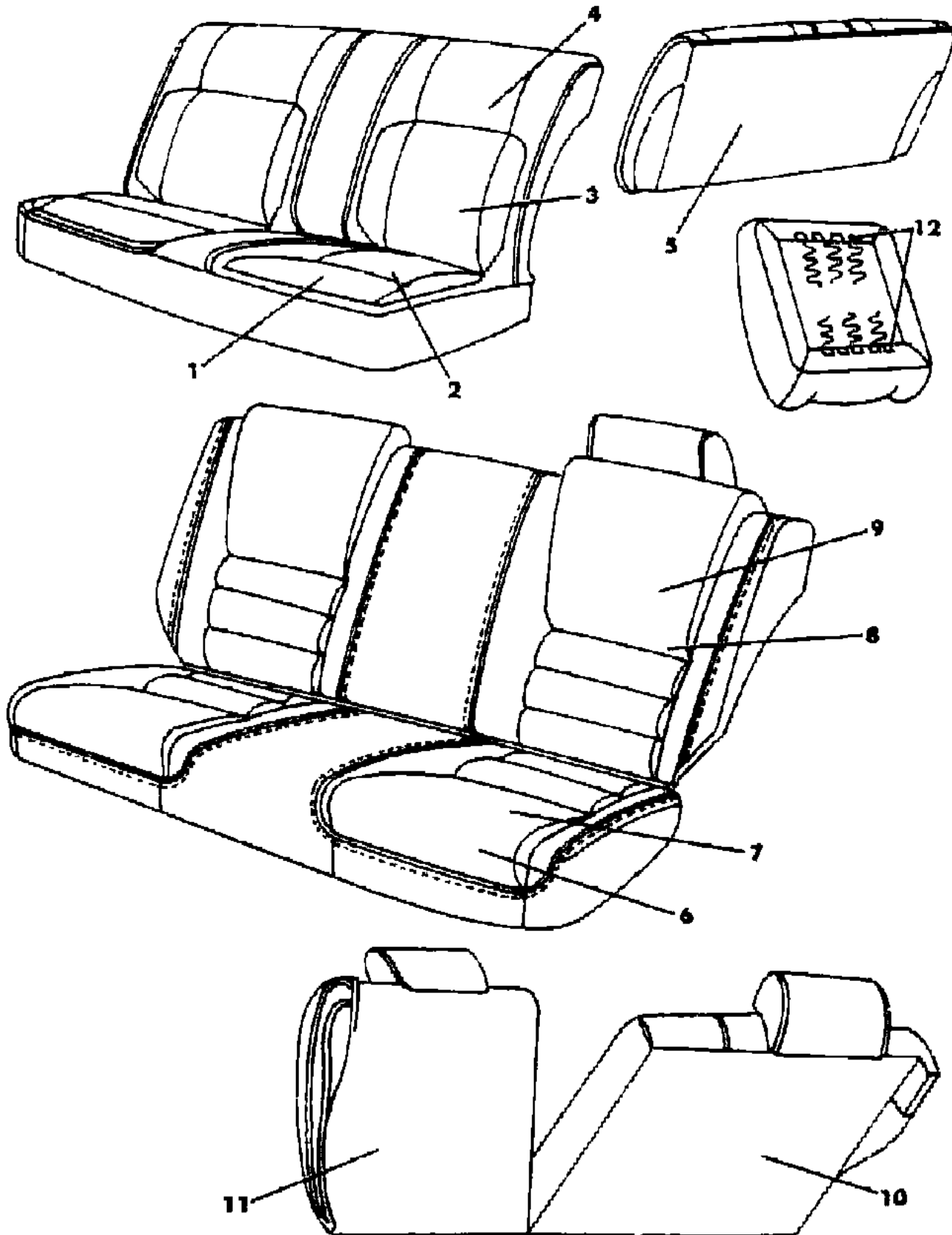
BODY STYLES

21 = 2-DOOR SEDAN	35 = FWD VAN	44 = 4-DOOR HATCHBACK
22 = 2-DOOR SPECIAL COUPE	36 = FWD WAGON	45 = 4-DOOR STATION WAGON
24 = 2-DOOR HATCHBACK	41 = 4-DOOR SEDAN	49 = LIMOUSINE
27 = 2-DOOR CONVERTIBLE		

AR = Use as Required - = Non Illustrated Part P.A.R. = Paint as Required

SEAT REAR C,D H BODY TRIM CODES D7,E7
Figure ITF-2100

5240 2100



ITEM	PART NUMBER	QTY	BODY	MODEL	DESCRIPTION
	E745 E7A	1			Sample of Material Required N N ND7A YE745E7A
	E745 D7M	1			N N ND7M YE745D7M
	E745 D7T	1			N N ND7T YE745D7T
	E745 D7X	1			Sample of Material Required N N ND7X YE745D7X
	E745 E7X	1			Sample of Material Required N N ND7X YE745E7X
4					COVER, Back N N N N Cloth N N N N (use up to 1/21/85) N N N N
	E229 D7A	1			N N ND7A YE229D7A
	E229 D7M	1			N N ND7M YE229D7M
	E229 D7T	1			N N ND7T YE229D7T
	E229 D7X	1			N N ND7X YE229D7X (use after 1/21/85) N N N N
	E263 D7A	1			Sample of Material Required N N ND7A YE263D7A
	E263 E7A	1			Sample of Material Required N N ND7A YE263E7A
	E263 D7M	1			N N ND7M YE263D7M
	E263 D7T	1			N N ND7T YE263D7T
	E263 D7X	1			Sample of Material Required N N ND7X YE263D7X
	E263 E7X	1			Sample of Material Required N N ND7X YE263E7X
5					PANEL, Rear Back (full) (serviced in Seat Back) N N N N
6-7					CUSHION, w/Spring/Frame, Pad and Cover N N N N Cloth N N N N
	E606 D7A	1			N N NE7AS YE606D7A
	E606 D7M	1			N N NE7M YE606D7M
	E606 D7T	1			N N NE7TT YE606D7T
	E606 D7X	1			N N NE7X YE606D7X
7					COVER, Cushion N N N N Cloth N N N N
	E220 D7A	1			N N NE7AS YE220D7A
	E220 D7M	1			N N NE7M YE220D7M
	E220 D7T	1			N N NE7TT YE220D7T
	E220 D7X	1			N N NE7X YE220D7X
8-9					BACK, w/Spring/Frame, Pad and Cover N N N N Cloth N N N N
	E608-9 D7A	1			N N NE7AS YE608D7A
	E608-9 D7M	1			N N NE7M YE608D7M
	E608-9 D7T	1			N N NE7TT YE608D7T

MODEL CODES

B = GRAN FURY	E = 600	M = HORIZON/TURISMO
C = LE BARON/TOWN & COUNTRY/LIMO	F = FIFTH AVENUE/NEWPORT	P = RELIANT
C24 = LASER	G = DIPLOMAT	T = NEW YORKER
C44 = LE BARON/GTS	H = VOYAGER	V = 600
D = ARIES	J = CARAVELLE	V24 = DAYTONA
D44 = LANCER	K = MINI VAN/CARAVAN/ROYAL	Z = OMNI/CHARGER

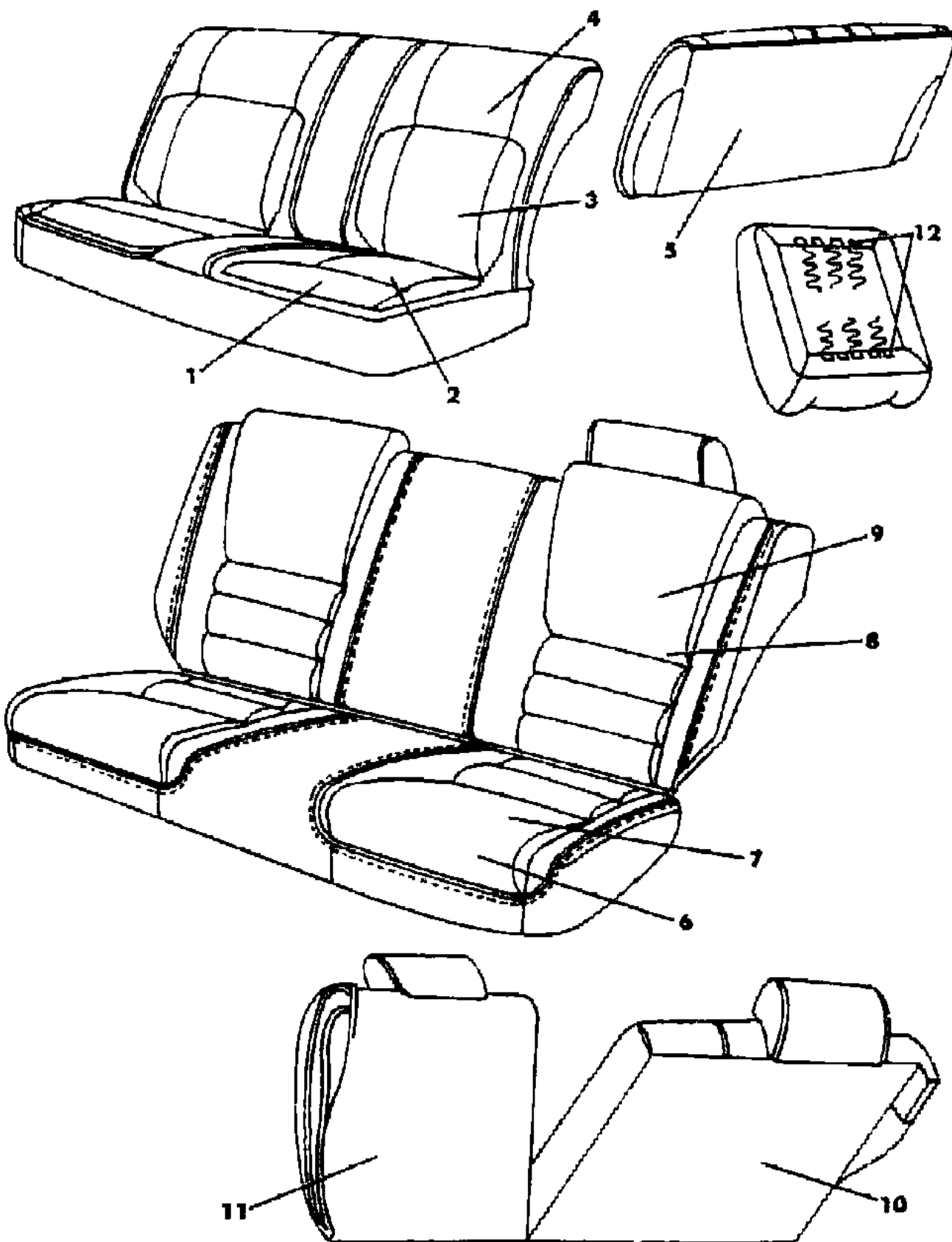
BODY STYLES

21 = 2-DOOR SEDAN	35 = FWD VAN	44 = 4-DOOR HATCHBACK
22 = 2-DOOR SPECIAL COUPE	36 = FWD WAGON	45 = 4-DOOR STATION WAGON
24 = 2-DOOR HATCHBACK	41 = 4-DOOR SEDAN	49 = LIMOUSINE
27 = 2-DOOR CONVERTIBLE		

AR = Use as Required - = Non Illustrated Part P.A.R. = Paint as Required

SEAT REAR C,D H BODY TRIM CODES D7,E7
Figure ITF-2100

5240 2100



ITEM	PART NUMBER	QTY	BODY	MODEL	DESCRIPTION
	E608-9 D7X	1			N N NE7X YE608D7X
9					COVER, Back N N N N Cloth N N N N N N NE7AS YE268D7A N N NE7M YE268D7M N N NE7TT YE268D7T N N NE7X YE268D7X
	E268-9 D7A	1			
	E268-9 D7M	1			
	E268-9 D7T	1			
	E268-9 D7X	1			
10					PANEL, Rear Back Right Side (serviced in Seat Back) N N N N
11					PANEL, Rear Back Left Side (serviced in Seat Back) N N N N
12	6008 076	AR			HOG RING N N N Y6008076

MODEL CODES

B = GRAN FURY	E = 600	M = HORIZON/TURISMO
C = LE BARON/TOWN & COUNTRY/LIMO	F = FIFTH AVENUE/NEWPORT	P = RELIANT
C24 = LASER	G = DIPLOMAT	T = NEW YORKER
C44 = LE BARON/GTS	H = VOYAGER	V = 600
D = ARIES	J = CARAVELLE	V24 = DAYTONA
D44 = LANCER	K = MINI VAN/CARAVAN/ROYAL	Z = OMNI/CHARGER

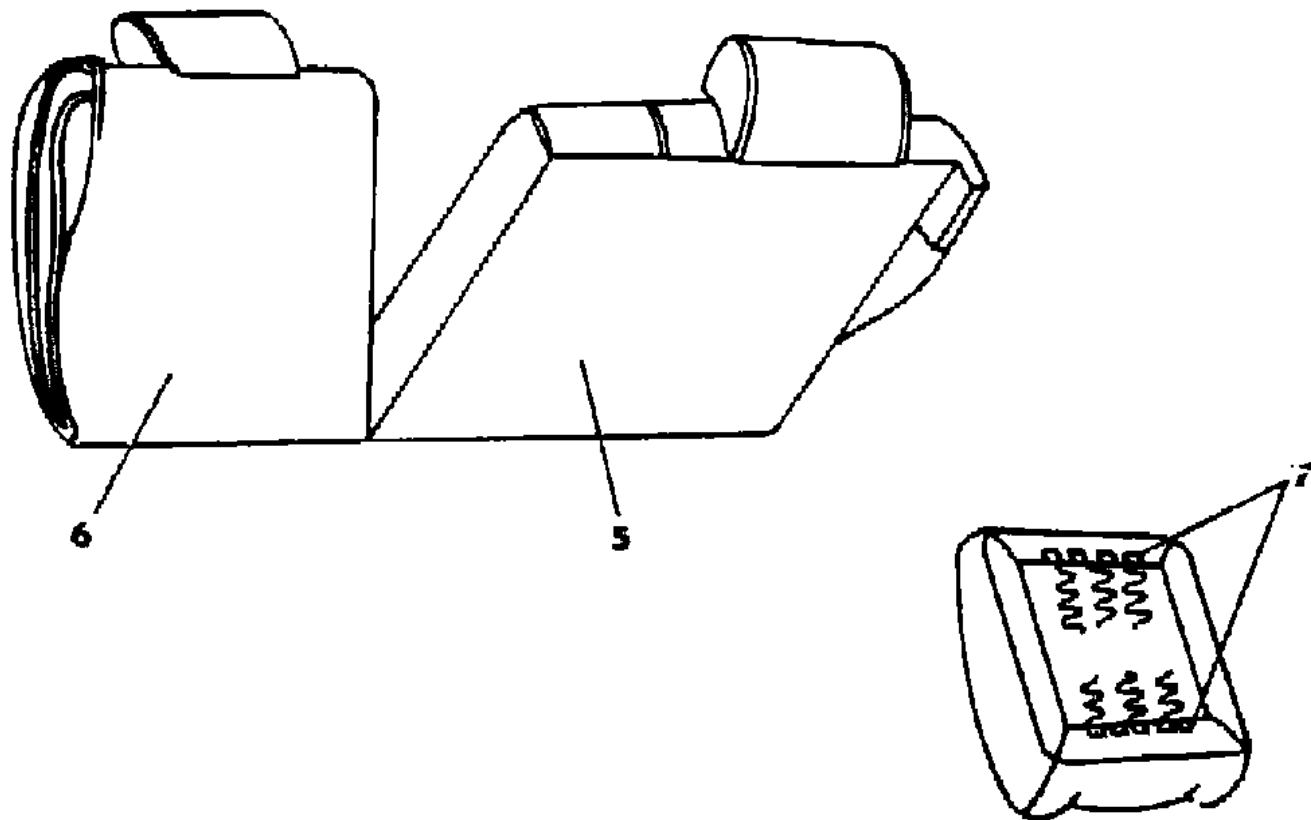
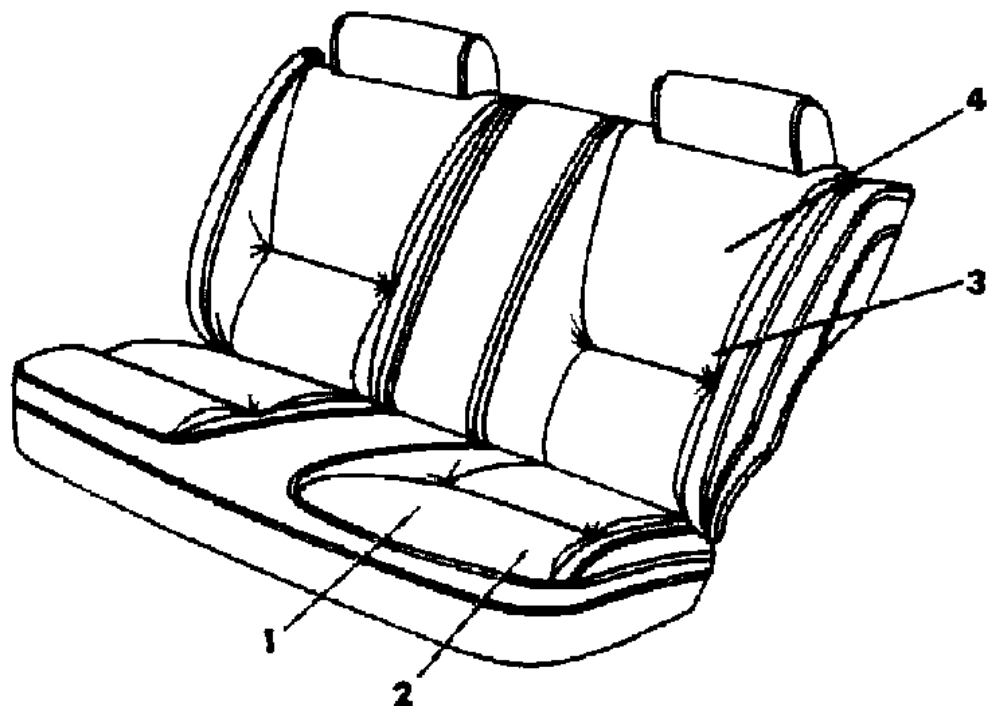
BODY STYLES

21 = 2-DOOR SEDAN	35 = FWD VAN	44 = 4-DOOR HATCHBACK
22 = 2-DOOR SPECIAL COUPE	36 = FWD WAGON	45 = 4-DOOR STATION WAGON
24 = 2-DOOR HATCHBACK	41 = 4-DOOR SEDAN	49 = LIMOUSINE
27 = 2-DOOR CONVERTIBLE		

AR = Use as Required - = Non Illustrated Part P.A.R. = Paint as Required

SEAT REAR C,D H BODY TRIM CODES C7,HL Figure ITF-2200

5240 2200



ITEM	PART NUMBER	QTY	BODY	MODEL	DESCRIPTION
1-2					CUSHION, w/Spring/Frame, Pad and Cover N N N N
					Cloth N N N N
	E658 D7A	1			N N NC7A YE658D7A
	E658 D7M	1			N N NC7M YE658D7M
	E658 D7T	1			N N NC7T YE658D7T
	E658 D7X	1			N N NC7X YE658D7X
					Leather N N N N
	E684 DLA	1			N N NHLA YE684DLA
	E684 DLM	1			N N NHLM YE684DLM
	E684 DLT	1			N N NHLT YE684DLT
	E684 DLX	1			N N NHLX YE684DLX
2					COVER, Cushion N N N N
					Cloth N N N N
	E206 D7A	1			N N NC7A YE206D7A
	E206 D7M	1			N N NC7M YE206D7M
	E206 D7T	1			N N NC7T YE206D7T
	E206 D7X	1			N N NC7X YE206D7X
					Leather N N N N
	E214 DLA	1			N N NHLA YE214DLA
	E214 DLM	1			N N NHLM YE214DLM
	E214 DLT	1			N N NHLT YE214DLT
	E214 DLX	1			N N NHLX YE214DLX
3-4					BACK, w/Spring/Frame, Pad and Cover N N N N
					Cloth N N N N
	E660-1 D7A	1			N N NC7A YE660D7A
	E660-1 D7M	1			N N NC7M YE660D7M
	E660-1 D7T	1			N N NC7T YE660D7T
	E660-1 D7X	1			N N NC7X YE660D7X
					Leather N N N N
	E686-7 DLA	1			N N NHLA YE686DLA
	E686-7 DLM	1			N N NHLM YE686DLM
	E686-7 DLT	1			N N NHLT YE686DLT
	E686-7 DLX	1			N N NHLX YE686DLX
4					COVER, Back N N N N
					Cloth N N N N
	E264-5 D7A	1			N N NC7A YE264D7A
	E264-5 D7M	1			N N NC7M YE264D7M

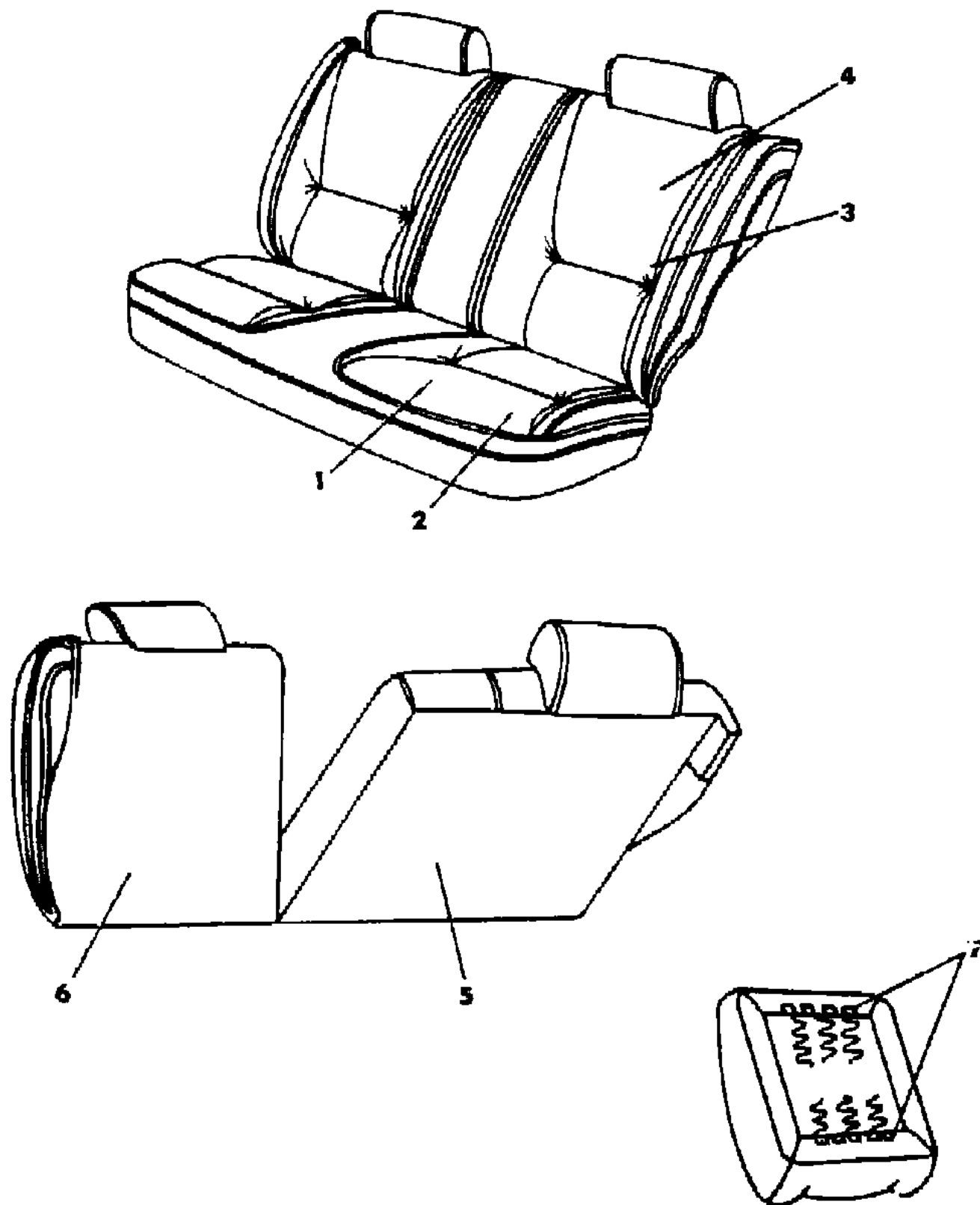
MODEL CODES
 B = GRAN FURY
 C = LE BARON/TOWN & COUNTRY/LIMO
 C24 = LASER
 C44 = LE BARON/GTS
 D = ARIES
 D44 = LANCER
 E = 600
 F = FIFTH AVENUE/NEWPORT
 G = DIPLOMAT
 H = VOYAGER
 J = CARAVELLE
 K = MINI VAN/CARAVAN/ROYAL
 M = HORIZON/TURISMO
 P = RELIANT
 T = NEW YORKER
 V = 600
 V24 = DAYTONA
 Z = OMNI/CHARGER

BODY STYLES
 21 = 2-DOOR SEDAN
 22 = 2-DOOR SPECIAL COUPE
 24 = 2-DOOR HATCHBACK
 27 = 2-DOOR CONVERTIBLE
 35 = FWD VAN
 36 = FWD WAGON
 41 = 4-DOOR SEDAN
 44 = 4-DOOR HATCHBACK
 45 = 4-DOOR STATION WAGON
 49 = LIMOUSINE

AR = Use as Required - = Non Illustrated Part P.A.R. = Paint as Required

SEAT REAR C,D H BODY TRIM CODES C7,HL
Figure ITF-2200

5240 2200



ITEM	PART NUMBER	QTY	BODY	MODEL	DESCRIPTION
	E264-5 D7T	1			N N NC7T YE264D7T
	E264-5 D7X	1			N N NC7X YE264D7X
	E266-7 DLA	1			Leather N N N N
	E266-7 DLM	1			N N NHLA YE266DLA
	E266-7 DLT	1			N N NHLM YE266DLM
	E266-7 DLT	1			N N NHLT YE266DLT
	E266-7 DLX	1			N N NHLX YE266DLX
5					PANEL, Rear Back Right Side (serviced in Seat Back) N N N N
6					PANEL, Rear Back Left Side (serviced in Seat Back) N N N N
7	6008 076	AR			HOG RING N N N Y6008076

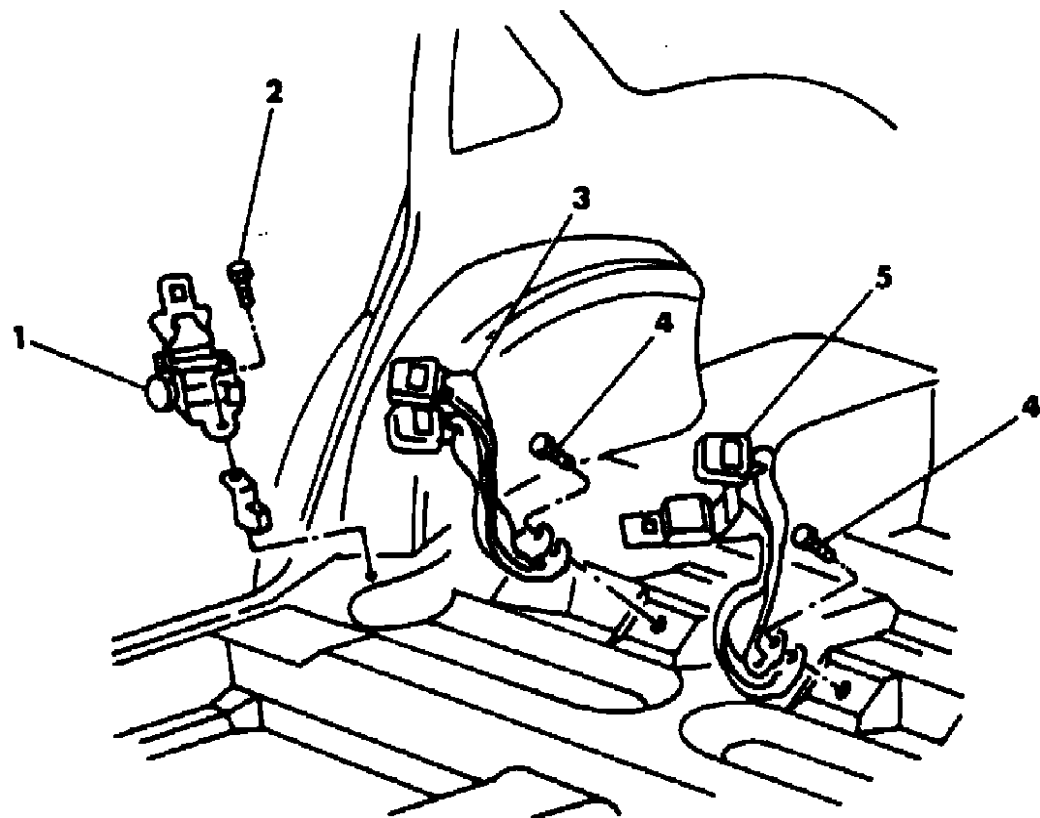
MODEL CODES
 B = GRAN FURY
 C = LE BARON/TOWN & COUNTRY/LIMO
 C24 = LASER
 C44 = LE BARON/GTS
 D = ARIES
 D44 = LANCER
 E = 600
 F = FIFTH AVENUE/NEWPORT
 G = DIPLOMAT
 H = VOYAGER
 J = CARAVELLE
 K = MINI VAN/CARAVAN/ROYAL
 M = HORIZON/TURISMO
 P = RELIANT
 T = NEW YORKER
 V = 600
 V24 = DAYTONA
 Z = OMNI/CHARGER

BODY STYLES
 21 = 2-DOOR SEDAN
 22 = 2-DOOR SPECIAL COUPE
 24 = 2-DOOR HATCHBACK
 27 = 2-DOOR CONVERTIBLE
 35 = FWD VAN
 36 = FWD WAGON
 41 = 4-DOOR SEDAN
 44 = 4-DOOR HATCHBACK
 45 = 4-DOOR STATION WAGON
 49 = LIMOUSINE

AR = Use as Required - = Non Illustrated Part P.A.R. = Paint as Required

BELT REAR SEAT C,D H BODY
Figure ITF-2300

5240 2300



ITEM	PART NUMBER	QTY	BODY	MODEL	DESCRIPTION
1					BELT, Buckle Half N N N N Label Number 4317069 N N N N Silver N N N YF724DA3 Red N N N YF724DM6 Tan N N N YF724DT3 Black N N N YF724DX9
2	6031 484	2			BOLT N N N Y6031484
3					BELT, Buckle Inner N N N N Label Number 4316754 N N N N Silver N N N YF710BA3 Red N N N YF710BM6 Tan N N N YF710DT3 Black N N N YF710DX9
4	6031 216	2			BOLT N N N Y6031216
5					BELT, Inner Buckle and Tip Half N N N N Label Number 4316767 N N N N Silver N N N YF717BA3 Red N N N YF717BM6 Tan N N N YF717DT3 Black N N N YF717DX9

MODEL CODES

B = GRAN FURY	E = 600	M = HORIZON/TURISMO
C = LE BARON/TOWN & COUNTRY/LIMO	F = FIFTH AVENUE/NEWPORT	P = RELIANT
C24 = LASER	G = DIPLOMAT	T = NEW YORKER
C44 = LE BARON/GTS	H = VOYAGER	V = 600
D = ARIES	J = CARAVELLE	V24 = DAYTONA
D44 = LANCER	K = MINI VAN/CARAVAN/ROYAL	Z = OMNI/CHARGER

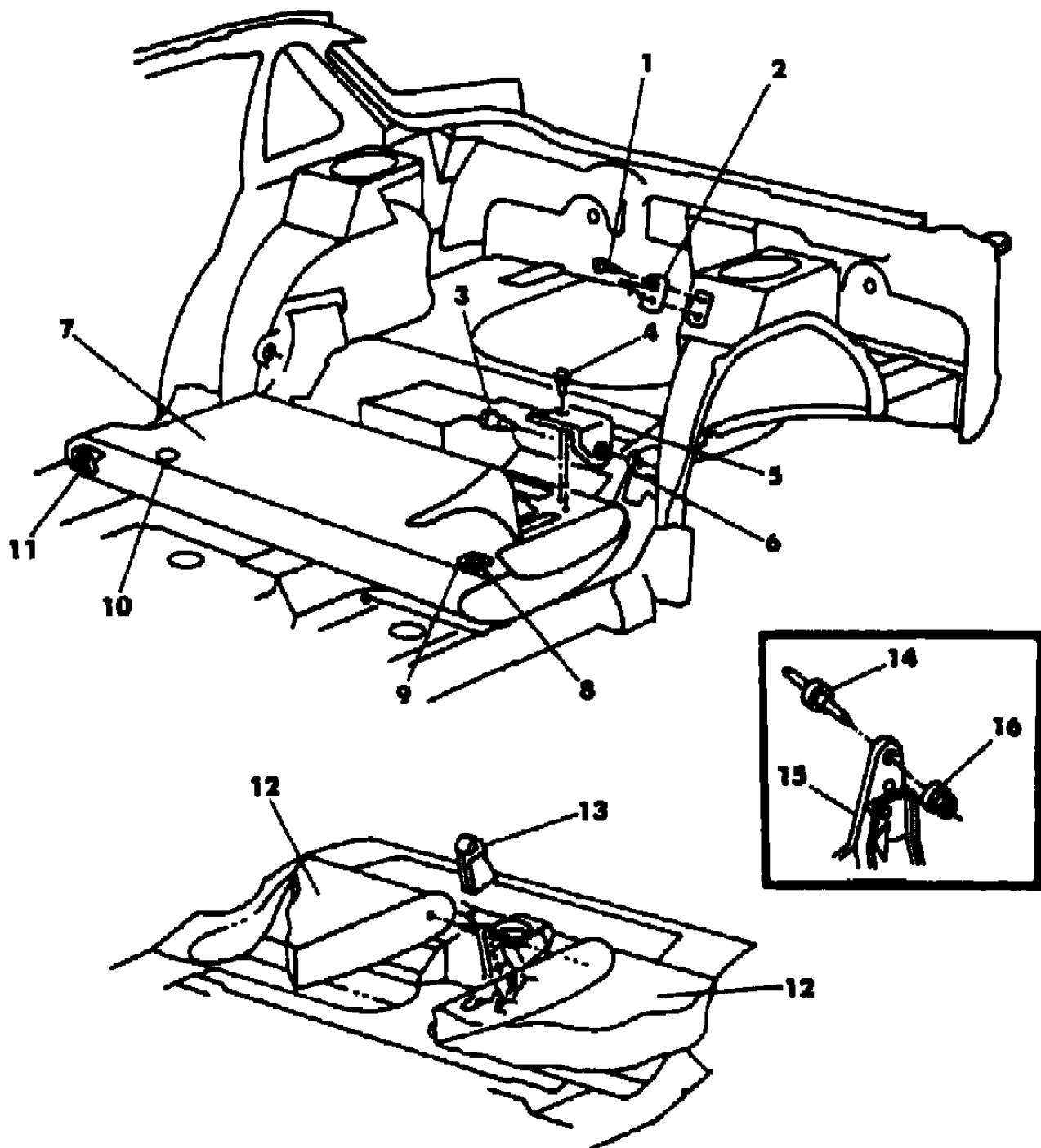
BODY STYLES

21 = 2-DOOR SEDAN	35 = FWD VAN	44 = 4-DOOR HATCHBACK
22 = 2-DOOR SPECIAL COUPE	36 = FWD WAGON	45 = 4-DOOR STATION WAGON
24 = 2-DOOR HATCHBACK	41 = 4-DOOR SEDAN	49 = LIMOUSINE
27 = 2-DOOR CONVERTIBLE		

AR = Use as Required - = Non Illustrated Part P.A.R. = Paint as Required

SEAT REAR FOLD DOWN C,D H BODY
Figure ITF-2400

5240 2400



ITEM	PART NUMBER	QTY	BODY	MODEL	DESCRIPTION
1	6100 557	4			SCREW and WASHER N N N Y6100557
2	4317 553	2			STRIKER, Rear Seat Back N N N Y4317553
3	6500 534	2			BOLT, Shoulder N N N Y6500534
4	6100 286	4			SCREW N N N Y6100286
5	4317 210-1	1			ARM, Hinge N N N Y4317210
6					GUSSET, w/w/Nut See Group 23A N N N N
7					PANEL, Back Full (serviced in Seat Back) N N N N
8	4317 450-1	1			LATCH N N N Y4317450
9	4345 302	2			BEZEL, Striker N N N Y4345302
10		1			KNOB, Locking Bolt N N N N Red N N N NS644DM6 Charcoal N N N NS644DS8 Blue N N N NS644DT5 Black N N N NS644DX9
	S608-9 DM6	1			ESCUTCHEON, Knob N N N N Red N N N YS608DM6
	S608-9 DT5	1			Tan N N N YS608DT5
	S608-9 DS8	1			Charcoal N N N YS608DS8
	S608-9 DX9	1			Black N N N YS608DX9
11					HANDLE, Latch Release N N N N Silver N N N YS643DA3
	S643 DA3	1			Silver N N N YS643DA3
	S643 DM6	1			Red N N N YS643DM6
	S643 DT3	1			Tan N N N YS643DT3
	S643 DX9	1			Black N N N YS643DX9
12					PANEL, Back (serviced in Seat Back) N N N N
13	4317 855	1			COVER, Pivot (black plastic) N N N Y4317855
14	6501 440	1			PIN N N N Y6501440
15	4337 106	1			BRACKET N N N Y4337106
16	6501 058	1			NUT N N N Y6501058

MODEL CODES

B = GRAN FURY	E = 600	M = HORIZON/TURISMO
C = LE BARON/TOWN & COUNTRY/LIMO	F = FIFTH AVENUE/NEWPORT	P = RELIANT
C24 = LASER	G = DIPLOMAT	T = NEW YORKER
C44 = LE BARON/GTS	H = VOYAGER	V = 600
D = ARIES	J = CARAVELLE	V24 = DAYTONA
D44 = LANCER	K = MINI VAN/CARAVAN/ROYAL	Z = OMNI/CHARGER

BODY STYLES

21 = 2-DOOR SEDAN	35 = FWD VAN	44 = 4-DOOR HATCHBACK
22 = 2-DOOR SPECIAL COUPE	36 = FWD WAGON	45 = 4-DOOR STATION WAGON
24 = 2-DOOR HATCHBACK	41 = 4-DOOR SEDAN	49 = LIMOUSINE
27 = 2-DOOR CONVERTIBLE		

AR = Use as Required - = Non Illustrated Part P.A.R. = Paint as Required

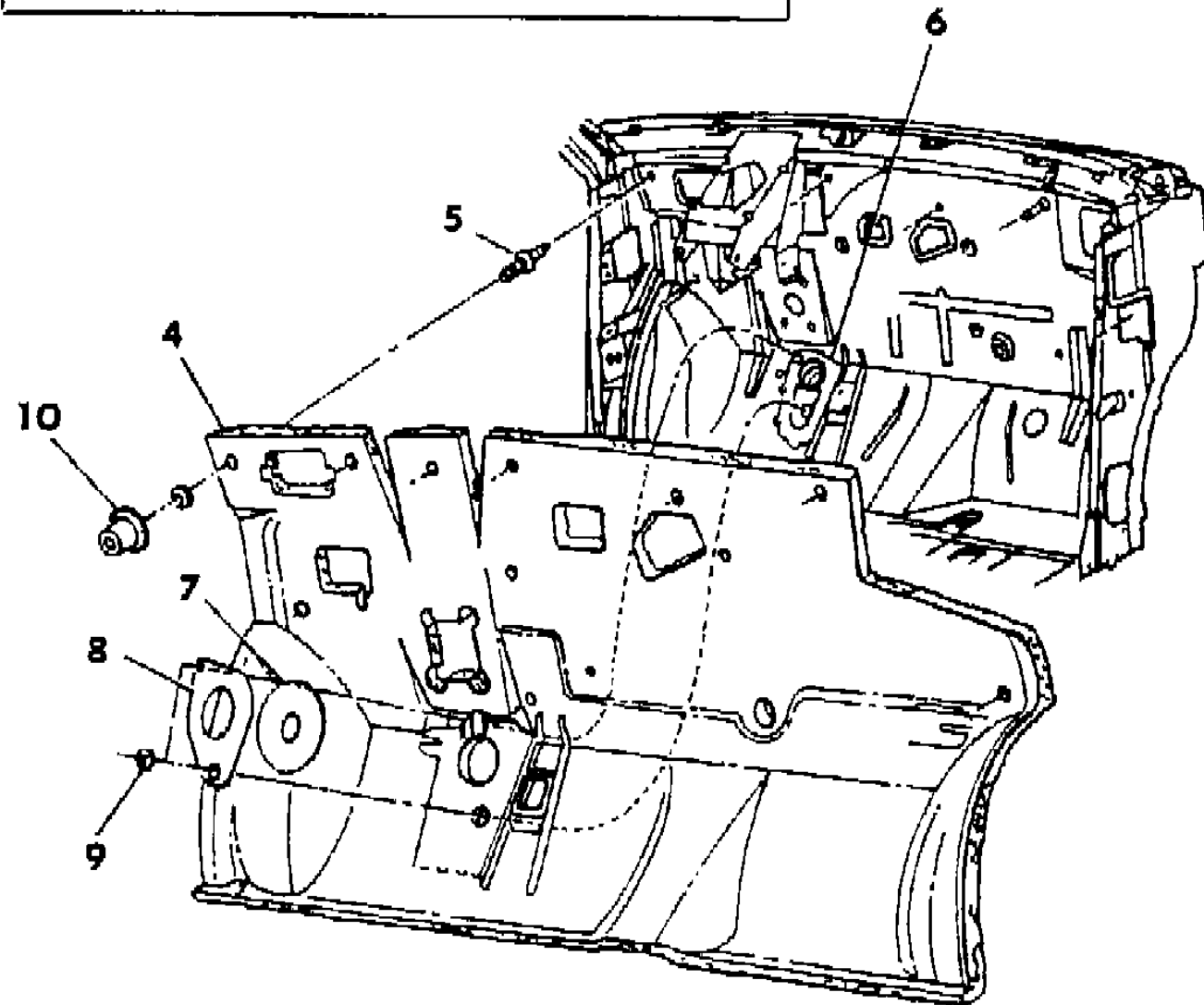
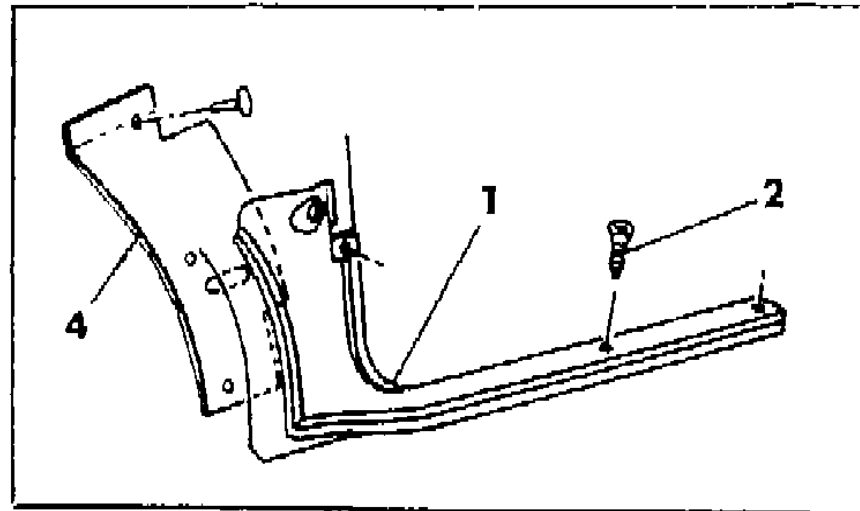
GROUP ITG - S BODY

ILLUSTRATION TITLE	GROUP-FIG. NO.
COWL PANEL AND SILENCERS H,K S BODY	Fig. ITG-100
HEADLINER AND VISOR H,K S BODY	Fig. ITG-200
TONNEAU COVER H,K S BODY	Fig. ITG-300
MOULDING GARNISH H,K S BODY	Fig. ITG-400
B PILLAR TRIM H,K S BODY	Fig. ITG-500
PANEL QUARTER TRIM H,K S BODY	Fig. ITG-600
LIFT GATE TRIM H,K S BODY	Fig. ITG-700
CARPET H,K S BODY	Fig. ITG-800
SCUFF PLATES H,K S BODY	Fig. ITG-900
DOOR TRIM PANEL FRONT H,K S BODY	Fig. ITG-1000
DOOR TRIM PANEL SLIDING H,K S BODY	Fig. ITG-1100
SEAT FRONT H,K S BODY TRIM CODES C9,D9,CX	Fig. ITG-1200
SEAT FRONT H,K S BODY TRIM CODE A8	Fig. ITG-1300
SEAT FRONT H,K S BODY TRIM CODES C7,C8,D7	Fig. ITG-1400
SEAT FRONT H,K S BODY TRIM CODES F6,H6	Fig. ITG-1500
SEAT FRONT H,K S BODY TRIM CODES E5,G5	Fig. ITG-1600
BELT FRONT SEAT H,K S BODY	Fig. ITG-1700
RISER RIGHT BUCKET SEAT AND STORAGE BOX H,K S BODY	Fig. ITG-1800
RECLINING/NON/RECLINING SEAT AND ARM REST ATTACHING H,K S BODY	Fig. ITG-1900
ADJUSTER MANUAL H,K S BODY	Fig. ITG-2000
ADJUSTER ELECTRIC AND LEFT RISER H,K S BODY	Fig. ITG-2100
SEAT REAR H,K S BODY TRIM CODES F6,H6	Fig. ITG-2200
SEAT REAR H,K S BODY TRIM CODE G5	Fig. ITG-2300
SEAT REAR H,K S BODY TRIM CODES C7,C8,C9,CX,D7,D9	Fig. ITG-2400
CONVERTABED CUSHIONS, ARM RESTS AND SEAT BELTS H,KS BODY TRIM CODES C7,D7	Fig. ITG-2500
CONVERTABED FRAMES AND ACTUATING SYSTEM H,K S BODY	Fig. ITG-2600
BELT REAR SEAT H,K S BODY	Fig. ITG-2700
REAR SEAT ATTACHMENTS FLOOR PAN H,K S BODY	Fig. ITG-2800
RISERS REAR SEAT H,K S BODY	Fig. ITG-2900
SEAT REAR FOLD DOWN H,K S BODY	Fig. ITG-3000

ILLUSTRATION NOT AVAILABLE AT TIME OF PUBLICATION

COWL PANEL AND SILENCERS H,K S BODY
Figure ITG-100

5242 100



ITEM	PART NUMBER	QTY	BODY	MODEL	DESCRIPTION
1					COWL and SCUFF PLATE N N N N (use up to 2/4/85) N N N N Silver N N N YF272CA3 Blue N N N YF272CB5 Red N N N YF272CM6 F272-3 DT3 1 Tan N N N YF272DT3 (use after 2/4/85) N N N N Silver N N N YF354DA3 Blue N N N YF354DB5 Red N N N YF354DM6 F354-5 DT3 1 Tan N N N YF354DT3
2		6			SCREW (10-16x3/4)(not serviced) N N N N
3	3762 862	1			SILENCER, Cowl Side (36"x72" material cut to fit) N N N Y3762862
4	3837 683	1			SILENCER, Dash Panel (24"x48"x1/4" material cut to fit) N N N Y3837683
5	6032 020	AR			STUD, Dash Panel N N N Y6032020
6	4147 355	1			COVER, Seal N N N Y4147355
7	4188 994	1			SEAL, Dash N N N Y4188994
8	4188 993	AR			RETAINER, Liner and Seal N N N Y4188993
9	6031 147	AR			NUT, Push On N N N Y6031147
10	6032 185	AR			CAPLUG N N N Y6032185

MODEL CODES

B = GRAN FURY	E = 600	M = HORIZON/TURISMO
C = LE BARON/TOWN & COUNTRY/LIMO	F = FIFTH AVENUE/NEWPORT	P = RELIANT
C24 = LASER	G = DIPLOMAT	T = NEW YORKER
C44 = LE BARON/GTS	H = VOYAGER	V = 600
D = ARIES	J = CARAVELLE	V24 = DAYTONA
D44 = LANCER	K = MINI VAN/CARAVAN/ROYAL	Z = OMNI/CHARGER

BODY STYLES

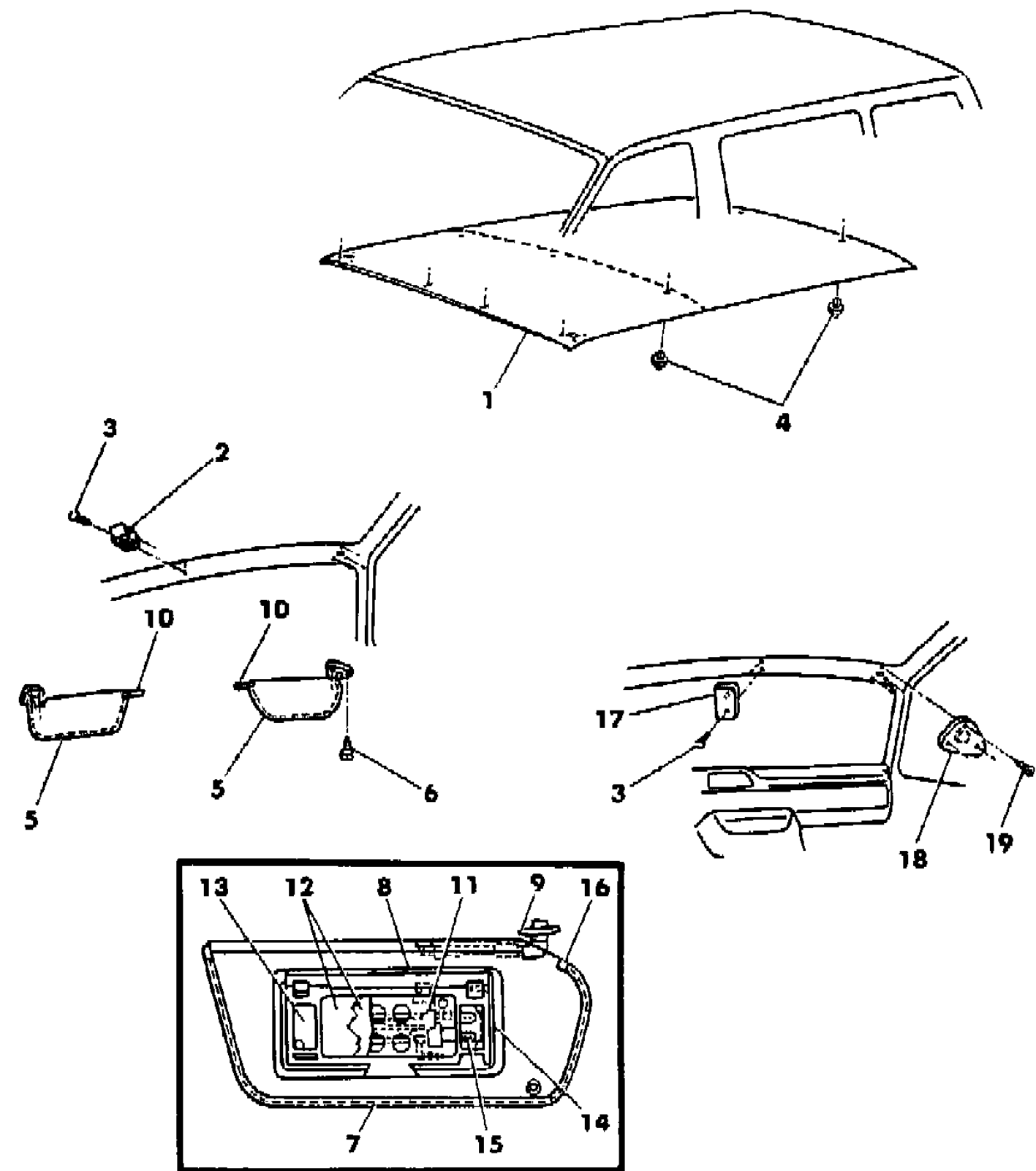
21 = 2-DOOR SEDAN	35 = FWD VAN	44 = 4-DOOR HATCHBACK
22 = 2-DOOR SPECIAL COUPE	36 = FWD WAGON	45 = 4-DOOR STATION WAGON
24 = 2-DOOR HATCHBACK	41 = 4-DOOR SEDAN	49 = LIMOUSINE
27 = 2-DOOR CONVERTIBLE		

AR = Use as Required - = Non Illustrated Part P.A.R. = Paint as Required

HEADLINER AND VISOR H,K S BODY

Figure ITG-200

5242 200 A



ITEM	PART NUMBER	QTY	BODY	MODEL	DESCRIPTION
1	H862 CA3	1			HEADLINER, Full (cloth) N N N N Silver N N35,36 N YH862CA3
	H862 CB5	1			Blue N N36 N YH862CB5
	H862 CM6	1			Red N N35,36 N YH862CM6
	H862 DT3	1			Tan N N35,36 N YH862DT3
2	H857 CA3	1			Front (cloth) N N N N Silver N N35 N YH857CA3
	H857 CM6	1			Red N N35 N YH857CM6
	H857 DT3	1			Tan N N35 N YH857DT3
	4248 839	1			Front (softboard) N N35 N Y4248839
3	H335 CA3	2			CLIP, Windshield Visor Retainer N N N N Silver N N N YH335CA3
	H335 CB5	2			Blue N N N YH335CB5
	H335 CM6	2			Red N N N YH335CM6
	H335 DT3	2			Tan N N N YH335DT3
3		AR			SCREW (8-8x3/4) (not serviced) N N N N
4	H452 CA1	AR			FASTENER, Headliner N N N N Silver N N N YH452CA1
	H452 BB5	AR			Blue N N N YH452BB5
	H452 TM6	AR			Red N N N YH452TM6
	H452 DT3	AR			Tan N N N YH452DT3
5	H390-1 CA3	1			VISOR, w/o Mirror N N N N Silver N N N YH390CA3
	H390-1 CB5	1			Blue N N N YH390CB5
	H390-1 CM6	1			Red N N N YH390CM6
	H390-1 DT3	1			Tan N N N YH390DT3
6	6032 584	AR			SCREW N N N Y6032584
7	H378 CA3	1			VISOR, w/Illuminated Mirror Right N N N N Silver N N N YH378CA3
	H378 CB5	1			Blue N N N YH378CB5
	H378 CM6	1			Red N N N YH378CM6
	H378 DT3	1			Tan N N N YH378DT3 Sub Assy. N N N N
8	H379 CA3	1			Silver N N N YH379CA3
	H379 CB5	1			Blue N N N YH379CB5
	H379 CM6	1			Red N N N YH379CM6
	H379 DT3	1			Tan N N N YH379DT3

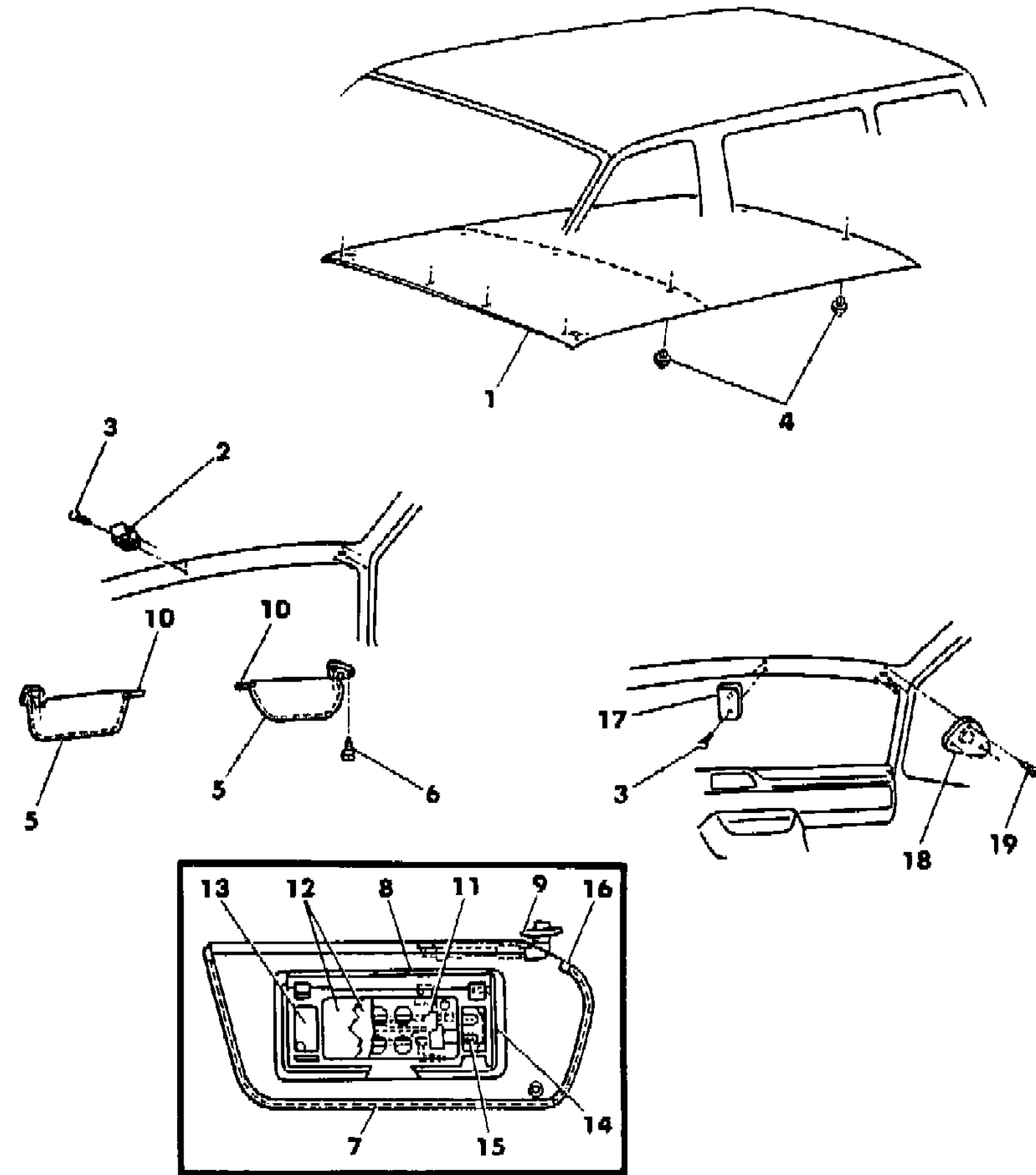
MODEL CODES
 B = GRAN FURY
 C = LE BARON/TOWN & COUNTRY/LIMO
 C24 = LASER
 C44 = LE BARON/GTS
 D = ARIES
 D44 = LANCER
 E = 600
 F = FIFTH AVENUE/NEWPORT
 G = DIPLOMAT
 H = VOYAGER
 J = CARAVELLE
 K = MINI VAN/CARAVAN/ROYAL
 M = HORIZON/TURISMO
 P = RELIANT
 T = NEW YORKER
 V = 600
 V24 = DAYTONA
 Z = OMNI/CHARGER

BODY STYLES
 21 = 2-DOOR SEDAN
 22 = 2-DOOR SPECIAL COUPE
 24 = 2-DOOR HATCHBACK
 27 = 2-DOOR CONVERTIBLE
 35 = FWD VAN
 36 = FWD WAGON
 41 = 4-DOOR SEDAN
 44 = 4-DOOR HATCHBACK
 45 = 4-DOOR STATION WAGON
 49 = LIMOUSINE

AR = Use as Required - = Non Illustrated Part P.A.R. = Paint as Required

HEADLINER AND VISOR H,K S BODY Figure ITG-200

5242 200 A



ITEM	PART NUMBER	QTY	BODY	MODEL	DESCRIPTION
8	H308 AAA	1			MIRROR and COVER N N N N Silver N N N YH308AAA
	H308 BBB	1			Blue N N N YH308BBB
	H308 AMM	1			Red N N N YH308AMM
	H308 DT3	1			Tan N N N YH308DT3
9	4282 336-7	1			ARM and BRACKET N N N N w/o Mirror N N N Y4282336 w/Mirror N N N N
	H380 CA3	1			Silver N N N YH380CA3
	H380 CB5	1			Blue N N N YH380CB5
	H380 CM6	1			Red N N N YH380CM6
10	2789 037	2			TIP, Visor Panel Inner Support w/o Mirror N N N Y2789037 w/Mirror N N N N
	H315 CA3	1			Silver N N N YH315CA3
	H315 CB5	1			Blue N N N YH315CB5
	H315 CM6	1			Red N N N YH315CM6
	H315 DT3	1			Tan N N N YH315DT3
	4282 339	AR			SUPPORT, Inner N N N Y4282339
11	3832 873	1			COMPONENT BOARD, Mirror N N N Y3832873
12	4077 693	1			MIRROR and BACK N N N Y4077693
13	4166 974	1			LENS, Mirror N N N Y4166974
14	4166 976	2			HINGE, Spring N N N Y4166976
15	9421 330	4			BULB N N N Y9421330
16	1490 983	AR			CLIP N N N Y1490983
17	H457 DA1	1			BRACKET, Support Right N N N N Silver, Light N N N YH457DA1
	H457 DA3	1			Silver N N N YH457DA3
	H457 DM6	1			Red N N N YH457DM6
	H457 DT3	1			Tan N N N YH457DT3
18	4282 388	1			BRACKET, Plate w/o Visor Right N N N Y4282388
19	6032 584	AR			SCREW N N N Y6032584

MODEL CODES

B = GRAN FURY	E = 600	M = HORIZON/TURISMO
C = LE BARON/TOWN & COUNTRY/LIMO	F = FIFTH AVENUE/NEWPORT	P = RELIANT
C24 = LASER	G = DIPLOMAT	T = NEW YORKER
C44 = LE BARON/GTS	H = VOYAGER	V = 600
D = ARIES	J = CARAVELLE	V24 = DAYTONA
D44 = LANCER	K = MINI VAN/CARAVAN/ROYAL	Z = OMNI/CHARGER

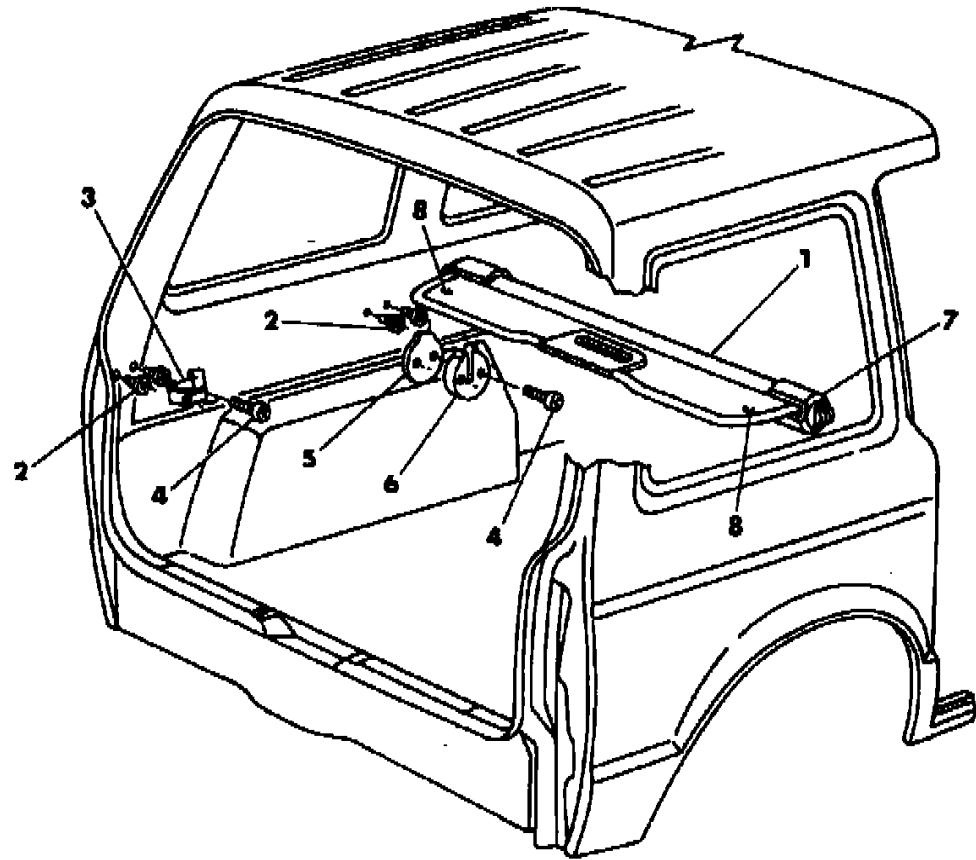
BODY STYLES

21 = 2-DOOR SEDAN	35 = FWD VAN	44 = 4-DOOR HATCHBACK
22 = 2-DOOR SPECIAL COUPE	36 = FWD WAGON	45 = 4-DOOR STATION WAGON
24 = 2-DOOR HATCHBACK	41 = 4-DOOR SEDAN	49 = LIMOUSINE
27 = 2-DOOR CONVERTIBLE		

AR = Use as Required - = Non Illustrated Part P.A.R. = Paint as Required

TONNEAU COVER H,K S BODY
Figure ITG-300

5242 300 A



ITEM	PART NUMBER	QTY	BODY	MODEL	DESCRIPTION
1					COVER, Tonneau N N N N
	4271 062	1			Silver N N N Y4271062
	4271 063	1			Blue N N N Y4271063
	4271 066	1			Red N N N Y4271066
	4271 074	1			Tan N N N Y4271074
2	6026 166	8			RETAINER N N N Y6026166
3					HOOK N N N N
	H490-1 CA3	1			Silver N N N YH490CA3
	H490-1 CB5	1			Blue N N N YH490CB5
	H490-1 CM6	1			Red N N N YH490CM6
	H490-1 DT3	1			Tan N N N YH490DT3
4		8			SCREW (8-32x1)(not serviced) N N N N
5					SPACER, w/o Bolsters N N N N
	H487 CA3	2			Silver N N N YH487CA3
	H487 CM6	2			Red N N N YH487CM6
	H487 DT3	2			Tan N N N YH487DT3
6					SUPPORT N N N N
	H492 CA3	2			Silver N N N YH492CA3
	H492 CB5	2			Blue N N N YH492CB5
	H492 CM6	2			Red N N N YH492CM6
	H492 DT3	2			Tan N N N YH492DT3
7	4271 047	1			END CAP PACKAGE N N N Y4271047
8					GROMMET, Tonneau Cover N N N N
	H544 DA3	2			Silver N N N YH544DA3
	H544 DB5	2			Blue N N N YH544DB5
	H544 DM6	2			Red N N N YH544DM6
	H544 DT3	2			Tan N N N YH544DT3

MODEL CODES

B = GRAN FURY	E = 600	M = HORIZON/TURISMO
C = LE BARON/TOWN & COUNTRY/LIMO	F = FIFTH AVENUE/NEWPORT	P = RELIANT
C24 = LASER	G = DIPLOMAT	T = NEW YORKER
C44 = LE BARON/GTS	H = VOYAGER	V = 600
D = ARIES	J = CARAVELLE	V24 = DAYTONA
D44 = LANCER	K = MINI VAN/CARAVAN/ROYAL	Z = OMNI/CHARGER

BODY STYLES

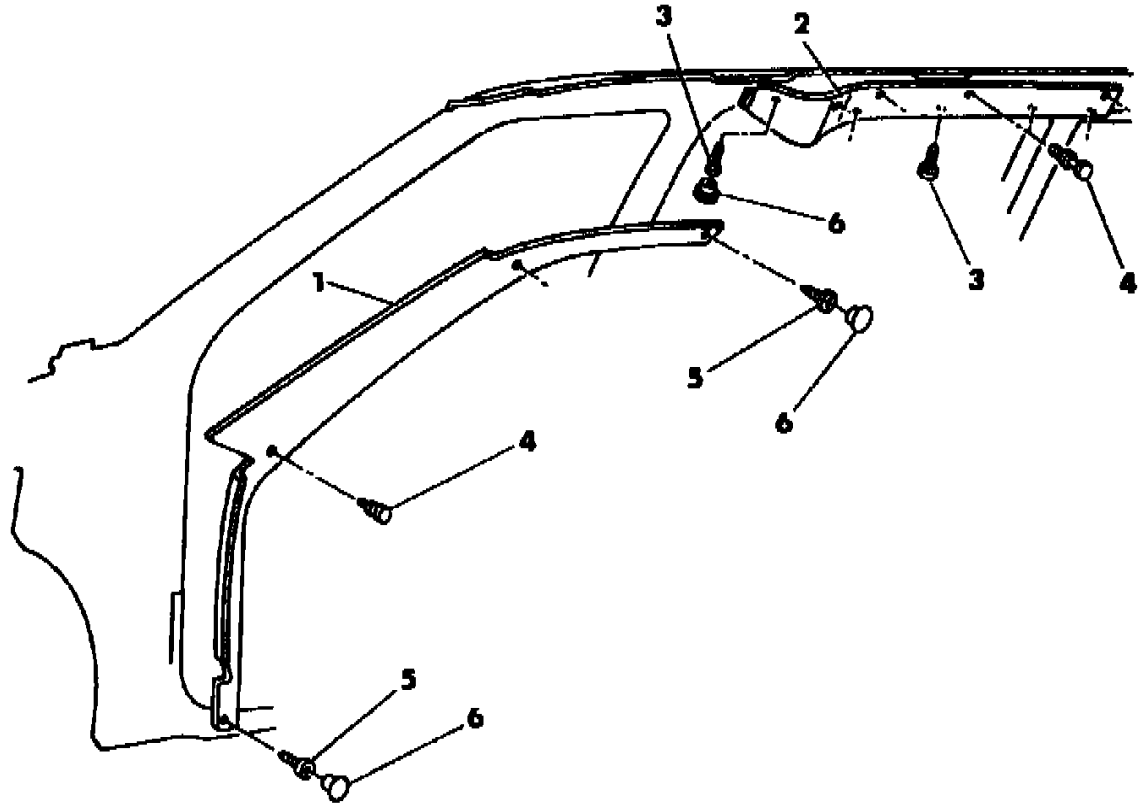
21 = 2-DOOR SEDAN	35 = FWD VAN	44 = 4-DOOR HATCHBACK
22 = 2-DOOR SPECIAL COUPE	36 = FWD WAGON	45 = 4-DOOR STATION WAGON
24 = 2-DOOR HATCHBACK	41 = 4-DOOR SEDAN	49 = LIMOUSINE
27 = 2-DOOR CONVERTIBLE		

AR = Use as Required - = Non Illustrated Part P.A.R. = Paint as Required

MOULDING GARNISH H,K S BODY
Figure ITG-400

5242 400

ITEM	PART NUMBER	QTY	BODY	MODEL	DESCRIPTION
1					MOULDING, Windshield Side N N N N
	H150-1 CA3	1			Silver N N N YH150CA3
	H150-1 CB5	1			Blue N N N YH150CB5
	H150-1 CM6	1			Red N N N YH150CM6
	H150-1 DT3	1			Tan N N N YH150DT3
2	F356 CL3	1			COVER, Sliding Door Upper Track (paint as required) N N N YF356CL3
3		7			SCREW (8-18x5/8)(not serviced) N N N N
4					FASTENER N N N N
	F155 BA3	11			Silver N N N YF155BA3
	F155 CB5	11			Blue N N N YF155CB5
	F155 BM6	11			Red N N N YF155BM6
	F155 DT3	11			Tan N N N YF155DT3
5	6032 456	2			SCREW N N N Y6032456
6	F245 CA3	4			PLUG, Trim (paint as required) N N N YF245CA3



MODEL CODES

B = GRAN FURY	E = 600	M = HORIZON/TURISMO
C = LE BARON/TOWN & COUNTRY/LIMO	F = FIFTH AVENUE/NEWPORT	P = RELIANT
C24 = LASER	G = DIPLOMAT	T = NEW YORKER
C44 = LE BARON/GTS	H = VOYAGER	V = 600
D = ARIES	J = CARAVELLE	V24 = DAYTONA
D44 = LANCER	K = MINI VAN/CARAVAN/ROYAL	Z = OMNI/CHARGER

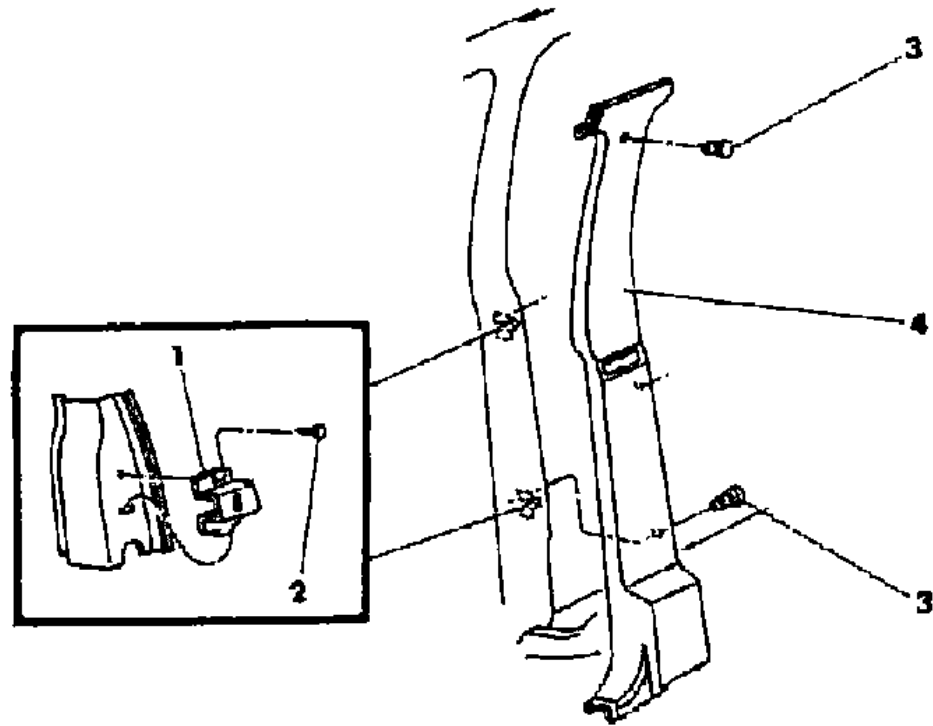
BODY STYLES

21 = 2-DOOR SEDAN	35 = FWD VAN	44 = 4-DOOR HATCHBACK
22 = 2-DOOR SPECIAL COUPE	36 = FWD WAGON	45 = 4-DOOR STATION WAGON
24 = 2-DOOR HATCHBACK	41 = 4-DOOR SEDAN	49 = LIMOUSINE
27 = 2-DOOR CONVERTIBLE		

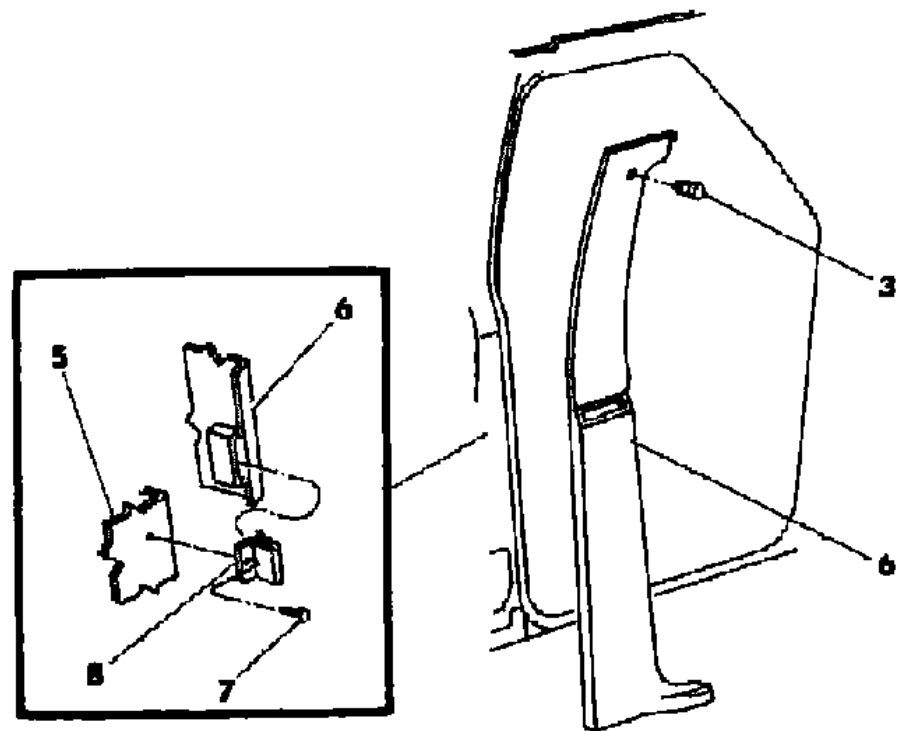
AR = Use as Required - = Non Illustrated Part P.A.R. = Paint as Required

B PILLAR TRIM H,K S BODY
Figure ITG-500

5242 500



RIGHT SIDE



LEFT SIDE

ITEM	PART NUMBER	QTY	BODY	MODEL	DESCRIPTION
1	4248 450	2			BRACKET, Trim Cover Attaching N N N Y4248450
2		AR			SCREW (8-18x5/8)(not serviced) N N N N
3					FASTENER N N N N
	F155 BA3	AR			Silver N N N YF155BA3
	F155 CB5	AR			Blue N N N YF155CB5
	F155 BM6	AR			Red N N N YF155BM6
	F155 DT3	AR			Tan N N N YF155DT3
4					COVER, B Pillar N N N N
					Right N N N N
	F292 CA3	1			Silver N N N YF292CA3
	F292 CB5	1			Blue N N N YF292CB5
	F292 CM6	1			Red N N N YF292CM6
	F292 DT3	1			Tan N N N YF292DT3
5					PANEL, Quarter Inner Wheelhouse (reference) N N N N
6					COVER, B Pillar N N N N
					Left N N N N
	F275 CA3	1			Silver N N N YF275CA3
	F275 CB5	1			Blue N N N YF275CB5
	F275 CM6	1			Red N N N YF275CM6
	F275 DT3	1			Tan N N N YF275DT3
7		AR			SCREW N N N N6030456
8		2			BRACKET, Trim Cover Attaching N N N N4282251

MODEL CODES

B = GRAN FURY	E = 600	M = HORIZON/TURISMO
C = LE BARON/TOWN & COUNTRY/LIMO	F = FIFTH AVENUE/NEWPORT	P = RELIANT
C24 = LASER	G = DIPLOMAT	T = NEW YORKER
C44 = LE BARON/GTS	H = VOYAGER	V = 600
D = ARIES	J = CARAVELLE	V24 = DAYTONA
D44 = LANCER	K = MINI VAN/CARAVAN/ROYAL	Z = OMNI/CHARGER

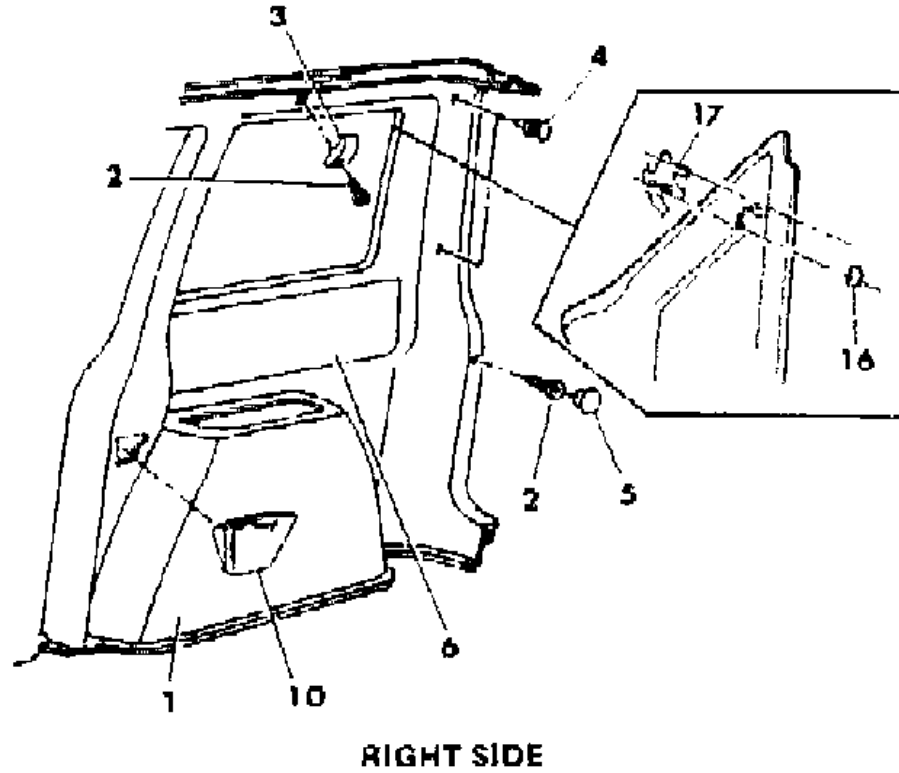
BODY STYLES

21 = 2-DOOR SEDAN	35 = FWD VAN	44 = 4-DOOR HATCHBACK
22 = 2-DOOR SPECIAL COUPE	36 = FWD WAGON	45 = 4-DOOR STATION WAGON
24 = 2-DOOR HATCHBACK	41 = 4-DOOR SEDAN	49 = LIMOUSINE
27 = 2-DOOR CONVERTIBLE		

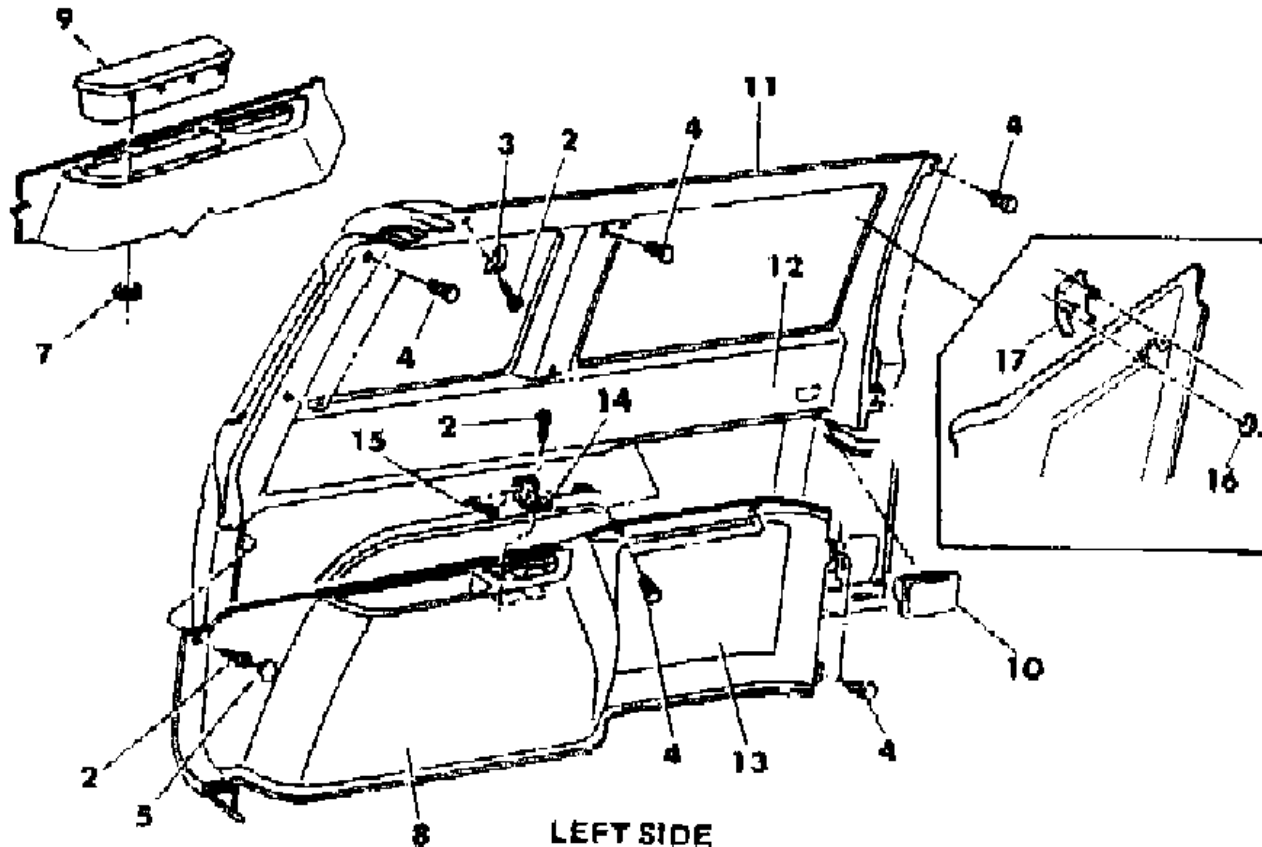
AR = Use as Required - = Non Illustrated Part P.A.R. = Paint as Required

PANEL QUARTER TRIM H,K S BODY
Figure ITG-600

9-242 690



RIGHT SIDE



LEFT SIDE

ITEM	PART NUMBER	QTY	BODY	MODEL	DESCRIPTION
NOTE: Openings must be cut in right quarter panel to install Storage Bin and Ash Receiver. s ARE NOT RETURNABLE.					
1	H352 CL3	1			PANEL, Quarter Trim Rear (paint as required) N N N YH352CL3
2		AR			SCREW (8-18x3/4)(not serviced) N N N N
3					HOOK, Coat N N N N
	H505 CA3	1			Silver N N N YH505CA3
	H505 CB5	1			Blue N N N YH505CB5
	H505 CM6	1			Red N N N YH505CM6
	H505 DT3	1			Tan N N N YH505DT3
4					FASTENER N N N N
	F155 BA3	2			Silver N N N YF155BA3
	F155 CB5	2			Blue N N N YF155CB5
	F155 BM6	2			Red N N N YF155BM6
	F155 DT3	2			Tan N N N YF155DT3
5	F245 CA3	1			PLUG (paint as required) N N N YF245CA3
6					BOLSTER, Quarter Trim N N N N
					Cloth N N N N
	D564 CAS	1			N N NG5AS YD564CAS
	D564 CMM	1			N N NG5M YD564CMM
	D564 DTT	1			N N NG5TT YD564DTT
	D580 CA3	1			N N ND7AS,D9AS YD580CA3
	D580 CB5	1			N N ND7B YD580CB5
	D580 CM6	1			N N ND7M,D9M YD580CM6
	D580 DT3	1			N N ND7TT,D9TT YD580DT3
					Vinyl N N N N
	D566 CA2	1			N N NF6AS,H6AS YD566CA2
	D566 CB5	1			N N NF6B,H6B YD566CB5
	D566 CM6	1			N N NF6M,H6M YD566CM6
	D566 DT3	1			N N NF6TT,H6TT YD566DT3
	6032 833	7			FASTENER, Bolster Attaching N N N Y6032833
7	6032 083	AR			RETAINER N N N Y6032083
8					PANEL, Quarter Trim Lower Left (paint as required) N N N N
	H345 CA3	1			Silver N N N YH345CA3
9					BIN and ARMREST N N N N
	D562 CA3	2			Silver N N N YD562CA3
	D562 CB5	2			Blue N N N YD562CB5
	D562 CM6	2			Red N N N YD562CM6
	D562 DT3	2			Tan N N N YD562DT3

MODEL CODES

B = GRAN FURY	E = 600	M = HORIZON/TURISMO
C = LE BARON/TOWN & COUNTRY/LIMO	F = FIFTH AVENUE/NEWPORT	P = RELIANT
C24 = LASER	G = DIPLOMAT	T = NEW YORKER
C44 = LE BARON/GTS	H = VOYAGER	V = 600
D = ARIES	J = CARAVELLE	V24 = DAYTONA
D44 = LANCER	K = MINI VAN/CARAVAN/ROYAL	Z = OMNI/CHARGER

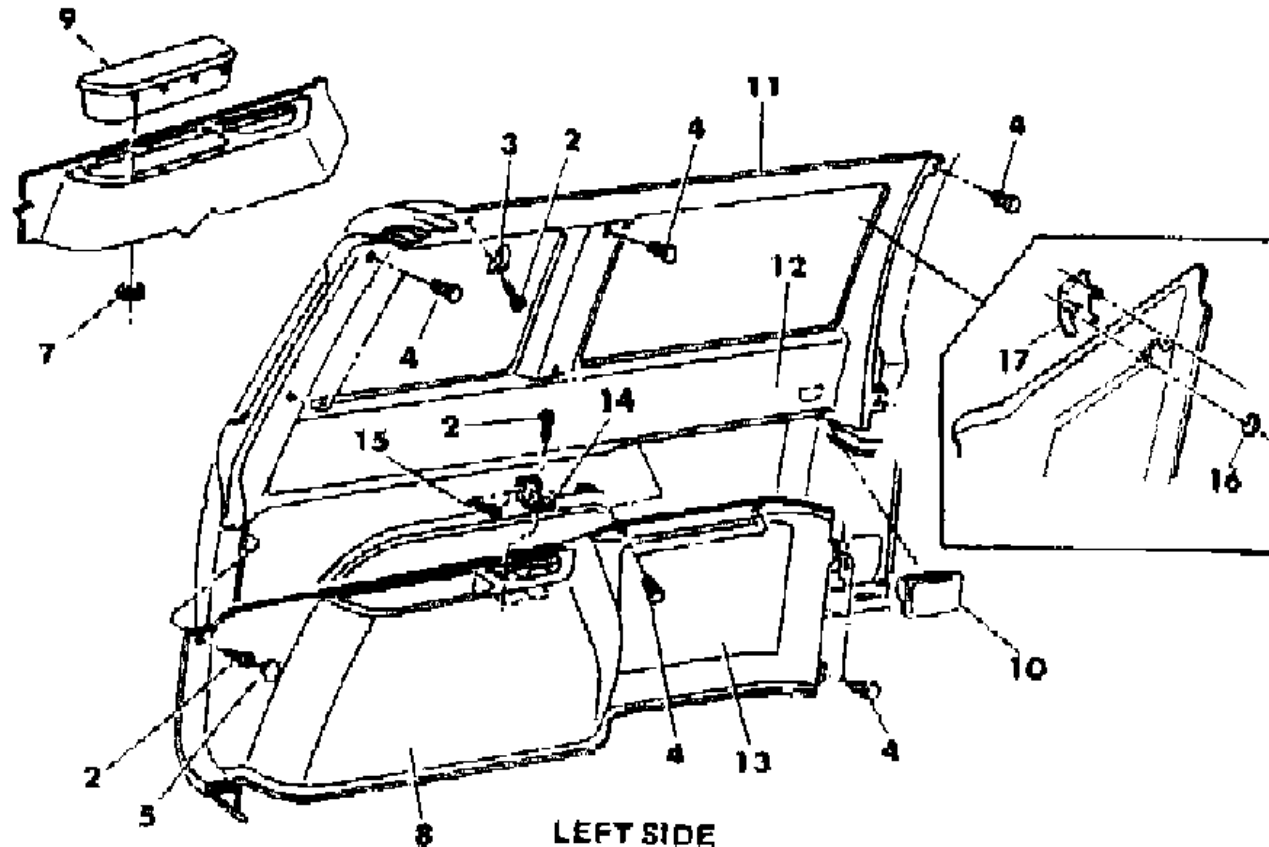
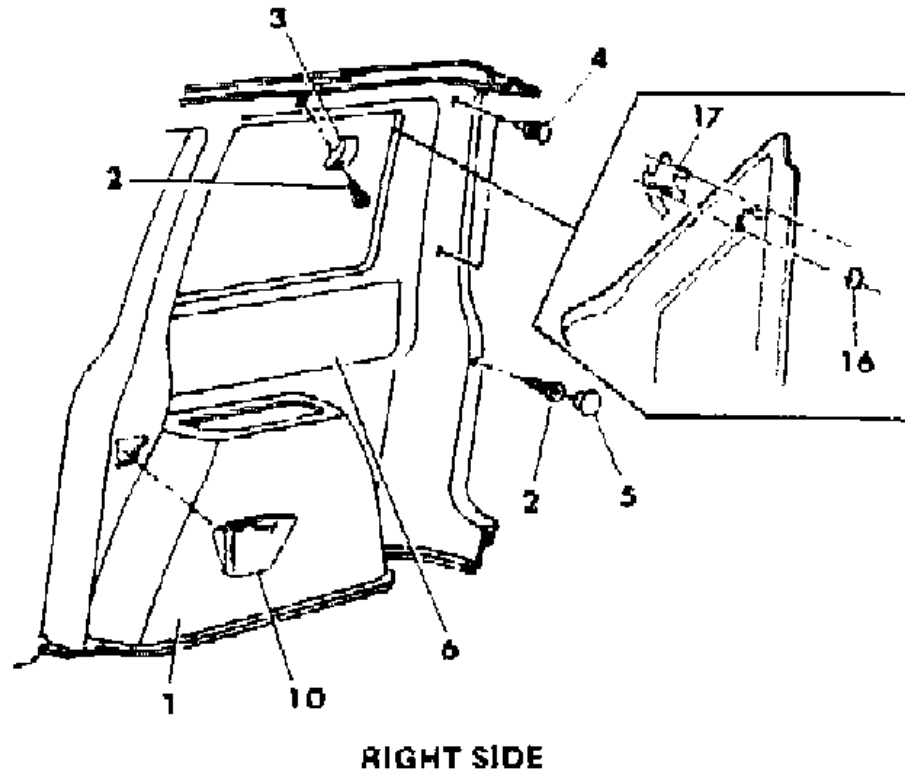
BODY STYLES

21 = 2-DOOR SEDAN	35 = FWD VAN	44 = 4-DOOR HATCHBACK
22 = 2-DOOR SPECIAL COUPE	36 = FWD WAGON	45 = 4-DOOR STATION WAGON
24 = 2-DOOR HATCHBACK	41 = 4-DOOR SEDAN	49 = LIMOUSINE
27 = 2-DOOR CONVERTIBLE		

AR = Use as Required - = Non Illustrated Part P.A.R. = Paint as Required

PANEL QUARTER TRIM H,K S BODY
Figure ITG-600

4242 600



ITEM	PART NUMBER	QTY	BODY	MODEL	DESCRIPTION
	4247 211	2			CATCH, Storage Bin N N N Y4247211
	4248 720	1			STRIKER, Storage Bin N N N Y4248720
10	D462-3 CA3	1			ASH RECEIVER, w/Housing N N N N Silver N N N YD462CA3
	D462-3 CB5	1			Blue N N N YD462CB5
	D462-3 CM6	1			Red N N N YD462CM6
	D462-3 DT3	1			Tan N N N YD462DT3
	6032 083	AR			RETAINER, Ash Receiver N N N Y6032083
	4248 803	AR			SNUFFER, Ash Receiver N N N Y4248803
11	H353 CL3	1			PANEL, Quarter Trim Upper Left (paint as required) N N N N Beige N N N YH353CL3
12					BOLSTER, Quarter Trim Panel N N N N Cloth N N N N
	D565 CAS	1			N N NG5AS YD565CAS
	D565 CMM	1			N N NG5M YD565CMM
	D565 DTT	1			N N NG5TT YD565DTT
	D581 CA3	1			N N ND7AS,D9AS YD581CA3
	D581 CB5	1			N N ND7B YD581CB5
	D581 CM6	1			N N ND7M,D9M YD581CM6
	D581 DT3	1			N N ND7TT,D9TT YD581DT3 Vinyl N N N N
	D567 CA2	1			N N NF6AS,H6AS YD567CA2
	D567 CB5	1			N N NF6B,H6B YD567CB5
	D567 CM6	1			N N NF6M,H6M YD567CM6
	D567 DT3	1			N N NF6TT,H6TT YD567DT3
13	6032 431	13			FASTENER, Bolster Attaching N N N Y6032431
	H404 CB5	1			CARPET N N N N Blue N N N YH404CB5
	H404 CM6	1			Red N N N YH404CM6
	H404 DT5	1			Tan N N N YH404DT5
	H404 CS8	1			Charcoal N N N YH404CS8
14	4282 251	1			BRACKET, Lower Panel Attaching N N N Y4282251
15	6031 216	AR			SCREW N N N Y6031216
16	6032 083	AR			RETAINER N N N Y6032083
17	F276-7 CA3	1			BEZEL, Remote Window Latch (paint as required) N N N YF276CA3
The following parts are not illustrated. s ARE NOT RETURNABLE.					
	4186 901	AR			SILENCER (36"x72" material cut to fit) N N N Y4186901

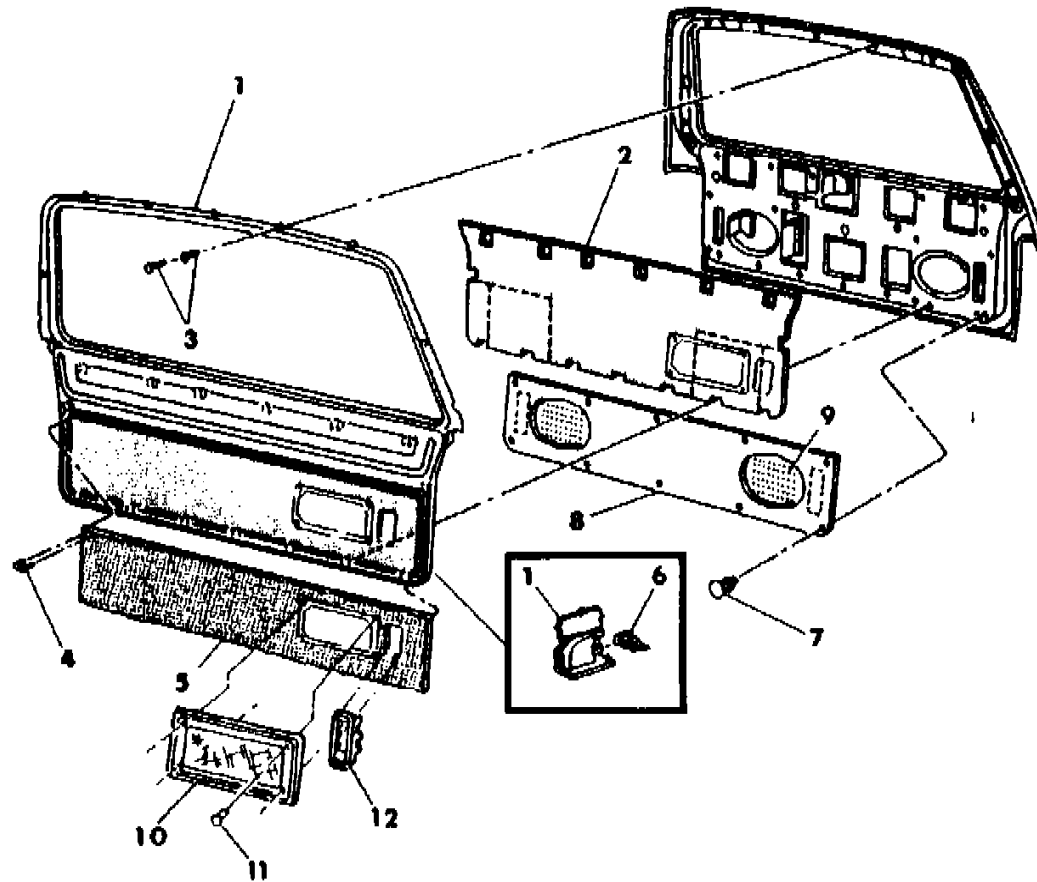
MODEL CODES
 B = GRAN FURY
 C = LE BARON/TOWN & COUNTRY/LIMO
 C24 = LASER
 C44 = LE BARON/GTS
 D = ARIES
 D44 = LANCER
 E = 600
 F = FIFTH AVENUE/NEWPORT
 G = DIPLOMAT
 H = VOYAGER
 J = CARAVELLE
 K = MINI VAN/CARAVAN/ROYAL
 M = HORIZON/TURISMO
 P = RELIANT
 T = NEW YORKER
 V = 600
 V24 = DAYTONA
 Z = OMNI/CHARGER

BODY STYLES
 21 = 2-DOOR SEDAN
 22 = 2-DOOR SPECIAL COUPE
 24 = 2-DOOR HATCHBACK
 27 = 2-DOOR CONVERTIBLE
 35 = FWD VAN
 36 = FWD WAGON
 41 = 4-DOOR SEDAN
 44 = 4-DOOR HATCHBACK
 45 = 4-DOOR STATION WAGON
 49 = LIMOUSINE

AR = Use as Required - = Non Illustrated Part P.A.R. = Paint as Required

LIFT GATE TRIM H,K S BODY
Figure ITG-700

5242 700



ITEM	PART NUMBER	QTY	BODY	MODEL	DESCRIPTION
1					PANEL, Liftgate (paint as required) N N N N
	H348 CA3	1			Silver N N N YH348CA3
2	4248 598	1			SILENCER N N N Y4248598
3	6500 787	5			RIVET, Dual Head Drive N N N Y6500787
4		AR			STAPLE (not serviced) N N N N
5					CARPET N N N N
	H403 CB5	1			Blue N N N YH403CB5
	H403 CM6	1			Red N N N YH403CM6
	H403 DT5	1			Tan N N N YH403DT5
	H403 CS8	1			Charcoal N N N YH403CS8
6	1623 945	17			FASTENER N N N Y1623945
7					FASTENER N N N N
	6003 683	10			(use up to 7/1/85) N N N Y6003683
	6501 301	10			(use after 7/1/85) N N N Y6501301
8	4248 351	1			PANEL, Liftgate Inner Trim N N35 N Y4248351
9					SPEAKER, Rear Compartment (see Group 8A) N N N N
10	P490 CB5	2			GRILLE, Rear Compartment Speaker (paint as required) N N N YP490CB5
11					FASTENER N N N N
	F155 CB5	AR			Blue N N N YF155CB5
	F155 BM6	AR			Red N N N YF155BM6
	F155 DT3	AR			Tan N N N YF155DT3
12	3591 126	2			BRACKET, Flood Lamp N N N Y3591126

MODEL CODES

B = GRAN FURY	E = 600	M = HORIZON/TURISMO
C = LE BARON/TOWN & COUNTRY/LIMO	F = FIFTH AVENUE/NEWPORT	P = RELIANT
C24 = LASER	G = DIPLOMAT	T = NEW YORKER
C44 = LE BARON/GTS	H = VOYAGER	V = 600
D = ARIES	J = CARAVELLE	V24 = DAYTONA
D44 = LANCER	K = MINI VAN/CARAVAN/ROYAL	Z = OMNI/CHARGER

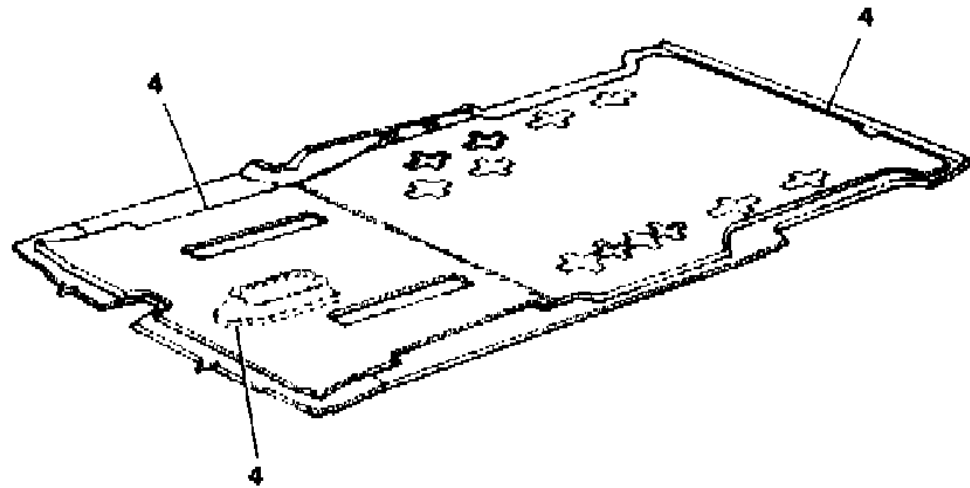
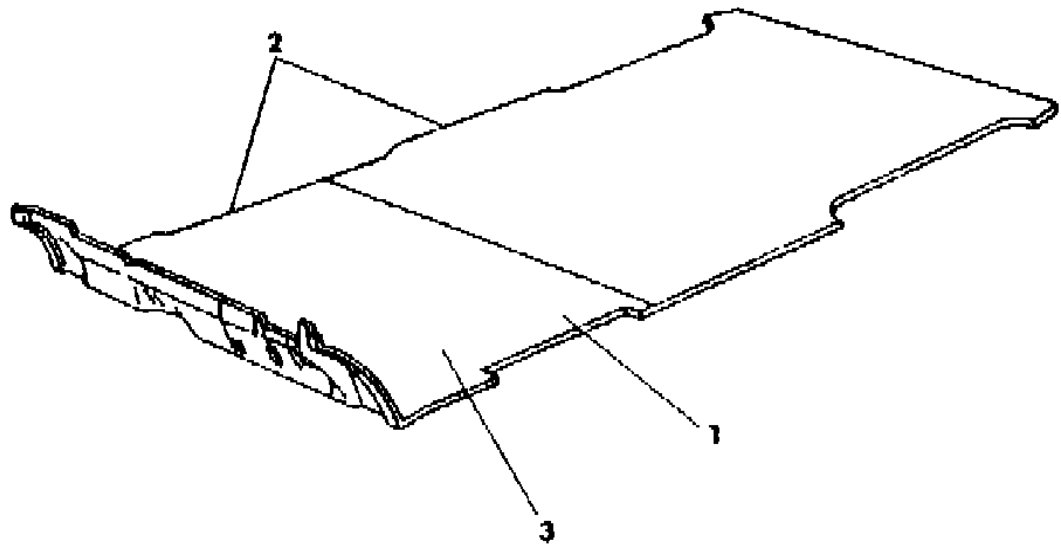
BODY STYLES

21 = 2-DOOR SEDAN	35 = FWD VAN	44 = 4-DOOR HATCHBACK
22 = 2-DOOR SPECIAL COUPE	36 = FWD WAGON	45 = 4-DOOR STATION WAGON
24 = 2-DOOR HATCHBACK	41 = 4-DOOR SEDAN	49 = LIMOUSINE
27 = 2-DOOR CONVERTIBLE		

AR = Use as Required - = Non Illustrated Part P.A.R. = Paint as Required

CARPET H,K S BODY
Figure ITG-800

5242 800 A



ITEM	PART NUMBER	QTY	BODY	MODEL	DESCRIPTION
1					CARPET, Front Only N N N N
	M644 CM6	1			Red N N35 N YM644CM6
	M644 DT5	1			Tan N N35 N YM644DT5
	M644 CS8	1			Charcoal N N35 N YM644CS8
2					CARPET, Front and Rear N N N N
	M645 CM6	1			Red N N35 N YM645CM6
	M645 DT5	1			Tan N N35 N YM645DT5
	M645 CS8	1			Charcoal N N35 N YM645CS8
	M646 CB5	1			Blue N N36 N YM646CB5
	M646 CM6	1			Red N N36 N YM646CM6
	M646 DT5	1			Tan N N36 N YM646DT5
	M646 CS8	1			Charcoal N N36 N YM646CS8
3	4248 005	1			MAT, Front Floor N N35 N Y4248005
	4309 073	1			RETAINER, Mat N N35 N Y4309073
4	4186 901	AR			SILENCER (36"x72" material cut to fit) N N N Y4186901
The following parts are not illustrated. s ARE NOT RETURNABLE.					
CARPETED FLOOR MATS, Set of Two N N N N					
Front N N N N					
	M042 DB5	1			Blue N N N YM042DB5
	M042 DM6	1			Red N N N YM042DM6
	M042 DT5	1			Tan N N N YM042DT5
	M042 DS8	1			Charcoal N N N YM042DS8
Rear N N N N					
(5 passenger uses 1 set; 7 passenger uses 2 sets) N N N N					
(use up to 10/10/84) N N N N					
	M041 CB5	1			Blue N N N YM041CB5
	M041 CM6	1			Red N N N YM041CM6
	M041 DT5	1			Tan N N N YM041DT5
	M041 CS8	1			Charcoal N N N YM041CS8
(use after 10/10/84) N N N N					
	M043 DB5	1			Blue N N N YM043DB5
	M043 DM6	1			Red N N N YM043DM6
	M043 DT5	1			Tan N N N YM043DT5
	M043 DS8	1			Charcoal N N N YM043DS8

MODEL CODES

B = GRAN FURY	E = 600	M = HORIZON/TURISMO
C = LE BARON/TOWN & COUNTRY/LIMO	F = FIFTH AVENUE/NEWPORT	P = RELIANT
C24 = LASER	G = DIPLOMAT	T = NEW YORKER
C44 = LE BARON/GTS	H = VOYAGER	V = 600
D = ARIES	J = CARAVELLE	V24 = DAYTONA
D44 = LANCER	K = MINI VAN/CARAVAN/ROYAL	Z = OMNI/CHARGER

BODY STYLES

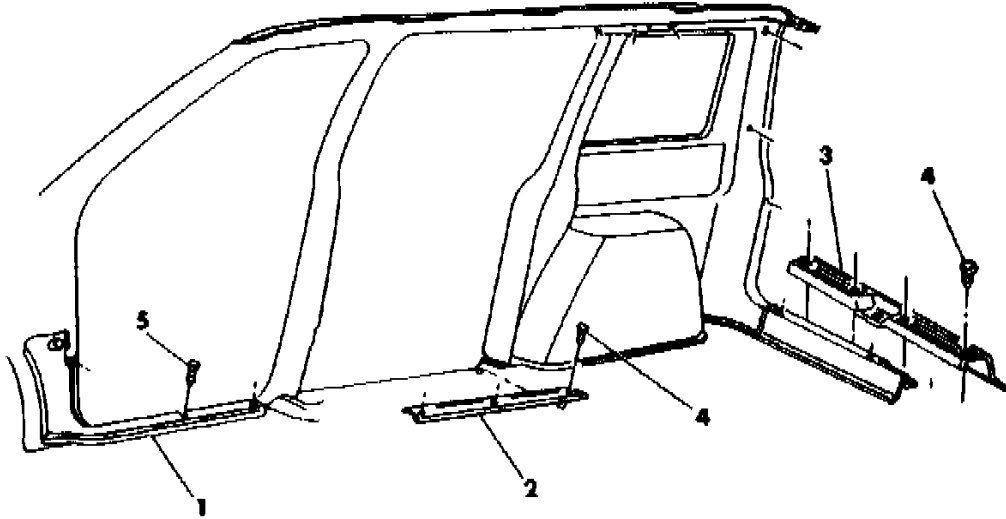
21 = 2-DOOR SEDAN	35 = FWD VAN	44 = 4-DOOR HATCHBACK
22 = 2-DOOR SPECIAL COUPE	36 = FWD WAGON	45 = 4-DOOR STATION WAGON
24 = 2-DOOR HATCHBACK	41 = 4-DOOR SEDAN	49 = LIMOUSINE
27 = 2-DOOR CONVERTIBLE		

AR = Use as Required - = Non Illustrated Part P.A.R. = Paint as Required

SCUFF PLATES H,K S BODY
Figure ITG-900

ITEM	PART NUMBER	QTY	BODY	MODEL	DESCRIPTION
1					SCUFF PLATE and COWL N N N N (use up to 2/4/85) N N N N
	F272-3 CA3	1			Silver N N N YF272CA3
	F272-3 CB5	1			Blue N N N YF272CB5
	F272-3 CM6	1			Red N N N YF272CM6
	F272-3 DT3	1			Tan N N N YF272DT3 (use after 2/4/85) N N N N
	F354-5 DA3	1			Silver N N N YF354DA3
	F354-5 DB5	1			Blue N N N YF354DB5
	F354-5 DM6	1			Red N N N YF354DM6
	F354-5 DT3	1			Tan N N N YF354DT3
2					PLATE, Sliding Door Scuff N N N N
	M917 CB5	1			Blue N N N YM917CB5
	M917 CM6	1			Red N N N YM917CM6
	M917 DT5	1			Tan N N N YM917DT5
	M917 CS8	1			Charcoal N N N YM917CS8
3	M916 CL3	1			PLATE, Liftgate Rear Sill Scuff (paint as require d) N N N YM916CL3
4		AR			SCREW (10-16x3/4)(not serviced) N N N N
5		AR			SCREW (8-18x3/4)(not serviced) N N N N

5242 000



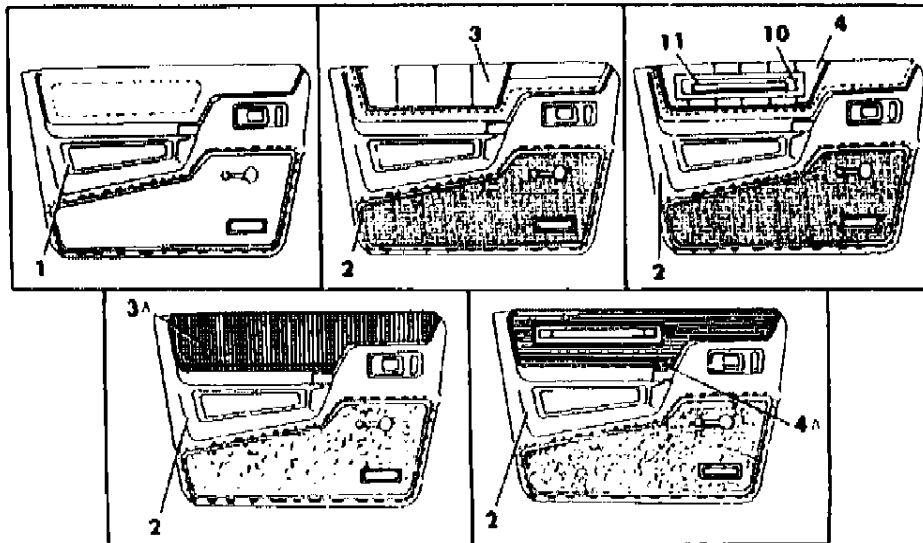
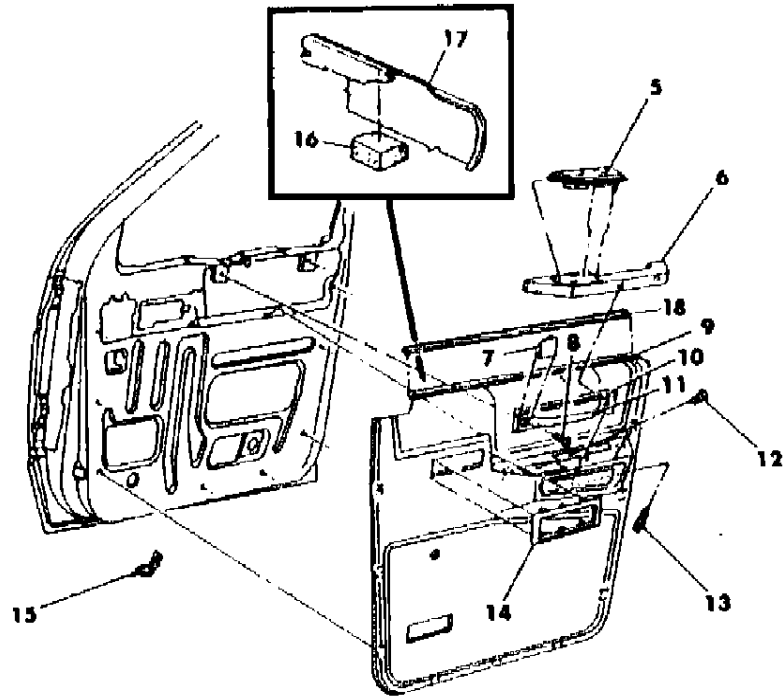
MODEL CODES
 B = GRAN FURY
 C = LE BARON/TOWN & COUNTRY/LIMO
 C24 = LASER
 C44 = LE BARON/GTS
 D = ARIES
 D44 = LANCER
 E = 600
 F = FIFTH AVENUE/NEWPORT
 G = DIPLOMAT
 H = VOYAGER
 J = CARAVELLE
 K = MINI VAN/CARAVAN/ROYAL
 M = HORIZON/TURISMO
 P = RELIANT
 T = NEW YORKER
 V = 600
 V24 = DAYTONA
 Z = OMNI/CHARGER

BODY STYLES
 21 = 2-DOOR SEDAN
 22 = 2-DOOR SPECIAL COUPE
 24 = 2-DOOR HATCHBACK
 27 = 2-DOOR CONVERTIBLE
 35 = FWD VAN
 36 = FWD WAGON
 41 = 4-DOOR SEDAN
 44 = 4-DOOR HATCHBACK
 45 = 4-DOOR STATION WAGON
 49 = LIMOUSINE

AR = Use as Required - = Non Illustrated Part P.A.R. = Paint as Required

DOOR TRIM PANEL FRONT H,K S BODY
Figure ITG-1000

5242 1000



ITEM	PART NUMBER	QTY	BODY	MODEL	DESCRIPTION
1					PANEL, Door Full N N N N
	J280-1 CA3	1			Vinyl N N N N
	J280-1 CA3	1			N N NA8AS,C7AS YJ280CA3
	J280-1 CA3	1			N N NC8AS,ZZAS YJ280CA3
	J280-1 CA3	1			N N NCXAS,C9AS YJ280CA3
	J280-1 CM6	1			N N NC7M,C8M YJ280CM6
	J280-1 CM6	1			N N NCXM,C9M YJ280CM6
	J280-1 CM6	1			N N NZZM YJ280CM6
	J280-1 DT3	1			N N NA8TT,C7TT YJ280DT3
	J280-1 DT3	1			N N NC8TT,C9TT YJ280DT3
	J280-1 DT3	1			N N NCXTT,ZZTT YJ280DT3
2					PANEL, w/Carpet w/o Bolster N N N N
	J302-3 CA3	1			N N ND7AS,E5AS YJ302CA3
	J302-3 CA3	1			N N NF6AS,G5AS YJ302CA3
	J302-3 CA3	1			N N NH6AS,ZZAS YJ302CA3
	J302-3 CA3	1			N N ND9AS YJ302CA3
	J302-3 CB5	1			N N ND7B,F6B YJ302CB5
	J302-3 CB5	1			N N NH6B YJ302CB5
	J302-3 CM6	1			N N ND7M,E5M,F6M YJ302CM6
	J302-3 CM6	1			N N NG5M,H6M,ZZM YJ302CM6
	J302-3 CM6	1			N N ND9M YJ302CM6
	J302-3 DT3	1			N N ND7TT,F6TT YJ302DT3
	J302-3 DT3	1			N N NG5TT,H6TT YJ302DT3
	J302-3 DT3	1			N N ND7TT,E5TT YJ302DT3
	J302-3 DT3	1			N N ND9TT,ZZTT YJ302DT3
3					BOLSTER, w/o Pull Handle N N N N
	K760-1 CA2	1			Vinyl N N N N
	K760-1 CA2	1			N N NE5AS,F6AS YK760CA2
	K760-1 CA2	1			N N NZZAS YK760CA2
	K760-1 CB5	1			N N NF6B YK760CB5
	K760-1 CM6	1			N N NE5M,F6M,ZZM YK760CM6
	K760-1 DT3	1			N N NF6TT,E5TT YK760DT3
	K760-1 DT3	1			N N NZZTT YK760DT3
3A					N N N N
	K764-5 CA3	1			Cloth N N N N
	K764-5 CA3	1			N N ND7AS,D9AS YK764CA3
	K764-5 CB5	1			N N ND7B YK764CB5

MODEL CODES

B = GRAN FURY	E = 600	M = HORIZON/TURISMO
C = LE BARON/TOWN & COUNTRY/LIMO	F = FIFTH AVENUE/NEWPORT	P = RELIANT
C24 = LASER	G = DIPLOMAT	T = NEW YORKER
C44 = LE BARON/GTS	H = VOYAGER	V = 600
D = ARIES	J = CARAVELLE	V24 = DAYTONA
D44 = LANCER	K = MINI VAN/CARAVAN/ROYAL	Z = OMNI/CHARGER

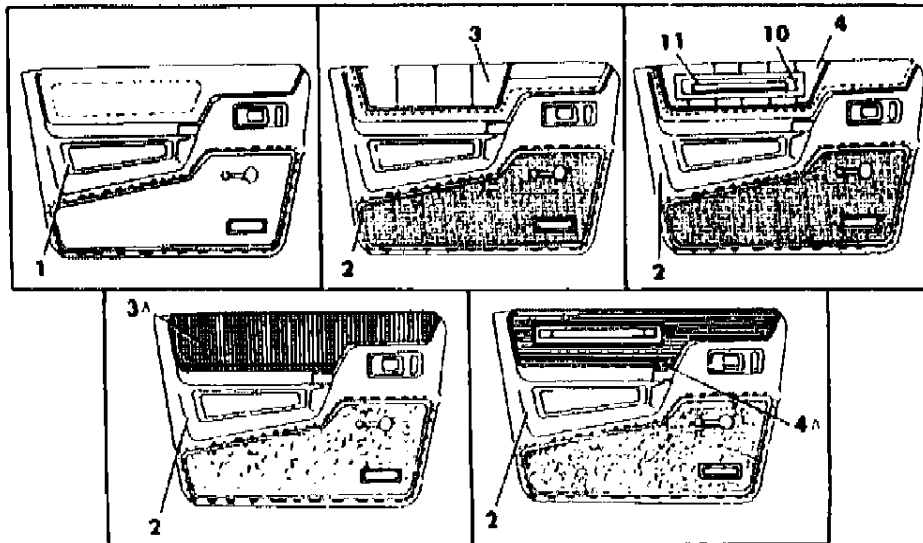
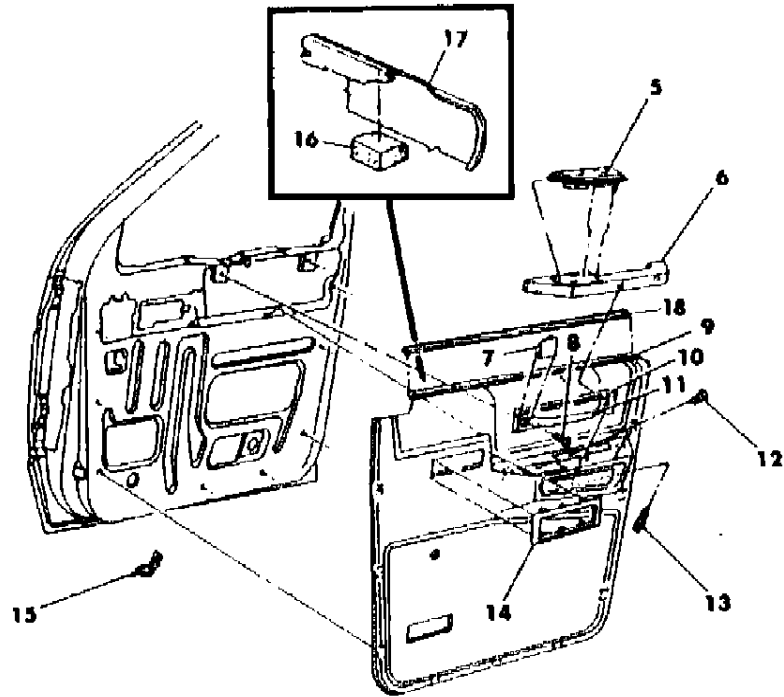
BODY STYLES

21 = 2-DOOR SEDAN	35 = FWD VAN	44 = 4-DOOR HATCHBACK
22 = 2-DOOR SPECIAL COUPE	36 = FWD WAGON	45 = 4-DOOR STATION WAGON
24 = 2-DOOR HATCHBACK	41 = 4-DOOR SEDAN	49 = LIMOUSINE
27 = 2-DOOR CONVERTIBLE		

AR = Use as Required - = Non Illustrated Part P.A.R. = Paint as Required

DOOR TRIM PANEL FRONT H,K S BODY
Figure ITG-1000

5242 1000



ITEM	PART NUMBER	QTY	BODY	MODEL	DESCRIPTION
4	K764-5 CM6	1			N N ND7M,D9M YK764CM6
	K764-5 DT3	1			N N ND7TT,D9TT YK764DT3
	BOLSTER, w/Pull Handle N N N N				
	Vinyl N N N N				
4A	K762-3 CA2	1			N N NH6AS YK762CA2
	K762-3 CB5	1			N N NH6B YK762CB5
	K762-3 CM6	1			N N NH6M YK762CM6
	K762-3 DT3	1			N N NH6TT YK762DT3
N N N N					
5	K758-9 CAS	1			Cloth N N N N
	K758-9 CMM	1			N N NG5AS YK758CAS
	K758-9 DTT	1			N N NG5M YK758CMM
6	6032 833	20			N N NG5TT YK758DTT
	NUT, Bolster Retaining N N N Y6032833				
6	BEZEL (see Group 23C) N N N N				
	PAD, Armrest N N N N				
4	w/o Power Windows and Door Locks N N N N				
	D464-5 CA3	1			Silver N N N YD464CA3
	D464-5 CB5	1			Blue N N N YD464CB5
	D464-5 CM6	1			Red N N N YD464CM6
4	D464-5 DT3	1			Tan N N N YD464DT3
	w/Power Windows and Door Locks N N N N				
	D466-7 CA3	1			Silver N N N YD466CA3
	D466-7 CB5	1			Blue N N N YD466CB5
4	D466-7 CM6	1			Red N N N YD466CM6
	D466-7 DT3	1			Tan N N N YD466DT3
	7	4248 932	4		END CAP, Pull Handle N N N Y4248932
	8	6032 141	AR		SCREW N N N Y6032141
9	4198 910-1	1		SEAL, Belt Rear N N N Y4198910	
10	4248 931	2		FINISH PLATE N N N Y4248931	
11	PULL HANDLE N N N N				
	D931 AA2	2			Silver N N N YD931AA2
	D931 CB5	2			Blue N N N YD931CB5
	D931 AM6	2			Red N N N YD931AM6
12	D931 DT3	2			Tan N N N YD931DT3
	6032 133	6			NUT, Handle Attaching N N N Y6032133
	N N N N				
	SCREW (not serviced) N N N N				

MODEL CODES

B = GRAN FURY	E = 600	M = HORIZON/TURISMO
C = LE BARON/TOWN & COUNTRY/LIMO	F = FIFTH AVENUE/NEWPORT	P = RELIANT
C24 = LASER	G = DIPLOMAT	T = NEW YORKER
C44 = LE BARON/GTS	H = VOYAGER	V = 600
D = ARIES	J = CARAVELLE	V24 = DAYTONA
D44 = LANCER	K = MINI VAN/CARAVAN/ROYAL	Z = OMNI/CHARGER

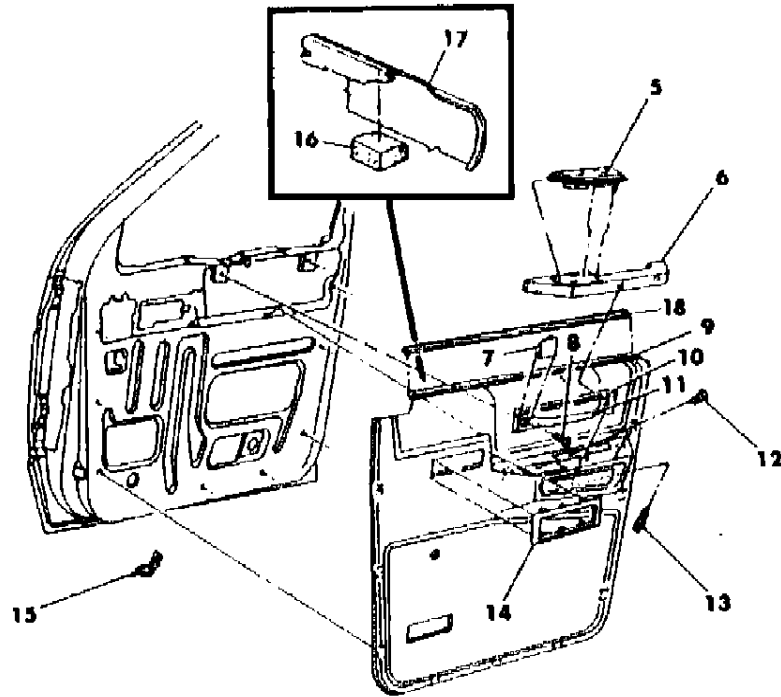
BODY STYLES

21 = 2-DOOR SEDAN	35 = FWD VAN	44 = 4-DOOR HATCHBACK
22 = 2-DOOR SPECIAL COUPE	36 = FWD WAGON	45 = 4-DOOR STATION WAGON
24 = 2-DOOR HATCHBACK	41 = 4-DOOR SEDAN	49 = LIMOUSINE
27 = 2-DOOR CONVERTIBLE		

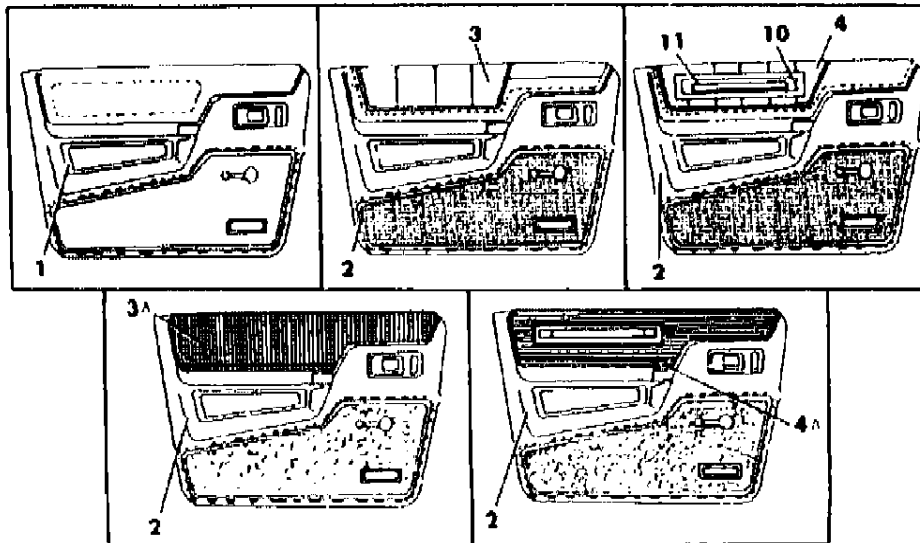
AR = Use as Required - = Non Illustrated Part P.A.R. = Paint as Required

DOOR TRIM PANEL FRONT H,K S BODY
Figure ITG-1000

5242 1000



ITEM	PART NUMBER	QTY	BODY	MODEL	DESCRIPTION
13		AR			SCREW (8-18x3/4)(not serviced) N N N N
14					BEZEL (see Group 23C) N N N N
15	1623 945	18			FASTENER N N N Y1623945
16	4336 247	2			SEAL, Belt Front N N N Y4336247
17					DOOR TRIM PANEL (reference) N N N N
18	4248 710-1	1			WEATHERSTRIP N N N Y4248710



MODEL CODES

B = GRAN FURY	E = 600	M = HORIZON/TURISMO
C = LE BARON/TOWN & COUNTRY/LIMO	F = FIFTH AVENUE/NEWPORT	P = RELIANT
C24 = LASER	G = DIPLOMAT	T = NEW YORKER
C44 = LE BARON/GTS	H = VOYAGER	V = 600
D = ARIES	J = CARAVELLE	V24 = DAYTONA
D44 = LANCER	K = MINI VAN/CARAVAN/ROYAL	Z = OMNI/CHARGER

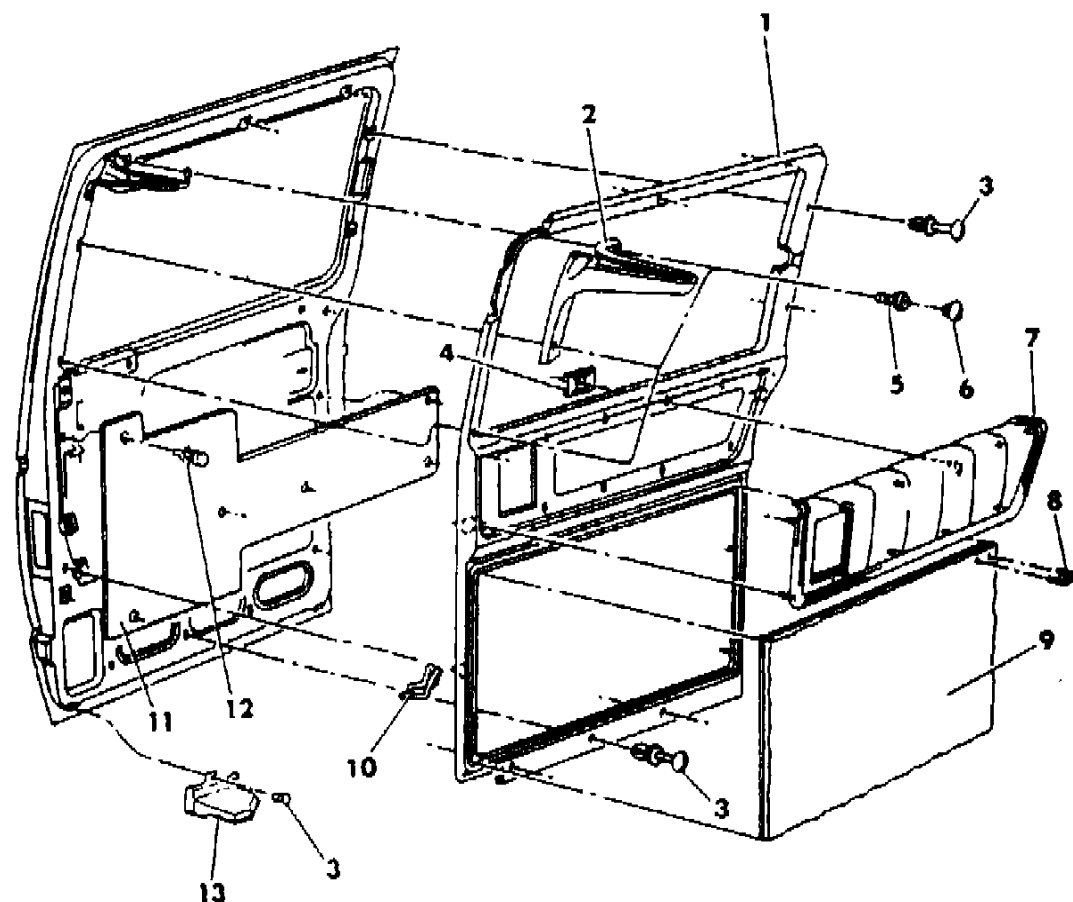
BODY STYLES

21 = 2-DOOR SEDAN	35 = FWD VAN	44 = 4-DOOR HATCHBACK
22 = 2-DOOR SPECIAL COUPE	36 = FWD WAGON	45 = 4-DOOR STATION WAGON
24 = 2-DOOR HATCHBACK	41 = 4-DOOR SEDAN	49 = LIMOUSINE
27 = 2-DOOR CONVERTIBLE		

AR = Use as Required - = Non Illustrated Part P.A.R. = Paint as Required

DOOR TRIM PANEL SLIDING H,K S BODY
Figure ITG-1100

9242 1100



ITEM	PART NUMBER	QTY	BODY	MODEL	DESCRIPTION
1					PANEL, Sliding Door N N N N w/o Carpet (paint as required) N N N N (use up to 3/15/85) N N N YH344CL3 (use after 3/15/85) N N N YK508EK1
	H344 CL3	1			
	K508 EK1	1			
2	F274 CA3	1			COVER, Upper Arm Trim (paint as required) N N N YF274CA3
3					FASTENER N N N N
	F155 BA3	7			Silver N N N YF155BA3
	F155 CB5	7			Blue N N N YF155CB5
	F155 BM6	7			Red N N N YF155BM6
	F155 DT3	7			Tan N N N YF155DT3
4	6032 431	11			NUT N N N Y6032431
5	6032 456	3			SCREW N N N Y6032456
6	F245 CA3	3			PLUG (paint as required) N N N YF245CA3
7					BOLSTER N N N N
					Vinyl N N N N
	H358 CA2	1			N N NF6AS,H6AS YH358CA2
	H358 CB5	1			N N NF6B,H6B YH358CB5
	H358 CM6	1			N N NF6M,H6M YH358CM6
	H358 DT3	1			N N NF6TT,H6TT YH358DT3
					Cloth N N N N
	H360 CAS	1			N N NG5AS YH360CAS
	H360 CMM	1			N N NG5M YH360CMM
	H360 DTT	1			N N NG5TT YH360DTT
	H396 CA3	1			N N ND7AS,D9AS YH396CA3
	H396 CB5	1			N N ND7B YH396CB5
	H396 CM6	1			N N ND7M,D9M YH396CM6
	H396 DT3	1			N N ND7TT,D9TT YH396DT3
		AR			FASTENER N N N N6032833
8		AR			STAPLE (not serviced) N N N N
9					CARPET, Sliding Door N N N N
	G271 CB5	1			Blue N N N YG271CB5
	G271 CM6	1			Red N N N YG271CM6
	G271 DT5	1			Tan N N N YG271DT5
	G271 CS8	1			Charcoal N N N YG271CS8
10	1623 945	5			FASTENER N N N Y1623945
11	4282 780	1			COVER, Sliding Door Inner Panel N N N Y4282780
12	6003 683	AR			FASTENER N N N Y6003683

MODEL CODES

B = GRAN FURY	E = 600	M = HORIZON/TURISMO
C = LE BARON/TOWN & COUNTRY/LIMO	F = FIFTH AVENUE/NEWPORT	P = RELIANT
C24 = LASER	G = DIPLOMAT	T = NEW YORKER
C44 = LE BARON/GTS	H = VOYAGER	V = 600
D = ARIES	J = CARAVELLE	V24 = DAYTONA
D44 = LANCER	K = MINI VAN/CARAVAN/ROYAL	Z = OMNI/CHARGER

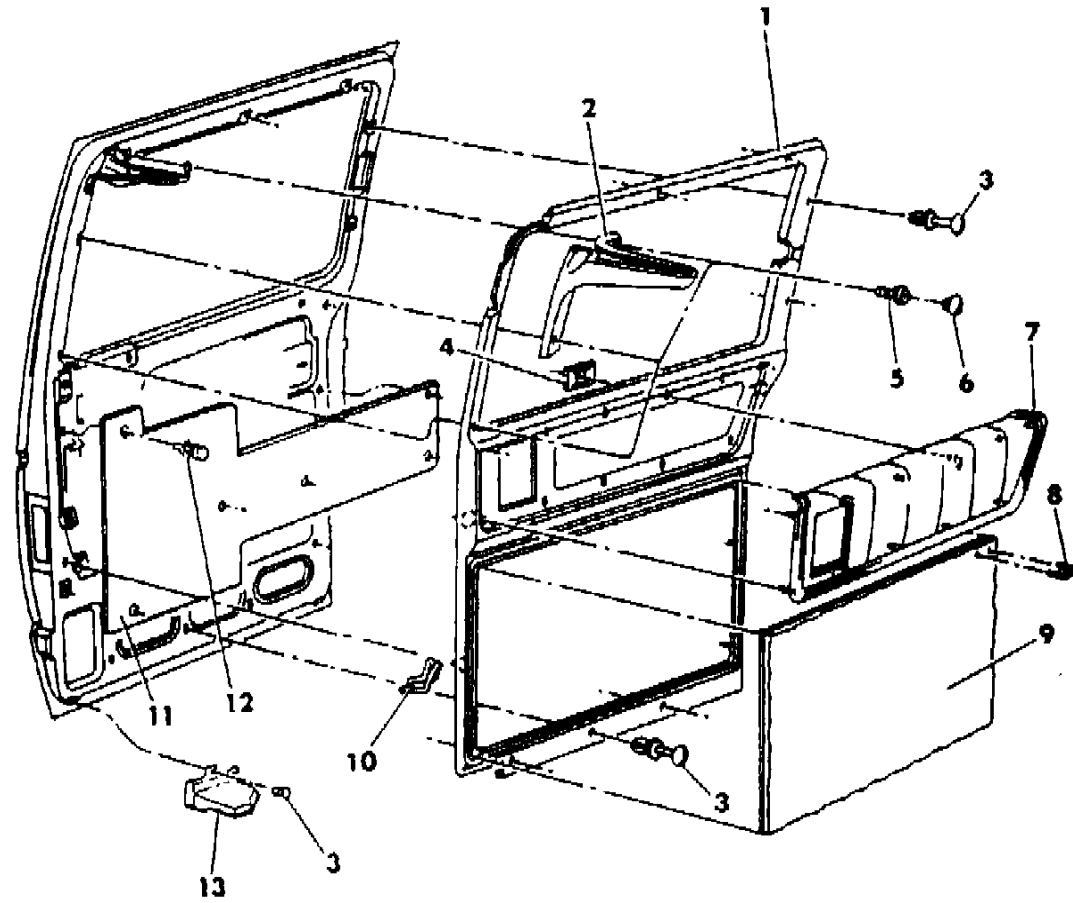
BODY STYLES

21 = 2-DOOR SEDAN	35 = FWD VAN	44 = 4-DOOR HATCHBACK
22 = 2-DOOR SPECIAL COUPE	36 = FWD WAGON	45 = 4-DOOR STATION WAGON
24 = 2-DOOR HATCHBACK	41 = 4-DOOR SEDAN	49 = LIMOUSINE
27 = 2-DOOR CONVERTIBLE		

AR = Use as Required - = Non Illustrated Part P.A.R. = Paint as Required

DOOR TRIM PANEL SLIDING H,K S BODY
Figure ITG-1100

9242 1100



ITEM	PART NUMBER	QTY	BODY	MODEL	DESCRIPTION
13					COVER, Lower Roller Bracket N N N N
	H298 CA3	1			Silver N N N YH298CA3
	H298 CB5	1			Blue N N N YH298CB5
	H298 CM6	1			Red N N N YH298CM6
	H298 DT3	1			Tan N N N YH298DT3

MODEL CODES

B = GRAN FURY	E = 600	M = HORIZON/TURISMO
C = LE BARON/TOWN & COUNTRY/LIMO	F = FIFTH AVENUE/NEWPORT	P = RELIANT
C24 = LASER	G = DIPLOMAT	T = NEW YORKER
C44 = LE BARON/GTS	H = VOYAGER	V = 600
D = ARIES	J = CARAVELLE	V24 = DAYTONA
D44 = LANCER	K = MINI VAN/CARAVAN/ROYAL	Z = OMNI/CHARGER

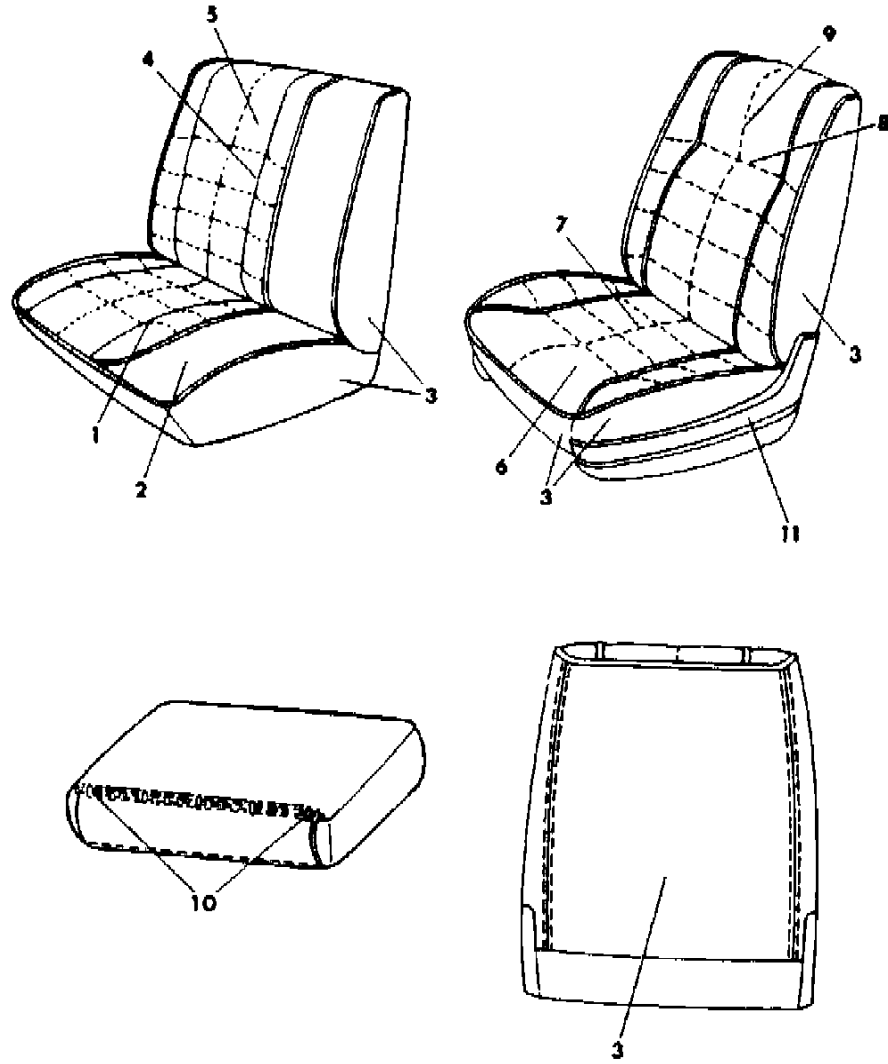
BODY STYLES

21 = 2-DOOR SEDAN	35 = FWD VAN	44 = 4-DOOR HATCHBACK
22 = 2-DOOR SPECIAL COUPE	36 = FWD WAGON	45 = 4-DOOR STATION WAGON
24 = 2-DOOR HATCHBACK	41 = 4-DOOR SEDAN	49 = LIMOUSINE
27 = 2-DOOR CONVERTIBLE		

AR = Use as Required - = Non Illustrated Part P.A.R. = Paint as Required

SEAT FRONT H,K S BODY TRIM CODES C9,D9,CX
Figure ITG-1200

9242 1200



ITEM	PART NUMBER	QTY	BODY	MODEL	DESCRIPTION
1					CUSHION, w/Spring/Frame, Pad and Cover Right N N N N
					Cloth N N N N
		G872 D7A	1		N N NC9AS,D9AS YG872D7A
		G872 D7M	1		N N NC9M,D9M YG872D7M
		G872 D7T	1		N N NC9TT,D9TT YG872D7T
					Vinyl N N N N
		G880 D8A	1		N N NCXAS YG880D8A
		G880 D8M	1		N N NCXM YG880D8M
		G880 D8T	1		N N NCXTT YG880D8T
2					COVER, Cushion Right N N N N
					Cloth N N N N
		G450 D7A	1		N N NC9AS,D9AS YG450D7A
		G450 D7M	1		N N NC9M,D9M YG450D7M
		G450 D7T	1		N N NC9TT,D9TT YG450D7T
					Vinyl N N N N
		G454 D8A	1		N N NCXAS YG454D8A
		G454 D8M	1		N N NCXM YG454D8M
		G454 D8T	1		N N NCXTT YG454D8T
3					ROLL STOCK, Vinyl Order by the Inch. N N N N
		R629 CM6	AR		Red, 54" Wide N N N YR629CM6
		R629 DT5	AR		Tan, 54" Wide N N N YR629DT5
4					Charcoal, 58" Wide N N N YR609CS8
					BACK, w/Spring/Frame, Pad and Cover Right N N N N
					Cloth N N N N
		G876 D7A	1		N N NC9AS,D9AS YG876D7A
		G876 D7M	1		N N NC9M,D9M YG876D7M
		G876 D7T	1		N N NC9TT,D9TT YG876D7T
					Vinyl N N N N
		G884 D8A	1		N N NCXAS YG884D8A
		G884 D8M	1		N N NCXM YG884D8M
	G884 D8T	1		N N NCXTT YG884D8T	
5					COVER, Back Right N N N N
					Cloth N N N N
		G452 D7A	1		N N NC9AS,D9AS YG452D7A
		G452 D7M	1		N N NC9M,D9M YG452D7M
		G452 D7T	1		N N NC9TT,D9TT YG452D7T
				Vinyl N N N N	

MODEL CODES

B = GRAN FURY	E = 600	M = HORIZON/TURISMO
C = LE BARON/TOWN & COUNTRY/LIMO	F = FIFTH AVENUE/NEWPORT	P = RELIANT
C24 = LASER	G = DIPLOMAT	T = NEW YORKER
C44 = LE BARON/GTS	H = VOYAGER	V = 600
D = ARIES	J = CARAVELLE	V24 = DAYTONA
D44 = LANCER	K = MINI VAN/CARAVAN/ROYAL	Z = OMNI/CHARGER

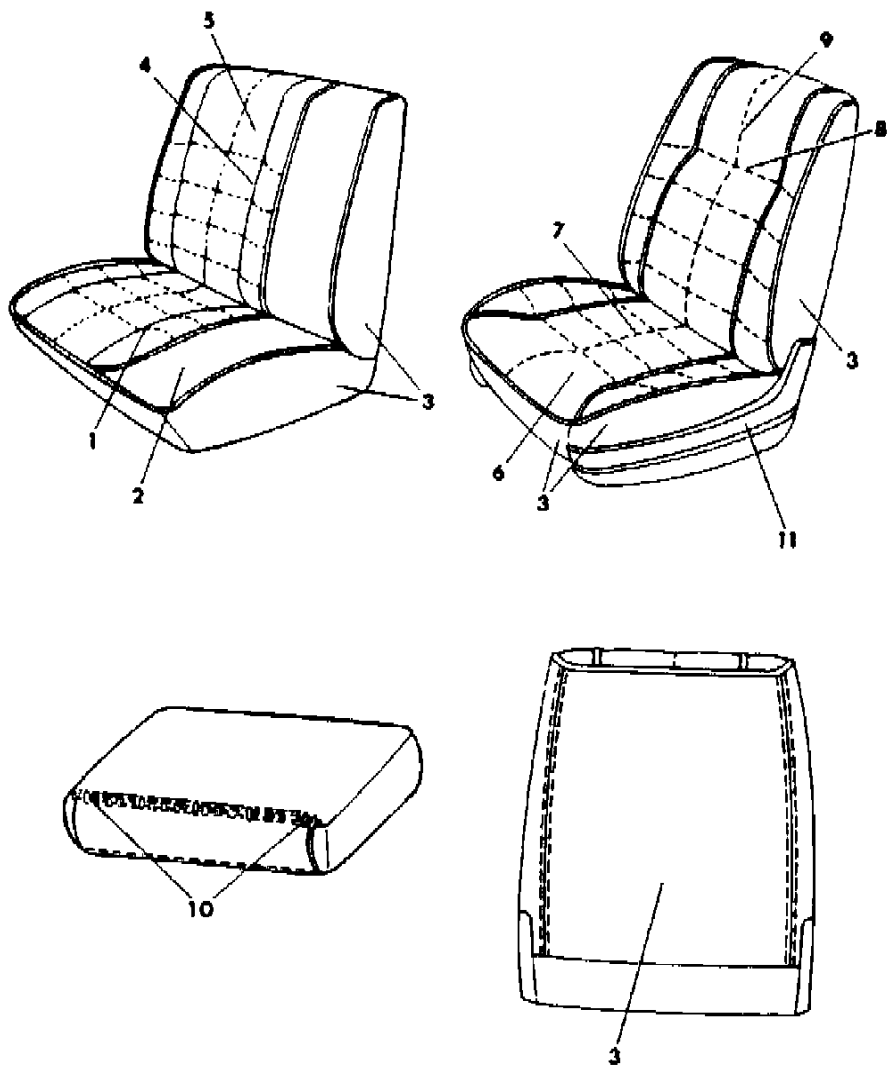
BODY STYLES

21 = 2-DOOR SEDAN	35 = FWD VAN	44 = 4-DOOR HATCHBACK
22 = 2-DOOR SPECIAL COUPE	36 = FWD WAGON	45 = 4-DOOR STATION WAGON
24 = 2-DOOR HATCHBACK	41 = 4-DOOR SEDAN	49 = LIMOUSINE
27 = 2-DOOR CONVERTIBLE		

AR = Use as Required - = Non Illustrated Part P.A.R. = Paint as Required

SEAT FRONT H,K S BODY TRIM CODES C9,D9,CX
Figure ITG-1200

9242 1200



ITEM	PART NUMBER	QTY	BODY	MODEL	DESCRIPTION
	G470 D8A	1			N N NCXAS YG470D8A
	G470 D8M	1			N N NCXM YG470D8M
	G470 D8T	1			N N NCXTT YG470D8T
6					CUSHION, w/Spring/Frame, Pad and Cover Left N N N N Cloth N N N N
	G824 D7A	1			N N NC9AS,D9AS YG824D7A
	G824 D7M	1			N N NC9M,D9M YG824D7M
	G824 D7T	1			N N NC9TT,D9TT YG824D7T Vinyl N N N N
	G836 D8A	1			N N NCXAS YG836D8A
	G836 D8M	1			N N NCXM YG836D8M
	G836 D8T	1			N N NCXTT YG836D8T
7					COVER, Cushion Left N N N N Cloth N N N N
	G446 D7A	1			N N NC9AS,D9AS YG446D7A
	G446 D7M	1			N N NC9M,D9M YG446D7M
	G446 D7T	1			N N NC9TT,D9TT YG446D7T Vinyl N N N N
	G448 D8A	1			N N NCXAS YG448D8A
	G448 D8M	1			N N NCXM YG448D8M
	G448 D8T	1			N N NCXTT YG448D8T
	4376 405	1			Rear N N N Y4376405
	4376 404	1			Front N N N Y4376404
	4376 402	1			Side N N N Y4376402
	4376 406	1			Rear N N N Y4376406
8					BACK, w/Spring/Frame, Pad and Cover Left N N N N Cloth N N N N
	G866 D7A	1			N N NC9AS,D9AS YG866D7A
	G866 D7M	1			N N NC9M,D9M YG866D7M
	G866 D7T	1			N N NC9TT,D9TT YG866D7T Vinyl N N N N
	G852 D8A	1			N N NCXAS YG852D8A
	G852 D8M	1			N N NCXM YG852D8M
	G852 D8T	1			N N NCXTT YG852D8T
9					COVER, Back Left N N N N Cloth N N N N
	G461 D7A	1			N N NC9AS,D9AS YG461D7A

MODEL CODES

B = GRAN FURY	E = 600	M = HORIZON/TURISMO
C = LE BARON/TOWN & COUNTRY/LIMO	F = FIFTH AVENUE/NEWPORT	P = RELIANT
C24 = LASER	G = DIPLOMAT	T = NEW YORKER
C44 = LE BARON/GTS	H = VOYAGER	V = 600
D = ARIES	J = CARAVELLE	V24 = DAYTONA
D44 = LANCER	K = MINI VAN/CARAVAN/ROYAL	Z = OMNI/CHARGER

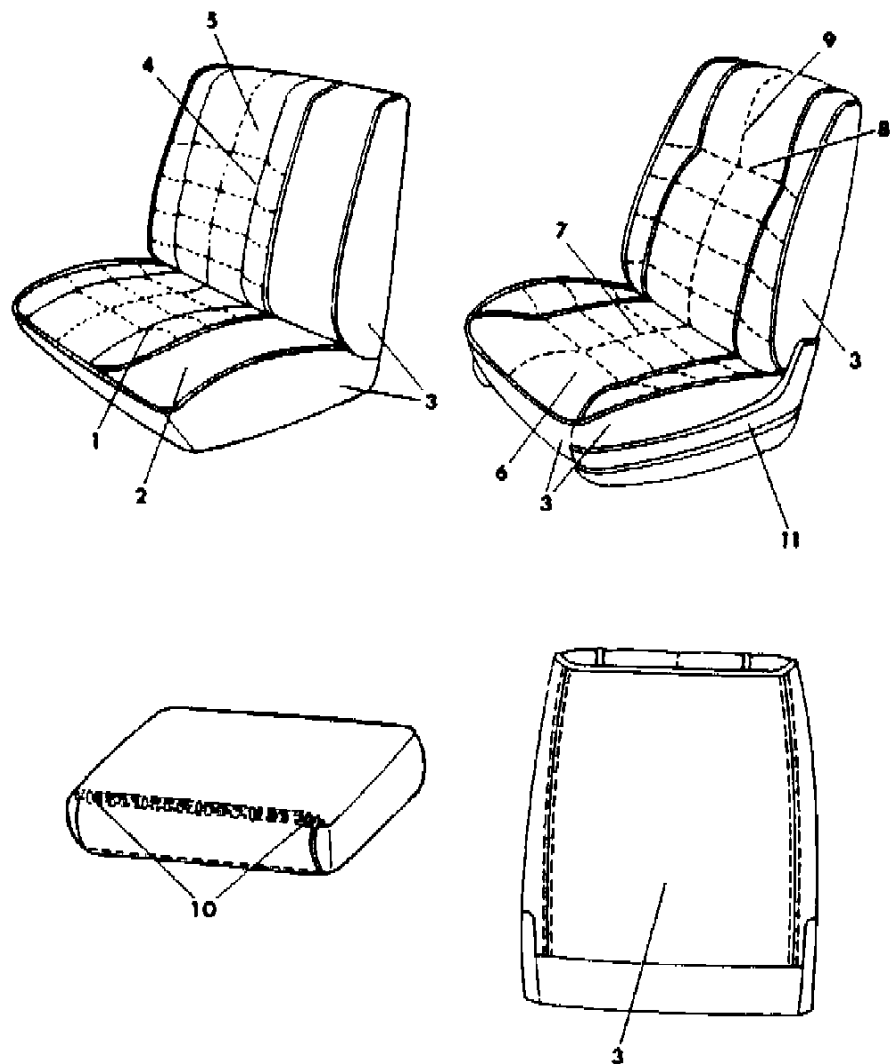
BODY STYLES

21 = 2-DOOR SEDAN	35 = FWD VAN	44 = 4-DOOR HATCHBACK
22 = 2-DOOR SPECIAL COUPE	36 = FWD WAGON	45 = 4-DOOR STATION WAGON
24 = 2-DOOR HATCHBACK	41 = 4-DOOR SEDAN	49 = LIMOUSINE
27 = 2-DOOR CONVERTIBLE		

AR = Use as Required - = Non Illustrated Part P.A.R. = Paint as Required

SEAT FRONT H,K S BODY TRIM CODES C9,D9,CX
Figure ITG-1200

9242 1200



ITEM	PART NUMBER	QTY	BODY	MODEL	DESCRIPTION
	G461 D7M	1			N N NC9M,D9M YG461D7M
	G461 D7T	1			N N NC9TT,D9TT YG461D7T
	G471 D8A	1			Vinyl N N N N
	G471 D8M	1			N N NCXAS YG471D8A
	G471 D8T	1			N N NCXTT YG471D8T
10	6008 076	AR			HOG RING N N N Y6008076
11					SHIELD, Cushion and Back N N N N
	S950 DB5	1			Passenger Outboard N N N YS950DB5
	S927 DB5	1			Driver Outboard N N N YS927DB5

MODEL CODES

B = GRAN FURY	E = 600	M = HORIZON/TURISMO
C = LE BARON/TOWN & COUNTRY/LIMO	F = FIFTH AVENUE/NEWPORT	P = RELIANT
C24 = LASER	G = DIPLOMAT	T = NEW YORKER
C44 = LE BARON/GTS	H = VOYAGER	V = 600
D = ARIES	J = CARAVELLE	V24 = DAYTONA
D44 = LANCER	K = MINI VAN/CARAVAN/ROYAL	Z = OMNI/CHARGER

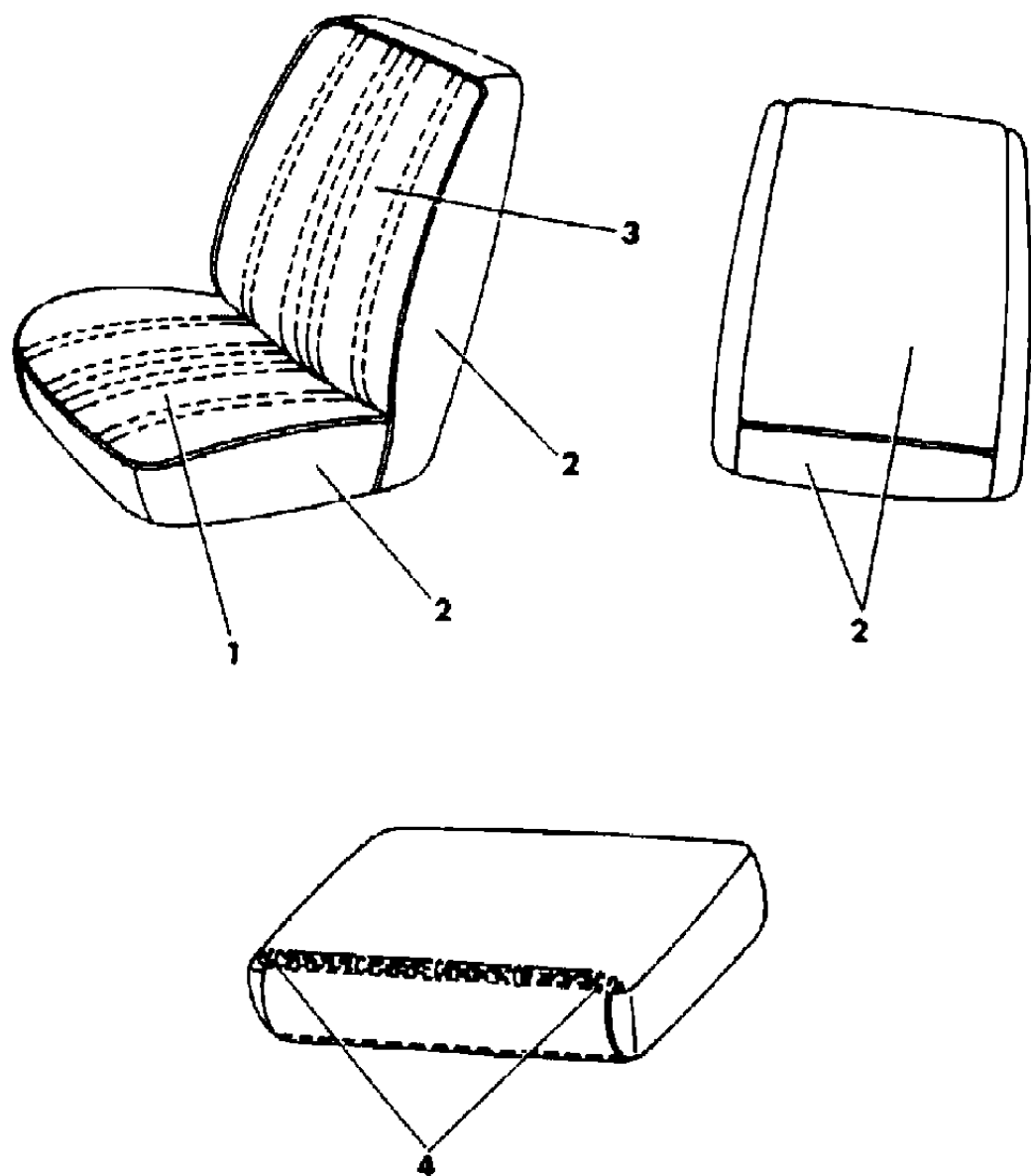
BODY STYLES

21 = 2-DOOR SEDAN	35 = FWD VAN	44 = 4-DOOR HATCHBACK
22 = 2-DOOR SPECIAL COUPE	36 = FWD WAGON	45 = 4-DOOR STATION WAGON
24 = 2-DOOR HATCHBACK	41 = 4-DOOR SEDAN	49 = LIMOUSINE
27 = 2-DOOR CONVERTIBLE		

AR = Use as Required - = Non Illustrated Part P.A.R. = Paint as Required

SEAT FRONT H,K S BODY TRIM CODE A8
Figure ITG-1300

5242 1300



ITEM	PART NUMBER	QTY	BODY	MODEL	DESCRIPTION
1-2					CUSHION, w/Spring/Frame, Pad and Cover N N N N Vinyl N N N N
	G814-5 D8A	1			N N NA8AS YG814D8A
	G814-5 D8T	1			N N NA8TT YG814D8T
2					COVER, Cushion N N N N Vinyl N N N N
	G444-5 D8A	1			N N NA8AS YG444D8A
	G444-5 D8T	1			N N NA8TT YG444D8T
3					ROLL STOCK, Vinyl 54" Wide Order by the Inch N N N N
	R615 DT3	AR			Tan N N N YR615DT3
	R615 CS8	AR			Charcoal N N N YR615CS8
2-3					BACK, w/Spring/Frame, Pad and Cover N N N N Vinyl N N N N
	G820-1 D8A	1			N N NA8AS YG820D8A
	G820-1 D8T	1			N N NA8TT YG820D8T
3					COVER, Back N N N N Vinyl N N N N
	G441 D8A	2			N N NA8AS YG441D8A
	G441 D8T	2			N N NA8TT YG441D8T
4	6008 076	AR			HOG RING N N N Y6008076

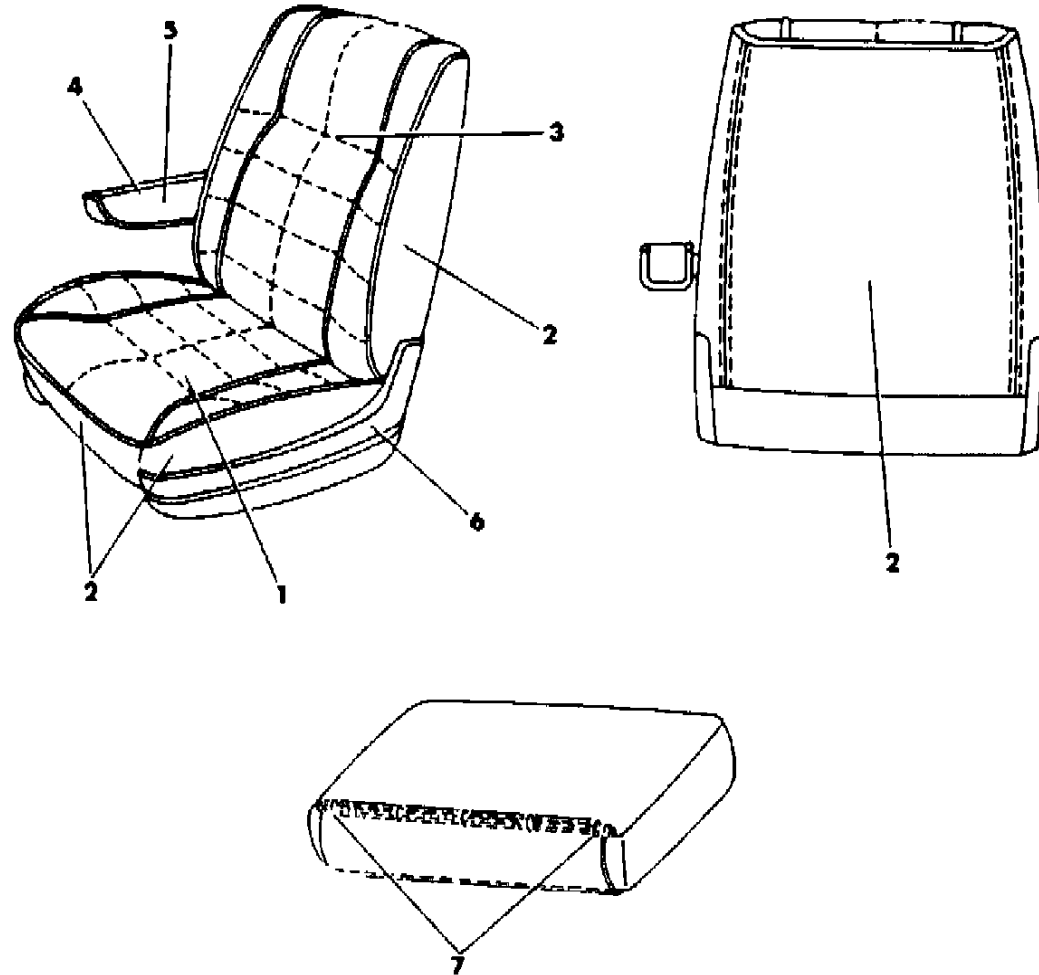
MODEL CODES
 B = GRAN FURY
 C = LE BARON/TOWN & COUNTRY/LIMO
 C24 = LASER
 C44 = LE BARON/GTS
 D = ARIES
 D44 = LANCER
 E = 600
 F = FIFTH AVENUE/NEWPORT
 G = DIPLOMAT
 H = VOYAGER
 J = CARAVELLE
 K = MINI VAN/CARAVAN/ROYAL
 M = HORIZON/TURISMO
 P = RELIANT
 T = NEW YORKER
 V = 600
 V24 = DAYTONA
 Z = OMNI/CHARGER

BODY STYLES
 21 = 2-DOOR SEDAN
 22 = 2-DOOR SPECIAL COUPE
 24 = 2-DOOR HATCHBACK
 27 = 2-DOOR CONVERTIBLE
 35 = FWD VAN
 36 = FWD WAGON
 41 = 4-DOOR SEDAN
 44 = 4-DOOR HATCHBACK
 45 = 4-DOOR STATION WAGON
 49 = LIMOUSINE

AR = Use as Required - = Non Illustrated Part P.A.R. = Paint as Required

SEAT FRONT H,K S BODY TRIM CODES C7,C8,D7
Figure ITG-1400

5242 1400



ITEM	PART NUMBER	QTY	BODY	MODEL	DESCRIPTION
1-2					CUSHION, w/Spring/Frame, Pad and Cover N N N N
	G824-5 D7A	1			Cloth N N N N
	G824-5 D7B	1			N N NC7AS,D7AS YG824D7A
	G824-5 D7M	1			N N ND7B YG824D7B
	G824-5 D7T	1			N N NC7M,D7M YG824D7M
	G836-7 D8A	1			N N NC7TT,D7TT YG824D7T
	G836-7 D8M	1			Vinyl N N N N
	G836-7 D8T	1			N N NC8AS YG836D8A
	G446-7 D7A	1			N N NC8M YG836D8M
1					COVER, Cushion N N N N
	G446-7 D7A	1			Cloth N N N N
	G446-7 D7B	1			N N NC7AS,D7AS YG446D7A
	G446-7 D7M	1			N N ND7B YG446D7B
	G446-7 D7T	1			N N NC7M,D7M YG446D7M
	G448-9 D8A	1			N N NC7TT,D7TT YG446D7T
	G448-9 D8M	1			Vinyl N N N N
	G448-9 D8T	1			N N NC8AS YG448D8A
	G448-9 D8M	1			N N NC8M YG448D8M
	G448-9 D8T	1			N N NC8TT YG448D8T
2					ROLL STOCK, Vinyl Order by the Inch N N N N
	R609 CS8	AR			Charcoal 58" Wide N N NC7AS,D7AS YR609CS8
	R609 CS8	AR			Charcoal 58" Wide N N NC8AS YR609CS8
	R629 CB5	AR			Blue 54" Wide N N ND7B YR629CB5
	R629 CM6	AR			Red 54" Wide N N NC7M,D7M,C8M YR629CM6
	R629 DT3	AR			Beige 54" Wide N N NC7TT,D7TT YR629DT3
	R629 DT3	AR			Beige 54" Wide N N NC8TT YR629DT3
2-3					BACK, w/Spring/Frame, Pad and Cover N N N N
	G866-7 D7A	1			Cloth N N N N
	G866-7 D7M	1			N N NC7AS YG866D7A
	G866-7 D7T	1			N N NC7M YG866D7M
	G868-9 D7A	1			N N NC7TT YG866D7T
	G868-9 D7B	1			N N ND7AS YG868D7A
	G868-9 D7M	1			N N ND7B YG868D7B
	G868-9 D7T	1			N N ND7M YG868D7M
	G868-9 D7T	1			N N ND7TT YG868D7T
					Vinyl N N N N

MODEL CODES

B = GRAN FURY	E = 600	M = HORIZON/TURISMO
C = LE BARON/TOWN & COUNTRY/LIMO	F = FIFTH AVENUE/NEWPORT	P = RELIANT
C24 = LASER	G = DIPLOMAT	T = NEW YORKER
C44 = LE BARON/GTS	H = VOYAGER	V = 600
D = ARIES	J = CARAVELLE	V24 = DAYTONA
D44 = LANCER	K = MINI VAN/CARAVAN/ROYAL	Z = OMNI/CHARGER

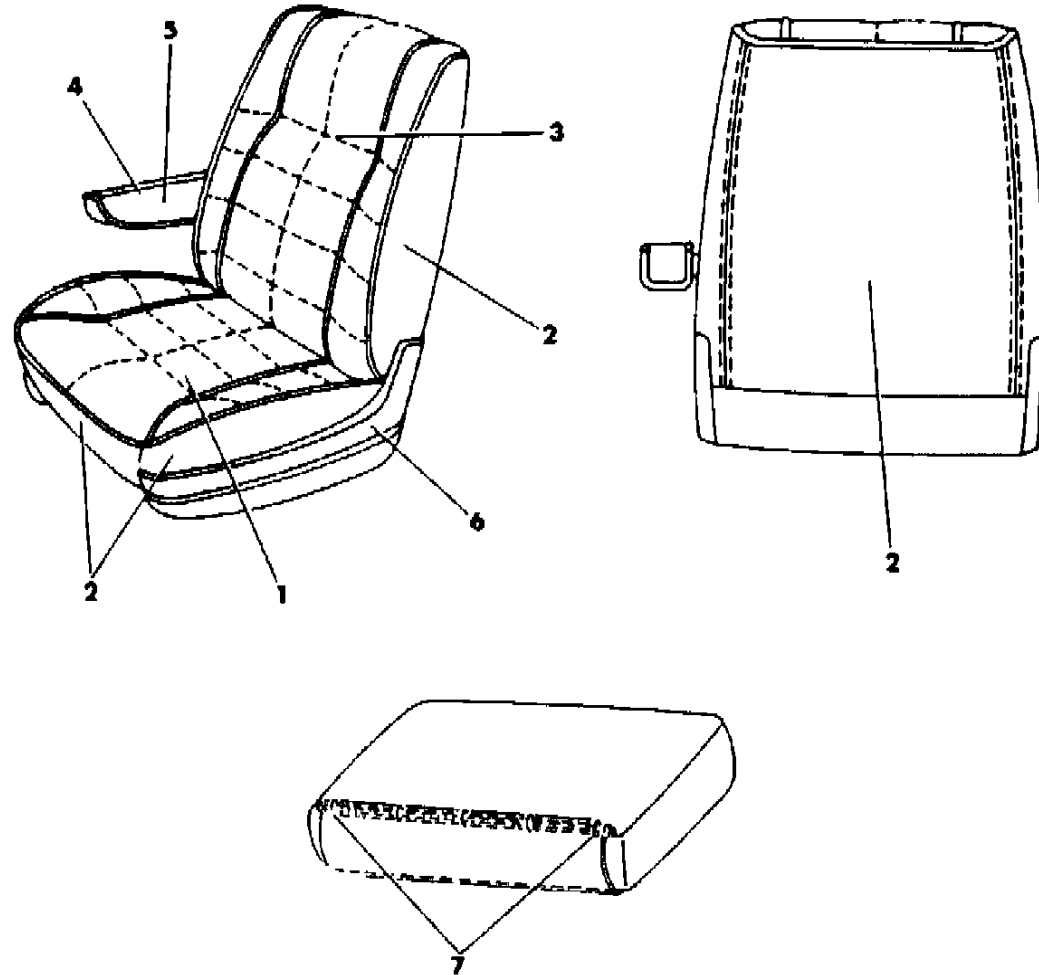
BODY STYLES

21 = 2-DOOR SEDAN	35 = FWD VAN	44 = 4-DOOR HATCHBACK
22 = 2-DOOR SPECIAL COUPE	36 = FWD WAGON	45 = 4-DOOR STATION WAGON
24 = 2-DOOR HATCHBACK	41 = 4-DOOR SEDAN	49 = LIMOUSINE
27 = 2-DOOR CONVERTIBLE		

AR = Use as Required - = Non Illustrated Part P.A.R. = Paint as Required

**SEAT FRONT H,K S BODY TRIM CODES C7,C8,D7
Figure ITG-1400**

5242 1400



ITEM	PART NUMBER	QTY	BODY	MODEL	DESCRIPTION
	G852-3 D8A	1			N N NC8AS YG852D8A
	G852-3 D8M	1			N N NC8M YG852D8M
	G852-3 D8T	1			N N NC8TT YG852D8T
3					COVER, Back N N N N Cloth N N N N
	G461 D7A	2			N N NC7AS,D7AS YG461D7A
	G461 D7B	2			N N ND7B YG461D7B
	G461 D7M	2			N N NC7M,D7M YG461D7M
	G461 D7T	2			N N NC7TT,D7TT YG461D7T
					Vinyl N N N N
	G471 D8A	2			N N NC8AS YG471D8A
	G471 D8M	2			N N NC8M YG471D8M
	G471 D8T	2			N N NC8TT YG471D8T
4					ARMREST and COVER N N N N
	G712 CS8	2			Charcoal N N N YG712CS8
	G712 CB5	2			Blue N N N YG712CB5
	G712 CM6	2			Red N N N YG712CM6
	G712 DT5	2			Tan N N N YG712DT5
5					COVER, Armrest N N N N
	G421 CS8	2			Charcoal N N N YG421CS8
	G421 CB5	2			Blue N N N YG421CB5
	G421 CM6	2			Red N N N YG421CM6
	G421 DT5	2			Tan N N N YG421DT5
6					SHIELD, Cushion and Back (non reclining paint as required) N N N N
	S950 DB5	1			Passenger Seat N N N N
	S927 DB5	1			Outboard N N N YS950DB5 Inboard N N N YS927DB5
	S951 DB5	1			Drivers Seat N N N N
	S926 DB5	1			Outboard N N N YS951DB5 Inboard N N N YS926DB5
	6500 453	4			NUT, Stamped N N N Y6500453
7	6008 076	AR			HOG RING N N N Y6008076

NOTE: For Armrest Attaching Parts See Illustration Number 1900 s ARE NOT RETURNABLE.

MODEL CODES

B = GRAN FURY	E = 600	M = HORIZON/TURISMO
C = LE BARON/TOWN & COUNTRY/LIMO	F = FIFTH AVENUE/NEWPORT	P = RELIANT
C24 = LASER	G = DIPLOMAT	T = NEW YORKER
C44 = LE BARON/GTS	H = VOYAGER	V = 600
D = ARIES	J = CARAVELLE	V24 = DAYTONA
D44 = LANCER	K = MINI VAN/CARAVAN/ROYAL	Z = OMNI/CHARGER

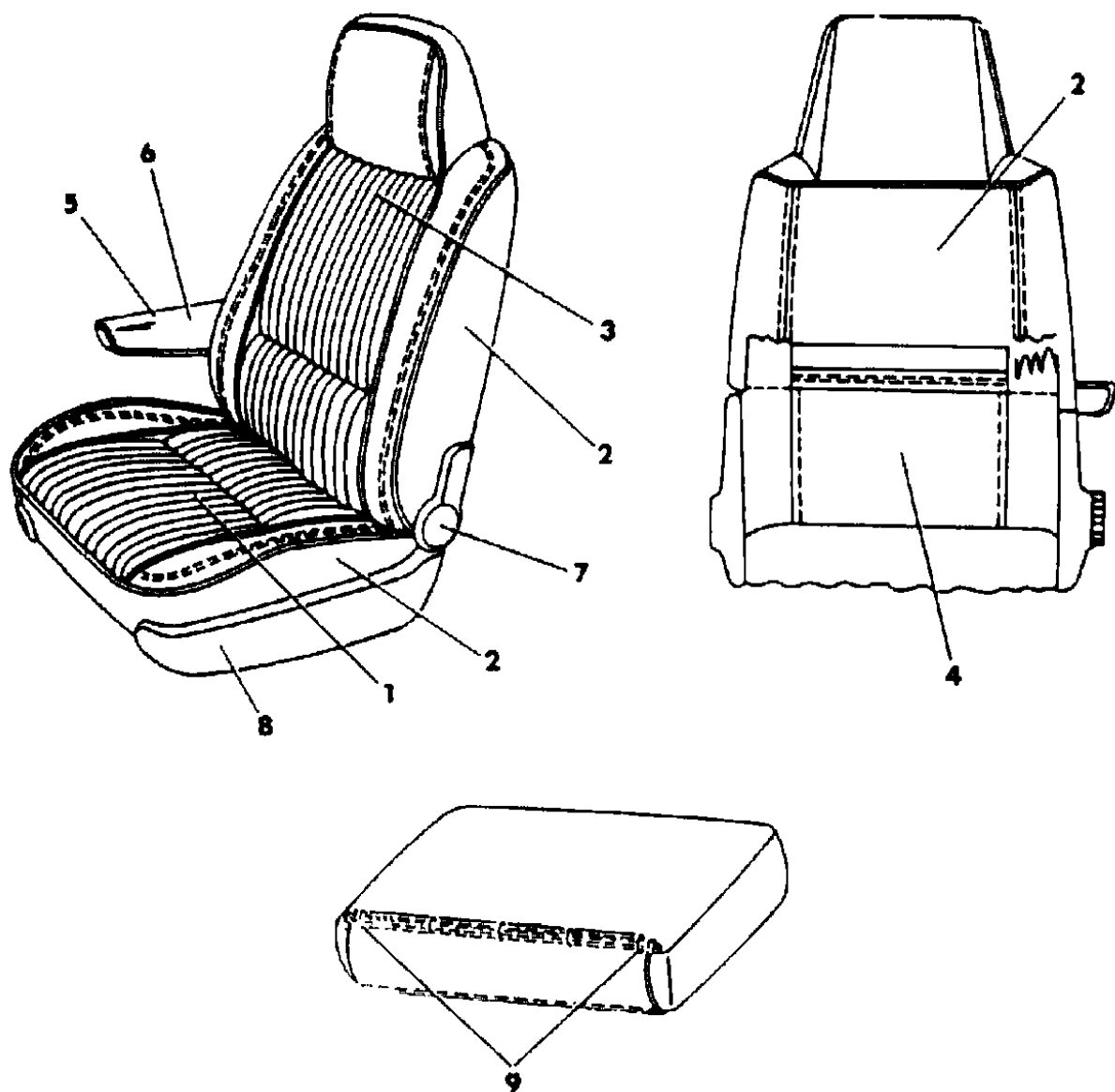
BODY STYLES

21 = 2-DOOR SEDAN	35 = FWD VAN	44 = 4-DOOR HATCHBACK
22 = 2-DOOR SPECIAL COUPE	36 = FWD WAGON	45 = 4-DOOR STATION WAGON
24 = 2-DOOR HATCHBACK	41 = 4-DOOR SEDAN	49 = LIMOUSINE
27 = 2-DOOR CONVERTIBLE		

AR = Use as Required - = Non Illustrated Part P.A.R. = Paint as Required

SEAT FRONT H,K S BODY TRIM CODES F6,H6
Figure ITG-1500

5242 1300



ITEM	PART NUMBER	QTY	BODY	MODEL	DESCRIPTION
1-2					CUSHION, w/Spring/Frame, Pad and Cover N N N N Vinyl N N N N
	G806-7 D6A	1			N N NF6AS,H6AS YG806D6A
	G806-7 D6B	1			N N NF6B,H6B YG806D6B
	G806-7 D6M	1			N N NF6M,H6M YG806D6M
	G806-7 D6T	1			N N NF6TT,H6TT YG806D6T
1					COVER, Cushion N N N N Vinyl N N N N
	G442-3 D6A	1			N N NF6AS,H6AS YG442D6A
	G442-3 D6B	1			N N NF6B,H6B YG442D6B
	G442-3 D6M	1			N N NF6M,H6M YG442D6M
	G442-3 D6T	1			N N NF6TT,H6TT YG442D6T
2					ROLL STOCK, Vinyl Order by the Inch N N N N
	R609 CS8	AR			Charcoal 58" Wide N N NF6AS,H6AS YR609CS8
	R629 CB5	AR			Blue 54" Wide N N NF6B,H6B YR629CB5
	R629 CM6	AR			Red 54" Wide N N NF6M,H6M YR629CM6
	R629 DT5	AR			Tan 54" Wide N N NF6TT,H6TT YR629DT5
2-3					BACK, w/Spring/Frame, Pad and Cover N N N N w/Map Pocket Right and Left N N N N Vinyl N N N N
	G850-1 D6A	1			N N35,36 NF6AS,H6AS YG850D6A
	G850-1 D6B	1			N N36 NF6B,H6B YG850D6B
	G850-1 D6M	1			N N35,36 NF6M,H6M YG850D6M
	G850-1 D6T	1			N N35,36 NF6TT,H6TT YG850D6T
	G850 D6A	1			N N36 NF6AS,H6AS YG850D6A
	G850 D6B	1			N N36 NF6B,H6B YG850D6B
	G850 D6M	1			N N36 NF6M,H6M YG850D6M
	G850 D6T	1			N N36 NF6TT,H6TT YG850D6T
	G881 D6A	1			w/o Map Pocket Left N N N N N N36 NF6AS,H6AS YG881D6A
	G881 D6B	1			N N36 NF6B,H6B YG881D6B
	G881 D6M	1			N N36 NF6M,H6M YG881D6M
	G881 D6T	1			N N36 NF6TT,H6TT YG881D6T
	G881 D6A	2			w/o Map Pocket Right and Left N N N N N N35 NF6AS YG881D6A
	G881 D6M	2			N N35 NF6M YG881D6M

MODEL CODES

B = GRAN FURY	E = 600	M = HORIZON/TURISMO
C = LE BARON/TOWN & COUNTRY/LIMO	F = FIFTH AVENUE/NEWPORT	P = RELIANT
C24 = LASER	G = DIPLOMAT	T = NEW YORKER
C44 = LE BARON/GTS	H = VOYAGER	V = 600
D = ARIES	J = CARAVELLE	V24 = DAYTONA
D44 = LANCER	K = MINI VAN/CARAVAN/ROYAL	Z = OMNI/CHARGER

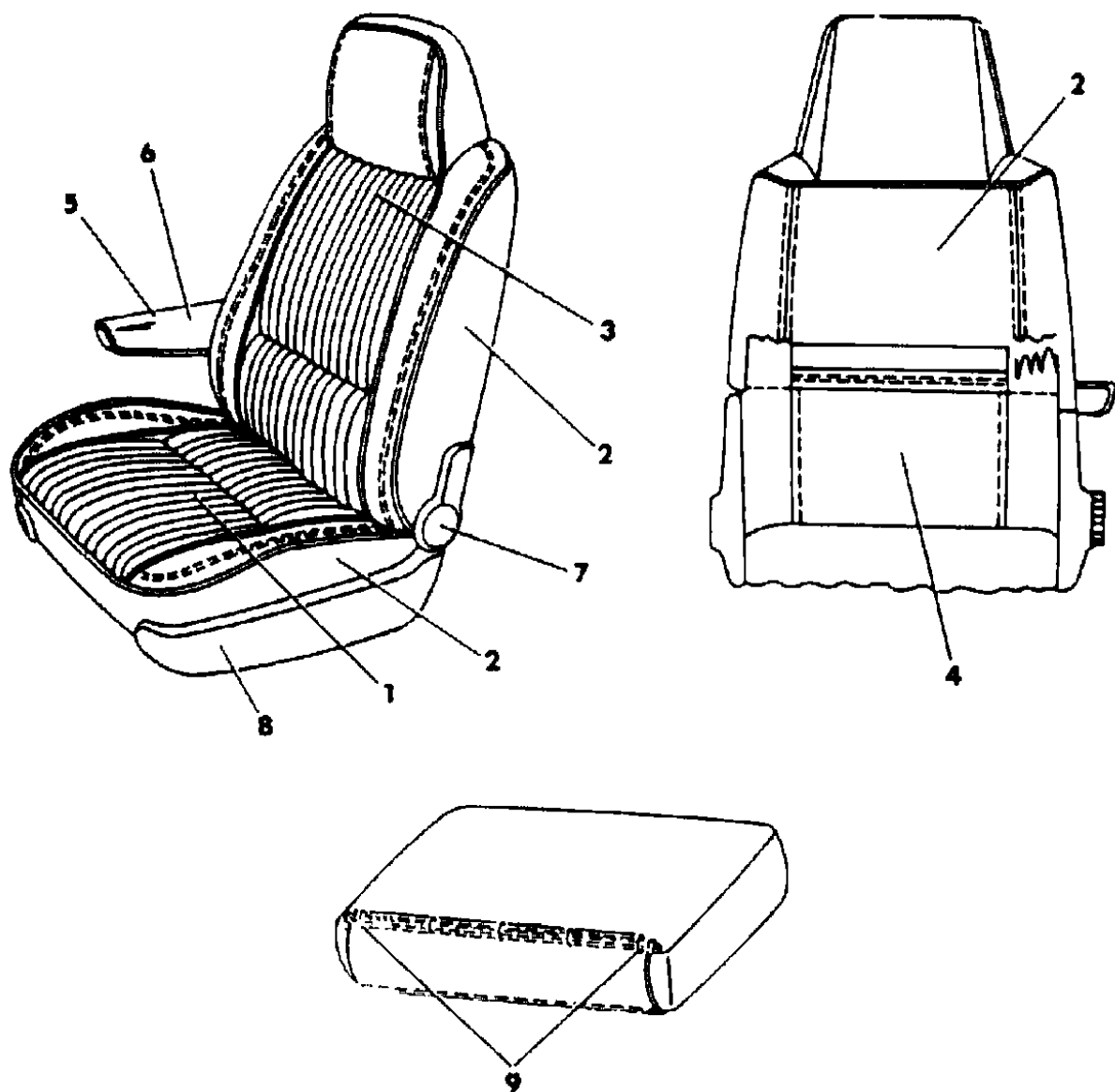
BODY STYLES

21 = 2-DOOR SEDAN	35 = FWD VAN	44 = 4-DOOR HATCHBACK
22 = 2-DOOR SPECIAL COUPE	36 = FWD WAGON	45 = 4-DOOR STATION WAGON
24 = 2-DOOR HATCHBACK	41 = 4-DOOR SEDAN	49 = LIMOUSINE
27 = 2-DOOR CONVERTIBLE		

AR = Use as Required - = Non Illustrated Part P.A.R. = Paint as Required

SEAT FRONT H,K S BODY TRIM CODES F6,H6
Figure ITG-1500

5242 1300



ITEM	PART NUMBER	QTY	BODY	MODEL	DESCRIPTION
	G881 D6T	2			N N35 NF6TT YG881D6T
3					COVER, Back N N N N w/Map Pocket Right and Left N N N N Vinyl N N N N
	G431 D6A	2			N N35,36 NF6AS,H6AS YG431D6A
	G431 D6B	2			N N36 NF6B,H6B YG431D6B
	G431 D6M	2			N N35,36 NF6M,H6M YG431D6M
	G431 D6T	2			N N35,36 NF6TT,H6TT YG431D6T w/Map Pocket Right N N N N
	G431 D6A	1			N N36 NF6AS,H6AS YG431D6A
	G431 D6B	1			N N36 NF6B,H6B YG431D6B
	G431 D6M	1			N N36 NF6M,H6M YG431D6M
	G431 D6T	1			N N36 NF6TT,H6TT YG431D6T w/o Map Pocket Left N N N N
	G469 D6A	1			N N36 NF6AS,H6AS YG469D6A
	G469 D6B	1			N N36 NF6B,H6B YG469D6B
	G469 D6M	1			N N36 NF6M,H6M YG469D6M
	G469 D6T	1			N N36 NF6TT,H6TT YG469D6T w/o Map Pocket Right and Left N N N N
	G469 D6A	2			N N35 NF6AS YG469D6A
	G469 D6M	2			N N35 NF6M YG469D6M
	G469 D6T	2			N N35 NF6T YG469D6T
4					POCKET, Back Storage (serviced in Seat Back Cover) N N N N
5					ARMREST and COVER N N N N
	G712 CS8	2			N N NF6AS,H6AS YG712CS8
	G712 CB5	2			N N NF6B,H6B YG712CB5
	G712 CM6	2			N N NF6M,H6M YG712CM6
	G712 DT5	2			N N NF6TT,H6TT YG712DT5
6					COVER, Armrest N N N N
	G421 CS8	2			N N NF6AS,H6AS YG421CS8
	G421 CB5	2			N N NF6BB,H6BB YG421CB5
	G421 CM6	2			N N NF6M,H6M YG421CM6
	G421 DT5	2			N N NF6TT,H6TT YG421DT5
7&8					SHIELDS (see Illustration 1900) N N N N
	6500 453	4			NUT, Stamped N N N Y6500453
9	6008 076	AR			HOG RING N N N Y6008076

NOTE: For Armrest Attaching Parts See Illustration Number 1900 s ARE NOT RETURNABLE.

MODEL CODES

B = GRAN FURY	E = 600	M = HORIZON/TURISMO
C = LE BARON/TOWN & COUNTRY/LIMO	F = FIFTH AVENUE/NEWPORT	P = RELIANT
C24 = LASER	G = DIPLOMAT	T = NEW YORKER
C44 = LE BARON/GTS	H = VOYAGER	V = 600
D = ARIES	J = CARAVELLE	V24 = DAYTONA
D44 = LANCER	K = MINI VAN/CARAVAN/ROYAL	Z = OMNI/CHARGER

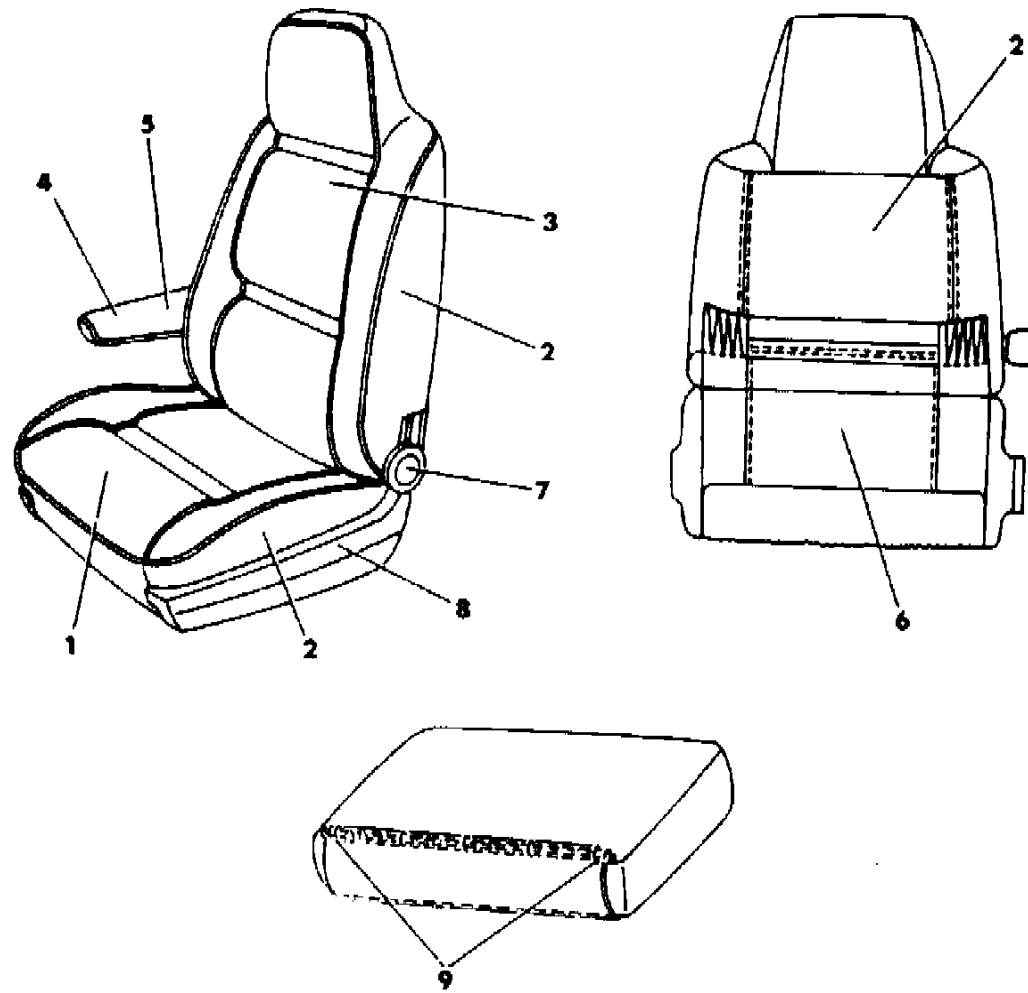
BODY STYLES

21 = 2-DOOR SEDAN	35 = FWD VAN	44 = 4-DOOR HATCHBACK
22 = 2-DOOR SPECIAL COUPE	36 = FWD WAGON	45 = 4-DOOR STATION WAGON
24 = 2-DOOR HATCHBACK	41 = 4-DOOR SEDAN	49 = LIMOUSINE
27 = 2-DOOR CONVERTIBLE		

AR = Use as Required - = Non Illustrated Part P.A.R. = Paint as Required

SEAT FRONT H,K S BODY TRIM CODES E5,G5
Figure ITG-1600

5242 1600



ITEM	PART NUMBER	QTY	BODY	MODEL	DESCRIPTION
1-2					CUSHION, w/Spring/Frame, Pad and Cover N N N N Cloth N N N N
	G798-9 D5A	1			N N NE5AS,G5AS YG798D5A
	G798-9 D5M	1			N N NE5M,G5M YG798D5M
	G798-9 D5T	1			N N NE5TT,G5TT YG798D5T
1					COVER, Cushion N N N N Cloth N N N N
	G776-7 D5A	1			N N NE5AS,G5AS YG776D5A
	G776-7 D5M	1			N N NE5M,G5M YG776D5M
	G776-7 D5T	1			N N NE5TT,G5TT YG776D5T
2					ROLL STOCK, Vinyl Order by the Inch N N N N Charcoal 58" Wide N N NE5AS,G5AS YR609CS8
	R609 CS8	AR			
	R629 CM6	AR			Red 54" Wide N N NE5M,G5M YR629CM6
	R629 DT5	AR			Tan 54" Wide N N NE5TT,G5TT YR629DT5
2-3					BACK, w/Spring/Frame, Pad and Cover N N N N w/Map Pocket Right and Left N N N N Cloth N N N N
	G846-7 D5A	1			N N35,36 NE5AS,G5AS YG846D5A
	G846-7 D5M	1			N N35,36 NE5M,G5M YG846D5M
	G846-7 D5T	1			N N35,36 NE5TT,G5TT YG846D5T
	G846 D5A	1			N N36 NG5AS YG846D5A
	G846 D5M	1			N N36 NG5M YG846D5M
	G846 D5T	1			N N36 NG5TT YG846D5T
	G873 D5A	1			N N36 NG5AS YG873D5A
	G873 D5M	1			N N36 NG5M YG873D5M
	G873 D5T	1			N N36 NG5TT YG873D5T
	G873 D5A	2			N N35 NE5AS YG873D5A
	G873 D5M	2			N N35 NE5M YG873D5M
	G873 D5T	2			N N35 NE5TT YG873D5T
3					COVER, Back N N N N w/Map Pocket Right and Left N N N N Cloth N N N N
	G430 D5A	2			N N35,36 NE5AS,G5AS YG430D5A
	G430 D5M	2			N N35,36 NE5M,G5M YG430D5M

MODEL CODES

B = GRAN FURY	E = 600	M = HORIZON/TURISMO
C = LE BARON/TOWN & COUNTRY/LIMO	F = FIFTH AVENUE/NEWPORT	P = RELIANT
C24 = LASER	G = DIPLOMAT	T = NEW YORKER
C44 = LE BARON/GTS	H = VOYAGER	V = 600
D = ARIES	J = CARAVELLE	V24 = DAYTONA
D44 = LANCER	K = MINI VAN/CARAVAN/ROYAL	Z = OMNI/CHARGER

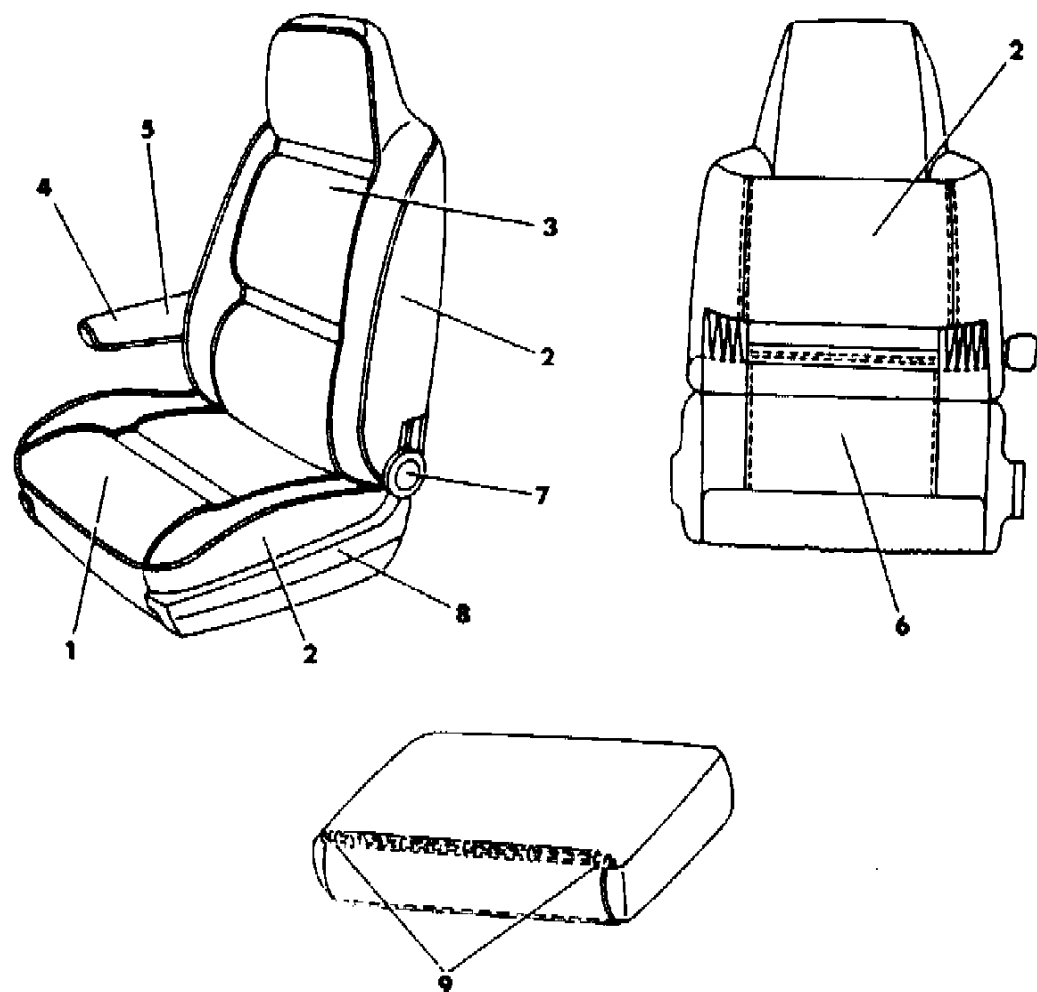
BODY STYLES

21 = 2-DOOR SEDAN	35 = FWD VAN	44 = 4-DOOR HATCHBACK
22 = 2-DOOR SPECIAL COUPE	36 = FWD WAGON	45 = 4-DOOR STATION WAGON
24 = 2-DOOR HATCHBACK	41 = 4-DOOR SEDAN	49 = LIMOUSINE
27 = 2-DOOR CONVERTIBLE		

AR = Use as Required - = Non Illustrated Part P.A.R. = Paint as Required

SEAT FRONT H,K S BODY TRIM CODES E5,G5
Figure ITG-1600

5242 1600



ITEM	PART NUMBER	QTY	BODY	MODEL	DESCRIPTION
	G430 D5T	2			N N35,36 NE5TT,G5TT YG430D5T w/Map Pocket Right N N N N
	G430 D5A	1			N N36 NG5AS YG430D5A
	G430 D5M	1			N N36 NG5M YG430D5M
	G430 D5T	1			N N36 NG5TT YG430D5T w/o Map Pocket Left N N N N
	G467 D5A	1			N N36 NG5AS YG467D5A
	G467 D5M	1			N N36 NG5M YG467D5M
	G467 D5T	1			N N36 NG5TT YG467D5T w/o Map Pocket Right and Left N N N N
	G467 D5A	2			N N35 NE5AS YG467D5A
	G467 D5M	2			N N35 NE5M YG467D5M
	G467 D5T	2			N N35 NE5TT YG467D5T
4	G712 CS8	2			ARMREST and COVER N N N N N N NE5AS,G5AS YG712CS8
	G712 CM6	2			N N NE5M,G5M YG712CM6
	G712 DT5	2			N N NE5TT,G5TT YG712DT5
5	G421 CS8	2			COVER, Armrest N N N N N N NE5AS,G5AS YG421CS8
	G421 CM6	2			N N NE5M,G5M YG421CM6
	G421 DT5	2			N N NE5TT,G5TT YG421DT5
6	R627 CS8	AR			ROLL STOCK, Vinyl 54" Wide Order by the Inch N N N N Charcoal N N NE5AS,G5AS YR627CS8
	R627 AM6	AR			Red N N NE5M,G5M YR627AM6
	R627 DT5	AR			Tan N N NE5TT,G5TT YR627DT5
7&8	6500 453	4			SHIELDS (see Illustration 1900) N N N N NUT, Stamped N N N Y6500453
9	6008 076	AR			HOG RING N N N Y6008076

NOTE: For Armrest Attaching Parts See Illustration Number 1900 s ARE NOT RETURNABLE.

MODEL CODES

B = GRAN FURY	E = 600	M = HORIZON/TURISMO
C = LE BARON/TOWN & COUNTRY/LIMO	F = FIFTH AVENUE/NEWPORT	P = RELIANT
C24 = LASER	G = DIPLOMAT	T = NEW YORKER
C44 = LE BARON/GTS	H = VOYAGER	V = 600
D = ARIES	J = CARAVELLE	V24 = DAYTONA
D44 = LANCER	K = MINI VAN/CARAVAN/ROYAL	Z = OMNI/CHARGER

BODY STYLES

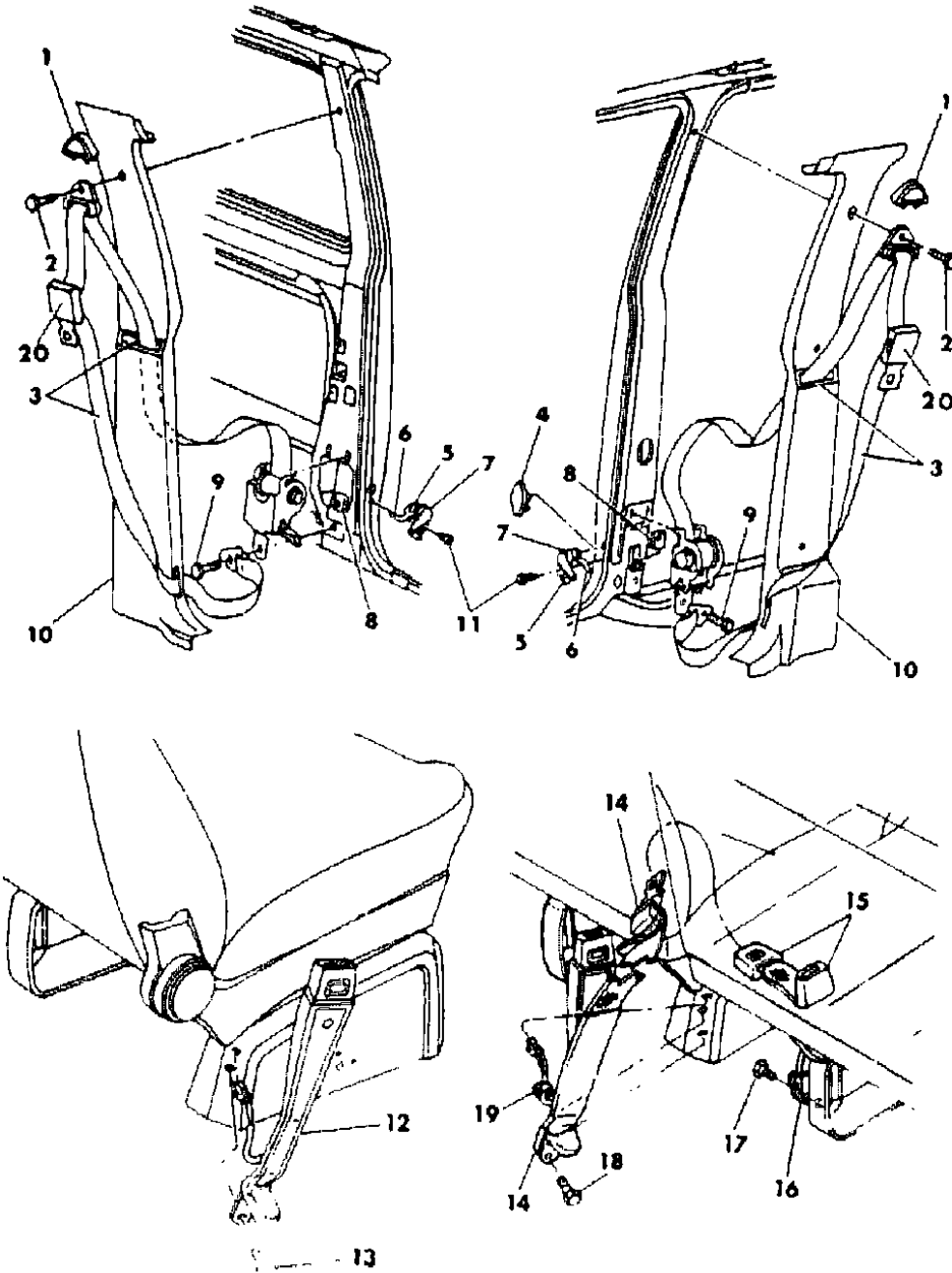
21 = 2-DOOR SEDAN	35 = FWD VAN	44 = 4-DOOR HATCHBACK
22 = 2-DOOR SPECIAL COUPE	36 = FWD WAGON	45 = 4-DOOR STATION WAGON
24 = 2-DOOR HATCHBACK	41 = 4-DOOR SEDAN	49 = LIMOUSINE
27 = 2-DOOR CONVERTIBLE		

AR = Use as Required - = Non Illustrated Part P.A.R. = Paint as Required

BELT FRONT SEAT H,K S BODY

Figure ITG-1700

5242 1700h



ITEM	PART NUMBER	QTY	BODY	MODEL	DESCRIPTION
1					COVER, Outer Turning Loop N N N N
	F700 CA3	2			Silver N N N YF700CA3
	F700 CB5	2			Blue N N N YF700CB5
	F700 CM6	2			Red N N N YF700CM6
	F700 DT3	2			Tan N N N YF700DT3
2	6031 217	2			BOLT N N N Y6031217
3					BELT, Outer N N N N
					Label Number 4327336-7 N N N N
	F770-1 CA3	1			Silver N N N YF770CA3
	F770-1 CB5	1			Blue N N N YF770CB5
	F770-1 CM6	1			Red N N N YF770CM6
					Tan N N N YF770DT3
4	4316 745	1			PLUG N N N Y4316745
5	4316 742-3	1			RELEASE, Tension Retractor N N N Y4316742
6		1			LEVER, Tension Release (serviced in item 5) N N N N
7		2			HOUSING, Tension Release (serviced in item 5) N N N N
8	6032 353	2			NUT and RETAINER N N N Y6032353
9	6031 218	2			BOLT N N N Y6031218
10					QUARTER PANEL (reference) N N N N
11		AR			SCREW (10-16x1/2)(not serviced) N N N N
12					BELT, Inboard N N N N
					Label Number 4290760-1 N N N N
	F692-3 CA3	1			Silver N N N YF692CA3
	F692-3 CB5	1			Blue N N N YF692CB5
	F692-3 CM6	1			Red N N N YF692CM6
	F692-3 DT5	1			Tan N N N YF692DT5
	F692-3 CS8	1			Charcoal N N N YF692CS8
13	6031 218	2			BOLT N N N Y6031218
14					BELT, Inboard (60/40 seat) N N N N
					Label Number 4327391 N N N N
	F555 DAS	1			Silver N N N YF555DAS
	F555 DM6	1			Red N N N YF555DM6
					Tan N N N YF555DTT
15					BELT, Inboard (60/40 seat) N N N N
					Label Number 4327390 N N N N
	F554 DAS	1			Silver N N N YF554DAS
					Red N N N YF554DM6

MODEL CODES

B = GRAN FURY	E = 600	M = HORIZON/TURISMO
C = LE BARON/TOWN & COUNTRY/LIMO	F = FIFTH AVENUE/NEWPORT	P = RELIANT
C24 = LASER	G = DIPLOMAT	T = NEW YORKER
C44 = LE BARON/GTS	H = VOYAGER	V = 600
D = ARIES	J = CARAVELLE	V24 = DAYTONA
D44 = LANCER	K = MINI VAN/CARAVAN/ROYAL	Z = OMNI/CHARGER

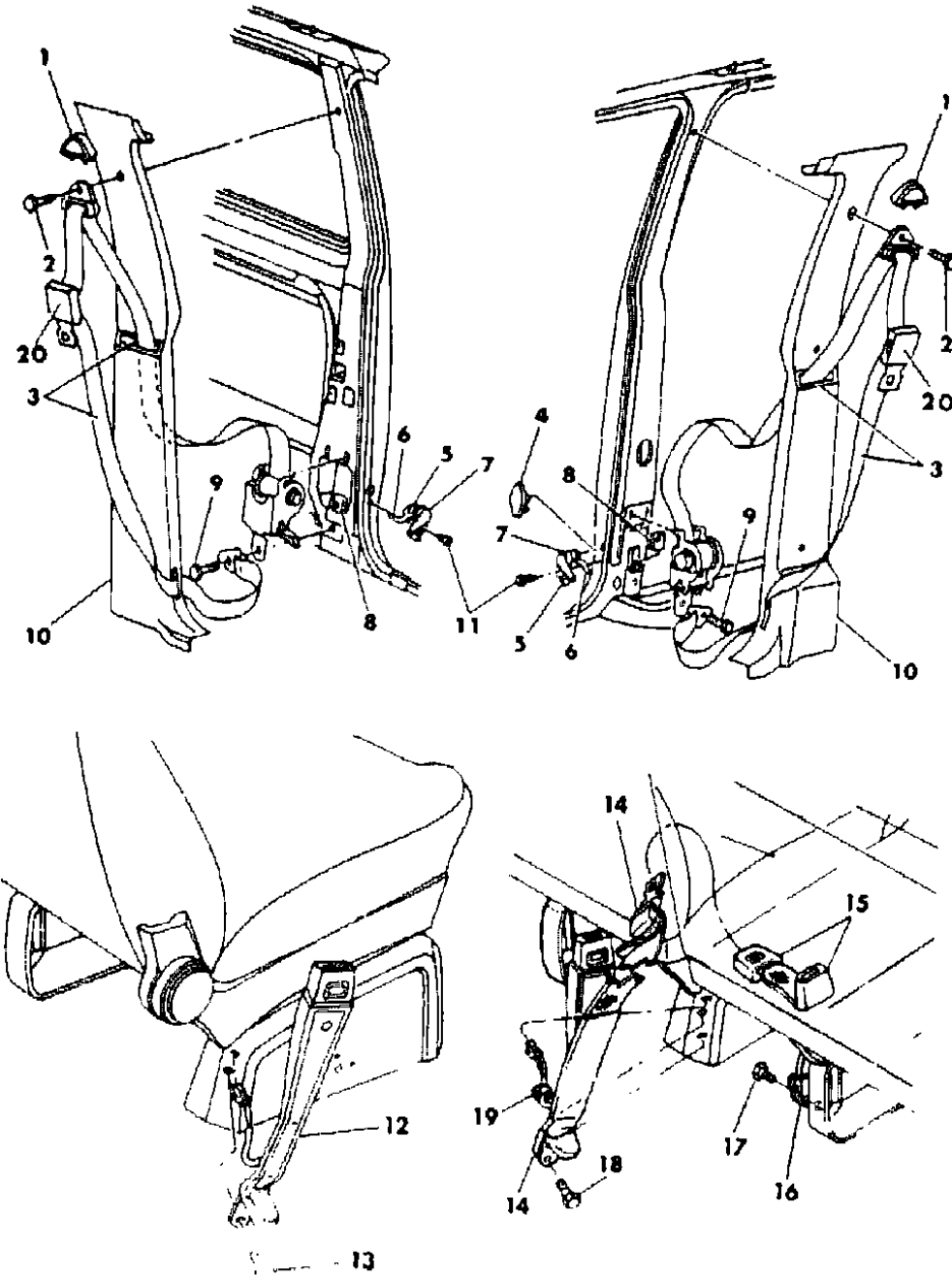
BODY STYLES

21 = 2-DOOR SEDAN	35 = FWD VAN	44 = 4-DOOR HATCHBACK
22 = 2-DOOR SPECIAL COUPE	36 = FWD WAGON	45 = 4-DOOR STATION WAGON
24 = 2-DOOR HATCHBACK	41 = 4-DOOR SEDAN	49 = LIMOUSINE
27 = 2-DOOR CONVERTIBLE		

AR = Use as Required - = Non Illustrated Part P.A.R. = Paint as Required

BELT FRONT SEAT H,K S BODY
Figure ITG-1700

5242 1700h



ITEM	PART NUMBER	QTY	BODY	MODEL	DESCRIPTION
	F554 DTT	1			Tan N N N YF554DTT
16	F814 JX9	1			COVER, Plate N N N YF814JX9
17	6031 298	AR			BOLT N N N Y6031298
18		AR			BOLT (not serviced) N N N N
19	6501 113	AR			BUSHING N N N Y6501113
20	4316 773	AR			COVER, Tip (paint as required) N N N Y4316773

MODEL CODES

B = GRAN FURY	E = 600	M = HORIZON/TURISMO
C = LE BARON/TOWN & COUNTRY/LIMO	F = FIFTH AVENUE/NEWPORT	P = RELIANT
C24 = LASER	G = DIPLOMAT	T = NEW YORKER
C44 = LE BARON/GTS	H = VOYAGER	V = 600
D = ARIES	J = CARAVELLE	V24 = DAYTONA
D44 = LANCER	K = MINI VAN/CARAVAN/ROYAL	Z = OMNI/CHARGER

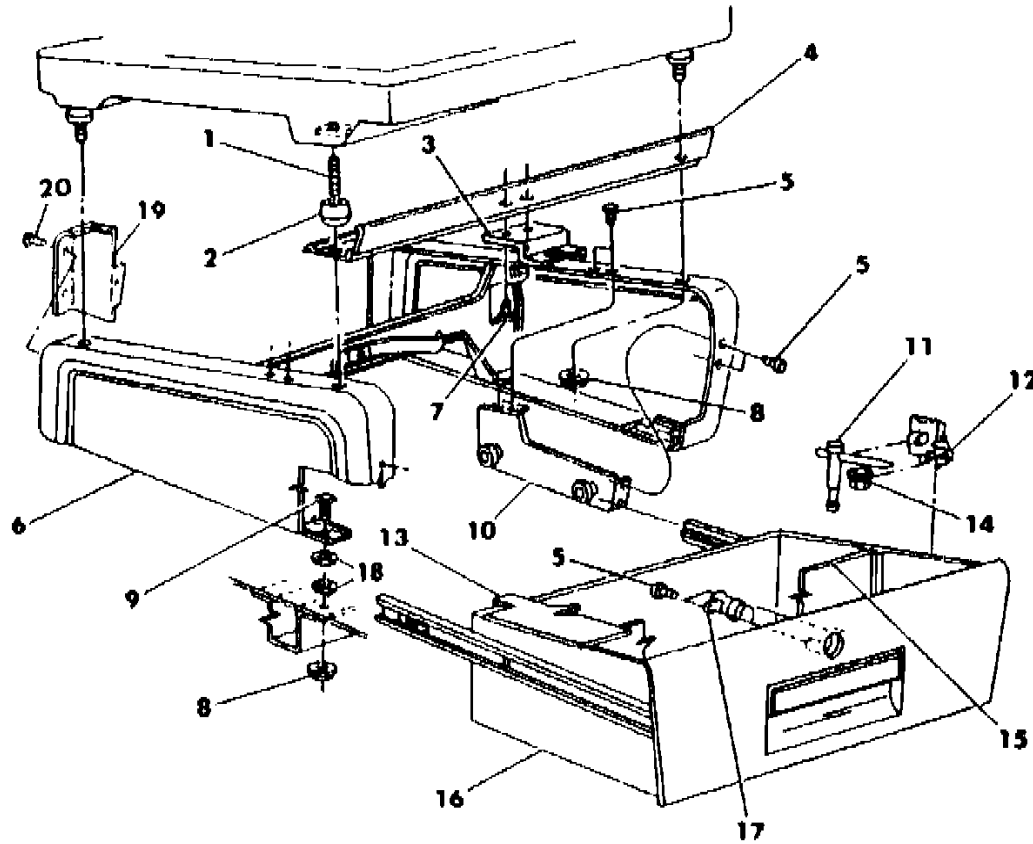
BODY STYLES

21 = 2-DOOR SEDAN	35 = FWD VAN	44 = 4-DOOR HATCHBACK
22 = 2-DOOR SPECIAL COUPE	36 = FWD WAGON	45 = 4-DOOR STATION WAGON
24 = 2-DOOR HATCHBACK	41 = 4-DOOR SEDAN	49 = LIMOUSINE
27 = 2-DOOR CONVERTIBLE		

AR = Use as Required - = Non Illustrated Part P.A.R. = Paint as Required

RISER RIGHT BUCKET SEAT AND STORAGE BOX H,K S BODY
Figure ITG-1800

5242 1800



ITEM	PART NUMBER	QTY	BODY	MODEL	DESCRIPTION
1	6032 429	4			STUD N N N Y6032429
2	4317 341	4			SPACER, Cushion to Riser N N N Y4317341
	6028 040	4			RETAINER N N N Y6028040
3	4317 852	1			STRIKER, Storage Box Latch N N N Y4317852
4					PANEL, Storage Box Closure N N N N
	F536 CB5	1			Blue N N N YF536CB5
	F536 CM6	1			Red N N N YF536CM6
	F536 DT5	1			Tan N N N YF536DT5
	F536 CS8	1			Charcoal N N N YF536CS8
5	9420 486	10			SCREW N N N Y9420486
6	4290 002	1			RISER N N N Y4290002
	6032 586	AR			RETAINER, Seat and Riser Front Attaching N N N Y6032586
7		10			SCREW (not serviced)(8-18x5/8) N N N N
8	6025 010	8			NUT and WASHER N N N Y6025010
9	6500 741	4			STUD, Riser N N N Y6500741
10	4317 442-3	1			ROLLER, Storage Box N N N Y4317442
	6032 737	4			WASHER N N N Y6032737
11	4284 109	1			KEY, Wire Wheel Cover Wrench N N N Y4284109
12	4284 115	1			CLIP N N N Y4284115
13		1			COVER, Dust (serviced in item 16) N N N N
14	4284 100	1			SOCKET, Adapter N N N Y4284100
15					DIVIDER, Storage Box (serviced in item 16) N N N N
16					DRAWER, Storage Box N N N N
	F545 DB5	1			Blue N N N YF545DB5
	F545 DM6	1			Red N N N YF545DM6
	F545 DT5	1			Tan N N N YF545DT5
	F545 DS8	1			Charcoal N N N YF545DS8
17	3508 886	1			LATCH N N N Y3508886
18		8			PUSH NUT (not serviced) N N N N
19					COVER, Riser Inner (paint as required) N N N N
	S638 CB5	1			Outboard N N N YS638CB5
	S639 CB5	1			Inboard N N N YS639CB5
20	9420 486	AR			SCREW N N N Y9420486

MODEL CODES

B = GRAN FURY	E = 600	M = HORIZON/TURISMO
C = LE BARON/TOWN & COUNTRY/LIMO	F = FIFTH AVENUE/NEWPORT	P = RELIANT
C24 = LASER	G = DIPLOMAT	T = NEW YORKER
C44 = LE BARON/GTS	H = VOYAGER	V = 600
D = ARIES	J = CARAVELLE	V24 = DAYTONA
D44 = LANCER	K = MINI VAN/CARAVAN/ROYAL	Z = OMNI/CHARGER

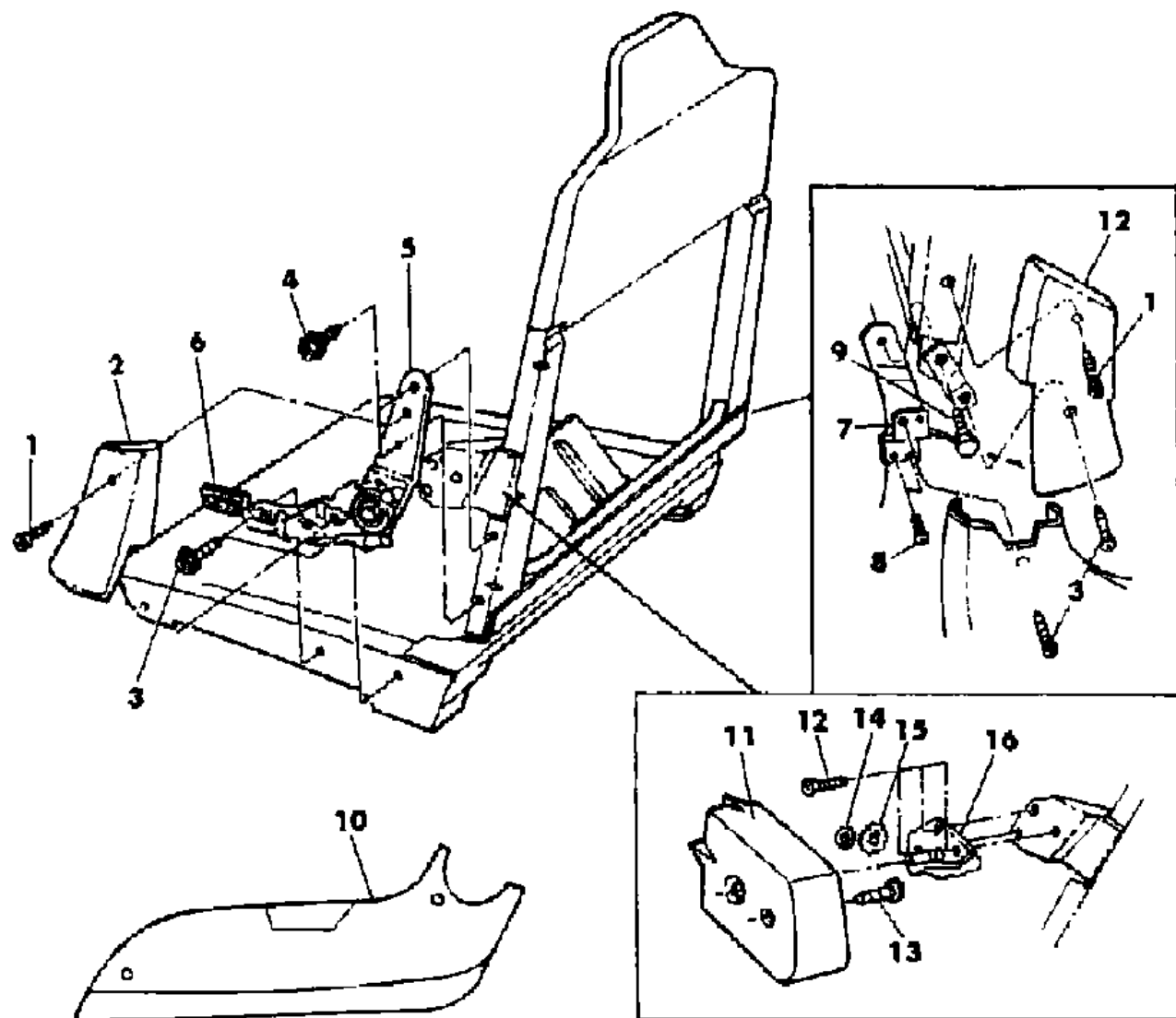
BODY STYLES

21 = 2-DOOR SEDAN	35 = FWD VAN	44 = 4-DOOR HATCHBACK
22 = 2-DOOR SPECIAL COUPE	36 = FWD WAGON	45 = 4-DOOR STATION WAGON
24 = 2-DOOR HATCHBACK	41 = 4-DOOR SEDAN	49 = LIMOUSINE
27 = 2-DOOR CONVERTIBLE		

AR = Use as Required - = Non Illustrated Part P.A.R. = Paint as Required

RECLINING/NON/RECLINING SEAT AND ARM REST ATTACHING H,K S BODY
Figure ITG-1900

5242 1900



ITEM	PART NUMBER	QTY	BODY	MODEL	DESCRIPTION
1		AR			SCREW (not serviced) N N N N
2					SHIELD, Back (paint as required) N N N N
					Passenger Seat N N N N
	S928 DB5	1			Outboard N N N YS928DB5
	S923 DB5	1			Inboard N N N YS923DB5
					Driver Seat N N N N
	S929 DB5	1			Outboard N N N YS929DB5
	S922 DB5	1			Inboard N N N YS922DB5
3	6500 558	AR			SCREW N N N Y6500558
4	6501 221	AR			SCREW N N N Y6501221
5	4327 626-7	AR			RECLINER N N N Y4327626
6					LEVER, Recliner Release (paint as required) N N N N
	S940 DA3	1			Drivers Seat N N N YS940DA3
	S941 DA3	1			Passenger Seat N N N YS941DA3
7	4345 720	2			BRACKET, Cushion Shield Attaching N N N Y4345720
8	6032 456	AR			SCREW N N N Y6032456
9	6501 199	2			BOLT, Shoulder (10x1x1.5x39) N N N Y6501199
10					SHIELD, Cushion (paint as required) N N N N
					Passenger Seat N N N N
	S930 DB5	1			Outboard N N N YS930DB5
	S925 DB5	1			Inboard N N N YS925DB5
					Driver Seat N N N N
	S931 DB5	1			Outboard N N N YS931DB5
	S924 DB5	1			Inboard N N N YS924DB5
	4317 800	AR			CLIP, Shield Attaching N N N Y4317800
11					ARMREST (see Seat Illustration) N N N N
12	6500 777	3			SCREW and WASHER (use up to 8/27/84) N N N Y6500777
	6501 186	3			(use after 8/27/84) N N N Y6501186
13	6032 567	2			SCREW, Shoulder N N N Y6032567
14	6032 259	2			RING, Snap (1/2" shaft) N N N Y6032259
15	6032 721	2			RING, Retaining Inner (star tooth) N N N Y6032721
16	4290 652-3	1			BRACKET, Armrest Inner N N N Y4290652
NOTE: The following parts are for the non reclining seat. s ARE NOT RETURNABLE.					
17	4317 876-7	1			ARM, Back to Cushion N N N Y4317876
18					SHIELD, Seat Side (paint as required) N N N N
					Passenger Seat N N N N
	S950 DB5	1			Outboard N N N YS950DB5

MODEL CODES

B = GRAN FURY	E = 600	M = HORIZON/TURISMO
C = LE BARON/TOWN & COUNTRY/LIMO	F = FIFTH AVENUE/NEWPORT	P = RELIANT
C24 = LASER	G = DIPLOMAT	T = NEW YORKER
C44 = LE BARON/GTS	H = VOYAGER	V = 600
D = ARIES	J = CARAVELLE	V24 = DAYTONA
D44 = LANCER	K = MINI VAN/CARAVAN/ROYAL	Z = OMNI/CHARGER

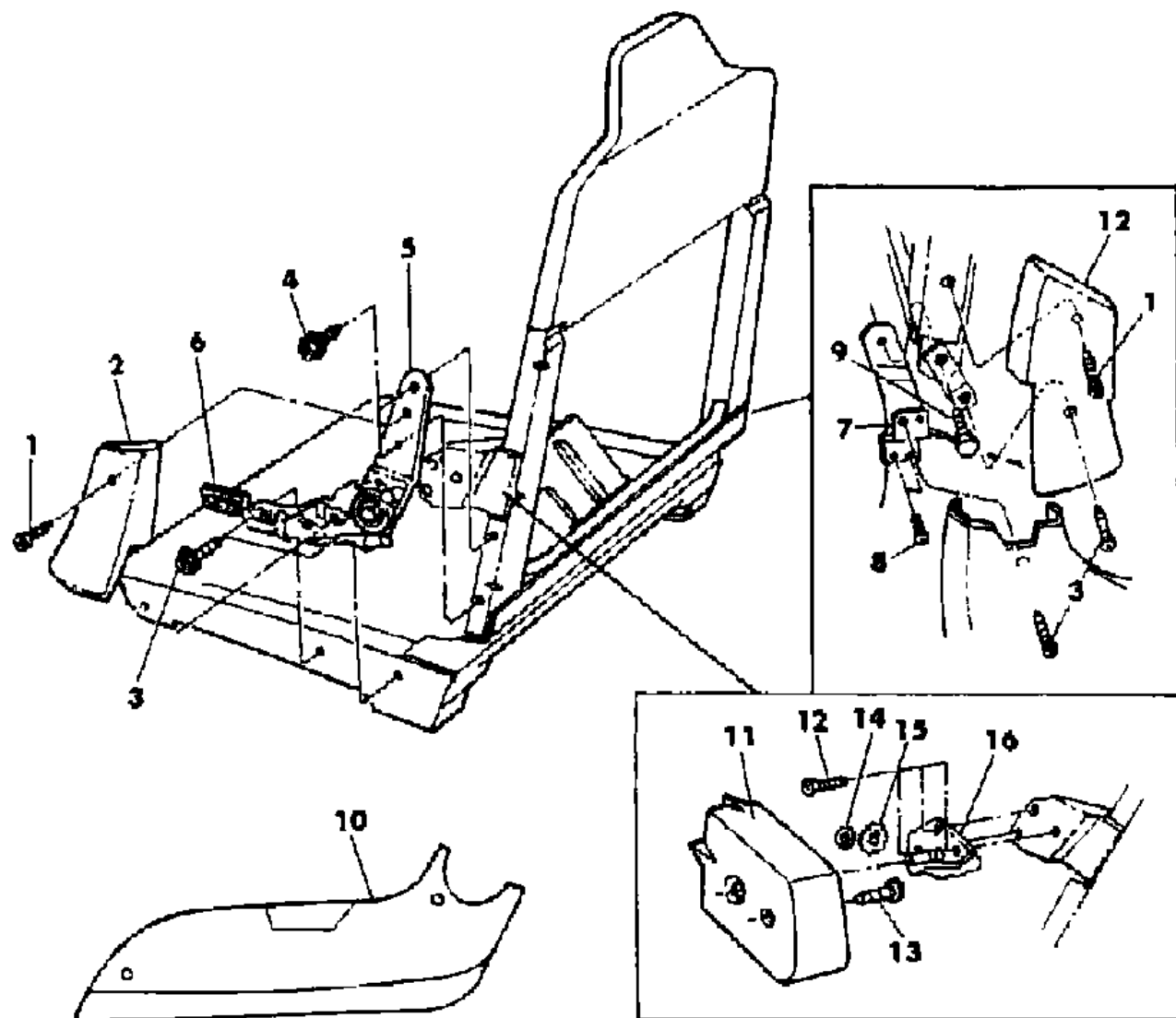
BODY STYLES

21 = 2-DOOR SEDAN	35 = FWD VAN	44 = 4-DOOR HATCHBACK
22 = 2-DOOR SPECIAL COUPE	36 = FWD WAGON	45 = 4-DOOR STATION WAGON
24 = 2-DOOR HATCHBACK	41 = 4-DOOR SEDAN	49 = LIMOUSINE
27 = 2-DOOR CONVERTIBLE		

AR = Use as Required - = Non Illustrated Part P.A.R. = Paint as Required

RECLINING/NON/RECLINING SEAT AND ARM REST ATTACHING H,K S BODY
Figure ITG-1900

5242 1900



ITEM	PART NUMBER	QTY	BODY	MODEL	DESCRIPTION
	S927 DB5	1			Inboard N N N YS927DB5
	S951 DB5	1			Drivers Seat N N N N
	S926 DB5	1			Outboard N N N YS951DB5
					Inboard N N N YS926DB5

MODEL CODES

B = GRAN FURY	E = 600	M = HORIZON/TURISMO
C = LE BARON/TOWN & COUNTRY/LIMO	F = FIFTH AVENUE/NEWPORT	P = RELIANT
C24 = LASER	G = DIPLOMAT	T = NEW YORKER
C44 = LE BARON/GTS	H = VOYAGER	V = 600
D = ARIES	J = CARAVELLE	V24 = DAYTONA
D44 = LANCER	K = MINI VAN/CARAVAN/ROYAL	Z = OMNI/CHARGER

BODY STYLES

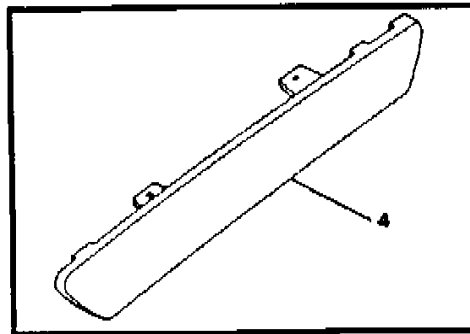
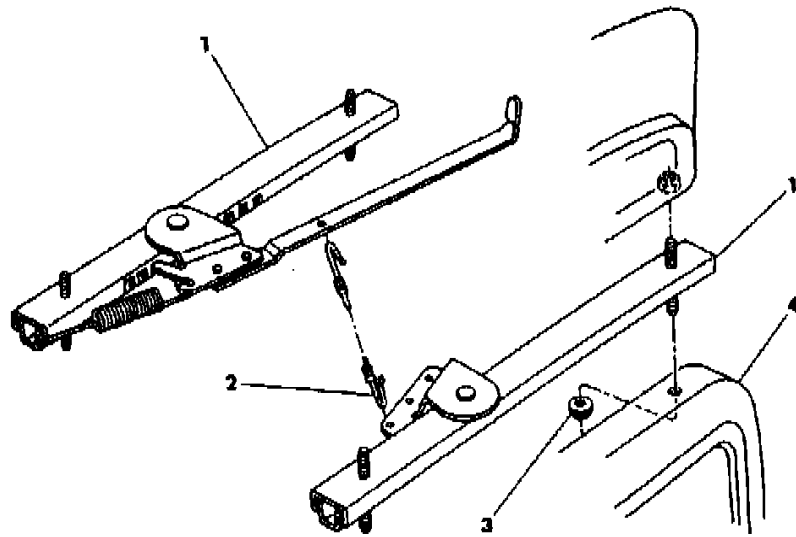
21 = 2-DOOR SEDAN	35 = FWD VAN	44 = 4-DOOR HATCHBACK
22 = 2-DOOR SPECIAL COUPE	36 = FWD WAGON	45 = 4-DOOR STATION WAGON
24 = 2-DOOR HATCHBACK	41 = 4-DOOR SEDAN	49 = LIMOUSINE
27 = 2-DOOR CONVERTIBLE		

AR = Use as Required - = Non Illustrated Part P.A.R. = Paint as Required

ADJUSTER MANUAL H,K S BODY
Figure ITG-2000

ITEM	PART NUMBER	QTY	BODY	MODEL	DESCRIPTION
1					ADJUSTER N N N N
	4290 028	1			Inner N N N Y4290028
	4290 029	1			Outer N N N Y4290029
2	4239 942	1			WIRE, Guide Lock Connector N N N Y4239942
3	6025 010	8			NUT and WASHER N N N Y6025010
4					RISER (reference) N N N N
5					COVER, Adjuster A8 Trim Code Only N N N N
	S668-9 DT5	1			Outer N N N N N N NA8TT YS668DT5
	S668-9 DS8	1			N N NA8AS YS668DS8

5842 2000 A



MODEL CODES

B = GRAN FURY	E = 600	M = HORIZON/TURISMO
C = LE BARON/TOWN & COUNTRY/LIMO	F = FIFTH AVENUE/NEWPORT	P = RELIANT
C24 = LASER	G = DIPLOMAT	T = NEW YORKER
C44 = LE BARON/GTS	H = VOYAGER	V = 600
D = ARIES	J = CARAVELLE	V24 = DAYTONA
D44 = LANCER	K = MINI VAN/CARAVAN/ROYAL	Z = OMNI/CHARGER

BODY STYLES

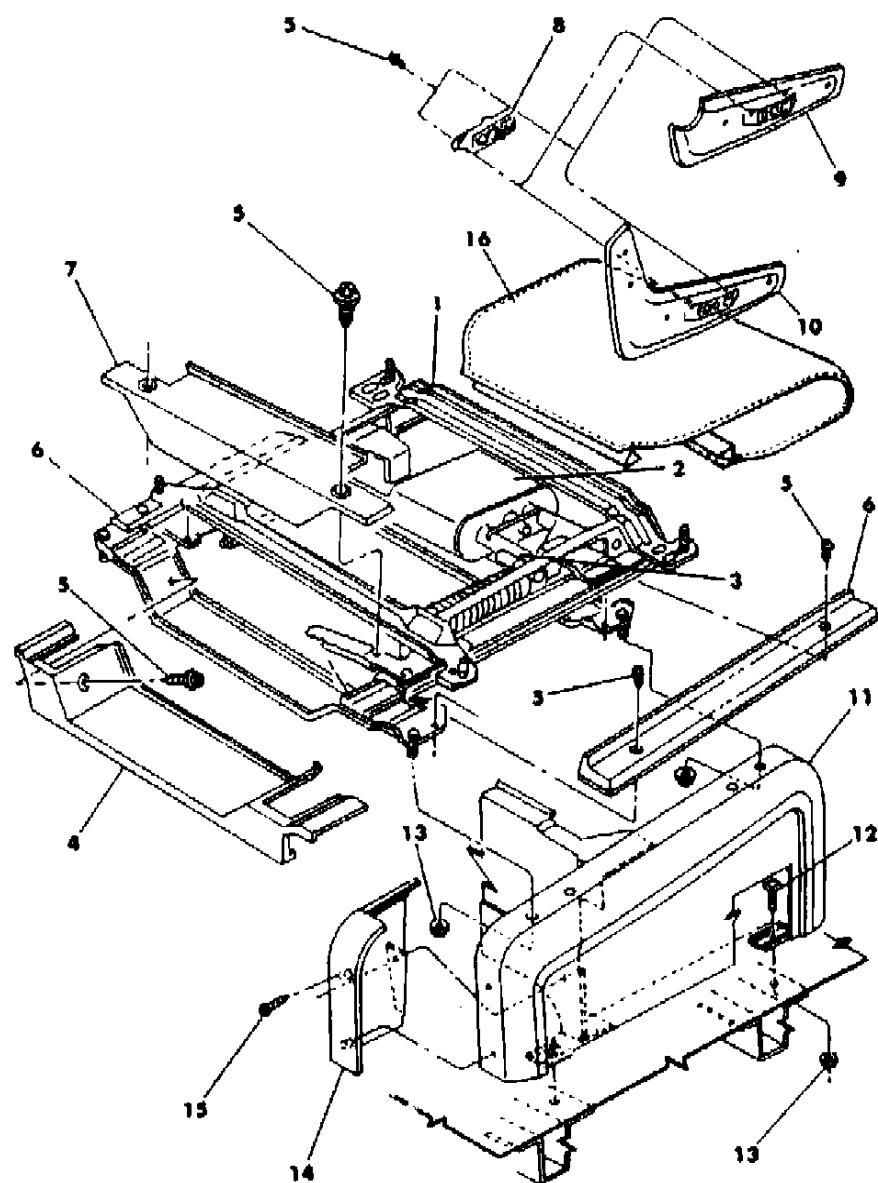
21 = 2-DOOR SEDAN	35 = FWD VAN	44 = 4-DOOR HATCHBACK
22 = 2-DOOR SPECIAL COUPE	36 = FWD WAGON	45 = 4-DOOR STATION WAGON
24 = 2-DOOR HATCHBACK	41 = 4-DOOR SEDAN	49 = LIMOUSINE
27 = 2-DOOR CONVERTIBLE		

AR = Use as Required - = Non Illustrated Part P.A.R. = Paint as Required

ADJUSTER ELECTRIC AND LEFT RISER H,K S BODY

Figure ITG-2100

5242 2100



ITEM	PART NUMBER	QTY	BODY	MODEL	DESCRIPTION
NOTE: THE FOLLOWING ELECTRIC ADJUSTER PARTS ARE FOR REPLACEMENT ONLY NOT FOR NEW INSTALLATION. s					
ARE NOT RETURNABLE.					
1	4316 851	1			ADJUSTER, Less Motor N N N Y4316851
2	4316 844	1			MOTOR N N N Y4316844
	4316 848	2			SUPPORT, Motor N N N Y4316848
	4304 285	1			WIRING, Power Seat N N N Y4304285
3	4316 846	3			CABLE (1.94") N N N Y4316846
4	4317 041	1			COVER, Adjuster Lower Rear N N N Y4317041
5		AR			SCREW (not serviced) N N N N
6					COVER, Bracket N N N N
					(use up to 9/3/84) N N N N
	S665 CB5	2			Blue N N N YS665CB5
	S665 CM6	2			Red N N N YS665CM6
	S665 DT5	2			Tan N N N YS665DT5
	S665 CS8	2			Charcoal N N N YS665CS8
					(use after 9/3/84) N N N N
	S677 CB5	2			Blue N N N YS677CB5
	S677 CM6	2			Red N N N YS677CM6
	S677 DT5	2			Tan N N N YS677DT5
	S677 CS8	2			Charcoal N N N YS677CS8
7	4316 978	1			COVER, Adjuster Upper Rear N N N Y4316978
8	3747 924	1			SWITCH, Adjuster N N N Y3747924
9	S933 DB5	1			SHIELD, Inner Left Electric (paint as required) N N N YS933DB5
10	S932 DB5	1			SHIELD, Back and Cushion Inner Left (paint as required) N N N YS932DB5
	S668-9 DT5	1			Outer N N NA8TT YS668DT5
	S668-9 CS8	1			N N NA8AS YS668CS8
11	4327 397	1			RISER N N N Y4327397
	6032 586	AR			RETAINER, Seat and Riser Front Attaching N N N Y6032586
	4327 683	1			COVER, Riser w/o Remote Fuel Filler Release N N N Y4327683
12	6500 741	4			BOLT N N N Y6500741
13	6025 010	8			NUT and WASHER N N N Y6025010
14					COVER, Riser Inner (paint as required) N N N N
	S639 CB5	1			Outboard N N N YS639CB5
	S638 CB5	1			Inboard N N N YS638CB5
15	9420 486	AR			SCREW N N N Y9420486

MODEL CODES

B = GRAN FURY	E = 600	M = HORIZON/TURISMO
C = LE BARON/TOWN & COUNTRY/LIMO	F = FIFTH AVENUE/NEWPORT	P = RELIANT
C24 = LASER	G = DIPLOMAT	T = NEW YORKER
C44 = LE BARON/GTS	H = VOYAGER	V = 600
D = ARIES	J = CARAVELLE	V24 = DAYTONA
D44 = LANCER	K = MINI VAN/CARAVAN/ROYAL	Z = OMNI/CHARGER

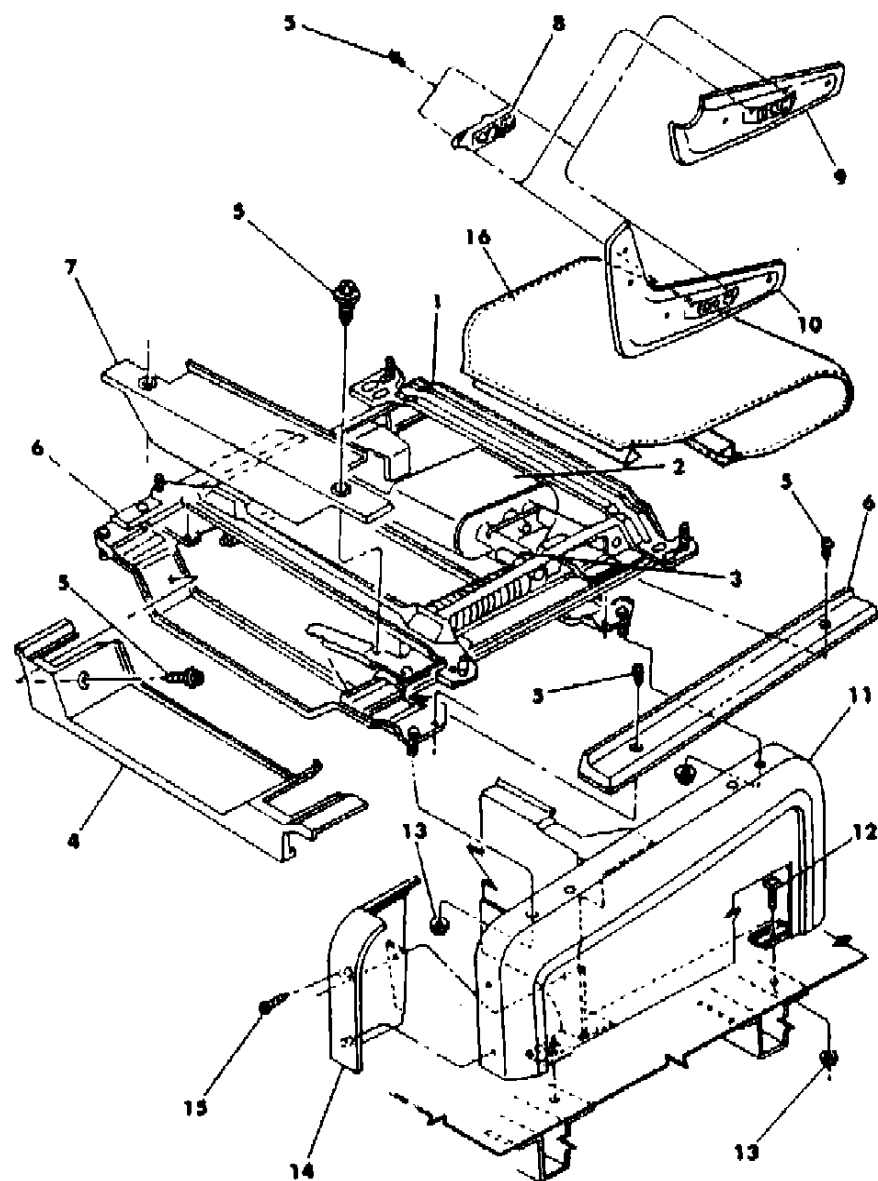
BODY STYLES

21 = 2-DOOR SEDAN	35 = FWD VAN	44 = 4-DOOR HATCHBACK
22 = 2-DOOR SPECIAL COUPE	36 = FWD WAGON	45 = 4-DOOR STATION WAGON
24 = 2-DOOR HATCHBACK	41 = 4-DOOR SEDAN	49 = LIMOUSINE
27 = 2-DOOR CONVERTIBLE		

AR = Use as Required - = Non Illustrated Part P.A.R. = Paint as Required

ADJUSTER ELECTRIC AND LEFT RISER H,K S BODY
Figure ITG-2100

5242 2100



ITEM	PART NUMBER	QTY	BODY	MODEL	DESCRIPTION
16					COVER and RETAINERS, Electric Adjuster Front (vinyl) N N N N
	A522 CB5	1			Blue N N N YA522CB5
	A522 CM6	1			Red N N N YA522CM6
	A522 DT5	1			Tan N N N YA522DT5
	A522 CS8	1			Charcoal N N N YA522CS8
The following parts are not illustrated. s ARE NOT RETURNABLE.					
	4331 544	1			WIRING, Electric Seat Adjuster N N N Y4331544
	4317 341	4			SPACER, Cushion to Riser N N N Y4317341
	6028 040	4			RETAINER, Spacer N N N Y6028040
	6032 429	AR			STUD, Seat to Riser N N N Y6032429

MODEL CODES

B = GRAN FURY	E = 600	M = HORIZON/TURISMO
C = LE BARON/TOWN & COUNTRY/LIMO	F = FIFTH AVENUE/NEWPORT	P = RELIANT
C24 = LASER	G = DIPLOMAT	T = NEW YORKER
C44 = LE BARON/GTS	H = VOYAGER	V = 600
D = ARIES	J = CARAVELLE	V24 = DAYTONA
D44 = LANCER	K = MINI VAN/CARAVAN/ROYAL	Z = OMNI/CHARGER

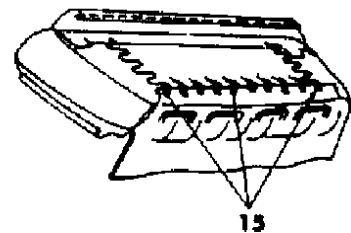
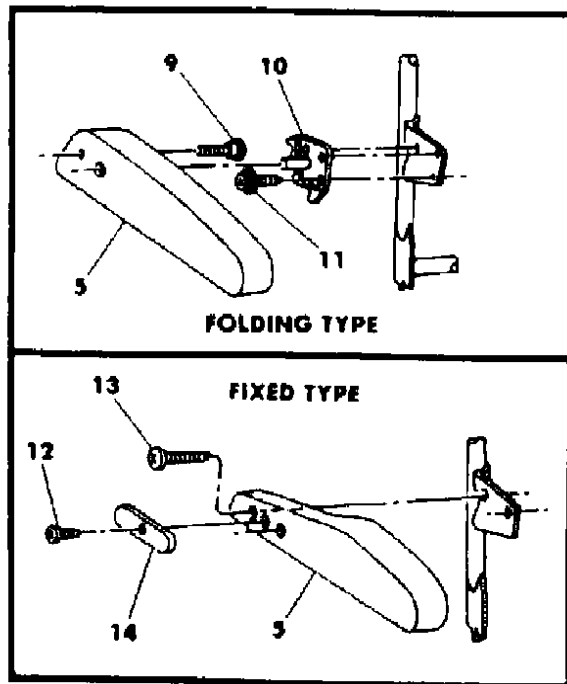
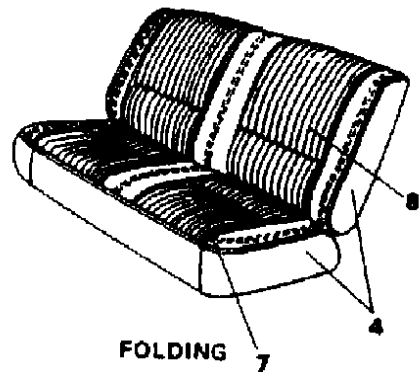
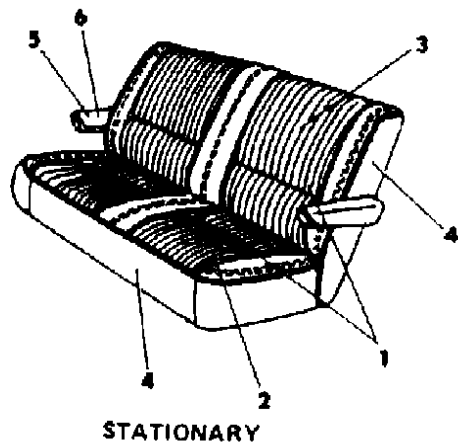
BODY STYLES

21 = 2-DOOR SEDAN	35 = FWD VAN	44 = 4-DOOR HATCHBACK
22 = 2-DOOR SPECIAL COUPE	36 = FWD WAGON	45 = 4-DOOR STATION WAGON
24 = 2-DOOR HATCHBACK	41 = 4-DOOR SEDAN	49 = LIMOUSINE
27 = 2-DOOR CONVERTIBLE		

AR = Use as Required - = Non Illustrated Part P.A.R. = Paint as Required

SEAT REAR H,K S BODY TRIM CODES F6,H6
Figure ITG-2200

5242 2200



ITEM	PART NUMBER	QTY	BODY	MODEL	DESCRIPTION
NOTE: THE FIVE (5) PASSENGER WAGON USES THE THREE (3) PASSENGER STATIONARY SEAT. THE SEVEN (7) PASSENGER WAGON USES THE TWO (2) PASSENGER STATIONARY SEAT PLUS THE FOLDING REAR SEAT.					
1-4					SEAT COMPLETE,(includes Cushion and Back) w/Spring/Frame, Pad and Cover N N N N Vinyl N N N N
					2 Passenger (used in first position w/7 passenger seating) N N N N (use up to 5/6/85) N N N N
	G858 C6A	1			N N NF6AS,H6AS YG858C6A
	G858 C6B	1			N N NF6B,H6B YG858C6B
	G858 C6M	1			N N NF6M,H6M YG858C6M
	G858 D6T	1			N N NF6TT,H6TT YG858D6T (use after 5/6/85) N N N N
	G896 D6A	1			N N NF6AS,H6AS YG896D6A
	G896 D6B	1			N N NF6B,H6B YG896D6B
	G896 D6M	1			N N NF6M,H6M YG896D6M
	G896 D6T	1			N N NF6TT,H6TT YG896D6T
					3 Passenger (used in first position w/5 passenger seating) N N N N
	G860 C6A	1			N N NF6AS,H6AS YG860C6A
	G860 C6B	1			N N NF6B,H6B YG860C6B
	G860 C6M	1			N N NF6M,H6M YG860C6M
	G860 D6T	1			N N NF6TT,H6TT YG860D6T
2					COVER, Cushion N N N N Vinyl N N N N
					2 Passenger N N N N (use up to 5/6/85) N N N N
	G413 C6A	1			N N NF6AS,H6AS YG413C6A
	G413 C6B	1			N N NF6B,H6B YG413C6B
	G413 C6M	1			N N NF6M,H6M YG413C6M
	G413 D6T	1			N N NF6TT,H6TT YG413D6T (use after 5/6/85) N N N N
	G475 D6A	1			N N NF6AS,H6AS YG475D6A
	G475 D6B	1			N N NF6B,H6B YG475D6B
	G475 D6M	1			N N NF6M,H6M YG475D6M
	G475 D6T	1			N N NF6TT,H6TT YG475D6T
					3 Passenger N N N N

MODEL CODES

B = GRAN FURY	E = 600	M = HORIZON/TURISMO
C = LE BARON/TOWN & COUNTRY/LIMO	F = FIFTH AVENUE/NEWPORT	P = RELIANT
C24 = LASER	G = DIPLOMAT	T = NEW YORKER
C44 = LE BARON/GTS	H = VOYAGER	V = 600
D = ARIES	J = CARAVELLE	V24 = DAYTONA
D44 = LANCER	K = MINI VAN/CARAVAN/ROYAL	Z = OMNI/CHARGER

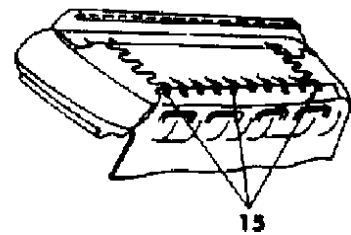
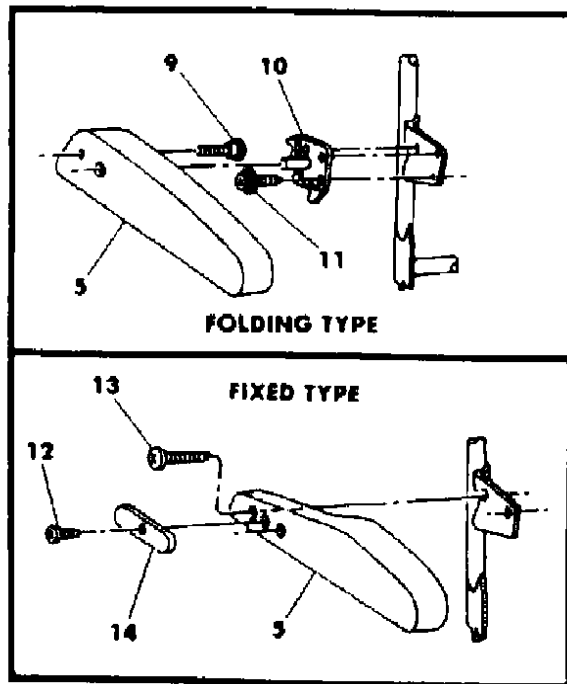
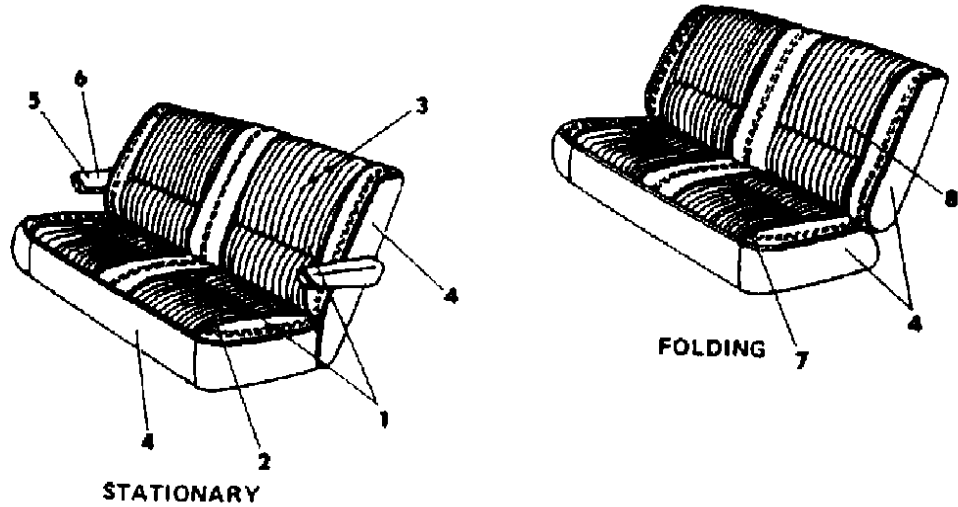
BODY STYLES

21 = 2-DOOR SEDAN	35 = FWD VAN	44 = 4-DOOR HATCHBACK
22 = 2-DOOR SPECIAL COUPE	36 = FWD WAGON	45 = 4-DOOR STATION WAGON
24 = 2-DOOR HATCHBACK	41 = 4-DOOR SEDAN	49 = LIMOUSINE
27 = 2-DOOR CONVERTIBLE		

AR = Use as Required - = Non Illustrated Part P.A.R. = Paint as Required

SEAT REAR H,K S BODY TRIM CODES F6,H6
Figure ITG-2200

5242 2200



ITEM	PART NUMBER	QTY	BODY	MODEL	DESCRIPTION
	G416 C6A	1			N N NF6AS,H6AS YG416C6A
	G416 C6B	1			N N NF6B,H6B YG416C6B
	G416 C6M	1			N N NF6M,H6M YG416C6M
	G416 D6T	1			N N NF6TT,H6TT YG416D6T
3					COVER, Back N N N N
					Vinyl N N N N
					2 Passenger N N N N
	G455 C6A	1			N N NF6AS,H6AS YG455C6A
	G455 C6B	1			N N NF6B,H6B YG455C6B
	G455 C6M	1			N N NF6M,H6M YG455C6M
	G455 D6T	1			N N NF6TT,H6TT YG455D6T
					3 Passenger N N N N
	G457 C6A	1			N N NF6AS,H6AS YG457C6A
	G457 C6B	1			N N NF6B,H6B YG457C6B
	G457 C6M	1			N N NF6M,H6M YG457C6M
	G457 D6T	1			N N NF6TT,H6TT YG457D6T
4					ROLL STOCK, Vinyl Order by the Inch N N N N
	R609 CS8	AR			Charcoal 58" Wide N N NF6AS,H6AS YR609CS8
	R616 BB5	AR			Blue 64" Wide N N NF6B,H6B YR616BB5
	R616 VM6	AR			Red 64" Wide N N NF6M,H6M YR616VM6
	R609 DT5	AR			Tan 58" Wide N N NF6TT,H6TT YR609DT5
5		2			ARMREST, w/Pad w/o Cover N N N N4290748
					ARMREST and COVER N N N N
					2 Passenger (folding) N N N N
	G712 CS8	2			N N NF6AS,H6AS YG712CS8
	G712 CB5	2			N N NF6B,H6B YG712CB5
	G712 CM6	2			N N NF6M,H6M YG712CM6
	G712 DT5	2			N N NF6TT,H6TT YG712DT5
					3 Passenger (fixed) N N N N
	G794-5 CS8	1			N N NF6AS,H6AS YG794CS8
	G794-5 CB5	1			N N NF6B,H6B YG794CB5
	G794-5 CM6	1			N N NF6M,H6M YG794CM6
	G794-5 DT5	1			N N NF6TT,H6TT YG794DT5
6					COVER, Armrest N N N N
					2 Passenger N N N N
	G421 CS8	2			N N NF6AS,H6AS YG421CS8
	G421 CB5	2			N N NF6B,H6B YG421CB5

MODEL CODES

B = GRAN FURY	E = 600	M = HORIZON/TURISMO
C = LE BARON/TOWN & COUNTRY/LIMO	F = FIFTH AVENUE/NEWPORT	P = RELIANT
C24 = LASER	G = DIPLOMAT	T = NEW YORKER
C44 = LE BARON/GTS	H = VOYAGER	V = 600
D = ARIES	J = CARAVELLE	V24 = DAYTONA
D44 = LANCER	K = MINI VAN/CARAVAN/ROYAL	Z = OMNI/CHARGER

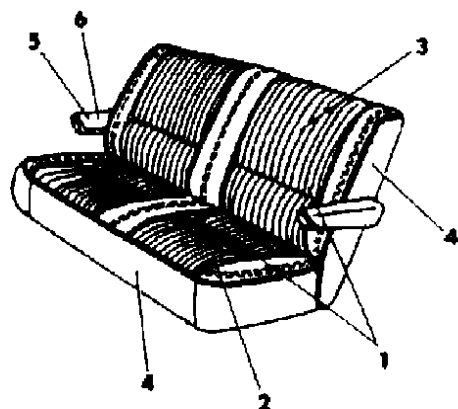
BODY STYLES

21 = 2-DOOR SEDAN	35 = FWD VAN	44 = 4-DOOR HATCHBACK
22 = 2-DOOR SPECIAL COUPE	36 = FWD WAGON	45 = 4-DOOR STATION WAGON
24 = 2-DOOR HATCHBACK	41 = 4-DOOR SEDAN	49 = LIMOUSINE
27 = 2-DOOR CONVERTIBLE		

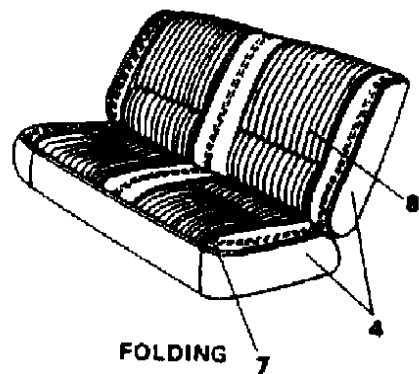
AR = Use as Required - = Non Illustrated Part P.A.R. = Paint as Required

SEAT REAR H,K S BODY TRIM CODES F6,H6
Figure ITG-2200

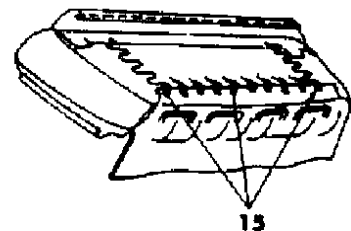
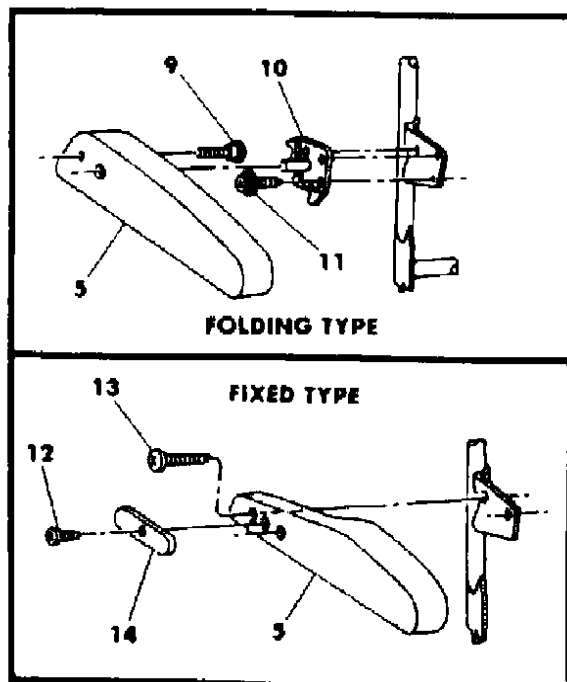
5242 2200



STATIONARY



FOLDING



ITEM	PART NUMBER	QTY	BODY	MODEL	DESCRIPTION
	G421 CM6	2			N N NF6M,H6M YG421CM6
	G421 DT5	2			N N NF6TT,H6TT YG421DT5
	G438-9 CS8	1			3 Passenger N N N N
	G438-9 CB5	1			N N NF6AS,H6AS YG438CS8
	G438-9 CM6	1			N N NF6B,H6B YG438CB5
	G438-9 DT5	1			N N NF6M,H6M YG438CM6
					N N NF6TT,H6TT YG438DT5
					FOLDING SEAT N N N N
7&4					CUSHION, w/Spring/Frame, Pad and Cover N N N N
					Vinyl N N N N
	G751 C6A	1			N N NF6AS,H6AS YG751C6A
	G751 C6B	1			N N NF6B,H6B YG751C6B
	G751 C6M	1			N N NF6M,H6M YG751C6M
	G751 D6T	1			N N NF6TT,H6TT YG751D6T
7					COVER, Cushion w/Protector Shield N N N N
					Vinyl N N N N
	G417 C6A	1			N N NF6AS,H6AS YG417C6A
	G417 C6B	1			N N NF6B,H6B YG417C6B
	G417 C6M	1			N N NF6M,H6M YG417C6M
	G417 D6T	1			N N NF6TT,H6TT YG417D6T
8&4					BACK, w/Spring/Frame, Pad and Cover N N N N
					Vinyl N N N N
					(use up to 9/20/84) N N N N
	G752 C6A	1			N N NF6AS,H6AS YG752C6A
	G752 C6B	1			N N NF6B,H6B YG752C6B
	G752 C6M	1			N N NF6M,H6M YG752C6M
	G752 D6T	1			N N NF6TT,H6TT YG752D6T
					(use after 9/20/84) N N N N
	G738 D6A	1			N N NF6AS,H6AS YG738D6A
	G738 D6B	1			N N NF6B,H6B YG738D6B
	G738 D6M	1			N N NF6M,H6M YG738D6M
	G738 D6T	1			N N NF6TT,H6TT YG738D6T
8					COVER, Back N N N N
					Vinyl N N N N
					(use up to 9/20/84) N N N N
	G418 C6A	1			N N NF6AS,H6AS YG418C6A
	G418 C6B	1			N N NF6B,H6B YG418C6B

MODEL CODES

B = GRAN FURY	E = 600	M = HORIZON/TURISMO
C = LE BARON/TOWN & COUNTRY/LIMO	F = FIFTH AVENUE/NEWPORT	P = RELIANT
C24 = LASER	G = DIPLOMAT	T = NEW YORKER
C44 = LE BARON/GTS	H = VOYAGER	V = 600
D = ARIES	J = CARAVELLE	V24 = DAYTONA
D44 = LANCER	K = MINI VAN/CARAVAN/ROYAL	Z = OMNI/CHARGER

BODY STYLES

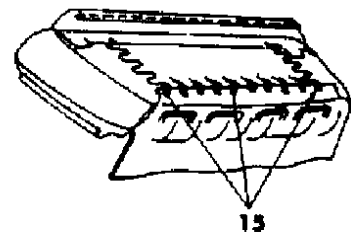
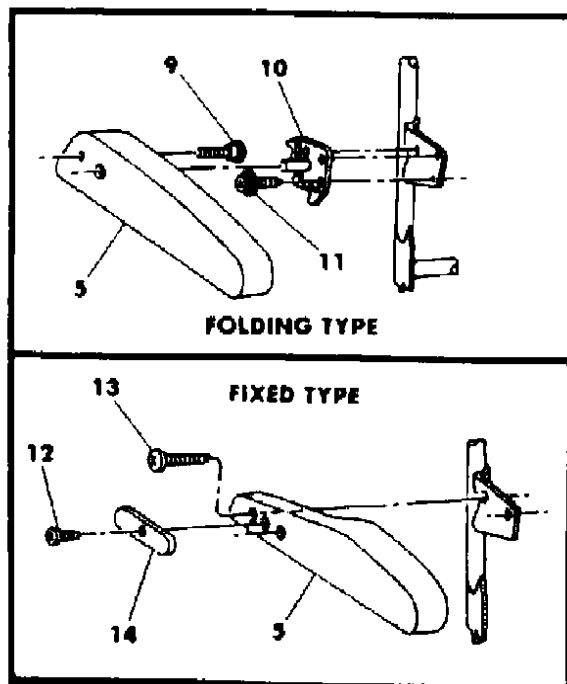
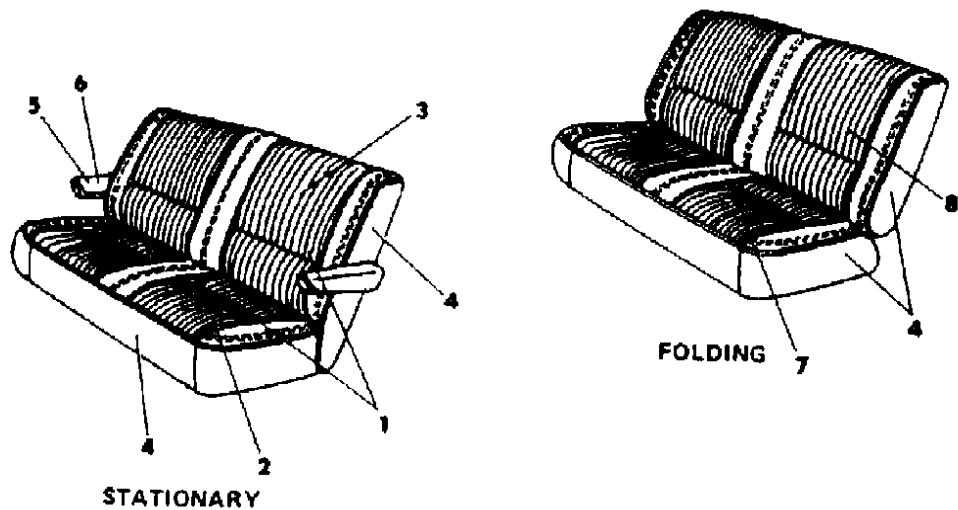
21 = 2-DOOR SEDAN	35 = FWD VAN	44 = 4-DOOR HATCHBACK
22 = 2-DOOR SPECIAL COUPE	36 = FWD WAGON	45 = 4-DOOR STATION WAGON
24 = 2-DOOR HATCHBACK	41 = 4-DOOR SEDAN	49 = LIMOUSINE
27 = 2-DOOR CONVERTIBLE		

AR = Use as Required - = Non Illustrated Part P.A.R. = Paint as Required

SEAT REAR H,K S BODY TRIM CODES F6,H6
Figure ITG-2200

ITEM	PART NUMBER	QTY	BODY	MODEL	DESCRIPTION
	G418 C6M	1			N N NF6M,H6M YG418C6M
	G418 D6T	1			N N NF6TT,H6TT YG418D6T (use after 9/20/84) N N N N
	G456 D6A	1			N N NF6AS,H6AS YG456D6A
	G456 D6B	1			N N NF6B,H6B YG456D6B
	G456 D6M	1			N N NF6M,H6M YG456D6M
	G456 D6T	1			N N NF6TT,H6TT YG456D6T
9	6032 765	2			SCREW N N N Y6032765
10	4290 652-3	1			SUPPORT, Armrest to Back N N N Y4290652
	6032 721	2			RING, Armrest Retaining (star tooth) N N N Y6032721
	6032 259	2			RING, Snap (1/2" shaft) N N N Y6032259
11					SCREW and WASHER N N N N (use up to 8/27/84) N N N Y6500777
	6500 777	6			(use after 8/27/84) N N N Y6501186
	6501 186	6			(use after 8/27/84) N N N Y6501186
12		AR			SCREW (8-18x5/8)(not serviced) N N N N
13	6101 380	4			SCREW N N N Y6101380
14	S684 CL3	1			COVER, Finish (paint as required) N N N YS684CL3
15	6008 076	AR			HOG RING N N N Y6008076

5242 2200



MODEL CODES

B = GRAN FURY	E = 600	M = HORIZON/TURISMO
C = LE BARON/TOWN & COUNTRY/LIMO	F = FIFTH AVENUE/NEWPORT	P = RELIANT
C24 = LASER	G = DIPLOMAT	T = NEW YORKER
C44 = LE BARON/GTS	H = VOYAGER	V = 600
D = ARIES	J = CARAVELLE	V24 = DAYTONA
D44 = LANCER	K = MINI VAN/CARAVAN/ROYAL	Z = OMNI/CHARGER

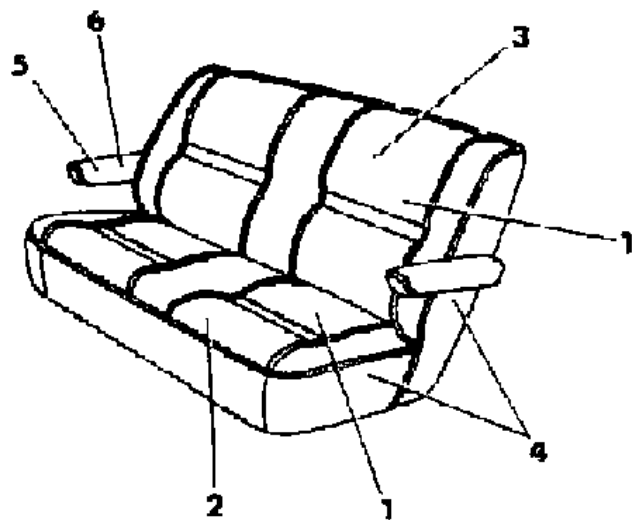
BODY STYLES

21 = 2-DOOR SEDAN	35 = FWD VAN	44 = 4-DOOR HATCHBACK
22 = 2-DOOR SPECIAL COUPE	36 = FWD WAGON	45 = 4-DOOR STATION WAGON
24 = 2-DOOR HATCHBACK	41 = 4-DOOR SEDAN	49 = LIMOUSINE
27 = 2-DOOR CONVERTIBLE		

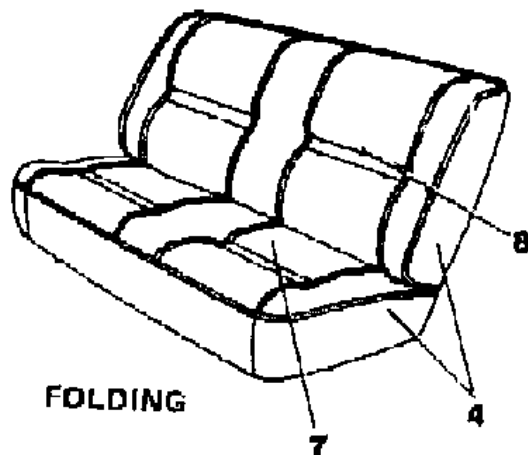
AR = Use as Required - = Non Illustrated Part P.A.R. = Paint as Required

SEAT REAR H,K S BODY TRIM CODE G5
Figure ITG-2300

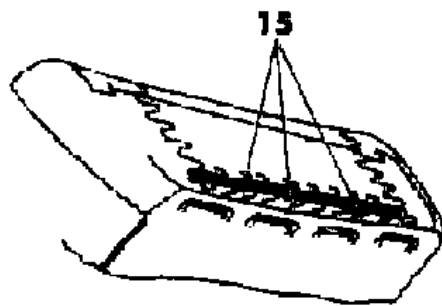
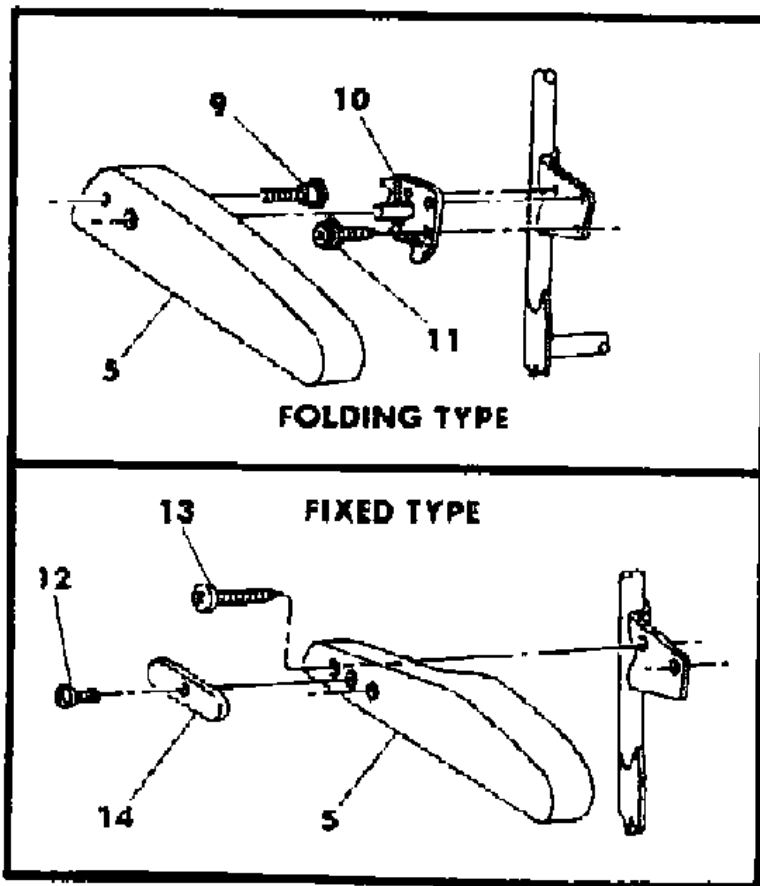
5242 2300



STATIONARY



FOLDING



ITEM	PART NUMBER	QTY	BODY	MODEL	DESCRIPTION
NOTE: THE FIVE (5) PASSENGER WAGON USES THE THREE (3) PASSENGER STATIONARY SEAT. THE SEVEN (7) PASSENGER USES THE TWO (2) PASSENGER STATIONARY SEAT PLUS THE FOLDING REAR SEAT.					
1-4					SEAT COMPLETE,(includes Cushion and Back) w/Spring/Frame, Pad and Cover N N N N Cloth N N N N
					2 Passenger (used in first position w/7 passenger seating) N N N N (use up to 5/6/85) N N N N N N NG5AS YG768C5A
	G768 C5A	1			
	G768 C5M	1			N N NG5M YG768C5M
	G768 D5T	1			N N NG5TT YG768D5T (use after 5/6/85) N N N N
	G898 D5A	1			N N NG5AS YG898D5A
	G898 D5M	1			N N NG5M YG898D5M
	G898 D5T	1			N N NG5TT YG898D5T
					3 Passenger (used in first position w/5 passenger seating) N N N N
	G770 C5A	1			N N NG5AS YG770C5A
	G770 C5M	1			N N NG5M YG770C5M
	G770 D5T	1			N N NG5TT YG770D5T
2					COVER, Cushion N N N N Cloth N N N N
					2 Passenger N N N N (use up to 5/6/85) N N N N N N NG5AS YG424C5A
	G424 C5A	1			
	G424 C5M	1			N N NG5M YG424C5M
	G424 D5T	1			N N NG5TT YG424D5T (use after 5/6/85) N N N N
	G477 D5A	1			N N NG5AS YG477D5A
	G477 D5M	1			N N NG5M YG477D5M
	G477 D5T	1			N N NG5TT YG477D5T
					3 Passenger N N N N N N NG5AS YG426C5A
	G426 C5A	1			
	G426 C5M	1			N N NG5M YG426C5M
	G426 D5T	1			N N NG5TT YG426D5T
3					COVER, Back N N N N Cloth N N N N

MODEL CODES

B = GRAN FURY	E = 600	M = HORIZON/TURISMO
C = LE BARON/TOWN & COUNTRY/LIMO	F = FIFTH AVENUE/NEWPORT	P = RELIANT
C24 = LASER	G = DIPLOMAT	T = NEW YORKER
C44 = LE BARON/GTS	H = VOYAGER	V = 600
D = ARIES	J = CARAVELLE	V24 = DAYTONA
D44 = LANCER	K = MINI VAN/CARAVAN/ROYAL	Z = OMNI/CHARGER

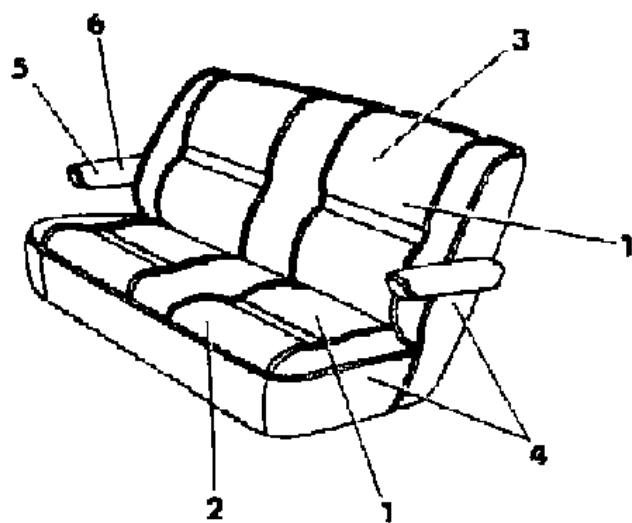
BODY STYLES

21 = 2-DOOR SEDAN	35 = FWD VAN	44 = 4-DOOR HATCHBACK
22 = 2-DOOR SPECIAL COUPE	36 = FWD WAGON	45 = 4-DOOR STATION WAGON
24 = 2-DOOR HATCHBACK	41 = 4-DOOR SEDAN	49 = LIMOUSINE
27 = 2-DOOR CONVERTIBLE		

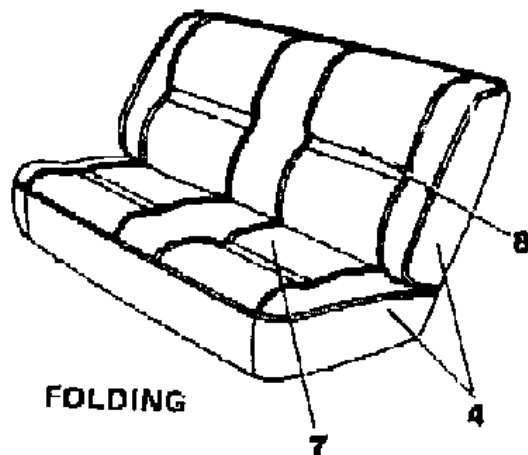
AR = Use as Required - = Non Illustrated Part P.A.R. = Paint as Required

SEAT REAR H,K S BODY TRIM CODE G5
Figure ITG-2300

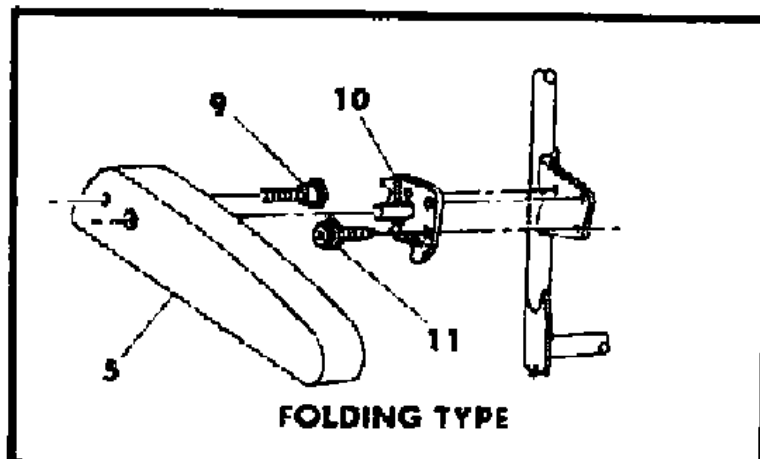
5242 2300



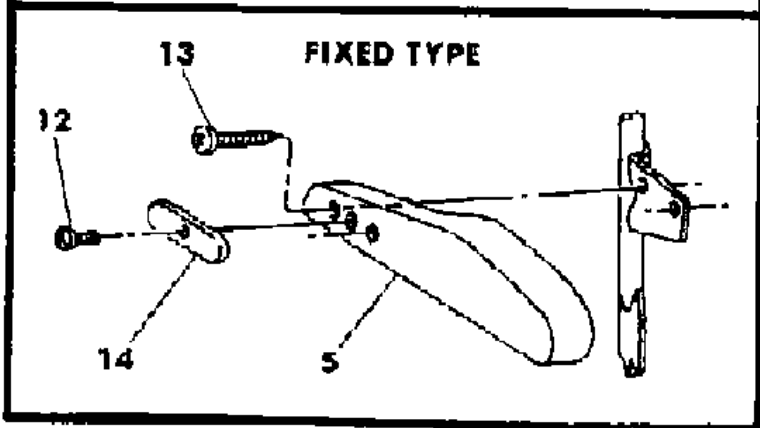
STATIONARY



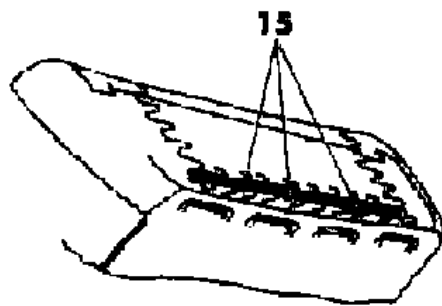
FOLDING



FOLDING TYPE



FIXED TYPE



ITEM	PART NUMBER	QTY	BODY	MODEL	DESCRIPTION
					2 Passenger N N N N
	G425 C5A	1			N N NG5AS YG425C5A
	G425 C5M	1			N N NG5M YG425C5M
	G425 D5T	1			N N NG5TT YG425D5T
					3 Passenger N N N N
	G427 C5A	1			N N NG5AS YG427C5A
	G427 C5M	1			N N NG5M YG427C5M
	G427 D5T	1			N N NG5TT YG427D5T
4					ROLL STOCK, Vinyl Order by the Inch N N N N
	R609 CS8	AR			Charcoal 58" Wide N N NG5AS YR609CS8
	R629 CM6	AR			Blue 54" Wide N N NG5M YR629CM6
	R629 DT3	AR			Tan 54" Wide N N NG5TT YR629DT3
5		2			ARMREST, w/Pad w/o Cover N N N N4290748
					ARMREST and COVER N N N N
					2 Passenger (folding) N N N N
	G712 CS8	2			N N NG5AS YG712CS8
	G712 CM6	2			N N NG5M YG712CM6
	G712 DT5	2			N N NG5TT YG712DT5
					3 Passenger (fixed) N N N N
	G794-5 CS8	1			N N NG5AS YG794CS8
	G794-5 CM6	1			N N NG5M YG794CM6
	G794-5 DT5	1			N N NG5TT YG794DT5
6					COVER, Armrest N N N N
					2 Passenger N N N N
	G421 CS8	2			N N NG5AS YG421CS8
	G421 CM6	2			N N NG5M YG421CM6
	G421 DT5	2			N N NG5TT YG421DT5
					3 Passenger N N N N
	G438-9 CS8	1			N N NG5AS YG438CS8
	G438-9 CM6	1			N N NG5M YG438CM6
	G438-9 DT5	1			N N NG5TT YG438DT5
					FOLDING REAR SEAT N N N N
7&4					CUSHION, w/Spring/Frame, Pad and Cover N N N N
					Cloth N N N N
	G774 C5A	1			N N NG5AS YG774C5A
	G774 C5M	1			N N NG5M YG774C5M
	G774 D5T	1			N N NG5TT YG774D5T

MODEL CODES

B = GRAN FURY	E = 600	M = HORIZON/TURISMO
C = LE BARON/TOWN & COUNTRY/LIMO	F = FIFTH AVENUE/NEWPORT	P = RELIANT
C24 = LASER	G = DIPLOMAT	T = NEW YORKER
C44 = LE BARON/GTS	H = VOYAGER	V = 600
D = ARIES	J = CARAVELLE	V24 = DAYTONA
D44 = LANCER	K = MINI VAN/CARAVAN/ROYAL	Z = OMNI/CHARGER

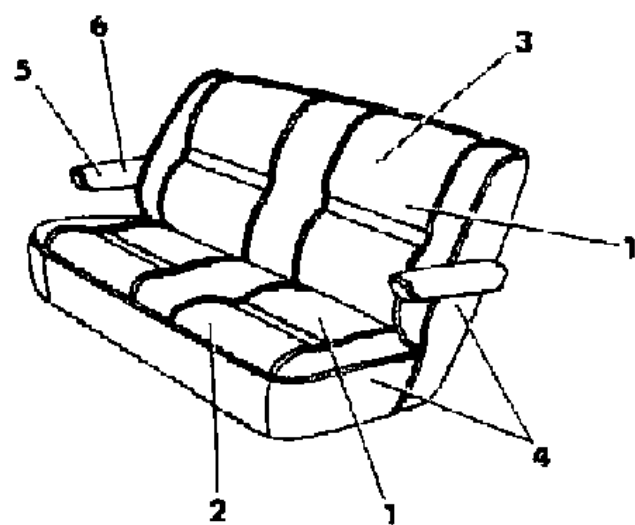
BODY STYLES

21 = 2-DOOR SEDAN	35 = FWD VAN	44 = 4-DOOR HATCHBACK
22 = 2-DOOR SPECIAL COUPE	36 = FWD WAGON	45 = 4-DOOR STATION WAGON
24 = 2-DOOR HATCHBACK	41 = 4-DOOR SEDAN	49 = LIMOUSINE
27 = 2-DOOR CONVERTIBLE		

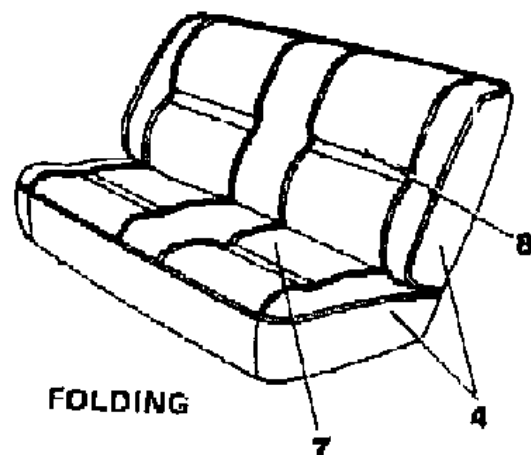
AR = Use as Required - = Non Illustrated Part P.A.R. = Paint as Required

SEAT REAR H,K S BODY TRIM CODE G5
Figure ITG-2300

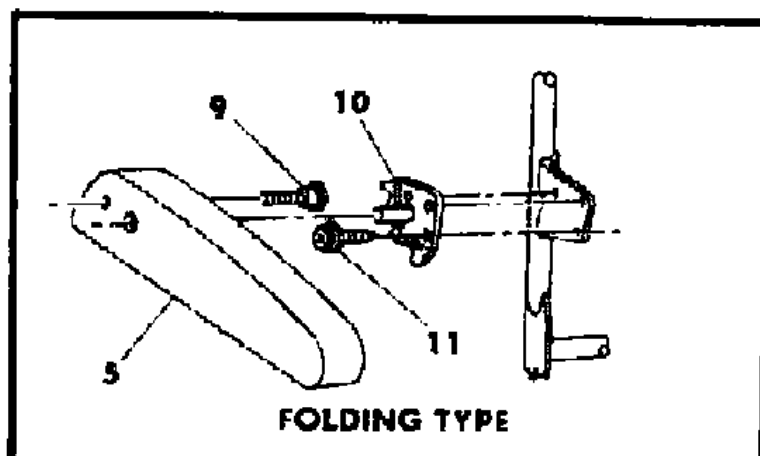
5242 2300



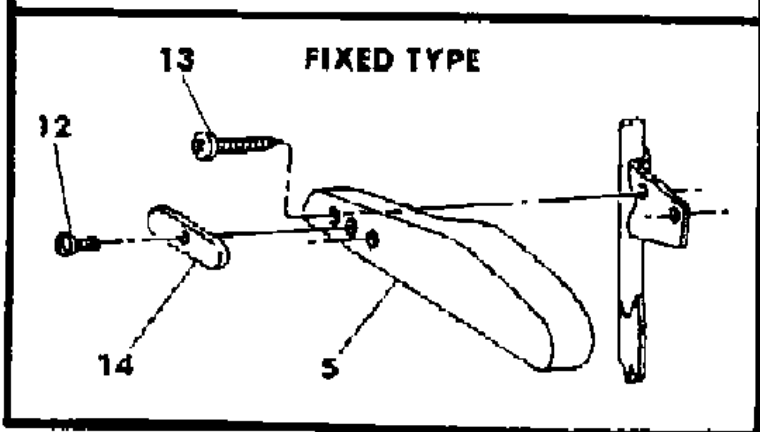
STATIONARY



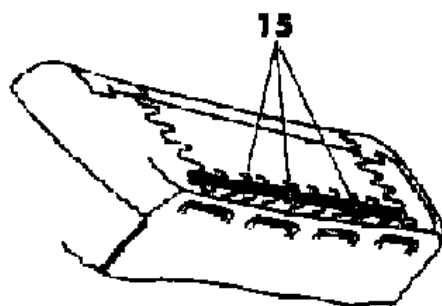
FOLDING



FOLDING TYPE



FIXED TYPE



ITEM	PART NUMBER	QTY	BODY	MODEL	DESCRIPTION
7					COVER, Cushion w/Protector Shield N N N N Cloth N N N N
	G428 C5A	1			N N NG5AS YG428C5A
	G428 C5M	1			N N NG5M YG428C5M
	G428 D5T	1			N N NG5TT YG428D5T
8&4					BACK, w/Spring/Frame, Pad and Cover N N N N Cloth N N N N (use up to 9/20/84) N N N N
	G775 C5A	1			N N NG5AS YG775C5A
	G775 C5M	1			N N NG5M YG775C5M
	G775 D5T	1			N N NG5TT YG775D5T (use after 9/20/84) N N N N
	G828 D5A	1			N N NG5AS YG828D5A
	G828 D5M	1			N N NG5M YG828D5M
	G828 D5T	1			N N NG5TT YG828D5T
8					COVER, Back N N N N Cloth N N N N (use up to 9/20/84) N N N N
	G429 C5A	1			N N NG5AS YG429C5A
	G429 C5M	1			N N NG5M YG429C5M
	G429 D5T	1			N N NG5TT YG429D5T
					(use after 9/20/84) N N N N
	G464 D5A	1			N N NG5AS YG464D5A
	G464 D5M	1			N N NG5M YG464D5M
	G464 D5T	1			N N NG5TT YG464D5T
9	6032 765	2			SCREW N N N Y6032765
10	4290 652-3	1			SUPPORT N N N Y4290652
	6032 721	2			RING, Armrest Retaining (star tooth) N N N Y6032721
	6032 259	2			RING, Snap (1/2" shaft) N N N Y6032259
11					SCREW and WASHER N N N N
	6500 777	6			(use up to 8/27/84) N N N Y6500777
	6501 186	6			(use after 8/27/84) N N N Y6501186
12		2			SCREW (8-18x5/8)(not serviced) N N N N
13	6101 380	4			SCREW N N N Y6101380
14	S684 CL3	2			COVER, Finish (paint as required) N N N YS684CL3
15	6008 076	AR			HOG RING N N N Y6008076

MODEL CODES

B = GRAN FURY	E = 600	M = HORIZON/TURISMO
C = LE BARON/TOWN & COUNTRY/LIMO	F = FIFTH AVENUE/NEWPORT	P = RELIANT
C24 = LASER	G = DIPLOMAT	T = NEW YORKER
C44 = LE BARON/GTS	H = VOYAGER	V = 600
D = ARIES	J = CARAVELLE	V24 = DAYTONA
D44 = LANCER	K = MINI VAN/CARAVAN/ROYAL	Z = OMNI/CHARGER

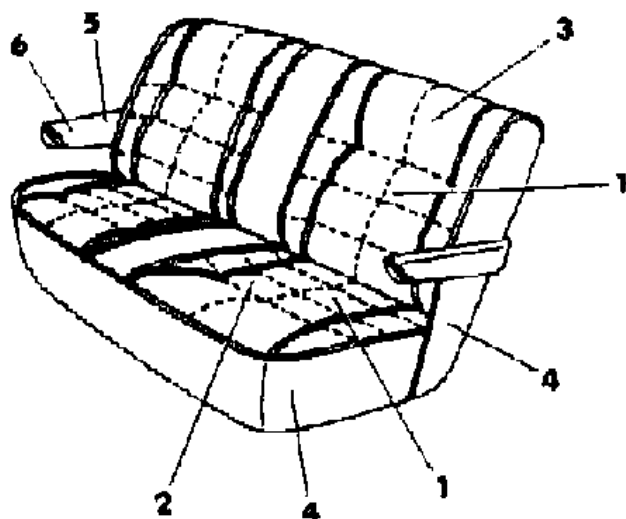
BODY STYLES

21 = 2-DOOR SEDAN	35 = FWD VAN	44 = 4-DOOR HATCHBACK
22 = 2-DOOR SPECIAL COUPE	36 = FWD WAGON	45 = 4-DOOR STATION WAGON
24 = 2-DOOR HATCHBACK	41 = 4-DOOR SEDAN	49 = LIMOUSINE
27 = 2-DOOR CONVERTIBLE		

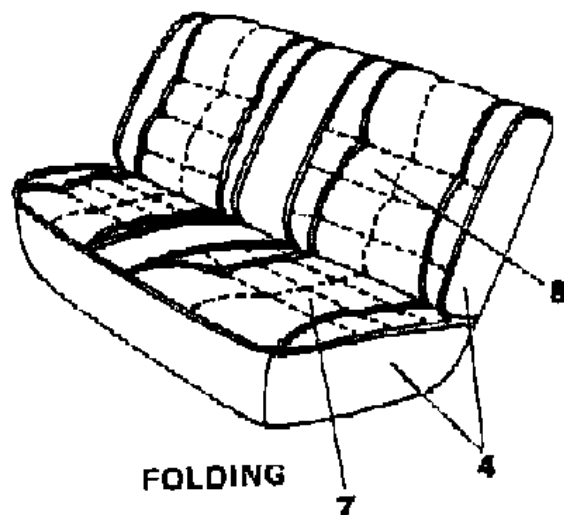
AR = Use as Required - = Non Illustrated Part P.A.R. = Paint as Required

SEAT REAR H,K S BODY TRIM CODES C7,C8,C9,CX,D7,D9
Figure ITG-2400

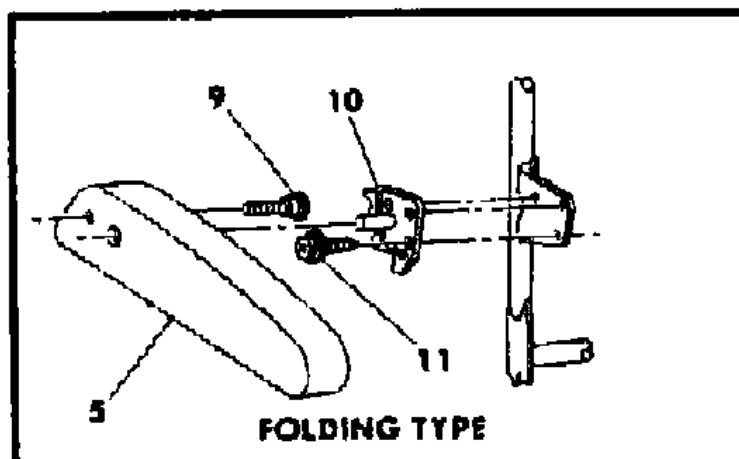
5242 2400



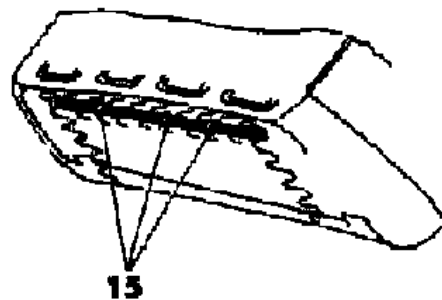
STATIONARY



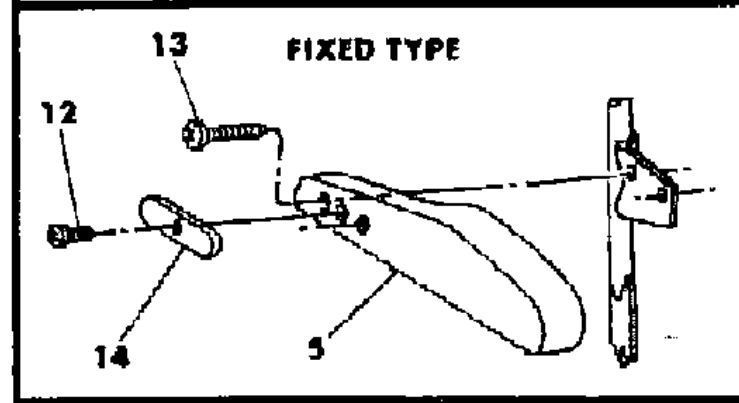
FOLDING



FOLDING TYPE



FIXED TYPE



ITEM	PART NUMBER	QTY	BODY	MODEL	DESCRIPTION
NOTE: THE FIVE (5) PASSENGER WAGON USES THE THREE (3) PASSENGER STATIONARY SEAT. THE SEVEN (7) PASSENGER WAGON USES THE TWO (2) PASSENGER STATIONARY SEAT PLUS THE FOLDING REAR SEAT.					
1-4					SEAT COMPLETE, (includes Cushion and Back), w/Spring/Frame, Pad and Cover N N N N Cloth N N N N
					2 Passenger (used in first position w/7 passenger seating) N N N N (use up to 5/6/85) N N N N
	G862 C7A	1			N N ND7AS,C7AS YG862C7A
	G862 C7A	1			N N ND9AS YG862C7A
	G862 C7B	1			N N ND7B YG862C7B
	G862 C7M	1			N N ND7M,C7M,D9M YG862C7M
	G862 D7T	1			N N ND7TT,C7TT YG862D7T
	G862 D7T	1			N N ND9TT YG862D7T (use after 5/6/85) N N N N
	G894 D7A	1			N N ND7AS,C7AS YG894D7A
	G894 D7A	1			N N ND9AS YG894D7A
	G894 D7B	1			N N ND7B YG894D7B
	G894 D7M	1			N N ND7M,C7M,D9M YG894D7M
	G894 D7T	1			N N ND7TT,C7TT YG894D7T
	G894 D7T	1			N N ND9TT YG894D7T
					3 Passenger (used in first position w/5 passenger seating) N N N N
	G864 C7A	1			N N NC7AS,D7AS YG864C7A
	G864 C7A	1			N N NC9AS,D9AS YG864C7A
	G864 C7B	1			N N ND7B YG864C7B
	G864 C7M	1			N N NC7M,D7M YG864C7M
	G864 C7M	1			N N NC9M,D9M YG864C7M
	G864 D7T	1			N N NC7TT,D7TT YG864D7T
	G864 D7T	1			N N NC9TT,D9TT YG864D7T Vinyl N N N N
	G856 C8A	1			N N NC8AS,CXAS YG856C8A
	G856 C8M	1			N N NC8M,CXM YG856C8M
	G856 D8T	1			N N NC8TT,CXTT YG856D8T
2					COVER, Cushion N N N N Cloth N N N N 2 Passenger N N N N

MODEL CODES

B = GRAN FURY	E = 600	M = HORIZON/TURISMO
C = LE BARON/TOWN & COUNTRY/LIMO	F = FIFTH AVENUE/NEWPORT	P = RELIANT
C24 = LASER	G = DIPLOMAT	T = NEW YORKER
C44 = LE BARON/GTS	H = VOYAGER	V = 600
D = ARIES	J = CARAVELLE	V24 = DAYTONA
D44 = LANCER	K = MINI VAN/CARAVAN/ROYAL	Z = OMNI/CHARGER

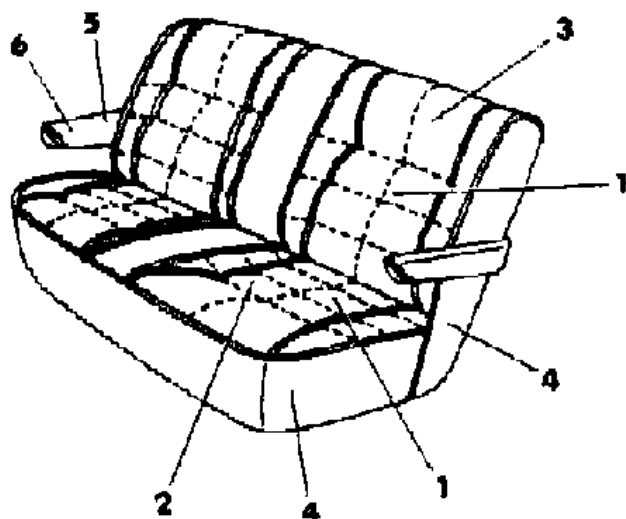
BODY STYLES

21 = 2-DOOR SEDAN	35 = FWD VAN	44 = 4-DOOR HATCHBACK
22 = 2-DOOR SPECIAL COUPE	36 = FWD WAGON	45 = 4-DOOR STATION WAGON
24 = 2-DOOR HATCHBACK	41 = 4-DOOR SEDAN	49 = LIMOUSINE
27 = 2-DOOR CONVERTIBLE		

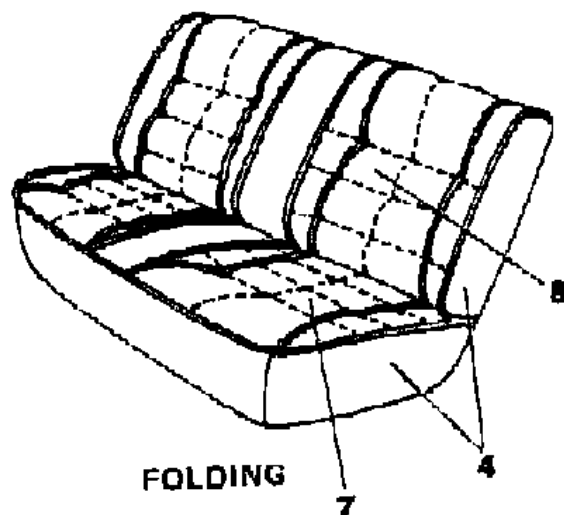
AR = Use as Required - = Non Illustrated Part P.A.R. = Paint as Required

SEAT REAR H,K S BODY TRIM CODES C7,C8,C9,CX,D7,D9
Figure ITG-2400

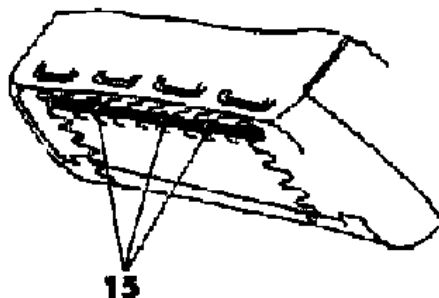
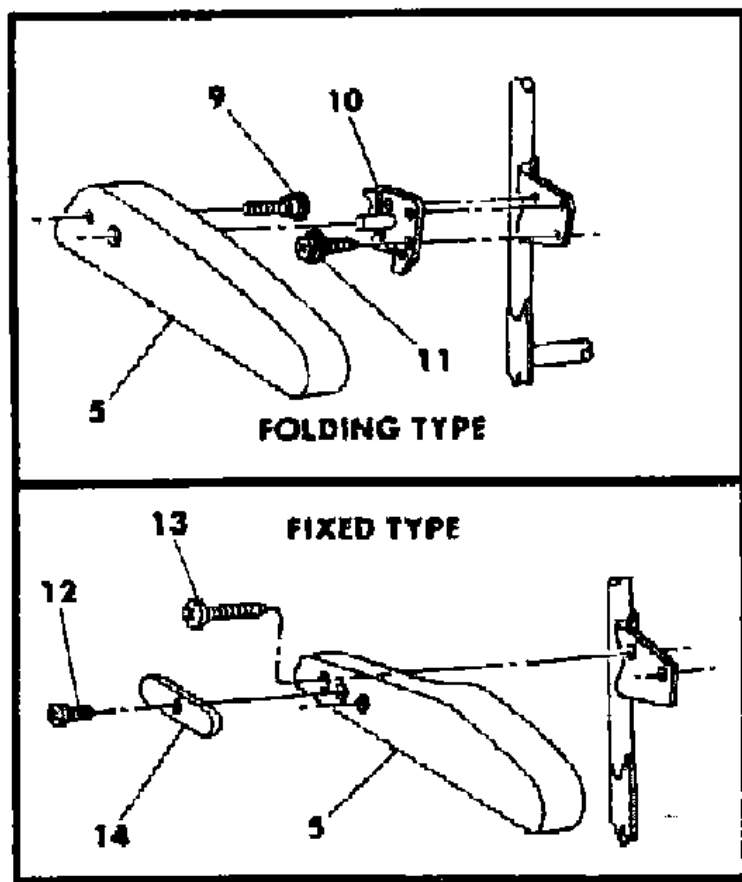
5242 2400



STATIONARY



FOLDING



ITEM	PART NUMBER	QTY	BODY	MODEL	DESCRIPTION
					(use up to 5/6/85) N N N N
	G405 C7A	1			N N ND7AS,C7AS YG405C7A
	G405 C7A	1			N N ND9AS YG405C7A
	G405 C7B	1			N N ND7B YG405C7B
	G405 C7M	1			N N ND7M,C7M,D9M YG405C7M
	G405 D7T	1			N N ND7TT,C7TT YG405D7T
	G405 D7T	1			N N ND9TT YG405D7T
					(use after 5/6/85) N N N N
	G473 D7A	1			N N ND7AS,C7AS YG473D7A
	G473 D7A	1			N N ND9AS YG473D7A
	G473 D7B	1			N N ND7B YG473D7B
	G473 D7M	1			N N ND7M,C7M,D9M YG473D7M
	G473 D7T	1			N N ND7TT,C7TT YG473D7T
	G473 D7T	1			N N ND9TT YG473D7T
					3 Passenger N N N N
	G407 C7A	1			N N NC7AS,D7AS YG407C7A
	G407 C7A	1			N N NC9AS,D9AS YG407C7A
	G407 C7B	1			N N ND7B YG407C7B
	G407 C7M	1			N N NC7M,D7M YG407C7M
	G407 C7M	1			N N NC9M,D9M YG407C7M
	G407 D7T	1			N N NC7TT,D7TT YG407D7T
	G407 D7T	1			N N NC9TT,D9TT YG407D7T
					Vinyl N N N N
	G434 C8A	1			N N NC8AS,CXAS YG434C8A
	G434 C8M	1			N N NC8M,CXM YG434C8M
	G434 D8T	1			N N NC8TT,CXTT YG434D8T
3					COVER, Back N N N N
					Cloth N N N N
					2 Passenger N N N N
	G451 C7A	1			N N ND7AS,C7AS YG451C7A
	G451 C7A	1			N N ND9AS YG451C7A
	G451 C7B	1			N N ND7B YG451C7B
	G451 C7M	1			N N ND7M,C7M,D9M YG451C7M
	G451 D7T	1			N N ND7TT,C7TT YG451D7T
	G451 D7T	1			N N ND9TT YG451D7T
					3 Passenger N N N N
	G453 C7A	1			N N NC7AS,D7AS YG453C7A

MODEL CODES

B = GRAN FURY	E = 600	M = HORIZON/TURISMO
C = LE BARON/TOWN & COUNTRY/LIMO	F = FIFTH AVENUE/NEWPORT	P = RELIANT
C24 = LASER	G = DIPLOMAT	T = NEW YORKER
C44 = LE BARON/GTS	H = VOYAGER	V = 600
D = ARIES	J = CARAVELLE	V24 = DAYTONA
D44 = LANCER	K = MINI VAN/CARAVAN/ROYAL	Z = OMNI/CHARGER

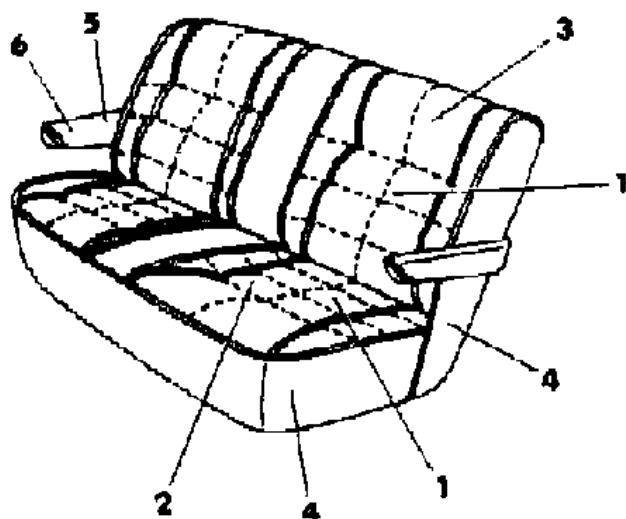
BODY STYLES

21 = 2-DOOR SEDAN	35 = FWD VAN	44 = 4-DOOR HATCHBACK
22 = 2-DOOR SPECIAL COUPE	36 = FWD WAGON	45 = 4-DOOR STATION WAGON
24 = 2-DOOR HATCHBACK	41 = 4-DOOR SEDAN	49 = LIMOUSINE
27 = 2-DOOR CONVERTIBLE		

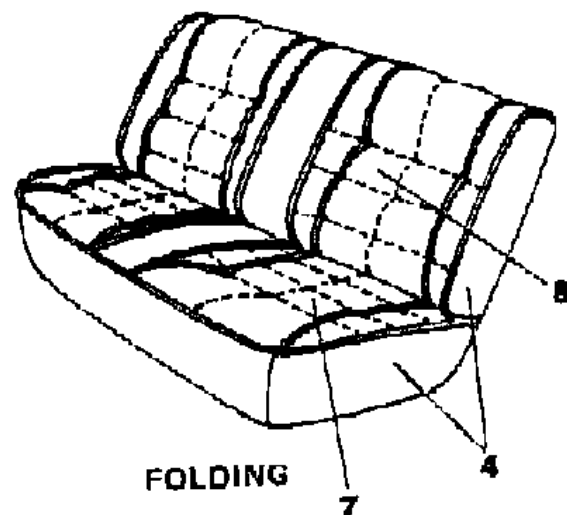
AR = Use as Required - = Non Illustrated Part P.A.R. = Paint as Required

SEAT REAR H,K S BODY TRIM CODES C7,C8,C9,CX,D7,D9
Figure ITG-2400

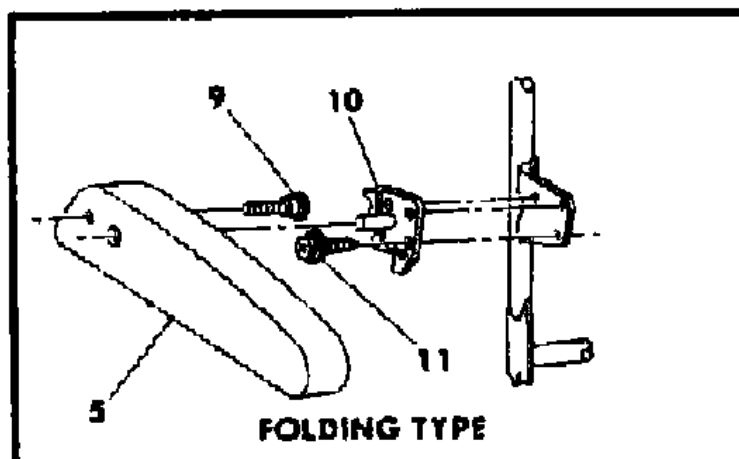
5242 2400



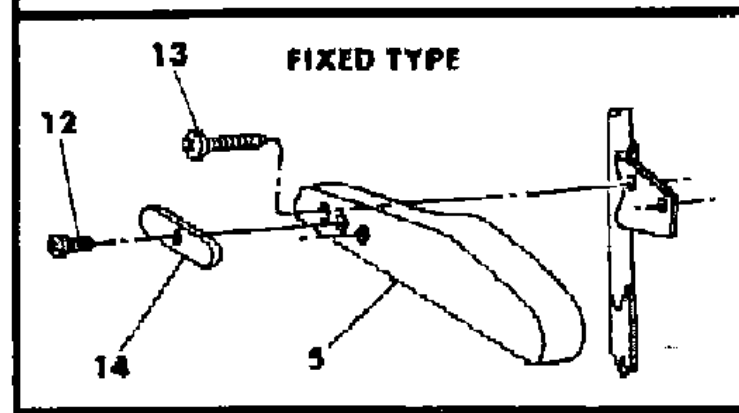
STATIONARY



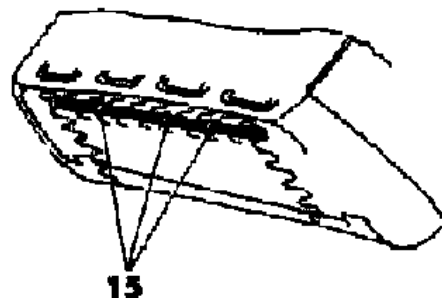
FOLDING



FOLDING TYPE



FIXED TYPE



13

ITEM	PART NUMBER	QTY	BODY	MODEL	DESCRIPTION
	G453 C7A	1			N N NC9AS,D9AS YG453C7A
	G453 C7B	1			N N ND7B YG453C7B
	G453 C7M	1			N N NC7M,D7M YG453C7M
	G453 C7M	1			N N NC9M,D9M YG453C7M
	G453 D7T	1			N N NC7TT,D7TT YG453D7T
	G453 D7T	1			N N NC9TT,D9TT YG453D7T
	G458 C8A	1			Vinyl N N N N
	G458 C8M	1			N N NC8AS,CXAS YG458C8A
	G458 D8T	1			N N NC8M,CXM YG458C8M
4					N N NC8TT,CXTT YG458D8T
	R609 CS8	AR			ROLL STOCK, Vinyl Order by the Inch N N N N
	R629 CB5	AR			Charcoal 58" Wide N N N YR609CS8
	R629 CM6	AR			Blue 54" Wide N N N YR629CB5
	R629 DT5	AR			Red 54" Wide N N N YR629CM6
5		2			Tan 54" Wide N N N YR629DT5
					ARMREST, w/Pad w/o Cover N N N N4290748
					ARMREST and COVER N N N N
					2 Passenger (folding) N N N N
	G712 CS8	2			Charcoal N N N YG712CS8
	G712 CB5	2			Blue N N N YG712CB5
	G712 CM6	2			Red N N N YG712CM6
	G712 DT5	2			Tan N N N YG712DT5
					3 Passenger (fixed) N N N N
	G794-5 CS8	1			Charcoal N N N YG794CS8
	G794-5 CB5	1			Blue N N N YG794CB5
	G794-5 CM6	1			Red N N N YG794CM6
	G794-5 DT5	1			Tan N N N YG794DT5
6					COVER, Armrest N N N N
					2 Passenger N N N N
	G421 CS8	2			Charcoal N N N YG421CS8
	G421 CB5	2			Blue N N N YG421CB5
	G421 CM6	2			Red N N N YG421CM6
	G421 DT5	2			Tan N N N YG421DT5
					3 Passenger N N N N
	G438-9 CS8	1			Charcoal N N N YG438CS8
	G438-9 CB5	1			Blue N N N YG438CB5
	G438-9 CM6	1			Red N N N YG438CM6

MODEL CODES

B = GRAN FURY	E = 600	M = HORIZON/TURISMO
C = LE BARON/TOWN & COUNTRY/LIMO	F = FIFTH AVENUE/NEWPORT	P = RELIANT
C24 = LASER	G = DIPLOMAT	T = NEW YORKER
C44 = LE BARON/GTS	H = VOYAGER	V = 600
D = ARIES	J = CARAVELLE	V24 = DAYTONA
D44 = LANCER	K = MINI VAN/CARAVAN/ROYAL	Z = OMNI/CHARGER

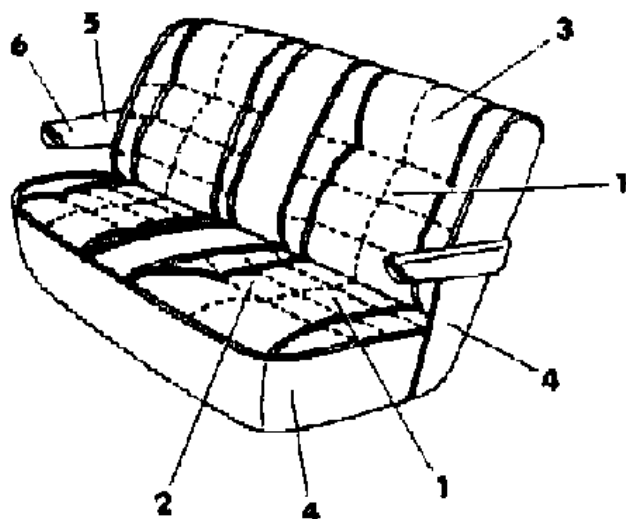
BODY STYLES

21 = 2-DOOR SEDAN	35 = FWD VAN	44 = 4-DOOR HATCHBACK
22 = 2-DOOR SPECIAL COUPE	36 = FWD WAGON	45 = 4-DOOR STATION WAGON
24 = 2-DOOR HATCHBACK	41 = 4-DOOR SEDAN	49 = LIMOUSINE
27 = 2-DOOR CONVERTIBLE		

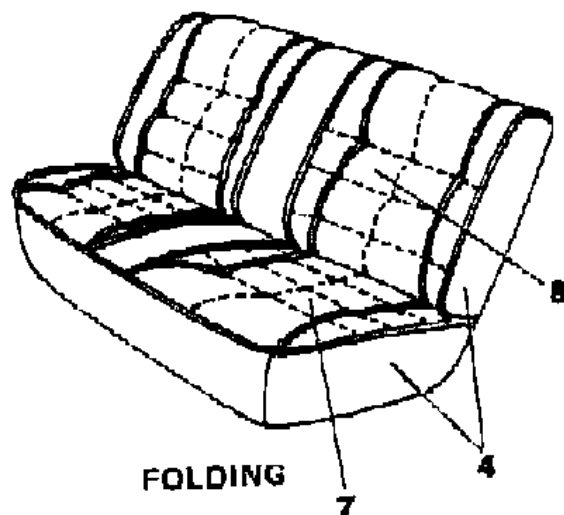
AR = Use as Required - = Non Illustrated Part P.A.R. = Paint as Required

SEAT REAR H,K S BODY TRIM CODES C7,C8,C9,CX,D7,D9
Figure ITG-2400

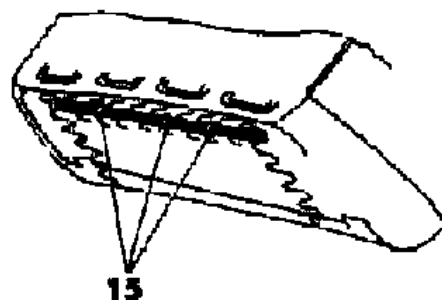
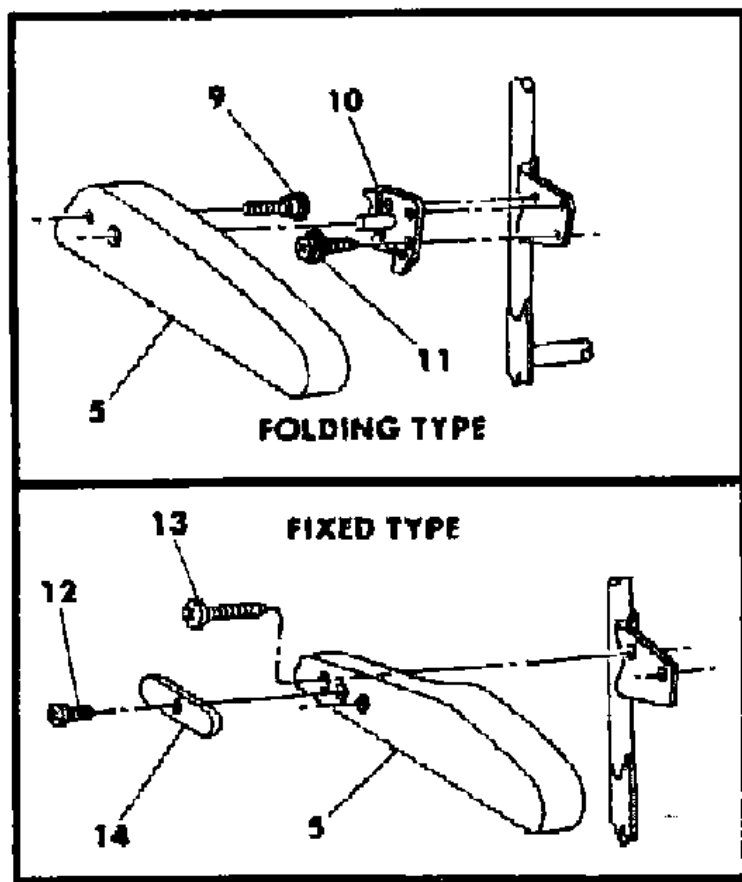
5242 2400



STATIONARY



FOLDING



ITEM	PART NUMBER	QTY	BODY	MODEL	DESCRIPTION
	G438-9 DT5	1			Tan N N N YG438DT5
7&4					FOLDING REAR SEAT N N N N CUSHION, w/Spring/Frame, Pad and Cover N N N N Cloth N N N N
	G756 C7A	1			N N ND7AS,C7AS YG756C7A
	G756 C7A	1			N N ND9AS YG756C7A
	G756 C7B	1			N N ND7B YG756C7B
	G756 C7M	1			N N ND7M,C7M,D9M YG756C7M
	G756 D7T	1			N N ND7TT,C7TT YG756D7T
	G756 D7T	1			N N ND9TT YG756D7T
7					COVER, Cushion w/Protector Shield N N N N Cloth N N N N
	G409 C7A	1			N N ND7AS,C7AS YG409C7A
	G409 C7A	1			N N ND9AS YG409C7A
	G409 C7B	1			N N ND7B YG409C7B
	G409 C7M	1			N N ND7M,C7M,D9M YG409C7M
	G409 D7T	1			N N ND7TT,C7TT YG409D7T
	G409 D7T	1			N N ND9TT YG409D7T
8&4					BACK, w/Spring/Frame, Pad and Cover N N N N Cloth N N N N (use up to 9/20/84) N N N N
	G757 C7A	1			N N ND7AS,C7AS YG757C7A
	G757 C7B	1			N N ND7B YG757C7B
	G757 C7M	1			N N ND7M,C7M YG757C7M
	G757 D7T	1			N N ND7TT,C7TT YG757D7T
					(use after 9/20/84) N N N N
	G728 D7A	1			N N ND7AS,C7AS YG728D7A
	G728 D7A	1			N N ND9AS YG728D7A
	G728 D7B	1			N N ND7B YG728D7B
	G728 D7M	1			N N ND7M,C7M,D9M YG728D7M
	G728 D7T	1			N N ND7TT,C7TT YG728D7T
	G728 D7T	1			N N ND9TT YG728D7T
8					COVER, Back N N N N Cloth N N N N (use up to 9/20/84) N N N N
	G410 C7A	1			N N ND7AS,C7AS YG410C7A
	G410 C7B	1			N N ND7B YG410C7B

MODEL CODES

B = GRAN FURY	E = 600	M = HORIZON/TURISMO
C = LE BARON/TOWN & COUNTRY/LIMO	F = FIFTH AVENUE/NEWPORT	P = RELIANT
C24 = LASER	G = DIPLOMAT	T = NEW YORKER
C44 = LE BARON/GTS	H = VOYAGER	V = 600
D = ARIES	J = CARAVELLE	V24 = DAYTONA
D44 = LANCER	K = MINI VAN/CARAVAN/ROYAL	Z = OMNI/CHARGER

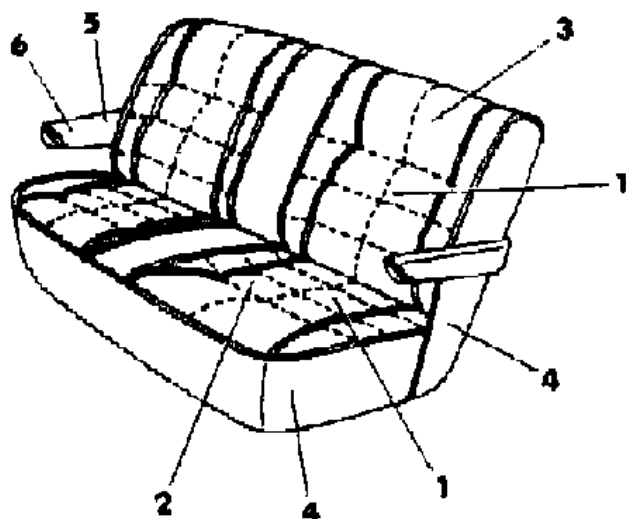
BODY STYLES

21 = 2-DOOR SEDAN	35 = FWD VAN	44 = 4-DOOR HATCHBACK
22 = 2-DOOR SPECIAL COUPE	36 = FWD WAGON	45 = 4-DOOR STATION WAGON
24 = 2-DOOR HATCHBACK	41 = 4-DOOR SEDAN	49 = LIMOUSINE
27 = 2-DOOR CONVERTIBLE		

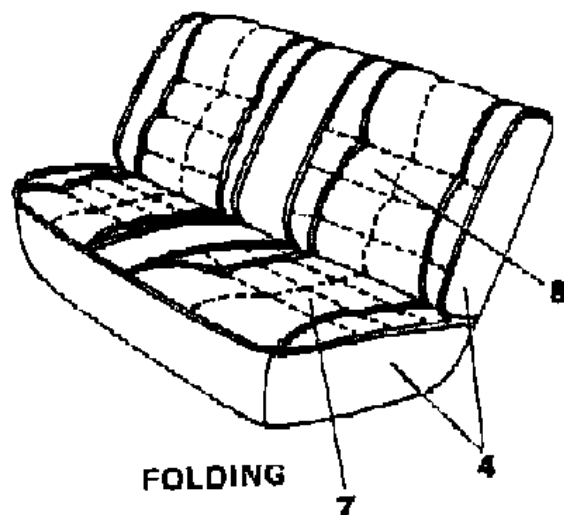
AR = Use as Required - = Non Illustrated Part P.A.R. = Paint as Required

SEAT REAR H,K S BODY TRIM CODES C7,C8,C9,CX,D7,D9
Figure ITG-2400

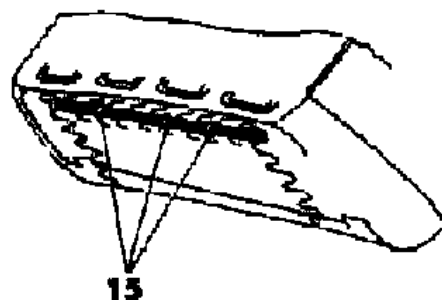
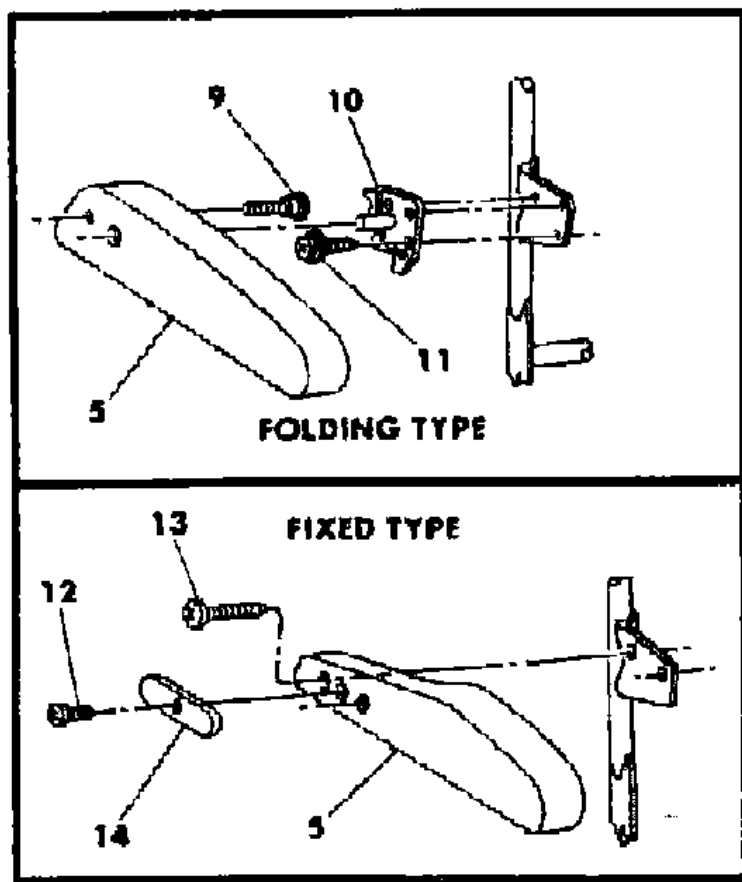
5242 2400



STATIONARY



FOLDING



ITEM	PART NUMBER	QTY	BODY	MODEL	DESCRIPTION
	G410 C7M	1			N N ND7M,C7M YG410C7M
	G410 D7T	1			N N ND7TT,C7TT YG410D7T (use after 9/20/84) N N N N
	G460 D7A	1			N N ND7AS,C7AS YG460D7A
	G460 D7A	1			N N ND9AS YG460D7A
	G460 D7B	1			N N ND7B YG460D7B
	G460 D7M	1			N N ND7M,C7M,D9M YG460D7M
	G460 D7T	1			N N ND7TT,C7TT YG460D7T
	G460 D7T	1			N N ND9TT YG460D7T
9	6032 765	2			SCREW N N N Y6032765
10	4290 652-3	1			SUPPORT N N N Y4290652
	6032 721	2			RING, Armrest Retaining (star tooth) N N N Y6032721
	6032 259	2			RING, Snap (1/2" shaft) N N N Y6032259
11					SCREW and WASHER N N N N (use up to 8/27/84) N N N Y6500777 (use after 8/27/84) N N N Y6501186
12		2			SCREW (8-18x5/8)(not serviced) N N N N
13	6101 380	4			SCREW N N N Y6101380
14	S684 CL3	1			COVER, Finish (paint as required) N N N YS684CL3
15	6008 076	AR			HOG RING N N N Y6008076

MODEL CODES

B = GRAN FURY	E = 600	M = HORIZON/TURISMO
C = LE BARON/TOWN & COUNTRY/LIMO	F = FIFTH AVENUE/NEWPORT	P = RELIANT
C24 = LASER	G = DIPLOMAT	T = NEW YORKER
C44 = LE BARON/GTS	H = VOYAGER	V = 600
D = ARIES	J = CARAVELLE	V24 = DAYTONA
D44 = LANCER	K = MINI VAN/CARAVAN/ROYAL	Z = OMNI/CHARGER

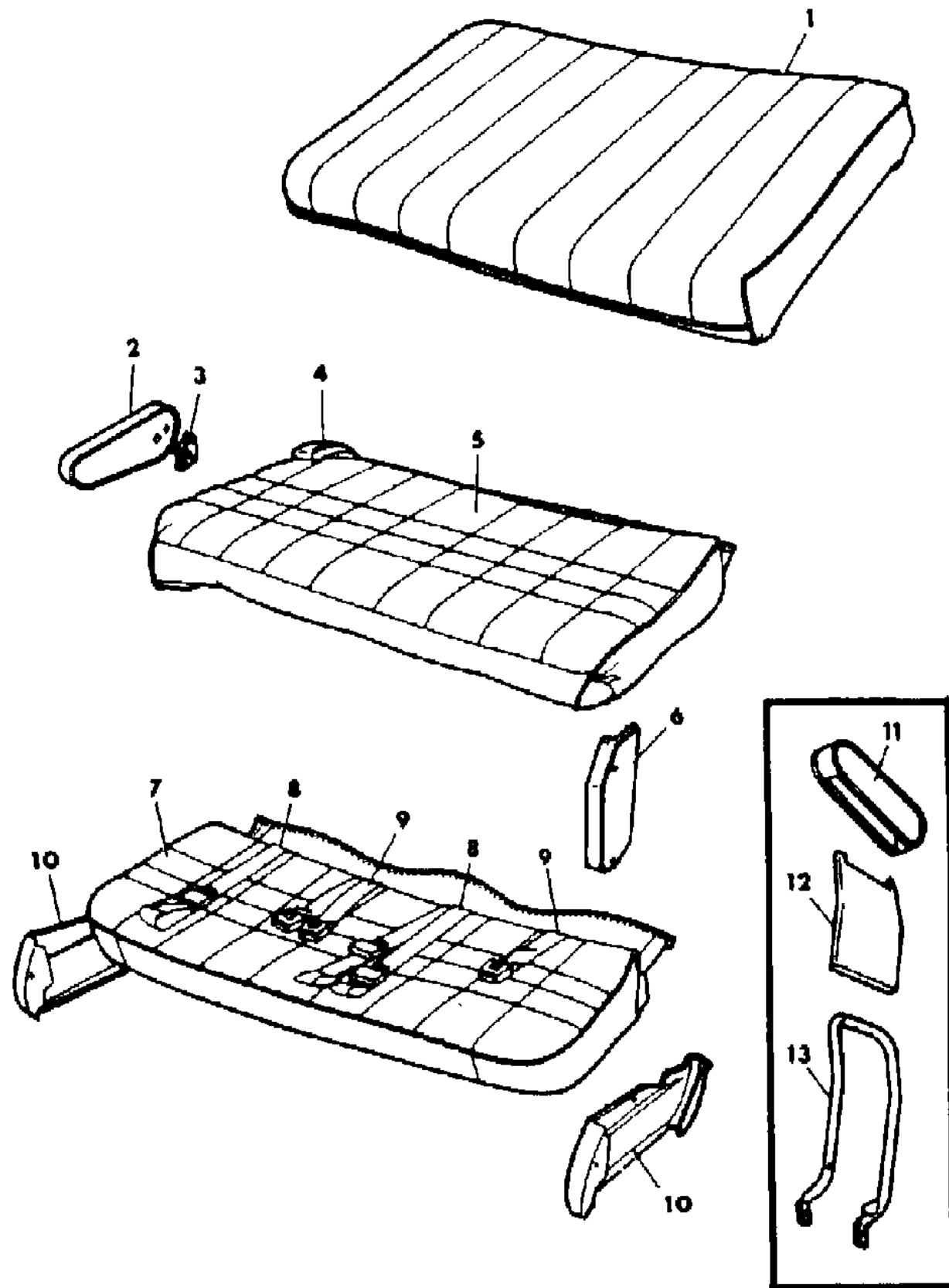
BODY STYLES

21 = 2-DOOR SEDAN	35 = FWD VAN	44 = 4-DOOR HATCHBACK
22 = 2-DOOR SPECIAL COUPE	36 = FWD WAGON	45 = 4-DOOR STATION WAGON
24 = 2-DOOR HATCHBACK	41 = 4-DOOR SEDAN	49 = LIMOUSINE
27 = 2-DOOR CONVERTIBLE		

AR = Use as Required - = Non Illustrated Part P.A.R. = Paint as Required

CONVERTABED CUSHIONS, ARM RESTS AND SEAT BELTS H,KS BODY TRIM CODES C7,D7
Figure ITG-2500

5242 2500



ITEM	PART NUMBER	QTY	BODY	MODEL	DESCRIPTION
					CONVERTABED COMPLETE,(replaces rear seat(s)) N N N N
	G500 DA3	1			N N NC7AS,D7AS YG500DA3
	G500 DT3	1			N N NC7TT,D7TT YG500DT3
NOTE: THE FOLLOWING PARTS ARE FOR REPLACEMENT ONLY. NGER WAGON USES THE TWO (2) PASSENGER STATIONARY SEAT PLUS THE FOLDING REAR SEAT.					
1					COVER, Third Cushion N N N N
	G504 DA3	1			N N NC7AS,D7AS YG504DA3
	G504 DT3	1			N N NC7TT,D7TT YG504DT3
	4380 666	1			PAD N N N Y4380666
	6008 076	AR			HOG RING N N N Y6008076
2					COVER, Folding Armrest Right N N N N
	G459 CS8	1			N N NC7AS,D7AS YG459CS8
	G459 DT5	1			N N NC7TT,D7TT YG459DT5
3					BRACKET, Armrest N N N Y4290652
	6501 186	3			SCREW and WASHER N N N Y6501186
	6032 567	1			SCREW, Shoulder N N N Y6032567
	6032 259	1			RING, Snap (1/2" Shaft) N N N Y6032259
	6032 721	1			RING, Retaining Inner (Star Tooth) N N N Y6032721
4					STRAP, Pull N N N N
	S732 DA3	1			N N NC7AS,D7AS YS732DA3
	S732 DT3	1			N N NC7TT,D7TT YS732DT3
5					COVER, Back N N N N
	G502 DA3	1			N N NC7AS,D7AS YG502DA3
	G502 DT3	1			N N NC7TT,D7TT YG502DT3
	4380 664	1			PAD N N N Y4380664
	6008 076	AR			HOG RING N N N Y6008076
6					COVER, Quadrant Plate N N N N
	S518-9 DA3	1			Silver N N N YS518DA3
	S518-9 DT3	1			Tan N N N YS518DT3
	6033 065	AR			SCREW (#8x1/4) N N N Y6033065
	F245 CA3	AR			PLUG, Quadrant Plate Cover (paint as required) N N N YF245CA3
7					COVER, Cushion N N N N
	G501 DA3	1			N N NC7AS,D7AS YG501DA3
	G501 DT3	1			N N NC7TT,D7TT YG501DT3
	4380 661	1			PAD N N N Y4380661
	6008 076	AR			HOG RING N N N Y6008076

MODEL CODES

B = GRAN FURY	E = 600	M = HORIZON/TURISMO
C = LE BARON/TOWN & COUNTRY/LIMO	F = FIFTH AVENUE/NEWPORT	P = RELIANT
C24 = LASER	G = DIPLOMAT	T = NEW YORKER
C44 = LE BARON/GTS	H = VOYAGER	V = 600
D = ARIES	J = CARAVELLE	V24 = DAYTONA
D44 = LANCER	K = MINI VAN/CARAVAN/ROYAL	Z = OMNI/CHARGER

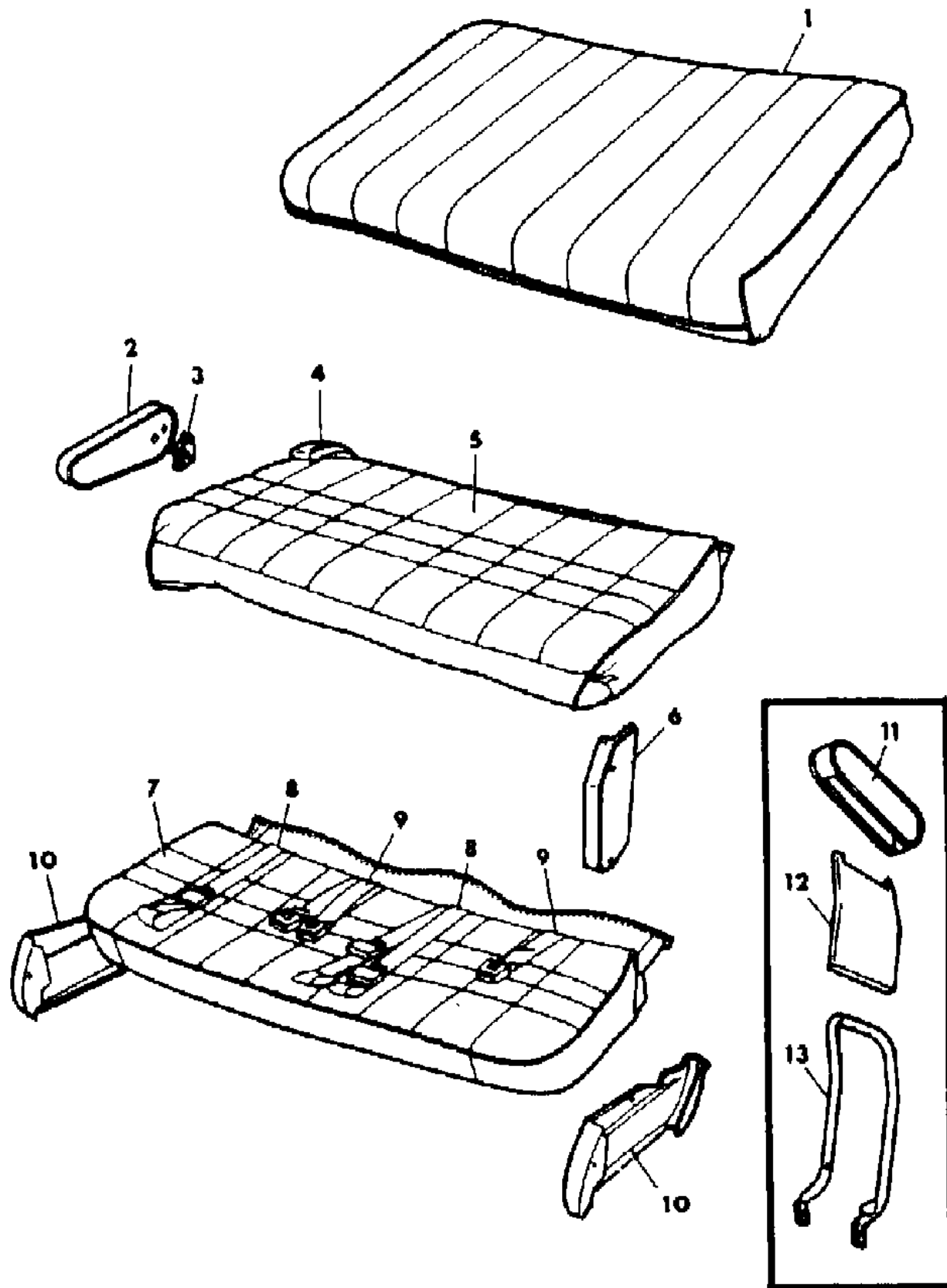
BODY STYLES

21 = 2-DOOR SEDAN	35 = FWD VAN	44 = 4-DOOR HATCHBACK
22 = 2-DOOR SPECIAL COUPE	36 = FWD WAGON	45 = 4-DOOR STATION WAGON
24 = 2-DOOR HATCHBACK	41 = 4-DOOR SEDAN	49 = LIMOUSINE
27 = 2-DOOR CONVERTIBLE		

AR = Use as Required - = Non Illustrated Part P.A.R. = Paint as Required

CONVERTABLE CUSHIONS, ARM RESTS AND SEAT BELTS H,KS BODY TRIM CODES C7,D7
Figure ITG-2500

5242 2500



ITEM	PART NUMBER	QTY	BODY	MODEL	DESCRIPTION
8					BELT, Tip Half N N N N
	L703 BA3	1			Label Number 4263943 N N N N
	L703 DT3	3			N N NC7AS,D7AS YL703BA3 N N NC7TT,D7TT YL703DT3
9					BELT, Buckle Half N N N N
	L704 BA3	3			Label Number 4263982 N N N N
	L704 DT3	3			N N NC7AS,D7AS YL704BA3 N N NC7TT,D7TT YL704DT3
	6031 298	4			BOLT, Shoulder N N N Y6031298
	6003 301	AR			SPACER, Anti Rattle N N N Y6003301
10	S594 DB5	2			COVER, Riser (paint as required) N N N YS594DB5
11	4380 669	1			PAD and POST, Armrest N N N Y4380669
					COVER, Armrest N N N N
	G503 DS8	1			N N NC7AS,D7AS YG503DS8
	G503 DT5	1			N N NC7TT,D7TT YG503DT5
12					COVER, Armrest Support N N N N
	S733 DS8	1			N N NC7AS,D7AS YS733DS8
	S733 DT5	1			N N NC7TT,D7TT YS733DT5
13	4380 663	1			SUPPORT, Armrest N N N Y4380663
	0180 048	AR			BOLT, Armrest to Cushion Frame N N N Y180048
	9421 411	AR			SCREW, Bracket to Carrier Plate N N N Y9421411

MODEL CODES

B = GRAN FURY	E = 600	M = HORIZON/TURISMO
C = LE BARON/TOWN & COUNTRY/LIMO	F = FIFTH AVENUE/NEWPORT	P = RELIANT
C24 = LASER	G = DIPLOMAT	T = NEW YORKER
C44 = LE BARON/GTS	H = VOYAGER	V = 600
D = ARIES	J = CARAVELLE	V24 = DAYTONA
D44 = LANCER	K = MINI VAN/CARAVAN/ROYAL	Z = OMNI/CHARGER

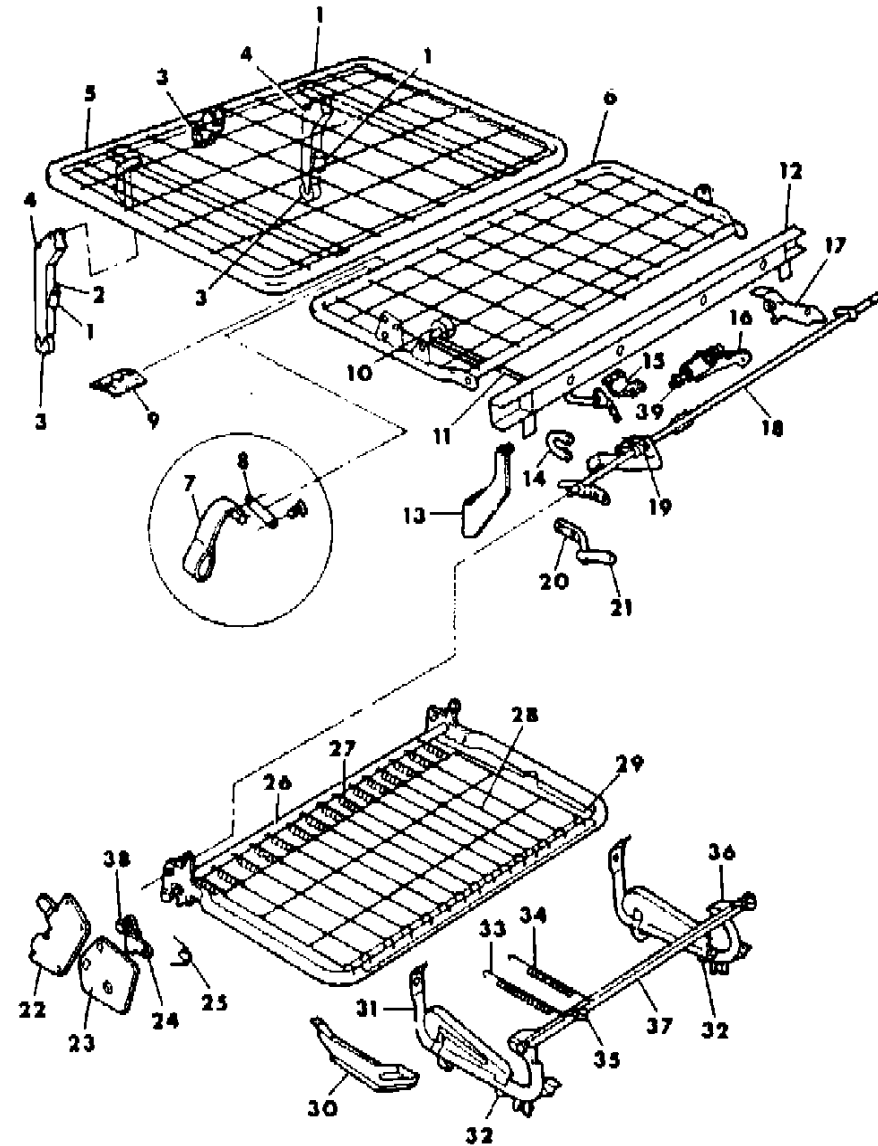
BODY STYLES

21 = 2-DOOR SEDAN	35 = FWD VAN	44 = 4-DOOR HATCHBACK
22 = 2-DOOR SPECIAL COUPE	36 = FWD WAGON	45 = 4-DOOR STATION WAGON
24 = 2-DOOR HATCHBACK	41 = 4-DOOR SEDAN	49 = LIMOUSINE
27 = 2-DOOR CONVERTIBLE		

AR = Use as Required - = Non Illustrated Part P.A.R. = Paint as Required

CONVERTABLE FRAMES AND ACTUATING SYSTEM H,K S BODY
Figure ITG-2600

5242 2400



ITEM	PART NUMBER	QTY	BODY	MODEL	DESCRIPTION
NOTE: THE FOLLOWING PARTS ARE FOR REPLACEMENT ONLY. NGER WAGON USES THE TWO (2) PASSENGER STATIONARY SEAT PLUS THE FOLDING REAR SEAT.					
1	4263 775	3			BUMPER, Rear Seat Back N N N Y4263775
2	4263 767	3			STRAP, Bumper Retaining N N N Y4263767
	6027 438	AR			SCREW N N N Y6027438
3	4263 776	3			ROLLER, Bed Support N N N Y4263776
	6006 324	3			NUT, Roller Retaining N N N Y6006324
	9421 391	1			PIN, Bed Roller (1/4x1.40 headed) N N N Y9421391
4	4380 646	2			LEG, Bed Support Less Bumper and Roller N N N Y4380646
	6022 149	2			NUT, Leg Attaching N N N Y6022149
	6033 074	2			PIN, LEG PIVOT (1/4x1.40 headed) N N N Y6033074
5	4380 665	1			FRAME, Third Cushion N N N Y4380665
6	4380 662	1			FRAME, BACK N N N Y4380662
7					STRAP, Pull N N N N
	S732 DA3	1			N N NC7AS,D7AS YS732DA3
	S732 DT3	1			N N NC7TT,D7TT YS732DT3
8	4263 768	1			PLATE, Strap Retaining N N N Y4263768
	6027 438	AR			SCREW N N N Y6027438
9	4263 773	2			HINGE N N N Y4263773
		AR			SCREW (not serviced) N N N N
10	4380 632	1			ROLLER, Third Panel Actuating N N N Y4380632
	6033 075	1			NUT, Roller Pin N N N Y6033075
11	4380 650	1			LEVER, Third Panel Actuating N N N Y4380650
	0152 360	AR			NUT N N N Y152360
12	4380 647	1			CROSSMEMBER, Seat Belt N N N Y4380647
		AR			WASHER, Support Bracket to Crossmember (not serviced) N N N N
13	4380 648-9	1			BRACKET, Seat Support Rear N N N Y4380648
14	4263 784	2			RETAINER, Latch Rod N N N Y4263784
15		1			RETAINER, Actuating Rod (not serviced) N N N N
16	4380 652	1			ARM, Actuator N N N Y4380652
	6024 359	1			NUT N N N Y6024359
	4380 653	AR			SPRING, Actuator Arm N N N Y4380653
	4380 654	1			PIN, Actuator Arm N N N Y4380654
	6003 301	AR			SPACER N N N Y6003301
17	4380 642-3	1			LATCH N N N Y4380642
	6026 430	AR			NUT N N N Y6026430

MODEL CODES

B = GRAN FURY	E = 600	M = HORIZON/TURISMO
C = LE BARON/TOWN & COUNTRY/LIMO	F = FIFTH AVENUE/NEWPORT	P = RELIANT
C24 = LASER	G = DIPLOMAT	T = NEW YORKER
C44 = LE BARON/GTS	H = VOYAGER	V = 600
D = ARIES	J = CARAVELLE	V24 = DAYTONA
D44 = LANCER	K = MINI VAN/CARAVAN/ROYAL	Z = OMNI/CHARGER

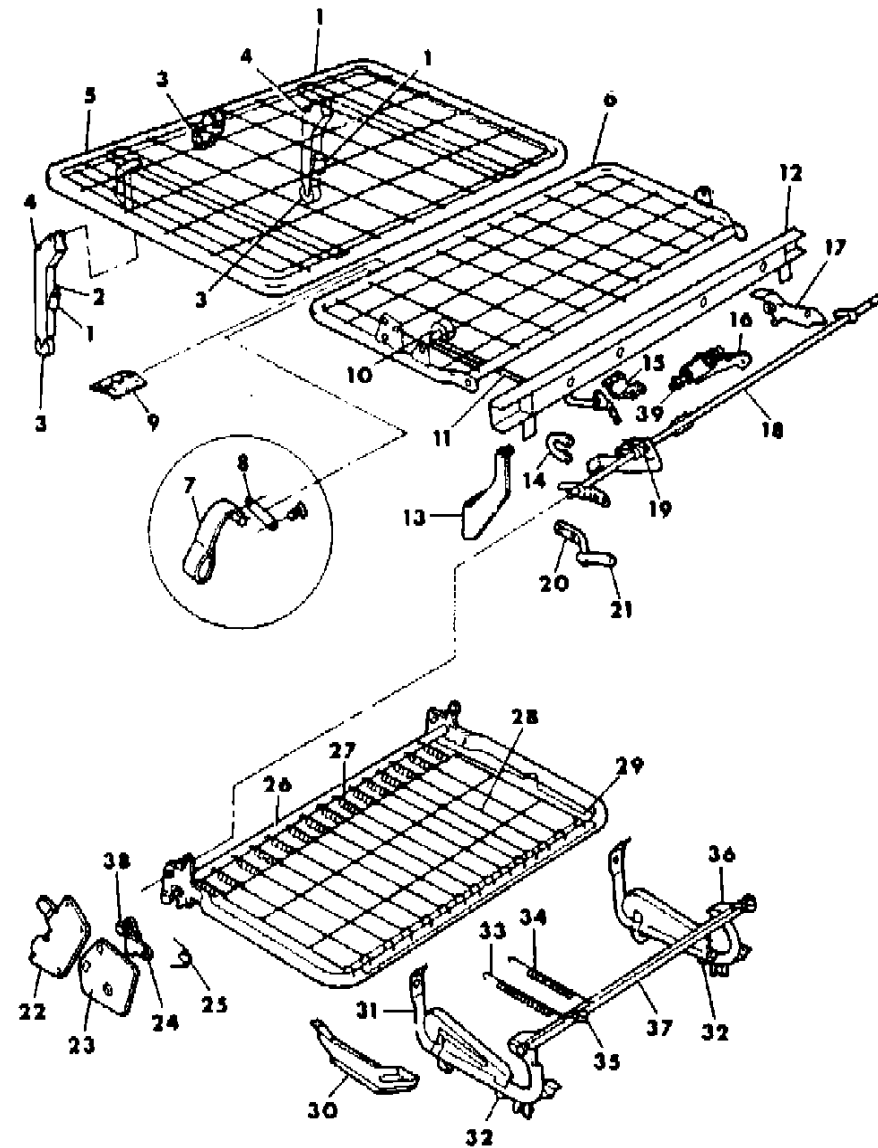
BODY STYLES

21 = 2-DOOR SEDAN	35 = FWD VAN	44 = 4-DOOR HATCHBACK
22 = 2-DOOR SPECIAL COUPE	36 = FWD WAGON	45 = 4-DOOR STATION WAGON
24 = 2-DOOR HATCHBACK	41 = 4-DOOR SEDAN	49 = LIMOUSINE
27 = 2-DOOR CONVERTIBLE		

AR = Use as Required - = Non Illustrated Part P.A.R. = Paint as Required

CONVERTABLE FRAMES AND ACTUATING SYSTEM H,K S BODY
Figure ITG-2600

5242 2600



ITEM	PART NUMBER	QTY	BODY	MODEL	DESCRIPTION
	9419 982	1			PIN, Latch to Rod Retainer Left Side N N N Y9419982
18	4380 639	1			ROD, Latch N N N Y4380639
19	4380 635	2			SPRING, Latch Handle Return N N N Y4380635
20	4380 645	1			HANDLE, Latch N N N Y4380645
21					GRIP, Handle N N N N
	4308 631	1			(use up to 2/25/85) N N N Y4308631
	4327 446	1			(use after 2/25/85) N N N Y4327446
22	4263 778-9	1			QUARDANT PLATE N N N Y4263778
	6032 232	AR			BOLT (3/8-16x1/2 Button Head)(.44dia.x.22 Shoulder) N N N Y6032232
	0181 108	AR			SCREW N N N Y181108
	0181 112	AR			SCREW N N N Y181112
23	4380 640-1	1			PLATE, Latch Cover N N N Y4380640
	6032 231	AR			SCREW N N N Y6032231
24	4380 636-7	1			LATCH N N N Y4380636
25	4263 787	2			SPRING, Latch N N N Y4263787
26-29	4380 674	1			FRAME, Cushion N N N Y4380674
26		1			FRAME (serviced in item 26-29) N N N N
27	4380 660	AR			SPRING N N N Y4380660
28		1			GRID, Flexolater (serviced in item 26-29) N N N N
29	4263 799	AR			CLIP, Flexolater Attaching N N N Y4263799
30	4380 638	2			PLATE, Seat Carrier N N N Y4380638
	6032 234	AR			BOLT (3/8-16x1 Hex Head)(.44dia.x.50Shoulder) N N N Y6032234
	0181 108	AR			SCREW N N N Y181108
31	4380 644	2			RISER N N N Y4380644
32	4345 292	2			BUMPER, Anti Rattle N N N Y4345292
33	4380 655	1			SPRING, Third Panel Actuating N N N Y4380655
34	4380 651	1			SPRING, Actuator Travel N N N Y4380651
35	4316 957	1			BUMPER, Anti Rattle N N N Y4316957
36					BRACKET, Front Mounting (serviced in Item 37) N N N N
37	4380 633	1			CROSSMEMBER, Front N N N Y4380633
38	6032 233	AR			BOLT (3/8-16x1/2 Hex Head)(.44dia.x.33 Shoulder) N N N Y6032233
39	6025 785	1			NUT, Arm to Lever N N N Y6025785

MODEL CODES

B = GRAN FURY	E = 600	M = HORIZON/TURISMO
C = LE BARON/TOWN & COUNTRY/LIMO	F = FIFTH AVENUE/NEWPORT	P = RELIANT
C24 = LASER	G = DIPLOMAT	T = NEW YORKER
C44 = LE BARON/GTS	H = VOYAGER	V = 600
D = ARIES	J = CARAVELLE	V24 = DAYTONA
D44 = LANCER	K = MINI VAN/CARAVAN/ROYAL	Z = OMNI/CHARGER

BODY STYLES

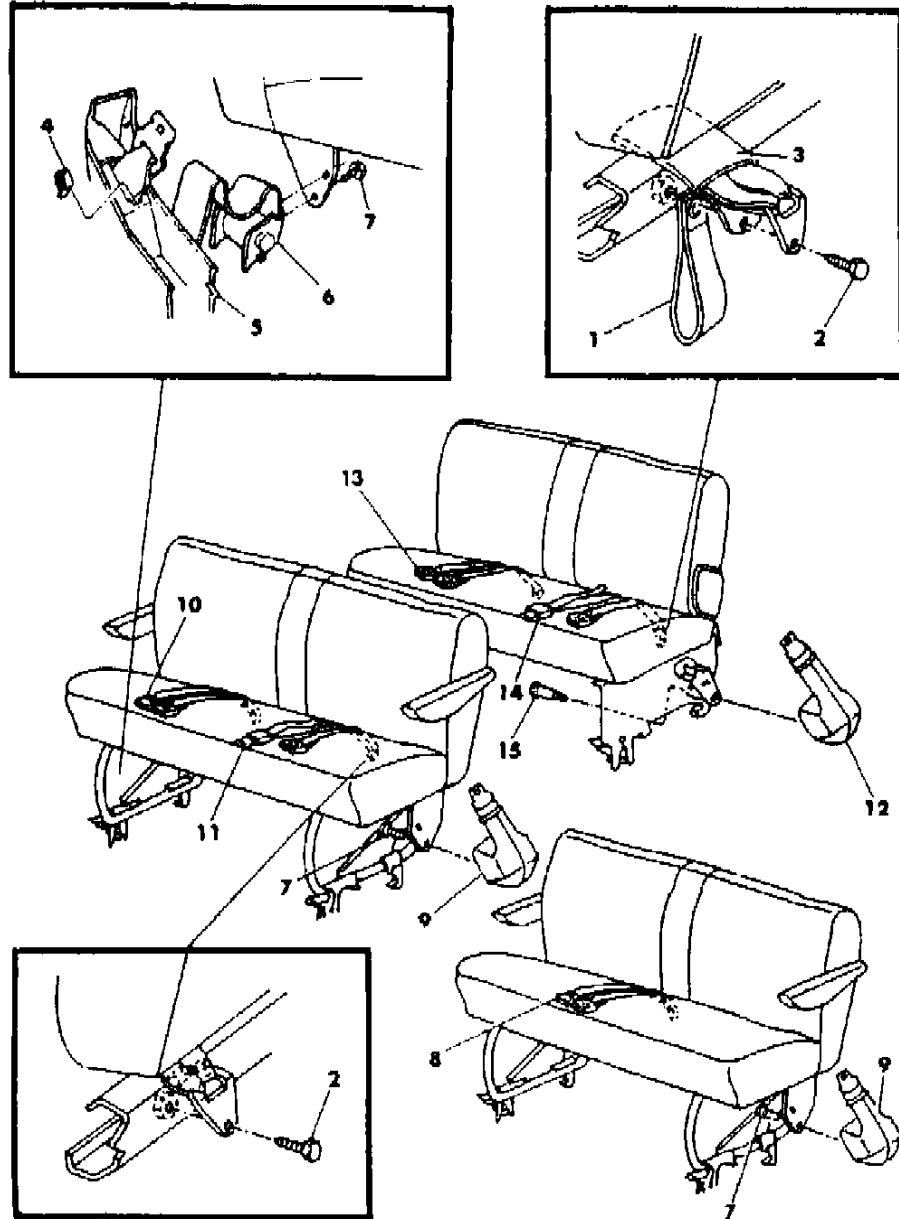
21 = 2-DOOR SEDAN	35 = FWD VAN	44 = 4-DOOR HATCHBACK
22 = 2-DOOR SPECIAL COUPE	36 = FWD WAGON	45 = 4-DOOR STATION WAGON
24 = 2-DOOR HATCHBACK	41 = 4-DOOR SEDAN	49 = LIMOUSINE
27 = 2-DOOR CONVERTIBLE		

AR = Use as Required - = Non Illustrated Part P.A.R. = Paint as Required

BELT REAR SEAT H,K S BODY

Figure ITG-2700

5342 2700



ITEM	PART NUMBER	QTY	BODY	MODEL	DESCRIPTION
1	S537 CX9	1			STRAP, Pull (black left side only) N N N YS537CX9
2	6032 039	AR			BOLT N N N Y6032039
3	4327 145	AR			RETAINER N N N Y4327145
4	6032 732	1			CLIP, Speed "U" Type N N N Y6032732
5					COVER, First Rear Seat Riser (reference) N N N N
6					BELT, 2 Passenger Outer Right Tip Half N N N N Label Number 4316185 N N N N Silver N N N YF704CA3 Blue N N N YF704CB5
	F704 CA3	1			
	F704 CB5	1			
	F704 CM6	1			Red N N N YF704CM6
	F704 DT3	1			Tan N N N YF704DT3
7	6031 218	AR			BOLT N N N Y6031218
8					BELT, 1ST. Rear Seat Inner 2 Buckles (7 passenger) N N N N Label Number 4290851 N N N N Silver N N N YF686CA3 Blue N N N YF686CB5 Red N N N YF686CM6 Tan N N N YF686DT3
	F686 CA3	1			
	F686 CB5	1			
	F686 CM6	1			
	F686 DT3	1			
9					BELT, 1ST. Rear Seat Outer Right and Left 5 Passenger and Left 7 Passenger N N N N Label Number 4290847 N N N N Blue N N N YF682CB5 Red N N N YF682CM6 Light and Medium Tan N N N YF682DTT Silver and Charcoal N N N YF682CAS
	F682 CB5	2			
	F682 CM6	2			
	F682 DTT	2			
	F682 CAS	2			
10					BELT, Rear Seat Inner 2 Buckles 5 Passenger N N N N Label Number 4290848 N N N N Silver N N N YF683CA3 Blue N N N YF683CB5 Red N N N YF683CM6 Tan N N N YF683DT3
	F683 CA3	1			
	F683 CB5	1			
	F683 CM6	1			
	F683 DT3	1			
11					BELT, 1ST. Rear Seat Inner Buckle and Tip N N N N Label Number 4290849 N N N N Silver N N N YF684CA3 Blue N N N YF684CB5 Red N N N YF684CM6 Tan N N N YF684DT3
	F684 CA3	1			
	F684 CB5	1			
	F684 CM6	1			
	F684 DT3	1			

MODEL CODES

B = GRAN FURY	E = 600	M = HORIZON/TURISMO
C = LE BARON/TOWN & COUNTRY/LIMO	F = FIFTH AVENUE/NEWPORT	P = RELIANT
C24 = LASER	G = DIPLOMAT	T = NEW YORKER
C44 = LE BARON/GTS	H = VOYAGER	V = 600
D = ARIES	J = CARAVELLE	V24 = DAYTONA
D44 = LANCER	K = MINI VAN/CARAVAN/ROYAL	Z = OMNI/CHARGER

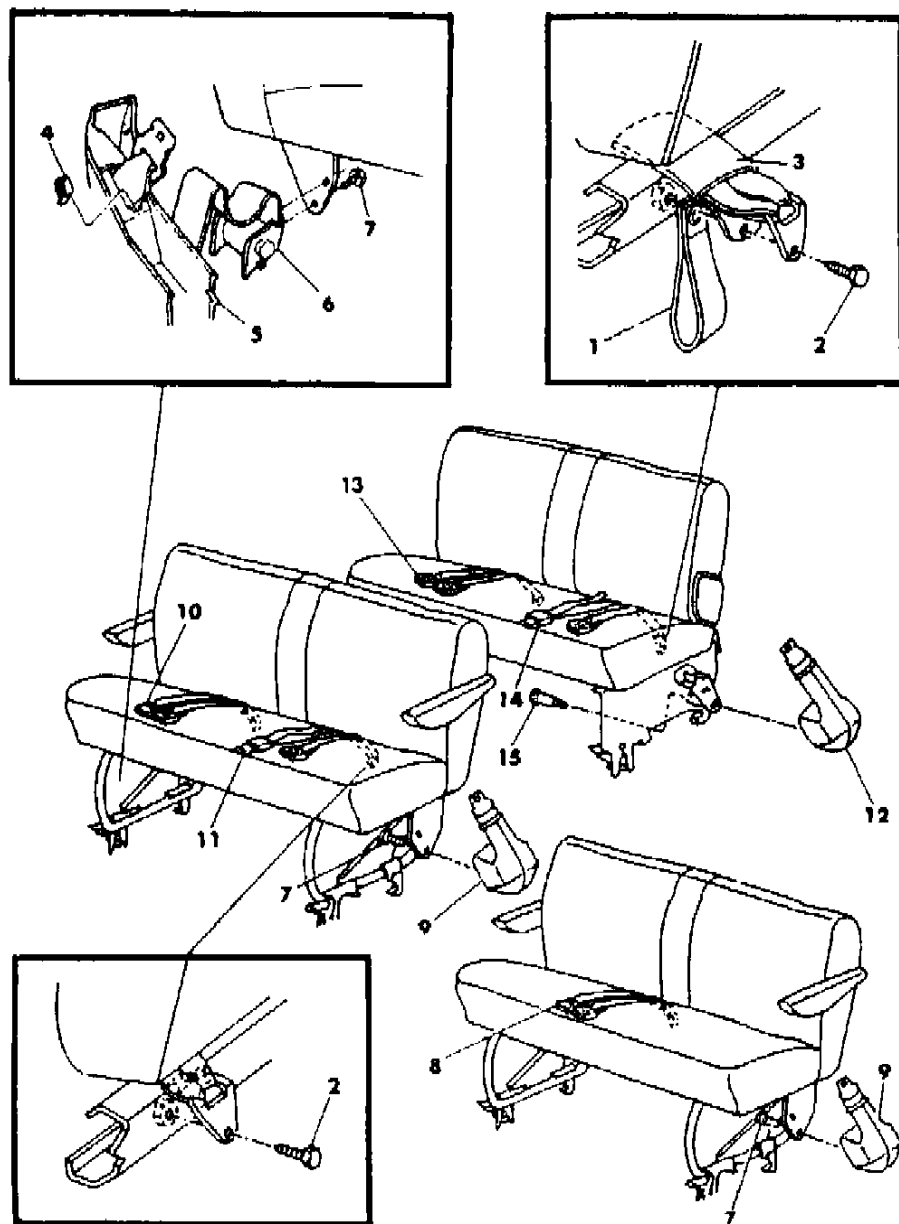
BODY STYLES

21 = 2-DOOR SEDAN	35 = FWD VAN	44 = 4-DOOR HATCHBACK
22 = 2-DOOR SPECIAL COUPE	36 = FWD WAGON	45 = 4-DOOR STATION WAGON
24 = 2-DOOR HATCHBACK	41 = 4-DOOR SEDAN	49 = LIMOUSINE
27 = 2-DOOR CONVERTIBLE		

AR = Use as Required - = Non Illustrated Part P.A.R. = Paint as Required

BELT REAR SEAT H,K S BODY
Figure ITG-2700

5342 2700



ITEM	PART NUMBER	QTY	BODY	MODEL	DESCRIPTION
12					BELT, Folding Seat Outer Tip Half Right and Left N N N N Label Number 4290850 N N N N
	F685 CB5	2			Blue N N N YF685CB5
	F685 CM6	2			Red N N N YF685CM6
	F685 DTT	2			Light and Medium Tan N N N YF685DTT
	F685 CAS	2			Silver and Charcoal N N N YF685CAS
13					BELT, 2ND. Rear Seat Inner 2 Buckles N N N N Label Number 4290848 N N N N
	F683 CA3	1			Silver N N N YF683CA3
	F683 CB5	1			Blue N N N YF683CB5
	F683 CM6	1			Red N N N YF683CM6
	F683 DT3	1			Tan N N N YF683DT3
14					BELT, 2ND. Rear Seat Inner Buckle and Tip N N N N Label Number 4290849 N N N N
	F684 CA3	1			Silver N N N YF684CA3
	F684 CB5	1			Blue N N N YF684CB5
	F684 CM6	1			Red N N N YF684CM6
	F684 DT3	1			Tan N N N YF684DT3
15	6032 599	2			BOLT N N N Y6032599

MODEL CODES

B = GRAN FURY	E = 600	M = HORIZON/TURISMO
C = LE BARON/TOWN & COUNTRY/LIMO	F = FIFTH AVENUE/NEWPORT	P = RELIANT
C24 = LASER	G = DIPLOMAT	T = NEW YORKER
C44 = LE BARON/GTS	H = VOYAGER	V = 600
D = ARIES	J = CARAVELLE	V24 = DAYTONA
D44 = LANCER	K = MINI VAN/CARAVAN/ROYAL	Z = OMNI/CHARGER

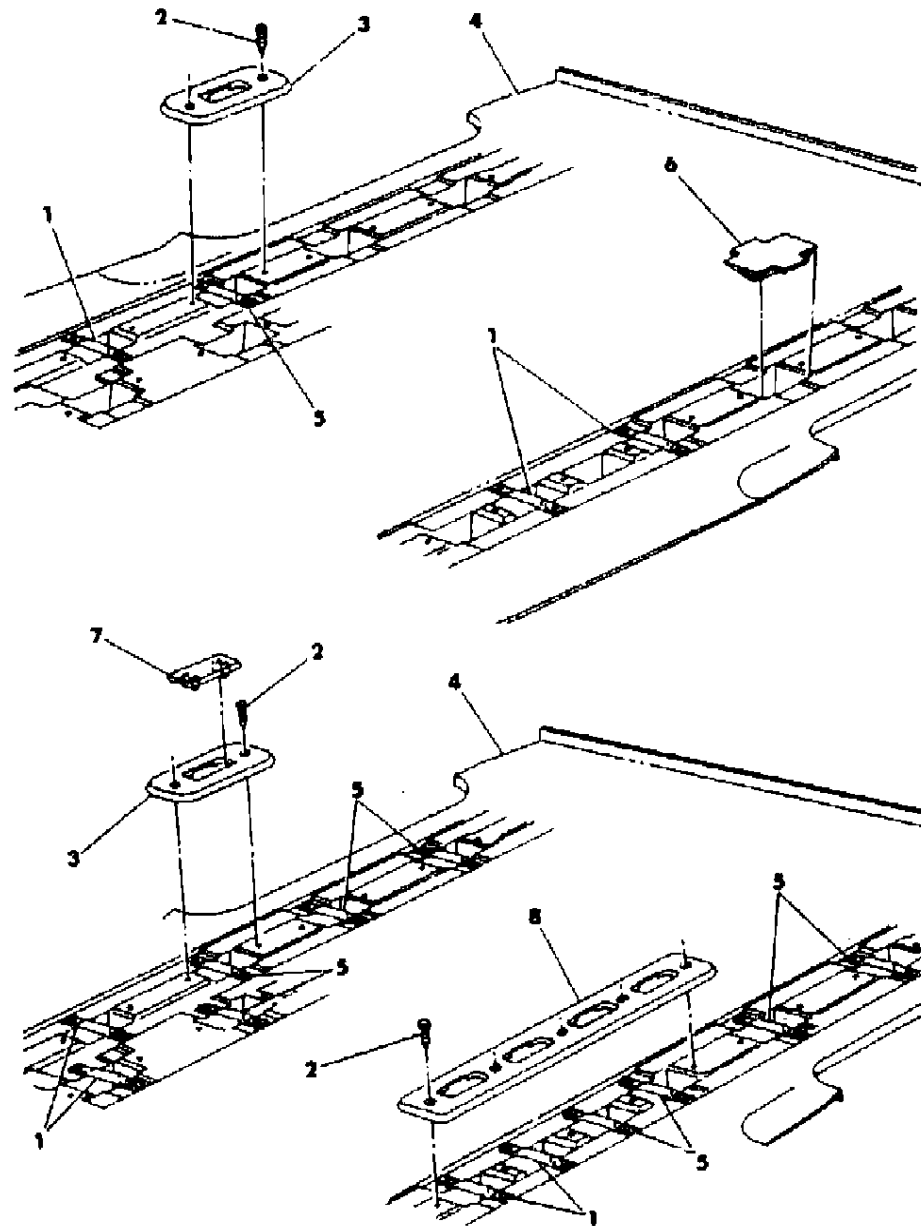
BODY STYLES

21 = 2-DOOR SEDAN	35 = FWD VAN	44 = 4-DOOR HATCHBACK
22 = 2-DOOR SPECIAL COUPE	36 = FWD WAGON	45 = 4-DOOR STATION WAGON
24 = 2-DOOR HATCHBACK	41 = 4-DOOR SEDAN	49 = LIMOUSINE
27 = 2-DOOR CONVERTIBLE		

AR = Use as Required - = Non Illustrated Part P.A.R. = Paint as Required

REAR SEAT ATTACHMENTS FLOOR PAN H,K S BODY
Figure ITG-2800

5342 2800



ITEM	PART NUMBER	QTY	BODY	MODEL	DESCRIPTION
1	4314 742	AR			STRIKER and BOLT, Seat Retension Front N N N Y4314742
	6500 941	AR			NUT and WASHER (This is Wrong Use 6500927) ***N N N Y6500941
2		AR			SCREW (not serviced) N N N N
3					ESCUTCHEON, Seat Hold Down (short) N N N N
	S657 CB5	AR			Blue N N N YS657CB5
	S657 CM6	AR			Red N N N YS657CM6
	S657 DT5	AR			Tan N N N YS657DT5
	S657 CS8	AR			Charcoal N N N YS657CS8
4				FLOOR PAN (reference) N N N N	
5	4337 594	AR			STRIKER and BOLT, Seat Retension Rear N N N Y4337594
	6500 941	AR			NUT and WASHER N N N Y6500941
6					FILLER, Rear Floor Striker 5 Passenger (not serviced) N N N N
7					COVER, Seat Escutcheon 7 Passenger N N N N
	S655 CB5	AR			Blue N N N YS655CB5
	S655 CM6	AR			Red N N N YS655CM6
	S655 DT5	AR			Tan N N N YS655DT5
	S655 CS8	AR			Charcoal N N N YS655CS8
8					ESCUTCHEON, Hold Down 7 Passenger N N N N
	S656 CB5	1			Blue N N N YS656CB5
	S656 CM6	1			Red N N N YS656CM6
	S656 DT5	1			Tan N N N YS656DT5
	S656 CS8	1			Charcoal N N N YS656CS8

MODEL CODES

B = GRAN FURY	E = 600	M = HORIZON/TURISMO
C = LE BARON/TOWN & COUNTRY/LIMO	F = FIFTH AVENUE/NEWPORT	P = RELIANT
C24 = LASER	G = DIPLOMAT	T = NEW YORKER
C44 = LE BARON/GTS	H = VOYAGER	V = 600
D = ARIES	J = CARAVELLE	V24 = DAYTONA
D44 = LANCER	K = MINI VAN/CARAVAN/ROYAL	Z = OMNI/CHARGER

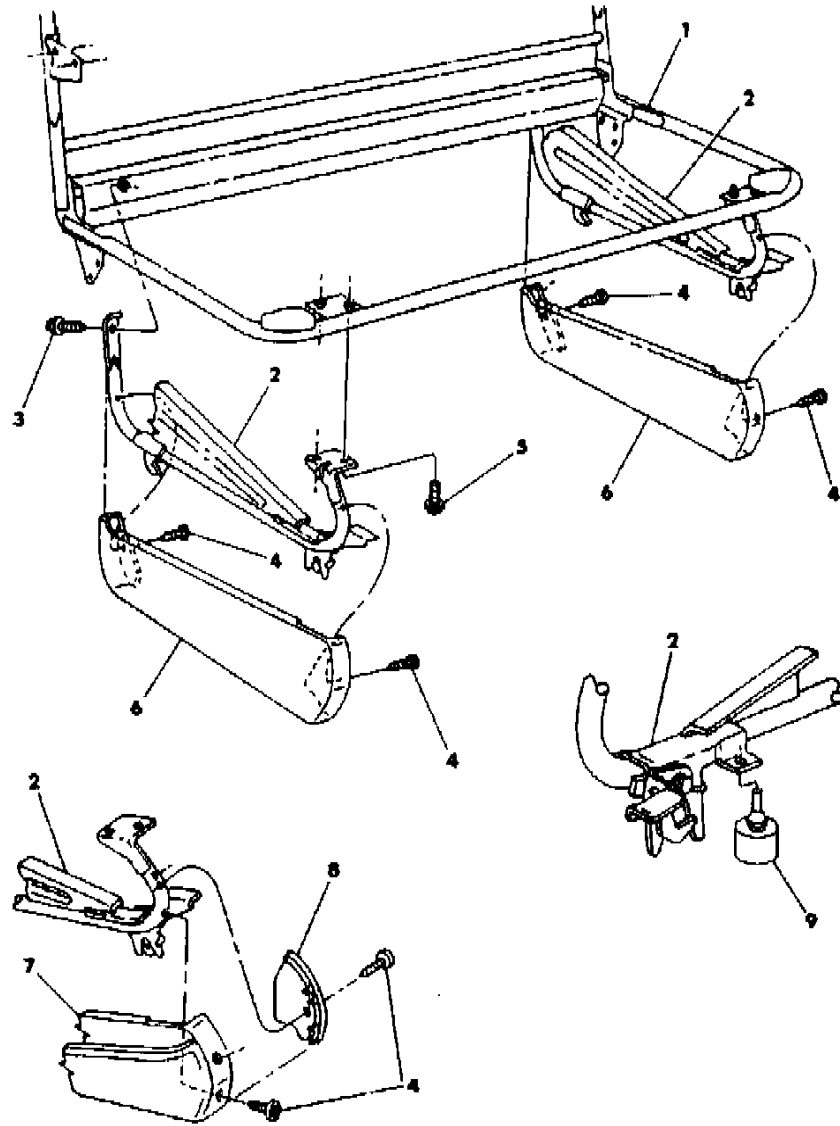
BODY STYLES

21 = 2-DOOR SEDAN	35 = FWD VAN	44 = 4-DOOR HATCHBACK
22 = 2-DOOR SPECIAL COUPE	36 = FWD WAGON	45 = 4-DOOR STATION WAGON
24 = 2-DOOR HATCHBACK	41 = 4-DOOR SEDAN	49 = LIMOUSINE
27 = 2-DOOR CONVERTIBLE		

AR = Use as Required - = Non Illustrated Part P.A.R. = Paint as Required

RISERS REAR SEAT H,K S BODY
Figure ITG-2900

5542 2900



ITEM	PART NUMBER	QTY	BODY	MODEL	DESCRIPTION
1					SPRING (not serviced) N N N N
2					RISER N N N N
	4345 329	2			3 Passenger N N N Y4345329
	4345 330	1			2 Passenger Right N N N Y4345330
	4345 329	1			2 Passenger Left N N N Y4345329
	4327 368	2			CLIP, Anti Rattle Rear N N N Y4327368
3	6500 309	2			SCREW N N N Y6500309
4		AR			SCREW (not serviced) N N N N
5	6100 583	4			SCREW N N N Y6100583
6					COVER, Riser (paint as required) N N N N
	S594 DB5	2			3 Passenger N N N YS594DB5
	S594 DB5	1			2 Passenger Left N N N YS594DB5
7	S591 CB5	1			COVER, Riser 2 Passenger Right (paint as required) N N N YS591CB5
8	S842 CB5	1			COVER, Riser Inner 2 Passenger Right (paint as Required) N N N YS842CB5
9	4345 292	2			BUMPER, Riser N N N Y4345292

MODEL CODES

B = GRAN FURY	E = 600	M = HORIZON/TURISMO
C = LE BARON/TOWN & COUNTRY/LIMO	F = FIFTH AVENUE/NEWPORT	P = RELIANT
C24 = LASER	G = DIPLOMAT	T = NEW YORKER
C44 = LE BARON/GTS	H = VOYAGER	V = 600
D = ARIES	J = CARAVELLE	V24 = DAYTONA
D44 = LANCER	K = MINI VAN/CARAVAN/ROYAL	Z = OMNI/CHARGER

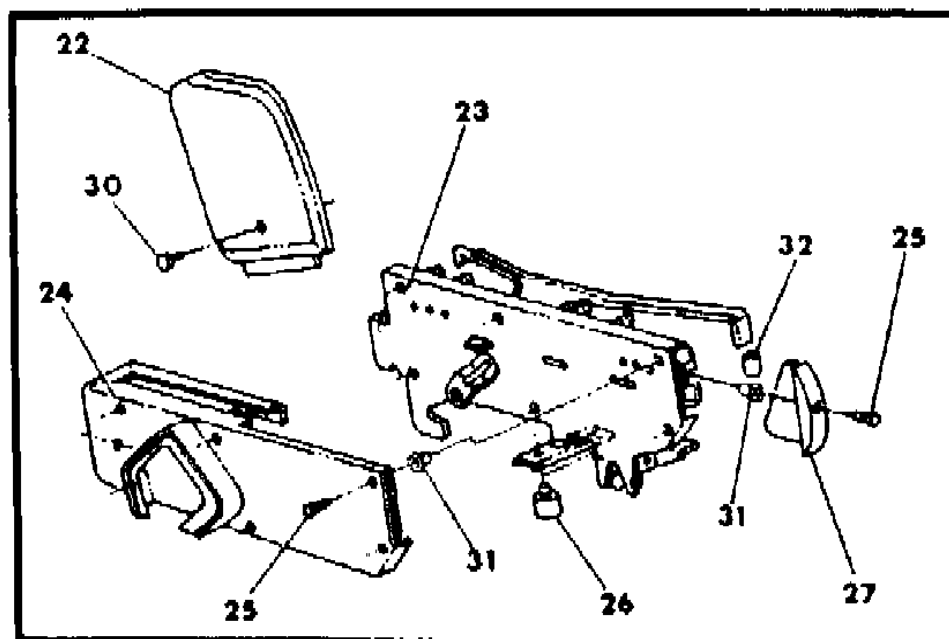
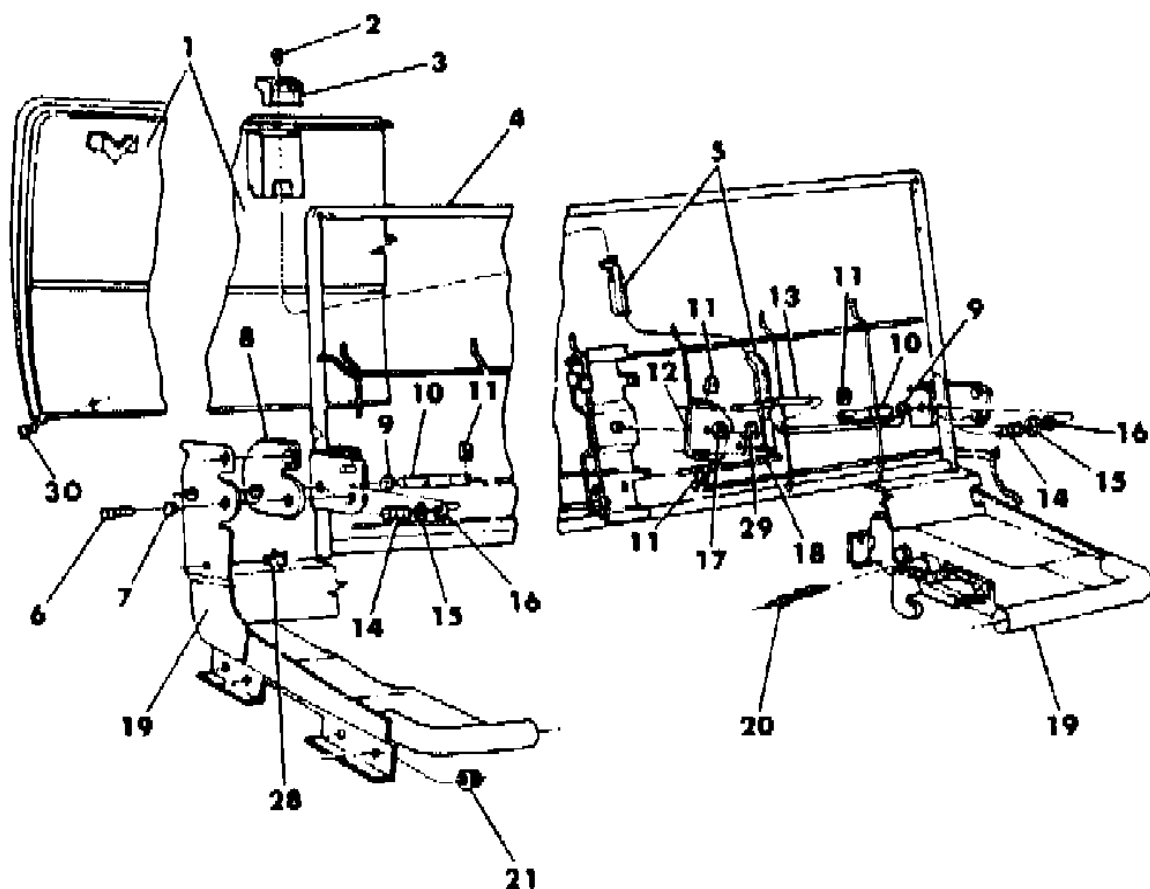
BODY STYLES

21 = 2-DOOR SEDAN	35 = FWD VAN	44 = 4-DOOR HATCHBACK
22 = 2-DOOR SPECIAL COUPE	36 = FWD WAGON	45 = 4-DOOR STATION WAGON
24 = 2-DOOR HATCHBACK	41 = 4-DOOR SEDAN	49 = LIMOUSINE
27 = 2-DOOR CONVERTIBLE		

AR = Use as Required - = Non Illustrated Part P.A.R. = Paint as Required

SEAT REAR FOLD DOWN H,K S BODY
Figure ITG-3000

5242 3000 A



ITEM	PART NUMBER	QTY	BODY	MODEL	DESCRIPTION
1					SHIELD, w/Skirt Rear Seat Back N N N N
	S720 CB5	1			Blue N N N YS720CB5
	S720 CM6	1			Red N N N YS720CM6
	S720 DT5	1			Tan N N N YS720DT5
	S720 CS8	1			Charcoal N N N YS720CS8
2		AR			SCREW (10-16x3/4)(not serviced) N N N N
3					HANDLE, Release Latch N N N N
	S718 CB5	1			Blue N N N YS718CB5
	S718 CM6	1			Red N N N YS718CM6
	S718 DT3	1			Tan (use up to 11/19/84) N N N YS718DT3
	S718 DT5	1			Tan (use after 11/19/84) N N N YS718DT5
	S718 CS8	1			Charcoal N N N YS718CS8
4					BACK, Folding Seat (reference) N N N N
5	4316 075	1			LINK, Latch Release N N N Y4316075
6	6500 948	2			PIN, Pivot N N N Y6500948
7	6500 947	2			BUSHING N N N Y6500947
8	4316 068	2			GUIDE N N N Y4316068
9					BUSHING (serviced in frame) N N N N
10	4316 065	2			PIN N N N Y4316065
11	6032 612	4			RETAINER N N N Y6032612
12	4316 076	1			BELLCRANK, Latch N N N Y4316076
13	4316 073	1			ROD N N N Y4316073
14	4316 070	2			SPRING N N N Y4316070
15	6100 884	2			WASHER N N N Y6100884
16	6032 475	2			E-RING N N N Y6032475
17	4211 689	1			WASHER N N N Y4211689
18	4316 072	1			ROD N N N Y4316072
19					CUSHION (reference) N N N N
20	4290 153	1			SPRING/WIRE, Adjuster Catch Connector N N N Y4290153
21	6100 055	8			NUT N N N Y6100055
22	S716-7 CB5	1			COVER, Hinge Arm (paint as required) N N N YS716CB5
23					ADJUSTER N N N N
	4327 160	1			Right N N N Y4327160
	4327 161	1			Left N N N Y4327161
	4317 667	2			CLIP, Anti Rattle Front N N N Y4317667
	4327 368	2			CLIP, Anti Rattle Rear N N N Y4327368
	6500 944	AR			WASHER N N N Y6500944

MODEL CODES

B = GRAN FURY	E = 600	M = HORIZON/TURISMO
C = LE BARON/TOWN & COUNTRY/LIMO	F = FIFTH AVENUE/NEWPORT	P = RELIANT
C24 = LASER	G = DIPLOMAT	T = NEW YORKER
C44 = LE BARON/GTS	H = VOYAGER	V = 600
D = ARIES	J = CARAVELLE	V24 = DAYTONA
D44 = LANCER	K = MINI VAN/CARAVAN/ROYAL	Z = OMNI/CHARGER

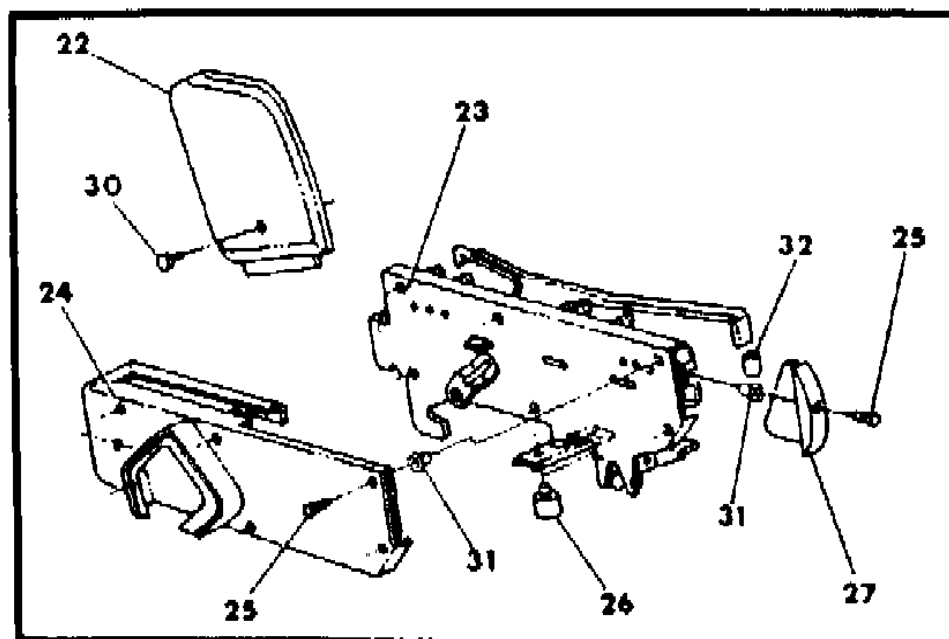
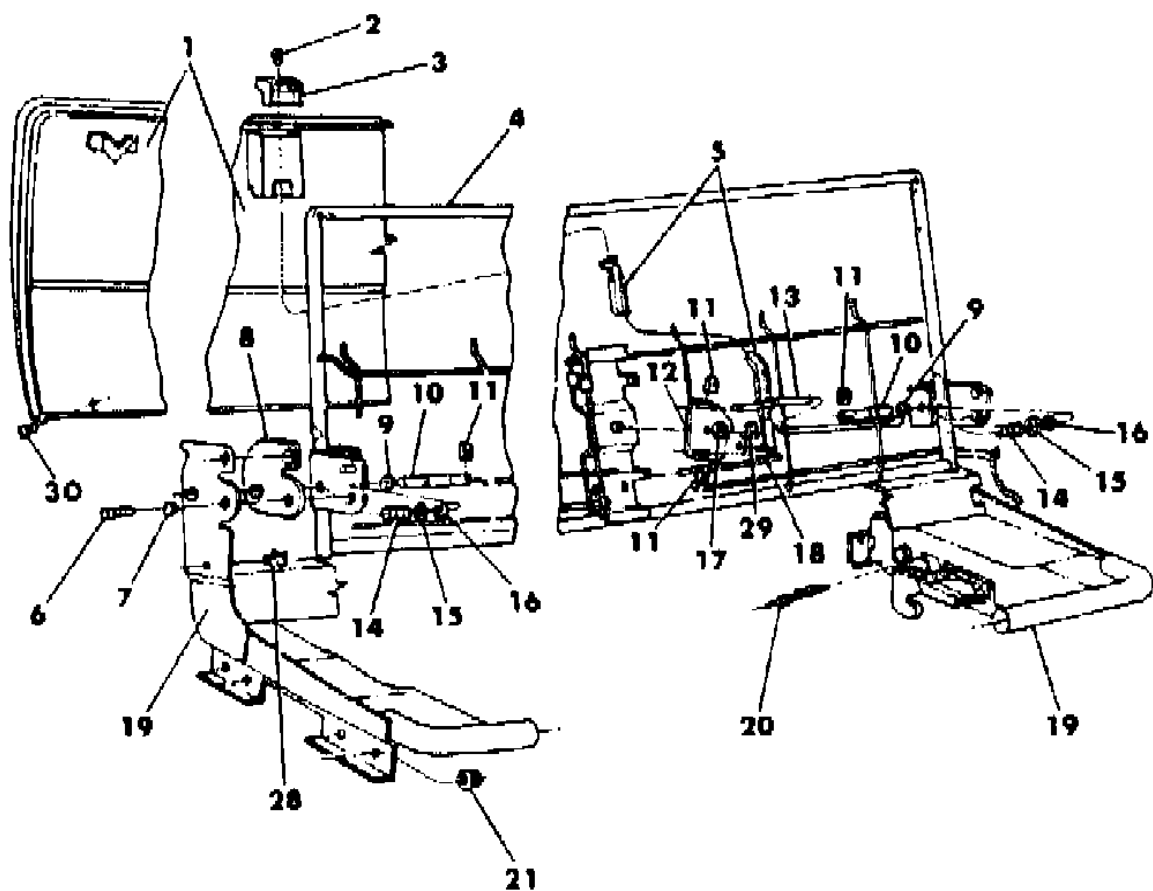
BODY STYLES

21 = 2-DOOR SEDAN	35 = FWD VAN	44 = 4-DOOR HATCHBACK
22 = 2-DOOR SPECIAL COUPE	36 = FWD WAGON	45 = 4-DOOR STATION WAGON
24 = 2-DOOR HATCHBACK	41 = 4-DOOR SEDAN	49 = LIMOUSINE
27 = 2-DOOR CONVERTIBLE		

AR = Use as Required - = Non Illustrated Part P.A.R. = Paint as Required

SEAT REAR FOLD DOWN H,K S BODY
Figure ITG-3000

5242 3000 A



ITEM	PART NUMBER	QTY	BODY	MODEL	DESCRIPTION
	4327 208	2			SPRING, Adjuster Latch Return N N N Y4327208
	0104 918	AR			BALL, Second Rear Seat Adjuster N N N Y104918
	6101 398	8			SCREW, Seat to Adjuster N N N Y6101398
24	S696-7 CB5	1			COVER, Riser (paint as required) N N N YS696CB5
25	6032 765	13			SCREW, Adjuster Cover N N N Y6032765
26	4316 957	4			BUMPER N N N Y4316957
27	S618-9 CB5	1			COVER, Adjuster Front (paint as required) N N N YS618CB5
28	6500 453	2			NUT N N N Y6500453
29	6025 935	2			PUSH NUT N N N Y6025935
30		6			SCREW (8-18x12)(not serviced) N N N N
31	4327 317	13			PLUG N N N Y4327317
32	4327 446	2			SLEEVE, Handle N N N Y4327446

MODEL CODES

B = GRAN FURY	E = 600	M = HORIZON/TURISMO
C = LE BARON/TOWN & COUNTRY/LIMO	F = FIFTH AVENUE/NEWPORT	P = RELIANT
C24 = LASER	G = DIPLOMAT	T = NEW YORKER
C44 = LE BARON/GTS	H = VOYAGER	V = 600
D = ARIES	J = CARAVELLE	V24 = DAYTONA
D44 = LANCER	K = MINI VAN/CARAVAN/ROYAL	Z = OMNI/CHARGER

BODY STYLES

21 = 2-DOOR SEDAN	35 = FWD VAN	44 = 4-DOOR HATCHBACK
22 = 2-DOOR SPECIAL COUPE	36 = FWD WAGON	45 = 4-DOOR STATION WAGON
24 = 2-DOOR HATCHBACK	41 = 4-DOOR SEDAN	49 = LIMOUSINE
27 = 2-DOOR CONVERTIBLE		

AR = Use as Required - = Non Illustrated Part P.A.R. = Paint as Required

GROUP ITH - M BODY

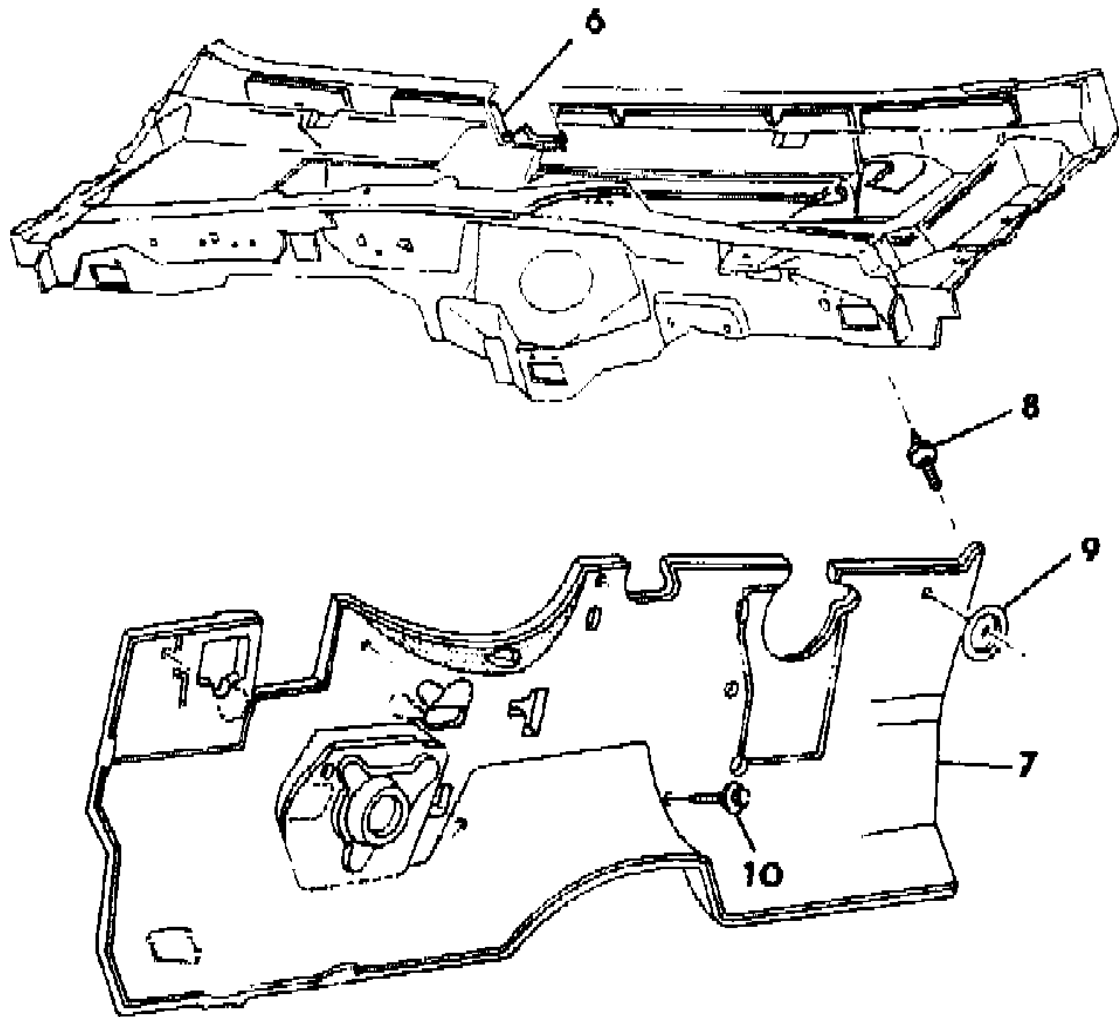
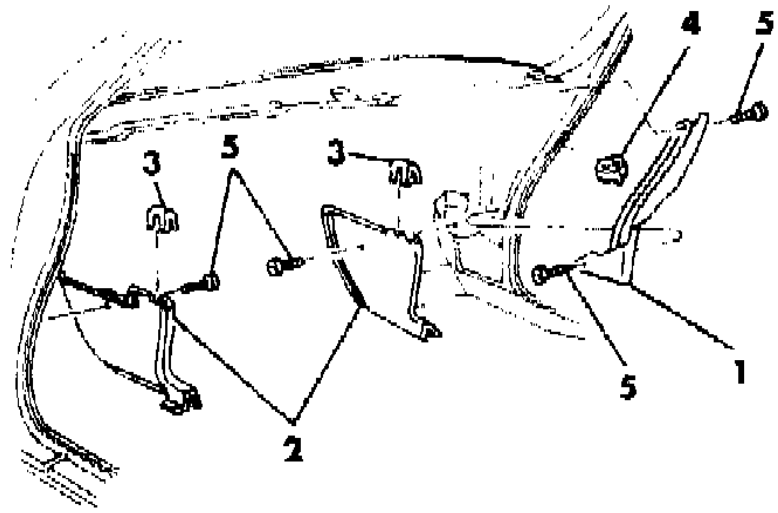
ILLUSTRATION TITLE	GROUP-FIG. NO.
COWL PANEL AND SILENCERS B,F,G M BODY	Fig. ITH-100
HEADLINER VISOR AND SHELF PANEL B,F,G M BODY	Fig. ITH-200
MOULDING GARNISH B,G,F-H M BODY	Fig. ITH-300
MOULDING GARNISH F-S M BODY FIFTH AVENUE	Fig. ITH-400
B PILLAR TRIM B,G,F-H M BODY	Fig. ITH-500
PANEL QUARTER TRIM B,G,F-H M BODY	Fig. ITH-600
CARPET B,F,G M BODY	Fig. ITH-700
LUGGAGE COMPARTMENT LINER AND SILENCER B,F,G M BODY	Fig. ITH-800
MATS AND SILENCERS B,F,G M BODY	Fig. ITH-900
SCUFF PLATES BODY SIDE SILL AND DOOR B,F,G M BODY	Fig. ITH-1000
DOOR TRIM PANEL B,F,G M BODY TRIM CODES A3,F4,K2,KX,H9	Fig. ITH-1100
DOOR TRIM PANEL B,F,G M BODY TRIM CODE C9	Fig. ITH-1200
DOOR TRIM PANEL F-S M BODY TRIM CODES SY,S9	Fig. ITH-1300
DOOR TRIM PANEL B,F,G M BODY FLEET POLICE AND OTHERS	Fig. ITH-1400
SEAT FRONT B,G M BODY TRIM CODES A3,F4	Fig. ITH-1500
SEAT FRONT B,G M BODY TRIM CODE K2	Fig. ITH-1600
SEAT FRONT B,F,G M BODY FLEET POLICE AND OTHERS	Fig. ITH-1700
SEAT FRONT B,F,G M BODY TRIM CODES C9,H9	Fig. ITH-1800
SEAT FRONT B,G M BODY TRIM CODE KX	Fig. ITH-1900
SEAT FRONT F-S M BODY TRIM CODE SY	Fig. ITH-2000
SEAT FRONT F-S M BODY TRIM CODE S9	Fig. ITH-2100
SEAT FRONT B,F,G M BODY FLEET POLICE AND OTHERS	Fig. ITH-2200
SEAT FRONT B,F,G M BODY FLEET POLICE AND OTHERS	Fig. ITH-2300
BELT FRONT SEAT LAP AND SHOULDER OUTER B,F,G M BODY	Fig. ITH-2400
BELT FRONT SEAT LAP AND SHOULDER INNER B,F,G M BODY	Fig. ITH-2500
RECLINING FRONT SEAT AND SEAT BACK RELEASE B,F,G M BODY	Fig. ITH-2600
ADJUSTER MANUAL B,F,G M BODY	Fig. ITH-2700
ADJUSTER ELECTRIC 60/40 SPLIT B,F,G M BODY	Fig. ITH-2800
SEAT REAR B,G M BODY TRIM CODES A3,F4	Fig. ITH-2900
SEAT REAR B,F,G M BODY TRIM CODES C9,H9,S9,SY	Fig. ITH-3000
SEAT REAR B,G M BODY TRIM CODES K2,KX	Fig. ITH-3100
SEAT REAR B,F,G M BODY FLEET POLICE AND OTHERS	Fig. ITH-3200
BELT REAR SEAT LAP B,F,G M BODY	Fig. ITH-3300

ILLUSTRATION NOT AVAILABLE AT TIME OF PUBLICATION

COWL PANEL AND SILENCERS B,F,G M BODY
Figure ITH-100

5244 100

ITEM	PART NUMBER	QTY	BODY	MODEL	DESCRIPTION
1					COVER, Cowl Side Trim Panel To Windshield Side Garnish
	F344-5 BA7	1			Moulding N N N N Silver N N N YF344BA7
	F344-5 SC7	1			Blue N N N YF344SC7
	F344-5 TM6	1			Red N N N YF344TM6
	F344-5 DT5	1			Tan N N N YF344DT5
2					PANEL and SILENCER, Cowl Side Trim N N N N
	F198 BA7	1			Silver Right N N N YF198BA7
	F201 BA7	1			Silver Left N N N YF201BA7
	F198 SC7	1			Blue Right N N N YF198SC7
	F201 SC7	1			Blue Left N N N YF201SC7
	F198 TM6	1			Red Right N N N YF198TM6
	F201 TM6	1			Red Left N N N YF201TM6
	F198 DT5	1			Tan, Right N N N YF198DT5
	F201 DT5	1			Tan, Left N N N YF201DT5
3		2			J-NUT (not serviced) N N N N
4		AR			CLIP (not serviced) N N N N
5	9416 824	AR			SCREW N N N Y9416824
6	4136 444-5	1			SILENCER, Dash Panel Plenum N N N Y4136444
7	4136 334	1			LINER, w/ or w/o A.C. N N N Y4136334
8	6031 630	4			STUD, Collar N N N Y6031630
9	4206 545	4			RETAINER N N N Y4206545
10		2			SCREW (not serviced) N N N N



MODEL CODES

B = GRAN FURY	E = 600	M = HORIZON/TURISMO
C = LE BARON/TOWN & COUNTRY/LIMO	F = FIFTH AVENUE/NEWPORT	P = RELIANT
C24 = LASER	G = DIPLOMAT	T = NEW YORKER
C44 = LE BARON/GTS	H = VOYAGER	V = 600
D = ARIES	J = CARAVELLE	V24 = DAYTONA
D44 = LANCER	K = MINI VAN/CARAVAN/ROYAL	Z = OMNI/CHARGER

BODY STYLES

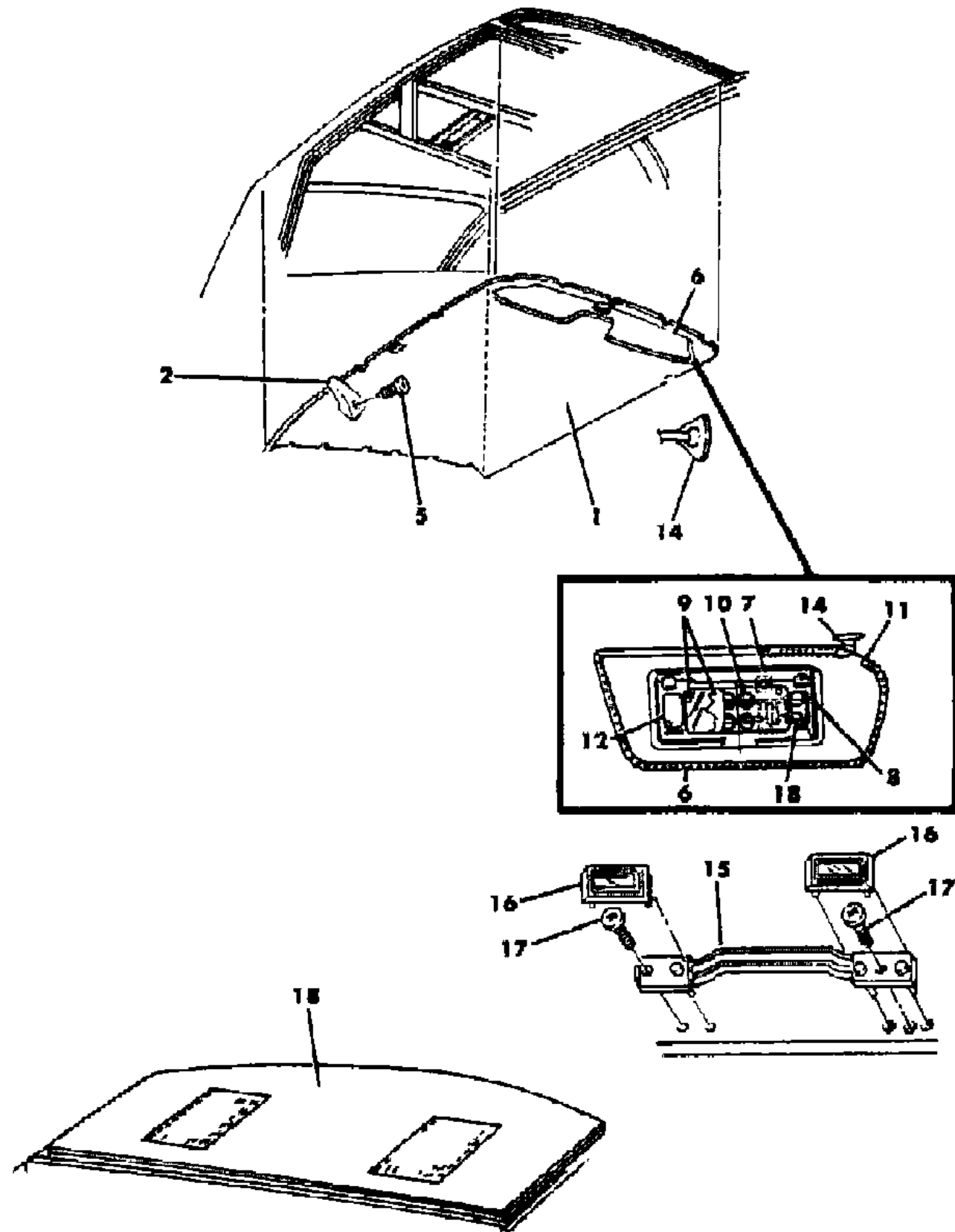
21 = 2-DOOR SEDAN	35 = FWD VAN	44 = 4-DOOR HATCHBACK
22 = 2-DOOR SPECIAL COUPE	36 = FWD WAGON	45 = 4-DOOR STATION WAGON
24 = 2-DOOR HATCHBACK	41 = 4-DOOR SEDAN	49 = LIMOUSINE
27 = 2-DOOR CONVERTIBLE		

AR = Use as Required - = Non Illustrated Part P.A.R. = Paint as Required

HEADLINER VISOR AND SHELF PANEL B,F,G M BODY

Figure ITH-200

5244 200



ITEM	PART NUMBER	QTY	BODY	MODEL	DESCRIPTION
------	-------------	-----	------	-------	-------------

NOTE: For Sun Roof Headliner Refer To Group 23A NGER WAGON USES THE TWO (2) PASSENGER STATIONARY SEAT PLUS THE FOLDING REAR SEAT.

1	H825 AA3	1			HEADLINER, w/o Sunroof, w/Cloth Finish N N N N Silver N5th Ave. N N YH825AA3
	H825 TC7	1			Blue N5th Ave. N N YH825TC7
	H825 TM6	1			Red N5th Ave. N N YH825TM6
	H825 DT3	1			Tan N5th Ave. N N YH825DT3
	H824 AA3	1			Silver N N N YH824AA3
	H824 TC7	1			Blue N N N YH824TC7
	H824 TM6	1			Red N N N YH824TM6
	H824 DT3	1			Tan N N N YH824DT3
	4283 650	4			SPACER, Headliner to Roof Panel N N N Y4283650
2	3685 992	2			HOOK, Coat N N N Y3685992
5	9414 716	2			SCREW N N N Y9414716
6					VISOR, w/o Mirror, w/o Sunroof w/o Center Support N N N N
	H535 AA3	2			Silver N N N YH535AA3
	H535 VC7	2			Blue N N N YH535VC7
	H535 VM6	2			Red N N N YH535VM6
	H535 DT3	2			Tan N N N YH535DT3
					w/Sunroof, w/o Mirror (w/Center Support) N N N N
	H540-1 AA3	1			Silver N N N YH540AA3
	H540-1 VC7	1			Blue N N N YH540VC7
	H540-1 VM6	1			Red N N N YH540VM6
	H540-1 DT3	1			Tan N N N YH540DT3
					W/LIGHTED MIRROR Complete w/Cloth Finish, w/o Sunroof
					Right N N N N
	H696 AA3	1			Silver N N N YH696AA3
	H696 VC7	1			Blue N N N YH696VC7
	H696 VM6	1			Red N N N YH696VM6
	H696 DT3	1			Tan N N N YH696DT3
					w/Sunroof, w/Mirror Right N N N N
	H624 AA3	1			Silver N N N YH624AA3
	H624 VC7	1			Blue N N N YH624VC7
	H624 VM6	1			Red N N N YH624VM6
	H624 DT3	1			Tan N N N YH624DT3
					SUN VISOR SUB ASSY, w/o Vanity Mirror, w/Cloth Finish, w/o Sunroof Models N N N N

MODEL CODES

B = GRAN FURY	E = 600	M = HORIZON/TURISMO
C = LE BARON/TOWN & COUNTRY/LIMO	F = FIFTH AVENUE/NEWPORT	P = RELIANT
C24 = LASER	G = DIPLOMAT	T = NEW YORKER
C44 = LE BARON/GTS	H = VOYAGER	V = 600
D = ARIES	J = CARAVELLE	V24 = DAYTONA
D44 = LANCER	K = MINI VAN/CARAVAN/ROYAL	Z = OMNI/CHARGER

BODY STYLES

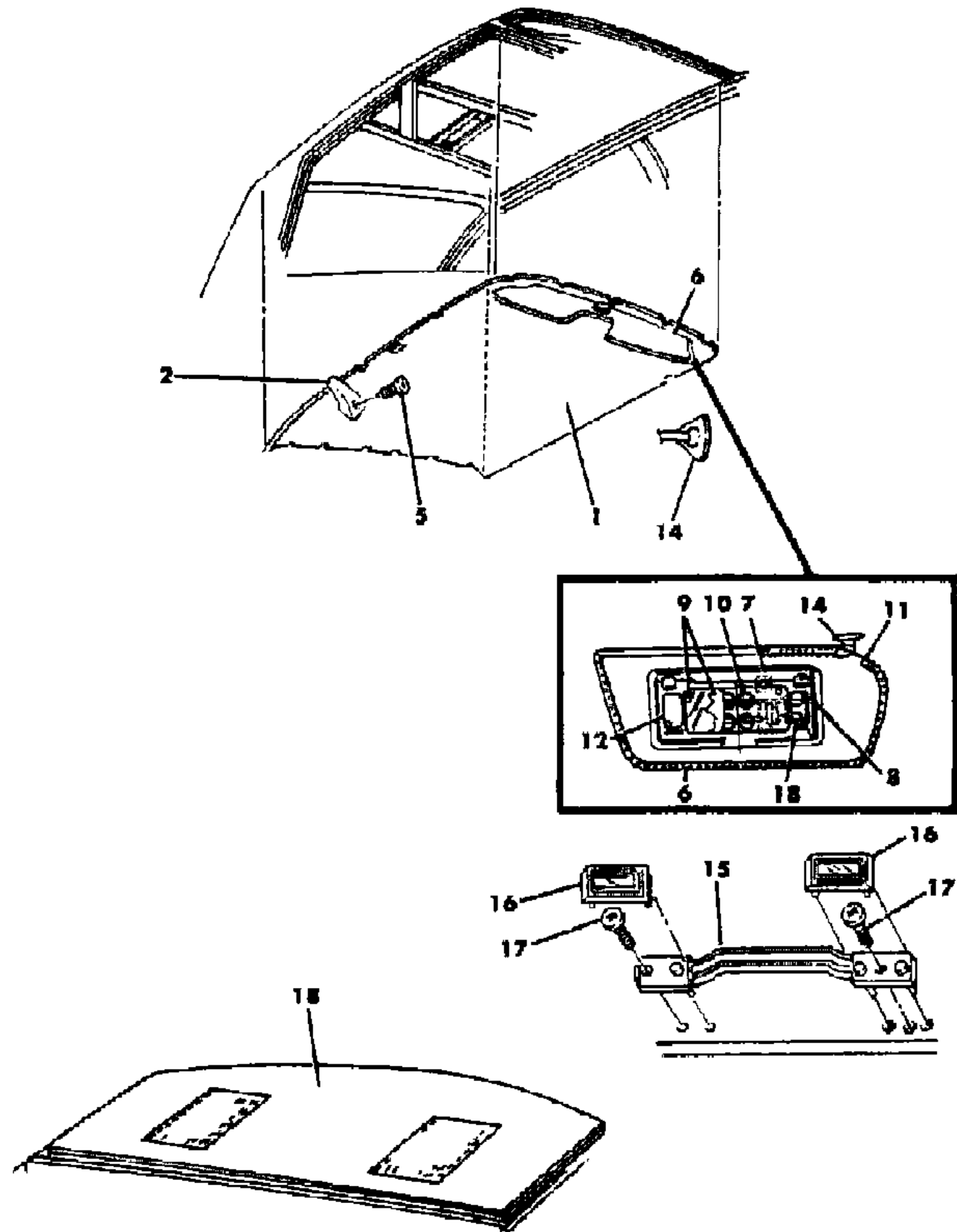
21 = 2-DOOR SEDAN	35 = FWD VAN	44 = 4-DOOR HATCHBACK
22 = 2-DOOR SPECIAL COUPE	36 = FWD WAGON	45 = 4-DOOR STATION WAGON
24 = 2-DOOR HATCHBACK	41 = 4-DOOR SEDAN	49 = LIMOUSINE
27 = 2-DOOR CONVERTIBLE		

AR = Use as Required - = Non Illustrated Part P.A.R. = Paint as Required

HEADLINER VISOR AND SHELF PANEL B,F,G M BODY

Figure ITH-200

5244 200



ITEM	PART NUMBER	QTY	BODY	MODEL	DESCRIPTION
	H698 AA3	1			Silver N N N YH698AA3
	H698 VC7	1			Blue N N N YH698VC7
	H698 VM6	1			Red N N N YH698VM6
	H698 DT3	1			Tan N N N YH698DT3
	H627 AA3	1			Silver N N N YH627AA3
	H627 VC7	1			Blue N N N YH627VC7
	H627 VM6	1			Red N N N YH627VM6
	H627 DT3	1			Tan N N N YH627DT3
7					COVER, Well Frame, Visor Mirror N N N N
	H595 AAA	2			Silver N N N YH595AAA
	H595 TCC	2			Blue N N N YH595TCC
	H595 TMM	2			Red N N N YH595TMM
	H595 DTT	2			Tan N N N YH595DTT
	H636 AAA	2			COVER, Well Frame Less Mirror w/Sunroof N N N N
	H636 TCC	2			Silver N N N YH636AAA
	H636 TMM	2			Blue N N N YH636TCC
	H636 DTT	2			Red N N N YH636TMM
	H689 AAA	1			Tan N N N YH636DTT
	H689 TCC	1			COVER, Frame and Mirror, w/o Sunroof, Right N N N N
	H689 TMM	1			Silver N N N YH689AAA
	H689 DTT	1			Blue N N N YH689TCC
	H691 AAA	2			Red N N N YH689TMM
	H691 TCC	2			Tan N N N YH689DTT
	H691 TMM	2			COVER, Frame Less Mirror w/o Sun Roof N N N N
	H691 DTT	2			Silver N N N YH691AAA
8	3832 346	2			Blue N N N YH691TCC
9	4077 687	1			Red N N N YH691TMM
10	4077 690	2			Tan N N N YH691DTT
					HINGE SPRING, Visor Mirror Cover N N N Y3832346
					MIRROR and BACKING, Illuminated Vanity Mirror N N N Y4077687
					COMPONENT BOARD, Lighted Sun Visor W/Switch N N N Y4077690
11	1490 983	2			CLIP, Visor End Panel N N N Y1490983
12	4077 689	2			LENS, Visor Mirror Light N N N Y4077689
13	9421 330	4			BULB, Mirror N N N Y9421330

MODEL CODES

B = GRAN FURY	E = 600	M = HORIZON/TURISMO
C = LE BARON/TOWN & COUNTRY/LIMO	F = FIFTH AVENUE/NEWPORT	P = RELIANT
C24 = LASER	G = DIPLOMAT	T = NEW YORKER
C44 = LE BARON/GTS	H = VOYAGER	V = 600
D = ARIES	J = CARAVELLE	V24 = DAYTONA
D44 = LANCER	K = MINI VAN/CARAVAN/ROYAL	Z = OMNI/CHARGER

BODY STYLES

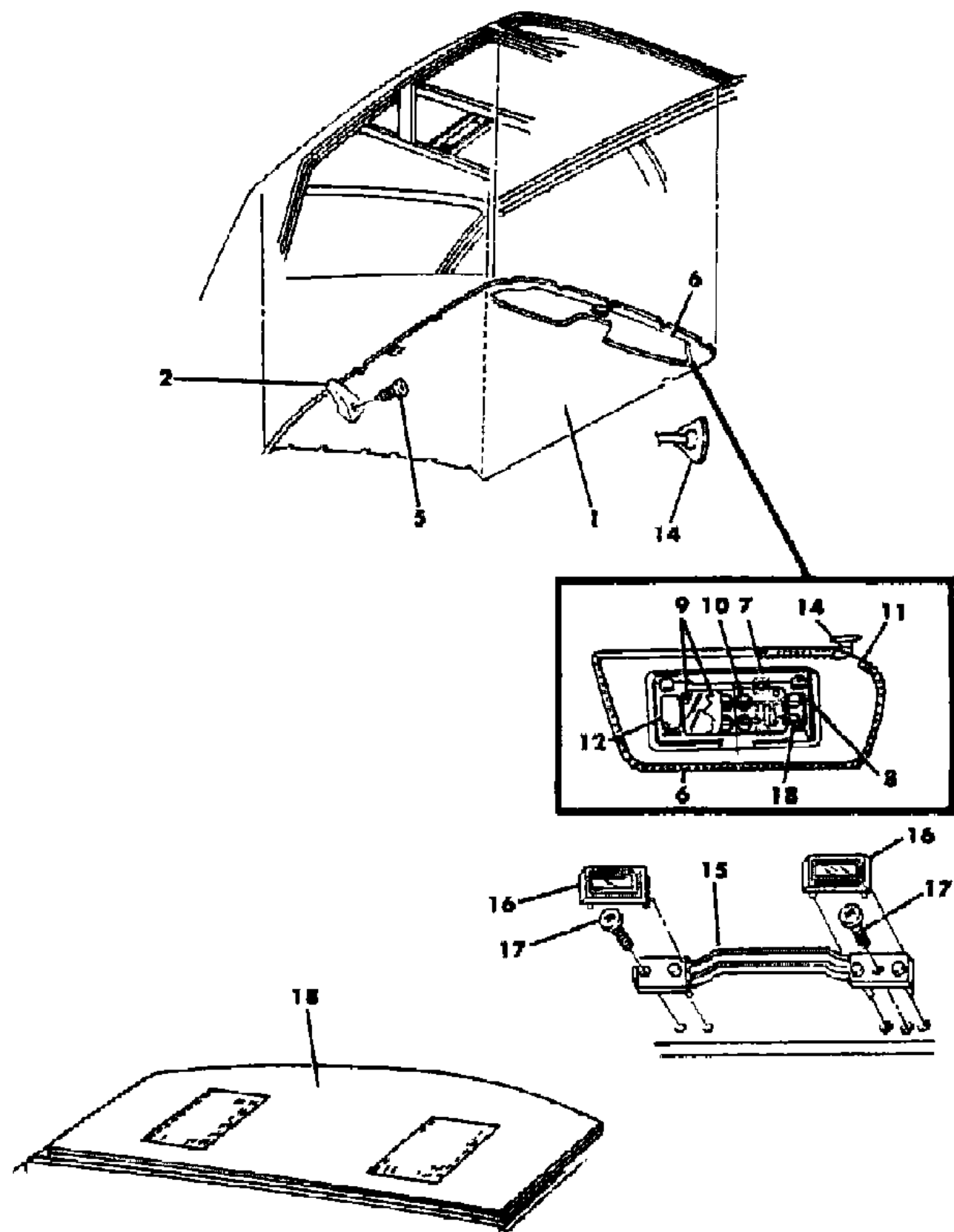
21 = 2-DOOR SEDAN	35 = FWD VAN	44 = 4-DOOR HATCHBACK
22 = 2-DOOR SPECIAL COUPE	36 = FWD WAGON	45 = 4-DOOR STATION WAGON
24 = 2-DOOR HATCHBACK	41 = 4-DOOR SEDAN	49 = LIMOUSINE
27 = 2-DOOR CONVERTIBLE		

AR = Use as Required - = Non Illustrated Part P.A.R. = Paint as Required

HEADLINER VISOR AND SHELF PANEL B,F,G M BODY

Figure ITH-200

5244 200



ITEM	PART NUMBER	QTY	BODY	MODEL	DESCRIPTION
14	3832 899	2			ARM and BRACKET, Visor N N N Y3832899
	4010 747	1			w/Lighted Visor N N N Y4010747
	3832 899	2			w/o Lighted Visor N N N Y3832899
15					HANDLE, Roof Rail Grab N N N N
	H432 VC8	2			Blue N N N YH432VC8
	H432 AA2	2			Silver N N N YH432AA2
	H432 VM6	2			Red N N N YH432VM6
	H432 DT3	2			Tan N N N YH432DT3
16	4223 941	AR			COVER, Roof Rail Grab Handle End Cap N N N Y4223941
	4010 348	4			CAP, Handle End N N N Y4010348
17		AR			SCREW (not serviced) N N N N
18					PANEL, Shelf Trim W/ or W/O Rear Speakers N N N N
	H675 AA7	1			Silver N N N YH675AA7
	H675 TC7	1			Blue N N N YH675TC7
	H675 TM6	1			Red N N N YH675TM6
	H675 DT3	1			Tan N N N YH675DT3
	H658 AA7	1			Silver N5th Ave. N N YH658AA7
	H658 AC7	1			Blue Dark N5th Ave. N N YH658AC7
	H658 AM6	1			Red N5th Ave. N N YH658AM6
	H658 DT3	1			Tan N5th Ave. N N YH658DT3
	6002 072	2			FASTENER, Shelf Trim Panel N N N Y6002072

MODEL CODES
 B = GRAN FURY
 C = LE BARON/TOWN & COUNTRY/LIMO
 C24 = LASER
 C44 = LE BARON/GTS
 D = ARIES
 D44 = LANCER
 E = 600
 F = FIFTH AVENUE/NEWPORT
 G = DIPLOMAT
 H = VOYAGER
 J = CARAVELLE
 K = MINI VAN/CARAVAN/ROYAL
 M = HORIZON/TURISMO
 P = RELIANT
 T = NEW YORKER
 V = 600
 V24 = DAYTONA
 Z = OMNI/CHARGER

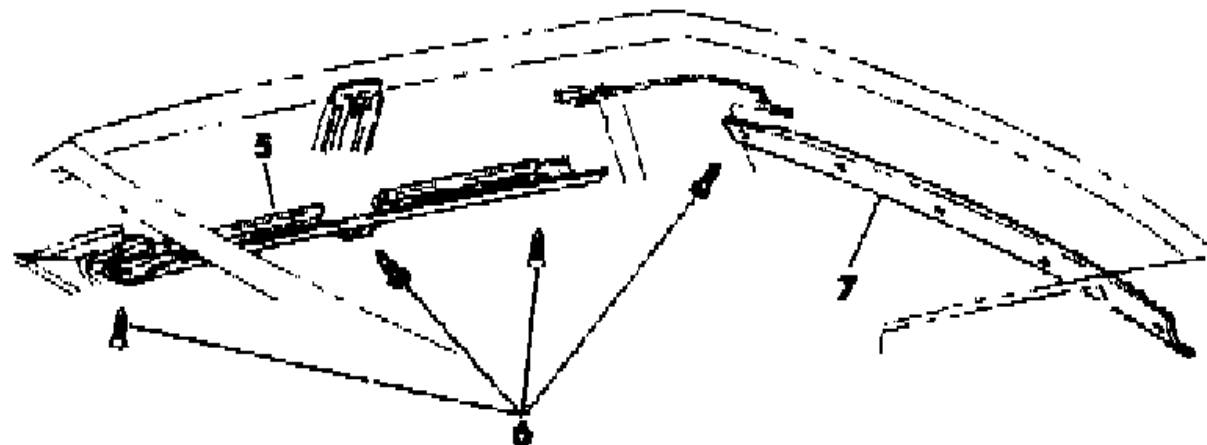
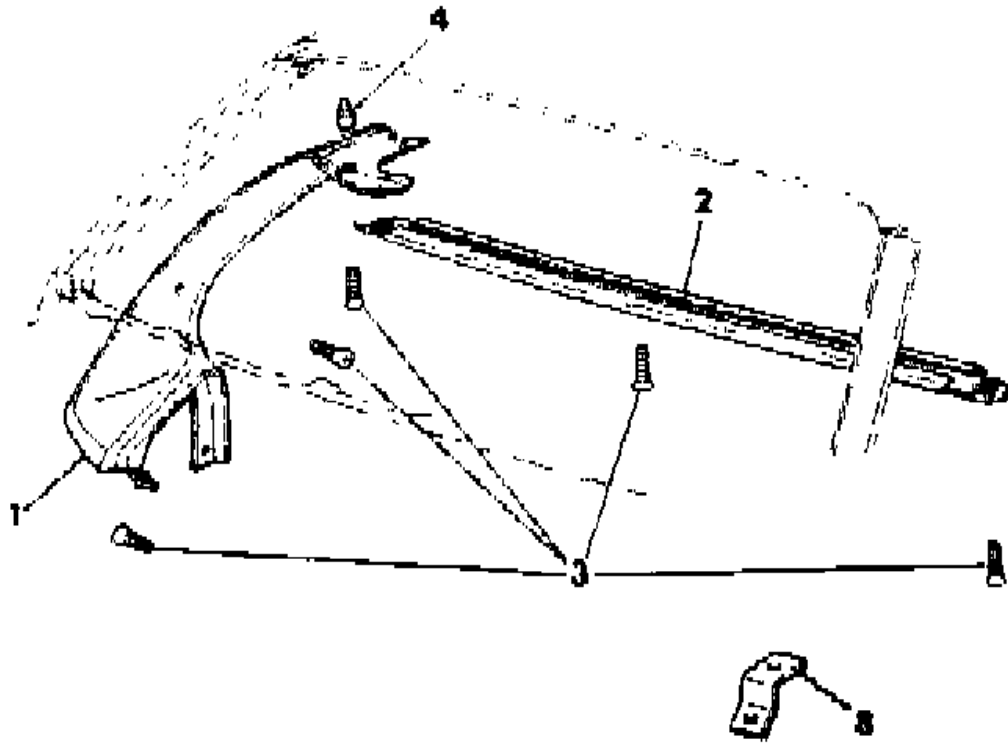
BODY STYLES
 21 = 2-DOOR SEDAN
 22 = 2-DOOR SPECIAL COUPE
 24 = 2-DOOR HATCHBACK
 27 = 2-DOOR CONVERTIBLE
 35 = FWD VAN
 36 = FWD WAGON
 41 = 4-DOOR SEDAN
 44 = 4-DOOR HATCHBACK
 45 = 4-DOOR STATION WAGON
 49 = LIMOUSINE

AR = Use as Required - = Non Illustrated Part P.A.R. = Paint as Required

MOULDING GARNISH B,G,F-H M BODY
Figure ITH-300

3244 300

ITEM	PART NUMBER	QTY	BODY	MODEL	DESCRIPTION
1					MOULDING, Windshield Side N N N N
	F256-7 AA3	1			Silver N N N YF256AA3
	F256-7 SC7	1			Blue N N N YF256SC7
	F256-7 TM6	1			Red N N N YF256TM6
	F256-7 DT3	1			Tan N N N YF256DT3
2	4278 659	1			MOULDING, Windshield, Upper N N N Y4278659
3	6032 179	AR			SCREW N N N Y6032179
4		AR			NUT (not serviced) N N N N
5					MOULDING, Roof Side Garnish N N N N
	4278 660-1	1			(use up to 12/3/84) N N N Y4278660
	F124-5 CA3	1			(use up to 4/15/85) N N N YF124CA3
	F096-7 DA3	1			(use after 4/15/85) N N N YF096DA3
					BUMPER N N N N
	F030 CA3	2			Silver N N N YF030CA3
	F030 CC7	2			Blue N N N YF030CC7
	F030 CM6	2			Red N N N YF030CM6
	F030 DT3	2			Tan N N N YF030DT3
6	6032 179	AR			SCREW N N N Y6032179
7	4136 299	1			MOULDING, Rear Window Upper N N N Y4136299
8	4040 592	AR			BRACKET, Rear Window Garnish Moulding Center Attaching, For Repair N N N Y4040592



MODEL CODES

B = GRAN FURY	E = 600	M = HORIZON/TURISMO
C = LE BARON/TOWN & COUNTRY/LIMO	F = FIFTH AVENUE/NEWPORT	P = RELIANT
C24 = LASER	G = DIPLOMAT	T = NEW YORKER
C44 = LE BARON/GTS	H = VOYAGER	V = 600
D = ARIES	J = CARAVELLE	V24 = DAYTONA
D44 = LANCER	K = MINI VAN/CARAVAN/ROYAL	Z = OMNI/CHARGER

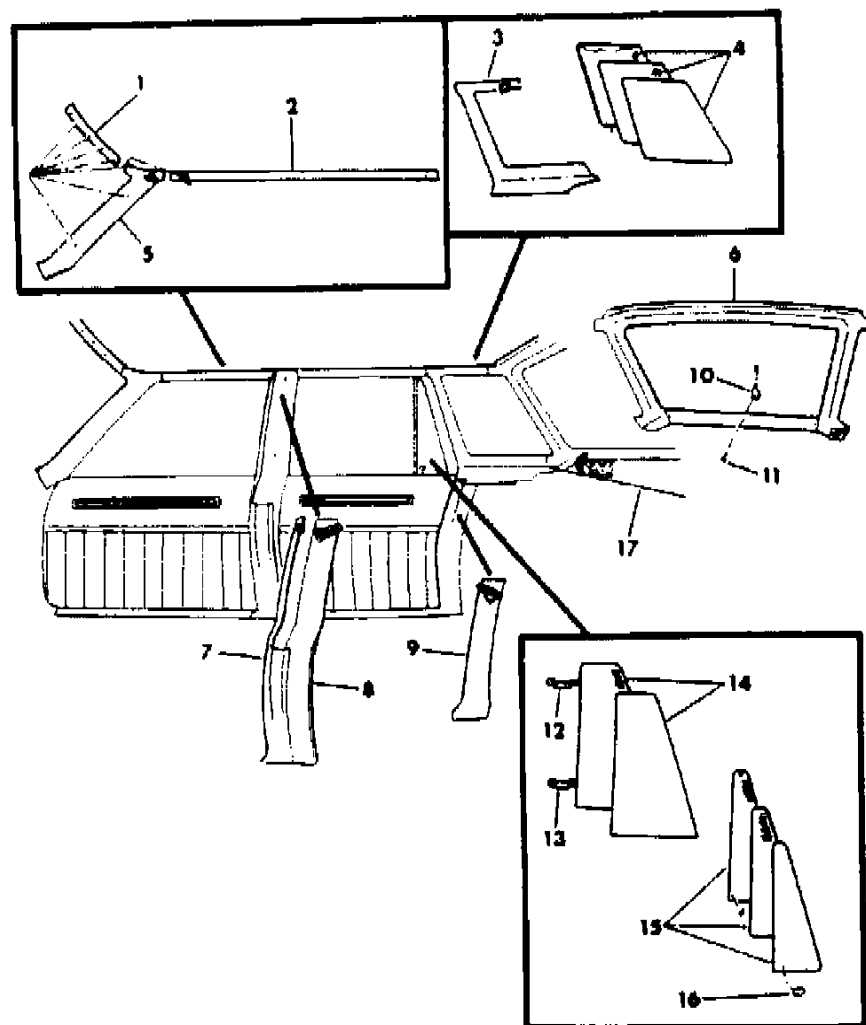
BODY STYLES

21 = 2-DOOR SEDAN	35 = FWD VAN	44 = 4-DOOR HATCHBACK
22 = 2-DOOR SPECIAL COUPE	36 = FWD WAGON	45 = 4-DOOR STATION WAGON
24 = 2-DOOR HATCHBACK	41 = 4-DOOR SEDAN	49 = LIMOUSINE
27 = 2-DOOR CONVERTIBLE		

AR = Use as Required - = Non Illustrated Part P.A.R. = Paint as Required

MOULDING GARNISH F-S M BODY FIFTH AVENUE
Figure ITH-400

5244 400



ITEM	PART NUMBER	QTY	BODY	MODEL	DESCRIPTION
1					MOULDING, Windshield Side, Upper N N N N
	F254 AA3	1			Silver N N N YF254AA3
	F254 AC7	1			Blue N N N YF254AC7
	F254 AM6	1			Red N N N YF254AM6
	F254 DT3	1			Tan N N N YF254DT3
	6032 152	AR			SCREW N N N Y6032152
2					MOULDING, Roof Side Finished N N N N (use up to 12/3/84) N N N N
	F252-3 AA3	1			Silver N N N YF252AA3
	F252-3 AC7	1			Blue N N N YF252AC7
	F252-3 AM6	1			Red N N N YF252AM6
	F252-3 DT3	1			Tan N N N YF252DT3 (use after 12/3/84) N N N N
	F120-1 CA3	1			Silver N N N YF120CA3
	F120-1 CC7	1			Blue N N N YF120CC7
	F120-1 CM6	1			Red N N N YF120CM6
	F120-1 DT3	1			Tan N N N YF120DT3
					BUMPER N N N N
	F030 CA3	2			Silver N N N YF030CA3
	F030 CC7	2			Blue N N N YF030CC7
	F030 CM6	2			Red N N N YF030CM6
	F030 DT3	2			Tan N N N YF030DT3
	6032 152	AR			SCREW N N N Y6032152
3					PANEL ASSEMBLY, Quarter Upper Trim N N N N
	H714-5 AA3	1			Silver N N N YH714AA3
	H714-5 AC7	1			Blue N N N YH714AC7
	H714-5 AM6	1			Red N N N YH714AM6
	H714-5 DT3	1			Tan N N N YH714DT3
4					INSERT, Quarter Upper Trim Panel N N N N
	H716-7 AA3	1			Silver N N N YH716AA3
	H716-7 AC7	1			Blue N N N YH716AC7
	H716-7 AM6	1			Red N N N YH716AM6
	H716-7 DT3	1			Tan N N N YH716DT3
5					MOULDING, Windshield Side ("A" Pillar) N N N N
	F334-5 AA3	1			Silver N N N YF334AA3
	F334-5 AC7	1			Blue N N N YF334AC7
	F334-5 AM6	1			Red N N N YF334AM6

MODEL CODES

B = GRAN FURY	E = 600	M = HORIZON/TURISMO
C = LE BARON/TOWN & COUNTRY/LIMO	F = FIFTH AVENUE/NEWPORT	P = RELIANT
C24 = LASER	G = DIPLOMAT	T = NEW YORKER
C44 = LE BARON/GTS	H = VOYAGER	V = 600
D = ARIES	J = CARAVELLE	V24 = DAYTONA
D44 = LANCER	K = MINI VAN/CARAVAN/ROYAL	Z = OMNI/CHARGER

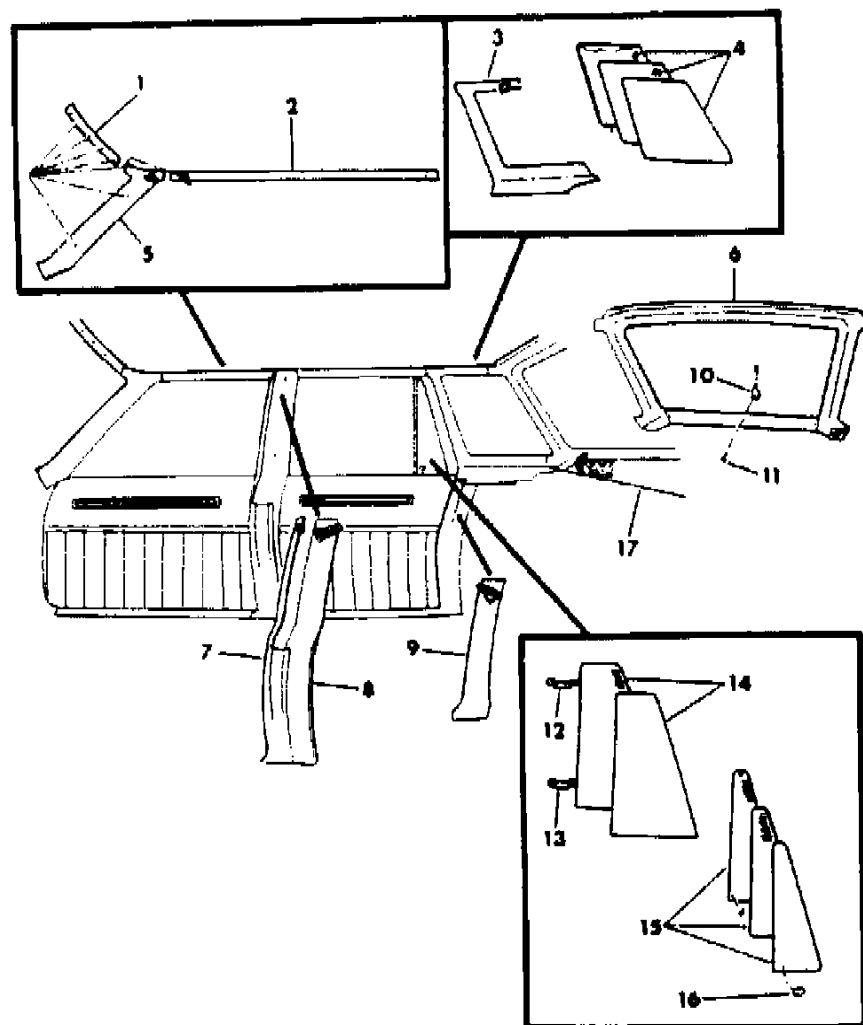
BODY STYLES

21 = 2-DOOR SEDAN	35 = FWD VAN	44 = 4-DOOR HATCHBACK
22 = 2-DOOR SPECIAL COUPE	36 = FWD WAGON	45 = 4-DOOR STATION WAGON
24 = 2-DOOR HATCHBACK	41 = 4-DOOR SEDAN	49 = LIMOUSINE
27 = 2-DOOR CONVERTIBLE		

AR = Use as Required - = Non Illustrated Part P.A.R. = Paint as Required

MOULDING GARNISH F-S M BODY FIFTH AVENUE
Figure ITH-400

5244 400



ITEM	PART NUMBER	QTY	BODY	MODEL	DESCRIPTION
	F334-5 DT3	1			Tan N N N YF334DT3
6					PANEL, Rear Window Trim (cloth) N N N N
	H718 AA3	1			Silver N N N YH718AA3
	H718 AC7	1			Blue N N N YH718AC7
	H718 AM6	1			Red N N N YH718AM6
	H718 DT3	1			Tan N N N YH718DT3
7					COVER, Center ("B" Pillar) Trim Front N N N N
	F338-9 AA3	1			Silver (use up to 1/11/85) N N N YF338AA3
	F558-9 CA3	1			Silver (use after 1/11/85) N N N YF558CA3
	F338-9 AC7	1			Blue (use up to 1/11/85) N N N YF338AC7
	F558-9 CC7	1			Blue (use after 1/11/85) N N N YF558CC7
	F338-9 TM6	1			Red (use up to 1/15/85) N N N YF338TM6
	F558-9 CM6	1			Red (use after 1/15/85) N N N YF558CM6
	F338-9 DT3	1			Tan (use up to 1/14/85) N N N YF338DT3
	F558-9 DT3	1			Tan (use adter 1/14/85) N N N YF558DT3
8					COVER, Center ("B" Pillar) Trim Rear N N N N
	F340-1 AA3	1			Silver (use up to 1/11/85) N N N YF340AA3
	F562-3 CA3	1			Silver (use after 1/11/85) N N N YF562CA3
	F340-1 AC7	1			Blue (use up to 1/11/85) N N N YF340AC7
	F562-3 CC7	1			Blue (use after 1/11/85) N N N YF562CC7
	F340-1 TM6	1			Red (use up to 1/15/85) N N N YF340TM6
	F562-3 CM6	1			Red (use after 1/15/85) N N N YF562CM6
	F340-1 DT3	1			Tan (use up to 1/14/85) N N N YF340DT3
	F562-3 DT3	1			Tan (use after 1/14/85) N N N YF562DT3
9					COVER, Lower Quarter Trim Lock Pillar N N N N
	F336-7 AA3	1			Silver N N N YF336AA3
	F336-7 AC7	1			Blue N N N YF336AC7
	F336-7 AM6	1			Red N N N YF336AM6
	F336-7 DT3	1			Tan N N N YF336DT3
10	6032 177	6			SCREW N N N Y6032177
11					SUPPORT, Back Lite Extension (serviced in the extension see Group 23 ext.) N N N N
12	4229 832	2			BRACKET, Rear Door Window Filler Upper N N N Y4229832
13	4229 833	2			BRACKET, Rear Door Window Filler Lower N N N Y4229833
14					FILLER, Rear Door Quarter Window N N N N
	H014-5 AA3	1			Silver N N N YH014AA3
	H014-5 AC7	1			Blue N N N YH014AC7

MODEL CODES

B = GRAN FURY	E = 600	M = HORIZON/TURISMO
C = LE BARON/TOWN & COUNTRY/LIMO	F = FIFTH AVENUE/NEWPORT	P = RELIANT
C24 = LASER	G = DIPLOMAT	T = NEW YORKER
C44 = LE BARON/GTS	H = VOYAGER	V = 600
D = ARIES	J = CARAVELLE	V24 = DAYTONA
D44 = LANCER	K = MINI VAN/CARAVAN/ROYAL	Z = OMNI/CHARGER

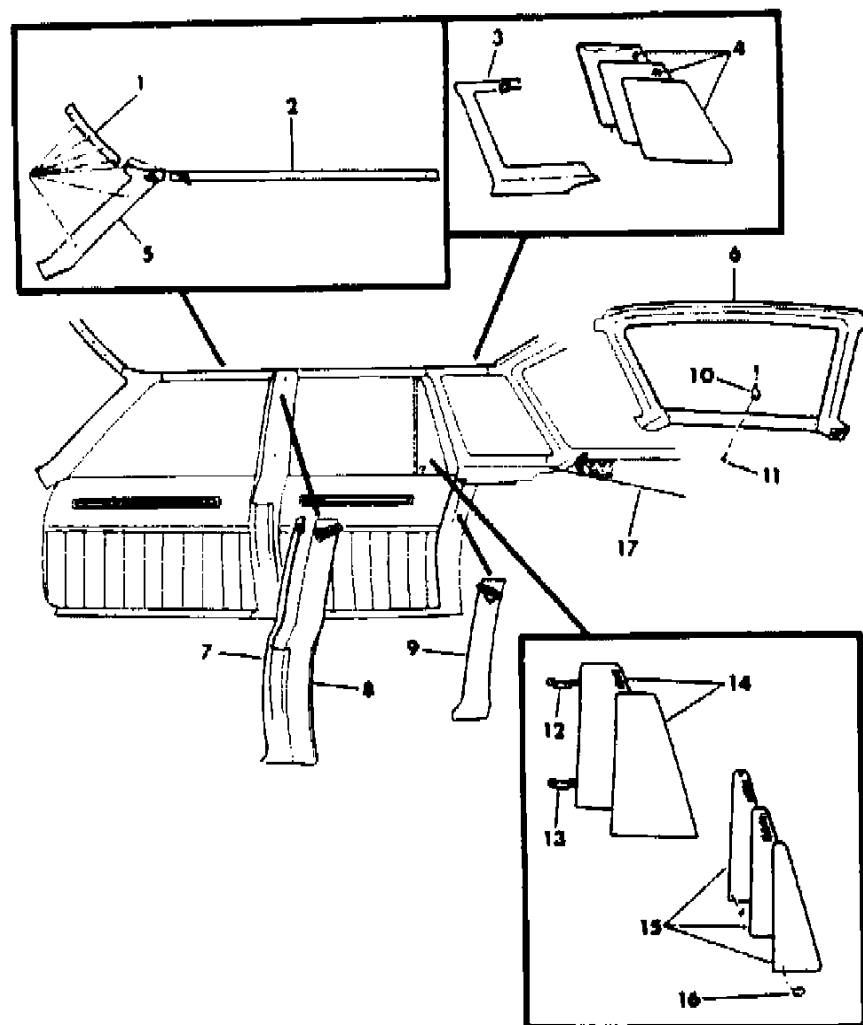
BODY STYLES

21 = 2-DOOR SEDAN	35 = FWD VAN	44 = 4-DOOR HATCHBACK
22 = 2-DOOR SPECIAL COUPE	36 = FWD WAGON	45 = 4-DOOR STATION WAGON
24 = 2-DOOR HATCHBACK	41 = 4-DOOR SEDAN	49 = LIMOUSINE
27 = 2-DOOR CONVERTIBLE		

AR = Use as Required - = Non Illustrated Part P.A.R. = Paint as Required

MOULDING GARNISH F-S M BODY FIFTH AVENUE
Figure ITH-400

5244 400



ITEM	PART NUMBER	QTY	BODY	MODEL	DESCRIPTION
	H014-5 AM6	1			Red N N N YH014AM6
	H014-5 DT3	1			Tan N N N YH014DT3
15					APPLIQUE, Rear-Rear Quarter Window N N N N
	H016-7 AA3	1			Silver N N N YH016AA3
	H016-7 AC7	1			Blue N N N YH016AC7
	H016-7 AM6	1			Red N N N YH016AM6
	H016-7 DT3	1			Tan N N N YH016DT3
16					NAME PLATE, Chrysler (serviced in Item 15) N N N N
	6002 852	4			RETAINER, Name Plate N N N Y6002852
17					PANEL, Shelf Trim N N N N
	H658 AA7	1			Silver N N N YH658AA7
	H658 AC7	1			Blue N N N YH658AC7
	H658 AM6	1			Red N N N YH658AM6
	H658 DT3	1			Tan N N N YH658DT3

MODEL CODES

B = GRAN FURY	E = 600	M = HORIZON/TURISMO
C = LE BARON/TOWN & COUNTRY/LIMO	F = FIFTH AVENUE/NEWPORT	P = RELIANT
C24 = LASER	G = DIPLOMAT	T = NEW YORKER
C44 = LE BARON/GTS	H = VOYAGER	V = 600
D = ARIES	J = CARAVELLE	V24 = DAYTONA
D44 = LANCER	K = MINI VAN/CARAVAN/ROYAL	Z = OMNI/CHARGER

BODY STYLES

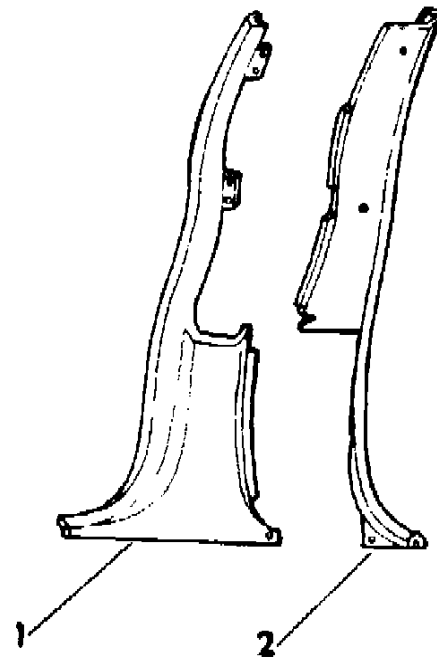
21 = 2-DOOR SEDAN	35 = FWD VAN	44 = 4-DOOR HATCHBACK
22 = 2-DOOR SPECIAL COUPE	36 = FWD WAGON	45 = 4-DOOR STATION WAGON
24 = 2-DOOR HATCHBACK	41 = 4-DOOR SEDAN	49 = LIMOUSINE
27 = 2-DOOR CONVERTIBLE		

AR = Use as Required - = Non Illustrated Part P.A.R. = Paint as Required

B PILLAR TRIM B,G,F-H M BODY
Figure ITH-500

ITEM	PART NUMBER	QTY	BODY	MODEL	DESCRIPTION
1					COVER, Center Pillar "B" Front N N N N
	F390-1 AA3	1			Silver (use up to 12/14/84) N N N YF390AA3
	F556-7 CA3	1			Silver (use after 12/14/84) N N N YF556CA3
	F390-1 SC7	1			Blue (use up to 12/14/84) N N N YF390SC7
	F556-7 CC7	1			Blue (use after 12/14/84) N N N YF556CC7
	F390-1 TM6	1			Red (use up to 12/7/84) N N N YF390TM6
	F556-7 CM6	1			Red (use after 12/7/84) N N N YF556CM6
	F390-1 DT3	1			Tan (use up to 1/2/85) N N N YF390DT3
	F556-7 DT3	1			Tan (use after 1/2/85) N N N YF556DT3
2					COVER,"B" Pillar Rear N N N N
	F392-3 AA3	1			Silver (use up to 12/14/84) N N N YF392AA3
	F560-1 CA3	1			Silver (use after 12/14/84) N N N YF560CA3
	F392-3 SC7	1			Blue (use up to 12/14/84) N N N YF392SC7
	F560-1 CC7	1			Blue (use after 12/14/84) N N N YF560CC7
	F392-3 TM6	1			Red (use up to 12/7/84) N N N YF392TM6
	F560-1 CM6	1			Red (use after 12/7/84) N N N YF560CM6
	F392-3 DT3	1			Tan (use up to 1/2/85) N N N YF392DT3
	F560-1 DT3	1			Tan (use after 1/2/85) N N N YF560DT3
The following part is not illustrated. NGER WAGON USES THE TWO (2) PASSENGER STATIONARY SEAT PLUS THE FOLDING REAR SEAT.					
	0152 490	2			U-NUT,Center Pillar Trim Attaching N N N Y152490

5244 500



MODEL CODES

B = GRAN FURY	E = 600	M = HORIZON/TURISMO
C = LE BARON/TOWN & COUNTRY/LIMO	F = FIFTH AVENUE/NEWPORT	P = RELIANT
C24 = LASER	G = DIPLOMAT	T = NEW YORKER
C44 = LE BARON/GTS	H = VOYAGER	V = 600
D = ARIES	J = CARAVELLE	V24 = DAYTONA
D44 = LANCER	K = MINI VAN/CARAVAN/ROYAL	Z = OMNI/CHARGER

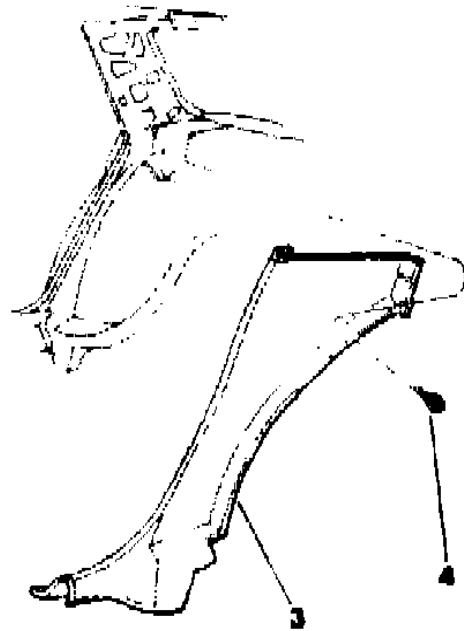
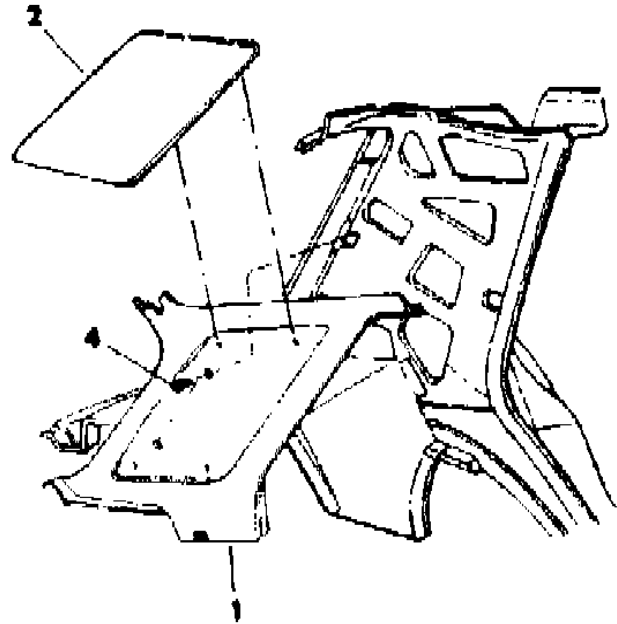
BODY STYLES

21 = 2-DOOR SEDAN	35 = FWD VAN	44 = 4-DOOR HATCHBACK
22 = 2-DOOR SPECIAL COUPE	36 = FWD WAGON	45 = 4-DOOR STATION WAGON
24 = 2-DOOR HATCHBACK	41 = 4-DOOR SEDAN	49 = LIMOUSINE
27 = 2-DOOR CONVERTIBLE		

AR = Use as Required - = Non Illustrated Part P.A.R. = Paint as Required

PANEL QUARTER TRIM B,G,F-H M BODY
Figure ITH-600

5244 800



ITEM	PART NUMBER	QTY	BODY	MODEL	DESCRIPTION
1	H662-3 AA3	1			PANEL, Quarter Upper Trim "C" Pillar (paint as required) N N N YH662AA3
2	H664-5 AA3	1			INSERT, Quarter Upper Trim Panel N N N N Silver N N N YH664AA3
	H664-5 TC7	1			Blue N N N YH664TC7
	H664-5 TM6	1			Red N N N YH664TM6
	H664-5 DT3	1			Tan N N N YH664DT3
	4114 785	AR			FASTENER, Insert Attaching N N N Y4114785
3	F366-7 AA3	1			COVER, Lower Quarter Lock Pillar Trim N N N N Silver N N N YF366AA3
	F366-7 SC7	1			Blue N N N YF366SC7
	F366-7 TM6	1			Red N N N YF366TM6
	F366-7 DT3	1			Tan N N N YF366DT3
4	6032 179	AR			SCREW N N N Y6032179

MODEL CODES

B = GRAN FURY	E = 600	M = HORIZON/TURISMO
C = LE BARON/TOWN & COUNTRY/LIMO	F = FIFTH AVENUE/NEWPORT	P = RELIANT
C24 = LASER	G = DIPLOMAT	T = NEW YORKER
C44 = LE BARON/GTS	H = VOYAGER	V = 600
D = ARIES	J = CARAVELLE	V24 = DAYTONA
D44 = LANCER	K = MINI VAN/CARAVAN/ROYAL	Z = OMNI/CHARGER

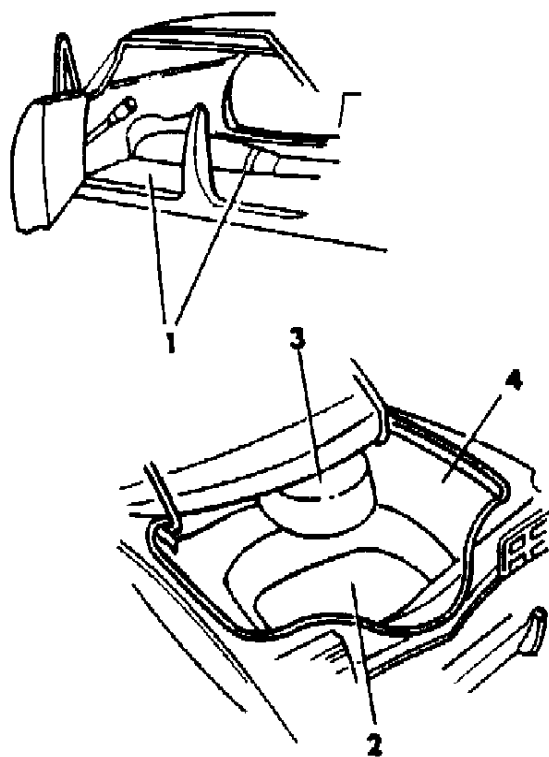
BODY STYLES

21 = 2-DOOR SEDAN	35 = FWD VAN	44 = 4-DOOR HATCHBACK
22 = 2-DOOR SPECIAL COUPE	36 = FWD WAGON	45 = 4-DOOR STATION WAGON
24 = 2-DOOR HATCHBACK	41 = 4-DOOR SEDAN	49 = LIMOUSINE
27 = 2-DOOR CONVERTIBLE		

AR = Use as Required - = Non Illustrated Part P.A.R. = Paint as Required

**CARPET B,F,G M BODY
Figure ITH-700**

5244 700



ITEM	PART NUMBER	QTY	BODY	MODEL	DESCRIPTION
NOTE: Only long cut pile carpet is serviced and is also used as a replacement for short cut pile. NGER WAGON USES THE TWO (2) PASSENGER STATIONARY SEAT PLUS THE FOLDING REAR SEAT.					
1					CARPET N N N N
	M705 AA7	1			Silver N N N YM705AA7
	M705 TC7	1			Blue N N N YM705TC7
	M705 TM6	1			Red N N N YM705TM6
	M705 DT5	1			Tan N N N YM705DT5
	M728 AA7	1			Silver N5th Ave. N N YM728AA7
	M728 AC7	1			Blue N5th Ave. N N YM728AC7
	M728 AM6	1			Red N5th Ave. N N YM728AM6
	M728 DT5	1			Tan N5th Ave. N N YM728DT5
2					CARPET,Luggage Compartment Floor. N N N N
	4077 249	1			Black N N N Y4077249
3					COVER, Spare Tire N N N N
	4010 755	1			W/Full Size Trie N N N Y4010755
	4078 695	1			W/Compact Tire N N N Y4078695
4					CARPET, w/Silencer Wheelhouse, Black N N N Y4077232
	4077 232-3				
The following parts are not illustrated. NGER WAGON USES THE TWO (2) PASSENGER STATIONARY SEAT PLUS THE FOLDING REAR SEAT.					
	3762 861	AR			INSULATION, Floor (60"x72" material cut to fit) N N N Y3762861
					CARPETED FLOOR MATS, Set of Two, Front N N N N
	M025 AA7	1			Silver N N N YM025AA7
	M025 VC7	1			Blue N N N YM025VC7
	M025 VM6	1			Red N N N YM025VM6
	M025 DT5	1			Tan N N N YM025DT5
					Package of Four, Front and Rear N N N N
	M028 AA7	1			Silver N5th Ave. N N YM028AA7
	M028 VC7	1			Blue N5th Ave. N N YM028VC7
	M028 VM6	1			Red N5th Ave. N N YM028VM6
	M028 DT5	1			Tan N5th Ave. N N YM028DT5
					Set of Two, Rear N N N N
	M027 AA7	1			Silver N N N YM027AA7
	M027 VC7	1			Blue N N N YM027VC7
	M027 VM6	1			Red N N N YM027VM6
	M027 DT5	1			Tan N N N YM027DT5

MODEL CODES

B = GRAN FURY	E = 600	M = HORIZON/TURISMO
C = LE BARON/TOWN & COUNTRY/LIMO	F = FIFTH AVENUE/NEWPORT	P = RELIANT
C24 = LASER	G = DIPLOMAT	T = NEW YORKER
C44 = LE BARON/GTS	H = VOYAGER	V = 600
D = ARIES	J = CARAVELLE	V24 = DAYTONA
D44 = LANCER	K = MINI VAN/CARAVAN/ROYAL	Z = OMNI/CHARGER

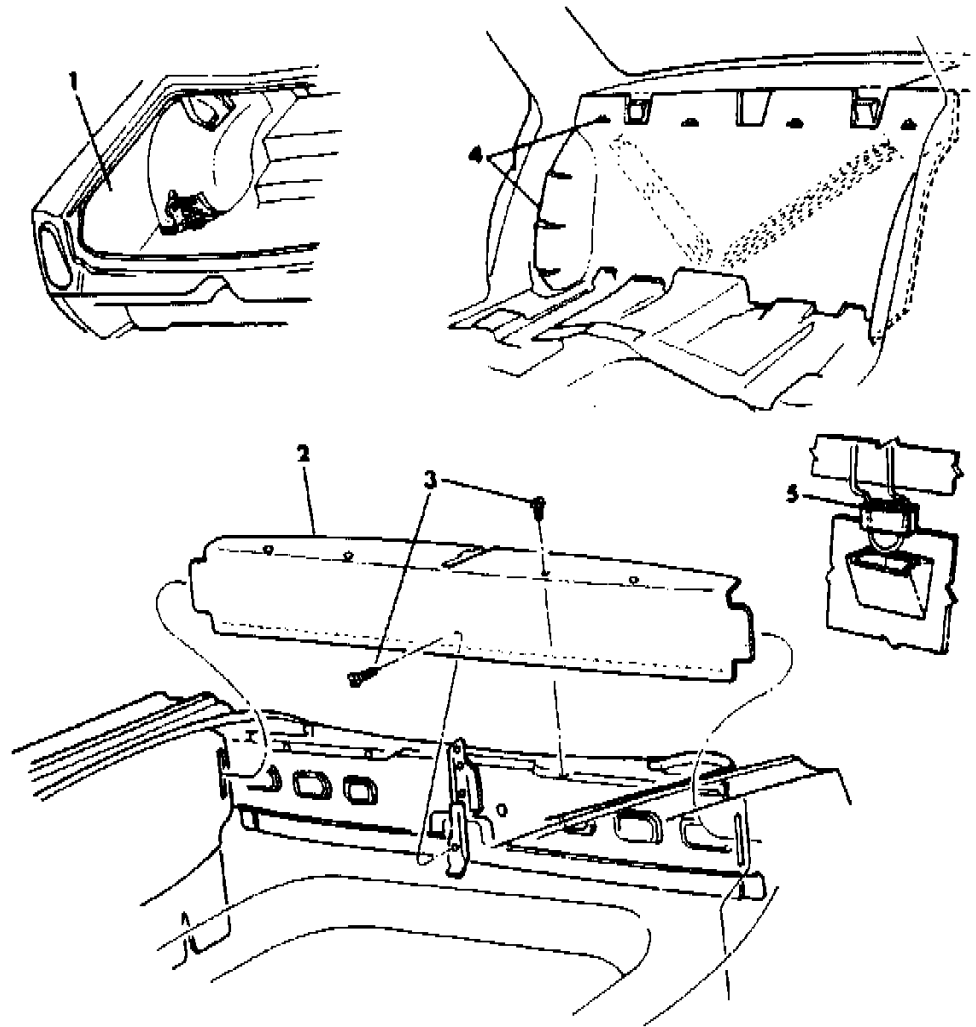
BODY STYLES

21 = 2-DOOR SEDAN	35 = FWD VAN	44 = 4-DOOR HATCHBACK
22 = 2-DOOR SPECIAL COUPE	36 = FWD WAGON	45 = 4-DOOR STATION WAGON
24 = 2-DOOR HATCHBACK	41 = 4-DOOR SEDAN	49 = LIMOUSINE
27 = 2-DOOR CONVERTIBLE		

AR = Use as Required - = Non Illustrated Part P.A.R. = Paint as Required

LUGGAGE COMPARTMENT LINER AND SILENCER B,F,G M BODY
Figure ITH-800

5244 800



ITEM	PART NUMBER	QTY	BODY	MODEL	DESCRIPTION
1	4077 234-5	1			LINER, Luggage Compartment Side N N N N Black N N N Y4077234
2	4248 363	1			COVER, Luggage Compartment Deck Opening Lower N N N N N N N Y4248363
3		AR			SCREW (not serviced) N N N N
4	3762 862	1			SILENCER, Luggage Compartment Front Liner (36"X72" material cut to fit) N N N Y3762862
5	3844 272	2			SEAL, Rear Seat Back Spring to Shelf Panel N N N Y3844272

MODEL CODES

B = GRAN FURY	E = 600	M = HORIZON/TURISMO
C = LE BARON/TOWN & COUNTRY/LIMO	F = FIFTH AVENUE/NEWPORT	P = RELIANT
C24 = LASER	G = DIPLOMAT	T = NEW YORKER
C44 = LE BARON/GTS	H = VOYAGER	V = 600
D = ARIES	J = CARAVELLE	V24 = DAYTONA
D44 = LANCER	K = MINI VAN/CARAVAN/ROYAL	Z = OMNI/CHARGER

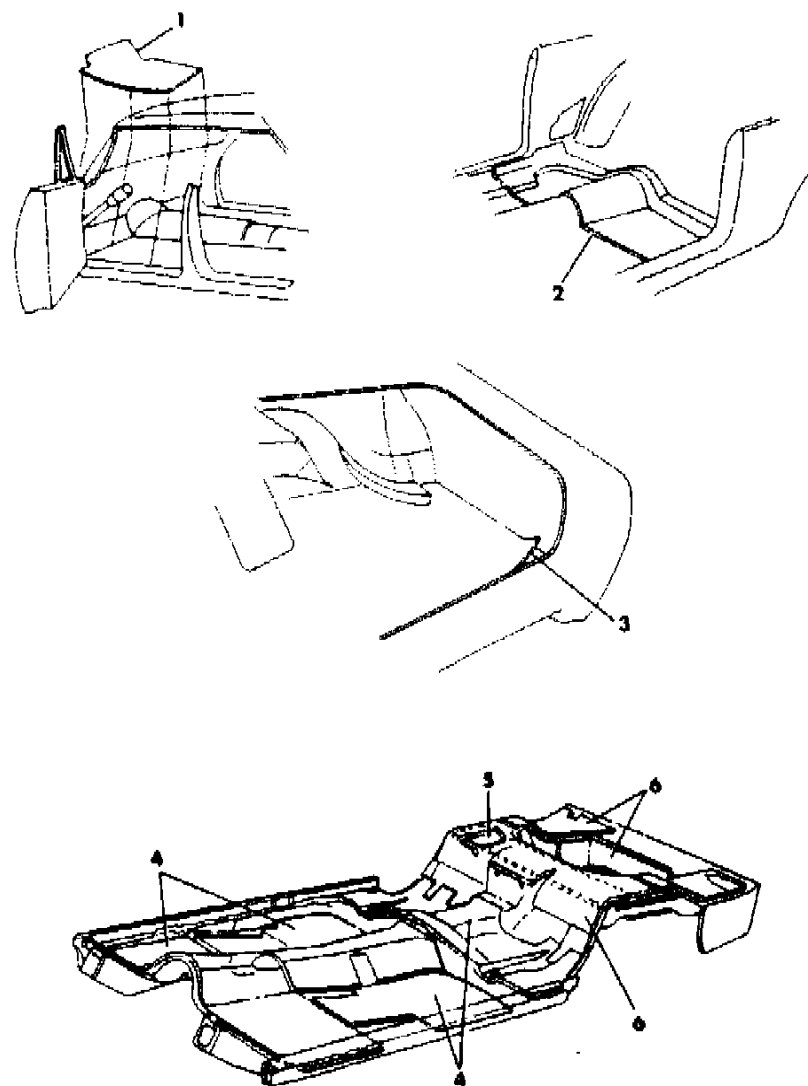
BODY STYLES

21 = 2-DOOR SEDAN	35 = FWD VAN	44 = 4-DOOR HATCHBACK
22 = 2-DOOR SPECIAL COUPE	36 = FWD WAGON	45 = 4-DOOR STATION WAGON
24 = 2-DOOR HATCHBACK	41 = 4-DOOR SEDAN	49 = LIMOUSINE
27 = 2-DOOR CONVERTIBLE		

AR = Use as Required - = Non Illustrated Part P.A.R. = Paint as Required

MATS AND SILENCERS B,F,G M BODY
Figure ITH-900

5244 900



ITEM	PART NUMBER	QTY	BODY	MODEL	DESCRIPTION
1	4077 288	1			MAT, Front Floor Heavy Duty, Black N N N Y4077288
2	4077 289	1			MAT, Rear Floor Heavy Duty, Black N N N Y4077289
3	4077 249	1			MAT, Luggage Compartment Floor, Black N N N Y4077249
4	4186 901	AR			SILENCER (36"x72" material cut to fit) N N N Y4186901
5	3837 683	AR			SILENCER (24"x48"x1/4" material cut to fit) N N N Y3837683
6	3762 862	AR			SILENCER (36"x72" material cut to fit) N N N Y3762862

MODEL CODES

B = GRAN FURY	E = 600	M = HORIZON/TURISMO
C = LE BARON/TOWN & COUNTRY/LIMO	F = FIFTH AVENUE/NEWPORT	P = RELIANT
C24 = LASER	G = DIPLOMAT	T = NEW YORKER
C44 = LE BARON/GTS	H = VOYAGER	V = 600
D = ARIES	J = CARAVELLE	V24 = DAYTONA
D44 = LANCER	K = MINI VAN/CARAVAN/ROYAL	Z = OMNI/CHARGER

BODY STYLES

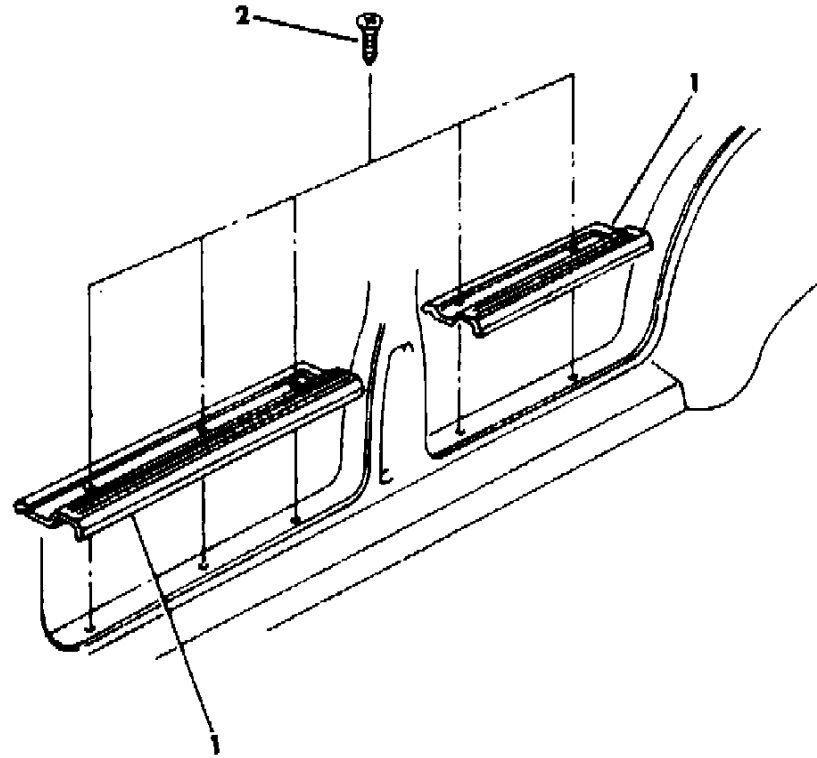
21 = 2-DOOR SEDAN	35 = FWD VAN	44 = 4-DOOR HATCHBACK
22 = 2-DOOR SPECIAL COUPE	36 = FWD WAGON	45 = 4-DOOR STATION WAGON
24 = 2-DOOR HATCHBACK	41 = 4-DOOR SEDAN	49 = LIMOUSINE
27 = 2-DOOR CONVERTIBLE		

AR = Use as Required - = Non Illustrated Part P.A.R. = Paint as Required

SCUFF PLATES BODY SIDE SILL AND DOOR B,F,G M BODY
Figure ITH-1000

3244 1000

ITEM	PART NUMBER	QTY	BODY	MODEL	DESCRIPTION
1	4078 964	2			PLATE, Front N N N Y4078964
	3831 006	2			Rear N N N Y3831006
2		AR			SCREW (not serviced) N N N N



MODEL CODES

B = GRAN FURY	E = 600	M = HORIZON/TURISMO
C = LE BARON/TOWN & COUNTRY/LIMO	F = FIFTH AVENUE/NEWPORT	P = RELIANT
C24 = LASER	G = DIPLOMAT	T = NEW YORKER
C44 = LE BARON/GTS	H = VOYAGER	V = 600
D = ARIES	J = CARAVELLE	V24 = DAYTONA
D44 = LANCER	K = MINI VAN/CARAVAN/ROYAL	Z = OMNI/CHARGER

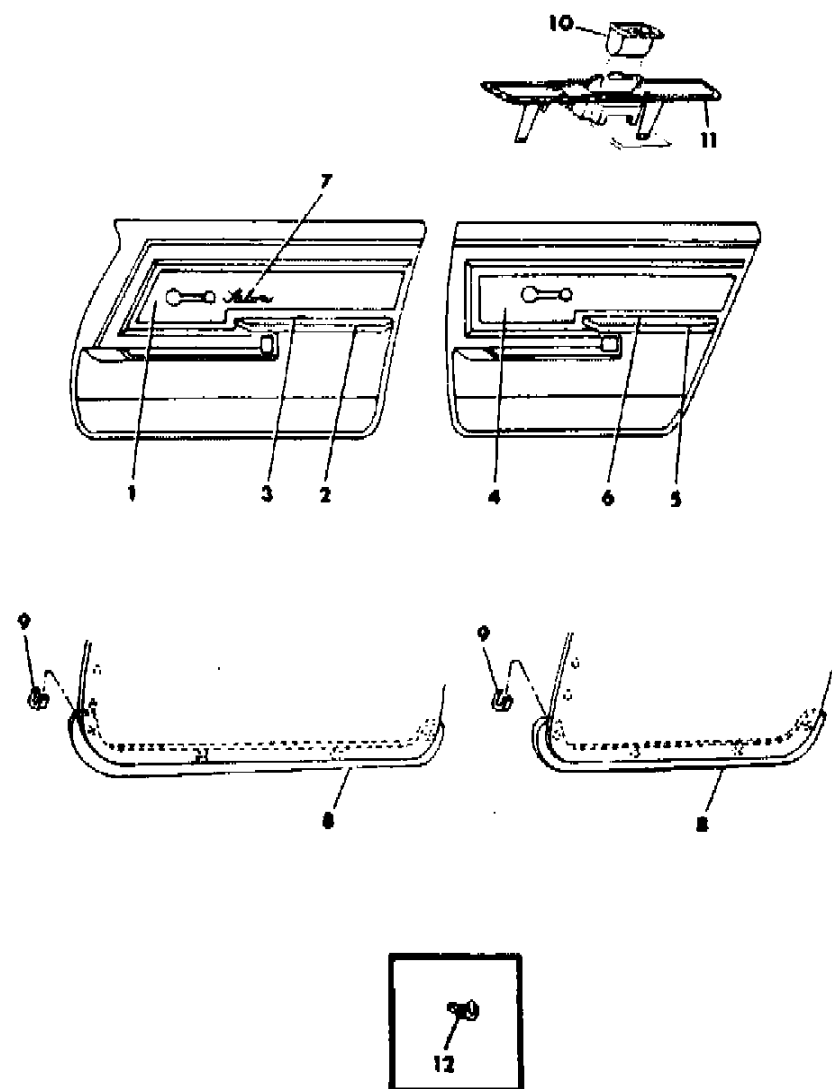
BODY STYLES

21 = 2-DOOR SEDAN	35 = FWD VAN	44 = 4-DOOR HATCHBACK
22 = 2-DOOR SPECIAL COUPE	36 = FWD WAGON	45 = 4-DOOR STATION WAGON
24 = 2-DOOR HATCHBACK	41 = 4-DOOR SEDAN	49 = LIMOUSINE
27 = 2-DOOR CONVERTIBLE		

AR = Use as Required - = Non Illustrated Part P.A.R. = Paint as Required

**DOOR TRIM PANEL B,F,G M BODY TRIM CODES A3,F4,K2,KX,H9
Figure ITH-1100**

3244 1100



ITEM	PART NUMBER	QTY	BODY	MODEL	DESCRIPTION
1					PANEL, Front Door N N N N Vinyl N N N N
	J148-9 AA2	1			N N NA3A,H9A YJ148AA2
	J148-9 VC8	1			N N NA3C,K2C,H9C YJ148VC8
	J148-9 VM6	1			N N NA3M,H9M YJ148VM6
	J148-9 DT3	1			N N NA3T,F4T,H9T YJ148DT3
	J148-9 DT3	1			N N NK2T,KXT YJ148DT3
2	D454-5 VT4				BASE, Armrest (paint as required) N N N YD454VT4
3					PAD and INSERT, Armrest N N N N
	D452-3 AA3	1			Silver N N N YD452AA3
	D452-3 VC7	1			Blue N N N YD452VC7
	D452-3 VM6	1			Red N N N YD452VM6
	D452-3 DT3	1			Tan N N N YD452DT3
4					PANEL, Rear Door N N N N Vinyl N N N N
	J476-7 AA2	1			N N NA3A,H9A YJ476AA2
	J476-7 VC8	1			N N NA3C,K2C,H9C YJ476VC8
	J476-7 VM6	1			N N NA3M,H9M YJ476VM6
	J476-7 DT3	1			N N NA3T,F4T,H9T YJ476DT3
	J476-7 DT3	1			N N NK2T,KXT YJ476DT3
5					BASE and PAD, Armrest N N N N
	D430-1 AA3	1			Silver N N N YD430AA3
	D430-1 VC7	1			Blue N N N YD430VC7
	D430-1 VM6	1			Red N N N YD430VM6
	D430-1 DT3	1			Tan N N N YD430DT3
	9414 722	AR			SCREW, Pad to Base Attaching N N N Y9414722
6					PAD and INSERT, Armrest w/Ash Receiver N N N N
	D488-9 AA3	1			Silver N N N YD488AA3
	D488-9 VC7	1			Blue N N N YD488VC7
	D488-9 VM6	1			Red N N N YD488VM6
	D488-9 DT3	1			Tan N N N YD488DT3
		AR			SCREW, Armrest Attaching (not serviced) N N N N
7	4078 486	2			NAME PLATE,"SALON" N N N Y4078486
	6023 485	AR			FASTENER, Name Plate N N N Y6023485
8					SEAL,Secondary Sound N N N N
	3831 428	2			Front N N N Y3831428
	3831 429	2			Rear N N N Y3831429

MODEL CODES

B = GRAN FURY	E = 600	M = HORIZON/TURISMO
C = LE BARON/TOWN & COUNTRY/LIMO	F = FIFTH AVENUE/NEWPORT	P = RELIANT
C24 = LASER	G = DIPLOMAT	T = NEW YORKER
C44 = LE BARON/GTS	H = VOYAGER	V = 600
D = ARIES	J = CARAVELLE	V24 = DAYTONA
D44 = LANCER	K = MINI VAN/CARAVAN/ROYAL	Z = OMNI/CHARGER

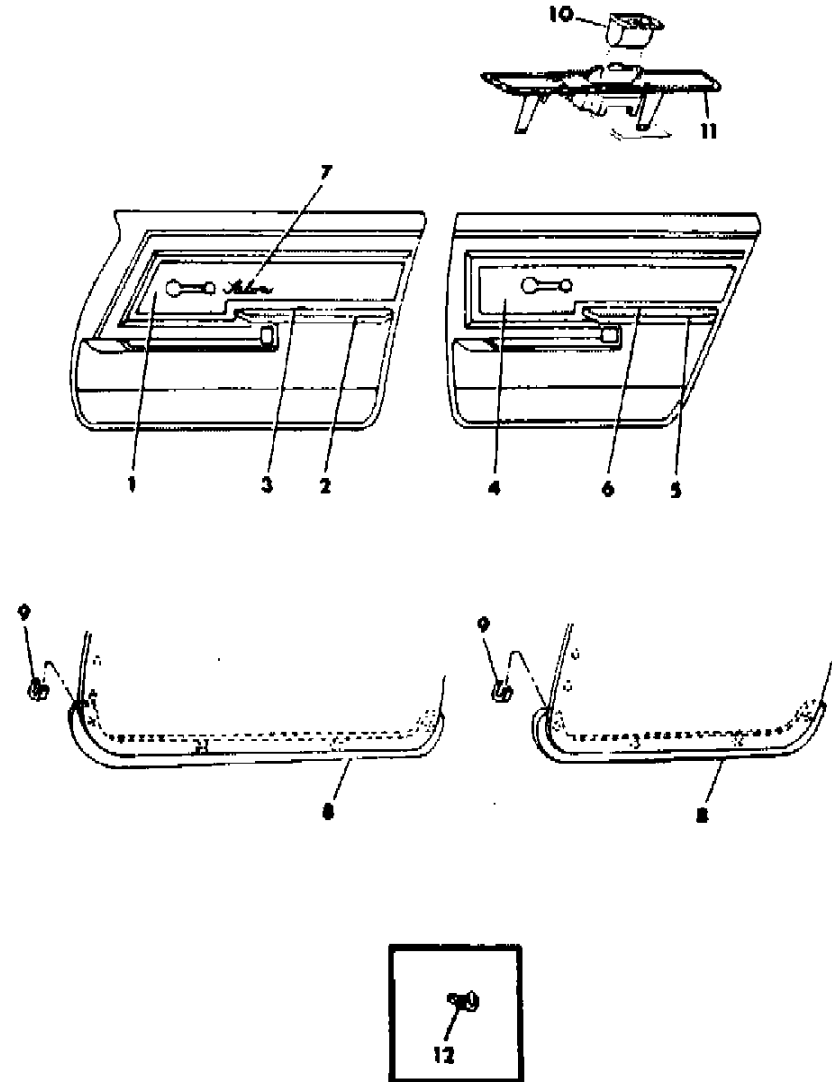
BODY STYLES

21 = 2-DOOR SEDAN	35 = FWD VAN	44 = 4-DOOR HATCHBACK
22 = 2-DOOR SPECIAL COUPE	36 = FWD WAGON	45 = 4-DOOR STATION WAGON
24 = 2-DOOR HATCHBACK	41 = 4-DOOR SEDAN	49 = LIMOUSINE
27 = 2-DOOR CONVERTIBLE		

AR = Use as Required - = Non Illustrated Part P.A.R. = Paint as Required

**DOOR TRIM PANEL B,F,G M BODY TRIM CODES A3,F4,K2,KX,H9
Figure ITH-1100**

3244 1100



ITEM	PART NUMBER	QTY	BODY	MODEL	DESCRIPTION
9	6002 944	AR			FASTENER, Secondary Seal N N N Y6002944
10	4078 400	3			RECEPTACLE, Ash Receiver Rear Door N N N Y4078400
	1639 961	2			BUMPER, Ash Receiver Lid N N N Y1639961
	9417 252	4			PIN, Ash Receiver Lid Hinge N N N Y9417252
11	6003 640	AR			FASTENER, Trim Panel N N N Y6003640
12					BEZEL (refer to 23C) N N N N
NOTE: The following part is not illustrated. NGER WAGON USES THE TWO (2) PASSENGER STATIONARY SEAT PLUS THE FOLDING REAR SEAT.					
	4049 602	1			SILENCER, Door (36"X36"X1/2" material cut to fit) N N N Y4049602

MODEL CODES

B = GRAN FURY	E = 600	M = HORIZON/TURISMO
C = LE BARON/TOWN & COUNTRY/LIMO	F = FIFTH AVENUE/NEWPORT	P = RELIANT
C24 = LASER	G = DIPLOMAT	T = NEW YORKER
C44 = LE BARON/GTS	H = VOYAGER	V = 600
D = ARIES	J = CARAVELLE	V24 = DAYTONA
D44 = LANCER	K = MINI VAN/CARAVAN/ROYAL	Z = OMNI/CHARGER

BODY STYLES

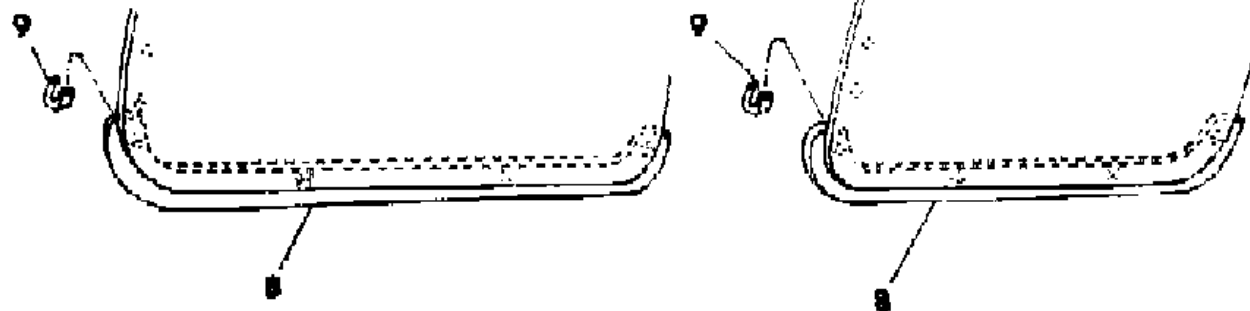
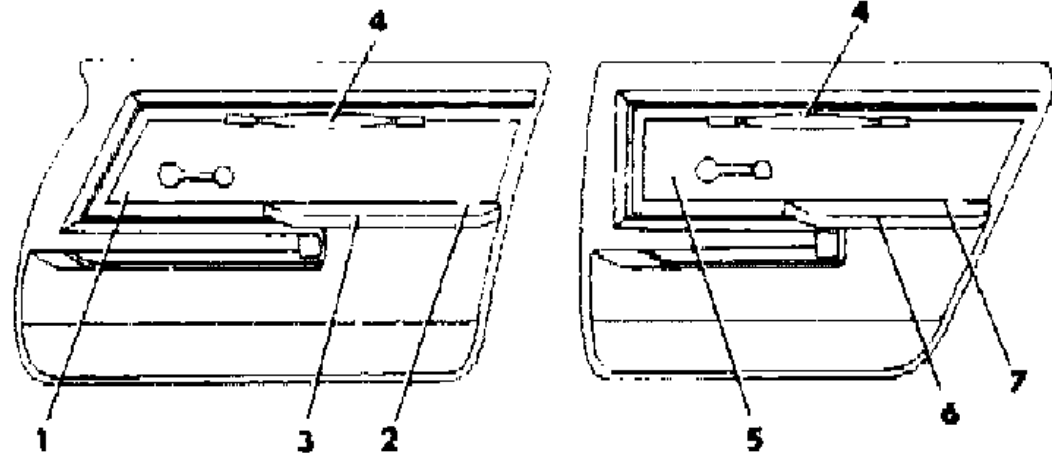
21 = 2-DOOR SEDAN	35 = FWD VAN	44 = 4-DOOR HATCHBACK
22 = 2-DOOR SPECIAL COUPE	36 = FWD WAGON	45 = 4-DOOR STATION WAGON
24 = 2-DOOR HATCHBACK	41 = 4-DOOR SEDAN	49 = LIMOUSINE
27 = 2-DOOR CONVERTIBLE		

AR = Use as Required - = Non Illustrated Part P.A.R. = Paint as Required

DOOR TRIM PANEL B,F,G M BODY TRIM CODE C9
Figure ITH-1200

5244 1200

ITEM	PART NUMBER	QTY	BODY	MODEL	DESCRIPTION
1					PANEL, Front Door N N N N Cloth N N N N N N NC9A YJ228DA4 N N NC9C YJ228DC8 N N NC9M YJ228CM6
	J228-9 DA4	1			
	J228-9 DC8	1			
	J228-9 CM6	1			
	J228-9 DT3	1			N N NC9T YJ228DT3
2	D454-5 VT4	1			BASE, Armrest (paint as required) N N N YD454VT4
3					PAD and INSERT, Armrest N N N N
	D452-3 AA3	1			Silver N N N YD452AA3
	D452-3 VC7	1			Blue N N N YD452VC7
	D452-3 VM6	1			Red N N N YD452VM6
	D452-3 DT3	1			Tan N N N YD452DT3
4					HANDLE, w/Cap Door Pull Front and Rear N N N N
	D840 AA2	2			Silver N N N YD840AA2
	D840 VC7	2			Blue N N N YD840VC7
	D840 VM6	2			Red N N N YD840VM6
	D840 DT3	2			Tan N N N YD840DT3
5					PANEL, Rear Door N N N N Cloth N N N N N N NC9A YJ482DA4 N N NC9C YJ482DC8 N N NC9M YJ482CM6 N N NC9T YJ482DT3
	J482-3 DA4	1			
	J482-3 DC8	1			
	J482-3 CM6	1			
	J482-3 DT3	1			
6					BASE and PAD, Armrest N N N N
	D430-1 AA3	1			Silver N N N YD430AA3
	D430-1 VC7	1			Blue N N N YD430VC7
	D430-1 VM6	1			Red N N N YD430VM6
	D430-1 DT3	1			Tan N N N YD430DT3
	9414 722	AR			SCREW, Pad to Base Attaching N N N Y9414722
7					PAD and INSERT, Armrest w/Ash Receiver N N N N
	D488-9 AA3	1			Silver N N N YD488AA3
	D488-9 VC7	1			Blue N N N YD488VC7
	D488-9 VM6	1			Red N N N YD488VM6
	D488-9 DT3	1			Tan N N N YD488DT3
		AR			SCREW, Armrest Attaching (not serviced) N N N N
8					SEAL, Secondary Sound N N N N
	3831 428	2			Front N N N Y3831428



MODEL CODES		
B = GRAN FURY	E = 600	M = HORIZON/TURISMO
C = LE BARON/TOWN & COUNTRY/LIMO	F = FIFTH AVENUE/NEWPORT	P = RELIANT
C24 = LASER	G = DIPLOMAT	T = NEW YORKER
C44 = LE BARON/GTS	H = VOYAGER	V = 600
D = ARIES	J = CARAVELLE	V24 = DAYTONA
D44 = LANCER	K = MINI VAN/CARAVAN/ROYAL	Z = OMNI/CHARGER

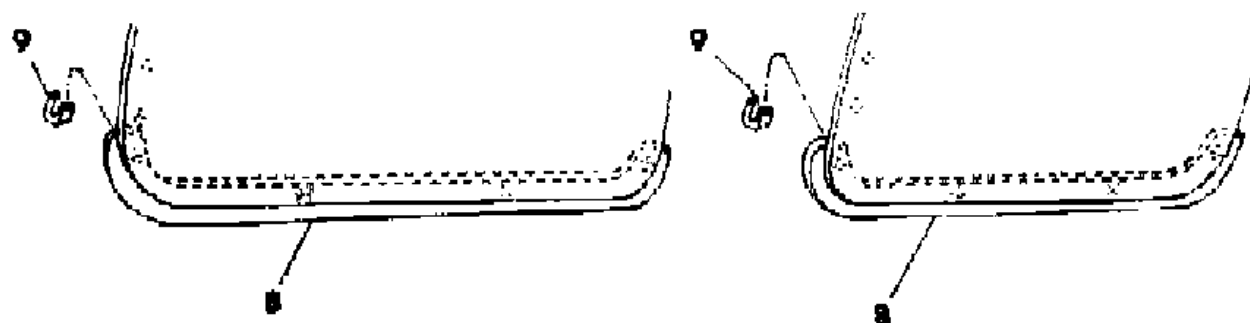
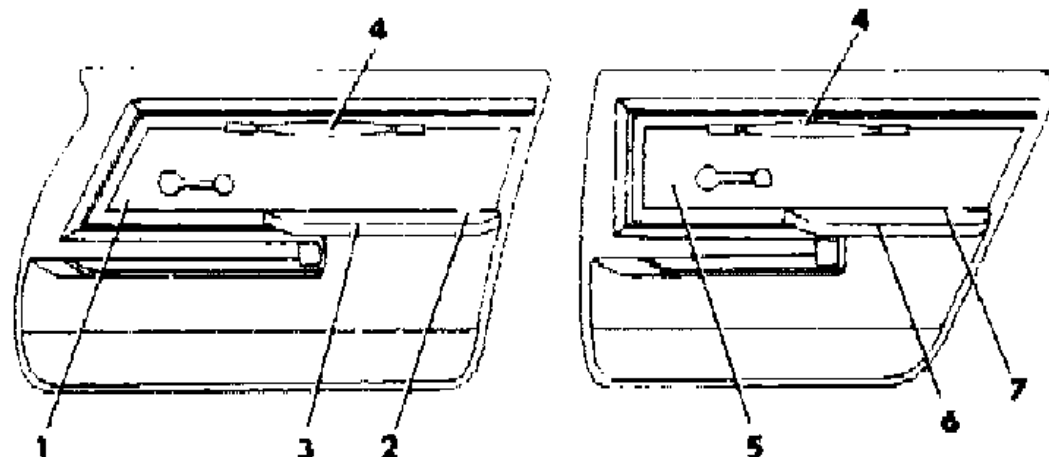
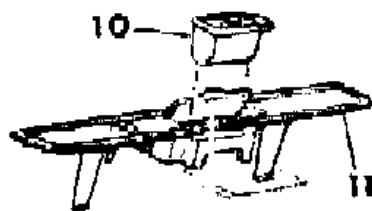
BODY STYLES		
21 = 2-DOOR SEDAN	35 = FWD VAN	44 = 4-DOOR HATCHBACK
22 = 2-DOOR SPECIAL COUPE	36 = FWD WAGON	45 = 4-DOOR STATION WAGON
24 = 2-DOOR HATCHBACK	41 = 4-DOOR SEDAN	49 = LIMOUSINE
27 = 2-DOOR CONVERTIBLE		

AR = Use as Required - = Non Illustrated Part P.A.R. = Paint as Required

DOOR TRIM PANEL B,F,G M BODY TRIM CODE C9
Figure ITH-1200

5244 1200

ITEM	PART NUMBER	QTY	BODY	MODEL	DESCRIPTION
	3831 429	2			Rear N N N Y3831429
9	6002 944	AR			FASTENER, Secondary Seal N N N Y6002944
10	4078 400	2			RECEPTACLE, Ash Receiver Rear Door N N N Y4078400
	1639 961	2			BUMPER, Ash Receiver Lid N N N Y1639961
	9417 252	4			PIN, Ash Receiver Lid Hinge N N N Y9417252
11					Refer to 23 C N N N N
12	6003 640	AR			RETAINER, Trim Panel N N N Y6003640
The following part is not illustrated. NGER WAGON USES THE TWO (2) PASSENGER STATIONARY SEAT PLUS THE FOLDING REAR SEAT.					
	4049 602	1			SILENCER, Trim Panel (36"X36"X1/2" material cut to fit) N N N Y4049602



MODEL CODES		
B = GRAN FURY	E = 600	M = HORIZON/TURISMO
C = LE BARON/TOWN & COUNTRY/LIMO	F = FIFTH AVENUE/NEWPORT	P = RELIANT
C24 = LASER	G = DIPLOMAT	T = NEW YORKER
C44 = LE BARON/GTS	H = VOYAGER	V = 600
D = ARIES	J = CARAVELLE	V24 = DAYTONA
D44 = LANCER	K = MINI VAN/CARAVAN/ROYAL	Z = OMNI/CHARGER

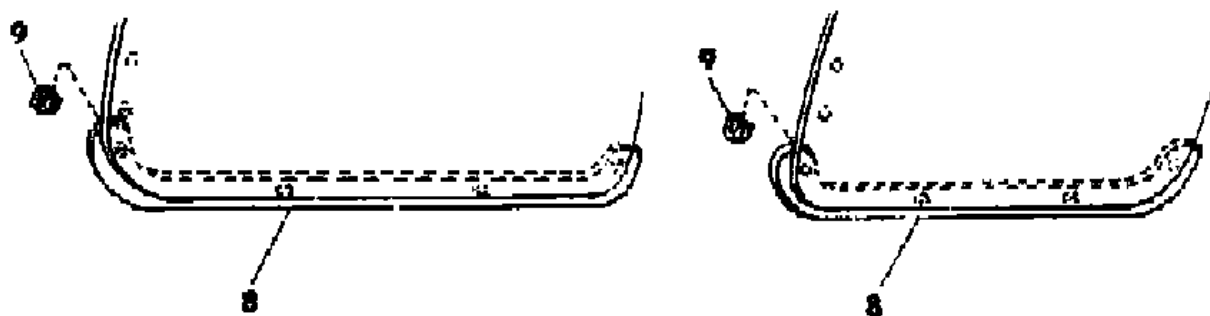
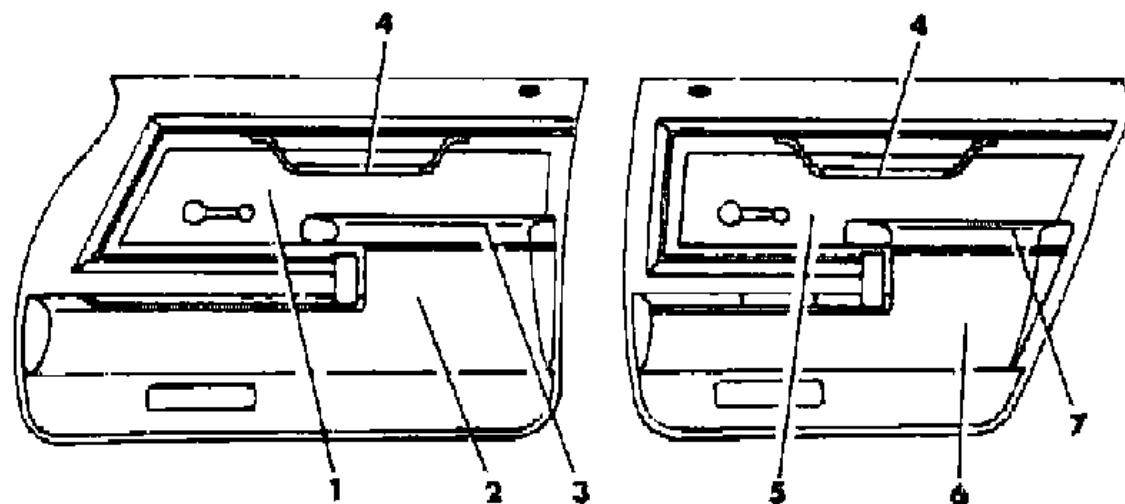
BODY STYLES		
21 = 2-DOOR SEDAN	35 = FWD VAN	44 = 4-DOOR HATCHBACK
22 = 2-DOOR SPECIAL COUPE	36 = FWD WAGON	45 = 4-DOOR STATION WAGON
24 = 2-DOOR HATCHBACK	41 = 4-DOOR SEDAN	49 = LIMOUSINE
27 = 2-DOOR CONVERTIBLE		

AR = Use as Required - = Non Illustrated Part P.A.R. = Paint as Required

DOOR TRIM PANEL F-S M BODY TRIM CODES SY,S9
Figure ITH-1300

5244 1300

ITEM	PART NUMBER	QTY	BODY	MODEL	DESCRIPTION
1					PANEL, Front Door N N N N
					Leather N N N N
	J224-5 AA2	1			N N NSYA YJ224AA2
	J224-5 AC8	1			N N NSYC YJ224AC8
	J224-5 AM6	1			N N NSYM YJ224AM6
	J224-5 DT3	1			N N NSYT YJ224DT3
					Cloth N N N N
	J226-7 AA3	1			N N NS9A YJ226AA3
	J226-7 AC7	1			N N NS9C YJ226AC7
	J226-7 AM6	1			N N NS9M YJ226AM6
	J226-7 DT3	1			N N NS9T YJ226DT3
2	D454-5 VT4	1			BASE, Armrest (paint as required) N N N YD454VT4
	9414 722	AR			SCREW, Pad to Base Attaching N N N Y9414722
3					PAD and INSERT, Armrest N N N N
	D452-3 AA3	1			Silver N N N YD452AA3
	D452-3 VC7	1			Blue N N N YD452VC7
	D452-3 VM6	1			Red N N N YD452VM6
	D452-3 DT3	1			Tan N N N YD452DT3
		AR			SCREW, Armrest Attaching (not serviced) N N N N
4	4078 233	4			HANDLE N N N Y4078233
	6031 667	AR			WASHER, Pull Handle N N N Y6031667
	0455 734	AR			SPRING PIN, Pull Handle N N N Y455734
	4077 196-7	2			END CAP, Pull Handle N N N Y4077196
5					PANEL, Rear Door N N N N
					Leather N N N N
	J494-5 BA2	1			N N NSYA YJ494BA2
	J494-5 BC8	1			N N NSYC YJ494BC8
	J494-5 BM6	1			N N NSYM YJ494BM6
	J494-5 DT3	1			N N NSYT YJ494DT3
					Cloth N N N N
	J490-1 AA3	1			N N NS9A YJ490AA3
	J490-1 AC7	1			N N NS9C YJ490AC7
	J490-1 AM6	1			N N NS9M YJ490AM6
	J490-1 DT3	1			N N NS9T YJ490DT3
6					BASE and PAD, Armrest N N N N
	D430-1 AA3	1			Silver N N N YD430AA3
	D430-1 VC7	1			Blue N N N YD430VC7



MODEL CODES

B = GRAN FURY	E = 600	M = HORIZON/TURISMO
C = LE BARON/TOWN & COUNTRY/LIMO	F = FIFTH AVENUE/NEWPORT	P = RELIANT
C24 = LASER	G = DIPLOMAT	T = NEW YORKER
C44 = LE BARON/GTS	H = VOYAGER	V = 600
D = ARIES	J = CARAVELLE	V24 = DAYTONA
D44 = LANCER	K = MINI VAN/CARAVAN/ROYAL	Z = OMNI/CHARGER

BODY STYLES

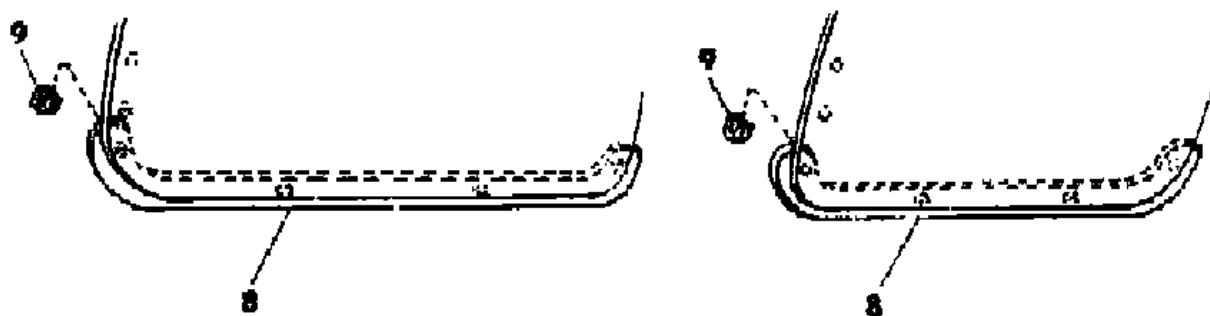
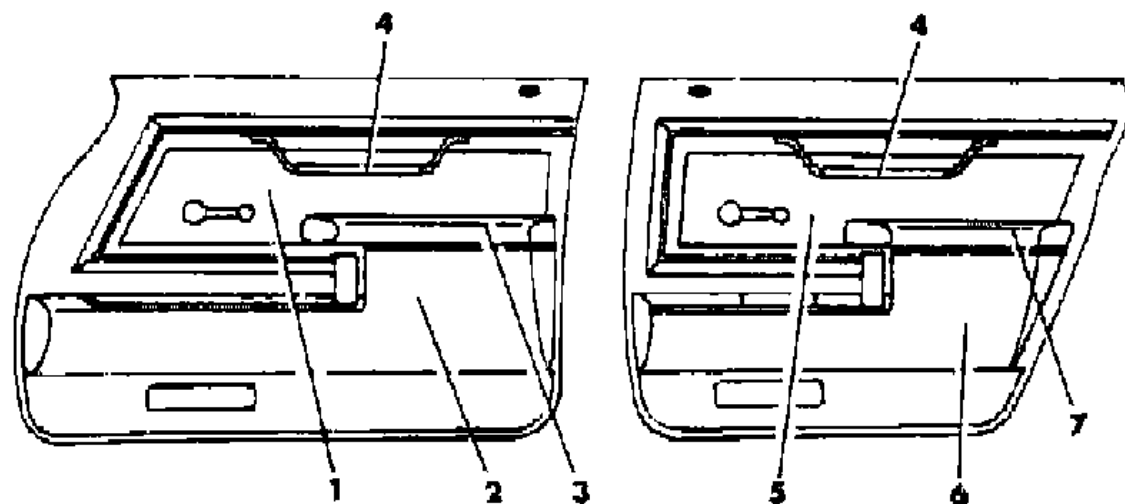
21 = 2-DOOR SEDAN	35 = FWD VAN	44 = 4-DOOR HATCHBACK
22 = 2-DOOR SPECIAL COUPE	36 = FWD WAGON	45 = 4-DOOR STATION WAGON
24 = 2-DOOR HATCHBACK	41 = 4-DOOR SEDAN	49 = LIMOUSINE
27 = 2-DOOR CONVERTIBLE		

AR = Use as Required - = Non Illustrated Part P.A.R. = Paint as Required

DOOR TRIM PANEL F-S M BODY TRIM CODES SY,S9
Figure ITH-1300

5244 1300

ITEM	PART NUMBER	QTY	BODY	MODEL	DESCRIPTION
	D430-1 VM6	1			Red N N N YD430VM6
	D430-1 DT3	1			Tan N N N YD430DT3
7	9414 722	AR			SCREW, Pad to Base Attaching N N N Y9414722
	D488-9 AA3	1			PAD and INSERT, Armrest w/Ash Receiver N N N N Silver N N N YD488AA3
	D488-9 VC7	1			Blue N N N YD488VC7
	D488-9 VM6	1			Red N N N YD488VM6
	D488-9 DT3	1			Tan N N N YD488DT3
8		AR			SCREW, Armrest Attaching (not serviced) N N N N
					SEAL, Secondary Sound N N N N
	3831 428	2			Front N N N Y3831428
	3831 429	2		Rear N N N Y3831429	
9	6002 944	AR			FASTENER, Secondary Seal N N N Y6002944
10	4078 400	2			RECEPTACLE, Ash Receiver Rear Door N N N Y4078400
	1639 961	2			BUMPER, Ash Receiver Lid N N N Y1639961
	9417 252	4			PIN, Ash Receiver Lid Hinge N N N Y9417252
11					Refer to 23C N N N N
12	6003 640	AR			RETAINER, Trim Panel N N N Y6003640
The following parts are not illustrated. NGER WAGON USES THE TWO (2) PASSENGER STATIONARY SEAT PLUS THE FOLDING REAR SEAT.					
	4049 602	AR			SILENCER, Trim Panel (36"X36"X1/2" material cut to fit) N N N Y4049602



MODEL CODES

B = GRAN FURY	E = 600	M = HORIZON/TURISMO
C = LE BARON/TOWN & COUNTRY/LIMO	F = FIFTH AVENUE/NEWPORT	P = RELIANT
C24 = LASER	G = DIPLOMAT	T = NEW YORKER
C44 = LE BARON/GTS	H = VOYAGER	V = 600
D = ARIES	J = CARAVELLE	V24 = DAYTONA
D44 = LANCER	K = MINI VAN/CARAVAN/ROYAL	Z = OMNI/CHARGER

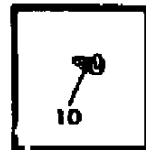
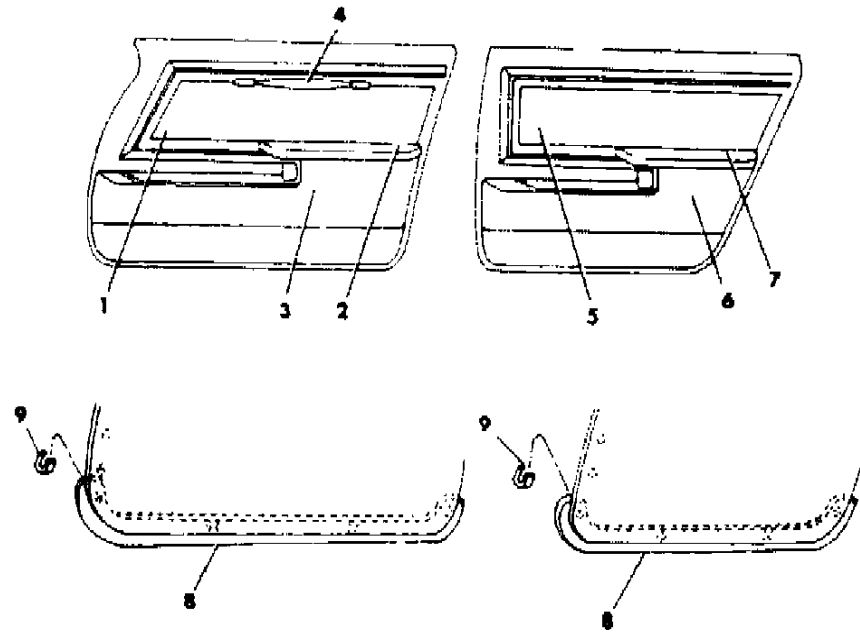
BODY STYLES

21 = 2-DOOR SEDAN	35 = FWD VAN	44 = 4-DOOR HATCHBACK
22 = 2-DOOR SPECIAL COUPE	36 = FWD WAGON	45 = 4-DOOR STATION WAGON
24 = 2-DOOR HATCHBACK	41 = 4-DOOR SEDAN	49 = LIMOUSINE
27 = 2-DOOR CONVERTIBLE		

AR = Use as Required - = Non Illustrated Part P.A.R. = Paint as Required

**DOOR TRIM PANEL B,F,G M BODY FLEET POLICE AND OTHERS
Figure ITH-1400**

3244 1400



ITEM	PART NUMBER	QTY	BODY	MODEL	DESCRIPTION
NOTE: Special Order Code is in Trim Column. NGER WAGON USES THE TWO (2) PASSENGER STATIONARY SEAT PLUS THE FOLDING REAR SEAT.					
1					PANEL, Front Door N N N N
	4196 454	1			Blue, Right N N N8MM Y4196454
	4196 453	1			Blue, Left N N N8MM Y4196453
	4196 718	1			Tan, Right N N N8MM Y4196718
	4196 717	1			Tan, Left N N N8MM Y4196717
2					PAD, Armrest N N N N
	D452-3 VC7	1			Blue N N N8MM YD452VC7
	D452-3 VT4	1			Tan N N N8MM YD452VT4
3	D454-5 VT4	1			BASE, Armrest (paint as required) N N N8MM YD454VT4
4					HANDEL, Door Pull w/Cap (on Driver side only) N N N N
	D840 VC7	1			Blue N N N8MM YD840VC7
	D840 VT4	1			Tan N N N8MM YD840VT4
5					PANEL, Rear Door N N N N
	4196 456	1			Blue, Right N N N8MM Y4196456
	4196 455	1			Blue, Left N N N8MM Y4196455
	4196 720	1			Tan, Right N N N8MM Y4196720
	4196 719	1			Tan, Left N N N8MM Y4196719
6					BASE and PAD, Armrest N N N N
	D430-1 VC7	1			Blue N N N8MM YD430VC7
	D430-1 DT3	1			Tan N N N8MM YD430DT3
7					PAD, Armrest N N N N
	D488-9 VC7	1			Blue N N N8MM YD488VC7
	D488-9 VT4	1			Tan N N N8MM YD488VT4
8					SEAL, Secondary Sound N N N N
	3831 428	2			Front N N N Y3831428
	3831 429	2			Rear N N N Y3831429
9	6002 944	AR			FASTENER, Secondary Seal N N N Y6002944
10	6003 640	AR			RETAINER, Trim Panel N N N Y6003640
The following parts are not illustrated. NGER WAGON USES THE TWO (2) PASSENGER STATIONARY SEAT PLUS THE FOLDING REAR SEAT.					
	9414 722	AR			SCREW, Pad to Base Attaching N N N Y9414722
		AR			SCREW, Armrest Attaching (not serviced) N N N N
	4049 602	AR			SILENCER, Trim Panel N N N Y4049602

MODEL CODES

B = GRAN FURY	E = 600	M = HORIZON/TURISMO
C = LE BARON/TOWN & COUNTRY/LIMO	F = FIFTH AVENUE/NEWPORT	P = RELIANT
C24 = LASER	G = DIPLOMAT	T = NEW YORKER
C44 = LE BARON/GTS	H = VOYAGER	V = 600
D = ARIES	J = CARAVELLE	V24 = DAYTONA
D44 = LANCER	K = MINI VAN/CARAVAN/ROYAL	Z = OMNI/CHARGER

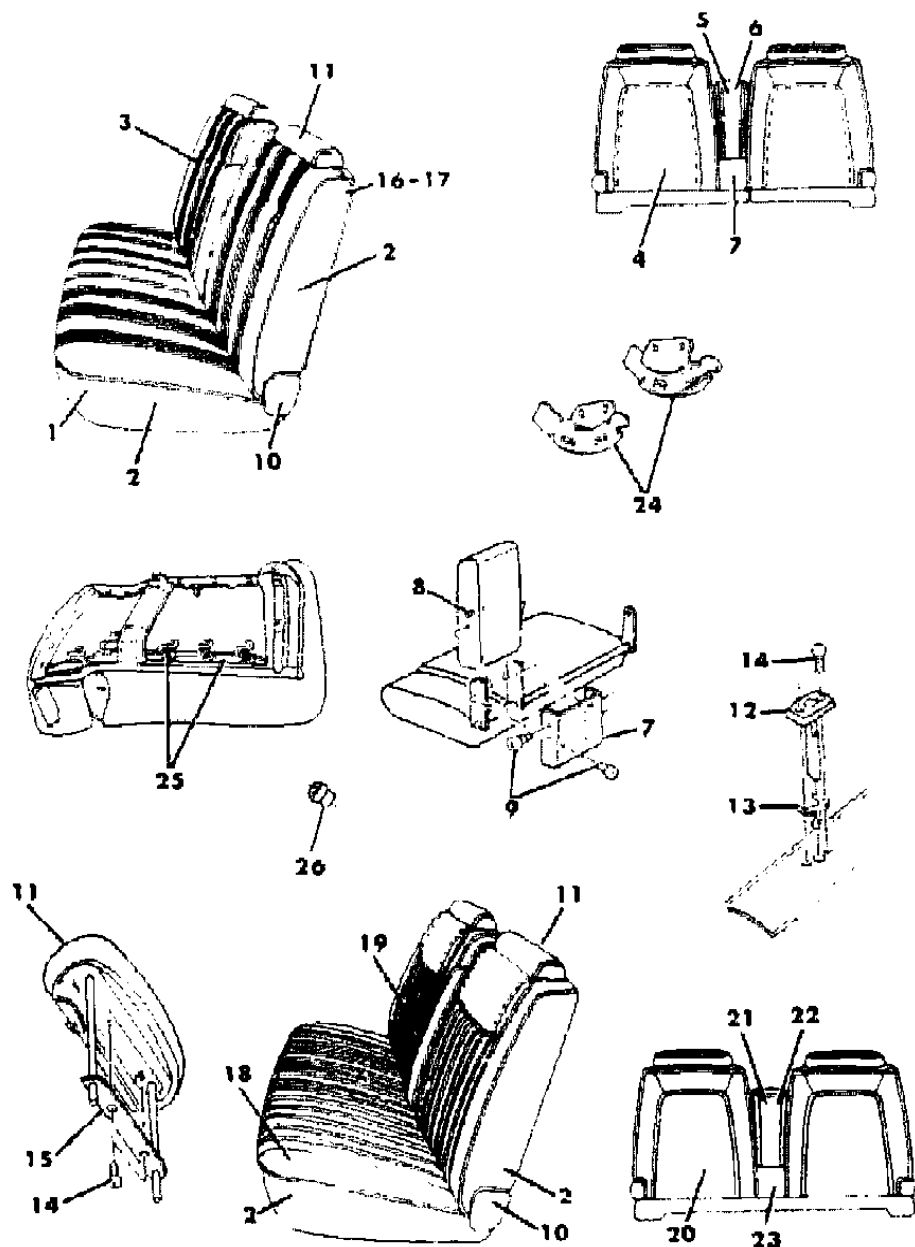
BODY STYLES

21 = 2-DOOR SEDAN	35 = FWD VAN	44 = 4-DOOR HATCHBACK
22 = 2-DOOR SPECIAL COUPE	36 = FWD WAGON	45 = 4-DOOR STATION WAGON
24 = 2-DOOR HATCHBACK	41 = 4-DOOR SEDAN	49 = LIMOUSINE
27 = 2-DOOR CONVERTIBLE		

AR = Use as Required - = Non Illustrated Part P.A.R. = Paint as Required

SEAT FRONT B,G M BODY TRIM CODES A3,F4
Figure ITH-1500

7274 1-999



ITEM	PART NUMBER	QTY	BODY	MODEL	DESCRIPTION
1-2					CUSHION, w/Spring/Frame, Pad and Cover N N N N Cloth N N N N (Heavy Duty) N N N N
	A846 C3A	1			N N NA3A YA846C3A
	A846 C3C	1			N N NA3C YA846C3C
	A846 C3M	1			N N NA3M YA846C3M
	A846 D3T	1			N N NA3T YA846D3T
1					COVER,Cushion N N N N Cloth N N N N
	A372 C3A	1			N N NA3A YA372C3A
	A372 C3C	1			N N NA3C YA372C3C
	A372 C3M	1			N N NA3M YA372C3M
	A372 D3T	1			N N NA3T YA372D3T
2					ROLL STOCK, Vinyl 64" Wide Order by the Inch N N N N
	R616 AA2	AR			Silver N N N YR616AA2
	R616 VC8	AR			Blue N N N YR616VC8
	R616 VM6	AR			Red N N N YR616VM6
	R616 DT3	AR			Tan N N N YR616DT3
2-3					BACK, w/Spring/Frame, Pad and Cover N N N N Cloth N N N N
	A852-3 C3A	1			N N NA3A YA852C3A
	A852-3 C3C	1			N N NA3C YA852C3C
	A852-3 C3M	1			N N NA3M YA852C3M
	A852-3 D3T	1			N N NA3T YA852D3T
3					COVER, Back N N N N Cloth N N N N
	A374-5 C3A	1			N N NA3A YA374C3A
	A374-5 C3C	1			N N NA3C YA374C3C
	A374-5 C3M	1			N N NA3M YA374C3M
	A374-5 D3T	1			N N NA3T YA374D3T
4					PANEL, Back of Front Seat N N N N
	S778-9 AA2	1			N N NA3A YS778AA2
	S778-9 VC8	1			N N NA3C YS778VC8
	S778-9 VM6	1			N N NA3M YS778VM6
	S778-9 DT3	1			N N NA3T YS778DT3
5					ARMREST and COVER N N N N
	B657 CA2	1			N N NA3A YB657CA2

MODEL CODES

B = GRAN FURY	E = 600	M = HORIZON/TURISMO
C = LE BARON/TOWN & COUNTRY/LIMO	F = FIFTH AVENUE/NEWPORT	P = RELIANT
C24 = LASER	G = DIPLOMAT	T = NEW YORKER
C44 = LE BARON/GTS	H = VOYAGER	V = 600
D = ARIES	J = CARAVELLE	V24 = DAYTONA
D44 = LANCER	K = MINI VAN/CARAVAN/ROYAL	Z = OMNI/CHARGER

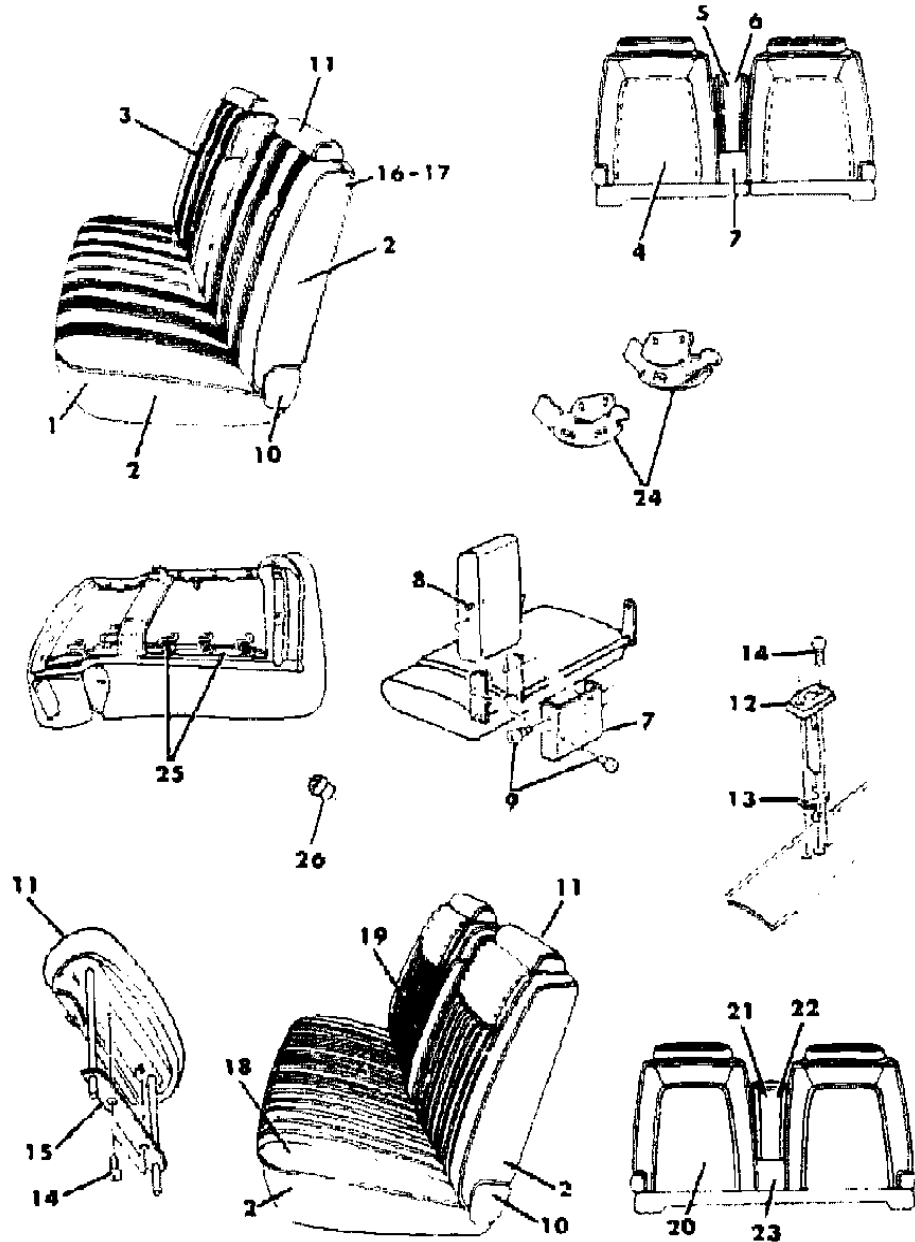
BODY STYLES

21 = 2-DOOR SEDAN	35 = FWD VAN	44 = 4-DOOR HATCHBACK
22 = 2-DOOR SPECIAL COUPE	36 = FWD WAGON	45 = 4-DOOR STATION WAGON
24 = 2-DOOR HATCHBACK	41 = 4-DOOR SEDAN	49 = LIMOUSINE
27 = 2-DOOR CONVERTIBLE		

AR = Use as Required - = Non Illustrated Part P.A.R. = Paint as Required

SEAT FRONT B,G M BODY TRIM CODES A3,F4
Figure ITH-1500

1274 1-988



ITEM	PART NUMBER	QTY	BODY	MODEL	DESCRIPTION
	B657 CC8	1			N N NA3C YB657CC8
	B657 CM6	1			N N NA3M YB657CM6
	B657 DT3	1			N N NA3T YB657DT3
6	B376 CA2	1			COVER, Armrest N N N N N N NA3A YB376CA2
	B376 CC8	1			N N NA3C YB376CC8
	B376 CM6	1			N N NA3M YB376CM6
	B376 DT3	1			N N NA3T YB376DT3
7	S728 AA3	1			COVER, Armrest Finish N N N N N N NA3A YS728AA3
	S728 SC7	1			N N NA3C YS728SC7
	S728 TM6	1			N N NA3M YS728TM6
	S728 DT3	1			N N NA3T YS728DT3
8	4138 891	1			ROD, Armrest Lock Bar N N N Y4138891
	6006 324	1			NUT, Armrest Lock Rod N N N Y6006324
9	6030 082	2			BOLT, Armrest Attaching N N N Y6030082
	4138 742-3	1			ARM, Seat Back to Cushion w/Center Armrest N N N Y4138742
10	S876-7 DT3	1			COVER, Hinge Arm Outer (paint as required) N N N YS876DT3
	6030 981	2			NUT, Hinge Arm Cover Retaining N N N Y6030981
11	S702 AA2	2			HEADREST N N N N N N NA3A YS702AA2
	S702 SC7	2			N N NA3C YS702SC7
	S702 TM6	2			N N NA3M YS702TM6
	S702 DT3	2			N N NA3T,F4T YS702DT3
12	S690 AA3	4			SLEEVE, Headrest N N N N N N NA3A YS690AA3
	S690 SC7	4			N N NA3C YS690SC7
	S690 TM6	4			N N NA3M YS690TM6
	S690 DT3	4			N N NA3T,F4T YS690DT3
13	4098 965	4			CATCH, Headrest Post N N N Y4098965
14		AR			SCREW (not serviced) N N N N
15	4018 808	2			COVER, Headrest Finish N N N Y4018808
16	G385 AA2	AR			BUTTON and RETAINER N N N N N N NA3A YG385AA2
	G385 VC8	AR			N N NA3C YG385VC8
	G385 VM6	AR			N N NA3M YG385VM6

MODEL CODES

B = GRAN FURY	E = 600	M = HORIZON/TURISMO
C = LE BARON/TOWN & COUNTRY/LIMO	F = FIFTH AVENUE/NEWPORT	P = RELIANT
C24 = LASER	G = DIPLOMAT	T = NEW YORKER
C44 = LE BARON/GTS	H = VOYAGER	V = 600
D = ARIES	J = CARAVELLE	V24 = DAYTONA
D44 = LANCER	K = MINI VAN/CARAVAN/ROYAL	Z = OMNI/CHARGER

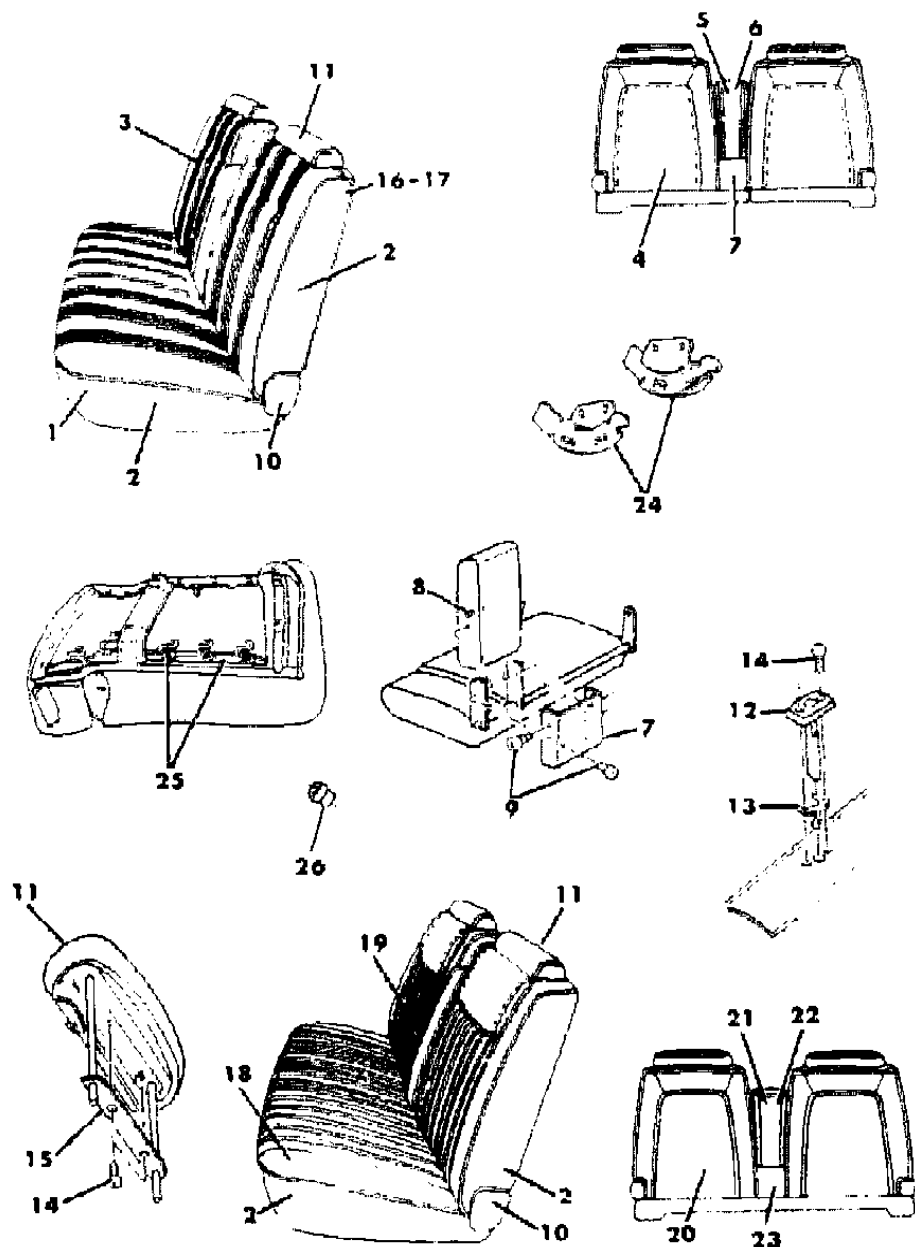
BODY STYLES

21 = 2-DOOR SEDAN	35 = FWD VAN	44 = 4-DOOR HATCHBACK
22 = 2-DOOR SPECIAL COUPE	36 = FWD WAGON	45 = 4-DOOR STATION WAGON
24 = 2-DOOR HATCHBACK	41 = 4-DOOR SEDAN	49 = LIMOUSINE
27 = 2-DOOR CONVERTIBLE		

AR = Use as Required - = Non Illustrated Part P.A.R. = Paint as Required

SEAT FRONT B,G M BODY TRIM CODES A3,F4
Figure ITH-1500

1274 1-988



ITEM	PART NUMBER	QTY	BODY	MODEL	DESCRIPTION
	G385 DT3	AR			N N NA3T YG385DT3
17					RETAINER, Button (serviced in Item 16) N N N N
18&2					CUSHION, w/Spring/Frame, Pad and Cover N N N N Vinyl N N N N (Standard) N N NF4T YA650D4T
	A650 D4T	1			(Heavy Duty) N N NF4T YA655D4T
18	A655 D4T	1			COVER, Cushion N N N N Vinyl N N N N N N NF4T YA579D4T
19&2	A579 D4T	1			BACK, w/Spring/Frame, Pad and Cover N N N N Vinyl N N N N N N NF4T YA652D4T
19	A652-3 D4T	1			COVER, Back N N N N Vinyl N N N N N N NF4T YA478D4T
20	A478-9 D4T	1			PANEL, Back of Front Back N N NF4T YS778DT3
21	S778-9 DT3	1			ARMREST and COVER N N NF4T YB657DT3
22	B657 DT3	1			COVER, Armrest N N NF4T YB376DT3
23	B376 DT3	1			COVER, Armrest Finish N N NF4T YS728DT3
24	S728 DT3	1			REINFORCEMENT, Cushion to Back Attaching N N N Y4190698
25	4190 698-9	1			HOG RING N N N Y6008076
26	6008 076	AR			BUSHING, Inner Pivot Pin Right Only N N N Y4190488
	4190 488	1			

MODEL CODES

B = GRAN FURY	E = 600	M = HORIZON/TURISMO
C = LE BARON/TOWN & COUNTRY/LIMO	F = FIFTH AVENUE/NEWPORT	P = RELIANT
C24 = LASER	G = DIPLOMAT	T = NEW YORKER
C44 = LE BARON/GTS	H = VOYAGER	V = 600
D = ARIES	J = CARAVELLE	V24 = DAYTONA
D44 = LANCER	K = MINI VAN/CARAVAN/ROYAL	Z = OMNI/CHARGER

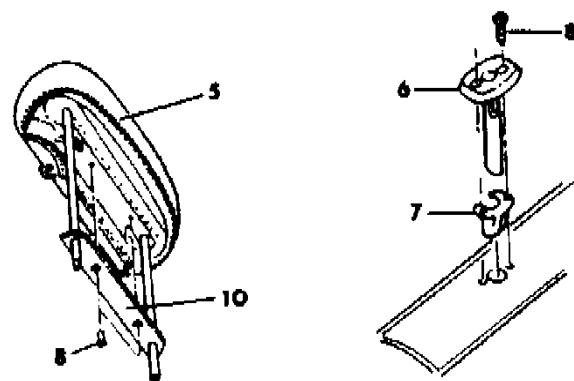
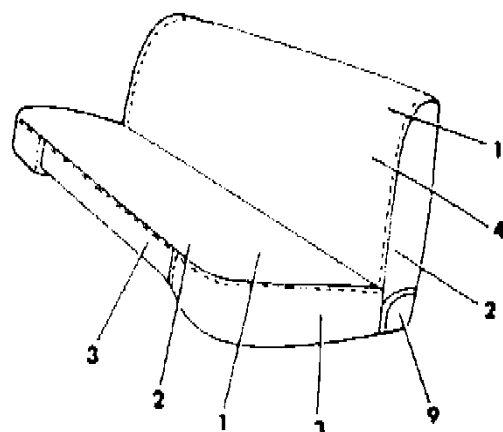
BODY STYLES

21 = 2-DOOR SEDAN	35 = FWD VAN	44 = 4-DOOR HATCHBACK
22 = 2-DOOR SPECIAL COUPE	36 = FWD WAGON	45 = 4-DOOR STATION WAGON
24 = 2-DOOR HATCHBACK	41 = 4-DOOR SEDAN	49 = LIMOUSINE
27 = 2-DOOR CONVERTIBLE		

AR = Use as Required - = Non Illustrated Part P.A.R. = Paint as Required

SEAT FRONT B,G M BODY TRIM CODE K2
Figure ITH-1600

5244 1600



ITEM	PART NUMBER	QTY	BODY	MODEL	DESCRIPTION
1-3					CUSHION, w/Spring/Frame, Pad and Cover N N N N Vinyl N N N N
	N702 B2C	1			N N NK2C YN702B2C
	N702 D2T	1			N N NK2T YN702D2T
1					COVER, Cushion N N N N Vinyl N N N N
	B313 V2C	1			N N NK2C YB313V2C
	B313 D2T	1			N N NK2T YB313D2T
2					ROLL STOCK, Vinyl 54" Wide Order by the Inch N N N N
	R615 VC8	AR			Blue N N N YR615VC8
	R615 DT3	AR			Tan N N N YR615DT3
3					ROLL STOCK, Vinyl 64" Wide Order by the Inch N N N N
	R616 VC8	AR			Blue N N N YR616VC8
	R616 DT3	AR			Tan N N N YR616DT3
4&2-3					BACK, w/Spring/Frame, Pad and Cover N N N N Vinyl N N N N
	N695 V2C	1			N N NK2C YN695V2C
	N695 D2T	1			N N NK2T YN695D2T
4					COVER, Back N N N N Vinyl N N N N
	N125 V2C	1			N N NK2C YN125V2C
	N125 D2T	1			N N NK2T YN125D2T
5					HEADREST N N N N
	S814 SC7	2			N N NK2C YS814SC7
	S814 DT3	2			N N NK2T YS814DT3
6					SLEEVE, Headrest N N N N
	S815 SC7	4			N N NK2C YS815SC7
	S815 DT3	4			N N NK2T YS815DT3
7	4098 871	4			CATCH, Headrest Post N N N Y4098871
8		AR			SCREW (not serviced) N N N N
9					COVER, Hinge Arm Outer N N N N
	S615 SC7	2			Blue N N N YS615SC7
	S615 DT3	2			Tan N N N YS615DT3
10	4018 808	2			COVER, Headrest Finish N N N Y4018808
The following parts are not illustrated. NGER WAGON USES THE TWO (2) PASSENGER STATIONARY SEAT PLUS THE FOLDING REAR SEAT.					
	6029 579	2			BOLT, Front Back to Cushion Attaching N N N Y6029579

MODEL CODES

B = GRAN FURY	E = 600	M = HORIZON/TURISMO
C = LE BARON/TOWN & COUNTRY/LIMO	F = FIFTH AVENUE/NEWPORT	P = RELIANT
C24 = LASER	G = DIPLOMAT	T = NEW YORKER
C44 = LE BARON/GTS	H = VOYAGER	V = 600
D = ARIES	J = CARAVELLE	V24 = DAYTONA
D44 = LANCER	K = MINI VAN/CARAVAN/ROYAL	Z = OMNI/CHARGER

BODY STYLES

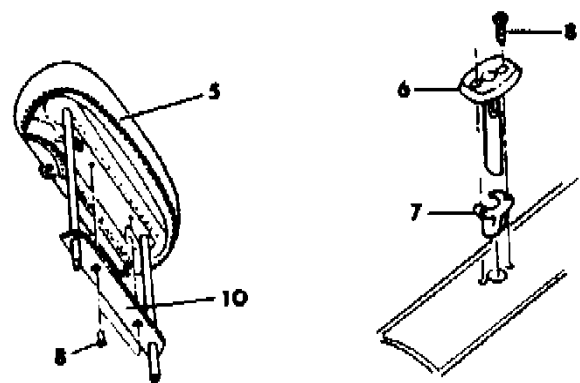
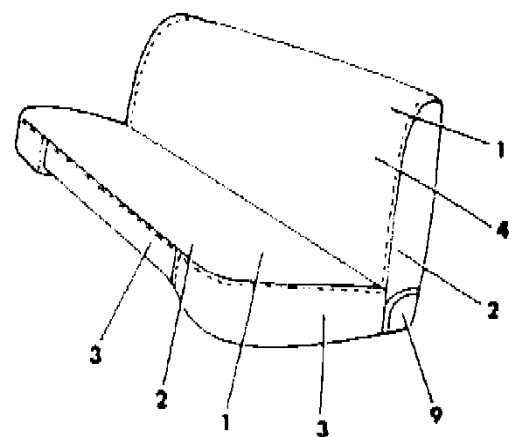
21 = 2-DOOR SEDAN	35 = FWD VAN	44 = 4-DOOR HATCHBACK
22 = 2-DOOR SPECIAL COUPE	36 = FWD WAGON	45 = 4-DOOR STATION WAGON
24 = 2-DOOR HATCHBACK	41 = 4-DOOR SEDAN	49 = LIMOUSINE
27 = 2-DOOR CONVERTIBLE		

AR = Use as Required - = Non Illustrated Part P.A.R. = Paint as Required

SEAT FRONT B,G M BODY TRIM CODE K2
Figure ITH-1600

5244 1600

ITEM	PART NUMBER	QTY	BODY	MODEL	DESCRIPTION
	4029 749	1			PAD, Heavy Duty Front Cushion N N N Y4029749



MODEL CODES

B = GRAN FURY	E = 600	M = HORIZON/TURISMO
C = LE BARON/TOWN & COUNTRY/LIMO	F = FIFTH AVENUE/NEWPORT	P = RELIANT
C24 = LASER	G = DIPLOMAT	T = NEW YORKER
C44 = LE BARON/GTS	H = VOYAGER	V = 600
D = ARIES	J = CARAVELLE	V24 = DAYTONA
D44 = LANCER	K = MINI VAN/CARAVAN/ROYAL	Z = OMNI/CHARGER

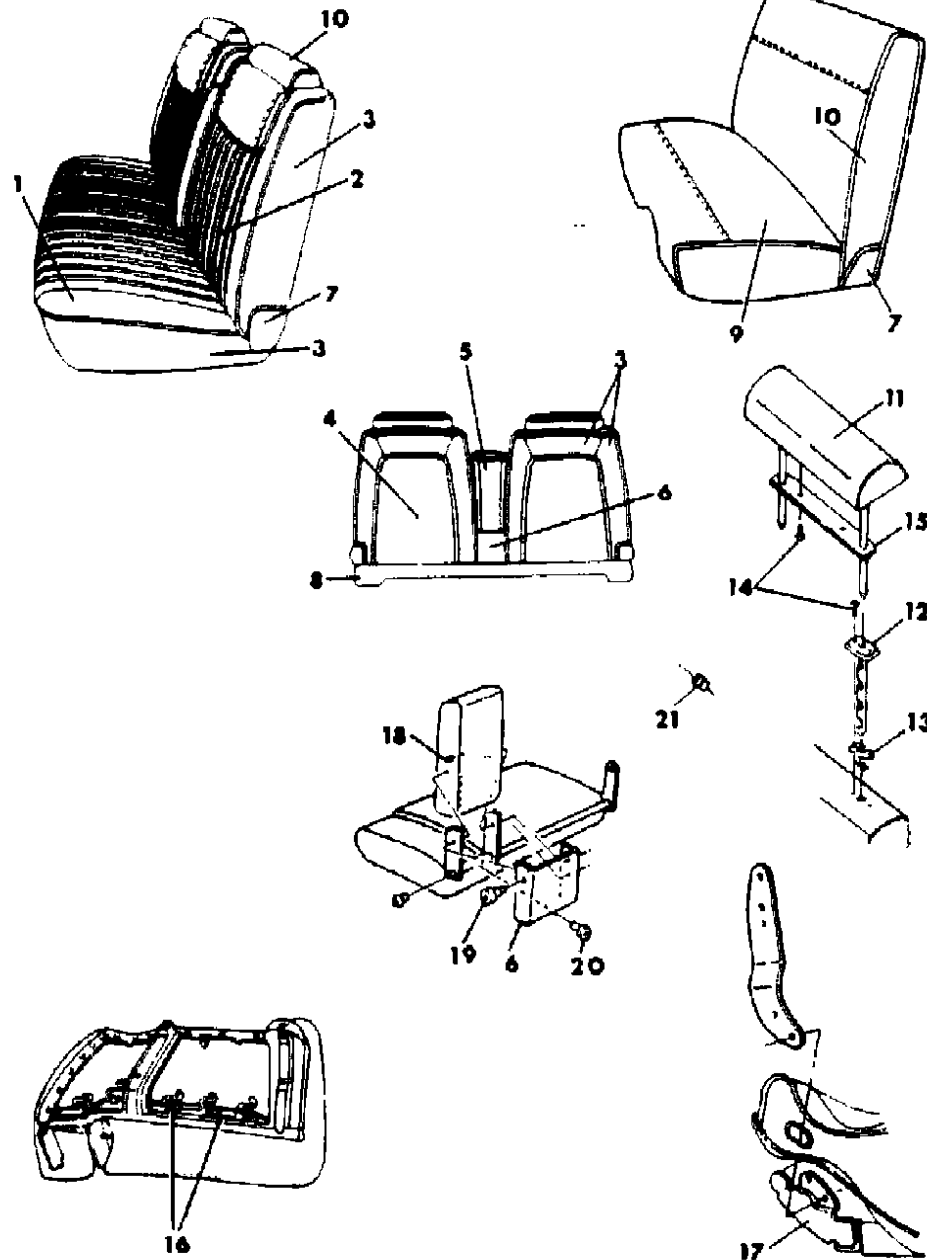
BODY STYLES

21 = 2-DOOR SEDAN	35 = FWD VAN	44 = 4-DOOR HATCHBACK
22 = 2-DOOR SPECIAL COUPE	36 = FWD WAGON	45 = 4-DOOR STATION WAGON
24 = 2-DOOR HATCHBACK	41 = 4-DOOR SEDAN	49 = LIMOUSINE
27 = 2-DOOR CONVERTIBLE		

AR = Use as Required - = Non Illustrated Part P.A.R. = Paint as Required

SEAT FRONT B,F,G M BODY FLEET POLICE AND OTHERS
Figure ITH-1700

3244 1700



ITEM	PART NUMBER	QTY	BODY	MODEL	DESCRIPTION
NOTE: Special equipment code is in the trim column. NGER WAGON USES THE TWO (2) PASSENGER STATIONARY SEAT PLUS THE FOLDING REAR SEAT.					
1	4196 517	1			COVER, Cushion N N N N Red, Vinyl N N NCBBP Y4196517
2	4196 518-9	1			COVER, Back N N N N Red, Vinyl N N NCBBP Y4196518
3	R616 VM6	AR			ROLL STOCK, Vinyl 64" Wide Order by the Inch. N N N N Red N N N YR616VM6
4	S778-9 VM6	1			PANEL, Back of Front Back N N N N Red N N N YS778VM6
5	4196 522	1			COVER, Armrest N N N N Red, Vinyl N N N Y4196522
6	S728 VM6	1			COVER, Armrest Finish N N N N Red N N N YS728VM6
7	S876-7 SX9	1			COVER, Hinge Arm Outer (paint as required) N N N YS876SX9
8	R112 TM6	AR			CARPET, 54" Wide Order by the Inch. N N N N Red N N N YR112TM6
9	4196 912	1			COVER, Cushion N N N N Blue, Cloth N N NCBAN Y4196912
	4196 956	1			Tan, Cloth N N NCBAN Y4196956
10	4196 913	1			COVER, Back N N N N Blue, Cloth N N NCBAN Y4196913
	4196 957	1			Tan, Cloth N N NCBAN Y4196957
11	S702 SC7	2			HEADREST and COVER N N N N Blue N N N YS702SC7
	S702 TM6	2			Red N N N YS702TM6
	S702 DT3	2			Tan N N N YS702DT3
12	S690 SC7	4			SLEEVE, Headrest N N N N Blue N N N YS690SC7
	S690 TM6	4			Red N N N YS690TM6
	S690 DT3	4			Tan N N N YS690DT3
13	4098 965	4			CATCH, Headrest N N N Y4098965
14		AR			SCREW (not serviced) N N N N
15	4018 808	2			COVER, Headrest Finish N N N Y4018808
16	6008 076	AR			HOG RING N N N Y6008076
17	4190 698-9	1			REINFORCEMENT, Cushion to Back Attaching N N N Y4190698
18	4138 891	1			ROD, Armrest Lock N N N Y4138891

MODEL CODES

B = GRAN FURY	E = 600	M = HORIZON/TURISMO
C = LE BARON/TOWN & COUNTRY/LIMO	F = FIFTH AVENUE/NEWPORT	P = RELIANT
C24 = LASER	G = DIPLOMAT	T = NEW YORKER
C44 = LE BARON/GTS	H = VOYAGER	V = 600
D = ARIES	J = CARAVELLE	V24 = DAYTONA
D44 = LANCER	K = MINI VAN/CARAVAN/ROYAL	Z = OMNI/CHARGER

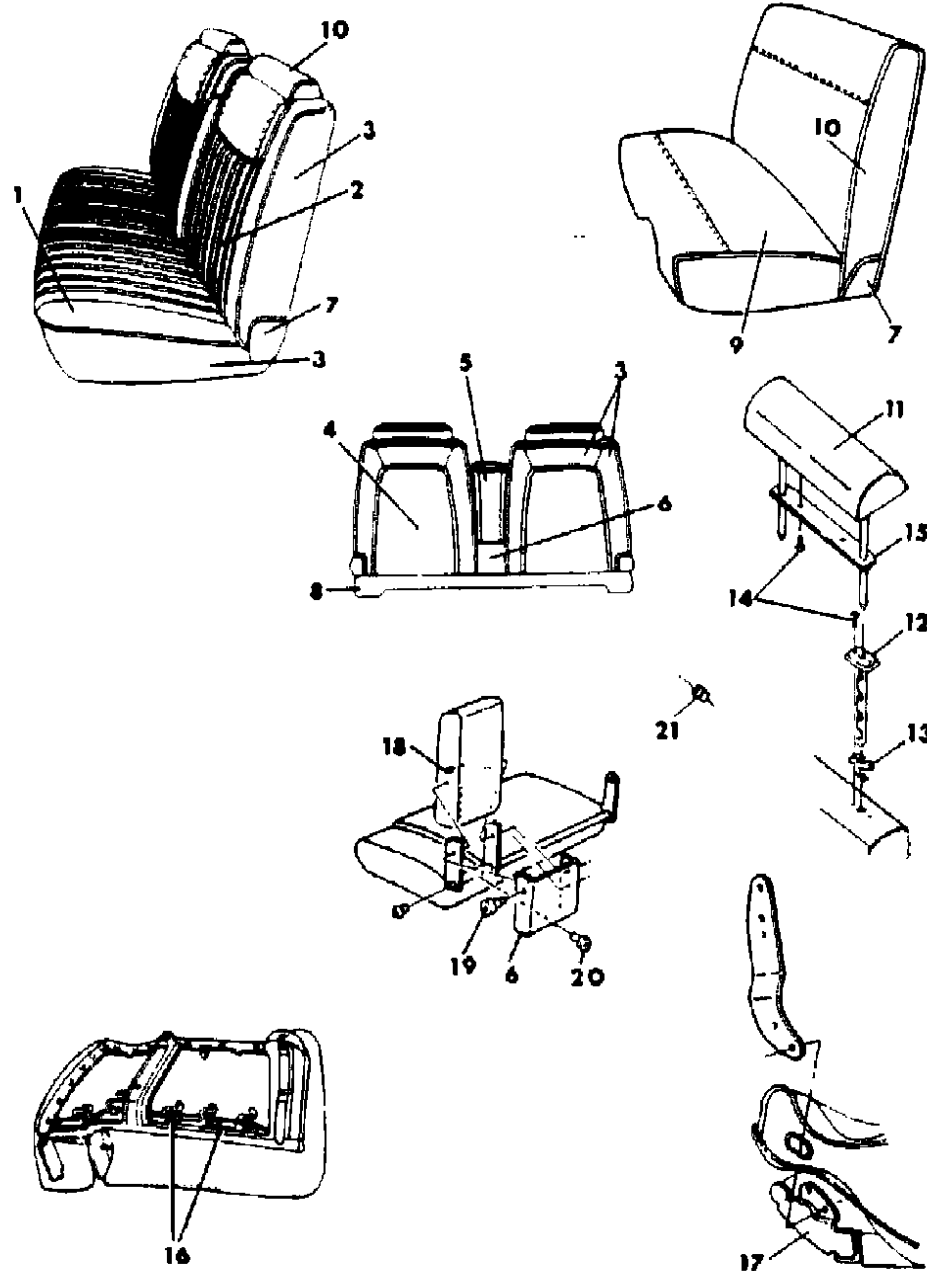
BODY STYLES

21 = 2-DOOR SEDAN	35 = FWD VAN	44 = 4-DOOR HATCHBACK
22 = 2-DOOR SPECIAL COUPE	36 = FWD WAGON	45 = 4-DOOR STATION WAGON
24 = 2-DOOR HATCHBACK	41 = 4-DOOR SEDAN	49 = LIMOUSINE
27 = 2-DOOR CONVERTIBLE		

AR = Use as Required - = Non Illustrated Part P.A.R. = Paint as Required

SEAT FRONT B,F,G M BODY FLEET POLICE AND OTHERS
Figure ITH-1700

3244 1700



ITEM	PART NUMBER	QTY	BODY	MODEL	DESCRIPTION
	6006 324	1			NUT, Armrest Lock Rod N N N Y6006324
19	6030 082	2			BOLT N N N Y6030082
20	0181 063	AR			SCREW N N N Y181063
21	4190 488	1			BUSHING, Inner Pivot Right Only N N N Y4190488

MODEL CODES

B = GRAN FURY	E = 600	M = HORIZON/TURISMO
C = LE BARON/TOWN & COUNTRY/LIMO	F = FIFTH AVENUE/NEWPORT	P = RELIANT
C24 = LASER	G = DIPLOMAT	T = NEW YORKER
C44 = LE BARON/GTS	H = VOYAGER	V = 600
D = ARIES	J = CARAVELLE	V24 = DAYTONA
D44 = LANCER	K = MINI VAN/CARAVAN/ROYAL	Z = OMNI/CHARGER

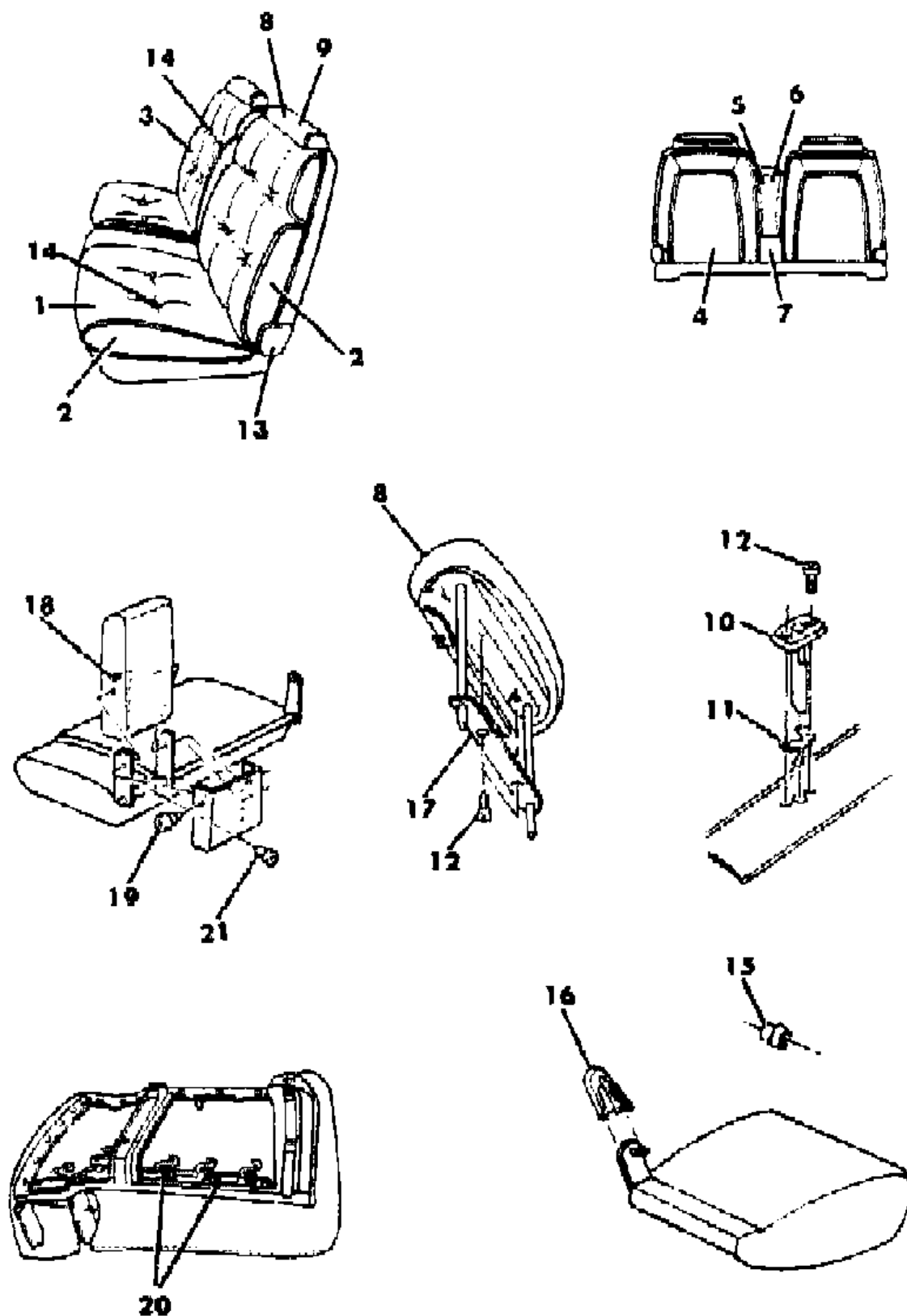
BODY STYLES

21 = 2-DOOR SEDAN	35 = FWD VAN	44 = 4-DOOR HATCHBACK
22 = 2-DOOR SPECIAL COUPE	36 = FWD WAGON	45 = 4-DOOR STATION WAGON
24 = 2-DOOR HATCHBACK	41 = 4-DOOR SEDAN	49 = LIMOUSINE
27 = 2-DOOR CONVERTIBLE		

AR = Use as Required - = Non Illustrated Part P.A.R. = Paint as Required

SEAT FRONT B,F,G M BODY TRIM CODES C9,H9
Figure ITH-1800

5.246 1800



ITEM	PART NUMBER	QTY	BODY	MODEL	DESCRIPTION
1-2					CUSHION, w/Spring/Frame, Pad and Cover N N N N Cloth N N N N
	A632-3 D9A	1			N N NC9A,H9A YA632D9A
	A632-3 D9C	1			N N NC9C,H9C YA632D9C
	A632-3 C9M	1			N N NC9M,H9M YA632C9M
	A632-3 D9T	1			N N NC9T,H9T YA632D9T
1					COVER, Cushion N N N N Cloth N N N N
	A378-9 D9A	1			N N NC9A,H9A YA378D9A
	A378-9 D9C	1			N N NC9C,H9C YA378D9C
	A378-9 C9M	1			N N NC9M,H9M YA378C9M
	A378-9 D9T	1			N N NC9T,H9T YA378D9T
2					ROLL STOCK, Cloth 54' Wide Order by the Inch N N N N
	R021 DA4	AR			N N NC9A,H9A YR021DA4
	R021 DC8	AR			N N NC9C,H9C YR021DC8
	R021 CM6	AR			N N NC9M,H9M YR021CM6
	R021 DT3	AR			N N NC9T,H9T YR021DT3
2-3					BACK, w/Spring/Frame, Pad and Cover N N N N Cloth N N N N
	A634-5 D9A	1			N N NC9A,H9A YA634D9A
	A634-5 D9C	1			N N NC9C,H9C YA634D9C
	A634-5 C9M	1			N N NC9M,H9M YA634C9M
	A634-5 D9T	1			N N NC9T,H9T YA634D9T
3					COVER, Back N N N N Cloth N N N N
	A380-1 D9A	1			N N NC9A,H9A YA380D9A
	A380-1 D9C	1			N N NC9C,H9C YA380D9C
	A380-1 C9M	1			N N NC9M,H9M YA380C9M
	A380-1 D9T	1			N N NC9T,H9T YA380D9T
4					PANEL, Back of Front Back N N N N
	S738 DA4	2			N N NC9A,H9A YS738DA4
	S738 DC8	2			N N NC9C,H9C YS738DC8
	S738 CM6	2			N N NC9M,H9M YS738CM6
	S738 DT3	2			N N NC9T,H9T YS738DT3
5-6					ARMREST and COVER N N N N
	A642 DA4	1			N N NC9A,H9A YA642DA4
	A642 DC8	1			N N NC9C,H9C YA642DC8

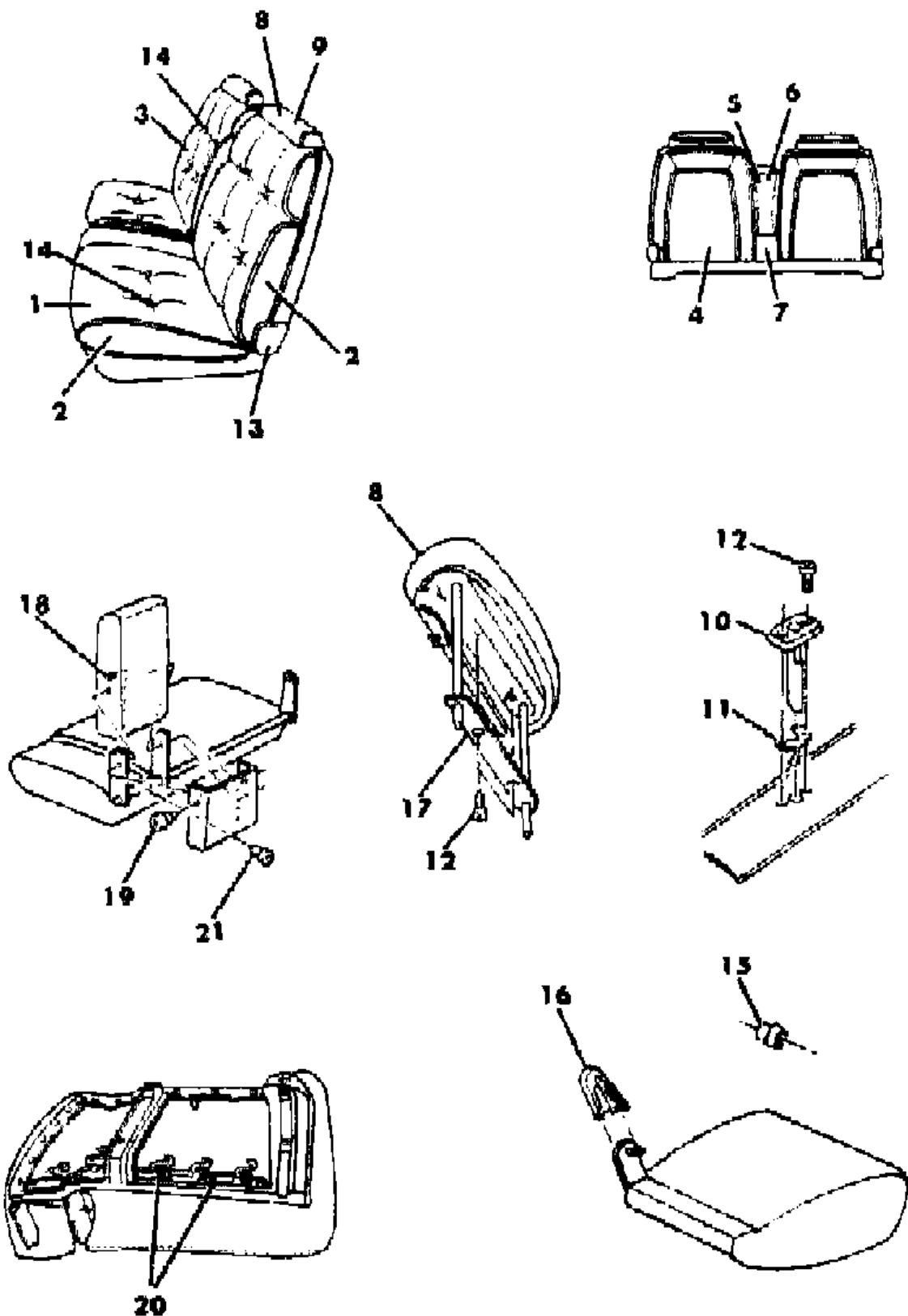
MODEL CODES
 B = GRAN FURY
 C = LE BARON/TOWN & COUNTRY/LIMO
 C24 = LASER
 C44 = LE BARON/GTS
 D = ARIES
 D44 = LANCER
 E = 600
 F = FIFTH AVENUE/NEWPORT
 G = DIPLOMAT
 H = VOYAGER
 J = CARAVELLE
 K = MINI VAN/CARAVAN/ROYAL
 M = HORIZON/TURISMO
 P = RELIANT
 T = NEW YORKER
 V = 600
 V24 = DAYTONA
 Z = OMNI/CHARGER

BODY STYLES
 21 = 2-DOOR SEDAN
 22 = 2-DOOR SPECIAL COUPE
 24 = 2-DOOR HATCHBACK
 27 = 2-DOOR CONVERTIBLE
 35 = FWD VAN
 36 = FWD WAGON
 41 = 4-DOOR SEDAN
 44 = 4-DOOR HATCHBACK
 45 = 4-DOOR STATION WAGON
 49 = LIMOUSINE

AR = Use as Required - = Non Illustrated Part P.A.R. = Paint as Required

SEAT FRONT B,F,G M BODY TRIM CODES C9,H9
Figure ITH-1800

5.246 1800



ITEM	PART NUMBER	QTY	BODY	MODEL	DESCRIPTION
6	A642 CM6	1			N N NC9M,H9M YA642CM6
	A642 DT3	1			N N NC9T,H9T YA642DT3
	A384 DA4	1			COVER, Armrest N N N N
	A384 DC8	1			N N NC9A,H9A YA384DA4
7	A384 CM6	1			N N NC9C,H9C YA384DC8
	A384 DT3	1			N N NC9M,H9M YA384CM6
	S580 AA3	1			COVER, Armrest Finish N N N N
	S580 VC7	1			N N NC9A,H9A YS580AA3
	S580 VM6	1			N N NC9C,H9C YS580VC7
8-9	S580 DT3	1			N N NC9M,H9M YS580VM6
	A641 DA4	2			HEADREST and COVER N N N N
	A641 DC8	2			N N NC9A,H9A YA641DA4
	A641 CM6	2			N N NC9C,H9C YA641DC8
9	A641 DT3	2			N N NC9M,H9M YA641CM6
	A385 DA4	2			COVER, Headrest N N N N
	A385 DC8	2			N N NC9A,H9A YA385DA4
	A385 CM6	2			N N NC9C,H9C YA385DC8
10	A385 DT3	2			N N NC9M,H9M YA385CM6
	S690 AA3	4			SLEEVE, Headrest N N N N
	S690 SC7	4			Silver N N N YS690AA3
	S690 TM6	4			Blue N N N YS690SC7
11	S690 DT3	4			Red N N N YS690TM6
	4098 965	4			Tan N N N YS690DT3
12		AR			CATCH, Headrest Post N N N Y4098965
13	S876-7 DT3	1			SCREW (not serviced) N N N N
	6030 981	2			COVER, Hinge Arm Outer (paint as required) N N N YS876DT3
14	G380 CA3	AR			NUT, Hinge Arm Cover N N N Y6030981
	G380 CC7	AR			BUTTON, Cushion and Back N N N N
	G380 CM6	AR			N N NC9A,H9A YG380CA3
	G380 DT3	AR			N N NC9C,H9C YG380CC7

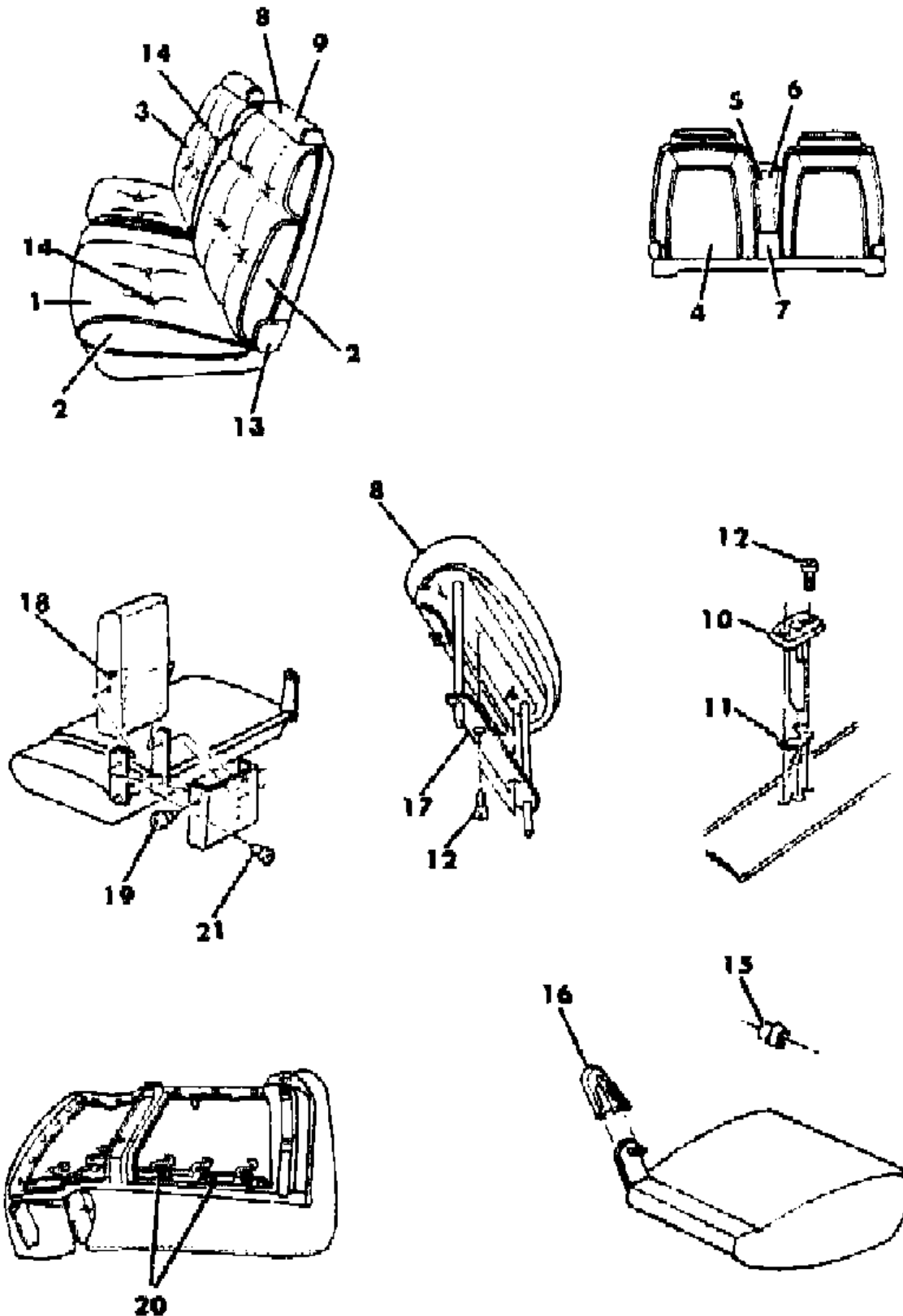
MODEL CODES
 B = GRAN FURY
 C = LE BARON/TOWN & COUNTRY/LIMO
 C24 = LASER
 C44 = LE BARON/GTS
 D = ARIES
 D44 = LANCER
 E = 600
 F = FIFTH AVENUE/NEWPORT
 G = DIPLOMAT
 H = VOYAGER
 J = CARAVELLE
 K = MINI VAN/CARAVAN/ROYAL
 M = HORIZON/TURISMO
 P = RELIANT
 T = NEW YORKER
 V = 600
 V24 = DAYTONA
 Z = OMNI/CHARGER

BODY STYLES
 21 = 2-DOOR SEDAN
 22 = 2-DOOR SPECIAL COUPE
 24 = 2-DOOR HATCHBACK
 27 = 2-DOOR CONVERTIBLE
 35 = FWD VAN
 36 = FWD WAGON
 41 = 4-DOOR SEDAN
 44 = 4-DOOR HATCHBACK
 45 = 4-DOOR STATION WAGON
 49 = LIMOUSINE

AR = Use as Required - = Non Illustrated Part P.A.R. = Paint as Required

SEAT FRONT B,F,G M BODY TRIM CODES C9,H9
Figure ITH-1800

5.246 1800



ITEM	PART NUMBER	QTY	BODY	MODEL	DESCRIPTION
15	4029 846	1			BUSHING, Front Cushion Inner Pivot Pin Right Only N N N Y4029846
16	S682 AA3	1			COVER, Cushion Inner Bracket Right N N N N Silver N N N YS682AA3
	S682 SC7	1			Blue N N N YS682SC7
	S682 TM6	1			Red N N N YS682TM6
	S682 DT3	1			Tan N N N YS682DT3
17	4018 808	2			COVER, Headrest Finish N N N Y4018808
18	4138 891	1			ROD, Armrest Lock N N N Y4138891
	6006 324	1			NUT, Armrest Lock Rod N N N Y6006324
19	6030 082	2			BOLT, Armrest Attaching N N N Y6030082
20	6008 076	AR			HOG RING N N N Y6008076
21	0181 063	2			SCREW, Armrest to Seat Back N N N Y181063

The following parts are not illustrated. NGER WAGON USES THE TWO (2) PASSENGER STATIONARY SEAT PLUS THE FOLDING REAR SEAT.

	4138 743	1			ARM, Seat Back To Cushion w/Center Armrest, Left N N N Y4138743
	4098 886	1			Right N N N Y4098886

MODEL CODES

B = GRAN FURY	E = 600	M = HORIZON/TURISMO
C = LE BARON/TOWN & COUNTRY/LIMO	F = FIFTH AVENUE/NEWPORT	P = RELIANT
C24 = LASER	G = DIPLOMAT	T = NEW YORKER
C44 = LE BARON/GTS	H = VOYAGER	V = 600
D = ARIES	J = CARAVELLE	V24 = DAYTONA
D44 = LANCER	K = MINI VAN/CARAVAN/ROYAL	Z = OMNI/CHARGER

BODY STYLES

21 = 2-DOOR SEDAN	35 = FWD VAN	44 = 4-DOOR HATCHBACK
22 = 2-DOOR SPECIAL COUPE	36 = FWD WAGON	45 = 4-DOOR STATION WAGON
24 = 2-DOOR HATCHBACK	41 = 4-DOOR SEDAN	49 = LIMOUSINE
27 = 2-DOOR CONVERTIBLE		

AR = Use as Required - = Non Illustrated Part P.A.R. = Paint as Required

SEAT FRONT B,G M BODY TRIM CODE KX
Figure ITH-1900

5244 1900

ITEM	PART NUMBER	QTY	BODY	MODEL	DESCRIPTION
1-2					CUSHION, w/Spring/Frame, Pad and Cover N N N N Vinyl N N N N
1	N706-7 DXT	1			N N NKXT YN706DXT
					COVER, Cushion N N N N Vinyl N N N N
2	N462-3 DXT	1			N N NKXT YN462DXT
	R616 DT3	AR			ROLL STOCK, Vinyl 64" Wide Order by the Inch N N NKXT YR616DT3
3&2					BACK, w/Spring/Frame, Pad and Cover N N N N Vinyl N N N N
3	N708-9 DXT	1			N N NKXT YN708DXT
					COVER, Back N N N N Vinyl N N N N
	N198-9 DXT	1			N N NKXT YN198DXT
4	S702 DT3	2			HEADREST N N NKXT YS702DT3
5	S740 DT3	2			PANEL, Back of Front Back N N NKXT YS740DT3
6-7	G701 DXT	1			ARMREST and COVER N N NKXT YG701DXT
7	B376 DT3	1			COVER, Armrest N N NKXT YB376DT3
8	S580 DT3	1			COVER, Armrest Finish N N NKXT YS580DT3
9	S690 DT3	4			SLEEVE, Headrest N N NKXT YS690DT3
10	4098 965	4			CATCH, Headrest N N NKXT Y4098965
11		AR			SCREW (not serviced) N N N N
12	4018 808	2			COVER, Headrest Finish N N N N Y4018808
13	S876-7 SX9	1			COVER, Hinge Arm Outer (paint as required) N N NKXT YS876SX9
	S682 DT3	1			COVER, Hinge Arm Inner Rt. Only N N N N YS682DT3
14	4190 488	1			BUSHING, Front Seat Cushion Inner Pivot Pin Rt. Only N N N Y4190488
15	4138 891	1			ROD, Armrest Lock N N N N Y4138891
	6006 324	1			NUT, Armrest Lock Rod N N N N Y6006324
16	6030 082	2			BOLT, Armrest Attaching N N N N Y6030082
17	0181 063	AR			SCREW, Armrest to Seat Back N N N N Y181063
18	6008 076	AR			HOG RING N N N N Y6008076
The following parts are not illustrated. NGER WAGON USES THE TWO (2) PASSENGER STATIONARY SEAT PLUS THE FOLDING REAR SEAT.					
	4098 886	1			ARM, Front Seat Back to Cushion, Right N N N N Y4098886
	4138 765	1			Left N N N N Y4138765

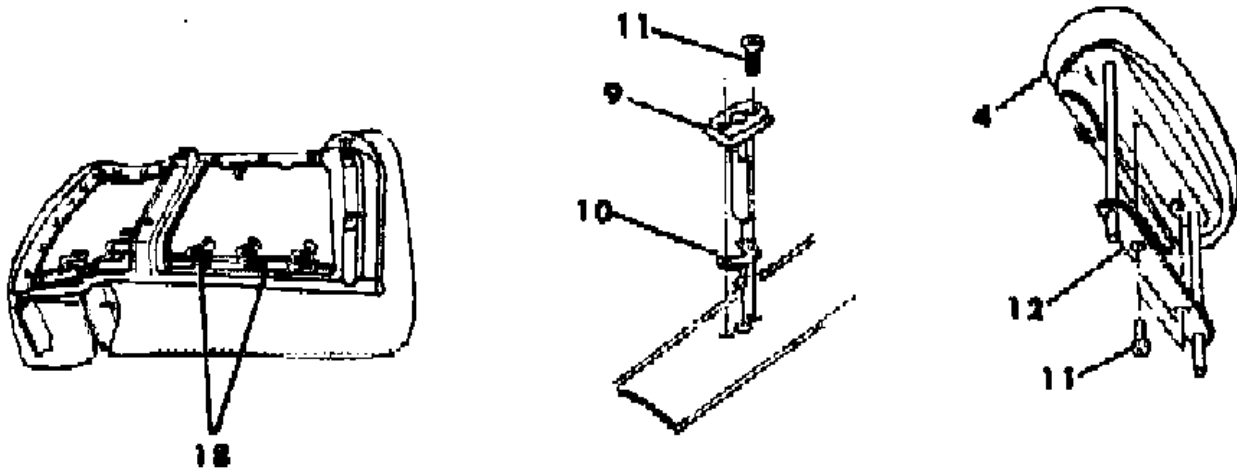
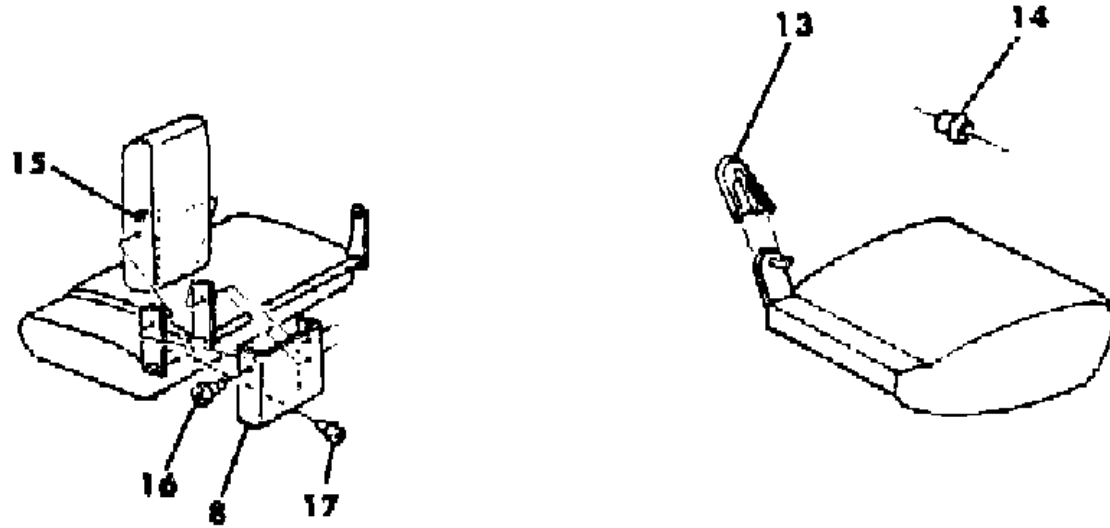
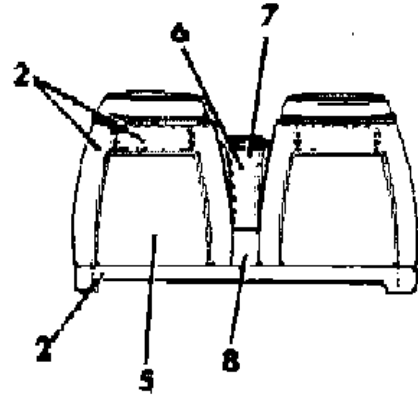
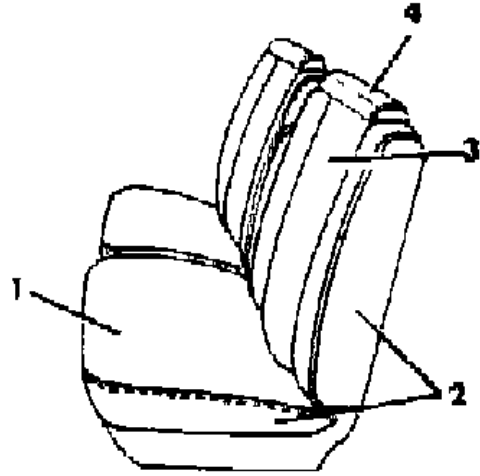
MODEL CODES

B = GRAN FURY	E = 600	M = HORIZON/TURISMO
C = LE BARON/TOWN & COUNTRY/LIMO	F = FIFTH AVENUE/NEWPORT	P = RELIANT
C24 = LASER	G = DIPLOMAT	T = NEW YORKER
C44 = LE BARON/GTS	H = VOYAGER	V = 600
D = ARIES	J = CARAVELLE	V24 = DAYTONA
D44 = LANCER	K = MINI VAN/CARAVAN/ROYAL	Z = OMNI/CHARGER

BODY STYLES

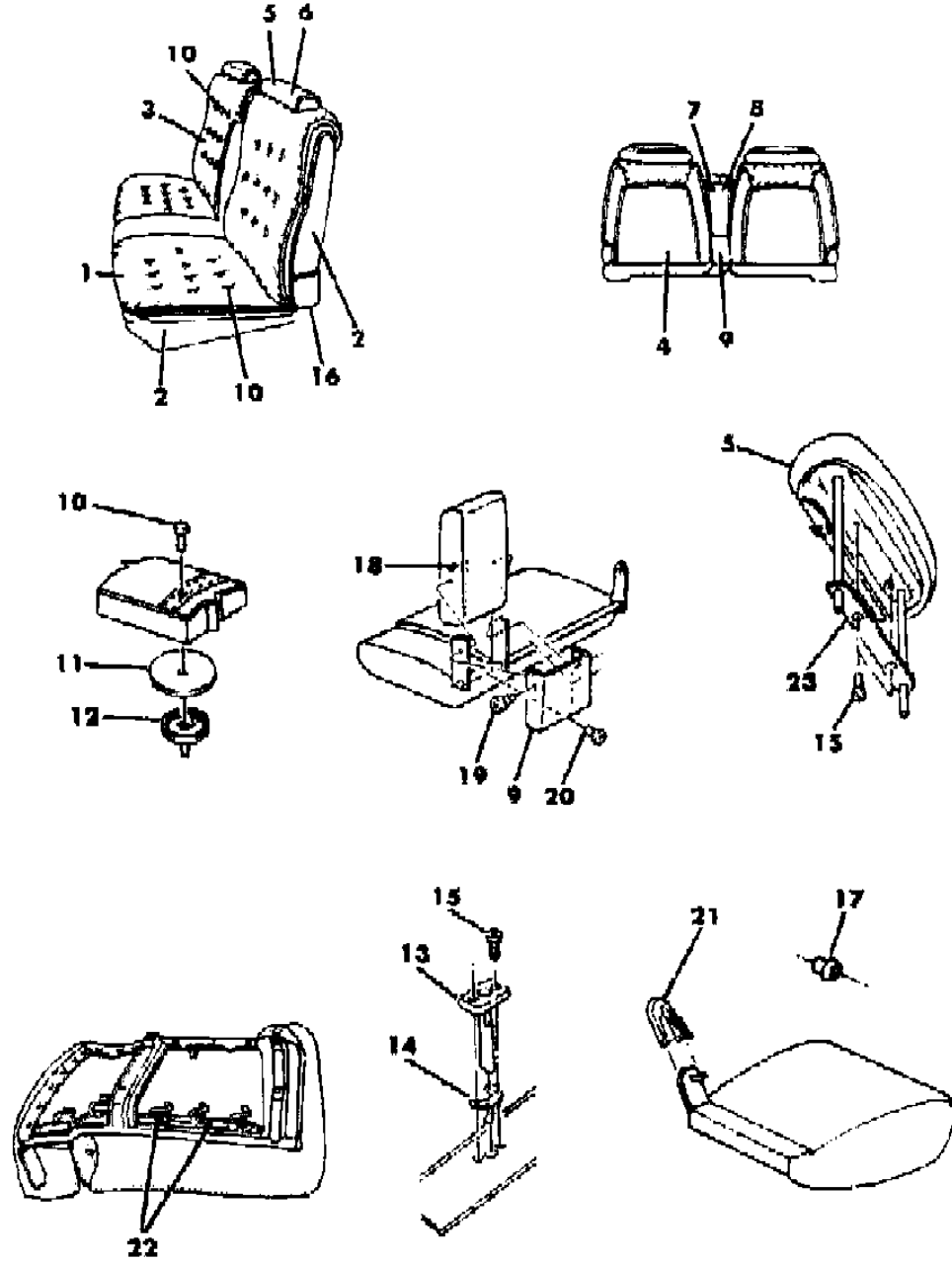
21 = 2-DOOR SEDAN	35 = FWD VAN	44 = 4-DOOR HATCHBACK
22 = 2-DOOR SPECIAL COUPE	36 = FWD WAGON	45 = 4-DOOR STATION WAGON
24 = 2-DOOR HATCHBACK	41 = 4-DOOR SEDAN	49 = LIMOUSINE
27 = 2-DOOR CONVERTIBLE		

AR = Use as Required - = Non Illustrated Part P.A.R. = Paint as Required



SEAT FRONT F-S M BODY TRIM CODE SY
Figure ITH-2000

5214 2000



ITEM	PART NUMBER	QTY	BODY	MODEL	DESCRIPTION
1-2					CUSHION, w/Spring/Frame, Pad and Cover N N N N
					Leather N N N N
	A612-3 BYA	1			N N NSYA YA612BYA
	A612-3 BYC	1			N N NSYC YA612BYC
	A612-3 BYM	1			N N NSYM YA612BYM
	A612-3 DYT	1			N N NSYT YA612DYT
1					COVER, Cushion N N N N
					Leather N N N N
	A344-5 AYA	1			N N NSYA YA344AYA
	A344-5 AYC	1			N N NSYC YA344AYC
	A344-5 AYM	1			N N NSYM YA344AYM
	A344-5 DYT	1			N N NSYT YA344DYT
2					ROLL STOCK, Vinyl 64" Wide Order by the Inch N N N N
	R616 AA2	AR			N N NSYA YR616AA2
	R616 VC8	AR			N N NSYC YR616VC8
	R616 VM6	AR			N N NSYM YR616VM6
	R616 DT3	AR			N N NSYT YR616DT3
2-3					BACK, w/Spring/Frame, Pad and Cover N N N N
					Leather N N N N
	A614-5 BYA	1			N N NSYA YA614BYA
	A614-5 BYC	1			N N NSYC YA614BYC
	A614-5 BYM	1			N N NSYM YA614BYM
	A614-5 DYT	1			N N NSYT YA614DYT
3					COVER, Back N N N N
					Leather N N N N
	G496-7 AYA	1			N N NSYA YG496AYA
	G496-7 VYC	1			N N NSYC YG496VYC
	G496-7 AYM	1			N N NSYM YG496AYM
	G496-7 DYT	1			N N NSYT YG496DYT
4					PANEL, Back of Front Back N N N N
	S740 AA2	2			N N NSYA YS740AA2
	S740 VC8	2			N N NSYC YS740VC8
	S740 VM6	2			N N NSYM YS740VM6
	S740 DT3	2			N N NSYT YS740DT3
5-6					HEADREST and COVER N N N N
	A859 BA2	2			N N NSYA YA859BA2
	A859 BC8	2			N N NSYC YA859BC8

MODEL CODES

B = GRAN FURY	E = 600	M = HORIZON/TURISMO
C = LE BARON/TOWN & COUNTRY/LIMO	F = FIFTH AVENUE/NEWPORT	P = RELIANT
C24 = LASER	G = DIPLOMAT	T = NEW YORKER
C44 = LE BARON/GTS	H = VOYAGER	V = 600
D = ARIES	J = CARAVELLE	V24 = DAYTONA
D44 = LANCER	K = MINI VAN/CARAVAN/ROYAL	Z = OMNI/CHARGER

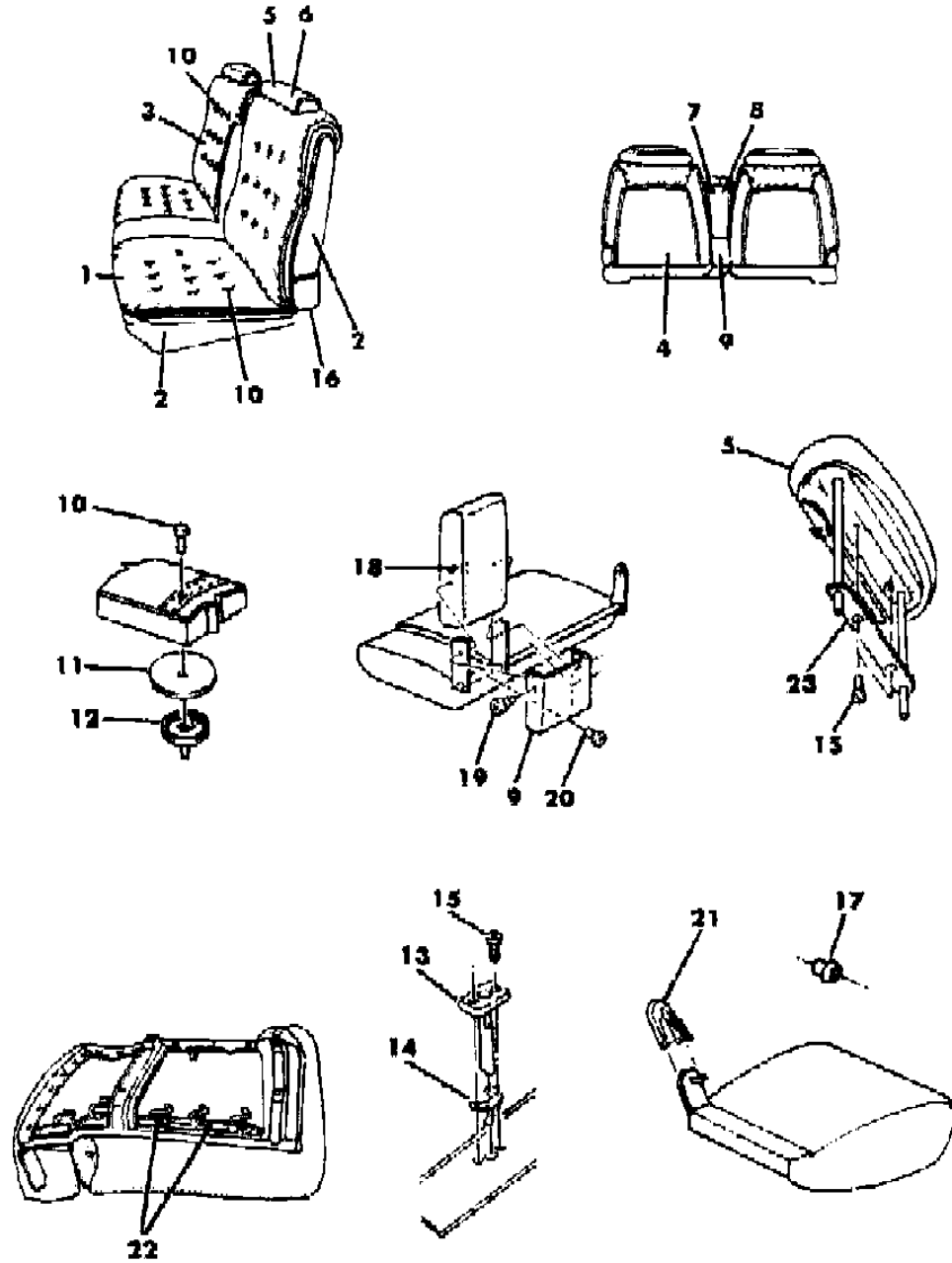
BODY STYLES

21 = 2-DOOR SEDAN	35 = FWD VAN	44 = 4-DOOR HATCHBACK
22 = 2-DOOR SPECIAL COUPE	36 = FWD WAGON	45 = 4-DOOR STATION WAGON
24 = 2-DOOR HATCHBACK	41 = 4-DOOR SEDAN	49 = LIMOUSINE
27 = 2-DOOR CONVERTIBLE		

AR = Use as Required - = Non Illustrated Part P.A.R. = Paint as Required

SEAT FRONT F-S M BODY TRIM CODE SY
Figure ITH-2000

5214 2000



ITEM	PART NUMBER	QTY	BODY	MODEL	DESCRIPTION
	A859 BM6	2			N N NSYM YA859BM6
6	A859 DT3	2			N N NSYT YA859DT3
	A508 BA2	2			COVER, Headrest N N N N
	A508 BC8	2			N N NSYA YA508BA2
	A508 BM6	2			N N NSYC YA508BC8
7-8	A508 DT3	2			N N NSYM YA508BM6
	A640 AA2	1			N N NSYT YA508DT3
	A640 VC8	1			ARMREST and COVER N N N N
	A640 VM6	1			N N NSYA YA640AA2
8	A640 DT3	1			N N NSYC YA640VC8
	A319 AA2	1			N N NSYM YA640VM6
	A319 VC8	1			N N NSYT YA640DT3
	A319 VM6	1			COVER, Armrest N N N N
9	A319 DT3	1			N N NSYA YA319AA2
	S580 AA3	1			N N NSYC YA319VC8
	S580 VC7	1			N N NSYM YA319VM6
	S580 VM6	1			N N NSYT YA319DT3
10	S580 DT3	1			COVER, Armrest Finish N N N N
	S845 AA2	AR			N N NSYA YS580AA3
	S845 VC8	AR			N N NSYC YS580VC7
	S845 AM6	AR			N N NSYM YS580VM6
11	S845 DT3	AR			N N NSYT YS580DT3
	4018 167	AR			BUTTON and RETAINER, Cushion and Back N N N N
		AR			N N NSYA YS845AA2
		AR			N N NSYC YS845VC8
12		AR			N N NSYM YS845AM6
		AR			N N NSYT YS845DT3
		AR			WASHER, Button N N N Y4018167
		AR			RETAINER, Button (serviced in Item 10) N N N N
13	S690 AA3	4			SLEEVE, Headrest N N N N
	S690 SC7	4			N N NSYA YS690AA3
	S690 TM6	4			N N NSYC YS690SC7
	S690 DT3	4			N N NSYM YS690TM6
14	4098 965	4			N N NSYT YS690DT3
		AR			CATCH, Headrest Post N N N Y4098965
		AR			SCREW (not serviced) N N N N
		AR			COVER, Hinge Arm Outer (paint as required) N N N YS876DT3
16	S876-7 DT3	1			

MODEL CODES

B = GRAN FURY	E = 600	M = HORIZON/TURISMO
C = LE BARON/TOWN & COUNTRY/LIMO	F = FIFTH AVENUE/NEWPORT	P = RELIANT
C24 = LASER	G = DIPLOMAT	T = NEW YORKER
C44 = LE BARON/GTS	H = VOYAGER	V = 600
D = ARIES	J = CARAVELLE	V24 = DAYTONA
D44 = LANCER	K = MINI VAN/CARAVAN/ROYAL	Z = OMNI/CHARGER

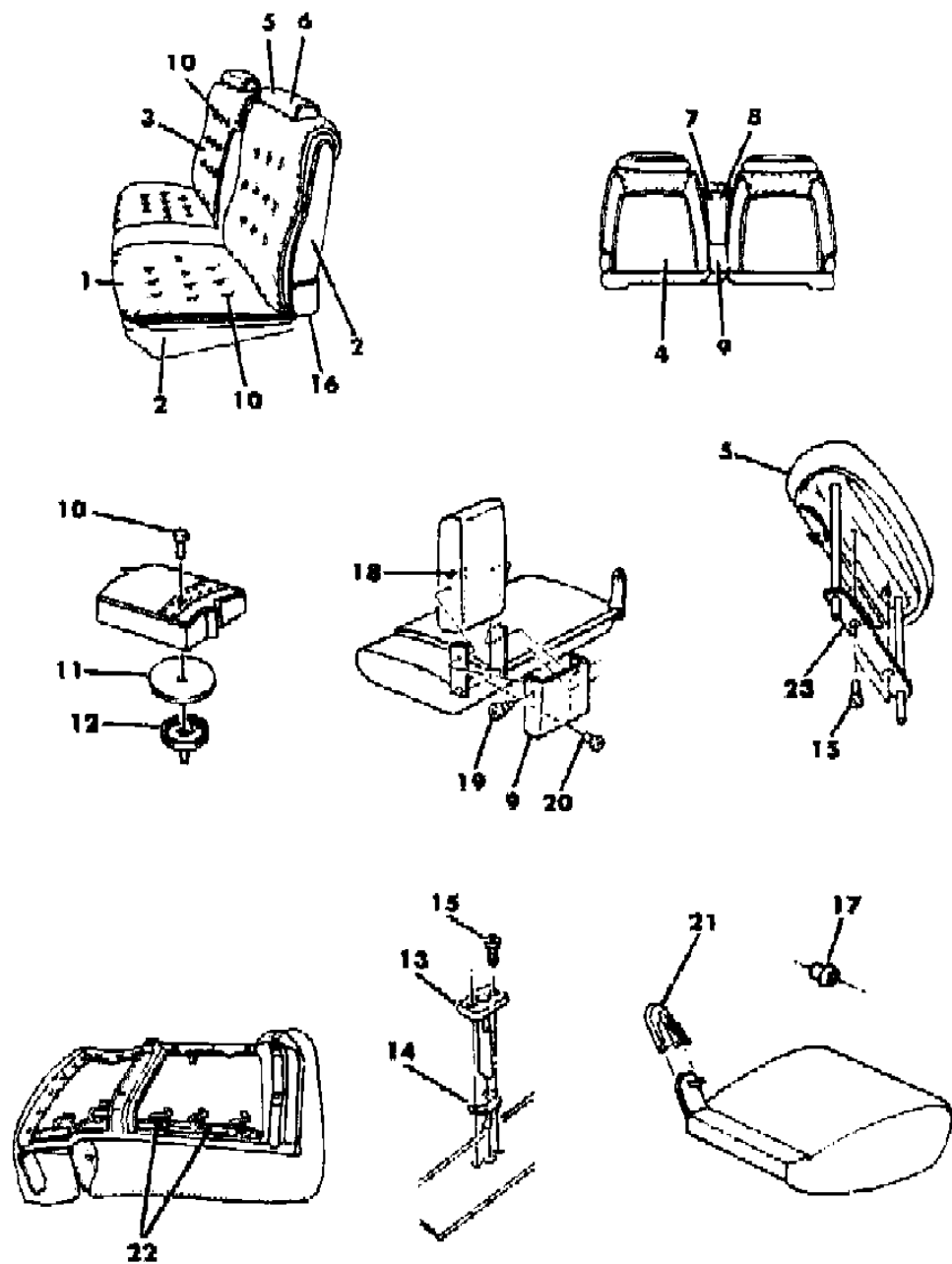
BODY STYLES

21 = 2-DOOR SEDAN	35 = FWD VAN	44 = 4-DOOR HATCHBACK
22 = 2-DOOR SPECIAL COUPE	36 = FWD WAGON	45 = 4-DOOR STATION WAGON
24 = 2-DOOR HATCHBACK	41 = 4-DOOR SEDAN	49 = LIMOUSINE
27 = 2-DOOR CONVERTIBLE		

AR = Use as Required - = Non Illustrated Part P.A.R. = Paint as Required

SEAT FRONT F-S M BODY TRIM CODE SY
Figure ITH-2000

5214 2000



ITEM	PART NUMBER	QTY	BODY	MODEL	DESCRIPTION
17	4190 488	1			BUSHING, Cushion Inner Pivot Right Only N N N Y4190488
18	4138 891	1			ROD, Armrest Lock N N N Y4138891
	6006 324	1			NUT, Armrest Lock Rod N N N Y6006324
19	6030 082	2			BOLT, Armrest Attaching N N N Y6030082
20	0181 063	AR			SCREW, Armrest to Seat Back N N N Y181063
21					COVER, Hinge Arm Inner, Right N N N N
	S682 AA3	1			N N NSYA YS682AA3
	S682 SC7	1			N N NSYC YS682SC7
	S682 TM6	1			N N NSYM YS682TM6
	S682 DT3	1			N N NSYT YS682DT3
22	6008 076	AR			HOG RING N N N Y6008076
23	4018 808	2			COVER, Headrest Finish N N N Y4018808

MODEL CODES

B = GRAN FURY	E = 600	M = HORIZON/TURISMO
C = LE BARON/TOWN & COUNTRY/LIMO	F = FIFTH AVENUE/NEWPORT	P = RELIANT
C24 = LASER	G = DIPLOMAT	T = NEW YORKER
C44 = LE BARON/GTS	H = VOYAGER	V = 600
D = ARIES	J = CARAVELLE	V24 = DAYTONA
D44 = LANCER	K = MINI VAN/CARAVAN/ROYAL	Z = OMNI/CHARGER

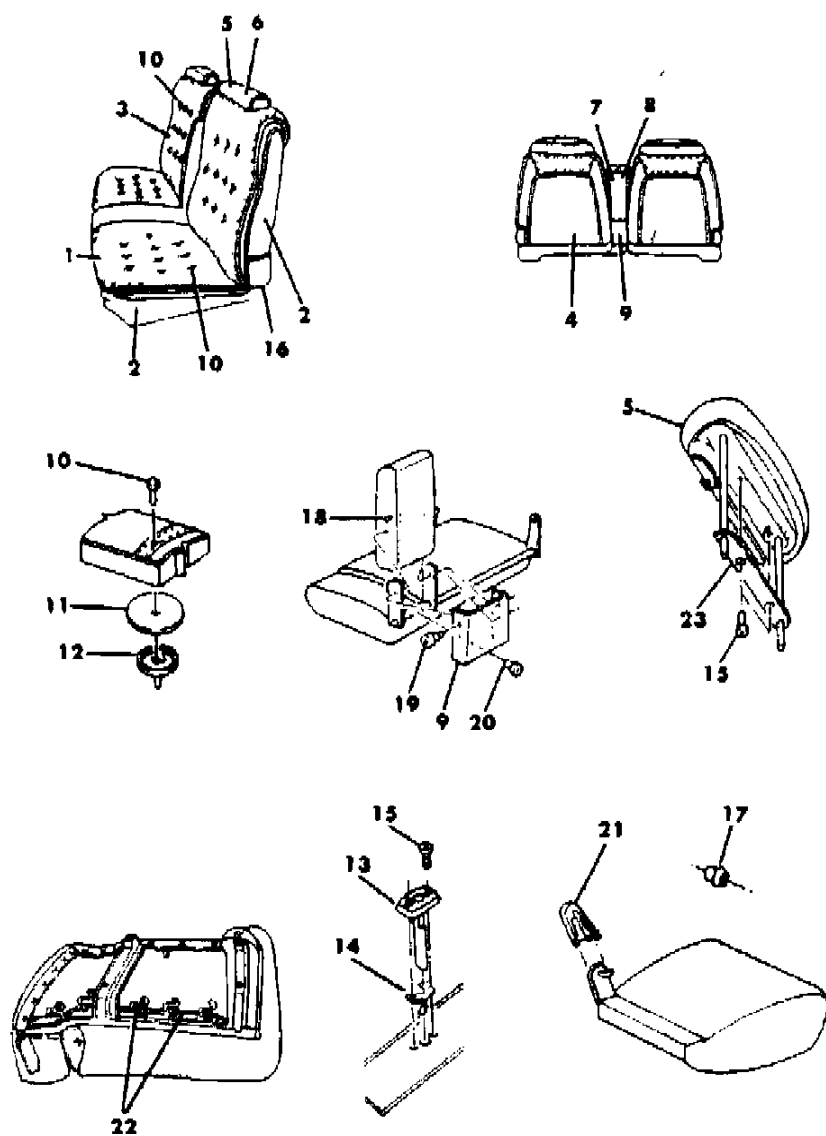
BODY STYLES

21 = 2-DOOR SEDAN	35 = FWD VAN	44 = 4-DOOR HATCHBACK
22 = 2-DOOR SPECIAL COUPE	36 = FWD WAGON	45 = 4-DOOR STATION WAGON
24 = 2-DOOR HATCHBACK	41 = 4-DOOR SEDAN	49 = LIMOUSINE
27 = 2-DOOR CONVERTIBLE		

AR = Use as Required - = Non Illustrated Part P.A.R. = Paint as Required

SEAT FRONT F-S M BODY TRIM CODE S9
Figure ITH-2100

5244 2100



ITEM	PART NUMBER	QTY	BODY	MODEL	DESCRIPTION
1-2					CUSHION, w/Spring/Frame, Pad and Cover N N N N
	A604-5 B9A	1			Cloth N N N N
	A604-5 B9C	1			N N NS9A YA604B9A
	A604-5 B9M	1			N N NS9C YA604B9C
	A604-5 D9T	1			N N NS9M YA604B9M
1					COVER, Cushion N N N N
	A350-1 A9A	1			Cloth N N N N
	A350-1 A9C	1			N N NS9A YA350A9A
	A350-1 A9M	1			N N NS9C YA350A9C
	A350-1 D9T	1			N N NS9M YA350A9M
2					ROLL STOCK, Cloth 54" Wide Order by the Inch N N N N
	R093 AA3	AR			N N NS9A YR093AA3
	R093 AC7	AR			N N NS9C YR093AC7
	R093 AM6	AR			N N NS9M YR093AM6
	R093 DT3	AR			N N NS9T YR093DT3
2-3					BACK, w/Spring/Frame, Pad and Cover N N N N
	A606-7 B9A	1			Cloth N N N N
	A606-7 B9C	1			N N NS9A YA606B9A
	A606-7 B9M	1			N N NS9C YA606B9C
	A606-7 D9T	1			N N NS9M YA606B9M
3					COVER, Back N N N N
	A352-3 A9A	1			Cloth N N N N
	A352-3 A9C	1			N N NS9A YA352A9A
	A352-3 A9M	1			N N NS9C YA352A9C
	A352-3 D9T	1			N N NS9M YA352A9M
4					PANEL, Front Back N N N N
	S742 AA3	2			N N NS9A YS742AA3
	S742 AC7	2			N N NS9C YS742AC7
	S742 AM6	2			N N NS9M YS742AM6
	S742 DT3	2			N N NS9T YS742DT3
5					HEADREST and COVER N N N N
	A905 AA3	2			N N NS9A YA905AA3
	A905 AC7	2			N N NS9C YA905AC7

MODEL CODES

B = GRAN FURY	E = 600	M = HORIZON/TURISMO
C = LE BARON/TOWN & COUNTRY/LIMO	F = FIFTH AVENUE/NEWPORT	P = RELIANT
C24 = LASER	G = DIPLOMAT	T = NEW YORKER
C44 = LE BARON/GTS	H = VOYAGER	V = 600
D = ARIES	J = CARAVELLE	V24 = DAYTONA
D44 = LANCER	K = MINI VAN/CARAVAN/ROYAL	Z = OMNI/CHARGER

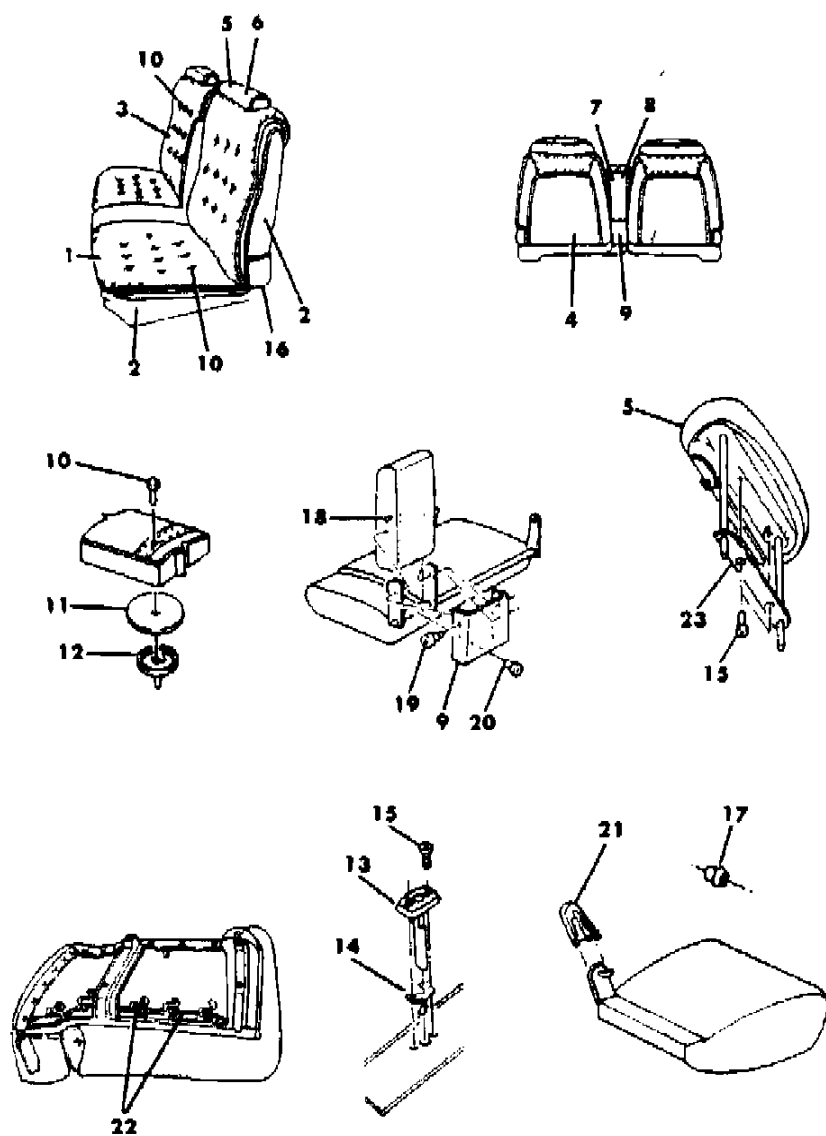
BODY STYLES

21 = 2-DOOR SEDAN	35 = FWD VAN	44 = 4-DOOR HATCHBACK
22 = 2-DOOR SPECIAL COUPE	36 = FWD WAGON	45 = 4-DOOR STATION WAGON
24 = 2-DOOR HATCHBACK	41 = 4-DOOR SEDAN	49 = LIMOUSINE
27 = 2-DOOR CONVERTIBLE		

AR = Use as Required - = Non Illustrated Part P.A.R. = Paint as Required

SEAT FRONT F-S M BODY TRIM CODE S9
Figure ITH-2100

5244 2100



ITEM	PART NUMBER	QTY	BODY	MODEL	DESCRIPTION
6	A905 AM6	2			N N NS9M YA905AM6
	A905 DT3	2			N N NS9T YA905DT3
	A357 AA3	2			COVER, Headrest N N N N
	A357 AC7	2			N N NS9A YA357AA3
7	A357 AM6	2			N N NS9C YA357AC7
	A357 AM6	2			N N NS9M YA357AM6
	A357 DT3	2			N N NS9T YA357DT3
					ARMREST and COVER N N N N
8	A908 AA3	1			N N NS9A YA908AA3
	A908 AC7	1			N N NS9C YA908AC7
	A908 AM6	1			N N NS9M YA908AM6
	A908 DT3	1			N N NS9T YA908DT3
9					COVER, Armrest N N N N
	A356 AA3	1			N N NS9A YA356AA3
	A356 AC7	1			N N NS9C YA356AC7
	A356 AM6	1			N N NS9M YA356AM6
10	A356 DT3	1			N N NS9T YA356DT3
					COVER, Armrest Finish N N N N
	S580 AA3	1			Silver N N N YS580AA3
	S580 VC7	1			Blue N N N YS580VC7
11	S580 VM6	1			Red N N N YS580VM6
	S580 DT3	1			Tan N N N YS580DT3
					BUTTON and RETAINER, Cushion and Back N N N N
	G378 AA3	AR			N N NS9A YG378AA3
12	G378 AC7	AR			N N NS9C YG378AC7
	G378 AM6	AR			N N NS9M YG378AM6
	G378 DT3	AR			N N NS9T YG378DT3
					WASHER, Button N N N Y4018167
13					RETAINER, Button (serviced in Item 10) N N N N
					SLEEVE, Headrest N N N N
	S690 AA3	4			Silver N N N YS690AA3
	S690 SC7	4			Blue N N N YS690SC7
14	S690 TM6	4			Red N N N YS690TM6
	S690 DT3	4			Tan N N N YS690DT3
	4098 965	4			CATCH, Headrest Post N N N Y4098965
					SCREW (not serviced) N N N N
15		AR			
16	S876-7 SX9	1			COVER, Hinge Arm Outer (paint as required) N N N YS876SX9

MODEL CODES

B = GRAN FURY	E = 600	M = HORIZON/TURISMO
C = LE BARON/TOWN & COUNTRY/LIMO	F = FIFTH AVENUE/NEWPORT	P = RELIANT
C24 = LASER	G = DIPLOMAT	T = NEW YORKER
C44 = LE BARON/GTS	H = VOYAGER	V = 600
D = ARIES	J = CARAVELLE	V24 = DAYTONA
D44 = LANCER	K = MINI VAN/CARAVAN/ROYAL	Z = OMNI/CHARGER

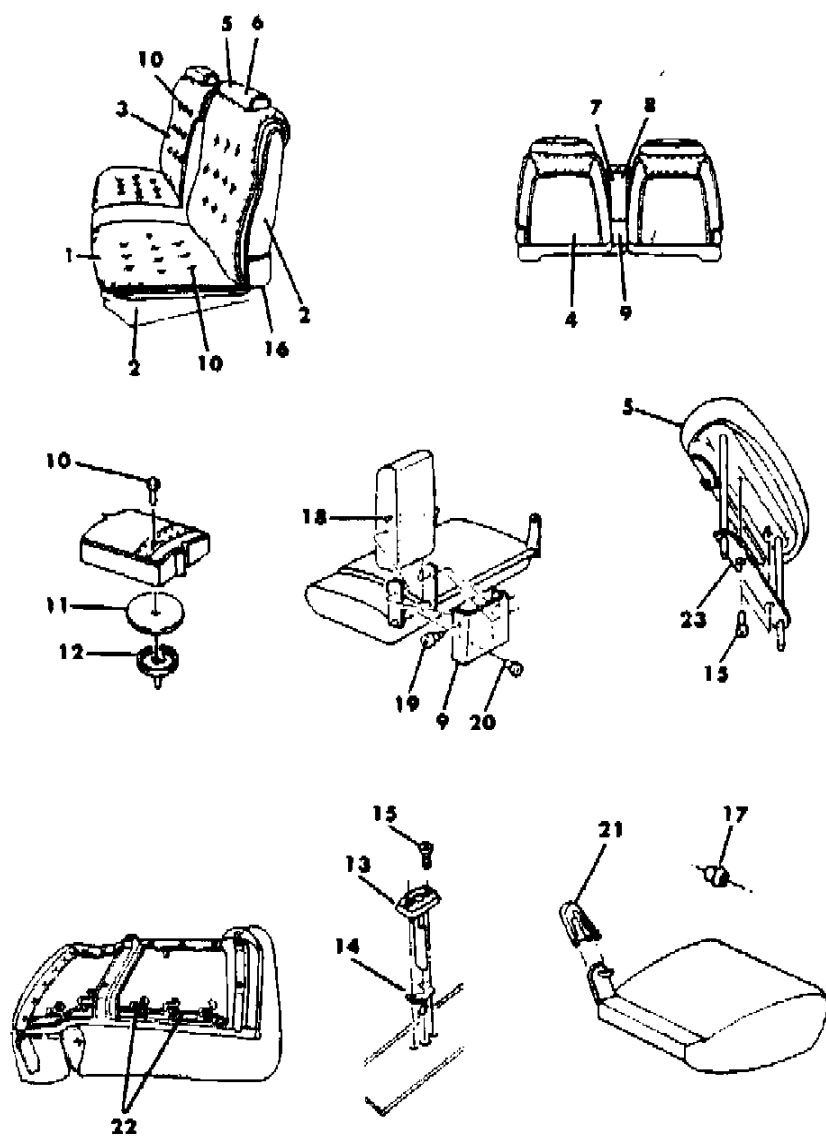
BODY STYLES

21 = 2-DOOR SEDAN	35 = FWD VAN	44 = 4-DOOR HATCHBACK
22 = 2-DOOR SPECIAL COUPE	36 = FWD WAGON	45 = 4-DOOR STATION WAGON
24 = 2-DOOR HATCHBACK	41 = 4-DOOR SEDAN	49 = LIMOUSINE
27 = 2-DOOR CONVERTIBLE		

AR = Use as Required - = Non Illustrated Part P.A.R. = Paint as Required

SEAT FRONT F-S M BODY TRIM CODE S9
Figure ITH-2100

5244 2100



ITEM	PART NUMBER	QTY	BODY	MODEL	DESCRIPTION
17	4190 488	1			BUSHING, Front Seat Cushion Inner Pivot, Right Only N N N Y4190488
18	4138 891	1			ROD, Armrest Lock N N N Y4138891
	6006 324	1			NUT, Armrest Lock Rod N N N Y6006324
19	6030 082	2			BOLT, Armrest Attaching N N N Y6030082
20		AR			SCREW, Armrest to Seat Back (not serviced) N N N N
21					COVER, Hinge Arm Inner Right N N N N
	S682 AA3	1			Silver N N N YS682AA3
	S682 SC7	1			Blue N N N YS682SC7
	S682 TM6	1			Red N N N YS682TM6
	S682 DT3	1			Tan N N N YS682DT3
22	6008 076	AR			HOG RING N N N Y6008076
23	4018 808	2			COVER, Headrest Finish N N N Y4018808
The following parts are not illustrated. NGER WAGON USES THE TWO (2) PASSENGER STATIONARY SEAT PLUS THE FOLDING REAR SEAT.					
					ARM, Back to Cushion Armrest N N N N
	4138 743	1			Right N N N Y4138743
	4138 765	1			Left N N N Y4138765

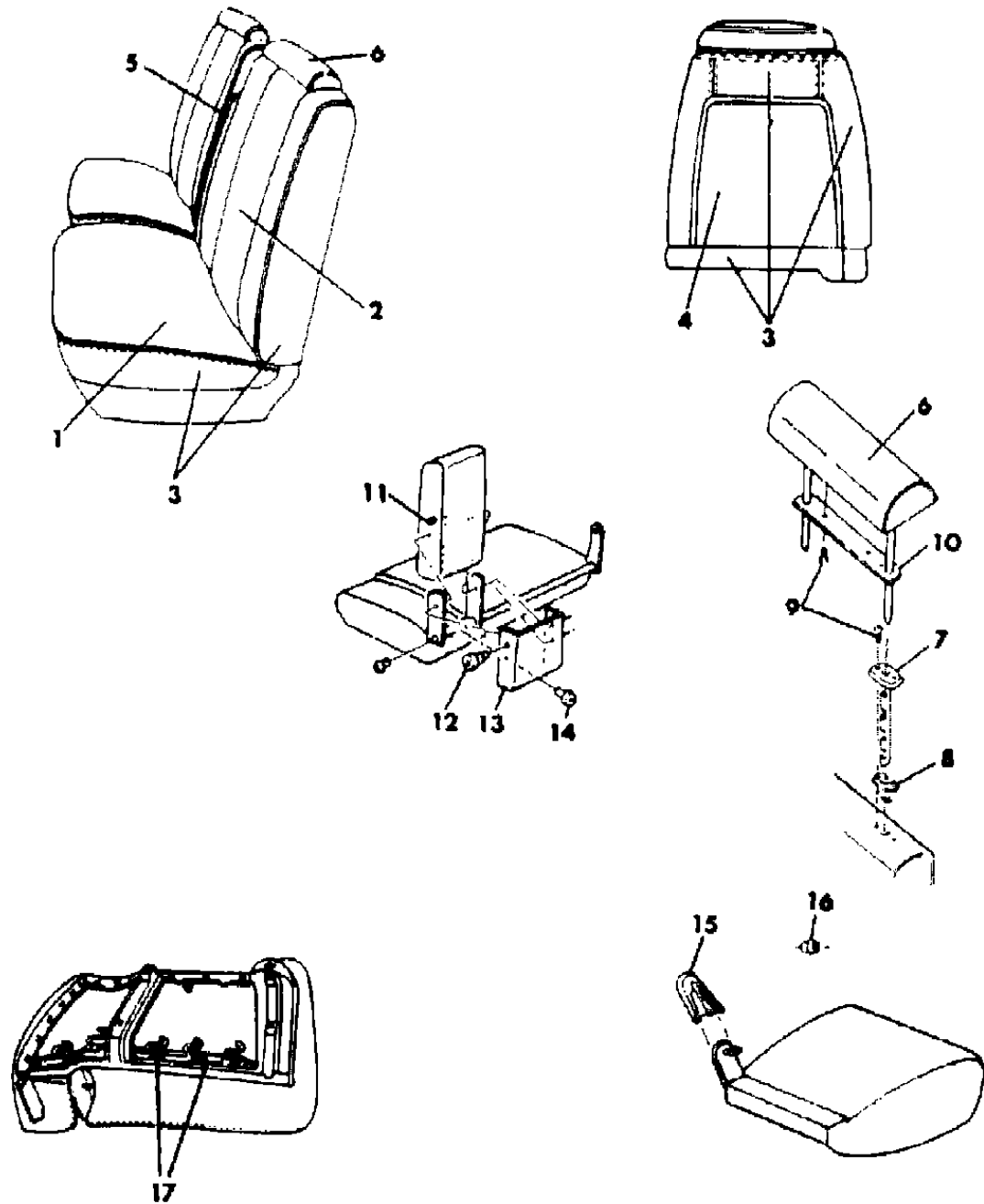
MODEL CODES
 B = GRAN FURY
 C = LE BARON/TOWN & COUNTRY/LIMO
 C24 = LASER
 C44 = LE BARON/GTS
 D = ARIES
 D44 = LANCER
 E = 600
 F = FIFTH AVENUE/NEWPORT
 G = DIPLOMAT
 H = VOYAGER
 J = CARAVELLE
 K = MINI VAN/CARAVAN/ROYAL
 M = HORIZON/TURISMO
 P = RELIANT
 T = NEW YORKER
 V = 600
 V24 = DAYTONA
 Z = OMNI/CHARGER

BODY STYLES
 21 = 2-DOOR SEDAN
 22 = 2-DOOR SPECIAL COUPE
 24 = 2-DOOR HATCHBACK
 27 = 2-DOOR CONVERTIBLE
 35 = FWD VAN
 36 = FWD WAGON
 41 = 4-DOOR SEDAN
 44 = 4-DOOR HATCHBACK
 45 = 4-DOOR STATION WAGON
 49 = LIMOUSINE

AR = Use as Required - = Non Illustrated Part P.A.R. = Paint as Required

SEAT FRONT B,F,G M BODY FLEET POLICE AND OTHERS
Figure ITH-1700

5244 2200



ITEM	PART NUMBER	QTY	BODY	MODEL	DESCRIPTION
NOTE: Special equipment code is in the trim column. NGER WAGON USES THE TWO (2) PASSENGER STATIONARY SEAT PLUS THE FOLDING REAR SEAT.					
1					COVER, Cushion N N N N
	4196 276-7	1			Blue, Vinyl N N NCBCR Y4196276
	4196 917	1			Blue, Cloth (Left) N N NCBCP Y4196917
	4196 918	1			Blue, Cloth (Right) N N NCBCP Y4196918
	4196 963	1			Tan, Cloth (Left) N N NCBCP Y4196963
	4196 964	1			Tan, Cloth (Right) N N NCBCP Y4196964
2					COVER, Back N N N N
	4196 278-9	1			Blue, Vinyl N N NCBCR Y4196278
	4196 919	1			Blue, Cloth (Left) N N NCBCP Y4196919
	4196 920	1			Blue, Cloth (Right) N N NCBCP Y4196920
	4196 965	1			Tan, Cloth (Left) N N NCBCP Y4196965
	4196 966	1			Tan, Cloth (Right) N N NCBCP Y4196966
3					ROLL STOCK, Vinyl 64" Wide Order by the Inch. N N N N
	R616 VC8	AR			Blue N N N YR616VC8
	R616 DT3	AR			Tan N N N YR616DT3
4					PANEL, Back of Front Back N N N N
	S740 VC8	2			Blue N N N YS740VC8
	S740 DT3	2			Tan N N N YS740DT3
5					COVER, Armrest N N N N
	B376 CC8	1			Blue N N N YB376CC8
	B376 DT3	1			Tan N N N YB376DT3
6					HEADREST N N N N
	S702 SC7	2			Blue N N N YS702SC7
	S702 DT3	2			Tan N N N YS702DT3
7					SLEEVE, Headrest N N N N
	S690 SC7	4			Blue N N N YS690SC7
	S690 DT3	4			Tan N N N YS690DT3
8	4098 965	4			CATCH, Headrest N N N Y4098965
9		AR			SCREW (not serviced) N N N N
10	4018 808	2			COVER, Headrest Finish N N N Y4018808
11	4138 891	1			ROD, Armrest Lock N N N Y4138891
	6006 324	1			NUT, Armrest Lock Rod N N N Y6006324
12	6030 082	2			BOLT, Armrest Attaching N N N Y6030082
13					COVER, Armrest Finish N N N N
	S580 VC7	1			Blue N N N YS580VC7

MODEL CODES

B = GRAN FURY	E = 600	M = HORIZON/TURISMO
C = LE BARON/TOWN & COUNTRY/LIMO	F = FIFTH AVENUE/NEWPORT	P = RELIANT
C24 = LASER	G = DIPLOMAT	T = NEW YORKER
C44 = LE BARON/GTS	H = VOYAGER	V = 600
D = ARIES	J = CARAVELLE	V24 = DAYTONA
D44 = LANCER	K = MINI VAN/CARAVAN/ROYAL	Z = OMNI/CHARGER

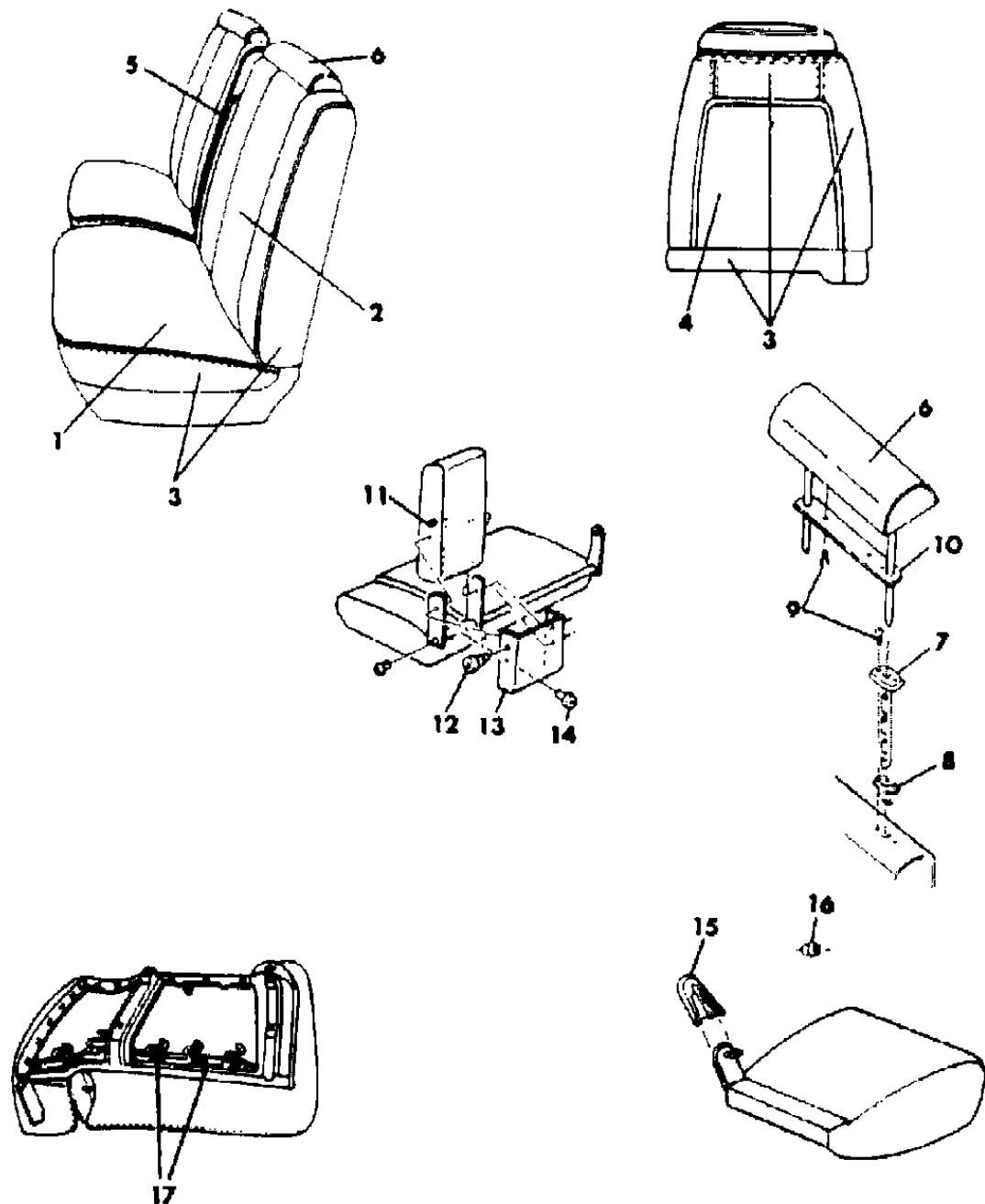
BODY STYLES

21 = 2-DOOR SEDAN	35 = FWD VAN	44 = 4-DOOR HATCHBACK
22 = 2-DOOR SPECIAL COUPE	36 = FWD WAGON	45 = 4-DOOR STATION WAGON
24 = 2-DOOR HATCHBACK	41 = 4-DOOR SEDAN	49 = LIMOUSINE
27 = 2-DOOR CONVERTIBLE		

AR = Use as Required - = Non Illustrated Part P.A.R. = Paint as Required

SEAT FRONT B,F,G M BODY FLEET POLICE AND OTHERS
Figure ITH-1700

5244 2200



ITEM	PART NUMBER	QTY	BODY	MODEL	DESCRIPTION
	S580 DT3	1			Tan N N N YS580DT3
14	0181 063	AR			SCREW, Armrest to Seat Back N N N Y181063
15	S682 SC7	1			COVER, Hinge Arm Inner, Right Only N N N N Blue N N N YS682SC7
	S682 DT3	1			Tan N N N YS682DT3
16	4190 488	1			BUSHING, Inner Pivot, Right Only N N N Y4190488
17	6008 076	AR			HOG RING N N N Y6008076

MODEL CODES

B = GRAN FURY	E = 600	M = HORIZON/TURISMO
C = LE BARON/TOWN & COUNTRY/LIMO	F = FIFTH AVENUE/NEWPORT	P = RELIANT
C24 = LASER	G = DIPLOMAT	T = NEW YORKER
C44 = LE BARON/GTS	H = VOYAGER	V = 600
D = ARIES	J = CARAVELLE	V24 = DAYTONA
D44 = LANCER	K = MINI VAN/CARAVAN/ROYAL	Z = OMNI/CHARGER

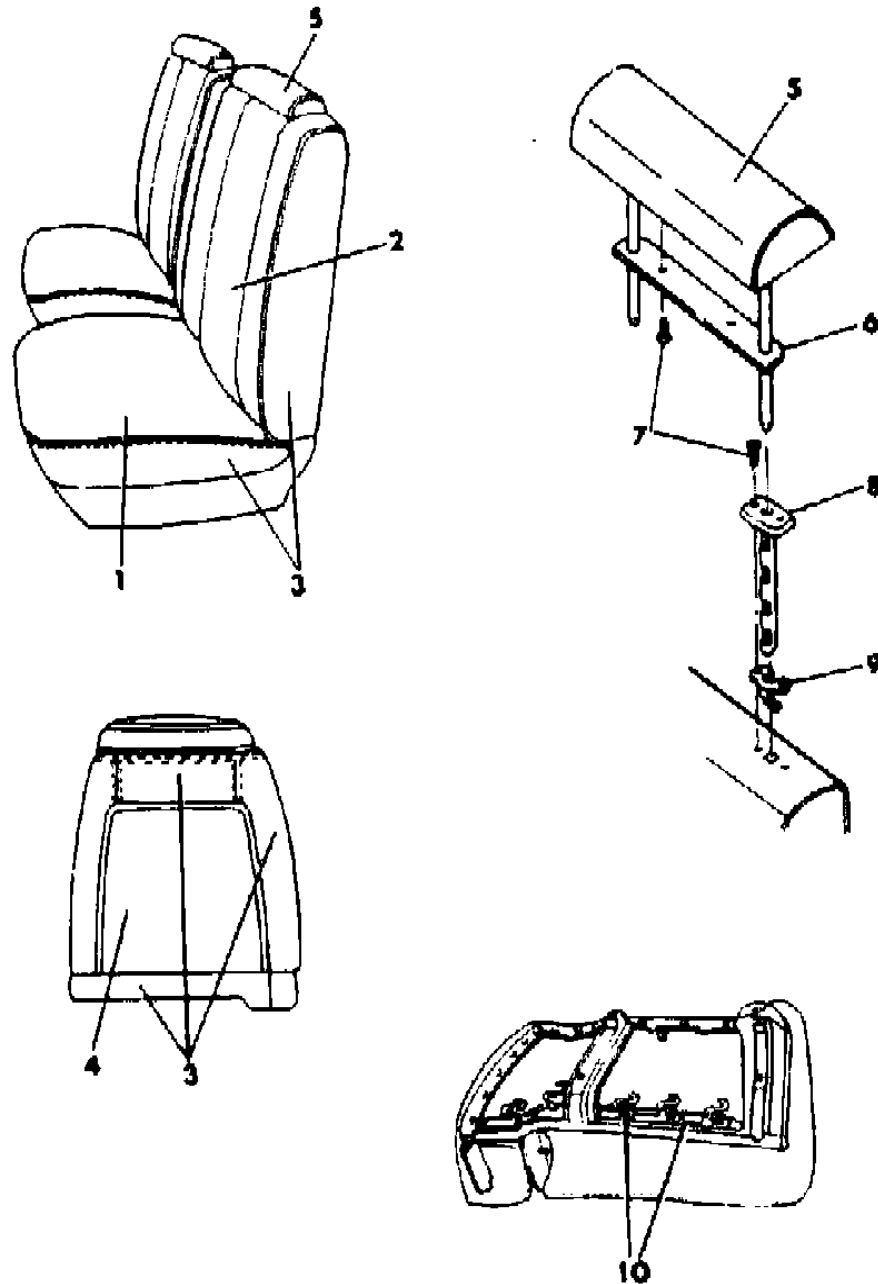
BODY STYLES

21 = 2-DOOR SEDAN	35 = FWD VAN	44 = 4-DOOR HATCHBACK
22 = 2-DOOR SPECIAL COUPE	36 = FWD WAGON	45 = 4-DOOR STATION WAGON
24 = 2-DOOR HATCHBACK	41 = 4-DOOR SEDAN	49 = LIMOUSINE
27 = 2-DOOR CONVERTIBLE		

AR = Use as Required - = Non Illustrated Part P.A.R. = Paint as Required

SEAT FRONT B,F,G M BODY FLEET POLICE AND OTHERS
Figure ITH-1700

5244 230U



ITEM	PART NUMBER	QTY	BODY	MODEL	DESCRIPTION
------	-------------	-----	------	-------	-------------

NOTE: Special equipment code is in the trim column. NGER WAGON USES THE TWO (2) PASSENGER STATIONARY SEAT PLUS THE FOLDING REAR SEAT.

1					COVER, Cushion N N N N
	4196 922	2			Blue, Cloth N N NCACN Y4196922
	4196 968	2			Tan, Cloth N N NCACN Y4196968
	4196 236	2			Blue, Vinyl N N NCACP Y4196236
	4196 976	2			Tan, Vinyl N N NCACP Y4196976
2					COVER, Back N N N N
	4196 920	2			Blue, Cloth N N NCACN Y4196920
	4196 966	2			Tan, Cloth N N NCACN Y4196966
	4196 278	2			Blue, Vinyl N N NCACP Y4196278
	N198 DXT	2			Tan, Vinyl N N NCACP YN198DXT
3					ROLL STOCK, Vinyl 64" Wide Order by the Inch. N N N N
	R616 VC8	AR			Blue N N N YR616VC8
	R616 DT3	AR			Tan N N N YR616DT3
4					PANEL, Back of Front Back N N N N
	S740 VC8	2			Blue N N N YS740VC8
	S740 DT3	2			Tan N N N YS740DT3
5					HEADREST N N N N
	S702 SC7	2			Blue N N N YS702SC7
	S702 DT3	2			Tan N N N YS702DT3
6	4018 808	2			COVER, Headrest Finish N N N Y4018808
7		AR			SCREW (not serviced) N N N N
8					SLEEVE, Headrest N N N N
	S690 SC7	4			Blue N N N YS690SC7
	S690 DT3	4			Tan N N N YS690DT3
9	4098 965	4			CATCH, Headrest N N N Y4098965
10	6008 076	AR			HOG RING N N N Y6008076

MODEL CODES

B = GRAN FURY	E = 600	M = HORIZON/TURISMO
C = LE BARON/TOWN & COUNTRY/LIMO	F = FIFTH AVENUE/NEWPORT	P = RELIANT
C24 = LASER	G = DIPLOMAT	T = NEW YORKER
C44 = LE BARON/GTS	H = VOYAGER	V = 600
D = ARIES	J = CARAVELLE	V24 = DAYTONA
D44 = LANCER	K = MINI VAN/CARAVAN/ROYAL	Z = OMNI/CHARGER

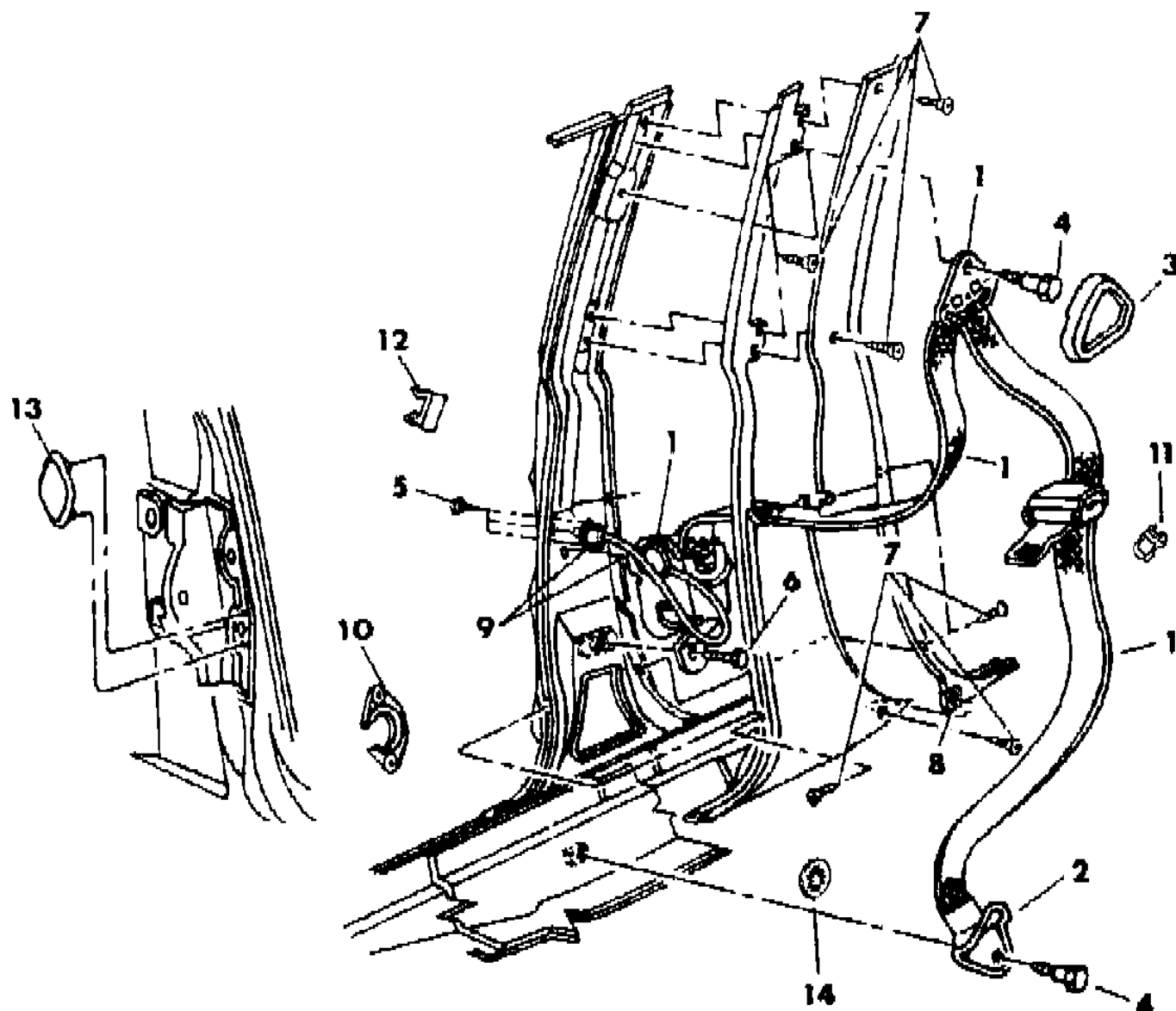
BODY STYLES

21 = 2-DOOR SEDAN	35 = FWD VAN	44 = 4-DOOR HATCHBACK
22 = 2-DOOR SPECIAL COUPE	36 = FWD WAGON	45 = 4-DOOR STATION WAGON
24 = 2-DOOR HATCHBACK	41 = 4-DOOR SEDAN	49 = LIMOUSINE
27 = 2-DOOR CONVERTIBLE		

AR = Use as Required - = Non Illustrated Part P.A.R. = Paint as Required

BELT FRONT SEAT LAP AND SHOULDER OUTER B,F,G M BODY
Figure ITH-2400

5244 2400



ITEM	PART NUMBER	QTY	BODY	MODEL	DESCRIPTION
1					BELT, Outer N N N N
					Label Number 4290466-7 N N N N
	F660-1 BA3	1			Silver N N N YF660BA3
	F660-1 BC7	1			Blue N N N YF660BC7
	F660-1 BM6	1			Red N N N YF660BM6
	F660-1 DT3	1			Tan N N N YF660DT3
2	F814 JX9	1			COVER, Swivel Plate (Black) N N N YF814JX9
3					COVER, Belt Hanger N N N N
	F828 AA3	2			Silver N N N YF828AA3
	F828 TC7	2			Blue N N N YF828TC7
	F828 TM6	2			Red N N N YF828TM6
	F828 DT3	2			Tan N N N YF828DT3
4	6031 216	2			BOLT N N N Y6031216
5		AR			SCREW (not serviced) N N N N
6	6031 484	2			BOLT N N N Y6031484
7		16			SCREW (not serviced) N N N N
8	0152 490	2			U-NUT N N N Y152490
9	4054 574-5	1			RELEASE, Tension Reliever N N N Y4054574
10	4054 365	2			RETAINER, Reliever Release Attaching N N N Y4054365
11					COVER, Unibelt Tip (serviced in Item 1) N N N N
12	4054 971	2			CLIP, Reliever Cable to Cover Retaining N N N Y4054971
13	4172 612	2			PLUG, Reliever Release Hole N N N Y4172612
14	6025 160	2			RETAINER, Inertia Retractor Pendulum Shaft N N N Y6025160

MODEL CODES

B = GRAN FURY	E = 600	M = HORIZON/TURISMO
C = LE BARON/TOWN & COUNTRY/LIMO	F = FIFTH AVENUE/NEWPORT	P = RELIANT
C24 = LASER	G = DIPLOMAT	T = NEW YORKER
C44 = LE BARON/GTS	H = VOYAGER	V = 600
D = ARIES	J = CARAVELLE	V24 = DAYTONA
D44 = LANCER	K = MINI VAN/CARAVAN/ROYAL	Z = OMNI/CHARGER

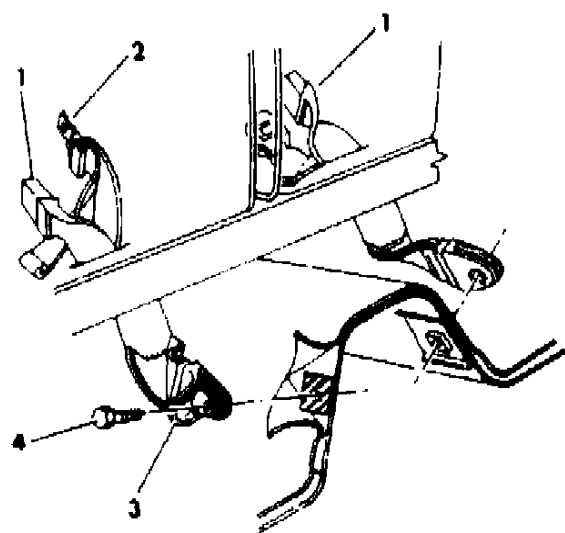
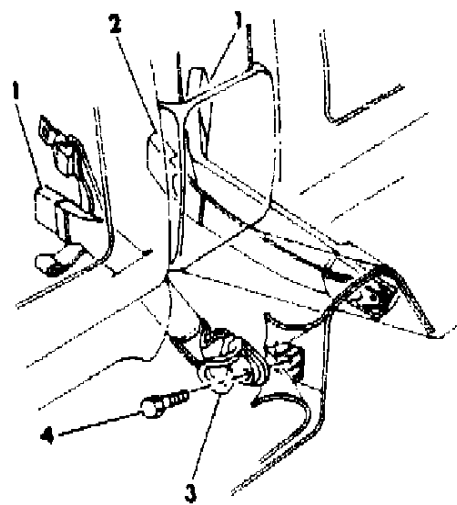
BODY STYLES

21 = 2-DOOR SEDAN	35 = FWD VAN	44 = 4-DOOR HATCHBACK
22 = 2-DOOR SPECIAL COUPE	36 = FWD WAGON	45 = 4-DOOR STATION WAGON
24 = 2-DOOR HATCHBACK	41 = 4-DOOR SEDAN	49 = LIMOUSINE
27 = 2-DOOR CONVERTIBLE		

AR = Use as Required - = Non Illustrated Part P.A.R. = Paint as Required

BELT FRONT SEAT LAP AND SHOULDER INNER B,F,G M BODY
Figure ITH-2500

5244 2500



ITEM	PART NUMBER	QTY	BODY	MODEL	DESCRIPTION
1					BELT, Buckle Half, Right N N N N
					Label Number 4327360 N N N N
	F772 CA3	1			Silver N N N YF772CA3
	F772 CC7	1			Blue N N N YF772CC7
	F772 CM6	1			Red N N N YF772CM6
	F772 DT3	1			Tan N N N YF772DT3
					Label Number 4316752-3 N N N N
	F708-9 BA3	1			Silver N N N YF708BA3
	F708-9 BC7	1			Blue N N N YF708BC7
	F708-9 BM6	1			Red N N N YF708BM6
	F708-9 DT3	1			Tan N N N YF708DT3
2					BELT, Buckle Half Center, Right N N N N
					Label Number 4290464 N N N N
	F658 BA3	1			Silver N N N YF658BA3
	F658 BC7	1			Blue N N N YF658BC7
	F658 BM6	1			Red N N N YF658BM6
	F658 DT3	1			Tan N N N YF658DT3
3	F814 JX9	2			COVER, Anchor Bolt, Black N N N YF814JX9
4	6031 216	AR			BOLT N N N Y6031216

MODEL CODES

B = GRAN FURY	E = 600	M = HORIZON/TURISMO
C = LE BARON/TOWN & COUNTRY/LIMO	F = FIFTH AVENUE/NEWPORT	P = RELIANT
C24 = LASER	G = DIPLOMAT	T = NEW YORKER
C44 = LE BARON/GTS	H = VOYAGER	V = 600
D = ARIES	J = CARAVELLE	V24 = DAYTONA
D44 = LANCER	K = MINI VAN/CARAVAN/ROYAL	Z = OMNI/CHARGER

BODY STYLES

21 = 2-DOOR SEDAN	35 = FWD VAN	44 = 4-DOOR HATCHBACK
22 = 2-DOOR SPECIAL COUPE	36 = FWD WAGON	45 = 4-DOOR STATION WAGON
24 = 2-DOOR HATCHBACK	41 = 4-DOOR SEDAN	49 = LIMOUSINE
27 = 2-DOOR CONVERTIBLE		

AR = Use as Required - = Non Illustrated Part P.A.R. = Paint as Required

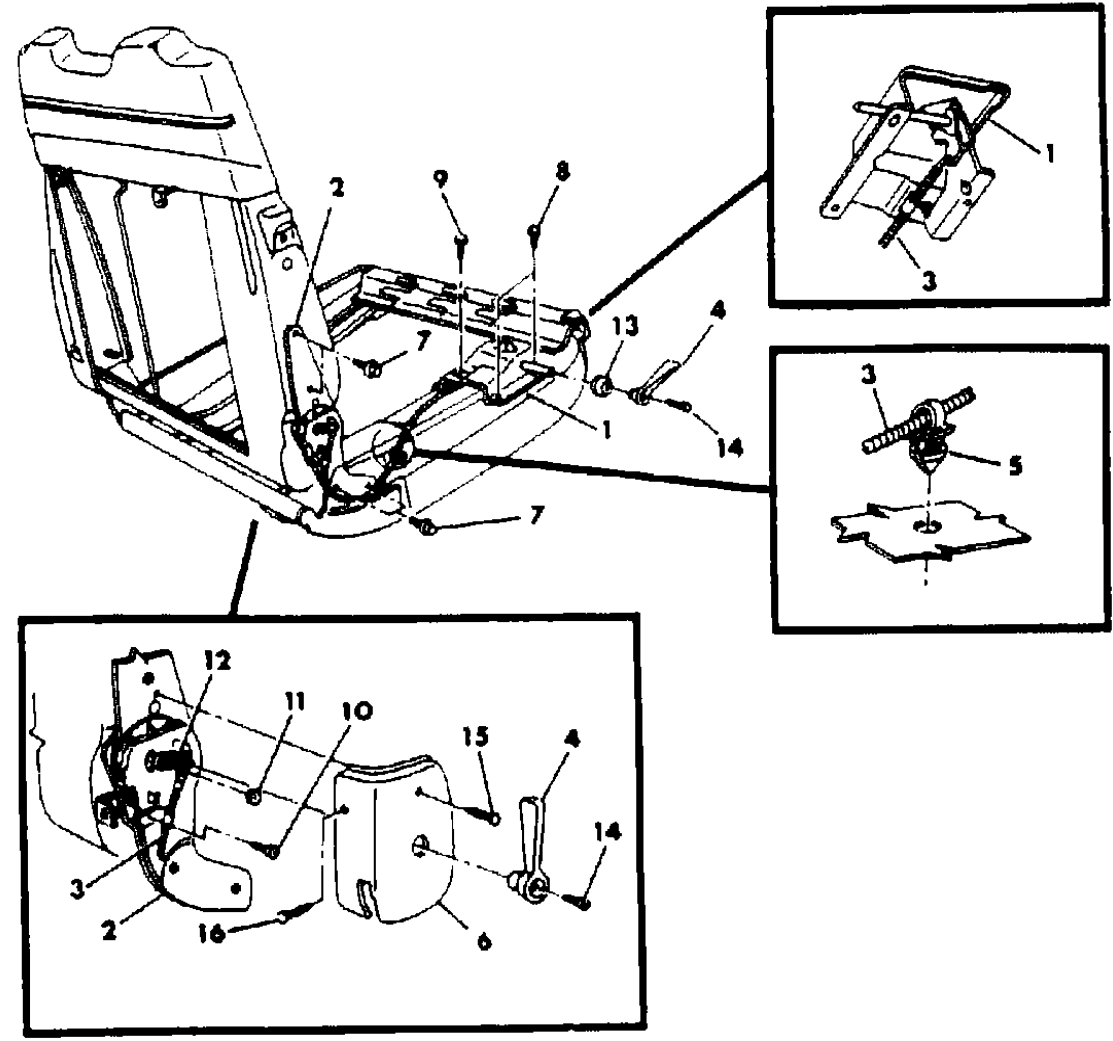
RECLINING FRONT SEAT AND SEAT BACK RELEASE B,F,G M BODY
Figure ITH-2600

5244 2600

ITEM	PART NUMBER	QTY	BODY	MODEL	DESCRIPTION
1	4018 066	1			ACTUATOR, Seat Back Release N N N Y4018066
2	4190 410	1			RECLINER, Front Seat Back N N N Y4190410
	4190 248-9	1			SPRING, Recliner Release Cam N N N Y4190248
3	3844 812	1			CABLE, Recliner Release N N N Y3844812
4	4138 298	AR			HANDLE, Seat Back Latch N N N Y4138298
5	6015 640	AR			CLIP N N N Y6015640
6		AR			COVER,(see Seat Illustration) N N N N
7	9422 041	AR			SCREW and WASHER N N N Y9422041
8		AR			SCREW, Actuator Attaching (not serviced) N N N N
9	6032 456	AR			SCREW, Actuator Attaching N N N Y6032456
10		AR			SCREW (not serviced) N N N N
11	0120 622	AR			LOCK NUT N N N Y120622
12	4029 871	1			ADAPTER, Recliner Actuator Handle N N N Y4029871
13	4098 080	1			BEZEL, Recliner Handle N N N Y4098080
14		AR			SCREW (not serviced) N N N N
15		AR			SCREW (not serviced) N N N N
16		AR			SCREW (not serviced) N N N N

The following parts are not illustrated. NGER WAGON USES THE TWO (2) PASSENGER STATIONARY SEAT PLUS THE FOLDING REAR SEAT.

					ARM, Front Seat Back to Cushion w/o Recliner N N N N
	4138 742	1			Right, w/Bench,Center Armrest N N N Y4138742
	4138 743	1			Left, w/Bench,Center Armrest N N N Y4138743



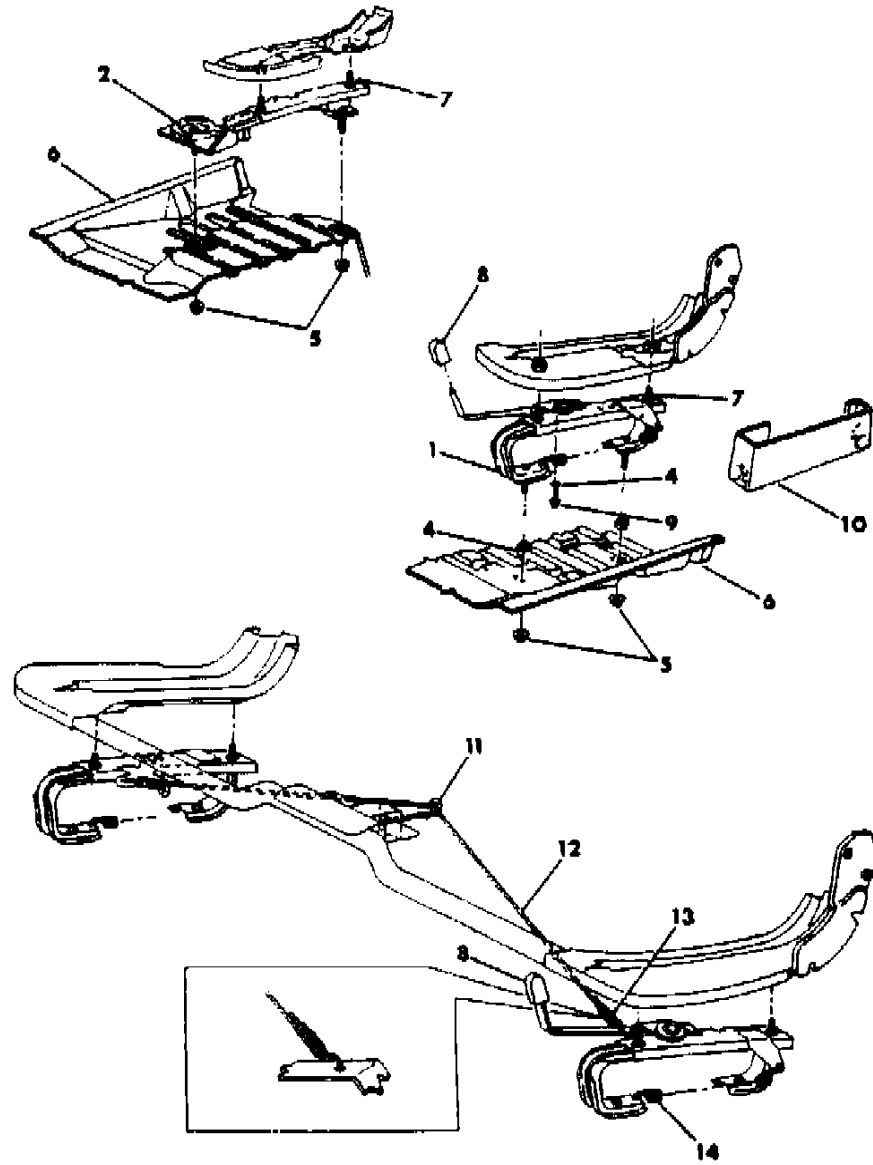
- MODEL CODES**
- | | | |
|----------------------------------|----------------------------|---------------------|
| B = GRAN FURY | E = 600 | M = HORIZON/TURISMO |
| C = LE BARON/TOWN & COUNTRY/LIMO | F = FIFTH AVENUE/NEWPORT | P = RELIANT |
| C24 = LASER | G = DIPLOMAT | T = NEW YORKER |
| C44 = LE BARON/GTS | H = VOYAGER | V = 600 |
| D = ARIES | J = CARAVELLE | V24 = DAYTONA |
| D44 = LANCER | K = MINI VAN/CARAVAN/ROYAL | Z = OMNI/CHARGER |

- BODY STYLES**
- | | | |
|---------------------------|-------------------|---------------------------|
| 21 = 2-DOOR SEDAN | 35 = FWD VAN | 44 = 4-DOOR HATCHBACK |
| 22 = 2-DOOR SPECIAL COUPE | 36 = FWD WAGON | 45 = 4-DOOR STATION WAGON |
| 24 = 2-DOOR HATCHBACK | 41 = 4-DOOR SEDAN | 49 = LIMOUSINE |
| 27 = 2-DOOR CONVERTIBLE | | |

AR = Use as Required - = Non Illustrated Part P.A.R. = Paint as Required

ADJUSTER MANUAL B,F,G M BODY
Figure ITH-2700

5244 2700



ITEM	PART NUMBER	QTY	BODY	MODEL	DESCRIPTION
1					ADJUSTER, Manual N N N N
	4290 831	1			Right, w/Bench N N N Y4290831
	4290 836	1			Left, w/Bench N N N Y4290836
	4290 844	1			Outer, w/60/40, Right w/o Police Package N N N Y4290844
	4290 843	1			w/Police Package N N N Y4290843
	4290 835	1			Outer, w/60/40, Left w/o Police Package N N N Y4290835
	4290 833	1			w/Police Package N N N Y4290833
	4290 830	1			Inner, Left w/60/40, w/o Police Package N N N Y4290830
	4290 829	1			w/Police Package N N N Y4290829
	4172 363	1			SPRING, E.Z. Entry Release Lever Return w/60/40 N N N Y4172363
	4172 009	1			SPRING, Seat Adjuster Latch Return N N N Y4172009
2	4290 834	1			ADJUSTER, Front Seat Manual Right, Inner w/o Police Package N N N Y4290834
	4290 832	1			w/Police Package N N N Y4290832
4	6028 040	AR			RETAINER N N N Y6028040
5		AR			NUT and WASHER (not serviced) N N N N
6	4314 642-3	1			REINFORCEMENT, Front Floor Pan Seat Guide, Front Outer N N N Y4314642
	4314 644-5	1			Rear Floor Pan Seat Guide, Rear Outer N N N Y4314644
7	0181 088	AR			SCREW and WASHER N N N Y181088
8	5207 235	AR			KNOB, Front Seat Adjust Release N N N Y5207235
9	0181 063	AR			SCREW N N N Y181063
10					COVER, Drivers Seat Inner N N N N
	S621 AA7	1			Silver N N N YS621AA7
	S621 SC7	1			Blue N N N YS621SC7
	S621 TM6	1			Red N N N YS621TM6
	S621 DT5	1			Tan N N N YS621DT5
					Outer, Passenger Seat N N N N
	S622 AA7	1			Silver N N N YS622AA7
	S622 TC7	1			Blue N N N YS622TC7
	S622 TM6	1			Red N N N YS622TM6
	S622 DT5	1			Tan N N N YS622DT5
					Outer, Drivers Seat N N N N
	S623 AA7	1			Silver N N N YS623AA7
	S623 SC7	1			Blue N N N YS623SC7
	S623 TM6	1			Red N N N YS623TM6

MODEL CODES

B = GRAN FURY	E = 600	M = HORIZON/TURISMO
C = LE BARON/TOWN & COUNTRY/LIMO	F = FIFTH AVENUE/NEWPORT	P = RELIANT
C24 = LASER	G = DIPLOMAT	T = NEW YORKER
C44 = LE BARON/GTS	H = VOYAGER	V = 600
D = ARIES	J = CARAVELLE	V24 = DAYTONA
D44 = LANCER	K = MINI VAN/CARAVAN/ROYAL	Z = OMNI/CHARGER

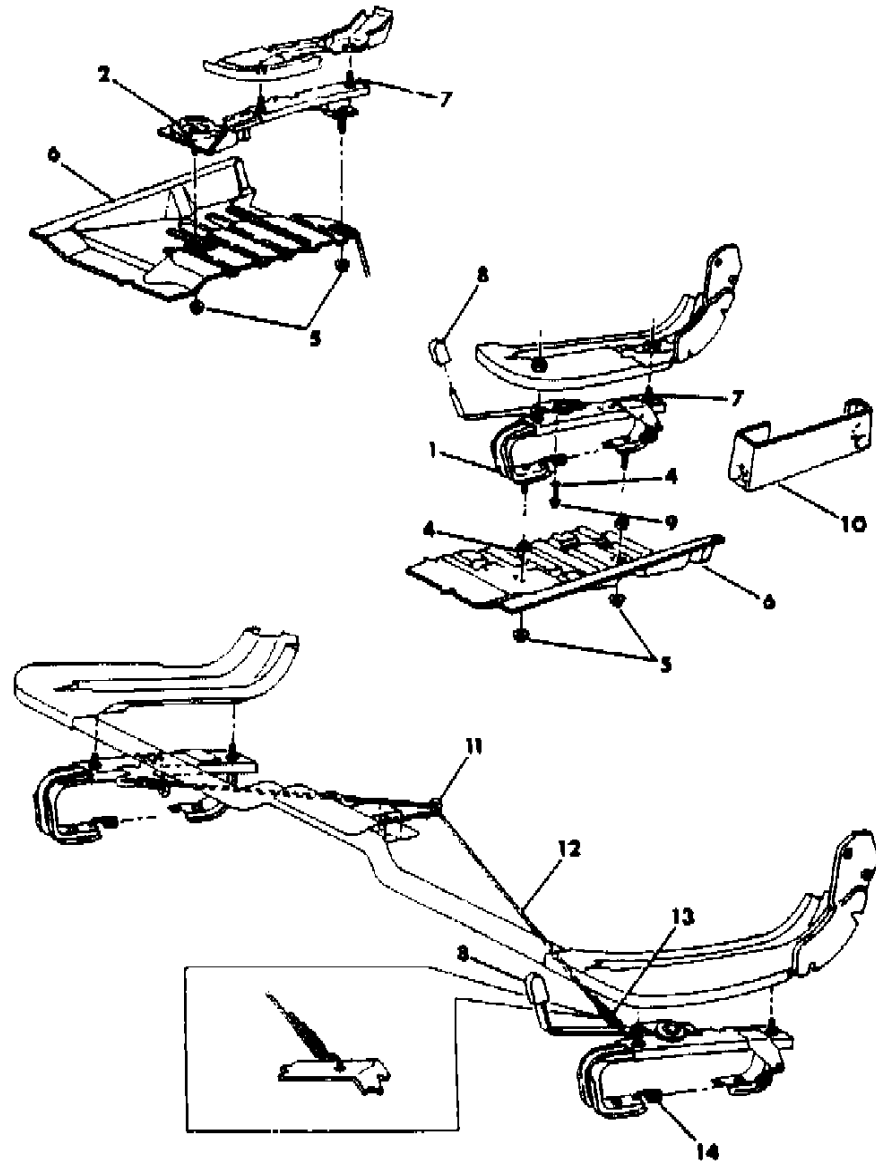
BODY STYLES

21 = 2-DOOR SEDAN	35 = FWD VAN	44 = 4-DOOR HATCHBACK
22 = 2-DOOR SPECIAL COUPE	36 = FWD WAGON	45 = 4-DOOR STATION WAGON
24 = 2-DOOR HATCHBACK	41 = 4-DOOR SEDAN	49 = LIMOUSINE
27 = 2-DOOR CONVERTIBLE		

AR = Use as Required - = Non Illustrated Part P.A.R. = Paint as Required

ADJUSTER MANUAL B,F,G M BODY
Figure ITH-2700

5244 2700



ITEM	PART NUMBER	QTY	BODY	MODEL	DESCRIPTION
	S623 DT5	1			Tan N N N YS623DT5
	S872 AA7	1			Inner, Passenger Seat N N N N
	S872 TC7	1			Silver N N N YS872AA7
	S872 TM6	1			Blue N N N YS872TC7
	S872 DT5	1			Red N N N YS872TM6
11	2942 556	1			Tan N N N YS872DT5
12	4172 057	1			HOOK, Seat Guide Wire N N N Y2942556
	4172 174	1			WIRE,Seat Adjuster Latch w/Bench N N N Y4172057
13	4172 333	AR			w/60/40 N N N Y4172174
14	3871 470	AR			SPRING, Seat Adjuster Release Latch Return N N N Y4172333
					SPRING, Seat Adjuster Return N N N Y3871470
The following parts are not illustrated. NGER WAGON USES THE TWO (2) PASSENGER STATIONARY SEAT PLUS THE FOLDING REAR SEAT.					
	6025 766	AR			NUT, Spring Cover Attaching N N N Y6025766
	0104 918	AR			BALL BEARING N N N Y104918

MODEL CODES

B = GRAN FURY	E = 600	M = HORIZON/TURISMO
C = LE BARON/TOWN & COUNTRY/LIMO	F = FIFTH AVENUE/NEWPORT	P = RELIANT
C24 = LASER	G = DIPLOMAT	T = NEW YORKER
C44 = LE BARON/GTS	H = VOYAGER	V = 600
D = ARIES	J = CARAVELLE	V24 = DAYTONA
D44 = LANCER	K = MINI VAN/CARAVAN/ROYAL	Z = OMNI/CHARGER

BODY STYLES

21 = 2-DOOR SEDAN	35 = FWD VAN	44 = 4-DOOR HATCHBACK
22 = 2-DOOR SPECIAL COUPE	36 = FWD WAGON	45 = 4-DOOR STATION WAGON
24 = 2-DOOR HATCHBACK	41 = 4-DOOR SEDAN	49 = LIMOUSINE
27 = 2-DOOR CONVERTIBLE		

AR = Use as Required - = Non Illustrated Part P.A.R. = Paint as Required

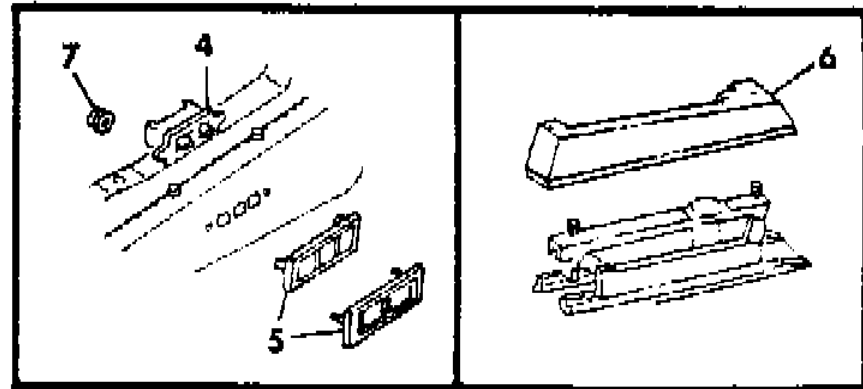
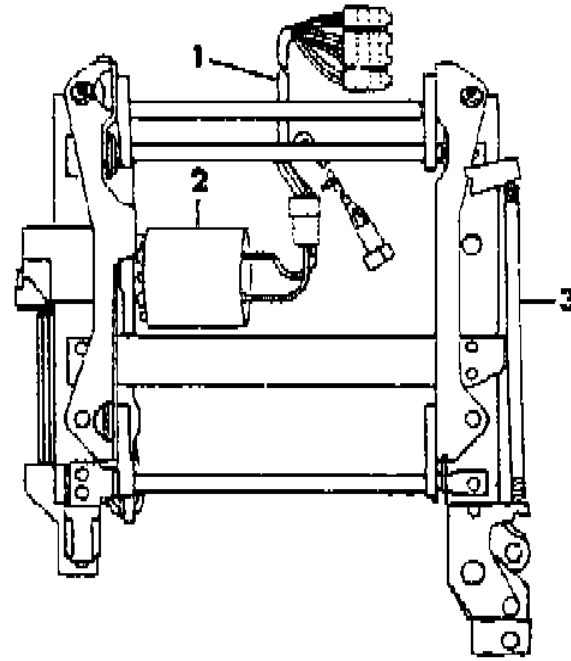
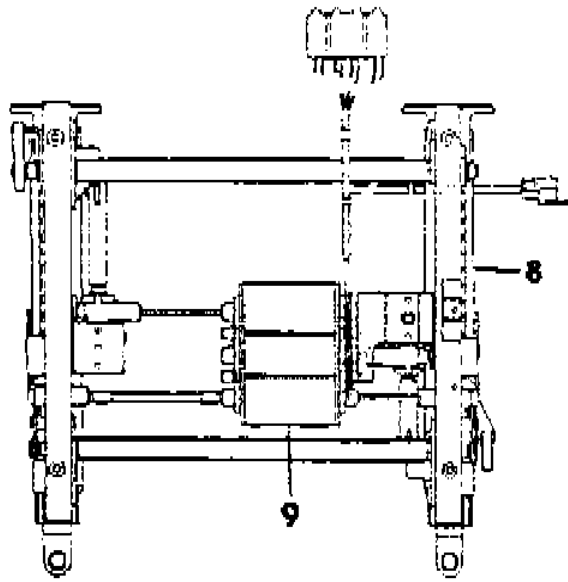
ADJUSTER ELECTRIC 60/40 SPLIT B,F,G M BODY
Figure ITH-2800

5244 2800 A

ITEM	PART NUMBER	QTY	BODY	MODEL	DESCRIPTION
------	-------------	-----	------	-------	-------------

NOTE: THE FOLLOWING PARTS ARE FOR REPLACEMENT ONLY NOT FOR NEW INSTALLATION. NGER WAGON USES THE TWO (2) PASSENGER STATIONARY SEAT PLUS THE FOLDING REAR SEAT.

1	4209 431	1			WIRING, Seat Adjuster N N N Y4209431
2	4239 716	1			MOTOR, Right 4 Way N N N Y4239716
3	4246 218	1			ADJUSTER, Right 4 Way N N N Y4246218
4	3747 740	1			SWITCH, Left w/60/40 N N N Y3747740
	3747 957	1			Right N N N Y3747957
5					BEZEL, Switch N N N N
	3746 967	1			Driver seat N N N Y3746967
	3747 960	1			Passenger Seat N N N Y3747960
6					COVER, Outer Drivers Seat N N N N
	S689 AA7	1			Silver N N N YS689AA7
	S689 SC7	1			Blue N N N YS689SC7
	S689 TM6	1			Red N N N YS689TM6
	S689 DT5	1			Tan N N N YS689DT5
					Inner, Drivers Seat N N N N
	S695 AA7	1			Silver N N N YS695AA7
	S695 SC7	1			Blue N N N YS695SC7
	S695 TM6	1			Red N N N YS695TM6
	S695 DT5	1			Tan N N N YS695DT5
					Outer, Passengers Seat N N N N
	S576 AA7	1			Silver N N N YS576AA7
	S576 VC7	1			Blue N N N YS576VC7
	S576 VM6	1			Red N N N YS576VM6
	S576 DT5	1			Tan N N N YS576DT5
					Inner, Passengers Seat N N N N
	S676 AA7	1			Silver N N N YS676AA7
	S676 AC7	1			Blue N N N YS676AC7
	S676 AM6	1			Red N N N YS676AM6
	S676 DT5	1			Tan N N N YS676DT5
7	6025 002	2			NUT and WASHER N N N Y6025002
8	4316 794				ADJUSTER, Left N N N Y4316794
	4327 281	1			CABLE, Adjuster Outer, Fore and Aft N N N Y4327281
	4327 234	1			CABLE, Adjuster Inner, Fore and Aft N N N Y4327234
	4316 797	1			SHAFT, Adjuster Flexible Up/Down N N N Y4316797
9	4327 232	1			MOTOR, w/Tube Left N N N Y4327232



MODEL CODES

B = GRAN FURY	E = 600	M = HORIZON/TURISMO
C = LE BARON/TOWN & COUNTRY/LIMO	F = FIFTH AVENUE/NEWPORT	P = RELIANT
C24 = LASER	G = DIPLOMAT	T = NEW YORKER
C44 = LE BARON/GTS	H = VOYAGER	V = 600
D = ARIES	J = CARAVELLE	V24 = DAYTONA
D44 = LANCER	K = MINI VAN/CARAVAN/ROYAL	Z = OMNI/CHARGER

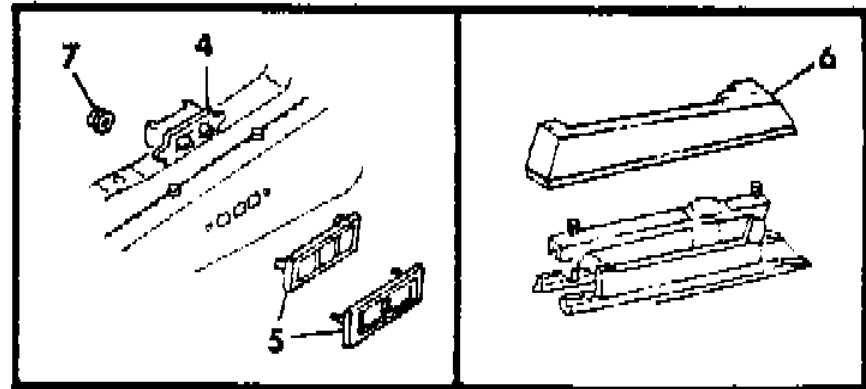
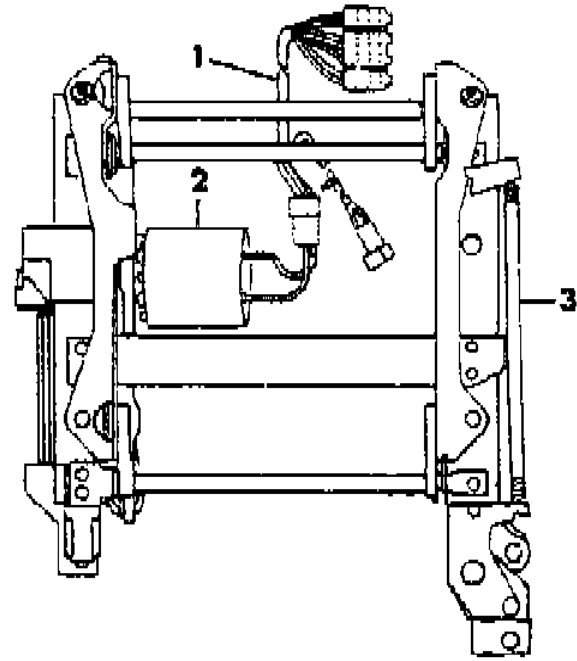
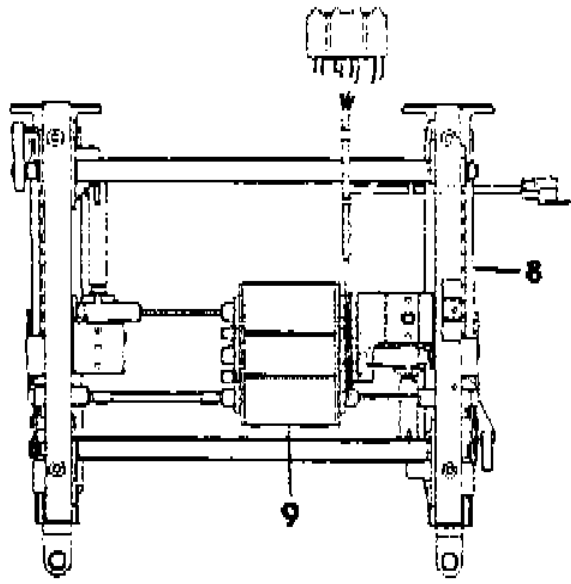
BODY STYLES

21 = 2-DOOR SEDAN	35 = FWD VAN	44 = 4-DOOR HATCHBACK
22 = 2-DOOR SPECIAL COUPE	36 = FWD WAGON	45 = 4-DOOR STATION WAGON
24 = 2-DOOR HATCHBACK	41 = 4-DOOR SEDAN	49 = LIMOUSINE
27 = 2-DOOR CONVERTIBLE		

AR = Use as Required - = Non Illustrated Part P.A.R. = Paint as Required

Figure ITH-2800

5244 2800 A



ADJUSTER ELECTRIC 60/40 SPLIT B,F,G M BODY
Figure ITH-2800

ITEM	PART NUMBER	QTY	BODY	MODEL	DESCRIPTION
------	-------------	-----	------	-------	-------------

The following parts are not illustrated. NGER WAGON USES THE TWO (2) PASSENGER STATIONARY SEAT PLUS THE FOLDING REAR SEAT.

	4055 693	1			BRACKET, Seat Track Wiring N N N Y4055693
	6028 040	1			RETAINER, Wiring Bracket N N N Y6028040
	4239 718	1			CABLE, Verticle 4/Way Right N N N Y4239718
	4239 720	1			CABLE, Horizontal 4/Way Right N N N Y4239720
	4239 724	1			SPRING, Vertical 4/Way Right N N N Y4239724
	4239 722	1			SPRING, Horizontal 4/Way Right N N N Y4239722

MODEL CODES

B = GRAN FURY	E = 600	M = HORIZON/TURISMO
C = LE BARON/TOWN & COUNTRY/LIMO	F = FIFTH AVENUE/NEWPORT	P = RELIANT
C24 = LASER	G = DIPLOMAT	T = NEW YORKER
C44 = LE BARON/GTS	H = VOYAGER	V = 600
D = ARIES	J = CARAVELLE	V24 = DAYTONA
D44 = LANCER	K = MINI VAN/CARAVAN/ROYAL	Z = OMNI/CHARGER

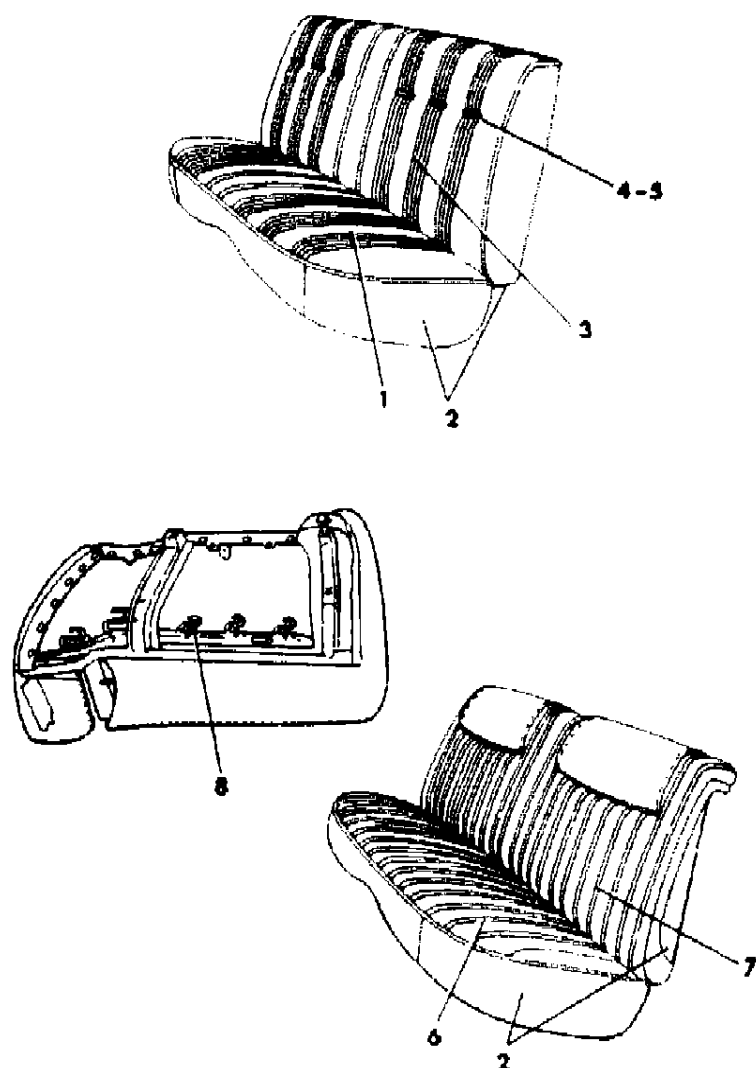
BODY STYLES

21 = 2-DOOR SEDAN	35 = FWD VAN	44 = 4-DOOR HATCHBACK
22 = 2-DOOR SPECIAL COUPE	36 = FWD WAGON	45 = 4-DOOR STATION WAGON
24 = 2-DOOR HATCHBACK	41 = 4-DOOR SEDAN	49 = LIMOUSINE
27 = 2-DOOR CONVERTIBLE		

AR = Use as Required - = Non Illustrated Part P.A.R. = Paint as Required

SEAT REAR B,G M BODY TRIM CODES A3,F4
Figure ITH-2900

3244 2900



ITEM	PART NUMBER	QTY	BODY	MODEL	DESCRIPTION
1-2					CUSHION, w/Spring/Frame, Pad and Cover N N N N Cloth N N N N Heavy Duty N N N N
	A855 C3A	1			N N NA3A YA855C3A
	A855 C3C	1			N N NA3C YA855C3C
	A855 C3M	1			N N NA3M YA855C3M
	A855 D3T	1			N N NA3T YA855D3T
1					COVER, Cushion N N N N Cloth N N N N
	A373 C3A	1			N N NA3A YA373C3A
	A373 C3C	1			N N NA3C YA373C3C
	A373 C3M	1			N N NA3M YA373C3M
	A373 D3T	1			N N NA3T YA373D3T
2					ROLL STOCK, Vinyl 64" Wide Order by the Inch N N N N
	R616 AA2	AR			Silver N N N YR616AA2
	R616 VC8	AR			Blue N N N YR616VC8
	R616 VM6	AR			Red N N N YR616VM6
	R616 DT3	AR			Tan N N N YR616DT3
2-3					BACK, w/Spring/Frame, Pad and Cover N N N N Cloth N N N N Heavy Duty N N N N
	A857 C3A	1			N N NA3A YA857C3A
	A857 C3C	1			N N NA3C YA857C3C
	A857 C3M	1			N N NA3M YA857C3M
	A857 D3T	1			N N NA3T YA857D3T
3					COVER, Back N N N N Cloth N N N N
	A376 C3A	1			N N NA3A YA376C3A
	A376 C3C	1			N N NA3C YA376C3C
	A376 C3M	1			N N NA3M YA376C3M
	A376 D3T	1			N N NA3T YA376D3T
4					BUTTON and RETAINER N N N N
	G385 AA2	AR			N N NA3A YG385AA2
	G385 VC8	AR			N N NA3C YG385VC8
	G385 VM6	AR			N N NA3M YG385VM6
	G385 DT3	AR			N N NA3T YG385DT3
5		AR			RETAINER, Button (serviced in Item 4) N N N N

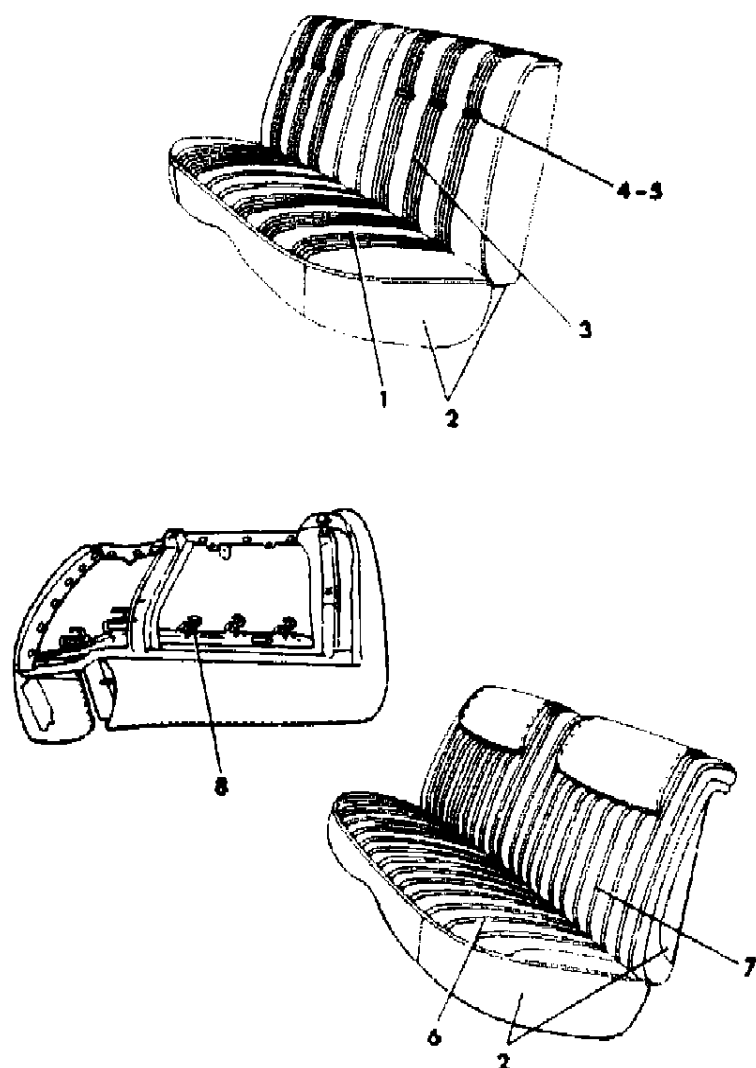
MODEL CODES
 B = GRAN FURY
 C = LE BARON/TOWN & COUNTRY/LIMO
 C24 = LASER
 C44 = LE BARON/GTS
 D = ARIES
 D44 = LANCER
 E = 600
 F = FIFTH AVENUE/NEWPORT
 G = DIPLOMAT
 H = VOYAGER
 J = CARAVELLE
 K = MINI VAN/CARAVAN/ROYAL
 M = HORIZON/TURISMO
 P = RELIANT
 T = NEW YORKER
 V = 600
 V24 = DAYTONA
 Z = OMNI/CHARGER

BODY STYLES
 21 = 2-DOOR SEDAN
 22 = 2-DOOR SPECIAL COUPE
 24 = 2-DOOR HATCHBACK
 27 = 2-DOOR CONVERTIBLE
 35 = FWD VAN
 36 = FWD WAGON
 41 = 4-DOOR SEDAN
 44 = 4-DOOR HATCHBACK
 45 = 4-DOOR STATION WAGON
 49 = LIMOUSINE

AR = Use as Required - = Non Illustrated Part P.A.R. = Paint as Required

SEAT REAR B,G M BODY TRIM CODES A3,F4
Figure ITH-2900

3244 2900



ITEM	PART NUMBER	QTY	BODY	MODEL	DESCRIPTION
6-2					CUSHION, w/Spring/Frame, Pad and Cover N N N N Vinyl N N N N
	A984 D4T	1			N N NF4T YA984D4T
6					COVER, Cushion N N N N Vinyl N N N N
	A530 D4T	1			N N NF4T YA530D4T
7-2					BACK, w/Spring/Frame, Pad and Cover N N N N Vinyl N N N N
	A985 D4T	1			N N NF4T YA985D4T
7					COVER, Back N N N N Vinyl N N N N
	A531 D4T	1			N N NF4T YA531D4T
8	6008 076	AR			HOG RING N N N Y6008076

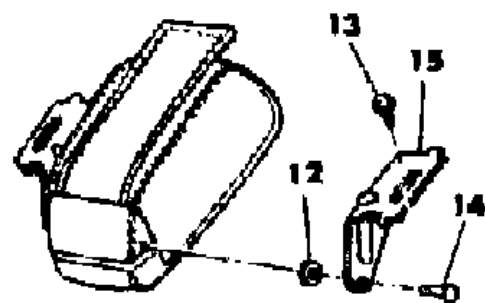
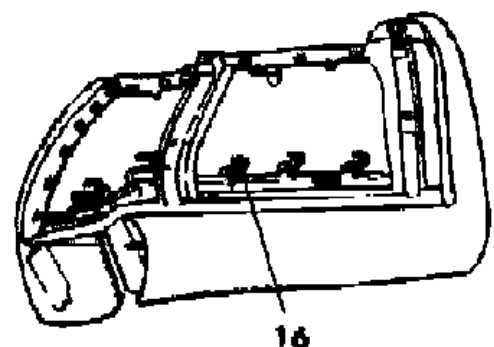
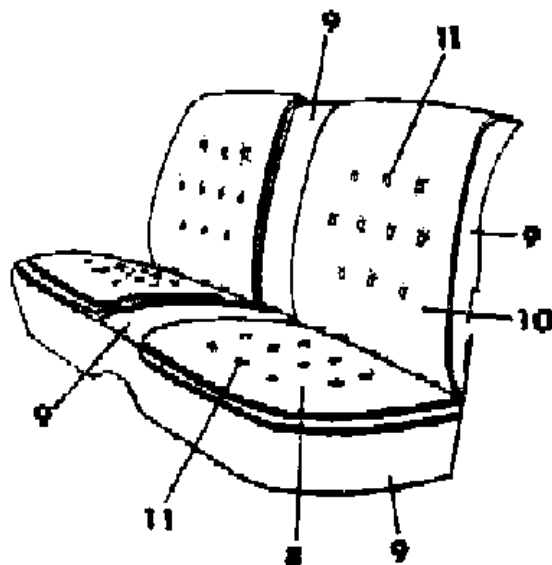
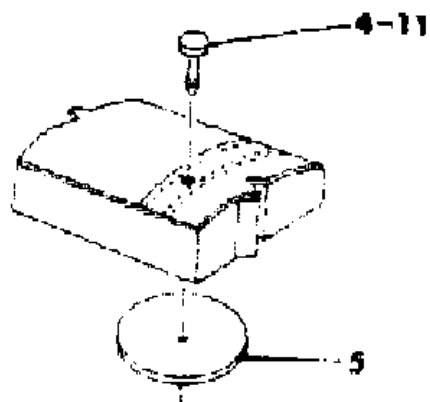
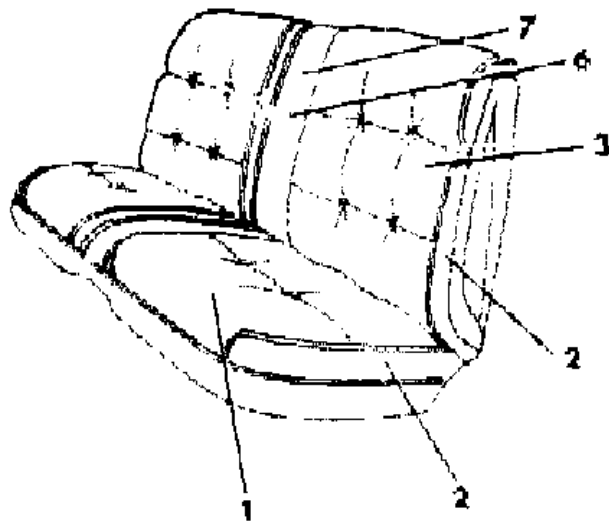
MODEL CODES
 B = GRAN FURY
 C = LE BARON/TOWN & COUNTRY/LIMO
 C24 = LASER
 C44 = LE BARON/GTS
 D = ARIES
 D44 = LANCER
 E = 600
 F = FIFTH AVENUE/NEWPORT
 G = DIPLOMAT
 H = VOYAGER
 J = CARAVELLE
 K = MINI VAN/CARAVAN/ROYAL
 M = HORIZON/TURISMO
 P = RELIANT
 T = NEW YORKER
 V = 600
 V24 = DAYTONA
 Z = OMNI/CHARGER

BODY STYLES
 21 = 2-DOOR SEDAN
 22 = 2-DOOR SPECIAL COUPE
 24 = 2-DOOR HATCHBACK
 27 = 2-DOOR CONVERTIBLE
 35 = FWD VAN
 36 = FWD WAGON
 41 = 4-DOOR SEDAN
 44 = 4-DOOR HATCHBACK
 45 = 4-DOOR STATION WAGON
 49 = LIMOUSINE

AR = Use as Required - = Non Illustrated Part P.A.R. = Paint as Required

SEAT REAR B,F,G M BODY TRIM CODES C9,H9,S9,SY
Figure ITH-3000

5244 3000



ITEM	PART NUMBER	QTY	BODY	MODEL	DESCRIPTION
1-2					CUSHION, w/Spring/Frame, Pad and Cover N N N N Cloth N N N N
	A647 D9A	1			N N NC9A,H9A YA647D9A
	A647 D9C	1			N N NC9C,H9C YA647D9C
	A647 C9M	1			N N NC9M,H9M YA647C9M
	A647 D9T	1			N N NC9T,H9T YA647D9T
1					COVER, Cushion N N N N Cloth N N N N
	A382 D9A	1			N N NC9A,H9A YA382D9A
	A382 D9C	1			N N NC9C,H9C YA382D9C
	A382 C9M	1			N N NC9M,H9M YA382C9M
	A382 D9T	1			N N NC9T,H9T YA382D9T
2					ROLL STOCK, Cloth 54" Wide Order by the Inch N N N N
	R021 DA4	AR			N N NC9A,H9A YR021DA4
	R021 DC8	AR			N N NC9C,H9C YR021DC8
	R021 CM6	AR			N N NC9M,H9M YR021CM6
	R021 DT3	AR			N N NC9T,H9T YR021DT3
2-4					BACK, w/Spring/Frame, Pad and Cover N N N N Cloth N N N N
	A648 D9A	1			N N NC9A,H9A YA648D9A
	A648 D9C	1			N N NC9C,H9C YA648D9C
	A648 C9M	1			N N NC9M,H9M YA648C9M
	A648 D9T	1			N N NC9T,H9T YA648D9T
3					COVER, Back N N N N Cloth N N N N
	A383 D9A	1			N N NC9A,H9A YA383D9A
	A383 D9C	1			N N NC9C,H9C YA383D9C
	A383 C9M	1			N N NC9M,H9M YA383C9M
	A383 D9T	1			N N NC9T,H9T YA383D9T
4					BUTTON and RETAINER N N N N Cushion N N N N
	G381 CA3	AR			N N NC9A,H9A YG381CA3
	G381 CC7	AR			N N NC9C,H9C YG381CC7
	G381 CM6	AR			N N NC9M,H9M YG381CM6
	G381 DT3	AR			N N NC9T,H9T YG381DT3
	G380 CA3	AR			Back N N N N N N NC9A,H9A YG380CA3

MODEL CODES

B = GRAN FURY	E = 600	M = HORIZON/TURISMO
C = LE BARON/TOWN & COUNTRY/LIMO	F = FIFTH AVENUE/NEWPORT	P = RELIANT
C24 = LASER	G = DIPLOMAT	T = NEW YORKER
C44 = LE BARON/GTS	H = VOYAGER	V = 600
D = ARIES	J = CARAVELLE	V24 = DAYTONA
D44 = LANCER	K = MINI VAN/CARAVAN/ROYAL	Z = OMNI/CHARGER

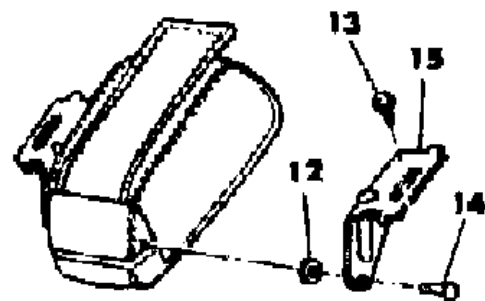
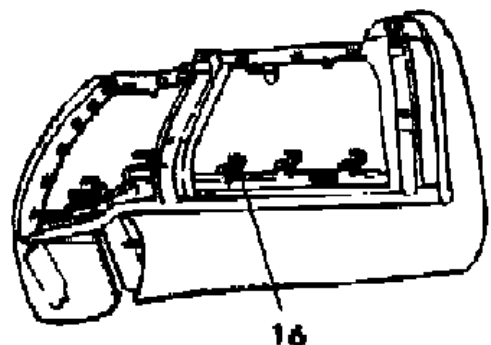
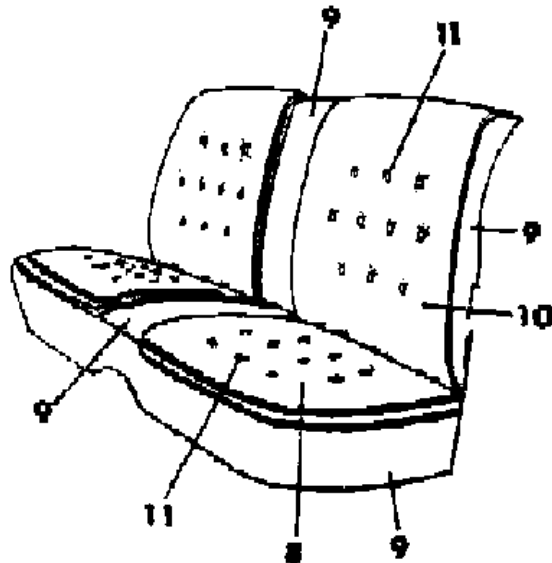
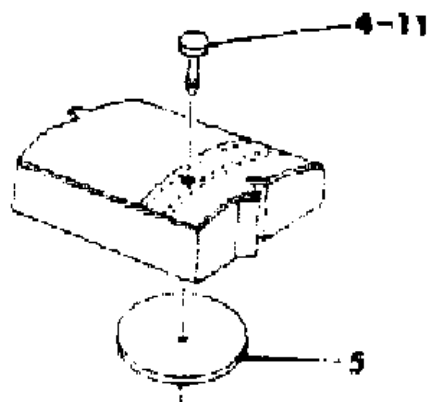
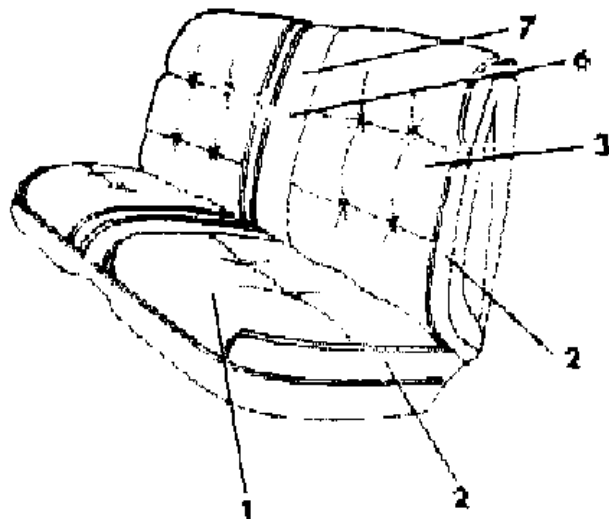
BODY STYLES

21 = 2-DOOR SEDAN	35 = FWD VAN	44 = 4-DOOR HATCHBACK
22 = 2-DOOR SPECIAL COUPE	36 = FWD WAGON	45 = 4-DOOR STATION WAGON
24 = 2-DOOR HATCHBACK	41 = 4-DOOR SEDAN	49 = LIMOUSINE
27 = 2-DOOR CONVERTIBLE		

AR = Use as Required - = Non Illustrated Part P.A.R. = Paint as Required

SEAT REAR B,F,G M BODY TRIM CODES C9,H9,S9,SY
Figure ITH-3000

5244 3000



ITEM	PART NUMBER	QTY	BODY	MODEL	DESCRIPTION
	G380 CC7	AR			N N NC9C,H9C YG380CC7
	G380 CM6	AR			N N NC9M,H9M YG380CM6
	G380 DT3	AR			N N NC9T,H9T YG380DT3
5	4029 901	AR			WASHER, Button N N N Y4029901
6					ARMREST N N N N
	A649 DA4	1			N N NC9A,H9A YA649DA4
	A649 DC8	1			N N NC9C,H9C YA649DC8
	A649 CM6	1			N N NC9M,H9M YA649CM6
	A649 DT3	1			N N NC9T,H9T YA649DT3
7					COVER, Armrest N N N N
	A386 DA4	1			N N NC9A,H9A YA386DA4
	A386 DC8	1			N N NC9C,H9C YA386DC8
	A386 CM6	1			N N NC9M,H9M YA386CM6
	A386 DT3	1			N N NC9T,H9T YA386DT3
8-9					CUSHION, w/Spring/Frame, Pad and Cover N N N N
					Cloth N N N N
	A914 A9A	1			N N NS9A YA914A9A
	A914 A9C	1			N N NS9C YA914A9C
	A914 A9M	1			N N NS9M YA914A9M
	A914 D9T	1			N N NS9T YA914D9T
					Leather N N N N
	A940 AYA	1			N N NSYA YA940AYA
	A940 AYC	1			N N NSYC YA940AYC
	A940 AYM	1			N N NSYM YA940AYM
	A940 DYT	1			N N NSYT YA940DYT
8					COVER, Cushion N N N N
					Cloth N N N N
	A354 A9A	1			N N NS9A YA354A9A
	A354 A9C	1			N N NS9C YA354A9C
	A354 A9M	1			N N NS9M YA354A9M
	A354 D9T	1			N N NS9T YA354D9T
					Leather N N N N
	A348 AYA	1			N N NSYA YA348AYA
	A348 AYC	1			N N NSYC YA348AYC
	A348 AYM	1			N N NSYM YA348AYM
	A348 DYT	1			N N NSYT YA348DYT
9					ROLL STOCK, Cloth 54" Wide Order by the Inch N N N N

MODEL CODES

B = GRAN FURY	E = 600	M = HORIZON/TURISMO
C = LE BARON/TOWN & COUNTRY/LIMO	F = FIFTH AVENUE/NEWPORT	P = RELIANT
C24 = LASER	G = DIPLOMAT	T = NEW YORKER
C44 = LE BARON/GTS	H = VOYAGER	V = 600
D = ARIES	J = CARAVELLE	V24 = DAYTONA
D44 = LANCER	K = MINI VAN/CARAVAN/ROYAL	Z = OMNI/CHARGER

BODY STYLES

21 = 2-DOOR SEDAN	35 = FWD VAN	44 = 4-DOOR HATCHBACK
22 = 2-DOOR SPECIAL COUPE	36 = FWD WAGON	45 = 4-DOOR STATION WAGON
24 = 2-DOOR HATCHBACK	41 = 4-DOOR SEDAN	49 = LIMOUSINE
27 = 2-DOOR CONVERTIBLE		

AR = Use as Required - = Non Illustrated Part P.A.R. = Paint as Required

SEAT REAR B,F,G M BODY TRIM CODES C9,H9,S9,SY
Figure ITH-3000

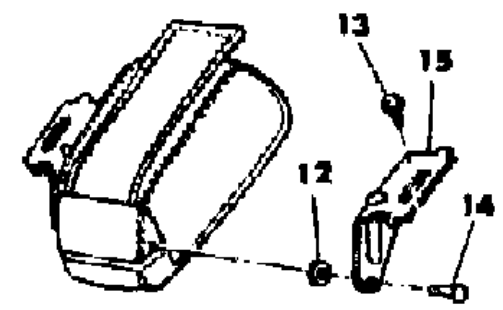
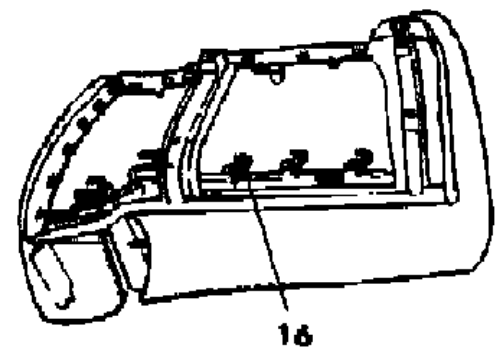
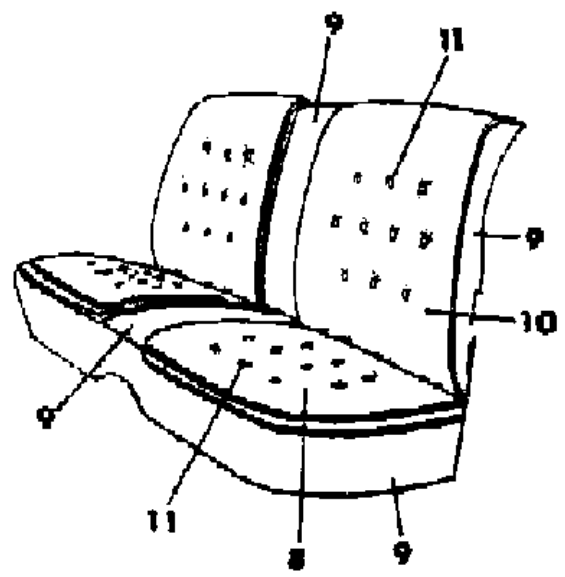
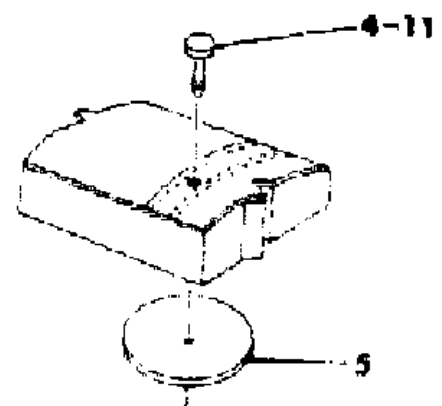
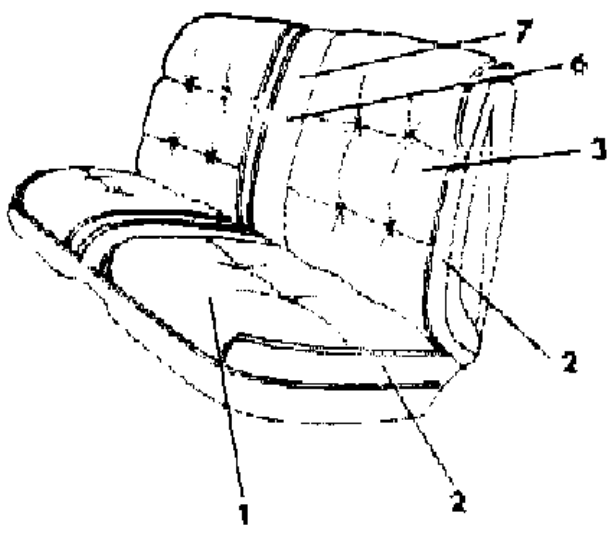
5244 3000

ITEM	PART NUMBER	QTY	BODY	MODEL	DESCRIPTION
	R093 AA3	AR			Silver N N NS9A YR093AA3
	R093 AC7	AR			Blue N N NS9C YR093AC7
	R093 AM6	AR			Red N N NS9M YR093AM6
	R093 DT3	AR			Tan N N NS9T YR093DT3
					Vinyl 64" Wide Order By the Inch N N N N
	R616 AA2	AR			Silver N N NSYA YR616AA2
	R616 VC8	AR			Blue N N NSYC YR616VC8
	R616 VM6	AR			Red N N NSYM YR616VM6
	R616 DT3	AR			Tan N N NSYT YR616DT3
9-11					BACK, w/Spring/Frame, Pad and Cover N N N N Cloth N N N N
	A915 A9A	1			N N NS9A YA915A9A
	A915 A9C	1			N N NS9C YA915A9C
	A915 A9M	1			N N NS9M YA915A9M
	A915 D9T	1			N N NS9T YA915D9T
					Leather N N N N
	A941 AYA	1			N N NSYA YA941AYA
	A941 AYC	1			N N NSYC YA941AYC
	A941 AYM	1			N N NSYM YA941AYM
	A941 DYT	1			N N NSYT YA941DYT
10					COVER, Back N N N N Cloth N N N N
	A355 A9A	1			N N NS9A YA355A9A
	A355 A9C	1			N N NS9C YA355A9C
	A355 A9M	1			N N NS9M YA355A9M
	A355 D9T	1			N N NS9T YA355D9T
					Leather N N N N
	A349 AYA	1			N N NSYA YA349AYA
	A349 AYC	1			N N NSYC YA349AYC
	A349 AYM	1			N N NSYM YA349AYM
	A349 DYT	1			N N NSYT YA349DYT
11					BUTTON and RETAINER, Cushion and Back N N N N
	G379 AA3	AR			N N NS9A YG379AA3
	G379 AC7	AR			N N NS9C YG379AC7
	G379 AM6	AR			N N NS9M YG379AM6
	G379 DT3	AR			N N NS9T YG379DT3
	S846 AA2	AR			N N NSYA YS846AA2

MODEL CODES
 B = GRAN FURY
 C = LE BARON/TOWN & COUNTRY/LIMO
 C24 = LASER
 C44 = LE BARON/GTS
 D = ARIES
 D44 = LANCER
 E = 600
 F = FIFTH AVENUE/NEWPORT
 G = DIPLOMAT
 H = VOYAGER
 J = CARAVELLE
 K = MINI VAN/CARAVAN/ROYAL
 M = HORIZON/TURISMO
 P = RELIANT
 T = NEW YORKER
 V = 600
 V24 = DAYTONA
 Z = OMNI/CHARGER

BODY STYLES
 21 = 2-DOOR SEDAN
 22 = 2-DOOR SPECIAL COUPE
 24 = 2-DOOR HATCHBACK
 27 = 2-DOOR CONVERTIBLE
 35 = FWD VAN
 36 = FWD WAGON
 41 = 4-DOOR SEDAN
 44 = 4-DOOR HATCHBACK
 45 = 4-DOOR STATION WAGON
 49 = LIMOUSINE

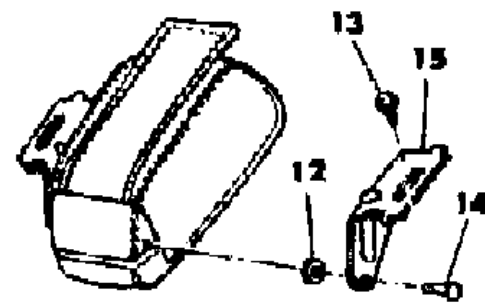
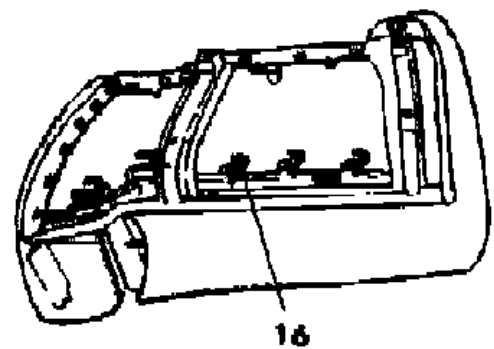
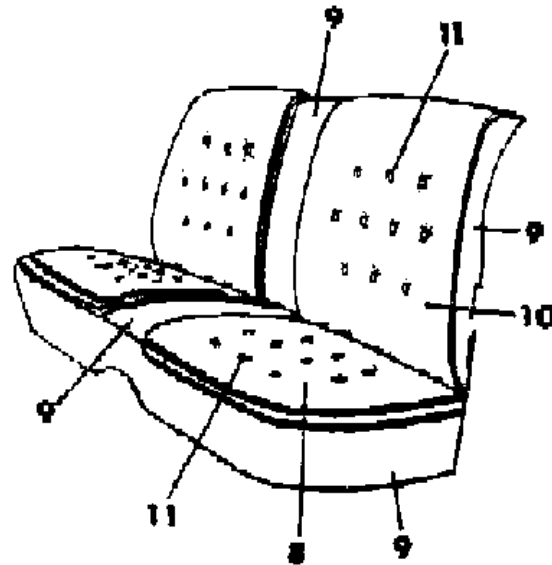
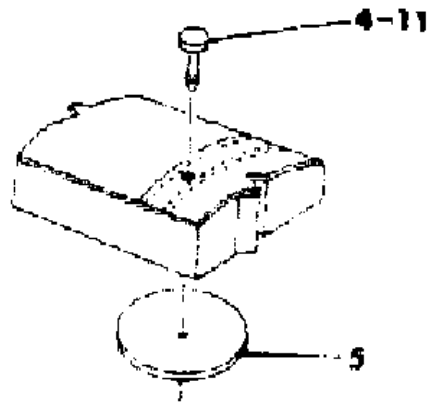
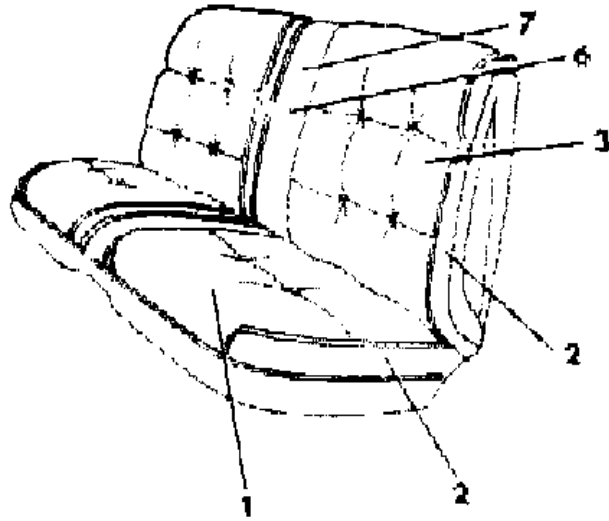
AR = Use as Required - = Non Illustrated Part P.A.R. = Paint as Required



SEAT REAR B,F,G M BODY TRIM CODES C9,H9,S9,SY
Figure ITH-3000

5244 3000

ITEM	PART NUMBER	QTY	BODY	MODEL	DESCRIPTION
	S846 VC8	AR			N N NSYC YS846VC8
	S846 AM6	AR			N N NSYM YS846AM6
	S846 DT3	AR			N N NSYT YS846DT3
12	6031 537	2			WASHER, Rear Seat Back Center Armrest Spacer N N N Y6031537
13	0181 063	2			BOLT, Armrest to Seat Back N N N Y181063
14	6026 584	2			SCREW, Armrest N N N Y6026584
15	4098 764-5	1			HINGE, Armrest N N N Y4098764
16	6008 076	AR			HOG RING N N N Y6008076



MODEL CODES

B = GRAN FURY	E = 600	M = HORIZON/TURISMO
C = LE BARON/TOWN & COUNTRY/LIMO	F = FIFTH AVENUE/NEWPORT	P = RELIANT
C24 = LASER	G = DIPLOMAT	T = NEW YORKER
C44 = LE BARON/GTS	H = VOYAGER	V = 600
D = ARIES	J = CARAVELLE	V24 = DAYTONA
D44 = LANCER	K = MINI VAN/CARAVAN/ROYAL	Z = OMNI/CHARGER

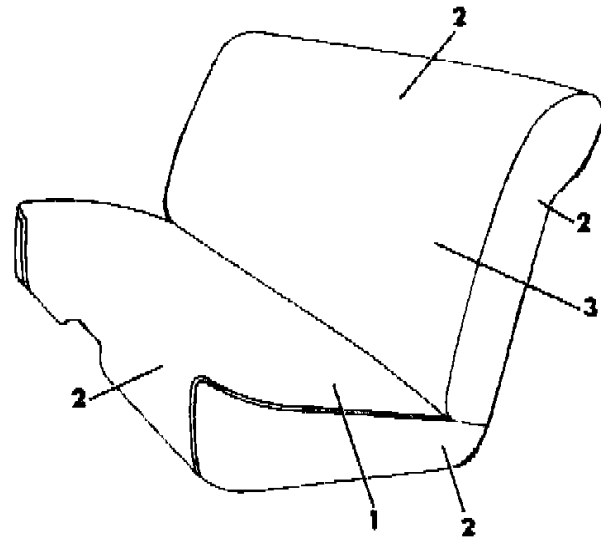
BODY STYLES

21 = 2-DOOR SEDAN	35 = FWD VAN	44 = 4-DOOR HATCHBACK
22 = 2-DOOR SPECIAL COUPE	36 = FWD WAGON	45 = 4-DOOR STATION WAGON
24 = 2-DOOR HATCHBACK	41 = 4-DOOR SEDAN	49 = LIMOUSINE
27 = 2-DOOR CONVERTIBLE		

AR = Use as Required - = Non Illustrated Part P.A.R. = Paint as Required

**SEAT REAR B,G M BODY TRIM CODES K2,KX
Figure ITH-3100**

5244 3100



ITEM	PART NUMBER	QTY	BODY	MODEL	DESCRIPTION
1-2					CUSHION, w/Spring/Frame, Pad and Cover N N N N Vinyl N N N N
	N738 V2C	1			N N NK2C YN738V2C
	N738 D2T	1			N N NK2T,KXT YN738D2T
1					COVER, Cushion N N N N Vinyl N N N N
	N163 V2C	1			N N NK2C YN163V2C
	N163 D2T	1			N N NK2T,KXT YN163D2T
2					ROLL STOCK, Vinyl 64" Wide Order by the Inch N N N N
	R616 VC8	AR			Blue N N NK2C YR616VC8
	R616 DT3	AR			Tan N N NK2T,KXT YR616DT3
3&2					BACK, w/Spring/Frame, Pad and Cover N N N N Vinyl N N N N
	N740 V2C	1			N N NK2C YN740V2C
	N740 D2T	1			N N NK2T,KXT YN740D2T
3					COVER, Back N N N N Vinyl N N N N
	N164 V2C	1			N N NK2C YN164V2C
	N164 D2T	1			N N NK2T,KXT YN164D2T
The following parts are not illustrated. NGER WAGON USES THE TWO (2) PASSENGER STATIONARY SEAT PLUS THE FOLDING REAR SEAT.					
	4138 071	2			PROTECTOR, Rear Seat Cushion Frame (w/Heavy Duty Cushion) N N N Y4138071
	3844 288	2			SCUFF PLATE, Cushion Hold Down N N N Y3844288
	6008 076	AR			HOG RING N N N Y6008076

MODEL CODES

B = GRAN FURY	E = 600	M = HORIZON/TURISMO
C = LE BARON/TOWN & COUNTRY/LIMO	F = FIFTH AVENUE/NEWPORT	P = RELIANT
C24 = LASER	G = DIPLOMAT	T = NEW YORKER
C44 = LE BARON/GTS	H = VOYAGER	V = 600
D = ARIES	J = CARAVELLE	V24 = DAYTONA
D44 = LANCER	K = MINI VAN/CARAVAN/ROYAL	Z = OMNI/CHARGER

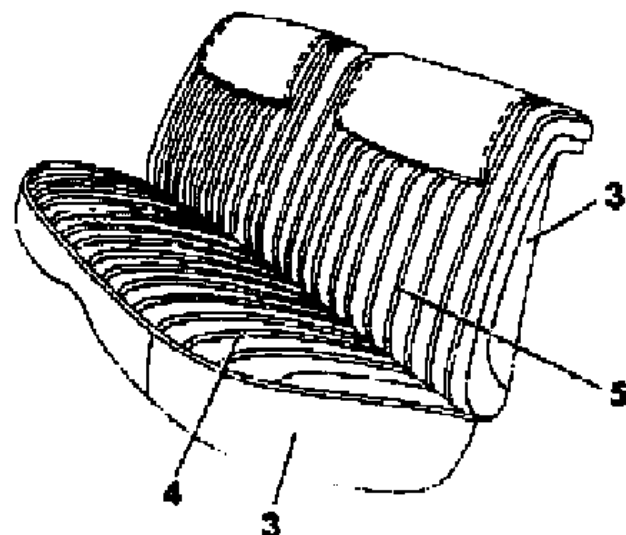
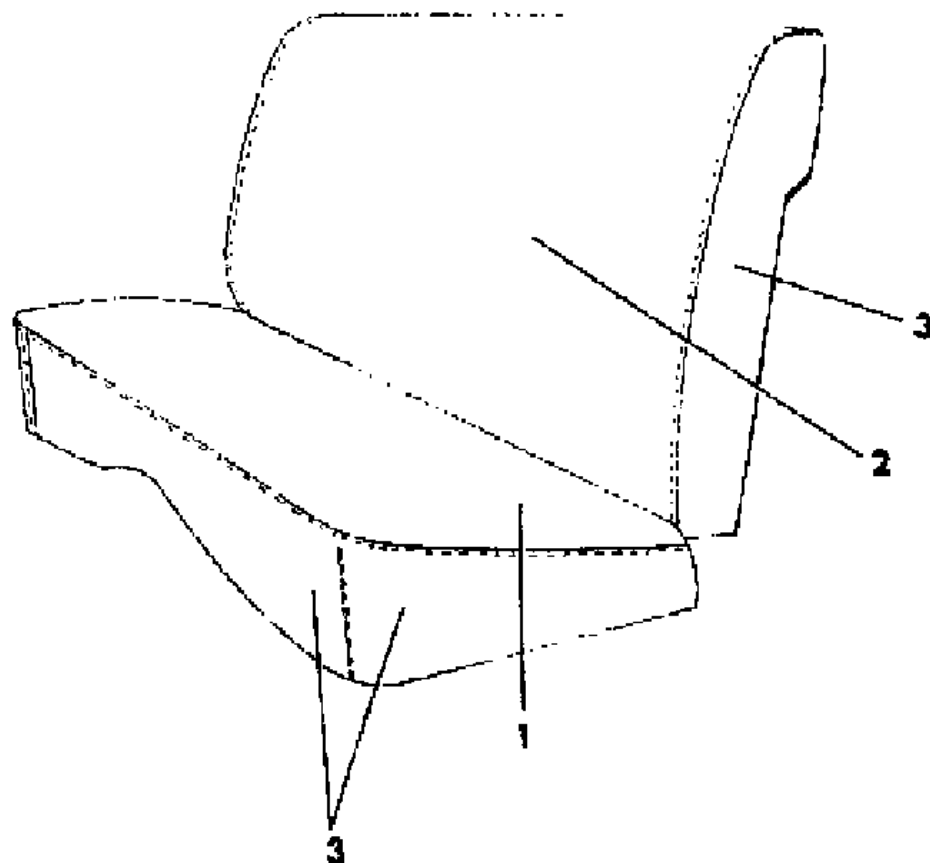
BODY STYLES

21 = 2-DOOR SEDAN	35 = FWD VAN	44 = 4-DOOR HATCHBACK
22 = 2-DOOR SPECIAL COUPE	36 = FWD WAGON	45 = 4-DOOR STATION WAGON
24 = 2-DOOR HATCHBACK	41 = 4-DOOR SEDAN	49 = LIMOUSINE
27 = 2-DOOR CONVERTIBLE		

AR = Use as Required - = Non Illustrated Part P.A.R. = Paint as Required

SEAT REAR B,F,G M BODY FLEET POLICE AND OTHERS
Figure ITH-3200

5244 3200



ITEM	PART NUMBER	QTY	BODY	MODEL	DESCRIPTION
------	-------------	-----	------	-------	-------------

NOTE: Special equipment code is in the trim column. NGER WAGON USES THE TWO (2) PASSENGER STATIONARY SEAT PLUS THE FOLDING REAR SEAT.

1					COVER, Cushion N N N N
	4196 914	1			Blue, Cloth N N NCBCP Y4196914
	4196 958	1			Tan, Cloth N N NCBCP Y4196958
	4196 914	1			Blue, Cloth N N NCACN Y4196914
	4196 958	1			Tan, Cloth N N NCACN Y4196958
	4196 914	1			Blue, Cloth N N NCBAN Y4196914
	4196 958	1			Tan, Cloth N N NCBAN Y4196958
2	N163 V2C	1			Blue, Vinyl N N NCACP,CBCR YN163V2C
	N163 D2T	1			Tan, Vinyl N N NCACP YN163D2T
					COVER, Back N N N N
	4196 915	1			Blue, Cloth N N NCBCP Y4196915
	4196 959	1			Tan, Cloth N N NCBCP Y4196959
	4196 915	1			Blue, Cloth N N NCACN Y4196915
	4196 959	1			Tan, Cloth N N NCACN Y4196959
	4196 915	1			Blue, Cloth N N NCBAN Y4196915
	4196 959	1			Tan, Cloth N N NCBAN Y4196959
	N164 V2C	1			Blue, Vinyl N N NCACP,CBCR YN164V2C
	N164 D2T	1			Tan, Vinyl N N NCACP YN164D2T
3					ROLL STOCK, Vinyl 64" Wide Order by the Inch N N N N
	R616 VC8	AR			Blue N N N YR616VC8
	R616 VM6	AR			Red N N N YR616VM6
	R616 DT3	AR			Tan N N N YR616DT3
4					COVER, Cushion N N N N
	4196 520	1			Red, Vinyl N N NCBBP Y4196520
5					COVER, Back N N N N
	4196 521	1			Red, Vinyl N N NCBBP Y4196521

MODEL CODES

B = GRAN FURY	E = 600	M = HORIZON/TURISMO
C = LE BARON/TOWN & COUNTRY/LIMO	F = FIFTH AVENUE/NEWPORT	P = RELIANT
C24 = LASER	G = DIPLOMAT	T = NEW YORKER
C44 = LE BARON/GTS	H = VOYAGER	V = 600
D = ARIES	J = CARAVELLE	V24 = DAYTONA
D44 = LANCER	K = MINI VAN/CARAVAN/ROYAL	Z = OMNI/CHARGER

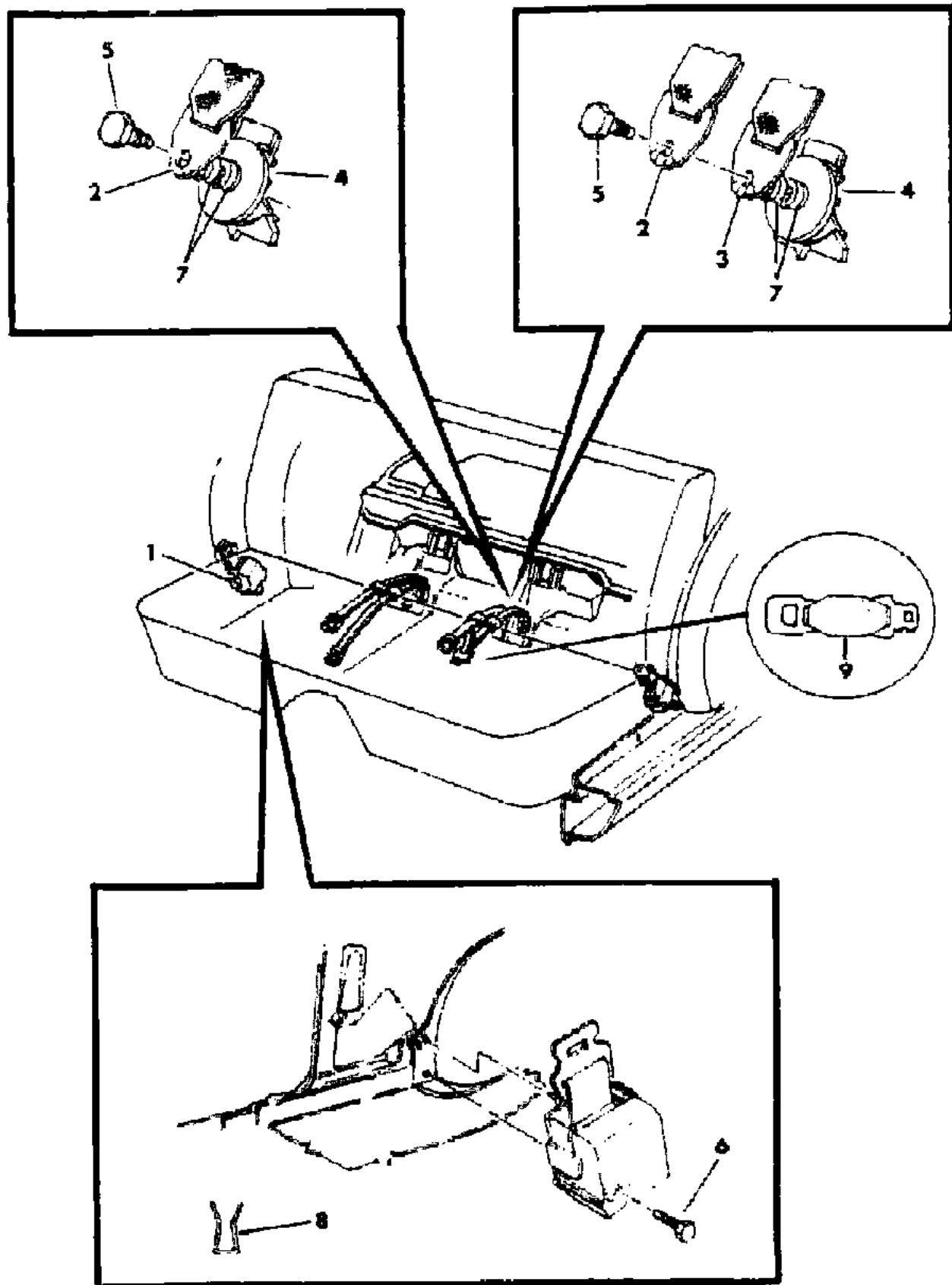
BODY STYLES

21 = 2-DOOR SEDAN	35 = FWD VAN	44 = 4-DOOR HATCHBACK
22 = 2-DOOR SPECIAL COUPE	36 = FWD WAGON	45 = 4-DOOR STATION WAGON
24 = 2-DOOR HATCHBACK	41 = 4-DOOR SEDAN	49 = LIMOUSINE
27 = 2-DOOR CONVERTIBLE		

AR = Use as Required - = Non Illustrated Part P.A.R. = Paint as Required

BELT REAR SEAT LAP B,F,G M BODY
Figure ITH-3300

5244 3300



ITEM	PART NUMBER	QTY	BODY	MODEL	DESCRIPTION
1					BELT, Outboard Tip Half N N N N
					Label Number 4290471 or 4327192 N N N N
	F665 BA3	2			Silver N N N YF665BA3
	F665 BC7	2			Blue N N N YF665BC7
	F665 BM6	2			Red N N N YF665BM6
2	F665 DT3	2			Tan N N N YF665DT3
					BELT, Buckle Half, Right N N N N
					Label Number 4316758 N N N N
	F714 BA3	2			Silver N N N YF714BA3
	F714 BC7	2			Blue N N N YF714BC7
3	F714 BM6	2			Red N N N YF714BM6
	F714 DT3	2			Tan N N N YF714DT3
					BELT, Buckle and Tip, Left N N N N
					Label Number 4316769 N N N N
	F719 BA3	1			Silver N N N YF719BA3
4	F719 BC7	1			Blue N N N YF719BC7
	F719 BM6	1			Red N N N YF719BM6
	F719 DT3	1			Tan N N N YF719DT3
	3861 291	AR			PAD, Swivel Plate N N N Y3861291
5	6031 216	2		BOLT N N N Y6031216	
6	6031 484	2		BOLT N N N Y6031484	
7		2		SPACER (not serviced) N N N N	
8	6002 972	2		U-CLIP N N N Y6002972	
9	4364 849	1		EXTENSION, Rear Seat Belt N N N Y4364849	

MODEL CODES
 B = GRAN FURY
 C = LE BARON/TOWN & COUNTRY/LIMO
 C24 = LASER
 C44 = LE BARON/GTS
 D = ARIES
 D44 = LANCER
 E = 600
 F = FIFTH AVENUE/NEWPORT
 G = DIPLOMAT
 H = VOYAGER
 J = CARAVELLE
 K = MINI VAN/CARAVAN/ROYAL
 M = HORIZON/TURISMO
 P = RELIANT
 T = NEW YORKER
 V = 600
 V24 = DAYTONA
 Z = OMNI/CHARGER

BODY STYLES
 21 = 2-DOOR SEDAN
 22 = 2-DOOR SPECIAL COUPE
 24 = 2-DOOR HATCHBACK
 27 = 2-DOOR CONVERTIBLE
 35 = FWD VAN
 36 = FWD WAGON
 41 = 4-DOOR SEDAN
 44 = 4-DOOR HATCHBACK
 45 = 4-DOOR STATION WAGON
 49 = LIMOUSINE

AR = Use as Required - = Non Illustrated Part P.A.R. = Paint as Required